

**AM571x (SR2.1, SR2.0, SR1.0)
AM570x (SR2.1, SR2.0)
Sitara™ Processors**

Texas Instruments Sitara™ Families of Products

Technical Reference Manual



Literature Number: SPRUHZ7J
August 2015–Revised September 2019

Revision History	352
Preface	353
1 Introduction	360
1.1 AM571x, AM570x Overview	361
1.2 AM571x, AM570x Environment	363
1.3 AM571x, AM570x Description	364
1.3.1 MPU Subsystem	365
1.3.2 DSP Subsystem	365
1.3.3 PRU-ICSS	365
1.3.4 IPU Subsystems	366
1.3.5 IVA-HD Subsystem	366
1.3.6 Display Subsystem	366
1.3.7 Video Processing Subsystem	367
1.3.8 Video Capture	367
1.3.9 3D GPU Subsystem	367
1.3.10 BB2D Subsystem	368
1.3.11 Camera Interface Subsystem	368
1.3.12 On-Chip Debug Support	369
1.3.13 Power, Reset, and Clock Management	369
1.3.14 On-Chip Memory	369
1.3.15 Memory Management	370
1.3.16 External Memory Interfaces	370
1.3.17 System and Connectivity Peripherals	370
1.3.17.1 System Peripherals	370
1.3.17.2 Media Connectivity Peripherals	371
1.3.17.3 Connectivity Peripherals	371
1.3.17.4 Audio Connectivity Peripherals	371
1.3.17.5 Serial Control Peripherals	372
1.4 AM571x, AM570x Family	373
1.5 AM571x, AM570x Device Identification	373
1.6 AM571x, AM570x Package Characteristics Overview	376
2 Memory Mapping	377
2.1 Introduction	378
2.2 L3_MAIN Memory Map	380
2.2.1 L3_INSTR Memory Map	383
2.3 L4 Memory Map	384
2.3.1 L4_CFG Memory Map	384
2.3.2 L4_WKUP Memory Map	388
2.3.3 L4_PER Memory Map	390
2.3.3.1 L4_PER1 Memory Map	390
2.3.3.2 L4_PER2 Memory Map	392
2.3.3.3 L4_PER3 Memory Map	394
2.4 MPU Memory Map	396
2.5 IPU Memory Map	397
2.6 DSP Memory Map	399

2.7	PRU-ICSS Memory Map	400
2.8	TILER View Memory Map	401
3	Power, Reset, and Clock Management.....	402
3.1	Device Power Management Introduction	404
3.1.1	Device Power-Management Architecture Building Blocks.....	404
3.1.1.1	Clock Management.....	404
3.1.1.1.1	Module Interface and Functional Clocks	404
3.1.1.1.2	Module-Level Clock Management	405
3.1.1.1.3	Clock Domain.....	410
3.1.1.1.4	Clock Domain-Level Clock Management	411
3.1.1.1.5	Clock Domain HW_AUTO Mode Sequences	413
3.1.1.1.6	Clock Domain Sleep/Wake-up	416
3.1.1.1.7	Clock Domain Dependency.....	416
3.1.1.2	Power Management.....	422
3.1.1.2.1	Power Domain.....	422
3.1.1.2.2	Module Logic and Memory Context	424
3.1.1.2.3	Power Domain Management	424
3.1.1.3	Voltage Management	426
3.1.1.3.1	Voltage Domain	426
3.1.1.3.2	Voltage Domain Management.....	427
3.1.1.3.3	AVS Overview	427
3.1.2	Power-Management Techniques	429
3.1.2.1	Standby Leakage Management	429
3.1.2.2	Dynamic Voltage and Frequency Scaling	430
3.1.2.3	Dynamic Power Switching.....	430
3.1.2.4	Adaptive Voltage Scaling	431
3.1.2.5	Adaptive Body Bias	431
3.1.2.6	SR3-APG (Automatic Power Gating)	432
3.1.2.7	Combining Power-Management Techniques	432
3.1.2.7.1	DPS Versus SLM	433
3.2	PRCM Subsystem Overview	434
3.2.1	Introduction	434
3.2.2	Power-Management Framework Features	435
3.3	PRCM Subsystem Environment	437
3.3.1	External Clock Signals	437
3.3.2	External Boot Signals	437
3.3.3	External Reset Signals.....	438
3.3.4	External Voltage Inputs	439
3.4	PRCM Subsystem Integration.....	441
3.4.1	Device Power-Management Layout	441
3.4.2	Power-Management Scheme, Reset, and Interrupt Requests.....	445
3.4.2.1	Power Domain	445
3.4.2.2	Resets.....	445
3.4.2.3	PRCM Interrupt Requests	446
3.5	Reset Management Functional Description	447
3.5.1	Overview	447
3.5.1.1	PRCM Reset Management Functional Description	447
3.5.1.1.1	Power-On Reset	447
3.5.1.1.2	Warm Reset	447
3.5.1.2	PRM Reset Management Functional Description	447
3.5.2	General Characteristics of Reset Signals	447
3.5.2.1	Scope	448
3.5.2.2	Occurrence	448

3.5.2.3	Source Type.....	448
3.5.2.4	Retention Type.....	448
3.5.3	Reset Sources.....	449
3.5.3.1	Global Reset Sources.....	449
3.5.3.2	Local Reset Sources	449
3.5.4	Reset Logging	450
3.5.5	Reset Domains.....	450
3.5.6	Reset Sequences	471
3.5.6.1	MPU Subsystem Power-On Reset Sequence	471
3.5.6.2	MPU Subsystem Warm Reset Sequence	472
3.5.6.3	MPU Subsystem Reset Sequence on Sleep and Wake-Up Transitions From RETENTION State.....	473
3.5.6.4	IVA Subsystem Power-On Reset Sequence.....	474
3.5.6.5	IVA Subsystem Software Warm Reset Sequence	475
3.5.6.6	DSP1 Subsystem Power-On Reset Sequence	476
3.5.6.7	DSP1 Subsystem Software Warm Reset Sequence.....	476
3.5.6.8	IPU1 Subsystem Power-On Reset Sequence	477
3.5.6.9	IPU1 Subsystem Software Warm Reset Sequence.....	478
3.5.6.10	IPU2 Subsystem Power-On Reset Sequence	479
3.5.6.11	IPU2 Subsystem Software Warm Reset Sequence.....	480
3.5.6.12	Global Warm Reset Sequence	480
3.6	Clock Management Functional Description	483
3.6.1	Overview	483
3.6.2	External Clock Inputs.....	484
3.6.2.1	FUNC_32K_CLK Clock	484
3.6.2.2	High-Frequency System Clock Input.....	484
3.6.2.3	External Reference Clock Input	485
3.6.3	Internal Clock Sources and Generators	485
3.6.3.1	PRM Clock Source	485
3.6.3.2	CM Clock Source	487
3.6.3.2.1	CM_CORE_AON Clock Generator	487
3.6.3.2.2	CM_CORE_AON_CLKOUTMUX Overview	493
3.6.3.2.3	CM_CORE_AON_TIMER Overview	498
3.6.3.2.4	CM_CORE_AON_MCASP Overview	502
3.6.3.3	Generic DPLL Overview	504
3.6.3.3.1	Generic APLL Overview.....	505
3.6.3.3.2	DPLLs Output Clocks Parameters.....	506
3.6.3.3.3	Enable Control, Status, and Low-Power Operation Mode.....	508
3.6.3.3.4	DPLL Power Modes	508
3.6.3.3.5	DPLL Recalibration	510
3.6.3.3.6	DPLL Output Power Down.....	511
3.6.3.4	DPLL_PER Description	511
3.6.3.4.1	DPLL_PER Overview.....	511
3.6.3.4.2	DPLL_PER Synthesized Clock Parameters	511
3.6.3.4.3	DPLL_PER Power Modes	512
3.6.3.4.4	DPLL_PER Recalibration	512
3.6.3.5	DPLL_CORE Description.....	513
3.6.3.5.1	DPLL_CORE Overview	513
3.6.3.5.2	DPLL_CORE Synthesized Clock Parameters.....	513
3.6.3.5.3	DPLL_CORE Power Modes	514
3.6.3.5.4	DPLL_CORE Recalibration	515
3.6.3.6	DPLL_ABE Description	515
3.6.3.6.1	DPLL_ABE Overview	515
3.6.3.6.2	DPLL_ABE Synthesized Clock Parameters	515

3.6.3.6.3	DPLL_ABE Power Modes	516
3.6.3.6.4	DPLL_ABE Recalibration	516
3.6.3.7	DPLL_MPU Description	517
3.6.3.7.1	DPLL_MPU Overview	517
3.6.3.7.2	DPLL_MPU Tactical Clocking Adjustment.....	517
3.6.3.7.3	DPLL_MPU Synthesized Clock Parameters	517
3.6.3.7.4	DPLL_MPU Power Modes	517
3.6.3.7.5	DPLL_MPU Recalibration.....	518
3.6.3.8	DPLL_IVA Description	518
3.6.3.8.1	DPLL_IVA Overview	518
3.6.3.8.2	DPLL_IVA Synthesized Clock Parameters	519
3.6.3.8.3	DPLL_IVA Power Modes.....	519
3.6.3.8.4	DPLL_IVA Recalibration	520
3.6.3.9	DPLL_USB Description	520
3.6.3.9.1	DPLL_USB Overview.....	520
3.6.3.9.2	DPLL_USB Synthesized Clock Parameters	520
3.6.3.9.3	DPLL_USB Power Modes	521
3.6.3.9.4	DPLL_USB Recalibration	521
3.6.3.10	DPLL_DSP Description	521
3.6.3.10.1	DPLL_DSP Overview	521
3.6.3.10.2	DPLL_DSP Synthesized Clock Parameters	522
3.6.3.10.3	DPLL_DSP Power Modes	522
3.6.3.10.4	DPLL_DSP Recalibration	522
3.6.3.11	DPLL_GMAC Description	523
3.6.3.11.1	DPLL_GMAC Overview	523
3.6.3.11.2	DPLL_GMAC Synthesized Clock Parameters	523
3.6.3.11.3	DPLL_GMAC Power Modes.....	524
3.6.3.11.4	DPLL_GMAC Recalibration	524
3.6.3.12	DPLL_GPU Description.....	525
3.6.3.12.1	DPLL_GPU Overview	525
3.6.3.12.2	DPLL_GPU Synthesized Clock Parameters	525
3.6.3.12.3	DPLL_GPU Power Modes	525
3.6.3.12.4	DPLL_GPU Recalibration.....	526
3.6.3.13	DPLL_DDR Description.....	526
3.6.3.13.1	DPLL_DDR Overview	526
3.6.3.13.2	DPLL_DDR Synthesized Clock Parameters	526
3.6.3.13.3	DPLL_DDR Power Modes	527
3.6.3.13.4	DPLL_DDR Recalibration.....	527
3.6.3.14	DPLL_PCIE_REF Description	528
3.6.3.14.1	DPLL_PCIE_REF Overview	528
3.6.3.14.2	DPLL_PCIE_REF Synthesized Clock Parameters	528
3.6.3.14.3	DPLL_PCIE_REF Power Modes	528
3.6.3.15	APLL_PCIE Description	529
3.6.3.15.1	APLL_PCIE Overview	529
3.6.3.15.2	APLL_PCIE Synthesized Clock Parameters	529
3.6.3.15.3	APLL_PCIE Power Modes.....	529
3.6.4	Clock Domains	530
3.6.4.1	CD_WKUPAON Clock Domain	530
3.6.4.1.1	CD_WKUPAON Overview	530
3.6.4.1.2	CD_WKUPAON Clock Domain Modes.....	530
3.6.4.1.3	CD_WKUPAON Clock Domain Dependency.....	531
3.6.4.1.4	CD_WKUPAON Clock Domain Module Attributes.....	533
3.6.4.2	CD_DSP1 Clock Domain	535

3.6.4.2.1	CD_DSP1 Overview	535
3.6.4.2.2	CD_DSP1 Clock Domain Modes	535
3.6.4.2.3	CD_DSP1 Clock Domain Dependency	536
3.6.4.2.4	CD_DSP1 Clock Domain Module Attributes.....	537
3.6.4.3	CD_CUSTEFUSE Clock Domain.....	538
3.6.4.3.1	CD_CUSTEFUSE Overview.....	538
3.6.4.3.2	CD_CUSTEFUSE Clock Domain Modes	538
3.6.4.3.3	CD_CUSTEFUSE Clock Domain Dependency	539
3.6.4.3.4	CD_CUSTEFUSE Clock Domain Module Attributes	539
3.6.4.4	CD_MPU Clock Domain	539
3.6.4.4.1	CD_MPU Overview	539
3.6.4.4.2	CD_MPU Clock Domain Modes.....	540
3.6.4.4.3	CD_MPU Clock Domain Dependency	540
3.6.4.4.4	CD_MPU Clock Domain Module Attributes.....	541
3.6.4.5	CD_L4PER1 Clock Domain	542
3.6.4.5.1	CD_L4PER1 Overview	542
3.6.4.5.2	CD_L4PER1 Clock Domain Modes	543
3.6.4.5.3	CD_L4PER1 Clock Domain Dependency	544
3.6.4.5.4	CD_L4PER1 Clock Domain Module Attributes.....	557
3.6.4.6	CD_L4PER2 Clock Domain	563
3.6.4.6.1	CD_L4PER2 Overview	563
3.6.4.6.2	CD_L4PER2 Clock Domain Modes	564
3.6.4.6.3	CD_L4PER2 Clock Domain Dependency	565
3.6.4.6.4	CD_L4PER2 Clock Domain Module Attributes.....	570
3.6.4.7	CD_L4PER3 Clock Domain	574
3.6.4.7.1	CD_L4PER3 Overview	574
3.6.4.7.2	CD_L4PER3 Clock Domain Modes	574
3.6.4.7.3	CD_L4PER3 Clock Domain Dependency	575
3.6.4.7.4	CD_L4PER3 Clock Domain Module Attributes.....	575
3.6.4.8	CD_L4SEC Clock Domain	576
3.6.4.8.1	CD_L4SEC Overview	576
3.6.4.8.2	CD_L4SEC Clock Domain Modes	577
3.6.4.8.3	CD_L4SEC Clock Domain Dependency	577
3.6.4.8.4	CD_L4SEC Clock Domain Module Attributes	578
3.6.4.9	CD_L3INIT Clock Domain.....	579
3.6.4.9.1	CD_L3INIT Overview	579
3.6.4.9.2	CD_L3INIT Clock Domain Modes	580
3.6.4.9.3	CD_L3INIT Clock Domain Dependency	581
3.6.4.9.4	CD_L3INIT Clock Domain Module Attributes	584
3.6.4.10	CD_IVA Clock Domain.....	587
3.6.4.10.1	CD_IVA Overview.....	587
3.6.4.10.2	CD_IVA Clock Domain Modes	587
3.6.4.10.3	CD_IVA Clock Domain Dependency	588
3.6.4.10.4	CD_IVA Clock Domain Module Attributes	588
3.6.4.11	CD_GPU Description	589
3.6.4.11.1	CD_GPU Overview	589
3.6.4.11.2	CD_GPU Clock Domain Modes	589
3.6.4.11.3	CD_GPU Clock Domain Dependency	590
3.6.4.11.4	CD_GPU Clock Domain Module Attributes.....	590
3.6.4.12	CD_EMU Clock Domain	591
3.6.4.12.1	CD_EMU Overview	591
3.6.4.12.2	CD_EMU Clock Domain Modes	592
3.6.4.12.3	CD_EMU Clock Domain Dependency	592

3.6.4.12.4	CD_EMU Clock Domain Module Attributes	593
3.6.4.13	CD_DSS Clock Domain	593
3.6.4.13.1	CD_DSS Overview	593
3.6.4.13.2	CD_DSS Clock Domain Modes	593
3.6.4.13.3	CD_DSS Clock Domain Dependency	594
3.6.4.13.4	CD_DSS Clock Domain Module Attributes	597
3.6.4.14	CD_L4_CFG Clock Domain	598
3.6.4.14.1	CD_L4_CFG Overview	598
3.6.4.14.2	CD_L4_CFG Clock Domain Modes	598
3.6.4.14.3	CD_L4_CFG Clock Domain Dependency	599
3.6.4.14.4	CD_L4_CFG Clock Domain Module Attributes	599
3.6.4.15	CD_L3_INSTR Clock Domain	602
3.6.4.15.1	CD_L3_INSTR Overview	602
3.6.4.15.2	CD_L3_INSTR Clock Domain Modes	602
3.6.4.15.3	CD_L3_INSTR Clock Domain Dependency	602
3.6.4.15.4	CD_L3_INSTR Clock Domain Module Attributes	603
3.6.4.16	CD_L3_MAIN1 Clock Domain	604
3.6.4.16.1	CD_L3_MAIN1 Overview	604
3.6.4.16.2	CD_L3_MAIN1 Clock Domain Modes	605
3.6.4.16.3	CD_L3_MAIN1 Clock Domain Dependency	605
3.6.4.16.4	CD_L3_MAIN1 Clock Domain Module Attributes	606
3.6.4.17	CD_EMIF Clock Domain	608
3.6.4.17.1	CD_EMIF Overview	608
3.6.4.17.2	CD_EMIF Clock Domain Modes	608
3.6.4.17.3	CD_EMIF Clock Domain Dependency	609
3.6.4.17.4	CD_EMIF Clock Domain Module Attributes	609
3.6.4.18	CD_IPU Clock Domain	610
3.6.4.18.1	CD_IPU Overview	610
3.6.4.18.2	CD_IPU Clock Domain Modes	610
3.6.4.18.3	CD_IPU Clock Domain Dependency	611
3.6.4.18.4	CD_IPU Clock Domain Module Attributes	612
3.6.4.19	CD_IPU1 Clock Domain	614
3.6.4.19.1	CD_IPU1 Overview	614
3.6.4.19.2	CD_IPU1 Clock Domain Modes	614
3.6.4.19.3	CD_IPU1 Clock Domain Dependency	615
3.6.4.19.4	CD_IPU1 Clock Domain Module Attributes	616
3.6.4.20	CD_IPU2 Clock Domain	617
3.6.4.20.1	CD_IPU2 Overview	617
3.6.4.20.2	CD_IPU2 Clock Domain Modes	617
3.6.4.20.3	CD_IPU2 Clock Domain Dependency	617
3.6.4.20.4	CD_IPU2 Clock Domain Module Attributes	619
3.6.4.21	CD_DMA Clock Domain	619
3.6.4.21.1	CD_DMA Overview	619
3.6.4.21.2	CD_DMA Clock Domain Modes	620
3.6.4.21.3	CD_DMA Clock Domain Dependency	620
3.6.4.21.4	CD_DMA Clock Domain Module Attributes	621
3.6.4.22	CD_ATL Clock Domain	622
3.6.4.22.1	CD_ATL Overview	622
3.6.4.22.2	CD_ATL Clock Domain Modes	622
3.6.4.22.3	CD_ATL Clock Domain Module Attributes	623
3.6.4.23	CD_CAM Clock Domain	624
3.6.4.23.1	CD_CAM Overview	624
3.6.4.23.2	CD_CAM Clock Domain Modes	624

3.6.4.23.3	CD_CAM Clock Domain Dependency	625
3.6.4.23.4	CD_CAM Clock Domain Module Attributes	625
3.6.4.24	CD_GMAC Clock Domain	627
3.6.4.24.1	CD_GMAC Overview	627
3.6.4.24.2	CD_GMAC Clock Domain Modes	627
3.6.4.24.3	CD_GMAC Clock Domain Dependency	628
3.6.4.24.4	CD_GMAC Clock Domain Module Attributes	628
3.6.4.25	CD_VPE Clock Domain	629
3.6.4.25.1	CD_VPE Overview	629
3.6.4.25.2	CD_VPE Clock Domain Modes	629
3.6.4.25.3	CD_VPE Clock Domain Dependency	630
3.6.4.25.4	CD_VPE Clock Domain Module Attributes	630
3.6.4.26	CD_RTC Clock Domain	631
3.6.4.26.1	CD_RTC Overview	631
3.6.4.26.2	CD_RTC Clock Domain Modes	632
3.6.4.26.3	CD_RTC Clock Domain Dependency	632
3.6.4.26.4	CD_RTC Clock Domain Module Attributes	633
3.6.4.27	CD_PCIE Clock Domain	634
3.6.4.27.1	CD_PCIE Overview	634
3.6.4.27.2	CD_PCIE Clock Domain Modes	634
3.6.4.27.3	CD_PCIE Clock Domain Dependency	635
3.6.4.27.4	CD_PCIE Clock Domain Module Attributes	636
3.7	Power Management Functional Description	638
3.7.1	PD_WKUPAON Description	638
3.7.1.1	PD_WKUPAON Power Domain Modes	639
3.7.1.1.1	PD_WKUPAON Logic and Memory Area Power Modes	639
3.7.2	PD_DSP1 Description	639
3.7.2.1	PD_DSP1 Power Domain Modes	640
3.7.2.1.1	PD_DSP1 Logic and Memory Area Power Modes	640
3.7.2.1.2	PD_DSP1 Logic and Memory Area Power Modes Control and Status	640
3.7.3	PD_CUSTEFUSE Description	641
3.7.3.1	PD_CUSTEFUSE Power Domain Modes	641
3.7.3.1.1	PD_CUSTEFUSE Logic and Memory Area Power Modes	641
3.7.3.1.2	PD_CUSTEFUSE Logic and Memory Area Power Modes Control and Status	641
3.7.4	PD_MPU Description	642
3.7.4.1	PD_MPU Power Domain Modes	642
3.7.4.1.1	PD_MPU Logic and Memory Area Power Modes	642
3.7.4.1.2	PD_MPU Logic and Memory Area Power Modes Control and Status	643
3.7.4.1.3	PD_MPU Power State Override	643
3.7.5	PD_IPU Description	644
3.7.5.1	PD_IPU Power Domain Modes	644
3.7.5.1.1	PD_IPU Logic and Memory Area Power Modes	644
3.7.5.1.2	PD_IPU Logic and Memory Area Power Modes Control and Status	645
3.7.6	PD_L3INIT Description	645
3.7.6.1	PD_L3INIT Power Domain Modes	646
3.7.6.1.1	PD_L3INIT Logic and Memory Area Power Modes	646
3.7.6.1.2	PD_L3INIT Logic and Memory Area Power Modes Control and Status	646
3.7.7	PD_L4PER Description	647
3.7.8	PD_IVA Description	647
3.7.8.1	PD_IVA Power Domain Modes	648
3.7.8.1.1	PD_IVA Logic and Memory Area Power Modes	648
3.7.8.1.2	PD_IVA Logic and Memory Area Power Modes Control and Status	648
3.7.9	PD_GPU Description	649

3.7.9.1	PD_GPU Power Domain Modes	649
3.7.9.1.1	PD_GPU Logic and Memory Area Power Modes	650
3.7.9.1.2	PD_GPU Logic and Memory Area Power Modes Control and Status	650
3.7.10	PD_EMU Description	650
3.7.11	PD_DSS Description	651
3.7.11.1	PD_DSS Power Domain Modes	651
3.7.11.1.1	PD_DSS Logic and Memory Area Power Modes	651
3.7.11.1.2	PD_DSS Logic and Memory Area Power Mode Control and Status	651
3.7.12	PD_CORE Description	652
3.7.12.1	PD_CORE Power Domain Modes	653
3.7.12.1.1	PD_CORE Logic and Memory Area Power Modes	653
3.7.12.1.2	PD_CORE Logic and Memory Area Power Mode Control and Status	653
3.7.13	PD_CAM Description	654
3.7.13.1	PD_CAM Power Domain Modes	654
3.7.13.1.1	PD_CAM Logic and Memory Area Power Modes	654
3.7.13.1.2	PD_CAM Logic and Memory Area Power Mode Control and Status	655
3.7.14	PD_MPUAON Description	655
3.7.14.1	PD_MPUAON Power Domain Modes	655
3.7.15	PD_MMAON Description	655
3.7.15.1	PD_MMAON Power Domain Modes	656
3.7.16	PD_COREAON Description	656
3.7.16.1	PD_COREAON Power Domain Modes	659
3.7.17	PD_VPE Description	659
3.7.17.1	PD_VPE Power Domain Modes	659
3.7.17.1.1	PD_VPE Logic and Memory Area Power Modes	659
3.7.17.1.2	PD_VPE Logic and Memory Area Power Modes Control and Status	660
3.7.18	PD_RTC Description	660
3.7.18.1	PD_RTC Power Domain Modes	661
3.7.18.1.1	PD_RTC Logic and Memory Area Power Modes	661
3.8	Voltage-Management Functional Description	662
3.8.1	Overview	662
3.8.2	Voltage-Control Architecture	662
3.8.3	Internal LDOs Control	663
3.8.3.1	VDD_MPU_L, VDD_CORE_L, and VDD_IVAHD_L, VDD_GPU_L, VDD_DSPEVE_L Control	663
3.8.3.1.1	Adaptive Voltage Scaling	663
3.8.3.2	Memory LDOs	664
3.8.3.3	ABB LDOs Control	665
3.8.3.4	ABB LDO Programming Sequence	665
3.8.3.4.1	ABB LDO Enable Sequence	665
3.8.3.4.2	ABB LDO Disable Sequence (Entering in Bypass Mode)	666
3.8.3.5	BANDGAPs Control	666
3.8.3.6	Memory LDO Transitions	666
3.8.3.7	VDD_WKUP_L Transitions	666
3.8.4	DVFS	667
3.9	Device Low-Power States	668
3.9.1	Device Wake-Up Source Summary	668
3.9.2	Wakeup Upon Global Warm Reset	670
3.9.3	Global Warm Reset During a Device Wake-Up Sequence	670
3.9.4	I/O Management	670
3.9.4.1	Isolation / Wakeup Sequence	671
3.9.4.1.1	Software-Controlled I/O Isolation	672
3.10	PRCM Module Programming Guide	673
3.10.1	DPLLs Low-Level Programming Models	673

3.10.1.1	Global Initialization	673
3.10.1.1.1	Surrounding Module Global Initialization	673
3.10.1.1.2	DPLL Global Initialization	673
3.10.1.2	DPLL Output Frequency Change.....	675
3.10.2	Clock Management Low-Level Programming Models	676
3.10.2.1	Global Initialization	676
3.10.2.1.1	Surrounding Module Global Initialization	676
3.10.2.1.2	Clock Management Global Initialization	676
3.10.2.2	Clock Domain Sleep Transition and Troubleshooting	677
3.10.2.3	Enable/Disable Software-Programmable Static Dependency	677
3.10.3	Power Management Low-Level Programming Models	677
3.10.3.1	Global Initialization	677
3.10.3.1.1	Surrounding Module Global Initialization	677
3.10.3.1.2	Power Management Global Initialization.....	678
3.10.3.2	Forced Memory Area State Change With Power Domain ON.....	678
3.10.3.3	Forced Power Domain Low-Power State Transition	678
3.11	PRCM Software Configuration for OPP_PLUS	678
3.12	PRCM Register Manual.....	679
3.12.1	Not Supported Functionality (Registers and Bits)	679
3.12.2	PRCM Instance Summary	692
3.12.3	CM_CORE_AON_CKGEN Registers.....	693
3.12.3.1	CM_CORE_AON_CKGEN Register Summary	693
3.12.3.2	CM_CORE_AON_CKGEN Register Description	697
3.12.4	CM_CORE_AON_DSP1 Registers	768
3.12.4.1	CM_CORE_AON_DSP1 Register Summary	768
3.12.4.2	CM_CORE_AON_DSP1 Register Description	768
3.12.5	CM_CORE_AON_DSP2 Registers	773
3.12.5.1	CM_CORE_AON_DSP2 Register Summary	773
3.12.5.2	CM_CORE_AON_DSP2 Register Description	773
3.12.6	CM_CORE_AON_EVE1 Registers	777
3.12.6.1	CM_CORE_AON_EVE1 Register Summary	777
3.12.6.2	CM_CORE_AON_EVE1 Register Description	778
3.12.7	CM_CORE_AON_EVE2 Registers	780
3.12.7.1	CM_CORE_AON_EVE2 Register Summary	780
3.12.7.2	CM_CORE_AON_EVE2 Register Description	781
3.12.8	CM_CORE_AON_EVE3 Registers	783
3.12.8.1	CM_CORE_AON_EVE3 Register Summary	783
3.12.8.2	CM_CORE_AON_EVE3 Register Description	784
3.12.9	CM_CORE_AON_EVE4 Registers	786
3.12.9.1	CM_CORE_AON_EVE4 Register Summary	786
3.12.9.2	CM_CORE_AON_EVE4 Register Description	787
3.12.10	CM_CORE_AON_INSTR Registers.....	789
3.12.10.1	CM_CORE_AON_INSTR Register Summary	789
3.12.10.2	CM_CORE_AON_INSTR Register Description	790
3.12.11	CM_CORE_AON_IPU Registers	794
3.12.11.1	CM_CORE_AON_IPU Register Summary	794
3.12.11.2	CM_CORE_AON_IPU Register Description	794
3.12.12	CM_CORE_AON_MPU Registers.....	810
3.12.12.1	CM_CORE_AON_MPU Register Summary	810
3.12.12.2	CM_CORE_AON_MPU Register Description	811
3.12.13	CM_CORE_AON_OCP_SOCKET Registers	816
3.12.13.1	CM_CORE_AON_OCP_SOCKET Register Summary	816
3.12.13.2	CM_CORE_AON_OCP_SOCKET Register Description	817

3.12.14	CM_CORE_AON__RESTORE Registers.....	820
3.12.14.1	CM_CORE_AON__RESTORE Register Summary	820
3.12.14.2	CM_CORE_AON__RESTORE Register Description	822
3.12.15	CM_CORE_AON__RTC Registers	829
3.12.15.1	CM_CORE_AON__RTC Register Summary	829
3.12.15.2	CM_CORE_AON__RTC Register Description	830
3.12.16	CM_CORE_AON__VPE Registers	831
3.12.16.1	CM_CORE_AON__VPE Register Summary	831
3.12.16.2	CM_CORE_AON__VPE Register Description	832
3.12.17	CM_CORE__CAM Registers	834
3.12.17.1	CM_CORE__CAM Register Summary	834
3.12.17.2	CM_CORE__CAM Register Description	835
3.12.18	CM_CORE__CKGEN Registers	843
3.12.18.1	CM_CORE__CKGEN Register Summary	843
3.12.18.2	CM_CORE__CKGEN Register Description	844
3.12.19	CM_CORE__COREAON Registers	867
3.12.19.1	CM_CORE__COREAON Register Summary	867
3.12.19.2	CM_CORE__COREAON Register Description	868
3.12.20	CM_CORE__CORE Registers	878
3.12.20.1	CM_CORE__CORE Register Summary	878
3.12.20.2	CM_CORE__CORE Register Description	881
3.12.21	CM_CORE__CUSTEFUSE Registers.....	939
3.12.21.1	CM_CORE__CUSTEFUSE Register Summary	939
3.12.21.2	CM_CORE__CUSTEFUSE Register Description	940
3.12.22	CM_CORE__DSS Registers	942
3.12.22.1	CM_CORE__DSS Register Summary	942
3.12.22.2	CM_CORE__DSS Register Description	942
3.12.23	CM_CORE__GPU Registers	948
3.12.23.1	CM_CORE__GPU Register Summary	948
3.12.23.2	CM_CORE__GPU Register Description	949
3.12.24	CM_CORE__IVA Registers.....	952
3.12.24.1	CM_CORE__IVA Register Summary	952
3.12.24.2	CM_CORE__IVA Register Description	953
3.12.25	CM_CORE__L3INIT Registers.....	957
3.12.25.1	CM_CORE__L3INIT Register Summary	957
3.12.25.2	CM_CORE__L3INIT Register Description	958
3.12.26	CM_CORE__L4PER Registers	984
3.12.26.1	CM_CORE__L4PER Register Summary	984
3.12.26.2	CM_CORE__L4PER Register Description	987
3.12.27	CM_CORE__OCP_SOCKET Registers	1066
3.12.27.1	CM_CORE__OCP_SOCKET Register Summary	1066
3.12.27.2	CM_CORE__OCP_SOCKET Register Description	1066
3.12.28	CM_CORE__RESTORE Registers	1068
3.12.28.1	CM_CORE__RESTORE Register Summary	1068
3.12.28.2	CM_CORE__RESTORE Register Description	1069
3.12.29	SMARTREFLEX Registers	1074
3.12.29.1	SMARTREFLEX Register Summary	1074
3.12.29.2	SMARTREFLEX Register Description	1075
3.12.30	CAM_PRM Registers.....	1083
3.12.30.1	CAM_PRM Register Summary	1083
3.12.30.2	CAM_PRM Register Description	1084
3.12.31	CKGEN_PRM Registers	1093
3.12.31.1	CKGEN_PRM Register Summary	1093

3.12.31.2	CKGEN_PRM Register Description	1095
3.12.32	COREAON_PRM Registers	1129
3.12.32.1	COREAON_PRM Register Summary	1129
3.12.32.2	COREAON_PRM Register Description	1130
3.12.33	CORE_PRM Registers.....	1142
3.12.33.1	CORE_PRM Register Summary	1142
3.12.33.2	CORE_PRM Register Description	1145
3.12.34	CUSTEFUSE_PRM Registers	1189
3.12.34.1	CUSTEFUSE_PRM Register Summary	1189
3.12.34.2	CUSTEFUSE_PRM Register Description	1189
3.12.35	DEVICE_PRM Registers	1191
3.12.35.1	DEVICE_PRM Register Summary	1191
3.12.35.2	DEVICE_PRM Register Description	1194
3.12.36	DSP1_PRM registers	1247
3.12.36.1	DSP1_PRM Register Summary	1247
3.12.36.2	DSP1_PRM Register Description	1248
3.12.37	DSP2_PRM Registers	1253
3.12.37.1	DSP2_PRM Register Summary	1253
3.12.37.2	DSP2_PRM Register Description	1253
3.12.38	DSS_PRM Registers	1257
3.12.38.1	DSS_PRM Register Summary	1257
3.12.38.2	DSS_PRM Register Description	1258
3.12.39	EMU_CM Registers	1268
3.12.39.1	EMU_CM Register Summary	1268
3.12.39.2	EMU_CM Register Description	1268
3.12.40	EMU_PRM Registers.....	1271
3.12.40.1	EMU_PRM Register Summary	1271
3.12.40.2	EMU_PRM Register Description	1271
3.12.41	EVE1_PRM Registers.....	1273
3.12.41.1	EVE1_PRM Register Summary	1273
3.12.41.2	EVE1_PRM Register Description	1274
3.12.42	EVE2_PRM Registers.....	1279
3.12.42.1	EVE2_PRM Register Summary	1279
3.12.42.2	EVE2_PRM Register Description	1279
3.12.43	EVE3_PRM Registers.....	1284
3.12.43.1	EVE3_PRM Register Summary	1284
3.12.43.2	EVE3_PRM Register Description	1284
3.12.44	EVE4_PRM Registers.....	1289
3.12.44.1	EVE4_PRM Register Summary	1289
3.12.44.2	EVE4_PRM Register Description	1289
3.12.45	GPU_PRM Registers.....	1294
3.12.45.1	GPU_PRM Register Summary	1294
3.12.45.2	GPU_PRM Register Description	1294
3.12.46	INSTR_PRM Registers	1297
3.12.46.1	INSTR_PRM Register Summary	1297
3.12.46.2	INSTR_PRM Register Description	1297
3.12.47	IPU_PRM registers	1301
3.12.47.1	IPU_PRM Register Summary	1301
3.12.47.2	IPU_PRM Register Description	1302
3.12.48	IVA_PRM Registers	1322
3.12.48.1	IVA_PRM Register Summary	1322
3.12.48.2	IVA_PRM Register Description	1322
3.12.49	L3INIT_PRM Registers	1328

3.12.49.1	L3INIT_PRM Register Summary	1328
3.12.49.2	L3INIT_PRM Register Description	1330
3.12.50	L4PER_PRM Registers	1356
3.12.50.1	L4PER_PRM Register Summary	1356
3.12.50.2	L4PER_PRM Register Description	1360
3.12.51	MPU_PRM Registers.....	1470
3.12.51.1	MPU_PRM Register Summary	1470
3.12.51.2	MPU_PRM Register Description	1471
3.12.52	OCF_SOCKET_PRM Registers	1474
3.12.52.1	OCF_SOCKET_PRM Register Summary	1474
3.12.52.2	OCF_SOCKET_PRM Register Description	1475
3.12.53	RTC_PRM Registers	1511
3.12.53.1	RTC_PRM Register Summary	1511
3.12.53.2	RTC_PRM Register Description	1512
3.12.54	VPE_PRM Registers	1515
3.12.54.1	VPE_PRM Register Summary	1515
3.12.54.2	VPE_PRM Register Description	1515
3.12.55	WKUPAON_CM Registers	1519
3.12.55.1	WKUPAON_CM Register Summary	1519
3.12.55.2	WKUPAON_CM Register Description	1521
3.12.56	WKUPAON_PRM registers.....	1538
3.12.56.1	WKUPAON_PRM Register Summary	1538
3.12.56.2	WKUPAON_PRM Register Description	1540
4	Cortex-A15 MPU Subsystem.....	1564
4.1	Cortex-A15 MPU Subsystem Overview	1565
4.1.1	Introduction.....	1565
4.1.2	Features	1567
4.2	Cortex-A15 MPU Subsystem Integration.....	1570
4.2.1	Clock Distribution.....	1570
4.2.2	Reset Distribution	1572
4.3	Cortex-A15 MPU Subsystem Functional Description.....	1574
4.3.1	MPU Subsystem Block Diagram	1574
4.3.2	Cortex-A15 MPCore (MPU_CLUSTER).....	1574
4.3.2.1	MPU L2 Cache Memory System.....	1575
4.3.2.1.1	MPU L2 Cache Architecture	1576
4.3.2.1.2	MPU L2 Cache Controller	1576
4.3.3	MPU_AXI2OCP.....	1577
4.3.4	Memory Adapter	1577
4.3.4.1	MPU_MA Overview	1578
4.3.4.2	AXI Input Interface	1579
4.3.4.3	Interleaving.....	1580
4.3.4.3.1	High-Order Fixed Interleaving Model	1580
4.3.4.3.2	Lower 2-GiB Programmable Interleaving Model.....	1581
4.3.4.3.3	Local Interconnect and Synchronization Agent (LISA) Section Manager	1582
4.3.4.3.4	MA_LSM Registers.....	1582
4.3.4.3.5	Posted and Nonposted Writes	1582
4.3.4.3.6	Errors	1583
4.3.4.4	Statistics Collector Probe Ports	1583
4.3.4.5	MPU_MA Firewall	1583
4.3.4.6	MPU_MA Power and Reset Management	1583
4.3.4.7	MPU_MA Watchpoint.....	1583
4.3.4.7.1	Watchpoint Types	1583
4.3.4.7.2	Transaction Filtering Options	1584

4.3.4.7.3	Transaction Match Effects	1584
4.3.4.7.4	Trigger Generation	1585
4.3.4.7.5	Programming Options Summary	1585
4.3.5	Realtime Counter (Master Counter)	1585
4.3.5.1	Counter Operation	1585
4.3.5.2	Frequency Change Procedure	1587
4.3.6	MPU Watchdog Timer	1588
4.3.7	MPU Subsystem Power Management.....	1589
4.3.7.1	Power Domains	1589
4.3.7.2	Power States of MPU_C0.....	1591
4.3.7.3	Power States of MPU Subsystem	1593
4.3.7.4	MPU_WUGEN.....	1594
4.3.7.5	Power Transition Sequence	1595
4.3.7.6	SR3-APG Technology Fail-Safe Mode.....	1595
4.3.8	MPU Subsystem AMBA Interface Configuration	1595
4.4	Cortex-A15 MPU Subsystem Register Manual.....	1597
4.4.1	Cortex-A15 MPU Subsystem Instance Summary	1597
4.4.2	MPU_CS_STM Registers	1597
4.4.3	MPU_INTC Registers.....	1597
4.4.4	MPU_PRCM_OCP_SOCKET Registers	1597
4.4.4.1	MPU_PRCM_OCP_SOCKET Register Summary	1597
4.4.4.2	MPU_PRCM_OCP_SOCKET Register Description	1598
4.4.5	MPU_PRCM_DEVICE Registers.....	1598
4.4.5.1	MPU_PRCM_DEVICE Register Summary	1598
4.4.5.2	MPU_PRCM_DEVICE Register Description	1599
4.4.6	MPU_PRCM_PRM_C0 Registers.....	1602
4.4.6.1	MPU_PRCM_PRM_C0 Register Summary	1602
4.4.6.2	MPU_PRCM_PRM_C0 Register Description	1602
4.4.7	MPU_PRCM_CM_C0 Registers	1606
4.4.7.1	MPU_PRCM_CM_C0 Register Summary	1606
4.4.7.2	MPU_PRCM_CM_C0 Register Description	1606
4.4.8	MPU_WUGEN Registers.....	1607
4.4.8.1	MPU_WUGEN Register Summary	1607
4.4.8.2	MPU_WUGEN Register Description	1608
4.4.9	MPU_WD_TIMER Registers.....	1619
4.4.9.1	MPU_WD_TIMER Register Summary	1619
4.4.9.2	MPU_WD_TIMER Register Description	1619
4.4.10	MPU_AXI2OCP_MISC Registers	1623
4.4.10.1	MPU_AXI2OCP_MISC Register Summary	1623
4.4.10.2	MPU_AXI2OCP_MISC Register Description	1623
4.4.11	MPU_MA_LSM Registers	1624
4.4.11.1	MPU_MA_LSM Register Summary.....	1624
4.4.11.2	MPU_MA_LSM Register Description.....	1624
4.4.12	MPU_MA_WP Registers	1624
4.4.12.1	MPU_MA_WP Register Summary	1624
4.4.12.2	MPU_MA_WP Register Description	1625
5	DSP Subsystem	1637
5.1	DSP Subsystem Overview	1638
5.1.1	DSP Subsystem Key Features	1639
5.2	DSP Subsystem Integration.....	1643
5.3	DSP Subsystem Functional Description.....	1647
5.3.1	DSP Subsystem Block Diagram.....	1647
5.3.2	DSP Subsystem Components	1648

5.3.2.1	C66x DSP Subsystem Introduction	1648
5.3.2.2	DSP TMS320C66x CorePac	1649
5.3.2.2.1	DSP TMS320C66x CorePac CPU	1649
5.3.2.2.2	DSP TMS320C66x CorePac Internal Memory Controllers and Memories	1649
5.3.2.2.3	DSP C66x CorePac Internal Peripherals	1650
5.3.2.3	DSP Debug and Trace Support	1656
5.3.2.3.1	DSP Advanced Event Triggering (AET)	1656
5.3.2.3.2	DSP Trace Support	1656
5.3.3	DSP System Control Logic	1656
5.3.3.1	DSP System Clocks	1657
5.3.3.2	DSP Hardware Resets	1658
5.3.3.3	DSP Software Resets	1658
5.3.3.4	DSP Power Management	1659
5.3.3.4.1	DSP System Powerdown Protocols	1659
5.3.3.4.2	DSP Software and Hardware Power Down Sequence Overview	1659
5.3.3.4.3	DSP IDLE Wakeup	1661
5.3.3.4.4	DSP SYSTEM IRQWAKEEN registers	1661
5.3.3.4.5	DSP Automatic Power Transition	1661
5.3.4	DSP Interrupt Requests	1662
5.3.4.1	DSP Input Interrupts	1663
5.3.4.1.1	DSP Non-maskable Interrupt Input	1663
5.3.4.2	DSP Event and Interrupt Generation Outputs	1664
5.3.4.2.1	DSP MDMA and DSP EDMA Mflag Event Outputs	1664
5.3.4.2.2	DSP Aggregated Error Interrupt Output	1664
5.3.4.2.3	Non-DSP C66x CorePac Generated Peripheral Interrupt Outputs	1666
5.3.5	DSP DMA Requests	1666
5.3.5.1	DSP EDMA Wakeup Interrupt	1669
5.3.6	DSP Intergated Memory Management Units	1670
5.3.6.1	DSP MMUs Overview	1670
5.3.6.2	Routing MDMA Traffic through DSP MMU0	1671
5.3.6.3	Routing EDMA Traffic thourgh DSP MMU1	1672
5.3.7	DSP Integrated EDMA Subsystem	1672
5.3.7.1	DSP EDMA Overview	1672
5.3.7.2	DSP System and Device Level Settings of DSP EDMA	1673
5.3.8	DSP L2 interconnect Network	1676
5.3.8.1	DSP Public Firewall Settings	1677
5.3.8.2	DSP NoC Flag Mux and Error Log Registers	1677
5.3.8.3	DSP NoC Arbitration	1677
5.3.9	DSP Boot Configuration	1678
5.3.10	DSP Internal and External Memory Views	1678
5.3.10.1	C66x CPU View of the Address Space	1678
5.3.10.2	DSP_EDMA View of the Address Space	1680
5.3.10.3	L3_MAIN View of the DSP Address Space	1680
5.4	DSP Subsystem Register Manual	1681
5.4.1	DSP Subsystem Instance Summary	1681
5.4.2	DSP_ICFG Registers	1682
5.4.2.1	DSP_ICFG Register Summary	1682
5.4.2.2	DSP_ICFG Register Description	1686
5.4.3	DSP_SYSTEM Registers	1686
5.4.3.1	DSP_SYSTEM Register Summary	1686
5.4.3.2	DSP_SYSTEM Register Description	1687
5.4.4	DSP_FW_L2_NOC_CFG Registers	1703
5.4.4.1	DSP_FW_L2_NOC_CFG Register Summary	1703

5.4.4.2	DSP_FW_L2_NOC_CFG Register Description	1706
6	IVA Subsystem	1723
7	Dual Cortex-M4 IPU Subsystem	1724
7.1	Dual Cortex-M4 IPU Subsystem Overview	1725
7.1.1	Introduction.....	1725
7.1.2	Features	1727
7.2	Dual Cortex-M4 IPU Subsystem Integration.....	1728
7.2.1	Dual Cortex-M4 IPU Subsystem Clock and Reset Distribution	1730
7.2.1.1	Clock Distribution	1730
7.2.1.2	Reset Distribution	1731
7.3	Dual Cortex-M4 IPU Subsystem Functional Description.....	1733
7.3.1	IPUx Subsystem Block Diagram	1733
7.3.2	Power Management.....	1734
7.3.2.1	Local Power Management	1734
7.3.2.2	Power Domains	1735
7.3.2.3	Voltage Domain	1735
7.3.2.4	Power States and Modes	1735
7.3.2.5	Wake-Up Generator (IPUx_WUGEN).....	1737
7.3.2.5.1	IPUx_WUGEN Main Features	1737
7.3.3	IPUx_UNICACHE	1738
7.3.4	IPUx_UNICACHE_MMU	1739
7.3.5	IPUx_UNICACHE_SCTM	1740
7.3.5.1	Counter Functions	1740
7.3.5.1.1	Input Events	1740
7.3.5.1.2	Counters	1741
7.3.5.2	Timer Functions	1742
7.3.5.2.1	Periodic Intervals	1742
7.3.5.2.2	Event Generation	1742
7.3.6	IPUx_MMU	1743
7.3.6.1	IPUx_MMU Behavior on Page-Fault in IPUx Subsystem.....	1743
7.3.7	Interprocessor Communication (IPC).....	1743
7.3.7.1	Use of WFE and SEV	1743
7.3.7.2	Use of Interrupt for IPC.....	1744
7.3.7.3	Use of the Bit-Band Feature for Semaphore Operations	1744
7.3.7.4	Private Memory Space	1745
7.3.8	IPU Boot Options.....	1745
7.4	Dual Cortex-M4 IPU Subsystem Register Manual.....	1746
7.4.1	IPUx Subsystem Instance Summary	1746
7.4.2	IPUx_UNICACHE_CFG Registers	1746
7.4.2.1	IPUx_UNICACHE_CFG Register Summary.....	1746
7.4.2.2	IPUx_UNICACHE_CFG Register Description.....	1747
7.4.3	IPUx_UNICACHE_SCTM Registers	1753
7.4.3.1	IPUx_UNICACHE_SCTM Register Summary.....	1753
7.4.3.2	IPUx_UNICACHE_SCTM Register Description.....	1754
7.4.4	IPUx_UNICACHE_MMU (AMMU) Registers	1760
7.4.4.1	IPUx_UNICACHE_MMU (AMMU) Register Summary	1760
7.4.4.2	IPUx_UNICACHE_MMU (AMMU) Register Description	1762
7.4.5	IPUx_MMU Registers.....	1769
7.4.6	IPUx_Cx_INTC Registers	1769
7.4.7	IPUx_WUGEN Registers	1769
7.4.7.1	IPUx_WUGEN Register Summary.....	1769
7.4.7.2	IPUx_WUGEN Register Description.....	1770
7.4.8	IPUx_Cx_RW_TABLE Registers	1774

7.4.8.1	IPUx_Cx_RW_TABLE Register Summary.....	1774
7.4.8.2	IPUx_Cx_RW_TABLE Register Description.....	1775
8	Camera Interface Subsystem.....	1776
8.1	CAMSS Overview	1777
8.1.1	CAMSS Block Diagram.....	1777
8.1.2	CAMSS Features.....	1777
8.2	CAMSS Environment	1779
8.2.1	CAMSS Interfaces Signal Descriptions.....	1779
8.3	CAMSS Integration.....	1781
8.3.1	CAMSS Main Integration Attributes.....	1781
8.3.2	CAL Integration - Video Port.....	1782
8.3.3	CAL Integration - PPI Interface.....	1783
8.4	CAMSS Functional Description.....	1784
8.4.1	CAMSS Hardware and Software Reset	1784
8.4.2	CAMSS Clock Configuration.....	1784
8.4.3	CAMSS Power Management	1784
8.4.4	CAMSS Interrupt Events	1784
8.4.5	CSI2 PHY Functional Description	1788
8.4.5.1	CSI2 PHY Overview	1788
8.4.5.2	CSI2 PHY Configuration	1789
8.4.5.3	CSI2 PHY Link Initialization Sequence.....	1791
8.4.5.4	CSI2 PHY Error Signals.....	1792
8.4.6	CAL Functional Description	1792
8.4.6.1	CAL Block Diagram.....	1792
8.4.6.2	CSI2 Low Level Protocol.....	1794
8.4.6.2.1	CSI2 Physical Layer.....	1794
8.4.6.2.2	CSI2 Multi-lane Layer and Lane Merger	1796
8.4.6.2.3	CSI2 Protocol Layer.....	1799
8.4.6.2.4	CSI2 TAG Generation FSM	1807
8.4.6.3	CAL Data Stream Merger.....	1810
8.4.6.4	CAL Pixel Extraction.....	1810
8.4.6.5	CAL DPCM Decoding and Encoding	1811
8.4.6.6	CAL Stream Interleaving.....	1811
8.4.6.7	CAL Pixel Packing	1813
8.4.6.8	CAL Write DMA	1816
8.4.6.8.1	CAL Write DMA Overview.....	1816
8.4.6.8.2	CAL Write DMA Data Cropping.....	1817
8.4.6.8.3	CAL Write DMA Buffer Management	1817
8.4.6.8.4	CAL Write DMA OCP Address Generation	1818
8.4.6.8.5	CAL Write DMA OCP Transaction Generation	1820
8.4.6.8.6	CAL Write DMA Real Time Traffic	1820
8.4.6.9	CAL Video Port.....	1821
8.4.6.9.1	CAL Video Port Overview	1821
8.4.6.9.2	CAL Video Port Pixel Clock Generation	1822
8.4.6.9.3	CAL Video Port Video Timing Generator.....	1822
8.4.6.10	CAL Registers Shadowing.....	1823
8.5	CAMSS Register Manual.....	1825
8.5.1	CAMSS Instance Summary	1825
8.5.2	CAL Registers	1825
8.5.2.1	CAL Register Summary	1825
8.5.2.2	CAL Register Description	1827
8.5.3	CSI2 PHY Registers	1887
8.5.3.1	CSI2 PHY Register Summary	1887

8.5.3.2	CSI2 PHY Register Description	1888
9	Video Input Port	1892
9.1	VIP Overview	1893
9.2	VIP Environment	1895
9.3	VIP Integration	1898
9.4	VIP Functional Description	1899
9.4.1	VIP Block Diagram	1899
9.4.2	VIP Software Reset	1900
9.4.3	VIP Power and Clocks Management	1900
9.4.3.1	VIP Clocks	1901
9.4.3.2	VIP Idle Mode	1901
9.4.3.3	VIP StandBy Mode.....	1901
9.4.4	VIP Slice.....	1901
9.4.4.1	VIP Slice Processing Path Overview	1901
9.4.4.2	VIP Slice Processing Path Multiplexers.....	1903
9.4.4.2.1	VIP_CSC Multiplexers	1903
9.4.4.2.2	VIP_SC Multiplexer.....	1903
9.4.4.2.3	Output to VPDMA Multiplexers	1903
9.4.4.3	VIP Slice Processing Path Examples	1903
9.4.4.3.1	Input: A=RGB, B=YUV422; Output: A=RGB, B=RGB	1904
9.4.4.3.2	Input: A=YUV422 8/16, B=YUV422; Output: A=Scaled YUV420, B=RGB	1905
9.4.4.3.3	Input: A=RGB, B=YUV422; Output: A=RGB, B=Scaled YUV420.....	1906
9.4.4.3.4	Input: A=YUV444, B=YUV422; Output: A=YUV422, A=Scaled YUV422, B=YUV422	1907
9.4.4.3.5	Input: A=YUV444; Output: A=Scaled YUV420, A=YUV420	1908
9.4.4.3.6	Input: A=YUV444; Output: A=Scaled YUV420, A=YUV444	1909
9.4.4.3.7	Input: A=YUV422 8/16; Output: A=Scaled YUV420, A=YUV444	1910
9.4.4.3.8	Input: A=YUV422 8/16, B=YUV422; Output: A=Scaled YUV420, B=YUV420	1911
9.4.4.3.9	Input: A=YUV422 8/16, B=YUV422; Output: A=YUV420, B=YUV420	1912
9.4.5	VIP Parser.....	1912
9.4.5.1	Features.....	1913
9.4.5.2	Repacker.....	1913
9.4.5.3	Analog Video	1915
9.4.5.4	Digitized Video	1915
9.4.5.5	Frame Buffers	1917
9.4.5.6	Input Data Interface.....	1918
9.4.5.6.1	8b Interface Mode	1918
9.4.5.6.2	16b Interface Mode.....	1919
9.4.5.6.3	24b Interface Mode.....	1919
9.4.5.6.4	Signal Relationships	1920
9.4.5.6.5	General 5 Pin Interfaces.....	1920
9.4.5.6.6	Signal Subsets—4 Pin VSYNC, ACTVID, and FID	1922
9.4.5.6.7	Signal Subsets—4 Pin VSYNC, HSYNC, and FID.....	1922
9.4.5.6.8	Vertical Sync	1923
9.4.5.6.9	Field ID Determination Using Dedicated Signal	1924
9.4.5.6.10	Field ID Determination Using VSYNC Skew.....	1925
9.4.5.6.11	Rationale for FID Determination By VSYNC Skew	1926
9.4.5.6.12	ACTVID Framing	1927
9.4.5.6.13	Ancillary Data Storage in Discrete Sync Mode	1927
9.4.5.7	BT.656 Style Embedded Sync	1929
9.4.5.7.1	Data Input	1929
9.4.5.7.2	Sync Words	1929
9.4.5.7.3	Error Correction.....	1930
9.4.5.7.4	Embedded Sync Ancillary Data.....	1931

9.4.5.7.5	Embedded Sync RGB 24-bit Data	1932
9.4.5.8	Source Multiplexing	1933
9.4.5.8.1	Multiplexing Scenarios	1933
9.4.5.8.2	2-Way Multiplexing	1934
9.4.5.8.3	4-Way Multiplexing	1934
9.4.5.8.4	Line Multiplexing	1935
9.4.5.8.5	Super Frame Concept in Line Multiplexing	1935
9.4.5.8.6	8-bit Data Interface in Line Multiplexing	1935
9.4.5.8.7	16-bit Data Interface in Line Multiplexing	1936
9.4.5.8.8	Split Lines in Line Multiplex Mode	1936
9.4.5.8.9	Meta Data	1936
9.4.5.8.10	TI Line Mux Mode, Split Lines, and Channel ID Remapping	1937
9.4.5.9	Channel ID Extraction for 2x/4x Multiplexed Source	1938
9.4.5.9.1	Channel ID Extraction Overview	1938
9.4.5.9.2	Channel ID Embedded in Protection Bits for 2- and 4-Way Multiplexing	1938
9.4.5.9.3	Channel ID Embedded in Horizontal Blanking Pixel Data for 2- and 4-Way Multiplexing ..	1938
9.4.5.10	Embedded Sync Mux Modes and Data Bus Widths	1939
9.4.5.11	Ancillary and Active Video Cropping	1939
9.4.5.12	Interrupts	1941
9.4.5.13	VDET Interrupt	1945
9.4.5.14	Source Video Size	1945
9.4.5.15	Clipping	1945
9.4.5.16	Current and Last FID Value	1945
9.4.5.17	Disable Handling	1946
9.4.5.18	Picture Size Interrupt	1946
9.4.5.19	Discrete Sync Signals	1946
9.4.5.19.1	VBLNK and HBLNK	1947
9.4.5.19.2	BLNK and ACTVID (1)	1948
9.4.5.19.3	VBLNK and ACTVID(2)	1948
9.4.5.19.4	VBLNK and HSYNC	1948
9.4.5.19.5	VSYNC and HBLNK	1948
9.4.5.19.6	VSYNC and ACTVID(1)	1949
9.4.5.19.7	VSYNC and ACTVID(2)	1949
9.4.5.19.8	VSYNC and HSYNC	1950
9.4.5.19.9	Line and Pixel Capture Examples	1950
9.4.5.20	VIP Overflow Detection and Recovery	1951
9.4.6	VIP Color Space Converter (CSC)	1952
9.4.6.1	CSC Features	1952
9.4.6.2	CSC Functional Description	1952
9.4.6.2.1	HDTV Application	1953
9.4.6.2.2	SDTV Application	1956
9.4.6.3	CSC Bypass Mode	1958
9.4.7	VIP Scaler (SC)	1958
9.4.7.1	SC Features	1958
9.4.7.2	SC Functional Description	1959
9.4.7.2.1	Trimmer	1959
9.4.7.2.2	Peaking	1960
9.4.7.2.3	Vertical Scaler	1961
9.4.7.2.4	Horizontal Scaler	1963
9.4.7.2.5	Basic Configurations	1967
9.4.7.2.6	Coefficient Memory	1968
9.4.7.3	SC Code	1971
9.4.7.3.1	Generate Coefficient Memory Image	1971

9.4.7.3.2	Scaler Configuration Calculation	1973
9.4.7.3.3	Typical Configuration Values.....	1977
9.4.7.4	SC Coefficient Data Files	1978
9.4.7.4.1	HS Polyphase Filter Coefficients	1978
9.4.7.4.2	VS Polyphase Filter Coefficients	1983
9.4.7.4.3	VS (Bilinear Filter Coefficients)	1990
9.4.8	VIP Video Port Direct Memory Access (VPDMA)	1991
9.4.8.1	VPDMA Introduction	1991
9.4.8.2	VPDMA Basic Definitions	1991
9.4.8.2.1	Client	1991
9.4.8.2.2	Channel	1992
9.4.8.2.3	List	1992
9.4.8.2.4	Data Formats Supported	1992
9.4.8.3	VPDMA Client Buffering and Functionality	1993
9.4.8.4	VPDMA Channels Assignment	1995
9.4.8.5	VPDMA MFLAG Mechanism	1999
9.4.8.6	VPDMA Interrupts	2000
9.4.8.7	VPDMA Descriptors	2015
9.4.8.7.1	Data Transfer Descriptors	2016
9.4.8.7.2	Configuration Descriptor	2025
9.4.8.7.3	Control Descriptor	2028
9.4.8.8	VPDMA Configuration	2032
9.4.8.8.1	Regular List.....	2032
9.4.8.8.2	Video Input Ports	2032
9.4.8.9	VPDMA Data Formats.....	2033
9.4.8.9.1	YUV Data Formats	2033
9.4.8.9.2	RGB Data Formats	2038
9.4.8.9.3	Miscellaneous Data Type.....	2044
9.5	VIP Register Manual	2044
9.5.1	VIP Instance Summary	2044
9.5.2	VIP Top Level Registers.....	2044
9.5.2.1	VIP Top Level Register Summary	2044
9.5.2.2	VIP Top Level Register Description	2045
9.5.3	VIP Parser Registers	2076
9.5.3.1	VIP Parser Register Summary	2076
9.5.3.2	VIP Parser Register Description	2079
9.5.4	VIP CSC Registers.....	2118
9.5.4.1	VIP CSC Register Summary	2118
9.5.4.2	VIP CSC Register Description	2118
9.5.5	VIP SC registers.....	2122
9.5.5.1	VIP SC Register Summary	2122
9.5.5.2	VIP SC Register Description	2123
9.5.6	VIP VPDMA Registers.....	2136
9.5.6.1	VIP VPDMA Register Summary	2137
9.5.6.2	VIP VPDMA Register Description	2141
10	Video Processing Engine	2310
10.1	VPE Overview	2311
10.2	VPE Integration	2312
10.3	VPE Functional Description	2314
10.3.1	VPE Block Diagram	2314
10.3.2	VPE VC1 Range Mapping/Range Reduction.....	2315
10.3.3	VPE Deinterlacer (DEI)	2316
10.3.3.1	Functional Description	2316

10.3.3.2	Bypass Mode	2317
10.3.3.2.1	VPDMA Interface	2317
10.3.3.2.2	MDT	2317
10.3.3.2.3	EDI	2319
10.3.3.2.4	FMD	2322
10.3.3.2.5	MUX	2323
10.3.3.2.6	LINE BUFFER	2324
10.3.4	VPE Scaler (SC)	2324
10.3.4.1	SC Features	2324
10.3.4.2	SC Functional Description	2324
10.3.4.2.1	Trimmer	2325
10.3.4.2.2	Peaking	2326
10.3.4.2.3	Vertical Scaler	2327
10.3.4.2.4	Horizontal Scaler	2329
10.3.4.2.5	Basic Configurations	2333
10.3.4.2.6	Coefficient Memory	2334
10.3.4.3	SC Code	2337
10.3.4.3.1	Generate Coefficient Memory Image	2337
10.3.4.3.2	Scaler Configuration Calculation	2339
10.3.4.3.3	Typical Configuration Values	2343
10.3.4.4	SC Coefficient Data Files	2344
10.3.4.4.1	HS Polyphase Filter Coefficients	2344
10.3.4.4.2	VS Polyphase Filter Coefficients	2349
10.3.4.4.3	VS (Bilinear Filter Coefficients)	2357
10.3.5	VPE Color Space Converter (CSC)	2358
10.3.5.1	CSC Features	2358
10.3.5.2	CSC Functional Description	2358
10.3.5.2.1	HDTV Application	2359
10.3.5.2.2	SDTV Application	2361
10.3.5.3	CSC Bypass Mode	2364
10.3.6	VPE Chroma Up-Sampler (CHR_US)	2364
10.3.6.1	Features	2364
10.3.6.2	Functional Description	2364
10.3.6.3	For Interlaced YUV420 Input Data	2366
10.3.6.4	Edge Effects	2367
10.3.6.5	Modes of Operation (VPDMA)	2367
10.3.6.6	Coefficient Configuration	2367
10.3.7	VPE Chroma Down-Sampler (CHR_DS)	2368
10.3.8	VPE YUV422 to YUV444 Conversion	2369
10.3.9	VPE Video Port Direct Memory Access (VPDMA)	2369
10.3.9.1	VPDMA Introduction	2369
10.3.9.2	VPDMA Basic Definitions	2369
10.3.9.2.1	Client	2369
10.3.9.2.2	Channel	2369
10.3.9.2.3	List	2370
10.3.9.2.4	Data Formats Supported	2370
10.3.9.3	VPDMA Client Buffering and Functionality	2371
10.3.9.4	VPDMA Channels Assignment	2371
10.3.9.5	VPDMA Interrupts	2372
10.3.9.6	VPDMA Descriptors	2377
10.3.9.6.1	Data Transfer Descriptors	2377
10.3.9.6.2	Configuration Descriptor	2388
10.3.9.6.3	Control Descriptor	2390

10.3.9.7	VPDMA Configuration	2395
10.3.9.7.1	Regular List	2395
10.3.9.7.2	Video Input Ports	2395
10.3.9.8	VPDMA Data Formats.....	2395
10.3.9.8.1	YUV Data Formats	2396
10.3.9.8.2	RGB Data Formats.....	2401
10.3.9.8.3	Miscellaneous Data Type	2411
10.3.10	VPE Software Reset	2411
10.3.11	VPE Power and Clocks Management	2411
10.3.11.1	VPE Clocks	2412
10.3.11.2	VPE Idle Mode	2412
10.3.11.3	VPE StandBy Mode	2412
10.4	VPE Register Manual.....	2412
10.4.1	VPE Instance Summary	2412
10.4.2	VPE_CSC Registers	2412
10.4.2.1	VPE_CSC Register Summary	2412
10.4.2.2	VPE_CSC Register Description	2413
10.4.3	VPE_SC Registers	2417
10.4.3.1	VPE_SC Register Summary	2417
10.4.3.2	VPE_SC Register Description	2417
10.4.4	VPE_CHR_US Registers.....	2430
10.4.4.1	VPE_CHR_US Register Summary	2430
10.4.4.2	VPE_CHR_US Register Description	2430
10.4.5	VPE_DEI Registers	2435
10.4.5.1	VPE_DEI Register Summary	2435
10.4.5.2	VPE_DEI Register Description	2436
10.4.6	VPE_VPDMA Registers	2446
10.4.6.1	VPE_VPDMA Register Summary	2447
10.4.6.2	VPE_VPDMA Register Description	2450
10.4.7	VPE_TOP_LEVEL Registers	2591
10.4.7.1	VPE_TOP_LEVEL Register Summary	2591
10.4.7.2	VPE_TOP_LEVEL Register Description	2592
11	Display Subsystem.....	2609
11.1	Display Subsystem Overview.....	2610
11.1.1	Display Subsystem Environment.....	2611
11.1.1.1	Display Subsystem LCD Support	2612
11.1.1.1.1	Display Subsystem LCD with Parallel Interfaces.....	2613
11.1.1.2	Display Subsystem TV Display Support	2614
11.1.1.2.1	Display Subsystem TV With Parallel Interfaces	2614
11.1.1.2.2	Display Subsystem TV With Serial Interfaces	2614
11.1.2	Display Subsystem Integration	2614
11.1.2.1	Display Subsystem Clocks.....	2616
11.1.2.2	Display Subsystem Resets	2618
11.1.2.3	Display Subsystem Power Management	2618
11.1.2.3.1	Display Subsystem Standby Mode.....	2619
11.1.2.3.2	Display Subsystem Wake-Up Mode	2620
11.1.3	Display Subsystem DPLL Controllers Functional Description.....	2621
11.1.3.1	DPLL Controllers Overview	2621
11.1.3.2	OCP2SCP2 Functional Description.....	2622
11.1.3.2.1	OCP2SCP2 Reset.....	2623
11.1.3.2.2	OCP2SCP2 Power Management	2623
11.1.3.2.3	OCP2SCP2 Timing Registers	2623
11.1.3.3	DPLL_VIDEO Functional Description	2623

11.1.3.3.1	DPLL_VIDEO Controller Architecture	2623
11.1.3.3.2	DPLL_VIDEO Operations	2624
11.1.3.3.3	DPLL_VIDEO Error Handling	2625
11.1.3.3.4	DPLL_VIDEO Software Reset	2625
11.1.3.3.5	DPLL_VIDEO Power Management	2625
11.1.3.3.6	DPLL_VIDEO HSDIVIDER Loading Operation	2626
11.1.3.3.7	DPLL_VIDEO Clock Sequence	2626
11.1.3.3.8	DPLL_VIDEO Go Sequence	2628
11.1.3.3.9	DPLL_VIDEO Recommended Values	2629
11.1.3.4	DPLL_HDMI Functional Description	2630
11.1.3.4.1	DPLL_HDMI and PLLCTRL_HDMI Overview	2630
11.1.3.4.2	DPLL_HDMI and PLLCTRL_HDMI Architecture	2631
11.1.3.4.3	DPLL_HDMI Operations	2632
11.1.3.4.4	DPLL_HDMI Register Access	2633
11.1.3.4.5	DPLL_HDMI Error Handling	2633
11.1.3.4.6	DPLL_HDMI Software Reset	2633
11.1.3.4.7	DPLL_HDMI Power Management	2633
11.1.3.4.8	DPLL_HDMI Lock Sequence	2634
11.1.3.4.9	DPLL_HDMI Go Sequence	2636
11.1.3.4.10	DPLL_HDMI Recommended Values	2636
11.1.4	Display Subsystem Programming Guide	2638
11.1.5	Display Subsystem Register Manual	2639
11.1.5.1	Display Subsystem Instance Summary	2639
11.1.5.2	Display Subsystem Registers	2639
11.1.5.2.1	Display Subsystem Registers Mapping Summary	2639
11.1.5.2.2	Display Subsystem Register Description	2639
11.1.5.3	OCP2SCP2 registers	2643
11.1.5.3.1	OCP2SCP2 Register Summary	2643
11.1.5.3.2	OCP2SCP Register Description	2643
11.1.5.4	DPLL_VIDEO Registers	2645
11.1.5.4.1	DPLL_VIDEO Register Summary	2645
11.1.5.4.2	DPLL_VIDEO Register Description	2646
11.1.5.5	DPLL_HDMI Registers	2654
11.1.5.5.1	DPLL_HDMI Registers Mapping Summary	2654
11.1.5.5.2	DPLL_HDMI Register Description	2654
11.1.5.6	HDMI_WP Registers	2661
11.1.5.6.1	HDMI_WP Registers Mapping Summary	2661
11.1.5.6.2	HDMI_WP Register Description	2662
11.1.5.7	DSI Registers	2664
11.1.5.7.1	DSI Register Summary	2664
11.1.5.7.2	DSI Register Description	2664
11.2	Display Controller	2665
11.2.1	DISPC Overview	2665
11.2.2	DISPC Environment	2670
11.2.2.1	DISPC LCD Output and Data Format for the Parallel Interface	2671
11.2.2.2	DISPC Transaction Timing Diagrams	2675
11.2.2.3	DISPC TV Output and Data Format for the Parallel Interface	2679
11.2.3	DISPC Integration	2680
11.2.4	DISPC Functional Description	2682
11.2.4.1	DISPC Clock Configuration	2683
11.2.4.2	DISPC Software Reset	2683
11.2.4.3	DISPC Power Management	2684
11.2.4.3.1	DISPC Idle Mode	2684

11.2.4.3.2	DISPC StandBy Mode	2684
11.2.4.3.3	DISPC Wakeup	2685
11.2.4.4	DISPC Interrupt Requests	2685
11.2.4.5	DISPC DMA Requests	2687
11.2.4.6	DISPC DMA Engine	2687
11.2.4.6.1	DISPC Addressing and Bursts	2688
11.2.4.6.2	DISPC Immediate Base Address Flip Mechanism	2690
11.2.4.6.3	DISPC DMA Buffers	2690
11.2.4.6.4	DISPC MFLAG Mechanism and Arbitration	2692
11.2.4.6.5	DISPC Predecimation	2693
11.2.4.6.6	DISPC Progressive-to-Interlaced Format Conversion	2694
11.2.4.6.7	DISPC Arbitration	2695
11.2.4.6.8	DISPC DMA Power Modes	2695
11.2.4.7	DISPC Rotation and Mirroring	2696
11.2.4.8	DISPC Memory Format	2698
11.2.4.9	DISPC Graphics Pipeline	2700
11.2.4.9.1	DISPC Replication Logic	2701
11.2.4.9.2	DISPC Antiflicker Filter	2702
11.2.4.10	DISPC Video Pipelines	2703
11.2.4.10.1	DISPC Replication Logic	2704
11.2.4.10.2	DISPC VC-1 Range Mapping Unit	2705
11.2.4.10.3	DISPC CSC Unit YUV to RGB	2705
11.2.4.10.4	DISPC Scaler Unit	2708
11.2.4.11	DISPC Write-Back Pipeline	2717
11.2.4.11.1	DISPC Write-Back CSC Unit RGB to YUV	2717
11.2.4.11.2	DISPC Write-Back Scaler Unit	2718
11.2.4.11.3	DISPC Write-Back RGB Truncation Logic	2723
11.2.4.12	DISPC Hardware Cursor	2723
11.2.4.13	DISPC LCD Outputs	2724
11.2.4.13.1	DISPC Overlay Manager	2724
11.2.4.13.2	DISPC Gamma Correction Unit	2732
11.2.4.13.3	DISPC Color Phase Rotation Unit	2734
11.2.4.13.4	DISPC Color Space Conversion	2735
11.2.4.13.5	DISPC BT.656 and BT.1120 Modes	2736
11.2.4.13.6	DISPC Active Matrix	2738
11.2.4.13.7	DISPC Synchronized Buffer Update	2744
11.2.4.13.8	DISPC Timing Generator and Panel Settings	2745
11.2.4.14	DISPC TV Output	2746
11.2.4.14.1	DISPC Overlay Manager	2747
11.2.4.14.2	DISPC Gamma Correction Unit	2747
11.2.4.14.3	DISPC Synchronized Buffer Update	2747
11.2.4.14.4	DISPC Timing and TV Format Settings	2747
11.2.4.15	DISPC Frame Width Considerations	2749
11.2.4.16	DISPC Extended 3D Support	2750
11.2.4.16.1	DISPC Extended 3D Support - Line Alternative Format	2751
11.2.4.16.2	DISPC Extended 3D Support - Frame Packing Format Format	2752
11.2.4.16.3	DISPC Extended 3D Support - DLP 3D Format	2753
11.2.4.17	DISPC Shadow Registers	2753
11.2.5	DISPC Programming Guide	2760
11.2.5.1	DISPC Low-Level Programming Models	2760
11.2.5.1.1	DISPC Global Initialization	2760
11.2.5.1.2	DISPC Operational Modes Configuration	2760
11.2.6	DISPC Register Manual	2775

11.2.6.1	DISPC Instance Summary	2775
11.2.6.2	DISPC Logical Register Mapping	2775
11.2.6.3	DISPC Registers	2782
11.2.6.3.1	DISPC Register Summary	2782
11.2.6.3.2	DISPC Register Description	2787
11.3	High-Definition Multimedia Interface	2947
11.3.1	HDMI Overview	2947
11.3.1.1	HDMI Main Features	2948
11.3.1.2	HDMI Video Formats and Timings.....	2949
11.3.1.2.1	HDMI CEA-861-D Video Formats and Timings	2949
11.3.1.2.2	VESA DMT Video Formats and Timings	2950
12	3D Graphics Accelerator	2951
12.1	GPU Overview	2952
12.1.1	GPU Features Overview	2952
12.1.2	Graphics Feature Overview.....	2953
12.2	GPU Integration	2954
12.3	GPU Functional Description	2955
12.3.1	GPU Block Diagram	2955
12.3.2	GPU Clock Configuration	2956
12.3.3	GPU Software Reset.....	2957
12.3.4	GPU Power Management.....	2957
12.3.5	GPU Thermal Management.....	2957
12.3.6	GPU Interrupt Requests.....	2957
12.4	GPU Register Manual	2957
12.4.1	GPU Instance Summary	2957
12.4.2	GPU Registers.....	2958
12.4.2.1	GPU_WRAPPER Register Summary	2958
12.4.2.2	GPU_WRAPPER Register Description	2958
13	2D Graphics Accelerator	2975
13.1	BB2D Overview.....	2976
13.1.1	BB2D Key Features Overview.....	2976
13.2	BB2D Integration	2978
13.3	BB2D Functional Description	2980
13.3.1	BB2D Block Diagram	2980
13.3.2	BB2D Clock Configuration	2980
13.3.3	BB2D Software Reset	2981
13.3.4	BB2D Power Management.....	2981
13.4	BB2D Register Manual	2982
13.4.1	BB2D Instance Summary	2982
13.4.2	BB2D Registers	2982
13.4.2.1	BB2D Register Summary	2982
13.4.2.2	BB2D Register Description	2984
14	Interconnect	3024
14.1	Interconnect Overview	3025
14.1.1	Terminology.....	3025
14.1.2	Architecture Overview	3026
14.2	L3_MAIN Interconnect.....	3029
14.2.1	L3_MAIN Interconnect Overview.....	3029
14.2.2	L3_MAIN Interconnect Integration	3031
14.2.3	L3_MAIN Interconnect Functional Description	3032
14.2.3.1	Module Use in L3_MAIN Interconnect	3032
14.2.3.2	Module Distribution	3032
14.2.3.2.1	L3_MAIN Interconnect Agents.....	3032

14.2.3.2.2	L3_MAIN Connectivity Matrix	3034
14.2.3.2.3	Master NIU Identification	3038
14.2.3.3	Bandwidth Regulators	3039
14.2.3.4	Bandwidth Limiters	3040
14.2.3.5	Flag Muxing	3041
14.2.3.5.1	Flag Mux Time-out	3042
14.2.3.6	Statistic Collectors Group	3043
14.2.3.7	L3_MAIN Protection and Firewalls	3044
14.2.3.7.1	L3_MAIN Firewall Reset	3044
14.2.3.7.2	Power Management	3046
14.2.3.7.3	L3_MAIN Firewall Functionality	3046
14.2.3.8	L3_MAIN Interconnect Error Handling	3057
14.2.3.8.1	Global Error-Routing Scheme	3057
14.2.3.8.2	Slave NIU Error Logging	3058
14.2.3.8.3	Flag Mux Error Logging	3059
14.2.3.8.4	Severity Level of Standard and Custom Errors	3061
14.2.3.8.5	Example for Decoding Standard/Custom Errors Logged in L3_MAIN	3061
14.2.4	L3_MAIN Interconnect Programming Guide	3061
14.2.4.1	L3_MAIN Interconnect Low-Level Programming Models	3061
14.2.4.1.1	Global Initialization	3061
14.2.4.2	Operational Modes Configuration	3062
14.2.4.2.1	L3_MAIN Interconnect Error Analysis Mode	3062
14.2.5	L3_MAIN Interconnect Register Manual	3065
14.2.5.1	L3_MAIN Register Group Summary	3065
14.2.5.1.1	L3_MAIN Firewall Registers Summary and Description	3065
14.2.5.1.2	L3_MAIN Host Register Summary and Description	3077
14.2.5.1.3	L3_MAIN TARG Register Summary and Description	3090
14.2.5.1.4	L3_MAIN FLAGMUX Registers Summary and Description	3113
14.2.5.1.5	L3_MAIN FLAGMUX CLK1MERGE Registers Summary and Description	3117
14.2.5.1.6	L3_MAIN FLAGMUX TIMEOUT Registers Summary and Description	3121
14.2.5.1.7	L3_MAIN BW Regulator Register Summary and Description	3129
14.2.5.1.8	L3_MAIN Bandwidth Limiter Register Summary and Description	3137
14.2.5.1.9	L3_MAIN STATCOLL Register Summary and Description	3145
14.3	L4 Interconnects	3200
14.3.1	L4 Interconnect Overview	3200
14.3.2	L4 Interconnect Integration	3201
14.3.3	L4 Interconnect Functional Description	3202
14.3.3.1	Module Distribution	3202
14.3.3.1.1	L4_PER1 Interconnect Agents	3202
14.3.3.1.2	L4_PER2 Interconnect Agents	3203
14.3.3.1.3	L4_PER3 Interconnect Agents	3204
14.3.3.1.4	L4_CFG Interconnect Agents	3205
14.3.3.1.5	L4_WKUP Interconnect Agents	3206
14.3.3.2	Power Management	3207
14.3.3.3	L4 Firewalls	3207
14.3.3.3.1	Protection Group	3209
14.3.3.3.2	Segments and Regions	3214
14.3.3.3.3	L4 Firewall Address and Protection Register Settings	3221
14.3.3.4	L4 Error Detection and Reporting	3222
14.3.3.4.1	IA and TA Error Detection and Logging	3222
14.3.3.4.2	Time-Out	3223
14.3.3.4.3	Error Reporting	3224
14.3.3.4.4	Error Recovery	3225

14.3.3.4.5	Firewall Error Logging in the Control Module.....	3226
14.3.4	L4 Interconnect Programming Guide	3227
14.3.4.1	L4 Interconnect Low-level Programming Models	3227
14.3.4.1.1	Global Initialization	3227
14.3.4.1.2	Operational Modes Configuration	3227
14.3.5	L4 Interconnects Register Manual	3231
14.3.5.1	L4 Interconnects Instance Summary	3231
14.3.5.2	L4 Initiator Agent (L4 IA)	3235
14.3.5.2.1	L4 Initiator Agent (L4 IA) Register Summary	3235
14.3.5.2.2	L4 Initiator Agent (L4 IA) Register Description	3237
14.3.5.3	L4 Target Agent (L4 TA)	3245
14.3.5.3.1	L4 Target Agent (L4 TA) Register Summary	3245
14.3.5.3.2	L4 Target Agent (L4 TA) Register Description	3261
14.3.5.4	L4 Link Agent (L4 LA)	3266
14.3.5.4.1	L4 Link Agent (L4 LA) Register Summary	3266
14.3.5.4.2	L4 Link Agent (L4 LA) Register Description	3266
14.3.5.5	L4 Address Protection (L4 AP)	3274
14.3.5.5.1	L4 Address Protection (L4 AP) Register Summary	3274
14.3.5.5.2	L4 Address Protection (L4 AP) Register Description	3275
15	Memory Subsystem.....	3292
15.1	Memory Subsystem Overview	3293
15.1.1	DMM Overview	3293
15.1.2	TILER Overview	3294
15.1.3	EMIF Overview	3294
15.1.4	GPMC Overview.....	3295
15.1.5	ELM Overview	3296
15.1.6	OCM Overview	3296
15.2	Dynamic Memory Manager	3298
15.2.1	DMM Overview	3298
15.2.2	DMM Integration.....	3298
15.2.2.1	DMM Configuration	3300
15.2.3	DMM Functional Description.....	3301
15.2.3.1	DMM Block Diagram.....	3301
15.2.3.2	DMM Clock Configuration.....	3302
15.2.3.3	DMM Power Management	3302
15.2.3.4	DMM Interrupt Requests	3303
15.2.3.5	DMM	3305
15.2.3.5.1	DMM Concepts	3305
15.2.3.5.2	DMM Transaction Flows.....	3309
15.2.3.5.3	DMM Internal Macro-Architecture	3310
15.2.3.6	TILER.....	3313
15.2.3.6.1	TILER Concepts	3313
15.2.3.6.2	TILER Macro-Architecture.....	3331
15.2.3.6.3	TILER Guidelines for Initiators.....	3334
15.2.4	DMM Use Cases and Tips	3336
15.2.4.1	PAT Use Cases	3336
15.2.4.1.1	Simple Manual Area Refill.....	3336
15.2.4.1.2	Single Auto-Configured Area Refill.....	3336
15.2.4.1.3	Chained Auto-Configured Area Refill	3337
15.2.4.1.4	Synchronized Auto-Configured Area Refill.....	3338
15.2.4.1.5	Cyclic Synchronized Auto-Configured Area Refill.....	3339
15.2.4.2	Addressing Management with LISA	3340
15.2.4.2.1	Case 1: Use of One Memory Controller	3340

15.2.5	DMM Basic Programming Model.....	3341
15.2.5.1	Global Initialization.....	3341
15.2.5.2	DMM Module Global Initialization.....	3342
15.2.5.3	DMM Operational Modes Configuration.....	3342
15.2.5.3.1	Different Operational Modes.....	3342
15.2.5.3.2	Configuration Settings and LUT Refill.....	3342
15.2.5.3.3	LISA Settings.....	3343
15.2.5.3.4	Aliased Tiled View Orientation Settings and LUT Refill.....	3343
15.2.5.3.5	Priority Settings.....	3343
15.2.5.3.6	Error Handling.....	3343
15.2.5.3.7	PAT Programming Model.....	3344
15.2.5.4	Addressing an Object in Tiled Mode.....	3344
15.2.5.4.1	Frame-Buffer Addressing.....	3344
15.2.5.4.2	TILER Page Mapping.....	3345
15.2.5.5	Addressing an Object in Page Mode.....	3346
15.2.5.6	Sharing Containers Between Different Modes.....	3347
15.2.6	DMM Register Manual.....	3348
15.2.6.1	DMM Instance Summary.....	3348
15.2.6.2	DMM Registers.....	3348
15.2.6.2.1	DMM Register Summary.....	3348
15.2.6.2.2	DMM Register Description.....	3349
15.3	EMIF Controller.....	3386
15.3.1	EMIF Controller Overview.....	3386
15.3.2	EMIF Module Environment.....	3386
15.3.3	EMIF Module Integration.....	3390
15.3.4	EMIF Functional Description.....	3393
15.3.4.1	Block Diagram.....	3393
15.3.4.1.1	Local Interface.....	3393
15.3.4.1.2	FIFO Description.....	3394
15.3.4.1.3	MPU Port Restrictions.....	3395
15.3.4.1.4	Arbitration of Commands in the Command FIFO.....	3395
15.3.4.2	Clock Management.....	3397
15.3.4.2.1	EMIF_FICLK Overview.....	3397
15.3.4.2.2	EMIF Dependency on MPU Clock Rate.....	3397
15.3.4.3	Reset.....	3397
15.3.4.4	System Power Management.....	3398
15.3.4.4.1	Power-Down Mode.....	3398
15.3.4.4.2	Self-Refresh Mode.....	3398
15.3.4.5	Interrupt Requests.....	3399
15.3.4.6	SDRAM Refresh Scheduling.....	3400
15.3.4.7	SDRAM Initialization.....	3400
15.3.4.7.1	DDR3/DDR3L SDRAM Initialization.....	3401
15.3.4.8	DDR3/DDR3L Read-Write Leveling.....	3402
15.3.4.8.1	Full Leveling.....	3403
15.3.4.8.2	Software Leveling.....	3403
15.3.4.9	EMIF Access Cycles.....	3404
15.3.4.10	Turnaround Time.....	3404
15.3.4.11	PHY DLL Calibration.....	3405
15.3.4.12	SDRAM Address Mapping.....	3405
15.3.4.12.1	Address Mapping for IBANK_POS = 0 and EBANK_POS = 0.....	3406
15.3.4.12.2	Address Mapping for IBANK_POS = 1 and EBANK_POS = 0.....	3407
15.3.4.12.3	Address Mapping for IBANK_POS = 2 and EBANK_POS = 0.....	3407
15.3.4.12.4	Address Mapping for IBANK_POS = 3 and EBANK_POS = 0.....	3407

15.3.4.12.5	Address Mapping for IBANK_POS = 0 and EBANK_POS = 1	3408
15.3.4.12.6	Address Mapping for IBANK_POS = 1 and EBANK_POS = 1	3408
15.3.4.12.7	Address Mapping for IBANK_POS = 2 and EBANK_POS = 1	3409
15.3.4.12.8	Address Mapping for IBANK_POS = 3 and EBANK_POS = 1	3409
15.3.4.13	DDR3/DDR3L Output Impedance Calibration.....	3410
15.3.4.14	Error Correction And Detection Feature	3411
15.3.4.15	Class of Service.....	3412
15.3.4.16	Performance Counters	3413
15.3.4.16.1	Performance Counters General Examples	3413
15.3.4.17	Forcing CKE to tri-state	3414
15.3.5	EMIF Programming Guide	3416
15.3.5.1	EMIF Low-Level Programming Models	3416
15.3.5.1.1	Global Initialization	3416
15.3.5.1.2	Operational Modes Configuration	3422
15.3.6	EMIF Register Manual.....	3425
15.3.6.1	EMIF Instance Summary.....	3425
15.3.6.2	EMIF Registers	3425
15.3.6.2.1	EMIF Register Summary	3425
15.3.6.2.2	EMIF Register Description	3429
15.4	General-Purpose Memory Controller	3529
15.4.1	GPMC Overview.....	3529
15.4.2	GPMC Environment.....	3529
15.4.2.1	GPMC Modes	3529
15.4.2.2	GPMC Signals.....	3532
15.4.3	GPMC Integration	3533
15.4.4	GPMC Functional Description	3537
15.4.4.1	GPMC Block Diagram	3537
15.4.4.2	GPMC Clock Configuration	3538
15.4.4.3	GPMC Software Reset	3539
15.4.4.4	GPMC Power Management	3539
15.4.4.5	GPMC Interrupt Requests	3540
15.4.4.6	L3 Interconnect Interface.....	3540
15.4.4.7	GPMC Address and Data Bus	3540
15.4.4.7.1	GPMC I/O Configuration Setting	3541
15.4.4.7.2	GPMC CS0 Default Configuration at Device Reset	3541
15.4.4.8	Address Decoder and Chip-Select Configuration.....	3543
15.4.4.8.1	Chip-Select Base Address and Region Size	3543
15.4.4.8.2	Access Protocol	3544
15.4.4.8.3	External Signals	3545
15.4.4.8.4	Error Handling	3554
15.4.4.9	Timing Setting	3554
15.4.4.9.1	Read Cycle Time and Write Cycle Time (RDCYCLETIME / WRCYCLETIME)	3555
15.4.4.9.2	nCS: Chip-Select Signal Control Assertion/Deassertion Time (CSONTIME / CSRDOFFTIME / CSWROFFTIME / CSEXTRADELAY)	3555
15.4.4.9.3	nADV/ALE: Address Valid/Address Latch Enable Signal Control Assertion/Deassertion Time (ADVONTIME / ADVRDOFFTIME / ADVWROFFTIME / ADVEXTRADELAY/ADVAADMUXONTIME/ADVAADMUXRDOFFTIME/ADVAADMUXWROFFTIME).....	3555
15.4.4.9.4	nOE/nRE: Output Enable/Read Enable Signal Control Assertion/Deassertion Time (OEONTIME / OEOFFTIME / OEEXTRADELAY / OEAADMUXONTIME / OEAADMUXOFFTIME)	3556
15.4.4.9.5	nWE: Write Enable Signal Control Assertion/Deassertion Time (WEONTIME / WEOFFTIME / WEEXTRADELAY)	3557
15.4.4.9.6	GPMC_CLK	3557
15.4.4.9.7	GPMC_CLK and Control Signals Setup and Hold	3558

15.4.4.9.8	Access Time (RDACCESSTIME / WRACCESSTIME)	3558
15.4.4.9.9	Page Burst Access Time (PAGEBURSTACCESSTIME)	3559
15.4.4.9.10	Bus Keeping Support	3559
15.4.4.10	NOR Access Description	3559
15.4.4.10.1	Asynchronous Access Description	3560
15.4.4.10.2	Synchronous Access Description	3567
15.4.4.10.3	Asynchronous and Synchronous Accesses in Nonmultiplexed Mode	3576
15.4.4.10.4	Page and Burst Support	3580
15.4.4.10.5	System Burst vs External Device Burst Support.....	3580
15.4.4.11	pSRAM Access Specificities	3581
15.4.4.12	NAND Access Description	3581
15.4.4.12.1	NAND Memory Device in Byte or 16-bit Word Stream Mode	3581
15.4.4.12.2	NAND Device-Ready Pin	3588
15.4.4.12.3	ECC Calculator.....	3589
15.4.4.12.4	Prefetch and Write-Posting Engine	3605
15.4.5	GPMC Basic Programming Model	3613
15.4.5.1	GPMC High-Level Programming Model Overview	3613
15.4.5.2	GPMC Initialization	3615
15.4.5.3	GPMC Configuration in NOR Mode	3615
15.4.5.4	GPMC Configuration in NAND Mode.....	3616
15.4.5.5	Set Memory Access	3618
15.4.5.6	GPMC Timing Parameters.....	3619
15.4.5.6.1	GPMC Timing Parameters Formulas	3622
15.4.6	GPMC Use Cases and Tips	3632
15.4.6.1	How to Set GPMC Timing Parameters for Typical Accesses	3632
15.4.6.1.1	External Memory Attached to the GPMC Module.....	3632
15.4.6.1.2	Typical GPMC Setup	3632
15.4.6.2	How to Choose a Suitable Memory to Use With the GPMC	3638
15.4.6.2.1	Supported Memories or Devices	3638
15.4.6.2.2	GPMC Features and Settings	3641
15.4.7	GPMC Register Manual	3642
15.4.7.1	GPMC Register Summary	3642
15.4.7.2	GPMC Register Descriptions	3643
15.5	Error Location Module	3675
15.5.1	Error Location Module Overview	3675
15.5.2	ELM Integration.....	3676
15.5.3	ELM Functional Description.....	3677
15.5.3.1	ELM Software Reset.....	3677
15.5.3.2	ELM Power Management	3677
15.5.3.3	ELM Interrupt Requests	3678
15.5.3.4	Processing Initialization	3679
15.5.3.5	Processing Sequence	3679
15.5.3.6	Processing Completion.....	3680
15.5.4	ELM Basic Programming Model.....	3681
15.5.4.1	ELM Low-Level Programming Model.....	3681
15.5.4.1.1	Processing Initialization.....	3681
15.5.4.1.2	Read Results.....	3682
15.5.4.2	Use Case: ELM Used in Continuous Mode	3683
15.5.4.3	Use Case: ELM Used in Page Mode.....	3684
15.5.5	ELM Register Manual.....	3687
15.5.5.1	ELM Instance Summary.....	3687
15.5.5.2	ELM Registers.....	3687
15.5.5.2.1	ELM Register Summary	3687

15.5.5.2.2	ELM Register Description	3688
15.6	On-Chip Memory (OCM) Subsystem	3705
15.6.1	OCM Subsystem Overview	3705
15.6.2	OCM Subsystem Integration.....	3705
15.6.3	OCM Subsystem Functional Description	3707
15.6.3.1	Block Diagram	3707
15.6.3.2	Resets	3708
15.6.3.3	Clock Management	3708
15.6.3.4	Interrupt Requests	3708
15.6.3.5	OCM Subsystem Memory Regions	3711
15.6.3.6	OCM Controller Modes Of Operation	3712
15.6.3.7	ECC Associated FIFOs	3712
15.6.3.8	ECC Counters And Corrected Bit Distribution Register.....	3713
15.6.3.9	ECC Support.....	3713
15.6.3.10	Circular Buffer (CBUF) Support.....	3715
15.6.3.11	CBUF Mode Error Handling	3716
15.6.3.11.1	VBUF Address Not Mapped to a CBUF Memory Space	3716
15.6.3.11.2	VBUF Access Not Starting At The Base Address	3717
15.6.3.11.3	Illegal Address Change Between Two Same Type Accesses	3717
15.6.3.11.4	Illegal Frame Size (Short Frame Detection).....	3718
15.6.3.11.5	CBUF Overflow.....	3719
15.6.3.11.6	CBUF Underflow	3719
15.6.3.12	Status Reporting	3720
15.6.4	OCM Subsystem Register Manual.....	3720
15.6.4.1	OCM Subsystem Instance Summary.....	3720
15.6.4.2	OCM Subsystem Registers	3720
15.6.4.2.1	OCM Subsystem Register Summary	3720
15.6.4.2.2	OCM Subsystem Register Description	3722
16	DMA Controllers	3755
16.1	System DMA	3756
16.1.1	DMA_SYSTEM Module Overview	3756
16.1.2	DMA_SYSTEM Controller Environment.....	3758
16.1.3	DMA_SYSTEM Module Integration	3760
16.1.3.1	DMA Requests to the DMA_SYSTEM Controller.....	3765
16.1.3.2	Mapping of DMA Requests to DMA_CROSSBAR Inputs	3773
16.1.4	DMA_SYSTEM Functional Description.....	3777
16.1.4.1	DMA_SYSTEM Controller Power Management	3777
16.1.4.2	DMA_SYSTEM Controller Interrupt Requests	3778
16.1.4.2.1	Interrupt Generation.....	3779
16.1.4.3	Logical Channel Transfer Overview	3779
16.1.4.4	FIFO Queue Memory Pool.....	3781
16.1.4.5	Addressing Modes	3781
16.1.4.6	Packed Accesses	3785
16.1.4.7	Burst Transactions	3786
16.1.4.8	Endianism Conversion	3786
16.1.4.9	Transfer Synchronization	3786
16.1.4.9.1	Software Synchronization	3786
16.1.4.9.2	Hardware Synchronization	3787
16.1.4.10	Thread Budget Allocation	3789
16.1.4.11	FIFO Budget Allocation	3790
16.1.4.12	Chained Logical Channel Transfers.....	3790
16.1.4.13	Reprogramming an Active Channel	3791
16.1.4.14	Packet Synchronization	3791

16.1.4.15	Graphics Acceleration Support.....	3792
16.1.4.16	Supervisor Modes	3792
16.1.4.17	Posted and Nonposted Writes	3792
16.1.4.18	Disabling a Channel During Transfer	3793
16.1.4.19	FIFO Draining Mechanism.....	3793
16.1.4.20	Linked List	3793
16.1.4.20.1	Overview	3793
16.1.4.20.2	Link-List Transfer Profile	3794
16.1.4.20.3	Descriptors.....	3794
16.1.4.20.4	Linked-List Control and Monitoring	3797
16.1.5	DMA_SYSTEM Basic Programming Model.....	3800
16.1.5.1	Setup Configuration.....	3800
16.1.5.2	Software-Triggered (Nonsynchronized) Transfer	3800
16.1.5.3	Hardware-Synchronized Transfer.....	3803
16.1.5.4	Synchronized Transfer Monitoring Using CDAC.....	3805
16.1.5.5	Concurrent Software and Hardware Synchronization	3805
16.1.5.6	Chained Transfer.....	3805
16.1.5.7	90-Degree Clockwise Image Rotation.....	3806
16.1.5.8	Graphic Operations	3807
16.1.5.9	Linked-List Programming Guidelines	3808
16.1.6	DMA_SYSTEM Register Manual.....	3809
16.1.6.1	DMA_SYSTEM Instance Summary.....	3809
16.1.6.2	DMA_SYSTEM Registers.....	3809
16.1.6.2.1	DMA_SYSTEM Register Summary	3809
16.1.6.2.2	DMA_SYSTEM Register Description	3810
16.2	Enhanced DMA	3839
16.2.1	EDMA Module Overview	3839
16.2.1.1	EDMA Features	3840
16.2.1.2	EDMA Controllers Configuration	3841
16.2.2	EDMA Controller Environment	3843
16.2.3	EDMA Controller Integration	3844
16.2.3.1	EDMA Requests to the EDMA Controller.....	3848
16.2.4	EDMA Controller Functional Description	3853
16.2.4.1	Block Diagram	3853
16.2.4.1.1	Third-Party Channel Controller	3853
16.2.4.1.2	Third-Party Transfer Controller	3855
16.2.4.2	Types of EDMA controller Transfers	3856
16.2.4.2.1	A-Synchronized Transfers.....	3857
16.2.4.2.2	AB-Synchronized Transfers.....	3858
16.2.4.3	Parameter RAM (PaRAM)	3858
16.2.4.3.1	PaRAM.....	3859
16.2.4.3.2	EDMA Channel PaRAM Set Entry Fields	3862
16.2.4.3.3	Null PaRAM Set	3864
16.2.4.3.4	Dummy PaRAM Set.....	3864
16.2.4.3.5	Dummy Versus Null Transfer Comparison.....	3864
16.2.4.3.6	Parameter Set Updates	3865
16.2.4.3.7	Linking Transfers	3867
16.2.4.3.8	Constant Addressing Mode Transfers/Alignment Issues.....	3870
16.2.4.3.9	Element Size.....	3870
16.2.4.4	Initiating a DMA Transfer	3870
16.2.4.4.1	DMA Channel	3870
16.2.4.4.2	QDMA Channels	3872
16.2.4.4.3	Comparison Between DMA and QDMA Channels.....	3872

16.2.4.5	Completion of a DMA Transfer	3873
16.2.4.5.1	Normal Completion	3874
16.2.4.5.2	Early Completion	3874
16.2.4.5.3	Dummy or Null Completion	3874
16.2.4.6	Event, Channel, and PaRAM Mapping	3874
16.2.4.6.1	DMA Channel to PaRAM Mapping	3875
16.2.4.6.2	QDMA Channel to PaRAM Mapping	3875
16.2.4.7	EDMA Channel Controller Regions	3876
16.2.4.7.1	Region Overview	3876
16.2.4.7.2	Channel Controller Regions	3878
16.2.4.7.3	Region Interrupts	3878
16.2.4.8	Chaining EDMA Channels	3878
16.2.4.9	EDMA Interrupts	3879
16.2.4.9.1	Transfer Completion Interrupts	3880
16.2.4.9.2	EDMA Interrupt Servicing	3883
16.2.4.9.3	Interrupt Evaluation Operations	3884
16.2.4.9.4	Error Interrupts	3885
16.2.4.10	Memory Protection	3887
16.2.4.10.1	Active Memory Protection	3887
16.2.4.10.2	Proxy Memory Protection	3890
16.2.4.11	Event Queue(s)	3892
16.2.4.11.1	DMA/QDMA Channel to Event Queue Mapping	3892
16.2.4.11.2	Queue RAM Debug Visibility	3893
16.2.4.11.3	Queue Resource Tracking	3893
16.2.4.11.4	Performance Considerations	3893
16.2.4.12	EDMA Transfer Controller (EDMA_TPTC)	3894
16.2.4.12.1	Architecture Details	3894
16.2.4.12.2	Memory Protection	3895
16.2.4.12.3	Error Generation	3895
16.2.4.12.4	Debug Features	3896
16.2.4.12.5	EDMA_TPTC Configuration	3896
16.2.4.13	Event Dataflow	3897
16.2.4.14	EDMA controller Prioritization	3897
16.2.4.14.1	Channel Priority	3898
16.2.4.14.2	Trigger Source Priority	3899
16.2.4.14.3	Dequeue Priority	3899
16.2.4.15	EDMA Power, Reset and Clock Management	3899
16.2.4.15.1	Clock and Power Management	3899
16.2.4.15.2	Reset Considerations	3900
16.2.4.16	Emulation Considerations	3900
16.2.5	EDMA Transfer Examples	3901
16.2.5.1	Block Move Example	3901
16.2.5.2	Subframe Extraction Example	3903
16.2.5.3	Data Sorting Example	3904
16.2.5.4	Peripheral Servicing Example	3906
16.2.5.4.1	Non-bursting Peripherals	3906
16.2.5.4.2	Bursting Peripherals	3908
16.2.5.4.3	Continuous Operation	3910
16.2.5.4.4	Ping-Pong Buffering	3913
16.2.5.4.5	Transfer Chaining Examples	3917
16.2.5.5	Setting Up an EDMA Transfer	3920
16.2.6	EDMA Debug Checklist and Programming Tips	3922
16.2.6.1	EDMA Debug Checklist	3922

16.2.6.2	EDMA Programming Tips	3923
16.2.7	EDMA Register Manual	3924
16.2.7.1	EDMA Instance Summary	3924
16.2.7.2	EDMA Registers	3924
16.2.7.2.1	EDMA Register Summary	3924
16.2.7.2.2	EDMA Register Description	3936
17	Interrupt Controllers	4077
17.1	Interrupt Controllers Overview	4078
17.2	Interrupt Controllers Environment	4081
17.3	Interrupt Controllers Integration	4083
17.3.1	Interrupt Requests to MPU_INTC	4083
17.3.2	Interrupt Requests to DSP1_INTC	4091
17.3.3	Interrupt Requests to IPU1_Cx_INTC	4096
17.3.4	Interrupt Requests to IPU2_Cx_INTC	4100
17.3.5	Interrupt Requests to PRUSS1_INTC	4104
17.3.6	Interrupt Requests to PRUSS2_INTC	4107
17.3.7	Mapping of Device Interrupts to IRQ_CROSSBAR Inputs.....	4110
17.4	Interrupt Controllers Functional Description	4119
18	Control Module	4120
18.1	Control Module Overview	4121
18.2	Control Module Environment	4123
18.3	Control Module Integration	4124
18.4	Control Module Functional Description	4126
18.4.1	Control Module Clock Configuration	4126
18.4.2	Control Module Resets	4126
18.4.3	Control Module Power Management	4126
18.4.3.1	Power Management Protocols	4126
18.4.4	Hardware Requests	4126
18.4.5	Control Module Initialization	4126
18.4.6	Functional Description Of The Various Register Types In CTRL_MODULE_CORE Submodule .	4126
18.4.6.1	Pad Configuration	4127
18.4.6.1.1	Pad Configuration Registers	4127
18.4.6.1.2	Pull Selection	4138
18.4.6.1.3	Pad multiplexing	4138
18.4.6.1.4	IOSETs.....	4138
18.4.6.1.5	Virtual IO Timing Modes.....	4139
18.4.6.1.6	Manual IO Timing Modes	4139
18.4.6.1.7	Isolation Requirements	4140
18.4.6.1.8	IO Delay Recalibration.....	4141
18.4.6.2	Thermal Management Related Registers	4141
18.4.6.2.1	Temperature Sensors Control Registers	4143
18.4.6.2.2	Registers For The Thermal Alert Comparators.....	4143
18.4.6.2.3	Thermal Shutdown Comparators.....	4145
18.4.6.2.4	Temperature Timestamp Registers	4145
18.4.6.2.5	Other Thermal Management Related Registers	4146
18.4.6.2.6	Summary Of The Thermal Management Related Registers.....	4147
18.4.6.2.7	ADC Values Versus Temperature.....	4148
18.4.6.3	PBIAS Cell And MMC1 I/O Cells Control Registers.....	4151
18.4.6.4	IRQ_CROSSBAR Module Functional Description	4153
18.4.6.5	DMA_CROSSBAR Module Functional Description.....	4157
18.4.6.6	SDRAM Initiator Priority Registers.....	4161
18.4.6.7	L3_MAIN Initiator Priority Registers	4161
18.4.6.8	Memory Region Lock Registers.....	4162

18.4.6.9	NMI Mapping To Respective Cores	4162
18.4.6.10	Software Controls for the DDR3 I/O Cells	4162
18.4.6.11	Reference Voltage for the Device DDR3 Receivers	4165
18.4.6.12	AVS Class 0 Associated Registers	4167
18.4.6.13	ABB Associated Registers	4169
18.4.6.14	Registers For Other Miscellaneous Functions	4170
18.4.6.14.1	System Boot Status Settings	4170
18.4.6.14.2	Force MPU Write Nonposted Transactions	4170
18.4.6.14.3	Firewall Error Status Registers	4170
18.4.6.14.4	Settings Related To Different Peripheral Modules	4171
18.4.7	Functional Description Of The Various Register Types In CTRL_MODULE_WKUP Submodule ..	4171
18.4.7.1	Registers For Basic EMIF configuration	4171
18.5	Control Module Register Manual	4171
18.5.1	Control Module Instance Summary	4171
18.5.2	CTRL_MODULE_CORE Registers	4172
18.5.2.1	CTRL_MODULE_CORE Register Summary	4172
18.5.2.2	CTRL_MODULE_CORE Register Description	4190
18.5.3	CTRL_MODULE_WKUP Registers	4846
18.5.3.1	CTRL_MODULE_WKUP Register Summary	4846
18.5.3.2	CTRL_MODULE_WKUP Register Description	4848
18.6	IODELAYCONFIG Module Integration	4871
18.7	IODELAYCONFIG Module Register Manual	4872
18.7.1	IODELAYCONFIG Module Instance Summary	4872
18.7.2	IODELAYCONFIG Registers	4872
18.7.2.1	IODELAYCONFIG Register Summary	4872
18.7.2.2	IODELAYCONFIG Register Description	4889
19	Mailbox	5352
19.1	Mailbox Overview	5353
19.2	Mailbox Integration	5353
19.2.1	System MAILBOX Integration	5353
19.2.2	IVA Mailbox Integration	5357
19.3	Mailbox Functional Description	5359
19.3.1	Mailbox Block Diagram	5360
19.3.2	Mailbox Software Reset	5360
19.3.3	Mailbox Power Management	5360
19.3.4	Mailbox Interrupt Requests	5361
19.3.5	Mailbox Assignment	5361
19.3.5.1	Description	5361
19.3.6	Sending and Receiving Messages	5362
19.3.6.1	Description	5362
19.3.7	16-Bit Register Access	5362
19.3.7.1	Description	5362
19.3.8	Example of Communication	5364
19.4	Mailbox Programming Guide	5365
19.4.1	Mailbox Low-level Programming Models	5365
19.4.1.1	Global Initialization	5365
19.4.1.1.1	Surrounding Modules Global Initialization	5365
19.4.1.1.2	Mailbox Global Initialization	5365
19.4.1.2	Mailbox Operational Modes Configuration	5366
19.4.1.2.1	Mailbox Processing modes	5366
19.4.1.3	Mailbox Events Servicing	5367
19.4.1.3.1	Events Servicing in Sending Mode	5367
19.4.1.3.2	Events Servicing in Receiving Mode	5367

19.5	Mailbox Register Manual	5368
19.5.1	Mailbox Instance Summary	5368
19.5.2	Mailbox Registers	5368
19.5.2.1	Mailbox Register Summary	5368
19.5.2.2	Mailbox Register Description	5371
20	Memory Management Units	5389
20.1	MMU Overview	5390
20.2	MMU Integration	5393
20.3	MMU Functional Description	5395
20.3.1	MMU Block Diagram	5395
20.3.1.1	MMU Address Translation Process	5395
20.3.1.2	Translation Tables	5396
20.3.1.2.1	Translation Table Hierarchy	5396
20.3.1.2.2	First-Level Translation Table	5397
20.3.1.2.3	Two-Level Translation	5400
20.3.1.3	Translation Lookaside Buffer	5403
20.3.1.3.1	TLB Entry Format	5404
20.3.1.4	No Translation (Bypass) Regions	5405
20.3.2	MMU Software Reset	5405
20.3.3	MMU Power Management	5405
20.3.4	MMU Interrupt Requests	5406
20.3.5	MMU Error Handling	5406
20.4	MMU Low-level Programming Models	5407
20.4.1	Global Initialization	5407
20.4.1.1	Surrounding Modules Global Initialization	5407
20.4.1.2	MMU Global Initialization	5407
20.4.1.2.1	Main Sequence - MMU Global Initialization	5407
20.4.1.2.2	Subsequence - Configure a TLB entry	5408
20.4.1.3	Operational Modes Configuration	5409
20.4.1.3.1	Main Sequence - Writing TLB Entries Statically	5409
20.4.1.3.2	Main Sequence - Protecting TLB Entries	5409
20.4.1.3.3	Main Sequence - Deleting TLB Entries	5409
20.4.1.3.4	Main Sequence - Read TLB Entries	5409
20.5	MMU Register Manual	5411
20.5.1	MMU Instance Summary	5411
20.5.2	MMU Registers	5411
20.5.2.1	MMU Register Summary	5411
20.5.2.2	MMU Register Description	5414
21	Spinlock	5431
21.1	Spinlock Overview	5432
21.2	Spinlock Integration	5433
21.3	Spinlock Functional Description	5434
21.3.1	Spinlock Software Reset	5434
21.3.2	Spinlock Power Management	5434
21.3.3	About Spinlocks	5434
21.3.4	Spinlock Functional Operation	5435
21.4	Spinlock Programming Guide	5436
21.4.1	Spinlock Low-level Programming Models	5436
21.4.1.1	Surrounding Modules Global Initialization	5436
21.4.1.2	Basic Spinlock Operations	5436
21.4.1.2.1	Spinlocks Clearing After a System Bug Recovery	5436
21.4.1.2.2	Take and Release Spinlock	5436
21.5	Spinlock Register Manual	5439

21.5.1	Spinlock Instance Summary	5439
21.5.2	Spinlock Registers	5439
21.5.2.1	Spinlock Register Summary	5439
21.5.2.2	Spinlock Register Description	5439
22	Timers	5443
22.1	Timers Overview	5444
22.2	General-Purpose Timers	5445
22.2.1	General-Purpose Timers Overview	5445
22.2.1.1	GP Timer Features	5446
22.2.2	GP Timer Environment	5447
22.2.2.1	GP Timer External System Interface	5447
22.2.3	GP Timer Integration.....	5449
22.2.4	GP Timer Functional Description.....	5453
22.2.4.1	GP Timer Block Diagram	5453
22.2.4.2	TIMER1, TIMER2 and TIMER10 Power Management.....	5456
22.2.4.2.1	Wake-Up Capability	5456
22.2.4.3	Power Management of Other GP Timers	5457
22.2.4.3.1	Wake-Up Capability	5458
22.2.4.4	Software Reset	5458
22.2.4.5	GP Timer Interrupts.....	5459
22.2.4.6	Timer Mode Functionality	5459
22.2.4.6.1	1-ms Tick Generation (Only TIMER1, TIMER2 and TIMER10)	5460
22.2.4.7	Capture Mode Functionality	5461
22.2.4.8	Compare Mode Functionality	5463
22.2.4.9	Prescaler Functionality	5463
22.2.4.10	Pulse-Width Modulation.....	5464
22.2.4.11	Timer Counting Rate	5465
22.2.4.12	Timer Under Emulation	5466
22.2.4.13	Accessing GP Timer Registers	5466
22.2.4.13.1	Writing to Timer Registers	5467
22.2.4.13.2	Reading From Timer Counter Registers	5469
22.2.4.14	Posted Mode Selection	5469
22.2.5	GP Timer Low-Level Programming Models	5471
22.2.5.1	Global Initialization	5471
22.2.5.1.1	Global Initialization of Surrounding Modules.....	5471
22.2.5.1.2	GP Timer Module Global Initialization	5471
22.2.5.2	Operational Mode Configuration	5471
22.2.5.2.1	GP Timer Mode.....	5471
22.2.5.2.2	GP Timer Compare Mode.....	5472
22.2.5.2.3	GP Timer Capture Mode	5472
22.2.5.2.4	GP Timer PWM Mode	5473
22.2.6	GP Timer Register Manual.....	5474
22.2.6.1	GP Timer Instance Summary.....	5474
22.2.6.2	GP Timer Registers.....	5474
22.2.6.2.1	GP Timer Register Summary	5474
22.2.6.2.2	GP Timer Register Description	5477
22.2.6.2.3	TIMER1, TIMER2, and TIMER10 Register Description	5496
22.3	32-kHz Synchronized Timer (COUNTER_32K)	5501
22.3.1	32-kHz Synchronized Timer Overview	5501
22.3.1.1	32-kHz Synchronized Timer Features.....	5501
22.3.2	32-kHz Synchronized Timer Integration.....	5502
22.3.3	32-kHz Synchronized Timer Functional Description.....	5503
22.3.3.1	Reading the 32-kHz Synchronized Timer.....	5503

22.3.4	COUNTER_32K Timer Register Manual	5505
22.3.4.1	COUNTER_32K Timer Register Mapping Summary	5505
22.3.4.2	COUNTER_32K Timer Register Description	5506
22.4	Watchdog Timer	5508
22.4.1	Watchdog Timer Overview	5508
22.4.1.1	Watchdog Timer Features	5508
22.4.2	Watchdog Timer Integration	5510
22.4.3	Watchdog Timer Functional Description	5512
22.4.3.1	Power Management	5512
22.4.3.1.1	Wake-Up Capability	5512
22.4.3.2	Interrupts	5512
22.4.3.3	General Watchdog Timer Operation	5513
22.4.3.4	Reset Context	5513
22.4.3.5	Overflow/Reset Generation	5514
22.4.3.6	Prescaler Value/Timer Reset Frequency	5514
22.4.3.7	Triggering a Timer Reload	5515
22.4.3.8	Start/Stop Sequence for Watchdog Timer (Using the WSPR Register)	5516
22.4.3.9	Modifying Timer Count/Load Values and Prescaler Setting	5516
22.4.3.10	Watchdog Counter Register Access Restriction (WCRR)	5516
22.4.3.11	Watchdog Timer Interrupt Generation	5516
22.4.3.12	Watchdog Timer Under Emulation	5517
22.4.3.13	Accessing Watchdog Timer Registers	5517
22.4.4	Watchdog Timer Low-Level Programming Model	5519
22.4.4.1	Global Initialization	5519
22.4.4.1.1	Surrounding Modules Global Initialization	5519
22.4.4.1.2	Watchdog Timer Module Global Initialization	5520
22.4.4.2	Operational Mode Configuration	5520
22.4.4.2.1	Watchdog Timer Basic Configuration	5520
22.4.5	Watchdog Timer Register Manual	5521
22.4.5.1	Watchdog Timer Instance Summary	5521
22.4.5.2	Watchdog Timer Registers	5521
22.4.5.2.1	Watchdog Timer Register Summary	5521
22.4.5.2.2	Watchdog Timer Register Description	5523
23	Real-Time Clock (RTC)	5535
23.1	RTC Overview	5536
23.1.1	RTC Features	5536
23.2	RTC Environment	5538
23.2.1	RTC External Interface	5538
23.3	RTC Integration	5539
23.4	RTC Functional Description	5541
23.4.1	Clock Source	5541
23.4.2	Interrupt Support	5541
23.4.2.1	CPU Interrupts	5541
23.4.2.2	Interrupt Description	5542
23.4.2.2.1	Timer Interrupt (timer_intr)	5542
23.4.2.2.2	Alarm Interrupt (alarm_intr)	5542
23.4.3	RTC Programming/Usage Guide	5543
23.4.3.1	Time/Calendar Data Format	5543
23.4.3.2	Register Access	5543
23.4.3.3	Register Spurious Write Protection	5544
23.4.3.4	Reading the Timer/Calendar (TC) Registers	5544
23.4.3.4.1	Rounding Seconds	5545
23.4.3.5	Modifying the TC Registers	5545

23.4.3.5.1	General Registers	5546
23.4.3.6	Crystal Compensation	5546
23.4.4	Scratch Registers	5547
23.4.5	Debouncing	5547
23.4.6	Power Management	5548
23.4.6.1	Device-Level Power Management	5548
23.4.6.2	Subsystem-Level Power Management — PMIC Mode	5548
23.5	RTC Low-Level Programming Guide	5549
23.5.1	Global Initialization	5549
23.5.1.1	Surrounding Modules Global Initialization	5549
23.5.1.2	RTC Module Global Initialization	5549
23.5.1.2.1	Main Sequence – RTC Module Global Initialization	5549
23.6	RTC Register Manual	5550
23.6.1	RTC Instance Summary	5550
23.6.2	RTC_SS Registers	5550
23.6.2.1	RTC_SS Register Summary	5550
23.6.2.2	RTC_SS Register Description	5551
24	Serial Communication Interfaces	5572
24.1	Multimaster High-Speed I ² C Controller	5573
24.1.1	HS I ² C Overview	5573
24.1.2	HS I ² C Environment	5576
24.1.2.1	HS I ² C Typical Application	5576
24.1.2.1.1	HS I ² C Pins for Typical Connections in I ² C Mode	5576
24.1.2.1.2	HS I ² C Interface Typical Connections	5576
24.1.2.2	HS I ² C Typical Connection Protocol and Data Format	5577
24.1.2.2.1	HS I ² C Serial Data Format	5577
24.1.2.2.2	HS I ² C Data Validity	5577
24.1.2.2.3	HS I ² C Start and Stop Conditions	5578
24.1.2.2.4	HS I ² C Addressing	5578
24.1.2.2.5	HS I ² C Master Transmitter	5580
24.1.2.2.6	HS I ² C Master Receiver	5580
24.1.2.2.7	HS I ² C Slave Transmitter	5580
24.1.2.2.8	HS I ² C Slave Receiver	5580
24.1.2.2.9	HS I ² C Bus Arbitration	5580
24.1.2.2.10	HS I ² C Clock Generation and Synchronization	5580
24.1.3	HS I ² C Integration	5582
24.1.4	HS I ² C Functional Description	5586
24.1.4.1	HS I ² C Block Diagram	5586
24.1.4.2	HS I ² C Clocks	5586
24.1.4.2.1	HS I ² C Clocking	5586
24.1.4.2.2	HS I ² C Automatic Blocking of the I ² C Clock Feature	5588
24.1.4.3	HS I ² C Software Reset	5588
24.1.4.4	HS I ² C Power Management	5589
24.1.4.5	HS I ² C Interrupt Requests	5590
24.1.4.6	HS I ² C DMA Requests	5591
24.1.4.7	HS I ² C Programmable Multislave Channel Feature	5591
24.1.4.8	HS I ² C FIFO Management	5591
24.1.4.8.1	HS I ² C FIFO Interrupt Mode	5591
24.1.4.8.2	HS I ² C FIFO Polling Mode	5593
24.1.4.8.3	HS I ² C FIFO DMA Mode	5593
24.1.4.8.4	HS I ² C Draining Feature	5594
24.1.4.9	HS I ² C Noise Filter	5595
24.1.4.10	HS I ² C System Test Mode	5595

24.1.5	HS I ² C Programming Guide.....	5597
24.1.5.1	HS I ² C Low-Level Programming Models.....	5597
24.1.5.1.1	HS I ² C Programming Model	5597
24.1.6	HS I ² C Register Manual	5613
24.1.6.1	HS I ² C Instance Summary	5613
24.1.6.2	HS I ² C Registers	5613
24.1.6.2.1	HS I ² C Register Summary.....	5613
24.1.6.2.2	HS I ² C Register Description.....	5615
24.2	HDQ/1-Wire	5646
24.2.1	HDQ1W Overview.....	5646
24.2.2	HDQ1W Environment.....	5646
24.2.2.1	HDQ1W Functional Modes	5646
24.2.2.2	HDQ and 1-Wire (SDQ) Protocols	5647
24.2.2.2.1	HDQ Protocol Initialization (Default)	5647
24.2.2.2.2	1-Wire (SDQ) Protocol Initialization	5648
24.2.2.2.3	Communication Sequence (HDQ and 1-Wire Protocols)	5648
24.2.3	HDQ1W Integration	5650
24.2.4	HDQ1W Functional Description	5652
24.2.4.1	HDQ1W Block Diagram	5652
24.2.4.2	HDQ1W Clocking Configuration	5653
24.2.4.2.1	HDQ1W Clocks	5653
24.2.4.3	HDQ1W Hardware and Software Reset	5654
24.2.4.4	HDQ1W Power Management	5654
24.2.4.4.1	Auto-Idle Mode	5654
24.2.4.4.2	Power-Down Mode	5654
24.2.4.5	HDQ Interrupt Requests	5654
24.2.4.6	HDQ Mode (Default).....	5655
24.2.4.6.1	HDQ Mode Features.....	5655
24.2.4.6.2	Description	5655
24.2.4.6.3	Single-Bit Mode.....	5655
24.2.4.6.4	Interrupt Conditions	5656
24.2.4.7	1-Wire Mode	5656
24.2.4.7.1	1-Wire Mode Features.....	5656
24.2.4.7.2	Description	5656
24.2.4.7.3	1-Wire Single-Bit Mode Operation	5657
24.2.4.7.4	Interrupt Conditions	5657
24.2.4.7.5	Status Flags.....	5657
24.2.4.8	BITFSM Delay	5657
24.2.5	HDQ1W Low-Level Programming Model	5658
24.2.5.1	Global Initialization.....	5658
24.2.5.1.1	Surrounding Modules Global Initialization.....	5658
24.2.5.1.2	HDQ1W Module Global Initialization.....	5658
24.2.5.2	HDQ Operational Modes Configuration	5658
24.2.5.2.1	Main Sequence - HDQ Write Operation Mode	5658
24.2.5.2.2	Main Sequence - HDQ Read Operation Mode	5659
24.2.5.3	1-Wire Operational Modes Configuration	5659
24.2.5.3.1	Main Sequence - 1-Wire Write Operation Mode	5659
24.2.5.3.2	Main Sequence - 1-Wire Read Operation Mode	5660
24.2.5.3.3	Sub-sequence - Initialize 1-Wire Slave	5660
24.2.6	HDQ1W Register Manual	5660
24.2.6.1	HDQ1W Instance Summary	5660
24.2.6.2	HDQ1W Registers	5661
24.2.6.2.1	HDQ1W Register Summary.....	5661

24.2.6.2.2	HDQ1W Register Description.....	5661
24.3	UART/IrDA/CIR	5667
24.3.1	UART/IrDA/CIR Overview.....	5667
24.3.1.1	UART Features.....	5667
24.3.1.2	IrDA Features.....	5668
24.3.1.3	CIR Features	5668
24.3.2	UART/IrDA/CIR Environment.....	5669
24.3.2.1	UART Interface.....	5669
24.3.2.1.1	System Using UART Communication With Hardware Handshake	5669
24.3.2.1.2	UART Interface Description.....	5669
24.3.2.1.3	UART Protocol and Data Format.....	5670
24.3.2.2	IrDA Functional Interfaces	5671
24.3.2.2.1	System Using IrDA Communication Protocol.....	5671
24.3.2.2.2	IrDA Interface Description.....	5671
24.3.2.2.3	IrDA Protocol and Data Format.....	5672
24.3.2.3	CIR Functional Interfaces	5678
24.3.2.3.1	System Using CIR Communication Protocol With Remote Control	5678
24.3.2.3.2	CIR Interface Description.....	5679
24.3.2.3.3	CIR Protocol and Data Format	5679
24.3.3	UART/IrDA/CIR Integration	5684
24.3.4	UART/IrDA/CIR Functional Description	5688
24.3.4.1	Block Diagram.....	5688
24.3.4.2	Clock Configuration	5689
24.3.4.3	Software Reset	5689
24.3.4.4	Power Management	5689
24.3.4.4.1	UART Mode Power Management.....	5689
24.3.4.4.2	IrDA Mode Power Management (UART3 Only)	5690
24.3.4.4.3	CIR Mode Power Management (UART3 Only).....	5690
24.3.4.4.4	Local Power Management	5691
24.3.4.5	Interrupt Requests	5691
24.3.4.5.1	UART Mode Interrupt Management	5691
24.3.4.5.2	IrDA Mode Interrupt Management	5692
24.3.4.5.3	CIR Mode Interrupt Management	5693
24.3.4.6	FIFO Management.....	5693
24.3.4.6.1	FIFO Trigger	5695
24.3.4.6.2	FIFO Interrupt Mode	5696
24.3.4.6.3	FIFO Polled Mode Operation	5697
24.3.4.6.4	FIFO DMA Mode Operation.....	5697
24.3.4.7	Mode Selection.....	5703
24.3.4.7.1	Register Access Modes	5703
24.3.4.7.2	UART/IrDA (SIR, MIR, FIR)/CIR Mode Selection	5705
24.3.4.8	Protocol Formatting.....	5709
24.3.4.8.1	UART Mode	5709
24.3.4.8.2	IrDA Mode (UART3 Only)	5715
24.3.4.8.3	CIR Mode (UART3 Only).....	5719
24.3.5	UART/IrDA/CIR Basic Programming Model	5722
24.3.5.1	Global Initialization.....	5722
24.3.5.1.1	Surrounding Modules Global Initialization.....	5722
24.3.5.1.2	UART/IrDA/CIR Module Global Initialization.....	5722
24.3.5.2	Mode selection	5723
24.3.5.3	Submode selection	5723
24.3.5.4	Load FIFO trigger and DMA mode settings	5723
24.3.5.4.1	DMA mode Settings.....	5723

24.3.5.4.2	FIFO Trigger Settings	5724
24.3.5.5	Protocol, Baud rate and interrupt settings	5724
24.3.5.5.1	Baud rate settings	5724
24.3.5.5.2	Interrupt settings	5725
24.3.5.5.3	Protocol settings	5725
24.3.5.5.4	UART/IrDA(SIR/MIR/FIR)/CIR	5725
24.3.5.6	Hardware and Software Flow Control Configuration	5726
24.3.5.6.1	Hardware Flow Control Configuration	5726
24.3.5.6.2	Software Flow Control Configuration	5726
24.3.5.7	IrDA Programming Model (UART3 Only)	5726
24.3.5.7.1	SIR mode	5726
24.3.5.7.2	MIR mode	5727
24.3.5.7.3	FIR mode	5728
24.3.6	UART/IrDA/CIR Register Manual	5730
24.3.6.1	UART/IrDA/CIR Instance Summary	5730
24.3.6.2	UART/IrDA/CIR Registers	5730
24.3.6.2.1	UART/IrDA/CIR Register Summary	5730
24.3.6.2.2	UART/IrDA/CIR Register Description	5735
24.4	Multichannel Serial Peripheral Interface	5787
24.4.1	McSPI Overview	5787
24.4.2	McSPI Environment	5788
24.4.2.1	Basic McSPI Pins for Master Mode	5788
24.4.2.2	Basic McSPI Pins for Slave Mode	5789
24.4.2.3	Multichannel SPI Protocol and Data Format	5789
24.4.2.3.1	Transfer Format	5791
24.4.2.4	SPI in Master Mode	5793
24.4.2.5	SPI in Slave Mode	5794
24.4.3	McSPI Integration	5796
24.4.4	McSPI Functional Description	5801
24.4.4.1	McSPI Block Diagram	5801
24.4.4.2	Reset	5801
24.4.4.3	Master Mode	5802
24.4.4.3.1	Master Mode Features	5802
24.4.4.3.2	Master Transmit-and-Receive Mode (Full Duplex)	5802
24.4.4.3.3	Master Transmit-Only Mode (Half Duplex)	5803
24.4.4.3.4	Master Receive-Only Mode (Half Duplex)	5803
24.4.4.3.5	Single-Channel Master Mode	5804
24.4.4.3.6	Start-Bit Mode	5806
24.4.4.3.7	Chip-Select Timing Control	5806
24.4.4.3.8	Programmable SPI Clock	5806
24.4.4.4	Slave Mode	5808
24.4.4.4.1	Dedicated Resources	5808
24.4.4.4.2	Slave Transmit-and-Receive Mode	5810
24.4.4.4.3	Slave Transmit-Only Mode	5810
24.4.4.4.4	Slave Receive-Only Mode	5811
24.4.4.5	3-Pin or 4-Pin Mode	5812
24.4.4.6	FIFO Buffer Management	5812
24.4.4.6.1	Buffer Almost Full	5814
24.4.4.6.2	Buffer Almost Empty	5814
24.4.4.6.3	End of Transfer Management	5815
24.4.4.7	Interrupts	5815
24.4.4.7.1	Interrupt Events in Master Mode	5815
24.4.4.7.2	Interrupt Events in Slave Mode	5817

24.4.4.7.3	Interrupt-Driven Operation	5818
24.4.4.7.4	Polling.....	5818
24.4.4.8	DMA Requests	5818
24.4.4.9	Power Saving Management	5819
24.4.4.9.1	Normal Mode.....	5819
24.4.4.9.2	Idle Mode	5819
24.4.5	McSPI Programming Guide.....	5822
24.4.5.1	Global Initialization	5822
24.4.5.1.1	Surrounding Modules Global Initialization.....	5822
24.4.5.1.2	McSPI Global Initialization	5822
24.4.5.2	Operational Mode Configuration	5822
24.4.5.2.1	McSPI Operational Modes	5822
24.4.5.3	Common Transfer Procedures Without FIFO – Polling Method	5834
24.4.5.3.1	Receive-Only Procedure – Polling Method	5834
24.4.5.3.2	Receive-Only Procedure – Interrupt Method	5835
24.4.5.3.3	Transmit-Only Procedure – Polling Method.....	5835
24.4.5.3.4	Transmit-and-Receive Procedure – Polling Method	5835
24.4.6	McSPI Register Manual	5836
24.4.6.1	McSPI Instance Summary	5836
24.4.6.2	McSPI Registers	5836
24.4.6.2.1	McSPI Register Summary.....	5836
24.4.6.2.2	McSPI Register Description.....	5837
24.5	Quad Serial Peripheral Interface	5861
24.5.1	Quad Serial Peripheral Interface Overview	5861
24.5.2	QSPI Environment	5862
24.5.3	QSPI Integration.....	5863
24.5.4	QSPI Functional Description.....	5865
24.5.4.1	QSPI Block Diagram.....	5865
24.5.4.1.1	SFI Register Control	5866
24.5.4.1.2	SFI Translator.....	5867
24.5.4.1.3	SPI Control Interface.....	5867
24.5.4.1.4	SPI Clock Generator	5868
24.5.4.1.5	SPI Control State-Machine.....	5869
24.5.4.1.6	SPI Data Shifter	5869
24.5.4.2	QSPI Clock Configuration.....	5870
24.5.4.3	QSPI Interrupt Requests	5870
24.5.4.4	QSPI Memory Regions.....	5872
24.5.5	QSPI Register Manual.....	5874
24.5.5.1	QSPI Instance Summary.....	5874
24.5.5.2	QSPI registers	5874
24.5.5.2.1	QSPI Register Summary	5874
24.5.5.2.2	QSPI Register Description	5874
24.6	Multichannel Audio Serial Port	5891
24.6.1	McASP Overview.....	5891
24.6.2	McASP Environment.....	5895
24.6.2.1	McASP Signals	5896
24.6.2.2	Protocols and Data Formats.....	5898
24.6.2.2.1	Protocols Supported	5898
24.6.2.2.2	Definition of Terms	5899
24.6.2.2.3	TDM Format.....	5902
24.6.2.2.4	I2S Format	5903
24.6.2.2.5	S/PDIF Coding Format	5904
24.6.3	McASP Integration	5907

24.6.4	McASP Functional Description	5913
24.6.4.1	McASP Block Diagram	5913
24.6.4.2	McASP Clock and Frame-Sync Configurations	5915
24.6.4.2.1	McASP Transmit Clock	5915
24.6.4.2.2	McASP Receive Clock	5916
24.6.4.2.3	Frame-Sync Generator	5918
24.6.4.2.4	Synchronous and Asynchronous Transmit and Receive Operations.....	5919
24.6.4.3	Serializers	5920
24.6.4.4	Format Units	5921
24.6.4.4.1	Transmit Format Unit	5921
24.6.4.4.2	Receive Format Unit	5924
24.6.4.5	State-Machines	5926
24.6.4.6	TDM Sequencers	5926
24.6.4.7	McASP Software Reset	5927
24.6.4.8	McASP Power Management	5927
24.6.4.9	Transfer Modes.....	5927
24.6.4.9.1	Burst Transfer Mode	5927
24.6.4.9.2	Time-Division Multiplexed (TDM) Transfer Mode	5928
24.6.4.9.3	DIT Transfer Mode	5931
24.6.4.10	Data Transmission and Reception	5933
24.6.4.10.1	Data Ready Status and Event/Interrupt Generation.....	5934
24.6.4.11	McASP Audio FIFO (AFIFO)	5939
24.6.4.11.1	AFIFO Data Transmission	5940
24.6.4.11.2	AFIFO Data Reception	5941
24.6.4.11.3	Arbitration Between Transmit and Receive DMA Requests.....	5941
24.6.4.12	McASP Events and Interrupt Requests.....	5941
24.6.4.12.1	Transmit Data Ready Event and Interrupt.....	5942
24.6.4.12.2	Receive Data Ready Event and Interrupt.....	5943
24.6.4.12.3	Error Interrupt	5943
24.6.4.12.4	Multiple Interrupts.....	5943
24.6.4.13	DMA Requests	5944
24.6.4.14	Loopback Modes.....	5944
24.6.4.14.1	Loopback Mode Configurations	5946
24.6.4.15	Error Reporting.....	5946
24.6.4.15.1	Buffer Underrun Error -Transmitter	5946
24.6.4.15.2	Buffer Overrun Error-Receiver	5947
24.6.4.15.3	DATA Port Error - Transmitter	5947
24.6.4.15.4	DATA Port Error - Receiver	5947
24.6.4.15.5	Unexpected Frame Sync Error.....	5947
24.6.4.15.6	Clock Failure Detection	5948
24.6.5	McASP Low-Level Programming Model	5951
24.6.5.1	Global Initialization	5951
24.6.5.1.1	Surrounding Modules Global Initialization.....	5951
24.6.5.1.2	McASP Global Initialization	5951
24.6.5.2	Operational Modes Configuration.....	5961
24.6.5.2.1	McASP Transmission Modes	5961
24.6.5.2.2	McASP Reception Modes	5966
24.6.5.2.3	McASP Event Servicing	5971
24.6.6	McASP Register Manual	5977
24.6.6.1	McASP Instance Summary	5977
24.6.6.2	McASP Registers	5977
24.6.6.2.1	MCASP_CFG Register Summary.....	5977
24.6.6.2.2	MCASP_CFG Register Description.....	5982

24.6.6.2.3	MCASP_AFIFO Register Summary.....	6036
24.6.6.2.4	MCASP_AFIFO Register Description.....	6037
24.6.6.2.5	MCASP_DAT Register Summary	6040
24.6.6.2.6	MCASP_DAT Register Description	6041
24.7	SuperSpeed USB DRD.....	6043
24.7.1	SuperSpeed USB DRD Subsystem Overview	6043
24.7.1.1	Main Features	6046
24.7.1.2	Unsupported Features.....	6047
24.7.2	SuperSpeed USB DRD Subsystem Environment.....	6048
24.7.2.1	SuperSpeed USB DRD Subsystem I/O Interfaces	6048
24.7.2.2	SuperSpeed USB Subsystem Application	6050
24.7.3	SuperSpeed USB Subsystem Integration.....	6054
24.8	SATA Controller	6058
24.8.1	SATA Controller Overview	6058
24.8.1.1	SATA Controller	6059
24.8.1.1.1	AHCI Mode Overview.....	6059
24.8.1.1.2	Native Command Queuing	6060
24.8.1.1.3	SATA Transport Layer Functionalities	6060
24.8.1.1.4	SATA Link Layer Functionalities	6060
24.8.1.2	SATA Controller Features	6060
24.8.2	SATA Controller Environment	6062
24.8.3	SATA Controller Integration.....	6064
24.8.4	SATA Controller Functional Description.....	6066
24.8.4.1	SATA Controller Block Diagram.....	6066
24.8.4.2	SATA Controller Link Layer Protocol and Data Format.....	6067
24.8.4.2.1	SATA 8b/10b Parallel Encoding/Decoding.....	6067
24.8.4.2.2	SATA Stream Dword Components.....	6068
24.8.4.2.3	Scrambling/Descrambling Processing	6070
24.8.4.3	Resets	6070
24.8.4.3.1	Hardware Reset	6070
24.8.4.3.2	Software Initiated Resets.....	6070
24.8.4.4	Power Management	6071
24.8.4.4.1	SATA Specific Power Management	6071
24.8.4.4.2	Master Standby and Slave Idle Management Protocols	6072
24.8.4.4.3	Clock Gating Synchronization	6073
24.8.4.5	Interrupt Requests	6073
24.8.4.5.1	Interrupt Generation	6073
24.8.4.5.2	Levels of Interrupt Control.....	6074
24.8.4.5.3	Interrupt Events Description	6075
24.8.4.5.4	Interrupt Condition Control	6077
24.8.4.5.5	Command Completion Coalescing Interrupts.....	6077
24.8.4.6	System Memory FIS Descriptors	6079
24.8.4.6.1	Command List Structure Basics	6079
24.8.4.6.2	Supported Types of Commands.....	6080
24.8.4.6.3	Received FIS Structures	6081
24.8.4.6.4	FIS Descriptors Summary.....	6081
24.8.4.7	Transport Layer FIS-Based Interactions	6082
24.8.4.7.1	Software Processing of the Port Command List	6082
24.8.4.7.2	Handling the Received FIS Descriptors	6082
24.8.4.8	DMA Port Configuration	6082
24.8.4.9	Port Multiplier Operation	6083
24.8.4.9.1	Command-Based Switching Mode	6083
24.8.4.9.2	Port Multiplier Enumeration	6083

24.8.4.10	Activity LED Generation Functionality.....	6083
24.8.4.11	Supported Types of SATA Transfers.....	6084
24.8.4.11.1	Supported Higher Level Protocols	6084
24.8.4.12	SATA Controller AHCI Hardware Register Interface	6084
24.8.5	SATA Controller Low Level Programming Model	6086
24.8.5.1	Global Initialization	6086
24.8.5.1.1	Surrounding Modules Global Initialization.....	6086
24.8.5.1.2	SATA Controller Global Initialization.....	6086
24.8.5.1.3	Issue Command - Main Sequence.....	6088
24.8.5.1.4	Receive FIS—Main Sequence.....	6088
24.8.6	SATA Controller Register Manual.....	6089
24.8.6.1	SATA Controller Instance Summary.....	6089
24.8.6.2	DWC_ahsata Registers	6089
24.8.6.2.1	DWC_ahsata Register Summary	6089
24.8.6.2.2	DWC_ahsata Register Description	6090
24.8.6.3	SATAMAC_wrapper Registers	6128
24.8.6.3.1	SATAMAC_wrapper Register Summary	6128
24.8.6.3.2	SATAMAC_wrapper Register Description	6128
24.9	PCIe Controller	6131
24.9.1	PCIe Controller Subsystem Overview	6131
24.9.1.1	PCIe Controllers Key Features.....	6132
24.9.2	PCIe Controller Environment	6134
24.9.3	PCIe Controllers Integration	6135
24.9.4	PCIe SS Controller Functional Description	6138
24.9.4.1	PCIe Controller Functional Block Diagram	6138
24.9.4.2	PCIe Traffics.....	6140
24.9.4.3	PCIe Controller Ports on L3_MAIN Interconnect	6140
24.9.4.3.1	PCIe Controller Master Port	6140
24.9.4.3.2	PCIe Controller Slave Port	6142
24.9.4.4	PCIe Controller Reset Management.....	6142
24.9.4.4.1	PCIe Reset Types and Stickiness.....	6143
24.9.4.4.2	PCIe Reset Conditions	6143
24.9.4.5	PCIe Controller Power Management.....	6145
24.9.4.5.1	PCIe Protocol Power Management	6145
24.9.4.5.2	PCIe Controller Clocks Management.....	6148
24.9.4.6	PCIe Controller Interrupt Requests	6151
24.9.4.6.1	PCIe Controller Main Hardware Management.....	6151
24.9.4.6.2	PCIe Controller Legacy and MSI Virtual Interrupts Management.....	6153
24.9.4.6.3	PCIe Controller MSI Hardware Interrupt Events	6157
24.9.4.7	PCIe Controller Address Spaces and Address Translation	6157
24.9.4.8	PCIe Traffic Requesting and Responding	6161
24.9.4.8.1	PCIe Memory-type (Mem) Traffic Management	6161
24.9.4.8.2	PCIe Configuration Type (Cfg) Traffic Management.....	6162
24.9.4.8.3	PCIe I/O-type (IO) traffic management	6163
24.9.4.8.4	PCIe Message-type (Msg) traffic management	6164
24.9.4.9	PCIe Programming Register Interface	6165
24.9.4.9.1	PCIe Register Access	6165
24.9.4.9.2	Double Mapping of the PCIe Local Control Registers.....	6165
24.9.4.9.3	Base Address Registers (BAR) Initialization	6166
24.9.5	PCIe Controller Low Level Programming Model	6168
24.9.5.1	Surrounding Modules Global Initialization	6168
24.9.5.2	Main Sequence of PCIe Controllers Initialization.....	6168
24.9.6	PCIe Standard Registers vs PCIe Subsystem Hardware Registers Mapping	6172

24.9.7	PCIe Controller Register Manual.....	6174
24.9.7.1	PCIe Controller Instance Summary.....	6174
24.9.7.2	PCIe_SS_EP_CFG_PClE Registers	6175
24.9.7.2.1	PCIe_SS_EP_CFG_PClE Register Summary.....	6175
24.9.7.2.2	PCIe_SS_EP_CFG_PClE Register Description.....	6177
24.9.7.3	PCIe_SS_EP_CFG_DBICS Registers	6199
24.9.7.3.1	PCIe_SS_EP_CFG_DBICS Register Summary	6199
24.9.7.3.2	PCIe_SS_EP_CFG_DBICS Register Description.....	6201
24.9.7.4	PCIe_SS_RC_CFG_DBICS Registers.....	6223
24.9.7.4.1	PCIe_SS_RC_CFG_DBICS Register Summary	6223
24.9.7.4.2	PCIe_SS_RC_CFG_DBICS Register Description	6224
24.9.7.5	PCIe_SS_PL_CONF Registers	6244
24.9.7.5.1	PCIe_SS_PL_CONF Register Summary	6244
24.9.7.5.2	PCIe_SS_PL_CONF Register Description	6246
24.9.7.6	PCIe_SS_EP_CFG_DBICS2 Registers	6270
24.9.7.6.1	PCIe_SS_EP_CFG_DBICS2 Register Summary	6270
24.9.7.6.2	PCIe_SS_EP_CFG_DBICS2 Register Description	6272
24.9.7.7	PCIe_SS_RC_CFG_DBICS2 Registers	6290
24.9.7.7.1	PCIe_SS_RC_CFG_DBICS2 Register Summary	6290
24.9.7.7.2	PCIe_SS_RC_CFG_DBICS2 Register Description	6291
24.9.7.8	PCIe_SS_TI_CONF Registers	6311
24.9.7.8.1	PCIe_SS_TI_CONF Register Summary	6311
24.9.7.8.2	PCIe_SS_TI_CONF Register Description	6312
24.10	DCAN.....	6332
24.10.1	DCAN Overview	6332
24.10.1.1	Features.....	6333
24.10.2	DCAN Environment.....	6334
24.10.2.1	CAN Network Basics	6335
24.10.3	DCAN Integration	6336
24.10.4	DCAN Functional Description	6339
24.10.4.1	Module Clocking Requirements.....	6340
24.10.4.2	Interrupt Functionality	6340
24.10.4.2.1	Message Object Interrupts.....	6340
24.10.4.2.2	Status Change Interrupts	6341
24.10.4.2.3	Error Interrupts	6341
24.10.4.3	DMA Functionality	6342
24.10.4.4	Local Power-Down Mode	6342
24.10.4.4.1	Entering Local Power-Down Mode	6342
24.10.4.4.2	Wakeup From Local Power Down	6342
24.10.4.5	Parity Check Mechanism	6344
24.10.4.5.1	Behavior on Parity Error	6344
24.10.4.5.2	Parity Testing.....	6344
24.10.4.6	Debug/Suspend Mode	6344
24.10.4.7	Configuration of Message Objects Description	6345
24.10.4.7.1	Configuration of a Transmit Object for Data Frames.....	6345
24.10.4.7.2	Configuration of a Transmit Object for Remote Frames.....	6346
24.10.4.7.3	Configuration of a Single Receive Object for Data Frames	6346
24.10.4.7.4	Configuration of a Single Receive Object for Remote Frames	6346
24.10.4.7.5	Configuration of a FIFO Buffer	6347
24.10.4.8	Message Handling	6347
24.10.4.8.1	Message Handler Overview	6347
24.10.4.8.2	Receive/Transmit Priority	6348
24.10.4.8.3	Transmission of Messages in Event Driven CAN Communication.....	6348

24.10.4.8.4	Updating a Transmit Object	6349
24.10.4.8.5	Changing a Transmit Object.....	6349
24.10.4.8.6	Acceptance Filtering of Received Messages.....	6349
24.10.4.8.7	Reception of Data Frames.....	6349
24.10.4.8.8	Reception of Remote Frames	6350
24.10.4.8.9	Reading Received Messages	6350
24.10.4.8.10	Requesting New Data for a Receive Object	6350
24.10.4.8.11	Storing Received Messages in FIFO Buffers	6350
24.10.4.8.12	Reading From a FIFO Buffer	6351
24.10.4.9	CAN Bit Timing.....	6352
24.10.4.9.1	Bit Time and Bit Rate.....	6353
24.10.4.9.2	DCAN Bit Timing Registers.....	6357
24.10.4.10	Message Interface Register Sets	6360
24.10.4.10.1	Message Interface Register Sets 1 and 2.....	6360
24.10.4.10.2	IF3 Register Set	6361
24.10.4.11	Message RAM	6362
24.10.4.11.1	Structure of Message Objects	6362
24.10.4.11.2	Addressing Message Objects in RAM	6364
24.10.4.11.3	Message RAM Representation in Debug/Suspend Mode	6365
24.10.4.11.4	Message RAM Representation in Direct Access Mode	6366
24.10.4.12	CAN Operation	6367
24.10.4.12.1	CAN Module Initialization.....	6367
24.10.4.12.2	CAN Message Transfer (Normal Operation).....	6369
24.10.4.12.3	Test Modes.....	6370
24.10.4.13	GPIO Support.....	6373
24.10.5	DCAN Register Manual	6374
24.10.5.1	DCAN Instance Summary	6374
24.10.5.2	DCAN Registers	6374
24.10.5.2.1	DCAN Register Summary	6374
24.10.5.2.2	DCAN Register Description	6376
24.11	Gigabit Ethernet Switch (GMAC_SW).....	6427
24.11.1	GMAC_SW Overview	6427
24.11.1.1	Features.....	6427
24.11.2	GMAC_SW Environment	6430
24.11.2.1	G/MII Interface	6430
24.11.2.2	RMII Interface	6431
24.11.2.3	RGMII Interface	6432
24.11.3	GMAC_SW Integration.....	6434
24.11.4	GMAC_SW Functional Description.....	6437
24.11.4.1	Functional Block Diagram	6437
24.11.4.2	GMAC_SW Ports	6437
24.11.4.2.1	Interface Mode Selection	6438
24.11.4.3	Clocking.....	6438
24.11.4.3.1	Subsystem Clocking.....	6438
24.11.4.3.2	Interface Clocking.....	6438
24.11.4.4	Software IDLE.....	6438
24.11.4.5	Interrupt Functionality	6439
24.11.4.5.1	Receive Packet Completion Pulse Interrupt (RX_PULSE).....	6439
24.11.4.5.2	Transmit Packet Completion Pulse Interrupt (TX_PULSE)	6440
24.11.4.5.3	Receive Threshold Pulse Interrupt (RX_THRESH_PULSE)	6440
24.11.4.5.4	Miscellaneous Pulse Interrupt (MISC_PULSE)	6441
24.11.4.5.5	Interrupt Pacing	6442
24.11.4.6	Reset Isolation	6443

24.11.4.6.1	Reset Isolation Functional Description	6443
24.11.4.7	Software Reset.....	6443
24.11.4.8	CPSW_3G	6444
24.11.4.8.1	CPDMA RX and TX Interfaces.....	6444
24.11.4.8.2	Address Lookup Engine (ALE).....	6446
24.11.4.8.3	Packet Priority Handling	6453
24.11.4.8.4	FIFO Memory Control	6453
24.11.4.8.5	FIFO Transmit Queue Control	6453
24.11.4.8.6	Audio Video Bridging	6455
24.11.4.8.7	Ethernet MAC Sliver (CPGMAC_SL)	6461
24.11.4.8.8	Embedded Memories.....	6465
24.11.4.8.9	Flow Control	6466
24.11.4.8.10	Short Gap	6468
24.11.4.8.11	Switch Latency.....	6468
24.11.4.8.12	Emulation Control	6469
24.11.4.8.13	FIFO Loopback	6469
24.11.4.8.14	Device Level Ring (DLR) Support.....	6470
24.11.4.8.15	Energy Efficient Ethernet Support (802.3az)	6470
24.11.4.8.16	CPSW_3G Network Statistics	6471
24.11.4.9	Static Packet Filter (SPF).....	6476
24.11.4.9.1	SPF Overview	6476
24.11.4.9.2	SPF Functional Description	6476
24.11.4.9.3	Programming Guide	6492
24.11.4.10	Common Platform Time Sync (CPTS).....	6493
24.11.4.10.1	CPTS Architecture	6493
24.11.4.10.2	CPTS Initialization.....	6493
24.11.4.10.3	Time Stamp Value	6494
24.11.4.10.4	Event FIFO	6494
24.11.4.10.5	Time Sync Events	6494
24.11.4.10.6	CPTS Interrupt Handling	6498
24.11.4.11	CPPI Buffer Descriptors	6498
24.11.4.11.1	TX Buffer Descriptors	6499
24.11.4.11.2	RX Buffer Descriptors.....	6501
24.11.4.12	MDIO.....	6504
24.11.4.12.1	MDIO Frame Formats	6504
24.11.4.12.2	MDIO Functional Description	6505
24.11.5	GMAC_SW Programming Guide	6505
24.11.5.1	Transmit Operation	6505
24.11.5.2	Receive Operation	6507
24.11.5.3	MDIO Software Interface	6509
24.11.5.3.1	Initializing the MDIO Module	6509
24.11.5.3.2	Writing Data To a PHY Register	6509
24.11.5.3.3	Reading Data From a PHY Register	6510
24.11.5.4	Initialization and Configuration of CPSW	6510
24.11.6	GMAC_SW Register Manual.....	6511
24.11.6.1	GMAC_SW Instance Summary	6511
24.11.6.2	SS Registers	6511
24.11.6.2.1	SS Register Summary	6511
24.11.6.2.2	SS Register Description	6512
24.11.6.3	PORT Registers.....	6520
24.11.6.3.1	PORT Register Summary	6520
24.11.6.3.2	PORT Register Description	6521
24.11.6.4	CPDMA registers	6568

24.11.6.4.1	CPDMA Register Summary	6568
24.11.6.4.2	CPDMA Register Description	6569
24.11.6.5	STATS Registers	6597
24.11.6.5.1	STATS Register Summary	6597
24.11.6.5.2	STATS Register Description	6598
24.11.6.6	STATERAM Registers	6615
24.11.6.6.1	STATERAM Register Summary	6615
24.11.6.6.2	STATERAM Register Description	6616
24.11.6.7	CPTS registers	6631
24.11.6.7.1	CPTS Register Summary	6631
24.11.6.7.2	CPTS Register Description	6631
24.11.6.8	ALE registers	6637
24.11.6.8.1	ALE Register Summary	6637
24.11.6.8.2	ALE Register Description	6638
24.11.6.9	SL registers	6648
24.11.6.9.1	SL Register Summary	6648
24.11.6.9.2	SL Register Description	6649
24.11.6.10	MDIO registers	6657
24.11.6.10.1	MDIO Register Summary	6657
24.11.6.10.2	MDIO Register Description	6658
24.11.6.11	WR registers	6667
24.11.6.11.1	WR Register Summary	6667
24.11.6.11.2	WR Register Description	6668
24.11.6.12	SPF Registers	6677
24.11.6.12.1	SPF Register Summary	6677
24.11.6.12.2	SPF Register Description	6678
24.12	Media Local Bus (MLB)	6691
25	eMMC/SD/SDIO	6692
25.1	eMMC/SD/SDIO Overview	6693
25.1.1	eMMC/SD/SDIO Features	6694
25.2	eMMC/SD/SDIO Environment	6697
25.2.1	eMMC/SD/SDIO Functional Modes	6697
25.2.1.1	eMMC/SD/SDIO Connected to an eMMC, SD, or SDIO Card	6697
25.2.2	Protocol and Data Format	6698
25.2.2.1	Protocol	6699
25.2.2.2	Data Format	6701
25.3	eMMC/SD/SDIO Integration	6704
25.4	eMMC/SD/SDIO Functional Description	6710
25.4.1	Block Diagram	6710
25.4.2	Resets	6710
25.4.2.1	Hardware Reset	6710
25.4.2.2	Software Reset	6710
25.4.3	Power Management	6711
25.4.4	Interrupt Requests	6715
25.4.4.1	Interrupt-Driven Operation	6718
25.4.4.2	Polling	6718
25.4.4.3	Asynchronous Interrupt	6719
25.4.5	DMA Modes	6719
25.4.5.1	Master DMA Operations	6719
25.4.5.1.1	Descriptor Table Description	6720
25.4.5.1.2	Requirements for Descriptors	6721
25.4.5.1.3	Advanced DMA Description	6722
25.4.5.2	Slave DMA Operations	6723

25.4.5.2.1	DMA Receive Mode.....	6723
25.4.5.2.2	DMA Transmit Mode.....	6724
25.4.6	Mode Selection.....	6725
25.4.7	Buffer Management.....	6725
25.4.7.1	Data Buffer.....	6725
25.4.7.1.1	Memory Size, Block Length, and Buffer-Management Relationship.....	6728
25.4.7.1.2	Data Buffer Status.....	6729
25.4.8	Transfer Process.....	6729
25.4.8.1	Different Types of Commands.....	6729
25.4.8.2	Different Types of Responses.....	6729
25.4.9	Transfer or Command Status and Errors Reporting.....	6730
25.4.9.1	Busy Time-Out for R1b, R5b Response Type.....	6731
25.4.9.2	Busy Time-Out After Write CRC Status.....	6731
25.4.9.3	Write CRC Status Time-Out.....	6731
25.4.9.4	Read Data Time-Out.....	6732
25.4.9.5	Boot Acknowledge Time-Out.....	6733
25.4.10	Auto Command 12 Timings.....	6734
25.4.10.1	Auto CMD12 Timings During Write Transfer.....	6734
25.4.10.2	Auto CMD12 Timings During Read Transfer.....	6734
25.4.11	Transfer Stop.....	6734
25.4.12	Output Signals Generation.....	6736
25.4.12.1	Generation on Falling Edge of MMC Clock.....	6736
25.4.12.2	Generation on Rising Edge of MMC Clock.....	6736
25.4.13	Sampling Clock Tuning.....	6737
25.4.14	Card Boot Mode Management.....	6737
25.4.14.1	Boot Mode Using CMD0.....	6738
25.4.14.2	Boot Mode With CMD Line Tied to 0.....	6738
25.4.15	MMC CE-ATA Command Completion Disable Management.....	6739
25.4.16	Test Registers.....	6739
25.4.17	eMMC/SD/SDIO Hardware Status Features.....	6739
25.5	eMMC/SD/SDIO Programming Guide.....	6741
25.5.1	Low-Level Programming Models.....	6741
25.5.1.1	Global Initialization.....	6741
25.5.1.1.1	Surrounding Modules Global Initialization.....	6741
25.5.1.1.2	eMMC/SD/SDIO Host Controller Initialization Flow.....	6741
25.5.1.2	Operational Modes Configuration.....	6744
25.5.1.2.1	Basic Operations for eMMC/SD/SDIO Host Controller.....	6744
25.5.1.2.2	Bus Voltage Selection.....	6761
25.5.1.2.3	Boot Mode Configuration.....	6762
25.5.1.2.4	SDR104/HS200 DLL Tuning Procedure.....	6765
25.6	eMMC/SD/SDIO Register Manual.....	6767
25.6.1	eMMC/SD/SDIO Instance Summary.....	6767
25.6.2	eMMC/SD/SDIO Registers.....	6767
25.6.2.1	eMMC/SD/SDIO Register Summary.....	6767
25.6.2.2	eMMC/SD/SDIO Register Description.....	6769
26	Shared PHY Component Subsystem.....	6838
26.1	SATA PHY Subsystem.....	6839
26.1.1	SATA PHY Subsystem Overview.....	6839
26.1.2	SATA PHY Subsystem Environment.....	6841
26.1.2.1	SATA PHY I/O Signals.....	6841
26.1.3	SATA PHY Subsystem Integration.....	6843
26.1.4	SATA PHY Subsystem Functional Description.....	6846
26.1.4.1	SATA PLL Controller L4 Interface Adapter Functional Description.....	6846

26.1.4.2	SATA PHY Serializer and Deserializer Functional Descriptions	6846
26.1.4.2.1	SATA PHY Reset.....	6846
26.1.4.2.2	SATA_PHY Clocking.....	6846
26.1.4.2.3	SATA_PHY Power Management.....	6847
26.1.4.2.4	SATA_PHY Hardware Requests	6847
26.1.4.3	SATA Clock Generator Subsystem Functional Description	6847
26.1.4.3.1	SATA DPLL Clock Generator Overview.....	6848
26.1.4.3.2	SATA DPLL Clock Generator Reset.....	6849
26.1.4.3.3	SATA DPLL Low-Power Modes	6849
26.1.4.3.4	SATA DPLL Clocks Configuration	6849
26.1.4.3.5	SATA DPLL Subsystem Architecture	6850
26.1.4.3.6	SATA DPLL Clock Generator Modes and State Transitions	6851
26.1.4.3.7	SATA PLL Controller Functions	6854
26.1.5	SATA PHY Subsystem Low-Level Programming Model	6857
26.2	USB3_PHY Subsystem.....	6859
26.2.1	USB3_PHY Subsystem Overview.....	6859
26.2.2	USB3_PHY Subsystem Environment	6861
26.2.2.1	USB3_PHY I/O Signals	6861
26.2.3	USB3_PHY Subsystem Integration	6862
26.2.4	USB3_PHY Subsystem Functional Description	6865
26.2.4.1	Super-Speed USB PLL Controller L4 Interface Adapter Functional Description	6865
26.2.4.2	USB3_PHY Serializer and Deserializer Functional Descriptions	6865
26.2.4.2.1	USB3_PHY Module Resets	6865
26.2.4.2.2	USB3_PHY Subsystem Clocking	6865
26.2.4.2.3	USB3_PHY Power Management.....	6866
26.2.4.2.4	USB3_PHY Hardware Requests	6867
26.2.4.3	USB3_PHY Clock Generator Subsystem Functional Description	6867
26.2.4.3.1	USB3_PHY DPLL Clock Generator Overview.....	6867
26.2.4.3.2	USB3_PHY DPLL Clock Generator Reset.....	6869
26.2.4.3.3	USB3_PHY DPLL Low-Power Modes	6869
26.2.4.3.4	USB3_PHY DPLL Clocks Configuration	6869
26.2.4.3.5	USB3_PHY DPLL Subsystem Architecture.....	6870
26.2.4.3.6	USB3_PHY DPLL Clock Generator Modes and State Transitions	6872
26.2.4.3.7	USB3_PHY PLL Controller Functions	6875
26.2.5	USB3_PHY Subsystem Low-Level Programming Model	6877
26.3	USB3 PHY and SATA PHY Register Manual	6879
26.3.1	USB3 PHY and SATA PHY Instance Summary	6879
26.3.2	USB3_PHY_RX Registers	6879
26.3.2.1	USB3_PHY_RX Register Summary	6879
26.3.2.2	USB3_PHY_RX Register Description	6880
26.3.3	USB3_PHY_TX Registers	6886
26.3.3.1	USB3_PHY_TX Register Summary	6886
26.3.3.2	USB3_PHY_TX Register Description	6886
26.3.4	DPLLCTRL Registers.....	6889
26.3.4.1	DPLLCTRL Register Summary	6889
26.3.4.2	DPLLCTRL Register Description	6889
26.4	PCIe PHY Subsystem	6896
26.4.1	PCIe PHY Subsystem Overview	6896
26.4.1.1	PCIe PHY Subsystem Key Features	6897
26.4.2	PCIe PHY Subsystem Environment	6899
26.4.2.1	PCIe PHY I/O Signals	6899
26.4.3	PCIe Shared PHY Subsystem Integration	6901
26.4.4	PCIe PHY Subsystem Functional Description.....	6904

26.4.4.1	PCIe PHY Subsystem Block Diagram.....	6904
26.4.4.2	OCP2SCP Functional Description	6905
26.4.4.2.1	OCP2SCP Reset	6905
26.4.4.2.2	OCP2SCP Power Management	6905
26.4.4.2.3	OCP2SCP Timing Registers	6905
26.4.4.3	PCIe PHY Serializer and Deserializer Functional Descriptions	6906
26.4.4.3.1	PCIe PHY Module Resets.....	6906
26.4.4.3.2	PCIe PHY Subsystem Clocking	6906
26.4.4.3.3	PCIe PHY Power Management	6908
26.4.4.3.4	PCIe PHY Hardware Requests.....	6908
26.4.4.4	PCIe PHY Clock Generator Subsystem Functional Description	6908
26.4.4.4.1	PCIe PHY DPLL Clock Generator	6910
26.4.4.4.2	PCIe PHY APLL Clock Generator.....	6916
26.4.4.4.3	ACSPCIE reference clock buffer	6919
26.4.5	PCIePHY Subsystem Low-Level Programming Model.....	6919
26.4.6	PCIe PHY Subsystem Register Manual.....	6923
26.4.6.1	PCIe PHY Instance Summary	6923
26.4.6.1.1	PCIe_PHY_RX Registers	6923
26.4.6.1.2	PCIe_PHY_TX Registers.....	6929
26.4.6.1.3	OCP2SCP Registers.....	6932
27	General-Purpose Interface.....	6935
27.1	General-Purpose Interface Overview	6936
27.2	General-Purpose Interface Environment	6939
27.2.1	General-Purpose Interface as a Keyboard Interface	6939
27.2.2	General-Purpose Interface Signals	6940
27.3	General-Purpose Interface Integration	6943
27.4	General-Purpose Interface Functional Description	6948
27.4.1	General-Purpose Interface Block Diagram	6948
27.4.2	General-Purpose Interface Interrupt and Wake-Up Features	6949
27.4.2.1	Synchronous Path: Interrupt Request Generation.....	6949
27.4.2.2	Asynchronous Path: Wake-Up Request Generation	6950
27.4.2.3	Wake-Up Event Conditions During Transition To/From IDLE State.....	6951
27.4.2.4	Interrupt (or Wake-Up) Line Release	6952
27.4.3	General-Purpose Interface Clock Configuration	6953
27.4.3.1	Clocking	6953
27.4.4	General-Purpose Interface Hardware and Software Reset.....	6953
27.4.5	General-Purpose Interface Power Management	6954
27.4.5.1	Power Domain.....	6954
27.4.5.2	Power Management	6954
27.4.5.2.1	Idle Scheme.....	6954
27.4.5.2.2	Operating Modes	6954
27.4.5.2.3	System Power Management and Wakeup.....	6955
27.4.5.2.4	Module Power Saving	6955
27.4.6	General-Purpose Interface Interrupt and Wake-Up Requests	6957
27.4.6.1	Interrupt Requests Generation	6957
27.4.6.2	Wake-Up Requests Generation	6958
27.4.7	General-Purpose Interface Channels Description	6959
27.4.8	General-Purpose Interface Data Input/Output Capabilities	6960
27.4.9	General-Purpose Interface Set-and-Clear Protocol.....	6960
27.4.9.1	Description	6960
27.4.9.2	Clear Instruction.....	6961
27.4.9.2.1	Clear Register Addresses	6961
27.4.9.2.2	Clear Instruction Example.....	6961

27.4.9.3	Set Instruction	6961
27.4.9.3.1	Set Register Addresses	6961
27.4.9.3.2	Set Instruction Example	6962
27.5	General-Purpose Interface Programming Guide	6963
27.5.1	General-Purpose Interface Low-Level Programming Models	6963
27.5.1.1	Global Initialization	6963
27.5.1.1.1	Surrounding Modules Global Initialization.....	6963
27.5.1.1.2	General-Purpose Interface Module Global Initialization.....	6963
27.5.1.2	General-Purpose Interface Operational Modes Configuration	6964
27.5.1.2.1	General-Purpose Interface Read Input Register	6964
27.5.1.2.2	General-Purpose Interface Set Bit Function	6964
27.5.1.2.3	General-Purpose Interface Clear Bit Function.....	6964
27.6	General-Purpose Interface Register Manual	6965
27.6.1	General-Purpose Interface Instance Summary	6965
27.6.2	General-Purpose Interface Registers.....	6965
27.6.2.1	General-Purpose Interface Register Summary	6965
27.6.2.2	General-Purpose Interface Register Description	6969
28	Keyboard Controller	6987
28.1	Keyboard Controller Overview.....	6988
28.2	Keyboard Controller Environment.....	6990
28.2.1	Keyboard Controller Functions/Modes	6990
28.2.2	Keyboard Controller Signals	6991
28.2.3	Protocols and Data Formats	6991
28.3	Keyboard Controller Integration	6993
28.4	Keyboard Controller Functional Description	6995
28.4.1	Keyboard Controller Block Diagram	6995
28.4.2	Keyboard Controller Software Reset	6996
28.4.3	Keyboard Controller Power Management.....	6996
28.4.4	Keyboard Controller Interrupt Requests.....	6996
28.4.5	Keyboard Controller Software Mode.....	6996
28.4.6	Keyboard Controller Hardware Decoding Modes	6997
28.4.6.1	Functional Modes	6997
28.4.6.2	Keyboard Controller Timer.....	6997
28.4.6.3	State-Machine Status.....	6999
28.4.6.4	Keyboard Controller Interrupt Generation	6999
28.4.6.4.1	Interrupt-Generation Scheme.....	6999
28.4.6.4.2	Keyboard Buffer and Missed Events (Overrun Feature)	7001
28.4.7	Keyboard Controller Key Coding Registers.....	7001
28.4.8	Keyboard Controller Register Access	7002
28.4.8.1	Write Registers Access	7002
28.4.8.2	Read Registers Access	7003
28.5	Keyboard Controller Programming Guide.....	7004
28.5.1	Keyboard Controller Low-Level Programming Models	7004
28.5.1.1	Global Initialization	7004
28.5.1.1.1	Surrounding Modules Global Initialization.....	7004
28.5.1.1.2	Keyboard Controller Global Initialization	7004
28.5.1.2	Operational Modes Configuration	7005
28.5.1.2.1	Keyboard Controller in Hardware Decoding Mode (Default Mode)	7005
28.5.1.2.2	Keyboard Controller Software Scanning Mode.....	7006
28.5.1.2.3	Using the Timer.....	7006
28.5.1.2.4	State-Machine Status Register	7006
28.5.1.3	Keyboard Controller Events Servicing	7006
28.6	Keyboard Controller Register Manual	7008

28.6.1	Keyboard Controller Instance Summary	7008
28.6.2	Keyboard Controller Registers	7008
28.6.2.1	Keyboard Controller Register Summary	7008
28.6.2.2	Keyboard Controller Register Description	7009
29	Pulse-Width Modulation Subsystem	7024
29.1	PWM Subsystem Resources	7025
29.1.1	PWMSS Overview	7025
29.1.1.1	PWMSS Key Features	7025
29.1.1.2	PWMSS Unsupported Features.....	7026
29.1.2	PWMSS Environment.....	7027
29.1.2.1	PWMSS I/O Interface.....	7027
29.1.3	PWMSS Integration	7029
29.1.3.1	PWMSS Module Interfaces Implementation.....	7032
29.1.3.1.1	Device Specific PWMSS Features	7033
29.1.3.1.2	Daisy-Chain Connectivity between PWMSS Modules.....	7033
29.1.3.1.3	eHRPWM Modules Time Base Clock Gating.....	7034
29.1.4	PWMSS Subsystem Power, Reset and Clock Configuration.....	7035
29.1.4.1	PWMSS Local Clock Management	7035
29.1.4.2	PWMSS Modules Local Clock Gating.....	7035
29.1.4.3	PWMSS Software Reset	7036
29.1.5	PWMSS_CFG Register Manual	7036
29.1.5.1	PWMSS_CFG Instance Summary.....	7036
29.1.5.2	PWMSS_CFG Registers	7036
29.1.5.2.1	PWMSS_CFG Register Summary	7036
29.1.5.2.2	PWMSS_CFG Register Description	7037
29.2	Enhanced PWM (ePWM) Module	7041
29.2.1	ePWM Overview.....	7041
29.2.2	ePWM Functional Description	7045
29.2.2.1	ePWM Submodule Features	7045
29.2.2.2	Proper ePWM Interrupt Initialization Procedure	7048
29.2.2.3	ePWM Time-Base (TB) Submodule	7048
29.2.2.3.1	Purpose of the ePWM Time-Base Submodule	7049
29.2.2.3.2	Controlling and Monitoring the ePWM Time-Base Submodule	7050
29.2.2.3.3	Calculating PWM Period and Frequency.....	7051
29.2.2.3.4	Phase Locking the Time-Base Clocks of Multiple ePWM Modules.....	7054
29.2.2.3.5	ePWM Time-Base Counter Modes and Timing Waveforms	7054
29.2.2.4	ePWM Counter-Compare (CC) Submodule	7059
29.2.2.4.1	Purpose of the ePWM Counter-Compare Submodule	7060
29.2.2.4.2	Controlling and Monitoring the ePWM Counter-Compare Submodule.....	7060
29.2.2.4.3	Operational Highlights for the ePWM Counter-Compare Submodule.....	7062
29.2.2.4.4	ePWM Count Mode Timing Waveforms	7062
29.2.2.5	ePWM Action-Qualifier (AQ) Submodule	7065
29.2.2.5.1	Purpose of the ePWM Action-Qualifier Submodule.....	7065
29.2.2.5.2	Controlling and Monitoring the ePWM Action-Qualifier Submodule	7065
29.2.2.5.3	ePWM Action-Qualifier Event Priority.....	7068
29.2.2.5.4	Waveforms for Common ePWM Configurations	7069
29.2.2.6	ePWM Dead-Band Generator (DB) Submodule	7083
29.2.2.6.1	Purpose of the ePWM Dead-Band Submodule	7083
29.2.2.6.2	Controlling and Monitoring the ePWM Dead-Band Submodule.....	7083
29.2.2.6.3	Operational Highlights for the ePWM Dead-Band Generator Submodule.....	7084
29.2.2.7	PWM-Chopper (PC) Submodule	7087
29.2.2.7.1	Purpose of the PWM-Chopper Submodule	7087
29.2.2.7.2	Controlling the PWM-Chopper Submodule	7087

29.2.2.7.3	Operational Highlights for the PWM-Chopper Submodule.....	7088
29.2.2.7.4	PWM Chopper Waveforms.....	7089
29.2.2.8	ePWM Trip-Zone (TZ) Submodule.....	7091
29.2.2.8.1	Purpose of the ePWM Trip-Zone Submodule	7091
29.2.2.8.2	Controlling and Monitoring the ePWM Trip-Zone Submodule.....	7092
29.2.2.8.3	Operational Highlights for the ePWM Trip-Zone Submodule.....	7092
29.2.2.8.4	Generating ePWM Trip Event Interrupts	7093
29.2.2.9	ePWM Event-Trigger (ET) Submodule.....	7095
29.2.2.9.1	Purpose of the ePWM Event-Trigger Submodule.....	7095
29.2.2.9.2	Controlling and Monitoring the ePWM Event-Trigger Submodule	7095
29.2.2.9.3	Operational Overview of the ePWM Event-Trigger Submodule.....	7096
29.2.2.10	High-Resolution PWM (HRPWM) Submodule	7100
29.2.2.10.1	Purpose of the High-Resolution PWM Submodule.....	7101
29.2.2.10.2	Architecture of the High-Resolution PWM Submodule	7102
29.2.2.10.3	Controlling and Monitoring the High-Resolution PWM Submodule	7102
29.2.2.10.4	Configuring the High-Resolution PWM Submodule	7103
29.2.2.10.5	Operational Highlights for the High-Resolution PWM Submodule	7103
29.2.2.11	eHRPWM Functional Register Groups.....	7106
29.2.3	PWMSS_EPWM Register Manual	7108
29.2.3.1	PWMSS_EPWM Instance Summary	7108
29.2.3.2	PWMSS_EPWM Registers	7108
29.2.3.2.1	PWMSS_EPWM Register Summary.....	7108
29.2.3.2.2	PWMSS_EPWM Register Description.....	7110
29.3	Enhanced Capture (eCAP) Module	7137
29.3.1	eCAP Overview.....	7137
29.3.1.1	Purpose of the eCAP Peripheral	7137
29.3.1.2	eCAP Features	7137
29.3.2	eCAP Functional Description	7138
29.3.2.1	Capture and APWM Operating Mode	7140
29.3.2.2	eCAP Capture Mode Description	7141
29.3.2.2.1	eCAP Event Prescaler	7142
29.3.2.2.2	eCAP Edge Polarity Select and Qualifier	7143
29.3.2.2.3	eCAP Continuous/One-Shot Control	7143
29.3.2.2.4	eCAP 32-Bit Counter and Phase Control	7144
29.3.2.2.5	CAP1-CAP4 Registers.....	7145
29.3.2.2.6	eCAP Interrupt Control	7145
29.3.2.2.7	eCAP Shadow Load and Lockout Control	7145
29.3.2.2.8	eCAP Module APWM Mode Operation.....	7147
29.3.2.3	Summary of eCAP Functional Registers.....	7148
29.3.3	PWMSS_ECAP Register Manual	7148
29.3.3.1	PWMSS_ECAP Instance Summary	7148
29.3.3.2	PWMSS_ECAP Registers	7149
29.3.3.2.1	PWMSS_ECAP Register Summary.....	7149
29.3.3.2.2	PWMSS_ECAP Register Description	7149
29.4	Enhanced Quadrature Encoder Pulse (eQEP) Module	7161
29.4.1	eQEP Overview	7161
29.4.2	eQEP Module Functional Description	7164
29.4.2.1	eQEP Inputs	7164
29.4.2.2	eQEP Quadrature Decoder Unit (QDU).....	7166
29.4.2.2.1	eQEP Position Counter Input Modes	7167
29.4.2.2.2	eQEP Input Polarity Selection	7169
29.4.2.2.3	eQEP Position-Compare Sync Output	7169
29.4.2.3	eQEP Position Counter and Control Unit (PCCU).....	7169

29.4.2.3.1	eQEP Position Counter Operating Modes	7169
29.4.2.3.2	eQEP Position Counter Latch	7172
29.4.2.3.3	eQEP Position Counter Initialization	7175
29.4.2.3.4	eQEP Position-Compare Unit.....	7175
29.4.2.4	eQEP Edge Capture Unit	7177
29.4.2.5	eQEP Watchdog	7180
29.4.2.6	Unit Timer Base	7181
29.4.2.7	eQEP Interrupt Structure.....	7181
29.4.2.8	Summary of PWMSS eQEP Functional Registers	7182
29.4.3	PWMSS_EQEP Register Manual	7182
29.4.3.1	PWMSS_EQEP Instance Summary	7182
29.4.3.2	PWMSS_EQEP Registers	7183
29.4.3.2.1	PWMSS_EQEP Register Summary	7183
29.4.3.2.2	PWMSS_EQEP Register Description	7184
30	Programmable Real-Time Unit Subsystem and Industrial Communication Subsystem	7203
30.1	PRU-ICSS Overview	7204
30.1.1	PRU-ICSS Key Features	7206
30.2	PRU-ICSS Environment	7207
30.2.1	PRU-ICSS I/O Interface	7207
30.3	PRU-ICSS Integration	7218
30.4	PRU-ICSS Level Resources Functional Description	7222
30.4.1	PRU-ICSS Reset Management	7222
30.4.2	PRU-ICSS Power and Clock Management	7222
30.4.2.1	PRU-ICSS Idle and Standby States	7223
30.4.2.2	Module Clock Configurations at PRU-ICSS Top Level	7224
30.4.3	Other PRU-ICSS Module Functional Registers at Subsystem Level.....	7224
30.4.4	PRU-ICSS Memory Maps	7225
30.4.4.1	PRU-ICSS Local Memory Map.....	7225
30.4.4.1.1	PRU-ICSS Local Instruction Memory Map.....	7225
30.4.4.1.2	PRU-ICSS Local Data Memory Map.....	7225
30.4.4.2	PRU-ICSS Global Memory Map	7226
30.4.5	PRUSS_CFG Register Manual.....	7228
30.4.5.1	PRUSS_CFG Instance Summary.....	7228
30.4.5.2	PRUSS_CFG Registers.....	7228
30.4.5.2.1	PRUSS_CFG Register Summary	7228
30.4.5.2.2	PRUSS_CFG Register Description	7230
30.5	PRU-ICSS PRU Cores	7253
30.5.1	PRU Cores Overview	7253
30.5.2	PRU Cores Functional Description	7254
30.5.2.1	PRUs Constant Table	7254
30.5.2.2	PRU Module Interface.....	7256
30.5.2.2.1	Real-Time Status Interface Mapping (R31): Interrupt Events Input	7256
30.5.2.2.2	Event Interface Mapping (R31): PRU System Events.....	7256
30.5.2.2.3	General-Purpose Inputs (R31): Enhanced PRU GP Module	7258
30.5.3	PRU Multiplier with Optional Accumulation (MPY/MAC).....	7285
30.5.3.1	PRU MACs Overview.....	7285
30.5.3.1.1	PRU MAC Key Features	7285
30.5.3.1.2	PRU MAC Operations	7285
30.5.4	CRC16/32	7287
30.5.4.1	Features	7288
30.5.4.2	PRU and CRC16/32 Interface.....	7288
30.5.4.3	Programming Model	7289
30.5.5	PRU0 and PRU1 Scratch Pad Memory	7289

30.5.5.1	PRU0/1 Scratch Pad Overview	7289
30.5.5.2	PRU0 /1 Scratch Pad Operations.....	7290
30.5.5.2.1	Optional XIN/XOUT Shift	7291
30.5.6	PRUSS_PRU_CTRL Register Manual	7291
30.5.6.1	PRUSS_PRU_CTRL Instance Summary	7292
30.5.6.2	PRUSS_PRU_CTRL Registers	7292
30.5.6.2.1	PRUSS_PRU_CTRL Register Summary	7292
30.5.6.2.2	PRUSS_PRU_CTRL Register Description	7292
30.5.7	PRUSS_PRU_DEBUG Register Manual.....	7298
30.5.7.1	PRUSS_PRU_DEBUG Instance Summary.....	7298
30.5.7.2	PRUSS_PRU_DEBUG Registers.....	7299
30.5.7.2.1	PRUSS_PRU_DEBUG Register Summary	7299
30.5.7.2.2	PRUSS_PRU_DEBUG Register Description	7302
30.6	PRU-ICSS Local Interrupt Controller	7335
30.6.1	PRU-ICSS Interrupt Controller Overview	7335
30.6.2	PRU-ICSS Interrupt Controller Functional Description	7335
30.6.2.1	PRU-ICSS Interrupt Controller System Events	7336
30.6.2.2	PRU-ICSS Interrupt Controller System Events Flow	7336
30.6.2.2.1	PRU-ICSS Interrupt Processing	7337
30.6.2.2.2	PRU-ICSS Interrupt Status Checking.....	7337
30.6.2.2.3	PRU-ICSS Interrupt Channel Mapping	7337
30.6.2.2.4	PRU-ICSS Interrupt Nesting	7338
30.6.2.2.5	PRU-ICSS Interrupt Status Clearing.....	7339
30.6.2.3	PRU-ICSS Interrupt Disabling.....	7339
30.6.3	PRU-ICSS Interrupt Controller Basic Programming Model	7339
30.6.4	PRU-ICSS Interrupt Requests Mapping.....	7340
30.6.5	PRU-ICSS Interrupt Controller Register Manual	7343
30.6.5.1	PRUSS_INTC Instance Summary	7343
30.6.5.2	PRUSS_INTC Registers	7343
30.6.5.2.1	PRUSS_INTC Register Summary	7343
30.6.5.2.2	PRUSS_INTC Register Description	7345
30.7	PRU-ICSS UART Module	7360
30.7.1	PRU-ICSS UART Module Overview	7360
30.7.1.1	Purpose of the PRU-ICSS integrated UART Peripheral	7360
30.7.1.2	PRU-ICSS UART Key Features.....	7360
30.7.1.2.1	PRU-ICSS UART Module Industry Standard Compliance Statement.....	7360
30.7.2	PRU-ICSS UART Environment.....	7360
30.7.2.1	PRU-ICSS UART Pin Multiplexing.....	7360
30.7.2.2	PRU-ICSS UART Signal Descriptions	7360
30.7.2.3	PRU-ICSS UART Data Format and Protocol Description	7361
30.7.2.3.1	PRU-ICSS UART Transmission Protocol	7361
30.7.2.3.2	PRU-ICSS UART Reception Protocol	7361
30.7.2.3.3	PRU-ICSS UART Data Format	7361
30.7.2.4	PRU-ICSS UART Clock Generation and Control	7363
30.7.3	PRU-ICSS UART Module Functional Description	7365
30.7.3.1	PRU-ICSS UART Functional Block Diagram	7365
30.7.3.2	PRU-ICSS UART Reset Considerations	7367
30.7.3.2.1	PRU-ICSS UART Software Reset Considerations.....	7367
30.7.3.2.2	PRU-ICSS UART Hardware Reset Considerations.....	7367
30.7.3.3	PRU-ICSS UART Power Management	7367
30.7.3.4	PRU-ICSS UART Interrupt Support	7367
30.7.3.4.1	PRU-ICSS UART Interrupt Events and Requests	7367
30.7.3.4.2	PRU-ICSS UART Interrupt Multiplexing.....	7367

30.7.3.5	PRU-ICSS UART DMA Event Support	7369
30.7.3.6	PRU-ICSS UART Operations	7370
30.7.3.6.1	PRU-ICSS UART Transmission	7370
30.7.3.6.2	PRU-ICSS UART Reception	7370
30.7.3.6.3	PRU-ICSS UART FIFO Modes	7370
30.7.3.6.4	PRU-ICSS UART Autoflow Control	7372
30.7.3.6.5	PRU-ICSS UART Loopback Control	7374
30.7.3.7	PRU-ICSS UART Initialization	7374
30.7.3.8	PRU-ICSS UART Exception Processing	7374
30.7.3.8.1	PRU-ICSS UART Divisor Latch Not Programmed	7374
30.7.3.8.2	Changing Operating Mode During Busy Serial Communication of PRU-ICSS UART	7375
30.7.4	PRUSS_UART Register Manual	7375
30.7.4.1	PRUSS_UART Instance Summary	7375
30.7.4.2	PRUSS_UART Registers	7375
30.7.4.2.1	PRUSS_UART Register Summary	7375
30.7.4.2.2	PRUSS_UART Register Description	7376
30.8	PRU-ICSS eCAP Module	7390
30.8.1	PRU-ICSS eCAP Functional Description	7390
30.8.2	PRUSS_ECAP Register Manual	7390
30.8.2.1	PRUSS_ECAP Instance Summary	7390
30.8.2.2	PRUSS_ECAP Registers	7390
30.8.2.2.1	PRUSS_ECAP Register Summary	7390
30.8.2.2.2	PRUSS_ECAP Register Description	7391
30.9	PRU-ICSS MII RT Module	7402
30.9.1	Introduction	7402
30.9.1.1	Features	7402
30.9.1.2	Unsupported Features	7402
30.9.1.3	Block Diagram	7402
30.9.2	Functional Description	7403
30.9.2.1	Data Path Configuration	7403
30.9.2.1.1	Auto-forward with Optional PRU Snoop	7403
30.9.2.1.2	8- or 16-bit Processing with On-the-Fly Modifications	7404
30.9.2.1.3	32-byte Double Buffer or Ping-Pong Processing	7404
30.9.2.2	Definition and Terms	7405
30.9.2.2.1	Data Frame Structure	7405
30.9.2.2.2	PRU R30 and R31	7405
30.9.2.2.3	RX and TX L1 FIFO Data Movement	7405
30.9.2.2.4	CRC Computation	7406
30.9.2.3	RX MII Interface	7406
30.9.2.3.1	RX MII Submodule Overview	7406
30.9.2.4	TX MII Interface	7414
30.9.2.4.1	TX Data Path Options to TX L1 FIFO	7414
30.9.2.5	PRU R31 Command Interface	7416
30.9.2.6	Other Configuration Options	7418
30.9.2.6.1	Nibble and Byte Order	7418
30.9.2.6.2	Preamble Source	7418
30.9.2.6.3	PRU and MII Port Multiplexer	7419
30.9.2.6.4	RX L2 Scratch Pad	7420
30.9.3	PRU-ICSS MII RT Module Register Manual	7420
30.9.3.1	PRUSS_MII_RT Instance Summary	7420
30.9.3.2	PRUSS_MII_RT Registers	7421
30.9.3.2.1	PRUSS_MII_RT Register Summary	7421
30.9.3.2.2	PRUSS_MII_RT Register Description	7422

30.10	PRU-ICSS MII MDIO Module	7440
30.10.1	PRU-ICSS MII MDIO Overview	7440
30.10.2	PRU-ICSS MII MDIO Functional Description	7440
30.10.2.1	MII MDIO Management Interface Frame Formats	7440
30.10.2.2	PRU-ICSS MII MDIO Interractions	7442
30.10.2.3	PRU-ICSS MII MDIO Interrupts.....	7442
30.10.3	PRU-ICSS MII MDIO Receive/Transmit Frame Host Software Interface	7442
30.10.4	PRU-ICSS MII MDIO Module Register Manual.....	7444
30.10.4.1	PRUSS_MII_MDIO Instance Summary.....	7444
30.10.4.2	PRUSS_MII_MDIO Registers	7444
30.10.4.2.1	PRUSS_MII_MDIO Register Summary	7444
30.10.4.2.2	PRUSS_MII_MDIO Register Description	7445
30.11	PRU-ICSS Industrial Ethernet Peripheral (IEP).....	7455
30.11.1	PRU-ICSS IEP Overview	7455
30.11.2	PRU-ICSS IEP Functional Description.....	7455
30.11.2.1	PRU-ICSS IEP Clock Generation	7455
30.11.2.2	PRU-ICSS Industrial Ethernet Timer	7456
30.11.2.2.1	PRU-ICSS Industrial Ethernet Timer Features	7456
30.11.2.2.2	Industrial Ethernet Mapping	7457
30.11.2.2.3	PRU-ICSS Industrial Ethernet Timer Basic Programming Sequence.....	7457
30.11.2.3	PRU-ICSS IEP Sync0/Sync1 Signals Generation.....	7457
30.11.2.3.1	PRU-ICSS IEP Sync0/Sync1 Features	7457
30.11.2.3.2	PRU-ICSS IEP Sync0/Sync1 Generation Modes	7458
30.11.2.4	PRU-ICSS Industrial Ethernet WatchDog	7459
30.11.2.4.1	Features.....	7460
30.11.2.5	PRU-ICSS Industrial Ethernet Digital IOs	7460
30.11.2.5.1	Features.....	7460
30.11.2.5.2	DIGIO Block Diagrams	7460
30.11.2.5.3	Basic Programming Model.....	7461
30.11.3	PRUSS_IEP Register Manual.....	7462
30.11.3.1	PRUSS_IEP Instance Summary.....	7462
30.11.3.2	PRUSS_IEP Registers	7462
30.11.3.2.1	PRUSS_IEP Register Summary	7462
30.11.3.2.2	PRUSS_IEP Register Description	7463
31	Viterbi-Decoder Coprocessor	7490
32	Audio Tracking Logic	7491
33	Initialization.....	7492
33.1	Initialization Overview.....	7493
33.1.1	Terminology.....	7493
33.1.2	Initialization Process	7493
33.2	Preinitialization.....	7494
33.2.1	Power Requirements	7494
33.2.2	Boot Device Conditions.....	7497
33.2.3	Clock, Reset, and Control.....	7498
33.2.3.1	Overview	7498
33.2.3.2	Clocking Scheme	7499
33.2.3.3	Reset Configuration.....	7500
33.2.3.3.1	ON/OFF Interconnect and Power-On-Reset.....	7500
33.2.3.3.2	Warm Reset.....	7500
33.2.3.3.3	Peripheral Reset by GPIO	7500
33.2.3.3.4	Warm Reset Impact on GPIOs	7500
33.2.3.4	PMIC Control	7501
33.2.3.5	PMIC Request Signals	7501

33.2.4	Sysboot Configuration	7502
33.2.4.1	GPMC Configuration for XIP/NAND	7502
33.2.4.2	System Clock Speed Selection	7503
33.2.4.3	QSPI Redundant SBL Images Offset	7503
33.2.4.4	Boot Device Order Selection.....	7503
33.2.4.5	Boot Peripheral Pin Multiplexing	7505
33.3	Device Initialization by ROM Code.....	7506
33.3.1	Boot Overview	7506
33.3.1.1	Boot Types	7506
33.3.1.2	ROM Code Architecture.....	7506
33.3.2	Memory Maps.....	7508
33.3.2.1	ROM Memory Map.....	7508
33.3.2.2	RAM Memory Map	7509
33.3.3	Overall Booting Sequence	7511
33.3.4	Startup and Configuration	7513
33.3.4.1	Startup.....	7513
33.3.4.2	Control Module Configuration	7513
33.3.4.3	PRCM Module Mode Configuration	7514
33.3.4.4	Clocking Configuration	7514
33.3.4.5	Boot Device List Setup	7516
33.3.5	Peripheral Booting	7517
33.3.5.1	Description	7517
33.3.5.2	Initialization Phase for UART Boot	7521
33.3.5.3	Initialization Phase for USB Boot	7521
33.3.5.3.1	Initialization Procedure	7521
33.3.5.3.2	SATA Peripheral Device Flashing over USB Interface	7522
33.3.5.3.3	USB Driver Descriptors.....	7523
33.3.5.3.4	USB Customized Vendor and Product IDs	7526
33.3.5.3.5	USB Driver Functionality	7527
33.3.6	Fast External Booting.....	7528
33.3.6.1	Overview	7528
33.3.6.2	Fast External Booting Procedure	7528
33.3.7	Memory Booting	7530
33.3.7.1	Overview	7530
33.3.7.2	Non-XIP Memory.....	7531
33.3.7.3	XIP Memory.....	7532
33.3.7.3.1	GPMC Initialization.....	7533
33.3.7.4	NAND.....	7533
33.3.7.4.1	Initialization and NAND Detection.....	7534
33.3.7.4.2	NAND Read Sector Procedure	7538
33.3.7.5	SPI/QSPI Flash Devices	7540
33.3.7.6	eMMC Memories and SD Cards	7541
33.3.7.6.1	eMMC Memories	7541
33.3.7.6.2	SD Cards	7542
33.3.7.6.3	Initialization and Detection	7546
33.3.7.6.4	Read Sector Procedure	7548
33.3.7.6.5	File System Handling	7549
33.3.7.7	SATA Device Boot Operation	7555
33.3.7.7.1	SATA Booting Overview	7555
33.3.7.7.2	SATA Power-Up Initialization Sequence	7556
33.3.7.7.3	System Conditions and Limitations for SATA Boot	7558
33.3.7.7.4	SATA Read Sector Procedure in FAT Mode	7558
33.3.8	Image Format.....	7560

33.3.8.1	Overview	7560
33.3.8.2	Configuration Header	7560
33.3.8.2.1	CHSETTINGS Item	7562
33.3.8.2.2	CHFLASH Item	7563
33.3.8.2.3	CHMMCSO Item.....	7564
33.3.8.2.4	CHQSPI Item	7565
33.3.8.3	GP Header	7565
33.3.8.4	Image Execution	7566
33.3.9	Tracing.....	7568
33.4	Services for HLOS Support	7571
33.4.1	Hypervisor	7571
33.4.2	Caches Maintenance	7571
33.4.3	CP15 Registers	7572
33.4.4	Wakeup Generator	7573
33.4.5	Arm Timer	7573
33.4.6	MReq Domain	7573
34	On-Chip Debug Support.....	7574
34.1	Introduction.....	7575
34.1.1	Key Features.....	7575
34.2	Debug Interfaces	7578
34.2.1	IEEE1149.1	7578
34.2.2	Debug (Trace) Port	7578
34.2.3	Trace Connector and Board Layout Considerations.....	7579
34.3	Debugger Connection	7580
34.3.1	ICEPick Module	7580
34.3.2	ICEPick Boot Modes.....	7580
34.3.2.1	Default Boot Mode	7581
34.3.2.2	Wait-In-Reset	7581
34.3.3	Dynamic TAP Insertion	7581
34.3.3.1	ICEPick Secondary TAPs.....	7581
34.4	Primary Debug Support	7584
34.4.1	Processor Native Debug Support	7584
34.4.1.1	Cortex-A15 Processor	7584
34.4.1.2	Cortex-M4 Processor	7584
34.4.1.3	DSP C66x.....	7584
34.4.1.4	IVA Arm968.....	7584
34.4.1.5	PRU.....	7585
34.4.2	Cross-Triggering.....	7585
34.4.2.1	SoC-Level Cross-Triggering	7586
34.4.2.2	Cross-Triggering With External Device	7587
34.4.3	Suspend	7587
34.4.3.1	Debug Aware Peripherals and Host Processors.....	7587
34.5	Real-Time Debug.....	7589
34.5.1	Real-Time Debug Events	7589
34.5.1.1	Emulation Interrupts	7589
34.6	Power, Reset, and Clock Management Debug Support	7590
34.6.1	Power and Clock Management.....	7590
34.6.1.1	Power and Clock Control Override From Debugger.....	7590
34.6.1.1.1	Debugger Directives	7590
34.6.1.1.2	Intrusive Debug Model.....	7590
34.6.1.2	Debug Across Power Transition	7591
34.6.1.2.1	Nonintrusive Debug Model	7591
34.6.1.2.2	Debug Context Save and Restore	7591

34.6.2	Reset Management	7591
34.6.2.1	Debugger Directives	7591
34.6.2.1.1	Assert Reset	7591
34.6.2.1.2	Block Reset	7591
34.6.2.1.3	Wait-In-Reset	7591
34.7	Performance Monitoring	7593
34.7.1	MPU Subsystem Performance Monitoring	7593
34.7.1.1	Performance Monitoring Unit	7593
34.7.1.2	L2 Cache Controller	7593
34.7.2	IPU Subsystem Performance Monitoring	7593
34.7.2.1	Subsystem Counter Timer Module	7593
34.7.2.2	Cache Events.....	7594
34.7.3	DSP Subsystem Performance Monitoring	7595
34.7.3.1	Advanced Event Triggering.....	7595
34.8	MPU Memory Adaptor (MPU_MA) Watchpoint.....	7596
34.9	Processor Trace	7597
34.9.1	Cortex-A15 Processor Trace	7597
34.9.2	DSP Processor Trace	7598
34.9.3	Trace Export	7598
34.9.3.1	Trace Exported to External Trace Receiver	7599
34.9.3.2	Trace Captured Into On-Chip Trace Buffer	7599
34.9.3.3	Trace Exported Through USB.....	7599
34.10	System Instrumentation	7600
34.10.1	MIPI STM (CT_STM).....	7600
34.10.2	System Trace Export.....	7601
34.10.2.1	CT_STM ATB Export.....	7601
34.10.2.2	Trace Streams Interleaving.....	7601
34.10.3	Software Instrumentation	7601
34.10.3.1	MPU Software Instrumentation	7601
34.10.3.2	SoC Software Instrumentation	7602
34.10.4	OCP Watchpoint	7602
34.10.4.1	OCP Target Traffic Monitoring	7602
34.10.4.2	Messages Triggered from System Events.....	7605
34.10.4.3	DMA Transfer Profiling.....	7605
34.10.5	IVA Pipeline	7605
34.10.6	L3 NOC Statistics Collector	7606
34.10.6.1	L3 Target Load Monitoring	7610
34.10.6.2	L3 Master Latency Monitoring.....	7611
34.10.6.2.1	SC_LAT0 Configuration	7611
34.10.6.2.2	SC_LAT1 Configuration	7612
34.10.6.2.3	SC_LAT2 Configuration	7613
34.10.6.2.4	SC_LAT3 Configuration	7614
34.10.6.2.5	SC_LAT4 Configuration	7615
34.10.6.2.6	SC_LAT5 Configuration	7616
34.10.6.2.7	SC_LAT6 Configuration	7617
34.10.6.2.8	SC_LAT7 Configuration	7618
34.10.6.2.9	SC_LAT8 Configuration	7619
34.10.6.2.10	Statistics Collector Alarm Mode	7620
34.10.6.2.11	Statistics Collector Suspend Mode.....	7620
34.10.7	PM Instrumentation.....	7620
34.10.8	CM Instrumentation.....	7621
34.10.9	Master-ID Encoding	7621
34.10.9.1	Software Masters	7622

34.10.9.2	Hardware Masters	7622
34.11	Concurrent Debug Modes	7624
34.12	DRM Register Manual.....	7625
34.12.1	DRM Instance Summary.....	7625
34.12.2	DRM Registers	7625
34.12.2.1	DRM Register Summary	7625
34.12.2.2	DRM Register Description	7626
A	Glossary	7665
B	Extended Revision History	7685

List of Figures

1-1.	AM571x, AM570x Sample Environment Diagram	363
1-2.	AM571x, AM570x Block Diagram.....	364
2-1.	Interconnect Overview	379
3-1.	Clock Tree Tool (CTT)	403
3-2.	Functional and Interface Clocks	405
3-3.	Generic Clock Domain	411
3-4.	Clock Domain State Transitions	412
3-5.	Clock Domain/Slave Module Clock-Management Interaction Sequence 1	413
3-6.	Clock Domain/Slave Module Clock-Management Interaction Sequence 2	414
3-7.	Clock Domain/Slave Module Clock-Management Interaction Sequence 3	415
3-8.	Sliding Window for Dynamic Dependency.....	421
3-9.	Generic Power Domain	423
3-10.	Power Domain Transitions.....	425
3-11.	Generic Voltage Domain.....	426
3-12.	Generic Logic Voltage Management	427
3-13.	Generic Memory Voltage Management.....	427
3-14.	SmartReflex Static Voltage Adjustment.....	428
3-15.	SmartReflex Voltage Control Functional Overview.....	429
3-16.	Comparison of Energy Consumed With/Without DVFS	430
3-17.	Comparison of Energy Consumed With/Without DPS	431
3-18.	Performance Level and Applied Power-Management Techniques.....	433
3-19.	PMFW Overview	435
3-20.	MPU Power-On Reset Sequence.....	472
3-21.	MPU Warm Reset Sequence	473
3-22.	MPU Reset Sequence on Sleep and Wake-Up Transition	474
3-23.	IVA Power-On Reset Sequence	475
3-24.	IVA Software Warm Reset Sequence.....	475
3-25.	DSP1 Subsystem Power-On Reset Sequence	476
3-26.	DSP1 Subsystem Software Warm Reset Sequence.....	477
3-27.	IPU1 Power-On Reset Sequence.....	477
3-28.	IPU1 Subsystem Software Warm Reset Sequence	478
3-29.	IPU2 Power-On Reset Sequence.....	479
3-30.	IPU2 Subsystem Software Warm Reset Sequence	480
3-31.	Global Warm Reset Sequence.....	481
3-32.	PRCM Module Clock Manager Overview.....	484
3-33.	PRM Clock Manager Overview	486
3-34.	CM_CORE_AON Overview (a)	489
3-35.	CM_CORE_AON Overview (b)	491
3-36.	CM_CORE_AON_CLKOUTMUX Clock Manager Overview (CLKOUTMUX0)	494
3-37.	CM_CORE_AON_CLKOUTMUX Clock Manager Overview (CLKOUTMUX1 and CLKOUTMUX2)	496
3-38.	CM_CORE_AON_TIMER1 Clock Manager Overview	498
3-39.	CM_CORE_AON_TIMER2 Clock Manager Overview	499
3-40.	CM_CORE_AON_TIMER3 Clock Manager Overview	500
3-41.	CM_CORE_AON_TIMER4 Clock Manager Overview	501
3-42.	CM_CORE_AON_MCASP1 Clock Manager Overview	502
3-43.	CM_CORE_AON_MCASP2 Clock Manager Overview	503
3-44.	CM_CORE_AON_MCASP3 Clock Manager Overview	503

3-45.	Generic DPLL Functional Diagram	506
3-46.	DPLL_PER Overview	511
3-47.	DPLL_CORE Overview	513
3-48.	DPLL_ABE Overview.....	515
3-49.	DPLL_MPU Overview	517
3-50.	DPLL_IVA Overview.....	519
3-51.	DPLL_USB Overview	520
3-52.	DPLL_DSP Overview	521
3-53.	DPLL_GMAC Overview.....	523
3-54.	DPLL_GPU Overview	525
3-55.	DPLL_DDR Overview	526
3-56.	DPLL_PCIE_REF Overview.....	528
3-57.	APLL_PCIE Overview.....	529
3-58.	CD_WKUPAON Overview	530
3-59.	CD_DSP1 Overview	535
3-60.	CD_CUSTEFUSE Overview	538
3-61.	CD_MPU Overview.....	540
3-62.	CD_L4PER1 Overview.....	543
3-63.	CD_L4PER2 Overview.....	563
3-64.	CD_L4PER3 Overview.....	574
3-65.	CD_L4SEC Overview	577
3-66.	CD_L3INIT Overview.....	580
3-67.	CD_IVA Overview	587
3-68.	CD_GPU Overview	589
3-69.	CD_EMU Overview.....	592
3-70.	CD_DSS Overview	593
3-71.	CD_L4_CFG Overview.....	598
3-72.	CD_L3_INSTR Overview	602
3-73.	CD_L3_MAIN1 Overview	604
3-74.	CD_EMIF Overview	608
3-75.	CD_IPU Overview	610
3-76.	CD_IPU1 Overview.....	614
3-77.	CD_IPU2 Overview.....	617
3-78.	CD_DMA Overview.....	620
3-79.	CD_ATL Overview.....	622
3-80.	CD_CAM Overview.....	624
3-81.	CD_GMAC Overview.....	627
3-82.	CD_VPE Overview	629
3-83.	CD_RTC Overview	632
3-84.	CD_PCIE Overview.....	634
3-85.	PRM Voltage Control Architecture.....	663
3-86.	SmartReflex Integration	664
3-87.	I/O Pads Daisy-Chain Configuration	671
3-88.	DPLL Output-Frequency Change.....	675
4-1.	MPU Subsystem Overview.....	1566
4-2.	MPU Subsystem Integration	1570
4-3.	MPU Subsystem Clocking Scheme.....	1571
4-4.	MPU Subsystem Reset Scheme	1572
4-5.	MPU Subsystem Block Diagram	1574

4-6.	MPU_MA Overview	1579
4-7.	EMIF Partitioning Without High-Order Interleaving	1581
4-8.	EMIF Partitioning With High-Order Interleaving	1581
4-9.	MPU Subsystem Power Domains Overview	1590
4-10.	MPU_WUGEN Overview	1595
5-1.	DSP Subsystem Highlight	1639
5-2.	DSP Subsystem Integration	1643
5-3.	DSP_SYSTEM Block Diagram	1657
5-4.	Extended Duration Sleep Software and Hardware Sequence	1660
5-5.	DSP Subsystem Interrupt Management	1662
5-6.	ERRINT Diagram	1665
5-7.	DSP DMA Requests	1668
7-1.	IPUx Subsystem Overview	1726
7-2.	IPU1 Subsystem Integration	1728
7-3.	IPU2 Subsystem Integration	1729
7-4.	IPUx Subsystem Clocking Scheme	1731
7-5.	IPUx Subsystem Reset Scheme	1732
7-6.	IPUx Subsystem Block Diagram	1734
7-7.	IPUx_WUGEN Overview	1738
7-8.	SCTM Block Diagram	1740
7-9.	Event Communication Connection in IPUx Subsystem	1744
8-1.	CAMSS Overview	1777
8-2.	CAMSS Environment	1779
8-3.	CAMSS Integration	1781
8-4.	CAL Interrupt Events Mapping to Registers	1787
8-5.	CSI2 PHY Diagram	1788
8-6.	CSI2 Complex I/O Power FSM	1790
8-7.	CSI2 PHY RxMode and StopState FSM	1790
8-8.	CAL Top-Level Diagram	1793
8-9.	CAL Data Pipeline TAGs	1794
8-10.	CSI2 Low Level Protocol Engine Block Diagram	1795
8-11.	CSI2 One Data-Lane Configuration	1797
8-12.	CSI2 Two Data-Lane Merger Configuration	1797
8-13.	CSI2 Three Data-Lane Merger Configuration	1798
8-14.	CSI2 Four Data-Lane Merger Configuration	1799
8-15.	CSI2 Protocol Layer With Short and Long Packets	1800
8-16.	CSI2 Short Packet Structure	1800
8-17.	CSI2 Long Packet Structure	1801
8-18.	CSI2 Data Identifier Structure	1802
8-19.	CSI2 Virtual Channel	1803
8-20.	CSI2 General Frame Structure (Informative)	1805
8-21.	CSI2 Digital Interlaced Video Frame (Informative)	1806
8-22.	CSI-2 LL Tag Generation Example - Line Mode	1807
8-23.	CSI-2 Packing – Example 1	1808
8-24.	CSI-2 Packing – Example 2	1809
8-25.	CSI-2 Packing – Example 3	1809
8-26.	CSI-2 Packing – Example 4	1809
8-27.	CAL PPI Interleaving - Physical View	1812
8-28.	CAL Stream Interleaving - Logical View	1812

8-29.	CAL Interleave FIFO reads	1813
8-30.	CAL Interleaver - Example of RAW Bayer Data	1813
8-31.	CAL MIPI RAW10 Data Packing	1815
8-32.	CAL Pixel Packing – Data Storage in Memory	1816
8-33.	CAL Pixel Packing – Data Storage in Memory	1817
8-34.	Write DMA - Framing	1820
8-35.	CAL Video Port and Timing Generator	1821
8-36.	CAL Registers Shadowing Example	1824
9-1.	VIP Overview	1893
9-2.	VIP Environment	1895
9-3.	VIP Integration	1898
9-4.	VIP Block Diagram	1900
9-5.	VIP Slice Processing Path Block Diagram	1902
9-6.	Input: A=RGB, B=YUV422; Output: A=RGB, B=RGB	1904
9-7.	Input: A=YUV422 8/16, B=YUV422; Output: A=Scaled YUV420, B=RGB	1905
9-8.	Input: A=RGB, B=YUV422; Output: A=RGB, B=Scaled YUV420.....	1906
9-9.	Input: A=YUV444, B=YUV422; Output: A=YUV422, A=Scaled YUV422, B=YUV422	1907
9-10.	Input: A=YUV444; Output: A=Scaled YUV420, A=YUV420	1908
9-11.	Input: A=YUV444; Output: A=Scaled YUV420, A=YUV444	1909
9-12.	Input: A=YUV422 8/16; Output: A=Scaled YUV420, A=YUV444	1910
9-13.	Input: A=YUV422 8/16, B=YUV422; Output: A=Scaled YUV420, B=YUV420	1911
9-14.	Input: A=YUV422 8/16, B=YUV422; Output: A=YUV420, B=YUV420	1912
9-15.	Bytelane Swapping Modes.....	1914
9-16.	RAW16 to RGB565 Mapping	1914
9-17.	RAW12 Swap	1915
9-18.	NTSC Analog Video Waveform for One Horizontal Line.....	1915
9-19.	Digitized Video	1916
9-20.	Code Word Embedded Video Format	1916
9-21.	Digitized Video with F, V, and H Flags in EAV/SAV	1917
9-22.	Planar Buffer Storage Description	1918
9-23.	8-bit Interface Discrete Sync Pixel Multiplexing	1919
9-24.	16-bit Interface Discrete Sync Pixel Multiplexing	1919
9-25.	24b Interface RGB Discrete Sync.....	1919
9-26.	Discrete Sync Signals	1920
9-27.	Type 1, First Horizontal Blanking Pixel	1921
9-28.	Type 1, First Vertical Ancillary Data Pixel.....	1921
9-29.	Type 1, Horizontal Blanking in Video Region.....	1921
9-30.	Type 1, First Video Pixel	1922
9-31.	4-Pin Reduced ACTVID Signaling with Vertical Ancillary Data	1922
9-32.	4-Pin Reduced ACTVID Signaling with No Vertical Ancillary Data	1922
9-33.	4-Pin Reduced HSYNC Signaling with Vertical Ancillary Data	1923
9-34.	VSYNC Pre and Post Window.....	1923
9-35.	VSYNC Equivalence When Using Transition Window	1924
9-36.	FID Registering When Using HSYNC	1925
9-37.	FID Registering When Using ACTVID.....	1925
9-38.	Field ID Determination By VSYNC Skew	1926
9-39.	Example of 525-line FID Determination By VSYNC Skew.....	1927
9-40.	Horizontal Ancillary Data Packing When HSYNC Used as Sync Signal.....	1928
9-41.	Interlaced Field Vertical Blanking Ancillary Data Storage.....	1928

9-42.	Progressive Frame Vertical Blanking Ancillary Data Storage	1929
9-43.	Embedded Sync Data Entry	1929
9-44.	Code Word Format Example Followed by Video Data	1930
9-45.	Embedded Sync Packing.....	1932
9-46.	RGB Frame Storage	1933
9-47.	2-Way Multiplexing	1934
9-48.	Example of 4-Way Multiplexing.....	1934
9-49.	Example of Line Multiplexing	1935
9-50.	8-bit Line Mux Interface	1935
9-51.	16-bit Line Mux Interface	1936
9-52.	BOP/EOP Definition of a Period.....	1937
9-53.	Channel ID Inserted Into Horizontal Blanking	1939
9-54.	Vertical Ancillary Data Cropping.....	1940
9-55.	Active Video Cropping	1940
9-56.	Problematic Error Cropping Case	1941
9-57.	Endline/Endframe Behavior for Error Cropping Case	1941
9-58.	Generic External Sync Signals	1947
9-59.	vblnk and hblnk	1947
9-60.	VBLNK and ACTID (1).....	1948
9-61.	VBLNK and ACTVID(2).....	1948
9-62.	VBLNK and HSYNC	1948
9-63.	VSYNC and HBLNK	1949
9-64.	VSYNC and ACTVID(1)	1949
9-65.	VSYNC and ACTVID(2)	1950
9-66.	VSYNC and HSYNC	1950
9-67.	Ancillary and Active Video Line Determination	1950
9-68.	HSYNC Pixel Capture	1951
9-69.	ACTVID Pixel Capture.....	1951
9-70.	Matrix Format	1953
9-71.	Conversion from RGB to YCbCr	1953
9-72.	Conversion from YCbCr to RGB	1954
9-73.	Conversion from RGB to YCbCr	1954
9-74.	Conversion from YCbCr to RGB	1954
9-75.	Conversion from RGB to YCbCr	1956
9-76.	Conversion from YCbCr to RGB	1956
9-77.	Conversion from RGB to YCbCr	1957
9-78.	Conversion from YCbCr to RGB	1957
9-79.	High Level Block Diagram.....	1959
9-80.	SC Block Diagram.....	1959
9-81.	Input Image Trimming	1960
9-82.	Filter Implementation and Parameter Description.....	1960
9-83.	Peaking Filter at fs/4	1961
9-84.	Vertical Scaler Block Diagram	1962
9-85.	Horizontal Scaler Block Diagram	1963
9-86.	Polyphase Filtering Example	1964
9-87.	Non-linear Scaling Example	1965
9-88.	SRAM Layout for 7tap Coefficient	1968
9-89.	SRAM Layout for 5tap Coefficient	1968
9-90.	VPI Control I/F Coef Data Format (7tap).....	1969

9-91. VPI Control I/F Coef Data Format (5tap).....	1969
9-92. VPI Control I/F Coef Data Format (3tap).....	1969
9-93. VPI Control I/F Memory Map (Write)	1969
9-94. VPI Control I/F Memory Map (Read)	1970
9-95. Inbound Data Transfer Descriptor Format	2016
9-96. Outbound Data Transfer Descriptor Format	2016
9-97. Y 4:4:4 (Data Type 0).....	2033
9-98. Y 4:2:2 (Data Type 1).....	2034
9-99. Y 4:2:0 (Data Type 2).....	2034
9-100. C 4:4:4 (Data Type 4).....	2035
9-101. C 4:2:2 (Data Type 5).....	2036
9-102. C 4:2:0 (Data Type 6).....	2036
9-103. YC 4:2:2 (Data Type 7)	2037
9-104. YC 4:4:4 (Data Type 8)	2037
9-105. CY 4:2:2 (Data Type 23h).....	2038
9-106. RGB16-565 (Data Type 0)	2039
9-107. ARGB-1555 (Data Type 1).....	2039
9-108. ARGB-4444 (Data Type 2).....	2040
9-109. RGBA-5551 (Data Type 3).....	2040
9-110. RGBA-4444 (Data Type 4).....	2041
9-111. ARGB24-6666 (Data Type 5).....	2041
9-112. RGB24-888 (Data Type 6)	2042
9-113. ARGB32-8888 (Data Type 7)	2042
9-114. RGBA24-6666 (Data Type 8).....	2043
9-115. RGBA32-8888 (Data Type 9).....	2043
10-1. VPE Integration.....	2313
10-2. VPE Block Diagram	2315
10-3. Block Diagram of Motion-Adaptive Deinterlacer	2316
10-4. Motion Detection (MDT) Block Diagram.....	2317
10-5. Motion Detection (MDT) MV Calc Data Path	2318
10-6. Motion Detection (MDT) Max Filter Data Path	2318
10-7. Motion Detection (MDT) Uniform Area Data Path	2319
10-8. Motion Detection (MDT) Detect Motion Data Path.....	2319
10-9. Edge Directed Interpolation (EDI) Block Diagram	2320
10-10. Edge Directed Interpolation Edge Vector Calculation	2320
10-11. Edge Directed Interpolation Luma Interpolation Calculation	2321
10-12. Edge Directed Interpolation Chroma Interpolation Calculation.....	2321
10-13. Film Mode Detection (FMD) Block Diagram	2322
10-14. Film Mode Detection (FMD) Frame/Field Difference Calculation	2322
10-15. Film Mode Detection (FMD) Combing Artifacts Calculation	2323
10-16. Film Mode Detection (FMD) Combing Artifacts Data Path	2323
10-17. Output Data Path.....	2324
10-18. High Level Block Diagram.....	2325
10-19. SC Block Diagram.....	2325
10-20. Input Image Trimming	2326
10-21. Filter Implementation and Parameter Description.....	2326
10-22. Peaking Filter at fs/4	2327
10-23. Vertical Scaler Block Diagram	2328
10-24. Horizontal Scaler Block Diagram.....	2329

10-25. Polyphase Filtering Example	2330
10-26. Non-linear Scaling Example	2331
10-27. SRAM Layout for 7tap Coefficient	2334
10-28. SRAM Layout for 5tap Coefficient	2334
10-29. VPI Control I/F Coef Data Format (7tap).....	2335
10-30. VPI Control I/F Coef Data Format (5tap).....	2335
10-31. VPI Control I/F Coef Data Format (3tap).....	2335
10-32. VPI Control I/F Memory Map (Write)	2335
10-33. VPI Control I/F Memory Map (Read)	2336
10-34. Matrix Format	2358
10-35. Conversion from RGB to YCbCr	2359
10-36. Conversion from YCbCr to RGB	2359
10-37. Conversion from RGB to YCbCr	2360
10-38. Conversion from YCbCr to RGB	2360
10-39. Conversion from RGB to YCbCr	2361
10-40. Conversion from YCbCr to RGB	2362
10-41. Conversion from RGB to YCbCr	2362
10-42. Conversion from YCbCr to RGB	2362
10-43. 4:2:0 YCrCb Color Space with Chroma Left-aligned	2364
10-44. 4:2:0 YCrCb Color Space with Chroma Left-aligned	2365
10-45. 4:2:0 YCrCb Color Space with Chroma Left-aligned	2365
10-46. Anchor Pixels	2365
10-47. 4:2:0 Interlaced Scan	2366
10-48. Ideal 4:2:2 Chroma Upsampling for Interlaced Scan	2366
10-49. Inbound Data Transfer Descriptor Format	2377
10-50. Outbound Data Transfer Descriptor Format	2378
10-51. Y 4:4:4 (Data Type 0).....	2396
10-52. Y 4:2:2 (Data Type 1).....	2397
10-53. Y 4:2:0 (Data Type 2).....	2397
10-54. C 4:4:4 (Data Type 4).....	2398
10-55. C 4:2:2 (Data Type 5).....	2398
10-56. C 4:2:0 (Data Type 6).....	2399
10-57. YC 4:2:2 (Data Type 7).....	2399
10-58. YC 4:4:4 (Data Type 8).....	2400
10-59. CY 4:2:2 (Data Type 23h).....	2400
10-60. RGB16-565 (Data Type 0)	2401
10-61. ARGB-1555 (Data Type 1).....	2402
10-62. ARGB-4444 (Data Type 2).....	2402
10-63. RGBA-5551 (Data Type 3).....	2403
10-64. RGBA-4444 (Data Type 4).....	2403
10-65. ARGB24-6666 (Data Type 5).....	2404
10-66. RGB24-888 (Data Type 6)	2404
10-67. ARGB32-8888 (Data Type 7).....	2405
10-68. RGBA24-6666 (Data Type 8).....	2405
10-69. RGBA32-8888 (Data Type 9).....	2406
10-70. RGB16-565 (Data Type 0)	2406
10-71. ARGB-1555 (Data Type 1).....	2407
10-72. ARGB-4444 (Data Type 2).....	2407
10-73. RGBA-5551 (Data Type 3).....	2408

10-74. RGBA-4444 (Data Type 4)	2408
10-75. ARGB24-6666 (Data Type 5)	2409
10-76. RGB24-888 (Data Type 6)	2409
10-77. ARGB32-8888 (Data Type 7)	2410
10-78. RGBA24-6666 (Data Type 8)	2410
10-79. RGBA32-8888 (Data Type 9)	2411
11-1. Display Subsystem Overview	2611
11-2. Display Subsystem Environment	2612
11-3. Display Subsystem Integration	2615
11-4. Display Subsystem Clock Tree	2616
11-5. Display Subsystem Reset Scheme	2618
11-6. Display Subsystem IdleAck/MStandby Generation	2620
11-7. Display Subsystem Wake-Up Generation	2621
11-8. PLL Controller Overview	2622
11-9. OCP2SCP2 Overview	2622
11-10. VIDEO PLL Reference Diagram	2624
11-11. DPLL_VIDEO Functional Block Diagram	2624
11-12. VIDEO PLL Power State Diagram	2626
11-13. VIDEO PLL Programming Sequence	2627
11-14. VIDEO PLL Go Sequence (Manual Mode)	2628
11-15. VIDEO PLL Go Sequence (Automatic Mode)	2629
11-16. DPLL_HDMI and PLLCTRL_HDMI Overview	2630
11-17. DPLL_HDMI and PLLCTRL_HDMI Reference Diagram	2631
11-18. DPLL_HDMI Functional Block Diagram	2631
11-19. PLLCTRL_HDMI Power State Diagram	2634
11-20. DPLL_HDMI Programming Sequence	2635
11-21. DPLL_HDMI GO Sequence (Manual Mode)	2636
11-22. DISPC Overview	2666
11-23. DISPC LCD Support Parallel Interface	2670
11-24. DISPC LCD Pixel Data Color12 Active Matrix	2672
11-25. DISPC LCD Pixel Data Color16 Active Matrix	2673
11-26. DISPC LCD Pixel Data Color18 Active Matrix	2673
11-27. DISPC LCD Pixel Data Color24 Active Matrix	2674
11-28. DISPC Active Matrix Timing Diagram of Configuration 1 (Start of Frame)	2676
11-29. DISPC Active Matrix Timing Diagram of Configuration 1 (Between Lines)	2676
11-30. DISPC Active Matrix Timing Diagram of Configuration 1 (Between Frames)	2676
11-31. DISPC Active Matrix Timing Diagram of Configuration 1 (End of Frame)	2676
11-32. DISPC Active Matrix Timing Diagram of Configuration 2 (Start of Frame)	2677
11-33. DISPC Active Matrix Timing Diagram of Configuration 2 (Between Lines)	2677
11-34. DISPC Active Matrix Timing Diagram of Configuration 2 (Between Frames)	2677
11-35. DISPC Active Matrix Timing Diagram of Configuration 2 (End of Frame)	2677
11-36. DISPC Active Matrix Timing Diagram of Configuration 3 (Start of Frame)	2678
11-37. DISPC Active Matrix Timing Diagram of Configuration 3 (Between Lines)	2678
11-38. DISPC Active Matrix Timing Diagram of Configuration 3 (Between Frames)	2678
11-39. DISPC Active Matrix Timing Diagram of Configuration 3 (End of Frame)	2678
11-40. DISPC TV Output Pixel Data	2679
11-41. DISPC Integration	2680
11-42. DISPC Architecture Overview	2682
11-43. DISPC Clock Tree Overview	2683

11-44. DISPC DMA Engine Overview	2688
11-45. YUV4:2:2 Predecimation	2694
11-46. DISPC 90-Degree Rotation With Mirroring	2696
11-47. DISPC Graphics Pipeline.....	2701
11-48. DISPC Configuration 1: Video Pipeline	2704
11-49. DISPC Configuration 2: Video Pipeline	2704
11-50. DISPC YCbCr to RGB Registers (FULLRANGE = 0), 8-Bit Outputs	2706
11-51. DISPC YCbCr to RGB Registers (FULLRANGE = 1), 8-Bit Outputs	2706
11-52. DISPC YCbCr to RGB Registers (FULLRANGE = 0), 10-Bit Outputs	2707
11-53. DISPC YCbCr to RGB Registers (FULLRANGE = 1), 10-Bit Outputs	2707
11-54. DISPC Averaging of the Chrominance Formula	2707
11-55. DISPC Averaging of the Chrominance Representation	2707
11-56. DISPC YUV4:2:2 to RGB30 Using Averaging of the Chrominance	2708
11-57. DISPC YUV4:2:0 to RGB30 Using Scaler Unit for Resampling Chrominance	2708
11-58. DISPC YUV4:2:2 to RGB30 Using Scaler Unit for Resampling Chrominance	2708
11-59. DISPC Video Upsampling.....	2709
11-60. DISPC Macro-Architecture of the Horizontal Scaling for A, R, G, B, and Y Components (5-tap Restriction)	2711
11-61. DISPC Macro-Architecture of the Vertical Scaling for A, R, G, B, and Y Components (5 and 3 taps)	2711
11-62. DISPC Macro-Architecture of the Horizontal Scaling for Cr and Cb Components (5-tap Restriction)	2711
11-63. DISPC Macro-Architecture of the Vertical Scaling for Cr and Cb Components (5 and 3 taps)	2712
11-64. DISPC Vertical Upsampling and Downsampling Algorithm.....	2715
11-65. DISPC Horizontal Up/Downsampling Algorithm.....	2716
11-66. DISPC Write-Back Pipeline	2717
11-67. DISPC RGB to YCbCr (FULLRANGE = 0)	2718
11-68. DISPC RGB to YCbCr (FULLRANGE = 1)	2718
11-69. DISPC Macro-Architecture of the Vertical Scaling for A, R, G, B, and Y Components	2719
11-70. DISPC Macro-Architecture of the Horizontal Scaling for A, R, G, B, and Y Components	2719
11-71. DISPC Macro-Architecture of the Vertical Scaling for Cr and Cb Components.....	2719
11-72. DISPC Macro-Architecture of the Horizontal Scaling for Cr and Cb Components	2720
11-73. DISPC LCD Output Architecture	2724
11-74. DISPC Priority Rule Architecture	2726
11-75. DISPC Example of Priority Rule: From Lower to Higher VID1, VID2, VID3, GFX.....	2727
11-76. DISPC Alpha Blending Architecture With Premultiplied Alpha Support.....	2728
11-77. DISPC Source Transparency Color Key Example	2731
11-78. DISPC Destination Transparency Color Key Example	2732
11-79. DISPC LCD1 Gamma Correction Architecture	2733
11-80. DISPC Data Memory Organization for Gamma Mode in LCD Output	2733
11-81. DISPC CPR Matrix	2734
11-82. DISPC CPR Macro-Architecture	2735
11-83. DISPC RGB to YUV Registers (FullRange=0)	2735
11-84. DISPC RGB to YUV Registers (FullRange=1)	2736
11-85. DISPC Signal Mapping in BT.656 Mode	2736
11-86. DISPC Signal Mapping in BT.1120 Mode.....	2737
11-87. Bit-assignment for the fourth byte of EAV/SAV codes	2737
11-88. DISPC 8-Bit Interface Settings	2741
11-89. DISPC 9-Bit Interface Settings	2742
11-90. DISPC 12-Bit Interface Settings.....	2743
11-91. DISPC 16-Bit Interface Settings.....	2744

11-92. DISPC Timing Values (Active Matrix Display)	2746
11-93. DISPC TV Output Architecture	2747
11-94. DISPC Data Memory Organization for Gamma Mode in TV Output	2747
11-95. DISPC Example Timing TV Formats	2748
11-96. DISPC Frame Width Control.....	2750
11-97. DISPC Illustration of 3D Interleaving	2751
11-98. DISPC Illustration of a Non-zero Position of 3D Window	2752
11-99. DISPC Illustration of DLP 3D Format.....	2753
11-100. DISPC GFX Pipeline Processing Configuration	2764
11-101. DISPC Video Pipeline Processing Configuration	2766
11-102. DISPC Scaler Unit Programming Flow.....	2768
11-103. HDMI Overview	2948
12-1. GPU Overview	2952
12-2. GPU Integration	2954
12-3. GPU Block Diagram.....	2956
13-1. BB2D Overview.....	2976
13-2. BB2D Integration	2978
13-3. BB2D Block Diagram	2980
14-1. Interconnect Overview	3027
14-2. L3_MAIN Interconnect Overview	3030
14-3. Connectivity Matrix	3037
14-4. Bandwidth Regulator Pressure Settings.....	3039
14-5. Flag Mux Structure	3042
14-6. L3 Interconnect Region Overlay and Priority Level Overview	3050
14-7. L3_MAIN Global Error-Routing Scheme	3058
14-8. Typical Error Analysis Sequence.....	3062
14-9. L4 Interconnect Overview	3200
14-10. L4 Initiator-Target Connectivity	3208
14-11. Example of CONNID_BIT_VECTOR L4_AP_PROT_GROUP_MEMBERS_k	3210
14-12. L4 Segmentation	3214
14-13. L4 Error Reporting	3225
14-14. Protection Violation Out-of-Band Error Reporting.....	3226
14-15. Typical Error Analysis Sequence.....	3228
15-1. Memory Subsystem Functional Diagram.....	3293
15-2. DMM and Tiler Overview	3298
15-3. DMM Integration	3299
15-4. DMM Block Diagram	3302
15-5. DMM Sections and Memory Mapping	3305
15-6. PAT Direct Access Translation	3307
15-7. PAT Indirect Access Translation	3308
15-8. Physical Address Translation Table	3309
15-9. PAT Descriptors	3311
15-10. TILER Address Space Structure for Tiled Modes.....	3314
15-11. TILER Object Containers and Views	3317
15-12. TILER Memory Footprint With PAT and Shared Physical Address Translation LUT	3317
15-13. Object Container Geometry With 4-kiB Pages	3318
15-14. TILER Page Mapping When Using 4-kiB Pages	3318
15-15. Isometric Transforms in the TILER Container	3319
15-16. Tile Geometry	3320

15-17. Subtile Mapping	3321
15-18. Page Mode Virtual Addressing	3322
15-19. Tiled Mode Addressing in 0- or 180-Degree Orientation (S = 0).....	3323
15-20. Tiled Mode Addressing in 90- or 270-Degree Orientation (S = 1)	3323
15-21. Tiled Mode Ordering of Elements in Natural View	3324
15-22. Page Mode Ordering of Elements in Natural View	3324
15-23. Tiled Mode Ordering of Elements in 0-Degree View With Vertical Mirror	3325
15-24. Page Mode Ordering of Elements in 0-Degree View With Vertical Mirror	3325
15-25. Tiled Mode Ordering of Elements in 0-Degree View With Horizontal Mirror	3326
15-26. Page Mode Ordering of Elements in 0-Degree View With Horizontal Mirror	3326
15-27. Tiled Mode Ordering of Elements in 180-Degree View	3327
15-28. Page Mode Ordering of Elements in 180-Degree View	3327
15-29. Tiled Mode Ordering of Elements in 90-Degree View With Vertical Mirror	3328
15-30. Page Mode Ordering of Elements in 90-Degree View With Vertical Mirror.....	3328
15-31. Tiled Mode Ordering of Elements in 270-Degree View	3329
15-32. Page Mode Ordering of Elements in 270-Degree View	3329
15-33. Tiled Mode Ordering of Elements in 90-Degree View	3330
15-34. Page Mode Ordering of Elements in 90-Degree View	3330
15-35. Tiled Mode Ordering of Elements in 90-Degree View With Horizontal Mirror	3331
15-36. Page Mode Ordering of Elements in 90-Degree View With Horizontal Mirror	3331
15-37. TILER Port Address Map.....	3332
15-38. TILER Aliased View Orientation	3333
15-39. Simple Manual Area Refill Scheme	3336
15-40. Single Auto-Configured Area Refill Scheme.....	3337
15-41. Chained Auto-Configured Area Refill Scheme	3338
15-42. Synchronized Auto-Configured Area Refill Scheme	3339
15-43. Cyclic Synchronized Auto-Configured Area Refill Scheme	3340
15-44. Example of 8-Bit Frame-Buffer Addressing in any Orientation	3345
15-45. EMIF Controller Overview.....	3386
15-46. EMIF DDR3/DDR3L Configuration Without ECC	3387
15-47. EMIF DDR3/DDR3L Configuration With ECC	3388
15-48. EMIF Module Integration	3390
15-49. EMIF Block Diagram	3393
15-50. FIFO Block Diagram	3394
15-51. Example for Using the CKE Tri-state Functionality	3415
15-52. GPMC Overview.....	3529
15-53. GPMC to 16-Bit Address/Data-Multiplexed Memory.....	3530
15-54. GPMC to 16-Bit Nonmultiplexed Memory	3530
15-55. GPMC to 8-Bit Nonmultiplexed Memory	3531
15-56. GPMC to 8-Bit NAND Device.....	3531
15-57. GPMC Integration	3534
15-58. GPMC Block Diagram	3538
15-59. Chip-Select Address Mapping and Decoding Mask	3544
15-60. Wait Behavior During an Asynchronous Single Read Access (GPMCFCLKDivider = 1).....	3547
15-61. Wait Behavior During a Synchronous Read Burst Access	3549
15-62. Read-to-Read for an Address-Data Multiplexed Device, on Different Chip-Select, Without Bus Turnaround (nCS Attached to a Fast Device)	3551
15-63. Read- to-Read/Write for an Address-Data Multiplexed Device, on Different Chip-Select, With Bus Turnaround	3551

15-64. Read-to-Read/Write for a Address-Data or AAD-Multiplexed Device, on Same Chip-Select, With Bus Turnaround	3552
15-65. Asynchronous Single Read on an Address/Data-Multiplexed Device	3561
15-66. Two Asynchronous Single-Read Accesses on an Address/Data-Multiplexed Device (32-Bit Read Split Into 2 x 16-Bit Read)	3562
15-67. Asynchronous Single-Write on an Address/Data-Multiplexed Device	3563
15-68. Asynchronous Single Read on an AAD-Multiplexed Device	3565
15-69. Asynchronous Single Write on an AAD-Multiplexed Device	3566
15-70. Synchronous Single Read (GPMCFCLKDIVIDER = 0)	3568
15-71. Synchronous Single Read (GPMCFCLKDIVIDER = 1)	3569
15-72. Synchronous Multiple (Burst) Read (GPMCFCLKDIVIDER = 0)	3571
15-73. Synchronous Multiple (Burst) Read (GPMCFCLKDIVIDER = 1)	3572
15-74. Synchronous Single Write on an Address/Data-Multiplexed Device	3573
15-75. Synchronous Multiple Write (Burst Write) in Address/Data-Multiplexed Mode	3574
15-76. Synchronous Multiple Write (Burst Write) in Address/Address/Data-Multiplexed Mode	3575
15-77. Asynchronous Single Read on an Address/Data-Nonmultiplexed Device	3577
15-78. Asynchronous Single Write on an Address/Data-Nonmultiplexed Device	3578
15-79. Asynchronous Multiple (Page Mode) Read	3579
15-80. NAND Command Latch Cycle	3584
15-81. NAND Address Latch Cycle	3585
15-82. NAND Data Read Cycle	3586
15-83. NAND Data Write Cycle	3586
15-84. Hamming Code Accumulation Algorithm (1/2)	3591
15-85. Hamming Code Accumulation Algorithm (2/2)	3592
15-86. ECC Computation for a 256-Byte Data Stream (Read or Write)	3592
15-87. ECC Computation for a 512-Byte Data Stream (Read or Write)	3593
15-88. 128 Word16 ECC Computation	3594
15-89. 256 Word16 ECC Computation	3594
15-90. Manual Mode Sequence and Mapping	3599
15-91. NAND Page Mapping and ECC: Per-Sector Schemes	3603
15-92. NAND Page Mapping and ECC: Pooled Spare Schemes	3604
15-93. NAND Page Mapping and ECC: Per-Sector Schemes, With Separate ECC	3605
15-94. NAND Read Cycle Optimization Timing Description	3612
15-95. Programming Model Top-Level Diagram	3614
15-96. NOR Interfacing Timing Parameters Diagram	3619
15-97. NAND Command Latch Cycle Timing Simplified Example	3623
15-98. Synchronous NOR Single Read Simplified Example	3629
15-99. Asynchronous NOR Single Write Simplified Example	3631
15-100. GPMC Connection to an External NOR Flash Memory	3633
15-101. Synchronous Burst Read Access (Timing Parameters in Clock Cycles)	3635
15-102. Asynchronous Single Read Access (Timing Parameters in Clock Cycles)	3636
15-103. Asynchronous Single Write Access (Timing Parameters in Clock Cycles)	3637
15-104. ELM Overview	3675
15-105. ELM Integration	3676
15-106. OCMC_RAM1 Overview	3705
15-107. OCMC_RAM1 Integration	3706
15-108. OCMC Block Diagram	3707
15-109. VBUF to CBUF Address Mapping	3716
16-1. DMA_SYSTEM Overview	3757

16-2. Example of External DMA Requests Use	3758
16-3. Transition-Sensitive DMA Request Scheme	3759
16-4. DMA_SYSTEM Controller Integration	3761
16-5. DMA_SYSTEM Controller Top-Level Block Diagram	3777
16-6. Example Showing Double-Index Addressing, Elements, Frames, and Strides	3783
16-7. Addressing Mode Example (a)	3783
16-8. Addressing Mode Example (b)	3783
16-9. Addressing Mode Example (c)	3784
16-10. Example of a 90-Degree Clockwise Image Rotation	3785
16-11. 2-D Graphic Transparent Color Block Diagram	3792
16-12. EDMA module Overview	3840
16-13. Example of External DMA Requests Use	3843
16-14. EDMA Controller Integration	3845
16-15. EDMA Controller Block Diagram	3853
16-16. EDMA Channel Controller Block Diagram	3854
16-17. TPTC Block Diagram	3855
16-18. Definition of ACNT, BCNT, and CCNT	3857
16-19. A-Synchronized Transfers (ACNT = n, BCNT = 4, CCNT = 3).....	3857
16-20. AB-Synchronized Transfers (ACNT = n, BCNT = 4, CCNT = 3).....	3858
16-21. PaRAM Set.....	3860
16-22. Linked Transfer	3868
16-23. Link-to-Self Transfer	3869
16-24. DMA Channel and QDMA Channel to PaRAM Mapping.....	3875
16-25. QDMA Channel to PaRAM Mapping	3876
16-26. Shadow Region Registers	3877
16-27. Interrupt Diagram.....	3882
16-28. Error Interrupt Operation	3886
16-29. PaRAM Set Content for Proxy Memory Protection Example	3891
16-30. Channel Options Parameter (OPT) Example.....	3891
16-31. Proxy Memory Protection Example	3892
16-32. EDMA Prioritization	3898
16-33. Block Move Example	3901
16-34. Block Move Example PaRAM Configuration.....	3902
16-35. Subframe Extraction Transfer	3903
16-36. Subframe Extraction Example PaRAM Configuration	3903
16-37. Data Sorting Example	3904
16-38. Data Sorting Example PaRAM Configuration	3905
16-39. Servicing Incoming McASP Data Example	3906
16-40. Servicing Incoming McASP Data Example PaRAM Configuration	3907
16-41. Servicing Peripheral Burst Example	3908
16-42. Servicing Peripheral Burst Example PaRAM Configuration	3909
16-43. Servicing Continuous McASP Data Example.....	3910
16-44. Servicing Continuous McASP Data Example PaRAM Configuration.....	3911
16-45. Servicing Continuous McASP Data Example Reload PaRAM Configuration	3912
16-46. Ping-Pong Buffering for McASP Data Example	3913
16-47. Ping-Pong Buffering for McASP Example PaRAM Configuration.....	3915
16-48. Ping-Pong Buffering for McASP Example Pong PaRAM Configuration	3916
16-49. Ping-Pong Buffering for McASP Example Ping PaRAM Configuration	3916
16-50. Intermediate Transfer Completion Chaining Example.....	3918

16-51. Single Large Block Transfer Example	3919
16-52. Smaller Packet Data Transfers Example.....	3919
17-1. Interrupt Controllers in the Device	4080
17-2. Interrupts From External Devices	4081
18-1. Control Module Overview Block Diagram	4122
18-2. Control Module Environment	4123
18-3. Control Module Integration	4124
18-4. Pad Configuration Register Bits	4127
18-5. Multiplexing Scheme of the Pads Having Capability for Additional Signal Mapping	4137
18-6. Thermal Management Functional Block Diagram.....	4142
18-7. Behavior Of The Thermal Alert Logic.....	4144
18-8. Behavior Of The Thermal Shutdown Logic	4145
18-9. PBIAS Cell And Its Connections	4151
18-10. IRQ_CROSSBAR Module Functional Diagram	4156
18-11. DMA_CROSSBAR Module Functional Diagram	4160
18-12. Vref-Generation Cells and Their Controls.....	4166
18-13. AVS Class 0 Procedure	4169
18-14. Combined Firewall Error Interrupt.....	4171
18-15. IODELAYCONFIG Integration	4871
19-1. MAILBOX1 Integration.....	5354
19-2. MAILBOX2..13 Integration	5354
19-3. IVA Mailbox Integration.....	5357
19-4. Mailbox Block Diagram	5360
19-5. Example of Communication.....	5364
20-1. System MMU1 Overview	5391
20-2. System MMU2 Overview	5392
20-3. System MMU1 Integration	5393
20-4. System MMU2 Integration	5393
20-5. MMU Block Diagram	5395
20-6. Translation Process	5396
20-7. Translation Hierarchy	5397
20-8. First-level Descriptor Address Calculation	5397
20-9. Detailed First-Level Descriptor Address Calculation.....	5398
20-10. Section Translation Summary	5399
20-11. Supersection Translation Summary.....	5400
20-12. Two-Level Translation	5401
20-13. Small Page Translation Summary	5402
20-14. Large Page Translation Summary	5403
20-15. TLB Entry Lock Mechanism.....	5404
20-16. TLB Entry Structure	5405
20-17. MMU Global Initialization	5408
21-1. Spinlock Overview.....	5432
21-2. Spinlock Integration	5433
21-3. Lock Register State Diagram	5435
21-4. Take and Release Spinlock.....	5437
22-1. Timers Overview	5444
22-2. GP Timers Overview.....	5445
22-3. GP Timers External System Interface	5447
22-4. GP Timer Integration.....	5449

22-5. Block Diagram of TIMER3 Through TIMER9 and TIMER11 Through TIMER16	5454
22-6. Block Diagram of TIMER1, TIMER2 and TIMER10	5455
22-7. Wake-Up Request Generation.....	5457
22-8. Wake-Up Request Generation.....	5458
22-9. TCRR Timing Value.....	5459
22-10. Block Diagram of the 1-ms Tick Module	5460
22-11. Capture Wave Example for TCLR[13] CAPT_MODE = 0.....	5462
22-12. Capture Wave Example for TCLR[13] CAPT_MODE = 1.....	5463
22-13. Timing Diagram of PWM With TCLR[7] SCPWM Bit = 0	5464
22-14. Timing Diagram of PWM With TCLR[7] SCPWM Bit = 1	5465
22-15. 32-kHz Synchronized Timer Block Diagram	5501
22-16. Reset Resynchronization Timing Diagram.....	5503
22-17. CONTER_32K Block Diagram.....	5503
22-18. Watchdog Timer Block Diagram.....	5508
22-19. Watchdog Timer Integration	5510
22-20. 32-Bit Watchdog Timer Functional Block Diagram	5513
22-21. Watchdog Timers General Functional View	5514
23-1. RTC Block Diagram	5536
23-2. RTC External Signals	5538
23-3. RTC Module Integration	5539
23-4. RTC Functional Block Diagram.....	5541
23-5. Kick Register State Machine Diagram.....	5544
23-6. Flow Control for Updating RTC Registers	5546
23-7. Compensation Illustration	5547
24-1. HS I ² C Controllers.....	5574
24-2. HS I ² C and Typical Connections to I ² C Devices	5576
24-3. HS I ² C Interface Signals.....	5576
24-4. HS I ² C Data Transfer	5577
24-5. HS I ² C Bit Transfer on the I ² C Bus.....	5578
24-6. HS I ² C S and P Condition Events	5578
24-7. HS I ² C Data Transfer Formats in F/S Mode	5579
24-8. HS I ² C Data Transfer in HS Mode	5579
24-9. HS I ² C Arbitration Between Master Transmitters	5580
24-10. HS I ² C Clock Generators Synchronization.....	5581
24-11. HS I ² C Integration	5582
24-12. HS I ² C Block Diagram	5586
24-13. HS I ² C Clock Generation	5587
24-14. HS I ² C Receive FIFO Interrupt Request Generation	5592
24-15. HS I ² C Transmit FIFO Interrupt Request Generation.....	5592
24-16. HS I ² C Receive FIFO DMA Request Generation	5593
24-17. HS I ² C Transmit FIFO Request Generation (High Threshold)	5594
24-18. HS I ² C Transmit FIFO Request Generation (Low Threshold)	5594
24-19. HS I ² C Setup Procedure.....	5600
24-20. HS I ² C Master Transmitter Mode, Polling Method, in F/S and HS Modes.....	5601
24-21. HS I ² C Master Receiver Mode, Polling Method, in F/S and HS Modes.....	5603
24-22. HS I ² C Master Transmitter Mode, Interrupt Method, in F/S and HS Modes.....	5604
24-23. HS I ² C Master Receiver Mode, Interrupt Method, in F/S and HS Modes.....	5606
24-24. HS I ² C Master Transmitter Mode, DMA Method in F/S and HS Modes.....	5608
24-25. HS I ² C Master Receiver Mode, DMA Method in F/S and HS Modes.....	5610

24-26. HS I ² C Slave Transmitter/Receiver Mode, Polling	5611
24-27. HS I ² C Slave Transmitter/Receiver Mode, Interrupt	5612
24-28. HDQ1W Overview	5646
24-29. HDQ1W Typical Application System Overview.....	5647
24-30. HDQ Break-Pulse Timing Diagram	5648
24-31. 1-Wire (SDQ) Reset Timing Diagram.....	5648
24-32. HDQ1W Transmitted Bit Timing	5649
24-33. HDQ/1-Wire Communication Sequence.....	5649
24-34. HDQ1W Integration	5650
24-35. HDQ1W Block Diagram	5652
24-36. Protocol Registers Description	5653
24-37. UART Overview	5667
24-38. UART Mode Bus System Overview.....	5669
24-39. UART Frame Data Format	5671
24-40. IrDA System Overview.....	5671
24-41. IrDA SIR Frame Format	5673
24-42. IrDA SIR Encoding Mechanism	5674
24-43. IrDA SIR Decoding Mechanism	5674
24-44. SIR FF Mode.....	5675
24-45. MIR Transmit Frame Format.....	5676
24-46. MIR Baud Rate Adjustment Mechanism	5677
24-47. SIP	5677
24-48. FIR Transmit Frame Format	5677
24-49. CIR System Overview	5679
24-50. CIR Pulse Modulation.....	5680
24-51. CIR Modulation Duty Cycle	5680
24-52. RC-5 Bit Encoding	5681
24-53. SIRC Bit Encoding	5682
24-54. RC-5 Standard Packet Format	5682
24-55. SIRC Packet Format	5682
24-56. SIRC Bit Transmission Example	5683
24-57. UART/IrDA/CIR Integration	5684
24-58. UART/IrDA/CIR Functional Block Diagram	5689
24-59. FIFO Management Registers	5694
24-60. RX FIFO Interrupt Request Generation	5696
24-61. TX FIFO Interrupt Request Generation	5697
24-62. Receive FIFO DMA Request Generation (32 Characters).....	5699
24-63. Transmit FIFO DMA Request Generation (56 Spaces)	5700
24-64. Transmit FIFO DMA Request Generation (8 Spaces).....	5701
24-65. Transmit FIFO DMA Request Generation (1 Space)	5701
24-66. Transmit FIFO DMA Request Generation Using Direct TX DMA Threshold Programming. (Threshold = 3; Spaces = 8)	5702
24-67. DMA Transmission	5702
24-68. DMA Reception	5703
24-69. Baud Rate Generation.....	5709
24-70. Baud Rate Generator	5716
24-71. CIR Mode Block Components	5720
24-72. Multichannel SPI Modules	5787
24-73. McSPI Interface Signals in Master Mode	5788

24-74. McSPI Interface Signals in Slave Mode	5789
24-75. Phase and Polarity Combinations	5791
24-76. Full-Duplex Transfer Format With PHA = 0	5792
24-77. Extended SPI Transfer With a Start-Bit (SBE = 1)	5793
24-78. McSPI Master Mode (Full Duplex)	5793
24-79. McSPI Master Single Mode (Receive Only)	5794
24-80. McSPI Slave Mode (Full Duplex)	5794
24-81. McSPI Slave Single Mode (Transmit Only)	5795
24-82. McSPI Integration	5796
24-83. McSPI Block Diagram	5801
24-84. SPI Full-Duplex Transmission (Example)	5803
24-85. Continuous Transfers With SPIEN[x] Maintained Active (Single-Data-Pin Interface Mode)	5805
24-86. Continuous Transfers With SPIEN[x] Maintained Active (Dual-Data-Pin Interface Mode)	5805
24-87. CS (SPIEN) Timing Controls	5806
24-88. Example of McSPI Slave With One Master and Multiple Slave Devices on Channel 0	5809
24-89. SPI Half-Duplex Transmission (Transmit-Only Slave)	5811
24-90. SPI Half-Duplex Transmission (Receive-Only Slave)	5812
24-91. Buffer Used in Transmit Direction Only	5813
24-92. Buffer Used in Receive Direction Only	5813
24-93. Buffer Used for Transmit and Receive Directions	5813
24-94. Buffer Almost Full Level (AFL)	5814
24-95. Buffer Almost Empty Level (AEL)	5815
24-96. FIFO Mode Transmit-and-Receive With Word Count (Master)	5830
24-97. FIFO Mode Transmit-and-Receive Without Word Count (Master)	5831
24-98. FIFO Mode Transmit-Only (Master)	5832
24-99. FIFO Mode Receive-Only With Word Count (Master)	5833
24-100. FIFO Mode Receive-Only Without Word Count (Master)	5834
24-101. QSPI Overview	5861
24-102. QSPI Connected to an External Quad-SPI Flash Memory	5862
24-103. QSPI Integration	5864
24-104. QSPI Block Diagram	5865
24-105. SPI_CLKGEN Block	5869
24-106. SPI Clock Modes	5870
24-107. Logical Representation of the QSPI Interrupt Generation Scheme	5871
24-108. McASP Modules Overview	5892
24-109. McASP Environment	5895
24-110. Definition of Bit, Word, and Slot	5900
24-111. Bit Order and Word Alignment Within a Slot Examples	5901
24-112. Definition of Frame and Frame-Sync Width	5902
24-113. TDM Format - 6 channel example	5903
24-114. I2S Format Overview	5904
24-115. Biphas-Mark Code	5905
24-116. S/PDIF Subframe Format	5906
24-117. S/PDIF Frame Format	5906
24-118. McASP Integration	5908
24-119. McASP Module Block Diagram	5914
24-120. Transmit Clock Generator Block Diagram	5916
24-121. Receive Clock Generator Block Diagram	5917
24-122. Frame Sync Generator Block Diagram	5918

24-123. Individual Serializer and Connections Within McASP	5920
24-124. Transmit Format Unit	5922
24-125. Receive Format Unit.....	5925
24-126. Burst Frame Sync Mode	5928
24-127. Transmit DMA Event (AXEVT) Generation in TDM Time Slots.....	5930
24-128. MPU Service Time Upon Transmit DMA Event (AXEVT)	5935
24-129. CPU Service Time Upon Receive Event (AREVT)	5936
24-130. DMA Transmit and Receive Event in an Audio Example – One Event	5939
24-131. McASP Audio FIFO (AFIFO) Block Diagram.....	5940
24-132. McASP Serializers Operation in Loopback Mode	5945
24-133. Transmit Clock Failure Detection Circuit Block Diagram	5949
24-134. Receive Clock Failure Detection Circuit Block Diagram	5950
24-135. McASP DIT- /TDM- Transmission Polling Method	5962
24-136. Subsequence – DIT-/TDM- Transmission Startup Procedure	5964
24-137. McASP Polling Reception Method.....	5967
24-138. Subsequence – TDM - Reception Startup Procedure.....	5969
24-139. McASP Transmit Interrupt Events Servicing	5972
24-140. McASP Receive Interrupt Events Servicing	5973
24-141. McASP Transmit Error Handling	5974
24-142. McASP Receive Error Handling.....	5975
24-143. USB1 Highlight	6044
24-144. USB2 Highlight	6045
24-145. USB3 Highlight	6046
24-146. SuperSpeed USB Subsystem Environment	6048
24-147. USB1 Controller Application: USB2.0 DRD	6050
24-148. USB1 Controller Application: USB2.0 Host.....	6051
24-149. USB1 Controller Application: USB2.0 Device	6051
24-150. USB1 Controller Application: USB3.0 DRD	6052
24-151. USB1 Controller Application: USB3.0 Host.....	6052
24-152. USB1 Controller Application: USB3.0 Device	6053
24-153. USB2 Controller Application: USB2.0 DRD	6053
24-154. USB2 Controller Application: USB2.0 Host.....	6054
24-155. USB2 Controller Application: USB2.0 Device	6054
24-156. SuperSpeed USB Subsystem Integration	6055
24-157. SATA Host Controller Subsystem Overview	6059
24-158. SATA Subsystem Environment	6063
24-159. SATA Controller Integration	6064
24-160. SATA Controller Functional Block Diagram	6066
24-161. Simplified Schema of Link Dword Processing	6067
24-162. SATA Data Stream Components	6069
24-163. SATA Controller Interrupt Propagation Schema	6074
24-164. Command List Descriptor Structures.....	6080
24-165. PCIe Controller Subsystem Overview	6132
24-166. PCIe Controllers Integration	6135
24-167. PCIe Controller Functional Block Diagram	6139
24-168. PCIe D-state (function power state) FSM diagram	6147
24-169. PCIe Core to PCIe Core Address Mapping and Translation	6160
24-170. DCAN1 Overview	6332
24-171. DCAN2 Overview	6333

24-172. DCAN Typical Application	6334
24-173. DCAN1 Integration.....	6336
24-174. DCAN2 Integration	6337
24-175. DCAN Block Diagram	6339
24-176. Error and Status Change Interrupts	6341
24-177. Message Objects Interrupts	6342
24-178. Local Power-Down Mode Flow Diagram.....	6343
24-179. Software Handling of a FIFO Buffer (Interrupt Driven).....	6352
24-180. Bit Timing	6353
24-181. The Propagation Time Segment	6354
24-182. Synchronization on Late and Early Edges.....	6356
24-183. Filtering of Short Dominant Spikes	6357
24-184. Structure of the CAN Core's CAN Protocol Controller	6358
24-185. Data Transfer Between IF1/IF2 Registers and Message RAM	6361
24-186. CAN Module General Initialization Flow	6367
24-187. CAN Bit-Timing Configuration	6368
24-188. CAN Core in Silent Mode	6371
24-189. CAN Core in Loopback Mode	6371
24-190. CAN Core in External Loopback Mode	6372
24-191. CAN Core in Loop Back Combined With Silent Mode	6373
24-192. GMAC_SW Overview	6427
24-193. MII Interface Typical Application	6430
24-194. RMII Interface Typical Application	6431
24-195. RGMII Interface Typical Application	6432
24-196. GMAC_SW Integration	6434
24-197. GMAC_SW Top Level Block Diagram	6437
24-198. CPSW_3G Block Diagram.....	6444
24-199. The Network Static with AVB.....	6456
24-200. AVB Network & PTP Clock Entities	6457
24-201. IEEE 1722 Packets	6458
24-202. Cross Time Stamping and Presentation Timestamps.....	6459
24-203. AV Stream Queuing/Policing	6460
24-204. SPF Block Diagram.....	6477
24-205. Packet Octets as Stored in the Packet Buffer.....	6481
24-206. CPTS Block Diagram.....	6493
24-207. Event FIFO Misalignment Condition.....	6495
24-208. HW1/4_TSP_PUSH Connection	6496
24-209. Partial Ethernet-II Frames Showing Register Mapping of EtherTypes for a Simple Frame (1), a Single 1Q Tag Added (2), and Two 1Q Tags Added (3)	6497
24-210. TX Queue Head Descriptor.....	6507
24-211. RX Queue Head Descriptor	6509
25-1. eMMC/SD/SDIOi Overview (i = 1 to 4)	6694
25-2. eMMC/SD/SDIOi Controller Connected to an eMMC, SD, or SDIO Card (where i = 1 to 4).....	6697
25-3. Sequential Read Operation (MMC Cards Only).....	6699
25-4. Sequential Write Operation (MMC Cards Only).....	6699
25-5. Multiple Block Read Operation	6700
25-6. Multiple Block Write Operation With Card Busy Signal	6700
25-7. Command Token Format.....	6701
25-8. Response Token Format (R1, R3, R4, R5, R6, R7).....	6701

25-9. Response Token Format (R2)	6701
25-10. Data Token Format for 1-Bit Transfers	6702
25-11. Data Token Format for 4-Bit Transfers	6702
25-12. Data Token Format for 8-Bit Transfers	6703
25-13. Integration of MMC1 and MMC2 Controllers – Master and Slave Capable	6705
25-14. Integration of MMC3 and MMC4 Controllers – Slave Capable Only	6706
25-15. eMMC/SD/SDIO Diagram	6710
25-16. ADMA Block Diagram Overview.....	6720
25-17. ADMA Finite State-Machine	6722
25-18. DMA Receive Mode.....	6724
25-19. DMA Transmit Mode	6725
25-20. Buffer Management for a Write.....	6727
25-21. Buffer Management for a Read	6728
25-22. Busy Time-Out for R1b, R5b Response Type.....	6731
25-23. Busy Time-Out After Write CRC Status	6731
25-24. Write CRC Status Time-Out	6732
25-25. Read Data Time-Out.....	6732
25-26. Boot Acknowledge Time-Out When Using CMD0	6733
25-27. Boot Acknowledge Time-Out When CMD Line Tied to 0	6733
25-28. Auto CMD12 Timings During Write Transfer	6734
25-29. Auto CMD12 Timings During Read Transfer	6734
25-30. Output Driven on Falling Edge	6736
25-31. Output Driven on Rising Edge.....	6737
25-32. Boot Mode Using the CMD0 Timing Diagram	6738
25-33. Boot Mode With CMD Line Tied to 0 Timing Diagram	6738
25-34. eMMC/SD/SDIO Controller Software Reset Flow.....	6742
25-35. eMMC/SD/SDIO Controller Bus Configuration	6743
25-36. eMMC/SD/SDIO Controller Card Identification and Selection – Part 1	6745
25-37. eMMC/SD/SDIO Controller Card Identification and Selection – Part 2	6746
25-38. eMMC/SD/SDIO Controller Read/Write Transfer Flow in DMA Slave Mode With interrupt	6748
25-39. eMMC/SD/SDIO Controller Read/Write Transfer Flow in DMA Mode With Polling	6749
25-40. eMMC/SD/SDIO Controller Read/Write Transfer Flow Without DMA and With Polling.....	6751
25-41. eMMC/SD/SDIO Controller Read/Write in CE-ATA Mode	6752
25-42. eMMC/SD/SDIO Controller Suspend Flow.....	6754
25-43. eMMC/SD/SDIO Controller Resume Flow	6755
25-44. eMMC/SD/SDIO Controller Command Transfer Flow With Polling.....	6756
25-45. eMMC/SD/SDIO Controller Command Transfer Flow With interrupts.....	6758
25-46. eMMC/SD/SDIO Controller Clock Frequency Change Flow.....	6759
25-47. eMMC/SD/SDIO Controller Bus Width Configuration Flow	6760
25-48. eMMC/SD/SDIO Power Switching Procedure	6761
25-49. eMMC/SD/SDIO Controller Boot Using CMD0	6763
25-50. eMMC/SD/SDIO Controller Boot With CMD Line Tied to 0.....	6764
25-51. SDR104/HS200 DLL Tuning Procedure.....	6766
26-1. SATA PHY Subsystem Overview	6840
26-2. SATA PHY I/O Signals	6842
26-3. SATA PHY Subsystem Integration.....	6844
26-4. SATA DPLL Clock Generator Overview.....	6848
26-5. DPLL_SATA Functional Block Diagram.....	6851
26-6. SATA PLL GO Sequence	6852

26-7. SATA PLL Programming Sequence	6855
26-8. USB3_PHY Subsystem Overview	6860
26-9. USB3_PHY I/O Signals.....	6861
26-10. USB3_PHY Subsystem Integration	6863
26-11. USB3_PHY DPLL Clock Generator Overview.....	6868
26-12. DPLL_USB_OTG_SS Functional Block Diagram	6871
26-13. USB3_PHY PLL GO Sequence	6873
26-14. USB3_PHY PLL Programming Sequence	6876
26-15. PCIe Controller Subsystem Overview	6897
26-16. PCIe PHY I/O Signals	6900
26-17. PCIe PHY Subsystem Integration.....	6902
26-18. PCIe PHY Subsystem Block Diagram	6904
26-19. PCIe PHY Clock Generator Overview	6909
26-20. DPLL_PCIE_REF Functional Block Diagram.....	6912
26-21. DPLL_PCIE_REF Programming Sequence	6915
26-22. APLL_PCIE Functional Block Diagram.....	6918
27-1. General-Purpose Interface Overview	6937
27-2. General-Purpose Interface Typical Application.....	6939
27-3. General-Purpose Interface Used as a Keyboard Interface	6940
27-4. GPIO1 Signal Connections	6941
27-5. GPIO2 Through GPIO8 Signal Connections	6942
27-6. GPIO Integration	6943
27-7. General-Purpose Interface Block Diagram.....	6948
27-8. Synchronous Path.....	6948
27-9. Asynchronous Path	6949
27-10. Interrupt Request Generation.....	6950
27-11. Wake-Up Request Generation.....	6951
27-12. Wake-Up Event Conditions	6952
27-13. GPIO_CLEARDATAOUT Register Example	6961
27-14. Write in GPIO_IRQSTATUS_SET_0 Register Example	6962
28-1. Keyboard Controller Overview.....	6988
28-2. Typical Keyboard Environment.....	6990
28-3. Multikey Limitation Example	6992
28-4. Keyboard Controller Integration	6993
28-5. Keyboard Controller Block Diagram	6995
28-6. Functional Modes and Related Interrupt Events	7000
28-7. Key Coding Registers.....	7001
29-1. PWMSS Block Diagram	7025
29-2. PWMSS External Interface I/Os.....	7028
29-3. PWMSS Integration	7030
29-4. Synchronization between PWMSS1, PWMSS2 and PWMSS3	7034
29-5. Multiple ePWM Modules.....	7042
29-6. Submodules and Signal Connections for an ePWM Module	7043
29-7. ePWM Submodules and Critical Internal Signal Interconnects	7044
29-8. ePWM Time-Base Submodule Block Diagram	7048
29-9. ePWM Time-Base Submodule Signals and Registers	7050
29-10. ePWM Time-Base Frequency and Period	7052
29-11. ePWM Time-Base Counter Synchronization Scheme 1	7053
29-12. ePWM Time-Base Up-Count Mode Waveforms	7055

29-13. ePWM Time-Base Down-Count Mode Waveforms	7056
29-14. ePWM Time-Base Up-Down-Count Waveforms, EPWM_TBCTL[13] PHSDIR = 0 Count Down on Synchronization Event	7057
29-15. ePWM Time-Base Up-Down Count Waveforms, EPWM_TBCTL[13] PHSDIR = 1 Count Up on Synchronization Event	7058
29-16. ePWM Counter-Compare Submodule	7059
29-17. ePWM Counter-Compare Submodule Signals and Registers	7060
29-18. ePWM Counter-Compare Event Waveforms in Up-Count Mode	7063
29-19. ePWM Counter-Compare Events in Down-Count Mode	7063
29-20. ePWM Counter-Compare Events in Up-Down-Count Mode, EPWM_TBCTL[13] PHSDIR = 0 Count Down on Synchronization Event	7064
29-21. ePWM Counter-Compare Events in Up-Down-Count Mode, EPWM_TBCTL[13] PHSDIR = 1 Count Up on Synchronization Event	7064
29-22. ePWM Action-Qualifier Submodule	7065
29-23. ePWM Action-Qualifier Submodule Inputs and Outputs	7066
29-24. Possible Action-Qualifier Actions for EPWMxA and EPWMxB Outputs	7067
29-25. ePWM Up-Down-Count Mode Symmetrical Waveform	7070
29-26. Up, Single Edge Asymmetric Waveform, With Independent Modulation on EPWMxA and EPWMxB—Active High	7071
29-27. Up, Single Edge Asymmetric Waveform With Independent Modulation on EPWMxA and EPWMxB—Active Low	7073
29-28. Up-Count, Pulse Placement Asymmetric Waveform With Independent Modulation on EPWMxA	7075
29-29. Up-Down-Count, Dual Edge Symmetric Waveform, With Independent Modulation on EPWMxA and EPWMxB — Active Low	7077
29-30. Up-Down-Count, Dual Edge Symmetric Waveform, With Independent Modulation on EPWMxA and EPWMxB — Complementary	7079
29-31. Up-Down-Count, Dual Edge Asymmetric Waveform, With Independent Modulation on EPWMxA—Active Low	7081
29-32. Dead-Band Generator Submodule	7083
29-33. Configuration Options for the ePWM Dead-Band Generator Submodule	7084
29-34. Dead-Band Waveforms for Typical Cases (0% < Duty < 100%)	7086
29-35. PWM-Chopper Submodule	7087
29-36. PWM-Chopper Submodule Signals and Registers	7088
29-37. Simple PWM-Chopper Submodule Waveforms Showing Chopping Action Only	7089
29-38. PWM-Chopper Submodule Waveforms Showing the First Pulse and Subsequent Sustaining Pulses	7089
29-39. PWM-Chopper Submodule Waveforms Showing the Pulse Width (Duty Cycle) Control of Sustaining Pulses	7090
29-40. ePWM Trip-Zone Submodule	7091
29-41. ePWM Trip-Zone Submodule Mode Control Logic	7094
29-42. ePWM Trip-Zone Submodule Interrupt Logic	7094
29-43. ePWM Event-Trigger Submodule	7095
29-44. ePWM Event-Trigger Submodule Inter-Connectivity to Interrupt Controller	7096
29-45. ePWM Event-Trigger Submodule Showing Event Inputs and Prescaled Outputs	7097
29-46. ePWM Event-Trigger Interrupt Generator	7099
29-47. HRPWM System Interface	7100
29-48. Resolution Calculations for Conventionally Generated PWM	7101
29-49. Operating Logic Using MEP	7102
29-50. Required PWM Waveform for a Requested Duty = 40.5%	7104
29-51. Low % Duty Cycle Range Limitation Example When PWM Frequency = 1 MHz	7106
29-52. High % Duty Cycle Range Limitation Example when PWM Frequency = 1 MHz	7106
29-53. Multiple eCAP Modules	7139

29-54. Capture and APWM Modes of Operation	7140
29-55. Capture Function Diagram	7141
29-56. Event Prescale Control	7142
29-57. Prescale Function Waveforms.....	7142
29-58. eCAP Continuous/One-shot Block Diagram	7143
29-59. eCAP Counter and Synchronization Block Diagram.....	7144
29-60. Interrupts in eCAP Module	7146
29-61. PWM Waveform Details Of eCAP APWM Mode Operation	7147
29-62. Optical Encoder Disk	7161
29-63. QEP Encoder Output Signal for Forward/Reverse Movement	7162
29-64. Index Pulse Example	7162
29-65. Functional Block Diagram of the eQEP Peripheral	7164
29-66. Functional Block Diagram of Decoder Unit	7166
29-67. Quadrature Decoder State Machine	7168
29-68. Quadrature-clock and Direction Decoding	7168
29-69. Position Counter Reset by Index Pulse for 1000 Line Encoder (QPOS MAX = 3999 or F9Fh)	7170
29-70. Position Counter Underflow/Overflow (QPOS MAX = 4)	7171
29-71. Software Index Marker for 1000-line Encoder (EQEP_QEPCTL[5:4] IEL = 0b01)	7173
29-72. eQEP Strobe Event Latch (EQEP_QEPCTL[6] SEL = 0b1).....	7174
29-73. eQEP Position-compare Unit	7175
29-74. eQEP Position-compare Event Generation Points.....	7176
29-75. eQEP Position-compare Sync Output Pulse Stretcher.....	7176
29-76. eQEP Edge Capture Unit	7178
29-77. Unit Position Event for Low Speed Measurement (EQEP_QCAPCTL[UPPS] = 0010).....	7178
29-78. eQEP Edge Capture Unit - Timing Details.....	7179
29-79. eQEP Watchdog Timer	7180
29-80. eQEP Unit Time Base	7181
29-81. EQEP Interrupt Generation	7181
30-1. PRU-ICSS Overview	7205
30-2. PRU-ICSS Internal Wrapper Multiplexing	7207
30-3. PRU-ICSS1 External Interface I/Os.....	7216
30-4. PRU-ICSS2 External Interface I/Os.....	7217
30-5. PRU-ICSS1 Integration in the Device	7218
30-6. PRU-ICSS2 Integration in the Device	7219
30-7. PRU Block Diagram.....	7254
30-8. PRU Module Interface	7256
30-9. Event Interface Mapping (R31).....	7257
30-10. PRU R31 (EGPI) Direct Input Mode Block Diagram.....	7259
30-11. PRU R31 (EGPI) 16-Bit Parallel Capture Mode Block Diagram	7260
30-12. PRU R31 (EGPI) 28-Bit Shift Mode.....	7261
30-13. PRU R30 (EGPO) Direct Output Mode Block Diagram	7262
30-14. PRU R30 (GPO) Shift Out Mode Block Diagram	7263
30-15. Sigma Delta Block Diagram.....	7266
30-16. Sigma Delta Hardware Integrators Block Diagram (snoop = 0).....	7268
30-17. Sigma Delta Hardware Integrators Block Diagram (snoop = 1).....	7268
30-18. Peripheral I/F Block Diagram	7273
30-19. TX Mode Start Condition	7278
30-20. ENDAT<m>_CLK Stop High on Last RX Frame	7279
30-21. ENDAT<m>_CLK Stop Low on Last RX Frame	7280

30-22. ENDAT<m>_CLK Run Continuously	7281
30-23. ENDAT<m>_CLK Stop High on Last TX Bit.....	7282
30-24. Integration of the PRU and MPY/MAC	7285
30-25. MAC Multiply-only Mode- Functional Diagram	7286
30-26. MAC Multiply and Accumulate Mode Functional Diagram	7287
30-27. ScratchPad and PRU Integration	7290
30-28. PRU-ICSS Interrupt Controller Block Diagram	7336
30-29. Flow of System Interrupts to Host.....	7336
30-30. PRU-ICSS UART Protocol Formats	7362
30-31. PRU-ICSS UART Clock Generation Diagram	7364
30-32. Relationships Between PRU-ICSS UART Data Bit, BCLK, and Input Clock	7364
30-33. PRU-ICSS UART Block Diagram	7366
30-34. PRU-ICSS UART Interrupt Request Enable Paths	7368
30-35. UART Interface Using Autoflow Diagram	7373
30-36. Autoflow Functional Timing Waveforms for PRUSS_UART0_RTS	7373
30-37. Autoflow Functional Timing Waveforms for PRUSS_UART0_CTS	7374
30-38. MII_RT Block Diagram.....	7403
30-39. Auto-forward	7403
30-40. Auto-forward with PRU Snoop.....	7404
30-41. 8- or 16-bit Processing with On-the-Fly Modifications.....	7404
30-42. 32-byte Double Buffer or Ping-Pong Processing	7404
30-43. Data Nibble Structure	7405
30-44. PRU R30, R31 Operations.....	7405
30-45. Reading and Writing FIFO Data.....	7406
30-46. RX Data Latch	7407
30-47. Start of Frame Detection	7407
30-48. CRC Error Detection	7408
30-49. RX Error Detection	7408
30-50. Error Detection Window with Running Counter	7408
30-51. RX L1 to PRU Interface	7409
30-52. MII RX Data to PRU R31 (R) and RX FIFO	7409
30-53. RX L2 to PRU Interface	7412
30-54. Data and Status Register Dependency	7413
30-55. PRU to TX L1 Interface.....	7415
30-56. PRU to TX MII Interface.....	7415
30-57. TX Mask Mode (PRUSS_MII_RT_TXCFG0/1 [TX_32_MODE_EN] = 0)	7416
30-58. RX L1 to TX L1 Interface.....	7416
30-59. MII Receive Multiplexer.....	7419
30-60. MII Transmit Multiplexer.....	7420
30-61. Scratch Pad Mode	7420
30-62. Device PRU-ICSS MII MDIO Management Interface Overview	7440
30-63. Functional Block Diagram	7455
30-64. PRU-ICSS IEP SYNC0 Signal Generation Modes	7458
30-65. Examples of the Dependent Mode of SYNC1	7459
30-66. IEP DIGIO Data In	7461
30-67. IEP DIGIO Data Out	7461
33-1. Initialization Process	7493
33-2. Power Supply Connections Example	7495
33-3. Clock, Reset, and Control Environment Overview.....	7498

33-4.	ROM Code Architecture	7507
33-5.	ROM Memory Map	7508
33-6.	RAM Memory Map	7509
33-7.	Overall Booting Sequence	7511
33-8.	ROM Code Start-Up Sequence	7513
33-9.	Synchronization Phase for UART	7517
33-10.	Synchronization Phase for USB	7518
33-11.	Peripheral Booting Procedure	7520
33-12.	USB Initialization Procedure	7521
33-13.	SATA Flashing Over USB.....	7522
33-14.	Fast External Boot Procedure	7529
33-15.	Memory Booting Procedure	7531
33-16.	Image Shadowing	7532
33-17.	NAND Device Detection	7537
33-18.	Bad NAND – Invalid Block Detection	7538
33-19.	ECC Data Mapping for 2-KiB Page and 8b BCH Encoding	7539
33-20.	ECC Data Mapping for 4-KiB Page and 16b BCH Encoding.....	7540
33-21.	eMMC Connection	7542
33-22.	MMC/SD Card Connection.....	7543
33-23.	eMMC and SD Booting	7544
33-24.	SD/eMMC Detection Procedure (part 1)	7546
33-25.	SD/eMMC Detection Procedure (part 2)	7547
33-26.	SD/eMMC Detection Procedure (part 3)	7548
33-27.	SD/MMC Get Booting File.....	7550
33-28.	MBR Detection Procedure	7552
33-29.	MBR, Get Partition	7553
33-30.	Booting from a Permanently-Attached SSD Device	7556
33-31.	SATA Power-on Initialization Sequencing	7557
33-32.	Image Formats.....	7560
33-33.	CH Format.....	7561
34-1.	MPU and DSP Processor Traces Flow.....	7597

List of Tables

1-1.	Device Identification Register Fields	373
1-2.	DIE_ID.....	373
1-3.	AM571x, AM570x Part Number Identifier.....	373
1-4.	ID_CODE	374
1-5.	AM571x, AM570x ID_CODE Values	374
1-6.	PROD_ID	374
1-7.	DEVICE_TYPE.....	375
2-1.	L3_MAIN Memory Map	380
2-2.	L3_INSTR Memory Map	383
2-3.	L4_CFG Memory Map	384
2-4.	L4_WKUP Memory Map	388
2-5.	L4_PER1 Memory Map	390
2-6.	L4_PER2 Memory Map	392
2-7.	L4_PER3 Memory Map	394
2-8.	MPU Memory Map.....	396
2-9.	IPU Memory Map	397
2-10.	DSP Memory Map	399
2-11.	PRU-ICSS Memory Map.....	400
2-12.	TILER View Memory Map	401
3-1.	Master Module Standby Mode Settings.....	406
3-2.	Master Module Standby Status	406
3-3.	Master Module Clock Enabling Conditions	406
3-4.	Module Idle Mode Settings	407
3-5.	Slave Module Idle Status	407
3-6.	Slave Module Clock Activity Settings	408
3-7.	Slave Module Mode Settings in PRCM	409
3-8.	Slave Module Interface Clock Enabling Conditions	409
3-9.	Slave Module Functional Clock Enabling Conditions	410
3-10.	Clock Domain Functional Clock States	411
3-11.	Clock Domain Interface Clock States	411
3-12.	Clock Domain Clock States	412
3-13.	Clock Domain Clock Transition Mode Settings	412
3-14.	Clock Domain Wake-Up Conditions	416
3-15.	Clock Domain Sleep Conditions	416
3-16.	Device Domain Dependencies (Table 1)	418
3-17.	Device Domain Dependencies (Table 2)	418
3-18.	States of a Logic Area in a Power Domain.....	423
3-19.	States of a Memory Area in a Power Domain	424
3-20.	Power Domain Wake-Up Conditions	425
3-21.	Power Domain Sleep Conditions	425
3-22.	Power Domain Control and Status Registers	426
3-23.	External Clock Signals	437
3-24.	External Boot Signals	437
3-25.	External Reset Signals.....	438
3-26.	Voltage Sources	439
3-27.	PMFW Device-Level Layout.....	441
3-28.	PMFW Module Power Domains	445

3-29.	PMFW Module Reset Signals	445
3-30.	PMFW Hardware Requests	446
3-31.	Global Reset Sources	449
3-32.	Local Reset Sources	449
3-33.	Modules, Power Domains, and Reset Domains Association	450
3-34.	Reset Sources for the Reset Domains.....	454
3-35.	Reset Domains Attributes.....	469
3-36.	Internal Clock Sources	485
3-37.	PRM Clock Division and Muxing Control	486
3-38.	CM_CORE_AON (a) Clock Division and Muxing Control	490
3-39.	CM_CORE_AON (b) Clock Division and Muxing Control	492
3-40.	CM_CORE_AON_CLKOUTMUX Clock Division and Muxing Control	497
3-41.	CM_CORE_AON_TIMER Clock Division and Muxing Control	501
3-42.	CM_CORE_AON_MCASP Clock Division and Muxing Control	504
3-43.	CLKOUT_M2, CLKOUTX2_M2, and CLKOUTX2_M3 Frequencies With DPLL State	507
3-44.	CLKOUTX2_Hmn Frequencies With DPLL State	507
3-45.	DPLL Power Modes	509
3-46.	DPLL Recalibration Control Parameters.....	510
3-47.	DPLL Power-Down Control Parameters	511
3-48.	DPLL_PER Clock Synthesis Parameters.....	512
3-49.	DPLL_PER Clock Output Parameters	512
3-50.	DPLL_PER Modes.....	512
3-51.	DPLL_PER Mode Control Parameters.....	512
3-52.	DPLL_PER Recalibration Feature Parameters	512
3-53.	DPLL_CORE Clock Synthesis Parameters	513
3-54.	DPLL_CORE Clock Output Parameters	514
3-55.	DPLL_CORE Modes	514
3-56.	DPLL_CORE Mode Control Parameters	514
3-57.	DPLL_CORE Recalibration Feature Parameters.....	515
3-58.	DPLL_ABE Clock Synthesis Parameters.....	515
3-59.	DPLL_ABE Clock Output Parameters	516
3-60.	DPLL_ABE Modes.....	516
3-61.	DPLL_ABE Mode Control Parameters.....	516
3-62.	DPLL_ABE Recalibration Feature Parameters	516
3-63.	DPLL_MPU Clock Synthesis Parameters	517
3-64.	DPLL_MPU Clock Output Parameters.....	517
3-65.	DPLL_MPU Modes	518
3-66.	DPLL_MPU Mode Control Parameters	518
3-67.	DPLL_MPU Recalibration Feature Parameters.....	518
3-68.	DPLL_IVA Clock Synthesis Parameters	519
3-69.	DPLL_IVA Clock Output Parameters	519
3-70.	DPLL_IVA Modes.....	519
3-71.	DPLL_IVA Mode Control Parameters	519
3-72.	DPLL_IVA Recalibration Feature Parameters	520
3-73.	DPLL_USB Clock Synthesis Parameters.....	520
3-74.	DPLL_USB Clock Output Parameters	520
3-75.	DPLL_USB Modes.....	521
3-76.	DPLL_USB Mode Control Parameters.....	521
3-77.	DPLL_USB Recalibration Feature Parameters	521

3-78.	DPLL_DSP Clock Synthesis Parameters	522
3-79.	DPLL_DSP Clock Output Parameters	522
3-80.	DPLL_DSP Modes.....	522
3-81.	DPLL_DSP Mode Control Parameters.....	522
3-82.	DPLL_DSP Recalibration Feature Parameters	522
3-83.	DPLL_GMAC Clock Synthesis Parameters	523
3-84.	DPLL_GMAC Clock Output Parameters.....	523
3-85.	DPLL_GMAC Modes	524
3-86.	DPLL_GMAC Mode Control Parameters	524
3-87.	DPLL_GMAC Recalibration Feature Parameters.....	524
3-88.	DPLL_GPU Clock Synthesis Parameters	525
3-89.	DPLL_GPU Clock Output Parameters	525
3-90.	DPLL_GPU Modes	525
3-91.	DPLL_GPU Mode Control Parameters	526
3-92.	DPLL_GPU Recalibration Feature Parameters.....	526
3-93.	DPLL_DDR Clock Synthesis Parameters	527
3-94.	DPLL_DDR Clock Output Parameters	527
3-95.	DPLL_DDR Modes	527
3-96.	DPLL_DDR Mode Control Parameters	527
3-97.	DPLL_DDR Recalibration Feature Parameters.....	527
3-98.	DPLL_PCIE_REF Clock Synthesis Parameters	528
3-99.	DPLL_PCIE_REF Clock Output Parameters.....	528
3-100.	DPLL_PCIE_REF Modes	528
3-101.	DPLL_PCIE_REF Mode Control Parameters	529
3-102.	APLL_PCIE Clock Output Parameters.....	529
3-103.	APLL_PCIE Modes	530
3-104.	APLL_PCIE Mode Control Parameters	530
3-105.	CD_WKUPAON Clock Domain Modes	531
3-106.	CD_WKUPAON Control and Status Parameters	531
3-107.	CD_WKUPAON Wake-Up Dependency Association Parameters.....	531
3-108.	CD_WKUPAON Modules Clocks Association	533
3-109.	CD_WKUPAON Modules Wake-Up Request	534
3-110.	CD_WKUPAON Modules Clock-Management Modes and Control	534
3-111.	CD_WKUPAON Modules Slave Clock-Management Modes and Control	534
3-112.	CD_DSP1 Clock Domain Modes	536
3-113.	CD_DSP1 Control and Status Parameters.....	536
3-114.	CD_DSP1 Static Dependency Association Parameters	536
3-115.	CD_DSP1 Dynamic Dependency Association Parameters	537
3-116.	CD_DSP1 Modules Clocks Association	537
3-117.	CD_DSP1 Modules Wake-Up Request	537
3-118.	CD_DSP1 Modules Clock-Management Modes and Control	537
3-119.	CD_DSP1 Modules Slave Clock-Management Modes and Control	538
3-120.	CD_CUSTEFUSE Clock Domain Modes	538
3-121.	CD_CUSTEFUSE Control and Status Parameters.....	538
3-122.	CD_CUSTEFUSE Modules Clocks Association	539
3-123.	CD_CUSTEFUSE Modules Wake-Up Request.....	539
3-124.	CD_CUSTEFUSE Modules Clock-Management Modes and Control.....	539
3-125.	CD_CUSTEFUSE Modules Slave Clock-Management Modes and Control	539
3-126.	CD_MPU Clock Domain Modes	540

3-127. CD_MPU Control and Status Parameters	540
3-128. CD_MPU Static Dependency Association Parameters	540
3-129. CD_MPU Dynamic Dependency Association Parameters	541
3-130. CD_MPU Modules Clocks Association	542
3-131. CD_MPU Modules Wake-Up Request	542
3-132. CD_MPU Modules Clock-Management Modes and Control	542
3-133. CD_MPU Modules Slave Clock-Management Modes and Control	542
3-134. CD_L4PER1 Clock Domain Modes	543
3-135. CD_L4PER1 Control and Status Parameters	543
3-136. CD_L4PER1 Dynamic Dependency Association Parameters	544
3-137. CD_L4PER1 Wake-Up Dependency Association Parameters	544
3-138. CD_L4PER1 Modules Clocks Association	558
3-139. CD_L4PER1 Modules Wake-Up Request	559
3-140. CD_L4PER1 Modules Clock-Management Modes and Control	560
3-141. CD_L4PER1 Modules Slave Clock-Management Modes and Control	561
3-142. CD_L4PER2 Clock Domain Modes	564
3-143. CD_L4PER2 Control and Status Parameters	564
3-144. CD_L4PER2 Dynamic Dependency Association Parameters	565
3-145. CD_L4PER2 Wake-Up Dependency Association Parameters	565
3-146. CD_L4PER2 Modules Clocks Association	570
3-147. CD_L4PER2 Modules Wake-Up Request	571
3-148. CD_L4PER2 Modules Clock-Management Modes and Control	572
3-149. CD_L4PER2 Modules Slave Clock-Management Modes and Control	573
3-150. CD_L4PER3 Clock Domain Modes	574
3-151. CD_L4PER3 Control and Status Parameters	574
3-152. CD_L4PER3 Dynamic Dependency Association Parameters	575
3-153. CD_L4PER3 Modules Clocks Association	575
3-154. CD_L4PER3 Modules Wake-Up Request	576
3-155. CD_L4PER3 Modules Clock-Management Modes and Control	576
3-156. CD_L4PER3 Modules Slave Clock-Management Modes and Control	576
3-157. CD_L4SEC Clock Domain Modes	577
3-158. CD_L4SEC Control and Status Parameters	577
3-159. CD_L4SEC Static Dependency Association Parameters	577
3-160. CD_L4SEC Dynamic Dependency Association Parameters	578
3-161. CD_L4SEC Modules Clocks Association	578
3-162. CD_L4SEC Modules Clock-Management Modes and Control	578
3-163. CD_L4SEC Modules Slave Clock-Management Modes and Control	579
3-164. CD_L3INIT Clock Domain Modes	580
3-165. CD_L3INIT Control and Status Parameters	580
3-166. CD_L3INIT Static Dependency Association Parameters	581
3-167. CD_L3INIT Dynamic Dependency Association Parameters	582
3-168. CD_L3INIT Wake-Up Dependency Association Parameters	582
3-169. CD_L3INIT Modules Clocks Association	584
3-170. CD_L3INIT Modules Wake-Up Request	585
3-171. CD_L3INIT Modules Clock-Management Modes and Control	585
3-172. CD_L3INIT Modules Slave Clock-Management Modes and Control	586
3-173. CD_IVA Clock Domain Modes	587
3-174. CD_IVA Control and Status Parameters	588
3-175. CD_IVA Static Dependency Association Parameters	588

3-176. CD_IVA Dynamic Dependency Association Parameters	588
3-177. CD_IVA Modules Clocks Association	588
3-178. CD_IVA Modules Wake-Up Request.....	588
3-179. CD_IVA Modules Clock-Management Modes and Control.....	589
3-180. CD_IVA Modules Slave Clock-Management Modes and Control	589
3-181. CD_GPU Clock Domain Modes	589
3-182. CD_GPU Control and Status Parameters	590
3-183. CD_GPU Static Dependency Association Parameters	590
3-184. CD_GPU Dynamic Dependency Association Parameters	590
3-185. CD_GPU Modules Clocks Association.....	590
3-186. CD_GPU Modules Wake-Up Request	591
3-187. CD_GPU Modules Clock-Management Modes and Control	591
3-188. CD_GPU Modules Slave Clock-Management Modes and Control.....	591
3-189. CD_EMU Clock Domain Modes	592
3-190. CD_EMU Control and Status Parameters	592
3-191. CD_EMU Dynamic Dependency Association Parameters	592
3-192. CD_EMU Modules Clocks Association	593
3-193. CD_EMU Modules Wake-Up Request	593
3-194. CD_DSS Clock Domain Modes.....	594
3-195. CD_DSS Control and Status Parameters	594
3-196. CD_DSS Static Dependency Association Parameters	594
3-197. CD_DSS Dynamic Dependency Association Parameters.....	594
3-198. CD_DSS Wake-Up Dependency Association Parameters	595
3-199. CD_DSS Modules Clocks Association	597
3-200. CD_DSS Modules Wake-Up Request	597
3-201. CD_DSS Modules Clock-Management Modes and Control	597
3-202. CD_DSS Modules Slave Clock-Management Modes and Control.....	598
3-203. CD_L4_CFG Clock Domain Modes	598
3-204. CD_L4_CFG Control and Status Parameters.....	599
3-205. CD_L4_CFG Dynamic Dependency Association Parameters	599
3-206. CD_L4_CFG Modules Clocks Association	599
3-207. CD_L4_CFG Modules Wake-Up Request.....	599
3-208. CD_L4_CFG Modules Clock-Management Modes and Control.....	600
3-209. CD_L4_CFG Modules Slave Clock-Management Modes and Control	601
3-210. CD_L3_INSTR Clock Domain Modes.....	602
3-211. CD_L3_INSTR Control and Status Parameters	602
3-212. CD_L3_INSTR Modules Clocks Association.....	603
3-213. CD_L3_INSTR Modules Wake-Up Request	603
3-214. CD_L3_INSTR Modules Clock-Management Modes and Control	603
3-215. CD_L3_INSTR Modules Slave Clock-Management Modes and Control.....	604
3-216. CD_L3_MAIN1 Clock Domain Modes.....	605
3-217. CD_L3_MAIN1 Control and Status Parameters	605
3-218. CD_L3_MAIN1 Dynamic Dependency Association Parameters.....	605
3-219. CD_L3_MAIN1 Modules Clocks Association.....	606
3-220. CD_L3_MAIN1 Modules Wake-Up Request	606
3-221. CD_L3_MAIN1 Modules Clock-Management Modes and Control	607
3-222. CD_L3_MAIN1 Modules Slave Clock-Management Modes and Control.....	607
3-223. CD_EMIF Clock Domain Modes	608
3-224. CD_EMIF Control and Status Parameters	608

3-225. CD_EMIF Modules Clocks Association	609
3-226. CD_EMIF Modules Wake-Up Request.....	609
3-227. CD_EMIF Modules Clock-Management Modes and Control.....	609
3-228. CD_EMIF Modules Slave Clock-Management Modes and Control	609
3-229. CD_IPU Clock Domain Modes	610
3-230. CD_IPU Control and Status Parameters	610
3-231. CD_IPU Static Dependency Association Parameters.....	611
3-232. CD_IPU Dynamic Dependency Association Parameters.....	612
3-233. CD_IPU Modules Clocks Association	612
3-234. CD_IPU Modules Wake-Up Request	613
3-235. CD_IPU Modules Clock-Management Modes and Control	613
3-236. CD_IPU Modules Slave Clock-Management Modes and Control	613
3-237. CD_IPU1 Clock Domain Modes	614
3-238. CD_IPU1 Control and Status Parameters	614
3-239. CD_IPU1 Static Dependency Association Parameters	615
3-240. CD_IPU1 Dynamic Dependency Association Parameters	616
3-241. CD_IPU1 Modules Clocks Association	616
3-242. CD_IPU1 Modules Wake-Up Request	616
3-243. CD_IPU1 Modules Clock-Management Modes and Control	616
3-244. CD_IPU1 Modules Slave Clock-Management Modes and Control	616
3-245. CD_IPU2 Clock Domain Modes	617
3-246. CD_IPU2 Control and Status Parameters	617
3-247. CD_IPU2 Static Dependency Association Parameters	617
3-248. CD_IPU2 Dynamic Dependency Association Parameters	618
3-249. CD_IPU2 Modules Clocks Association	619
3-250. CD_IPU2 Modules Wake-Up Request	619
3-251. CD_IPU2 Modules Clock-Management Modes and Control	619
3-252. CD_IPU2 Modules Slave Clock-Management Modes and Control	619
3-253. CD_DMA Clock Domain Modes	620
3-254. CD_DMA Control and Status Parameters	620
3-255. CD_DMA Static Dependency Association Parameters	620
3-256. CD_DMA Dynamic Dependency Association Parameters	621
3-257. CD_DMA Modules Clocks Association	621
3-258. CD_DMA Modules Wake-Up Request	621
3-259. CD_DMA Modules Clock-Management Modes and Control	622
3-260. CD_DMA Modules Slave Clock-Management Modes and Control	622
3-261. CD_ATL Clock Domain Modes	622
3-262. CD_ATL Control and Status Parameters.....	623
3-263. CD_ATL Modules Clocks Association	623
3-264. CD_ATL Modules Wake-Up Request	623
3-265. CD_ATL Modules Clock-Management Modes and Control	623
3-266. CD_ATL Modules Slave Clock-Management Modes and Control	623
3-267. CD_CAM Clock Domain Modes	624
3-268. CD_CAM Control and Status Parameters.....	624
3-269. CD_CAM Static Dependency Association Parameters	625
3-270. CD_CAM Modules Clocks Association	625
3-271. CD_CAM Modules Wake-Up Request	626
3-272. CD_CAM Modules Clock-Management Modes and Control	626
3-273. CD_CAM Modules Slave Clock-Management Modes and Control	626

3-274. CD_GMAC Clock Domain Modes	627
3-275. CD_GMAC Control and Status Parameters	627
3-276. CD_GMAC Static Dependency Association Parameters	628
3-277. CD_GMAC Dynamic Dependency Association Parameters	628
3-278. CD_GMAC Modules Clocks Association“	628
3-279. CD_GMAC Modules Wake-Up Request	628
3-280. CD_GMAC Modules Clock-Management Modes and Control	628
3-281. CD_GMAC Modules Slave Clock-Management Modes and Control	629
3-282. CD_VPE Clock Domain Modes	630
3-283. CD_VPE Control and Status Parameters	630
3-284. CD_VPE Static Dependency Association Parameters.....	630
3-285. CD_VPE Wake-Up Dependency Association Parameters	630
3-286. CD_VPE Modules Clocks Association	631
3-287. CD_VPE Modules Wake-Up Request.....	631
3-288. CD_VPE Modules Clock-Management Modes and Control.....	631
3-289. CD_VPE Modules Slave Clock-Management Modes and Control	631
3-290. CD_RTC Clock Domain Modes.....	632
3-291. CD_RTC Control and Status Parameters	632
3-292. CD_RTC Wake-Up Dependency Association Parameters	632
3-293. CD_RTC Modules Clocks Association	633
3-294. CD_RTC Modules Wake-Up Request	633
3-295. CD_RTC Modules Clock-Management Modes and Control	633
3-296. CD_RTC Modules Slave Clock-Management Modes and Control.....	634
3-297. CD_PCIE Clock Domain Modes	634
3-298. CD_PCIE Control and Status Parameters.....	634
3-299. CD_PCIE Static Dependency Association Parameters.....	635
3-300. CD_PCIE Wake-Up Dependency Association Parameters	636
3-301. CD_PCIE Modules Clocks Association	636
3-302. CD_PCIE Modules Wake-Up Request.....	637
3-303. CD_PCIE Modules Clock-Management Modes and Control.....	637
3-304. CD_PCIE Modules Slave Clock-Management Modes and Control	637
3-305. PD_WKUPAON Modules Power Attributes	638
3-306. PD_WKUPAON Memory Area Power Modes.....	639
3-307. PD_DSP1 Modules Power Attributes	640
3-308. PD_DSP1 Logic Area Power Modes	640
3-309. PD_DSP1 Memory Area Power Modes.....	640
3-310. PD_DSP1 Power Modes Control Parameters	640
3-311. PD_DSP1 Power Modes Status Parameters	641
3-312. PD_CUSTEFUSE Modules Power Attributes	641
3-313. PD_CUSTEFUSE Logic Area Power Modes.....	641
3-314. PD_CUSTEFUSE Power Modes Control Parameters	641
3-315. PD_CUSTEFUSE Power Modes Status Parameters	642
3-316. PD_MPU Module Power Attributes.....	642
3-317. PD_MPU Logic Area Power Modes	642
3-318. PD_MPU Memory Area Power Modes.....	643
3-319. PD_MPU Power Modes Control Parameters	643
3-320. PD_MPU Power Mode Status Parameters.....	643
3-321. MPU Allowed Low-Power Mode	644
3-322. PD_IPU Module Power Attributes	644

3-323. PD_IPU Logic Area Power Modes	644
3-324. PD_IPU Memory Area Power Modes	645
3-325. PD_IPU Power Modes Control Parameters	645
3-326. PD_IPU Power Mode Status Parameters	645
3-327. PD_L3INIT Modules Power Attributes	646
3-328. PD_L3INIT Logic Area Power Modes	646
3-329. PD_L3INIT Memory Area Power Modes.....	646
3-330. PD_L3INIT Power Modes Control Parameters	647
3-331. PD_L3INIT Power Modes Status Parameters	647
3-332. PD_IVA Modules Power Attributes	648
3-333. PD_IVA Logic Area Power Modes.....	648
3-334. PD_IVA Memory Area Power Modes	648
3-335. PD_IVA Power Modes Control Parameters	648
3-336. PD_IVA Power Modes Status Parameters	649
3-337. PD_GPU Modules Power Attributes.....	649
3-338. PD_GPU Logic Area Power Modes	650
3-339. PD_GPU Memory Area Power Modes.....	650
3-340. PD_GPU Power Modes Control Parameters.....	650
3-341. PD_GPU Power Mode Status Parameters	650
3-342. PD_DSS Modules Power Attributes.....	651
3-343. PD_DSS Logic Area Power Modes	651
3-344. PD_DSS Memory Area Power Modes	651
3-345. PD_DSS Power Modes Control Parameters	651
3-346. PD_DSS Power Modes Status Parameters	652
3-347. PD_CORE Modules Power Attributes.....	652
3-348. PD_CORE Logic Area Power Modes	653
3-349. PD_CORE Memory Area Power Modes	653
3-350. PD_CORE Power Modes Control Parameters.....	653
3-351. PD_CORE Power Mode Status Parameters	654
3-352. PD_CAM Modules Power Attributes	654
3-353. PD_CAM Logic Area Power Modes	654
3-354. PD_CAM Memory Area Power Modes.....	654
3-355. PD_CAM Power Mode Control Parameters.....	655
3-356. PD_CAM Power Modes Status Parameters	655
3-357. PD_MPUAON Modules Power Attributes.....	655
3-358. PD_MMAON Module Power Attributes	656
3-359. PD_COREAON Module Power Attributes	656
3-360. PD_VPE Modules Power Attributes	659
3-361. PD_VPE Logic Area Power Modes	659
3-362. PD_VPE Memory Area Power Modes	660
3-363. PD_VPE Power Modes Control Parameters	660
3-364. PD_VPE Power Modes Status Parameters	660
3-365. PD_RTC Modules Power Attributes	661
3-366. PD_RTC Logic Area Power Modes	661
3-367. Wake-Up Sources During Device Low Power Mode.....	669
3-368. Global Initialization of Surrounding Modules	673
3-369. DPLL Global Initialization	673
3-370. DPLL Recalibration Parameter Configuration.....	673
3-371. DPLL Synthesized Clock Parameter Configuration	674

3-372. DPLL Output Clock Parameter Configuration	674
3-373. Register Call Summary for Sequence – DPLL Output Frequency Change	676
3-374. Subprocess Call Summary for Sequence – DPLL Output Frequency Change	676
3-375. Global Initialization of Surrounding Modules	676
3-376. Clock Domain Global Initialization	676
3-377. Clock Domain Sleep Transition and Troubleshooting	677
3-378. Enable/Disable Software-Programmable Static Dependency	677
3-379. Power Domain Global Initialization	678
3-380. Forced Memory Area State Change With Power Domain ON	678
3-381. Forced Power Domain Low-Power State Transition	678
3-382. Not Supported Functionality (Registers and Bits)	679
3-383. PRCM L4_CFG Instance Summary	692
3-384. PRCM L4_WKUP Instance Summary	693
3-385. CM_CORE_AON__CKGEN Registers Mapping Summary	693
3-386. CM_CLKSEL_CORE	697
3-387. Register Call Summary for Register CM_CLKSEL_CORE	697
3-388. CM_CLKSEL_ABE	698
3-389. Register Call Summary for Register CM_CLKSEL_ABE	698
3-390. CM_DLL_CTRL	698
3-391. Register Call Summary for Register CM_DLL_CTRL	699
3-392. CM_CLKMODE_DPLL_CORE	699
3-393. Register Call Summary for Register CM_CLKMODE_DPLL_CORE	700
3-394. CM_IDLEST_DPLL_CORE	700
3-395. Register Call Summary for Register CM_IDLEST_DPLL_CORE	701
3-396. CM_AUTOIDLE_DPLL_CORE	701
3-397. Register Call Summary for Register CM_AUTOIDLE_DPLL_CORE	702
3-398. CM_CLKSEL_DPLL_CORE	702
3-399. Register Call Summary for Register CM_CLKSEL_DPLL_CORE	703
3-400. CM_DIV_M2_DPLL_CORE	703
3-401. Register Call Summary for Register CM_DIV_M2_DPLL_CORE	704
3-402. CM_DIV_M3_DPLL_CORE	704
3-403. CM_DIV_H11_DPLL_CORE	704
3-404. CM_DIV_H12_DPLL_CORE	705
3-405. Register Call Summary for Register CM_DIV_H12_DPLL_CORE	705
3-406. CM_DIV_H13_DPLL_CORE	706
3-407. Register Call Summary for Register CM_DIV_H13_DPLL_CORE	706
3-408. CM_DIV_H14_DPLL_CORE	706
3-409. Register Call Summary for Register CM_DIV_H14_DPLL_CORE	707
3-410. CM_SSC_DELTAMSTEP_DPLL_CORE	707
3-411. CM_SSC_MODFREQDIV_DPLL_CORE	707
3-412. CM_DIV_H21_DPLL_CORE	708
3-413. CM_DIV_H22_DPLL_CORE	708
3-414. Register Call Summary for Register CM_DIV_H22_DPLL_CORE	709
3-415. CM_DIV_H23_DPLL_CORE	709
3-416. Register Call Summary for Register CM_DIV_H23_DPLL_CORE	709
3-417. CM_DIV_H24_DPLL_CORE	710
3-418. Register Call Summary for Register CM_DIV_H24_DPLL_CORE	710
3-419. CM_CLKMODE_DPLL_MPU	710
3-420. Register Call Summary for Register CM_CLKMODE_DPLL_MPU	711

3-421. CM_IDLEST_DPLL_MPU	712
3-422. Register Call Summary for Register CM_IDLEST_DPLL_MPU	712
3-423. CM_AUTOIDLE_DPLL_MPU	713
3-424. Register Call Summary for Register CM_AUTOIDLE_DPLL_MPU	713
3-425. CM_CLKSEL_DPLL_MPU	714
3-426. Register Call Summary for Register CM_CLKSEL_DPLL_MPU	714
3-427. CM_DIV_M2_DPLL_MPU	714
3-428. Register Call Summary for Register CM_DIV_M2_DPLL_MPU.....	715
3-429. CM_SSC_DELTAMSTEP_DPLL_MPU	715
3-430. CM_SSC_MODFREQDIV_DPLL_MPU	716
3-431. CM_BYPCLK_DPLL_MPU	716
3-432. Register Call Summary for Register CM_BYPCLK_DPLL_MPU.....	716
3-433. CM_CLKMODE_DPLL_IVA	717
3-434. Register Call Summary for Register CM_CLKMODE_DPLL_IVA.....	718
3-435. CM_IDLEST_DPLL_IVA	718
3-436. Register Call Summary for Register CM_IDLEST_DPLL_IVA.....	719
3-437. CM_AUTOIDLE_DPLL_IVA	719
3-438. Register Call Summary for Register CM_AUTOIDLE_DPLL_IVA.....	719
3-439. CM_CLKSEL_DPLL_IVA	720
3-440. Register Call Summary for Register CM_CLKSEL_DPLL_IVA.....	720
3-441. CM_DIV_M2_DPLL_IVA.....	720
3-442. Register Call Summary for Register CM_DIV_M2_DPLL_IVA	721
3-443. CM_DIV_M3_DPLL_IVA.....	721
3-444. CM_SSC_DELTAMSTEP_DPLL_IVA	722
3-445. CM_SSC_MODFREQDIV_DPLL_IVA	722
3-446. CM_BYPCLK_DPLL_IVA.....	722
3-447. Register Call Summary for Register CM_BYPCLK_DPLL_IVA	723
3-448. CM_CLKMODE_DPLL_ABE	723
3-449. Register Call Summary for Register CM_CLKMODE_DPLL_ABE.....	724
3-450. CM_IDLEST_DPLL_ABE	725
3-451. Register Call Summary for Register CM_IDLEST_DPLL_ABE.....	725
3-452. CM_AUTOIDLE_DPLL_ABE	726
3-453. Register Call Summary for Register CM_AUTOIDLE_DPLL_ABE	726
3-454. CM_CLKSEL_DPLL_ABE	727
3-455. Register Call Summary for Register CM_CLKSEL_DPLL_ABE.....	727
3-456. CM_DIV_M2_DPLL_ABE.....	727
3-457. Register Call Summary for Register CM_DIV_M2_DPLL_ABE	728
3-458. CM_DIV_M3_DPLL_ABE.....	728
3-459. Register Call Summary for Register CM_DIV_M3_DPLL_ABE	729
3-460. CM_SSC_DELTAMSTEP_DPLL_ABE	729
3-461. CM_SSC_MODFREQDIV_DPLL_ABE	729
3-462. CM_CLKMODE_DPLL_DDR.....	730
3-463. Register Call Summary for Register CM_CLKMODE_DPLL_DDR	731
3-464. CM_IDLEST_DPLL_DDR.....	731
3-465. Register Call Summary for Register CM_IDLEST_DPLL_DDR	732
3-466. CM_AUTOIDLE_DPLL_DDR	732
3-467. Register Call Summary for Register CM_AUTOIDLE_DPLL_DDR	733
3-468. CM_CLKSEL_DPLL_DDR.....	733
3-469. Register Call Summary for Register CM_CLKSEL_DPLL_DDR	734

3-470. CM_DIV_M2_DPLL_DDR	734
3-471. Register Call Summary for Register CM_DIV_M2_DPLL_DDR	734
3-472. CM_DIV_M3_DPLL_DDR	735
3-473. CM_DIV_H11_DPLL_DDR	735
3-474. Register Call Summary for Register CM_DIV_H11_DPLL_DDR	736
3-475. CM_SSC_DELTAMSTEP_DPLL_DDR	736
3-476. CM_SSC_MODFREQDIV_DPLL_DDR	736
3-477. CM_CLKMODE_DPLL_DSP	737
3-478. Register Call Summary for Register CM_CLKMODE_DPLL_DSP	738
3-479. CM_IDLEST_DPLL_DSP	738
3-480. Register Call Summary for Register CM_IDLEST_DPLL_DSP	739
3-481. CM_AUTOIDLE_DPLL_DSP	739
3-482. Register Call Summary for Register CM_AUTOIDLE_DPLL_DSP	739
3-483. CM_CLKSEL_DPLL_DSP	740
3-484. Register Call Summary for Register CM_CLKSEL_DPLL_DSP	740
3-485. CM_DIV_M2_DPLL_DSP	740
3-486. Register Call Summary for Register CM_DIV_M2_DPLL_DSP	741
3-487. CM_DIV_M3_DPLL_DSP	741
3-488. Register Call Summary for Register CM_DIV_M3_DPLL_DSP	741
3-489. CM_SSC_DELTAMSTEP_DPLL_DSP	742
3-490. CM_SSC_MODFREQDIV_DPLL_DSP	742
3-491. CM_BYPCCLK_DPLL_DSP	742
3-492. Register Call Summary for Register CM_BYPCCLK_DPLL_DSP	743
3-493. CM_SHADOW_FREQ_CONFIG1	743
3-494. Register Call Summary for Register CM_SHADOW_FREQ_CONFIG1	744
3-495. CM_SHADOW_FREQ_CONFIG2	744
3-496. Register Call Summary for Register CM_SHADOW_FREQ_CONFIG2	745
3-497. CM_DYN_DEP_PRESCAL	745
3-498. Register Call Summary for Register CM_DYN_DEP_PRESCAL	746
3-499. CM_RESTORE_ST	746
3-500. CM_CLKMODE_DPLL_EVE	747
3-501. CM_IDLEST_DPLL_EVE	748
3-502. CM_AUTOIDLE_DPLL_EVE	749
3-503. CM_CLKSEL_DPLL_EVE	749
3-504. CM_DIV_M2_DPLL_EVE	750
3-505. CM_DIV_M3_DPLL_EVE	751
3-506. CM_SSC_DELTAMSTEP_DPLL_EVE	751
3-507. CM_SSC_MODFREQDIV_DPLL_EVE	752
3-508. CM_BYPCCLK_DPLL_EVE	752
3-509. CM_CLKMODE_DPLL_GMAC	753
3-510. Register Call Summary for Register CM_CLKMODE_DPLL_GMAC	754
3-511. CM_IDLEST_DPLL_GMAC	754
3-512. Register Call Summary for Register CM_IDLEST_DPLL_GMAC	755
3-513. CM_AUTOIDLE_DPLL_GMAC	755
3-514. Register Call Summary for Register CM_AUTOIDLE_DPLL_GMAC	755
3-515. CM_CLKSEL_DPLL_GMAC	756
3-516. Register Call Summary for Register CM_CLKSEL_DPLL_GMAC	756
3-517. CM_DIV_M2_DPLL_GMAC	757
3-518. Register Call Summary for Register CM_DIV_M2_DPLL_GMAC	757

3-519. CM_DIV_M3_DPLL_GMAC	757
3-520. Register Call Summary for Register CM_DIV_M3_DPLL_GMAC.....	758
3-521. CM_DIV_H11_DPLL_GMAC.....	758
3-522. Register Call Summary for Register CM_DIV_H11_DPLL_GMAC	758
3-523. CM_DIV_H12_DPLL_GMAC.....	759
3-524. Register Call Summary for Register CM_DIV_H12_DPLL_GMAC	759
3-525. CM_DIV_H13_DPLL_GMAC.....	759
3-526. Register Call Summary for Register CM_DIV_H13_DPLL_GMAC	760
3-527. CM_DIV_H14_DPLL_GMAC.....	760
3-528. CM_SSC_DELTAMSTEP_DPLL_GMAC.....	761
3-529. CM_SSC_MODFREQDIV_DPLL_GMAC	761
3-530. CM_CLKMODE_DPLL_GPU.....	762
3-531. Register Call Summary for Register CM_CLKMODE_DPLL_GPU	763
3-532. CM_IDLEST_DPLL_GPU.....	763
3-533. Register Call Summary for Register CM_IDLEST_DPLL_GPU	764
3-534. CM_AUTOIDLE_DPLL_GPU	764
3-535. Register Call Summary for Register CM_AUTOIDLE_DPLL_GPU	764
3-536. CM_CLKSEL_DPLL_GPU.....	765
3-537. Register Call Summary for Register CM_CLKSEL_DPLL_GPU	765
3-538. CM_DIV_M2_DPLL_GPU	766
3-539. Register Call Summary for Register CM_DIV_M2_DPLL_GPU.....	766
3-540. CM_DIV_M3_DPLL_GPU	766
3-541. CM_SSC_DELTAMSTEP_DPLL_GPU	767
3-542. CM_SSC_MODFREQDIV_DPLL_GPU.....	767
3-543. CM_CORE_AON__DSP1 Registers Mapping Summary.....	768
3-544. CM_DSP1_CLKSTCTRL	768
3-545. Register Call Summary for Register CM_DSP1_CLKSTCTRL.....	769
3-546. CM_DSP1_STATICDEP	769
3-547. Register Call Summary for Register CM_DSP1_STATICDEP	771
3-548. CM_DSP1_DYNAMICDEP	771
3-549. Register Call Summary for Register CM_DSP1_DYNAMICDEP.....	772
3-550. CM_DSP1_DSP1_CLKCTRL	772
3-551. Register Call Summary for Register CM_DSP1_DSP1_CLKCTRL.....	773
3-552. CM_CORE_AON__DSP2 Registers Mapping Summary.....	773
3-553. CM_DSP2_CLKSTCTRL	773
3-554. CM_DSP2_STATICDEP	774
3-555. CM_DSP2_DYNAMICDEP	776
3-556. CM_DSP2_DSP2_CLKCTRL	777
3-557. CM_CORE_AON__EVE1 Registers Mapping Summary.....	777
3-558. CM_EVE1_CLKSTCTRL	778
3-559. CM_EVE1_STATICDEP	779
3-560. CM_EVE1_EVE1_CLKCTRL	779
3-561. CM_CORE_AON__EVE2 Registers Mapping Summary.....	780
3-562. CM_EVE2_CLKSTCTRL	781
3-563. CM_EVE2_STATICDEP	782
3-564. CM_EVE2_EVE2_CLKCTRL	783
3-565. CM_CORE_AON__EVE3 Registers Mapping Summary.....	783
3-566. CM_EVE3_CLKSTCTRL	784
3-567. CM_EVE3_STATICDEP	785

3-568. CM_EVE3_EVE3_CLKCTRL	786
3-569. CM_CORE_AON__EVE4 Registers Mapping Summary	786
3-570. CM_EVE4_CLKSTCTRL	787
3-571. CM_EVE4_STATICDEP	788
3-572. CM_EVE4_EVE4_CLKCTRL	788
3-573. CM_CORE_AON__INSTR Registers Mapping Summary	789
3-574. CMI_IDENTICATION	790
3-575. Register Call Summary for Register CMI_IDENTICATION	790
3-576. CMI_SYS_CONFIG	790
3-577. Register Call Summary for Register CMI_SYS_CONFIG	790
3-578. CMI_STATUS	791
3-579. Register Call Summary for Register CMI_STATUS	791
3-580. CMI_CONFIGURATION	791
3-581. Register Call Summary for Register CMI_CONFIGURATION	791
3-582. CMI_CLASS_FILTERING	792
3-583. Register Call Summary for Register CMI_CLASS_FILTERING	792
3-584. CMI_TRIGGERING	793
3-585. Register Call Summary for Register CMI_TRIGGERING	793
3-586. CMI_SAMPLING	793
3-587. Register Call Summary for Register CMI_SAMPLING	793
3-588. CM_CORE_AON__IPU Registers Mapping Summary	794
3-589. CM_IPU1_CLKSTCTRL	794
3-590. Register Call Summary for Register CM_IPU1_CLKSTCTRL	795
3-591. CM_IPU1_STATICDEP	795
3-592. Register Call Summary for Register CM_IPU1_STATICDEP	797
3-593. CM_IPU1_DYNAMICDEP	798
3-594. Register Call Summary for Register CM_IPU1_DYNAMICDEP	798
3-595. CM_IPU1_IPU1_CLKCTRL	798
3-596. Register Call Summary for Register CM_IPU1_IPU1_CLKCTRL	799
3-597. CM_IPU_CLKSTCTRL	800
3-598. Register Call Summary for Register CM_IPU_CLKSTCTRL	801
3-599. CM_IPU_MCASP1_CLKCTRL	802
3-600. Register Call Summary for Register CM_IPU_MCASP1_CLKCTRL	803
3-601. CM_IPU_TIMER5_CLKCTRL	803
3-602. Register Call Summary for Register CM_IPU_TIMER5_CLKCTRL	804
3-603. CM_IPU_TIMER6_CLKCTRL	805
3-604. Register Call Summary for Register CM_IPU_TIMER6_CLKCTRL	806
3-605. CM_IPU_TIMER7_CLKCTRL	806
3-606. Register Call Summary for Register CM_IPU_TIMER7_CLKCTRL	807
3-607. CM_IPU_TIMER8_CLKCTRL	807
3-608. Register Call Summary for Register CM_IPU_TIMER8_CLKCTRL	808
3-609. CM_IPU_I2C5_CLKCTRL	808
3-610. Register Call Summary for Register CM_IPU_I2C5_CLKCTRL	809
3-611. CM_IPU_UART6_CLKCTRL	809
3-612. Register Call Summary for Register CM_IPU_UART6_CLKCTRL	810
3-613. CM_CORE_AON__MPU Registers Mapping Summary	810
3-614. CM_MPU_CLKSTCTRL	811
3-615. Register Call Summary for Register CM_MPU_CLKSTCTRL	811
3-616. CM_MPU_STATICDEP	812

3-617. Register Call Summary for Register CM_MPU_STATICDEP	814
3-618. CM_MPU_DYNAMICDEP	814
3-619. Register Call Summary for Register CM_MPU_DYNAMICDEP	814
3-620. CM_MPU_MPU_CLKCTRL	815
3-621. Register Call Summary for Register CM_MPU_MPU_CLKCTRL	815
3-622. CM_MPU_MPU_MPU_DBG_CLKCTRL	816
3-623. Register Call Summary for Register CM_MPU_MPU_MPU_DBG_CLKCTRL	816
3-624. CM_CORE_AON_OCP_SOCKET Registers Mapping Summary	816
3-625. REVISION_CM_CORE_AON	817
3-626. Register Call Summary for Register REVISION_CM_CORE_AON	817
3-627. CM_CM_CORE_AON_PROFILING_CLKCTRL	817
3-628. Register Call Summary for Register CM_CM_CORE_AON_PROFILING_CLKCTRL	818
3-629. CM_CORE_AON_DEBUG_OUT	818
3-630. Register Call Summary for Register CM_CORE_AON_DEBUG_OUT	818
3-631. CM_CORE_AON_DEBUG_CFG0	819
3-632. Register Call Summary for Register CM_CORE_AON_DEBUG_CFG0	819
3-633. CM_CORE_AON_DEBUG_CFG1	819
3-634. Register Call Summary for Register CM_CORE_AON_DEBUG_CFG1	819
3-635. CM_CORE_AON_DEBUG_CFG2	820
3-636. Register Call Summary for Register CM_CORE_AON_DEBUG_CFG2	820
3-637. CM_CORE_AON_DEBUG_CFG3	820
3-638. Register Call Summary for Register CM_CORE_AON_DEBUG_CFG3	820
3-639. CM_CORE_AON_RESTORE Registers Mapping Summary	821
3-640. CM_CLKSEL_CORE_RESTORE	822
3-641. Register Call Summary for Register CM_CLKSEL_CORE_RESTORE	822
3-642. CM_DIV_M2_DPLL_CORE_RESTORE	822
3-643. Register Call Summary for Register CM_DIV_M2_DPLL_CORE_RESTORE	822
3-644. CM_DIV_M3_DPLL_CORE_RESTORE	822
3-645. CM_DIV_H11_DPLL_CORE_RESTORE	823
3-646. CM_DIV_H12_DPLL_CORE_RESTORE	823
3-647. Register Call Summary for Register CM_DIV_H12_DPLL_CORE_RESTORE	823
3-648. CM_DIV_H13_DPLL_CORE_RESTORE	823
3-649. Register Call Summary for Register CM_DIV_H13_DPLL_CORE_RESTORE	823
3-650. CM_DIV_H14_DPLL_CORE_RESTORE	824
3-651. Register Call Summary for Register CM_DIV_H14_DPLL_CORE_RESTORE	824
3-652. CM_DIV_H21_DPLL_CORE_RESTORE	824
3-653. CM_DIV_H22_DPLL_CORE_RESTORE	824
3-654. Register Call Summary for Register CM_DIV_H22_DPLL_CORE_RESTORE	824
3-655. CM_DIV_H23_DPLL_CORE_RESTORE	825
3-656. Register Call Summary for Register CM_DIV_H23_DPLL_CORE_RESTORE	825
3-657. CM_DIV_H24_DPLL_CORE_RESTORE	825
3-658. Register Call Summary for Register CM_DIV_H24_DPLL_CORE_RESTORE	825
3-659. CM_CLKSEL_DPLL_CORE_RESTORE	825
3-660. Register Call Summary for Register CM_CLKSEL_DPLL_CORE_RESTORE	826
3-661. CM_SSC_DELTAMSTEP_DPLL_CORE_RESTORE	826
3-662. CM_SSC_MODFREQDIV_DPLL_CORE_RESTORE	826
3-663. CM_CLKMODE_DPLL_CORE_RESTORE	826
3-664. Register Call Summary for Register CM_CLKMODE_DPLL_CORE_RESTORE	827
3-665. CM_SHADOW_FREQ_CONFIG2_RESTORE	827

3-666. Register Call Summary for Register CM_SHADOW_FREQ_CONFIG2_RESTORE	827
3-667. CM_SHADOW_FREQ_CONFIG1_RESTORE	827
3-668. Register Call Summary for Register CM_SHADOW_FREQ_CONFIG1_RESTORE	827
3-669. CM_AUTOIDLE_DPLL_CORE_RESTORE	828
3-670. Register Call Summary for Register CM_AUTOIDLE_DPLL_CORE_RESTORE.....	828
3-671. CM_MPU_CLKSTCTRL_RESTORE	828
3-672. Register Call Summary for Register CM_MPU_CLKSTCTRL_RESTORE	828
3-673. CM_CM_CORE_AON_PROFILING_CLKCTRL_RESTORE	828
3-674. Register Call Summary for Register CM_CM_CORE_AON_PROFILING_CLKCTRL_RESTORE	829
3-675. CM_DYN_DEP_PRESCAL_RESTORE	829
3-676. Register Call Summary for Register CM_DYN_DEP_PRESCAL_RESTORE.....	829
3-677. CM_CORE_AON_RTC Registers Mapping Summary	829
3-678. CM_RTC_CLKSTCTRL.....	830
3-679. Register Call Summary for Register CM_RTC_CLKSTCTRL	830
3-680. CM_RTC_RTCSS_CLKCTRL.....	831
3-681. Register Call Summary for Register CM_RTC_RTCSS_CLKCTRL	831
3-682. CM_CORE_AON_VPE Registers Mapping Summary	831
3-683. CM_VPE_CLKSTCTRL	832
3-684. Register Call Summary for Register CM_VPE_CLKSTCTRL	832
3-685. CM_VPE_VPE_CLKCTRL	833
3-686. Register Call Summary for Register CM_VPE_VPE_CLKCTRL	833
3-687. CM_VPE_STATICDEP.....	834
3-688. Register Call Summary for Register CM_VPE_STATICDEP	834
3-689. CM_CORE_CAM Registers Mapping Summary	834
3-690. CM_CAM_CLKSTCTRL	835
3-691. Register Call Summary for Register CM_CAM_CLKSTCTRL.....	836
3-692. CM_CAM_STATICDEP	836
3-693. Register Call Summary for Register CM_CAM_STATICDEP	837
3-694. CM_CAM_VIP1_CLKCTRL	838
3-695. Register Call Summary for Register CM_CAM_VIP1_CLKCTRL	838
3-696. CM_CAM_CAL_CLKCTRL	839
3-697. Register Call Summary for Register CM_CAM_CAL_CLKCTRL.....	839
3-698. CM_CAM_VIP3_CLKCTRL	840
3-699. CM_CAM_LVDSRX_CLKCTRL	841
3-700. CM_CAM_CSI1_CLKCTRL	841
3-701. CM_CAM_CSI2_CLKCTRL	842
3-702. CM_CORE_CKGEN Registers Mapping Summary	843
3-703. CM_CLKSEL_USB_60MHZ.....	844
3-704. Register Call Summary for Register CM_CLKSEL_USB_60MHZ	844
3-705. CM_CLKMODE_DPLL_PER	845
3-706. Register Call Summary for Register CM_CLKMODE_DPLL_PER	846
3-707. CM_IDLEST_DPLL_PER.....	846
3-708. Register Call Summary for Register CM_IDLEST_DPLL_PER	847
3-709. CM_AUTOIDLE_DPLL_PER.....	847
3-710. Register Call Summary for Register CM_AUTOIDLE_DPLL_PER	847
3-711. CM_CLKSEL_DPLL_PER.....	848
3-712. Register Call Summary for Register CM_CLKSEL_DPLL_PER	848
3-713. CM_DIV_M2_DPLL_PER.....	848
3-714. Register Call Summary for Register CM_DIV_M2_DPLL_PER	849

3-715. CM_DIV_M3_DPLL_PER.....	849
3-716. CM_DIV_H11_DPLL_PER	850
3-717. Register Call Summary for Register CM_DIV_H11_DPLL_PER.....	850
3-718. CM_DIV_H12_DPLL_PER	850
3-719. Register Call Summary for Register CM_DIV_H12_DPLL_PER.....	851
3-720. CM_DIV_H13_DPLL_PER	851
3-721. Register Call Summary for Register CM_DIV_H13_DPLL_PER.....	851
3-722. CM_DIV_H14_DPLL_PER	852
3-723. Register Call Summary for Register CM_DIV_H14_DPLL_PER.....	852
3-724. CM_SSC_DELTAMSTEP_DPLL_PER	852
3-725. CM_SSC_MODFREQDIV_DPLL_PER	853
3-726. CM_CLKMODE_DPLL_USB	853
3-727. Register Call Summary for Register CM_CLKMODE_DPLL_USB	854
3-728. CM_IDLEST_DPLL_USB.....	854
3-729. Register Call Summary for Register CM_IDLEST_DPLL_USB	855
3-730. CM_AUTOIDLE_DPLL_USB.....	855
3-731. Register Call Summary for Register CM_AUTOIDLE_DPLL_USB	856
3-732. CM_CLKSEL_DPLL_USB	856
3-733. Register Call Summary for Register CM_CLKSEL_DPLL_USB	857
3-734. CM_DIV_M2_DPLL_USB.....	857
3-735. Register Call Summary for Register CM_DIV_M2_DPLL_USB	857
3-736. CM_SSC_DELTAMSTEP_DPLL_USB	857
3-737. CM_SSC_MODFREQDIV_DPLL_USB.....	858
3-738. CM_CLKDCOLDO_DPLL_USB	858
3-739. Register Call Summary for Register CM_CLKDCOLDO_DPLL_USB	859
3-740. CM_CLKMODE_DPLL_PCIE_REF	859
3-741. Register Call Summary for Register CM_CLKMODE_DPLL_PCIE_REF.....	860
3-742. CM_IDLEST_DPLL_PCIE_REF	860
3-743. Register Call Summary for Register CM_IDLEST_DPLL_PCIE_REF.....	860
3-744. CM_AUTOIDLE_DPLL_PCIE_REF	861
3-745. Register Call Summary for Register CM_AUTOIDLE_DPLL_PCIE_REF.....	861
3-746. CM_CLKSEL_DPLL_PCIE_REF	861
3-747. Register Call Summary for Register CM_CLKSEL_DPLL_PCIE_REF	862
3-748. CM_DIV_M2_DPLL_PCIE_REF	862
3-749. Register Call Summary for Register CM_DIV_M2_DPLL_PCIE_REF	863
3-750. CM_SSC_DELTAMSTEP_DPLL_PCIE_REF.....	863
3-751. CM_SSC_MODFREQDIV_DPLL_PCIE_REF	863
3-752. CM_CLKMODE_APLL_PCIE	864
3-753. Register Call Summary for Register CM_CLKMODE_APLL_PCIE	865
3-754. CM_IDLEST_APLL_PCIE	865
3-755. Register Call Summary for Register CM_IDLEST_APLL_PCIE.....	865
3-756. CM_DIV_M2_APLL_PCIE	865
3-757. Register Call Summary for Register CM_DIV_M2_APLL_PCIE	866
3-758. CM_CLKVCOLDO_APLL_PCIE	866
3-759. Register Call Summary for Register CM_CLKVCOLDO_APLL_PCIE.....	866
3-760. CM_CORE__COREAON Registers Mapping Summary	867
3-761. CM_COREAON_CLKSTCTRL.....	868
3-762. Register Call Summary for Register CM_COREAON_CLKSTCTRL	869
3-763. CM_COREAON_SMARTREFLEX_MPU_CLKCTRL	870

3-764. CM_COREAON_SMARTREFLEX_CORE_CLKCTRL	870
3-765. CM_COREAON_USB_PHY1_CORE_CLKCTRL	871
3-766. Register Call Summary for Register CM_COREAON_USB_PHY1_CORE_CLKCTRL.....	871
3-767. CM_COREAON_IO_SRCOMP_CLKCTRL	872
3-768. CM_COREAON_SMARTREFLEX_GPU_CLKCTRL	872
3-769. CM_COREAON_SMARTREFLEX_DSPEVE_CLKCTRL	873
3-770. CM_COREAON_SMARTREFLEX_IVAHD_CLKCTRL	874
3-771. CM_COREAON_USB_PHY2_CORE_CLKCTRL	874
3-772. Register Call Summary for Register CM_COREAON_USB_PHY2_CORE_CLKCTRL.....	875
3-773. CM_COREAON_USB_PHY3_CORE_CLKCTRL	875
3-774. Register Call Summary for Register CM_COREAON_USB_PHY3_CORE_CLKCTRL.....	875
3-775. CM_COREAON_CLKOUTMUX1_CLKCTRL	876
3-776. Register Call Summary for Register CM_COREAON_CLKOUTMUX1_CLKCTRL.....	876
3-777. CM_COREAON_CLKOUTMUX2_CLKCTRL	876
3-778. Register Call Summary for Register CM_COREAON_CLKOUTMUX2_CLKCTRL.....	877
3-779. CM_COREAON_L3INIT_60M_GFCLK_CLKCTRL	877
3-780. Register Call Summary for Register CM_COREAON_L3INIT_60M_GFCLK_CLKCTRL.....	877
3-781. CM_COREAON_ABE_GICLK_CLKCTRL.....	878
3-782. Register Call Summary for Register CM_COREAON_ABE_GICLK_CLKCTRL	878
3-783. CM_CORE__CORE Registers Mapping Summary	878
3-784. CM_L3MAIN1_CLKSTCTRL	881
3-785. Register Call Summary for Register CM_L3MAIN1_CLKSTCTRL.....	882
3-786. CM_L3MAIN1_DYNAMICDEP	882
3-787. Register Call Summary for Register CM_L3MAIN1_DYNAMICDEP	883
3-788. CM_L3MAIN1_L3_MAIN_1_CLKCTRL.....	884
3-789. Register Call Summary for Register CM_L3MAIN1_L3_MAIN_1_CLKCTRL	884
3-790. CM_L3MAIN1_GPMC_CLKCTRL	884
3-791. Register Call Summary for Register CM_L3MAIN1_GPMC_CLKCTRL	885
3-792. CM_L3MAIN1_MMU_EDMA_CLKCTRL	885
3-793. Register Call Summary for Register CM_L3MAIN1_MMU_EDMA_CLKCTRL.....	886
3-794. CM_L3MAIN1_MMU_PCIESS_CLKCTRL	886
3-795. Register Call Summary for Register CM_L3MAIN1_MMU_PCIESS_CLKCTRL.....	886
3-796. CM_L3MAIN1_OCMC_RAM1_CLKCTRL.....	887
3-797. Register Call Summary for Register CM_L3MAIN1_OCMC_RAM1_CLKCTRL	887
3-798. CM_L3MAIN1_OCMC_RAM2_CLKCTRL.....	887
3-799. CM_L3MAIN1_OCMC_RAM3_CLKCTRL.....	888
3-800. CM_L3MAIN1_OCMC_ROM_CLKCTRL	889
3-801. CM_L3MAIN1_TPCC_CLKCTRL.....	889
3-802. Register Call Summary for Register CM_L3MAIN1_TPCC_CLKCTRL	890
3-803. CM_L3MAIN1_TPTC1_CLKCTRL	890
3-804. Register Call Summary for Register CM_L3MAIN1_TPTC1_CLKCTRL	891
3-805. CM_L3MAIN1_TPTC2_CLKCTRL	891
3-806. Register Call Summary for Register CM_L3MAIN1_TPTC2_CLKCTRL	892
3-807. CM_L3MAIN1_VCP1_CLKCTRL	892
3-808. Register Call Summary for Register CM_L3MAIN1_VCP1_CLKCTRL.....	893
3-809. CM_L3MAIN1_VCP2_CLKCTRL	893
3-810. Register Call Summary for Register CM_L3MAIN1_VCP2_CLKCTRL.....	893
3-811. CM_L3MAIN1_SPARE_CME_CLKCTRL	894
3-812. CM_L3MAIN1_SPARE_HDMI_CLKCTRL	894

3-813. CM_L3MAIN1_SPARE_ICM_CLKCTRL	895
3-814. CM_L3MAIN1_SPARE_IVA2_CLKCTRL.....	896
3-815. CM_L3MAIN1_SPARE_SATA2_CLKCTRL.....	896
3-816. CM_L3MAIN1_SPARE_UNKNOWN4_CLKCTRL.....	897
3-817. CM_L3MAIN1_SPARE_UNKNOWN5_CLKCTRL.....	898
3-818. CM_L3MAIN1_SPARE_UNKNOWN6_CLKCTRL.....	898
3-819. CM_L3MAIN1_SPARE_VIDOPLL1_CLKCTRL.....	899
3-820. CM_L3MAIN1_SPARE_VIDOPLL2_CLKCTRL.....	900
3-821. CM_L3MAIN1_SPARE_VIDOPLL3_CLKCTRL.....	900
3-822. CM_IPU2_CLKSTCTRL	901
3-823. Register Call Summary for Register CM_IPU2_CLKSTCTRL.....	902
3-824. CM_IPU2_STATICDEP	902
3-825. Register Call Summary for Register CM_IPU2_STATICDEP	904
3-826. CM_IPU2_DYNAMICDEP	904
3-827. Register Call Summary for Register CM_IPU2_DYNAMICDEP.....	905
3-828. CM_IPU2_IPU2_CLKCTRL	905
3-829. Register Call Summary for Register CM_IPU2_IPU2_CLKCTRL.....	905
3-830. CM_DMA_CLKSTCTRL	906
3-831. Register Call Summary for Register CM_DMA_CLKSTCTRL.....	906
3-832. CM_DMA_STATICDEP	907
3-833. Register Call Summary for Register CM_DMA_STATICDEP	908
3-834. CM_DMA_DYNAMICDEP	908
3-835. Register Call Summary for Register CM_DMA_DYNAMICDEP.....	909
3-836. CM_DMA_DMA_SYSTEM_CLKCTRL.....	909
3-837. Register Call Summary for Register CM_DMA_DMA_SYSTEM_CLKCTRL	909
3-838. CM_EMIF_CLKSTCTRL	910
3-839. Register Call Summary for Register CM_EMIF_CLKSTCTRL	910
3-840. CM_EMIF_DMM_CLKCTRL	911
3-841. Register Call Summary for Register CM_EMIF_DMM_CLKCTRL.....	911
3-842. CM_EMIF_EMIF_OCP_FW_CLKCTRL	911
3-843. Register Call Summary for Register CM_EMIF_EMIF_OCP_FW_CLKCTRL.....	912
3-844. CM_EMIF_EMIF1_CLKCTRL.....	912
3-845. Register Call Summary for Register CM_EMIF_EMIF1_CLKCTRL	913
3-846. CM_EMIF_EMIF2_CLKCTRL	913
3-847. CM_EMIF_EMIF_DLL_CLKCTRL	914
3-848. Register Call Summary for Register CM_EMIF_EMIF_DLL_CLKCTRL	914
3-849. CM_ATL_ATL_CLKCTRL	915
3-850. Register Call Summary for Register CM_ATL_ATL_CLKCTRL	915
3-851. CM_ATL_CLKSTCTRL	916
3-852. Register Call Summary for Register CM_ATL_CLKSTCTRL.....	917
3-853. CM_L4CFG_CLKSTCTRL.....	917
3-854. Register Call Summary for Register CM_L4CFG_CLKSTCTRL	918
3-855. CM_L4CFG_DYNAMICDEP	918
3-856. Register Call Summary for Register CM_L4CFG_DYNAMICDEP	919
3-857. CM_L4CFG_L4_CFG_CLKCTRL	919
3-858. Register Call Summary for Register CM_L4CFG_L4_CFG_CLKCTRL	919
3-859. CM_L4CFG_SPINLOCK_CLKCTRL	920
3-860. Register Call Summary for Register CM_L4CFG_SPINLOCK_CLKCTRL	920
3-861. CM_L4CFG_MAILBOX1_CLKCTRL	920

3-862. Register Call Summary for Register CM_L4CFG_MAILBOX1_CLKCTRL.....	921
3-863. CM_L4CFG_SAR_ROM_CLKCTRL	921
3-864. CM_L4CFG_OCP2SCP2_CLKCTRL	922
3-865. Register Call Summary for Register CM_L4CFG_OCP2SCP2_CLKCTRL.....	922
3-866. CM_L4CFG_MAILBOX2_CLKCTRL	922
3-867. Register Call Summary for Register CM_L4CFG_MAILBOX2_CLKCTRL.....	923
3-868. CM_L4CFG_MAILBOX3_CLKCTRL	923
3-869. Register Call Summary for Register CM_L4CFG_MAILBOX3_CLKCTRL.....	924
3-870. CM_L4CFG_MAILBOX4_CLKCTRL	924
3-871. Register Call Summary for Register CM_L4CFG_MAILBOX4_CLKCTRL.....	924
3-872. CM_L4CFG_MAILBOX5_CLKCTRL	925
3-873. Register Call Summary for Register CM_L4CFG_MAILBOX5_CLKCTRL.....	925
3-874. CM_L4CFG_MAILBOX6_CLKCTRL	925
3-875. Register Call Summary for Register CM_L4CFG_MAILBOX6_CLKCTRL.....	926
3-876. CM_L4CFG_MAILBOX7_CLKCTRL	926
3-877. Register Call Summary for Register CM_L4CFG_MAILBOX7_CLKCTRL.....	927
3-878. CM_L4CFG_MAILBOX8_CLKCTRL	927
3-879. Register Call Summary for Register CM_L4CFG_MAILBOX8_CLKCTRL.....	927
3-880. CM_L4CFG_MAILBOX9_CLKCTRL	928
3-881. Register Call Summary for Register CM_L4CFG_MAILBOX9_CLKCTRL.....	928
3-882. CM_L4CFG_MAILBOX10_CLKCTRL.....	928
3-883. Register Call Summary for Register CM_L4CFG_MAILBOX10_CLKCTRL	929
3-884. CM_L4CFG_MAILBOX11_CLKCTRL.....	929
3-885. Register Call Summary for Register CM_L4CFG_MAILBOX11_CLKCTRL	930
3-886. CM_L4CFG_MAILBOX12_CLKCTRL.....	930
3-887. Register Call Summary for Register CM_L4CFG_MAILBOX12_CLKCTRL	930
3-888. CM_L4CFG_MAILBOX13_CLKCTRL.....	931
3-889. Register Call Summary for Register CM_L4CFG_MAILBOX13_CLKCTRL	931
3-890. CM_L4CFG_SPARE_SMARTREFLEX_RTC_CLKCTRL	931
3-891. CM_L4CFG_SPARE_SMARTREFLEX_SDRAM_CLKCTRL.....	932
3-892. CM_L4CFG_SPARE_SMARTREFLEX_WKUP_CLKCTRL	933
3-893. CM_L4CFG_IO_DELAY_BLOCK_CLKCTRL.....	933
3-894. CM_L3INSTR_CLKSTCTRL	934
3-895. Register Call Summary for Register CM_L3INSTR_CLKSTCTRL.....	935
3-896. CM_L3INSTR_L3_MAIN_2_CLKCTRL	935
3-897. Register Call Summary for Register CM_L3INSTR_L3_MAIN_2_CLKCTRL	936
3-898. CM_L3INSTR_L3_INSTR_CLKCTRL.....	936
3-899. Register Call Summary for Register CM_L3INSTR_L3_INSTR_CLKCTRL	936
3-900. CM_L3INSTR_OCP_WP_NOC_CLKCTRL	937
3-901. Register Call Summary for Register CM_L3INSTR_OCP_WP_NOC_CLKCTRL.....	937
3-902. CM_L3INSTR_DLL_AGING_CLKCTRL	938
3-903. Register Call Summary for Register CM_L3INSTR_DLL_AGING_CLKCTRL.....	938
3-904. CM_L3INSTR_CTRL_MODULE_BANDGAP_CLKCTRL	938
3-905. Register Call Summary for Register CM_L3INSTR_CTRL_MODULE_BANDGAP_CLKCTRL.....	939
3-906. CM_CORE__CUSTEFUSE Registers Mapping Summary.....	939
3-907. CM_CUSTEFUSE_CLKSTCTRL	940
3-908. Register Call Summary for Register CM_CUSTEFUSE_CLKSTCTRL.....	941
3-909. CM_CUSTEFUSE_EFUSE_CTRL_CUST_CLKCTRL.....	941
3-910. Register Call Summary for Register CM_CUSTEFUSE_EFUSE_CTRL_CUST_CLKCTRL	941

3-911. CM_CORE__DSS Registers Mapping Summary.....	942
3-912. CM_DSS_CLKSTCTRL.....	942
3-913. Register Call Summary for Register CM_DSS_CLKSTCTRL	944
3-914. CM_DSS_STATICDEP	944
3-915. Register Call Summary for Register CM_DSS_STATICDEP	945
3-916. CM_DSS_DYNAMICDEP.....	945
3-917. Register Call Summary for Register CM_DSS_DYNAMICDEP	945
3-918. CM_DSS_DSS_CLKCTRL	945
3-919. Register Call Summary for Register CM_DSS_DSS_CLKCTRL.....	946
3-920. CM_DSS_BB2D_CLKCTRL.....	947
3-921. Register Call Summary for Register CM_DSS_BB2D_CLKCTRL	947
3-922. CM_DSS_SDVENC_CLKCTRL	948
3-923. CM_CORE__GPU Registers Mapping Summary	948
3-924. CM_GPU_CLKSTCTRL	949
3-925. Register Call Summary for Register CM_GPU_CLKSTCTRL	950
3-926. CM_GPU_STATICDEP	950
3-927. Register Call Summary for Register CM_GPU_STATICDEP.....	950
3-928. CM_GPU_DYNAMICDEP	951
3-929. Register Call Summary for Register CM_GPU_DYNAMICDEP	951
3-930. CM_GPU_GPU_CLKCTRL.....	951
3-931. Register Call Summary for Register CM_GPU_GPU_CLKCTRL	952
3-932. CM_CORE__IVA Registers Mapping Summary.....	952
3-933. CM_IVA_CLKSTCTRL	953
3-934. Register Call Summary for Register CM_IVA_CLKSTCTRL.....	953
3-935. CM_IVA_STATICDEP.....	954
3-936. Register Call Summary for Register CM_IVA_STATICDEP	954
3-937. CM_IVA_DYNAMICDEP	954
3-938. Register Call Summary for Register CM_IVA_DYNAMICDEP	955
3-939. CM_IVA_IVA_CLKCTRL.....	955
3-940. Register Call Summary for Register CM_IVA_IVA_CLKCTRL	956
3-941. CM_IVA_SL2_CLKCTRL	956
3-942. Register Call Summary for Register CM_IVA_SL2_CLKCTRL.....	956
3-943. CM_CORE__L3INIT Registers Mapping Summary	957
3-944. CM_L3INIT_CLKSTCTRL	958
3-945. Register Call Summary for Register CM_L3INIT_CLKSTCTRL.....	960
3-946. CM_L3INIT_STATICDEP	960
3-947. Register Call Summary for Register CM_L3INIT_STATICDEP	961
3-948. CM_L3INIT_DYNAMICDEP	961
3-949. Register Call Summary for Register CM_L3INIT_DYNAMICDEP.....	962
3-950. CM_L3INIT_MMC1_CLKCTRL	962
3-951. Register Call Summary for Register CM_L3INIT_MMC1_CLKCTRL.....	963
3-952. CM_L3INIT_MMC2_CLKCTRL	963
3-953. Register Call Summary for Register CM_L3INIT_MMC2_CLKCTRL.....	964
3-954. CM_L3INIT_USB_OTG_SS2_CLKCTRL.....	964
3-955. Register Call Summary for Register CM_L3INIT_USB_OTG_SS2_CLKCTRL	965
3-956. CM_L3INIT_USB_OTG_SS3_CLKCTRL.....	965
3-957. Register Call Summary for Register CM_L3INIT_USB_OTG_SS3_CLKCTRL	966
3-958. CM_L3INIT_USB_OTG_SS4_CLKCTRL.....	966
3-959. CM_L3INIT_MLB_SS_CLKCTRL.....	967

3-960. Register Call Summary for Register CM_L3INIT_MLB_SS_CLKCTRL	968
3-961. CM_L3INIT_IEEE1500_2_OCP_CLKCTRL.....	968
3-962. Register Call Summary for Register CM_L3INIT_IEEE1500_2_OCP_CLKCTRL	969
3-963. CM_L3INIT_SATA_CLKCTRL	969
3-964. Register Call Summary for Register CM_L3INIT_SATA_CLKCTRL.....	970
3-965. CM_PCIE_CLKSTCTRL	970
3-966. Register Call Summary for Register CM_PCIE_CLKSTCTRL.....	971
3-967. CM_PCIE_STATICDEP.....	971
3-968. Register Call Summary for Register CM_PCIE_STATICDEP	973
3-969. CM_PCIE_PCIESS1_CLKCTRL.....	974
3-970. Register Call Summary for Register CM_PCIE_PCIESS1_CLKCTRL	975
3-971. CM_PCIE_PCIESS2_CLKCTRL.....	975
3-972. Register Call Summary for Register CM_PCIE_PCIESS2_CLKCTRL	976
3-973. CM_GMAC_CLKSTCTRL	977
3-974. Register Call Summary for Register CM_GMAC_CLKSTCTRL.....	978
3-975. CM_GMAC_STATICDEP	978
3-976. Register Call Summary for Register CM_GMAC_STATICDEP	979
3-977. CM_GMAC_DYNAMICDEP	979
3-978. Register Call Summary for Register CM_GMAC_DYNAMICDEP.....	979
3-979. CM_GMAC_GMAC_CLKCTRL	979
3-980. Register Call Summary for Register CM_GMAC_GMAC_CLKCTRL.....	980
3-981. CM_L3INIT_OCP2SCP1_CLKCTRL.....	981
3-982. Register Call Summary for Register CM_L3INIT_OCP2SCP1_CLKCTRL	981
3-983. CM_L3INIT_OCP2SCP3_CLKCTRL.....	982
3-984. Register Call Summary for Register CM_L3INIT_OCP2SCP3_CLKCTRL	982
3-985. CM_L3INIT_USB_OTG_SS1_CLKCTRL.....	983
3-986. Register Call Summary for Register CM_L3INIT_USB_OTG_SS1_CLKCTRL	983
3-987. CM_CORE__L4PER Registers Mapping Summary.....	984
3-988. CM_L4PER_CLKSTCTRL.....	987
3-989. Register Call Summary for Register CM_L4PER_CLKSTCTRL	989
3-990. CM_L4PER_DYNAMICDEP.....	989
3-991. Register Call Summary for Register CM_L4PER_DYNAMICDEP	990
3-992. CM_L4PER2_L4_PER2_CLKCTRL.....	990
3-993. Register Call Summary for Register CM_L4PER2_L4_PER2_CLKCTRL	991
3-994. CM_L4PER3_L4_PER3_CLKCTRL.....	991
3-995. Register Call Summary for Register CM_L4PER3_L4_PER3_CLKCTRL	991
3-996. CM_L4PER2_PRUSS1_CLKCTRL	992
3-997. Register Call Summary for Register CM_L4PER2_PRUSS1_CLKCTRL	992
3-998. CM_L4PER2_PRUSS2_CLKCTRL	993
3-999. Register Call Summary for Register CM_L4PER2_PRUSS2_CLKCTRL	993
3-1000. CM_L4PER_TIMER10_CLKCTRL	994
3-1001. Register Call Summary for Register CM_L4PER_TIMER10_CLKCTRL	995
3-1002. CM_L4PER_TIMER11_CLKCTRL	995
3-1003. Register Call Summary for Register CM_L4PER_TIMER11_CLKCTRL	996
3-1004. CM_L4PER_TIMER2_CLKCTRL	996
3-1005. Register Call Summary for Register CM_L4PER_TIMER2_CLKCTRL	997
3-1006. CM_L4PER_TIMER3_CLKCTRL	997
3-1007. Register Call Summary for Register CM_L4PER_TIMER3_CLKCTRL	998
3-1008. CM_L4PER_TIMER4_CLKCTRL	999

3-1009. Register Call Summary for Register CM_L4PER_TIMER4_CLKCTRL	1000
3-1010. CM_L4PER_TIMER9_CLKCTRL	1000
3-1011. Register Call Summary for Register CM_L4PER_TIMER9_CLKCTRL	1001
3-1012. CM_L4PER_ELM_CLKCTRL	1001
3-1013. Register Call Summary for Register CM_L4PER_ELM_CLKCTRL	1002
3-1014. CM_L4PER_GPIO2_CLKCTRL	1002
3-1015. Register Call Summary for Register CM_L4PER_GPIO2_CLKCTRL	1003
3-1016. CM_L4PER_GPIO3_CLKCTRL	1003
3-1017. Register Call Summary for Register CM_L4PER_GPIO3_CLKCTRL	1004
3-1018. CM_L4PER_GPIO4_CLKCTRL	1004
3-1019. Register Call Summary for Register CM_L4PER_GPIO4_CLKCTRL	1005
3-1020. CM_L4PER_GPIO5_CLKCTRL	1005
3-1021. Register Call Summary for Register CM_L4PER_GPIO5_CLKCTRL	1006
3-1022. CM_L4PER_GPIO6_CLKCTRL	1006
3-1023. Register Call Summary for Register CM_L4PER_GPIO6_CLKCTRL	1007
3-1024. CM_L4PER_HDQ1W_CLKCTRL	1007
3-1025. Register Call Summary for Register CM_L4PER_HDQ1W_CLKCTRL	1007
3-1026. CM_L4PER2_PWMSS2_CLKCTRL	1008
3-1027. Register Call Summary for Register CM_L4PER2_PWMSS2_CLKCTRL	1008
3-1028. CM_L4PER2_PWMSS3_CLKCTRL	1009
3-1029. Register Call Summary for Register CM_L4PER2_PWMSS3_CLKCTRL	1009
3-1030. CM_L4PER_I2C1_CLKCTRL	1010
3-1031. Register Call Summary for Register CM_L4PER_I2C1_CLKCTRL	1010
3-1032. CM_L4PER_I2C2_CLKCTRL	1011
3-1033. Register Call Summary for Register CM_L4PER_I2C2_CLKCTRL	1011
3-1034. CM_L4PER_I2C3_CLKCTRL	1012
3-1035. Register Call Summary for Register CM_L4PER_I2C3_CLKCTRL	1012
3-1036. CM_L4PER_I2C4_CLKCTRL	1013
3-1037. Register Call Summary for Register CM_L4PER_I2C4_CLKCTRL	1013
3-1038. CM_L4PER_L4_PER1_CLKCTRL	1014
3-1039. Register Call Summary for Register CM_L4PER_L4_PER1_CLKCTRL	1014
3-1040. CM_L4PER2_PWMSS1_CLKCTRL	1014
3-1041. Register Call Summary for Register CM_L4PER2_PWMSS1_CLKCTRL	1015
3-1042. CM_L4PER3_TIMER13_CLKCTRL	1015
3-1043. Register Call Summary for Register CM_L4PER3_TIMER13_CLKCTRL	1016
3-1044. CM_L4PER3_TIMER14_CLKCTRL	1017
3-1045. Register Call Summary for Register CM_L4PER3_TIMER14_CLKCTRL	1018
3-1046. CM_L4PER3_TIMER15_CLKCTRL	1018
3-1047. Register Call Summary for Register CM_L4PER3_TIMER15_CLKCTRL	1019
3-1048. CM_L4PER_MCSP11_CLKCTRL	1019
3-1049. Register Call Summary for Register CM_L4PER_MCSP11_CLKCTRL	1020
3-1050. CM_L4PER_MCSP12_CLKCTRL	1020
3-1051. Register Call Summary for Register CM_L4PER_MCSP12_CLKCTRL	1021
3-1052. CM_L4PER_MCSP13_CLKCTRL	1021
3-1053. Register Call Summary for Register CM_L4PER_MCSP13_CLKCTRL	1021
3-1054. CM_L4PER_MCSP14_CLKCTRL	1022
3-1055. Register Call Summary for Register CM_L4PER_MCSP14_CLKCTRL	1022
3-1056. CM_L4PER_GPIO7_CLKCTRL	1023
3-1057. Register Call Summary for Register CM_L4PER_GPIO7_CLKCTRL	1023

3-1058. CM_L4PER_GPIO8_CLKCTRL.....	1024
3-1059. Register Call Summary for Register CM_L4PER_GPIO8_CLKCTRL	1024
3-1060. CM_L4PER_MMC3_CLKCTRL	1025
3-1061. Register Call Summary for Register CM_L4PER_MMC3_CLKCTRL	1026
3-1062. CM_L4PER_MMC4_CLKCTRL	1026
3-1063. Register Call Summary for Register CM_L4PER_MMC4_CLKCTRL	1027
3-1064. CM_L4PER3_TIMER16_CLKCTRL	1027
3-1065. Register Call Summary for Register CM_L4PER3_TIMER16_CLKCTRL	1028
3-1066. CM_L4PER2_QSPI_CLKCTRL	1028
3-1067. Register Call Summary for Register CM_L4PER2_QSPI_CLKCTRL	1029
3-1068. CM_L4PER_UART1_CLKCTRL	1029
3-1069. Register Call Summary for Register CM_L4PER_UART1_CLKCTRL.....	1030
3-1070. CM_L4PER_UART2_CLKCTRL	1030
3-1071. Register Call Summary for Register CM_L4PER_UART2_CLKCTRL.....	1031
3-1072. CM_L4PER_UART3_CLKCTRL	1031
3-1073. Register Call Summary for Register CM_L4PER_UART3_CLKCTRL.....	1032
3-1074. CM_L4PER_UART4_CLKCTRL	1032
3-1075. Register Call Summary for Register CM_L4PER_UART4_CLKCTRL.....	1033
3-1076. CM_L4PER2_MCASP2_CLKCTRL	1033
3-1077. Register Call Summary for Register CM_L4PER2_MCASP2_CLKCTRL.....	1035
3-1078. CM_L4PER2_MCASP3_CLKCTRL	1035
3-1079. Register Call Summary for Register CM_L4PER2_MCASP3_CLKCTRL.....	1036
3-1080. CM_L4PER_UART5_CLKCTRL	1037
3-1081. Register Call Summary for Register CM_L4PER_UART5_CLKCTRL.....	1037
3-1082. CM_L4PER2_MCASP5_CLKCTRL	1038
3-1083. Register Call Summary for Register CM_L4PER2_MCASP5_CLKCTRL.....	1039
3-1084. CM_L4SEC_CLKSTCTRL	1039
3-1085. Register Call Summary for Register CM_L4SEC_CLKSTCTRL	1040
3-1086. CM_L4SEC_STATICDEP.....	1040
3-1087. Register Call Summary for Register CM_L4SEC_STATICDEP	1041
3-1088. CM_L4SEC_DYNAMICDEP.....	1041
3-1089. Register Call Summary for Register CM_L4SEC_DYNAMICDEP	1041
3-1090. CM_L4PER2_MCASP8_CLKCTRL	1041
3-1091. Register Call Summary for Register CM_L4PER2_MCASP8_CLKCTRL.....	1042
3-1092. CM_L4PER2_MCASP4_CLKCTRL	1043
3-1093. Register Call Summary for Register CM_L4PER2_MCASP4_CLKCTRL.....	1044
3-1094. CM_L4SEC_AES1_CLKCTRL	1044
3-1095. Register Call Summary for Register CM_L4SEC_AES1_CLKCTRL	1045
3-1096. CM_L4SEC_AES2_CLKCTRL	1045
3-1097. Register Call Summary for Register CM_L4SEC_AES2_CLKCTRL	1046
3-1098. CM_L4SEC_DES3DES_CLKCTRL	1046
3-1099. Register Call Summary for Register CM_L4SEC_DES3DES_CLKCTRL.....	1047
3-1100. CM_L4SEC_FPKA_CLKCTRL.....	1047
3-1101. Register Call Summary for Register CM_L4SEC_FPKA_CLKCTRL	1048
3-1102. CM_L4SEC_RNG_CLKCTRL	1048
3-1103. Register Call Summary for Register CM_L4SEC_RNG_CLKCTRL	1048
3-1104. CM_L4SEC_SHA2MD51_CLKCTRL.....	1049
3-1105. Register Call Summary for Register CM_L4SEC_SHA2MD51_CLKCTRL	1049
3-1106. CM_L4PER2_UART7_CLKCTRL.....	1050

3-1107. Register Call Summary for Register CM_L4PER2_UART7_CLKCTRL	1050
3-1108. CM_L4SEC_DMA_CRYPT0_CLKCTRL	1051
3-1109. Register Call Summary for Register CM_L4SEC_DMA_CRYPT0_CLKCTRL.....	1051
3-1110. CM_L4PER2_UART8_CLKCTRL.....	1052
3-1111. Register Call Summary for Register CM_L4PER2_UART8_CLKCTRL	1052
3-1112. CM_L4PER2_UART9_CLKCTRL.....	1053
3-1113. Register Call Summary for Register CM_L4PER2_UART9_CLKCTRL	1053
3-1114. CM_L4PER2_DCAN2_CLKCTRL	1054
3-1115. Register Call Summary for Register CM_L4PER2_DCAN2_CLKCTRL.....	1054
3-1116. CM_L4SEC_SHA2MD52_CLKCTRL.....	1055
3-1117. Register Call Summary for Register CM_L4SEC_SHA2MD52_CLKCTRL	1055
3-1118. CM_L4PER2_CLKSTCTRL	1056
3-1119. Register Call Summary for Register CM_L4PER2_CLKSTCTRL	1059
3-1120. CM_L4PER2_DYNAMICDEP	1059
3-1121. Register Call Summary for Register CM_L4PER2_DYNAMICDEP.....	1059
3-1122. CM_L4PER2_MCASP6_CLKCTRL	1060
3-1123. Register Call Summary for Register CM_L4PER2_MCASP6_CLKCTRL.....	1061
3-1124. CM_L4PER2_MCASP7_CLKCTRL	1061
3-1125. Register Call Summary for Register CM_L4PER2_MCASP7_CLKCTRL.....	1062
3-1126. CM_L4PER2_STATICDEP	1063
3-1127. Register Call Summary for Register CM_L4PER2_STATICDEP.....	1063
3-1128. CM_L4PER3_CLKSTCTRL	1064
3-1129. Register Call Summary for Register CM_L4PER3_CLKSTCTRL	1065
3-1130. CM_L4PER3_DYNAMICDEP	1065
3-1131. Register Call Summary for Register CM_L4PER3_DYNAMICDEP.....	1066
3-1132. CM_CORE__OCP_SOCKET Registers Mapping Summary.....	1066
3-1133. REVISION_CM_CORE.....	1066
3-1134. Register Call Summary for Register REVISION_CM_CORE	1067
3-1135. CM_CM_CORE_PROFILING_CLKCTRL	1067
3-1136. Register Call Summary for Register CM_CM_CORE_PROFILING_CLKCTRL	1067
3-1137. CM_CORE_DEBUG_CFG.....	1068
3-1138. Register Call Summary for Register CM_CORE_DEBUG_CFG	1068
3-1139. CM_CORE__RESTORE Registers Mapping Summary	1068
3-1140. CM_L3MAIN1_CLKSTCTRL_RESTORE	1069
3-1141. Register Call Summary for Register CM_L3MAIN1_CLKSTCTRL_RESTORE	1069
3-1142. CM_L4CFG_CLKSTCTRL_RESTORE	1069
3-1143. Register Call Summary for Register CM_L4CFG_CLKSTCTRL_RESTORE	1069
3-1144. CM_L4PER_CLKSTCTRL_RESTORE	1070
3-1145. Register Call Summary for Register CM_L4PER_CLKSTCTRL_RESTORE	1070
3-1146. CM_L3INIT_CLKSTCTRL_RESTORE	1070
3-1147. Register Call Summary for Register CM_L3INIT_CLKSTCTRL_RESTORE	1070
3-1148. CM_L3INSTR_L3_MAIN_2_CLKCTRL_RESTORE.....	1070
3-1149. Register Call Summary for Register CM_L3INSTR_L3_MAIN_2_CLKCTRL_RESTORE	1071
3-1150. CM_L3INSTR_L3_INSTR_CLKCTRL_RESTORE	1071
3-1151. Register Call Summary for Register CM_L3INSTR_L3_INSTR_CLKCTRL_RESTORE	1071
3-1152. CM_L3INSTR_OCP_WP_NOC_CLKCTRL_RESTORE.....	1071
3-1153. Register Call Summary for Register CM_L3INSTR_OCP_WP_NOC_CLKCTRL_RESTORE	1071
3-1154. CM_CM_CORE_PROFILING_CLKCTRL_RESTORE	1072
3-1155. Register Call Summary for Register CM_CM_CORE_PROFILING_CLKCTRL_RESTORE	1072

3-1156. CM_L3MAIN1_DYNAMICDEP_RESTORE	1072
3-1157. Register Call Summary for Register CM_L3MAIN1_DYNAMICDEP_RESTORE	1072
3-1158. CM_L4CFG_DYNAMICDEP_RESTORE	1072
3-1159. Register Call Summary for Register CM_L4CFG_DYNAMICDEP_RESTORE	1073
3-1160. CM_L4PER_DYNAMICDEP_RESTORE	1073
3-1161. Register Call Summary for Register CM_L4PER_DYNAMICDEP_RESTORE	1073
3-1162. CM_COREAON_IO_SRCOMP_CLKCTRL_RESTORE	1073
3-1163. CM_DMA_STATICDEP_RESTORE.....	1073
3-1164. Register Call Summary for Register CM_DMA_STATICDEP_RESTORE	1074
3-1165. SMARTREFLEX Registers Mapping Summary 1	1074
3-1166. SMARTREFLEX Registers Mapping Summary 2	1074
3-1167. SRCONFIG	1075
3-1168. SRSTATUS	1076
3-1169. SENVAL	1076
3-1170. SENMIN	1077
3-1171. SENMAX	1077
3-1172. SENAVG	1077
3-1173. AVGWEIGHT	1078
3-1174. NVALUERECIPROCAL	1078
3-1175. IRQ_EOI	1079
3-1176. IRQSTATUS_RAW	1079
3-1177. IRQSTATUS	1080
3-1178. IRQENABLE_SET	1081
3-1179. IRQENABLE_CLR	1082
3-1180. SENERROR	1082
3-1181. ERRCONFIG	1083
3-1182. CAM_PRM Registers Mapping Summary	1083
3-1183. PM_CAM_PWRSTCTRL.....	1084
3-1184. Register Call Summary for Register PM_CAM_PWRSTCTRL	1085
3-1185. PM_CAM_PWRSTST	1085
3-1186. Register Call Summary for Register PM_CAM_PWRSTST.....	1086
3-1187. PM_CAM_VIP1_WKDEP	1086
3-1188. Register Call Summary for Register PM_CAM_VIP1_WKDEP.....	1087
3-1189. RM_CAM_VIP1_CONTEXT	1087
3-1190. Register Call Summary for Register RM_CAM_VIP1_CONTEXT	1088
3-1191. PM_CAM_CAL_WKDEP.....	1088
3-1192. Register Call Summary for Register PM_CAM_CAL_WKDEP	1089
3-1193. RM_CAM_CAL_CONTEXT.....	1089
3-1194. Register Call Summary for Register RM_CAM_CAL_CONTEXT	1090
3-1195. PM_CAM_VIP3_WKDEP	1090
3-1196. RM_CAM_VIP3_CONTEXT	1091
3-1197. RM_CAM_LVDSRX_CONTEXT	1092
3-1198. RM_CAM_CSI1_CONTEXT.....	1092
3-1199. RM_CAM_CSI2_CONTEXT	1093
3-1200. CKGEN_PRM Registers Mapping Summary.....	1093
3-1201. CM_CLKSEL_SYSCLK1.....	1095
3-1202. Register Call Summary for Register CM_CLKSEL_SYSCLK1	1095
3-1203. CM_CLKSEL_WKUPAON	1095
3-1204. Register Call Summary for Register CM_CLKSEL_WKUPAON	1095

3-1205. CM_CLKSEL_ABE_PLL_REF	1096
3-1206. Register Call Summary for Register CM_CLKSEL_ABE_PLL_REF	1096
3-1207. CM_CLKSEL_SYS	1096
3-1208. Register Call Summary for Register CM_CLKSEL_SYS	1097
3-1209. CM_CLKSEL_ABE_PLL_BYPAS	1097
3-1210. Register Call Summary for Register CM_CLKSEL_ABE_PLL_BYPAS	1097
3-1211. CM_CLKSEL_ABE_PLL_SYS	1097
3-1212. Register Call Summary for Register CM_CLKSEL_ABE_PLL_SYS	1098
3-1213. CM_CLKSEL_ABE_24M	1098
3-1214. Register Call Summary for Register CM_CLKSEL_ABE_24M	1098
3-1215. CM_CLKSEL_ABE_SYS	1098
3-1216. Register Call Summary for Register CM_CLKSEL_ABE_SYS	1099
3-1217. CM_CLKSEL_HDMI_MCASP_AUX	1099
3-1218. Register Call Summary for Register CM_CLKSEL_HDMI_MCASP_AUX	1099
3-1219. CM_CLKSEL_HDMI_TIMER	1099
3-1220. Register Call Summary for Register CM_CLKSEL_HDMI_TIMER	1100
3-1221. CM_CLKSEL_MCASP_SYS	1100
3-1222. Register Call Summary for Register CM_CLKSEL_MCASP_SYS	1100
3-1223. CM_CLKSEL_MLBP_MCASP	1101
3-1224. Register Call Summary for Register CM_CLKSEL_MLBP_MCASP	1101
3-1225. CM_CLKSEL_MLB_MCASP	1101
3-1226. Register Call Summary for Register CM_CLKSEL_MLB_MCASP	1102
3-1227. CM_CLKSEL_PER_ABE_X1_GFCLK_MCASP_AUX	1102
3-1228. Register Call Summary for Register CM_CLKSEL_PER_ABE_X1_GFCLK_MCASP_AUX	1102
3-1229. CM_CLKSEL_SYS_CLK1_32K	1102
3-1230. CM_CLKSEL_TIMER_SYS	1103
3-1231. Register Call Summary for Register CM_CLKSEL_TIMER_SYS	1103
3-1232. CM_CLKSEL_VIDEO1_MCASP_AUX	1103
3-1233. Register Call Summary for Register CM_CLKSEL_VIDEO1_MCASP_AUX	1104
3-1234. CM_CLKSEL_VIDEO1_TIMER	1104
3-1235. Register Call Summary for Register CM_CLKSEL_VIDEO1_TIMER	1104
3-1236. CM_CLKSEL_VIDEO2_MCASP_AUX	1105
3-1237. CM_CLKSEL_VIDEO2_TIMER	1105
3-1238. CM_CLKSEL_CLKOUTMUX0	1106
3-1239. Register Call Summary for Register CM_CLKSEL_CLKOUTMUX0	1107
3-1240. CM_CLKSEL_CLKOUTMUX1	1108
3-1241. Register Call Summary for Register CM_CLKSEL_CLKOUTMUX1	1110
3-1242. CM_CLKSEL_CLKOUTMUX2	1110
3-1243. Register Call Summary for Register CM_CLKSEL_CLKOUTMUX2	1112
3-1244. CM_CLKSEL_HDMI_PLL_SYS	1112
3-1245. Register Call Summary for Register CM_CLKSEL_HDMI_PLL_SYS	1112
3-1246. CM_CLKSEL_VIDEO1_PLL_SYS	1112
3-1247. Register Call Summary for Register CM_CLKSEL_VIDEO1_PLL_SYS	1113
3-1248. CM_CLKSEL_VIDEO2_PLL_SYS	1113
3-1249. CM_CLKSEL_ABE_CLK_DIV	1113
3-1250. Register Call Summary for Register CM_CLKSEL_ABE_CLK_DIV	1113
3-1251. CM_CLKSEL_ABE_GICLK_DIV	1114
3-1252. Register Call Summary for Register CM_CLKSEL_ABE_GICLK_DIV	1114
3-1253. CM_CLKSEL_AESS_FCLK_DIV	1114

3-1254. Register Call Summary for Register CM_CLKSEL_AESS_FCLK_DIV	1114
3-1255. CM_CLKSEL_EVE_CLK.....	1115
3-1256. CM_CLKSEL_USB_OTG_CLK_CLKOUTMUX.....	1115
3-1257. Register Call Summary for Register CM_CLKSEL_USB_OTG_CLK_CLKOUTMUX	1115
3-1258. CM_CLKSEL_CORE_DPLL_OUT_CLK_CLKOUTMUX	1116
3-1259. Register Call Summary for Register CM_CLKSEL_CORE_DPLL_OUT_CLK_CLKOUTMUX	1116
3-1260. CM_CLKSEL_DSP_GFCLK_CLKOUTMUX	1116
3-1261. Register Call Summary for Register CM_CLKSEL_DSP_GFCLK_CLKOUTMUX.....	1117
3-1262. CM_CLKSEL_EMIF_PHY_GCLK_CLKOUTMUX	1117
3-1263. Register Call Summary for Register CM_CLKSEL_EMIF_PHY_GCLK_CLKOUTMUX.....	1117
3-1264. CM_CLKSEL_EMU_CLK_CLKOUTMUX.....	1117
3-1265. Register Call Summary for Register CM_CLKSEL_EMU_CLK_CLKOUTMUX	1118
3-1266. CM_CLKSEL_FUNC_96M_AON_CLK_CLKOUTMUX	1118
3-1267. Register Call Summary for Register CM_CLKSEL_FUNC_96M_AON_CLK_CLKOUTMUX.....	1118
3-1268. CM_CLKSEL_GMAC_250M_CLK_CLKOUTMUX	1119
3-1269. Register Call Summary for Register CM_CLKSEL_GMAC_250M_CLK_CLKOUTMUX.....	1119
3-1270. CM_CLKSEL_GPU_GCLK_CLKOUTMUX.....	1119
3-1271. Register Call Summary for Register CM_CLKSEL_GPU_GCLK_CLKOUTMUX	1120
3-1272. CM_CLKSEL_HDMI_CLK_CLKOUTMUX.....	1120
3-1273. Register Call Summary for Register CM_CLKSEL_HDMI_CLK_CLKOUTMUX	1120
3-1274. CM_CLKSEL_IVA_GCLK_CLKOUTMUX	1120
3-1275. Register Call Summary for Register CM_CLKSEL_IVA_GCLK_CLKOUTMUX.....	1121
3-1276. CM_CLKSEL_L3INIT_480M_GFCLK_CLKOUTMUX.....	1121
3-1277. Register Call Summary for Register CM_CLKSEL_L3INIT_480M_GFCLK_CLKOUTMUX	1121
3-1278. CM_CLKSEL_MPU_GCLK_CLKOUTMUX.....	1122
3-1279. Register Call Summary for Register CM_CLKSEL_MPU_GCLK_CLKOUTMUX	1122
3-1280. CM_CLKSEL_PCIE1_CLK_CLKOUTMUX.....	1122
3-1281. Register Call Summary for Register CM_CLKSEL_PCIE1_CLK_CLKOUTMUX	1123
3-1282. CM_CLKSEL_PCIE2_CLK_CLKOUTMUX	1123
3-1283. Register Call Summary for Register CM_CLKSEL_PCIE2_CLK_CLKOUTMUX	1123
3-1284. CM_CLKSEL_PER_ABE_X1_CLK_CLKOUTMUX	1123
3-1285. Register Call Summary for Register CM_CLKSEL_PER_ABE_X1_CLK_CLKOUTMUX	1124
3-1286. CM_CLKSEL_SATA_CLK_CLKOUTMUX.....	1124
3-1287. Register Call Summary for Register CM_CLKSEL_SATA_CLK_CLKOUTMUX	1124
3-1288. CM_CLKSEL_OSC_32K_CLK_CLKOUTMUX.....	1125
3-1289. Register Call Summary for Register CM_CLKSEL_OSC_32K_CLK_CLKOUTMUX	1125
3-1290. CM_CLKSEL_SYS_CLK1_CLKOUTMUX.....	1125
3-1291. Register Call Summary for Register CM_CLKSEL_SYS_CLK1_CLKOUTMUX	1126
3-1292. CM_CLKSEL_SYS_CLK2_CLKOUTMUX.....	1126
3-1293. Register Call Summary for Register CM_CLKSEL_SYS_CLK2_CLKOUTMUX	1126
3-1294. CM_CLKSEL_VIDEO1_CLK_CLKOUTMUX.....	1127
3-1295. Register Call Summary for Register CM_CLKSEL_VIDEO1_CLK_CLKOUTMUX	1127
3-1296. CM_CLKSEL_VIDEO2_CLK_CLKOUTMUX.....	1127
3-1297. CM_CLKSEL_ABE_LP_CLK.....	1128
3-1298. Register Call Summary for Register CM_CLKSEL_ABE_LP_CLK	1128
3-1299. CM_CLKSEL_ADC_GFCLK.....	1128
3-1300. CM_CLKSEL_EVE_GFCLK_CLKOUTMUX.....	1129
3-1301. COREAON_PRM Registers Mapping Summary.....	1129
3-1302. PM_COREAON_SMARTREFLEX_MPU_WKDEP.....	1130

3-1303. RM_COREAON_SMARTREFLEX_MPU_CONTEXT	1132
3-1304. PM_COREAON_SMARTREFLEX_CORE_WKDEP	1132
3-1305. RM_COREAON_SMARTREFLEX_CORE_CONTEXT	1134
3-1306. PM_COREAON_SMARTREFLEX_GPU_WKDEP	1134
3-1307. RM_COREAON_SMARTREFLEX_GPU_CONTEXT	1136
3-1308. PM_COREAON_SMARTREFLEX_DSPEVE_WKDEP	1136
3-1309. RM_COREAON_SMARTREFLEX_DSPEVE_CONTEXT	1138
3-1310. PM_COREAON_SMARTREFLEX_IVAHD_WKDEP	1138
3-1311. RM_COREAON_SMARTREFLEX_IVAHD_CONTEXT	1140
3-1312. RM_COREAON_DUMMY_MODULE1_CONTEXT	1140
3-1313. RM_COREAON_DUMMY_MODULE2_CONTEXT	1141
3-1314. RM_COREAON_DUMMY_MODULE3_CONTEXT	1141
3-1315. RM_COREAON_DUMMY_MODULE4_CONTEXT	1142
3-1316. CORE_PRM Registers Mapping Summary	1142
3-1317. PM_CORE_PWRSTCTRL	1145
3-1318. Register Call Summary for Register PM_CORE_PWRSTCTRL	1146
3-1319. PM_CORE_PWRSTST	1147
3-1320. Register Call Summary for Register PM_CORE_PWRSTST	1148
3-1321. RM_L3MAIN1_L3_MAIN_1_CONTEXT	1148
3-1322. RM_L3MAIN1_GPMC_CONTEXT	1149
3-1323. RM_L3MAIN1_MMU_EDMA_CONTEXT	1149
3-1324. RM_L3MAIN1_MMU_PCIESS_CONTEXT	1150
3-1325. PM_L3MAIN1_OCMC_RAM1_WKDEP	1150
3-1326. Register Call Summary for Register PM_L3MAIN1_OCMC_RAM1_WKDEP	1151
3-1327. RM_L3MAIN1_OCMC_RAM1_CONTEXT	1152
3-1328. PM_L3MAIN1_OCMC_RAM2_WKDEP	1152
3-1329. RM_L3MAIN1_OCMC_RAM2_CONTEXT	1154
3-1330. PM_L3MAIN1_OCMC_RAM3_WKDEP	1154
3-1331. RM_L3MAIN1_OCMC_RAM3_CONTEXT	1156
3-1332. RM_L3MAIN1_OCMC_ROM_CONTEXT	1156
3-1333. PM_L3MAIN1_TPCC_WKDEP	1157
3-1334. Register Call Summary for Register PM_L3MAIN1_TPCC_WKDEP	1158
3-1335. RM_L3MAIN1_TPCC_CONTEXT	1158
3-1336. PM_L3MAIN1_TPTC1_WKDEP	1159
3-1337. Register Call Summary for Register PM_L3MAIN1_TPTC1_WKDEP	1160
3-1338. RM_L3MAIN1_TPTC1_CONTEXT	1160
3-1339. PM_L3MAIN1_TPTC2_WKDEP	1161
3-1340. Register Call Summary for Register PM_L3MAIN1_TPTC2_WKDEP	1162
3-1341. RM_L3MAIN1_TPTC2_CONTEXT	1162
3-1342. RM_L3MAIN1_VCP1_CONTEXT	1163
3-1343. RM_L3MAIN1_VCP2_CONTEXT	1164
3-1344. RM_L3MAIN1_SPARE_CME_CONTEXT	1164
3-1345. RM_L3MAIN1_SPARE_HDMI_CONTEXT	1165
3-1346. RM_L3MAIN1_SPARE_ICM_CONTEXT	1165
3-1347. RM_L3MAIN1_SPARE_IVA2_CONTEXT	1166
3-1348. RM_L3MAIN1_SPARE_SATA2_CONTEXT	1166
3-1349. RM_L3MAIN1_SPARE_UNKNOWN4_CONTEXT	1167
3-1350. RM_L3MAIN1_SPARE_UNKNOWN5_CONTEXT	1167
3-1351. RM_L3MAIN1_SPARE_UNKNOWN6_CONTEXT	1168

3-1352. RM_L3MAIN1_SPARE_VIDOPLL1_CONTEXT	1168
3-1353. RM_L3MAIN1_SPARE_VIDOPLL2_CONTEXT	1169
3-1354. RM_L3MAIN1_SPARE_VIDOPLL3_CONTEXT	1169
3-1355. RM_IPU2_RSTCTRL	1170
3-1356. Register Call Summary for Register RM_IPU2_RSTCTRL	1170
3-1357. RM_IPU2_RSTST	1170
3-1358. Register Call Summary for Register RM_IPU2_RSTST	1171
3-1359. RM_IPU2_IPU2_CONTEXT	1171
3-1360. Register Call Summary for Register RM_IPU2_IPU2_CONTEXT	1172
3-1361. RM_DMA_DMA_SYSTEM_CONTEXT	1172
3-1362. RM_EMIF_DMM_CONTEXT	1173
3-1363. RM_EMIF_EMIF_OCP_FW_CONTEXT	1174
3-1364. RM_EMIF_EMIF1_CONTEXT	1174
3-1365. RM_EMIF_EMIF2_CONTEXT	1175
3-1366. RM_EMIF_EMIF_DLL_CONTEXT	1175
3-1367. RM_ATL_ATL_CONTEXT	1176
3-1368. RM_L4CFG_L4_CFG_CONTEXT	1176
3-1369. RM_L4CFG_SPINLOCK_CONTEXT	1177
3-1370. RM_L4CFG_MAILBOX1_CONTEXT	1177
3-1371. RM_L4CFG_SAR_ROM_CONTEXT	1178
3-1372. RM_L4CFG_OCP2SCP2_CONTEXT	1178
3-1373. RM_L4CFG_MAILBOX2_CONTEXT	1179
3-1374. RM_L4CFG_MAILBOX3_CONTEXT	1179
3-1375. RM_L4CFG_MAILBOX4_CONTEXT	1180
3-1376. RM_L4CFG_MAILBOX5_CONTEXT	1180
3-1377. RM_L4CFG_MAILBOX6_CONTEXT	1181
3-1378. RM_L4CFG_MAILBOX7_CONTEXT	1181
3-1379. RM_L4CFG_MAILBOX8_CONTEXT	1182
3-1380. RM_L4CFG_MAILBOX9_CONTEXT	1182
3-1381. RM_L4CFG_MAILBOX10_CONTEXT	1183
3-1382. RM_L4CFG_MAILBOX11_CONTEXT	1183
3-1383. RM_L4CFG_MAILBOX12_CONTEXT	1184
3-1384. RM_L4CFG_MAILBOX13_CONTEXT	1184
3-1385. RM_L4CFG_SPARE_SMARTREFLEX_RTC_CONTEXT	1185
3-1386. RM_L4CFG_SPARE_SMARTREFLEX_SDRAM_CONTEXT	1185
3-1387. RM_L4CFG_SPARE_SMARTREFLEX_WKUP_CONTEXT	1186
3-1388. RM_L4CFG_IO_DELAY_BLOCK_CONTEXT	1186
3-1389. RM_L3INSTR_L3_MAIN_2_CONTEXT	1187
3-1390. RM_L3INSTR_L3_INSTR_CONTEXT	1187
3-1391. RM_L3INSTR_OCP_WP_NOC_CONTEXT	1188
3-1392. CUSTEFUSE_PRM Registers Mapping Summary	1189
3-1393. PM_CUSTEFUSE_PWRSTCTRL	1189
3-1394. Register Call Summary for Register PM_CUSTEFUSE_PWRSTCTRL	1190
3-1395. PM_CUSTEFUSE_PWRSTST	1190
3-1396. Register Call Summary for Register PM_CUSTEFUSE_PWRSTST	1191
3-1397. RM_CUSTEFUSE_EFUSE_CTRL_CUST_CONTEXT	1191
3-1398. Register Call Summary for Register RM_CUSTEFUSE_EFUSE_CTRL_CUST_CONTEXT	1191
3-1399. DEVICE_PRM Registers Mapping Summary	1191
3-1400. PRM_RSTCTRL	1194

3-1401. Register Call Summary for Register PRM_RSTCTRL	1195
3-1402. PRM_RSTST	1195
3-1403. Register Call Summary for Register PRM_RSTST.....	1196
3-1404. PRM_RSTTIME	1197
3-1405. Register Call Summary for Register PRM_RSTTIME.....	1197
3-1406. PRM_VOLTCTRL.....	1197
3-1407. PRM_PWRREQCTRL.....	1199
3-1408. PRM_PSCON_COUNT	1199
3-1409. Register Call Summary for Register PRM_PSCON_COUNT.....	1200
3-1410. PRM_IO_COUNT	1200
3-1411. Register Call Summary for Register PRM_IO_COUNT	1200
3-1412. PRM_IO_PMCTRL	1200
3-1413. Register Call Summary for Register PRM_IO_PMCTRL	1201
3-1414. PRM_VOLTSETUP_WARMRESET	1202
3-1415. PRM_VOLTSETUP_CORE_OFF	1202
3-1416. PRM_VOLTSETUP_MPU_OFF	1203
3-1417. PRM_VOLTSETUP_MM_OFF	1204
3-1418. PRM_VOLTSETUP_CORE_RET_SLEEP	1205
3-1419. PRM_VOLTSETUP_MPU_RET_SLEEP	1206
3-1420. PRM_VOLTSETUP_MM_RET_SLEEP.....	1207
3-1421. PRM_VP_CORE_CONFIG	1208
3-1422. PRM_VP_CORE_STATUS.....	1209
3-1423. PRM_VP_CORE_VLIMITTO	1209
3-1424. PRM_VP_CORE_VOLTAGE.....	1210
3-1425. PRM_VP_CORE_VSTEPMAX.....	1210
3-1426. PRM_VP_CORE_VSTEPMIN.....	1210
3-1427. PRM_VP_MPU_CONFIG.....	1211
3-1428. PRM_VP_MPU_STATUS.....	1212
3-1429. PRM_VP_MPU_VLIMITTO.....	1212
3-1430. PRM_VP_MPU_VOLTAGE.....	1212
3-1431. PRM_VP_MPU_VSTEPMAX.....	1213
3-1432. PRM_VP_MPU_VSTEPMIN.....	1213
3-1433. PRM_VP_MM_CONFIG	1213
3-1434. PRM_VP_MM_STATUS	1214
3-1435. PRM_VP_MM_VLIMITTO	1214
3-1436. PRM_VP_MM_VOLTAGE	1215
3-1437. PRM_VP_MM_VSTEPMAX	1215
3-1438. PRM_VP_MM_VSTEPMIN	1215
3-1439. PRM_VC_SMPS_CORE_CONFIG.....	1216
3-1440. PRM_VC_SMPS_MM_CONFIG	1217
3-1441. PRM_VC_SMPS_MPU_CONFIG.....	1218
3-1442. PRM_VC_VAL_CMD_VDD_CORE_L	1219
3-1443. PRM_VC_VAL_CMD_VDD_MM_L.....	1219
3-1444. PRM_VC_VAL_CMD_VDD_MPU_L	1220
3-1445. PRM_VC_VAL_BYPASS	1220
3-1446. PRM_VC_CORE_ERRST	1221
3-1447. PRM_VC_MM_ERRST.....	1222
3-1448. PRM_VC_MPU_ERRST	1223
3-1449. PRM_VC_BYPASS_ERRST	1224

3-1450. PRM_VC_CFG_I2C_MODE.....	1224
3-1451. PRM_VC_CFG_I2C_CLK.....	1225
3-1452. PRM_SRAM_COUNT	1225
3-1453. Register Call Summary for Register PRM_SRAM_COUNT.....	1226
3-1454. PRM_SRAM_WKUP_SETUP	1226
3-1455. PRM_SLDO_CORE_SETUP	1226
3-1456. Register Call Summary for Register PRM_SLDO_CORE_SETUP	1227
3-1457. PRM_SLDO_CORE_CTRL.....	1228
3-1458. Register Call Summary for Register PRM_SLDO_CORE_CTRL	1228
3-1459. PRM_SLDO_MPU_SETUP.....	1228
3-1460. Register Call Summary for Register PRM_SLDO_MPU_SETUP	1229
3-1461. PRM_SLDO_MPU_CTRL.....	1230
3-1462. Register Call Summary for Register PRM_SLDO_MPU_CTRL	1230
3-1463. PRM_SLDO_GPU_SETUP	1230
3-1464. Register Call Summary for Register PRM_SLDO_GPU_SETUP	1231
3-1465. PRM_SLDO_GPU_CTRL.....	1232
3-1466. Register Call Summary for Register PRM_SLDO_GPU_CTRL	1232
3-1467. PRM_ABBLDO_MPU_SETUP	1232
3-1468. Register Call Summary for Register PRM_ABBLDO_MPU_SETUP	1233
3-1469. PRM_ABBLDO_MPU_CTRL	1233
3-1470. Register Call Summary for Register PRM_ABBLDO_MPU_CTRL	1234
3-1471. PRM_ABBLDO_GPU_SETUP	1234
3-1472. Register Call Summary for Register PRM_ABBLDO_GPU_SETUP.....	1235
3-1473. PRM_ABBLDO_GPU_CTRL	1235
3-1474. Register Call Summary for Register PRM_ABBLDO_GPU_CTRL.....	1236
3-1475. PRM_BANDGAP_SETUP	1236
3-1476. Register Call Summary for Register PRM_BANDGAP_SETUP	1236
3-1477. PRM_DEVICE_OFF_CTRL	1236
3-1478. PRM_PHASE1_CNDP	1237
3-1479. PRM_PHASE2A_CNDP	1237
3-1480. PRM_PHASE2B_CNDP	1238
3-1481. PRM_MODEM_IF_CTRL	1238
3-1482. PRM_VOLTST_MPU	1239
3-1483. PRM_VOLTST_MM	1239
3-1484. PRM_SLDO_DSPEVE_SETUP.....	1240
3-1485. Register Call Summary for Register PRM_SLDO_DSPEVE_SETUP	1241
3-1486. PRM_SLDO_IVA_SETUP	1241
3-1487. Register Call Summary for Register PRM_SLDO_IVA_SETUP	1242
3-1488. PRM_ABBLDO_DSPEVE_CTRL	1242
3-1489. Register Call Summary for Register PRM_ABBLDO_DSPEVE_CTRL	1243
3-1490. PRM_ABBLDO_IVA_CTRL.....	1243
3-1491. Register Call Summary for Register PRM_ABBLDO_IVA_CTRL	1244
3-1492. PRM_SLDO_DSPEVE_CTRL.....	1244
3-1493. Register Call Summary for Register PRM_SLDO_DSPEVE_CTRL	1245
3-1494. PRM_SLDO_IVA_CTRL	1245
3-1495. Register Call Summary for Register PRM_SLDO_IVA_CTRL.....	1245
3-1496. PRM_ABBLDO_DSPEVE_SETUP	1246
3-1497. Register Call Summary for Register PRM_ABBLDO_DSPEVE_SETUP.....	1246
3-1498. PRM_ABBLDO_IVA_SETUP.....	1246

3-1499. Register Call Summary for Register PRM_ABLDO_IVA_SETUP	1247
3-1500. DSP1_PRM Registers Mapping Summary	1247
3-1501. PM_DSP1_PWRSTCTRL.....	1248
3-1502. Register Call Summary for Register PM_DSP1_PWRSTCTRL	1248
3-1503. PM_DSP1_PWRSTST	1249
3-1504. Register Call Summary for Register PM_DSP1_PWRSTST.....	1250
3-1505. RM_DSP1_RSTCTRL.....	1250
3-1506. Register Call Summary for Register RM_DSP1_RSTCTRL	1250
3-1507. RM_DSP1_RSTST	1251
3-1508. Register Call Summary for Register RM_DSP1_RSTST	1251
3-1509. RM_DSP1_DSP1_CONTEXT.....	1252
3-1510. Register Call Summary for Register RM_DSP1_DSP1_CONTEXT	1252
3-1511. DSP2_PRM Registers Mapping Summary	1253
3-1512. PM_DSP2_PWRSTCTRL.....	1253
3-1513. PM_DSP2_PWRSTST	1254
3-1514. RM_DSP2_RSTCTRL.....	1255
3-1515. RM_DSP2_RSTST	1256
3-1516. RM_DSP2_DSP2_CONTEXT.....	1256
3-1517. DSS_PRM Registers Mapping Summary.....	1257
3-1518. PM_DSS_PWRSTCTRL	1258
3-1519. Register Call Summary for Register PM_DSS_PWRSTCTRL.....	1258
3-1520. PM_DSS_PWRSTST.....	1259
3-1521. Register Call Summary for Register PM_DSS_PWRSTST	1260
3-1522. PM_DSS_DSS_WKDEP	1260
3-1523. Register Call Summary for Register PM_DSS_DSS_WKDEP	1263
3-1524. RM_DSS_DSS_CONTEXT	1263
3-1525. Register Call Summary for Register RM_DSS_DSS_CONTEXT	1264
3-1526. PM_DSS_DSS2_WKDEP	1264
3-1527. Register Call Summary for Register PM_DSS_DSS2_WKDEP	1266
3-1528. RM_DSS_BB2D_CONTEXT	1267
3-1529. Register Call Summary for Register RM_DSS_BB2D_CONTEXT.....	1267
3-1530. RM_DSS_SDVENC_CONTEXT	1267
3-1531. EMU_CM Registers Mapping Summary	1268
3-1532. CM_EMU_CLKSTCTRL	1268
3-1533. Register Call Summary for Register CM_EMU_CLKSTCTRL	1269
3-1534. CM_EMU_DEBUGSS_CLKCTRL	1269
3-1535. Register Call Summary for Register CM_EMU_DEBUGSS_CLKCTRL.....	1270
3-1536. CM_EMU_DYNAMICDEP	1270
3-1537. Register Call Summary for Register CM_EMU_DYNAMICDEP.....	1270
3-1538. CM_EMU_MPU_EMU_DBG_CLKCTRL.....	1270
3-1539. Register Call Summary for Register CM_EMU_MPU_EMU_DBG_CLKCTRL	1271
3-1540. EMU_PRM Registers Mapping Summary	1271
3-1541. PM_EMU_PWRSTCTRL.....	1271
3-1542. PM_EMU_PWRSTST	1272
3-1543. RM_EMU_DEBUGSS_CONTEXT.....	1273
3-1544. EVE1_PRM Registers Mapping Summary	1273
3-1545. PM_EVE1_PWRSTCTRL.....	1274
3-1546. PM_EVE1_PWRSTST	1275
3-1547. RM_EVE1_RSTCTRL	1276

3-1548. RM_EVE1_RSTST	1276
3-1549. PM_EVE1_EVE1_WKDEP	1277
3-1550. RM_EVE1_EVE1_CONTEXT	1278
3-1551. EVE2_PRM Registers Mapping Summary	1279
3-1552. PM_EVE2_PWRSTCTRL.....	1279
3-1553. PM_EVE2_PWRSTST	1280
3-1554. RM_EVE2_RSTCTRL.....	1281
3-1555. RM_EVE2_RSTST	1281
3-1556. PM_EVE2_EVE2_WKDEP	1282
3-1557. RM_EVE2_EVE2_CONTEXT	1283
3-1558. EVE3_PRM Registers Mapping Summary	1284
3-1559. PM_EVE3_PWRSTCTRL.....	1284
3-1560. PM_EVE3_PWRSTST	1285
3-1561. RM_EVE3_RSTCTRL.....	1286
3-1562. RM_EVE3_RSTST	1286
3-1563. PM_EVE3_EVE3_WKDEP	1287
3-1564. RM_EVE3_EVE3_CONTEXT	1288
3-1565. EVE4_PRM Registers Mapping Summary	1289
3-1566. PM_EVE4_PWRSTCTRL.....	1289
3-1567. PM_EVE4_PWRSTST	1290
3-1568. RM_EVE4_RSTCTRL.....	1291
3-1569. RM_EVE4_RSTST	1291
3-1570. PM_EVE4_EVE4_WKDEP	1292
3-1571. RM_EVE4_EVE4_CONTEXT	1293
3-1572. GPU_PRM Registers Mapping Summary	1294
3-1573. PM_GPU_PWRSTCTRL.....	1294
3-1574. Register Call Summary for Register PM_GPU_PWRSTCTRL	1295
3-1575. PM_GPU_PWRSTST	1295
3-1576. Register Call Summary for Register PM_GPU_PWRSTST	1296
3-1577. RM_GPU_GPU_CONTEXT	1296
3-1578. Register Call Summary for Register RM_GPU_GPU_CONTEXT	1297
3-1579. INSTR_PRM Registers Mapping Summary	1297
3-1580. PMI_IDENTICATION	1297
3-1581. Register Call Summary for Register PMI_IDENTICATION.....	1297
3-1582. PMI_SYS_CONFIG.....	1298
3-1583. Register Call Summary for Register PMI_SYS_CONFIG	1298
3-1584. PMI_STATUS	1298
3-1585. Register Call Summary for Register PMI_STATUS	1298
3-1586. PMI_CONFIGURATION	1299
3-1587. Register Call Summary for Register PMI_CONFIGURATION	1299
3-1588. PMI_CLASS_FILTERING.....	1299
3-1589. Register Call Summary for Register PMI_CLASS_FILTERING	1300
3-1590. PMI_TRIGGERING	1300
3-1591. Register Call Summary for Register PMI_TRIGGERING.....	1300
3-1592. PMI_SAMPLING	1300
3-1593. Register Call Summary for Register PMI_SAMPLING.....	1301
3-1594. IPU_PRM Registers Mapping Summary.....	1301
3-1595. PM_IPU_PWRSTCTRL	1302
3-1596. Register Call Summary for Register PM_IPU_PWRSTCTRL.....	1303

3-1597. PM_IPU_PWRSTST	1303
3-1598. Register Call Summary for Register PM_IPU_PWRSTST	1304
3-1599. RM_IPU1_RSTCTRL	1304
3-1600. Register Call Summary for Register RM_IPU1_RSTCTRL	1305
3-1601. RM_IPU1_RSTST	1305
3-1602. Register Call Summary for Register RM_IPU1_RSTST	1306
3-1603. RM_IPU1_IPU1_CONTEXT	1306
3-1604. Register Call Summary for Register RM_IPU1_IPU1_CONTEXT	1307
3-1605. PM_IPU_MCASP1_WKDEP	1307
3-1606. Register Call Summary for Register PM_IPU_MCASP1_WKDEP	1309
3-1607. RM_IPU_MCASP1_CONTEXT	1309
3-1608. PM_IPU_TIMER5_WKDEP	1310
3-1609. Register Call Summary for Register PM_IPU_TIMER5_WKDEP	1311
3-1610. RM_IPU_TIMER5_CONTEXT	1311
3-1611. PM_IPU_TIMER6_WKDEP	1312
3-1612. Register Call Summary for Register PM_IPU_TIMER6_WKDEP	1313
3-1613. RM_IPU_TIMER6_CONTEXT	1313
3-1614. PM_IPU_TIMER7_WKDEP	1314
3-1615. Register Call Summary for Register PM_IPU_TIMER7_WKDEP	1315
3-1616. RM_IPU_TIMER7_CONTEXT	1315
3-1617. PM_IPU_TIMER8_WKDEP	1316
3-1618. Register Call Summary for Register PM_IPU_TIMER8_WKDEP	1317
3-1619. RM_IPU_TIMER8_CONTEXT	1317
3-1620. PM_IPU_I2C5_WKDEP	1318
3-1621. Register Call Summary for Register PM_IPU_I2C5_WKDEP	1319
3-1622. RM_IPU_I2C5_CONTEXT	1319
3-1623. PM_IPU_UART6_WKDEP	1320
3-1624. Register Call Summary for Register PM_IPU_UART6_WKDEP	1321
3-1625. RM_IPU_UART6_CONTEXT	1321
3-1626. IVA_PRM Registers Mapping Summary	1322
3-1627. PM_IVA_PWRSTCTRL	1322
3-1628. Register Call Summary for Register PM_IVA_PWRSTCTRL	1323
3-1629. PM_IVA_PWRSTST	1324
3-1630. Register Call Summary for Register PM_IVA_PWRSTST	1325
3-1631. RM_IVA_RSTCTRL	1325
3-1632. Register Call Summary for Register RM_IVA_RSTCTRL	1326
3-1633. RM_IVA_RSTST	1326
3-1634. Register Call Summary for Register RM_IVA_RSTST	1327
3-1635. RM_IVA_IVA_CONTEXT	1327
3-1636. Register Call Summary for Register RM_IVA_IVA_CONTEXT	1328
3-1637. RM_IVA_SL2_CONTEXT	1328
3-1638. Register Call Summary for Register RM_IVA_SL2_CONTEXT	1328
3-1639. L3INIT_PRM Registers Mapping Summary	1328
3-1640. PM_L3INIT_PWRSTCTRL	1330
3-1641. Register Call Summary for Register PM_L3INIT_PWRSTCTRL	1331
3-1642. PM_L3INIT_PWRSTST	1331
3-1643. Register Call Summary for Register PM_L3INIT_PWRSTST	1332
3-1644. RM_PCIESS_RSTCTRL	1332
3-1645. Register Call Summary for Register RM_PCIESS_RSTCTRL	1333

3-1646. RM_PCIESS_RSTST	1333
3-1647. Register Call Summary for Register RM_PCIESS_RSTST	1333
3-1648. PM_L3INIT_MMC1_WKDEP	1334
3-1649. Register Call Summary for Register PM_L3INIT_MMC1_WKDEP	1335
3-1650. RM_L3INIT_MMC1_CONTEXT	1335
3-1651. PM_L3INIT_MMC2_WKDEP	1336
3-1652. Register Call Summary for Register PM_L3INIT_MMC2_WKDEP	1337
3-1653. RM_L3INIT_MMC2_CONTEXT	1337
3-1654. PM_L3INIT_USB_OTG_SS2_WKDEP	1338
3-1655. Register Call Summary for Register PM_L3INIT_USB_OTG_SS2_WKDEP	1339
3-1656. RM_L3INIT_USB_OTG_SS2_CONTEXT	1339
3-1657. Register Call Summary for Register RM_L3INIT_USB_OTG_SS2_CONTEXT	1340
3-1658. PM_L3INIT_USB_OTG_SS3_WKDEP	1340
3-1659. Register Call Summary for Register PM_L3INIT_USB_OTG_SS3_WKDEP	1341
3-1660. RM_L3INIT_USB_OTG_SS3_CONTEXT	1342
3-1661. Register Call Summary for Register RM_L3INIT_USB_OTG_SS3_CONTEXT	1342
3-1662. PM_L3INIT_USB_OTG_SS4_WKDEP	1343
3-1663. RM_L3INIT_USB_OTG_SS4_CONTEXT	1344
3-1664. RM_L3INIT_MLB_SS_CONTEXT	1345
3-1665. RM_L3INIT_IEEE1500_2_OCP_CONTEXT	1345
3-1666. PM_L3INIT_SATA_WKDEP	1346
3-1667. Register Call Summary for Register PM_L3INIT_SATA_WKDEP	1347
3-1668. RM_L3INIT_SATA_CONTEXT	1347
3-1669. Register Call Summary for Register RM_L3INIT_SATA_CONTEXT	1348
3-1670. PM_PCIE_PCIESS1_WKDEP	1348
3-1671. Register Call Summary for Register PM_PCIE_PCIESS1_WKDEP	1349
3-1672. RM_PCIE_PCIESS1_CONTEXT	1349
3-1673. Register Call Summary for Register RM_PCIE_PCIESS1_CONTEXT	1350
3-1674. PM_PCIE_PCIESS2_WKDEP	1350
3-1675. Register Call Summary for Register PM_PCIE_PCIESS2_WKDEP	1351
3-1676. RM_PCIE_PCIESS2_CONTEXT	1351
3-1677. Register Call Summary for Register RM_PCIE_PCIESS2_CONTEXT	1352
3-1678. RM_GMAC_GMAC_CONTEXT	1352
3-1679. RM_L3INIT_OCP2SCP1_CONTEXT	1353
3-1680. RM_L3INIT_OCP2SCP3_CONTEXT	1353
3-1681. PM_L3INIT_USB_OTG_SS1_WKDEP	1354
3-1682. Register Call Summary for Register PM_L3INIT_USB_OTG_SS1_WKDEP	1355
3-1683. RM_L3INIT_USB_OTG_SS1_CONTEXT	1355
3-1684. Register Call Summary for Register RM_L3INIT_USB_OTG_SS1_CONTEXT	1356
3-1685. L4PER_PRM Registers Mapping Summary	1356
3-1686. PM_L4PER_PWRSTCTRL	1360
3-1687. PM_L4PER_PWRSTST	1361
3-1688. RM_L4PER2_L4PER2_CONTEXT	1362
3-1689. RM_L4PER3_L4PER3_CONTEXT	1363
3-1690. RM_L4PER2_PRUSS1_CONTEXT	1363
3-1691. RM_L4PER2_PRUSS2_CONTEXT	1364
3-1692. PM_L4PER_TIMER10_WKDEP	1365
3-1693. Register Call Summary for Register PM_L4PER_TIMER10_WKDEP	1366
3-1694. RM_L4PER_TIMER10_CONTEXT	1366

3-1695. PM_L4PER_TIMER11_WKDEP	1367
3-1696. Register Call Summary for Register PM_L4PER_TIMER11_WKDEP.....	1368
3-1697. RM_L4PER_TIMER11_CONTEXT	1368
3-1698. PM_L4PER_TIMER2_WKDEP.....	1369
3-1699. Register Call Summary for Register PM_L4PER_TIMER2_WKDEP	1370
3-1700. RM_L4PER_TIMER2_CONTEXT	1370
3-1701. PM_L4PER_TIMER3_WKDEP.....	1371
3-1702. Register Call Summary for Register PM_L4PER_TIMER3_WKDEP	1372
3-1703. RM_L4PER_TIMER3_CONTEXT	1372
3-1704. PM_L4PER_TIMER4_WKDEP.....	1373
3-1705. Register Call Summary for Register PM_L4PER_TIMER4_WKDEP	1374
3-1706. RM_L4PER_TIMER4_CONTEXT	1374
3-1707. PM_L4PER_TIMER9_WKDEP.....	1375
3-1708. Register Call Summary for Register PM_L4PER_TIMER9_WKDEP	1376
3-1709. RM_L4PER_TIMER9_CONTEXT	1376
3-1710. RM_L4PER_ELM_CONTEXT.....	1377
3-1711. PM_L4PER_GPIO2_WKDEP	1377
3-1712. Register Call Summary for Register PM_L4PER_GPIO2_WKDEP.....	1379
3-1713. RM_L4PER_GPIO2_CONTEXT	1379
3-1714. PM_L4PER_GPIO3_WKDEP	1380
3-1715. Register Call Summary for Register PM_L4PER_GPIO3_WKDEP.....	1382
3-1716. RM_L4PER_GPIO3_CONTEXT	1382
3-1717. PM_L4PER_GPIO4_WKDEP	1383
3-1718. Register Call Summary for Register PM_L4PER_GPIO4_WKDEP.....	1385
3-1719. RM_L4PER_GPIO4_CONTEXT	1385
3-1720. PM_L4PER_GPIO5_WKDEP	1386
3-1721. Register Call Summary for Register PM_L4PER_GPIO5_WKDEP.....	1388
3-1722. RM_L4PER_GPIO5_CONTEXT	1388
3-1723. PM_L4PER_GPIO6_WKDEP	1389
3-1724. Register Call Summary for Register PM_L4PER_GPIO6_WKDEP.....	1391
3-1725. RM_L4PER_GPIO6_CONTEXT	1391
3-1726. RM_L4PER_HDQ1W_CONTEXT	1392
3-1727. RM_L4PER2_PWMSS2_CONTEXT	1392
3-1728. RM_L4PER2_PWMSS3_CONTEXT	1393
3-1729. PM_L4PER_I2C1_WKDEP.....	1393
3-1730. Register Call Summary for Register PM_L4PER_I2C1_WKDEP	1395
3-1731. RM_L4PER_I2C1_CONTEXT.....	1395
3-1732. PM_L4PER_I2C2_WKDEP.....	1396
3-1733. Register Call Summary for Register PM_L4PER_I2C2_WKDEP	1397
3-1734. RM_L4PER_I2C2_CONTEXT.....	1397
3-1735. PM_L4PER_I2C3_WKDEP.....	1398
3-1736. Register Call Summary for Register PM_L4PER_I2C3_WKDEP	1399
3-1737. RM_L4PER_I2C3_CONTEXT.....	1400
3-1738. PM_L4PER_I2C4_WKDEP.....	1400
3-1739. Register Call Summary for Register PM_L4PER_I2C4_WKDEP	1402
3-1740. RM_L4PER_I2C4_CONTEXT.....	1402
3-1741. RM_L4PER_L4PER1_CONTEXT	1402
3-1742. RM_L4PER2_PWMSS1_CONTEXT	1403
3-1743. PM_L4PER_TIMER13_WKDEP	1403

3-1744. Register Call Summary for Register PM_L4PER_TIMER13_WKDEP.....	1404
3-1745. RM_L4PER3_TIMER13_CONTEXT	1405
3-1746. PM_L4PER_TIMER14_WKDEP	1405
3-1747. Register Call Summary for Register PM_L4PER_TIMER14_WKDEP.....	1406
3-1748. RM_L4PER3_TIMER14_CONTEXT	1407
3-1749. PM_L4PER_TIMER15_WKDEP	1407
3-1750. Register Call Summary for Register PM_L4PER_TIMER15_WKDEP.....	1408
3-1751. RM_L4PER3_TIMER15_CONTEXT	1409
3-1752. PM_L4PER_MCSP11_WKDEP	1409
3-1753. Register Call Summary for Register PM_L4PER_MCSP11_WKDEP.....	1410
3-1754. RM_L4PER_MCSP11_CONTEXT	1411
3-1755. PM_L4PER_MCSP12_WKDEP	1411
3-1756. Register Call Summary for Register PM_L4PER_MCSP12_WKDEP.....	1412
3-1757. RM_L4PER_MCSP12_CONTEXT	1413
3-1758. PM_L4PER_MCSP13_WKDEP	1413
3-1759. Register Call Summary for Register PM_L4PER_MCSP13_WKDEP.....	1414
3-1760. RM_L4PER_MCSP13_CONTEXT	1415
3-1761. PM_L4PER_MCSP14_WKDEP	1415
3-1762. Register Call Summary for Register PM_L4PER_MCSP14_WKDEP.....	1416
3-1763. RM_L4PER_MCSP14_CONTEXT	1417
3-1764. PM_L4PER_GPIO7_WKDEP	1417
3-1765. Register Call Summary for Register PM_L4PER_GPIO7_WKDEP.....	1419
3-1766. RM_L4PER_GPIO7_CONTEXT	1419
3-1767. PM_L4PER_GPIO8_WKDEP	1420
3-1768. Register Call Summary for Register PM_L4PER_GPIO8_WKDEP.....	1422
3-1769. RM_L4PER_GPIO8_CONTEXT	1422
3-1770. PM_L4PER_MMC3_WKDEP	1423
3-1771. Register Call Summary for Register PM_L4PER_MMC3_WKDEP.....	1424
3-1772. RM_L4PER_MMC3_CONTEXT	1424
3-1773. PM_L4PER_MMC4_WKDEP	1425
3-1774. Register Call Summary for Register PM_L4PER_MMC4_WKDEP.....	1426
3-1775. RM_L4PER_MMC4_CONTEXT	1426
3-1776. PM_L4PER_TIMER16_WKDEP	1427
3-1777. Register Call Summary for Register PM_L4PER_TIMER16_WKDEP.....	1428
3-1778. RM_L4PER3_TIMER16_CONTEXT	1428
3-1779. PM_L4PER2_QSPI_WKDEP	1429
3-1780. Register Call Summary for Register PM_L4PER2_QSPI_WKDEP.....	1430
3-1781. RM_L4PER2_QSPI_CONTEXT	1430
3-1782. PM_L4PER_UART1_WKDEP.....	1431
3-1783. Register Call Summary for Register PM_L4PER_UART1_WKDEP.....	1432
3-1784. RM_L4PER_UART1_CONTEXT	1432
3-1785. PM_L4PER_UART2_WKDEP.....	1433
3-1786. Register Call Summary for Register PM_L4PER_UART2_WKDEP.....	1434
3-1787. RM_L4PER_UART2_CONTEXT	1434
3-1788. PM_L4PER_UART3_WKDEP.....	1435
3-1789. Register Call Summary for Register PM_L4PER_UART3_WKDEP.....	1436
3-1790. RM_L4PER_UART3_CONTEXT	1437
3-1791. PM_L4PER_UART4_WKDEP.....	1437
3-1792. Register Call Summary for Register PM_L4PER_UART4_WKDEP.....	1439

3-1793. RM_L4PER_UART4_CONTEXT	1439
3-1794. PM_L4PER2_MCASP2_WKDEP	1440
3-1795. Register Call Summary for Register PM_L4PER2_MCASP2_WKDEP	1441
3-1796. RM_L4PER2_MCASP2_CONTEXT	1441
3-1797. PM_L4PER2_MCASP3_WKDEP	1442
3-1798. Register Call Summary for Register PM_L4PER2_MCASP3_WKDEP	1443
3-1799. RM_L4PER2_MCASP3_CONTEXT	1444
3-1800. PM_L4PER_UART5_WKDEP	1444
3-1801. Register Call Summary for Register PM_L4PER_UART5_WKDEP	1445
3-1802. RM_L4PER_UART5_CONTEXT	1446
3-1803. PM_L4PER2_MCASP5_WKDEP	1446
3-1804. Register Call Summary for Register PM_L4PER2_MCASP5_WKDEP	1448
3-1805. RM_L4PER2_MCASP5_CONTEXT	1448
3-1806. PM_L4PER2_MCASP6_WKDEP	1449
3-1807. Register Call Summary for Register PM_L4PER2_MCASP6_WKDEP	1450
3-1808. RM_L4PER2_MCASP6_CONTEXT	1450
3-1809. PM_L4PER2_MCASP7_WKDEP	1451
3-1810. Register Call Summary for Register PM_L4PER2_MCASP7_WKDEP	1452
3-1811. RM_L4PER2_MCASP7_CONTEXT	1453
3-1812. PM_L4PER2_MCASP8_WKDEP	1453
3-1813. Register Call Summary for Register PM_L4PER2_MCASP8_WKDEP	1455
3-1814. RM_L4PER2_MCASP8_CONTEXT	1455
3-1815. PM_L4PER2_MCASP4_WKDEP	1456
3-1816. Register Call Summary for Register PM_L4PER2_MCASP4_WKDEP	1457
3-1817. RM_L4PER2_MCASP4_CONTEXT	1457
3-1818. RM_L4SEC_AES1_CONTEXT	1458
3-1819. RM_L4SEC_AES2_CONTEXT	1458
3-1820. RM_L4SEC_DES3DES_CONTEXT	1459
3-1821. RM_L4SEC_FPKA_CONTEXT	1459
3-1822. RM_L4SEC_RNG_CONTEXT	1460
3-1823. RM_L4SEC_SHA2MD51_CONTEXT	1460
3-1824. PM_L4PER2_UART7_WKDEP	1461
3-1825. Register Call Summary for Register PM_L4PER2_UART7_WKDEP	1462
3-1826. RM_L4PER2_UART7_CONTEXT	1462
3-1827. RM_L4SEC_DMA_CRYPT0_CONTEXT	1463
3-1828. PM_L4PER2_UART8_WKDEP	1464
3-1829. Register Call Summary for Register PM_L4PER2_UART8_WKDEP	1465
3-1830. RM_L4PER2_UART8_CONTEXT	1465
3-1831. PM_L4PER2_UART9_WKDEP	1466
3-1832. Register Call Summary for Register PM_L4PER2_UART9_WKDEP	1467
3-1833. RM_L4PER2_UART9_CONTEXT	1467
3-1834. PM_L4PER2_DCAN2_WKDEP	1468
3-1835. Register Call Summary for Register PM_L4PER2_DCAN2_WKDEP	1469
3-1836. RM_L4PER2_DCAN2_CONTEXT	1469
3-1837. RM_L4SEC_SHA2MD52_CONTEXT	1470
3-1838. MPU_PR0 Registers Mapping Summary	1470
3-1839. PM_MPU_PWRSTCTRL	1471
3-1840. Register Call Summary for Register PM_MPU_PWRSTCTRL	1472
3-1841. PM_MPU_PWRSTST	1472

3-1842. Register Call Summary for Register PM_MPU_PWRSTST	1473
3-1843. RM_MPU_MPU_CONTEXT	1473
3-1844. Register Call Summary for Register RM_MPU_MPU_CONTEXT	1474
3-1845. OCP_SOCKET_PRM Registers Mapping Summary	1474
3-1846. REVISION_PRM	1475
3-1847. Register Call Summary for Register REVISION_PRM.....	1475
3-1848. PRM_IRQSTATUS_MPU	1476
3-1849. Register Call Summary for Register PRM_IRQSTATUS_MPU	1477
3-1850. PRM_IRQSTATUS_MPU_2	1478
3-1851. Register Call Summary for Register PRM_IRQSTATUS_MPU_2	1478
3-1852. PRM_IRQENABLE_MPU	1478
3-1853. Register Call Summary for Register PRM_IRQENABLE_MPU	1480
3-1854. PRM_IRQENABLE_MPU_2	1480
3-1855. Register Call Summary for Register PRM_IRQENABLE_MPU_2	1480
3-1856. PRM_IRQSTATUS_IPU2	1481
3-1857. Register Call Summary for Register PRM_IRQSTATUS_IPU2	1482
3-1858. PRM_IRQENABLE_IPU2	1483
3-1859. Register Call Summary for Register PRM_IRQENABLE_IPU2	1484
3-1860. PRM_IRQSTATUS_DSP1	1485
3-1861. Register Call Summary for Register PRM_IRQSTATUS_DSP1	1486
3-1862. PRM_IRQENABLE_DSP1	1487
3-1863. Register Call Summary for Register PRM_IRQENABLE_DSP1	1488
3-1864. CM_PRM_PROFILING_CLKCTRL	1489
3-1865. Register Call Summary for Register CM_PRM_PROFILING_CLKCTRL	1489
3-1866. PRM_IRQENABLE_DSP2	1489
3-1867. PRM_IRQENABLE_EVE1	1491
3-1868. PRM_IRQENABLE_EVE2	1492
3-1869. PRM_IRQENABLE_EVE3	1494
3-1870. PRM_IRQENABLE_EVE4	1495
3-1871. PRM_IRQENABLE_IPU1	1497
3-1872. Register Call Summary for Register PRM_IRQENABLE_IPU1	1498
3-1873. PRM_IRQSTATUS_DSP2	1499
3-1874. PRM_IRQSTATUS_EVE1	1500
3-1875. PRM_IRQSTATUS_EVE2	1502
3-1876. PRM_IRQSTATUS_EVE3	1504
3-1877. PRM_IRQSTATUS_EVE4	1506
3-1878. PRM_IRQSTATUS_IPU1	1507
3-1879. Register Call Summary for Register PRM_IRQSTATUS_IPU1	1509
3-1880. PRM_DEBUG_CFG1.....	1509
3-1881. Register Call Summary for Register PRM_DEBUG_CFG1	1510
3-1882. PRM_DEBUG_CFG2.....	1510
3-1883. Register Call Summary for Register PRM_DEBUG_CFG2	1510
3-1884. PRM_DEBUG_CFG3.....	1510
3-1885. Register Call Summary for Register PRM_DEBUG_CFG3	1510
3-1886. PRM_DEBUG_CFG	1511
3-1887. Register Call Summary for Register PRM_DEBUG_CFG.....	1511
3-1888. PRM_DEBUG_OUT	1511
3-1889. Register Call Summary for Register PRM_DEBUG_OUT.....	1511
3-1890. RTC_PRM Registers Mapping Summary.....	1511

3-1891. PM_RTC_RTCSS_WKDEP	1512
3-1892. Register Call Summary for Register PM_RTC_RTCSS_WKDEP	1514
3-1893. RM_RTC_RTCSS_CONTEXT	1514
3-1894. Register Call Summary for Register RM_RTC_RTCSS_CONTEXT	1514
3-1895. VPE_PRM Registers Mapping Summary	1515
3-1896. PM_VPE_PWRSTCTRL	1515
3-1897. Register Call Summary for Register PM_VPE_PWRSTCTRL	1516
3-1898. PM_VPE_PWRSTST	1516
3-1899. Register Call Summary for Register PM_VPE_PWRSTST	1517
3-1900. PM_VPE_VPE_WKDEP	1517
3-1901. Register Call Summary for Register PM_VPE_VPE_WKDEP	1518
3-1902. RM_VPE_VPE_CONTEXT	1519
3-1903. Register Call Summary for Register RM_VPE_VPE_CONTEXT	1519
3-1904. WKUPAON_CM Registers Mapping Summary	1519
3-1905. CM_WKUPAON_CLKSTCTRL	1521
3-1906. Register Call Summary for Register CM_WKUPAON_CLKSTCTRL	1523
3-1907. CM_WKUPAON_L4_WKUP_CLKCTRL	1523
3-1908. Register Call Summary for Register CM_WKUPAON_L4_WKUP_CLKCTRL	1523
3-1909. CM_WKUPAON_WD_TIMER1_CLKCTRL	1524
3-1910. CM_WKUPAON_WD_TIMER2_CLKCTRL	1524
3-1911. Register Call Summary for Register CM_WKUPAON_WD_TIMER2_CLKCTRL	1525
3-1912. CM_WKUPAON_GPIO1_CLKCTRL	1525
3-1913. Register Call Summary for Register CM_WKUPAON_GPIO1_CLKCTRL	1526
3-1914. CM_WKUPAON_TIMER1_CLKCTRL	1526
3-1915. Register Call Summary for Register CM_WKUPAON_TIMER1_CLKCTRL	1527
3-1916. CM_WKUPAON_TIMER12_CLKCTRL	1528
3-1917. Register Call Summary for Register CM_WKUPAON_TIMER12_CLKCTRL	1528
3-1918. CM_WKUPAON_COUNTER_32K_CLKCTRL	1528
3-1919. Register Call Summary for Register CM_WKUPAON_COUNTER_32K_CLKCTRL	1529
3-1920. CM_WKUPAON_SAR_RAM_CLKCTRL	1529
3-1921. CM_WKUPAON_KBD_CLKCTRL	1530
3-1922. Register Call Summary for Register CM_WKUPAON_KBD_CLKCTRL	1530
3-1923. CM_WKUPAON_UART10_CLKCTRL	1531
3-1924. Register Call Summary for Register CM_WKUPAON_UART10_CLKCTRL	1531
3-1925. CM_WKUPAON_DCAN1_CLKCTRL	1532
3-1926. Register Call Summary for Register CM_WKUPAON_DCAN1_CLKCTRL	1532
3-1927. CM_WKUPAON_SCRM_CLKCTRL	1533
3-1928. CM_WKUPAON_IO_SRCOMP_CLKCTRL	1533
3-1929. CM_WKUPAON_ADC_CLKCTRL	1534
3-1930. CM_WKUPAON_SPARE_SAFETY1_CLKCTRL	1534
3-1931. CM_WKUPAON_SPARE_SAFETY2_CLKCTRL	1535
3-1932. CM_WKUPAON_SPARE_SAFETY3_CLKCTRL	1536
3-1933. CM_WKUPAON_SPARE_SAFETY4_CLKCTRL	1536
3-1934. CM_WKUPAON_SPARE_UNKNOWN2_CLKCTRL	1537
3-1935. CM_WKUPAON_SPARE_UNKNOWN3_CLKCTRL	1538
3-1936. WKUPAON_PRM Registers Mapping Summary	1538
3-1937. RM_WKUPAON_L4_WKUP_CONTEXT	1540
3-1938. Register Call Summary for Register RM_WKUPAON_L4_WKUP_CONTEXT	1540
3-1939. PM_WKUPAON_WD_TIMER1_WKDEP	1540

3-1940. RM_WKUPAON_WD_TIMER1_CONTEXT	1542
3-1941. PM_WKUPAON_WD_TIMER2_WKDEP	1542
3-1942. Register Call Summary for Register PM_WKUPAON_WD_TIMER2_WKDEP	1543
3-1943. RM_WKUPAON_WD_TIMER2_CONTEXT	1544
3-1944. Register Call Summary for Register RM_WKUPAON_WD_TIMER2_CONTEXT	1544
3-1945. PM_WKUPAON_GPIO1_WKDEP	1544
3-1946. Register Call Summary for Register PM_WKUPAON_GPIO1_WKDEP	1546
3-1947. RM_WKUPAON_GPIO1_CONTEXT	1547
3-1948. Register Call Summary for Register RM_WKUPAON_GPIO1_CONTEXT	1547
3-1949. PM_WKUPAON_TIMER1_WKDEP	1547
3-1950. Register Call Summary for Register PM_WKUPAON_TIMER1_WKDEP	1548
3-1951. RM_WKUPAON_TIMER1_CONTEXT	1549
3-1952. Register Call Summary for Register RM_WKUPAON_TIMER1_CONTEXT	1549
3-1953. PM_WKUPAON_TIMER12_WKDEP	1549
3-1954. Register Call Summary for Register PM_WKUPAON_TIMER12_WKDEP	1550
3-1955. RM_WKUPAON_TIMER12_CONTEXT	1551
3-1956. Register Call Summary for Register RM_WKUPAON_TIMER12_CONTEXT	1551
3-1957. RM_WKUPAON_COUNTER_32K_CONTEXT	1551
3-1958. Register Call Summary for Register RM_WKUPAON_COUNTER_32K_CONTEXT	1552
3-1959. RM_WKUPAON_SAR_RAM_CONTEXT	1552
3-1960. PM_WKUPAON_KBD_WKDEP	1553
3-1961. Register Call Summary for Register PM_WKUPAON_KBD_WKDEP	1554
3-1962. RM_WKUPAON_KBD_CONTEXT	1554
3-1963. Register Call Summary for Register RM_WKUPAON_KBD_CONTEXT	1554
3-1964. PM_WKUPAON_UART10_WKDEP	1555
3-1965. Register Call Summary for Register PM_WKUPAON_UART10_WKDEP	1556
3-1966. RM_WKUPAON_UART10_CONTEXT	1556
3-1967. Register Call Summary for Register RM_WKUPAON_UART10_CONTEXT	1557
3-1968. PM_WKUPAON_DCAN1_WKDEP	1557
3-1969. Register Call Summary for Register PM_WKUPAON_DCAN1_WKDEP	1558
3-1970. RM_WKUPAON_DCAN1_CONTEXT	1558
3-1971. Register Call Summary for Register RM_WKUPAON_DCAN1_CONTEXT	1559
3-1972. PM_WKUPAON_ADC_WKDEP	1559
3-1973. RM_WKUPAON_ADC_CONTEXT	1560
3-1974. RM_WKUPAON_SPARE_SAFETY1_CONTEXT	1561
3-1975. RM_WKUPAON_SPARE_SAFETY2_CONTEXT	1561
3-1976. RM_WKUPAON_SPARE_SAFETY3_CONTEXT	1562
3-1977. RM_WKUPAON_SPARE_SAFETY4_CONTEXT	1562
3-1978. RM_WKUPAON_SPARE_UNKNOWN2_CONTEXT	1563
3-1979. RM_WKUPAON_SPARE_UNKNOWN3_CONTEXT	1563
4-1. MPU Subsystem Clocks Frequency Value Versus OPP	1571
4-2. AXI Access Memory Mapping	1580
4-3. MPU_MA Registers Duplicated From the DMM Register Map	1582
4-4. COUNTER_REALTIME Increment Values	1587
4-5. MPU_C0 State Transitions	1592
4-6. MPU_C0 Supported Power States	1593
4-7. MPU Subsystem Legal Power States	1593
4-8. Cortex-A15 MPU Subsystem Instance Summary	1597
4-9. Local PRCM Revision Register Mapping Summary	1597

4-10.	REVISION_PRCM_MPU	1598
4-11.	Register Call Summary for Register REVISION_PRCM_MPU	1598
4-12.	MPU_PRCM_DEVICE Registers Mapping Summary	1598
4-13.	PRM_RSTST	1599
4-14.	Register Call Summary for Register PRM_RSTST	1599
4-15.	PRM_PSCON_COUNT.....	1600
4-16.	Register Call Summary for Register PRM_PSCON_COUNT	1600
4-17.	PRM_FRAC_INCREMENTER_NUMERATOR.....	1601
4-18.	Register Call Summary for Register PRM_FRAC_INCREMENTER_NUMERATOR	1601
4-19.	PRM_FRAC_INCREMENTER_DENUMERATOR_RELOAD	1601
4-20.	Register Call Summary for Register PRM_FRAC_INCREMENTER_DENUMERATOR_RELOAD	1602
4-21.	MPU_PRCM_PRM_C0 Registers Mapping Summary	1602
4-22.	PM_CPU0_PWRSTCTRL.....	1602
4-23.	Register Call Summary for Register PM_CPU0_PWRSTCTRL	1603
4-24.	PM_CPU0_PWRSTST	1603
4-25.	Register Call Summary for Register PM_CPU0_PWRSTST	1604
4-26.	RM_CPU0_CPU0_RSTCTRL	1604
4-27.	Register Call Summary for Register RM_CPU0_CPU0_RSTCTRL.....	1604
4-28.	RM_CPU0_CPU0_RSTST	1605
4-29.	Register Call Summary for Register RM_CPU0_CPU0_RSTST	1605
4-30.	RM_CPU0_CPU0_CONTEXT	1605
4-31.	Register Call Summary for Register RM_CPU0_CPU0_CONTEXT	1606
4-32.	MPU_PRCM_CM_C0 Registers Mapping Summary	1606
4-33.	CM_CPU0_CLKSTCTRL.....	1606
4-34.	Register Call Summary for Register CM_CPU0_CLKSTCTRL	1607
4-35.	CM_CPU0_CPU0_CLKCTRL	1607
4-36.	Register Call Summary for Register CM_CPU0_CPU0_CLKCTRL	1607
4-37.	MPU_WUGEN Registers Mapping Summary	1607
4-38.	WKG_CONTROL_0.....	1608
4-39.	Register Call Summary for Register WKG_CONTROL_0	1609
4-40.	WKG_ENB_A_0	1609
4-41.	Register Call Summary for Register WKG_ENB_A_0.....	1610
4-42.	WKG_ENB_B_0	1611
4-43.	Register Call Summary for Register WKG_ENB_B_0.....	1612
4-44.	WKG_ENB_C_0.....	1612
4-45.	Register Call Summary for Register WKG_ENB_C_0	1613
4-46.	WKG_ENB_D_0.....	1613
4-47.	Register Call Summary for Register WKG_ENB_D_0	1614
4-48.	WKG_ENB_E_0	1614
4-49.	Register Call Summary for Register WKG_ENB_E_0.....	1615
4-50.	STM_HWEVENTS_INV	1615
4-51.	Register Call Summary for Register STM_HWEVENTS_INV	1617
4-52.	AMBA_IF_MODE.....	1618
4-53.	Register Call Summary for Register AMBA_IF_MODE	1618
4-54.	TIMESTAMP_CYCLELO	1618
4-55.	Register Call Summary for Register TIMESTAMP_CYCLELO	1618
4-56.	TIMESTAMP_CYCLEHI	1619
4-57.	Register Call Summary for Register TIMESTAMP_CYCLEHI	1619
4-58.	MPU_WD_TIMER Registers Mapping Summary	1619

4-59.	WDT_LOAD_REGISTER_0	1619
4-60.	Register Call Summary for Register WDT_LOAD_REGISTER_0	1620
4-61.	WDT_COUNT_REGISTER_0	1620
4-62.	Register Call Summary for Register WDT_COUNT_REGISTER_0	1620
4-63.	WDT_WARNING_REGISTER_0	1620
4-64.	Register Call Summary for Register WDT_WARNING_REGISTER_0	1621
4-65.	WDT_PRESCALER_REGISTER_0	1621
4-66.	Register Call Summary for Register WDT_PRESCALER_REGISTER_0	1621
4-67.	WDT_CONTROL_REGISTER_0	1621
4-68.	Register Call Summary for Register WDT_CONTROL_REGISTER_0	1622
4-69.	WDT_RESET_STATUS_REGISTER_0	1622
4-70.	Register Call Summary for Register WDT_RESET_STATUS_REGISTER_0	1623
4-71.	MPU_AXI2OCP_MISC Register Mapping Summary	1623
4-72.	MA_PRIORITY	1623
4-73.	Register Call Summary for Register MA_PRIORITY	1623
4-74.	MPU_MA_LSM Register Mapping Summary	1624
4-75.	MPU_MA_WP Registers Mapping Summary	1624
4-76.	DBG_HWWP_CAP	1625
4-77.	Register Call Summary for Register DBG_HWWP_CAP	1626
4-78.	TRIG_CTRL	1626
4-79.	Register Call Summary for Register TRIG_CTRL	1626
4-80.	DBG_HWWP0_LW_ADDR0	1626
4-81.	Register Call Summary for Register DBG_HWWP0_LW_ADDR0	1626
4-82.	DBG_HWWP0_HG_ADDR0	1627
4-83.	Register Call Summary for Register DBG_HWWP0_HG_ADDR0	1627
4-84.	DBG_HWWP0_MAIN_CNTL	1627
4-85.	Register Call Summary for Register DBG_HWWP0_MAIN_CNTL	1628
4-86.	DBG_HWWP0_AUX_CNTL	1628
4-87.	Register Call Summary for Register DBG_HWWP0_AUX_CNTL	1629
4-88.	DBG_HWWP0_MEM_CNTL	1629
4-89.	Register Call Summary for Register DBG_HWWP0_MEM_CNTL	1630
4-90.	DBG_HWWP0_CHAIN_CNTL	1630
4-91.	Register Call Summary for Register DBG_HWWP0_CHAIN_CNTL	1631
4-92.	DBG_HWWP0_LW_ADDR0_LOG	1631
4-93.	Register Call Summary for Register DBG_HWWP0_LW_ADDR0_LOG	1631
4-94.	DBG_HWWP0_HG_ADDR0_LOG	1631
4-95.	Register Call Summary for Register DBG_HWWP0_HG_ADDR0_LOG	1632
4-96.	DBG_HWWP0_DATA0_LOG	1632
4-97.	Register Call Summary for Register DBG_HWWP0_DATA0_LOG	1632
4-98.	DBG_HWWP0_DATA1_LOG	1632
4-99.	Register Call Summary for Register DBG_HWWP0_DATA1_LOG	1633
4-100.	DBG_HWWP0_DATA2_LOG	1633
4-101.	Register Call Summary for Register DBG_HWWP0_DATA2_LOG	1633
4-102.	DBG_HWWP0_DATA3_LOG	1633
4-103.	Register Call Summary for Register DBG_HWWP0_DATA3_LOG	1633
4-104.	DBG_HWWP0_TRANS_ATTR0_LOG	1634
4-105.	Register Call Summary for Register DBG_HWWP0_TRANS_ATTR0_LOG	1635
4-106.	DBG_HWWP0_TRANS_ATTR1_LOG	1635
4-107.	Register Call Summary for Register DBG_HWWP0_TRANS_ATTR1_LOG	1635

4-108.	DBG_HWWP0_DATA_TRANS_ATTR0_LOG	1635
4-109.	Register Call Summary for Register DBG_HWWP0_DATA_TRANS_ATTR0_LOG	1636
5-1.	DSP1 Integration Attributes	1643
5-2.	DSP1 Clocks and Resets	1644
5-3.	DSP1 Hardware Interrupt Requests	1645
5-4.	Summary of the DSP1 Hardware Resets	1658
5-5.	DSP_ERRINT Interrupt Mapping	1665
5-6.	DSP1_EDMA Default Request Mapping	1669
5-7.	DSP_NoC Defined Connectivities.....	1676
5-8.	C66x CPU View Map	1679
5-9.	DSP EDMA Controller View Map	1680
5-10.	SDMA Target Port Memory Map	1681
5-11.	DSP Subsystem Instance Summary.....	1681
5-12.	DSP_ICFG Registers Mapping Summary.....	1682
5-13.	DSP_SYSTEM and DSP1_SYSTEM Registers Mapping Summary	1686
5-14.	DSP_SYS_REVISION	1687
5-15.	Register Call Summary for Register DSP_SYS_REVISION	1687
5-16.	DSP_SYS_HWINFO	1688
5-17.	Register Call Summary for Register DSP_SYS_HWINFO	1688
5-18.	DSP_SYS_SYSCONFIG	1688
5-19.	Register Call Summary for Register DSP_SYS_SYSCONFIG	1689
5-20.	DSP_SYS_STAT	1689
5-21.	Register Call Summary for Register DSP_SYS_STAT	1690
5-22.	DSP_SYS_DISC_CONFIG	1690
5-23.	Register Call Summary for Register DSP_SYS_DISC_CONFIG	1691
5-24.	DSP_SYS_BUS_CONFIG	1691
5-25.	Register Call Summary for Register DSP_SYS_BUS_CONFIG	1692
5-26.	DSP_SYS_MMU_CONFIG	1693
5-27.	Register Call Summary for Register DSP_SYS_MMU_CONFIG	1693
5-28.	DSP_SYS_IRQWAKEEN0	1693
5-29.	Register Call Summary for Register DSP_SYS_IRQWAKEEN0	1694
5-30.	DSP_SYS_IRQWAKEEN1	1694
5-31.	Register Call Summary for Register DSP_SYS_IRQWAKEEN1	1694
5-32.	DSP_SYS_DMAWAKEEN0.....	1695
5-33.	Register Call Summary for Register DSP_SYS_DMAWAKEEN0	1695
5-34.	DSP_SYS_DMAWAKEEN1.....	1695
5-35.	Register Call Summary for Register DSP_SYS_DMAWAKEEN1	1696
5-36.	DSP_SYS_EVTOUT_SET	1696
5-37.	Register Call Summary for Register DSP_SYS_EVTOUT_SET.....	1696
5-38.	DSP_SYS_EVTOUT_CLR	1696
5-39.	Register Call Summary for Register DSP_SYS_EVTOUT_CLR.....	1697
5-40.	DSP_SYS_ERRINT_IRQSTATUS_RAW	1697
5-41.	Register Call Summary for Register DSP_SYS_ERRINT_IRQSTATUS_RAW.....	1697
5-42.	DSP_SYS_ERRINT_IRQSTATUS	1697
5-43.	Register Call Summary for Register DSP_SYS_ERRINT_IRQSTATUS	1698
5-44.	DSP_SYS_ERRINT_IRQENABLE_SET	1698
5-45.	Register Call Summary for Register DSP_SYS_ERRINT_IRQENABLE_SET.....	1698
5-46.	DSP_SYS_ERRINT_IRQENABLE_CLR	1698
5-47.	Register Call Summary for Register DSP_SYS_ERRINT_IRQENABLE_CLR	1699

5-48.	DSP_SYS_EDMAWAKE0_IRQSTATUS_RAW	1699
5-49.	Register Call Summary for Register DSP_SYS_EDMAWAKE0_IRQSTATUS_RAW	1699
5-50.	DSP_SYS_EDMAWAKE0_IRQSTATUS.....	1699
5-51.	Register Call Summary for Register DSP_SYS_EDMAWAKE0_IRQSTATUS	1700
5-52.	DSP_SYS_EDMAWAKE0_IRQENABLE_SET	1700
5-53.	Register Call Summary for Register DSP_SYS_EDMAWAKE0_IRQENABLE_SET	1700
5-54.	DSP_SYS_EDMAWAKE0_IRQENABLE_CLR.....	1700
5-55.	Register Call Summary for Register DSP_SYS_EDMAWAKE0_IRQENABLE_CLR	1701
5-56.	DSP_SYS_EDMAWAKE1_IRQSTATUS_RAW.....	1701
5-57.	Register Call Summary for Register DSP_SYS_EDMAWAKE1_IRQSTATUS_RAW	1701
5-58.	DSP_SYS_EDMAWAKE1_IRQSTATUS.....	1701
5-59.	Register Call Summary for Register DSP_SYS_EDMAWAKE1_IRQSTATUS	1701
5-60.	DSP_SYS_EDMAWAKE1_IRQENABLE_SET	1702
5-61.	Register Call Summary for Register DSP_SYS_EDMAWAKE1_IRQENABLE_SET	1702
5-62.	DSP_SYS_EDMAWAKE1_IRQENABLE_CLR.....	1702
5-63.	Register Call Summary for Register DSP_SYS_EDMAWAKE1_IRQENABLE_CLR	1702
5-64.	DSP_SYS_HW_DBGOUT_SEL.....	1702
5-65.	Register Call Summary for Register DSP_SYS_HW_DBGOUT_SEL	1703
5-66.	DSP_SYS_HW_DBGOUT_VAL.....	1703
5-67.	Register Call Summary for Register DSP_SYS_HW_DBGOUT_VAL	1703
5-68.	DSP_FW_L2_NOC_CFG and DSP1_FW_L2_NOC_CFG Registers Mapping Summary.....	1704
5-69.	L3_DSPSS_INIT_OCP_MMU0_CTRL_TARG_OCP_FW_503000_ERROR_LOG_0	1706
5-70.	Register Call Summary for Register L3_DSPSS_INIT_OCP_MMU0_CTRL_TARG_OCP_FW_503000_ERROR_LOG_0	1706
5-71.	L3_DSPSS_INIT_OCP_MMU0_CTRL_TARG_OCP_FW_503000_LOGICAL_ADDR_ERRLOG_0	1706
5-72.	Register Call Summary for Register L3_DSPSS_INIT_OCP_MMU0_CTRL_TARG_OCP_FW_503000_LOGICAL_ADDR_ERRLOG_0	1707
5-73.	L3_DSPSS_INIT_OCP_MMU0_CTRL_TARG_OCP_FW_503000_REGUPDATE_CONTROL.....	1707
5-74.	Register Call Summary for Register L3_DSPSS_INIT_OCP_MMU0_CTRL_TARG_OCP_FW_503000_REGUPDATE_CONTROL.....	1707
5-75.	L3_DSPSS_INIT_OCP_MMU0_CTRL_TARG_OCP_FW_503000_MRM_PERMISSION_REGION_LOW_0	1707
5-76.	Register Call Summary for Register L3_DSPSS_INIT_OCP_MMU0_CTRL_TARG_OCP_FW_503000_MRM_PERMISSION_REGION_LOW_0	1708
5-77.	L3_DSPSS_INIT_OCP_MMU0_CTRL_TARG_OCP_FW_503000_MRM_PERMISSION_REGION_HIGH_0.....	1708
5-78.	Register Call Summary for Register L3_DSPSS_INIT_OCP_MMU0_CTRL_TARG_OCP_FW_503000_MRM_PERMISSION_REGION_HIGH_0.....	1709
5-79.	L3_DSPSS_INIT_OCP_MMU0_CTRL_TARG_OCP_FW_503000_START_REGION_1	1709
5-80.	Register Call Summary for Register L3_DSPSS_INIT_OCP_MMU0_CTRL_TARG_OCP_FW_503000_START_REGION_1	1710
5-81.	L3_DSPSS_INIT_OCP_MMU0_CTRL_TARG_OCP_FW_503000_END_REGION_1	1710
5-82.	Register Call Summary for Register L3_DSPSS_INIT_OCP_MMU0_CTRL_TARG_OCP_FW_503000_END_REGION_1	1710
5-83.	L3_DSPSS_INIT_OCP_MMU0_CTRL_TARG_OCP_FW_503000_MRM_PERMISSION_REGION_LOW_1	1710
5-84.	Register Call Summary for Register L3_DSPSS_INIT_OCP_MMU0_CTRL_TARG_OCP_FW_503000_MRM_PERMISSION_REGION_LOW_1	1711
5-85.	L3_DSPSS_INIT_OCP_MMU0_CTRL_TARG_OCP_FW_503000_MRM_PERMISSION_REGION_HIGH_1.....	1711

5-86. Register Call Summary for Register L3_DSPSS_INIT_OCP_MMU0_CTRL_TARG_OCP_FW_503000_MRM_PERMISSION_REGION_HIGH_1	1712
5-87. L3_DSPSS_INIT_OCP_MMU1_CTRL_TARG_OCP_FW_504000_ERROR_LOG_0	1712
5-88. Register Call Summary for Register L3_DSPSS_INIT_OCP_MMU1_CTRL_TARG_OCP_FW_504000_ERROR_LOG_0	1713
5-89. L3_DSPSS_INIT_OCP_MMU1_CTRL_TARG_OCP_FW_504000_LOGICAL_ADDR_ERRLOG_0	1713
5-90. Register Call Summary for Register L3_DSPSS_INIT_OCP_MMU1_CTRL_TARG_OCP_FW_504000_LOGICAL_ADDR_ERRLOG_0	1713
5-91. L3_DSPSS_INIT_OCP_MMU1_CTRL_TARG_OCP_FW_504000_REGUPDATE_CONTROL.....	1713
5-92. Register Call Summary for Register L3_DSPSS_INIT_OCP_MMU1_CTRL_TARG_OCP_FW_504000_REGUPDATE_CONTROL.....	1714
5-93. L3_DSPSS_INIT_OCP_MMU1_CTRL_TARG_OCP_FW_504000_MRM_PERMISSION_REGION_LOW_0	1714
5-94. Register Call Summary for Register L3_DSPSS_INIT_OCP_MMU1_CTRL_TARG_OCP_FW_504000_MRM_PERMISSION_REGION_LOW_0	1714
5-95. L3_DSPSS_INIT_OCP_MMU1_CTRL_TARG_OCP_FW_504000_MRM_PERMISSION_REGION_HIGH_0.....	1715
5-96. Register Call Summary for Register L3_DSPSS_INIT_OCP_MMU1_CTRL_TARG_OCP_FW_504000_MRM_PERMISSION_REGION_HIGH_0.....	1716
5-97. DSPNOC_FLAGMUX_ID_COREID	1716
5-98. Register Call Summary for Register DSPNOC_FLAGMUX_ID_COREID	1716
5-99. DSPNOC_FLAGMUX_ID_REVISIONID	1716
5-100. Register Call Summary for Register DSPNOC_FLAGMUX_ID_REVISIONID	1716
5-101. DSPNOC_FLAGMUX_FAULTEN	1716
5-102. Register Call Summary for Register DSPNOC_FLAGMUX_FAULTEN	1717
5-103. DSPNOC_FLAGMUX_FAULTSTATUS	1717
5-104. Register Call Summary for Register DSPNOC_FLAGMUX_FAULTSTATUS.....	1717
5-105. DSPNOC_FLAGMUX_FLAGINEN0	1717
5-106. Register Call Summary for Register DSPNOC_FLAGMUX_FLAGINEN0.....	1718
5-107. DSPNOC_FLAGMUX_FLAGINSTATUS0	1718
5-108. Register Call Summary for Register DSPNOC_FLAGMUX_FLAGINSTATUS0.....	1718
5-109. DSPNOC_ERRORLOG_ID_COREID	1718
5-110. Register Call Summary for Register DSPNOC_ERRORLOG_ID_COREID.....	1719
5-111. DSPNOC_ERRORLOG_ID_REVISIONID	1719
5-112. Register Call Summary for Register DSPNOC_ERRORLOG_ID_REVISIONID.....	1719
5-113. DSPNOC_ERRORLOG_FAULTEN	1719
5-114. Register Call Summary for Register DSPNOC_ERRORLOG_FAULTEN	1719
5-115. DSPNOC_ERRORLOG_ERRVLD	1720
5-116. Register Call Summary for Register DSPNOC_ERRORLOG_ERRVLD	1720
5-117. DSPNOC_ERRORLOG_ERRCLR.....	1720
5-118. Register Call Summary for Register DSPNOC_ERRORLOG_ERRCLR	1720
5-119. DSPNOC_ERRORLOG_ERRLOG0.....	1720
5-120. Register Call Summary for Register DSPNOC_ERRORLOG_ERRLOG0	1721
5-121. DSPNOC_ERRORLOG_ERRLOG1	1721
5-122. Register Call Summary for Register DSPNOC_ERRORLOG_ERRLOG1	1721
5-123. DSPNOC_ERRORLOG_ERRLOG3.....	1721
5-124. Register Call Summary for Register DSPNOC_ERRORLOG_ERRLOG3	1722
5-125. DSPNOC_ERRORLOG_ERRLOG5	1722
5-126. Register Call Summary for Register DSPNOC_ERRORLOG_ERRLOG5	1722

7-1.	IPUx Integration Attributes	1729
7-2.	IPUx Hardware Requests	1729
7-3.	IPUx Clocks and Resets.....	1730
7-4.	Local Clock Gating	1735
7-5.	IPUx Subsystem Power Modes	1736
7-6.	Power Mode Transitions.....	1736
7-7.	IPUx_UNICACHE Configuration	1738
7-8.	IPUx_UNICACHE_MMU Configuration.....	1739
7-9.	IPUx_MMU Behavior on Page-Fault.....	1743
7-10.	IPU1 Subsystem Instance Summary	1746
7-11.	IPU2 Subsystem Instance Summary	1746
7-12.	IPU1_UNICACHE_CFG Registers Mapping Summary	1746
7-13.	IPU2_UNICACHE_CFG Registers Mapping Summary	1747
7-14.	CACHE_CONFIG	1747
7-15.	Register Call Summary for Register CACHE_CONFIG	1748
7-16.	CACHE_INT	1748
7-17.	Register Call Summary for Register CACHE_INT	1748
7-18.	CACHE_OCP	1749
7-19.	Register Call Summary for Register CACHE_OCP.....	1749
7-20.	CACHE_MAINT	1750
7-21.	Register Call Summary for Register CACHE_MAINT	1750
7-22.	CACHE_MTSTART	1751
7-23.	Register Call Summary for Register CACHE_MTSTART.....	1751
7-24.	CACHE_MTEND	1751
7-25.	Register Call Summary for Register CACHE_MTEND.....	1751
7-26.	CACHE_CTADDR.....	1752
7-27.	Register Call Summary for Register CACHE_CTADDR	1752
7-28.	CACHE_CTDATA	1752
7-29.	Register Call Summary for Register CACHE_CTDATA.....	1752
7-30.	IPU1_UNICACHE_SCTM Registers Mapping Summary	1753
7-31.	IPU2_UNICACHE_SCTM Registers Mapping Summary	1753
7-32.	CACHE_SCTM_CTCNTL	1754
7-33.	Register Call Summary for Register CACHE_SCTM_CTCNTL.....	1754
7-34.	CACHE_SCTM_TINTVLR_i	1755
7-35.	Register Call Summary for Register CACHE_SCTM_TINTVLR_i.....	1755
7-36.	CACHE_SCTM_CTDBGNUM	1755
7-37.	Register Call Summary for Register CACHE_SCTM_CTDBGNUM.....	1755
7-38.	CACHE_SCTM_CTGNBL.....	1756
7-39.	Register Call Summary for Register CACHE_SCTM_CTGNBL	1756
7-40.	CACHE_SCTM_CTGRST.....	1756
7-41.	Register Call Summary for Register CACHE_SCTM_CTGRST	1756
7-42.	CACHE_SCTM_CTCR_WT_i	1757
7-43.	Register Call Summary for Register CACHE_SCTM_CTCR_WT_i.....	1758
7-44.	CACHE_SCTM_CTCR_WOT_j	1758
7-45.	Register Call Summary for Register CACHE_SCTM_CTCR_WOT_j.....	1759
7-46.	CACHE_SCTM_CTCNTR_k.....	1760
7-47.	Register Call Summary for Register CACHE_SCTM_CTCNTR_k	1760
7-48.	IPU1_UNICACHE_MMU (AMMU) Registers Mapping Summary.....	1760
7-49.	IPU2_UNICACHE_MMU (AMMU) Registers Mapping Summary.....	1761

7-50.	CACHE_MMU_LARGE_ADDR_i	1762
7-51.	Register Call Summary for Register CACHE_MMU_LARGE_ADDR_i	1762
7-52.	CACHE_MMU_LARGE_XLTE_i	1762
7-53.	Register Call Summary for Register CACHE_MMU_LARGE_XLTE_i	1762
7-54.	CACHE_MMU_LARGE_POLICY_i	1763
7-55.	Register Call Summary for Register CACHE_MMU_LARGE_POLICY_i	1763
7-56.	CACHE_MMU_MED_ADDR_j	1764
7-57.	Register Call Summary for Register CACHE_MMU_MED_ADDR_j	1764
7-58.	CACHE_MMU_MED_XLTE_j	1764
7-59.	Register Call Summary for Register CACHE_MMU_MED_XLTE_j	1764
7-60.	CACHE_MMU_MED_POLICY_j	1765
7-61.	Register Call Summary for Register CACHE_MMU_MED_POLICY_j	1765
7-62.	CACHE_MMU_SMALL_ADDR_k	1766
7-63.	Register Call Summary for Register CACHE_MMU_SMALL_ADDR_k	1766
7-64.	Reset Value for CACHE_MMU_SMALL_ADDR_k[31:12] ADDRESS	1766
7-65.	CACHE_MMU_SMALL_XLTE_k	1766
7-66.	Register Call Summary for Register CACHE_MMU_SMALL_XLTE_k	1767
7-67.	Reset Value for CACHE_MMU_SMALL_XLTE_k[31:12] ADDRESS	1767
7-68.	CACHE_MMU_SMALL_POLICY_k	1767
7-69.	Register Call Summary for Register CACHE_MMU_SMALL_POLICY_k	1768
7-70.	CACHE_MMU_SMALL_MAINT_k	1768
7-71.	Register Call Summary for Register CACHE_MMU_SMALL_MAINT_k	1768
7-72.	CACHE_MMU_MMUCONFIG	1769
7-73.	Register Call Summary for Register CACHE_MMU_MMUCONFIG	1769
7-74.	IPU1_WUGEN Registers Mapping Summary	1769
7-75.	IPU2_WUGEN Registers Mapping Summary	1770
7-76.	CORTEXM4_CTRL_REG	1770
7-77.	Register Call Summary for Register CORTEXM4_CTRL_REG	1770
7-78.	STANDBY_CORE_SYSCONFIG	1771
7-79.	Register Call Summary for Register STANDBY_CORE_SYSCONFIG	1771
7-80.	IDLE_CORE_SYSCONFIG	1771
7-81.	Register Call Summary for Register IDLE_CORE_SYSCONFIG	1772
7-82.	WUGEN_MEVT0	1772
7-83.	Register Call Summary for Register WUGEN_MEVT0	1773
7-84.	WUGEN_MEVT1	1773
7-85.	Register Call Summary for Register WUGEN_MEVT1	1774
7-86.	IPU1_Cx_RW_TABLE Register Summary	1774
7-87.	IPU2_Cx_RW_TABLE Register Summary	1774
7-88.	CORTEXM4_RW_PID1	1775
7-89.	Register Call Summary for Register CORTEXM4_RW_PID1	1775
7-90.	CORTEXM4_RW_PID2	1775
7-91.	Register Call Summary for Register CORTEXM4_RW_PID2	1775
8-1.	CAMSS I/O Description	1779
8-2.	CAL Integration Attributes	1782
8-3.	CAMSS Clocks and Resets	1782
8-4.	CAL Hardware Requests	1782
8-5.	CAL Video Port Signals	1783
8-6.	CSI2 Low Level Protocol Interrupts	1785
8-7.	CSI2 Complex I/O Interrupts	1785

8-8.	CAL Write DMA Interrupts	1786
8-9.	CAL Line Number Interrupt	1786
8-10.	CAL Video Port EOF Interrupt.....	1787
8-11.	CSI2 PHY Possible Time-Out Value for RxMode Counter	1790
8-12.	CSI2_PHY1 I/O Description.....	1796
8-13.	CSI2_PHY2 I/O Description.....	1796
8-14.	CSI2 Long Packet Structure Description	1801
8-15.	CSI2 ECC Event Logging	1802
8-16.	CSI2 Synchronization Codes	1803
8-17.	CAL DPCM Formats	1811
8-18.	Write DMA - Line Start Address Computation.....	1819
8-19.	CAL Registers Shadowing	1823
8-20.	CAMSS Instance Summary.....	1825
8-21.	CAL Registers Mapping Summary	1825
8-22.	CAL_HL_REVISION	1827
8-23.	Register Call Summary for Register CAL_HL_REVISION.....	1827
8-24.	CAL_HL_HWINFO	1827
8-25.	Register Call Summary for Register CAL_HL_HWINFO.....	1828
8-26.	CAL_HL_SYSCONFIG	1828
8-27.	Register Call Summary for Register CAL_HL_SYSCONFIG.....	1829
8-28.	CAL_HL_IRQ_EOI	1829
8-29.	Register Call Summary for Register CAL_HL_IRQ_EOI.....	1830
8-30.	CAL_HL_IRQSTATUS_RAW_j.....	1830
8-31.	Register Call Summary for Register CAL_HL_IRQSTATUS_RAW_j	1833
8-32.	CAL_HL_IRQSTATUS_j.....	1834
8-33.	Register Call Summary for Register CAL_HL_IRQSTATUS_j	1837
8-34.	CAL_HL_IRQENABLE_SET_j.....	1837
8-35.	Register Call Summary for Register CAL_HL_IRQENABLE_SET_j	1841
8-36.	CAL_HL_IRQENABLE_CLR_j.....	1841
8-37.	Register Call Summary for Register CAL_HL_IRQENABLE_CLR_j	1845
8-38.	CAL_PIX_PROC_i	1845
8-39.	Register Call Summary for Register CAL_PIX_PROC_i.....	1847
8-40.	CAL_CTRL	1847
8-41.	Register Call Summary for Register CAL_CTRL.....	1848
8-42.	CAL_CTRL1	1848
8-43.	Register Call Summary for Register CAL_CTRL1	1849
8-44.	CAL_LINE_NUMBER_EVT	1849
8-45.	Register Call Summary for Register CAL_LINE_NUMBER_EVT.....	1850
8-46.	CAL_VPORT_CTRL1.....	1850
8-47.	Register Call Summary for Register CAL_VPORT_CTRL1	1850
8-48.	CAL_VPORT_CTRL2.....	1851
8-49.	Register Call Summary for Register CAL_VPORT_CTRL2	1851
8-50.	CAL_BYS_CTRL1.....	1851
8-51.	Register Call Summary for Register CAL_BYS_CTRL1	1852
8-52.	CAL_BYS_CTRL2.....	1852
8-53.	Register Call Summary for Register CAL_BYS_CTRL2	1853
8-54.	CAL_RD_DMA_CTRL	1853
8-55.	Register Call Summary for Register CAL_RD_DMA_CTRL.....	1854
8-56.	CAL_RD_DMA_PIX_ADDR.....	1854

8-57.	Register Call Summary for Register CAL_RD_DMA_PIX_ADDR	1854
8-58.	CAL_RD_DMA_PIX_OFST	1854
8-59.	Register Call Summary for Register CAL_RD_DMA_PIX_OFST	1855
8-60.	CAL_RD_DMA_XSIZE	1855
8-61.	Register Call Summary for Register CAL_RD_DMA_XSIZE	1855
8-62.	CAL_RD_DMA_YSIZE	1855
8-63.	Register Call Summary for Register CAL_RD_DMA_YSIZE	1856
8-64.	CAL_RD_DMA_INIT_ADDR	1856
8-65.	Register Call Summary for Register CAL_RD_DMA_INIT_ADDR	1856
8-66.	CAL_RD_DMA_INIT_OFST	1856
8-67.	Register Call Summary for Register CAL_RD_DMA_INIT_OFST	1857
8-68.	CAL_RD_DMA_CTRL2	1857
8-69.	Register Call Summary for Register CAL_RD_DMA_CTRL2	1858
8-70.	CAL_WR_DMA_CTRL_k	1858
8-71.	Register Call Summary for Register CAL_WR_DMA_CTRL_k	1859
8-72.	CAL_WR_DMA_ADDR_k	1859
8-73.	Register Call Summary for Register CAL_WR_DMA_ADDR_k	1860
8-74.	CAL_WR_DMA_OFST_k	1860
8-75.	Register Call Summary for Register CAL_WR_DMA_OFST_k	1861
8-76.	CAL_WR_DMA_XSIZE_k	1861
8-77.	Register Call Summary for Register CAL_WR_DMA_XSIZE_k	1861
8-78.	CAL_CSI2_PPI_CTRL_I	1861
8-79.	Register Call Summary for Register CAL_CSI2_PPI_CTRL_I	1862
8-80.	CAL_CSI2_COMPLEXIO_CFG_I	1862
8-81.	Register Call Summary for Register CAL_CSI2_COMPLEXIO_CFG_I	1864
8-82.	CAL_CSI2_COMPLEXIO_IRQSTATUS_I	1864
8-83.	Register Call Summary for Register CAL_CSI2_COMPLEXIO_IRQSTATUS_I	1868
8-84.	CAL_CSI2_SHORT_PACKET_I	1868
8-85.	Register Call Summary for Register CAL_CSI2_SHORT_PACKET_I	1868
8-86.	CAL_CSI2_COMPLEXIO_IRQENABLE_I	1868
8-87.	Register Call Summary for Register CAL_CSI2_COMPLEXIO_IRQENABLE_I	1871
8-88.	CAL_CSI2_TIMING_I	1871
8-89.	Register Call Summary for Register CAL_CSI2_TIMING_I	1872
8-90.	CAL_CSI2_VC_IRQENABLE_I	1872
8-91.	Register Call Summary for Register CAL_CSI2_VC_IRQENABLE_I	1874
8-92.	CAL_CSI2_VC_IRQSTATUS_I	1874
8-93.	Register Call Summary for Register CAL_CSI2_VC_IRQSTATUS_I	1877
8-94.	CAL_CSI2_CTX0_I	1877
8-95.	Register Call Summary for Register CAL_CSI2_CTX0_I	1878
8-96.	CAL_CSI2_CTX1_I	1878
8-97.	Register Call Summary for Register CAL_CSI2_CTX1_I	1878
8-98.	CAL_CSI2_CTX2_I	1879
8-99.	Register Call Summary for Register CAL_CSI2_CTX2_I	1879
8-100.	CAL_CSI2_CTX3_I	1879
8-101.	Register Call Summary for Register CAL_CSI2_CTX3_I	1880
8-102.	CAL_CSI2_CTX4_I	1880
8-103.	Register Call Summary for Register CAL_CSI2_CTX4_I	1881
8-104.	CAL_CSI2_CTX5_I	1881
8-105.	Register Call Summary for Register CAL_CSI2_CTX5_I	1882

8-106. CAL_CSI2_CTX6_I.....	1882
8-107. Register Call Summary for Register CAL_CSI2_CTX6_I.....	1883
8-108. CAL_CSI2_CTX7_I.....	1883
8-109. Register Call Summary for Register CAL_CSI2_CTX7_I.....	1884
8-110. CAL_CSI2_STATUS0_I.....	1884
8-111. Register Call Summary for Register CAL_CSI2_STATUS0_I.....	1884
8-112. CAL_CSI2_STATUS1_I.....	1884
8-113. Register Call Summary for Register CAL_CSI2_STATUS1_I.....	1885
8-114. CAL_CSI2_STATUS2_I.....	1885
8-115. Register Call Summary for Register CAL_CSI2_STATUS2_I.....	1885
8-116. CAL_CSI2_STATUS3_I.....	1885
8-117. Register Call Summary for Register CAL_CSI2_STATUS3_I.....	1885
8-118. CAL_CSI2_STATUS4_I.....	1886
8-119. Register Call Summary for Register CAL_CSI2_STATUS4_I.....	1886
8-120. CAL_CSI2_STATUS5_I.....	1886
8-121. Register Call Summary for Register CAL_CSI2_STATUS5_I.....	1886
8-122. CAL_CSI2_STATUS6_I.....	1886
8-123. Register Call Summary for Register CAL_CSI2_STATUS6_I.....	1887
8-124. CAL_CSI2_STATUS7_I.....	1887
8-125. Register Call Summary for Register CAL_CSI2_STATUS7_I.....	1887
8-126. CSI2 PHY Registers Mapping Summary.....	1888
8-127. REG0.....	1888
8-128. Register Call Summary for Register REG0.....	1889
8-129. REG1.....	1889
8-130. Register Call Summary for Register REG1.....	1890
8-131. REG2.....	1890
8-132. Register Call Summary for Register REG2.....	1891
9-1. VIP1 Interface Signals.....	1895
9-2. VIP1 Input Data Signals to RGB and YUV Color Components Mapping.....	1897
9-3. VIP Integration Attributes.....	1898
9-4. VIP Clocks and Resets.....	1899
9-5. VIP Hardware Requests.....	1899
9-6. VIP Slice Processing Path Control.....	1902
9-7. Polarity Table for FID Determination By VSYNC Skew.....	1926
9-8. Fourth Byte of EAV/SAV Code Word.....	1930
9-9. Error Correction Matrix.....	1931
9-10. Multiplexing Configurations and Pixel Clock Rates.....	1933
9-11. Split Line Table.....	1936
9-12. Meta Data Layout.....	1936
9-13. TI Line Mux Mode Channel ID Remapping.....	1937
9-14. Channel ID Embedded in EAV/SAV.....	1938
9-15. Valid Embedded Sync Mux Mode and Data Bus Width Combinations.....	1939
9-16. VIP_PARSER Interrupt Events.....	1943
9-17. Quantized Coefficients of HDTV Application with Video Data Range.....	1955
9-18. Quantized Coefficients of HDTV Application with Graphics Data Range.....	1955
9-19. Quantized Coefficients of SDTV Application with Video Data Range.....	1957
9-20. Quantized Coefficients of SDTV Application with Graphics Data Range.....	1958
9-21. Parameter Description.....	1961
9-22. Vertical Scaler Configuration Parameters.....	1962

9-23. Register Group 1	1966
9-24. Register Group 2	1966
9-25. Register Group 3	1967
9-26. Scaler Configuration	1967
9-27. Vertical Scaler Configuration	1967
9-28. Coefficient Data Files	1970
9-29. VPDMA Client Buffering and Functionality	1993
9-30. VPDMA Channels Assignment	1995
9-31. VPDMA Interrupt Events	2000
9-32. VIP Interrupt Sources	2002
9-33. Data Packet Descriptor Word 0 Field Descriptions	2017
9-34. Common ARGB in Memory (Byte Order)	2018
9-35. Common ARGB in 32-bit Memory/CPU Register	2018
9-36. VPDMA ARGB in Memory (Byte Order).....	2019
9-37. VPDMA ARGB in 32-bit Memory/CPU Register	2019
9-38. VPDMA Descriptor RGB Data Type Mapping	2019
9-39. VPDMA Descriptor YUV Data Type Mapping	2020
9-40. Data Packet Descriptor Word 1 Field Description	2021
9-41. Data Packet Descriptor Word 2 Field Descriptions	2021
9-42. Data Packet Descriptor Word 3 Field Descriptions	2022
9-43. Data Packet Descriptor Word 4 Inbound Data Field Descriptions	2023
9-44. Data Packet Descriptor Word 4 Outbound Data Field Descriptions	2023
9-45. Data Packet Descriptor Word 5 Outbound Data Field Descriptions	2024
9-46. Configuration Descriptor Header Word0 Field Descriptions	2025
9-47. Configuration Descriptor Header Word1 Field Descriptions	2025
9-48. Configuration Descriptor Header Word2 Field Descriptions	2026
9-49. Configuration Descriptor Header Word3 Field Descriptions	2026
9-50. Address Data Block Format Field Descriptions	2027
9-51. Destination Field Description	2027
9-52. Control Descriptor Header Description	2028
9-53. Control Descriptor Types Summary	2028
9-54. Sync on Client Field Descriptions (Word - 1)	2029
9-55. Sync on Client Field Descriptions (Word - 3)	2029
9-56. Sync on List Field Descriptions (Word - 3)	2029
9-57. Sync on External Event Field Descriptions (Word - 3)	2030
9-58. Sync on Channel Field Descriptions (Word - 3)	2030
9-59. Change Client Interrupt Field Descriptions (Word - 1)	2030
9-60. Change Client Interrupt Field Descriptions (Word - 2)	2030
9-61. Change Client Interrupt Field Descriptions (Word - 3)	2030
9-62. Send Interrupt Field Descriptions (Word - 3)	2031
9-63. Reload List Field Descriptions (Word - 0)	2031
9-64. Reload List Field Descriptions (Word - 1)	2031
9-65. Reload List Field Descriptions (Word - 3)	2031
9-66. Abort Channel Field Descriptions (Word - 3)	2032
9-67. VIP Instance Summary	2044
9-68. VIP Top Level Registers Mapping Summary	2044
9-69. VIP_CLKC_PID	2045
9-70. Register Call Summary for Register VIP_CLKC_PID	2045
9-71. VIP_SYSCONFIG	2045

9-72. Register Call Summary for Register VIP_SYSCONFIG.....	2046
9-73. VIP_INTC_INTR0_STATUS_RAW0.....	2046
9-74. Register Call Summary for Register VIP_INTC_INTR0_STATUS_RAW0	2048
9-75. VIP_INTC_INTR0_STATUS_RAW1	2048
9-76. Register Call Summary for Register VIP_INTC_INTR0_STATUS_RAW1	2049
9-77. VIP_INTC_INTR0_STATUS_ENA0.....	2049
9-78. Register Call Summary for Register VIP_INTC_INTR0_STATUS_ENA0	2051
9-79. VIP_INTC_INTR0_STATUS_ENA1.....	2051
9-80. Register Call Summary for Register VIP_INTC_INTR0_STATUS_ENA1	2052
9-81. VIP_INTC_INTR0_ENA_SET0	2052
9-82. Register Call Summary for Register VIP_INTC_INTR0_ENA_SET0.....	2054
9-83. VIP_INTC_INTR0_ENA_SET1	2054
9-84. Register Call Summary for Register VIP_INTC_INTR0_ENA_SET1.....	2055
9-85. VIP_INTC_INTR0_ENA_CLR0.....	2055
9-86. Register Call Summary for Register VIP_INTC_INTR0_ENA_CLR0	2057
9-87. VIP_INTC_INTR0_ENA_CLR1	2057
9-88. Register Call Summary for Register VIP_INTC_INTR0_ENA_CLR1	2058
9-89. VIP_INTC_INTR1_STATUS_RAW0.....	2058
9-90. Register Call Summary for Register VIP_INTC_INTR1_STATUS_RAW0	2060
9-91. VIP_INTC_INTR1_STATUS_RAW1	2060
9-92. Register Call Summary for Register VIP_INTC_INTR1_STATUS_RAW1	2061
9-93. VIP_INTC_INTR1_STATUS_ENA0.....	2061
9-94. Register Call Summary for Register VIP_INTC_INTR1_STATUS_ENA0	2063
9-95. VIP_INTC_INTR1_STATUS_ENA1.....	2063
9-96. Register Call Summary for Register VIP_INTC_INTR1_STATUS_ENA1	2064
9-97. VIP_INTC_INTR1_ENA_SET0	2064
9-98. Register Call Summary for Register VIP_INTC_INTR1_ENA_SET0.....	2066
9-99. VIP_INTC_INTR1_ENA_SET1	2066
9-100. Register Call Summary for Register VIP_INTC_INTR1_ENA_SET1.....	2067
9-101. VIP_INTC_INTR1_ENA_CLR0.....	2067
9-102. Register Call Summary for Register VIP_INTC_INTR1_ENA_CLR0	2069
9-103. VIP_INTC_INTR1_ENA_CLR1	2069
9-104. Register Call Summary for Register VIP_INTC_INTR1_ENA_CLR1	2070
9-105. VIP_INTC_EOI	2070
9-106. Register Call Summary for Register VIP_INTC_EOI.....	2071
9-107. VIP_CLKC_CLKEN	2071
9-108. Register Call Summary for Register VIP_CLKC_CLKEN.....	2071
9-109. VIP_CLKC_RST.....	2071
9-110. Register Call Summary for Register VIP_CLKC_RST	2072
9-111. VIP_CLKC_DPS.....	2072
9-112. Register Call Summary for Register VIP_CLKC_DPS	2073
9-113. VIP_CLKC_VIP0DPS.....	2073
9-114. Register Call Summary for Register VIP_CLKC_VIP0DPS	2074
9-115. VIP_CLKC_VIP1DPS.....	2075
9-116. Register Call Summary for Register VIP_CLKC_VIP1DPS	2076
9-117. VIP Parser Registers Mapping Summary	2076
9-118. VIP_MAIN	2079
9-119. Register Call Summary for Register VIP_MAIN.....	2079
9-120. VIP_PORT_A	2079

9-121. Register Call Summary for Register VIP_PORT_A.....	2081
9-122. VIP_XTRA_PORT_A	2081
9-123. Register Call Summary for Register VIP_XTRA_PORT_A	2082
9-124. VIP_PORT_B	2082
9-125. Register Call Summary for Register VIP_PORT_B.....	2084
9-126. VIP_XTRA_PORT_B	2084
9-127. Register Call Summary for Register VIP_XTRA_PORT_B	2085
9-128. VIP_FIQ_MASK	2085
9-129. Register Call Summary for Register VIP_FIQ_MASK.....	2086
9-130. VIP_FIQ_CLEAR	2086
9-131. Register Call Summary for Register VIP_FIQ_CLEAR	2088
9-132. VIP_FIQ_STATUS	2088
9-133. Register Call Summary for Register VIP_FIQ_STATUS.....	2089
9-134. VIP_OUTPUT_PORT_A_SRC_FID	2089
9-135. Register Call Summary for Register VIP_OUTPUT_PORT_A_SRC_FID	2090
9-136. VIP_OUTPUT_PORT_A_ENC_FID	2091
9-137. Register Call Summary for Register VIP_OUTPUT_PORT_A_ENC_FID	2092
9-138. VIP_OUTPUT_PORT_B_SRC_FID	2092
9-139. Register Call Summary for Register VIP_OUTPUT_PORT_B_SRC_FID	2094
9-140. VIP_OUTPUT_PORT_B_ENC_FID	2094
9-141. Register Call Summary for Register VIP_OUTPUT_PORT_B_ENC_FID	2095
9-142. VIP_OUTPUT_PORT_A_SRC0_SIZE	2095
9-143. Register Call Summary for Register VIP_OUTPUT_PORT_A_SRC0_SIZE	2096
9-144. VIP_OUTPUT_PORT_A_SRC1_SIZE	2096
9-145. Register Call Summary for Register VIP_OUTPUT_PORT_A_SRC1_SIZE	2096
9-146. VIP_OUTPUT_PORT_A_SRC2_SIZE	2096
9-147. Register Call Summary for Register VIP_OUTPUT_PORT_A_SRC2_SIZE	2097
9-148. VIP_OUTPUT_PORT_A_SRC3_SIZE	2097
9-149. Register Call Summary for Register VIP_OUTPUT_PORT_A_SRC3_SIZE	2097
9-150. VIP_OUTPUT_PORT_A_SRC4_SIZE	2097
9-151. Register Call Summary for Register VIP_OUTPUT_PORT_A_SRC4_SIZE	2098
9-152. VIP_OUTPUT_PORT_A_SRC5_SIZE	2098
9-153. Register Call Summary for Register VIP_OUTPUT_PORT_A_SRC5_SIZE	2098
9-154. VIP_OUTPUT_PORT_A_SRC6_SIZE	2098
9-155. Register Call Summary for Register VIP_OUTPUT_PORT_A_SRC6_SIZE	2098
9-156. VIP_OUTPUT_PORT_A_SRC7_SIZE	2099
9-157. Register Call Summary for Register VIP_OUTPUT_PORT_A_SRC7_SIZE	2099
9-158. VIP_OUTPUT_PORT_A_SRC8_SIZE	2099
9-159. Register Call Summary for Register VIP_OUTPUT_PORT_A_SRC8_SIZE	2099
9-160. VIP_OUTPUT_PORT_A_SRC9_SIZE	2099
9-161. Register Call Summary for Register VIP_OUTPUT_PORT_A_SRC9_SIZE	2100
9-162. VIP_OUTPUT_PORT_A_SRC10_SIZE	2100
9-163. Register Call Summary for Register VIP_OUTPUT_PORT_A_SRC10_SIZE	2100
9-164. VIP_OUTPUT_PORT_A_SRC11_SIZE	2100
9-165. Register Call Summary for Register VIP_OUTPUT_PORT_A_SRC11_SIZE	2101
9-166. VIP_OUTPUT_PORT_A_SRC12_SIZE	2101
9-167. Register Call Summary for Register VIP_OUTPUT_PORT_A_SRC12_SIZE	2101
9-168. VIP_OUTPUT_PORT_A_SRC13_SIZE	2101
9-169. Register Call Summary for Register VIP_OUTPUT_PORT_A_SRC13_SIZE	2101

9-170. VIP_OUTPUT_PORT_A_SRC14_SIZE	2102
9-171. Register Call Summary for Register VIP_OUTPUT_PORT_A_SRC14_SIZE	2102
9-172. VIP_OUTPUT_PORT_A_SRC15_SIZE	2102
9-173. Register Call Summary for Register VIP_OUTPUT_PORT_A_SRC15_SIZE	2102
9-174. VIP_OUTPUT_PORT_B_SRC0_SIZE	2102
9-175. Register Call Summary for Register VIP_OUTPUT_PORT_B_SRC0_SIZE	2103
9-176. VIP_OUTPUT_PORT_B_SRC1_SIZE	2103
9-177. Register Call Summary for Register VIP_OUTPUT_PORT_B_SRC1_SIZE	2103
9-178. VIP_OUTPUT_PORT_B_SRC2_SIZE	2103
9-179. Register Call Summary for Register VIP_OUTPUT_PORT_B_SRC2_SIZE	2104
9-180. VIP_OUTPUT_PORT_B_SRC3_SIZE	2104
9-181. Register Call Summary for Register VIP_OUTPUT_PORT_B_SRC3_SIZE	2104
9-182. VIP_OUTPUT_PORT_B_SRC4_SIZE	2104
9-183. Register Call Summary for Register VIP_OUTPUT_PORT_B_SRC4_SIZE	2105
9-184. VIP_OUTPUT_PORT_B_SRC5_SIZE	2105
9-185. Register Call Summary for Register VIP_OUTPUT_PORT_B_SRC5_SIZE	2105
9-186. VIP_OUTPUT_PORT_B_SRC6_SIZE	2105
9-187. Register Call Summary for Register VIP_OUTPUT_PORT_B_SRC6_SIZE	2105
9-188. VIP_OUTPUT_PORT_B_SRC7_SIZE	2106
9-189. Register Call Summary for Register VIP_OUTPUT_PORT_B_SRC7_SIZE	2106
9-190. VIP_OUTPUT_PORT_B_SRC8_SIZE	2106
9-191. Register Call Summary for Register VIP_OUTPUT_PORT_B_SRC8_SIZE	2106
9-192. VIP_OUTPUT_PORT_B_SRC9_SIZE	2106
9-193. Register Call Summary for Register VIP_OUTPUT_PORT_B_SRC9_SIZE	2107
9-194. VIP_OUTPUT_PORT_B_SRC10_SIZE	2107
9-195. Register Call Summary for Register VIP_OUTPUT_PORT_B_SRC10_SIZE	2107
9-196. VIP_OUTPUT_PORT_B_SRC11_SIZE	2107
9-197. Register Call Summary for Register VIP_OUTPUT_PORT_B_SRC11_SIZE	2108
9-198. VIP_OUTPUT_PORT_B_SRC12_SIZE	2108
9-199. Register Call Summary for Register VIP_OUTPUT_PORT_B_SRC12_SIZE	2108
9-200. VIP_OUTPUT_PORT_B_SRC13_SIZE	2108
9-201. Register Call Summary for Register VIP_OUTPUT_PORT_B_SRC13_SIZE	2108
9-202. VIP_OUTPUT_PORT_B_SRC14_SIZE	2109
9-203. Register Call Summary for Register VIP_OUTPUT_PORT_B_SRC14_SIZE	2109
9-204. VIP_OUTPUT_PORT_B_SRC15_SIZE	2109
9-205. Register Call Summary for Register VIP_OUTPUT_PORT_B_SRC15_SIZE	2109
9-206. VIP_PORT_A_VDET_VEC	2109
9-207. Register Call Summary for Register VIP_PORT_A_VDET_VEC	2110
9-208. VIP_PORT_B_VDET_VEC	2110
9-209. Register Call Summary for Register VIP_PORT_B_VDET_VEC	2110
9-210. VIP_ANC_CROP_HORZ_PORT_A	2110
9-211. Register Call Summary for Register VIP_ANC_CROP_HORZ_PORT_A	2111
9-212. VIP_ANC_CROP_VERT_PORT_A	2111
9-213. Register Call Summary for Register VIP_ANC_CROP_VERT_PORT_A	2112
9-214. VIP_CROP_HORZ_PORT_A	2112
9-215. Register Call Summary for Register VIP_CROP_HORZ_PORT_A	2112
9-216. VIP_CROP_VERT_PORT_A	2112
9-217. Register Call Summary for Register VIP_CROP_VERT_PORT_A	2113
9-218. VIP_ANC_VIP_CROP_HORZ_PORT_B	2113

9-219. Register Call Summary for Register VIP_ANC_VIP_CROP_HORZ_PORT_B	2113
9-220. VIP_ANC_VIP_CROP_VERT_PORT_B	2114
9-221. Register Call Summary for Register VIP_ANC_VIP_CROP_VERT_PORT_B.....	2114
9-222. VIP_CROP_HORZ_PORT_B.....	2114
9-223. Register Call Summary for Register VIP_CROP_HORZ_PORT_B	2115
9-224. VIP_CROP_VERT_PORT_B	2115
9-225. Register Call Summary for Register VIP_CROP_VERT_PORT_B.....	2115
9-226. VIP_XTRA6_PORT_A	2115
9-227. Register Call Summary for Register VIP_XTRA6_PORT_A	2116
9-228. VIP_XTRA7_PORT_B	2116
9-229. Register Call Summary for Register VIP_XTRA7_PORT_B	2117
9-230. VIP_XTRA8_PORT_A	2117
9-231. Register Call Summary for Register VIP_XTRA8_PORT_A	2117
9-232. VIP_XTRA9_PORT_B	2117
9-233. Register Call Summary for Register VIP_XTRA9_PORT_B	2118
9-234. VIP CSC Registers Mapping Summary 1	2118
9-235. VIP_CSC00	2118
9-236. Register Call Summary for Register VIP_CSC00.....	2119
9-237. VIP_CSC01	2119
9-238. Register Call Summary for Register VIP_CSC01	2119
9-239. VIP_CSC02	2119
9-240. Register Call Summary for Register VIP_CSC02.....	2120
9-241. VIP_CSC03	2120
9-242. Register Call Summary for Register VIP_CSC03.....	2120
9-243. VIP_CSC04	2120
9-244. Register Call Summary for Register VIP_CSC04.....	2121
9-245. VIP_CSC05	2121
9-246. Register Call Summary for Register VIP_CSC05.....	2122
9-247. VIP SC Registers Mapping Summary 1	2122
9-248. VIP_CFG_SC0	2123
9-249. Register Call Summary for Register VIP_CFG_SC0	2124
9-250. VIP_CFG_SC1	2124
9-251. Register Call Summary for Register VIP_CFG_SC1	2125
9-252. VIP_CFG_SC2	2125
9-253. Register Call Summary for Register VIP_CFG_SC2	2125
9-254. VIP_CFG_SC3	2125
9-255. Register Call Summary for Register VIP_CFG_SC3	2126
9-256. VIP_CFG_SC4	2126
9-257. Register Call Summary for Register VIP_CFG_SC4	2126
9-258. VIP_CFG_SC5	2126
9-259. Register Call Summary for Register VIP_CFG_SC5	2127
9-260. VIP_CFG_SC6	2127
9-261. Register Call Summary for Register VIP_CFG_SC6	2128
9-262. VIP_CFG_SC8	2128
9-263. Register Call Summary for Register VIP_CFG_SC8	2128
9-264. VIP_CFG_SC9	2128
9-265. Register Call Summary for Register VIP_CFG_SC9	2129
9-266. VIP_CFG_SC10	2129
9-267. Register Call Summary for Register VIP_CFG_SC10.....	2129

9-268. VIP_CFG_SC11	2129
9-269. Register Call Summary for Register VIP_CFG_SC11.....	2130
9-270. VIP_CFG_SC12	2130
9-271. Register Call Summary for Register VIP_CFG_SC12.....	2130
9-272. VIP_CFG_SC13	2130
9-273. Register Call Summary for Register VIP_CFG_SC13.....	2131
9-274. VIP_CFG_SC18	2131
9-275. Register Call Summary for Register VIP_CFG_SC18.....	2131
9-276. VIP_CFG_SC19	2131
9-277. Register Call Summary for Register VIP_CFG_SC19.....	2132
9-278. VIP_CFG_SC20	2132
9-279. Register Call Summary for Register VIP_CFG_SC20.....	2133
9-280. VIP_CFG_SC21	2133
9-281. Register Call Summary for Register VIP_CFG_SC21.....	2133
9-282. VIP_CFG_SC22	2133
9-283. Register Call Summary for Register VIP_CFG_SC22.....	2134
9-284. VIP_CFG_SC24	2134
9-285. Register Call Summary for Register VIP_CFG_SC24.....	2134
9-286. VIP_CFG_SC25	2134
9-287. Register Call Summary for Register VIP_CFG_SC25.....	2135
9-288. VIP_VPDMA Registers Mapping Summary	2137
9-289. VIP_PID	2141
9-290. Register Call Summary for Register VIP_PID	2141
9-291. VIP_LIST_ADDR	2141
9-292. Register Call Summary for Register VIP_LIST_ADDR.....	2142
9-293. VIP_LIST_ATTR.....	2142
9-294. Register Call Summary for Register VIP_LIST_ATTR	2143
9-295. VIP_LIST_STAT_SYNC.....	2143
9-296. Register Call Summary for Register VIP_LIST_STAT_SYNC	2144
9-297. VIP_BG_RGB.....	2144
9-298. Register Call Summary for Register VIP_BG_RGB	2144
9-299. VIP_BG_YUV	2144
9-300. Register Call Summary for Register VIP_BG_YUV.....	2145
9-301. VIP_VPDMA_SETUP	2145
9-302. Register Call Summary for Register VIP_VPDMA_SETUP	2145
9-303. VIP_MAX_SIZE1	2145
9-304. Register Call Summary for Register VIP_MAX_SIZE1.....	2146
9-305. VIP_MAX_SIZE2	2146
9-306. Register Call Summary for Register VIP_MAX_SIZE2.....	2146
9-307. VIP_MAX_SIZE3	2146
9-308. Register Call Summary for Register VIP_MAX_SIZE3.....	2147
9-309. VIP_INT0_CHANNEL0_INT_STAT	2147
9-310. Register Call Summary for Register VIP_INT0_CHANNEL0_INT_STAT	2149
9-311. VIP_INT0_CHANNEL0_INT_MASK	2149
9-312. Register Call Summary for Register VIP_INT0_CHANNEL0_INT_MASK.....	2150
9-313. VIP_INT0_CHANNEL1_INT_STAT	2151
9-314. Register Call Summary for Register VIP_INT0_CHANNEL1_INT_STAT	2154
9-315. VIP_INT0_CHANNEL1_INT_MASK	2154
9-316. Register Call Summary for Register VIP_INT0_CHANNEL1_INT_MASK.....	2156

9-317. VIP_INT0_CHANNEL2_INT_STAT	2156
9-318. Register Call Summary for Register VIP_INT0_CHANNEL2_INT_STAT	2160
9-319. VIP_INT0_CHANNEL2_INT_MASK	2160
9-320. Register Call Summary for Register VIP_INT0_CHANNEL2_INT_MASK.....	2163
9-321. VIP_INT0_CHANNEL3_INT_STAT	2163
9-322. Register Call Summary for Register VIP_INT0_CHANNEL3_INT_STAT	2167
9-323. VIP_INT0_CHANNEL3_INT_MASK	2167
9-324. Register Call Summary for Register VIP_INT0_CHANNEL3_INT_MASK.....	2169
9-325. VIP_INT0_CHANNEL4_INT_STAT	2169
9-326. Register Call Summary for Register VIP_INT0_CHANNEL4_INT_STAT	2173
9-327. VIP_INT0_CHANNEL4_INT_MASK	2173
9-328. Register Call Summary for Register VIP_INT0_CHANNEL4_INT_MASK.....	2176
9-329. VIP_INT0_CHANNEL5_INT_STAT	2176
9-330. Register Call Summary for Register VIP_INT0_CHANNEL5_INT_STAT	2180
9-331. VIP_INT0_CHANNEL5_INT_MASK	2180
9-332. Register Call Summary for Register VIP_INT0_CHANNEL5_INT_MASK.....	2182
9-333. VIP_INT0_CLIENT0_INT_STAT	2182
9-334. Register Call Summary for Register VIP_INT0_CLIENT0_INT_STAT	2185
9-335. VIP_INT0_CLIENT0_INT_MASK	2185
9-336. Register Call Summary for Register VIP_INT0_CLIENT0_INT_MASK	2186
9-337. VIP_INT0_CLIENT1_INT_STAT	2186
9-338. Register Call Summary for Register VIP_INT0_CLIENT1_INT_STAT	2190
9-339. VIP_INT0_CLIENT1_INT_MASK	2190
9-340. Register Call Summary for Register VIP_INT0_CLIENT1_INT_MASK	2192
9-341. VIP_INT0_LIST0_INT_STAT	2192
9-342. Register Call Summary for Register VIP_INT0_LIST0_INT_STAT	2195
9-343. VIP_INT0_LIST0_INT_MASK	2196
9-344. Register Call Summary for Register VIP_INT0_LIST0_INT_MASK.....	2198
9-345. VIP_INT1_CHANNEL0_INT_STAT	2198
9-346. Register Call Summary for Register VIP_INT1_CHANNEL0_INT_STAT	2200
9-347. VIP_INT1_CHANNEL0_INT_MASK	2200
9-348. Register Call Summary for Register VIP_INT1_CHANNEL0_INT_MASK.....	2201
9-349. VIP_INT1_CHANNEL1_INT_STAT	2202
9-350. Register Call Summary for Register VIP_INT1_CHANNEL1_INT_STAT	2205
9-351. VIP_INT1_CHANNEL1_INT_MASK	2205
9-352. Register Call Summary for Register VIP_INT1_CHANNEL1_INT_MASK.....	2207
9-353. VIP_INT1_CHANNEL2_INT_STAT	2207
9-354. Register Call Summary for Register VIP_INT1_CHANNEL2_INT_STAT	2211
9-355. VIP_INT1_CHANNEL2_INT_MASK	2211
9-356. Register Call Summary for Register VIP_INT1_CHANNEL2_INT_MASK.....	2214
9-357. VIP_INT1_CHANNEL3_INT_STAT	2214
9-358. Register Call Summary for Register VIP_INT1_CHANNEL3_INT_STAT	2218
9-359. VIP_INT1_CHANNEL3_INT_MASK	2218
9-360. Register Call Summary for Register VIP_INT1_CHANNEL3_INT_MASK.....	2220
9-361. VIP_INT1_CHANNEL4_INT_STAT	2220
9-362. Register Call Summary for Register VIP_INT1_CHANNEL4_INT_STAT	2224
9-363. VIP_INT1_CHANNEL4_INT_MASK	2224
9-364. Register Call Summary for Register VIP_INT1_CHANNEL4_INT_MASK.....	2227
9-365. VIP_INT1_CHANNEL5_INT_STAT	2227

9-366. Register Call Summary for Register VIP_INT1_CHANNEL5_INT_STAT	2231
9-367. VIP_INT1_CHANNEL5_INT_MASK	2231
9-368. Register Call Summary for Register VIP_INT1_CHANNEL5_INT_MASK	2233
9-369. VIP_INT1_CLIENT0_INT_STAT	2233
9-370. Register Call Summary for Register VIP_INT1_CLIENT0_INT_STAT	2236
9-371. VIP_INT1_CLIENT0_INT_MASK	2236
9-372. Register Call Summary for Register VIP_INT1_CLIENT0_INT_MASK	2237
9-373. VIP_INT1_CLIENT1_INT_STAT	2237
9-374. Register Call Summary for Register VIP_INT1_CLIENT1_INT_STAT	2241
9-375. VIP_INT1_CLIENT1_INT_MASK	2241
9-376. Register Call Summary for Register VIP_INT1_CLIENT1_INT_MASK	2243
9-377. VIP_INT1_LIST0_INT_STAT	2243
9-378. Register Call Summary for Register VIP_INT1_LIST0_INT_STAT	2246
9-379. VIP_INT1_LIST0_INT_MASK	2247
9-380. Register Call Summary for Register VIP_INT1_LIST0_INT_MASK	2249
9-381. VIP_PERF_MON0	2249
9-382. Register Call Summary for Register VIP_PERF_MON0	2249
9-383. VIP_PERF_MON1	2250
9-384. Register Call Summary for Register VIP_PERF_MON1	2250
9-385. VIP_PERF_MON2	2250
9-386. Register Call Summary for Register VIP_PERF_MON2	2251
9-387. VIP_PERF_MON3	2251
9-388. Register Call Summary for Register VIP_PERF_MON3	2252
9-389. VIP_PERF_MON4	2252
9-390. Register Call Summary for Register VIP_PERF_MON4	2253
9-391. VIP_PERF_MON5	2253
9-392. Register Call Summary for Register VIP_PERF_MON5	2253
9-393. VIP_PERF_MON6	2254
9-394. Register Call Summary for Register VIP_PERF_MON6	2254
9-395. VIP_PERF_MON7	2254
9-396. Register Call Summary for Register VIP_PERF_MON7	2255
9-397. VIP_PERF_MON8	2255
9-398. Register Call Summary for Register VIP_PERF_MON8	2256
9-399. VIP_PERF_MON9	2256
9-400. Register Call Summary for Register VIP_PERF_MON9	2257
9-401. VIP_PERF_MON10	2257
9-402. Register Call Summary for Register VIP_PERF_MON10	2257
9-403. VIP_PERF_MON11	2258
9-404. Register Call Summary for Register VIP_PERF_MON11	2258
9-405. VIP_PERF_MON12	2258
9-406. Register Call Summary for Register VIP_PERF_MON12	2259
9-407. VIP_PERF_MON13	2259
9-408. Register Call Summary for Register VIP_PERF_MON13	2260
9-409. VIP_PERF_MON14	2260
9-410. Register Call Summary for Register VIP_PERF_MON14	2261
9-411. VIP_PERF_MON15	2261
9-412. Register Call Summary for Register VIP_PERF_MON15	2261
9-413. VIP_PERF_MON16	2262
9-414. Register Call Summary for Register VIP_PERF_MON16	2262

9-415. VIP_PERF_MON17	2262
9-416. Register Call Summary for Register VIP_PERF_MON17	2263
9-417. VIP_PERF_MON18	2263
9-418. Register Call Summary for Register VIP_PERF_MON18	2264
9-419. VIP_PERF_MON19	2264
9-420. Register Call Summary for Register VIP_PERF_MON19	2265
9-421. VIP_PERF_MON20	2265
9-422. Register Call Summary for Register VIP_PERF_MON20	2265
9-423. VIP_PERF_MON21	2266
9-424. Register Call Summary for Register VIP_PERF_MON21	2266
9-425. VIP_PERF_MON22	2266
9-426. Register Call Summary for Register VIP_PERF_MON22	2267
9-427. VIP_PERF_MON23	2267
9-428. Register Call Summary for Register VIP_PERF_MON23	2268
9-429. VIP_PERF_MON24	2268
9-430. Register Call Summary for Register VIP_PERF_MON24	2269
9-431. VIP_PERF_MON25	2269
9-432. Register Call Summary for Register VIP_PERF_MON25	2269
9-433. VIP_PERF_MON26	2270
9-434. Register Call Summary for Register VIP_PERF_MON26	2270
9-435. VIP_PERF_MON27	2270
9-436. Register Call Summary for Register VIP_PERF_MON27	2271
9-437. VIP_PERF_MON28	2271
9-438. Register Call Summary for Register VIP_PERF_MON28	2272
9-439. VIP_PERF_MON29	2272
9-440. Register Call Summary for Register VIP_PERF_MON29	2273
9-441. VIP_PERF_MON30	2273
9-442. Register Call Summary for Register VIP_PERF_MON30	2273
9-443. VIP_PERF_MON31	2274
9-444. Register Call Summary for Register VIP_PERF_MON31	2274
9-445. VIP_PERF_MON32	2274
9-446. Register Call Summary for Register VIP_PERF_MON32	2275
9-447. VIP_PERF_MON33	2275
9-448. Register Call Summary for Register VIP_PERF_MON33	2276
9-449. VIP_PERF_MON34	2276
9-450. Register Call Summary for Register VIP_PERF_MON34	2277
9-451. VIP_PERF_MON35	2277
9-452. Register Call Summary for Register VIP_PERF_MON35	2277
9-453. VIP_PERF_MON36	2278
9-454. Register Call Summary for Register VIP_PERF_MON36	2278
9-455. VIP_PERF_MON37	2278
9-456. Register Call Summary for Register VIP_PERF_MON37	2279
9-457. VIP_PERF_MON38	2279
9-458. Register Call Summary for Register VIP_PERF_MON38	2280
9-459. VIP_PERF_MON39	2280
9-460. Register Call Summary for Register VIP_PERF_MON39	2281
9-461. VIP_PERF_MON40	2281
9-462. Register Call Summary for Register VIP_PERF_MON40	2282
9-463. VIP_PERF_MON41	2282

9-464. Register Call Summary for Register VIP_PERF_MON41	2282
9-465. VIP_PERF_MON42	2282
9-466. Register Call Summary for Register VIP_PERF_MON42	2283
9-467. VIP_PERF_MON43	2283
9-468. Register Call Summary for Register VIP_PERF_MON43	2284
9-469. VIP_PERF_MON44	2284
9-470. Register Call Summary for Register VIP_PERF_MON44	2285
9-471. VIP_PERF_MON45	2285
9-472. Register Call Summary for Register VIP_PERF_MON45	2285
9-473. VIP_PERF_MON46	2286
9-474. Register Call Summary for Register VIP_PERF_MON46	2286
9-475. VIP_PERF_MON47	2286
9-476. Register Call Summary for Register VIP_PERF_MON47	2287
9-477. VIP_PERF_MON48	2287
9-478. Register Call Summary for Register VIP_PERF_MON48	2288
9-479. VIP_PERF_MON49	2288
9-480. Register Call Summary for Register VIP_PERF_MON49	2289
9-481. VIP_PERF_MON50	2289
9-482. Register Call Summary for Register VIP_PERF_MON50	2289
9-483. VIP_PERF_MON51	2290
9-484. Register Call Summary for Register VIP_PERF_MON51	2290
9-485. VIP_PERF_MON52	2290
9-486. Register Call Summary for Register VIP_PERF_MON52	2291
9-487. VIP_PERF_MON53	2291
9-488. Register Call Summary for Register VIP_PERF_MON53	2292
9-489. VIP_PERF_MON54	2292
9-490. Register Call Summary for Register VIP_PERF_MON54	2293
9-491. VIP_PERF_MON55	2293
9-492. Register Call Summary for Register VIP_PERF_MON55	2293
9-493. VIP_PERF_MON56	2294
9-494. Register Call Summary for Register VIP_PERF_MON56	2294
9-495. VIP_PERF_MON57	2294
9-496. Register Call Summary for Register VIP_PERF_MON57	2295
9-497. VIP_PERF_MON58	2295
9-498. Register Call Summary for Register VIP_PERF_MON58	2296
9-499. VIP_PERF_MON59	2296
9-500. Register Call Summary for Register VIP_PERF_MON59	2297
9-501. VIP_PERF_MON60	2297
9-502. Register Call Summary for Register VIP_PERF_MON60	2297
9-503. VIP_PERF_MON61	2298
9-504. Register Call Summary for Register VIP_PERF_MON61	2298
9-505. VIP0_LO_Y_CSTAT	2298
9-506. Register Call Summary for Register VIP0_LO_Y_CSTAT	2299
9-507. VIP0_LO_UV_CSTAT	2299
9-508. Register Call Summary for Register VIP0_LO_UV_CSTAT	2300
9-509. VIP0_UP_Y_CSTAT	2300
9-510. Register Call Summary for Register VIP0_UP_Y_CSTAT	2301
9-511. VIP0_UP_UV_CSTAT	2301
9-512. Register Call Summary for Register VIP0_UP_UV_CSTAT	2302

9-513. VIP1_LO_Y_CSTAT	2302
9-514. Register Call Summary for Register VIP1_LO_Y_CSTAT	2302
9-515. VIP1_LO_UV_CSTAT	2303
9-516. Register Call Summary for Register VIP1_LO_UV_CSTAT	2303
9-517. VIP1_UP_Y_CSTAT	2303
9-518. Register Call Summary for Register VIP1_UP_Y_CSTAT	2304
9-519. VIP1_UP_UV_CSTAT	2304
9-520. Register Call Summary for Register VIP1_UP_UV_CSTAT	2305
9-521. VPI_CTL_CSTAT	2305
9-522. Register Call Summary for Register VPI_CTL_CSTAT	2306
9-523. VIP0 Ancillary A CSTAT	2306
9-524. Register Call Summary for Register VIP0 Ancillary A CSTAT	2307
9-525. VIP0 Ancillary B CSTAT	2307
9-526. Register Call Summary for Register VIP0 Ancillary B CSTAT	2308
9-527. VIP1 Ancillary A CSTAT	2308
9-528. Register Call Summary for Register VIP1 Ancillary A CSTAT	2308
9-529. VIP1 Ancillary B CSTAT	2309
9-530. Register Call Summary for Register VIP1 Ancillary B CSTAT	2309
10-1. VPE Integration Attributes	2313
10-2. VPE Clocks and Resets	2314
10-3. VPE Hardware Requests	2314
10-4. Parameter Description	2327
10-5. Vertical Scaler Configuration Parameters	2328
10-6. Register Group 1	2332
10-7. Register Group 2	2332
10-8. Register Group 3	2333
10-9. Scaler Configuration	2333
10-10. Vertical Scaler Configuration	2333
10-11. Coefficient Data Files	2336
10-12. Quantized Coefficients of HDTV Application with Video Data Range	2360
10-13. Quantized Coefficients of HDTV Application with Graphics Data Range	2360
10-14. Quantized Coefficients of SDTV Application with Video Data Range	2362
10-15. Quantized Coefficients of SDTV Application with Graphics Data Range	2363
10-16. VPDMA Modes of Operation	2367
10-17. VPDMA Client Buffering and Functionality	2371
10-18. VPDMA Channels Assignment	2371
10-19. VPDMA Interrupt Events	2372
10-20. VPE Interrupt Sources	2374
10-21. Data Packet Descriptor Word 0 Field Descriptions	2379
10-22. Common ARGB in Memory (Byte Order)	2380
10-23. Common ARGB in 32-bit Memory/CPU Register	2380
10-24. VPDMA ARGB in Memory (Byte Order)	2381
10-25. VPDMA ARGB in 32-bit Memory/CPU Register	2381
10-26. VPDMA Descriptor RGB Data Type Mapping	2381
10-27. VPDMA Descriptor YUV Data Type Mapping	2382
10-28. Data Packet Descriptor Word 1 Field Description	2383
10-29. Data Packet Descriptor Word 2 Field Descriptions	2384
10-30. Data Packet Descriptor Word 3 Field Descriptions	2384
10-31. Data Packet Descriptor Word 4 Inbound Data Field Descriptions	2385

10-32. Data Packet Descriptor Word 4 Outbound Data Field Descriptions	2386
10-33. Data Packet Descriptor Word 5 Outbound Data Field Descriptions	2387
10-34. Configuration Descriptor Header Word0 Field Descriptions	2388
10-35. Configuration Descriptor Header Word1 Field Descriptions	2388
10-36. Configuration Descriptor Header Word2 Field Descriptions	2388
10-37. Configuration Descriptor Header Word3 Field Descriptions	2389
10-38. Address Data Block Format Field Descriptions	2389
10-39. Destination Field Description	2390
10-40. Control Descriptor Header Description	2390
10-41. Control Descriptor Types Summary	2391
10-42. Sync on Client Field Descriptions (Word - 1)	2391
10-43. Sync on Client Field Descriptions (Word - 3)	2391
10-44. Sync on List Field Descriptions (Word - 3)	2392
10-45. Sync on External Event Field Descriptions (Word - 3)	2392
10-46. Sync on Channel Field Descriptions (Word - 3)	2392
10-47. Change Client Interrupt Field Descriptions (Word - 1)	2393
10-48. Change Client Interrupt Field Descriptions (Word - 2)	2393
10-49. Change Client Interrupt Field Descriptions (Word - 3)	2393
10-50. Send Interrupt Field Descriptions (Word - 3)	2394
10-51. Reload List Field Descriptions (Word - 0)	2394
10-52. Reload List Field Descriptions (Word - 1)	2394
10-53. Reload List Field Descriptions (Word - 3)	2394
10-54. Abort Channel Field Descriptions (Word - 3)	2394
10-55. VPE Instance Summary	2412
10-56. VPE_CSC Registers Mapping Summary	2412
10-57. VPE_CSC0	2413
10-58. Register Call Summary for Register VPE_CSC0	2413
10-59. VPE_CSC01	2413
10-60. Register Call Summary for Register VPE_CSC01	2414
10-61. VPE_CSC02	2414
10-62. Register Call Summary for Register VPE_CSC02	2415
10-63. VPE_CSC03	2415
10-64. Register Call Summary for Register VPE_CSC03	2415
10-65. VPE_CSC04	2415
10-66. Register Call Summary for Register VPE_CSC04	2416
10-67. VPE_CSC05	2416
10-68. Register Call Summary for Register VPE_CSC05	2416
10-69. VPE_SC Registers Mapping Summary	2417
10-70. VPE_CFG_SC0	2417
10-71. Register Call Summary for Register VPE_CFG_SC0	2419
10-72. VPE_CFG_SC1	2419
10-73. Register Call Summary for Register VPE_CFG_SC1	2420
10-74. VPE_CFG_SC2	2420
10-75. Register Call Summary for Register VPE_CFG_SC2	2420
10-76. VPE_CFG_SC3	2420
10-77. Register Call Summary for Register VPE_CFG_SC3	2421
10-78. VPE_CFG_SC4	2421
10-79. Register Call Summary for Register VPE_CFG_SC4	2422
10-80. VPE_CFG_SC5	2422

10-81. Register Call Summary for Register VPE_CFG_SC5	2422
10-82. VPE_CFG_SC6	2422
10-83. Register Call Summary for Register VPE_CFG_SC6	2423
10-84. VPE_CFG_SC8	2423
10-85. Register Call Summary for Register VPE_CFG_SC8	2424
10-86. VPE_CFG_SC9	2424
10-87. Register Call Summary for Register VPE_CFG_SC9	2424
10-88. VPE_CFG_SC10	2424
10-89. Register Call Summary for Register VPE_CFG_SC10	2425
10-90. VPE_CFG_SC11	2425
10-91. Register Call Summary for Register VPE_CFG_SC11	2425
10-92. VPE_CFG_SC12	2425
10-93. Register Call Summary for Register VPE_CFG_SC12	2426
10-94. VPE_CFG_SC13	2426
10-95. Register Call Summary for Register VPE_CFG_SC13	2426
10-96. VPE_CFG_SC18	2426
10-97. Register Call Summary for Register VPE_CFG_SC18	2426
10-98. VPE_CFG_SC19	2427
10-99. Register Call Summary for Register VPE_CFG_SC19	2427
10-100. VPE_CFG_SC20.....	2427
10-101. Register Call Summary for Register VPE_CFG_SC20	2428
10-102. VPE_CFG_SC21.....	2428
10-103. Register Call Summary for Register VPE_CFG_SC21	2428
10-104. VPE_CFG_SC22.....	2428
10-105. Register Call Summary for Register VPE_CFG_SC22	2429
10-106. VPE_CFG_SC24.....	2429
10-107. Register Call Summary for Register VPE_CFG_SC24	2429
10-108. VPE_CFG_SC25.....	2430
10-109. Register Call Summary for Register VPE_CFG_SC25	2430
10-110. VPE_CHR_US Registers Mapping Summary	2430
10-111. VPE_PID	2430
10-112. Register Call Summary for Register VPE_PID.....	2431
10-113. VPE_REG0	2431
10-114. Register Call Summary for Register VPE_REG0.....	2431
10-115. VPE_REG1	2431
10-116. Register Call Summary for Register VPE_REG1.....	2432
10-117. VPE_REG2	2432
10-118. Register Call Summary for Register VPE_REG2.....	2432
10-119. VPE_REG3	2433
10-120. Register Call Summary for Register VPE_REG3.....	2433
10-121. VPE_REG4	2433
10-122. Register Call Summary for Register VPE_REG4.....	2434
10-123. VPE_REG5	2434
10-124. Register Call Summary for Register VPE_REG5.....	2434
10-125. VPE_REG6	2434
10-126. Register Call Summary for Register VPE_REG6.....	2435
10-127. VPE_REG7	2435
10-128. Register Call Summary for Register VPE_REG7.....	2435
10-129. VPE_DEI Registers Mapping Summary	2435

10-130. VPE_DEI_REG0	2436
10-131. Register Call Summary for Register VPE_DEI_REG0.....	2437
10-132. VPE_DEI_REG1	2437
10-133. Register Call Summary for Register VPE_DEI_REG1.....	2437
10-134. VPE_DEI_REG2	2437
10-135. Register Call Summary for Register VPE_DEI_REG2.....	2438
10-136. VPE_DEI_REG3	2438
10-137. Register Call Summary for Register VPE_DEI_REG3.....	2439
10-138. VPE_DEI_REG4	2439
10-139. Register Call Summary for Register VPE_DEI_REG4.....	2440
10-140. VPE_DEI_REG5	2440
10-141. Register Call Summary for Register VPE_DEI_REG5.....	2440
10-142. VPE_DEI_REG6	2440
10-143. Register Call Summary for Register VPE_DEI_REG6.....	2441
10-144. VPE_DEI_REG7	2441
10-145. Register Call Summary for Register VPE_DEI_REG7.....	2441
10-146. VPE_DEI_REG8	2441
10-147. Register Call Summary for Register VPE_DEI_REG8.....	2442
10-148. VPE_DEI_REG9	2442
10-149. Register Call Summary for Register VPE_DEI_REG9.....	2442
10-150. VPE_DEI_REG10.....	2443
10-151. Register Call Summary for Register VPE_DEI_REG10	2443
10-152. VPE_DEI_REG11.....	2444
10-153. Register Call Summary for Register VPE_DEI_REG11	2444
10-154. VPE_DEI_REG12.....	2444
10-155. Register Call Summary for Register VPE_DEI_REG12	2444
10-156. VPE_DEI_REG13.....	2445
10-157. Register Call Summary for Register VPE_DEI_REG13	2445
10-158. VPE_DEI_REG14.....	2445
10-159. Register Call Summary for Register VPE_DEI_REG14	2445
10-160. VPE_VPDMA Registers Mapping Summary	2447
10-161. VPE_VPDMA_PID.....	2450
10-162. Register Call Summary for Register VPE_VPDMA_PID	2451
10-163. VPE_LIST_ADDR.....	2451
10-164. Register Call Summary for Register VPE_LIST_ADDR	2451
10-165. VPE_LIST_ATTR	2452
10-166. Register Call Summary for Register VPE_LIST_ATTR.....	2452
10-167. VPE_LIST_STAT_SYNC	2453
10-168. Register Call Summary for Register VPE_LIST_STAT_SYNC	2454
10-169. VPE_BG_RGB	2454
10-170. Register Call Summary for Register VPE_BG_RGB.....	2454
10-171. VPE_BG_YUV.....	2454
10-172. Register Call Summary for Register VPE_BG_YUV	2455
10-173. VPE_VPDMA_SETUP	2455
10-174. Register Call Summary for Register VPE_VPDMA_SETUP	2455
10-175. VPE_MAX_SIZE1.....	2455
10-176. Register Call Summary for Register VPE_MAX_SIZE1	2456
10-177. VPE_MAX_SIZE2.....	2456
10-178. Register Call Summary for Register VPE_MAX_SIZE2	2456

10-179. VPE_MAX_SIZE3.....	2456
10-180. Register Call Summary for Register VPE_MAX_SIZE3	2457
10-181. VPE_INT0_CHANNEL0_INT_STAT.....	2457
10-182. Register Call Summary for Register VPE_INT0_CHANNEL0_INT_STAT	2459
10-183. VPE_INT0_CHANNEL0_INT_MASK.....	2459
10-184. Register Call Summary for Register VPE_INT0_CHANNEL0_INT_MASK	2460
10-185. VPE_INT0_CHANNEL1_INT_STAT.....	2461
10-186. Register Call Summary for Register VPE_INT0_CHANNEL1_INT_STAT	2464
10-187. VPE_INT0_CHANNEL1_INT_MASK.....	2464
10-188. Register Call Summary for Register VPE_INT0_CHANNEL1_INT_MASK	2467
10-189. VPE_INT0_CHANNEL2_INT_STAT.....	2467
10-190. Register Call Summary for Register VPE_INT0_CHANNEL2_INT_STAT	2471
10-191. VPE_INT0_CHANNEL2_INT_MASK.....	2471
10-192. Register Call Summary for Register VPE_INT0_CHANNEL2_INT_MASK	2474
10-193. VPE_INT0_CHANNEL3_INT_STAT.....	2474
10-194. Register Call Summary for Register VPE_INT0_CHANNEL3_INT_STAT	2479
10-195. VPE_INT0_CHANNEL3_INT_MASK.....	2479
10-196. Register Call Summary for Register VPE_INT0_CHANNEL3_INT_MASK	2481
10-197. VPE_INT0_CHANNEL4_INT_STAT.....	2481
10-198. Register Call Summary for Register VPE_INT0_CHANNEL4_INT_STAT	2486
10-199. VPE_INT0_CHANNEL4_INT_MASK.....	2486
10-200. Register Call Summary for Register VPE_INT0_CHANNEL4_INT_MASK	2488
10-201. VPE_INT0_CHANNEL5_INT_STAT.....	2489
10-202. Register Call Summary for Register VPE_INT0_CHANNEL5_INT_STAT	2493
10-203. VPE_INT0_CHANNEL5_INT_MASK.....	2493
10-204. Register Call Summary for Register VPE_INT0_CHANNEL5_INT_MASK	2495
10-205. VPE_INT0_CLIENT0_INT_STAT	2495
10-206. Register Call Summary for Register VPE_INT0_CLIENT0_INT_STAT	2498
10-207. VPE_INT0_CLIENT0_INT_MASK	2498
10-208. Register Call Summary for Register VPE_INT0_CLIENT0_INT_MASK.....	2499
10-209. VPE_INT0_CLIENT1_INT_STAT	2499
10-210. Register Call Summary for Register VPE_INT0_CLIENT1_INT_STAT	2503
10-211. VPE_INT0_CLIENT1_INT_MASK	2503
10-212. Register Call Summary for Register VPE_INT0_CLIENT1_INT_MASK.....	2505
10-213. VPE_INT0_LIST0_INT_STAT.....	2505
10-214. Register Call Summary for Register VPE_INT0_LIST0_INT_STAT	2508
10-215. VPE_INT0_LIST0_INT_MASK	2508
10-216. Register Call Summary for Register VPE_INT0_LIST0_INT_MASK	2510
10-217. VPE_PERF_MON0	2511
10-218. Register Call Summary for Register VPE_PERF_MON0.....	2512
10-219. VPE_PERF_MON1	2512
10-220. Register Call Summary for Register VPE_PERF_MON1.....	2513
10-221. VPE_PERF_MON2	2513
10-222. Register Call Summary for Register VPE_PERF_MON2.....	2514
10-223. VPE_PERF_MON3	2515
10-224. Register Call Summary for Register VPE_PERF_MON3.....	2516
10-225. VPE_PERF_MON4	2516
10-226. Register Call Summary for Register VPE_PERF_MON4.....	2517
10-227. VPE_PERF_MON5	2517

10-228. Register Call Summary for Register VPE_PERF_MON5.....	2518
10-229. VPE_PERF_MON6.....	2519
10-230. Register Call Summary for Register VPE_PERF_MON6.....	2520
10-231. VPE_PERF_MON7.....	2520
10-232. Register Call Summary for Register VPE_PERF_MON7.....	2521
10-233. VPE_PERF_MON8.....	2521
10-234. Register Call Summary for Register VPE_PERF_MON8.....	2522
10-235. VPE_PERF_MON9.....	2523
10-236. Register Call Summary for Register VPE_PERF_MON9.....	2524
10-237. VPE_PERF_MON10.....	2524
10-238. Register Call Summary for Register VPE_PERF_MON10.....	2525
10-239. VPE_PERF_MON11.....	2525
10-240. Register Call Summary for Register VPE_PERF_MON11.....	2526
10-241. VPE_PERF_MON12.....	2527
10-242. Register Call Summary for Register VPE_PERF_MON12.....	2528
10-243. VPE_PERF_MON13.....	2528
10-244. Register Call Summary for Register VPE_PERF_MON13.....	2529
10-245. VPE_PERF_MON14.....	2529
10-246. Register Call Summary for Register VPE_PERF_MON14.....	2530
10-247. VPE_PERF_MON15.....	2531
10-248. Register Call Summary for Register VPE_PERF_MON15.....	2532
10-249. VPE_PERF_MON16.....	2532
10-250. Register Call Summary for Register VPE_PERF_MON16.....	2533
10-251. VPE_PERF_MON17.....	2533
10-252. Register Call Summary for Register VPE_PERF_MON17.....	2534
10-253. VPE_PERF_MON18.....	2535
10-254. Register Call Summary for Register VPE_PERF_MON18.....	2536
10-255. VPE_PERF_MON19.....	2536
10-256. Register Call Summary for Register VPE_PERF_MON19.....	2537
10-257. VPE_PERF_MON20.....	2537
10-258. Register Call Summary for Register VPE_PERF_MON20.....	2538
10-259. VPE_PERF_MON21.....	2539
10-260. Register Call Summary for Register VPE_PERF_MON21.....	2540
10-261. VPE_PERF_MON22.....	2540
10-262. Register Call Summary for Register VPE_PERF_MON22.....	2541
10-263. VPE_PERF_MON23.....	2541
10-264. Register Call Summary for Register VPE_PERF_MON23.....	2542
10-265. VPE_PERF_MON24.....	2543
10-266. Register Call Summary for Register VPE_PERF_MON24.....	2544
10-267. VPE_PERF_MON25.....	2544
10-268. Register Call Summary for Register VPE_PERF_MON25.....	2545
10-269. VPE_PERF_MON26.....	2545
10-270. Register Call Summary for Register VPE_PERF_MON26.....	2546
10-271. VPE_PERF_MON27.....	2547
10-272. Register Call Summary for Register VPE_PERF_MON27.....	2548
10-273. VPE_PERF_MON28.....	2548
10-274. Register Call Summary for Register VPE_PERF_MON28.....	2549
10-275. VPE_PERF_MON29.....	2549
10-276. Register Call Summary for Register VPE_PERF_MON29.....	2550

10-277. VPE_PERF_MON30	2551
10-278. Register Call Summary for Register VPE_PERF_MON30	2552
10-279. VPE_PERF_MON31	2552
10-280. Register Call Summary for Register VPE_PERF_MON31	2553
10-281. VPE_PERF_MON32	2553
10-282. Register Call Summary for Register VPE_PERF_MON32	2554
10-283. VPE_PERF_MON33	2555
10-284. Register Call Summary for Register VPE_PERF_MON33	2556
10-285. VPE_PERF_MON34	2556
10-286. Register Call Summary for Register VPE_PERF_MON34	2557
10-287. VPE_PERF_MON35	2557
10-288. Register Call Summary for Register VPE_PERF_MON35	2558
10-289. VPE_PERF_MON36	2559
10-290. Register Call Summary for Register VPE_PERF_MON36	2560
10-291. VPE_PERF_MON37	2560
10-292. Register Call Summary for Register VPE_PERF_MON37	2561
10-293. VPE_PERF_MON38	2561
10-294. Register Call Summary for Register VPE_PERF_MON38	2562
10-295. VPE_PERF_MON39	2563
10-296. Register Call Summary for Register VPE_PERF_MON39	2564
10-297. VPE_PERF_MON40	2564
10-298. Register Call Summary for Register VPE_PERF_MON40	2565
10-299. VPE_PERF_MON41	2565
10-300. Register Call Summary for Register VPE_PERF_MON41	2566
10-301. VPE_PERF_MON42	2566
10-302. Register Call Summary for Register VPE_PERF_MON42	2567
10-303. VPE_PERF_MON43	2567
10-304. Register Call Summary for Register VPE_PERF_MON43	2568
10-305. VPE_PERF_MON44	2569
10-306. Register Call Summary for Register VPE_PERF_MON44	2570
10-307. VPE_PERF_MON45	2570
10-308. Register Call Summary for Register VPE_PERF_MON45	2571
10-309. VPE_PERF_MON46	2571
10-310. Register Call Summary for Register VPE_PERF_MON46	2572
10-311. VPE_PERF_MON47	2572
10-312. Register Call Summary for Register VPE_PERF_MON47	2573
10-313. VPE_PERF_MON48	2573
10-314. Register Call Summary for Register VPE_PERF_MON48	2574
10-315. VPE_PERF_MON49	2575
10-316. Register Call Summary for Register VPE_PERF_MON49	2576
10-317. VPE_PERF_MON50	2576
10-318. Register Call Summary for Register VPE_PERF_MON50	2577
10-319. VPE_PERF_MON51	2577
10-320. Register Call Summary for Register VPE_PERF_MON51	2578
10-321. VPE_PERF_MON52	2578
10-322. Register Call Summary for Register VPE_PERF_MON52	2579
10-323. VPE_PRI_CHROMA_CSTAT	2580
10-324. Register Call Summary for Register VPE_PRI_CHROMA_CSTAT	2581
10-325. VPE_PRI_LUMA_CSTAT	2581

10-326. Register Call Summary for Register VPE_PRI_LUMA_CSTAT	2582
10-327. VPE_PRI_FLD1_LUMA_CSTAT.....	2582
10-328. Register Call Summary for Register VPE_PRI_FLD1_LUMA_CSTAT	2582
10-329. VPE_PRI_FLD1_CHROMA_CSTAT	2583
10-330. Register Call Summary for Register VPE_PRI_FLD1_CHROMA_CSTAT.....	2584
10-331. VPE_PRI_FLD2_LUMA_CSTAT.....	2584
10-332. Register Call Summary for Register VPE_PRI_FLD2_LUMA_CSTAT	2585
10-333. VPE_PRI_FLD2_CHROMA_CSTAT	2585
10-334. Register Call Summary for Register VPE_PRI_FLD2_CHROMA_CSTAT.....	2586
10-335. VPE_PRI_MV0_CSTAT.....	2587
10-336. Register Call Summary for Register VPE_PRI_MV0_CSTAT	2587
10-337. VPE_PRI_MV_OUT_CSTAT	2587
10-338. Register Call Summary for Register VPE_PRI_MV_OUT_CSTAT	2588
10-339. VPE_VIP0_UP_Y_CSTAT	2588
10-340. Register Call Summary for Register VPE_VIP0_UP_Y_CSTAT	2589
10-341. VPE_VIP0_UP_UV_CSTAT	2589
10-342. Register Call Summary for Register VPE_VIP0_UP_UV_CSTAT	2590
10-343. VPE_VPI_CTL_CSTAT	2590
10-344. Register Call Summary for Register VPE_VPI_CTL_CSTAT.....	2591
10-345. VPE Registers Mapping Summary	2591
10-346. VPE_CLKC_PID	2592
10-347. Register Call Summary for Register VPE_CLKC_PID.....	2592
10-348. VPE_SYSCONFIG.....	2592
10-349. Register Call Summary for Register VPE_SYSCONFIG	2593
10-350. VPE_INTC_INTR0_STATUS_RAW0	2593
10-351. Register Call Summary for Register VPE_INTC_INTR0_STATUS_RAW0	2595
10-352. VPE_INTC_INTR0_STATUS_RAW1	2595
10-353. Register Call Summary for Register VPE_INTC_INTR0_STATUS_RAW1	2596
10-354. VPE_INTC_INTR0_STATUS_ENA0	2596
10-355. Register Call Summary for Register VPE_INTC_INTR0_STATUS_ENA0.....	2598
10-356. VPE_INTC_INTR0_STATUS_ENA1	2598
10-357. Register Call Summary for Register VPE_INTC_INTR0_STATUS_ENA1.....	2599
10-358. VPE_INTC_INTR0_ENA_SET0.....	2599
10-359. Register Call Summary for Register VPE_INTC_INTR0_ENA_SET0	2600
10-360. VPE_INTC_INTR0_ENA_SET1.....	2601
10-361. Register Call Summary for Register VPE_INTC_INTR0_ENA_SET1	2602
10-362. VPE_INTC_INTR0_ENA_CLR0	2602
10-363. Register Call Summary for Register VPE_INTC_INTR0_ENA_CLR0	2603
10-364. VPE_INTC_INTR0_ENA_CLR1	2604
10-365. Register Call Summary for Register VPE_INTC_INTR0_ENA_CLR1	2605
10-366. VPE_INTC_EOI	2605
10-367. Register Call Summary for Register VPE_INTC_EOI.....	2605
10-368. VPE_CLKC_CLKEN.....	2605
10-369. Register Call Summary for Register VPE_CLKC_CLKEN	2606
10-370. VPE_CLKC_RST	2606
10-371. Register Call Summary for Register VPE_CLKC_RST	2606
10-372. VPE_CLKC_DPS	2606
10-373. Register Call Summary for Register VPE_CLKC_DPS.....	2608
10-374. VPE_RANGE_MAP.....	2608

10-375. Register Call Summary for Register VPE_RANGE_MAP	2608
11-1. Display Subsystem DPI1 Interface Signals Mapping	2613
11-2. Display Subsystem DPI2 Interface Signals Mapping	2613
11-3. Display Subsystem DPI3 Interface Signals Mapping	2613
11-4. Display Subsystem TV Parallel Interface Signals Mapping.....	2614
11-5. Display Subsystem Hardware Requests	2615
11-6. Display Subsystem Clocks	2617
11-7. Display Subsystem Modules Clock Sources.....	2617
11-8. Display Subsystem Resets.....	2618
11-9. Display Subsystem Power Domains	2619
11-10. VIDEO PLL Operation Modes When Not Locked	2625
11-11. DPLL_VIDEO Recommended Programming Values	2629
11-12. DPLL_HDMI Operation Modes When Not Locked.....	2632
11-13. DPLL_HDMI Register Call Summary for HDMI PLL Programming Sequence.....	2635
11-14. DPLL_HDMI Recommended Programming Values	2637
11-15. DSS Initialization Sequence	2638
11-16. Display Subsystem Instance Summary	2639
11-17. DSS Registers Mapping Summary.....	2639
11-18. DSS_REVISION	2639
11-19. Register Call Summary for Register DSS_REVISION	2639
11-20. DSS_SYSSTATUS.....	2640
11-21. Register Call Summary for Register DSS_SYSSTATUS	2640
11-22. DSS_CTRL.....	2640
11-23. Register Call Summary for Register DSS_CTRL	2641
11-24. DSS_STATUS	2641
11-25. Register Call Summary for Register DSS_STATUS.....	2642
11-26. OCP2SCP2 Registers Mapping Summary.....	2643
11-27. OCP2SCP_REVISION	2643
11-28. Register Call Summary for Register OCP2SCP_REVISION	2643
11-29. OCP2SCP_SYSCONFIG	2643
11-30. Register Call Summary for Register OCP2SCP_SYSCONFIG	2644
11-31. OCP2SCP_SYSSTATUS	2644
11-32. Register Call Summary for Register OCP2SCP_SYSSTATUS	2644
11-33. OCP2SCP_TIMING	2645
11-34. Register Call Summary for Register OCP2SCP_TIMING	2645
11-35. DPLL_VIDEO1 Registers Mapping Summary	2645
11-36. PLL_CONTROL	2646
11-37. Register Call Summary for Register PLL_CONTROL.....	2646
11-38. PLL_STATUS.....	2647
11-39. Register Call Summary for Register PLL_STATUS	2648
11-40. PLL_GO	2648
11-41. Register Call Summary for Register PLL_GO.....	2649
11-42. PLL_CONFIGURATION1	2649
11-43. Register Call Summary for Register PLL_CONFIGURATION1	2650
11-44. PLL_CONFIGURATION2	2650
11-45. Register Call Summary for Register PLL_CONFIGURATION2	2651
11-46. PLL_CONFIGURATION3	2652
11-47. Register Call Summary for Register PLL_CONFIGURATION3	2652
11-48. PLL_SSC_CONFIGURATION1	2652

11-49. Register Call Summary for Register PLL_SSC_CONFIGURATION1	2652
11-50. PLL_SSC_CONFIGURATION2	2653
11-51. Register Call Summary for Register PLL_SSC_CONFIGURATION2	2653
11-52. PLL_CONFIGURATION4	2653
11-53. Register Call Summary for Register PLL_CONFIGURATION4	2654
11-54. DPLL_HDMI Registers Mapping Summary	2654
11-55. PLLCTRL_HDMI_CONTROL	2654
11-56. Register Call Summary for Register PLLCTRL_HDMI_CONTROL	2655
11-57. PLLCTRL_HDMI_STATUS	2655
11-58. Register Call Summary for Register PLLCTRL_HDMI_STATUS	2656
11-59. PLLCTRL_HDMI_GO	2656
11-60. Register Call Summary for Register PLLCTRL_HDMI_GO	2656
11-61. PLLCTRL_HDMI_CONFIGURATION1	2657
11-62. Register Call Summary for Register PLLCTRL_HDMI_CONFIGURATION1	2657
11-63. PLLCTRL_HDMI_CONFIGURATION2	2657
11-64. Register Call Summary for Register PLLCTRL_HDMI_CONFIGURATION2	2659
11-65. PLLCTRL_HDMI_CONFIGURATION3	2659
11-66. Register Call Summary for Register PLLCTRL_HDMI_CONFIGURATION3	2659
11-67. PLLCTRL_HDMI_SSC_CONFIGURATION1	2660
11-68. Register Call Summary for Register PLLCTRL_HDMI_SSC_CONFIGURATION1	2660
11-69. PLLCTRL_HDMI_SSC_CONFIGURATION2	2660
11-70. Register Call Summary for Register PLLCTRL_HDMI_SSC_CONFIGURATION2	2661
11-71. PLLCTRL_HDMI_CONFIGURATION4	2661
11-72. Register Call Summary for Register PLLCTRL_HDMI_CONFIGURATION4	2661
11-73. HDMI_WP Registers Mapping Summary	2661
11-74. HDMI_WP_PWR_CTRL	2662
11-75. Register Call Summary for Register HDMI_WP_PWR_CTRL	2663
11-76. HDMI_WP_CLK	2663
11-77. Register Call Summary for Register HDMI_WP_CLK	2664
11-78. DSI1_A Registers Mapping Summary	2664
11-79. DSI_CLK_CTRL	2664
11-80. Register Call Summary for Register DSI_CLK_CTRL	2665
11-81. DISPC Parallel Interface Signals	2671
11-82. DSS Output Data Signals to RGB Color Components Mapping	2674
11-83. DISPC Programmable Fields in Bypass Mode	2675
11-84. DISPC Integration Attributes	2680
11-85. DISPC Clocks and Resets	2681
11-86. DISPC Hardware Requests	2681
11-87. DISPC Interrupts	2686
11-88. DISPC DMA Buffer Size	2688
11-89. DISPC Register Settings for Accessing Image in Internal Memory	2689
11-90. DISPC Register Settings for Rotation Using TILER	2697
11-91. DISPC Rotation Mode Definition	2698
11-92. DISPC Rotation Orientation Definition	2698
11-93. DISPC Memory Formats Supported	2699
11-94. DISPC Replication Enabled: RGB Pixel Formats Remapping Into ARGB40-10.10.10	2702
11-95. DISPC Replication Disabled: RGB Pixel Formats Remapping Into ARGB40-10.10.10	2702
11-96. DISPC Replication Enabled: RGB Pixel Formats Remapping Into ARGB32-8888	2705
11-97. DISPC Replication Disabled: RGB Pixel Formats Remapping Into ARGB32-8888	2705

11-98. DISPC Color Space Conversion YUV to RGB Bit Field Setting	2706
11-99. DISPC Line Buffer Width for Scaler Unit	2710
11-100. DISPC Register Bit Field Associated to Coefficient for ARGB and Y Configuration in VIDp Scaler.....	2712
11-101. DISPC Register Bit Field Associated to Coefficient for Cb and Cr Configuration in VIDp Scaler.....	2713
11-102. DISPC Vertical and Horizontal Accumulator Phase	2714
11-103. DISPC Pixel Clock Frequency Limitations (Any Pixel Format) – Active Matrix Display	2716
11-104. DISPC CSC RGB to YUV Bit Field Setting.....	2717
11-105. DISPC Register Bit Field Associated With Coefficient for ARGB and Y Configuration in WB Scaler	2720
11-106. DISPC Register Bit Field Associated With Coefficient for Cb and Cr Configuration in WB Scaler	2721
11-107. DISPC Vertical/Horizontal Accumulator Phase	2722
11-108. DISPC Truncation Logic	2723
11-109. DISPC Pipeline Connection to LCD, TV, or WB Output	2725
11-110. DISPC Z-Order Register Settings and Default Configuration	2725
11-111. DISPC Alpha Blending – ARGB	2729
11-112. DISPC CPR or RGB to YUV Coefficients With Associated Bit Fields	2734
11-113. Bit function	2738
11-114. Status of protection bits as F, V and H vary	2738
11-115. DISPC LCD Data Output (Spatial/Temporal Dithering Disabled).....	2739
11-116. DISPC Programming Rules	2745
11-117. DISPC PPL and LLP Value for HD Standard	2748
11-118. DISPC Shadow Registers	2754
11-119. DISPC Global Initialization of Surrounding Modules	2760
11-120. DISPC Configuration	2760
11-121. DISPC Configure the GFX DMA Channel	2761
11-122. DISPC Configure the Video DMA Channel.....	2761
11-123. DISPC Configure the WB DMA Channel	2762
11-124. DISPC Configure the GFX Pipeline	2763
11-125. DISPC Configure the GFX Window	2763
11-126. DISPC Configure the GFX Pipeline Processing	2763
11-127. DISPC Configure the GFX Pipeline Layer Output.....	2764
11-128. DISPC Configure the Video Pipeline	2764
11-129. DISPC Configure the Video Window	2765
11-130. DISPC Configure the Video Pipeline Processing.....	2765
11-131. DISPC Configure the VC-1 Range Mapping	2766
11-132. DISPC Configure the Video Color Space Conversion	2767
11-133. DISPC Configure the Video Scaler Unit for RGB Pixel Formats or Y Component.....	2767
11-134. DISPC Configure the Video Scaler Unit for Cb and Cr Components	2767
11-135. DISPC Configure the Video Pipeline Layer Output	2768
11-136. DISPC Configure the WB Pipeline.....	2769
11-137. DISPC Configure the Capture Window	2769
11-138. DISPC Configure the WB Scaler Unit for RGB Pixel Formats or Y Component	2769
11-139. DISPC Configure the WB Scaler Unit for Cb and Cr Components.....	2770
11-140. DISPC Configure the WB Color Space Conversion Unit	2770
11-141. DISPC Configure the LCD Output	2770
11-142. DISPC Configure the LCD Overlay Manager	2771
11-143. DISPC Configure the Gamma Table for LCD1	2771
11-144. DISPC Configure the Gamma Table for LCD2	2771
11-145. DISPC Configure the Gamma Table for LCD3	2772
11-146. DISPC Configure the Color Phase Rotation.....	2772

11-147. DISPC Configure the LCD Panel Timings and Parameters	2772
11-148. DISPC Configure BT.656 or BT.1120 Mode	2773
11-149. DISPC Configure BT.656 or BT.1120 Blanking Values	2774
11-150. DISPC Configure the TV Output	2774
11-151. DISPC Configure the TV Overlay Manager	2774
11-152. DISPC Configure the Gamma Table for TV Output	2775
11-153. DISPC Configure the TV Panel Timings and Parameters	2775
11-154. DISPC Instance Summary	2775
11-155. DISPC_VIDp_BA_j Logical Register Mapping	2775
11-156. DISPC_VIDp_BA_UV_j Logical Register Mapping	2775
11-157. DISPC_VIDp_POSITION Logical Register Mapping	2776
11-158. DISPC_VIDp_SIZE Logical Register Mapping	2776
11-159. DISPC_VIDp_ATTRIBUTES Logical Register Mapping	2776
11-160. DISPC_VIDp_ATTRIBUTES2 Logical Register Mapping	2776
11-161. DISPC_VIDp_BUF_THRESHOLD Logical Register Mapping	2776
11-162. DISPC_VIDp_ROW_INC Logical Register Mapping	2776
11-163. DISPC_VIDp_PIXEL_INC Logical Register Mapping	2776
11-164. DISPC_VIDp_FIR Logical Register Mapping	2777
11-165. DISPC_VIDp_PICTURE_SIZE Logical Register Mapping	2777
11-166. DISPC_VIDp_ACCU_j Logical Register Mapping	2777
11-167. DISPC_VIDp_FIR_COEF_H_i Logical Register Mapping	2777
11-168. DISPC_VIDp_FIR_COEF_HV_i Logical Register Mapping	2777
11-169. DISPC_VIDp_FIR_COEF_V_i Logical Register Mapping	2777
11-170. DISPC_VIDp_FIR_COEF_H2_i Logical Register Mapping	2778
11-171. DISPC_VIDp_FIR_COEF_HV2_i Logical Register Mapping	2778
11-172. DISPC_VIDp_FIR_COEF_V2_i Logical Register Mapping	2778
11-173. DISPC_VIDp_CONV_COEF0 Logical Register Mapping	2778
11-174. DISPC_VIDp_CONV_COEF1 Logical Register Mapping	2778
11-175. DISPC_VIDp_CONV_COEF2 Logical Register Mapping	2778
11-176. DISPC_VIDp_CONV_COEF3 Logical Register Mapping	2779
11-177. DISPC_VIDp_CONV_COEF4 Logical Register Mapping	2779
11-178. DISPC_CONTROLo Logical Register Mapping	2779
11-179. DISPC_CONFIGo Logical Register Mapping	2779
11-180. DISPC_DEFAULT_COLORo Logical Register Mapping	2779
11-181. DISPC_TRANS_COLORo Logical Register Mapping	2779
11-182. DISPC_GAMMA_TABLEo Logical Register Mapping	2780
11-183. DISPC_TIMING_Ho Logical Register Mapping	2780
11-184. DISPC_TIMING_Vo Logical Register Mapping	2780
11-185. DISPC_POL_FREQo Logical Register Mapping	2780
11-186. DISPC_DIVISORo Logical Register Mapping	2780
11-187. DISPC_SIZE_LCDo Logical Register Mapping	2780
11-188. DISPC_SIZE Logical Register Mapping	2781
11-189. DISPC_DATAo_CYCLE1 Logical Register Mapping	2781
11-190. DISPC_DATAo_CYCLE2 Logical Register Mapping	2781
11-191. DISPC_DATAo_CYCLE3 Logical Register Mapping	2781
11-192. DISPC_CPRo_COEF_R Logical Register Mapping	2781
11-193. DISPC_CPRo_COEF_G Logical Register Mapping	2781
11-194. DISPC_CPRo_COEF_B Logical Register Mapping	2782
11-195. DISPC Registers Mapping Summary	2782

11-196. DISPC_REVISION	2787
11-197. Register Call Summary for Register DISPC_REVISION	2787
11-198. DISPC_SYSCONFIG	2787
11-199. Register Call Summary for Register DISPC_SYSCONFIG	2788
11-200. DISPC_SYSSTATUS	2789
11-201. Register Call Summary for Register DISPC_SYSSTATUS	2789
11-202. DISPC_IRQSTATUS	2789
11-203. Register Call Summary for Register DISPC_IRQSTATUS	2793
11-204. DISPC_IRQENABLE	2794
11-205. Register Call Summary for Register DISPC_IRQENABLE	2797
11-206. DISPC_CONTROL1	2798
11-207. Register Call Summary for Register DISPC_CONTROL1	2801
11-208. DISPC_CONFIG1	2801
11-209. Register Call Summary for Register DISPC_CONFIG1	2804
11-210. DISPC_DEFAULT_COLOR0	2805
11-211. Register Call Summary for Register DISPC_DEFAULT_COLOR0	2805
11-212. DISPC_DEFAULT_COLOR1	2805
11-213. Register Call Summary for Register DISPC_DEFAULT_COLOR1	2805
11-214. DISPC_TRANS_COLOR0	2806
11-215. Register Call Summary for Register DISPC_TRANS_COLOR0	2806
11-216. DISPC_TRANS_COLOR1	2806
11-217. Register Call Summary for Register DISPC_TRANS_COLOR1	2807
11-218. DISPC_LINE_STATUS	2807
11-219. Register Call Summary for Register DISPC_LINE_STATUS	2807
11-220. DISPC_LINE_NUMBER	2807
11-221. Register Call Summary for Register DISPC_LINE_NUMBER	2807
11-222. DISPC_TIMING_H1	2808
11-223. Register Call Summary for Register DISPC_TIMING_H1	2808
11-224. DISPC_TIMING_V1	2808
11-225. Register Call Summary for Register DISPC_TIMING_V1	2809
11-226. DISPC_POL_FREQ1	2809
11-227. Register Call Summary for Register DISPC_POL_FREQ1	2810
11-228. DISPC_DIVISOR1	2810
11-229. Register Call Summary for Register DISPC_DIVISOR1	2811
11-230. DISPC_GLOBAL_ALPHA	2811
11-231. Register Call Summary for Register DISPC_GLOBAL_ALPHA	2811
11-232. DISPC_SIZE_TV	2811
11-233. Register Call Summary for Register DISPC_SIZE_TV	2812
11-234. DISPC_SIZE_LCD1	2812
11-235. Register Call Summary for Register DISPC_SIZE_LCD1	2813
11-236. DISPC_GFX_BA_j	2813
11-237. Register Call Summary for Register DISPC_GFX_BA_j	2813
11-238. DISPC_GFX_POSITION	2814
11-239. Register Call Summary for Register DISPC_GFX_POSITION	2814
11-240. DISPC_GFX_SIZE	2814
11-241. Register Call Summary for Register DISPC_GFX_SIZE	2815
11-242. DISPC_GFX_ATTRIBUTES	2815
11-243. Register Call Summary for Register DISPC_GFX_ATTRIBUTES	2818
11-244. DISPC_GFX_BUF_THRESHOLD	2819

11-245. Register Call Summary for Register DISPC_GFX_BUF_THRESHOLD.....	2819
11-246. DISPC_GFX_BUF_SIZE_STATUS.....	2819
11-247. Register Call Summary for Register DISPC_GFX_BUF_SIZE_STATUS	2819
11-248. DISPC_GFX_ROW_INC	2820
11-249. Register Call Summary for Register DISPC_GFX_ROW_INC	2820
11-250. DISPC_GFX_PIXEL_INC	2820
11-251. Register Call Summary for Register DISPC_GFX_PIXEL_INC	2821
11-252. DISPC_GFX_TABLE_BA	2821
11-253. Register Call Summary for Register DISPC_GFX_TABLE_BA	2821
11-254. DISPC_VID1_BA_j	2821
11-255. Register Call Summary for Register DISPC_VID1_BA_j	2822
11-256. DISPC_VID1_POSITION	2822
11-257. Register Call Summary for Register DISPC_VID1_POSITION.....	2822
11-258. DISPC_VID1_SIZE	2823
11-259. Register Call Summary for Register DISPC_VID1_SIZE.....	2823
11-260. DISPC_VID1_ATTRIBUTES	2823
11-261. Register Call Summary for Register DISPC_VID1_ATTRIBUTES.....	2826
11-262. DISPC_VID1_BUF_THRESHOLD.....	2827
11-263. Register Call Summary for Register DISPC_VID1_BUF_THRESHOLD	2827
11-264. DISPC_VID1_BUF_SIZE_STATUS	2827
11-265. Register Call Summary for Register DISPC_VID1_BUF_SIZE_STATUS.....	2827
11-266. DISPC_VID1_ROW_INC	2828
11-267. Register Call Summary for Register DISPC_VID1_ROW_INC	2828
11-268. DISPC_VID1_PIXEL_INC	2828
11-269. Register Call Summary for Register DISPC_VID1_PIXEL_INC.....	2829
11-270. DISPC_VID1_FIR.....	2829
11-271. Register Call Summary for Register DISPC_VID1_FIR	2829
11-272. DISPC_VID1_PICTURE_SIZE	2830
11-273. Register Call Summary for Register DISPC_VID1_PICTURE_SIZE	2830
11-274. DISPC_VID1_ACCU_j	2831
11-275. Register Call Summary for Register DISPC_VID1_ACCU_j.....	2831
11-276. DISPC_VID1_FIR_COEF_H_i	2831
11-277. Register Call Summary for Register DISPC_VID1_FIR_COEF_H_i.....	2832
11-278. DISPC_VID1_FIR_COEF_HV_i	2832
11-279. Register Call Summary for Register DISPC_VID1_FIR_COEF_HV_i.....	2832
11-280. DISPC_VID1_CONV_COEF0.....	2832
11-281. Register Call Summary for Register DISPC_VID1_CONV_COEF0	2833
11-282. DISPC_VID1_CONV_COEF1	2833
11-283. Register Call Summary for Register DISPC_VID1_CONV_COEF1	2833
11-284. DISPC_VID1_CONV_COEF2.....	2834
11-285. Register Call Summary for Register DISPC_VID1_CONV_COEF2	2834
11-286. DISPC_VID1_CONV_COEF3.....	2834
11-287. Register Call Summary for Register DISPC_VID1_CONV_COEF3	2835
11-288. DISPC_VID1_CONV_COEF4.....	2835
11-289. Register Call Summary for Register DISPC_VID1_CONV_COEF4	2835
11-290. DISPC_VID2_BA_j	2835
11-291. Register Call Summary for Register DISPC_VID2_BA_j.....	2836
11-292. DISPC_VID2_POSITION	2836
11-293. Register Call Summary for Register DISPC_VID2_POSITION.....	2836

11-294. DISPC_VID2_SIZE	2837
11-295. Register Call Summary for Register DISPC_VID2_SIZE.....	2837
11-296. DISPC_VID2_ATTRIBUTES	2837
11-297. Register Call Summary for Register DISPC_VID2_ATTRIBUTES.....	2840
11-298. DISPC_VID2_BUF_THRESHOLD.....	2841
11-299. Register Call Summary for Register DISPC_VID2_BUF_THRESHOLD	2841
11-300. DISPC_VID2_BUF_SIZE_STATUS	2841
11-301. Register Call Summary for Register DISPC_VID2_BUF_SIZE_STATUS.....	2841
11-302. DISPC_VID2_ROW_INC	2842
11-303. Register Call Summary for Register DISPC_VID2_ROW_INC	2842
11-304. DISPC_VID2_PIXEL_INC	2842
11-305. Register Call Summary for Register DISPC_VID2_PIXEL_INC	2843
11-306. DISPC_VID2_FIR.....	2843
11-307. Register Call Summary for Register DISPC_VID2_FIR	2843
11-308. DISPC_VID2_PICTURE_SIZE	2844
11-309. Register Call Summary for Register DISPC_VID2_PICTURE_SIZE	2844
11-310. DISPC_VID2_ACCU_j	2845
11-311. Register Call Summary for Register DISPC_VID2_ACCU_j.....	2845
11-312. DISPC_VID2_FIR_COEF_H_i	2845
11-313. Register Call Summary for Register DISPC_VID2_FIR_COEF_H_i.....	2846
11-314. DISPC_VID2_FIR_COEF_HV_i	2846
11-315. Register Call Summary for Register DISPC_VID2_FIR_COEF_HV_i.....	2846
11-316. DISPC_VID2_CONV_COEF0.....	2846
11-317. Register Call Summary for Register DISPC_VID2_CONV_COEF0	2847
11-318. DISPC_VID2_CONV_COEF1	2847
11-319. Register Call Summary for Register DISPC_VID2_CONV_COEF1	2847
11-320. DISPC_VID2_CONV_COEF2.....	2848
11-321. Register Call Summary for Register DISPC_VID2_CONV_COEF2	2848
11-322. DISPC_VID2_CONV_COEF3.....	2848
11-323. Register Call Summary for Register DISPC_VID2_CONV_COEF3	2849
11-324. DISPC_VID2_CONV_COEF4.....	2849
11-325. Register Call Summary for Register DISPC_VID2_CONV_COEF4	2849
11-326. DISPC_DATA1_CYCLE1	2849
11-327. Register Call Summary for Register DISPC_DATA1_CYCLE1	2850
11-328. DISPC_DATA1_CYCLE2	2850
11-329. Register Call Summary for Register DISPC_DATA1_CYCLE2	2850
11-330. DISPC_DATA1_CYCLE3	2851
11-331. Register Call Summary for Register DISPC_DATA1_CYCLE3	2851
11-332. DISPC_VID1_FIR_COEF_V_i	2851
11-333. Register Call Summary for Register DISPC_VID1_FIR_COEF_V_i.....	2852
11-334. DISPC_VID2_FIR_COEF_V_i	2852
11-335. Register Call Summary for Register DISPC_VID2_FIR_COEF_V_i.....	2852
11-336. DISPC_CPR1_COEF_R	2853
11-337. Register Call Summary for Register DISPC_CPR1_COEF_R.....	2853
11-338. DISPC_CPR1_COEF_G	2853
11-339. Register Call Summary for Register DISPC_CPR1_COEF_G	2854
11-340. DISPC_CPR1_COEF_B	2854
11-341. Register Call Summary for Register DISPC_CPR1_COEF_B.....	2854
11-342. DISPC_GFX_PRELOAD.....	2854

11-343. Register Call Summary for Register DISPC_GFX_PRELOAD	2855
11-344. DISPC_VID1_PRELOAD	2855
11-345. Register Call Summary for Register DISPC_VID1_PRELOAD	2855
11-346. DISPC_VID2_PRELOAD	2855
11-347. Register Call Summary for Register DISPC_VID2_PRELOAD	2855
11-348. DISPC_CONTROL2	2856
11-349. Register Call Summary for Register DISPC_CONTROL2	2858
11-350. DISPC_GFX_POSITION2	2859
11-351. Register Call Summary for Register DISPC_GFX_POSITION2.....	2859
11-352. DISPC_VID1_POSITION2.....	2859
11-353. Register Call Summary for Register DISPC_VID1_POSITION2	2860
11-354. DISPC_VID2_POSITION2.....	2860
11-355. Register Call Summary for Register DISPC_VID2_POSITION2	2860
11-356. DISPC_VID3_POSITION2.....	2861
11-357. Register Call Summary for Register DISPC_VID3_POSITION2	2861
11-358. DISPC_VID3_ACCU_j	2861
11-359. Register Call Summary for Register DISPC_VID3_ACCU_j.....	2862
11-360. DISPC_VID3_BA_j	2862
11-361. Register Call Summary for Register DISPC_VID3_BA_j.....	2862
11-362. DISPC_VID3_FIR_COEF_H_i	2863
11-363. Register Call Summary for Register DISPC_VID3_FIR_COEF_H_i.....	2863
11-364. DISPC_VID3_FIR_COEF_HV_i	2863
11-365. Register Call Summary for Register DISPC_VID3_FIR_COEF_HV_i.....	2864
11-366. DISPC_VID3_FIR_COEF_V_i	2864
11-367. Register Call Summary for Register DISPC_VID3_FIR_COEF_V_i.....	2864
11-368. DISPC_VID3_ATTRIBUTES	2864
11-369. Register Call Summary for Register DISPC_VID3_ATTRIBUTES.....	2867
11-370. DISPC_VID3_CONV_COEF0.....	2868
11-371. Register Call Summary for Register DISPC_VID3_CONV_COEF0	2868
11-372. DISPC_VID3_CONV_COEF1	2868
11-373. Register Call Summary for Register DISPC_VID3_CONV_COEF1	2869
11-374. DISPC_VID3_CONV_COEF2.....	2869
11-375. Register Call Summary for Register DISPC_VID3_CONV_COEF2	2869
11-376. DISPC_VID3_CONV_COEF3.....	2869
11-377. Register Call Summary for Register DISPC_VID3_CONV_COEF3	2870
11-378. DISPC_VID3_CONV_COEF4.....	2870
11-379. Register Call Summary for Register DISPC_VID3_CONV_COEF4	2870
11-380. DISPC_VID3_BUF_SIZE_STATUS	2870
11-381. Register Call Summary for Register DISPC_VID3_BUF_SIZE_STATUS.....	2871
11-382. DISPC_VID3_BUF_THRESHOLD.....	2871
11-383. Register Call Summary for Register DISPC_VID3_BUF_THRESHOLD	2871
11-384. DISPC_VID3_FIR.....	2871
11-385. Register Call Summary for Register DISPC_VID3_FIR	2872
11-386. DISPC_VID3_PICTURE_SIZE	2872
11-387. Register Call Summary for Register DISPC_VID3_PICTURE_SIZE	2872
11-388. DISPC_VID3_PIXEL_INC	2873
11-389. Register Call Summary for Register DISPC_VID3_PIXEL_INC.....	2873
11-390. DISPC_VID3_POSITION	2873
11-391. Register Call Summary for Register DISPC_VID3_POSITION.....	2874

11-392. DISPC_VID3_PRELOAD	2874
11-393. Register Call Summary for Register DISPC_VID3_PRELOAD	2874
11-394. DISPC_VID3_ROW_INC	2874
11-395. Register Call Summary for Register DISPC_VID3_ROW_INC	2875
11-396. DISPC_VID3_SIZE	2875
11-397. Register Call Summary for Register DISPC_VID3_SIZE	2875
11-398. DISPC_DEFAULT_COLOR2	2875
11-399. Register Call Summary for Register DISPC_DEFAULT_COLOR2	2876
11-400. DISPC_TRANS_COLOR2	2876
11-401. Register Call Summary for Register DISPC_TRANS_COLOR2	2876
11-402. DISPC_CPR2_COEF_B	2876
11-403. Register Call Summary for Register DISPC_CPR2_COEF_B	2877
11-404. DISPC_CPR2_COEF_G	2877
11-405. Register Call Summary for Register DISPC_CPR2_COEF_G	2877
11-406. DISPC_CPR2_COEF_R	2877
11-407. Register Call Summary for Register DISPC_CPR2_COEF_R	2878
11-408. DISPC_DATA2_CYCLE1	2878
11-409. Register Call Summary for Register DISPC_DATA2_CYCLE1	2878
11-410. DISPC_DATA2_CYCLE2	2879
11-411. Register Call Summary for Register DISPC_DATA2_CYCLE2	2879
11-412. DISPC_DATA2_CYCLE3	2879
11-413. Register Call Summary for Register DISPC_DATA2_CYCLE3	2880
11-414. DISPC_SIZE_LCD2	2880
11-415. Register Call Summary for Register DISPC_SIZE_LCD2	2881
11-416. DISPC_TIMING_H2	2881
11-417. Register Call Summary for Register DISPC_TIMING_H2	2881
11-418. DISPC_TIMING_V2	2881
11-419. Register Call Summary for Register DISPC_TIMING_V2	2882
11-420. DISPC_POL_FREQ2	2882
11-421. Register Call Summary for Register DISPC_POL_FREQ2	2883
11-422. DISPC_DIVISOR2	2883
11-423. Register Call Summary for Register DISPC_DIVISOR2	2884
11-424. DISPC_WB_ACCU_j	2884
11-425. Register Call Summary for Register DISPC_WB_ACCU_j	2884
11-426. DISPC_WB_BA_j	2885
11-427. Register Call Summary for Register DISPC_WB_BA_j	2885
11-428. DISPC_WB_FIR_COEF_H_i	2886
11-429. Register Call Summary for Register DISPC_WB_FIR_COEF_H_i	2886
11-430. DISPC_WB_FIR_COEF_HV_i	2887
11-431. Register Call Summary for Register DISPC_WB_FIR_COEF_HV_i	2887
11-432. DISPC_WB_FIR_COEF_V_i	2888
11-433. Register Call Summary for Register DISPC_WB_FIR_COEF_V_i	2888
11-434. DISPC_WB_ATTRIBUTES	2889
11-435. Register Call Summary for Register DISPC_WB_ATTRIBUTES	2892
11-436. DISPC_WB_CONV_COEF0	2893
11-437. Register Call Summary for Register DISPC_WB_CONV_COEF0	2893
11-438. DISPC_WB_CONV_COEF1	2893
11-439. Register Call Summary for Register DISPC_WB_CONV_COEF1	2894
11-440. DISPC_WB_CONV_COEF2	2894

11-441. Register Call Summary for Register DISPC_WB_CONV_COEF2	2894
11-442. DISPC_WB_CONV_COEF3.....	2895
11-443. Register Call Summary for Register DISPC_WB_CONV_COEF3	2895
11-444. DISPC_WB_CONV_COEF4.....	2895
11-445. Register Call Summary for Register DISPC_WB_CONV_COEF4	2896
11-446. DISPC_WB_BUF_SIZE_STATUS.....	2896
11-447. Register Call Summary for Register DISPC_WB_BUF_SIZE_STATUS	2896
11-448. DISPC_WB_BUF_THRESHOLD	2896
11-449. Register Call Summary for Register DISPC_WB_BUF_THRESHOLD.....	2897
11-450. DISPC_WB_FIR	2897
11-451. Register Call Summary for Register DISPC_WB_FIR	2897
11-452. DISPC_WB_PICTURE_SIZE	2898
11-453. Register Call Summary for Register DISPC_WB_PICTURE_SIZE	2898
11-454. DISPC_WB_PIXEL_INC	2899
11-455. Register Call Summary for Register DISPC_WB_PIXEL_INC.....	2899
11-456. DISPC_WB_ROW_INC	2899
11-457. Register Call Summary for Register DISPC_WB_ROW_INC.....	2900
11-458. DISPC_WB_SIZE	2900
11-459. Register Call Summary for Register DISPC_WB_SIZE	2900
11-460. DISPC_VID1_BA_UV_j	2901
11-461. Register Call Summary for Register DISPC_VID1_BA_UV_j.....	2901
11-462. DISPC_VID2_BA_UV_j	2901
11-463. Register Call Summary for Register DISPC_VID2_BA_UV_j.....	2902
11-464. DISPC_VID3_BA_UV_j	2902
11-465. Register Call Summary for Register DISPC_VID3_BA_UV_j.....	2902
11-466. DISPC_WB_BA_UV_j.....	2903
11-467. Register Call Summary for Register DISPC_WB_BA_UV_j	2903
11-468. DISPC_CONFIG2.....	2904
11-469. Register Call Summary for Register DISPC_CONFIG2	2905
11-470. DISPC_VID1_ATTRIBUTES2.....	2906
11-471. Register Call Summary for Register DISPC_VID1_ATTRIBUTES2	2906
11-472. DISPC_VID2_ATTRIBUTES2.....	2907
11-473. Register Call Summary for Register DISPC_VID2_ATTRIBUTES2	2907
11-474. DISPC_VID3_ATTRIBUTES2.....	2908
11-475. Register Call Summary for Register DISPC_VID3_ATTRIBUTES2	2908
11-476. DISPC_GAMMA_TABLE0.....	2909
11-477. Register Call Summary for Register DISPC_GAMMA_TABLE0	2909
11-478. DISPC_GAMMA_TABLE1	2909
11-479. Register Call Summary for Register DISPC_GAMMA_TABLE1	2910
11-480. DISPC_GAMMA_TABLE2.....	2910
11-481. Register Call Summary for Register DISPC_GAMMA_TABLE2	2910
11-482. DISPC_VID1_FIR2	2911
11-483. Register Call Summary for Register DISPC_VID1_FIR2.....	2911
11-484. DISPC_VID1_ACCU2_j.....	2911
11-485. Register Call Summary for Register DISPC_VID1_ACCU2_j	2912
11-486. DISPC_VID1_FIR_COEF_H2_i.....	2912
11-487. Register Call Summary for Register DISPC_VID1_FIR_COEF_H2_i	2912
11-488. DISPC_VID1_FIR_COEF_HV2_i	2913
11-489. Register Call Summary for Register DISPC_VID1_FIR_COEF_HV2_i	2913

11-490. DISPC_VID1_FIR_COEF_V2_i	2913
11-491. Register Call Summary for Register DISPC_VID1_FIR_COEF_V2_i	2914
11-492. DISPC_VID2_FIR2	2914
11-493. Register Call Summary for Register DISPC_VID2_FIR2	2914
11-494. DISPC_VID2_ACCU2_j	2915
11-495. Register Call Summary for Register DISPC_VID2_ACCU2_j	2915
11-496. DISPC_VID2_FIR_COEF_H2_i	2915
11-497. Register Call Summary for Register DISPC_VID2_FIR_COEF_H2_i	2916
11-498. DISPC_VID2_FIR_COEF_HV2_i	2916
11-499. Register Call Summary for Register DISPC_VID2_FIR_COEF_HV2_i	2916
11-500. DISPC_VID2_FIR_COEF_V2_i	2917
11-501. Register Call Summary for Register DISPC_VID2_FIR_COEF_V2_i	2917
11-502. DISPC_VID3_FIR2	2917
11-503. Register Call Summary for Register DISPC_VID3_FIR2	2918
11-504. DISPC_VID3_ACCU2_j	2918
11-505. Register Call Summary for Register DISPC_VID3_ACCU2_j	2918
11-506. DISPC_VID3_FIR_COEF_H2_i	2919
11-507. Register Call Summary for Register DISPC_VID3_FIR_COEF_H2_i	2919
11-508. DISPC_VID3_FIR_COEF_HV2_i	2919
11-509. Register Call Summary for Register DISPC_VID3_FIR_COEF_HV2_i	2920
11-510. DISPC_VID3_FIR_COEF_V2_i	2920
11-511. Register Call Summary for Register DISPC_VID3_FIR_COEF_V2_i	2920
11-512. DISPC_WB_FIR2	2921
11-513. Register Call Summary for Register DISPC_WB_FIR2	2921
11-514. DISPC_WB_ACCU2_j	2922
11-515. Register Call Summary for Register DISPC_WB_ACCU2_j	2922
11-516. DISPC_WB_FIR_COEF_H2_i	2923
11-517. Register Call Summary for Register DISPC_WB_FIR_COEF_H2_i	2923
11-518. DISPC_WB_FIR_COEF_HV2_i	2924
11-519. Register Call Summary for Register DISPC_WB_FIR_COEF_HV2_i	2924
11-520. DISPC_WB_FIR_COEF_V2_i	2925
11-521. Register Call Summary for Register DISPC_WB_FIR_COEF_V2_i	2925
11-522. DISPC_GLOBAL_BUFFER	2925
11-523. Register Call Summary for Register DISPC_GLOBAL_BUFFER	2926
11-524. DISPC_DIVISOR	2927
11-525. Register Call Summary for Register DISPC_DIVISOR	2927
11-526. DISPC_WB_ATTRIBUTES2	2928
11-527. Register Call Summary for Register DISPC_WB_ATTRIBUTES2	2928
11-528. DISPC_DEFAULT_COLOR3	2928
11-529. Register Call Summary for Register DISPC_DEFAULT_COLOR3	2929
11-530. DISPC_TRANS_COLOR3	2929
11-531. Register Call Summary for Register DISPC_TRANS_COLOR3	2929
11-532. DISPC_CPR3_COEF_B	2929
11-533. Register Call Summary for Register DISPC_CPR3_COEF_B	2930
11-534. DISPC_CPR3_COEF_G	2930
11-535. Register Call Summary for Register DISPC_CPR3_COEF_G	2930
11-536. DISPC_CPR3_COEF_R	2931
11-537. Register Call Summary for Register DISPC_CPR3_COEF_R	2931
11-538. DISPC_DATA3_CYCLE1	2931

11-539. Register Call Summary for Register DISPC_DATA3_CYCLE1	2932
11-540. DISPC_DATA3_CYCLE2	2932
11-541. Register Call Summary for Register DISPC_DATA3_CYCLE2	2933
11-542. DISPC_DATA3_CYCLE3	2933
11-543. Register Call Summary for Register DISPC_DATA3_CYCLE3	2933
11-544. DISPC_SIZE_LCD3	2934
11-545. Register Call Summary for Register DISPC_SIZE_LCD3	2934
11-546. DISPC_DIVISOR3	2934
11-547. Register Call Summary for Register DISPC_DIVISOR3	2935
11-548. DISPC_POL_FREQ3	2935
11-549. Register Call Summary for Register DISPC_POL_FREQ3	2936
11-550. DISPC_TIMING_H3	2936
11-551. Register Call Summary for Register DISPC_TIMING_H3	2937
11-552. DISPC_TIMING_V3	2937
11-553. Register Call Summary for Register DISPC_TIMING_V3	2937
11-554. DISPC_CONTROL3	2938
11-555. Register Call Summary for Register DISPC_CONTROL3	2940
11-556. DISPC_CONFIG3	2940
11-557. Register Call Summary for Register DISPC_CONFIG3	2942
11-558. DISPC_GAMMA_TABLE3	2942
11-559. Register Call Summary for Register DISPC_GAMMA_TABLE3	2942
11-560. DISPC_BA0_FLIPIMMEDIATE_EN	2943
11-561. Register Call Summary for Register DISPC_BA0_FLIPIMMEDIATE_EN	2943
11-562. DISABLE_MSTANDBY_ENHANCEMENT	2943
11-563. Register Call Summary for Register DISABLE_MSTANDBY_ENHANCEMENT	2944
11-564. DISPC_GLOBAL_MFLAG_ATTRIBUTE	2944
11-565. Register Call Summary for Register DISPC_GLOBAL_MFLAG_ATTRIBUTE	2944
11-566. DISPC_GFX_MFLAG_THRESHOLD	2944
11-567. Register Call Summary for Register DISPC_GFX_MFLAG_THRESHOLD	2945
11-568. DISPC_VID1_MFLAG_THRESHOLD	2945
11-569. Register Call Summary for Register DISPC_VID1_MFLAG_THRESHOLD	2945
11-570. DISPC_VID2_MFLAG_THRESHOLD	2946
11-571. Register Call Summary for Register DISPC_VID2_MFLAG_THRESHOLD	2946
11-572. DISPC_VID3_MFLAG_THRESHOLD	2946
11-573. Register Call Summary for Register DISPC_VID3_MFLAG_THRESHOLD	2946
11-574. DISPC_WB_MFLAG_THRESHOLD	2947
11-575. Register Call Summary for Register DISPC_WB_MFLAG_THRESHOLD	2947
11-576. HDMI Video Timings (CEA-861-D)	2949
11-577. HDMI Video timings (VESA DMT)	2950
12-1. GPU Integration Attributes	2954
12-2. GPU Clocks and Resets	2954
12-3. GPU Hardware Requests	2955
12-4. GPU Instance Summary	2957
12-5. GPU_WRAPPER Registers Mapping Summary	2958
12-6. REVISION	2958
12-7. Register Call Summary for Register REVISION	2958
12-8. HWINFO	2959
12-9. Register Call Summary for Register HWINFO	2959
12-10. SYSCONFIG	2959

12-11. Register Call Summary for Register SYSCONFIG	2960
12-12. IRQSTATUS_RAW_0.....	2960
12-13. Register Call Summary for Register IRQSTATUS_RAW_0	2960
12-14. IRQSTATUS_RAW_1.....	2961
12-15. Register Call Summary for Register IRQSTATUS_RAW_1	2961
12-16. IRQSTATUS_RAW_2.....	2961
12-17. Register Call Summary for Register IRQSTATUS_RAW_2	2962
12-18. IRQSTATUS_0	2962
12-19. Register Call Summary for Register IRQSTATUS_0.....	2962
12-20. IRQSTATUS_1	2962
12-21. Register Call Summary for Register IRQSTATUS_1	2963
12-22. IRQSTATUS_2	2963
12-23. Register Call Summary for Register IRQSTATUS_2.....	2963
12-24. IRQENABLE_SET_0.....	2964
12-25. Register Call Summary for Register IRQENABLE_SET_0	2964
12-26. IRQENABLE_SET_1.....	2964
12-27. Register Call Summary for Register IRQENABLE_SET_1	2965
12-28. IRQENABLE_SET_2.....	2965
12-29. Register Call Summary for Register IRQENABLE_SET_2	2965
12-30. IRQENABLE_CLR_0	2966
12-31. Register Call Summary for Register IRQENABLE_CLR_0.....	2966
12-32. IRQENABLE_CLR_1	2966
12-33. Register Call Summary for Register IRQENABLE_CLR_1	2967
12-34. IRQENABLE_CLR_2	2967
12-35. Register Call Summary for Register IRQENABLE_CLR_2.....	2967
12-36. PAGE_CONFIG	2968
12-37. Register Call Summary for Register PAGE_CONFIG.....	2968
12-38. INTERRUPT_EVENT.....	2969
12-39. Register Call Summary for Register INTERRUPT_EVENT	2970
12-40. DEBUG_CONFIG	2971
12-41. Register Call Summary for Register DEBUG_CONFIG.....	2971
12-42. DEBUG_STATUS_0.....	2972
12-43. Register Call Summary for Register DEBUG_STATUS_0.....	2973
12-44. DEBUG_STATUS_1	2973
12-45. Register Call Summary for Register DEBUG_STATUS_1.....	2974
13-1. BB2D Integration Attributes	2978
13-2. BB2D Clocks and Resets	2978
13-3. BB2D Hardware Requests	2979
13-4. BB2D Instance Summary	2982
13-5. BB2D Registers Mapping Summary	2982
13-6. AQHICLOCKCONTROL.....	2984
13-7. Register Call Summary for Register AQHICLOCKCONTROL	2984
13-8. AQHIIDLE	2985
13-9. Register Call Summary for Register AQHIIDLE.....	2985
13-10. AQAXICONFIG	2985
13-11. Register Call Summary for Register AQAXICONFIG.....	2986
13-12. AQAXISTATUS	2986
13-13. Register Call Summary for Register AQAXISTATUS	2986
13-14. AQINTRACKNOWLEDGE	2986

13-15. Register Call Summary for Register AQINTRACKNOWLEDGE	2986
13-16. AQINTRENBL.....	2987
13-17. Register Call Summary for Register AQINTRENBL	2987
13-18. AQIDENT	2987
13-19. Register Call Summary for Register AQIDENT	2987
13-20. GCFEATURES	2988
13-21. Register Call Summary for Register GCFEATURES	2989
13-22. GCCHIPID.....	2989
13-23. Register Call Summary for Register GCCHIPID	2989
13-24. GCCHIPREV.....	2989
13-25. Register Call Summary for Register GCCHIPREV	2989
13-26. GCCHIPDATE	2990
13-27. Register Call Summary for Register GCCHIPDATE.....	2990
13-28. GCCHIPTIME	2990
13-29. Register Call Summary for Register GCCHIPTIME	2990
13-30. GCCHIPCUSTOMER	2990
13-31. Register Call Summary for Register GCCHIPCUSTOMER	2991
13-32. GCMINORFEATURES0	2991
13-33. Register Call Summary for Register GCMINORFEATURES0	2992
13-34. GCRESETMEMCOUNTERS	2992
13-35. Register Call Summary for Register GCRESETMEMCOUNTERS.....	2992
13-36. GCTOTALREADS.....	2992
13-37. Register Call Summary for Register GCTOTALREADS	2993
13-38. GCTOTALWRITES.....	2993
13-39. Register Call Summary for Register GCTOTALWRITES	2993
13-40. GCCHIPSPECS	2993
13-41. Register Call Summary for Register GCCHIPSPECS.....	2994
13-42. GCTOTALWRITEBURSTS	2994
13-43. Register Call Summary for Register GCTOTALWRITEBURSTS	2994
13-44. GCTOTALWRITEREQS.....	2994
13-45. Register Call Summary for Register GCTOTALWRITEREQS	2994
13-46. GCTOTALWRITELASTS.....	2995
13-47. Register Call Summary for Register GCTOTALWRITELASTS	2995
13-48. GCTOTALREADBURSTS.....	2995
13-49. Register Call Summary for Register GCTOTALREADBURSTS	2995
13-50. GCTOTALREADREQS	2995
13-51. Register Call Summary for Register GCTOTALREADREQS	2996
13-52. GCTOTALREADLASTS	2996
13-53. Register Call Summary for Register GCTOTALREADLASTS.....	2996
13-54. GCGPOUT0.....	2996
13-55. Register Call Summary for Register GCGPOUT0	2996
13-56. GCAXICONTROL	2996
13-57. Register Call Summary for Register GCAXICONTROL.....	2997
13-58. GCMINORFEATURES1	2997
13-59. Register Call Summary for Register GCMINORFEATURES1	2998
13-60. GCTOTALCYCLES	2998
13-61. Register Call Summary for Register GCTOTALCYCLES.....	2999
13-62. GCTOTALIDLECYCLES	2999
13-63. Register Call Summary for Register GCTOTALIDLECYCLES.....	2999

13-64. GCCHIPSPECS2.....	2999
13-65. Register Call Summary for Register GCCHIPSPECS2	2999
13-66. GCMINORFEATURES2	3000
13-67. Register Call Summary for Register GCMINORFEATURES2	3001
13-68. GCMODULEPOWERCONTROLS	3001
13-69. Register Call Summary for Register GCMODULEPOWERCONTROLS.....	3001
13-70. GCMODULEPOWERMODULECONTROL	3002
13-71. Register Call Summary for Register GCMODULEPOWERMODULECONTROL.....	3002
13-72. GCMODULEPOWERMODULESTATUS	3002
13-73. Register Call Summary for Register GCMODULEPOWERMODULESTATUS	3003
13-74. GCREGMMUSTATUS.....	3003
13-75. Register Call Summary for Register GCREGMMUSTATUS	3004
13-76. GCREGMMUCONTROL	3004
13-77. Register Call Summary for Register GCREGMMUCONTROL.....	3004
13-78. GCREGMMUEXCEPTION0	3004
13-79. Register Call Summary for Register GCREGMMUEXCEPTION0.....	3005
13-80. GCREGMMUEXCEPTION1	3005
13-81. Register Call Summary for Register GCREGMMUEXCEPTION1	3005
13-82. GCREGMMUEXCEPTION2	3005
13-83. Register Call Summary for Register GCREGMMUEXCEPTION2.....	3005
13-84. GCREGMMUEXCEPTION3	3006
13-85. Register Call Summary for Register GCREGMMUEXCEPTION3.....	3006
13-86. AQMEMORYDEBUG	3006
13-87. Register Call Summary for Register AQMEMORYDEBUG.....	3007
13-88. AQREGISTERTIMINGCONTROL	3007
13-89. Register Call Summary for Register AQREGISTERTIMINGCONTROL.....	3007
13-90. GCDISPLAYPRIORITY.....	3008
13-91. Register Call Summary for Register GCDISPLAYPRIORITY	3008
13-92. GCDBGCYCLECOUNTER.....	3008
13-93. Register Call Summary for Register GCDBGCYCLECOUNTER	3008
13-94. GCOUTSTANDINGREADS0	3008
13-95. Register Call Summary for Register GCOUTSTANDINGREADS0.....	3009
13-96. GCOUTSTANDINGREADS1	3009
13-97. Register Call Summary for Register GCOUTSTANDINGREADS1	3009
13-98. GCOUTSTANDINGWRITES.....	3009
13-99. Register Call Summary for Register GCOUTSTANDINGWRITES	3010
13-100. GCDEBUGSIGNALSRA	3010
13-101. Register Call Summary for Register GCDEBUGSIGNALSRA.....	3010
13-102. GCDEBUGSIGNALSTX.....	3010
13-103. Register Call Summary for Register GCDEBUGSIGNALSTX	3011
13-104. GCDEBUGSIGNALSFE.....	3011
13-105. Register Call Summary for Register GCDEBUGSIGNALSFE	3011
13-106. GCDEBUGSIGNALSPE	3011
13-107. Register Call Summary for Register GCDEBUGSIGNALSPE	3012
13-108. GCDEBUGSIGNALSDE	3012
13-109. Register Call Summary for Register GCDEBUGSIGNALSDE	3012
13-110. GCDEBUGSIGNALSSH	3012
13-111. Register Call Summary for Register GCDEBUGSIGNALSSH.....	3013
13-112. GCDEBUGSIGNALSPA	3013

13-113. Register Call Summary for Register GCDEBUGSIGNALSPA	3013
13-114. GCDEBUGSIGNALSSE	3014
13-115. Register Call Summary for Register GCDEBUGSIGNALSSE	3014
13-116. GCDEBUGSIGNALSMC	3014
13-117. Register Call Summary for Register GCDEBUGSIGNALSMC	3015
13-118. GCDEBUGSIGNALSHI	3015
13-119. Register Call Summary for Register GCDEBUGSIGNALSHI	3015
13-120. GCDEBUGCONTROL0	3015
13-121. Register Call Summary for Register GCDEBUGCONTROL0.....	3016
13-122. GCDEBUGCONTROL1	3016
13-123. Register Call Summary for Register GCDEBUGCONTROL1.....	3016
13-124. GCDEBUGCONTROL2	3016
13-125. Register Call Summary for Register GCDEBUGCONTROL2.....	3017
13-126. GCDEBUGCONTROL3	3017
13-127. Register Call Summary for Register GCDEBUGCONTROL3.....	3017
13-128. GCBUSCONTROL.....	3018
13-129. Register Call Summary for Register GCBUSCONTROL	3018
13-130. GCREGENDIANNES0	3018
13-131. Register Call Summary for Register GCREGENDIANNES0	3018
13-132. GCREGENDIANNES1	3019
13-133. Register Call Summary for Register GCREGENDIANNES1	3019
13-134. GCREGENDIANNES2	3019
13-135. Register Call Summary for Register GCREGENDIANNES2	3019
13-136. GCREGDRAWPRIMITIVESTARTTIMESTAMP	3019
13-137. Register Call Summary for Register GCREGDRAWPRIMITIVESTARTTIMESTAMP.....	3020
13-138. GCREGDRAWPRIMITIVEENDTIMESTAMP	3020
13-139. Register Call Summary for Register GCREGDRAWPRIMITIVEENDTIMESTAMP.....	3020
13-140. GCREGCONTROL0.....	3020
13-141. Register Call Summary for Register GCREGCONTROL0	3021
13-142. AQCMDBUFFERADDR	3021
13-143. Register Call Summary for Register AQCMDBUFFERADDR	3021
13-144. AQCMDBUFFERCTRL.....	3021
13-145. Register Call Summary for Register AQCMDBUFFERCTRL	3022
13-146. AQFESTATUS	3022
13-147. Register Call Summary for Register AQFESTATUS.....	3022
13-148. AQFEDEBUGCURCMDADR.....	3022
13-149. Register Call Summary for Register AQFEDEBUGCURCMDADR	3023
14-1. MCmd Qualifier Description.....	3025
14-2. MReqInfo Qualifier Description.....	3026
14-3. SResp Qualifier Description.....	3026
14-4. L3_MAIN Integration Attributes.....	3031
14-5. L3_MAIN Clocks and Resets	3031
14-6. L3_MAIN Hardware Requests.....	3031
14-7. Master NIUs.....	3032
14-8. Slave NIUs	3033
14-9. L3_MAIN Clock Domains and Elements	3034
14-10. ConnID Values.....	3038
14-11. L3 Time-out Flag Mapping	3042
14-12. L3_MAIN Firewall Exported Reset Values.....	3045

14-13. L3_MAIN Firewall Exported Values Mapping.....	3045
14-14. L3_MAIN Firewall Exported Values Mapping.....	3045
14-15. MReqInfo Values	3046
14-16. L3_MAIN ReqInfo Mapping	3047
14-17. Slave NIU Firewall and Region Configuration	3049
14-18. L3_MAIN Firewall Read/Write Permission-Setting Register	3052
14-19. L3_MAIN Firewall Permission-Setting Register	3053
14-20. L3 Firewall Error-Logging Registers	3054
14-21. L3_MAIN Firewalls Default Configurations.....	3056
14-22. Control Module Register – Factorization	3056
14-23. L3_MAIN Connectivity and Holes Error Routing	3058
14-24. Interconnect Flag Mapping	3059
14-25. Global Initialization of Surrounding Modules	3062
14-26. Subprocess Call Summary for Main Sequence – Error Analysis Mode.....	3063
14-27. Custom Error Identification	3063
14-28. L3_MAIN Protection Violation Error Identification.....	3063
14-29. L3_MAIN Standard Error Identification	3064
14-30. FLAGMUX Configuration	3064
14-31. FLAGMUX Time-out1/2 Configuration (fro CLK1_1 and CLK1_2)	3064
14-32. FLAGMUX Time-out Configuration (for CLK2_1)	3064
14-33. L3_MAIN Firewall Instance Summary	3065
14-34. L3_MAIN Firewall Registers Summary	3066
14-35. L3_MAIN Firewall Registers Mapping Summary	3066
14-36. L3_MAIN Firewall Registers Mapping Summary	3066
14-37. L3_MAIN Firewall Registers Mapping Summary	3067
14-38. L3_MAIN Firewall Registers Mapping Summary	3067
14-39. L3_MAIN Firewall Registers Mapping Summary	3068
14-40. L3_MAIN Firewall Registers Mapping Summary	3068
14-41. L3_MAIN Firewall Registers Mapping Summary	3068
14-42. L3_MAIN Firewall Registers Mapping Summary	3069
14-43. L3_MAIN Firewall Registers Mapping Summary	3069
14-44. ERROR_LOG_k.....	3071
14-45. Register Call Summary for Register ERROR_LOG_k.....	3071
14-46. LOGICAL_ADDR_ERRLOG_k	3072
14-47. Register Call Summary for Register LOGICAL_ADDR_ERRLOG_k.....	3072
14-48. REGUPDATE_CONTROL	3072
14-49. Register Call Summary for Register REGUPDATE_CONTROL.....	3072
14-50. START_REGION_i.....	3073
14-51. Register Call Summary for Register START_REGION_i	3073
14-52. Size of START_REGION_i[] START_REGION Bit Field.....	3073
14-53. END_REGION_i.....	3074
14-54. Register Call Summary for Register END_REGION_i	3074
14-55. Size of END_REGION_i[] END_REGION Bit Field	3074
14-56. MRM_PERMISSION_REGION_HIGH_j	3075
14-57. Register Call Summary for Register MRM_PERMISSION_REGION_HIGH_j.....	3076
14-58. MRM_PERMISSION_REGION_LOW_j.....	3076
14-59. Register Call Summary for Register MRM_PERMISSION_REGION_LOW_j.....	3076
14-60. Reset Value for MRM_PERMISSION_REGION_LOW_j	3076
14-61. HOST Instance Summary	3077

14-62. HOST Registers Summary	3077
14-63. L3_HOST_STDHOSHTDR_COREREG	3078
14-64. Register Call Summary for Register L3_HOST_STDHOSHTDR_COREREG	3078
14-65. L3_HOST_STDHOSHTDR_VERSIONREG	3079
14-66. Register Call Summary for Register L3_HOST_STDHOSHTDR_VERSIONREG	3079
14-67. L3_HOST_STDHOSHTDR_MAINCTLREG	3080
14-68. Register Call Summary for Register L3_HOST_STDHOSHTDR_MAINCTLREG	3080
14-69. L3_HOST_STDERRLOG_SVRTSTDLVL	3081
14-70. Register Call Summary for Register L3_HOST_STDERRLOG_SVRTSTDLVL	3081
14-71. L3_HOST_STDERRLOG_SVRTCUSTOMLVL	3081
14-72. Register Call Summary for Register L3_HOST_STDERRLOG_SVRTCUSTOMLVL	3082
14-73. L3_HOST_STDERRLOG_MAIN	3082
14-74. Register Call Summary for Register L3_HOST_STDERRLOG_MAIN	3083
14-75. L3_HOST_STDERRLOG_HDR	3083
14-76. Register Call Summary for Register L3_HOST_STDERRLOG_HDR	3084
14-77. L3_HOST_STDERRLOG_MSTADDR	3084
14-78. Register Call Summary for Register L3_HOST_STDERRLOG_MSTADDR	3084
14-79. L3_HOST_STDERRLOG_SLVADDR	3085
14-80. Register Call Summary for Register L3_HOST_STDERRLOG_SLVADDR	3085
14-81. L3_HOST_STDERRLOG_INFO	3085
14-82. Register Call Summary for Register L3_HOST_STDERRLOG_INFO	3085
14-83. L3_HOST_STDERRLOG_SLVOFSLSB	3086
14-84. Register Call Summary for Register L3_HOST_STDERRLOG_SLVOFSLSB	3086
14-85. L3_HOST_STDERRLOG_SLVOFSMSB	3086
14-86. Register Call Summary for Register L3_HOST_STDERRLOG_SLVOFSMSB	3086
14-87. L3_HOST_STDERRLOG_CUSTOMINFO_MSTADDR	3087
14-88. Register Call Summary for Register L3_HOST_STDERRLOG_CUSTOMINFO_MSTADDR	3087
14-89. L3_HOST_STDERRLOG_CUSTOMINFO_INFO	3088
14-90. Register Call Summary for Register L3_HOST_STDERRLOG_CUSTOMINFO_INFO	3088
14-91. L3_HOST_STDERRLOG_CUSTOMINFO_WR	3088
14-92. Register Call Summary for Register L3_HOST_STDERRLOG_CUSTOMINFO_WR	3089
14-93. L3_HOST_STDERRLOG_CUSTOMINFO_ADDR	3089
14-94. Register Call Summary for Register L3_HOST_STDERRLOG_CUSTOMINFO_ADDR	3089
14-95. L3_HOST_STDERRLOG_CUSTOMINFO_DECERR	3089
14-96. Register Call Summary for Register L3_HOST_STDERRLOG_CUSTOMINFO_DECERR	3090
14-97. L3_MAIN TARG Instance Summary	3090
14-98. L3_MAIN TARG Register Summary	3092
14-99. L3_MAIN TARG Register Summary	3092
14-100. L3_MAIN TARG Register Summary	3093
14-101. L3_MAIN TARG Register Summary	3094
14-102. L3_MAIN TARG Register Summary	3094
14-103. L3_MAIN TARG Register Summary	3095
14-104. L3_MAIN TARG Register Summary	3096
14-105. L3_MAIN TARG Register Summary	3096
14-106. L3_MAIN TARG Register Summary	3097
14-107. L3_MAIN TARG Register Summary	3098
14-108. L3_MAIN TARG Register Summary	3099
14-109. L3_MAIN TARG Register Summary	3099
14-110. L3_MAIN TARG Register Summary	3100

14-111. L3_TARG_STDHOSTHDR_COREREG	3102
14-112. Register Call Summary for Register L3_TARG_STDHOSTHDR_COREREG.....	3102
14-113. L3_TARG_STDHOSTHDR_VERSIONREG.....	3103
14-114. Register Call Summary for Register L3_TARG_STDHOSTHDR_VERSIONREG	3103
14-115. L3_TARG_STDHOSTHDR_MAINCTLREG	3103
14-116. Register Call Summary for Register L3_TARG_STDHOSTHDR_MAINCTLREG.....	3104
14-117. L3_TARG_STDHOSTHDR_NTTPADDR_0	3104
14-118. Register Call Summary for Register L3_TARG_STDHOSTHDR_NTTPADDR_0.....	3104
14-119. L3_TARG_STDERRLOG_SVRTSTDLVL	3105
14-120. Register Call Summary for Register L3_TARG_STDERRLOG_SVRTSTDLVL.....	3105
14-121. L3_TARG_STDERRLOG_SVRTCUSTOMLVL	3106
14-122. Register Call Summary for Register L3_TARG_STDERRLOG_SVRTCUSTOMLVL	3106
14-123. L3_TARG_STDERRLOG_MAIN	3106
14-124. Register Call Summary for Register L3_TARG_STDERRLOG_MAIN	3107
14-125. L3_TARG_STDERRLOG_HDR	3107
14-126. Register Call Summary for Register L3_TARG_STDERRLOG_HDR	3108
14-127. L3_TARG_STDERRLOG_MSTADDR	3108
14-128. Register Call Summary for Register L3_TARG_STDERRLOG_MSTADDR.....	3109
14-129. L3_TARG_STDERRLOG_SLVADDR	3109
14-130. Register Call Summary for Register L3_TARG_STDERRLOG_SLVADDR	3109
14-131. L3_TARG_STDERRLOG_INFO	3109
14-132. Register Call Summary for Register L3_TARG_STDERRLOG_INFO.....	3109
14-133. L3_TARG_STDERRLOG_SLVOFSLSB.....	3110
14-134. Register Call Summary for Register L3_TARG_STDERRLOG_SLVOFSLSB	3110
14-135. L3_TARG_STDERRLOG_SLVOFSMSB	3110
14-136. Register Call Summary for Register L3_TARG_STDERRLOG_SLVOFSMSB.....	3110
14-137. L3_TARG_STDERRLOG_CUSTOMINFO_INFO.....	3111
14-138. Register Call Summary for Register L3_TARG_STDERRLOG_CUSTOMINFO_INFO	3111
14-139. L3_TARG_STDERRLOG_CUSTOMINFO_MSTADDR.....	3111
14-140. Register Call Summary for Register L3_TARG_STDERRLOG_CUSTOMINFO_MSTADDR	3112
14-141. L3_TARG_STDERRLOG_CUSTOMINFO_OPCODE	3112
14-142. Register Call Summary for Register L3_TARG_STDERRLOG_CUSTOMINFO_OPCODE.....	3112
14-143. L3_TARG_ADDRSPACESIZELOG	3113
14-144. Register Call Summary for Register L3_TARG_ADDRSPACESIZELOG	3113
14-145. FLAGMUX Instance Summary	3113
14-146. FLAGMUX Registers Summary	3113
14-147. L3_FLAGMUX_STDHOSTHDR_COREREG	3114
14-148. Register Call Summary for Register L3_FLAGMUX_STDHOSTHDR_COREREG	3114
14-149. L3_FLAGMUX_STDHOSTHDR_VERSIONREG	3115
14-150. Register Call Summary for Register L3_FLAGMUX_STDHOSTHDR_VERSIONREG.....	3115
14-151. L3_FLAGMUX_MASK0	3115
14-152. Register Call Summary for Register L3_FLAGMUX_MASK0.....	3116
14-153. L3_FLAGMUX_REGERR0	3116
14-154. Register Call Summary for Register L3_FLAGMUX_REGERR0.....	3116
14-155. L3_FLAGMUX_MASK1	3116
14-156. Register Call Summary for Register L3_FLAGMUX_MASK1.....	3117
14-157. L3_FLAGMUX_REGERR1	3117
14-158. Register Call Summary for Register L3_FLAGMUX_REGERR1	3117
14-159. Instance Summary	3117

14-160. FLAGMUX CLK1MERGE Registers Summary	3117
14-161. L3_FLAGMUX_CLK1MERGE_STDHOSTHDR_COREREG	3118
14-162. Register Call Summary for Register L3_FLAGMUX_CLK1MERGE_STDHOSTHDR_COREREG	3118
14-163. L3_FLAGMUX_CLK1MERGE_STDHOSTHDR_VERSIONREG	3119
14-164. Register Call Summary for Register L3_FLAGMUX_CLK1MERGE_STDHOSTHDR_VERSIONREG.....	3119
14-165. L3_FLAGMUX_CLK1MERGE_MASK0	3119
14-166. Register Call Summary for Register L3_FLAGMUX_CLK1MERGE_MASK0.....	3120
14-167. L3_FLAGMUX_CLK1MERGE_REGERR0	3120
14-168. Register Call Summary for Register L3_FLAGMUX_CLK1MERGE_REGERR0.....	3120
14-169. L3_FLAGMUX_CLK1MERGE_MASK1	3120
14-170. Register Call Summary for Register L3_FLAGMUX_CLK1MERGE_MASK1.....	3120
14-171. L3_FLAGMUX_CLK1MERGE_REGERR1	3121
14-172. Register Call Summary for Register L3_FLAGMUX_CLK1MERGE_REGERR1.....	3121
14-173. FLAGMUX TIMEOUT Instance Summary	3121
14-174. FLAGMUX Registers Summary	3121
14-175. L3_FLAGMUX_TIMEOUT_STDHOSTHDR_COREREG	3122
14-176. Register Call Summary for Register L3_FLAGMUX_TIMEOUT_STDHOSTHDR_COREREG	3122
14-177. L3_FLAGMUX_TIMEOUT_STDHOSTHDR_VERSIONREG	3123
14-178. Register Call Summary for Register L3_FLAGMUX_TIMEOUT_STDHOSTHDR_VERSIONREG	3123
14-179. L3_FLAGMUX_TIMEOUT_MASK0.....	3123
14-180. Register Call Summary for Register L3_FLAGMUX_TIMEOUT_MASK0	3124
14-181. L3_FLAGMUX_TIMEOUT_REGERR0.....	3124
14-182. Register Call Summary for Register L3_FLAGMUX_TIMEOUT_REGERR0	3124
14-183. L3_FLAGMUX_TIMEOUT1_STDHOSTHDR_COREREG	3124
14-184. Register Call Summary for Register L3_FLAGMUX_TIMEOUT1_STDHOSTHDR_COREREG	3125
14-185. L3_FLAGMUX_TIMEOUT1_STDHOSTHDR_VERSIONREG	3125
14-186. Register Call Summary for Register L3_FLAGMUX_TIMEOUT1_STDHOSTHDR_VERSIONREG.....	3125
14-187. L3_FLAGMUX_TIMEOUT1_MASK0	3126
14-188. Register Call Summary for Register L3_FLAGMUX_TIMEOUT1_MASK0.....	3126
14-189. L3_FLAGMUX_TIMEOUT1_REGERR0	3126
14-190. Register Call Summary for Register L3_FLAGMUX_TIMEOUT1_REGERR0.....	3126
14-191. L3_FLAGMUX_TIMEOUT2_STDHOSTHDR_COREREG	3126
14-192. Register Call Summary for Register L3_FLAGMUX_TIMEOUT2_STDHOSTHDR_COREREG	3127
14-193. L3_FLAGMUX_TIMEOUT2_STDHOSTHDR_VERSIONREG	3127
14-194. Register Call Summary for Register L3_FLAGMUX_TIMEOUT2_STDHOSTHDR_VERSIONREG.....	3128
14-195. L3_FLAGMUX_TIMEOUT2_MASK0	3128
14-196. Register Call Summary for Register L3_FLAGMUX_TIMEOUT2_MASK0.....	3128
14-197. L3_FLAGMUX_TIMEOUT2_REGERR0	3129
14-198. Register Call Summary for Register L3_FLAGMUX_TIMEOUT2_REGERR0.....	3129
14-199. BW_REGULATOR Instance Summary	3129
14-200. BW_REGULATOR Register Summary.....	3130
14-201. BW_REGULATOR Register Summary.....	3130
14-202. BW_REGULATOR Register Summary.....	3130
14-203. BW_REGULATOR Register Summary.....	3130
14-204. BW_REGULATOR Register Summary.....	3131
14-205. BW_REGULATOR Register Summary.....	3131
14-206. L3_BW_REGULATOR_STDHOSTHDR_COREREG	3132
14-207. Register Call Summary for Register L3_BW_REGULATOR_STDHOSTHDR_COREREG	3133
14-208. L3_BW_REGULATOR_STDHOSTHDR_VERSIONREG.....	3133

14-209. Register Call Summary for Register L3_BW_REGULATOR_STDHOSTHDR_VERSIONREG	3133
14-210. L3_BW_REGULATOR_BANDWIDTH	3134
14-211. Register Call Summary for Register L3_BW_REGULATOR_BANDWIDTH	3134
14-212. L3_BW_REGULATOR_WATERMARK	3135
14-213. Register Call Summary for Register L3_BW_REGULATOR_WATERMARK.....	3135
14-214. L3_BW_REGULATOR_PRESS.....	3136
14-215. Register Call Summary for Register L3_BW_REGULATOR_PRESS	3136
14-216. L3_BW_REGULATOR_CLEARHISTORY	3137
14-217. Register Call Summary for Register L3_BW_REGULATOR_CLEARHISTORY	3137
14-218. BW_LIMITER Instance Summary.....	3137
14-219. BW_LIMITER Register Summary.....	3138
14-220. BW_LIMITER Register Summary.....	3138
14-221. BW_LIMITER Register Summary.....	3138
14-222. BW_LIMITER Register Summary.....	3139
14-223. L3_BW_LIMITER_STDHOSTHDR_COREREG	3139
14-224. Register Call Summary for Register L3_BW_LIMITER_STDHOSTHDR_COREREG.....	3140
14-225. L3_BW_LIMITER_STDHOSTHDR_VERSIONREG.....	3141
14-226. Register Call Summary for Register L3_BW_LIMITER_STDHOSTHDR_VERSIONREG	3141
14-227. L3_BW_LIMITER_BANDWIDTH_FRACTIONAL	3142
14-228. Register Call Summary for Register L3_BW_LIMITER_BANDWIDTH_FRACTIONAL.....	3142
14-229. L3_BW_LIMITER_BANDWIDTH_INTEGER	3143
14-230. Register Call Summary for Register L3_BW_LIMITER_BANDWIDTH_INTEGER.....	3143
14-231. L3_BW_LIMITER_WATERMARK_0	3144
14-232. Register Call Summary for Register L3_BW_LIMITER_WATERMARK_0.....	3144
14-233. L3_BW_LIMITER_CLEARHISTORY	3145
14-234. Register Call Summary for Register L3_BW_LIMITER_CLEARHISTORY	3145
14-235. STATCOLL Instance Summary	3145
14-236. STATCOLL Register Summary	3146
14-237. STATCOLL Register Summary	3147
14-238. STATCOLL Register Summary	3150
14-239. L3_STCOL_STDHOSTHDR_COREREG.....	3154
14-240. Register Call Summary for Register L3_STCOL_STDHOSTHDR_COREREG	3154
14-241. L3_STCOL_STDHOSTHDR_VERSIONREG	3155
14-242. Register Call Summary for Register L3_STCOL_STDHOSTHDR_VERSIONREG.....	3155
14-243. L3_STCOL_MASK0	3155
14-244. Register Call Summary for Register L3_STCOL_MASK0.....	3156
14-245. L3_STCOL_REGERR0	3156
14-246. Register Call Summary for Register L3_STCOL_REGERR0.....	3156
14-247. L3_STCOL_EN.....	3156
14-248. Register Call Summary for Register L3_STCOL_EN	3157
14-249. L3_STCOL_SOFTEN	3157
14-250. Register Call Summary for Register L3_STCOL_SOFTEN	3157
14-251. L3_STCOL_IGNORESUSPEND.....	3158
14-252. Register Call Summary for Register L3_STCOL_IGNORESUSPEND	3158
14-253. L3_STCOL_TRIGEN	3158
14-254. Register Call Summary for Register L3_STCOL_TRIGEN.....	3159
14-255. L3_STCOL_REQEVT	3159
14-256. Register Call Summary for Register L3_STCOL_REQEVT	3159
14-257. L3_STCOL_RSPEVT.....	3160

14-258. Register Call Summary for Register L3_STCOL_RSPEVT	3160
14-259. L3_STCOL_EVTMUX_SEL0	3161
14-260. Register Call Summary for Register L3_STCOL_EVTMUX_SEL0.....	3161
14-261. L3_STCOL_EVTMUX_SEL1	3161
14-262. Register Call Summary for Register L3_STCOL_EVTMUX_SEL1.....	3162
14-263. L3_STCOL_EVTMUX_SEL2	3162
14-264. Register Call Summary for Register L3_STCOL_EVTMUX_SEL2.....	3162
14-265. L3_STCOL_EVTMUX_SEL3	3162
14-266. Register Call Summary for Register L3_STCOL_EVTMUX_SEL3.....	3163
14-267. L3_STCOL_EVTMUX_SEL4	3163
14-268. Register Call Summary for Register L3_STCOL_EVTMUX_SEL4.....	3163
14-269. L3_STCOL_EVTMUX_SEL5	3163
14-270. Register Call Summary for Register L3_STCOL_EVTMUX_SEL5.....	3164
14-271. L3_STCOL_EVTMUX_SEL6	3164
14-272. Register Call Summary for Register L3_STCOL_EVTMUX_SEL6.....	3164
14-273. L3_STCOL_EVTMUX_SEL7	3164
14-274. Register Call Summary for Register L3_STCOL_EVTMUX_SEL7.....	3164
14-275. L3_STCOL_DUMP_IDENTIFIER	3165
14-276. Register Call Summary for Register L3_STCOL_DUMP_IDENTIFIER	3165
14-277. L3_STCOL_DUMP_COLLECTTIME	3165
14-278. Register Call Summary for Register L3_STCOL_DUMP_COLLECTTIME.....	3166
14-279. L3_STCOL_DUMP_SLVADDR	3166
14-280. Register Call Summary for Register L3_STCOL_DUMP_SLVADDR.....	3166
14-281. L3_STCOL_DUMP_MSTADDR.....	3166
14-282. Register Call Summary for Register L3_STCOL_DUMP_MSTADDR	3167
14-283. L3_STCOL_DUMP_SLVOFS	3167
14-284. Register Call Summary for Register L3_STCOL_DUMP_SLVOFS.....	3167
14-285. L3_STCOL_DUMP_MODE	3167
14-286. Register Call Summary for Register L3_STCOL_DUMP_MODE	3168
14-287. L3_STCOL_DUMP_SEND	3168
14-288. Register Call Summary for Register L3_STCOL_DUMP_SEND	3168
14-289. L3_STCOL_DUMP_DISABLE.....	3169
14-290. Register Call Summary for Register L3_STCOL_DUMP_DISABLE	3169
14-291. L3_STCOL_DUMP_ALARM_TRIG	3169
14-292. Register Call Summary for Register L3_STCOL_DUMP_ALARM_TRIG	3170
14-293. L3_STCOL_DUMP_ALARM_MINVAL	3170
14-294. Register Call Summary for Register L3_STCOL_DUMP_ALARM_MINVAL.....	3170
14-295. L3_STCOL_DUMP_ALARM_MAXVAL	3170
14-296. Register Call Summary for Register L3_STCOL_DUMP_ALARM_MAXVAL.....	3171
14-297. L3_STCOL_DUMP_ALARM_MODE0.....	3171
14-298. Register Call Summary for Register L3_STCOL_DUMP_ALARM_MODE0	3171
14-299. L3_STCOL_DUMP_ALARM_MODE1.....	3172
14-300. Register Call Summary for Register L3_STCOL_DUMP_ALARM_MODE1	3172
14-301. L3_STCOL_DUMP_ALARM_MODE2.....	3172
14-302. Register Call Summary for Register L3_STCOL_DUMP_ALARM_MODE2	3173
14-303. L3_STCOL_DUMP_ALARM_MODE3.....	3173
14-304. Register Call Summary for Register L3_STCOL_DUMP_ALARM_MODE3	3174
14-305. L3_STCOL_DUMP_ALARM_MODE4.....	3174
14-306. Register Call Summary for Register L3_STCOL_DUMP_ALARM_MODE4	3174

14-307. L3_STCOL_DUMP_ALARM_MODE5.....	3174
14-308. Register Call Summary for Register L3_STCOL_DUMP_ALARM_MODE5	3175
14-309. L3_STCOL_DUMP_ALARM_MODE6.....	3175
14-310. Register Call Summary for Register L3_STCOL_DUMP_ALARM_MODE6	3175
14-311. L3_STCOL_DUMP_ALARM_MODE7.....	3176
14-312. Register Call Summary for Register L3_STCOL_DUMP_ALARM_MODE7	3176
14-313. L3_STCOL_DUMP_CNT0	3176
14-314. Register Call Summary for Register L3_STCOL_DUMP_CNT0	3177
14-315. L3_STCOL_DUMP_CNT1	3177
14-316. Register Call Summary for Register L3_STCOL_DUMP_CNT1	3177
14-317. L3_STCOL_DUMP_CNT2	3177
14-318. Register Call Summary for Register L3_STCOL_DUMP_CNT2	3177
14-319. L3_STCOL_DUMP_CNT3.....	3178
14-320. Register Call Summary for Register L3_STCOL_DUMP_CNT3	3178
14-321. L3_STCOL_DUMP_CNT4.....	3178
14-322. Register Call Summary for Register L3_STCOL_DUMP_CNT4	3178
14-323. L3_STCOL_DUMP_CNT5.....	3178
14-324. Register Call Summary for Register L3_STCOL_DUMP_CNT5	3179
14-325. L3_STCOL_DUMP_CNT6.....	3179
14-326. Register Call Summary for Register L3_STCOL_DUMP_CNT6	3179
14-327. L3_STCOL_DUMP_CNT7.....	3179
14-328. Register Call Summary for Register L3_STCOL_DUMP_CNT7	3179
14-329. L3_STCOL_FILTER_i_GLOBALEN	3180
14-330. Register Call Summary for Register L3_STCOL_FILTER_i_GLOBALEN	3180
14-331. L3_STCOL_FILTER_i_ADDRMIN.....	3180
14-332. Register Call Summary for Register L3_STCOL_FILTER_i_ADDRMIN	3181
14-333. L3_STCOL_FILTER_i_ADDRMAX	3181
14-334. Register Call Summary for Register L3_STCOL_FILTER_i_ADDRMAX.....	3181
14-335. L3_STCOL_FILTER_i_ADDREN	3181
14-336. Register Call Summary for Register L3_STCOL_FILTER_i_ADDREN.....	3182
14-337. L3_STCOL_FILTER_i_EN_k.....	3182
14-338. Register Call Summary for Register L3_STCOL_FILTER_i_EN_k	3182
14-339. L3_STCOL_FILTER_i_MASK_m_MSTADDR	3183
14-340. Register Call Summary for Register L3_STCOL_FILTER_i_MASK_m_MSTADDR.....	3183
14-341. L3_STCOL_FILTER_i_MASK_m_RD.....	3184
14-342. Register Call Summary for Register L3_STCOL_FILTER_i_MASK_m_RD	3184
14-343. L3_STCOL_FILTER_i_MASK_m_WR	3185
14-344. Register Call Summary for Register L3_STCOL_FILTER_i_MASK_m_WR.....	3185
14-345. L3_STCOL_FILTER_i_MASK_m_ERR	3186
14-346. Register Call Summary for Register L3_STCOL_FILTER_i_MASK_m_ERR	3186
14-347. L3_STCOL_FILTER_i_MASK_m_USERINFO.....	3186
14-348. Register Call Summary for Register L3_STCOL_FILTER_i_MASK_m_USERINFO	3187
14-349. L3_STCOL_FILTER_i_MASK_m_SLVADDR	3187
14-350. Register Call Summary for Register L3_STCOL_FILTER_i_MASK_m_SLVADDR	3187
14-351. L3_STCOL_FILTER_i_MASK_m_REQUUSERINFO	3188
14-352. Register Call Summary for Register L3_STCOL_FILTER_i_MASK_m_REQUUSERINFO	3188
14-353. L3_STCOL_FILTER_i_MASK_m_RSPUSERINFO	3188
14-354. Register Call Summary for Register L3_STCOL_FILTER_i_MASK_m_RSPUSERINFO.....	3189
14-355. L3_STCOL_FILTER_i_MATCH_m_MSTADDR	3190

14-356. Register Call Summary for Register L3_STCOL_FILTER_i_MATCH_m_MSTADDR	3190
14-357. L3_STCOL_FILTER_i_MATCH_m_SLVADDR	3191
14-358. Register Call Summary for Register L3_STCOL_FILTER_i_MATCH_m_SLVADDR	3191
14-359. L3_STCOL_FILTER_i_MATCH_m_RD	3192
14-360. Register Call Summary for Register L3_STCOL_FILTER_i_MATCH_m_RD	3192
14-361. L3_STCOL_FILTER_i_MATCH_m_WR	3193
14-362. Register Call Summary for Register L3_STCOL_FILTER_i_MATCH_m_WR	3193
14-363. L3_STCOL_FILTER_i_MATCH_m_ERR	3194
14-364. Register Call Summary for Register L3_STCOL_FILTER_i_MATCH_m_ERR	3194
14-365. L3_STCOL_FILTER_i_MATCH_m_USERINFO	3194
14-366. Register Call Summary for Register L3_STCOL_FILTER_i_MATCH_m_USERINFO	3195
14-367. L3_STCOL_FILTER_i_MATCH_m_REQUUSERINFO	3195
14-368. Register Call Summary for Register L3_STCOL_FILTER_i_MATCH_m_REQUUSERINFO	3195
14-369. L3_STCOL_FILTER_i_MATCH_m_RSPUSERINFO	3196
14-370. Register Call Summary for Register L3_STCOL_FILTER_i_MATCH_m_RSPUSERINFO	3196
14-371. L3_STCOL_OP_i_THRESHOLD_MINVAL	3197
14-372. Register Call Summary for Register L3_STCOL_OP_i_THRESHOLD_MINVAL	3197
14-373. L3_STCOL_OP_i_THRESHOLD_MAXVAL	3197
14-374. Register Call Summary for Register L3_STCOL_OP_i_THRESHOLD_MAXVAL	3197
14-375. L3_STCOL_OP_i_EVTINFOSEL	3198
14-376. Register Call Summary for Register L3_STCOL_OP_i_EVTINFOSEL	3198
14-377. L3_STCOL_OP_i_SEL	3198
14-378. Register Call Summary for Register L3_STCOL_OP_i_SEL	3199
14-379. Integration Attributes	3201
14-380. Clocks and Resets	3201
14-381. L4_PER1 TAs	3202
14-382. L4_PER1 IAs	3203
14-383. L4_PER2 TAs	3203
14-384. L4_PER2 IAs	3204
14-385. L4_PER3 TAs	3204
14-386. L4_PER3 IAs	3205
14-387. L4_CFG TAs	3205
14-388. L4_CFG IAs	3206
14-389. L4_WKUP TAs	3206
14-390. L4_WKUP IAs	3207
14-391. L4 ConnID Definition	3209
14-392. L4_PER1 Firewall Default Configuration	3211
14-393. L4_PER2 Firewall Default Configuration	3211
14-394. L4_PER3 Firewall Default Configuration	3212
14-395. L4_CFG Firewall Default Configuration	3212
14-396. L4_WKUP Firewall Default Configuration	3213
14-397. Region Allocations for L4_PER1 Interconnect	3215
14-398. Region Allocations for L4_PER2 Interconnect	3216
14-399. Region Allocations for L4_PER3 Interconnect	3218
14-400. Region Allocations for L4_CFG Interconnect	3219
14-401. Region Allocations for L4_WKUP Interconnect	3221
14-402. L4 Firewall Register Description Overview	3221
14-403. L4 CODE Bit Field Definition	3223
14-404. L4 Time-out Link and TA Programming	3224

14-405. Global Initialization of Surrounding Modules	3227
14-406. Protection Violation Error Identification	3228
14-407. Unsupported Command/Address Hole Error Identification	3229
14-408. Reset TA and Module	3229
14-409. Time-Out Configuration	3229
14-410. Firewall Configuration	3230
14-411. L4_PER1 Instance Summary	3231
14-412. L4_PER2 Instance Summary	3232
14-413. L4_PER3 Instance Summary	3233
14-414. L4_CFG Instance Summary	3234
14-415. L4_WKUP Instance Summary	3235
14-416. IA Registers Mapping Summary	3235
14-417. IA Registers Mapping Summary	3236
14-418. IA Registers Mapping Summary	3236
14-419. IA Registers Mapping Summary	3237
14-420. L4_IA_COMPONENT_L	3237
14-421. Register Call Summary for Register L4_IA_COMPONENT_L	3237
14-422. L4_IA_COMPONENT_H	3238
14-423. Register Call Summary for Register L4_IA_COMPONENT_H	3238
14-424. L4_IA_CORE_L	3238
14-425. Register Call Summary for Register L4_IA_CORE_L	3238
14-426. L4_IA_CORE_H	3239
14-427. Register Call Summary for Register L4_IA_CORE_H	3239
14-428. L4_IA_AGENT_CONTROL_L	3239
14-429. Register Call Summary for Register L4_IA_AGENT_CONTROL_L	3240
14-430. L4_IA_AGENT_CONTROL_H	3240
14-431. Register Call Summary for Register L4_IA_AGENT_CONTROL_H	3240
14-432. L4_IA_AGENT_STATUS_L	3241
14-433. Register Call Summary for Register L4_IA_AGENT_STATUS_L	3241
14-434. L4_IA_AGENT_STATUS_H	3242
14-435. Register Call Summary for Register L4_IA_AGENT_STATUS_H	3242
14-436. L4_IA_ERROR_LOG_L	3242
14-437. Register Call Summary for Register L4_IA_ERROR_LOG_L	3243
14-438. L4_IA_ERROR_LOG_H	3243
14-439. Register Call Summary for Register L4_IA_ERROR_LOG_H	3243
14-440. L4_IA_ERROR_LOG_ADDR_L	3244
14-441. Register Call Summary for Register L4_IA_ERROR_LOG_ADDR_L	3244
14-442. L4_IA_ERROR_LOG_ADDR_H	3244
14-443. Register Call Summary for Register L4_IA_ERROR_LOG_ADDR_H	3244
14-444. CFG_TA Register Mapping Summary 1	3245
14-445. CFG_TA Register Mapping Summary 2	3245
14-446. CFG_TA Register Mapping Summary 3	3245
14-447. CFG_TA Register Mapping Summary 4	3246
14-448. CFG_TA Register Mapping Summary 5	3246
14-449. CFG_TA Register Mapping Summary 6	3247
14-450. CFG_TA Register Mapping Summary 7	3247
14-451. CFG_TA Register Mapping Summary 9	3247
14-452. CFG_TA Register Mapping Summary 10	3248
14-453. CFG_TA Register Mapping Summary 11	3248

14-454. CFG_TA Register Mapping Summary 12.....	3248
14-455. CFG_TA Register Mapping Summary 13.....	3249
14-456. CFG_TA Register Mapping Summary 14.....	3249
14-457. CFG_TA Register Mapping Summary 15.....	3249
14-458. PER1_TA Register Mapping Summary 1.....	3250
14-459. PER1_TA Register Mapping Summary 2.....	3250
14-460. PER1_TA Register Mapping Summary 3.....	3250
14-461. PER1_TA Register Mapping Summary 4.....	3251
14-462. PER1_TA Register Mapping Summary 5.....	3251
14-463. PER1_TA Register Mapping Summary 6.....	3252
14-464. PER1_TA Register Mapping Summary 7.....	3252
14-465. PER1_TA Register Mapping Summary 8.....	3252
14-466. PER1_TA Register Mapping Summary 9.....	3253
14-467. PER1_TA Register Mapping Summary 10.....	3253
14-468. PER2_TA Register Mapping Summary 1.....	3253
14-469. PER2_TA Register Mapping Summary 2.....	3254
14-470. PER2_TA Register Mapping Summary 3.....	3254
14-471. PER2_TA Register Mapping Summary 4.....	3254
14-472. PER2_TA Register Mapping Summary 5.....	3255
14-473. PER2_TA Register Mapping Summary 6.....	3255
14-474. PER2_TA Register Mapping Summary 7.....	3256
14-475. PER2_TA Register Mapping Summary 8.....	3256
14-476. PER3_TA Register Mapping Summary 1.....	3256
14-477. PER3_TA Register Mapping Summary 2.....	3257
14-478. PER3_TA Register Mapping Summary 3.....	3257
14-479. PER3_TA Register Mapping Summary 4.....	3257
14-480. PER3_TA Register Mapping Summary 5.....	3258
14-481. PER3_TA Register Mapping Summary 6.....	3258
14-482. PER3_TA Register Mapping Summary 7.....	3258
14-483. PER3_TA Register Mapping Summary 8.....	3259
14-484. PER3_TA Register Mapping Summary 9.....	3259
14-485. PER3_TA Register Mapping Summary 10.....	3260
14-486. WKUP_TA Register Mapping Summary 1.....	3260
14-487. WKUP_TA Register Mapping Summary 2.....	3260
14-488. WKUP_TA Register Mapping Summary 3.....	3261
14-489. L4_TA_COMPONENT_H.....	3261
14-490. Register Call Summary for Register L4_TA_COMPONENT_H.....	3261
14-491. L4_TA_COMPONENT_L.....	3262
14-492. Register Call Summary for Register L4_TA_COMPONENT_L.....	3262
14-493. L4_TA_CORE_L.....	3262
14-494. Register Call Summary for Register L4_TA_CORE_L.....	3262
14-495. L4_TA_CORE_H.....	3263
14-496. Register Call Summary for Register L4_TA_CORE_H.....	3263
14-497. L4_TA_AGENT_CONTROL_L.....	3263
14-498. Register Call Summary for Register L4_TA_AGENT_CONTROL_L.....	3264
14-499. L4_TA_AGENT_CONTROL_H.....	3264
14-500. Register Call Summary for Register L4_TA_AGENT_CONTROL_H.....	3264
14-501. L4_TA_AGENT_STATUS_L.....	3265
14-502. Register Call Summary for Register L4_TA_AGENT_STATUS_L.....	3265

14-503. L4_TA_AGENT_STATUS_H	3265
14-504. Register Call Summary for Register L4_TA_AGENT_STATUS_H.....	3265
14-505. LA Register Mapping Summary	3266
14-506. LA Register Mapping Summary	3266
14-507. L4_LA_COMPONENT_L.....	3267
14-508. Register Call Summary for Register L4_LA_COMPONENT_L	3267
14-509. L4_LA_COMPONENT_H	3267
14-510. Register Call Summary for Register L4_LA_COMPONENT_H.....	3267
14-511. L4_LA_NETWORK_L	3268
14-512. Register Call Summary for Register L4_LA_NETWORK_L.....	3268
14-513. L4_LA_NETWORK_H.....	3268
14-514. Register Call Summary for Register L4_LA_NETWORK_H	3268
14-515. L4_LA_INITIATOR_INFO_L.....	3269
14-516. Register Call Summary for Register L4_LA_INITIATOR_INFO_L	3269
14-517. Reset value for L4_LA_INITIATOR_INFO_L.....	3269
14-518. L4_LA_INITIATOR_INFO_H	3270
14-519. Register Call Summary for Register L4_LA_INITIATOR_INFO_H.....	3270
14-520. Reset value for L4_LA_INITIATOR_INFO_H	3270
14-521. L4_LA_NETWORK_CONTROL_L.....	3271
14-522. Register Call Summary for Register L4_LA_NETWORK_CONTROL_L	3271
14-523. L4_LA_NETWORK_CONTROL_H	3272
14-524. Register Call Summary for Register L4_LA_NETWORK_CONTROL_H.....	3272
14-525. L4_LA_FLAG_MASK_j_L.....	3272
14-526. Register Call Summary for Register L4_LA_FLAG_MASK_j_L	3273
14-527. Reset Value for L4_LA_FLAG_MASK_j_L	3273
14-528. L4_LA_FLAG_MASK_j_H	3273
14-529. Register Call Summary for Register L4_LA_FLAG_MASK_j_H.....	3273
14-530. L4_LA_FLAG_STATUS_j_L.....	3273
14-531. Register Call Summary for Register L4_LA_FLAG_STATUS_j_L	3274
14-532. L4_LA_FLAG_STATUS_j_H	3274
14-533. Register Call Summary for Register L4_LA_FLAG_STATUS_j_H.....	3274
14-534. L4 AP Register Summary	3274
14-535. L4 AP Register Summary	3275
14-536. L4_AP_COMPONENT_L	3276
14-537. Register Call Summary for Register L4_AP_COMPONENT_L.....	3276
14-538. L4_AP_COMPONENT_H.....	3276
14-539. Register Call Summary for Register L4_AP_COMPONENT_H	3276
14-540. L4_AP_SEGMENT_i_L	3277
14-541. Register Call Summary for Register L4_AP_SEGMENT_i_L.....	3277
14-542. L4_AP_SEGMENT_i_H	3277
14-543. Register Call Summary for Register L4_AP_SEGMENT_i_H	3277
14-544. Reset Value for L4_AP_SEGMENT_i.....	3277
14-545. L4_AP_PROT_GROUP_MEMBERS_k_L	3278
14-546. Register Call Summary for Register L4_AP_PROT_GROUP_MEMBERS_k_L	3278
14-547. L4_AP_PROT_GROUP_MEMBERS_k_H	3278
14-548. Register Call Summary for Register L4_AP_PROT_GROUP_MEMBERS_k_H.....	3279
14-549. L4_AP_PROT_GROUP_ROLES_k_L	3279
14-550. Register Call Summary for Register L4_AP_PROT_GROUP_ROLES_k_L.....	3279
14-551. Reset Value for L4_AP_PROT_GROUP_ROLES_k.....	3279

14-552. L4_AP_PROT_GROUP_ROLES_k_H	3280
14-553. Register Call Summary for Register L4_AP_PROT_GROUP_ROLES_k_H	3280
14-554. L4_AP_REGION_I_L	3280
14-555. Register Call Summary for Register L4_AP_REGION_I_L	3280
14-556. L4_AP_REGION_I_H	3281
14-557. Register Call Summary for Register L4_AP_REGION_I_H	3281
14-558. L4_AP_REGION_I Reset Value for L4 PER1	3281
14-559. L4_AP_REGION_I Reset Value for L4 PER2	3283
14-560. L4_AP_REGION_I Reset Value for L4 PER3	3285
14-561. L4_AP_REGION_I Reset Value for L4 CFG	3287
14-562. L4_AP_REGION_I Reset values for L4 WKUP	3290
15-1. DMM Integration Attributes	3299
15-2. DMM Clocks and Resets	3299
15-3. DMM Hardware Requests	3300
15-4. DMM TILER Container Geometry	3300
15-5. DMM Clocks	3302
15-6. DMM Local Power-Management Features	3303
15-7. DMM Hardware Status Features	3303
15-8. Events	3303
15-9. ConnIDs vs PEG Priority Register Fields	3312
15-10. Well-Formed Tiled Mode 2D Block Requests	3316
15-11. Coding and Description of TILER Modes	3321
15-12. Coding and Description of TILER Orientations	3321
15-13. Tiled Mode Container Characteristics	3322
15-14. TILER Aliased View in the L3 Interconnect Mapping	3332
15-15. Address Format in the TILER-Specific Address Map	3332
15-16. Address Format of the TILER Aliased View in the System Address Map	3332
15-17. Minimum Buffer Size to Efficiently Handle Lines of up to N Elements	3334
15-18. Memory Data Payload for Buffered Raster-Based Initiators on 32-Bit DDR3	3335
15-19. Address Definition	3340
15-20. Configuration	3340
15-21. Global Initialization of Surrounding Modules	3341
15-22. DMM Global Initialization	3342
15-23. Coding and Description of TILER Modes	3342
15-24. Configuration Settings and LUT Refill	3342
15-25. LISA Settings	3343
15-26. Aliased Tiled View Orientation Settings and LUT Refill	3343
15-27. Priority Settings	3343
15-28. Error Handling	3343
15-29. 29-Bit View Address Offset and 33-Bit Full TILER Address for an 8-Bit Frame-Buffer	3345
15-30. 29-Bit View Address Offset and 33-Bit Full TILER Address for a 1D Object	3346
15-31. DMM Instance Summary	3348
15-32. DMM Registers Mapping Summary	3348
15-33. DMM_REVISION	3349
15-34. Register Call Summary for Register DMM_REVISION	3349
15-35. DMM_HWINFO	3349
15-36. Register Call Summary for Register DMM_HWINFO	3349
15-37. DMM_LISA_HWINFO	3349
15-38. Register Call Summary for Register DMM_LISA_HWINFO	3350

15-39. DMM_SYSCONFIG	3350
15-40. Register Call Summary for Register DMM_SYSCONFIG	3350
15-41. DMM_LISA_LOCK	3351
15-42. Register Call Summary for Register DMM_LISA_LOCK.....	3351
15-43. DMM_EMERGENCY	3351
15-44. Register Call Summary for Register DMM_EMERGENCY	3352
15-45. DMM_LISA_MAP_i.....	3352
15-46. Register Call Summary for Register DMM_LISA_MAP_i	3352
15-47. DMM_TILER_HWINFO.....	3353
15-48. Register Call Summary for Register DMM_TILER_HWINFO	3353
15-49. DMM_TILER_OR0	3353
15-50. Register Call Summary for Register DMM_TILER_OR0.....	3354
15-51. DMM_TILER_OR1	3354
15-52. Register Call Summary for Register DMM_TILER_OR1.....	3355
15-53. DMM_PAT_HWINFO	3355
15-54. Register Call Summary for Register DMM_PAT_HWINFO.....	3356
15-55. DMM_PAT_GEOMETRY.....	3356
15-56. Register Call Summary for Register DMM_PAT_GEOMETRY	3357
15-57. DMM_PAT_CONFIG.....	3357
15-58. Register Call Summary for Register DMM_PAT_CONFIG	3358
15-59. DMM_PAT_VIEW0.....	3358
15-60. Register Call Summary for Register DMM_PAT_VIEW0	3359
15-61. DMM_PAT_VIEW1.....	3359
15-62. Register Call Summary for Register DMM_PAT_VIEW1	3360
15-63. DMM_PAT_VIEW_MAP_i.....	3361
15-64. Register Call Summary for Register DMM_PAT_VIEW_MAP_i	3362
15-65. DMM_PAT_VIEW_MAP_BASE	3362
15-66. Register Call Summary for Register DMM_PAT_VIEW_MAP_BASE.....	3362
15-67. DMM_PAT_IRQ_EOI	3362
15-68. Register Call Summary for Register DMM_PAT_IRQ_EOI.....	3363
15-69. DMM_PAT_IRQSTATUS_RAW	3363
15-70. Register Call Summary for Register DMM_PAT_IRQSTATUS_RAW	3367
15-71. DMM_PAT_IRQSTATUS.....	3367
15-72. Register Call Summary for Register DMM_PAT_IRQSTATUS	3371
15-73. DMM_PAT_IRQENABLE_SET	3371
15-74. Register Call Summary for Register DMM_PAT_IRQENABLE_SET	3375
15-75. DMM_PAT_IRQENABLE_CLR.....	3375
15-76. Register Call Summary for Register DMM_PAT_IRQENABLE_CLR	3380
15-77. DMM_PAT_STATUS_i	3380
15-78. Register Call Summary for Register DMM_PAT_STATUS_i.....	3381
15-79. DMM_PAT_DESCR_i.....	3381
15-80. Register Call Summary for Register DMM_PAT_DESCR_i	3381
15-81. DMM_PAT_AREA_i.....	3381
15-82. Register Call Summary for Register DMM_PAT_AREA_i	3382
15-83. DMM_PAT_CTRL_i.....	3382
15-84. Register Call Summary for Register DMM_PAT_CTRL_i	3383
15-85. DMM_PAT_DATA_i.....	3383
15-86. Register Call Summary for Register DMM_PAT_DATA_i	3383
15-87. DMM_PEG_HWINFO.....	3383

15-88. Register Call Summary for Register DMM_PEG_HWINFO	3384
15-89. DMM_PEG_PRIO_k	3384
15-90. Register Call Summary for Register DMM_PEG_PRIO_k	3385
15-91. DMM_PEG_PRIO_PAT	3385
15-92. Register Call Summary for Register DMM_PEG_PRIO_PAT	3385
15-93. EMIF Module I/O signals	3389
15-94. EMIF Integration Attributes	3391
15-95. EMIF Clocks and Resets	3391
15-96. EMIF Hardware Requests	3391
15-97. MAddrSpace Mapping	3393
15-98. FIFO Allocation	3395
15-99. Events	3400
15-100. Load Value For The MR2 Register During DDR3/DDR3L SDRAM Initialization	3401
15-101. Load Value For The MR1 Register During DDR3/DDR3L SDRAM Initialization	3401
15-102. Load Value For The MR0 Register During DDR3/DDR3L SDRAM Initialization	3402
15-103. 64-Byte Linear Read Starting at Address 0x0	3404
15-104. 64-Byte Linear Read Starting at Address 0x10	3404
15-105. 64-Byte Linear Read Starting at Address 0x18	3404
15-106. Turnaround Time	3405
15-107. SDRAM Addressing Space	3405
15-108. Local Address to SDRAM Address Mapping for IBANK_POS = 0 and EBANK_POS = 0	3406
15-109. Local Address to SDRAM Address Mapping for IBANK_POS = 1 and EBANK_POS = 0	3407
15-110. Local Address to SDRAM Address Mapping for IBANK_POS = 2 and EBANK_POS = 0	3407
15-111. Local Address to SDRAM Address Mapping for IBANK_POS = 3 and EBANK_POS = 0	3408
15-112. Local Address to SDRAM Address Mapping for IBANK_POS = 0 and EBANK_POS = 1	3408
15-113. Local Address to SDRAM Address Mapping for IBANK_POS = 1 and EBANK_POS = 1	3409
15-114. Local Address to SDRAM Address Mapping for IBANK_POS = 2 and EBANK_POS = 1	3409
15-115. Local Address to SDRAM Address Mapping for IBANK_POS = 3 and EBANK_POS = 1	3410
15-116. Performance Counter Filter Configuration	3413
15-117. Global Initialization of Surrounding Modules	3416
15-118. EMIF Configuration Sequence	3416
15-119. EMIF Output Impedance Calibration Mode	3422
15-120. EMIF SDRAM Self-Refresh Entering	3423
15-121. EMIF SDRAM Self-Refresh Exiting	3423
15-122. EMIF SDRAM Power-Down Mode Entering	3423
15-123. EMIF SDRAM Power-Down Mode Exiting	3423
15-124. EMIF ECC Configuration	3424
15-125. EMIF Instance Summary	3425
15-126. EMIF Registers Mapping Summary	3425
15-127. EMIF_REVISION	3429
15-128. Register Call Summary for Register EMIF_REVISION	3430
15-129. EMIF_STATUS	3430
15-130. Register Call Summary for Register EMIF_STATUS	3430
15-131. EMIF_SDRAM_CONFIG	3431
15-132. Register Call Summary for Register EMIF_SDRAM_CONFIG	3432
15-133. EMIF_SDRAM_CONFIG_2	3433
15-134. Register Call Summary for Register EMIF_SDRAM_CONFIG_2	3433
15-135. EMIF_SDRAM_REFRESH_CONTROL	3433
15-136. Register Call Summary for Register EMIF_SDRAM_REFRESH_CONTROL	3434

15-137. EMIF_SDRAM_REFRESH_CONTROL_SHADOW	3435
15-138. Register Call Summary for Register EMIF_SDRAM_REFRESH_CONTROL_SHADOW.....	3435
15-139. EMIF_SDRAM_TIMING_1	3435
15-140. Register Call Summary for Register EMIF_SDRAM_TIMING_1	3436
15-141. EMIF_SDRAM_TIMING_1_SHADOW	3436
15-142. Register Call Summary for Register EMIF_SDRAM_TIMING_1_SHADOW.....	3436
15-143. EMIF_SDRAM_TIMING_2.....	3437
15-144. Register Call Summary for Register EMIF_SDRAM_TIMING_2	3437
15-145. EMIF_SDRAM_TIMING_2_SHADOW	3437
15-146. Register Call Summary for Register EMIF_SDRAM_TIMING_2_SHADOW.....	3438
15-147. EMIF_SDRAM_TIMING_3.....	3438
15-148. Register Call Summary for Register EMIF_SDRAM_TIMING_3	3439
15-149. EMIF_SDRAM_TIMING_3_SHADOW	3439
15-150. Register Call Summary for Register EMIF_SDRAM_TIMING_3_SHADOW.....	3439
15-151. EMIF_LPDDR2_NVM_TIMING	3440
15-152. Register Call Summary for Register EMIF_LPDDR2_NVM_TIMING	3440
15-153. EMIF_LPDDR2_NVM_TIMING_SHADOW.....	3440
15-154. Register Call Summary for Register EMIF_LPDDR2_NVM_TIMING_SHADOW	3440
15-155. EMIF_POWER_MANAGEMENT_CONTROL.....	3440
15-156. Register Call Summary for Register EMIF_POWER_MANAGEMENT_CONTROL	3441
15-157. EMIF_POWER_MANAGEMENT_CONTROL_SHADOW	3441
15-158. Register Call Summary for Register EMIF_POWER_MANAGEMENT_CONTROL_SHADOW.....	3442
15-159. EMIF_OCP_CONFIG.....	3442
15-160. Register Call Summary for Register EMIF_OCP_CONFIG	3443
15-161. EMIF_OCP_CONFIG_VALUE_1	3443
15-162. Register Call Summary for Register EMIF_OCP_CONFIG_VALUE_1	3443
15-163. EMIF_OCP_CONFIG_VALUE_2	3443
15-164. Register Call Summary for Register EMIF_OCP_CONFIG_VALUE_2.....	3444
15-165. EMIF_IODFT_TLGC.....	3444
15-166. Register Call Summary for Register EMIF_IODFT_TLGC	3444
15-167. EMIF_PERFORMANCE_COUNTER_1.....	3444
15-168. Register Call Summary for Register EMIF_PERFORMANCE_COUNTER_1	3445
15-169. EMIF_PERFORMANCE_COUNTER_2.....	3445
15-170. Register Call Summary for Register EMIF_PERFORMANCE_COUNTER_2	3445
15-171. EMIF_PERFORMANCE_COUNTER_CONFIG.....	3445
15-172. Register Call Summary for Register EMIF_PERFORMANCE_COUNTER_CONFIG	3446
15-173. EMIF_PERFORMANCE_COUNTER_MASTER_REGION_SELECT	3446
15-174. Register Call Summary for Register EMIF_PERFORMANCE_COUNTER_MASTER_REGION_SELECT	3447
15-175. EMIF_PERFORMANCE_COUNTER_TIME.....	3447
15-176. Register Call Summary for Register EMIF_PERFORMANCE_COUNTER_TIME	3447
15-177. EMIF_MISC_REG	3447
15-178. Register Call Summary for Register EMIF_MISC_REG	3448
15-179. EMIF_DLL_CALIB_CTRL.....	3448
15-180. Register Call Summary for Register EMIF_DLL_CALIB_CTRL	3448
15-181. EMIF_DLL_CALIB_CTRL_SHADOW	3449
15-182. Register Call Summary for Register EMIF_DLL_CALIB_CTRL_SHADOW.....	3449
15-183. EMIF_END_OF_INTERRUPT.....	3449
15-184. Register Call Summary for Register EMIF_END_OF_INTERRUPT	3449

15-185. EMIF_SYSTEM_OCP_INTERRUPT_RAW_STATUS	3450
15-186. Register Call Summary for Register EMIF_SYSTEM_OCP_INTERRUPT_RAW_STATUS.....	3450
15-187. EMIF_SYSTEM_OCP_INTERRUPT_STATUS	3450
15-188. Register Call Summary for Register EMIF_SYSTEM_OCP_INTERRUPT_STATUS	3451
15-189. EMIF_SYSTEM_OCP_INTERRUPT_ENABLE_SET	3451
15-190. Register Call Summary for Register EMIF_SYSTEM_OCP_INTERRUPT_ENABLE_SET.....	3452
15-191. EMIF_SYSTEM_OCP_INTERRUPT_ENABLE_CLEAR	3452
15-192. Register Call Summary for Register EMIF_SYSTEM_OCP_INTERRUPT_ENABLE_CLEAR	3453
15-193. EMIF_SDRAM_OUTPUT_IMPEDANCE_CALIBRATION_CONFIG	3453
15-194. Register Call Summary for Register EMIF_SDRAM_OUTPUT_IMPEDANCE_CALIBRATION_CONFIG.	3453
15-195. EMIF_TEMP_ALERT_CONFIG.....	3454
15-196. Register Call Summary for Register EMIF_TEMP_ALERT_CONFIG	3454
15-197. EMIF_OCP_ERROR_LOG	3455
15-198. Register Call Summary for Register EMIF_OCP_ERROR_LOG.....	3455
15-199. EMIF_READ_WRITE_LEVELING_RAMP_WINDOW	3455
15-200. Register Call Summary for Register EMIF_READ_WRITE_LEVELING_RAMP_WINDOW	3456
15-201. EMIF_READ_WRITE_LEVELING_RAMP_CONTROL	3456
15-202. Register Call Summary for Register EMIF_READ_WRITE_LEVELING_RAMP_CONTROL.....	3456
15-203. EMIF_READ_WRITE_LEVELING_CONTROL	3457
15-204. Register Call Summary for Register EMIF_READ_WRITE_LEVELING_CONTROL	3457
15-205. EMIF_DDR_PHY_CONTROL_1	3457
15-206. Register Call Summary for Register EMIF_DDR_PHY_CONTROL_1	3459
15-207. EMIF_DDR_PHY_CONTROL_1_SHADOW	3459
15-208. Register Call Summary for Register EMIF_DDR_PHY_CONTROL_1_SHADOW.....	3460
15-209. EMIF_DDR_PHY_CONTROL_2.....	3460
15-210. Register Call Summary for Register EMIF_DDR_PHY_CONTROL_2	3460
15-211. EMIF_PRIORITY_TO_CLASS_OF_SERVICE_MAPPING.....	3460
15-212. Register Call Summary for Register EMIF_PRIORITY_TO_CLASS_OF_SERVICE_MAPPING	3461
15-213. EMIF_CONNECTION_ID_TO_CLASS_OF_SERVICE_1_MAPPING	3461
15-214. Register Call Summary for Register EMIF_CONNECTION_ID_TO_CLASS_OF_SERVICE_1_MAPPING	3462
15-215. EMIF_CONNECTION_ID_TO_CLASS_OF_SERVICE_2_MAPPING	3462
15-216. Register Call Summary for Register EMIF_CONNECTION_ID_TO_CLASS_OF_SERVICE_2_MAPPING	3462
15-217. EMIF_ECC_CTRL_REG	3463
15-218. Register Call Summary for Register EMIF_ECC_CTRL_REG	3463
15-219. EMIF_ECC_ADDRESS_RANGE_1	3463
15-220. Register Call Summary for Register EMIF_ECC_ADDRESS_RANGE_1.....	3464
15-221. EMIF_ECC_ADDRESS_RANGE_2	3464
15-222. Register Call Summary for Register EMIF_ECC_ADDRESS_RANGE_2.....	3464
15-223. EMIF_READ_WRITE_EXECUTION_THRESHOLD	3464
15-224. Register Call Summary for Register EMIF_READ_WRITE_EXECUTION_THRESHOLD	3465
15-225. EMIF_COS_CONFIG.....	3465
15-226. Register Call Summary for Register EMIF_COS_CONFIG	3466
15-227. EMIF_1B_ECC_ERR_CNT.....	3466
15-228. Register Call Summary for Register EMIF_1B_ECC_ERR_CNT	3466
15-229. EMIF_1B_ECC_ERR_THRSH	3466
15-230. Register Call Summary for Register EMIF_1B_ECC_ERR_THRSH	3467
15-231. EMIF_1B_ECC_ERR_DIST_1	3467

15-232. Register Call Summary for Register EMIF_1B_ECC_ERR_DIST_1.....	3467
15-233. EMIF_1B_ECC_ERR_ADDR_LOG	3467
15-234. Register Call Summary for Register EMIF_1B_ECC_ERR_ADDR_LOG	3468
15-235. EMIF_2B_ECC_ERR_ADDR_LOG	3468
15-236. Register Call Summary for Register EMIF_2B_ECC_ERR_ADDR_LOG	3468
15-237. EMIF_PHY_STATUS_1	3468
15-238. Register Call Summary for Register EMIF_PHY_STATUS_1	3469
15-239. EMIF_PHY_STATUS_2	3469
15-240. Register Call Summary for Register EMIF_PHY_STATUS_2	3469
15-241. EMIF_PHY_STATUS_3	3469
15-242. Register Call Summary for Register EMIF_PHY_STATUS_3	3470
15-243. EMIF_PHY_STATUS_4	3470
15-244. Register Call Summary for Register EMIF_PHY_STATUS_4	3470
15-245. EMIF_PHY_STATUS_5	3470
15-246. Register Call Summary for Register EMIF_PHY_STATUS_5	3470
15-247. EMIF_PHY_STATUS_6	3471
15-248. Register Call Summary for Register EMIF_PHY_STATUS_6	3471
15-249. EMIF_PHY_STATUS_7	3471
15-250. Register Call Summary for Register EMIF_PHY_STATUS_7	3471
15-251. EMIF_PHY_STATUS_8	3471
15-252. Register Call Summary for Register EMIF_PHY_STATUS_8	3472
15-253. EMIF_PHY_STATUS_9	3472
15-254. Register Call Summary for Register EMIF_PHY_STATUS_9	3472
15-255. EMIF_PHY_STATUS_10	3472
15-256. Register Call Summary for Register EMIF_PHY_STATUS_10	3473
15-257. EMIF_PHY_STATUS_11	3473
15-258. Register Call Summary for Register EMIF_PHY_STATUS_11	3473
15-259. EMIF_PHY_STATUS_12	3473
15-260. Register Call Summary for Register EMIF_PHY_STATUS_12	3473
15-261. EMIF_PHY_STATUS_13	3474
15-262. Register Call Summary for Register EMIF_PHY_STATUS_13	3474
15-263. EMIF_PHY_STATUS_14	3474
15-264. Register Call Summary for Register EMIF_PHY_STATUS_14	3474
15-265. EMIF_PHY_STATUS_15	3474
15-266. Register Call Summary for Register EMIF_PHY_STATUS_15	3475
15-267. EMIF_PHY_STATUS_16	3475
15-268. Register Call Summary for Register EMIF_PHY_STATUS_16	3475
15-269. EMIF_PHY_STATUS_17	3475
15-270. Register Call Summary for Register EMIF_PHY_STATUS_17	3476
15-271. EMIF_PHY_STATUS_18	3476
15-272. Register Call Summary for Register EMIF_PHY_STATUS_18	3476
15-273. EMIF_PHY_STATUS_19	3476
15-274. Register Call Summary for Register EMIF_PHY_STATUS_19	3477
15-275. EMIF_PHY_STATUS_20	3477
15-276. Register Call Summary for Register EMIF_PHY_STATUS_20	3477
15-277. EMIF_PHY_STATUS_21	3477
15-278. Register Call Summary for Register EMIF_PHY_STATUS_21	3478
15-279. EMIF_PHY_STATUS_22	3478
15-280. Register Call Summary for Register EMIF_PHY_STATUS_22	3478

15-281. EMIF_PHY_STATUS_23	3478
15-282. Register Call Summary for Register EMIF_PHY_STATUS_23	3478
15-283. EMIF_PHY_STATUS_24	3479
15-284. Register Call Summary for Register EMIF_PHY_STATUS_24	3479
15-285. EMIF_PHY_STATUS_25	3479
15-286. Register Call Summary for Register EMIF_PHY_STATUS_25	3479
15-287. EMIF_PHY_STATUS_26	3479
15-288. Register Call Summary for Register EMIF_PHY_STATUS_26	3480
15-289. EMIF_PHY_STATUS_27	3480
15-290. Register Call Summary for Register EMIF_PHY_STATUS_27	3481
15-291. EMIF_PHY_STATUS_28	3481
15-292. Register Call Summary for Register EMIF_PHY_STATUS_28	3481
15-293. EMIF_EXT_PHY_CONTROL_1	3481
15-294. Register Call Summary for Register EMIF_EXT_PHY_CONTROL_1	3482
15-295. EMIF_EXT_PHY_CONTROL_1_SHADOW	3482
15-296. Register Call Summary for Register EMIF_EXT_PHY_CONTROL_1_SHADOW	3483
15-297. EMIF_EXT_PHY_CONTROL_2	3483
15-298. Register Call Summary for Register EMIF_EXT_PHY_CONTROL_2	3484
15-299. EMIF_EXT_PHY_CONTROL_2_SHADOW	3484
15-300. Register Call Summary for Register EMIF_EXT_PHY_CONTROL_2_SHADOW	3484
15-301. EMIF_EXT_PHY_CONTROL_3	3485
15-302. Register Call Summary for Register EMIF_EXT_PHY_CONTROL_3	3485
15-303. EMIF_EXT_PHY_CONTROL_3_SHADOW	3485
15-304. Register Call Summary for Register EMIF_EXT_PHY_CONTROL_3_SHADOW	3486
15-305. EMIF_EXT_PHY_CONTROL_4	3486
15-306. Register Call Summary for Register EMIF_EXT_PHY_CONTROL_4	3486
15-307. EMIF_EXT_PHY_CONTROL_4_SHADOW	3486
15-308. Register Call Summary for Register EMIF_EXT_PHY_CONTROL_4_SHADOW	3487
15-309. EMIF_EXT_PHY_CONTROL_5	3487
15-310. Register Call Summary for Register EMIF_EXT_PHY_CONTROL_5	3487
15-311. EMIF_EXT_PHY_CONTROL_5_SHADOW	3488
15-312. Register Call Summary for Register EMIF_EXT_PHY_CONTROL_5_SHADOW	3488
15-313. EMIF_EXT_PHY_CONTROL_6	3488
15-314. Register Call Summary for Register EMIF_EXT_PHY_CONTROL_6	3489
15-315. EMIF_EXT_PHY_CONTROL_6_SHADOW	3489
15-316. Register Call Summary for Register EMIF_EXT_PHY_CONTROL_6_SHADOW	3489
15-317. EMIF_EXT_PHY_CONTROL_7	3489
15-318. Register Call Summary for Register EMIF_EXT_PHY_CONTROL_7	3490
15-319. EMIF_EXT_PHY_CONTROL_7_SHADOW	3490
15-320. Register Call Summary for Register EMIF_EXT_PHY_CONTROL_7_SHADOW	3490
15-321. EMIF_EXT_PHY_CONTROL_8	3491
15-322. Register Call Summary for Register EMIF_EXT_PHY_CONTROL_8	3491
15-323. EMIF_EXT_PHY_CONTROL_8_SHADOW	3491
15-324. Register Call Summary for Register EMIF_EXT_PHY_CONTROL_8_SHADOW	3492
15-325. EMIF_EXT_PHY_CONTROL_9	3492
15-326. Register Call Summary for Register EMIF_EXT_PHY_CONTROL_9	3492
15-327. EMIF_EXT_PHY_CONTROL_9_SHADOW	3492
15-328. Register Call Summary for Register EMIF_EXT_PHY_CONTROL_9_SHADOW	3493
15-329. EMIF_EXT_PHY_CONTROL_10	3493

15-330. Register Call Summary for Register EMIF_EXT_PHY_CONTROL_10	3493
15-331. EMIF_EXT_PHY_CONTROL_10_SHADOW	3494
15-332. Register Call Summary for Register EMIF_EXT_PHY_CONTROL_10_SHADOW	3494
15-333. EMIF_EXT_PHY_CONTROL_11	3494
15-334. Register Call Summary for Register EMIF_EXT_PHY_CONTROL_11	3495
15-335. EMIF_EXT_PHY_CONTROL_11_SHADOW	3495
15-336. Register Call Summary for Register EMIF_EXT_PHY_CONTROL_11_SHADOW	3495
15-337. EMIF_EXT_PHY_CONTROL_12	3495
15-338. Register Call Summary for Register EMIF_EXT_PHY_CONTROL_12	3496
15-339. EMIF_EXT_PHY_CONTROL_12_SHADOW	3496
15-340. Register Call Summary for Register EMIF_EXT_PHY_CONTROL_12_SHADOW	3496
15-341. EMIF_EXT_PHY_CONTROL_13	3497
15-342. Register Call Summary for Register EMIF_EXT_PHY_CONTROL_13	3497
15-343. EMIF_EXT_PHY_CONTROL_13_SHADOW	3497
15-344. Register Call Summary for Register EMIF_EXT_PHY_CONTROL_13_SHADOW	3498
15-345. EMIF_EXT_PHY_CONTROL_14	3498
15-346. Register Call Summary for Register EMIF_EXT_PHY_CONTROL_14	3498
15-347. EMIF_EXT_PHY_CONTROL_14_SHADOW	3498
15-348. Register Call Summary for Register EMIF_EXT_PHY_CONTROL_14_SHADOW	3499
15-349. EMIF_EXT_PHY_CONTROL_15	3499
15-350. Register Call Summary for Register EMIF_EXT_PHY_CONTROL_15	3499
15-351. EMIF_EXT_PHY_CONTROL_15_SHADOW	3500
15-352. Register Call Summary for Register EMIF_EXT_PHY_CONTROL_15_SHADOW	3500
15-353. EMIF_EXT_PHY_CONTROL_16	3500
15-354. Register Call Summary for Register EMIF_EXT_PHY_CONTROL_16	3501
15-355. EMIF_EXT_PHY_CONTROL_16_SHADOW	3501
15-356. Register Call Summary for Register EMIF_EXT_PHY_CONTROL_16_SHADOW	3501
15-357. EMIF_EXT_PHY_CONTROL_17	3501
15-358. Register Call Summary for Register EMIF_EXT_PHY_CONTROL_17	3502
15-359. EMIF_EXT_PHY_CONTROL_17_SHADOW	3502
15-360. Register Call Summary for Register EMIF_EXT_PHY_CONTROL_17_SHADOW	3502
15-361. EMIF_EXT_PHY_CONTROL_18	3503
15-362. Register Call Summary for Register EMIF_EXT_PHY_CONTROL_18	3503
15-363. EMIF_EXT_PHY_CONTROL_18_SHADOW	3503
15-364. Register Call Summary for Register EMIF_EXT_PHY_CONTROL_18_SHADOW	3504
15-365. EMIF_EXT_PHY_CONTROL_19	3504
15-366. Register Call Summary for Register EMIF_EXT_PHY_CONTROL_19	3504
15-367. EMIF_EXT_PHY_CONTROL_19_SHADOW	3504
15-368. Register Call Summary for Register EMIF_EXT_PHY_CONTROL_19_SHADOW	3505
15-369. EMIF_EXT_PHY_CONTROL_20	3505
15-370. Register Call Summary for Register EMIF_EXT_PHY_CONTROL_20	3505
15-371. EMIF_EXT_PHY_CONTROL_20_SHADOW	3506
15-372. Register Call Summary for Register EMIF_EXT_PHY_CONTROL_20_SHADOW	3506
15-373. EMIF_EXT_PHY_CONTROL_21	3506
15-374. Register Call Summary for Register EMIF_EXT_PHY_CONTROL_21	3507
15-375. EMIF_EXT_PHY_CONTROL_21_SHADOW	3507
15-376. Register Call Summary for Register EMIF_EXT_PHY_CONTROL_21_SHADOW	3507
15-377. EMIF_EXT_PHY_CONTROL_22	3507
15-378. Register Call Summary for Register EMIF_EXT_PHY_CONTROL_22	3508

15-379. EMIF_EXT_PHY_CONTROL_22_SHADOW	3508
15-380. Register Call Summary for Register EMIF_EXT_PHY_CONTROL_22_SHADOW	3508
15-381. EMIF_EXT_PHY_CONTROL_23	3508
15-382. Register Call Summary for Register EMIF_EXT_PHY_CONTROL_23	3509
15-383. EMIF_EXT_PHY_CONTROL_23_SHADOW	3509
15-384. Register Call Summary for Register EMIF_EXT_PHY_CONTROL_23_SHADOW	3510
15-385. EMIF_EXT_PHY_CONTROL_24	3510
15-386. Register Call Summary for Register EMIF_EXT_PHY_CONTROL_24	3510
15-387. EMIF_EXT_PHY_CONTROL_24_SHADOW	3511
15-388. Register Call Summary for Register EMIF_EXT_PHY_CONTROL_24_SHADOW	3511
15-389. EMIF_EXT_PHY_CONTROL_25	3511
15-390. Register Call Summary for Register EMIF_EXT_PHY_CONTROL_25	3512
15-391. EMIF_EXT_PHY_CONTROL_25_SHADOW	3512
15-392. Register Call Summary for Register EMIF_EXT_PHY_CONTROL_25_SHADOW	3513
15-393. EMIF_EXT_PHY_CONTROL_26	3513
15-394. Register Call Summary for Register EMIF_EXT_PHY_CONTROL_26	3514
15-395. EMIF_EXT_PHY_CONTROL_26_SHADOW	3514
15-396. Register Call Summary for Register EMIF_EXT_PHY_CONTROL_26_SHADOW	3514
15-397. EMIF_EXT_PHY_CONTROL_27	3514
15-398. Register Call Summary for Register EMIF_EXT_PHY_CONTROL_27	3515
15-399. EMIF_EXT_PHY_CONTROL_27_SHADOW	3515
15-400. Register Call Summary for Register EMIF_EXT_PHY_CONTROL_27_SHADOW	3516
15-401. EMIF_EXT_PHY_CONTROL_28	3516
15-402. Register Call Summary for Register EMIF_EXT_PHY_CONTROL_28	3516
15-403. EMIF_EXT_PHY_CONTROL_28_SHADOW	3516
15-404. Register Call Summary for Register EMIF_EXT_PHY_CONTROL_28_SHADOW	3517
15-405. EMIF_EXT_PHY_CONTROL_29	3517
15-406. Register Call Summary for Register EMIF_EXT_PHY_CONTROL_29	3517
15-407. EMIF_EXT_PHY_CONTROL_29_SHADOW	3518
15-408. Register Call Summary for Register EMIF_EXT_PHY_CONTROL_29_SHADOW	3518
15-409. EMIF_EXT_PHY_CONTROL_30	3518
15-410. Register Call Summary for Register EMIF_EXT_PHY_CONTROL_30	3519
15-411. EMIF_EXT_PHY_CONTROL_30_SHADOW	3519
15-412. Register Call Summary for Register EMIF_EXT_PHY_CONTROL_30_SHADOW	3519
15-413. EMIF_EXT_PHY_CONTROL_31	3519
15-414. Register Call Summary for Register EMIF_EXT_PHY_CONTROL_31	3520
15-415. EMIF_EXT_PHY_CONTROL_31_SHADOW	3520
15-416. Register Call Summary for Register EMIF_EXT_PHY_CONTROL_31_SHADOW	3521
15-417. EMIF_EXT_PHY_CONTROL_32	3521
15-418. Register Call Summary for Register EMIF_EXT_PHY_CONTROL_32	3521
15-419. EMIF_EXT_PHY_CONTROL_32_SHADOW	3521
15-420. Register Call Summary for Register EMIF_EXT_PHY_CONTROL_32_SHADOW	3522
15-421. EMIF_EXT_PHY_CONTROL_33	3522
15-422. Register Call Summary for Register EMIF_EXT_PHY_CONTROL_33	3522
15-423. EMIF_EXT_PHY_CONTROL_33_SHADOW	3523
15-424. Register Call Summary for Register EMIF_EXT_PHY_CONTROL_33_SHADOW	3523
15-425. EMIF_EXT_PHY_CONTROL_34	3523
15-426. Register Call Summary for Register EMIF_EXT_PHY_CONTROL_34	3524
15-427. EMIF_EXT_PHY_CONTROL_34_SHADOW	3524

15-428. Register Call Summary for Register EMIF_EXT_PHY_CONTROL_34_SHADOW	3524
15-429. EMIF_EXT_PHY_CONTROL_35	3524
15-430. Register Call Summary for Register EMIF_EXT_PHY_CONTROL_35	3525
15-431. EMIF_EXT_PHY_CONTROL_35_SHADOW	3525
15-432. Register Call Summary for Register EMIF_EXT_PHY_CONTROL_35_SHADOW	3526
15-433. EMIF_EXT_PHY_CONTROL_36	3526
15-434. Register Call Summary for Register EMIF_EXT_PHY_CONTROL_36	3527
15-435. EMIF_EXT_PHY_CONTROL_36_SHADOW	3527
15-436. Register Call Summary for Register EMIF_EXT_PHY_CONTROL_36_SHADOW	3528
15-437. GPMC I/O Description.....	3532
15-438. GPMC Pin Multiplexing Options	3532
15-439. GPMC Integration Attributes.....	3535
15-440. GPMC Clocks and Resets	3535
15-441. GPMC Hardware Requests.....	3536
15-442. GPMC Clocks	3539
15-443. gpmc_clk Configuration	3539
15-444. GPMC Local Power-Management Features	3539
15-445. GPMC Interrupt Events	3540
15-446. Boot Control Interface Input Signals Description	3542
15-447. Idle Cycle Insertion Configuration	3553
15-448. Chip-Select Configuration for NAND Interfacing.....	3582
15-449. ECC Enable Settings	3590
15-450. Flattened BCH Codeword Mapping (512 Bytes + 104 Bits).....	3595
15-451. Aligned Message Byte Mapping in 8-Bit NAND.....	3596
15-452. Aligned Message Byte Mapping in 16-Bit NAND	3596
15-453. Aligned Nibble Mapping of Message in 8-Bit NAND	3597
15-454. Misaligned Nibble Mapping of Message in 8-Bit NAND	3597
15-455. Aligned Nibble Mapping of Message in 16-Bit NAND.....	3597
15-456. Misaligned Nibble Mapping of Message in 16-Bit NAND (1 Unused Nibble)	3597
15-457. Misaligned Nibble Mapping of Message in 16-Bit NAND (2 Unused Nibbles).....	3597
15-458. Misaligned Nibble Mapping of Message in 16-Bit NAND (3 Unused Nibbles).....	3598
15-459. Prefetch Mode Configuration	3608
15-460. Write-Posting Mode Configuration.....	3609
15-461. GPMC Initialization	3615
15-462. GPMC Configuration in NOR Mode	3615
15-463. GPMC Configuration in NAND Mode.....	3615
15-464. Reset GPMC	3615
15-465. NOR Memory Type	3615
15-466. NOR Chip-Select Configuration.....	3616
15-467. NOR Timings Configuration	3616
15-468. Wait Pin Configuration	3616
15-469. Enable Chip-Select	3616
15-470. NAND Memory Type	3616
15-471. NAND Chip-Select Configuration	3617
15-472. Asynchronous Read and Write Operations.....	3617
15-473. ECC Engine	3617
15-474. Prefetch and Write-Posting Engine.....	3617
15-475. Wait Pin Configuration	3618
15-476. Enable Chip-Select	3618

15-477. Mode Parameters Check List	3618
15-478. Access Type Parameters Check List	3618
15-479. Timing Parameters.....	3620
15-480. NAND Formulas Description	3622
15-481. Synchronous NOR Formulas Description	3623
15-482. Asynchronous NOR Formulas Description	3629
15-483. GPMC Signals.....	3632
15-484. Useful Timing Parameters on the Memory Side	3633
15-485. Calculating GPMC Timing Parameters	3634
15-486. AC Characteristics for Asynchronous Read Access	3635
15-487. GPMC Timing Parameters for Asynchronous Read Access	3636
15-488. AC Characteristics for Asynchronous Single Write (Memory Side)	3637
15-489. GPMC Timing Parameters for Asynchronous Single Write	3637
15-490. Supported Memories Interfaces.....	3638
15-491. NAND Interface Bus Operations Summary.....	3639
15-492. NOR Interface Bus Operations Summary	3640
15-493. GPMC Instance Summary	3642
15-494. GPMC Registers Mapping Summary.....	3642
15-495. GPMC_REVISION	3643
15-496. Register Call Summary for Register GPMC_REVISION	3643
15-497. GPMC_SYSCONFIG	3643
15-498. Register Call Summary for Register GPMC_SYSCONFIG	3644
15-499. GPMC_SYSSTATUS.....	3644
15-500. Register Call Summary for Register GPMC_SYSSTATUS	3644
15-501. GPMC_IRQSTATUS	3645
15-502. Register Call Summary for Register GPMC_IRQSTATUS	3646
15-503. GPMC_IRQENABLE	3646
15-504. Register Call Summary for Register GPMC_IRQENABLE	3647
15-505. GPMC_TIMEOUT_CONTROL	3647
15-506. Register Call Summary for Register GPMC_TIMEOUT_CONTROL	3647
15-507. GPMC_ERR_ADDRESS.....	3648
15-508. Register Call Summary for Register GPMC_ERR_ADDRESS	3648
15-509. GPMC_ERR_TYPE.....	3648
15-510. Register Call Summary for Register GPMC_ERR_TYPE	3649
15-511. GPMC_CONFIG	3649
15-512. Register Call Summary for Register GPMC_CONFIG	3650
15-513. GPMC_STATUS	3650
15-514. Register Call Summary for Register GPMC_STATUS.....	3651
15-515. GPMC_CONFIG1_i.....	3651
15-516. Register Call Summary for Register GPMC_CONFIG1_i	3653
15-517. GPMC_CONFIG2_i.....	3654
15-518. Register Call Summary for Register GPMC_CONFIG2_i	3655
15-519. GPMC_CONFIG3_i.....	3655
15-520. Register Call Summary for Register GPMC_CONFIG3_i	3656
15-521. GPMC_CONFIG4_i.....	3656
15-522. Register Call Summary for Register GPMC_CONFIG4_i	3657
15-523. GPMC_CONFIG5_i.....	3658
15-524. Register Call Summary for Register GPMC_CONFIG5_i	3658
15-525. GPMC_CONFIG6_i.....	3659

15-526. Register Call Summary for Register GPMC_CONFIG6_i	3660
15-527. GPMC_CONFIG7_i.....	3660
15-528. Register Call Summary for Register GPMC_CONFIG7_i	3661
15-529. GPMC_NAND_COMMAND_i	3661
15-530. Register Call Summary for Register GPMC_NAND_COMMAND_i.....	3661
15-531. GPMC_NAND_ADDRESS_i.....	3661
15-532. Register Call Summary for Register GPMC_NAND_ADDRESS_i	3662
15-533. GPMC_NAND_DATA_i	3662
15-534. Register Call Summary for Register GPMC_NAND_DATA_i.....	3662
15-535. GPMC_PREFETCH_CONFIG1	3662
15-536. Register Call Summary for Register GPMC_PREFETCH_CONFIG1	3664
15-537. GPMC_PREFETCH_CONFIG2.....	3664
15-538. Register Call Summary for Register GPMC_PREFETCH_CONFIG2	3664
15-539. GPMC_PREFETCH_CONTROL.....	3665
15-540. Register Call Summary for Register GPMC_PREFETCH_CONTROL	3665
15-541. GPMC_PREFETCH_STATUS	3666
15-542. Register Call Summary for Register GPMC_PREFETCH_STATUS.....	3666
15-543. GPMC_ECC_CONFIG	3667
15-544. Register Call Summary for Register GPMC_ECC_CONFIG.....	3667
15-545. GPMC_ECC_CONTROL	3668
15-546. Register Call Summary for Register GPMC_ECC_CONTROL	3668
15-547. GPMC_ECC_SIZE_CONFIG.....	3669
15-548. Register Call Summary for Register GPMC_ECC_SIZE_CONFIG	3670
15-549. GPMC_ECCj_RESULT	3670
15-550. Register Call Summary for Register GPMC_ECCj_RESULT	3671
15-551. GPMC_BCH_RESULT0_i	3671
15-552. Register Call Summary for Register GPMC_BCH_RESULT0_i.....	3671
15-553. GPMC_BCH_RESULT1_i	3671
15-554. Register Call Summary for Register GPMC_BCH_RESULT1_i.....	3672
15-555. GPMC_BCH_RESULT2_i	3672
15-556. Register Call Summary for Register GPMC_BCH_RESULT2_i.....	3672
15-557. GPMC_BCH_RESULT3_i	3672
15-558. Register Call Summary for Register GPMC_BCH_RESULT3_i.....	3672
15-559. GPMC_BCH_RESULT4_i	3673
15-560. Register Call Summary for Register GPMC_BCH_RESULT4_i.....	3673
15-561. GPMC_BCH_RESULT5_i	3673
15-562. Register Call Summary for Register GPMC_BCH_RESULT5_i.....	3673
15-563. GPMC_BCH_RESULT6_i	3673
15-564. Register Call Summary for Register GPMC_BCH_RESULT6_i.....	3674
15-565. GPMC_BCH_SWDATA	3674
15-566. Register Call Summary for Register GPMC_BCH_SWDATA.....	3674
15-567. ELM Integration Attributes	3676
15-568. ELM Clocks and Resets	3677
15-569. ELM Hardware Requests	3677
15-570. Local Power-Management Features	3678
15-571. Events	3678
15-572. ELM_LOCATION_STATUS_i Value Decoding	3679
15-573. ELM Processing Initialization.....	3681
15-574. ELM Processing Completion for Continuous Mode	3682

15-575. ELM Processing Completion for Page Mode.....	3682
15-576. Use Case: Continuous Mode.....	3683
15-577. 16-Bit NAND Sector Buffer Address Map.....	3684
15-578. Use Case: Page Mode	3685
15-579. ELM Instance Summary	3687
15-580. ELM Registers Mapping Summary	3687
15-581. ELM_REVISION	3688
15-582. Register Call Summary for Register ELM_REVISION	3688
15-583. ELM_SYSCONFIG	3688
15-584. Register Call Summary for Register ELM_SYSCONFIG	3689
15-585. ELM_SYSSTATUS	3689
15-586. Register Call Summary for Register ELM_SYSSTATUS.....	3690
15-587. ELM_IRQSTATUS.....	3690
15-588. Register Call Summary for Register ELM_IRQSTATUS	3691
15-589. ELM_IRQENABLE	3691
15-590. Register Call Summary for Register ELM_IRQENABLE	3691
15-591. ELM_LOCATION_CONFIG.....	3692
15-592. Register Call Summary for Register ELM_LOCATION_CONFIG	3692
15-593. ELM_PAGE_CTRL	3692
15-594. Register Call Summary for Register ELM_PAGE_CTRL.....	3693
15-595. ELM_SYNDROME_FRAGMENT_0_i	3693
15-596. Register Call Summary for Register ELM_SYNDROME_FRAGMENT_0_i.....	3693
15-597. ELM_SYNDROME_FRAGMENT_1_i	3694
15-598. Register Call Summary for Register ELM_SYNDROME_FRAGMENT_1_i.....	3694
15-599. ELM_SYNDROME_FRAGMENT_2_i	3694
15-600. Register Call Summary for Register ELM_SYNDROME_FRAGMENT_2_i.....	3694
15-601. ELM_SYNDROME_FRAGMENT_3_i	3694
15-602. Register Call Summary for Register ELM_SYNDROME_FRAGMENT_3_i.....	3695
15-603. ELM_SYNDROME_FRAGMENT_4_i	3695
15-604. Register Call Summary for Register ELM_SYNDROME_FRAGMENT_4_i.....	3695
15-605. ELM_SYNDROME_FRAGMENT_5_i	3695
15-606. Register Call Summary for Register ELM_SYNDROME_FRAGMENT_5_i.....	3695
15-607. ELM_SYNDROME_FRAGMENT_6_i	3696
15-608. Register Call Summary for Register ELM_SYNDROME_FRAGMENT_6_i.....	3696
15-609. ELM_LOCATION_STATUS_i	3696
15-610. Register Call Summary for Register ELM_LOCATION_STATUS_i.....	3697
15-611. ELM_ERROR_LOCATION_0_i	3697
15-612. Register Call Summary for Register ELM_ERROR_LOCATION_0_i.....	3697
15-613. ELM_ERROR_LOCATION_1_i	3698
15-614. Register Call Summary for Register ELM_ERROR_LOCATION_1_i.....	3698
15-615. ELM_ERROR_LOCATION_2_i	3698
15-616. Register Call Summary for Register ELM_ERROR_LOCATION_2_i.....	3698
15-617. ELM_ERROR_LOCATION_3_i	3699
15-618. Register Call Summary for Register ELM_ERROR_LOCATION_3_i.....	3699
15-619. ELM_ERROR_LOCATION_4_i	3699
15-620. Register Call Summary for Register ELM_ERROR_LOCATION_4_i.....	3699
15-621. ELM_ERROR_LOCATION_5_i	3699
15-622. Register Call Summary for Register ELM_ERROR_LOCATION_5_i.....	3700
15-623. ELM_ERROR_LOCATION_6_i	3700

15-624. Register Call Summary for Register ELM_ERROR_LOCATION_6_i.....	3700
15-625. ELM_ERROR_LOCATION_7_i	3700
15-626. Register Call Summary for Register ELM_ERROR_LOCATION_7_i.....	3700
15-627. ELM_ERROR_LOCATION_8_i	3701
15-628. Register Call Summary for Register ELM_ERROR_LOCATION_8_i.....	3701
15-629. ELM_ERROR_LOCATION_9_i	3701
15-630. Register Call Summary for Register ELM_ERROR_LOCATION_9_i.....	3701
15-631. ELM_ERROR_LOCATION_10_i.....	3701
15-632. Register Call Summary for Register ELM_ERROR_LOCATION_10_i	3702
15-633. ELM_ERROR_LOCATION_11_i.....	3702
15-634. Register Call Summary for Register ELM_ERROR_LOCATION_11_i	3702
15-635. ELM_ERROR_LOCATION_12_i.....	3702
15-636. Register Call Summary for Register ELM_ERROR_LOCATION_12_i	3702
15-637. ELM_ERROR_LOCATION_13_i.....	3703
15-638. Register Call Summary for Register ELM_ERROR_LOCATION_13_i	3703
15-639. ELM_ERROR_LOCATION_14_i.....	3703
15-640. Register Call Summary for Register ELM_ERROR_LOCATION_14_i	3703
15-641. ELM_ERROR_LOCATION_15_i.....	3703
15-642. Register Call Summary for Register ELM_ERROR_LOCATION_15_i	3704
15-643. OCMC_RAM1 Integration Attributes	3706
15-644. OCMC_RAM1 Clocks and Resets.....	3706
15-645. OCMC_RAM1 Hardware Requests	3707
15-646. OCMC_RAM1 Events	3709
15-647. OCMC Error Handling In Case Of Different Error Types	3714
15-648. OCMC ECC Configuration.....	3714
15-649. OCM Subsystem Instance Summary.....	3720
15-650. OCM Subsystem Registers Mapping Summary	3720
15-651. OCMC_ECC_PID	3722
15-652. Register Call Summary for Register OCMC_ECC_PID	3722
15-653. OCMC_SYSCONFIG_PM	3722
15-654. Register Call Summary for Register OCMC_SYSCONFIG_PM.....	3723
15-655. OCMC_SYSCONFIG_RST	3723
15-656. Register Call Summary for Register OCMC_SYSCONFIG_RST	3723
15-657. OCMC_MEM_SIZE_READ	3723
15-658. Register Call Summary for Register OCMC_MEM_SIZE_READ	3724
15-659. INTR0_STATUS_RAW_SET	3724
15-660. Register Call Summary for Register INTR0_STATUS_RAW_SET	3725
15-661. INTR0_STATUS_ENABLED_CLEAR	3725
15-662. Register Call Summary for Register INTR0_STATUS_ENABLED_CLEAR	3726
15-663. INTR0_ENABLE_SET.....	3727
15-664. Register Call Summary for Register INTR0_ENABLE_SET	3728
15-665. INTR0_ENABLE_CLEAR	3728
15-666. Register Call Summary for Register INTR0_ENABLE_CLEAR	3729
15-667. OCMC_INTR0_EOI.....	3729
15-668. Register Call Summary for Register OCMC_INTR0_EOI	3729
15-669. INTR1_STATUS_RAW_SET	3729
15-670. Register Call Summary for Register INTR1_STATUS_RAW_SET	3731
15-671. INTR1_STATUS_ENABLED_CLEAR	3731
15-672. Register Call Summary for Register INTR1_STATUS_ENABLED_CLEAR	3732

15-673. INTR1_ENABLE_SET.....	3732
15-674. Register Call Summary for Register INTR1_ENABLE_SET	3733
15-675. INTR1_ENABLE_CLEAR	3733
15-676. Register Call Summary for Register INTR1_ENABLE_CLEAR	3734
15-677. OCMC_INTR1_EOI.....	3734
15-678. Register Call Summary for Register OCMC_INTR1_EOI	3735
15-679. CFG_OCMC_ECC.....	3735
15-680. Register Call Summary for Register CFG_OCMC_ECC	3736
15-681. CFG_OCMC_ECC_MEM_BLK	3736
15-682. Register Call Summary for Register CFG_OCMC_ECC_MEM_BLK.....	3736
15-683. CFG_OCMC_ECC_ERROR.....	3736
15-684. Register Call Summary for Register CFG_OCMC_ECC_ERROR	3737
15-685. CFG_OCMC_ECC_CLEAR_HIST.....	3737
15-686. Register Call Summary for Register CFG_OCMC_ECC_CLEAR_HIST	3738
15-687. STATUS_ERROR_CNT	3738
15-688. Register Call Summary for Register STATUS_ERROR_CNT	3739
15-689. STATUS_SEC_ERROR_TRACE	3739
15-690. Register Call Summary for Register STATUS_SEC_ERROR_TRACE	3739
15-691. STATUS_DED_ERROR_TRACE	3739
15-692. Register Call Summary for Register STATUS_DED_ERROR_TRACE	3740
15-693. STATUS_ADDR_TRANSLATION_ERROR_TRACE	3740
15-694. Register Call Summary for Register STATUS_ADDR_TRANSLATION_ERROR_TRACE	3740
15-695. STATUS_SEC_ERROR_DISTR_0.....	3740
15-696. Register Call Summary for Register STATUS_SEC_ERROR_DISTR_0	3740
15-697. STATUS_SEC_ERROR_DISTR_1	3741
15-698. Register Call Summary for Register STATUS_SEC_ERROR_DISTR_1	3741
15-699. STATUS_SEC_ERROR_DISTR_2.....	3741
15-700. Register Call Summary for Register STATUS_SEC_ERROR_DISTR_2	3741
15-701. STATUS_SEC_ERROR_DISTR_3.....	3741
15-702. Register Call Summary for Register STATUS_SEC_ERROR_DISTR_3	3742
15-703. STATUS_SEC_ERROR_DISTR_4.....	3742
15-704. Register Call Summary for Register STATUS_SEC_ERROR_DISTR_4	3742
15-705. CFG_OCMC_CBUF_EN.....	3743
15-706. Register Call Summary for Register CFG_OCMC_CBUF_EN	3744
15-707. CFG_OCMC_CBUF_RESET.....	3744
15-708. Register Call Summary for Register CFG_OCMC_CBUF_RESET	3745
15-709. CFG_OCMC_CBUF_ERR_HANDLER.....	3745
15-710. Register Call Summary for Register CFG_OCMC_CBUF_ERR_HANDLER	3746
15-711. STATUS_CBUF_WR_OUT_OF_RANGE_ERR	3746
15-712. Register Call Summary for Register STATUS_CBUF_WR_OUT_OF_RANGE_ERR.....	3747
15-713. STATUS_CBUF_WR_VBUF_START_ERR.....	3747
15-714. Register Call Summary for Register STATUS_CBUF_WR_VBUF_START_ERR	3747
15-715. STATUS_CBUF_WR_ADDR_SEQ_ERROR	3747
15-716. Register Call Summary for Register STATUS_CBUF_WR_ADDR_SEQ_ERROR.....	3748
15-717. STATUS_CBUF_RD_OUT_OF_RANGE_ERROR.....	3748
15-718. Register Call Summary for Register STATUS_CBUF_RD_OUT_OF_RANGE_ERROR	3748
15-719. STATUS_CBUF_VBUF_RD_START_ERROR	3748
15-720. Register Call Summary for Register STATUS_CBUF_VBUF_RD_START_ERROR.....	3749
15-721. STATUS_CBUF_RD_ADDR_SEQ_ERROR.....	3749

15-722. Register Call Summary for Register STATUS_CBUF_RD_ADDR_SEQ_ERROR	3749
15-723. STATUS_CBUF_OVERFLOW_MID.....	3749
15-724. Register Call Summary for Register STATUS_CBUF_OVERFLOW_MID	3750
15-725. STATUS_CBUF_OVERFLOW_WRAP	3750
15-726. Register Call Summary for Register STATUS_CBUF_OVERFLOW_WRAP	3750
15-727. STATUS_CBUF_UNDERFLOW	3750
15-728. Register Call Summary for Register STATUS_CBUF_UNDERFLOW.....	3751
15-729. STATUS_CBUF_SHORT_FRAME_DETECT.....	3751
15-730. Register Call Summary for Register STATUS_CBUF_SHORT_FRAME_DETECT	3751
15-731. CBUF_i_VBUF_START_ADDR.....	3751
15-732. Register Call Summary for Register CBUF_i_VBUF_START_ADDR	3752
15-733. CBUF_i_VBUF_END_ADDR	3752
15-734. Register Call Summary for Register CBUF_i_VBUF_END_ADDR	3752
15-735. CBUF_i_OCMC_START_ADDR.....	3752
15-736. Register Call Summary for Register CBUF_i_OCMC_START_ADDR	3753
15-737. CBUF_i_OCMC_BUF_SIZE.....	3753
15-738. Register Call Summary for Register CBUF_i_OCMC_BUF_SIZE	3753
15-739. CBUF_k_LAST_WR_ADDR.....	3753
15-740. Register Call Summary for Register CBUF_k_LAST_WR_ADDR	3753
15-741. CBUF_k_LAST_RD_ADDR	3754
15-742. Register Call Summary for Register CBUF_k_LAST_RD_ADDR	3754
15-743. LAST_ILLEGAL_OCMC_ADDR	3754
15-744. Register Call Summary for Register LAST_ILLEGAL_OCMC_ADDR	3754
16-1. External DMA_SYSTEM Request Signals	3758
16-2. DMA_SYSTEM Integration Attributes	3762
16-3. DMA_SYSTEM Clocks and Resets.....	3762
16-4. DMA_SYSTEM Hardware Requests	3762
16-5. DMA_SYSTEM Default Request Mapping.....	3766
16-6. Connection of The Device DREQs to The DMA_CROSSBAR Inputs	3773
16-7. Local Power-Management Features.....	3778
16-8. Clock Activity Settings	3778
16-9. Logical DMA Channel Events.....	3779
16-10. Parameter Values for Addressing Mode Examples (a), (b), and (c).....	3784
16-11. Equations for Rotation	3784
16-12. Example Parameter Values for a 90-Degree Clockwise Image Rotation	3785
16-13. Buffering Disable	3788
16-14. Type 1	3795
16-15. Type 2 With Source and Destination Address Updates.....	3796
16-16. Type 2 With Source or Destination Address Update	3796
16-17. Type 3 With Source and Destination Address Updates.....	3796
16-18. Type 3 With Source or Destination Address Update	3797
16-19. DMA_SYSTEM Instance Summary	3809
16-20. DMA_SYSTEM Registers Mapping Summary	3809
16-21. DMA4_REVISION	3810
16-22. Register Call Summary for Register DMA4_REVISION	3810
16-23. DMA4_IRQSTATUS_Lj.....	3810
16-24. Register Call Summary for Register DMA4_IRQSTATUS_Lj	3811
16-25. DMA4_IRQENABLE_Lj.....	3811
16-26. Register Call Summary for Register DMA4_IRQENABLE_Lj	3811

16-27. DMA4_SYSSTATUS	3812
16-28. Register Call Summary for Register DMA4_SYSSTATUS	3812
16-29. DMA4_OCP_SYSCONFIG	3812
16-30. Register Call Summary for Register DMA4_OCP_SYSCONFIG	3813
16-31. DMA4_CAPS_0	3814
16-32. Register Call Summary for Register DMA4_CAPS_0	3814
16-33. DMA4_CAPS_2	3815
16-34. Register Call Summary for Register DMA4_CAPS_2	3816
16-35. DMA4_CAPS_3	3816
16-36. Register Call Summary for Register DMA4_CAPS_3	3817
16-37. DMA4_CAPS_4	3817
16-38. Register Call Summary for Register DMA4_CAPS_4	3818
16-39. DMA4_GCR	3819
16-40. Register Call Summary for Register DMA4_GCR	3820
16-41. DMA4_CCRi	3820
16-42. Register Call Summary for Register DMA4_CCRi	3823
16-43. DMA4_CLNK_CTRLi	3823
16-44. Register Call Summary for Register DMA4_CLNK_CTRLi	3824
16-45. DMA4_CICRi	3824
16-46. Register Call Summary for Register DMA4_CICRi	3825
16-47. DMA4_CSRi	3825
16-48. Register Call Summary for Register DMA4_CSRi	3827
16-49. DMA4_CSDPi	3828
16-50. Register Call Summary for Register DMA4_CSDPi	3829
16-51. DMA4_CENi	3829
16-52. Register Call Summary for Register DMA4_CENi	3830
16-53. DMA4_CFNi	3830
16-54. Register Call Summary for Register DMA4_CFNi	3830
16-55. DMA4_CSSAi	3830
16-56. Register Call Summary for Register DMA4_CSSAi	3831
16-57. DMA4_CDSAi	3831
16-58. Register Call Summary for Register DMA4_CDSAi	3831
16-59. DMA4_CSEli	3831
16-60. Register Call Summary for Register DMA4_CSEli	3832
16-61. DMA4_CSFli	3832
16-62. Register Call Summary for Register DMA4_CSFli	3832
16-63. DMA4_CDEli	3832
16-64. Register Call Summary for Register DMA4_CDEli	3833
16-65. DMA4_CDFli	3833
16-66. Register Call Summary for Register DMA4_CDFli	3833
16-67. DMA4_CSACi	3833
16-68. Register Call Summary for Register DMA4_CSACi	3834
16-69. DMA4_CDACi	3834
16-70. Register Call Summary for Register DMA4_CDACi	3834
16-71. DMA4_CCENi	3834
16-72. Register Call Summary for Register DMA4_CCENi	3834
16-73. DMA4_CCFNi	3835
16-74. Register Call Summary for Register DMA4_CCFNi	3835
16-75. DMA4_COLORi	3835

16-76. Register Call Summary for Register DMA4_COLORi	3835
16-77. DMA4_CDPi	3836
16-78. Register Call Summary for Register DMA4_CDPi	3837
16-79. DMA4_CNDPi.....	3837
16-80. Register Call Summary for Register DMA4_CNDPi	3837
16-81. DMA4_CCDNi	3838
16-82. Register Call Summary for Register DMA4_CCDNi	3838
16-83. EDMA Channel Controllers Configuration	3842
16-84. EDMA Transfer Controllers Configuration	3842
16-85. External EDMA Request Signals	3843
16-86. EDMA Integration Attributes	3846
16-87. EDMA Clocks and Resets.....	3846
16-88. EDMA Hardware Requests	3846
16-89. EDMA Default Request Mapping.....	3849
16-90. EDMA Parameter RAM Contents	3859
16-91. EDMA Channel Parameter Description	3861
16-92. Dummy and Null Transfer Request	3865
16-93. Parameter Updates in EDMA_TPCC (for Non-Null, Non-Dummy PaRAM Set)	3866
16-94. Expected Number of Transfers for Non-Null Transfer	3873
16-95. Shadow Region Registers	3877
16-96. Chain Event Triggers	3879
16-97. EDMA Transfer Completion Interrupts	3879
16-98. EDMA Error Interrupts	3880
16-99. Transfer Complete Code (TCC) to EDMA_TPCC Interrupt Mapping	3880
16-100. Number of Interrupts.....	3881
16-101. Allowed Accesses.....	3887
16-102. MPPA Registers to Region Assignment	3887
16-103. Example Access Denied	3888
16-104. Example Access Allowed	3890
16-105. Read/Write Command Optimization Rules	3894
16-106. EDMA Transfer Controller Configurations	3896
16-107. Debug Checklist.....	3922
16-108. EDMA Instance Summary	3924
16-109. DSP Private Access EDMA Instance Summary	3924
16-110. EVE EDMA Instance Summary (Private Access).....	3924
16-111. System EDMA_TPCC Registers Mapping Summary	3924
16-112. DSP1 EDMA_TPCC Registers Mapping Summary (L3_MAIN Access)	3927
16-113. DSP EDMA_TPCC Registers Mapping Summary (Private Access)	3930
16-114. System EDMA TPTC0 and EDMA TPTC1 Registers Mapping Summary	3933
16-115. DSP1 EDMA_TPTC0 and EDMA_TPTC1 Registers Mapping Summary (L3_MAIN Access).....	3934
16-116. DSP EDMA_TPTC0 and EDMA_TPTC1 Registers Mapping Summary (Private Access)	3935
16-117. EDMA_TPCC_PID.....	3936
16-118. Register Call Summary for Register EDMA_TPCC_PID	3936
16-119. EDMA_TPCC_CCCFG.....	3936
16-120. Register Call Summary for Register EDMA_TPCC_CCCFG	3937
16-121. EDMA_TPCC_CLKGDIS	3938
16-122. Register Call Summary for Register EDMA_TPCC_CLKGDIS	3938
16-123. EDMA_TPCC_DCHMAPN_m	3938
16-124. Register Call Summary for Register EDMA_TPCC_DCHMAPN_m	3938

16-125. EDMA_TPCC_QCHMAPN_j	3939
16-126. Register Call Summary for Register EDMA_TPCC_QCHMAPN_j.....	3939
16-127. EDMA_TPCC_DMAQNUMN_k	3939
16-128. Register Call Summary for Register EDMA_TPCC_DMAQNUMN_k.....	3940
16-129. EDMA_TPCC_QDMAQNUM	3940
16-130. Register Call Summary for Register EDMA_TPCC_QDMAQNUM	3941
16-131. EDMA_TPCC_QUETCMAP	3941
16-132. Register Call Summary for Register EDMA_TPCC_QUETCMAP	3941
16-133. EDMA_TPCC_QUEPRI	3941
16-134. Register Call Summary for Register EDMA_TPCC_QUEPRI	3942
16-135. EDMA_TPCC_EMR	3942
16-136. Register Call Summary for Register EDMA_TPCC_EMR	3943
16-137. EDMA_TPCC_EMRH	3943
16-138. Register Call Summary for Register EDMA_TPCC_EMRH.....	3944
16-139. EDMA_TPCC_EMCR	3944
16-140. Register Call Summary for Register EDMA_TPCC_EMCR	3945
16-141. EDMA_TPCC_EMCRH	3946
16-142. Register Call Summary for Register EDMA_TPCC_EMCRH.....	3946
16-143. EDMA_TPCC_QEMR	3947
16-144. Register Call Summary for Register EDMA_TPCC_QEMR.....	3947
16-145. EDMA_TPCC_QEMCR	3947
16-146. Register Call Summary for Register EDMA_TPCC_QEMCR.....	3948
16-147. EDMA_TPCC_CCERR.....	3948
16-148. Register Call Summary for Register EDMA_TPCC_CCERR	3950
16-149. EDMA_TPCC_CCERRCLR	3950
16-150. Register Call Summary for Register EDMA_TPCC_CCERRCLR.....	3951
16-151. EDMA_TPCC_EEVAL.....	3951
16-152. Register Call Summary for Register EDMA_TPCC_EEVAL	3952
16-153. EDMA_TPCC_DRAEM_k.....	3952
16-154. Register Call Summary for Register EDMA_TPCC_DRAEM_k	3953
16-155. EDMA_TPCC_DRAEHM_k.....	3953
16-156. Register Call Summary for Register EDMA_TPCC_DRAEHM_k	3954
16-157. EDMA_TPCC_QRAEN_k.....	3955
16-158. Register Call Summary for Register EDMA_TPCC_QRAEN_k	3955
16-159. EDMA_TPCC_Q0E_p.....	3955
16-160. Register Call Summary for Register EDMA_TPCC_Q0E_p	3956
16-161. EDMA_TPCC_Q1E_p.....	3956
16-162. Register Call Summary for Register EDMA_TPCC_Q1E_p	3956
16-163. EDMA_TPCC_QSTATN_i	3956
16-164. Register Call Summary for Register EDMA_TPCC_QSTATN_i.....	3957
16-165. EDMA_TPCC_QWMTHRA	3957
16-166. Register Call Summary for Register EDMA_TPCC_QWMTHRA.....	3958
16-167. EDMA_TPCC_QWMTHRB	3958
16-168. Register Call Summary for Register EDMA_TPCC_QWMTHRB.....	3959
16-169. EDMA_TPCC_CCSTAT	3959
16-170. Register Call Summary for Register EDMA_TPCC_CCSTAT	3961
16-171. EDMA_TPCC_AETCTL	3961
16-172. Register Call Summary for Register EDMA_TPCC_AETCTL	3961
16-173. EDMA_TPCC_AETSTAT	3961

16-174. Register Call Summary for Register EDMA_TPCC_AETSTAT	3962
16-175. EDMA_TPCC_AETCMD	3962
16-176. Register Call Summary for Register EDMA_TPCC_AETCMD	3962
16-177. EDMA_TPCC_MPFAR	3962
16-178. Register Call Summary for Register EDMA_TPCC_MPFAR	3963
16-179. EDMA_TPCC_MPFSR	3963
16-180. Register Call Summary for Register EDMA_TPCC_MPFSR	3964
16-181. EDMA_TPCC_MPFAR	3964
16-182. Register Call Summary for Register EDMA_TPCC_MPFAR	3964
16-183. EDMA_TPCC_MPPAG	3964
16-184. Register Call Summary for Register EDMA_TPCC_MPPAG	3966
16-185. EDMA_TPCC_MPPAN_k	3966
16-186. Register Call Summary for Register EDMA_TPCC_MPPAN_k	3968
16-187. EDMA_TPCC_ER	3968
16-188. Register Call Summary for Register EDMA_TPCC_ER	3969
16-189. EDMA_TPCC_ERH	3969
16-190. Register Call Summary for Register EDMA_TPCC_ERH	3970
16-191. EDMA_TPCC_ECR	3970
16-192. Register Call Summary for Register EDMA_TPCC_ECR	3972
16-193. EDMA_TPCC_ECRH	3972
16-194. Register Call Summary for Register EDMA_TPCC_ECRH	3973
16-195. EDMA_TPCC_ESR	3973
16-196. Register Call Summary for Register EDMA_TPCC_ESR	3974
16-197. EDMA_TPCC_ESRH	3974
16-198. Register Call Summary for Register EDMA_TPCC_ESRH	3975
16-199. EDMA_TPCC_CER	3975
16-200. Register Call Summary for Register EDMA_TPCC_CER	3976
16-201. EDMA_TPCC_CERH	3977
16-202. Register Call Summary for Register EDMA_TPCC_CERH	3978
16-203. EDMA_TPCC_EER	3978
16-204. Register Call Summary for Register EDMA_TPCC_EER	3979
16-205. EDMA_TPCC_EERH	3979
16-206. Register Call Summary for Register EDMA_TPCC_EERH	3980
16-207. EDMA_TPCC_EECR	3980
16-208. Register Call Summary for Register EDMA_TPCC_EECR	3981
16-209. EDMA_TPCC_EECRH	3981
16-210. Register Call Summary for Register EDMA_TPCC_EECRH	3982
16-211. EDMA_TPCC_EESR	3982
16-212. Register Call Summary for Register EDMA_TPCC_EESR	3984
16-213. EDMA_TPCC_EESRH	3984
16-214. Register Call Summary for Register EDMA_TPCC_EESRH	3985
16-215. EDMA_TPCC_SER	3985
16-216. Register Call Summary for Register EDMA_TPCC_SER	3986
16-217. EDMA_TPCC_SERH	3986
16-218. Register Call Summary for Register EDMA_TPCC_SERH	3987
16-219. EDMA_TPCC_SECR	3987
16-220. Register Call Summary for Register EDMA_TPCC_SECR	3988
16-221. EDMA_TPCC_SECRH	3988
16-222. Register Call Summary for Register EDMA_TPCC_SECRH	3989

16-223. EDMA_TPCC_IER	3989
16-224. Register Call Summary for Register EDMA_TPCC_IER	3991
16-225. EDMA_TPCC_IERH	3991
16-226. Register Call Summary for Register EDMA_TPCC_IERH	3992
16-227. EDMA_TPCC_IECR	3992
16-228. Register Call Summary for Register EDMA_TPCC_IECR	3993
16-229. EDMA_TPCC_IECRH	3993
16-230. Register Call Summary for Register EDMA_TPCC_IECRH	3994
16-231. EDMA_TPCC_IESR	3994
16-232. Register Call Summary for Register EDMA_TPCC_IESR	3995
16-233. EDMA_TPCC_IESRH	3995
16-234. Register Call Summary for Register EDMA_TPCC_IESRH	3996
16-235. EDMA_TPCC_IPR	3996
16-236. Register Call Summary for Register EDMA_TPCC_IPR	3998
16-237. EDMA_TPCC_IPRH	3998
16-238. Register Call Summary for Register EDMA_TPCC_IPRH	3999
16-239. EDMA_TPCC_ICR	3999
16-240. Register Call Summary for Register EDMA_TPCC_ICR	4000
16-241. EDMA_TPCC_ICRH	4000
16-242. Register Call Summary for Register EDMA_TPCC_ICRH	4001
16-243. EDMA_TPCC_IEVAL	4002
16-244. Register Call Summary for Register EDMA_TPCC_IEVAL	4002
16-245. EDMA_TPCC_QER	4002
16-246. Register Call Summary for Register EDMA_TPCC_QER	4003
16-247. EDMA_TPCC_QEER	4003
16-248. Register Call Summary for Register EDMA_TPCC_QEER	4004
16-249. EDMA_TPCC_QEECR	4004
16-250. Register Call Summary for Register EDMA_TPCC_QEECR	4004
16-251. EDMA_TPCC_QEESR	4004
16-252. Register Call Summary for Register EDMA_TPCC_QEESR	4005
16-253. EDMA_TPCC_QSER	4005
16-254. Register Call Summary for Register EDMA_TPCC_QSER	4006
16-255. EDMA_TPCC_QSECR	4006
16-256. Register Call Summary for Register EDMA_TPCC_QSECR	4006
16-257. EDMA_TPCC_ER_RN_k	4006
16-258. Register Call Summary for Register EDMA_TPCC_ER_RN_k	4008
16-259. EDMA_TPCC_ERH_RN_k	4008
16-260. Register Call Summary for Register EDMA_TPCC_ERH_RN_k	4009
16-261. EDMA_TPCC_ECR_RN_k	4009
16-262. Register Call Summary for Register EDMA_TPCC_ECR_RN_k	4010
16-263. EDMA_TPCC_ECRH_RN_k	4010
16-264. Register Call Summary for Register EDMA_TPCC_ECRH_RN_k	4011
16-265. EDMA_TPCC_ESR_RN_k	4011
16-266. Register Call Summary for Register EDMA_TPCC_ESR_RN_k	4012
16-267. EDMA_TPCC_ESRH_RN_k	4012
16-268. Register Call Summary for Register EDMA_TPCC_ESRH_RN_k	4013
16-269. EDMA_TPCC_CER_RN_k	4013
16-270. Register Call Summary for Register EDMA_TPCC_CER_RN_k	4014
16-271. EDMA_TPCC_CERH_RN_k	4014

16-272. Register Call Summary for Register EDMA_TPCC_CERH_RN_k	4015
16-273. EDMA_TPCC_EER_RN_k	4015
16-274. Register Call Summary for Register EDMA_TPCC_EER_RN_k	4017
16-275. EDMA_TPCC_EERH_RN_k.....	4017
16-276. Register Call Summary for Register EDMA_TPCC_EERH_RN_k	4018
16-277. EDMA_TPCC_EECR_RN_k.....	4018
16-278. Register Call Summary for Register EDMA_TPCC_EECR_RN_k	4019
16-279. EDMA_TPCC_EECRH_RN_k.....	4019
16-280. Register Call Summary for Register EDMA_TPCC_EECRH_RN_k	4020
16-281. EDMA_TPCC_EESR_RN_k.....	4020
16-282. Register Call Summary for Register EDMA_TPCC_EESR_RN_k	4021
16-283. EDMA_TPCC_EESRH_RN_k.....	4021
16-284. Register Call Summary for Register EDMA_TPCC_EESRH_RN_k	4022
16-285. EDMA_TPCC_SER_RN_k	4022
16-286. Register Call Summary for Register EDMA_TPCC_SER_RN_k	4023
16-287. EDMA_TPCC_SERH_RN_k.....	4023
16-288. Register Call Summary for Register EDMA_TPCC_SERH_RN_k	4024
16-289. EDMA_TPCC_SECR_RN_k.....	4024
16-290. Register Call Summary for Register EDMA_TPCC_SECR_RN_k	4025
16-291. EDMA_TPCC_SECRH_RN_k.....	4025
16-292. Register Call Summary for Register EDMA_TPCC_SECRH_RN_k	4026
16-293. EDMA_TPCC_IER_RN_k.....	4026
16-294. Register Call Summary for Register EDMA_TPCC_IER_RN_k	4027
16-295. EDMA_TPCC_IERH_RN_k.....	4028
16-296. Register Call Summary for Register EDMA_TPCC_IERH_RN_k	4029
16-297. EDMA_TPCC_IECR_RN_k.....	4029
16-298. Register Call Summary for Register EDMA_TPCC_IECR_RN_k	4030
16-299. EDMA_TPCC_IECRH_RN_k.....	4030
16-300. Register Call Summary for Register EDMA_TPCC_IECRH_RN_k	4031
16-301. EDMA_TPCC_IESR_RN_k.....	4031
16-302. Register Call Summary for Register EDMA_TPCC_IESR_RN_k	4032
16-303. EDMA_TPCC_IESRH_RN_k.....	4032
16-304. Register Call Summary for Register EDMA_TPCC_IESRH_RN_k	4033
16-305. EDMA_TPCC_IPR_RN_k.....	4033
16-306. Register Call Summary for Register EDMA_TPCC_IPR_RN_k	4034
16-307. EDMA_TPCC_IPRH_RN_k.....	4034
16-308. Register Call Summary for Register EDMA_TPCC_IPRH_RN_k	4035
16-309. EDMA_TPCC_ICR_RN_k	4035
16-310. Register Call Summary for Register EDMA_TPCC_ICR_RN_k.....	4036
16-311. EDMA_TPCC_ICRH_RN_k	4036
16-312. Register Call Summary for Register EDMA_TPCC_ICRH_RN_k	4037
16-313. EDMA_TPCC_IEVAL_RN_k	4037
16-314. Register Call Summary for Register EDMA_TPCC_IEVAL_RN_k.....	4038
16-315. EDMA_TPCC_QER_RN_k	4038
16-316. Register Call Summary for Register EDMA_TPCC_QER_RN_k.....	4038
16-317. EDMA_TPCC_QEER_RN_k	4038
16-318. Register Call Summary for Register EDMA_TPCC_QEER_RN_k.....	4039
16-319. EDMA_TPCC_QEECR_RN_k	4039
16-320. Register Call Summary for Register EDMA_TPCC_QEECR_RN_k.....	4040

16-321. EDMA_TPCC_QEESR_RN_k.....	4040
16-322. Register Call Summary for Register EDMA_TPCC_QEESR_RN_k.....	4040
16-323. EDMA_TPCC_QSER_RN_k.....	4040
16-324. Register Call Summary for Register EDMA_TPCC_QSER_RN_k.....	4041
16-325. EDMA_TPCC_QSECR_RN_k.....	4041
16-326. Register Call Summary for Register EDMA_TPCC_QSECR_RN_k.....	4041
16-327. EDMA_TPCC_OPT_n.....	4042
16-328. Register Call Summary for Register EDMA_TPCC_OPT_n.....	4044
16-329. EDMA_TPCC_SRC_n.....	4044
16-330. Register Call Summary for Register EDMA_TPCC_SRC_n.....	4045
16-331. EDMA_TPCC_ABCNT_n.....	4045
16-332. Register Call Summary for Register EDMA_TPCC_ABCNT_n.....	4046
16-333. EDMA_TPCC_DST_n.....	4046
16-334. Register Call Summary for Register EDMA_TPCC_DST_n.....	4046
16-335. EDMA_TPCC_BIDX_n.....	4046
16-336. Register Call Summary for Register EDMA_TPCC_BIDX_n.....	4047
16-337. EDMA_TPCC_LNK_n.....	4047
16-338. Register Call Summary for Register EDMA_TPCC_LNK_n.....	4048
16-339. EDMA_TPCC_CIDX_n.....	4048
16-340. Register Call Summary for Register EDMA_TPCC_CIDX_n.....	4049
16-341. EDMA_TPCC_CCNT_n.....	4049
16-342. Register Call Summary for Register EDMA_TPCC_CCNT_n.....	4050
16-343. EDMA_TPTCn_PID.....	4050
16-344. Register Call Summary for Register EDMA_TPTCn_PID.....	4051
16-345. EDMA_TPTCn_TCCFG.....	4051
16-346. Register Call Summary for Register EDMA_TPTCn_TCCFG.....	4051
16-347. EDMA_TPTCn_TCSTAT.....	4052
16-348. Register Call Summary for Register EDMA_TPTCn_TCSTAT.....	4053
16-349. EDMA_TPTCn_INTSTAT.....	4053
16-350. Register Call Summary for Register EDMA_TPTCn_INTSTAT.....	4053
16-351. EDMA_TPTCn_INTEN.....	4054
16-352. Register Call Summary for Register EDMA_TPTCn_INTEN.....	4054
16-353. EDMA_TPTCn_INTCLR.....	4054
16-354. Register Call Summary for Register EDMA_TPTCn_INTCLR.....	4055
16-355. EDMA_TPTCn_INTCMD.....	4055
16-356. Register Call Summary for Register EDMA_TPTCn_INTCMD.....	4055
16-357. EDMA_TPTCn_ERRSTAT.....	4055
16-358. Register Call Summary for Register EDMA_TPTCn_ERRSTAT.....	4056
16-359. EDMA_TPTCn_ERREN.....	4056
16-360. Register Call Summary for Register EDMA_TPTCn_ERREN.....	4057
16-361. EDMA_TPTCn_ERRCLR.....	4057
16-362. Register Call Summary for Register EDMA_TPTCn_ERRCLR.....	4058
16-363. EDMA_TPTCn_ERRDET.....	4058
16-364. Register Call Summary for Register EDMA_TPTCn_ERRDET.....	4059
16-365. EDMA_TPTCn_ERRCMD.....	4059
16-366. Register Call Summary for Register EDMA_TPTCn_ERRCMD.....	4060
16-367. EDMA_TPTCn_RDRATE.....	4060
16-368. Register Call Summary for Register EDMA_TPTCn_RDRATE.....	4060
16-369. EDMA_TPTCn_POPT.....	4060

16-370. Register Call Summary for Register EDMA_TPTCn_POPT	4061
16-371. EDMA_TPTCn_PSRC.....	4061
16-372. Register Call Summary for Register EDMA_TPTCn_PSRC	4062
16-373. EDMA_TPTCn_PCNT.....	4062
16-374. Register Call Summary for Register EDMA_TPTCn_PCNT	4062
16-375. EDMA_TPTCn_PDST	4062
16-376. Register Call Summary for Register EDMA_TPTCn_PDST	4063
16-377. EDMA_TPTCn_PBIDX	4063
16-378. Register Call Summary for Register EDMA_TPTCn_PBIDX	4063
16-379. EDMA_TPTCn_PMPPRXY	4063
16-380. Register Call Summary for Register EDMA_TPTCn_PMPPRXY	4064
16-381. EDMA_TPTCn_SAOPT	4064
16-382. Register Call Summary for Register EDMA_TPTCn_SAOPT	4065
16-383. EDMA_TPTCn_SASRC.....	4066
16-384. Register Call Summary for Register EDMA_TPTCn_SASRC	4066
16-385. EDMA_TPTCn_SACNT	4066
16-386. Register Call Summary for Register EDMA_TPTCn_SACNT	4067
16-387. EDMA_TPTCn_SADST	4067
16-388. Register Call Summary for Register EDMA_TPTCn_SADST.....	4067
16-389. EDMA_TPTCn_SABIDX	4067
16-390. Register Call Summary for Register EDMA_TPTCn_SABIDX.....	4068
16-391. EDMA_TPTCn_SAMPPRXY	4068
16-392. Register Call Summary for Register EDMA_TPTCn_SAMPPRXY.....	4069
16-393. EDMA_TPTCn_SACNTRLD.....	4069
16-394. Register Call Summary for Register EDMA_TPTCn_SACNTRLD	4069
16-395. EDMA_TPTCn_SASRCBREF.....	4069
16-396. Register Call Summary for Register EDMA_TPTCn_SASRCBREF	4070
16-397. EDMA_TPTCn_SADSTBREF	4070
16-398. Register Call Summary for Register EDMA_TPTCn_SADSTBREF	4070
16-399. EDMA_TPTCn_DFCNTRLD.....	4070
16-400. Register Call Summary for Register EDMA_TPTCn_DFCNTRLD	4071
16-401. EDMA_TPTCn_DFSRCBREF.....	4071
16-402. Register Call Summary for Register EDMA_TPTCn_DFSRCBREF	4071
16-403. EDMA_TPTCn_DFDSTBREF	4071
16-404. Register Call Summary for Register EDMA_TPTCn_DFDSTBREF	4072
16-405. EDMA_TPTCn_DFOPTi	4072
16-406. Register Call Summary for Register EDMA_TPTCn_DFOPTi.....	4073
16-407. EDMA_TPTCn_DFSRCi	4073
16-408. Register Call Summary for Register EDMA_TPTCn_DFSRCi.....	4073
16-409. EDMA_TPTCn_DFCNTi	4074
16-410. Register Call Summary for Register EDMA_TPTCn_DFCNTi.....	4074
16-411. EDMA_TPTCn_DFDSTi	4074
16-412. Register Call Summary for Register EDMA_TPTCn_DFDSTi.....	4075
16-413. EDMA_TPTCn_DFBIDXi.....	4075
16-414. Register Call Summary for Register EDMA_TPTCn_DFBIDXi	4075
16-415. EDMA_TPTCn_DFMPPRXYi	4075
16-416. Register Call Summary for Register EDMA_TPTCn_DFMPPRXYi.....	4076
17-1. Interrupts From External Devices	4081
17-2. MPU_INTC Default Interrupt Mapping.....	4084

17-3.	DSP1_INTC Default Interrupt Mapping.....	4091
17-4.	IPU1_Cx_INTC Default Interrupt Mapping.....	4096
17-5.	IPU2_Cx_INTC Default Interrupt Mapping.....	4100
17-6.	PRUSS1_INTC Default Interrupt Mapping.....	4104
17-7.	PRUSS2_INTC Default Interrupt Mapping.....	4107
17-8.	Connection of Device IRQs to IRQ_CROSSBAR Inputs.....	4111
18-1.	Control Module I/O Description.....	4123
18-2.	Control Module Integration Attributes.....	4124
18-3.	Control Module Clocks and Resets.....	4124
18-4.	Control Module Hardware Requests.....	4125
18-5.	Description Of The Pad Configuration Register Bits.....	4127
18-6.	Additional Multiplexing of the VIP1 Signals.....	4129
18-7.	Additional Multiplexing of the USB Signals.....	4134
18-8.	Pads Having Capability for Additional Signal Mapping.....	4135
18-9.	Pull Selection.....	4138
18-10.	Thermal Management Signals Description.....	4142
18-11.	FIFOs Generic Description.....	4146
18-12.	Summary Of The Thermal Management Related Registers.....	4147
18-13.	ADC Values Versus Temperature.....	4148
18-14.	Control Bits For the PBIAS and MMC1 I/O Cells.....	4152
18-15.	PBIAS Cell Voltage Configuration.....	4153
18-16.	PBIAS Cell Error Signal Truth Table.....	4153
18-17.	Generic Description of the CTRL_CORE_X_IRQ_B_A IRQ_CROSSBAR Control Registers.....	4153
18-18.	Interrupt Lines Associated With The IRQ_CROSSBAR Control Registers.....	4157
18-19.	Generic Description of the CTRL_CORE_DMA_X_DREQ_B_A DMA_CROSSBAR Control Registers.....	4158
18-20.	DREQ Lines Associated With The DMA_CROSSBAR Control Registers.....	4161
18-21.	Memory Region Lock Registers.....	4162
18-22.	Output Impedance Controls - I[2:0].....	4163
18-23.	Slew Rate Controls - SR[2:0].....	4163
18-24.	Weak Driver Controls - WD[1:0].....	4163
18-25.	Software Group Controls for the DDR3 Pads.....	4164
18-26.	Vref Cell Load Current Selection.....	4166
18-27.	Vref Cell Coupling Capacitor Selection.....	4166
18-28.	Controls for the Vref-Generation Cells Versus DDR3 Receiver Pads.....	4167
18-29.	Registers Associated With AVS Class 0 Voltage.....	4168
18-30.	CONTROL MODULE Instance Summary.....	4171
18-31.	CTRL_MODULE_CORE Registers Mapping Summary.....	4172
18-32.	CTRL_CORE_MREQDOMAIN_EXP1.....	4190
18-33.	Register Call Summary for Register CTRL_CORE_MREQDOMAIN_EXP1.....	4191
18-34.	CTRL_CORE_MREQDOMAIN_EXP2.....	4191
18-35.	Register Call Summary for Register CTRL_CORE_MREQDOMAIN_EXP2.....	4192
18-36.	CTRL_CORE_MREQDOMAIN_EXP3.....	4192
18-37.	Register Call Summary for Register CTRL_CORE_MREQDOMAIN_EXP3.....	4193
18-38.	CTRL_CORE_STATUS.....	4193
18-39.	Register Call Summary for Register CTRL_CORE_STATUS.....	4193
18-40.	CTRL_CORE_SEC_ERR_STATUS_FUNC_1.....	4194
18-41.	Register Call Summary for Register CTRL_CORE_SEC_ERR_STATUS_FUNC_1.....	4195
18-42.	CTRL_CORE_SEC_ERR_STATUS_DEBUG_1.....	4195
18-43.	Register Call Summary for Register CTRL_CORE_SEC_ERR_STATUS_DEBUG_1.....	4196

18-44. CTRL_CORE_MPU_FORCEWRNP	4197
18-45. Register Call Summary for Register CTRL_CORE_MPU_FORCEWRNP	4197
18-46. CTRL_CORE_STD_FUSE_OPP_VDD_GPU_0	4197
18-47. Register Call Summary for Register CTRL_CORE_STD_FUSE_OPP_VDD_GPU_0.....	4197
18-48. CTRL_CORE_STD_FUSE_OPP_VDD_GPU_1	4198
18-49. Register Call Summary for Register CTRL_CORE_STD_FUSE_OPP_VDD_GPU_1.....	4198
18-50. CTRL_CORE_STD_FUSE_OPP_VDD_GPU_2	4198
18-51. Register Call Summary for Register CTRL_CORE_STD_FUSE_OPP_VDD_GPU_2.....	4198
18-52. CTRL_CORE_STD_FUSE_OPP_VDD_GPU_3	4198
18-53. Register Call Summary for Register CTRL_CORE_STD_FUSE_OPP_VDD_GPU_3.....	4199
18-54. CTRL_CORE_STD_FUSE_OPP_VDD_GPU_4	4199
18-55. Register Call Summary for Register CTRL_CORE_STD_FUSE_OPP_VDD_GPU_4.....	4199
18-56. CTRL_CORE_STD_FUSE_OPP_VDD_GPU_5	4199
18-57. Register Call Summary for Register CTRL_CORE_STD_FUSE_OPP_VDD_GPU_5.....	4199
18-58. CTRL_CORE_STD_FUSE_OPP_VDD_MPU_0	4200
18-59. Register Call Summary for Register CTRL_CORE_STD_FUSE_OPP_VDD_MPU_0	4200
18-60. CTRL_CORE_STD_FUSE_OPP_VDD_MPU_1	4200
18-61. Register Call Summary for Register CTRL_CORE_STD_FUSE_OPP_VDD_MPU_1	4200
18-62. CTRL_CORE_STD_FUSE_OPP_VDD_MPU_2	4200
18-63. Register Call Summary for Register CTRL_CORE_STD_FUSE_OPP_VDD_MPU_2	4201
18-64. CTRL_CORE_STD_FUSE_OPP_VDD_MPU_3	4201
18-65. Register Call Summary for Register CTRL_CORE_STD_FUSE_OPP_VDD_MPU_3	4201
18-66. CTRL_CORE_STD_FUSE_OPP_VDD_MPU_4	4201
18-67. Register Call Summary for Register CTRL_CORE_STD_FUSE_OPP_VDD_MPU_4	4201
18-68. CTRL_CORE_STD_FUSE_OPP_VDD_MPU_5	4202
18-69. Register Call Summary for Register CTRL_CORE_STD_FUSE_OPP_VDD_MPU_5	4202
18-70. CTRL_CORE_STD_FUSE_OPP_VDD_MPU_6	4202
18-71. Register Call Summary for Register CTRL_CORE_STD_FUSE_OPP_VDD_MPU_6	4202
18-72. CTRL_CORE_STD_FUSE_OPP_VDD_MPU_7	4202
18-73. Register Call Summary for Register CTRL_CORE_STD_FUSE_OPP_VDD_MPU_7	4203
18-74. CTRL_CORE_STD_FUSE_OPP_VDD_CORE_0	4203
18-75. Register Call Summary for Register CTRL_CORE_STD_FUSE_OPP_VDD_CORE_0.....	4203
18-76. CTRL_CORE_STD_FUSE_OPP_VDD_CORE_1	4203
18-77. Register Call Summary for Register CTRL_CORE_STD_FUSE_OPP_VDD_CORE_1.....	4203
18-78. CTRL_CORE_STD_FUSE_OPP_VDD_CORE_2	4204
18-79. Register Call Summary for Register CTRL_CORE_STD_FUSE_OPP_VDD_CORE_2.....	4204
18-80. CTRL_CORE_STD_FUSE_OPP_VDD_CORE_3	4204
18-81. Register Call Summary for Register CTRL_CORE_STD_FUSE_OPP_VDD_CORE_3.....	4204
18-82. CTRL_CORE_STD_FUSE_OPP_VDD_CORE_4	4204
18-83. Register Call Summary for Register CTRL_CORE_STD_FUSE_OPP_VDD_CORE_4.....	4205
18-84. CTRL_CORE_STD_FUSE_OPP_BGAP_GPU	4205
18-85. Register Call Summary for Register CTRL_CORE_STD_FUSE_OPP_BGAP_GPU.....	4205
18-86. CTRL_CORE_STD_FUSE_OPP_BGAP_MPU	4206
18-87. Register Call Summary for Register CTRL_CORE_STD_FUSE_OPP_BGAP_MPU.....	4206
18-88. CTRL_CORE_STD_FUSE_OPP_BGAP_CORE	4206
18-89. Register Call Summary for Register CTRL_CORE_STD_FUSE_OPP_BGAP_CORE.....	4207
18-90. CTRL_CORE_STD_FUSE_OPP_BGAP_MPU23	4207
18-91. Register Call Summary for Register CTRL_CORE_STD_FUSE_OPP_BGAP_MPU23.....	4207
18-92. CTRL_CORE_STD_FUSE_MPK_0	4207

18-93. Register Call Summary for Register CTRL_CORE_STD_FUSE_MPK_0	4207
18-94. CTRL_CORE_STD_FUSE_MPK_1	4208
18-95. Register Call Summary for Register CTRL_CORE_STD_FUSE_MPK_1	4208
18-96. CTRL_CORE_STD_FUSE_MPK_2	4208
18-97. Register Call Summary for Register CTRL_CORE_STD_FUSE_MPK_2	4208
18-98. CTRL_CORE_STD_FUSE_MPK_3	4208
18-99. Register Call Summary for Register CTRL_CORE_STD_FUSE_MPK_3	4209
18-100. CTRL_CORE_STD_FUSE_MPK_4	4209
18-101. Register Call Summary for Register CTRL_CORE_STD_FUSE_MPK_4.....	4209
18-102. CTRL_CORE_STD_FUSE_MPK_5	4209
18-103. Register Call Summary for Register CTRL_CORE_STD_FUSE_MPK_5.....	4209
18-104. CTRL_CORE_STD_FUSE_MPK_6	4210
18-105. Register Call Summary for Register CTRL_CORE_STD_FUSE_MPK_6.....	4210
18-106. CTRL_CORE_STD_FUSE_MPK_7	4210
18-107. Register Call Summary for Register CTRL_CORE_STD_FUSE_MPK_7.....	4210
18-108. CTRL_CORE_STD_FUSE_OPP_VDD_GPU_LVT_0	4210
18-109. Register Call Summary for Register CTRL_CORE_STD_FUSE_OPP_VDD_GPU_LVT_0.....	4211
18-110. CTRL_CORE_STD_FUSE_OPP_VDD_GPU_LVT_1	4211
18-111. Register Call Summary for Register CTRL_CORE_STD_FUSE_OPP_VDD_GPU_LVT_1.....	4211
18-112. CTRL_CORE_STD_FUSE_OPP_VDD_GPU_LVT_2	4211
18-113. Register Call Summary for Register CTRL_CORE_STD_FUSE_OPP_VDD_GPU_LVT_2.....	4211
18-114. CTRL_CORE_STD_FUSE_OPP_VDD_GPU_LVT_3	4212
18-115. Register Call Summary for Register CTRL_CORE_STD_FUSE_OPP_VDD_GPU_LVT_3.....	4212
18-116. CTRL_CORE_STD_FUSE_OPP_VDD_GPU_LVT_4	4212
18-117. Register Call Summary for Register CTRL_CORE_STD_FUSE_OPP_VDD_GPU_LVT_4.....	4212
18-118. CTRL_CORE_STD_FUSE_OPP_VDD_GPU_LVT_5	4212
18-119. Register Call Summary for Register CTRL_CORE_STD_FUSE_OPP_VDD_GPU_LVT_5.....	4213
18-120. CTRL_CORE_STD_FUSE_OPP_VDD_MPU_LVT_0	4213
18-121. Register Call Summary for Register CTRL_CORE_STD_FUSE_OPP_VDD_MPU_LVT_0.....	4213
18-122. CTRL_CORE_STD_FUSE_OPP_VDD_MPU_LVT_1	4213
18-123. Register Call Summary for Register CTRL_CORE_STD_FUSE_OPP_VDD_MPU_LVT_1.....	4213
18-124. CTRL_CORE_STD_FUSE_OPP_VDD_MPU_LVT_2	4214
18-125. Register Call Summary for Register CTRL_CORE_STD_FUSE_OPP_VDD_MPU_LVT_2.....	4214
18-126. CTRL_CORE_STD_FUSE_OPP_VDD_MPU_LVT_3	4214
18-127. Register Call Summary for Register CTRL_CORE_STD_FUSE_OPP_VDD_MPU_LVT_3.....	4214
18-128. CTRL_CORE_STD_FUSE_OPP_VDD_MPU_LVT_4	4214
18-129. Register Call Summary for Register CTRL_CORE_STD_FUSE_OPP_VDD_MPU_LVT_4.....	4215
18-130. CTRL_CORE_STD_FUSE_OPP_VDD_MPU_LVT_5	4215
18-131. Register Call Summary for Register CTRL_CORE_STD_FUSE_OPP_VDD_MPU_LVT_5.....	4215
18-132. CTRL_CORE_STD_FUSE_OPP_VDD_MPU_LVT_6	4215
18-133. Register Call Summary for Register CTRL_CORE_STD_FUSE_OPP_VDD_MPU_LVT_6.....	4215
18-134. CTRL_CORE_STD_FUSE_OPP_VDD_MPU_LVT_7	4216
18-135. Register Call Summary for Register CTRL_CORE_STD_FUSE_OPP_VDD_MPU_LVT_7.....	4216
18-136. CTRL_CORE_CUST_FUSE_SWRV_0	4216
18-137. Register Call Summary for Register CTRL_CORE_CUST_FUSE_SWRV_0	4216
18-138. CTRL_CORE_CUST_FUSE_SWRV_1	4216
18-139. Register Call Summary for Register CTRL_CORE_CUST_FUSE_SWRV_1	4217
18-140. CTRL_CORE_CUST_FUSE_SWRV_2	4217
18-141. Register Call Summary for Register CTRL_CORE_CUST_FUSE_SWRV_2	4217

18-142. CTRL_CORE_CUST_FUSE_SWRV_3	4217
18-143. Register Call Summary for Register CTRL_CORE_CUST_FUSE_SWRV_3	4217
18-144. CTRL_CORE_CUST_FUSE_SWRV_4	4218
18-145. Register Call Summary for Register CTRL_CORE_CUST_FUSE_SWRV_4	4218
18-146. CTRL_CORE_CUST_FUSE_SWRV_5	4218
18-147. Register Call Summary for Register CTRL_CORE_CUST_FUSE_SWRV_5	4218
18-148. CTRL_CORE_CUST_FUSE_SWRV_6	4218
18-149. Register Call Summary for Register CTRL_CORE_CUST_FUSE_SWRV_6	4219
18-150. CTRL_CORE_DEV_CONF	4219
18-151. Register Call Summary for Register CTRL_CORE_DEV_CONF	4219
18-152. CTRL_CORE_TEMP_SENSOR_MPU	4219
18-153. Register Call Summary for Register CTRL_CORE_TEMP_SENSOR_MPU	4220
18-154. CTRL_CORE_TEMP_SENSOR_GPU	4220
18-155. Register Call Summary for Register CTRL_CORE_TEMP_SENSOR_GPU	4220
18-156. CTRL_CORE_TEMP_SENSOR_CORE	4221
18-157. Register Call Summary for Register CTRL_CORE_TEMP_SENSOR_CORE	4221
18-158. CTRL_CORE_CORTEX_M4_MMUADDRTRANSLTR	4221
18-159. Register Call Summary for Register CTRL_CORE_CORTEX_M4_MMUADDRTRANSLTR	4222
18-160. CTRL_CORE_CORTEX_M4_MMUADDRLOGICTR	4222
18-161. Register Call Summary for Register CTRL_CORE_CORTEX_M4_MMUADDRLOGICTR	4222
18-162. CTRL_CORE_HWOBS_CONTROL	4222
18-163. Register Call Summary for Register CTRL_CORE_HWOBS_CONTROL	4223
18-164. CTRL_CORE_PHY_POWER_USB	4223
18-165. Register Call Summary for Register CTRL_CORE_PHY_POWER_USB	4224
18-166. CTRL_CORE_PHY_POWER_SATA	4224
18-167. Register Call Summary for Register CTRL_CORE_PHY_POWER_SATA	4224
18-168. CTRL_CORE_BANDGAP_MASK_1	4225
18-169. Register Call Summary for Register CTRL_CORE_BANDGAP_MASK_1	4226
18-170. CTRL_CORE_BANDGAP_THRESHOLD_MPU	4226
18-171. Register Call Summary for Register CTRL_CORE_BANDGAP_THRESHOLD_MPU	4226
18-172. CTRL_CORE_BANDGAP_THRESHOLD_GPU	4227
18-173. Register Call Summary for Register CTRL_CORE_BANDGAP_THRESHOLD_GPU	4227
18-174. CTRL_CORE_BANDGAP_THRESHOLD_CORE	4227
18-175. Register Call Summary for Register CTRL_CORE_BANDGAP_THRESHOLD_CORE	4227
18-176. CTRL_CORE_BANDGAP_TSHUT_MPU	4228
18-177. Register Call Summary for Register CTRL_CORE_BANDGAP_TSHUT_MPU	4228
18-178. CTRL_CORE_BANDGAP_TSHUT_GPU	4228
18-179. Register Call Summary for Register CTRL_CORE_BANDGAP_TSHUT_GPU	4229
18-180. CTRL_CORE_BANDGAP_TSHUT_CORE	4229
18-181. Register Call Summary for Register CTRL_CORE_BANDGAP_TSHUT_CORE	4230
18-182. CTRL_CORE_BANDGAP_STATUS_1	4230
18-183. Register Call Summary for Register CTRL_CORE_BANDGAP_STATUS_1	4230
18-184. CTRL_CORE_SATA_EXT_MODE	4231
18-185. Register Call Summary for Register CTRL_CORE_SATA_EXT_MODE	4231
18-186. CTRL_CORE_DTEMP_MPU_0	4231
18-187. Register Call Summary for Register CTRL_CORE_DTEMP_MPU_0	4231
18-188. CTRL_CORE_DTEMP_MPU_1	4232
18-189. Register Call Summary for Register CTRL_CORE_DTEMP_MPU_1	4232
18-190. CTRL_CORE_DTEMP_MPU_2	4232

18-191. Register Call Summary for Register CTRL_CORE_DTEMP_MPU_2	4232
18-192. CTRL_CORE_DTEMP_MPU_3.....	4233
18-193. Register Call Summary for Register CTRL_CORE_DTEMP_MPU_3	4233
18-194. CTRL_CORE_DTEMP_MPU_4.....	4233
18-195. Register Call Summary for Register CTRL_CORE_DTEMP_MPU_4	4233
18-196. CTRL_CORE_DTEMP_GPU_0.....	4234
18-197. Register Call Summary for Register CTRL_CORE_DTEMP_GPU_0	4234
18-198. CTRL_CORE_DTEMP_GPU_1	4234
18-199. Register Call Summary for Register CTRL_CORE_DTEMP_GPU_1	4234
18-200. CTRL_CORE_DTEMP_GPU_2.....	4235
18-201. Register Call Summary for Register CTRL_CORE_DTEMP_GPU_2	4235
18-202. CTRL_CORE_DTEMP_GPU_3.....	4235
18-203. Register Call Summary for Register CTRL_CORE_DTEMP_GPU_3	4235
18-204. CTRL_CORE_DTEMP_GPU_4.....	4236
18-205. Register Call Summary for Register CTRL_CORE_DTEMP_GPU_4	4236
18-206. CTRL_CORE_DTEMP_CORE_0.....	4236
18-207. Register Call Summary for Register CTRL_CORE_DTEMP_CORE_0	4236
18-208. CTRL_CORE_DTEMP_CORE_1	4237
18-209. Register Call Summary for Register CTRL_CORE_DTEMP_CORE_1	4237
18-210. CTRL_CORE_DTEMP_CORE_2.....	4237
18-211. Register Call Summary for Register CTRL_CORE_DTEMP_CORE_2	4237
18-212. CTRL_CORE_DTEMP_CORE_3.....	4238
18-213. Register Call Summary for Register CTRL_CORE_DTEMP_CORE_3	4238
18-214. CTRL_CORE_DTEMP_CORE_4.....	4238
18-215. Register Call Summary for Register CTRL_CORE_DTEMP_CORE_4	4238
18-216. CTRL_CORE_SMA_SW_0.....	4239
18-217. Register Call Summary for Register CTRL_CORE_SMA_SW_0	4239
18-218. CTRL_CORE_MREQDOMAIN_EXP4	4240
18-219. Register Call Summary for Register CTRL_CORE_MREQDOMAIN_EXP4.....	4240
18-220. CTRL_CORE_MREQDOMAIN_EXP5	4241
18-221. Register Call Summary for Register CTRL_CORE_MREQDOMAIN_EXP5.....	4241
18-222. CTRL_CORE_SEC_ERR_STATUS_FUNC_2.....	4242
18-223. Register Call Summary for Register CTRL_CORE_SEC_ERR_STATUS_FUNC_2	4243
18-224. CTRL_CORE_SEC_ERR_STATUS_DEBUG_2.....	4244
18-225. Register Call Summary for Register CTRL_CORE_SEC_ERR_STATUS_DEBUG_2	4245
18-226. CTRL_CORE_EMIF_INITIATOR_PRIORITY_1	4246
18-227. Register Call Summary for Register CTRL_CORE_EMIF_INITIATOR_PRIORITY_1.....	4246
18-228. CTRL_CORE_EMIF_INITIATOR_PRIORITY_2	4247
18-229. Register Call Summary for Register CTRL_CORE_EMIF_INITIATOR_PRIORITY_2.....	4247
18-230. CTRL_CORE_EMIF_INITIATOR_PRIORITY_3	4247
18-231. Register Call Summary for Register CTRL_CORE_EMIF_INITIATOR_PRIORITY_3.....	4248
18-232. CTRL_CORE_EMIF_INITIATOR_PRIORITY_4	4248
18-233. Register Call Summary for Register CTRL_CORE_EMIF_INITIATOR_PRIORITY_4.....	4249
18-234. CTRL_CORE_EMIF_INITIATOR_PRIORITY_5	4249
18-235. Register Call Summary for Register CTRL_CORE_EMIF_INITIATOR_PRIORITY_5.....	4250
18-236. CTRL_CORE_EMIF_INITIATOR_PRIORITY_6	4251
18-237. Register Call Summary for Register CTRL_CORE_EMIF_INITIATOR_PRIORITY_6.....	4251
18-238. CTRL_CORE_L3_INITIATOR_PRESSURE_1	4251
18-239. Register Call Summary for Register CTRL_CORE_L3_INITIATOR_PRESSURE_1	4252

18-240. CTRL_CORE_L3_INITIATOR_PRESSURE_2	4252
18-241. Register Call Summary for Register CTRL_CORE_L3_INITIATOR_PRESSURE_2	4253
18-242. CTRL_CORE_L3_INITIATOR_PRESSURE_3	4253
18-243. Register Call Summary for Register CTRL_CORE_L3_INITIATOR_PRESSURE_3	4253
18-244. CTRL_CORE_L3_INITIATOR_PRESSURE_4	4254
18-245. Register Call Summary for Register CTRL_CORE_L3_INITIATOR_PRESSURE_4	4254
18-246. CTRL_CORE_L3_INITIATOR_PRESSURE_5	4254
18-247. Register Call Summary for Register CTRL_CORE_L3_INITIATOR_PRESSURE_5	4255
18-248. CTRL_CORE_L3_INITIATOR_PRESSURE_6	4255
18-249. Register Call Summary for Register CTRL_CORE_L3_INITIATOR_PRESSURE_6	4256
18-250. CTRL_CORE_STD_FUSE_OPP_VDD_IVA_0	4256
18-251. Register Call Summary for Register CTRL_CORE_STD_FUSE_OPP_VDD_IVA_0	4256
18-252. CTRL_CORE_STD_FUSE_OPP_VDD_IVA_1	4256
18-253. Register Call Summary for Register CTRL_CORE_STD_FUSE_OPP_VDD_IVA_1	4256
18-254. CTRL_CORE_STD_FUSE_OPP_VDD_IVA_2	4257
18-255. Register Call Summary for Register CTRL_CORE_STD_FUSE_OPP_VDD_IVA_2	4257
18-256. CTRL_CORE_STD_FUSE_OPP_VDD_IVA_3	4257
18-257. Register Call Summary for Register CTRL_CORE_STD_FUSE_OPP_VDD_IVA_3	4257
18-258. CTRL_CORE_STD_FUSE_OPP_VDD_IVA_4	4257
18-259. Register Call Summary for Register CTRL_CORE_STD_FUSE_OPP_VDD_IVA_4	4258
18-260. CTRL_CORE_LDOVBB_DSPEVE_VOLTAGE_CTRL	4258
18-261. Register Call Summary for Register CTRL_CORE_LDOVBB_DSPEVE_VOLTAGE_CTRL	4258
18-262. CTRL_CORE_LDOVBB_IVA_VOLTAGE_CTRL	4259
18-263. Register Call Summary for Register CTRL_CORE_LDOVBB_IVA_VOLTAGE_CTRL	4259
18-264. CTRL_CORE_CUST_FUSE_UID_0	4259
18-265. Register Call Summary for Register CTRL_CORE_CUST_FUSE_UID_0	4260
18-266. CTRL_CORE_CUST_FUSE_UID_1	4260
18-267. Register Call Summary for Register CTRL_CORE_CUST_FUSE_UID_1	4260
18-268. CTRL_CORE_CUST_FUSE_UID_2	4260
18-269. Register Call Summary for Register CTRL_CORE_CUST_FUSE_UID_2	4260
18-270. CTRL_CORE_CUST_FUSE_UID_3	4260
18-271. Register Call Summary for Register CTRL_CORE_CUST_FUSE_UID_3	4261
18-272. CTRL_CORE_CUST_FUSE_UID_4	4261
18-273. Register Call Summary for Register CTRL_CORE_CUST_FUSE_UID_4	4261
18-274. CTRL_CORE_CUST_FUSE_UID_5	4261
18-275. Register Call Summary for Register CTRL_CORE_CUST_FUSE_UID_5	4261
18-276. CTRL_CORE_CUST_FUSE_UID_6	4262
18-277. Register Call Summary for Register CTRL_CORE_CUST_FUSE_UID_6	4262
18-278. CTRL_CORE_CUST_FUSE_PCIE_ID_0	4262
18-279. Register Call Summary for Register CTRL_CORE_CUST_FUSE_PCIE_ID_0	4262
18-280. CTRL_CORE_CUST_FUSE_USB_ID_0	4262
18-281. Register Call Summary for Register CTRL_CORE_CUST_FUSE_USB_ID_0	4263
18-282. CTRL_CORE_MAC_ID_SW_0	4263
18-283. Register Call Summary for Register CTRL_CORE_MAC_ID_SW_0	4263
18-284. CTRL_CORE_MAC_ID_SW_1	4263
18-285. Register Call Summary for Register CTRL_CORE_MAC_ID_SW_1	4263
18-286. CTRL_CORE_MAC_ID_SW_2	4264
18-287. Register Call Summary for Register CTRL_CORE_MAC_ID_SW_2	4264
18-288. CTRL_CORE_MAC_ID_SW_3	4264

18-289. Register Call Summary for Register CTRL_CORE_MAC_ID_SW_3	4264
18-290. CTRL_CORE_SMA_SW_1	4265
18-291. Register Call Summary for Register CTRL_CORE_SMA_SW_1	4267
18-292. CTRL_CORE_DSS_PLL_CONTROL	4267
18-293. Register Call Summary for Register CTRL_CORE_DSS_PLL_CONTROL.....	4268
18-294. CTRL_CORE_MMR_LOCK_1	4268
18-295. Register Call Summary for Register CTRL_CORE_MMR_LOCK_1.....	4268
18-296. CTRL_CORE_MMR_LOCK_2	4268
18-297. Register Call Summary for Register CTRL_CORE_MMR_LOCK_2.....	4268
18-298. CTRL_CORE_MMR_LOCK_3	4269
18-299. Register Call Summary for Register CTRL_CORE_MMR_LOCK_3.....	4269
18-300. CTRL_CORE_MMR_LOCK_4	4269
18-301. Register Call Summary for Register CTRL_CORE_MMR_LOCK_4.....	4269
18-302. CTRL_CORE_MMR_LOCK_5	4270
18-303. Register Call Summary for Register CTRL_CORE_MMR_LOCK_5.....	4270
18-304. CTRL_CORE_CONTROL_IO_1	4270
18-305. Register Call Summary for Register CTRL_CORE_CONTROL_IO_1.....	4271
18-306. CTRL_CORE_CONTROL_IO_2	4271
18-307. Register Call Summary for Register CTRL_CORE_CONTROL_IO_2.....	4272
18-308. CTRL_CORE_CONTROL_DSP1_RST_VECT	4272
18-309. Register Call Summary for Register CTRL_CORE_CONTROL_DSP1_RST_VECT.....	4273
18-310. CTRL_CORE_STD_FUSE_OPP_BGAP_DSPEVE.....	4273
18-311. Register Call Summary for Register CTRL_CORE_STD_FUSE_OPP_BGAP_DSPEVE	4273
18-312. CTRL_CORE_STD_FUSE_OPP_BGAP_IVA	4274
18-313. Register Call Summary for Register CTRL_CORE_STD_FUSE_OPP_BGAP_IVA	4274
18-314. CTRL_CORE_LDOSRAM_DSPEVE_VOLTAGE_CTRL	4274
18-315. Register Call Summary for Register CTRL_CORE_LDOSRAM_DSPEVE_VOLTAGE_CTRL.....	4275
18-316. CTRL_CORE_LDOSRAM_IVA_VOLTAGE_CTRL.....	4275
18-317. Register Call Summary for Register CTRL_CORE_LDOSRAM_IVA_VOLTAGE_CTRL	4276
18-318. CTRL_CORE_TEMP_SENSOR_DSPEVE.....	4276
18-319. Register Call Summary for Register CTRL_CORE_TEMP_SENSOR_DSPEVE	4276
18-320. CTRL_CORE_TEMP_SENSOR_IVA	4277
18-321. Register Call Summary for Register CTRL_CORE_TEMP_SENSOR_IVA	4277
18-322. CTRL_CORE_BANDGAP_MASK_2	4277
18-323. Register Call Summary for Register CTRL_CORE_BANDGAP_MASK_2.....	4278
18-324. CTRL_CORE_BANDGAP_THRESHOLD_DSPEVE.....	4278
18-325. Register Call Summary for Register CTRL_CORE_BANDGAP_THRESHOLD_DSPEVE	4279
18-326. CTRL_CORE_BANDGAP_THRESHOLD_IVA	4279
18-327. Register Call Summary for Register CTRL_CORE_BANDGAP_THRESHOLD_IVA	4279
18-328. CTRL_CORE_BANDGAP_TSHUT_DSPEVE	4279
18-329. Register Call Summary for Register CTRL_CORE_BANDGAP_TSHUT_DSPEVE	4280
18-330. CTRL_CORE_BANDGAP_TSHUT_IVA	4280
18-331. Register Call Summary for Register CTRL_CORE_BANDGAP_TSHUT_IVA.....	4281
18-332. CTRL_CORE_BANDGAP_STATUS_2	4281
18-333. Register Call Summary for Register CTRL_CORE_BANDGAP_STATUS_2.....	4281
18-334. CTRL_CORE_DTEMP_DSPEVE_0.....	4282
18-335. Register Call Summary for Register CTRL_CORE_DTEMP_DSPEVE_0	4282
18-336. CTRL_CORE_DTEMP_DSPEVE_1.....	4282
18-337. Register Call Summary for Register CTRL_CORE_DTEMP_DSPEVE_1	4282

18-338. CTRL_CORE_DTEMP_DSPEVE_2.....	4283
18-339. Register Call Summary for Register CTRL_CORE_DTEMP_DSPEVE_2	4283
18-340. CTRL_CORE_DTEMP_DSPEVE_3.....	4283
18-341. Register Call Summary for Register CTRL_CORE_DTEMP_DSPEVE_3	4283
18-342. CTRL_CORE_DTEMP_DSPEVE_4.....	4284
18-343. Register Call Summary for Register CTRL_CORE_DTEMP_DSPEVE_4	4284
18-344. CTRL_CORE_DTEMP_IVA_0	4284
18-345. Register Call Summary for Register CTRL_CORE_DTEMP_IVA_0.....	4284
18-346. CTRL_CORE_DTEMP_IVA_1	4285
18-347. Register Call Summary for Register CTRL_CORE_DTEMP_IVA_1.....	4285
18-348. CTRL_CORE_DTEMP_IVA_2	4285
18-349. Register Call Summary for Register CTRL_CORE_DTEMP_IVA_2.....	4285
18-350. CTRL_CORE_DTEMP_IVA_3	4286
18-351. Register Call Summary for Register CTRL_CORE_DTEMP_IVA_3.....	4286
18-352. CTRL_CORE_DTEMP_IVA_4	4286
18-353. Register Call Summary for Register CTRL_CORE_DTEMP_IVA_4.....	4286
18-354. CTRL_CORE_STD_FUSE_OPP_VMIN_IVA_5	4287
18-355. Register Call Summary for Register CTRL_CORE_STD_FUSE_OPP_VMIN_IVA_5.....	4287
18-356. CTRL_CORE_STD_FUSE_OPP_VMIN_IVA_2	4287
18-357. Register Call Summary for Register CTRL_CORE_STD_FUSE_OPP_VMIN_IVA_2.....	4288
18-358. CTRL_CORE_STD_FUSE_OPP_VMIN_IVA_3	4288
18-359. Register Call Summary for Register CTRL_CORE_STD_FUSE_OPP_VMIN_IVA_3.....	4288
18-360. CTRL_CORE_STD_FUSE_OPP_VMIN_IVA_4	4289
18-361. Register Call Summary for Register CTRL_CORE_STD_FUSE_OPP_VMIN_IVA_4.....	4289
18-362. CTRL_CORE_STD_FUSE_OPP_VMIN_DSPEVE_5.....	4289
18-363. Register Call Summary for Register CTRL_CORE_STD_FUSE_OPP_VMIN_DSPEVE_5	4290
18-364. CTRL_CORE_STD_FUSE_OPP_VMIN_DSPEVE_2.....	4290
18-365. Register Call Summary for Register CTRL_CORE_STD_FUSE_OPP_VMIN_DSPEVE_2	4290
18-366. CTRL_CORE_STD_FUSE_OPP_VMIN_DSPEVE_3.....	4291
18-367. Register Call Summary for Register CTRL_CORE_STD_FUSE_OPP_VMIN_DSPEVE_3	4291
18-368. CTRL_CORE_STD_FUSE_OPP_VMIN_DSPEVE_4.....	4291
18-369. Register Call Summary for Register CTRL_CORE_STD_FUSE_OPP_VMIN_DSPEVE_4	4292
18-370. CTRL_CORE_STD_FUSE_OPP_VMIN_CORE_2.....	4292
18-371. Register Call Summary for Register CTRL_CORE_STD_FUSE_OPP_VMIN_CORE_2	4292
18-372. CTRL_CORE_LDOSRAM_CORE_2_VOLTAGE_CTRL	4292
18-373. Register Call Summary for Register CTRL_CORE_LDOSRAM_CORE_2_VOLTAGE_CTRL.....	4293
18-374. CTRL_CORE_LDOSRAM_CORE_3_VOLTAGE_CTRL	4293
18-375. Register Call Summary for Register CTRL_CORE_LDOSRAM_CORE_3_VOLTAGE_CTRL.....	4294
18-376. CTRL_CORE_NMI_DESTINATION_1	4294
18-377. Register Call Summary for Register CTRL_CORE_NMI_DESTINATION_1	4295
18-378. CTRL_CORE_NMI_DESTINATION_2	4295
18-379. Register Call Summary for Register CTRL_CORE_NMI_DESTINATION_2	4295
18-380. CTRL_CORE_IP_PRESSURE.....	4296
18-381. Register Call Summary for Register CTRL_CORE_IP_PRESSURE	4296
18-382. CTRL_CORE_STD_FUSE_OPP_VDD_DSPEVE_0.....	4296
18-383. Register Call Summary for Register CTRL_CORE_STD_FUSE_OPP_VDD_DSPEVE_0	4296
18-384. CTRL_CORE_STD_FUSE_OPP_VDD_DSPEVE_1.....	4297
18-385. Register Call Summary for Register CTRL_CORE_STD_FUSE_OPP_VDD_DSPEVE_1	4297
18-386. CTRL_CORE_STD_FUSE_OPP_VDD_DSPEVE_2.....	4297

18-387. Register Call Summary for Register CTRL_CORE_STD_FUSE_OPP_VDD_DSPEVE_2	4297
18-388. CTRL_CORE_STD_FUSE_OPP_VDD_DSPEVE_3.....	4297
18-389. Register Call Summary for Register CTRL_CORE_STD_FUSE_OPP_VDD_DSPEVE_3	4298
18-390. CTRL_CORE_STD_FUSE_OPP_VDD_DSPEVE_4.....	4298
18-391. Register Call Summary for Register CTRL_CORE_STD_FUSE_OPP_VDD_DSPEVE_4	4298
18-392. CTRL_CORE_CUST_FUSE_SWRV_7	4298
18-393. Register Call Summary for Register CTRL_CORE_CUST_FUSE_SWRV_7	4298
18-394. CTRL_CORE_STD_FUSE_CALIBRATION_OVERRIDE_VALUE_0	4299
18-395. Register Call Summary for Register CTRL_CORE_STD_FUSE_CALIBRATION_OVERRIDE_VALUE_0	4299
18-396. CTRL_CORE_STD_FUSE_CALIBRATION_OVERRIDE_VALUE_1	4299
18-397. Register Call Summary for Register CTRL_CORE_STD_FUSE_CALIBRATION_OVERRIDE_VALUE_1	4299
18-398. CTRL_CORE_PCIE_POWER_STATE	4300
18-399. Register Call Summary for Register CTRL_CORE_PCIE_POWER_STATE	4300
18-400. CTRL_CORE_BOOTSTRAP	4300
18-401. Register Call Summary for Register CTRL_CORE_BOOTSTRAP	4301
18-402. CTRL_CORE_MLB_SIG_IO_CTRL	4302
18-403. Register Call Summary for Register CTRL_CORE_MLB_SIG_IO_CTRL	4302
18-404. CTRL_CORE_MLB_DAT_IO_CTRL	4303
18-405. Register Call Summary for Register CTRL_CORE_MLB_DAT_IO_CTRL.....	4303
18-406. CTRL_CORE_MLB_CLK_BG_CTRL	4303
18-407. Register Call Summary for Register CTRL_CORE_MLB_CLK_BG_CTRL.....	4304
18-408. CTRL_CORE_CAL_REG	4304
18-409. Register Call Summary for Register CTRL_CORE_CAL_REG	4305
18-410. CTRL_CORE_MLB_DLL.....	4305
18-411. Register Call Summary for Register CTRL_CORE_MLB_DLL	4305
18-412. CTRL_CORE_MLB_CLK	4306
18-413. Register Call Summary for Register CTRL_CORE_MLB_CLK.....	4306
18-414. CTRL_CORE_IPU1_IRQ_23_24	4306
18-415. Register Call Summary for Register CTRL_CORE_IPU1_IRQ_23_24.....	4306
18-416. CTRL_CORE_IPU1_IRQ_25_26	4307
18-417. Register Call Summary for Register CTRL_CORE_IPU1_IRQ_25_26.....	4307
18-418. CTRL_CORE_IPU1_IRQ_27_28	4307
18-419. Register Call Summary for Register CTRL_CORE_IPU1_IRQ_27_28.....	4307
18-420. CTRL_CORE_IPU1_IRQ_29_30	4308
18-421. Register Call Summary for Register CTRL_CORE_IPU1_IRQ_29_30.....	4308
18-422. CTRL_CORE_IPU1_IRQ_31_32	4308
18-423. Register Call Summary for Register CTRL_CORE_IPU1_IRQ_31_32.....	4308
18-424. CTRL_CORE_IPU1_IRQ_33_34	4309
18-425. Register Call Summary for Register CTRL_CORE_IPU1_IRQ_33_34.....	4309
18-426. CTRL_CORE_IPU1_IRQ_35_36	4309
18-427. Register Call Summary for Register CTRL_CORE_IPU1_IRQ_35_36.....	4309
18-428. CTRL_CORE_IPU1_IRQ_37_38	4310
18-429. Register Call Summary for Register CTRL_CORE_IPU1_IRQ_37_38.....	4310
18-430. CTRL_CORE_IPU1_IRQ_39_40	4310
18-431. Register Call Summary for Register CTRL_CORE_IPU1_IRQ_39_40.....	4310
18-432. CTRL_CORE_IPU1_IRQ_41_42	4311
18-433. Register Call Summary for Register CTRL_CORE_IPU1_IRQ_41_42.....	4311
18-434. CTRL_CORE_IPU1_IRQ_43_44	4311
18-435. Register Call Summary for Register CTRL_CORE_IPU1_IRQ_43_44.....	4311

18-436. CTRL_CORE_IPU1_IRQ_45_46	4312
18-437. Register Call Summary for Register CTRL_CORE_IPU1_IRQ_45_46	4312
18-438. CTRL_CORE_IPU1_IRQ_47_48	4312
18-439. Register Call Summary for Register CTRL_CORE_IPU1_IRQ_47_48	4312
18-440. CTRL_CORE_IPU1_IRQ_49_50	4313
18-441. Register Call Summary for Register CTRL_CORE_IPU1_IRQ_49_50	4313
18-442. CTRL_CORE_IPU1_IRQ_51_52	4313
18-443. Register Call Summary for Register CTRL_CORE_IPU1_IRQ_51_52	4313
18-444. CTRL_CORE_IPU1_IRQ_53_54	4314
18-445. Register Call Summary for Register CTRL_CORE_IPU1_IRQ_53_54	4314
18-446. CTRL_CORE_IPU1_IRQ_55_56	4314
18-447. Register Call Summary for Register CTRL_CORE_IPU1_IRQ_55_56	4314
18-448. CTRL_CORE_IPU1_IRQ_57_58	4315
18-449. Register Call Summary for Register CTRL_CORE_IPU1_IRQ_57_58	4315
18-450. CTRL_CORE_IPU1_IRQ_59_60	4315
18-451. Register Call Summary for Register CTRL_CORE_IPU1_IRQ_59_60	4315
18-452. CTRL_CORE_IPU1_IRQ_61_62	4316
18-453. Register Call Summary for Register CTRL_CORE_IPU1_IRQ_61_62	4316
18-454. CTRL_CORE_IPU1_IRQ_63_64	4316
18-455. Register Call Summary for Register CTRL_CORE_IPU1_IRQ_63_64	4316
18-456. CTRL_CORE_IPU1_IRQ_65_66	4317
18-457. Register Call Summary for Register CTRL_CORE_IPU1_IRQ_65_66	4317
18-458. CTRL_CORE_IPU1_IRQ_67_68	4317
18-459. Register Call Summary for Register CTRL_CORE_IPU1_IRQ_67_68	4317
18-460. CTRL_CORE_IPU1_IRQ_69_70	4318
18-461. Register Call Summary for Register CTRL_CORE_IPU1_IRQ_69_70	4318
18-462. CTRL_CORE_IPU1_IRQ_71_72	4318
18-463. Register Call Summary for Register CTRL_CORE_IPU1_IRQ_71_72	4318
18-464. CTRL_CORE_IPU1_IRQ_73_74	4319
18-465. Register Call Summary for Register CTRL_CORE_IPU1_IRQ_73_74	4319
18-466. CTRL_CORE_IPU1_IRQ_75_76	4319
18-467. Register Call Summary for Register CTRL_CORE_IPU1_IRQ_75_76	4319
18-468. CTRL_CORE_IPU1_IRQ_77_78	4320
18-469. Register Call Summary for Register CTRL_CORE_IPU1_IRQ_77_78	4320
18-470. CTRL_CORE_IPU1_IRQ_79_80	4320
18-471. Register Call Summary for Register CTRL_CORE_IPU1_IRQ_79_80	4320
18-472. CTRL_CORE_IPU2_IRQ_23_24	4320
18-473. Register Call Summary for Register CTRL_CORE_IPU2_IRQ_23_24	4321
18-474. CTRL_CORE_IPU2_IRQ_25_26	4321
18-475. Register Call Summary for Register CTRL_CORE_IPU2_IRQ_25_26	4321
18-476. CTRL_CORE_IPU2_IRQ_27_28	4321
18-477. Register Call Summary for Register CTRL_CORE_IPU2_IRQ_27_28	4321
18-478. CTRL_CORE_IPU2_IRQ_29_30	4322
18-479. Register Call Summary for Register CTRL_CORE_IPU2_IRQ_29_30	4322
18-480. CTRL_CORE_IPU2_IRQ_31_32	4322
18-481. Register Call Summary for Register CTRL_CORE_IPU2_IRQ_31_32	4322
18-482. CTRL_CORE_IPU2_IRQ_33_34	4323
18-483. Register Call Summary for Register CTRL_CORE_IPU2_IRQ_33_34	4323
18-484. CTRL_CORE_IPU2_IRQ_35_36	4323

18-485. Register Call Summary for Register CTRL_CORE_IPU2_IRQ_35_36	4323
18-486. CTRL_CORE_IPU2_IRQ_37_38	4324
18-487. Register Call Summary for Register CTRL_CORE_IPU2_IRQ_37_38	4324
18-488. CTRL_CORE_IPU2_IRQ_39_40	4324
18-489. Register Call Summary for Register CTRL_CORE_IPU2_IRQ_39_40	4324
18-490. CTRL_CORE_IPU2_IRQ_41_42	4325
18-491. Register Call Summary for Register CTRL_CORE_IPU2_IRQ_41_42	4325
18-492. CTRL_CORE_IPU2_IRQ_43_44	4325
18-493. Register Call Summary for Register CTRL_CORE_IPU2_IRQ_43_44	4325
18-494. CTRL_CORE_IPU2_IRQ_45_46	4326
18-495. Register Call Summary for Register CTRL_CORE_IPU2_IRQ_45_46	4326
18-496. CTRL_CORE_IPU2_IRQ_47_48	4326
18-497. Register Call Summary for Register CTRL_CORE_IPU2_IRQ_47_48	4326
18-498. CTRL_CORE_IPU2_IRQ_49_50	4327
18-499. Register Call Summary for Register CTRL_CORE_IPU2_IRQ_49_50	4327
18-500. CTRL_CORE_IPU2_IRQ_51_52	4327
18-501. Register Call Summary for Register CTRL_CORE_IPU2_IRQ_51_52	4327
18-502. CTRL_CORE_IPU2_IRQ_53_54	4328
18-503. Register Call Summary for Register CTRL_CORE_IPU2_IRQ_53_54	4328
18-504. CTRL_CORE_IPU2_IRQ_55_56	4328
18-505. Register Call Summary for Register CTRL_CORE_IPU2_IRQ_55_56	4328
18-506. CTRL_CORE_IPU2_IRQ_57_58	4329
18-507. Register Call Summary for Register CTRL_CORE_IPU2_IRQ_57_58	4329
18-508. CTRL_CORE_IPU2_IRQ_59_60	4329
18-509. Register Call Summary for Register CTRL_CORE_IPU2_IRQ_59_60	4329
18-510. CTRL_CORE_IPU2_IRQ_61_62	4330
18-511. Register Call Summary for Register CTRL_CORE_IPU2_IRQ_61_62	4330
18-512. CTRL_CORE_IPU2_IRQ_63_64	4330
18-513. Register Call Summary for Register CTRL_CORE_IPU2_IRQ_63_64	4330
18-514. CTRL_CORE_IPU2_IRQ_65_66	4331
18-515. Register Call Summary for Register CTRL_CORE_IPU2_IRQ_65_66	4331
18-516. CTRL_CORE_IPU2_IRQ_67_68	4331
18-517. Register Call Summary for Register CTRL_CORE_IPU2_IRQ_67_68	4331
18-518. CTRL_CORE_IPU2_IRQ_69_70	4332
18-519. Register Call Summary for Register CTRL_CORE_IPU2_IRQ_69_70	4332
18-520. CTRL_CORE_IPU2_IRQ_71_72	4332
18-521. Register Call Summary for Register CTRL_CORE_IPU2_IRQ_71_72	4332
18-522. CTRL_CORE_IPU2_IRQ_73_74	4333
18-523. Register Call Summary for Register CTRL_CORE_IPU2_IRQ_73_74	4333
18-524. CTRL_CORE_IPU2_IRQ_75_76	4333
18-525. Register Call Summary for Register CTRL_CORE_IPU2_IRQ_75_76	4333
18-526. CTRL_CORE_IPU2_IRQ_77_78	4334
18-527. Register Call Summary for Register CTRL_CORE_IPU2_IRQ_77_78	4334
18-528. CTRL_CORE_IPU2_IRQ_79_80	4334
18-529. Register Call Summary for Register CTRL_CORE_IPU2_IRQ_79_80	4334
18-530. CTRL_CORE_PRUSS1_IRQ_32_33	4334
18-531. Register Call Summary for Register CTRL_CORE_PRUSS1_IRQ_32_33	4335
18-532. CTRL_CORE_PRUSS1_IRQ_34_35	4335
18-533. Register Call Summary for Register CTRL_CORE_PRUSS1_IRQ_34_35	4335

18-534. CTRL_CORE_PRUSS1_IRQ_36_37	4335
18-535. Register Call Summary for Register CTRL_CORE_PRUSS1_IRQ_36_37	4335
18-536. CTRL_CORE_PRUSS1_IRQ_38_39	4336
18-537. Register Call Summary for Register CTRL_CORE_PRUSS1_IRQ_38_39	4336
18-538. CTRL_CORE_PRUSS1_IRQ_40_41	4336
18-539. Register Call Summary for Register CTRL_CORE_PRUSS1_IRQ_40_41	4336
18-540. CTRL_CORE_PRUSS1_IRQ_42_43	4337
18-541. Register Call Summary for Register CTRL_CORE_PRUSS1_IRQ_42_43	4337
18-542. CTRL_CORE_PRUSS1_IRQ_44_45	4337
18-543. Register Call Summary for Register CTRL_CORE_PRUSS1_IRQ_44_45	4337
18-544. CTRL_CORE_PRUSS1_IRQ_46_47	4338
18-545. Register Call Summary for Register CTRL_CORE_PRUSS1_IRQ_46_47	4338
18-546. CTRL_CORE_PRUSS1_IRQ_48_49	4338
18-547. Register Call Summary for Register CTRL_CORE_PRUSS1_IRQ_48_49	4338
18-548. CTRL_CORE_PRUSS1_IRQ_50_51	4339
18-549. Register Call Summary for Register CTRL_CORE_PRUSS1_IRQ_50_51	4339
18-550. CTRL_CORE_PRUSS1_IRQ_52_53	4339
18-551. Register Call Summary for Register CTRL_CORE_PRUSS1_IRQ_52_53	4339
18-552. CTRL_CORE_PRUSS1_IRQ_54_55	4340
18-553. Register Call Summary for Register CTRL_CORE_PRUSS1_IRQ_54_55	4340
18-554. CTRL_CORE_PRUSS1_IRQ_56_57	4340
18-555. Register Call Summary for Register CTRL_CORE_PRUSS1_IRQ_56_57	4340
18-556. CTRL_CORE_PRUSS1_IRQ_58_59	4341
18-557. Register Call Summary for Register CTRL_CORE_PRUSS1_IRQ_58_59	4341
18-558. CTRL_CORE_PRUSS1_IRQ_60_61	4341
18-559. Register Call Summary for Register CTRL_CORE_PRUSS1_IRQ_60_61	4341
18-560. CTRL_CORE_PRUSS1_IRQ_62_63	4342
18-561. Register Call Summary for Register CTRL_CORE_PRUSS1_IRQ_62_63	4342
18-562. CTRL_CORE_PRUSS2_IRQ_32_33	4342
18-563. Register Call Summary for Register CTRL_CORE_PRUSS2_IRQ_32_33	4342
18-564. CTRL_CORE_PRUSS2_IRQ_34_35	4343
18-565. Register Call Summary for Register CTRL_CORE_PRUSS2_IRQ_34_35	4343
18-566. CTRL_CORE_PRUSS2_IRQ_36_37	4343
18-567. Register Call Summary for Register CTRL_CORE_PRUSS2_IRQ_36_37	4343
18-568. CTRL_CORE_PRUSS2_IRQ_38_39	4344
18-569. Register Call Summary for Register CTRL_CORE_PRUSS2_IRQ_38_39	4344
18-570. CTRL_CORE_PRUSS2_IRQ_40_41	4344
18-571. Register Call Summary for Register CTRL_CORE_PRUSS2_IRQ_40_41	4344
18-572. CTRL_CORE_PRUSS2_IRQ_42_43	4345
18-573. Register Call Summary for Register CTRL_CORE_PRUSS2_IRQ_42_43	4345
18-574. CTRL_CORE_PRUSS2_IRQ_44_45	4345
18-575. Register Call Summary for Register CTRL_CORE_PRUSS2_IRQ_44_45	4345
18-576. CTRL_CORE_PRUSS2_IRQ_46_47	4346
18-577. Register Call Summary for Register CTRL_CORE_PRUSS2_IRQ_46_47	4346
18-578. CTRL_CORE_PRUSS2_IRQ_48_49	4346
18-579. Register Call Summary for Register CTRL_CORE_PRUSS2_IRQ_48_49	4346
18-580. CTRL_CORE_PRUSS2_IRQ_50_51	4347
18-581. Register Call Summary for Register CTRL_CORE_PRUSS2_IRQ_50_51	4347
18-582. CTRL_CORE_PRUSS2_IRQ_52_53	4347

18-583. Register Call Summary for Register CTRL_CORE_PRUSS2_IRQ_52_53	4347
18-584. CTRL_CORE_PRUSS2_IRQ_54_55	4348
18-585. Register Call Summary for Register CTRL_CORE_PRUSS2_IRQ_54_55	4348
18-586. CTRL_CORE_PRUSS2_IRQ_56_57	4348
18-587. Register Call Summary for Register CTRL_CORE_PRUSS2_IRQ_56_57	4348
18-588. CTRL_CORE_PRUSS2_IRQ_58_59	4349
18-589. Register Call Summary for Register CTRL_CORE_PRUSS2_IRQ_58_59	4349
18-590. CTRL_CORE_PRUSS2_IRQ_60_61	4349
18-591. Register Call Summary for Register CTRL_CORE_PRUSS2_IRQ_60_61	4349
18-592. CTRL_CORE_PRUSS2_IRQ_62_63	4350
18-593. Register Call Summary for Register CTRL_CORE_PRUSS2_IRQ_62_63	4350
18-594. CTRL_CORE_DSP1_IRQ_32_33	4350
18-595. Register Call Summary for Register CTRL_CORE_DSP1_IRQ_32_33.....	4350
18-596. CTRL_CORE_DSP1_IRQ_34_35	4351
18-597. Register Call Summary for Register CTRL_CORE_DSP1_IRQ_34_35.....	4351
18-598. CTRL_CORE_DSP1_IRQ_36_37	4351
18-599. Register Call Summary for Register CTRL_CORE_DSP1_IRQ_36_37.....	4351
18-600. CTRL_CORE_DSP1_IRQ_38_39	4352
18-601. Register Call Summary for Register CTRL_CORE_DSP1_IRQ_38_39.....	4352
18-602. CTRL_CORE_DSP1_IRQ_40_41	4352
18-603. Register Call Summary for Register CTRL_CORE_DSP1_IRQ_40_41.....	4352
18-604. CTRL_CORE_DSP1_IRQ_42_43	4353
18-605. Register Call Summary for Register CTRL_CORE_DSP1_IRQ_42_43.....	4353
18-606. CTRL_CORE_DSP1_IRQ_44_45	4353
18-607. Register Call Summary for Register CTRL_CORE_DSP1_IRQ_44_45.....	4353
18-608. CTRL_CORE_DSP1_IRQ_46_47	4354
18-609. Register Call Summary for Register CTRL_CORE_DSP1_IRQ_46_47.....	4354
18-610. CTRL_CORE_DSP1_IRQ_48_49	4354
18-611. Register Call Summary for Register CTRL_CORE_DSP1_IRQ_48_49.....	4354
18-612. CTRL_CORE_DSP1_IRQ_50_51	4355
18-613. Register Call Summary for Register CTRL_CORE_DSP1_IRQ_50_51.....	4355
18-614. CTRL_CORE_DSP1_IRQ_52_53	4355
18-615. Register Call Summary for Register CTRL_CORE_DSP1_IRQ_52_53.....	4355
18-616. CTRL_CORE_DSP1_IRQ_54_55	4356
18-617. Register Call Summary for Register CTRL_CORE_DSP1_IRQ_54_55.....	4356
18-618. CTRL_CORE_DSP1_IRQ_56_57	4356
18-619. Register Call Summary for Register CTRL_CORE_DSP1_IRQ_56_57.....	4356
18-620. CTRL_CORE_DSP1_IRQ_58_59	4357
18-621. Register Call Summary for Register CTRL_CORE_DSP1_IRQ_58_59.....	4357
18-622. CTRL_CORE_DSP1_IRQ_60_61	4357
18-623. Register Call Summary for Register CTRL_CORE_DSP1_IRQ_60_61.....	4357
18-624. CTRL_CORE_DSP1_IRQ_62_63	4358
18-625. Register Call Summary for Register CTRL_CORE_DSP1_IRQ_62_63.....	4358
18-626. CTRL_CORE_DSP1_IRQ_64_65	4358
18-627. Register Call Summary for Register CTRL_CORE_DSP1_IRQ_64_65.....	4358
18-628. CTRL_CORE_DSP1_IRQ_66_67	4359
18-629. Register Call Summary for Register CTRL_CORE_DSP1_IRQ_66_67.....	4359
18-630. CTRL_CORE_DSP1_IRQ_68_69	4359
18-631. Register Call Summary for Register CTRL_CORE_DSP1_IRQ_68_69.....	4359

18-632. CTRL_CORE_DSP1_IRQ_70_71	4360
18-633. Register Call Summary for Register CTRL_CORE_DSP1_IRQ_70_71	4360
18-634. CTRL_CORE_DSP1_IRQ_72_73	4360
18-635. Register Call Summary for Register CTRL_CORE_DSP1_IRQ_72_73	4360
18-636. CTRL_CORE_DSP1_IRQ_74_75	4361
18-637. Register Call Summary for Register CTRL_CORE_DSP1_IRQ_74_75	4361
18-638. CTRL_CORE_DSP1_IRQ_76_77	4361
18-639. Register Call Summary for Register CTRL_CORE_DSP1_IRQ_76_77	4361
18-640. CTRL_CORE_DSP1_IRQ_78_79	4362
18-641. Register Call Summary for Register CTRL_CORE_DSP1_IRQ_78_79	4362
18-642. CTRL_CORE_DSP1_IRQ_80_81	4362
18-643. Register Call Summary for Register CTRL_CORE_DSP1_IRQ_80_81	4362
18-644. CTRL_CORE_DSP1_IRQ_82_83	4363
18-645. Register Call Summary for Register CTRL_CORE_DSP1_IRQ_82_83	4363
18-646. CTRL_CORE_DSP1_IRQ_84_85	4363
18-647. Register Call Summary for Register CTRL_CORE_DSP1_IRQ_84_85	4363
18-648. CTRL_CORE_DSP1_IRQ_86_87	4364
18-649. Register Call Summary for Register CTRL_CORE_DSP1_IRQ_86_87	4364
18-650. CTRL_CORE_DSP1_IRQ_88_89	4364
18-651. Register Call Summary for Register CTRL_CORE_DSP1_IRQ_88_89	4364
18-652. CTRL_CORE_DSP1_IRQ_90_91	4365
18-653. Register Call Summary for Register CTRL_CORE_DSP1_IRQ_90_91	4365
18-654. CTRL_CORE_DSP1_IRQ_92_93	4365
18-655. Register Call Summary for Register CTRL_CORE_DSP1_IRQ_92_93	4365
18-656. CTRL_CORE_DSP1_IRQ_94_95	4366
18-657. Register Call Summary for Register CTRL_CORE_DSP1_IRQ_94_95	4366
18-658. CTRL_CORE_MPU_IRQ_4_7	4366
18-659. Register Call Summary for Register CTRL_CORE_MPU_IRQ_4_7	4366
18-660. CTRL_CORE_MPU_IRQ_8_9	4367
18-661. Register Call Summary for Register CTRL_CORE_MPU_IRQ_8_9	4367
18-662. CTRL_CORE_MPU_IRQ_10_11	4367
18-663. Register Call Summary for Register CTRL_CORE_MPU_IRQ_10_11	4367
18-664. CTRL_CORE_MPU_IRQ_12_13	4368
18-665. Register Call Summary for Register CTRL_CORE_MPU_IRQ_12_13	4368
18-666. CTRL_CORE_MPU_IRQ_14_15	4368
18-667. Register Call Summary for Register CTRL_CORE_MPU_IRQ_14_15	4368
18-668. CTRL_CORE_MPU_IRQ_16_17	4369
18-669. Register Call Summary for Register CTRL_CORE_MPU_IRQ_16_17	4369
18-670. CTRL_CORE_MPU_IRQ_18_19	4369
18-671. Register Call Summary for Register CTRL_CORE_MPU_IRQ_18_19	4369
18-672. CTRL_CORE_MPU_IRQ_20_21	4370
18-673. Register Call Summary for Register CTRL_CORE_MPU_IRQ_20_21	4370
18-674. CTRL_CORE_MPU_IRQ_22_23	4370
18-675. Register Call Summary for Register CTRL_CORE_MPU_IRQ_22_23	4370
18-676. CTRL_CORE_MPU_IRQ_24_25	4371
18-677. Register Call Summary for Register CTRL_CORE_MPU_IRQ_24_25	4371
18-678. CTRL_CORE_MPU_IRQ_26_27	4371
18-679. Register Call Summary for Register CTRL_CORE_MPU_IRQ_26_27	4371
18-680. CTRL_CORE_MPU_IRQ_28_29	4372

18-681. Register Call Summary for Register CTRL_CORE_MPU_IRQ_28_29	4372
18-682. CTRL_CORE_MPU_IRQ_30_31	4372
18-683. Register Call Summary for Register CTRL_CORE_MPU_IRQ_30_31	4372
18-684. CTRL_CORE_MPU_IRQ_32_33	4373
18-685. Register Call Summary for Register CTRL_CORE_MPU_IRQ_32_33	4373
18-686. CTRL_CORE_MPU_IRQ_34_35	4373
18-687. Register Call Summary for Register CTRL_CORE_MPU_IRQ_34_35	4373
18-688. CTRL_CORE_MPU_IRQ_36_37	4374
18-689. Register Call Summary for Register CTRL_CORE_MPU_IRQ_36_37	4374
18-690. CTRL_CORE_MPU_IRQ_38_39	4374
18-691. Register Call Summary for Register CTRL_CORE_MPU_IRQ_38_39	4374
18-692. CTRL_CORE_MPU_IRQ_40_41	4375
18-693. Register Call Summary for Register CTRL_CORE_MPU_IRQ_40_41	4375
18-694. CTRL_CORE_MPU_IRQ_42_43	4375
18-695. Register Call Summary for Register CTRL_CORE_MPU_IRQ_42_43	4375
18-696. CTRL_CORE_MPU_IRQ_44_45	4376
18-697. Register Call Summary for Register CTRL_CORE_MPU_IRQ_44_45	4376
18-698. CTRL_CORE_MPU_IRQ_46_47	4376
18-699. Register Call Summary for Register CTRL_CORE_MPU_IRQ_46_47	4376
18-700. CTRL_CORE_MPU_IRQ_48_49	4377
18-701. Register Call Summary for Register CTRL_CORE_MPU_IRQ_48_49	4377
18-702. CTRL_CORE_MPU_IRQ_50_51	4377
18-703. Register Call Summary for Register CTRL_CORE_MPU_IRQ_50_51	4377
18-704. CTRL_CORE_MPU_IRQ_52_53	4378
18-705. Register Call Summary for Register CTRL_CORE_MPU_IRQ_52_53	4378
18-706. CTRL_CORE_MPU_IRQ_54_55	4378
18-707. Register Call Summary for Register CTRL_CORE_MPU_IRQ_54_55	4378
18-708. CTRL_CORE_MPU_IRQ_56_57	4379
18-709. Register Call Summary for Register CTRL_CORE_MPU_IRQ_56_57	4379
18-710. CTRL_CORE_MPU_IRQ_58_59	4379
18-711. Register Call Summary for Register CTRL_CORE_MPU_IRQ_58_59	4379
18-712. CTRL_CORE_MPU_IRQ_60_61	4380
18-713. Register Call Summary for Register CTRL_CORE_MPU_IRQ_60_61	4380
18-714. CTRL_CORE_MPU_IRQ_62_63	4380
18-715. Register Call Summary for Register CTRL_CORE_MPU_IRQ_62_63	4380
18-716. CTRL_CORE_MPU_IRQ_64_65	4381
18-717. Register Call Summary for Register CTRL_CORE_MPU_IRQ_64_65	4381
18-718. CTRL_CORE_MPU_IRQ_66_67	4381
18-719. Register Call Summary for Register CTRL_CORE_MPU_IRQ_66_67	4381
18-720. CTRL_CORE_MPU_IRQ_68_69	4382
18-721. Register Call Summary for Register CTRL_CORE_MPU_IRQ_68_69	4382
18-722. CTRL_CORE_MPU_IRQ_70_71	4382
18-723. Register Call Summary for Register CTRL_CORE_MPU_IRQ_70_71	4382
18-724. CTRL_CORE_MPU_IRQ_72_73	4383
18-725. Register Call Summary for Register CTRL_CORE_MPU_IRQ_72_73	4383
18-726. CTRL_CORE_MPU_IRQ_74_75	4383
18-727. Register Call Summary for Register CTRL_CORE_MPU_IRQ_74_75	4383
18-728. CTRL_CORE_MPU_IRQ_76_77	4384
18-729. Register Call Summary for Register CTRL_CORE_MPU_IRQ_76_77	4384

18-730. CTRL_CORE_MPU_IRQ_78_79	4384
18-731. Register Call Summary for Register CTRL_CORE_MPU_IRQ_78_79	4384
18-732. CTRL_CORE_MPU_IRQ_80_81	4385
18-733. Register Call Summary for Register CTRL_CORE_MPU_IRQ_80_81	4385
18-734. CTRL_CORE_MPU_IRQ_82_83	4385
18-735. Register Call Summary for Register CTRL_CORE_MPU_IRQ_82_83	4385
18-736. CTRL_CORE_MPU_IRQ_84_85	4386
18-737. Register Call Summary for Register CTRL_CORE_MPU_IRQ_84_85	4386
18-738. CTRL_CORE_MPU_IRQ_86_87	4386
18-739. Register Call Summary for Register CTRL_CORE_MPU_IRQ_86_87	4386
18-740. CTRL_CORE_MPU_IRQ_88_89	4387
18-741. Register Call Summary for Register CTRL_CORE_MPU_IRQ_88_89	4387
18-742. CTRL_CORE_MPU_IRQ_90_91	4387
18-743. Register Call Summary for Register CTRL_CORE_MPU_IRQ_90_91	4387
18-744. CTRL_CORE_MPU_IRQ_92_93	4388
18-745. Register Call Summary for Register CTRL_CORE_MPU_IRQ_92_93	4388
18-746. CTRL_CORE_MPU_IRQ_94_95	4388
18-747. Register Call Summary for Register CTRL_CORE_MPU_IRQ_94_95	4388
18-748. CTRL_CORE_MPU_IRQ_96_97	4389
18-749. Register Call Summary for Register CTRL_CORE_MPU_IRQ_96_97	4389
18-750. CTRL_CORE_MPU_IRQ_98_99	4389
18-751. Register Call Summary for Register CTRL_CORE_MPU_IRQ_98_99	4389
18-752. CTRL_CORE_MPU_IRQ_100_101	4390
18-753. Register Call Summary for Register CTRL_CORE_MPU_IRQ_100_101	4390
18-754. CTRL_CORE_MPU_IRQ_102_103	4390
18-755. Register Call Summary for Register CTRL_CORE_MPU_IRQ_102_103	4390
18-756. CTRL_CORE_MPU_IRQ_104_105	4391
18-757. Register Call Summary for Register CTRL_CORE_MPU_IRQ_104_105	4391
18-758. CTRL_CORE_MPU_IRQ_106_107	4391
18-759. Register Call Summary for Register CTRL_CORE_MPU_IRQ_106_107	4391
18-760. CTRL_CORE_MPU_IRQ_108_109	4392
18-761. Register Call Summary for Register CTRL_CORE_MPU_IRQ_108_109	4392
18-762. CTRL_CORE_MPU_IRQ_110_111	4392
18-763. Register Call Summary for Register CTRL_CORE_MPU_IRQ_110_111	4392
18-764. CTRL_CORE_MPU_IRQ_112_113	4393
18-765. Register Call Summary for Register CTRL_CORE_MPU_IRQ_112_113	4393
18-766. CTRL_CORE_MPU_IRQ_114_115	4393
18-767. Register Call Summary for Register CTRL_CORE_MPU_IRQ_114_115	4393
18-768. CTRL_CORE_MPU_IRQ_116_117	4394
18-769. Register Call Summary for Register CTRL_CORE_MPU_IRQ_116_117	4394
18-770. CTRL_CORE_MPU_IRQ_118_119	4394
18-771. Register Call Summary for Register CTRL_CORE_MPU_IRQ_118_119	4394
18-772. CTRL_CORE_MPU_IRQ_120_121	4395
18-773. Register Call Summary for Register CTRL_CORE_MPU_IRQ_120_121	4395
18-774. CTRL_CORE_MPU_IRQ_122_123	4395
18-775. Register Call Summary for Register CTRL_CORE_MPU_IRQ_122_123	4395
18-776. CTRL_CORE_MPU_IRQ_124_125	4396
18-777. Register Call Summary for Register CTRL_CORE_MPU_IRQ_124_125	4396
18-778. CTRL_CORE_MPU_IRQ_126_127	4396

18-779. Register Call Summary for Register CTRL_CORE_MPU_IRQ_126_127	4396
18-780. CTRL_CORE_MPU_IRQ_128_129	4397
18-781. Register Call Summary for Register CTRL_CORE_MPU_IRQ_128_129	4397
18-782. CTRL_CORE_MPU_IRQ_130_133	4397
18-783. Register Call Summary for Register CTRL_CORE_MPU_IRQ_130_133	4397
18-784. CTRL_CORE_MPU_IRQ_134_135	4398
18-785. Register Call Summary for Register CTRL_CORE_MPU_IRQ_134_135	4398
18-786. CTRL_CORE_MPU_IRQ_136_137	4398
18-787. Register Call Summary for Register CTRL_CORE_MPU_IRQ_136_137	4398
18-788. CTRL_CORE_MPU_IRQ_138_139	4399
18-789. Register Call Summary for Register CTRL_CORE_MPU_IRQ_138_139	4399
18-790. CTRL_CORE_MPU_IRQ_140_141	4399
18-791. Register Call Summary for Register CTRL_CORE_MPU_IRQ_140_141	4399
18-792. CTRL_CORE_MPU_IRQ_142_143	4400
18-793. Register Call Summary for Register CTRL_CORE_MPU_IRQ_142_143	4400
18-794. CTRL_CORE_MPU_IRQ_144_145	4400
18-795. Register Call Summary for Register CTRL_CORE_MPU_IRQ_144_145	4400
18-796. CTRL_CORE_MPU_IRQ_146_147	4401
18-797. Register Call Summary for Register CTRL_CORE_MPU_IRQ_146_147	4401
18-798. CTRL_CORE_MPU_IRQ_148_149	4401
18-799. Register Call Summary for Register CTRL_CORE_MPU_IRQ_148_149	4401
18-800. CTRL_CORE_MPU_IRQ_150_151	4402
18-801. Register Call Summary for Register CTRL_CORE_MPU_IRQ_150_151	4402
18-802. CTRL_CORE_MPU_IRQ_152_153	4402
18-803. Register Call Summary for Register CTRL_CORE_MPU_IRQ_152_153	4402
18-804. CTRL_CORE_MPU_IRQ_154_155	4403
18-805. Register Call Summary for Register CTRL_CORE_MPU_IRQ_154_155	4403
18-806. CTRL_CORE_MPU_IRQ_156_157	4403
18-807. Register Call Summary for Register CTRL_CORE_MPU_IRQ_156_157	4403
18-808. CTRL_CORE_MPU_IRQ_158_159	4404
18-809. Register Call Summary for Register CTRL_CORE_MPU_IRQ_158_159	4404
18-810. CTRL_CORE_DMA_SYSTEM_DREQ_0_1	4404
18-811. Register Call Summary for Register CTRL_CORE_DMA_SYSTEM_DREQ_0_1	4404
18-812. CTRL_CORE_DMA_SYSTEM_DREQ_2_3	4405
18-813. Register Call Summary for Register CTRL_CORE_DMA_SYSTEM_DREQ_2_3	4405
18-814. CTRL_CORE_DMA_SYSTEM_DREQ_4_5	4405
18-815. Register Call Summary for Register CTRL_CORE_DMA_SYSTEM_DREQ_4_5	4405
18-816. CTRL_CORE_DMA_SYSTEM_DREQ_6_7	4406
18-817. Register Call Summary for Register CTRL_CORE_DMA_SYSTEM_DREQ_6_7	4406
18-818. CTRL_CORE_DMA_SYSTEM_DREQ_8_9	4406
18-819. Register Call Summary for Register CTRL_CORE_DMA_SYSTEM_DREQ_8_9	4406
18-820. CTRL_CORE_DMA_SYSTEM_DREQ_10_11	4407
18-821. Register Call Summary for Register CTRL_CORE_DMA_SYSTEM_DREQ_10_11	4407
18-822. CTRL_CORE_DMA_SYSTEM_DREQ_12_13	4407
18-823. Register Call Summary for Register CTRL_CORE_DMA_SYSTEM_DREQ_12_13	4408
18-824. CTRL_CORE_DMA_SYSTEM_DREQ_14_15	4408
18-825. Register Call Summary for Register CTRL_CORE_DMA_SYSTEM_DREQ_14_15	4408
18-826. CTRL_CORE_DMA_SYSTEM_DREQ_16_17	4409
18-827. Register Call Summary for Register CTRL_CORE_DMA_SYSTEM_DREQ_16_17	4409

18-828. CTRL_CORE_DMA_SYSTEM_DREQ_18_19.....	4409
18-829. Register Call Summary for Register CTRL_CORE_DMA_SYSTEM_DREQ_18_19	4410
18-830. CTRL_CORE_DMA_SYSTEM_DREQ_20_21.....	4410
18-831. Register Call Summary for Register CTRL_CORE_DMA_SYSTEM_DREQ_20_21	4410
18-832. CTRL_CORE_DMA_SYSTEM_DREQ_22_23.....	4411
18-833. Register Call Summary for Register CTRL_CORE_DMA_SYSTEM_DREQ_22_23	4411
18-834. CTRL_CORE_DMA_SYSTEM_DREQ_24_25.....	4411
18-835. Register Call Summary for Register CTRL_CORE_DMA_SYSTEM_DREQ_24_25	4412
18-836. CTRL_CORE_DMA_SYSTEM_DREQ_26_27.....	4412
18-837. Register Call Summary for Register CTRL_CORE_DMA_SYSTEM_DREQ_26_27	4412
18-838. CTRL_CORE_DMA_SYSTEM_DREQ_28_29.....	4413
18-839. Register Call Summary for Register CTRL_CORE_DMA_SYSTEM_DREQ_28_29	4413
18-840. CTRL_CORE_DMA_SYSTEM_DREQ_30_31.....	4413
18-841. Register Call Summary for Register CTRL_CORE_DMA_SYSTEM_DREQ_30_31	4414
18-842. CTRL_CORE_DMA_SYSTEM_DREQ_32_33.....	4414
18-843. Register Call Summary for Register CTRL_CORE_DMA_SYSTEM_DREQ_32_33	4414
18-844. CTRL_CORE_DMA_SYSTEM_DREQ_34_35.....	4415
18-845. Register Call Summary for Register CTRL_CORE_DMA_SYSTEM_DREQ_34_35	4415
18-846. CTRL_CORE_DMA_SYSTEM_DREQ_36_37.....	4415
18-847. Register Call Summary for Register CTRL_CORE_DMA_SYSTEM_DREQ_36_37	4416
18-848. CTRL_CORE_DMA_SYSTEM_DREQ_38_39.....	4416
18-849. Register Call Summary for Register CTRL_CORE_DMA_SYSTEM_DREQ_38_39	4416
18-850. CTRL_CORE_DMA_SYSTEM_DREQ_40_41.....	4417
18-851. Register Call Summary for Register CTRL_CORE_DMA_SYSTEM_DREQ_40_41	4417
18-852. CTRL_CORE_DMA_SYSTEM_DREQ_42_43.....	4417
18-853. Register Call Summary for Register CTRL_CORE_DMA_SYSTEM_DREQ_42_43	4418
18-854. CTRL_CORE_DMA_SYSTEM_DREQ_44_45.....	4418
18-855. Register Call Summary for Register CTRL_CORE_DMA_SYSTEM_DREQ_44_45	4418
18-856. CTRL_CORE_DMA_SYSTEM_DREQ_46_47.....	4419
18-857. Register Call Summary for Register CTRL_CORE_DMA_SYSTEM_DREQ_46_47	4419
18-858. CTRL_CORE_DMA_SYSTEM_DREQ_48_49.....	4419
18-859. Register Call Summary for Register CTRL_CORE_DMA_SYSTEM_DREQ_48_49	4420
18-860. CTRL_CORE_DMA_SYSTEM_DREQ_50_51.....	4420
18-861. Register Call Summary for Register CTRL_CORE_DMA_SYSTEM_DREQ_50_51	4420
18-862. CTRL_CORE_DMA_SYSTEM_DREQ_52_53.....	4421
18-863. Register Call Summary for Register CTRL_CORE_DMA_SYSTEM_DREQ_52_53	4421
18-864. CTRL_CORE_DMA_SYSTEM_DREQ_54_55.....	4421
18-865. Register Call Summary for Register CTRL_CORE_DMA_SYSTEM_DREQ_54_55	4422
18-866. CTRL_CORE_DMA_SYSTEM_DREQ_56_57.....	4422
18-867. Register Call Summary for Register CTRL_CORE_DMA_SYSTEM_DREQ_56_57	4422
18-868. CTRL_CORE_DMA_SYSTEM_DREQ_58_59.....	4423
18-869. Register Call Summary for Register CTRL_CORE_DMA_SYSTEM_DREQ_58_59	4423
18-870. CTRL_CORE_DMA_SYSTEM_DREQ_60_61.....	4423
18-871. Register Call Summary for Register CTRL_CORE_DMA_SYSTEM_DREQ_60_61	4424
18-872. CTRL_CORE_DMA_SYSTEM_DREQ_62_63.....	4424
18-873. Register Call Summary for Register CTRL_CORE_DMA_SYSTEM_DREQ_62_63	4424
18-874. CTRL_CORE_DMA_SYSTEM_DREQ_64_65.....	4425
18-875. Register Call Summary for Register CTRL_CORE_DMA_SYSTEM_DREQ_64_65	4425
18-876. CTRL_CORE_DMA_SYSTEM_DREQ_66_67.....	4425

18-877. Register Call Summary for Register CTRL_CORE_DMA_SYSTEM_DREQ_66_67	4426
18-878. CTRL_CORE_DMA_SYSTEM_DREQ_68_69.....	4426
18-879. Register Call Summary for Register CTRL_CORE_DMA_SYSTEM_DREQ_68_69	4426
18-880. CTRL_CORE_DMA_SYSTEM_DREQ_70_71.....	4427
18-881. Register Call Summary for Register CTRL_CORE_DMA_SYSTEM_DREQ_70_71	4427
18-882. CTRL_CORE_DMA_SYSTEM_DREQ_72_73.....	4427
18-883. Register Call Summary for Register CTRL_CORE_DMA_SYSTEM_DREQ_72_73	4428
18-884. CTRL_CORE_DMA_SYSTEM_DREQ_74_75.....	4428
18-885. Register Call Summary for Register CTRL_CORE_DMA_SYSTEM_DREQ_74_75	4428
18-886. CTRL_CORE_DMA_SYSTEM_DREQ_76_77.....	4429
18-887. Register Call Summary for Register CTRL_CORE_DMA_SYSTEM_DREQ_76_77	4429
18-888. CTRL_CORE_DMA_SYSTEM_DREQ_78_79.....	4429
18-889. Register Call Summary for Register CTRL_CORE_DMA_SYSTEM_DREQ_78_79	4430
18-890. CTRL_CORE_DMA_SYSTEM_DREQ_80_81.....	4430
18-891. Register Call Summary for Register CTRL_CORE_DMA_SYSTEM_DREQ_80_81	4430
18-892. CTRL_CORE_DMA_SYSTEM_DREQ_82_83.....	4431
18-893. Register Call Summary for Register CTRL_CORE_DMA_SYSTEM_DREQ_82_83	4431
18-894. CTRL_CORE_DMA_SYSTEM_DREQ_84_85.....	4431
18-895. Register Call Summary for Register CTRL_CORE_DMA_SYSTEM_DREQ_84_85	4432
18-896. CTRL_CORE_DMA_SYSTEM_DREQ_86_87.....	4432
18-897. Register Call Summary for Register CTRL_CORE_DMA_SYSTEM_DREQ_86_87	4432
18-898. CTRL_CORE_DMA_SYSTEM_DREQ_88_89.....	4433
18-899. Register Call Summary for Register CTRL_CORE_DMA_SYSTEM_DREQ_88_89	4433
18-900. CTRL_CORE_DMA_SYSTEM_DREQ_90_91.....	4433
18-901. Register Call Summary for Register CTRL_CORE_DMA_SYSTEM_DREQ_90_91	4434
18-902. CTRL_CORE_DMA_SYSTEM_DREQ_92_93.....	4434
18-903. Register Call Summary for Register CTRL_CORE_DMA_SYSTEM_DREQ_92_93	4434
18-904. CTRL_CORE_DMA_SYSTEM_DREQ_94_95.....	4435
18-905. Register Call Summary for Register CTRL_CORE_DMA_SYSTEM_DREQ_94_95	4435
18-906. CTRL_CORE_DMA_SYSTEM_DREQ_96_97.....	4435
18-907. Register Call Summary for Register CTRL_CORE_DMA_SYSTEM_DREQ_96_97	4436
18-908. CTRL_CORE_DMA_SYSTEM_DREQ_98_99.....	4436
18-909. Register Call Summary for Register CTRL_CORE_DMA_SYSTEM_DREQ_98_99	4436
18-910. CTRL_CORE_DMA_SYSTEM_DREQ_100_101.....	4437
18-911. Register Call Summary for Register CTRL_CORE_DMA_SYSTEM_DREQ_100_101	4437
18-912. CTRL_CORE_DMA_SYSTEM_DREQ_102_103.....	4437
18-913. Register Call Summary for Register CTRL_CORE_DMA_SYSTEM_DREQ_102_103	4438
18-914. CTRL_CORE_DMA_SYSTEM_DREQ_104_105.....	4438
18-915. Register Call Summary for Register CTRL_CORE_DMA_SYSTEM_DREQ_104_105	4438
18-916. CTRL_CORE_DMA_SYSTEM_DREQ_106_107.....	4439
18-917. Register Call Summary for Register CTRL_CORE_DMA_SYSTEM_DREQ_106_107	4439
18-918. CTRL_CORE_DMA_SYSTEM_DREQ_108_109.....	4439
18-919. Register Call Summary for Register CTRL_CORE_DMA_SYSTEM_DREQ_108_109	4440
18-920. CTRL_CORE_DMA_SYSTEM_DREQ_110_111.....	4440
18-921. Register Call Summary for Register CTRL_CORE_DMA_SYSTEM_DREQ_110_111	4440
18-922. CTRL_CORE_DMA_SYSTEM_DREQ_112_113.....	4441
18-923. Register Call Summary for Register CTRL_CORE_DMA_SYSTEM_DREQ_112_113	4441
18-924. CTRL_CORE_DMA_SYSTEM_DREQ_114_115.....	4441
18-925. Register Call Summary for Register CTRL_CORE_DMA_SYSTEM_DREQ_114_115	4442

18-926. CTRL_CORE_DMA_SYSTEM_DREQ_116_117.....	4442
18-927. Register Call Summary for Register CTRL_CORE_DMA_SYSTEM_DREQ_116_117	4442
18-928. CTRL_CORE_DMA_SYSTEM_DREQ_118_119.....	4443
18-929. Register Call Summary for Register CTRL_CORE_DMA_SYSTEM_DREQ_118_119	4443
18-930. CTRL_CORE_DMA_SYSTEM_DREQ_120_121.....	4443
18-931. Register Call Summary for Register CTRL_CORE_DMA_SYSTEM_DREQ_120_121	4444
18-932. CTRL_CORE_DMA_SYSTEM_DREQ_122_123.....	4444
18-933. Register Call Summary for Register CTRL_CORE_DMA_SYSTEM_DREQ_122_123	4444
18-934. CTRL_CORE_DMA_SYSTEM_DREQ_124_125.....	4445
18-935. Register Call Summary for Register CTRL_CORE_DMA_SYSTEM_DREQ_124_125	4445
18-936. CTRL_CORE_DMA_SYSTEM_DREQ_126_127.....	4445
18-937. Register Call Summary for Register CTRL_CORE_DMA_SYSTEM_DREQ_126_127	4446
18-938. CTRL_CORE_DMA_EDMA_DREQ_0_1	4446
18-939. Register Call Summary for Register CTRL_CORE_DMA_EDMA_DREQ_0_1	4446
18-940. CTRL_CORE_DMA_EDMA_DREQ_2_3	4446
18-941. Register Call Summary for Register CTRL_CORE_DMA_EDMA_DREQ_2_3	4447
18-942. CTRL_CORE_DMA_EDMA_DREQ_4_5	4447
18-943. Register Call Summary for Register CTRL_CORE_DMA_EDMA_DREQ_4_5	4447
18-944. CTRL_CORE_DMA_EDMA_DREQ_6_7	4447
18-945. Register Call Summary for Register CTRL_CORE_DMA_EDMA_DREQ_6_7	4447
18-946. CTRL_CORE_DMA_EDMA_DREQ_8_9	4448
18-947. Register Call Summary for Register CTRL_CORE_DMA_EDMA_DREQ_8_9	4448
18-948. CTRL_CORE_DMA_EDMA_DREQ_10_11	4448
18-949. Register Call Summary for Register CTRL_CORE_DMA_EDMA_DREQ_10_11	4448
18-950. CTRL_CORE_DMA_EDMA_DREQ_12_13	4449
18-951. Register Call Summary for Register CTRL_CORE_DMA_EDMA_DREQ_12_13	4449
18-952. CTRL_CORE_DMA_EDMA_DREQ_14_15	4449
18-953. Register Call Summary for Register CTRL_CORE_DMA_EDMA_DREQ_14_15	4449
18-954. CTRL_CORE_DMA_EDMA_DREQ_16_17	4450
18-955. Register Call Summary for Register CTRL_CORE_DMA_EDMA_DREQ_16_17	4450
18-956. CTRL_CORE_DMA_EDMA_DREQ_18_19	4450
18-957. Register Call Summary for Register CTRL_CORE_DMA_EDMA_DREQ_18_19	4450
18-958. CTRL_CORE_DMA_EDMA_DREQ_20_21	4451
18-959. Register Call Summary for Register CTRL_CORE_DMA_EDMA_DREQ_20_21	4451
18-960. CTRL_CORE_DMA_EDMA_DREQ_22_23	4451
18-961. Register Call Summary for Register CTRL_CORE_DMA_EDMA_DREQ_22_23	4451
18-962. CTRL_CORE_DMA_EDMA_DREQ_24_25	4452
18-963. Register Call Summary for Register CTRL_CORE_DMA_EDMA_DREQ_24_25	4452
18-964. CTRL_CORE_DMA_EDMA_DREQ_26_27	4452
18-965. Register Call Summary for Register CTRL_CORE_DMA_EDMA_DREQ_26_27	4452
18-966. CTRL_CORE_DMA_EDMA_DREQ_28_29	4453
18-967. Register Call Summary for Register CTRL_CORE_DMA_EDMA_DREQ_28_29	4453
18-968. CTRL_CORE_DMA_EDMA_DREQ_30_31	4453
18-969. Register Call Summary for Register CTRL_CORE_DMA_EDMA_DREQ_30_31	4453
18-970. CTRL_CORE_DMA_EDMA_DREQ_32_33	4454
18-971. Register Call Summary for Register CTRL_CORE_DMA_EDMA_DREQ_32_33	4454
18-972. CTRL_CORE_DMA_EDMA_DREQ_34_35	4454
18-973. Register Call Summary for Register CTRL_CORE_DMA_EDMA_DREQ_34_35	4454
18-974. CTRL_CORE_DMA_EDMA_DREQ_36_37	4455

18-975. Register Call Summary for Register CTRL_CORE_DMA_EDMA_DREQ_36_37	4455
18-976. CTRL_CORE_DMA_EDMA_DREQ_38_39	4455
18-977. Register Call Summary for Register CTRL_CORE_DMA_EDMA_DREQ_38_39	4455
18-978. CTRL_CORE_DMA_EDMA_DREQ_40_41	4456
18-979. Register Call Summary for Register CTRL_CORE_DMA_EDMA_DREQ_40_41	4456
18-980. CTRL_CORE_DMA_EDMA_DREQ_42_43	4456
18-981. Register Call Summary for Register CTRL_CORE_DMA_EDMA_DREQ_42_43	4456
18-982. CTRL_CORE_DMA_EDMA_DREQ_44_45	4457
18-983. Register Call Summary for Register CTRL_CORE_DMA_EDMA_DREQ_44_45	4457
18-984. CTRL_CORE_DMA_EDMA_DREQ_46_47	4457
18-985. Register Call Summary for Register CTRL_CORE_DMA_EDMA_DREQ_46_47	4457
18-986. CTRL_CORE_DMA_EDMA_DREQ_48_49	4458
18-987. Register Call Summary for Register CTRL_CORE_DMA_EDMA_DREQ_48_49	4458
18-988. CTRL_CORE_DMA_EDMA_DREQ_50_51	4458
18-989. Register Call Summary for Register CTRL_CORE_DMA_EDMA_DREQ_50_51	4458
18-990. CTRL_CORE_DMA_EDMA_DREQ_52_53	4459
18-991. Register Call Summary for Register CTRL_CORE_DMA_EDMA_DREQ_52_53	4459
18-992. CTRL_CORE_DMA_EDMA_DREQ_54_55	4459
18-993. Register Call Summary for Register CTRL_CORE_DMA_EDMA_DREQ_54_55	4459
18-994. CTRL_CORE_DMA_EDMA_DREQ_56_57	4460
18-995. Register Call Summary for Register CTRL_CORE_DMA_EDMA_DREQ_56_57	4460
18-996. CTRL_CORE_DMA_EDMA_DREQ_58_59	4460
18-997. Register Call Summary for Register CTRL_CORE_DMA_EDMA_DREQ_58_59	4460
18-998. CTRL_CORE_DMA_EDMA_DREQ_60_61	4461
18-999. Register Call Summary for Register CTRL_CORE_DMA_EDMA_DREQ_60_61	4461
18-1000. CTRL_CORE_DMA_EDMA_DREQ_62_63	4461
18-1001. Register Call Summary for Register CTRL_CORE_DMA_EDMA_DREQ_62_63	4461
18-1002. CTRL_CORE_DMA_DSP1_DREQ_0_1	4462
18-1003. Register Call Summary for Register CTRL_CORE_DMA_DSP1_DREQ_0_1	4462
18-1004. CTRL_CORE_DMA_DSP1_DREQ_2_3	4462
18-1005. Register Call Summary for Register CTRL_CORE_DMA_DSP1_DREQ_2_3	4462
18-1006. CTRL_CORE_DMA_DSP1_DREQ_4_5	4463
18-1007. Register Call Summary for Register CTRL_CORE_DMA_DSP1_DREQ_4_5	4463
18-1008. CTRL_CORE_DMA_DSP1_DREQ_6_7	4463
18-1009. Register Call Summary for Register CTRL_CORE_DMA_DSP1_DREQ_6_7	4463
18-1010. CTRL_CORE_DMA_DSP1_DREQ_8_9	4464
18-1011. Register Call Summary for Register CTRL_CORE_DMA_DSP1_DREQ_8_9	4464
18-1012. CTRL_CORE_DMA_DSP1_DREQ_10_11	4464
18-1013. Register Call Summary for Register CTRL_CORE_DMA_DSP1_DREQ_10_11	4464
18-1014. CTRL_CORE_DMA_DSP1_DREQ_12_13	4465
18-1015. Register Call Summary for Register CTRL_CORE_DMA_DSP1_DREQ_12_13	4465
18-1016. CTRL_CORE_DMA_DSP1_DREQ_14_15	4465
18-1017. Register Call Summary for Register CTRL_CORE_DMA_DSP1_DREQ_14_15	4465
18-1018. CTRL_CORE_DMA_DSP1_DREQ_16_17	4466
18-1019. Register Call Summary for Register CTRL_CORE_DMA_DSP1_DREQ_16_17	4466
18-1020. CTRL_CORE_DMA_DSP1_DREQ_18_19	4466
18-1021. Register Call Summary for Register CTRL_CORE_DMA_DSP1_DREQ_18_19	4466
18-1022. CTRL_CORE_OVS_DMARQ_IO_MUX	4467
18-1023. Register Call Summary for Register CTRL_CORE_OVS_DMARQ_IO_MUX	4467

18-1024. CTRL_CORE_OVS_IRQ_IO_MUX	4467
18-1025. Register Call Summary for Register CTRL_CORE_OVS_IRQ_IO_MUX.....	4467
18-1026. CTRL_CORE_CONTROL_PBIAS	4468
18-1027. Register Call Summary for Register CTRL_CORE_CONTROL_PBIAS	4468
18-1028. CTRL_CORE_CONTROL_HDMI_TX_PHY	4469
18-1029. Register Call Summary for Register CTRL_CORE_CONTROL_HDMI_TX_PHY	4469
18-1030. CTRL_CORE_CONTROL_USB2PHYCORE	4469
18-1031. Register Call Summary for Register CTRL_CORE_CONTROL_USB2PHYCORE.....	4471
18-1032. CTRL_CORE_CONTROL_HDMI_1	4471
18-1033. Register Call Summary for Register CTRL_CORE_CONTROL_HDMI_1	4472
18-1034. CTRL_CORE_CONTROL_DDRCACH1_0	4472
18-1035. Register Call Summary for Register CTRL_CORE_CONTROL_DDRCACH1_0.....	4475
18-1036. CTRL_CORE_CONTROL_DDRCH1_0	4475
18-1037. Register Call Summary for Register CTRL_CORE_CONTROL_DDRCH1_0.....	4477
18-1038. CTRL_CORE_CONTROL_DDRCH1_1	4477
18-1039. Register Call Summary for Register CTRL_CORE_CONTROL_DDRCH1_1.....	4480
18-1040. CTRL_CORE_CONTROL_DDRCH1_2	4480
18-1041. Register Call Summary for Register CTRL_CORE_CONTROL_DDRCH1_2.....	4481
18-1042. CTRL_CORE_CONTROL_DDRI0_0.....	4481
18-1043. Register Call Summary for Register CTRL_CORE_CONTROL_DDRI0_0	4483
18-1044. CTRL_CORE_CONTROL_HYST_1	4483
18-1045. Register Call Summary for Register CTRL_CORE_CONTROL_HYST_1.....	4483
18-1046. CTRL_CORE_SPARE_RW	4484
18-1047. Register Call Summary for Register CTRL_CORE_SPARE_RW	4484
18-1048. CTRL_CORE_SPARE_R	4485
18-1049. Register Call Summary for Register CTRL_CORE_SPARE_R	4485
18-1050. CTRL_CORE_SRCOMP_NORTH_SIDE	4486
18-1051. Register Call Summary for Register CTRL_CORE_SRCOMP_NORTH_SIDE.....	4487
18-1052. CTRL_CORE_SRCOMP_SOUTH_SIDE	4487
18-1053. Register Call Summary for Register CTRL_CORE_SRCOMP_SOUTH_SIDE	4488
18-1054. CTRL_CORE_VIP_MUX_SELECT	4488
18-1055. Register Call Summary for Register CTRL_CORE_VIP_MUX_SELECT.....	4489
18-1056. CTRL_CORE_ALT_SELECT_MUX.....	4489
18-1057. Register Call Summary for Register CTRL_CORE_ALT_SELECT_MUX	4490
18-1058. CTRL_CORE_CAMERRX_CONTROL	4490
18-1059. Register Call Summary for Register CTRL_CORE_CAMERRX_CONTROL	4491
18-1060. CTRL_CORE_PAD_GPMC_AD0	4491
18-1061. Register Call Summary for Register CTRL_CORE_PAD_GPMC_AD0.....	4492
18-1062. CTRL_CORE_PAD_GPMC_AD1	4492
18-1063. Register Call Summary for Register CTRL_CORE_PAD_GPMC_AD1	4493
18-1064. CTRL_CORE_PAD_GPMC_AD2	4494
18-1065. Register Call Summary for Register CTRL_CORE_PAD_GPMC_AD2.....	4495
18-1066. CTRL_CORE_PAD_GPMC_AD3	4495
18-1067. Register Call Summary for Register CTRL_CORE_PAD_GPMC_AD3.....	4496
18-1068. CTRL_CORE_PAD_GPMC_AD4	4496
18-1069. Register Call Summary for Register CTRL_CORE_PAD_GPMC_AD4.....	4497
18-1070. CTRL_CORE_PAD_GPMC_AD5	4497
18-1071. Register Call Summary for Register CTRL_CORE_PAD_GPMC_AD5.....	4498
18-1072. CTRL_CORE_PAD_GPMC_AD6	4498

18-1073. Register Call Summary for Register CTRL_CORE_PAD_GPMC_AD6.....	4499
18-1074. CTRL_CORE_PAD_GPMC_AD7	4500
18-1075. Register Call Summary for Register CTRL_CORE_PAD_GPMC_AD7.....	4501
18-1076. CTRL_CORE_PAD_GPMC_AD8	4501
18-1077. Register Call Summary for Register CTRL_CORE_PAD_GPMC_AD8.....	4502
18-1078. CTRL_CORE_PAD_GPMC_AD9	4502
18-1079. Register Call Summary for Register CTRL_CORE_PAD_GPMC_AD9.....	4503
18-1080. CTRL_CORE_PAD_GPMC_AD10.....	4503
18-1081. Register Call Summary for Register CTRL_CORE_PAD_GPMC_AD10	4504
18-1082. CTRL_CORE_PAD_GPMC_AD11.....	4505
18-1083. Register Call Summary for Register CTRL_CORE_PAD_GPMC_AD11	4506
18-1084. CTRL_CORE_PAD_GPMC_AD12.....	4506
18-1085. Register Call Summary for Register CTRL_CORE_PAD_GPMC_AD12	4507
18-1086. CTRL_CORE_PAD_GPMC_AD13.....	4507
18-1087. Register Call Summary for Register CTRL_CORE_PAD_GPMC_AD13	4508
18-1088. CTRL_CORE_PAD_GPMC_AD14.....	4508
18-1089. Register Call Summary for Register CTRL_CORE_PAD_GPMC_AD14	4509
18-1090. CTRL_CORE_PAD_GPMC_AD15.....	4510
18-1091. Register Call Summary for Register CTRL_CORE_PAD_GPMC_AD15	4511
18-1092. CTRL_CORE_PAD_GPMC_A0	4511
18-1093. Register Call Summary for Register CTRL_CORE_PAD_GPMC_A0.....	4512
18-1094. CTRL_CORE_PAD_GPMC_A1	4512
18-1095. Register Call Summary for Register CTRL_CORE_PAD_GPMC_A1.....	4513
18-1096. CTRL_CORE_PAD_GPMC_A2	4513
18-1097. Register Call Summary for Register CTRL_CORE_PAD_GPMC_A2.....	4515
18-1098. CTRL_CORE_PAD_GPMC_A3	4515
18-1099. Register Call Summary for Register CTRL_CORE_PAD_GPMC_A3.....	4516
18-1100. CTRL_CORE_PAD_GPMC_A4	4516
18-1101. Register Call Summary for Register CTRL_CORE_PAD_GPMC_A4.....	4517
18-1102. CTRL_CORE_PAD_GPMC_A5	4517
18-1103. Register Call Summary for Register CTRL_CORE_PAD_GPMC_A5.....	4518
18-1104. CTRL_CORE_PAD_GPMC_A6	4518
18-1105. Register Call Summary for Register CTRL_CORE_PAD_GPMC_A6.....	4520
18-1106. CTRL_CORE_PAD_GPMC_A7	4520
18-1107. Register Call Summary for Register CTRL_CORE_PAD_GPMC_A7.....	4521
18-1108. CTRL_CORE_PAD_GPMC_A8	4521
18-1109. Register Call Summary for Register CTRL_CORE_PAD_GPMC_A8.....	4522
18-1110. CTRL_CORE_PAD_GPMC_A9	4522
18-1111. Register Call Summary for Register CTRL_CORE_PAD_GPMC_A9.....	4523
18-1112. CTRL_CORE_PAD_GPMC_A10.....	4523
18-1113. Register Call Summary for Register CTRL_CORE_PAD_GPMC_A10	4525
18-1114. CTRL_CORE_PAD_GPMC_A11.....	4525
18-1115. Register Call Summary for Register CTRL_CORE_PAD_GPMC_A11	4526
18-1116. CTRL_CORE_PAD_GPMC_A12.....	4526
18-1117. Register Call Summary for Register CTRL_CORE_PAD_GPMC_A12	4527
18-1118. CTRL_CORE_PAD_GPMC_A13.....	4527
18-1119. Register Call Summary for Register CTRL_CORE_PAD_GPMC_A13	4528
18-1120. CTRL_CORE_PAD_GPMC_A14.....	4528
18-1121. Register Call Summary for Register CTRL_CORE_PAD_GPMC_A14	4530

18-1122. CTRL_CORE_PAD_GPMC_A15.....	4530
18-1123. Register Call Summary for Register CTRL_CORE_PAD_GPMC_A15	4531
18-1124. CTRL_CORE_PAD_GPMC_A16.....	4531
18-1125. Register Call Summary for Register CTRL_CORE_PAD_GPMC_A16	4532
18-1126. CTRL_CORE_PAD_GPMC_A17.....	4532
18-1127. Register Call Summary for Register CTRL_CORE_PAD_GPMC_A17	4533
18-1128. CTRL_CORE_PAD_GPMC_A18.....	4533
18-1129. Register Call Summary for Register CTRL_CORE_PAD_GPMC_A18	4534
18-1130. CTRL_CORE_PAD_GPMC_A19.....	4535
18-1131. Register Call Summary for Register CTRL_CORE_PAD_GPMC_A19	4536
18-1132. CTRL_CORE_PAD_GPMC_A20.....	4536
18-1133. Register Call Summary for Register CTRL_CORE_PAD_GPMC_A20	4537
18-1134. CTRL_CORE_PAD_GPMC_A21.....	4537
18-1135. Register Call Summary for Register CTRL_CORE_PAD_GPMC_A21	4538
18-1136. CTRL_CORE_PAD_GPMC_A22.....	4538
18-1137. Register Call Summary for Register CTRL_CORE_PAD_GPMC_A22	4540
18-1138. CTRL_CORE_PAD_GPMC_A23.....	4540
18-1139. Register Call Summary for Register CTRL_CORE_PAD_GPMC_A23	4541
18-1140. CTRL_CORE_PAD_GPMC_A24.....	4541
18-1141. Register Call Summary for Register CTRL_CORE_PAD_GPMC_A24	4542
18-1142. CTRL_CORE_PAD_GPMC_A25.....	4542
18-1143. Register Call Summary for Register CTRL_CORE_PAD_GPMC_A25	4543
18-1144. CTRL_CORE_PAD_GPMC_A26.....	4543
18-1145. Register Call Summary for Register CTRL_CORE_PAD_GPMC_A26	4545
18-1146. CTRL_CORE_PAD_GPMC_A27.....	4545
18-1147. Register Call Summary for Register CTRL_CORE_PAD_GPMC_A27	4546
18-1148. CTRL_CORE_PAD_GPMC_CS1	4546
18-1149. Register Call Summary for Register CTRL_CORE_PAD_GPMC_CS1.....	4547
18-1150. CTRL_CORE_PAD_GPMC_CS0	4547
18-1151. Register Call Summary for Register CTRL_CORE_PAD_GPMC_CS0.....	4548
18-1152. CTRL_CORE_PAD_GPMC_CS2	4548
18-1153. Register Call Summary for Register CTRL_CORE_PAD_GPMC_CS2.....	4549
18-1154. CTRL_CORE_PAD_GPMC_CS3	4550
18-1155. Register Call Summary for Register CTRL_CORE_PAD_GPMC_CS3.....	4551
18-1156. CTRL_CORE_PAD_GPMC_CLK	4551
18-1157. Register Call Summary for Register CTRL_CORE_PAD_GPMC_CLK.....	4552
18-1158. CTRL_CORE_PAD_GPMC_ADV_N_ALE	4552
18-1159. Register Call Summary for Register CTRL_CORE_PAD_GPMC_ADV_N_ALE.....	4554
18-1160. CTRL_CORE_PAD_GPMC_OEN_REN	4554
18-1161. Register Call Summary for Register CTRL_CORE_PAD_GPMC_OEN_REN.....	4555
18-1162. CTRL_CORE_PAD_GPMC_WEN	4555
18-1163. Register Call Summary for Register CTRL_CORE_PAD_GPMC_WEN.....	4556
18-1164. CTRL_CORE_PAD_GPMC_BEN0	4556
18-1165. Register Call Summary for Register CTRL_CORE_PAD_GPMC_BEN0.....	4558
18-1166. CTRL_CORE_PAD_GPMC_BEN1	4558
18-1167. Register Call Summary for Register CTRL_CORE_PAD_GPMC_BEN1.....	4559
18-1168. CTRL_CORE_PAD_GPMC_WAIT0	4559
18-1169. Register Call Summary for Register CTRL_CORE_PAD_GPMC_WAIT0.....	4560
18-1170. CTRL_CORE_PAD_VIN2A_CLK0	4560

18-1171. Register Call Summary for Register CTRL_CORE_PAD_VIN2A_CLK0	4561
18-1172. CTRL_CORE_PAD_VIN2A_DE0	4561
18-1173. Register Call Summary for Register CTRL_CORE_PAD_VIN2A_DE0	4563
18-1174. CTRL_CORE_PAD_VIN2A_FLD0	4563
18-1175. Register Call Summary for Register CTRL_CORE_PAD_VIN2A_FLD0.....	4564
18-1176. CTRL_CORE_PAD_VIN2A_HSYNC0.....	4564
18-1177. Register Call Summary for Register CTRL_CORE_PAD_VIN2A_HSYNC0	4566
18-1178. CTRL_CORE_PAD_VIN2A_VSYNC0	4566
18-1179. Register Call Summary for Register CTRL_CORE_PAD_VIN2A_VSYNC0	4567
18-1180. CTRL_CORE_PAD_VIN2A_D0	4567
18-1181. Register Call Summary for Register CTRL_CORE_PAD_VIN2A_D0.....	4569
18-1182. CTRL_CORE_PAD_VIN2A_D1	4569
18-1183. Register Call Summary for Register CTRL_CORE_PAD_VIN2A_D1.....	4570
18-1184. CTRL_CORE_PAD_VIN2A_D2	4570
18-1185. Register Call Summary for Register CTRL_CORE_PAD_VIN2A_D2.....	4572
18-1186. CTRL_CORE_PAD_VIN2A_D3	4572
18-1187. Register Call Summary for Register CTRL_CORE_PAD_VIN2A_D3.....	4573
18-1188. CTRL_CORE_PAD_VIN2A_D4	4573
18-1189. Register Call Summary for Register CTRL_CORE_PAD_VIN2A_D4.....	4574
18-1190. CTRL_CORE_PAD_VIN2A_D5	4574
18-1191. Register Call Summary for Register CTRL_CORE_PAD_VIN2A_D5.....	4576
18-1192. CTRL_CORE_PAD_VIN2A_D6	4576
18-1193. Register Call Summary for Register CTRL_CORE_PAD_VIN2A_D6.....	4577
18-1194. CTRL_CORE_PAD_VIN2A_D7	4577
18-1195. Register Call Summary for Register CTRL_CORE_PAD_VIN2A_D7.....	4578
18-1196. CTRL_CORE_PAD_VIN2A_D8	4578
18-1197. Register Call Summary for Register CTRL_CORE_PAD_VIN2A_D8.....	4580
18-1198. CTRL_CORE_PAD_VIN2A_D9	4580
18-1199. Register Call Summary for Register CTRL_CORE_PAD_VIN2A_D9.....	4581
18-1200. CTRL_CORE_PAD_VIN2A_D10.....	4581
18-1201. Register Call Summary for Register CTRL_CORE_PAD_VIN2A_D10	4582
18-1202. CTRL_CORE_PAD_VIN2A_D11.....	4582
18-1203. Register Call Summary for Register CTRL_CORE_PAD_VIN2A_D11	4584
18-1204. CTRL_CORE_PAD_VIN2A_D12.....	4584
18-1205. Register Call Summary for Register CTRL_CORE_PAD_VIN2A_D12	4585
18-1206. CTRL_CORE_PAD_VIN2A_D13.....	4585
18-1207. Register Call Summary for Register CTRL_CORE_PAD_VIN2A_D13	4586
18-1208. CTRL_CORE_PAD_VIN2A_D14.....	4586
18-1209. Register Call Summary for Register CTRL_CORE_PAD_VIN2A_D14	4588
18-1210. CTRL_CORE_PAD_VIN2A_D15.....	4588
18-1211. Register Call Summary for Register CTRL_CORE_PAD_VIN2A_D15	4589
18-1212. CTRL_CORE_PAD_VIN2A_D16.....	4589
18-1213. Register Call Summary for Register CTRL_CORE_PAD_VIN2A_D16	4590
18-1214. CTRL_CORE_PAD_VIN2A_D17.....	4590
18-1215. Register Call Summary for Register CTRL_CORE_PAD_VIN2A_D17	4592
18-1216. CTRL_CORE_PAD_VIN2A_D18.....	4592
18-1217. Register Call Summary for Register CTRL_CORE_PAD_VIN2A_D18	4593
18-1218. CTRL_CORE_PAD_VIN2A_D19.....	4593
18-1219. Register Call Summary for Register CTRL_CORE_PAD_VIN2A_D19	4595

18-1220. CTRL_CORE_PAD_VIN2A_D20.....	4595
18-1221. Register Call Summary for Register CTRL_CORE_PAD_VIN2A_D20	4596
18-1222. CTRL_CORE_PAD_VIN2A_D21	4596
18-1223. Register Call Summary for Register CTRL_CORE_PAD_VIN2A_D21	4598
18-1224. CTRL_CORE_PAD_VIN2A_D22.....	4598
18-1225. Register Call Summary for Register CTRL_CORE_PAD_VIN2A_D22	4599
18-1226. CTRL_CORE_PAD_VIN2A_D23.....	4599
18-1227. Register Call Summary for Register CTRL_CORE_PAD_VIN2A_D23	4600
18-1228. CTRL_CORE_PAD_VOUT1_CLK	4600
18-1229. Register Call Summary for Register CTRL_CORE_PAD_VOUT1_CLK.....	4602
18-1230. CTRL_CORE_PAD_VOUT1_DE.....	4602
18-1231. Register Call Summary for Register CTRL_CORE_PAD_VOUT1_DE	4603
18-1232. CTRL_CORE_PAD_VOUT1_FLD	4603
18-1233. Register Call Summary for Register CTRL_CORE_PAD_VOUT1_FLD	4604
18-1234. CTRL_CORE_PAD_VOUT1_HSYNC	4604
18-1235. Register Call Summary for Register CTRL_CORE_PAD_VOUT1_HSYNC.....	4605
18-1236. CTRL_CORE_PAD_VOUT1_VSYNC	4605
18-1237. Register Call Summary for Register CTRL_CORE_PAD_VOUT1_VSYNC.....	4607
18-1238. CTRL_CORE_PAD_VOUT1_D0	4607
18-1239. Register Call Summary for Register CTRL_CORE_PAD_VOUT1_D0.....	4608
18-1240. CTRL_CORE_PAD_VOUT1_D1	4608
18-1241. Register Call Summary for Register CTRL_CORE_PAD_VOUT1_D1.....	4609
18-1242. CTRL_CORE_PAD_VOUT1_D2	4609
18-1243. Register Call Summary for Register CTRL_CORE_PAD_VOUT1_D2.....	4610
18-1244. CTRL_CORE_PAD_VOUT1_D3	4611
18-1245. Register Call Summary for Register CTRL_CORE_PAD_VOUT1_D3.....	4612
18-1246. CTRL_CORE_PAD_VOUT1_D4	4612
18-1247. Register Call Summary for Register CTRL_CORE_PAD_VOUT1_D4.....	4613
18-1248. CTRL_CORE_PAD_VOUT1_D5	4613
18-1249. Register Call Summary for Register CTRL_CORE_PAD_VOUT1_D5.....	4615
18-1250. CTRL_CORE_PAD_VOUT1_D6	4615
18-1251. Register Call Summary for Register CTRL_CORE_PAD_VOUT1_D6.....	4616
18-1252. CTRL_CORE_PAD_VOUT1_D7	4616
18-1253. Register Call Summary for Register CTRL_CORE_PAD_VOUT1_D7.....	4618
18-1254. CTRL_CORE_PAD_VOUT1_D8	4618
18-1255. Register Call Summary for Register CTRL_CORE_PAD_VOUT1_D8.....	4619
18-1256. CTRL_CORE_PAD_VOUT1_D9	4619
18-1257. Register Call Summary for Register CTRL_CORE_PAD_VOUT1_D9.....	4620
18-1258. CTRL_CORE_PAD_VOUT1_D10.....	4620
18-1259. Register Call Summary for Register CTRL_CORE_PAD_VOUT1_D10	4621
18-1260. CTRL_CORE_PAD_VOUT1_D11.....	4622
18-1261. Register Call Summary for Register CTRL_CORE_PAD_VOUT1_D11	4623
18-1262. CTRL_CORE_PAD_VOUT1_D12.....	4623
18-1263. Register Call Summary for Register CTRL_CORE_PAD_VOUT1_D12	4624
18-1264. CTRL_CORE_PAD_VOUT1_D13.....	4624
18-1265. Register Call Summary for Register CTRL_CORE_PAD_VOUT1_D13	4626
18-1266. CTRL_CORE_PAD_VOUT1_D14.....	4626
18-1267. Register Call Summary for Register CTRL_CORE_PAD_VOUT1_D14	4627
18-1268. CTRL_CORE_PAD_VOUT1_D15.....	4627

18-1269. Register Call Summary for Register CTRL_CORE_PAD_VOUT1_D15	4629
18-1270. CTRL_CORE_PAD_VOUT1_D16.....	4629
18-1271. Register Call Summary for Register CTRL_CORE_PAD_VOUT1_D16	4630
18-1272. CTRL_CORE_PAD_VOUT1_D17.....	4630
18-1273. Register Call Summary for Register CTRL_CORE_PAD_VOUT1_D17	4632
18-1274. CTRL_CORE_PAD_VOUT1_D18.....	4632
18-1275. Register Call Summary for Register CTRL_CORE_PAD_VOUT1_D18	4633
18-1276. CTRL_CORE_PAD_VOUT1_D19.....	4633
18-1277. Register Call Summary for Register CTRL_CORE_PAD_VOUT1_D19	4634
18-1278. CTRL_CORE_PAD_VOUT1_D20.....	4635
18-1279. Register Call Summary for Register CTRL_CORE_PAD_VOUT1_D20	4636
18-1280. CTRL_CORE_PAD_VOUT1_D21.....	4636
18-1281. Register Call Summary for Register CTRL_CORE_PAD_VOUT1_D21	4637
18-1282. CTRL_CORE_PAD_VOUT1_D22.....	4637
18-1283. Register Call Summary for Register CTRL_CORE_PAD_VOUT1_D22	4639
18-1284. CTRL_CORE_PAD_VOUT1_D23.....	4639
18-1285. Register Call Summary for Register CTRL_CORE_PAD_VOUT1_D23	4640
18-1286. CTRL_CORE_PAD_MDIO_MCLK	4640
18-1287. Register Call Summary for Register CTRL_CORE_PAD_MDIO_MCLK	4642
18-1288. CTRL_CORE_PAD_MDIO_D.....	4642
18-1289. Register Call Summary for Register CTRL_CORE_PAD_MDIO_D	4643
18-1290. CTRL_CORE_PAD_RMII_MHZ_50_CLK.....	4643
18-1291. Register Call Summary for Register CTRL_CORE_PAD_RMII_MHZ_50_CLK	4644
18-1292. CTRL_CORE_PAD_UART3_RXD	4644
18-1293. Register Call Summary for Register CTRL_CORE_PAD_UART3_RXD	4646
18-1294. CTRL_CORE_PAD_UART3_TXD	4646
18-1295. Register Call Summary for Register CTRL_CORE_PAD_UART3_TXD	4647
18-1296. CTRL_CORE_PAD_RGMII0_TXC.....	4647
18-1297. Register Call Summary for Register CTRL_CORE_PAD_RGMII0_TXC	4649
18-1298. CTRL_CORE_PAD_RGMII0_TXCTL.....	4649
18-1299. Register Call Summary for Register CTRL_CORE_PAD_RGMII0_TXCTL	4650
18-1300. CTRL_CORE_PAD_RGMII0_TXD3	4650
18-1301. Register Call Summary for Register CTRL_CORE_PAD_RGMII0_TXD3.....	4652
18-1302. CTRL_CORE_PAD_RGMII0_TXD2	4652
18-1303. Register Call Summary for Register CTRL_CORE_PAD_RGMII0_TXD2.....	4653
18-1304. CTRL_CORE_PAD_RGMII0_TXD1	4653
18-1305. Register Call Summary for Register CTRL_CORE_PAD_RGMII0_TXD1	4655
18-1306. CTRL_CORE_PAD_RGMII0_TXD0	4655
18-1307. Register Call Summary for Register CTRL_CORE_PAD_RGMII0_TXD0.....	4656
18-1308. CTRL_CORE_PAD_RGMII0_RXC.....	4656
18-1309. Register Call Summary for Register CTRL_CORE_PAD_RGMII0_RXC	4658
18-1310. CTRL_CORE_PAD_RGMII0_RXCTL	4658
18-1311. Register Call Summary for Register CTRL_CORE_PAD_RGMII0_RXCTL	4659
18-1312. CTRL_CORE_PAD_RGMII0_RXD3	4659
18-1313. Register Call Summary for Register CTRL_CORE_PAD_RGMII0_RXD3.....	4661
18-1314. CTRL_CORE_PAD_RGMII0_RXD2	4661
18-1315. Register Call Summary for Register CTRL_CORE_PAD_RGMII0_RXD2.....	4662
18-1316. CTRL_CORE_PAD_RGMII0_RXD1	4662
18-1317. Register Call Summary for Register CTRL_CORE_PAD_RGMII0_RXD1.....	4663

18-1318. CTRL_CORE_PAD_RGMII0_RXD0	4663
18-1319. Register Call Summary for Register CTRL_CORE_PAD_RGMII0_RXD0.....	4665
18-1320. CTRL_CORE_PAD_USB1_DRVVBUS	4665
18-1321. Register Call Summary for Register CTRL_CORE_PAD_USB1_DRVVBUS	4666
18-1322. CTRL_CORE_PAD_USB2_DRVVBUS	4666
18-1323. Register Call Summary for Register CTRL_CORE_PAD_USB2_DRVVBUS	4667
18-1324. CTRL_CORE_PAD_GPIO6_14	4667
18-1325. Register Call Summary for Register CTRL_CORE_PAD_GPIO6_14.....	4669
18-1326. CTRL_CORE_PAD_GPIO6_15	4669
18-1327. Register Call Summary for Register CTRL_CORE_PAD_GPIO6_15.....	4670
18-1328. CTRL_CORE_PAD_GPIO6_16	4670
18-1329. Register Call Summary for Register CTRL_CORE_PAD_GPIO6_16.....	4671
18-1330. CTRL_CORE_PAD_XREF_CLK0.....	4671
18-1331. Register Call Summary for Register CTRL_CORE_PAD_XREF_CLK0	4672
18-1332. CTRL_CORE_PAD_XREF_CLK1.....	4673
18-1333. Register Call Summary for Register CTRL_CORE_PAD_XREF_CLK1	4674
18-1334. CTRL_CORE_PAD_XREF_CLK2.....	4674
18-1335. Register Call Summary for Register CTRL_CORE_PAD_XREF_CLK2	4675
18-1336. CTRL_CORE_PAD_XREF_CLK3.....	4675
18-1337. Register Call Summary for Register CTRL_CORE_PAD_XREF_CLK3	4677
18-1338. CTRL_CORE_PAD_MCASP1_ACLKX.....	4677
18-1339. Register Call Summary for Register CTRL_CORE_PAD_MCASP1_ACLKX	4678
18-1340. CTRL_CORE_PAD_MCASP1_FSX	4678
18-1341. Register Call Summary for Register CTRL_CORE_PAD_MCASP1_FSX.....	4680
18-1342. CTRL_CORE_PAD_MCASP1_ACLKR	4680
18-1343. Register Call Summary for Register CTRL_CORE_PAD_MCASP1_ACLKR	4681
18-1344. CTRL_CORE_PAD_MCASP1_FSR	4681
18-1345. Register Call Summary for Register CTRL_CORE_PAD_MCASP1_FSR.....	4682
18-1346. CTRL_CORE_PAD_MCASP1_AXR0	4682
18-1347. Register Call Summary for Register CTRL_CORE_PAD_MCASP1_AXR0.....	4684
18-1348. CTRL_CORE_PAD_MCASP1_AXR1	4684
18-1349. Register Call Summary for Register CTRL_CORE_PAD_MCASP1_AXR1	4685
18-1350. CTRL_CORE_PAD_MCASP1_AXR2	4685
18-1351. Register Call Summary for Register CTRL_CORE_PAD_MCASP1_AXR2.....	4686
18-1352. CTRL_CORE_PAD_MCASP1_AXR3	4686
18-1353. Register Call Summary for Register CTRL_CORE_PAD_MCASP1_AXR3.....	4688
18-1354. CTRL_CORE_PAD_MCASP1_AXR4	4688
18-1355. Register Call Summary for Register CTRL_CORE_PAD_MCASP1_AXR4.....	4689
18-1356. CTRL_CORE_PAD_MCASP1_AXR5	4689
18-1357. Register Call Summary for Register CTRL_CORE_PAD_MCASP1_AXR5.....	4690
18-1358. CTRL_CORE_PAD_MCASP1_AXR6	4690
18-1359. Register Call Summary for Register CTRL_CORE_PAD_MCASP1_AXR6.....	4692
18-1360. CTRL_CORE_PAD_MCASP1_AXR7	4692
18-1361. Register Call Summary for Register CTRL_CORE_PAD_MCASP1_AXR7.....	4693
18-1362. CTRL_CORE_PAD_MCASP1_AXR8	4693
18-1363. Register Call Summary for Register CTRL_CORE_PAD_MCASP1_AXR8.....	4694
18-1364. CTRL_CORE_PAD_MCASP1_AXR9	4694
18-1365. Register Call Summary for Register CTRL_CORE_PAD_MCASP1_AXR9.....	4696
18-1366. CTRL_CORE_PAD_MCASP1_AXR10.....	4696

18-1367. Register Call Summary for Register CTRL_CORE_PAD_MCASP1_AXR10	4697
18-1368. CTRL_CORE_PAD_MCASP1_AXR11	4697
18-1369. Register Call Summary for Register CTRL_CORE_PAD_MCASP1_AXR11	4699
18-1370. CTRL_CORE_PAD_MCASP1_AXR12	4699
18-1371. Register Call Summary for Register CTRL_CORE_PAD_MCASP1_AXR12	4700
18-1372. CTRL_CORE_PAD_MCASP1_AXR13	4700
18-1373. Register Call Summary for Register CTRL_CORE_PAD_MCASP1_AXR13	4702
18-1374. CTRL_CORE_PAD_MCASP1_AXR14	4702
18-1375. Register Call Summary for Register CTRL_CORE_PAD_MCASP1_AXR14	4703
18-1376. CTRL_CORE_PAD_MCASP1_AXR15	4703
18-1377. Register Call Summary for Register CTRL_CORE_PAD_MCASP1_AXR15	4704
18-1378. CTRL_CORE_PAD_MCASP2_ACLKX	4704
18-1379. Register Call Summary for Register CTRL_CORE_PAD_MCASP2_ACLKX	4706
18-1380. CTRL_CORE_PAD_MCASP2_FSX	4706
18-1381. Register Call Summary for Register CTRL_CORE_PAD_MCASP2_FSX	4707
18-1382. CTRL_CORE_PAD_MCASP2_ACLKR	4707
18-1383. Register Call Summary for Register CTRL_CORE_PAD_MCASP2_ACLKR	4708
18-1384. CTRL_CORE_PAD_MCASP2_FSR	4708
18-1385. Register Call Summary for Register CTRL_CORE_PAD_MCASP2_FSR	4709
18-1386. CTRL_CORE_PAD_MCASP2_AXR0	4709
18-1387. Register Call Summary for Register CTRL_CORE_PAD_MCASP2_AXR0	4710
18-1388. CTRL_CORE_PAD_MCASP2_AXR1	4711
18-1389. Register Call Summary for Register CTRL_CORE_PAD_MCASP2_AXR1	4712
18-1390. CTRL_CORE_PAD_MCASP2_AXR2	4712
18-1391. Register Call Summary for Register CTRL_CORE_PAD_MCASP2_AXR2	4713
18-1392. CTRL_CORE_PAD_MCASP2_AXR3	4713
18-1393. Register Call Summary for Register CTRL_CORE_PAD_MCASP2_AXR3	4714
18-1394. CTRL_CORE_PAD_MCASP2_AXR4	4714
18-1395. Register Call Summary for Register CTRL_CORE_PAD_MCASP2_AXR4	4716
18-1396. CTRL_CORE_PAD_MCASP2_AXR5	4716
18-1397. Register Call Summary for Register CTRL_CORE_PAD_MCASP2_AXR5	4717
18-1398. CTRL_CORE_PAD_MCASP2_AXR6	4717
18-1399. Register Call Summary for Register CTRL_CORE_PAD_MCASP2_AXR6	4718
18-1400. CTRL_CORE_PAD_MCASP2_AXR7	4718
18-1401. Register Call Summary for Register CTRL_CORE_PAD_MCASP2_AXR7	4720
18-1402. CTRL_CORE_PAD_MCASP3_ACLKX	4720
18-1403. Register Call Summary for Register CTRL_CORE_PAD_MCASP3_ACLKX	4721
18-1404. CTRL_CORE_PAD_MCASP3_FSX	4721
18-1405. Register Call Summary for Register CTRL_CORE_PAD_MCASP3_FSX	4722
18-1406. CTRL_CORE_PAD_MCASP3_AXR0	4722
18-1407. Register Call Summary for Register CTRL_CORE_PAD_MCASP3_AXR0	4724
18-1408. CTRL_CORE_PAD_MCASP3_AXR1	4724
18-1409. Register Call Summary for Register CTRL_CORE_PAD_MCASP3_AXR1	4725
18-1410. CTRL_CORE_PAD_MCASP4_ACLKX	4725
18-1411. Register Call Summary for Register CTRL_CORE_PAD_MCASP4_ACLKX	4726
18-1412. CTRL_CORE_PAD_MCASP4_FSX	4726
18-1413. Register Call Summary for Register CTRL_CORE_PAD_MCASP4_FSX	4728
18-1414. CTRL_CORE_PAD_MCASP4_AXR0	4728
18-1415. Register Call Summary for Register CTRL_CORE_PAD_MCASP4_AXR0	4729

18-1416. CTRL_CORE_PAD_MCASP4_AXR1	4729
18-1417. Register Call Summary for Register CTRL_CORE_PAD_MCASP4_AXR1	4730
18-1418. CTRL_CORE_PAD_MCASP5_ACLKX.....	4730
18-1419. Register Call Summary for Register CTRL_CORE_PAD_MCASP5_ACLKX	4732
18-1420. CTRL_CORE_PAD_MCASP5_FSX	4732
18-1421. Register Call Summary for Register CTRL_CORE_PAD_MCASP5_FSX.....	4733
18-1422. CTRL_CORE_PAD_MCASP5_AXR0	4733
18-1423. Register Call Summary for Register CTRL_CORE_PAD_MCASP5_AXR0	4735
18-1424. CTRL_CORE_PAD_MCASP5_AXR1	4735
18-1425. Register Call Summary for Register CTRL_CORE_PAD_MCASP5_AXR1	4736
18-1426. CTRL_CORE_PAD_MMC1_CLK	4736
18-1427. Register Call Summary for Register CTRL_CORE_PAD_MMC1_CLK.....	4737
18-1428. CTRL_CORE_PAD_MMC1_CMD	4738
18-1429. Register Call Summary for Register CTRL_CORE_PAD_MMC1_CMD	4739
18-1430. CTRL_CORE_PAD_MMC1_DAT0.....	4739
18-1431. Register Call Summary for Register CTRL_CORE_PAD_MMC1_DAT0	4740
18-1432. CTRL_CORE_PAD_MMC1_DAT1.....	4740
18-1433. Register Call Summary for Register CTRL_CORE_PAD_MMC1_DAT1	4741
18-1434. CTRL_CORE_PAD_MMC1_DAT2.....	4741
18-1435. Register Call Summary for Register CTRL_CORE_PAD_MMC1_DAT2	4742
18-1436. CTRL_CORE_PAD_MMC1_DAT3.....	4742
18-1437. Register Call Summary for Register CTRL_CORE_PAD_MMC1_DAT3	4743
18-1438. CTRL_CORE_PAD_MMC1_SDCD	4743
18-1439. Register Call Summary for Register CTRL_CORE_PAD_MMC1_SDCD	4744
18-1440. CTRL_CORE_PAD_MMC1_SDWP	4744
18-1441. Register Call Summary for Register CTRL_CORE_PAD_MMC1_SDWP	4746
18-1442. CTRL_CORE_PAD_GPIO6_10	4746
18-1443. Register Call Summary for Register CTRL_CORE_PAD_GPIO6_10.....	4747
18-1444. CTRL_CORE_PAD_GPIO6_11	4747
18-1445. Register Call Summary for Register CTRL_CORE_PAD_GPIO6_11	4748
18-1446. CTRL_CORE_PAD_MMC3_CLK	4748
18-1447. Register Call Summary for Register CTRL_CORE_PAD_MMC3_CLK.....	4750
18-1448. CTRL_CORE_PAD_MMC3_CMD	4750
18-1449. Register Call Summary for Register CTRL_CORE_PAD_MMC3_CMD	4751
18-1450. CTRL_CORE_PAD_MMC3_DAT0.....	4751
18-1451. Register Call Summary for Register CTRL_CORE_PAD_MMC3_DAT0	4752
18-1452. CTRL_CORE_PAD_MMC3_DAT1.....	4752
18-1453. Register Call Summary for Register CTRL_CORE_PAD_MMC3_DAT1	4754
18-1454. CTRL_CORE_PAD_MMC3_DAT2.....	4754
18-1455. Register Call Summary for Register CTRL_CORE_PAD_MMC3_DAT2	4755
18-1456. CTRL_CORE_PAD_MMC3_DAT3.....	4755
18-1457. Register Call Summary for Register CTRL_CORE_PAD_MMC3_DAT3	4757
18-1458. CTRL_CORE_PAD_MMC3_DAT4.....	4757
18-1459. Register Call Summary for Register CTRL_CORE_PAD_MMC3_DAT4	4758
18-1460. CTRL_CORE_PAD_MMC3_DAT5.....	4758
18-1461. Register Call Summary for Register CTRL_CORE_PAD_MMC3_DAT5	4760
18-1462. CTRL_CORE_PAD_MMC3_DAT6.....	4760
18-1463. Register Call Summary for Register CTRL_CORE_PAD_MMC3_DAT6	4761
18-1464. CTRL_CORE_PAD_MMC3_DAT7.....	4761

18-1465. Register Call Summary for Register CTRL_CORE_PAD_MMC3_DAT7	4763
18-1466. CTRL_CORE_PAD_SPI1_SCLK.....	4763
18-1467. Register Call Summary for Register CTRL_CORE_PAD_SPI1_SCLK	4764
18-1468. CTRL_CORE_PAD_SPI1_D1	4764
18-1469. Register Call Summary for Register CTRL_CORE_PAD_SPI1_D1.....	4765
18-1470. CTRL_CORE_PAD_SPI1_D0	4765
18-1471. Register Call Summary for Register CTRL_CORE_PAD_SPI1_D0.....	4766
18-1472. CTRL_CORE_PAD_SPI1_CS0	4767
18-1473. Register Call Summary for Register CTRL_CORE_PAD_SPI1_CS0.....	4768
18-1474. CTRL_CORE_PAD_SPI1_CS1	4768
18-1475. Register Call Summary for Register CTRL_CORE_PAD_SPI1_CS1	4769
18-1476. CTRL_CORE_PAD_SPI1_CS2	4769
18-1477. Register Call Summary for Register CTRL_CORE_PAD_SPI1_CS2.....	4770
18-1478. CTRL_CORE_PAD_SPI1_CS3	4770
18-1479. Register Call Summary for Register CTRL_CORE_PAD_SPI1_CS3	4771
18-1480. CTRL_CORE_PAD_SPI2_SCLK.....	4771
18-1481. Register Call Summary for Register CTRL_CORE_PAD_SPI2_SCLK	4772
18-1482. CTRL_CORE_PAD_SPI2_D1	4773
18-1483. Register Call Summary for Register CTRL_CORE_PAD_SPI2_D1.....	4774
18-1484. CTRL_CORE_PAD_SPI2_D0	4774
18-1485. Register Call Summary for Register CTRL_CORE_PAD_SPI2_D0.....	4775
18-1486. CTRL_CORE_PAD_SPI2_CS0	4775
18-1487. Register Call Summary for Register CTRL_CORE_PAD_SPI2_CS0.....	4776
18-1488. CTRL_CORE_PAD_DCAN1_TX	4776
18-1489. Register Call Summary for Register CTRL_CORE_PAD_DCAN1_TX	4777
18-1490. CTRL_CORE_PAD_DCAN1_RX.....	4777
18-1491. Register Call Summary for Register CTRL_CORE_PAD_DCAN1_RX	4779
18-1492. CTRL_CORE_PAD_UART1_RXD	4779
18-1493. Register Call Summary for Register CTRL_CORE_PAD_UART1_RXD	4780
18-1494. CTRL_CORE_PAD_UART1_TXD	4780
18-1495. Register Call Summary for Register CTRL_CORE_PAD_UART1_TXD.....	4781
18-1496. CTRL_CORE_PAD_UART1_CTSN	4781
18-1497. Register Call Summary for Register CTRL_CORE_PAD_UART1_CTSN.....	4782
18-1498. CTRL_CORE_PAD_UART1_RTSN	4782
18-1499. Register Call Summary for Register CTRL_CORE_PAD_UART1_RTSN.....	4784
18-1500. CTRL_CORE_PAD_UART2_RXD	4784
18-1501. Register Call Summary for Register CTRL_CORE_PAD_UART2_RXD	4785
18-1502. CTRL_CORE_PAD_UART2_TXD	4785
18-1503. Register Call Summary for Register CTRL_CORE_PAD_UART2_TXD.....	4786
18-1504. CTRL_CORE_PAD_UART2_CTSN	4786
18-1505. Register Call Summary for Register CTRL_CORE_PAD_UART2_CTSN.....	4787
18-1506. CTRL_CORE_PAD_UART2_RTSN	4787
18-1507. Register Call Summary for Register CTRL_CORE_PAD_UART2_RTSN.....	4789
18-1508. CTRL_CORE_PAD_I2C1_SDA	4789
18-1509. Register Call Summary for Register CTRL_CORE_PAD_I2C1_SDA.....	4789
18-1510. CTRL_CORE_PAD_I2C1_SCL.....	4789
18-1511. Register Call Summary for Register CTRL_CORE_PAD_I2C1_SCL	4790
18-1512. CTRL_CORE_PAD_I2C2_SDA	4790
18-1513. Register Call Summary for Register CTRL_CORE_PAD_I2C2_SDA.....	4791

18-1514. CTRL_CORE_PAD_I2C2_SCL.....	4791
18-1515. Register Call Summary for Register CTRL_CORE_PAD_I2C2_SCL	4792
18-1516. CTRL_CORE_PAD_WAKEUP0	4792
18-1517. Register Call Summary for Register CTRL_CORE_PAD_WAKEUP0	4793
18-1518. CTRL_CORE_PAD_WAKEUP3	4793
18-1519. Register Call Summary for Register CTRL_CORE_PAD_WAKEUP3	4794
18-1520. CTRL_CORE_PAD_ON_OFF	4794
18-1521. Register Call Summary for Register CTRL_CORE_PAD_ON_OFF.....	4795
18-1522. CTRL_CORE_PAD_RTC_PORZ	4795
18-1523. Register Call Summary for Register CTRL_CORE_PAD_RTC_PORZ	4795
18-1524. CTRL_CORE_PAD_TMS	4795
18-1525. Register Call Summary for Register CTRL_CORE_PAD_TMS.....	4796
18-1526. CTRL_CORE_PAD_TDI.....	4796
18-1527. Register Call Summary for Register CTRL_CORE_PAD_TDI	4797
18-1528. CTRL_CORE_PAD_TDO	4797
18-1529. Register Call Summary for Register CTRL_CORE_PAD_TDO	4798
18-1530. CTRL_CORE_PAD_TCLK	4798
18-1531. Register Call Summary for Register CTRL_CORE_PAD_TCLK.....	4799
18-1532. CTRL_CORE_PAD_TRSTN	4799
18-1533. Register Call Summary for Register CTRL_CORE_PAD_TRSTN.....	4800
18-1534. CTRL_CORE_PAD_RTCK.....	4800
18-1535. Register Call Summary for Register CTRL_CORE_PAD_RTCK	4801
18-1536. CTRL_CORE_PAD_EMU0.....	4801
18-1537. Register Call Summary for Register CTRL_CORE_PAD_EMU0	4802
18-1538. CTRL_CORE_PAD_EMU1.....	4802
18-1539. Register Call Summary for Register CTRL_CORE_PAD_EMU1	4803
18-1540. CTRL_CORE_PAD_RESETN	4803
18-1541. Register Call Summary for Register CTRL_CORE_PAD_RESETN.....	4804
18-1542. CTRL_CORE_PAD_NMIN_DSP	4804
18-1543. Register Call Summary for Register CTRL_CORE_PAD_NMIN_DSP.....	4804
18-1544. CTRL_CORE_PAD_RSTOUTN	4805
18-1545. Register Call Summary for Register CTRL_CORE_PAD_RSTOUTN	4805
18-1546. CTRL_CORE_PADCONF_WAKEUPEVENT_0.....	4806
18-1547. Register Call Summary for Register CTRL_CORE_PADCONF_WAKEUPEVENT_0	4807
18-1548. CTRL_CORE_PADCONF_WAKEUPEVENT_1.....	4808
18-1549. Register Call Summary for Register CTRL_CORE_PADCONF_WAKEUPEVENT_1	4809
18-1550. CTRL_CORE_PADCONF_WAKEUPEVENT_2.....	4809
18-1551. Register Call Summary for Register CTRL_CORE_PADCONF_WAKEUPEVENT_2	4810
18-1552. CTRL_CORE_PADCONF_WAKEUPEVENT_3.....	4810
18-1553. Register Call Summary for Register CTRL_CORE_PADCONF_WAKEUPEVENT_3	4812
18-1554. CTRL_CORE_PADCONF_WAKEUPEVENT_4.....	4812
18-1555. Register Call Summary for Register CTRL_CORE_PADCONF_WAKEUPEVENT_4	4813
18-1556. CTRL_CORE_PADCONF_WAKEUPEVENT_5.....	4814
18-1557. Register Call Summary for Register CTRL_CORE_PADCONF_WAKEUPEVENT_5	4815
18-1558. CTRL_CORE_PADCONF_WAKEUPEVENT_6.....	4816
18-1559. Register Call Summary for Register CTRL_CORE_PADCONF_WAKEUPEVENT_6	4817
18-1560. CTRL_CORE_PADCONF_WAKEUPEVENT_7.....	4818
18-1561. Register Call Summary for Register CTRL_CORE_PADCONF_WAKEUPEVENT_7	4819
18-1562. CTRL_CORE_PADCONF_WAKEUPEVENT_8.....	4820

18-1563. Register Call Summary for Register CTRL_CORE_PADCONF_WAKEUPEVENT_8	4821
18-1564. CTRL_CORE_STD_FUSE_OPP_VMIN_GPU_2	4821
18-1565. Register Call Summary for Register CTRL_CORE_STD_FUSE_OPP_VMIN_GPU_2.....	4821
18-1566. CTRL_CORE_STD_FUSE_OPP_VMIN_GPU_3	4821
18-1567. Register Call Summary for Register CTRL_CORE_STD_FUSE_OPP_VMIN_GPU_3.....	4822
18-1568. CTRL_CORE_STD_FUSE_OPP_VMIN_GPU_4	4822
18-1569. Register Call Summary for Register CTRL_CORE_STD_FUSE_OPP_VMIN_GPU_4.....	4822
18-1570. CTRL_CORE_STD_FUSE_OPP_VMIN_GPU_5	4823
18-1571. Register Call Summary for Register CTRL_CORE_STD_FUSE_OPP_VMIN_GPU_5.....	4823
18-1572. CTRL_CORE_STD_FUSE_OPP_VMIN_MPU_1	4823
18-1573. Register Call Summary for Register CTRL_CORE_STD_FUSE_OPP_VMIN_MPU_1.....	4824
18-1574. CTRL_CORE_STD_FUSE_OPP_VMIN_MPU_2	4824
18-1575. Register Call Summary for Register CTRL_CORE_STD_FUSE_OPP_VMIN_MPU_2.....	4824
18-1576. CTRL_CORE_STD_FUSE_OPP_VMIN_MPU_3	4825
18-1577. Register Call Summary for Register CTRL_CORE_STD_FUSE_OPP_VMIN_MPU_3.....	4825
18-1578. CTRL_CORE_STD_FUSE_OPP_VMIN_MPU_4	4825
18-1579. Register Call Summary for Register CTRL_CORE_STD_FUSE_OPP_VMIN_MPU_4.....	4826
18-1580. CTRL_CORE_STD_FUSE_OPP_VMIN_MPU_5	4826
18-1581. Register Call Summary for Register CTRL_CORE_STD_FUSE_OPP_VMIN_MPU_5.....	4826
18-1582. CTRL_CORE_STD_FUSE_OPP_VDD_DSPEVE_LVT_0.....	4827
18-1583. Register Call Summary for Register CTRL_CORE_STD_FUSE_OPP_VDD_DSPEVE_LVT_0	4827
18-1584. CTRL_CORE_STD_FUSE_OPP_VDD_DSPEVE_LVT_1.....	4827
18-1585. Register Call Summary for Register CTRL_CORE_STD_FUSE_OPP_VDD_DSPEVE_LVT_1	4827
18-1586. CTRL_CORE_STD_FUSE_OPP_VDD_DSPEVE_LVT_2.....	4827
18-1587. Register Call Summary for Register CTRL_CORE_STD_FUSE_OPP_VDD_DSPEVE_LVT_2	4828
18-1588. CTRL_CORE_STD_FUSE_OPP_VDD_DSPEVE_LVT_3.....	4828
18-1589. Register Call Summary for Register CTRL_CORE_STD_FUSE_OPP_VDD_DSPEVE_LVT_3	4828
18-1590. CTRL_CORE_STD_FUSE_OPP_VDD_DSPEVE_LVT_4.....	4828
18-1591. Register Call Summary for Register CTRL_CORE_STD_FUSE_OPP_VDD_DSPEVE_LVT_4	4828
18-1592. CTRL_CORE_STD_FUSE_OPP_VDD_IVA_LVT_0	4829
18-1593. Register Call Summary for Register CTRL_CORE_STD_FUSE_OPP_VDD_IVA_LVT_0.....	4829
18-1594. CTRL_CORE_STD_FUSE_OPP_VDD_IVA_LVT_1	4829
18-1595. Register Call Summary for Register CTRL_CORE_STD_FUSE_OPP_VDD_IVA_LVT_1.....	4829
18-1596. CTRL_CORE_STD_FUSE_OPP_VDD_IVA_LVT_2	4829
18-1597. Register Call Summary for Register CTRL_CORE_STD_FUSE_OPP_VDD_IVA_LVT_2.....	4830
18-1598. CTRL_CORE_STD_FUSE_OPP_VDD_IVA_LVT_3	4830
18-1599. Register Call Summary for Register CTRL_CORE_STD_FUSE_OPP_VDD_IVA_LVT_3.....	4830
18-1600. CTRL_CORE_STD_FUSE_OPP_VDD_IVA_LVT_4	4830
18-1601. Register Call Summary for Register CTRL_CORE_STD_FUSE_OPP_VDD_IVA_LVT_4.....	4830
18-1602. CTRL_CORE_STD_FUSE_OPP_VDD_CORE_LVT_0.....	4831
18-1603. Register Call Summary for Register CTRL_CORE_STD_FUSE_OPP_VDD_CORE_LVT_0	4831
18-1604. CTRL_CORE_STD_FUSE_OPP_VDD_CORE_LVT_1	4831
18-1605. Register Call Summary for Register CTRL_CORE_STD_FUSE_OPP_VDD_CORE_LVT_1	4831
18-1606. CTRL_CORE_STD_FUSE_OPP_VDD_CORE_LVT_2.....	4831
18-1607. Register Call Summary for Register CTRL_CORE_STD_FUSE_OPP_VDD_CORE_LVT_2	4832
18-1608. CTRL_CORE_STD_FUSE_OPP_VDD_CORE_LVT_3.....	4832
18-1609. Register Call Summary for Register CTRL_CORE_STD_FUSE_OPP_VDD_CORE_LVT_3	4832
18-1610. CTRL_CORE_STD_FUSE_OPP_VDD_CORE_LVT_4	4832
18-1611. Register Call Summary for Register CTRL_CORE_STD_FUSE_OPP_VDD_CORE_LVT_4	4832

18-1612. CTRL_CORE_LDOSRAM_CORE_4_VOLTAGE_CTRL.....	4833
18-1613. Register Call Summary for Register CTRL_CORE_LDOSRAM_CORE_4_VOLTAGE_CTRL	4833
18-1614. CTRL_CORE_LDOSRAM_CORE_5_VOLTAGE_CTRL.....	4833
18-1615. Register Call Summary for Register CTRL_CORE_LDOSRAM_CORE_5_VOLTAGE_CTRL	4834
18-1616. CTRL_CORE_LDOSRAM_DSPEVE_2_VOLTAGE_CTRL	4834
18-1617. Register Call Summary for Register CTRL_CORE_LDOSRAM_DSPEVE_2_VOLTAGE_CTRL	4835
18-1618. CTRL_CORE_SMA_SW_2	4835
18-1619. Register Call Summary for Register CTRL_CORE_SMA_SW_2.....	4836
18-1620. CTRL_CORE_SMA_SW_3	4836
18-1621. Register Call Summary for Register CTRL_CORE_SMA_SW_3.....	4836
18-1622. CTRL_CORE_SMA_SW_4	4836
18-1623. Register Call Summary for Register CTRL_CORE_SMA_SW_4.....	4837
18-1624. CTRL_CORE_SMA_SW_6	4837
18-1625. Register Call Summary for Register CTRL_CORE_SMA_SW_6.....	4837
18-1626. CTRL_CORE_SMA_SW_7	4838
18-1627. Register Call Summary for Register CTRL_CORE_SMA_SW_7.....	4838
18-1628. CTRL_CORE_SMA_SW_8	4839
18-1629. Register Call Summary for Register CTRL_CORE_SMA_SW_8.....	4839
18-1630. CTRL_CORE_SMA_SW_9	4839
18-1631. Register Call Summary for Register CTRL_CORE_SMA_SW_9.....	4839
18-1632. CTRL_CORE_PCIESS1_PCS1	4840
18-1633. Register Call Summary for Register CTRL_CORE_PCIESS1_PCS1.....	4840
18-1634. CTRL_CORE_PCIESS1_PCS2	4840
18-1635. Register Call Summary for Register CTRL_CORE_PCIESS1_PCS2.....	4841
18-1636. CTRL_CORE_PCIESS2_PCS1	4841
18-1637. Register Call Summary for Register CTRL_CORE_PCIESS2_PCS1.....	4842
18-1638. CTRL_CORE_PCIESS2_PCS2	4842
18-1639. Register Call Summary for Register CTRL_CORE_PCIESS2_PCS2.....	4843
18-1640. CTRL_CORE_PCIE_PCS.....	4843
18-1641. Register Call Summary for Register CTRL_CORE_PCIE_PCS	4843
18-1642. CTRL_CORE_PCIE_PCS_REVISION	4843
18-1643. Register Call Summary for Register CTRL_CORE_PCIE_PCS_REVISION.....	4844
18-1644. CTRL_CORE_PCIE_CONTROL	4844
18-1645. Register Call Summary for Register CTRL_CORE_PCIE_CONTROL.....	4844
18-1646. CTRL_CORE_PHY_POWER_PCIESS1	4845
18-1647. Register Call Summary for Register CTRL_CORE_PHY_POWER_PCIESS1	4845
18-1648. CTRL_CORE_PHY_POWER_PCIESS2.....	4845
18-1649. Register Call Summary for Register CTRL_CORE_PHY_POWER_PCIESS2	4845
18-1650. CTRL_MODULE_WKUP Registers Mapping Summary	4846
18-1651. CTRL_WKUP_SEC_CTRL.....	4848
18-1652. Register Call Summary for Register CTRL_WKUP_SEC_CTRL	4848
18-1653. CTRL_WKUP_SEC_TAP	4848
18-1654. Register Call Summary for Register CTRL_WKUP_SEC_TAP.....	4850
18-1655. CTRL_WKUP_OCPREG_SPARE	4850
18-1656. Register Call Summary for Register CTRL_WKUP_OCPREG_SPARE	4851
18-1657. CTRL_WKUP_SECURE_EMIF1_SDRAM_CONFIG.....	4851
18-1658. Register Call Summary for Register CTRL_WKUP_SECURE_EMIF1_SDRAM_CONFIG	4852
18-1659. CTRL_WKUP_STD_FUSE_USB_CONF	4852
18-1660. Register Call Summary for Register CTRL_WKUP_STD_FUSE_USB_CONF	4852

18-1661. CTRL_WKUP_STD_FUSE_CONF.....	4853
18-1662. Register Call Summary for Register CTRL_WKUP_STD_FUSE_CONF	4853
18-1663. CTRL_WKUP_EMIF1_SDRAM_CONFIG_EXT	4854
18-1664. Register Call Summary for Register CTRL_WKUP_EMIF1_SDRAM_CONFIG_EXT	4855
18-1665. CTRL_WKUP_EMIF1_SDRAM_CONFIG_EXT_1	4855
18-1666. Register Call Summary for Register CTRL_WKUP_EMIF1_SDRAM_CONFIG_EXT_1	4855
18-1667. CTRL_WKUP_LDOVBB_GPU_VOLTAGE_CTRL.....	4856
18-1668. Register Call Summary for Register CTRL_WKUP_LDOVBB_GPU_VOLTAGE_CTRL	4856
18-1669. CTRL_WKUP_LDOVBB_MPU_VOLTAGE_CTRL.....	4857
18-1670. Register Call Summary for Register CTRL_WKUP_LDOVBB_MPU_VOLTAGE_CTRL	4857
18-1671. CTRL_WKUP_LDOSRAM_GPU_VOLTAGE_CTRL	4857
18-1672. Register Call Summary for Register CTRL_WKUP_LDOSRAM_GPU_VOLTAGE_CTRL.....	4858
18-1673. CTRL_WKUP_LDOSRAM_MPU_VOLTAGE_CTRL	4858
18-1674. Register Call Summary for Register CTRL_WKUP_LDOSRAM_MPU_VOLTAGE_CTRL.....	4859
18-1675. CTRL_WKUP_LDOSRAM_CORE_VOLTAGE_CTRL	4859
18-1676. Register Call Summary for Register CTRL_WKUP_LDOSRAM_CORE_VOLTAGE_CTRL.....	4860
18-1677. CTRL_WKUP_STD_FUSE_DIE_ID_0	4860
18-1678. Register Call Summary for Register CTRL_WKUP_STD_FUSE_DIE_ID_0	4861
18-1679. CTRL_WKUP_ID_CODE	4861
18-1680. Register Call Summary for Register CTRL_WKUP_ID_CODE	4861
18-1681. CTRL_WKUP_STD_FUSE_DIE_ID_1	4861
18-1682. Register Call Summary for Register CTRL_WKUP_STD_FUSE_DIE_ID_1	4861
18-1683. CTRL_WKUP_STD_FUSE_DIE_ID_2	4862
18-1684. Register Call Summary for Register CTRL_WKUP_STD_FUSE_DIE_ID_2	4862
18-1685. CTRL_WKUP_STD_FUSE_DIE_ID_3	4862
18-1686. Register Call Summary for Register CTRL_WKUP_STD_FUSE_DIE_ID_3	4862
18-1687. CTRL_WKUP_STD_FUSE_PROD_ID_0	4862
18-1688. Register Call Summary for Register CTRL_WKUP_STD_FUSE_PROD_ID_0.....	4863
18-1689. CTRL_WKUP_CONTROL_XTAL_OSCILLATOR.....	4863
18-1690. Register Call Summary for Register CTRL_WKUP_CONTROL_XTAL_OSCILLATOR	4863
18-1691. CTRL_WKUP_EFUSE_1	4864
18-1692. Register Call Summary for Register CTRL_WKUP_EFUSE_1	4865
18-1693. CTRL_WKUP_EFUSE_2.....	4865
18-1694. Register Call Summary for Register CTRL_WKUP_EFUSE_2	4866
18-1695. CTRL_WKUP_EFUSE_3.....	4867
18-1696. Register Call Summary for Register CTRL_WKUP_EFUSE_3	4868
18-1697. CTRL_WKUP_EFUSE_4.....	4868
18-1698. Register Call Summary for Register CTRL_WKUP_EFUSE_4	4869
18-1699. CTRL_WKUP_EFUSE_13	4869
18-1700. Register Call Summary for Register CTRL_WKUP_EFUSE_13.....	4870
18-1701. IODELAYCONFIG Integration Attributes	4871
18-1702. IODELAYCONFIG Clocks and Resets	4871
18-1703. IODELAYCONFIG Module Instance Summary.....	4872
18-1704. IODELAYCONFIG Registers Mapping Summary	4872
18-1705. CONFIG_REG_0	4889
18-1706. Register Call Summary for Register CONFIG_REG_0.....	4889
18-1707. CONFIG_REG_2	4889
18-1708. Register Call Summary for Register CONFIG_REG_2.....	4890
18-1709. CONFIG_REG_3	4890

18-1710. Register Call Summary for Register CONFIG_REG_3.....	4890
18-1711. CONFIG_REG_4	4890
18-1712. Register Call Summary for Register CONFIG_REG_4.....	4891
18-1713. CONFIG_REG_8	4891
18-1714. Register Call Summary for Register CONFIG_REG_8.....	4891
18-1715. CFG_RMII_MHZ_50_CLK_IN	4891
18-1716. Register Call Summary for Register CFG_RMII_MHZ_50_CLK_IN.....	4892
18-1717. CFG_RMII_MHZ_50_CLK_OEN	4892
18-1718. Register Call Summary for Register CFG_RMII_MHZ_50_CLK_OEN.....	4892
18-1719. CFG_RMII_MHZ_50_CLK_OUT	4892
18-1720. Register Call Summary for Register CFG_RMII_MHZ_50_CLK_OUT.....	4893
18-1721. CFG_WAKEUP0_IN	4893
18-1722. Register Call Summary for Register CFG_WAKEUP0_IN.....	4893
18-1723. CFG_WAKEUP0_OEN	4893
18-1724. Register Call Summary for Register CFG_WAKEUP0_OEN.....	4894
18-1725. CFG_WAKEUP0_OUT	4894
18-1726. Register Call Summary for Register CFG_WAKEUP0_OUT.....	4894
18-1727. CFG_WAKEUP1_IN	4895
18-1728. Register Call Summary for Register CFG_WAKEUP1_IN.....	4895
18-1729. CFG_WAKEUP1_OEN	4895
18-1730. Register Call Summary for Register CFG_WAKEUP1_OEN.....	4896
18-1731. CFG_WAKEUP1_OUT	4896
18-1732. Register Call Summary for Register CFG_WAKEUP1_OUT.....	4896
18-1733. CFG_WAKEUP2_IN	4896
18-1734. Register Call Summary for Register CFG_WAKEUP2_IN.....	4897
18-1735. CFG_WAKEUP2_OEN	4897
18-1736. Register Call Summary for Register CFG_WAKEUP2_OEN.....	4897
18-1737. CFG_WAKEUP2_OUT	4897
18-1738. Register Call Summary for Register CFG_WAKEUP2_OUT.....	4898
18-1739. CFG_WAKEUP3_IN	4898
18-1740. Register Call Summary for Register CFG_WAKEUP3_IN.....	4898
18-1741. CFG_WAKEUP3_OEN	4898
18-1742. Register Call Summary for Register CFG_WAKEUP3_OEN.....	4899
18-1743. CFG_WAKEUP3_OUT	4899
18-1744. Register Call Summary for Register CFG_WAKEUP3_OUT.....	4899
18-1745. CFG_DCAN1_RX_IN	4900
18-1746. Register Call Summary for Register CFG_DCAN1_RX_IN.....	4900
18-1747. CFG_DCAN1_RX_OEN	4900
18-1748. Register Call Summary for Register CFG_DCAN1_RX_OEN	4901
18-1749. CFG_DCAN1_RX_OUT	4901
18-1750. Register Call Summary for Register CFG_DCAN1_RX_OUT.....	4901
18-1751. CFG_DCAN1_TX_IN	4901
18-1752. Register Call Summary for Register CFG_DCAN1_TX_IN.....	4902
18-1753. CFG_DCAN1_TX_OEN	4902
18-1754. Register Call Summary for Register CFG_DCAN1_TX_OEN.....	4902
18-1755. CFG_DCAN1_TX_OUT	4902
18-1756. Register Call Summary for Register CFG_DCAN1_TX_OUT.....	4903
18-1757. CFG_DCAN2_RX_IN	4903
18-1758. Register Call Summary for Register CFG_DCAN2_RX_IN.....	4903

18-1759. CFG_DCAN2_RX_OEN	4903
18-1760. Register Call Summary for Register CFG_DCAN2_RX_OEN	4904
18-1761. CFG_DCAN2_RX_OUT	4904
18-1762. Register Call Summary for Register CFG_DCAN2_RX_OUT	4904
18-1763. CFG_DCAN2_TX_IN	4905
18-1764. Register Call Summary for Register CFG_DCAN2_TX_IN	4905
18-1765. CFG_DCAN2_TX_OEN	4905
18-1766. Register Call Summary for Register CFG_DCAN2_TX_OEN	4906
18-1767. CFG_DCAN2_TX_OUT	4906
18-1768. Register Call Summary for Register CFG_DCAN2_TX_OUT	4906
18-1769. CFG_EMU0_IN	4906
18-1770. Register Call Summary for Register CFG_EMU0_IN	4907
18-1771. CFG_EMU0_OEN	4907
18-1772. Register Call Summary for Register CFG_EMU0_OEN	4907
18-1773. CFG_EMU0_OUT	4907
18-1774. Register Call Summary for Register CFG_EMU0_OUT	4908
18-1775. CFG_EMU1_IN	4908
18-1776. Register Call Summary for Register CFG_EMU1_IN	4908
18-1777. CFG_EMU1_OEN	4908
18-1778. Register Call Summary for Register CFG_EMU1_OEN	4909
18-1779. CFG_EMU1_OUT	4909
18-1780. Register Call Summary for Register CFG_EMU1_OUT	4909
18-1781. CFG_EMU2_IN	4910
18-1782. Register Call Summary for Register CFG_EMU2_IN	4910
18-1783. CFG_EMU2_OEN	4910
18-1784. Register Call Summary for Register CFG_EMU2_OEN	4911
18-1785. CFG_EMU2_OUT	4911
18-1786. Register Call Summary for Register CFG_EMU2_OUT	4911
18-1787. CFG_EMU3_IN	4911
18-1788. Register Call Summary for Register CFG_EMU3_IN	4912
18-1789. CFG_EMU3_OEN	4912
18-1790. Register Call Summary for Register CFG_EMU3_OEN	4912
18-1791. CFG_EMU3_OUT	4912
18-1792. Register Call Summary for Register CFG_EMU3_OUT	4913
18-1793. CFG_EMU4_IN	4913
18-1794. Register Call Summary for Register CFG_EMU4_IN	4913
18-1795. CFG_EMU4_OEN	4913
18-1796. Register Call Summary for Register CFG_EMU4_OEN	4914
18-1797. CFG_EMU4_OUT	4914
18-1798. Register Call Summary for Register CFG_EMU4_OUT	4914
18-1799. CFG_GPIO6_10_IN	4915
18-1800. Register Call Summary for Register CFG_GPIO6_10_IN	4915
18-1801. CFG_GPIO6_10_OEN	4915
18-1802. Register Call Summary for Register CFG_GPIO6_10_OEN	4916
18-1803. CFG_GPIO6_10_OUT	4916
18-1804. Register Call Summary for Register CFG_GPIO6_10_OUT	4916
18-1805. CFG_GPIO6_11_IN	4916
18-1806. Register Call Summary for Register CFG_GPIO6_11_IN	4917
18-1807. CFG_GPIO6_11_OEN	4917

18-1808. Register Call Summary for Register CFG_GPIO6_11_OEN	4917
18-1809. CFG_GPIO6_11_OUT	4917
18-1810. Register Call Summary for Register CFG_GPIO6_11_OUT	4918
18-1811. CFG_GPIO6_14_IN	4918
18-1812. Register Call Summary for Register CFG_GPIO6_14_IN	4918
18-1813. CFG_GPIO6_14_OEN.....	4918
18-1814. Register Call Summary for Register CFG_GPIO6_14_OEN	4919
18-1815. CFG_GPIO6_14_OUT	4919
18-1816. Register Call Summary for Register CFG_GPIO6_14_OUT	4919
18-1817. CFG_GPIO6_15_IN	4920
18-1818. Register Call Summary for Register CFG_GPIO6_15_IN	4920
18-1819. CFG_GPIO6_15_OEN.....	4920
18-1820. Register Call Summary for Register CFG_GPIO6_15_OEN	4921
18-1821. CFG_GPIO6_15_OUT	4921
18-1822. Register Call Summary for Register CFG_GPIO6_15_OUT	4921
18-1823. CFG_GPIO6_16_IN	4921
18-1824. Register Call Summary for Register CFG_GPIO6_16_IN	4922
18-1825. CFG_GPIO6_16_OEN.....	4922
18-1826. Register Call Summary for Register CFG_GPIO6_16_OEN	4922
18-1827. CFG_GPIO6_16_OUT	4922
18-1828. Register Call Summary for Register CFG_GPIO6_16_OUT	4923
18-1829. CFG_GPMC_A0_IN.....	4923
18-1830. Register Call Summary for Register CFG_GPMC_A0_IN	4923
18-1831. CFG_GPMC_A0_OEN	4923
18-1832. Register Call Summary for Register CFG_GPMC_A0_OEN	4924
18-1833. CFG_GPMC_A0_OUT.....	4924
18-1834. Register Call Summary for Register CFG_GPMC_A0_OUT	4924
18-1835. CFG_GPMC_A10_IN	4925
18-1836. Register Call Summary for Register CFG_GPMC_A10_IN.....	4925
18-1837. CFG_GPMC_A10_OEN	4925
18-1838. Register Call Summary for Register CFG_GPMC_A10_OEN	4926
18-1839. CFG_GPMC_A10_OUT	4926
18-1840. Register Call Summary for Register CFG_GPMC_A10_OUT.....	4926
18-1841. CFG_GPMC_A11_IN	4926
18-1842. Register Call Summary for Register CFG_GPMC_A11_IN.....	4927
18-1843. CFG_GPMC_A11_OEN	4927
18-1844. Register Call Summary for Register CFG_GPMC_A11_OEN	4927
18-1845. CFG_GPMC_A11_OUT	4927
18-1846. Register Call Summary for Register CFG_GPMC_A11_OUT.....	4928
18-1847. CFG_GPMC_A12_IN	4928
18-1848. Register Call Summary for Register CFG_GPMC_A12_IN.....	4928
18-1849. CFG_GPMC_A12_OEN	4928
18-1850. Register Call Summary for Register CFG_GPMC_A12_OEN	4929
18-1851. CFG_GPMC_A12_OUT	4929
18-1852. Register Call Summary for Register CFG_GPMC_A12_OUT.....	4929
18-1853. CFG_GPMC_A13_IN	4930
18-1854. Register Call Summary for Register CFG_GPMC_A13_IN.....	4930
18-1855. CFG_GPMC_A13_OEN	4930
18-1856. Register Call Summary for Register CFG_GPMC_A13_OEN	4931

18-1857. CFG_GPMC_A13_OUT	4931
18-1858. Register Call Summary for Register CFG_GPMC_A13_OUT	4931
18-1859. CFG_GPMC_A14_IN	4931
18-1860. Register Call Summary for Register CFG_GPMC_A14_IN	4932
18-1861. CFG_GPMC_A14_OEN	4932
18-1862. Register Call Summary for Register CFG_GPMC_A14_OEN	4932
18-1863. CFG_GPMC_A14_OUT	4932
18-1864. Register Call Summary for Register CFG_GPMC_A14_OUT	4933
18-1865. CFG_GPMC_A15_IN	4933
18-1866. Register Call Summary for Register CFG_GPMC_A15_IN	4933
18-1867. CFG_GPMC_A15_OEN	4933
18-1868. Register Call Summary for Register CFG_GPMC_A15_OEN	4934
18-1869. CFG_GPMC_A15_OUT	4934
18-1870. Register Call Summary for Register CFG_GPMC_A15_OUT	4934
18-1871. CFG_GPMC_A16_IN	4935
18-1872. Register Call Summary for Register CFG_GPMC_A16_IN	4935
18-1873. CFG_GPMC_A16_OEN	4935
18-1874. Register Call Summary for Register CFG_GPMC_A16_OEN	4936
18-1875. CFG_GPMC_A16_OUT	4936
18-1876. Register Call Summary for Register CFG_GPMC_A16_OUT	4936
18-1877. CFG_GPMC_A17_IN	4936
18-1878. Register Call Summary for Register CFG_GPMC_A17_IN	4937
18-1879. CFG_GPMC_A17_OEN	4937
18-1880. Register Call Summary for Register CFG_GPMC_A17_OEN	4937
18-1881. CFG_GPMC_A17_OUT	4937
18-1882. Register Call Summary for Register CFG_GPMC_A17_OUT	4938
18-1883. CFG_GPMC_A18_IN	4938
18-1884. Register Call Summary for Register CFG_GPMC_A18_IN	4938
18-1885. CFG_GPMC_A18_OEN	4938
18-1886. Register Call Summary for Register CFG_GPMC_A18_OEN	4939
18-1887. CFG_GPMC_A18_OUT	4939
18-1888. Register Call Summary for Register CFG_GPMC_A18_OUT	4939
18-1889. CFG_GPMC_A19_IN	4940
18-1890. Register Call Summary for Register CFG_GPMC_A19_IN	4940
18-1891. CFG_GPMC_A19_OEN	4940
18-1892. Register Call Summary for Register CFG_GPMC_A19_OEN	4941
18-1893. CFG_GPMC_A19_OUT	4941
18-1894. Register Call Summary for Register CFG_GPMC_A19_OUT	4941
18-1895. CFG_GPMC_A1_IN	4941
18-1896. Register Call Summary for Register CFG_GPMC_A1_IN	4942
18-1897. CFG_GPMC_A1_OEN	4942
18-1898. Register Call Summary for Register CFG_GPMC_A1_OEN	4942
18-1899. CFG_GPMC_A1_OUT	4942
18-1900. Register Call Summary for Register CFG_GPMC_A1_OUT	4943
18-1901. CFG_GPMC_A20_IN	4943
18-1902. Register Call Summary for Register CFG_GPMC_A20_IN	4943
18-1903. CFG_GPMC_A20_OEN	4943
18-1904. Register Call Summary for Register CFG_GPMC_A20_OEN	4944
18-1905. CFG_GPMC_A20_OUT	4944

18-1906. Register Call Summary for Register CFG_GPMC_A20_OUT	4944
18-1907. CFG_GPMC_A21_IN	4945
18-1908. Register Call Summary for Register CFG_GPMC_A21_IN.....	4945
18-1909. CFG_GPMC_A21_OEN	4945
18-1910. Register Call Summary for Register CFG_GPMC_A21_OEN	4946
18-1911. CFG_GPMC_A21_OUT	4946
18-1912. Register Call Summary for Register CFG_GPMC_A21_OUT.....	4946
18-1913. CFG_GPMC_A22_IN	4946
18-1914. Register Call Summary for Register CFG_GPMC_A22_IN.....	4947
18-1915. CFG_GPMC_A22_OEN	4947
18-1916. Register Call Summary for Register CFG_GPMC_A22_OEN	4947
18-1917. CFG_GPMC_A22_OUT	4947
18-1918. Register Call Summary for Register CFG_GPMC_A22_OUT.....	4948
18-1919. CFG_GPMC_A23_IN	4948
18-1920. Register Call Summary for Register CFG_GPMC_A23_IN.....	4948
18-1921. CFG_GPMC_A23_OEN	4948
18-1922. Register Call Summary for Register CFG_GPMC_A23_OEN	4949
18-1923. CFG_GPMC_A23_OUT	4949
18-1924. Register Call Summary for Register CFG_GPMC_A23_OUT.....	4949
18-1925. CFG_GPMC_A24_IN	4950
18-1926. Register Call Summary for Register CFG_GPMC_A24_IN.....	4950
18-1927. CFG_GPMC_A24_OEN	4950
18-1928. Register Call Summary for Register CFG_GPMC_A24_OEN	4951
18-1929. CFG_GPMC_A24_OUT	4951
18-1930. Register Call Summary for Register CFG_GPMC_A24_OUT.....	4951
18-1931. CFG_GPMC_A25_IN	4951
18-1932. Register Call Summary for Register CFG_GPMC_A25_IN.....	4952
18-1933. CFG_GPMC_A25_OEN	4952
18-1934. Register Call Summary for Register CFG_GPMC_A25_OEN	4952
18-1935. CFG_GPMC_A25_OUT	4952
18-1936. Register Call Summary for Register CFG_GPMC_A25_OUT.....	4953
18-1937. CFG_GPMC_A26_IN	4953
18-1938. Register Call Summary for Register CFG_GPMC_A26_IN.....	4953
18-1939. CFG_GPMC_A26_OEN	4953
18-1940. Register Call Summary for Register CFG_GPMC_A26_OEN	4954
18-1941. CFG_GPMC_A26_OUT	4954
18-1942. Register Call Summary for Register CFG_GPMC_A26_OUT.....	4954
18-1943. CFG_GPMC_A27_IN	4955
18-1944. Register Call Summary for Register CFG_GPMC_A27_IN.....	4955
18-1945. CFG_GPMC_A27_OEN	4955
18-1946. Register Call Summary for Register CFG_GPMC_A27_OEN	4956
18-1947. CFG_GPMC_A27_OUT	4956
18-1948. Register Call Summary for Register CFG_GPMC_A27_OUT.....	4956
18-1949. CFG_GPMC_A2_IN.....	4956
18-1950. Register Call Summary for Register CFG_GPMC_A2_IN	4957
18-1951. CFG_GPMC_A2_OEN	4957
18-1952. Register Call Summary for Register CFG_GPMC_A2_OEN	4957
18-1953. CFG_GPMC_A2_OUT.....	4957
18-1954. Register Call Summary for Register CFG_GPMC_A2_OUT	4958

18-1955. CFG_GPMC_A3_IN.....	4958
18-1956. Register Call Summary for Register CFG_GPMC_A3_IN	4958
18-1957. CFG_GPMC_A3_OEN	4958
18-1958. Register Call Summary for Register CFG_GPMC_A3_OEN	4959
18-1959. CFG_GPMC_A3_OUT.....	4959
18-1960. Register Call Summary for Register CFG_GPMC_A3_OUT	4959
18-1961. CFG_GPMC_A4_IN.....	4960
18-1962. Register Call Summary for Register CFG_GPMC_A4_IN	4960
18-1963. CFG_GPMC_A4_OEN	4960
18-1964. Register Call Summary for Register CFG_GPMC_A4_OEN	4961
18-1965. CFG_GPMC_A4_OUT.....	4961
18-1966. Register Call Summary for Register CFG_GPMC_A4_OUT	4961
18-1967. CFG_GPMC_A5_IN.....	4961
18-1968. Register Call Summary for Register CFG_GPMC_A5_IN	4962
18-1969. CFG_GPMC_A5_OEN	4962
18-1970. Register Call Summary for Register CFG_GPMC_A5_OEN	4962
18-1971. CFG_GPMC_A5_OUT.....	4962
18-1972. Register Call Summary for Register CFG_GPMC_A5_OUT	4963
18-1973. CFG_GPMC_A6_IN.....	4963
18-1974. Register Call Summary for Register CFG_GPMC_A6_IN	4963
18-1975. CFG_GPMC_A6_OEN	4963
18-1976. Register Call Summary for Register CFG_GPMC_A6_OEN	4964
18-1977. CFG_GPMC_A6_OUT.....	4964
18-1978. Register Call Summary for Register CFG_GPMC_A6_OUT	4964
18-1979. CFG_GPMC_A7_IN.....	4965
18-1980. Register Call Summary for Register CFG_GPMC_A7_IN	4965
18-1981. CFG_GPMC_A7_OEN	4965
18-1982. Register Call Summary for Register CFG_GPMC_A7_OEN	4966
18-1983. CFG_GPMC_A7_OUT.....	4966
18-1984. Register Call Summary for Register CFG_GPMC_A7_OUT	4966
18-1985. CFG_GPMC_A8_IN.....	4966
18-1986. Register Call Summary for Register CFG_GPMC_A8_IN	4967
18-1987. CFG_GPMC_A8_OEN	4967
18-1988. Register Call Summary for Register CFG_GPMC_A8_OEN	4967
18-1989. CFG_GPMC_A8_OUT.....	4967
18-1990. Register Call Summary for Register CFG_GPMC_A8_OUT	4968
18-1991. CFG_GPMC_A9_IN.....	4968
18-1992. Register Call Summary for Register CFG_GPMC_A9_IN	4968
18-1993. CFG_GPMC_A9_OEN	4968
18-1994. Register Call Summary for Register CFG_GPMC_A9_OEN	4969
18-1995. CFG_GPMC_A9_OUT.....	4969
18-1996. Register Call Summary for Register CFG_GPMC_A9_OUT	4969
18-1997. CFG_GPMC_AD0_IN.....	4970
18-1998. Register Call Summary for Register CFG_GPMC_AD0_IN	4970
18-1999. CFG_GPMC_AD0_OEN.....	4970
18-2000. Register Call Summary for Register CFG_GPMC_AD0_OEN	4971
18-2001. CFG_GPMC_AD0_OUT.....	4971
18-2002. Register Call Summary for Register CFG_GPMC_AD0_OUT	4971
18-2003. CFG_GPMC_AD10_IN	4971

18-2004. Register Call Summary for Register CFG_GPMC_AD10_IN.....	4972
18-2005. CFG_GPMC_AD10_OEN.....	4972
18-2006. Register Call Summary for Register CFG_GPMC_AD10_OEN.....	4972
18-2007. CFG_GPMC_AD10_OUT.....	4972
18-2008. Register Call Summary for Register CFG_GPMC_AD10_OUT.....	4973
18-2009. CFG_GPMC_AD11_IN.....	4973
18-2010. Register Call Summary for Register CFG_GPMC_AD11_IN.....	4973
18-2011. CFG_GPMC_AD11_OEN.....	4973
18-2012. Register Call Summary for Register CFG_GPMC_AD11_OEN.....	4974
18-2013. CFG_GPMC_AD11_OUT.....	4974
18-2014. Register Call Summary for Register CFG_GPMC_AD11_OUT.....	4974
18-2015. CFG_GPMC_AD12_IN.....	4975
18-2016. Register Call Summary for Register CFG_GPMC_AD12_IN.....	4975
18-2017. CFG_GPMC_AD12_OEN.....	4975
18-2018. Register Call Summary for Register CFG_GPMC_AD12_OEN.....	4976
18-2019. CFG_GPMC_AD12_OUT.....	4976
18-2020. Register Call Summary for Register CFG_GPMC_AD12_OUT.....	4976
18-2021. CFG_GPMC_AD13_IN.....	4976
18-2022. Register Call Summary for Register CFG_GPMC_AD13_IN.....	4977
18-2023. CFG_GPMC_AD13_OEN.....	4977
18-2024. Register Call Summary for Register CFG_GPMC_AD13_OEN.....	4977
18-2025. CFG_GPMC_AD13_OUT.....	4977
18-2026. Register Call Summary for Register CFG_GPMC_AD13_OUT.....	4978
18-2027. CFG_GPMC_AD14_IN.....	4978
18-2028. Register Call Summary for Register CFG_GPMC_AD14_IN.....	4978
18-2029. CFG_GPMC_AD14_OEN.....	4978
18-2030. Register Call Summary for Register CFG_GPMC_AD14_OEN.....	4979
18-2031. CFG_GPMC_AD14_OUT.....	4979
18-2032. Register Call Summary for Register CFG_GPMC_AD14_OUT.....	4979
18-2033. CFG_GPMC_AD15_IN.....	4980
18-2034. Register Call Summary for Register CFG_GPMC_AD15_IN.....	4980
18-2035. CFG_GPMC_AD15_OEN.....	4980
18-2036. Register Call Summary for Register CFG_GPMC_AD15_OEN.....	4981
18-2037. CFG_GPMC_AD15_OUT.....	4981
18-2038. Register Call Summary for Register CFG_GPMC_AD15_OUT.....	4981
18-2039. CFG_GPMC_AD1_IN.....	4981
18-2040. Register Call Summary for Register CFG_GPMC_AD1_IN.....	4982
18-2041. CFG_GPMC_AD1_OEN.....	4982
18-2042. Register Call Summary for Register CFG_GPMC_AD1_OEN.....	4982
18-2043. CFG_GPMC_AD1_OUT.....	4982
18-2044. Register Call Summary for Register CFG_GPMC_AD1_OUT.....	4983
18-2045. CFG_GPMC_AD2_IN.....	4983
18-2046. Register Call Summary for Register CFG_GPMC_AD2_IN.....	4983
18-2047. CFG_GPMC_AD2_OEN.....	4983
18-2048. Register Call Summary for Register CFG_GPMC_AD2_OEN.....	4984
18-2049. CFG_GPMC_AD2_OUT.....	4984
18-2050. Register Call Summary for Register CFG_GPMC_AD2_OUT.....	4984
18-2051. CFG_GPMC_AD3_IN.....	4985
18-2052. Register Call Summary for Register CFG_GPMC_AD3_IN.....	4985

18-2053. CFG_GPMC_AD3_OEN.....	4985
18-2054. Register Call Summary for Register CFG_GPMC_AD3_OEN	4986
18-2055. CFG_GPMC_AD3_OUT	4986
18-2056. Register Call Summary for Register CFG_GPMC_AD3_OUT	4986
18-2057. CFG_GPMC_AD4_IN.....	4986
18-2058. Register Call Summary for Register CFG_GPMC_AD4_IN	4987
18-2059. CFG_GPMC_AD4_OEN.....	4987
18-2060. Register Call Summary for Register CFG_GPMC_AD4_OEN	4987
18-2061. CFG_GPMC_AD4_OUT.....	4987
18-2062. Register Call Summary for Register CFG_GPMC_AD4_OUT	4988
18-2063. CFG_GPMC_AD5_IN.....	4988
18-2064. Register Call Summary for Register CFG_GPMC_AD5_IN	4988
18-2065. CFG_GPMC_AD5_OEN.....	4988
18-2066. Register Call Summary for Register CFG_GPMC_AD5_OEN	4989
18-2067. CFG_GPMC_AD5_OUT.....	4989
18-2068. Register Call Summary for Register CFG_GPMC_AD5_OUT	4989
18-2069. CFG_GPMC_AD6_IN.....	4990
18-2070. Register Call Summary for Register CFG_GPMC_AD6_IN	4990
18-2071. CFG_GPMC_AD6_OEN.....	4990
18-2072. Register Call Summary for Register CFG_GPMC_AD6_OEN	4991
18-2073. CFG_GPMC_AD6_OUT.....	4991
18-2074. Register Call Summary for Register CFG_GPMC_AD6_OUT	4991
18-2075. CFG_GPMC_AD7_IN.....	4991
18-2076. Register Call Summary for Register CFG_GPMC_AD7_IN	4992
18-2077. CFG_GPMC_AD7_OEN.....	4992
18-2078. Register Call Summary for Register CFG_GPMC_AD7_OEN	4992
18-2079. CFG_GPMC_AD7_OUT.....	4992
18-2080. Register Call Summary for Register CFG_GPMC_AD7_OUT	4993
18-2081. CFG_GPMC_AD8_IN.....	4993
18-2082. Register Call Summary for Register CFG_GPMC_AD8_IN	4993
18-2083. CFG_GPMC_AD8_OEN.....	4993
18-2084. Register Call Summary for Register CFG_GPMC_AD8_OEN	4994
18-2085. CFG_GPMC_AD8_OUT.....	4994
18-2086. Register Call Summary for Register CFG_GPMC_AD8_OUT	4994
18-2087. CFG_GPMC_AD9_IN.....	4995
18-2088. Register Call Summary for Register CFG_GPMC_AD9_IN	4995
18-2089. CFG_GPMC_AD9_OEN.....	4995
18-2090. Register Call Summary for Register CFG_GPMC_AD9_OEN	4996
18-2091. CFG_GPMC_AD9_OUT.....	4996
18-2092. Register Call Summary for Register CFG_GPMC_AD9_OUT	4996
18-2093. CFG_GPMC_ADVN_ALE_IN.....	4996
18-2094. Register Call Summary for Register CFG_GPMC_ADVN_ALE_IN	4997
18-2095. CFG_GPMC_ADVN_ALE_OEN.....	4997
18-2096. Register Call Summary for Register CFG_GPMC_ADVN_ALE_OEN	4997
18-2097. CFG_GPMC_ADVN_ALE_OUT.....	4997
18-2098. Register Call Summary for Register CFG_GPMC_ADVN_ALE_OUT	4998
18-2099. CFG_GPMC_BEN0_IN.....	4998
18-2100. Register Call Summary for Register CFG_GPMC_BEN0_IN	4998
18-2101. CFG_GPMC_BEN0_OEN.....	4998

18-2102. Register Call Summary for Register CFG_GPMC_BEN0_OEN	4999
18-2103. CFG_GPMC_BEN0_OUT	4999
18-2104. Register Call Summary for Register CFG_GPMC_BEN0_OUT	4999
18-2105. CFG_GPMC_BEN1_IN	5000
18-2106. Register Call Summary for Register CFG_GPMC_BEN1_IN	5000
18-2107. CFG_GPMC_BEN1_OEN.....	5000
18-2108. Register Call Summary for Register CFG_GPMC_BEN1_OEN	5001
18-2109. CFG_GPMC_BEN1_OUT	5001
18-2110. Register Call Summary for Register CFG_GPMC_BEN1_OUT	5001
18-2111. CFG_GPMC_CLK_IN.....	5001
18-2112. Register Call Summary for Register CFG_GPMC_CLK_IN	5002
18-2113. CFG_GPMC_CLK_OEN.....	5002
18-2114. Register Call Summary for Register CFG_GPMC_CLK_OEN	5002
18-2115. CFG_GPMC_CLK_OUT.....	5002
18-2116. Register Call Summary for Register CFG_GPMC_CLK_OUT	5003
18-2117. CFG_GPMC_CS0_IN.....	5003
18-2118. Register Call Summary for Register CFG_GPMC_CS0_IN	5003
18-2119. CFG_GPMC_CS0_OEN.....	5003
18-2120. Register Call Summary for Register CFG_GPMC_CS0_OEN	5004
18-2121. CFG_GPMC_CS0_OUT.....	5004
18-2122. Register Call Summary for Register CFG_GPMC_CS0_OUT	5004
18-2123. CFG_GPMC_CS1_IN.....	5005
18-2124. Register Call Summary for Register CFG_GPMC_CS1_IN	5005
18-2125. CFG_GPMC_CS1_OEN.....	5005
18-2126. Register Call Summary for Register CFG_GPMC_CS1_OEN	5006
18-2127. CFG_GPMC_CS1_OUT.....	5006
18-2128. Register Call Summary for Register CFG_GPMC_CS1_OUT	5006
18-2129. CFG_GPMC_CS2_IN.....	5006
18-2130. Register Call Summary for Register CFG_GPMC_CS2_IN	5007
18-2131. CFG_GPMC_CS2_OEN.....	5007
18-2132. Register Call Summary for Register CFG_GPMC_CS2_OEN	5007
18-2133. CFG_GPMC_CS2_OUT.....	5007
18-2134. Register Call Summary for Register CFG_GPMC_CS2_OUT	5008
18-2135. CFG_GPMC_CS3_IN.....	5008
18-2136. Register Call Summary for Register CFG_GPMC_CS3_IN	5008
18-2137. CFG_GPMC_CS3_OEN.....	5008
18-2138. Register Call Summary for Register CFG_GPMC_CS3_OEN	5009
18-2139. CFG_GPMC_CS3_OUT.....	5009
18-2140. Register Call Summary for Register CFG_GPMC_CS3_OUT	5009
18-2141. CFG_GPMC_OEN_REN_IN.....	5010
18-2142. Register Call Summary for Register CFG_GPMC_OEN_REN_IN	5010
18-2143. CFG_GPMC_OEN_REN_OEN.....	5010
18-2144. Register Call Summary for Register CFG_GPMC_OEN_REN_OEN	5011
18-2145. CFG_GPMC_OEN_REN_OUT.....	5011
18-2146. Register Call Summary for Register CFG_GPMC_OEN_REN_OUT	5011
18-2147. CFG_GPMC_WAIT0_IN.....	5011
18-2148. Register Call Summary for Register CFG_GPMC_WAIT0_IN	5012
18-2149. CFG_GPMC_WAIT0_OEN.....	5012
18-2150. Register Call Summary for Register CFG_GPMC_WAIT0_OEN	5012

18-2151. CFG_GPMC_WAIT0_OUT	5012
18-2152. Register Call Summary for Register CFG_GPMC_WAIT0_OUT	5013
18-2153. CFG_GPMC_WEN_IN	5013
18-2154. Register Call Summary for Register CFG_GPMC_WEN_IN	5013
18-2155. CFG_GPMC_WEN_OEN	5013
18-2156. Register Call Summary for Register CFG_GPMC_WEN_OEN	5014
18-2157. CFG_GPMC_WEN_OUT	5014
18-2158. Register Call Summary for Register CFG_GPMC_WEN_OUT	5014
18-2159. CFG_MCASP1_ACLKR_IN	5015
18-2160. Register Call Summary for Register CFG_MCASP1_ACLKR_IN	5015
18-2161. CFG_MCASP1_ACLKR_OEN	5015
18-2162. Register Call Summary for Register CFG_MCASP1_ACLKR_OEN	5016
18-2163. CFG_MCASP1_ACLKR_OUT	5016
18-2164. Register Call Summary for Register CFG_MCASP1_ACLKR_OUT	5016
18-2165. CFG_MCASP1_ACLKX_IN	5016
18-2166. Register Call Summary for Register CFG_MCASP1_ACLKX_IN	5017
18-2167. CFG_MCASP1_ACLKX_OEN	5017
18-2168. Register Call Summary for Register CFG_MCASP1_ACLKX_OEN	5017
18-2169. CFG_MCASP1_ACLKX_OUT	5017
18-2170. Register Call Summary for Register CFG_MCASP1_ACLKX_OUT	5018
18-2171. CFG_MCASP1_AXR0_IN	5018
18-2172. Register Call Summary for Register CFG_MCASP1_AXR0_IN	5018
18-2173. CFG_MCASP1_AXR0_OEN	5018
18-2174. Register Call Summary for Register CFG_MCASP1_AXR0_OEN	5019
18-2175. CFG_MCASP1_AXR0_OUT	5019
18-2176. Register Call Summary for Register CFG_MCASP1_AXR0_OUT	5019
18-2177. CFG_MCASP1_AXR10_IN	5020
18-2178. Register Call Summary for Register CFG_MCASP1_AXR10_IN	5020
18-2179. CFG_MCASP1_AXR10_OEN	5020
18-2180. Register Call Summary for Register CFG_MCASP1_AXR10_OEN	5021
18-2181. CFG_MCASP1_AXR10_OUT	5021
18-2182. Register Call Summary for Register CFG_MCASP1_AXR10_OUT	5021
18-2183. CFG_MCASP1_AXR11_IN	5021
18-2184. Register Call Summary for Register CFG_MCASP1_AXR11_IN	5022
18-2185. CFG_MCASP1_AXR11_OEN	5022
18-2186. Register Call Summary for Register CFG_MCASP1_AXR11_OEN	5022
18-2187. CFG_MCASP1_AXR11_OUT	5022
18-2188. Register Call Summary for Register CFG_MCASP1_AXR11_OUT	5023
18-2189. CFG_MCASP1_AXR12_IN	5023
18-2190. Register Call Summary for Register CFG_MCASP1_AXR12_IN	5023
18-2191. CFG_MCASP1_AXR12_OEN	5023
18-2192. Register Call Summary for Register CFG_MCASP1_AXR12_OEN	5024
18-2193. CFG_MCASP1_AXR12_OUT	5024
18-2194. Register Call Summary for Register CFG_MCASP1_AXR12_OUT	5024
18-2195. CFG_MCASP1_AXR13_IN	5025
18-2196. Register Call Summary for Register CFG_MCASP1_AXR13_IN	5025
18-2197. CFG_MCASP1_AXR13_OEN	5025
18-2198. Register Call Summary for Register CFG_MCASP1_AXR13_OEN	5026
18-2199. CFG_MCASP1_AXR13_OUT	5026

18-2200. Register Call Summary for Register CFG_MCASP1_AXR13_OUT	5026
18-2201. CFG_MCASP1_AXR14_IN	5026
18-2202. Register Call Summary for Register CFG_MCASP1_AXR14_IN	5027
18-2203. CFG_MCASP1_AXR14_OEN	5027
18-2204. Register Call Summary for Register CFG_MCASP1_AXR14_OEN	5027
18-2205. CFG_MCASP1_AXR14_OUT	5027
18-2206. Register Call Summary for Register CFG_MCASP1_AXR14_OUT	5028
18-2207. CFG_MCASP1_AXR15_IN	5028
18-2208. Register Call Summary for Register CFG_MCASP1_AXR15_IN	5028
18-2209. CFG_MCASP1_AXR15_OEN	5028
18-2210. Register Call Summary for Register CFG_MCASP1_AXR15_OEN	5029
18-2211. CFG_MCASP1_AXR15_OUT	5029
18-2212. Register Call Summary for Register CFG_MCASP1_AXR15_OUT	5029
18-2213. CFG_MCASP1_AXR1_IN	5030
18-2214. Register Call Summary for Register CFG_MCASP1_AXR1_IN	5030
18-2215. CFG_MCASP1_AXR1_OEN	5030
18-2216. Register Call Summary for Register CFG_MCASP1_AXR1_OEN	5031
18-2217. CFG_MCASP1_AXR1_OUT	5031
18-2218. Register Call Summary for Register CFG_MCASP1_AXR1_OUT	5031
18-2219. CFG_MCASP1_AXR2_IN	5031
18-2220. Register Call Summary for Register CFG_MCASP1_AXR2_IN	5032
18-2221. CFG_MCASP1_AXR2_OEN	5032
18-2222. Register Call Summary for Register CFG_MCASP1_AXR2_OEN	5032
18-2223. CFG_MCASP1_AXR2_OUT	5032
18-2224. Register Call Summary for Register CFG_MCASP1_AXR2_OUT	5033
18-2225. CFG_MCASP1_AXR3_IN	5033
18-2226. Register Call Summary for Register CFG_MCASP1_AXR3_IN	5033
18-2227. CFG_MCASP1_AXR3_OEN	5033
18-2228. Register Call Summary for Register CFG_MCASP1_AXR3_OEN	5034
18-2229. CFG_MCASP1_AXR3_OUT	5034
18-2230. Register Call Summary for Register CFG_MCASP1_AXR3_OUT	5034
18-2231. CFG_MCASP1_AXR4_IN	5035
18-2232. Register Call Summary for Register CFG_MCASP1_AXR4_IN	5035
18-2233. CFG_MCASP1_AXR4_OEN	5035
18-2234. Register Call Summary for Register CFG_MCASP1_AXR4_OEN	5036
18-2235. CFG_MCASP1_AXR4_OUT	5036
18-2236. Register Call Summary for Register CFG_MCASP1_AXR4_OUT	5036
18-2237. CFG_MCASP1_AXR5_IN	5036
18-2238. Register Call Summary for Register CFG_MCASP1_AXR5_IN	5037
18-2239. CFG_MCASP1_AXR5_OEN	5037
18-2240. Register Call Summary for Register CFG_MCASP1_AXR5_OEN	5037
18-2241. CFG_MCASP1_AXR5_OUT	5037
18-2242. Register Call Summary for Register CFG_MCASP1_AXR5_OUT	5038
18-2243. CFG_MCASP1_AXR6_IN	5038
18-2244. Register Call Summary for Register CFG_MCASP1_AXR6_IN	5038
18-2245. CFG_MCASP1_AXR6_OEN	5038
18-2246. Register Call Summary for Register CFG_MCASP1_AXR6_OEN	5039
18-2247. CFG_MCASP1_AXR6_OUT	5039
18-2248. Register Call Summary for Register CFG_MCASP1_AXR6_OUT	5039

18-2249. CFG_MCASP1_AXR7_IN	5040
18-2250. Register Call Summary for Register CFG_MCASP1_AXR7_IN	5040
18-2251. CFG_MCASP1_AXR7_OEN	5040
18-2252. Register Call Summary for Register CFG_MCASP1_AXR7_OEN	5041
18-2253. CFG_MCASP1_AXR7_OUT	5041
18-2254. Register Call Summary for Register CFG_MCASP1_AXR7_OUT	5041
18-2255. CFG_MCASP1_AXR8_IN	5041
18-2256. Register Call Summary for Register CFG_MCASP1_AXR8_IN	5042
18-2257. CFG_MCASP1_AXR8_OEN	5042
18-2258. Register Call Summary for Register CFG_MCASP1_AXR8_OEN	5042
18-2259. CFG_MCASP1_AXR8_OUT	5042
18-2260. Register Call Summary for Register CFG_MCASP1_AXR8_OUT	5043
18-2261. CFG_MCASP1_AXR9_IN	5043
18-2262. Register Call Summary for Register CFG_MCASP1_AXR9_IN	5043
18-2263. CFG_MCASP1_AXR9_OEN	5043
18-2264. Register Call Summary for Register CFG_MCASP1_AXR9_OEN	5044
18-2265. CFG_MCASP1_AXR9_OUT	5044
18-2266. Register Call Summary for Register CFG_MCASP1_AXR9_OUT	5044
18-2267. CFG_MCASP1_FSR_IN	5045
18-2268. Register Call Summary for Register CFG_MCASP1_FSR_IN	5045
18-2269. CFG_MCASP1_FSR_OEN	5045
18-2270. Register Call Summary for Register CFG_MCASP1_FSR_OEN	5046
18-2271. CFG_MCASP1_FSR_OUT	5046
18-2272. Register Call Summary for Register CFG_MCASP1_FSR_OUT	5046
18-2273. CFG_MCASP1_FSX_IN	5046
18-2274. Register Call Summary for Register CFG_MCASP1_FSX_IN	5047
18-2275. CFG_MCASP1_FSX_OEN	5047
18-2276. Register Call Summary for Register CFG_MCASP1_FSX_OEN	5047
18-2277. CFG_MCASP1_FSX_OUT	5047
18-2278. Register Call Summary for Register CFG_MCASP1_FSX_OUT	5048
18-2279. CFG_MCASP2_ACLKR_IN	5048
18-2280. Register Call Summary for Register CFG_MCASP2_ACLKR_IN	5048
18-2281. CFG_MCASP2_ACLKR_OEN	5048
18-2282. Register Call Summary for Register CFG_MCASP2_ACLKR_OEN	5049
18-2283. CFG_MCASP2_ACLKR_OUT	5049
18-2284. Register Call Summary for Register CFG_MCASP2_ACLKR_OUT	5049
18-2285. CFG_MCASP2_ACLKX_IN	5050
18-2286. Register Call Summary for Register CFG_MCASP2_ACLKX_IN	5050
18-2287. CFG_MCASP2_ACLKX_OEN	5050
18-2288. Register Call Summary for Register CFG_MCASP2_ACLKX_OEN	5051
18-2289. CFG_MCASP2_ACLKX_OUT	5051
18-2290. Register Call Summary for Register CFG_MCASP2_ACLKX_OUT	5051
18-2291. CFG_MCASP2_AXR0_IN	5051
18-2292. Register Call Summary for Register CFG_MCASP2_AXR0_IN	5052
18-2293. CFG_MCASP2_AXR0_OEN	5052
18-2294. Register Call Summary for Register CFG_MCASP2_AXR0_OEN	5052
18-2295. CFG_MCASP2_AXR0_OUT	5052
18-2296. Register Call Summary for Register CFG_MCASP2_AXR0_OUT	5053
18-2297. CFG_MCASP2_AXR1_IN	5053

18-2298. Register Call Summary for Register CFG_MCASP2_AXR1_IN	5053
18-2299. CFG_MCASP2_AXR1_OEN.....	5053
18-2300. Register Call Summary for Register CFG_MCASP2_AXR1_OEN	5054
18-2301. CFG_MCASP2_AXR1_OUT.....	5054
18-2302. Register Call Summary for Register CFG_MCASP2_AXR1_OUT	5054
18-2303. CFG_MCASP2_AXR2_IN.....	5055
18-2304. Register Call Summary for Register CFG_MCASP2_AXR2_IN	5055
18-2305. CFG_MCASP2_AXR2_OEN.....	5055
18-2306. Register Call Summary for Register CFG_MCASP2_AXR2_OEN	5056
18-2307. CFG_MCASP2_AXR2_OUT.....	5056
18-2308. Register Call Summary for Register CFG_MCASP2_AXR2_OUT	5056
18-2309. CFG_MCASP2_AXR3_IN.....	5056
18-2310. Register Call Summary for Register CFG_MCASP2_AXR3_IN	5057
18-2311. CFG_MCASP2_AXR3_OEN.....	5057
18-2312. Register Call Summary for Register CFG_MCASP2_AXR3_OEN	5057
18-2313. CFG_MCASP2_AXR3_OUT.....	5057
18-2314. Register Call Summary for Register CFG_MCASP2_AXR3_OUT	5058
18-2315. CFG_MCASP2_AXR4_IN.....	5058
18-2316. Register Call Summary for Register CFG_MCASP2_AXR4_IN	5058
18-2317. CFG_MCASP2_AXR4_OEN.....	5058
18-2318. Register Call Summary for Register CFG_MCASP2_AXR4_OEN	5059
18-2319. CFG_MCASP2_AXR4_OUT.....	5059
18-2320. Register Call Summary for Register CFG_MCASP2_AXR4_OUT	5059
18-2321. CFG_MCASP2_AXR5_IN.....	5060
18-2322. Register Call Summary for Register CFG_MCASP2_AXR5_IN	5060
18-2323. CFG_MCASP2_AXR5_OEN.....	5060
18-2324. Register Call Summary for Register CFG_MCASP2_AXR5_OEN	5061
18-2325. CFG_MCASP2_AXR5_OUT.....	5061
18-2326. Register Call Summary for Register CFG_MCASP2_AXR5_OUT	5061
18-2327. CFG_MCASP2_AXR6_IN.....	5061
18-2328. Register Call Summary for Register CFG_MCASP2_AXR6_IN	5062
18-2329. CFG_MCASP2_AXR6_OEN.....	5062
18-2330. Register Call Summary for Register CFG_MCASP2_AXR6_OEN	5062
18-2331. CFG_MCASP2_AXR6_OUT.....	5062
18-2332. Register Call Summary for Register CFG_MCASP2_AXR6_OUT	5063
18-2333. CFG_MCASP2_AXR7_IN.....	5063
18-2334. Register Call Summary for Register CFG_MCASP2_AXR7_IN	5063
18-2335. CFG_MCASP2_AXR7_OEN.....	5063
18-2336. Register Call Summary for Register CFG_MCASP2_AXR7_OEN	5064
18-2337. CFG_MCASP2_AXR7_OUT.....	5064
18-2338. Register Call Summary for Register CFG_MCASP2_AXR7_OUT	5064
18-2339. CFG_MCASP2_FSR_IN.....	5065
18-2340. Register Call Summary for Register CFG_MCASP2_FSR_IN	5065
18-2341. CFG_MCASP2_FSR_OEN	5065
18-2342. Register Call Summary for Register CFG_MCASP2_FSR_OEN.....	5066
18-2343. CFG_MCASP2_FSR_OUT.....	5066
18-2344. Register Call Summary for Register CFG_MCASP2_FSR_OUT	5066
18-2345. CFG_MCASP2_FSX_IN.....	5066
18-2346. Register Call Summary for Register CFG_MCASP2_FSX_IN	5067

18-2347. CFG_MCASP2_FSX_OEN.....	5067
18-2348. Register Call Summary for Register CFG_MCASP2_FSX_OEN	5067
18-2349. CFG_MCASP2_FSX_OUT.....	5067
18-2350. Register Call Summary for Register CFG_MCASP2_FSX_OUT	5068
18-2351. CFG_MCASP3_ACLKX_IN	5068
18-2352. Register Call Summary for Register CFG_MCASP3_ACLKX_IN.....	5068
18-2353. CFG_MCASP3_ACLKX_OEN	5068
18-2354. Register Call Summary for Register CFG_MCASP3_ACLKX_OEN	5069
18-2355. CFG_MCASP3_ACLKX_OUT	5069
18-2356. Register Call Summary for Register CFG_MCASP3_ACLKX_OUT.....	5069
18-2357. CFG_MCASP3_AXR0_IN.....	5070
18-2358. Register Call Summary for Register CFG_MCASP3_AXR0_IN	5070
18-2359. CFG_MCASP3_AXR0_OEN.....	5070
18-2360. Register Call Summary for Register CFG_MCASP3_AXR0_OEN	5071
18-2361. CFG_MCASP3_AXR0_OUT.....	5071
18-2362. Register Call Summary for Register CFG_MCASP3_AXR0_OUT	5071
18-2363. CFG_MCASP3_AXR1_IN.....	5071
18-2364. Register Call Summary for Register CFG_MCASP3_AXR1_IN	5072
18-2365. CFG_MCASP3_AXR1_OEN.....	5072
18-2366. Register Call Summary for Register CFG_MCASP3_AXR1_OEN	5072
18-2367. CFG_MCASP3_AXR1_OUT.....	5072
18-2368. Register Call Summary for Register CFG_MCASP3_AXR1_OUT	5073
18-2369. CFG_MCASP3_FSX_IN.....	5073
18-2370. Register Call Summary for Register CFG_MCASP3_FSX_IN	5073
18-2371. CFG_MCASP3_FSX_OEN.....	5073
18-2372. Register Call Summary for Register CFG_MCASP3_FSX_OEN	5074
18-2373. CFG_MCASP3_FSX_OUT.....	5074
18-2374. Register Call Summary for Register CFG_MCASP3_FSX_OUT	5074
18-2375. CFG_MCASP4_ACLKX_IN	5075
18-2376. Register Call Summary for Register CFG_MCASP4_ACLKX_IN.....	5075
18-2377. CFG_MCASP4_ACLKX_OEN	5075
18-2378. Register Call Summary for Register CFG_MCASP4_ACLKX_OEN	5076
18-2379. CFG_MCASP4_ACLKX_OUT	5076
18-2380. Register Call Summary for Register CFG_MCASP4_ACLKX_OUT.....	5076
18-2381. CFG_MCASP4_AXR0_IN.....	5076
18-2382. Register Call Summary for Register CFG_MCASP4_AXR0_IN	5077
18-2383. CFG_MCASP4_AXR0_OEN.....	5077
18-2384. Register Call Summary for Register CFG_MCASP4_AXR0_OEN	5077
18-2385. CFG_MCASP4_AXR0_OUT.....	5077
18-2386. Register Call Summary for Register CFG_MCASP4_AXR0_OUT	5078
18-2387. CFG_MCASP4_AXR1_IN.....	5078
18-2388. Register Call Summary for Register CFG_MCASP4_AXR1_IN	5078
18-2389. CFG_MCASP4_AXR1_OEN.....	5078
18-2390. Register Call Summary for Register CFG_MCASP4_AXR1_OEN	5079
18-2391. CFG_MCASP4_AXR1_OUT.....	5079
18-2392. Register Call Summary for Register CFG_MCASP4_AXR1_OUT	5079
18-2393. CFG_MCASP4_FSX_IN.....	5080
18-2394. Register Call Summary for Register CFG_MCASP4_FSX_IN	5080
18-2395. CFG_MCASP4_FSX_OEN.....	5080

18-2396. Register Call Summary for Register CFG_MCASP4_FSX_OEN	5081
18-2397. CFG_MCASP4_FSX_OUT.....	5081
18-2398. Register Call Summary for Register CFG_MCASP4_FSX_OUT	5081
18-2399. CFG_MCASP5_ACLKX_IN	5081
18-2400. Register Call Summary for Register CFG_MCASP5_ACLKX_IN.....	5082
18-2401. CFG_MCASP5_ACLKX_OEN	5082
18-2402. Register Call Summary for Register CFG_MCASP5_ACLKX_OEN	5082
18-2403. CFG_MCASP5_ACLKX_OUT	5082
18-2404. Register Call Summary for Register CFG_MCASP5_ACLKX_OUT.....	5083
18-2405. CFG_MCASP5_AXR0_IN.....	5083
18-2406. Register Call Summary for Register CFG_MCASP5_AXR0_IN	5083
18-2407. CFG_MCASP5_AXR0_OEN.....	5083
18-2408. Register Call Summary for Register CFG_MCASP5_AXR0_OEN	5084
18-2409. CFG_MCASP5_AXR0_OUT	5084
18-2410. Register Call Summary for Register CFG_MCASP5_AXR0_OUT	5084
18-2411. CFG_MCASP5_AXR1_IN.....	5085
18-2412. Register Call Summary for Register CFG_MCASP5_AXR1_IN	5085
18-2413. CFG_MCASP5_AXR1_OEN.....	5085
18-2414. Register Call Summary for Register CFG_MCASP5_AXR1_OEN	5086
18-2415. CFG_MCASP5_AXR1_OUT.....	5086
18-2416. Register Call Summary for Register CFG_MCASP5_AXR1_OUT	5086
18-2417. CFG_MCASP5_FSX_IN.....	5086
18-2418. Register Call Summary for Register CFG_MCASP5_FSX_IN	5087
18-2419. CFG_MCASP5_FSX_OEN.....	5087
18-2420. Register Call Summary for Register CFG_MCASP5_FSX_OEN	5087
18-2421. CFG_MCASP5_FSX_OUT.....	5087
18-2422. Register Call Summary for Register CFG_MCASP5_FSX_OUT	5088
18-2423. CFG_MDIO_D_IN	5088
18-2424. Register Call Summary for Register CFG_MDIO_D_IN.....	5088
18-2425. CFG_MDIO_D_OEN	5088
18-2426. Register Call Summary for Register CFG_MDIO_D_OEN	5089
18-2427. CFG_MDIO_D_OUT	5089
18-2428. Register Call Summary for Register CFG_MDIO_D_OUT.....	5089
18-2429. CFG_MDIO_MCLK_IN	5090
18-2430. Register Call Summary for Register CFG_MDIO_MCLK_IN	5090
18-2431. CFG_MDIO_MCLK_OEN	5090
18-2432. Register Call Summary for Register CFG_MDIO_MCLK_OEN	5091
18-2433. CFG_MDIO_MCLK_OUT	5091
18-2434. Register Call Summary for Register CFG_MDIO_MCLK_OUT	5091
18-2435. CFG_MLBP_CLK_N_IN	5091
18-2436. Register Call Summary for Register CFG_MLBP_CLK_N_IN	5092
18-2437. CFG_MLBP_CLK_N_OEN.....	5092
18-2438. Register Call Summary for Register CFG_MLBP_CLK_N_OEN	5092
18-2439. CFG_MLBP_CLK_N_OUT	5092
18-2440. Register Call Summary for Register CFG_MLBP_CLK_N_OUT	5093
18-2441. CFG_MLBP_CLK_P_IN	5093
18-2442. Register Call Summary for Register CFG_MLBP_CLK_P_IN.....	5093
18-2443. CFG_MLBP_CLK_P_OEN	5093
18-2444. Register Call Summary for Register CFG_MLBP_CLK_P_OEN	5094

18-2445. CFG_MLBP_CLK_P_OUT	5094
18-2446. Register Call Summary for Register CFG_MLBP_CLK_P_OUT.....	5094
18-2447. CFG_MLBP_DAT_N_IN	5095
18-2448. Register Call Summary for Register CFG_MLBP_DAT_N_IN	5095
18-2449. CFG_MLBP_DAT_N_OEN.....	5095
18-2450. Register Call Summary for Register CFG_MLBP_DAT_N_OEN	5096
18-2451. CFG_MLBP_DAT_N_OUT	5096
18-2452. Register Call Summary for Register CFG_MLBP_DAT_N_OUT	5096
18-2453. CFG_MLBP_DAT_P_IN	5096
18-2454. Register Call Summary for Register CFG_MLBP_DAT_P_IN	5097
18-2455. CFG_MLBP_DAT_P_OEN	5097
18-2456. Register Call Summary for Register CFG_MLBP_DAT_P_OEN	5097
18-2457. CFG_MLBP_DAT_P_OUT	5097
18-2458. Register Call Summary for Register CFG_MLBP_DAT_P_OUT	5098
18-2459. CFG_MLBP_SIG_N_IN.....	5098
18-2460. Register Call Summary for Register CFG_MLBP_SIG_N_IN	5098
18-2461. CFG_MLBP_SIG_N_OEN	5098
18-2462. Register Call Summary for Register CFG_MLBP_SIG_N_OEN	5099
18-2463. CFG_MLBP_SIG_N_OUT.....	5099
18-2464. Register Call Summary for Register CFG_MLBP_SIG_N_OUT	5099
18-2465. CFG_MLBP_SIG_P_IN.....	5100
18-2466. Register Call Summary for Register CFG_MLBP_SIG_P_IN	5100
18-2467. CFG_MLBP_SIG_P_OEN.....	5100
18-2468. Register Call Summary for Register CFG_MLBP_SIG_P_OEN	5101
18-2469. CFG_MLBP_SIG_P_OUT	5101
18-2470. Register Call Summary for Register CFG_MLBP_SIG_P_OUT	5101
18-2471. CFG_MMC1_CLK_IN	5101
18-2472. Register Call Summary for Register CFG_MMC1_CLK_IN	5102
18-2473. CFG_MMC1_CLK_OEN.....	5102
18-2474. Register Call Summary for Register CFG_MMC1_CLK_OEN	5102
18-2475. CFG_MMC1_CLK_OUT	5102
18-2476. Register Call Summary for Register CFG_MMC1_CLK_OUT	5103
18-2477. CFG_MMC1_CMD_IN	5103
18-2478. Register Call Summary for Register CFG_MMC1_CMD_IN	5103
18-2479. CFG_MMC1_CMD_OEN.....	5103
18-2480. Register Call Summary for Register CFG_MMC1_CMD_OEN	5104
18-2481. CFG_MMC1_CMD_OUT	5104
18-2482. Register Call Summary for Register CFG_MMC1_CMD_OUT	5104
18-2483. CFG_MMC1_DAT0_IN	5105
18-2484. Register Call Summary for Register CFG_MMC1_DAT0_IN.....	5105
18-2485. CFG_MMC1_DAT0_OEN	5105
18-2486. Register Call Summary for Register CFG_MMC1_DAT0_OEN.....	5106
18-2487. CFG_MMC1_DAT0_OUT	5106
18-2488. Register Call Summary for Register CFG_MMC1_DAT0_OUT.....	5106
18-2489. CFG_MMC1_DAT1_IN	5106
18-2490. Register Call Summary for Register CFG_MMC1_DAT1_IN.....	5107
18-2491. CFG_MMC1_DAT1_OEN	5107
18-2492. Register Call Summary for Register CFG_MMC1_DAT1_OEN.....	5107
18-2493. CFG_MMC1_DAT1_OUT	5107

18-2494. Register Call Summary for Register CFG_MMC1_DAT1_OUT	5108
18-2495. CFG_MMC1_DAT2_IN	5108
18-2496. Register Call Summary for Register CFG_MMC1_DAT2_IN.....	5108
18-2497. CFG_MMC1_DAT2_OEN	5108
18-2498. Register Call Summary for Register CFG_MMC1_DAT2_OEN.....	5109
18-2499. CFG_MMC1_DAT2_OUT	5109
18-2500. Register Call Summary for Register CFG_MMC1_DAT2_OUT	5109
18-2501. CFG_MMC1_DAT3_IN	5110
18-2502. Register Call Summary for Register CFG_MMC1_DAT3_IN.....	5110
18-2503. CFG_MMC1_DAT3_OEN	5110
18-2504. Register Call Summary for Register CFG_MMC1_DAT3_OEN.....	5111
18-2505. CFG_MMC1_DAT3_OUT	5111
18-2506. Register Call Summary for Register CFG_MMC1_DAT3_OUT	5111
18-2507. CFG_MMC1_SDCD_IN	5111
18-2508. Register Call Summary for Register CFG_MMC1_SDCD_IN	5112
18-2509. CFG_MMC1_SDCD_OEN	5112
18-2510. Register Call Summary for Register CFG_MMC1_SDCD_OEN.....	5112
18-2511. CFG_MMC1_SDCD_OUT	5112
18-2512. Register Call Summary for Register CFG_MMC1_SDCD_OUT	5113
18-2513. CFG_MMC1_SDWP_IN	5113
18-2514. Register Call Summary for Register CFG_MMC1_SDWP_IN	5113
18-2515. CFG_MMC1_SDWP_OEN.....	5113
18-2516. Register Call Summary for Register CFG_MMC1_SDWP_OEN	5114
18-2517. CFG_MMC1_SDWP_OUT	5114
18-2518. Register Call Summary for Register CFG_MMC1_SDWP_OUT	5114
18-2519. CFG_MMC3_CLK_IN.....	5115
18-2520. Register Call Summary for Register CFG_MMC3_CLK_IN	5115
18-2521. CFG_MMC3_CLK_OEN.....	5115
18-2522. Register Call Summary for Register CFG_MMC3_CLK_OEN	5116
18-2523. CFG_MMC3_CLK_OUT	5116
18-2524. Register Call Summary for Register CFG_MMC3_CLK_OUT	5116
18-2525. CFG_MMC3_CMD_IN	5116
18-2526. Register Call Summary for Register CFG_MMC3_CMD_IN	5117
18-2527. CFG_MMC3_CMD_OEN.....	5117
18-2528. Register Call Summary for Register CFG_MMC3_CMD_OEN	5117
18-2529. CFG_MMC3_CMD_OUT	5117
18-2530. Register Call Summary for Register CFG_MMC3_CMD_OUT	5118
18-2531. CFG_MMC3_DAT0_IN	5118
18-2532. Register Call Summary for Register CFG_MMC3_DAT0_IN.....	5118
18-2533. CFG_MMC3_DAT0_OEN	5118
18-2534. Register Call Summary for Register CFG_MMC3_DAT0_OEN.....	5119
18-2535. CFG_MMC3_DAT0_OUT	5119
18-2536. Register Call Summary for Register CFG_MMC3_DAT0_OUT	5119
18-2537. CFG_MMC3_DAT1_IN	5120
18-2538. Register Call Summary for Register CFG_MMC3_DAT1_IN.....	5120
18-2539. CFG_MMC3_DAT1_OEN	5120
18-2540. Register Call Summary for Register CFG_MMC3_DAT1_OEN.....	5121
18-2541. CFG_MMC3_DAT1_OUT	5121
18-2542. Register Call Summary for Register CFG_MMC3_DAT1_OUT	5121

18-2543. CFG_MMC3_DAT2_IN	5121
18-2544. Register Call Summary for Register CFG_MMC3_DAT2_IN.....	5122
18-2545. CFG_MMC3_DAT2_OEN	5122
18-2546. Register Call Summary for Register CFG_MMC3_DAT2_OEN.....	5122
18-2547. CFG_MMC3_DAT2_OUT	5122
18-2548. Register Call Summary for Register CFG_MMC3_DAT2_OUT.....	5123
18-2549. CFG_MMC3_DAT3_IN	5123
18-2550. Register Call Summary for Register CFG_MMC3_DAT3_IN.....	5123
18-2551. CFG_MMC3_DAT3_OEN	5123
18-2552. Register Call Summary for Register CFG_MMC3_DAT3_OEN.....	5124
18-2553. CFG_MMC3_DAT3_OUT	5124
18-2554. Register Call Summary for Register CFG_MMC3_DAT3_OUT.....	5124
18-2555. CFG_MMC3_DAT4_IN	5125
18-2556. Register Call Summary for Register CFG_MMC3_DAT4_IN.....	5125
18-2557. CFG_MMC3_DAT4_OEN	5125
18-2558. Register Call Summary for Register CFG_MMC3_DAT4_OEN.....	5126
18-2559. CFG_MMC3_DAT4_OUT	5126
18-2560. Register Call Summary for Register CFG_MMC3_DAT4_OUT.....	5126
18-2561. CFG_MMC3_DAT5_IN	5126
18-2562. Register Call Summary for Register CFG_MMC3_DAT5_IN.....	5127
18-2563. CFG_MMC3_DAT5_OEN	5127
18-2564. Register Call Summary for Register CFG_MMC3_DAT5_OEN.....	5127
18-2565. CFG_MMC3_DAT5_OUT	5127
18-2566. Register Call Summary for Register CFG_MMC3_DAT5_OUT.....	5128
18-2567. CFG_MMC3_DAT6_IN	5128
18-2568. Register Call Summary for Register CFG_MMC3_DAT6_IN.....	5128
18-2569. CFG_MMC3_DAT6_OEN	5128
18-2570. Register Call Summary for Register CFG_MMC3_DAT6_OEN.....	5129
18-2571. CFG_MMC3_DAT6_OUT	5129
18-2572. Register Call Summary for Register CFG_MMC3_DAT6_OUT.....	5129
18-2573. CFG_MMC3_DAT7_IN	5130
18-2574. Register Call Summary for Register CFG_MMC3_DAT7_IN.....	5130
18-2575. CFG_MMC3_DAT7_OEN	5130
18-2576. Register Call Summary for Register CFG_MMC3_DAT7_OEN.....	5131
18-2577. CFG_MMC3_DAT7_OUT	5131
18-2578. Register Call Summary for Register CFG_MMC3_DAT7_OUT.....	5131
18-2579. CFG_RGMII0_RXC_IN	5131
18-2580. Register Call Summary for Register CFG_RGMII0_RXC_IN.....	5132
18-2581. CFG_RGMII0_RXC_OEN.....	5132
18-2582. Register Call Summary for Register CFG_RGMII0_RXC_OEN	5132
18-2583. CFG_RGMII0_RXC_OUT	5132
18-2584. Register Call Summary for Register CFG_RGMII0_RXC_OUT.....	5133
18-2585. CFG_RGMII0_RXCTL_IN.....	5133
18-2586. Register Call Summary for Register CFG_RGMII0_RXCTL_IN	5133
18-2587. CFG_RGMII0_RXCTL_OEN.....	5133
18-2588. Register Call Summary for Register CFG_RGMII0_RXCTL_OEN	5134
18-2589. CFG_RGMII0_RXCTL_OUT	5134
18-2590. Register Call Summary for Register CFG_RGMII0_RXCTL_OUT	5134
18-2591. CFG_RGMII0_RXD0_IN.....	5135

18-2592. Register Call Summary for Register CFG_RGMII0_RXD0_IN	5135
18-2593. CFG_RGMII0_RXD0_OEN	5135
18-2594. Register Call Summary for Register CFG_RGMII0_RXD0_OEN	5136
18-2595. CFG_RGMII0_RXD0_OUT	5136
18-2596. Register Call Summary for Register CFG_RGMII0_RXD0_OUT	5136
18-2597. CFG_RGMII0_RXD1_IN	5136
18-2598. Register Call Summary for Register CFG_RGMII0_RXD1_IN	5137
18-2599. CFG_RGMII0_RXD1_OEN	5137
18-2600. Register Call Summary for Register CFG_RGMII0_RXD1_OEN	5137
18-2601. CFG_RGMII0_RXD1_OUT	5137
18-2602. Register Call Summary for Register CFG_RGMII0_RXD1_OUT	5138
18-2603. CFG_RGMII0_RXD2_IN	5138
18-2604. Register Call Summary for Register CFG_RGMII0_RXD2_IN	5138
18-2605. CFG_RGMII0_RXD2_OEN	5138
18-2606. Register Call Summary for Register CFG_RGMII0_RXD2_OEN	5139
18-2607. CFG_RGMII0_RXD2_OUT	5139
18-2608. Register Call Summary for Register CFG_RGMII0_RXD2_OUT	5139
18-2609. CFG_RGMII0_RXD3_IN	5140
18-2610. Register Call Summary for Register CFG_RGMII0_RXD3_IN	5140
18-2611. CFG_RGMII0_RXD3_OEN	5140
18-2612. Register Call Summary for Register CFG_RGMII0_RXD3_OEN	5141
18-2613. CFG_RGMII0_RXD3_OUT	5141
18-2614. Register Call Summary for Register CFG_RGMII0_RXD3_OUT	5141
18-2615. CFG_RGMII0_TXC_IN	5141
18-2616. Register Call Summary for Register CFG_RGMII0_TXC_IN	5142
18-2617. CFG_RGMII0_TXC_OEN	5142
18-2618. Register Call Summary for Register CFG_RGMII0_TXC_OEN	5142
18-2619. CFG_RGMII0_TXC_OUT	5142
18-2620. Register Call Summary for Register CFG_RGMII0_TXC_OUT	5143
18-2621. CFG_RGMII0_TXCTL_IN	5143
18-2622. Register Call Summary for Register CFG_RGMII0_TXCTL_IN	5143
18-2623. CFG_RGMII0_TXCTL_OEN	5143
18-2624. Register Call Summary for Register CFG_RGMII0_TXCTL_OEN	5144
18-2625. CFG_RGMII0_TXCTL_OUT	5144
18-2626. Register Call Summary for Register CFG_RGMII0_TXCTL_OUT	5144
18-2627. CFG_RGMII0_TXD0_IN	5145
18-2628. Register Call Summary for Register CFG_RGMII0_TXD0_IN	5145
18-2629. CFG_RGMII0_TXD0_OEN	5145
18-2630. Register Call Summary for Register CFG_RGMII0_TXD0_OEN	5146
18-2631. CFG_RGMII0_TXD0_OUT	5146
18-2632. Register Call Summary for Register CFG_RGMII0_TXD0_OUT	5146
18-2633. CFG_RGMII0_TXD1_IN	5146
18-2634. Register Call Summary for Register CFG_RGMII0_TXD1_IN	5147
18-2635. CFG_RGMII0_TXD1_OEN	5147
18-2636. Register Call Summary for Register CFG_RGMII0_TXD1_OEN	5147
18-2637. CFG_RGMII0_TXD1_OUT	5147
18-2638. Register Call Summary for Register CFG_RGMII0_TXD1_OUT	5148
18-2639. CFG_RGMII0_TXD2_IN	5148
18-2640. Register Call Summary for Register CFG_RGMII0_TXD2_IN	5148

18-2641. CFG_RGMII0_TXD2_OEN.....	5148
18-2642. Register Call Summary for Register CFG_RGMII0_TXD2_OEN	5149
18-2643. CFG_RGMII0_TXD2_OUT	5149
18-2644. Register Call Summary for Register CFG_RGMII0_TXD2_OUT	5149
18-2645. CFG_RGMII0_TXD3_IN.....	5150
18-2646. Register Call Summary for Register CFG_RGMII0_TXD3_IN	5150
18-2647. CFG_RGMII0_TXD3_OEN.....	5150
18-2648. Register Call Summary for Register CFG_RGMII0_TXD3_OEN	5151
18-2649. CFG_RGMII0_TXD3_OUT	5151
18-2650. Register Call Summary for Register CFG_RGMII0_TXD3_OUT	5151
18-2651. CFG_RTCK_IN	5151
18-2652. Register Call Summary for Register CFG_RTCK_IN.....	5152
18-2653. CFG_RTCK_OEN	5152
18-2654. Register Call Summary for Register CFG_RTCK_OEN.....	5152
18-2655. CFG_RTCK_OUT	5152
18-2656. Register Call Summary for Register CFG_RTCK_OUT.....	5153
18-2657. CFG_SPI1_CS0_IN	5153
18-2658. Register Call Summary for Register CFG_SPI1_CS0_IN	5153
18-2659. CFG_SPI1_CS0_OEN.....	5153
18-2660. Register Call Summary for Register CFG_SPI1_CS0_OEN	5154
18-2661. CFG_SPI1_CS0_OUT	5154
18-2662. Register Call Summary for Register CFG_SPI1_CS0_OUT	5154
18-2663. CFG_SPI1_CS1_IN	5155
18-2664. Register Call Summary for Register CFG_SPI1_CS1_IN	5155
18-2665. CFG_SPI1_CS1_OEN.....	5155
18-2666. Register Call Summary for Register CFG_SPI1_CS1_OEN	5156
18-2667. CFG_SPI1_CS1_OUT	5156
18-2668. Register Call Summary for Register CFG_SPI1_CS1_OUT	5156
18-2669. CFG_SPI1_CS2_IN	5156
18-2670. Register Call Summary for Register CFG_SPI1_CS2_IN	5157
18-2671. CFG_SPI1_CS2_OEN.....	5157
18-2672. Register Call Summary for Register CFG_SPI1_CS2_OEN	5157
18-2673. CFG_SPI1_CS2_OUT	5157
18-2674. Register Call Summary for Register CFG_SPI1_CS2_OUT	5158
18-2675. CFG_SPI1_CS3_IN	5158
18-2676. Register Call Summary for Register CFG_SPI1_CS3_IN	5158
18-2677. CFG_SPI1_CS3_OEN.....	5158
18-2678. Register Call Summary for Register CFG_SPI1_CS3_OEN	5159
18-2679. CFG_SPI1_CS3_OUT	5159
18-2680. Register Call Summary for Register CFG_SPI1_CS3_OUT	5159
18-2681. CFG_SPI1_D0_IN.....	5160
18-2682. Register Call Summary for Register CFG_SPI1_D0_IN	5160
18-2683. CFG_SPI1_D0_OEN.....	5160
18-2684. Register Call Summary for Register CFG_SPI1_D0_OEN	5161
18-2685. CFG_SPI1_D0_OUT.....	5161
18-2686. Register Call Summary for Register CFG_SPI1_D0_OUT	5161
18-2687. CFG_SPI1_D1_IN.....	5161
18-2688. Register Call Summary for Register CFG_SPI1_D1_IN	5162
18-2689. CFG_SPI1_D1_OEN.....	5162

18-2690. Register Call Summary for Register CFG_SPI1_D1_OEN	5162
18-2691. CFG_SPI1_D1_OUT	5162
18-2692. Register Call Summary for Register CFG_SPI1_D1_OUT	5163
18-2693. CFG_SPI1_SCLK_IN	5163
18-2694. Register Call Summary for Register CFG_SPI1_SCLK_IN.....	5163
18-2695. CFG_SPI1_SCLK_OEN	5163
18-2696. Register Call Summary for Register CFG_SPI1_SCLK_OEN	5164
18-2697. CFG_SPI1_SCLK_OUT	5164
18-2698. Register Call Summary for Register CFG_SPI1_SCLK_OUT.....	5164
18-2699. CFG_SPI2_CS0_IN	5165
18-2700. Register Call Summary for Register CFG_SPI2_CS0_IN	5165
18-2701. CFG_SPI2_CS0_OEN.....	5165
18-2702. Register Call Summary for Register CFG_SPI2_CS0_OEN	5166
18-2703. CFG_SPI2_CS0_OUT	5166
18-2704. Register Call Summary for Register CFG_SPI2_CS0_OUT	5166
18-2705. CFG_SPI2_D0_IN.....	5166
18-2706. Register Call Summary for Register CFG_SPI2_D0_IN	5167
18-2707. CFG_SPI2_D0_OEN.....	5167
18-2708. Register Call Summary for Register CFG_SPI2_D0_OEN	5167
18-2709. CFG_SPI2_D0_OUT.....	5167
18-2710. Register Call Summary for Register CFG_SPI2_D0_OUT	5168
18-2711. CFG_SPI2_D1_IN.....	5168
18-2712. Register Call Summary for Register CFG_SPI2_D1_IN	5168
18-2713. CFG_SPI2_D1_OEN.....	5168
18-2714. Register Call Summary for Register CFG_SPI2_D1_OEN	5169
18-2715. CFG_SPI2_D1_OUT.....	5169
18-2716. Register Call Summary for Register CFG_SPI2_D1_OUT	5169
18-2717. CFG_SPI2_SCLK_IN	5170
18-2718. Register Call Summary for Register CFG_SPI2_SCLK_IN.....	5170
18-2719. CFG_SPI2_SCLK_OEN	5170
18-2720. Register Call Summary for Register CFG_SPI2_SCLK_OEN	5171
18-2721. CFG_SPI2_SCLK_OUT	5171
18-2722. Register Call Summary for Register CFG_SPI2_SCLK_OUT.....	5171
18-2723. CFG_TDI_IN	5171
18-2724. Register Call Summary for Register CFG_TDI_IN.....	5172
18-2725. CFG_TDI_OEN	5172
18-2726. Register Call Summary for Register CFG_TDI_OEN.....	5172
18-2727. CFG_TDI_OUT	5172
18-2728. Register Call Summary for Register CFG_TDI_OUT.....	5173
18-2729. CFG_TDO_IN.....	5173
18-2730. Register Call Summary for Register CFG_TDO_IN	5173
18-2731. CFG_TDO_OEN.....	5173
18-2732. Register Call Summary for Register CFG_TDO_OEN	5174
18-2733. CFG_TDO_OUT	5174
18-2734. Register Call Summary for Register CFG_TDO_OUT	5174
18-2735. CFG_TMS_IN.....	5175
18-2736. Register Call Summary for Register CFG_TMS_IN	5175
18-2737. CFG_TMS_OEN.....	5175
18-2738. Register Call Summary for Register CFG_TMS_OEN	5176

18-2739. CFG_TMS_OUT	5176
18-2740. Register Call Summary for Register CFG_TMS_OUT	5176
18-2741. CFG_TRSTN_IN.....	5176
18-2742. Register Call Summary for Register CFG_TRSTN_IN	5177
18-2743. CFG_TRSTN_OEN	5177
18-2744. Register Call Summary for Register CFG_TRSTN_OEN.....	5177
18-2745. CFG_TRSTN_OUT.....	5177
18-2746. Register Call Summary for Register CFG_TRSTN_OUT	5178
18-2747. CFG_UART1_CTSN_IN.....	5178
18-2748. Register Call Summary for Register CFG_UART1_CTSN_IN	5178
18-2749. CFG_UART1_CTSN_OEN.....	5178
18-2750. Register Call Summary for Register CFG_UART1_CTSN_OEN	5179
18-2751. CFG_UART1_CTSN_OUT.....	5179
18-2752. Register Call Summary for Register CFG_UART1_CTSN_OUT	5179
18-2753. CFG_UART1_RTSN_IN.....	5180
18-2754. Register Call Summary for Register CFG_UART1_RTSN_IN	5180
18-2755. CFG_UART1_RTSN_OEN.....	5180
18-2756. Register Call Summary for Register CFG_UART1_RTSN_OEN	5181
18-2757. CFG_UART1_RTSN_OUT	5181
18-2758. Register Call Summary for Register CFG_UART1_RTSN_OUT	5181
18-2759. CFG_UART1_RXD_IN	5181
18-2760. Register Call Summary for Register CFG_UART1_RXD_IN	5182
18-2761. CFG_UART1_RXD_OEN	5182
18-2762. Register Call Summary for Register CFG_UART1_RXD_OEN.....	5182
18-2763. CFG_UART1_RXD_OUT	5182
18-2764. Register Call Summary for Register CFG_UART1_RXD_OUT	5183
18-2765. CFG_UART1_TXD_IN.....	5183
18-2766. Register Call Summary for Register CFG_UART1_TXD_IN	5183
18-2767. CFG_UART1_TXD_OEN.....	5183
18-2768. Register Call Summary for Register CFG_UART1_TXD_OEN	5184
18-2769. CFG_UART1_TXD_OUT	5184
18-2770. Register Call Summary for Register CFG_UART1_TXD_OUT	5184
18-2771. CFG_UART2_CTSN_IN.....	5185
18-2772. Register Call Summary for Register CFG_UART2_CTSN_IN	5185
18-2773. CFG_UART2_CTSN_OEN.....	5185
18-2774. Register Call Summary for Register CFG_UART2_CTSN_OEN	5186
18-2775. CFG_UART2_CTSN_OUT	5186
18-2776. Register Call Summary for Register CFG_UART2_CTSN_OUT	5186
18-2777. CFG_UART2_RTSN_IN.....	5186
18-2778. Register Call Summary for Register CFG_UART2_RTSN_IN	5187
18-2779. CFG_UART2_RTSN_OEN.....	5187
18-2780. Register Call Summary for Register CFG_UART2_RTSN_OEN	5187
18-2781. CFG_UART2_RTSN_OUT.....	5187
18-2782. Register Call Summary for Register CFG_UART2_RTSN_OUT	5188
18-2783. CFG_UART2_RXD_IN	5188
18-2784. Register Call Summary for Register CFG_UART2_RXD_IN	5188
18-2785. CFG_UART2_RXD_OEN	5188
18-2786. Register Call Summary for Register CFG_UART2_RXD_OEN.....	5189
18-2787. CFG_UART2_RXD_OUT	5189

18-2788. Register Call Summary for Register CFG_UART2_RXD_OUT	5189
18-2789. CFG_UART2_TXD_IN	5190
18-2790. Register Call Summary for Register CFG_UART2_TXD_IN	5190
18-2791. CFG_UART2_TXD_OEN	5190
18-2792. Register Call Summary for Register CFG_UART2_TXD_OEN	5191
18-2793. CFG_UART2_TXD_OUT	5191
18-2794. Register Call Summary for Register CFG_UART2_TXD_OUT	5191
18-2795. CFG_UART3_RXD_IN	5191
18-2796. Register Call Summary for Register CFG_UART3_RXD_IN	5192
18-2797. CFG_UART3_RXD_OEN	5192
18-2798. Register Call Summary for Register CFG_UART3_RXD_OEN	5192
18-2799. CFG_UART3_RXD_OUT	5192
18-2800. Register Call Summary for Register CFG_UART3_RXD_OUT	5193
18-2801. CFG_UART3_TXD_IN	5193
18-2802. Register Call Summary for Register CFG_UART3_TXD_IN	5193
18-2803. CFG_UART3_TXD_OEN	5193
18-2804. Register Call Summary for Register CFG_UART3_TXD_OEN	5194
18-2805. CFG_UART3_TXD_OUT	5194
18-2806. Register Call Summary for Register CFG_UART3_TXD_OUT	5194
18-2807. CFG_USB1_DRVVBUS_IN	5195
18-2808. Register Call Summary for Register CFG_USB1_DRVVBUS_IN	5195
18-2809. CFG_USB1_DRVVBUS_OEN	5195
18-2810. Register Call Summary for Register CFG_USB1_DRVVBUS_OEN	5196
18-2811. CFG_USB1_DRVVBUS_OUT	5196
18-2812. Register Call Summary for Register CFG_USB1_DRVVBUS_OUT	5196
18-2813. CFG_USB2_DRVVBUS_IN	5196
18-2814. Register Call Summary for Register CFG_USB2_DRVVBUS_IN	5197
18-2815. CFG_USB2_DRVVBUS_OEN	5197
18-2816. Register Call Summary for Register CFG_USB2_DRVVBUS_OEN	5197
18-2817. CFG_USB2_DRVVBUS_OUT	5197
18-2818. Register Call Summary for Register CFG_USB2_DRVVBUS_OUT	5198
18-2819. CFG_VIN1A_CLK0_IN	5198
18-2820. Register Call Summary for Register CFG_VIN1A_CLK0_IN	5198
18-2821. CFG_VIN1A_CLK0_OEN	5198
18-2822. Register Call Summary for Register CFG_VIN1A_CLK0_OEN	5199
18-2823. CFG_VIN1A_CLK0_OUT	5199
18-2824. Register Call Summary for Register CFG_VIN1A_CLK0_OUT	5199
18-2825. CFG_VIN1A_D0_IN	5200
18-2826. Register Call Summary for Register CFG_VIN1A_D0_IN	5200
18-2827. CFG_VIN1A_D0_OEN	5200
18-2828. Register Call Summary for Register CFG_VIN1A_D0_OEN	5201
18-2829. CFG_VIN1A_D0_OUT	5201
18-2830. Register Call Summary for Register CFG_VIN1A_D0_OUT	5201
18-2831. CFG_VIN1A_D10_IN	5201
18-2832. Register Call Summary for Register CFG_VIN1A_D10_IN	5202
18-2833. CFG_VIN1A_D10_OEN	5202
18-2834. Register Call Summary for Register CFG_VIN1A_D10_OEN	5202
18-2835. CFG_VIN1A_D10_OUT	5202
18-2836. Register Call Summary for Register CFG_VIN1A_D10_OUT	5203

18-2837. CFG_VIN1A_D11_IN	5203
18-2838. Register Call Summary for Register CFG_VIN1A_D11_IN.....	5203
18-2839. CFG_VIN1A_D11_OEN	5203
18-2840. Register Call Summary for Register CFG_VIN1A_D11_OEN.....	5204
18-2841. CFG_VIN1A_D11_OUT	5204
18-2842. Register Call Summary for Register CFG_VIN1A_D11_OUT	5204
18-2843. CFG_VIN1A_D12_IN	5205
18-2844. Register Call Summary for Register CFG_VIN1A_D12_IN.....	5205
18-2845. CFG_VIN1A_D12_OEN	5205
18-2846. Register Call Summary for Register CFG_VIN1A_D12_OEN.....	5206
18-2847. CFG_VIN1A_D12_OUT	5206
18-2848. Register Call Summary for Register CFG_VIN1A_D12_OUT	5206
18-2849. CFG_VIN1A_D13_IN	5206
18-2850. Register Call Summary for Register CFG_VIN1A_D13_IN.....	5207
18-2851. CFG_VIN1A_D13_OEN	5207
18-2852. Register Call Summary for Register CFG_VIN1A_D13_OEN.....	5207
18-2853. CFG_VIN1A_D13_OUT	5207
18-2854. Register Call Summary for Register CFG_VIN1A_D13_OUT	5208
18-2855. CFG_VIN1A_D14_IN	5208
18-2856. Register Call Summary for Register CFG_VIN1A_D14_IN.....	5208
18-2857. CFG_VIN1A_D14_OEN	5208
18-2858. Register Call Summary for Register CFG_VIN1A_D14_OEN.....	5209
18-2859. CFG_VIN1A_D14_OUT	5209
18-2860. Register Call Summary for Register CFG_VIN1A_D14_OUT	5209
18-2861. CFG_VIN1A_D15_IN	5210
18-2862. Register Call Summary for Register CFG_VIN1A_D15_IN.....	5210
18-2863. CFG_VIN1A_D15_OEN	5210
18-2864. Register Call Summary for Register CFG_VIN1A_D15_OEN.....	5211
18-2865. CFG_VIN1A_D15_OUT	5211
18-2866. Register Call Summary for Register CFG_VIN1A_D15_OUT	5211
18-2867. CFG_VIN1A_D16_IN	5211
18-2868. Register Call Summary for Register CFG_VIN1A_D16_IN.....	5212
18-2869. CFG_VIN1A_D16_OEN	5212
18-2870. Register Call Summary for Register CFG_VIN1A_D16_OEN.....	5212
18-2871. CFG_VIN1A_D16_OUT	5212
18-2872. Register Call Summary for Register CFG_VIN1A_D16_OUT	5213
18-2873. CFG_VIN1A_D17_IN	5213
18-2874. Register Call Summary for Register CFG_VIN1A_D17_IN.....	5213
18-2875. CFG_VIN1A_D17_OEN	5213
18-2876. Register Call Summary for Register CFG_VIN1A_D17_OEN.....	5214
18-2877. CFG_VIN1A_D17_OUT	5214
18-2878. Register Call Summary for Register CFG_VIN1A_D17_OUT	5214
18-2879. CFG_VIN1A_D18_IN	5215
18-2880. Register Call Summary for Register CFG_VIN1A_D18_IN.....	5215
18-2881. CFG_VIN1A_D18_OEN	5215
18-2882. Register Call Summary for Register CFG_VIN1A_D18_OEN.....	5216
18-2883. CFG_VIN1A_D18_OUT	5216
18-2884. Register Call Summary for Register CFG_VIN1A_D18_OUT	5216
18-2885. CFG_VIN1A_D19_IN	5216

18-2886. Register Call Summary for Register CFG_VIN1A_D19_IN.....	5217
18-2887. CFG_VIN1A_D19_OEN	5217
18-2888. Register Call Summary for Register CFG_VIN1A_D19_OEN.....	5217
18-2889. CFG_VIN1A_D19_OUT	5217
18-2890. Register Call Summary for Register CFG_VIN1A_D19_OUT.....	5218
18-2891. CFG_VIN1A_D1_IN.....	5218
18-2892. Register Call Summary for Register CFG_VIN1A_D1_IN	5218
18-2893. CFG_VIN1A_D1_OEN.....	5218
18-2894. Register Call Summary for Register CFG_VIN1A_D1_OEN	5219
18-2895. CFG_VIN1A_D1_OUT	5219
18-2896. Register Call Summary for Register CFG_VIN1A_D1_OUT	5219
18-2897. CFG_VIN1A_D20_IN	5220
18-2898. Register Call Summary for Register CFG_VIN1A_D20_IN.....	5220
18-2899. CFG_VIN1A_D20_OEN	5220
18-2900. Register Call Summary for Register CFG_VIN1A_D20_OEN.....	5221
18-2901. CFG_VIN1A_D20_OUT	5221
18-2902. Register Call Summary for Register CFG_VIN1A_D20_OUT.....	5221
18-2903. CFG_VIN1A_D21_IN	5221
18-2904. Register Call Summary for Register CFG_VIN1A_D21_IN.....	5222
18-2905. CFG_VIN1A_D21_OEN	5222
18-2906. Register Call Summary for Register CFG_VIN1A_D21_OEN.....	5222
18-2907. CFG_VIN1A_D21_OUT	5222
18-2908. Register Call Summary for Register CFG_VIN1A_D21_OUT.....	5223
18-2909. CFG_VIN1A_D22_IN	5223
18-2910. Register Call Summary for Register CFG_VIN1A_D22_IN.....	5223
18-2911. CFG_VIN1A_D22_OEN	5223
18-2912. Register Call Summary for Register CFG_VIN1A_D22_OEN.....	5224
18-2913. CFG_VIN1A_D22_OUT	5224
18-2914. Register Call Summary for Register CFG_VIN1A_D22_OUT.....	5224
18-2915. CFG_VIN1A_D23_IN	5225
18-2916. Register Call Summary for Register CFG_VIN1A_D23_IN.....	5225
18-2917. CFG_VIN1A_D23_OEN	5225
18-2918. Register Call Summary for Register CFG_VIN1A_D23_OEN.....	5226
18-2919. CFG_VIN1A_D23_OUT	5226
18-2920. Register Call Summary for Register CFG_VIN1A_D23_OUT.....	5226
18-2921. CFG_VIN1A_D2_IN.....	5226
18-2922. Register Call Summary for Register CFG_VIN1A_D2_IN	5227
18-2923. CFG_VIN1A_D2_OEN.....	5227
18-2924. Register Call Summary for Register CFG_VIN1A_D2_OEN	5227
18-2925. CFG_VIN1A_D2_OUT	5227
18-2926. Register Call Summary for Register CFG_VIN1A_D2_OUT	5228
18-2927. CFG_VIN1A_D3_IN.....	5228
18-2928. Register Call Summary for Register CFG_VIN1A_D3_IN	5228
18-2929. CFG_VIN1A_D3_OEN.....	5228
18-2930. Register Call Summary for Register CFG_VIN1A_D3_OEN	5229
18-2931. CFG_VIN1A_D3_OUT.....	5229
18-2932. Register Call Summary for Register CFG_VIN1A_D3_OUT	5229
18-2933. CFG_VIN1A_D4_IN.....	5230
18-2934. Register Call Summary for Register CFG_VIN1A_D4_IN	5230

18-2935. CFG_VIN1A_D4_OEN.....	5230
18-2936. Register Call Summary for Register CFG_VIN1A_D4_OEN	5231
18-2937. CFG_VIN1A_D4_OUT	5231
18-2938. Register Call Summary for Register CFG_VIN1A_D4_OUT	5231
18-2939. CFG_VIN1A_D5_IN.....	5231
18-2940. Register Call Summary for Register CFG_VIN1A_D5_IN	5232
18-2941. CFG_VIN1A_D5_OEN.....	5232
18-2942. Register Call Summary for Register CFG_VIN1A_D5_OEN	5232
18-2943. CFG_VIN1A_D5_OUT	5232
18-2944. Register Call Summary for Register CFG_VIN1A_D5_OUT	5233
18-2945. CFG_VIN1A_D6_IN.....	5233
18-2946. Register Call Summary for Register CFG_VIN1A_D6_IN	5233
18-2947. CFG_VIN1A_D6_OEN.....	5233
18-2948. Register Call Summary for Register CFG_VIN1A_D6_OEN	5234
18-2949. CFG_VIN1A_D6_OUT	5234
18-2950. Register Call Summary for Register CFG_VIN1A_D6_OUT	5234
18-2951. CFG_VIN1A_D7_IN.....	5235
18-2952. Register Call Summary for Register CFG_VIN1A_D7_IN	5235
18-2953. CFG_VIN1A_D7_OEN.....	5235
18-2954. Register Call Summary for Register CFG_VIN1A_D7_OEN	5236
18-2955. CFG_VIN1A_D7_OUT	5236
18-2956. Register Call Summary for Register CFG_VIN1A_D7_OUT	5236
18-2957. CFG_VIN1A_D8_IN.....	5236
18-2958. Register Call Summary for Register CFG_VIN1A_D8_IN	5237
18-2959. CFG_VIN1A_D8_OEN.....	5237
18-2960. Register Call Summary for Register CFG_VIN1A_D8_OEN	5237
18-2961. CFG_VIN1A_D8_OUT	5237
18-2962. Register Call Summary for Register CFG_VIN1A_D8_OUT	5238
18-2963. CFG_VIN1A_D9_IN.....	5238
18-2964. Register Call Summary for Register CFG_VIN1A_D9_IN	5238
18-2965. CFG_VIN1A_D9_OEN.....	5238
18-2966. Register Call Summary for Register CFG_VIN1A_D9_OEN	5239
18-2967. CFG_VIN1A_D9_OUT	5239
18-2968. Register Call Summary for Register CFG_VIN1A_D9_OUT	5239
18-2969. CFG_VIN1A_DE0_IN.....	5240
18-2970. Register Call Summary for Register CFG_VIN1A_DE0_IN	5240
18-2971. CFG_VIN1A_DE0_OEN.....	5240
18-2972. Register Call Summary for Register CFG_VIN1A_DE0_OEN	5241
18-2973. CFG_VIN1A_DE0_OUT	5241
18-2974. Register Call Summary for Register CFG_VIN1A_DE0_OUT	5241
18-2975. CFG_VIN1A_FLD0_IN.....	5241
18-2976. Register Call Summary for Register CFG_VIN1A_FLD0_IN	5242
18-2977. CFG_VIN1A_FLD0_OEN	5242
18-2978. Register Call Summary for Register CFG_VIN1A_FLD0_OEN	5242
18-2979. CFG_VIN1A_FLD0_OUT.....	5242
18-2980. Register Call Summary for Register CFG_VIN1A_FLD0_OUT	5243
18-2981. CFG_VIN1A_HSYNC0_IN	5243
18-2982. Register Call Summary for Register CFG_VIN1A_HSYNC0_IN.....	5243
18-2983. CFG_VIN1A_HSYNC0_OEN	5243

18-2984. Register Call Summary for Register CFG_VIN1A_HSYNC0_OEN.....	5244
18-2985. CFG_VIN1A_HSYNC0_OUT	5244
18-2986. Register Call Summary for Register CFG_VIN1A_HSYNC0_OUT.....	5244
18-2987. CFG_VIN1A_VSYNC0_IN	5245
18-2988. Register Call Summary for Register CFG_VIN1A_VSYNC0_IN.....	5245
18-2989. CFG_VIN1A_VSYNC0_OEN	5245
18-2990. Register Call Summary for Register CFG_VIN1A_VSYNC0_OEN.....	5246
18-2991. CFG_VIN1A_VSYNC0_OUT	5246
18-2992. Register Call Summary for Register CFG_VIN1A_VSYNC0_OUT.....	5246
18-2993. CFG_VIN1B_CLK1_IN	5246
18-2994. Register Call Summary for Register CFG_VIN1B_CLK1_IN.....	5247
18-2995. CFG_VIN1B_CLK1_OEN	5247
18-2996. Register Call Summary for Register CFG_VIN1B_CLK1_OEN.....	5247
18-2997. CFG_VIN1B_CLK1_OUT	5247
18-2998. Register Call Summary for Register CFG_VIN1B_CLK1_OUT.....	5248
18-2999. CFG_VIN2A_CLK0_IN	5248
18-3000. Register Call Summary for Register CFG_VIN2A_CLK0_IN.....	5248
18-3001. CFG_VIN2A_CLK0_OEN	5248
18-3002. Register Call Summary for Register CFG_VIN2A_CLK0_OEN.....	5249
18-3003. CFG_VIN2A_CLK0_OUT	5249
18-3004. Register Call Summary for Register CFG_VIN2A_CLK0_OUT.....	5249
18-3005. CFG_VIN2A_D0_IN.....	5250
18-3006. Register Call Summary for Register CFG_VIN2A_D0_IN	5250
18-3007. CFG_VIN2A_D0_OEN.....	5250
18-3008. Register Call Summary for Register CFG_VIN2A_D0_OEN	5251
18-3009. CFG_VIN2A_D0_OUT	5251
18-3010. Register Call Summary for Register CFG_VIN2A_D0_OUT	5251
18-3011. CFG_VIN2A_D10_IN	5251
18-3012. Register Call Summary for Register CFG_VIN2A_D10_IN.....	5252
18-3013. CFG_VIN2A_D10_OEN	5252
18-3014. Register Call Summary for Register CFG_VIN2A_D10_OEN.....	5252
18-3015. CFG_VIN2A_D10_OUT	5252
18-3016. Register Call Summary for Register CFG_VIN2A_D10_OUT.....	5253
18-3017. CFG_VIN2A_D11_IN	5253
18-3018. Register Call Summary for Register CFG_VIN2A_D11_IN.....	5253
18-3019. CFG_VIN2A_D11_OEN	5253
18-3020. Register Call Summary for Register CFG_VIN2A_D11_OEN.....	5254
18-3021. CFG_VIN2A_D11_OUT	5254
18-3022. Register Call Summary for Register CFG_VIN2A_D11_OUT.....	5254
18-3023. CFG_VIN2A_D12_IN	5255
18-3024. Register Call Summary for Register CFG_VIN2A_D12_IN.....	5255
18-3025. CFG_VIN2A_D12_OEN	5255
18-3026. Register Call Summary for Register CFG_VIN2A_D12_OEN.....	5256
18-3027. CFG_VIN2A_D12_OUT	5256
18-3028. Register Call Summary for Register CFG_VIN2A_D12_OUT.....	5256
18-3029. CFG_VIN2A_D13_IN	5256
18-3030. Register Call Summary for Register CFG_VIN2A_D13_IN.....	5257
18-3031. CFG_VIN2A_D13_OEN	5257
18-3032. Register Call Summary for Register CFG_VIN2A_D13_OEN.....	5257

18-3033. CFG_VIN2A_D13_OUT	5257
18-3034. Register Call Summary for Register CFG_VIN2A_D13_OUT	5258
18-3035. CFG_VIN2A_D14_IN	5258
18-3036. Register Call Summary for Register CFG_VIN2A_D14_IN	5258
18-3037. CFG_VIN2A_D14_OEN	5258
18-3038. Register Call Summary for Register CFG_VIN2A_D14_OEN	5259
18-3039. CFG_VIN2A_D14_OUT	5259
18-3040. Register Call Summary for Register CFG_VIN2A_D14_OUT	5259
18-3041. CFG_VIN2A_D15_IN	5260
18-3042. Register Call Summary for Register CFG_VIN2A_D15_IN	5260
18-3043. CFG_VIN2A_D15_OEN	5260
18-3044. Register Call Summary for Register CFG_VIN2A_D15_OEN	5261
18-3045. CFG_VIN2A_D15_OUT	5261
18-3046. Register Call Summary for Register CFG_VIN2A_D15_OUT	5261
18-3047. CFG_VIN2A_D16_IN	5261
18-3048. Register Call Summary for Register CFG_VIN2A_D16_IN	5262
18-3049. CFG_VIN2A_D16_OEN	5262
18-3050. Register Call Summary for Register CFG_VIN2A_D16_OEN	5262
18-3051. CFG_VIN2A_D16_OUT	5262
18-3052. Register Call Summary for Register CFG_VIN2A_D16_OUT	5263
18-3053. CFG_VIN2A_D17_IN	5263
18-3054. Register Call Summary for Register CFG_VIN2A_D17_IN	5263
18-3055. CFG_VIN2A_D17_OEN	5263
18-3056. Register Call Summary for Register CFG_VIN2A_D17_OEN	5264
18-3057. CFG_VIN2A_D17_OUT	5264
18-3058. Register Call Summary for Register CFG_VIN2A_D17_OUT	5264
18-3059. CFG_VIN2A_D18_IN	5265
18-3060. Register Call Summary for Register CFG_VIN2A_D18_IN	5265
18-3061. CFG_VIN2A_D18_OEN	5265
18-3062. Register Call Summary for Register CFG_VIN2A_D18_OEN	5266
18-3063. CFG_VIN2A_D18_OUT	5266
18-3064. Register Call Summary for Register CFG_VIN2A_D18_OUT	5266
18-3065. CFG_VIN2A_D19_IN	5266
18-3066. Register Call Summary for Register CFG_VIN2A_D19_IN	5267
18-3067. CFG_VIN2A_D19_OEN	5267
18-3068. Register Call Summary for Register CFG_VIN2A_D19_OEN	5267
18-3069. CFG_VIN2A_D19_OUT	5267
18-3070. Register Call Summary for Register CFG_VIN2A_D19_OUT	5268
18-3071. CFG_VIN2A_D1_IN	5268
18-3072. Register Call Summary for Register CFG_VIN2A_D1_IN	5268
18-3073. CFG_VIN2A_D1_OEN	5268
18-3074. Register Call Summary for Register CFG_VIN2A_D1_OEN	5269
18-3075. CFG_VIN2A_D1_OUT	5269
18-3076. Register Call Summary for Register CFG_VIN2A_D1_OUT	5269
18-3077. CFG_VIN2A_D20_IN	5270
18-3078. Register Call Summary for Register CFG_VIN2A_D20_IN	5270
18-3079. CFG_VIN2A_D20_OEN	5270
18-3080. Register Call Summary for Register CFG_VIN2A_D20_OEN	5271
18-3081. CFG_VIN2A_D20_OUT	5271

18-3082. Register Call Summary for Register CFG_VIN2A_D20_OUT	5271
18-3083. CFG_VIN2A_D21_IN	5271
18-3084. Register Call Summary for Register CFG_VIN2A_D21_IN	5272
18-3085. CFG_VIN2A_D21_OEN	5272
18-3086. Register Call Summary for Register CFG_VIN2A_D21_OEN	5272
18-3087. CFG_VIN2A_D21_OUT	5272
18-3088. Register Call Summary for Register CFG_VIN2A_D21_OUT	5273
18-3089. CFG_VIN2A_D22_IN	5273
18-3090. Register Call Summary for Register CFG_VIN2A_D22_IN	5273
18-3091. CFG_VIN2A_D22_OEN	5273
18-3092. Register Call Summary for Register CFG_VIN2A_D22_OEN	5274
18-3093. CFG_VIN2A_D22_OUT	5274
18-3094. Register Call Summary for Register CFG_VIN2A_D22_OUT	5274
18-3095. CFG_VIN2A_D23_IN	5275
18-3096. Register Call Summary for Register CFG_VIN2A_D23_IN	5275
18-3097. CFG_VIN2A_D23_OEN	5275
18-3098. Register Call Summary for Register CFG_VIN2A_D23_OEN	5276
18-3099. CFG_VIN2A_D23_OUT	5276
18-3100. Register Call Summary for Register CFG_VIN2A_D23_OUT	5276
18-3101. CFG_VIN2A_D2_IN	5276
18-3102. Register Call Summary for Register CFG_VIN2A_D2_IN	5277
18-3103. CFG_VIN2A_D2_OEN	5277
18-3104. Register Call Summary for Register CFG_VIN2A_D2_OEN	5277
18-3105. CFG_VIN2A_D2_OUT	5277
18-3106. Register Call Summary for Register CFG_VIN2A_D2_OUT	5278
18-3107. CFG_VIN2A_D3_IN	5278
18-3108. Register Call Summary for Register CFG_VIN2A_D3_IN	5278
18-3109. CFG_VIN2A_D3_OEN	5278
18-3110. Register Call Summary for Register CFG_VIN2A_D3_OEN	5279
18-3111. CFG_VIN2A_D3_OUT	5279
18-3112. Register Call Summary for Register CFG_VIN2A_D3_OUT	5279
18-3113. CFG_VIN2A_D4_IN	5280
18-3114. Register Call Summary for Register CFG_VIN2A_D4_IN	5280
18-3115. CFG_VIN2A_D4_OEN	5280
18-3116. Register Call Summary for Register CFG_VIN2A_D4_OEN	5281
18-3117. CFG_VIN2A_D4_OUT	5281
18-3118. Register Call Summary for Register CFG_VIN2A_D4_OUT	5281
18-3119. CFG_VIN2A_D5_IN	5281
18-3120. Register Call Summary for Register CFG_VIN2A_D5_IN	5282
18-3121. CFG_VIN2A_D5_OEN	5282
18-3122. Register Call Summary for Register CFG_VIN2A_D5_OEN	5282
18-3123. CFG_VIN2A_D5_OUT	5282
18-3124. Register Call Summary for Register CFG_VIN2A_D5_OUT	5283
18-3125. CFG_VIN2A_D6_IN	5283
18-3126. Register Call Summary for Register CFG_VIN2A_D6_IN	5283
18-3127. CFG_VIN2A_D6_OEN	5283
18-3128. Register Call Summary for Register CFG_VIN2A_D6_OEN	5284
18-3129. CFG_VIN2A_D6_OUT	5284
18-3130. Register Call Summary for Register CFG_VIN2A_D6_OUT	5284

18-3131. CFG_VIN2A_D7_IN.....	5285
18-3132. Register Call Summary for Register CFG_VIN2A_D7_IN	5285
18-3133. CFG_VIN2A_D7_OEN.....	5285
18-3134. Register Call Summary for Register CFG_VIN2A_D7_OEN	5286
18-3135. CFG_VIN2A_D7_OUT.....	5286
18-3136. Register Call Summary for Register CFG_VIN2A_D7_OUT	5286
18-3137. CFG_VIN2A_D8_IN.....	5286
18-3138. Register Call Summary for Register CFG_VIN2A_D8_IN	5287
18-3139. CFG_VIN2A_D8_OEN.....	5287
18-3140. Register Call Summary for Register CFG_VIN2A_D8_OEN	5287
18-3141. CFG_VIN2A_D8_OUT.....	5287
18-3142. Register Call Summary for Register CFG_VIN2A_D8_OUT	5288
18-3143. CFG_VIN2A_D9_IN.....	5288
18-3144. Register Call Summary for Register CFG_VIN2A_D9_IN	5288
18-3145. CFG_VIN2A_D9_OEN.....	5288
18-3146. Register Call Summary for Register CFG_VIN2A_D9_OEN	5289
18-3147. CFG_VIN2A_D9_OUT.....	5289
18-3148. Register Call Summary for Register CFG_VIN2A_D9_OUT	5289
18-3149. CFG_VIN2A_DE0_IN.....	5290
18-3150. Register Call Summary for Register CFG_VIN2A_DE0_IN	5290
18-3151. CFG_VIN2A_DE0_OEN.....	5290
18-3152. Register Call Summary for Register CFG_VIN2A_DE0_OEN	5291
18-3153. CFG_VIN2A_DE0_OUT.....	5291
18-3154. Register Call Summary for Register CFG_VIN2A_DE0_OUT	5291
18-3155. CFG_VIN2A_FLD0_IN.....	5291
18-3156. Register Call Summary for Register CFG_VIN2A_FLD0_IN	5292
18-3157. CFG_VIN2A_FLD0_OEN.....	5292
18-3158. Register Call Summary for Register CFG_VIN2A_FLD0_OEN	5292
18-3159. CFG_VIN2A_FLD0_OUT.....	5292
18-3160. Register Call Summary for Register CFG_VIN2A_FLD0_OUT	5293
18-3161. CFG_VIN2A_HSYNC0_IN.....	5293
18-3162. Register Call Summary for Register CFG_VIN2A_HSYNC0_IN.....	5293
18-3163. CFG_VIN2A_HSYNC0_OEN.....	5293
18-3164. Register Call Summary for Register CFG_VIN2A_HSYNC0_OEN.....	5294
18-3165. CFG_VIN2A_HSYNC0_OUT.....	5294
18-3166. Register Call Summary for Register CFG_VIN2A_HSYNC0_OUT.....	5294
18-3167. CFG_VIN2A_VSYNC0_IN.....	5295
18-3168. Register Call Summary for Register CFG_VIN2A_VSYNC0_IN.....	5295
18-3169. CFG_VIN2A_VSYNC0_OEN.....	5295
18-3170. Register Call Summary for Register CFG_VIN2A_VSYNC0_OEN.....	5296
18-3171. CFG_VIN2A_VSYNC0_OUT.....	5296
18-3172. Register Call Summary for Register CFG_VIN2A_VSYNC0_OUT.....	5296
18-3173. CFG_VOUT1_CLK_IN.....	5296
18-3174. Register Call Summary for Register CFG_VOUT1_CLK_IN.....	5297
18-3175. CFG_VOUT1_CLK_OEN.....	5297
18-3176. Register Call Summary for Register CFG_VOUT1_CLK_OEN.....	5297
18-3177. CFG_VOUT1_CLK_OUT.....	5297
18-3178. Register Call Summary for Register CFG_VOUT1_CLK_OUT.....	5298
18-3179. CFG_VOUT1_D0_IN.....	5298

18-3180. Register Call Summary for Register CFG_VOUT1_D0_IN	5298
18-3181. CFG_VOUT1_D0_OEN	5298
18-3182. Register Call Summary for Register CFG_VOUT1_D0_OEN	5299
18-3183. CFG_VOUT1_D0_OUT	5299
18-3184. Register Call Summary for Register CFG_VOUT1_D0_OUT	5299
18-3185. CFG_VOUT1_D10_IN	5300
18-3186. Register Call Summary for Register CFG_VOUT1_D10_IN.....	5300
18-3187. CFG_VOUT1_D10_OEN	5300
18-3188. Register Call Summary for Register CFG_VOUT1_D10_OEN	5301
18-3189. CFG_VOUT1_D10_OUT	5301
18-3190. Register Call Summary for Register CFG_VOUT1_D10_OUT.....	5301
18-3191. CFG_VOUT1_D11_IN	5301
18-3192. Register Call Summary for Register CFG_VOUT1_D11_IN.....	5302
18-3193. CFG_VOUT1_D11_OEN	5302
18-3194. Register Call Summary for Register CFG_VOUT1_D11_OEN	5302
18-3195. CFG_VOUT1_D11_OUT	5302
18-3196. Register Call Summary for Register CFG_VOUT1_D11_OUT.....	5303
18-3197. CFG_VOUT1_D12_IN	5303
18-3198. Register Call Summary for Register CFG_VOUT1_D12_IN.....	5303
18-3199. CFG_VOUT1_D12_OEN	5303
18-3200. Register Call Summary for Register CFG_VOUT1_D12_OEN	5304
18-3201. CFG_VOUT1_D12_OUT	5304
18-3202. Register Call Summary for Register CFG_VOUT1_D12_OUT.....	5304
18-3203. CFG_VOUT1_D13_IN	5305
18-3204. Register Call Summary for Register CFG_VOUT1_D13_IN.....	5305
18-3205. CFG_VOUT1_D13_OEN	5305
18-3206. Register Call Summary for Register CFG_VOUT1_D13_OEN	5306
18-3207. CFG_VOUT1_D13_OUT	5306
18-3208. Register Call Summary for Register CFG_VOUT1_D13_OUT.....	5306
18-3209. CFG_VOUT1_D14_IN	5306
18-3210. Register Call Summary for Register CFG_VOUT1_D14_IN.....	5307
18-3211. CFG_VOUT1_D14_OEN	5307
18-3212. Register Call Summary for Register CFG_VOUT1_D14_OEN	5307
18-3213. CFG_VOUT1_D14_OUT	5307
18-3214. Register Call Summary for Register CFG_VOUT1_D14_OUT.....	5308
18-3215. CFG_VOUT1_D15_IN	5308
18-3216. Register Call Summary for Register CFG_VOUT1_D15_IN.....	5308
18-3217. CFG_VOUT1_D15_OEN	5308
18-3218. Register Call Summary for Register CFG_VOUT1_D15_OEN	5309
18-3219. CFG_VOUT1_D15_OUT	5309
18-3220. Register Call Summary for Register CFG_VOUT1_D15_OUT.....	5309
18-3221. CFG_VOUT1_D16_IN	5310
18-3222. Register Call Summary for Register CFG_VOUT1_D16_IN.....	5310
18-3223. CFG_VOUT1_D16_OEN	5310
18-3224. Register Call Summary for Register CFG_VOUT1_D16_OEN	5311
18-3225. CFG_VOUT1_D16_OUT	5311
18-3226. Register Call Summary for Register CFG_VOUT1_D16_OUT.....	5311
18-3227. CFG_VOUT1_D17_IN	5311
18-3228. Register Call Summary for Register CFG_VOUT1_D17_IN.....	5312

18-3229. CFG_VOUT1_D17_OEN	5312
18-3230. Register Call Summary for Register CFG_VOUT1_D17_OEN	5312
18-3231. CFG_VOUT1_D17_OUT	5312
18-3232. Register Call Summary for Register CFG_VOUT1_D17_OUT.....	5313
18-3233. CFG_VOUT1_D18_IN	5313
18-3234. Register Call Summary for Register CFG_VOUT1_D18_IN.....	5313
18-3235. CFG_VOUT1_D18_OEN	5313
18-3236. Register Call Summary for Register CFG_VOUT1_D18_OEN	5314
18-3237. CFG_VOUT1_D18_OUT	5314
18-3238. Register Call Summary for Register CFG_VOUT1_D18_OUT.....	5314
18-3239. CFG_VOUT1_D19_IN	5315
18-3240. Register Call Summary for Register CFG_VOUT1_D19_IN.....	5315
18-3241. CFG_VOUT1_D19_OEN.....	5315
18-3242. Register Call Summary for Register CFG_VOUT1_D19_OEN	5316
18-3243. CFG_VOUT1_D19_OUT	5316
18-3244. Register Call Summary for Register CFG_VOUT1_D19_OUT.....	5316
18-3245. CFG_VOUT1_D1_IN.....	5316
18-3246. Register Call Summary for Register CFG_VOUT1_D1_IN	5317
18-3247. CFG_VOUT1_D1_OEN	5317
18-3248. Register Call Summary for Register CFG_VOUT1_D1_OEN	5317
18-3249. CFG_VOUT1_D1_OUT.....	5317
18-3250. Register Call Summary for Register CFG_VOUT1_D1_OUT	5318
18-3251. CFG_VOUT1_D20_IN	5318
18-3252. Register Call Summary for Register CFG_VOUT1_D20_IN.....	5318
18-3253. CFG_VOUT1_D20_OEN.....	5318
18-3254. Register Call Summary for Register CFG_VOUT1_D20_OEN	5319
18-3255. CFG_VOUT1_D20_OUT	5319
18-3256. Register Call Summary for Register CFG_VOUT1_D20_OUT.....	5319
18-3257. CFG_VOUT1_D21_IN	5320
18-3258. Register Call Summary for Register CFG_VOUT1_D21_IN.....	5320
18-3259. CFG_VOUT1_D21_OEN	5320
18-3260. Register Call Summary for Register CFG_VOUT1_D21_OEN	5321
18-3261. CFG_VOUT1_D21_OUT	5321
18-3262. Register Call Summary for Register CFG_VOUT1_D21_OUT.....	5321
18-3263. CFG_VOUT1_D22_IN	5321
18-3264. Register Call Summary for Register CFG_VOUT1_D22_IN.....	5322
18-3265. CFG_VOUT1_D22_OEN	5322
18-3266. Register Call Summary for Register CFG_VOUT1_D22_OEN	5322
18-3267. CFG_VOUT1_D22_OUT	5322
18-3268. Register Call Summary for Register CFG_VOUT1_D22_OUT.....	5323
18-3269. CFG_VOUT1_D23_IN	5323
18-3270. Register Call Summary for Register CFG_VOUT1_D23_IN.....	5323
18-3271. CFG_VOUT1_D23_OEN.....	5323
18-3272. Register Call Summary for Register CFG_VOUT1_D23_OEN	5324
18-3273. CFG_VOUT1_D23_OUT	5324
18-3274. Register Call Summary for Register CFG_VOUT1_D23_OUT.....	5324
18-3275. CFG_VOUT1_D2_IN.....	5325
18-3276. Register Call Summary for Register CFG_VOUT1_D2_IN	5325
18-3277. CFG_VOUT1_D2_OEN	5325

18-3278. Register Call Summary for Register CFG_VOUT1_D2_OEN	5326
18-3279. CFG_VOUT1_D2_OUT.....	5326
18-3280. Register Call Summary for Register CFG_VOUT1_D2_OUT	5326
18-3281. CFG_VOUT1_D3_IN.....	5326
18-3282. Register Call Summary for Register CFG_VOUT1_D3_IN	5327
18-3283. CFG_VOUT1_D3_OEN	5327
18-3284. Register Call Summary for Register CFG_VOUT1_D3_OEN	5327
18-3285. CFG_VOUT1_D3_OUT.....	5327
18-3286. Register Call Summary for Register CFG_VOUT1_D3_OUT	5328
18-3287. CFG_VOUT1_D4_IN.....	5328
18-3288. Register Call Summary for Register CFG_VOUT1_D4_IN	5328
18-3289. CFG_VOUT1_D4_OEN	5328
18-3290. Register Call Summary for Register CFG_VOUT1_D4_OEN	5329
18-3291. CFG_VOUT1_D4_OUT.....	5329
18-3292. Register Call Summary for Register CFG_VOUT1_D4_OUT	5329
18-3293. CFG_VOUT1_D5_IN.....	5330
18-3294. Register Call Summary for Register CFG_VOUT1_D5_IN	5330
18-3295. CFG_VOUT1_D5_OEN	5330
18-3296. Register Call Summary for Register CFG_VOUT1_D5_OEN	5331
18-3297. CFG_VOUT1_D5_OUT.....	5331
18-3298. Register Call Summary for Register CFG_VOUT1_D5_OUT	5331
18-3299. CFG_VOUT1_D6_IN.....	5331
18-3300. Register Call Summary for Register CFG_VOUT1_D6_IN	5332
18-3301. CFG_VOUT1_D6_OEN	5332
18-3302. Register Call Summary for Register CFG_VOUT1_D6_OEN	5332
18-3303. CFG_VOUT1_D6_OUT.....	5332
18-3304. Register Call Summary for Register CFG_VOUT1_D6_OUT	5333
18-3305. CFG_VOUT1_D7_IN.....	5333
18-3306. Register Call Summary for Register CFG_VOUT1_D7_IN	5333
18-3307. CFG_VOUT1_D7_OEN	5333
18-3308. Register Call Summary for Register CFG_VOUT1_D7_OEN	5334
18-3309. CFG_VOUT1_D7_OUT.....	5334
18-3310. Register Call Summary for Register CFG_VOUT1_D7_OUT	5334
18-3311. CFG_VOUT1_D8_IN.....	5335
18-3312. Register Call Summary for Register CFG_VOUT1_D8_IN	5335
18-3313. CFG_VOUT1_D8_OEN	5335
18-3314. Register Call Summary for Register CFG_VOUT1_D8_OEN	5336
18-3315. CFG_VOUT1_D8_OUT.....	5336
18-3316. Register Call Summary for Register CFG_VOUT1_D8_OUT	5336
18-3317. CFG_VOUT1_D9_IN.....	5336
18-3318. Register Call Summary for Register CFG_VOUT1_D9_IN	5337
18-3319. CFG_VOUT1_D9_OEN	5337
18-3320. Register Call Summary for Register CFG_VOUT1_D9_OEN	5337
18-3321. CFG_VOUT1_D9_OUT.....	5337
18-3322. Register Call Summary for Register CFG_VOUT1_D9_OUT	5338
18-3323. CFG_VOUT1_DE_IN	5338
18-3324. Register Call Summary for Register CFG_VOUT1_DE_IN.....	5338
18-3325. CFG_VOUT1_DE_OEN	5338
18-3326. Register Call Summary for Register CFG_VOUT1_DE_OEN.....	5339

18-3327. CFG_VOUT1_DE_OUT	5339
18-3328. Register Call Summary for Register CFG_VOUT1_DE_OUT	5339
18-3329. CFG_VOUT1_FLD_IN	5340
18-3330. Register Call Summary for Register CFG_VOUT1_FLD_IN	5340
18-3331. CFG_VOUT1_FLD_OEN	5340
18-3332. Register Call Summary for Register CFG_VOUT1_FLD_OEN	5341
18-3333. CFG_VOUT1_FLD_OUT	5341
18-3334. Register Call Summary for Register CFG_VOUT1_FLD_OUT	5341
18-3335. CFG_VOUT1_HSYNC_IN	5341
18-3336. Register Call Summary for Register CFG_VOUT1_HSYNC_IN	5342
18-3337. CFG_VOUT1_HSYNC_OEN	5342
18-3338. Register Call Summary for Register CFG_VOUT1_HSYNC_OEN	5342
18-3339. CFG_VOUT1_HSYNC_OUT	5342
18-3340. Register Call Summary for Register CFG_VOUT1_HSYNC_OUT	5343
18-3341. CFG_VOUT1_VSYNC_IN	5343
18-3342. Register Call Summary for Register CFG_VOUT1_VSYNC_IN	5343
18-3343. CFG_VOUT1_VSYNC_OEN	5343
18-3344. Register Call Summary for Register CFG_VOUT1_VSYNC_OEN	5344
18-3345. CFG_VOUT1_VSYNC_OUT	5344
18-3346. Register Call Summary for Register CFG_VOUT1_VSYNC_OUT	5344
18-3347. CFG_XREF_CLK0_IN	5345
18-3348. Register Call Summary for Register CFG_XREF_CLK0_IN	5345
18-3349. CFG_XREF_CLK0_OEN	5345
18-3350. Register Call Summary for Register CFG_XREF_CLK0_OEN	5346
18-3351. CFG_XREF_CLK0_OUT	5346
18-3352. Register Call Summary for Register CFG_XREF_CLK0_OUT	5346
18-3353. CFG_XREF_CLK1_IN	5346
18-3354. Register Call Summary for Register CFG_XREF_CLK1_IN	5347
18-3355. CFG_XREF_CLK1_OEN	5347
18-3356. Register Call Summary for Register CFG_XREF_CLK1_OEN	5347
18-3357. CFG_XREF_CLK1_OUT	5347
18-3358. Register Call Summary for Register CFG_XREF_CLK1_OUT	5348
18-3359. CFG_XREF_CLK2_IN	5348
18-3360. Register Call Summary for Register CFG_XREF_CLK2_IN	5348
18-3361. CFG_XREF_CLK2_OEN	5348
18-3362. Register Call Summary for Register CFG_XREF_CLK2_OEN	5349
18-3363. CFG_XREF_CLK2_OUT	5349
18-3364. Register Call Summary for Register CFG_XREF_CLK2_OUT	5349
18-3365. CFG_XREF_CLK3_IN	5350
18-3366. Register Call Summary for Register CFG_XREF_CLK3_IN	5350
18-3367. CFG_XREF_CLK3_OEN	5350
18-3368. Register Call Summary for Register CFG_XREF_CLK3_OEN	5351
18-3369. CFG_XREF_CLK3_OUT	5351
18-3370. Register Call Summary for Register CFG_XREF_CLK3_OUT	5351
19-1. Mailbox Configuration in the Device	5353
19-2. MAILBOX Integration Attributes	5354
19-3. MAILBOX Clocks and Resets	5354
19-4. MAILBOX Hardware Requests	5355
19-5. IVA_MBOX Integration Attributes	5357

19-6. IVA_MBOX Clocks and Resets.....	5357
19-7. IVA_MBOX Hardware Requests	5358
19-8. Mailbox Users in the Device	5359
19-9. Local Power Management Features.....	5360
19-10. Interrupt Events.....	5361
19-11. Global Initialization of Surrounding Modules for MAILBOX.....	5365
19-12. Global Initialization of Surrounding Modules for IVA_MBOX	5365
19-13. Mailbox Global Initialization	5365
19-14. Sending a Message (Polling Method)	5366
19-15. Sending a Message (Interrupt Method)	5366
19-16. Receiving a Message (Polling Method)	5366
19-17. Receiving a Message (Interrupt Method)	5366
19-18. Events Servicing in Sending Mode	5367
19-19. Events Servicing in Receiving Mode	5367
19-20. Mailbox Instance Summary	5368
19-21. MAILBOX Registers Mapping Summary (1/5).....	5368
19-22. MAILBOX Registers Mapping Summary (2/5).....	5368
19-23. MAILBOX Registers Mapping Summary (3/5).....	5369
19-24. MAILBOX Registers Mapping Summary (4/5).....	5369
19-25. MAILBOX Registers Mapping Summary (5/5).....	5370
19-26. IVA_MBOX Registers Mapping Summary	5370
19-27. MAILBOX_REVISION	5371
19-28. Register Call Summary for Register MAILBOX_REVISION.....	5371
19-29. MAILBOX_SYSCONFIG	5371
19-30. Register Call Summary for Register MAILBOX_SYSCONFIG	5372
19-31. MAILBOX_MESSAGE_m	5372
19-32. Register Call Summary for Register MAILBOX_MESSAGE_m.....	5372
19-33. MAILBOX_FIFOSTATUS_m.....	5373
19-34. Register Call Summary for Register MAILBOX_FIFOSTATUS_m	5373
19-35. MAILBOX_MSGSTATUS_m.....	5373
19-36. Register Call Summary for Register MAILBOX_MSGSTATUS_m	5374
19-37. MAILBOX_IRQSTATUS_RAW_u	5374
19-38. Register Call Summary for Register MAILBOX_IRQSTATUS_RAW_u.....	5377
19-39. MAILBOX_IRQSTATUS_CLR_u	5377
19-40. Register Call Summary for Register MAILBOX_IRQSTATUS_CLR_u	5380
19-41. MAILBOX_IRQENABLE_SET_u	5381
19-42. Register Call Summary for Register MAILBOX_IRQENABLE_SET_u.....	5384
19-43. MAILBOX_IRQENABLE_CLR_u	5384
19-44. Register Call Summary for Register MAILBOX_IRQENABLE_CLR_u	5387
19-45. MAILBOX_IRQ_EOI	5387
19-46. Register Call Summary for Register MAILBOX_IRQ_EOI	5388
20-1. MMU Integration Attributes.....	5394
20-2. MMU Clocks and Resets	5394
20-3. MMU Hardware Requests.....	5394
20-4. First-Level Descriptor Format.....	5398
20-5. Second-Level Descriptor Format	5401
20-6. MMU Local Power Management Features.....	5405
20-7. MMU Events	5406
20-8. Error Handling	5406

20-9. Global Initialization of Surrounding Modules	5407
20-10. Configure a TLB Entry	5408
20-11. MMU Writing TLB Entries Statically.....	5409
20-12. Protecting TLB Entries.....	5409
20-13. Deleting TLB Entries	5409
20-14. Read TLB Entries	5409
20-15. MMU Instance Summary	5411
20-16. System MMU Register Mapping Summary	5411
20-17. DSP1 MMU Register Mapping Summary	5412
20-18. IPU MMU Register Mapping Summary.....	5413
20-19. MMU_REVISION	5414
20-20. Register Call Summary for Register MMU_REVISION	5414
20-21. MMU_SYSCONFIG	5414
20-22. Register Call Summary for Register MMU_SYSCONFIG	5415
20-23. MMU_SYSSTATUS.....	5415
20-24. Register Call Summary for Register MMU_SYSSTATUS	5415
20-25. MMU_IRQSTATUS	5416
20-26. Register Call Summary for Register MMU_IRQSTATUS	5416
20-27. MMU_IRQENABLE	5417
20-28. Register Call Summary for Register MMU_IRQENABLE	5417
20-29. MMU_WALKING_ST	5418
20-30. Register Call Summary for Register MMU_WALKING_ST	5418
20-31. MMU_CNTL.....	5418
20-32. Register Call Summary for Register MMU_CNTL	5419
20-33. MMU_FAULT_AD	5419
20-34. Register Call Summary for Register MMU_FAULT_AD.....	5419
20-35. MMU_TTB.....	5419
20-36. Register Call Summary for Register MMU_TTB	5419
20-37. MMU_LOCK	5420
20-38. Register Call Summary for Register MMU_LOCK	5420
20-39. MMU_LD_TLB	5420
20-40. Register Call Summary for Register MMU_LD_TLB	5421
20-41. MMU_CAM.....	5421
20-42. Register Call Summary for Register MMU_CAM	5421
20-43. MMU_RAM.....	5422
20-44. Register Call Summary for Register MMU_RAM	5422
20-45. MMU_GFLUSH.....	5422
20-46. Register Call Summary for Register MMU_GFLUSH	5422
20-47. MMU_FLUSH_ENTRY	5423
20-48. Register Call Summary for Register MMU_FLUSH_ENTRY	5423
20-49. MMU_READ_CAM.....	5423
20-50. Register Call Summary for Register MMU_READ_CAM	5424
20-51. MMU_READ_RAM.....	5424
20-52. Register Call Summary for Register MMU_READ_RAM	5424
20-53. MMU_EMU_FAULT_AD.....	5424
20-54. Register Call Summary for Register MMU_EMU_FAULT_AD	5425
20-55. MMU_FAULT_PC	5425
20-56. Register Call Summary for Register MMU_FAULT_PC.....	5425
20-57. MMU_FAULT_STATUS	5425

20-58. Register Call Summary for Register MMU_FAULT_STATUS.....	5426
20-59. MMU_GPR	5426
20-60. Register Call Summary for Register MMU_GPR.....	5426
20-61. MMU_BYPASS_REGION1_ADDR	5426
20-62. Register Call Summary for Register MMU_BYPASS_REGION1_ADDR.....	5426
20-63. MMU_BYPASS_REGION1_SIZE	5427
20-64. Register Call Summary for Register MMU_BYPASS_REGION1_SIZE	5427
20-65. MMU_BYPASS_REGION2_ADDR	5427
20-66. Register Call Summary for Register MMU_BYPASS_REGION2_ADDR.....	5427
20-67. MMU_BYPASS_REGION2_SIZE	5428
20-68. Register Call Summary for Register MMU_BYPASS_REGION2_SIZE	5428
20-69. MMU_BYPASS_REGION3_ADDR	5428
20-70. Register Call Summary for Register MMU_BYPASS_REGION3_ADDR.....	5428
20-71. MMU_BYPASS_REGION3_SIZE	5429
20-72. Register Call Summary for Register MMU_BYPASS_REGION3_SIZE	5429
20-73. MMU_BYPASS_REGION4_ADDR	5429
20-74. Register Call Summary for Register MMU_BYPASS_REGION4_ADDR.....	5429
20-75. MMU_BYPASS_REGION4_SIZE	5430
20-76. Register Call Summary for Register MMU_BYPASS_REGION4_SIZE	5430
21-1. Spinlock Integration Attributes	5433
21-2. Spinlock Clocks and Resets	5433
21-3. Spinlock Local Power Management Features	5434
21-4. Global Initialization of Surrounding Modules	5436
21-5. Spinlock System Bug Recovery	5436
21-6. Register Call Summary	5437
21-7. Subprocess Call Summary	5438
21-8. Spinlock Instance Summary	5439
21-9. Spinlock Registers Mapping Summary	5439
21-10. SPINLOCK_REVISION.....	5439
21-11. Register Call Summary for Register SPINLOCK_REVISION	5439
21-12. SPINLOCK_SYSCONFIG.....	5440
21-13. Register Call Summary for Register SPINLOCK_SYSCONFIG	5440
21-14. SPINLOCK_SYSTATUS	5441
21-15. Register Call Summary for Register SPINLOCK_SYSTATUS.....	5442
21-16. SPINLOCK_LOCK_REG_i.....	5442
21-17. Register Call Summary for Register SPINLOCK_LOCK_REG_i	5442
22-1. Input/Output Description.....	5447
22-2. Integration Attributes.....	5450
22-3. Clocks and Resets	5450
22-4. GP Timers Hardware Requests	5451
22-5. IDLEMODE Settings	5456
22-6. IDLEMODE Settings	5457
22-7. Value Loaded in TCRR to Generate 1-ms Tick	5461
22-8. Prescaler/Timer Reload Values Versus Contexts.....	5463
22-9. Prescaler Clock Ratio Values.....	5465
22-10. Value and Corresponding Interrupt Period.....	5466
22-11. Global Initialization of Surrounding Modules	5471
22-12. GP Timer Module Global Initialization	5471
22-13. GP Timer Mode Configuration.....	5471

22-14. GP Timer Compare Mode Configuration	5472
22-15. GP Timer Capture Mode Configuration	5472
22-16. Initialize Capture Mode	5473
22-17. Detect Event	5473
22-18. GP Timer PWM Mode Configuration	5473
22-19. GP Timer Instance Summary	5474
22-20. TIMER1, TIMER2, and TIMER10 Register Mapping Summary	5475
22-21. TIMER3 and TIMER4 Register Mapping Summary	5475
22-22. TIMER5, TIMER6 and TIMER7 Register Mapping Summary	5476
22-23. TIMER8, TIMER9 and TIMER11 Register Mapping Summary	5476
22-24. TIMER13, TIMER14 and TIMER15 Register Mapping Summary	5477
22-25. TIMER16 and TIMER12 Register Mapping Summary	5477
22-26. TIDR	5478
22-27. Register Call Summary for Register TIDR	5478
22-28. TIOCP_CFG	5479
22-29. Register Call Summary for Register TIOCP_CFG	5480
22-30. IRQ_EOI	5480
22-31. Register Call Summary for Register IRQ_EOI	5480
22-32. IRQSTATUS_RAW	5481
22-33. Register Call Summary for Register IRQSTATUS_RAW	5481
22-34. IRQSTATUS	5482
22-35. Register Call Summary for Register IRQSTATUS	5482
22-36. IRQENABLE_SET	5483
22-37. Register Call Summary for Register IRQENABLE_SET	5483
22-38. IRQENABLE_CLR	5484
22-39. Register Call Summary for Register IRQENABLE_CLR	5484
22-40. IRQWAKEEN	5485
22-41. Register Call Summary for Register IRQWAKEEN	5485
22-42. TCLR	5486
22-43. Register Call Summary for Register TCLR	5487
22-44. TCRR	5488
22-45. Register Call Summary for Register TCRR	5488
22-46. TLDR	5489
22-47. Register Call Summary for Register TLDR	5489
22-48. TTGR	5490
22-49. Register Call Summary for Register TTGR	5490
22-50. TWPS	5491
22-51. Register Call Summary for Register TWPS	5492
22-52. TMAR	5492
22-53. Register Call Summary for Register TMAR	5492
22-54. TCAR1	5493
22-55. Register Call Summary for Register TCAR1	5493
22-56. TSICR	5494
22-57. Register Call Summary for Register TSICR	5495
22-58. TCAR2	5495
22-59. Register Call Summary for Register TCAR2	5495
22-60. TPIR	5496
22-61. Register Call Summary for Register TPIR	5496
22-62. TNIR	5496

22-63. Register Call Summary for Register TNIR	5496
22-64. TCVR	5497
22-65. Register Call Summary for Register TCVR	5497
22-66. TOCR	5497
22-67. Register Call Summary for Register TOCR.....	5497
22-68. TOWR.....	5498
22-69. Register Call Summary for Register TOWR	5498
22-70. IRQSTATUS_SET.....	5498
22-71. Register Call Summary for Register IRQSTATUS_SET	5499
22-72. IRQSTATUS_CLR	5499
22-73. Register Call Summary for Register IRQSTATUS_CLR	5500
22-74. COUNTER_32K Integration Attributes	5502
22-75. COUNTER_32K Clocks and Resets.....	5502
22-76. COUNTER_32K Hardware Requests	5502
22-77. COUNTER_32K Timer Instance Summary	5505
22-78. COUNTER_32K Timer Register Summary	5505
22-79. REVISION	5506
22-80. Register Call Summary for Register REVISION	5506
22-81. SYSCONFIG	5506
22-82. Register Call Summary for Register SYSCONFIG	5507
22-83. CR	5507
22-84. Register Call Summary for Register CR	5507
22-85. Watchdog Timer Default State	5508
22-86. Watchdog Timer Integration Attributes	5510
22-87. Watchdog Timer Clocks and Resets	5510
22-88. Watchdog Timer Hardware Requests	5510
22-89. IDLEMODE Settings	5512
22-90. Watchdog Timer Events	5513
22-91. Count and Prescaler Default Reset Values.....	5513
22-92. Prescaler Clock Ratio Values.....	5514
22-93. Reset Period Examples	5515
22-94. Default Watchdog Timer Reset Periods.....	5515
22-95. Global Initialization of Surrounding Modules	5519
22-96. Watchdog Timer Module Global Initialization.....	5520
22-97. Watchdog Timer Basic Configuration.....	5520
22-98. Disable the Watchdog Timer.....	5520
22-99. Enable the Watchdog Timer	5520
22-100. Watchdog Timer Instance Summary	5521
22-101. WD_TIMER2 Register Mapping Summary	5521
22-102. WIDR	5523
22-103. Register Call Summary for Register WIDR.....	5523
22-104. WDSC	5523
22-105. Register Call Summary for Register WDSC.....	5524
22-106. WDST	5524
22-107. Register Call Summary for Register WDST	5525
22-108. WISR	5525
22-109. Register Call Summary for Register WISR.....	5525
22-110. WIER	5526
22-111. Register Call Summary for Register WIER.....	5526

22-112. WWER.....	5526
22-113. Register Call Summary for Register WWER	5527
22-114. WCLR	5527
22-115. Register Call Summary for Register WCLR	5527
22-116. WCRR	5527
22-117. Register Call Summary for Register WCRR.....	5528
22-118. WLDR	5528
22-119. Register Call Summary for Register WLDR	5528
22-120. WTGR	5528
22-121. Register Call Summary for Register WTGR.....	5529
22-122. WWPS.....	5529
22-123. Register Call Summary for Register WWPS	5530
22-124. WDLY.....	5530
22-125. Register Call Summary for Register WDLY	5530
22-126. WSPR	5530
22-127. Register Call Summary for Register WSPR	5530
22-128. WIRQEOI	5531
22-129. Register Call Summary for Register WIRQEOI	5531
22-130. WIRQSTATRAW	5531
22-131. Register Call Summary for Register WIRQSTATRAW	5532
22-132. WIRQSTAT	5532
22-133. Register Call Summary for Register WIRQSTAT	5532
22-134. WIRQENSET	5533
22-135. Register Call Summary for Register WIRQENSET.....	5533
22-136. WIRQENCLR	5533
22-137. Register Call Summary for Register WIRQENCLR	5534
22-138. WIRQWAKEEN	5534
22-139. Register Call Summary for Register WIRQWAKEEN	5534
23-1. RTC External Signals	5538
23-2. RTC Integration Attributes	5539
23-3. RTC Clocks and Resets	5539
23-4. RTC Hardware Requests.....	5540
23-5. Interrupt Trigger Events	5542
23-6. RTC Register Names and Values.....	5545
23-7. RTC Idle Configuration	5548
23-8. Global Initialization of Surrounding Modules	5549
23-9. RTC Module Global Initialization	5549
23-10. RTC Instance Summary	5550
23-11. RTC_SS Registers Mapping Summary	5550
23-12. RTC_SECONDS_REG	5551
23-13. Register Call Summary for Register RTC_SECONDS_REG.....	5551
23-14. RTC_MINUTES_REG	5551
23-15. Register Call Summary for Register RTC_MINUTES_REG.....	5552
23-16. RTC_HOURS_REG.....	5552
23-17. Register Call Summary for Register RTC_HOURS_REG	5552
23-18. RTC_DAYS_REG	5552
23-19. Register Call Summary for Register RTC_DAYS_REG.....	5553
23-20. RTC_MONTHS_REG.....	5553
23-21. Register Call Summary for Register RTC_MONTHS_REG	5553

23-22. RTC_YEARS_REG	5554
23-23. Register Call Summary for Register RTC_YEARS_REG	5554
23-24. RTC_WEEKS_REG	5554
23-25. Register Call Summary for Register RTC_WEEKS_REG	5554
23-26. RTC_ALARM_SECONDS_REG	5555
23-27. Register Call Summary for Register RTC_ALARM_SECONDS_REG	5555
23-28. RTC_ALARM_MINUTES_REG	5555
23-29. Register Call Summary for Register RTC_ALARM_MINUTES_REG	5555
23-30. RTC_ALARM_HOURS_REG	5556
23-31. Register Call Summary for Register RTC_ALARM_HOURS_REG	5556
23-32. RTC_ALARM_DAYS_REG	5556
23-33. Register Call Summary for Register RTC_ALARM_DAYS_REG	5557
23-34. RTC_ALARM_MONTHS_REG	5557
23-35. Register Call Summary for Register RTC_ALARM_MONTHS_REG	5557
23-36. RTC_ALARM_YEARS_REG	5558
23-37. Register Call Summary for Register RTC_ALARM_YEARS_REG	5558
23-38. RTC_CTRL_REG	5558
23-39. Register Call Summary for Register RTC_CTRL_REG	5559
23-40. RTC_STATUS_REG	5559
23-41. Register Call Summary for Register RTC_STATUS_REG	5560
23-42. RTC_INTERRUPTS_REG	5560
23-43. Register Call Summary for Register RTC_INTERRUPTS_REG	5560
23-44. RTC_COMP_LSB_REG	5561
23-45. Register Call Summary for Register RTC_COMP_LSB_REG	5561
23-46. RTC_COMP_MSB_REG	5561
23-47. Register Call Summary for Register RTC_COMP_MSB_REG	5561
23-48. RTC_OSC_REG	5562
23-49. Register Call Summary for Register RTC_OSC_REG	5562
23-50. RTC_SCRATCH0_REG	5562
23-51. Register Call Summary for Register RTC_SCRATCH0_REG	5563
23-52. RTC_SCRATCH1_REG	5563
23-53. Register Call Summary for Register RTC_SCRATCH1_REG	5563
23-54. RTC_SCRATCH2_REG	5563
23-55. Register Call Summary for Register RTC_SCRATCH2_REG	5563
23-56. RTC_KICK0_REG	5564
23-57. Register Call Summary for Register RTC_KICK0_REG	5564
23-58. RTC_KICK1_REG	5564
23-59. Register Call Summary for Register RTC_KICK1_REG	5564
23-60. RTC_REVISION_REG	5565
23-61. Register Call Summary for Register RTC_REVISION_REG	5565
23-62. RTC_SYSCONFIG_REG	5565
23-63. Register Call Summary for Register RTC_SYSCONFIG_REG	5566
23-64. RTC_IRQWAKEEN	5566
23-65. Register Call Summary for Register RTC_IRQWAKEEN	5566
23-66. RTC_ALARM2_SECONDS_REG	5567
23-67. Register Call Summary for Register RTC_ALARM2_SECONDS_REG	5567
23-68. RTC_ALARM2_MINUTES_REG	5567
23-69. Register Call Summary for Register RTC_ALARM2_MINUTES_REG	5567
23-70. RTC_ALARM2_HOURS_REG	5568

23-71. Register Call Summary for Register RTC_ALARM2_HOURS_REG	5568
23-72. RTC_ALARM2_DAYS_REG	5568
23-73. Register Call Summary for Register RTC_ALARM2_DAYS_REG	5568
23-74. RTC_ALARM2_MONTHS_REG	5569
23-75. Register Call Summary for Register RTC_ALARM2_MONTHS_REG	5569
23-76. RTC_ALARM2_YEARS_REG	5569
23-77. Register Call Summary for Register RTC_ALARM2_YEARS_REG	5570
23-78. RTC_PMIC_REG	5570
23-79. Register Call Summary for Register RTC_PMIC_REG	5571
23-80. RTC_RTL_DEBOUNCE_REG	5571
23-81. Register Call Summary for Register RTC_RTL_DEBOUNCE_REG	5571
24-1. HS I ² C Input/Output	5576
24-2. HS I ² C Integration Attributes	5583
24-3. HS I ² C Clocks and Resets	5583
24-4. HS I ² C Hardware Requests	5583
24-5. HS I ² C Operation Mode Selection.....	5586
24-6. HS I ² C t _{LOW} and t _{HIGH} Values of the I ² C Clock	5587
24-7. HS I ² C Register Values for Maximum I ² C Bit Rates in I ² C F/S, I ² C HS Modes	5588
24-8. HS I ² C Local Power-Management Features	5589
24-9. HS I ² C Clock Activity Settings	5589
24-10. HS I ² C Events.....	5590
24-11. HS I ² C DMA Requests.....	5591
24-12. HS I ² C List of Tests	5596
24-13. Subprocess Call Summary for Sequence – I ² C Setup Procedure	5600
24-14. HS I ² C Register Call Summary for Sequence – Setup Procedure.....	5601
24-15. HS I ² C Register Call Summary for Sequence – Master Transmitter Mode, Polling Method, in F/S and HS Modes.....	5602
24-16. HS I ² C Register Call Summary for Sequence – Master Receiver Mode, Polling Method, in F/S and HS Modes.....	5603
24-17. HS I ² C Register Call Summary for Sequence – Master Transmitter Mode, Interrupt Method, in F/S and HS Modes	5605
24-18. HS I ² C Register Call Summary for Sequence – Master Receiver Mode, Interrupt Method, in F/S and HS Modes.....	5607
24-19. HS I ² C Register Call Summary for Sequence – Master Transmitter Mode, DMA Method in F/S and HS Modes.....	5609
24-20. HS I ² C Register Call Summary for Sequence – Master Receiver Mode, DMA Method in F/S and HS Modes.....	5611
24-21. HS I ² C Register Call Summary for Sequence – Slave Transmitter/Receiver Mode, Polling	5611
24-22. HS I ² C Register Call Summary for Sequence – Slave Transmitter/Receiver Mode, Interrupt	5612
24-23. HS I ² C Instance Summary	5613
24-24. HS I ² C Registers Mapping Summary 1	5613
24-25. HS I ² C Registers Mapping Summary 2.....	5614
24-26. I2C_REVNB_LO.....	5615
24-27. Register Call Summary for Register I2C_REVNB_LO	5615
24-28. I2C_REVNB_HI.....	5615
24-29. Register Call Summary for Register I2C_REVNB_HI	5615
24-30. I2C_SYSC.....	5616
24-31. Register Call Summary for Register I2C_SYSC	5616
24-32. I2C_EOI	5617
24-33. Register Call Summary for Register I2C_EOI	5617

24-34. I2C_IRQSTATUS_RAW	5617
24-35. Register Call Summary for Register I2C_IRQSTATUS_RAW	5619
24-36. I2C_IRQSTATUS.....	5620
24-37. Register Call Summary for Register I2C_IRQSTATUS	5621
24-38. I2C_IRQENABLE_SET	5621
24-39. Register Call Summary for Register I2C_IRQENABLE_SET	5624
24-40. I2C_IRQENABLE_CLR.....	5624
24-41. Register Call Summary for Register I2C_IRQENABLE_CLR	5627
24-42. I2C_WE.....	5627
24-43. Register Call Summary for Register I2C_WE	5628
24-44. I2C_DMARXENABLE_SET	5629
24-45. Register Call Summary for Register I2C_DMARXENABLE_SET	5629
24-46. I2C_DMATXENABLE_SET	5629
24-47. Register Call Summary for Register I2C_DMATXENABLE_SET.....	5630
24-48. I2C_DMARXENABLE_CLR.....	5630
24-49. Register Call Summary for Register I2C_DMARXENABLE_CLR	5630
24-50. I2C_DMATXENABLE_CLR	5631
24-51. Register Call Summary for Register I2C_DMATXENABLE_CLR.....	5631
24-52. I2C_DMARXWAKE_EN	5631
24-53. Register Call Summary for Register I2C_DMARXWAKE_EN.....	5632
24-54. I2C_DMATXWAKE_EN	5633
24-55. Register Call Summary for Register I2C_DMATXWAKE_EN	5634
24-56. I2C_SYSS.....	5634
24-57. Register Call Summary for Register I2C_SYSS	5634
24-58. I2C_BUF.....	5635
24-59. Register Call Summary for Register I2C_BUF	5635
24-60. I2C_CNT.....	5636
24-61. Register Call Summary for Register I2C_CNT	5636
24-62. I2C_DATA.....	5636
24-63. Register Call Summary for Register I2C_DATA	5636
24-64. I2C_CON	5637
24-65. Register Call Summary for Register I2C_CON.....	5638
24-66. I2C_OA	5638
24-67. Register Call Summary for Register I2C_OA.....	5638
24-68. I2C_SA	5639
24-69. Register Call Summary for Register I2C_SA	5639
24-70. I2C_PSC.....	5639
24-71. Register Call Summary for Register I2C_PSC	5639
24-72. I2C_SCLL	5640
24-73. Register Call Summary for Register I2C_SCLL.....	5640
24-74. I2C_SCLH.....	5640
24-75. Register Call Summary for Register I2C_SCLH	5640
24-76. I2C_SYSTEST.....	5641
24-77. Register Call Summary for Register I2C_SYSTEST	5642
24-78. I2C_BUFSTAT.....	5642
24-79. Register Call Summary for Register I2C_BUFSTAT	5642
24-80. I2C_OA1.....	5643
24-81. Register Call Summary for Register I2C_OA1	5643
24-82. I2C_OA2.....	5643

24-83. Register Call Summary for Register I2C_OA2	5643
24-84. I2C_OA3.....	5644
24-85. Register Call Summary for Register I2C_OA3	5644
24-86. I2C_ACTOA	5644
24-87. Register Call Summary for Register I2C_ACTOA	5645
24-88. I2C_SBLOCK	5645
24-89. Register Call Summary for Register I2C_SBLOCK.....	5645
24-90. Functional Modes	5647
24-91. I/O Description	5647
24-92. HDQ/1-Wire Command Byte.....	5649
24-93. HDQ1W Integration Attributes	5650
24-94. HDQ1W Clocks and Resets	5650
24-95. HDQ1W Hardware Requests	5650
24-96. Local Power-Management Features.....	5654
24-97. Events.....	5655
24-98. Global Initialization of Surrounding Modules	5658
24-99. HDQ1W Module Global Initialization.....	5658
24-100. HDQ Mode Selection	5658
24-101. HDQ Write Operation Mode	5659
24-102. HDQ Read Operation Mode	5659
24-103. Initialize HDQ Slave	5659
24-104. 1-Wire Mode Selection	5659
24-105. 1-Wire Write Operation Mode	5659
24-106. 1-Wire Read Operation Mode	5660
24-107. Initialize 1-Wire Slave	5660
24-108. HDQ1W Instance Summary	5660
24-109. HDQ1W Registers Mapping Summary.....	5661
24-110. HDQ_REVISION	5661
24-111. Register Call Summary for Register HDQ_REVISION.....	5661
24-112. HDQ_TX_DATA.....	5662
24-113. Register Call Summary for Register HDQ_TX_DATA	5662
24-114. HDQ_RX_DATA	5662
24-115. Register Call Summary for Register HDQ_RX_DATA	5662
24-116. HDQ_CTRL_STATUS.....	5663
24-117. Register Call Summary for Register HDQ_CTRL_STATUS	5664
24-118. HDQ_INT_STATUS	5664
24-119. Register Call Summary for Register HDQ_INT_STATUS	5665
24-120. HDQ_SYSCONFIG	5665
24-121. Register Call Summary for Register HDQ_SYSCONFIG.....	5665
24-122. HDQ_SYSSTATUS	5666
24-123. Register Call Summary for Register HDQ_SYSSTATUS	5666
24-124. UART Interface Signals	5669
24-125. IrDA I/O Signals	5672
24-126. UART_EFR[1:0] IR Address Checking Options.....	5675
24-127. 4-PPM Format.....	5678
24-128. FIR Preamble, Start Flag, and Stop Flag	5678
24-129. FIR Data Byte Transmission Order Example	5678
24-130. CIR I/O Signals.....	5679
24-131. UART Integration Attributes	5685

24-132. UART Clocks and Resets	5685
24-133. UART Hardware Requests	5686
24-134. Local Power-Management Features	5691
24-135. UART Mode Interrupts	5691
24-136. IrDA Mode Interrupts	5692
24-137. CIR Mode Interrupts	5693
24-138. TX FIFO Trigger Level Setting Summary	5695
24-139. RX FIFO Trigger-Level Setting Summary	5695
24-140. UART/IrDA/CIR Register Access Mode Programming (Using UART_LCR)	5704
24-141. Subconfiguration Mode A Summary	5704
24-142. Subconfiguration Mode B Summary	5704
24-143. Suboperational Mode Summary	5704
24-144. UART/IrDA/CIR Register Access Mode Overview	5704
24-145. UART Mode Selection	5705
24-146. UART Mode Register Overview	5706
24-147. IrDA Mode Register Overview	5707
24-148. CIR Mode Register Overview	5708
24-149. UART Baud Rate Settings (48-MHz Clock)	5710
24-150. UART Baud Rate Settings (192-MHz Clock)	5710
24-151. UART Parity Bit Encoding	5711
24-152. UART_EFR[3:0] Software Flow Control Options	5712
24-153. IrDA Baud Rate Settings	5716
24-154. Duty Cycle	5720
24-155. Global Initialization of Surrounding Modules for UART/IrDA/CIR	5722
24-156. UART/IrDA/CIR Global Initialization	5722
24-157. Configure Register Access Mode	5723
24-158. Configure Register Access Submode TCR_TLR	5723
24-159. Configure Register Access Submode MSR_SPR	5723
24-160. Configure Register Access Submode XOFF	5723
24-161. DMA Mode Settings	5723
24-162. Load FIFO Triggers Defined by the FCR	5724
24-163. Load FIFO Triggers Defined by the TLR	5724
24-164. Load FIFO Triggers Defined by the Concatenated Value	5724
24-165. Baud Rate Settings	5724
24-166. Interrupt Settings	5725
24-167. Protocol Settings	5725
24-168. UART/IrDA/CIR Mode Selection	5725
24-169. Hardware Flow Control Configuration	5726
24-170. Software Flow Control Configuration	5726
24-171. SIR Mode Receive Settings	5726
24-172. SIR Mode Transmit Settings	5727
24-173. MIR Mode Receive Settings	5727
24-174. MIR Mode Transmit Settings	5728
24-175. FIR Mode Receive Settings	5728
24-176. FIR Mode Transmit Settings	5728
24-177. UART/IrDA/CIR Instance Summary	5730
24-178. UART/IrDA/CIR Registers Mapping Summary 1	5730
24-179. UART/IrDA/CIR Registers Mapping Summary 2	5731
24-180. UART/IrDA/CIR Registers Mapping Summary 3	5733

24-181. UART/IrDA/CIR Registers Mapping Summary 4	5734
24-182. UART_THR	5735
24-183. Register Call Summary for Register UART_THR.....	5736
24-184. UART_RHR.....	5736
24-185. Register Call Summary for Register UART_RHR	5736
24-186. UART_DLL.....	5737
24-187. Register Call Summary for Register UART_DLL	5737
24-188. UART_IER	5738
24-189. Register Call Summary for Register UART_IER.....	5739
24-190. UART_IER_IRDA	5739
24-191. Register Call Summary for Register UART_IER_IRDA.....	5740
24-192. UART_IER_CIR	5740
24-193. Register Call Summary for Register UART_IER_CIR	5741
24-194. UART_DLH	5741
24-195. Register Call Summary for Register UART_DLH.....	5742
24-196. UART_IIR	5742
24-197. Register Call Summary for Register UART_IIR.....	5743
24-198. UART_IIR_IRDA	5743
24-199. Register Call Summary for Register UART_IIR_IRDA.....	5744
24-200. UART_IIR_CIR	5744
24-201. Register Call Summary for Register UART_IIR_CIR	5744
24-202. UART_FCR	5745
24-203. Register Call Summary for Register UART_FCR.....	5746
24-204. UART_EFR	5746
24-205. Register Call Summary for Register UART_EFR.....	5747
24-206. UART_LCR	5748
24-207. Register Call Summary for Register UART_LCR.....	5749
24-208. UART_XON1_ADDR1.....	5749
24-209. Register Call Summary for Register UART_XON1_ADDR1	5749
24-210. UART_MCR	5750
24-211. Register Call Summary for Register UART_MCR	5751
24-212. UART_LSR	5751
24-213. Register Call Summary for Register UART_LSR.....	5752
24-214. UART_LSR_IRDA	5752
24-215. Register Call Summary for Register UART_LSR_IRDA	5753
24-216. UART_LSR_CIR	5753
24-217. Register Call Summary for Register UART_LSR_CIR.....	5754
24-218. UART_XON2_ADDR2.....	5754
24-219. Register Call Summary for Register UART_XON2_ADDR2	5754
24-220. UART_TCR	5755
24-221. Register Call Summary for Register UART_TCR.....	5755
24-222. UART_XOFF1	5756
24-223. Register Call Summary for Register UART_XOFF1	5756
24-224. UART_MSR.....	5756
24-225. Register Call Summary for Register UART_MSR	5757
24-226. UART_SPR	5757
24-227. Register Call Summary for Register UART_SPR.....	5758
24-228. UART_TLR	5758
24-229. Register Call Summary for Register UART_TLR	5758

24-230. UART_XOFF2	5759
24-231. Register Call Summary for Register UART_XOFF2	5759
24-232. UART_MDR1	5760
24-233. Register Call Summary for Register UART_MDR1	5761
24-234. UART_MDR2	5761
24-235. Register Call Summary for Register UART_MDR2	5762
24-236. UART_SFLSR	5763
24-237. Register Call Summary for Register UART_SFLSR	5763
24-238. UART_TXFLL	5764
24-239. Register Call Summary for Register UART_TXFLL	5764
24-240. UART_RESUME	5765
24-241. Register Call Summary for Register UART_RESUME.....	5765
24-242. UART_TXFLH	5765
24-243. Register Call Summary for Register UART_TXFLH.....	5766
24-244. UART_SFREGL	5766
24-245. Register Call Summary for Register UART_SFREGL	5766
24-246. UART_RXFLL	5767
24-247. Register Call Summary for Register UART_RXFLL.....	5767
24-248. UART_SFREGH	5768
24-249. Register Call Summary for Register UART_SFREGH.....	5768
24-250. UART_RXFLH.....	5769
24-251. Register Call Summary for Register UART_RXFLH	5769
24-252. UART_BLR	5770
24-253. Register Call Summary for Register UART_BLR.....	5770
24-254. UART_UASR	5771
24-255. Register Call Summary for Register UART_UASR.....	5772
24-256. UART_ACREG	5772
24-257. Register Call Summary for Register UART_ACREG	5773
24-258. UART_SCR	5774
24-259. Register Call Summary for Register UART_SCR	5775
24-260. UART_SSR	5775
24-261. Register Call Summary for Register UART_SSR.....	5776
24-262. UART_EBLR	5776
24-263. Register Call Summary for Register UART_EBLR	5777
24-264. UART_MVR.....	5777
24-265. Register Call Summary for Register UART_MVR	5777
24-266. UART_SYSC	5778
24-267. Register Call Summary for Register UART_SYSC.....	5779
24-268. UART_SYSS	5779
24-269. Register Call Summary for Register UART_SYSS	5779
24-270. UART_WER	5780
24-271. Register Call Summary for Register UART_WER.....	5781
24-272. UART_CFPS	5781
24-273. Register Call Summary for Register UART_CFPS.....	5781
24-274. UART_RXFIFO_LVL	5782
24-275. Register Call Summary for Register UART_RXFIFO_LVL.....	5782
24-276. UART_TXFIFO_LVL.....	5782
24-277. Register Call Summary for Register UART_TXFIFO_LVL	5782
24-278. UART_IER2.....	5783

24-279. Register Call Summary for Register UART_IER2	5783
24-280. UART_ISR2.....	5784
24-281. Register Call Summary for Register UART_ISR2	5784
24-282. UART_FREQ_SEL	5785
24-283. Register Call Summary for Register UART_FREQ_SEL	5785
24-284. UART_MDR3	5785
24-285. Register Call Summary for Register UART_MDR3	5786
24-286. UART_TX_DMA_THRESHOLD	5786
24-287. Register Call Summary for Register UART_TX_DMA_THRESHOLD	5786
24-288. McSPI I/O Description (Master Mode)	5788
24-289. McSPI I/O Description (Slave Mode).....	5789
24-290. SPI Master Clock Rates.....	5790
24-291. Phase and Polarity Combinations	5790
24-292. McSPI Integration Attributes.....	5797
24-293. McSPI Clocks and Resets	5797
24-294. McSPI Hardware Requests.....	5797
24-295. SPI Master Clock Rates.....	5807
24-296. CLKSPPIO High/Low Time Computation.....	5807
24-297. Clock Granularity Examples	5808
24-298. FIFO Writes, Word Length Relationship	5813
24-299. Smart-Idle Mode and Wake-Up Capabilities	5820
24-300. Global Initialization of Surrounding Modules	5822
24-301. McSPI Global Initialization	5822
24-302. McSPI Receive Mode Initialization	5823
24-303. McSPI Transmit Mode Initialization.....	5823
24-304. McSPI Transmit-and-Receive Mode Initialization.....	5823
24-305. Common Transfer Sequence (Main Process).....	5823
24-306. End of Transfer Sequences	5824
24-307. Transmit-and-Receive (Master and Slave) (Main Process)	5824
24-308. Transmit-and-Receive (Master and Slave) (Interrupt Routine)	5825
24-309. Transmit-Only With Interrupts (Master and Slave) (Main Process)	5825
24-310. Transmit-Only With Interrupts (Master and Slave) (Interrupt Routine).....	5825
24-311. Transmit-Only With DMA (Master and Slave) (Main Process).....	5825
24-312. Transmit-Only With DMA (Master and Slave) (Interrupt Routine)	5826
24-313. Receive-Only With Interrupt (Master Normal) (Main Process).....	5826
24-314. Receive-Only With Interrupt (Master Normal) (Interrupt Routine)	5826
24-315. Receive-Only With DMA (Master Normal) (Main Process).....	5826
24-316. Receive-Only With DMA (Master Normal) (Interrupt Routine)	5827
24-317. Receive-Only With Interrupt (Master Turbo) (Main Process)	5827
24-318. Receive-Only With Interrupt (Master Turbo) (Interrupt Routine).....	5827
24-319. Receive-Only With DMA (Master Turbo) (Main Process)	5827
24-320. Receive-Only With DMA (Master Turbo) (Interrupt Routine).....	5828
24-321. Receive-Only (Slave) (Main Process)	5828
24-322. Receive-Only (Slave) (Interrupt Routine)	5828
24-323. FIFO Mode Common Sequence (Master) (Main Process)	5829
24-324. End of Transfer Sequences in FIFO Mode	5829
24-325. Receive-Only Procedure – Polling Method	5834
24-326. Receive-Only Procedure – Interrupt Method	5835
24-327. Transmit-Only Procedure – Polling Method	5835

24-328. Transmit-and-Receive Procedure – Polling Method.....	5835
24-329. McSPI Instance Summary	5836
24-330. McSPI Register Summary	5836
24-331. MCSPI_HL_REV	5837
24-332. Register Call Summary for Register MCSPI_HL_REV	5837
24-333. MCSPI_HL_HWINFO	5837
24-334. Register Call Summary for Register MCSPI_HL_HWINFO	5838
24-335. MCSPI_HL_SYSCONFIG.....	5838
24-336. Register Call Summary for Register MCSPI_HL_SYSCONFIG	5839
24-337. MCSPI_REVISION	5839
24-338. Register Call Summary for Register MCSPI_REVISION	5839
24-339. MCSPI_SYSCONFIG	5839
24-340. Register Call Summary for Register MCSPI_SYSCONFIG	5840
24-341. MCSPI_SYSSTATUS	5841
24-342. Register Call Summary for Register MCSPI_SYSSTATUS	5841
24-343. MCSPI_IRQSTATUS	5841
24-344. Register Call Summary for Register MCSPI_IRQSTATUS	5844
24-345. MCSPI_IRQENABLE	5844
24-346. Register Call Summary for Register MCSPI_IRQENABLE	5846
24-347. MCSPI_WAKEUPENABLE	5846
24-348. Register Call Summary for Register MCSPI_WAKEUPENABLE.....	5846
24-349. MCSPI_SYST	5847
24-350. Register Call Summary for Register MCSPI_SYST	5848
24-351. MCSPI_MODULCTRL.....	5848
24-352. Register Call Summary for Register MCSPI_MODULCTRL	5850
24-353. MCSPI_CHxCONF	5850
24-354. Register Call Summary for Register MCSPI_CHxCONF	5854
24-355. MCSPI_CHxSTAT	5854
24-356. Register Call Summary for Register MCSPI_CHxSTAT	5855
24-357. MCSPI_CHxCTRL	5855
24-358. Register Call Summary for Register MCSPI_CHxCTRL.....	5856
24-359. MCSPI_TXx.....	5856
24-360. Register Call Summary for Register MCSPI_TXx	5857
24-361. MCSPI_RXx	5857
24-362. Register Call Summary for Register MCSPI_RXx.....	5858
24-363. MCSPI_XFERLEVEL.....	5858
24-364. Register Call Summary for Register MCSPI_XFERLEVEL	5859
24-365. MCSPI_DAFTX	5859
24-366. Register Call Summary for Register MCSPI_DAFTX	5859
24-367. MCSPI_DAFRX	5860
24-368. Register Call Summary for Register MCSPI_DAFRX.....	5860
24-369. QSPI I/O Signals	5863
24-370. QSPI Integration Attributes	5864
24-371. QSPI Clocks and Resets.....	5864
24-372. QSPI Hardware Requests	5865
24-373. SPI Clock Modes Definition.....	5869
24-374. QSPI Events	5872
24-375. QSPI Instance Summary.....	5874
24-376. QSPI Registers Mapping Summary	5874

24-377. QSPI_PID	5874
24-378. Register Call Summary for Register QSPI_PID	5875
24-379. QSPI_SYSCONFIG.....	5875
24-380. Register Call Summary for Register QSPI_SYSCONFIG	5875
24-381. QSPI_INTR_STATUS_RAW_SET	5875
24-382. Register Call Summary for Register QSPI_INTR_STATUS_RAW_SET	5876
24-383. QSPI_INTR_STATUS_ENABLED_CLEAR	5876
24-384. Register Call Summary for Register QSPI_INTR_STATUS_ENABLED_CLEAR	5877
24-385. QSPI_INTR_ENABLE_SET_REG	5877
24-386. Register Call Summary for Register QSPI_INTR_ENABLE_SET_REG	5878
24-387. QSPI_INTR_ENABLE_CLEAR_REG	5878
24-388. Register Call Summary for Register QSPI_INTR_ENABLE_CLEAR_REG.....	5878
24-389. QSPI_INTC_EOI_REG.....	5878
24-390. Register Call Summary for Register QSPI_INTC_EOI_REG	5879
24-391. QSPI_SPI_CLOCK_CNTRL_REG	5879
24-392. Register Call Summary for Register QSPI_SPI_CLOCK_CNTRL_REG	5879
24-393. QSPI_SPI_DC_REG	5879
24-394. Register Call Summary for Register QSPI_SPI_DC_REG	5882
24-395. QSPI_SPI_CMD_REG	5882
24-396. Register Call Summary for Register QSPI_SPI_CMD_REG.....	5883
24-397. QSPI_SPI_STATUS_REG.....	5883
24-398. Register Call Summary for Register QSPI_SPI_STATUS_REG	5884
24-399. QSPI_SPI_DATA_REG	5884
24-400. Register Call Summary for Register QSPI_SPI_DATA_REG.....	5884
24-401. QSPI_SPI_SETUP0_REG.....	5884
24-402. Register Call Summary for Register QSPI_SPI_SETUP0_REG	5885
24-403. QSPI_SPI_SETUP1_REG.....	5885
24-404. Register Call Summary for Register QSPI_SPI_SETUP1_REG	5886
24-405. QSPI_SPI_SETUP2_REG.....	5886
24-406. Register Call Summary for Register QSPI_SPI_SETUP2_REG	5887
24-407. QSPI_SPI_SETUP3_REG.....	5887
24-408. Register Call Summary for Register QSPI_SPI_SETUP3_REG	5888
24-409. QSPI_SPI_SWITCH_REG.....	5888
24-410. Register Call Summary for Register QSPI_SPI_SWITCH_REG	5889
24-411. QSPI_SPI_DATA_REG_1	5889
24-412. Register Call Summary for Register QSPI_SPI_DATA_REG_1.....	5889
24-413. QSPI_SPI_DATA_REG_2	5889
24-414. Register Call Summary for Register QSPI_SPI_DATA_REG_2.....	5889
24-415. QSPI_SPI_DATA_REG_3	5890
24-416. Register Call Summary for Register QSPI_SPI_DATA_REG_3.....	5890
24-417. McASP I/O Signals	5896
24-418. Biphase-Mark Encoder	5905
24-419. Preamble Codes	5906
24-420. McASP Integration Attributes.....	5909
24-421. McASP Clocks and Resets	5909
24-422. McASP Hardware Requests.....	5910
24-423. McASP TFU TDM Mode Settings.....	5923
24-424. McASP TFU DIT-Mode Example Settings.....	5924
24-425. McASP RFU Settings	5926

24-426. Local Power-Management Features	5927
24-427. Channel Status and User Data for Each DIT Block	5932
24-428. TX Events	5941
24-429. RX Events.....	5942
24-430. Global Initialization of Surrounding Modules	5951
24-431. McASP Transmitters Global Initialization for DIT-Mode Operation.....	5952
24-432. Transmit Format Unit Configuration for DIT-Transmission	5952
24-433. Transmit Frame-Synchronization Generator Configuration for DIT-Transmission	5953
24-434. Transmit Clock Generator Configuration in DIT-Mode.....	5953
24-435. McASP Pins Functional Configuration	5953
24-436. DIT-Specific Subframe Fields Configuration	5954
24-437. McASP Receivers Global Initialization for TDM-Mode Operation	5954
24-438. Receive Format Unit Configuration for TDM-Reception	5955
24-439. Receive Frame-Synchronization Generator Configuration for TDM-Reception	5956
24-440. Receive Clock Generator Configuration	5957
24-441. McASP Receiver Pins Functional Configuration	5957
24-442. McASP Transmitters Global Initialization for TDM-Mode Operation	5958
24-443. Transmit Format Unit Configuration for TDM-Transmission.....	5959
24-444. Transmit Frame-Synchronization Generator Configuration for TDM-Transmission.....	5959
24-445. Transmit Clock Generator Configuration for TDM Cases	5960
24-446. McASP Transmit Pins Functional Configuration	5961
24-447. Register Call Summary for Main Sequence – McASP DIT-/TDM- Transmission Polling Method.....	5962
24-448. Subprocess Call Summary for Main Sequence – McASP DIT-/TDM- Transmission Polling Method.....	5963
24-449. McASP DIT-/TDM- Interrupt Transmission Model	5965
24-450. Register Call Summary for Subsequence – McASP DIT-/TDM- Transmission Startup Procedure	5965
24-451. McASP DMA Transmission Model with Interrupt Events Servicing	5965
24-452. Register Call Summary for Main Sequence – McASP Reception Polling Method	5967
24-453. Subprocess Call Summary for Main Sequence – McASP Reception Polling Method	5968
24-454. McASP TDM- Interrupt Reception Model	5970
24-455. Register Call Summary for Subsequence – McASP TDM- Reception Startup Procedure	5970
24-456. McASP DMA Reception Model with Interrupt Events Servicing	5970
24-457. Register Call Summary for McASP Receive Interrupt Events Servicing	5974
24-458. Subprocess Call Summary for Receive Interrupt Events Servicing	5974
24-459. Register Call Summary for McASP Transmit Error Handling	5975
24-460. Register Call Summary for McASP Receive Error Handling	5976
24-461. McASP Instance Summary	5977
24-462. MCASP_CFG Register Summary 1	5977
24-463. MCASP_CFG Register Summary 2	5978
24-464. MCASP_CFG Register Summary 3	5980
24-465. MCASP_CFG Register Summary 4	5981
24-466. MCASP_PID.....	5983
24-467. Register Call Summary for Register MCASP_PID	5983
24-468. PWRIDLESYSCONFIG	5983
24-469. Register Call Summary for Register PWRIDLESYSCONFIG.....	5984
24-470. MCASP_PFUNC	5984
24-471. Register Call Summary for Register MCASP_PFUNC.....	5986
24-472. MCASP_PDIR	5986
24-473. Register Call Summary for Register MCASP_PDIR	5988
24-474. MCASP_PDOUT	5988

24-475. Register Call Summary for Register MCASP_PDOUT	5990
24-476. MCASP_PDIN	5991
24-477. Register Call Summary for Register MCASP_PDIN	5992
24-478. MCASP_PDSET	5993
24-479. Register Call Summary for Register MCASP_PDSET	5995
24-480. MCASP_PDCLR	5995
24-481. Register Call Summary for Register MCASP_PDCLR	5997
24-482. MCASP_GBLCTL	5998
24-483. Register Call Summary for Register MCASP_GBLCTL	5999
24-484. MCASP_AMUTE	6000
24-485. Register Call Summary for Register MCASP_AMUTE	6000
24-486. MCASP_LBCTL	6000
24-487. Register Call Summary for Register MCASP_LBCTL	6001
24-488. MCASP_TXDITCTL	6002
24-489. Register Call Summary for Register MCASP_TXDITCTL	6002
24-490. MCASP_GBLCTLR	6002
24-491. Register Call Summary for Register MCASP_GBLCTLR	6003
24-492. MCASP_RXMASK	6004
24-493. Register Call Summary for Register MCASP_RXMASK	6004
24-494. MCASP_RXFMT	6004
24-495. Register Call Summary for Register MCASP_RXFMT	6006
24-496. MCASP_RXFMCTL	6006
24-497. Register Call Summary for Register MCASP_RXFMCTL	6007
24-498. MCASP_ACLKRCTL	6007
24-499. Register Call Summary for Register MCASP_ACLKRCTL	6009
24-500. MCASP_AHCLKRCTL	6009
24-501. Register Call Summary for Register MCASP_AHCLKRCTL	6010
24-502. MCASP_RXTDM	6010
24-503. Register Call Summary for Register MCASP_RXTDM	6011
24-504. MCASP_EVTCTLR	6011
24-505. Register Call Summary for Register MCASP_EVTCTLR	6012
24-506. MCASP_RXSTAT	6012
24-507. Register Call Summary for Register MCASP_RXSTAT	6014
24-508. MCASP_RXTDMSLOT	6014
24-509. Register Call Summary for Register MCASP_RXTDMSLOT	6014
24-510. MCASP_RXCLKCHK	6015
24-511. Register Call Summary for Register MCASP_RXCLKCHK	6015
24-512. MCASP_REVTCTL	6016
24-513. Register Call Summary for Register MCASP_REVTCTL	6016
24-514. MCASP_GBLCTLX	6016
24-515. Register Call Summary for Register MCASP_GBLCTLX	6017
24-516. MCASP_TXMASK	6018
24-517. Register Call Summary for Register MCASP_TXMASK	6018
24-518. MCASP_TXFMT	6018
24-519. Register Call Summary for Register MCASP_TXFMT	6020
24-520. MCASP_TXFMCTL	6020
24-521. Register Call Summary for Register MCASP_TXFMCTL	6021
24-522. MCASP_ACLKXCTL	6021
24-523. Register Call Summary for Register MCASP_ACLKXCTL	6023

24-524. MCASP_AHCLKXCTL	6023
24-525. Register Call Summary for Register MCASP_AHCLKXCTL	6024
24-526. MCASP_TXTDM	6024
24-527. Register Call Summary for Register MCASP_TXTDM	6025
24-528. MCASP_EVTCTLX	6025
24-529. Register Call Summary for Register MCASP_EVTCTLX	6026
24-530. MCASP_TXSTAT	6027
24-531. Register Call Summary for Register MCASP_TXSTAT	6028
24-532. MCASP_TXTDMSLOT	6028
24-533. Register Call Summary for Register MCASP_TXTDMSLOT	6029
24-534. MCASP_TXCLKCHK	6029
24-535. Register Call Summary for Register MCASP_TXCLKCHK	6029
24-536. MCASP_XEVTCTL	6030
24-537. Register Call Summary for Register MCASP_XEVTCTL	6030
24-538. MCASP_CLKADJEN	6030
24-539. Register Call Summary for Register MCASP_CLKADJEN	6031
24-540. MCASP_DITCSRAi	6031
24-541. Register Call Summary for Register MCASP_DITCSRAi	6031
24-542. MCASP_DITCSRBi	6032
24-543. Register Call Summary for Register MCASP_DITCSRBi	6032
24-544. MCASP_DITUDRAi	6032
24-545. Register Call Summary for Register MCASP_DITUDRAi	6033
24-546. MCASP_DITUDRBi	6033
24-547. Register Call Summary for Register MCASP_DITUDRBi	6033
24-548. MCASP_XRSRCTLn	6034
24-549. Register Call Summary for Register MCASP_XRSRCTLn	6035
24-550. MCASP_TXBUFn	6035
24-551. Register Call Summary for Register MCASP_TXBUFn	6035
24-552. MCASP_RXBUFn	6036
24-553. Register Call Summary for Register MCASP_RXBUFn	6036
24-554. MCASP_AFIFO Register Summary 1	6036
24-555. MCASP_AFIFO Register Summary 2	6036
24-556. MCASP_AFIFO Register Summary 3	6037
24-557. MCASP_AFIFO Register Summary 4	6037
24-558. WFIFOCTL	6037
24-559. Register Call Summary for Register WFIFOCTL	6038
24-560. WFIFOSTS	6038
24-561. Register Call Summary for Register WFIFOSTS	6039
24-562. RFIFOCTL	6039
24-563. Register Call Summary for Register RFIFOCTL	6040
24-564. RFIFOSTS	6040
24-565. Register Call Summary for Register RFIFOSTS	6040
24-566. MCASP_DAT Register Summary 1	6040
24-567. MCASP_DAT Register Summary 2	6041
24-568. MCASP_DAT Register Summary 3	6041
24-569. MCASP_DAT Register Summary 4	6041
24-570. MCASP_RXBUF	6041
24-571. Register Call Summary for Register MCASP_RXBUF	6042
24-572. MCASP_TXBUF	6042

24-573. Register Call Summary for Register MCASP_TXBUF	6042
24-574. USB1 Input/Output Description	6049
24-575. USB2 Input/Output Description	6049
24-576. USB3 Input/Output Description	6049
24-577. SuperSpeed USB Subsystem Integration Attributes	6056
24-578. SuperSpeed USB Subsystem Clocks and Resets	6056
24-579. SuperSpeed USB Subsystem Hardware Requests	6057
24-580. SATA Controller I/O Signals	6062
24-581. SATA Controller Integration Attributes	6065
24-582. SATA Controller Clocks and Resets	6065
24-583. SATA Controller Hardware Requests	6065
24-584. SATA Primitives Summary	6068
24-585. Local Power-Management Features	6073
24-586. Interrupt Events Summary	6077
24-587. Summary of SATA Host Subsystem Functional Registers	6084
24-588. Global Initialization of Surrounding Modules	6086
24-589. SATA Controller Global Initialization	6086
24-590. Firmware Capability Writes	6087
24-591. Prepare and Issue a Command	6088
24-592. FIS Reception	6089
24-593. SATA Instance Summary	6089
24-594. DWC_ahsata Registers Mapping Summary	6089
24-595. SATA_CAP	6090
24-596. Register Call Summary for Register SATA_CAP	6092
24-597. SATA_GHC	6092
24-598. Register Call Summary for Register SATA_GHC	6093
24-599. SATA_IS	6093
24-600. Register Call Summary for Register SATA_IS	6093
24-601. SATA_PI	6094
24-602. Register Call Summary for Register SATA_PI	6094
24-603. SATA_VS	6094
24-604. Register Call Summary for Register SATA_VS	6094
24-605. SATA_CCC_CTL	6095
24-606. Register Call Summary for Register SATA_CCC_CTL	6096
24-607. SATA_CCC_PORTS	6096
24-608. Register Call Summary for Register SATA_CCC_PORTS	6096
24-609. SATA_CAP2	6096
24-610. Register Call Summary for Register SATA_CAP2	6097
24-611. SATA_BISTAFR	6097
24-612. Register Call Summary for Register SATA_BISTAFR	6098
24-613. SATA_BISTCR	6098
24-614. Register Call Summary for Register SATA_BISTCR	6100
24-615. SATA_BISTFCTR	6100
24-616. Register Call Summary for Register SATA_BISTFCTR	6100
24-617. SATA_BISTSR	6101
24-618. Register Call Summary for Register SATA_BISTSR	6101
24-619. SATA_BISTDECR	6101
24-620. Register Call Summary for Register SATA_BISTDECR	6102
24-621. SATA_OOBR	6102

24-622. Register Call Summary for Register SATA_OOBR	6102
24-623. SATA_TIMER1MS	6103
24-624. Register Call Summary for Register SATA_TIMER1MS	6103
24-625. SATA_GPARAM1R	6103
24-626. Register Call Summary for Register SATA_GPARAM1R	6104
24-627. SATA_GPARAM2R	6105
24-628. Register Call Summary for Register SATA_GPARAM2R	6105
24-629. SATA_PPARAMR	6106
24-630. Register Call Summary for Register SATA_PPARAMR	6106
24-631. SATA_TESTR	6107
24-632. Register Call Summary for Register SATA_TESTR	6107
24-633. SATA_VERSIONR	6108
24-634. Register Call Summary for Register SATA_VERSIONR	6108
24-635. SATA_IDR	6108
24-636. Register Call Summary for Register SATA_IDR	6108
24-637. SATA_PxCLB	6108
24-638. Register Call Summary for Register SATA_PxCLB	6109
24-639. SATA_PxCLBU	6109
24-640. Register Call Summary for Register SATA_PxCLBU	6109
24-641. SATA_PxFB	6109
24-642. Register Call Summary for Register SATA_PxFB	6110
24-643. SATA_PxFBU	6110
24-644. Register Call Summary for Register SATA_PxFBU	6110
24-645. SATA_PxIS	6111
24-646. Register Call Summary for Register SATA_PxIS	6114
24-647. SATA_PxIE	6115
24-648. Register Call Summary for Register SATA_PxIE	6116
24-649. SATA_PxCMD	6116
24-650. Register Call Summary for Register SATA_PxCMD	6120
24-651. SATA_PxTFD	6120
24-652. Register Call Summary for Register SATA_PxTFD	6120
24-653. SATA_PxSIG	6121
24-654. Register Call Summary for Register SATA_PxSIG	6121
24-655. SATA_PxSSTS	6121
24-656. Register Call Summary for Register SATA_PxSSTS	6122
24-657. SATA_PxSCTL	6122
24-658. Register Call Summary for Register SATA_PxSCTL	6123
24-659. SATA_PxSERR	6124
24-660. Register Call Summary for Register SATA_PxSERR	6125
24-661. SATA_PxSACT	6125
24-662. Register Call Summary for Register SATA_PxSACT	6126
24-663. SATA_PxCI	6126
24-664. Register Call Summary for Register SATA_PxCI	6126
24-665. SATA_PxSNTF	6127
24-666. Register Call Summary for Register SATA_PxSNTF	6127
24-667. SATA_PxDMACR	6127
24-668. Register Call Summary for Register SATA_PxDMACR	6128
24-669. SATAMAC_wrapper Registers Mapping Summary	6128
24-670. SATA_SYSCONFIG	6128

24-671. Register Call Summary for Register SATA_SYSCONFIG	6130
24-672. SATA_CDRLOCK.....	6130
24-673. Register Call Summary for Register SATA_CDRLOCK	6130
24-674. PCIe_SS I/O Signals	6134
24-675. PCIe_SS Port Configuration.....	6134
24-676. PCIe Controllers Integration Attributes	6136
24-677. PCIe Controllers Clocks and Resets	6136
24-678. PCIe Controllers Hardware Requests	6137
24-679. Power States Summary	6146
24-680. Local Power-Management Features	6149
24-681. PCIe Main Hardware Interrupt Events Summary	6152
24-682. MSI Message Data Encoding (RC).....	6156
24-683. MSI Hardware Interrupt Events Summary	6157
24-684. PCIe_SS Address Space Map	6157
24-685. Address Translation Unit Region Access Summary.....	6158
24-686. Summary of Access Types related to PCIe Controller Local Resources	6165
24-687. PCIe Default BAR Configuration	6166
24-688. BARn Register Access Methods (Mem BAR)	6167
24-689. BARn Register Access Methods (IO BAR)	6167
24-690. Global Initialization of the PCIe Surrounding Modules	6168
24-691. Main Sequence PCIe Controller Global Initialization	6168
24-692. Local EP (Type 0) PCIe Standard and Port Logic Registers Initialization Subsequence	6171
24-693. RC (Type 1) PCIe Standard and Port Logic Registers Initialization Subsequence	6171
24-694. PCIe Type-0 (EP) Configuration Standard Capability Registers vs PCIe Controller Hardware Registers Mapping	6172
24-695. PCIe Type-0 (EP) Standard Configuration Header Registers vs PCIe Controller Hardware Registers Mapping	6172
24-696. PCIe Type-1 (RC) Configuration Standard Capability Registers vs PCIe Controller Hardware Registers Mapping	6173
24-697. PCIe Type-1 (RC) Standard Configuration Header Registers vs PCIe Controller Hardware Registers Mapping	6173
24-698. PCIe_SS1 Instance Summary	6174
24-699. PCIe_SS2 Instance Summary	6174
24-700. PCIe_SS1_EP_CFG_PcIE Registers Mapping Summary	6175
24-701. PCIe_SS2_EP_CFG_PcIE Registers Mapping Summary	6176
24-702. PCIECTRL_EP_PCIEWIRE_DEVICE_VENDORID	6177
24-703. Register Call Summary for Register PCIECTRL_EP_PCIEWIRE_DEVICE_VENDORID	6178
24-704. PCIECTRL_EP_PCIEWIRE_STATUS_COMMAND_REGISTER	6178
24-705. Register Call Summary for Register PCIECTRL_EP_PCIEWIRE_STATUS_COMMAND_REGISTER ...	6179
24-706. PCIECTRL_EP_PCIEWIRE_CLASSCODE_REVISIONID	6179
24-707. Register Call Summary for Register PCIECTRL_EP_PCIEWIRE_CLASSCODE_REVISIONID	6179
24-708. PCIECTRL_EP_PCIEWIRE_BIST_HEAD_LAT_CACH	6180
24-709. Register Call Summary for Register PCIECTRL_EP_PCIEWIRE_BIST_HEAD_LAT_CACH.....	6180
24-710. PCIECTRL_EP_PCIEWIRE_BAR0.....	6180
24-711. Register Call Summary for Register PCIECTRL_EP_PCIEWIRE_BAR0	6181
24-712. PCIECTRL_EP_PCIEWIRE_BAR1.....	6181
24-713. Register Call Summary for Register PCIECTRL_EP_PCIEWIRE_BAR1	6182
24-714. PCIECTRL_EP_PCIEWIRE_BAR2.....	6182
24-715. Register Call Summary for Register PCIECTRL_EP_PCIEWIRE_BAR2	6183
24-716. PCIECTRL_EP_PCIEWIRE_BAR3.....	6183

24-717. Register Call Summary for Register PCIECTRL_EP_PCIEWIRE_BAR3	6183
24-718. PCIECTRL_EP_PCIEWIRE_BAR4.....	6184
24-719. Register Call Summary for Register PCIECTRL_EP_PCIEWIRE_BAR4	6184
24-720. PCIECTRL_EP_PCIEWIRE_BAR5.....	6185
24-721. Register Call Summary for Register PCIECTRL_EP_PCIEWIRE_BAR5	6185
24-722. PCIECTRL_EP_PCIEWIRE_CARDBUS_CIS_POINTER	6186
24-723. Register Call Summary for Register PCIECTRL_EP_PCIEWIRE_CARDBUS_CIS_POINTER	6186
24-724. PCIECTRL_EP_PCIEWIRE_SUBID_SUBVENDORID	6186
24-725. Register Call Summary for Register PCIECTRL_EP_PCIEWIRE_SUBID_SUBVENDORID.....	6186
24-726. PCIECTRL_EP_PCIEWIRE_EXPANSION_ROM_BAR	6187
24-727. Register Call Summary for Register PCIECTRL_EP_PCIEWIRE_EXPANSION_ROM_BAR.....	6187
24-728. PCIECTRL_EP_PCIEWIRE_CAPPTR.....	6187
24-729. Register Call Summary for Register PCIECTRL_EP_PCIEWIRE_CAPPTR	6187
24-730. PCIECTRL_EP_PCIEWIRE_INTERRUPT	6188
24-731. Register Call Summary for Register PCIECTRL_EP_PCIEWIRE_INTERRUPT	6188
24-732. PCIECTRL_EP_PCIEWIRE_PM_CAP.....	6188
24-733. Register Call Summary for Register PCIECTRL_EP_PCIEWIRE_PM_CAP	6189
24-734. PCIECTRL_EP_PCIEWIRE_PM_CSR	6189
24-735. Register Call Summary for Register PCIECTRL_EP_PCIEWIRE_PM_CSR	6190
24-736. PCIECTRL_EP_PCIEWIRE_PCIE_CAP	6190
24-737. Register Call Summary for Register PCIECTRL_EP_PCIEWIRE_PCIE_CAP.....	6190
24-738. PCIECTRL_EP_PCIEWIRE_DEV_CAP	6191
24-739. Register Call Summary for Register PCIECTRL_EP_PCIEWIRE_DEV_CAP.....	6191
24-740. PCIECTRL_EP_PCIEWIRE_DEV_CAS	6192
24-741. Register Call Summary for Register PCIECTRL_EP_PCIEWIRE_DEV_CAS.....	6192
24-742. PCIECTRL_EP_PCIEWIRE_LNK_CAP	6193
24-743. Register Call Summary for Register PCIECTRL_EP_PCIEWIRE_LNK_CAP	6193
24-744. PCIECTRL_EP_PCIEWIRE_LNK_CAS	6194
24-745. Register Call Summary for Register PCIECTRL_EP_PCIEWIRE_LNK_CAS.....	6195
24-746. PCIECTRL_EP_PCIEWIRE_DEV_CAP_2	6195
24-747. Register Call Summary for Register PCIECTRL_EP_PCIEWIRE_DEV_CAP_2.....	6195
24-748. PCIECTRL_EP_PCIEWIRE_DEV_CAS_2.....	6196
24-749. Register Call Summary for Register PCIECTRL_EP_PCIEWIRE_DEV_CAS_2.....	6196
24-750. PCIECTRL_EP_PCIEWIRE_LNK_CAP_2	6197
24-751. Register Call Summary for Register PCIECTRL_EP_PCIEWIRE_LNK_CAP_2.....	6197
24-752. PCIECTRL_EP_PCIEWIRE_LNK_CAS_2	6197
24-753. Register Call Summary for Register PCIECTRL_EP_PCIEWIRE_LNK_CAS_2.....	6198
24-754. PCIe_SS1_EP_CFG_DBICS Registers Mapping Summary	6199
24-755. PCIe_SS2_EP_CFG_DBICS Registers Mapping Summary	6199
24-756. PCIECTRL_EP_DBICS_DEVICE_VENDORID	6201
24-757. Register Call Summary for Register PCIECTRL_EP_DBICS_DEVICE_VENDORID	6201
24-758. PCIECTRL_EP_DBICS_STATUS_COMMAND_REGISTER	6201
24-759. Register Call Summary for Register PCIECTRL_EP_DBICS_STATUS_COMMAND_REGISTER.....	6202
24-760. PCIECTRL_EP_DBICS_CLASSCODE_REVISIONID	6202
24-761. Register Call Summary for Register PCIECTRL_EP_DBICS_CLASSCODE_REVISIONID.....	6202
24-762. PCIECTRL_EP_DBICS_BIST_HEAD_LAT_CACH	6203
24-763. Register Call Summary for Register PCIECTRL_EP_DBICS_BIST_HEAD_LAT_CACH.....	6203
24-764. PCIECTRL_EP_DBICS_BAR0.....	6203
24-765. Register Call Summary for Register PCIECTRL_EP_DBICS_BAR0	6204

24-766. PCIECTRL_EP_DBICS_BAR1.....	6204
24-767. Register Call Summary for Register PCIECTRL_EP_DBICS_BAR1	6205
24-768. PCIECTRL_EP_DBICS_BAR2.....	6205
24-769. Register Call Summary for Register PCIECTRL_EP_DBICS_BAR2	6205
24-770. PCIECTRL_EP_DBICS_BAR3.....	6206
24-771. Register Call Summary for Register PCIECTRL_EP_DBICS_BAR3	6206
24-772. PCIECTRL_EP_DBICS_BAR4.....	6207
24-773. Register Call Summary for Register PCIECTRL_EP_DBICS_BAR4	6207
24-774. PCIECTRL_EP_DBICS_BAR5.....	6208
24-775. Register Call Summary for Register PCIECTRL_EP_DBICS_BAR5	6208
24-776. PCIECTRL_EP_DBICS_CARDBUS_CIS_POINTER	6209
24-777. Register Call Summary for Register PCIECTRL_EP_DBICS_CARDBUS_CIS_POINTER.....	6209
24-778. PCIECTRL_EP_DBICS_SUBID_SUBVENDORID	6209
24-779. Register Call Summary for Register PCIECTRL_EP_DBICS_SUBID_SUBVENDORID.....	6209
24-780. PCIECTRL_EP_DBICS_EXPANSION_ROM_BAR	6210
24-781. Register Call Summary for Register PCIECTRL_EP_DBICS_EXPANSION_ROM_BAR.....	6210
24-782. PCIECTRL_EP_DBICS_CAPPTR.....	6210
24-783. Register Call Summary for Register PCIECTRL_EP_DBICS_CAPPTR	6210
24-784. PCIECTRL_EP_DBICS_INTERRUPT	6211
24-785. Register Call Summary for Register PCIECTRL_EP_DBICS_INTERRUPT.....	6211
24-786. PCIECTRL_EP_DBICS_PM_CAP.....	6211
24-787. Register Call Summary for Register PCIECTRL_EP_DBICS_PM_CAP	6212
24-788. PCIECTRL_EP_DBICS_PM_CSR	6212
24-789. Register Call Summary for Register PCIECTRL_EP_DBICS_PM_CSR	6212
24-790. PCIECTRL_EP_DBICS_MSI_CAP	6212
24-791. Register Call Summary for Register PCIECTRL_EP_DBICS_MSI_CAP	6213
24-792. PCIECTRL_EP_DBICS_MSI_ADD_L32.....	6213
24-793. Register Call Summary for Register PCIECTRL_EP_DBICS_MSI_ADD_L32	6213
24-794. PCIECTRL_EP_DBICS_MSI_ADD_U32	6214
24-795. Register Call Summary for Register PCIECTRL_EP_DBICS_MSI_ADD_U32.....	6214
24-796. PCIECTRL_EP_DBICS_MSI_DATA	6214
24-797. Register Call Summary for Register PCIECTRL_EP_DBICS_MSI_DATA.....	6214
24-798. PCIECTRL_EP_DBICS_PCIE_CAP	6214
24-799. Register Call Summary for Register PCIECTRL_EP_DBICS_PCIE_CAP.....	6215
24-800. PCIECTRL_EP_DBICS_DEV_CAP	6215
24-801. Register Call Summary for Register PCIECTRL_EP_DBICS_DEV_CAP.....	6216
24-802. PCIECTRL_EP_DBICS_DEV_CAS	6216
24-803. Register Call Summary for Register PCIECTRL_EP_DBICS_DEV_CAS.....	6217
24-804. PCIECTRL_EP_DBICS_LNK_CAP	6217
24-805. Register Call Summary for Register PCIECTRL_EP_DBICS_LNK_CAP	6217
24-806. PCIECTRL_EP_DBICS_LNK_CAS	6218
24-807. Register Call Summary for Register PCIECTRL_EP_DBICS_LNK_CAS	6218
24-808. PCIECTRL_EP_DBICS_DEV_CAP_2	6219
24-809. Register Call Summary for Register PCIECTRL_EP_DBICS_DEV_CAP_2.....	6219
24-810. PCIECTRL_EP_DBICS_DEV_CAS_2	6220
24-811. Register Call Summary for Register PCIECTRL_EP_DBICS_DEV_CAS_2.....	6220
24-812. PCIECTRL_EP_DBICS_LNK_CAP_2	6220
24-813. Register Call Summary for Register PCIECTRL_EP_DBICS_LNK_CAP_2.....	6221
24-814. PCIECTRL_EP_DBICS_LNK_CAS_2	6221

24-815. Register Call Summary for Register PCIECTRL_EP_DBICS_LNK_CAS_2	6222
24-816. PCIe_SS1_RC_CFG_DBICS Registers Mapping Summary	6223
24-817. PCIe_SS2_RC_CFG_DBICS Registers Mapping Summary	6223
24-818. PCIECTRL_RC_DBICS_DEVICE_VENDORID	6224
24-819. Register Call Summary for Register PCIECTRL_RC_DBICS_DEVICE_VENDORID	6224
24-820. PCIECTRL_RC_DBICS_STATUS_COMMAND_REGISTER	6225
24-821. Register Call Summary for Register PCIECTRL_RC_DBICS_STATUS_COMMAND_REGISTER	6225
24-822. PCIECTRL_RC_DBICS_CLASSCODE_REVISIONID	6226
24-823. Register Call Summary for Register PCIECTRL_RC_DBICS_CLASSCODE_REVISIONID	6226
24-824. PCIECTRL_RC_DBICS_BIST_HEAD_LAT_CACH	6226
24-825. Register Call Summary for Register PCIECTRL_RC_DBICS_BIST_HEAD_LAT_CACH	6226
24-826. PCIECTRL_RC_DBICS_BAR0	6227
24-827. Register Call Summary for Register PCIECTRL_RC_DBICS_BAR0	6227
24-828. PCIECTRL_RC_DBICS_BAR1	6227
24-829. Register Call Summary for Register PCIECTRL_RC_DBICS_BAR1	6228
24-830. PCIECTRL_RC_DBICS_BUS_NUM_REG	6228
24-831. Register Call Summary for Register PCIECTRL_RC_DBICS_BUS_NUM_REG	6229
24-832. PCIECTRL_RC_DBICS_IOBASE_LIMIT_SEC_STATUS	6229
24-833. Register Call Summary for Register PCIECTRL_RC_DBICS_IOBASE_LIMIT_SEC_STATUS	6230
24-834. PCIECTRL_RC_DBICS_MEM_BASE_LIMIT	6230
24-835. Register Call Summary for Register PCIECTRL_RC_DBICS_MEM_BASE_LIMIT	6230
24-836. PCIECTRL_RC_DBICS_PREF_MEM_BASE_LIMIT	6230
24-837. Register Call Summary for Register PCIECTRL_RC_DBICS_PREF_MEM_BASE_LIMIT	6231
24-838. PCIECTRL_RC_DBICS_UPPER_32BIT_PREF_BASEADDR	6231
24-839. Register Call Summary for Register PCIECTRL_RC_DBICS_UPPER_32BIT_PREF_BASEADDR	6231
24-840. PCIECTRL_RC_DBICS_UPPER_32BIT_PREF_LIMITADDR	6231
24-841. Register Call Summary for Register PCIECTRL_RC_DBICS_UPPER_32BIT_PREF_LIMITADDR	6231
24-842. PCIECTRL_RC_DBICS_IO_BASE_LIMIT	6232
24-843. Register Call Summary for Register PCIECTRL_RC_DBICS_IO_BASE_LIMIT	6232
24-844. PCIECTRL_RC_DBICS_CAPPTR	6232
24-845. Register Call Summary for Register PCIECTRL_RC_DBICS_CAPPTR	6232
24-846. PCIECTRL_RC_DBICS_EXPANSION_ROM_BAR	6232
24-847. Register Call Summary for Register PCIECTRL_RC_DBICS_EXPANSION_ROM_BAR	6233
24-848. PCIECTRL_RC_DBICS_BRIDGE_INT	6233
24-849. Register Call Summary for Register PCIECTRL_RC_DBICS_BRIDGE_INT	6234
24-850. PCIECTRL_RC_DBICS_PCIE_CAP	6234
24-851. Register Call Summary for Register PCIECTRL_RC_DBICS_PCIE_CAP	6234
24-852. PCIECTRL_RC_DBICS_DEV_CAP	6234
24-853. Register Call Summary for Register PCIECTRL_RC_DBICS_DEV_CAP	6235
24-854. PCIECTRL_RC_DBICS_DEV_CAS	6235
24-855. Register Call Summary for Register PCIECTRL_RC_DBICS_DEV_CAS	6236
24-856. PCIECTRL_RC_DBICS_LNK_CAP	6236
24-857. Register Call Summary for Register PCIECTRL_RC_DBICS_LNK_CAP	6237
24-858. PCIECTRL_RC_DBICS_LNK_CAS	6237
24-859. Register Call Summary for Register PCIECTRL_RC_DBICS_LNK_CAS	6238
24-860. PCIECTRL_RC_DBICS_SLOT_CAP	6238
24-861. Register Call Summary for Register PCIECTRL_RC_DBICS_SLOT_CAP	6239
24-862. PCIECTRL_RC_DBICS_SLOT_CAS	6239
24-863. Register Call Summary for Register PCIECTRL_RC_DBICS_SLOT_CAS	6239

24-864. PCIECTRL_RC_DBICS_ROOT_CAC	6240
24-865. Register Call Summary for Register PCIECTRL_RC_DBICS_ROOT_CAC	6240
24-866. PCIECTRL_RC_DBICS_ROOT_STS	6240
24-867. Register Call Summary for Register PCIECTRL_RC_DBICS_ROOT_STS	6241
24-868. PCIECTRL_RC_DBICS_DEV_CAP_2	6241
24-869. Register Call Summary for Register PCIECTRL_RC_DBICS_DEV_CAP_2	6241
24-870. PCIECTRL_RC_DBICS_DEV_CAS_2	6241
24-871. Register Call Summary for Register PCIECTRL_RC_DBICS_DEV_CAS_2	6242
24-872. PCIECTRL_RC_DBICS_LNK_CAP_2	6242
24-873. Register Call Summary for Register PCIECTRL_RC_DBICS_LNK_CAP_2	6243
24-874. PCIECTRL_RC_DBICS_LNK_CAS_2	6243
24-875. Register Call Summary for Register PCIECTRL_RC_DBICS_LNK_CAS_2	6243
24-876. PCIe_SS1_PL_CONF Registers Mapping Summary	6244
24-877. PCIe_SS2_PL_CONF Registers Mapping Summary	6245
24-878. PCIECTRL_PL_LAT_REL_TIM	6246
24-879. Register Call Summary for Register PCIECTRL_PL_LAT_REL_TIM	6247
24-880. PCIECTRL_PL_VENDOR_SPECIFIC_DLLP	6247
24-881. Register Call Summary for Register PCIECTRL_PL_VENDOR_SPECIFIC_DLLP	6247
24-882. PCIECTRL_PL_PT_LNK_R	6248
24-883. Register Call Summary for Register PCIECTRL_PL_PT_LNK_R	6248
24-884. PCIECTRL_PL_ACK_FREQ_ASPM	6248
24-885. Register Call Summary for Register PCIECTRL_PL_ACK_FREQ_ASPM	6249
24-886. PCIECTRL_PL_PT_LNK_CTRL_R	6249
24-887. Register Call Summary for Register PCIECTRL_PL_PT_LNK_CTRL_R	6250
24-888. PCIECTRL_PL_LN_SKW_R	6250
24-889. Register Call Summary for Register PCIECTRL_PL_LN_SKW_R	6251
24-890. PCIECTRL_PL_SYMB_N_R	6251
24-891. Register Call Summary for Register PCIECTRL_PL_SYMB_N_R	6251
24-892. PCIECTRL_PL_SYMB_T_R	6251
24-893. Register Call Summary for Register PCIECTRL_PL_SYMB_T_R	6252
24-894. PCIECTRL_PL_FL_MSK_R2	6252
24-895. Register Call Summary for Register PCIECTRL_PL_FL_MSK_R2	6252
24-896. PCIECTRL_PL_OBNP_SUBREQ_CTRL	6252
24-897. Register Call Summary for Register PCIECTRL_PL_OBNP_SUBREQ_CTRL	6253
24-898. PCIECTRL_PL_TR_P_STS_R	6253
24-899. Register Call Summary for Register PCIECTRL_PL_TR_P_STS_R	6253
24-900. PCIECTRL_PL_TR_NP_STS_R	6253
24-901. Register Call Summary for Register PCIECTRL_PL_TR_NP_STS_R	6253
24-902. PCIECTRL_PL_TR_C_STS_R	6253
24-903. Register Call Summary for Register PCIECTRL_PL_TR_C_STS_R	6254
24-904. PCIECTRL_PL_Q_STS_R	6254
24-905. Register Call Summary for Register PCIECTRL_PL_Q_STS_R	6254
24-906. PCIECTRL_PL_VC_TR_A_R1	6255
24-907. Register Call Summary for Register PCIECTRL_PL_VC_TR_A_R1	6255
24-908. PCIECTRL_PL_VC_TR_A_R2	6255
24-909. Register Call Summary for Register PCIECTRL_PL_VC_TR_A_R2	6255
24-910. PCIECTRL_PL_VC0_PR_Q_C	6255
24-911. Register Call Summary for Register PCIECTRL_PL_VC0_PR_Q_C	6256
24-912. PCIECTRL_PL_VC0_NPR_Q_C	6256

24-913. Register Call Summary for Register PCIECTRL_PL_VC0_NPR_Q_C	6257
24-914. PCIECTRL_PL_VC0_CR_Q_C	6257
24-915. Register Call Summary for Register PCIECTRL_PL_VC0_CR_Q_C.....	6257
24-916. PCIECTRL_PL_WIDTH_SPEED_CTL.....	6257
24-917. Register Call Summary for Register PCIECTRL_PL_WIDTH_SPEED_CTL	6258
24-918. PCIECTRL_PL_PHY_STS_R	6258
24-919. Register Call Summary for Register PCIECTRL_PL_PHY_STS_R.....	6258
24-920. PCIECTRL_PL_PHY_CTRL_R	6258
24-921. Register Call Summary for Register PCIECTRL_PL_PHY_CTRL_R.....	6259
24-922. PCIECTRL_PL_MSI_CTRL_ADDRESS	6259
24-923. Register Call Summary for Register PCIECTRL_PL_MSI_CTRL_ADDRESS	6259
24-924. PCIECTRL_PL_MSI_CTRL_UPPER_ADDRESS	6259
24-925. Register Call Summary for Register PCIECTRL_PL_MSI_CTRL_UPPER_ADDRESS.....	6259
24-926. PCIECTRL_PL_MSI_CTRL_INT_ENABLE_N	6260
24-927. Register Call Summary for Register PCIECTRL_PL_MSI_CTRL_INT_ENABLE_N	6260
24-928. PCIECTRL_PL_MSI_CTRL_INT_MASK_N	6260
24-929. Register Call Summary for Register PCIECTRL_PL_MSI_CTRL_INT_MASK_N	6260
24-930. PCIECTRL_PL_MSI_CTRL_INT_STATUS_N	6260
24-931. Register Call Summary for Register PCIECTRL_PL_MSI_CTRL_INT_STATUS_N	6261
24-932. PCIECTRL_PL_MSI_CTRL_GPIO	6261
24-933. Register Call Summary for Register PCIECTRL_PL_MSI_CTRL_GPIO.....	6261
24-934. PCIECTRL_PL_PIPE_LOOPBACK	6261
24-935. Register Call Summary for Register PCIECTRL_PL_PIPE_LOOPBACK.....	6262
24-936. PCIECTRL_PL_DBI_RO_WR_EN	6262
24-937. Register Call Summary for Register PCIECTRL_PL_DBI_RO_WR_EN	6262
24-938. PCIECTRL_PL_AXIS_SLV_ERR_RESP	6262
24-939. Register Call Summary for Register PCIECTRL_PL_AXIS_SLV_ERR_RESP	6263
24-940. PCIECTRL_PL_AXIS_SLV_TIMEOUT	6263
24-941. Register Call Summary for Register PCIECTRL_PL_AXIS_SLV_TIMEOUT	6263
24-942. PCIECTRL_PL_IATU_INDEX.....	6263
24-943. Register Call Summary for Register PCIECTRL_PL_IATU_INDEX	6264
24-944. PCIECTRL_PL_IATU_REG_CTRL_1	6264
24-945. Register Call Summary for Register PCIECTRL_PL_IATU_REG_CTRL_1	6265
24-946. PCIECTRL_PL_IATU_REG_CTRL_2	6265
24-947. Register Call Summary for Register PCIECTRL_PL_IATU_REG_CTRL_2	6267
24-948. PCIECTRL_PL_IATU_REG_LOWER_BASE	6267
24-949. Register Call Summary for Register PCIECTRL_PL_IATU_REG_LOWER_BASE.....	6267
24-950. PCIECTRL_PL_IATU_REG_UPPER_BASE.....	6267
24-951. Register Call Summary for Register PCIECTRL_PL_IATU_REG_UPPER_BASE	6267
24-952. PCIECTRL_PL_IATU_REG_LIMIT	6267
24-953. Register Call Summary for Register PCIECTRL_PL_IATU_REG_LIMIT	6268
24-954. PCIECTRL_PL_IATU_REG_LOWER_TARGET	6268
24-955. Register Call Summary for Register PCIECTRL_PL_IATU_REG_LOWER_TARGET	6268
24-956. PCIECTRL_PL_IATU_REG_UPPER_TARGET	6268
24-957. Register Call Summary for Register PCIECTRL_PL_IATU_REG_UPPER_TARGET.....	6268
24-958. PCIECTRL_PL_IATU_REG_CTRL_3.....	6269
24-959. Register Call Summary for Register PCIECTRL_PL_IATU_REG_CTRL_3	6269
24-960. PCIe_SS1_EP_CFG_DBI_CS2 Registers Mapping Summary	6270
24-961. PCIe_SS2_EP_CFG_DBI_CS2 Registers Mapping Summary	6270

24-962. PCIECTRL_EP_DBICS2_DEVICE_VENDORID	6272
24-963. Register Call Summary for Register PCIECTRL_EP_DBICS2_DEVICE_VENDORID	6272
24-964. PCIECTRL_EP_DBICS2_STATUS_COMMAND_REGISTER.....	6272
24-965. Register Call Summary for Register PCIECTRL_EP_DBICS2_STATUS_COMMAND_REGISTER	6273
24-966. PCIECTRL_EP_DBICS2_CLASSCODE_REVISIONID	6273
24-967. Register Call Summary for Register PCIECTRL_EP_DBICS2_CLASSCODE_REVISIONID	6273
24-968. PCIECTRL_EP_DBICS2_BIST_HEAD_LAT_CACH.....	6274
24-969. Register Call Summary for Register PCIECTRL_EP_DBICS2_BIST_HEAD_LAT_CACH	6274
24-970. PCIECTRL_EP_DBICS2_BAR0_MASK	6274
24-971. Register Call Summary for Register PCIECTRL_EP_DBICS2_BAR0_MASK.....	6274
24-972. PCIECTRL_EP_DBICS2_BAR1_MASK	6275
24-973. Register Call Summary for Register PCIECTRL_EP_DBICS2_BAR1_MASK.....	6275
24-974. PCIECTRL_EP_DBICS2_BAR2_MASK	6275
24-975. Register Call Summary for Register PCIECTRL_EP_DBICS2_BAR2_MASK.....	6275
24-976. PCIECTRL_EP_DBICS2_BAR3_MASK	6276
24-977. Register Call Summary for Register PCIECTRL_EP_DBICS2_BAR3_MASK.....	6276
24-978. PCIECTRL_EP_DBICS2_BAR4_MASK	6276
24-979. Register Call Summary for Register PCIECTRL_EP_DBICS2_BAR4_MASK.....	6276
24-980. PCIECTRL_EP_DBICS2_BAR5_MASK	6277
24-981. Register Call Summary for Register PCIECTRL_EP_DBICS2_BAR5_MASK.....	6277
24-982. PCIECTRL_EP_DBICS2_CARDBUS_CIS_POINTER.....	6277
24-983. Register Call Summary for Register PCIECTRL_EP_DBICS2_CARDBUS_CIS_POINTER	6277
24-984. PCIECTRL_EP_DBICS2_SUBID_SUBVENDORID.....	6278
24-985. Register Call Summary for Register PCIECTRL_EP_DBICS2_SUBID_SUBVENDORID	6278
24-986. PCIECTRL_EP_DBICS2_EXPANSION_ROM_BAR.....	6278
24-987. Register Call Summary for Register PCIECTRL_EP_DBICS2_EXPANSION_ROM_BAR	6278
24-988. PCIECTRL_EP_DBICS2_CAPPTR	6279
24-989. Register Call Summary for Register PCIECTRL_EP_DBICS2_CAPPTR.....	6279
24-990. PCIECTRL_EP_DBICS2_INTERRUPT	6279
24-991. Register Call Summary for Register PCIECTRL_EP_DBICS2_INTERRUPT	6279
24-992. PCIECTRL_EP_DBICS2_PM_CAP	6279
24-993. Register Call Summary for Register PCIECTRL_EP_DBICS2_PM_CAP.....	6280
24-994. PCIECTRL_EP_DBICS2_PM_CSR	6280
24-995. Register Call Summary for Register PCIECTRL_EP_DBICS2_PM_CSR	6281
24-996. PCIECTRL_EP_DBICS2_PCIE_CAP	6281
24-997. Register Call Summary for Register PCIECTRL_EP_DBICS2_PCIE_CAP	6281
24-998. PCIECTRL_EP_DBICS2_DEV_CAP.....	6282
24-999. Register Call Summary for Register PCIECTRL_EP_DBICS2_DEV_CAP	6282
24-1000. PCIECTRL_EP_DBICS2_DEV_CAS	6283
24-1001. Register Call Summary for Register PCIECTRL_EP_DBICS2_DEV_CAS.....	6283
24-1002. PCIECTRL_EP_DBICS2_LNK_CAP	6284
24-1003. Register Call Summary for Register PCIECTRL_EP_DBICS2_LNK_CAP	6284
24-1004. PCIECTRL_EP_DBICS2_LNK_CAS	6285
24-1005. Register Call Summary for Register PCIECTRL_EP_DBICS2_LNK_CAS	6285
24-1006. PCIECTRL_EP_DBICS2_DEV_CAP_2	6286
24-1007. Register Call Summary for Register PCIECTRL_EP_DBICS2_DEV_CAP_2.....	6286
24-1008. PCIECTRL_EP_DBICS2_DEV_CAS_2	6287
24-1009. Register Call Summary for Register PCIECTRL_EP_DBICS2_DEV_CAS_2.....	6287
24-1010. PCIECTRL_EP_DBICS2_LNK_CAP_2	6287

24-1011. Register Call Summary for Register PCIECTRL_EP_DBICS2_LNK_CAP_2	6288
24-1012. PCIECTRL_EP_DBICS2_LNK_CAS_2	6288
24-1013. Register Call Summary for Register PCIECTRL_EP_DBICS2_LNK_CAS_2	6289
24-1014. PCIe_SS1_RC_CFG_DBI_CS2 Registers Mapping Summary	6290
24-1015. PCIe_SS2_RC_CFG_DBI_CS2 Registers Mapping Summary	6290
24-1016. PCIECTRL_RC_DBICS2_DEVICE_VENDORID	6291
24-1017. Register Call Summary for Register PCIECTRL_RC_DBICS2_DEVICE_VENDORID	6292
24-1018. PCIECTRL_RC_DBICS2_STATUS_COMMAND_REGISTER	6292
24-1019. Register Call Summary for Register PCIECTRL_RC_DBICS2_STATUS_COMMAND_REGISTER	6293
24-1020. PCIECTRL_RC_DBICS2_CLASSCODE_REVISIONID	6293
24-1021. Register Call Summary for Register PCIECTRL_RC_DBICS2_CLASSCODE_REVISIONID	6293
24-1022. PCIECTRL_RC_DBICS2_BIST_HEAD_LAT_CACH	6293
24-1023. Register Call Summary for Register PCIECTRL_RC_DBICS2_BIST_HEAD_LAT_CACH	6294
24-1024. PCIECTRL_RC_DBICS2_BAR0_MASK	6294
24-1025. Register Call Summary for Register PCIECTRL_RC_DBICS2_BAR0_MASK	6294
24-1026. PCIECTRL_RC_DBICS2_BAR1_MASK	6294
24-1027. Register Call Summary for Register PCIECTRL_RC_DBICS2_BAR1_MASK	6295
24-1028. PCIECTRL_RC_DBICS2_BUS_NUM_REG	6295
24-1029. Register Call Summary for Register PCIECTRL_RC_DBICS2_BUS_NUM_REG	6295
24-1030. PCIECTRL_RC_DBICS2_IOBASE_LIMIT_SEC_STATUS	6295
24-1031. Register Call Summary for Register PCIECTRL_RC_DBICS2_IOBASE_LIMIT_SEC_STATUS	6296
24-1032. PCIECTRL_RC_DBICS2_MEM_BASE_LIMIT	6296
24-1033. Register Call Summary for Register PCIECTRL_RC_DBICS2_MEM_BASE_LIMIT	6296
24-1034. PCIECTRL_RC_DBICS2_PREF_MEM_BASE_LIMIT	6297
24-1035. Register Call Summary for Register PCIECTRL_RC_DBICS2_PREF_MEM_BASE_LIMIT	6297
24-1036. PCIECTRL_RC_DBICS2_UPPER_32BIT_PREF_BASEADDR	6297
24-1037. Register Call Summary for Register PCIECTRL_RC_DBICS2_UPPER_32BIT_PREF_BASEADDR	6298
24-1038. PCIECTRL_RC_DBICS2_UPPER_32BIT_PREF_LIMITADDR	6298
24-1039. Register Call Summary for Register PCIECTRL_RC_DBICS2_UPPER_32BIT_PREF_LIMITADDR	6298
24-1040. PCIECTRL_RC_DBICS2_IO_BASE_LIMIT	6298
24-1041. Register Call Summary for Register PCIECTRL_RC_DBICS2_IO_BASE_LIMIT	6298
24-1042. PCIECTRL_RC_DBICS2_CAPPTR	6299
24-1043. Register Call Summary for Register PCIECTRL_RC_DBICS2_CAPPTR	6299
24-1044. PCIECTRL_RC_DBICS2_EXPANSION_ROM_BAR	6299
24-1045. Register Call Summary for Register PCIECTRL_RC_DBICS2_EXPANSION_ROM_BAR	6299
24-1046. PCIECTRL_RC_DBICS2_BRIDGE_INT	6300
24-1047. Register Call Summary for Register PCIECTRL_RC_DBICS2_BRIDGE_INT	6300
24-1048. PCIECTRL_RC_DBICS2_PCIE_CAP	6300
24-1049. Register Call Summary for Register PCIECTRL_RC_DBICS2_PCIE_CAP	6301
24-1050. PCIECTRL_RC_DBICS2_DEV_CAP	6301
24-1051. Register Call Summary for Register PCIECTRL_RC_DBICS2_DEV_CAP	6302
24-1052. PCIECTRL_RC_DBICS2_DEV_CAS	6302
24-1053. Register Call Summary for Register PCIECTRL_RC_DBICS2_DEV_CAS	6303
24-1054. PCIECTRL_RC_DBICS2_LNK_CAP	6303
24-1055. Register Call Summary for Register PCIECTRL_RC_DBICS2_LNK_CAP	6303
24-1056. PCIECTRL_RC_DBICS2_LNK_CAS	6303
24-1057. Register Call Summary for Register PCIECTRL_RC_DBICS2_LNK_CAS	6304
24-1058. PCIECTRL_RC_DBICS2_SLOT_CAP	6305
24-1059. Register Call Summary for Register PCIECTRL_RC_DBICS2_SLOT_CAP	6305

24-1060. PCIECTRL_RC_DBICS2_SLOT_CAS	6305
24-1061. Register Call Summary for Register PCIECTRL_RC_DBICS2_SLOT_CAS	6306
24-1062. PCIECTRL_RC_DBICS2_ROOT_CAC	6306
24-1063. Register Call Summary for Register PCIECTRL_RC_DBICS2_ROOT_CAC	6307
24-1064. PCIECTRL_RC_DBICS2_ROOT_STS	6307
24-1065. Register Call Summary for Register PCIECTRL_RC_DBICS2_ROOT_STS	6307
24-1066. PCIECTRL_RC_DBICS2_DEV_CAP_2	6307
24-1067. Register Call Summary for Register PCIECTRL_RC_DBICS2_DEV_CAP_2	6308
24-1068. PCIECTRL_RC_DBICS2_DEV_CAS_2	6308
24-1069. Register Call Summary for Register PCIECTRL_RC_DBICS2_DEV_CAS_2	6309
24-1070. PCIECTRL_RC_DBICS2_LNK_CAP_2	6309
24-1071. Register Call Summary for Register PCIECTRL_RC_DBICS2_LNK_CAP_2	6309
24-1072. PCIECTRL_RC_DBICS2_LNK_CAS_2	6309
24-1073. Register Call Summary for Register PCIECTRL_RC_DBICS2_LNK_CAS_2	6310
24-1074. PCIe_SS1_TI_CONF Registers Mapping Summary	6311
24-1075. PCIe_SS2_TI_CONF Registers Mapping Summary	6311
24-1076. PCIECTRL_TI_CONF_REVISION	6312
24-1077. Register Call Summary for Register PCIECTRL_TI_CONF_REVISION	6312
24-1078. PCIECTRL_TI_CONF_SYSCONFIG	6312
24-1079. Register Call Summary for Register PCIECTRL_TI_CONF_SYSCONFIG	6313
24-1080. PCIECTRL_TI_CONF_IRQ_EOI	6314
24-1081. Register Call Summary for Register PCIECTRL_TI_CONF_IRQ_EOI	6314
24-1082. PCIECTRL_TI_CONF_IRQSTATUS_RAW_MAIN	6314
24-1083. Register Call Summary for Register PCIECTRL_TI_CONF_IRQSTATUS_RAW_MAIN	6316
24-1084. PCIECTRL_TI_CONF_IRQSTATUS_MAIN	6316
24-1085. Register Call Summary for Register PCIECTRL_TI_CONF_IRQSTATUS_MAIN	6317
24-1086. PCIECTRL_TI_CONF_IRQENABLE_SET_MAIN	6317
24-1087. Register Call Summary for Register PCIECTRL_TI_CONF_IRQENABLE_SET_MAIN	6319
24-1088. PCIECTRL_TI_CONF_IRQENABLE_CLR_MAIN	6319
24-1089. Register Call Summary for Register PCIECTRL_TI_CONF_IRQENABLE_CLR_MAIN	6320
24-1090. PCIECTRL_TI_CONF_IRQSTATUS_RAW_MSI	6321
24-1091. Register Call Summary for Register PCIECTRL_TI_CONF_IRQSTATUS_RAW_MSI	6321
24-1092. PCIECTRL_TI_CONF_IRQSTATUS_MSI	6321
24-1093. Register Call Summary for Register PCIECTRL_TI_CONF_IRQSTATUS_MSI	6322
24-1094. PCIECTRL_TI_CONF_IRQENABLE_SET_MSI	6322
24-1095. Register Call Summary for Register PCIECTRL_TI_CONF_IRQENABLE_SET_MSI	6323
24-1096. PCIECTRL_TI_CONF_IRQENABLE_CLR_MSI	6323
24-1097. Register Call Summary for Register PCIECTRL_TI_CONF_IRQENABLE_CLR_MSI	6324
24-1098. PCIECTRL_TI_CONF_DEVICE_TYPE	6324
24-1099. Register Call Summary for Register PCIECTRL_TI_CONF_DEVICE_TYPE	6325
24-1100. PCIECTRL_TI_CONF_DEVICE_CMD	6325
24-1101. Register Call Summary for Register PCIECTRL_TI_CONF_DEVICE_CMD	6326
24-1102. PCIECTRL_TI_CONF_PM_CTRL	6326
24-1103. Register Call Summary for Register PCIECTRL_TI_CONF_PM_CTRL	6327
24-1104. PCIECTRL_TI_CONF_PHY_CS	6327
24-1105. Register Call Summary for Register PCIECTRL_TI_CONF_PHY_CS	6328
24-1106. PCIECTRL_TI_CONF_INTX_ASSERT	6328
24-1107. Register Call Summary for Register PCIECTRL_TI_CONF_INTX_ASSERT	6329
24-1108. PCIECTRL_TI_CONF_INTX_DEASSERT	6329

24-1109. Register Call Summary for Register PCIECTRL_TI_CONF_INTX_DEASSERT	6329
24-1110. PCIECTRL_TI_CONF_MSI_XMT	6329
24-1111. Register Call Summary for Register PCIECTRL_TI_CONF_MSI_XMT.....	6330
24-1112. PCIECTRL_TI_CONF_DEBUG_CFG	6330
24-1113. Register Call Summary for Register PCIECTRL_TI_CONF_DEBUG_CFG.....	6330
24-1114. PCIECTRL_TI_CONF_DEBUG_DATA.....	6330
24-1115. Register Call Summary for Register PCIECTRL_TI_CONF_DEBUG_DATA	6331
24-1116. PCIECTRL_TI_CONF_DIAG_CTRL	6331
24-1117. Register Call Summary for Register PCIECTRL_TI_CONF_DIAG_CTRL	6331
24-1118. DCAN2 I/O Description	6334
24-1119. DCAN1 I/O Description	6334
24-1120. DCAN Integration Attributes	6337
24-1121. DCAN Clocks and Resets.....	6337
24-1122. DCAN Hardware Requests.....	6338
24-1123. Initialization of a Transmit Object.....	6345
24-1124. Initialization of a single Receive Object for Data Frames	6346
24-1125. Initialization of a Single Receive Object for Remote Frames.....	6347
24-1126. Parameters of the CAN Bit Time	6353
24-1127. Example For Bit Timing.....	6359
24-1128. Structure of a Message Object	6362
24-1129. Message Object Field Descriptions	6362
24-1130. Message RAM Addressing in Debug/Suspend and RDA Modes	6364
24-1131. Message RAM Representation in Debug/Suspend Mode	6365
24-1132. Message RAM Representation in RAM Direct Access Mode	6366
24-1133. DCAN Instance Summary	6374
24-1134. DCAN Registers Mapping Summary.....	6374
24-1135. DCAN_CTL.....	6376
24-1136. Register Call Summary for Register DCAN_CTL	6378
24-1137. DCAN_ES	6379
24-1138. Register Call Summary for Register DCAN_ES.....	6381
24-1139. DCAN_ERRC	6381
24-1140. Register Call Summary for Register DCAN_ERRC.....	6381
24-1141. DCAN_BTR	6382
24-1142. Register Call Summary for Register DCAN_BTR.....	6382
24-1143. DCAN_INT	6383
24-1144. Register Call Summary for Register DCAN_INT	6383
24-1145. DCAN_TEST	6384
24-1146. Register Call Summary for Register DCAN_TEST	6384
24-1147. DCAN_PERR	6385
24-1148. Register Call Summary for Register DCAN_PERR.....	6385
24-1149. DCAN_REL	6385
24-1150. Register Call Summary for Register DCAN_REL	6385
24-1151. DCAN_ABOTR	6386
24-1152. Register Call Summary for Register DCAN_ABOTR	6386
24-1153. DCAN_TXRQ_X	6386
24-1154. Register Call Summary for Register DCAN_TXRQ_X	6387
24-1155. DCAN_TXRQ12	6387
24-1156. Register Call Summary for Register DCAN_TXRQ12.....	6387
24-1157. DCAN_TXRQ34	6388

24-1158. Register Call Summary for Register DCAN_TXRQ34	6388
24-1159. DCAN_TXRQ56	6388
24-1160. Register Call Summary for Register DCAN_TXRQ56	6388
24-1161. DCAN_TXRQ78	6389
24-1162. Register Call Summary for Register DCAN_TXRQ78	6389
24-1163. DCAN_NWDAT_X	6389
24-1164. Register Call Summary for Register DCAN_NWDAT_X	6390
24-1165. DCAN_NWDAT12	6390
24-1166. Register Call Summary for Register DCAN_NWDAT12	6390
24-1167. DCAN_NWDAT34	6391
24-1168. Register Call Summary for Register DCAN_NWDAT34	6391
24-1169. DCAN_NWDAT56	6391
24-1170. Register Call Summary for Register DCAN_NWDAT56	6391
24-1171. DCAN_NWDAT78	6392
24-1172. Register Call Summary for Register DCAN_NWDAT78	6392
24-1173. DCAN_INTPND_X	6392
24-1174. Register Call Summary for Register DCAN_INTPND_X	6393
24-1175. DCAN_INTPND12	6393
24-1176. Register Call Summary for Register DCAN_INTPND12	6393
24-1177. DCAN_INTPND34	6394
24-1178. Register Call Summary for Register DCAN_INTPND34	6394
24-1179. DCAN_INTPND56	6394
24-1180. Register Call Summary for Register DCAN_INTPND56	6394
24-1181. DCAN_INTPND78	6395
24-1182. Register Call Summary for Register DCAN_INTPND78	6395
24-1183. DCAN_MSGVAL_X	6395
24-1184. Register Call Summary for Register DCAN_MSGVAL_X	6396
24-1185. DCAN_MSGVAL12	6396
24-1186. Register Call Summary for Register DCAN_MSGVAL12	6396
24-1187. DCAN_MSGVAL34	6397
24-1188. Register Call Summary for Register DCAN_MSGVAL34	6397
24-1189. DCAN_MSGVAL56	6397
24-1190. Register Call Summary for Register DCAN_MSGVAL56	6397
24-1191. DCAN_MSGVAL78	6398
24-1192. Register Call Summary for Register DCAN_MSGVAL78	6398
24-1193. DCAN_INTMUX12	6398
24-1194. Register Call Summary for Register DCAN_INTMUX12	6398
24-1195. DCAN_INTMUX34	6399
24-1196. Register Call Summary for Register DCAN_INTMUX34	6399
24-1197. DCAN_INTMUX56	6399
24-1198. Register Call Summary for Register DCAN_INTMUX56	6399
24-1199. DCAN_INTMUX78	6400
24-1200. Register Call Summary for Register DCAN_INTMUX78	6400
24-1201. DCAN_IF1CMD	6400
24-1202. Register Call Summary for Register DCAN_IF1CMD	6403
24-1203. DCAN_IF1MSK	6403
24-1204. Register Call Summary for Register DCAN_IF1MSK	6404
24-1205. DCAN_IF1ARB	6404
24-1206. Register Call Summary for Register DCAN_IF1ARB	6405

24-1207. DCAN_IF1MCTL.....	6405
24-1208. Register Call Summary for Register DCAN_IF1MCTL	6406
24-1209. DCAN_IF1DATA.....	6407
24-1210. Register Call Summary for Register DCAN_IF1DATA	6407
24-1211. DCAN_IF1DATB.....	6407
24-1212. Register Call Summary for Register DCAN_IF1DATB	6407
24-1213. DCAN_IF2CMD.....	6408
24-1214. Register Call Summary for Register DCAN_IF2CMD	6410
24-1215. DCAN_IF2MSK	6411
24-1216. Register Call Summary for Register DCAN_IF2MSK.....	6411
24-1217. DCAN_IF2ARB	6412
24-1218. Register Call Summary for Register DCAN_IF2ARB	6412
24-1219. DCAN_IF2MCTL.....	6413
24-1220. Register Call Summary for Register DCAN_IF2MCTL	6414
24-1221. DCAN_IF2DATA.....	6414
24-1222. Register Call Summary for Register DCAN_IF2DATA	6415
24-1223. DCAN_IF2DATB.....	6415
24-1224. Register Call Summary for Register DCAN_IF2DATB	6415
24-1225. DCAN_IF3OBS	6416
24-1226. Register Call Summary for Register DCAN_IF3OBS.....	6417
24-1227. DCAN_IF3MSK	6417
24-1228. Register Call Summary for Register DCAN_IF3MSK.....	6418
24-1229. DCAN_IF3ARB	6418
24-1230. Register Call Summary for Register DCAN_IF3ARB.....	6419
24-1231. DCAN_IF3MCTL.....	6419
24-1232. Register Call Summary for Register DCAN_IF3MCTL	6420
24-1233. DCAN_IF3DATA.....	6421
24-1234. Register Call Summary for Register DCAN_IF3DATA	6421
24-1235. DCAN_IF3DATB.....	6421
24-1236. Register Call Summary for Register DCAN_IF3DATB	6421
24-1237. DCAN_IF3UPD12	6422
24-1238. Register Call Summary for Register DCAN_IF3UPD12.....	6422
24-1239. DCAN_IF3UPD34	6422
24-1240. Register Call Summary for Register DCAN_IF3UPD34.....	6423
24-1241. DCAN_IF3UPD56	6423
24-1242. Register Call Summary for Register DCAN_IF3UPD56.....	6423
24-1243. DCAN_IF3UPD78	6423
24-1244. Register Call Summary for Register DCAN_IF3UPD78.....	6424
24-1245. DCAN_TIOC	6424
24-1246. Register Call Summary for Register DCAN_TIOC	6425
24-1247. DCAN_RIOC	6425
24-1248. Register Call Summary for Register DCAN_RIOC.....	6426
24-1249. MII I/O Description.....	6430
24-1250. RMII I/O Description.....	6432
24-1251. RGMII I/O Description.....	6433
24-1252. GMAC_SW Integration Attributes	6435
24-1253. GMAC_SW Clocks and Resets.....	6435
24-1254. GMAC_SW Hardware Requests	6435
24-1255. Learned Address Control Bits	6447

24-1256. Free (Unused) Address Table Entry Bit Values	6447
24-1257. Multicast Address Table Entry Bit Values	6448
24-1258. VLAN/Multicast Address Table Entry Bit Values	6448
24-1259. Unicast Address Table Entry Bit Values	6449
24-1260. OUI Unicast Address Table Entry Bit Values	6450
24-1261. Unicast Address Table Entry Bit Values	6450
24-1262. VLAN Table Entry	6451
24-1263. Example of TX Configuration	6461
24-1264. Example of RX Configuration	6461
24-1265. Example of Rate-limit Configurations	6461
24-1266. In-Band Data	6464
24-1267. Embedded Memories	6465
24-1268. Switch Latency	6469
24-1269. Emulation Control Input	6469
24-1270. Rx Statistics Summary	6472
24-1271. Tx Statistics Summary	6473
24-1272. Format for TCP/UDP Packets	6482
24-1273. Format for ICMP Packets	6482
24-1274. Rule Engine Format	6482
24-1275. Instruction Format	6483
24-1276. Packet Data Operand	6484
24-1277. Constant Operand	6485
24-1278. 32-bit Register Operand	6485
24-1279. 1-bit Register Operand	6485
24-1280. Base Register Operand	6485
24-1281. End of Packet Operand	6486
24-1282. Octet Count Operand	6486
24-1283. Immediate Data Operands	6486
24-1284. Immediate Operand Masks	6486
24-1285. Operand Field With Four Operands	6487
24-1286. Operand Field With Three Operands	6487
24-1287. Operand Field With Two Operands	6487
24-1288. Operand Field With One Operand	6488
24-1289. Arithmetic/Logical Instruction Field	6489
24-1290. Arithmetic/Logical Operation Codes	6489
24-1291. Operation Fields	6490
24-1292. Limit Operation	6490
24-1293. Save Operation	6490
24-1294. Jump Operation	6491
24-1295. No Operation	6492
24-1296. Values of Message Type Field	6498
24-1297. TX Buffer Descriptor Format	6499
24-1298. RX Buffer Descriptor Format	6501
24-1299. MDIO Read Frame Format	6504
24-1300. MDIO Write Frame Format	6504
24-1301. GMAC_SW Instance Summary	6511
24-1302. SS Registers Mapping Summary	6511
24-1303. CPSW_ID_VER	6512
24-1304. Register Call Summary for Register CPSW_ID_VER	6512

24-1305. CPSW_CONTROL	6512
24-1306. Register Call Summary for Register CPSW_CONTROL.....	6513
24-1307. CPSW_SOFT_RESET.....	6513
24-1308. Register Call Summary for Register CPSW_SOFT_RESET	6513
24-1309. CPSW_STAT_PORT_EN	6514
24-1310. Register Call Summary for Register CPSW_STAT_PORT_EN.....	6514
24-1311. CPSW_PTYPE	6514
24-1312. Register Call Summary for Register CPSW_PTYPE	6515
24-1313. CPSW_SOFT_IDLE.....	6515
24-1314. Register Call Summary for Register CPSW_SOFT_IDLE	6516
24-1315. CPSW_THRU_RATE	6516
24-1316. Register Call Summary for Register CPSW_THRU_RATE.....	6516
24-1317. CPSW_GAP_THRESH	6516
24-1318. Register Call Summary for Register CPSW_GAP_THRESH.....	6517
24-1319. CPSW_TX_START_WDS.....	6517
24-1320. Register Call Summary for Register CPSW_TX_START_WDS	6517
24-1321. CPSW_FLOW_CONTROL.....	6517
24-1322. Register Call Summary for Register CPSW_FLOW_CONTROL	6517
24-1323. CPSW_VLAN_LTYPE	6518
24-1324. Register Call Summary for Register CPSW_VLAN_LTYPE.....	6518
24-1325. CPSW_TS_LTYPE.....	6518
24-1326. Register Call Summary for Register CPSW_TS_LTYPE	6518
24-1327. CPSW_DLR_LTYPE	6519
24-1328. Register Call Summary for Register CPSW_DLR_LTYPE	6519
24-1329. CPSW_EEE_PRESCALE	6519
24-1330. Register Call Summary for Register CPSW_EEE_PRESCALE.....	6519
24-1331. PORT Registers Mapping Summary.....	6520
24-1332. P0_CONTROL	6521
24-1333. Register Call Summary for Register P0_CONTROL	6522
24-1334. P0_MAX_BLKs	6522
24-1335. Register Call Summary for Register P0_MAX_BLKs	6522
24-1336. P0_BLK_CNT	6523
24-1337. Register Call Summary for Register P0_BLK_CNT	6523
24-1338. P0_TX_IN_CTL.....	6523
24-1339. Register Call Summary for Register P0_TX_IN_CTL	6524
24-1340. P0_PORT_VLAN	6524
24-1341. Register Call Summary for Register P0_PORT_VLAN.....	6524
24-1342. P0_TX_PRI_MAP	6525
24-1343. Register Call Summary for Register P0_TX_PRI_MAP.....	6525
24-1344. P0_CPDMA_TX_PRI_MAP	6526
24-1345. Register Call Summary for Register P0_CPDMA_TX_PRI_MAP.....	6526
24-1346. P0_CPDMA_RX_CH_MAP	6527
24-1347. Register Call Summary for Register P0_CPDMA_RX_CH_MAP.....	6527
24-1348. P0_RX_DSCP_PRI_MAP0.....	6527
24-1349. Register Call Summary for Register P0_RX_DSCP_PRI_MAP0	6528
24-1350. P0_RX_DSCP_PRI_MAP1.....	6528
24-1351. Register Call Summary for Register P0_RX_DSCP_PRI_MAP1	6529
24-1352. P0_RX_DSCP_PRI_MAP2.....	6529
24-1353. Register Call Summary for Register P0_RX_DSCP_PRI_MAP2	6530

24-1354. P0_RX_DSCP_PRI_MAP3.....	6530
24-1355. Register Call Summary for Register P0_RX_DSCP_PRI_MAP3	6530
24-1356. P0_RX_DSCP_PRI_MAP4.....	6531
24-1357. Register Call Summary for Register P0_RX_DSCP_PRI_MAP4	6531
24-1358. P0_RX_DSCP_PRI_MAP5.....	6532
24-1359. Register Call Summary for Register P0_RX_DSCP_PRI_MAP5	6532
24-1360. P0_RX_DSCP_PRI_MAP6.....	6533
24-1361. Register Call Summary for Register P0_RX_DSCP_PRI_MAP6	6533
24-1362. P0_RX_DSCP_PRI_MAP7.....	6534
24-1363. Register Call Summary for Register P0_RX_DSCP_PRI_MAP7	6534
24-1364. P0_IDLE2LPI.....	6535
24-1365. Register Call Summary for Register P0_IDLE2LPI	6535
24-1366. P0_LPI2WAKE.....	6535
24-1367. Register Call Summary for Register P0_LPI2WAKE	6535
24-1368. P1_CONTROL	6536
24-1369. Register Call Summary for Register P1_CONTROL	6537
24-1370. P1_MAX_BLKs	6537
24-1371. Register Call Summary for Register P1_MAX_BLKs	6538
24-1372. P1_BLK_CNT	6538
24-1373. Register Call Summary for Register P1_BLK_CNT	6538
24-1374. P1_TX_IN_CTL.....	6539
24-1375. Register Call Summary for Register P1_TX_IN_CTL	6539
24-1376. P1_PORT_VLAN	6539
24-1377. Register Call Summary for Register P1_PORT_VLAN.....	6540
24-1378. P1_TX_PRI_MAP	6540
24-1379. Register Call Summary for Register P1_TX_PRI_MAP	6540
24-1380. P1_TS_SEQ_MTYPE.....	6541
24-1381. Register Call Summary for Register P1_TS_SEQ_MTYPE	6541
24-1382. P1_SA_LO	6541
24-1383. Register Call Summary for Register P1_SA_LO	6541
24-1384. P1_SA_HI	6542
24-1385. Register Call Summary for Register P1_SA_HI.....	6542
24-1386. P1_SEND_PERCENT	6542
24-1387. Register Call Summary for Register P1_SEND_PERCENT.....	6543
24-1388. P1_RX_DSCP_PRI_MAP0.....	6543
24-1389. Register Call Summary for Register P1_RX_DSCP_PRI_MAP0	6544
24-1390. P1_RX_DSCP_PRI_MAP1.....	6544
24-1391. Register Call Summary for Register P1_RX_DSCP_PRI_MAP1	6544
24-1392. P1_RX_DSCP_PRI_MAP2.....	6545
24-1393. Register Call Summary for Register P1_RX_DSCP_PRI_MAP2	6545
24-1394. P1_RX_DSCP_PRI_MAP3.....	6546
24-1395. Register Call Summary for Register P1_RX_DSCP_PRI_MAP3	6546
24-1396. P1_RX_DSCP_PRI_MAP4.....	6547
24-1397. Register Call Summary for Register P1_RX_DSCP_PRI_MAP4	6547
24-1398. P1_RX_DSCP_PRI_MAP5.....	6548
24-1399. Register Call Summary for Register P1_RX_DSCP_PRI_MAP5	6548
24-1400. P1_RX_DSCP_PRI_MAP6.....	6549
24-1401. Register Call Summary for Register P1_RX_DSCP_PRI_MAP6	6549
24-1402. P1_RX_DSCP_PRI_MAP7.....	6550

24-1403. Register Call Summary for Register P1_RX_DSCP_PRI_MAP7	6550
24-1404. P1_IDLE2LPI.....	6551
24-1405. Register Call Summary for Register P1_IDLE2LPI	6551
24-1406. P1_LPI2WAKE.....	6551
24-1407. Register Call Summary for Register P1_LPI2WAKE	6551
24-1408. P2_CONTROL	6552
24-1409. Register Call Summary for Register P2_CONTROL	6553
24-1410. P2_MAX_BLKs	6553
24-1411. Register Call Summary for Register P2_MAX_BLKs	6554
24-1412. P2_BLK_CNT	6554
24-1413. Register Call Summary for Register P2_BLK_CNT	6554
24-1414. P2_TX_IN_CTL.....	6555
24-1415. Register Call Summary for Register P2_TX_IN_CTL	6555
24-1416. P2_PORT_VLAN	6555
24-1417. Register Call Summary for Register P2_PORT_VLAN.....	6556
24-1418. P2_TX_PRI_MAP	6556
24-1419. Register Call Summary for Register P2_TX_PRI_MAP.....	6556
24-1420. P2_TS_SEQ_MTYPE.....	6557
24-1421. Register Call Summary for Register P2_TS_SEQ_MTYPE	6557
24-1422. P2_SA_LO	6557
24-1423. Register Call Summary for Register P2_SA_LO.....	6557
24-1424. P2_SA_HI	6558
24-1425. Register Call Summary for Register P2_SA_HI.....	6558
24-1426. P2_SEND_PERCENT	6558
24-1427. Register Call Summary for Register P2_SEND_PERCENT.....	6559
24-1428. P2_RX_DSCP_PRI_MAP0.....	6559
24-1429. Register Call Summary for Register P2_RX_DSCP_PRI_MAP0	6560
24-1430. P2_RX_DSCP_PRI_MAP1.....	6560
24-1431. Register Call Summary for Register P2_RX_DSCP_PRI_MAP1	6560
24-1432. P2_RX_DSCP_PRI_MAP2.....	6561
24-1433. Register Call Summary for Register P2_RX_DSCP_PRI_MAP2	6561
24-1434. P2_RX_DSCP_PRI_MAP3.....	6562
24-1435. Register Call Summary for Register P2_RX_DSCP_PRI_MAP3	6562
24-1436. P2_RX_DSCP_PRI_MAP4.....	6563
24-1437. Register Call Summary for Register P2_RX_DSCP_PRI_MAP4	6563
24-1438. P2_RX_DSCP_PRI_MAP5.....	6564
24-1439. Register Call Summary for Register P2_RX_DSCP_PRI_MAP5	6564
24-1440. P2_RX_DSCP_PRI_MAP6.....	6565
24-1441. Register Call Summary for Register P2_RX_DSCP_PRI_MAP6	6565
24-1442. P2_RX_DSCP_PRI_MAP7.....	6566
24-1443. Register Call Summary for Register P2_RX_DSCP_PRI_MAP7	6566
24-1444. P2_IDLE2LPI.....	6567
24-1445. Register Call Summary for Register P2_IDLE2LPI	6567
24-1446. P2_LPI2WAKE.....	6567
24-1447. Register Call Summary for Register P2_LPI2WAKE	6567
24-1448. CPDMA Registers Mapping Summary	6568
24-1449. CPDMA_TX_IDVER	6569
24-1450. Register Call Summary for Register CPDMA_TX_IDVER	6569
24-1451. CPDMA_TX_CONTROL.....	6569

24-1452. Register Call Summary for Register CPDMA_TX_CONTROL	6569
24-1453. CPDMA_TX_TEARDOWN	6570
24-1454. Register Call Summary for Register CPDMA_TX_TEARDOWN	6570
24-1455. CPDMA_RX_IDVER	6570
24-1456. Register Call Summary for Register CPDMA_RX_IDVER.....	6570
24-1457. CPDMA_RX_CONTROL	6571
24-1458. Register Call Summary for Register CPDMA_RX_CONTROL.....	6571
24-1459. CPDMA_RX_TEARDOWN.....	6571
24-1460. Register Call Summary for Register CPDMA_RX_TEARDOWN	6571
24-1461. CPDMA_SOFT_RESET	6572
24-1462. Register Call Summary for Register CPDMA_SOFT_RESET	6572
24-1463. CPDMA_DMACONTROL	6572
24-1464. Register Call Summary for Register CPDMA_DMACONTROL	6573
24-1465. CPDMA_DMASTATUS	6574
24-1466. Register Call Summary for Register CPDMA_DMASTATUS.....	6575
24-1467. CPDMA_RX_BUFFER_OFFSET	6575
24-1468. Register Call Summary for Register CPDMA_RX_BUFFER_OFFSET	6575
24-1469. CPDMA_EMCONTROL	6575
24-1470. Register Call Summary for Register CPDMA_EMCONTROL	6576
24-1471. CPDMA_TX_PRI0_RATE	6576
24-1472. Register Call Summary for Register CPDMA_TX_PRI0_RATE.....	6576
24-1473. CPDMA_TX_PRI1_RATE	6576
24-1474. Register Call Summary for Register CPDMA_TX_PRI1_RATE.....	6576
24-1475. CPDMA_TX_PRI2_RATE	6577
24-1476. Register Call Summary for Register CPDMA_TX_PRI2_RATE.....	6577
24-1477. CPDMA_TX_PRI3_RATE	6577
24-1478. Register Call Summary for Register CPDMA_TX_PRI3_RATE.....	6577
24-1479. CPDMA_TX_PRI4_RATE	6578
24-1480. Register Call Summary for Register CPDMA_TX_PRI4_RATE.....	6578
24-1481. CPDMA_TX_PRI5_RATE	6578
24-1482. Register Call Summary for Register CPDMA_TX_PRI5_RATE.....	6578
24-1483. CPDMA_TX_PRI6_RATE	6579
24-1484. Register Call Summary for Register CPDMA_TX_PRI6_RATE.....	6579
24-1485. CPDMA_TX_PRI7_RATE	6579
24-1486. Register Call Summary for Register CPDMA_TX_PRI7_RATE.....	6579
24-1487. CPDMA_TX_INTSTAT_RAW.....	6580
24-1488. Register Call Summary for Register CPDMA_TX_INTSTAT_RAW	6580
24-1489. CPDMA_TX_INTSTAT_MASKED.....	6580
24-1490. Register Call Summary for Register CPDMA_TX_INTSTAT_MASKED	6581
24-1491. CPDMA_TX_INTMASK_SET	6581
24-1492. Register Call Summary for Register CPDMA_TX_INTMASK_SET	6581
24-1493. CPDMA_TX_INTMASK_CLEAR	6581
24-1494. Register Call Summary for Register CPDMA_TX_INTMASK_CLEAR.....	6582
24-1495. CPDMA_IN_VECTOR	6582
24-1496. Register Call Summary for Register CPDMA_IN_VECTOR.....	6582
24-1497. CPDMA_EOI_VECTOR	6582
24-1498. Register Call Summary for Register CPDMA_EOI_VECTOR.....	6583
24-1499. CPDMA_RX_INTSTAT_RAW	6583
24-1500. Register Call Summary for Register CPDMA_RX_INTSTAT_RAW	6584

24-1501. CPDMA_RX_INTSTAT_MASKED	6584
24-1502. Register Call Summary for Register CPDMA_RX_INTSTAT_MASKED	6584
24-1503. CPDMA_RX_INTMASK_SET	6585
24-1504. Register Call Summary for Register CPDMA_RX_INTMASK_SET	6586
24-1505. CPDMA_RX_INTMASK_CLEAR	6586
24-1506. Register Call Summary for Register CPDMA_RX_INTMASK_CLEAR	6587
24-1507. CPDMA_DMA_INTSTAT_RAW	6587
24-1508. Register Call Summary for Register CPDMA_DMA_INTSTAT_RAW	6587
24-1509. CPDMA_DMA_INTSTAT_MASKED	6587
24-1510. Register Call Summary for Register CPDMA_DMA_INTSTAT_MASKED	6588
24-1511. CPDMA_DMA_INTMASK_SET	6588
24-1512. Register Call Summary for Register CPDMA_DMA_INTMASK_SET	6588
24-1513. CPDMA_DMA_INTMASK_CLEAR	6588
24-1514. Register Call Summary for Register CPDMA_DMA_INTMASK_CLEAR	6589
24-1515. CPDMA_RX0_PENDTHRESH	6589
24-1516. Register Call Summary for Register CPDMA_RX0_PENDTHRESH	6589
24-1517. CPDMA_RX1_PENDTHRESH	6589
24-1518. Register Call Summary for Register CPDMA_RX1_PENDTHRESH	6589
24-1519. CPDMA_RX2_PENDTHRESH	6590
24-1520. Register Call Summary for Register CPDMA_RX2_PENDTHRESH	6590
24-1521. CPDMA_RX3_PENDTHRESH	6590
24-1522. Register Call Summary for Register CPDMA_RX3_PENDTHRESH	6590
24-1523. CPDMA_RX4_PENDTHRESH	6591
24-1524. Register Call Summary for Register CPDMA_RX4_PENDTHRESH	6591
24-1525. CPDMA_RX5_PENDTHRESH	6591
24-1526. Register Call Summary for Register CPDMA_RX5_PENDTHRESH	6591
24-1527. CPDMA_RX6_PENDTHRESH	6592
24-1528. Register Call Summary for Register CPDMA_RX6_PENDTHRESH	6592
24-1529. CPDMA_RX7_PENDTHRESH	6592
24-1530. Register Call Summary for Register CPDMA_RX7_PENDTHRESH	6592
24-1531. CPDMA_RX0_FREEBUFFER	6593
24-1532. Register Call Summary for Register CPDMA_RX0_FREEBUFFER	6593
24-1533. CPDMA_RX1_FREEBUFFER	6593
24-1534. Register Call Summary for Register CPDMA_RX1_FREEBUFFER	6594
24-1535. CPDMA_RX2_FREEBUFFER	6594
24-1536. Register Call Summary for Register CPDMA_RX2_FREEBUFFER	6594
24-1537. CPDMA_RX3_FREEBUFFER	6594
24-1538. Register Call Summary for Register CPDMA_RX3_FREEBUFFER	6595
24-1539. CPDMA_RX4_FREEBUFFER	6595
24-1540. Register Call Summary for Register CPDMA_RX4_FREEBUFFER	6595
24-1541. CPDMA_RX5_FREEBUFFER	6596
24-1542. Register Call Summary for Register CPDMA_RX5_FREEBUFFER	6596
24-1543. CPDMA_RX6_FREEBUFFER	6596
24-1544. Register Call Summary for Register CPDMA_RX6_FREEBUFFER	6597
24-1545. CPDMA_RX7_FREEBUFFER	6597
24-1546. Register Call Summary for Register CPDMA_RX7_FREEBUFFER	6597
24-1547. STATS Registers Mapping Summary	6597
24-1548. GOOD_RX_FRAMES	6598
24-1549. Register Call Summary for Register GOOD_RX_FRAMES	6598

24-1550. BROADCAST_RX_FRAMES	6599
24-1551. Register Call Summary for Register BROADCAST_RX_FRAMES.....	6599
24-1552. MULTICAST_RX_FRAMES.....	6599
24-1553. Register Call Summary for Register MULTICAST_RX_FRAMES	6599
24-1554. PAUSE_RX_FRAMES.....	6600
24-1555. Register Call Summary for Register PAUSE_RX_FRAMES	6600
24-1556. RX_CRC_ERRORS.....	6600
24-1557. Register Call Summary for Register RX_CRC_ERRORS	6600
24-1558. RX_ALIGN_CODE_ERRORS	6601
24-1559. Register Call Summary for Register RX_ALIGN_CODE_ERRORS.....	6601
24-1560. OVERSIZE_RX_FRAMES	6601
24-1561. Register Call Summary for Register OVERSIZE_RX_FRAMES.....	6601
24-1562. RX_JABBERS	6602
24-1563. Register Call Summary for Register RX_JABBERS	6602
24-1564. UNDERSIZE_RX_FRAMES	6602
24-1565. Register Call Summary for Register UNDERSIZE_RX_FRAMES.....	6602
24-1566. RX_FRAGMENTS.....	6603
24-1567. Register Call Summary for Register RX_FRAGMENTS	6603
24-1568. RX_OCTETS.....	6603
24-1569. Register Call Summary for Register RX_OCTETS	6603
24-1570. GOOD_TX_FRAMES	6604
24-1571. Register Call Summary for Register GOOD_TX_FRAMES	6604
24-1572. BROADCAST_TX_FRAMES	6604
24-1573. Register Call Summary for Register BROADCAST_TX_FRAMES.....	6604
24-1574. MULTICAST_TX_FRAMES	6605
24-1575. Register Call Summary for Register MULTICAST_TX_FRAMES	6605
24-1576. PAUSE_TX_FRAMES	6605
24-1577. Register Call Summary for Register PAUSE_TX_FRAMES.....	6605
24-1578. DEFERRED_TX_FRAMES	6606
24-1579. Register Call Summary for Register DEFERRED_TX_FRAMES.....	6606
24-1580. COLLISIONS.....	6606
24-1581. Register Call Summary for Register COLLISIONS	6606
24-1582. SINGLE_COLLISION_TX_FRAMES	6607
24-1583. Register Call Summary for Register SINGLE_COLLISION_TX_FRAMES.....	6607
24-1584. MULTIPLE_COLLISION_TX_FRAMES	6607
24-1585. Register Call Summary for Register MULTIPLE_COLLISION_TX_FRAMES.....	6607
24-1586. EXCESSIVE_COLLISIONS.....	6608
24-1587. Register Call Summary for Register EXCESSIVE_COLLISIONS	6608
24-1588. LATE_COLLISIONS	6608
24-1589. Register Call Summary for Register LATE_COLLISIONS	6608
24-1590. TX_UNDERRUN.....	6609
24-1591. Register Call Summary for Register TX_UNDERRUN	6609
24-1592. CARRIER_SENSE_ERRORS	6609
24-1593. Register Call Summary for Register CARRIER_SENSE_ERRORS.....	6609
24-1594. TX_OCTETS	6610
24-1595. Register Call Summary for Register TX_OCTETS.....	6610
24-1596. RX_TX_64_OCTET_FRAMES	6610
24-1597. Register Call Summary for Register RX_TX_64_OCTET_FRAMES.....	6610
24-1598. RX_TX_65_127_OCTET_FRAMES	6611

24-1599. Register Call Summary for Register RX_TX_65_127_OCTET_FRAMES	6611
24-1600. RX_TX_128_255_OCTET_FRAMES	6611
24-1601. Register Call Summary for Register RX_TX_128_255_OCTET_FRAMES	6611
24-1602. RX_TX_256_511_OCTET_FRAMES	6612
24-1603. Register Call Summary for Register RX_TX_256_511_OCTET_FRAMES	6612
24-1604. RX_TX_512_1023_OCTET_FRAMES	6612
24-1605. Register Call Summary for Register RX_TX_512_1023_OCTET_FRAMES	6612
24-1606. RX_TX_1024_UP_OCTET_FRAMES	6613
24-1607. Register Call Summary for Register RX_TX_1024_UP_OCTET_FRAMES.....	6613
24-1608. NET_OCTETS	6613
24-1609. Register Call Summary for Register NET_OCTETS.....	6613
24-1610. RX_START_OF_FRAME_OVERRUNS	6614
24-1611. Register Call Summary for Register RX_START_OF_FRAME_OVERRUNS	6614
24-1612. RX_MIDDLE_OF_FRAME_OVERRUNS	6614
24-1613. Register Call Summary for Register RX_MIDDLE_OF_FRAME_OVERRUNS	6614
24-1614. RX_DMA_OVERRUNS	6615
24-1615. Register Call Summary for Register RX_DMA_OVERRUNS	6615
24-1616. STATERAM Registers Mapping Summary	6615
24-1617. TX0_HDP	6616
24-1618. Register Call Summary for Register TX0_HDP	6616
24-1619. TX1_HDP	6616
24-1620. Register Call Summary for Register TX1_HDP	6617
24-1621. TX2_HDP	6617
24-1622. Register Call Summary for Register TX2_HDP	6617
24-1623. TX3_HDP	6617
24-1624. Register Call Summary for Register TX3_HDP	6618
24-1625. TX4_HDP	6618
24-1626. Register Call Summary for Register TX4_HDP	6618
24-1627. TX5_HDP	6618
24-1628. Register Call Summary for Register TX5_HDP	6618
24-1629. TX6_HDP	6619
24-1630. Register Call Summary for Register TX6_HDP	6619
24-1631. TX7_HDP	6619
24-1632. Register Call Summary for Register TX7_HDP	6619
24-1633. RX0_HDP	6620
24-1634. Register Call Summary for Register RX0_HDP	6620
24-1635. RX1_HDP	6620
24-1636. Register Call Summary for Register RX1_HDP	6620
24-1637. RX2_HDP	6621
24-1638. Register Call Summary for Register RX2_HDP	6621
24-1639. RX3_HDP	6621
24-1640. Register Call Summary for Register RX3_HDP	6621
24-1641. RX4_HDP	6622
24-1642. Register Call Summary for Register RX4_HDP	6622
24-1643. RX5_HDP	6622
24-1644. Register Call Summary for Register RX5_HDP	6622
24-1645. RX6_HDP	6623
24-1646. Register Call Summary for Register RX6_HDP	6623
24-1647. RX7_HDP	6623

24-1648. Register Call Summary for Register RX7_HDP	6623
24-1649. TX0_CP	6624
24-1650. Register Call Summary for Register TX0_CP	6624
24-1651. TX1_CP	6624
24-1652. Register Call Summary for Register TX1_CP	6624
24-1653. TX2_CP	6624
24-1654. Register Call Summary for Register TX2_CP	6625
24-1655. TX3_CP	6625
24-1656. Register Call Summary for Register TX3_CP	6625
24-1657. TX4_CP	6625
24-1658. Register Call Summary for Register TX4_CP	6625
24-1659. TX5_CP	6626
24-1660. Register Call Summary for Register TX5_CP	6626
24-1661. TX6_CP	6626
24-1662. Register Call Summary for Register TX6_CP	6626
24-1663. TX7_CP	6626
24-1664. Register Call Summary for Register TX7_CP	6627
24-1665. RX0_CP	6627
24-1666. Register Call Summary for Register RX0_CP	6627
24-1667. RX1_CP	6627
24-1668. Register Call Summary for Register RX1_CP	6628
24-1669. RX2_CP	6628
24-1670. Register Call Summary for Register RX2_CP	6628
24-1671. RX3_CP	6628
24-1672. Register Call Summary for Register RX3_CP	6629
24-1673. RX4_CP	6629
24-1674. Register Call Summary for Register RX4_CP	6629
24-1675. RX5_CP	6629
24-1676. Register Call Summary for Register RX5_CP	6630
24-1677. RX6_CP	6630
24-1678. Register Call Summary for Register RX6_CP	6630
24-1679. RX7_CP	6630
24-1680. Register Call Summary for Register RX7_CP	6631
24-1681. CPTS Registers Mapping Summary	6631
24-1682. CPTS_IDVER	6631
24-1683. Register Call Summary for Register CPTS_IDVER	6632
24-1684. CPTS_CONTROL	6632
24-1685. Register Call Summary for Register CPTS_CONTROL	6632
24-1686. CPTS_TS_PUSH	6632
24-1687. Register Call Summary for Register CPTS_TS_PUSH	6633
24-1688. CPTS_TS_LOAD_VAL	6633
24-1689. Register Call Summary for Register CPTS_TS_LOAD_VAL	6633
24-1690. CPTS_TS_LOAD_EN	6633
24-1691. Register Call Summary for Register CPTS_TS_LOAD_EN	6634
24-1692. CPTS_INTSTAT_RAW	6634
24-1693. Register Call Summary for Register CPTS_INTSTAT_RAW	6634
24-1694. CPTS_INTSTAT_MASKED	6634
24-1695. Register Call Summary for Register CPTS_INTSTAT_MASKED	6635
24-1696. CPTS_INT_ENABLE	6635

24-1697. Register Call Summary for Register CPTS_INT_ENABLE	6635
24-1698. CPTS_EVENT_POP	6635
24-1699. Register Call Summary for Register CPTS_EVENT_POP.....	6636
24-1700. CPTS_EVENT_LOW.....	6636
24-1701. Register Call Summary for Register CPTS_EVENT_LOW	6636
24-1702. CPTS_EVENT_HIGH	6636
24-1703. Register Call Summary for Register CPTS_EVENT_HIGH	6637
24-1704. ALE Registers Mapping Summary	6637
24-1705. ALE_IDVER	6638
24-1706. Register Call Summary for Register ALE_IDVER.....	6638
24-1707. ALE_CONTROL	6638
24-1708. Register Call Summary for Register ALE_CONTROL.....	6639
24-1709. ALE_PRESCALE	6639
24-1710. Register Call Summary for Register ALE_PRESCALE	6640
24-1711. ALE_UNKNOWN_VLAN.....	6640
24-1712. Register Call Summary for Register ALE_UNKNOWN_VLAN	6640
24-1713. ALE_TBLCTL	6641
24-1714. Register Call Summary for Register ALE_TBLCTL.....	6641
24-1715. ALE_TBLW2	6641
24-1716. Register Call Summary for Register ALE_TBLW2.....	6641
24-1717. ALE_TBLW1	6642
24-1718. Register Call Summary for Register ALE_TBLW1	6642
24-1719. ALE_TBLW0	6642
24-1720. Register Call Summary for Register ALE_TBLW0.....	6642
24-1721. ALE_PORTCTL0	6642
24-1722. Register Call Summary for Register ALE_PORTCTL0.....	6643
24-1723. ALE_PORTCTL1	6643
24-1724. Register Call Summary for Register ALE_PORTCTL1.....	6644
24-1725. ALE_PORTCTL2	6644
24-1726. Register Call Summary for Register ALE_PORTCTL2.....	6645
24-1727. ALE_PORTCTL3	6645
24-1728. Register Call Summary for Register ALE_PORTCTL3.....	6646
24-1729. ALE_PORTCTL4	6646
24-1730. Register Call Summary for Register ALE_PORTCTL4.....	6647
24-1731. ALE_PORTCTL5	6647
24-1732. Register Call Summary for Register ALE_PORTCTL5.....	6648
24-1733. SL Registers Mapping Summary	6648
24-1734. SL_IDVER.....	6649
24-1735. Register Call Summary for Register SL_IDVER	6649
24-1736. SL_MACCONTROL	6649
24-1737. Register Call Summary for Register SL_MACCONTROL	6651
24-1738. SL_MACSTATUS	6652
24-1739. Register Call Summary for Register SL_MACSTATUS	6652
24-1740. SL_SOFT_RESET	6652
24-1741. Register Call Summary for Register SL_SOFT_RESET	6653
24-1742. SL_RX_MAXLEN.....	6653
24-1743. Register Call Summary for Register SL_RX_MAXLEN	6653
24-1744. SL_BOFFTEST	6653
24-1745. Register Call Summary for Register SL_BOFFTEST.....	6654

24-1746. SL_RX_PAUSE	6654
24-1747. Register Call Summary for Register SL_RX_PAUSE	6655
24-1748. SL_TX_PAUSE	6655
24-1749. Register Call Summary for Register SL_TX_PAUSE.....	6655
24-1750. SL_EMCONTROL	6655
24-1751. Register Call Summary for Register SL_EMCONTROL	6656
24-1752. SL_RX_PRI_MAP	6656
24-1753. Register Call Summary for Register SL_RX_PRI_MAP.....	6656
24-1754. SL_TX_GAP	6657
24-1755. Register Call Summary for Register SL_TX_GAP	6657
24-1756. MDIO Registers Mapping Summary	6657
24-1757. MDIO_VER	6658
24-1758. Register Call Summary for Register MDIO_VER	6658
24-1759. MDIO_CONTROL	6658
24-1760. Register Call Summary for Register MDIO_CONTROL.....	6659
24-1761. MDIO_ALIVE.....	6659
24-1762. Register Call Summary for Register MDIO_ALIVE	6660
24-1763. MDIO_LINK	6660
24-1764. Register Call Summary for Register MDIO_LINK.....	6660
24-1765. MDIO_LINKINTRAW.....	6660
24-1766. Register Call Summary for Register MDIO_LINKINTRAW	6661
24-1767. MDIO_LINKINTMASKED.....	6661
24-1768. Register Call Summary for Register MDIO_LINKINTMASKED	6661
24-1769. MDIO_USERINTRAW	6661
24-1770. Register Call Summary for Register MDIO_USERINTRAW.....	6662
24-1771. MDIO_USERINTMASKED	6662
24-1772. Register Call Summary for Register MDIO_USERINTMASKED.....	6662
24-1773. MDIO_USERINTMASKSET.....	6663
24-1774. Register Call Summary for Register MDIO_USERINTMASKSET	6663
24-1775. MDIO_USERINTMASKCLR	6663
24-1776. Register Call Summary for Register MDIO_USERINTMASKCLR	6664
24-1777. MDIO_USERACCESS0	6664
24-1778. Register Call Summary for Register MDIO_USERACCESS0.....	6665
24-1779. MDIO_USERPHYSEL0.....	6665
24-1780. Register Call Summary for Register MDIO_USERPHYSEL0	6665
24-1781. MDIO_USERACCESS1	6666
24-1782. Register Call Summary for Register MDIO_USERACCESS1	6666
24-1783. MDIO_USERPHYSEL1.....	6666
24-1784. Register Call Summary for Register MDIO_USERPHYSEL1	6667
24-1785. WR Registers Mapping Summary.....	6667
24-1786. WR_IDVER.....	6668
24-1787. Register Call Summary for Register WR_IDVER	6668
24-1788. WR_SOFT_RESET	6668
24-1789. Register Call Summary for Register WR_SOFT_RESET.....	6668
24-1790. WR_CONTROL.....	6669
24-1791. Register Call Summary for Register WR_CONTROL	6669
24-1792. WR_INT_CONTROL.....	6670
24-1793. Register Call Summary for Register WR_INT_CONTROL	6670
24-1794. WR_C0_RX_THRESH_EN	6670

24-1795. Register Call Summary for Register WR_C0_RX_THRESH_EN	6670
24-1796. WR_C0_RX_EN	6671
24-1797. Register Call Summary for Register WR_C0_RX_EN	6671
24-1798. WR_C0_TX_EN	6671
24-1799. Register Call Summary for Register WR_C0_TX_EN	6671
24-1800. WR_C0_MISC_EN	6672
24-1801. Register Call Summary for Register WR_C0_MISC_EN	6672
24-1802. WR_C0_RX_THRESH_STAT	6672
24-1803. Register Call Summary for Register WR_C0_RX_THRESH_STAT	6672
24-1804. WR_C0_RX_STAT	6673
24-1805. Register Call Summary for Register WR_C0_RX_STAT	6673
24-1806. WR_C0_TX_STAT	6673
24-1807. Register Call Summary for Register WR_C0_TX_STAT	6673
24-1808. WR_C0_MISC_STAT	6674
24-1809. Register Call Summary for Register WR_C0_MISC_STAT	6674
24-1810. WR_C0_RX_IMAX	6674
24-1811. Register Call Summary for Register WR_C0_RX_IMAX	6674
24-1812. WR_C0_TX_IMAX	6675
24-1813. Register Call Summary for Register WR_C0_TX_IMAX	6675
24-1814. WR_RGMII_CTL	6675
24-1815. Register Call Summary for Register WR_RGMII_CTL	6676
24-1816. WR_STATUS	6676
24-1817. Register Call Summary for Register WR_STATUS	6676
24-1818. SPF Registers Mapping Summary	6677
24-1819. SPF_IDVER	6678
24-1820. Register Call Summary for Register SPF_IDVER	6678
24-1821. SPF_STATUS	6678
24-1822. Register Call Summary for Register SPF_STATUS	6678
24-1823. SPF_CONTROL	6679
24-1824. Register Call Summary for Register SPF_CONTROL	6679
24-1825. SPF_DROP_COUNT	6680
24-1826. Register Call Summary for Register SPF_DROP_COUNT	6680
24-1827. SPF_SWRESET	6680
24-1828. Register Call Summary for Register SPF_SWRESET	6680
24-1829. SPF_PRESCALE	6681
24-1830. Register Call Summary for Register SPF_PRESCALE	6681
24-1831. SPF_RATELIMi	6681
24-1832. Register Call Summary for Register SPF_RATELIMi	6681
24-1833. SPF_CONSTj	6682
24-1834. Register Call Summary for Register SPF_CONSTj	6682
24-1835. SPF_INSTRW2	6682
24-1836. Register Call Summary for Register SPF_INSTRW2	6682
24-1837. SPF_INSTRW1	6683
24-1838. Register Call Summary for Register SPF_INSTRW1	6683
24-1839. SPF_INSTRW0	6683
24-1840. Register Call Summary for Register SPF_INSTRW0	6683
24-1841. SPF_INSTR_CTL	6683
24-1842. Register Call Summary for Register SPF_INSTR_CTL	6684
24-1843. SPF_LOG_BEGIN	6684

24-1844. Register Call Summary for Register SPF_LOG_BEGIN	6684
24-1845. SPF_LOG_END	6685
24-1846. Register Call Summary for Register SPF_LOG_END	6685
24-1847. SPF_LOG_HWPTR	6685
24-1848. Register Call Summary for Register SPF_LOG_HWPTR.....	6685
24-1849. SPF_LOG_SWPTR	6686
24-1850. Register Call Summary for Register SPF_LOG_SWPTR.....	6686
24-1851. SPF_LOG_MAP0.....	6686
24-1852. Register Call Summary for Register SPF_LOG_MAP0	6686
24-1853. SPF_LOG_MAP1.....	6687
24-1854. Register Call Summary for Register SPF_LOG_MAP1	6687
24-1855. SPF_LOG_THRESHk.....	6687
24-1856. Register Call Summary for Register SPF_LOG_THRESHk	6687
24-1857. SPF_INTCNT	6688
24-1858. Register Call Summary for Register SPF_INTCNT.....	6688
24-1859. SPF_INT_RAW	6688
24-1860. Register Call Summary for Register SPF_INT_RAW.....	6688
24-1861. SPF_INT_MASKED	6689
24-1862. Register Call Summary for Register SPF_INT_MASKED	6689
24-1863. SPF_MASK_SET	6689
24-1864. Register Call Summary for Register SPF_MASK_SET	6689
24-1865. SPF_MASK_CLR.....	6690
24-1866. Register Call Summary for Register SPF_MASK_CLR	6690
25-1. Standard 4.5 Supported Features.....	6696
25-2. MMCi Supported Transfer Rates and Functionalities	6696
25-3. Description of eMMC/SD/SDIOi host controller I/O's (where i = 1 to 4)	6698
25-4. Relationship Between Configuration and Name of Response Type.....	6702
25-5. MMC Integration Attributes.....	6706
25-6. MMC Clocks and Resets	6707
25-7. MMC Hardware Requests.....	6708
25-8. Smart-Idle Mode and Wake-Up Capabilities.....	6713
25-9. Local Power-Management Features.....	6714
25-10. Clock Activity Settings	6715
25-11. Events.....	6716
25-12. Descriptor Line Overview.....	6720
25-13. Available Actions of a Descriptor Line.....	6721
25-14. Additional Parameters of a Descriptor Line.....	6721
25-15. ADMA2 States Description.....	6723
25-16. ADMA FSM Symbol Definition.....	6723
25-17. Memory Size, BLEN, and Buffer Relationship.....	6728
25-18. MMC, SD, SDIO Responses in the MMCHS_RSPxx Registers	6729
25-19. CC and TC Values Upon Error Detected	6730
25-20. eMMC/SD/SDIOi Controller Transfer Stop Command Summary	6735
25-21. eMMC/SD/SDIO Hardware Status Features.....	6739
25-22. eMMC/SD/SDIO Preset Value Registers	6740
25-23. Global Initialization of Surrounding Modules	6741
25-24. eMMC/SD/SDIO Controller Meta Initialization Steps	6741
25-25. Register Call Summary for Main Sequence – Software Reset Flow	6742
25-26. eMMC/SD/SDIO Controller Wake-Up Configuration.....	6742

25-27. Register Call Summary for Main Sequence – Bus Configuration	6744
25-28. Register Call Summary for Main Sequence – Card Identification and Selection	6746
25-29. Subprocess Call Summary for Main Sequence – Card Identification and Selection	6747
25-30. CMD Line Reset	6747
25-31. Register Call Summary for Main Sequence – Read/Write Transfer Flow in DMA Mode With interrupt	6748
25-32. Subprocess Call Summary for Main Sequence – eMMC/SD/SDIO Controller Read/Write Transfer Flow in DMA Mode With Interrupt	6748
25-33. DATA Lines Reset	6749
25-34. Register Call Summary for Main Sequence – Read/Write Transfer Flow in DMA Mode With Polling	6749
25-35. Subprocess Call Summary for Main Sequence – Read/Write Transfer Flow in DMA Mode With Polling ...	6750
25-36. Register Call Summary for Main Sequence – Read/Write Transfer Flow Without DMA With Polling.....	6752
25-37. Subprocess Call Summary for Main Sequence – Read/Write Transfer Flow Without DMA With Polling ...	6752
25-38. Register Call Summary for Main Sequence – Read/Write in CE-ATA Mode.....	6753
25-39. Subprocess Call Summary for Main Sequence – Read/Write in CE-ATA Mode	6753
25-40. Register Call Summary for Main Sequence – Suspend Flow	6754
25-41. Subprocess Call Summary for Main Sequence – Suspend Flow	6755
25-42. Register Call Summary for Main Sequence - Resume Flow	6755
25-43. Subprocess Call Summary for Main Sequence - Resume Flow	6755
25-44. Register Call Summary for Main Sequence – Command Transfer Flow With Polling	6756
25-45. Subprocess Call Summary for Main Sequence – Command Transfer Flow With Polling	6757
25-46. Register Call Summary for Main Sequence – Command Transfer Flow With Interrupts	6759
25-47. Subprocess Call Summary for Main Sequence – Command Transfer Flow With Interrupts	6759
25-48. Register Call Summary for Main Sequence – Clock Frequency Change Flow	6759
25-49. Register Call Summary for Main Sequence – Bus Width Configuration Flow.....	6760
25-50. Subprocess Call Summary for Main Sequence – Bus Width Configuration Flow	6760
25-51. Register Call Summary for Main Sequence – Power Switching Procedure	6762
25-52. Subprocess Call Summary for Main Sequence – Power Switching Procedure	6762
25-53. Register Call Summary for Main Sequence – Boot Using CMD0.....	6763
25-54. Subprocess Call Summary for Main Sequence – Boot Using CMD0	6764
25-55. Register Call Summary for Main Sequence – Boot Using CMD0.....	6765
25-56. Subprocess Call Summary for Main Sequence – Boot Using CMD0	6765
25-57. eMMC/SD/SDIO Instance Summary.....	6767
25-58. MMC Registers Mapping Summary.....	6767
25-59. MMC Registers Mapping Summary.....	6768
25-60. MMCHS_HL_REV.....	6769
25-61. Register Call Summary for Register MMCHS_HL_REV	6769
25-62. MMCHS_HL_HWINFO	6769
25-63. Register Call Summary for Register MMCHS_HL_HWINFO.....	6770
25-64. MMCHS_HL_SYSCONFIG	6770
25-65. Register Call Summary for Register MMCHS_HL_SYSCONFIG.....	6771
25-66. MMCHS_SYSCONFIG	6772
25-67. Register Call Summary for Register MMCHS_SYSCONFIG.....	6773
25-68. MMCHS_SYSSTATUS	6774
25-69. Register Call Summary for Register MMCHS_SYSSTATUS.....	6774
25-70. MMCHS_CSRE.....	6775
25-71. Register Call Summary for Register MMCHS_CSRE	6775
25-72. MMCHS_SYSTEST	6775
25-73. Register Call Summary for Register MMCHS_SYSTEST	6779
25-74. MMCHS_CON	6779

25-75. Register Call Summary for Register MMCHS_CON.....	6783
25-76. MMCHS_PWCNT	6784
25-77. Register Call Summary for Register MMCHS_PWCNT	6784
25-78. MMCHS_DLL	6784
25-79. Register Call Summary for Register MMCHS_DLL.....	6786
25-80. MMCHS_SDMASA.....	6786
25-81. Register Call Summary for Register MMCHS_SDMASA	6787
25-82. MMCHS_BLK	6787
25-83. Register Call Summary for Register MMCHS_BLK.....	6788
25-84. MMCHS_ARG	6788
25-85. Register Call Summary for Register MMCHS_ARG	6789
25-86. MMCHS_CMD	6789
25-87. Register Call Summary for Register MMCHS_CMD	6793
25-88. MMCHS_RSP10.....	6793
25-89. Register Call Summary for Register MMCHS_RSP10	6794
25-90. MMCHS_RSP32.....	6794
25-91. Register Call Summary for Register MMCHS_RSP32	6794
25-92. MMCHS_RSP54.....	6794
25-93. Register Call Summary for Register MMCHS_RSP54	6795
25-94. MMCHS_RSP76.....	6795
25-95. Register Call Summary for Register MMCHS_RSP76	6795
25-96. MMCHS_DATA	6796
25-97. Register Call Summary for Register MMCHS_DATA	6796
25-98. MMCHS_PSTATE.....	6797
25-99. Register Call Summary for Register MMCHS_PSTATE	6800
25-100. MMCHS_HCTL.....	6800
25-101. Register Call Summary for Register MMCHS_HCTL	6803
25-102. MMCHS_SYSCTL	6804
25-103. Register Call Summary for Register MMCHS_SYSCTL.....	6806
25-104. MMCHS_STAT	6806
25-105. Register Call Summary for Register MMCHS_STAT	6812
25-106. MMCHS_IE	6813
25-107. Register Call Summary for Register MMCHS_IE.....	6815
25-108. MMCHS_ISE	6815
25-109. Register Call Summary for Register MMCHS_ISE	6817
25-110. MMCHS_AC12	6817
25-111. Register Call Summary for Register MMCHS_AC12	6820
25-112. MMCHS_CAPA	6821
25-113. Register Call Summary for Register MMCHS_CAPA	6823
25-114. MMCHS_CAPA2.....	6824
25-115. Register Call Summary for Register MMCHS_CAPA2	6827
25-116. Supported Data Rate Modes	6827
25-117. MMCHS_CUR_CAPA	6827
25-118. Register Call Summary for Register MMCHS_CUR_CAPA.....	6828
25-119. MMCHS_FE	6828
25-120. Register Call Summary for Register MMCHS_FE	6830
25-121. MMCHS_ADMAES	6830
25-122. Register Call Summary for Register MMCHS_ADMAES	6831
25-123. MMCHS_ADMASAL	6831

25-124. Register Call Summary for Register MMCHS_ADMASAL	6831
25-125. MMCHS_PVINITSD	6832
25-126. Register Call Summary for Register MMCHS_PVINITSD	6833
25-127. MMCHS_PVHSSDR12.....	6833
25-128. Register Call Summary for Register MMCHS_PVHSSDR12	6834
25-129. MMCHS_PVSDR25SDR50.....	6834
25-130. Register Call Summary for Register MMCHS_PVSDR25SDR50	6835
25-131. MMCHS_PVSDR104DDR50	6835
25-132. Register Call Summary for Register MMCHS_PVSDR104DDR50.....	6836
25-133. MMCHS_REV	6836
25-134. Register Call Summary for Register MMCHS_REV.....	6837
26-1. SATA PHY I/O Signals	6841
26-2. SATA PHY Integration Attributes.....	6844
26-3. SATA PHY Clocks	6844
26-4. SATA PHY Resets	6845
26-5. Register Call Summary for SATA PLL Programming Sequence.....	6855
26-6. Recommended Programming Values	6855
26-7. SATA PHY Subsystem Low-Level Programming Sequence	6857
26-8. DPLL CLKDCOLDO Recommended Settings.....	6857
26-9. SATA PHY Tuning Table.....	6858
26-10. USB3_PHY I/O Signals.....	6861
26-11. Integration Attributes	6863
26-12. Clocks	6863
26-13. Resets	6864
26-14. Register Call Summary for USB3_PHY PLL Programming Sequence	6876
26-15. Recommended Programming Values	6876
26-16. USB3_PHY Subsystem Low-Level Programming Sequence	6877
26-17. USB3_PHY Tuning Table	6878
26-18. USB3 PHY and SATA PHY Instance Summary	6879
26-19. USB3_PHY_RX Registers Mapping Summary.....	6879
26-20. USB3PHYRX_ANA_PROGRAMMABILITY_REG1	6880
26-21. Register Call Summary for Register USB3PHYRX_ANA_PROGRAMMABILITY_REG1	6880
26-22. USB3PHYRX_TRIM_REG4	6881
26-23. Register Call Summary for Register USB3PHYRX_TRIM_REG4	6881
26-24. USB3PHYRX_DLL_REG1	6881
26-25. Register Call Summary for Register USB3PHYRX_DLL_REG1.....	6882
26-26. USB3PHYRX_DIGITAL_MODES_REG1	6882
26-27. Register Call Summary for Register USB3PHYRX_DIGITAL_MODES_REG1.....	6883
26-28. USB3PHYRX_EQUALIZER_REG1	6884
26-29. Register Call Summary for Register USB3PHYRX_EQUALIZER_REG1	6884
26-30. USB3_PHY_TX Registers Mapping Summary	6886
26-31. USB3PHYTX_FUNC_CONFIG_REG	6886
26-32. Register Call Summary for Register USB3PHYTX_FUNC_CONFIG_REG	6886
26-33. USB3PHYTX_TEST_CONFIG_REG	6887
26-34. Register Call Summary for Register USB3PHYTX_TEST_CONFIG_REG.....	6887
26-35. USB3PHYTX_PATTGEN_PRELOAD	6887
26-36. Register Call Summary for Register USB3PHYTX_PATTGEN_PRELOAD.....	6888
26-37. DPLLCTRL Registers Mapping Summary	6889
26-38. PLL_STATUS.....	6889

26-39. Register Call Summary for Register PLL_STATUS	6890
26-40. PLL_GO	6891
26-41. Register Call Summary for Register PLL_GO	6891
26-42. PLL_CONFIGURATION1	6891
26-43. Register Call Summary for Register PLL_CONFIGURATION1	6892
26-44. PLL_CONFIGURATION2	6892
26-45. Register Call Summary for Register PLL_CONFIGURATION2	6892
26-46. PLL_CONFIGURATION3	6893
26-47. Register Call Summary for Register PLL_CONFIGURATION3	6893
26-48. PLL_SSC_CONFIGURATION1	6893
26-49. Register Call Summary for Register PLL_SSC_CONFIGURATION1	6894
26-50. PLL_SSC_CONFIGURATION2	6894
26-51. Register Call Summary for Register PLL_SSC_CONFIGURATION2	6894
26-52. PLL_CONFIGURATION4	6895
26-53. Register Call Summary for Register PLL_CONFIGURATION4	6895
26-54. PCIe PHY I/O Signals	6899
26-55. Integration Attributes	6902
26-56. Clocks	6903
26-57. Resets	6903
26-58. DPLL_PCIE_REF Recommended Configuration	6914
26-59. Register Call Summary for DPLL_PCIE_REF Programming Sequence	6915
26-60. Recommended Programming Values	6915
26-61. PCIePHY Subsystem Low-Level Programming Sequence	6919
26-62. Preferred PCIe_PHY_RX SCP Register Settings	6921
26-63. Preferred USB3_PHY_RX SCP Register Settings	6921
26-64. PCIe PHY Subsystem Instance Summary	6923
26-65. PCIe1_PHY_RX Registers Mapping Summary	6923
26-66. PCIEPHYRX_ANA_PROGRAMMABILITY_REG1	6924
26-67. Register Call Summary for Register PCIEPHYRX_ANA_PROGRAMMABILITY_REG1	6924
26-68. PCIEPHYRX_TRIM_REG4	6925
26-69. Register Call Summary for Register PCIEPHYRX_TRIM_REG4	6925
26-70. PCIEPHYRX_DLL_REG1	6925
26-71. Register Call Summary for Register PCIEPHYRX_DLL_REG1	6926
26-72. PCIEPHYRX_DIGITAL_MODES_REG1	6926
26-73. Register Call Summary for Register PCIEPHYRX_DIGITAL_MODES_REG1	6927
26-74. PCIEPHYRX_EQUALIZER_REG1	6927
26-75. Register Call Summary for Register PCIEPHYRX_EQUALIZER_REG1	6928
26-76. PCIe1_PHY_TX Registers Mapping Summary	6929
26-77. PCIEPHYTX_FUNC_CONFIG_REG	6929
26-78. Register Call Summary for Register PCIEPHYTX_FUNC_CONFIG_REG	6929
26-79. PCIEPHYTX_DRIVER_DATA_CONFIG1	6930
26-80. Register Call Summary for Register PCIEPHYTX_DRIVER_DATA_CONFIG1	6930
26-81. PCIEPHYTX_TEST_CONFIG_REG	6930
26-82. Register Call Summary for Register PCIEPHYTX_TEST_CONFIG_REG	6931
26-83. PCIEPHYTX_PATTGEN_PRELOAD	6931
26-84. Register Call Summary for Register PCIEPHYTX_PATTGEN_PRELOAD	6931
26-85. OCP2SCP Registers Mapping Summary	6932
26-86. OCP2SCP_REVISION	6932
26-87. Register Call Summary for Register OCP2SCP_REVISION	6932

26-88. OCP2SCP_SYSCONFIG	6932
26-89. Register Call Summary for Register OCP2SCP_SYSCONFIG	6933
26-90. OCP2SCP_SYSSTATUS	6933
26-91. Register Call Summary for Register OCP2SCP_SYSSTATUS	6934
26-92. OCP2SCP_TIMING	6934
26-93. Register Call Summary for Register OCP2SCP_TIMING	6934
27-1. I/O Description	6940
27-2. GPIO Integration Attributes	6943
27-3. GPIO Clocks and Resets.....	6944
27-4. GPIO Hardware Requests	6945
27-5. Functional Clock Configuration	6953
27-6. Local Power-Management Features.....	6956
27-7. Clock Activity Settings	6956
27-8. Events.....	6957
27-9. Wake-Up Signals	6959
27-10. GPIO Channels Description.....	6959
27-11. Global Initialization of Surrounding Modules	6963
27-12. General-Purpose Interface Global Initialization	6963
27-13. General-Purpose Interface Read Input Register	6964
27-14. General-Purpose Interface Set Bit Function	6964
27-15. General-Purpose Interface Clear Bit Function.....	6964
27-16. Instance Summary	6965
27-17. General-Purpose Interface GPIO2, GPIO7 and GPIO8 Registers Summary	6965
27-18. General-Purpose Interface GPIO3 to GPIO5 Registers Summary	6966
27-19. General-Purpose Interface GPIO6 and GPIO1 Registers Summary	6967
27-20. GPIO_REVISION.....	6969
27-21. Register Call Summary for Register GPIO_REVISION	6969
27-22. GPIO_SYSCONFIG.....	6969
27-23. Register Call Summary for Register GPIO_SYSCONFIG	6970
27-24. GPIO_EOI	6970
27-25. Register Call Summary for Register GPIO_EOI	6971
27-26. GPIO_IRQSTATUS_RAW_0	6971
27-27. Register Call Summary for Register GPIO_IRQSTATUS_RAW_0.....	6971
27-28. GPIO_IRQSTATUS_RAW_1	6972
27-29. Register Call Summary for Register GPIO_IRQSTATUS_RAW_1	6972
27-30. GPIO_IRQSTATUS_0	6972
27-31. Register Call Summary for Register GPIO_IRQSTATUS_0.....	6972
27-32. GPIO_IRQSTATUS_1	6973
27-33. Register Call Summary for Register GPIO_IRQSTATUS_1.....	6973
27-34. GPIO_IRQSTATUS_SET_0	6974
27-35. Register Call Summary for Register GPIO_IRQSTATUS_SET_0.....	6974
27-36. GPIO_IRQSTATUS_SET_1	6974
27-37. Register Call Summary for Register GPIO_IRQSTATUS_SET_1	6975
27-38. GPIO_IRQSTATUS_CLR_0	6975
27-39. Register Call Summary for Register GPIO_IRQSTATUS_CLR_0.....	6975
27-40. GPIO_IRQSTATUS_CLR_1	6976
27-41. Register Call Summary for Register GPIO_IRQSTATUS_CLR_1.....	6976
27-42. GPIO_IRQWAKEN_0.....	6976
27-43. Register Call Summary for Register GPIO_IRQWAKEN_0	6977

27-44. GPIO_IRQWAKEN_1	6977
27-45. Register Call Summary for Register GPIO_IRQWAKEN_1	6977
27-46. GPIO_SYSSTATUS	6978
27-47. Register Call Summary for Register GPIO_SYSSTATUS	6978
27-48. GPIO_CTRL	6978
27-49. Register Call Summary for Register GPIO_CTRL	6979
27-50. GPIO_OE.....	6979
27-51. Register Call Summary for Register GPIO_OE	6979
27-52. GPIO_DATAIN.....	6980
27-53. Register Call Summary for Register GPIO_DATAIN	6980
27-54. GPIO_DATAOUT.....	6980
27-55. Register Call Summary for Register GPIO_DATAOUT	6981
27-56. GPIO_LEVELDETECT0.....	6981
27-57. Register Call Summary for Register GPIO_LEVELDETECT0	6981
27-58. GPIO_LEVELDETECT1	6981
27-59. Register Call Summary for Register GPIO_LEVELDETECT1	6982
27-60. GPIO_RISINGDETECT	6982
27-61. Register Call Summary for Register GPIO_RISINGDETECT	6982
27-62. GPIO_FALLINGDETECT	6983
27-63. Register Call Summary for Register GPIO_FALLINGDETECT	6983
27-64. GPIO_DEBOUNCENABLE	6983
27-65. Register Call Summary for Register GPIO_DEBOUNCENABLE	6983
27-66. GPIO_DEBOUNCINGTIME.....	6984
27-67. Register Call Summary for Register GPIO_DEBOUNCINGTIME	6984
27-68. GPIO_CLEARDATAOUT.....	6985
27-69. Register Call Summary for Register GPIO_CLEARDATAOUT	6985
27-70. GPIO_SETDATAOUT	6985
27-71. Register Call Summary for Register GPIO_SETDATAOUT	6986
28-1. I/O External Keyboard Signals	6991
28-2. Keyboard Controller Integration Attributes	6993
28-3. Keyboard Controller Clocks and Resets	6993
28-4. Keyboard Controller Hardware Requests	6994
28-5. Local Power-Management Features.....	6996
28-6. Events.....	6996
28-7. Keyboard Controller Functional Modes.....	6997
28-8. Keyboard Controller Timer Values	6997
28-9. Timer Prescale Values.....	6998
28-10. State-Machine Values	6999
28-11. Global Initialization of Surrounding Modules	7004
28-12. Keyboard Controller Global Initialization	7004
28-13. Keyboard Controller Hardware Mode.....	7005
28-14. Keyboard Controller Software Mode.....	7006
28-15. Keyboard Controller Event Servicing	7006
28-16. Keyboard Controller Instance Summary	7008
28-17. Keyboard Controller Register Mapping Summary	7008
28-18. KBD_REVISION.....	7009
28-19. Register Call Summary for Register KBD_REVISION	7009
28-20. KBD_SYSCONFIG	7009
28-21. Register Call Summary for Register KBD_SYSCONFIG	7010

28-22. KBD_EOI	7010
28-23. Register Call Summary for Register KBD_EOI.....	7010
28-24. KBD_IRQSTATUS_RAW	7010
28-25. Register Call Summary for Register KBD_IRQSTATUS_RAW	7011
28-26. KBD_IRQSTATUS	7011
28-27. Register Call Summary for Register KBD_IRQSTATUS	7012
28-28. KBD_IRQENABLE_SET.....	7012
28-29. Register Call Summary for Register KBD_IRQENABLE_SET	7013
28-30. KBD_IRQENABLE_CLR	7013
28-31. Register Call Summary for Register KBD_IRQENABLE_CLR	7013
28-32. KBD_IRQWAKEEN	7014
28-33. Register Call Summary for Register KBD_IRQWAKEEN.....	7014
28-34. KBD_PENDING	7015
28-35. Register Call Summary for Register KBD_PENDING	7015
28-36. KBD_CTRL.....	7016
28-37. Register Call Summary for Register KBD_CTRL	7016
28-38. KBD_DEBOUNCINGTIME	7017
28-39. Register Call Summary for Register KBD_DEBOUNCINGTIME.....	7017
28-40. KBD_KEYLONGTIME	7017
28-41. Register Call Summary for Register KBD_KEYLONGTIME.....	7017
28-42. KBD_TIMEOUT.....	7018
28-43. Register Call Summary for Register KBD_TIMEOUT	7018
28-44. KBD_STATEMACHINE.....	7018
28-45. Register Call Summary for Register KBD_STATEMACHINE	7018
28-46. KBD_ROWINPUTS	7019
28-47. Register Call Summary for Register KBD_ROWINPUTS.....	7019
28-48. KBD_COLUMNOUTPUTS	7019
28-49. Register Call Summary for Register KBD_COLUMNOUTPUTS.....	7019
28-50. KBD_FULLCODE31_0	7020
28-51. Register Call Summary for Register KBD_FULLCODE31_0.....	7020
28-52. KBD_FULLCODE63_32.....	7020
28-53. Register Call Summary for Register KBD_FULLCODE63_32	7020
28-54. KBD_FULLCODE17_0	7021
28-55. Register Call Summary for Register KBD_FULLCODE17_0.....	7021
28-56. KBD_FULLCODE35_18.....	7021
28-57. Register Call Summary for Register KBD_FULLCODE35_18	7021
28-58. KBD_FULLCODE53_36.....	7022
28-59. Register Call Summary for Register KBD_FULLCODE53_36	7022
28-60. KBD_FULLCODE71_54.....	7022
28-61. Register Call Summary for Register KBD_FULLCODE71_54	7022
28-62. KBD_FULLCODE80_72.....	7023
28-63. Register Call Summary for Register KBD_FULLCODE80_72	7023
29-1. PWMSS Unsupported Features	7026
29-2. PWM Subsystems I/O Signals.....	7027
29-3. PWMSS Integration Attributes.....	7031
29-4. PWMSS Clocks and Resets	7031
29-5. PWMSS Hardware Requests.....	7031
29-6. Device Limitations for the eHRPWM and eQEP Functional Interfaces of PWMSSn.....	7033
29-7. Local IDLE Clock Management Features	7035

29-8. Local Module Clock Control and Status Features	7035
29-9. PWMSS_CFG Instance Summary	7036
29-10. PWMSSn_CFG Registers Mapping Summary	7036
29-11. PWMSS_IDVER	7037
29-12. Register Call Summary for Register PWMSS_IDVER	7037
29-13. PWMSS_SYSCONFIG	7037
29-14. Register Call Summary for Register PWMSS_SYSCONFIG	7038
29-15. PWMSS_CLKCONFIG	7038
29-16. Register Call Summary for Register PWMSS_CLKCONFIG	7039
29-17. PWMSS_CLKSTATUS	7039
29-18. Register Call Summary for Register PWMSS_CLKSTATUS	7040
29-19. Submodule Configuration Parameters	7045
29-20. ePWM Time-Base Submodule Registers	7050
29-21. ePWM Key Time-Base Signals	7051
29-22. ePWM Counter-Compare Submodule Registers	7060
29-23. ePWM Counter-Compare Submodule Key Signals	7061
29-24. Action-Qualifier Submodule Registers	7065
29-25. ePWM Action-Qualifier Submodule Possible Input Events	7066
29-26. ePWM Action-Qualifier Event Priority for Up-Down-Count Mode	7068
29-27. ePWM Action-Qualifier Event Priority for Up-Count Mode	7068
29-28. ePWM Action-Qualifier Event Priority for Down-Count Mode	7068
29-29. Behavior if CMPA/CMPB is Greater than the Period	7069
29-30. EPWMx Initialization for	7072
29-31. EPWMx Run Time Changes for	7072
29-32. EPWMx Initialization for	7074
29-33. EPWMx Run Time Changes for	7074
29-34. EPWMx Initialization for	7076
29-35. EPWMx Run Time Changes for	7076
29-36. EPWMx Initialization for	7078
29-37. EPWMx Run Time Changes for	7078
29-38. EPWMx Initialization for	7080
29-39. EPWMx Run Time Changes for	7080
29-40. EPWMx Initialization for	7082
29-41. EPWMx Run Time Changes for	7082
29-42. Dead-Band Generator Submodule Registers	7083
29-43. Classical Dead-Band Operating Modes	7085
29-44. PWM-Chopper Submodule Registers	7087
29-45. ePWM Trip-Zone Submodule Registers	7092
29-46. Possible Actions On an ePWM Trip Event	7093
29-47. Event-Trigger Submodule Registers	7095
29-48. Resolution for PWM and HRPWM	7101
29-49. HRPWM Submodule Registers	7102
29-50. Relationship Between MEP Steps, PWM Frequency and Resolution	7103
29-51. CMPA vs Duty (left), and [CMPA:CMPAHR] vs Duty (right)	7104
29-52. ePWM/HRPWM Module Control and Status Registers Grouped by Submodule	7106
29-53. PWMSS_EPWM Instance Summary	7108
29-54. PWMSSn_EPWM Registers Mapping Summary	7108
29-55. EPWM_TBCTL	7110
29-56. Register Call Summary for Register EPWM_TBCTL	7112

29-57. EPWM_TBSTS	7112
29-58. Register Call Summary for Register EPWM_TBSTS.....	7112
29-59. HRPWM_TBPHSHR	7113
29-60. Register Call Summary for Register HRPWM_TBPHSHR	7113
29-61. EPWM_TBPHS	7113
29-62. Register Call Summary for Register EPWM_TBPHS	7114
29-63. EPWM_TBCNT	7114
29-64. Register Call Summary for Register EPWM_TBCNT	7114
29-65. EPWM_TBPRD	7115
29-66. Register Call Summary for Register EPWM_TBPRD	7115
29-67. EPWM_CMPCTL	7115
29-68. Register Call Summary for Register EPWM_CMPCTL	7116
29-69. HRPWM_CMPAHR	7117
29-70. Register Call Summary for Register HRPWM_CMPAHR.....	7117
29-71. EPWM_CMPA	7117
29-72. Register Call Summary for Register EPWM_CMPA.....	7118
29-73. EPWM_CMPB	7118
29-74. Register Call Summary for Register EPWM_CMPB.....	7119
29-75. EPWM_AQCTLA	7119
29-76. Register Call Summary for Register EPWM_AQCTLA.....	7120
29-77. EPWM_AQCTLB	7121
29-78. Register Call Summary for Register EPWM_AQCTLB.....	7122
29-79. EPWM_AQSFRC.....	7122
29-80. Register Call Summary for Register EPWM_AQSFRC	7123
29-81. EPWM_AQCSFRC.....	7123
29-82. Register Call Summary for Register EPWM_AQCSFRC	7123
29-83. EPWM_DBCTL	7124
29-84. Register Call Summary for Register EPWM_DBCTL.....	7125
29-85. EPWM_DBRED	7125
29-86. Register Call Summary for Register EPWM_DBRED	7125
29-87. EPWM_DBFED.....	7126
29-88. Register Call Summary for Register EPWM_DBFED	7126
29-89. EPWM_TZSEL	7126
29-90. Register Call Summary for Register EPWM_TZSEL	7127
29-91. EPWM_TZCTL	7127
29-92. Register Call Summary for Register EPWM_TZCTL	7127
29-93. EPWM_TZEINT	7128
29-94. Register Call Summary for Register EPWM_TZEINT	7128
29-95. EPWM_TZFLG	7128
29-96. Register Call Summary for Register EPWM_TZFLG	7129
29-97. EPWM_TZCLR	7129
29-98. Register Call Summary for Register EPWM_TZCLR.....	7130
29-99. EPWM_TZFRC	7130
29-100. Register Call Summary for Register EPWM_TZFRC	7130
29-101. EPWM_ETSEL.....	7131
29-102. Register Call Summary for Register EPWM_ETSEL	7131
29-103. EPWM_ETPS	7131
29-104. Register Call Summary for Register EPWM_ETPS	7132
29-105. EPWM_ETFLG.....	7132

29-106. Register Call Summary for Register EPWM_ETFLG	7133
29-107. EPWM_ETCLR.....	7133
29-108. Register Call Summary for Register EPWM_ETCLR	7133
29-109. EPWM_ETFRC.....	7134
29-110. Register Call Summary for Register EPWM_ETFRC	7134
29-111. EPWM_PCCTL.....	7134
29-112. Register Call Summary for Register EPWM_PCCTL	7135
29-113. HRPWM_HRCTL	7135
29-114. Register Call Summary for Register HRPWM_HRCTL	7136
29-115. eCAP Control and Status Functional Registers.....	7148
29-116. PWMSS_ECAP Instance Summary	7148
29-117. PWMSSn_ECAP Registers Mapping Summary	7149
29-118. PWMSS_ECAP_TSCNT	7149
29-119. Register Call Summary for Register PWMSS_ECAP_TSCNT	7149
29-120. PWMSS_ECAP_CNTPHS.....	7149
29-121. Register Call Summary for Register PWMSS_ECAP_CNTPHS	7150
29-122. PWMSS_ECAP_CAP1	7150
29-123. Register Call Summary for Register PWMSS_ECAP_CAP1	7150
29-124. PWMSS_ECAP_CAP2.....	7151
29-125. Register Call Summary for Register PWMSS_ECAP_CAP2	7151
29-126. PWMSS_ECAP_CAP3.....	7151
29-127. Register Call Summary for Register PWMSS_ECAP_CAP3	7151
29-128. PWMSS_ECAP_CAP4.....	7152
29-129. Register Call Summary for Register PWMSS_ECAP_CAP4	7152
29-130. PWMSS_ECAP_ECCTL1.....	7152
29-131. Register Call Summary for Register PWMSS_ECAP_ECCTL1	7153
29-132. PWMSS_ECAP_ECCTL2.....	7154
29-133. Register Call Summary for Register PWMSS_ECAP_ECCTL2	7155
29-134. PWMSS_ECAP_ECEINT	7155
29-135. Register Call Summary for Register PWMSS_ECAP_ECEINT	7156
29-136. PWMSS_ECAP_ECFLG.....	7156
29-137. Register Call Summary for Register PWMSS_ECAP_ECFLG	7157
29-138. PWMSS_ECAP_ECCLR.....	7157
29-139. Register Call Summary for Register PWMSS_ECAP_ECCLR	7158
29-140. PWMSS_ECAP_ECFRC.....	7158
29-141. Register Call Summary for Register PWMSS_ECAP_ECFRC	7159
29-142. PWMSS_ECAP_PID	7159
29-143. Register Call Summary for Register PWMSS_ECAP_PID.....	7160
29-144. Quadrature Decoder Truth Table	7167
29-145. eQEP Control and Status Functional Registers	7182
29-146. PWMSS_EQEP Instance Summary	7182
29-147. PWMSSn_EQEP Registers Mapping Summary	7183
29-148. EQEP_QPOSCNT	7184
29-149. Register Call Summary for Register EQEP_QPOSCNT.....	7184
29-150. EQEP_QPOSINIT	7184
29-151. Register Call Summary for Register EQEP_QPOSINIT	7184
29-152. EQEP_QPOSMAX.....	7185
29-153. Register Call Summary for Register EQEP_QPOSMAX	7185
29-154. EQEP_QPOSCMP.....	7185

29-155. Register Call Summary for Register EQEP_QPOSCMP	7185
29-156. EQEP_QPOSILAT	7186
29-157. Register Call Summary for Register EQEP_QPOSILAT	7186
29-158. EQEP_QPOSSLAT	7186
29-159. Register Call Summary for Register EQEP_QPOSSLAT	7186
29-160. EQEP_QPOSLAT	7187
29-161. Register Call Summary for Register EQEP_QPOSLAT	7187
29-162. EQEP_QUTMR	7187
29-163. Register Call Summary for Register EQEP_QUTMR	7187
29-164. EQEP_QUPRD	7188
29-165. Register Call Summary for Register EQEP_QUPRD	7188
29-166. EQEP_QWDTMR	7188
29-167. Register Call Summary for Register EQEP_QWDTMR	7188
29-168. EQEP_QWDPRD	7189
29-169. Register Call Summary for Register EQEP_QWDPRD	7189
29-170. EQEP_QDECCTL	7189
29-171. Register Call Summary for Register EQEP_QDECCTL	7190
29-172. EQEP_QEPCTL	7190
29-173. Register Call Summary for Register EQEP_QEPCTL	7192
29-174. EQEP_QCAPCTL	7192
29-175. Register Call Summary for Register EQEP_QCAPCTL	7193
29-176. EQEP_QPOSCTL	7193
29-177. Register Call Summary for Register EQEP_QPOSCTL	7194
29-178. EQEP_QEINT	7194
29-179. Register Call Summary for Register EQEP_QEINT	7195
29-180. EQEP_QFLG	7195
29-181. Register Call Summary for Register EQEP_QFLG	7196
29-182. EQEP_QCLR	7196
29-183. Register Call Summary for Register EQEP_QCLR	7197
29-184. EQEP_QFRC	7198
29-185. Register Call Summary for Register EQEP_QFRC	7199
29-186. EQEP_QEPSTS	7199
29-187. Register Call Summary for Register EQEP_QEPSTS	7200
29-188. EQEP_QCTMR	7200
29-189. Register Call Summary for Register EQEP_QCTMR	7200
29-190. EQEP_QCPRD	7200
29-191. Register Call Summary for Register EQEP_QCPRD	7200
29-192. EQEP_QCTMRLAT	7201
29-193. Register Call Summary for Register EQEP_QCTMRLAT	7201
29-194. EQEP_QCPRDLAT	7201
29-195. Register Call Summary for Register EQEP_QCPRDLAT	7201
29-196. EQEP_REVID	7202
29-197. Register Call Summary for Register EQEP_REVID	7202
30-1. PRU-ICSS1 I/O Signals	7208
30-2. PRU-ICSS2 I/O Signals	7210
30-3. PRU-ICSS Integration Attributes	7220
30-4. PRU-ICSS Clocks and Resets	7220
30-5. PRU-ICSS Hardware Requests	7221
30-6. PRU-ICSS Idle/Standby Support	7223

30-7.	PRU-ICSS Local Instruction Memory Map	7225
30-8.	PRU-ICSS Local Data Memory Map.....	7225
30-9.	PRU-ICSS Global Instruction Memory Map	7227
30-10.	PRU-ICSS Global Memory Map.....	7227
30-11.	PRUSS_CFG Instance Summary	7228
30-12.	PRUSS_CFG Registers Mapping Summary 1	7228
30-13.	PRUSS_CFG Registers Mapping Summary 2	7229
30-14.	PRUSS_REVID.....	7230
30-15.	Register Call Summary for Register PRUSS_REVID	7230
30-16.	PRUSS_SYSCFG	7230
30-17.	Register Call Summary for Register PRUSS_SYSCFG	7231
30-18.	PRUSS_GPCFG0	7231
30-19.	Register Call Summary for Register PRUSS_GPCFG0	7232
30-20.	PRUSS_GPCFG1	7232
30-21.	Register Call Summary for Register PRUSS_GPCFG1	7233
30-22.	PRUSS_CGR	7233
30-23.	Register Call Summary for Register PRUSS_CGR.....	7234
30-24.	PRUSS_ISRP.....	7235
30-25.	Register Call Summary for Register PRUSS_ISRP	7235
30-26.	PRUSS_ISP.....	7235
30-27.	Register Call Summary for Register PRUSS_ISP	7236
30-28.	PRUSS_IESP	7236
30-29.	Register Call Summary for Register PRUSS_IESP	7237
30-30.	PRUSS_IECP.....	7237
30-31.	Register Call Summary for Register PRUSS_IECP	7238
30-32.	PRUSS_PMAO	7238
30-33.	Register Call Summary for Register PRUSS_PMAO.....	7238
30-34.	PRUSS_MII_RT	7239
30-35.	Register Call Summary for Register PRUSS_MII_RT.....	7239
30-36.	PRUSS_IEPCLK	7239
30-37.	Register Call Summary for Register PRUSS_IEPCLK.....	7239
30-38.	PRUSS_SPP.....	7240
30-39.	Register Call Summary for Register PRUSS_SPP	7240
30-40.	PRUSS_PIN_MX	7240
30-41.	Register Call Summary for Register PRUSS_PIN_MX	7241
30-42.	PRUSS_SD_PRU0_CLK_SEL_REGISTERi	7241
30-43.	Register Call Summary for Register PRUSS_SD_PRU0_CLK_SEL_REGISTERi.....	7241
30-44.	PRUSS_SD_PRU0_SAMPLE_SIZE_REGISTERi.....	7242
30-45.	Register Call Summary for Register PRUSS_SD_PRU0_SAMPLE_SIZE_REGISTERi	7242
30-46.	PRUSS_SD_PRU1_CLK_SEL_REGISTERi	7242
30-47.	Register Call Summary for Register PRUSS_SD_PRU1_CLK_SEL_REGISTERi.....	7243
30-48.	PRUSS_SD_PRU1_SAMPLE_SIZE_REGISTERi.....	7243
30-49.	Register Call Summary for Register PRUSS_SD_PRU1_SAMPLE_SIZE_REGISTERi	7243
30-50.	PRUSS_ED_PRU0_RX_CFG_REGISTER.....	7244
30-51.	Register Call Summary for Register PRUSS_ED_PRU0_RX_CFG_REGISTER	7244
30-52.	PRUSS_ED_PRU0_TX_CFG_REGISTER	7245
30-53.	Register Call Summary for Register PRUSS_ED_PRU0_TX_CFG_REGISTER.....	7246
30-54.	PRUSS_ED_PRU0_CHj_CFG0_REGISTER.....	7246
30-55.	Register Call Summary for Register PRUSS_ED_PRU0_CHj_CFG0_REGISTER	7247

30-56. PRUSS_ED_PRU0_CHj_CFG1_REGISTER.....	7247
30-57. Register Call Summary for Register PRUSS_ED_PRU0_CHj_CFG1_REGISTER	7247
30-58. PRUSS_ED_PRU1_RX_CFG_REGISTER	7248
30-59. Register Call Summary for Register PRUSS_ED_PRU1_RX_CFG_REGISTER	7248
30-60. PRUSS_ED_PRU1_TX_CFG_REGISTER	7249
30-61. Register Call Summary for Register PRUSS_ED_PRU1_TX_CFG_REGISTER.....	7250
30-62. PRUSS_ED_PRU1_CHj_CFG0_REGISTER.....	7250
30-63. Register Call Summary for Register PRUSS_ED_PRU1_CHj_CFG0_REGISTER	7251
30-64. PRUSS_ED_PRU1_CHj_CFG1_REGISTER.....	7251
30-65. Register Call Summary for Register PRUSS_ED_PRU1_CHj_CFG1_REGISTER	7252
30-66. PRU Features.....	7253
30-67. PRU0/1 Constant Table	7255
30-68. Real-Time Status Interface Mapping (R31) Field Descriptions.....	7256
30-69. Event Interface Mapping (R31) Field Descriptions.....	7257
30-70. PRU R31 (GPI) Modes	7258
30-71. PRU GPI Signals and Configurations	7258
30-72. PRU EGPis Effective Clock Values.....	7260
30-73. PRU R30 (EGPO) Output Mode	7261
30-74. GPO Mode Descriptions.....	7261
30-75. Effective Clock Values	7263
30-76. PRU GPI Signals and Configurations for Sigma Delta	7265
30-77. External Clock Sources.....	7267
30-78. PRU R31: SD Output Interface Delta Sigma PRU registers: R31	7267
30-79. PRU R30: SD Input Interface Delta Sigma PRU registers: R30	7267
30-80. Data_out[23:0] Configuration Options	7269
30-81. PRU GPI/GPO Signals and Configurations for Peripheral I/F.....	7270
30-82. Peripheral I/F: RX	7274
30-83. Peripheral I/F: TX.....	7275
30-84. Clock Rate Examples for 192-MHz PRUSSn_UART_GFCLK Clock Source	7278
30-85. MPY/MAC XFR ID	7286
30-86. MAC_CTRL_STATUS Register (R25) Field Descriptions	7286
30-87. CRC Register to PRU Port Mapping.....	7288
30-88. Scratch Pad XFR ID	7290
30-89. Scratch Pad XFR Collision and Stall Conditions	7290
30-90. PRUSS_PRU_CTRL Instance Summary	7292
30-91. PRUSS1_PRUn_CTRL Registers Mapping Summary	7292
30-92. PRUSS2_PRUn_CTRL Registers Mapping Summary	7292
30-93. PRU_CONTROL	7292
30-94. Register Call Summary for Register PRU_CONTROL	7294
30-95. PRU_STATUS	7294
30-96. Register Call Summary for Register PRU_STATUS	7294
30-97. PRU_WAKEUP_EN.....	7295
30-98. Register Call Summary for Register PRU_WAKEUP_EN	7295
30-99. PRU_CYCLE.....	7295
30-100. Register Call Summary for Register PRU_CYCLE	7295
30-101. PRU_STALL	7296
30-102. Register Call Summary for Register PRU_STALL	7296
30-103. PRU_CTBIRO.....	7296
30-104. Register Call Summary for Register PRU_CTBIRO	7297

30-105. PRU_CTBIR1.....	7297
30-106. Register Call Summary for Register PRU_CTBIR1	7297
30-107. PRU_CTPPR0.....	7297
30-108. Register Call Summary for Register PRU_CTPPR0	7298
30-109. PRU_CTPPR1.....	7298
30-110. Register Call Summary for Register PRU_CTPPR1	7298
30-111. PRUSS_PRU_DEBUG Instances Summary	7298
30-112. PRUSS1_PRU_DEBUG Registers Mapping Summary.....	7299
30-113. PRUSS2_PRU_DEBUG Registers Mapping Summary.....	7300
30-114. PRUSS_DBG_GPREG0	7302
30-115. Register Call Summary for Register PRUSS_DBG_GPREG0.....	7302
30-116. PRUSS_DBG_GPREG1	7302
30-117. Register Call Summary for Register PRUSS_DBG_GPREG1.....	7302
30-118. PRUSS_DBG_GPREG2	7303
30-119. Register Call Summary for Register PRUSS_DBG_GPREG2.....	7303
30-120. PRUSS_DBG_GPREG3	7303
30-121. Register Call Summary for Register PRUSS_DBG_GPREG3.....	7303
30-122. PRUSS_DBG_GPREG4	7304
30-123. Register Call Summary for Register PRUSS_DBG_GPREG4.....	7304
30-124. PRUSS_DBG_GPREG5	7304
30-125. Register Call Summary for Register PRUSS_DBG_GPREG5.....	7304
30-126. PRUSS_DBG_GPREG6	7305
30-127. Register Call Summary for Register PRUSS_DBG_GPREG6.....	7305
30-128. PRUSS_DBG_GPREG7	7305
30-129. Register Call Summary for Register PRUSS_DBG_GPREG7.....	7305
30-130. PRUSS_DBG_GPREG8	7306
30-131. Register Call Summary for Register PRUSS_DBG_GPREG8.....	7306
30-132. PRUSS_DBG_GPREG9	7306
30-133. Register Call Summary for Register PRUSS_DBG_GPREG9.....	7306
30-134. PRUSS_DBG_GPREG10.....	7307
30-135. Register Call Summary for Register PRUSS_DBG_GPREG10	7307
30-136. PRUSS_DBG_GPREG11.....	7307
30-137. Register Call Summary for Register PRUSS_DBG_GPREG11	7307
30-138. PRUSS_DBG_GPREG12.....	7308
30-139. Register Call Summary for Register PRUSS_DBG_GPREG12	7308
30-140. PRUSS_DBG_GPREG13.....	7308
30-141. Register Call Summary for Register PRUSS_DBG_GPREG13	7308
30-142. PRUSS_DBG_GPREG14.....	7309
30-143. Register Call Summary for Register PRUSS_DBG_GPREG14	7309
30-144. PRUSS_DBG_GPREG15.....	7309
30-145. Register Call Summary for Register PRUSS_DBG_GPREG15	7309
30-146. PRUSS_DBG_GPREG16.....	7310
30-147. Register Call Summary for Register PRUSS_DBG_GPREG16	7310
30-148. PRUSS_DBG_GPREG17.....	7310
30-149. Register Call Summary for Register PRUSS_DBG_GPREG17	7310
30-150. PRUSS_DBG_GPREG18.....	7311
30-151. Register Call Summary for Register PRUSS_DBG_GPREG18	7311
30-152. PRUSS_DBG_GPREG19.....	7311
30-153. Register Call Summary for Register PRUSS_DBG_GPREG19	7311

30-154. PRUSS_DBG_GPREG20.....	7312
30-155. Register Call Summary for Register PRUSS_DBG_GPREG20	7312
30-156. PRUSS_DBG_GPREG21.....	7312
30-157. Register Call Summary for Register PRUSS_DBG_GPREG21	7312
30-158. PRUSS_DBG_GPREG22.....	7313
30-159. Register Call Summary for Register PRUSS_DBG_GPREG22	7313
30-160. PRUSS_DBG_GPREG23.....	7313
30-161. Register Call Summary for Register PRUSS_DBG_GPREG23	7313
30-162. PRUSS_DBG_GPREG24.....	7314
30-163. Register Call Summary for Register PRUSS_DBG_GPREG24	7314
30-164. PRUSS_DBG_GPREG25.....	7314
30-165. Register Call Summary for Register PRUSS_DBG_GPREG25	7314
30-166. PRUSS_DBG_GPREG26.....	7315
30-167. Register Call Summary for Register PRUSS_DBG_GPREG26	7315
30-168. PRUSS_DBG_GPREG27.....	7315
30-169. Register Call Summary for Register PRUSS_DBG_GPREG27	7315
30-170. PRUSS_DBG_GPREG28.....	7316
30-171. Register Call Summary for Register PRUSS_DBG_GPREG28	7316
30-172. PRUSS_DBG_GPREG29.....	7316
30-173. Register Call Summary for Register PRUSS_DBG_GPREG29	7316
30-174. PRUSS_DBG_GPREG30.....	7317
30-175. Register Call Summary for Register PRUSS_DBG_GPREG30	7317
30-176. PRUSS_DBG_GPREG31.....	7317
30-177. Register Call Summary for Register PRUSS_DBG_GPREG31	7317
30-178. PRUSS_DBG_CT_REG0.....	7318
30-179. Register Call Summary for Register PRUSS_DBG_CT_REG0	7318
30-180. PRUSS_DBG_CT_REG1	7318
30-181. Register Call Summary for Register PRUSS_DBG_CT_REG1	7318
30-182. PRUSS_DBG_CT_REG2.....	7319
30-183. Register Call Summary for Register PRUSS_DBG_CT_REG2	7319
30-184. PRUSS_DBG_CT_REG3.....	7319
30-185. Register Call Summary for Register PRUSS_DBG_CT_REG3	7319
30-186. PRUSS_DBG_CT_REG4.....	7320
30-187. Register Call Summary for Register PRUSS_DBG_CT_REG4	7320
30-188. PRUSS_DBG_CT_REG5.....	7320
30-189. Register Call Summary for Register PRUSS_DBG_CT_REG5	7320
30-190. PRUSS_DBG_CT_REG6.....	7321
30-191. Register Call Summary for Register PRUSS_DBG_CT_REG6	7321
30-192. PRUSS_DBG_CT_REG7.....	7321
30-193. Register Call Summary for Register PRUSS_DBG_CT_REG7	7321
30-194. PRUSS_DBG_CT_REG8.....	7322
30-195. Register Call Summary for Register PRUSS_DBG_CT_REG8	7322
30-196. PRUSS_DBG_CT_REG9.....	7322
30-197. Register Call Summary for Register PRUSS_DBG_CT_REG9	7322
30-198. PRUSS_DBG_CT_REG10	7323
30-199. Register Call Summary for Register PRUSS_DBG_CT_REG10.....	7323
30-200. PRUSS_DBG_CT_REG11	7323
30-201. Register Call Summary for Register PRUSS_DBG_CT_REG11	7323
30-202. PRUSS_DBG_CT_REG12	7324

30-203. Register Call Summary for Register PRUSS_DBG_CT_REG12	7324
30-204. PRUSS_DBG_CT_REG13	7324
30-205. Register Call Summary for Register PRUSS_DBG_CT_REG13	7324
30-206. PRUSS_DBG_CT_REG14	7325
30-207. Register Call Summary for Register PRUSS_DBG_CT_REG14	7325
30-208. PRUSS_DBG_CT_REG15	7325
30-209. Register Call Summary for Register PRUSS_DBG_CT_REG15	7325
30-210. PRUSS_DBG_CT_REG16	7326
30-211. Register Call Summary for Register PRUSS_DBG_CT_REG16	7326
30-212. PRUSS_DBG_CT_REG17	7326
30-213. Register Call Summary for Register PRUSS_DBG_CT_REG17	7326
30-214. PRUSS_DBG_CT_REG18	7327
30-215. Register Call Summary for Register PRUSS_DBG_CT_REG18	7327
30-216. PRUSS_DBG_CT_REG19	7327
30-217. Register Call Summary for Register PRUSS_DBG_CT_REG19	7327
30-218. PRUSS_DBG_CT_REG20	7328
30-219. Register Call Summary for Register PRUSS_DBG_CT_REG20	7328
30-220. PRUSS_DBG_CT_REG21	7328
30-221. Register Call Summary for Register PRUSS_DBG_CT_REG21	7328
30-222. PRUSS_DBG_CT_REG22	7329
30-223. Register Call Summary for Register PRUSS_DBG_CT_REG22	7329
30-224. PRUSS_DBG_CT_REG23	7329
30-225. Register Call Summary for Register PRUSS_DBG_CT_REG23	7329
30-226. PRUSS_DBG_CT_REG24	7330
30-227. Register Call Summary for Register PRUSS_DBG_CT_REG24	7330
30-228. PRUSS_DBG_CT_REG25	7330
30-229. Register Call Summary for Register PRUSS_DBG_CT_REG25	7330
30-230. PRUSS_DBG_CT_REG26	7331
30-231. Register Call Summary for Register PRUSS_DBG_CT_REG26	7331
30-232. PRUSS_DBG_CT_REG27	7331
30-233. Register Call Summary for Register PRUSS_DBG_CT_REG27	7331
30-234. PRUSS_DBG_CT_REG28	7332
30-235. Register Call Summary for Register PRUSS_DBG_CT_REG28	7332
30-236. PRUSS_DBG_CT_REG29	7332
30-237. Register Call Summary for Register PRUSS_DBG_CT_REG29	7332
30-238. PRUSS_DBG_CT_REG30	7333
30-239. Register Call Summary for Register PRUSS_DBG_CT_REG30	7333
30-240. PRUSS_DBG_CT_REG31	7333
30-241. Register Call Summary for Register PRUSS_DBG_CT_REG31	7333
30-242. PRU-ICSS1/PRU-ICSS2 Internal Interrupts	7340
30-243. PRU-ICSS1 MII_RT Mode Interrupts	7342
30-244. PRU-ICSS2 MII_RT Mode Interrupts	7342
30-245. PRUSS_INTC Instance Summary	7343
30-246. PRUSS1_INTC Registers Mapping Summary	7343
30-247. PRUSS2_INTC Registers Mapping Summary	7344
30-248. PRUSS_INTC_REVID	7345
30-249. Register Call Summary for Register PRUSS_INTC_REVID	7345
30-250. PRUSS_INTC_CR	7345
30-251. Register Call Summary for Register PRUSS_INTC_CR	7346

30-252. PRUSS_INTC_GER	7346
30-253. Register Call Summary for Register PRUSS_INTC_GER	7346
30-254. PRUSS_INTC_GNLR	7347
30-255. Register Call Summary for Register PRUSS_INTC_GNLR	7347
30-256. PRUSS_INTC_SISR.....	7347
30-257. Register Call Summary for Register PRUSS_INTC_SISR	7347
30-258. PRUSS_INTC_SICR	7348
30-259. Register Call Summary for Register PRUSS_INTC_SICR.....	7348
30-260. PRUSS_INTC_EISR.....	7348
30-261. Register Call Summary for Register PRUSS_INTC_EISR	7348
30-262. PRUSS_INTC_EICR	7348
30-263. Register Call Summary for Register PRUSS_INTC_EICR.....	7349
30-264. PRUSS_INTC_HIEISR.....	7349
30-265. Register Call Summary for Register PRUSS_INTC_HIEISR	7349
30-266. PRUSS_INTC_HIDISR.....	7349
30-267. Register Call Summary for Register PRUSS_INTC_HIDISR	7350
30-268. PRUSS_INTC_GPIR	7350
30-269. Register Call Summary for Register PRUSS_INTC_GPIR.....	7350
30-270. PRUSS_INTC_SRSR0.....	7350
30-271. Register Call Summary for Register PRUSS_INTC_SRSR0	7351
30-272. PRUSS_INTC_SRSR1.....	7351
30-273. Register Call Summary for Register PRUSS_INTC_SRSR1	7351
30-274. PRUSS_INTC_SECR0.....	7351
30-275. Register Call Summary for Register PRUSS_INTC_SECR0	7352
30-276. PRUSS_INTC_SECR1	7352
30-277. Register Call Summary for Register PRUSS_INTC_SECR1	7352
30-278. PRUSS_INTC_ESR0.....	7352
30-279. Register Call Summary for Register PRUSS_INTC_ESR0	7353
30-280. PRUSS_INTC_ERS1.....	7353
30-281. Register Call Summary for Register PRUSS_INTC_ERS1	7353
30-282. PRUSS_INTC_ECR0.....	7353
30-283. Register Call Summary for Register PRUSS_INTC_ECR0	7353
30-284. PRUSS_INTC_ECR1.....	7354
30-285. Register Call Summary for Register PRUSS_INTC_ECR1	7354
30-286. PRUSS_INTC_CMRI.....	7354
30-287. Register Call Summary for Register PRUSS_INTC_CMRI.....	7354
30-288. PRUSS_INTC_HMR0	7355
30-289. Register Call Summary for Register PRUSS_INTC_HMR0.....	7355
30-290. PRUSS_INTC_HMR1	7355
30-291. Register Call Summary for Register PRUSS_INTC_HMR1.....	7356
30-292. PRUSS_INTC_HMR2	7356
30-293. Register Call Summary for Register PRUSS_INTC_HMR2.....	7356
30-294. PRUSS_INTC_HIPIRj.....	7356
30-295. Register Call Summary for Register PRUSS_INTC_HIPIRj.....	7357
30-296. PRUSS_INTC_SIPR0	7357
30-297. Register Call Summary for Register PRUSS_INTC_SIPR0.....	7357
30-298. PRUSS_INTC_SIPR1	7357
30-299. Register Call Summary for Register PRUSS_INTC_SIPR1.....	7357
30-300. PRUSS_INTC_SITR0	7358

30-301. Register Call Summary for Register PRUSS_INTC_SITR0.....	7358
30-302. PRUSS_INTC_SITR1	7358
30-303. Register Call Summary for Register PRUSS_INTC_SITR1.....	7358
30-304. PRUSS_INTC_HINLRj	7358
30-305. Register Call Summary for Register PRUSS_INTC_HINLRj.....	7359
30-306. PRUSS_INTC_HIER	7359
30-307. Register Call Summary for Register PRUSS_INTC_HIER.....	7359
30-308. PRUSS_UART0 Signal Descriptions.....	7360
30-309. Relationship Between ST, EPS, and PEN Bits in UART_LCR	7362
30-310. Number of STOP Bits Generated	7362
30-311. Baud Rate Examples for 192-MHz PRU-ICSS UART Input Clock and 16x Over-sampling Mode	7364
30-312. Baud Rate Examples for 192-MHz PRU-ICSS UART Input Clock and 13x Over-sampling Mode	7365
30-313. PRU-ICSS UART Interrupt Requests Descriptions.....	7367
30-314. Interrupt Identification and Interrupt Clearing Information	7369
30-315. Character Time for Word Lengths	7371
30-316. PRUSS_UART Instance Summary	7375
30-317. PRUSS1_UART Registers Mapping Summary	7375
30-318. PRUSS2_UART Registers Mapping Summary	7375
30-319. PRUSS_UART_RBR_THR_REGISTERS.....	7376
30-320. Register Call Summary for Register PRUSS_UART_RBR_THR_REGISTERS	7376
30-321. PRUSS_UART_INTERRUPT_ENABLE_REGISTER.....	7377
30-322. Register Call Summary for Register PRUSS_UART_INTERRUPT_ENABLE_REGISTER	7377
30-323. PRUSS_UART_INTERRUPT_IDENTIFICATION_REGISTER_FIFO_CONTROL_REGISTER	7377
30-324. Register Call Summary for Register PRUSS_UART_INTERRUPT_IDENTIFICATION_REGISTER_FIFO_CONTROL_REGISTER.....	7379
30-325. PRUSS_UART_LINE_CONTROL_REGISTER.....	7380
30-326. Register Call Summary for Register PRUSS_UART_LINE_CONTROL_REGISTER	7381
30-327. PRUSS_UART_MODEM_CONTROL_REGISTER	7381
30-328. Register Call Summary for Register PRUSS_UART_MODEM_CONTROL_REGISTER	7382
30-329. PRUSS_UART_LINE_STATUS_REGISTER	7382
30-330. Register Call Summary for Register PRUSS_UART_LINE_STATUS_REGISTER.....	7385
30-331. PRUSS_UART_MODEM_STATUS_REGISTER	7385
30-332. Register Call Summary for Register PRUSS_UART_MODEM_STATUS_REGISTER.....	7386
30-333. PRUSS_UART_SCRATCH_REGISTER	7386
30-334. Register Call Summary for Register PRUSS_UART_SCRATCH_REGISTER	7387
30-335. PRUSS_UART_DIVISOR_REGISTER_LSB_	7387
30-336. Register Call Summary for Register PRUSS_UART_DIVISOR_REGISTER_LSB_.....	7387
30-337. PRUSS_UART_DIVISOR_REGISTER_MSB_.....	7387
30-338. Register Call Summary for Register PRUSS_UART_DIVISOR_REGISTER_MSB_.....	7388
30-339. PRUSS_UART_PERIPHERAL_ID_REGISTER	7388
30-340. Register Call Summary for Register PRUSS_UART_PERIPHERAL_ID_REGISTER.....	7388
30-341. PRUSS_UART_POWERMANAGEMENT_AND_EMULATION_REGISTER	7388
30-342. Register Call Summary for Register PRUSS_UART_POWERMANAGEMENT_AND_EMULATION_REGISTER.....	7389
30-343. PRUSS_UART_MODE_DEFINITION_REGISTER.....	7389
30-344. Register Call Summary for Register PRUSS_UART_MODE_DEFINITION_REGISTER	7389
30-345. PRUSS_ECAP Instance Summary	7390
30-346. PRUSS1_ECAP Registers Mapping Summary	7390
30-347. PRUSS2_ECAP Registers Mapping Summary	7391

30-348. PRUSS_ECAP_TSCNT	7391
30-349. Register Call Summary for Register PRUSS_ECAP_TSCNT	7391
30-350. PRUSS_ECAP_CNTPHS	7392
30-351. Register Call Summary for Register PRUSS_ECAP_CNTPHS	7392
30-352. PRUSS_ECAP_CAP1	7392
30-353. Register Call Summary for Register PRUSS_ECAP_CAP1	7392
30-354. PRUSS_ECAP_CAP2	7392
30-355. Register Call Summary for Register PRUSS_ECAP_CAP2	7393
30-356. PRUSS_ECAP_CAP3	7393
30-357. Register Call Summary for Register PRUSS_ECAP_CAP3	7393
30-358. PRUSS_ECAP_CAP4	7393
30-359. Register Call Summary for Register PRUSS_ECAP_CAP4	7394
30-360. PRUSS_ECAP_ECCTL1	7394
30-361. Register Call Summary for Register PRUSS_ECAP_ECCTL1	7395
30-362. PRUSS_ECAP_ECCTL2	7395
30-363. Register Call Summary for Register PRUSS_ECAP_ECCTL2	7397
30-364. PRUSS_ECAP_ECEINT	7397
30-365. Register Call Summary for Register PRUSS_ECAP_ECEINT	7398
30-366. PRUSS_ECAP_ECFLG	7398
30-367. Register Call Summary for Register PRUSS_ECAP_ECFLG	7399
30-368. PRUSS_ECAP_ECCLR	7399
30-369. Register Call Summary for Register PRUSS_ECAP_ECCLR	7400
30-370. PRUSS_ECAP_ECFRC	7400
30-371. Register Call Summary for Register PRUSS_ECAP_ECFRC	7401
30-372. PRUSS_ECAP_PID	7401
30-373. Register Call Summary for Register PRUSS_ECAP_PID	7401
30-374. Data Path Configuration Comparison	7403
30-375. Frame Structure	7405
30-376. TX CRC Programming Models	7406
30-377. PRU R31: Receive Interface Data and Status (Read Mode)	7411
30-378. RX L2 Status	7413
30-379. RX L2 XFR ID	7414
30-380. TX Push	7415
30-381. PRU R31: Command Interface (Write Mode)	7416
30-382. RX Nibble and Byte Order	7418
30-383. TX Nibble and Byte Order	7418
30-384. Preamble Configuration Options	7418
30-385. PRUSS_MII_RT Instance Summary	7420
30-386. PRUSS1_MII_RT Registers Mapping Summary	7421
30-387. PRUSS2_MII_RT Registers Mapping Summary	7421
30-388. PRUSS_MII_RT_RXCFG0	7422
30-389. Register Call Summary for Register PRUSS_MII_RT_RXCFG0	7423
30-390. PRUSS_MII_RT_RXCFG1	7423
30-391. Register Call Summary for Register PRUSS_MII_RT_RXCFG1	7425
30-392. PRUSS_MII_RT_TXCFG0	7425
30-393. Register Call Summary for Register PRUSS_MII_RT_TXCFG0	7427
30-394. PRUSS_MII_RT_TXCFG1	7428
30-395. Register Call Summary for Register PRUSS_MII_RT_TXCFG1	7430
30-396. PRUSS_MII_RT_TX_CRC0	7430

30-397. Register Call Summary for Register PRUSS_MII_RT_TX_CRC0	7430
30-398. PRUSS_MII_RT_TX_CRC1	7430
30-399. Register Call Summary for Register PRUSS_MII_RT_TX_CRC1	7431
30-400. PRUSS_MII_RT_TX_IPG0	7431
30-401. Register Call Summary for Register PRUSS_MII_RT_TX_IPG0.....	7431
30-402. PRUSS_MII_RT_TX_IPG1	7431
30-403. Register Call Summary for Register PRUSS_MII_RT_TX_IPG1.....	7432
30-404. PRUSS_MII_RT_PRS0	7432
30-405. Register Call Summary for Register PRUSS_MII_RT_PRS0.....	7432
30-406. PRUSS_MII_RT_PRS1	7432
30-407. Register Call Summary for Register PRUSS_MII_RT_PRS1.....	7432
30-408. PRUSS_MII_RT_RX_FRMS0.....	7433
30-409. Register Call Summary for Register PRUSS_MII_RT_RX_FRMS0	7433
30-410. PRUSS_MII_RT_RX_FRMS1	7433
30-411. Register Call Summary for Register PRUSS_MII_RT_RX_FRMS1	7434
30-412. PRUSS_MII_RT_RX_PCNT0	7434
30-413. Register Call Summary for Register PRUSS_MII_RT_RX_PCNT0.....	7434
30-414. PRUSS_MII_RT_RX_PCNT1	7434
30-415. Register Call Summary for Register PRUSS_MII_RT_RX_PCNT1.....	7435
30-416. PRUSS_MII_RT_RX_ERR0.....	7435
30-417. Register Call Summary for Register PRUSS_MII_RT_RX_ERR0	7436
30-418. PRUSS_MII_RT_RX_ERR1	7436
30-419. Register Call Summary for Register PRUSS_MII_RT_RX_ERR1	7437
30-420. PRUSS_MII_RT_RXFLV0	7437
30-421. Register Call Summary for Register PRUSS_MII_RT_RXFLV0.....	7437
30-422. PRUSS_MII_RT_RXFLV1	7438
30-423. Register Call Summary for Register PRUSS_MII_RT_RXFLV1.....	7438
30-424. PRUSS_MII_RT_TXFLV0	7438
30-425. Register Call Summary for Register PRUSS_MII_RT_TXFLV0.....	7439
30-426. PRUSS_MII_RT_TXFLV1	7439
30-427. Register Call Summary for Register PRUSS_MII_RT_TXFLV1	7439
30-428. MII MDIO Frame Formats	7440
30-429. PRU-ICSS MII MDIO Control and Interface Signals	7441
30-430. Summary of the PRU-ICSS MII MDIO Functional Registers.....	7443
30-431. PRUSS_MII_MDIO Instance Summary	7444
30-432. PRUSS1_MII_MDIO Registers Mapping Summary	7444
30-433. PRUSS2_MII_MDIO Registers Mapping Summary	7444
30-434. PRUSS_MII_MDIO_VER	7445
30-435. Register Call Summary for Register PRUSS_MII_MDIO_VER.....	7445
30-436. PRUSS_MII_MDIO_CONTROL.....	7445
30-437. Register Call Summary for Register PRUSS_MII_MDIO_CONTROL	7446
30-438. PRUSS_MII_MDIO_ALIVE	7446
30-439. Register Call Summary for Register PRUSS_MII_MDIO_ALIVE.....	7447
30-440. PRUSS_MII_MDIO_LINK.....	7447
30-441. Register Call Summary for Register PRUSS_MII_MDIO_LINK	7447
30-442. PRUSS_MII_MDIO_LINKINTRAW	7447
30-443. Register Call Summary for Register PRUSS_MII_MDIO_LINKINTRAW.....	7448
30-444. PRUSS_MII_MDIO_LINKINTMASKED	7448
30-445. Register Call Summary for Register PRUSS_MII_MDIO_LINKINTMASKED.....	7449

30-446. PRUSS_MII_MDIO_USERINTRAW.....	7449
30-447. Register Call Summary for Register PRUSS_MII_MDIO_USERINTRAW	7449
30-448. PRUSS_MII_MDIO_USERINTMASKED.....	7449
30-449. Register Call Summary for Register PRUSS_MII_MDIO_USERINTMASKED	7450
30-450. PRUSS_MII_MDIO_USERINTMASKSET	7450
30-451. Register Call Summary for Register PRUSS_MII_MDIO_USERINTMASKSET.....	7450
30-452. PRUSS_MII_MDIO_USERINTMASKCLR	7450
30-453. Register Call Summary for Register PRUSS_MII_MDIO_USERINTMASKCLR	7451
30-454. PRUSS_MII_MDIO_USERACCESS0.....	7451
30-455. Register Call Summary for Register PRUSS_MII_MDIO_USERACCESS0	7452
30-456. PRUSS_MII_MDIO_USERPHYSEL0	7452
30-457. Register Call Summary for Register PRUSS_MII_MDIO_USERPHYSEL0.....	7452
30-458. PRUSS_MII_MDIO_USERACCESS1.....	7453
30-459. Register Call Summary for Register PRUSS_MII_MDIO_USERACCESS1	7453
30-460. PRUSS_MII_MDIO_USERPHYSEL1	7453
30-461. Register Call Summary for Register PRUSS_MII_MDIO_USERPHYSEL1.....	7454
30-462. PRU-ICSS Industrial Ethernet Timer Mode Mapping	7457
30-463. PRUSS_IEP Instance Summary	7462
30-464. PRUSS_IEP Registers Mapping Summary.....	7462
30-465. PRUSS_IEP_GLOBAL_CFG.....	7463
30-466. Register Call Summary for Register PRUSS_IEP_GLOBAL_CFG	7464
30-467. PRUSS_IEP_STATUS	7464
30-468. Register Call Summary for Register PRUSS_IEP_STATUS.....	7464
30-469. PRUSS_IEP_COMPENSATION	7464
30-470. Register Call Summary for Register PRUSS_IEP_COMPENSATION	7465
30-471. PRUSS_IEP_SLOW_COMPENSATION	7465
30-472. Register Call Summary for Register PRUSS_IEP_SLOW_COMPENSATION	7466
30-473. PRUSS_IEP_LOW_COUNTER.....	7466
30-474. Register Call Summary for Register PRUSS_IEP_LOW_COUNTER	7466
30-475. PRUSS_IEP_HIGH_COUNTER	7466
30-476. Register Call Summary for Register PRUSS_IEP_HIGH_COUNTER.....	7466
30-477. PRUSS_IEP_CAPTURE_CFG.....	7467
30-478. Register Call Summary for Register PRUSS_IEP_CAPTURE_CFG	7468
30-479. PRUSS_IEP_CAPTURE_STATUS.....	7468
30-480. Register Call Summary for Register PRUSS_IEP_CAPTURE_STATUS	7468
30-481. PRUSS_IEP_CAPTURE_RISE0i	7469
30-482. Register Call Summary for Register PRUSS_IEP_CAPTURE_RISE0i	7469
30-483. PRUSS_IEP_CAPTURE_RISE1i	7469
30-484. Register Call Summary for Register PRUSS_IEP_CAPTURE_RISE1i	7469
30-485. PRUSS_IEP_CAPTURE_RISE06	7469
30-486. Register Call Summary for Register PRUSS_IEP_CAPTURE_RISE06.....	7470
30-487. PRUSS_IEP_CAPTURE_RISE16	7470
30-488. Register Call Summary for Register PRUSS_IEP_CAPTURE_RISE16.....	7470
30-489. PRUSS_IEP_CAPTURE_FALL06	7470
30-490. Register Call Summary for Register PRUSS_IEP_CAPTURE_FALL06	7470
30-491. PRUSS_IEP_CAPTURE_FALL16	7471
30-492. Register Call Summary for Register PRUSS_IEP_CAPTURE_FALL16	7471
30-493. PRUSS_IEP_CAPTURE_RISE07	7471
30-494. Register Call Summary for Register PRUSS_IEP_CAPTURE_RISE07.....	7471

30-495. PRUSS_IEP_CAPTURE_RISE17	7471
30-496. Register Call Summary for Register PRUSS_IEP_CAPTURE_RISE17.....	7472
30-497. PRUSS_IEP_CAPTURE_FALL07	7472
30-498. Register Call Summary for Register PRUSS_IEP_CAPTURE_FALL07	7472
30-499. PRUSS_IEP_CAPTURE_FALL17	7472
30-500. Register Call Summary for Register PRUSS_IEP_CAPTURE_FALL17	7472
30-501. PRUSS_IEP_COMPARE_CFG	7473
30-502. Register Call Summary for Register PRUSS_IEP_COMPARE_CFG	7473
30-503. PRUSS_IEP_COMPARE_STATUS	7473
30-504. Register Call Summary for Register PRUSS_IEP_COMPARE_STATUS	7474
30-505. PRUSS_IEP_COMPARE0j	7474
30-506. Register Call Summary for Register PRUSS_IEP_COMPARE0j.....	7474
30-507. PRUSS_IEP_COMPARE1j	7474
30-508. Register Call Summary for Register PRUSS_IEP_COMPARE1j.....	7474
30-509. PRUSS_IEP_RXIPG0	7474
30-510. Register Call Summary for Register PRUSS_IEP_RXIPG0	7475
30-511. PRUSS_IEP_RXIPG1	7475
30-512. Register Call Summary for Register PRUSS_IEP_RXIPG1	7475
30-513. PRUSS_IEP_COMPARE0k	7476
30-514. Register Call Summary for Register PRUSS_IEP_COMPARE0k.....	7476
30-515. PRUSS_IEP_COMPARE1k	7476
30-516. Register Call Summary for Register PRUSS_IEP_COMPARE1k.....	7476
30-517. PRUSS_IEP_LOW_COUNTER_RESET_VALUE	7476
30-518. Register Call Summary for Register PRUSS_IEP_LOW_COUNTER_RESET_VALUE	7477
30-519. PRUSS_IEP_HIGH_COUNTER_RESET_VALUE	7477
30-520. Register Call Summary for Register PRUSS_IEP_HIGH_COUNTER_RESET_VALUE	7477
30-521. PRUSS_IEP_PWM	7477
30-522. Register Call Summary for Register PRUSS_IEP_PWM.....	7478
30-523. PRUSS_IEP_SYNC_CTRL.....	7478
30-524. Register Call Summary for Register PRUSS_IEP_SYNC_CTRL	7479
30-525. PRUSS_IEP_SYNC_FIRST_STAT.....	7479
30-526. Register Call Summary for Register PRUSS_IEP_SYNC_FIRST_STAT	7480
30-527. PRUSS_IEP_SYNC0_STAT	7480
30-528. Register Call Summary for Register PRUSS_IEP_SYNC0_STAT	7480
30-529. PRUSS_IEP_SYNC1_STAT	7480
30-530. Register Call Summary for Register PRUSS_IEP_SYNC1_STAT	7481
30-531. PRUSS_IEP_SYNC_PWIDTH	7481
30-532. Register Call Summary for Register PRUSS_IEP_SYNC_PWIDTH.....	7481
30-533. PRUSS_IEP_SYNC0_PERIOD	7481
30-534. Register Call Summary for Register PRUSS_IEP_SYNC0_PERIOD	7482
30-535. PRUSS_IEP_SYNC1_DELAY	7482
30-536. Register Call Summary for Register PRUSS_IEP_SYNC1_DELAY	7482
30-537. PRUSS_IEP_SYNC_START	7482
30-538. Register Call Summary for Register PRUSS_IEP_SYNC_START	7482
30-539. PRUSS_IEP_WD_PREDIV.....	7483
30-540. Register Call Summary for Register PRUSS_IEP_WD_PREDIV	7483
30-541. PRUSS_IEP_PDI_WD_TIM	7483
30-542. Register Call Summary for Register PRUSS_IEP_PDI_WD_TIM.....	7483
30-543. PRUSS_IEP_PD_WD_TIM.....	7484

30-544. Register Call Summary for Register PRUSS_IEP_PD_WD_TIM	7484
30-545. PRUSS_IEP_WD_STATUS	7484
30-546. Register Call Summary for Register PRUSS_IEP_WD_STATUS.....	7485
30-547. PRUSS_IEP_WD_EXP_CNT	7485
30-548. Register Call Summary for Register PRUSS_IEP_WD_EXP_CNT	7485
30-549. PRUSS_IEP_WD_CTRL.....	7485
30-550. Register Call Summary for Register PRUSS_IEP_WD_CTRL	7486
30-551. PRUSS_IEP_DIGIO_CTRL.....	7486
30-552. Register Call Summary for Register PRUSS_IEP_DIGIO_CTRL	7487
30-553. PRUSS_IEP_DIGIO_DATA_IN	7487
30-554. Register Call Summary for Register PRUSS_IEP_DIGIO_DATA_IN.....	7487
30-555. PRUSS_IEP_DIGIO_DATA_IN_RAW	7487
30-556. Register Call Summary for Register PRUSS_IEP_DIGIO_DATA_IN_RAW.....	7488
30-557. PRUSS_IEP_DIGIO_DATA_OUT	7488
30-558. Register Call Summary for Register PRUSS_IEP_DIGIO_DATA_OUT.....	7488
30-559. PRUSS_IEP_DIGIO_DATA_OUT_EN	7488
30-560. Register Call Summary for Register PRUSS_IEP_DIGIO_DATA_OUT_EN	7489
30-561. PRUSS_IEP_DIGIO_EXP	7489
30-562. Register Call Summary for Register PRUSS_IEP_DIGIO_EXP.....	7489
33-1. Device Power Balls	7496
33-2. Mapping for Input Sources	7499
33-3. PMIC Clock Requirements	7500
33-4. Sysboot Pads Description	7502
33-5. MMC2 Configuration (SR2.x)	7502
33-6. GPMC for XIP Configuration.....	7502
33-7. System Clock (SYS_CLK1) Speed Selection	7503
33-8. Offset Between Redundant Images.....	7503
33-9. Booting Devices Order.....	7504
33-10. Pin Multiplexing According to Boot Peripheral	7505
33-11. ROM Exception Vectors	7508
33-12. Dead Loops	7509
33-13. RAM Exception Vectors	7510
33-14. Tracing Data	7510
33-15. Control Module Registers Modified by ROM Code at Each Startup.....	7514
33-16. PRCM Module Mode Registers Modified by ROM Code	7514
33-17. ROM Code Default Clock Settings.....	7515
33-18. ASIC ID Structure	7518
33-19. Items	7519
33-20. ID Subblock	7519
33-21. Checksum Subblock	7519
33-22. Booting Messages.....	7519
33-23. Device Descriptor	7523
33-24. Device-Qualifier Descriptor	7523
33-25. Configuration Descriptor.....	7524
33-26. Other Speed Configuration Descriptor	7524
33-27. Interface Descriptor	7524
33-28. BULK IN Endpoint Descriptor.....	7524
33-29. BULK OUT Endpoint Descriptor.....	7525
33-30. Language ID String Descriptor	7525

33-31. Manufacturer ID String Descriptor	7525
33-32. Product ID String Descriptor	7525
33-33. Configuration String Descriptor	7526
33-34. Interface String Descriptor	7526
33-35. USB ROM Standard Device Descriptor	7526
33-36. USB ROM Descriptor Strings	7526
33-37. Standard Device Requests Supported	7527
33-38. XIP Timing Parameters	7533
33-39. NAND Timing Parameters	7534
33-40. ONFI Parameters Page Description	7534
33-41. Supported NAND Devices	7535
33-42. Fourth NAND ID Data Byte	7536
33-43. Master Boot Record Structure	7550
33-44. Partition Table Entry	7551
33-45. FAT Directory Entry	7554
33-46. FAT Entry Description	7555
33-47. CH TOC Item	7561
33-48. TOC Filenames	7562
33-49. CHSETTINGS Item	7562
33-50. Clocking Settings	7562
33-51. CHFLASH Item	7564
33-52. CHMMCS Item	7564
33-53. CHQSPI Item	7565
33-54. GP Header Image Format	7566
33-55. Booting Parameter Structure	7566
33-56. Tracing Vector 1	7568
33-57. Tracing Vector 2	7569
33-58. Tracing Vector 3	7569
33-59. Tracing Vector 4	7570
33-60. Start Hypervisor	7571
33-61. Clean L1 and/or L2 cache	7571
33-62. Write L2 Cache Auxiliary Control	7572
33-63. L2 Control Register	7572
33-64. Write L2 Cache Prefetch Control Register	7572
33-65. Write Auxiliary Control Register	7572
33-66. Write AMBA IF Register	7573
33-67. Set Timer CNTFRQ Register	7573
33-68. Set MReq Domain	7573
34-1. IEEE1149.1 Signals	7578
34-2. Trace Port Signals	7579
34-3. ICEPick Boot Modes at POR	7580
34-4. ICEPick Secondary Debug TAPs Mapping	7581
34-5. ICEPick Debug Core Mapping	7582
34-6. Device Cross-Triggering	7586
34-7. Debug Subsystem Suspend Input Lines	7587
34-8. Debug Subsystem Suspend Output Lines	7587
34-9. Emulation Interrupts	7589
34-10. L2 Cache Events	7593
34-11. IPU SCTM Counters Repartition	7594

34-12. SCTM Events for IPU Subsystem.....	7594
34-13. L3_MAIN Interconnect Functional Probe Mapping	7603
34-14. Master-ID Mapping (Debug View).....	7603
34-15. Performance Monitoring Events Detection.....	7606
34-16. Performance Filtering Options	7606
34-17. Statistics Collector Master Address Mapping.....	7607
34-18. Statistics Collector Slave Address Mapping	7608
34-19. Aggregation Modes	7610
34-20. SC_SDRAM Port Mapping	7611
34-21. SC_LAT0 Port Mapping	7612
34-22. SC_LAT1 Port Mapping	7612
34-23. SC_LAT2 Port Mapping	7613
34-24. SC_LAT3 Port Mapping	7614
34-25. SC_LAT4 Port Mapping	7615
34-26. SC_LAT5 Port Mapping	7616
34-27. SC_LAT6 Port Mapping	7617
34-28. SC_LAT7 Port Mapping	7618
34-29. SC_LAT8 Port Mapping	7620
34-30. STM Message Software Masters	7622
34-31. STM Message Hardware Masters	7622
34-32. Trace Port Configuration	7624
34-33. Concurrent Debug and Trace.....	7624
34-34. DRM Instance Summary	7625
34-35. DRM Registers Mapping Summary	7625
34-36. DRM_SUSPEND_CTRL0	7626
34-37. Register Call Summary for Register DRM_SUSPEND_CTRL0.....	7627
34-38. DRM_SUSPEND_CTRL1	7627
34-39. Register Call Summary for Register DRM_SUSPEND_CTRL1.....	7628
34-40. DRM_SUSPEND_CTRL2	7628
34-41. Register Call Summary for Register DRM_SUSPEND_CTRL2.....	7629
34-42. DRM_SUSPEND_CTRL3	7629
34-43. Register Call Summary for Register DRM_SUSPEND_CTRL3.....	7630
34-44. DRM_SUSPEND_CTRL4	7630
34-45. Register Call Summary for Register DRM_SUSPEND_CTRL4.....	7631
34-46. DRM_SUSPEND_CTRL5	7631
34-47. Register Call Summary for Register DRM_SUSPEND_CTRL5.....	7632
34-48. DRM_SUSPEND_CTRL6	7632
34-49. Register Call Summary for Register DRM_SUSPEND_CTRL6.....	7633
34-50. DRM_SUSPEND_CTRL7	7633
34-51. Register Call Summary for Register DRM_SUSPEND_CTRL7.....	7634
34-52. DRM_SUSPEND_CTRL8	7634
34-53. Register Call Summary for Register DRM_SUSPEND_CTRL8.....	7635
34-54. DRM_SUSPEND_CTRL9	7635
34-55. Register Call Summary for Register DRM_SUSPEND_CTRL9.....	7636
34-56. DRM_SUSPEND_CTRL10.....	7636
34-57. Register Call Summary for Register DRM_SUSPEND_CTRL10	7637
34-58. DRM_SUSPEND_CTRL11.....	7637
34-59. Register Call Summary for Register DRM_SUSPEND_CTRL11	7638
34-60. DRM_SUSPEND_CTRL12.....	7638

34-61. Register Call Summary for Register DRM_SUSPEND_CTRL12	7639
34-62. DRM_SUSPEND_CTRL13.....	7639
34-63. Register Call Summary for Register DRM_SUSPEND_CTRL13	7640
34-64. DRM_SUSPEND_CTRL14.....	7640
34-65. Register Call Summary for Register DRM_SUSPEND_CTRL14	7641
34-66. DRM_SUSPEND_CTRL15.....	7641
34-67. Register Call Summary for Register DRM_SUSPEND_CTRL15	7642
34-68. DRM_SUSPEND_CTRL16.....	7642
34-69. Register Call Summary for Register DRM_SUSPEND_CTRL16	7643
34-70. DRM_SUSPEND_CTRL17.....	7643
34-71. Register Call Summary for Register DRM_SUSPEND_CTRL17	7644
34-72. DRM_SUSPEND_CTRL18.....	7644
34-73. Register Call Summary for Register DRM_SUSPEND_CTRL18	7645
34-74. DRM_SUSPEND_CTRL19.....	7645
34-75. Register Call Summary for Register DRM_SUSPEND_CTRL19	7646
34-76. DRM_SUSPEND_CTRL20.....	7646
34-77. Register Call Summary for Register DRM_SUSPEND_CTRL20	7647
34-78. DRM_SUSPEND_CTRL21.....	7647
34-79. Register Call Summary for Register DRM_SUSPEND_CTRL21	7648
34-80. DRM_SUSPEND_CTRL22.....	7648
34-81. Register Call Summary for Register DRM_SUSPEND_CTRL22	7649
34-82. DRM_SUSPEND_CTRL23.....	7649
34-83. Register Call Summary for Register DRM_SUSPEND_CTRL23	7650
34-84. DRM_SUSPEND_CTRL24.....	7650
34-85. Register Call Summary for Register DRM_SUSPEND_CTRL24	7651
34-86. DRM_SUSPEND_CTRL25.....	7651
34-87. Register Call Summary for Register DRM_SUSPEND_CTRL25	7652
34-88. DRM_SUSPEND_CTRL26.....	7652
34-89. Register Call Summary for Register DRM_SUSPEND_CTRL26	7653
34-90. DRM_SUSPEND_CTRL27.....	7653
34-91. Register Call Summary for Register DRM_SUSPEND_CTRL27	7654
34-92. DRM_SUSPEND_CTRL28.....	7654
34-93. Register Call Summary for Register DRM_SUSPEND_CTRL28	7655
34-94. DRM_SUSPEND_CTRL29.....	7655
34-95. Register Call Summary for Register DRM_SUSPEND_CTRL29	7656
34-96. DRM_SUSPEND_CTRL30.....	7656
34-97. Register Call Summary for Register DRM_SUSPEND_CTRL30	7657
34-98. DRM_SUSPEND_CTRL31.....	7657
34-99. Register Call Summary for Register DRM_SUSPEND_CTRL31	7658
34-100. DRM_SUSPEND_CTRL32	7658
34-101. Register Call Summary for Register DRM_SUSPEND_CTRL32.....	7659
34-102. DRM_SUSPEND_CTRL33	7659
34-103. Register Call Summary for Register DRM_SUSPEND_CTRL33.....	7660
34-104. DRM_SUSPEND_CTRL34	7660
34-105. Register Call Summary for Register DRM_SUSPEND_CTRL34.....	7661
34-106. DRM_SUSPEND_CTRL35	7661
34-107. Register Call Summary for Register DRM_SUSPEND_CTRL35.....	7662
34-108. DRM_SUSPEND_CTRL36	7662
34-109. Register Call Summary for Register DRM_SUSPEND_CTRL36.....	7663

34-110. DRM_SUSPEND_CTRL37	7663
34-111. Register Call Summary for Register DRM_SUSPEND_CTRL37.....	7664

Revision History

Additional details regarding key changes can be found in the Extended Revision History located in [Appendix B](#).

Changes from April 9, 2019 to September 9, 2019 (from I Revision (April 2019) to J Revision)	Page
• Added AM571x SR2.1 Device Support. See Appendix B for more details	374
• Added AM571x SR2.1 Device Support. See Appendix B for more details	438
• Added AM571x SR2.1 Device Support. See Appendix B for more details.....	3026
• Updated GPMC Subsection Chip-Select Base Address and Region Size. See Appendix B for more details	3543
• Added Clarification on PRU-ICSS Host Interrupts. See Appendix B for more details	4110
• Added AM571x SR2.1 Device Support. See Appendix B for more details.....	4171
• Updated Section Write Nonposting Synchronization Mode and Reset Value of TSICR[2] POSTED Bit. See Appendix B for more details.....	5468
• Updated Description about the WDCNT Bit Field Behavior. See Appendix B for more details	5869
• Fixed Typo in Number of GPIO Interrupt Lines. See Appendix B for more details	6949
• Updated Tables PRU-ICSS1 and PRU-ICSS2 I/O Signals. See Appendix B for more details	7207
• Added AM571x SR2.1 Device Support. See Appendix B for more details.....	7210
• Added Clarification on PRU-ICSS Host Interrupts. See Appendix B for more details	7218
• Added IRAM Initialization Sequence. See Appendix B for more details	7225
• Added AM571x SR2.1 Device Support. See Appendix B for more details.....	7509

Read This First

Community Resources

The following link connects to TI community resources. Linked contents are provided "AS IS" by the respective contributors. They do not constitute TI specifications and do not necessarily reflect TI's views; see TI's [Terms of Use](#).

TI Embedded Processors Wiki —Texas Instruments Embedded Processors Wiki

Established to assist developers using the many Embedded Processors from Texas Instruments to get started, help each other innovate, and foster the growth of general knowledge about the hardware and software surrounding these devices.

About This Manual

Information About Cautions and Warnings

This book may contain cautions and warnings.

CAUTION

This is an example of a caution statement.

A caution statement describes a situation that could potentially damage your software or equipment.

WARNING

This is an example of a warning statement.

A warning statement describes a situation that could potentially cause harm to you.

The information in a caution or a warning is provided for your protection. Please read each caution and warning carefully.

Register, Field, and Bit Calls

The naming convention applied for a call consists of:

- For a register call: *<Module name>.<Register name>*; for example: UART.UASR
- For a bit field call:
 - *<Module name>.<Register name>[End:Start] <Field name> field*; for example, UART.UASR[4:0] SPEED bit field
 - *<Field name> field <Module name>.<Register name>[End:Start]*; for example, SPEED bit field UART.UASR[4:0]
- For a bit call:
 - *<Module name>.<Register name>[pos] <Bit name> bit*, for example, UART.UASR[5] BIT_BY_CHAR bit
 - *<Bit name> bit <Module name>.<Register name>[pos]*; for example, BIT_BY_CHAR bit UART.UASR[5]

To help the reader navigate the document, each register call is hyperlinked to its register description in the register manual section. After each register description, a table summarizes all hyperlinked register calls.






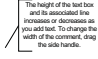




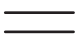

Coding Rules

The programming models or code listings follow the rules:

Type	Definition	Example
File	Starts with the module name	PRCM_test1.c MCBSP1_init.h
Variable	Global variables are prefixed by "g_" Pointers are prefixed by "p" Global pointers are prefixed by "g_p"	g_SDMA_LogicalChan pAddrCounter g_pSDMA_LogicalChan
Function	Starts with the module name	PRCM_SetupClocks() ArmIntC_MaskInterrupts()
Typedef	Ends with "_t"	PRCM_Struct_t
Definition	Starts with the module name and is followed by the register name	#define SMS_ERR_TYPE *((volatile Uint32*)0x680080F4) #define MCBSP2_RCR1_REG *((volatile Uint32*)0x4807401C)
Enumeration	Starts with the module name	Typedef enum DMA_Mode_Label { INPUT_MODE OUTPUT_MODE } DMA_Mode_t;

Flow Chart Rules

Flow charts follow the following rules:

Shape	Name	Definition
	Process	Any computational steps or processing function of a program; defined operation(s) causing change in value, form, or location of information
	Decision	A decision or switching-type operation that determines which of a number of alternate paths is followed
	Predefined process or sub-process	One or more named operations or program steps specified in a subroutine or another set of flow charts
	Data or I/O	General I/O function; information available for processing (input) or recording of processed information (output)
	Terminator	Terminal point in a flow chart: start, stop, halt, delay, or interrupt; may show exit from a closed subroutine
	Annotation	Additional descriptive clarification, comment
	On page connector (reference)	Exit to, or entry from, another part of chart in the same page
	Off page connector (reference)	The flow continues on a different page.
	Summing Junction	Logical AND
	Or	Logical OR
	Parallel mode (ISO)	Beginning or end of two or more simultaneous operations
	Flow Line	Lines indicate the sequence of steps and the direction of flow.

AM571x, AM570x MIPI® Disclaimer

The material contained herein is not a license, either expressly or impliedly, to any IPR owned or controlled by any of the authors or developers of this material or MIPI. The material contained herein is provided on an “AS IS” basis and to the maximum extent permitted by applicable law, this material is provided AS IS AND WITH ALL FAULTS, and the authors and developers of this material and MIPI hereby disclaim all other warranties and conditions, either express, implied or statutory, including, but not limited to, any (if any) implied warranties, duties or conditions of merchantability, of fitness for a particular purpose, of accuracy or completeness of responses, of results, of workmanlike effort, of lack of viruses, and of lack of negligence.

ALSO, THERE IS NO WARRANTY OF CONDITION OF TITLE, QUIET ENJOYMENT, QUIET POSSESSION, CORRESPONDENCE TO DESCRIPTION OR NON-INFRINGEMENT WITH REGARD TO THIS MATERIAL OR THE CONTENTS OF THIS DOCUMENT. IN NO EVENT WILL ANY AUTHOR OR DEVELOPER OF THIS MATERIAL OR THE CONTENTS OF THIS DOCUMENT OR MIPI BE LIABLE TO ANY OTHER PARTY FOR THE COST OF PROCURING SUBSTITUTE GOODS OR SERVICES, LOST PROFITS, LOSS OF USE, LOSS OF DATA, OR ANY INCIDENTAL, CONSEQUENTIAL, DIRECT, INDIRECT, OR SPECIAL DAMAGES WHETHER UNDER CONTRACT, TORT, WARRANTY, OR OTHERWISE, ARISING IN ANY WAY OUT OF THIS OR ANY OTHER AGREEMENT, SPECIFICATION OR DOCUMENT RELATING TO THIS MATERIAL, WHETHER OR NOT SUCH PARTY HAD ADVANCE NOTICE OF THE POSSIBILITY OF SUCH DAMAGES.

Without limiting the generality of this Disclaimer stated above, the user of the contents of this Document is further notified that MIPI: (a) does not evaluate, test or verify the accuracy, soundness or credibility of the contents of this Document; (b) does not monitor or enforce compliance with the contents of this Document; and (c) does not certify, test, or in any manner investigate products or services or any claims of compliance with the contents of this Document. The use or implementation of the contents of this Document may involve or require the use of intellectual property rights ("IPR") including (but not limited to) patents, patent applications, or copyrights owned by one or more parties, whether or not Members of MIPI. MIPI does not make any search or investigation for IPR, nor does MIPI require or request the disclosure of any IPR or claims of IPR as respects the contents of this Document or otherwise. Questions pertaining to this document, or the terms or conditions of its provision, should be addressed to:

MIPI Alliance, Inc. c/o IEEE-ISTO 445 Hoes Lane Piscataway, NJ 08854 Attn: Board Secretary

Trademarks

Sitara and SmartReflex are trademarks of Texas Instruments.

Arm, Jazelle, Thumb, AMBA, and Cortex are registered trademarks of Arm Limited (or its subsidiaries) in the US and/or elsewhere.

Arm9, CoreSight, and Neon are trademarks of Arm Limited (or its subsidiaries) in the US and/or elsewhere.

Oracle and Java are registered trademarks of Oracle and/or its affiliates.

Bluetooth is a registered trademark of Bluetooth SIG, Inc. and is licensed to Texas Instruments.

HDQ is a trademark of Benchmark.

1-Wire is a registered trademark of Dallas Semiconductor.

Windows, Direct3D, DirectDraw, and DirectX are trademarks or registered trademarks of Microsoft Corporation in the United States and other countries.

USSE and PowerVR are trademarks or registered trademarks of Imagination Technologies Limited.

OpenVG and OpenWF are trademarks of Khronos Group, Inc.

Arteris is a trademark of Arteris, Inc.

RealVideo is a registered trademark of RealNetworks, Inc.

Secure Digital and SD are registered trademarks of SD Card Association.

MMC and eMMC are trademarks of MultiMediaCard Association.

SonicsLX, Sonics3220 are trademarks or registered trademarks of Sonics, Inc.

HD Radio is a trademark of iBiquity Digital Corporation.

Linux is a registered trademark of Linus Torvalds.

On2 is property of Google, Inc.

I²C and I²S are trademarks of NXP Semiconductors.

MIPI is a registered trademark of the MIPI Alliance, Inc.

OneNAND is a trademark of SAMSUNG Electronics, Corporation.

All other trademarks are the property of their respective owners.

Introduction

This chapter introduces the features, subsystems, and architecture of the AM571x and AM570x families of high-performance processors.

Topic	Page
1.1 AM571x, AM570x Overview	361
1.2 AM571x, AM570x Environment	363
1.3 AM571x, AM570x Description	364
1.4 AM571x, AM570x Family	373
1.5 AM571x, AM570x Device Identification	373
1.6 AM571x, AM570x Package Characteristics Overview	376

1.1 AM571x, AM570x Overview

The AM571x, AM570x is a high-performance, Sitara™ device, integrated on a 28-nm technology.

- The architecture is designed for industrial automation applications including advanced Human Machine Interface (HMI), industrial communication, automation and control, and other high performance and general use applications, and best-in-class CPU performance, video, image, and graphics processing sufficient to support:
 - Streaming video up to full high definition (Full-HD) (1920 × 1080p, 60 fps)
 - 2-dimensional (2D) and 3-dimensional (3D) graphics and composition

NOTE: This TRM describes all subsystems and modules which are available on the superset device. The supported set of features and peripherals is device part number dependent. Refer to the device Data Manual, for more information.

- The device is composed of the following subsystems:
 - Arm® Cortex®-A15 microprocessor unit (MPU) subsystem, including one Arm Cortex-A15 core
 - One digital signal processor (DSP) C66x subsystem
 - Image and video accelerator high-definition (IVA-HD) subsystem
 - 4K @ 15fps encode and decode support for H.264 CODEC
 - Other CODECs up to 1080p60
 - Two Arm® Cortex®-M4 image processing unit (IPU) subsystems, each including two Arm Cortex-M4 microprocessors available for general purpose usage
 - Display subsystem (DSS)
 - Video processing engine (VPE) subsystem
 - Video input port (VIP) capture
 - 3D-graphics processing unit (GPU) subsystem, including one POWERVR® SGX544 core
 - BB2D subsystem, including Vivante™ GC320 core
 - Camera Adaptation Layer, providing support for up to two MIPI® CSI-2 interfaces
 - Three pulse-width modulation (PWM) subsystems
 - Real-time clock (RTC) subsystem

Note: RTC is only available on the AM571x family of devices
 - Two dual-core Programmable Real-time Unit and Industrial Communication Subsystems (PRU-ICSS).
 - Debug subsystem
- The device provides a rich set of connectivity peripherals, including among others:
 - One USB3.0 subsystem and one USB2.0 subsystem
 - SATA 2 subsystem

Note: SATA is only available on the AM571x family of devices
 - Two PCI Express Gen2 subsystems
 - 3-port Gigabit Ethernet Switch subsystem
- The device includes support for:
 - Error detection and correction:
 - Parity bit per byte on C66x DSP L1 program cache and single-error correction dual-error detection (SECEDED) on L2 memories on the DSP
 - SECEDED on large L3 memory
 - MMU/MPU
 - MMU used for key masters (Cortex-A15 MPU, Cortex-M4 IPU, C66x DSP, EDMA)
 - Memory protection of C66x core
 - MMU inside the Dynamic Memory Manager

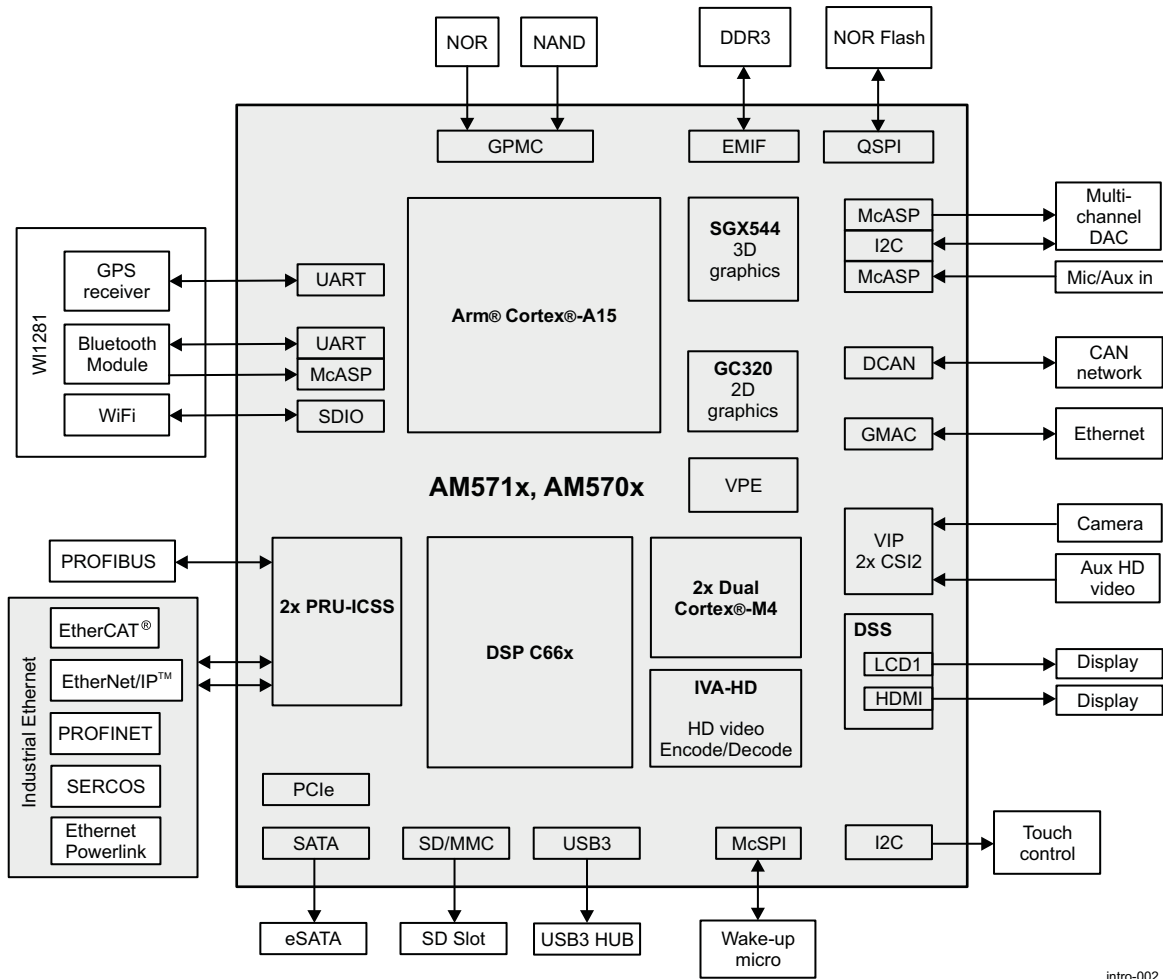
- The device includes state-of-the-art integrated power-management techniques required for high-performance products.
- The device also integrates:
 - On-chip memory
 - External memory interfaces
 - Memory management
 - Level 3 (L3) and level 4 (L4) interconnects
 - System peripherals
 - Audio, media and connectivity peripherals

1.2 AM571x, AM570x Environment

This section provides an overview of the AM571x, AM570x environment.

Figure 1-1 is an example for a non-exhaustive environment for the AM571x, AM570x device.

Figure 1-1. AM571x, AM570x Sample Environment Diagram

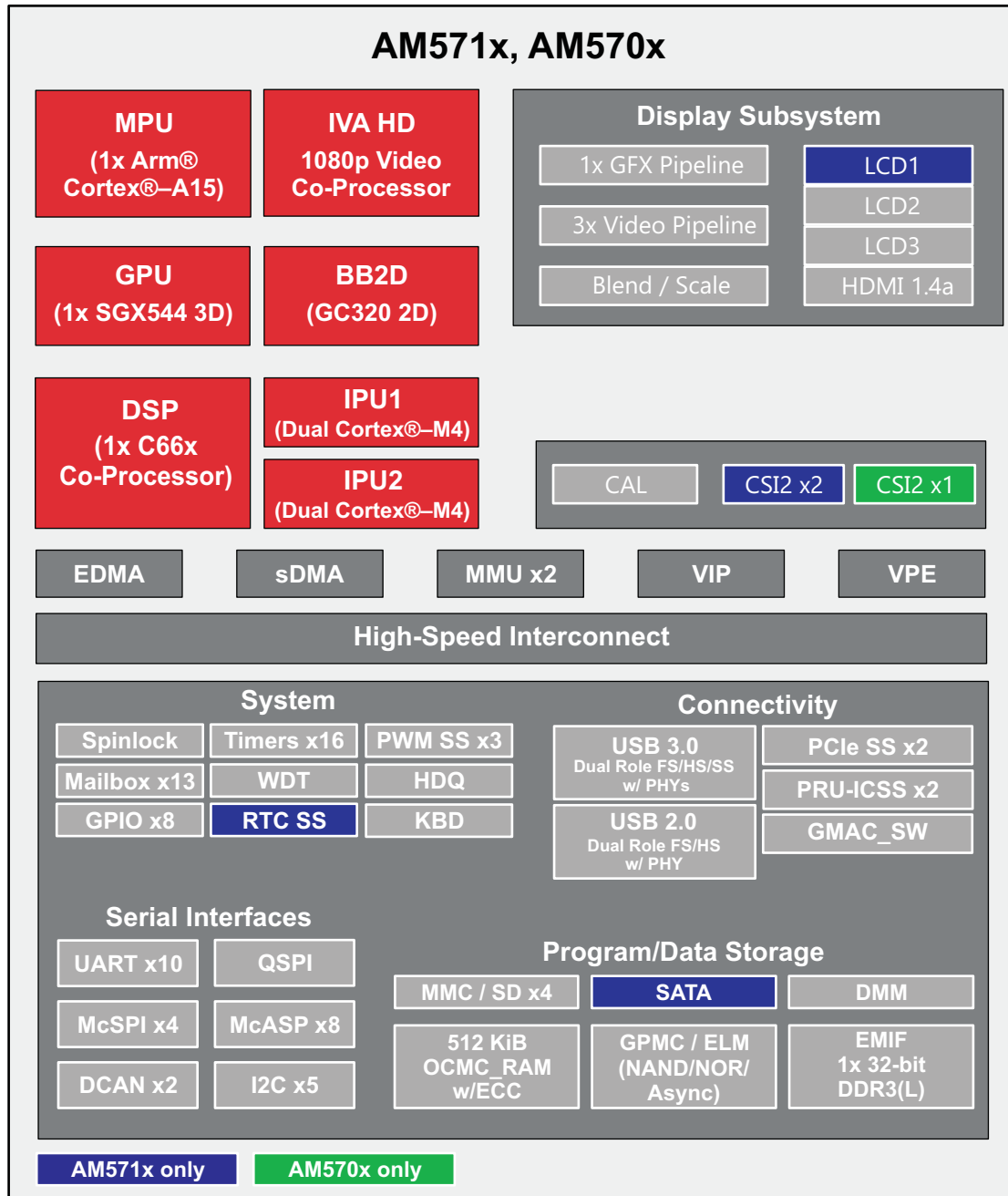


NOTE: SATA and second CSI2 instance (CSI2_PHY2) are not supported on the AM570x family of devices.

1.3 AM571x, AM570x Description

Figure 1-2 is the block diagram of AM571x, AM570x device.

Figure 1-2. AM571x, AM570x Block Diagram



intro-001

NOTE: The supported set of features and peripherals is device part number dependent. Refer to device-specific Data Manual, for more information.

1.3.1 MPU Subsystem

The Cortex-A15 MPU subsystem integrates the following submodules:

- Arm Cortex-A15 MPCore
 - One central processing unit (CPU)
 - Arm Version 7 ISA: Standard Arm instruction set plus Arm® Thumb®-2, Arm® Jazelle® RCT Java™ accelerator, hardware virtualization support, and large physical address extensions (LPAAE)
 - Arm® Neon™ SIMD coprocessor and VFPv4 per CPU
 - Interrupt controller with up to 160 interrupt requests
 - One general-purpose timer and one watchdog timer per CPU
 - Debug and trace features
 - 32-KiB instruction and 32-KiB data level 1 (L1) cache per CPU
- Shared 1-MiB level 2 (L2) cache with ECC
- 48-KiB bootable ROM
- Local power, reset, and clock management (PRCM) module
- Emulation features
- Digital phase-locked loop (DPLL)

1.3.2 DSP Subsystem

There is one DSP subsystem in the device containing the following submodules:

- TMS320C66x™ VLIW DSP core for audio processing, and general-purpose imaging and video processing. It extends the performance of existing C64x+™ and C647x™ DSPs through enhancements and new features.
 - 32-KiB L1D and 32-KiB L1P cache or addressable SRAM
 - 288-KiB L2 cache
 - 256-KiB configurable as cache or SRAM
 - 32-KiB SRAM
- Enhanced direct memory access (EDMA) engine for video and audio data transfer
- Memory management units (MMU) for address management.
- Interrupt controller (INTC)
- Emulation capabilities

1.3.3 PRU-ICSS

There are two Programmable Real-time Unit and Industrial Communication Subsystems (PRU-ICSS) in the device. Each PRU-ICSS consists of dual 32-bit RISC cores (Programmable Real-Time Units, or PRUs), shared data and instruction memories, internal peripheral modules, and an interrupt controller (INTC).

Among the interfaces supported by the PRU-ICSS are real-time industrial protocols used in master and slave mode, such as:

- EtherCAT®
- PROFINET
- EtherNet/IP™
- PROFIBUS
- Ethernet Powerlink
- SERCOS

Other features include:

- 2x Channel EnDAT 2.2/SCU
- 18x Channel Sigma-Delta/SCU

- CRC 16/32

1.3.4 IPU Subsystems

There are two Arm Cortex-M4 IPU subsystems in the device available for general purpose usage.

Each IPU subsystem includes the following components:

- Two Cortex-M4 CPUs
- Arm®v7E-M and Thumb-2 instruction set architectures
- Hardware division and single-cycle multiplication acceleration
- Dedicated INTC with up to 63 physical interrupt events with 16-level priority
- Two-level memory subsystem hierarchy
 - L1 32-KiB shared cache memory
 - L2 ROM + RAM
 - 64-KiB RAM
 - 16-KiB bootable ROM
- MMU for address translation
- Integrated power management
- Emulation feature embedded in the Cortex-M4

1.3.5 IVA-HD Subsystem

The IVA-HD subsystem is a set of video encoder and decoder hardware accelerators.

The list of supported codecs can be found in the software development kit (SDK) documentation.

1.3.6 Display Subsystem

The display subsystem provides the control signals required to interface the device system memory frame buffer (SDRAM) directly to the displays. It supports hardware cursor, independent gamma curve on all interfaces, multiple-buffer, and programmable color phase rotation. The display subsystem allows low-power display refresh and arbitration between normal and low-priority pipelines.

The display subsystem consists of the following components:

- **Display controller:** Reads and displays the encoded pixel data stored in memory and writes the output of one of the overlays or one of the pipelines into the system memory. The display controller supports the following components:
 - Three video pipelines, one graphic pipeline, and one write-back pipeline. The graphic pipeline supports pixel formats such as: ARGB16-4444, RGB16-565, ARGB16-1555, ARGB32-8888, RGBA32-8888, RGB24-888. It allows selection of the color-depth expansion.
 - Write-back pipeline: Uses poly-phase filtering for independent horizontal and vertical resampling (upsampling and downsampling). It allows programmable color space conversion of RGB24 into YUV4:2:2-UYYV, YUV4:2:2-YUV2, or YUV4:2:0-NV12 or NV21, and selection of color-depth reduction from RGB24 to RGB16.
 - Up to three LCD outputs, each one with dedicated overlay manager, for support of active matrix color displays (up to 24-bit interface). Maximum listed resolutions are not supported concurrently on all outputs.
 - First main LCD output is delivered on MIPI® DPI 1.0 LCD pixel interface, supporting up to WUXGA (1920 x 1200) with reduced blanking periods.
Note: LCD1 is only available on the AM571x family of devices.
 - Second and third LCD outputs are delivered on MIPI DPI 2.0 LCD pixel interfaces, supporting up to WUXGA (1920 x 1200) with reduced blanking periods.
 - One TV output with dedicated overlay manager to support HDMI v1.4a interface (1080p @ 60 fps video and multichannel audio)
 - Own direct memory access (DMA) engine

- **High-definition multimedia interface (HDMI) encoder** with the following main features:
 - HDMI 1.4a and DVI 1.0 compliant

1.3.7 Video Processing Subsystem

The video processing engine (VPE) module provides support for the following memory-to-memory operations:

- Reads of raster or tiled YUV420 coplanar, YUV422 coplanar, or YUV422 interleaved video
- Deinterlacing up to two 1080i video streams
- Scaling up to 1080p (1920x1080 resolution) of the input video
- Chroma up- and downsampling
- VC-1 Range Mapping and Range Reduction
- Color space conversion
- Writes of the resulting video in YUV420 coplanar (raster or tiled), YUV422 coplanar (raster or tiled), YUV422 interleaved (raster or tiled), YUV444 single plane (raster only), or RGB888 (raster only).

1.3.8 Video Capture

There is one Video Input Port (VIP) module in the device, providing video capture functions.

VIP module supports up to:

- Two separate 24-bit video ports for parallel RGB/YUV/RAW (or BT.656/1120) data, up to 165 MHz
- Two separate 8-bit video ports for YUV/RAW (or BT.656) data, up to 165 MHz
- Embedded Sync (multiplexed sources) and Discrete Sync (single source) data interface modes
- Color space conversion and scaling:
 - Up to 2047 pixels wide input with scaling
 - Up to 3840 pixels wide input - when chroma up/down sampling without scaling
 - Up to 4095 pixels wide input - without scaling & chroma up/down sampling
 - Maximum supported input resolution is further limited by:
 - Pixel clock and feature-dependent constraints
 - For RGB24-bit format (RAW data), the maximum frame width is limited to 2730 pixels
- Embedded DMA engine, supporting tiled (2D) and raster addressing
- RAW mode for input parallel camera sensor data (up to 24-bit) directly to memory (no conversion or processing)

1.3.9 3D GPU Subsystem

The 3D graphics processing unit (GPU) subsystem is based on POWERVR® SGX544 subsystem from Imagination Technologies. It supports general embedded applications. The GPU can process different data types simultaneously, such as: pixel data, vertex data, video data, and general-purpose data.

The GPU subsystem has the following features:

- GPU architecture: one SGX544 core, 64 KiB of system level cache
- Tile-based deferred rendering architecture
- Second-generation universal scalable shader engines (USSE2), multithreaded engines incorporating pixel and vertex shader functionality
- Present and texture load accelerators
 - Enables to move, rotate, twiddle, and scale texture surfaces
 - Supports RGB, ARGB, YUV422, and YUV420 surface formats
 - Supports bilinear upscale
 - Supports source colorkey
- Industry-standard API supports DirectX® 9 and OpenVG™ 1.1

- Fine-grained task switching, load balancing, and power management
- Programmable high-quality image antialiasing
- Bilinear, trilinear, anisotropic texture filtering
- Advanced geometry DMA driven operation for minimum CPU interaction
- Fully virtualized memory addressing for OS operation in a unified memory architecture (MMU)

1.3.10 **BB2D Subsystem**

The 2D BitBlit (BB2D) graphics accelerator subsystem is based on the GC320 core from Vivante Corporation and has the following features:

- API support:
 - OpenWF™, DirectFB
 - GDI/DirectDraw
 - Adobe® Flash®
- BB2D architecture:
 - BitBlit and StretchBlit
 - DirectFB hardware acceleration
 - ROP2, ROP3, ROP4 full alpha blending and transparency
 - Clipping rectangle support
 - Alpha blending includes Java 2 Porter-Duff compositing rules
 - 90-, 180-, 270-degree rotation on every primitive
 - YUV-to-RGB color space conversion
 - Programmable display format conversion with 14 source and 7 destination formats
 - High-quality, 9-tap, 32-phase filter for image and video scaling at 1080p
 - Monochrome expansion for text rendering
 - 32 K × 32 K coordinate system

1.3.11 **Camera Interface Subsystem**

The Camera Interface Subsystem is based on CAL (Camera Adaptation Layer) module and up to two MIPI D-PHY compliant receivers.

CAL provides up to two MIPI CSI-2 interfaces:

- Transfer of pixels and data received by up to two D-PHY receivers (CSI2_PHY1 and CSI2_PHY2) to:
 - System memory, through 128-bit master interface on L3_MAIN interconnect
 - VIP module, through a video port
- **AM571x:**
 - CSI2_PHY1 with 4 data lanes / 1 clock lane
 - CSI2_PHY2 with 2 data lanes / 1 clock lane
- **AM570x:**
 - CSI2_PHY1 with 2 data lanes / 1 clock lane
 - CSI2_PHY2 not supported
- Shared FIFO with 8 KiB size
- Maximum data rate of 1.5 Gbps per data lane
- Data merger for 2-, 3-, or 4-data lane configuration
- Error detection and correction
- Eight contexts to support eight dedicated configurations of virtual channel ID and data types
- On-the-fly differential pulse code modulation (DPCM) decompression

1.3.12 On-Chip Debug Support

The on-chip debug support has the following features:

- Multiprocessor debugging lets users control multiple CPU cores embedded in the device, such as:
 - Global starting and stopping of individual or multiple processors
 - Each processor can generate triggers that can be used to alter the execution flow of other processors
 - System clocking and power down
 - Interconnection of multiple devices
 - Channel triggering
- Target debugging, using IEEE1149.1 (JTAG®)
- Reduction of power consumption in normal operating mode

The debug subsystem includes:

- Generic TAP for emulation and test control (ICEPick-D™)
- Debug access port (DAP)
- Embedded Trace Macro (ETM)
- Trace Port Interface Unit (TPIU)
- Embedded Trace Buffer (ETM)
- Emulation Pin Manager (EPM)
- Cross triggering (XTRIG)

The debug subsystem provides also:

- ICEMelter, for controlling the wake-up and power-down of the emulation power domain
- L3_INSTR CORE instrumentation interconnect
- OCP watch-point (OCP-WP), for monitoring L3 interconnect transaction when target transaction attributes match the user-defined attributes or trigger on external debug event
- Power-management events profiler (PM instrumentation)
- Clock-management events profiler (CM instrumentation)
- Statistics collector (performance probes)

1.3.13 Power, Reset, and Clock Management

The PRCM module allows efficient control of clocks and power according to the required performance, and reduction of power consumption.

The PRCM module is divided into:

- Power and reset management (PRM) with the following features:
 - Dynamic clock gating
 - Dynamic voltage and frequency scaling (DVFS)
 - Dynamic power switching (DPS)
 - Static leakage management (SLM)
- Clock management (CM) for clock generation and distribution, allowing reduction of dynamic consumption.

1.3.14 On-Chip Memory

- The device include one instance of an On-Chip Memory Controller (OCMC) with associated up to 512 KiB RAM with ECC
- Circular buffer feature for each OCMC RAM (8-MiB virtual address space required)
- Save and Restore Memory / Scratch Pad in the wake-up domain

1.3.15 Memory Management

The memory management is performed from:

- System DMA controller with up to 128 hardware requests, 32 prioritizable logical channels, and 256 × 64-bit FIFO dynamically allocable between active channels.
- Enhanced DMA controller supporting two simultaneous read and two simultaneous write physical channels, and up to 64 programmable logical channels.
- Dynamic memory management (DMM) module, which performs global address translation and address rotation (tiling).
- Two memory management units (MMU), with 4KiB, 64KiB, 1MiB, 16MiB programmable page sizes, and 32 entries TLB.
 - MMU1 dedicated to EDMA
 - MMU2 dedicated to PCIe_SS1

1.3.16 External Memory Interfaces

- One 32-bit DDR3 / DDR3L EMIF controller:
 - Dual-port controller for efficient memory sharing between applications
 - 32-bit data path, single chip-select per memory controller
 - Memory density up to 2 GiB supported on a single chip-select providing a total SDRAM space of 2 GiB addressable by the MPU extended address range
- General-purpose memory controller (GPMC) supporting connection with:
 - Asynchronous SRAM memories
 - Asynchronous and synchronous NOR flash memories
 - NAND flash memories, with up to 16-bit ECC via the Error Location Module (ELM)
 - Pseudo-SRAM devices
- Quad SPI (QSPI) module, supporting 1 to 4 address bytes for SPI NOR flash, and up to 96-MHz single data rate

1.3.17 System and Connectivity Peripherals

The device supports a comprehensive set of peripherals to provide flexible and high-speed interfacing and on-chip programming resources.

1.3.17.1 System Peripherals

- Sixteen general-purpose timers (two timer modules supporting 1-ms tick generation)
- One watchdog timer (WDT)
- One 32-kHz synchronization timer
- System control module, which contains registers for the following functions:
 - Static device configuration
 - Debug and observability
 - Status
 - Pad configuration
 - I/O configuration
 - eFuse logic
 - Analog function control
 - System boot decoding logic
- Thirteen system Mailboxes for communication between MPU, DSP and IPU subsystems.
- SpinLock module for hardware semaphore between the MPU, DSP, and IPU subsystems
- Inter-processor Communication Register

- Three Pulse Width Modulation Subsystems (PWMSS), each containing Enhanced High Resolution Pulse Width Modulator (eHRPWM), Enhanced Capture (eCAP), and Enhanced Quadrature Encoded Pulse (eQEP) modules.
- Real-Time-Clock Subsystem (RTCSS), supporting four external wake-up inputs and one power enable output, all of which are 3.3- or 1.8-V multivoltage I/Os.
Note: RTC is only available on the AM571x family of devices
- Eight general-purpose input/output (GPIO) modules with up to 32 I/Os each. One GPIO module supporting wake-up request generation.
- HDQ™/1-Wire® – Benchmarq HDQ and Dallas Semiconductor 1-Wire protocols interface
- Keyboard controller, supporting up to 9 × 9 matrix keypads

1.3.17.2 Media Connectivity Peripherals

- Four HS-MMC/SD/SDIO modules:
 - Two modules acting as HS-MMC/SD initiator controllers, supporting JEDEC JESD84 v4.5-A441 and SD3.0 physical layer with SDA3.00 standards
 - One controller with 8-bit interface for JESD84 memories with dual voltage IOs (1.8 or 3.3 V). Another controller with 4-bit interface for external card support with embedded dual voltage I/Os (1.8 or 3 V) and supporting UHS-I rates.
 - Each controller including its DMA controller compliant to ADMA2 (SDA3.00 Part A2 DMA controller)
 - Two modules acting as SDIO interface controllers. One controller supporting 4-bit data bus width. Another controller supporting up to 8-bit data bus width.
- One SuperSpeed Universal Serial Bus (USB) Dual-Role-Device (DRD) subsystem with embedded HS and SS PHYs, compatible with the USB2.0 (up to 480 Mbps) and USB3.0 (5 Gbps) standards
- One HS USB subsystem with embedded HS PHY, supporting up to 480 Mbps.
- One SATA subsystem, providing interface for solid-state drive (SSD) or hard-disk drive (HDD) mass storage. Supports one HBA port with SATA-2 generation speed of 3 Gbps.
Note: SATA is only available on the AM571x family of devices

1.3.17.3 Connectivity Peripherals

- One 3-port Gigabit Ethernet Switch subsystem (10, 100, or 1000 Mbps). The switch provides two external Ethernet ports and one internal CPPI interface port with AVB/Industrial Ethernet and 802.1ae support. Included support for 3.3-V RMII/MII and 1.8- or 3.3-V RGMII.
- Two DCAN controllers, supporting bitrates up to 1 Mbit/s and compliant to the Controller Area Network (CAN) 2.0B protocol specification.
- Two PCI Express subsystems, one providing Gen2 compliant 2-lane port, and the other providing Gen2 compliant 1-lane port, up to 5.0 Gbps per lane. Both PCIe subsystems provide support for either Root Complex or Endpoint. The two PCIe subsystems share common 2-lane PCIe PHY, configurable to operate either as 2-lane to one controller (PCIe_SS1) or two separate lanes to two controllers (PCIe_SS1 and PCIe_SS2).

1.3.17.4 Audio Connectivity Peripherals

- Eight multichannel audio serial ports (McASP):
 - Two McASP supporting up to 16 channels each and independent TX/RX clock/sync domains
 - Six McASP supporting up to 4 channels each and unified clock/sync domain
 - Features list of the McASP include:
 - Independent transmit and receive modules, each including programmable clock and frame sync generator, TDM streams from 2 to 32, support for time slot sizes up to 32 bits, data formatter for bit manipulation
 - Glueless connection to audio analog-to-digital converters (ADC), digital-to-analog converters (DAC), codec, digital audio interface receiver (DIR), and S/PDIF transmit physical layer components.

- Wide variety of I2S and similar bit-stream formats
- Integrated digital audio interface transmitter (DIT) supporting S/PDIF, IEC60958-1, AES-3 formats, and enhanced channel status/user data RAM
- 384-slot TDM with external digital audio interface receiver (DIR) device
- Extensive error checking and recovery

1.3.17.5 Serial Control Peripherals

- Ten universal asynchronous receiver/transmitter (UART) modules as serial-communication interfaces, 16C750 compatible.
 - One UART module supporting extended modem control signals
 - One UART module with IrDA features
- Four general purpose multichannel serial peripheral interface (McSPI) modules
- Five multimaster HS I²C controller modules, compliant with Philips I²C specification version 2.1.
 - I2C1 and I2C2 controllers support Fast-mode, with rates up to 400 Kbps
 - I2C3, I2C4 and I2C5 controllers support High-speed mode, with rates up to 3.4 Mbps

1.4 AM571x, AM570x Family

The AM571x family is composed of several device variants (that is AM5718, AM5716, etc.). The supported set of features and peripherals is device part number dependent. Refer to a device-specific Data Manual, for more information.

The AM570x family is composed of several device variants (that is AM5708, AM5706, etc.). The supported set of features and peripherals is device part number dependent. Refer to a device-specific Data Manual, for more information.

1.5 AM571x, AM570x Device Identification

[Table 1-1](#) describes the identification registers.

The identification registers include the data registers listed in [Table 1-2](#) and [Table 1-4](#). These registers are read-only accessed ports that are programmed into eFuses FARM FROM.

Table 1-1. Device Identification Register Fields

Register Field	Alias Name	Physical Address	Address Offset
CTRL_CORE_STATUS[8:6] DEVICE_TYPE	DEVICE_TYPE	0x4A00 2134	0x134
CTRL_WKUP_STD_FUSE_DIE_ID_0[31:0] STD_FUSE_DIE_ID_0	DIE_ID[31:0]	0x4AE0 C200	0x200
CTRL_WKUP_ID_CODE[31:0] STD_FUSE_IDCODE	ID_CODE	0x4AE0 C204	0x204
CTRL_WKUP_STD_FUSE_DIE_ID_1[31:0] STD_FUSE_DIE_ID_1	DIE_ID[63:32]	0x4AE0 C208	0x208
CTRL_WKUP_STD_FUSE_DIE_ID_2[31:0] STD_FUSE_DIE_ID_2	DIE_ID[95:64]	0x4AE0 C20C	0x20C
CTRL_WKUP_STD_FUSE_DIE_ID_3[31:0] STD_FUSE_DIE_ID_3	DIE_ID[127:96]	0x4AE0 C210	0x210
CTRL_WKUP_STD_FUSE_PROD_ID_0[31:0] STD_FUSE_PROD_ID	PROD_ID	0x4AE0 C214	0x214

Table 1-2. DIE_ID

Register Field	Alias Name	Value
CTRL_WKUP_STD_FUSE_DIE_ID_0[31:0] STD_FUSE_DIE_ID_0	DIE_ID[31:0]	This register is for internal-use only.
CTRL_WKUP_STD_FUSE_DIE_ID_1[31:0] STD_FUSE_DIE_ID_1	DIE_ID[63:32]	This register is for internal-use only.
CTRL_WKUP_STD_FUSE_DIE_ID_2[31:0] STD_FUSE_DIE_ID_2	DIE_ID[95:64]	Part number identifier. See Table 1-3 for more information.
CTRL_WKUP_STD_FUSE_DIE_ID_3[31:0] STD_FUSE_DIE_ID_3	DIE_ID[127:96]	Reserved

The part number identification data can be read in the [31:0] STD_FUSE_DIE_ID_2 bit-field of the CTRL_WKUP_STD_FUSE_DIE_ID_2 register. See [Table 1-3](#) for more information.

Table 1-3. AM571x, AM570x Part Number Identifier

CTRL_WKUP_STD_FUSE_DIE_ID_2 [31:0] STD_FUSE_DIE_ID_2	Value and Description	Comment
[31:24] Base PN	Refer to the Device Comparison section of a device-specific Data Manual (DM) for the Base PN value of a given part number.	Refer to device DM for details on the supported features for a given part number.

Table 1-3. AM571x, AM570x Part Number Identifier (continued)

CTRL_WKUP_STD_FUSE_DIE_ID_2 [31:0] STD_FUSE_DIE_ID_2	Value and Description	Comment
[23:19] Speed	0 (0x00) = A speed designator 1 (0x01) = B speed designator ... 24 (0x18) = Y speed designator 25 (0x19) = Z speed designator	Refer to device DM for supported speed grades for a given device, and the definition for supported speed grades.
[18] Temperature	For SR1.0 (AM571x only): 0 = Commercial, 0°C to 90°C 1 = Industrial, -40°C to 105°C For SR2.0 and SR2.1: 0 = Automotive Q100, -40°C to 125°C (AM571x only) 1 = Commercial, 0°C to 90°C, Industrial, -40°C to 105°C (both AM571x and AM570x)	Junction temperature.
[17:16] Package	2 = ABC 23x23 (AM571x) 1 = CBD 17x17 (AM570x) Others = Reserved	Refer to device DM for details on packaging.
[15:0] Reserved	Reserved	Reserved

The product type can be read in the value of the RAMP_SYSTEM bit field of the IC_CODE register (see [Table 1-4](#)). The silicon revision can be read in the value of the VERSION bit field of the ID_CODE register (see [Table 1-4](#)).

Table 1-4. ID_CODE

Register Field	Value	Comment
CTRL_WKUP_ID_CODE[31:28] VERSION	See Table 1-5	Revision number
CTRL_WKUP_ID_CODE[27:12] RAMP_SYSTEM	See Table 1-5	Ramp system number
CTRL_WKUP_ID_CODE[11:1] TI_IDM	0x17	Manufacturer identity (TI)
CTRL_WKUP_ID_CODE[0] ONE	0x1	Always set to 1

[Table 1-5](#) lists the ramp system and revision number values.

Table 1-5. AM571x, AM570x ID_CODE Values

Silicon Type	VERSION	RAMP_SYSTEM	ID_CODE
AM571x SR1.0	0x0	0xB9BC	0x0B9BC02F
AM571x / AM570x SR2.0	0x1	0xB9BC	0x1B9BC02F
AM571x / AM570x SR2.1	0x2	0xB9BC	0x2B9BC02F

The device type can be read in the PROD_ID register (see [Table 1-6](#)).

Table 1-6. PROD_ID

Register Field	Value	Comment
CTRL_WKUP_STD_FUSE_PROD_ID_0[7:0] DEVICE_TYPE	0xF0	Reads 0xF0 when device is a general-purpose (GP) device

The device type can be read also in the CTRL_CORE_STATUS register (see [Table 1-7](#)).

Table 1-7. DEVICE_TYPE

Register Field	Value	Comment
CTRL_CORE_STATUS[8:6] DEVICE_TYPE	0x3	Reads 0x3 when device is a general-purpose (GP) device

1.6 AM571x, AM570x Package Characteristics Overview

The AM571x die will be offered with the following characteristics:

- Package type:
 - Body: 23 × 23mm
 - Technology: Ball Grid Array (BGA) package
 - Ball pitch: 0.8-mm ball pitch
 - Pattern: partial grid
 - Pins: 760 total device pins

The AM570x die will be offered with the following characteristics:

- Package type:
 - Body: 17 × 17mm
 - Technology: Ball Grid Array (BGA) package
 - Ball pitch: 0.65-mm ball pitch
 - Pattern: partial grid
 - Pins: 538 total device pins

For more information, refer to device-specific Data Manual.

Memory Mapping

This chapter describes the memory mapping in the device.

Topic	Page
2.1 Introduction	378
2.2 L3_MAIN Memory Map	380
2.3 L4 Memory Map	384
2.4 MPU Memory Map.....	396
2.5 IPU Memory Map	397
2.6 DSP Memory Map	399
2.7 PRU-ICSS Memory Map	400
2.8 TILER View Memory Map	401

2.1 Introduction

The microprocessor unit (MPU) has a 32-bit address port, which allows it to handle a 4-GiB space divided into several regions, depending on the target type.

The memory map has the following features that are shared among the initiators, such as the MPU subsystem:

- Memory space: General-purpose memory controller (GPMC)
- Dynamic memory management (DMM) controller
- Register spaces: Level 3 (L3) and level 4 (L4) interconnects
- Dedicated spaces: IPU/DSP subsystem

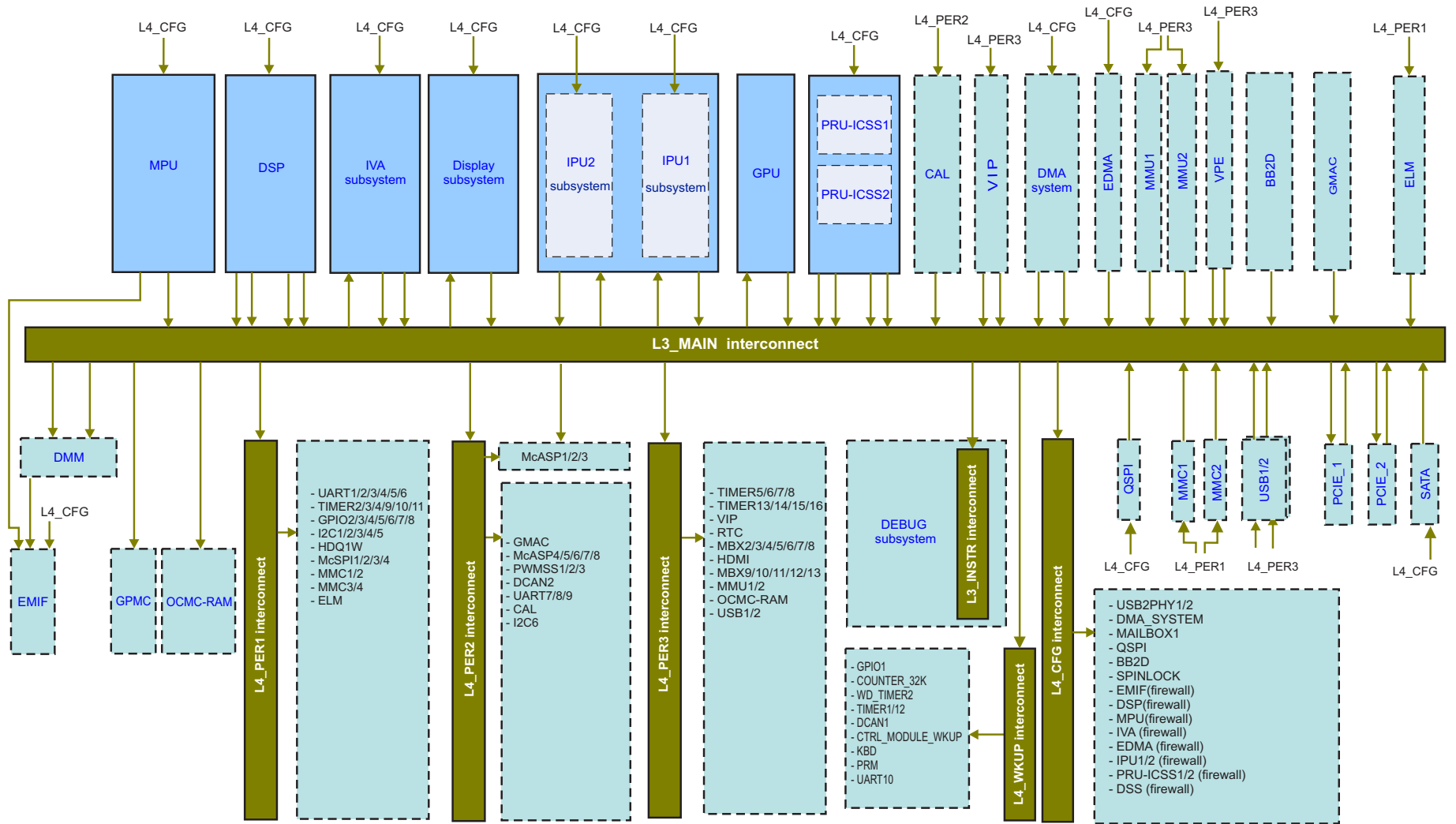
The GPMC and DMM are dedicated to memory connection. The GPMC is used for NOR and NAND flash and static random access memories (SRAMs). The DMM is used for synchronous dynamic random access memories (SDRAMs), such as DDR. For more information, see [Section 15.2, *Dynamic Memory Manager*](#), and [Section 15.3, *EMIF Controller*](#).

The L3 interconnect allows the sharing of resources, such as peripherals and external or on-chip memories, among all the initiators of the platform. The L4 interconnects control access to the peripherals.

Transfers across the platform between initiators and targets are physically conditioned by the chip interconnect and can be logically conditioned by firewalls. For more information about the intercommunication (L3 and L4 interconnects) and protection mechanisms implemented in the device, see [Section 14.2, *L3 Interconnect*](#), and [Section 14.3, *L4 Interconnect*](#).

[Figure 2-1](#) shows the interconnect of the device and the main modules and subsystems in the platform.

Figure 2-1. Interconnect Overview



memmap-001

NOTE: ATL, VCP1, VCP2, MLB, and USB3 (ULPI) are not supported on the AM571x / AM570x family of devices.

Additionally, RTC and SATA are not supported on the AM570x family of devices.

2.2 L3_MAIN Memory Map

The memory space system is hierarchical: level 1 (L1), level 2 (L2), L3_MAIN, and L4. L1 and L2 are memories in the MPU, IPU, and digital signal processor (DSP) subsystems. L3_MAIN handles many types of data transfers, including data exchange with system on-chip/external memories. The chip-level interconnect, which consists of one L3_MAIN and five L4s, enables communication among all modules and subsystems.

This section provides a global view of the memory mapping of the device at the L3_MAIN interconnect and describes the boot, GPMC, and SDRAM controller (SDRC) (EMIF/DMM) spaces.

The system memory mapping is flexible, with two levels of granularity for target address space allocation:

- L1: The four quarters are labeled Q0, Q1, Q2, and Q3. Each quarter corresponds to a 1-GiB address space (the total low-address space is 4GiB, 32-bit). The CPU extended address range is labeled as high memory (Q8–Q15) and provides a total of 8GiB.
- L2: Each quarter is divided into eight blocks of 32MiB, with target spaces mapped in the blocks.

This organization allows the decoding of all target spaces based on the 7 most significant bits (MSBs) of the 32-bit address ([31:25]).

- Boot space:

When booting from the on-chip ROM with the appropriate external sys_boot pin configuration, the lowest 1-MiB memory space [0x0000 0000 – 0x000F FFFF] is redirected to the on-chip boot ROM address space [0x4000 0000–0x400F FFFF].

When booting from the GPMC, the memory space is part of the GPMC address space. At reset, the 0x0000 0000 address is available on chip select 0 (CS0) for a memory size of 16MiB.

For more information about the sys_boot pins configuration, see [Section 15.4, General-Purpose Memory Controller](#), and [Chapter 33, Initialization](#).

- GPMC space:

Eight independent GPMC chip selects (CS0 to CS7) are available in the first quarter (Q0) of the addressing space to access NOR/NAND flash and SRAM. The chip selects have a programmable start address and programmable size (up to 128MiB) in a total memory space of (Q0) 1GiB, but limited now to 512MiB.

- EMIF space:

Q2 addressing space covers a 1-GiB address space on a single CS line.

Q3 addressing space covers a 1-GiB address space on a single CS line.

- TILER space:

Q3 addressing space is also used to access the TILER system. This space is visible only for the display subsystem (DSS) and camera adaptation layer (CAL). See [Table 2-12](#).

- 8GiB of SDRAM virtualization:

This high address range (Q8–Q15) requires an address greater than 32 bits. This space is visible only for the MPU subsystem. See [Table 2-8](#).

[Table 2-1](#) describes the global memory map.

Table 2-1. L3_MAIN Memory Map

Quarter	Region Name	Start_address (hex)	End_address (hex)	Size	Description
Q0 (1GiB)	GPMC ⁽¹⁾	0x0000 0000	0x1FFF FFFF	512MiB	8/16 Ex ⁽²⁾ /R/W
	PCIE_SS1	0x2000 0000	0x2FFF FFFF	256MiB	PCIE_SS1 configuration space
	PCIE_SS2	0x3000 0000	0x3FFF FFFF	256MiB	PCIE_SS2 configuration space
Q1 (1GiB)	Reserved	0x4000 0000	0x402F FFFF	3MiB	Reserved
	OCMC_RAM1	0x4030 0000	0x4037 FFFF	512KiB	32-bit Ex ⁽²⁾ /R/W

⁽¹⁾ Boot space location depends on the external sys_boot [5:0] pins.

⁽²⁾ Ex = Executable

Table 2-1. L3_MAIN Memory Map (continued)

Quarter	Region Name	Start_address (hex)	End_address (hex)	Size	Description
	Reserved	0x4038 0000	0x407F FFFF	4512KiB	Reserved
	DSP1_L2_SRAM	0x4080 0000	0x4084 7FFF	288KiB	DSP1 L2 SRAM and cache. See Table 2-10 .
	Reserved	0x4084 8000	0x40CF FFFF	4832KiB	Reserved
	DSP1_SYSTEM	0x40D0 0000	0x40D0 0FFF	4KiB	DSP1 system MMR block
	DSP1_MMU0CFG	0x40D0 1000	0x40D0 1FFF	4KiB	DSP1 MMU0 configuration
	DSP1_MMU1CFG	0x40D0 2000	0x40D0 2FFF	4KiB	DSP1 MMU1 configuration
	DSP1_FW0CFG	0x40D0 3000	0x40D0 3FFF	4KiB	DSP1 Firewall 0 configuration
	DSP1 FW1CFG	0x40D0 4000	0x40D0 4FFF	4KiB	DSP1 Firewall 1 configuration
	DSP1_EDMA_TC0	0x40D0 5000	0x40D0 5FFF	4KiB	DSP1 EDMA Transfer Controller 0
	DSP1_EDMA_TC1	0x40D0 6000	0x40D0 6FFF	4KiB	DSP1 EDMA Transfer Controller 1
	DSP1_NoC	0x40D0 7000	0x40D0 7FFF	4KiB	DSP1 interconnect registers
	Reserved	0x40D0 8000	0x40D0 FFFF	32KiB	Reserved
	DSP1_EDMA_CC	0x40D1 0000	0x40D1 7FFF	32KiB	DSP1 EDMA channel controller
	Reserved	0x40D1 8000	0x40DF FFFF	928KiB	Reserved
	DSP1_L1P_SRAM	0x40E0 0000	0x40E0 7FFF	32KiB	DSP1 L1P Cache/RAM
	Reserved	0x40E0 8000	0x40EF FFFF	992KiB	Reserved
	DSP1_L1D_SRAM	0x40F0 0000	0x40F0 7FFF	32KiB	DSP1 L1D Cache/RAM
	Reserved	0x40F0 8000	0x417F FFFF	9MiB	Reserved
	OCCM_RAM1_CBUF	0x4180 0000	0x41FF FFFF	8MiB	OCCM RAM1 CBUF virtual address space (Bit 31 must be set on the OCCM data interface)
	Reserved	0x4200 0000	0x425F FFFF	6MiB	Reserved
	Reserved	0x4260 0000	0x427F FFFF	2MiB	Reserved
	Reserved	0x4280 0000	0x432F FFFF	11534KiB	Reserved
	EDMA_TPCC	0x4330 0000	0x433F FFFF	1MiB	EDMA TPCC configuration space
	EDMA_TC0	0x4340 0000	0x434F FFFF	1MiB	EDMA TPTC1 configuration space
	EDMA_TC1	0x4350 0000	0x435F FFFF	1MiB	EDMA TPTC2 configuration space
	Reserved	0x4360 0000	0x439F FFFF	4MiB	Reserved
	Reserved	0x43A0 0000	0x43A3 FFFF	256KiB	Reserved
	Reserved	0x43A4 0000	0x43FF FFFF	5888KiB	Reserved
	L3_MAIN_SN	0x4400 0000	0x457F FFFF	24MiB	L3 configuration registers (service network)
	MCASP1	0x4580 0000	0x45BF FFFF	4MiB	MCASP1 data port
	MCASP2	0x45C0 0000	0x45FF FFFF	4MiB	MCASP2 data port
	MCASP3	0x4600 0000	0x463F FFFF	4MiB	MCASP3 data port
	VCP1 ⁽³⁾	0x4640 0000	0x4640 FFFF	64KiB	VCP1 configuration space
	Reserved	0x4641 0000	0x467F FFFF	4032KiB	Reserved
	VCP2 ⁽³⁾	0x4680 0000	0x4680 FFFF	64KiB	VCP2 configuration space
	Reserved	0x4681 0000	0x47FF FFFF	24MiB	Reserved
	L4_PER1	0x4800 0000	0x481F FFFF	2MiB	L4_PER1 domain. See Table 2-5
	Reserved	0x4820 0000	0x483F FFFF	2MiB	MPU private memory space. See Table 2-8
	L4_PER2	0x4840 0000	0x487F FFFF	4MiB	L4_PER2 domain. See Table 2-6
	L4_PER3	0x4880 0000	0x48FF FFFF	8MiB	L4_PER3 domain. See Table 2-7
	Reserved	0x4900 0000	0x49FF FFFF	16MiB	Reserved
	L4_CFG	0x4A00 0000	0x4ADF FFFF	14MiB	L4_CFG domain. See Table 2-3
	L4_WKUP	0x4AE0 0000	0x4AFF FFFF	2MiB	L4_WKUP domain. See Table 2-4
	Reserved	0x4B00 0000	0x4B1F FFFF	2MiB	Reserved
	PRU-ICSS1	0x4B20 0000	0x4B27 FFFF	512KiB	PRU-ICSS1 configuration registers

⁽³⁾ VCP1 and VCP2 are not supported on the AM571x / AM570x family of devices.

Table 2-1. L3_MAIN Memory Map (continued)

Quarter	Region Name	Start_address (hex)	End_address (hex)	Size	Description
	PRU-ICSS2	0x4B28 0000	0x4B2F FFFF	512KiB	PRU-ICSS2 configuration registers
	QSPI_ADDRSP0	0x4B30 0000	0x4B3F FFFF	1MiB	QSPI MMR space (Maddrspace 0)
	Reserved	0x4B40 0000	0x4BFF FFFF	12MiB	Reserved
	EMIF1	0x4C00 0000	0x4CFF FFFF	16MiB	EMIF1 configuration registers
	Reserved	0x4D00 0000	0x4DFF FFFF	16MiB	Reserved
	DMM	0x4E00 0000	0x4FFF FFFF	32MiB	DMM configuration registers
	GPMC	0x5000 0000	0x50FF FFFF	16MiB	GPMC configuration registers
	PCIE_SS1	0x5100 0000	0x517F FFFF	8MiB	PCIE_SS1 configuration registers
	PCIE_SS2	0x5180 0000	0x51FF FFFF	8MiB	PCIE_SS2 configuration registers
	Reserved	0x5200 0000	0x53FF FFFF	32MiB	Reserved
	L3_INSTR	0x5400 0000	0x547F FFFF	8MiB	Emulation domain. See Table 2-2 .
	CT_TBR	0x5480 0000	0x54FF FFFF	8MiB	Emulation domain. See Table 2-2 .
	IPU2_ROM	0x5500 0000	0x5500 3FFF	16KiB	IPU2_ROM
	Reserved	0x5500 4000	0x5501 FFFF	112KiB	Reserved
	IPU2_RAM	0x5502 0000	0x5502 FFFF	64KiB	IPU2_RAM
	Reserved	0x5503 0000	0x5507 FFFF	320KiB	Reserved
	Reserved	0x5508 0000	0x5508 07FF	2KiB	Reserved
	IPU2_UNICACHE_MMU	0x5508 0800	0x5508 0FFF	2KiB	IPU2_UNICACHE_MMU config registers
	Reserved	0x5508 1000	0x5508 1FFF	4KiB	Reserved
	IPU2_MMU	0x5508 2000	0x5508 2FFF	4KiB	IPU2_MMU configuration registers
	Reserved	0x5508 3000	0x55FF FFFF	16MiB	Reserved
	GPU	0x5600 0000	0x57FF FFFF	32MiB	3D GPU domain
	DSS	0x5800 0000	0x587F FFFF	8MiB	DSS domain
	IPU1_ROM	0x5880 0000	0x58FF FFFF	16KiB	IPU1_ROM
	Reserved	0x5880 4000	0x5881 FFFF	112KiB	Reserved
	IPU1_RAM	0x5882 0000	0x5882 FFFF	64KiB	IPU1_RAM
	Reserved	0x5883 0000	0x5887 FFFF	320KiB	Reserved
	Reserved	0x5888 0000	0x5888 07FF	2KiB	Reserved
	IPU1_UNICACHE_MMU	0x5888 0800	0x5888 0FFF	2KiB	IPU1_UNICACHE_MMU config registers
	Reserved	0x5888 1000	0x5888 1FFF	4KiB	Reserved
	IPU1_MMU	0x5888 2000	0x5888 2FFF	4KiB	IPU1_MMU configuration registers
	Reserved	0x5888 3000	0x58FF FFFF	8MiB	Reserved
	BB2D	0x5900 0000	0x59FF FFFF	16MiB	2D graphics accelerator
	IVA_CONFIG	0x5A00 0000	0x5A3F FFFF	4MiB	IVA CONFIG domain
	Reserved	0x5A40 0000	0x5AFF FFFF	12MiB	Reserved
	IVA_SL2IF	0x5B00 0000	0x5B3F FFFF	4MiB	IVA SL2IF domain
	Reserved	0x5B40 0000	0x5BFF FFFF	12MiB	Reserved
	QSPI_ADDRSP1	0x5C00 0000	0x5FFF FFFF	64MiB	QSPI CS0/CS1/CS2/CS3 space (Maddrspace 1)
	TILER	0x6000 0000	0x7FFF FFFF	512MiB	SDRAM addressing through DMM with TILER off
Q2 (1GiB)	DDR-SDRAM address space				
	EMIF1	0x8000 0000	0xBFFF FFFF	1GiB	EMIF1: Access to DDR
Q3 (1GiB)	EMIF1	0xC000 0000	0xFFFF FFFF	1GiB	EMIF1: Access to DDR

2.2.1 L3_INSTR Memory Map

The L3_INSTR interconnect is a 8-MiB space composed of the L3_INSTR interconnect configuration registers and module registers.

Table 2-2 describes the mapping of the registers for the L3_INSTR interconnect.

Table 2-2. L3_INSTR Memory Map

Region name	Start address (hex)	End address (hex)	Size	Description
CT_STM_ADD_SP_0	0x5400 0000	0x540F FFFF	1MiB	MIPI_STM - System Trace (address space 0)
CT_STM_ADD_SP_1	0x5410 0000	0x5413 FFFF	256KiB	MIPI_STM - System Trace (address space 1)
MPU_C0_DEBUG	0x5414 0000	0x5414 1FFF	8KiB	MPU_C0 Debug Performance Monitoring Unit
MPU_C1_DEBUG	0x5414 2000	0x5414 3FFF	8KiB	MPU_C1 Debug Performance Monitoring Unit
Reserved	0x5414 4000	0x5414 7FFF	16KiB	Reserved
MPU_C0_CS_CTI_MPU	0x5414 8000	0x5414 8FFF	4KiB	Cross Triggering Interface (CTI0 component)
MPU_C1_CS_CTI_MPU	0x5414 9000	0x5414 9FFF	4KiB	Cross Triggering Interface (CTI1 component)
Reserved	0x5414 A000	0x5414 BFFF	8KiB	Reserved
MPU_C0_CS_PTM_MPU	0x5414 C000	0x5414 CFFF	4KiB	Processor Trace Macrocell Component 0
MPU_C1_CS_PTM_MPU	0x5414 D000	0x5414 DFFF	4KiB	Processor Trace Macrocell Component 1
Reserved	0x5414 E000	0x5415 7FFF	40KiB	Reserved
MPU_CS_TF	0x5415 8000	0x5415 8FFF	4KiB	CS_TF (APBv3) — Trace Funnel for MPU
DAP_PC	0x5415 9000	0x5415 9FFF	4KiB	DAP_PC
MPU_CS_STM	0x5415 A000	0x5415 AFFF	4KiB	CoreSight™ System Trace Module
ATB_FIFO_SGU	0x5415 B000	0x5415 BFFF	4KiB	AMBA® Trace Buffer Static Gathering Unit
Reserved	0x5415 C000	0x5415 EFFF	12KiB	Reserved
T2ASYNCR_APB_MPU_DEBUG_MPU_MPU	0x5415 F000	0x5415 FFFF	4KiB	APB Bridge control and time-out register
DRM	0x5416 0000	0x5416 0FFF	4KiB	DRM (OCP) — Debug Register Mapping
CT_STM_CONF_PORT	0x5416 1000	0x5416 1FFF	4KiB	MIPI_STM(OCP) configuration port — System Trace
Reserved	0x5416 2000	0x5416 2FFF	4KiB	Reserved
CS_TPIU	0x5416 3000	0x5416 3FFF	4KiB	CS_TPIU (APBv3) — Trace Port Interface Unit
DEBUGSS_CS_TF_1	0x5416 4000	0x5416 4FFF	4KiB	CS_TF (APBv3) — Trace Funnel for DEBUGSS
Reserved	0x5416 5000	0x5416 6FFF	8KiB	Reserved
CT_TBR	0x5416 7000	0x5416 7FFF	4KiB	C-Tools Trace Buffer
CT_UART	0x5416 8000	0x5416 8FFF	4KiB	C-Tools UART
DEBUGSS_CS_CTI	0x5416 9000	0x5416 9FFF	4KiB	Cross Triggering Interface
DEBUGSS_CS_CTM	0x5416 A000	0x5416 AFFF	4KiB	Core Sight -System Trace Module
MASTER_TIMESTAMP	0x5416 B000	0x5416 BFFF	4KiB	Master Time Stamp
Reserved	0x5416 C000	0x5417 0FFF	20KiB	Reserved
DEBUGSS_OCP2SCP	0x5417 1000	0x5417 1FFF	4KiB	Interconnect registers
L4_CFG_EMU	0x5417 2000	0x5417 2FFF	4KiB	Interconnect registers
Reserved	0x5417 3000	0x5417 FFFF	52KiB	Reserved
L3_INSTR_EMU	0x5418 0000	0x5418 0FFF	4KiB	Interconnect registers
Reserved	0x5418 1000	0x547F FFFF	6652KiB	Reserved

2.3 L4 Memory Map

The L4 interconnects handle transfers with peripherals. The L4 interconnect comprises the following interconnects:

- L4_CFG
- L4_WKUP
- L4_PER1
- L4_PER2
- L4_PER3

The L4 interconnect can be configured to tune the access according to the characteristics of each module.

The following sections describe the register mapping of the L4 interconnect. Software configures these registers.

2.3.1 L4_CFG Memory Map

The L4_CFG interconnect is a 12-MiB space composed of the L4_CFG interconnect configuration registers and the module registers.

[Table 2-3](#) describes the mapping of the registers for the L4_CFG interconnect.

NOTE: All memory spaces described as modules provide direct access to module registers outside the L4_CFG interconnect. All other accesses are internal to the L4_CFG interconnect.

Table 2-3. L4_CFG Memory Map

Module name	Region Name	Start_address (hex)	End_address (hex)	Size	Description
L4_CFG	L4_CFG_AP	0x4A00 0000	0x4A00 07FF	2KiB	Address protection
	L4_CFG_LA	0x4A00 0800	0x4A00 0FFF	2KiB	Link agent
	L4_CFG_IA_IP0	0x4A00 1000	0x4A00 1FFF	4KiB	Initiator port
CTRL_MODULE _CORE	TP_CTRL_MODULE_CORE_TARG	0x4A00 2000	0x4A00 3FFF	8KiB	Module target port
	TA_CTRL_MODULE_CORE_TARG	0x4A00 4000	0x4A00 4FFF	4KiB	L4 target agent
CM_CORE _AON	TP_CM_CORE_AON_TARG	0x4A00 5000	0x4A00 5FFF	4KiB	Module target port
	TA_CM_CORE_AON_TARG	0x4A00 6000	0x4A00 6FFF	4KiB	L4 target agent
Reserved	Reserved	0x4A00 7000	0x4A00 7FFF	4KiB	Reserved
CM_CORE	TP_CM_CORE_TARG	0x4A00 8000	0x4A00 9FFF	8KiB	Module target port
	TA_CM_CORE_TARG	0x4A00 A000	0x4A00 AFFF	4KiB	L4 target agent
Reserved	Reserved	0x4A00 B000	0x4A05 5FFF	148KiB	Reserved
DMA_SYSTEM	TP_DMA_SYSTEM_TARG	0x4A05 6000	0x4A05 6FFF	4KiB	Module target port
	TA_DMA_SYSTEM_TARG	0x4A05 7000	0x4A05 7FFF	4KiB	L4 target agent
Reserved	Reserved	0x4A05 8000	0x4A07 FFFF	156KiB	Reserved
OCP2SCP1	TP_OCP2SCP1_TARG	0x4A08 0000	0x4A08 3FFF	16KiB	Module target port — OCP2SCP module registers
	TP_OCP2SCP1_USB _PHY1_CORE_TARG	0x4A08 4000	0x4A08 43FF	1KiB	Module target port — OCP2SCP target — USB2PHY1
	Reserved	0x4A08 4400	0x4A08 47FF	1KiB	Reserved
	Reserved	0x4A08 4800	0x4A08 4BFF	1KiB	Reserved
	TP_OCP2SCP1_DPLLCTRL _USB_OTG_SS_TARG	0x4A08 4C00	0x4A08 4FFF	1KiB	Module target port — OCP2SCP target — DPLLCTRL_USB_OTG_ SS

Table 2-3. L4_CFG Memory Map (continued)

Module name	Region Name	Start_address (hex)	End_address (hex)	Size	Description
	TP_OCP2SCP1_USB_PHY2_CORE_TARG	0x4A08 5000	0x4A08 53FF	1KiB	Module target port — OCP2SCP target — USB2PHY2
Reserved	Reserved	0x4A08 5400	0x4A08 7FFF	11KiB	Reserved
L4_CFG	TA_OCP2SCP1_TARG	0x4A08 8000	0x4A08 8FFF	4KiB	L4 target agent
Reserved	Reserved	0x4A08 9000	0x4A08 FFFF	28KiB	Reserved
OCP2SCP3	TP_OCP2SCP3_TARG	0x4A09 0000	0x4A09 3FFF	16KiB	Module target port — OCP2SCP module registers
	Reserved	0x4A09 4000	0x4A09 43FF	1KiB	Reserved
	Reserved	0x4A09 4400	0x4A09 47FF	1KiB	Reserved
	TP_OCP2SCP3_DPLLCTRL_PCIE1_TARG	0x4A09 4800	0x4A09 4BFF	1KiB	Module target port — OCP2SCP target — DPLLCTRL_PCIE
Reserved	Reserved	0x4A09 4C00	0x4A09 4FFF	1KiB	Reserved
OCP2SCP3	Reserved	0x4A09 5000	0x4A09 53FF	1KiB	Reserved
	Reserved	0x4A09 5400	0x4A09 57FF	1KiB	Reserved
	TP_OCP2SCP3_DPLLCTRL_PHY_PCIE2_TARG	0x4A09 5800	0x4A09 5BFF	1KiB	Module target port — OCP2SCP target — DPLLCTRL
Reserved	Reserved	0x4A09 5C00	0x4A09 5FFF	1KiB	Reserved
OCP2SCP3	Reserved	0x4A09 6000	0x4A09 63FF	1KiB	Reserved
	Reserved	0x4A09 6400	0x4A09 67FF	1KiB	Reserved
	TP_OCP2SCP3_DPLLCTRL_SATA_TARG ⁽¹⁾	0x4A09 6800	0x4A09 6BFF	1KiB	Module target port — OCP2SCP target — DPLLCTRL_SATA
Reserved	Reserved	0x4A09 6C00	0x4A09 7FFF	5KiB	Reserved
L4_CFG	TA_OCP2SCP3_TARG	0x4A09 8000	0x4A09 8FFF	4KiB	L4 target agent
Reserved	Reserved	0x4A09 9000	0x4A09 FFFF	28KiB	Reserved
OCP2SCP2	TP_OCP2SCP2_TARG	0x4A0A 0000	0x4A0A 3FFF	16KiB	Module target port — OCP2SCP module registers
	TP_OCP2SCP2_DPLLCTRL_VIDEO1_TARG	0x4A0A 4000	0x4A0A 43FF	1KiB	Module target port — OCP2SCP target — DPLLCTRL_VIDEO1
Reserved	Reserved	0x4A0A 4400	0x4A0A 4FFF	3KiB	Reserved
OCP2SCP2	TP_OCP2SCP2_DPLLCTRL_VIDEO2_TARG	0x4A0A 5000	0x4A0A 53FF	1KiB	Module target port — OCP2SCP target — DPLLCTRL_VIDEO2
Reserved	Reserved	0x4A0A 5400	0x4A0A 5FFF	3KiB	Reserved
OCP2SCP2	TP_OCP2SCP2_DPLLCTRL_HDMI_TARG	0x4A0A 6000	0x4A0A 63FF	1KiB	Module target port — OCP2SCP target — DPLLCTRL_HDMI
Reserved	Reserved	0x4A0A 6400	0x4A0A 7FFF	7KiB	Reserved
L4_CFG	TA_OCP2SCP2_TARG	0x4A0A 8000	0x4A0A 8FFF	4KiB	L4 target agent
Reserved	Reserved	0x4A0A 9000	0x4A0F 3FFF	300KiB	Reserved
MAILBOX1	TP_MAILBOX1_TARG	0x4A0F 4000	0x4A0F 4FFF	4KiB	Module target port
	TA_MAILBOX1_TARG	0x4A0F 5000	0x4A0F 5FFF	4KiB	L4 target agent
SPINLOCK	TP_SPINLOCK_TARG	0x4A0F 6000	0x4A0F 6FFF	4KiB	Module target port
	TA_SPINLOCK_TARG	0x4A0F 7000	0x4A0F 7FFF	4KiB	L4 target agent
Reserved	Reserved	0x4A0F 8000	0x4A10 1FFF	40KiB	Reserved

⁽¹⁾ SATA is not supported on the AM570x family of devices.

Table 2-3. L4_CFG Memory Map (continued)

Module name	Region Name	Start_address (hex)	End_address (hex)	Size	Description
OCP_WP_NOC	TP_OCP_WP_NOC_TARG	0x4A10 2000	0x4A10 2FFF	4KiB	Module target port
	TA_OCP_WP_NOC_TARG	0x4A10 3000	0x4A10 3FFF	4KiB	L4 target agent
Reserved	Reserved	0x4A10 4000	0x4A13 FFFF	240KiB	Reserved
SATA ⁽²⁾	TP_SATA_TARG	0x4A14 0000	0x4A14 FFFF	64KiB	Module target port
	TA_SATA_TARG	0x4A15 0000	0x4A15 0FFF	4KiB	L4 target agent
Reserved	Reserved	0x4A15 1000	0x4A15 8FFF	32KiB	Reserved
PCIe_SS2	TP_PCIe_SS2_FW_CFG_TARG	0x4A15 9000	0x4A15 9FFF	4KiB	Module target port
	TA_PCIe_SS2_FW_CFG_TARG	0x4A15 A000	0x4A15 AFFF	4KiB	L4 target agent
IPU1	TP_IPU1_FW_CFG_TARG	0x4A15 B000	0x4A15 BFFF	4KiB	Module target port
	TA_IPU1_FW_CFG_TARG	0x4A15 C000	0x4A15 CFFF	4KiB	L4 target agent
VCP1 ⁽³⁾	TP_VCP1_FW_CFG_TARG	0x4A15 D000	0x4A15 DFFF	4KiB	Module target port
	TA_VCP1_FW_CFG_TARG	0x4A15 E000	0x4A15 EFFF	4KiB	L4 target agent
VCP2 ⁽³⁾	TP_VCP2_FW_CFG_TARG	0x4A15 F000	0x4A15 FFFF	4KiB	Module target port
	TA_VCP2_FW_CFG_TARG	0x4A16 0000	0x4A16 0FFF	4KiB	L4 target agent
EDMA_TPCC	TP_EDMA_TPCC_FW_CFG_TARG	0x4A16 1000	0x4A16 1FFF	4KiB	Module target port
	TA_EDMA_TPCC_FW_CFG_TARG	0x4A16 2000	0x4A16 2FFF	4KiB	L4 target agent
EDMA_TC0	TP_EDMA_TC0_FW_CFG_TARG	0x4A16 3000	0x4A16 3FFF	4KiB	Module target port
	TA_EDMA_TC0_FW_CFG_TARG	0x4A16 4000	0x4A16 4FFF	4KiB	L4 target agent
PCIE_SS1	TP_PCIE_SS1_FW_CFG_TARG	0x4A16 5000	0x4A16 5FFF	4KiB	Module target port
	TA_PCIE_SS1_FW_CFG_TARG	0x4A16 6000	0x4A16 6FFF	4KiB	L4 target agent
MCASP1	TP_MCASP1_FW_CFG_TARG	0x4A16 7000	0x4A16 7FFF	4KiB	Module target port
	TA_MCASP1_FW_CFG_TARG	0x4A16 8000	0x4A16 8FFF	4KiB	L4 target agent
MCASP2	TP_MCASP2_FW_CFG_TARG	0x4A16 9000	0x4A16 9FFF	4KiB	Module target port
	TA_MCASP2_FW_CFG_TARG	0x4A16 A000	0x4A16 AFFF	4KiB	L4 target agent
MCASP3	TP_MCASP3_FW_CFG_TARG	0x4A16 B000	0x4A16 BFFF	4KiB	Module target port
	TA_MCASP3_FW_CFG_TARG	0x4A16 C000	0x4A16 CFFF	4KiB	L4 target agent
Reserved	Reserved	0x4A16 D000	0x4A17 0FFF	16KiB	Reserved
DSP1	TP_DSP1_FW_CFG_TARG	0x4A17 1000	0x4A17 1FFF	4KiB	Module target port
	TA_DSP1_FW_CFG_TARG	0x4A17 2000	0x4A17 2FFF	4KiB	L4 target agent
Reserved	Reserved	0x4A17 3000	0x4A17 4FFF	8KiB	Reserved
PRU-ICSS1	TP_PRUSS1_FW_CFG_TARG	0x4A17 5000	0x4A17 5FFF	4KiB	Module target port
	TA_PRUSS1_FW_CFG_TARG	0x4A17 6000	0x4A17 6FFF	4KiB	L4 target agent
PRU-ICSS2	TP_PRUSS2_FW_CFG_TARG	0x4A17 7000	0x4A17 7FFF	4KiB	Module target port
	TA_PRUSS2_FW_CFG_TARG	0x4A17 8000	0x4A17 8FFF	4KiB	L4 target agent

⁽²⁾ SATA is not supported on the AM570x family of devices.

⁽³⁾ VCP1 and VCP2 are not supported on the AM571x / AM570x family of devices.

Table 2-3. L4_CFG Memory Map (continued)

Module name	Region Name	Start_address (hex)	End_address (hex)	Size	Description
QSPI	TP_QSPI_FW_CFG_TARG	0x4A17 9000	0x4A17 9FFF	4KiB	Module target port
	TA_QSPI_FW_CFG_TARG	0x4A17 A000	0x4A17 AFFF	4KiB	L4 target agent
Reserved	Reserved	0x4A17 B000	0x4A20 9FFF	572KiB	Reserved
MA_MPU _NTPP	TP_MA_MPU_NTPP_FW_CFG_TARG	0x4A20 A000	0x4A20 AFFF	4KiB	Module target port
	TA_MA_MPU_NTPP_FW_CFG_TARG	0x4A20 B000	0x4A20 BFFF	4KiB	L4 target agent
EMIF_OCP_FW	TP_EMIF_OCP_FW_CFG_TARG	0x4A20 C000	0x4A20 CFFF	4KiB	Module target port
	TA_EMIF_OCP_FW_CFG_TARG	0x4A20 D000	0x4A20 DFFF	4KiB	L4 target agent
Reserved	Reserved	0x4A20 E000	0x4A20 FFFF	8KiB	Reserved
GPMC	TP_GPMC_FW_CFG_TARG	0x4A21 0000	0x4A21 0FFF	4KiB	Module target port
	TA_GPMC_FW_CFG_TARG	0x4A21 1000	0x4A21 1FFF	4KiB	L4 target agent
OCMC_RAM1	TP_OCMC_RAM1_FW_CFG_TARG	0x4A21 2000	0x4A21 2FFF	4KiB	Module target port
	TA_OCMC_RAM1_FW_CFG_TARG	0x4A21 3000	0x4A21 3FFF	4KiB	L4 target agent
GPU	TP_GPU_FW_CFG_TARG	0x4A21 4000	0x4A21 4FFF	4KiB	Module target port
	TA_GPU_FW_CFG_TARG	0x4A21 5000	0x4A21 5FFF	4KiB	L4 target agent
Reserved	Reserved	0x4A21 6000	0x4A21 7FFF	8KiB	Reserved
IPU2	TP_IPU2_FW_CFG_TARG	0x4A21 8000	0x4A21 8FFF	4KiB	Module target port
	TA_IPU2_FW_CFG_TARG	0x4A21 9000	0x4A21 9FFF	4KiB	L4 target agent
BB2D	TP_BB2D_FW_CFG_TARG	0x4A21 A000	0x4A21 AFFF	4KiB	Module target port
	TA_BB2D_FW_CFG_TARG	0x4A21 B000	0x4A21 BFFF	4KiB	L4 target agent
DSS	TP_DSS_FW_CFG_TARG	0x4A21 C000	0x4A21 CFFF	4KiB	Module target port
	TA_DSS_FW_CFG_TARG	0x4A21 D000	0x4A21 DFFF	4KiB	L4 target agent
IVA	TP_IVA_SL2IF_FW_CFG_TARG	0x4A21 E000	0x4A21 EFFF	4KiB	Module target port
	TA_IVA_SL2IF_FW_CFG_TARG	0x4A21 F000	0x4A21 FFFF	4KiB	L4 target agent
IVA	TP_IVA_CONFIG_FW_CFG_TARG	0x4A22 0000	0x4A22 0FFF	4KiB	Module target port
	TA_IVA_CONFIG_FW_CFG_TARG	0x4A22 1000	0x4A22 1FFF	4KiB	L4 target agent
Reserved	Reserved	0x4A22 2000	0x4A22 3FFF	8KiB	Reserved
DEBUGSS	TP_DEBUGSS_CT_TBR_FW_CFG_TARG	0x4A22 4000	0x4A22 4FFF	4KiB	Module target port. See Table 2-2 .
	TA_DEBUGSS_CT_TBR_FW_CFG_TARG	0x4A22 5000	0x4A22 5FFF	4KiB	L4 target agent
L3_INSTR	TP_L3_INSTR_FW_CFG_TARG	0x4A22 6000	0x4A22 6FFF	4KiB	Module target port
	TA_L3_INSTR_FW_CFG_TARG	0x4A22 7000	0x4A22 7FFF	4KiB	L4 target agent
Reserved	Reserved	0x4A22 8000	0x4A22 BFFF	16MiB	Reserved
Reserved	Reserved	0x4A22 C000	0x4ADF FFFF	12112 MiB	Reserved

2.3.2 L4_WKUP Memory Map

The L4_WKUP interconnect is a 256-KiB space composed of the L4_WKUP interconnect configuration registers and the module registers.

Table 2-4 describes the mapping of the registers for the L4_WKUP interconnect.

NOTE: All memory spaces described as modules provide direct access to module registers outside the L4_WKUP interconnect. All other accesses are internal to the L4_WKUP interconnect.

Table 2-4. L4_WKUP Memory Map

Module name	Region name	Start address (hex)	End address (hex)	Size	Description
L4_WKUP	L4_WKUP_AP	0x4AE0 0000	0x4AE0 07FF	2KiB	Address protection
	L4_WKUP_LA	0x4AE0 0800	0x4AE0 0FFF	2KiB	Link agent
	L4_WKUP_IA_IP0	0x4AE0 1000	0x4AE0 1FFF	4KiB	Initiator port
Reserved	Reserved	0x4AE0 2000	0x4AE0 3FFF	8KiB	Reserved
COUNTER_32K	TP_COUNTER_32K_TARG	0x4AE0 4000	0x4AE0 4FFF	4KiB	Module target port
	TA_COUNTER_32K_TARG	0x4AE0 5000	0x4AE0 5FFF	4KiB	L4 target agent
PRM	TP_PRM_TARG	0x4AE0 6000	0x4AE0 7FFF	8KiB	Module target port
	TA_PRM_TARG	0x4AE0 8000	0x4AE0 8FFF	4KiB	L4 target agent
Reserved	Reserved	0x4AE0 9000	0x4AE0 BFFF	12KiB	Reserved
CTRL_MODULE_WKUP	TP_CTRL_MODULE_WKUP_TARG	0x4AE0 C000	0x4AE0 CFFF	4KiB	Module target port
	TA_CTRL_MODULE_WKUP_TARG	0x4AE0 D000	0x4AE0 DFFF	4KiB	L4 target agent
Reserved	Reserved	0x4AE0 E000	0x4AE0 FFFF	8KiB	Reserved
GPIO1	TP_GPIO1_TARG	0x4AE1 0000	0x4AE1 0FFF	4KiB	Module target port
	TA_GPIO1_TARG	0x4AE1 1000	0x4AE1 1FFF	4KiB	L4 target agent
Reserved	Reserved	0x4AE1 2000	0x4AE1 3FFF	8KiB	Reserved
WD_TIMER2	TP_WD_TIMER2_TARG	0x4AE1 4000	0x4AE1 4FFF	4KiB	Module target port
	TA_WD_TIMER2_TARG	0x4AE1 5000	0x4AE1 5FFF	4KiB	L4 target agent
Reserved	Reserved	0x4AE1 6000	0x4AE1 7FFF	8KiB	Reserved
TIMER1	TP_TIMER1_TARG	0x4AE1 8000	0x4AE1 8FFF	4KiB	Module target port
	TA_TIMER1_TARG	0x4AE1 9000	0x4AE1 9FFF	4KiB	L4 target agent
Reserved	Reserved	0x4AE1 A000	0x4AE1 BFFF	8KiB	Reserved
KBD	TP_KBD_TARG	0x4AE1 C000	0x4AE1 CFFF	4KiB	Module target port
	TA_KBD_TARG	0x4AE1 D000	0x4AE1 DFFF	4KiB	L4 target agent
Reserved	Reserved	0x4AE1 E000	0x4AE1 FFFF	8KiB	Reserved
TIMER12	TP_TIMER12_TARG	0x4AE2 0000	0x4AE2 0FFF	4KiB	Module target port
	TA_TIMER12_TARG	0x4AE2 1000	0x4AE2 1FFF	4KiB	L4 target agent
Reserved	Reserved	0x4AE2 2000	0x4AE2 AFFF	36 KiB	Reserved
UART10	TP_UART10_TARG	0x4AE2 B000	0x4AE2 BFFF	4KiB	Module target port
	TA_UART10_TARG	0x4AE2 C000	0x4AE2 CFFF	4KiB	L4 target agent
Reserved	Reserved	0x4AE2 D000	0x4AE3 BFFF	60KiB	Reserved
DCAN1	TP_DCAN1_TARG	0x4AE3 C000	0x4AE3 DFFF	8KiB	Module target port
	TA_DCAN1_TARG	0x4AE3 E000	0x4AE3 EFFF	4KiB	L4 target agent
Reserved	Reserved	0x4AE3 F000	0x4AFF FFFF	1796KiB	Reserved

NOTE: All 8- and 16-bit peripherals are aligned on 32-bit address boundaries.

2.3.3 L4_PER Memory Map

The L4_PER interconnect has three memory spaces:

- L4_PER1 memory space (see [Table 2-5](#))
- L4_PER2 memory space (see [Table 2-6](#))
- L4_PER3 memory space (see [Table 2-7](#))

The L4_PER interconnects are composed of the L4_PER interconnect configuration registers and the module registers.

NOTE: All memory spaces described as modules provide direct access to the module registers outside the L4_PER interconnects. All other accesses are internal to the L4_PER interconnects.

2.3.3.1 L4_PER1 Memory Map

[Table 2-5](#) describes the mapping of the registers for the L4_PER1 interconnect.

Table 2-5. L4_PER1 Memory Map

Module name	Region name	Start address (hex)	End address (hex)	Size	Description
L4_PER1 interconnect	L4_PER1_AP	0x4800 0000	0x4800 07FF	2KiB	Address protection
	L4_PER1_LA	0x4800 0800	0x4800 0FFF	2KiB	Link agent
	L4_PER1_IA_IP0	0x4800 1000	0x4800 13FF	1KiB	Initiator port 0
	L4_PER1_IA_IP1	0x4800 1400	0x4800 17FF	1KiB	Initiator port 1
	L4_PER1_IA_IP2	0x4800 1800	0x4800 1BFF	1KiB	Initiator port 2
	L4_PER1_IA_IP3	0x4800 1C00	0x4800 1FFF	1KiB	Initiator port 3
Reserved	Reserved	0x4800 1C00	0x4801 FFFF	121KiB	Reserved
UART3	TP_UART3_TARG	0x4802 0000	0x4802 0FFF	4KiB	Module target port
	TA_UART3_TARG	0x4802 1000	0x4802 1FFF	4KiB	L4 target agent
Reserved	Reserved	0x4802 2000	0x4803 1FFF	64KiB	Reserved
TIMER2	TP_TIMER2_TARG	0x4803 2000	0x4803 2FFF	4KiB	Module target port
	TA_TIMER2_TARG	0x4803 3000	0x4803 3FFF	4KiB	L4 target agent
TIMER3	TP_TIMER3_TARG	0x4803 4000	0x4803 4FFF	4KiB	Module target port
	TA_TIMER3_TARG	0x4803 5000	0x4803 5FFF	4KiB	L4 target agent
TIMER4	TP_TIMER4_TARG	0x4803 6000	0x4803 6FFF	4KiB	Module target port
	TA_TIMER4_TARG	0x4803 7000	0x4803 7FFF	4KiB	L4 target agent
Reserved	Reserved	0x4803 8000	0x4803 DFFF	24KiB	Reserved
TIMER9	TP_TIMER9_TARG	0x4803 E000	0x4803 EFFF	4KiB	Module target port
	TA_TIMER9_TARG	0x4803 F000	0x4803 FFFF	4KiB	L4 target agent
Reserved	Reserved	0x4804 0000	0x4805 0FFF	68KiB	Reserved
GPIO7	TP_GPIO7_TARG	0x4805 1000	0x4805 1FFF	4KiB	Module target port
	TA_GPIO7_TARG	0x4805 2000	0x4805 2FFF	4KiB	L4 target agent
GPIO8	TP_GPIO8_TARG	0x4805 3000	0x4805 3FFF	4KiB	Module target port
	TA_GPIO8_TARG	0x4805 4000	0x4805 4FFF	4KiB	L4 target agent
GPIO2	TP_GPIO2_TARG	0x4805 5000	0x4805 5FFF	4KiB	Module target port
	TA_GPIO2_TARG	0x4805 6000	0x4805 6FFF	4KiB	L4 target agent
GPIO3	TP_GPIO3_TARG	0x4805 7000	0x4805 7FFF	4KiB	Module target port
	TA_GPIO3_TARG	0x4805 8000	0x4805 8FFF	4KiB	L4 target agent
GPIO4	TP_GPIO4_TARG	0x4805 9000	0x4805 9FFF	4KiB	Module target port
	TA_GPIO4_TARG	0x4805 A000	0x4805 AFFF	4KiB	L4 target agent

Table 2-5. L4_PER1 Memory Map (continued)

Module name	Region name	Start_address (hex)	End_address (hex)	Size	Description
GPIO5	TP_GPIO5_TARG	0x4805 B000	0x4805 BFFF	4KiB	Module target port
	TA_GPIO5_TARG	0x4805 C000	0x4805 CFFF	4KiB	L4 target agent
GPIO6	TP_GPIO6_TARG	0x4805 D000	0x4805 DFFF	4KiB	Module target port
	TA_GPIO6_TARG	0x4805 E000	0x4805 EFFF	4KiB	L4 target agent
Reserved	Reserved	0x4805 F000	0x4805 FFFF	4KiB	Reserved
I2C3	TP_I2C3_TARG	0x4806 0000	0x4806 0FFF	4KiB	Module target port
	TA_I2C3_TARG	0x4806 1000	0x4806 1FFF	4KiB	L4 target agent
Reserved	Reserved	0x4806 2000	0x4806 5FFF	16KiB	L4 interconnect target agent
UART5	TP_UART5_TARG	0x4806 6000	0x4806 6FFF	4KiB	Module target port
	TA_UART5_TARG	0x4806 7000	0x4806 7FFF	4KiB	L4 target agent
UART6	TP_UART6_TARG	0x4806 8000	0x4806 8FFF	4KiB	Module target port
	TA_UART6_TARG	0x4806 9000	0x4806 9FFF	4KiB	L4 target agent
UART1	TP_UART1_TARG	0x4806 A000	0x4806 AFFF	4KiB	Module target port
	TA_UART1_TARG	0x4806 B000	0x4806 BFFF	4KiB	L4 target agent
UART2	TP_UART2_TARG	0x4806 C000	0x4806 CFFF	4KiB	Module target port
	TA_UART2_TARG	0x4806 D000	0x4806 DFFF	4KiB	L4 target agent
UART4	TP_UART4_TARG	0x4806 E000	0x4806 EFFF	4KiB	Module target port
	TA_UART4_TARG	0x4806 F000	0x4806 FFFF	4KiB	L4 target agent
I2C1	TP_I2C1_TARG	0x4807 0000	0x4807 0FFF	4KiB	Module target port
	TA_I2C1_TARG	0x4807 1000	0x4807 1FFF	4KiB	L4 target agent
I2C2	TP_I2C2_TARG	0x4807 2000	0x4807 2FFF	4KiB	Module target port
	TA_I2C2_TARG	0x4807 3000	0x4807 3FFF	4KiB	L4 target agent
Reserved	Reserved	0x4807 4000	0x4807 7FFF	16KiB	Reserved
ELM	TP_ELM_TARG	0x4807 8000	0x4807 8FFF	4KiB	Module target port
	TA_ELM_TARG	0x4807 9000	0x4807 9FFF	4KiB	L4 target agent
I2C4	TP_I2C4_TARG	0x4807 A000	0x4807 AFFF	4KiB	Module target port
	TA_I2C4_TARG	0x4807 B000	0x4807 BFFF	4KiB	L4 target agent
I2C5	TP_I2C5_TARG	0x4807 C000	0x4807 CFFF	4KiB	Module target port
	TA_I2C5_TARG	0x4807 D000	0x4807 DFFF	4KiB	L4 target agent
Reserved	Reserved	0x4807 E000	0x4808 5FFF	32KiB	Reserved
TIMER10	TP_TIMER10_TARG	0x4808 6000	0x4808 6FFF	4KiB	Module target port
	TA_TIMER10_TARG	0x4808 7000	0x4808 7FFF	4KiB	L4 target agent
TIMER11	TP_TIMER11_TARG	0x4808 8000	0x4808 8FFF	4KiB	Module target port
	TA_TIMER11_TARG	0x4808 9000	0x4808 9FFF	4KiB	L4 target agent
Reserved	Reserved	0x4808 A000	0x4809 7FFF	56KiB	Reserved
MCSPI1	TP_MCSPI1_TARG	0x4809 8000	0x4809 8FFF	4KiB	Module target port
	TA_MCSPI1_TARG	0x4809 9000	0x4809 9FFF	4KiB	L4 target agent
MCSPI2	TP_MCSPI2_TARG	0x4809 A000	0x4809 AFFF	4KiB	Module target port
	TA_MCSPI2_TARG	0x4809 B000	0x4809 BFFF	4KiB	L4 target agent
MMC1	TP_MMC1_TARG	0x4809 C000	0x4809 CFFF	4KiB	Module target port
	TA_MMC1_TARG	0x4809 D000	0x4809 DFFF	4KiB	L4 target agent
Reserved	Reserved	0x4809 E000	0x480A CFFF	60KiB	Reserved
MMC3	TP_MMC3_TARG	0x480A D000	0x480A DFFF	4KiB	Module target port
	TA_MMC3_TARG	0x480A E000	0x480A EFFF	4KiB	L4 target agent
Reserved	Reserved	0x480A F000	0x480B 1FFF	12KiB	Reserved
HDQ1W	TP_HDQ1W_TARG	0x480B 2000	0x480B 2FFF	4KiB	Module target port
	TA_HDQ1W_TARG	0x480B 3000	0x480B 3FFF	4KiB	L4 target agent

Table 2-5. L4_PER1 Memory Map (continued)

Module name	Region name	Start_address (hex)	End_address (hex)	Size	Description
MMC2	TP_MMC2_TARG	0x480B 4000	0x480B 4FFF	4KiB	Module target port
	TA_MMC2_TARG	0x480B 5000	0x480B 5FFF	4KiB	L4 target agent
Reserved	Reserved	0x480B 6000	0x480B 7FFF	8KiB	Reserved
MCSPI3	TP_MCSPI3_TARG	0x480B 8000	0x480B 8FFF	4KiB	Module target port
	TA_MCSPI3_TARG	0x480B 9000	0x480B 9FFF	4KiB	L4 target agent
MCSPI4	TP_MCSPI4_TARG	0x480B A000	0x480B AFFF	4KiB	Module target port
	TA_MCSPI4_TARG	0x480B B000	0x480B BFFF	4KiB	L4 target agent
Reserved	Reserved	0x480B C000	0x480D 0FFF	84KiB	Reserved
MMC4	TP_MMC4_TARG	0x480D 1000	0x480D 1FFF	4KiB	Module target port
	TA_MMC4_TARG	0x480D 2000	0x480D 2FFF	4KiB	L4 target agent
Reserved	Reserved	0x480D 3000	0x483F FFFF	3252KiB	Reserved

2.3.3.2 L4_PER2 Memory Map

Table 2-6 describes the mapping of the registers for the L4_PER2 interconnect.

Table 2-6. L4_PER2 Memory Map

Module name	Region name	Start_address (hex)	End_address (hex)	Size	Description
L4_PER2 interconnect	L4_PER2_AP	0x4840 0000	0x4840 07FF	2KiB	Address protection
	L4_PER2_LA	0x4840 0800	0x4840 0FFF	2KiB	Link agent
	L4_PER2_IA_IP0	0x4840 1000	0x4840 13FF	1KiB	Initiator port 0
	L4_PER2_IA_IP1	0x4840 1400	0x4840 17FF	1KiB	Initiator port 1
	L4_PER2_IA_IP2	0x4840 1800	0x4840 1BFF	1KiB	Initiator port 2
Reserved	Reserved	0x4840 1C00	0x4841 FFFF	121KiB	Reserved
UART7	TP_UART7_TARG	0x4842 0000	0x4842 0FFF	4KiB	Module target port
	TA_UART7_TARG	0x4842 1000	0x4842 1FFF	4KiB	L4 interconnect target agent
UART8	TP_UART8_TARG	0x4842 2000	0x4842 2FFF	4KiB	Module target port
	TA_UART8_TARG	0x4842 3000	0x4842 3FFF	4KiB	L4 interconnect target agent
UART9	TP_UART9_TARG	0x4842 4000	0x4842 4FFF	4KiB	Module target port
	TA_UART9_TARG	0x4842 5000	0x4842 5FFF	4KiB	L4 interconnect target agent
Reserved	Reserved	0x4842 6000	0x4842 BFFF	24KiB	Reserved
MLB ⁽¹⁾	TP_MLB_TARG	0x4842 C000	0x4842 CFFF	4KiB	Module target port
	TA_MLB_TARG	0x4842 D000	0x4842 DFFF	4KiB	L4 interconnect target agent
Reserved	Reserved	0x4842 E000	0x4843 5FFF	32KiB	Reserved
MCASP4	TP_MCASP4_DAT_TARG	0x4843 6000	0x4843 6FFF	4KiB	Module target port
	TA_MCASP4_DAT_TARG	0x4843 7000	0x4843 7FFF	4KiB	L4 interconnect target agent
Reserved	Reserved	0x4843 8000	0x4843 9FFF	8KiB	Reserved
MCASP5	TP_MCASP5_DAT_TARG	0x4843 A000	0x4843 AFFF	4KiB	Module target port
	TA_MCASP5_DAT_TARG	0x4843 B000	0x4843 BFFF	4KiB	L4 interconnect target agent
ATL ⁽¹⁾	TP_ATL_TARG	0x4843 C000	0x4843 CFFF	4KiB	Module target port
	TA_ATL_TARG	0x4843 D000	0x4843 DFFF	4KiB	L4 interconnect target agent
PWMSS1	TP_PWMSS1_TARG	0x4843 E000	0x4843 EFFF	4KiB	Module target port
	TA_PWMSS1_TARG	0x4843 F000	0x4843 FFFF	4KiB	L4 interconnect target agent
PWMSS2	TP_PWMSS2_TARG	0x4844 0000	0x4844 0FFF	4KiB	Module target port
	TA_PWMSS2_TARG	0x4844 1000	0x4844 1FFF	4KiB	L4 interconnect target agent

⁽¹⁾ ATL and MLB are not supported on the AM571x / AM570x family of devices.

Table 2-6. L4_PER2 Memory Map (continued)

Module name	Region name	Start_address (hex)	End_address (hex)	Size	Description
PWMSS3	TP_PWMSS3_TARG	0x4844 2000	0x4844 2FFF	4KiB	Module target port
	TA_PWMSS3_TARG	0x4844 3000	0x4844 3FFF	4KiB	L4 interconnect target agent
Reserved	Reserved	0x4844 4000	0x4844 5FFF	8KiB	Reserved
VCP1 ⁽²⁾	TP_VCP1_CFG_TARG	0x4844 6000	0x4844 6FFF	4KiB	Module target port
	TA_VCP1_CFG_TARG	0x4844 7000	0x4844 7FFF	4KiB	L4 interconnect target agent
VCP2 ⁽²⁾	TP_VCP2_CFG_TARG	0x4844 8000	0x4844 8FFF	4KiB	Module target port
	TA_VCP2_CFG_TARG	0x4844 9000	0x4844 9FFF	4KiB	L4 interconnect target agent
IODELAYCON FIG	TP_DELAYLINE_TARG	0x4844 A000	0x4844 AFFF	4KiB	Module target port
Reserved	Reserved	0x4844 B000	0x4844 BFFF	4KiB	Reserved
MCASP6	TP_MCASP6_DAT_TARG	0x4844 C000	0x4844 CFFF	4KiB	Module target port
	TA_MCASP6_DAT_TARG	0x4844 D000	0x4844 DFFF	4KiB	L4 interconnect target agent
Reserved	Reserved	0x4844 E000	0x4844 FFFF	8KiB	Reserved
MCASP7	TP_MCASP7_DAT_TARG	0x4845 0000	0x4845 0FFF	4KiB	Module target port
	TA_MCASP7_DAT_TARG	0x4845 1000	0x4845 1FFF	4KiB	L4 interconnect target agent
Reserved	Reserved	0x4845 2000	0x4845 3FFF	8KiB	Reserved
MCASP8	TP_MCASP8_DAT_TARG	0x4845 4000	0x4845 4FFF	4KiB	Module target port
	TA_MCASP8_DAT_TARG	0x4845 5000	0x4845 5FFF	4KiB	L4 interconnect target agent
Reserved	Reserved	0x4845 6000	0x4845 7FFF	8KiB	Reserved
Reserved	Reserved	0x4845 8000	0x4845 AFFF	12KiB	Reserved
CAL	TP_CAL_TARG	0x4845 B000	0x4845 BFFF	4KiB	Module target port
	TA_CAL_TARG	0x4845 C000	0x4845 CFFF	4KiB	L4 interconnect target agent
Reserved	Reserved	0x4845 D000	0x4845 FFFF	12KiB	Reserved
MCASP1	TP_MCASP1_CFG_TARG	0x4846 0000	0x4846 1FFF	8KiB	Module target port
	TA_MCASP1_CFG_TARG	0x4846 2000	0x4846 2FFF	4KiB	L4 interconnect target agent
Reserved	Reserved	0x4846 3000	0x4846 3FFF	4KiB	Reserved
MCASP2	TP_MCASP2_CFG_TARG	0x4846 4000	0x4846 5FFF	8KiB	Module target port
	TA_MCASP2_CFG_TARG	0x4846 6000	0x4846 6FFF	4KiB	L4 interconnect target agent
Reserved	Reserved	0x4846 7000	0x4846 7FFF	4KiB	Reserved
MCASP3	TP_MCASP3_CFG_TARG	0x4846 8000	0x4846 9FFF	8KiB	Module target port
	TA_MCASP3_CFG_TARG	0x4846 A000	0x4846 AFFF	4KiB	L4 interconnect target agent
Reserved	Reserved	0x4846 B000	0x4846 BFFF	4KiB	Reserved
MCASP4	TP_MCASP4_CFG_TARG	0x4846 C000	0x4846 DFFF	8KiB	Module target port
	TA_MCASP4_CFG_TARG	0x4846 E000	0x4846 EFFF	4KiB	L4 interconnect target agent
Reserved	Reserved	0x4846 F000	0x4846 FFFF	4KiB	Reserved
MCASP5	TP_MCASP5_CFG_TARG	0x4847 0000	0x4847 1FFF	8KiB	Module target port
	TA_MCASP5_CFG_TARG	0x4847 2000	0x4847 2FFF	4KiB	L4 interconnect target agent
Reserved	Reserved	0x4847 3000	0x4847 3FFF	4KiB	Reserved
MCASP6	TP_MCASP6_CFG_TARG	0x4847 4000	0x4847 5FFF	8KiB	Module target port
	TA_MCASP6_CFG_TARG	0x4847 6000	0x4847 6FFF	4KiB	L4 interconnect target agent
Reserved	Reserved	0x4847 7000	0x4847 7FFF	4KiB	Reserved
MCASP7	TP_MCASP7_CFG_TARG	0x4847 8000	0x4847 9FFF	8KiB	Module target port
	TA_MCASP7_CFG_TARG	0x4847 A000	0x4847 AFFF	4KiB	L4 interconnect target agent
Reserved	Reserved	0x4847 B000	0x4847 BFFF	4KiB	Reserved
MCASP8	TP_MCASP8_CFG_TARG	0x4847 C000	0x4847 DFFF	8KiB	Module target port
	TA_MCASP8_CFG_TARG	0x4847 E000	0x4847 EFFF	4KiB	L4 interconnect target agent

⁽²⁾ VCP1 and VCP2 are not supported on the AM571x / AM570x family of devices.

Table 2-6. L4_PER2 Memory Map (continued)

Module name	Region name	Start_address (hex)	End_address (hex)	Size	Description
Reserved	Reserved	0x4847 F000	0x4847 FFFF	4KiB	Reserved
DCAN2	TP_DCAN2_TARG	0x4848 0000	0x4848 1FFF	8KiB	Module target port
	TA_DCAN2_TARG	0x4848 2000	0x4848 2FFF	4KiB	L4 interconnect target agent
Reserved	Reserved	0x4848 3000	0x4848 3FFF	4KiB	Reserved
GMAC_SW	TP_GMAC_SW_TARG	0x4848 4000	0x4848 7FFF	16KiB	Module target port
	TA_GMAC_SW_TARG	0x4848 8000	0x4848 8FFF	4KiB	L4 interconnect target agent
Reserved	Reserved	0x4848 9000	0x487F FFFF	3548KiB	Reserved

2.3.3.3 L4_PER3 Memory Map

Table 2-7 describes the mapping of the registers for the L4_PER3 interconnect.

Table 2-7. L4_PER3 Memory Map

Module name	Region name tag	Start_address (hex)	End_address (hex)	Size	Description
L4_PER3 interconnect	L4_PER3_AP	0x4880 0000	0x4880 07FF	2KiB	Address protection
	L4_PER3_LA	0x4880 0800	0x4880 0FFF	2KiB	Link agent
	L4_PER3_IA_IP0	0x4880 1000	0x4880 13FF	1KiB	Initiator port 0
	L4_PER3_IA_IP1	0x4880 1400	0x4880 17FF	1KiB	Initiator port 1
	L4_PER3_IA_IP2	0x4880 1800	0x4880 1BFF	1KiB	Initiator port 2
Reserved	Reserved	0x4880 1C00	0x4880 1FFF	1KiB	Reserved
MAILBOX13	TP_MAILBOX13_TARG	0x4880 2000	0x4880 2FFF	4KiB	Module target port
	TA_MAILBOX13_TARG	0x4880 3000	0x4880 3FFF	4KiB	L4 interconnect target agent
OCMC_RAM1	TP_OCMC_RAM1_CFG_TARG	0x4880 4000	0x4880 4FFF	4KiB	Module target port
	TA_OCMC_RAM1_CFG_TARG	0x4880 5000	0x4880 5FFF	4KiB	L4 interconnect target agent
Reserved	Reserved	0x4880 6000	0x4881 BFFF	90KiB	Reserved
MMU1	TP_MMU1_TARG	0x4881 C000	0x4881 CFFF	4KiB	Module target port
	TA_MMU1_TARG	0x4881 D000	0x4881 DFFF	4KiB	L4 interconnect target agent
MMU2	TP_MMU2_TARG	0x4881 E000	0x4881 EFFF	4KiB	Module target port
	TA_MMU2_TARG	0x4881 F000	0x4881 FFFF	4KiB	L4 interconnect target agent
TIMER5	TP_TIMER5_TARG	0x4882 0000	0x4882 0FFF	4KiB	Module target port
	TA_TIMER5_TARG	0x4882 1000	0x4882 1FFF	4KiB	L4 interconnect target agent
TIMER6	TP_TIMER6_TARG	0x4882 2000	0x4882 2FFF	4KiB	Module target port
	TA_TIMER6_TARG	0x4882 3000	0x4882 3FFF	4KiB	L4 interconnect target agent
TIMER7	TP_TIMER7_TARG	0x4882 4000	0x4882 4FFF	4KiB	Module target port
	TA_TIMER7_TARG	0x4882 5000	0x4882 5FFF	4KiB	L4 interconnect target agent
TIMER8	TP_TIMER8_TARG	0x4882 6000	0x4882 6FFF	4KiB	Module target port
	TA_TIMER8_TARG	0x4882 7000	0x4882 7FFF	4KiB	L4 interconnect target agent
TIMER13	TP_TIMER13_TARG	0x4882 8000	0x4882 8FFF	4KiB	Module target port
	TA_TIMER13_TARG	0x4882 9000	0x4882 9FFF	4KiB	L4 interconnect target agent
TIMER14	TP_TIMER14_TARG	0x4882 A000	0x4882 AFFF	4KiB	Module target port
	TA_TIMER14_TARG	0x4882 B000	0x4882 BFFF	4KiB	L4 interconnect target agent
TIMER15	TP_TIMER15_TARG	0x4882 C000	0x4882 CFFF	4KiB	Module target port
	TA_TIMER15_TARG	0x4882 D000	0x4882 DFFF	4KiB	L4 interconnect target agent

Table 2-7. L4_PER3 Memory Map (continued)

Module name	Region name tag	Start_address (hex)	End_address (hex)	Size	Description
TIMER16	TP_TIMER16_TARG	0x4882 E000	0x4882 EFFF	4KiB	Module target port
	TA_TIMER16_TARG	0x4882 F000	0x4882 FFFF	4KiB	L4 interconnect target agent
Reserved	Reserved	0x4883 0000	0x4883 7FFF	32KiB	Reserved
RTC_SS ⁽¹⁾	TP_RTC_SS_TARG	0x4883 8000	0x4883 8FFF	4KiB	Module target port
	TA_RTC_SS_TARG	0x4883 9000	0x4883 9FFF	4KiB	L4 interconnect target agent
MAILBOX2	TP_MAILBOX2_TARG	0x4883 A000	0x4883 AFFF	4KiB	Module target port
	TA_MAILBOX2_TARG	0x4883 B000	0x4883 BFFF	4KiB	L4 interconnect target agent
MAILBOX3	TP_MAILBOX3_TARG	0x4883 C000	0x4883 CFFF	4KiB	Module target port
	TA_MAILBOX3_TARG	0x4883 D000	0x4883 DFFF	4KiB	L4 interconnect target agent
MAILBOX4	TP_MAILBOX4_TARG	0x4883 E000	0x4883 EFFF	4KiB	Module target port
	TA_MAILBOX4_TARG	0x4883 F000	0x4883 FFFF	4KiB	L4 interconnect target agent
MAILBOX5	TP_MAILBOX5_TARG	0x4884 0000	0x4884 0FFF	4KiB	Module target port
	TA_MAILBOX5_TARG	0x4884 1000	0x4884 1FFF	4KiB	L4 interconnect target agent
MAILBOX6	TP_MAILBOX6_TARG	0x4884 2000	0x4884 2FFF	4KiB	Module target port
	TA_MAILBOX6_TARG	0x4884 3000	0x4884 3FFF	4KiB	L4 interconnect target agent
MAILBOX7	TP_MAILBOX7_TARG	0x4884 4000	0x4884 4FFF	4KiB	Module target port
	TA_MAILBOX7_TARG	0x4884 5000	0x4884 5FFF	4KiB	L4 interconnect target agent
MAILBOX8	TP_MAILBOX8_TARG	0x4884 6000	0x4884 6FFF	4KiB	Module target port
	TA_MAILBOX8_TARG	0x4884 7000	0x4884 7FFF	4KiB	L4 interconnect target agent
Reserved	Reserved	0x4884 8000	0x4885 DFFF	56KiB	Reserved
MAILBOX9	TP_MAILBOX9_TARG	0x4885 E000	0x4885 EFFF	4KiB	Module target port
	TA_MAILBOX9_TARG	0x4885 F000	0x4885 FFFF	4KiB	L4 interconnect target agent
MAILBOX10	TP_MAILBOX10_TARG	0x4886 0000	0x4886 0FFF	4KiB	Module target port
	TA_MAILBOX10_TARG	0x4886 1000	0x4886 1FFF	4KiB	L4 interconnect target agent
MAILBOX11	TP_MAILBOX11_TARG	0x4886 2000	0x4886 2FFF	4KiB	Module target port
	TA_MAILBOX11_TARG	0x4886 3000	0x4886 3FFF	4KiB	L4 interconnect target agent
MAILBOX12	TP_MAILBOX12_TARG	0x4886 4000	0x4886 4FFF	4KiB	Module target port
	TA_MAILBOX12_TARG	0x4886 5000	0x4886 5FFF	4KiB	L4 interconnect target agent
Reserved	Reserved	0x4886 6000	0x4887 FFFF	104KiB	Reserved
USB1	TP_USB1_CFG_TARG	0x4888 0000	0x4889 FFFF	128KiB	Module target port
	TA_USB1_CFG_TARG	0x488A 0000	0x488A 0FFF	4KiB	L4 interconnect target agent
Reserved	Reserved	0x488A 1000	0x488B FFFF	124KiB	Reserved
USB2	TP_USB2_CFG_TARG	0x488C 0000	0x488D FFFF	128KiB	Module target port
	TA_USB2_CFG_TARG	0x488E 0000	0x488E 0FFF	4KiB	L4 interconnect target agent
Reserved	Reserved	0x488E 1000	0x488F FFFF	124KiB	Reserved
USB3 ⁽²⁾	TP_USB3_CFG_TARG	0x4890 0000	0x4891 FFFF	128KiB	Module target port
	TA_USB3_CFG_TARG	0x4892 0000	0x4892 0FFF	4KiB	L4 interconnect target agent
Reserved	Reserved	0x4892 1000	0x4896 FFFF	316KiB	Reserved
VIP1	TP_VIP1_TARG	0x4897 0000	0x4897 FFFF	64KiB	Module target port
	TA_VIP1_TARG	0x4898 0000	0x4898 0FFF	4KiB	L4 interconnect target agent
Reserved	Reserved	0x4898 1000	0x489C FFFF	324KiB	Reserved
VPE	TP_VPE_TARG	0x489D 0000	0x489D FFFF	64KiB	Module target port
	TA_VPE_TARG	0x489E 0000	0x489E 0FFF	4KiB	L4 interconnect target agent
Reserved	Reserved	0x489E 1000	0x48FF FFFF	6268 KiB	Reserved

(1) RTC is not supported on the AM570x family of devices.

(2) USB3 (ULPI) is not supported on the AM571x / AM570x family of devices.

2.4 MPU Memory Map

Table 2-8 describes the MPU memory mapping.

Table 2-8. MPU Memory Map

Quarter	Region Name	Start Address (hex)	End Address (hex)	Size	Description
Q0	L3_MAIN map	0x0000 0000	0x3FFF FFFF	1GiB	See Table 2-1.
Q1	Reserved	0x4000 0000	0x4003 7FFF	224KiB	Reserved
	MPU_ROM ⁽¹⁾	0x4003 8000	0x4004 3FFF	48KiB	MPU internal boot ROM: 32-bit Ex ⁽²⁾ /R
	Reserved	0x4004 4000	0x402F FFFF	2800KiB	Reserved
	L3_MAIN map	0x4030 0000	0x46FF FFFF	114MiB	See Table 2-1.
	MPU_CS_STM	0x4700 0000	0x47FF FFFF	16MiB	MPU_CS_STM configuration registers
	L3_MAIN map	0x4800 0000	0x481F FFFF	2MiB	See Table 2-1.
	MPU_INTC	0x4821 0000	0x4821 7FFF	32KiB	MPU_INTC configuration registers
	Reserved	0x4821 8000	0x4824 2FFF	172KiB	Reserved
	MPU_PRCM	0x4824 3000	0x4824 3FFF	4KiB	MPU_PRCM configuration registers
	Reserved	0x4824 4000	0x4828 0FFF	242KiB	Reserved
	MPU_CMU	0x4829 0000	0x4829 FFFF	64KiB	MPU_CMU configuration registers
	MPU_AXI2OCP	0x482A 0000	0x482A EFFF	60KiB	MPU_AXI2OCP configuration registers
	MPU_MA	0x482A F000	0x482A FFFF	4KiB	MPU_MA configuration registers
	Reserved	0x482B 0000	0x483F FFFF	1344KiB	Reserved
	L3_MAIN map	0x4840 0000	0x7FFF FFFF	892MiB	See Table 2-1.
Q2, Q3	L3_MAIN map	0x8000 0000	0xFFFF FFFF	2GiB	See Table 2-1.
8GiB of SDRAM virtualization					
Q8	EMIF1_SDRAM_CS0	0x02 0000 0000	0x02 3FFF FFFF	1GiB	EMIF1 CS0: Access to DDR
Q9	Reserved	0x02 4000 0000	0x02 7FFF FFFF	1GiB	Reserved
Q10	EMIF1_SDRAM_CS0	0x02 8000 0000	0x02 BFFF FFFF	1GiB	EMIF1 CS0: Access to DDR. Alias of Q2 (see Table 2-1).
Q11	EMIF1_SDRAM_CS0	0x02 C000 0000	0x02 FFFF FFFF	1GiB	EMIF1 CS0: Access to DDR. Alias of Q3 (see Table 2-1).
Q12	Reserved	0x03 0000 0000	0x03 3FFF FFFF	1GiB	Reserved
Q13	Reserved	0x03 4000 0000	0x03 7FFF FFFF	1GiB	Reserved
Q14	Reserved	0x03 8000 0000	0x03 BFFF FFFF	1GiB	Reserved
Q15	Reserved	0x03 C000 0000	0x03 FFFF FFFF	1GiB	Reserved

Legend: = MPU private memory space
 = Reserved memory space

⁽¹⁾ Boot space location depends on the external sys_boot [5:0] pins.

⁽²⁾ Ex = Executable

2.5 IPU Memory Map

The device implements two IPU subsystems (IPU1 and IPU2). For more information about IPU, see [Chapter 7](#).

[Table 2-9](#) describes the IPU memory mapping.

NOTE: Some of the system (L3) resources, such as EVE and EDMA, are not directly accessible by IPU, as they are overlapping with IPU's own resources in its memory space. In such cases, software must properly configure IPU AMMU / L2 MMU so that IPU can access these system resources.



Table 2-9. IPU Memory Map

Region Name	Start Address (hex)	End Address (hex)	Size	Description
IPU_BOOT_SPACE ⁽¹⁾	0x0000 0000	0x0000 3FFF	16KiB	IPU boot space
L3_MAIN map	0x0000 0000	0x1FFF FFFF	512MiB	See Table 2-1 .
IPU_BITBAND_REGION1	0x2000 0000	0x200F FFFF	1MiB	IPU bit-band region 1
Reserved	0x2010 0000	0x21FF FFFF	31MiB	Reserved
IPU_BITBAND_ALIAS1	0x2200 0000	0x23FF FFFF	32MiB	IPU bit-band alias 1
L3_MAIN map	0x2400 0000	0x3FFF FFFF	448MiB	See Table 2-1 .
IPU_BITBAND_REGION2	0x4000 0000	0x400F FFFF	1MiB	IPU bit-band region 2
Reserved	0x4010 0000	0x402F FFFF	2MiB	Reserved
L3_MAIN map	0x4030 0000	0x41FF FFFF	30MiB	See Table 2-1 .
IPU_BITBAND_ALIAS2	0x4200 0000	0x43FF FFFF	32MiB	IPU bit-band alias 2
L3_MAIN map	0x4400 0000	0x54FF FFFF	285MiB	See Table 2-1 .
IPU_ROM ⁽²⁾	0x5500 0000	0x5500 3FFF	16KiB	IPU_ROM
IPU_RAM ⁽²⁾	0x5502 0000	0x5502 FFFF	64KiB	IPU_RAM
IPU_UNICACHE_CFG	0x5508 0000	0x5508 00FF	256B	IPU_UNICACHE config registers
Reserved	0x5508 0100	0x5508 03FF	768B	Reserved
IPU_UNICACHE_SCTM	0x5508 0400	0x5508 07FF	1KiB	IPU_UNICACHE_SCTM config registers
IPU_UNICACHE_MMU ⁽²⁾	0x5508 0800	0x5508 0FFF	2KiB	IPU_UNICACHE_MMU config registers
IPU_WUGEN	0x5508 1000	0x5508 1FFF	4KiB	IPU_WUGEN configuration registers
IPU_MMU ⁽²⁾	0x5508 2000	0x5508 2FFF	4KiB	IPU_MMU configuration registers
Reserved	0x5508 3000	0x55FF FFFF	16MiB	Reserved
L3_MAIN map	0x5600 0000	0xDFFF FFFF	2,3GiB	See Table 2-1 .
Reserved	0xE000 0000	0xE000 0FFF	4KiB	Reserved
IPU_C0_DWT	0xE000 1000	0xE000 1FFF	4KiB	IPU_C0_DWT configuration registers
IPU_C0_FPB	0xE000 2000	0xE000 2FFF	4KiB	IPU_C0_FPB configuration registers
IPU_C0_INTC	0xE000 E000	0xE000 EFFF	4KiB	IPU_C0_INTC configuration registers
IPU_C0_ICECRUSHER	0xE004 2000	0xE004 2FFF	4KiB	IPU_C0_ICECRUSHER configuration registers
IPU_C0_RW_TABLE	0xE00F E000	0xE00F EFFF	4KiB	IPU_C0 RW table
IPU_C0_ROM_TABLE	0xE00F F000	0xE00F FFFF	4KiB	IPU_C0 ROM table
IPU_C1_DWT	0xE000 1000	0xE000 1FFF	4KiB	IPU_C1_DWT configuration registers
IPU_C1_FPB	0xE000 2000	0xE000 2FFF	4KiB	IPU_C1_FPB configuration registers
IPU_C1_INTC	0xE000 E000	0xE000 EFFF	4KiB	IPU_C1_INTC configuration registers
IPU_C1_ICECRUSHER	0xE004 2000	0xE004 2FFF	4KiB	IPU_C1_ICECRUSHER configuration registers
IPU_C1_RW_TABLE	0xE00F E000	0xE00F EFFF	4KiB	IPU_C1 RW table

⁽¹⁾ See [Section 7.3.8, IPU Boot Options](#).

⁽²⁾ Can also be accessed from L3_MAIN (by other initiators, such as: MPU, DSP, and so forth).

Table 2-9. IPU Memory Map (continued)

Region Name	Start_Address (hex)	End_Address (hex)	Size	Description
IPU_C1_ROM_TABLE	0xE00F F000	0xE00F FFFF	4KiB	IPU_C1 ROM table
L3_MAIN map	0xE010 0000	0xFFFF FFFF	511MiB	See Table 2-1 .
Legend:		= IPU private memory space		
		= Reserved memory space		

2.6 DSP Memory Map

The device implements one DSP subsystem (DSP1). For more information about DSP, see [Chapter 5](#).

[Table 2-10](#) describes the DSP memory mapping.

Table 2-10. DSP Memory Map

Region Name	Start_Address (hex)	End_Address (hex)	Size	Description
Reserved	0x0000 0000	0x007F FFFF	8MiB	Reserved
DSP_L2 ⁽¹⁾	0x0080 0000	0x0084 7FFF	288KiB	DSP L2 SRAM and cache. The L2 SRAM starts at 0x0080_0000 address.
Reserved	0x0084 8000	0x00DF FFFF	5856KiB	Reserved
DSP_L1P ⁽¹⁾	0x00E0 0000	0x00E0 7FFF	32KiB	DSP L1P SRAM
Reserved	0x00E0 8000	0x00EF FFFF	992KiB	Reserved
DSP_L1D ⁽¹⁾	0x00F0 0000	0x00F0 7FFF	32KiB	DSP L1D SRAM
Reserved	0x00F0 8000	0x00FF FFFF	992KiB	Reserved
DSP_ICFG ⁽¹⁾	0x0100 0000	0x01BF FFFF	12MiB	DSP internal CFG
Reserved	0x01C0 0000	0x01CF FFFF	1MiB	Reserved
DSP_SYSTEM ⁽¹⁾	0x01D0 0000	0x01D0 0FFF	4KiB	DSP system registers block
DSP_MMU0CFG ⁽¹⁾	0x01D0 1000	0x01D0 1FFF	4KiB	DSP MMU0 configuration
DSP_MMU1CFG ⁽¹⁾	0x01D0 2000	0x01D0 2FFF	4KiB	DSP MMU1 configuration
DSP_FW0CFG ⁽¹⁾	0x01D0 3000	0x01D0 3FFF	4KiB	DSP firewall 0 config
DSP_FW1CFG ⁽¹⁾	0x01D0 4000	0x01D0 4FFF	4KiB	DSP firewall 1 config
DSP_EDMA_TC0 ⁽¹⁾	0x01D0 5000	0x01D0 5FFF	4KiB	DSP EDMA transfer controller 0
DSP_EDMA_TC1 ⁽¹⁾	0x01D0 6000	0x01D0 6FFF	4KiB	DSP EDMA transfer controller 1
DSP_NoC ⁽¹⁾	0x01D0 7000	0x01D0 7FFF	4KiB	DSP interconnect registers
Reserved	0x01D0 8000	0x01D0 FFFF	32KiB	Reserved
DSP_EDMA_CC ⁽¹⁾	0x01D1 0000	0x01D1 7FFF	32KiB	DSP EDMA channel controller
Reserved	0x01D1 8000	0x01FF FFFF	2976KiB	Reserved
Reserved	0x0200 0000	0x020F FFFF	1MiB	Reserved
Reserved	0x0210 0000	0x021F FFFF	1MiB	Reserved
Reserved	0x0220 0000	0x032F FFFF	17MiB	Reserved
EDMA_TPCC	0x0330 0000	0x033F FFFF	1MiB	EDMA_TPCC configuration space
EDMA_TC0	0x0340 0000	0x034F FFFF	1MiB	EDMA_TC0 configuration space
EDMA_TC1	0x0350 0000	0x035F FFFF	1MiB	EDMA_TC1 configuration space
Reserved	0x0360 0000	0x07FF FFFF	74MiB	Reserved
DSP_XMC_CTRL ⁽¹⁾	0x0800 0000	0x0800 FFFF	64KiB	DSP XMC control registers
DSP EDI ⁽¹⁾	0x0801 0000	0x0801 FFFF	64KiB	DSP internal EDI translation region
L3_MAIN map	0x1400 0000	0xFFFF FFFF	3GiB, 8GiB	See Table 2-1 .

Legend:		= DSP private memory space
		= Reserved memory space

⁽¹⁾ DSP subsystem internal resources. DSP accesses in ranges [0x0080_0000 through 0x01D1_7FFF] and [0x0800_0000 through 0x0801_FFFF] are performed locally within the DSP subsystem.

2.7 PRU-ICSS Memory Map

The device implements two PRU subsystems (PRU-ICSS1, PRU-ICSS2). For more information about PRU-ICSS, see [Chapter 30](#).

[Table 2-11](#) describes the PRU-ICSS memory mapping.

Table 2-11. PRU-ICSS Memory Map

Region Name	Start Address (hex)	End Address (hex)	Size	Description
PRUSS_DATA_RAM0	0x0000 0000	0x0000 1FFF	8KiB	PRU-ICSS Data RAM0
PRUSS_DATA_RAM1	0x0000 2000	0x0000 3FFF	8KiB	PRU-ICSS Data RAM1
Reserved	0x0000 4000	0x0000 FFFF	48KiB	Reserved
PRUSS_DATA_RAM2	0x0001 0000	0x0001 FFFF	64KiB	PRU-ICSS Data RAM2 (shared) (32KiB implemented)
PRUSS_INTC	0x0002 0000	0x0002 1FFF	8KiB	PRU-ICSS INTC configuration
PRUSS_PRU0_CONTROL	0x0002 2000	0x0002 23FF	1KiB	PRU-ICSS PRU0 control
Reserved	0x0002 2400	0x0002 3FFF	7KiB	Reserved
PRUSS_PRU1_CONTROL	0x0002 4000	0x0002 43FF	1KiB	PRU-ICSS PRU1 control
Reserved	0x0002 4400	0x0002 5FFF	7KiB	Reserved
PRUSS_CFG	0x0002 6000	0x0002 7FFF	8KiB	PRU-ICSS CFG
PRUSS_UART0	0x0002 8000	0x0002 9FFF	8KiB	PRU-ICSS UART0 configuration
Reserved	0x0002 A000	0x0002 DFFF	16KiB	Reserved
PRUSS_IEP	0x0002 E000	0x0002 FFFF	8KiB	PRU-ICSS IEP configuration
PRUSS_ECAP_0	0x0003 0000	0x0003 1FFF	8KiB	PRU-ICSS ECAP configuration
PRUSS_MII_RT	0x0003 2000	0x0003 23FF	1KiB	PRU-ICSS MII_RT configuration
PRUSS_MII_MDIO	0x0003 2400	0x0003 3FFF	7KiB	PRU-ICSS MII_MDIO configuration
Reserved	0x0003 7000	0x0003 7FFF	4KiB	Reserved
Reserved	0x0003 8000	0x0003 AFFF	12KiB	Reserved
Reserved	0x0003 B000	0x1FFF FFFF	524MiB	Reserved
L3_MAIN map	0x2000 0000	0xFFFF FFFF	3.4GiB	See Table 2-1

Legend:		= PRU-ICSS private memory space
		= Reserved memory space

2.8 TILER View Memory Map

Table 2-12 describes the TILER view memory mapping.

Table 2-12. TILER View Memory Map

Region Name	Start_Address (hex)	End_Address (hex)	Size	Description
TILER_VIEW_0	0x01 0000 0000	0x01 1FFF FFFF	512MiB	Natural view
TILER_VIEW_1	0x01 2000 0000	0x01 3FFF FFFF	512MiB	0° view with vertical mirror
TILER_VIEW_2	0x01 4000 0000	0x01 5FFF FFFF	512MiB	0° view with horizontal mirror
TILER_VIEW_3	0x01 6000 0000	0x01 7FFF FFFF	512MiB	180° view
TILER_VIEW_4	0x01 8000 0000	0x01 9FFF FFFF	512MiB	90° view with vertical mirror
TILER_VIEW_5	0x01 A000 0000	0x01 BFFF FFFF	512MiB	270° view
TILER_VIEW_6	0x01 C000 0000	0x01 DFFF FFFF	512MiB	90° view
TILER_VIEW_7	0x01 E000 0000	0x01 FFFF FFFF	512MiB	90° view with horizontal mirror

NOTE: TILER view memory space is only visible for DSS and CAL. CAL can access TILER view memory space by programming the CTRL_CORE_CAL_REG[0] CAL_TILED_MEMORY_SPACE bit.

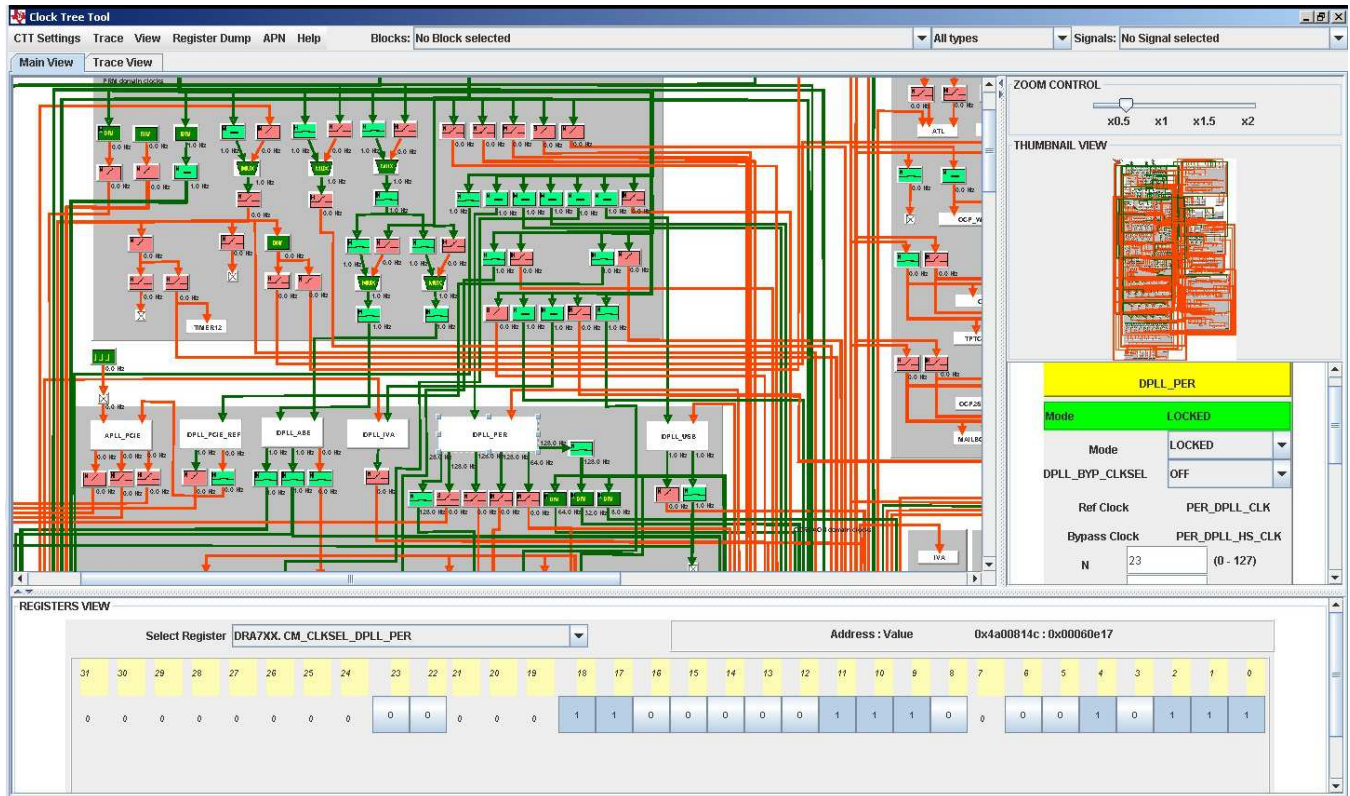
Power, Reset, and Clock Management

This chapter describes the power, reset, and clock management in the device.

Topic	Page
3.1 Device Power Management Introduction	404
3.2 PRCM Subsystem Overview	434
3.3 PRCM Subsystem Environment	437
3.4 PRCM Subsystem Integration	441
3.5 Reset Management Functional Description	447
3.6 Clock Management Functional Description	483
3.7 Power Management Functional Description	638
3.8 Voltage-Management Functional Description	662
3.9 Device Low-Power States	668
3.10 PRCM Module Programming Guide	673
3.11 PRCM Software Configuration for OPP_PLUS	678
3.12 PRCM Register Manual	679

For a detailed visual representation of the distribution and management of the device clocks at the PRCM level, see the clock device interactive software for the device [CLOCKTREETOOL-SITARA](#) [CLOCKTREETOOL-AUTOMOTIVE](#).

Figure 3-1. Clock Tree Tool (CTT)



prcm-095

The Clock Tree Tool (CTT) is a Java™-based, stand-alone application. The CTT is interactive clock tree configuration software for the device. The CTT lets the user:

- Visualize the device clock tree
- Interact with clock tree elements and view the effect on PRCM registers
- Interact with the PRCM registers and view the effect on the device clock tree
- View a trace of all the device registers affected by the user interaction with clock tree
- Extract registers and register dumps for Code Composer Studio and Lauterbach

The advantage of the CTT is that the user can visualize the clock tree state of the device on power-on reset and then customize the configuration of the clock tree for the specific use case and identify the device register settings associated to that configuration. Furthermore, the user can dump and read in register settings for the specific scenarios.

Being an interactive visual tool, the CTT gives the user a global view of the device clock tree architecture and allows determining the exact register settings to obtain the specific configuration.

3.1 Device Power Management Introduction

Power management is one of the most important design aspects of any system.

The device power-management architecture ensures maximum performance and operation time for user satisfaction (audio/video support) while offering versatile power-management techniques for maximum design flexibility, depending on application requirements.

This introduction contains the following information:

- Power-management architecture building blocks for the device
- State-of-the-art power-management techniques supported by the power-management architecture of the device

NOTE: RTC low-power mode is not supported on the AM571x / AM570x family of devices.

3.1.1 Device Power-Management Architecture Building Blocks

To provide a versatile architecture that supports multiple power-management techniques, the power-management framework is built with three levels of resource management: clock, power, and voltage.

These management levels are enforced by defining the managed entities or building blocks of the power-management architecture, called the clock, power, and voltage domains.

A domain is a group of modules or subsections of the device that share a common entity (for example, common clock source, common voltage source, or common power switch). The group forming the domain is managed by a policy manager. For example, a clock for a clock domain is managed by a dedicated clock manager within the power, reset, and clock management (PRCM) module. The clock manager considers the joint clocking constraints of all the modules belonging to that clock domain (and, hence, receiving that clock).

NOTE: In the following sections, the term *<module>* is used to represent the device IPs (that is, modules or subsystems), other than the PRCM module, that receive clock, reset, or power signals from the PRCM module.

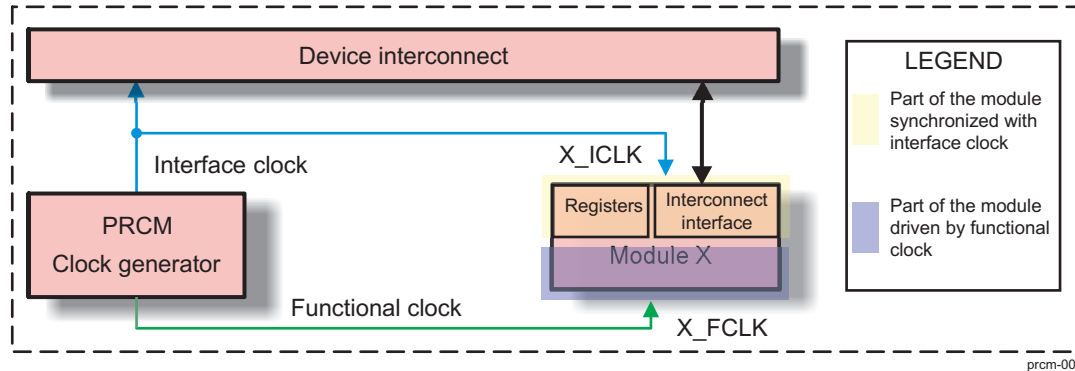
3.1.1.1 Clock Management

The PRCM module manages the gating (that is, switching off) and enabling of the clocks to the device modules. The clocks are managed based on the requirement constraints of the associated modules. The following sections identify the module clock characteristics, management policy, clock domains, and clock domain management.

3.1.1.1.1 Module Interface and Functional Clocks

Each module within the device has specific clock input characteristics requirements. Based on the characteristics of the clocks delivered to the modules, the clocks are divided into two categories: interface clocks and functional clocks (see [Figure 3-2](#)).

Figure 3-2. Functional and Interface Clocks



The interface clocks have the following characteristics:

- They ensure proper communication between any module/subsystem and the interconnect.
- In most cases, they supply the system interconnect interface and registers of the module.
- A typical module has one interface clock, but modules with multiple interface clocks may also exist (that is, when connected to multiple interconnect buses).
- Interface clock management is done at the device level.
- From the standpoint of the PRCM module, an interface clock is identified with an `_ICLK` suffix.

Functional clocks have the following characteristics:

- They supply the functional part of a module or subsystem.
- A module can have one or more functional clocks. Some functional clocks are mandatory, while others are optional. A module needs its mandatory clock(s) to be operational. The optional clocks are used for specific features and can be shut down without stopping the module activity (for example, the clock for the camera).
- From the standpoint of the PRCM module, a functional clock is distributed directly to the related modules through a dedicated clock tree. It is identified with an `_FCLK` suffix.

Some clocks are qualified as permanent clocks. They are functional clocks, that can stay active while the corresponding entity manages them.

NOTE: At the module level, the interface clocks are always fed by the interface clock outputs of the PRCM module. The functional clocks are fed by a PRCM module functional clock output or a PRCM module interface clock output. In the latter case, the functional and interface module clocks inherit the clock-management features (autoidle features) of the PRCM module interface clock.

3.1.1.1.2 Module-Level Clock Management

Each module in the device may also have specific clock requirements. Certain module clocks must be active when operating in specific modes, or they may be gated. Globally, the activation and gating of the module clocks are managed by the PRCM module. Hence, the PRCM module must be aware of when to activate and when to gate the module clocks.

The PRCM module differentiates the clock-management behavior for device modules based on whether the module can initiate transactions on the device interconnect (called master module) or it cannot initiate transactions and only responds to the transactions initiated by the master (called slave module). Thus, two hardware-based power-management protocols are used:

- Master standby protocol: Clock-management protocol between the PRCM and master modules
- Slave idle protocol: Clock-management protocol between the PRCM and slave modules

Master standby protocol

This protocol is used to indicate that a master module must initiate a transaction on the device interconnect and requests specific (functional and interface) clocks for that purpose. The PRCM module ensures that the required clocks are active when the master module requests the PRCM module to enable them. This is called a module wake-up transition and the module is said to be functional after this transition completes.

Similarly, when the master module no longer requires the clocks, it informs the PRCM module, which can then gate the clocks to the module. The master module is then said to be in standby mode.

Although the protocol is completely hardware-controlled, software must configure the clock-management behavior for the module. This is done by setting the `<Module>_SYSCONFIG.MIDLEMODE` or `<Module>_SYSCONFIG.STANDBYMODE` bit fields, as described in [Table 3-1](#). The behavior, identified in the STANDBYMODE Bit Value column, must be configured.

Table 3-1. Master Module Standby Mode Settings

STANDBYMODE Bit Value	Selected Mode	Description
0x0	Force-standby	The module unconditionally asserts the standby request to the PRCM module, regardless of its internal operations. The PRCM module may gate the functional and interface clocks to the module. This mode must be used carefully because it does not prevent loss of data at the time the clocks are gated.
0x1	No-standby	The module never asserts the standby request to the PRCM module. This mode is safe from a module point of view because it ensures that the clocks remain active; however, it is not efficient from a power-saving perspective because it never allows the PRCM module output clocks to be gated.
0x2	Smart-standby	The module asserts the standby request based on its internal activity status. The standby signal is asserted only when all ongoing transactions are complete and the module is idled. The PRCM module can then gate the clocks to the module.
0x3	Smart-standby wake-up-capable mode	The module asserts the standby request based on its internal activity status. The standby signal is asserted only when all ongoing transactions are complete and the module is idle. The PRCM module can then gate the clocks to the module. The module may generate (master-related) wake-up events when in standby state. The mode is relevant only if the appropriate module mwakeup output is implemented.

NOTE:

- Smart-standby mode is the preferred mode of operation, while force-standby and no-standby modes are intended for debugging purposes.
- A master module may support all or some of the standby modes listed in [Table 3-1](#). See the power-management section in the module chapter to identify the supported standby mode.

The standby status of a master module is indicated by the `CM_<Power domain>_<Module>_CLKCTRL[x].STBYST` bit in the PRCM module. [Table 3-2](#) describes the master module standby status.

Table 3-2. Master Module Standby Status

STBYST Bit Value	Description
0x0	The module is functional.
0x1	The module is in standby mode.

[Table 3-3](#) lists the enabling conditions for the master module clocks managed by the standby protocol.

Table 3-3. Master Module Clock Enabling Conditions

Relation	Condition
AND	Clock domain is ready.
	OR

Table 3-3. Master Module Clock Enabling Conditions (continued)

Relation	Condition
	Master module wake-up request is asserted.

Slave idle protocol

This hardware protocol allows the PRCM module to control the state of a slave module. The PRCM module informs the slave module, through assertion of an IDLE request, when its clocks (interface and functional) can be gated. The slave can then acknowledge the request from the PRCM module, and the PRCM module is then allowed to gate the clocks to the module. A slave module is said to be in IDLE state when its clocks are gated by the PRCM module.

Similarly, an idled slave module may need to be woken up because of a service request from a master module or because the slave module receives a wake-up event (for example, an interrupt or a direct memory access [DMA] request). In this situation the PRCM module enables the clocks for the module, and then signals the module to wake up by deasserting the IDLE request.

Although the protocol is completely hardware-controlled, software must configure the clock-management behavior for the slave module. This is done by setting the `<Module>_SYSCONFIG.IDLEMODE` or `<Module>_SYSCONFIG.IDLEMODE` bit field, as described in [Table 3-4](#). The behavior, identified in the IDLEMODE Bit Value column, must be configured by software.

Table 3-4. Module Idle Mode Settings

IDLEMODE Bit Value	Selected Mode	Description
0x0	Force-idle	The module unconditionally acknowledges the IDLE request from the PRCM module, regardless of its internal operations. This mode must be used carefully because it does not prevent loss of data at the time the clock is switched off.
0x1	No-idle	The module never acknowledges any IDLE request from the PRCM module. This mode is safe from a module point of view because it ensures the clocks remain active; however, it is not efficient from a power-saving perspective because it does not allow the PRCM module output clock to be shut off, and thus the power domain to be set to a lower power state.
0x2	Smart-idle	The module acknowledges the IDLE request, basing its decision on its internal activity. Namely, the acknowledge signal is asserted only when all pending transactions, interrupts, or DMA requests are processed. This is the best approach to efficient system power management.
0x3	Smart-idle wake-up-capable mode	The module acknowledges the IDLE request, basing its decision on its internal activity. Namely, the acknowledge signal is asserted only when all pending transactions, interrupts, or DMA requests are processed. This is the best approach to efficient system power management. The module may generate (IRQ- or DMA-request-related) wake-up events when in IDLE state. The mode is relevant only if the appropriate module swakeup output(s) is implemented.

NOTE:

- Smart-idle mode is the preferred mode of operation, while force-idle and no-idle modes are intended for debugging purposes.
- A slave module may support all or some of the idle modes listed in [Table 3-4](#). See the power-management section in the module chapter to identify the supported idle modes.

The idle status of a slave module is indicated by the `CM_<Power domain>_<Module>_CLKCTRL[x]IDLEST` bit field in the PRCM module. [Table 3-5](#) lists the possible idle statuses for a slave module.

Table 3-5. Slave Module Idle Status

IDLEST Bit Value	Idle Status	Description
0x0	Functional	The module is fully functional. The interface and functional clocks are active.
0x1	In transition	The module is performing a wake-up or a sleep transition.

Table 3-5. Slave Module Idle Status (continued)

IDLEST Bit Value	Idle Status	Description
0x2	Interface idle	The module interface clock is idled. The module may remain functional if using a separate functional clock.
0x3	Full idle	The module is fully idle. The interface and functional clocks are gated.

When configured in smart-idle mode, the slave module may acknowledge the IDLE request of the PRCM module based on the activity of its interface and/or functional clocks. To define which module clocks (that is, interface and/or functional) should be considered when responding to the PRCM module request, software must configure the `<Module>_SYSCONFIG[x] CLOCKACTIVITY` bit field.

The CLOCKACTIVITY setting is used internally by the module to determine the part of the module on which the conditions to acknowledge the PRCM module IDLE request are tested. As an example, if the functional clock must remain active when the module is in idle mode, the module must acknowledge a PRCM module IDLE request by considering only the interface clock gating conditions (that is, there is no pending activity on the interconnect).

NOTE: See the power-management section in the module chapter to identify whether this feature is configurable.

Using the CLOCKACTIVITY setting along with smart-idle mode ensures that the clock remains active for the module features that must remain available during the module idle mode. [Table 3-6](#) describes the possible CLOCKACTIVITY settings for a module.

Table 3-6. Slave Module Clock Activity Settings

CLOCKACTIVITY Bit Value	Module Interface Clock	Module Functional Clock	Description
0x0	Gated	Gated	The interface and functional clocks are considered when generating the acknowledgment. This setting also means both clocks may be gated upon a PRCM module IDLE request.
0x1	Active	Gated	The interface clock is not shut down and is not considered when generating the acknowledgment to the PRCM module IDLE request. Only the functional clock is considered.
0x2	Gated	Active	The functional clock is not shut down and is not considered when generating the acknowledgment to the PRCM module IDLE request. Only the interface clock is considered.
0x3	Active	Active	The interface and functional clocks are not shut down. The module can acknowledge the IDLE request without checking the internal functions linked to its clocks.

NOTE:

- The software configuration of the CLOCKACTIVITY settings may not be available for a given module. For some modules, the CLOCKACTIVITY settings can be hardwired.
- A slave module may support all or some of the CLOCKACTIVITY settings listed in [Table 3-6](#).

See the power-management section in the specific module chapter to identify the supported idle feature and settings.

CAUTION

The PRCM module does not have any hardware means to read the CLOCKACTIVITY settings of the module. Software must ensure consistent programming between the CLOCKACTIVITY settings of the module and the clock-gating control bits in the PRCM module. The PRCM module must be configured (where software control is available) not to gate the module clock, which should remain active according to the CLOCKACTIVITY settings of the module.

For idle protocol management on the PRCM module side, the behavior of the PRCM module is configured in the CM_<Clock domain>_<module>_CLKCTRL[1:0] MODULEMODE bit field. Based on the configured behavior, the PRCM module asserts the IDLE request to the module unconditionally (that is, immediately when software requests) or through hardware control when the module idle conditions are satisfied. [Table 3-7](#) describes the configurable behavior of MODULEMODE.

Table 3-7. Slave Module Mode Settings in PRCM

MODULEMODE Bit Value	Selected Mode	Description
0x0	Disabled	The PRCM module unconditionally asserts the module IDLE request. This request applies to the gating of the functional and interface clocks to the module. If acknowledged by the module, the PRCM module can gate all clocks to the module (that is, the module is completely disabled). It can react only to an asynchronous wake-up event (that is, a wake-up event that does not require the module functional clock to be active).
0x1	Auto	This mode applies to a module when the PRCM module manages only its interface clock and not its functional clock. The PRCM module automatically asserts/deasserts the module IDLE request based on the clock domain transitions. If acknowledged by the module, the PRCM module can gate the interface clock to the module.
0x2	Enabled	This mode applies to a module when the PRCM module manages its interface and functional clocks. The functional clock to the module remains active unconditionally, while the PRCM module automatically asserts/deasserts the module IDLE request based on the clock domain transitions. If acknowledged by the module, the PRCM module can gate only the interface clock to the module.
0x3	Reserved	Not available

NOTE: The PRCM module may support all or some of the MODULEMODE module settings listed in [Table 3-7](#). See the CM_<Clock domain>_<module>_CLKCTRL[1:0] MODULEMODE bit field description for the module to identify the supported settings.

NOTE: Modules, which can be configured with DISABLED or AUTO values of ModuleMode, cannot go from IDLE to DISABLED state if ModuleMode is changed from AUTO to DISABLED while module is in IDLE state. Once the CM_<Clock domain>_CLKSTCTRL[1:0] CLKTRCTRL has been set to SW_WKUP, then SW has to poll for PM_<Clock_domain>_PWRSTST[1:0] PowerStateSt = 0x03 and PM_<Clock_domain>_PWRSTST[20] InTransition = 0x00 before update MODULEMODE bit field.

[Table 3-8](#) and [Table 3-9](#) list the enabling conditions for the slave module clocks managed by the idle protocol.

Table 3-8. Slave Module Interface Clock Enabling Conditions

Relation	Condition
AND	Clock domain is ready.
	OR
	Slave module idle status is 0x0 (fully functional).
	Slave module idle status is 0x1 (in transition).

Table 3-8. Slave Module Interface Clock Enabling Conditions (continued)

Relation		Condition
		Slave module wake-up request is asserted.

Table 3-9. Slave Module Functional Clock Enabling Conditions

Relation		Condition
AND		Clock domain is ready.
	OR	Slave module idle status is 0x0 (fully functional).
		Slave module idle status is 0x1 (in transition).
		Slave module idle status is 0x2 (interface clock is idled).
	Slave module wake-up request is asserted.	

The module clock domain must be ready for the optional clocks to the module, and any associated clock-enable control is asserted.

NOTE: A given clock can be used by more than one module. Clock-enabling conditions are then ORed together (that is, the clock is provided as soon as one of the enabling conditions is true). As a consequence, the clock is disabled only when all related enabling conditions are false.

Module wake-up request

In IDLE state, a slave module may have to wake up to generate an interrupt or a DMA request. This can be the result of an external request (for example, to the input/output [I/O] port of a general-purpose input/output [GPIO] module) or an internally generated event (for example, WD_TIMER time up). The slave module, with wake-up capability, sends a wake-up request to the PRCM module. The PRCM module then activates the module clocks and acknowledges the module wake-up request.

In IDLE state, some slave modules may require functional clock(s) to generate a wake-up event. Such requests are called synchronous wake-up events on the PRCM module side, while the events generated when the functional or interface module clocks are gated are called asynchronous wake-up events.

NOTE: See the power-management section in the module chapter to identify whether its wake-up event is synchronous or asynchronous.

The standby and idle clock-management protocols allow the configuration of the module-level clock-management interaction between the PRCM module and individual modules of the device. However, the PRCM module may not necessarily gate the clock to the module immediately after the module switches to standby or idle mode at the end of this interaction. This is because the same clock can be shared by other modules that are active and need this shared clock to complete their activity. As a result, the PRCM module provides a second level of clock management called the clock-domain level, as explained in [Section 3.1.1.1.3, Clock Domain](#).

3.1.1.1.3 Clock Domain

A clock domain is a group of modules fed by clock signals controlled by the same clock manager in the PRCM module (see [Figure 3-3](#)). By gating the clocks in a clock domain, the clocks to all the modules belonging to that clock domain can be cut to lower their active power consumption (that is, the device is on and the clocks to the modules are dynamically switched to ACTIVE or INACTIVE [gated] state). Thus, a clock domain allows control of the dynamic power consumption of the device.

The device is partitioned into multiple clock domains and each clock domain is controlled by an associated clock manager within the PRCM module. This allows the PRCM module to activate and gate individually each device clock domain.

Figure 3-3. Generic Clock Domain

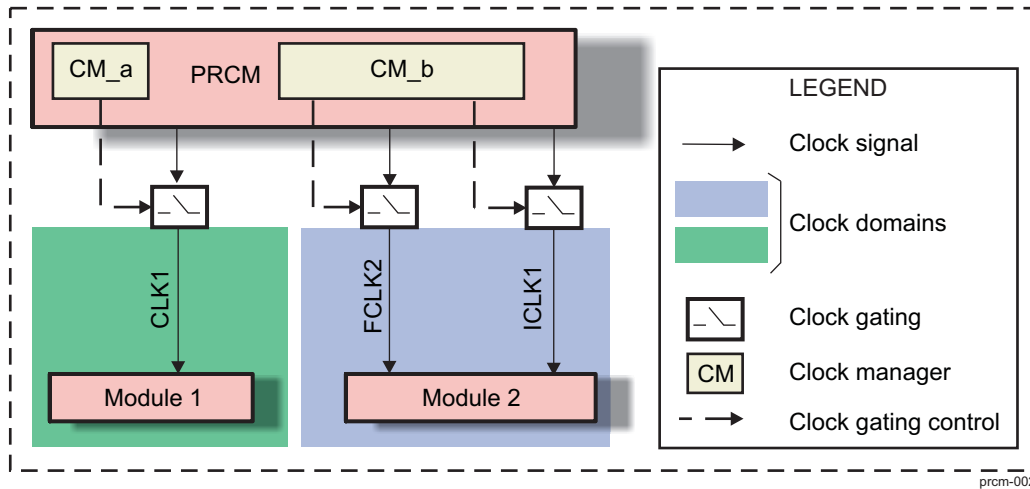


Figure 3-3 is an example of two clock managers: CM_a and CM_b. Each clock manager manages a clock domain. The clock domain of CM_b is composed of two clocks, a functional clock (FCLK2) and an interface clock (ICLK1), while that of CM_a consists of a clock (CLK1) that is used by the module as functional and interface clock. The clocks to Module 2 can be gated independently of the clock to Module 1, thus ensuring power savings when Module 2 is not in use.

The PRCM module lets software check the status of the clock domain functional clocks. The CM_<Clock domain>_CLKSTCTRL[x] CLKACTIVITY_FCLK/<Clock name>_FCLK bit in the PRCM module identifies the state of the functional clock(s) within the clock domain. Table 3-10 lists the two possible states of the functional clock.

Table 3-10. Clock Domain Functional Clock States

CLKACTIVITY Bit Value	Status	Description
0x0	Gated	The functional clock of the clock domain is inactive.
0x1	Active	The functional clock of the clock domain is running.

Table 3-11. Clock Domain Interface Clock States

CLKACTIVITY Bit Value	Status	Description
0x0	Gated	The interface clock of the clock domain is inactive.
0x1	Active	The interface clock of the clock domain is running.

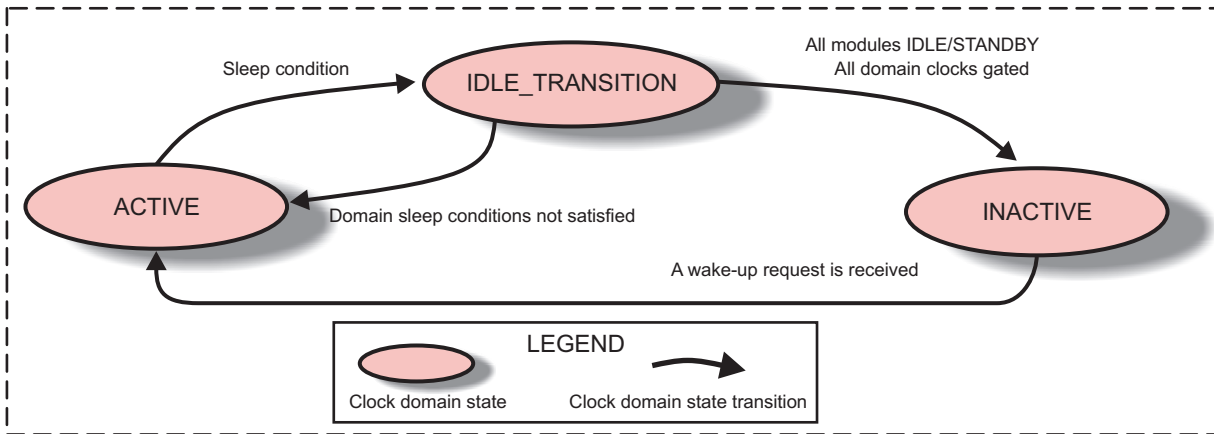
All Clock Domains are summarized and described in Section 3.6.4, *Clock Domains*.

3.1.1.1.4 Clock Domain-Level Clock Management

The domain clock manager can automatically (that is, based on hardware conditions) and jointly manage the interface clocks within the clock domain. The functional clocks within the clock domain are managed through software settings.

A clock domain can switch between three possible states: ACTIVE, IDLE_TRANSITION (IDLEREQ), and INACTIVE (IDLE). Figure 3-4 shows the sleep and wake-up transitions of the clock domain between ACTIVE and INACTIVE states.

Figure 3-4. Clock Domain State Transitions



prcm-003

Table 3-12 defines the clock domain states.

Table 3-12. Clock Domain Clock States

State	Description
ACTIVE	<ul style="list-style-type: none"> Every nondisabled slave module (that is, those whose MODULEMODE value is not set to disabled) is put out of IDLE state. All mandatory functional clocks to the active slave modules (that is, not idled) of the clock domain are provided. All interface clocks to the nondisabled slave modules in the clock domain are provided. All mandatory functional and interface clocks to the active master modules (that is, not in STANDBY state) in the clock domain are provided. Every enabled optional clock to the modules in the clock domain is provided.
IDLE_TRANSITION	<p>This is a transitory state.</p> <ul style="list-style-type: none"> Every master module in the clock domain is in STANDBY state. Every IDLE request to all the slave modules in the clock domain is asserted. The functional clocks to the slave module in enabled state (that is, those whose MODULEMODE values are set to enabled) remain active. Every enabled optional clock to the modules in the clock domain is provided.
INACTIVE	<p>All clocks within the clock domain are gated.</p> <ul style="list-style-type: none"> Every slave module in the clock domain (that is, those whose MODULEMODE value is set to disabled or auto) is in IDLE state and set to disabled or auto mode. Every master module in the clock domain is in STANDBY state. Every optional functional clock in the clock domain is gated.

Each clock domain transition behavior is managed by an associated register bit field in the CM_<Clock domain>_CLKSTCTRL[x] CLKTRCTRL PRCM module.

Table 3-13 describes the clock transition mode settings of the clock domain.

Table 3-13. Clock Domain Clock Transition Mode Settings

CLKTRCTRL Bit Value	Selected Mode	Description
0x0	NO_SLEEP	A clock domain sleep transition is never initiated, regardless of the hardware conditions.
0x1	SW_SLEEP	A software-forced sleep transition. The transition is initiated when the associated hardware conditions are satisfied (see Table 3-15).
0x2	SW_WKUP	A software-forced clock domain wake-up transition is initiated, regardless of the hardware conditions identified in Table 3-14.

Table 3-13. Clock Domain Clock Transition Mode Settings (continued)

CLKTRCTRL Bit Value	Selected Mode	Description
0x3	HW_AUTO	Hardware-controlled automatic sleep and wake-up transition is initiated by the PRCM module when the associated hardware conditions are satisfied (see Table 3-14 and Table 3-15).

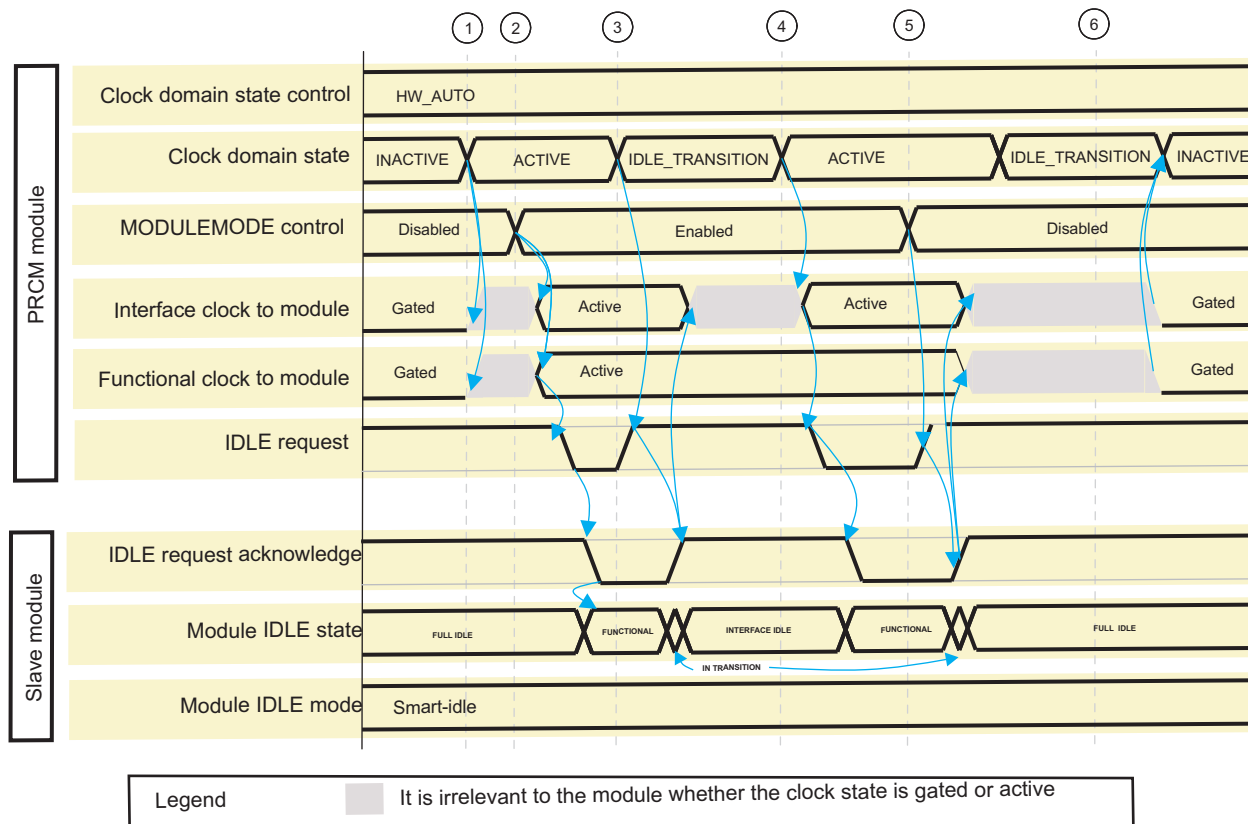
NOTE: Depending on its characteristics, a clock domain may or may not support all the clock transition mode settings described in [Table 3-13](#). See the clock domain clock management section of the specific clock domain to identify the supported clock transition mode settings.

3.1.1.1.5 Clock Domain HW_AUTO Mode Sequences

The sequence diagrams in [Figure 3-5](#) through [Figure 3-7](#) identify the PRCM module hardware-controlled enabling and gating of the functional and interface clocks to the module. They show the changes in the state of the module based on the changes to the clock domain state and module mode settings.

[Figure 3-5](#) shows the behavior of a slave module receiving the interface and functional clocks and having two configurable module modes: disabled and enabled.

Figure 3-5. Clock Domain/Slave Module Clock-Management Interaction Sequence 1



Initially, the clock domain, which includes the slave module, is inactive. The module is in FULL IDLE state and its functional and interface clocks are gated.

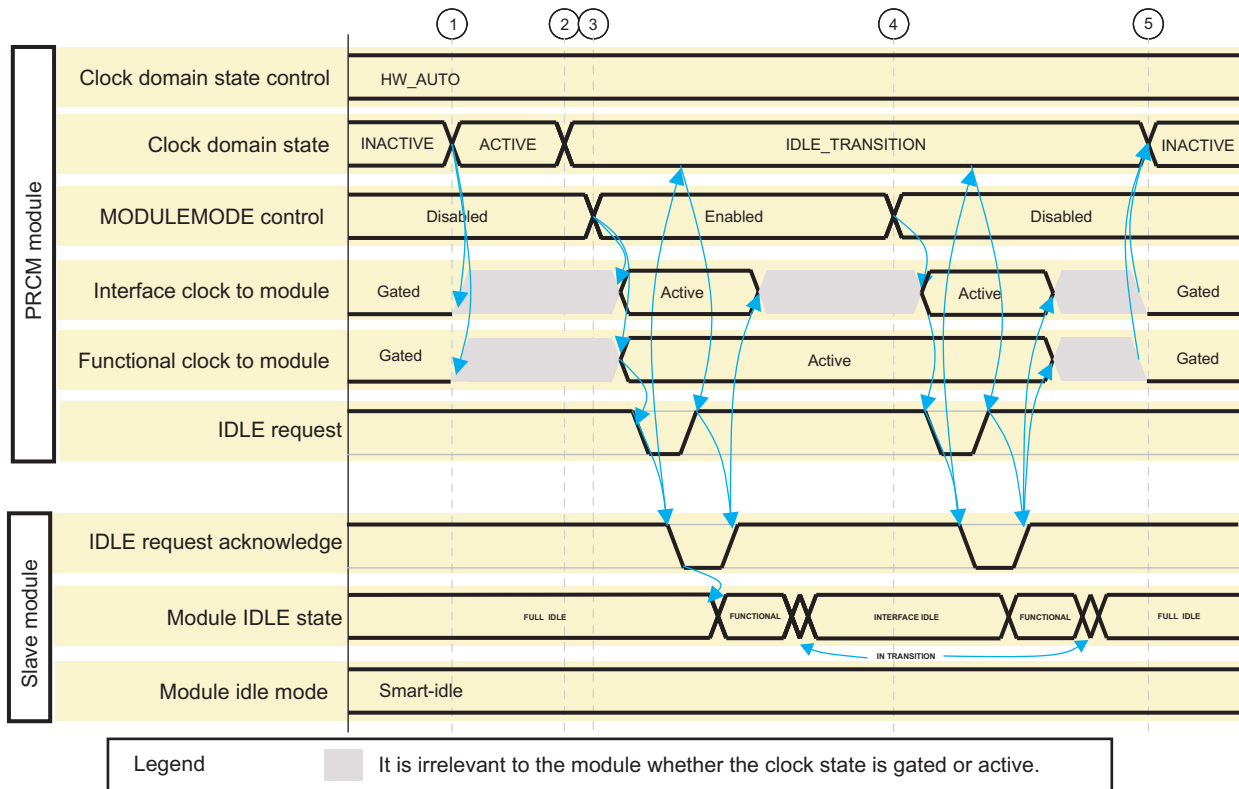
1. The clock domain wakes up and changes its state to ACTIVE. Because the MODULEMODE control is still disabled, this event has no effect on the state of the module. The functional and interface clocks can still be restarted automatically, based on the requirements of other modules sharing these clocks.
2. Software changes the module mode to ENABLED. The clocks to the module are automatically restarted. The PRCM module then deasserts a hardware IDLE request signal to the module. The

module sends an IDLE request acknowledge to the PRCM module. The module is now effectively awake. The module IDLE state is functional.

3. The clock domain switches to IDLE_TRANSITION state. In turn, the PRCM module requests the module to go into IDLE state by asserting the IDLE request signal. When acknowledged, the clock to the module can be gated, depending on other modules sharing the same clock. The functional clock of the module remains enabled because the module is in enabled mode.
4. The clock domain does not have all conditions to complete the sleep transition and wakes up again. In turn, the interface clock to the module is automatically restarted, and then the module is put out of IDLE state.
5. Software disables the module. The PRCM module requests the module to go to IDLE state by asserting the IDLE request signal. When acknowledged, the clock to the module can be gated, depending on other modules sharing the same clock.
6. The clock domain switches to IDLE_TRANSITION state. When the sleep transition conditions of the clock domain are satisfied, the clocks (functional and interface) are gated. The clock domain then switches to INACTIVE state. This has no effect on the module, which is already in FULL IDLE state.

Figure 3-6 shows the behavior of the same slave module, receiving the interface and functional clocks, when the module mode is changed while the clock domain state is IDLE_TRANSITION.

Figure 3-6. Clock Domain/Slave Module Clock-Management Interaction Sequence 2



prcm-005

Initially, the clock domain, which includes the slave module, is inactive. The module is in FULL IDLE state and its functional and interface clocks are gated.

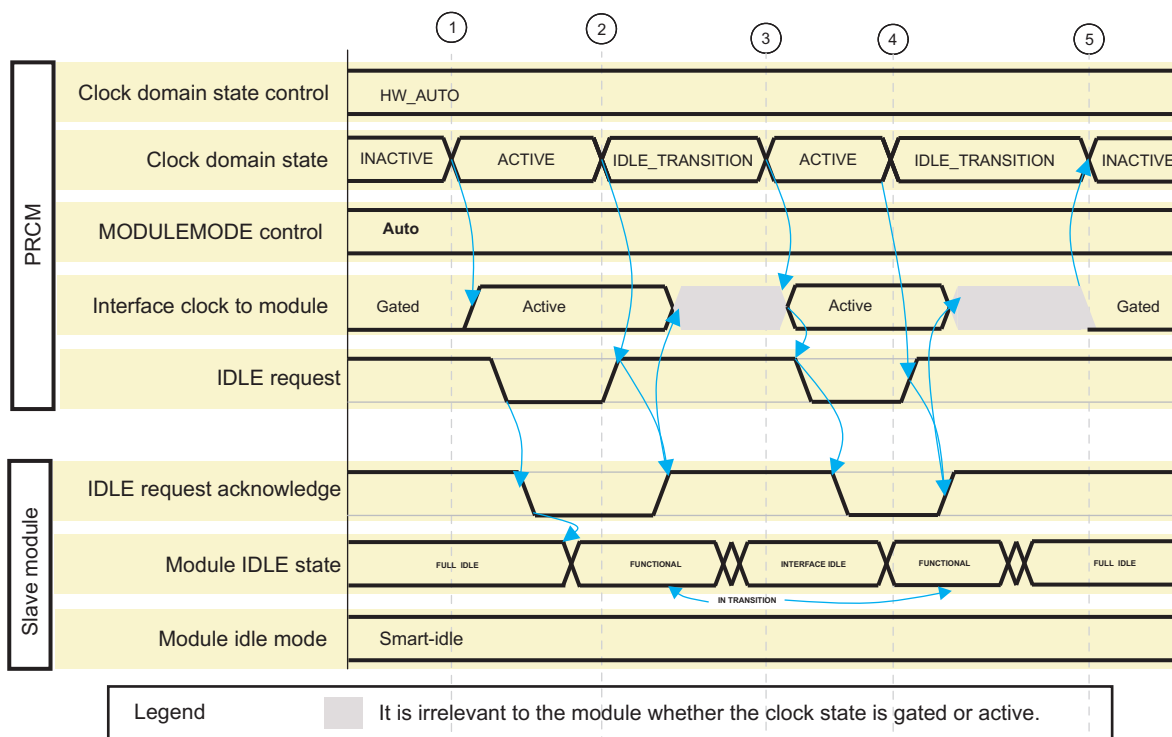
1. The clock domain wakes up and changes its state to ACTIVE. Because the MODULEMODE control is disabled, this event has no effect on the state of the module. The functional and interface clocks can still be restarted automatically, based on the requirements of other modules sharing these clocks.
2. The clock domain goes into the IDLE_TRANSITION state. Because the module mode control is disabled, this event has no effect on the module state.
3. Software changes the module mode to ENABLED. The clocks to the module are restarted automatically and then the module is put out of IDLE state. As soon as acknowledged, the module is

requested to go back to IDLE state with gating of the interface clock only (that is, the INTERFACE IDLE state). The interface clock to the module can be gated, depending on other modules sharing the same clocks.

4. Software disables the module. The interface clock to the module is restarted automatically. The PRCM module requests the module to go out of IDLE state by asserting the IDLE request signal. As IDLE request acknowledge is de-asserted, PRCM set back the module to IDLE state. When acknowledged, the interface and the functional clocks to the module can be gated, depending on other modules sharing the same clock.
5. When the clock domain sleep transition conditions are satisfied and the functional and interface clocks are gated, the clock domain switches to INACTIVE state. This has no effect on the module, which is already in FULL IDLE state.

Figure 3-7 shows the behavior of a slave module receiving only interface clock and supporting the configurable auto module mode.

Figure 3-7. Clock Domain/Slave Module Clock-Management Interaction Sequence 3



Legend It is irrelevant to the module whether the clock state is gated or active.

prcm-006

Initially, the clock domain, which includes the slave module, is inactive. The module is in FULL IDLE state and its interface clock is gated.

1. The clock domain wakes up and changes its state to ACTIVE. In turn, the interface clock to the module is automatically restarted. The PRCM module then deasserts a hardware IDLE request signal to the module. The module sends an IDLE request acknowledge to the PRCM module. The module is now effectively awake; that is, the module IDLE state is functional.
2. The clock domain switches to IDLE_TRANSITION state. The PRCM module requests the module to go to IDLE state by asserting the IDLE request signal. When acknowledged, the interface clock to the module can be gated, depending on other modules sharing the same clock.
3. The clock domain does not have all conditions to complete the sleep transition and wakes up again. In turn, the interface clock to the module is automatically restarted, and then the module goes out of IDLE state.
4. This step is the same as Step 2.
5. The clock domain has all conditions to complete the sleep transition. The module is in IDLE state and its clock is gated.

3.1.1.1.6 Clock Domain Sleep/Wake-up

The clock domain manager initiates a domain wake-up transition when the conditions listed in [Table 3-14](#) are satisfied.

Table 3-14. Clock Domain Wake-Up Conditions

Relation	Condition
OR	The SW_WKUP clock transition mode for the clock domain is set (CLKTRCTRL = 0x2).
	At least one wake-up request is asserted by one of the modules of the clock domain.
	At least one dynamic dependency ⁽¹⁾ from another clock domain is active.
	At least one static dependency ⁽¹⁾ from another clock domain is active.
	At least one wake-up dependency ⁽¹⁾ from a module in another clock domain is active.

⁽¹⁾ The dynamic, static, and wake-up dependencies are explained in [Section 3.1.1.1.7, Clock Domain Dependency](#).

The clock domain manager initiates a domain sleep transition when the conditions listed in [Table 3-15](#) are satisfied.

Table 3-15. Clock Domain Sleep Conditions

Relation	Condition
AND	All master modules in the clock domain are in STANDBY state.
	No wake-up request is asserted by any module of the clock domain.
	No dynamic domain dependency ⁽¹⁾ from any other domain is active.
	No wake-up dependency ⁽¹⁾ from any module in another domain is active.
	No static domain dependency ⁽¹⁾ from any other domain is active.
	OR

⁽¹⁾ The dynamic, static, and wake-up dependencies are explained in [Section 3.1.1.1.7, Clock Domain Dependency](#).

3.1.1.1.7 Clock Domain Dependency

A domain dependency is a binary relationship between two clock domains. A clock domain A is said to depend on a clock domain B when a module in clock domain B provides services to a module in clock domain A. As a result, clock domain B must be active when clock domain A is active so that the module in clock domain B is accessible by the module in clock domain A.

Dependency between two clock domains can also exist if one clock domain serves to ensure communication between two modules (for example, the clock domain of the device interconnect).

Thus, a clock domain can support the types of clock domain dependencies described in the following sections.

[Table 3-16](#) and [Table 3-17](#) detail all the domain dependencies:

- **NA/NA:** if no dependency can exist because no corresponding interconnect path exists in the device
- When cell is different than NA/NA, the cell contains two attributes:
 - First attribute for the presence and control method of a static dependency:
 - **SW:** Static dependency is controlled by a software bit. This is the most generic way of control. Depending on the use case and on latency requirement for accessing target domain, software can enable or not the static dependency. When not enabled, access to those domains is performed using dynamic dependencies.
 - **1:** Static dependency is always enabled (hard-wired). This is relevant for a domain that has an "exact standby" system initiator with the target domain being the domain containing the interconnect module to which the initiator is connected.
 - **0:** Static dependency is never enabled (hard-wired). This is relevant for domains that do not have strong access latency requirements, or for which a static dependency is not desired for

specific reasons (for example, dependencies with emulation domain). Access to those domains is performed using dynamic dependencies.

- **NA**: Nonapplicable (means domain has no system initiator able to access the other domain)
- Second attribute for the presence and control method of a dynamic dependency:
 - **1..n**: Dynamic dependency is always enabled (hard-wired). The number of corresponding interconnect interfaces is also specified. This is relevant for most of the domain-to-domain direct interconnect connection.
 - **0**: Dynamic dependency is never enabled (hard-wired). This is relevant only when a static dependency is always enabled between same domains, or when the target domain cannot support the wakeup on access feature.
 - **NA**: Nonapplicable (means that both domains are not directly linked by an OCP interface)

Table 3-16. Device Domain Dependencies (Table 1)

Static/dynamic dependencies from below domains to right-side domains	ATL	DMA	EMIF	IPU2	L3INSTR	L3MAIN1	L4CFG	COREAON	CUSTEFUSE	DSP1	DSS	EMU	CAM	GPU
CAM	0/na	0/na	SW/na	0/na	0/na	1/0	0/na	0/na	0/na	0/na	0/na	0/na	na/na	0/na
DMA	0/na	na/na	SW/na	SW/na	0/na	1/0	SW/na	0/na	0/na	0/na	SW/na	0/na	0/na	0/na
IPU2	SW/na	0/na	SW/na	na/na	0/na	SW/1	SW/na	0/na	0/na	SW/na	SW/na	0/na	0/na	SW/na
L3INSTR	na/na	na/na	na/na	na/na	na/na	na/na	na/na	na/na	na/na	na/na	na/na	0/0	na/na	na/na
L3MAIN1	0/na	0/na	0/2	0/1	0/0	na/na	0/1	0/na	0/na	0/1	0/2	0/na	0/na	0/1
L4CFG	0/0	0/1	0/1	na/na	0/0	0/1	na/na	0/5	0/1	na/na	na/na	0/na	na/na	na/na
DSP1	SW/na	0/na	SW/na	SW/na	0/na	1/3	0/na	0/na	0/na	na/na	SW/na	0/na	SW/na	SW/na
DSS	0/na	0/na	SW/na	0/na	0/na	1/0	0/na	0/na	0/na	0/na	na/na	0/na	0/na	0/na
EMU	0/na	0/na	0/na	0/na	0/na	0/1	0/na	0/na	0/na	0/na	0/na	na/na	0/na	0/na
GPU	0/na	0/na	SW/na	0/na	0/na	1/0	0/na	0/na	0/na	0/na	0/na	0/na	0/na	na/na
IPU1	SW/na	0/na	SW/na	SW/na	0/na	SW/1	SW/na	0/na	0/na	SW/na	SW/na	0/na	0/na	SW/na
IVA	0/na	0/na	SW/na	0/na	0/0	1/0	0/na	0/na	0/na	0/na	0/na	0/na	0/na	0/na
GMAC	0/na	0/na	SW/na	0/na	0/na	1/0	0/na	0/na	0/na	0/na	0/na	0/na	0/na	0/na
L3INIT	0/na	0/na	SW/na	0/na	0/na	1/0	SW/na	0/na	0/na	0/na	0/na	0/na	0/na	0/na
PCIE	SW/na	0/na	SW/na	0/na	0/na	1/0	SW/na	0/na	0/na	SW/na	SW/na	0/na	SW/na	SW/na
L4PER2	0/1	0/na	0/na	SW/na	0/na	1/0	0/1	0/na	0/na	SW/na	0/na	na/na	0/na	0/na
L4PER3	na/na	na/na	na/na	na/na	na/na	0/12	0/12	na/na	na/na	na/na	0/0	na/na	0/6	na/na
L4PER	na/na	na/na	na/na	na/na	na/na	na/na	na/na	na/na	na/na	na/na	na/na	na/na	na/na	na/na
L4SEC	0/na	0/na	SW/na	0/na	0/na	1/0	0/na	0/na	0/na	0/na	0/na	0/na	0/na	0/na
MPU	na/na	0/na	SW/2	SW/na	0/na	SW/1	SW/na	0/na	0/na	SW/na	SW/na	0/na	SW/na	SW/na
VPE	0/na	0/na	SW/na	0/na	0/na	1/0	0/na	0/na	0/na	0/na	0/na	0/na	0/na	0/na

Table 3-17. Device Domain Dependencies (Table 2)

Static/dynamic dependencies from below domains to right-side domains	IPU1	IPU	IVA	GMAC	L3INIT	PCIE	L4PER2	L4PER3	L4PER	L4SEC	MPU	RTC	VPE	WKUPAON
CAM	0/na	0/na	0/na	0/na	0/na	0/na	0/na	0/na	0/na	0/na	0/na	0/na	0/na	0/na
DMA	SW/na	SW/na	SW/na	0/na	SW/na	SW/na	SW/na	SW/na	SW/na	SW/na	0/na	0/na	0/na	SW/na
IPU2	SW/na	SW/na	SW/na	SW/na	SW/na	SW/na	SW/na	SW/na	SW/na	SW/na	0/na	0/na	SW/na	SW/na
L3INSTR	na/na	na/na	na/na	na/na	na/na	na/na	na/na	na/na	na/na	na/na	na/na	na/na	na/na	na/na

Table 3-17. Device Domain Dependencies (Table 2) (continued)

Static/dynamic dependencies from below domains to right-side domains	IPU1	IPU	IVA	GMAC	L3INIT	PCIe	L4PER2	L4PER3	L4PER	L4SEC	MPU	RTC	VPE	WKUPAON
L3MAIN1	0/1	0/1	0/2	0/na	0/na	0/2	0/6	0/1	0/1	0/4	0/na	0/na	0/na	0/2
L4CFG	na/na	na/na	na/na	na/na	0/4	na/na	na/na	na/na	na/na	na/na	0/1	na/na	na/na	na/na
DSP1	SW/na	SW/na	SW/na	SW/na	SW/na	SW/na	SW/na	SW/na	SW/na	SW/na	0/na	0/na	SW/na	SW/na
DSS	0/na	0/na	SW/na	0/na	0/na	0/na	0/na	0/na	0/na	0/na	0/na	0/na	0/na	0/na
EMU	0/na	0/na	0/na	0/na	0/na	0/na	0/na	0/na	0/na	0/na	0/0	0/na	0/na	0/na
GPU	0/na	0/na	SW/na	0/na	0/na	0/na	0/na	0/na	0/na	0/na	0/na	0/na	0/na	0/na
IPU1	na/na	SW/na	SW/na	SW/na	SW/na	SW/na	SW/na	SW/na	SW/na	SW/na	0/na	0/na	SW/na	SW/na
IVA	0/na	0/na	na/na	0/na	0/na	0/na	0/na	0/na	0/na	0/na	0/na	0/na	0/na	0/na
GMAC	0/na	0/na	0/na	na/na	0/na	0/na	SW/na	0/na	0/na	0/na	0/na	0/na	0/na	0/na
L3INIT	0/na	0/na	SJW/na	0/na	na/na	0/na	0/na	SW/na	SW/na	SW/na	0/na	0/na	0/na	SW/na
PCIE	SW/na	SW/na	SW/na	SW/na	SW/na	na/na	SW/na	SW/na	SW/na	SW/na	0/na	0/na	SW/na	0/na
L4PER2	SW/na	0/1	0/na	0/1	0/1	0/na	na/na	0/na	0/na	0/na	0/na	0/na	0/na	0/na
L4PER3	na/na	0/4	na/na	na/na	0/4	na/na	na/na	na/na	na/na	na/na	na/na	0/1	0/1	na/na
L4PER	na/na	0/2	na/na	na/na	0/2	na/na	na/na	na/na	na/na	0/4	na/na	na/na	na/na	na/na
L4SEC	0/na	0/na	0/na	0/na	0/na	0/na	0/na	0/na	SW/na	na/na	0/na	0/na	0/na	0/na
MPU	SW/na	SW/na	SW/na	SW/na	SW/na	SW/na	SW/na	SW/na	SW/na	SW/na	na/na	0/na	SW/na	SW/na
VPE	0/na	0/na	0/na	0/na	0/na	0/na	0/na	SW/na	0/na	0/na	0/na	0/na	na/na	0/na

When a static dependency is hardware-coded between two domains directly linked by one or several interconnect interfaces, then the corresponding dynamic dependency is useless.

Emulation domain (DAP initiator) has no static dependency with any other domain. It has, however, a dynamic dependency with the L3_MAIN2 interconnect. A domain that can access an emulation domain does not have static or dynamic dependency with it.

Domain dependencies are chosen such that any access (even from EMU/DAP) towards a nondisabled target is always completed normally. Using static dependencies allows having minimal access latencies by keeping necessary domains on whenever the initiator is not standby. This may be at the expense of additional power consumption because some domains may stay on while not in use for a long time. By disabling static dependencies, applicative access is still completed normally by waking up, if applicable, the necessary domain on the path from the initiator to the target. Power consumption can be optimized at the expense of additional access latencies.

NOTE: Once the CM_<Clock domain>_CLKSTCTRL[1:0] CLKTRCTRL has been set to SW_WKUP, then SW has to poll for PM_<Clock domain>_PWRSTST[1:0] PowerStateSt = 0x03 and PM_<Clock domain>_PWRSTST[20] InTransition = 0x00 before update MODULEMODE bit field.

3.1.1.1.7.1 Static Dependency

If clock domain A has a master module that can access a slave module in clock domain B, then clock domain A can have a static dependency with clock domain B. Similarly, a static dependency can also exist between domain A and B if domain B conveys the transactions from a domain A module toward a module in any other domain. For example, CD_DSP can have a static dependency with CD_L3_MAIN1 because this domain has a level 3 (L3) interconnect to carry the transactions from the digital signal processor (DSP) module.

This static dependency consists of forcing clock domain B to stay active as long as there is at least one master module of clock domain A that is not in STANDBY state. If clock domains A and B are initially in GATED state, then clock domain B becomes active as soon as clock domain A becomes active when a wake-up request from the master module is received by the PRCM module.

Similarly, as a result of the static dependency, clock domain B can be gated only if all the master modules of clock domain A that can access the slave modules in clock domain B are in STANDBY state.

The static dependency between a source clock domain and a destination clock domain is configured in the PRCM module by setting the CM_<Source Clock domain>_STATICDEP[x] <Destination Clock domain>_STATDEP bit. As a result, the source clock domain forces the destination clock domain to become active and stay active as long as the source clock domain is active.

The destination domain must be put into forced wake-up (CM_<X>_CLKSTCTRL[1:0] CLKTRCTRL = SW_WKUP) before changing a configurable static dependency.

3.1.1.1.7.2 Dynamic Dependency

When clock domains A and B contain modules directly linked to a common device interconnect, these clock domains can have a dynamic dependency.

A dynamic dependency consists of forcing clock domain B to stay active as long as a module from clock domain A is communicating with the module in clock domain B through the interconnect. Clock domain B becomes active as soon as the communication is initiated. This is automatically managed by the PRCM module by monitoring the communication on the interconnect between the modules of the two clock domains.

Similarly, the inverse condition of this dependency can be stated: Clock domain B can be inactive only if there has not been transactions from clock domain A to clock domain B, identified as a sliding window duration on the interconnect activity status.

The size of the sliding window is based on the number of cycles of a prescaled level 4 (L4) clock whose frequency is configured by setting the CM_DYN_DEP_PRESCAL[5:0] PRESCAL bit field. The prescaled clock frequency is given as:

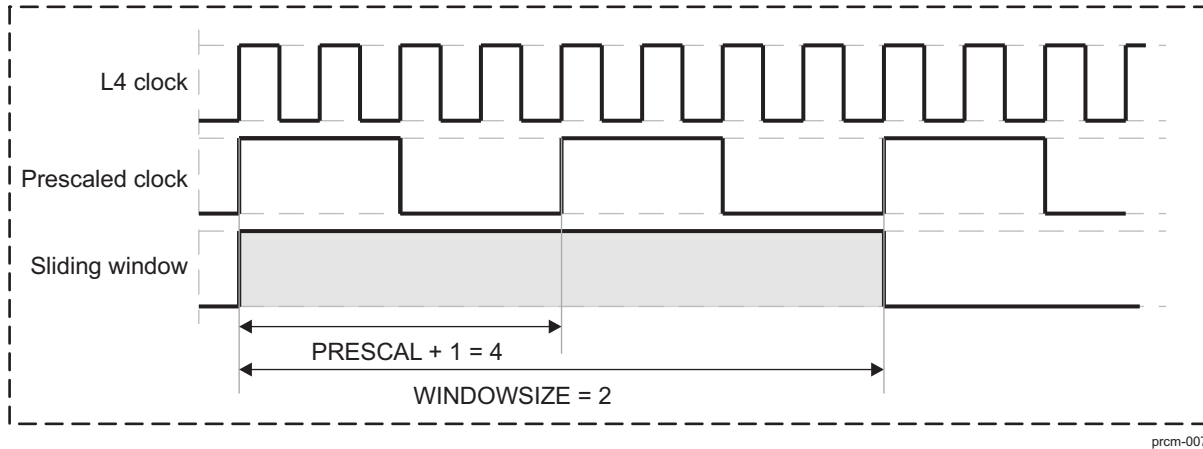
$$\text{Prescaled clock frequency} = \text{L4 interface clock frequency} / (\text{PRESCAL} + 1)$$

The size of the sliding window is fixed by setting the CM_<Clock domain>_DYNAMICDEP[27:24] WINDOWSIZE bit field. It is given as:

$$\text{Sliding window duration} = \text{WINDOWSIZE} \times \text{Period of Prescaled clock cycle}$$

Figure 3-8 is an example of the sliding window duration equal to eight clock cycles of an L4 clock when PRESCAL is set to 3 and WINDOWSIZE is set to 2.

Figure 3-8. Sliding Window for Dynamic Dependency



This dynamic dependency is also referred to as the autosleep/autowakeup feature.

NOTE:

- The static dependency between two clock domains can be configured by software (PRCM module registers) or hardwired in the PRCM module.
- The dynamic dependency between two clock domains is hardwired in the PRCM module.

A dynamic dependency is said to be active when both of the following conditions are met:

- There has been one or more transaction on the interconnect within the sliding window duration.

Otherwise, a dynamic dependency is said to be inactive.

The dynamic dependency between a source clock domain and a destination clock domain can be read in the PRCM module from the corresponding read-only CM_<Source Clock domain>_DYNAMICDEP[x] <Destination Clock domain>_DYNDP bit.

NOTE: It is recommended to use dynamic dependencies. They give better power results. Static dependencies should be rarely used (in some cases they can be used as they give shorter latency for a system initiator to access slave).

3.1.1.1.7.3 Wake-Up Dependency

A wake-up dependency is a dependency between the clock domain of a module that owns one or several wake-up signals toward the clock domain of another module needed to service the associated wake-up event. As a result of this dependency, the wake-up event to a module activates not only its clock domain but also the clock domain of the servicing module.

NOTE: To ensure that the clock domain of the servicing module remains active, the wake-up signal that triggers a wake-up dependency stays active as long as the source of the event is not serviced.

Wake-up dependencies allow acceleration of the wake-up transition of multiple domains needed to service the wake-up event by initiating their transition in parallel. The static and dynamic dependencies can allow the wake-up of related domains, but the complete wake-up transition of all the associated domains is slower because of the sequential cascading of their wake-up transitions.

In the device, the source event of the wake-up signal to a slave module can be either of following types:

- Interrupt request to the microprocessor unit (MPU), DSP, or image processor unit (IPU) interrupt controller (INTC)

- DMA request to a DMA controller

Upon wake-up by these types of wake-up events, and for as long as they remain asserted, the PRCM module takes the following actions:

- The power domain of the servicing module (for example, MPU, DSP, IPU, or DMA) is forced to POWER ON state and the clock domain becomes active.
- The power domain of the device interconnect between the servicing module and the module originator of the wake-up event is forced to POWER ON state and the clock domain becomes active.
- The power domain of the slave module originator of the wake-up event is forced to POWER ON state and the clock domain becomes active.
- The slave module originator of the wake-up event is switched from IDLE to ACTIVE state.

On assertion of a wake-up event of a stand-alone master module, and as long as it remains asserted, the PRCM module takes the following action:

- The power domain of the master module originator of the wake-up event is forced to POWER ON state and the clock domain becomes active.

NOTE: For slave modules, the static and dynamic dependencies of a clock domain are not affected by its wake-up dependency settings. For master modules, the static dependencies are not affected.

Hence, in addition to the activation of the clock domains previously described, all clock domains associated by static dependencies are also activated.

However, the clock domains associated with the wake-up clock domain through dynamic dependencies are activated only if a transaction is initiated to these clock domains.

For each wake-up signal coming from a slave module, the type of the corresponding event can be configured in the PM_<Power domain>_<Originator Module>_WKDEP[x] WKUPDEP_<Originator Module>_[IRQ/DMA]_<Servicing Module> bit of the PRCM module, where <Power domain> is the name of the power domain of the originator module of the wake-up event identified as <Originator Module>. Servicing Module refers to the module servicing the wake-up event.

NOTE: When only one event type is associated with the wake-up signal of a slave module, the wake-up dependency (WKUPDEP) for the module clock domain is not configurable and may be hardwired in the PRCM module.

For the master modules, there is no configurable wake-up dependency. Their power domain is switched on and their clock domain is activated by the PRCM module when they assert their wake-up signal.

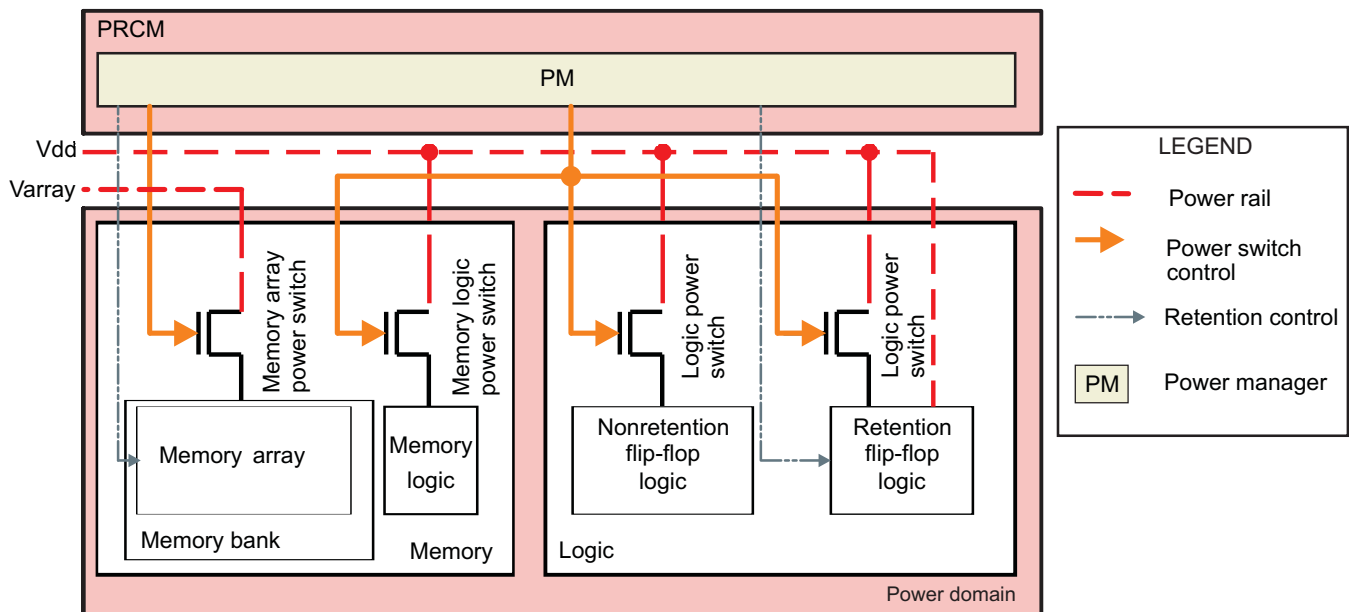
3.1.1.2 Power Management

The PRCM module manages the switching on and off of the power supply to the device modules. To minimize device power consumption, the power to the modules can be switched off when they are not in use. Independent power control of sections of the device lets the PRCM module turn on and off specific sections of the device without affecting other sections.

3.1.1.2.1 Power Domain

A power domain is a section (that is, a group of modules) of the device with an independent and dedicated power manager (see [Figure 3-9](#)). A power domain can be turned on and off without affecting other parts of the device.

Figure 3-9. Generic Power Domain



prcm-008

To minimize device power consumption, the modules are grouped into power domains. A power domain can be split into logic and memory areas.

The memory area contains two entities:

- Memory bank: Composed of memory arrays. It is powered by a dedicated voltage rail and an associated power switch (for example, Varray and memory array power switches).
- Memory logic: Powered by the same voltage source as the logic area of the power domain, but has its dedicated power switch (for example, Vdd and memory logic power switches)

The logic area in the power domain can also be split between retention flip-flops (RFFs) and nonretention flip-flops (DFFs).

Table 3-18 lists the possible states and substates of the logic area in a power domain.

Table 3-18. States of a Logic Area in a Power Domain

State	Substate	Description
ON	ON-ACTIVE	Logic is fully powered and at least one enclosed clock domain is active.
	ON-INACTIVE	Logic is fully powered and all enclosed clock domains are idled.
RETENTION	CSWR (close switch retention)	Logic is fully powered and all enclosed clock domains are idled.
OFF		Logic power switches are off. All the logic (DFF and RFF) is lost except for the context, which has been saved in the scratchpad memory of an always-on power domain. Vdd can be set to 0 V if all associated power domains are in this state.

RETENTION state is useful for quickly switching to low-power idle mode (in which the domain clocks are gated and the domain voltage is less than the on-voltage level) without losing the context, and then quickly switching back to ON-ACTIVE state when necessary. In RETENTION state, power consumption is less than in ON power state.

Similarly, in RETENTION state the CSWR state has the advantage of faster turn-on times and higher leakage currents.

The behavior of the memory array power switch and memory logic power switch can be selected through software settings in the PRCM module or can be hardwired. Once the behavior is selected, the PRCM module hardware automatically handles these elements to ensure correct power transition sequencing between the power domain states.

Software can also initiate power state changes of the memory array when the associated power domain is in ON power state. This allows the memory array to be turned off and on as needed.

The memory area can be configured to any of the power states listed in [Table 3-19](#).

Table 3-19. States of a Memory Area in a Power Domain

State	Description
ON	The memory array is powered and fully functional.
RETENTION	The memory array is fully powered, but memory is not accessible. The array can be put into retention through an applicable direct retention control signal. Data in memory are always retained.
OFF	The memory array is powered down. Data in memory are lost.

3.1.1.2.2 Module Logic and Memory Context

In case of a power state transition in the logic or memory areas, the context of the module may no longer be valid. This can also be the case when the domain resets are asserted by the device. A specific RM_<Clock Domain Name>_<Module Name>_CONTEXT register provides the status of the device logic and memory context.

- The module logic context consists of simple flip-flops (DFFs) if the module has no logic RFFs.
- If the module has logic retention (full or partial), it is assumed that the context consists of: only RFFs, only DFFs or both RFFs and DFFs.

NOTE: The display subsystem is an exception where the status of DFF and RFF context is given, because only HMDI keys are retained, while most of the display subsystem is not retained.

These context status bits must be cleared by software.

3.1.1.2.3 Power Domain Management

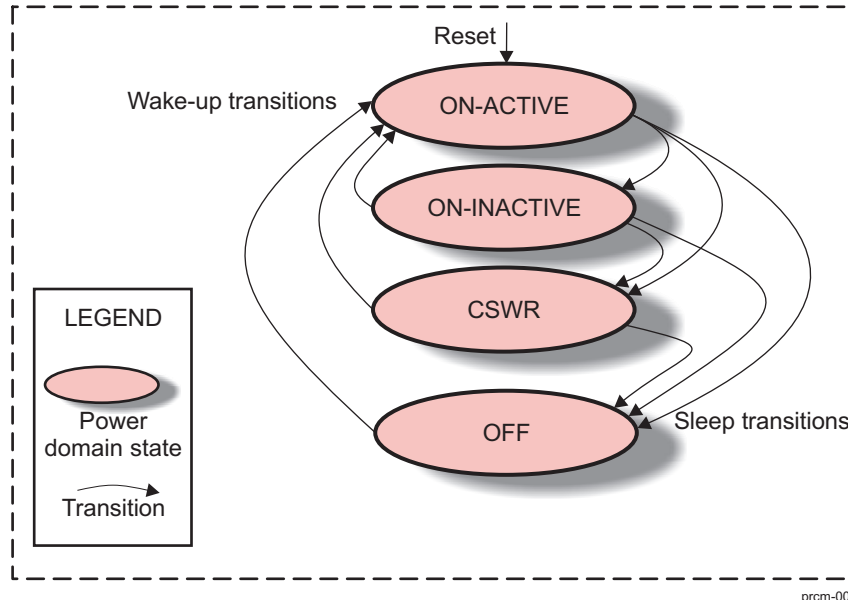
The power manager associated with each power domain is assigned the task of managing the domain power transitions. It ensures that all hardware conditions are satisfied before it can initiate a power domain transition from a source to a target power state (for example, from ON-ACTIVE state to CSWR RETENTION state).

The hardware condition for power domain transition from ON-ACTIVE to any other transition state is:

- All clock domain managers in the power domain are in IDLE state.

[Figure 3-10](#) shows all possible power domain state transitions.

Figure 3-10. Power Domain Transitions



Successive power-down transitions can be performed by lowering the power state from ON-ACTIVE to ON-INACTIVE to RETENTION, and then to OFF and LOWPOWERSTATECHANGE, as long as the hardware condition is satisfied.

However, the power domain wake-up transition from any low-power state (ON-INACTIVE, CSWR or OFF) to ON-ACTIVE state is always direct.

The power domain manager initiates a power domain wake-up transition when the conditions listed in [Table 3-20](#) are satisfied.

Table 3-20. Power Domain Wake-Up Conditions

Relation	Condition
AND	Voltage domain is on.
OR	There is at least a wake-up condition for one enclosed functional clock domain.
	There is a request for clock generation or distribution enclosed in the power domain.
	There is a PRCM module service request (applicable only to power domains, including PRCM module logic).

The power domain manager initiates a domain sleep transition when the conditions listed in [Table 3-21](#) are satisfied.

Table 3-21. Power Domain Sleep Conditions

Relation	Condition
AND	All functional clock domains enclosed in the power domain are idled.
	All clock generation or distribution enclosed in the power domain is quiet, and corresponding input clocks are gated. For example, DPLL, if present, must be in stop mode.
	There is no PRCM module service request (applicable only to power domains, including PRCM module logic).

[Table 3-22](#) lists the control and status features of the PRCM module power domain.

Table 3-22. Power Domain Control and Status Registers

Register/Bit Field	Type	Description
PM_<Power domain>_PWRSTCTRL[1:0] POWERSTATE	Control	Selects the target power state of the power domain among OFF, ON-ACTIVE, ON-INACTIVE, and RETENTION
PM_<Power domain>_PWRSTCTRL[x] LOWPOWERSTATECHANGE	Control	Power state change request when domain has already performed a sleep transition. Allows going into deeper low-power state without waking up the power domain.
PM_<Power domain>_PWRSTCTRL[2] LOGICRETSTATE	Control	Selects whether the power domain logic is in CSWR RETENTION state when the domain transitions to RETENTION state
PM_<Power domain>_PWRSTCTRL[x] <memory bank>_RETSTATE	Control	Selects whether the memory bank in the power domain is in ON, or RETENTION state when the power domain is in RETENTION state. The memory bank cannot be in ON state when the power domain is in RETENTION state.
PM_<Power domain>_PWRSTCTRL[x] <memory bank>_ONSTATE	Control	Selects whether the memory bank is in ON, RETENTION or OFF state when the power domain is in ON state
PM_<Power domain>_PWRSTST[1:0] POWERSTATEST	Status	Identifies the current state of the power domain. It can be OFF, RETENTION, ON-INACTIVE, or ON-ACTIVE.
PM_<Power domain>_PWRSTST[2] LOGICSTATEST	Status	Identifies the current state of the logic area in the power domain. It can be OFF or ON.
PM_<Power domain>_PWRSTST[20] INTRANSITION	Status	Identifies whether a power state transition in the power domain is in progress or there is no ongoing transition
PM_<Power domain>_PWRSTST[x] <memory bank>_STATEST	Status	Identifies the current power state of the memory bank in the power domain. It can be OFF, RETENTION, or ON.
PM_<Power domain>_PWRSTST[25:24] LASTPOWERSTATEENTERED	Status	Identifies the last (previous) power state of the power domain. It can be OFF, RETENTION, ON-INACTIVE, or ON-ACTIVE.

3.1.1.3 Voltage Management

The PRCM module do not provide controls over the Voltage management. All OPP changes will be handled by Application software directly without any PRCM intervention.

3.1.1.3.1 Voltage Domain

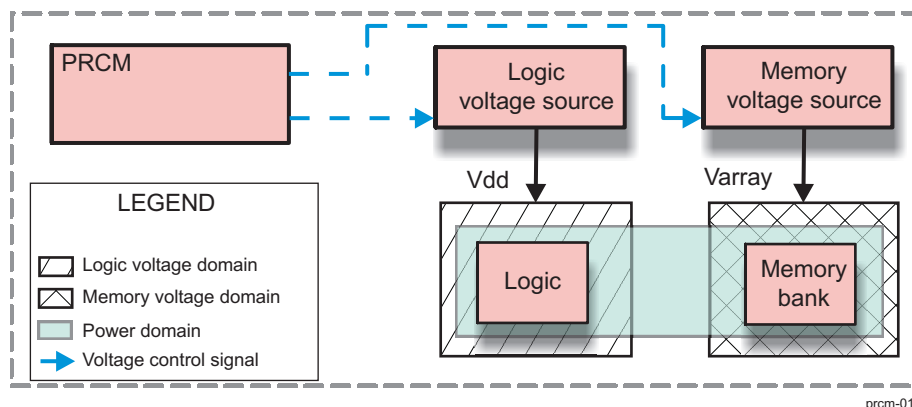
A voltage domain is a section of the device supplied by a dedicated voltage source (that is, an internal LDOs or external switch mode power supply [SMPS]). A voltage domain may or may not be controlled by the PRCM module.

The voltage managers in the PRCM module is one type:

- Dynamically configurable by software to scale the domain voltage level to specific values within the operational voltage range of the device. This is called adaptive voltage scaling (AVS).

Figure 3-11 shows a voltage domain.

Figure 3-11. Generic Voltage Domain



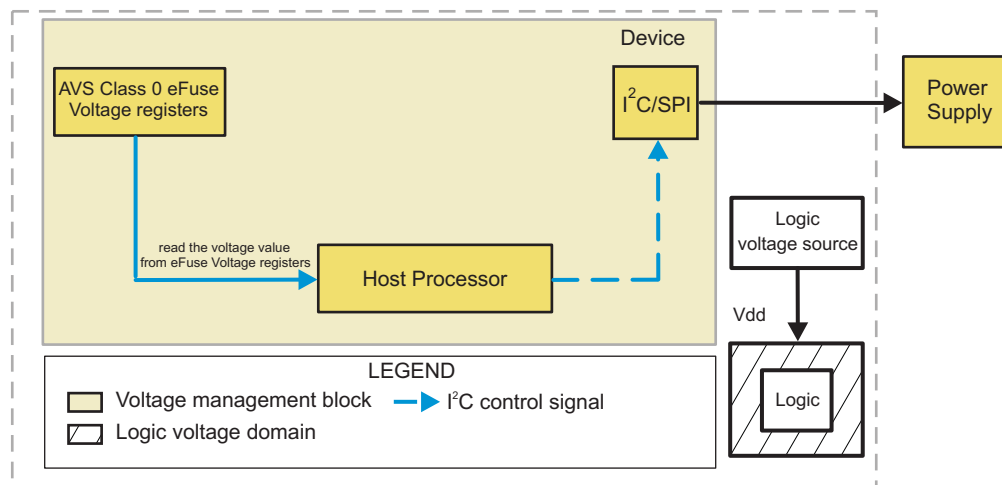
prcm-010

By partitioning the device into independent voltage domains, different operating voltages can be assigned to the different sections of the device (that is, a group of modules or memory banks). The independent voltage control allows voltage scaling of device subsections to ensure that each module or memory bank operates at the optimized operating voltage level based on the application performance requirements. Similarly, when a memory bank is not in use, it can be switched to retention voltage levels to ensure power savings.

3.1.1.3.2 Voltage Domain Management

Figure 3-12 shows the different voltage control paths available within a generic logic voltage management block to control the voltage supply to the logic voltage domains of the device.

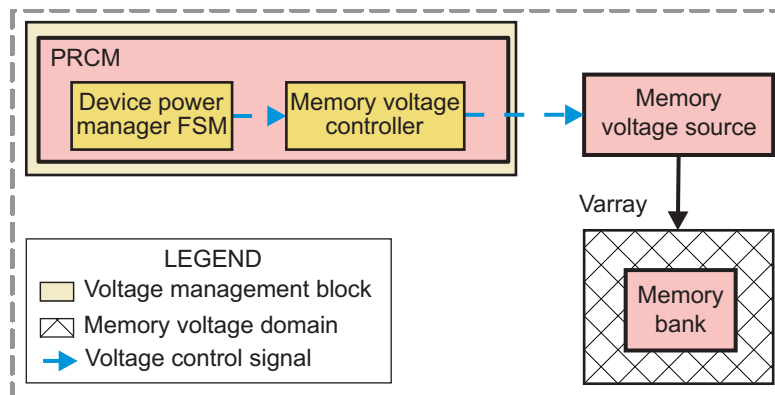
Figure 3-12. Generic Logic Voltage Management



prcm-011

Figure 3-13 shows the voltage control path available within a generic memory voltage management block to control the voltage supply to the memory voltage domains of the device.

Figure 3-13. Generic Memory Voltage Management



prcm-012

The PRCM hardware supports automatic scaling down of the memory array supply whenever the memory domains transition to RETENTION power state. The device power manager FSM manages the voltage scaling of memory voltage domains through the memory voltage controller (or LDO).

3.1.1.3.3 AVS Overview

Adaptive Voltage Scaling (AVS) Class 0 (also referred to as SmartReflex™) is a power-management technique used to control the operating voltage of a device to reduce its active power consumption.

With SmartReflex™, the power supply voltage is adapted to the silicon performance in one way:

- Statically adapted to the manufacturing process of a given device

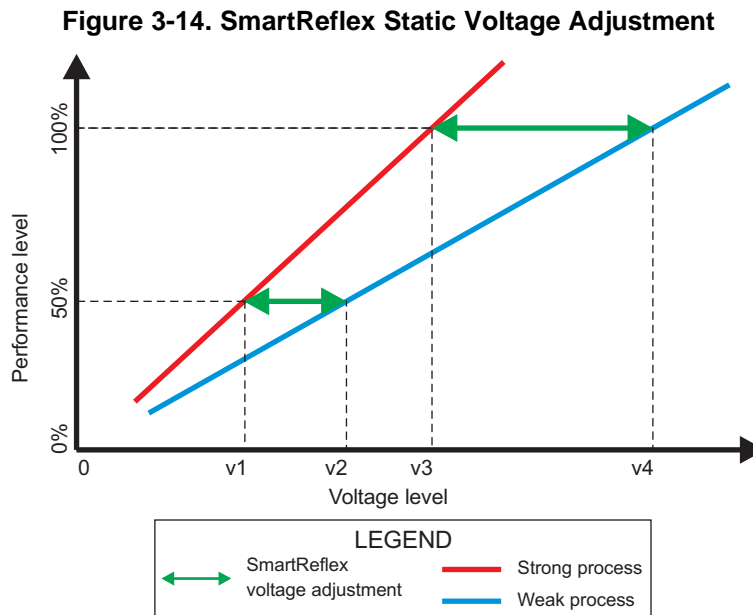
SmartReflex achieves optimal performance/power trade-off for all devices across the technology process spectrum.

The static correction of the device voltage level (see [Figure 3-14](#)) is based on the desired performance level and silicon performance characteristics of the device. As a result of process dispersion, each die has its specific silicon performance. The range of the process distribution defines the weak devices (low-performance silicon) and the strong devices (high-performance silicon).

A weak device is a device with the lowest performance tolerated for a process distribution; that is, at the typical voltage, the inherent maximum frequency is the lowest frequency of the chip distribution. Considered as the worst case, weak devices are used to constrain the target frequency of all the chips (OPP definition).

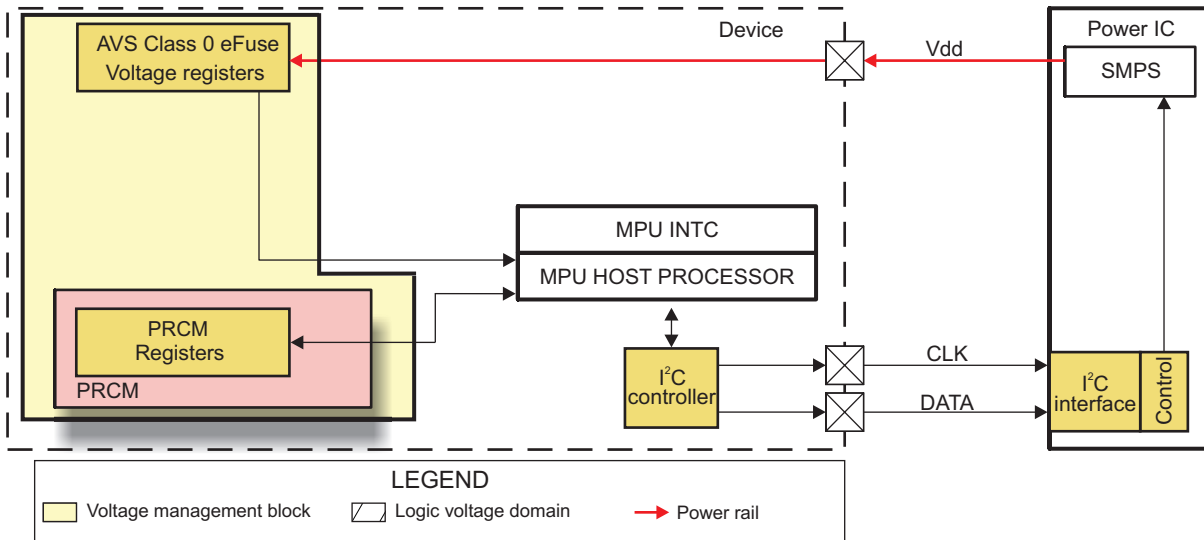
A strong device is a device with the highest performance tolerated for a process distribution. The inherent maximum frequency at the typical voltage is greater than the targeted frequency.

[Figure 3-14](#) shows that with the SmartReflex voltage-control architecture, it is possible to compensate for the device silicon characteristics and obtain optimal performance characteristics. Based on the device characteristics, the device voltage level can be adjusted for specific performance level.



[Figure 3-15](#) is a functional overview of the SmartReflex voltage-control architecture of the device connected to an external power IC.

Figure 3-15. SmartReflex Voltage Control Functional Overview



SmartReflex voltage control consists of the following modules:

- MPU HOST Processor
- I²C interface
- SMPS

The device supports one operational mode for SmartReflex voltage control:

- Class 0: Manufacturing Test Calibration

3.1.1.3.3.1 AVS Class 0 (SmartReflex™) Voltage Control

Adaptive Voltage Scaling (AVS) Class 0 (also referred to as SmartReflex™) is a procedure for lowering the voltage on certain device power rails. AVS Class 0 attempts to normalize the power consumption across all devices. The optimal voltage for each AVS supported rail of each device is determined after analysis in the factory. This value is written in the device eFuse where it can be read through dedicated registers. These registers reside in the control module. For more information, see , AVS Class 0 Associated Registers, in Chapter 18, Control Module.

3.1.2 Power-Management Techniques

The following sections describe the power-management techniques supported by the device.

NOTE: The values in Figure 3-16 through Figure 3-18, which show the power-management techniques, are hypothetical. They do not represent valid test results on the device.

3.1.2.1 Standby Leakage Management

Standby leakage management (SLM) is a power-management technique that reduces standby power consumption by reducing power leakage.

With SLM, the device switches into low-power system modes automatically or in response to user requests during system standby (that is, in situations when no application is started and system activity is negligible or limited).

When applying SLM, the system remains in the lowest static power mode compatible with the system response time requirement.

This technique trades static power consumption for wake-up latency.

3.1.2.2 Dynamic Voltage and Frequency Scaling

Dynamic voltage and frequency scaling (DVFS) consists of minimizing the idle time of the system. The DVFS technique uses dynamic selection of the optimal operating frequency and voltage to allow a task to be performed in the required length of time. This reduces the active power consumption (power consumed while executing a task) of the device while still meeting task requirements.

NOTE: The values in Figure 3-16 are hypothetical. They are meant only to clarify the concept and do not represent valid test results on the device.

Figure 3-16. Comparison of Energy Consumed With/Without DVFS

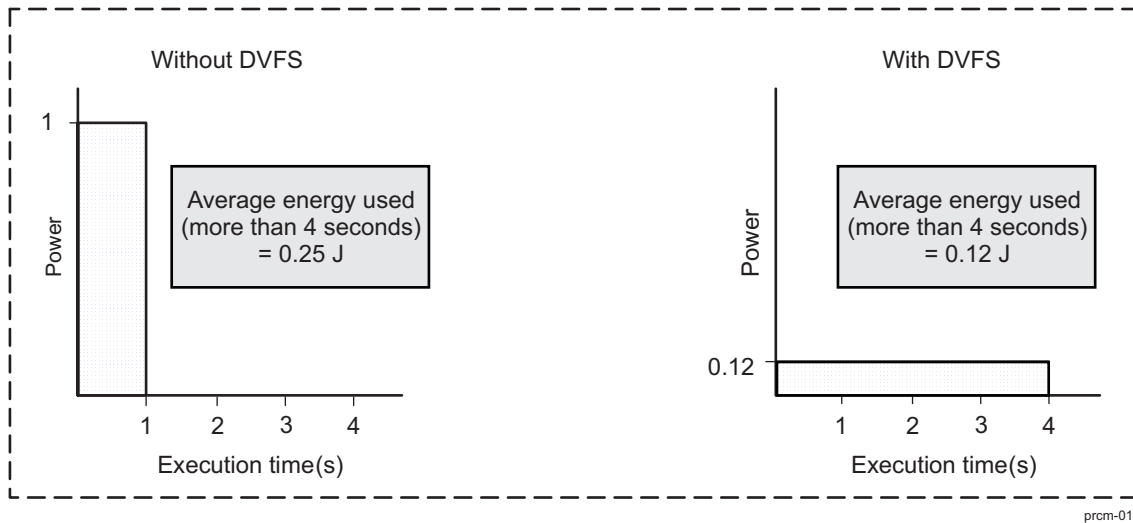


Figure 3-16 shows the DVFS technique by comparing a process executed at maximum frequency and operating voltage without applying DVFS to the same process executed at optimal frequency and voltage using DVFS, based on the task requirements. If a task that must terminate in 4 seconds is performed at maximum operating frequency (see the left side of the figure), it terminates in 1 second, and the remaining 3 seconds are spent in idle mode.

With DVFS (see the right side of the figure), the operating frequency is reduced to optimal level; the task takes the full 4 seconds to complete, but power consumption is reduced. In addition, the voltage can be reduced further to save power so the dynamic and leakage power consumption are reduced.

DVFS requires control over the clock frequency and the operating voltage of the device elements. By intelligently switching the individual elements of the device to their OPPs, the power consumption of the device for a given task can be minimized.

For practical reasons related to the development of the device (flow, tools), DVFS can be used only for a few discrete steps, not over a continuum of voltage and frequency values. Each step, or OPP, is composed of a voltage (V) and frequency (F) pair. For an OPP, the frequency corresponds to the maximum frequency allowed at a voltage, or reciprocally; the voltage corresponds to the minimum voltage allowed for a frequency.

When applying DVFS, a processor or system always runs at the lowest OPP that meets the performance requirement at a given time. The user determines the optimal OPP for a given task and then switches to that OPP to save power.

3.1.2.3 Dynamic Power Switching

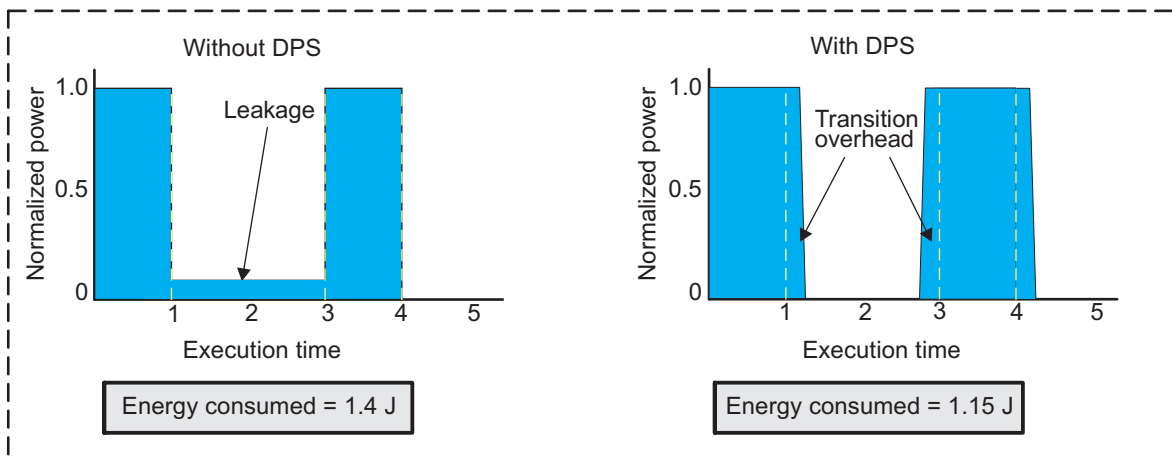
Like DVFS, dynamic power switching (DPS) is a power-management technique intended to reduce the active power consumption of a device. However, whereas DVFS reduces dynamic and leakage power consumption, DPS reduces only leakage power consumption, at the expense of a slight overhead in dynamic power consumption.

With DPS, the system switches dynamically between high- and low-consumption system power modes during system active time. When DPS is applied, a processor or system runs at the highest OPP (maximum frequency and voltage) to complete its tasks quickly, followed by an automatic switch to a low-power mode for minimum power consumption. DPS is useful when a real-time application is waiting for an event. The system can switch into a low-power system mode if the wake-up latency conditions allow it.

This technique consists of maximizing the idle period of the system to reduce its power consumption.

NOTE: The values in Figure 3-17 are hypothetical. They are meant only to clarify the concept and do not represent valid test results on the device.

Figure 3-17. Comparison of Energy Consumed With/Without DPS



prcm-017

Figure 3-17 compares the behavior of power consumption for the same operation of the device without DPS (see the left side of the figure) and with DPS (see the right side of the figure). When operating without DPS, the device has a constant leakage current in idle mode. By using DPS, the system reduces the leakage current to 0. However, the transitions between system power modes may require storing the information before entering a low-power inactive state and restoring the information after a wake-up event (see Figure 3-17). This results in additional dynamic power consumption, referred to as transition overhead (see Figure 3-17). Transition overhead must be considered for a DPS operation.

For efficient deployment of DPS techniques, it is necessary to predict dynamically the performance requirement of the applications running on the processor. The DPS controller must account for the overhead of wake-up latencies related to domain switching and ensure that they do not significantly affect the performance of the device. Even with transition overhead, the user can identify an optimal idle-time limit, after which the DPS is useful for dynamic power saving.

3.1.2.4 Adaptive Voltage Scaling

With SmartReflex, power-supply voltage is adapted to silicon performance, statically (based on performance points predefined in the manufacturing process of a given device).

AVS achieves the optimal performance/power trade-off for all devices across the technology process spectrum. This ensures optimal power consumption for a given OPP.

3.1.2.5 Adaptive Body Bias

The device implements transistor body bias techniques for forward body bias (FBB) to boost the operating clock frequency for operation at higher OPPs.

Adaptive body bias (ABB) is based on the process corner and the current OPP. This is configured in the EFUSE_CTRL_CUST bit field at the device characterization and is not continuously updated. A dedicated LDO (VBBLDO) is used to produce the voltage bias.

ABB is supported only for MPU, IVAHD, DSPEVE, GPU voltage domains.

3.1.2.6 SR3-APG (Automatic Power Gating)

In addition to power-management techniques supported in the device, the MPU subsystem also employs SR3-APG power-management technology to reduce leakage. This technology allows for full logic and memory retention on MPU_C0 and MPU_C1 when required conditions are satisfied. It is controlled by the PRCM_MPU. For more information, see [Chapter 4](#), *Cortex-A15 MPU Subsystem*.

3.1.2.7 Combining Power-Management Techniques

The power-management techniques previously described have specific features and are most effective when used under the specific operating conditions of the device. Hence, the best active power savings are obtained by combining the DVFS, DPS, SLM, and AVS techniques. For a given operating state, one or more of the power-saving techniques can be applied to ensure optimal operation with maximum power saving.

AVS must be used at boot time to adapt the voltage to the process characteristics (strong/weak) of the device. AVS can also ensure the maximum available application performance of the device at a given OPP.

When medium application performance is required, or when application performance requirements vary, DVFS can be applied. The voltage and frequency can be scaled to match the closest OPP that meets the performance requirement.

When application performance requirements fall between two OPPs, or when a low application performance is required that is below the lowest performance OPP, DPS can be applied to switch to low-power mode.

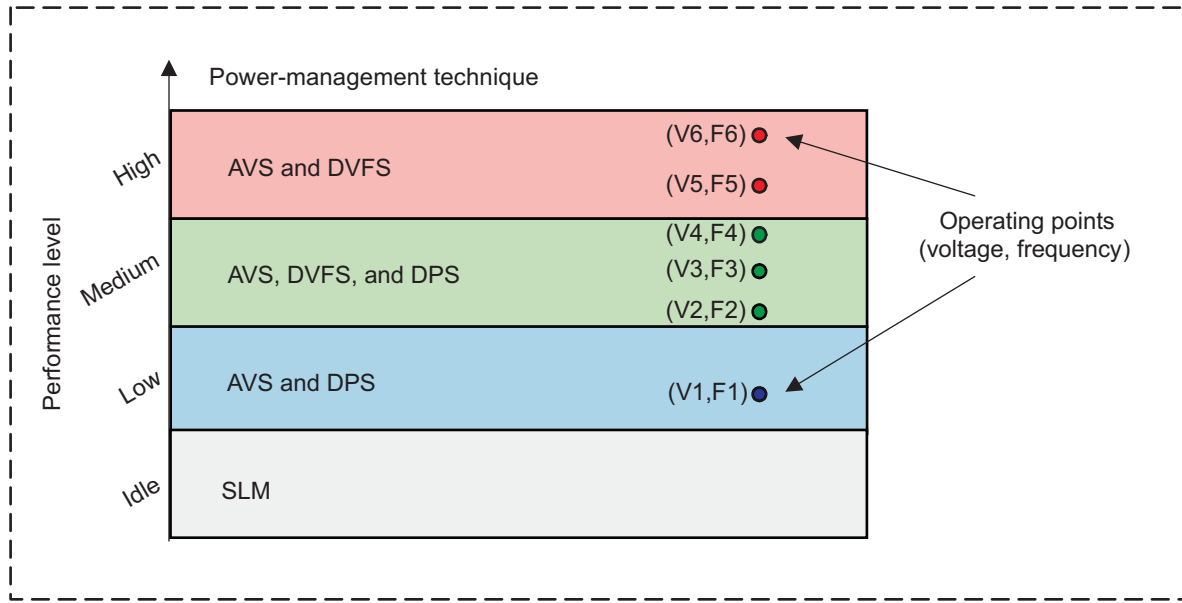
When combining DVFS and DPS, the operating frequency must not be scaled to match the performance requirement without scaling the voltage. Lower operating frequency increases task completion time and reduces idle time. This prevents DPS or reduces its efficiency (DPS becomes more effective as idle time increases). Unless DPS cannot be applied for other reasons, for a given operating point of DVFS the operating frequency must always be set to the maximum allowed at a given voltage. This ensures optimal process completion time and application of DPS.

If DPS cannot be applied in a given context, scaling the frequency while keeping the voltage constant does not save energy; it does, however, reduce peak power consumption. This can have a positive effect on temperature dissipation.

SLM must be used when no applications are running and performance requirement drops to 0.

NOTE: The OPPs shown in [Figure 3-18](#) are only for indication and clarity of text. They do not correspond to validated OPPs of the device.

Figure 3-18. Performance Level and Applied Power-Management Techniques



3.1.2.7.1 DPS Versus SLM

DPS and SLM are similar concepts: they consist of switching the system between high- and low-power consumption modes. However, their operating timescales differ, principally in the latency allowed for mode transitions.

DPS is generally used in an applicative context (tasks are started). Therefore, mode transitions are related to system performance requirements or the processor load. DPS transition latencies must be small (typically between 10 μ s and 100 μ s) compared to the time constraints or deadlines of the application so that they do not degrade application performance. DPS requires performance prediction to ensure that transition latencies do not deteriorate device performance to the point that real-time application deadlines are missed or the user experience degrades too much for an interactive application.

SLM is not used in an applicative context (no task started). Mode transitions are related more to system responsiveness, and the transition latencies must be small compared to user sensitivity so that they do not degrade the user experience. For SLM, transition latencies are typically 1–10 ms or more.

DPS and SLM also differ in the type of wake-up event used to exit low-power idle mode. For DPS, wake-up events are application-related (timer, DMA request, peripheral interrupt, etc.); for SLM, wake-up events are user-related (touch screen, key pressed, peripheral connections, etc.).

3.2 PRCM Subsystem Overview

3.2.1 Introduction

The power-management framework of the device significantly reduces dynamic power consumption and static leakage current. This framework incorporates support for state-of-the-art power-management techniques. It ensures optimal device operation with significantly reduced power consumption.

The power-management framework (PMFW) of the device is handled by the PRCM which is a logical module composed of the following three physical submodules:

- PRM: Handles device-level power and reset management. It also handles some clocks in the device. This module always remains on, unless no power is supplied to the device pads.
- CM_CORE_AON: Handles device-level clock management of the MPU, DSP1, COREAON, CORE, IPU, L4PER, DSS, VPE, L3INIT, CAM, IVAHD, CUSTEFUSE, RTC and GPU power domains. This module always remains on, unless no power is supplied to the device pads.
- CM_CORE: Handles device-level clock management of the MMR block.

The device supports the power-management techniques with the following features:

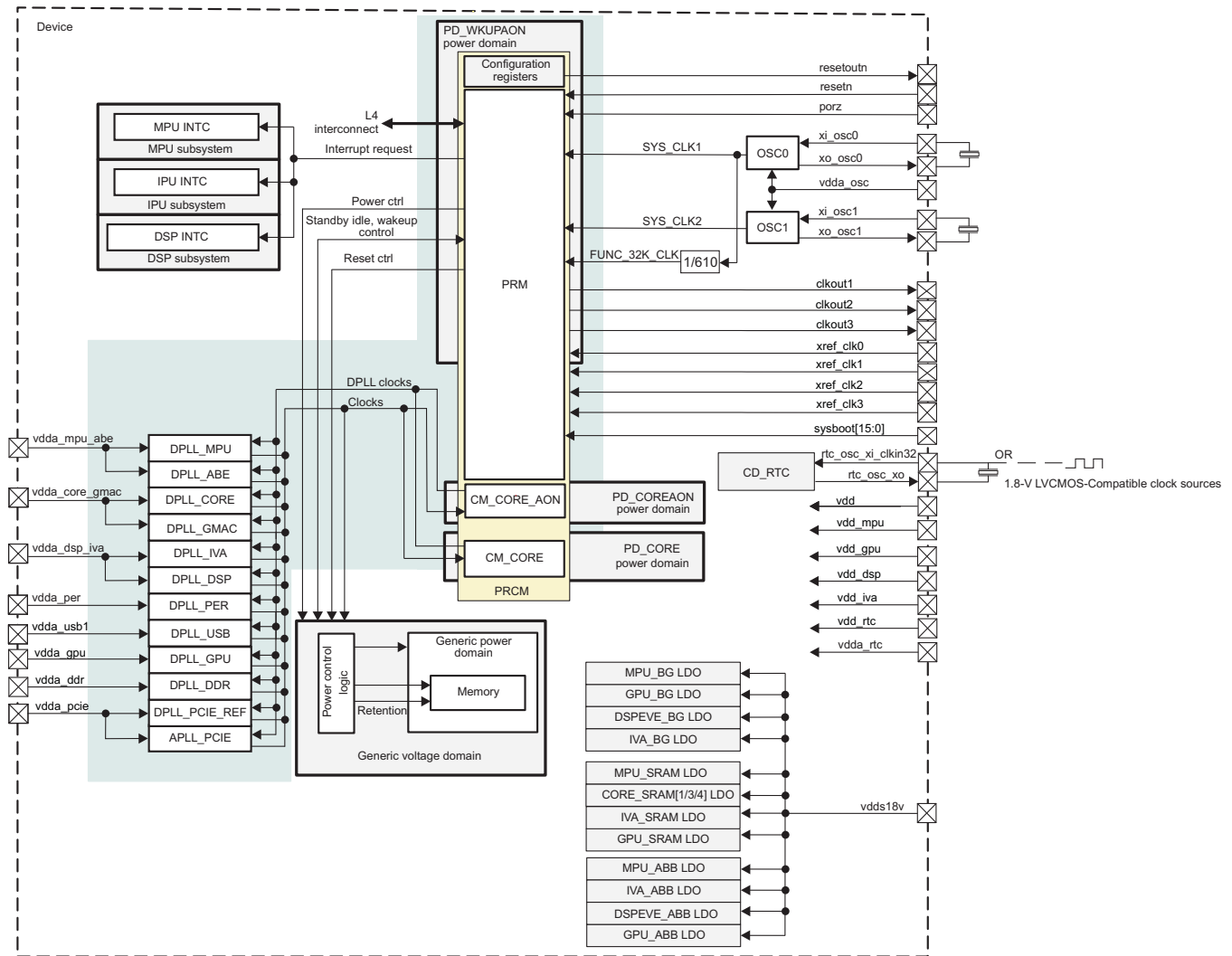
- Partitioning of the device into voltage, power, clock, and reset domains
- Domain isolation that allows any combination of domain ON/OFF states
- Clock tree with selective clock-gating conditions
- Hardware-controlled reset sequencing management
- Power, reset, and clock control hardware mechanism to manage sleep and wake-up dependencies of the power domains
- Support for hardware-controlled autogating of module clocks
- Memory retention capability for preserving memory contents in low-power sleep mode
- DVFS support for the processor and peripherals

The PMFW interfaces with all the components of the device for power, clock, and reset management through associated control signals. It integrates enhanced features to let the device adapt energy consumption dynamically according to changing application and performance requirements. The innovative hardware architecture allows a substantial reduction in leakage current.

The power-management modules are fully configurable through their L4 interface ports.

[Figure 3-19](#) is an overview of the power-management modules and their internal connections with a generic power domain.

Figure 3-19. PMFW Overview



prcm-019

NOTE: The following device pads are not supported on the AM570x family of devices:

- vdd_rtc, vdda_rtc, rtc_osc_xi_clkin32, rtc_osc_xo (RTC is not supported);
- vdd_mpu, vdd_gpu (merged with VD_CORE in package);
- vdd_iva (merged with VD_DSPEVE in package)

For complete list of supported device pads, see device-specific Data Manual.

NOTE: The device I/O logic maps the module signals to the different pads of the device. For more information, see the *Pad Configuration Registers* and sections in [Section 18.1](#), *Control Module*.

3.2.2 Power-Management Framework Features

The power-management modules:

- Manage independent power domains
- Control scalable logic voltage domains and selectable voltage modes for memory voltage domains
- Handle standby, idle, and wake-up procedures for the modules of the device

- Allow software and partial hardware control
- Monitor and handle wake-up events
- Control system clock and reset input sources
- Manage and distribute clocks and resets with high control granularity
- Handle power-up sequences
- Have debug and emulation features
- Control RFFs of device modules to support DPS

3.3 PRCM Subsystem Environment

The modules of the PMFW receive the external reset, clock, and power signals. See [Figure 3-19](#).

The following sections describe the interfaces for external clock, reset, and power sources.

3.3.1 External Clock Signals

[Table 3-23](#) lists the external clock pins, signal names, their direction, associated module, and description of the signals. If the signal is input to the device, the module is the destination module for the signal; if the signal is an output from the device, the module is the source module of the signal.

Table 3-23. External Clock Signals

Pin	Signal	I/O ⁽¹⁾	PMFW Module	Description
rtc_osc_xi_clk32	RTC_32K_CLK	I	Primary Input to SoC	RTC clock input. Optional external 32k clock.
rtc_osc_xo	32K_CTRL	O	Primary Output	External 32k oscillator clock control (optional).
xi_osc0	XI_OSC0	I	Primary Input to SoC	System Oscillator OSC0 Crystal Input. This is the main system clock of the device.
xo_osc0	XO_OSC0	O	Primary Output	System Oscillator OSC0 Crystal output.
xi_osc1	XI_OSC1	I	Primary Input to SoC	Auxiliary Oscillator OSC1 Crystal input.
xo_osc1	XO_OSC1	O	Primary Output	Auxiliary Oscillator OSC1 Crystal output.
clkout1	CLKOUTMUX1_CLK	O	Primary Output	Device Clock output 1. Can be used as a system clock for other devices.
clkout2	CLKOUTMUX2_CLK	O	Primary Output	Device Clock output 2. Can be used as a system clock for other devices.
clkout3	CLKOUTMUX0_CLK	O	Primary Output	Device Clock output 3. Can be used as a system clock for other devices.
xref_clk0	XREF_CLK0	I	Primary Input to SoC	External Reference Clock 0. For Audio and other Peripherals.
xref_clk1	XREF_CLK1	I	Primary Input to SoC	External Reference Clock 1. For Audio and other Peripherals.
xref_clk2	XREF_CLK2	I	Primary Input to SoC	External Reference Clock 2. For Audio and other Peripherals.
xref_clk3	XREF_CLK3	I	Primary Input to SoC	External Reference Clock 3. For Audio and other Peripherals.

⁽¹⁾ I = Input; O = Output; I/O = Bidirectional

3.3.2 External Boot Signals

The PRM receives SYSBOOT[15:0] information from external pins sys_boot[15:0]. They are used to select interfaces or devices for the booting list. For more information, see [Chapter 33, Initialization, Section 33.2.4, Sysboot Configuration](#).

[Table 3-24](#) lists the external boot pins, signal names, their direction, the associated modules, description, and reset values of the signals. If the signal is input to the device, the module is the destination module for the signal; if the signal is an output from the device, the module is the source module of the signal.

Table 3-24. External Boot Signals

Pin	Signal	I/O ⁽¹⁾	PMFW Module	Description	Module Reset Value
sys_boot0	SYSBOOT0	I	PRM	System boot configuration pin 0: Latched at power-on reset (POR)	Z
sys_boot1	SYSBOOT1	I	PRM	System boot configuration pin 1: Latched at POR	Z
sys_boot2	SYSBOOT2	I	PRM	System boot configuration pin 2: Latched at POR	Z

⁽¹⁾ I = Input; O = Output; I/O = bidirectional

Table 3-24. External Boot Signals (continued)

Pin	Signal	I/O ⁽¹⁾	PMWF Module	Description	Module Reset Value
sys_boot3	SYSBOOT3	I	PRM	System boot configuration pin 3: Latched at POR	Z
sys_boot4	SYSBOOT4	I	PRM	System boot configuration pin 4: Latched at POR	Z
sys_boot5	SYSBOOT5	I	PRM	System boot configuration pin 5: Latched at POR	Z
sys_boot6	SYSBOOT6	I	PRM	System boot configuration pin6: Latched at POR	Z
sys_boot7	SYSBOOT7	I	PRM	System boot configuration pin 7: Latched at POR	Z
sys_boot8	SYSBOOT8	I	PRM	System boot configuration pin 8: Latched at POR	Z
sys_boot9	SYSBOOT9	I	PRM	System boot configuration pin 9: Latched at POR	Z
sys_boot10	SYSBOOT10	I	PRM	System boot configuration pin 10: Latched at POR	Z
sys_boot11	SYSBOOT11	I	PRM	System boot configuration pin 11: Latched at POR	Z
sys_boot12	SYSBOOT12	I	PRM	System boot configuration pin12: Latched at POR	Z
sys_boot13	SYSBOOT13	I	PRM	System boot configuration pin 13: Latched at POR	Z
sys_boot14	SYSBOOT14	I	PRM	System boot configuration pin 14: Latched at POR	Z
sys_boot15	SYSBOOT15	I	PRM	System boot configuration pin15: Latched at POR	Z

NOTE: For proper device operation, sysboot14 must be tied to vss. For SR1.0, sysboot15 must be tied to vdd, but for SR2.x it is configurable. For more information, see [Section 18.4.6.1.1.1, Permanent PU/PD disabling \(SR2.x only\)](#) in [Chapter 18, Control Module](#).

SR1.0 information is valid only for the AM571x family of devices.

3.3.3 External Reset Signals

The PRM drives the SYS_WARM_OUT_RST reset output signal which is directly mapped as RESETOUT device pin.

The PRM asserts SYS_WARM_OUT_RST output upon the assertion of any source of global reset (warm or cold). SYS_WARM_OUT_RST assertion results in the assertion of device pin RESETOUT. This reset signal keeps external peripherals under reset while the device is under reset.

[Table 3-25](#) lists the external reset pins, signal names, their direction, associated module, and description of the signals. If the signal is input to the device, the module is the destination module for the signal; if the signal is an output from the device, the module is the source module of the signal.

Table 3-25. External Reset Signals

Pin	Signal	I/O ⁽¹⁾	PMFW Module	Description	Module Reset Value
resetsn	SYS_WARM_IN_RST	I	PRCM	Device Reset Input	Z
rstoutn	SYS_WARM_OUT_RST	O	PRCM	Reset out	Z

⁽¹⁾ I = Input; O = Output; I/O = bidirectional

Table 3-25. External Reset Signals (continued)

Pin	Signal	I/O ⁽¹⁾	PMFW Module	Description	Module Reset Value
porz	SYS_PWRON_RST	I	PRCM	Power on Reset	Z

3.3.4 External Voltage Inputs

Table 3-26 lists the external voltage sources related to the PRCM module.

NOTE: Table 3-26 lists only the voltage sources that are directly managed by the PRCM module or received by parts of the PRCM module (for example, DPLLs, LDOs, etc.). It does not give the device voltage sources not directly associated with the PRCM module. Please refer to the device Data Manual for all power pins.

Table 3-26. Voltage Sources

Pin	Net	Managed by the PRCM	Description
vdd	VDD_CORE_L	Yes (AVS)	Supplies VDD_CORE_L logic voltage domain
vdd_mpu	VDD_MPU_L	Yes (AVS, ABB, and DVFS)	Supplies VDD_MPU_L logic voltage domain
vdd_iva	VDD_IVAHD_L	Yes (AVS, ABB, and DVFS)	Supplies VDD_IVAHD_L logic voltage domain
vdd_gpu	VDD_GPU_L	Yes (AVS, ABB, and DVFS)	Supplies VDD_GPU_L logic voltage domain
vdd_dsp	VDD_DSP_L	Yes (AVS, ABB, and DVFS)	Supplies VDD_DSPEVE_L logic voltage domain
vdda_core_gmac	VDDA_DPLL_GMAC	No (fixed)	DPLL_GMAC and HSDIVIDER analog power supply
	VDDA_DPLL_CORE	No (fixed)	DPLL_CORE and HSDIVIDER analog power supply
vdda_mpu_abe	VDDA_DPLL_MPU	No (fixed)	DPLL_MPU analog power supply
	VDDA_DPLL_ABE	No (fixed)	DPLL_ABE analog power supply
vdda_dsp_iva	VDDA_DPLL_IVA	No (fixed)	DPLL_IVA analog power supply
	VDDA_DPLL_DSP	No (fixed)	DPLL_DSP analog power supply
vdda_per	VDDA_DPLL_PER	No (fixed)	DPLL_PER and PER HSDIVIDER analog power supply
vdda_usb1	VDDA_DPLL_USB	No (fixed)	DPLL_USB and HS USB1 analog power supply
vdda_gpu	VDDA_DPLL_GPU	No (fixed)	DPLL_GPU analog power supply
vdda_ddr	VDDA_DPLL_DDR	No (fixed)	DPLL_DDR and DDR HSDIVIDER analog power supply
vdda_pcie	VDDA_DPLL_PCIE	No (fixed)	DPLL_PCIE_REF, APPL_PCIE and PCIE analog power supply
vdd_rtc	VDD_RTC	YES (AVS)	RTC voltage domain supply
vdda_rtc	VDDA_RTC	No (fixed)	RTC bias and RTC LFOSC analog power supply
vdda_osc	VDDA_OSC	No (fixed)	System HF OSC0/1 XTAL oscillators
vdds_18v	VDDA_LDO_BG_MPU	No	Supplies LDO_MPU and BG
	VDDA_LDO_BG_GPU	No	Supplies LDO_GPU and BG
	VDDRAM_MPU1	Yes(AVS)	Supplies LDO_MPU for MPU SRAM
	VDDS_LDO_BG_BBLDO_DSPEVE	No	Supplies LDO_DSPEVE for DSPEVE SRAM

Table 3-26. Voltage Sources (continued)

Pin	Net	Managed by the PRCM	Description
	VDDS_BG_BBLDO_IVA	No	Supplies Bandgap near IVA and BBLDO
	VBBLDO_IVA	Yes(AVS)	IVA Back bias supply
	VBBLDO_MPU	YES(AVS)	MPU Back bias supply
	VBBLDO_DSPEVE	YES(AVS)	EVE-DSP Back bias supply
	VBBLDO_GPU	YES(AVS)	GPU Back bias supply
	VDDRAM_IVA	Yes(AVS)	Supplies LDO_IVA for IVA SRAM
	VDDRAM_CORE1	Yes(AVS)	Supplies LDO_CORE for CORE SRAM
	VDDRAM_CORE3	Yes(AVS)	Supplies LDO_CORE for CORE SRAM
	VDDRAM_CORE4	No	Supplies LDO_CORE for CORE SRAM
	VDDRAM_GPU	Yes(AVS)	Supplies LDO_GPU for GPU SRAM

3.4 PRCM Subsystem Integration

The internal configuration registers of the power-management modules can be accessed for configuration and control through their respective L4_WKUP interconnect. In addition to the L4 interconnect, the internal module interface contains the following interfaces and signals:

- A set of signals for idle/wake-up control for each module
- Clocks and reset signals for the modules
- Power control signals (switches and memories) to the power domains
- Interrupts to the MPU, IPU, and DSP INTCs
- Phase-locked loop (PLL) control commands for recalibration and bypass of the digital phase-locked loops (DPLLs)

Figure 3-19 shows details of the control interface to a generic power domain.

3.4.1 Device Power-Management Layout

The PMFW sees the device split into voltage domains, power domains, and clock domains. Table 3-27 provides the device-level view with module association to the clock, power, and voltage domains.

NOTE: These modules are not supported on the AM571x / AM570x family of devices:

- ATL
- VCP1, VCP2
- MLB
- USB3 (ULPI)
- I2C6
- FPKA
- DMA_CRYPTO

These modules are not supported on the AM570x family of devices only:

- SATA
- RTC

Table 3-27. PMFW Device-Level Layout

Voltage Domain	Power Domain	Clock Domain	Module
VD_CORE	PD_WKUPAON	CD_WKUPAON	CTRL_MODULE_WKUP
			L4_WKUP interconnect
			GPIO1
			TIMER1
			TIMER12
			WD_TIMER2
			PRCM_MPU
			COUNTER_32K
			KBD
			DCAN1
	UART10		
	N/A (the PRCM module)	PRM	
	PD_COREAON	CD_COREAON	CM_CORE_AON
			APLL_PCIE
WUGEN_DMA_SYSTEM			
N/A		DPLL_ABE, DPLLCTRL_ABE	
		DPLL_CORE, DPLLCTRL_CORE	
		DPLL_PER, DPLLCTRL_PER	

Table 3-27. PMFW Device-Level Layout (continued)

Voltage Domain	Power Domain	Clock Domain	Module
			DPLL_GPU, DPLLCTRL_GPU
			DPLL_IVA, DPLLCTRL_IVA
			DPLL_GMAC, DPLLCTRL_GMAC
			DPLL_DDR, DPLLCTRL_DDR
			DPLL_PCIE_REF
			DPLL_SATA, DPLLCTRL_SATA
			DPLL_USB, DPLL_USB_OTG_SS, DPLLCTRL_USB, DPLLCTRL_USB_OTG_SS
			DPLL_HDMI, DPLLCTRL_HDMI
			DPLL_VIDEO01, DPLLCTRL_VIDEO01
			DPLL_DSP, DPLLCTRL_DSP
			DPLL_DEBUG, DPLLCTRL_DEBUG
			WUGEN_IPU
		CD_IPU	MCASP1
			TIMER5
			TIMER6
			TIMER7
			TIMER8
			UART6
			I2C5
		CD_EMU	DEBUGSS, DPLL_DEBUG, DPLLCTRL_DEBUG, MPU_EMU_DEBUG
		CD_L4_PER1	TIMER10
			TIMER11
			TIMER2
			TIMER3
			TIMER4
			TIMER9
			ELM
			GPIO2
			GPIO3
			GPIO4
			GPIO5
			GPIO6
			GPIO7
			GPIO8
			HDQ1W
			I2C1
			I2C2
			I2C3
			I2C4
			L4_PER1 interconnect
			MCSP11
			MCSP12
			MCSP13
			MCSP14
			MMC3

Table 3-27. PMFW Device-Level Layout (continued)

Voltage Domain	Power Domain	Clock Domain	Module
			MMC4
			UART1
			UART2
			UART3
			UART4
			UART5
		CD_L4PER2	L4_PER2 interconnect
			MCASP2
			MCASP3
			MCASP4
			MCASP5
			MCASP6
			MCASP7
			MCASP8
			DCAN2
			PRU-ICSS1
			PRU-ICSS2
			QSPI
			PWMSS1
			PWMSS2
			PWMSS3
			UART7
			UART8
			UART9
			I2C6
		CD_L4PER3	L4_PER3 interconnect
			TIMER13
			TIMER14
			TIMER15
			TIMER16
		CD_L4SEC	AES1
			AES2
			SHA2MD5_1
			SHA2MD5_2
			RNG
			DMA_CRYPTO
			DES3DES
			FPKA
		CD_L4_CFG	CTRL_MODULE_CORE
			SPINLOCK
			L4_CFG interconnect
			MAILBOX1, MAILBOX2, MAILBOX3, MAILBOX4,
			MAILBOX5, MAILBOX6, MAILBOX7, MAILBOX8,
			MAILBOX9, MAILBOX10, MAILBOX11, MAILBOX12,
			MAILBOX13

Table 3-27. PMFW Device-Level Layout (continued)

Voltage Domain	Power Domain	Clock Domain	Module
			OCP2SCP2
		CD_EMIF	DMM
			EMIF1
			EMIF_OCP_FW
			DLL (EMIFDLL1)
			EMIF_PHY1
		CD_L3_MAIN1	L3_MAIN_1 interconnect
			GPMC
			OCMC_RAM1
			MMU1
			MMU2
			VCP1
			VCP2
			EDMA_TC0, EDMA_TC1, EDMA_TPCC
		CD_ATL	ATL
		CD_DMA	DMA_SYSTEM
		CD_L3_INSTR	OCP_WP_NOC
			L3_INSTR interconnect
			L3_MAIN_2 interconnect
			CTRL_MODULE_BANDGAP
		CD_L3INIT	DLL_AGING
			MMC1
			MMC2
			OCP2SCP1
			OCP2SCP3
		CD_GMAC	IEEE1500_2_OCP
			MLB
		CD_VIP	GMAC
		CD_VIP	CAL ⁽¹⁾
			CSI2_PHY1 and CSI2_PHY2 ⁽²⁾
	PD_CAM	CD_VIP	VIP1
	PD_CORE	CD_IPU2	IPU2
	PD_IPU	CD_IPU1	IPU1
	PD_DSS	CD_DSS	BB2D, DSS, HDMI, HDMI_PHY
	PD_CUSTEFUSE	CD_CUSTEFUSE	EFUSE_CTRL_CUST
	PD_L3INIT	CD_L3INIT	USB1
			USB2
			USB3, USB3_PHY, USB3_PHY_RX, USB3_PHY_TX, USB2PHY1, USB2PHY2
			SATA, SATA_PHY_RX, SATA_PHY_TX ⁽³⁾
			CD_PCIE
	PD_VPE	CD_VPE	VPE

⁽¹⁾ CAL module is placed in PD_COREAON but its clocks and resets controls are associated with PD_CAM. In order to use the CAL module, the PD_CAM needs to be turned on.

⁽²⁾ CSI2_PHY2 is not supported on the AM570x family of devices.

⁽³⁾ SATA is not supported on the AM570x family of devices.

Table 3-27. PMFW Device-Level Layout (continued)

Voltage Domain	Power Domain	Clock Domain	Module
VD_MPU ⁽⁴⁾	PD_MPU	CD_MPU	CPU0
	PD_MPUAON	CD_MPUAON	MPU_L2CACHE
		N/A	DPLL_MPU, DPLLCTRL_MPU, INTC_MPU
VD_IVAHD ⁽⁵⁾	PD_IVA	CD_IVA	IVAHD
			SL2
VD_DSPEVE	PD_DSP1	CD_DSP1	DSP1
	PD_MMAON	N/A (not clocked by PRCM)	DSP SYS Wakeup Logic
VD_GPU ⁽⁴⁾	PD_GPU	CD_GPU	GPU
VD_RTC ⁽⁶⁾	PD_RTC	CD_RTC	RTC_SS ⁽⁶⁾

⁽⁴⁾ VD_MPU and VD_GPU are not supported on the AM570x family of devices (merged with VD_CORE).

⁽⁵⁾ VD_IVAHD is not supported on the AM570x family of devices (merged with VD_DSPEVE).

⁽⁶⁾ RTC is not supported on the AM570x family of devices.

3.4.2 Power-Management Scheme, Reset, and Interrupt Requests

3.4.2.1 Power Domain

Table 3-28 lists the PMFW modules and their associated power domains.

Table 3-28. PMFW Module Power Domains

PMFW Module	Power Domain
PRM	PD_WKUPAON
CM_CORE_AON	PD_COREAON
CM_CORE	PD_CORE

The PRM part of the PRCM module is in the PD_WKUPAON power domain, which is continuously active. It is composed of the logic that must be permanently supplied to manage domain power-state transitions and detect wake-up events.

The CM_CORE_AON part of the PRCM module is in the PD_COREAON power domain, which is an always-on power domain, while the CM_CORE part of the PRCM module is in the PD_CORE power domain, which can be activated and deactivated according to the requirements of the executing applications.

3.4.2.2 Resets

The PMFW modules are reset by independent reset signals (see Table 3-29).

Table 3-29. PMFW Module Reset Signals

PMFW Module	Reset Signal
PRM	SYS_PWRON_RST_IN
CM_CORE_AON	CM_CORE_AON_PWRON_RST
	CM_CORE_AON_RST
CM_CORE	CM_CORE_PWRON_RET_RST
	CM_CORE_RET_RST

NOTE: For more information about the reset trigger sources and assertion conditions, see [Section 3.5.3, Reset Sources](#).

3.4.2.3 PRCM Interrupt Requests

The PMFW modules can generate the interrupts listed in [Table 3-30](#).

Table 3-30. PMFW Hardware Requests

Interrupt Requests				
Module Instance	Source Signal Name	Destination IRQ_CROSSBAR Input	Default Mapping	Description
PRM	PRM_IRQ_MPU	IRQ_CROSSBAR_6	MPU_IRQ_11 DSP1_IRQ_37	PRM MPU interrupt request
	PRM_IRQ_IPU1	IRQ_CROSSBAR_13 3	IPU1_IRQ_47 IPU2_IRQ_47	PRM IPU1 interrupt request
	PRM_IRQ_IPU2	IRQ_CROSSBAR_38 6	-	This IRQ source signal is not mapped by default to any device INTC.

NOTE: The “**Default Mapping**” column in [Table 3-30 PMFW Hardware Requests](#) shows the default mapping of module IRQ source signals. These module IRQ source signals can also be mapped to other lines of each device Interrupt controller through the IRQ_CROSSBAR module, respectively.
For more information about the IRQ_CROSSBAR module, see [Section 18.4.6.4, IRQ_CROSSBAR Module Functional Description](#), in [Chapter 18, Control Module](#).
For more information about the device interrupt controllers, see [Chapter 17, Interrupt Controllers](#).

3.5 Reset Management Functional Description

3.5.1 Overview

In the device, the reset scheme is managed by the PRM, device-level reset manager.

3.5.1.1 PRCM Reset Management Functional Description

The PRM handles the device power-on and warm reset pads: porz, resetn, and rstoutn. The PRM:

- Extends the reset duration beyond the porz pad release
- Provides the reset duration period after the resetn pad assertion
- Routes the device pad resets

The PRM is functionally sensitive to the device POR.

3.5.1.1.1 Power-On Reset

The PRM receives the device POR on the porz reset pad of the device. It extends the duration of the POR module until at least stable 32-kHz clock and SYS_CLK1 are provided to it. The 32-kHz clock and SYS_CLK1 of the device are propagated once the PRCM releases the internal POR.

3.5.1.1.2 Warm Reset

The device warm reset can be received from an external source or the device PRM module as a result of an internal event.

The PRCM can generate the global reset used by the domain Reset Managers from these warm reset input sources:

- SYS_WARM_IN_RST
- MPU_WDT_RST
- GLOBAL_SW_WARM_RST

3.5.1.2 PRM Reset Management Functional Description

The PRM module manages the resets to all power domains inside the device.

NOTE: The PRM module has no knowledge or control over resets generated locally within a module (for example, through the <Module name>_SYSCONFIG[x] SOFTRESET configuration register bit). A software reset has the same effect on the module logic as a hardware reset.

All PRM reset outputs are asynchronously asserted, while the deassertion is synchronous to the SYS_CLK1 clock. The reset managers in PRM use this clock to stall, or delay, deassertion of reset upon source deactivation.

In each power domain one or more reset domains are defined by a unique reset signal that originates from the reset manager and is connected to one or more modules of the device. All the connected modules of the reset domain are reset simultaneously when the reset signal is asserted. Independent control of these reset domains allows sequencing of the release of resets and ensures a safe reset of the entire power domain.

3.5.2 General Characteristics of Reset Signals

Reset signals can be categorized based on four criteria:

- Scope: Global or local reset
- Occurrence: Cold or warm reset
- Source type: Software-controlled or hardware-triggered reset
- Retention type: Retention reset or nonretention reset

3.5.2.1 Scope

A reset signal can be categorized according to its scope (the area of the device affected by the reset):

- Global reset: Affects the entire logic of the device; all modules are reset. Generally, occurs when the device powers up (POR) or an abnormal operation is detected (watchdog timeout, thermal shutdown, etc.)
- Local reset: Affects one power domain, reset domain, or module.

3.5.2.2 Occurrence

A reset signal can be categorized depending on when the reset occurs:

- Cold reset: Occurs on device power up (POR), or in certain emulation modes. Also, it can be software-initiated. Upon cold reset, it is assumed the device is being powered up, and therefore, everything in the device is being reset. That is, cold resets must be considered as global resets.
- Warm reset: Warm reset types are not necessarily applied globally within device. Also, a module can use a warm reset to reset a subset of its logic. This is often done to speed up reset recovery time; that is, the time to transition to a safe operating state, compared to the time required upon receipt of a cold reset. Warm reset events include software-triggered reset per power domain, watchdog time-out, externally triggered and emulation initiated.

Modules that behave differently in cold reset and warm reset have two reset signals: RST and PWRON_RST. These reset signals reconstruct warm reset and cold reset in modules that require them.

The following modules are reset upon global cold reset events and not upon global warm reset events:

- All DPLLs associated with the PRCM module
- EMIF
- Control module: CTRL_MODULE_CORE, CTRL_MODULE_WKUP

NOTE: The DPLLs state will change after warm reset even though they are not warm reset-sensitive, refer to [Section 3.5.6.12, Global Warm Reset Sequence](#) for more details.

NOTE: For information about the PRCM module registers affected by the global warm reset, see the register description in [Section 3.12, PRCM Register Manual](#).

3.5.2.3 Source Type

A reset can be categorized depending on whether it is software-controlled or hardware-triggered:

- Software reset: Triggered by setting a bit in a configuration register of the PRCM module
- Hardware reset: Triggered by a signal from a hardware module inside or outside the PRCM module

3.5.2.4 Retention Type

The power domain manager in PRM controls the assertion of two types of local cold reset sources, retention and nonretention reset. They are identified by the naming convention <PowerDomain>_DOM_RET_RST and <PowerDomain>_DOM_RST, respectively.

Upon transitioning a power domain to the ON-ACTIVE power state from the OFF power state:

- Retention type reset source is always asserted.
- Nonretention type reset source is always asserted.

Upon transitioning a power domain to the ON-ACTIVE power state from the RETENTION power state:

- Retention type reset source is never asserted.
- Nonretention type reset source is optionally asserted. The software-selectable option enables the PRM to support CSWRET mechanism. Nonretention type reset source has the following behavior:
 - It is not asserted if the power domain state transitions from the CSWR-RETENTION state.

3.5.3 Reset Sources

The reset sources triggering the reset managers in the PRM are described on the TDA2Ex section.

3.5.3.1 Global Reset Sources

Table 3-31 lists the global reset sources of the device. The global reset source signals received by the reset manager trigger the reset of all the device modules. For all hardware reset signals, the source of the reset is identified; for the software reset signals, the bit triggering the reset is identified.

Table 3-31. Global Reset Sources

Type ⁽¹⁾	Name	Source/Control	Description
H/C	SYS_PWRON_RST	porz input pin	The entire device is held in reset during porz pin assertion. porz pin is typically asserted by external PMIC at POR. PMIC keeps porz asserted until all voltage rails are ramped-up and stable. PRM extends device internal reset after porz release. Refer to Power Supply Sequences in Device Data Manual.
H/W	SYS_WARMIN_RST	resetn input pin	Warm reset from external device. Internal warm reset is triggered by the active (falling) edge of this signal and is extended with RstTime1.
S/C	GLOBAL_COLD_SW_RST	PRM_RSTCTRL[1] RST_GLOBAL_COLD_SW	Global software cold reset
S/W	GLOBAL_WARM_SW_RST	PRM_RSTCTRL[0] RST_GLOBAL_WARM_SW	Global software warm reset
H/W	TSHUT_MPU_RST	MPU voltage domain thermal sensor	Asserted when measured temperature is greater than shutdown temperature threshold
H/W	TSHUT_IVA_RST	IVAHD voltage domain thermal sensor	
H/W	TSHUT_CORE_RST	Device thermal sensor, placed close to the ISS, DSP, and IVA	
H/W	TSHUT_DSPEVE_RST	DSPEVE voltage domain thermal sensor	
H/W	TSHUT_GPU_RST	GPU voltage domain thermal sensor	
H/W	ICEPICK_RST	ICEPick™ module	ICEPick warm reset. It is used only in emulation mode.
H/C	ICEPICK_POR_RST	ICEPick module	ICEPick cold reset. It is used only in emulation mode.
H/W	MPU_WDT_RST	WD_TIMER2 or MPU subsystem WDT	It is triggered by a time-out event.

⁽¹⁾ H = Hardware reset, S = Software reset, C = Cold reset, W = Warm reset

3.5.3.2 Local Reset Sources

In addition to the global reset sources the device can have a number of local reset sources for each power domain. The local reset sources can be cold or warm reset sources. They can be software-controlled or hardware-triggered. Table 3-32 identifies the possible types of hardware-triggered local cold reset sources. Some power domains can support one or both of these local cold reset sources. The table does not list the software-triggered local warm reset sources that are listed in the reset management section of the respective power domains. A local reset source signal received by the reset manager resets only a specific part of the device (for example, some modules/subsystems within the power domain).

Table 3-32. Local Reset Sources

Type ⁽¹⁾	Name	Source/Control	Description
H/C	<Power domain>_RET_RST	PRCM	Asserted only for a power domain state transition from OFF to ON-ACTIVE state
H/C	<Power domain>_RST	PRCM	Asserted for any power domain transition from OFF to ON-ACTIVE state

⁽¹⁾ H = Hardware reset, C = Cold reset

3.5.4 Reset Logging

The reset status registers RM_<power domain>_RSTST and PRM_RSTST are reset asynchronously on assertion of a global cold reset. However, a reset status bit is always logged when the reset is released to the domain.

For this reason, after the assertion of a global cold reset, the reset status register is cleared to 0. When the domain reset is released, the register bit to log the global cold reset (the PRM_RSTST[0] GLOBAL_COLD_RST bit) is updated to 1. For the same reason, the reset status register of domains released from reset by software is updated only when software releases the domain reset.

The assertion of a global cold reset prevents logging any other source of reset until after the release of the domain reset. This is valid in the following situations:

- A source of reset other than global cold reset is asserted before, during, or after the active period of a global cold source of reset and before the release of the domain reset signal.
- A source of reset other than global cold reset is asserted and then released, but a global cold reset source is asserted before the release of the domain reset signal.

3.5.5 Reset Domains

A power domain can receive power-on reset (PWRON_RST) and/or normal reset (RST) signals. These signals reset nonretention logic and behave as follows:

- On any global or local cold reset, RST and PWRON_RST are asserted.
- On any global or local warm reset, only RST is asserted.
- On wakeup from OFF, PWRON_RST is asserted.

A power domain can receive two additional retention logic reset signals: power-on retention reset (PWRON_RET_RST) and/or retention reset (RET_RST). These signals behave as follows:

- On any global cold reset, RET_RST and PWRON_RET_RST are asserted.
- On any global cold reset or wakeup from OFF state to ON-ACTIVE state, RET_RST and PWRON_RET_RST are asserted.
- On any global warm reset, only RET_RST is asserted.

This section discusses the trigger sources and attributes for all reset domains of the device. For an explanation of each reset trigger source of the device, see Section 3.5.3, *Reset Sources*.

Table 3-33 identifies the associated power and rest domains for each module.

NOTE: The DPLLs state will change after warm reset even though they are not warm reset-sensitive, refer to Section 3.5.6.12, *Global Warm Reset Sequence* for more details.

NOTE: These modules are not supported on the AM571x / AM570x family of devices:

- ATL
 - VCP1, VCP2
 - MLB
 - USB3 (ULPI)
 - FPKA
 - DMA_CRYPT0
-

Table 3-33. Modules, Power Domains, and Reset Domains Association

Module	Power Domain	Reset Domains
CM_CORE_AON	PD_COREAON	CM_CORE_AON_PWRON_RST, CM_CORE_AON_RST
APLL_PCIE	PD_COREAON	COREAON_PWRON_RST
DPLL_ABE	PD_COREAON	COREAON_PWRON_RST

Table 3-33. Modules, Power Domains, and Reset Domains Association (continued)

Module	Power Domain	Reset Domains
DPLL_CORE	PD_COREAON	COREAON_PWRON_RST
DPLL_PER	PD_COREAON	COREAON_PWRON_RST
DPLL_PCIE_REF	PD_COREAON	COREAON_PWRON_RST
DPLL_IVA	PD_COREAON	DPLL_IVA_PWRON_RST
DPLL_GMAC	PD_COREAON	COREAON_PWRON_RST
DPLL_DDR	PD_COREAON	COREAON_PWRON_RST
DPLL_GPU	PD_COREAON	COREAON_PWRON_RST
DPLL_USB	PD_COREAON	COREAON_PWRON_RST
WUGEN_IPU	PD_COREAON	None
WUGEN_DMA_SYSTEM	PD_COREAON	None
SPINNER	PD_COREAON	None
DPLL_DSP	PD_COREAON	DPLL_DSP_PWRON_RST
DPLL_MPU	PD_MPUAON	DPLL_MPU_PWRON_RST
INTC_MPU	PD_MPUAON	MPUAON_RST
MPU	PD_MPU	MPU_PWRON_RST, MPU_RST, MPU_MA_PWRON_RET_RST, MPU_MA_RET_RST, MPU_MA_RST
MCASP1	PD_COREAON	IPU_RST
TIMER5	PD_COREAON	IPU_RST
TIMER6	PD_COREAON	IPU_RST
TIMER7	PD_COREAON	IPU_RST
TIMER8	PD_COREAON	IPU_RST
UART6	PD_COREAON	IPU_RET_RST
I2C5	PD_COREAON	IPU_RST
IPU1	PD_IPU	IPU1_PWRON_RST, IPU1_RET_RST, IPU1_CPU0_RST, IPU1_CPU1_RST, IPU1_RST
VIP1	PD_CAM	CAM_RST
CAL	PD_COREAON	CAM_RST
CSI2_PHY1, CSI2_PHY2 ⁽¹⁾	PD_COREAON	CAM_RST
EFUSE_CTRL_CUST	PD_CUSTEFUSE	CUSTEFUSE_RST
CM_CORE	PD_CORE	CM_CORE_PWRON_RET_RST, CM_CORE_RET_RST
CTRL_MODULE_CORE	PD_COREAON	CORE_PWRON_RET_RST
CTRL_MODULE_BANDGAP	PD_COREAON	CORE_PWRON_RET_RST
EMIF_PHY1	PD_COREAON	EMIF_DDR_PHY_PWRON_RST
DLL	PD_COREAON	DLL_RST
DLL_AGING	PD_COREAON	CORE_RST
DMM	PD_COREAON	CORE_RST, CORE_RET_RST
IPU2	PD_CORE	IPU2_PWRON_RST, IPU2_RET_RST, IPU2_CPU0_RST, IPU2_CPU1_RST, IPU2_RST
EMIF1	PD_COREAON	CORE_PWRON_RET_RST, CORE_PWRON_RST
EMIF_OCP_FW	PD_COREAON	CORE_PWRON_RET_RST, CORE_RST
GPWC	PD_COREAON	CORE_RET_RST
SPINLOCK	PD_COREAON	CORE_RET_RST
L3_MAIN_2 interconnect	PD_COREAON	CORE_PWRON_RET_RST, CORE_RST
L3_MAIN_1 interconnect	PD_COREAON	CORE_PWRON_RET_RST, CORE_RST

⁽¹⁾ CSI2_PHY2 is not supported on the AM570x family of devices.

Table 3-33. Modules, Power Domains, and Reset Domains Association (continued)

Module	Power Domain	Reset Domains
L3_INSTR interconnect	PD_COREAON	CORE_RST
OCP_WP_NOC	PD_COREAON	CORE_PWRON_RST, CORE_RST
L4_CFG interconnect	PD_COREAON	CORE_PWRON_RST, CORE_RST
MAILBOX1	PD_COREAON	CORE_RET_RST
MAILBOX10	PD_COREAON	CORE_RET_RST
MAILBOX11	PD_COREAON	CORE_RET_RST
MAILBOX12	PD_COREAON	CORE_RET_RST
MAILBOX13	PD_COREAON	CORE_RET_RST
MAILBOX2	PD_COREAON	CORE_RET_RST
MAILBOX3	PD_COREAON	CORE_RET_RST
MAILBOX4	PD_COREAON	CORE_RET_RST
MAILBOX5	PD_COREAON	CORE_RET_RST
MAILBOX6	PD_COREAON	CORE_RET_RST
MAILBOX7	PD_COREAON	CORE_RET_RST
MAILBOX8	PD_COREAON	CORE_RET_RST
MAILBOX9	PD_COREAON	CORE_RET_RST
MMU1	PD_COREAON	CORE_RET_RST
MMU2	PD_COREAON	CORE_RET_RST
VCP1	PD_COREAON	CORE_RST
VCP2	PD_COREAON	CORE_RST
EDMA_TPCC	PD_COREAON	CORE_RET_RST
EDMA_TC0	PD_COREAON	CORE_RET_RST
EDMA_TC1	PD_COREAON	CORE_RET_RST
OCMC_RAM1	PD_COREAON	CORE_RST
DMA_SYSTEM	PD_COREAON	DMA_RET_RST
OCP2SCP2	PD_COREAON	CORE_RST
ATL	PD_COREAON	CORE_RST
DSS	PD_DSS	DSS_RET_RST, DSS_RST
BB2D	PD_DSS	DSS_RST
VPE	PD_VPE	VPE_RST
CM_EMU	PD_COREAON	EMU_PWRON_RST
DEBUGSS	PD_COREAON	EMU_EARLY_PWRON_RST, EMU_PWRON_RST, EMU_RST
GPU	PD_GPU	GPU_RST
IVAHD	PD_IVA	IVA_PWRON_RST, IVA_RST, IVA_SEQ1_RST, IVA_SEQ2_RST
SL2	PD_IVA	IVA_RST
IEEE1500_2_OCP	PD_COREAON	L3INIT_RST
MMC1	PD_COREAON	L3INIT_RET_RST
MMC2	PD_COREAON	L3INIT_RET_RST
USB1	PD_L3INIT	L3INIT_RET_RST
USB2	PD_L3INIT	L3INIT_RET_RST
USB3	PD_L3INIT	L3INIT_RET_RST
OCP2SCP1	PD_COREAON	L3INIT_RST
OCP2SCP3	PD_COREAON	L3INIT_RST
SATA ⁽²⁾	PD_L3INIT	L3INIT_RST
PCIe_SS1	PD_L3INIT	L3INIT_PWRON_RST, L3INIT_RST

⁽²⁾ SATA is not supported on the AM570x family of devices.

Table 3-33. Modules, Power Domains, and Reset Domains Association (continued)

Module	Power Domain	Reset Domains
PCIe_SS2	PD_L3INIT	L3INIT_PWRON_RST, L3INIT_RST
MLB_SS	PD_COREAON	L3INIT_RST
GMAC_SW	PD_COREAON	L3INIT_RST
TIMER10	PD_COREAON	L4PER_RST
TIMER11	PD_COREAON	L4PER_RST
TIMER13	PD_COREAON	L4PER_RST
TIMER14	PD_COREAON	L4PER_RST
TIMER15	PD_COREAON	L4PER_RST
TIMER16	PD_COREAON	L4PER_RST
TIMER2	PD_COREAON	L4PER_RST
TIMER3	PD_COREAON	L4PER_RST
TIMER4	PD_COREAON	L4PER_RST
TIMER9	PD_COREAON	L4PER_RST
ELM	PD_COREAON	L4PER_RST
GPIO2	PD_COREAON	L4PER_RET_RST
GPIO3	PD_COREAON	L4PER_RET_RST
GPIO4	PD_COREAON	L4PER_RET_RST
GPIO5	PD_COREAON	L4PER_RET_RST
GPIO6	PD_COREAON	L4PER_RET_RST
GPIO7	PD_COREAON	L4PER_RET_RST
GPIO8	PD_COREAON	L4PER_RET_RST
HDQ1W	PD_COREAON	L4PER_RST
I2C1	PD_COREAON	L4PER_RET_RST
I2C2	PD_COREAON	L4PER_RST
I2C3	PD_COREAON	L4PER_RST
I2C4	PD_COREAON	L4PER_RST
L4_PER1 interconnect	PD_COREAON	L4PER_PWRON_RET_RST, L4_PER_RST
L4_PER2 interconnect	PD_COREAON	L4PER_PWRON_RET_RST, L4_PER_RST
L4_PER3 interconnect	PD_COREAON	L4PER_PWRON_RET_RST, L4_PER_RST
I2C6	PD_COREAON	L4PER_RST
MCASP2	PD_COREAON	L4PER_RST
MCASP3	PD_COREAON	L4PER_RST
MCASP4	PD_COREAON	L4PER_RST
MCASP5	PD_COREAON	L4PER_RST
MCASP6	PD_COREAON	L4PER_RST
MCASP7	PD_COREAON	L4PER_RST
MCASP8	PD_COREAON	L4PER_RST
MCSPI1	PD_COREAON	L4PER_RST
MCSPI2	PD_COREAON	L4PER_RST
MCSPI3	PD_COREAON	L4PER_RST
MCSPI4	PD_COREAON	L4PER_RST
MMC3	PD_COREAON	L4PER_RST
MMC4	PD_COREAON	L4PER_RST
DCAN2	PD_COREAON	L4PER_RST
UART1	PD_COREAON	L4PER_RET_RST

Table 3-33. Modules, Power Domains, and Reset Domains Association (continued)

Module	Power Domain	Reset Domains
UART2	PD_COREAON	L4PER_RET_RST
UART3	PD_COREAON	L4PER_RET_RST
UART4	PD_COREAON	L4PER_RET_RST
UART5	PD_COREAON	L4PER_RET_RST
UART7	PD_COREAON	L4PER_RET_RST
UART8	PD_COREAON	L4PER_RET_RST
UART9	PD_COREAON	L4PER_RET_RST
DMA_CRYPT0	PD_COREAON	L4PER_RET_RST
AES1	PD_COREAON	L4PER_RET_RST
AES2	PD_COREAON	L4PER_RET_RST
SHA2MD5_1	PD_COREAON	L4PER_RET_RST
SHA2MD5_2	PD_COREAON	L4PER_RET_RST
RNG	PD_COREAON	L4PER_RET_RST
QSPI	PD_COREAON	L4PER_RST
PRU-ICSS1	PD_COREAON	PRUSS1_RST
PRU-ICSS2	PD_COREAON	PRUSS2_RST
PWMSS1	PD_COREAON	L4PER_RST
PWMSS2	PD_COREAON	L4PER_RST
PWMSS3	PD_COREAON	L4PER_RST
DES3DES	PD_COREAON	L4PER_RET_RST
FPKA	PD_COREAON	L4PER_RST
DSP1	PD_DSP1	DSP1_RST, DSP1_PWRON_RST, DSP1_RET_RST, DSP1_SYS_RST
CTRL_MODULE_WKUP	PD_WKUPAON	WKUPAON_PWRON_RST
PRM	PD_WKUPAON	PRM_PWRON_RST, PRM_RST
PRCM_MPU	PD_WKUPAON	LPRM_PWRON_RST, LPRM_RST
GPIO1	PD_WKUPAON	WKUPAON_RST
KBD	PD_WKUPAON	WKUPAON_RST
COUNTER_32K	PD_WKUPAON	WKUPAON_RST, WKUPAON_SYS_PWRON_RST
TIMER1	PD_WKUPAON	WKUPAON_RST
TIMER12	PD_WKUPAON	WKUPAON_RST
WD_TIMER2	PD_WKUPAON	WKUPAON_RST
L4_WKUP interconnect	PD_WKUPAON	WKUPAON_RST
UART10	PD_WKUPAON	WKUPAON_RST
DCAN1	PD_WKUPAON	WKUPAON_RST
RTC_SS ⁽³⁾	PD_RTC	RTC_RST

⁽³⁾ RTC is not supported on the AM570x family of devices.

Table 3-34 lists the reset sources that trigger the reset domains of the device.

Table 3-34. Reset Sources for the Reset Domains

Reset Domain	Reset Source	Reset Source Type
CM_CORE_AON_PWRON_RST	GLOBAL_COLD_SW_RST	Global cold
	ICEPICKPOR_RST	Global cold
	SYS_PWRON_RST	Global cold
CM_CORE_AON_RST	GLOBAL_COLD_SW_RST	Global cold
	GLOBAL_WARM_SW_RST	Global warm

Table 3-34. Reset Sources for the Reset Domains (continued)

Reset Domain	Reset Source	Reset Source Type
	ICEPICK_RST	Global warm
	ICEPICKPOR_RST	Global cold
	MPU_WDT_RST	Global warm
	SYS_PWRON_RST	Global cold
	SYS_WARMIN_RST	Global warm
	TSHUT_CORE_RST	Global warm
	TSHUT_DSPEVE_RST	Global warm
	TSHUT_GPU_RST	Global warm
	TSHUT_IVAHD_RST	Global warm
TSHUT_MPU_RST	Global warm	
COREAON_PWRON_RST	GLOBAL_COLD_SW_RST	Global cold
	ICEPICKPOR_RST	Global cold
	SYS_PWRON_RST	Global cold
COREAON_RST	GLOBAL_COLD_SW_RST	Global cold
	GLOBAL_WARM_SW_RST	Global warm
	ICEPICKPOR_RST	Global cold
	MPU_WDT_RST	Global warm
	SYS_PWRON_RST	Global cold
	SYS_WARMIN_RST	Global warm
	TSHUT_CORE_RST	Global warm
	TSHUT_DSPEVE_RST	Global warm
	TSHUT_GPU_RST	Global warm
	TSHUT_IVA_RST	Global warm
	TSHUT_MPU_RST	Global warm
	ICEPICK_RST	Global warm
DPLL_IVA_PWRON_RST	GLOBAL_COLD_SW_RST	Global cold
	ICEPICKPOR_RST	Global cold
	SYS_PWRON_RST	Global cold
DPLL_DSP_PWRON_RST	GLOBAL_COLD_SW_RST	Global cold
	ICEPICKPOR_RST	Global cold
	SYS_PWRON_RST	Global cold
MMAON_RST	GLOBAL_COLD_SW_RST	Global cold
	GLOBAL_WARM_SW_RST	Global warm
	ICEPICKPOR_RST	Global cold
	MPU_WDT_RST	Global warm
	SYS_PWRON_RST	Global cold
	SYS_WARMIN_RST	Global warm
	TSHUT_CORE_RST	Global warm
	TSHUT_DSPEVE_RST	Global warm
	TSHUT_GPU_RST	Global warm
	TSHUT_IVA_RST	Global warm
	TSHUT_MPU_RST	Global warm
ICEPICK_RST	Global warm	
MPUAON_RST	GLOBAL_COLD_SW_RST	Global cold
	GLOBAL_WARM_SW_RST	Global warm
	ICEPICKPOR_RST	Global cold
	MPU_WDT_RST	Global warm

Table 3-34. Reset Sources for the Reset Domains (continued)

Reset Domain	Reset Source	Reset Source Type
	SYS_PWRON_RST	Global cold
	SYS_WARMIN_RST	Global warm
	TSHUT_CORE_RST	Global warm
	TSHUT_DSPEVE_RST	Global warm
	TSHUT_GPU_RST	Global warm
	TSHUT_IVA_RST	Global warm
	TSHUT_MPU_RST	Global warm
	ICEPICK_RST	Global warm
MPU_L2RSTDISABLE	GLOBAL_COLD_SW_RST	Global cold
	GLOBAL_WARM_SW_RST	Global warm
	ICEPICKPOR_RST	Global cold
	MPU_WDT_RST	Global warm
	SYS_PWRON_RST	Global cold
	SYS_WARMIN_RST	Global warm
	TSHUT_CORE_RST	Global warm
	TSHUT_DSPEVE_RST	Global warm
	TSHUT_GPU_RST	Global warm
	TSHUT_IVA_RST	Global warm
	TSHUT_MPU_RST	Global warm
	ICEPICK_RST	Global warm
CAM_RST	GLOBAL_COLD_SW_RST	Global cold
	GLOBAL_WARM_SW_RST	Global warm
	ICEPICKPOR_RST	Global cold
	MPU_WDT_RST	Global warm
	SYS_PWRON_RST	Global cold
	SYS_WARMIN_RST	Global warm
	TSHUT_CORE_RST	Global warm
	TSHUT_DSPEVE_RST	Global warm
	TSHUT_GPU_RST	Global warm
	TSHUT_IVA_RST	Global warm
	TSHUT_MPU_RST	Global warm
	ICEPICK_RST	Global warm
CM_CORE_PWRON_RET_RST	GLOBAL_COLD_SW_RST	Global cold
	ICEPICKPOR_RST	Global cold
	SYS_PWRON_RST	Global cold
CM_CORE_RET_RST	GLOBAL_COLD_SW_RST	Global cold
	GLOBAL_WARM_SW_RST	Global warm
	ICEPICKPOR_RST	Global cold
	MPU_WDT_RST	Global warm
	SYS_PWRON_RST	Global cold
	SYS_WARMIN_RST	Global warm
	TSHUT_CORE_RST	Global warm
	TSHUT_DSPEVE_RST	Global warm
	TSHUT_GPU_RST	Global warm
	TSHUT_IVA_RST	Global warm
	TSHUT_MPU_RST	Global warm
ICEPICK_RST	Global warm	

Table 3-34. Reset Sources for the Reset Domains (continued)

Reset Domain	Reset Source	Reset Source Type
CORE_PWRON_RET_RST	GLOBAL_COLD_SW_RST	Global cold
	SYS_PWRON_RST	Global cold
	ICEPICKPOR_RST	Global cold
CORE_PWRON_RST	GLOBAL_COLD_SW_RST	Global cold
	SYS_PWRON_RST	Global cold
	ICEPICKPOR_RST	Global cold
CORE_RET_RST	GLOBAL_COLD_SW_RST	Global cold
	GLOBAL_WARM_SW_RST	Global warm
	ICEPICKPOR_RST	Global cold
	MPU_WDT_RST	Global warm
	SYS_PWRON_RST	Global cold
	SYS_WARMIN_RST	Global warm
	TSHUT_CORE_RST	Global warm
	TSHUT_DSPEVE_RST	Global warm
	TSHUT_GPU_RST	Global warm
	TSHUT_IVA_RST	Global warm
	TSHUT_MPU_RST	Global warm
	ICEPICK_RST	Global warm
CORE_RST	GLOBAL_COLD_SW_RST	Global cold
	GLOBAL_WARM_SW_RST	Global warm
	ICEPICKPOR_RST	Global cold
	MPU_WDT_RST	Global warm
	SYS_PWRON_RST	Global cold
	SYS_WARMIN_RST	Global warm
	TSHUT_CORE_RST	Global warm
	TSHUT_DSPEVE_RST	Global warm
	TSHUT_GPU_RST	Global warm
	TSHUT_IVA_RST	Global warm
	TSHUT_MPU_RST	Global warm
	ICEPICK_RST	Global warm
CUSTEFUSE_RST	GLOBAL_COLD_SW_RST	Global cold
	GLOBAL_WARM_SW_RST	Global warm
	ICEPICKPOR_RST	Global cold
	MPU_WDT_RST	Global warm
	SYS_PWRON_RST	Global cold
	SYS_WARMIN_RST	Global warm
	TSHUT_CORE_RST	Global warm
	TSHUT_DSPEVE_RST	Global warm
	TSHUT_GPU_RST	Global warm
	TSHUT_IVA_RST	Global warm
	TSHUT_MPU_RST	Global warm
	ICEPICK_RST	Global warm
DLL_RST	DLL_FREQCHANGE_RST	Local warm
	GLOBAL_COLD_SW_RST	Global cold
	GLOBAL_WARM_SW_RST	Global warm
	ICEPICKPOR_RST	Global cold
	MPU_WDT_RST	Global warm

Table 3-34. Reset Sources for the Reset Domains (continued)

Reset Domain	Reset Source	Reset Source Type
	SYS_PWRON_RST	Global cold
	SYS_WARMIN_RST	Global warm
	TSHUT_CORE_RST	Global warm
	TSHUT_DSPEVE_RST	Global warm
	TSHUT_GPU_RST	Global warm
	TSHUT_IVA_RST	Global warm
	TSHUT_MPU_RST	Global warm
	ICEPICK_RST	Global warm
DPLL_IVA_PWRON_RST	GLOBAL_COLD_SW_RST	Global cold
	ICEPICKPOR_RST	Global cold
	SYS_PWRON_RST	Global cold
DPLL_L3INIT_PWRON_RET_RST	GLOBAL_COLD_SW_RST	Global cold
	ICEPICKPOR_RST	Global cold
	SYS_PWRON_RST	Global cold
DPLL_MPU_PWRON_RST	GLOBAL_COLD_SW_RST	Global cold
	ICEPICKPOR_RST	Global cold
	SYS_PWRON_RST	Global cold
DSS_RET_RST	GLOBAL_COLD_SW_RST	Global cold
	GLOBAL_WARM_SW_RST	Global warm
	ICEPICKPOR_RST	Global cold
	MPU_WDT_RST	Global warm
	SYS_PWRON_RST	Global cold
	SYS_WARMIN_RST	Global warm
	TSHUT_CORE_RST	Global warm
	TSHUT_DSPEVE_RST	Global warm
	TSHUT_GPU_RST	Global warm
	TSHUT_IVA_RST	Global warm
	TSHUT_MPU_RST	Global warm
	ICEPICK_RST	Global warm
DSS_RST	GLOBAL_COLD_SW_RST	Global cold
	GLOBAL_WARM_SW_RST	Global warm
	ICEPICKPOR_RST	Global cold
	MPU_WDT_RST	Global warm
	SYS_PWRON_RST	Global cold
	SYS_WARMIN_RST	Global warm
	TSHUT_CORE_RST	Global warm
	TSHUT_DSPEVE_RST	Global warm
	TSHUT_GPU_RST	Global warm
	TSHUT_IVA_RST	Global warm
	TSHUT_MPU_RST	Global warm
	ICEPICK_RST	Global warm
IPU1_PWRON_RST	GLOBAL_COLD_SW_RST	Global cold
	ICEPICKPOR_RST	Global cold
	SYS_PWRON_RST	Global cold
IPU1_RET_RST	GLOBAL_COLD_SW_RST	Global cold
	GLOBAL_WARM_SW_RST	Global warm
	ICEPICKPOR_RST	Global cold

Table 3-34. Reset Sources for the Reset Domains (continued)

Reset Domain	Reset Source	Reset Source Type
	MPU_WDT_RST	Global warm
	RM_IPU1_RSTCTRL[2] RST_IPU	Local warm
	SYS_PWRON_RST	Global cold
	SYS_WARMIN_RST	Global warm
	TSHUT_CORE_RST	Global warm
	TSHUT_DSPEVE_RST	Global warm
	TSHUT_GPU_RST	Global warm
	TSHUT_IVA_RST	Global warm
	TSHUT_MPU_RST	Global warm
ICEPICK_RST	Global warm	
IPU1_CPU0_RST	IPU1_ICECRUSHER0_RST	Local warm
	GLOBAL_COLD_SW_RST	Global cold
	GLOBAL_WARM_SW_RST	Global warm
	ICEPICKPOR_RST	Global cold
	MPU_WDT_RST	Global warm
	RM_IPU1_RSTCTRL[0] RST_CPU0	Local Warm
	SYS_PWRON_RST	Global cold
	SYS_WARMIN_RST	Global warm
	TSHUT_CORE_RST	Global warm
	TSHUT_DSPEVE_RST	Global warm
	TSHUT_GPU_RST	Global warm
	TSHUT_IVA_RST	Global warm
	TSHUT_MPU_RST	Global warm
ICEPICK_RST	Global warm	
IPU1_CPU1_RST	IPU1_ICECRUSHER1_RST	Local Warm
	GLOBAL_COLD_SW_RST	Global cold
	GLOBAL_WARM_SW_RST	Global warm
	ICEPICKPOR_RST	Global cold
	MPU_WDT_RST	Global warm
	RM_IPU1_RSTCTRL[1] RST_CPU1	Local warm
	SYS_PWRON_RST	Global cold
	SYS_WARMIN_RST	Global warm
	TSHUT_CORE_RST	Global warm
	TSHUT_DSPEVE_RST	Global warm
	TSHUT_GPU_RST	Global warm
	TSHUT_IVA_RST	Global warm
	TSHUT_MPU_RST	Global warm
ICEPICK_RST	Global warm	
IPU1_RST	GLOBAL_COLD_SW_RST	Global cold
	GLOBAL_WARM_SW_RST	Global warm
	ICEPICKPOR_RST	Global cold
	MPU_WDT_RST	Global warm
	RM_IPU1_RSTCTRL[2] RST_IPU	Local warm
	SYS_PWRON_RST	Global cold
	SYS_WARMIN_RST	Global warm
	TSHUT_CORE_RST	Global warm
TSHUT_DSPEVE_RST	Global warm	

Table 3-34. Reset Sources for the Reset Domains (continued)

Reset Domain	Reset Source	Reset Source Type
	TSHUT_GPU_RST	Global warm
	TSHUT_IVA_RST	Global warm
	TSHUT_MPU_RST	Global warm
	ICEPICK_RST	Global warm
IPU_RET_RST	GLOBAL_COLD_SW_RST	Global cold
	GLOBAL_WARM_SW_RST	Global warm
	ICEPICKPOR_RST	Global cold
	MPU_WDT_RST	Global warm
	SYS_PWRON_RST	Global cold
	SYS_WARMIN_RST	Global warm
	TSHUT_CORE_RST	Global warm
	TSHUT_DSPEVE_RST	Global warm
	TSHUT_GPU_RST	Global warm
	TSHUT_IVA_RST	Global warm
	TSHUT_MPU_RST	Global warm
	ICEPICK_RST	Global warm
IPU_RST	GLOBAL_COLD_SW_RST	Global cold
	GLOBAL_WARM_SW_RST	Global warm
	ICEPICKPOR_RST	Global cold
	MPU_WDT_RST	Global warm
	SYS_PWRON_RST	Global cold
	SYS_WARMIN_RST	Global warm
	TSHUT_CORE_RST	Global warm
	TSHUT_DSPEVE_RST	Global warm
	TSHUT_GPU_RST	Global warm
	TSHUT_IVA_RST	Global warm
	TSHUT_MPU_RST	Global warm
	ICEPICK_RST	Global warm
IPU2_PWRON_RST	GLOBAL_COLD_SW_RST	Global cold
	ICEPICKPOR_RST	Global cold
	SYS_PWRON_RST	Global cold
IPU2_RET_RST	GLOBAL_COLD_SW_RST	Global cold
	GLOBAL_WARM_SW_RST	Global warm
	ICEPICKPOR_RST	Global cold
	MPU_WDT_RST	Global warm
	RM_IPU2_RSTCTRL[2] RST_IPU	Local warm
	SYS_PWRON_RST	Global cold
	SYS_WARMIN_RST	Global warm
	TSHUT_CORE_RST	Global warm
	TSHUT_DSPEVE_RST	Global warm
	TSHUT_GPU_RST	Global warm
	TSHUT_IVA_RST	Global warm
	TSHUT_MPU_RST	Global warm
ICEPICK_RST	Global warm	
IPU2_CPU0_RST	IPU2_ICECRUSHER0_RST	Local warm
	GLOBAL_COLD_SW_RST	Global cold
	GLOBAL_WARM_SW_RST	Global warm

Table 3-34. Reset Sources for the Reset Domains (continued)

Reset Domain	Reset Source	Reset Source Type
	ICEPICKPOR_RST	Global cold
	MPU_WDT_RST	Global warm
	RM_IPU2_RSTCTRL[0] RST_CPU0	Local Warm
	SYS_PWRON_RST	Global cold
	SYS_WARMIN_RST	Global warm
	TSHUT_CORE_RST	Global warm
	TSHUT_DSPEVE_RST	Global warm
	TSHUT_GPU_RST	Global warm
	TSHUT_IVA_RST	Global warm
	TSHUT_MPU_RST	Global warm
	ICEPICK_RST	Global warm
IPU2_CPU1_RST	IPU2_ICECRUSHER1_RST	Local Warm
	GLOBAL_COLD_SW_RST	Global cold
	GLOBAL_WARM_SW_RST	Global warm
	ICEPICKPOR_RST	Global cold
	MPU_WDT_RST	Global warm
	RM_IPU2_RSTCTRL[1] RST_CPU1	Local warm
	SYS_PWRON_RST	Global cold
	SYS_WARMIN_RST	Global warm
	TSHUT_CORE_RST	Global warm
	TSHUT_DSPEVE_RST	Global warm
	TSHUT_GPU_RST	Global warm
	TSHUT_IVA_RST	Global warm
	TSHUT_MPU_RST	Global warm
ICEPICK_RST	Global warm	
IPU2_RST	GLOBAL_COLD_SW_RST	Global cold
	GLOBAL_WARM_SW_RST	Global warm
	ICEPICKPOR_RST	Global cold
	MPU_WDT_RST	Global warm
	RM_IPU2_RSTCTRL[2] RST_IPU	Local warm
	SYS_PWRON_RST	Global cold
	SYS_WARMIN_RST	Global warm
	TSHUT_CORE_RST	Global warm
	TSHUT_DSPEVE_RST	Global warm
	TSHUT_GPU_RST	Global warm
	TSHUT_IVA_RST	Global warm
	TSHUT_MPU_RST	Global warm
ICEPICK_RST	Global warm	
EMU_EARLY_PWRON_RST	GLOBAL_COLD_SW_RST	Global cold
	SYS_PWRON_RST	Global cold
EMU_PWRON_RST	GLOBAL_COLD_SW_RST	Global cold
	ICEPICKPOR_RST	Global cold
	SYS_PWRON_RST	Global cold
EMU_RST	GLOBAL_COLD_SW_RST	Global cold
	GLOBAL_WARM_SW_RST	Global warm
	ICEPICKPOR_RST	Global cold
	MPU_WDT_RST	Global warm

Table 3-34. Reset Sources for the Reset Domains (continued)

Reset Domain	Reset Source	Reset Source Type
	SYS_PWRON_RST	Global cold
	SYS_WARMIN_RST	Global warm
	TSHUT_CORE_RST	Global warm
	TSHUT_DSPEVE_RST	Global warm
	TSHUT_GPU_RST	Global warm
	TSHUT_IVA_RST	Global warm
	TSHUT_MPU_RST	Global warm
	ICEPICK_RST	Global warm
GPU_RST	GLOBAL_COLD_SW_RST	Global cold
	GLOBAL_WARM_SW_RST	Global warm
	ICEPICKPOR_RST	Global cold
	MPU_WDT_RST	Global warm
	SYS_PWRON_RST	Global cold
	SYS_WARMIN_RST	Global warm
	TSHUT_CORE_RST	Global warm
	TSHUT_DSPEVE_RST	Global warm
	TSHUT_GPU_RST	Global warm
	TSHUT_IVA_RST	Global warm
	TSHUT_MPU_RST	Global warm
	ICEPICK_RST	Global warm
	IVA_PWRON_RST	GLOBAL_COLD_SW_RST
ICEPICKPOR_RST		Global cold
SYS_PWRON_RST		Global cold
IVA_RST	GLOBAL_COLD_SW_RST	Global cold
	GLOBAL_WARM_SW_RST	Global warm
	ICEPICKPOR_RST	Global cold
	MPU_WDT_RST	Global warm
	RM_IVA_RSTCTRL [2] RST_LOGIC	Local warm
	SYS_PWRON_RST	Global cold
	SYS_WARMIN_RST	Global warm
	TSHUT_CORE_RST	Global warm
	TSHUT_DSPEVE_RST	Global warm
	TSHUT_GPU_RST	Global warm
	TSHUT_IVA_RST	Global warm
	TSHUT_MPU_RST	Global warm
	ICEPICK_RST	Global warm
IVA_SEQ1_RST	GLOBAL_COLD_SW_RST	Global cold
	GLOBAL_WARM_SW_RST	Global warm
	ICEPICKPOR_RST	Global cold
	IVA_ICECRUSHER1_RST	Local warm
	MPU_WDT_RST	Global warm
	RM_IVA_RSTCTRL [0] RST_SEQ1	Local warm
	SYS_PWRON_RST	Global cold
	SYS_WARMIN_RST	Global warm
	TSHUT_CORE_RST	Global warm
	TSHUT_DSPEVE_RST	Global warm
	TSHUT_GPU_RST	Global warm

Table 3-34. Reset Sources for the Reset Domains (continued)

Reset Domain	Reset Source	Reset Source Type
	TSHUT_IVA_RST	Global warm
	TSHUT_MPU_RST	Global warm
	ICEPICK_RST	Global warm
IVA_SEQ2_RST	GLOBAL_COLD_SW_RST	Global cold
	GLOBAL_WARM_SW_RST	Global warm
	ICEPICKPOR_RST	Global cold
	IVA_ICECRUSHER2_RST	Local warm
	MPU_WDT_RST	Global warm
	RM_IVA_RSTCTRL [1] RST_SEQ2	Local warm
	SYS_PWRON_RST	Global cold
	SYS_WARMIN_RST	Global warm
	TSHUT_CORE_RST	Global warm
	TSHUT_DSPEVE_RST	Global warm
	TSHUT_GPU_RST	Global warm
	TSHUT_IVA_RST	Global warm
	TSHUT_MPU_RST	Global warm
	ICEPICK_RST	Global warm
L3INIT_PWRON_RST	GLOBAL_COLD_SW_RST	Global cold
	ICEPICKPOR_RST	Global cold
	SYS_PWRON_RST	Global cold
L3INIT_RET_RST	GLOBAL_COLD_SW_RST	Global cold
	GLOBAL_WARM_SW_RST	Global warm
	ICEPICKPOR_RST	Global cold
	MPU_WDT_RST	Global warm
	SYS_PWRON_RST	Global cold
	SYS_WARMIN_RST	Global warm
	TSHUT_CORE_RST	Global warm
	TSHUT_DSPEVE_RST	Global warm
	TSHUT_GPU_RST	Global warm
	TSHUT_IVA_RST	Global warm
	TSHUT_MPU_RST	Global warm
	ICEPICK_RST	Global warm
L3INIT_RST	GLOBAL_COLD_SW_RST	Global cold
	GLOBAL_WARM_SW_RST	Global warm
	ICEPICKPOR_RST	Global cold
	MPU_WDT_RST	Global warm
	SYS_PWRON_RST	Global cold
	SYS_WARMIN_RST	Global warm
	TSHUT_CORE_RST	Global warm
	TSHUT_DSPEVE_RST	Global warm
	TSHUT_GPU_RST	Global warm
	TSHUT_IVA_RST	Global warm
	TSHUT_MPU_RST	Global warm
	ICEPICK_RST	Global warm
MPU_PWRON_RST	GLOBAL_COLD_SW_RST	Global cold
	ICEPICKPOR_RST	Global cold
	SYS_PWRON_RST	Global cold

Table 3-34. Reset Sources for the Reset Domains (continued)

Reset Domain	Reset Source	Reset Source Type
MPU_RST	GLOBAL_COLD_SW_RST	Global cold
	GLOBAL_WARM_SW_RST	Global warm
	ICEPICKPOR_RST	Global cold
	MPU_WDT_RST	Global warm
	SYS_PWRON_RST	Global cold
	SYS_WARMIN_RST	Global warm
	TSHUT_CORE_RST	Global warm
	TSHUT_DSPEVE_RST	Global warm
	TSHUT_GPU_RST	Global warm
	TSHUT_IVA_RST	Global warm
	TSHUT_MPU_RST	Global warm
	ICEPICK_RST	Global warm
MPU_MA_PWRON_RET_RST	GLOBAL_COLD_SW_RST	Global cold
	ICEPICKPOR_RST	Global cold
	SYS_PWRON_RST	Global cold
MPU_MA_RET_RST	GLOBAL_COLD_SW_RST	Global cold
	GLOBAL_WARM_SW_RST	Global warm
	ICEPICKPOR_RST	Global cold
	MPU_WDT_RST	Global warm
	SYS_PWRON_RST	Global cold
	SYS_WARMIN_RST	Global warm
	TSHUT_CORE_RST	Global warm
	TSHUT_DSPEVE_RST	Global warm
	TSHUT_GPU_RST	Global warm
	TSHUT_IVA_RST	Global warm
	TSHUT_MPU_RST	Global warm
	ICEPICK_RST	Global warm
MPU_MA_RST	GLOBAL_COLD_SW_RST	Global cold
	GLOBAL_WARM_SW_RST	Global warm
	ICEPICKPOR_RST	Global cold
	MPU_WDT_RST	Global warm
	SYS_PWRON_RST	Global cold
	SYS_WARMIN_RST	Global warm
	TSHUT_CORE_RST	Global warm
	TSHUT_DSPEVE_RST	Global warm
	TSHUT_GPU_RST	Global warm
	TSHUT_IVA_RST	Global warm
	TSHUT_MPU_RST	Global warm
	ICEPICK_RST	Global warm
SDMA_RET_RST	GLOBAL_COLD_SW_RST	Global cold
	GLOBAL_WARM_SW_RST	Global warm
	ICEPICKPOR_RST	Global cold
	MPU_WDT_RST	Global warm
	SDMA_RESTORE_RST	Local warm
	SYS_PWRON_RST	Global cold
	SYS_WARMIN_RST	Global warm
TSHUT_CORE_RST	Global warm	

Table 3-34. Reset Sources for the Reset Domains (continued)

Reset Domain	Reset Source	Reset Source Type
	TSHUT_DSPEVE_RST	Global warm
	TSHUT_GPU_RST	Global warm
	TSHUT_IVA_RST	Global warm
	TSHUT_MPU_RST	Global warm
	ICEPICK_RST	Global warm
DSP1_RST	GLOBAL_COLD_SW_RST	Global cold
	GLOBAL_WARM_SW_RST	Global warm
	ICEPICKPOR_RST	Global cold
	MPU_WDT_RST	Global warm
	RM_DSP1_RSTCTRL[0] RST_DSP1_LRST	Local warm
	SYS_PWRON_RST	Global cold
	SYS_WARMIN_RST	Global warm
	DSP1_EMU_RESET_REQ_TR	Local warm
	TSHUT_CORE_RST	Global warm
	TSHUT_DSPEVE_RST	Global warm
	TSHUT_GPU_RST	Global warm
	TSHUT_IVA_RST	Global warm
	TSHUT_MPU_RST	Global warm
	ICEPICK_RST	Global warm
DSP1_PWRON_RST	GLOBAL_COLD_SW_RST	Global cold
	ICEPICKPOR_RST	Global cold
	SYS_PWRON_RST	Global cold
DSP1_RET_RST	GLOBAL_COLD_SW_RST	Global cold
	GLOBAL_WARM_SW_RST	Global warm
	ICEPICKPOR_RST	Global cold
	MPU_WDT_RST	Global warm
	RM_DSP1_RSTCTRL[1] RST_DSP1	Local warm
	SYS_PWRON_RST	Global cold
	SYS_WARMIN_RST	Global warm
	TSHUT_CORE_RST	Global warm
	TSHUT_DSPEVE_RST	Global warm
	TSHUT_GPU_RST	Global warm
	TSHUT_IVA_RST	Global warm
	TSHUT_MPU_RST	Global warm
	ICEPICK_RST	Global warm
DSP1_SYS_RST	GLOBAL_COLD_SW_RST	Global cold
	GLOBAL_WARM_SW_RST	Global warm
	ICEPICKPOR_RST	Global cold
	MPU_WDT_RST	Global warm
	RM_DSP1_RSTCTRL[1] RST_DSP1	Local warm
	SYS_PWRON_RST	Global cold
	SYS_WARMIN_RST	Global warm
	TSHUT_CORE_RST	Global warm
	TSHUT_DSPEVE_RST	Global warm
	TSHUT_GPU_RST	Global warm
	TSHUT_IVA_RST	Global warm
	TSHUT_MPU_RST	Global warm

Table 3-34. Reset Sources for the Reset Domains (continued)

Reset Domain	Reset Source	Reset Source Type
	ICEPICK_RST	Global warm
WKUPAON_PWRON_RST	GLOBAL_COLD_SW_RST	Global cold
	ICEPICKPOR_RST	Global cold
	SYS_PWRON_RST	Global cold
WKUPAON_RST	GLOBAL_COLD_SW_RST	Global cold
	GLOBAL_WARM_SW_RST	Global warm
	ICEPICKPOR_RST	Global cold
	MPU_WDT_RST	Global warm
	SYS_PWRON_RST	Global cold
	SYS_WARMIN_RST	Global warm
	TSHUT_CORE_RST	Global warm
	TSHUT_DSPEVE_RST	Global warm
	TSHUT_GPU_RST	Global warm
	TSHUT_IVA_RST	Global warm
	TSHUT_MPU_RST	Global warm
	ICEPICK_RST	Global warm
	WKUPAON_SYS_PWRON_RST	SYS_PWRON_RST
PRM_RST	GLOBAL_COLD_SW_RST	Global cold
	GLOBAL_WARM_SW_RST	Global warm
	ICEPICKPOR_RST	Global cold
	MPU_WDT_RST	Global warm
	SYS_PWRON_RST	Global cold
	SYS_WARMIN_RST	Global warm
	TSHUT_CORE_RST	Global warm
	TSHUT_GPU_RST	Global warm
	TSHUT_MPU_RST	Global warm
	ICEPICK_RST	Global warm
PRM_PWRON_RST	GLOBAL_COLD_SW_RST	Global cold
	ICEPICKPOR_RST	Global cold
	SYS_PWRON_RST	Global cold
LPRM_RST	GLOBAL_COLD_SW_RST	Global cold
	GLOBAL_WARM_SW_RST	Global warm
	ICEPICKPOR_RST	Global cold
	MPU_WDT_RST	Global warm
	SYS_PWRON_RST	Global cold
	SYS_WARMIN_RST	Global warm
	TSHUT_CORE_RST	Global warm
	TSHUT_GPU_RST	Global warm
	TSHUT_MPU_RST	Global warm
	ICEPICK_RST	Global warm
LPRM_PWRON_RST	GLOBAL_COLD_SW_RST	Global cold
	ICEPICKPOR_RST	Global cold
	SYS_PWRON_RST	Global cold
VPE_RST	GLOBAL_COLD_SW_RST	Global cold
	GLOBAL_WARM_SW_RST	Global warm
	ICEPICKPOR_RST	Global cold
	MPU_WDT_RST	Global warm

Table 3-34. Reset Sources for the Reset Domains (continued)

Reset Domain	Reset Source	Reset Source Type
	SYS_PWRON_RST	Global cold
	SYS_WARMIN_RST	Global warm
	TSHUT_CORE_RST	Global warm
	TSHUT_DSPEVE_RST	Global warm
	TSHUT_GPU_RST	Global warm
	TSHUT_IVA_RST	Global warm
	TSHUT_MPU_RST	Global warm
	ICEPICK_RST	Global warm
RTC_RST	GLOBAL_COLD_SW_RST	Global cold
	GLOBAL_WARM_SW_RST	Global warm
	ICEPICKPOR_RST	Global cold
	MPU_WDT_RST	Global warm
	SYS_PWRON_RST	Global cold
	SYS_WARMIN_RST	Global warm
	TSHUT_CORE_RST	Global warm
	TSHUT_DSPEVE_RST	Global warm
	TSHUT_GPU_RST	Global warm
	TSHUT_IVA_RST	Global warm
	TSHUT_MPU_RST	Global warm
	ICEPICK_RST	Global warm
L4PER_RST	GLOBAL_COLD_SW_RST	Global cold
	GLOBAL_WARM_SW_RST	Global warm
	ICEPICKPOR_RST	Global cold
	MPU_WDT_RST	Global warm
	SYS_PWRON_RST	Global cold
	SYS_WARMIN_RST	Global warm
	TSHUT_CORE_RST	Global warm
	TSHUT_DSPEVE_RST	Global warm
	TSHUT_GPU_RST	Global warm
	TSHUT_IVA_RST	Global warm
	TSHUT_MPU_RST	Global warm
	ICEPICK_RST	Global warm
L4PER_RET_RST	GLOBAL_COLD_SW_RST	Global cold
	GLOBAL_WARM_SW_RST	Global warm
	ICEPICKPOR_RST	Global cold
	MPU_WDT_RST	Global warm
	SYS_PWRON_RST	Global cold
	SYS_WARMIN_RST	Global warm
	TSHUT_CORE_RST	Global warm
	TSHUT_DSPEVE_RST	Global warm
	TSHUT_GPU_RST	Global warm
	TSHUT_IVA_RST	Global warm
	TSHUT_MPU_RST	Global warm
	ICEPICK_RST	Global warm
L4PER_PWRON_RET_RST	GLOBAL_COLD_SW_RST	Global cold
	ICEPICKPOR_RST	Global cold
	SYS_PWRON_RST	Global cold

Table 3-34. Reset Sources for the Reset Domains (continued)

Reset Domain	Reset Source	Reset Source Type
PRUSS1_RST	GLOBAL_COLD_SW_RST	Global cold
	GLOBAL_WARM_SW_RST	Global warm
	ICEPICKPOR_RST	Global cold
	MPU_WDT_RST	Global warm
	SYS_PWRON_RST	Global cold
	SYS_WARMIN_RST	Global warm
	TSHUT_CORE_RST	Global warm
	TSHUT_DSPEVE_RST	Global warm
	TSHUT_GPU_RST	Global warm
	TSHUT_IVA_RST	Global warm
	TSHUT_MPU_RST	Global warm
	ICEPICK_RST	Global warm
PRUSS2_RST	GLOBAL_COLD_SW_RST	Global cold
	GLOBAL_WARM_SW_RST	Global warm
	ICEPICKPOR_RST	Global cold
	MPU_WDT_RST	Global warm
	SYS_PWRON_RST	Global cold
	SYS_WARMIN_RST	Global warm
	TSHUT_CORE_RST	Global warm
	TSHUT_DSPEVE_RST	Global warm
	TSHUT_GPU_RST	Global warm
	TSHUT_IVA_RST	Global warm
	TSHUT_MPU_RST	Global warm
	ICEPICK_RST	Global warm
DSS_RST	GLOBAL_COLD_SW_RST	Global cold
	GLOBAL_WARM_SW_RST	Global warm
	ICEPICKPOR_RST	Global cold
	MPU_WDT_RST	Global warm
	SYS_PWRON_RST	Global cold
	SYS_WARMIN_RST	Global warm
	TSHUT_CORE_RST	Global warm
	TSHUT_DSPEVE_RST	Global warm
	TSHUT_GPU_RST	Global warm
	TSHUT_IVA_RST	Global warm
	TSHUT_MPU_RST	Global warm
	ICEPICK_RST	Global warm
DSS_RET_RST	GLOBAL_COLD_SW_RST	Global cold
	GLOBAL_WARM_SW_RST	Global warm
	ICEPICKPOR_RST	Global cold
	MPU_WDT_RST	Global warm
	SYS_PWRON_RST	Global cold
	SYS_WARMIN_RST	Global warm
	TSHUT_CORE_RST	Global warm
	TSHUT_DSPEVE_RST	Global warm
	TSHUT_GPU_RST	Global warm
	TSHUT_IVA_RST	Global warm
	TSHUT_MPU_RST	Global warm

Table 3-34. Reset Sources for the Reset Domains (continued)

Reset Domain	Reset Source	Reset Source Type
	ICEPICK_RST	Global warm

Table 3-35 lists the attributes of the reset manager associated with the reset domains. The clock to the reset manager, the delay count before release of reset, and the reset release stall conditions for the reset domains are listed.

Table 3-35. Reset Domains Attributes

Reset Domain	RM Clock	RM Clock Count	Release Stall Conditions
CM_CORE_AON_PWRON_RST	WKUPAON_GCLK	0x2	None
CM_CORE_AON_RST	WKUPAON_GCLK	0x2	L4_ROOT_CLK clock is not active.
COREAON_PWRON_RST	WKUPAON_GCLK	0x0	None
COREAON_RST	WKUPAON_GCLK	0x0	None
DPLL_IVA_PWRON_RST	WKUPAON_GCLK	0x0	None
MMAON_RST	WKUPAON_GCLK	ResetTime2 ⁽¹⁾	DSP_GFCLK is not active.
DPLL_DSP_PWRON_RST	WKUPAON_GCLK	ResetTime2 ⁽¹⁾	None
MPUAON_RST	WKUPAON_GCLK	ResetTime2 ⁽¹⁾	MPU_GCLK is not active.
CUSTEFUSE_RST	WKUPAON_GCLK	ResetTime2 ⁽¹⁾	CUSTEFUSE_SYS_GFCLK is not active.
CAM_RST	WKUPAON_GCLK	0x0	None
CM_CORE_PWRON_RET_RST	WKUPAON_GCLK	0x2	None
CM_CORE_RET_RST	WKUPAON_GCLK	0x2	L4_ICLK clock is not active.
CORE_PWRON_RET_RST	WKUPAON_GCLK	0x0	None
CORE_PWRON_RST	WKUPAON_GCLK	0x0	None
CORE_RET_RST	WKUPAON_GCLK	0x0	None
CORE_RST	WKUPAON_GCLK	0x0	None
DLL_RST	WKUPAON_GCLK	0x3	None
DMA_RET_RST	WKUPAON_GCLK	0x0	None
DPLL_IVA_PWRON_RST	WKUPAON_GCLK	0x0	None
DPLL_L3INIT_PWRON_RET_RST	WKUPAON_GCLK	0x0	None
DPLL_MPU_PWRON_RST	WKUPAON_GCLK	0x0	None
DSS_RET_RST	WKUPAON_GCLK	0x0	None
DSS_RST	WKUPAON_GCLK	0x0	None
IPU1_PWRON_RST	WKUPAON_GCLK	ResetTime2 ⁽¹⁾	IPU1_GFCLK clock is not active, RM_IPU1_RSTCTRL[2] RST_IPU bit is set, and automatic restore is complete.
IPU1_RET_RST	WKUPAON_GCLK	ResetTime2 ⁽¹⁾	IPU1_GFCLK clock is not active and the subsystem is reset.
IPU1_CPU0_RST	WKUPAON_GCLK	ResetTime2 ⁽¹⁾	IPU1_GFCLK clock is not active and the subsystem is reset.
IPU1_CPU1_RST	WKUPAON_GCLK	ResetTime2 ⁽¹⁾	IPU1_GFCLK clock is not active.
IPU1_RST	WKUPAON_GCLK	ResetTime2 ⁽¹⁾	IPU1_GFCLK clock is not active and the subsystem is reset.
IPU_RET_RST	WKUPAON_GCLK	ResetTime2 ⁽¹⁾	None
IPU_RST	WKUPAON_GCLK	0x0	None

⁽¹⁾ ResetTime2 is set in the PRM_RSTTIME[14:10] RSTTIME2 bit field.

Table 3-35. Reset Domains Attributes (continued)

Reset Domain	RM Clock	RM Clock Count	Release Stall Conditions
IPU2_PWRON_RST	WKUPAON_GCLK	ResetTime2 ⁽¹⁾	IPU2_GCLK clock is not active, RM_IPU2_RSTCTRL[2] RST_IPU bit is set, and automatic restore is complete.
IPU2_RET_RST	WKUPAON_GCLK	ResetTime2 ⁽¹⁾	IPU2_GFCLK clock is not active and the subsystem is reset.
IPU2_CPU0_RST	WKUPAON_GCLK	ResetTime2 ⁽¹⁾	IPU2_GFCLK clock is not active and the subsystem is reset.
IPU2_CPU1_RST	WKUPAON_GCLK	ResetTime2 ⁽¹⁾	IPU2_GFCLK clock is not active.
IPU2_RST	WKUPAON_GCLK	ResetTime2 ⁽¹⁾	IPU2_GFCLK clock is not active and the subsystem is reset.
EMU_EARLY_PWRON_RST	WKUPAON_ICLK	0x20	None
EMU_PWRON_RST	WKUPAON_ICLK	ResetTime2 ⁽¹⁾	EMU_SYS_CLK clock is not active.
EMU_RST	WKUPAON_ICLK	ResetTime2 ⁽¹⁾	EMU_SYS_CLK clock is not active.
GPU_RST	WKUPAON_GCLK	0x0	None
IVA_PWRON_RST	WKUPAON_GCLK	ResetTime2 ⁽¹⁾	IVA_GCLK clock is not active and RM_IVA_RSTCTRL[2] RST_LOGIC bit is set.
IVA_RST	WKUPAON_GCLK	ResetTime2 ⁽¹⁾	IVA_GCLK clock is not active.
IVA_SEQ1_RST	WKUPAON_GCLK	ResetTime2 ⁽¹⁾	IVA_GCLK clock is not active and IVA and SL2 are idle.
IVA_SEQ2_RST	WKUPAON_GCLK	ResetTime2 ⁽¹⁾	IVA_GCLK clock is not active and IVA and SL2 are idle.
L3INIT_PWRON_RST	WKUPAON_GCLK	0x0	None
L3INIT_RET_RST	WKUPAON_GCLK	0x0	None
L3INIT_RST	WKUPAON_GCLK	0x0	None
MPU_L2RSTDISABLE	WKUPAON_GCLK	ResetTime2 + 32 ⁽¹⁾	MPU_RST is asserted high or PD_MPU is OFF.
MPU_MA_PWRON_RET_RST	WKUPAON_GCLK	ResetTime2 ⁽¹⁾	MPU_DPLL_CLK clock is not active.
MPU_MA_RET_RST	WKUPAON_GCLK	ResetTime2 ⁽¹⁾	MPU_DPLL_CLK clock is not active.
MPU_MA_RST	WKUPAON_GCLK	ResetTime2 ⁽¹⁾	MPU_DPLL_CLK clock is not active.
MPU_PWRON_RST	WKUPAON_GCLK	ResetTime2 ⁽¹⁾	MPU_DPLL_CLK clock is not active.
MPU_RST	WKUPAON_GCLK	ResetTime2 ⁽¹⁾	MPU_DPLL_CLK clock is not active, the subsystem is reset, and automatic restore is complete.
DMA_RET_RST	WKUPAON_GCLK	0x0	None
DSP1_RST	WKUPAON_GCLK	ResetTime2 ⁽¹⁾	DSP1_GFCLK clock is not active and the subsystem is reset.
DSP1_PWRON_RST	WKUPAON_GCLK	ResetTime2 ⁽¹⁾	DSP1_GFCLK clock is not active, RM_DSP1_RSTCTRL[1] RST_DSP1 bit is cleared, and automatic restore is complete.

Table 3-35. Reset Domains Attributes (continued)

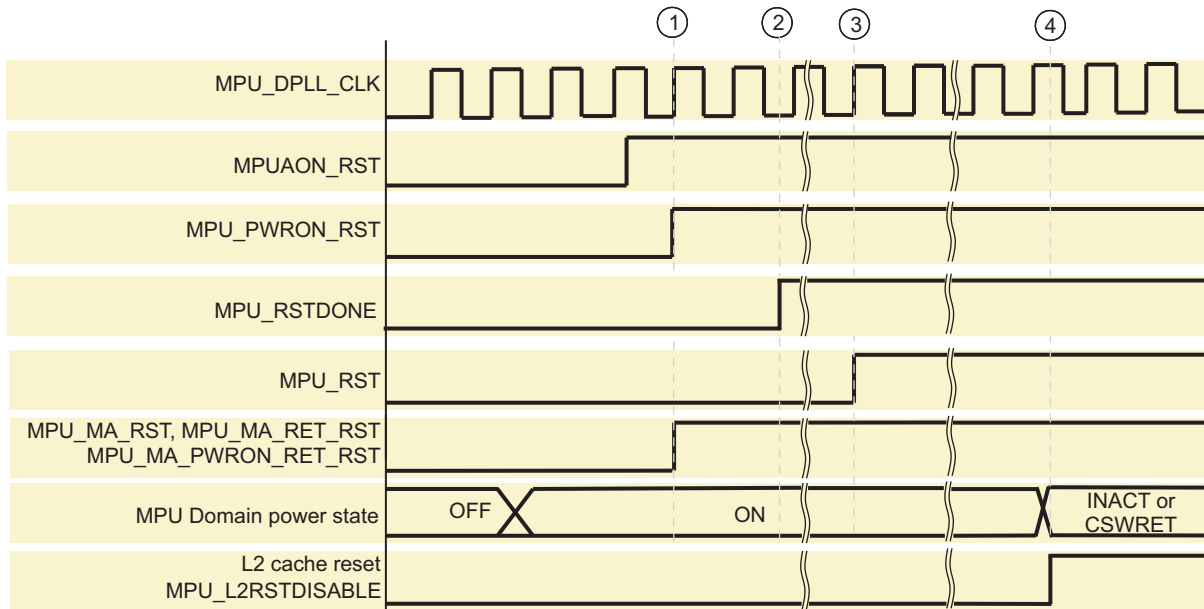
Reset Domain	RM Clock	RM Clock Count	Release Stall Conditions
DSP1_RET_RST	WKUPAON_GCLK	ResetTime2 ⁽¹⁾	DSP1_GFCLK clock is not active and the subsystem is reset.
DSP1_SYS_RST	WKUPAON_GCLK	ResetTime2 ⁽¹⁾	DSP1_GFCLK clock is not active and the subsystem is reset.
WKUPAON_PWRON_RST	WKUPAON_GCLK	0x0	None
WKUPAON_RST	WKUPAON_GCLK	0x0	None
WKUPAON_SYS_PWRON_RST	WKUPAON_GCLK	0x0	None
PRM_PWRON_RST	WKUPAON_GCLK	0x0	WKUPAON_ICLK clock is not active.
PRM_RST	WKUPAON_GCLK	0x0	WKUPAON_ICLK clock is not active.
LPRM_PWRON_RST	WKUPAON_GCLK	0x0	WKUPAON_ICLK clock is not active.
LPRM_RST	WKUPAON_GCLK	0x0	WKUPAON_ICLK clock is not active.
VPE_RST	WKUPAON_GCLK	ResetTime2 ⁽¹⁾	None
RTC_RST	WKUPAON_GCLK	ResetTime2 ⁽¹⁾	None
L4PER_PWRON_RET_RST	WKUPAON_GCLK	0x0	None
L4PER_RET_RST	WKUPAON_GCLK	0x0	None
L4PER_RST	WKUPAON_GCLK	0x0	None
PRUSS1_RST	WKUPAON_GCLK	ResetTime2 ⁽¹⁾	None
PRUSS2_RST	WKUPAON_GCLK	ResetTime2 ⁽¹⁾	None

NOTE: WKUPAON_SYS_PWRON_RST is connected directly to the SYS_PWRON_RST source reset.

3.5.6 Reset Sequences

3.5.6.1 MPU Subsystem Power-On Reset Sequence

Figure 3-20 shows the POR sequence of the MPU subsystem.

Figure 3-20. MPU Power-On Reset Sequence


prcm-022

The assumptions after power-on reset assertion are:

- The PRCM module provides the DPLL_MPU reference clock and the bypass clock.
- The PRCM module has released DPLL_MPU reset and DPLL_MPU is in bypass mode providing the clock (that is, bypass clock) to all the modules in the MPU subsystem.

The POR sequence is:

1. The PRCM module releases asynchronously in PD_MPUAON the MPUAON_RST reset to the INTC_MPU module in the MPU subsystem.
2. The PRCM module releases in PD_MPU the MPU_PWRON_RST (only after MPU_DPLL_CLK is active) to the MPU subsystem and waits until the subsystem completes its internal reset sequence. MA_MPU (Memory-adapter) dedicated reset signals (MPU_MA_RST, MPU_MA_RET_RST, and MPU_MA_PWRON_RET_RST) are released when MPU_DPLL_CLK is running (at the same time as MPU_PWRON_RST). When PRCM receive active MPU_RSTDONE signal from MPU, it de-asserts MPU_RST.
3. When the MPU subsystem internal reset sequence completes, the PRCM module releases in PD_MPU the MPU_RST signal and the MPU starts booting.
4. The PRCM module drives the MPU_L2RSTDISABLE signal low a minimum of 32 SYS_CLK cycles after MPU_RST is deasserted. The PRCM module keeps the MPU_L2RSTDISABLE signal low until the next power domain transition.

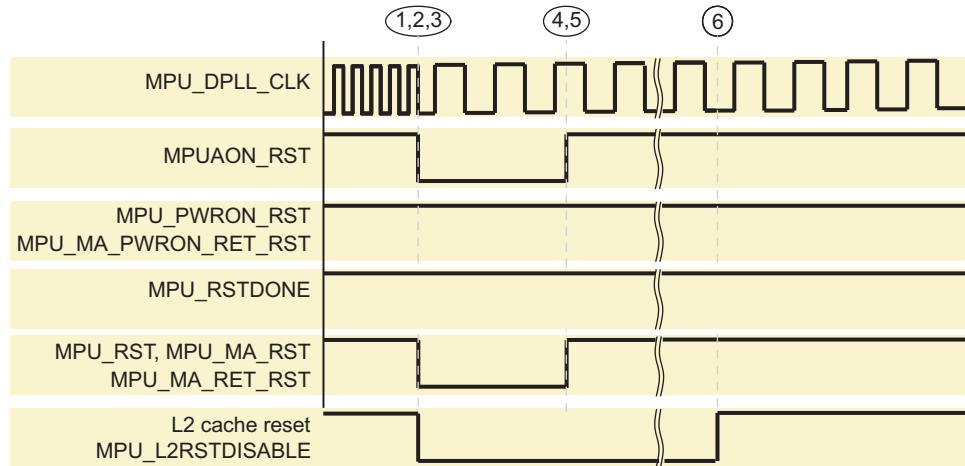
NOTE:

- The reset to the L2 cache memory (MPU_L2RSTDISABLE) in the MPU subsystem is asserted during initial POR (that is, when the PD_MPU wakes up from OFF state). It is also asserted during local or global warm reset. However, it is not asserted when the PD_MPU wakes up from RETENTION state (that is, when the logic is OFF and L2 memory is in RETENTION state). This ensures that the L2 cache is retained on wakeup.
- The L1 cache memory in the MPU subsystem is not retained on PD_MPU wakeup.

3.5.6.2 MPU Subsystem Warm Reset Sequence

Figure 3-21 shows the warm reset sequence of the MPU subsystem.

Figure 3-21. MPU Warm Reset Sequence



prcm-023

The assumptions are:

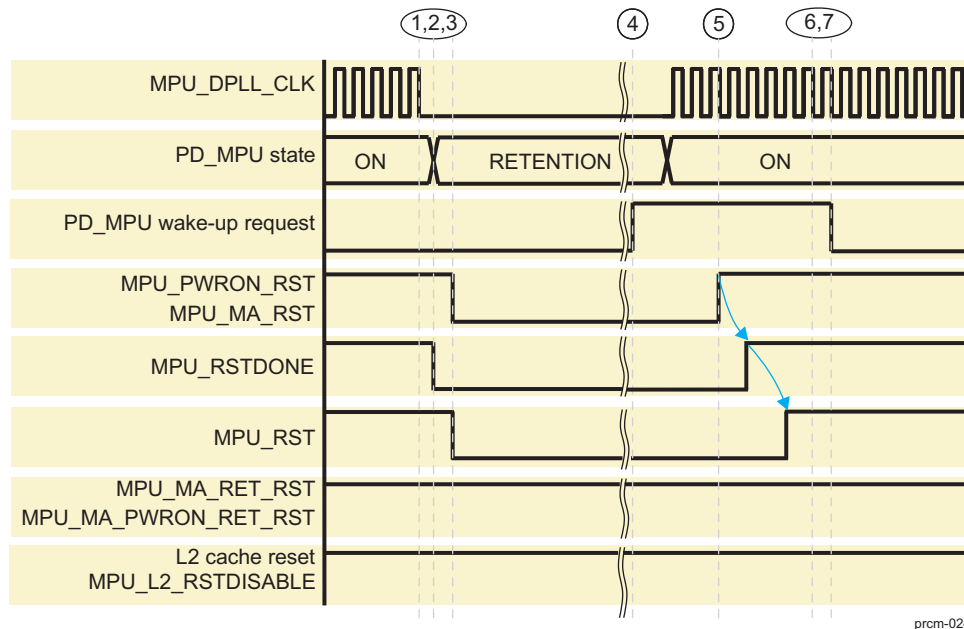
- The DPLL_MPU is locked and is providing the clock to the MPU subsystem.
- A global warm reset to the MPU subsystem is asserted.

The warm reset sequence is:

1. The PRCM module asserts in PD_MPUAON the MPUAON_RST reset to the INTC_MPU module in the MPU subsystem. The MPU DPLL is locked.
2. The PRCM module asserts in PD_MPU the MPU_RST reset to the MPU subsystem and also asserts MPU_MA_RST and MPU_MA_RET_RST resets to the MA_MPU module.
3. The PRCM module resets the L2 cache memory in the MPU subsystem by asserting its reset.
4. The PRCM module releases the MPUAON_RST reset to the INTC_MPU module. The MPU DPLL is in bypass mode.
5. The PRCM module releases MPU_RST, MPU_MA_RST, and MPU_MA_RET_RST only after DPLL_MPU is in bypass mode and MPU_DPLL_CLK is stable and active.
6. The PRCM module drives the MPU_L2RSTDISABLE signal low a minimum of 32 SYS_CLK cycles after MPU_RST is deasserted. The PRCM keeps the MPU_L2RSTDISABLE signal low until the next power domain transition.

3.5.6.3 MPU Subsystem Reset Sequence on Sleep and Wake-Up Transitions From RETENTION State

Figure 3-21 shows the sleep and wake-up transitions reset sequence from the RETENTION state of the MPU subsystem.

Figure 3-22. MPU Reset Sequence on Sleep and Wake-Up Transition


The assumption is:

- The DPLL_MPU is locked and is providing the clock to the MPU subsystem.

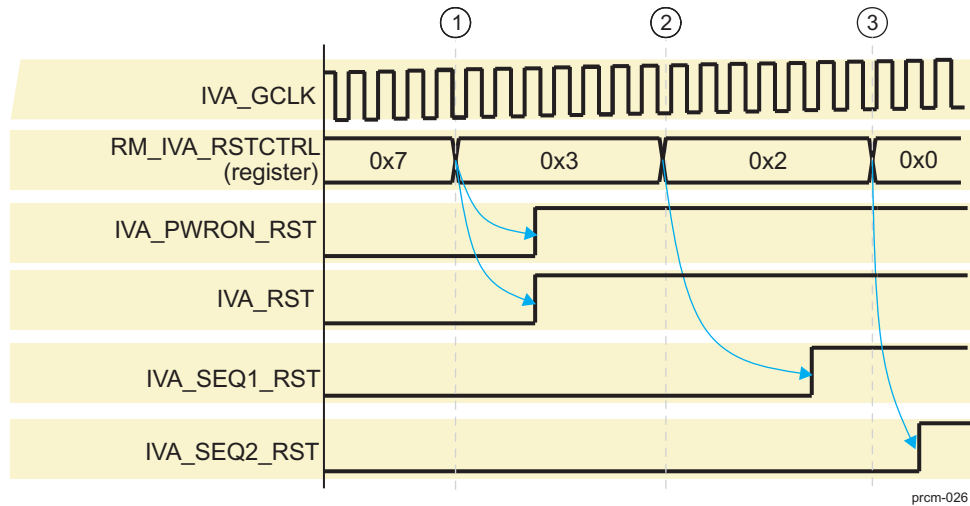
The sleep and wake-up transitions reset sequence is:

1. The PRCM module gates MPU_DPLL_CLK to the MPU subsystem.
2. The PRCM module switches PD_MPU to RETENTION state.
3. The PRCM module asserts MPU_PWRON_RST and MPU_RST resets to the MPU subsystem, and asserts MPU_MA_RST to the MA_MPU module. The entire logic in the PD_MPU is held in reset. The reset to the L2 cache memory in the MPU subsystem is not asserted if the logic in PD_MPU is held in reset.
4. The PRCM module resets the L2 cache memory in the MPU subsystem by asserting its reset.
5. The PRCM module releases MPU_RST when the MPU_DPLL_CLK is stable and active. The PRCM deasserts the MPU_PWRON_RST, MPU_MA_RST. When PRCM receives active MPU_RSTDONE signal from MPU, it de-asserts MPU_RST.
6. During the wakeup from RET state, the MPU_L2RSTDISABLE signal must be maintained at active high so the L2 cache will not be reset when the MPU is reset.

3.5.6.4 IVA Subsystem Power-On Reset Sequence

Figure 3-23 shows the power-on reset sequence of the IVA subsystem.

Figure 3-23. IVA Power-On Reset Sequence



The power-on reset to IVA is applied when PD_IVA is powered. The assumptions after power-on reset assertion are:

- The PRCM module provides the IVA_GCLK functional clock to the IVA subsystem, and it has been enabled by MPU software control.

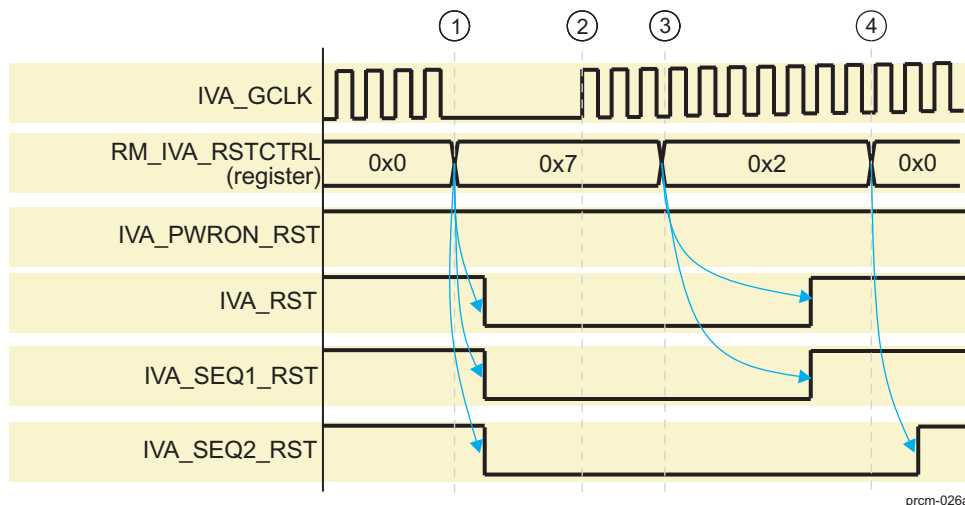
The power-on reset sequence is:

1. Software clears the [RM_IVA_RSTCTRL\[2\]](#) RST_LOGIC bit. This causes the PRCM module to release the IVA_PWRON_RST reset used inside IVA mainly to reset the emulation logic and the IVA_RST reset used to reset all logic inside IVA. Then software can download data into TCM memory while keeping the sequencer CPUs under reset.
2. When the TCM memory is initialized, software clears the [RM_IVA_RSTCTRL\[0\]](#) RST_SEQ1 bit. This releases IVA_SEQ1_RST reset to the Sequencer1 CPU.
3. Similarly, software can clear the [RM_IVA_RSTCTRL\[1\]](#) RST_SEQ2 bit. This releases IVA_SEQ2_RST reset to the Sequencer2 CPU.

3.5.6.5 IVA Subsystem Software Warm Reset Sequence

Figure 3-24 shows the software warm reset sequence of the IVA subsystem.

Figure 3-24. IVA Software Warm Reset Sequence



Before asserting the software reset to the IVA subsystem the MPU software must ensure that:

- IVA sequencer CPUs are in IDLE state ([CM_IVA_IVA_CLKCTRL\[17:16\]](#) IDLEST).
- The IVA subsystem is in STANDBY state ([CM_IVA_IVA_CLKCTRL\[18\]](#) STBYST).
- The functional clock to the IVA subsystem has been gated by the PRCM module ([CM_IVA_CLKSTCTRL\[8\]](#) CLKACTIVITY_IVA_GCLK).

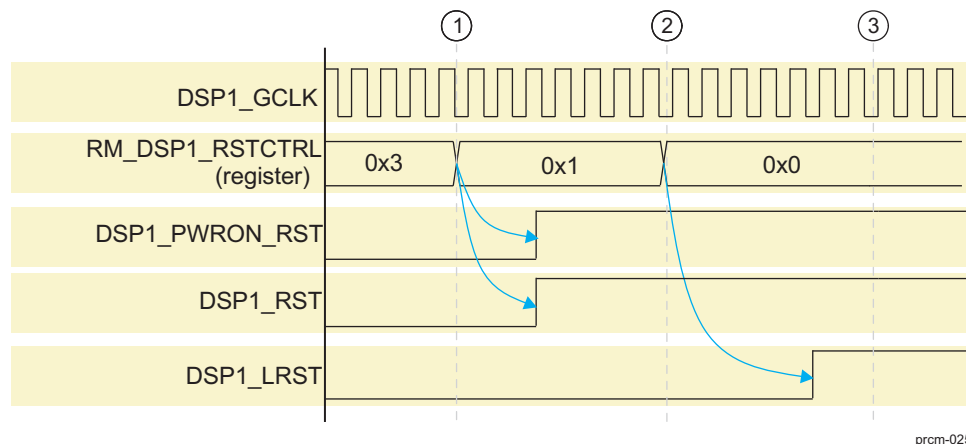
The software reset sequence is:

1. The MPU software sets the [RM_IVA_RSTCTRL\[2\]](#) RST_LOGIC, [RM_IVA_RSTCTRL\[1\]](#) RST_SEQ2, and [RM_IVA_RSTCTRL\[0\]](#) RST_SEQ1 bits. This causes the PRCM module to assert the IVA_RST, IVA_SEQ1_RST, and IVA_SEQ2_RST resets to the IVA subsystem. The IVA_PWRON_RST remains deasserted.
2. The MPU software enables the functional clock to the IVA subsystem.
3. The MPU software clears the [RM_IVA_RSTCTRL\[2\]](#) RST_LOGIC and [RM_IVA_RSTCTRL\[0\]](#) RST_SEQ1 bits. This causes the PRCM module to release the IVA_RST and IVA_SEQ1_RST resets to the IVA subsystem.
4. The MPU software clears the [RM_IVA_RSTCTRL\[1\]](#) RST_SEQ2 bit. This releases the IVA_SEQ2_RST reset to the Sequencer2 CPU.

3.5.6.6 DSP1 Subsystem Power-On Reset Sequence

Figure 3-25 shows the power-on reset sequence of the DSP1 subsystem.

Figure 3-25. DSP1 Subsystem Power-On Reset Sequence



The power-on reset to DSP1 is applied when PD_DSP1 is powered. The assumptions after power-on reset assertion are:

- PD_DSP1 is on.
- The PRCM module provides DSP1_GCLK functional clock to the DSP subsystem, and it has been enabled by MPU software control.

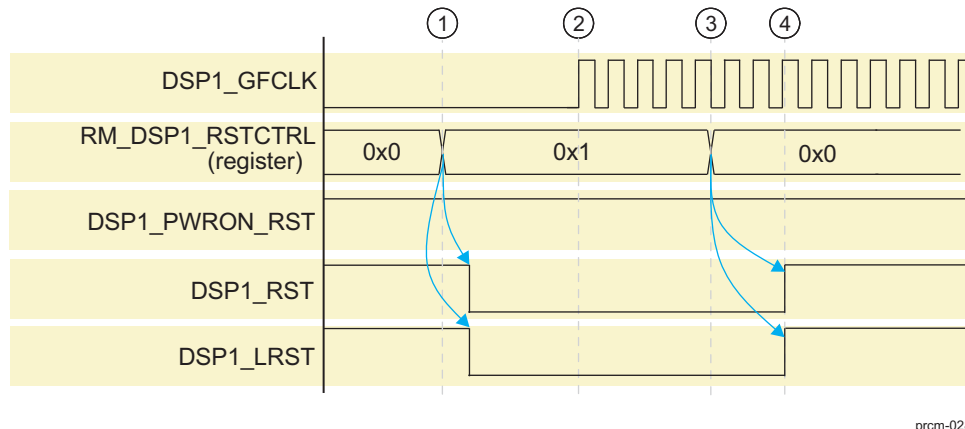
The Power-On Reset sequence is:

1. Software clears the [RM_DSP1_RSTCTRL\[1\]](#) RST_DSP1 bit. This causes the PRCM module to release the DSP1_PWRON_RST used inside DSP1 mainly to reset the emulation logic and the DSP1_RST used to reset all logic inside DSP1. Then software can download data into TCM memory while keeping the CPU under reset.
2. When the memory is initialized, software clears the [RM_DSP1_RSTCTRL\[0\]](#) RST_DSP1_LRST bit. This release DSP1_LRST to the local CPU inside DSP subsystem.

3.5.6.7 DSP1 Subsystem Software Warm Reset Sequence

Figure 3-26 shows the software warm reset sequence of the DSP1 subsystem.

Figure 3-26. DSP1 Subsystem Software Warm Reset Sequence



prcm-028

Before asserting the software reset to the DSP subsystem, the MPU software must ensure that:

- The DSP CPUs are in IDLE state ([CM_DSP1_DSP1_CLKCTRL\[17:16\] IDLEST](#)).
- The DSP subsystem is in STANDBY state ([CM_DSP1_DSP1_CLKCTRL\[18\] STBYST](#)).
- The functional clock to the DSP subsystem has been gated by the PRCM module ([CM_DSP1_CLKSTCTRL\[8\] CLKACTIVITY_DSP1_GFCLK](#))

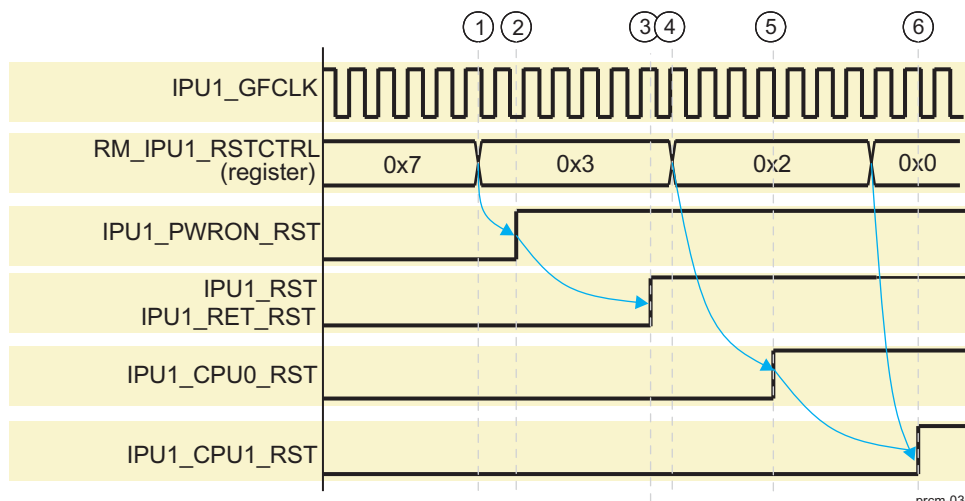
The software reset sequence is:

1. MPU software sets the [RM_DSP1_RSTCTRL\[1\] RST_DSP1](#) = 0 and [RM_DSP1_RSTCTRL\[0\] RST_DSP1_LRST](#) = 1. This causes the PRCM module to assert [DSP1_RST](#), [DSP1_LRST](#) to the DSP subsystem. The [DSP1_PWRON_RST](#) remains deasserted.
2. The MPU software enables the functional clock to the DSP subsystem.
3. The MPU software clears the [RM_DSP1_RSTCTRL\[1\] RST_DSP1](#) and [RM_DSP1_RSTCTRL\[0\] RST_DSP1_LRST](#) bits. This causes the PRCM module to release [DSP1_RST](#) and [DSP1_LRST](#) to the DSP subsystem.

3.5.6.8 IPU1 Subsystem Power-On Reset Sequence

Figure 3-27 shows the power-on reset sequence of the IPU1 subsystem.

Figure 3-27. IPU1 Power-On Reset Sequence



prcm-030

The assumptions on power-on reset assertion are:

- The IPU subsystem is held in reset by the PRCM module and the following are asserted:

- IPU1_PWRON_RST
- IPU1_RET_RST
- IPU1_CPU0_RST
- IPU1_CPU1_RST
- IPU1_RST

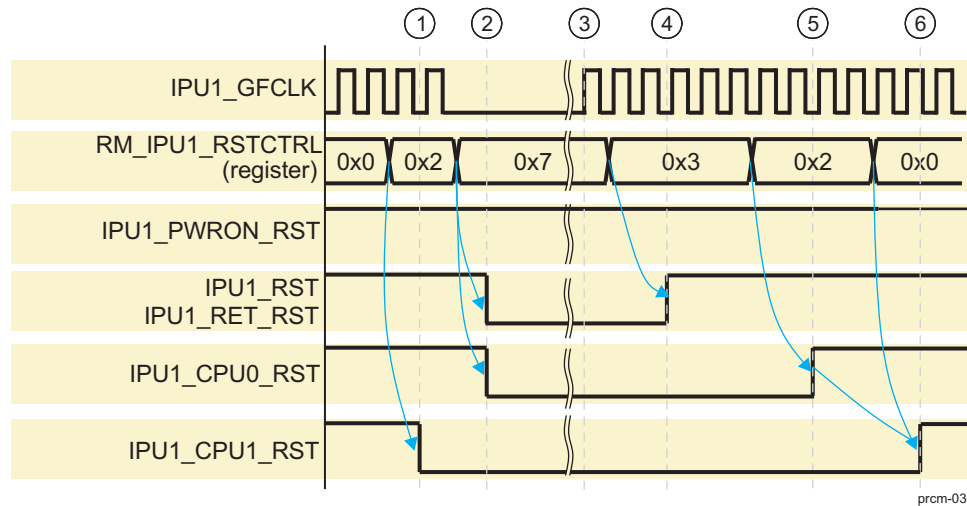
The power-on reset sequence is:

1. Software clears the [RM_IPU1_RSTCTRL\[2\]](#) RST_IPU bit in the PRCM module register to release the IPU shared cache and CACHE_MMU_IPU from reset.
2. The PRCM module releases IPU1_PWRON_RST once the reset manager counter ([PRM_RSTTIME\[14:10\]](#) RSTTIME2) reaches its limit and the IPU1_GFCLK is running. Upon deassertion of the POR signal, the IPU subsystem starts the CPU and CACHE_MMU_IPU initialization sequence.
3. When the reset sequence of Step 2 completes and the reset manager counter ([PRM_RSTTIME\[14:10\]](#) RSTTIME2) expires, the PRCM module releases the IPU1_RST and IPU1_RET_RST signals.
4. MPU software must configure CACHE_MMU_IPU once CACHE_MMU_IPU is out of reset. After CACHE_MMU_IPU configuration and cache initialization is done, MPU software clears the [RM_IPU1_RSTCTRL\[0\]](#) RST_CPU0 bit in the PRCM module register.
5. The PRCM module releases IPU_CPU0_RST, which causes IPU_C0 to start booting.
6. MPU software can clear the [RM_IPU1_RSTCTRL\[1\]](#) RST_CPU1 bit in the PRCM module register so that the PRCM module releases the IPU_CPU1_RST to IPU_C1.

3.5.6.9 IPU1 Subsystem Software Warm Reset Sequence

[Figure 3-28](#) shows the software warm reset sequence of the IPU1 subsystem.

Figure 3-28. IPU1 Subsystem Software Warm Reset Sequence



For doing the software reset of IPU1, the MPU software must ensure that IPU CPUs (IPU1_C0 and IPU1_C1) are in IDLE state and clock is gated

The software warm reset sequence is:

1. When IPU1_C1 is in IDLE state, IPU1_C0 software or MPU software sets the [RM_IPU1_RSTCTRL\[1\]](#) RST_CPU1 bit. The PRCM module asserts the IPU1_CPU1_RST reset signal to IPU1_C1.
2. When IPU1_C0 is in IDLE state, the MPU software sets the [RM_IPU1_RSTCTRL\[2\]](#) RST_IPU and [RM_IPU1_RSTCTRL\[0\]](#) RST_CPU0 bits.
3. The PRCM module asserts the IPU1_RST, IPU1_RET_RST, and IPU1_CPU0_RST reset signals. The IPU1_PWRON_RST remains deasserted in this case.
4. The MPU software reenables the IPU1_GFCLK and the initialization sequence starts inside the IPU

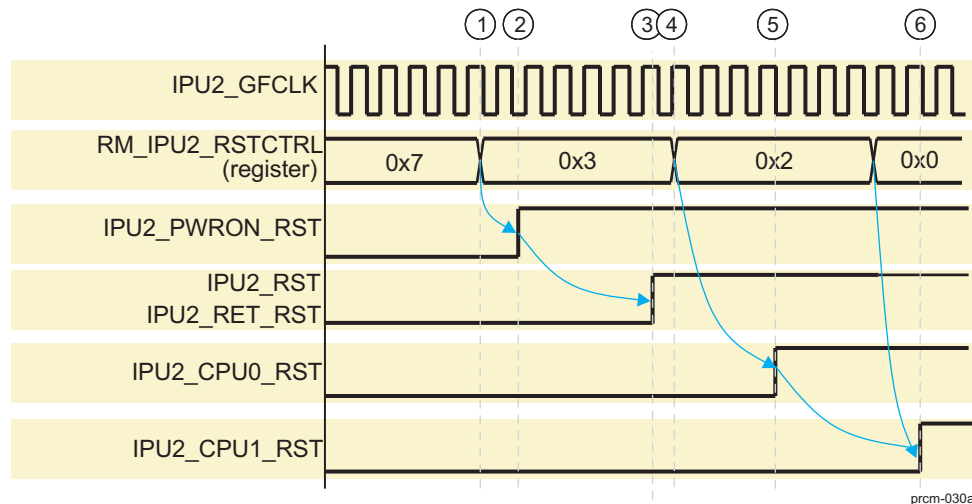
subsystem. Software clears the [RM_IPU1_RSTCTRL\[2\]](#) RST_IPU bit and [RM_IPU1_RSTCTRL\[0\]](#) RST_CPU0 bit in the PRCM module register.

5. When the reset sequence of Step 4 completes and the reset manager counter ([PRM_RSTTIME\[14:10\]](#) RSTTIME2) expires, the PRCM module releases the IPU1_RST, IPU1_RET_RST, and IPU1_CPU0_RST reset signals. IPU1_C0 starts rebooting.
6. Software can then clear the [RM_IPU1_RSTCTRL\[1\]](#) RST_CPU1 bit in the PRCM module register. The PRCM module releases the IPU1_CPU1_RST reset signal to IPU1_C1 to start booting.

3.5.6.10 IPU2 Subsystem Power-On Reset Sequence

Figure 3-29 shows the power-on reset sequence of the IPU2 subsystem.

Figure 3-29. IPU2 Power-On Reset Sequence



The assumptions on power-on reset assertion are:

- The IPU subsystem is held in reset by the PRCM module and the following are asserted:
 - IPU2_PWRON_RST
 - IPU2_RET_RST
 - IPU2_CPU0_RST
 - IPU2_CPU1_RST
 - IPU2_RST

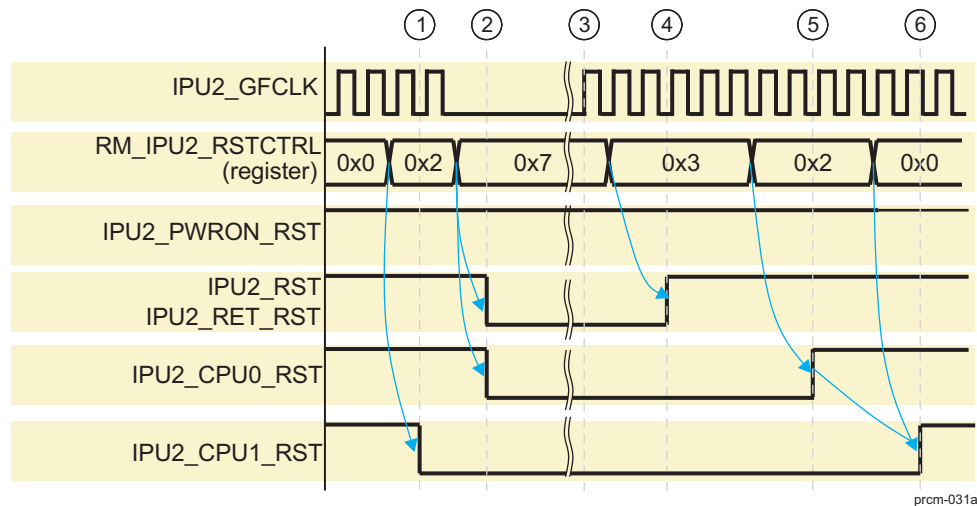
The power-on reset sequence is:

1. Software clears the [RM_IPU2_RSTCTRL\[2\]](#) RST_IPU bit in the PRCM module register to release the IPU shared cache and CACHE_MMU_IPU from reset.
2. The PRCM module releases IPU2_PWRON_RST once the reset manager counter ([PRM_RSTTIME\[14:10\]](#) RSTTIME2) reaches its limit and the IPU2_GFCLK is running. Upon deassertion of the POR signal, the IPU subsystem starts the CPU and CACHE_MMU_IPU initialization sequence.
3. When the reset sequence of Step 2 completes and the reset manager counter ([PRM_RSTTIME\[14:10\]](#) RSTTIME2) expires, the PRCM module releases the IPU_MMU_CACHE_RST and IPU2_RET_RST signals.
4. MPU software must configure CACHE_MMU_IPU once CACHE_MMU_IPU is out of reset. After CACHE_MMU_IPU configuration and cache initialization is done, MPU software clears the [RM_IPU2_RSTCTRL\[0\]](#) RST_CPU0 bit in the PRCM module register.
5. The PRCM module releases IPU2_CPU0_RST, which causes IPU_C0 to start booting.
6. MPU software can clear the [RM_IPU2_RSTCTRL\[1\]](#) RST_CPU1 bit in the PRCM module register so that the PRCM module releases the IPU2_CPU1_RST to IPU_C1.

3.5.6.11 IPU2 Subsystem Software Warm Reset Sequence

Figure 3-30 shows the software warm reset sequence of the IPU2 subsystem.

Figure 3-30. IPU2 Subsystem Software Warm Reset Sequence



For doing the software reset of IPU2, the MPU software must ensure that IPU CPUs (IPU2_C0 and IPU2_C1) are in IDLE state and clock is gated

The software warm reset sequence is:

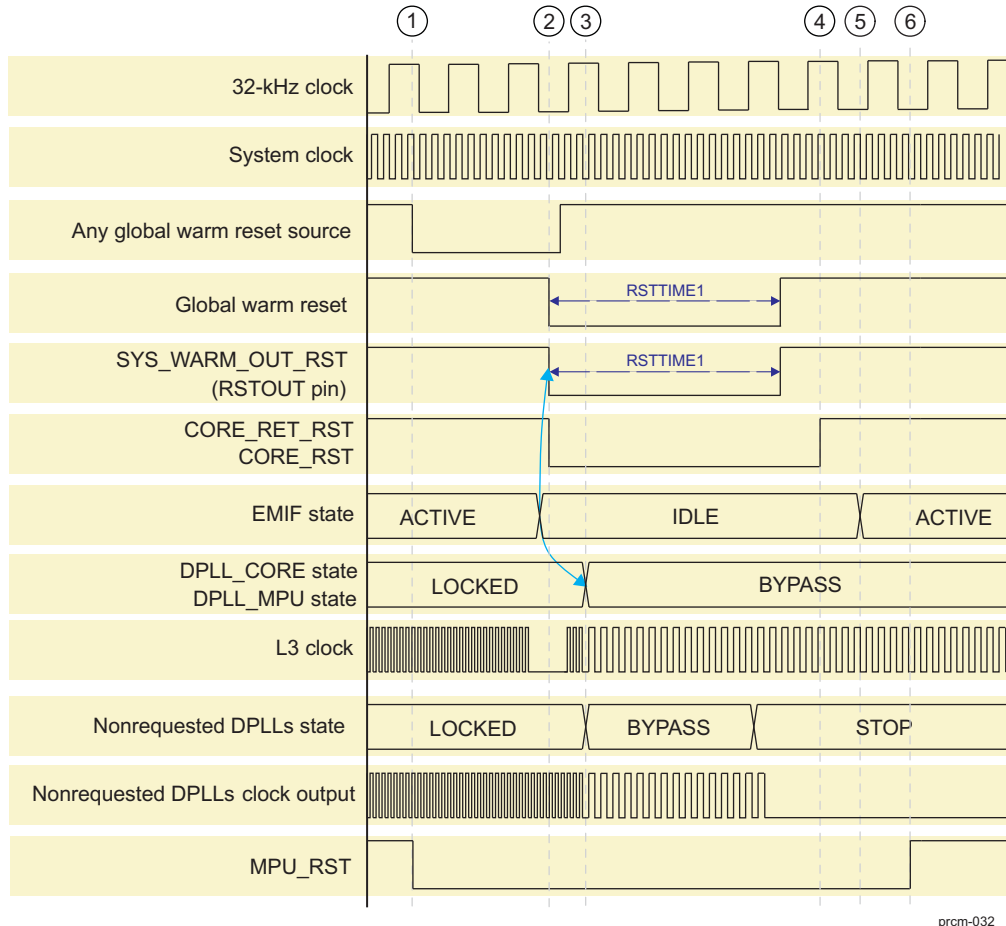
1. When IPU2_C1 is in IDLE state, IPU2_C0 software or MPU software sets the [RM_IPU2_RSTCTRL\[1\]](#) RST_CPU1 bit. The PRCM module asserts the IPU2_CPU1_RST reset signal to IPU2_C1.
2. When IPU2_C0 is in IDLE state, the MPU software sets the [RM_IPU2_RSTCTRL\[2\]](#) RST_IPU and [RM_IPU2_RSTCTRL\[0\]](#) RST_CPU0 bits.
3. The PRCM module asserts the IPU2_RST, IPU2_RET_RST, and IPU2_CPU0_RST reset signals. The IPU2_PWRON_RST remains deasserted in this case.
4. The MPU software reenables the IPU2_GFCLK and the initialization sequence starts inside the IPU subsystem. Software clears the [RM_IPU2_RSTCTRL\[2\]](#) RST_IPU bit and [RM_IPU2_RSTCTRL\[0\]](#) RST_CPU0 bit in the PRCM module register.
5. When the reset sequence of Step 4 completes and the reset manager counter ([PRM_RSTTIME\[14:10\]](#) RSTTIME2) expires, the PRCM module releases the IPU2_RST, IPU2_RET_RST, and IPU2_CPU0_RST reset signals. IPU2_C0 starts rebooting.
6. Software can then clear the [RM_IPU2_RSTCTRL\[1\]](#) RST_CPU1 bit in the PRCM module register. The PRCM module releases the IPU2_CPU1_RST reset signal to IPU2_C1 to start booting.

3.5.6.12 Global Warm Reset Sequence

This section describes the global warm reset sequence.

Figure 3-31 shows the global warm reset sequence.

Figure 3-31. Global Warm Reset Sequence



prcm-032

The assumptions are:

- All the logic and memory voltage sources are at their nominal voltage levels.
- The device is active:
 - All resets are released.
 - MPU, CORE, and IVA DPLLs are locked.

The steps of a global warm reset sequence are:

1. On assertion of any global warm reset source the PRM signals the EMIF that a global warm reset event has occurred. The EMIF initiates the transition to IDLE state. The PRCM module delays global warm reset to the device for a minimum of 16 L3 clock cycles so that the EMIF switches to IDLE state and switches the external SDRAM to self-refresh mode.
2. The reset managers in the PRM assert the following resets:
 - The external warm reset SYS_WARM_RST (rstoutn pin).
 - All power domain warm resets are asserted.
 - The PRM and CM registers, sensitive to warm reset, are asynchronously reset.
 - DPLL hardware resets are not asserted.
 - DPLL_MPU transitions to bypass mode.
 - DPLL_CORE transitions to bypass mode once the EMIF switches to IDLE state.
 - DPLL_IVA, DPLL_PER, DPLL_USB, DPLL_DSP, DPLL_GPU and DPLL_DDR transition to idle bypass low-power mode. Then as clock signals are no more requested, they are gated and these DPLLs goes to stop mode.

- DPLL_ABE configuration is not changed.
 - DPLL_GMAC configuration is not changed.
 - CM gates the clocks that are not needed, as per their default reset setting in the associated registers.
3. The device warm reset (internal and rstoutn pin) duration is set up by the [PRM_RSTTIME](#)[9:0] RSTTIME1 bit field. It defines the global warm reset duration in number of FUNC_32K_CLK clock cycles. Default value loaded after POR is 6 clock cycles. During this time, the DPLL_ABE control registers are reset and DPLL_ABE transitions to bypass mode when the system clock restarts and the DPLL_ABE outputs are no longer used.
 4. The CORE power domain is released from reset (that is, warm reset-sensitive modules in the CORE power domain).
 5. The PRCM module switches the EMIF from IDLE state back to ACTIVE state.
 6. PD_MPU is released from reset when the clocks to the MPU subsystem are active. The MPU reboots.

NOTE:

- The PD_DSP and PD_IVA, PD_IPU2 power domains are held under reset after global warm reset by assertion of the software source of the reset.
 - The following are held under reset after global warm reset until the PRCM module enables their interface clock:
 - PD_L4PER
 - PD_L3INIT
 - PD_DSS
 - PD_GPU
 - PD_CAM
-

3.6 Clock Management Functional Description

NOTE: These modules are not supported on the AM571x / AM570x family of devices:

- ATL
- VCP1, VCP2
- MLB
- USB3 (ULPI)
- I2C6

These modules are not supported on the AM570x family of devices only:

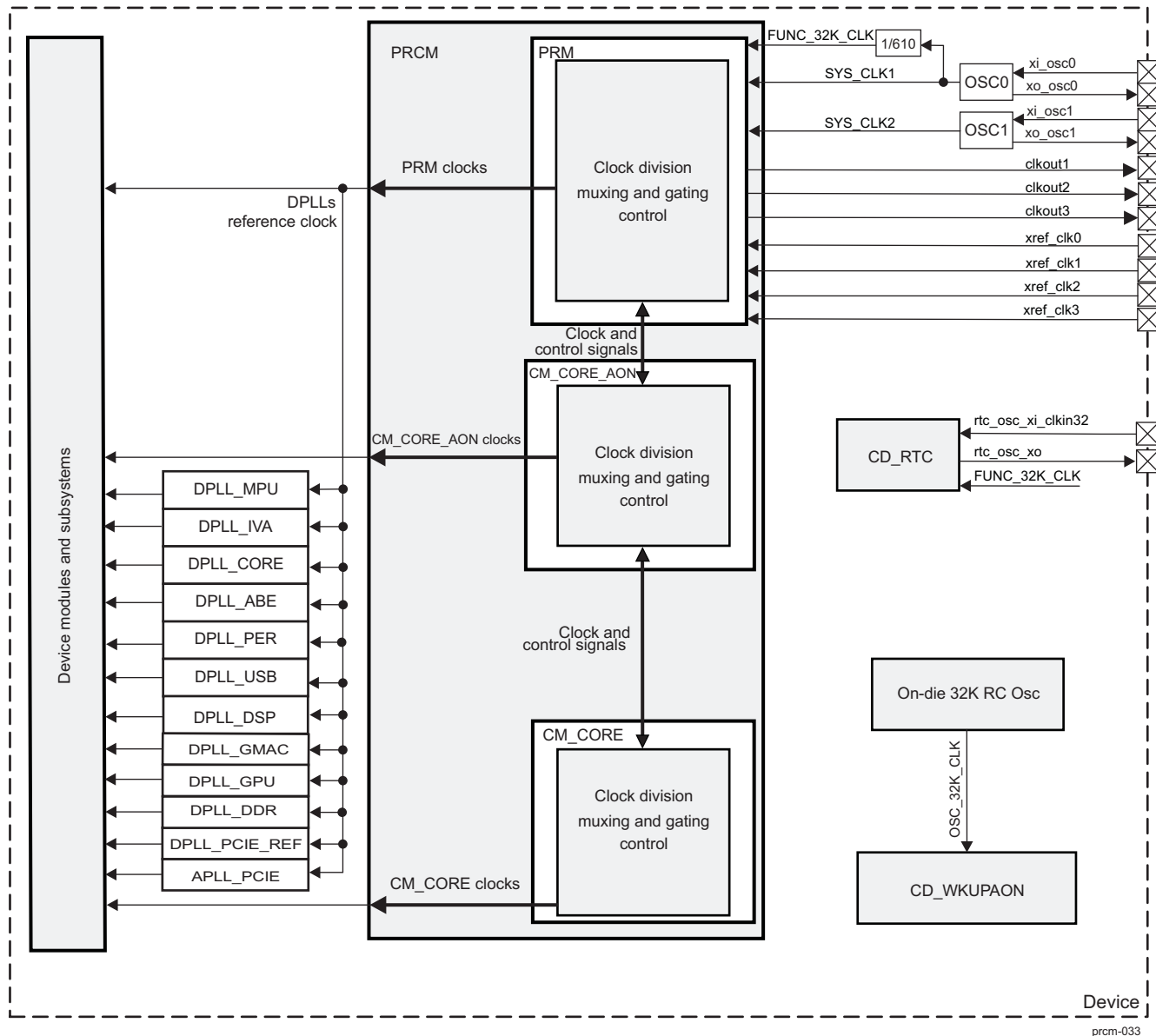
- SATA
 - RTC
-

3.6.1 Overview

The PRCM module provides the control for clock generation, division, distribution, synchronization, and gating. It distributes the clock sources to all modules in the device. For information about the clock-management functional architecture of the device, see [Section 3.1.1.1, Clock Management](#).

The PRCM module provides clocks to the internal DPLLs for internal high-frequency clock generation. Clock division and gating are handled by the PRM, CM_CORE_AON, and CM_CORE sections of the PRCM module. [Figure 3-32](#) shows the high-level clock-management scheme in the device.

Figure 3-32. PRCM Module Clock Manager Overview



prcm-033

3.6.2 External Clock Inputs

3.6.2.1 FUNC_32K_CLK Clock

The 32-kHz frequency is used for low-frequency operation. FUNC_32K_CLK is derived from SYS_CLK1. It supplies the always-on wake-up domain for operation in lowest power mode and as the clock source to the DPLL_ABE.

3.6.2.2 High-Frequency System Clock Input

The system clocks SYS_CLK1 and SYS_CLK2, are the main source clocks of the device. SYS_CLK1 and SYS_CLK2 are received directly from internal oscillators (OSC0 and OSC1) of the PRCM module. They are supplied as the reference clock to the DPLLs and as functional clock to several modules.

3.6.2.3 External Reference Clock Input

The external reference clocks xref_clk0, xref_clk1, xref_clk2 and xref_clk3 are received directly from external reference clock source for the device. They are supplied as the functional clock to the TIMERS and as reference clock to the McASP and other peripherals.

3.6.3 Internal Clock Sources and Generators

The PRCM module clock sources/generators are split into the following parts:

- PRM clock source that receives system clocks SYS_CLK1 and SYS_CLK2 inputs.
- CM_CORE_AON and CM_CORE clock sources that distribute high-frequency clocks
- DPLL clock generators that synthesize high-frequency clocks for the device

Table 3-36. Internal Clock Sources

Clock Name	Source	Frequency	Note
FUNC_32K_CLK	SYS_CLK1/610	32 KHz	see Section 3.6.3.1 PRM Clock Source
SYS_CLK1	xi_osc0	19.2, 20, 27 MHz	see Section 3.6.3.1 PRM Clock Source
SYS_CLK2	xi_osc1	(19.2 - 32) MHz	see Section 3.6.3.1 PRM Clock Source
OSC_32K_CLK ⁽¹⁾	On-die 32K RC Osc	32 KHz	see Section 3.6.3.2.2 CM_CORE_AON_CLKOUTMUX Overview
FUNC_96M_AON_CLK	DPLL_PER	96 MHz	see Section 3.6.3.4 DPLL_PER Description
FUNC_192M_CLK	DPLL_PER	192 MHz	see Section 3.6.3.4 DPLL_PER Description
FUNC_128M_CLK	DPLL_PER	128 MHz	see Section 3.6.3.4 DPLL_PER Description
CORE_CLK	DPLL_CORE	532 MHz	see Figure 3-10 DPLL_CORE Description

⁽¹⁾ The OSC_32K_CLK clock, provided by the On-die 32K RC Osc is not accurate 32KHz clock. The frequency may vary with temperature and silicon characteristics.

3.6.3.1 PRM Clock Source

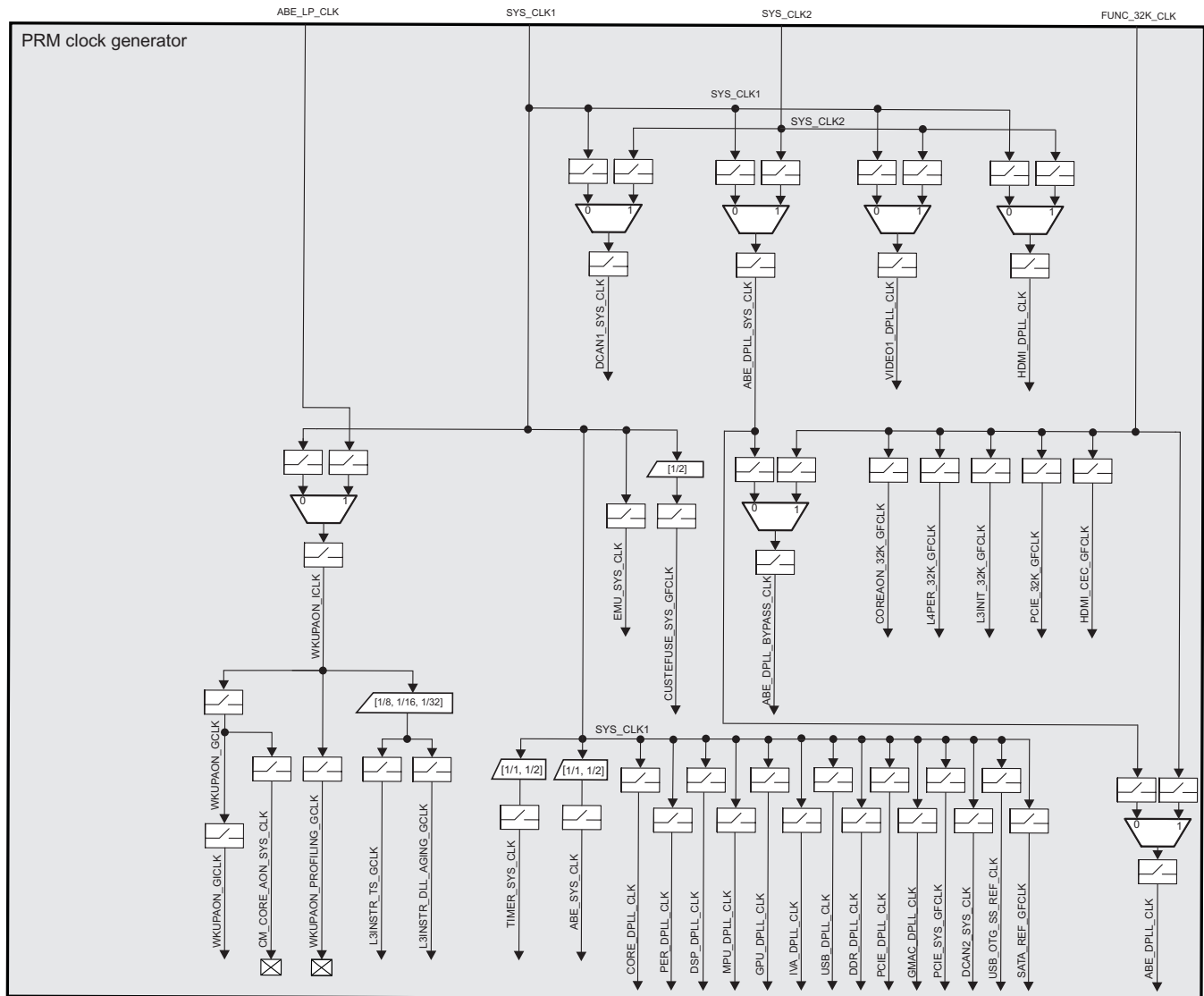
NOTE: The audio back end (ABE) module is not supported for this family of devices, but the ABE name is still present in some clock or DPLL names.

The PRM clock source receives the SYS_CLK1 and SYS_CLK2 clocks from external input pins. Along with these clocks, it receives a clock ABE_LP_CLK, divided version of DPLL_ABE_X2_CLK, which is generated by DPLL_ABE. The PRM manages the low-frequency clocks associated with these four (counting also FUNC_32K_CLK as an input clock) input clocks. The PRM sources various versions (through gating controls) of these externally sourced clocks to supply:

- PRCM-managed DPLLs with a reference clock, which is permanently supplied with always-on buffers
- The DSS with a reference clock, which is permanently supplied with always-on buffers
- The various timers and watchdog timers with clocks supplied by always-on buffers
- The clocks for the CM clock generator and the CORE power domain
- Timer functional clocks
- The bandgap and control module for thermal sensor feature
- Reference clock for various modules:
 - USB_OTG_SS
 - SATA

[Figure 3-33](#) is a logical representation of the PRM clock source.

Figure 3-33. PRM Clock Manager Overview



prcm-034

Table 3-37 identifies controls for clock dividers or muxes in the PRM.

Table 3-37. PRM Clock Division and Muxing Control

Divider/Mux	Control Bit Field
Mux ABE_DPLL_CLK	CM_CLKSEL_ABE_PLL_REF[0] CLKSEL
Mux WKUPAON_ICLK	CM_CLKSEL_WKUPAON[0] CLKSEL
Mux ABE_DPLL_BYPASS_CLK	CM_CLKSEL_ABE_PLL_BYPAS[0] CLKSEL
Mux DCAN1_SYS_CLK	CM_WKUPAON_DCAN1_CLKCTRL[24] CLKSEL
Mux ABE_DPLL_SYS_CLK	CM_CLKSEL_ABE_PLL_SYS[0] CLKSEL
Mux VIDEO1_DPLL_CLK	CM_CLKSEL_VIDEO1_PLL_SYS[0] CLKSEL
Mux HDMI_DPLL_CLK	CM_CLKSEL_HDMI_PLL_SYS[0] CLKSEL
Divider ABE_SYS_CLK	CM_CLKSEL_ABE_SYS[0] CLKSEL
Divider TIMER_SYS_CLK	CM_CLKSEL_TIMER_SYS[0] CLKSEL
Divider MPU_DPLL_CLK_ABE	CM_MPU_MPU_CLKCTRL[26] CLKSEL_ABE_DIV_MODE
Divider MPU_DPLL_CLK_EMIF	CM_MPU_MPU_CLKCTRL[25:24] CLKSEL_EMIF_DIV_MODE

Table 3-37. PRM Clock Division and Muxing Control (continued)

Divider/Mux	Control Bit Field
Divider L3INSTR_TS_GCLK and L3INSTR_DLL_AGING_GCLK	CM_L3INSTR_CTRL_MODULE_BANDGAP_CLKCTRL[25:24] CLKSEL

NOTE: For clock signals control (gating/ungating management), see [Section 3.1.1.1, Clock Management](#).

The PRM provides a 32-kHz gated and ungated clock for use by portions of the PD_WKUPAON power domain and some peripherals outside the PD_WKUPAON power domain.

The PRM creates COREAON_32K_GFCLK (gated version of FUNC_32K_CLK) to provide 32kHz clock to peripherals outside of PD_WKUPAON.

It also provides the system clock to the DSS, a gated and buffered version to the WKUPAON_GICLK interconnect clock, and the DPLLs controlled by the PRCM module.

3.6.3.2 CM Clock Source

The clock manager (CM) is primarily responsible for generating interface and functional clocks from the internal clocks provided by DPLL_CORE and DPLL_PER. The CM is physically divided into two independent entities: CM_CORE_AON, which is placed in the PD_COREAON always-on power domain, and CM_CORE, which is placed in the PD_CORE switchable power domain. The split is done to provide control over various entities, such as modules, DPLLs, and clocks, during low-power use case scenarios when the PD_CORE power domain can be switched to RETENTION state.

3.6.3.2.1 CM_CORE_AON Clock Generator

CM_CORE_AON receives a system clocks (SYS_CLK1 and SYS_CLK2) from the PRM, which serves as its functional clock. CM_CORE_AON provides a gated clock to

- PD_CAM
 - PD_CORE
 - PD_CUSTEFUSE
 - PD_DSP1
 - PD_DSS
 - PD_EMU
 - PD_GPU
 - PD_IPU
 - PD_IVA
 - PD_L3INIT
 - PD_L4PER
 - PD_MPU
 - PD_RTC
 - PD_VPE
 - PD_WKUPAON
 - PD_COREAON
 - PD_MMAON
 - PD_MPUAON
- and some DPLLs:
- DPLL_MPU
 - DPLL_IVA
 - DPLL_GPU

- DPLL_DDR
 - DPLL_GMAC
 - DPLL_DSP
 - DPLL_PER
 - DPLL_ABE
 - DPLL_CORE
- and its associated HSDivider.

[Figure 3-34](#) shows the various functional and interface clocks generated by CM_CORE_AON.

Figure 3-34. CM_CORE_AON Overview (a)

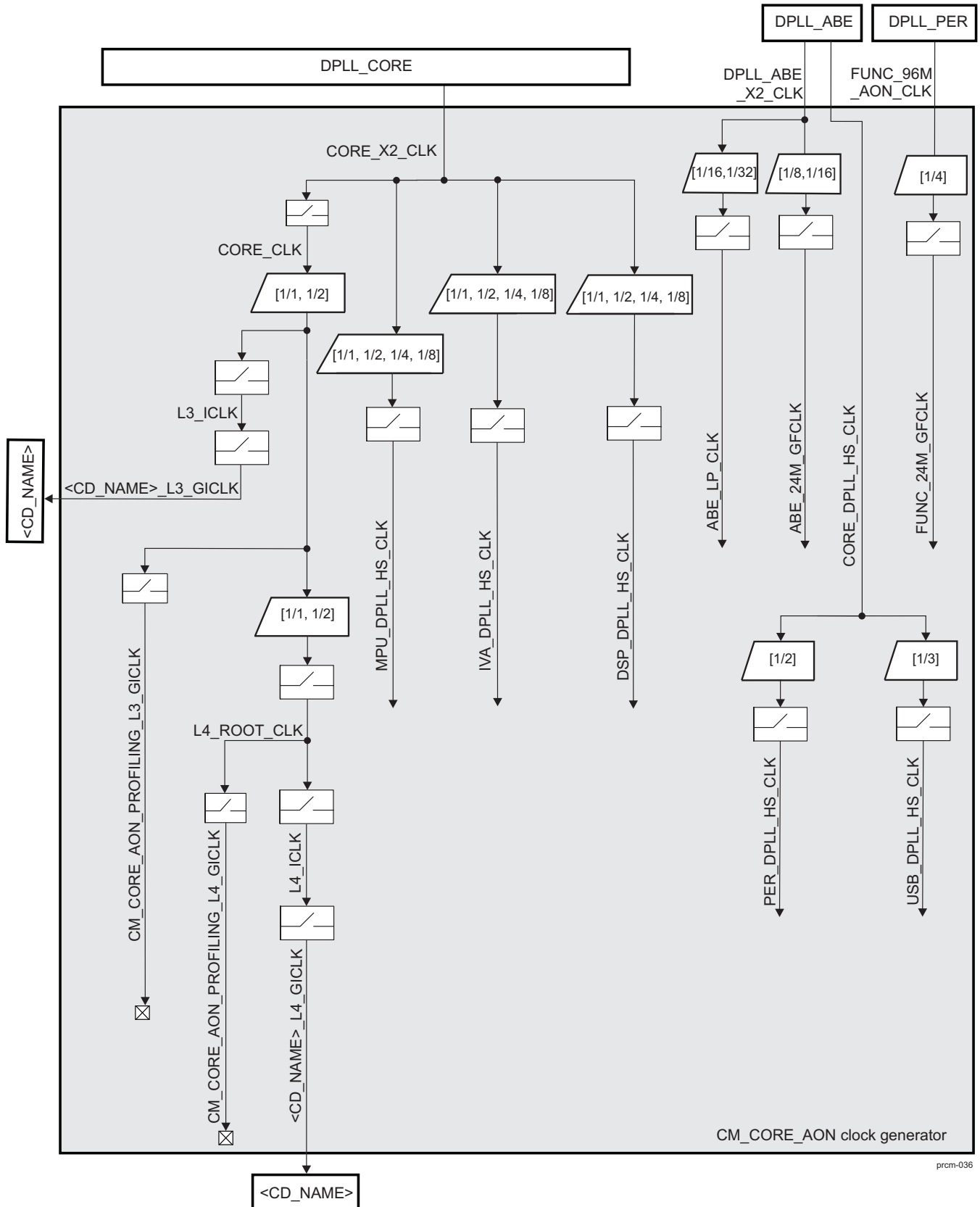
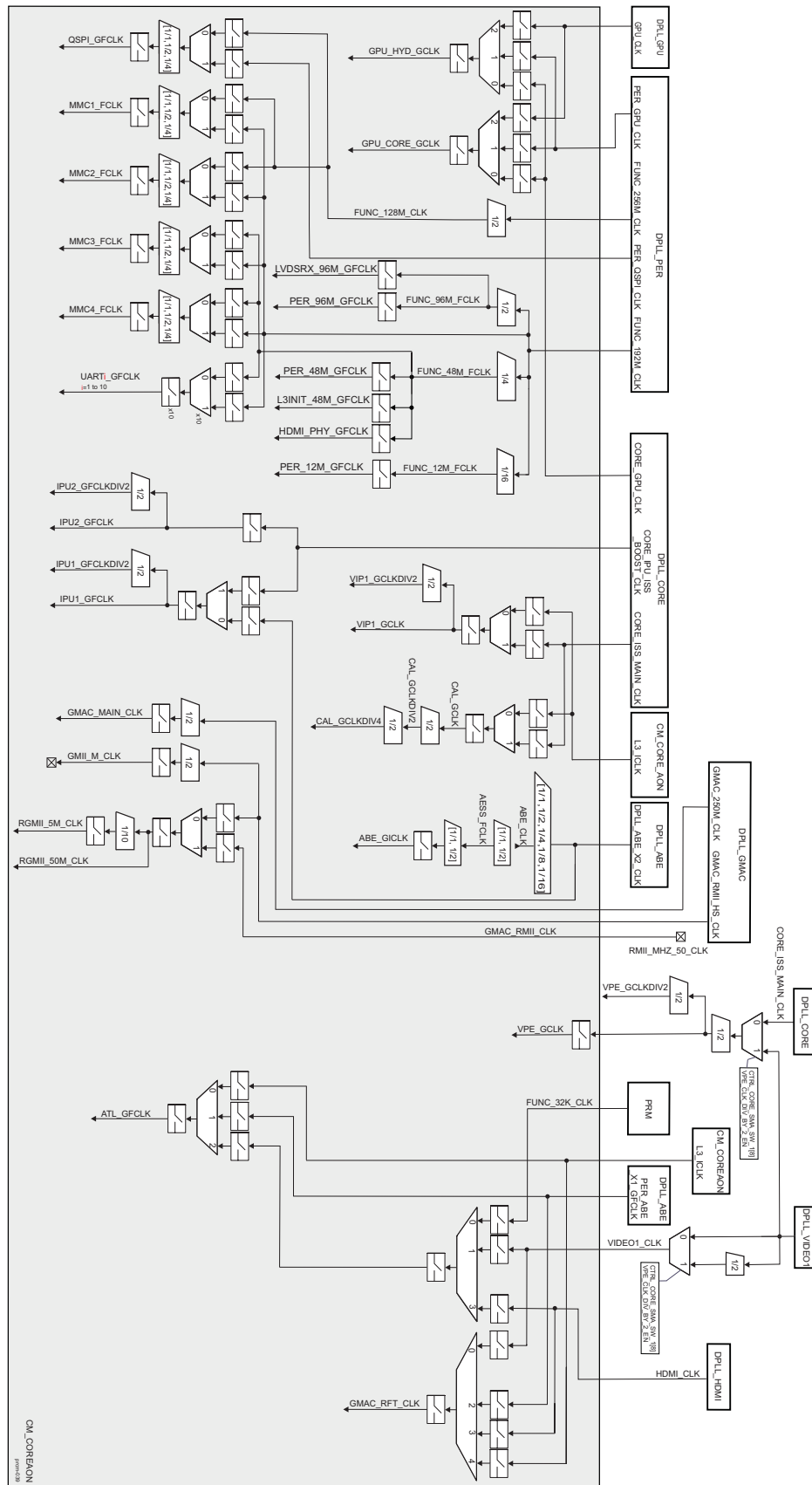


Table 3-38 identifies controls for clock dividers or muxes in the CM_CORE_AON (a) clock source.

Table 3-38. CM_CORE_AON (a) Clock Division and Muxing Control

Divider/Mux	Control Bit Field
Divider L3_ICLK	CM_CLKSEL_CORE[4] CLKSEL_L3
Divider L4_ROOT_CLK	CM_CLKSEL_CORE[8] CLKSEL_L4
Divider MPU_DPLL_HS_CLK	CM_BYPCLK_DPLL_MPU[1:0] CLKSEL
Divider IVA_DPLL_HS_CLK	CM_BYPCLK_DPLL_IVA[1:0] CLKSEL
Divider DSP_DPLL_HS_CLK	CM_BYPCLK_DPLL_DSP[1:0] CLKSEL
Divider ABE_LP_CLK	CM_CLKSEL_ABE_LP_CLK[1:0] CLKSEL
Divider ABE_24M_FCLK	CM_CLKSEL_ABE_24M[1:0] CLKSEL

Figure 3-35. CM_CORE_AON Overview (b)



NOTE: The VIDEO1_CLK and HDMI_CLK clocks and associated DPLL HSDIVIDERS are controlled by dedicated DPLL controllers (DPLL_VIDEO1 and DPLL_HDMI) in Display Subsystem, outside PRCM module. For more information, see [Section 11.1.2.1, Display Subsystem Clocks](#), and [Section 11.3.1, HDMI Overview](#).

[Table 3-39](#) identifies controls for clock dividers or muxes in the CM_CORE_AON (b) clock source.

Table 3-39. CM_CORE_AON (b) Clock Division and Muxing Control

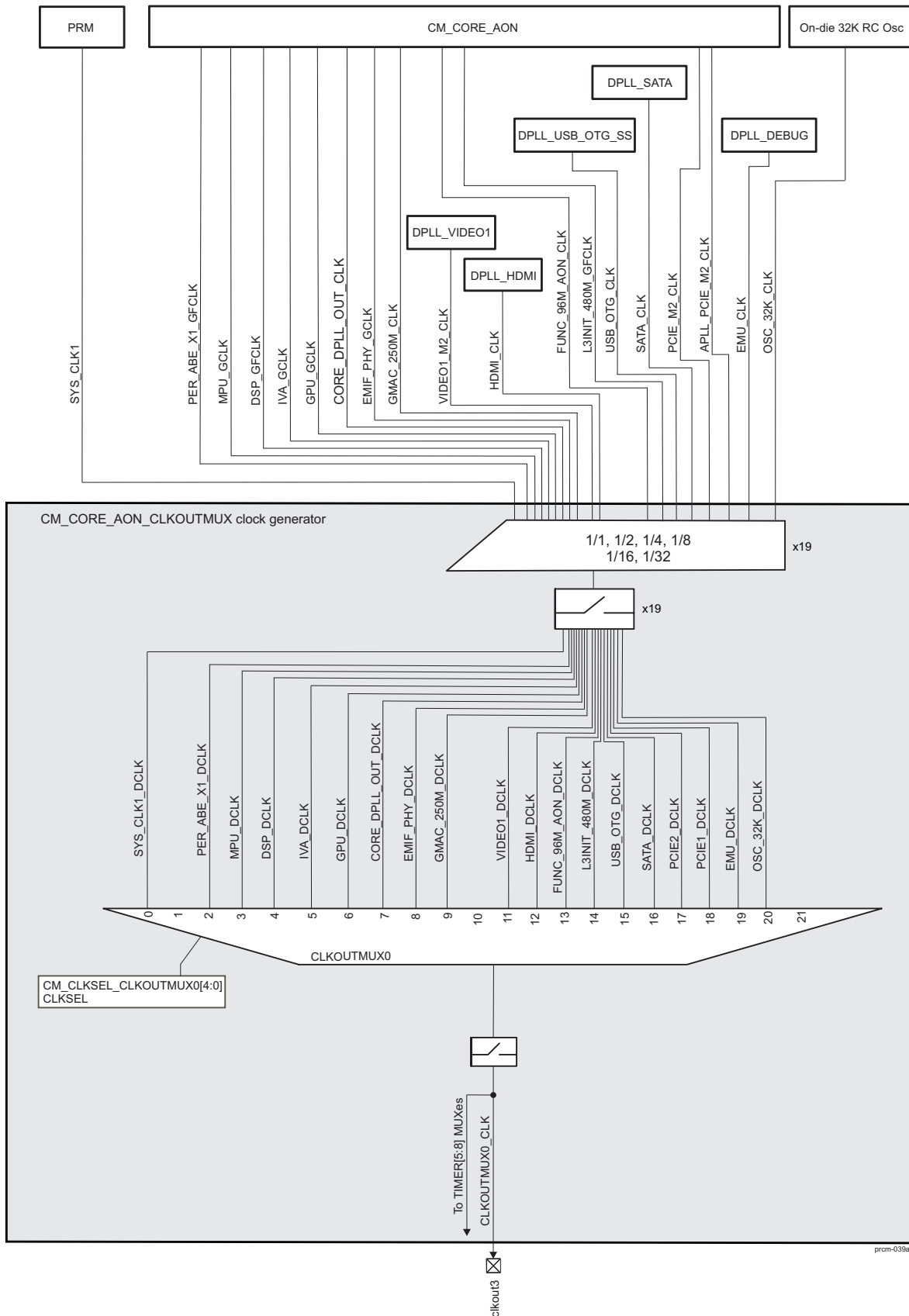
Divider/Mux/Switch	Control Bit Field
Mux MMC1_GFCLK	CM_L3INIT_MMC1_CLKCTRL[24] CLKSEL_SOURCE
Divider MMC1_GFCLK	CM_L3INIT_MMC1_CLKCTRL[26:25] CLKSEL_DIV
Mux MMC2_GFCLK	CM_L3INIT_MMC2_CLKCTRL[24] CLKSEL_SOURCE
Divider MMC2_GFCLK	CM_L3INIT_MMC2_CLKCTRL[26:25] CLKSEL_DIV
Mux MMC3_FCLK	CM_L4PER_MMC3_CLKCTRL[24] CLKSEL_MUX
Divider MMC3_FCLK	CM_L4PER_MMC3_CLKCTRL[26:25] CLKSEL_DIV
Mux MMC4_FCLK	CM_L4PER_MMC4_CLKCTRL[24] CLKSEL_MUX
Divider MMC4_FCLK	CM_L4PER_MMC4_CLKCTRL[26:25] CLKSEL_DIV
Mux UART1_GFCLK	CM_L4PER_UART1_CLKCTRL[24] CLKSEL
Mux UART2_GFCLK	CM_L4PER_UART2_CLKCTRL[24] CLKSEL
Mux UART3_GFCLK	CM_L4PER_UART3_CLKCTRL[24] CLKSEL
Mux UART4_GFCLK	CM_L4PER_UART4_CLKCTRL[24] CLKSEL
Mux UART5_GFCLK	CM_L4PER_UART5_CLKCTRL[24] CLKSEL
Mux UART6_GFCLK	CM_IPU_UART6_CLKCTRL[24] CLKSEL
Mux UART7_GFCLK	CM_L4PER2_UART7_CLKCTRL[24] CLKSEL
Mux UART8_GFCLK	CM_L4PER2_UART8_CLKCTRL[24] CLKSEL
Mux UART9_GFCLK	CM_L4PER2_UART9_CLKCTRL[24] CLKSEL
Mux UART10_GFCLK	CM_WKUPAON_UART10_CLKCTRL[24] CLKSEL
Mux GPU_HYD_GCLK	CM_GPU_GPU_CLKCTRL[27:26] CLKSEL_HYD_CLK
Mux GPU_CORE_GCLK	CM_GPU_GPU_CLKCTRL[25:24] CLKSEL_CORE_CLK
Mux QSPI_GFCLK	CM_L4PER2_QSPI_CLKCTRL[24] CLKSEL_SOURCE
Divider QSPI_GFCLK	CM_L4PER2_QSPI_CLKCTRL[26:25] CLKSEL_DIV
Mux VIP1_GCLK	CM_CAM_VIP1_CLKCTRL[24] CLKSEL
Mux CAL_GCLK	CM_CAM_CAL_CLKCTRL[24] CLKSEL
Divider ABE_CLK	CM_CLKSEL_ABE_CLK_DIV[2:0] CLKSEL
Divider AESS_FCLK	CM_CLKSEL_AESS_FCLK_DIV[0] CLKSEL
Divider ABE_GICLK	CM_CLKSEL_ABE_GICLK_DIV[0] CLKSEL
Mux IPU1_GFCLK	CM_IPU1_IPU1_CLKCTRL[24] CLKSEL
Mux RGMII_50M_CLK	CM_GMAC_GMAC_CLKCTRL[24] CLKSEL_REF
Mux ATL_GFCLK	CM_ATL_ATL_CLKCTRL[27:26] CLKSEL_SOURCE2
Mux ATL_SOURCE1	CM_ATL_ATL_CLKCTRL[25:24] CLKSEL_SOURCE1
Mux GMAC_RFT_CLK	CM_GMAC_GMAC_CLKCTRL[27:25] CLKSEL_RFT

NOTE: For clock signals control (gating/ungating management), see [Section 3.1.1.1, Clock Management](#).

3.6.3.2.2 CM_CORE_AON_CLKOUTMUX Overview

[Figure 3-36](#) is an overview of the CM_CORE_AON_CLKOUTMUX.

Figure 3-36. CM_CORE_AON_CLKOUTMUX Clock Manager Overview (CLKOUTMUX0)



NOTE: There is no dedicated register to enable CLKOUTMUX0_CLK clock to propagate to clkout3 device pad. CLKOUTMUX0_CLK will stay gated until one of the TIMER5/6/7/8 is enabled and CLKOUTMUX0_CLK is selected as the source clock for the timer functional clock.

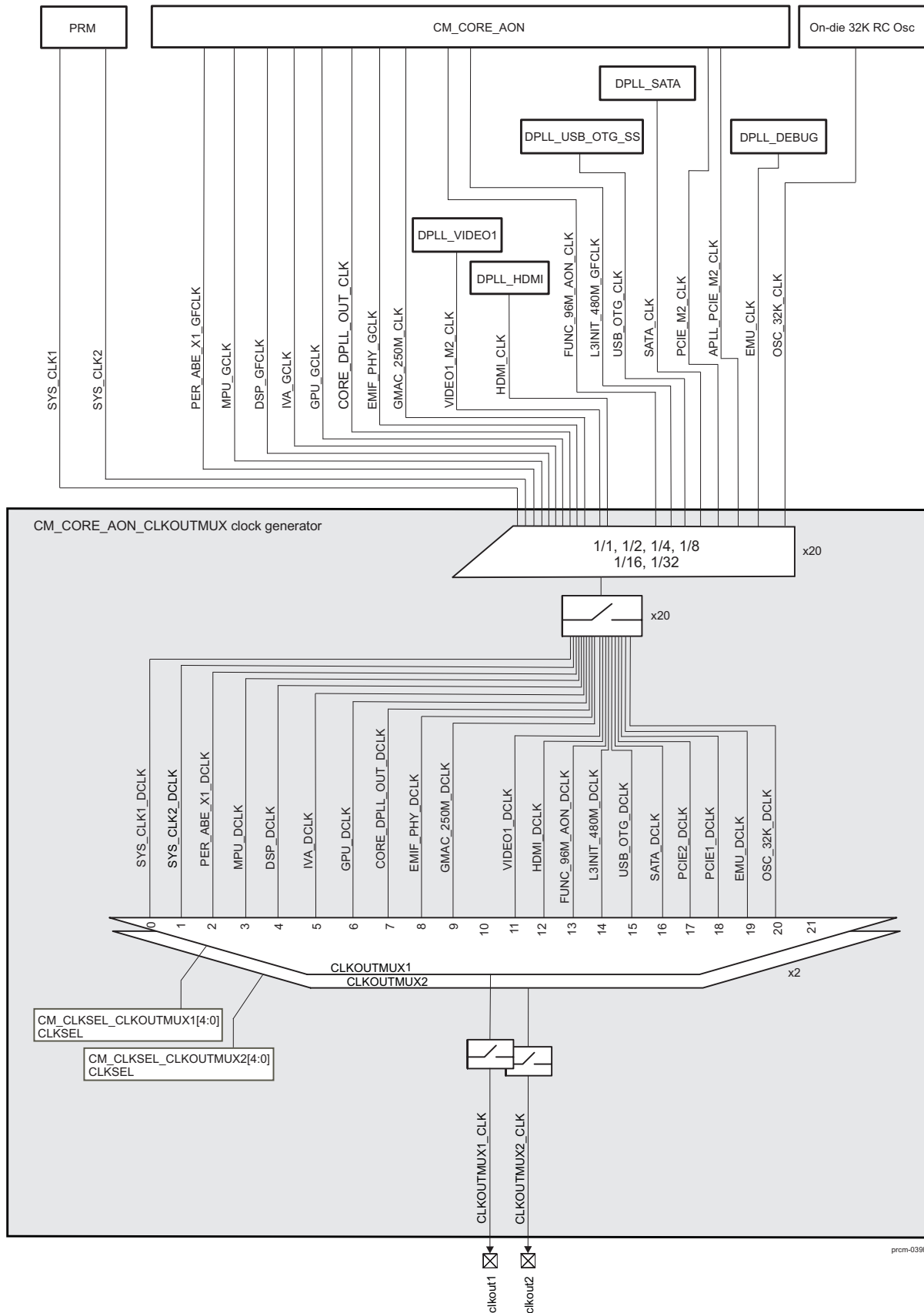
The CLKOUTMUX0_CLK clock is propagated to clkout3 device pad only when at least one of the following registers is configured: CM_IPU_TIMER5/6/7/8_CLKCTRL[27:24] CLKSEL (value: 0xB).

In addition, if the user wants to propagate MPU_GCLK to device pad (clkout3), he also needs to ungate the clock from the hardware observability control register:

[CTRL_CORE_HWOBS_CONTROL\[0\] HWOBS_MACRO_ENABLE](#) (value: 0x1).

NOTE: The OSC_32K_CLK clock, provided by the On-die 32K RC Osc is not accurate 32KHz clock. The frequency may vary with temperature and silicon characteristics.

Figure 3-37. CM_CORE_AON_CLKOUTMUX Clock Manager Overview (CLKOUTMUX1 and CLKOUTMUX2)



prcm-039b

NOTE: In order to enable CLKOUTMUX1_CLK and CLKOUTMUX2_CLK clocks to propagate to the corresponding device pads (clkout1 and clkout2), the user needs to configure registers: [CM_COREAON_CLKOUTMUX1_CLKCTRL\[8\]](#) OPTFCLKEN_CLKOUTMUX1_CLK (value: 0x1) and [CM_COREAON_CLKOUTMUX2_CLKCTRL\[8\]](#) OPTFCLKEN_CLKOUTMUX2_CLK (value: 0x1).

In addition, if the user wants to propagate MPU_GCLK to device pad (clkout1 or clkout2), he also needs to ungate the clock from the hardware observability control register: [CTRL_CORE_HWOBS_CONTROL\[0\]](#) HWOBS_MACRO_ENABLE (value: 0x1).

NOTE: The OSC_32K_CLK clock, provided by the On-die 32K RC Osc is not accurate 32KHz clock. The frequency may vary with temperature and silicon characteristics.

[Table 3-40](#) identifies controls for clock dividers or muxes in the CM_CORE_AON_CLKOUTMUX.

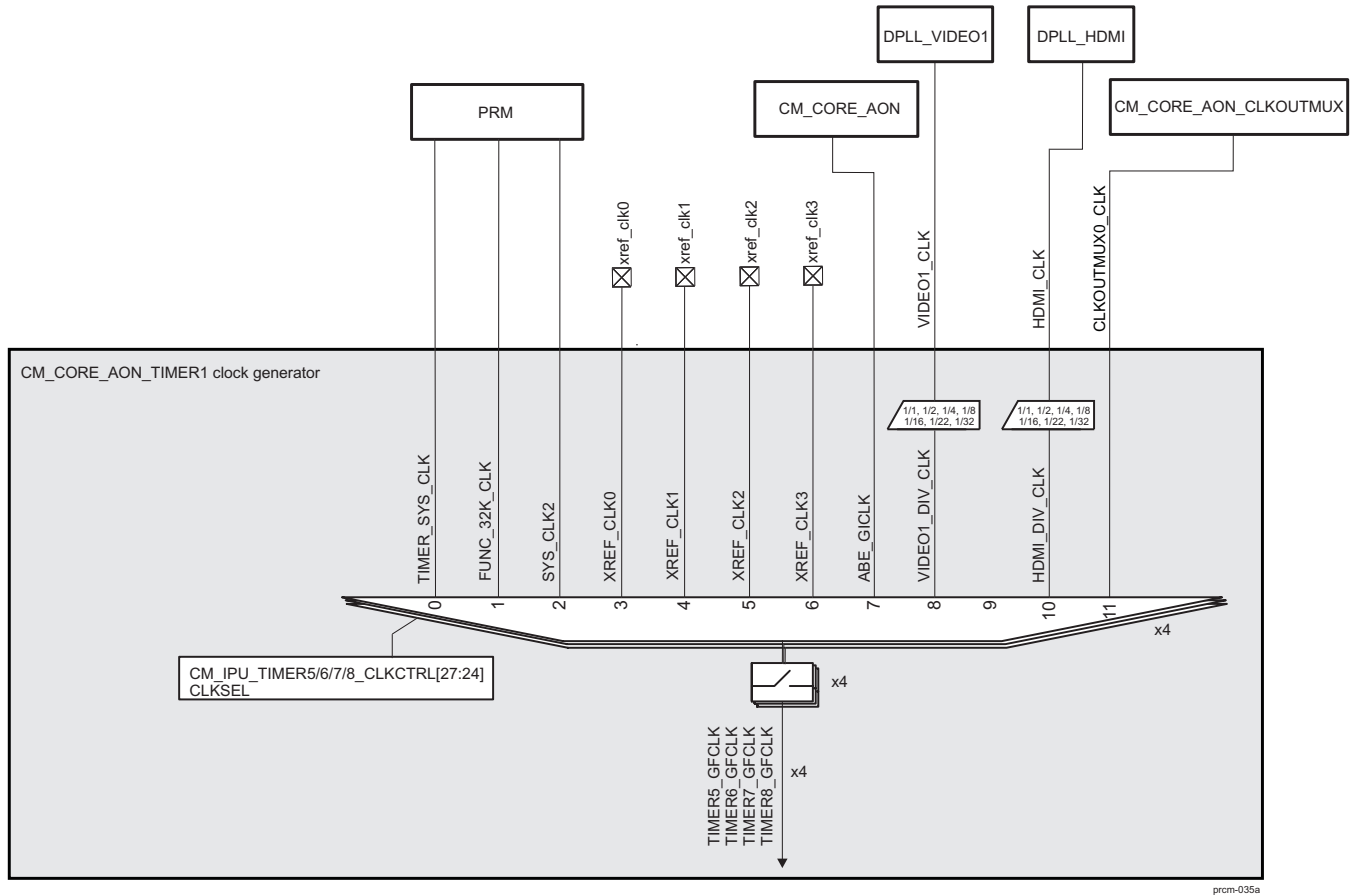
Table 3-40. CM_CORE_AON_CLKOUTMUX Clock Division and Muxing Control

Divider/Mux	Control Bit Field
Mux CLKOUTMUX0_CLK	CM_CLKSEL_CLKOUTMUX0[4:0] CLKSEL
Mux CLKOUTMUX2_CLK	CM_CLKSEL_CLKOUTMUX2[4:0] CLKSEL
Mux CLKOUTMUX1_CLK	CM_CLKSEL_CLKOUTMUX1[4:0] CLKSEL
Divider SYS_CLK1_DCLK	CM_CLKSEL_SYS_CLK1_CLKOUTMUX[2:0] CLKSEL
Divider SYS_CLK2_DCLK	CM_CLKSEL_SYS_CLK2_CLKOUTMUX[2:0] CLKSEL
Divider PER_ABE_X1_DCLK	CM_CLKSEL_PER_ABE_X1_CLK_CLKOUTMUX[2:0] CLKSEL
Divider MPU_DCLK	CM_CLKSEL_MPU_GCLK_CLKOUTMUX[2:0] CLKSEL
Divider DSP_DCLK	CM_CLKSEL_DSP_GFCLK_CLKOUTMUX[2:0] CLKSEL
Divider IVA_DCLK	CM_CLKSEL_IVA_GCLK_CLKOUTMUX[2:0] CLKSEL
Divider GPU_DCLK	CM_CLKSEL_GPU_GCLK_CLKOUTMUX[2:0] CLKSEL
Divider CORE_DPLL_OUT_DCLK	CM_CLKSEL_CORE_DPLL_OUT_CLK_CLKOUTMUX[2:0] CLKSEL
Divider EMIF_PHY_DCLK	CM_CLKSEL_EMIF_PHY_GCLK_CLKOUTMUX[2:0] CLKSEL
Divider GMAC_250M_DCLK	CM_CLKSEL_GMAC_250M_CLK_CLKOUTMUX[2:0] CLKSEL
Divider VIDEO1_DCLK	CM_CLKSEL_VIDEO1_CLK_CLKOUTMUX[2:0] CLKSEL
Divider HDMI_DCLK	CM_CLKSEL_HDMI_CLK_CLKOUTMUX[2:0] CLKSEL
Divider FUNC_96M_AON_DCLK	CM_CLKSEL_FUNC_96M_AON_CLK_CLKOUTMUX[2:0] CLKSEL
Divider L3INIT_480M_DCLK	CM_CLKSEL_L3INIT_480M_GFCLK_CLKOUTMUX[2:0] CLKSEL
Divider USB_OTG_DCLK	CM_CLKSEL_USB_OTG_CLK_CLKOUTMUX[2:0] CLKSEL
Divider SATA_DCLK	CM_CLKSEL_SATA_CLK_CLKOUTMUX[2:0] CLKSEL
Divider PCIE2_DCLK	CM_CLKSEL_PCIE2_CLK_CLKOUTMUX[2:0] CLKSEL
Divider PCIE1_DCLK	CM_CLKSEL_PCIE1_CLK_CLKOUTMUX[2:0] CLKSEL
Divider EMU_DCLK	CM_CLKSEL_EMU_CLK_CLKOUTMUX[2:0] CLKSEL
Divider OSC_32K_DCLK	CM_CLKSEL_OSC_32K_CLK_CLKOUTMUX[2:0] CLKSEL

3.6.3.2.3 CM_CORE_AON_TIMER Overview

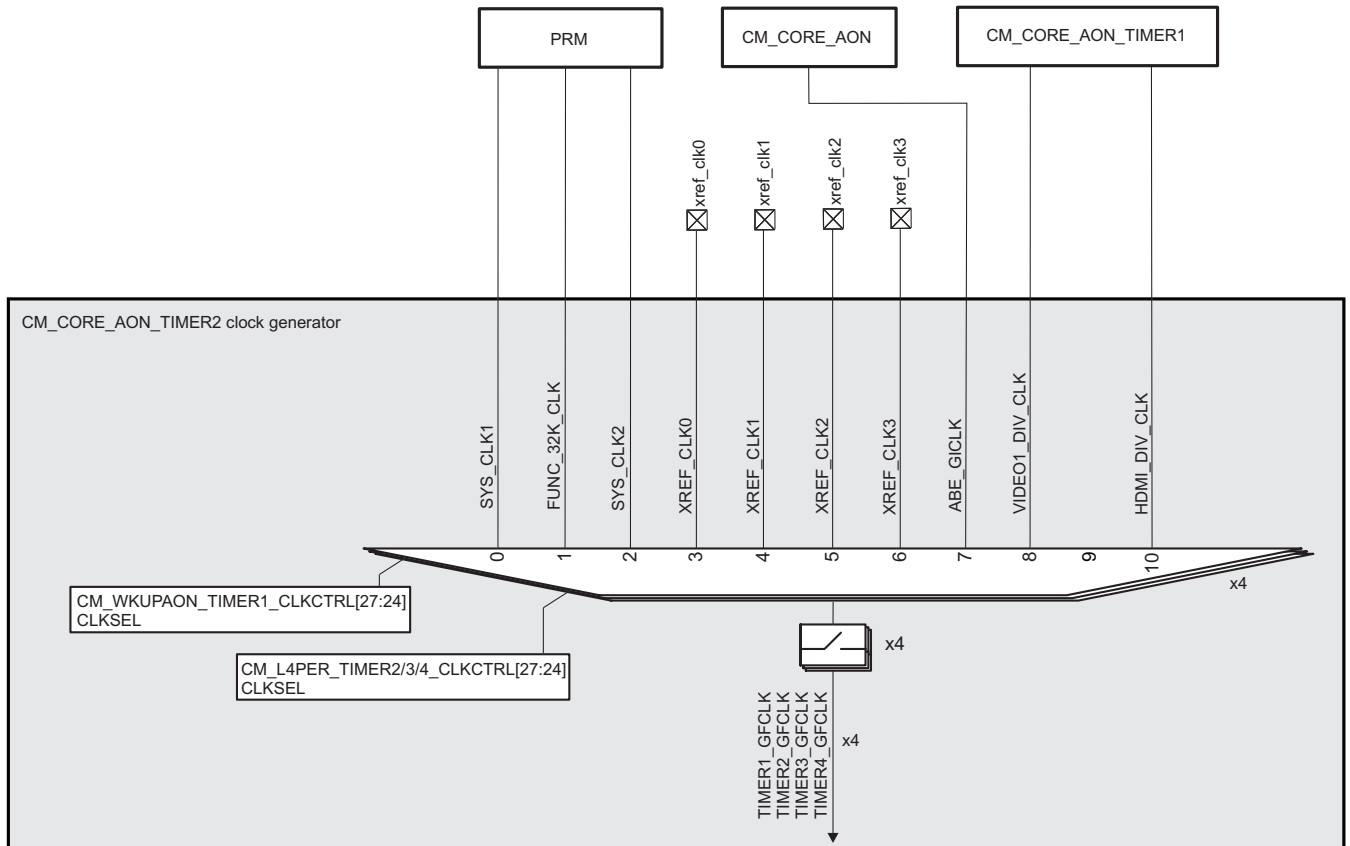
Figure 3-38 through Figure 3-41 are an overview of the CM_CORE_AON_TIMER related to the device timers.

Figure 3-38. CM_CORE_AON_TIMER1 Clock Manager Overview



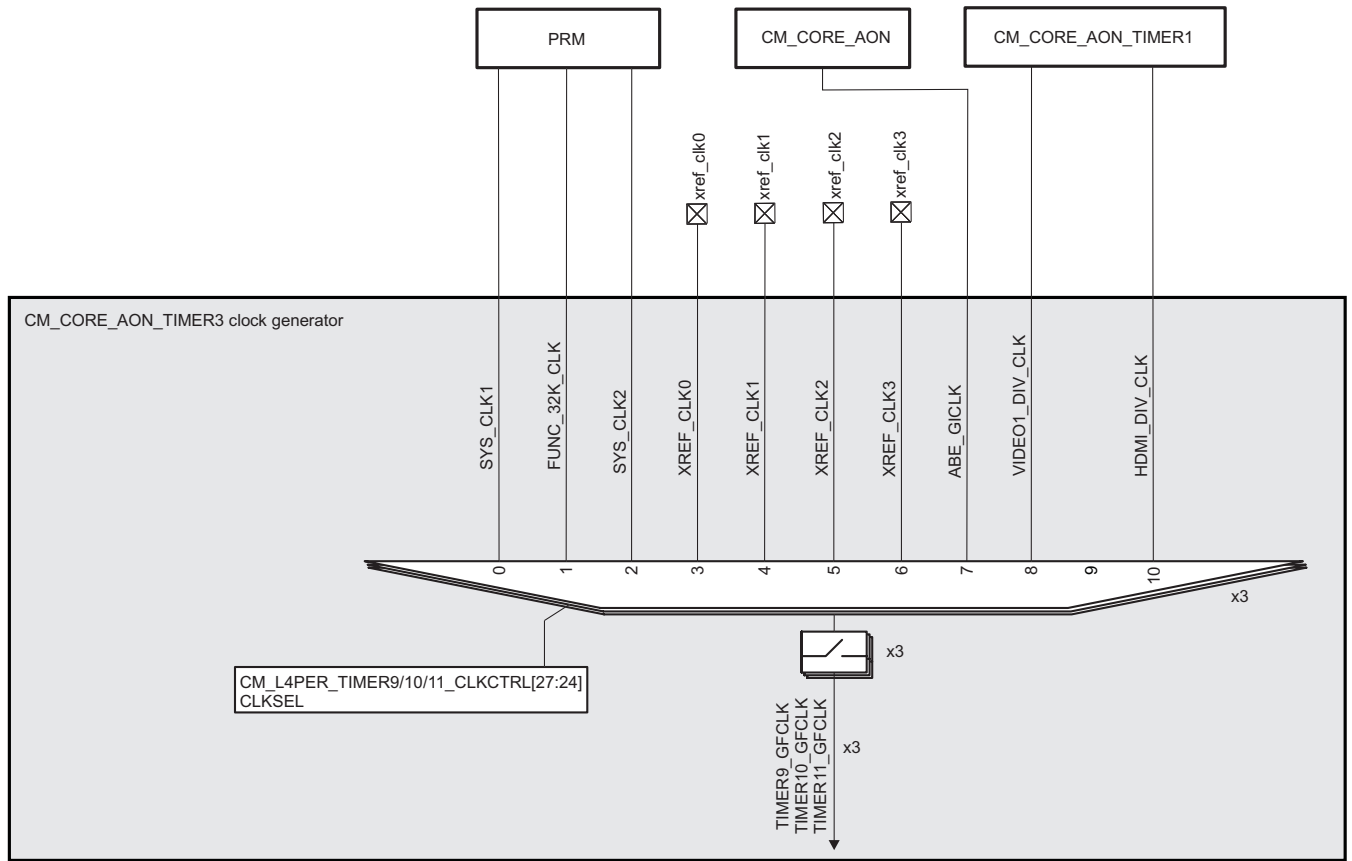
NOTE: VIDEO1_CLK and HDMI_CLK clocks and associated DPLL HSDIVIDERS are controlled by dedicated DPLL controllers (DPLL_VIDEO1 and DPLL_HDMI) in Display Subsystem, outside PRCM module. For more information, see [Section 11.1.2.1, Display Subsystem Clocks](#) and [Section 11.3.1, HDMI Overview](#).

Figure 3-39. CM_CORE_AON_TIMER2 Clock Manager Overview



prcm-035b

Figure 3-40. CM_CORE_AON_TIMER3 Clock Manager Overview



prcm-035c

Figure 3-41. CM_CORE_AON_TIMER4 Clock Manager Overview

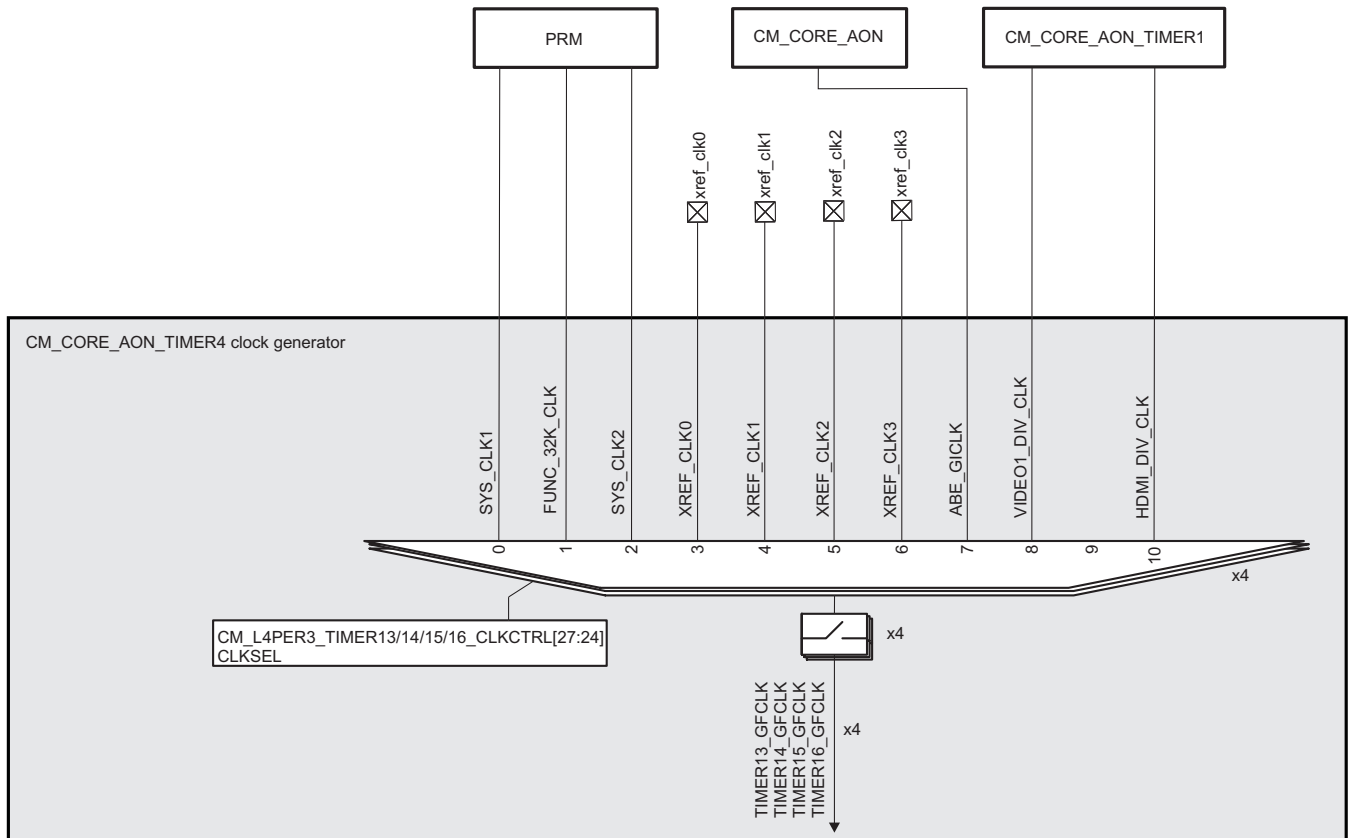


Table 3-41 identifies controls for clock dividers or muxes in the CM_CORE_AON_TIMER.

Table 3-41. CM_CORE_AON_TIMER Clock Division and Muxing Control

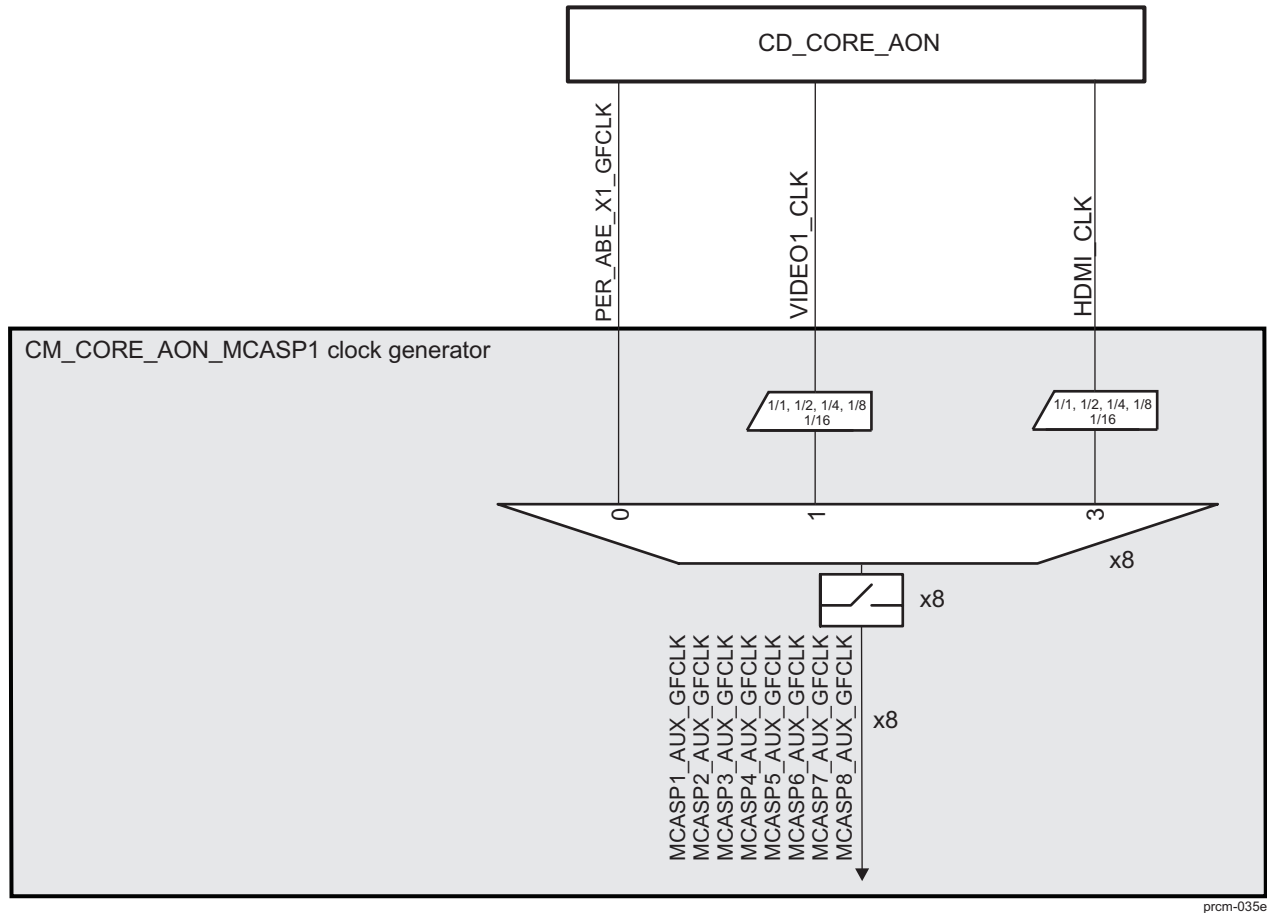
Divider/Mux	Control Bit Field
Mux TIMER1_GFCLK	CM_WKUPAON_TIMER1_CLKCTRL[27:24] CLKSEL
Mux TIMER2_GFCLK	CM_L4PER_TIMER2_CLKCTRL[27:24] CLKSEL
Mux TIMER3_GFCLK	CM_L4PER_TIMER3_CLKCTRL[27:24] CLKSEL
Mux TIMER4_GFCLK	CM_L4PER_TIMER4_CLKCTRL[27:24] CLKSEL
Mux TIMER5_GFCLK	CM_IPU_TIMER5_CLKCTRL[27:24] CLKSEL
Mux TIMER6_GFCLK	CM_IPU_TIMER6_CLKCTRL[27:24] CLKSEL
Mux TIMER7_GFCLK	CM_IPU_TIMER7_CLKCTRL[27:24] CLKSEL
Mux TIMER8_GFCLK	CM_IPU_TIMER8_CLKCTRL[27:24] CLKSEL
Divider VIDEO1_CLK	CM_CLKSEL_VIDEO1_TIMER[2:0] CLKSEL
Divider HDMI_CLK	CM_CLKSEL_HDMI_TIMER[2:0] CLKSEL
Mux TIMER9_GFCLK	CM_L4PER_TIMER9_CLKCTRL[27:24] CLKSEL
Mux TIMER10_GFCLK	CM_L4PER_TIMER10_CLKCTRL[27:24] CLKSEL
Mux TIMER11_GFCLK	CM_L4PER_TIMER11_CLKCTRL[27:24] CLKSEL
Mux TIMER13_GFCLK	CM_L4PER3_TIMER13_CLKCTRL[27:24] CLKSEL
Mux TIMER14_GFCLK	CM_L4PER3_TIMER14_CLKCTRL[27:24] CLKSEL
Mux TIMER15_GFCLK	CM_L4PER3_TIMER15_CLKCTRL[27:24] CLKSEL
Mux TIMER16_GFCLK	CM_L4PER3_TIMER16_CLKCTRL[27:24] CLKSEL

NOTE: For clock signals control (gating/ungating management), see [Section 3.1.1.1, Clock Management](#).

3.6.3.2.4 CM_CORE_AON_MCASP Overview

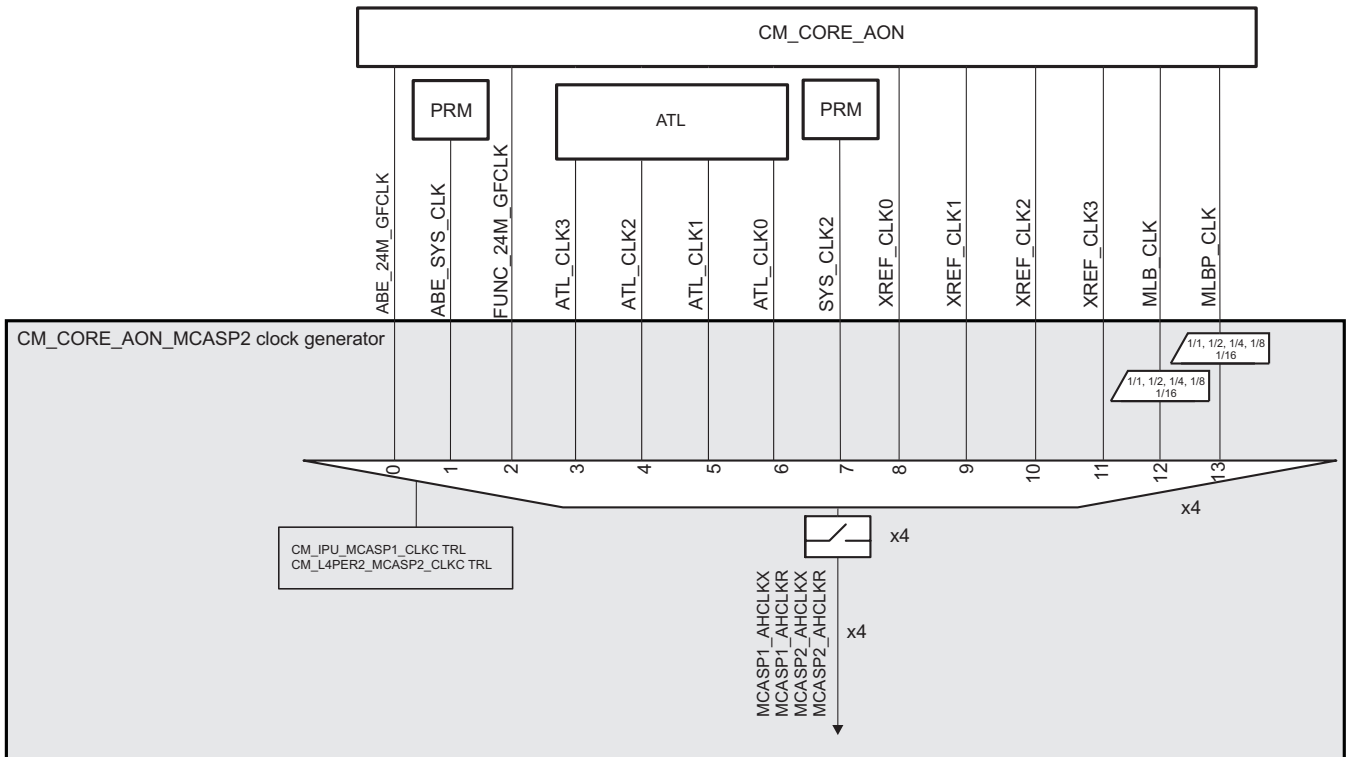
Figure 3-42 through Figure 3-44 are an overview of the CM_CORE_AON_MCASP related to the device MCASP.

Figure 3-42. CM_CORE_AON_MCASP1 Clock Manager Overview



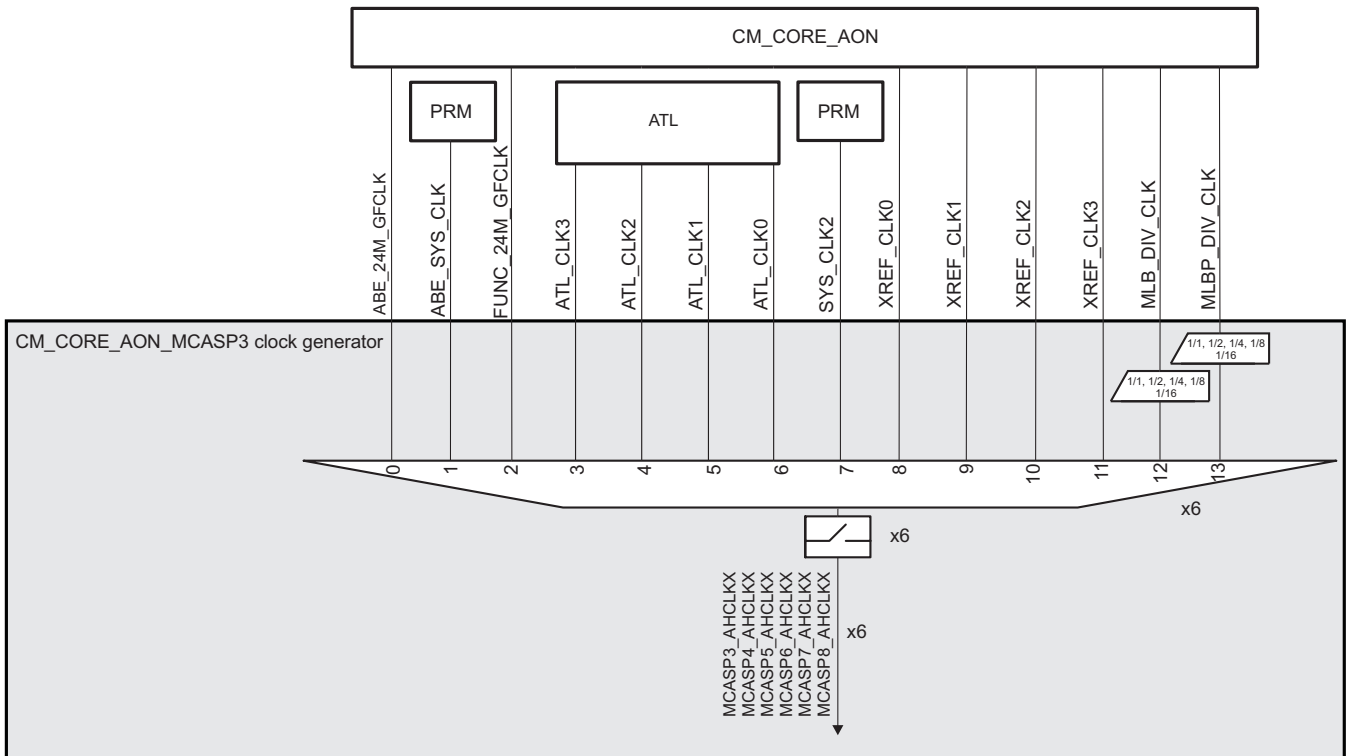
NOTE: VIDEO1_CLK and HDMI_CLK clocks and associated DPLL HSDIVIDERS are controlled by dedicated DPLL controllers (DPLL_VIDEO1 and DPLL_HDMI) in Display Subsystem, outside PRCM module. For more information, see [Section 11.1.2.1, Display Subsystem Clocks](#) and [Section 11.3.1, HDMI Overview](#).

Figure 3-43. CM_CORE_AON_MCASP2 Clock Manager Overview



prcm-035f

Figure 3-44. CM_CORE_AON_MCASP3 Clock Manager Overview



prcm-035g

Table 3-42 identifies controls for clock dividers or muxes in the CM_CORE_AON_MCASP.

Table 3-42. CM_CORE_AON_MCASP Clock Division and Muxing Control

Divider/Mux	Control Bit Field
Mux MCASP1_AUX_GFCLK	CM_IPU_MCASP1_CLKCTRL[23:22] CLKSEL_AUX_CLK
Mux MCASP2_AUX_GFCLK	CM_L4PER2_MCASP2_CLKCTRL[23:22] CLKSEL_AUX_CLK
Mux MCASP3_AUX_GFCLK	CM_L4PER2_MCASP3_CLKCTRL[23:22] CLKSEL_AUX_CLK
Mux MCASP4_AUX_GFCLK	CM_L4PER2_MCASP4_CLKCTRL[23:22] CLKSEL_AUX_CLK
Mux MCASP5_AUX_GFCLK	CM_L4PER2_MCASP5_CLKCTRL[23:22] CLKSEL_AUX_CLK
Mux MCASP6_AUX_GFCLK	CM_L4PER2_MCASP6_CLKCTRL[23:22] CLKSEL_AUX_CLK
Mux MCASP7_AUX_GFCLK	CM_L4PER2_MCASP7_CLKCTRL[23:22] CLKSEL_AUX_CLK
Mux MCASP8_AUX_GFCLK	CM_L4PER2_MCASP8_CLKCTRL[23:22] CLKSEL_AUX_CLK
Divider VIDEO1_CLK	CM_CLKSEL_VIDEO1_MCASP_AUX[2:0] CLKSEL
Divider HDMI_CLK	CM_CLKSEL_HDMI_MCASP_AUX[2:0] CLKSEL
Divider PER_ABE_X1_GFCLK	CM_CLKSEL_PER_ABE_X1_GFCLK_MCASP_AUX[2:0] CLKSEL
Mux MCASP1_AHCLKX	CM_IPU_MCASP1_CLKCTRL[27:24] CLKSEL_AHCLKX
Mux MCASP1_AHCLKR	CM_IPU_MCASP1_CLKCTRL[31:28] CLKSEL_AHCLKR
Mux MCASP2_AHCLKX	CM_L4PER2_MCASP2_CLKCTRL[27:24] CLKSEL_AHCLKX
Mux MCASP2_AHCLKR	CM_L4PER2_MCASP2_CLKCTRL[31:28] CLKSEL_AHCLKR
Divider MLB_CLK	CM_CLKSEL_MLB_MCASP[2:0] CLKSEL
Divider MLBP_CLK	CM_CLKSEL_MLBP_MCASP[2:0] CLKSEL
Mux MCASP3_AHCLKX	CM_L4PER2_MCASP3_CLKCTRL[27:24] CLKSEL_AHCLKX
Mux MCASP4_AHCLKX	CM_L4PER2_MCASP4_CLKCTRL[27:24] CLKSEL_AHCLKX
Mux MCASP5_AHCLKX	CM_L4PER2_MCASP5_CLKCTRL[27:24] CLKSEL_AHCLKX
Mux MCASP6_AHCLKX	CM_L4PER2_MCASP6_CLKCTRL[27:24] CLKSEL_AHCLKX
Mux MCASP7_AHCLKX	CM_L4PER2_MCASP7_CLKCTRL[27:24] CLKSEL_AHCLKX
Mux MCASP8_AHCLKX	CM_L4PER2_MCASP8_CLKCTRL[27:24] CLKSEL_AHCLKX

NOTE: For clock signals control (gating/ungating management), see [Section 3.1.1.1, Clock Management](#).

3.6.3.3 Generic DPLL Overview

To generate high-frequency clocks, the device supports multiple on-chip DPLLs controlled directly by the PRCM module. They are of two types: type A and type B DPLLs.

The following DPLLs belong to type A:

- DPLL_MPU
- DPLL_IVA
- DPLL_CORE
- DPLL_PER
- DPLL_ABE
- DPLL_DSP
- DPLL_GMAC
- DPLL_GPU
- DPLL_DDR

The following DPLLs belong to type B:

- DPLL_USB
- DPLL_PCIE_REF

All DPLLs (type A and type B) support the features described in the following sections, unless otherwise identified.

NOTE: This chapter discusses only the DPLLs that are directly controlled by the PRCM module. The other DPLLs embedded in and managed by other subsystems are described in their respective subsystems.

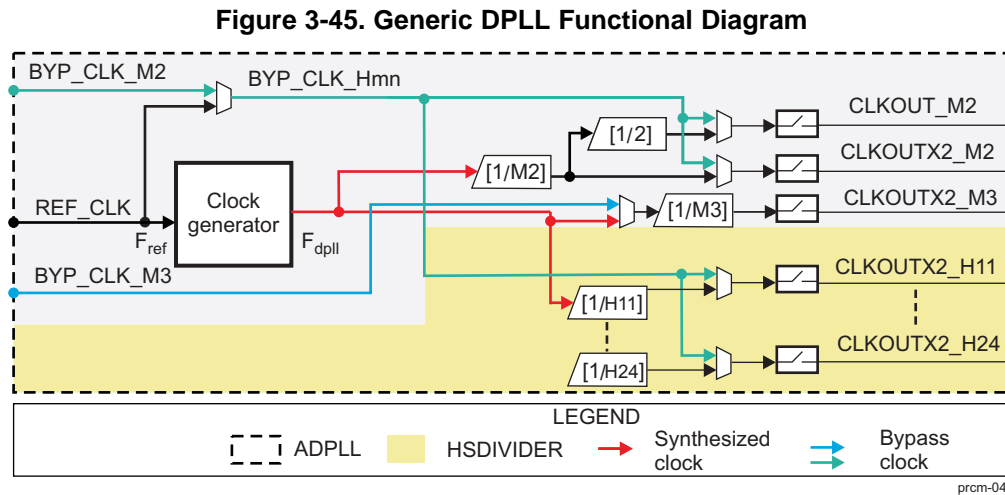
3.6.3.3.1 Generic APLL Overview

APLL_PCIE is an analog PLL which supplies high speed clock to PCI Express. APLL_PCIE is controlled directly by the PRCM module.

All the feature support by APLL_PCIE are described in [Section 3.6.3.15, APLL_PCIE Description](#)

3.6.3.3.2 DPLLs Output Clocks Parameters

Figure 3-45 shows the functional architecture of a generic DPLL.



The DPLL has three input clocks:

- REF_CLK: Used to generate the synthesized clock but can also be used as the bypass clock for some outputs of the DPLL whenever the DPLL enters bypass mode. It is mandatory for the DPLL clock synthesis.
- BYP_CLK_M2: Selectable bypass clock for the output of an M2 post-divider (optional)
- BYP_CLK_M3: Selectable bypass clock for the output of an M3 post-divider (optional)

The DPLL provides the bypass clock used by HSDIVIDER: BYP_CLK_Hmn, which is output by the multiplexer between the BYP_CLK_M2 and REF_CLK clock signals.

NOTE: The [1/2] divider located after the M2 post-divider is not valid when the [CM_CLKSEL_DPLL_MPU\[22\] DCC_EN](#) bit is set (applies only to DPLL_MPU when a frequency higher than 1.4 GHz is needed).

The DPLL can be programmed to be locked at any frequency given by one of the following equations:

- $F_{dpll} = F_{ref} \times 2 \times M / (N + 1)$
- $F_{dpll} = F_{ref} \times 2 \times (4 \times M / (N + 1))$ in case the [CM_CLKMODE_DPLL_ABE\[11\] DPLL_REGM4XEN](#) bit is set (applies only to DPLL_ABE)
- $F_{dpll} = F_{ref} \times (M / (N + 1))$ in case the [CM_CLKSEL_DPLL_MPU\[22\] DCC_EN](#) bit is set (applies only to DPLL_MPU when frequency higher than 1.4GHz is needed).

Where:

- F_{dpll} is the DPLL lock frequency.
- F_{ref} is the REF_CLK frequency. F_{ref} is also known as CLKINP.
- M is the software-configured multiplication ratio binary value.
- N is the software-configured division ratio binary value.

NOTE: It is preferred to minimize the value for N parameter (it minimizes lock time and jitter). Then M should be chosen to provide correct frequency (with lowest delta as possible).

It internally generates three main clocks: CLKOUT_M2, CLKOUTX2_M2, and CLKOUTX2_M3 as shown in [Table 3-43](#).

Table 3-43. CLKOUT_M2, CLKOUTX2_M2, and CLKOUTX2_M3 Frequencies With DPLL State

Output	Equation	DPLL Mode
CLKOUT_M2	$F_{dpll} / (2 \times M2)$	Locked (typical case)
	F_{ref} or BYP_CLK_M2	Before lock or during relock
	$F_{dpll} / M2$	DC corrector logic is used (DCC_EN bit is set) with M2 set to 0x1.
CLKOUTX2_M2	$F_{dpll} / M2$	Locked (typical case)
	F_{ref} or BYP_CLK_M2	Before lock or during relock
	$F_{dpll} / M2$	DC corrector logic is used (DCC_EN bit is set).
CLKOUTX2_M3	$F_{dpll} / M3$ or $BYP_CLK_M3/M3$	Locked (typical case)
	0	Before lock or during relock
	$F_{dpll} / M3$ or $BYP_CLK_M3/M3$	DC corrector logic is used (DCC_EN bit is set).

Where:

- M2 is the software-configured division ratio binary value.
- M3 is the software-configured division ratio binary value.
- CLKOUT_M2 and CLKOUTX2_M2 bypass clock input can be switched when the DPLL is not in locked state by using the M2 bypass clock select control bit.
- CLKOUTX2_M3 output clock can be switched when the DPLL is in locked state by using the M3 clock select control bit.

NOTE:

- A value of 0 for M2 and M3 division ratios is not allowed. They are set to 1 after reset.
- CLKOUT_M2 is generated based on a fixed divide-by-2 ratio, except in bypass mode.

The DPLL can contain one or two HSDIVIDER modules to produce more clocks with divided ratio based on the DPLL synthesized clock frequency. HSDIVIDER1 provides four extra post-dividers from H11 to H14 (the output clocks are CLKOUTX2_H11 through CLKOUTX2_H14). HSDIVIDER2 provides four extra post-dividers from H21 through H24 (the output clocks are CLKOUTX2_H21 through CLKOUTX2_H24). The HSDIVIDER output clock frequency is given by the equations in [Table 3-44](#).

Table 3-44. CLKOUTX2_Hmn Frequencies With DPLL State

Equation	DPLL Mode
$CLKOUTX2_Hmn = F_{dpll} / Hmn$	Locked
$CLKOUTX2_Hmn = BYP_CLK_Hmn$	Before lock or during relock

Where:

- F_{dpll} is the DPLL lock frequency.
- Hmn is the software-configured division ratio binary value.
- n is in the range from 1 to 4.
- m is equal to 1 or 2.

NOTE: Hmn division ratio is set to 1 after reset.

All clock outputs of the DPLL can be gated. The PRCM module provides the DPLL with a clock-gating control signal to enable or disable the clock. DPLL provides the PRCM module with a clock activity status signal to let the PRCM module hardware know when the clock is effectively running or effectively gated. The PRCM module provides a CM_IDLEST_DPLL_dppll_name[0] ST_DPLL_CLK status bit, which indicates the lock state or nonlock state of the DPLL.

The type B DPLL (DPLL_USB) has two outputs: CLKOUT and CLKDCOLDO. The DPLL can be programmed to be locked with the output clock frequencies given by the following equation:

- $F_{\text{clkout}} = F_{\text{ref}} \times (M / (N + 1)) \times (1 / M2)$
- $F_{\text{clkdcoldo}} = F_{\text{ref}} \times (M / (N + 1))$

Where:

- F_{clkout} is the frequency of the clock at output CLKOUT.
- $F_{\text{clkdcoldo}}$ is the frequency of the clock at output CLKDCOLDO.
- F_{ref} is the REF_CLK frequency.
- M is the software-configured multiplication ratio binary value.
- N is the software-configured division ratio binary value.
- M2 is the software-configured division ratio binary value.

CLKOUT supports the same bypass modes as previously identified. CLKDCOLDO does not support bypass mode.

The type B DPLL output clock is synthesized by an internal oscillator that is phase-locked to the REF_CLK. Two oscillators are built within a type B DPLL. The oscillators are user-selectable based on the synthesized output clock frequency requirement. If the required frequency is greater than or equal to 1500 MHz, the user must program a value of 1 in the CM_CLKSEL_DPLL_dppll_name[21] DPLL_SELFREQDCO bit. This drives a value of 100 on the SELFREQDCO input of the corresponding type B DPLL. If the required frequency is less than 1500 MHz, the user must program a value of 0 in the CM_CLKSEL_DPLL_dppll_name[21] DPLL_SELFREQDCO bit. This drives a value of 010 on the SELFREQDCO input of the corresponding type B DPLL.

3.6.3.3.3 Enable Control, Status, and Low-Power Operation Mode

The DPLL has a manual mode control bit field, which allows the setting of the different operating modes of the DPLL. When the DPLL is switched to lock mode, the current values of the multiplication ratio (M) and the division ratio (N) are latched in the DPLL. The DPLL then starts the lock or relock sequence to synthesize the corresponding output frequency clock.

The status of the synthesized clock output of the DPLL is represented by the CLKOUT status bit. It can be gated or active.

The type A DPLLs can be switched to low-power operation mode (also called LPMODE) to optimize DPLL power consumption when the input and output clock frequencies are low. This mode can be software-enabled using the low-power mode control bit of the DPLL.

It must be enabled only if both of the following operating conditions are satisfied:

- $F_{\text{ref}} / (N + 1)$ is less than or equal to 1 MHz.
- $F_{\text{ref}} \times M / (N + 1)$ is less than or equal to 100 MHz.

Where:

- F_{ref} is the REF_CLK frequency.
- M is the software-configured multiplication ratio binary value.
- N is the software-configured division ratio binary value.

3.6.3.3.4 DPLL Power Modes

DPLL supports several power modes for type A and only one power mode for type B. Each mode results in a tradeoff between power savings and relock time. The PRCM module allows only a few modes for each DPLL, depending on the use of the DPLL.

Table 3-45 lists the DPLL power modes.

Table 3-45. DPLL Power Modes

Power Mode	CLKOUT State	Logic Current (mA)	Analog Current (mA)	Freq Lock Time	Phase Lock Time
Low-power stop	Clock stopped	0.065 (leakage)	0.009 (leakage)	$2.5 \mu\text{s} + (70 \times (N+1) / F_{\text{ref}})$	$2.5 \mu\text{s} + (120 \times (N+1) / F_{\text{ref}})$
Fast-relock stop	Clock stopped	0.065 (leakage)	0.009 (leakage)	$2.5 \mu\text{s} + (70 \times (N+1) / F_{\text{ref}})$	$2.5 \mu\text{s} + (120 \times (N+1) / F_{\text{ref}})$
Low-power bypass	Bypass clock/clock stopped	0.065 (leakage)	0.009 (leakage)	$2.5 \mu\text{s} + (70 \times (N+1) / F_{\text{ref}})$	$2.5 \mu\text{s} + (120 \times (N+1) / F_{\text{ref}})$
Fast-relock bypass	Bypass clock/clock stopped	0.065 (leakage)	0.5 (leakage)	$0.05 \mu\text{s} + (70 \times (N+1) / F_{\text{ref}})$	$0.05 \mu\text{s} + (120 \times (N+1) / F_{\text{ref}})$
Lock	Synthesized clock	0.95 (active)	3 (active)	N/A	N/A

Where:

- F_{ref} is the REF_CLK frequency.

A DPLL power mode can be achieved on a software request (manual) and/or automatically (automatic), depending on the specific hardware conditions.

A DPLL can switch from one mode to another as a result of the following:

- Software-programmed transition (manual): Software configures the dedicated DPLL manual mode control feature for the next desired DPLL mode. It must ensure that the transition can be performed based on the clock activity on the device.
- Combined software-programmed and hardware-conditions-based transition (auto): This mode allows the DPLL to automatically transition to a low-power state (that is, any state other than the LOCK state) when the output clocks are gated or the destination clock domain is inactive, and to switch back to the LOCK state when the output clock is needed (that is, the clock is ungated or the clock domain becomes active). The desired low-power state for the automatic transition is configured in the dedicated Auto Mode Control parameter of the DPLL.

NOTE: With $T_{\text{ref}} = 1 / F_{\text{ref}} = (N + 1) / \text{CLKINP}$; ($F_{\text{ref}} = \text{CLKINP} / (N + 1)$):

T_{ref} is the REF_CLK period.

This formula indicates that a smaller N divider value provides a smaller time for switching the clock after an M2 post-divider change.

A compromise is necessary between the clock switching latency and power consumption.

Having a smaller N value:

- Requires a higher M2 post-divider value to obtain the same target frequency.
 - Results in a higher DPLL lock frequency, and then higher power consumption.
-

NOTE:

- A manual transition can be performed from any power mode to any other power mode.
 - An automatic transition can be performed from lock mode to any low-power mode.
-

NOTE: When the DPLL is in Low-Power bypass mode, Auto-idle mode is disabled and no clock is requested, the DPLL makes a transition to Low-power stop mode.

3.6.3.3.5 DPLL Recalibration

The DPLL recalibration applies only to type-A DPLLs. Each time the DPLL is reset or performs a lock sequence (following a change in the value of multiplier M or divider N), it performs a recalibration of the output frequency, based on voltage and temperature conditions. In lock mode, the DPLL maintains a steady lock frequency output by compensating for voltage and temperature changes within a certain range. However, if the voltage or temperature drifts outside the range or shows a significant or fast change, the DPLL may not be able to track and compensate it. It would need a recalibration, which is signaled by assertion of a recalibration flag.

NOTE:

- The recalibration mechanism is active only while the DPLL is in lock mode. When the DPLL is in off or bypass mode (low-power or fast-relock), it does not assert the recalibration flag.
 - If the DPLL drifts out of the operating range limits while not locked, and then when it tries to relock, it fails to lock within the normal delay and recalibrates automatically before eventually locking. The only difference between this case and a standard relock is the recalibration delay.
-

During recalibration, the DPLL loses lock and output clock switches to the bypass clock.

The DPLL can automatically start recalibration when the recalibration flag is asserted, or recalibration can be triggered by software control. The trigger setting of the recalibration can be configured by the corresponding registers of the DPLL in the PRCM module. The software-controlled recalibration mode is selected by default.

Software-controlled recalibration: The DPLL continues its tracking mechanism as long as the recalibration is not triggered by software (that is, by enabling the recalibration-enable control parameter). If the DPLL reaches upper or lower bounds of the DCO control code and software has still not triggered recalibration, the DPLL stops its tracking mechanism. The output clock remains active, but frequency and jitter are not ensured to meet the requirement.

Automatic recalibration: The DPLL immediately starts the recalibration as soon as the recalibration flag is asserted.

NOTE: Automatic recalibration of the DPLL can start at any time. While relocking, the DPLL switches to bypass mode, which introduces a frequency change. For modules that are sensitive to frequency change while operating, this can introduce operational instability. For example, the external memory EMIF controller is sensitive to a frequency change on the DPLL because its embedded DLL relocks on a frequency change. Any EMIF access during this DLL relock period can be corrupted. It is, therefore, important to stall EMIF access during DPLL recalibration.

To allow software to recalibrate the DPLL at the correct time depending on the device activity, the PRCM module can generate a wake-up event on the processor power domain, followed by an interrupt on the processor subsystem when the DPLL recalibration flag is asserted.

Table 3-46 lists the DPLL recalibration and control parameters.

Table 3-46. DPLL Recalibration Control Parameters

Parameter	Register	Description
Recalibration-enable control	CM_CLKMODE_DPLL_<module>[8] DPLL_DRIFTGUARD_EN	Enable/disable the DPLL automatic recalibration feature.
Recalibration-interrupt mask control	PRM_IRQENABLE_MPU PRM_IRQENABLE_MPU_2 PRM_IRQENABLE_IPU1 PRM_IRQENABLE_IPU2 PRM_IRQENABLE_DSP1	Mask/unmask the DPLL recalibration interrupt to processor.

Table 3-46. DPLL Recalibration Control Parameters (continued)

Parameter	Register	Description
Recalibration-interrupt status	PRM_IRQSTATUS_MPU PRM_IRQSTATUS_MPU_2 PRM_IRQSTATUS_IPU1 PRM_IRQSTATUS_IPU2 PRM_IRQSTATUS_DSP1	Status of the DPLL recalibration interrupt to processor

3.6.3.3.6 DPLL Output Power Down

The DCO clock LDO (DCOCLKLDO) of the DPLL can be powered down if all output dividers of the DPLL are powered down. The PRCM module automatically reenables the power to the LDO when an output divider is powered up or the DPLL switches to bypass mode.

Table 3-47. DPLL Power-Down Control Parameters

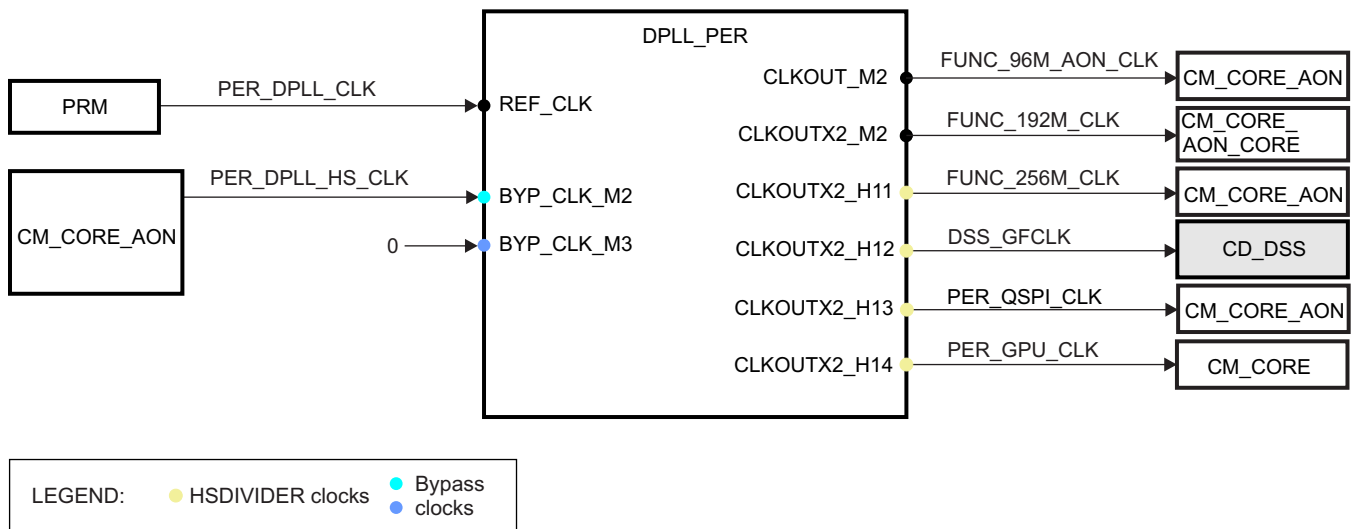
Parameter	Description
DCO clock LDO power down control	Enable/disable automatic power-down feature if all output dividers are powered down.

3.6.3.4 DPLL_PER Description

3.6.3.4.1 DPLL_PER Overview

Figure 3-46 is an overview of the DPLL. For a functional overview of a generic DPLL module, see Section 3.6.3.3, *Generic DPLL Overview*.

Figure 3-46. DPLL_PER Overview



prcm-042

3.6.3.4.2 DPLL_PER Synthesized Clock Parameters

This section describes the clock synthesis and clock out divider parameters of the DPLL. For an explanation of the clock synthesis and output divider parameters of the DPLL module, see Section 3.6.3.3, *Generic DPLL Overview*.

Table 3-48 lists the clock synthesis parameters of the DPLL.

Table 3-48. DPLL_PER Clock Synthesis Parameters

Parameter Name	Control Bit Field
M	CM_CLKSEL_DPLL_PER[18:8] DPLL_MULT
N	CM_CLKSEL_DPLL_PER[6:0] DPLL_DIV

Table 3-49 lists the clock output divider parameters of the DPLL.

Table 3-49. DPLL_PER Clock Output Parameters

Clock Output/Divider	Parameter Name	Control/Status Bit Field
CLKOUT_M2	Status	CM_DIV_M2_DPLL_PER[9] CLKST
CLKOUT_M2	Divider control	CM_DIV_M2_DPLL_PER[4:0] DIVHS
CLKOUTX2_M2	Status	CM_DIV_M2_DPLL_PER[11] CLKX2ST
CLKOUTX2_H11	Status	CM_DIV_H11_DPLL_PER[9] CLKST
CLKOUTX2_H11	Divider control	CM_DIV_H11_DPLL_PER[5:0] DIVHS
CLKOUTX2_H12	Status	CM_DIV_H12_DPLL_PER[9] CLKST
CLKOUTX2_H12	Divider control	CM_DIV_H12_DPLL_PER[5:0] DIVHS
CLKOUTX2_H13	Status	CM_DIV_H13_DPLL_PER[9] CLKST
CLKOUTX2_H13	Divider control	CM_DIV_H13_DPLL_PER[5:0] DIVHS
CLKOUTX2_H14	Status	CM_DIV_H14_DPLL_PER[9] CLKST
CLKOUTX2_H14	Divider control	CM_DIV_H14_DPLL_PER[5:0] DIVHS

3.6.3.4.3 DPLL_PER Power Modes

This section identifies the operating modes supported by the DPLL and the control bit fields to set its operating modes. For an explanation of the DPLL operating modes and the associated control and status features, see [Section 3.6.3.3.3, Enable Control, Status, and Low-Power Operation Mode](#), and [Section 3.6.3.3.4, DPLL Power Modes](#).

Table 3-50 lists the operating modes supported by the DPLL.

Table 3-50. DPLL_PER Modes

Low-Power Stop	Fast-Relock Stop	Low-Power Bypass	Fast-Relock Bypass	Lock
Not available	Not available	Available	Available	Available

Table 3-51 lists the control bit fields for the operating mode control of the DPLL.

Table 3-51. DPLL_PER Mode Control Parameters

Parameter Name	Control Bit Field
Low-Power Mode Control	CM_CLKMODE_DPLL_PER[10] DPLL_LPMODE_EN
Manual Mode Control	CM_CLKMODE_DPLL_PER[2:0] DPLL_EN
Auto Mode Control	CM_AUTOIDLE_DPLL_PER[2:0] AUTO_DPLL_MODE

3.6.3.4.4 DPLL_PER Recalibration

Table 3-52 lists the control bit fields for the recalibration feature enable and interrupts of the DPLL. For an explanation of the DPLL recalibration feature, see [Section 3.6.3.3.5, DPLL Recalibration](#).

Table 3-52. DPLL_PER Recalibration Feature Parameters

Parameter Name	Control/Status Bit Field
Recalibration – Enable Control	CM_CLKMODE_DPLL_PER[8] DPLL_DRIFTGUARD_EN
Recalibration – Interrupt Status	PRM_IRQSTATUS_MPU[3] DPLL_PER_RECAL_ST

Table 3-52. DPLL_PER Recalibration Feature Parameters (continued)

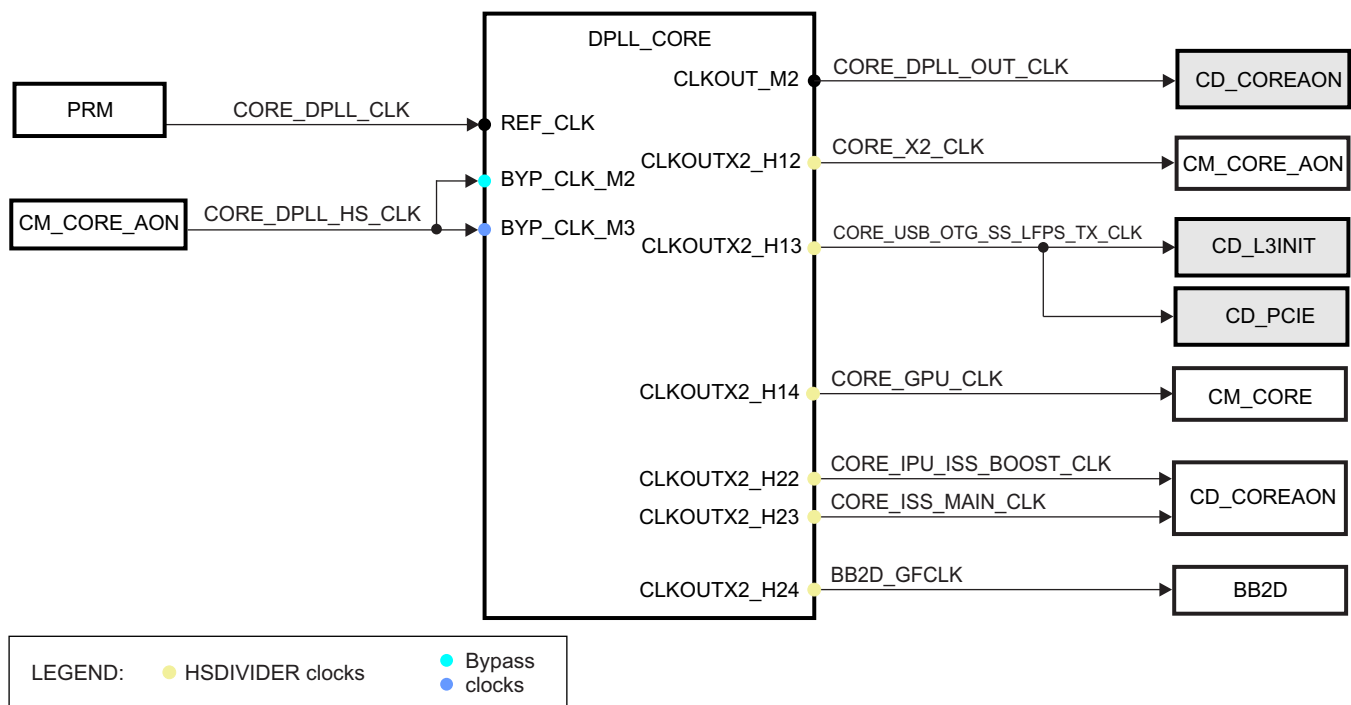
Parameter Name	Control/Status Bit Field
Recalibration – Interrupt Mask Control	PRM_IRQENABLE_MPU[3] DPLL_PER_RECAL_EN
Recalibration – Interrupt Status	PRM_IRQSTATUS_IPU1[3] DPLL_PER_RECAL_ST
Recalibration – Interrupt Mask Control	PRM_IRQENABLE_IPU1[3] DPLL_PER_RECAL_EN
Recalibration – Interrupt Status	PRM_IRQSTATUS_IPU2[3] DPLL_PER_RECAL_ST
Recalibration – Interrupt Mask Control	PRM_IRQENABLE_IPU2[3] DPLL_PER_RECAL_EN
Recalibration – Interrupt Status	PRM_IRQSTATUS_DSP1[3] DPLL_PER_RECAL_ST
Recalibration – Interrupt Mask Control	PRM_IRQENABLE_DSP1[3] DPLL_PER_RECAL_EN

3.6.3.5 DPLL_CORE Description

3.6.3.5.1 DPLL_CORE Overview

Figure 3-47 is an overview of the DPLL. For a functional overview of a generic DPLL module, see Section 3.6.3.3, *Generic DPLL Overview*.

Figure 3-47. DPLL_CORE Overview



prcm-043

3.6.3.5.2 DPLL_CORE Synthesized Clock Parameters

This section describes the clock synthesis and clock-out divider parameters of the DPLL. For an explanation of the clock synthesis and output divider parameters of the DPLL module, see Section 3.6.3.3, *Generic DPLL Overview*.

Table 3-53 lists the clock synthesis parameters of the DPLL.

Table 3-53. DPLL_CORE Clock Synthesis Parameters

Parameter Name	Control Bit Field
M	CM_CLKSEL_DPLL_CORE[18:8] DPLL_MULT
N	CM_CLKSEL_DPLL_CORE[6:0] DPLL_DIV

Table 3-53. DPLL_CORE Clock Synthesis Parameters (continued)

Parameter Name	Control Bit Field
M (restore)	CM_CLKSEL_DPLL_CORE_RESTORE[18:8] DPLL_MULT
N (restore)	CM_CLKSEL_DPLL_CORE_RESTORE[6:0] DPLL_DIV

Table 3-54 lists the clock output divider parameters of the DPLL.

Table 3-54. DPLL_CORE Clock Output Parameters

Clock Output/Divider	Parameter Name	Control/Status Bit Field
CLKOUT_M2	Status	CM_DIV_M2_DPLL_CORE[9] CLKST
CLKOUT_M2	Divider control	CM_DIV_M2_DPLL_CORE[4:0] DIVHS
CLKOUTX2_H12	Status	CM_DIV_H12_DPLL_CORE[9] CLKST
CLKOUTX2_H12	Divider control	CM_DIV_H12_DPLL_CORE[5:0] DIVHS
CLKOUTX2_H13	Status	CM_DIV_H13_DPLL_CORE[9] CLKST
CLKOUTX2_H13	Divider control	CM_DIV_H13_DPLL_CORE[5:0] DIVHS
CLKOUTX2_H14	Status	CM_DIV_H14_DPLL_CORE[9] CLKST
CLKOUTX2_H14	Divider control	CM_DIV_H14_DPLL_CORE[5:0] DIVHS
CLKOUTX2_H22	Status	CM_DIV_H22_DPLL_CORE[9] CLKST
CLKOUTX2_H22	Divider control	CM_DIV_H22_DPLL_CORE[5:0] DIVHS
CLKOUTX2_H23	Status	CM_DIV_H23_DPLL_CORE[9] CLKST
CLKOUTX2_H23	Divider control	CM_DIV_H23_DPLL_CORE[5:0] DIVHS
CLKOUTX2_H24	Status	CM_DIV_H24_DPLL_CORE[9]CLKST
CLKOUTX2_H24	Divider control	CM_DIV_H24_DPLL_CORE[5:0]DIVHS

3.6.3.5.3 DPLL_CORE Power Modes

This section identifies the operating modes supported by the DPLL and the control bit fields to set its operating modes. For an explanation of the DPLL operating modes and associated control and status features, see [Section 3.6.3.3.3, Enable Control, Status, and Low-Power Operation Mode](#), and [Section 3.6.3.3.4, DPLL Power Modes](#).

Table 3-55 lists the operating modes supported by the DPLL.

Table 3-55. DPLL_CORE Modes

Low-Power Stop	Fast-Relock Stop	Low-Power Bypass	Fast-Relock Bypass	Lock
Not available	Not available	Available	Available	Available

Table 3-56 lists the control bit fields for the operating mode control of the DPLL.

Table 3-56. DPLL_CORE Mode Control Parameters

Parameter Name	Control Bit Field
Low-Power Mode Control	CM_CLKMODE_DPLL_CORE[10] DPLL_LPMODE_EN
Manual Mode Control	CM_CLKMODE_DPLL_CORE[2:0] DPLL_EN
Auto Mode Control	CM_AUTOIDLE_DPLL_CORE[2:0] AUTO_DPLL_MODE
Low-Power Mode Control (Restore)	CM_CLKMODE_DPLL_CORE_RESTORE[10] DPLL_LPMODE_EN
Manual Mode Control (Restore)	CM_CLKMODE_DPLL_CORE_RESTORE[2:0] DPLL_EN
Auto Mode Control (Restore)	CM_AUTOIDLE_DPLL_CORE_RESTORE[2:0] AUTO_DPLL_MODE

3.6.3.5.4 DPLL_CORE Recalibration

Table 3-57 lists the control bit fields for the recalibration feature enable and interrupts of the DPLL. For an explanation of the DPLL recalibration feature, see Section 3.6.3.3.5, *DPLL Recalibration*.

Table 3-57. DPLL_CORE Recalibration Feature Parameters

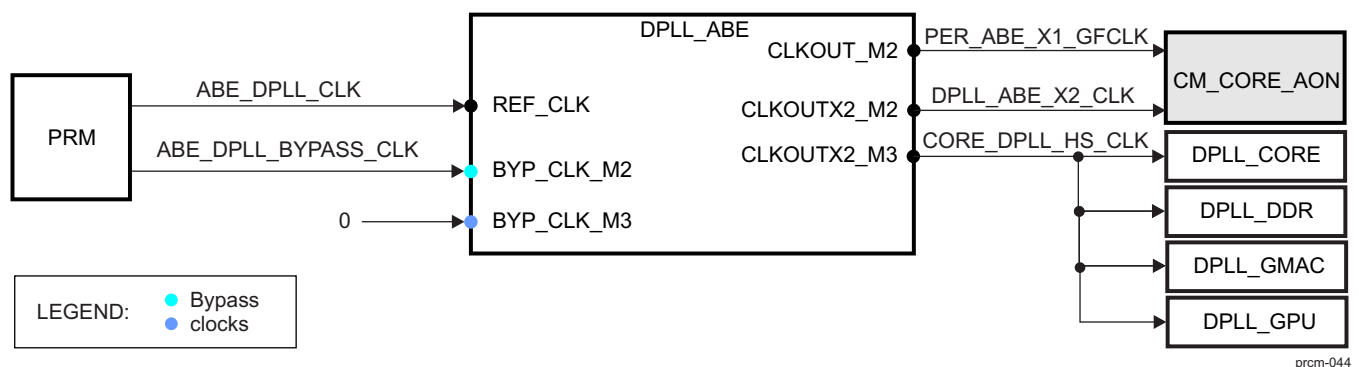
Parameter Name	Control/Status Bit Field
Recalibration – Enable Control	CM_CLKMODE_DPLL_CORE[8] DPLL_DRIFTGUARD_EN
Recalibration – Interrupt Status	PRM_IRQSTATUS_MPU[0] DPLL_CORE_RECAL_ST
Recalibration – Interrupt Mask Control	PRM_IRQENABLE_MPU[0] DPLL_CORE_RECAL_EN
Recalibration – Interrupt Status	PRM_IRQSTATUS_IPU1[0] DPLL_CORE_RECAL_ST
Recalibration – Interrupt Mask Control	PRM_IRQENABLE_IPU1[0] DPLL_CORE_RECAL_EN
Recalibration – Interrupt Status	PRM_IRQSTATUS_IPU2[0] DPLL_CORE_RECAL_ST
Recalibration – Interrupt Mask Control	PRM_IRQENABLE_IPU2[0] DPLL_CORE_RECAL_EN
Recalibration – Interrupt Status	PRM_IRQSTATUS_DSP1[0] DPLL_CORE_RECAL_ST
Recalibration – Interrupt Mask Control	PRM_IRQENABLE_DSP1[0] DPLL_CORE_RECAL_EN

3.6.3.6 DPLL_ABE Description

3.6.3.6.1 DPLL_ABE Overview

Figure 3-48 is an overview of the DPLL. For a functional overview of a generic DPLL module, see Section 3.6.3.3, *Generic DPLL Overview*.

Figure 3-48. DPLL_ABE Overview



3.6.3.6.2 DPLL_ABE Synthesized Clock Parameters

This section describes the clock synthesis and clock-out divider parameters of the DPLL. For an explanation of the clock synthesis and output divider parameters of the DPLL module, see Section 3.6.3.3, *Generic DPLL Overview*.

Table 3-58 lists the clock synthesis parameters of the DPLL.

Table 3-58. DPLL_ABE Clock Synthesis Parameters

Parameter Name	Control Bit Field
M	CM_CLKSEL_DPLL_ABE[18:8] DPLL_MULT
N	CM_CLKSEL_DPLL_ABE[6:0] DPLL_DIV
REGM4XEN	CM_CLKMODE_DPLL_ABE[11] DPLL_REGM4XEN

Table 3-59 lists the clock output divider parameters of the DPLL.

Table 3-59. DPLL_ABE Clock Output Parameters

Clock Output/Divider	Parameter Name	Control/Status Bit Field
CLKOUT_M2	Status	CM_DIV_M2_DPLL_ABE[9] CLKST
CLKOUT_M2	Divider Control	CM_DIV_M2_DPLL_ABE[4:0] DIVHS
CLKOUTX2_M2	Status	CM_DIV_M2_DPLL_ABE[11] CLKX2ST
CLKOUTX2_M3	Status	CM_DIV_M3_DPLL_ABE[9] CLKST
CLKOUTX2_M3	Divider Control	CM_DIV_M3_DPLL_ABE [4:0] DIVHS

3.6.3.6.3 DPLL_ABE Power Modes

This section identifies the operating modes supported by the DPLL and the control bit fields to set its operating modes. For an explanation of the DPLL operating modes and associated control and status features, see [Section 3.6.3.3.3, Enable Control, Status, and Low-Power Operation Mode](#), and [Section 3.6.3.3.4, DPLL Power Mode](#).

[Table 3-60](#) lists the operating modes supported by the DPLL.

Table 3-60. DPLL_ABE Modes

Low-Power Stop	Fast-Relock Stop	Low-Power Bypass	Fast-Relock Bypass	Lock
Not available	Not available	Available	Available	Available

[Table 3-61](#) lists the control bit fields for the operating mode control of the DPLL.

Table 3-61. DPLL_ABE Mode Control Parameters

Parameter Name	Control Bit Field
Low-Power Mode Control	CM_CLKMODE_DPLL_ABE[10] DPLL_LP_MODE_EN
Manual Mode Control	CM_CLKMODE_DPLL_ABE[2:0] DPLL_EN
Auto Mode Control	CM_AUTOIDLE_DPLL_ABE[2:0] AUTO_DPLL_MODE

3.6.3.6.4 DPLL_ABE Recalibration

[Table 3-62](#) lists the control bit fields for the recalibration feature enable and interrupts of the DPLL. For an explanation of the DPLL recalibration feature, see [Section 3.6.3.3.5, DPLL Recalibration](#).

Table 3-62. DPLL_ABE Recalibration Feature Parameters

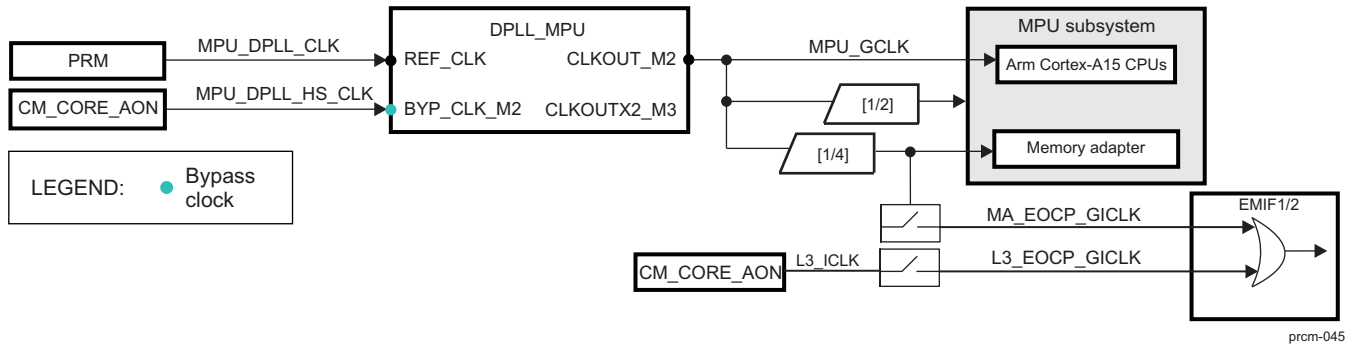
Parameter Name	Control/Status Bit Field
Recalibration – Enable Control	CM_CLKMODE_DPLL_ABE[8] DPLL_DRIFTGUARD_EN
Recalibration – Interrupt Status	PRM_IRQSTATUS_MPU[4] DPLL_ABE_RECAL_ST
Recalibration – Interrupt Mask Control	PRM_IRQENABLE_MPU[4] DPLL_ABE_RECAL_EN
Recalibration – Interrupt Status	PRM_IRQSTATUS_IPU1[4] DPLL_ABE_RECAL_ST
Recalibration – Interrupt Mask Control	PRM_IRQENABLE_IPU1[4] DPLL_ABE_RECAL_EN
Recalibration – Interrupt Status	PRM_IRQSTATUS_IPU2[4] DPLL_ABE_RECAL_ST
Recalibration – Interrupt Mask Control	PRM_IRQENABLE_IPU2[4] DPLL_ABE_RECAL_EN
Recalibration – Interrupt Status	PRM_IRQSTATUS_DSP1[4] DPLL_ABE_RECAL_ST
Recalibration – Interrupt Mask Control	PRM_IRQENABLE_DSP1[4] DPLL_ABE_RECAL_EN

3.6.3.7 DPLL_MPU Description

3.6.3.7.1 DPLL_MPU Overview

Figure 3-49 is an overview of the DPLL. For a functional overview of a generic DPLL module, see Section 3.6.3.3, *Generic DPLL Overview*.

Figure 3-49. DPLL_MPU Overview



3.6.3.7.2 DPLL_MPU Tactical Clocking Adjustment

Figure 3-49 includes the clocking adjustment scheme for DPLL_MPU. Another clock is requested by the EMIF1/2 modules and this clock must be dynamically switched between L3_EOCP_GICLK clock and MA_EOCP_GICLK clock coming from the MPU subsystem (namely from Memory Adapter part of it), depending on the respective activity of MPU and EMIF clock domain.

3.6.3.7.3 DPLL_MPU Synthesized Clock Parameters

This section describes the clock synthesis and clock out divider parameters of the DPLL. See Section 3.6.3.3, *Generic DPLL Overview*, for an explanation of the clock synthesis and output divider parameters of the DPLL module.

Table 3-63 lists the clock synthesis parameters of the DPLL.

Table 3-63. DPLL_MPU Clock Synthesis Parameters

Parameter Name	Control Bit Field
M	CM_CLKSEL_DPLL_MPU[18:8] DPLL_MULT
N	CM_CLKSEL_DPLL_MPU[6:0] DPLL_DIV

Table 3-64 lists the clock output divider parameters of the DPLL.

Table 3-64. DPLL_MPU Clock Output Parameters

Clock Output/Divider	Parameter Name	Control/Status Bit Field
CLKOUT_M2	Status	CM_DIV_M2_DPLL_MPU[9] CLKST
CLKOUT_M2	Divider control	CM_DIV_M2_DPLL_MPU[4:0] DIVHS
CLKOUT_M2 - DCC	DCC feature control	CM_CLKSEL_DPLL_MPU[22] DCC_EN

3.6.3.7.4 DPLL_MPU Power Modes

This section identifies the operating modes supported by the DPLL and the control bit fields to set its operating modes. For an explanation of the DPLL operating modes, and associated control and status features, see Section 3.6.3.3.3, *Enable Control, Status, and Low-Power Operation Mode*, and Section 3.6.3.3.4, *DPLL Power Modes*.

Table 3-65 lists the operating modes supported by the DPLL.

Table 3-65. DPLL_MPU Modes

Low-Power Stop	Fast-Relock Stop	Low-Power Bypass	Fast-Relock Bypass	Lock
Not available	Not available	Available	Available	Available

Table 3-66 lists the control bit fields for the operating mode control of the DPLL.

Table 3-66. DPLL_MPU Mode Control Parameters

Parameter Name	Control Bit Field
Low-Power Mode Control	CM_CLKMODE_DPLL_MPU[10] DPLL_LPMODE_EN
Manual Mode Control	CM_CLKMODE_DPLL_MPU[2:0] DPLL_EN
Auto Mode Control	CM_AUTOIDLE_DPLL_MPU[2:0] AUTO_DPLL_MODE

NOTE: The user software must ensure that the MPU voltage domain is on before programming DPLL_MPU. This can be ensured by performing a forced wakeup (CLKCTRL= SW_WKUP) on MPU domain. When software detects that the domain is "ON", DPLL_MPU can be programmed.

3.6.3.7.5 DPLL_MPU Recalibration

Table 3-67 lists the control bit fields for the recalibration feature enable and interrupts of the DPLL. For an explanation of the DPLL recalibration feature, see Section 3.6.3.3.5, *DPLL Recalibration*.

Table 3-67. DPLL_MPU Recalibration Feature Parameters

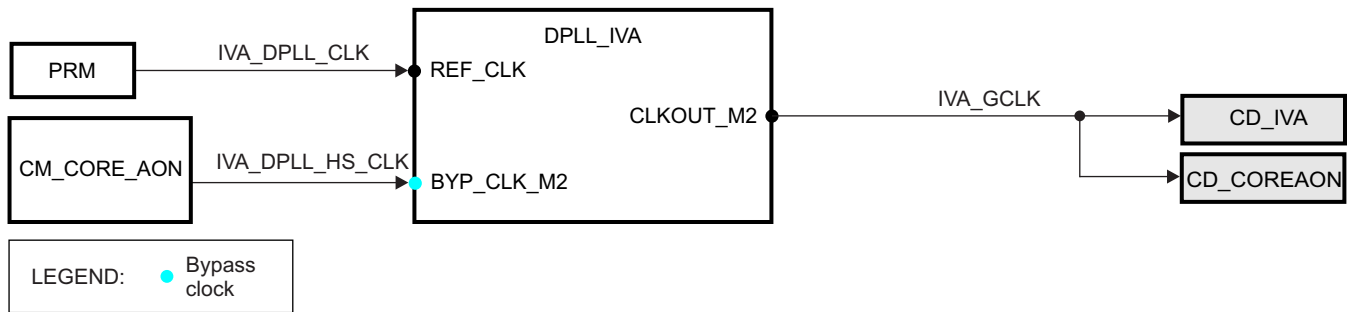
Parameter Name	Control/Status Bit Field
Recalibration – Enable Control	CM_CLKMODE_DPLL_MPU[8] DPLL_DRIFTGUARD_EN
Recalibration – Interrupt Status	PRM_IRQSTATUS_MPU[1] DPLL_MPU_RECAL_ST
Recalibration – Interrupt Mask Control	PRM_IRQENABLE_MPU[1] DPLL_MPU_RECAL_EN
Recalibration – Interrupt Status	PRM_IRQSTATUS_IPU1[1] DPLL_MPU_RECAL_ST
Recalibration – Interrupt Mask Control	PRM_IRQENABLE_IPU1[1] DPLL_MPU_RECAL_EN
Recalibration – Interrupt Status	PRM_IRQSTATUS_IPU2[1] DPLL_MPU_RECAL_ST
Recalibration – Interrupt Mask Control	PRM_IRQENABLE_IPU2[1] DPLL_MPU_RECAL_EN
Recalibration – Interrupt Status	PRM_IRQSTATUS_DSP1[1] DPLL_MPU_RECAL_ST
Recalibration – Interrupt Mask Control	PRM_IRQENABLE_DSP1[1] DPLL_MPU_RECAL_EN

3.6.3.8 DPLL_IVA Description

3.6.3.8.1 DPLL_IVA Overview

Figure 3-50 is an overview of the DPLL. For a functional overview of a generic DPLL module, see Section 3.6.3.3, *Generic DPLL Overview*.

Figure 3-50. DPLL_IVA Overview



prcm-046

3.6.3.8.2 DPLL_IVA Synthesized Clock Parameters

This section describes the clock synthesis and clock-out divider parameters of the DPLL. For an explanation of the clock synthesis and output divider parameters of the DPLL module, see [Section 3.6.3.3, Generic DPLL Overview](#).

[Table 3-68](#) lists the clock synthesis parameters of the DPLL.

Table 3-68. DPLL_IVA Clock Synthesis Parameters

Parameter Name	Control Bit Field
M	CM_CLKSEL_DPLL_IVA[18:8] DPLL_MULT
N	CM_CLKSEL_DPLL_IVA[6:0] DPLL_DIV

[Table 3-69](#) lists the clock output divider parameters of the DPLL.

Table 3-69. DPLL_IVA Clock Output Parameters

Clock Output/Divider	Parameter Name	Control/Status Bit Field
CLKOUT_M2	Status	CM_DIV_M2_DPLL_IVA[9] CLKST
CLKOUT_M2	Divider control	CM_DIV_M2_DPLL_IVA[4:0] DIVHS

3.6.3.8.3 DPLL_IVA Power Modes

This section identifies the operating modes supported by the DPLL and the control bit fields to set its operating modes. For an explanation of the DPLL operating modes and associated control and status features, see [Section 3.6.3.3.3, Enable Control, Status, and Low-Power Operation Mode](#), and [Section 3.6.3.3.4, DPLL Power Modes](#).

[Table 3-70](#) lists the operating modes supported by the DPLL.

Table 3-70. DPLL_IVA Modes

Low-Power Stop	Fast-Relock Stop	Low-Power Bypass	Fast-Relock Bypass	Lock
Not available	Not available	Available	Available	Available

[Table 3-71](#) lists the control bit fields for the operating mode control of the DPLL.

Table 3-71. DPLL_IVA Mode Control Parameters

Parameter Name	Control Bit Field
Low-Power Mode Control	CM_CLKMODE_DPLL_IVA[10] DPLL_LPMODE_EN
Manual Mode Control	CM_CLKMODE_DPLL_IVA[2:0] DPLL_EN
Auto Mode Control	CM_AUTOIDLE_DPLL_IVA[2:0] AUTO_DPLL_MODE

3.6.3.8.4 DPLL_IVA Recalibration

Table 3-72 lists the control bit fields for the recalibration feature enable and interrupts of the DPLL. For an explanation of the DPLL recalibration feature, see Section 3.6.3.3.5, *DPLL Recalibration*.

Table 3-72. DPLL_IVA Recalibration Feature Parameters

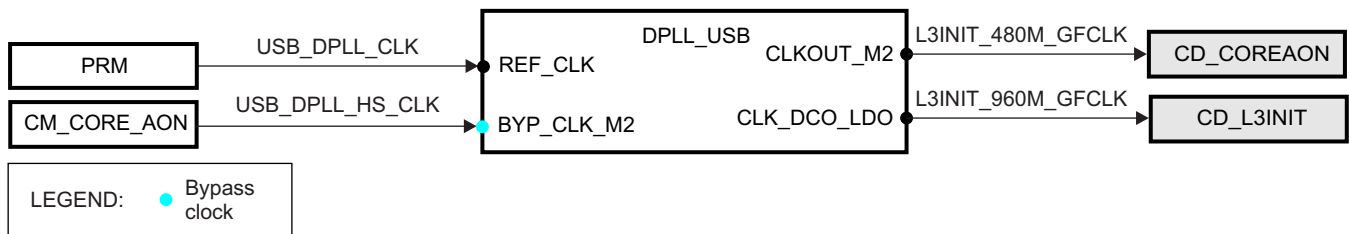
Parameter Name	Control/Status Bit Field
Recalibration – Enable Control	CM_CLKMODE_DPLL_IVA[8] DPLL_DRIFTGUARD_EN
Recalibration – Interrupt Status	PRM_IRQSTATUS_MPU[2] DPLL_IVA_RECAL_ST
Recalibration – Interrupt Mask Control	PRM_IRQENABLE_MPU[2] DPLL_IVA_RECAL_EN
Recalibration – Interrupt Status	PRM_IRQSTATUS_IPU1[2] DPLL_IVA_RECAL_ST
Recalibration – Interrupt Mask Control	PRM_IRQENABLE_IPU1[2] DPLL_IVA_RECAL_EN
Recalibration – Interrupt Status	PRM_IRQSTATUS_IPU2[2] DPLL_IVA_RECAL_ST
Recalibration – Interrupt Mask Control	PRM_IRQENABLE_IPU2[2] DPLL_IVA_RECAL_EN
Recalibration – Interrupt Status	PRM_IRQSTATUS_DSP1[2] DPLL_IVA_RECAL_ST
Recalibration – Interrupt Mask Control	PRM_IRQENABLE_DSP1[2] DPLL_IVA_RECAL_EN

3.6.3.9 DPLL_USB Description

3.6.3.9.1 DPLL_USB Overview

Figure 3-51 is an overview of the DPLL. For a functional overview of a generic DPLL module, see Section 3.6.3.3, *Generic DPLL Overview*.

Figure 3-51. DPLL_USB Overview



prom-047

3.6.3.9.2 DPLL_USB Synthesized Clock Parameters

This section describes the clock synthesis and clock out divider parameters of the DPLL. For an explanation of the clock synthesis and output divider parameters of the DPLL module, see Section 3.6.3.3, *Generic DPLL Overview*.

Table 3-73 lists the clock synthesis parameters of the DPLL.

Table 3-73. DPLL_USB Clock Synthesis Parameters

Parameter Name	Control Bit Field
M	CM_CLKSEL_DPLL_USB[19:8] DPLL_MULT
N	CM_CLKSEL_DPLL_USB[7:0] DPLL_DIV

Table 3-74 lists the clock output divider parameters of the DPLL.

Table 3-74. DPLL_USB Clock Output Parameters

Clock Output/Divider	Parameter Name	Control/Status Bit Field
CLKOUT_M2	Status	CM_DIV_M2_DPLL_USB[9] CLKST
CLKOUT_M2	Divider control	CM_DIV_M2_DPLL_USB[6:0] DIVHS

Table 3-74. DPLL_USB Clock Output Parameters (continued)

Clock Output/Divider	Parameter Name	Control/Status Bit Field
CLK_DCO_LDO	DCO output control	CM_CLKSEL_DPLL_USB[21] DPLL_SELFREQDCO

3.6.3.9.3 DPLL_USB Power Modes

This section identifies the operating modes supported by the DPLL and the control bit fields to set its operating modes. For an explanation of the DPLL operating modes and associated control and status features, see [Section 3.6.3.3.3, Enable Control, Status, and Low-Power Operation Mode](#), and [Section 3.6.3.3.4, DPLL Power Modes](#).

[Table 3-75](#) lists the operating modes supported by the DPLL.

Table 3-75. DPLL_USB Modes

Low-Power Stop	Fast-Relock Stop	Low-Power Bypass	Fast-Relock Bypass	Lock
Available	Not available	Available	Not available	Available

[Table 3-76](#) lists the control bit fields for the operating mode control of the DPLL.

Table 3-76. DPLL_USB Mode Control Parameters

Parameter Name	Control Bit Field
Manual Mode Control	CM_CLKMODE_DPLL_USB[2:0] DPLL_EN
Auto Mode Control	CM_AUTOIDLE_DPLL_USB[2:0] AUTO_DPLL_MODE

3.6.3.9.4 DPLL_USB Recalibration

[Table 3-77](#) lists the control bit fields for the recalibration feature enable and interrupts of the DPLL. For an explanation of the DPLL recalibration feature, see [Section 3.6.3.3.5, DPLL Recalibration](#).

Table 3-77. DPLL_USB Recalibration Feature Parameters

Parameter Name	Control/Status Bit Field
Recalibration – Interrupt Mask Control	PRM_IRQENABLE_DSP1[13] DPLL_USB_RECAL_EN ⁽¹⁾

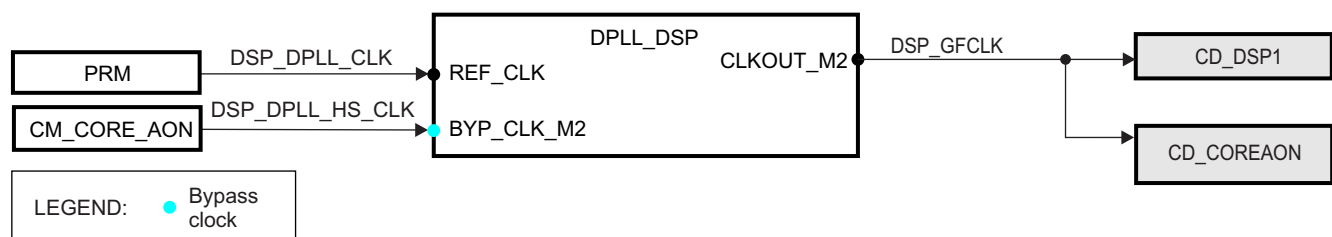
⁽¹⁾ DPLL_USB recalibration feature is not supported on the AM571x and AM570x family of devices.

3.6.3.10 DPLL_DSP Description

3.6.3.10.1 DPLL_DSP Overview

[Figure 3-52](#) is an overview of the DPLL. For a functional overview of a generic DPLL module, see [Section 3.6.3.3, Generic DPLL Overview](#).

Figure 3-52. DPLL_DSP Overview



prcm-049

3.6.3.10.2 DPLL_DSP Synthesized Clock Parameters

This section lists the clock synthesis and clock out divider parameters of the DPLL. For an explanation of the clock synthesis and output divider parameters of the DPLL module, see [Section 3.6.3.3, Generic DPLL Overview](#).

[Table 3-78](#) lists the clock synthesis parameters of the DPLL.

Table 3-78. DPLL_DSP Clock Synthesis Parameters

Parameter Name	Control Bit Field
M	CM_CLKSEL_DPLL_DSP[18:8] DPLL_MULT
N	CM_CLKSEL_DPLL_DSP[6:0] DPLL_DIV

[Table 3-79](#) lists the clock output divider parameters of the DPLL.

Table 3-79. DPLL_DSP Clock Output Parameters

Clock Output/Divider	Parameter Name	Control/Status Bit Field
CLKOUT_M2	Status	CM_DIV_M2_DPLL_DSP[9] CLKST
CLKOUT_M2	Divider control	CM_DIV_M2_DPLL_DSP[4:0] DIVHS

3.6.3.10.3 DPLL_DSP Power Modes

This section identifies the operating modes supported by the DPLL and the control bit fields to set its operating modes. For an explanation of the DPLL operating modes and associated control and status features, see [Section 3.6.3.3.3, Enable Control, Status, and Low-Power Operation Mode](#), and [Section 3.6.3.3.4, DPLL Power Modes](#).

[Table 3-80](#) lists the operating modes supported by the DPLL.

Table 3-80. DPLL_DSP Modes

Low-Power Stop	Fast-Relock Stop	Low-Power Bypass	Fast-Relock Bypass	Lock
Available	Available	Available	Available	Not available

[Table 3-81](#) lists the control bit fields for the operating mode control of the DPLL.

Table 3-81. DPLL_DSP Mode Control Parameters

Parameter Name	Control Bit Field
Manual Mode Control	CM_CLKMODE_DPLL_DSP[2:0] DPLL_EN
Auto Mode Control	CM_AUTOIDLE_DPLL_DSP[2:0] AUTO_DPLL_MODE

3.6.3.10.4 DPLL_DSP Recalibration

[Table 3-82](#) lists the control bit fields for the recalibration feature enable and interrupts of the DPLL. For an explanation of the DPLL recalibration feature, see [Section 3.6.3.3.5, DPLL Recalibration](#).

Table 3-82. DPLL_DSP Recalibration Feature Parameters

Parameter Name	Control/Status Bit Field
Recalibration – Enable Control	CM_CLKMODE_DPLL_DSP[8] DPLL_DRIFTGUARD_EN
Recalibration – Interrupt Status	PRM_IRQSTATUS_MPU[11] DPLL_DSP_RECAL_ST
Recalibration – Interrupt Mask Control	PRM_IRQENABLE_MPU[10] DPLL_DSP_RECAL_EN
Recalibration – Interrupt Status	PRM_IRQSTATUS_IPU1[11] DPLL_DSP_RECAL_ST
Recalibration – Interrupt Mask Control	PRM_IRQENABLE_IPU1[11] DPLL_DSP_RECAL_EN
Recalibration – Interrupt Status	PRM_IRQSTATUS_IPU2[11] DPLL_DSP_RECAL_ST

Table 3-82. DPLL_DSP Recalibration Feature Parameters (continued)

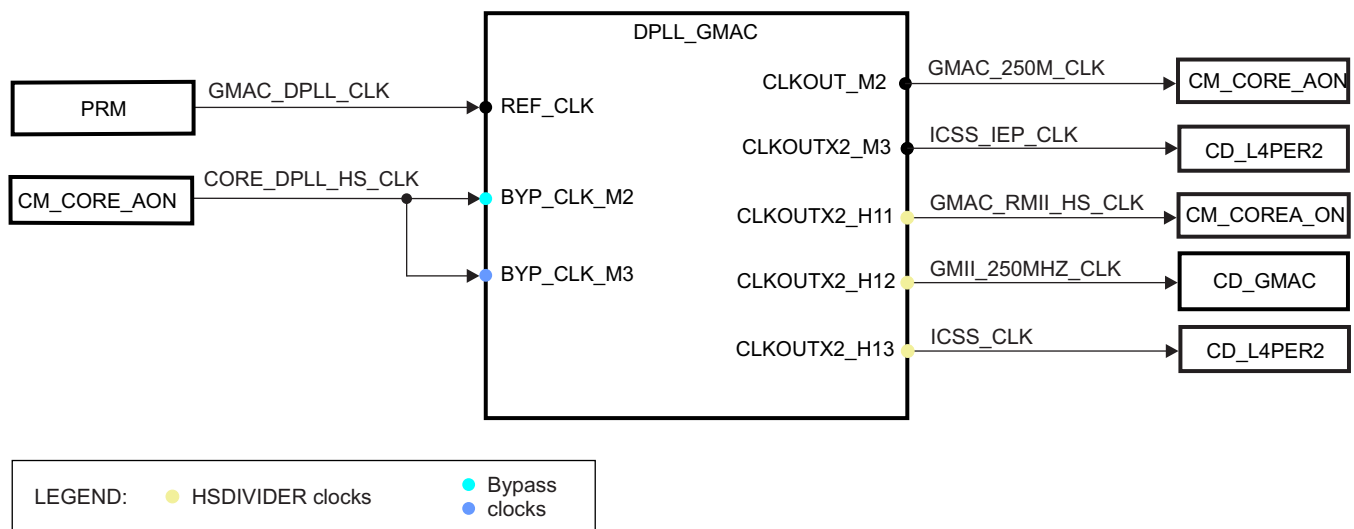
Parameter Name	Control/Status Bit Field
Recalibration – Interrupt Mask Control	PRM_IRQENABLE_IPU2[11] DPLL_DSP_RECAL_EN
Recalibration – Interrupt Status	PRM_IRQSTATUS_DSP1[11] DPLL_DSP_RECAL_ST
Recalibration – Interrupt Mask Control	PRM_IRQENABLE_DSP1[11] DPLL_DSP_RECAL_EN

3.6.3.11 DPLL_GMAC Description

3.6.3.11.1 DPLL_GMAC Overview

Figure 3-53 is an overview of the DPLL. For a functional overview of a generic DPLL module, see Section 3.6.3.3, *Generic DPLL Overview*.

Figure 3-53. DPLL_GMAC Overview



prcm-050

3.6.3.11.2 DPLL_GMAC Synthesized Clock Parameters

This section lists the clock synthesis and clock out divider parameters of the DPLL. For an explanation of the clock synthesis and output divider parameters of the DPLL module, see Section 3.6.3.3, *Generic DPLL Overview*.

Table 3-83 lists the clock synthesis parameters of the DPLL.

Table 3-83. DPLL_GMAC Clock Synthesis Parameters

Parameter Name	Control Bit Field
M	CM_CLKSEL_DPLL_GMAC[18:8] DPLL_MULT
N	CM_CLKSEL_DPLL_GMAC[6:0] DPLL_DIV

Table 3-84 lists the clock output divider parameters of the DPLL.

Table 3-84. DPLL_GMAC Clock Output Parameters

Clock Output/Divider	Parameter Name	Control/Status Bit Field
CLKOUT_M2	Status	CM_DIV_M2_DPLL_GMAC[9] CLKST
CLKOUT_M2	Divider control	CM_DIV_M2_DPLL_GMAC[4:0] DIVHS
CLKOUT_M3	Status	CM_DIV_M3_DPLL_GMAC[9] CLKST

Table 3-84. DPLL_GMAC Clock Output Parameters (continued)

Clock Output/Divider	Parameter Name	Control/Status Bit Field
CLKOUT_M3	Divider control	CM_DIV_M3_DPLL_GMAC[4:0] DIVHS
CLKOUT_H11	Status	CM_DIV_H11_DPLL_GMAC[9] CLKST
CLKOUT_H11	Divider control	CM_DIV_H11_DPLL_GMAC[5:0] DIVHS
CLKOUT_H12	Status	CM_DIV_H12_DPLL_GMAC[9] CLKST
CLKOUT_H12	Divider control	CM_DIV_H12_DPLL_GMAC[5:0] DIVHS
CLKOUT_H13	Status	CM_DIV_H13_DPLL_GMAC[9] CLKST
CLKOUT_H13	Divider control	CM_DIV_H13_DPLL_GMAC[5:0] DIVHS

3.6.3.11.3 DPLL_GMAC Power Modes

This section identifies the operating modes supported by the DPLL and the control bit fields to set its operating modes. For an explanation of the DPLL operating modes and associated control and status features, see [Section 3.6.3.3.3, Enable Control, Status, and Low-Power Operation Mode](#), and [Section 3.6.3.3.4, DPLL Power Modes](#).

[Table 3-85](#) lists the operating modes supported by the DPLL.

Table 3-85. DPLL_GMAC Modes

Low-Power Stop	Fast-Relock Stop	Low-Power Bypass	Fast-Relock Bypass	Lock
Not available	Not available	Available	Available	Available

[Table 3-86](#) lists the control bit fields for the operating mode control of the DPLL.

Table 3-86. DPLL_GMAC Mode Control Parameters

Parameter Name	Control Bit Field
Manual Mode Control	CM_CLKMODE_DPLL_GMAC[2:0] DPLL_EN
Auto Mode Control	CM_AUTOIDLE_DPLL_GMAC[2:0] AUTO_DPLL_MODE

3.6.3.11.4 DPLL_GMAC Recalibration

[Table 3-87](#) lists the control bit fields for the recalibration feature enable and interrupts of the DPLL. For an explanation of the DPLL recalibration feature, see [Section 3.6.3.3.5, DPLL Recalibration](#).

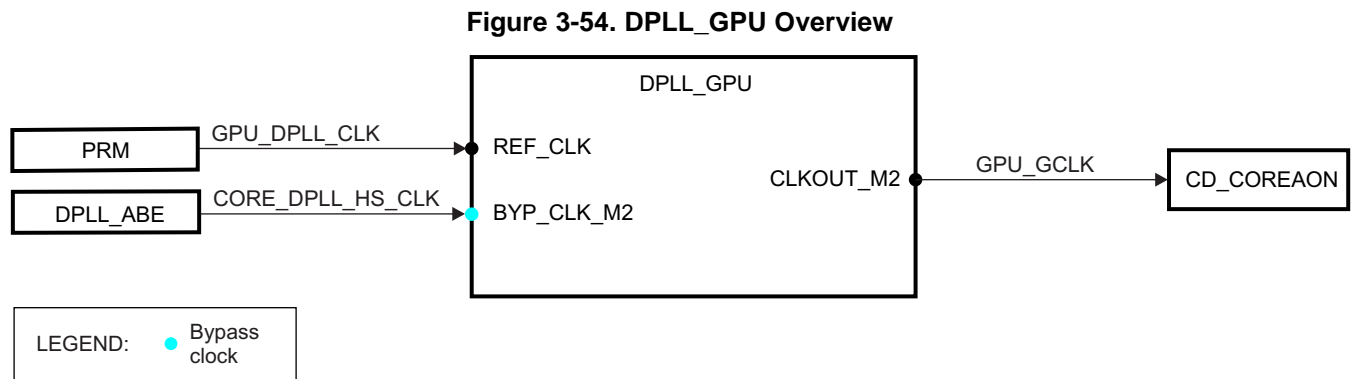
Table 3-87. DPLL_GMAC Recalibration Feature Parameters

Parameter Name	Control/Status Bit Field
Recalibration – Enable Control	CM_CLKMODE_DPLL_GMAC[8] DPLL_DRIFTGUARD_EN
Recalibration – Interrupt Status	PRM_IRQSTATUS_MPU[5] DPLL_GMAC_RECAL_ST
Recalibration – Interrupt Mask Control	PRM_IRQENABLE_MPU[5] DPLL_GMAC_RECAL_EN
Recalibration – Interrupt Status	PRM_IRQSTATUS_IPU1[5] DPLL_GMAC_RECAL_ST
Recalibration – Interrupt Mask Control	PRM_IRQENABLE_IPU1[5] DPLL_GMAC_RECAL_EN
Recalibration – Interrupt Status	PRM_IRQSTATUS_IPU2[5] DPLL_GMAC_RECAL_ST
Recalibration – Interrupt Mask Control	PRM_IRQENABLE_IPU2[5] DPLL_GMAC_RECAL_EN
Recalibration – Interrupt Status	PRM_IRQSTATUS_DSP1[5] DPLL_GMAC_RECAL_ST
Recalibration – Interrupt Mask Control	PRM_IRQENABLE_DSP1[5] DPLL_GMAC_RECAL_EN

3.6.3.12 DPLL_GPU Description

3.6.3.12.1 DPLL_GPU Overview

Figure 3-54 is an overview of the DPLL. For a functional overview of a generic DPLL module, see Section 3.6.3.3, *Generic DPLL Overview*.



prcm-051

3.6.3.12.2 DPLL_GPU Synthesized Clock Parameters

This section lists the clock synthesis and clock out divider parameters of the DPLL. For an explanation of the clock synthesis and output divider parameters of the DPLL module, see Section 3.6.3.3, *Generic DPLL Overview*.

Table 3-88 lists the clock synthesis parameters of the DPLL.

Table 3-88. DPLL_GPU Clock Synthesis Parameters

Parameter Name	Control Bit Field
M	CM_CLKSEL_DPLL_GPU[18:8] DPLL_MULT
N	CM_CLKSEL_DPLL_GPU[6:0] DPLL_DIV

Table 3-89 lists the clock output divider parameters of the DPLL.

Table 3-89. DPLL_GPU Clock Output Parameters

Clock Output/Divider	Parameter Name	Control/Status Bit Field
CLKOUT_M2	Status	CM_DIV_M2_DPLL_GPU[9] CLKST
CLKOUT_M2	Divider control	CM_DIV_M2_DPLL_GPU[4:0] DIVHS

3.6.3.12.3 DPLL_GPU Power Modes

This section identifies the operating modes supported by the DPLL and the control bit fields to set its operating modes. For an explanation of the DPLL operating modes and associated control and status features, see Section 3.6.3.3.3, *Enable Control, Status, and Low-Power Operation Mode*, and Section 3.6.3.3.4, *DPLL Power Modes*.

Table 3-90 lists the operating modes supported by the DPLL.

Table 3-90. DPLL_GPU Modes

Low-Power Stop	Fast-Relock Stop	Low-Power Bypass	Fast-Relock Bypass	Lock
Not available	Not available	Available	Available	Available

Table 3-91 lists the control bit fields for the operating mode control of the DPLL.

Table 3-91. DPLL_GPU Mode Control Parameters

Parameter Name	Control Bit Field
Manual Mode Control	CM_CLKMODE_DPLL_GPU[2:0] DPLL_EN
Auto Mode Control	CM_AUTOIDLE_DPLL_GPU[2:0] AUTO_DPLL_MODE

3.6.3.12.4 DPLL_GPU Recalibration

Table 3-92 lists the control bit fields for the recalibration feature enable and interrupts of the DPLL. For an explanation of the DPLL recalibration feature, see Section 3.6.3.3.5, *DPLL Recalibration*.

Table 3-92. DPLL_GPU Recalibration Feature Parameters

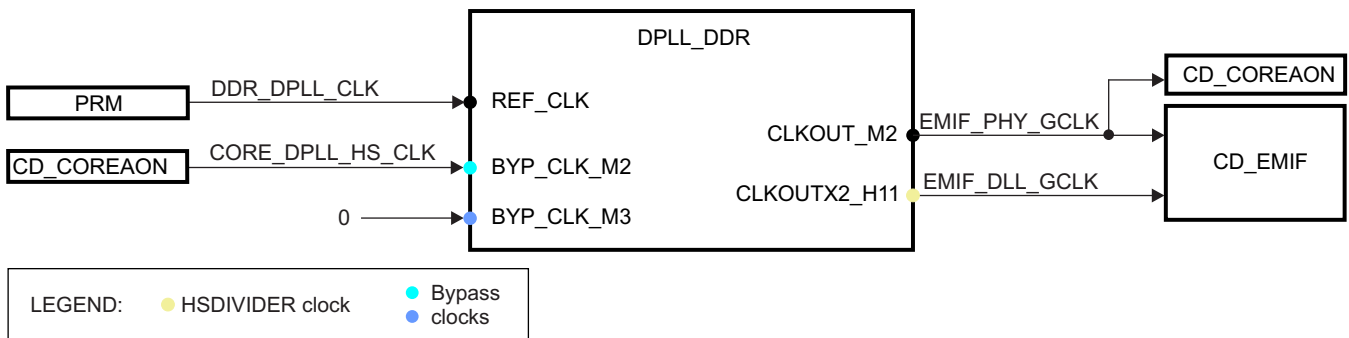
Parameter Name	Control/Status Bit Field
Recalibration – Enable Control	CM_CLKMODE_DPLL_GPU[8] DPLL_DRIFTGUARD_EN
Recalibration – Interrupt Status	PRM_IRQSTATUS_MPU[6] DPLL_GPU_RECAL_ST
Recalibration – Interrupt Mask Control	PRM_IRQENABLE_MPU[6] DPLL_GPU_RECAL_EN
Recalibration – Interrupt Status	PRM_IRQSTATUS_IPU1[6] DPLL_GPU_RECAL_ST
Recalibration – Interrupt Mask Control	PRM_IRQENABLE_IPU1[6] DPLL_GPU_RECAL_EN
Recalibration – Interrupt Status	PRM_IRQSTATUS_IPU2[6] DPLL_GPU_RECAL_ST
Recalibration – Interrupt Mask Control	PRM_IRQENABLE_IPU2[6] DPLL_GPU_RECAL_EN
Recalibration – Interrupt Status	PRM_IRQSTATUS_DSP1[6] DPLL_GPU_RECAL_ST
Recalibration – Interrupt Mask Control	PRM_IRQENABLE_DSP1[6] DPLL_GPU_RECAL_EN

3.6.3.13 DPLL_DDR Description

3.6.3.13.1 DPLL_DDR Overview

Figure 3-55 is an overview of the DPLL. For a functional overview of a generic DPLL module, see Section 3.6.3.3, *Generic DPLL Overview*.

Figure 3-55. DPLL_DDR Overview



prcm-052

3.6.3.13.2 DPLL_DDR Synthesized Clock Parameters

This section lists the clock synthesis and clock out divider parameters of the DPLL. For an explanation of the clock synthesis and output divider parameters of the DPLL module, see Section 3.6.3.3, *Generic DPLL Overview*.

Table 3-93 lists the clock synthesis parameters of the DPLL.

Table 3-93. DPLL_DDR Clock Synthesis Parameters

Parameter Name	Control Bit Field
M	CM_CLKSEL_DPLL_DDR[18:8] DPLL_MULT
N	CM_CLKSEL_DPLL_DDR[6:0] DPLL_DIV

Table 3-94 lists the clock output divider parameters of the DPLL.

Table 3-94. DPLL_DDR Clock Output Parameters

Clock Output/Divider	Parameter Name	Control/Status Bit Field
CLKOUT_M2	Status	CM_DIV_M2_DPLL_DDR[9] CLKST
CLKOUT_M2	Divider control	CM_DIV_M2_DPLL_DDR[4:0] DIVHS
CLKOUTX2_H11	Status	CM_DIV_H11_DPLL_DDR[9] CLKST
CLKOUTX2_H11	Divider control	CM_DIV_H11_DPLL_DDR[5:0] DIVHS

3.6.3.13.3 DPLL_DDR Power Modes

This section identifies the operating modes supported by the DPLL and the control bit fields to set its operating modes. For an explanation of the DPLL operating modes and associated control and status features, see [Section 3.6.3.3.3, Enable Control, Status, and Low-Power Operation Mode](#), and [Section 3.6.3.3.4, DPLL Power Modes](#).

Table 3-95 lists the operating modes supported by the DPLL.

Table 3-95. DPLL_DDR Modes

Low-Power Stop	Fast-Relock Stop	Low-Power Bypass	Fast-Relock Bypass	Lock
Not available	Not available	Available	Available	Available

Table 3-96 lists the control bit fields for the operating mode control of the DPLL.

Table 3-96. DPLL_DDR Mode Control Parameters

Parameter Name	Control Bit Field
Manual Mode Control	CM_CLKMODE_DPLL_DDR[2:0] DPLL_EN
Auto Mode Control	CM_AUTOIDLE_DPLL_DDR[2:0] AUTO_DPLL_MODE

3.6.3.13.4 DPLL_DDR Recalibration

Table 3-97 lists the control bit fields for the recalibration feature enable and interrupts of the DPLL. For an explanation of the DPLL recalibration feature, see [Section 3.6.3.3.5, DPLL Recalibration](#).

Table 3-97. DPLL_DDR Recalibration Feature Parameters

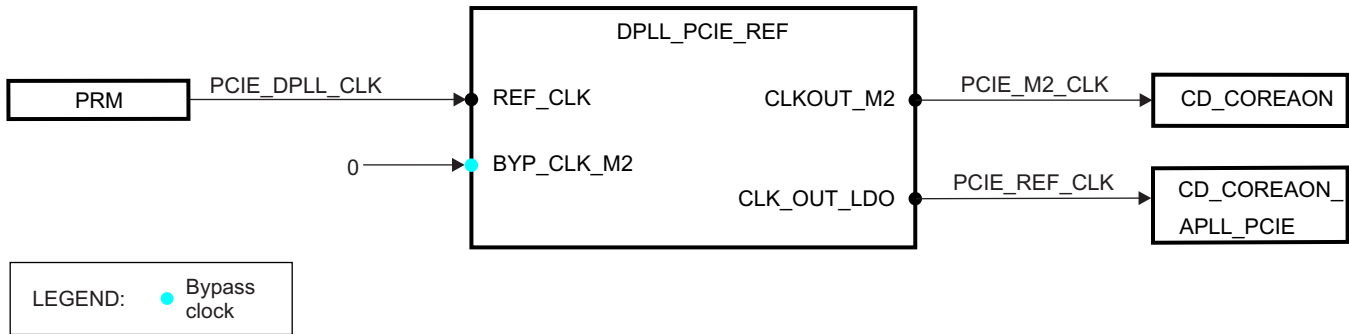
Parameter Name	Control/Status Bit Field
Recalibration – Enable Control	CM_CLKMODE_DPLL_DDR[8] DPLL_DRIFTGUARD_EN
Recalibration – Interrupt Status	PRM_IRQSTATUS_MPU[7] DPLL_DDR_RECAL_ST
Recalibration – Interrupt Mask Control	PRM_IRQENABLE_MPU[7] DPLL_DDR_RECAL_EN
Recalibration – Interrupt Status	PRM_IRQSTATUS_IPU1[7] DPLL_DDR_RECAL_ST
Recalibration – Interrupt Mask Control	PRM_IRQENABLE_IPU1[7] DPLL_DDR_RECAL_EN
Recalibration – Interrupt Status	PRM_IRQSTATUS_IPU2[7] DPLL_DDR_RECAL_ST
Recalibration – Interrupt Mask Control	PRM_IRQENABLE_IPU2[7] DPLL_DDR_RECAL_EN
Recalibration – Interrupt Status	PRM_IRQSTATUS_DSP1[7] DPLL_DDR_RECAL_ST
Recalibration – Interrupt Mask Control	PRM_IRQENABLE_DSP1[7] DPLL_DDR_RECAL_EN

3.6.3.14 DPLL_PCIE_REF Description

3.6.3.14.1 DPLL_PCIE_REF Overview

Figure 3-56 is an overview of the DPLL. For a functional overview of a generic DPLL module, see Section 3.6.3.3, *Generic DPLL Overview*.

Figure 3-56. DPLL_PCIE_REF Overview



prcm-053

3.6.3.14.2 DPLL_PCIE_REF Synthesized Clock Parameters

This section lists the clock synthesis and clock out divider parameters of the DPLL. For an explanation of the clock synthesis and output divider parameters of the DPLL module, see Section 3.6.3.3, *Generic DPLL Overview*.

Table 3-98 lists the clock synthesis parameters of the DPLL.

Table 3-98. DPLL_PCIE_REF Clock Synthesis Parameters

Parameter Name	Control Bit Field
M	CM_CLKSEL_DPLL_PCIE_REF[19:8] DPLL_MULT
N	CM_CLKSEL_DPLL_PCIE_REF[7:0] DPLL_DIV

Table 3-99 lists the clock output divider parameters of the DPLL.

Table 3-99. DPLL_PCIE_REF Clock Output Parameters

Clock Output/Divider	Parameter Name	Control/Status Bit Field
CLKOUTX2_M2	Status	CM_DIV_M2_DPLL_PCIE_REF[9] CLKST
CLKOUTX2_M2	Divider control	CM_DIV_M2_DPLL_PCIE_REF[6:0] DIVHS
CLKOUTX2_M2_LDO	Status	CM_DIV_M2_DPLL_PCIE_REF[10] CLKLDOST

3.6.3.14.3 DPLL_PCIE_REF Power Modes

This section identifies the operating modes supported by the DPLL and the control bit fields to set its operating modes. For an explanation of the DPLL operating modes and associated control and status features, see Section 3.6.3.3.3, *Enable Control, Status, and Low-Power Operation Mode*, and Section 3.6.3.3.4, *DPLL Power Modes*.

Table 3-100 lists the operating modes supported by the DPLL.

Table 3-100. DPLL_PCIE_REF Modes

Low-Power Stop	Fast-Relock Stop	Low-Power Bypass	Fast-Relock Bypass	Lock
Not available	Not available	Not Available	Not Available	Available

Table 3-101 lists the control bit fields for the operating mode control of the DPLL.

Table 3-101. DPLL_PCIE_REF Mode Control Parameters

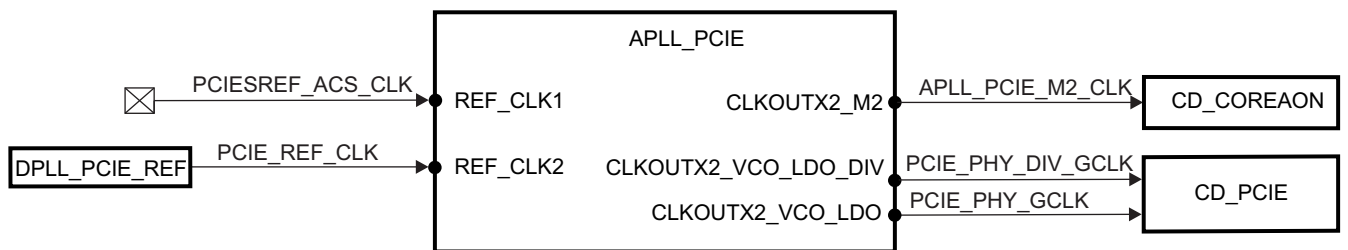
Parameter Name	Control Bit Field
Manual Mode Control	CM_CLKMODE_DPLL_PCIE_REF[2:0] DPLL_EN
Auto Mode Control	CM_AUTOIDLE_DPLL_PCIE_REF[2:0] AUTO_DPLL_MODE

3.6.3.15 APLL_PCIE Description

3.6.3.15.1 APLL_PCIE Overview

Figure 3-57 is an overview of the APLL. For a functional overview of a generic APLL module, see Section 3.6.3.3.1, *Generic APLL Overview*.

Figure 3-57. APLL_PCIE Overview



prcm-054

3.6.3.15.2 APLL_PCIE Synthesized Clock Parameters

This section lists the clock synthesis and clock out divider parameters of the APLL.

Table 3-102 lists the clock output divider parameters of the APLL.

Table 3-102. APLL_PCIE Clock Output Parameters

Clock Output/Divider	Parameter Name	Control/Status Bit Field
CLKOUT_M2	Status	CM_DIV_M2_APLL_PCIE[9] CLKST
CLKOUT_M2	Divider control	CM_DIV_M2_APLL_PCIE[6:0] DIVHS
CLKOUTX2_VCO_LDO_DIV	Status	CM_CLKVCOLDO_APLL_PCIE[10] CLK_DIVST
CLKOUTX2_VCO_LDO	Status	CM_CLKVCOLDO_APLL_PCIE[9] CLKST

3.6.3.15.3 APLL_PCIE Power Modes

This section identifies the operating modes supported by the APLL and the control bit fields to set its operating modes.

NOTE: In order to disable the APLL_PCIE, the user needs to disable PCIe_SSx (where x = 1 or 2) using the CM_PCIE_PCISSx_CLKCTRL[1:0] MODULEMODE registers. When PCIe_SS is disabled, the PRCM module automatically disables the APLL_PCIE. Please note that setting CM_CLKMODE_APLL_PCIE[1:0] MODE_SELECT bitfield to 0x0 does not disable the APLL_PCIE.

Table 3-100 lists the operating modes supported by the DPLL.

Table 3-103. APLL_PCIE Modes

Auto Idle	Force Lock
Available	Available

Table 3-104 lists the control bit fields for the operating mode control of the APLL.

Table 3-104. APLL_PCIE Mode Control Parameters

Parameter Name	Control Bit Field
Manual Mode Control	CM_CLKMODE_APLL_PCIE[1:0] MODE_SELECT

3.6.4 Clock Domains

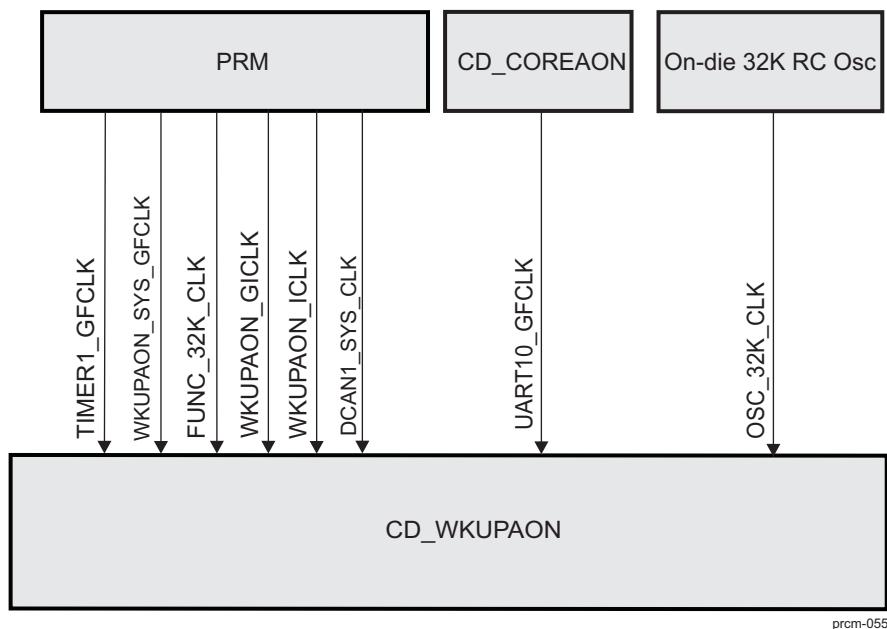
In this sections are summarized and described all Clock Domains in the device.

3.6.4.1 CD_WKUPAON Clock Domain

This section identifies the modes supported by the clock domain and the associated control and status bits. It also identifies its dependencies with other clock domains of the device.

3.6.4.1.1 CD_WKUPAON Overview

Figure 3-58 is an overview of the clock domain.

Figure 3-58. CD_WKUPAON Overview


NOTE: The OSC_32K_CLK clock, provided by the On-die 32K RC Osc is not accurate 32KHz clock. The frequency may vary with temperature and silicon characteristics.

3.6.4.1.2 CD_WKUPAON Clock Domain Modes

Table 3-105 lists the clock domain modes supported by the clock domain.

Table 3-105. CD_WKUPAON Clock Domain Modes

NO_SLEEP	SW_SLEEP	SW_WKUP	HW_AUTO
Available	Not available	Available	Available

Table 3-106 lists the clock domain state transition control and status bits for the clock in this clock domain

Table 3-106. CD_WKUPAON Control and Status Parameters

Parameter Name	Control/Status Bit Field
WKUPAON_GICLK Clock Status	CM_WKUPAON_CLKSTCTRL[12] CLKACTIVITY_WKUPAON_GICLK
SYS_CLK Clock Status; includes profiling EMU_SYS_CLK and all functional SYS_CLK	CM_WKUPAON_CLKSTCTRL[8] CLKACTIVITY_SYS_CLK
SYS_CLK Clock Status of functional branches, exclude activity of the EMU_SYS_GCLK clock	CM_WKUPAON_CLKSTCTRL[14] CLKACTIVITY_SYS_CLK_FUNC
WKUPAON_SYS_GFCLK Clock Status	CM_WKUPAON_CLKSTCTRL[11] CLKACTIVITY_WKUPAON_SYS_GFCLK
WKUPAON_32K_GFCLK Clock Control for GPIO1	CM_WKUPAON_GPIO1_CLKCTRL[8] OPTFCKEN_DBCLK
DCAN1_SYS_CLK Clock Status	CM_WKUPAON_CLKSTCTRL[16] CLKACTIVITY_DCAN1_SYS_CLK
TIMER1_GFCLK Clock Status	CM_WKUPAON_CLKSTCTRL[17] CLKACTIVITY_TIMER1_GFCLK
UART10_GFCLK Clock Status	CM_WKUPAON_CLKSTCTRL[18] CLKACTIVITY_UART10_GFCLK
Clock Domain State Transition Control	CM_WKUPAON_CLKSTCTRL[1:0] CLKTRCTRL

3.6.4.1.3 CD_WKUPAON Clock Domain Dependency

CD_WKUPAON has no static dependency or dynamic dependency with any other clock domain of the device.

3.6.4.1.3.1 CD_WKUPAON Wake-Up Dependency

Table 3-107 lists the wake-up dependency settings for the modules of this clock domain.

Table 3-107. CD_WKUPAON Wake-Up Dependency Association Parameters

Originator Module	Originator Clock Domain	Servicing Clock Domain	Default Setting	Control Bit Field	Access Type
GPIO1	CD_WKUPAON	CD_DSP1	Disabled	PM_WKUPAON_GPIO1_WKDEP[2] WKUPDEP_GPIO1_IRQ1_DSP1	Read/write
GPIO1	CD_WKUPAON	CD_DSP1	Disabled	PM_WKUPAON_GPIO1_WKDEP[12] WKUPDEP_GPIO1_IRQ2_DSP1	Read/write
GPIO1	CD_WKUPAON	CD_IPU1	Disabled	PM_WKUPAON_GPIO1_WKDEP[4] WKUPDEP_GPIO1_IRQ1_IPU1	Read/write
GPIO1	CD_WKUPAON	CD_IPU2	Disabled	PM_WKUPAON_GPIO1_WKDEP[1] WKUPDEP_GPIO1_IRQ1_IPU2	Read/write
GPIO1	CD_WKUPAON	CD_IPU1	Disabled	PM_WKUPAON_GPIO1_WKDEP[14] WKUPDEP_GPIO1_IRQ2_IPU1	Read/write
GPIO1	CD_WKUPAON	CD_IPU2	Disabled	PM_WKUPAON_GPIO1_WKDEP[11] WKUPDEP_GPIO1_IRQ2_IPU2	Read/write

Table 3-107. CD_WKUPAON Wake-Up Dependency Association Parameters (continued)

Originator Module	Originator Clock Domain	Servicing Clock Domain	Default Setting	Control Bit Field	Access Type
GPIO1	CD_WKUPAON	CD_MPU	Disabled	PM_WKUPAON_G PIO1_WKDEP[0] WKUPDEP_GPIO1 _IRQ1_MPU	Read/write
GPIO1	CD_WKUPAON	CD_MPU	Disabled	PM_WKUPAON_G PIO1_WKDEP[10] WKUPDEP_GPIO1 _IRQ2_MPU	Read/write
KBD	CD_WKUPAON	CD_MPU	Disabled	PM_WKUPAON_KB D_WKDEP[0] WKUPDEP_KBD_M PU	Read/write
KBD	CD_WKUPAON	CD_DSP1	Disabled	PM_WKUPAON_KB D_WKDEP[2] WKUPDEP_KBD_D SP1	Read/write
KBD	CD_WKUPAON	CD_IPU1	Disabled	PM_WKUPAON_KB D_WKDEP[4] WKUPDEP_KBD_I PU1	Read/write
KBD	CD_WKUPAON	CD_IPU2	Disabled	PM_WKUPAON_KB D_WKDEP[1] WKUPDEP_KBD_I PU2	Read/write
TIMER1	CD_WKUPAON	CD_MPU	Disabled	PM_WKUPAON_TI MER1_WKDEP[0] WKUPDEP_TIMER 1_MPU	Read/write
TIMER1	CD_WKUPAON	CD_DSP1	Disabled	PM_WKUPAON_TI MER1_WKDEP[2] WKUPDEP_TIMER 1_DSP1	Read/write
TIMER1	CD_WKUPAON	CD_IPU1	Disabled	PM_WKUPAON_TI MER1_WKDEP[4] WKUPDEP_TIMER 1_IPU1	Read/write
TIMER1	CD_WKUPAON	CD_IPU2	Disabled	PM_WKUPAON_TI MER1_WKDEP[1] WKUPDEP_TIMER 1_IPU2	Read/write
TIMER12	CD_WKUPAON	CD_MPU	Disabled	PM_WKUPAON_TI MER12_WKDEP[0] WKUPDEP_TIMER 12_MPU	Read/write
TIMER12	CD_WKUPAON	CD_DSP1	Disabled	PM_WKUPAON_TI MER12_WKDEP[2] WKUPDEP_TIMER 12_DSP1	Read/write
TIMER12	CD_WKUPAON	CD_IPU1	Disabled	PM_WKUPAON_TI MER12_WKDEP[4] WKUPDEP_TIMER 12_IPU1	Read/write
TIMER12	CD_WKUPAON	CD_IPU2	Disabled	PM_WKUPAON_TI MER12_WKDEP[1] WKUPDEP_TIMER 12_IPU2	Read/write
WD_TIMER2	CD_WKUPAON	CD_MPU	Disabled	PM_WKUPAON_W D_TIMER2_WKDE P[0] WKUPDEP_WD_TI MER2_MPU	Read/write

Table 3-107. CD_WKUPAON Wake-Up Dependency Association Parameters (continued)

Originator Module	Originator Clock Domain	Servicing Clock Domain	Default Setting	Control Bit Field	Access Type
WD_TIMER2	CD_WKUPAON	CD_DSP1	Disabled	PM_WKUPAON_WD_TIMER2_WKDEP[2] WKUPDEP_WD_TIMER2_DSP1	Read/write
WD_TIMER2	CD_WKUPAON	CD_IPU1	Disabled	PM_WKUPAON_WD_TIMER2_WKDEP[4] WKUPDEP_WD_TIMER2_IPU1	Read/write
WD_TIMER2	CD_WKUPAON	CD_IPU2	Disabled	PM_WKUPAON_WD_TIMER2_WKDEP[1] WKUPDEP_WD_TIMER2_IPU2	Read/write

3.6.4.1.4 CD_WKUPAON Clock Domain Module Attributes

Table 3-108 lists for each module of the clock domain the clocks it receives and their role (that is, functional or interface clock).

Table 3-108. CD_WKUPAON Modules Clocks Association

Module	Clock	Clock Type
PRCM_MPU	FUNC_32K_CLK	Functional
	WKUPAON_ICLK	Interface
GPIO1	WKUPAON_GICLK	Interface
	WKUPAON_SYS_GFCLK	Functional
KBD	WKUPAON_GICLK	Interface
	WKUPAON_SYS_GFCLK	Functional
COUNTER_32K	FUNC_32K_CLK	Functional
	WKUPAON_GICLK	Interface
TIMER1	TIMER1_GFCLK	Functional
	WKUPAON_GICLK	Interface
TIMER12	WKUPAON_GICLK	Interface
	OSC_32K_CLK ⁽¹⁾	Functional
WD_TIMER2	WKUPAON_GICLK	Interface
	WKUPAON_SYS_GFCLK	Functional
CTRL_MODULE_WKUP	WKUPAON_GICLK	Interface
L4_WKUP interconnect	WKUPAON_GICLK	Interface
DCAN1	DCAN1_SYS_CLK	Functional
	WKUPAON_GICLK	Interface
UART10	UART10_GFCLK	Functional
	WKUPAON_GICLK	Interface

⁽¹⁾ The OSC_32K_CLK clock, provided by the On-die 32K RC Osc is not accurate 32KHz clock. The frequency may vary with temperature and silicon characteristics.

Table 3-109 lists the supported wake-up request generation capability for each module of the clock domain.

Table 3-109. CD_WKUPAON Modules Wake-Up Request

Module	Wake-Up Feature
PRCM_MPU	None
CTRL_MODULE_WKUP	None
DCAN1	Slave wake-up request (MPU-IRQ, IPU1-IRQ, IPU2-IRQ, DSP1-IRQ or DMA_SYSTEM-DMA)
GPIO1	Slave wake-up request (MPU-IRQ, IPU1-IRQ, IPU2-IRQ, DSP1-IRQ)
KBD	Slave wake-up request (MPU-IRQ, IPU1-IRQ, IPU2-IRQ, DSP1-IRQ)
COUNTER_32K	None
TIMER1	Slave wake-up request (MPU-IRQ, IPU1-IRQ, IPU2-IRQ, DSP1-IRQ)
TIMER12	Slave wake-up request (MPU-IRQ, IPU1-IRQ, IPU2-IRQ, DSP1-IRQ)
WD_TIMER2	Slave wake-up request (MPU-IRQ, IPU1-IRQ, IPU2-IRQ, DSP1-IRQ)
L4_WKUP interconnect	None
UART10	Slave wake-up request (MPU-IRQ, IPU1-IRQ, IPU2-IRQ, DSP1-IRQ or DMA_SYSTEM-DMA)

Table 3-110 lists the supported clock-management modes and associated software control bit fields for each module of the power domain.

Table 3-110. CD_WKUPAON Modules Clock-Management Modes and Control

Module	Clock-Management Protocol	Status Bit Field	Role
GPIO1	Slave	CM_WKUPAON_GPIO1_CLK_CTRL[17:16] IDLEST	Idle status
KBD	Slave	CM_WKUPAON_KBD_CLKCTRL[17:16] IDLEST	Idle status
COUNTER_32K	Slave	CM_WKUPAON_COUNTER_32K_CLKCTRL[17:16] IDLEST	Idle status
TIMER1	Slave	CM_WKUPAON_TIMER1_CLK_CTRL[17:16] IDLEST	Idle status
TIMER12	Slave	CM_WKUPAON_TIMER12_CLKCTRL[17:16] IDLEST	Idle status
WD_TIMER2	Slave	CM_WKUPAON_WD_TIMER2_CLKCTRL[17:16] IDLEST	Idle status
L4_WKUP interconnect	Slave	CM_WKUPAON_L4_WKUP_CLKCTRL[17:16] IDLEST	Idle status
DCAN1	Slave	CM_WKUPAON_DCAN1_CLK_CTRL[17:16] IDLEST	Idle status
UART10	Slave	CM_WKUPAON_UART10_CLKCTRL[17:16] IDLEST	Idle status

Table 3-111 lists the supported clock management modes and associated software control bit fields for each module of the power domain.

Table 3-111. CD_WKUPAON Modules Slave Clock-Management Modes and Control

Module	Disabled	Auto	Enabled	Control Bit Field	Access Type
GPIO1	Available	Available	N/A	CM_WKUPAON_GPIO1_CLKCTRL[1:0] MODULEMODE	Read/write
KBD	Available	N/A	Available	CM_WKUPAON_KBD_CLKCTRL[1:0] MODULEMODE	Read/write

Table 3-111. CD_WKUPAON Modules Slave Clock-Management Modes and Control (continued)

Module	Disabled	Auto	Enabled	Control Bit Field	Access Type
COUNTER_32K	N/A	Available	N/A	CM_WKUPAON_COUNTER_32K_CLKCTRL[1:0] MODULEMODE	Read only
TIMER1	Available	N/A	Available	CM_WKUPAON_TIMER1_CLKCTRL[1:0] MODULEMODE	Read/write
TIMER12	N/A	Available	N/A	CM_WKUPAON_TIMER12_CLKCTRL[1:0] MODULEMODE	Read only
WD_TIMER2	Available	N/A	Available	CM_WKUPAON_WD_TIMER2_CLKCTRL[1:0] MODULEMODE	Read/write
L4_WKUP interconnect	N/A	Available	N/A	CM_WKUPAON_L4_WKUP_CLKCTRL[1:0] MODULEMODE	Read only
DCAN1	Available	N/A	Available	CM_WKUPAON_DCAN1_CLKCTRL[1:0] MODULEMODE	Read/write
UART10	Available	N/A	Available	CM_WKUPAON_UART10_CLKCTRL[1:0] MODULEMODE	Read/write

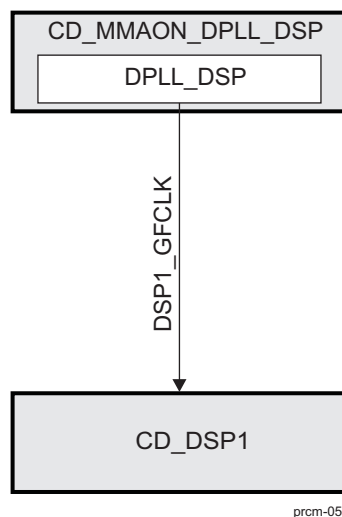
3.6.4.2 CD_DSP1 Clock Domain

This section identifies the modes supported by the clock domain and the associated control and status bits. It also identifies its dependencies with other clock domains of the device.

3.6.4.2.1 CD_DSP1 Overview

Figure 3-59 is an overview of the clock domain.

Figure 3-59. CD_DSP1 Overview



prcm-056

3.6.4.2.2 CD_DSP1 Clock Domain Modes

Table 3-112 lists the modes supported by the clock domain.

Table 3-112. CD_DSP1 Clock Domain Modes

NO_SLEEP	SW_SLEEP	SW_WKUP	HW_AUTO
Available	Available	Available	Available

Table 3-113 lists the clock domain state transition control and status bits for the clock in this clock domain.

Table 3-113. CD_DSP1 Control and Status Parameters

Parameter Name	Control/Status Bit Field
DSP_GFCLK Clock Status	CM_DSP1_CLKSTCTRL[8] CLKACTIVITY_DSP1_GFCLK
Clock Domain State Transition Control	CM_DSP1_CLKSTCTRL[1:0] CLKTRCTRL

3.6.4.2.3 CD_DSP1 Clock Domain Dependency

CD_DSP1 has no module wake-up dependency with any other clock domain of the device.

3.6.4.2.3.1 CD_DSP1 Static Dependency

Table 3-114 lists the static dependency of the clock domain with respect to other clock domains of the device.

Table 3-114. CD_DSP1 Static Dependency Association Parameters

Clock Domain Name	Default Setting	Control Bit Field	Access Type
CD_CAM	Disabled	CM_DSP1_STATICDEP[9] CAM_STATDEP	Read write
CD_IVA	Disabled	CM_DSP1_STATICDEP[2] IVA_STATDEP	Read/write
CD_L3MAIN1	Always enabled	CM_DSP1_STATICDEP[5] L3MAIN1_STATDEP	Read only
CD_L3INIT	Disabled	CM_DSP1_STATICDEP[7] L3INIT_STATDEP	Read/write
CD_L4_CFG	Disabled	CM_DSP1_STATICDEP[12] L4CFG_STATDEP	Read only
CD_L4PER1	Disabled	CM_DSP1_STATICDEP[13] L4PER_STATDEP	Read/write
CD_L4PER2	Disabled	CM_DSP1_STATICDEP[26] L4PER2_STATDEP	Read/write
CD_L4PER3	Disabled	CM_DSP1_STATICDEP[27] L4PER3_STATDEP	Read/write
CD_L4SEC	Disabled	CM_DSP1_STATICDEP[14] L4SEC_STATDEP	Read/write
CD_EMIF	Disabled	CM_DSP1_STATICDEP[4] EMIF_STATDEP	Read/write
CD_WKUPAON	Disabled	CM_DSP1_STATICDEP[15] WKUPAON_STATDEP	Read/write
CD_COREAON	Always disabled	CM_DSP1_STATICDEP[16] COREAON_STATDEP	Read only
CD_CUSTEFUSE	Always disabled	CM_DSP1_STATICDEP[17] CUSTEFUSE_STATDEP	Read only
CD_IPU	Disabled	CM_DSP1_STATICDEP[24] IPU_STATDEP	Read/write
CD_IPU1	Disabled	CM_DSP1_STATICDEP[23] IPU1_STATDEP	Read/write
CD_IPU2	Disabled	CM_DSP1_STATICDEP[0] IPU2_STATDEP	Read/write
CD_DSS	Disabled	CM_DSP1_STATICDEP[8] DSS_STATDEP	Read/write

Table 3-114. CD_DSP1 Static Dependency Association Parameters (continued)

Clock Domain Name	Default Setting	Control Bit Field	Access Type
CD_GPU	Disabled	CM_DSP1_STATICDEP[10] GPU_STATDEP	Read/write
CD_GMAC	Disabled	CM_DSP1_STATICDEP[25] GMAC_STATDEP	Read/write
CD_VPE	Disabled	CM_DSP1_STATICDEP[28] VPE_STATDEP	Read/write
CD_PCIE	Disabled	CM_DSP1_STATICDEP[29] PCIE_STATDEP	Read/write
CD_ATL	Disabled	CM_DSP1_STATICDEP[30] ATL_STATDEP	Read/write

3.6.4.2.3.2 CD_DSP1 Dynamic Dependency

Table 3-115 lists the dynamic dependency of the clock domain with respect to other clock domains of the device.

Table 3-115. CD_DSP1 Dynamic Dependency Association Parameters

Clock Domain Name	Default Setting	Control Bit Field	Access Type
CD_L3MAIN1	Always enabled	CM_DSP1_DYNAMICDEP[5] L3MAIN1_DYNDEP	Read only

3.6.4.2.4 CD_DSP1 Clock Domain Module Attributes

Table 3-116 lists for each module of the clock domain the clocks the module receives and their role (that is, functional or interface clock).

Table 3-116. CD_DSP1 Modules Clocks Association

Module	Clock	Clock Type
DSP1	DSP1_GFCLK	Interface and functional

Table 3-117 lists the supported wake-up request generation capability for each module of the clock domain.

Table 3-117. CD_DSP1 Modules Wake-Up Request

Module	Wake-Up Feature
DSP1	Master wake-up request

Table 3-118 lists the supported clock-management modes and associated software control bit fields for each module of the power domain.

Table 3-118. CD_DSP1 Modules Clock-Management Modes and Control

Module	Clock-Management Protocol	Status Bit Field	Role
DSP1	Master/slave	CM_DSP1_DSP1_CLKCTRL[18] STBYST	Standby status
		CM_DSP1_DSP1_CLKCTRL[17:16] IDLEST	Idle status

Table 3-119 lists the supported clock-management modes and associated software control bit fields for each module of the power domain.

Table 3-119. CD_DSP1 Modules Slave Clock-Management Modes and Control

Module	Disabled	Auto	Enabled	Control Bit Field	Access Type
DSP	Available	Available	N/A	CM_DSP1_DSP1_CLKCTRL[1:0] MODULEMODE	Read/write

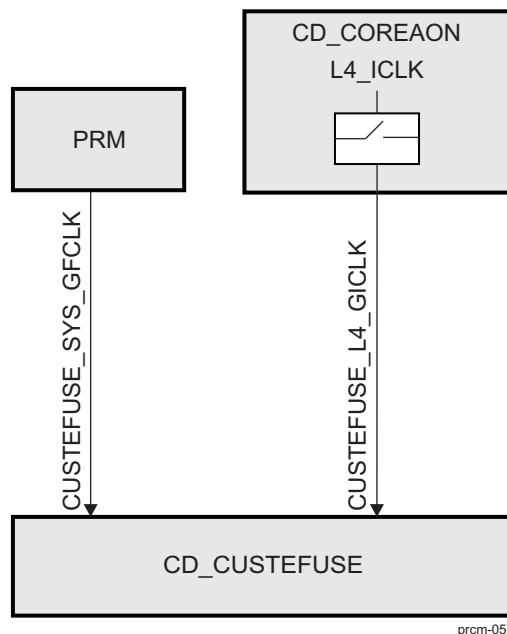
3.6.4.3 CD_CUSTEFUSE Clock Domain

This section identifies the modes supported by the clock domain and the associated control and status bits. It also identifies its dependencies with other clock domains of the device.

3.6.4.3.1 CD_CUSTEFUSE Overview

Figure 3-60 is an overview of the clock domain.

Figure 3-60. CD_CUSTEFUSE Overview



3.6.4.3.2 CD_CUSTEFUSE Clock Domain Modes

Table 3-120 lists the modes supported by the clock domain.

Table 3-120. CD_CUSTEFUSE Clock Domain Modes

NO_SLEEP	SW_SLEEP	SW_WKUP	HW_AUTO
Available	N/A	Available	Available

Table 3-121 lists the clock domain state transition control and status bits for the clock in this clock domain.

Table 3-121. CD_CUSTEFUSE Control and Status Parameters

Parameter Name	Control/Status Bit Field
CUSTEFUSE_SYS_GFCLK Clock Status	CM_CUSTEFUSE_CLKSTCTRL[9] CLKACTIVITY_CUSTEFUSE_SYS_GFCLK
CUSTEFUSE_L4_GICLK Clock Status	CM_CUSTEFUSE_CLKSTCTRL[8] CLKACTIVITY_CUSTEFUSE_L4_GICLK
Clock Domain State Transition Control	CM_CUSTEFUSE_CLKSTCTRL[1:0] CLKTRCTRL

3.6.4.3.3 CD_CUSTEFUSE Clock Domain Dependency

CD_CUSTEFUSE has no static or dynamic dependency with any other clock domain of the device.

3.6.4.3.4 CD_CUSTEFUSE Clock Domain Module Attributes

Table 3-122 lists for each module of the clock domain the clocks the module receives and their role (that is, functional or interface clock).

Table 3-122. CD_CUSTEFUSE Modules Clocks Association

Module	Clock	Clock Type
EFUSE_CTRL_CUST	CUSTEFUSE_SYS_GFCLK	Functional
	CUSTEFUSE_L4_GICLK	Interface

Table 3-123 lists the supported wake-up request generation capability for each module of the clock domain.

Table 3-123. CD_CUSTEFUSE Modules Wake-Up Request

Module	Wake-Up Feature
EFUSE_CTRL_CUST	None

Table 3-124 lists the supported clock-management modes and associated software control bit fields for each module of the power domain.

Table 3-124. CD_CUSTEFUSE Modules Clock-Management Modes and Control

Module	Clock-Management Protocol	Status Bit Field	Role
EFUSE_CTRL_CUST	Idle	CM_CUSTEFUSE_EFUSE_CTRL_CUST_CLKCTRL[17:16] IDLEST	Idle status

Table 3-125 lists the supported clock-management modes and associated software control bit fields for each module of the power domain.

Table 3-125. CD_CUSTEFUSE Modules Slave Clock-Management Modes and Control

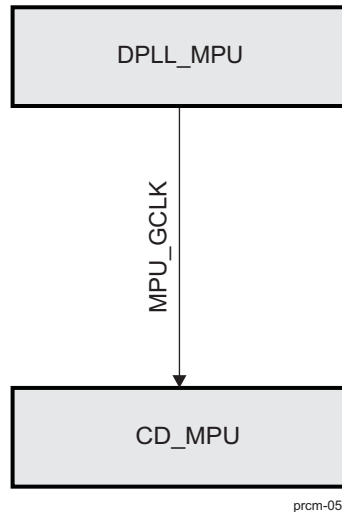
Module	Disabled	Auto	Enabled	Control Bit Field	Access Type
EFUSE_CTRL_CUST	Available	N/A	Available	CM_CUSTEFUSE_EFUSE_CTRL_CUST_CLKCTRL[1:0] MODULEMODE	Read/write

3.6.4.4 CD_MPU Clock Domain

This section identifies the modes supported by the clock domain and the associated control and status bits. It also identifies its dependencies with other clock domains of the device.

3.6.4.4.1 CD_MPU Overview

Figure 3-61 is an overview of the clock domain.

Figure 3-61. CD_MPU Overview


3.6.4.4.2 CD_MPU Clock Domain Modes

Table 3-126 lists the clock domain modes supported by the clock domain.

Table 3-126. CD_MPU Clock Domain Modes

NO_SLEEP	SW_SLEEP	SW_WKUP	HW_AUTO
Available	Not available	Available	Available

Table 3-127 lists the clock domain state transition control and status bits for the clock in this clock domain.

Table 3-127. CD_MPU Control and Status Parameters

Parameter Name	Control/Status Bit Field
MPU_GCLK Clock Status	CM_MPU_CLKSTCTRL[8] CLKACTIVITY_MPU_GCLK
Clock Domain State Transition Control	CM_MPU_CLKSTCTRL[1:0] CLKTRCTRL

3.6.4.4.3 CD_MPU Clock Domain Dependency

CD_MPU has no module wake-up dependency with any other clock domain of the device.

3.6.4.4.3.1 CD_MPU Static Dependency

Table 3-128 lists the static dependency of the clock domain with respect to other clock domains of the device.

Table 3-128. CD_MPU Static Dependency Association Parameters

Clock Domain Name	Default Setting	Control Bit Field	Access Type
CD_CUSTEFUSE	Always disabled	CM_MPU_STATICDEP[17] CUSTEFUSE_STATDEP	Read only
CD_DSS	Disabled	CM_MPU_STATICDEP[8] DSS_STATDEP	Read/write
CD_IPU	Disabled	CM_MPU_STATICDEP[24] IPU_STATDEP	Read/write
CD_IPU1	Disabled	CM_MPU_STATICDEP[23] IPU1_STATDEP	Read/write

Table 3-128. CD_MPU Static Dependency Association Parameters (continued)

Clock Domain Name	Default Setting	Control Bit Field	Access Type
CD_IPU2	Disabled	CM_MPU_STATICDEP[0] IPU2_STATDEP	Read/write
CD_GPU	Disabled	CM_MPU_STATICDEP[10] GPU_STATDEP	Read/write
CD_CAM	Always disabled	CM_MPU_STATICDEP[9] CAM_STATDEP	Read only
CD_IVA	Disabled	CM_MPU_STATICDEP[2] IVA_STATDEP	Read/write
CD_L3MAIN	Enabled	CM_MPU_STATICDEP[5] L3MAIN1_STATDEP	Read/write
CD_L3INIT	Enabled	CM_MPU_STATICDEP[7] L3INIT_STATDEP	Read/write
CD_L4_CFG	Enabled	CM_MPU_STATICDEP[12] L4CFG_STATDEP	Read/write
CD_L4PER1	Enabled	CM_MPU_STATICDEP[13] L4PER_STATDEP	Read/write
CD_L4PER2	Enabled	CM_MPU_STATICDEP[26] L4PER2_STATDEP	Read/write
CD_L4PER3	Enabled	CM_MPU_STATICDEP[27] L4PER3_STATDEP	Read/write
CD_L4SEC	Disabled	CM_MPU_STATICDEP[14] L4SEC_STATDEP	Read/write
CD_EMIF	Enabled	CM_MPU_STATICDEP[4] EMIF_STATDEP	Read/write
CD_DMA	Always disabled	CM_MPU_STATICDEP[11] SDMA_STATDEP	Read only
CD_DSP1	Disabled	CM_MPU_STATICDEP[1] DSP1_STATDEP	Read/write
CD_WKUPAON	Enabled	CM_MPU_STATICDEP[15] WKUPAON_STATDEP	Read/write
CD_COREAON	Always disabled	CM_MPU_STATICDEP[16] COREAON_STATDEP	Read only
CD_GMAC	Disabled	CM_MPU_STATICDEP[25] GMAC_STATDEP	Read/write
CD_VPE	Disabled	CM_MPU_STATICDEP[28] VPE_STATDEP	Read/write
CD_PCIE	Enabled	CM_MPU_STATICDEP[29] PCIE_STATDEP	Read/write

3.6.4.4.3.2 CD_MPU Dynamic Dependency

Table 3-129 lists the dynamic dependency of the clock domain with respect to other clock domains of the device.

Table 3-129. CD_MPU Dynamic Dependency Association Parameters

Clock Domain Name	Default Setting	Control Bit Field	Access Type
CD_L3MAIN1	Always enabled	CM_MPU_DYNAMICDEP[5] L3MAIN1_DYNDEP	Read only
CD_EMIF	Always enabled	CM_MPU_DYNAMICDEP[4] EMIF_DYNDEP	Read only

3.6.4.4.4 CD_MPU Clock Domain Module Attributes

Table 3-130 lists for each module of the clock domain the clocks the module receives and their role (that is, functional or interface clock).

Table 3-130. CD_MPU Modules Clocks Association

Module	Clock	Clock Type
MPU	MPU_GCLK	Interface and functional

Table 3-131 lists the supported wake-up request generation capability for each module of the clock domain.

Table 3-131. CD_MPU Modules Wake-Up Request

Module	Wake-Up Feature
MPU	Master wake-up request

Table 3-132 lists the supported clock-management modes and associated software control bit fields for each module of the power domain.

Table 3-132. CD_MPU Modules Clock-Management Modes and Control

Module	Clock-Management Protocol	Status Bit Field	Role
MPU	Master/slave	CM_MPU_MPU_CLKCTRL[18] STBYST	Standby status
		CM_MPU_MPU_CLKCTRL[17:16] IDLEST	Idle status

Table 3-133 lists the supported clock-management modes and associated software control bit fields for each module of the power domain.

Table 3-133. CD_MPU Modules Slave Clock-Management Modes and Control

Module	Disabled	Auto	Enabled	Control Bit Field	Access Type
MPU	N/A	Available	N/A	CM_MPU_MPU_CLKCTRL[1:0] MODULEMODE	Read only

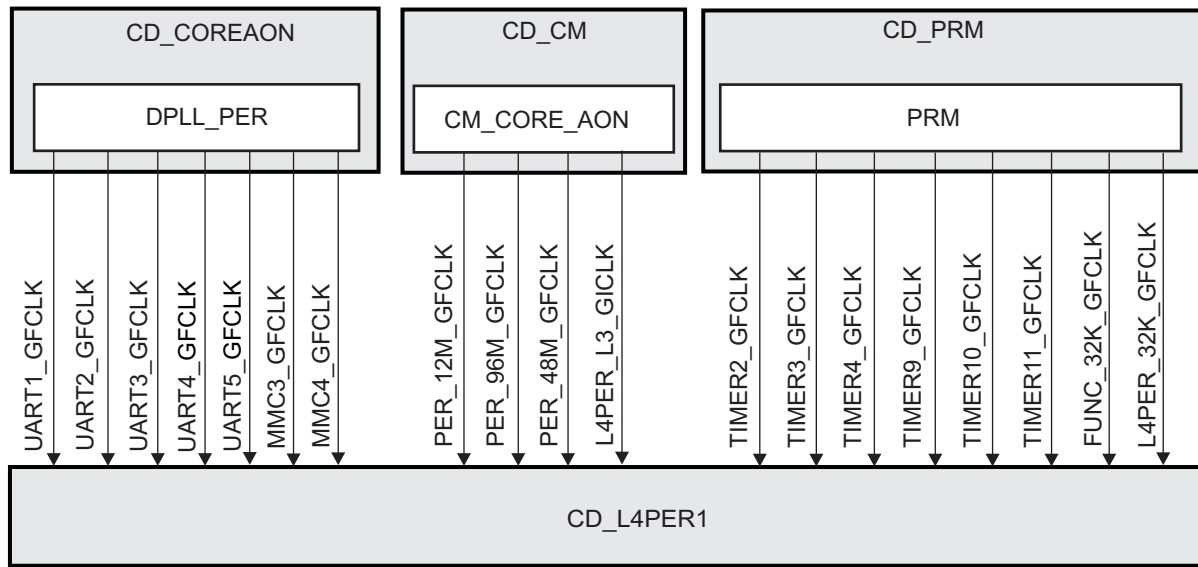
3.6.4.5 CD_L4PER1 Clock Domain

This section identifies the modes supported by the clock domain and the associated control and status bits. It also identifies its dependencies with other clock domains of the device.

3.6.4.5.1 CD_L4PER1 Overview

Figure 3-62 is an overview of the clock domain.

Figure 3-62. CD_L4PER1 Overview



prcm-060

3.6.4.5.2 CD_L4PER1 Clock Domain Modes

Table 3-134 lists the clock domain modes supported by the clock domain.

Table 3-134. CD_L4PER1 Clock Domain Modes

NO_SLEEP	SW_SLEEP	SW_WKUP	HW_AUTO
Available	Available	Available	Available

Table 3-135 lists the clock domain state transition control and status bits for the clock in this clock domain.

Table 3-135. CD_L4PER1 Control and Status Parameters

Parameter Name	Control/Status Bit Field
TIMER10_GFCLK clock status	CM_L4PER_CLKSTCTRL[9] CLKACTIVITY_TIMER10_GFCLK
TIMER11_GFCLK clock status	CM_L4PER_CLKSTCTRL[10] CLKACTIVITY_TIMER11_GFCLK
TIMER2_GFCLK clock status	CM_L4PER_CLKSTCTRL[11] CLKACTIVITY_TIMER2_GFCLK
TIMER3_GFCLK clock status	CM_L4PER_CLKSTCTRL[12] CLKACTIVITY_TIMER3_GFCLK
TIMER4_GFCLK clock status	CM_L4PER_CLKSTCTRL[13] CLKACTIVITY_TIMER4_GFCLK
TIMER9_GFCLK clock status	CM_L4PER_CLKSTCTRL[14] CLKACTIVITY_TIMER9_GFCLK
L4PER_L3_GICLK clock status	CM_L4PER_CLKSTCTRL[8] CLKACTIVITY_L4PER_L3_GICLK
PER_12M_GFCLK clock status	CM_L4PER_CLKSTCTRL[19] CLKACTIVITY_PER_12M_GFCLK
L4PER_32K_GFCLK clock status	CM_L4PER_CLKSTCTRL[27] CLKACTIVITY_L4PER_32K_GFCLK
PER_48M_GFCLK clock status	CM_L4PER_CLKSTCTRL[20] CLKACTIVITY_PER_48M_GFCLK
PER_96M_GFCLK clock status	CM_L4PER_CLKSTCTRL[21] CLKACTIVITY_PER_96M_GFCLK
GPIO_GFCLK clock status	CM_L4PER_CLKSTCTRL[24] CLKACTIVITY_GPIO_GFCLK
UART1_GFCLK clock status	CM_L4PER_CLKSTCTRL[15] CLKACTIVITY_UART1_GFCLK
UART2_GFCLK clock status	CM_L4PER_CLKSTCTRL[16] CLKACTIVITY_UART2_GFCLK
UART3_GFCLK clock status	CM_L4PER_CLKSTCTRL[17] CLKACTIVITY_UART3_GFCLK
UART4_GFCLK clock status	CM_L4PER_CLKSTCTRL[18] CLKACTIVITY_UART4_GFCLK

Table 3-135. CD_L4PER1 Control and Status Parameters (continued)

Parameter Name	Control/Status Bit Field
UART5_GFCLK clock status	CM_L4PER_CLKSTCTRL[26] CLKACTIVITY_UART5_GFCLK
MMC3_GFCLK clock status	CM_L4PER_CLKSTCTRL[22] CLKACTIVITY_MMC3_GFCLK
MMC4_GFCLK clock status	CM_L4PER_CLKSTCTRL[23] CLKACTIVITY_MMC4_GFCLK
Clock Domain State Transition Control	CM_L4PER_CLKSTCTRL[1:0] CLKTRCTRL

3.6.4.5.3 CD_L4PER1 Clock Domain Dependency

CD_L4PER1 has no static dependency with any other clock domain of the device.

3.6.4.5.3.1 CD_L4PER1 Dynamic Dependency

Table 3-136 lists the dynamic dependency of the clock domain with respect to other clock domains of the device.

Table 3-136. CD_L4PER1 Dynamic Dependency Association Parameters

Clock Domain Name	Default Setting	Control Bit Field	Access Type
CD_L4SEC	Always enabled	CM_L4PER_DYNAMICDEP[14] L4SEC_DYNDEP	Read only
CD_DSS	Always enabled	CM_L4PER_DYNAMICDEP[8] DSS_DYNDEP	Read only
CD_L3INIT	Always enabled	CM_L4PER_DYNAMICDEP[7] L3INIT_DYNDEP	Read only
CD_IPU	Always enabled	CM_L4PER_DYNAMICDEP[3] IPU_DYNDEP	Read only

3.6.4.5.3.2 CD_L4PER1 Wake-Up Dependency

Table 3-137 lists the wake-up dependency settings for the modules of this clock domain.

Table 3-137. CD_L4PER1 Wake-Up Dependency Association Parameters

Originator Module	Originator Clock Domain	Servicing Clock Domain	Default Setting	Control Bit Field	Access Type
TIMER10	CD_L4PER	CD_MPU, CD_L3_MAIN1, CD_L4PER1, CD_L4PER2, CD_L4PER3	Disabled	PM_L4PER_TIMER 10_WKDEP[0] WKUPDEP_TIMER 10_MPU	Read/write
TIMER10	CD_L4PER	CD_DSP, CD_L3_MAIN1, CD_L4PER1, CD_L4PER2, CD_L4PER3	Disabled	PM_L4PER_TIMER 10_WKDEP[2] WKUPDEP_TIMER 10_DSP1	Read/write
TIMER10	CD_L4PER	CD_IPU1, CD_L3_MAIN1, CD_L4PER1, CD_L4PER2, CD_L4PER3	Disabled	PM_L4PER_TIMER 10_WKDEP[4] WKUPDEP_TIMER 10_IPU1	Read/write
TIMER10	CD_L4PER	CD_IPU2, CD_L3_MAIN1, CD_L4PER1, CD_L4PER2, CD_L4PER3	Disabled	PM_L4PER_TIMER 10_WKDEP[1] WKUPDEP_TIMER 10_IPU2	Read/write

Table 3-137. CD_L4PER1 Wake-Up Dependency Association Parameters (continued)

Originator Module	Originator Clock Domain	Servicing Clock Domain	Default Setting	Control Bit Field	Access Type
TIMER11	CD_L4PER	CD_IPU1, CD_L3_MAIN1, CD_L4PER1, CD_L4PER2, CD_L4PER3	Disabled	PM_L4PER_TIMER11_WKDEP[4] WKUPDEP_TIMER11_IPU1	Read/write
TIMER11	CD_L4PER	CD_IPU2, CD_L3_MAIN1, CD_L4PER1, CD_L4PER2, CD_L4PER3	Disabled	PM_L4PER_TIMER11_WKDEP[1] WKUPDEP_TIMER11_IPU2	Read/write
TIMER11	CD_L4PER	CD_MPU, CD_L3_MAIN1, CD_L4PER1, CD_L4PER2, CD_L4PER3	Disabled	PM_L4PER_TIMER11_WKDEP[0] WKUPDEP_TIMER11_MPU	Read/write
TIMER11	CD_L4PER	CD_DSP, CD_L3_MAIN1, CD_L4PER1, CD_L4PER2, CD_L4PER3	Disabled	PM_L4PER_TIMER11_WKDEP[2] WKUPDEP_TIMER11_DSP1	Read/write
TIMER2	CD_L4PER	CD_MPU, CD_L3_MAIN1, CD_L4PER1, CD_L4PER2, CD_L4PER3	Disabled	PM_L4PER_TIMER2_WKDEP[0] WKUPDEP_TIMER2_MPU	Read/write
TIMER2	CD_L4PER	CD_DSP, CD_L3_MAIN1, CD_L4PER1, CD_L4PER2, CD_L4PER3	Disabled	PM_L4PER_TIMER2_WKDEP[2] WKUPDEP_TIMER2_DSP1	Read/write
TIMER2	CD_L4PER	CD_IPU1, CD_L3_MAIN1, CD_L4PER1, CD_L4PER2, CD_L4PER3	Disabled	PM_L4PER_TIMER2_WKDEP[4] WKUPDEP_TIMER2_IPU1	Read/write
TIMER2	CD_L4PER	CD_IPU2, CD_L3_MAIN1, CD_L4PER1, CD_L4PER2, CD_L4PER3	Disabled	PM_L4PER_TIMER2_WKDEP[1] WKUPDEP_TIMER2_IPU2	Read/write
TIMER3	CD_L4PER	CD_IPU1, CD_L3_MAIN1, CD_L4PER1, CD_L4PER2, CD_L4PER3	Disabled	PM_L4PER_TIMER3_WKDEP[4] WKUPDEP_TIMER3_IPU1	Read/write
TIMER3	CD_L4PER	CD_IPU2, CD_L3_MAIN1, CD_L4PER1, CD_L4PER2, CD_L4PER3	Disabled	PM_L4PER_TIMER3_WKDEP[1] WKUPDEP_TIMER3_IPU2	Read/write
TIMER3	CD_L4PER	CD_MPU, CD_L3_MAIN1, CD_L4PER1, CD_L4PER2, CD_L4PER3	Disabled	PM_L4PER_TIMER3_WKDEP[0] WKUPDEP_TIMER3_MPU	Read/write
TIMER3	CD_L4PER	CD_DSP, CD_L3_MAIN1, CD_L4PER1, CD_L4PER2, CD_L4PER3	Disabled	PM_L4PER_TIMER3_WKDEP[2] WKUPDEP_TIMER3_DSP1	Read/write

Table 3-137. CD_L4PER1 Wake-Up Dependency Association Parameters (continued)

Originator Module	Originator Clock Domain	Servicing Clock Domain	Default Setting	Control Bit Field	Access Type
TIMER4	CD_L4PER	CD_IPU1, CD_L3_MAIN1, CD_L4PER1, CD_L4PER2, CD_L4PER3	Disabled	PM_L4PER_TIMER 4_WKDEP[4] WKUPDEP_TIMER 4_IPU1	Read/write
TIMER4	CD_L4PER	CD_IPU2, CD_L3_MAIN1, CD_L4PER1, CD_L4PER2, CD_L4PER3	Disabled	PM_L4PER_TIMER 4_WKDEP[1] WKUPDEP_TIMER 4_IPU2	Read/write
TIMER4	CD_L4PER	CD_MPU, CD_L3_MAIN1, CD_L4PER1, CD_L4PER2, CD_L4PER3	Disabled	PM_L4PER_TIMER 4_WKDEP[0] WKUPDEP_TIMER 4_MPU	Read/write
TIMER4	CD_L4PER	CD_DSP, CD_L3_MAIN1, CD_L4PER1, CD_L4PER2, CD_L4PER3	Disabled	PM_L4PER_TIMER 4_WKDEP[2] WKUPDEP_TIMER 4_DSP1	Read/write
TIMER9	CD_L4PER	CD_IPU1, CD_L3_MAIN1, CD_L4PER1, CD_L4PER2, CD_L4PER3	Disabled	PM_L4PER_TIMER 9_WKDEP[4] WKUPDEP_TIMER 9_IPU1	Read/write
TIMER9	CD_L4PER	CD_IPU2, CD_L3_MAIN1, CD_L4PER1, CD_L4PER2, CD_L4PER3	Disabled	PM_L4PER_TIMER 9_WKDEP[1] WKUPDEP_TIMER 9_IPU2	Read/write
TIMER9	CD_L4PER	CD_MPU, CD_L3_MAIN1, CD_L4PER1, CD_L4PER2, CD_L4PER3	Disabled	PM_L4PER_TIMER 9_WKDEP[0] WKUPDEP_TIMER 9_MPU	Read/write
TIMER9	CD_L4PER	CD_DSP, CD_L3_MAIN1, CD_L4PER1, CD_L4PER2, CD_L4PER3	Disabled	PM_L4PER_TIMER 9_WKDEP[2] WKUPDEP_TIMER 9_DSP1	Read/write
GPIO2	CD_L4PER	CD_DSP, CD_L3_MAIN1, CD_L4PER1, CD_L4PER2, CD_L4PER3	Enabled	PM_L4PER_GPIO2 _WKDEP[2] WKUPDEP_GPIO2 _IRQ1_DSP1	Read/write
GPIO2	CD_L4PER	CD_DSP, CD_L3_MAIN1, CD_L4PER1, CD_L4PER2, CD_L4PER3	Enabled	PM_L4PER_GPIO2 _WKDEP[12] WKUPDEP_GPIO2 _IRQ2_DSP1	Read/write
GPIO2	CD_L4PER	CD_IPU1, CD_L3_MAIN1,CD_ L4PER1, CD_L4PER2, CD_L4PER3	Disabled	PM_L4PER_GPIO2 _WKDEP[4] WKUPDEP_GPIO2 _IRQ1_IPU1	Read/write
GPIO2	CD_L4PER	CD_IPU2, CD_L3_MAIN1,CD_ L4PER1, CD_L4PER2, CD_L4PER3	Disabled	PM_L4PER_GPIO2 _WKDEP[1] WKUPDEP_GPIO2 _IRQ1_IPU2	Read/write

Table 3-137. CD_L4PER1 Wake-Up Dependency Association Parameters (continued)

Originator Module	Originator Clock Domain	Servicing Clock Domain	Default Setting	Control Bit Field	Access Type
GPIO2	CD_L4PER	CD_IPU1, CD_L3_MAIN1,CD_L4PER1, CD_L4PER2, CD_L4PER3	Disabled	PM_L4PER_GPIO2_WKDEP [14] WKUPDEP_GPIO2_IRQ2_IPU1	Read/write
GPIO2	CD_L4PER	CD_IPU2, CD_L3_MAIN1,CD_L4PER1, CD_L4PER2, CD_L4PER3	Disabled	PM_L4PER_GPIO2_WKDEP [11] WKUPDEP_GPIO2_IRQ2_IPU2	Read/write
GPIO2	CD_L4PER	CD_MPU, CD_L3_MAIN1, CD_L4PER1, CD_L4PER2, CD_L4PER3	Disabled	PM_L4PER_GPIO2_WKDEP [0] WKUPDEP_GPIO2_IRQ1_MPU	Read/write
GPIO2	CD_L4PER	CD_MPU, CD_L3_MAIN1, CD_L4PER1, CD_L4PER2, CD_L4PER3	Disabled	PM_L4PER_GPIO2_WKDEP [10] WKUPDEP_GPIO2_IRQ2_MPU	Read/write
GPIO3	CD_L4PER	CD_DSP, CD_L3_MAIN1, CD_L4PER1, CD_L4PER2, CD_L4PER3	Disabled	PM_L4PER_GPIO3_WKDEP [2] WKUPDEP_GPIO3_IRQ1_DSP1	Read/write
GPIO3	CD_L4PER	CD_DSP, CD_L3_MAIN1, CD_L4PER1, CD_L4PER2, CD_L4PER3	Disabled	PM_L4PER_GPIO3_WKDEP [12] WKUPDEP_GPIO3_IRQ2_DSP1	Read/write
GPIO3	CD_L4PER	CD_IPU1, CD_L3_MAIN1, CD_L4PER1, CD_L4PER2, CD_L4PER3	Disabled	PM_L4PER_GPIO3_WKDEP [4] WKUPDEP_GPIO3_IRQ1_IPU1	Read/write
GPIO3	CD_L4PER	CD_IPU2, CD_L3_MAIN1, CD_L4PER1, CD_L4PER2, CD_L4PER3	Disabled	PM_L4PER_GPIO3_WKDEP [1] WKUPDEP_GPIO3_IRQ1_IPU2	Read/write
GPIO3	CD_L4PER	CD_IPU1, CD_L3_MAIN1, CD_L4PER1, CD_L4PER2, CD_L4PER3	Disabled	PM_L4PER_GPIO3_WKDEP [14] WKUPDEP_GPIO3_IRQ2_IPU1	Read/write
GPIO3	CD_L4PER	CD_IPU2, CD_L3_MAIN1, CD_L4PER1, CD_L4PER2, CD_L4PER3	Disabled	PM_L4PER_GPIO3_WKDEP [11] WKUPDEP_GPIO3_IRQ2_IPU2	Read/write
GPIO3	CD_L4PER	CD_MPU, CD_L3_MAIN1, CD_L4PER1, CD_L4PER2, CD_L4PER3	Disabled	PM_L4PER_GPIO3_WKDEP [0] WKUPDEP_GPIO3_IRQ1_MPU	Read/write
GPIO3	CD_L4PER	CD_MPU, CD_L3_MAIN1, CD_L4PER1, CD_L4PER2, CD_L4PER3	Disabled	PM_L4PER_GPIO3_WKDEP [10] WKUPDEP_GPIO3_IRQ2_MPU	Read/write

Table 3-137. CD_L4PER1 Wake-Up Dependency Association Parameters (continued)

Originator Module	Originator Clock Domain	Servicing Clock Domain	Default Setting	Control Bit Field	Access Type
GPIO4	CD_L4PER	CD_DSP, CD_L3_MAIN1, CD_L4PER1, CD_L4PER2, CD_L4PER3	Disabled	PM_L4PER_GPIO4_WKDEP[2] WKUPDEP_GPIO4_IRQ1_DSP1	Read/write
GPIO4	CD_L4PER	CD_DSP, CD_L3_MAIN1, CD_L4PER1, CD_L4PER2, CD_L4PER3	Disabled	PM_L4PER_GPIO4_WKDEP[12] WKUPDEP_GPIO4_IRQ2_DSP1	Read/write
GPIO4	CD_L4PER	CD_IPU1, CD_L3_MAIN1, CD_L4PER1, CD_L4PER2, CD_L4PER3	Disabled	PM_L4PER_GPIO4_WKDEP[4] WKUPDEP_GPIO4_IRQ1_IPU1	Read/write
GPIO4	CD_L4PER	CD_IPU2, CD_L3_MAIN1, CD_L4PER1, CD_L4PER2, CD_L4PER3	Disabled	PM_L4PER_GPIO4_WKDEP[1] WKUPDEP_GPIO4_IRQ1_IPU2	Read/write
GPIO4	CD_L4PER	CD_IPU1, CD_L3_MAIN1, CD_L4PER1, CD_L4PER2, CD_L4PER3	Disabled	PM_L4PER_GPIO4_WKDEP[14] WKUPDEP_GPIO4_IRQ2_IPU1	Read/write
GPIO4	CD_L4PER	CD_IPU2, CD_L3_MAIN1, CD_L4PER1, CD_L4PER2, CD_L4PER3	Disabled	PM_L4PER_GPIO4_WKDEP[11] WKUPDEP_GPIO4_IRQ2_IPU2	Read/write
GPIO4	CD_L4PER	CD_MPU, CD_L3_MAIN1, CD_L4PER1, CD_L4PER2, CD_L4PER3	Disabled	PM_L4PER_GPIO4_WKDEP[0] WKUPDEP_GPIO4_IRQ1_MPU	Read/write
GPIO4	CD_L4PER	CD_MPU, CD_L3_MAIN1, CD_L4PER1, CD_L4PER2, CD_L4PER3	Disabled	PM_L4PER_GPIO4_WKDEP[10] WKUPDEP_GPIO4_IRQ2_MPU	Read/write
GPIO5	CD_L4PER	CD_DSP, CD_L3_MAIN1, CD_L4PER1, CD_L4PER2, CD_L4PER3	Disabled	PM_L4PER_GPIO5_WKDEP[2] WKUPDEP_GPIO5_IRQ1_DSP1	Read/write
GPIO5	CD_L4PER	CD_DSP, CD_L3_MAIN1, CD_L4PER1, CD_L4PER2, CD_L4PER3	Disabled	PM_L4PER_GPIO5_WKDEP[12] WKUPDEP_GPIO5_IRQ2_DSP1	Read/write
GPIO5	CD_L4PER	CD_IPU1, CD_L3_MAIN1, CD_L4PER1, CD_L4PER2, CD_L4PER3	Disabled	PM_L4PER_GPIO5_WKDEP[4] WKUPDEP_GPIO5_IRQ1_IPU1	Read/write
GPIO5	CD_L4PER	CD_IPU2, CD_L3_MAIN1, CD_L4PER1, CD_L4PER2, CD_L4PER3	Disabled	PM_L4PER_GPIO5_WKDEP[1] WKUPDEP_GPIO5_IRQ1_IPU2	Read/write

Table 3-137. CD_L4PER1 Wake-Up Dependency Association Parameters (continued)

Originator Module	Originator Clock Domain	Servicing Clock Domain	Default Setting	Control Bit Field	Access Type
GPIO5	CD_L4PER	CD_IPU1, CD_L3_MAIN1, CD_L4PER1, CD_L4PER2, CD_L4PER3	Disabled	PM_L4PER_GPIO5_WKDEP[14] WKUPDEP_GPIO5_IRQ2_IPU1	Read/write
GPIO5	CD_L4PER	CD_IPU2, CD_L3_MAIN1, CD_L4PER1, CD_L4PER2, CD_L4PER3	Disabled	PM_L4PER_GPIO5_WKDEP[11] WKUPDEP_GPIO5_IRQ2_IPU2	Read/write
GPIO5	CD_L4PER	CD_MPU, CD_L3_MAIN1, CD_L4PER1, CD_L4PER2, CD_L4PER3	Disabled	PM_L4PER_GPIO5_WKDEP[0] WKUPDEP_GPIO5_IRQ1_MPU	Read/write
GPIO5	CD_L4PER	CD_MPU, CD_L3_MAIN1, CD_L4PER1, CD_L4PER2, CD_L4PER3	Disabled	PM_L4PER_GPIO5_WKDEP[10] WKUPDEP_GPIO5_IRQ2_MPU	Read/write
GPIO6	CD_L4PER	CD_DSP, CD_L3_MAIN1, CD_L4PER1, CD_L4PER2, CD_L4PER3	Disabled	PM_L4PER_GPIO6_WKDEP[2] WKUPDEP_GPIO6_IRQ1_DSP1	Read/write
GPIO6	CD_L4PER	CD_DSP, CD_L3_MAIN1, CD_L4PER1, CD_L4PER2, CD_L4PER3	Disabled	PM_L4PER_GPIO6_WKDEP[12] WKUPDEP_GPIO6_IRQ2_DSP1	Read/write
GPIO6	CD_L4PER	CD_IPU1, CD_L3_MAIN1, CD_L4PER1, CD_L4PER2, CD_L4PER3	Disabled	PM_L4PER_GPIO6_WKDEP[4] WKUPDEP_GPIO6_IRQ1_IPU1	Read/write
GPIO6	CD_L4PER	CD_IPU2, CD_L3_MAIN1, CD_L4PER1, CD_L4PER2, CD_L4PER3	Disabled	PM_L4PER_GPIO6_WKDEP[1] WKUPDEP_GPIO6_IRQ1_IPU2	Read/write
GPIO6	CD_L4PER	CD_IPU1, CD_L3_MAIN1, CD_L4PER1, CD_L4PER2, CD_L4PER3	Disabled	PM_L4PER_GPIO6_WKDEP[14] WKUPDEP_GPIO6_IRQ2_IPU1	Read/write
GPIO6	CD_L4PER	CD_IPU2, CD_L3_MAIN1, CD_L4PER1, CD_L4PER2, CD_L4PER3	Disabled	PM_L4PER_GPIO6_WKDEP[11] WKUPDEP_GPIO6_IRQ2_IPU2	Read/write
GPIO6	CD_L4PER	CD_MPU, CD_L3_MAIN1, CD_L4PER1, CD_L4PER2, CD_L4PER3	Disabled	PM_L4PER_GPIO6_WKDEP[0] WKUPDEP_GPIO6_IRQ1_MPU	Read/write
GPIO6	CD_L4PER	CD_MPU, CD_L3_MAIN1, CD_L4PER1, CD_L4PER2, CD_L4PER3	Disabled	PM_L4PER_GPIO6_WKDEP[10] WKUPDEP_GPIO6_IRQ2_MPU	Read/write

Table 3-137. CD_L4PER1 Wake-Up Dependency Association Parameters (continued)

Originator Module	Originator Clock Domain	Servicing Clock Domain	Default Setting	Control Bit Field	Access Type
GPIO7	CD_L4PER	CD_DSP, CD_L3_MAIN1, CD_L4PER1, CD_L4PER2, CD_L4PER3	Disabled	PM_L4PER_GPIO7_WKDEP[2] WKUPDEP_GPIO7_IRQ1_DSP1	Read/write
GPIO7	CD_L4PER	CD_DSP, CD_L3_MAIN1, CD_L4PER1, CD_L4PER2, CD_L4PER3	Disabled	PM_L4PER_GPIO7_WKDEP[12] WKUPDEP_GPIO7_IRQ2_DSP1	Read/write
GPIO7	CD_L4PER	CD_IPU1, CD_L3_MAIN1, CD_L4PER1, CD_L4PER2, CD_L4PER3	Disabled	PM_L4PER_GPIO7_WKDEP[4] WKUPDEP_GPIO7_IRQ1_IPU1	Read/write
GPIO7	CD_L4PER	CD_IPU2, CD_L3_MAIN1, CD_L4PER1, CD_L4PER2, CD_L4PER3	Disabled	PM_L4PER_GPIO7_WKDEP[1] WKUPDEP_GPIO7_IRQ1_IPU2	Read/write
GPIO7	CD_L4PER	CD_IPU1, CD_L3_MAIN1, CD_L4PER1, CD_L4PER2, CD_L4PER3	Disabled	PM_L4PER_GPIO7_WKDEP[14] WKUPDEP_GPIO7_IRQ2_IPU1	Read/write
GPIO7	CD_L4PER	CD_IPU2, CD_L3_MAIN1, CD_L4PER1, CD_L4PER2, CD_L4PER3	Disabled	PM_L4PER_GPIO7_WKDEP[11] WKUPDEP_GPIO7_IRQ2_IPU2	Read/write
GPIO7	CD_L4PER	CD_MPU, CD_L3_MAIN1, CD_L4PER1, CD_L4PER2, CD_L4PER3	Disabled	PM_L4PER_GPIO7_WKDEP[0] WKUPDEP_GPIO7_IRQ1_MPU	Read/write
GPIO7	CD_L4PER	CD_MPU, CD_L3_MAIN1, CD_L4PER1, CD_L4PER2, CD_L4PER3	Disabled	PM_L4PER_GPIO7_WKDEP[10] WKUPDEP_GPIO7_IRQ2_MPU	Read/write
GPIO8	CD_L4PER	CD_DSP, CD_L3_MAIN1, CD_L4PER1, CD_L4PER2, CD_L4PER3	Disabled	PM_L4PER_GPIO8_WKDEP[2] WKUPDEP_GPIO8_IRQ1_DSP1	Read/write
GPIO8	CD_L4PER	CD_DSP, CD_L3_MAIN1, CD_L4PER1, CD_L4PER2, CD_L4PER3	Disabled	PM_L4PER_GPIO8_WKDEP[12] WKUPDEP_GPIO8_IRQ2_DSP1	Read/write
GPIO8	CD_L4PER	CD_IPU1, CD_L3_MAIN1, CD_L4PER1, CD_L4PER2, CD_L4PER3	Disabled	PM_L4PER_GPIO8_WKDEP[4] WKUPDEP_GPIO8_IRQ1_IPU1	Read/write
GPIO8	CD_L4PER	CD_IPU2, CD_L3_MAIN1, CD_L4PER1, CD_L4PER2, CD_L4PER3	Disabled	PM_L4PER_GPIO8_WKDEP[1] WKUPDEP_GPIO8_IRQ1_IPU2	Read/write

Table 3-137. CD_L4PER1 Wake-Up Dependency Association Parameters (continued)

Originator Module	Originator Clock Domain	Servicing Clock Domain	Default Setting	Control Bit Field	Access Type
GPIO8	CD_L4PER	CD_IPU1, CD_L3_MAIN1, CD_L4PER1, CD_L4PER2, CD_L4PER3	Disabled	PM_L4PER_GPIO8_WKDEP[14] WKUPDEP_GPIO8_IRQ2_IPU1	Read/write
GPIO8	CD_L4PER	CD_IPU2, CD_L3_MAIN1, CD_L4PER1, CD_L4PER2, CD_L4PER3	Disabled	PM_L4PER_GPIO8_WKDEP[11] WKUPDEP_GPIO8_IRQ2_IPU2	Read/write
GPIO8	CD_L4PER	CD_MPU, CD_L3_MAIN1, CD_L4PER1, CD_L4PER2, CD_L4PER3	Disabled	PM_L4PER_GPIO8_WKDEP[0] WKUPDEP_GPIO8_IRQ1_MPU	Read/write
GPIO8	CD_L4PER	CD_MPU, CD_L3_MAIN1, CD_L4PER1, CD_L4PER2, CD_L4PER3	Disabled	PM_L4PER_GPIO8_WKDEP[10] WKUPDEP_GPIO8_IRQ2_MPU	Read/write
I2C1	CD_L4PER	CD_DMA, CD_L3_MAIN1, CD_L4PER1, CD_L4PER2, CD_L4PER3	Enabled	PM_L4PER_I2C1_WKDEP[13] WKUPDEP_I2C1_DMA_SDMA	Read/write
I2C1	CD_L4PER	CD_IPU1, CD_L3_MAIN1, CD_L4PER1, CD_L4PER2, CD_L4PER3	Disabled	PM_L4PER_I2C1_WKDEP[4] WKUPDEP_I2C1_IRQ_IPU1	Read/write
I2C1	CD_L4PER	CD_IPU2, CD_L3_MAIN1, CD_L4PER1, CD_L4PER2, CD_L4PER3	Disabled	PM_L4PER_I2C1_WKDEP[1] WKUPDEP_I2C1_IRQ_IPU2	Read/write
I2C1	CD_L4PER	CD_MPU, CD_L3_MAIN1, CD_L4PER1, CD_L4PER2, CD_L4PER3	Disabled	PM_L4PER_I2C1_WKDEP[0] WKUPDEP_I2C1_IRQ_MPU	Read/write
I2C1	CD_L4PER	CD_DSP, CD_L3_MAIN1, CD_L4PER1, CD_L4PER2, CD_L4PER3	Disabled	PM_L4PER_I2C1_WKDEP[2] WKUPDEP_I2C1_IRQ_DSP1	Read/write
I2C1	CD_L4PER	CD_DSP, CD_L3_MAIN1, CD_L4PER1, CD_L4PER2, CD_L4PER3	Enabled	PM_L4PER_I2C1_WKDEP[12] WKUPDEP_I2C1_DMA_DSP1	Read/write
I2C2	CD_L4PER	CD_DMA, CD_L3_MAIN1, CD_L4PER1, CD_L4PER2, CD_L4PER3	Enabled	PM_L4PER_I2C2_WKDEP[13] WKUPDEP_I2C2_DMA_SDMA	Read/write
I2C2	CD_L4PER	CD_IPU1, CD_L3_MAIN1, CD_L4PER1, CD_L4PER2, CD_L4PER3	Disabled	PM_L4PER_I2C2_WKDEP[4] WKUPDEP_I2C2_IRQ_IPU1	Read/write

Table 3-137. CD_L4PER1 Wake-Up Dependency Association Parameters (continued)

Originator Module	Originator Clock Domain	Servicing Clock Domain	Default Setting	Control Bit Field	Access Type
I2C2	CD_L4PER	CD_IPU2, CD_L3_MAIN1, CD_L4PER1, CD_L4PER2, CD_L4PER3	Disabled	PM_L4PER_I2C2_WKDEP[1] WKUPDEP_I2C2_I RQ_IPU2	Read/write
I2C2	CD_L4PER	CD_MPU, CD_L3_MAIN1, CD_L4PER1, CD_L4PER2, CD_L4PER3	Disabled	PM_L4PER_I2C2_WKDEP[0] WKUPDEP_I2C2_I RQ_MPU	Read/write
I2C2	CD_L4PER	CD_DSP, CD_L3_MAIN1, CD_L4PER1, CD_L4PER2, CD_L4PER3	Disabled	PM_L4PER_I2C2_WKDEP[2] WKUPDEP_I2C2_I RQ_DSP1	Read/write
I2C2	CD_L4PER	CD_DSP, CD_L3_MAIN1, CD_L4PER1, CD_L4PER2, CD_L4PER3	Enabled	PM_L4PER_I2C2_WKDEP[12] WKUPDEP_I2C2_D MA_DSP1	Read/write
I2C3	CD_L4PER	CD_DMA, CD_L3_MAIN1, CD_L4PER1, CD_L4PER2, CD_L4PER3	Enabled	PM_L4PER_I2C3_WKDEP[13] WKUPDEP_I2C3_D MA_SDMA	Read/write
I2C3	CD_L4PER	CD_IPU1, CD_L3_MAIN1, CD_L4PER1, CD_L4PER2, CD_L4PER3	Disabled	PM_L4PER_I2C3_WKDEP[4] WKUPDEP_I2C3_I RQ_IPU1	Read/write
I2C3	CD_L4PER	CD_IPU2, CD_L3_MAIN1, CD_L4PER1, CD_L4PER2, CD_L4PER3	Disabled	PM_L4PER_I2C3_WKDEP[1] WKUPDEP_I2C3_I RQ_IPU2	Read/write
I2C3	CD_L4PER	CD_MPU, CD_L3_MAIN1, CD_L4PER1, CD_L4PER2, CD_L4PER3	Disabled	PM_L4PER_I2C3_WKDEP[0] WKUPDEP_I2C3_I RQ_MPU	Read/write
I2C3	CD_L4PER	CD_DSP, CD_L3_MAIN1, CD_L4PER1, CD_L4PER2, CD_L4PER3	Disabled	PM_L4PER_I2C3_WKDEP[2] WKUPDEP_I2C3_I RQ_DSP1	Read/write
I2C3	CD_L4PER	CD_DSP, CD_L3_MAIN1, CD_L4PER1, CD_L4PER2, CD_L4PER3	Enabled	PM_L4PER_I2C3_WKDEP[12] WKUPDEP_I2C3_D MA_DSP1	Read/write
I2C4	CD_L4PER	CD_DMA, CD_L3_MAIN1, CD_L4PER1, CD_L4PER2, CD_L4PER3	Enabled	PM_L4PER_I2C4_WKDEP[13] WKUPDEP_I2C4_D MA_SDMA	Read/write
I2C4	CD_L4PER	CD_IPU1, CD_L3_MAIN1, CD_L4PER1, CD_L4PER2, CD_L4PER3	Disabled	PM_L4PER_I2C4_WKDEP[4] WKUPDEP_I2C4_I RQ_IPU1	Read/write

Table 3-137. CD_L4PER1 Wake-Up Dependency Association Parameters (continued)

Originator Module	Originator Clock Domain	Servicing Clock Domain	Default Setting	Control Bit Field	Access Type
I2C4	CD_L4PER	CD_IPU2, CD_L3_MAIN1, CD_L4PER1, CD_L4PER2, CD_L4PER3	Disabled	PM_L4PER_I2C4_ WKDEP[1] WKUPDEP_I2C4_I RQ_IPU2	Read/write
I2C4	CD_L4PER	CD_MPU, CD_L3_MAIN1, CD_L4PER1, CD_L4PER2, CD_L4PER3	Disabled	PM_L4PER_I2C4_ WKDEP[0] WKUPDEP_I2C4_I RQ_MPU	Read/write
I2C4	CD_L4PER	CD_DSP, CD_L3_MAIN1, CD_L4PER1, CD_L4PER2, CD_L4PER3	Disabled	PM_L4PER_I2C4_ WKDEP[2] WKUPDEP_I2C4_I RQ_DSP1	Read/write
I2C4	CD_L4PER	CD_DSP, CD_L3_MAIN1, CD_L4PER1, CD_L4PER2, CD_L4PER3	Enabled	PM_L4PER_I2C4_ WKDEP[12] WKUPDEP_I2C4_D MA_DSP1	Read/write
MCSP11	CD_L4PER	CD_DMA, CD_L3_MAIN1, CD_L4PER1, CD_L4PER2, CD_L4PER3	Disabled	PM_L4PER_MCSP1 1_WKDEP[3] WKUPDEP_MCSP1 1_SDMA	Read/write
MCSP11	CD_L4PER	CD_DSP1, CD_L3_MAIN1, CD_L4PER1, CD_L4PER2, CD_L4PER3	Disabled	PM_L4PER_MCSP1 1_WKDEP[2] WKUPDEP_MCSP1 1_DSP1	Read/write
MCSP11	CD_L4PER	CD_IPU1, CD_L3_MAIN1, CD_L4PER1, CD_L4PER2, CD_L4PER3	Disabled	PM_L4PER_MCSP1 1_WKDEP[4] WKUPDEP_MCSP1 1_IPU1	Read/write
MCSP11	CD_L4PER	CD_IPU2, CD_L3_MAIN1, CD_L4PER1, CD_L4PER2, CD_L4PER3	Disabled	PM_L4PER_MCSP1 1_WKDEP[1] WKUPDEP_MCSP1 1_IPU2	Read/write
MCSP11	CD_L4PER	CD_MPU, CD_L3_MAIN1, CD_L4PER1, CD_L4PER2, CD_L4PER3	Disabled	PM_L4PER_MCSP1 1_WKDEP[0] WKUPDEP_MCSP1 1_MPU	Read/write
MCSP12	CD_L4PER	CD_DMA, CD_L3_MAIN1, CD_L4PER1, CD_L4PER2, CD_L4PER3	Disabled	PM_L4PER_MCSP1 2_WKDEP[3] WKUPDEP_MCSP1 2_SDMA	Read/write
MCSP12	CD_L4PER	CD_DSP1, CD_L3_MAIN1, CD_L4PER1, CD_L4PER2, CD_L4PER3	Disabled	PM_L4PER_MCSP1 2_WKDEP[2] WKUPDEP_MCSP1 2_DSP1	Read/write
MCSP12	CD_L4PER	CD_IPU1, CD_L3_MAIN1, CD_L4PER1, CD_L4PER2, CD_L4PER3	Disabled	PM_L4PER_MCSP1 2_WKDEP[4] WKUPDEP_MCSP1 2_IPU1	Read/write

Table 3-137. CD_L4PER1 Wake-Up Dependency Association Parameters (continued)

Originator Module	Originator Clock Domain	Servicing Clock Domain	Default Setting	Control Bit Field	Access Type
MCSP12	CD_L4PER	CD_IPU2, CD_L3_MAIN1, CD_L4PER1, CD_L4PER2, CD_L4PER3	Disabled	PM_L4PER_MCSP12_WKDEP[1] WKUPDEP_MCSP12_IPU2	Read/write
MCSP12	CD_L4PER	CD_MPU, CD_L3_MAIN1, CD_L4PER1, CD_L4PER2, CD_L4PER3	Disabled	PM_L4PER_MCSP12_WKDEP[0] WKUPDEP_MCSP12_MPU	Read/write
MCSP13	CD_L4PER	CD_DMA, CD_L3_MAIN1, CD_L4PER1, CD_L4PER2, CD_L4PER3	Disabled	PM_L4PER_MCSP13_WKDEP[3] WKUPDEP_MCSP13_SDMA	Read/write
MCSP13	CD_L4PER	CD_DSP1, CD_L3_MAIN1, CD_L4PER1, CD_L4PER2, CD_L4PER3	Disabled	PM_L4PER_MCSP13_WKDEP[2] WKUPDEP_MCSP13_DSP1	Read/write
MCSP13	CD_L4PER	CD_IPU1, CD_L3_MAIN1, CD_L4PER1, CD_L4PER2, CD_L4PER3	Disabled	PM_L4PER_MCSP13_WKDEP[4] WKUPDEP_MCSP13_IPU1	Read/write
MCSP13	CD_L4PER	CD_IPU2, CD_L3_MAIN1, CD_L4PER1, CD_L4PER2, CD_L4PER3	Disabled	PM_L4PER_MCSP13_WKDEP[1] WKUPDEP_MCSP13_IPU2	Read/write
MCSP13	CD_L4PER	CD_MPU, CD_L3_MAIN1, CD_L4PER1, CD_L4PER2, CD_L4PER3	Disabled	PM_L4PER_MCSP13_WKDEP[0] WKUPDEP_MCSP13_MPU	Read/write
MCSP14	CD_L4PER	CD_DMA, CD_L3_MAIN1, CD_L4PER1, CD_L4PER2, CD_L4PER3	Disabled	PM_L4PER_MCSP14_WKDEP[3] WKUPDEP_MCSP14_SDMA	Read/write
MCSP14	CD_L4PER	CD_DSP1, CD_L3_MAIN1, CD_L4PER1, CD_L4PER2, CD_L4PER3	Disabled	PM_L4PER_MCSP14_WKDEP[2] WKUPDEP_MCSP14_DSP1	Read/write
MCSP14	CD_L4PER	CD_IPU1, CD_L3_MAIN1, CD_L4PER1, CD_L4PER2, CD_L4PER3	Disabled	PM_L4PER_MCSP14_WKDEP[4] WKUPDEP_MCSP14_IPU1	Read/write
MCSP14	CD_L4PER	CD_IPU2, CD_L3_MAIN1, CD_L4PER1, CD_L4PER2, CD_L4PER3	Disabled	PM_L4PER_MCSP14_WKDEP[1] WKUPDEP_MCSP14_IPU2	Read/write
MCSP14	CD_L4PER	CD_MPU, CD_L3_MAIN1, CD_L4PER1, CD_L4PER2, CD_L4PER3	Disabled	PM_L4PER_MCSP14_WKDEP[0] WKUPDEP_MCSP14_MPU	Read/write

Table 3-137. CD_L4PER1 Wake-Up Dependency Association Parameters (continued)

Originator Module	Originator Clock Domain	Servicing Clock Domain	Default Setting	Control Bit Field	Access Type
MMC3	CD_L4PER	CD_DMA, CD_L3_MAIN1, CD_L4PER1, CD_L4PER2, CD_L4PER3	Disabled	PM_L4PER_MMC3_WKDEP[3] WKUPDEP_MMC3_SDMA	Read/write
MMC3	CD_L4PER	CD_DSP, CD_L3_MAIN1, CD_L4PER1, CD_L4PER2, CD_L4PER3	Disabled	PM_L4PER_MMC3_WKDEP[2] WKUPDEP_MMC3_DSP1	Read/write
MMC3	CD_L4PER	CD_IPU1, CD_L3_MAIN1, CD_L4PER1, CD_L4PER2, CD_L4PER3	Disabled	PM_L4PER_MMC3_WKDEP[4] WKUPDEP_MMC3_IPU1	Read/write
MMC3	CD_L4PER	CD_IPU2, CD_L3_MAIN1, CD_L4PER1, CD_L4PER2, CD_L4PER3	Disabled	PM_L4PER_MMC3_WKDEP[1] WKUPDEP_MMC3_IPU2	Read/write
MMC3	CD_L4PER	CD_MPU, CD_L3_MAIN1, CD_L4PER1, CD_L4PER2, CD_L4PER3	Disabled	PM_L4PER_MMC3_WKDEP[0] WKUPDEP_MMC3_MPU	Read/write
MMC4	CD_L4PER	CD_DMA, CD_L3_MAIN1, CD_L4PER1, CD_L4PER2, CD_L4PER3	Disabled	PM_L4PER_MMC4_WKDEP[3] WKUPDEP_MMC4_SDMA	Read/write
MMC4	CD_L4PER	CD_DSP, CD_L3_MAIN1, CD_L4PER1, CD_L4PER2, CD_L4PER3	Disabled	PM_L4PER_MMC4_WKDEP[2] WKUPDEP_MMC4_DSP1	Read/write
MMC4	CD_L4PER	CD_IPU1, CD_L3_MAIN1, CD_L4PER1, CD_L4PER2, CD_L4PER3	Disabled	PM_L4PER_MMC4_WKDEP[4] WKUPDEP_MMC4_IPU1	Read/write
MMC4	CD_L4PER	CD_IPU2, CD_L3_MAIN1, CD_L4PER1, CD_L4PER2, CD_L4PER3	Disabled	PM_L4PER_MMC4_WKDEP[1] WKUPDEP_MMC4_IPU2	Read/write
MMC4	CD_L4PER	CD_MPU, CD_L3_MAIN1, CD_L4PER1, CD_L4PER2, CD_L4PER3	Disabled	PM_L4PER_MMC4_WKDEP[0] WKUPDEP_MMC4_MPU	Read/write
UART1	CD_L4PER	CD_DMA, CD_L3_MAIN1, CD_L4PER1, CD_L4PER2, CD_L4PER3	Disabled	PM_L4PER_UART1_WKDEP[3] WKUPDEP_UART1_SDMA	Read/write
UART1	CD_L4PER	CD_DSP, CD_L3_MAIN1, CD_L4PER1, CD_L4PER2, CD_L4PER3	Disabled	PM_L4PER_UART1_WKDEP[2] WKUPDEP_UART1_DSP1	Read/write

Table 3-137. CD_L4PER1 Wake-Up Dependency Association Parameters (continued)

Originator Module	Originator Clock Domain	Servicing Clock Domain	Default Setting	Control Bit Field	Access Type
UART1	CD_L4PER	CD_IPU1, CD_L3_MAIN1, CD_L4PER1, CD_L4PER2, CD_L4PER3	Disabled	PM_L4PER_UART1_WKDEP[4] WKUPDEP_UART1_IPU1	Read/write
UART1	CD_L4PER	CD_IPU2, CD_L3_MAIN1, CD_L4PER1, CD_L4PER2, CD_L4PER3	Disabled	PM_L4PER_UART1_WKDEP[1] WKUPDEP_UART1_IPU2	Read/write
UART1	CD_L4PER	CD_MPU, CD_L3_MAIN1, CD_L4PER1, CD_L4PER2, CD_L4PER3	Disabled	PM_L4PER_UART1_WKDEP[0] WKUPDEP_UART1_MPU	Read/write
UART2	CD_L4PER	CD_DMA, CD_L3_MAIN1, CD_L4PER1, CD_L4PER2, CD_L4PER3	Disabled	PM_L4PER_UART2_WKDEP[3] WKUPDEP_UART2_SDMA	Read/write
UART2	CD_L4PER	CD_DSP, CD_L3_MAIN1, CD_L4PER1, CD_L4PER2, CD_L4PER3	Disabled	PM_L4PER_UART2_WKDEP[2] WKUPDEP_UART2_DSP1	Read/write
UART2	CD_L4PER	CD_IPU1, CD_L3_MAIN1, CD_L4PER1, CD_L4PER2, CD_L4PER3	Disabled	PM_L4PER_UART2_WKDEP[4] WKUPDEP_UART2_IPU1	Read/write
UART2	CD_L4PER	CD_IPU2, CD_L3_MAIN1, CD_L4PER1, CD_L4PER2, CD_L4PER3	Disabled	PM_L4PER_UART2_WKDEP[1] WKUPDEP_UART2_IPU2	Read/write
UART2	CD_L4PER	CD_MPU, CD_L3_MAIN1, CD_L4PER1, CD_L4PER2, CD_L4PER3	Disabled	PM_L4PER_UART2_WKDEP[0] WKUPDEP_UART2_MPU	Read/write
UART3	CD_L4PER	CD_DMA, CD_L3_MAIN1, CD_L4PER1, CD_L4PER2, CD_L4PER3	Disabled	PM_L4PER_UART3_WKDEP[3] WKUPDEP_UART3_SDMA	Read/write
UART3	CD_L4PER	CD_DSP, CD_L3_MAIN1, CD_L4PER1, CD_L4PER2, CD_L4PER3	Disabled	PM_L4PER_UART3_WKDEP[2] WKUPDEP_UART3_DSP1	Read/write
UART3	CD_L4PER	CD_IPU1, CD_L3_MAIN1, CD_L4PER1, CD_L4PER2, CD_L4PER3	Disabled	PM_L4PER_UART3_WKDEP[4] WKUPDEP_UART3_IPU1	Read/write
UART3	CD_L4PER	CD_IPU2, CD_L3_MAIN1, CD_L4PER1, CD_L4PER2, CD_L4PER3	Disabled	PM_L4PER_UART3_WKDEP[1] WKUPDEP_UART3_IPU2	Read/write

Table 3-137. CD_L4PER1 Wake-Up Dependency Association Parameters (continued)

Originator Module	Originator Clock Domain	Servicing Clock Domain	Default Setting	Control Bit Field	Access Type
UART3	CD_L4PER	CD_MPU, CD_L3_MAIN1, CD_L4PER1, CD_L4PER2, CD_L4PER3	Disabled	PM_L4PER_UART3_WKDEP[0] WKUPDEP_UART3_MPU	Read/write
UART4	CD_L4PER	CD_DMA, CD_L3_MAIN1, CD_L4PER1, CD_L4PER2, CD_L4PER3	Disabled	PM_L4PER_UART4_WKDEP[3] WKUPDEP_UART4_SDMA	Read/write
UART4	CD_L4PER	CD_DSP, CD_L3_MAIN1, CD_L4PER1, CD_L4PER2, CD_L4PER3	Disabled	PM_L4PER_UART4_WKDEP[2] WKUPDEP_UART4_DSP1	Read/write
UART4	CD_L4PER	CD_IPU1, CD_L3_MAIN1, CD_L4PER1, CD_L4PER2, CD_L4PER3	Disabled	PM_L4PER_UART4_WKDEP[4] WKUPDEP_UART4_IPU1	Read/write
UART4	CD_L4PER	CD_IPU2, CD_L3_MAIN1, CD_L4PER1, CD_L4PER2, CD_L4PER3	Disabled	PM_L4PER_UART4_WKDEP[1] WKUPDEP_UART4_IPU2	Read/write
UART4	CD_L4PER	CD_MPU, CD_L3_MAIN1, CD_L4PER1, CD_L4PER2, CD_L4PER3	Disabled	PM_L4PER_UART4_WKDEP[0] WKUPDEP_UART4_MPU	Read/write
UART5	CD_L4PER	CD_DMA, CD_L3_MAIN1, CD_L4PER1, CD_L4PER2, CD_L4PER3	Disabled	PM_L4PER_UART5_WKDEP[3] WKUPDEP_UART5_SDMA	Read/write
UART5	CD_L4PER	CD_DSP, CD_L3_MAIN1, CD_L4PER1, CD_L4PER2, CD_L4PER3	Disabled	PM_L4PER_UART5_WKDEP[2] WKUPDEP_UART5_DSP1	Read/write
UART5	CD_L4PER	CD_IPU1, CD_L3_MAIN1, CD_L4PER1, CD_L4PER2, CD_L4PER3	Disabled	PM_L4PER_UART5_WKDEP[4] WKUPDEP_UART5_IPU1	Read/write
UART5	CD_L4PER	CD_IPU2, CD_L3_MAIN1, CD_L4PER1, CD_L4PER2, CD_L4PER3	Disabled	PM_L4PER_UART5_WKDEP[1] WKUPDEP_UART5_IPU2	Read/write
UART5	CD_L4PER	CD_MPU, CD_L3_MAIN1, CD_L4PER1, CD_L4PER2, CD_L4PER3	Disabled	PM_L4PER_UART5_WKDEP[0] WKUPDEP_UART5_MPU	Read/write

3.6.4.5.4 CD_L4PER1 Clock Domain Module Attributes

Table 3-138 lists for each module of the clock domain the clocks the module receives and their role (that is, functional or interface clock).

Table 3-138. CD_L4PER1 Modules Clocks Association

Module	Clock	Clock Type
TIMER10	TIMER10_GFCLK	Functional
	L4PER_L3_GICLK	Interface ⁽¹⁾
TIMER11	TIMER11_GFCLK	Functional
	L4PER_L3_GICLK	Interface ⁽¹⁾
TIMER2	TIMER2_GFCLK	Functional
	L4PER_L3_GICLK	Interface ⁽¹⁾
TIMER3	TIMER3_GFCLK	Functional
	L4PER_L3_GICLK	Interface ⁽¹⁾
TIMER4	TIMER4_GFCLK	Functional
	L4PER_L3_GICLK	Interface ⁽¹⁾
TIMER9	TIMER9_GFCLK	Functional
	L4PER_L3_GICLK	Interface ⁽¹⁾
ELM	L4PER_L3_GICLK	Interface ⁽¹⁾
GPIO2	GPIO_GFCLK	Functional
	L4PER_L3_GICLK	Interface ⁽¹⁾
GPIO3	GPIO_GFCLK	Functional
	L4PER_L3_GICLK	Interface ⁽¹⁾
GPIO4	GPIO_GFCLK	Functional
	L4PER_L3_GICLK	Interface ⁽¹⁾
GPIO5	GPIO_GFCLK	Functional
	L4PER_L3_GICLK	Interface ⁽¹⁾
GPIO6	GPIO_GFCLK	Functional
	L4PER_L3_GICLK	Interface ⁽¹⁾
GPIO7	GPIO_GFCLK	Functional
	L4PER_L3_GICLK	Interface ⁽¹⁾
GPIO8	GPIO_GFCLK	Functional
	L4PER_L3_GICLK	Interface ⁽¹⁾
HDQ1W	L4PER_L3_GICLK	Interface ⁽¹⁾
	PER_12M_GFCLK	Functional
I2C1	L4PER_L3_GICLK	Interface ⁽¹⁾
	PER_96M_GFCLK	Functional
I2C2	L4PER_L3_GICLK	Interface ⁽¹⁾
	PER_96M_GFCLK	Functional
I2C3	L4PER_L3_GICLK	Interface ⁽¹⁾
	PER_96M_GFCLK	Functional
I2C4	L4PER_L3_GICLK	Interface ⁽¹⁾
	PER_96M_GFCLK	Functional
L4_PER1 interconnect	L4PER_L3_GICLK	Interface ⁽¹⁾
MCSPI1	L4PER_L3_GICLK	Interface ⁽¹⁾
	PER_48M_GFCLK	Functional
MCSPI2	L4PER_L3_GICLK	Interface ⁽¹⁾
	PER_48M_GFCLK	Functional
MCSPI3	L4PER_L3_GICLK	Interface ⁽¹⁾
	PER_48M_GFCLK	Functional
MCSPI4	L4PER_L3_GICLK	Interface ⁽¹⁾
	PER_48M_GFCLK	Functional

⁽¹⁾ The L4 clock, required by the L4 interface, is created internally to the module. It is derived from the L4PER_L3_GICLK clock divided by 2 using a gated version of L4_ICLK.

Table 3-138. CD_L4PER1 Modules Clocks Association (continued)

Module	Clock	Clock Type
MMC3	L4PER_32K_GFCLK	Functional
	L4PER_L3_GICLK	Interface ⁽¹⁾
	MMC3_GFCLK	Functional
MMC4	L4PER_32K_GFCLK	Functional
	L4PER_L3_GICLK	Interface ⁽¹⁾
	MMC4_GFCLK	Functional
UART1	L4PER_L3_GICLK	Interface ⁽¹⁾
	UART1_GFCLK	Functional
UART2	L4PER_L3_GICLK	Interface ⁽¹⁾
	UART2_GFCLK	Functional
UART3	L4PER_L3_GICLK	Interface ⁽¹⁾
	UART3_GFCLK	Functional
UART4	L4PER_L3_GICLK	Interface ⁽¹⁾
	UART4_GFCLK	Functional
UART5	L4PER_L3_GICLK	Interface ⁽¹⁾
	UART5_GFCLK	Functional

Table 3-139 lists the supported wake-up request generation capability for each module of the clock domain.

Table 3-139. CD_L4PER1 Modules Wake-Up Request

Module	Wake-Up Feature
TIMER10	Slave wake-up request (MPU-IRQ, IPU1-IRQ, IPU2-IRQ, DSP1-IRQ)
TIMER11	Slave wake-up request (MPU-IRQ, IPU1-IRQ, IPU2-IRQ, DSP1-IRQ)
TIMER2	Slave wake-up request (MPU-IRQ, IPU1-IRQ, IPU2-IRQ, DSP1-IRQ)
TIMER3	Slave wake-up request (MPU-IRQ, IPU1-IRQ, IPU2-IRQ, DSP1-IRQ)
TIMER4	Slave wake-up request (MPU-IRQ, IPU1-IRQ, IPU2-IRQ, DSP1-IRQ)
TIMER9	Slave wake-up request (MPU-IRQ, IPU1-IRQ, IPU2-IRQ, DSP1-IRQ)
ELM	None
GPIO2	Slave wake-up request (MPU-IRQ, IPU1-IRQ, IPU2-IRQ, DSP1-IRQ)
GPIO3	Slave wake-up request (MPU-IRQ, IPU1-IRQ, IPU2-IRQ, DSP1-IRQ)
GPIO4	Slave wake-up request (MPU-IRQ, IPU1-IRQ, IPU2-IRQ, DSP1-IRQ)
GPIO5	Slave wake-up request (MPU-IRQ, IPU1-IRQ, IPU2-IRQ, DSP1-IRQ)
GPIO6	Slave wake-up request (MPU-IRQ, IPU1-IRQ, IPU2-IRQ, DSP1-IRQ)
GPIO7	Slave wake-up request (MPU-IRQ, IPU1-IRQ, IPU2-IRQ, DSP1-IRQ)
GPIO8	Slave wake-up request (MPU-IRQ, IPU1-IRQ, IPU2-IRQ, DSP1-IRQ)
HDQ1W	None
I2C1	Slave wake-up request (MPU-IRQ, IPU1-IRQ, IPU2-IRQ, DSP1-IRQ DMA_SYSTEM-DMA)

Table 3-139. CD_L4PER1 Modules Wake-Up Request (continued)

Module	Wake-Up Feature
I2C2	Slave wake-up request (MPU-IRQ, IPU1-IRQ, IPU2-IRQ, DSP1-IRQ, DMA_SYSTEM-DMA)
I2C3	Slave wake-up request (MPU-IRQ, IPU1-IRQ, IPU2-IRQ, DSP1-IRQ, DMA_SYSTEM-DMA)
I2C4	Slave wake-up request (MPU-IRQ, IPU1-IRQ, IPU2-IRQ, DSP1-IRQ, DMA_SYSTEM-DMA)
L4_PER1 interconnect	None
MCSPI1	Slave wake-up request (MPU-IRQ, IPU1-IRQ, IPU2-IRQ, DSP1-IRQ, DMA_SYSTEM-DMA)
MCSPI2	Slave wake-up request (MPU-IRQ, IPU1-IRQ, IPU2-IRQ, DSP1-IRQ, DMA_SYSTEM-DMA)
MCSPI3	Slave wake-up request (MPU-IRQ, IPU1-IRQ, IPU2-IRQ, DSP1-IRQ, DMA_SYSTEM-DMA)
MCSPI4	Slave wake-up request (MPU-IRQ, IPU1-IRQ, IPU2-IRQ, DSP1-IRQ, DMA_SYSTEM-DMA)
MMC3	Slave wake-up request (MPU-IRQ, IPU1-IRQ, IPU2-IRQ, DSP1-IRQ, DMA_SYSTEM-DMA)
MMC4	Slave wake-up request (MPU-IRQ, IPU1-IRQ, IPU2-IRQ, DSP1-IRQ, DMA_SYSTEM-DMA)
UART1	Slave wake-up request (MPU-IRQ, IPU1-IRQ, IPU2-IRQ, DSP1-IRQ, DMA_SYSTEM-DMA)
UART2	Slave wake-up request (MPU-IRQ, IPU1-IRQ, IPU2-IRQ, DSP1-IRQ, DMA_SYSTEM-DMA)
UART3	Slave wake-up request (MPU-IRQ, IPU1-IRQ, IPU2-IRQ, DSP1-IRQ, DMA_SYSTEM-DMA)
UART4	Slave wake-up request (MPU-IRQ, IPU1-IRQ, IPU2-IRQ, DSP1-IRQ, DMA_SYSTEM-DMA)
UART5	Slave wake-up request (MPU-IRQ, IPU1-IRQ, IPU2-IRQ, DSP1-IRQ, DMA_SYSTEM-DMA)

Table 3-140 lists the supported clock-management modes and associated software control bit fields for each module of the power domain.

Table 3-140. CD_L4PER1 Modules Clock-Management Modes and Control

Module	Clock-Management Protocol	Status Bit Field	Role
TIMER10	Slave	CM_L4PER_TIMER10_CLKCTRL [17:16] IDLEST	Idle status
TIMER11	Slave	CM_L4PER_TIMER11_CLKCTRL [17:16] IDLEST	Idle status
TIMER2	Slave	CM_L4PER_TIMER2_CLKCTRL [17:16] IDLEST	Idle status
TIMER3	Slave	CM_L4PER_TIMER3_CLKCTRL [17:16] IDLEST	Idle status
TIMER4	Slave	CM_L4PER_TIMER4_CLKCTRL [17:16] IDLEST	Idle status
TIMER9	Slave	CM_L4PER_TIMER9_CLKCTRL [17:16] IDLEST	Idle status
ELM	Slave	CM_L4PER_ELM_CLKCTRL [17:16] IDLEST	Idle status
GPIO2	Slave	CM_L4PER_GPIO2_CLKCTRL [17:16] IDLEST	Idle status
GPIO3	Slave	CM_L4PER_GPIO3_CLKCTRL [17:16] IDLEST	Idle status
GPIO4	Slave	CM_L4PER_GPIO4_CLKCTRL [17:16] IDLEST	Idle status

Table 3-140. CD_L4PER1 Modules Clock-Management Modes and Control (continued)

Module	Clock-Management Protocol	Status Bit Field	Role
GPIO5	Slave	CM_L4PER_GPIO5_CLKCTRL [17:16] IDLEST	Idle status
GPIO6	Slave	CM_L4PER_GPIO6_CLKCTRL [17:16] IDLEST	Idle status
GPIO7	Slave	CM_L4PER_GPIO7_CLKCTRL [17:16] IDLEST	Idle status
GPIO8	Slave	CM_L4PER_GPIO8_CLKCTRL [17:16] IDLEST	Idle status
HDQ1W	Slave	CM_L4PER_HDQ1W_CLKCTRL [17:16] IDLEST	Idle status
I2C1	Slave	CM_L4PER_I2C1_CLKCTRL [17:16] IDLEST	Idle status
I2C2	Slave	CM_L4PER_I2C2_CLKCTRL [17:16] IDLEST	Idle status
I2C3	Slave	CM_L4PER_I2C3_CLKCTRL [17:16] IDLEST	Idle status
I2C4	Slave	CM_L4PER_I2C4_CLKCTRL [17:16] IDLEST	Idle status
L4_PER1 interconnect	Slave	CM_L4PER_L4_PER1_CLKCTRL [17:16] IDLEST	Idle status
MCSP1	Slave	CM_L4PER_MCSP1_CLKCTRL [17:16] IDLEST	Idle status
MCSP2	Slave	CM_L4PER_MCSP2_CLKCTRL [17:16] IDLEST	Idle status
MCSP3	Slave	CM_L4PER_MCSP3_CLKCTRL [17:16] IDLEST	Idle status
MCSP4	Slave	CM_L4PER_MCSP4_CLKCTRL [17:16] IDLEST	Idle status
MMC3	Slave	CM_L4PER_MMC3_CLKCTRL [17:16] IDLEST	Idle status
MMC4	Slave	CM_L4PER_MMC4_CLKCTRL [17:16] IDLEST	Idle status
UART1	Slave	CM_L4PER_UART1_CLKCTRL [17:16] IDLEST	Idle status
UART2	Slave	CM_L4PER_UART2_CLKCTRL [17:16] IDLEST	Idle status
UART3	Slave	CM_L4PER_UART3_CLKCTRL [17:16] IDLEST	Idle status
UART4	Slave	CM_L4PER_UART4_CLKCTRL [17:16] IDLEST	Idle status
UART5	Slave	CM_L4PER_UART5_CLKCTRL [17:16] IDLEST	Idle status

Table 3-141 lists the supported clock-management modes and associated software control bit fields for each module of the power domain.

Table 3-141. CD_L4PER1 Modules Slave Clock-Management Modes and Control

Module	Disabled	Auto	Enabled	Control Bit Field	Access Type
TIMER10	Available	N/A	Available	CM_L4PER_TIMER10_CLKCTRL [1:0] MODULEMODE	Read/write
TIMER11	Available	N/A	Available	CM_L4PER_TIMER11_CLKCTRL [1:0] MODULEMODE	Read/write

Table 3-141. CD_L4PER1 Modules Slave Clock-Management Modes and Control (continued)

Module	Disabled	Auto	Enabled	Control Bit Field	Access Type
TIMER2	Available	N/A	Available	CM_L4PER_TIMER2_CLKCTRL[1:0] MODULEMODE	Read/write
TIMER3	Available	N/A	Available	CM_L4PER_TIMER3_CLKCTRL[1:0] MODULEMODE	Read/write
TIMER4	Available	N/A	Available	CM_L4PER_TIMER4_CLKCTRL[1:0] MODULEMODE	Read/write
TIMER9	Available	N/A	Available	CM_L4PER_TIMER9_CLKCTRL[1:0] MODULEMODE	Read/write
ELM	N/A	Available	N/A	CM_L4PER_ELM_CLKCTRL[1:0] MODULEMODE	Read only
GPIO2	Available	Available	N/A	CM_L4PER_GPIO2_CLKCTRL[1:0] MODULEMODE	Read/write
GPIO3	Available	Available	N/A	CM_L4PER_GPIO3_CLKCTRL[1:0] MODULEMODE	Read/write
GPIO4	Available	Available	N/A	CM_L4PER_GPIO4_CLKCTRL[1:0] MODULEMODE	Read/write
GPIO5	Available	Available	N/A	CM_L4PER_GPIO5_CLKCTRL[1:0] MODULEMODE	Read/write
GPIO6	Available	Available	N/A	CM_L4PER_GPIO6_CLKCTRL[1:0] MODULEMODE	Read/write
GPIO7	Available	Available	N/A	CM_L4PER_GPIO7_CLKCTRL[1:0] MODULEMODE	Read/write
GPIO8	Available	Available	N/A	CM_L4PER_GPIO8_CLKCTRL[1:0] MODULEMODE	Read/write
HDQ1W	Available	N/A	Available	CM_L4PER_HDQ1W_CLKCTRL[1:0] MODULEMODE	Read/write
I2C1	Available	N/A	Available	CM_L4PER_I2C1_CLKCTRL[1:0] MODULEMODE	Read/write
I2C2	Available	N/A	Available	CM_L4PER_I2C2_CLKCTRL[1:0] MODULEMODE	Read/write
I2C3	Available	N/A	Available	CM_L4PER_I2C3_CLKCTRL[1:0] MODULEMODE	Read/write
I2C4	Available	N/A	Available	CM_L4PER_I2C4_CLKCTRL[1:0] MODULEMODE	Read/write
L4_PER1 interconnect	N/A	Available	N/A	CM_L4PER_L4_PER1_CLKCTRL[1:0] MODULEMODE	Read only
MCSP11	Available	N/A	Available	CM_L4PER_MCSP11_CLKCTRL[1:0] MODULEMODE	Read/write
MCSP12	Available	N/A	Available	CM_L4PER_MCSP12_CLKCTRL[1:0] MODULEMODE	Read/write

Table 3-141. CD_L4PER1 Modules Slave Clock-Management Modes and Control (continued)

Module	Disabled	Auto	Enabled	Control Bit Field	Access Type
MCSP13	Available	N/A	Available	CM_L4PER_MCSP13_CLKCTRL[1:0] MODULEMODE	Read/write
MCSP14	Available	N/A	Available	CM_L4PER_MCSP14_CLKCTRL[1:0] MODULEMODE	Read/write
MMC3	Available	N/A	Available	CM_L4PER_MMC3_CLKCTRL[1:0] MODULEMODE	Read/write
MMC4	Available	N/A	Available	CM_L4PER_MMC4_CLKCTRL[1:0] MODULEMODE	Read/write
UART1	Available	N/A	Available	CM_L4PER_UART1_CLKCTRL[1:0] MODULEMODE	Read/write
UART2	Available	N/A	Available	CM_L4PER_UART2_CLKCTRL[1:0] MODULEMODE	Read/write
UART3	Available	N/A	Available	CM_L4PER_UART3_CLKCTRL[1:0] MODULEMODE	Read/write
UART4	Available	N/A	Available	CM_L4PER_UART4_CLKCTRL[1:0] MODULEMODE	Read/write
UART5	Available	N/A	Available	CM_L4PER_UART5_CLKCTRL[1:0] MODULEMODE	Read/write

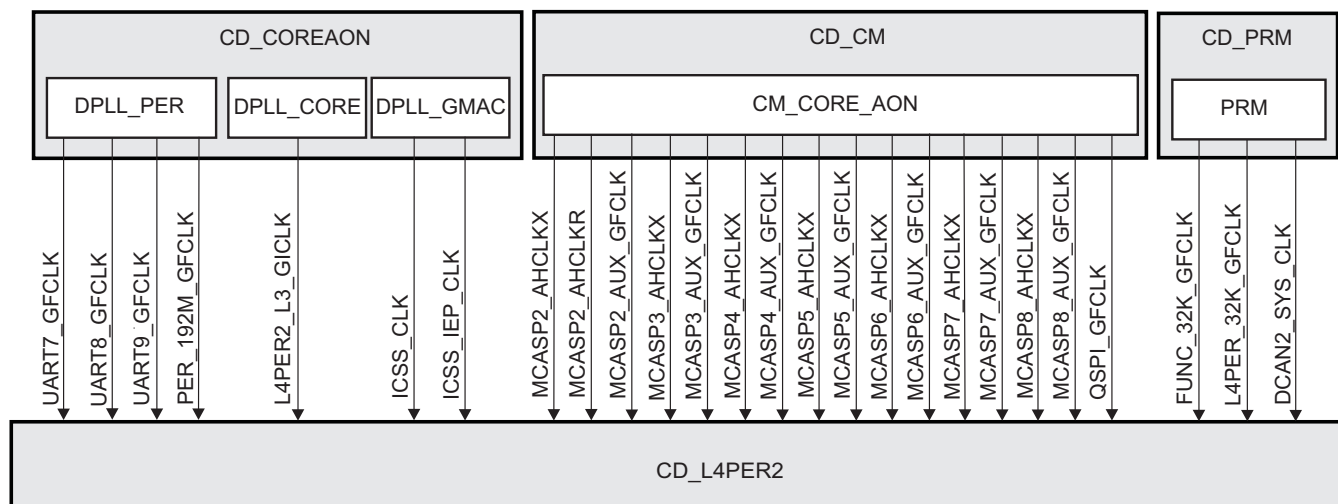
3.6.4.6 CD_L4PER2 Clock Domain

This section identifies the modes supported by the clock domain and the associated control and status bits. It also identifies its dependencies with other clock domains of the device.

3.6.4.6.1 CD_L4PER2 Overview

Figure 3-63 is an overview of the clock domain.

Figure 3-63. CD_L4PER2 Overview



prcm-061

3.6.4.6.2 CD_L4PER2 Clock Domain Modes

Table 3-142 lists the clock domain modes supported by the clock domain.

Table 3-142. CD_L4PER2 Clock Domain Modes

NO_SLEEP	SW_SLEEP	SW_WKUP	HW_AUTO
Available	Available	Available	Available

Table 3-143 lists the clock domain state transition control and status bits for the clock in this clock domain.

Table 3-143. CD_L4PER2 Control and Status Parameters

Parameter Name	Control/Status Bit Field
ICSS_CLK clock status	CM_L4PER2_CLKSTCTRL[8] CLKACTIVITY_ICSS_CLK
ICSS_IEP_CLK clock status	CM_L4PER2_CLKSTCTRL[14] CLKACTIVITY_ICSS_IEP_CLK
UART7_GFCLK clock status	CM_L4PER2_CLKSTCTRL[9] CLKACTIVITY_UART7_GFCLK
UART8_GFCLK clock status	CM_L4PER2_CLKSTCTRL[10] CLKACTIVITY_UART8_GFCLK
UART9_GFCLK clock status	CM_L4PER2_CLKSTCTRL[11] CLKACTIVITY_UART9_GFCLK
I2C6	None
QSPI_GFCLK clock status	CM_L4PER2_CLKSTCTRL[12] CLKACTIVITY_QSPI_GFCLK
L4PER2_L3_GICLK clock status	CM_L4PER2_CLKSTCTRL[16] CLKACTIVITY_L4PER2_L3_GICLK
DCAN2_SYS_CLK clock status	CM_L4PER2_CLKSTCTRL[15] CLKACTIVITY_DCAN2_SYS_CLK
PER_192M_GFCLK clock status	CM_L4PER2_CLKSTCTRL[13] CLKACTIVITY_PER_192M_GFCLK
MCASP2_AHCLKX clock status	CM_L4PER2_CLKSTCTRL[17] CLKACTIVITY_MCASP2_AHCLKX
MCASP2_AHCLKR clock status	CM_L4PER2_CLKSTCTRL[18] CLKACTIVITY_MCASP2_AHCLKR
MCASP2_AUX_GFCLK clock status	CM_L4PER2_CLKSTCTRL[19] CLKACTIVITY_MCASP2_AUX_GFCLK
MCASP3_AHCLKX clock status	CM_L4PER2_CLKSTCTRL[20] CLKACTIVITY_MCASP3_AHCLKX
MCASP3_AUX_GFCLK clock status	CM_L4PER2_CLKSTCTRL[21] CLKACTIVITY_MCASP3_AUX_GFCLK
MCASP4_AHCLKX clock status	CM_L4PER2_CLKSTCTRL[22] CLKACTIVITY_MCASP4_AHCLKX
MCASP4_AUX_GFCLK clock status	CM_L4PER2_CLKSTCTRL[23] CLKACTIVITY_MCASP4_AUX_GFCLK
MCASP5_AHCLKX clock status	CM_L4PER2_CLKSTCTRL[25] CLKACTIVITY_MCASP5_AHCLKX
MCASP5_AUX_GFCLK clock status	CM_L4PER2_CLKSTCTRL[24] CLKACTIVITY_MCASP5_AUX_GFCLK
MCASP6_AHCLKX clock status	CM_L4PER2_CLKSTCTRL[26] CLKACTIVITY_MCASP6_AHCLKX
MCASP6_AUX_GFCLK clock status	CM_L4PER2_CLKSTCTRL[27] CLKACTIVITY_MCASP6_AUX_GFCLK
MCASP7_AHCLKX clock status	CM_L4PER2_CLKSTCTRL[28] CLKACTIVITY_MCASP7_AHCLKX
MCASP7_AUX_GFCLK clock status	CM_L4PER2_CLKSTCTRL[29] CLKACTIVITY_MCASP7_AUX_GFCLK
MCASP8_AHCLKX clock status	CM_L4PER2_CLKSTCTRL[30] CLKACTIVITY_MCASP8_AHCLKX
MCASP8_AUX_GFCLK clock status	CM_L4PER2_CLKSTCTRL[31] CLKACTIVITY_MCASP8_AUX_GFCLK
Clock Domain State Transition Control	CM_L4PER2_CLKSTCTRL[1:0] CLKTRCTRL

3.6.4.6.3 CD_L4PER2 Clock Domain Dependency

CD_L4PER2 has no static dependency with any other clock domain of the device.

3.6.4.6.3.1 CD_L4PER2 Dynamic Dependency

Table 3-144 lists the dynamic dependency of the clock domain with respect to other clock domains of the device.

Table 3-144. CD_L4PER2 Dynamic Dependency Association Parameters

Clock Domain Name	Default Setting	Control Bit Field	Access Type
CD_L4_CFG	Always enabled	CM_L4PER2_DYNAMICDEP[12]] L4CFG_DYNDEP	Read only
CD_L3INIT	Always enabled	CM_L4PER2_DYNAMICDEP[7] L3INIT_DYNDEP	Read only
CD_IPU	Always enabled	CM_L4PER2_DYNAMICDEP[3] IPU_DYNDEP	Read only
CD_ATL	Always enabled	CM_L4PER2_DYNAMICDEP[6] ATL_DYNDEP	Read only
CD_GMAC	Always enabled	CM_L4PER2_DYNAMICDEP[22]] GMAC_DYNDEP	Read only

3.6.4.6.3.2 CD_L4PER2 Wake-Up Dependency

Table 3-145 lists the wake-up dependency settings for the modules of this clock domain.

Table 3-145. CD_L4PER2 Wake-Up Dependency Association Parameters

Originator Module	Originator Clock Domain	Servicing Clock Domain	Default Setting	Control Bit Field	Access Type
UART7	CD_L4PER2	CD_SDMA, CD_L3_MAIN1, CD_L4PER1, CD_L4PER2, CD_L4PER3	Disabled	PM_L4PER2_UART 7_WKDEP[3] WKUPDEP_UART7 _SDMA	Read/write
UART7	CD_L4PER2	CD_MPU, CD_L3_MAIN1, CD_L4PER1, CD_L4PER2, CD_L4PER3	Disabled	PM_L4PER2_UART 7_WKDEP[0] WKUPDEP_UART7 _MPU	Read/write
UART7	CD_L4PER2	CD_DSP, CD_L3_MAIN1, CD_L4PER1, CD_L4PER2, CD_L4PER3	Disabled	PM_L4PER2_UART 7_WKDEP[2] WKUPDEP_UART7 _DSP1	Read/write
UART7	CD_L4PER2	CD_IPU1, CD_L3_MAIN1, CD_L4PER1, CD_L4PER2, CD_L4PER3	Disabled	PM_L4PER2_UART 7_WKDEP[4] WKUPDEP_UART7 _IPU1	Read/write
UART7	CD_L4PER2	CD_IPU2, CD_L3_MAIN1, CD_L4PER1, CD_L4PER2, CD_L4PER3	Disabled	PM_L4PER2_UART 7_WKDEP[1] WKUPDEP_UART7 _IPU2	Read/write
I2C6	CD_L4PER2	None	None	None	None
DCAN2	CD_L4PER2	CD_SDMA, CD_L3_MAIN1, CD_L4PER1, CD_L4PER2, CD_L4PER3	Disabled	PM_L4PER2_DCA N2_WKDEP[3] WKUPDEP_DCAN2 _SDMA	Read/write

Table 3-145. CD_L4PER2 Wake-Up Dependency Association Parameters (continued)

Originator Module	Originator Clock Domain	Servicing Clock Domain	Default Setting	Control Bit Field	Access Type
DCAN2	CD_L4PER2	CD_MPU, CD_L3_MAIN1, CD_L4PER1, CD_L4PER2, CD_L4PER3	Disabled	PM_L4PER2_DCA N2_WKDEP[0] WKUPDEP_DCAN2 _MPU	Read/write
DCAN2	CD_L4PER2	CD_DSP, CD_L3_MAIN1, CD_L4PER1, CD_L4PER2, CD_L4PER3	Disabled	PM_L4PER2_DCA N2_WKDEP[2] WKUPDEP_DCAN2 _DSP1	Read/write
DCAN2	CD_L4PER2	CD_IPU1, CD_L3_MAIN1, CD_L4PER1, CD_L4PER2, CD_L4PER3	Disabled	PM_L4PER2_DCA N2_WKDEP[4] WKUPDEP_DCAN2 _IPU1	Read/write
DCAN2	CD_L4PER2	CD_IPU2, CD_L3_MAIN1, CD_L4PER1, CD_L4PER2, CD_L4PER3	Disabled	PM_L4PER2_DCA N2_WKDEP[1] WKUPDEP_DCAN2 _IPU2	Read/write
QSPI	CD_L4PER2	CD_MPU, CD_L3_MAIN1, CD_L4PER1, CD_L4PER2, CD_L4PER3	Disabled	PM_L4PER2_QSPI _WKDEP[0] WKUPDEP_QSPI_ MPU	Read/write
QSPI	CD_L4PER2	CD_DSP, CD_L3_MAIN1, CD_L4PER1, CD_L4PER2, CD_L4PER3	Disabled	PM_L4PER2_QSPI _WKDEP[2] WKUPDEP_QSPI_ DSP1	Read/write
QSPI	CD_L4PER2	CD_IPU1, CD_L3_MAIN1, CD_L4PER1, CD_L4PER2, CD_L4PER3	Disabled	PM_L4PER2_QSPI _WKDEP[4] WKUPDEP_QSPI_ IPU1	Read/write
QSPI	CD_L4PER2	CD_IPU2, CD_L3_MAIN1, CD_L4PER1, CD_L4PER2, CD_L4PER3	Disabled	PM_L4PER2_QSPI _WKDEP[1] WKUPDEP_QSPI_ IPU2	Read/write
MCASP2	CD_L4PER2	CD_SDMA, CD_L3_MAIN1, CD_L4PER1, CD_L4PER2, CD_L4PER3	Enabled	PM_L4PER2_MCA SP2_WKDEP[13] WKUPDEP_MCAS P2_DMA_SDMA	Read/write
MCASP2	CD_L4PER2	CD_DSP, CD_L3_MAIN1, CD_L4PER1, CD_L4PER2, CD_L4PER3	Enabled	PM_L4PER2_MCA SP2_WKDEP[12] WKUPDEP_MCAS P2_DMA_DSP1	Read/write
MCASP2	CD_L4PER2	CD_MPU, CD_L3_MAIN1, CD_L4PER1, CD_L4PER2, CD_L4PER3	Disabled	PM_L4PER2_MCA SP2_WKDEP[0] WKUPDEP_MCAS P2_IRQ_MPU	Read/write
MCASP2	CD_L4PER2	CD_DSP, CD_L3_MAIN1, CD_L4PER1, CD_L4PER2, CD_L4PER3	Disabled	PM_L4PER2_MCA SP2_WKDEP[2] WKUPDEP_MCAS P2_IRQ_DSP1	Read/write

Table 3-145. CD_L4PER2 Wake-Up Dependency Association Parameters (continued)

Originator Module	Originator Clock Domain	Servicing Clock Domain	Default Setting	Control Bit Field	Access Type
MCASP2	CD_L4PER2	CD_IPU1, CD_L3_MAIN1, CD_L4PER1, CD_L4PER2, CD_L4PER3	Disabled	PM_L4PER2_MCA SP2_WKDEP[4] WKUPDEP_MCAS P2_IRQ_IPU1	Read/write
MCASP2	CD_L4PER2	CD_IPU2, CD_L3_MAIN1, CD_L4PER1, CD_L4PER2, CD_L4PER3	Disabled	PM_L4PER2_MCA SP2_WKDEP[1] WKUPDEP_MCAS P2_IRQ_IPU2	Read/write
MCASP3	CD_L4PER2	CD_SDMA, CD_L3_MAIN1, CD_L4PER1, CD_L4PER2, CD_L4PER3	Enabled	PM_L4PER2_MCA SP3_WKDEP[13] WKUPDEP_MCAS P3_DMA_SDMA	Read/write
MCASP3	CD_L4PER2	CD_DSP, CD_L3_MAIN1, CD_L4PER1, CD_L4PER2, CD_L4PER3	Enabled	PM_L4PER2_MCA SP3_WKDEP[12] WKUPDEP_MCAS P3_DMA_DSP1	Read/write
MCASP3	CD_L4PER2	CD_MPU, CD_L3_MAIN1, CD_L4PER1, CD_L4PER2, CD_L4PER3	Disabled	PM_L4PER2_MCA SP3_WKDEP[0] WKUPDEP_MCAS P3_IRQ_MPU	Read/write
MCASP3	CD_L4PER2	CD_DSP, CD_L3_MAIN1, CD_L4PER1, CD_L4PER2, CD_L4PER3	Disabled	PM_L4PER2_MCA SP3_WKDEP[2] WKUPDEP_MCAS P3_IRQ_DSP1	Read/write
MCASP3	CD_L4PER2	CD_IPU1, CD_L3_MAIN1, CD_L4PER1, CD_L4PER2, CD_L4PER3	Disabled	PM_L4PER2_MCA SP3_WKDEP[4] WKUPDEP_MCAS P3_IRQ_IPU1	Read/write
MCASP3	CD_L4PER2	CD_IPU2, CD_L3_MAIN1, CD_L4PER1, CD_L4PER2, CD_L4PER3	Disabled	PM_L4PER2_MCA SP3_WKDEP[1] WKUPDEP_MCAS P3_IRQ_IPU2	Read/write
MCASP4	CD_L4PER2	CD_SDMA, CD_L3_MAIN1, CD_L4PER1, CD_L4PER2, CD_L4PER3	Enabled	PM_L4PER2_MCA SP4_WKDEP[13] WKUPDEP_MCAS P4_DMA_SDMA	Read/write
MCASP4	CD_L4PER2	CD_DSP, CD_L3_MAIN1, CD_L4PER1, CD_L4PER2, CD_L4PER3	Enabled	PM_L4PER2_MCA SP4_WKDEP[12] WKUPDEP_MCAS P4_DMA_DSP1	Read/write
MCASP4	CD_L4PER2	CD_MPU, CD_L3_MAIN1, CD_L4PER1, CD_L4PER2, CD_L4PER3	Disabled	PM_L4PER2_MCA SP4_WKDEP[0] WKUPDEP_MCAS P4_IRQ_MPU	Read/write
MCASP4	CD_L4PER2	CD_DSP, CD_L3_MAIN1, CD_L4PER1, CD_L4PER2, CD_L4PER3	Disabled	PM_L4PER2_MCA SP4_WKDEP[2] WKUPDEP_MCAS P4_IRQ_DSP1	Read/write

Table 3-145. CD_L4PER2 Wake-Up Dependency Association Parameters (continued)

Originator Module	Originator Clock Domain	Servicing Clock Domain	Default Setting	Control Bit Field	Access Type
MCASP4	CD_L4PER2	CD_IPU1, CD_L3_MAIN1, CD_L4PER1, CD_L4PER2, CD_L4PER3	Disabled	PM_L4PER2_MCA SP4_WKDEP[4] WKUPDEP_MCAS P4_IRQ_IPU1	Read/write
MCASP4	CD_L4PER2	CD_IPU2, CD_L3_MAIN1, CD_L4PER1, CD_L4PER2, CD_L4PER3	Disabled	PM_L4PER2_MCA SP4_WKDEP[1] WKUPDEP_MCAS P4_IRQ_IPU2	Read/write
MCASP5	CD_L4PER2	CD_SDMA, CD_L3_MAIN1, CD_L4PER1, CD_L4PER2, CD_L4PER3	Enabled	PM_L4PER2_MCA SP5_WKDEP[13] WKUPDEP_MCAS P5_DMA_SDMA	Read/write
MCASP5	CD_L4PER2	CD_DSP, CD_L3_MAIN1, CD_L4PER1, CD_L4PER2, CD_L4PER3	Enabled	PM_L4PER2_MCA SP5_WKDEP[12] WKUPDEP_MCAS P5_DMA_DSP1	Read/write
MCASP5	CD_L4PER2	CD_MPU, CD_L3_MAIN1, CD_L4PER1, CD_L4PER2, CD_L4PER3	Disabled	PM_L4PER2_MCA SP5_WKDEP[0] WKUPDEP_MCAS P5_IRQ_MPU	Read/write
MCASP5	CD_L4PER2	CD_DSP, CD_L3_MAIN1, CD_L4PER1, CD_L4PER2, CD_L4PER3	Disabled	PM_L4PER2_MCA SP5_WKDEP[2] WKUPDEP_MCAS P5_IRQ_DSP1	Read/write
MCASP5	CD_L4PER2	CD_IPU1, CD_L3_MAIN1, CD_L4PER1, CD_L4PER2, CD_L4PER3	Disabled	PM_L4PER2_MCA SP5_WKDEP[4] WKUPDEP_MCAS P5_IRQ_IPU1	Read/write
MCASP5	CD_L4PER2	CD_IPU2, CD_L3_MAIN1, CD_L4PER1, CD_L4PER2, CD_L4PER3	Disabled	PM_L4PER2_MCA SP5_WKDEP[1] WKUPDEP_MCAS P5_IRQ_IPU2	Read/write
MCASP6	CD_L4PER2	CD_SDMA, CD_L3_MAIN1, CD_L4PER1, CD_L4PER2, CD_L4PER3	Enabled	PM_L4PER2_MCA SP6_WKDEP[13] WKUPDEP_MCAS P6_DMA_SDMA	Read/write
MCASP6	CD_L4PER2	CD_DSP, CD_L3_MAIN1, CD_L4PER1, CD_L4PER2, CD_L4PER3	Enabled	PM_L4PER2_MCA SP6_WKDEP[12] WKUPDEP_MCAS P6_DMA_DSP1	Read/write
MCASP6	CD_L4PER2	CD_MPU, CD_L3_MAIN1, CD_L4PER1, CD_L4PER2, CD_L4PER3	Disabled	PM_L4PER2_MCA SP6_WKDEP[0] WKUPDEP_MCAS P6_IRQ_MPU	Read/write
MCASP6	CD_L4PER2	CD_DSP, CD_L3_MAIN1, CD_L4PER1, CD_L4PER2, CD_L4PER3	Disabled	PM_L4PER2_MCA SP6_WKDEP[2] WKUPDEP_MCAS P6_IRQ_DSP1	Read/write

Table 3-145. CD_L4PER2 Wake-Up Dependency Association Parameters (continued)

Originator Module	Originator Clock Domain	Servicing Clock Domain	Default Setting	Control Bit Field	Access Type
MCASP6	CD_L4PER2	CD_IPU1, CD_L3_MAIN1, CD_L4PER1, CD_L4PER2, CD_L4PER3	Disabled	PM_L4PER2_MCA SP6_WKDEP[4] WKUPDEP_MCAS P6_IRQ_IPU1	Read/write
MCASP6	CD_L4PER2	CD_IPU2, CD_L3_MAIN1, CD_L4PER1, CD_L4PER2, CD_L4PER3	Disabled	PM_L4PER2_MCA SP6_WKDEP[1] WKUPDEP_MCAS P6_IRQ_IPU2	Read/write
MCASP7	CD_L4PER2	CD_SDMA, CD_L3_MAIN1, CD_L4PER1, CD_L4PER2, CD_L4PER3	Enabled	PM_L4PER2_MCA SP7_WKDEP[13] WKUPDEP_MCAS P7_DMA_SDMA	Read/write
MCASP7	CD_L4PER2	CD_DSP, CD_L3_MAIN1, CD_L4PER1, CD_L4PER2, CD_L4PER3	Enabled	PM_L4PER2_MCA SP7_WKDEP[12] WKUPDEP_MCAS P7_DMA_DSP1	Read/write
MCASP7	CD_L4PER2	CD_MPU, CD_L3_MAIN1, CD_L4PER1, CD_L4PER2, CD_L4PER3	Disabled	PM_L4PER2_MCA SP7_WKDEP[0] WKUPDEP_MCAS P7_IRQ_MPU	Read/write
MCASP7	CD_L4PER2	CD_DSP, CD_L3_MAIN1, CD_L4PER1, CD_L4PER2, CD_L4PER3	Disabled	PM_L4PER2_MCA SP7_WKDEP[2] WKUPDEP_MCAS P7_IRQ_DSP1	Read/write
MCASP7	CD_L4PER2	CD_IPU1, CD_L3_MAIN1, CD_L4PER1, CD_L4PER2, CD_L4PER3	Disabled	PM_L4PER2_MCA SP7_WKDEP[4] WKUPDEP_MCAS P7_IRQ_IPU1	Read/write
MCASP7	CD_L4PER2	CD_IPU2, CD_L3_MAIN1, CD_L4PER1, CD_L4PER2, CD_L4PER3	Disabled	PM_L4PER2_MCA SP7_WKDEP[1] WKUPDEP_MCAS P7_IRQ_IPU2	Read/write
MCASP8	CD_L4PER2	CD_SDMA, CD_L3_MAIN1, CD_L4PER1, CD_L4PER2, CD_L4PER3	Enabled	PM_L4PER2_MCA SP8_WKDEP[13] WKUPDEP_MCAS P8_DMA_SDMA	Read/write
MCASP8	CD_L4PER2	CD_DSP, CD_L3_MAIN1, CD_L4PER1, CD_L4PER2, CD_L4PER3	Enabled	PM_L4PER2_MCA SP8_WKDEP[12] WKUPDEP_MCAS P8_DMA_DSP1	Read/write
MCASP8	CD_L4PER2	CD_MPU, CD_L3_MAIN1, CD_L4PER1, CD_L4PER2, CD_L4PER3	Disabled	PM_L4PER2_MCA SP8_WKDEP[0] WKUPDEP_MCAS P8_IRQ_MPU	Read/write
MCASP8	CD_L4PER2	CD_DSP, CD_L3_MAIN1, CD_L4PER1, CD_L4PER2, CD_L4PER3	Disabled	PM_L4PER2_MCA SP8_WKDEP[2] WKUPDEP_MCAS P8_IRQ_DSP1	Read/write

Table 3-145. CD_L4PER2 Wake-Up Dependency Association Parameters (continued)

Originator Module	Originator Clock Domain	Servicing Clock Domain	Default Setting	Control Bit Field	Access Type
MCASP8	CD_L4PER2	CD_IPU1, CD_L3_MAIN1, CD_L4PER1, CD_L4PER2, CD_L4PER3	Disabled	PM_L4PER2_MCA SP8_WKDEP[4] WKUPDEP_MCAS P8_IRQ_IPU1	Read/write
MCASP8	CD_L4PER2	CD_IPU2, CD_L3_MAIN1, CD_L4PER1, CD_L4PER2, CD_L4PER3	Disabled	PM_L4PER2_MCA SP8_WKDEP[1] WKUPDEP_MCAS P8_IRQ_IPU2	Read/write

3.6.4.6.4 CD_L4PER2 Clock Domain Module Attributes

Table 3-146 lists for each module of the clock domain the clocks the module receives and their role (that is, functional or interface clock).

Table 3-146. CD_L4PER2 Modules Clocks Association

Module	Clock	Clock Type
L4_PER2 interconnect	L4PER2_L3_GICLK	Interface ⁽¹⁾
DCAN2	L4PER2_L3_GICLK	Interface
	DCAN2_SYS_CLK	Functional
MCASP2	L4PER2_L3_GICLK	Interface ⁽¹⁾
	MCASP2_AHCLKR	Functional
	MCASP2_AHCLKX	Functional
	MCASP2_AUX_GFCLK	Functional
MCASP3	L4PER2_L3_GICLK	Interface ⁽¹⁾
	MCASP3_AHCLKX	Functional
	MCASP3_AUX_GFCLK	Functional
MCASP4	L4PER2_L3_GICLK	Interface ⁽¹⁾
	MCASP4_AHCLKX	Functional
	MCASP4_AUX_GFCLK	Functional
MCASP5	L4PER2_L3_GICLK	Interface ⁽¹⁾
	MCASP5_AHCLKX	Functional
	MCASP5_AUX_GFCLK	Functional
MCASP6	L4PER2_L3_GICLK	Interface ⁽¹⁾
	MCASP6_AHCLKX	Functional
	MCASP6_AUX_GFCLK	Functional
MCASP7	L4PER2_L3_GICLK	Interface ⁽¹⁾
	MCASP7_AHCLKX	Functional
	MCASP7_AUX_GFCLK	Functional
MCASP8	L4PER2_L3_GICLK	Interface ⁽¹⁾
	MCASP8_AHCLKX	Functional
	MCASP8_AUX_GFCLK	Functional
PRU-ICSS1	ICSS_CLK	Interface
	ICSS_IEP_CLK	Functional
	PER_192M_GFCLK	Functional
PRU-ICSS2	ICSS_CLK	Interface
	ICSS_IEP_CLK	Functional

⁽¹⁾ The L4 clock, required by the L4 interface, is created internally to the module. It is derived from the L4PER2_L3_GICLK clock divided by 2 using a gated version of L4_ICLK.

Table 3-146. CD_L4PER2 Modules Clocks Association (continued)

Module	Clock	Clock Type
	PER_192M_GFCLK	Functional
QSPI	L4PER2_L3_GICLK	Interface
	QSPI_GFCLK	Functional
PWMSS1	L4PER2_L3_GICLK	Interface ⁽¹⁾ and Functional ⁽²⁾
PWMSS2	L4PER2_L3_GICLK	Interface ⁽¹⁾ and Functional ⁽²⁾
PWMSS3	L4PER2_L3_GICLK	Interface ⁽¹⁾ and Functional ⁽²⁾
UART7	L4PER2_L3_GICLK	Interface ⁽¹⁾
	UART7_GFCLK	Functional
UART8	L4PER2_L3_GICLK	Interface ⁽¹⁾
	UART8_GFCLK	Functional
UART9	L4PER2_L3_GICLK	Interface ⁽¹⁾
	UART9_GFCLK	Functional
I2C6	L4PER2_L3_GICLK	Interface ⁽¹⁾
	PER_96M_GFCLK	Functional

⁽²⁾ The module functional clock is equal to L4PER2_L3_GICLK/2.

Table 3-147 lists the supported wake-up request generation capability for each module of the clock domain.

Table 3-147. CD_L4PER2 Modules Wake-Up Request

Module	Wake-Up Feature
L4_PER2 interconnect	None
DCAN2	Slave wake-up request (MPU-IRQ, IPU1-IRQ, IPU2-IRQ, DSP1-IRQ,DMA_SYSTEM-DMA)
MCASP2	Slave wake-up request (MPU-IRQ, IPU1-IRQ, IPU2-IRQ, DSP1-IRQ,DMA_SYSTEM-DMA)
MCASP3	Slave wake-up request (MPU-IRQ, IPU1-IRQ, IPU2-IRQ, DSP1-IRQ,DMA_SYSTEM-DMA)
MCASP4	Slave wake-up request (MPU-IRQ, IPU1-IRQ, IPU2-IRQ, DSP1-IRQ,DMA_SYSTEM-DMA)
MCASP5	Slave wake-up request (MPU-IRQ, IPU1-IRQ, IPU2-IRQ, DSP1-IRQ,DMA_SYSTEM-DMA)
MCASP6	Slave wake-up request (MPU-IRQ, IPU1-IRQ, IPU2-IRQ, DSP1-IRQ,DMA_SYSTEM-DMA)
MCASP7	Slave wake-up request (MPU-IRQ, IPU1-IRQ, IPU2-IRQ, DSP1-IRQ,DMA_SYSTEM-DMA)
MCASP8	Slave wake-up request (MPU-IRQ, IPU1-IRQ, IPU2-IRQ, DSP1-IRQ,DMA_SYSTEM-DMA)
PRU-ICSS1	None
PRU-ICSS2	None
QSPI	Slave wake-up request (MPU-IRQ, IPU1-IRQ, IPU2-IRQ, DSP1-IRQ)
PWMSS1	None
PWMSS2	None
PWMSS3	None
UART7	Slave wake-up request (MPU-IRQ, IPU1-IRQ, IPU2-IRQ, DSP1-IRQ,DMA_SYSTEM-DMA)
UART8	Slave wake-up request (MPU-IRQ, IPU1-IRQ, IPU2-IRQ, DSP1-IRQ,DMA_SYSTEM-DMA)
UART9	Slave wake-up request (MPU-IRQ, IPU1-IRQ, IPU2-IRQ, DSP1-IRQ,DMA_SYSTEM-DMA)

Table 3-147. CD_L4PER2 Modules Wake-Up Request (continued)

Module	Wake-Up Feature
I2C6	None

Table 3-148 lists the supported clock-management modes and associated software control bit fields for each module of the power domain.

Table 3-148. CD_L4PER2 Modules Clock-Management Modes and Control

Module	Clock-Management Protocol	Status Bit Field	Role
L4_PER2 interconnect	Slave	CM_L4PER2_L4_PER2_CLKCTRL[17:16] IDLEST	Idle status
DCAN2	Slave	CM_L4PER2_DCAN2_CLKCTRL[17:16] IDLEST	Idle status
MCASP2	Slave	CM_L4PER2_MCASP2_CLKCTRL[17:16] IDLEST	Idle status
MCASP3	Slave	CM_L4PER2_MCASP3_CLKCTRL[17:16] IDLEST	Idle status
MCASP4	Slave	CM_L4PER2_MCASP4_CLKCTRL[17:16] IDLEST	Idle status
MCASP5	Slave	CM_L4PER2_MCASP5_CLKCTRL[17:16] IDLEST	Idle status
MCASP6	Slave	CM_L4PER2_MCASP6_CLKCTRL[17:16] IDLEST	Idle status
MCASP7	Slave	CM_L4PER2_MCASP7_CLKCTRL[17:16] IDLEST	Idle status
MCASP8	Slave	CM_L4PER2_MCASP8_CLKCTRL[17:16] IDLEST	Idle status
PRU-ICSS1	Slave	CM_L4PER2_PRUSS1_CLKCTRL[17:16] IDLEST	Idle status
		CM_L4PER2_PRUSS1_CLKCTRL[18] STBYST	Standby status
PRU-ICSS2	Slave	CM_L4PER2_PRUSS2_CLKCTRL[17:16] IDLEST	Idle status
		CM_L4PER2_PRUSS2_CLKCTRL[18] STBYST	Standby status
QSPI	Slave	CM_L4PER2_QSPI_CLKCTRL[17:16] IDLEST	Idle status
PWMSS1	Slave	CM_L4PER2_PWMSS1_CLKCTRL[17:16] IDLEST	Idle status
PWMSS2	Slave	CM_L4PER2_PWMSS2_CLKCTRL[17:16] IDLEST	Idle status
PWMSS3	Slave	CM_L4PER2_PWMSS3_CLKCTRL[17:16] IDLEST	Idle status
UART7	Slave	CM_L4PER2_UART7_CLKCTRL[17:16] IDLEST	Idle status
UART8	Slave	CM_L4PER2_UART8_CLKCTRL[17:16] IDLEST	Idle status
UART9	Slave	CM_L4PER2_UART9_CLKCTRL[17:16] IDLEST	Idle status
I2C6	None	None	None

Table 3-149 lists the supported clock-management modes and associated software control bit fields for each module of the power domain.

Table 3-149. CD_L4PER2 Modules Slave Clock-Management Modes and Control

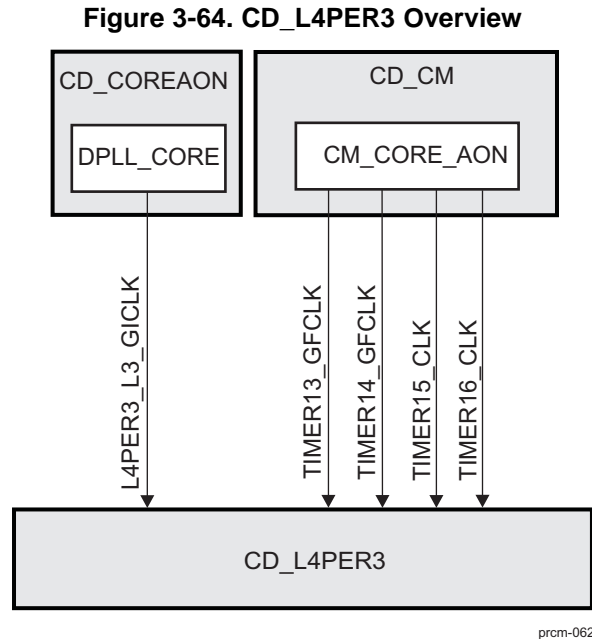
Module	Disabled	Auto	Enabled	Control Bit Field	Access Type
L4_PER2 interconnect	N/A	Available	N/A	CM_L4PER2_L4_PER2_CLKCTRL[1:0] MODULEMODE	Read only
DCAN2	Available	N/A	Available	CM_L4PER2_DCAN2_CLKCTRL[1:0] MODULEMODE	Read/write
MCASP2	Available	N/A	Available	CM_L4PER2_MCASP2_CLKCTRL[1:0] MODULEMODE	Read/write
MCASP3	Available	N/A	Available	CM_L4PER2_MCASP3_CLKCTRL[1:0] MODULEMODE	Read/write
MCASP4	Available	N/A	Available	CM_L4PER2_MCASP4_CLKCTRL[1:0] MODULEMODE	Read/write
MCASP5	Available	N/A	Available	CM_L4PER2_MCASP5_CLKCTRL[1:0] MODULEMODE	Read/write
MCASP6	Available	N/A	Available	CM_L4PER2_MCASP6_CLKCTRL[1:0] MODULEMODE	Read/write
MCASP7	Available	N/A	Available	CM_L4PER2_MCASP7_CLKCTRL[1:0] MODULEMODE	Read/write
MCASP8	Available	N/A	Available	CM_L4PER2_MCASP8_CLKCTRL[1:0] MODULEMODE	Read/write
PRU-ICSS1	Available	N/A	Available	CM_L4PER2_PRU-ICSS1_CLKCTRL[1:0] MODULEMODE	Read/write
PRU-ICSS2	Available	N/A	Available	CM_L4PER2_PRU-ICSS2_CLKCTRL[1:0] MODULEMODE	Read/write
QSPI	Available	N/A	Available	CM_L4PER2_QSPI_CLKCTRL[1:0] MODULEMODE	Read/write
PWMSS1	Available	N/A	Available	CM_L4PER2_PWMSS1_CLKCTRL[1:0] MODULEMODE	Read/write
PWMSS2	Available	N/A	Available	CM_L4PER2_PWMSS2_CLKCTRL[1:0] MODULEMODE	Read/write
PWMSS3	Available	N/A	Available	CM_L4PER2_PWMSS3_CLKCTRL[1:0] MODULEMODE	Read/write
UART7	Available	N/A	Available	CM_L4PER2_UART7_CLKCTRL[1:0] MODULEMODE	Read/write
UART8	Available	N/A	Available	CM_L4PER2_UART8_CLKCTRL[1:0] MODULEMODE	Read/write
UART9	Available	N/A	Available	CM_L4PER2_UART9_CLKCTRL[1:0] MODULEMODE	Read/write
I2C6	None	None	None	None	None

3.6.4.7 CD_L4PER3 Clock Domain

This section identifies the modes supported by the clock domain and the associated control and status bits. It also identifies its dependencies with other clock domains of the device.

3.6.4.7.1 CD_L4PER3 Overview

Figure 3-64 is an overview of the clock domain.



3.6.4.7.2 CD_L4PER3 Clock Domain Modes

Table 3-150 lists the clock domain modes supported by the clock domain.

Table 3-150. CD_L4PER3 Clock Domain Modes

NO_SLEEP	SW_SLEEP	SW_WKUP	HW_AUTO
Available	Available	Available	Available

Table 3-151 lists the clock domain state transition control and status bits for the clock in this clock domain.

Table 3-151. CD_L4PER3 Control and Status Parameters

Parameter Name	Control/Status Bit Field
TIMER13_GFCLK clock status	CM_L4PER3_CLKSTCTRL[9] CLKACTIVITY_TIMER13_GFCLK
TIMER14_GFCLK clock status	CM_L4PER3_CLKSTCTRL[10] CLKACTIVITY_TIMER14_GFCLK
TIMER15_GFCLK clock status	CM_L4PER3_CLKSTCTRL[11] CLKACTIVITY_TIMER15_GFCLK
TIMER16_GFCLK clock status	CM_L4PER3_CLKSTCTRL[12] CLKACTIVITY_TIMER16_GFCLK
L4PER3_L3_GICLK clock status	CM_L4PER3_CLKSTCTRL[8] CLKACTIVITY_L4PER3_L3_GICLK
Clock Domain State Transition Control	CM_L4PER3_CLKSTCTRL[1:0] CLKTRCTRL

3.6.4.7.3 CD_L4PER3 Clock Domain Dependency

CD_L4PER3 has no static dependency with any other clock domain of the device.

3.6.4.7.3.1 CD_L4PER3 Dynamic Dependency

Table 3-152 lists the dynamic dependency of the clock domain with respect to other clock domains of the device.

Table 3-152. CD_L4PER3 Dynamic Dependency Association Parameters

Clock Domain Name	Default Setting	Control Bit Field	Access Type
CD_L4_CFG	Always enabled	CM_L4PER3_DYNAMICDEP[12]] L4CFG_DYNDEP	Read only
CD_L3INIT	Always enabled	CM_L4PER3_DYNAMICDEP[7] L3INIT_DYNDEP	Read only
CD_IPU	Always enabled	CM_L4PER3_DYNAMICDEP[3] IPU_DYNDEP	Read only
CD_L3MAIN1	Always enabled	CM_L4PER3_DYNAMICDEP[5] L3MAIN1_DYNDEP	Read only
CD_RTC	Always enabled	CM_L4PER3_DYNAMICDEP[23]] RTC_DYNDEP	Read only
CD_CAM	Always enabled	CM_L4PER3_DYNAMICDEP[9] CAM_DYNDEP	Read only
CD_VPE	Always enabled	CM_L4PER3_DYNAMICDEP[31]] VPE_DYNDEP	Read only

3.6.4.7.3.2 CD_L4PER3 Wake-Up Dependency

CD_L4PER3 has no module wake-up dependency with any other clock domain of the device.

3.6.4.7.4 CD_L4PER3 Clock Domain Module Attributes

Table 3-153 lists for each module of the clock domain the clocks the module receives and their role (that is, functional or interface clock).

Table 3-153. CD_L4PER3 Modules Clocks Association

Module	Clock	Clock Type
L4_PER3 interconnect	L4PER3_L3_GICLK	Interface ⁽¹⁾
TIMER13	L4PER3_L3_GICLK	Interface ⁽¹⁾
	TIMER13_GFCLK	Functional
TIMER14	L4PER3_L3_GICLK	Interface ⁽¹⁾
	TIMER14_GFCLK	Functional
TIMER15	L4PER3_L3_GICLK	Interface ⁽¹⁾
	TIMER15_GFCLK	Functional
TIMER16	L4PER3_L3_GICLK	Interface ⁽¹⁾
	TIMER16_GFCLK	Functional

⁽¹⁾ The L4 clock, required by the L4 interface, is created internally to the module. It is derived from the L4PER3_L3_GICLK clock divided by 2 using a gated version of L4_ICLK.

Table 3-154 lists the supported wake-up request generation capability for each module of the clock domain.

Table 3-154. CD_L4PER3 Modules Wake-Up Request

Module	Wake-Up Feature
L4_PER3 interconnect	None
TIMER13	Slave wake-up request (MPU-IRQ, IPU1-IRQ, IPU2-IRQ, DSP1-IRQ)
TIMER14	Slave wake-up request (MPU-IRQ, IPU1-IRQ, IPU2-IRQ, DSP1-IRQ)
TIMER15	Slave wake-up request (MPU-IRQ, IPU1-IRQ, IPU2-IRQ, DSP1-IRQ)
TIMER16	Slave wake-up request (MPU-IRQ, IPU1-IRQ, IPU2-IRQ, DSP1-IRQ)

Table 3-155 lists the supported clock-management modes and associated software control bit fields for each module of the power domain.

Table 3-155. CD_L4PER3 Modules Clock-Management Modes and Control

Module	Clock-Management Protocol	Status Bit Field	Role
L4_PER3 interconnect	Slave	CM_L4PER3_L4_PER3_CLKCTR L[17:16] IDLEST	Idle status
TIMER13	Slave	CM_L4PER3_TIMER13_CLKCTR L[17:16] IDLEST	Idle status
TIMER14	Slave	CM_L4PER3_TIMER14_CLKCTR L[17:16] IDLEST	Idle status
TIMER15	Slave	CM_L4PER3_TIMER15_CLKCTR L[17:16] IDLEST	Idle status
TIMER16	Slave	CM_L4PER3_TIMER16_CLKCTR L[17:16] IDLEST	Idle status

Table 3-156 lists the supported clock-management modes and associated software control bit fields for each module of the power domain.

Table 3-156. CD_L4PER3 Modules Slave Clock-Management Modes and Control

Module	Disabled	Auto	Enabled	Control Bit Field	Access Type
L4_PER3 interconnect	N/A	Available	N/A	CM_L4PER3_L4_P ER3_CLKCTRL[1:0] MODULEMODE	Read only
TIMER13	Available	N/A	Available	CM_L4PER3_TIME R13_CLKCTRL[1:0] MODULEMODE	Read/write
TIMER14	Available	N/A	Available	CM_L4PER3_TIME R14_CLKCTRL[1:0] MODULEMODE	Read/write
TIMER15	Available	N/A	Available	CM_L4PER3_TIME R15_CLKCTRL[1:0] MODULEMODE	Read/write
TIMER16	Available	N/A	Available	CM_L4PER3_TIME R16_CLKCTRL[1:0] MODULEMODE	Read/write

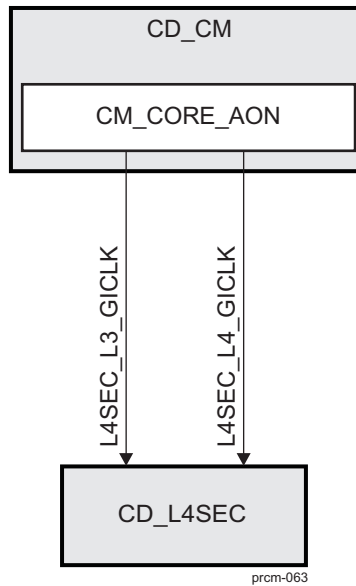
3.6.4.8 CD_L4SEC Clock Domain

This section identifies the modes supported by the clock domain, the associated control, and status bits. It also identifies the dependencies of the domain with the other clock domains of the device.

3.6.4.8.1 CD_L4SEC Overview

Figure 3-65 shows an overview of the clock domain.

Figure 3-65. CD_L4SEC Overview



3.6.4.8.2 CD_L4SEC Clock Domain Modes

Table 3-157 lists the clock domain modes supported by the clock domain.

Table 3-157. CD_L4SEC Clock Domain Modes

NO_SLEEP	SW_SLEEP	SW_WKUP	HW_AUTO
Available	Available	Available	Available

Table 3-158 lists the clock domain state transition control and status bits for the clock in this clock domain.

Table 3-158. CD_L4SEC Control and Status Parameters

Parameter Name	Control/Status Bit Field
L4SEC_L3_GICLK clock status	CM_L4SEC_CLKSTCTRL[8] CLKACTIVITY_L4SEC_L3_GICLK
Clock Domain State Transition Control	CM_L4SEC_CLKSTCTRL[1:0] CLKTRCTRL

3.6.4.8.3 CD_L4SEC Clock Domain Dependency

CD_L4SEC has no module wake-up dependency with any other clock domain of the device.

3.6.4.8.3.1 CD_L4SEC Static Dependency

Table 3-159 lists the static dependency of the clock domain with respect to other clock domains of the device.

Table 3-159. CD_L4SEC Static Dependency Association Parameters

Clock Domain Name	Default Setting	Control Bit Field	Access Type
CD_L4PER1	Disabled	CM_L4SEC_STATICDEP[13] L4PER_STATDEP	Read/Write
CD_L3_MAIN1	Always enabled	CM_L4SEC_STATICDEP[5] L3MAIN1_STATDEP	Read only
CD_EMIF	Disabled	CM_L4SEC_STATICDEP[4] EMIF_STATDEP	Read/Write

3.6.4.8.3.2 CD_L4SEC Dynamic Dependency

Table 3-160 lists the dynamic dependency of the clock domain with respect to other clock domains of the device.

Table 3-160. CD_L4SEC Dynamic Dependency Association Parameters

Clock Domain Name	Default Setting	Control Bit Field	Access Type
CD_L3_MAIN1	Disabled	CM_L4SEC_DYNAMICDEP[5] L3MAIN1_DYNDEP	Read only

3.6.4.8.4 CD_L4SEC Clock Domain Module Attributes

NOTE: These modules are not supported on the AM571x / AM570x family of devices:

- FPKA
- DMA_CRYPT0

Table 3-161 lists the clocks received by each module of the clock domain and the role (that is, functional clock or interface clock).

Table 3-161. CD_L4SEC Modules Clocks Association

Module	Clock	Clock Type
AES1	L4SEC_L3_GICLK	Interface
AES2	L4SEC_L3_GICLK	Interface
SHA2MD5_1	L4SEC_L3_GICLK	Interface
SHA2MD5_2	L4SEC_L3_GICLK	Interface
CryptoDMA	L4SEC_L3_GICLK	Interface ⁽¹⁾ and Functional
DES3DES	L4SEC_L3_GICLK	Interface ⁽¹⁾
RNG	L4SEC_L3_GICLK	Interface ⁽¹⁾
FPKA	L4SEC_L3_GICLK	Interface ⁽¹⁾ and Functional ⁽²⁾

⁽¹⁾ The L4 clock, required by the L4 interface, is created internally to the module. It is derived from the L4SEC_L3_GICLK clock divided by 2 using a gated version of L4_ICLK.

⁽²⁾ The module's functional clock is equal to L4SEC_L3_GICLK/2.

Table 3-162 lists the supported clock-management modes and associated software control bit fields for each module of the power domain.

Table 3-162. CD_L4SEC Modules Clock-Management Modes and Control

Module	Clock-Management Protocol	Status Bit Field	Role
AES1	Slave	CM_L4SEC_AES1_CLKCTRL[17:16] IDLEST	Idle status
AES2	Slave	CM_L4SEC_AES2_CLKCTRL[17:16] IDLEST	Idle status
SHA2MD5_1	Slave	CM_L4SEC_SHA2MD51_CLKCTRL[17:16] IDLEST	Idle status
SHA2MD5_2	Slave	CM_L4SEC_SHA2MD52_CLKCTRL[17:16] IDLEST	Idle status
CryptoDMA	Master/Slave	CM_L4SEC_DMA_CRYPT0_CLKCTRL[18] STBYST	Standby status
		CM_L4SEC_DMA_CRYPT0_CLKCTRL [17:16] IDLEST	Idle status
DES3DES	Slave	CM_L4SEC_DES3DES_CLKCTRL[17:16] IDLEST	Idle status

Table 3-162. CD_L4SEC Modules Clock-Management Modes and Control (continued)

Module	Clock-Management Protocol	Status Bit Field	Role
RNG	Slave	CM_L4SEC_RNG_CLKCTRL[17:16] IDLEST	Idle status
FPKA	Slave	CM_L4SEC_FPKA_CLKCTRL[17:16] IDLEST	Idle status

Table 3-163 lists the supported slave clock-management modes and associated software control bit fields for each module of the power domain.

Table 3-163. CD_L4SEC Modules Slave Clock-Management Modes and Control

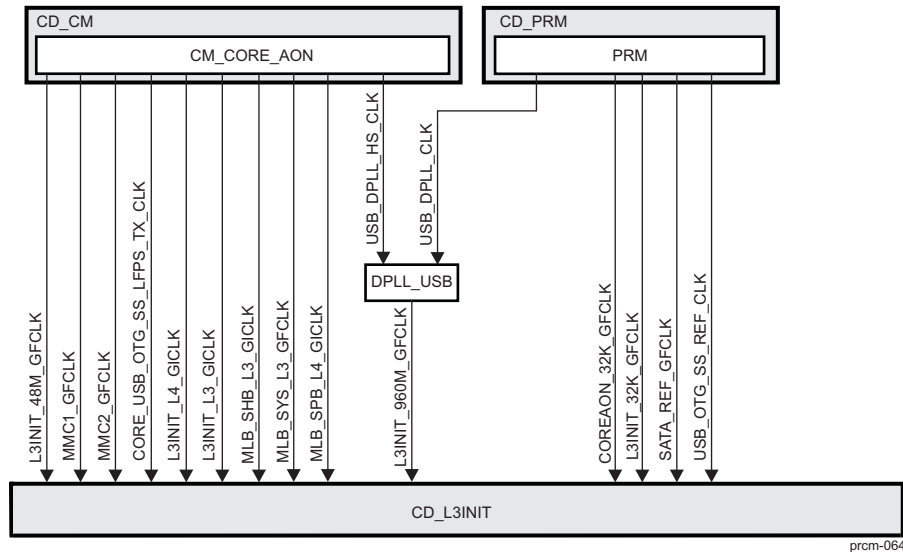
Module	Disabled	Auto	Enabled	Control Bit Field	Access Type
AES1	Available	Available	N/A	CM_L4SEC_AES1_CLKCTRL[1:0] MODULEMODE	Read/Write
AES2	Available	Available	N/A	CM_L4SEC_AES2_CLKCTRL[1:0] MODULEMODE	Read/Write
SHA2MD5_1	Available	Available	N/A	CM_L4SEC_SHA2MD51_CLKCTRL[1:0] MODULEMODE	Read/Write
SHA2MD5_2	Available	Available	N/A	CM_L4SEC_SHA2MD52_CLKCTRL[1:0] MODULEMODE	Read/Write
DMA_CRYPT0	N/A	Available	N/A	CM_L4SEC_DMA_CRYPT0_CLKCTRL[1:0] MODULEMODE	Read only
DES3DES	Available	Available	N/A	CM_L4SEC_DES3DES_CLKCTRL[1:0] MODULEMODE	Read/Write
RNG	Available	Available	N/A	CM_L4SEC_RNG_CLKCTRL[1:0] MODULEMODE	Read/Write
FPKA	Available	N/A	Available	CM_L4SEC_FPKA_CLKCTRL[1:0] MODULEMODE	Read/Write

3.6.4.9 CD_L3INIT Clock Domain

This section identifies the modes supported by the clock domain and the associated control and status bits. It also identifies its dependencies with other clock domains of the device.

3.6.4.9.1 CD_L3INIT Overview

Figure 3-66 is an overview of the clock domain.

Figure 3-66. CD_L3INIT Overview


NOTE: SATA is not supported on the AM570x family of devices.

3.6.4.9.2 CD_L3INIT Clock Domain Modes

Table 3-164 lists the clock domain modes supported by the clock domain.

Table 3-164. CD_L3INIT Clock Domain Modes

NO_SLEEP	SW_SLEEP	SW_WKUP	HW_AUTO
Available	Available	Available	Available

Table 3-165 lists the clock domain state transition control and status bits for the clock in this clock domain.

Table 3-165. CD_L3INIT Control and Status Parameters

Parameter Name	Control/Status Bit Field
USB_OTG_SS_REF_CLK Clock Status	CM_L3INIT_CLKSTCTRL[20] CLKACTIVITY_USB_OTG_SS_REF_CLK
L3INIT_480M_GFCLK Clock Status	CM_L3INIT_CLKSTCTRL[21] CLKACTIVITY_L3INIT_480M_GFCLK
USB_DPLL_HS_CLK Clock Status	CM_L3INIT_CLKSTCTRL[13] CLKACTIVITY_USB_DPLL_HS_CLK
USB_DPLL_CLK Clock Status	CM_L3INIT_CLKSTCTRL[12] CLKACTIVITY_USB_DPLL_CLK
L3INIT_48M_GFCLK Clock Status	CM_L3INIT_CLKSTCTRL[11] CLKACTIVITY_L3INIT_48M_GFCLK
L3INIT_32K_GFCLK Clock Status	CM_L3INIT_CLKSTCTRL[23] CLKACTIVITY_L3INIT_32K_GFCLK
MMC1_GFCLK Clock Status	CM_L3INIT_CLKSTCTRL[15] CLKACTIVITY_MMC1_GFCLK
MMC1_32K_GFCLK Optional functional clock control	CM_L3INIT_MMC1_CLKCTRL[8] OPTFCLKEN_32K_CLK
MMC2_GFCLK Clock Status	CM_L3INIT_CLKSTCTRL[16] CLKACTIVITY_MMC2_GFCLK
MMC2_32K_GFCLK Optional functional clock control	CM_L3INIT_MMC2_CLKCTRL[8] OPTFCLKEN_32K_CLK
SATA_REF_GFCLK Clock Status	CM_L3INIT_CLKSTCTRL[24] CLKACTIVITY_SATA_REF_GFCLK
L3INIT_L3_GICLK Clock Status	CM_L3INIT_CLKSTCTRL[8] CLKACTIVITY_L3INIT_L3_GICLK
L3INIT_L4_GICLK Clock Status	CM_L3INIT_CLKSTCTRL[9] CLKACTIVITY_L3INIT_L4_GICLK

Table 3-165. CD_L3INIT Control and Status Parameters (continued)

Parameter Name	Control/Status Bit Field
L3INIT_USB_LFPS_TX_GFCLK Clock Status	CM_L3INIT_CLKSTCTRL [10] CLKACTIVITY_L3INIT_USB_LFPS_TX_GFCLK
L3INIT_960M_GFCLK Clock Status	CM_L3INIT_CLKSTCTRL [22] CLKACTIVITY_L3INIT_960M_GFCLK
COREAON_32K_GFCLK Clock Status	CM_COREAON_CLKSTCTRL [12] CLKACTIVITY_COREAON_32K_GFCLK
COREAON_32K_GFCLK Clock Control	CM_COREAON_USB_PHY1_CORE_CLKCTRL [8] OPTFCLKEN_CLK32K
COREAON_32K_GFCLK Clock Control	CM_COREAON_USB_PHY2_CORE_CLKCTRL [8] OPTFCLKEN_CLK32K
COREAON_32K_GFCLK Clock Control	CM_COREAON_USB_PHY3_CORE_CLKCTRL [8] OPTFCLKEN_CLK32K
ABE_GICLK Clock Status	CM_COREAON_CLKSTCTRL [16] CLKACTIVITY_ABE_GICLK
Clock Domain State Transition Control	CM_COREAON_CLKSTCTRL [1:0] CLKTRCTRL
MLB_SHB_L3_GICLK Clock Status	CM_L3INIT_CLKSTCTRL [17] CLKACTIVITY_MLB_SHB_L3_GICLK
MLB_SPB_L4_GICLK Clock Status	CM_L3INIT_CLKSTCTRL [18] CLKACTIVITY_MLB_SPB_L4_GICLK
MLB_SYS_L3_GFCLK Clock Status	CM_L3INIT_CLKSTCTRL [19] CLKACTIVITY_MLB_SYS_L3_GFCLK
Clock Domain State Transition Control	CM_L3INIT_CLKSTCTRL [1:0] CLKTRCTRL

3.6.4.9.3 CD_L3INIT Clock Domain Dependency

3.6.4.9.3.1 CD_L3INIT Static Dependency

[Table 3-166](#) lists the static dependency of the clock domain with respect to other clock domains of the device.

Table 3-166. CD_L3INIT Static Dependency Association Parameters

Clock Domain Name	Default Setting	Control Bit Field	Access Type
CD_IVA	Disabled	CM_L3INIT_STATICDEP [2] IVA_STATDEP	Read/write
CD_L3_MAIN1	Always enabled	CM_L3INIT_STATICDEP [5] L3MAIN1_STATDEP	Read only
CD_L4_CFG	Disabled	CM_L3INIT_STATICDEP [12] L4CFG_STATDEP	Read/write
CD_L4PER	Disabled	CM_L3INIT_STATICDEP [13] L4PER_STATDEP	Read/write
CD_L4SEC	Disabled	CM_L3INIT_STATICDEP [14] L4SEC_STATDEP	Read/write
CD_EMIF	Disabled	CM_L3INIT_STATICDEP [4] EMIF_STATDEP	Read/write
CD_WKUPAON	Disabled	CM_L3INIT_STATICDEP [15] WKUPAON_STATDEP	Read/write
CD_L4PER3	Disabled	CM_L3INIT_STATICDEP [27] L4PER3_STATDEP	Read/write

3.6.4.9.3.2 CD_L3INIT Dynamic Dependency

[Table 3-167](#) lists the dynamic dependency of the clock domain with respect to other clock domains of the device.

Table 3-167. CD_L3INIT Dynamic Dependency Association Parameters

Clock Domain Name	Default Setting	Control Bit Field	Access Type
CD_L3_MAIN1	Always disabled	CM_L3INIT_DYNAMICDEP [5] L3MAIN1_DYNDEP	Read only

3.6.4.9.3.3 CD_L3INIT Wake-Up Dependency

[Table 3-168](#) lists the wake-up dependency settings for the modules of this clock in the clock domain.

Table 3-168. CD_L3INIT Wake-Up Dependency Association Parameters

Originator Module	Originator Clock Domain	Servicing Clock Domain	Default Setting	Control Bit Field	Access Type
MMC1	CD_L3INIT	CD_DMA, CD_L3_MAIN1, CD_L4PER1, CD_L4PER2, CD_L4PER3	Disabled	PM_L3INIT_MMC1_WKDEP [3] WKUPDEP_MMC1_SDMA	Read/write
MMC1	CD_L3INIT	CD_DSP, CD_L3_MAIN1, CD_L4PER1, CD_L4PER2, CD_L4PER3	Disabled	PM_L3INIT_MMC1_WKDEP [2] WKUPDEP_MMC1_DSP1	Read/write
MMC1	CD_L3INIT	CD_IPU1, CD_L3_MAIN1, CD_L4PER1, CD_L4PER2, CD_L4PER3	Disabled	PM_L3INIT_MMC1_WKDEP [4] WKUPDEP_MMC1_IPU1	Read/write
MMC1	CD_L3INIT	CD_IPU2, CD_L3_MAIN1, CD_L4PER1, CD_L4PER2, CD_L4PER3	Disabled	PM_L3INIT_MMC1_WKDEP [1] WKUPDEP_MMC1_IPU2	Read/write
MMC1	CD_L3INIT	CD_MPU, CD_L3_MAIN1, CD_L4PER1, CD_L4PER2, CD_L4PER3	Disabled	PM_L3INIT_MMC1_WKDEP [0] WKUPDEP_MMC1_MPU	Read/write
MMC2	CD_L3INIT	CD_DMA, CD_L3_MAIN1, CD_L4PER1, CD_L4PER2, CD_L4PER3	Disabled	PM_L3INIT_MMC2_WKDEP [3] WKUPDEP_MMC2_SDMA	Read/write
MMC2	CD_L3INIT	CD_DSP, CD_L3_MAIN1, CD_L4PER1, CD_L4PER2, CD_L4PER3	Disabled	PM_L3INIT_MMC2_WKDEP [2] WKUPDEP_MMC2_DSP1	Read/write
MMC2	CD_L3INIT	CD_IPU1, CD_L3_MAIN1, CD_L4PER1, CD_L4PER2, CD_L4PER3	Disabled	PM_L3INIT_MMC2_WKDEP [4] WKUPDEP_MMC2_IPU1	Read/write
MMC2	CD_L3INIT	CD_IPU2, CD_L3_MAIN1, CD_L4PER1, CD_L4PER2, CD_L4PER3	Disabled	PM_L3INIT_MMC2_WKDEP [1] WKUPDEP_MMC2_IPU2	Read/write
MMC2	CD_L3INIT	CD_MPU, CD_L3_MAIN1, CD_L4PER1, CD_L4PER2, CD_L4PER3	Disabled	PM_L3INIT_MMC2_WKDEP [0] WKUPDEP_MMC2_MPU	Read/write

Table 3-168. CD_L3INIT Wake-Up Dependency Association Parameters (continued)

Originator Module	Originator Clock Domain	Servicing Clock Domain	Default Setting	Control Bit Field	Access Type
USB1	CD_L3INIT	CD_IPU1, CD_L3_MAIN1, CD_L4PER1, CD_L4PER2, CD_L4PER3	Disabled	PM_L3INIT_USB_OTG_SS1_W KDEP[4] WKUPDEP_USB_OTG_SS1_IP U1	Read/write
USB1	CD_L3INIT	CD_IPU2, CD_L3_MAIN1, CD_L4PER1, CD_L4PER2, CD_L4PER3	Disabled	PM_L3INIT_USB_OTG_SS1_W KDEP[1] WKUPDEP_USB_OTG_SS1_IP U2	Read/write
USB1	CD_L3INIT	CD_DSP1, CD_L3_MAIN1, CD_L4PER1, CD_L4PER2, CD_L4PER3	Disabled	PM_L3INIT_USB_OTG_SS1_W KDEP[2] WKUPDEP_USB_OTG_SS1_D SP1	Read/write
USB1	CD_L3INIT	CD_MPU, CD_L3_MAIN1, CD_L4PER1, CD_L4PER2, CD_L4PER3	Disabled	PM_L3INIT_USB_OTG_SS1_W KDEP[0] WKUPDEP_USB_OTG_SS1_M PU	Read/write
USB2	CD_L3INIT	CD_IPU1, CD_L3_MAIN1, CD_L4PER1, CD_L4PER2, CD_L4PER3	Disabled	PM_L3INIT_USB_OTG_SS2_W KDEP[4] WKUPDEP_USB_OTG_SS2_IP U1	Read/write
USB2	CD_L3INIT	CD_IPU2, CD_L3_MAIN1, CD_L4PER1, CD_L4PER2, CD_L4PER3	Disabled	PM_L3INIT_USB_OTG_SS2_W KDEP[1] WKUPDEP_USB_OTG_SS2_IP U2	Read/write
USB2	CD_L3INIT	CD_DSP1, CD_L3_MAIN1, CD_L4PER1, CD_L4PER2, CD_L4PER3	Disabled	PM_L3INIT_USB_OTG_SS2_W KDEP[2] WKUPDEP_USB_OTG_SS2_D SP1	Read/write
USB2	CD_L3INIT	CD_MPU, CD_L3_MAIN1, CD_L4PER1, CD_L4PER2, CD_L4PER3	Disabled	PM_L3INIT_USB_OTG_SS2_W KDEP[0] WKUPDEP_USB_OTG_SS2_M PU	Read/write
USB3	CD_L3INIT	CD_IPU1, CD_L3_MAIN1, CD_L4PER1, CD_L4PER2, CD_L4PER3	Disabled	PM_L3INIT_USB_OTG_SS3_W KDEP[4] WKUPDEP_USB_OTG_SS3_IP U1	Read/write
USB3	CD_L3INIT	CD_IPU2, CD_L3_MAIN1, CD_L4PER1, CD_L4PER2, CD_L4PER3	Disabled	PM_L3INIT_USB_OTG_SS3_W KDEP[1] WKUPDEP_USB_OTG_SS3_IP U2	Read/write
USB3	CD_L3INIT	CD_DSP1, CD_L3_MAIN1, CD_L4PER1, CD_L4PER2, CD_L4PER3	Disabled	PM_L3INIT_USB_OTG_SS3_W KDEP[2] WKUPDEP_USB_OTG_SS3_D SP1	Read/write
USB3	CD_L3INIT	CD_MPU, CD_L3_MAIN1, CD_L4PER1, CD_L4PER2, CD_L4PER3	Disabled	PM_L3INIT_USB_OTG_SS3_W KDEP[0] WKUPDEP_USB_OTG_SS3_M PU	Read/write

Table 3-168. CD_L3INIT Wake-Up Dependency Association Parameters (continued)

Originator Module	Originator Clock Domain	Servicing Clock Domain	Default Setting	Control Bit Field	Access Type
SATA	CD_L3INIT	CD_IPU1, CD_L3_MAIN1, CD_L4PER1, CD_L4PER2, CD_L4PER3	Disabled	PM_L3INIT_SATA_WKDEP[4] WKUPDEP_SATA_IPU1	Read/write
SATA	CD_L3INIT	CD_IPU2, CD_L3_MAIN1, CD_L4PER1, CD_L4PER2, CD_L4PER3	Disabled	PM_L3INIT_SATA_WKDEP[1] WKUPDEP_SATA_IPU2	Read/write
SATA	CD_L3INIT	CD_DSP, CD_L3_MAIN1, CD_L4PER1, CD_L4PER2, CD_L4PER3	Disabled	PM_L3INIT_SATA_WKDEP[2] WKUPDEP_SATA_DSP1	Read/write

3.6.4.9.4 CD_L3INIT Clock Domain Module Attributes

Table 3-169 lists for each module of the clock domain the clocks the module receives and their role (that is, functional or interface clock).

Table 3-169. CD_L3INIT Modules Clocks Association

Module	Clock	Clock Type
MMC1	MMC1_GFCLK	Functional
	L3INIT_32K_GFCLK	Functional
	L3INIT_L3_GICLK	Interface ⁽¹⁾
MMC2	MMC2_GFCLK	Functional
	L3INIT_32K_GFCLK	Functional
	L3INIT_L3_GICLK	Interface ⁽¹⁾
USB1	L3INIT_960M_GFCLK	Functional
	L3INIT_L3_GICLK	Interface ⁽¹⁾
	USB_OTG_SS_REF_CLK	Reference clock for the DPLL_USB_OTG_SS (not managed by the PRCM module)
	USB_LFPS_TX_GFCLK	Interface
USB2	L3INIT_960M_GFCLK	Functional
	L3INIT_L3_GICLK	Interface ⁽¹⁾
	USB_OTG_SS_REF_CLK	Reference clock for the DPLL_USB_OTG_SS (not managed by the PRCM module)
USB3	L3INIT_L3_GICLK	Interface
	USB_OTG_SS_REF_CLK	Reference clock for the DPLL_USB_OTG_SS (not managed by the PRCM module)
USB2PHY1	COREAON_32K_GFCLK	Functional
USB2PHY2	COREAON_32K_GFCLK	Functional
USB3_PHY	COREAON_32K_GFCLK	Functional
SATA	L3INIT_L3_GICLK	Interface
	L3INIT_48M_GFCLK	Functional
	SATA_REF_GFCLK	Functional
IEEE1500_2_OCP	L3INIT_L3_GICLK	Interface and functional

⁽¹⁾ The L4 clock, required by the L4 interface, is created internally to the module. It is derived from the L4INIT_L3_GICLK clock divided by 2 using a gated version of L4_ICLK.

Table 3-169. CD_L3INIT Modules Clocks Association (continued)

Module	Clock	Clock Type
	L3INIT_L4_GICLK	Interface
OCP2SCP1	L3INIT_L4_GICLK	Interface
OCP2SCP3	L3INIT_L4_GICLK	Interface
MLB_SS	MLB_SHB_L3_GICLK	Interface
MLB_SS	MLB_SPB_L4_GICLK	Interface
MLB_SS	MLB_SYS_L3_GFCLK	Functional

Table 3-170 lists the supported wake-up request generation capability for each module of the clock domain.

Table 3-170. CD_L3INIT Modules Wake-Up Request

Module	Wake-Up Feature
MMC1	Slave wake-up request (MPU-IRQ, IPU1-IRQ, IPU2-IRQ, DSP1-IRQ, DMA_SYSTEM-DMA)
MMC2	Slave wake-up request (MPU-IRQ, IPU1-IRQ, IPU2-IRQ, DSP1-IRQ, DMA_SYSTEM-DMA)
OCP2SCP1, OCP2SCP3, GMAC	None
IEEE1500_2_OCP	Master wake-up request
USB1	Slave wake-up request (MPU-IRQ, IPU1-IRQ, IPU2-IRQ, DSP1-IRQ)
USB2	Slave wake-up request (MPU-IRQ, IPU1-IRQ, IPU2-IRQ, DSP1-IRQ)
USB3	Slave wake-up request (MPU-IRQ, IPU1-IRQ, IPU2-IRQ, DSP1-IRQ)
USB2PHY1	None
USB2PHY2	None
USB3_PHY	None
SATA	Slave wake-up request (MPU-IRQ, IPU1-IRQ, IPU2-IRQ, DSP1-IRQ)/ Master wake-up request
PCIe_SS1	Slave wake-up request (MPU-IRQ, IPU1-IRQ, IPU2-IRQ, DSP1-IRQ)/ Master wake-up request
PCIe_SS2	Slave wake-up request (MPU-IRQ, IPU1-IRQ, IPU2-IRQ, DSP1-IRQ)/ Master wake-up request
MLB_SS	Master wake-up request

Table 3-171 lists the supported clock-management modes and associated software control bit fields for each module of the power domain.

Table 3-171. CD_L3INIT Modules Clock-Management Modes and Control

Module	Clock-Management Protocol	Status Bit Field	Role
IEEE1500_2_OCP	Slave/master	CM_L3INIT_IEEE1500_2_OCP_CLKCTRL[18] STBYST	Standby status
		CM_L3INIT_IEEE1500_2_OCP_CLKCTRL[17:16] IDLEST	Idle status
MMC1	Master/slave	CM_L3INIT_MMC1_CLKCTRL[1:8] STBYST	Standby status
		CM_L3INIT_MMC1_CLKCTRL[1:7:16] IDLEST	Idle status
MMC2	Master/slave	CM_L3INIT_MMC2_CLKCTRL[1:8] STBYST	Standby status
		CM_L3INIT_MMC2_CLKCTRL[1:7:16] IDLEST	Idle status

Table 3-171. CD_L3INIT Modules Clock-Management Modes and Control (continued)

Module	Clock-Management Protocol	Status Bit Field	Role
USB1	Slave/master	CM_L3INIT_USB_OTG_SS1_C LKCTRL[18] STBYST	Standby status
		CM_L3INIT_USB_OTG_SS1_C LKCTRL[17:16] IDLEST	Idle status
USB2	Slave/master	CM_L3INIT_USB_OTG_SS2_C LKCTRL[18] STBYST	Standby status
		CM_L3INIT_USB_OTG_SS2_C LKCTRL[17:16] IDLEST	Idle status
USB3	Slave/master	CM_L3INIT_USB_OTG_SS3_C LKCTRL[18] STBYST	Standby status
		CM_L3INIT_USB_OTG_SS3_C LKCTRL[17:16] IDLEST	Idle status
USB2PHY1	None	CM_COREAON_USB_PHY1_C ORE_CLKCTRL[8] OPTFCLKEN_CLK32K	Optional functional clock control
USB2PHY2	None	CM_COREAON_USB_PHY2_C ORE_CLKCTRL[8] OPTFCLKEN_CLK32K	Optional functional clock control
USB3_PHY	None	CM_COREAON_USB_PHY3_C ORE_CLKCTRL[8] OPTFCLKEN_CLK32K	Optional functional clock control
SATA	Slave/master	CM_L3INIT_SATA_CLKCTRL[18] STBYST	Standby status
		CM_L3INIT_SATA_CLKCTRL[17:16] IDLEST	Idle status
OCP2SCP1	Slave	CM_L3INIT_OCP2SCP1_CLKCTRL[17:16] IDLEST	Standby status
OCP2SCP3	Slave	CM_L3INIT_OCP2SCP3_CLKCTRL[17:16] IDLEST	Standby status
MLB_SS		CM_L3INIT_MLB_SS_CLKCTRL[18] STBYST	Standby status
		CM_L3INIT_MLB_SS_CLKCTRL[17:16] IDLEST	Idle status

Table 3-172 lists the supported clock-management modes and associated software control bit fields for each module of the power domain.

Table 3-172. CD_L3INIT Modules Slave Clock-Management Modes and Control

Module	Disabled	Auto	Enabled	Control Bit Field	Access Type
IEEE1500_2_OCP	N/A	Available	N/A	CM_L3INIT_IEEE1500_2_OCP_CLKCTRL[1:0] MODULEMODE	Read only
MMC1	Available	N/A	Available	CM_L3INIT_MMC1_CLKCTRL[1:0] MODULEMODE	Read/write
MMC2	Available	N/A	Available	CM_L3INIT_MMC2_CLKCTRL[1:0] MODULEMODE	Read/write
USB1	Available	Available	N/A	CM_L3INIT_USB_OTG_SS1_CLKCTRL[1:0] MODULEMODE	Read/write
USB2	Available	Available	N/A	CM_L3INIT_USB_OTG_SS2_CLKCTRL[1:0] MODULEMODE	Read/write
USB3	Available	Available	N/A	CM_L3INIT_USB_OTG_SS3_CLKCTRL[1:0] MODULEMODE	Read/write

Table 3-172. CD_L3INIT Modules Slave Clock-Management Modes and Control (continued)

Module	Disabled	Auto	Enabled	Control Bit Field	Access Type
SATA	Available	N/A	Available	CM_L3INIT_SATA_CLKCTRL[1:0]MODULEMODE	Read/write
OCP2SCP1	Available	Available	N/A	CM_L3INIT_OCP2SCP1_CLKCTRL[1:0]MODULEMODE	Read/write
OCP2SCP3	Available	Available	N/A	CM_L3INIT_OCP2SCP3_CLKCTRL[1:0]MODULEMODE	Read/write
MLB_SS	Available	N/A	Available	CM_L3INIT_MLB_SS_CLKCTRL[1:0]MODULEMODE	Read/write

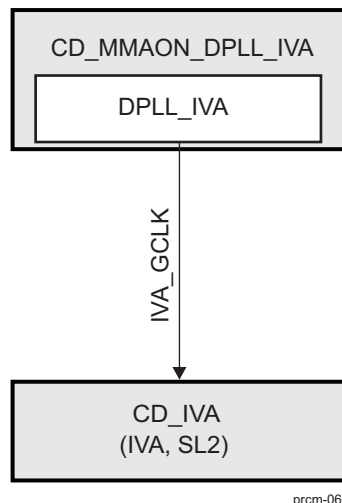
3.6.4.10 CD_IVA Clock Domain

This section identifies the modes supported by the clock domain and the associated control and status bits. It also identifies its dependencies with other clock domains of the device.

3.6.4.10.1 CD_IVA Overview

Figure 3-67 is an overview of the clock domain.

Figure 3-67. CD_IVA Overview



3.6.4.10.2 CD_IVA Clock Domain Modes

Table 3-173 lists the clock domain modes supported by the clock domain.

Table 3-173. CD_IVA Clock Domain Modes

NO_SLEEP	SW_SLEEP	SW_WKUP	HW_AUTO
Available	Available	Available	Available

Table 3-174 lists the clock domain state transition control and status bits for the clock in this clock domain.

Table 3-174. CD_IVA Control and Status Parameters

Parameter Name	Control/Status Bit Field
IVA_GCLK Clock Status	CM_IVA_CLKSTCTRL[8] CLKACTIVITY_IVA_GCLK
Clock Domain State Transition Control	CM_IVA_CLKSTCTRL[1:0] CLKTRCTRL

3.6.4.10.3 CD_IVA Clock Domain Dependency

CD_IVA has no module wake-up dependency with any other clock domain of the device.

3.6.4.10.3.1 CD_IVA Static Dependency

Table 3-175 lists the static dependency of the clock domain with respect to other clock domains of the device.

Table 3-175. CD_IVA Static Dependency Association Parameters

Clock Domain Name	Default Setting	Control Bit Field	Access Type
CD_L3_MAIN1	Always enabled	CM_IVA_STATICDEP[5] L3MAIN1_STATDEP	Read only
CD_EMIF	Disabled	CM_IVA_STATICDEP[4] EMIF_STATDEP	Read/write

3.6.4.10.3.2 CD_IVA Dynamic Dependency

Table 3-176 lists the dynamic dependency of the clock domain with respect to other clock domains of the device.

Table 3-176. CD_IVA Dynamic Dependency Association Parameters

Clock Domain Name	Default Setting	Control Bit Field	Access Type
CD_L3_MAIN1	Disabled	CM_IVA_DYNAMICDEP[5] L3MAIN1_DYNDEP	Read only

3.6.4.10.4 CD_IVA Clock Domain Module Attributes

Table 3-177 lists for each module of the clock domain the clocks the module receives and their role (that is, functional or interface clock).

Table 3-177. CD_IVA Modules Clocks Association

Module	Clock	Clock Type
IVA	IVA_GCLK	Interface and functional
SL2	IVA_GCLK	Interface

Table 3-178 lists the supported wake-up request generation capability for each module of the clock domain.

Table 3-178. CD_IVA Modules Wake-Up Request

Module	Wake-Up Feature
IVA	None
SL2	None

Table 3-179 lists the supported clock-management modes and associated software control bit fields for each module of the power domain.

Table 3-179. CD_IVA Modules Clock-Management Modes and Control

Module	Clock-Management Protocol	Status Bit Field	Role
IVA	Master/Slave	CM_IVA_IVA_CLKCTRL[18] STBYST	Standby status
		CM_IVA_IVA_CLKCTRL[17:16] IDLEST	Idle status
SL2	Slave	CM_IVA_SL2_CLKCTRL[17:16] IDLEST	Idle status

Table 3-180 lists the supported clock-management modes and associated software control bit fields for each module of the power domain.

Table 3-180. CD_IVA Modules Slave Clock-Management Modes and Control

Module	Disabled	Auto	Enabled	Control Bit Field	Access Type
IVA	Available	Available	N/A	CM_IVA_IVA_CLKCTRL[1:0] MODULEMODE	Read/write
SL2	Available	Available	N/A	CM_IVA_SL2_CLKCTRL[1:0] MODULEMODE	Read/write

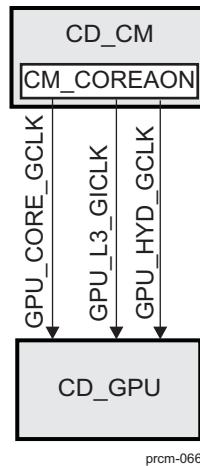
3.6.4.11 CD_GPU Description

This section identifies the modes supported by the clock domain and the associated control and status bits. It also identifies its dependencies with other clock domains of the device.

3.6.4.11.1 CD_GPU Overview

Figure 3-68 is an overview of the clock domain.

Figure 3-68. CD_GPU Overview



3.6.4.11.2 CD_GPU Clock Domain Modes

Table 3-181 lists the clock domain modes supported by the clock domain.

Table 3-181. CD_GPU Clock Domain Modes

NO_SLEEP	SW_SLEEP	SW_WKUP	HW_AUTO
Available	Available	Available	Available

Table 3-182 lists the clock domain state transition control and status bits for the clock in this clock domain.

Table 3-182. CD_GPU Control and Status Parameters

Parameter Name	Control/Status Bit Field
GPU_L3_GICLK clock status	CM_GPU_CLKSTCTRL[8] CLKACTIVITY_GPU_L3_GICLK
Select the source of HYD_CLK	CM_GPU_GPU_CLKCTRL[27:26] CLKSEL_HYD_CLK
GPU_CORE_GCLK clock status	CM_GPU_CLKSTCTRL[9] CLKACTIVITY_GPU_CORE_GCLK
Select the source of CORE_CLK	CM_GPU_GPU_CLKCTRL[25:24] CLKSEL_CORE_CLK
GPU_HYD_GCLK clock status	CM_GPU_CLKSTCTRL[10] CLKACTIVITY_GPU_HYD_GCLK
Clock Domain State Transition Control	CM_GPU_CLKSTCTRL[1:0] CLKTRCTRL

3.6.4.11.3 CD_GPU Clock Domain Dependency

CD_GPU has no module wake-up dependency with any other clock domain of the device.

3.6.4.11.3.1 CD_GPU Static Dependency

Table 3-183 lists the static dependency of the clock domain with respect to other clock domains of the device.

Table 3-183. CD_GPU Static Dependency Association Parameters

Clock Domain Name	Default Setting	Control Bit Field	Access Type
CD_IVA	Disabled	CM_GPU_STATICDEP[2] IVA_STATDEP	Read/write
CD_L3_MAIN1	Always enabled	CM_GPU_STATICDEP[5] L3MAIN1_STATDEP	Read only
CD_EMIF	Disabled	CM_GPU_STATICDEP[4] EMIF_STATDEP	Read/write

3.6.4.11.3.2 CD_GPU Dynamic Dependency

Table 3-184 lists the dynamic dependency of the clock domain with respect to other clock domains of the device.

Table 3-184. CD_GPU Dynamic Dependency Association Parameters

Clock Domain Name	Default Setting	Control Bit Field	Access Type
CD_L3_MAIN1	Alway disabled	CM_GPU_DYNAMICDEP[6] L3MAIN1_DYNDEP	Read only

3.6.4.11.4 CD_GPU Clock Domain Module Attributes

Table 3-185 identifies for each module of the clock domain the clocks the module receives and their role (that is, functional or interface clock).

Table 3-185. CD_GPU Modules Clocks Association

Module	Clock	Clock Type
GPU	GPU_L3_GICLK	Interface
	GPU_CORE_GCLK	Functional
	GPU_HYD_GCLK	Functional

Table 3-186 lists the supported wake-up request generation capability for each module of the clock domain.

Table 3-186. CD_GPU Modules Wake-Up Request

Module	Wake-Up Feature
GPU	None

Table 3-187 lists the supported clock-management modes and associated software control bit fields for each module of the power domain.

Table 3-187. CD_GPU Modules Clock-Management Modes and Control

Module	Clock-Management Protocol	Status Bit Field	Role
GPU	Master/slave	CM_GPU_GPU_CLKCTRL[18] STBYST	Standby status
		CM_GPU_GPU_CLKCTRL[17:16] IDLEST	Idle status

Table 3-188 lists the supported clock-management modes and associated software control bit fields for each module of the power domain.

Table 3-188. CD_GPU Modules Slave Clock-Management Modes and Control

Module	Disabled	Auto	Enabled	Control Bit Field	Access Type
GPU	Available	N/A	Available	CM_GPU_GPU_CLKCTRL[1:0] MODULEMODE	Read/write

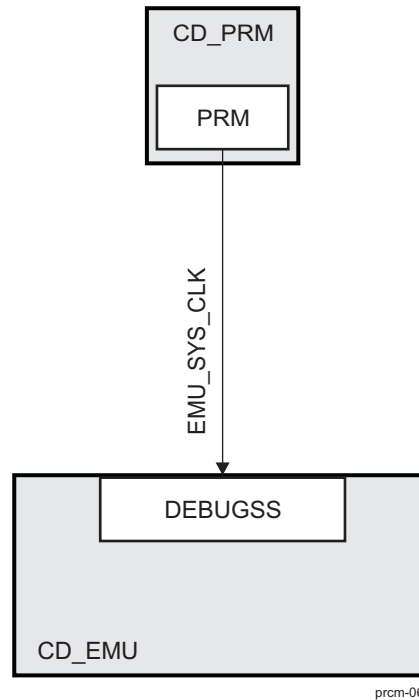
3.6.4.12 CD_EMU Clock Domain

This section identifies the modes supported by the clock domain and the associated control and status bits. It also identifies its dependencies with other clock domains of the device.

3.6.4.12.1 CD_EMU Overview

Figure 3-69 is an overview of the clock domain.

Figure 3-69. CD_EMU Overview



3.6.4.12.2 CD_EMU Clock Domain Modes

Table 3-189 lists the clock domain modes supported by the clock domain.

Table 3-189. CD_EMU Clock Domain Modes

NO_SLEEP	SW_SLEEP	SW_WKUP	HW_AUTO
Not available	Not available	Available	Available

Table 3-190 lists the clock domain state transition control and status bits for the clock in this clock domain.

Table 3-190. CD_EMU Control and Status Parameters

Parameter Name	Control/Status Bit Field
EMU_SYS_GCLK Clock Status	CM_EMU_CLKSTCTRL[8] CLKACTIVITY_EMU_SYS_CLK
Clock Domain State Transition Control	CM_EMU_CLKSTCTRL[1:0] CLKTRCTRL

3.6.4.12.3 CD_EMU Clock Domain Dependency

CD_EMU has no static or module wake-up dependency with any other clock domain of the device.

3.6.4.12.3.1 CD_EMU Dynamic Dependency

Table 3-191 lists the dynamic dependency of the clock domain with respect to other clock domains of the device.

Table 3-191. CD_EMU Dynamic Dependency Association Parameters

Clock Domain Name	Default Setting	Control Bit Field	Access Type
CD_L3_MAIN1	Always enabled	CM_EMU_DYNAMICDEP[5] L3MAIN1_DYNDEP	Read only

3.6.4.12.4 CD_EMU Clock Domain Module Attributes

Table 3-192 lists for each module of the clock domain the clocks the module receives and their role (that is, functional or interface clock).

Table 3-192. CD_EMU Modules Clocks Association

Module	Clock	Clock Type
DEBUGSS	EMU_SYS_CLK	Interface and functional

Table 3-193 lists the supported wake-up request generation capability for each module of the clock domain.

Table 3-193. CD_EMU Modules Wake-Up Request

Module	Wake-Up Feature
DEBUGSS	Master wake-up request

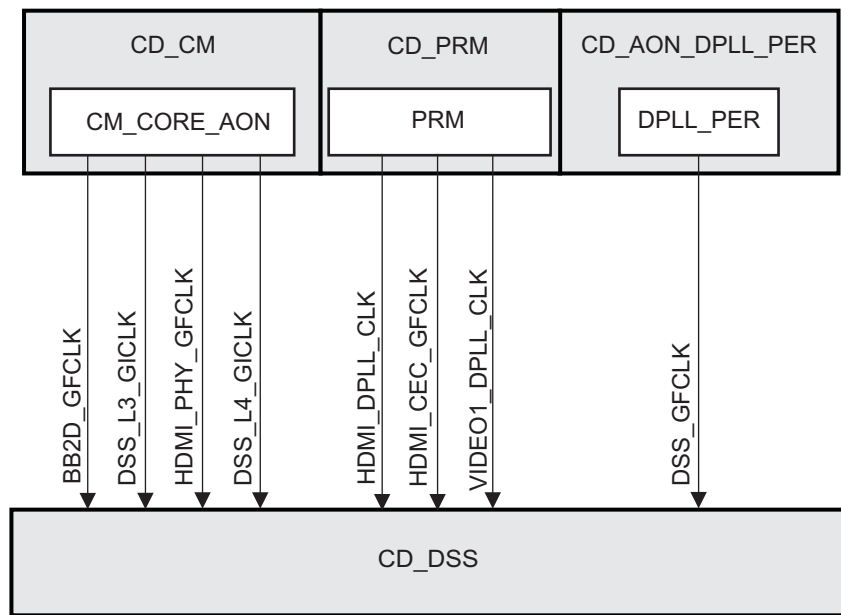
3.6.4.13 CD_DSS Clock Domain

This section identifies the modes supported by the clock domain and the associated control and status bits. It also identifies its dependencies with other clock domains of the device. BB2D is a part of CD_DSS clock domain. BB2D_GFCLK is the functional clock for BB2D module. It is derived from H24 post divider of DPLL_CORE.

3.6.4.13.1 CD_DSS Overview

Figure 3-70 is an overview of the clock domain.

Figure 3-70. CD_DSS Overview



prcm-068

3.6.4.13.2 CD_DSS Clock Domain Modes

Table 3-194 lists the clock domain modes supported by the clock domain.

Table 3-194. CD_DSS Clock Domain Modes

NO_SLEEP	SW_SLEEP	SW_WKUP	HW_AUTO
Available	Available	Available	Available

Table 3-195 lists the clock domain state transition control and status bits for the clock in this clock domain.

Table 3-195. CD_DSS Control and Status Parameters

Parameter Name	Control/Status Bit Field
VIDEO1_DPLL_CLK Clock Status	CM_DSS_CLKSTCTRL[10] CLKACTIVITY_VIDEO1_DPLL_CLK
VIDEO1_CLK Clock Control	CM_DSS_DSS_CLKCTRL[12] OPTFCLKEN_VIDEO1_CLK
DSS_GFCLK Clock Status	CM_DSS_CLKSTCTRL[9] CLKACTIVITY_DSS_GFCLK
DSSCLK Clock Control	CM_DSS_DSS_CLKCTRL[8] OPTFCLKEN_DSSCLK
HDMI_DPLL_CLK Clock Status	CM_DSS_CLKSTCTRL[11] CLKACTIVITY_HDMI_DPLL_CLK
HDMI_CLK Clock Control	CM_DSS_DSS_CLKCTRL[10] OPTFCLKEN_HDMI_CLK
HDMI_CEC_GFCLK Clock Control	CM_DSS_DSS_CLKCTRL[11] OPTFCLKEN_32KHZ_CLK
HDMI_PHY_GFCLK Clock Control	CM_DSS_DSS_CLKCTRL[9] OPTFCLKEN_48MHZ_CLK
BB2D_GFCLK Clock Control	CM_DSS_CLKSTCTRL[13] CLKACTIVITY_BB2D_GFCLK
DSS_L3_GICLK Clock Status	CM_DSS_CLKSTCTRL[8] CLKACTIVITY_DSS_L3_GICLK
DSS_L4_GICLK Clock Status	CM_DSS_CLKSTCTRL[15] CLKACTIVITY_DSS_L4_GICLK
HDMI_CEC_GFCLK Clock Status	CM_DSS_CLKSTCTRL[17] CLKACTIVITY_HDMI_CEC_GFCLK
HDMI_PHY_GFCLK Clock Status	CM_DSS_CLKSTCTRL[18] CLKACTIVITY_HDMI_PHY_GFCLK
Clock Domain State Transition Control	CM_DSS_CLKSTCTRL[1:0] CLKTRCTRL

3.6.4.13.3 CD_DSS Clock Domain Dependency

3.6.4.13.3.1 CD_DSS Static Dependency

Table 3-196 lists the static dependency of the clock domain with respect to other clock domains of the device.

Table 3-196. CD_DSS Static Dependency Association Parameters

Clock Domain Name	Default Setting	Control Bit Field	Access Type
CD_IVA	Disabled	CM_DSS_STATICDEP[2] IVA_STATDEP	Read/write
CD_L3_MAIN1	Always enabled	CM_DSS_STATICDEP[5] L3MAIN1_STATDEP	Read only
CD_EMIF	Disabled	CM_DSS_STATICDEP[4] EMIF_STATDEP	Read/write

3.6.4.13.3.2 CD_DSS Dynamic Dependency

Table 3-197 lists the dynamic dependency of the clock domain with respect to other clock domains of the device.

Table 3-197. CD_DSS Dynamic Dependency Association Parameters

Clock Domain Name	Default Setting	Control Bit Field	Access Type
CD_L3_MAIN1	Always disabled	CM_DSS_DYNAMICDEP[5] L3MAIN1_DYNDEP	Read only

3.6.4.13.3.3 CD_DSS Wake-Up Dependency

Table 3-198 lists the wake-up dependency settings for the modules of this clock in the clock domain

Table 3-198. CD_DSS Wake-Up Dependency Association Parameters

Originator Module	Originator Clock Domain	Servicing Clock Domain	Default Setting	Control Bit Field	Access Type
DSS	CD_DSS	CD_DSP, CD_L3_MAIN1, CD_L4PER1, CD_L4PER2, CD_L4PER3	Disabled	PM_DSS_DSS_WKDEP[12] WKUPDEP_DSI1_A_DSP1	Read/write
DSS	CD_DSS	CD_IPU1, CD_L3_MAIN1, CD_L4PER1, CD_L4PER2, CD_L4PER3	Disabled	PM_DSS_DSS_WKDEP[14] WKUPDEP_DSI1_A_IPU1	Read/write
DSS	CD_DSS	CD_IPU2, CD_L3_MAIN1, CD_L4PER1, CD_L4PER2, CD_L4PER3	Disabled	PM_DSS_DSS_WKDEP[11] WKUPDEP_DSI1_A_IPU2	Read/write
DSS	CD_DSS	CD_MPU, CD_L3_MAIN1, CD_L4PER1, CD_L4PER2, CD_L4PER3	Disabled	PM_DSS_DSS_WKDEP[10] WKUPDEP_DSI1_A_MPU	Read/write
DSS	CD_DSS	CD_DMA, CD_L3_MAIN1, CD_L4PER1, CD_L4PER2, CD_L4PER3	Disabled	PM_DSS_DSS_WKDEP[13] WKUPDEP_DSI1_A_SDMA	Read/write
DSS	CD_DSS	CD_DSP, CD_L3_MAIN1, CD_L4PER1, CD_L4PER2, CD_L4PER3	Disabled	PM_DSS_DSS_WKDEP[22] WKUPDEP_DSI1_B_DSP1	Read/write
DSS	CD_DSS	CD_IPU1, CD_L3_MAIN1, CD_L4PER1, CD_L4PER2, CD_L4PER3	Disabled	PM_DSS_DSS_WKDEP[24] WKUPDEP_DSI1_B_IPU1	Read/write
DSS	CD_DSS	CD_IPU2, CD_L3_MAIN1, CD_L4PER1, CD_L4PER2, CD_L4PER3	Disabled	PM_DSS_DSS_WKDEP[21] WKUPDEP_DSI1_B_IPU2	Read/write
DSS	CD_DSS	CD_MPU, CD_L3_MAIN1, CD_L4PER1, CD_L4PER2, CD_L4PER3	Disabled	PM_DSS_DSS_WKDEP[20] WKUPDEP_DSI1_B_MPU	Read/write
DSS	CD_DSS	CD_DMA, CD_L3_MAIN1, CD_L4PER1, CD_L4PER2, CD_L4PER3	Disabled	PM_DSS_DSS_WKDEP[23] WKUPDEP_DSI1_B_SDMA	Read/write
DSS	CD_DSS	CD_DSP, CD_L3_MAIN1, CD_L4PER1, CD_L4PER2, CD_L4PER3	Disabled	PM_DSS_DSS_WKDEP[2] WKUPDEP_DISPC_DSP1	Read/write

Table 3-198. CD_DSS Wake-Up Dependency Association Parameters (continued)

Originator Module	Originator Clock Domain	Servicing Clock Domain	Default Setting	Control Bit Field	Access Type
DSS	CD_DSS	CD_IPU1, CD_L3_MAIN1, CD_L4PER1, CD_L4PER2, CD_L4PER3	Disabled	PM_DSS_DSS_WKDEP[4] WKUPDEP_DISPC_IPU1	Read/write
DSS	CD_DSS	CD_IPU2, CD_L3_MAIN1, CD_L4PER1, CD_L4PER2, CD_L4PER3	Disabled	PM_DSS_DSS_WKDEP[1] WKUPDEP_DISPC_IPU2	Read/write
DSS	CD_DSS	CD_MPU, CD_L3_MAIN1, CD_L4PER1, CD_L4PER2, CD_L4PER3	Disabled	PM_DSS_DSS_WKDEP[0] WKUPDEP_DISPC_MPU	Read/write
DSS	CD_DSS	CD_DMA, CD_L3_MAIN1, CD_L4PER1, CD_L4PER2, CD_L4PER3	Disabled	PM_DSS_DSS_WKDEP[3] WKUPDEP_DISPC_SDMA	Read/write
DSS-HDMI	CD_DSS	CD_DMA, CD_L3_MAIN1, CD_L4PER1, CD_L4PER2, CD_L4PER3	Enabled	PM_DSS_DSS2_WKDEP[23] WKUPDEP_HDMIDMA_SDMA	Read/write
DSS-HDMI	CD_DSS	CD_DSP1, CD_L3_MAIN1, CD_L4PER1, CD_L4PER2, CD_L4PER3	Enabled	PM_DSS_DSS2_WKDEP[22] WKUPDEP_HDMIDMA_DSP1	Read/write
DSS-HDMI	CD_DSS	CD_IPU1, CD_L3_MAIN1, CD_L4PER1, CD_L4PER2, CD_L4PER3	Disabled	PM_DSS_DSS2_WKDEP[4] WKUPDEP_HDMII_RQ_IPU1	Read/write
DSS-HDMI	CD_DSS	CD_IPU2, CD_L3_MAIN1, CD_L4PER1, CD_L4PER2, CD_L4PER3	Disabled	PM_DSS_DSS2_WKDEP[1] WKUPDEP_HDMII_RQ_IPU2	Read/write
DSS-HDMI	CD_DSS	CD_DSP1, CD_L3_MAIN1, CD_L4PER1, CD_L4PER2, CD_L4PER3	Disabled	PM_DSS_DSS2_WKDEP[2] WKUPDEP_HDMII_RQ_DSP1	Read/write
DSS-HDMI	CD_DSS	CD_MPU, CD_L3_MAIN1, CD_L4PER1, CD_L4PER2, CD_L4PER3	Disabled	PM_DSS_DSS2_WKDEP[0] WKUPDEP_HDMII_RQ_MPU	Read/write
DSS	CD_DSS	CD_DSP, CD_L3_MAIN1, CD_L4PER1, CD_L4PER2, CD_L4PER3	Disabled	PM_DSS_DSS2_WKDEP[12] WKUPDEP_DSI1_C_DSP1	Read/write
DSS	CD_DSS	CD_IPU1, CD_L3_MAIN1, CD_L4PER1, CD_L4PER2, CD_L4PER3	Disabled	PM_DSS_DSS2_WKDEP[14] WKUPDEP_DSI1_C_IPU1	Read/write

Table 3-198. CD_DSS Wake-Up Dependency Association Parameters (continued)

Originator Module	Originator Clock Domain	Servicing Clock Domain	Default Setting	Control Bit Field	Access Type
DSS	CD_DSS	CD_IPU2, CD_L3_MAIN1, CD_L4PER1, CD_L4PER2, CD_L4PER3	Disabled	PM_DSS_DSS2_W KDEP[11] WKUPDEP_DSI1_C _IPU2	Read/write
DSS	CD_DSS	CD_MPU, CD_L3_MAIN1, CD_L4PER1, CD_L4PER2, CD_L4PER3	Disabled	PM_DSS_DSS2_W KDEP[10] WKUPDEP_DSI1_C _MPU	Read/write
DSS	CD_DSS	CD_DMA, CD_L3_MAIN1, CD_L4PER1, CD_L4PER2, CD_L4PER3	Disabled	PM_DSS_DSS2_W KDEP[13] WKUPDEP_DSI1_C _SDMA	Read/write

3.6.4.13.4 CD_DSS Clock Domain Module Attributes

Table 3-199 lists for each module of the clock domain the clocks the module receives and their role (that is, functional or interface clock).

Table 3-199. CD_DSS Modules Clocks Association

Module	Clock	Clock Type
DSS	HDMI_DPLL_CLK	Functional
	DSS_GFCLK	Functional
	HDMI_PHY_GFCLK	Functional
	HDMI_CEC_GFCLK	Functional
	VIDEO1_DPLL_CLK	Functional
	DSS_L3_GICLK	Interface ⁽¹⁾
BB2D	BB2D_GFCLK	Functional
	DSS_L3_GICLK	Interface

⁽¹⁾ The L4 clock, required by the L4 interface, is created internally to the module. It is derived from the DSS_L3_GICLK clock divided by 2 using a gated version of L4_ICLK.

Table 3-200 lists the supported wake-up request generation capability for each module of the clock domain.

Table 3-200. CD_DSS Modules Wake-Up Request

Module	Wake-Up Feature
DSS	Slave wake-up request (MPU-IRQ, IPU1-IRQ, IPU2-IRQ, DSP1-IRQ, DMA_SYSTEM-DMA)
BB2D	None

Table 3-201 lists the supported clock-management modes and associated software control bit fields for each module of the power domain.

Table 3-201. CD_DSS Modules Clock-Management Modes and Control

Module	Clock-Management Protocol	Status Bit Field	Role
DSS	Master/slave	CM_DSS_DSS_CLKCTRL[18] STBYST	Standby status
		CM_DSS_DSS_CLKCTRL[17:16]]IDLEST	Idle status

Table 3-201. CD_DSS Modules Clock-Management Modes and Control (continued)

Module	Clock-Management Protocol	Status Bit Field	Role
BB2D	Master/slave	CM_DSS_BB2D_CLKCTRL[18] STBYST	Standby status
		CM_DSS_BB2D_CLKCTRL[17:16] IDLEST	Idle status

Table 3-202 lists the supported clock-management modes and associated software control bit fields for each module of the power domain.

Table 3-202. CD_DSS Modules Slave Clock-Management Modes and Control

Module	Disabled	Auto	Enabled	Control Bit Field	Access Type
DSS	Available	N/A	Available	CM_DSS_DSS_CLKCTRL[1:0] MODULEMODE	Read/write
BB2D	Available	N/A	Available	CM_DSS_BB2D_CLKCTRL[1:0] MODULEMODE	Read/write

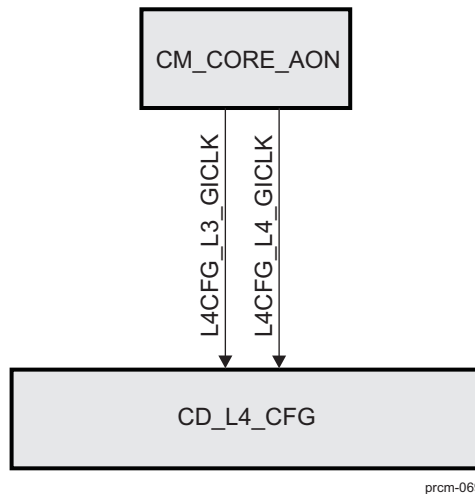
3.6.4.14 CD_L4_CFG Clock Domain

This section identifies the modes supported by the clock domain and the associated control and status bits. It also identifies its dependencies with other clock domains of the device.

3.6.4.14.1 CD_L4_CFG Overview

Figure 3-71 is an overview of the clock domain.

Figure 3-71. CD_L4_CFG Overview



3.6.4.14.2 CD_L4_CFG Clock Domain Modes

Table 3-203 lists the clock domain modes supported by the clock domain.

Table 3-203. CD_L4_CFG Clock Domain Modes

NO_SLEEP	SW_SLEEP	SW_WKUP	HW_AUTO
Available	Not available	Not available	Available

Table 3-204 lists the clock domain state transition control and status bits for the clock in this clock domain.

Table 3-204. CD_L4_CFG Control and Status Parameters

Parameter Name	Control/Status Bit Field
L4CFG_L4_GICLK Clock Status	CM_L4CFG_CLKSTCTRL[8] CLKACTIVITY_L4CFG_L4_GICLK
L4CFG_L3_GICLK Clock Status	CM_L4CFG_CLKSTCTRL[9] CLKACTIVITY_L4CFG_L3_GICLK
Clock Domain State Transition Control	CM_L4CFG_CLKSTCTRL[1:0] CLKTRCTRL

3.6.4.14.3 CD_L4_CFG Clock Domain Dependency

CD_L4_CFG has no static or module wake-up dependency with any other clock domain of the device.

3.6.4.14.3.1 CD_L4_CFG Dynamic Dependency

Table 3-205 lists the dynamic dependency of the clock domain with respect to other clock domains of the device.

Table 3-205. CD_L4_CFG Dynamic Dependency Association Parameters

Clock Domain Name	Default Setting	Control Bit Field	Access Type
CD_CUSTEFUSE	Always enabled	CM_L4CFG_DYNAMICDEP[17] CUSTEFUSE_DYNDEP	Read only
CD_L3_MAIN1	Always enabled	CM_L4CFG_DYNAMICDEP[5] L3MAIN1_DYNDEP	Read only
CD_L3INIT	Always enabled	CM_L4CFG_DYNAMICDEP[7] L3INIT_DYNDEP	Read only
CD_EMIF	Always enabled	CM_L4CFG_DYNAMICDEP[4] EMIF_DYNDEP	Read only
CD_DMA	Always enabled	CM_L4CFG_DYNAMICDEP[11] SDMA_DYNDEP	Read only
CD_MPU	Always enabled	CM_L4CFG_DYNAMICDEP[19] MPU_DYNDEP	Read only
CD_COREAON	Always enabled	CM_L4CFG_DYNAMICDEP[16] COREAON_DYNDEP	Read only

3.6.4.14.4 CD_L4_CFG Clock Domain Module Attributes

Table 3-206 lists for each module of the clock domain the clocks the module receives and their role (that is, functional or interface clock).

Table 3-206. CD_L4_CFG Modules Clocks Association

Module	Clock	Clock Type
SPINLOCK	L4CFG_L3_GICLK	Interface ⁽¹⁾
L4_CFG interconnect	L4CFG_L3_GICLK	Interface ⁽¹⁾
MAILBOX(1 to 13)	L4CFG_L3_GICLK	Interface ⁽¹⁾
OCP2SCP2	L4CFG_L4_GICLK	Interface

⁽¹⁾ The L4 clock, required by the L4 interface, is created internally to the module. It is derived from the L4CFG_L3_GICLK clock divided by 2 using a gated version of L4_ICLK.

Table 3-207 lists the supported wake-up request generation capability for each module of the clock domain.

Table 3-207. CD_L4_CFG Modules Wake-Up Request

Module	Wake-Up Feature
SPINLOCK	None
L4_CFG interconnect	None
MAILBOX1	None

Table 3-207. CD_L4_CFG Modules Wake-Up Request (continued)

Module	Wake-Up Feature
MAILBOX2	None
MAILBOX3	None
MAILBOX4	None
MAILBOX5	None
MAILBOX6	None
MAILBOX7	None
MAILBOX8	None
MAILBOX9	None
MAILBOX10	None
MAILBOX11	None
MAILBOX12	None
MAILBOX13	None
OCP2SCP2	None

Table 3-208 lists the supported clock-management modes and associated software control bit fields for each module of the power domain.

Table 3-208. CD_L4_CFG Modules Clock-Management Modes and Control

Module	Clock-Management Protocol	Status Bit Field	Role
SPINLOCK	Slave	CM_L4CFG_SPINLOCK_CLK_CTRL[17:16] IDLEST	Idle status
L4_CFG interconnect	Slave	CM_L4CFG_L4_CFG_CLKCTRL[17:16] IDLEST	Idle status
MAILBOX1	Slave	CM_L4CFG_MAILBOX1_CLK_CTRL[17:16] IDLEST	Idle status
MAILBOX2	Slave	CM_L4CFG_MAILBOX2_CLK_CTRL[17:16] IDLEST	Idle status
MAILBOX3	Slave	CM_L4CFG_MAILBOX3_CLK_CTRL[17:16] IDLEST	Idle status
MAILBOX4	Slave	CM_L4CFG_MAILBOX4_CLK_CTRL[17:16] IDLEST	Idle status
MAILBOX5	Slave	CM_L4CFG_MAILBOX5_CLK_CTRL[17:16] IDLEST	Idle status
MAILBOX6	Slave	CM_L4CFG_MAILBOX6_CLK_CTRL[17:16] IDLEST	Idle status
MAILBOX7	Slave	CM_L4CFG_MAILBOX7_CLK_CTRL[17:16] IDLEST	Idle status
MAILBOX8	Slave	CM_L4CFG_MAILBOX8_CLK_CTRL[17:16] IDLEST	Idle status
MAILBOX9	Slave	CM_L4CFG_MAILBOX9_CLK_CTRL[17:16] IDLEST	Idle status
MAILBOX10	Slave	CM_L4CFG_MAILBOX10_CLK_CTRL[17:16] IDLEST	Idle status
MAILBOX11	Slave	CM_L4CFG_MAILBOX11_CLK_CTRL[17:16] IDLEST	Idle status
MAILBOX12	Slave	CM_L4CFG_MAILBOX12_CLK_CTRL[17:16] IDLEST	Idle status
MAILBOX13	Slave	CM_L4CFG_MAILBOX13_CLK_CTRL[17:16] IDLEST	Idle status
OCP2SCP2	Slave	CM_L4CFG_OCP2SCP2_CLK_CTRL[17:16] IDLEST	Idle status

Table 3-209 lists the supported clock-management modes and associated software control bit fields for each module of the power domain.

Table 3-209. CD_L4_CFG Modules Slave Clock-Management Modes and Control

Module	Disabled	Auto	Enabled	Control Bit Field	Access Type
SPINLOCK	N/A	Available	N/A	CM_L4CFG_SPINLOCK_CLKCTRL[1:0] MODULEMODE	Read only
L4_CFG interconnect	N/A	Available	N/A	CM_L4CFG_L4_CFG_CLKCTRL[1:0] MODULEMODE	Read only
MAILBOX1	N/A	Available	N/A	CM_L4CFG_MAILBOX1_CLKCTRL[1:0] MODULEMODE	Read only
MAILBOX2	N/A	Available	N/A	CM_L4CFG_MAILBOX2_CLKCTRL[1:0] MODULEMODE	Read only
MAILBOX3	N/A	Available	N/A	CM_L4CFG_MAILBOX3_CLKCTRL[1:0] MODULEMODE	Read only
MAILBOX4	N/A	Available	N/A	CM_L4CFG_MAILBOX4_CLKCTRL[1:0] MODULEMODE	Read only
MAILBOX5	N/A	Available	N/A	CM_L4CFG_MAILBOX5_CLKCTRL[1:0] MODULEMODE	Read only
MAILBOX6	N/A	Available	N/A	CM_L4CFG_MAILBOX6_CLKCTRL[1:0] MODULEMODE	Read only
MAILBOX7	N/A	Available	N/A	CM_L4CFG_MAILBOX7_CLKCTRL[1:0] MODULEMODE	Read only
MAILBOX8	N/A	Available	N/A	CM_L4CFG_MAILBOX8_CLKCTRL[1:0] MODULEMODE	Read only
MAILBOX9	N/A	Available	N/A	CM_L4CFG_MAILBOX9_CLKCTRL[1:0] MODULEMODE	Read only
MAILBOX10	N/A	Available	N/A	CM_L4CFG_MAILBOX10_CLKCTRL[1:0] MODULEMODE	Read only
MAILBOX11	N/A	Available	N/A	CM_L4CFG_MAILBOX11_CLKCTRL[1:0] MODULEMODE	Read only
MAILBOX12	N/A	Available	N/A	CM_L4CFG_MAILBOX12_CLKCTRL[1:0] MODULEMODE	Read only
MAILBOX13	N/A	Available	N/A	CM_L4CFG_MAILBOX13_CLKCTRL[1:0] MODULEMODE	Read only
OCP2SCP2	N/A	Available	N/A	CM_L4CFG_OCP2SCP2_CLKCTRL[1:0] MODULEMODE	Read only

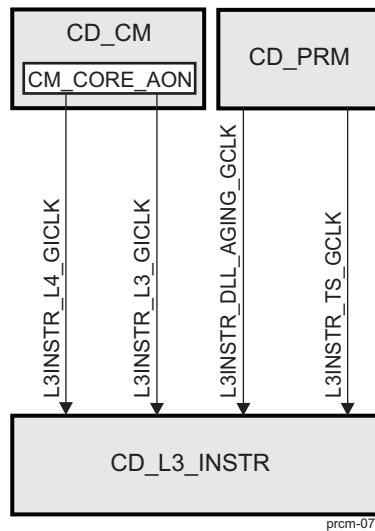
3.6.4.15 CD_L3_INSTR Clock Domain

This section identifies the modes supported by the clock domain and the associated control and status bits. It also identifies its dependencies with other clock domains of the device.

3.6.4.15.1 CD_L3_INSTR Overview

Figure 3-72 is an overview of the clock domain.

Figure 3-72. CD_L3_INSTR Overview



3.6.4.15.2 CD_L3_INSTR Clock Domain Modes

Table 3-210 lists the clock domain modes supported by the clock domain.

Table 3-210. CD_L3_INSTR Clock Domain Modes

NO_SLEEP	SW_SLEEP	SW_WKUP	HW_AUTO
Not available	Not available	Not available	Available

Table 3-211 lists the clock domain state transition control and status bits for the clock in this clock domain.

Table 3-211. CD_L3_INSTR Control and Status Parameters

Parameter Name	Control/Status Bit Field
L3INSTR_L3_GICLK Clock Status	CM_L3INSTR_CLKSTCTRL[8] CLKACTIVITY_L3INSTR_L3_GICLK
L3INSTR_DLL_AGING_GCLK Clock Status	CM_L3INSTR_CLKSTCTRL[9] CLKACTIVITY_L3INSTR_DLL_AGING_GCLK
L3INSTR_TS_GCLK Clock Status	CM_L3INSTR_CLKSTCTRL[10] CLKACTIVITY_L3INSTR_TS_GCLK
Clock Domain State Transition Control	CM_L3INSTR_CLKSTCTRL[1:0] CLKTRCTRL

3.6.4.15.3 CD_L3_INSTR Clock Domain Dependency

CD_L3_INSTR has no static, dynamic, or module wake-up dependency with any other clock domain of the device.

For aging, DLL requires a low-frequency clock that must run as long as the CORE power domain is on. To match this requirement, the DLL_AGING module has been created and instantiated in this clock domain, which is the last to transition in low-power state.

3.6.4.15.4 CD_L3_INSTR Clock Domain Module Attributes

Table 3-212 lists for each module of the clock domain the clocks the module receives and their role (that is, functional or interface clock).

Table 3-212. CD_L3_INSTR Modules Clocks Association

Module	Clock	Clock Type
L3_MAIN_2 interconnect	L3INSTR_L3_GICKL	Interface
	L3INSTR_L4_GICKL	Interface
L3_INSTR interconnect	L3INSTR_L3_GICKL	Interface
OCP_WP_NOC	L3INSTR_L3_GICKL	Interface
	L3INSTR_L4_GICKL	Interface
DLL_AGING	L3INSTR_DLL_AGING_GICKL	Interface
CTRL_MODULE_BANDGAP	L3INSTR_TS_GICKL	Interface

Table 3-213 lists the supported wake-up request generation capability for each module of the clock domain.

Table 3-213. CD_L3_INSTR Modules Wake-Up Request

Module	Wake-Up Feature
L3_MAIN_2 interconnect	None
L3_INSTR interconnect	None
OCP_WP_NOC	None
DLL_AGING	None
CTRL_MODULE_BANDGAP	None

Table 3-214 lists the supported clock-management modes and associated software control bit fields for each module of the power domain.

Table 3-214. CD_L3_INSTR Modules Clock-Management Modes and Control

Module	Clock-Management Protocol	Status Bit Field	Role
L3_MAIN_3 interconnect	Slave	CM_L3INSTR_L3_MAIN_2_CLKCTRL[17:16] IDLEST	Idle status
		CM_L3INSTR_L3_MAIN_2_CLKCTRL_RESTORE[17:16] IDLEST	Idle status
L3_INSTR interconnect	Slave	CM_L3INSTR_L3_INSTR_CLKCTRL[17:16] IDLEST	Idle status
		CM_L3INSTR_L3_INSTR_CLKCTRL_RESTORE[17:16] IDLEST	Idle status
OCP_WP_NOC	Slave	CM_L3INSTR_OCP_WP_NOC_CLKCTRL[17:16] IDLEST	Idle status
		CM_L3INSTR_OCP_WP_NOC_CLKCTRL_RESTORE[17:16] IDLEST	Idle status
DLL_AGING	Slave	CM_L3INSTR_DLL_AGING_CLKCTRL[17:16] IDLEST	Idle status
CTRL_MODULE_BANDGAP	Slave	CM_L3INSTR_CTRL_MODULE_BANDGAP_CLKCTRL[17:16] IDLEST	Idle status

Table 3-215 lists the supported clock-management modes and associated software control bit fields for each module of the power domain.

Table 3-215. CD_L3_INSTR Modules Slave Clock-Management Modes and Control

Module	Disabled	Auto	Enabled	Control Bit Field	Access Type
L3_MAIN_2 interconnect	Available	Available	N/A	CM_L3INSTR_L3_MAIN_2_CLKCTRL[1:0] MODULEMODE	Read/write
L3_MAIN_2 interconnect	Available	Available	N/A	CM_L3INSTR_L3_MAIN_2_CLKCTRL_RESTORE[1:0] MODULEMODE	Read/write
L3_INSTR interconnect	Available	Available	N/A	CM_L3INSTR_L3_INSTR_CLKCTRL[1:0] MODULEMODE	Read/write
L3_INSTR interconnect	Available	Available	N/A	CM_L3INSTR_L3_INSTR_CLKCTRL_RESTORE[1:0] MODULEMODE	Read/write
OCP_WP_NOC	Available	Available	N/A	CM_L3INSTR_OCP_WP_NOC_CLKCTRL[1:0] MODULEMODE	Read/write
OCP_WP_NOC	Available	Available	N/A	CM_L3INSTR_OCP_WP_NOC_CLKCTRL_RESTORE[1:0] MODULEMODE	Read/write
DLL_AGING	N/A	Available	N/A	CM_L3INSTR_DLL_AGING_CLKCTRL[1:0] MODULEMODE	Read only
CTRL_MODULE_BANDGAP	N/A	Available	N/A	CM_L3INSTR_CTRL_MODULE_BANDGAP_CLKCTRL[1:0] MODULEMODE	Read only

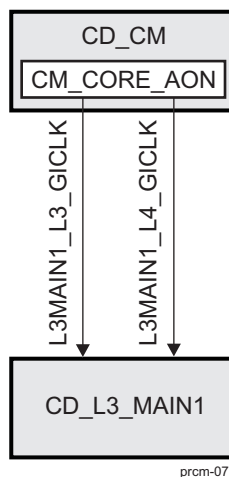
3.6.4.16 CD_L3_MAIN1 Clock Domain

This section identifies the modes supported by the clock domain and the associated control and status bits. It also identifies its dependencies with other clock domains of the device.

3.6.4.16.1 CD_L3_MAIN1 Overview

Figure 3-73 is an overview of the clock domain.

Figure 3-73. CD_L3_MAIN1 Overview



3.6.4.16.2 CD_L3_MAIN1 Clock Domain Modes

Table 3-216 lists the clock domain modes supported by the clock domain.

Table 3-216. CD_L3_MAIN1 Clock Domain Modes

NO_SLEEP	SW_SLEEP	SW_WKUP	HW_AUTO
Available	Not available	Not available	Available

Table 3-217 lists the clock domain state transition control and status bits for the clock in this clock domain.

Table 3-217. CD_L3_MAIN1 Control and Status Parameters

Parameter Name	Control/Status Bit Field
L3MAIN1_L3_GICLK Clock Status	CM_L3MAIN1_CLKSTCTRL[8] CLKACTIVITY_L3MAIN1_L3_GICLK
L3MAIN1_L4_GICLK Clock Status	CM_L3MAIN1_CLKSTCTRL[9] CLKACTIVITY_L3MAIN1_L4_GICLK
Clock Domain State Transition Control	CM_L3MAIN1_CLKSTCTRL[1:0] CLKTRCTRL

3.6.4.16.3 CD_L3_MAIN1 Clock Domain Dependency

CD_L3_MAIN1 has no static or module wake-up dependency with any other clock domain of the device.

3.6.4.16.3.1 CD_L3_MAIN1 Dynamic Dependency

Table 3-218 lists the dynamic dependency of the clock domain with respect to other clock domains of the device.

Table 3-218. CD_L3_MAIN1 Dynamic Dependency Association Parameters

Clock Domain Name	Default Setting	Control Bit Field	Access Type
CD_IPU	Always enabled	CM_L3MAIN1_DYNAMICDEP[3] IPU_DYNDEP	Read only
CD_IPU1	Always enabled	CM_L3MAIN1_DYNAMICDEP[18] IPU1_DYNDEP	Read only
CD_IPU2	Always enabled	CM_L3MAIN1_DYNAMICDEP[0] IPU2_DYNDEP	Read only
CD_DSP1	Always enabled	CM_L3MAIN1_DYNAMICDEP[1] DSP1_DYNDEP	Read only
CD_IVA	Always enabled	CM_L3MAIN1_DYNAMICDEP[2] IVA_DYNDEP	Read only
CD_EMIF	Always enabled	CM_L3MAIN1_DYNAMICDEP[4] EMIF_DYNDEP	Read only
CD_DSS	Always enabled	CM_L3MAIN1_DYNAMICDEP[8] DSS_DYNDEP	Read only
CD_GPU	Always enabled	CM_L3MAIN1_DYNAMICDEP[10] GPU_DYNDEP	Read only
CD_L4PER	Always enabled	CM_L3MAIN1_DYNAMICDEP[13] L4PER_DYNDEP	Read only
CD_L4PER2	Always enabled	CM_L3MAIN1_DYNAMICDEP[22] L4PER2_DYNDEP	Read only
CD_L4PER3	Always enabled	CM_L3MAIN1_DYNAMICDEP[23] L4PER3_DYNDEP	Read only
CD_L4SEC	Always enabled	CM_L3MAIN1_DYNAMICDEP[14] L4SEC_DYNDEP	Read only
CD_L4_CFG	Always enabled	CM_L3MAIN1_DYNAMICDEP[12] L4CFG_DYNDEP	Read only
CD_PCIE	Always enabled	CM_L3MAIN1_DYNAMICDEP[21] PCIE_DYNDEP	Read only

Table 3-218. CD_L3_MAIN1 Dynamic Dependency Association Parameters (continued)

Clock Domain Name	Default Setting	Control Bit Field	Access Type
CD_WKUPAON	Always enabled	CM_L3MAIN1_DYNAMICDEP[15] WKUPAON_DYNDEP	Read only

3.6.4.16.4 CD_L3_MAIN1 Clock Domain Module Attributes

Table 3-219 lists for each module of the clock domain the clocks the module receives and their role (that is, functional or interface clock).

Table 3-219. CD_L3_MAIN1 Modules Clocks Association

Module	Clock	Clock Type
L3_MAIN1 interconnect	L3MAIN1_L3_GICLK	Interface
	L3MAIN1_L4_GICLK	Interface
GPMC	L3MAIN1_L3_GICLK	Interface
OCMC_RAM1	L3MAIN1_L3_GICLK	Interface ⁽¹⁾
VCP1	L3MAIN1_L3_GICLK	Interface
VCP2	L3MAIN1_L3_GICLK	Interface
MMU_EDMA	L3MAIN1_L3_GICLK	Interface ⁽¹⁾
MMU_PCISS	L3MAIN1_L3_GICLK	Interface ⁽¹⁾
EDMA_TPCC	L3MAIN1_L3_GICLK	Interface
EDMA_TC0	L3MAIN1_L3_GICLK	Interface
EDMA_TC1	L3MAIN1_L3_GICLK	Interface

⁽¹⁾ The L4 clock, required by the L4 interface, is created internally to the module. It is derived from the L3MAIN1_L3_GICLK clock divided by 2 using a gated version of L4_ICLK.

Table 3-220 lists the supported wake-up request generation capability for each module of the clock domain.

Table 3-220. CD_L3_MAIN1 Modules Wake-Up Request

Module	Wake-Up Feature
L3_MAIN1 interconnect	None
GPMC	None
OCMC_RAM1	Slave wake-up request (MPU-IRQ, IPU1-IRQ, IPU2-IRQ, DSP1-IRQ)
VCP1	None
VCP2	None
MMU_EDMA	None
MMU_PCISS	None
EDMA_TPCC	Slave wake-up request (MPU-IRQ, IPU1-IRQ, IPU2-IRQ, DSP1-IRQ)
EDMA_TC0	Slave wake-up request (MPU-IRQ, IPU1-IRQ, IPU2-IRQ, DSP1-IRQ)/ Master wake-up request
EDMA_TC1	Slave wake-up request (MPU-IRQ, IPU1-IRQ, IPU2-IRQ, DSP1-IRQ)/ Master wake-up request

Table 3-221 lists the supported clock-management modes and associated software control bit fields for each module of the power domain.

Table 3-221. CD_L3_MAIN1 Modules Clock-Management Modes and Control

Module	Clock-Management Protocol	Status Bit Field	Role
L3_MAIN1 interconnect	Slave	CM_L3MAIN1_L3_MAIN_1_CLKCTRL[17:16] IDLEST	Idle status
GPMC	Slave	CM_L3MAIN1_GPMC_CLKCTRL[17:16] IDLEST	Idle status
OCMC_RAM1	Slave	CM_L3MAIN1_OCMC_RAM1_CLKCTRL[17:16] IDLEST	Idle status
VCP1	Slave	CM_L3MAIN1_VCP1_CLKCTRL[17:16] IDLEST	Idle status
VCP2	Slave	CM_L3MAIN1_VCP2_CLKCTRL[17:16] IDLEST	Idle status
MMU_EDMA	Slave	CM_L3MAIN1_MMU_EDMA_CLKCTRL[17:16] IDLEST	Idle status
MMU_PCIESS	Slave	CM_L3MAIN1_MMU_PCIESS_CLKCTRL[17:16] IDLEST	Idle status
EDMA_TPCC	Slave	CM_L3MAIN1_TPCC_CLKCTRL[17:16] IDLEST	Idle status
EDMA_TC0	Master/slave	CM_L3MAIN1_TPTC1_CLKCTRL[18] STBYST	Standby status
		CM_L3MAIN1_TPTC1_CLKCTRL[17:16] IDLEST	Idle status
EDMA_TC1	Master/slave	CM_L3MAIN1_TPTC2_CLKCTRL[18] STBYST	Standby status
		CM_L3MAIN1_TPTC2_CLKCTRL[17:16] IDLEST	Idle status

Table 3-222 lists the supported clock-management modes and associated software control bit fields for each module of the power domain.

Table 3-222. CD_L3_MAIN1 Modules Slave Clock-Management Modes and Control

Module	Disabled	Auto	Enabled	Control Bit Field	Access Type
L3_MAIN1 interconnect	N/A	Available	N/A	CM_L3MAIN1_L3_MAIN_1_CLKCTRL[1:0] MODULEMODE	Read only
GPMC	Available	Available	N/A	CM_L3MAIN1_GPMC_CLKCTRL [1:0] MODULEMODE	Read/write
OCMC_RAM1	N/A	Available	N/A	CM_L3MAIN1_OCMC_RAM1_CLKCTRL [1:0] MODULEMODE	Read only
VCP1	N/A	Available	N/A	CM_L3MAIN1_VCP1_CLKCTRL[1:0] MODULEMODE	Read only
VCP2	N/A	Available	N/A	CM_L3MAIN1_VCP2_CLKCTRL[1:0] MODULEMODE	Read only
MMU_EDMA	N/A	Available	N/A	CM_L3MAIN1_MMU_EDMA_CLKCTRL[1:0] MODULEMODE	Read only
MMU_PCIESS	N/A	Available	N/A	CM_L3MAIN1_MMU_PCIESS_CLKCTRL[1:0] MODULEMODE	Read only
EDMA_TPCC	N/A	Available	N/A	CM_L3MAIN1_TPCC_CLKCTRL[1:0] MODULEMODE	Read only
EDMA_TC0	Available	Available	N/A	CM_L3MAIN1_TPTC1_CLKCTRL[1:0] MODULEMODE	Read/write

Table 3-222. CD_L3_MAIN1 Modules Slave Clock-Management Modes and Control (continued)

Module	Disabled	Auto	Enabled	Control Bit Field	Access Type
EDMA_TC1	Available	Available	N/A	CM_L3MAIN1_TPTC2_CLKCTRL[1:0] MODULEMODE	Read/write

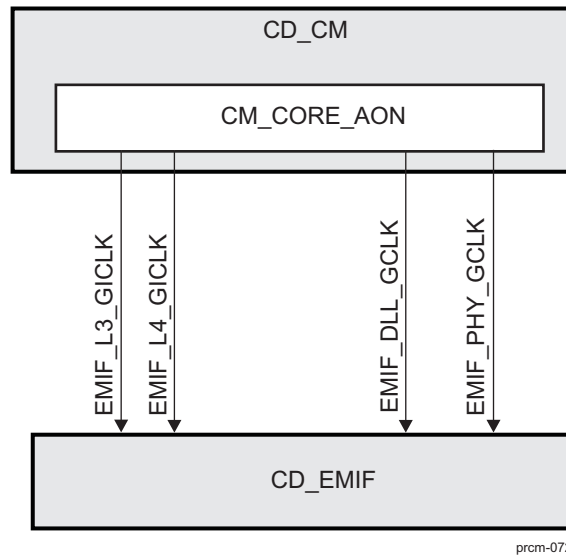
3.6.4.17 CD_EMIF Clock Domain

This section identifies the modes supported by the clock domain and the associated control and status bits. It also identifies its dependencies with other clock domains of the device.

3.6.4.17.1 CD_EMIF Overview

Figure 3-74 is an overview of the clock domain.

Figure 3-74. CD_EMIF Overview



prcm-072

3.6.4.17.2 CD_EMIF Clock Domain Modes

Table 3-223 lists the clock domain modes supported by the clock domain.

Table 3-223. CD_EMIF Clock Domain Modes

NO_SLEEP	SW_SLEEP	SW_WKUP	HW_AUTO
Available	Not available	Available	Available

Table 3-224 lists the clock domain state transition control and status bits for the clock in this clock domain.

Table 3-224. CD_EMIF Control and Status Parameters

Parameter Name	Control/Status Bit Field
EMIF_DLL_GCLK Clock Status	CM_EMIF_CLKSTCTRL[9] CLKACTIVITY_EMIF_DLL_GCLK
EMIF_DLL_GCLK Clock Control	CM_EMIF_EMIF_DLL_CLKCTRL[8] OPTFCLKEN_DLL_CLK
EMIF_L3_G1CLK Clock Status	CM_EMIF_CLKSTCTRL[8] CLKACTIVITY_EMIF_L3_G1CLK
EMIF_PHY_GCLK Clock Status	CM_EMIF_CLKSTCTRL[10] CLKACTIVITY_EMIF_PHY_GCLK
Clock Domain State Transition Control	CM_EMIF_CLKSTCTRL[1:0] CLKTRCTRL

3.6.4.17.3 CD_EMIF Clock Domain Dependency

CD_EMIF has no static, dynamic, or module wake-up dependency with any other clock domain of the device.

3.6.4.17.4 CD_EMIF Clock Domain Module Attributes

Table 3-225 lists for each module of the clock domain the clocks the module receives and their role (that is, functional or interface clock).

Table 3-225. CD_EMIF Modules Clocks Association

Module	Clock	Clock Type
DLL	EMIF_DLL_GCLK	Functional
DMM	EMIF_L3_GICKL	Interface
EMIF1	EMIF_L3_GICKL	Interface
	MA_EOCP_GICKL ⁽¹⁾	Interface
	L3_EOCP_GICKL ⁽¹⁾	Interface
	EMIF_PHY_GCLK	Interface
EMIF_OCP_FW	EMIF_L3_GICKL	Interface
	EMIF_L4_GICKL	Interface

⁽¹⁾ EMIF modules are clocked by MA_EOCP_GICKL when MPU is active; otherwise, the L3_EOCP_GICKL clock is used.

Table 3-226 lists the supported wake-up request generation capability for each module of the clock domain.

Table 3-226. CD_EMIF Modules Wake-Up Request

Module	Wake-Up Feature
DLL	None
DMM	None
EMIF1	None
EMIF_OCP_FW	None

Table 3-227 lists the supported clock-management modes and associated software control bit fields for each module of the power domain.

Table 3-227. CD_EMIF Modules Clock-Management Modes and Control

Module	Clock-Management Protocol	Status Bit Field	Role
DMM	Slave	CM_EMIF_DMM_CLKCTRL[17:16] IDLEST	Idle status
EMIF1	Slave	CM_EMIF_EMIF1_CLKCTRL[17:16] IDLEST	Idle status
EMIF_OCP_FW	Slave	CM_EMIF_EMIF_OCP_FW_CLKCTRL[17:16] IDLEST	Idle status

Table 3-228 lists the supported clock-management modes and associated software control bit fields for each module of the power domain.

Table 3-228. CD_EMIF Modules Slave Clock-Management Modes and Control

Module	Disabled	Auto	Enabled	Control Bit Field	Access Type
DMM	N/A	Available	N/A	CM_EMIF_DMM_CLKCTRL[1:0] MODULEMODE	Read only

Table 3-228. CD_EMIF Modules Slave Clock-Management Modes and Control (continued)

Module	Disabled	Auto	Enabled	Control Bit Field	Access Type
EMIF1	Available	Available	N/A	CM_EMIF_EMIF1_CLKCTRL[1:0] MODULEMODE	Read/write
EMIF_OCP_FW	N/A	Available	N/A	CM_EMIF_EMIF_OCP_FW_CLKCTRL[1:0] MODULEMODE	Read only

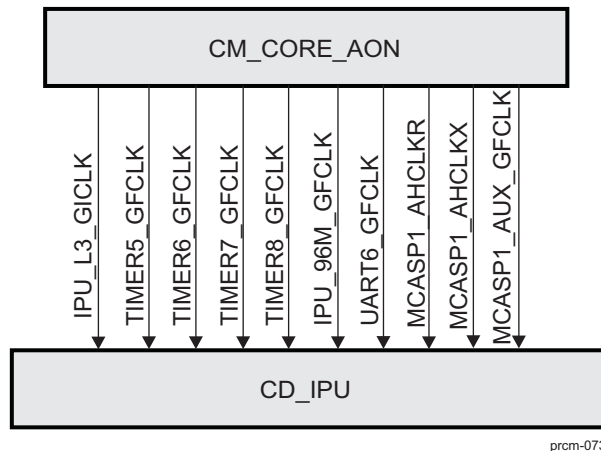
3.6.4.18 CD_IPU Clock Domain

This section identifies the modes supported by the clock domain and the associated control and status bits. It also identifies its dependencies with other clock domains of the device.

3.6.4.18.1 CD_IPU Overview

Figure 3-75 is an overview of the clock domain.

Figure 3-75. CD_IPU Overview



prcm-073

3.6.4.18.2 CD_IPU Clock Domain Modes

Table 3-229 lists the clock domain modes supported by the clock domain.

Table 3-229. CD_IPU Clock Domain Modes

NO_SLEEP	SW_SLEEP	SW_WKUP	HW_AUTO
Available	Available	Available	Available

Table 3-230 lists the clock domain state transition control and status bits for the clock in this clock domain.

Table 3-230. CD_IPU Control and Status Parameters

Parameter Name	Control/Status Bit Field
IPU_L3_GICLK Clock Status	CM_IPU_CLKSTCTRL[8] CLKACTIVITY_IPU_L3_GICLK
IPU_96M_GFCLK Clock Status	CM_IPU_CLKSTCTRL[13] CLKACTIVITY_IPU_96M_GFCLK
UART6_GFCLK Clock Status	CM_IPU_CLKSTCTRL[14] CLKACTIVITY_UART6_GFCLK
TIMER5_GFCLK Clock Status	CM_IPU_CLKSTCTRL[9] CLKACTIVITY_TIMER5_GFCLK
TIMER6_GFCLK Clock Status	CM_IPU_CLKSTCTRL[10] CLKACTIVITY_TIMER6_GFCLK
TIMER7_GFCLK Clock Status	CM_IPU_CLKSTCTRL[11] CLKACTIVITY_TIMER7_GFCLK

Table 3-230. CD_IPU Control and Status Parameters (continued)

Parameter Name	Control/Status Bit Field
TIMER8_GFCLK Clock Status	CM_IPU_CLKSTCTRL[12] CLKACTIVITY_TIMER8_GFCLK
MCASP1_AHCLKR Clock Status	CM_IPU_CLKSTCTRL[18] CLKACTIVITY_MCASP1_AHCLKR
MCASP1_AHCLKX Clock Status	CM_IPU_CLKSTCTRL[17] CLKACTIVITY_MCASP1_AHCLKX
MCASP1_AUX_GFCLK Clock Status	CM_IPU_CLKSTCTRL[16] CLKACTIVITY_MCASP1_AUX_GFCLK
Clock Domain State Transition Control	CM_IPU_CLKSTCTRL[1:0] CLKTRCTRL

3.6.4.18.3 CD_IPU Clock Domain Dependency

CD_IPU has no module wake-up dependency with any other clock domain of the device.

3.6.4.18.3.1 CD_IPU Static Dependency

Table 3-231 lists the static dependency of the clock domain with respect to other clock domains of the device.

Table 3-231. CD_IPU Static Dependency Association Parameters

Clock Domain Name	Default Setting	Control Bit Field	Access Type
CD_DSS	Disabled	CM_IPU1_STATICDEP[8] DSS_STATDEP	Read/write
CD_GPU	Disabled	CM_IPU1_STATICDEP[10] GPU_STATDEP	Read/write
CD_CAM	Always disabled	CM_IPU1_STATICDEP[9] CAM_STATDEP	Read only
CD_IVA	Disabled	CM_IPU1_STATICDEP[2] IVA_STATDEP	Read/write
CD_L3_MAIN1	Enabled	CM_IPU1_STATICDEP[5] L3MAIN1_STATDEP	Read/write
CD_L3INIT	Disabled	CM_IPU1_STATICDEP[7] L3INIT_STATDEP	Read/write
CD_L4_CFG	Enabled	CM_IPU1_STATICDEP[12] L4CFG_STATDEP	Read/write
CD_L4PER1	Disabled	CM_IPU1_STATICDEP[13] L4PER1_STATDEP	Read/write
CD_L4PER2	Disabled	CM_IPU1_STATICDEP[26] L4PER2_STATDEP	Read/write
CD_L4PER3	Disabled	CM_IPU1_STATICDEP[27] L4PER3_STATDEP	Read/write
CD_L4SEC	Disabled	CM_IPU1_STATICDEP[14] L4SEC_STATDEP	Read/write
CD_EMIF	Enabled	CM_IPU1_STATICDEP[4] EMIF_STATDEP	Read/write
CD_DMA	Always disabled	CM_IPU1_STATICDEP[11] SDMA_STATDEP	Read only
CD_IPU	Disabled	CM_IPU1_STATICDEP[24] IPU_STATDEP	Read/write
CD_IPU2	Disabled	CM_IPU1_STATICDEP[0] IPU2_STATDEP	Read/write
CD_DSP	Disabled	CM_IPU1_STATICDEP[1] DSP1_STATDEP	Read/write
CD_WKUPAON	Enabled	CM_IPU1_STATICDEP[15] WKUPAON_STATDEP	Read/write
CD_COREAON	Always disabled	CM_IPU1_STATICDEP[16] COREAON_STATDEP	Read only

Table 3-231. CD_IPU Static Dependency Association Parameters (continued)

Clock Domain Name	Default Setting	Control Bit Field	Access Type
CD_CUSTEFUSE	Always disabled	CM_IPU1_STATICDEP[17] CUSTEFUSE_STATDEP	Read only
CD_GMAC	Disabled	CM_IPU1_STATICDEP[25] GMAC_STATDEP	Read/write
CD_VPE	Enabled	CM_IPU1_STATICDEP[28] VPE_STATDEP	Read/write
CD_PCIE	Enabled	CM_IPU1_STATICDEP[29] PCIE_STATDEP	Read/write
CD_ATL	Enabled	CM_IPU1_STATICDEP[30] ATL_STATDEP	Read/write

3.6.4.18.3.2 CD_IPU Dynamic Dependency

Table 3-232 lists the dynamic dependency of the clock domain with respect to other clock domains of the device.

Table 3-232. CD_IPU Dynamic Dependency Association Parameters

Clock Domain Name	Default Setting	Control Bit Field	Access Type
CD_L3_MAIN1	Always enabled	CM_IPU1_DYNAMICDEP[5] L3MAIN1_DYNDEP	Read only

3.6.4.18.4 CD_IPU Clock Domain Module Attributes

Table 3-233 lists for each module of the clock domain the clocks the module receives and their role (that is, functional or interface clock).

Table 3-233. CD_IPU Modules Clocks Association

Module	Clock	Clock Type
TIMER5	IPU_L3_GICLK	Interface ⁽¹⁾
	TIMER5_GFCLK	Functional
TIMER6	IPU_L3_GICLK	Interface ⁽¹⁾
	TIMER6_GFCLK	Functional
TIMER7	IPU_L3_GICLK	Interface ⁽¹⁾
	TIMER7_GFCLK	Functional
TIMER8	IPU_L3_GICLK	Interface ⁽¹⁾
	TIMER8_GFCLK	Functional
UART6	IPU_L3_GICLK	Interface ⁽¹⁾
	UART6_GFCLK	Functional
I2C5	IPU_L3_GICLK	Interface ⁽¹⁾
	IPU_96M_GFCLK	Functional
MCASP1	IPU_L3_GICLK	Interface ⁽¹⁾
	MCASP1_AHCLKR	Functional
	MCASP1_AHCLKX	Functional
	MCASP1_AUX_GFCLK	Functional

⁽¹⁾ The L4 clock, required by the L4 interface, is created internally to the module. It is derived from the IPU_L3_GICLK clock divided by 2 using a gated version of L4_ICLK.

Table 3-234 lists the supported wake-up request generation capability for each module of the clock domain.

Table 3-234. CD_IPU Modules Wake-Up Request

Module	Wake-Up Feature
TIMER5	Slave wake-up request (MPU-IRQ, IPU1-IRQ, IPU2-IRQ, DSP1-IRQ)
TIMER6	Slave wake-up request (MPU-IRQ, IPU1-IRQ, IPU2-IRQ, DSP1-IRQ)
TIMER7	Slave wake-up request (MPU-IRQ, IPU1-IRQ, IPU2-IRQ, DSP1-IRQ)
TIMER8	Slave wake-up request (MPU-IRQ, IPU1-IRQ, IPU2-IRQ, DSP1-IRQ)
UART6	Slave wake-up request (MPU-IRQ, IPU1-IRQ, IPU2-IRQ, DSP1-IRQ)
I2C5	Slave wake-up request (MPU-IRQ, IPU1-IRQ, IPU2-IRQ, DSP1-IRQ)
MCASP1	Slave wake-up request (MPU-IRQ, IPU1-IRQ, IPU2-IRQ, DSP1-IRQ)

Table 3-235 lists the supported clock-management modes and associated software control bit fields for each module of the power domain.

Table 3-235. CD_IPU Modules Clock-Management Modes and Control

Module	Clock-Management Protocol	Status Bit Field	Role
TIMER5	Slave	CM_IPU_TIMER5_CLKCTRL[17:16] IDLEST	Idle status
TIMER6	Slave	CM_IPU_TIMER6_CLKCTRL[17:16] IDLEST	Idle status
TIMER7	Slave	CM_IPU_TIMER7_CLKCTRL[17:16] IDLEST	Idle status
TIMER8	Slave	CM_IPU_TIMER8_CLKCTRL[17:16] IDLEST	Idle status
UART6	Slave	CM_IPU_UART6_CLKCTRL[17:16] IDLEST	Idle status
I2C5	Slave	CM_IPU_I2C5_CLKCTRL[17:16] IDLEST	Idle status
MCASP1	Slave	CM_IPU_MCASP1_CLKCTRL[17:16] IDLEST	Idle status

Table 3-236 lists the supported clock-management modes and associated software control bit fields for each module of the power domain.

Table 3-236. CD_IPU Modules Slave Clock-Management Modes and Control

Module	Disabled	Auto	Enabled	Control Bit Field	Access Type
MCASP1	Available	N/A	Available	CM_IPU_MCASP1_CLKCTRL[1:0] MODULEMODE	Read/write
TIMER5	Available	N/A	Available	CM_IPU_TIMER5_CLKCTRL[1:0] MODULEMODE	Read/write
TIMER6	Available	N/A	Available	CM_IPU_TIMER6_CLKCTRL[1:0] MODULEMODE	Read/write
TIMER7	Available	N/A	Available	CM_IPU_TIMER7_CLKCTRL[1:0] MODULEMODE	Read/write
TIMER8	Available	N/A	Available	CM_IPU_TIMER8_CLKCTRL[1:0] MODULEMODE	Read/write

Table 3-236. CD_IPU Modules Slave Clock-Management Modes and Control (continued)

Module	Disabled	Auto	Enabled	Control Bit Field	Access Type
I2C5	Available	N/A	Available	CM_IPU_I2C5_CLK CTRL[1:0] MODULEMODE	Read/write
UART6	Available	N/A	Available	CM_IPU_UART6_C LKCTRL[1:0] MODULEMODE	Read/write

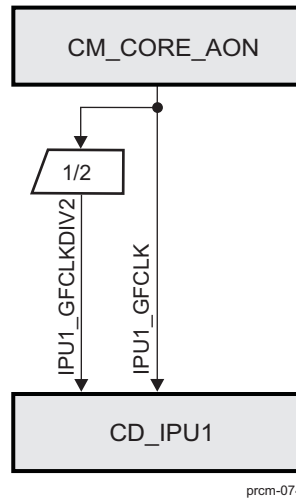
3.6.4.19 CD_IPU1 Clock Domain

This section identifies the modes supported by the clock domain and the associated control and status bits. It also identifies its dependencies with other clock domains of the device.

3.6.4.19.1 CD_IPU1 Overview

Figure 3-76 is an overview of the clock domain.

Figure 3-76. CD_IPU1 Overview



3.6.4.19.2 CD_IPU1 Clock Domain Modes

Table 3-237 lists the clock domain modes supported by the clock domain.

Table 3-237. CD_IPU1 Clock Domain Modes

NO_SLEEP	SW_SLEEP	SW_WKUP	HW_AUTO
Available	Available	Available	Available

Table 3-238 lists the clock domain state transition control and status bits for the clock in this clock domain.

Table 3-238. CD_IPU1 Control and Status Parameters

Parameter Name	Control/Status Bit Field
IPU1_GFCLK Clock Status	CM_IPU1_CLKSTCTRL[8] CLKACTIVITY_IPU1_GFCLK
Clock Domain State Transition Control	CM_IPU1_CLKSTCTRL[1:0] CLKTRCTRL

3.6.4.19.3 CD_IPU1 Clock Domain Dependency

CD_IPU1 has no module wake-up dependency with any other clock domain of the device.

3.6.4.19.3.1 CD_IPU1 Static Dependency

Table 3-239 lists the static dependency of the clock domain with respect to other clock domains of the device.

Table 3-239. CD_IPU1 Static Dependency Association Parameters

Clock Domain Name	Default Setting	Control Bit Field	Access Type
CD_DSS	Disabled	CM_IPU1_STATICDEP[8] DSS_STATDEP	Read/write
CD_GPU	Disabled	CM_IPU1_STATICDEP[10] GPU_STATDEP	Read/write
CD_CAM	Always disabled	CM_IPU1_STATICDEP[9] CAM_STATDEP	Read only
CD_IVA	Disabled	CM_IPU1_STATICDEP[2] IVA_STATDEP	Read/write
CD_L3_MAIN1	Enabled	CM_IPU1_STATICDEP[5] L3MAIN1_STATDEP	Read/write
CD_L3INIT	Disabled	CM_IPU1_STATICDEP[7] L3INIT_STATDEP	Read/write
CD_L4_CFG	Enabled	CM_IPU1_STATICDEP[12] L4CFG_STATDEP	Read/write
CD_L4PER1	Disabled	CM_IPU1_STATICDEP[13] L4PER_STATDEP	Read/write
CD_L4PER2	Disabled	CM_IPU1_STATICDEP[26] L4PER2_STATDEP	Read/write
CD_L4PER3	Disabled	CM_IPU1_STATICDEP[27] L4PER3_STATDEP	Read/write
CD_L4SEC	Disabled	CM_IPU1_STATICDEP[14] L4SEC_STATDEP	Read/write
CD_EMIF	Enabled	CM_IPU1_STATICDEP[4] EMIF_STATDEP	Read/write
CD_DMA	Always disabled	CM_IPU1_STATICDEP[11] SDMA_STATDEP	Read only
CD_IPU	Disabled	CM_IPU1_STATICDEP[24] IPU_STATDEP	Read/write
CD_IPU2	Disabled	CM_IPU1_STATICDEP[0] IPU2_STATDEP	Read/write
CD_DSP1	Disabled	CM_IPU1_STATICDEP[1] DSP1_STATDEP	Read/write
CD_WKUPAON	Enabled	CM_IPU1_STATICDEP[15] WKUPAON_STATDEP	Read/write
CD_COREAON	Always disabled	CM_IPU1_STATICDEP[16] COREAON_STATDEP	Read only
CD_CUSTEFUSE	Always disabled	CM_IPU1_STATICDEP[17] CUSTEFUSE_STATDEP	Read only
CD_GMAC	Disabled	CM_IPU1_STATICDEP[25] GMAC_STATDEP	Read/write
CD_VPE	Enabled	CM_IPU1_STATICDEP[28] VPE_STATDEP	Read/write
CD_PCIE	Enabled	CM_IPU1_STATICDEP[29] PCIE_STATDEP	Read/write
CD_ATL	Enabled	CM_IPU1_STATICDEP[30] ATL_STATDEP	Read/write

3.6.4.19.3.2 CD_IPU1 Dynamic Dependency

Table 3-240 lists the dynamic dependency of the clock domain with respect to other clock domains of the device.

Table 3-240. CD_IPU1 Dynamic Dependency Association Parameters

Clock Domain Name	Default Setting	Control Bit Field	Access Type
CD_L3_MAIN1	Always enabled	CM_IPU1_DYNAMICDEP[5] L3MAIN1_DYNDEP	Read only

3.6.4.19.4 CD_IPU1 Clock Domain Module Attributes

Table 3-241 lists for each module of the clock domain the clocks the module receives and their role (that is, functional or interface clock).

Table 3-241. CD_IPU1 Modules Clocks Association

Module	Clock	Clock Type
IPU1	IPU1_GFCLK	Interface and Functional
	IPU1_GFCLKDIV2 ⁽¹⁾	Interface and Functional

⁽¹⁾ IPU1_GFCLKDIV2 is divided by 2 version of the IPU1_GFCLK. For more information about the IPU1_GFCLK additional division by 2, see Section 7.2.1 Dual Cortex-M4 IPU Subsystem Clock and Reset Distribution.

Table 3-242 lists the supported wake-up request generation capability for each module of the clock domain.

Table 3-242. CD_IPU1 Modules Wake-Up Request

Module	Wake-Up Feature
IPU1	Master wake-up request

Table 3-243 lists the supported clock-management modes and associated software control bit fields for each module of the power domain.

Table 3-243. CD_IPU1 Modules Clock-Management Modes and Control

Module	Clock-Management Protocol	Status Bit Field	Role
IPU1	Master/slave	CM_IPU1_IPU1_CLKCTRL[18] STBYST	Standby status
		CM_IPU1_IPU1_CLKCTRL[17:16] IDLEST	Idle status
		CM_IPU1_IPU1_CLKCTRL[24] CLKSEL	Select the timer functional clock

Table 3-244 lists the supported clock-management modes and associated software control bit fields for each module of the power domain.

Table 3-244. CD_IPU1 Modules Slave Clock-Management Modes and Control

Module	Disabled	Auto	Enabled	Control Bit Field	Access Type
IPU1	Available	Available	N/A	CM_IPU1_IPU1_CLKCTRL[1:0] MODULEMODE	Read/write

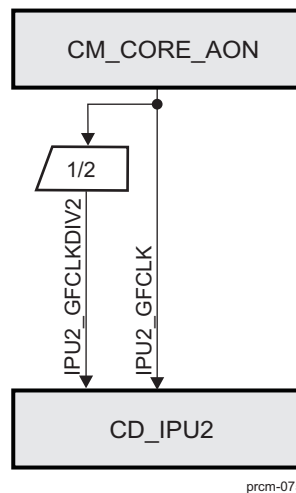
3.6.4.20 CD_IPU2 Clock Domain

This section identifies the modes supported by the clock domain and the associated control and status bits. It also identifies its dependencies with other clock domains of the device.

3.6.4.20.1 CD_IPU2 Overview

Figure 3-77 is an overview of the clock domain.

Figure 3-77. CD_IPU2 Overview



3.6.4.20.2 CD_IPU2 Clock Domain Modes

Table 3-245 lists the clock domain modes supported by the clock domain.

Table 3-245. CD_IPU2 Clock Domain Modes

NO_SLEEP	SW_SLEEP	SW_WKUP	HW_AUTO
Available	Available	Available	Available

Table 3-246 lists the clock domain state transition control and status bits for the clock in this clock domain.

Table 3-246. CD_IPU2 Control and Status Parameters

Parameter Name	Control/Status Bit Field
IPU2_GFCLK Clock Status	CM_IPU2_CLKSTCTRL[8] CLKACTIVITY_IPU2_GFCLK
Clock Domain State Transition Control	CM_IPU2_CLKSTCTRL[1:0] CLKTRCTRL

3.6.4.20.3 CD_IPU2 Clock Domain Dependency

CD_IPU2 has no module wake-up dependency with any other clock domain of the device.

3.6.4.20.3.1 CD_IPU2 Static Dependency

Table 3-247 lists the static dependency of the clock domain with respect to other clock domains of the device.

Table 3-247. CD_IPU2 Static Dependency Association Parameters

Clock Domain Name	Default Setting	Control Bit Field	Access Type
CD_DSS	Disabled	CM_IPU2_STATICDEP[8] DSS_STATDEP	Read/write

Table 3-247. CD_IPU2 Static Dependency Association Parameters (continued)

Clock Domain Name	Default Setting	Control Bit Field	Access Type
CD_GPU	Disabled	CM_IPU2_STATICDEP[10] GPU_STATDEP	Read/write
CD_CAM	Always disabled	CM_IPU2_STATICDEP[9] CAM_STATDEP	Read only
CD_IVA	Disabled	CM_IPU2_STATICDEP[2] IVA_STATDEP	Read/write
CD_L3_MAIN1	Enabled	CM_IPU2_STATICDEP[5] L3MAIN1_STATDEP	Read/write
CD_L3INIT	Disabled	CM_IPU2_STATICDEP[7] L3INIT_STATDEP	Read/write
CD_L4_CFG	Enabled	CM_IPU2_STATICDEP[12] L4CFG_STATDEP	Read/write
CD_L4PER1	Disabled	CM_IPU2_STATICDEP[13] L4PER_STATDEP	Read/write
CD_L4PER2	Disabled	CM_IPU2_STATICDEP[26] L4PER2_STATDEP	Read/write
CD_L4PER3	Disabled	CM_IPU2_STATICDEP[27] L4PER3_STATDEP	Read/write
CD_L4SEC	Disabled	CM_IPU2_STATICDEP[14] L4SEC_STATDEP	Read/write
CD_EMIF	Enabled	CM_IPU2_STATICDEP[4] EMIF_STATDEP	Read/write
CD_DMA	Always disabled	CM_IPU2_STATICDEP[11] SDMA_STATDEP	Read only
CD_IPU	Disabled	CM_IPU2_STATICDEP[24] IPU_STATDEP	Read/write
CD_IPU1	Disabled	CM_IPU2_STATICDEP[23] IPU1_STATDEP	Read/write
CD_DSP1	Disabled	CM_IPU2_STATICDEP[1] DSP1_STATDEP	Read/write
CD_WKUPAON	Enabled	CM_IPU2_STATICDEP[15] WKUPAON_STATDEP	Read/write
CD_COREAON	Always disabled	CM_IPU2_STATICDEP[16] COREAON_STATDEP	Read only
CD_CUSTEFUSE	Always disabled	CM_IPU2_STATICDEP[17] CUSTEFUSE_STATDEP	Read only
CD_GMAC	Disabled	CM_IPU2_STATICDEP[25] GMAC_STATDEP	Read/write
CD_VPE	Enabled	CM_IPU2_STATICDEP[28] VPE_STATDEP	Read/write
CD_PCIE	Enabled	CM_IPU2_STATICDEP[29] PCIE_STATDEP	Read/write
CD_ATL	Enabled	CM_IPU2_STATICDEP[30] ATL_STATDEP	Read/write

3.6.4.20.3.2 CD_IPU2 Dynamic Dependency

Table 3-248 lists the dynamic dependency of the clock domain with respect to other clock domains of the device.

Table 3-248. CD_IPU2 Dynamic Dependency Association Parameters

Clock Domain Name	Default Setting	Control Bit Field	Access Type
CD_L3_MAIN1	Always enabled	CM_IPU2_DYNAMICDEP[5] L3MAIN1_DYNDEP	Read only

Table 3-248. CD_IPU2 Dynamic Dependency Association Parameters (continued)

Clock Domain Name	Default Setting	Control Bit Field	Access Type
CD_CAM	Disabled	CM_IPU2_DYNAMICDEP[9] CAM_DYNDEP	Read only

3.6.4.20.4 CD_IPU2 Clock Domain Module Attributes

Table 3-249 lists for each module of the clock domain the clocks the module receives and their role (that is, functional or interface clock).

Table 3-249. CD_IPU2 Modules Clocks Association

Module	Clock	Clock Type
IPU2	IPU2_GFCLK	Interface and Functional
	IPU2_GFCLKDIV2 ⁽¹⁾	Interface and Functional

⁽¹⁾ IPU2_GFCLKDIV2 is divided by 2 version of the IPU2_GFCLK. For more information about the IPU2_GFCLK additional division by 2, see Section 7.2.1 *Dual Cortex-M4 IPU Subsystem Clock and Reset Distribution*.

Table 3-250 lists the supported wake-up request generation capability for each module of the clock domain.

Table 3-250. CD_IPU2 Modules Wake-Up Request

Module	Wake-Up Feature
IPU2	Master wake-up request

Table 3-251 lists the supported clock-management modes and associated software control bit fields for each module of the power domain.

Table 3-251. CD_IPU2 Modules Clock-Management Modes and Control

Module	Clock-Management Protocol	Status Bit Field	Role
IPU2	Master/slave	CM_IPU2_IPU2_CLKCTRL[18] STBYST	Standby status
		CM_IPU2_IPU2_CLKCTRL[17:16] IDLEST	Idle status

Table 3-252 lists the supported clock-management modes and associated software control bit fields for each module of the power domain.

Table 3-252. CD_IPU2 Modules Slave Clock-Management Modes and Control

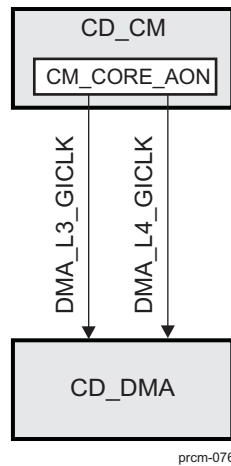
Module	Disabled	Auto	Enabled	Control Bit Field	Access Type
IPU2	Available	Available	N/A	CM_IPU2_IPU2_CLKCTRL[1:0] MODULEMODE	Read/write

3.6.4.21 CD_DMA Clock Domain

This section identifies the modes supported by the clock domain and the associated control and status bits. It also identifies its dependencies with other clock domains of the device.

3.6.4.21.1 CD_DMA Overview

Figure 3-78 is an overview of the clock domain.

Figure 3-78. CD_DMA Overview


3.6.4.21.2 CD_DMA Clock Domain Modes

Table 3-253 lists the clock domain modes supported by the clock domain.

Table 3-253. CD_DMA Clock Domain Modes

NO_SLEEP	SW_SLEEP	SW_WKUP	HW_AUTO
Available	Not available	Available	Available

Table 3-254 lists the clock domain state transition control and status bits for the clock in this clock domain.

Table 3-254. CD_DMA Control and Status Parameters

Parameter Name	Control/Status Bit Field
DMA_L3_GICLK Clock Status	CM_DMA_CLKSTCTRL[8] CLKACTIVITY_DMA_L3_GICLK
Clock Domain State Transition Control	CM_DMA_CLKSTCTRL[1:0] CLKTRCTRL

3.6.4.21.3 CD_DMA Clock Domain Dependency

CD_DMA has no module wake-up dependency with any other clock domain of the device.

3.6.4.21.3.1 CD_DMA Static Dependency

Table 3-255 lists the static dependency of the clock domain with respect to other clock domains of the device.

Table 3-255. CD_DMA Static Dependency Association Parameters

Clock Domain Name	Default Setting	Control Bit Field	Access Type
CD_EMIF	Disabled	CM_DMA_STATICDEP[4] EMIF_STATDEP	Read/write
CD_DSS	Disabled	CM_DMA_STATICDEP[8] DSS_STATDEP	Read/write
CD_CAM	Always disabled	CM_DMA_STATICDEP[9] CAM_STATDEP	Read only
CD_IVA	Disabled	CM_DMA_STATICDEP[2] IVA_STATDEP	Read/write
CD_L3_MAIN1	Enabled	CM_DMA_STATICDEP[5] L3MAIN1_STATDEP	Read/write

Table 3-255. CD_DMA Static Dependency Association Parameters (continued)

Clock Domain Name	Default Setting	Control Bit Field	Access Type
CD_L3INIT	Enabled	CM_DMA_STATICDEP [7] L3INIT_STATDEP	Read/write
CD_L4_CFG	Enabled	CM_DMA_STATICDEP [12] L4CFG_STATDEP	Read/write
CD_L4PER	Enabled	CM_DMA_STATICDEP [13] L4PER_STATDEP	Read/write
CD_L4SEC	Disabled	CM_DMA_STATICDEP [14] L4SEC_STATDEP	Read/write
CD_WKUPAON	Enabled	CM_DMA_STATICDEP [15] WKUPAON_STATDEP	Read/write
CD_IPU	Disabled	CM_DMA_STATICDEP [24] IPU_STATDEP	Read/write
CD_IPU1	Disabled	CM_DMA_STATICDEP [23] IPU1_STATDEP	Read/write
CD_L4PER2	Enabled	CM_DMA_STATICDEP [26] L4PER2_STATDEP	Read/write
CD_L4PER3	Enabled	CM_DMA_STATICDEP [27] L4PER3_STATDEP	Read/write
CD_PCIE	Enabled	CM_DMA_STATICDEP [29] PCIE_STATDEP	Read/write
CD_IPU2	Disabled	CM_DMA_STATICDEP [0] IPU2_STATDEP	Read/write

3.6.4.21.3.2 CD_DMA Dynamic Dependency

[Table 3-256](#) lists the dynamic dependency of the clock domain with respect to other clock domains of the device.

Table 3-256. CD_DMA Dynamic Dependency Association Parameters

Clock Domain Name	Default Setting	Control Bit Field	Access Type
CD_L3_MAIN1	Always disabled	CM_DMA_DYNAMICDEP [5] L3MAIN1_DYNDEP	Read only

3.6.4.21.4 CD_DMA Clock Domain Module Attributes

[Table 3-257](#) lists for each module of the clock domain the clocks the module receives and their role (that is, functional or interface clock).

Table 3-257. CD_DMA Modules Clocks Association

Module	Clock	Clock Type
DMA_SYSTEM	DMA_L3_GICLK	Interface ⁽¹⁾ and functional

⁽¹⁾ The L4 clock, required by the L4 interface, is created internally to the module. It is derived from the DMA_L3_GICLK clock divided by 2 using a gated version of L4_ICLK.

[Table 3-258](#) lists the supported wake-up request generation capability for each module of the clock domain.

Table 3-258. CD_DMA Modules Wake-Up Request

Module	Wake-Up Feature
DMA_SYSTEM	Master wake-up request

Table 3-259 lists the supported clock-management modes and associated software control bit fields for each module of the power domain.

Table 3-259. CD_DMA Modules Clock-Management Modes and Control

Module	Clock-Management Protocol	Status Bit Field	Role
DMA_SYSTEM	Master/slave	CM_DMA_DMA_SYSTEM_CLK_CTRL[18] STBYST	Standby status
		CM_DMA_DMA_SYSTEM_CLK_CTRL[17:16] IDLEST	Idle status

Table 3-260 lists the supported clock-management modes and associated software control bit fields for each module of the power domain.

Table 3-260. CD_DMA Modules Slave Clock-Management Modes and Control

Module	Disabled	Auto	Enabled	Control Bit Field	Access Type
DMA_SYSTEM	N/A	Available	N/A	CM_DMA_DMA_SYSTEM_CLK_CTRL[1:0] MODULEMODE	Read only

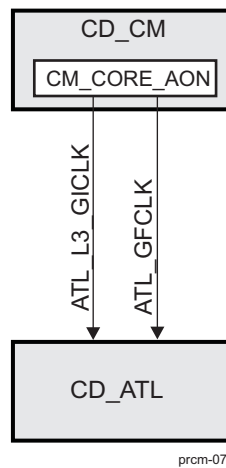
3.6.4.22 CD_ATL Clock Domain

This section identifies the modes supported by the clock domain and the associated control and status bits. It also identifies its dependencies with other clock domains of the device.

3.6.4.22.1 CD_ATL Overview

Figure 3-79 is an overview of the clock domain.

Figure 3-79. CD_ATL Overview



3.6.4.22.2 CD_ATL Clock Domain Modes

Table 3-261 lists the clock domain modes supported by the clock domain.

Table 3-261. CD_ATL Clock Domain Modes

NO_SLEEP	SW_SLEEP	SW_WKUP	HW_AUTO
Available	Not available	Available	Available

Table 3-262 lists the clock domain state transition control and status bits for the clock in this clock domain.

Table 3-262. CD_ATL Control and Status Parameters

Parameter Name	Control/Status Bit Field
ATL_L3_GICLK Clock Status	CM_ATL_CLKSTCTRL[8] CLKACTIVITY_ATL_L3_GICLK
ATL_GFCLK Clock Status	CM_ATL_CLKSTCTRL[9] CLKACTIVITY_ATL_GFCLK
Clock Domain State Transition Control	CM_ATL_CLKSTCTRL[1:0] CLKTRCTRL

3.6.4.22.3 CD_ATL Clock Domain Module Attributes

Table 3-263 lists for each module of the clock domain the clocks the module receives and their role (that is, functional or interface clock).

Table 3-263. CD_ATL Modules Clocks Association

Module	Clock	Clock Type
ATL	ATL_L3_GICLK	Interface ⁽¹⁾
	ATL_GFCLK	Functional

⁽¹⁾ The L4 clock, required by the L4 interface, is created internally to the module. It is derived from the ATL_L3_GICLK clock divided by 2 using a gated version of L4_ICLK.

Table 3-264 lists the supported wake-up request generation capability for each module of the clock domain.

Table 3-264. CD_ATL Modules Wake-Up Request

Module	Wake-Up Feature
ATL	None

Table 3-265 lists the supported clock-management modes and associated software control bit fields for each module of the power domain.

Table 3-265. CD_ATL Modules Clock-Management Modes and Control

Module	Clock-Management Protocol	Status Bit Field	Role
ATL	Slave	CM_ATL_ATL_CLKCTRL[17:16] IDLEST	Idle status
		CM_ATL_ATL_CLKCTRL[27:26] CLKSEL_SOURCE2	Select source for ATL clock
		CM_ATL_ATL_CLKCTRL[25:24] CLKSEL_SOURCE1	Select source for ATL clock

Table 3-266 lists the supported clock-management modes and associated software control bit fields for each module of the power domain.

Table 3-266. CD_ATL Modules Slave Clock-Management Modes and Control

Module	Disabled	Auto	Enabled	Control Bit Field	Access Type
ATL	Available	N/A	Available	CM_ATL_ATL_CLKCTRL[1:0] MODULEMODE	Read/write

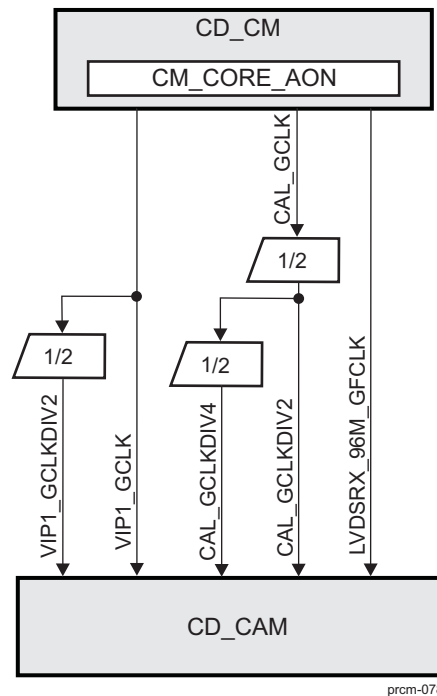
3.6.4.23 CD_CAM Clock Domain

This section identifies the modes supported by the clock domain and the associated control and status bits. It also identifies its dependencies with other clock domains of the device.

3.6.4.23.1 CD_CAM Overview

Figure 3-80 is an overview of the clock domain.

Figure 3-80. CD_CAM Overview



3.6.4.23.2 CD_CAM Clock Domain Modes

Table 3-267 lists the clock domain modes supported by the clock domain.

Table 3-267. CD_CAM Clock Domain Modes

NO_SLEEP	SW_SLEEP	SW_WKUP	HW_AUTO
Available	Available	Available	Available

Table 3-268 lists the clock domain state transition control and status bits for the clock in this clock domain.

Table 3-268. CD_CAM Control and Status Parameters

Parameter Name	Control/Status Bit Field
VIP1_GCLK Clock Status	CM_CAM_CLKSTCTRL[8] CLKACTIVITY_VIP1_GCLK
CAL_GCLK Clock Status	CM_CAM_CLKSTCTRL[9] CLKACTIVITY_CAL_GCLK
LVDSRX_96M_GFCLK Clock Status	CM_CAM_CLKSTCTRL[12] CLKACTIVITY_LVDSRX_96M_GFCLK
Clock Domain State Transition Control	CM_CAM_CLKSTCTRL[1:0] CLKTRCTRL

3.6.4.23.3 CD_CAM Clock Domain Dependency

CD_CAM has no module wake-up dependency with any other clock domain of the device.

3.6.4.23.3.1 CD_CAM Static Dependency

Table 3-269 lists the static dependency of the clock domain with respect to other clock domains of the device.

Table 3-269. CD_CAM Static Dependency Association Parameters

Clock Domain Name	Default Setting	Control Bit Field	Access Type
CD_IVA	Disabled	CM_CAM_STATICDEP[2] IVA_STATDEP	Read/write
CD_L3_MAIN1	Always enabled	CM_CAM_STATICDEP[5] L3MAIN1_STATDEP	Read only
CD_L4_CFG	Disabled	CM_CAM_STATICDEP[12] L4CFG_STATDEP	Read only
CD_EMIF	Always enabled	CM_CAM_STATICDEP[4] EMIF_STATDEP	Read/write
CD_GMAC	Disabled	CM_CAM_STATICDEP[25] GMAC_STATDEP	Read/write
CD_L4PER3	Disabled	CM_CAM_STATICDEP[27] L4PER3_STATDEP	Read/write
CD_VPE	Disabled	CM_CAM_STATICDEP[28] VPE_STATDEP	Read/write

3.6.4.23.3.2 CD_CAM Dynamic Dependency

CD_CAM has no dynamic dependency with any other clock domain of the device.

3.6.4.23.4 CD_CAM Clock Domain Module Attributes

Table 3-270 lists for each module of the clock domain the clocks the module receives and their role (that is, functional or interface clock).

Table 3-270. CD_CAM Modules Clocks Association

Module	Clock	Clock Type
VIP1	VIP1_GCLK	Functional
	VIP1_GCLKDIV2 ⁽¹⁾	Interface
CAL	CAL_GCLKDIV2 ⁽²⁾	Functional
	CAL_GCLKDIV4 ⁽³⁾	Interface
CSI2_PHY1	LVDSRX_96M_GFCLK	Interface and functional
CSI2_PHY2	LVDSRX_96M_GFCLK	Interface and functional

⁽¹⁾ VIP1_GCLKDIV2 is divided by 2 version of the VIP1_GCLK. For more information, see [Section 9.3 VIP Integration](#)

⁽²⁾ CAL_GCLKDIV2 is divided by 2 version of the CAL_GCLK. For more information, see [Section 8.3 CAMSS Integration](#)

⁽³⁾ CAL_GCLKDIV4 clock is obtained by additional division by 2 of the CAL_GCLKDIV2. For more information, see [Section 8.3 CAMSS Integration](#)

NOTE: Please note that CAL_GCLK is used as primary clock for CAL Controller logic and Initiator interface. This is obtained by dividing the CAL_GCLK clock by 2. CAL module internally generates a divided clock for its Slave interface and PHY configuration interface by using the clock enable signal. This Enable signal is obtained by further dividing by 2 of the CAL_GCLK. For more information about CAL module clocks, see [Section 8.3 CAMSS Integration](#) and [Section 8.4.2 CAMSS Clock Configuration](#) in [Chapter 8 Camera Interface Subsystem](#).

NOTE: CSI2_PHY2 is not supported on the AM570x family of devices.

Table 3-271 lists the supported wake-up request generation capability for each module of the clock domain.

Table 3-271. CD_CAM Modules Wake-Up Request

Module	Wake-Up Feature
VIP1	Slave wake-up request (MPU-IRQ, IPU1-IRQ, IPU2-IRQ, DSP1-IRQ)/ Master wake-up request
CAL	Slave wake-up request (MPU-IRQ, IPU1-IRQ, IPU2-IRQ, DSP1-IRQ)/ Master wake-up request
CSI2_PHY1, CSI2_PHY2	None

NOTE: The CAL module does not support Master Standby/Wakeup protocol. Only Slave Idle protocol is supported.

In order to use the CAL module the user needs to wakeup PD_CAM. Also since CAL module supports only Idle protocol, there is possibility of the PD_CAM to be in to OFF power state, if there is no activity of the CAL slave interface. Hence it is necessary to program Software Wakeup on PD_CAM to ensure that PD_CAM (and in turn CAL module) does not go to power off/ Reset state during the camera operation. The Idle protocol configuration of the CAL module can be programmed by the user to **No Idle** in the CAL_HL_SYSCONFIG[3:2] IDLEMODE register, so that CAL does not auto acknowledge any Idle request from the PRCM module.

Table 3-272 lists the supported clock-management modes and associated software control bit fields for each module of the power domain.

Table 3-272. CD_CAM Modules Clock-Management Modes and Control

Module	Clock-Management Protocol	Status Bit Field	Role
VIP1	Master/slave	CM_CAM_VIP1_CLKCTRL[18] STBYST	Standby status
		CM_CAM_VIP1_CLKCTRL[17:16] IDLEST	Idle status
CAL	Master/slave	CM_CAM_CAL_CLKCTRL[18] STBYST ⁽¹⁾	Standby status
		CM_CAM_CAL_CLKCTRL[17:16] IDLEST	Idle status

⁽¹⁾ The CAL module does not support Master Standby/Wakeup protocol. Only Slave Idle protocol is supported.

Table 3-273 lists the supported clock-management modes and associated software control bit fields for each module of the power domain.

Table 3-273. CD_CAM Modules Slave Clock-Management Modes and Control

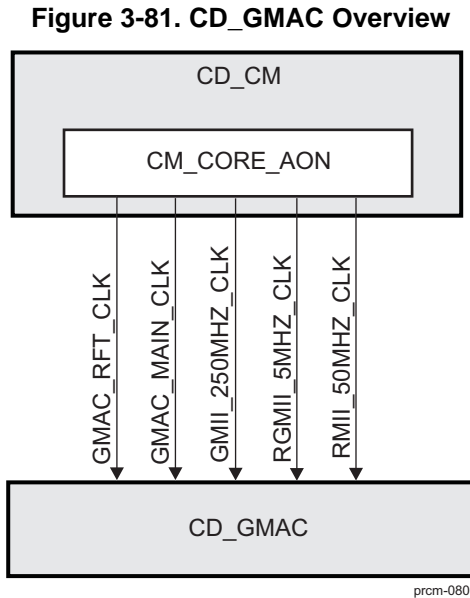
Module	Disabled	Auto	Enabled	Control Bit Field	Access Type
VIP1	Available	Available	N/A	CM_CAM_VIP1_CLKCTRL[1:0] MODULEMODE	Read/write
CAL	Available	Available	N/A	CM_CAM_CAL_CLKCTRL[1:0] MODULEMODE	Read/write

3.6.4.24 CD_GMAC Clock Domain

This section identifies the modes supported by the clock domain and the associated control and status bits. It also identifies its dependencies with other clock domains of the device.

3.6.4.24.1 CD_GMAC Overview

Figure 3-81 is an overview of the clock domain.



3.6.4.24.2 CD_GMAC Clock Domain Modes

Table 3-274 lists the clock domain modes supported by the clock domain.

Table 3-274. CD_GMAC Clock Domain Modes

NO_SLEEP	SW_SLEEP	SW_WKUP	HW_AUTO
Available	Available	Available	Available

Table 3-275 lists the clock domain state transition control and status bits for the clock in this clock domain.

Table 3-275. CD_GMAC Control and Status Parameters

Parameter Name	Control/Status Bit Field
GMII_250MHZ_CLK Clock Status	CM_GMAC_CLKSTCTRL[8] CLKACTIVITY_GMII_250MHZ_CLK
RGMII_5MHZ_CLK Clock Status	CM_GMAC_CLKSTCTRL[9] CLKACTIVITY_RGMII_5MHZ_CLK
RMII_50MHZ_CLK Clock Status	CM_GMAC_CLKSTCTRL[10] CLKACTIVITY_RMII_50MHZ_CLK
GMAC_MAIN_CLK Clock Status	CM_GMAC_CLKSTCTRL[12] CLKACTIVITY_GMAC_MAIN_CLK
GMAC_RFT_CLK Clock Status	CM_GMAC_CLKSTCTRL[11] CLKACTIVITY_GMAC_RFT_CLK
Clock Domain State Transition Control	CM_GMAC_CLKSTCTRL[1:0] CLKTRCTRL

3.6.4.24.3 CD_GMAC Clock Domain Dependency

3.6.4.24.3.1 CD_GMAC Static Dependency

Table 3-276 lists the static dependency of the clock domain with respect to other clock domains of the device.

Table 3-276. CD_GMAC Static Dependency Association Parameters

Clock Domain Name	Default Setting	Control Bit Field	Access Type
CD_L3_MAIN1	Always enabled	CM_GMAC_STATICDEP[5] L3MAIN1_STATDEP	Read only
CD_EMIF	Disabled	CM_GMAC_STATICDEP[4] EMIF_STATDEP	Read/write
CD_L4PER2	Disabled	CM_GMAC_STATICDEP[26] L4PER2_STATDEP	Read/write

3.6.4.24.3.2 CD_GMAC Dynamic Dependency

Table 3-277 lists the dynamic dependency of the clock domain with respect to other clock domains of the device.

Table 3-277. CD_GMAC Dynamic Dependency Association Parameters

Clock Domain Name	Default Setting	Control Bit Field	Access Type
CD_L3_MAIN1	Always disabled	CM_GMAC_DYNAMICDEP[5] L3MAIN1_DYNDEP	Read only

3.6.4.24.4 CD_GMAC Clock Domain Module Attributes

Table 3-278 lists for each module of the clock domain the clocks the module receives and their role (that is, functional or interface clock).

Table 3-278. CD_GMAC Modules Clocks Association

Module	Clock	Clock Type
CPGMAC	GMAC_MAIN_CLK	Interface
	GMAC_RFT_CLK	Functional
	GMII_250MHZ_CLK	Functional
	RGMII_5MHZ_CLK	Functional
	RMII_50MHZ_CLK	Functional

Table 3-279 lists the supported wake-up request generation capability for each module of the clock domain.

Table 3-279. CD_GMAC Modules Wake-Up Request

Module	Wake-Up Feature
GMAC	None

Table 3-280 lists the supported clock-management modes and associated software control bit fields for each module of the power domain.

Table 3-280. CD_GMAC Modules Clock-Management Modes and Control

Module	Clock-Management Protocol	Status Bit Field	Role
GMAC	Master/slave	CM_GMAC_GMAC_CLKCTRL[18] STBYST	Standby status

Table 3-280. CD_GMAC Modules Clock-Management Modes and Control (continued)

Module	Clock-Management Protocol	Status Bit Field	Role
		CM_GMAC_GMAC_CLKCTRL[17:16] IDLEST	Idle status
		CM_GMAC_GMAC_CLKCTRL[24] CLKSEL_REF	Select the source of the functional clock
		CM_GMAC_GMAC_CLKCTRL[27:25] CLKSEL_RFT	Select the source of the CPTS_RFT_CLK

Table 3-281 lists the supported clock-management modes and associated software control bit fields for each module of the power domain.

Table 3-281. CD_GMAC Modules Slave Clock-Management Modes and Control

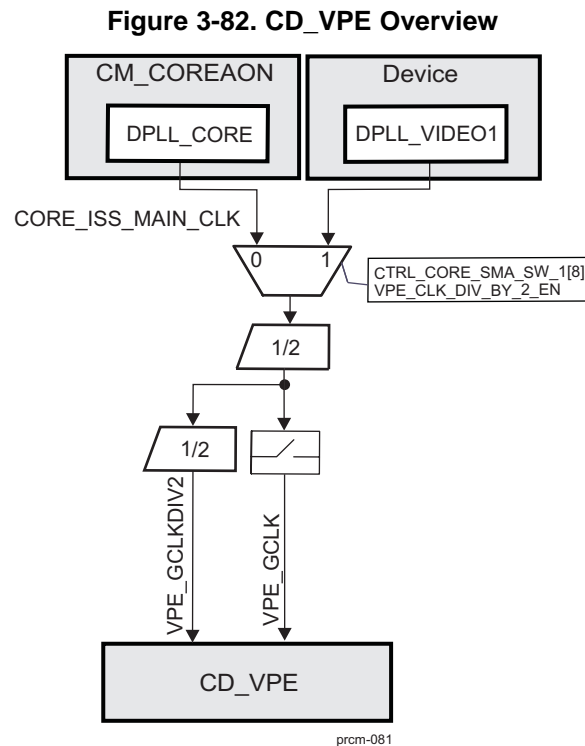
Module	Disabled	Auto	Enabled	Control Bit Field	Access Type
GMAC	Available	N/A	Available	CM_GMAC_GMAC_CLKCTRL[1:0] MODULEMODE	Read/write

3.6.4.25 CD_VPE Clock Domain

This section identifies the modes supported by the clock domain and the associated control and status bits. It also identifies its dependencies with other clock domains of the device.

3.6.4.25.1 CD_VPE Overview

Figure 3-82 is an overview of the clock domain.



3.6.4.25.2 CD_VPE Clock Domain Modes

Table 3-282 lists the clock domain modes supported by the clock domain.

Table 3-282. CD_VPE Clock Domain Modes

NO_SLEEP	SW_SLEEP	SW_WKUP	HW_AUTO
Available	Available	Available	Available

Table 3-283 lists the clock domain state transition control and status bits for the clock in this clock domain.

Table 3-283. CD_VPE Control and Status Parameters

Parameter Name	Control/Status Bit Field
CLKACTIVITY_VPE_GCLK Clock Status	CM_VPE_CLKSTCTRL[8] CLKACTIVITY_VPE_GCLK
Clock Domain State Transition Control	CM_VPE_CLKSTCTRL[1:0] CLKTRCTRL

3.6.4.25.3 CD_VPE Clock Domain Dependency

Table 3-284 lists the static dependency of the clock domain with respect to other clock domains of the device.

Table 3-284. CD_VPE Static Dependency Association Parameters

Clock Domain Name	Default Setting	Control Bit Field	Access Type
CD_L3_MAIN1	Always enabled	CM_VPE_STATICDEP[5] L3MAIN1_STATDEP	Read only
CD_EMIF	Disabled	CM_VPE_STATICDEP[4] EMIF_STATDEP	Read/write
CD_L4PER3	Disabled	CM_VPE_STATICDEP[27] L4PER3_STATDEP	Read/write

3.6.4.25.3.1 CD_VPE Wake-Up Dependency

Table 3-285 lists the wake-up dependency settings for the modules of this clock domain.

Table 3-285. CD_VPE Wake-Up Dependency Association Parameters

Originator Module	Originator Clock Domain	Servicing Clock Domain	Default Setting	Control Bit Field	Access Type
VPE	CD_VPE	CD_IPU1, CD_L3_MAIN1, L4PER1, L4PER2, L4PER3	Disabled	PM_VPE_VPE_WKDEP[4] WKUPDEP_VPE_IPU1	Read/wr ite
	CD_VPE	CD_IPU2, CD_L3_MAIN1, L4PER1, L4PER2, L4PER3	Disabled	PM_VPE_VPE_WKDEP[1] WKUPDEP_VPE_IPU2	Read/wr ite
	CD_VPE	CD_MPU, CD_L3_MAIN1, L4PER1, L4PER2, L4PER3	Disabled	PM_VPE_VPE_WKDEP[0] WKUPDEP_VPE_MPU	Read/wr ite
	CD_VPE	CD_DSP1, CD_L3_MAIN1, L4PER1, L4PER2, L4PER3	Disabled	PM_VPE_VPE_WKDEP[2] WKUPDEP_VPE_DSP1	Read/wr ite

3.6.4.25.4 CD_VPE Clock Domain Module Attributes

Table 3-286 lists for each module of the clock domain the clocks the module receives and their role (that is, functional or interface clock).

Table 3-286. CD_VPE Modules Clocks Association

Module	Clock	Clock Type
VPE	VPE_GCLK	Functional
	VPE_GCLKDIV2 ⁽¹⁾	Interface

⁽¹⁾ VPE_GCLKDIV2 is divided by 2 version of the VPE_GCLK. For more information about the VPE_GCLK additional division by 2, see [Section 10.2 VPE Integration](#).

[Table 3-287](#) lists the supported wake-up request generation capability for each module of the clock domain.

Table 3-287. CD_VPE Modules Wake-Up Request

Module	Wake-Up Feature
VPE	Master wake-up request
	Slave wake-up request (MPU-IRQ, IPU1-IRQ, IPU2-IRQ, DSP1-IRQ)

[Table 3-288](#) lists the supported clock-management modes and associated software control bit fields for each module of the power domain.

Table 3-288. CD_VPE Modules Clock-Management Modes and Control

Module	Clock-Management Protocol	Status Bit Field	Role
VPE	Master/Slave	CM_VPE_VPE_CLKCTRL[18] STBYST	Standby status
		CM_VPE_VPE_CLKCTRL[17:16] IDLEST	Idle status

[Table 3-289](#) lists the supported clock-management modes and associated software control bit fields for each module of the power domain.

Table 3-289. CD_VPE Modules Slave Clock-Management Modes and Control

Module	Disabled	Auto	Enabled	Control Bit Field	Access Type
VPE	Available	Available	N/A	CM_VPE_VPE_CLKCTRL[1:0] MODULEMODE	Read/write

3.6.4.26 CD_RTC Clock Domain

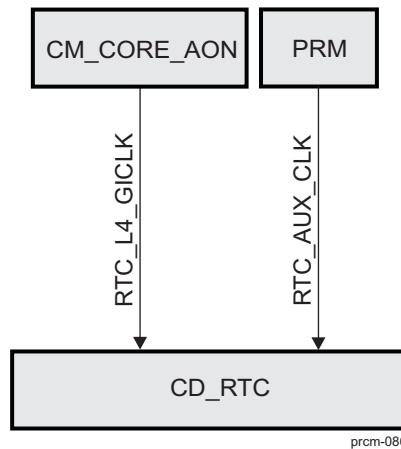
This section identifies the modes supported by the clock domain and the associated control and status bits. It also identifies its dependencies with other clock domains of the device.

NOTE: RTC is not supported on the AM570x family of devices.

3.6.4.26.1 CD_RTC Overview

[Figure 3-83](#) is an overview of the clock domain.

Figure 3-83. CD_RTC Overview



3.6.4.26.2 CD_RTC Clock Domain Modes

Table 3-290 lists the clock domain modes supported by the clock domain.

Table 3-290. CD_RTC Clock Domain Modes

NO_SLEEP	SW_SLEEP	SW_WKUP	HW_AUTO
Available	N/A	Available	Available

Table 3-291 lists the clock domain state transition control and status bits for the clock in this clock domain.

Table 3-291. CD_RTC Control and Status Parameters

Parameter Name	Control/Status Bit Field
RTC_L4_GICLK Clock Status	CM_RTC_CLKSTCTRL[8] CLKACTIVITY_RTC_L4_GICLK
RTC_AUX_CLK Clock Status	CM_RTC_CLKSTCTRL[10] CLKACTIVITY_RTC_AUX_CLK
Clock Domain State Transition Control	CM_RTC_CLKSTCTRL[1:0] CLKTRCTRL

3.6.4.26.3 CD_RTC Clock Domain Dependency

CD_RTC has no static or dynamic dependency with any other clock domain of the device.

3.6.4.26.3.1 CD_RTC Wake-Up Dependency

Table 3-292 lists the wake-up dependency settings for the modules of this clock domain.

Table 3-292. CD_RTC Wake-Up Dependency Association Parameters

Originator Module	Originator Clock Domain	Servicing Clock Domain	Default Setting	Control Bit Field	Access Type
RTC	CD_RTC	CD_IPU1, CD_L3_MAIN1, L4PER1, L4PER2, L4PER3	Disabled	PM_RTC_RTCSS_WKDEP[4] WKUPDEP_RTC_IRQ1_IPU1	Read/write
	CD_RTC	CD_IPU2, CD_L3_MAIN1, L4PER1, L4PER2, L4PER3	Disabled	PM_RTC_RTCSS_WKDEP[1] WKUPDEP_RTC_IRQ1_IPU2	Read/write
	CD_RTC	CD_MPU, CD_L3_MAIN1, L4PER1, L4PER2, L4PER3	Disabled	PM_RTC_RTCSS_WKDEP[0] WKUPDEP_RTC_IRQ1_MPU	Read/write

Table 3-292. CD_RTC Wake-Up Dependency Association Parameters (continued)

Originator Module	Originator Clock Domain	Servicing Clock Domain	Default Setting	Control Bit Field	Access Type
	CD_RTC	CD_DSP1, CD_L3_MAIN1, L4PER1, L4PER2, L4PER3	Disabled	PM_RTC_RTCSS_WKDEP [2] WKUPDEP_RTC_IRQ1_DSP1	Read/write
	CD_RTC	CD_IPU1, CD_L3_MAIN1, L4PER1, L4PER2, L4PER3	Disabled	PM_RTC_RTCSS_WKDEP [14] WKUPDEP_RTC_IRQ2_IPU1	Read/write
	CD_RTC	CD_IPU2, CD_L3_MAIN1, L4PER1, L4PER2, L4PER3	Disabled	PM_RTC_RTCSS_WKDEP [11] WKUPDEP_RTC_IRQ2_IPU2	Read/write
	CD_RTC	CD_MPU, CD_L3_MAIN1, L4PER1, L4PER2, L4PER3	Disabled	PM_RTC_RTCSS_WKDEP [10] WKUPDEP_RTC_IRQ2_MPU	Read/write
	CD_RTC	CD_DSP1, CD_L3_MAIN1, L4PER1, L4PER2, L4PER3	Disabled	PM_RTC_RTCSS_WKDEP [12] WKUPDEP_RTC_IRQ2_DSP1	Read/write

3.6.4.26.4 CD_RTC Clock Domain Module Attributes

[Table 3-293](#) lists for each module of the clock domain the clocks the module receives and their role (that is, functional or interface clock).

Table 3-293. CD_RTC Modules Clocks Association

Module	Clock	Clock Type
RTC	RTC_L4_GICLK	Interface
	RTC_AUX_CLK	Functional

[Table 3-294](#) lists the supported wake-up request generation capability for each module of the clock domain.

Table 3-294. CD_RTC Modules Wake-Up Request

Module	Wake-Up Feature
RTC	Slave wake-up request (MPU-IRQ, IPU1-IRQ, IPU2-IRQ, DSP1-IRQ, DMA_SYSTEM-DMA)

[Table 3-295](#) lists the supported clock-management modes and associated software control bit fields for each module of the power domain.

Table 3-295. CD_RTC Modules Clock-Management Modes and Control

Module	Clock-Management Protocol	Status Bit Field	Role
RTC	Slave	CM_RTC_RTCSS_CLKCTRL [1 7:16] IDLEST	Idle status

[Table 3-296](#) lists the supported clock-management modes and associated software control bit fields for each module of the power domain.

Table 3-296. CD_RTC Modules Slave Clock-Management Modes and Control

Module	Disabled	Auto	Enabled	Control Bit Field	Access Type
RTC	Available	N/A	Available	CM_RTC_RTCSS_CLKCTRL[1:0] MODULEMODE	Read/write

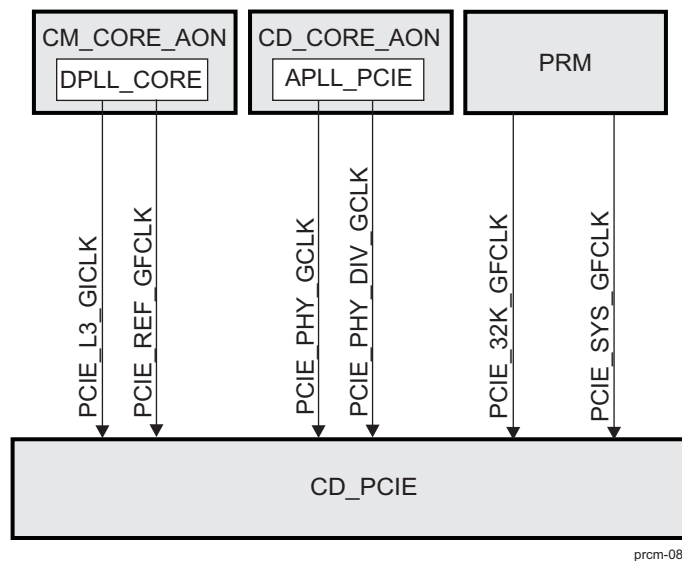
3.6.4.27 CD_PCIE Clock Domain

This section identifies the modes supported by the clock domain and the associated control and status bits. It also identifies its dependencies with other clock domains of the device.

3.6.4.27.1 CD_PCIE Overview

Figure 3-84 is an overview of the clock domain.

Figure 3-84. CD_PCIE Overview



prcm-087

3.6.4.27.2 CD_PCIE Clock Domain Modes

Table 3-297 lists the clock domain modes supported by the clock domain.

Table 3-297. CD_PCIE Clock Domain Modes

NO_SLEEP	SW_SLEEP	SW_WKUP	HW_AUTO
Available	Available	Available	Available

Table 3-298 lists the clock domain state transition control and status bits for the clock in this clock domain.

Table 3-298. CD_PCIE Control and Status Parameters

Parameter Name	Control/Status Bit Field
PCIE_L3_GICLK Clock Status	CM_PCIE_CLKSTCTRL[8] CLKACTIVITY_PCIE_L3_GICLK
PCIE_PHY_GCLK Clock Status	CM_PCIE_CLKSTCTRL[9] CLKACTIVITY_PCIE_PHY_GCLK
PCIE_PHY_DIV_GCLK Clock Status	CM_PCIE_CLKSTCTRL[10] CLKACTIVITY_PCIE_PHY_DIV_GCLK
PCIE_REF_GFCLK Clock Status	CM_PCIE_CLKSTCTRL[11] CLKACTIVITY_PCIE_REF_GFCLK
PCIE_SYS_GFCLK Clock Status	CM_PCIE_CLKSTCTRL[12] CLKACTIVITY_PCIE_SYS_GFCLK
PCIE_32K_GFCLK Clock Status	CM_PCIE_CLKSTCTRL[13] CLKACTIVITY_PCIE_32K_GFCLK

Table 3-298. CD_PCIE Control and Status Parameters (continued)

Parameter Name	Control/Status Bit Field
Clock Domain State Transition Control	CM_PCIE_CLKSTCTRL[1:0] CLKTRCTRL

3.6.4.27.3 CD_PCIE Clock Domain Dependency

Table 3-299 lists the static dependency of the clock domain with respect to other clock domains of the device.

Table 3-299. CD_PCIE Static Dependency Association Parameters

Clock Domain Name	Default Setting	Control Bit Field	Access Type
CD_EMIF	Disabled	CM_PCIE_STATICDEP[4] EMIF_STATDEP	Read/write
CD_IVA	Disabled	CM_PCIE_STATICDEP[2] IVA_STATDEP	Read/write
CD_DSP1	Disabled	CM_PCIE_STATICDEP[1] DSP1_STATDEP	Read/write
CD_IPU	Disabled	CM_PCIE_STATICDEP[24] IPU_STATDEP	Read/write
CD_IPU1	Disabled	CM_PCIE_STATICDEP[23] IPU1_STATDEP	Read/write
CD_L3INIT	Disabled	CM_PCIE_STATICDEP[7] L3INIT_STATDEP	Read/write
CD_DSS	Disabled	CM_PCIE_STATICDEP[8] DSS_STATDEP	Read/write
CD_CAM	Disabled	CM_PCIE_STATICDEP[9] CAM_STATDEP	Read/write
CD_GPU	Disabled	CM_PCIE_STATICDEP[10] GPU_STATDEP	Read/write
CD_DMA	Disabled	CM_PCIE_STATICDEP[11] SDMA_STATDEP	Read only
CD_L4_CFG	Disabled	CM_PCIE_STATICDEP[12] L4CFG_STATDEP	Read/write
CD_L4PER	Disabled	CM_PCIE_STATICDEP[13] L4PER_STATDEP	Read/write
CD_L4SEC	Disabled	CM_PCIE_STATICDEP[14] L4SEC_STATDEP	Read/write
CD_COREAON	Disabled	CM_PCIE_STATICDEP[16] COREAON_STATDEP	Read only
CD_CUSTEFUSE	Disabled	CM_PCIE_STATICDEP[17] CUSTEFUSE_STATDEP	Read only
CD_GMAC	Disabled	CM_PCIE_STATICDEP[25] GMAC_STATDEP	Read/write
CD_L4PER2	Disabled	CM_PCIE_STATICDEP[26] L4PER2_STATDEP	Read/write
CD_L4PER3	Enabled	CM_PCIE_STATICDEP[27] L4PER3_STATDEP	Read/write
CD_VPE	Disabled	CM_PCIE_STATICDEP[28] VPE_STATDEP	Read/write
CD_ATL	Disabled	CM_PCIE_STATICDEP[30] ATL_STATDEP	Read/write

3.6.4.27.3.1 CD_PCIE Wake-Up Dependency

Table 3-300 lists the wake-up dependency settings for the modules of this clock domain.

Table 3-300. CD_PCIE Wake-Up Dependency Association Parameters

Originator Module	Originator Clock Domain	Servicing Clock Domain	Default Setting	Control Bit Field	Access Type
PCIE-PCle_SS1	CD_PCIE	CD_IPU1, CD_L3_MAIN1, L4PER1, L4PER2, L4PER3	Disabled	PM_PCIE_PCISS1_WKDEP[4] WKUPDEP_PCISS1_IPU1	Read/write
	CD_PCIE	CD_IPU2, CD_L3_MAIN1, L4PER1, L4PER2, L4PER3	Disabled	PM_PCIE_PCISS1_WKDEP[1] WKUPDEP_PCISS1_IPU2	Read/write
	CD_PCIE	CD_MPU, CD_L3_MAIN1, L4PER1, L4PER2, L4PER3	Disabled	PM_PCIE_PCISS1_WKDEP[0] WKUPDEP_PCISS1_MPU	Read/write
	CD_PCIE	CD_DSP1, CD_L3_MAIN1, L4PER1, L4PER2, L4PER3	Disabled	PM_PCIE_PCISS1_WKDEP[2] WKUPDEP_PCISS1_DSP1	Read/write
PCIE-PCle_SS2	CD_PCIE	CD_IPU1, CD_L3_MAIN1, L4PER1, L4PER2, L4PER3	Disabled	PM_PCIE_PCISS2_WKDEP[4] WKUPDEP_PCISS2_IPU1	Read/write
	CD_PCIE	CD_IPU2, CD_L3_MAIN1, L4PER1, L4PER2, L4PER3	Disabled	PM_PCIE_PCISS2_WKDEP[1] WKUPDEP_PCISS2_IPU2	Read/write
	CD_PCIE	CD_MPU, CD_L3_MAIN1, L4PER1, L4PER2, L4PER3	Disabled	PM_PCIE_PCISS2_WKDEP[0] WKUPDEP_PCISS2_MPU	Read/write
	CD_PCIE	CD_DSP1, CD_L3_MAIN1, L4PER1, L4PER2, L4PER3	Disabled	PM_PCIE_PCISS2_WKDEP[2] WKUPDEP_PCISS2_DSP1	Read/write

3.6.4.27.4 CD_PCIE Clock Domain Module Attributes

Table 3-301 lists for each module of the clock domain the clocks the module receives and their role (that is, functional or interface clock).

Table 3-301. CD_PCIE Modules Clocks Association

Module	Clock	Clock Type
PCle_SS1	PCIE_L3_GICKL	Interface
	PCIE_REF_GFCLK	Functional
	PCIE_32K_GFCLK	Functional
	PCIE_PHY_GCLK	Functional
	PCIE_PHY_DIV_GCLK	Functional
PCle_SS2	PCIE_L3_GICKL	Interface
	PCIE_REF_GFCLK	Functional
	PCIE_32K_GFCLK	Functional
	PCIE_PHY_GCLK	Functional
	PCIE_PHY_DIV_GCLK	Functional

Table 3-302 lists the supported wake-up request generation capability for each module of the clock domain.

Table 3-302. CD_PCIE Modules Wake-Up Request

Module	Wake-Up Feature
PCle_SS1	Slave wake-up request (MPU-IRQ, IPU1-IRQ, IPU2-IRQ, DSP1-IRQ)/ Master wake-up request
PCle_SS2	Slave wake-up request (MPU-IRQ, IPU1-IRQ, IPU2-IRQ, DSP1-IRQ)/ Master wake-up request

Table 3-303 lists the supported clock-management modes and associated software control bit fields for each module of the power domain.

Table 3-303. CD_PCIE Modules Clock-Management Modes and Control

Module	Clock-Management Protocol	Status Bit Field	Role
PCle_SS1	Master/Slave	CM_PCIE_PCISS1_CLKCTRL[18] STBYST	Standby status
		CM_PCIE_PCISS1_CLKCTRL[17:16] IDLEST	Idle status
		CM_PCIE_PCISS1_CLKCTRL[10] OPTFCLKEN_PCIEPHY_CLK_DIV	PCIE PHY optional clock control
		CM_PCIE_PCISS1_CLKCTRL[9] OPTFCLKEN_PCIEPHY_CLK	PCIE PHY optional clock control
		CM_PCIE_PCISS1_CLKCTRL[8] OPTFCLKEN_32KHZ	PCIE PHY optional clock control
PCle_SS2	Master/Slave	CM_PCIE_PCISS2_CLKCTRL[18] STBYST	Standby status
		CM_PCIE_PCISS2_CLKCTRL[17:16] IDLEST	Idle status
		CM_PCIE_PCISS2_CLKCTRL[10] OPTFCLKEN_PCIEPHY_CLK_DIV	PCIE PHY optional clock control
		CM_PCIE_PCISS2_CLKCTRL[9] OPTFCLKEN_PCIEPHY_CLK	PCIE PHY optional clock control
		CM_PCIE_PCISS2_CLKCTRL[8] OPTFCLKEN_32KHZ	PCIE PHY optional clock control

NOTE: In order to disable the APLL_PCIE, the user needs to disable PCle_SSx (where x = 1 or 2) using the CM_PCIE_PCISSx_CLKCTRL[1:0] MODULEMODE registers. When PCle_SS is disabled, the PRCM module automatically disables the APLL_PCIE. Please note that setting CM_CLKMODE_APLL_PCIE[1:0] MODE_SELECT bitfield to 0x0 does not disable the APLL_PCIE.

Table 3-304 lists the supported clock-management modes and associated software control bit fields for each module of the power domain.

Table 3-304. CD_PCIE Modules Slave Clock-Management Modes and Control

Module	Disabled	Auto	Enabled	Control Bit Field	Access Type
PCle_SS1	Available	N/A	Available	CM_PCIE_PCISS1_CLKCTRL[1:0] MODULEMODE	Read/write
PCle_SS2	Available	N/A	Available	CM_PCIE_PCISS2_CLKCTRL[1:0] MODULEMODE	Read/write

3.7 Power Management Functional Description

NOTE: These modules are not supported on the AM571x / AM570x family of devices:

- ATL
- VCP1, VCP2
- MLB
- USB3 (ULPI)
- FPKA
- DMA_CRYPTO

These modules are not supported on the AM570x family of devices only:

- SATA
- RTC

NOTE: Only the MPU Subsystem supports memory retention.

MPU subsystem does not support OFF state. Only CPU1 supports FORCED_OFF state with no subsequent recovery to ON/active state - this is very application specific and may not be available in all TI standard software offerings.

NOTE: In the L3INIT power domain OFF state is only allowed in systems where Ethernet RGMII is NOT used in the system - this is very application specific and may not be available in all TI standard software offerings.

This section describes the functional concepts of power management at the power domain level in the device.

The following power domains support dynamic power switching (DPS) with switching times of less than 5 μ s.

- PD_CORE
- PD_MPU

3.7.1 PD_WKUPAON Description

PD_WKUPAON contains the following reset domains:

- WKUPAON_PWRON_RST
- WKUPAON_RST
- WKUPAON_SYS_PWRON_RST
- PRM_PWRON_RST
- PRM_RST
- LPRM_PWRON_RST
- LPRM_RST

PD_WKUPAON contains the CD_WKUPAON clock domain.

Table 3-305 lists the logic retention capability for each module of the power domain.

Table 3-305. PD_WKUPAON Modules Power Attributes

Module	Logic Retention	DFF Context Status	RFF Context Status
CTRL_MODULE_WKUP	No	None	None
GPIO1	No	RM_WKUPAON_GPIO1_CONTEXT[0] LOSTCONTEXT_DFF	None
KBD	No	RM_WKUPAON_KBD_CONTEXT[0] LOSTCONTEXT_DFF	None

Table 3-305. PD_WKUPAON Modules Power Attributes (continued)

Module	Logic Retention	DFF Context Status	RFF Context Status
PRCM_MPU	No	None	None
COUNTER_32K	No	RM_WKUPAON_COUNTER_32K_CONTEXT[0] LOSTCONTEXT_DFF	None
TIMER1	No	RM_WKUPAON_TIMER1_CONTEXT[0] LOSTCONTEXT_DFF	None
TIMER12	No	RM_WKUPAON_TIMER12_CONTEXT[0] LOSTCONTEXT_DFF	None
WD_TIMER2	No	RM_WKUPAON_WD_TIMER2_CONTEXT[0] LOSTCONTEXT_DFF	None
L4_WKUP interconnect	No	RM_WKUPAON_L4_WKUP_CONTEXT[0] LOSTCONTEXT_DFF	None
PRM	No	None	None
DCAN1	No	RM_WKUPAON_DCAN1_CONTEXT[0] LOSTCONTEXT_DFF	None
UART10	No	RM_WKUPAON_UART10_CONTEXT[0] LOSTCONTEXT_DFF	None

3.7.1.1 PD_WKUPAON Power Domain Modes

The PD_WKUPAON power domain is an always-on power domain and does not switch to RETENTION state. There is no logic power state control or status bit field for this power domain.

The PD_WKUPAON power domain has two memory banks(UART_MEM, DCAN_MEM) which are related to UART10 and DCAN1.

3.7.1.1.1 PD_WKUPAON Logic and Memory Area Power Modes

Table 3-306 lists the power modes supported by the memory area of the power domain. A memory area power mode is identified with respect to a power state of the power domain. The Logic On, Logic Retention and Logic Off columns in the table identify the power states of the power domain. The values in these columns identify the supported power state of the memory area (identified in the Memory Bank column) or the module memory inside the memory area (identified in the Module – Memory column).

Table 3-306. PD_WKUPAON Memory Area Power Modes

Memory Bank	Module – Memory	Logic On	Logic Retention	Logic Off
WKUP_BANK		ON		
	UART10 - UART_MEM	always_on		
	DCAN1 - DCAN_MEM	always_on		

3.7.2 PD_DSP1 Description

PD_DSP1 contains the following reset domains:

- DSP1_RST
- DSP1_PWRON_RST
- DSP1_RET_RST
- DSP1_SYS_RST

PD_DSP1 contains the CD_DSP1 clock domain.

Table 3-307 lists the logic retention capability for each module of the power domain.

Table 3-307. PD_DSP1 Modules Power Attributes

Module	Logic Retention	DFF Context Status	RFF Context Status
DSP1	No	RM_DSP1_DSP1_CONTEXT[0]] LOSTCONTEXT_DFF	None

3.7.2.1 PD_DSP1 Power Domain Modes

This section describes the various power modes supported by the logic and memory areas of the power domain. It also identifies the associated software control and status bit fields. For a functional description of the power-management architecture of a generic power domain, see Section 3.1.1.2.1, *Power Domain*.

3.7.2.1.1 PD_DSP1 Logic and Memory Area Power Modes

Table 3-308 lists the power modes supported by the logic area of the power domain.

Table 3-308. PD_DSP1 Logic Area Power Modes

Off	Retention-CSWR	On-Inactive	On-Active
Available	N/A	Available	Available

Table 3-309 lists the power modes supported by the memory area of the power domain. A memory area power mode is identified with respect to a power state of the power domain. The Logic On, Logic Retention and Logic Off columns in the table identify the power states of the power domain. The values in these columns identify the supported power state of the memory area (identified in the Memory Bank column) or the module memory inside the memory area (identified in the Module – Memory column).

Table 3-309. PD_DSP1 Memory Area Power Modes

Memory Bank	Module – Memory	Logic On	Logic Retention	Logic Off
DSP1_EDMA		ON		OFF
	DSP – DSP_DMA	always_on		
DSP1_L1		ON		OFF
	DSP – DSP_L1	always_on		
DSP1_L2		ON		OFF
	DSP – DSP_L2	always_on		

3.7.2.1.2 PD_DSP1 Logic and Memory Area Power Modes Control and Status

Table 3-310 lists the power mode controls for the power domain.

Table 3-310. PD_DSP1 Power Modes Control Parameters

Parameter Name	Memory Bank	Control Bit Field	Access Type
Power Domain – Low-Power State Change Control		PM_DSP1_PWRSTCTRL[4] LOWPOWERSTATECHANGE	Read/write
Memory Area – State Control (logic in ON state)	DSP1_EDMA	PM_DSP1_PWRSTCTRL[21:20] DSP1_EDMA_ONSTATE	Read only
Memory Area – State Control (logic in ON state)	DSP1_L2	PM_DSP1_PWRSTCTRL[19:18] DSP1_L2_ONSTATE	Read only
Memory Area – State Control (logic in ON state)	DSP1_L1	PM_DSP1_PWRSTCTRL[17:16] DSP1_L1_ONSTATE	Read only
Power Domain – State Transition Control		PM_DSP1_PWRSTCTRL[1:0] POWERSTATE	Read/write

Table 3-311 lists the power mode status for the power domain.

Table 3-311. PD_DSP1 Power Modes Status Parameters

Parameter Name	Memory Bank	Status Bit Field
Power Domain – Last Power State Entered Status		PM_DSP1_PWRSTST[25:24] LASTPOWERSTATEENTERED
Memory Area – State Status	DSP1_EDMA	PM_DSP1_PWRSTST[9:8] DSP1_EDMA_STATEST
Memory Area – State Status	DSP1_L2	PM_DSP1_PWRSTST[7:6] DSP1_L2_STATEST
Memory Area – State Status	DSP1_L1	PM_DSP1_PWRSTST[5:4] DSP1_L1_STATEST
Power Domain – State Transition Status		PM_DSP1_PWRSTST[20] INTRANSITION
Logic Area – State Status		PM_DSP1_PWRSTST[2] LOGICSTATEST
Power Domain – State Status		PM_DSP1_PWRSTST[1:0] POWERSTATEST

3.7.3 PD_CUSTEFUSE Description

PD_CUSTEFUSE contains the following reset domains:

- CUSTEFUSE_RST

PD_CUSTEFUSE contains the CD_CUSTEFUSE clock domain.

Table 3-307 lists the logic retention capability for each module of the power domain.

Table 3-312. PD_CUSTEFUSE Modules Power Attributes

Module	Logic Retention	DFF Context Status	RFF Context Status
EFUSE_CTRL_CUST	No	RM_CUSTEFUSE_EFUSE_CT RL_CUST_CONTEXT[0] LOSTCONTEXT_DFF	None

3.7.3.1 PD_CUSTEFUSE Power Domain Modes

This section describes the various power modes supported by the logic and memory areas of the power domain. It also identifies the associated software control and status bit fields. For a functional description of the power-management architecture of a generic power domain, see Section 3.1.1.2.1, *Power Domain*.

3.7.3.1.1 PD_CUSTEFUSE Logic and Memory Area Power Modes

Table 3-308 lists the power modes supported by the logic area of the power domain.

Table 3-313. PD_CUSTEFUSE Logic Area Power Modes

Off	Retention-CSWR	On-Inactive	On-Active
Available	N/A	Available	Available

There is no memory bank implemented for the PD_CUSTEFUSE.

3.7.3.1.2 PD_CUSTEFUSE Logic and Memory Area Power Modes Control and Status

Table 3-310 lists the power mode controls for the power domain.

Table 3-314. PD_CUSTEFUSE Power Modes Control Parameters

Parameter Name	Control Bit Field	Access Type
Power Domain – Low-Power State Change Control	PM_CUSTEFUSE_PWRSTCTRL[4] LOWPOWERSTATECHANGE	Read/write

Table 3-314. PD_CUSTEFUSE Power Modes Control Parameters (continued)

Parameter Name	Control Bit Field	Access Type
Power Domain – State Transition Control	PM_CUSTEFUSE_PWRSTCTRL [1:0] POWERSTATE	Read/write

[Table 3-311](#) lists the power mode status for the power domain.

Table 3-315. PD_CUSTEFUSE Power Modes Status Parameters

Parameter Name	Status Bit Field
Power Domain – Last Power State Entered Status	PM_CUSTEFUSE_PWRSTST [25:24] LASTPOWERSTATEENTERED
Power Domain – State Transition Status	PM_CUSTEFUSE_PWRSTST [20] INTRANSITION
Logic Area – State Status	PM_CUSTEFUSE_PWRSTST [2] LOGICSTATEST
Power Domain – State Status	PM_CUSTEFUSE_PWRSTST [1:0] POWERSTATEST

3.7.4 PD_MPU Description

PD_MPU contains the following reset domains:

- MPU_PWRON_RST
- MPU_RST
- MPU_MA_RST
- MPU_MA_RET_RST
- MPU_MA_PWRON_RET_RST

PD_MPU contains the CD_MPU clock domain.

[Table 3-316](#) lists the logic retention capability for each module of the power domain.

Table 3-316. PD_MPU Module Power Attributes

Module	Logic Retention	DFF Context Status	RFF Context Status
MPU	Partial	RM_MPU_MPU_CONTEXT [0] LOSTCONTEXT_DFF	RM_MPU_MPU_CONTEXT [1] LOSTCONTEXT_RFF

3.7.4.1 PD_MPU Power Domain Modes

This section describes the various power modes supported by the logic and memory areas of the power domain. It also identifies the associated software control and status bit fields. For a functional description of the power-management architecture of a generic power domain, see [Section 3.1.1.2.1, Power Domain](#).

3.7.4.1.1 PD_MPU Logic and Memory Area Power Modes

[Table 3-317](#) lists the power modes supported by the logic area of the power domain.

Table 3-317. PD_MPU Logic Area Power Modes

Off	Retention-CSWR	On-Inactive	On-Active
N/A	Available	Available	Available

[Table 3-318](#) lists the power modes supported by the memory area of the power domain. A memory area power mode is identified with respect to a power state of the power domain. The Logic On, Logic Retention and Logic Off columns in the table identify the power states of the power domain. The values in these columns identify the supported power state of the memory area (identified in the Memory Bank column) or the module memory inside the memory area (identified in the Module – Memory column).

Table 3-318. PD_MPU Memory Area Power Modes

Memory Bank	Module – Memory	Logic On	Logic Retention	Logic Off
MPU_L2		ON	OFF or RETENTION	
	MPU – MPU_L2	always_on	always_retention	
MPU_RAM		ON	RETENTION	
	MPU - MPU_RAM	always_on	always_retention	

3.7.4.1.2 PD_MPU Logic and Memory Area Power Modes Control and Status

Table 3-319 lists the power mode controls for the power domain.

Table 3-319. PD_MPU Power Modes Control Parameters

Parameter Name	Memory Bank	Control Bit Field	Access Type
Memory Area – State Control (logic in RETENTION state)	MPU_L2	PM_MPU_PWRSTCTRL[9] MPU_L2_RETSTATE	Read/write
Memory Area – State Control (logic in RETENTION state)	MPU_RAM	PM_MPU_PWRSTCTRL[10] MPU_RAM_RETSTATE	Read only
Power Domain – Low-Power State Change Control		PM_MPU_PWRSTCTRL[4] LOWPOWERSTATECHANGE	Read only
Logic Area – Retention State Control		PM_MPU_PWRSTCTRL[2] LOGICRETSTATE	Read/write
Memory Area – State Control (logic in ON state)	MPU_L2	PM_MPU_PWRSTCTRL[19:18]] MPU_L2_ONSTATE	Read only
Memory Area – State Control (logic in ON state)	MPU_RAM	PM_MPU_PWRSTCTRL[21:20]] MPU_RAM_ONSTATE	Read only
Power Domain – State Transition Control		PM_MPU_PWRSTCTRL[1:0] POWERSTATE	Read/write

Table 3-320 lists the status of the power modes for the power domain.

Table 3-320. PD_MPU Power Mode Status Parameters

Parameter Name	Memory Bank	Status Bit Field
Power Domain – Last Power State Entered Status		PM_MPU_PWRSTST[25:24] LASTPOWERSTATEENTERED
Memory Area – State Status	MPU_L2	PM_MPU_PWRSTST[7:6] MPU_L2_STATEST
Memory Area – State Status	MPU_RAM	PM_MPU_PWRSTST[9:8] MPU_RAM_STATEST
Power Domain – State Transition Status		PM_MPU_PWRSTST[20] INTRANSITION
Logic Area – State Status		PM_MPU_PWRSTST[2] LOGICSTATEST
Power Domain – State Status		PM_MPU_PWRSTST[1:0] POWERSTATEST

3.7.4.1.3 PD_MPU Power State Override

The PRCM module controls the power state of the MPU subsystem, whereas the PRCM_MPU controls the power state of each CPU (CPU0 and CPU1). The MPU subsystem requires that the MPU power domain can transition only to a low-power mode when CPU0 and CPU1 are in a lower power mode than is specified in the PM_MPU_PWRSTCTRL register. The power mode of the CPUs is communicated to the PRCM module by the PRCM_MPU through two dedicated internal signals. These two signals specify the lowest power state that the MPU can enter and, if necessary, override the low-power state programmed in the PM_MPU_PWRSTCTRL register.

Table 3-321 lists the low-power modes allowed by the MPU.

Table 3-321. MPU Allowed Low-Power Mode

MPU Allowed Low-Power Mode	Comment
CSWRET	CPUs are in SR3-APG mode and L1\$ is in RETENTION state.
INACTIVE	CPUs are in SR3-APG mode and L1\$ is in ON state, or CPUs are in INACTIVE state.
ON	CPUs are in ON state.

If [PM_MPU_PWRSTCTRL](#) is programmed to a lower power state than allowed (specified by the two signals), then it is overwritten by the hardware. The value of the [PM_MPU_PWRSTCTRL](#) register is not changed (that is, not overwritten).

3.7.5 PD_IPU Description

PD_IPU contains the following reset domains:

- IPU1_PWRON_RST
- IPU1_RST
- IPU1_RET_RST
- IPU_RST
- IPU_RET_RST
- IPU1_CPU0_RST
- IPU1_CPU1_RST

PD_IPU contains the CD_IPU1 clock domain.

[Table 3-322](#) lists the logic retention capability for each module of the power domain.

Table 3-322. PD_IPU Module Power Attributes

Module	Logic Retention	DFF Context Status	RFF Context Status
IPU1	Partial	RM_IPU1_IPU1_CONTEXT [0] LOSTCONTEXT_DFF	RM_IPU1_IPU1_CONTEXT [1] LOSTCONTEXT_RFF

3.7.5.1 PD_IPU Power Domain Modes

This section describes the various power modes supported by the logic and memory areas of the power domain. It also identifies the associated software control and status bit fields. For a functional description of the power-management architecture of a generic power domain, see [Section 3.1.1.2.1, Power Domain](#).

3.7.5.1.1 PD_IPU Logic and Memory Area Power Modes

[Table 3-323](#) lists the power modes supported by the logic area of the power domain.

Table 3-323. PD_IPU Logic Area Power Modes

Off	Retention-CSWR	On-Inactive	On-Active
Available	N/A	Available	Available

[Table 3-324](#) lists the power modes supported by the memory area of the power domain. A memory area power mode is identified with respect to a power state of the power domain. The Logic On, Logic Retention, and Logic Off columns in the table identify the power states of the power domain. The values in these columns identify the supported power state of the memory area (identified in the Memory Bank column) or the module memory inside the memory area (identified in the Module – Memory column).

Table 3-324. PD_IPU Memory Area Power Modes

Memory Bank	Module – Memory	Logic On	Logic Retention	Logic Off
AESSMEM		ON	RETENTION	OFF
	IPU1 – IPU_L2RAM_MEM	always_on	software_control	
PERIPHEM		ON		OFF
	IPU1 - IPU_UNICACHE_MEM	always_on	always_retention	

3.7.5.1.2 PD_IPU Logic and Memory Area Power Modes Control and Status

Table 3-325 lists the power mode controls for the power domain.

Table 3-325. PD_IPU Power Modes Control Parameters

Parameter Name	Memory Bank	Control Bit Field	Access Type
Memory Area – State Control (logic in RETENTION state)	AESSMEM	PM_IPU_PWRSTCTRL[8] AESSMEM_RETSTATE	Read/write
Memory Area – State Control (logic in RETENTION state)	PERIPHEM	PM_IPU_PWRSTCTRL[10] PERIPHEM_RETSTATE	Read/write
Power Domain – Low-Power State Change Control		PM_IPU_PWRSTCTRL[4] LOWPOWERSTATECHANGE	Read/write
Logic Area – Retention State Control		PM_IPU_PWRSTCTRL[2] LOGICRETSTATE	Read only
Memory Area – State Control (logic in ON state)	AESSMEM	PM_IPU_PWRSTCTRL[17:16] AESSMEM_ONSTATE	Read only
Memory Area – State Control (logic in ON state)	PERIPHEM	PM_IPU_PWRSTCTRL[21:20] PERIPHEM_ONSTATE	Read only
Power Domain – State Transition Control		PM_IPU_PWRSTCTRL[1:0] POWERSTATE	Read/write

Table 3-326 lists the status of the power modes for the power domain.

Table 3-326. PD_IPU Power Mode Status Parameters

Parameter Name	Memory Bank	Status Bit Field
Power Domain – Last Power State Entered Status		PM_IPU_PWRSTST[25:24] LASTPOWERSTATEENTERED
Memory Area – State Status	AESSMEM	PM_IPU_PWRSTST[5:4] AESSMEM_STATEST
Memory Area – State Status	PERIPHEM	PM_IPU_PWRSTST[9:8] PERIPHEM_STATEST
Power Domain – State Transition Status		PM_IPU_PWRSTST[20] INTRANSITION
Logic Area – State Status		PM_IPU_PWRSTST[2] LOGICSTATEST
Power Domain – State Status		PM_IPU_PWRSTST[1:0] POWERSTATEST

3.7.6 PD_L3INIT Description

PD_L3INIT contains the following reset domains:

- L3INIT_PWRON_RST
- L3INIT_RET_RST
- L3INIT_RST

PD_L3INIT contains the CD_L3INIT clock domain.

Table 3-327 lists the logic retention capability for each module of the power domain.

Table 3-327. PD_L3INIT Modules Power Attributes

Module	Logic Retention	DFF Context Status	RFF Context Status
USB1	Full	None	RM_L3INIT_USB_OTG_SS1_CONTEXT[1] LOSTCONTEXT_RFF
USB2	Full	None	RM_L3INIT_USB_OTG_SS2_CONTEXT[1] LOSTCONTEXT_RFF
USB3	Full	None	RM_L3INIT_USB_OTG_SS3_CONTEXT[1] LOSTCONTEXT_RFF
SATA ⁽¹⁾	No	RM_L3INIT_SATA_CONTEXT[0] LOSTCONTEXT_DFF	None
PCIe_SS1	No	RM_PCIE_PCIESS1_CONTEXT[0] LOSTCONTEXT_DFF	None
PCIe_SS2	No	RM_PCIE_PCIESS2_CONTEXT[0] LOSTCONTEXT_DFF	None

⁽¹⁾ SATA is not supported on the AM570x family of devices.

3.7.6.1 PD_L3INIT Power Domain Modes

This section describes the various power modes supported by the logic and memory areas of the power domain. It also identifies the associated software control and status bit fields. For a functional description of the power-management architecture of a generic power domain, see [Section 3.1.1.2.1, Power Domain](#).

3.7.6.1.1 PD_L3INIT Logic and Memory Area Power Modes

[Table 3-328](#) lists the power modes supported by the logic area of the power domain.

Table 3-328. PD_L3INIT Logic Area Power Modes

Off	Retention-CSWR	On-Inactive	On-Active
Available	Available	Available	Available

[Table 3-329](#) lists the power modes supported by the memory area of the power domain. A memory area power mode is identified with respect to a power state of the power domain. The Logic On, Logic Retention, and Logic Off columns identify the power states of the power domain. The values in these columns identify the supported power state of the memory area (identified in the Memory Bank column) or the module memory inside the memory area (identified in the Module – Memory column).

Table 3-329. PD_L3INIT Memory Area Power Modes

Memory Bank	Module – Memory	Logic On	Logic Retention	Logic Off
L3INIT_BANK1		ON		OFF
	PCIe_SS1 – PCIE_MEM	always_on	always_off	
	PCIe_SS2 – PCIE_MEM	always_on	always_off	
	SATA – sata_bank	always_on	always_off	
L3INIT_BANK2		ON	RETENTION	OFF
	USB_OTG_SS1 – USB_MEM	always_on	always_retention	
	USB_OTG_SS2 – USB_MEM	always_on	always_retention	
	USB_OTG_SS3 – USB_MEM	always_on	always_retention	

3.7.6.1.2 PD_L3INIT Logic and Memory Area Power Modes Control and Status

[Table 3-330](#) lists the power modes controls for the power domain.

Table 3-330. PD_L3INIT Power Modes Control Parameters

Parameter Name	Memory Bank	Control Bit Field	Access Type
Memory Area – State Control (logic in RETENTION state)	L3INIT_BANK1	PM_L3INIT_PWRSTCTRL[8] L3INIT_BANK1_RETSTATE	Read only
Memory Area – State Control (logic in RETENTION state)	L3INIT_BANK2	PM_L3INIT_PWRSTCTRL[9] L3INIT_BANK2_RETSTATE	Read only
Power Domain – Low-Power State Change Control		PM_L3INIT_PWRSTCTRL[4] LOWPOWERSTATECHANGE	Read/write
Logic Area – RETENTION State Control		PM_L3INIT_PWRSTCTRL[2] LOGICRETSTATE	Read/write
Memory Area – State Control (logic in ON state)	L3INIT_BANK1	PM_L3INIT_PWRSTCTRL[15:14] L3INIT_BANK1_ONSTATE	Read only
Memory Area – State Control (logic in ON state)	L3INIT_BANK2	PM_L3INIT_PWRSTCTRL[17:16] L3INIT_BANK2_ONSTATE	Read only
Power Domain – State Transition Control		PM_L3INIT_PWRSTCTRL[1:0] POWERSTATE	Read/write

Table 3-331 lists the status of the power modes for the power domain.

Table 3-331. PD_L3INIT Power Modes Status Parameters

Parameter Name	Memory Bank	Status Bit Field
Power Domain – Last Power State Entered Status		PM_L3INIT_PWRSTST[25:24] LASTPOWERSTATEENTERED
Memory Area – State Status	L3INIT_BANK1	PM_L3INIT_PWRSTST[5:4] L3INIT_BANK1_STATEST
Memory Area – State Status	L3INIT_BANK2	PM_L3INIT_PWRSTST[7:6] L3INIT_BANK2_STATEST
Power Domain – State Transition Status		PM_L3INIT_PWRSTST[20] INTRANSITION
Logic Area – State Status		PM_L3INIT_PWRSTST[2] LOGICSTATEST
Power Domain – State Status		PM_L3INIT_PWRSTST[1:0] POWERSTATEST

3.7.7 PD_L4PER Description

PD_L4PER contains the following reset domains:

- L4PER_PWRON_RET_RST
- L4PER_RET_RST
- L4PER_RST
- PRUSS1_RST
- PRUSS2_RST

PD_L4PER has no associated clock domains.

3.7.8 PD_IVA Description

PD_IVA contains the following reset domains:

- IVA_PWRON_RST
- IVA_RST
- IVA_SEQ1_RST
- IVA_SEQ2_RST

PD_IVA contains the CD_IVA clock domain.

Table 3-332 lists the logic retention capability for each module of the power domain.

Table 3-332. PD_IVA Modules Power Attributes

Module	Logic Retention	DFF Context Status	RFF Context Status
IVA	No	RM_IVA_IVA_CONTEXT [0] LOSTCONTEXT_DFF	None
SL2	No	RM_IVA_SL2_CONTEXT [0] LOSTCONTEXT_DFF	None

3.7.8.1 PD_IVA Power Domain Modes

This section describes the various power modes supported by the logic and memory areas of the power domain. It also identifies the associated software control and status bit fields. For a functional description of the power-management architecture of a generic power domain, see [Section 3.1.1.2.1, Power Domain](#).

3.7.8.1.1 PD_IVA Logic and Memory Area Power Modes

[Table 3-333](#) lists the power modes supported by the logic area of the power domain.

Table 3-333. PD_IVA Logic Area Power Modes

Off	Retention-CSWR	On-Inactive	On-Active
Available	Not available	Available	Available

[Table 3-334](#) lists the power modes supported by the memory area of the power domain. A memory area power mode is identified with respect to a power state of the power domain. The Logic On, Logic Retention, and Logic Off columns identify the power states of the power domain. The values in these columns identify the supported power state of the memory area (identified in the Memory Bank column) or the module memory inside the memory area (identified in the Module – Memory column).

Table 3-334. PD_IVA Memory Area Power Modes

Memory Bank	Module – Memory	Logic On	Logic Retention	Logic Off
HWA_MEM		ON	RETENTION	OFF
	IVA – HWA_MEM	always_on	always_off	
SL2_MEM		ON	RETENTION	OFF
	SL2 – SL2MEM	always_on	software_control	
TCM_1_MEM		ON	RETENTION	OFF
	IVA – TCM_1	always_on	software_control	
TCM_2_MEM		ON	RETENTION	OFF
	IVA – TCM_2	always_on	software_control	

3.7.8.1.2 PD_IVA Logic and Memory Area Power Modes Control and Status

[Table 3-335](#) lists the power mode controls for the power domain.

Table 3-335. PD_IVA Power Modes Control Parameters

Parameter Name	Memory Bank	Control Bit Field	Access Type
Memory Area – State Control (logic in RETENTION state)	SL2_MEM	PM_IVA_PWRSTCTRL [9] SL2_MEM_RETSTATE	Read/write
Memory Area – State Control (logic in RETENTION state)	HWA_MEM	PM_IVA_PWRSTCTRL [8] HWA_MEM_RETSTATE	Read only
Power Domain – Low-Power State Change Control		PM_IVA_PWRSTCTRL [4] LOWPOWERSTATECHANGE	Read/write
Memory Area – State Control (logic in ON state)	TCM_2_MEM	PM_IVA_PWRSTCTRL [23:22] TCM2_MEM_ONSTATE	Read only

Table 3-335. PD_IVA Power Modes Control Parameters (continued)

Parameter Name	Memory Bank	Control Bit Field	Access Type
Memory Area – State Control (logic in ON state)	TCM_1_MEM	PM_IVA_PWRSTCTRL[21:20] TCM1_MEM_ONSTATE	Read only
Logic Area – Retention State Control		PM_IVA_PWRSTCTRL[2] LOGICRETSTATE	Read only
Memory Area – State Control (logic in ON state)	SL2_MEM	PM_IVA_PWRSTCTRL[19:18] SL2_MEM_ONSTATE	Read only
Memory Area – State Control (logic in ON state)	HWA_MEM	PM_IVA_PWRSTCTRL[17:16] HWA_MEM_ONSTATE	Read only
Memory Area – State Control (logic in RETENTION state)	TCM_2_MEM	PM_IVA_PWRSTCTRL[11] TCM2_MEM_RETSTATE	Read/write
Memory Area – State Control (logic in RETENTION state)	TCM_1_MEM	PM_IVA_PWRSTCTRL[10] TCM1_MEM_RETSTATE	Read/write
Power Domain – State Transition Control		PM_IVA_PWRSTCTRL[1:0] POWERSTATE	Read/write

Table 3-336 lists the status of the power modes for the power domain.

Table 3-336. PD_IVA Power Modes Status Parameters

Parameter Name	Memory Bank	Status Bit Field
Power Domain – Last Power State Entered Status		PM_IVA_PWRSTST[25:24] LASTPOWERSTATEENTERED
Memory Area – State Status	TCM_1_MEM	PM_IVA_PWRSTST[9:8] TCM1_MEM_STATEST
Memory Area – State Status	TCM_2_MEM	PM_IVA_PWRSTST[11:10] TCM2_MEM_STATEST
Memory Area – State Status	SL2_MEM	PM_IVA_PWRSTST[7:6] SL2_MEM_STATEST
Memory Area – State Status	HWA_MEM	PM_IVA_PWRSTST[5:4] HWA_MEM_STATEST
Power Domain – State Transition Status		PM_IVA_PWRSTST[20] INTRANSITION
Logic Area – State Status		PM_IVA_PWRSTST[2] LOGICSTATEST
Power Domain – State Status		PM_IVA_PWRSTST[1:0] POWERSTATEST

3.7.9 PD_GPU Description

PD_GPU contains the GPU_RST reset domain.

PD_GPU contains the CD_GPU clock domain.

Table 3-337 lists the logic retention capability for each module of the power domain.

Table 3-337. PD_GPU Modules Power Attributes

Module	Logic Retention	DFF Context Status	RFF Context Status
GPU	No	RM_GPU_GPU_CONTEXT[0] LOSTCONTEXT_DFF	None

3.7.9.1 PD_GPU Power Domain Modes

This section describes the various power modes supported by the logic and memory areas of the power domain. It also identifies the associated software control and status bit fields. For a functional description of the power-management architecture of a generic power domain, see [Section 3.1.1.2.1, Power Domain](#).

3.7.9.1.1 PD_GPU Logic and Memory Area Power Modes

Table 3-338 lists the power modes supported by the logic area of the power domain.

Table 3-338. PD_GPU Logic Area Power Modes

Off	Retention-CSWR	On-Inactive	On-Active
Available	Not available	Available	Available

Table 3-339 lists the power modes supported by the memory area of the power domain. A memory area power mode is identified with respect to a power state of the power domain. The Logic On, Logic Retention, and Logic Off columns identify the power states of the power domain. The values in these columns identify the supported power state of the memory area (identified in the Memory Bank column) or the module memory inside the memory area (identified in the Module – Memory column).

Table 3-339. PD_GPU Memory Area Power Modes

Memory Bank	Module – Memory	Logic On	Logic Retention	Logic off
GPU_MEM		ON		OFF
	GPU – GPU_MEM	always_on	always_off	

3.7.9.1.2 PD_GPU Logic and Memory Area Power Modes Control and Status

Table 3-340 lists the power mode controls for the power domain.

Table 3-340. PD_GPU Power Modes Control Parameters

Parameter Name	Memory Bank	Control Bit Field	Access Type
Power Domain – Low-Power State Change Control		PM_GPU_PWRSTCTRL[4] LOWPOWERSTATECHANGE	Read/write
Memory Area – State Control (logic in ON state)	GPU_MEM	PM_GPU_PWRSTCTRL[17:16] GPU_MEM_ONSTATE	Read only
Power Domain – State Transition Control		PM_GPU_PWRSTCTRL[1:0] POWERSTATE	Read/write

Table 3-341 lists the status of the power modes for the power domain.

Table 3-341. PD_GPU Power Mode Status Parameters

Parameter Name	Memory Bank	Status Bit Field
Memory Area – State Status	GPU_MEM	PM_GPU_PWRSTST[5:4] GPU_MEM_STATEST
Power Domain – Last Power State Entered Status		PM_GPU_PWRSTST[25:24] LASTPOWERSTATEENTERED
Power Domain – State Transition Status		PM_GPU_PWRSTST[20] INTRANSITION
Logic Area – State Status		PM_GPU_PWRSTST[2] LOGICSTATEST
Power Domain – State Status		PM_GPU_PWRSTST[1:0] POWERSTATEST

3.7.10 PD_EMU Description

PD_EMU contains the following reset domains:

- EMU_EARLY_PWRON_RST
- EMU_PWRON_RST
- EMU_RST

PD_EMU has no associated clock domains.

3.7.11 PD_DSS Description

PD_DSS contains the following reset domains:

- DSS_RET_RST
- DSS_RST

PD_DSS contains the CD_DSS clock domain.

Table 3-342 lists the logic retention capability for each module of the power domain.

Table 3-342. PD_DSS Modules Power Attributes

Module	Logic Retention	DFF Context Status	RFF Context Status
DSS	Partial	RM_DSS_DSS_CONTEXT[0] LOSTCONTEXT_DFF	RM_DSS_DSS_CONTEXT[1] LOSTCONTEXT_RFF
BB2D	None	RM_DSS_BB2D_CONTEXT[0] LOSTCONTEXT_DFF	None

3.7.11.1 PD_DSS Power Domain Modes

This section describes the various power modes supported by the logic and memory areas of the power domain. It also identifies the associated software control and status bit fields. For a functional description of the power-management architecture of a generic power domain, see Section 3.1.1.2.1, *Power Domain*.

3.7.11.1.1 PD_DSS Logic and Memory Area Power Modes

Table 3-343 lists the power modes supported by the logic area of the power domain.

Table 3-343. PD_DSS Logic Area Power Modes

Off	Retention-CSWR	On-Inactive	On-Active
Available	Available	Not available	Available

Table 3-344 lists the power modes supported by the memory area of the power domain. A memory area power mode is identified with respect to a power state of the power domain. The Logic On, Logic Retention, and Logic Off columns identify the power states of the power domain. The values in these columns identify the supported power state of the memory area (identified in the Memory Bank column) or the module memory inside the memory area (identified in the Module – Memory column).

Table 3-344. PD_DSS Memory Area Power Modes

Memory Bank	Module – Memory	Logic On	Logic Retention	Logic Off
DSS_MEM		ON		OFF
	DSS – DSSMEM	always_on	always_off	
	BB2D - BB2D_MEM	always_on	always_off	

3.7.11.1.2 PD_DSS Logic and Memory Area Power Mode Control and Status

Table 3-345 lists the power modes controls for the power domain.

Table 3-345. PD_DSS Power Modes Control Parameters

Parameter Name	Memory Bank	Control Bit Field	Access Type
Memory Area – State Control (logic in RETENTION state)	DSS_MEM	PM_DSS_PWRSTCTRL[8] DSS_MEM_RETSTATE	Read only
Power Domain – Low-Power State Change Control		PM_DSS_PWRSTCTRL[4] LOWPOWERSTATECHANGE	Read/write
Logic Area – RETENTION State Control		PM_DSS_PWRSTCTRL[2] LOGICRETSTATE	Read only

Table 3-345. PD_DSS Power Modes Control Parameters (continued)

Parameter Name	Memory Bank	Control Bit Field	Access Type
Memory Area – State Control (logic in ON state)	DSS_MEM	PM_DSS_PWRSTCTRL[17:16] DSS_MEM_ONSTATE	Read only
Power Domain – State Transition Control		PM_DSS_PWRSTCTRL[1:0] POWERSTATE	Read/write

Table 3-346 lists the status of the power modes for the power domain.

Table 3-346. PD_DSS Power Modes Status Parameters

Parameter Name	Memory Bank	Status Bit Field
Memory Area – State Status	DSS_MEM	PM_DSS_PWRSTST[5:4] DSS_MEM_STATEST
Power Domain – Last Low Power State Entered Status		PM_DSS_PWRSTST[25:24] LASTPOWERSTATEENTERED
Power Domain – State Transition Status		PM_DSS_PWRSTST[20] INTRANSITION
Logic Area – State Status		PM_DSS_PWRSTST[2] LOGICSTATEST
Power Domain – Current Power State Status		PM_DSS_PWRSTST[1:0] POWERSTATEST

3.7.12 PD_CORE Description

PD_CORE contains the following reset domains:

- CM_CORE_PWRON_RET_RST
- CM_CORE_RET_RST
- CORE_PWRON_RET_RST
- CORE_PWRON_RST
- CORE_RET_RST
- CORE_RST
- DLL_RST
- IPU2_PWRON_RST
- IPU2_RET_RST
- IPU2_CPU0_RST
- IPU2_CPU1_RST
- IPU2_RST
- DMA_RET_RST

PD_CORE contains the following clock domains:

- CD_IPU2

Table 3-347 lists the logic retention capability for each module of the power domain.

Table 3-347. PD_CORE Modules Power Attributes

Module	Logic Retention	DFF Context Status	RFF Context Status
CM_CORE	Full	None	None
IPU2	Partial	RM_IPU2_IPU2_CONTEXT[0] LOSTCONTEXT_DFF	RM_IPU2_IPU2_CONTEXT[1] LOSTCONTEXT_RFF

3.7.12.1 PD_CORE Power Domain Modes

This section describes the various power modes supported by the logic and memory areas of the power domain. It also identifies the associated software control and status bit fields. For a functional description of the power-management architecture of a generic power domain, see [Section 3.1.1.2.1, Power Domain](#).

3.7.12.1.1 PD_CORE Logic and Memory Area Power Modes

[Table 3-348](#) lists the power modes supported by the logic area of the power domain.

Table 3-348. PD_CORE Logic Area Power Modes

Off	Retention-CSWR	On-Inactive	On-Active
N/A	Available	Available	Available

[Table 3-349](#) lists the power modes supported by the memory area of the power domain. A memory area power mode is identified with respect to a power state of the power domain. The Logic On, Logic Retention, and Logic Off columns identify the power states of the power domain. The values in these columns identify the supported power state of the memory area (identified in the Memory Bank column) or the module memory inside the memory area (identified in the Module – Memory column).

Table 3-349. PD_CORE Memory Area Power Modes

Memory Bank	Module – Memory	Logic On	Logic Retention	Logic Off
IPU_L2RAM		ON	RETENTION	
	IPU2 – IPU_L2RAM_MEM	always_on	software_control	
IPU_UNICACHE		ON	RETENTION	
	IPU2 – IPU_UNICACHE_mem	always_on	software_control	

3.7.12.1.2 PD_CORE Logic and Memory Area Power Mode Control and Status

[Table 3-350](#) lists the power mode controls for the power domain.

Table 3-350. PD_CORE Power Modes Control Parameters

Parameter Name	Memory Bank	Control Bit Field	Access Type
Memory Area – State Control (Logic in ON state)	IPU_UNICACHE	PM_CORE_PWRSTCTRL[23:22] IPU_UNICACHE_ONSTATE	Read only
Memory Area – State Control (Logic in ON state)	IPU_L2RAM	PM_CORE_PWRSTCTRL[21:20] IPU_L2RAM_ONSTATE	Read only
Memory Area – State Control (Logic in RETENTION state)	IPU_UNICACHE	PM_CORE_PWRSTCTRL[11] IPU_UNICACHE_RETSTATE	Read/write
Memory Area – State Control (Logic in RETENTION state)	IPU_L2RAM	PM_CORE_PWRSTCTRL[10] IPU_L2RAM_RETSTATE	Read/write
Logic Area – RETENTION State Control	N/A	PM_CORE_PWRSTCTRL[2] LOGICRETSTATE	Read/write
Power Domain – Low-Power State Change Control	N/A	PM_CORE_PWRSTCTRL[4] LOWPOWERSTATECHANGE	Read/write
Power Domain – State Transition Control	N/A	PM_CORE_PWRSTCTRL[1:0] POWERSTATE	Read/write

[Table 3-351](#) lists the status of the power modes for the power domain.

Table 3-351. PD_CORE Power Mode Status Parameters

Parameter Name	Memory Bank	Status Bit Field
Power Domain – Last Power State Entered Status		PM_CORE_PWRSTST[25:24] LASTPOWERSTATEENTERED
Memory Area – State Status	IPU_L2RAM	PM_CORE_PWRSTST[9:8] IPU_L2RAM_STATEST
Memory Area – State Status	IPU_UNICACHE	PM_CORE_PWRSTST[11:10] IPU_UNICACHE_STATEST
Logic Area – State Status		PM_CORE_PWRSTST[2] LOGICSTATEST
Power Domain – State Transition Status		PM_CORE_PWRSTST[20] INTRANSITION
Power Domain – State Status		PM_CORE_PWRSTST[1:0] POWERSTATEST

3.7.13 PD_CAM Description

PD_CAM contains the CAM_RST reset domain.

PD_CAM contains the CD_CAM clock domain.

Table 3-352 lists the logic retention capability for each module of the power domain.

Table 3-352. PD_CAM Modules Power Attributes

Module	Logic Retention	DFF Context Status	RFF Context Status
VIP1	No	RM_CAM_VIP1_CONTEXT[0] LOSTCONTEXT_DFF	None
CAL	No	RM_CAM_CAL_CONTEXT[0] LOSTCONTEXT_DFF	None

3.7.13.1 PD_CAM Power Domain Modes

This section describes the various power modes supported by the logic and memory areas of the power domain. It also identifies the associated software control and status bit fields. For a functional description of the power-management architecture of a generic power domain, see Section 3.1.1.2.1, *Power Domain*.

3.7.13.1.1 PD_CAM Logic and Memory Area Power Modes

Table 3-353 lists the power modes supported by the logic area of the power domain.

Table 3-353. PD_CAM Logic Area Power Modes

Off	Retention-CSWR	On-Inactive	On-Active
Available	Not available	Available	Available

Table 3-354 lists the power modes supported by the memory area of the power domain. A memory area power mode is identified with respect to a power state of the power domain. The Logic On, Logic Retention, and Logic Off columns identify the power states of the power domain. The values in these columns identify the supported power state of the memory area (identified in the Memory Bank column) or the module memory inside the memory area (identified in the Module – Memory column).

Table 3-354. PD_CAM Memory Area Power Modes

Memory Bank	Module – Memory	Logic On	Logic Retention	Logic Off
VIP_BANK		ON		OFF
	VIP1 – VIP_MEM	always_on	always_retention	
	CAL – VIP_MEM	always_on	always_retention	

3.7.13.1.2 PD_CAM Logic and Memory Area Power Mode Control and Status

Table 3-355 lists the power mode controls for the power domain.

Table 3-355. PD_CAM Power Mode Control Parameters

Parameter Name	Memory Bank	Control Bit Field	Access Type
Power Domain – Low-Power State Change Control		PM_CAM_PWRSTCTRL[4] LOWPOWERSTATECHANGE	Read/write
Memory Area – State Control (Logic in ON state)	VIP_BANK	PM_CAM_PWRSTCTRL[17:16] VIP_BANK_ONSTATE	Read only
Power Domain – State Transition Control		PM_CAM_PWRSTCTRL[1:0] POWERSTATE	Read/write

Table 3-356 lists the status of the power modes for the power domain.

Table 3-356. PD_CAM Power Modes Status Parameters

Parameter Name	Memory Bank	Status Bit Field
Memory Area – State Status	VIP_BANK	PM_CAM_PWRSTST[5:4] VIP_BANK_STATEST
Power Domain – Last Power State Entered Status		PM_CAM_PWRSTST[25:24] LASTPOWERSTATEENTERED
Power Domain – State Transition Status		PM_CAM_PWRSTST[20] INTRANSITION
Logic Area – State Status		PM_CAM_PWRSTST[2] LOGICSTATEST
Power Domain – State Status		PM_CAM_PWRSTST[1:0] POWERSTATEST

3.7.14 PD_MPUAON Description

PD_MPUAON contains the following reset domains:

- MPUON_RST
- DPLL_MPU_PWRON_RST

PD_MPUAON has no associated clock domains.

Table 3-357 lists the logic retention capability for each module of the power domain.

Table 3-357. PD_MPUAON Modules Power Attributes

Module	Logic Retention	DFF Context Status	RFF Context Status
DPLL_MPU	No	None	None
INTC_MPU	No	None	None

3.7.14.1 PD_MPUAON Power Domain Modes

The PD_MPUAON power domain is an always-on power domain and does not switch to RETENTION state. There is no logic power-state control or status bit field for this power domain.

The PD_MPUAON power domain has no memory banks.

3.7.15 PD_MMAON Description

PD_MMAON contains the following reset domains:

- MMAON_RST
- DPLL_DSP_PWRON_RST

PD_MMAON has no associated clock domains.

Table 3-358 lists the logic retention capability for each module of the power domain.

Table 3-358. PD_MMAON Module Power Attributes

Module	Logic Retention	DFF Context Status	RFF Context Status
DSP SYS Wakeup Logic	No	None	None

3.7.15.1 PD_MMAON Power Domain Modes

The PD_MMAON power domain is an always-on power domain and does not switch to RETENTION state. There is no logic power-state control or status bit field for this power domain.

The PD_MMAON power domain has no memory banks.

3.7.16 PD_COREAON Description

PD_COREAON contains the following reset domains:

- CM_CORE_AON_PWRON_RST
- CM_CORE_AON_RST
- COREAON_PWRON_RST
- COREAON_RST
- DPLL_IVA_PWRON_RST

PD_COREAON contains the following clock domains: CD_COREAON_L4, CD_IPU, CD_EMU, CD_L4_PER1, CD_L4_PER2, CD_L4_PER3, CD_L4SEC, CD_L4_CFG, CD_EMIF, CD_L3_MAIN1, CD_ATL, CD_DMA, CD_L3_INSTR, CD_GMAC clock domains.

[Table 3-359](#) lists the logic retention capability for each module of the power domain.

Table 3-359. PD_COREAON Module Power Attributes

Module	Logic Retention	DFF Context Status	RFF Context Status
CM_CORE_AON	No	None	None
DPLL_ABE	No	None	None
DPLL_CORE	No	None	None
DPLL_PER	No	None	None
DPLL_DDR	No	None	None
DPLL_GMAC	No	None	None
DPLL_GPU	No	None	None
DPLL_IVA	No	None	None
DPLL_PCIE_REF	No	None	None
APLL_PCIE	No	None	None
DPLL_USB	No	None	None
WUGEN_IPU	No	None	None
WUGEN_DMA_SYSTEM	No	None	None
SPINNER	No	None	None
MCASP1	No	None	None
TIMER5	No	None	None
TIMER6	No	None	None
TIMER7	No	None	None
TIMER8	No	None	None
UART6	No	None	None
I2C5	No	None	None
IEEE1500_2_OCP	No	None	None
MMC1	No	None	None
MMC2	No	None	None

Table 3-359. PD_COREAON Module Power Attributes (continued)

Module	Logic Retention	DFF Context Status	RFF Context Status
MLB_SS	No	None	None
OCP2SCP1	No	None	None
OCP2SCP3	No	None	None
GMAC_SW	No	None	None
AES1	No	None	None
AES2	No	None	None
DCAN2	No	None	None
DES3DES	No	None	None
DMA_CRYPT0	No	None	None
ELM	No	None	None
FPKA	No	None	None
GPIO2	No	None	None
GPIO3	No	None	None
GPIO4	No	None	None
GPIO5	No	None	None
GPIO6	No	None	None
GPIO7	No	None	None
GPIO8	No	None	None
HDQ1W	No	None	None
I2C1	No	None	None
I2C2	No	None	None
I2C3	No	None	None
I2C4	No	None	None
L4_PER1 interconnect	No	None	None
L4_PER2 interconnect	No	None	None
L4_PER3 interconnect	No	None	None
MCASP2	No	None	None
MCASP3	No	None	None
MCASP4	No	None	None
MCASP5	No	None	None
MCASP6	No	None	None
MCASP7	No	None	None
MCASP8	No	None	None
MCSP11	No	None	None
MCSP12	No	None	None
MCSP13	No	None	None
MCSP14	No	None	None
MMC3	No	None	None
MMC4	No	None	None
PRU-ICSS1	No	None	None
PRU-ICSS2	No	None	None
PWMSS1	No	None	None
PWMSS2	No	None	None
PWMSS3	No	None	None
QSPI	No	None	None
RNG	No	None	None
SHA2MD5_1	No	None	None

Table 3-359. PD_COREAON Module Power Attributes (continued)

Module	Logic Retention	DFF Context Status	RFF Context Status
SHA2MD5_2	No	None	None
TIMER2	No	None	None
TIMER3	No	None	None
TIMER4	No	None	None
TIMER9	No	None	None
TIMER10	No	None	None
TIMER11	No	None	None
TIMER13	No	None	None
TIMER14	No	None	None
TIMER15	No	None	None
TIMER16	No	None	None
UART1	No	None	None
UART2	No	None	None
UART3	No	None	None
UART4	No	None	None
UART5	No	None	None
UART7	No	None	None
UART8	No	None	None
UART9	No	None	None
DEBUGSS	No	None	None
CONTROL_MODULE_CORE	No	None	None
CONTROL_MODULE_BANDG AP	No	None	None
ATL	No	None	None
DLL	No	None	None
DLL_AGING	No	None	None
DMM	No	None	None
EMIF1	No	None	None
EMIF_OCP_FW	No	None	None
GPMC	No	None	None
SPINLOCK	No	None	None
L3_MAIN_1 interconnect	No	None	None
L3_MAIN_2 interconnect	No	None	None
L3_INSTR interconnect	No	None	None
L4_CFG interconnect	No	None	None
MAILBOX1	No	None	None
MAILBOX2	No	None	None
MAILBOX3	No	None	None
MAILBOX4	No	None	None
MAILBOX5	No	None	None
MAILBOX6	No	None	None
MAILBOX7	No	None	None
MAILBOX8	No	None	None
MAILBOX9	No	None	None
MAILBOX10	No	None	None
MAILBOX11	No	None	None
MAILBOX12	No	None	None
MAILBOX13	No	None	None

Table 3-359. PD_COREAON Module Power Attributes (continued)

Module	Logic Retention	DFF Context Status	RFF Context Status
OCMC_RAM1	No	None	None
DMA_SYSTEM	No	None	None
OCP2SCP2	No	None	None
OCP_WP_NOC	No	None	None
MMU1	No	None	None
MMU2	No	None	None
EDMA_TPCC	No	None	None
EDMA_TC0	No	None	None
EDMA_TC1	No	None	None
VCP1	No	None	None
VCP2	No	None	None
DPLL_DSP	No	None	None
DPLL_EVE	No	None	None

3.7.16.1 PD_COREAON Power Domain Modes

The PD_COREAON power domain is an always-on power domain and does not switch to RETENTION state. There is no logic power-state control or status bit field for this power domain.

The PD_COREAON power domain has no memory banks.

3.7.17 PD_VPE Description

PD_VPE contains the following reset domains:

- VPE_RST

PD_VPE contains the CD_VPE clock domain.

[Table 3-360](#) lists the logic retention capability for each module of the power domain.

Table 3-360. PD_VPE Modules Power Attributes

Module	Logic Retention	DFF Context Status	RFF Context Status
VPE	No	RM_VPE_VPE_CONTEXT[0] LOSTCONTEXT_DFF	None

3.7.17.1 PD_VPE Power Domain Modes

This section describes the various power modes supported by the logic and memory areas of the power domain. It also identifies the associated software control and status bit fields. For a functional description of the power-management architecture of a generic power domain, see [Section 3.1.1.2.1, Power Domain](#).

3.7.17.1.1 PD_VPE Logic and Memory Area Power Modes

[Table 3-361](#) lists the power modes supported by the logic area of the power domain.

Table 3-361. PD_VPE Logic Area Power Modes

Off	Retention-CSWR	On-Inactive	On-Active
Available	Available	Available	Available

Table 3-362 lists the power modes supported by the memory area of the power domain. A memory area power mode is identified with respect to a power state of the power domain. The Logic On, Logic Retention, and Logic Off columns identify the power states of the power domain. The values in these columns identify the supported power state of the memory area (identified in the Memory Bank column) or the module memory inside the memory area (identified in the Module – Memory column).

Table 3-362. PD_VPE Memory Area Power Modes

Memory Bank	Module – Memory	Logic On	Logic Retention	Logic Off
VPE_BANK		ON	RETENTION	OFF
	VPE – VPE_MEM	always_on	always_retention	

3.7.17.1.2 PD_VPE Logic and Memory Area Power Modes Control and Status

Table 3-363 lists the power mode controls for the power domain.

Table 3-363. PD_VPE Power Modes Control Parameters

Parameter Name	Memory Bank	Control Bit Field	Access Type
Memory Area – State Control (Logic in ON state)	VPE_BANK	PM_VPE_PWRSTCTRL[17:16] VPE_BANK_ONSTATE	Read only
Memory Area – State Control (logic in RETENTION state)	VPE_BANK	PM_VPE_PWRSTCTRL[8] VPE_BANK_RETSTATE	Read/write
Power Domain – Low-Power State Change Control		PM_VPE_PWRSTCTRL[4] LOWPOWERSTATECHANGE	Read/write
Logic Area – Retention State Control		PM_VPE_PWRSTCTRL[2] LOGICRETSTATE	Read/write
Power Domain – State Transition Control		PM_VPE_PWRSTCTRL[1:0] POWERSTATE	Read/write

Table 3-364 lists the status of the power modes for the power domain.

Table 3-364. PD_VPE Power Modes Status Parameters

Parameter Name	Memory Bank	Status Bit Field
Power Domain – Last Power State Entered Status		PM_VPE_PWRSTST[25:24] LASTPOWERSTATEENTERED
Memory Area – State Status	VPE_BANK	PM_VPE_PWRSTST[5:4] VPE_BANK_STATEST
Power Domain – State Transition Status		PM_VPE_PWRSTST[20] INTRANSITION
Logic Area – State Status		PM_VPE_PWRSTST[2] LOGICSTATEST
Power Domain – State Status		PM_VPE_PWRSTST[1:0] POWERSTATEST

3.7.18 PD_RTC Description

NOTE: RTC is not supported on the AM570x family of devices.

PD_RTC contains the following reset domains:

- RTC_RST

PD_RTC contains the CD_RTC clock domain.

Table 3-365 lists the logic retention capability for each module of the power domain.

Table 3-365. PD_RTC Modules Power Attributes

Module	Logic Retention	DFF Context Status	RFF Context Status
RTC_SS	No	RM_RTC_RTCSS_CONTEXT[0] LOSTCONTEXT_DFF	None

3.7.18.1 PD_RTC Power Domain Modes

This section describes the various power modes supported by the logic and memory areas of the power domain. It also identifies the associated software control and status bit fields. For a functional description of the power-management architecture of a generic power domain, see [Section 3.1.1.2.1, Power Domain](#).

3.7.18.1.1 PD_RTC Logic and Memory Area Power Modes

[Table 3-366](#) lists the power modes supported by the logic area of the power domain.

Table 3-366. PD_RTC Logic Area Power Modes

Off	Retention-CSWR	On-Inactive	On-Active
N/A	N/A	N/A	Available

There is no memory bank implemented for the PD_RTC.

3.8 Voltage-Management Functional Description

This section describes the voltage domains and voltage control architecture. It also explains the interactions between the device and the external power IC.

3.8.1 Overview

The voltage-management architecture of the device is based on voltage sources managed by the PRCM module. They define the voltage domains within the device (see [Section 3.1.1.3, Voltage Management](#)). This partition of the voltage domains ensures independent voltage control of each voltage domain through dedicated LDO. The following voltage domains are managed by the PRCM module:

- VDD_CORE_L
- VDD_MPU_L
- VDD_IVAHD_L
- VDD_DSPEVE_L
- VDD_GPU_L
- VDD_RTC_L

NOTE: For the association of the device power supply pin to the power domain, see [Table 3-26](#).

The PRCM module supports the AVS technique on the VDD_MPU_L, VDD_CORE_L, VDD_IVAHD_L, VDD_DSPEVE_L, VDD_GPU_L and VDD_RTC_L voltage domains.

The PRCM module also supports the ABB technique on the MPU, IVAHD, DSPEVE and GPU voltage domains through the VDD_MPU_ABB, VDD_IVA_ABB, VDD_DSPEVE_ABB and VDD_GPU_ABB biasing voltages.

At boot time, the device is set with all five voltage domains (VDD_MPU_L, VDD_GPU_L, VDD_CORE_L, VDD_DSPEVE_L, VDD_IVAHD_L) at OPP_NOM.

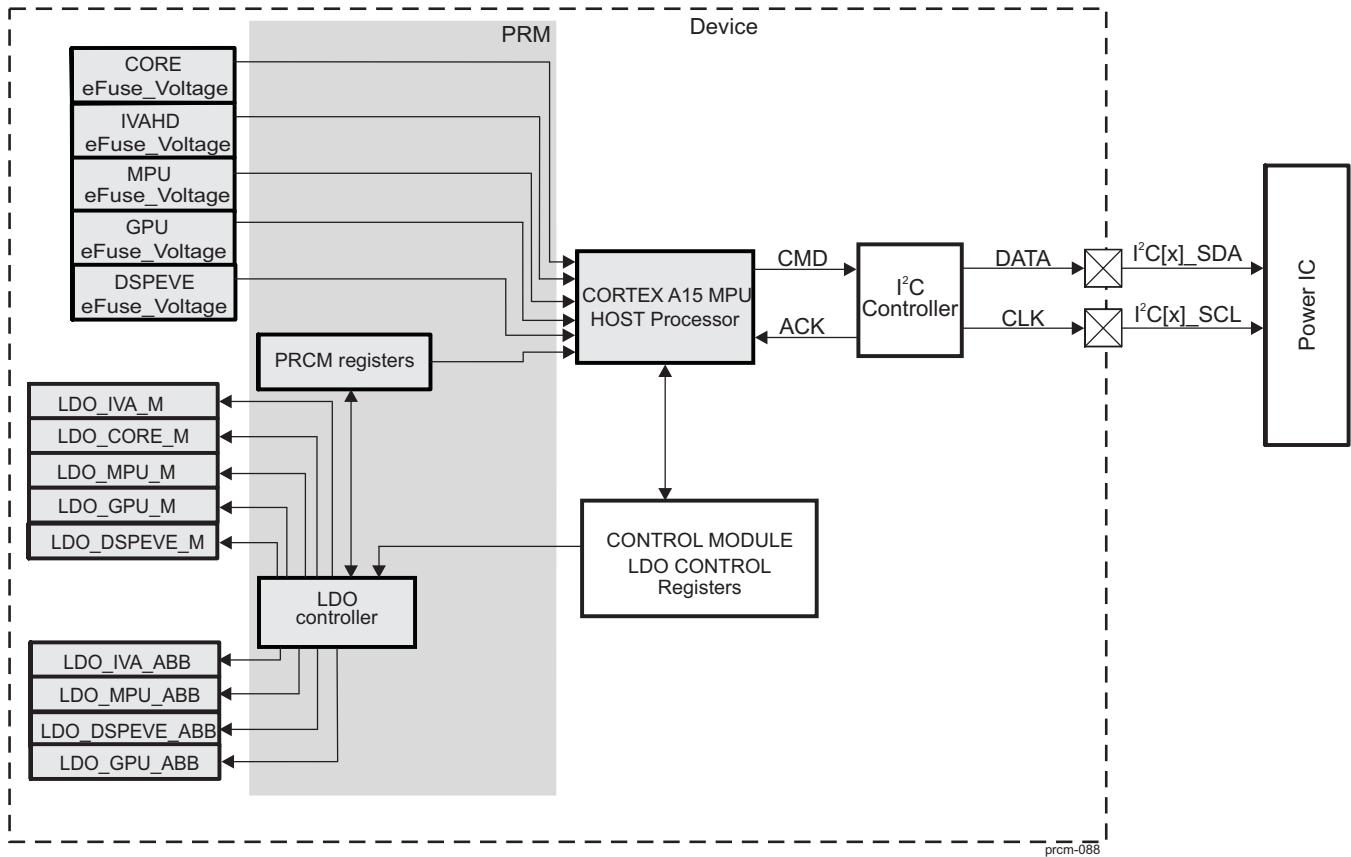
3.8.2 Voltage-Control Architecture

The PRM is split over several blocks that manage the different voltage sources.

- A device PRCM for managing the I/O wake-up control and system clock control sequencing during device sleep and wake-up transitions.
- LDO regulator controllers for ABB management, memory arrays voltage management, and WAKEUP logic.
- BANDGAPs reference voltage sleep control

[Figure 3-85](#) shows the architecture for PRM voltage control. This figure represents an example in which the I²C interface is used to control the PMIC.

Figure 3-85. PRM Voltage Control Architecture



3.8.3 Internal LDOs Control

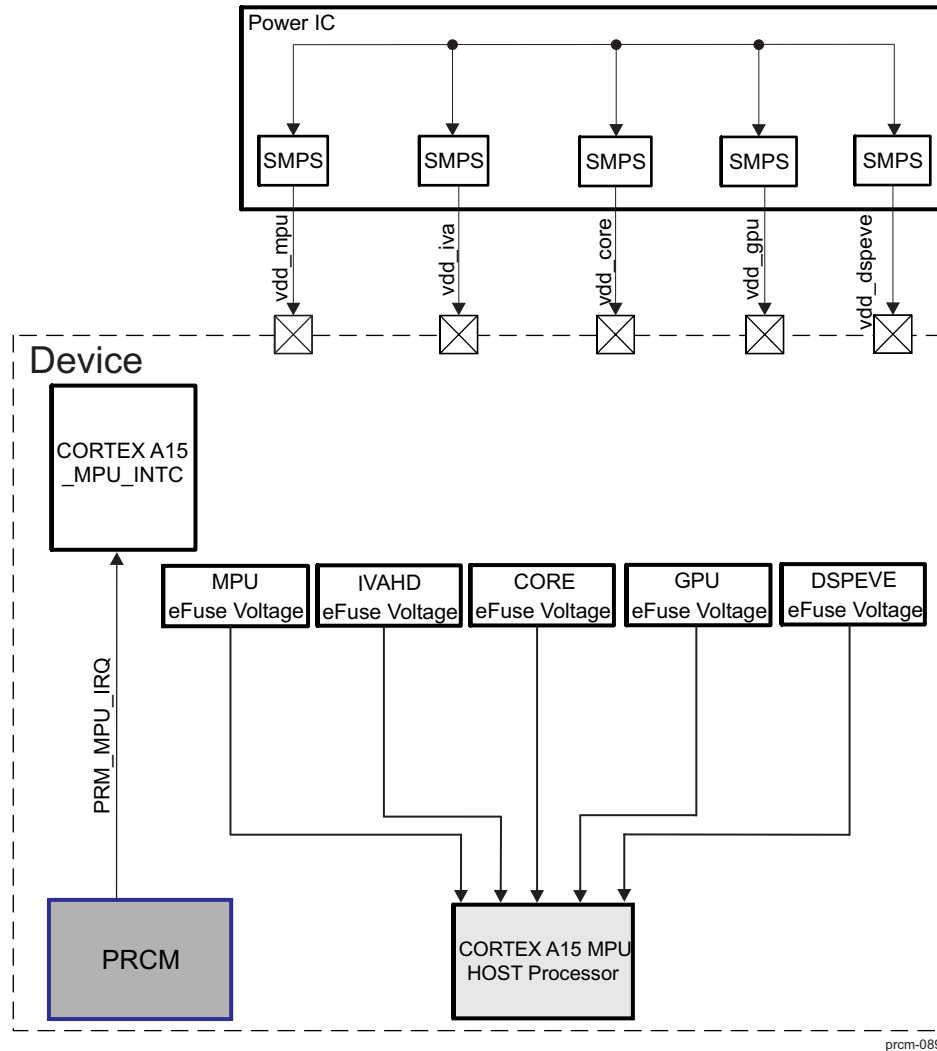
3.8.3.1 VDD_MPU_L, VDD_CORE_L, and VDD_IVAHD_L, VDD_GPU_L, VDD_DSPEVE_L Control

3.8.3.1.1 Adaptive Voltage Scaling

As explained in Section 3.1.2.4, *Adaptive Voltage Scaling* with the SmartReflex technology the power supply voltage can be adapted to the silicon performance statically (for example, adapted to the manufacturing process of a given device).

3.8.3.1.1.1 SmartReflex in the Device

Figure 3-86 shows the SmartReflex integration.

Figure 3-86. SmartReflex Integration


3.8.3.2 Memory LDOs

Embedded SRAM LDOs are used to supply power to the split-rail memory arrays. The PRM generates the controls used to select LDO operating mode: on-active, on-retention, or off.

Split-rail type SRAMs are used in the device to implement the larger memories. These SRAMs feature memory array and periphery logic, which are on separate supplies to allow independent power management. Proper memory operation, however, requires the SRAM array voltage never to be operated at a level lower than the SRAM periphery logic.

Memory LDO can switch to on and retention mode:

- On (active) mode: 1.15 V is the normal voltage reference used through all functional OPPs whenever memories must be functional. When logic voltage level VDD_x_L (where x can be MPU, CORE, or IVAHD) becomes higher than the associated memory voltage level VDD_x_M, the LDO operates in tracking mode and follows its respective VDD_x_M or VDD_x_ABB voltage level.
- Retention mode: 0.6 V is set when software allows and when all memory banks belonging to the LDO memory voltage are in RETENTION state. In this mode, the output voltage is generated from the corresponding VDD_WKUP_L logic voltage source.

[Section 3.8.3.6, Memory LDOs Transitions](#), describes the state transition conditions and sequences for the memory LDOs.

NOTE: The voltage levels associated with the different modes may depend on the device characteristics.

3.8.3.3 ABB LDOs Control

The ABBLDO supports three voltage modes:

- Bypass mode: In this mode, the ABBLDO_x is bypassed and outputs the VDD_x_L voltages (x refers to the MPU and IVA). This mode is activated when FBB is not required, or when the voltage domain enters low-power mode.
- FBB mode is enabled when the device is a weak process device at the highest OPP.

The PRCM module provides the [PRM_ABBLDO_MPU_SETUP](#) and [PRM_ABBLDO_GPU_SETUP](#) registers for configuration with the following controls:

- SR2EN: To enable or bypass the ABB power management
- ACTIVE_FBB_SEL: To enable or bypass FBB mode
- SR2_WTCNT_VALUE: LDO settling delay on OPP change. The delay is in the number of system clock cycles.

The PRCM module provides the [PRM_ABBLDO_MPU_CTRL](#) and [PRM_ABBLDO_GPU_CTRL](#) registers for control:

- OPP_SEL: Current operational OPP
- OPP_CHANGE: Initiate an OPP-based ABBLDO setting change
- SR2_STATUS: Current mode of operation of ABBLDO
- SR2_IN_TRANSITION: ABBLDO in transition

3.8.3.4 ABB LDO Programming Sequence

Anytime the user enters or leaves one of the ABB-required OPPs, the appropriate procedure must be followed to enable or disable the ABB LDO.

3.8.3.4.1 ABB LDO Enable Sequence

The following steps turn on the ABB LDO after the voltage change when entering an OPP that requires ABB (FBB):

1. If set, clear the status of the PRCM interrupt for the ABB LDO transition completion:
 - The [PRM_IRQSTATUS_MPU\[x\]](#) ABB<Voltage_Domain_Name>_DONE_ST bit should be set to 0x1.
2. Based on which ABB voltage mode (Bypass or FBB) is selected for the OPP (single write), configure the ABB transition:
 - To enter in Forward Body Bias (FBB) mode, set the [PRM_ABBLDO_<Voltage_Domain_Name>_SETUP\[2\]](#) ACTIVE_FBB_SEL bit to 0x1.
3. The user should set the [PRM_ABBLDO_<Voltage_Domain_Name>_CTRL\[2\]](#) OPP_CHANGE bit to 0x0.
4. [PRM_ABBLDO_MPU_CTRL\[1:0\]](#) OPP_SEL bits should be set to 0x1, which select 'Fast' or Forward Body Bias mode.
5. The user should set the ABB voltage value in [CTRL_<CORE|WKUP>_LDOVBB_<Voltage_Domain_Name>_VOLTAGE_CTRL\[4:0\]](#) LDOVBB<Voltage_Domain_Name>_FBB_VSET_OUT.
 - To use the override value, set the [CTRL_<CORE|WKUP>_LDOVBB_<Voltage_Domain_Name>_VOLTAGE_CTRL\[10\]](#) LDOVBB<Voltage_Domain_Name>_FBB_MUX_CTRL bit to 0x1.
6. To enable the ABB LDO OPP change, set the [PRM_ABBLDO_<Voltage_Domain_Name>_CTRL\[2\]](#) OPP_CHANGE bit to 0x1.
 - Wait until the transaction is complete: the [PRM_IRQSTATUS_MPU\[x\]](#) ABB_<Voltage_Domain_Name>_DONE_ST bit should be set to 0x1.

- Clear interrupt status: the [PRM_IRQSTATUS_MPU\[x\] ABB_<Voltage_Domain_Name>_DONE_ST](#) bit should be set to 0x0.

3.8.3.4.2 ABB LDO Disable Sequence (Entering in Bypass Mode)

The following steps turn off the ABB LDO after the voltage change when entering an OPP that requires ABB (FBB):

1. If set, clear the status of the PRCM interrupt for the ABB LDO transition completion:
 - The [PRM_IRQSTATUS_MPU\[x\] ABB<Voltage_Domain_Name>_DONE_ST](#) bit should be set to 0x1.
2. Based on which ABB voltage mode (Bypass) is selected for the OPP (single write), configure the ABB transition:
 - To enter in Nominal (Bypass) mode, set the [PRM_ABBLDO_<Voltage_Domain_Name>_SETUP\[2\] ACTIVE_FBB_SEL](#) bit to 0x0.
3. The user should set the [PRM_ABBLDO_<Voltage_Domain_Name>_CTRL\[2\] OPP_CHANGE](#) bit to 0x0.
4. [PRM_ABBLDO_MPU_CTRL\[1:0\] OPP_SEL](#) bits should be set to 0x0, which select Bypass mode.
5. To enable the ABB LDO OPP change, set the [PRM_ABBLDO_<Voltage_Domain_Name>_CTRL\[2\] OPP_CHANGE](#) bit to 0x1.
 - Wait until the transaction is complete: the [PRM_IRQSTATUS_MPU\[x\] ABB_<Voltage_Domain_Name>_DONE_ST](#) bit should be set to 0x1.
 - Clear the interrupt status: the [PRM_IRQSTATUS_MPU\[x\] ABB_<Voltage_Domain_Name>_DONE_ST](#) bit should be set to 0x1.
6. The user should set ABB voltage value in [CTRL_<CORE|WKUP>_LDOVBB_<Voltage_Domain_Name>_VOLTAGE_CTRL\[4:0\] LDOVBB<Voltage_Domain_Name>_VSET_OUT](#) to 0x0.

To use the eFuse voltage value, set the [CTRL_<CORE|WKUP>_LDOVBB_<Voltage_Domain_Name>_VOLTAGE_CTRL\[10\] LDOVBB<Voltage_Domain_Name>_FBB_MUX_CTRL](#) bit to 0x0.

3.8.3.5 BANDGAPs Control

BANDGAPs provides voltage reference for internal LDOs. The PRCM module automatically controls the switching between ON and OFF states of the BANDGAPs, based on the power state of the device. It is completely transparent to user software.

BANDGAPs startup time is 100 μ s. The [PRM_BANDGAP_SETUP\[7:0\] STARTUP_COUNT](#) bit field must be set accordingly.

3.8.3.6 Memory LDO Transitions

The transition trigger condition for on-to-retention mode is:

- At least all memory banks associated with the LDO are in RETENTION state.

The transition sequence is:

1. Transition trigger conditions are true (that is, satisfied).
2. Switch LDO reference to:
 - Retention mode value if on-to-retention mode transition
3. Start counter for LDO stabilization.
4. When counter expires, voltage transition is complete.

3.8.3.7 VDD_WKUP_L Transitions

The ON-to-SLEEP transition trigger conditions are:

- Power domain states: Device is in low-power state (STANDBY).

- Clock states: Only the 32K clock is active in CD_WKUPAON.

The SLEEP-to-ON transition trigger conditions are:

- Any device wake-up event other than emulation wake-up event

The EMULATION-to-ON transition trigger conditions are:

- Power domain states: device is in active mode.
- Clock states: any clock other than 32K clock is active in PD_WKUPAON.

The EMULATION-to-SLEEP transition trigger conditions are:

- Power domain states: Device is in low-power state (STANDBY).
- Clock states: Only the 32K clock is active in CD_WKUPAON.

The SLEEP or ON-to-EMULATION transition trigger condition is:

- Any wake-up event on PD_EMU

The transition sequence is:

1. Transition trigger conditions are met.
2. VDD_WKUP_L initiates the transition.
3. Starts a counter for VDD_WKUP_L transition.
4. VDD_WKUP_L transition completes.

3.8.4 DVFS

Dynamic voltage and frequency scaling is a technique that can be used on the logic voltage domains (VDD_MPU_L, VDD_IVAHD_L, VDD_DSPEVE_L and VDD_GPU_L), independently of one another. Upon a current or predictive performance request, determined by software according to ad hoc algorithms or heuristics, software can configure the PRCM module to change the OPP of a voltage domain. For an increase in performance, the voltage is first raised, and then the frequency is increased. For a decrease in performance, the frequency is first decreased, and then the voltage is dropped.

3.9 Device Low-Power States

NOTE: Device RTC low-power mode (only RTC active in the device) is not supported on the AM571x family of devices.

NOTE: RTC mode is not supported in this family of devices. RTC module is not supported on the AM570x family of devices.

The device low-power states are the result of any valid combination of power domain states in which all the power domains are no longer in ACTIVE state. In such a situation the PRCM module hardware can trigger events to further lower the consumption of the device and the system.

These device low-power states are characterized by the system power consumption, wake-up latency, and required functionality.

The low-power states are:

- **"RTC mode"** : All logic voltage domains (VD_CORE, VD_MPU, VD_GPU, VD_IVAHD, VD_DSPEVE) are into OFF state except for the VD_RTC domain which is ON.

NOTE: The VD_RTC remains always ON regardless of the low power state. RTC_SS is the only wake-up event source in the lowest power mode - RTC mode.

- **"STANDBY"** : Any combination of logic voltage domain states (SLEEP or RETENTION) other than ACTIVE state.

For more details on the wakeup-sources from the "RTC mode" and the "STANDBY" low-power modes, refer to the [Table 3-367](#).

Once the PRCM module hardware detects any valid combination of power domain states, and if a proper programming model of the PRCM module is set, the PRCM module automatically triggers the transition into the device low-power mode.

3.9.1 Device Wake-Up Source Summary

The wake-up events can be asynchronous or synchronous. Synchronous wake-up events require the 32-kHz clock or the system clock to be active, while asynchronous wake-up events do not require an active clock.

The *Modules Attributes* subsection of each clock domain in [Section 3.6, Clock Management Functional Description](#), describes the wake-up capability support for each module of the corresponding power domain.

While the device is in STANDBY mode, additional asynchronous wakeup events from other domains are able to wake up the device.

[Table 3-367](#) identifies which modules in which power domains can be configured to generate a wake-up while the device is in a low-power mode.

NOTE: These modules are not supported on this family AM571x and AM570x families of devices:

- ATL
- VCP1, VCP2
- MLB
- USB3 (ULPI)

These modules are not supported on the AM570x family of devices only:

- SATA
 - RTC
-

Table 3-367. Wake-Up Sources During Device Low Power Mode

Device Power Mode name	VD_RTC VOLTAGE STATE	VD_CORE VOLTAGE STATE	VD_MPU VOLTAGE ⁽¹⁾ STATE	VD_GPU ⁽¹⁾ VOLTAGE STATE	VD_IVAHD VOLTAGE STATE	VD_DSPEVE VOLTAGE STATE	Domain containing wake-up source	Wakeup sources
Really OFF	OFF	OFF	OFF	OFF	OFF	OFF	N/A	Application of Power Supply and Power on Reset Sequence
RTC mode	ON	OFF	OFF	OFF	OFF	OFF	RTC SS sends signal to power supply to apply power voltage to all other voltage domains	RTC ("alarm" and "timer" slave wake-up capabilities), EXT_WKUP0, EXT_WKUP3
STANDBY		Active Voltage Level					PD_IPU ⁽²⁾	I2C5, IPU1, MCASP1, TIMER5, TIMER6, TIMER7, TIMER8, UART6
							PD_CORE	DMA_SYSTEM, IPU2, OCMC_RAM1, EDMA_TPCC, EDMA_TPTC1, EDMA_TPTC2
							PD_L3INIT ⁽²⁾	IEEE1500_2_OC P, MLB_SS, MMC1, MMC2, PCIe_SS1, PCIe_SS2, SATA, USB1, USB2, USB3
							PD_L4PER	DCAN2, GPIO2 - GPIO8, I2C1 - I2C4, MCASP2 - MCASP8, MCSPI1 - MCSPI4, MMC3, MMC4, QSPI, TIMER2 - TIMER4, TIMER9 - TIMER11, TIMER13 - TIMER16, UART1 - UART9
							PD_MPU	MPU
							PD_DSP1	DSP1
							PD_WKUPAON	DCAN1, GPIO1, KBD, TIMER1, TIMER12, UART10, WD_TIMER2
							PD_EMU	(Debug_logic) Any ForceActive directive Dynamic dependency towards L3_MAIN

⁽¹⁾ VD_MPU and VD_GPU are not supported on the AM570x family of devices (merged with VD_CORE).

⁽²⁾ Only modules able to generate asynchronous wake-up have to be taken into account, and only when domain is in INACT or CSWRET state.

3.9.2 Wakeup Upon Global Warm Reset

When global warm reset is the source of the device wakeup, the sequence is modified as follows:

- The PRCM module releases its reset line. In parallel, the device reset manager counts for global reset extension (set up by the [PRM_RSTTIME\[9:0\]](#) RSTTIME1 bit field). The PRCM module holds the other asserted resets until the global reset counter overflows.

The hardware blocks and modifies the [CM_SHADOW_FREQ_CONFIG1\[0\]](#) FREQ_UPDATE and [CM_MPU_CLKSTCTRL\[1:0\]](#) CLKTRCTRL bit fields.

3.9.3 Global Warm Reset During a Device Wake-Up Sequence

If a global warm reset occurs before the PRCM module completes the voltage stabilization count, the global warm reset is applied immediately. As a consequence, the sequence described in [Section 3.9.2, Wakeup Upon Global Warm Reset](#), is performed.

If the global warm reset occurs after the PRCM module completes voltage stabilization (during phase 1 of automatic restore):

1. Global warm reset is delayed and applied after phase 1 restore completes.
2. Phase 2 of restore is discarded.
3. MPU boots after the warm reset sequence completes.

If the global warm reset occurs during phase 2 of automatic restore:

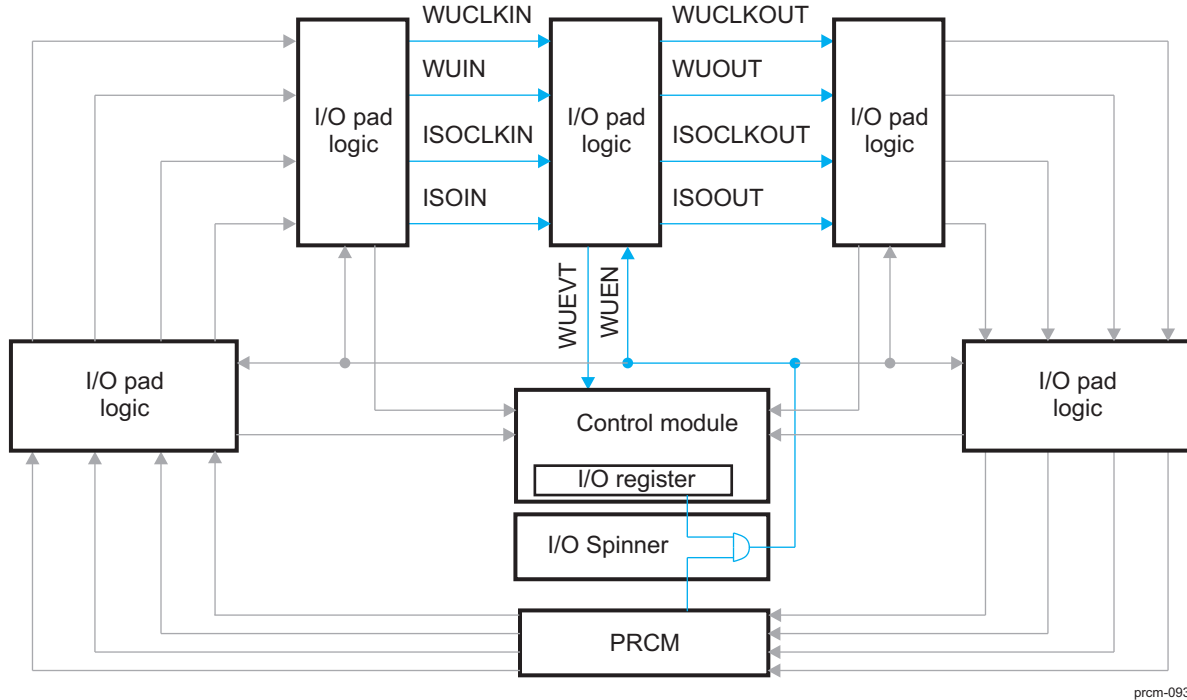
1. Global warm reset is applied immediately.
2. Phase 2 of restore is discarded.
3. MPU boots after the warm reset sequence completes.

3.9.4 I/O Management

[Figure 3-87](#) is an overview of the power-management modules and their internal connections with a generic power domain.

ISOIN, ISOCLKIN, WUCLKIN, WUIN, ISOOOUT, ISOCLKOUT, WUCLKOUT and WUOUT connections are built with daisy chaining approach and are all VDD_WKUP_L level signals driven by PRM. WUEN and WUEVNT are VDD level signals driven by the control module and/or IO control module. ISOOVR and ISOBYPASS (for DDR IO only) are VDD level signals driven by the PRM.

Figure 3-87. I/O Pads Daisy-Chain Configuration



NOTE: ISOBYPASS control from PRM is routed to all the EMIF i/f IOs and ISOOVR control from PRM is routed to all the remaining IOs. These control signals are routed using ALWON VDD buffers. The ISOOVR pin on EMIF IOs is tied to 0 using ALWON tie-off cells. PRM also provides an output status "IO_ISO_ACTIVE" which is set when EMIF IOs are isolated or transitioning between isolation and functional mode, and which is cleared when EMIF IOs are functional.

it is required that the ISOCLKIN is forced to 1 during global power-on reset (PRM_PWRON_RST_n = 0).

3.9.4.1 Isolation / Wakeup Sequence

Enabling Wake-Up Feature:

- Program Control module MMR to assert "WKEN" for each IO (To enable Wakeup feature of IO)
- Write the bit [PRM_IO_PMCTRL\[8\] WUCLK_CTRL](#) to 1 to assert high the signal WUCLKIN.
- Write the bit [PRM_IO_PMCTRL\[8\] WUCLK_CTRL](#) to 0 to assert low the signal WUCLKIN.
- This will latch WKEN, Latch the current pad input value.
- The PRCM register [PRM_IO_PMCTRL\[9\] WUCLK_STATUS](#) logs the signal WUCLK of the last pad of the IO ring.(Should be 0).

Device goes into sleep mode (There is no need to put IO in ISOLATION and hence no need to toggle ISOCLKIN and ISOIN (As core supply is still ON)) :

- WKUP event is generated by one of the IOs
- WUOUT of the last IO is asserted HIGH.
- Because of #9, PRM interrupt is generated towards MPU/Host processor
- MPU/Host processor disables the WUKP feature of each IO and power up the required domains.

DISABLING WKUP feature:

- Write the bit [PRM_IO_PMCTRL\[8\] WUCLK_CTRL](#) to 1 to assert high the signal WUCLKIN.
- Write the bit [PRM_IO_PMCTRL\[8\] WUCLK_CTRL](#) to 0 to assert low the signal WUCLKIN.

- The PRCM register [PRM_IO_PMCTRL](#)[9] WUCLK_STATUS logs the signal WUOUT of the last pad of the IO ring.

3.9.4.1.1 Software-Controlled I/O Isolation

The [PRM_IO_PMCTRL](#)[4] ISOOVR_EXTEND bit allows extending the non-EMIF I/O isolation. This feature can be used by software to restore modules driving output, such as GPIO, while non-EMIF I/Os are still isolated. Once software completes the relevant module restore, it clears the bit and hardware performs full-isolation-to-EMIF on the hardware-controlled I/O transition.

The [PRM_IO_PMCTRL](#)[5] IO_ON_STATUS bit is available for software to check completion of the EMIF on transition.

3.10 PRCM Module Programming Guide

3.10.1 DPLLs Low-Level Programming Models

This section describes the low-level hardware programming sequences for the configuration and use of the module.

3.10.1.1 Global Initialization

3.10.1.1.1 Surrounding Module Global Initialization

This section identifies the requirements for initializing the surrounding modules when the module is to be used for the first time after a device reset. This initialization of surrounding modules is based on the integration and environment of the DPLLs.

[Table 3-368](#) describes the global initialization of the surrounding modules.

Table 3-368. Global Initialization of Surrounding Modules

Surrounding Modules	Comments
PRCM	Ensure that the DPLL reference clock (gated version of system clock) is active.

3.10.1.1.2 DPLL Global Initialization

3.10.1.1.2.1 Main Sequence – DPLL Global Initialization

This procedure initializes the DPLL after a POR or software reset and then locks it to the desired synthesized clock frequency.

Table 3-369. DPLL Global Initialization

Step	Register/Bit Field/Programming Model	Value
Configure recalibration parameters.	See Section 3.10.1.1.2.2 .	
Set DPLL automatic idle mode.	CM_AUTOIDLE_<DPLL name>[2:0] AUTO_DPLL_MODE	xx ⁽¹⁾
Configure synthesized clock parameters.	See Section 3.10.1.1.2.3 .	
Configure output clocks parameters.	See Section 3.10.1.1.2.4 .	
Lock DPLL.	CM_CLKMODE_<DPLL name>[2:0] DPLL_EN	0x7

⁽¹⁾ It depends on the desired auto idle mode. See [Section 3.6.3.3.4](#), *DPLL Power Modes*.

3.10.1.1.2.2 Subsequence – Recalibration Parameter Configuration

This procedure enables the recalibration feature and the associated processor interrupt flag.

Table 3-370. DPLL Recalibration Parameter Configuration

Step	Register/Bit Field/Programming Model	Value
Clear recalibration interrupt status.	PRM_IRQSTATUS_<Processor name>[x] <DPLL name>_RECAL_ST	0x0
Unmask recalibration interrupt flag.	PRM_IRQENABLE_<Processor name>[x] <DPLL name>_RECAL_EN	0x1
Enable recalibration feature.	CM_CLKMODE_<DPLL name>[8] DPLL_DRIFTGUARD_EN	0x1

3.10.1.1.2.3 Subsequence – Synthesized Clock Parameter Configuration

This procedure configures the settings for the synthesized clock of the DPLL.

Table 3-371. DPLL Synthesized Clock Parameter Configuration

Step	Register/Bit Field/Programming Model	Value
Set DPLL clock synthesis multiplier.	CM_CLKSEL_<DPLL name>[18:8] DPLL_MULT	xx ⁽¹⁾
Set DPLL clock synthesis divider.	CM_CLKSEL_<DPLL name>[6:0] DPLL_DIV	xx ⁽¹⁾
IF : Low-power mode operation conditions satisfied?	Software test condition. See Section 3.6.3.3.3 .	
Enable DPLL low-power operation mode.	CM_CLKMODE_<DPLL name>[10] DPLL_LPMODE_EN	0x1
ENDIF		

⁽¹⁾ It depends on the desired synthesized clock frequency. See [Section 3.6.3.3](#), *Generic DPLL Overview*.

3.10.1.1.2.4 Subsequence – Output Clock Parameter Configuration

This procedure configures the settings for the output clocks of the DPLL.

Table 3-372. DPLL Output Clock Parameter Configuration

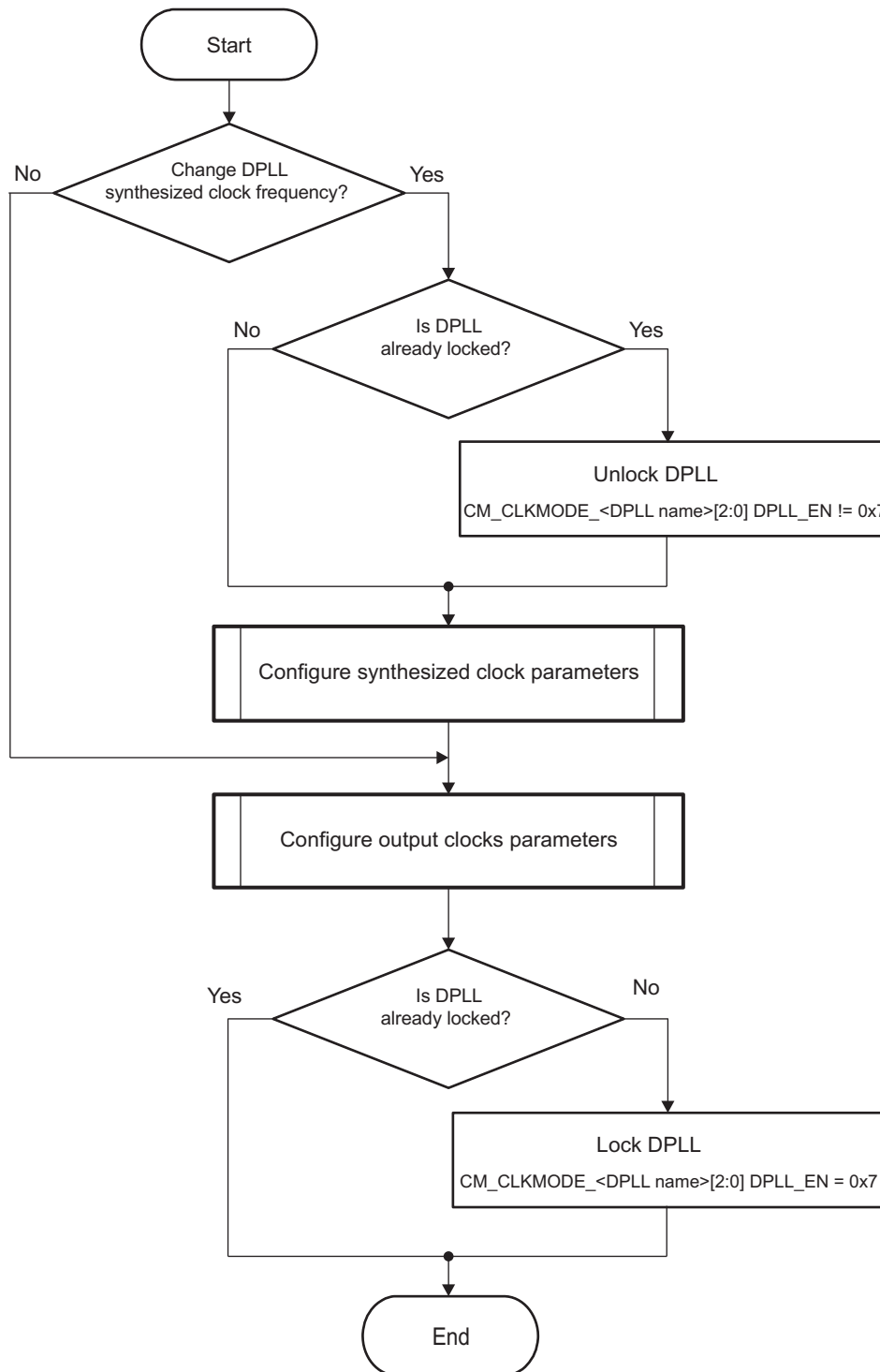
Step	Register/Bit Field/Programming Model	Value
Set output clock dividers (that is, M2, M3, and Hmn), where m is 1 or 2, and n is from 1 to 4. It depends on the available clock output of the DPLL.	CM_DIV_M2_<DPLL name>[4:0] DIVHS CM_DIV_M3_<DPLL name>[4:0] DIVHS CM_DIV_Hmn_<DPLL name>[5:0] DIVHS	xx ⁽¹⁾

⁽¹⁾ It depends on the desired output clock frequency. See [Section 3.6.3.3](#), *Generic DPLL Overview*.

3.10.1.2 DPLL Output Frequency Change

Figure 3-88 shows the DPLL output-frequency change.

Figure 3-88. DPLL Output-Frequency Change



prcm-094

To unlock a DPLL, a mode different from the Lock Mode (0x7) should be programmed in the CM_CLKMODE_<DPLL NAME>[2:0] DPLL_EN bit field. The modes that can be programmed in the DPLL_EN bit field and can unlock the DPLL are:

- For type A DPLLs: Idle Low Power bypass mode (0x5) and Idle Fast Relock bypass mode (0x6)
- For type B DPLLs: Low Power Stop mode (0x1) and Idle Low Power bypass mode (0x5)

Table 3-373 and Table 3-374 summarize register and subprocess call sequences for DPLL output frequency changes.

Table 3-373. Register Call Summary for Sequence – DPLL Output Frequency Change

Register Name
CM_CLKMODE_DPLL name

Table 3-374. Subprocess Call Summary for Sequence – DPLL Output Frequency Change

Subprocess Name	Cross-Reference
Configure synthesized clock parameters.	See Section 3.10.1.1.2.3.
Configure output clocks parameters.	See Section 3.10.1.1.2.4.

3.10.2 Clock Management Low-Level Programming Models

This section describes the low-level hardware programming sequences for the configuration and use of the clocks in the device.

3.10.2.1 Global Initialization

3.10.2.1.1 Surrounding Module Global Initialization

This section identifies the requirements for initializing the surrounding modules when the module is to be used for the first time after a device reset. This initialization of surrounding modules is based on the integration and environment of the DPLLs.

Table 3-375 describes the global initialization of the surrounding modules.

Table 3-375. Global Initialization of Surrounding Modules

Surrounding Modules	Comments
PRCM DPLLs	Ensure that the DPLLs managed by the PRCM module are initialized.

3.10.2.1.2 Clock Management Global Initialization

3.10.2.1.2.1 Main Sequence – Clock Domain Global Initialization

This procedure initializes the clock domain of the device after a POR or software reset.

Table 3-376. Clock Domain Global Initialization

Step	Register/Bit Field/Programming Model	Value
Configure module clock-management feature of master modules in the clock domain.	<Module name>_SYSCONFIG[x] MIDDLEMODE <Module name>_SYSCONFIG[x] STANDBYMODE	xx ⁽¹⁾
Configure module clock-management feature of slave modules in the clock domain.	See Section 3.10.3.3.	
Enable/disable static sleep dependency with other clock domains (that is, destination clock domains). Not all dependencies are configurable.	CM_<Clock Domain name>_STATICDEP[x] <Destination Clock Domain name>_STATDEP	0x0: Disable 0x1: Enable
Set dynamic dependency window size.	CM_<Clock Domain name>_DYNAMICDEP[27:24] WINDOWSIZE	xx ⁽²⁾

⁽¹⁾ See the module register for valid modes.

⁽²⁾ It depends on the desired size of the window. See Section 3.1.1.1.7.2, *Clock Domain Dependency*.

Table 3-376. Clock Domain Global Initialization (continued)

Step	Register/Bit Field/Programming Model	Value
Enable/disable module wake-up dependency for the modules of the clock domain. It is available when the module can generate an interrupt or a DMA request to a service provider module (for example, a processor or DMA).	PM_<Clock Domain name>_<Module name>_WKDEP[x] WKUPDEP_<Module name>_<DMA/IRQ request>_<DMA/Processor name>	0x0: Disable 0x1: Enable
Set clock domain state transition feature.	CM_<Clock Domain name>_CLKSTCTRL[1:0] CLKTRCTRL	xx ⁽³⁾

⁽³⁾ It depends on the desired state of the clock domain. See [Table 3-12](#).

3.10.2.2 Clock Domain Sleep Transition and Troubleshooting

This procedure initiates a sleep transition on a clock domain and allows debugging if the transition does not occur.

Table 3-377. Clock Domain Sleep Transition and Troubleshooting

Step	Register/Bit Field/Programming Model	Value
Set clock domain sleep transition state.	CM_<Clock Domain name>_CLKSTCTRL[1:0] CLKTRCTRL	0x1: SW_SLEEP 0x3: HW_AUTO
IF : Clock domain sleep transition not initiated?		
Check that all clock domain master modules are in standby mode.	CM_<Clock Domain name>_<Module name>_CLKCTRL[18] STBYST	0x1: Module in standby
Check that all clock domain slave modules are in idle mode.	CM_<Clock Domain name>_<Module name>_CLKCTRL[17:16] IDLEST	0x1: In transition 0x2: Interface clock idled 0x3: Module idled
ENDIF		

3.10.2.3 Enable/Disable Software-Programmable Static Dependency

To change the setting of a software-programmable static dependency, use the procedure described in [Table 3-378](#).

Table 3-378. Enable/Disable Software-Programmable Static Dependency

Step	Register/Bit Field/Programming Model	Value
Force destination domain to be awake (SW_WKUP).	CM_<Dest_CDname>_CLKSTCTRL[1:0] CLKTRCTRL	0x2
Wait until power domain that encloses the destination domain is ON.	PM_<Dest_PDname>_PWRSTST	=0x3
Change the static dependency.	CM_<Src_CDname>_STATICDEP[x] Dest_CDname_STATDEP	0x1
Put destination domain back to automatic transition (HW_AUTO).	CM_<Dest_CDname>_CLKSTCTRL[1:0] CLKTRCTRL	0x3

3.10.3 Power Management Low-Level Programming Models

This section describes the low-level hardware programming sequences for the configuration and control of the power domain in the device.

3.10.3.1 Global Initialization

3.10.3.1.1 Surrounding Module Global Initialization

Initialization of any surrounding modules within the device is not required. The external power IC and the device clocks should be active.

3.10.3.1.2 Power Management Global Initialization

3.10.3.1.2.1 Main Sequence – Power Domain Global Initialization and Setting

This procedure initializes the power domain of the device after a POR or software reset.

Table 3-379. Power Domain Global Initialization

Step	Register/Bit Field/Programming Model	Value
Configure memory area power state when the power domain is on. Not all memory area states are programmable.	PM_<Power Domain name>_PWRSTCTRL[x] <Memory Bank name>_ONSTATE	0x1: RETAINED 0x3: ON
Configure memory area power state when the power domain transitions to RETENTION state. Not all memory area states are programmable.	PM_<Power Domain name>_PWRSTCTRL[x] <Memory Bank name>_RETSTATE	0x1: RETAINED
Configure logic area RETENTION power state when the power domain transitions to RETENTION state.	PM_<Power Domain name>_PWRSTCTRL[2] LOGICRETSTATE	0x1: CSWR
Select target power state of the power domain. Not all states are programmable.	PM_<Power Domain name>_PWRSTCTRL[1:0] POWERSTATE	0x1: RETENTION 0x2: ON-INACTIVE 0x3: ON-ACTIVE
Wait until power state change is complete.	PM_<Power Domain name>_PWRSTST[1:0] POWERSTATEST	0x1: RETENTION 0x2: ON-INACTIVE 0x3: ON-ACTIVE

3.10.3.2 Forced Memory Area State Change With Power Domain ON

This procedure initiates a forced memory area state change while the power domain is ON.

Table 3-380. Forced Memory Area State Change With Power Domain ON

Step	Register/Bit Field/Programming Model	Value
Configure memory area target power state. Not all memory area states are programmable.	PM_<Power Domain name>_PWRSTCTRL[x] <Memory Bank name>_ONSTATE	0x1: RETAINED 0x3: ON
Get memory area current state.	PM_<Power Domain name>_PWRSTST[x] <Memory Bank name>_STATEST	0x1: RETAINED 0x3: ON

3.10.3.3 Forced Power Domain Low-Power State Transition

Table 3-381. Forced Power Domain Low-Power State Transition

Step	Register/Bit Field/Programming Model	Value
Select target low-power state of the power domain. Not all states are programmable.	PM_<Power Domain name>_PWRSTCTRL[1:0] POWERSTATE	0x1: RETENTION
Force power domain low-power state transition.	PM_<Power Domain name>_PWRSTCTRL[4] LOWPOWERSTATECHANGE	0x1: Force change
Wait until state change is complete.	PM_<Power Domain name>_PWRSTCTRL[4] LOWPOWERSTATECHANGE	0x0: Change complete
Get current power state.	PM_<Power Domain name>_PWRSTST[1:0] POWERSTATEST	0x1: RETENTION

3.11 PRCM Software Configuration for OPP_PLUS

NOTE: For more information about the support of OPP_PLUS, see the "Operating Performance Points" section of the device Data Manual.

NOTE: Contact your TI software support representative for details on OPP_PLUS configuration.

3.12 PRCM Register Manual

NOTE: These modules are not supported on the AM571x / AM570x family of devices:

- ATL
- VCP1, VCP2
- MLB
- USB3 (ULPI)
- FPKA
- DMA_CRYPT0

These modules are not supported on the AM570x family of devices only:

- SATA
- RTC

3.12.1 Not Supported Functionality (Registers and Bits)

NOTE: Table 3-382 shows the PRCM registers and bits which functionality is not supported in this device. Within all PRCM "Register Description" sections the non-functional bits are shaded.

Table 3-382. Not Supported Functionality (Registers and Bits)

Register/Field/Value	Register/Field/Value	Register/Field/Value
CM_DIV_M3_DPLL_CORE_RESTORE	PM_DSS_DSS_WKDEP[29]WKUPDEP_DS11_B_EVE4	PM_L4PER_TIMER2_WKDEP[8]WKUPDEP_TIMER2_EVE3
CM_DIV_H11_DPLL_CORE_RESTORE	PM_DSS_DSS_WKDEP[28]WKUPDEP_DS11_B_EVE3	PM_L4PER_TIMER2_WKDEP[7]WKUPDEP_TIMER2_EVE2
CM_DIV_H21_DPLL_CORE_RESTORE	PM_DSS_DSS_WKDEP[27]WKUPDEP_DS11_B_EVE2	PM_L4PER_TIMER2_WKDEP[6]WKUPDEP_TIMER2_EVE1
CM_SSC_DELTAMSTEP_DPLL_CORE_RESTORE	PM_DSS_DSS_WKDEP[26]WKUPDEP_DS11_B_EVE1	PM_L4PER_TIMER2_WKDEP[5]WKUPDEP_TIMER2_DSP2
CM_SSC_MODFREQDIV_DPLL_CORE_RESTORE	PM_DSS_DSS_WKDEP[25]WKUPDEP_DS11_B_DSP2	PM_L4PER_TIMER3_WKDEP[9]WKUPDEP_TIMER3_EVE4
CM_CAM_CLKSTCTRL[10]CLKACTIVITY_VIP3_GCLK	PM_DSS_DSS_WKDEP[19]WKUPDEP_DS11_A_EVE4	PM_L4PER_TIMER3_WKDEP[8]WKUPDEP_TIMER3_EVE3
CM_CAM_STATICDEP[22]EVE4_STATDEP	PM_DSS_DSS_WKDEP[18]WKUPDEP_DS11_A_EVE3	PM_L4PER_TIMER3_WKDEP[7]WKUPDEP_TIMER3_EVE2
CM_CAM_STATICDEP[21]EVE3_STATDEP	PM_DSS_DSS_WKDEP[17]WKUPDEP_DS11_A_EVE2	PM_L4PER_TIMER3_WKDEP[6]WKUPDEP_TIMER3_EVE1
CM_CAM_STATICDEP[20]EVE2_STATDEP	PM_DSS_DSS_WKDEP[16]WKUPDEP_DS11_A_EVE1	PM_L4PER_TIMER3_WKDEP[5]WKUPDEP_TIMER3_DSP2
CM_CAM_STATICDEP[19]EVE1_STATDEP	PM_DSS_DSS_WKDEP[15]WKUPDEP_DS11_A_DSP2	PM_L4PER_TIMER4_WKDEP[9]WKUPDEP_TIMER4_EVE4
CM_CAM_VIP3_CLKCTRL	PM_DSS_DSS_WKDEP[9]WKUPDEP_DISP_C_EVE4	PM_L4PER_TIMER4_WKDEP[8]WKUPDEP_TIMER4_EVE3
CM_CAM_CS11_CLKCTRL	PM_DSS_DSS_WKDEP[8]WKUPDEP_DISP_C_EVE3	PM_L4PER_TIMER4_WKDEP[7]WKUPDEP_TIMER4_EVE2
CM_CAM_CS12_CLKCTRL	PM_DSS_DSS_WKDEP[7]WKUPDEP_DISP_C_EVE2	PM_L4PER_TIMER4_WKDEP[6]WKUPDEP_TIMER4_EVE1
PM_CAM_VIP1_WKDEP[9]WKUPDEP_VIP1_EVE4	PM_DSS_DSS_WKDEP[6]WKUPDEP_DISP_C_EVE1	PM_L4PER_TIMER4_WKDEP[5]WKUPDEP_TIMER4_DSP2
PM_CAM_VIP1_WKDEP[8]WKUPDEP_VIP1_EVE3	PM_DSS_DSS_WKDEP[5]WKUPDEP_DISP_C_DSP2	PM_L4PER_TIMER9_WKDEP[9]WKUPDEP_TIMER9_EVE4

Table 3-382. Not Supported Functionality (Registers and Bits) (continued)

Register/Field/Value	Register/Field/Value	Register/Field/Value
PM_CAM_VIP1_WKDEP[7]WKUPDEP_VIP1_EVE2	PM_DSS_DSS2_WKDEP[25]WKUPDEP_HD MIDMA_DSP2	PM_L4PER_TIMER9_WKDEP[8]WKUPDEP_TIMER9_EVE3
PM_CAM_VIP1_WKDEP[6]WKUPDEP_VIP1_EVE1	PM_DSS_DSS2_WKDEP[19]WKUPDEP_DSI 1_C_EVE4	PM_L4PER_TIMER9_WKDEP[7]WKUPDEP_TIMER9_EVE2
PM_CAM_VIP1_WKDEP[5]WKUPDEP_VIP1_DSP2	PM_DSS_DSS2_WKDEP[18]WKUPDEP_DSI 1_C_EVE3	PM_L4PER_TIMER9_WKDEP[6]WKUPDEP_TIMER9_EVE1
PM_CAM_CAL_WKDEP[9]WKUPDEP_VIP2_EVE4	PM_DSS_DSS2_WKDEP[17]WKUPDEP_DSI 1_C_EVE2	PM_L4PER_TIMER9_WKDEP[5]WKUPDEP_TIMER9_DSP2
PM_CAM_CAL_WKDEP[8]WKUPDEP_VIP2_EVE3	PM_DSS_DSS2_WKDEP[16]WKUPDEP_DSI 1_C_EVE1	PM_L4PER_GPIO2_WKDEP[19]WKUPDEP_GPIO2_IRQ2_EVE4
PM_CAM_CAL_WKDEP[7]WKUPDEP_VIP2_EVE2	PM_DSS_DSS2_WKDEP[15]WKUPDEP_DSI 1_C_DSP2	PM_L4PER_GPIO2_WKDEP[18]WKUPDEP_GPIO2_IRQ2_EVE3
PM_CAM_CAL_WKDEP[6]WKUPDEP_VIP2_EVE1	PM_DSS_DSS2_WKDEP[9]WKUPDEP_HDM IIRQ_EVE4	PM_L4PER_GPIO2_WKDEP[17]WKUPDEP_GPIO2_IRQ2_EVE2
PM_CAM_CAL_WKDEP[5]WKUPDEP_VIP2_DSP2	PM_DSS_DSS2_WKDEP[8]WKUPDEP_HDM IIRQ_EVE3	PM_L4PER_GPIO2_WKDEP[16]WKUPDEP_GPIO2_IRQ2_EVE1
PM_CAM_VIP3_WKDEP	PM_DSS_DSS2_WKDEP[7]WKUPDEP_HDM IIRQ_EVE2	PM_L4PER_GPIO2_WKDEP[15]WKUPDEP_GPIO2_IRQ2_DSP2
RM_CAM_VIP3_CONTEXT	PM_DSS_DSS2_WKDEP[6]WKUPDEP_HDM IIRQ_EVE1	PM_L4PER_GPIO2_WKDEP[9]WKUPDEP_GPIO2_IRQ1_EVE4
RM_CAM_CS11_CONTEXT	PM_DSS_DSS2_WKDEP[5]WKUPDEP_HDM IIRQ_DSP2	PM_L4PER_GPIO2_WKDEP[8]WKUPDEP_GPIO2_IRQ1_EVE3
RM_CAM_CS12_CONTEXT	RM_DSS_SDVENC_CONTEXT	PM_L4PER_GPIO2_WKDEP[7]WKUPDEP_GPIO2_IRQ1_EVE2
CM_CLKSEL_SYS_CLK1_32K	PM_IPU_MCASP1_WKDEP[15]WKUPDEP_MCASP1_DMA_DSP2	PM_L4PER_GPIO2_WKDEP[6]WKUPDEP_GPIO2_IRQ1_EVE1
CM_CLKSEL_VIDEO2_MCASP_AUX	PM_IPU_MCASP1_WKDEP[9]WKUPDEP_MCASP1_IRQ_EVE4	PM_L4PER_GPIO2_WKDEP[5]WKUPDEP_GPIO2_IRQ1_DSP2
CM_CLKSEL_VIDEO2_TIMER	PM_IPU_MCASP1_WKDEP[8]WKUPDEP_MCASP1_IRQ_EVE3	PM_L4PER_GPIO3_WKDEP[19]WKUPDEP_GPIO3_IRQ2_EVE4
CM_CLKSEL_VIDEO2_PLL_SYS	PM_IPU_MCASP1_WKDEP[7]WKUPDEP_MCASP1_IRQ_EVE2	PM_L4PER_GPIO3_WKDEP[18]WKUPDEP_GPIO3_IRQ2_EVE3
CM_CLKSEL_EVE_CLK	PM_IPU_MCASP1_WKDEP[6]WKUPDEP_MCASP1_IRQ_EVE1	PM_L4PER_GPIO3_WKDEP[17]WKUPDEP_GPIO3_IRQ2_EVE2
CM_CLKSEL_VIDEO2_CLK_CLKOUT_MUX	PM_IPU_MCASP1_WKDEP[5]WKUPDEP_MCASP1_IRQ_DSP2	PM_L4PER_GPIO3_WKDEP[16]WKUPDEP_GPIO3_IRQ2_EVE1
CM_CLKSEL_ADC_GFCLK	PM_IPU_TIMER5_WKDEP[9]WKUPDEP_TIMER5_EVE4	PM_L4PER_GPIO3_WKDEP[15]WKUPDEP_GPIO3_IRQ2_DSP2
CM_CLKSEL_EVE_GFCLK_CLKOUT_MUX	PM_IPU_TIMER5_WKDEP[8]WKUPDEP_TIMER5_EVE3	PM_L4PER_GPIO3_WKDEP[9]WKUPDEP_GPIO3_IRQ1_EVE4
PM_L3MAIN1_OCMC_RAM2_WKDEP	PM_IPU_TIMER5_WKDEP[7]WKUPDEP_TIMER5_EVE2	PM_L4PER_GPIO3_WKDEP[8]WKUPDEP_GPIO3_IRQ1_EVE3
RM_L3MAIN1_OCMC_RAM2_CONTEXT	PM_IPU_TIMER5_WKDEP[6]WKUPDEP_TIMER5_EVE1	PM_L4PER_GPIO3_WKDEP[7]WKUPDEP_GPIO3_IRQ1_EVE2
PM_L3MAIN1_OCMC_RAM3_WKDEP	PM_IPU_TIMER5_WKDEP[5]WKUPDEP_TIMER5_DSP2	PM_L4PER_GPIO3_WKDEP[6]WKUPDEP_GPIO3_IRQ1_EVE1
RM_L3MAIN1_OCMC_RAM3_CONTEXT	PM_IPU_TIMER6_WKDEP[9]WKUPDEP_TIMER6_EVE4	PM_L4PER_GPIO3_WKDEP[5]WKUPDEP_GPIO3_IRQ1_DSP2
RM_L3MAIN1_OCMC_ROM_CONTEXT	PM_IPU_TIMER6_WKDEP[8]WKUPDEP_TIMER6_EVE3	PM_L4PER_GPIO4_WKDEP[19]WKUPDEP_GPIO4_IRQ2_EVE4
RM_L3MAIN1_SPARE_CME_CONTEXT	PM_IPU_TIMER6_WKDEP[7]WKUPDEP_TIMER6_EVE2	PM_L4PER_GPIO4_WKDEP[18]WKUPDEP_GPIO4_IRQ2_EVE3
RM_L3MAIN1_SPARE_HDMI_CONTEXT	PM_IPU_TIMER6_WKDEP[6]WKUPDEP_TIMER6_EVE1	PM_L4PER_GPIO4_WKDEP[17]WKUPDEP_GPIO4_IRQ2_EVE2
RM_L3MAIN1_SPARE_ICM_CONTEXT	PM_IPU_TIMER6_WKDEP[5]WKUPDEP_TIMER6_DSP2	PM_L4PER_GPIO4_WKDEP[16]WKUPDEP_GPIO4_IRQ2_EVE1

Table 3-382. Not Supported Functionality (Registers and Bits) (continued)

Register/Field/Value	Register/Field/Value	Register/Field/Value
RM_L3MAIN1_SPARE_IVA2_CONTEXT	PM_IPU_TIMER7_WKDEP[9]WKUPDEP_TIMER7_EVE4	PM_L4PER_GPIO4_WKDEP[15]WKUPDEP_GPIO4_IRQ2_DSP2
RM_L3MAIN1_SPARE_SATA2_CONTEXT	PM_IPU_TIMER7_WKDEP[8]WKUPDEP_TIMER7_EVE3	PM_L4PER_GPIO4_WKDEP[9]WKUPDEP_GPIO4_IRQ1_EVE4
RM_L3MAIN1_SPARE_UNKNOWN4_CONTEXT	PM_IPU_TIMER7_WKDEP[7]WKUPDEP_TIMER7_EVE2	PM_L4PER_GPIO4_WKDEP[8]WKUPDEP_GPIO4_IRQ1_EVE3
RM_L3MAIN1_SPARE_UNKNOWN5_CONTEXT	PM_IPU_TIMER7_WKDEP[6]WKUPDEP_TIMER7_EVE1	PM_L4PER_GPIO4_WKDEP[7]WKUPDEP_GPIO4_IRQ1_EVE2
RM_L3MAIN1_SPARE_UNKNOWN6_CONTEXT	PM_IPU_TIMER7_WKDEP[5]WKUPDEP_TIMER7_DSP2	PM_L4PER_GPIO4_WKDEP[6]WKUPDEP_GPIO4_IRQ1_EVE1
RM_L3MAIN1_SPARE_VIDEOPLL1_CONTEXT	PM_IPU_TIMER8_WKDEP[9]WKUPDEP_TIMER8_EVE4	PM_L4PER_GPIO4_WKDEP[5]WKUPDEP_GPIO4_IRQ1_DSP2
RM_L3MAIN1_SPARE_VIDEOPLL2_CONTEXT	PM_IPU_TIMER8_WKDEP[8]WKUPDEP_TIMER8_EVE3	CM_DSP2_CLKSTCTRL
RM_L3MAIN1_SPARE_VIDEOPLL3_CONTEXT	PM_IPU_TIMER8_WKDEP[7]WKUPDEP_TIMER8_EVE2	CM_DSP2_STATICDEP
RM_EMIF_EMIF2_CONTEXT	PM_IPU_TIMER8_WKDEP[6]WKUPDEP_TIMER8_EVE1	CM_DSP2_DYNAMICDEP
RM_L4CFG_SPARE_SMARTREFLEX_RTC_CONTEXT	PM_IPU_TIMER8_WKDEP[5]WKUPDEP_TIMER8_DSP2	CM_DSP2_DSP2_CLKCTRL
RM_L4CFG_SPARE_SMARTREFLEX_SDRAM_CONTEXT	PM_IPU_I2C5_WKDEP[15]WKUPDEP_I2C5_DMA_DSP2	CM_EVE1_CLKSTCTRL
RM_L4CFG_SPARE_SMARTREFLEX_WKUP_CONTEXT	PM_IPU_I2C5_WKDEP[9]WKUPDEP_I2C5_I2C5_I2C5_RQ_EVE4	CM_EVE1_STATICDEP
RM_L4CFG_IO_DELAY_BLOCK_CONTEXT	PM_IPU_I2C5_WKDEP[8]WKUPDEP_I2C5_I2C5_I2C5_RQ_EVE3	CM_EVE1_EVE1_CLKCTRL
PM_L3MAIN1_OCMC_RAM1_WKDEP[9]WKUPDEP_OCMC_RAM1_EVE4	PM_IPU_I2C5_WKDEP[7]WKUPDEP_I2C5_I2C5_I2C5_RQ_EVE2	CM_EVE2_CLKSTCTRL
PM_L3MAIN1_OCMC_RAM1_WKDEP[8]WKUPDEP_OCMC_RAM1_EVE3	PM_IPU_I2C5_WKDEP[6]WKUPDEP_I2C5_I2C5_I2C5_RQ_EVE1	CM_EVE2_STATICDEP
PM_L3MAIN1_OCMC_RAM1_WKDEP[7]WKUPDEP_OCMC_RAM1_EVE2	PM_IPU_I2C5_WKDEP[5]WKUPDEP_I2C5_I2C5_I2C5_RQ_DSP2	CM_EVE2_EVE2_CLKCTRL
PM_L3MAIN1_OCMC_RAM1_WKDEP[6]WKUPDEP_OCMC_RAM1_EVE1	PM_IPU_UART6_WKDEP[9]WKUPDEP_UART6_RT6_EVE4	CM_EVE3_CLKSTCTRL
PM_L3MAIN1_OCMC_RAM1_WKDEP[5]WKUPDEP_OCMC_RAM1_DSP2	PM_IPU_UART6_WKDEP[8]WKUPDEP_UART6_RT6_EVE3	CM_EVE3_STATICDEP
PM_L3MAIN1_TPCC_WKDEP[9]WKUPDEP_TPCC_EVE4	PM_IPU_UART6_WKDEP[7]WKUPDEP_UART6_RT6_EVE2	CM_EVE3_EVE3_CLKCTRL
PM_L3MAIN1_TPCC_WKDEP[8]WKUPDEP_TPCC_EVE3	PM_IPU_UART6_WKDEP[6]WKUPDEP_UART6_RT6_EVE1	CM_EVE4_CLKSTCTRL
PM_L3MAIN1_TPCC_WKDEP[7]WKUPDEP_TPCC_EVE2	PM_IPU_UART6_WKDEP[5]WKUPDEP_UART6_RT6_DSP2	CM_EVE4_STATICDEP
PM_L3MAIN1_TPCC_WKDEP[6]WKUPDEP_TPCC_EVE1	PM_L3INIT_MMC1_WKDEP[9]WKUPDEP_MMC1_EVE4	CM_EVE4_EVE4_CLKCTRL
PM_L3MAIN1_TPCC_WKDEP[5]WKUPDEP_TPCC_DSP2	PM_L3INIT_MMC1_WKDEP[8]WKUPDEP_MMC1_EVE3	SRCONFIG
PRM_VOLTCTRL	PM_L3INIT_MMC1_WKDEP[7]WKUPDEP_MMC1_EVE2	SRSTATUS
PRM_PWRREQCTRL	PM_L3INIT_MMC1_WKDEP[6]WKUPDEP_MMC1_EVE1	SENVAL
PRM_VOLTSETUP_WARMRESET	PM_L3INIT_MMC1_WKDEP[5]WKUPDEP_MMC1_DSP2	SENMIN
PRM_VOLTSETUP_CORE_OFF	PM_L3INIT_MMC2_WKDEP[9]WKUPDEP_MMC2_EVE4	SENMAX
PRM_VOLTSETUP_MPU_OFF	PM_L3INIT_MMC2_WKDEP[8]WKUPDEP_MMC2_EVE3	SENAVG

Table 3-382. Not Supported Functionality (Registers and Bits) (continued)

Register/Field/Value	Register/Field/Value	Register/Field/Value
PRM_VOLTSETUP_MM_OFF	PM_L3INIT_MMC2_WKDEP [7]WKUPDEP_MC2_EVE2	AVGWEIGHT
PRM_VOLTSETUP_CORE_RET_SLEEP	PM_L3INIT_MMC2_WKDEP [6]WKUPDEP_MC2_EVE1	NVALUERECIPROCAL
PRM_VOLTSETUP_MPU_RET_SLEEP	PM_L3INIT_MMC2_WKDEP [5]WKUPDEP_MC2_DSP2	IRQ_EOI
PRM_VOLTSETUP_MM_RET_SLEEP	PM_L3INIT_USB_OTG_SS2_WKDEP [9]WKUPDEP_USB_OTG_SS2_EVE4	IRQSTATUS_RAW
PRM_VP_CORE_CONFIG	PM_L3INIT_USB_OTG_SS2_WKDEP [8]WKUPDEP_USB_OTG_SS2_EVE3	IRQSTATUS
PRM_VP_CORE_STATUS	PM_L3INIT_USB_OTG_SS2_WKDEP [7]WKUPDEP_USB_OTG_SS2_EVE2	IRQENABLE_SET
PRM_VP_CORE_VLIMITTO	PM_L3INIT_USB_OTG_SS2_WKDEP [6]WKUPDEP_USB_OTG_SS2_EVE1	IRQENABLE_CLR
PRM_VP_CORE_VOLTAGE	PM_L3INIT_USB_OTG_SS2_WKDEP [5]WKUPDEP_USB_OTG_SS2_DSP2	SENEROR
PRM_VP_CORE_VSTEPMAX	PM_L3INIT_USB_OTG_SS3_WKDEP [9]WKUPDEP_USB_OTG_SS3_EVE4	ERRCONFIG
PRM_VP_CORE_VSTEPMIN	PM_L3INIT_USB_OTG_SS3_WKDEP [8]WKUPDEP_USB_OTG_SS3_EVE3	PM_COREAON_SMARTREFLEX_MPU_WKDEP
PRM_VP_MPU_CONFIG	PM_L3INIT_USB_OTG_SS3_WKDEP [7]WKUPDEP_USB_OTG_SS3_EVE2	RM_COREAON_SMARTREFLEX_MPU_CONTEXT
PRM_VP_MPU_STATUS	PM_L3INIT_USB_OTG_SS3_WKDEP [6]WKUPDEP_USB_OTG_SS3_EVE1	PM_COREAON_SMARTREFLEX_CORE_WKDEP
PRM_VP_MPU_VLIMITTO	PM_L3INIT_USB_OTG_SS3_WKDEP [5]WKUPDEP_USB_OTG_SS3_DSP2	RM_COREAON_SMARTREFLEX_CORE_CONTEXT
PRM_VP_MPU_VOLTAGE	PM_L3INIT_USB_OTG_SS4_WKDEP	PM_COREAON_SMARTREFLEX_GPU_WKDEP
PRM_VP_MPU_VSTEPMAX	RM_L3INIT_USB_OTG_SS4_CONTEXT	RM_COREAON_SMARTREFLEX_GPU_CONTEXT
PRM_VP_MPU_VSTEPMIN	PM_L3INIT_SATA_WKDEP [9]WKUPDEP_SATA_EVE4	PM_COREAON_SMARTREFLEX_DSPEVE_WKDEP
PRM_VP_MM_CONFIG	PM_L3INIT_SATA_WKDEP [8]WKUPDEP_SATA_EVE3	RM_COREAON_SMARTREFLEX_DSPEVE_CONTEXT
PRM_VP_MM_STATUS	PM_L3INIT_SATA_WKDEP [7]WKUPDEP_SATA_EVE2	PM_COREAON_SMARTREFLEX_IVAHD_WKDEP
PRM_VP_MM_VLIMITTO	PM_L3INIT_SATA_WKDEP [6]WKUPDEP_SATA_EVE1	RM_COREAON_SMARTREFLEX_IVAHD_CONTEXT
PRM_VP_MM_VOLTAGE	PM_L3INIT_SATA_WKDEP [5]WKUPDEP_SATA_DSP2	RM_COREAON_DUMMY_MODULE1_CONTEXT
PRM_VP_MM_VSTEPMAX	PM_PCIE_PCISS1_WKDEP [9]WKUPDEP_PCIESS1_EVE4	RM_COREAON_DUMMY_MODULE2_CONTEXT
PRM_VP_MM_VSTEPMIN	PM_PCIE_PCISS1_WKDEP [8]WKUPDEP_PCIESS1_EVE3	RM_COREAON_DUMMY_MODULE3_CONTEXT
PRM_VC_SMPS_CORE_CONFIG	PM_PCIE_PCISS1_WKDEP [7]WKUPDEP_PCIESS1_EVE2	RM_COREAON_DUMMY_MODULE4_CONTEXT
PRM_VC_SMPS_MM_CONFIG	PM_PCIE_PCISS1_WKDEP [6]WKUPDEP_PCIESS1_EVE1	PM_DSP2_PWRSTCTRL
PRM_VC_SMPS_MPU_CONFIG	PM_PCIE_PCISS1_WKDEP [5]WKUPDEP_PCIESS1_DSP2	PM_DSP2_PWRSTST
PRM_VC_VAL_CMD_VDD_CORE_L	PM_PCIE_PCISS2_WKDEP [9]WKUPDEP_PCIESS2_EVE4	RM_DSP2_RSTCTRL
PRM_VC_VAL_CMD_VDD_MM_L	PM_PCIE_PCISS2_WKDEP [8]WKUPDEP_PCIESS2_EVE3	RM_DSP2_RSTST
PRM_VC_VAL_CMD_VDD_MPU_L	PM_PCIE_PCISS2_WKDEP [7]WKUPDEP_PCIESS2_EVE2	RM_DSP2_DSP2_CONTEXT

Table 3-382. Not Supported Functionality (Registers and Bits) (continued)

Register/Field/Value	Register/Field/Value	Register/Field/Value
PRM_VC_VAL_BYPASS	PM_PCIE_PCIESS2_WKDEP[6]WKUPDEP_PCIESS2_EVE1	PM_EVE1_PWRSTCTRL
PRM_VC_CORE_ERRST	PM_PCIE_PCIESS2_WKDEP[5]WKUPDEP_PCIESS2_DSP2	PM_EVE1_PWRSTST
PRM_VC_MM_ERRST	PM_L3INIT_USB_OTG_SS1_WKDEP[9]WKUPDEP_USB_OTG_SS1_EVE4	RM_EVE1_RSTCTRL
PRM_VC_MPU_ERRST	PM_L3INIT_USB_OTG_SS1_WKDEP[8]WKUPDEP_USB_OTG_SS1_EVE3	RM_EVE1_RSTST
PRM_VC_BYPASS_ERRST	PM_L3INIT_USB_OTG_SS1_WKDEP[7]WKUPDEP_USB_OTG_SS1_EVE2	PM_EVE1_EVE1_WKDEP
PRM_VC_CFG_I2C_MODE	PM_L3INIT_USB_OTG_SS1_WKDEP[6]WKUPDEP_USB_OTG_SS1_EVE1	RM_EVE1_EVE1_CONTEXT
PRM_VC_CFG_I2C_CLK	PM_L3INIT_USB_OTG_SS1_WKDEP[5]WKUPDEP_USB_OTG_SS1_DSP2	PM_EVE2_PWRSTCTRL
PRM_SRAM_WKUP_SETUP	PM_L4PER_TIMER10_WKDEP[9]WKUPDEP_TIMER10_EVE4	PM_EVE2_PWRSTST
PRM_DEVICE_OFF_CTRL	PM_L4PER_TIMER10_WKDEP[8]WKUPDEP_TIMER10_EVE3	RM_EVE2_RSTCTRL
PRM_MODEM_IF_CTRL	PM_L4PER_TIMER10_WKDEP[7]WKUPDEP_TIMER10_EVE2	RM_EVE2_RSTST
PRM_VOLTST_MPU	PM_L4PER_TIMER10_WKDEP[6]WKUPDEP_TIMER10_EVE1	PM_EVE2_EVE2_WKDEP
PRM_VOLTST_MM	PM_L4PER_TIMER10_WKDEP[5]WKUPDEP_TIMER10_DSP2	RM_EVE2_EVE2_CONTEXT
PRM_RSTST[14]LLI_RST	PM_L4PER_TIMER11_WKDEP[9]WKUPDEP_TIMER11_EVE4	PM_EVE3_PWRSTCTRL
PRM_RSTST[10]C2C_RST	PM_L4PER_TIMER11_WKDEP[8]WKUPDEP_TIMER11_EVE3	PM_EVE3_PWRSTST
PRM_RSTST[8]VDD_CORE_VOLT_MGR_RST	PM_L4PER_TIMER11_WKDEP[7]WKUPDEP_TIMER11_EVE2	RM_EVE3_RSTCTRL
PRM_RSTST[7]VDD_MM_VOLT_MGR_RST	PM_L4PER_TIMER11_WKDEP[6]WKUPDEP_TIMER11_EVE1	RM_EVE3_RSTST
PRM_RSTST[6]VDD_MPU_VOLT_MGR_RST	PM_L4PER_TIMER11_WKDEP[5]WKUPDEP_TIMER11_DSP2	PM_EVE3_EVE3_WKDEP
PRM_RSTST[4]SECURE_WDT_RST	PM_L4PER_TIMER2_WKDEP[9]WKUPDEP_TIMER2_EVE4	RM_EVE3_EVE3_CONTEXT
PRM_RSTST[2]MPU_SECURITY_VIO_L_RST	PM_L4PER_TIMER14_WKDEP[9]WKUPDEP_TIMER14_EVE4	PM_EVE4_PWRSTCTRL
PM_L4PER_GPIO5_WKDEP[19]WKUPDEP_GPIO5_IRQ2_EVE4	PM_L4PER_TIMER14_WKDEP[8]WKUPDEP_TIMER14_EVE3	PM_EVE4_PWRSTST
PM_L4PER_GPIO5_WKDEP[18]WKUPDEP_GPIO5_IRQ2_EVE3	PM_L4PER_TIMER14_WKDEP[7]WKUPDEP_TIMER14_EVE2	RM_EVE4_RSTCTRL
PM_L4PER_GPIO5_WKDEP[17]WKUPDEP_GPIO5_IRQ2_EVE2	PM_L4PER_TIMER14_WKDEP[6]WKUPDEP_TIMER14_EVE1	RM_EVE4_RSTST
PM_L4PER_GPIO5_WKDEP[16]WKUPDEP_GPIO5_IRQ2_EVE1	PM_L4PER_TIMER14_WKDEP[5]WKUPDEP_TIMER14_DSP2	PM_EVE4_EVE4_WKDEP
PM_L4PER_GPIO5_WKDEP[15]WKUPDEP_GPIO5_IRQ2_DSP2	PM_L4PER_TIMER15_WKDEP[9]WKUPDEP_TIMER15_EVE4	RM_EVE4_EVE4_CONTEXT
PM_L4PER_GPIO5_WKDEP[9]WKUPDEP_GPIO5_IRQ1_EVE4	PM_L4PER_TIMER15_WKDEP[8]WKUPDEP_TIMER15_EVE3	PM_L4PER_GPIO8_WKDEP[5]WKUPDEP_GPIO8_IRQ1_DSP2
PM_L4PER_GPIO5_WKDEP[8]WKUPDEP_GPIO5_IRQ1_EVE3	PM_L4PER_TIMER15_WKDEP[7]WKUPDEP_TIMER15_EVE2	PM_L4PER_MMC3_WKDEP[9]WKUPDEP_MMC3_EVE4
PM_L4PER_GPIO5_WKDEP[7]WKUPDEP_GPIO5_IRQ1_EVE2	PM_L4PER_TIMER15_WKDEP[6]WKUPDEP_TIMER15_EVE1	PM_L4PER_MMC3_WKDEP[8]WKUPDEP_MMC3_EVE3
PM_L4PER_GPIO5_WKDEP[6]WKUPDEP_GPIO5_IRQ1_EVE1	PM_L4PER_TIMER15_WKDEP[5]WKUPDEP_TIMER15_DSP2	PM_L4PER_MMC3_WKDEP[7]WKUPDEP_MMC3_EVE2

Table 3-382. Not Supported Functionality (Registers and Bits) (continued)

Register/Field/Value	Register/Field/Value	Register/Field/Value
PM_L4PER_GPIO5_WKDEP[5]WKUP DEP_GPIO5_IRQ1_DSP2	PM_L4PER_MCSPI1_WKDEP[9]WKUPDEP_ MCSPI1_EVE4	PM_L4PER_MMC3_WKDEP[6]WKUPDE P_MMC3_EVE1
PM_L4PER_GPIO6_WKDEP[19]WKU PDEP_GPIO6_IRQ2_EVE4	PM_L4PER_MCSPI1_WKDEP[8]WKUPDEP_ MCSPI1_EVE3	PM_L4PER_MMC3_WKDEP[5]WKUPDE P_MMC3_DSP2
PM_L4PER_GPIO6_WKDEP[18]WKU PDEP_GPIO6_IRQ2_EVE3	PM_L4PER_MCSPI1_WKDEP[7]WKUPDEP_ MCSPI1_EVE2	PM_L4PER_MMC4_WKDEP[9]WKUPDE P_MMC4_EVE4
PM_L4PER_GPIO6_WKDEP[17]WKU PDEP_GPIO6_IRQ2_EVE2	PM_L4PER_MCSPI1_WKDEP[6]WKUPDEP_ MCSPI1_EVE1	PM_L4PER_MMC4_WKDEP[8]WKUPDE P_MMC4_EVE3
PM_L4PER_GPIO6_WKDEP[16]WKU PDEP_GPIO6_IRQ2_EVE1	PM_L4PER_MCSPI1_WKDEP[5]WKUPDEP_ MCSPI1_DSP2	PM_L4PER_MMC4_WKDEP[7]WKUPDE P_MMC4_EVE2
PM_L4PER_GPIO6_WKDEP[15]WKU PDEP_GPIO6_IRQ2_DSP2	PM_L4PER_MCSPI2_WKDEP[9]WKUPDEP_ MCSPI2_EVE4	PM_L4PER_MMC4_WKDEP[6]WKUPDE P_MMC4_EVE1
PM_L4PER_GPIO6_WKDEP[9]WKUP DEP_GPIO6_IRQ1_EVE4	PM_L4PER_MCSPI2_WKDEP[8]WKUPDEP_ MCSPI2_EVE3	PM_L4PER_MMC4_WKDEP[5]WKUPDE P_MMC4_DSP2
PM_L4PER_GPIO6_WKDEP[8]WKUP DEP_GPIO6_IRQ1_EVE3	PM_L4PER_MCSPI2_WKDEP[7]WKUPDEP_ MCSPI2_EVE2	PM_L4PER_TIMER16_WKDEP[9]WKUP DEP_TIMER16_EVE4
PM_L4PER_GPIO6_WKDEP[7]WKUP DEP_GPIO6_IRQ1_EVE2	PM_L4PER_MCSPI2_WKDEP[6]WKUPDEP_ MCSPI2_EVE1	PM_L4PER_TIMER16_WKDEP[8]WKUP DEP_TIMER16_EVE3
PM_L4PER_GPIO6_WKDEP[6]WKUP DEP_GPIO6_IRQ1_EVE1	PM_L4PER_MCSPI2_WKDEP[5]WKUPDEP_ MCSPI2_DSP2	PM_L4PER_TIMER16_WKDEP[7]WKUP DEP_TIMER16_EVE2
PM_L4PER_GPIO6_WKDEP[5]WKUP DEP_GPIO6_IRQ1_DSP2	PM_L4PER_MCSPI3_WKDEP[9]WKUPDEP_ MCSPI3_EVE4	PM_L4PER_TIMER16_WKDEP[6]WKUP DEP_TIMER16_EVE1
PM_L4PER_I2C1_WKDEP[15]WKUPD EP_I2C1_DMA_DSP2	PM_L4PER_MCSPI3_WKDEP[8]WKUPDEP_ MCSPI3_EVE3	PM_L4PER_TIMER16_WKDEP[5]WKUP DEP_TIMER16_DSP2
PM_L4PER_I2C1_WKDEP[9]WKUPDE P_I2C1_IRQ_EVE4	PM_L4PER_MCSPI3_WKDEP[7]WKUPDEP_ MCSPI3_EVE2	PM_L4PER2_QSPI_WKDEP[9]WKUPDE P_QSPI_EVE4
PM_L4PER_I2C1_WKDEP[8]WKUPDE P_I2C1_IRQ_EVE3	PM_L4PER_MCSPI3_WKDEP[6]WKUPDEP_ MCSPI3_EVE1	PM_L4PER2_QSPI_WKDEP[8]WKUPDE P_QSPI_EVE3
PM_L4PER_I2C1_WKDEP[7]WKUPDE P_I2C1_IRQ_EVE2	PM_L4PER_MCSPI3_WKDEP[5]WKUPDEP_ MCSPI3_DSP2	PM_L4PER2_QSPI_WKDEP[7]WKUPDE P_QSPI_EVE2
PM_L4PER_I2C1_WKDEP[6]WKUPDE P_I2C1_IRQ_EVE1	PM_L4PER_MCSPI4_WKDEP[9]WKUPDEP_ MCSPI4_EVE4	PM_L4PER2_QSPI_WKDEP[6]WKUPDE P_QSPI_EVE1
PM_L4PER_I2C1_WKDEP[5]WKUPDE P_I2C1_IRQ_DSP2	PM_L4PER_MCSPI4_WKDEP[8]WKUPDEP_ MCSPI4_EVE3	PM_L4PER2_QSPI_WKDEP[5]WKUPDE P_QSPI_DSP2
PM_L4PER_I2C2_WKDEP[15]WKUPD EP_I2C2_DMA_DSP2	PM_L4PER_MCSPI4_WKDEP[7]WKUPDEP_ MCSPI4_EVE2	PM_L4PER_UART1_WKDEP[9]WKUPDE P_UART1_EVE4
PM_L4PER_I2C2_WKDEP[9]WKUPDE P_I2C2_IRQ_EVE4	PM_L4PER_MCSPI4_WKDEP[6]WKUPDEP_ MCSPI4_EVE1	PM_L4PER_UART1_WKDEP[8]WKUPDE P_UART1_EVE3
PM_L4PER_I2C2_WKDEP[8]WKUPDE P_I2C2_IRQ_EVE3	PM_L4PER_MCSPI4_WKDEP[5]WKUPDEP_ MCSPI4_DSP2	PM_L4PER_UART1_WKDEP[7]WKUPDE P_UART1_EVE2
PM_L4PER_I2C2_WKDEP[7]WKUPDE P_I2C2_IRQ_EVE2	PM_L4PER_GPIO7_WKDEP[19]WKUPDEP_ GPIO7_IRQ2_EVE4	PM_L4PER_UART1_WKDEP[6]WKUPDE P_UART1_EVE1
PM_L4PER_I2C2_WKDEP[6]WKUPDE P_I2C2_IRQ_EVE1	PM_L4PER_GPIO7_WKDEP[18]WKUPDEP_ GPIO7_IRQ2_EVE3	PM_L4PER_UART1_WKDEP[5]WKUPDE P_UART1_DSP2
PM_L4PER_I2C2_WKDEP[5]WKUPDE P_I2C2_IRQ_DSP2	PM_L4PER_GPIO7_WKDEP[17]WKUPDEP_ GPIO7_IRQ2_EVE2	PM_L4PER_UART2_WKDEP[9]WKUPDE P_UART2_EVE4
PM_L4PER_I2C3_WKDEP[15]WKUPD EP_I2C3_DMA_DSP2	PM_L4PER_GPIO7_WKDEP[16]WKUPDEP_ GPIO7_IRQ2_EVE1	PM_L4PER_UART2_WKDEP[8]WKUPDE P_UART2_EVE3
PM_L4PER_I2C3_WKDEP[9]WKUPDE P_I2C3_IRQ_EVE4	PM_L4PER_GPIO7_WKDEP[15]WKUPDEP_ GPIO7_IRQ2_DSP2	PM_L4PER_UART2_WKDEP[7]WKUPDE P_UART2_EVE2
PM_L4PER_I2C3_WKDEP[8]WKUPDE P_I2C3_IRQ_EVE3	PM_L4PER_GPIO7_WKDEP[9]WKUPDEP_G PIO7_IRQ1_EVE4	PM_L4PER_UART2_WKDEP[6]WKUPDE P_UART2_EVE1
PM_L4PER_I2C3_WKDEP[7]WKUPDE P_I2C3_IRQ_EVE2	PM_L4PER_GPIO7_WKDEP[8]WKUPDEP_G PIO7_IRQ1_EVE3	PM_L4PER_UART2_WKDEP[5]WKUPDE P_UART2_DSP2
PM_L4PER_I2C3_WKDEP[6]WKUPDE P_I2C3_IRQ_EVE1	PM_L4PER_GPIO7_WKDEP[7]WKUPDEP_G PIO7_IRQ1_EVE2	PM_L4PER_UART3_WKDEP[9]WKUPDE P_UART3_EVE4

Table 3-382. Not Supported Functionality (Registers and Bits) (continued)

Register/Field/Value	Register/Field/Value	Register/Field/Value
PM_L4PER_I2C3_WKDEP [5]WKUPDE P_I2C3_IRQ_DSP2	PM_L4PER_GPIO7_WKDEP [6]WKUPDEP_G PIO7_IRQ1_EVE1	PM_L4PER_UART3_WKDEP [8]WKUPDE P_UART3_EVE3
PM_L4PER_I2C4_WKDEP [15]WKUPD EP_I2C4_DMA_DSP2	PM_L4PER_GPIO7_WKDEP [5]WKUPDEP_G PIO7_IRQ1_DSP2	PM_L4PER_UART3_WKDEP [7]WKUPDE P_UART3_EVE2
PM_L4PER_I2C4_WKDEP [9]WKUPDE P_I2C4_IRQ_EVE4	PM_L4PER_GPIO8_WKDEP [19]WKUPDEP_ GPIO8_IRQ2_EVE4	PM_L4PER_UART3_WKDEP [6]WKUPDE P_UART3_EVE1
PM_L4PER_I2C4_WKDEP [8]WKUPDE P_I2C4_IRQ_EVE3	PM_L4PER_GPIO8_WKDEP [18]WKUPDEP_ GPIO8_IRQ2_EVE3	PM_L4PER_UART3_WKDEP [5]WKUPDE P_UART3_DSP2
PM_L4PER_I2C4_WKDEP [7]WKUPDE P_I2C4_IRQ_EVE2	PM_L4PER_GPIO8_WKDEP [17]WKUPDEP_ GPIO8_IRQ2_EVE2	PM_L4PER_UART4_WKDEP [9]WKUPDE P_UART4_EVE4
PM_L4PER_I2C4_WKDEP [6]WKUPDE P_I2C4_IRQ_EVE1	PM_L4PER_GPIO8_WKDEP [16]WKUPDEP_ GPIO8_IRQ2_EVE1	PM_L4PER_UART4_WKDEP [8]WKUPDE P_UART4_EVE3
PM_L4PER_I2C4_WKDEP [5]WKUPDE P_I2C4_IRQ_DSP2	PM_L4PER_GPIO8_WKDEP [15]WKUPDEP_ GPIO8_IRQ2_DSP2	PM_L4PER_UART4_WKDEP [7]WKUPDE P_UART4_EVE2
PM_L4PER_TIMER13_WKDEP [9]WK UPDEP_TIMER13_EVE4	PM_L4PER_GPIO8_WKDEP [9]WKUPDEP_G PIO8_IRQ1_EVE4	PM_L4PER_UART4_WKDEP [6]WKUPDE P_UART4_EVE1
PM_L4PER_TIMER13_WKDEP [8]WK UPDEP_TIMER13_EVE3	PM_L4PER_GPIO8_WKDEP [8]WKUPDEP_G PIO8_IRQ1_EVE3	PM_L4PER_UART4_WKDEP [5]WKUPDE P_UART4_DSP2
PM_L4PER_TIMER13_WKDEP [7]WK UPDEP_TIMER13_EVE2	PM_L4PER_GPIO8_WKDEP [7]WKUPDEP_G PIO8_IRQ1_EVE2	PM_L4PER2_MCASP2_WKDEP [15]WКУ PDEP_MCASP2_DMA_DSP2
PM_L4PER_TIMER13_WKDEP [6]WK UPDEP_TIMER13_EVE1	PM_L4PER_GPIO8_WKDEP [6]WKUPDEP_G PIO8_IRQ1_EVE1	PM_L4PER2_MCASP2_WKDEP [9]WKUP DEP_MCASP2_IRQ_EVE4
PM_L4PER_TIMER13_WKDEP [5]WK UPDEP_TIMER13_DSP2	PM_L4PER2_MCASP7_WKDEP [15]WKUPD EP_MCASP7_DMA_DSP2	PM_L4PER2_MCASP2_WKDEP [8]WKUP DEP_MCASP2_IRQ_EVE3
PM_L4PER2_MCASP3_WKDEP [7]WK UPDEP_MCASP3_IRQ_EVE2	PM_L4PER2_MCASP7_WKDEP [9]WKUPDE P_MCASP7_IRQ_EVE4	PM_L4PER2_MCASP2_WKDEP [7]WKUP DEP_MCASP2_IRQ_EVE2
PM_L4PER2_MCASP3_WKDEP [6]WK UPDEP_MCASP3_IRQ_EVE1	PM_L4PER2_MCASP7_WKDEP [8]WKUPDE P_MCASP7_IRQ_EVE3	PM_L4PER2_MCASP2_WKDEP [6]WKUP DEP_MCASP2_IRQ_EVE1
PM_L4PER2_MCASP3_WKDEP [5]WK UPDEP_MCASP3_IRQ_DSP2	PM_L4PER2_MCASP7_WKDEP [7]WKUPDE P_MCASP7_IRQ_EVE2	PM_L4PER2_MCASP2_WKDEP [5]WKUP DEP_MCASP2_IRQ_DSP2
PM_L4PER_UART5_WKDEP [9]WKUP DEP_UART5_EVE4	PM_L4PER2_MCASP7_WKDEP [6]WKUPDE P_MCASP7_IRQ_EVE1	PM_L4PER2_MCASP3_WKDEP [15]WКУ PDEP_MCASP3_DMA_DSP2
PM_L4PER_UART5_WKDEP [8]WKUP DEP_UART5_EVE3	PM_L4PER2_MCASP7_WKDEP [5]WKUPDE P_MCASP7_IRQ_DSP2	PM_L4PER2_MCASP3_WKDEP [9]WKUP DEP_MCASP3_IRQ_EVE4
PM_L4PER_UART5_WKDEP [7]WKUP DEP_UART5_EVE2	PM_L4PER2_MCASP8_WKDEP [15]WKUPD EP_MCASP8_DMA_DSP2	PM_L4PER2_MCASP3_WKDEP [8]WKUP DEP_MCASP3_IRQ_EVE3
PM_L4PER_UART5_WKDEP [6]WKUP DEP_UART5_EVE1	PM_L4PER2_MCASP8_WKDEP [9]WKUPDE P_MCASP8_IRQ_EVE4	PM_L4PER2_UART7_WKDEP [7]WKUPD EP_UART7_EVE2
PM_L4PER_UART5_WKDEP [5]WKUP DEP_UART5_DSP2	PM_L4PER2_MCASP8_WKDEP [8]WKUPDE P_MCASP8_IRQ_EVE3	PM_L4PER2_UART7_WKDEP [6]WKUPD EP_UART7_EVE1
PM_L4PER2_MCASP5_WKDEP [15]W KUPDEP_MCASP5_DMA_DSP2	PM_L4PER2_MCASP8_WKDEP [7]WKUPDE P_MCASP8_IRQ_EVE2	PM_L4PER2_UART7_WKDEP [5]WKUPD EP_UART7_DSP2
PM_L4PER2_MCASP5_WKDEP [9]WK UPDEP_MCASP5_IRQ_EVE4	PM_L4PER2_MCASP8_WKDEP [6]WKUPDE P_MCASP8_IRQ_EVE1	PM_L4PER2_UART8_WKDEP [9]WKUPD EP_UART8_EVE4
PM_L4PER2_MCASP5_WKDEP [8]WK UPDEP_MCASP5_IRQ_EVE3	PM_L4PER2_MCASP8_WKDEP [5]WKUPDE P_MCASP8_IRQ_DSP2	PM_L4PER2_UART8_WKDEP [8]WKUPD EP_UART8_EVE3
PM_L4PER2_MCASP5_WKDEP [7]WK UPDEP_MCASP5_IRQ_EVE2	PM_L4PER2_MCASP4_WKDEP [15]WKUPD EP_MCASP4_DMA_DSP2	PM_L4PER2_UART8_WKDEP [7]WKUPD EP_UART8_EVE2
PM_L4PER2_MCASP5_WKDEP [6]WK UPDEP_MCASP5_IRQ_EVE1	PM_L4PER2_MCASP4_WKDEP [9]WKUPDE P_MCASP4_IRQ_EVE4	PM_L4PER2_UART8_WKDEP [6]WKUPD EP_UART8_EVE1
PM_L4PER2_MCASP5_WKDEP [5]WK UPDEP_MCASP5_IRQ_DSP2	PM_L4PER2_MCASP4_WKDEP [8]WKUPDE P_MCASP4_IRQ_EVE3	PM_L4PER2_UART8_WKDEP [5]WKUPD EP_UART8_DSP2
PM_L4PER2_MCASP6_WKDEP [15]W KUPDEP_MCASP6_DMA_DSP2	PM_L4PER2_MCASP4_WKDEP [7]WKUPDE P_MCASP4_IRQ_EVE2	PM_L4PER2_UART9_WKDEP [9]WKUPD EP_UART9_EVE4
PM_L4PER2_MCASP6_WKDEP [9]WK UPDEP_MCASP6_IRQ_EVE4	PM_L4PER2_MCASP4_WKDEP [6]WKUPDE P_MCASP4_IRQ_EVE1	PM_L4PER2_UART9_WKDEP [8]WKUPD EP_UART9_EVE3

Table 3-382. Not Supported Functionality (Registers and Bits) (continued)

Register/Field/Value	Register/Field/Value	Register/Field/Value
PM_L4PER2_MCASP6_WKDEP[8]WKUPDEP_MCASP6_IRQ_EVE3	PM_L4PER2_MCASP4_WKDEP[5]WKUPDEP_MCASP4_IRQ_DSP2	PM_L4PER2_UART9_WKDEP[7]WKUPDEP_UART9_EVE2
PM_L4PER2_MCASP6_WKDEP[7]WKUPDEP_MCASP6_IRQ_EVE2	PM_L4PER2_UART7_WKDEP[9]WKUPDEP_UART7_EVE4	PM_L4PER2_UART9_WKDEP[6]WKUPDEP_UART9_EVE1
PM_L4PER2_MCASP6_WKDEP[6]WKUPDEP_MCASP6_IRQ_EVE1	PM_L4PER2_UART7_WKDEP[8]WKUPDEP_UART7_EVE3	PM_L4PER2_UART9_WKDEP[5]WKUPDEP_UART9_DSP2
PM_L4PER2_MCASP6_WKDEP[5]WKUPDEP_MCASP6_IRQ_DSP2	PRM_IRQSTATUS_EVE4	PM_L4PER2_DCAN2_WKDEP[9]WKUPDEP_DCAN2_EVE4
PRM_IRQENABLE_EVE2	PM_RTC_RTCSS_WKDEP[9]WKUPDEP_RTC_IRQ1_EVE4	PM_L4PER2_DCAN2_WKDEP[8]WKUPDEP_DCAN2_EVE3
PRM_IRQENABLE_EVE3	PM_RTC_RTCSS_WKDEP[8]WKUPDEP_RTC_IRQ1_EVE3	PM_L4PER2_DCAN2_WKDEP[7]WKUPDEP_DCAN2_EVE2
PRM_IRQENABLE_EVE4	PM_RTC_RTCSS_WKDEP[7]WKUPDEP_RTC_IRQ1_EVE2	PM_L4PER2_DCAN2_WKDEP[6]WKUPDEP_DCAN2_EVE1
PRM_IRQSTATUS_DSP2	PM_RTC_RTCSS_WKDEP[6]WKUPDEP_RTC_IRQ1_EVE1	PM_L4PER2_DCAN2_WKDEP[5]WKUPDEP_DCAN2_DSP2
PRM_IRQSTATUS_EVE1	PM_RTC_RTCSS_WKDEP[5]WKUPDEP_RTC_IRQ1_DSP2	PRM_IRQENABLE_DSP2
PRM_IRQSTATUS_EVE2	PM_VPE_VPE_WKDEP[9]WKUPDEP_VPE_EVE4	PRM_IRQENABLE_EVE1
PRM_IRQSTATUS_EVE3	CM_WKUPAON_SPARE_SAFETY4_CLKCTRL	PRM_IRQSTATUS_MPU[12]DPLL_EVE_RECAL_ST
PRM_IRQSTATUS_IPU1[12]DPLL_EVE_RECAL_ST	CM_WKUPAON_SPARE_UNKNOWN2_CLKCTRL	PRM_IRQENABLE_MPU[12]DPLL_EVE_RECAL_EN
PM_RTC_RTCSS_WKDEP[19]WKUPDEP_RTC_IRQ2_EVE4	CM_WKUPAON_SPARE_UNKNOWN3_CLKCTRL	PRM_IRQSTATUS_IPU2[12]DPLL_EVE_RECAL_ST
PM_RTC_RTCSS_WKDEP[18]WKUPDEP_RTC_IRQ2_EVE3	CM_WKUPAON_CLKSTCTRL[19]CLKACTIVITY_ADC_L3_GICLK	PRM_IRQENABLE_IPU2[12]DPLL_EVE_RECAL_EN
PM_RTC_RTCSS_WKDEP[17]WKUPDEP_RTC_IRQ2_EVE2	CM_WKUPAON_CLKSTCTRL[13]CLKACTIVITY_WKUPAON_IO_SRCOMP_GFCLK	PRM_IRQSTATUS_DSP1[12]DPLL_EVE_RECAL_ST
PM_RTC_RTCSS_WKDEP[16]WKUPDEP_RTC_IRQ2_EVE1	CM_WKUPAON_CLKSTCTRL[10]CLKACTIVITY_ADC_GFCLK	PRM_IRQENABLE_DSP1[12]DPLL_EVE_RECAL_EN
PM_RTC_RTCSS_WKDEP[15]WKUPDEP_RTC_IRQ2_DSP2	PM_WKUPAON_GPIO1_WKDEP[9]WKUPDEP_GPIO1_IRQ1_EVE4	PRM_IRQENABLE_IPU1[12]DPLL_EVE_RECAL_EN
CM_WKUPAON_SCRM_CLKCTRL	PM_WKUPAON_GPIO1_WKDEP[8]WKUPDEP_GPIO1_IRQ1_EVE3	PM_VPE_VPE_WKDEP[8]WKUPDEP_VPE_EVE3
CM_WKUPAON_IO_SRCOMP_CLKCTRL	PM_WKUPAON_GPIO1_WKDEP[7]WKUPDEP_GPIO1_IRQ1_EVE2	PM_VPE_VPE_WKDEP[7]WKUPDEP_VPE_EVE2
CM_WKUPAON_ADC_CLKCTRL	PM_WKUPAON_GPIO1_WKDEP[6]WKUPDEP_GPIO1_IRQ1_EVE1	PM_VPE_VPE_WKDEP[6]WKUPDEP_VPE_EVE1
CM_WKUPAON_SPARE_SAFETY1_CLKCTRL	PM_WKUPAON_GPIO1_WKDEP[5]WKUPDEP_GPIO1_IRQ1_DSP2	PM_VPE_VPE_WKDEP[5]WKUPDEP_VPE_DSP2
CM_WKUPAON_SPARE_SAFETY2_CLKCTRL	PM_WKUPAON_TIMER1_WKDEP[9]WKUPDEP_TIMER1_EVE4	CM_WKUPAON_WD_TIMER1_CLKCTRL
CM_WKUPAON_SPARE_SAFETY3_CLKCTRL	PM_WKUPAON_TIMER1_WKDEP[8]WKUPDEP_TIMER1_EVE3	CM_WKUPAON_SAR_RAM_CLKCTRL
RM_WKUPAON_SPARE_SAFETY1_CONTEXT	PM_WKUPAON_TIMER1_WKDEP[7]WKUPDEP_TIMER1_EVE2	CM_WKUPAON_TIMER1_CLKCTRL[27:24]CLKSEL=0x9
RM_WKUPAON_SPARE_SAFETY2_CONTEXT	PM_WKUPAON_TIMER1_WKDEP[6]WKUPDEP_TIMER1_EVE1	PM_WKUPAON_WD_TIMER1_WKDEP
RM_WKUPAON_SPARE_SAFETY3_CONTEXT	PM_WKUPAON_TIMER1_WKDEP[5]WKUPDEP_TIMER1_DSP2	RM_WKUPAON_WD_TIMER1_CONTEXT
RM_WKUPAON_SPARE_SAFETY4_CONTEXT	PM_WKUPAON_TIMER12_WKDEP[9]WKUPDEP_TIMER12_EVE4	RM_WKUPAON_SAR_RAM_CONTEXT
RM_WKUPAON_SPARE_UNKNOWN2_CONTEXT	PM_WKUPAON_TIMER12_WKDEP[8]WKUPDEP_TIMER12_EVE3	PM_WKUPAON_ADC_WKDEP

Table 3-382. Not Supported Functionality (Registers and Bits) (continued)

Register/Field/Value	Register/Field/Value	Register/Field/Value
RM_WKUPAON_SPARE_UNKNOWN3_CONTEXT	PM_WKUPAON_TIMER12_WKDEP[7]WKUPDEP_TIMER12_EVE2	RM_WKUPAON_ADC_CONTEXT
PM_WKUPAON_WD_TIMER2_WKDEP[9]WKUPDEP_WD_TIMER2_EVE4	PM_WKUPAON_TIMER12_WKDEP[6]WKUPDEP_TIMER12_EVE1	PM_WKUPAON_KBD_WKDEP[8]WKUPDEP_KBD_EVE3
PM_WKUPAON_WD_TIMER2_WKDEP[8]WKUPDEP_WD_TIMER2_EVE3	PM_WKUPAON_TIMER12_WKDEP[5]WKUPDEP_TIMER12_DSP2	PM_WKUPAON_KBD_WKDEP[7]WKUPDEP_KBD_EVE2
PM_WKUPAON_WD_TIMER2_WKDEP[7]WKUPDEP_WD_TIMER2_EVE2	PM_WKUPAON_KBD_WKDEP[9]WKUPDEP_KBD_EVE4	PM_WKUPAON_KBD_WKDEP[6]WKUPDEP_KBD_EVE1
PM_WKUPAON_WD_TIMER2_WKDEP[6]WKUPDEP_WD_TIMER2_EVE1	CM_L4PER3_TIMER13_CLKCTRL[27:24]CLKSEL=0x9	PM_WKUPAON_KBD_WKDEP[5]WKUPDEP_KBD_DSP2
PM_WKUPAON_WD_TIMER2_WKDEP[5]WKUPDEP_WD_TIMER2_DSP2	CM_L4PER3_TIMER14_CLKCTRL[27:24]CLKSEL=0x9	PM_WKUPAON_UART10_WKDEP[9]WKUPDEP_UART10_EVE4
PM_WKUPAON_GPIO1_WKDEP[19]WKUPDEP_GPIO1_IRQ2_EVE4	CM_L4PER3_TIMER15_CLKCTRL[27:24]CLKSEL=0x9	PM_WKUPAON_UART10_WKDEP[8]WKUPDEP_UART10_EVE3
PM_WKUPAON_GPIO1_WKDEP[18]WKUPDEP_GPIO1_IRQ2_EVE3	CM_L4PER3_TIMER16_CLKCTRL[27:24]CLKSEL=0x9	PM_WKUPAON_UART10_WKDEP[7]WKUPDEP_UART10_EVE2
PM_WKUPAON_GPIO1_WKDEP[17]WKUPDEP_GPIO1_IRQ2_EVE2	CM_IPU_MCASP1_CLKCTRL[23:22]CLKSEL_AUX_CLK=0x2	PM_WKUPAON_UART10_WKDEP[6]WKUPDEP_UART10_EVE1
PM_WKUPAON_GPIO1_WKDEP[16]WKUPDEP_GPIO1_IRQ2_EVE1	CM_ATL_ATL_CLKCTRL[25:24]CLKSEL_SO URCE1=0x2	PM_WKUPAON_UART10_WKDEP[5]WKUPDEP_UART10_DSP2
PM_WKUPAON_GPIO1_WKDEP[15]WKUPDEP_GPIO1_IRQ2_DSP2	CM_DSS_CLKSTCTRL[12]CLKACTIVITY_VIDE02_DPLL_CLK	PM_WKUPAON_DCAN1_WKDEP[9]WKUPDEP_DCAN1_EVE4
CM_L4PER_TIMER4_CLKCTRL[27:24]CLKSEL=0x9	CM_DSS_DSS_CLKCTRL[13]OPTFCLKEN_VIDEO2_CLK	PM_WKUPAON_DCAN1_WKDEP[8]WKUPDEP_DCAN1_EVE3
CM_IPU_TIMER5_CLKCTRL[27:24]CLKSEL=0x9	CM_GMAC_GMAC_CLKCTRL[27:25]CLKSEL_RFT=0x1	PM_WKUPAON_DCAN1_WKDEP[7]WKUPDEP_DCAN1_EVE2
CM_IPU_TIMER6_CLKCTRL[27:24]CLKSEL=0x9	CM_CLKSEL_CLKOUT1[4:0]CLKSEL=0x15	PM_WKUPAON_DCAN1_WKDEP[6]WKUPDEP_DCAN1_EVE1
CM_IPU_TIMER7_CLKCTRL[27:24]CLKSEL=0x9	CM_L4PER2_CLKSTCTRL[13]CLKACTIVITY_PER_192M_GFCLK	PM_WKUPAON_DCAN1_WKDEP[5]WKUPDEP_DCAN1_DSP2
CM_IPU_TIMER8_CLKCTRL[27:24]CLKSEL=0x9	CM_DIV_M3_DPLL_CORE	CM_L4PER_TIMER2_CLKCTRL[27:24]CLKSEL=0x9
CM_L4PER_TIMER9_CLKCTRL[27:24]CLKSEL=0x9	CM_SSC_MODFREQDIV_DPLL_EVE	CM_L4PER_TIMER3_CLKCTRL[27:24]CLKSEL=0x9
CM_L4PER_TIMER10_CLKCTRL[27:24]CLKSEL=0x9	CM_BYPCLK_DPLL_EVE	CM_L4PER2_MCASP2_CLKCTRL[23:22]CLKSEL_AUX_CLK=0x2
CM_L4PER_TIMER11_CLKCTRL[27:24]CLKSEL=0x9	CM_DIV_H14_DPLL_GMAC	CM_L4PER2_MCASP3_CLKCTRL[23:22]CLKSEL_AUX_CLK=0x2
CM_CLKSEL_CLKOUT3[4:0]CLKSEL=0xA	CM_SSC_DELTAMSTEP_DPLL_GMAC	CM_L4PER2_MCASP5_CLKCTRL[23:22]CLKSEL_AUX_CLK=0x2
CM_CLKSEL_CLKOUT3[4:0]CLKSEL=0x15	CM_SSC_MODFREQDIV_DPLL_GMAC	CM_L4PER2_MCASP8_CLKCTRL[23:22]CLKSEL_AUX_CLK=0x2
CM_L4PER2_CLKSTCTRL[8]CLKACTIVITY_ICSS_CLK	CM_DIV_M3_DPLL_GPU	CM_L4PER2_MCASP4_CLKCTRL[23:22]CLKSEL_AUX_CLK=0x2
CM_SSC_DELTAMSTEP_DPLL_COR E	CM_SSC_DELTAMSTEP_DPLL_GPU	CM_L4PER2_MCASP6_CLKCTRL[23:22]CLKSEL_AUX_CLK=0x2
CM_SSC_MODFREQDIV_DPLL_COR E	CM_SSC_MODFREQDIV_DPLL_GPU	CM_L4PER2_MCASP7_CLKCTRL[23:22]CLKSEL_AUX_CLK=0x2
CM_DIV_H21_DPLL_CORE	CM_DIV_M3_DPLL_PER	CM_CLKSEL_CLKOUT1[4:0]CLKSEL=0xA
CM_SSC_DELTAMSTEP_DPLL_MPU	CM_SSC_DELTAMSTEP_DPLL_PER	CM_CLKSEL_CLKOUT2[4:0]CLKSEL=0xA
CM_SSC_MODFREQDIV_DPLL_MPU	CM_SSC_MODFREQDIV_DPLL_PER	CM_CLKSEL_CLKOUT2[4:0]CLKSEL=0x15
CM_DIV_M3_DPLL_IVA	CM_SSC_DELTAMSTEP_DPLL_USB	CM_L4PER2_CLKSTCTRL[14]CLKACTIVITY_ICSS_IEP_CLK

Table 3-382. Not Supported Functionality (Registers and Bits) (continued)

Register/Field/Value	Register/Field/Value	Register/Field/Value
CM_SSC_DELTAMSTEP_DPLL_IVA	CM_SSC_MODFREQDIV_DPLL_USB	CM_DIV_H11_DPLL_CORE
CM_SSC_MODFREQDIV_DPLL_IVA	CM_SSC_DELTAMSTEP_DPLL_PCIE_REF	CM_L3MAIN1_OCMC_RAM3_CLKCTRL
CM_SSC_DELTAMSTEP_DPLL_ABE	CM_SSC_MODFREQDIV_DPLL_PCIE_REF	CM_L3MAIN1_OCMC_ROM_CLKCTRL
CM_SSC_MODFREQDIV_DPLL_ABE	CM_COREAON_SMARTREFLEX_MPU_CLK_CTRL	CM_L3MAIN1_SPARE_CME_CLKCTRL
CM_DIV_M3_DPLL_DDR	CM_COREAON_SMARTREFLEX_CORE_CLKCTRL	CM_L3MAIN1_SPARE_HDMI_CLKCTRL
CM_SSC_DELTAMSTEP_DPLL_DDR	CM_COREAON_IO_SRCOMP_CLKCTRL	CM_L3MAIN1_SPARE_ICM_CLKCTRL
CM_SSC_MODFREQDIV_DPLL_DDR	CM_COREAON_SMARTREFLEX_GPU_CLK_CTRL	CM_L3MAIN1_SPARE_IVA2_CLKCTRL
CM_SSC_MODFREQDIV_DPLL_DSP	CM_COREAON_SMARTREFLEX_DSPEVE_CLKCTRL	CM_L3MAIN1_SPARE_SATA2_CLKCTRL
CM_RESTORE_ST	CM_COREAON_SMARTREFLEX_IVAHD_CLKCTRL	CM_L3MAIN1_SPARE_UNKNOWN4_CLKCTRL
CM_CLKMODE_DPLL_EVE	CM_L3MAIN1_OCMC_RAM2_CLKCTRL	CM_L3MAIN1_SPARE_UNKNOWN5_CLKCTRL
CM_IDLEST_DPLL_EVE	PM_L3MAIN1_TPTC1_WKDEP[9]WKUPDEP_TPTC1_EVE4	CM_L3MAIN1_SPARE_UNKNOWN6_CLKCTRL
CM_AUTOIDLE_DPLL_EVE	PM_L3MAIN1_TPTC1_WKDEP[8]WKUPDEP_TPTC1_EVE3	CM_L3MAIN1_SPARE_VIDEOPLL1_CLKCTRL
CM_CLKSEL_DPLL_EVE	PM_L3MAIN1_TPTC1_WKDEP[7]WKUPDEP_TPTC1_EVE2	CM_L3MAIN1_SPARE_VIDEOPLL2_CLKCTRL
CM_DIV_M2_DPLL_EVE	PM_L3MAIN1_TPTC1_WKDEP[6]WKUPDEP_TPTC1_EVE1	CM_L3MAIN1_SPARE_VIDEOPLL3_CLKCTRL
CM_DIV_M3_DPLL_EVE	PM_L3MAIN1_TPTC1_WKDEP[5]WKUPDEP_TPTC1_DSP2	CM_EMIF_EMIF2_CLKCTRL
CM_SSC_DELTAMSTEP_DPLL_EVE	CM_CLKMODE_DPLL_DDR[15]DPLL_SSC_TYPE	CM_L4CFG_SPARE_SMARTREFLEX_RTC_CLKCTRL
CM_CLKMODE_DPLL_IVA[15]DPLL_SSC_TYPE	CM_CLKMODE_DPLL_DDR[14]DPLL_SSC_DOWNSPREAD	CM_L4CFG_SPARE_SMARTREFLEX_SDRAM_CLKCTRL
CM_CLKMODE_DPLL_IVA[14]DPLL_SSC_DOWNSPREAD	CM_CLKMODE_DPLL_DDR[13]DPLL_SSC_ACK	CM_L4CFG_SPARE_SMARTREFLEX_WKUP_CLKCTRL
CM_CLKMODE_DPLL_IVA[13]DPLL_SSC_ACK	CM_CLKMODE_DPLL_DDR[12]DPLL_SSC_EN	CM_L4CFG_IO_DELAY_BLOCK_CLKCTRL
CM_CLKMODE_DPLL_IVA[12]DPLL_SSC_EN	CM_CLKMODE_DPLL_DSP[15]DPLL_SSC_TYPE	CM_DSS_SDVENC_CLKCTRL
CM_L4PER2_STATICDEP[18]DSP2_STATDEP	CM_CLKMODE_DPLL_DSP[14]DPLL_SSC_DOWNSPREAD	CM_L3INIT_USB_OTG_SS4_CLKCTRL
CM_COREAON_CLKSTCTRL[14]CLKACTIVITY_COREAON_IO_SRCOMP_GFCLK	CM_CLKMODE_DPLL_DSP[13]DPLL_SSC_ACK	CM_COREAON_IO_SRCOMP_CLKCTRL_RESTORE
CM_L3MAIN1_DYNAMICDEP[31]EVE4_DYNDEP	CM_CLKMODE_DPLL_DSP[12]DPLL_SSC_EN	CM_PCIE_STATICDEP[19]EVE1_STATDEP
CM_L3MAIN1_DYNAMICDEP[30]EVE3_DYNDEP	CM_PCIE_STATICDEP[22]EVE4_STATDEP	CM_PCIE_STATICDEP[18]DSP2_STATDEP
CM_L3MAIN1_DYNAMICDEP[29]EVE2_DYNDEP	CM_PCIE_STATICDEP[21]EVE3_STATDEP	CM_CLKMODE_DPLL_MPU[15]DPLL_SSC_TYPE
CM_L3MAIN1_DYNAMICDEP[28]EVE1_DYNDEP	CM_PCIE_STATICDEP[20]EVE2_STATDEP	CM_CLKMODE_DPLL_MPU[14]DPLL_SSC_DOWNSPREAD
CM_L3MAIN1_DYNAMICDEP[20]DSP2_DYNDEP	CM_DSS_CLKSTCTRL[16]CLKACTIVITY_DSS_SYS_GFCLK	CM_CLKMODE_DPLL_MPU[13]DPLL_SSC_ACK
CM_L3INIT_CLKSTCTRL[14]CLKACTIVITY_HSI_GFCLK	CM_DSS_CLKSTCTRL[14]CLKACTIVITY_SDVENC_GFCLK	CM_CLKMODE_DPLL_MPU[12]DPLL_SSC_EN
CM_CLKMODE_DPLL_GPU[15]DPLL_SSC_TYPE	CM_CLKMODE_DPLL_USB[15]DPLL_SSC_TYPE	CM_CLKMODE_DPLL_GMAC[15]DPLL_SSC_TYPE

Table 3-382. Not Supported Functionality (Registers and Bits) (continued)

Register/Field/Value	Register/Field/Value	Register/Field/Value
CM_CLKMODE_DPLL_GPU[14]DPLL_SSC_DOWNSPREAD	CM_CLKMODE_DPLL_USB[14]DPLL_SSC_DOWNSPREAD	CM_CLKMODE_DPLL_GMAC[14]DPLL_SSC_DOWNSPREAD
CM_CLKMODE_DPLL_GPU[13]DPLL_SSC_ACK	CM_CLKMODE_DPLL_USB[13]DPLL_SSC_ACK	CM_CLKMODE_DPLL_GMAC[13]DPLL_SSC_ACK
CM_CLKMODE_DPLL_GPU[12]DPLL_SSC_EN	CM_CLKMODE_DPLL_USB[12]DPLL_SSC_EN	CM_CLKMODE_DPLL_GMAC[12]DPLL_SSC_EN
CM_DSP1_STATICDEP[22]EVE4_STATDEP	CM_CLKMODE_DPLL_CORE[15]DPLL_SSC_TYPE	CM_IPU2_STATICDEP[22]EVE4_STATDEP
CM_DSP1_STATICDEP[21]EVE3_STATDEP	CM_CLKMODE_DPLL_CORE[14]DPLL_SSC_DOWNSPREAD	CM_IPU2_STATICDEP[21]EVE3_STATDEP
CM_DSP1_STATICDEP[20]EVE2_STATDEP	CM_CLKMODE_DPLL_CORE[13]DPLL_SSC_ACK	CM_IPU2_STATICDEP[20]EVE2_STATDEP
CM_DSP1_STATICDEP[19]EVE1_STATDEP	CM_CLKMODE_DPLL_CORE[12]DPLL_SSC_EN	CM_IPU2_STATICDEP[19]EVE1_STATDEP
CM_DSP1_STATICDEP[18]DSP2_STATDEP	CM_IPU1_STATICDEP[22]EVE4_STATDEP	CM_IPU2_STATICDEP[18]DSP2_STATDEP
CM_CLKMODE_DPLL_PCIE_REF[13]DPLL_SSC_ACK	CM_IPU1_STATICDEP[21]EVE3_STATDEP	CM_CLKMODE_DPLL_ABE[15]DPLL_SSC_TYPE
CM_CLKMODE_DPLL_PCIE_REF[12]DPLL_SSC_EN	CM_IPU1_STATICDEP[20]EVE2_STATDEP	CM_CLKMODE_DPLL_ABE[14]DPLL_SSC_DOWNSPREAD
CM_EMIF_EMIF1_CLKCTRL[24]CLKSEL_LL	CM_IPU1_STATICDEP[19]EVE1_STATDEP	CM_CLKMODE_DPLL_ABE[13]DPLL_SSC_ACK
CM_MPU_STATICDEP[22]EVE4_STATDEP	CM_IPU1_STATICDEP[18]DSP2_STATDEP	CM_CLKMODE_DPLL_ABE[12]DPLL_SSC_EN
CM_MPU_STATICDEP[21]EVE3_STATDEP	CM_CLKSEL_ABE[10]SLIMBUS1_CLK_GATE	CM_CLKMODE_DPLL_PER[15]DPLL_SSC_TYPE
CM_MPU_STATICDEP[20]EVE2_STATDEP	PM_L3MAIN1_TPTC2_WKDEP[5]WKUPDEP_TPTC2_DSP2	CM_CLKMODE_DPLL_PER[14]DPLL_SSC_DOWNSPREAD
CM_MPU_STATICDEP[19]EVE1_STATDEP	CM_CLKMODE_DPLL_PCIE_REF[15]DPLL_SSC_TYPE	CM_CLKMODE_DPLL_PER[13]DPLL_SSC_ACK
CM_MPU_STATICDEP[18]DSP2_STATDEP	CM_CLKMODE_DPLL_PCIE_REF[14]DPLL_SSC_DOWNSPREAD	CM_CLKMODE_DPLL_PER[12]DPLL_SSC_EN
PM_L3MAIN1_TPTC2_WKDEP[9]WKUPDEP_TPTC2_EVE4	CM_SSC_DELTAMSTEP_DPLL_DSP	CM_L4PER_CLKSTCTRL[25]CLKACTIVITY_PER_192M_GFCLK
PM_L3MAIN1_TPTC2_WKDEP[8]WKUPDEP_TPTC2_EVE3	PM_L3MAIN1_TPTC2_WKDEP[7]WKUPDEP_TPTC2_EVE2	PM_L3MAIN1_TPTC2_WKDEP[6]WKUPDEP_TPTC2_EVE1
CM_CLKSEL_SYS[2:0]SYS_CLKSEL=0x5	CM_CLKSEL_SYS[2:0]SYS_CLKSEL=0x1	CM_CLKSEL_SYS[2:0]SYS_CLKSEL=0x3
CM_COREAON_CLKSTCTRL[13]CLKACTIVITY_SR_DSPEVE_SYS_GFCLK	CM_CLKSEL_SYS[2:0]SYS_CLKSEL=0x7	CM_COREAON_CLKSTCTRL[15]CLKACTIVITY_SR_IVAHD_SYS_GFCLK
CM_COREAON_CLKSTCTRL[11]CLKACTIVITY_SR_CORE_SYS_GFCLK	CM_COREAON_CLKSTCTRL[10]CLKACTIVITY_SR_GPU_SYS_GFCLK	CM_COREAON_CLKSTCTRL[8]CLKACTIVITY_COREAON_L4_GICLK
CM_COREAON_CLKSTCTRL[9]CLKACTIVITY_SR_MPU_SYS_GFCLK	RM_L3MAIN1_L3_MAIN_1_CONTEXT	RM_L4CFG_MAILBOX7_CONTEXT
RM_IPU_MCASP1_CONTEXT	RM_L3MAIN1_GPMC_CONTEXT	RM_L4CFG_MAILBOX8_CONTEXT
RM_IPU_TIMER5_CONTEXT	RM_L3MAIN1_MMU_EDMA_CONTEXT	RM_L4CFG_MAILBOX9_CONTEXT
RM_IPU_TIMER6_CONTEXT	RM_L3MAIN1_MMU_PCIESS_CONTEXT	RM_L4CFG_MAILBOX10_CONTEXT
RM_IPU_TIMER7_CONTEXT	RM_L3MAIN1_OCMC_RAM1_CONTEXT	RM_L4CFG_MAILBOX11_CONTEXT
RM_IPU_TIMER8_CONTEXT	RM_L3MAIN1_TPCC_CONTEXT	RM_L4CFG_MAILBOX12_CONTEXT
RM_IPU_I2C5_CONTEXT	RM_L3MAIN1_TPTC1_CONTEXT	RM_L4CFG_MAILBOX13_CONTEXT
RM_IPU_UART6_CONTEXT	RM_L3MAIN1_TPTC2_CONTEXT	RM_L3INSTR_L3_MAIN_2_CONTEXT
RM_L3INIT_MMC1_CONTEXT	RM_L3MAIN1_VCP1_CONTEXT	RM_L3INSTR_L3_INSTR_CONTEXT
RM_L3INIT_MMC2_CONTEXT	RM_L3MAIN1_VCP2_CONTEXT	RM_L3INSTR_OCP_WP_NOC_CONTEXT
RM_L3INIT_MLB_SS_CONTEXT	RM_DMA_DMA_SYSTEM_CONTEXT	PM_L4PER_PWRSTST

Table 3-382. Not Supported Functionality (Registers and Bits) (continued)

Register/Field/Value	Register/Field/Value	Register/Field/Value
RM_L3INIT_IEEE1500_2_OCP_CONT EXT	RM_EMIF_DMM_CONTEXT	PM_L4PER_PWRSTCTRL
RM_GMAC_GMAC_CONTEXT	RM_EMIF_EMIF_OCP_FW_CONTEXT	RM_L4PER2_L4PER2_CONTEXT
RM_L3INIT_OCP2SCP1_CONTEXT	RM_EMIF_EMIF1_CONTEXT	RM_L4PER3_L4PER3_CONTEXT
RM_L3INIT_OCP2SCP3_CONTEXT	RM_EMIF_EMIF_DLL_CONTEXT	RM_L4PER2_PRUSS1_CONTEXT
PM_L3INIT_PWRSTCTRL [10]GMAC_ BANK_RETSTATE	RM_ATL_ATL_CONTEXT	RM_L4PER2_PRUSS2_CONTEXT
PM_L3INIT_PWRSTCTRL [19:18]GMA C_BANK_ONSTATE	RM_L4CFG_L4_CFG_CONTEXT	RM_L4PER_TIMER10_CONTEXT
PM_L3INIT_PWRSTST [9:8]L3INIT_GM AC_STATEST	RM_L4CFG_SPINLOCK_CONTEXT	RM_L4PER_TIMER11_CONTEXT
PM_CORE_PWRSTCTRL [25:24]OCP_ NRET_BANK_ONSTATE	RM_L4CFG_MAILBOX1_CONTEXT	RM_L4PER_TIMER2_CONTEXT
PM_CORE_PWRSTCTRL [19:18]COR E_OCMRAM_ONSTATE	RM_L4CFG_SAR_ROM_CONTEXT	RM_L4PER_TIMER3_CONTEXT
PM_CORE_PWRSTCTRL [17:16]COR E_OTHER_BANK_ONSTATE	RM_L4CFG_MAILBOX2_CONTEXT	RM_L4PER_TIMER4_CONTEXT
PM_CORE_PWRSTCTRL [12]OCP_NR ET_BANK_RETSTATE	RM_L4CFG_OCP2SCP2_CONTEXT	RM_L4PER_TIMER9_CONTEXT
PM_CORE_PWRSTCTRL [9]CORE_O CMRAM_RETSTATE	RM_L4CFG_MAILBOX3_CONTEXT	RM_L4PER_ELM_CONTEXT
PM_CORE_PWRSTCTRL [8]CORE_O THER_BANK_RETSTATE	RM_L4CFG_MAILBOX4_CONTEXT	RM_L4PER_GPIO2_CONTEXT
PM_CORE_PWRSTST [13:12]OCP_NR ET_BANK_STATEST	RM_L4CFG_MAILBOX5_CONTEXT	RM_L4PER_GPIO3_CONTEXT
PM_CORE_PWRSTST [7:6]CORE_OC MRAM_STATEST	RM_L4CFG_MAILBOX6_CONTEXT	RM_L4PER_GPIO4_CONTEXT
PM_CORE_PWRSTST [5:4]CORE_OT HER_BANK_STATEST	RM_L4PER3_TIMER13_CONTEXT	RM_L4PER_GPIO6_CONTEXT
RM_L4PER_HDQ1W_CONTEXT	RM_L4PER3_TIMER14_CONTEXT	RM_L4PER_MMC3_CONTEXT
RM_L4PER2_PWMSS2_CONTEXT	RM_L4PER3_TIMER15_CONTEXT	RM_L4PER_MMC4_CONTEXT
RM_L4PER2_PWMSS3_CONTEXT	RM_L4PER_MCSP1_CONTEXT	RM_L4PER3_TIMER16_CONTEXT
RM_L4PER_I2C1_CONTEXT	RM_L4PER_MCSP2_CONTEXT	RM_L4PER2_QSPI_CONTEXT
RM_L4PER_I2C2_CONTEXT	RM_L4PER_MCSP3_CONTEXT	RM_L4PER_UART1_CONTEXT
RM_L4PER_I2C3_CONTEXT	RM_L4PER_MCSP4_CONTEXT	RM_L4PER_UART2_CONTEXT
RM_L4PER_I2C4_CONTEXT	RM_L4PER_GPIO7_CONTEXT	RM_L4PER_UART3_CONTEXT
RM_L4PER_L4PER1_CONTEXT	RM_L4PER_GPIO8_CONTEXT	RM_L4PER_UART4_CONTEXT
RM_L4PER2_PWMSS1_CONTEXT	RM_L4PER2_MCASP6_CONTEXT	RM_L4PER2_MCASP2_CONTEXT
RM_L4PER2_MCASP3_CONTEXT	RM_L4PER2_MCASP7_CONTEXT	RM_L4PER2_MCASP4_CONTEXT
RM_L4PER_UART5_CONTEXT	RM_L4PER2_MCASP8_CONTEXT	RM_L4SEC_AES1_CONTEXT
RM_L4PER2_MCASP5_CONTEXT	RM_L4PER2_UART7_CONTEXT	RM_L4SEC_AES2_CONTEXT
RM_L4SEC_DES3DES_CONTEXT	RM_L4SEC_DMA_CRYPT0_CONTEXT	RM_L4PER2_DCAN2_CONTEXT
RM_L4SEC_FPKA_CONTEXT	RM_L4PER2_UART8_CONTEXT	RM_L4SEC_SHA2MD52_CONTEXT
RM_L4SEC_RNG_CONTEXT	RM_L4PER2_UART9_CONTEXT	PM_EMU_PWRSTCTRL
RM_L4SEC_SHA2MD51_CONTEXT	RM_L4PER_GPIO5_CONTEXT	PM_EMU_PWRSTST
RM_EMU_DEBUGSS_CONTEXT	CM_L4CFG_SAR_ROM_CLKCTRL	PRM_PHASE1_CNDP
PRM_PHASE2A_CNDP	PRM_PHASE2B_CNDP	CM_CAM_CAL_CLKCTRL [18]STBYST
CM_CAM_LVDSRX_CLKCTRL	RM_CAM_LVDSRX_CONTEXT	PM_DSP1_PWRSTST [25:24] LASTPOWERSTATEENTERED =0x1
PM_IVA_PWRSTCTRL [11] TCM2_MEM_RETSTATE	PM_CORE_PWRSTCTRL [1:0] POWERSTATE =0x1	PM_DSP1_PWRSTST [25:24] LASTPOWERSTATEENTERED =0x2

Table 3-382. Not Supported Functionality (Registers and Bits) (continued)

Register/Field/Value	Register/Field/Value	Register/Field/Value
PM_IVA_PWRSTCTRL[10] TCM1_MEM_RETSTATE	PM_CORE_PWRSTCTRL [1:0] POWERSTATE =0x2	PM_IPU_PWRSTCTRL [1:0] POWERSTATE =0x1
PM_IVA_PWRSTCTRL[9] SL2_MEM_RETSTATE	PM_CORE_PWRSTCTRL [2] LOGICRETSTATE	PM_IPU_PWRSTCTRL [1:0] POWERSTATE =0x2
PM_IVA_PWRSTCTRL[8] HWA_MEM_RETSTATE	PM_CORE_PWRSTCTRL [10] IPU_L2RAM_RETSTATE	PM_IPU_PWRSTCTRL [2] LOGICRETSTATE
PM_IVA_PWRSTCTRL[2] LOGICRETSTATE	PM_CORE_PWRSTCTRL [11] IPU_UNICACHE_RETSTATE	PM_IPU_PWRSTCTRL [8] AESSMEM_RETSTATE
PM_IVA_PWRSTCTRL[1:0] POWERSTATE =0x2	PM_CORE_PWRSTST [1:0] POWERSTATEEST=0x1	PM_IPU_PWRSTCTRL [10] PERIPHEM_RETSTATE
PM_IVA_PWRSTCTRL[1:0] POWERSTATE =0x1	PM_CORE_PWRSTST [1:0] POWERSTATEEST=0x2	PM_IPU_PWRSTST [1:0] POWERSTATEEST =0x1
PM_IVA_PWRSTST[25:24] LASTPOWERSTATEENTERED =0x1	PM_CORE_PWRSTST [9:8] IPU_L2RAM_STATEEST =0x1	PM_IPU_PWRSTST [1:0] POWERSTATEEST =0x2
PM_IVA_PWRSTST [25:24] LASTPOWERSTATEENTERED =0x2	PM_CORE_PWRSTST [11:10] IPU_UNICACHE_STATEEST =0x1	PM_IPU_PWRSTST [5:4] AESSMEM_STATEEST =0x1
PM_IVA_PWRSTST [11:10] TCM2_MEM_STATEEST =0x1	PM_CORE_PWRSTST [25:24] LASTPOWERSTATEENTERED =0x1	PM_IPU_PWRSTST [25:24] LASTPOWERSTATEENTERED =0x1
PM_IVA_PWRSTST [9:8] TCM1_MEM_STATEEST =0x1	PM_CORE_PWRSTST [25:24] LASTPOWERSTATEENTERED=0x2	PM_IPU_PWRSTST [25:24] LASTPOWERSTATEENTERED =0x2
PM_IVA_PWRSTST [7:6] SL2_MEM_STATEEST =0x1	PM_VPE_PWRSTCTRL [1:0] POWERSTATE =0x1	PM_L3INIT_PWRSTST[25:24] LASTPOWERSTATEENTERED=0x1
PM_IVA_PWRSTST [5:4] HWA_MEM_STATEEST=0x1	PM_VPE_PWRSTCTRL [1:0] POWERSTATE =0x2	PM_L3INIT_PWRSTST[25:24] LASTPOWERSTATEENTERED=0x2
PM_IVA_PWRSTST [1:0] POWERSTATEEST =0x1	PM_VPE_PWRSTCTRL [2] LOGICRETSTATE	PM_L3INIT_PWRSTST[7:6] L3INIT_BANK2_STATEEST=0x1
PM_IVA_PWRSTST [1:0] POWERSTATEEST =0x2	PM_VPE_PWRSTCTRL [8] VPE_BANK_RETSTATE	PM_L3INIT_PWRSTST[1:0] POWERSTATEEST=0x1
PM_CUSTEFUSE_PWRSTCTRL [1:0] POWERSTATE =0x2	PM_VPE_PWRSTST [1:0] POWERSTATEEST =0x1	PM_L3INIT_PWRSTST[1:0] POWERSTATEEST=0x2
PM_CUSTEFUSE_PWRSTST [1:0] POWERSTATEEST =0x1	PM_VPE_PWRSTST [1:0] POWERSTATEEST =0x2	PM_IVA_PWRSTST[2]LOGICSTATEEST= 0x0
PM_CUSTEFUSE_PWRSTST [1:0] POWERSTATEEST =0x2	PM_VPE_PWRSTST [5:4] VPE_BANK_STATEEST =0x1	PM_CUSTEFUSE_PWRSTST[2]LOGICS TATEEST=0x0
PM_CUSTEFUSE_PWRSTST [25:24] LASTPOWERSTATEENTERED =0x1	PM_VPE_PWRSTST [25:24] LASTPOWERSTATEENTERED =0x1	PM_DSS_PWRSTST[2]LOGICSTATEEST =0x0
PM_CUSTEFUSE_PWRSTST [25:24] LASTPOWERSTATEENTERED =0x2	PM_VPE_PWRSTST [25:24] LASTPOWERSTATEENTERED =0x2	PM_GPU_PWRSTST[2]LOGICSTATEEST =0x0
PM_DSS_PWRSTCTRL [8] DSS_MEM_RETSTATE	PM_CAM_PWRSTCTRL [1:0] POWERSTATE =0x2	PM_CORE_PWRSTST[2]LOGICSTATES T=0x0
PM_DSS_PWRSTCTRL [2] LOGICRETSTATE	PM_CAM_PWRSTST [1:0] POWERSTATEEST =0x1	PM_VPE_PWRSTST[2]LOGICSTATEEST =0x0
PM_DSS_PWRSTCTRL [1:0] POWERSTATE =0x1	PM_CAM_PWRSTST [1:0] POWERSTATEEST =0x2	PM_CAM_PWRSTST[2]LOGICSTATEEST =0x0
PM_DSS_PWRSTCTRL [1:0] POWERSTATE =0x2	PM_CAM_PWRSTST [25:24] LASTPOWERSTATEENTERED =0x1	PM_L3INIT_PWRSTST[2]LOGICSTATES T=0x0
PM_DSS_PWRSTST [1:0] POWERSTATEEST =0x1	PM_CAM_PWRSTST [25:24] LASTPOWERSTATEENTERED =0x2	PM_DSP1_PWRSTST[2]LOGICSTATES T=0x0
PM_DSS_PWRSTST [1:0] POWERSTATEEST =0x2	PM_L3INIT_PWRSTCTRL [1:0] POWERSTATE =0x1	PM_IPU_PWRSTST[2]LOGICSTATEEST= 0x0
PM_DSS_PWRSTST [25:24] LASTPOWERSTATEENTERED =0x1	PM_L3INIT_PWRSTCTRL [1:0] POWERSTATE =0x2	PRM_IRQENABLE_DSP1[13]DPLL_USB _RECAL_EN
PM_DSS_PWRSTST [25:24] LASTPOWERSTATEENTERED =0x2	PM_L3INIT_PWRSTCTRL [2] LOGICRETSTATE	
PM_GPU_PWRSTCTRL [1:0] POWERSTATE =0x2	PM_L3INIT_PWRSTCTRL [8] L3INIT_BANK1_RETSTATE	

Table 3-382. Not Supported Functionality (Registers and Bits) (continued)

Register/Field/Value	Register/Field/Value	Register/Field/Value
PM_GPU_PWRSTST [1:0] POWERSTATEST =0x1	PM_L3INIT_PWRSTCTRL [9] L3INIT_BANK2_RETSTATE	
PM_GPU_PWRSTST [1:0] POWERSTATEST =0x2	PM_DSP1_PWRSTCTRL [1:0] POWERSTATE =0x2	
PM_GPU_PWRSTST [25:24] LASTPOWERSTATEENTERED =0x1	PM_DSP1_PWRSTST [1:0] POWERSTATEST =0x1	
PM_GPU_PWRSTST [25:24] LASTPOWERSTATEENTERED =0x2	PM_DSP1_PWRSTST [1:0] POWERSTATEST =0x2	

3.12.2 PRCM Instance Summary

Table 3-383. PRCM L4_CFG Instance Summary

Module Name	Base Address L4_CFG Interconnect	Size
CM_CORE_AON__OCP_SOCKET	0x4A00 5000	256 Bytes
CM_CORE_AON__CKGEN	0x4A00 5100	504 Bytes
CM_CORE_AON__MPU	0x4A00 5300	44 Bytes
CM_CORE_AON__DSP1	0x4A00 5400	36 Bytes
CM_CORE_AON__IPU	0x4A00 5500	132 Bytes
CM_CORE_AON__DSP2	0x4A00 5600	36 Bytes
CM_CORE_AON__EVE1	0x4A00 5640	36 Bytes
CM_CORE_AON__EVE2	0x4A00 5680	36 Bytes
CM_CORE_AON__EVE3	0x4A00 56C0	36 Bytes
CM_CORE_AON__EVE4	0x4A00 5700	36 Bytes
CM_CORE_AON__RTC	0x4A00 5740	8 Bytes
CM_CORE_AON__VPE	0x4A00 5760	12 Bytes
CM_CORE_AON__RESTORE	0x4A00 5E00	84 Bytes
CM_CORE_AON__INSTR	0x4A00 5F00	52 Bytes
CM_CORE__OCP_SOCKET	0x4A00 8000	244 Bytes
CM_CORE__CKGEN	0x4A00 8100	296 Bytes
CM_CORE__COREAON	0x4A00 8600	212 Bytes
CM_CORE__CORE	0x4A00 8700	1876 Bytes
CM_CORE__IVA	0x4A00 8F00	44 Bytes
CM_CORE__CAM	0x4A00 9000	76 Bytes
CM_CORE__DSS	0x4A00 9100	64 Bytes
CM_CORE__GPU	0x4A00 9200	36 Bytes
CM_CORE__L3INIT	0x4A00 9300	244 Bytes
CM_CORE__CUSTEFUSE	0x4A00 9600	36 Bytes
CM_CORE__L4PER	0x4A00 9700	536 Bytes
CM_CORE__RESTORE	0x4A00 9E00	88 Bytes
SMARTREFLEX_MPU	0x4A0D 9000	80 Bytes
SMARTREFLEX_CORE	0x4A0D D000	80 Bytes
SMARTREFLEX_DSPEVE	0x4A18 3000	80 Bytes
SMARTREFLEX_GPU	0x4A18 5000	80 Bytes
SMARTREFLEX_IVA	0x4A18 7000	80 Bytes

Table 3-384. PRCM L4_WKUP Instance Summary

Module Name	Base Address L4_WKUP Interconnect	Size
OCP_SOCKET_PRM	0x4AE0 6000	248 Bytes
CKGEN_PRM	0x4AE0 6100	228 Bytes
MPU_PRM	0x4AE0 6300	40 Bytes
DSP1_PRM	0x4AE0 6400	40 Bytes
IPU_PRM	0x4AE0 6500	136 Bytes
COREAON_PRM	0x4AE0 6600	184 Bytes
CORE_PRM	0x4AE0 6700	1864 Bytes
IVA_PRM	0x4AE0 6F00	48 Bytes
CAM_PRM	0x4AE0 7000	80 Bytes
DSS_PRM	0x4AE0 7100	64 Bytes
GPU_PRM	0x4AE0 7200	40 Bytes
L3INIT_PRM	0x4AE0 7300	248 Bytes
L4PER_PRM	0x4AE0 7400	512 Bytes
CUSTEFUSE_PRM	0x4AE0 7600	40 Bytes
WKUPAON_PRM	0x4AE0 7700	188 Bytes
WKUPAON_CM	0x4AE0 7800	220 Bytes
EMU_PRM	0x4AE0 7900	40 Bytes
EMU_CM	0x4AE0 7A00	16 Bytes
DSP2_PRM	0x4AE0 7B00	40 Bytes
EVE1_PRM	0x4AE0 7B40	40 Bytes
EVE2_PRM	0x4AE0 7B80	40 Bytes
EVE3_PRM	0x4AE0 7BC0	40 Bytes
EVE4_PRM	0x4AE0 7C00	40 Bytes
RTC_PRM	0x4AE0 7C40	8 Bytes
VPE_PRM	0x4AE0 7C80	40 Bytes
DEVICE_PRM	0x4AE0 7D00	312 Bytes
INSTR_PRM	0x4AE0 7F00	52 Bytes

3.12.3 CM_CORE_AON__CKGEN Registers

3.12.3.1 CM_CORE_AON__CKGEN Register Summary

Table 3-385. CM_CORE_AON__CKGEN Registers Mapping Summary

Register Name	Type	Register Width (Bits)	Address Offset	CM_CORE_AON__CK GEN Physical Address L4_CFG Interconnect
CM_CLKSEL_CORE	RW	32	0x0000 0000	0x4A00 5100
CM_CLKSEL_ABE	RW	32	0x0000 0008	0x4A00 5108
CM_DLL_CTRL	RW	32	0x0000 0010	0x4A00 5110
CM_CLKMODE_DPLL_ CORE	RW	32	0x0000 0020	0x4A00 5120
CM_IDLEST_DPLL_CO RE	R	32	0x0000 0024	0x4A00 5124
CM_AUTOIDLE_DPLL_ CORE	RW	32	0x0000 0028	0x4A00 5128
CM_CLKSEL_DPLL_CO RE	RW	32	0x0000 002C	0x4A00 512C

Table 3-385. CM_CORE_AON_CKGEN Registers Mapping Summary (continued)

Register Name	Type	Register Width (Bits)	Address Offset	CM_CORE_AON_CKGEN Physical Address L4_CFG Interconnect
CM_DIV_M2_DPLL_CORE	RW	32	0x0000 0030	0x4A00 5130
CM_DIV_M3_DPLL_CORE	RW	32	0x0000 0034	0x4A00 5134
CM_DIV_H11_DPLL_CORE	RW	32	0x0000 0038	0x4A00 5138
CM_DIV_H12_DPLL_CORE	RW	32	0x0000 003C	0x4A00 513C
CM_DIV_H13_DPLL_CORE	RW	32	0x0000 0040	0x4A00 5140
CM_DIV_H14_DPLL_CORE	RW	32	0x0000 0044	0x4A00 5144
CM_SSC_DELTAMSTEP_DPLL_CORE	RW	32	0x0000 0048	0x4A00 5148
CM_SSC_MODFREQDIV_DPLL_CORE	RW	32	0x0000 004C	0x4A00 514C
CM_DIV_H21_DPLL_CORE	RW	32	0x0000 0050	0x4A00 5150
CM_DIV_H22_DPLL_CORE	RW	32	0x0000 0054	0x4A00 5154
CM_DIV_H23_DPLL_CORE	RW	32	0x0000 0058	0x4A00 5158
CM_DIV_H24_DPLL_CORE	RW	32	0x0000 005C	0x4A00 515C
CM_CLKMODE_DPLL_MPU	RW	32	0x0000 0060	0x4A00 5160
CM_IDLEST_DPLL_MPU	R	32	0x0000 0064	0x4A00 5164
CM_AUTOIDLE_DPLL_MPU	RW	32	0x0000 0068	0x4A00 5168
CM_CLKSEL_DPLL_MPU	RW	32	0x0000 006C	0x4A00 516C
CM_DIV_M2_DPLL_MPU	RW	32	0x0000 0070	0x4A00 5170
CM_SSC_DELTAMSTEP_DPLL_MPU	RW	32	0x0000 0088	0x4A00 5188
CM_SSC_MODFREQDIV_DPLL_MPU	RW	32	0x0000 008C	0x4A00 518C
CM_BYPCLK_DPLL_MPU	RW	32	0x0000 009C	0x4A00 519C
CM_CLKMODE_DPLL_IVA	RW	32	0x0000 00A0	0x4A00 51A0
CM_IDLEST_DPLL_IVA	R	32	0x0000 00A4	0x4A00 51A4
CM_AUTOIDLE_DPLL_IVA	RW	32	0x0000 00A8	0x4A00 51A8
CM_CLKSEL_DPLL_IVA	RW	32	0x0000 00AC	0x4A00 51AC
CM_DIV_M2_DPLL_IVA	RW	32	0x0000 00B0	0x4A00 51B0
CM_DIV_M3_DPLL_IVA	RW	32	0x0000 00B4	0x4A00 51B4
CM_SSC_DELTAMSTEP_DPLL_IVA	RW	32	0x0000 00C8	0x4A00 51C8
CM_SSC_MODFREQDIV_DPLL_IVA	RW	32	0x0000 00CC	0x4A00 51CC

Table 3-385. CM_CORE_AON_CKGEN Registers Mapping Summary (continued)

Register Name	Type	Register Width (Bits)	Address Offset	CM_CORE_AON_CKGEN Physical Address L4_CFG Interconnect
CM_BYPCLK_DPLL_IV A	RW	32	0x0000 00DC	0x4A00 51DC
CM_CLKMODE_DPLL_ ABE	RW	32	0x0000 00E0	0x4A00 51E0
CM_IDLEST_DPLL_AB E	R	32	0x0000 00E4	0x4A00 51E4
CM_AUTOIDLE_DPLL_ ABE	RW	32	0x0000 00E8	0x4A00 51E8
CM_CLKSEL_DPLL_AB E	RW	32	0x0000 00EC	0x4A00 51EC
CM_DIV_M2_DPLL_AB E	RW	32	0x0000 00F0	0x4A00 51F0
CM_DIV_M3_DPLL_AB E	RW	32	0x0000 00F4	0x4A00 51F4
CM_SSC_DELTAMSTE P_DPLL_ABE	RW	32	0x0000 0108	0x4A00 5208
CM_SSC_MODFREQDI V_DPLL_ABE	RW	32	0x0000 010C	0x4A00 520C
CM_CLKMODE_DPLL_ DDR	RW	32	0x0000 0110	0x4A00 5210
CM_IDLEST_DPLL_DD R	R	32	0x0000 0114	0x4A00 5214
CM_AUTOIDLE_DPLL_ DDR	RW	32	0x0000 0118	0x4A00 5218
CM_CLKSEL_DPLL_DD R	RW	32	0x0000 011C	0x4A00 521C
CM_DIV_M2_DPLL_DD R	RW	32	0x0000 0120	0x4A00 5220
CM_DIV_M3_DPLL_DD R	RW	32	0x0000 0124	0x4A00 5224
CM_DIV_H11_DPLL_D DR	RW	32	0x0000 0128	0x4A00 5228
CM_SSC_DELTAMSTE P_DPLL_DDR	RW	32	0x0000 012C	0x4A00 522C
CM_SSC_MODFREQDI V_DPLL_DDR	RW	32	0x0000 0130	0x4A00 5230
CM_CLKMODE_DPLL_ DSP	RW	32	0x0000 0134	0x4A00 5234
CM_IDLEST_DPLL_DS P	R	32	0x0000 0138	0x4A00 5238
CM_AUTOIDLE_DPLL_ DSP	RW	32	0x0000 013C	0x4A00 523C
CM_CLKSEL_DPLL_DS P	RW	32	0x0000 0140	0x4A00 5240
CM_DIV_M2_DPLL_DS P	RW	32	0x0000 0144	0x4A00 5244
CM_DIV_M3_DPLL_DS P	RW	32	0x0000 0148	0x4A00 5248
CM_SSC_DELTAMSTE P_DPLL_DSP	RW	32	0x0000 014C	0x4A00 524C
CM_SSC_MODFREQDI V_DPLL_DSP	RW	32	0x0000 0150	0x4A00 5250
CM_BYPCLK_DPLL_DS P	RW	32	0x0000 0154	0x4A00 5254

Table 3-385. CM_CORE_AON_CKGEN Registers Mapping Summary (continued)

Register Name	Type	Register Width (Bits)	Address Offset	CM_CORE_AON_CKGEN Physical Address L4_CFG Interconnect
CM_SHADOW_FREQ_CONFIG1	RW	32	0x0000 0160	0x4A00 5260
CM_SHADOW_FREQ_CONFIG2	RW	32	0x0000 0164	0x4A00 5264
CM_DYN_DEP_PRESCAL	RW	32	0x0000 0170	0x4A00 5270
CM_RESTORE_ST	RW	32	0x0000 0180	0x4A00 5280
CM_CLKMODE_DPLL_EVE	RW	32	0x0000 0184	0x4A00 5284
CM_IDLEST_DPLL_EVE	R	32	0x0000 0188	0x4A00 5288
CM_AUTOIDLE_DPLL_EVE	RW	32	0x0000 018C	0x4A00 528C
CM_CLKSEL_DPLL_EVE	RW	32	0x0000 0190	0x4A00 5290
CM_DIV_M2_DPLL_EVE	RW	32	0x0000 0194	0x4A00 5294
CM_DIV_M3_DPLL_EVE	RW	32	0x0000 0198	0x4A00 5298
CM_SSC_DELTAMSTEP_DPLL_EVE	RW	32	0x0000 019C	0x4A00 529C
CM_SSC_MODFREQDIV_DPLL_EVE	RW	32	0x0000 01A0	0x4A00 52A0
CM_BYPCLK_DPLL_EVE	RW	32	0x0000 01A4	0x4A00 52A4
CM_CLKMODE_DPLL_GMAC	RW	32	0x0000 01A8	0x4A00 52A8
CM_IDLEST_DPLL_GMAC	R	32	0x0000 01AC	0x4A00 52AC
CM_AUTOIDLE_DPLL_GMAC	RW	32	0x0000 01B0	0x4A00 52B0
CM_CLKSEL_DPLL_GMAC	RW	32	0x0000 01B4	0x4A00 52B4
CM_DIV_M2_DPLL_GMAC	RW	32	0x0000 01B8	0x4A00 52B8
CM_DIV_M3_DPLL_GMAC	RW	32	0x0000 01BC	0x4A00 52BC
CM_DIV_H11_DPLL_GMAC	RW	32	0x0000 01C0	0x4A00 52C0
CM_DIV_H12_DPLL_GMAC	RW	32	0x0000 01C4	0x4A00 52C4
CM_DIV_H13_DPLL_GMAC	RW	32	0x0000 01C8	0x4A00 52C8
CM_DIV_H14_DPLL_GMAC	RW	32	0x0000 01CC	0x4A00 52CC
CM_SSC_DELTAMSTEP_DPLL_GMAC	RW	32	0x0000 01D0	0x4A00 52D0
CM_SSC_MODFREQDIV_DPLL_GMAC	RW	32	0x0000 01D4	0x4A00 52D4
CM_CLKMODE_DPLL_GPU	RW	32	0x0000 01D8	0x4A00 52D8
CM_IDLEST_DPLL_GPU	R	32	0x0000 01DC	0x4A00 52DC

Table 3-385. CM_CORE_AON__CKGEN Registers Mapping Summary (continued)

Register Name	Type	Register Width (Bits)	Address Offset	CM_CORE_AON__CKGEN Physical Address L4_CFG Interconnect
CM_AUTOIDLE_DPLL_GPU	RW	32	0x0000 01E0	0x4A00 52E0
CM_CLKSEL_DPLL_GPU	RW	32	0x0000 01E4	0x4A00 52E4
CM_DIV_M2_DPLL_GPU	RW	32	0x0000 01E8	0x4A00 52E8
CM_DIV_M3_DPLL_GPU	RW	32	0x0000 01EC	0x4A00 52EC
CM_SSC_DELTAMSTEP_DPLL_GPU	RW	32	0x0000 01F0	0x4A00 52F0
CM_SSC_MODFREQDIV_DPLL_GPU	RW	32	0x0000 01F4	0x4A00 52F4

3.12.3.2 CM_CORE_AON__CKGEN Register Description

Table 3-386. CM_CLKSEL_CORE

Address Offset	0x0000 0000	Instance	CM_CORE_AON__CKGEN
Physical Address	0x4A00 5100		
Description	CORE module clock selection.		
Type	RW		

31	30	29	28	27	26	25	24	23	22	21	20	19	18	17	16	15	14	13	12	11	10	9	8	7	6	5	4	3	2	1	0
RESERVED																CLKSEL_L4	RESERVED		CLKSEL_L3	RESERVED											

Bits	Field Name	Description	Type	Reset
31:9	RESERVED		R	0x0
8	CLKSEL_L4	Selects L4 interconnect clock (L4_clk) 0x0: RESERVED 0x1: L4_CLK is L3_CLK divided by 2	R	0x1
7:5	RESERVED		R	0x0
4	CLKSEL_L3	Selects L3 interconnect clock (L3_clk) 0x0: L3_CLK is CORE_CLK divided by 1 0x1: L3_CLK is CORE_CLK divided by 2	RW	0x0
3:0	RESERVED		R	0x0

Table 3-387. Register Call Summary for Register CM_CLKSEL_CORE

Clock Management Functional Description

- [CM_CORE_AON Clock Generator: \[0\]\[1\]](#)

PRCM Register Manual

- [CM_CORE_AON__CKGEN Register Summary: \[2\]](#)
- [CM_CORE_AON__CKGEN Register Description: \[3\]](#)
- [CM_CORE_AON__RESTORE Register Description: \[4\]\[5\]](#)

Table 3-388. CM_CLKSEL_ABE

Address Offset	0x0000 0008	Instance	CM_CORE_AON_CKGEN
Physical Address	0x4A00 5108		
Description	ABE module clock selection.		
Type	RW		

31	30	29	28	27	26	25	24	23	22	21	20	19	18	17	16	15	14	13	12	11	10	9	8	7	6	5	4	3	2	1	0
RESERVED																SLIMBUS1_CLK_GATE	RESERVED										CLKSEL_OPP				

Bits	Field Name	Description	Type	Reset
31:11	RESERVED		R	0x0
10	SLIMBUS1_CLK_GATE	Gating control for SLIMBUS_CLK clock tree in ABE. SLIMBUS module always gets the ungated version. 0x0: The clock is gated 0x1: The clock is enabled	RW	0x0
9:2	RESERVED		R	0x0
1:0	CLKSEL_OPP	Selects the OPP divider ABE domain 0x0: ABE_CLK is divide by 1 of DPLL_ABE_X2_CLK 0x1: ABE_CLK is divide by 2 of DPLL_ABE_X2_CLK 0x2: ABE_CLK is divide by 4 of DPLL_ABE_X2_CLK 0x3: Reserved	RW	0x0

Table 3-389. Register Call Summary for Register CM_CLKSEL_ABE

PRCM Register Manual

- [Not Supported Functionality \(Registers and Bits\): \[0\]](#)
- [CM_CORE_AON_CKGEN Register Summary: \[1\]](#)

Table 3-390. CM_DLL_CTRL

Address Offset	0x0000 0010	Instance	CM_CORE_AON_CKGEN
Physical Address	0x4A00 5110		
Description	Special register for DLL control		
Type	RW		

31	30	29	28	27	26	25	24	23	22	21	20	19	18	17	16	15	14	13	12	11	10	9	8	7	6	5	4	3	2	1	0
RESERVED																DLL_OVERRIDE															

Bits	Field Name	Description	Type	Reset
31:1	RESERVED		R	0x0
0	DLL_OVERRIDE	Control if DLL lock and code outputs are overridden or not 0x0: Lock and code outputs are not overridden 0x1: Lock output is overridden to '1' and code output is overridden with a value coming from control module.	RW	0x1

Table 3-391. Register Call Summary for Register CM_DLL_CTRL

PRCM Register Manual

- [CM_CORE_AON_CKGEN Register Summary: \[0\]](#)
- [CM_CORE_AON_CKGEN Register Description: \[1\]](#)

Table 3-392. CM_CLKMODE_DPLL_CORE

Address Offset	0x0000 0020	Instance	CM_CORE_AON_CKGEN
Physical Address	0x4A00 5120		
Description	This register allows controlling the DPLL modes.		
Type	RW		

31	30	29	28	27	26	25	24	23	22	21	20	19	18	17	16	15	14	13	12	11	10	9	8	7	6	5	4	3	2	1	0	
RESERVED																DPLL_SSC_TYPE	DPLL_SSC_DOWNSPREAD	DPLL_SSC_ACK	DPLL_SSC_EN	DPLL_REGM4XEN	DPLL_LP_MODE_EN	RESERVED	DPLL_DRIFTGUARD_EN	RESERVED							DPLL_EN	

Bits	Field Name	Description	Type	Reset
31:16	RESERVED		R	0x0
15	DPLL_SSC_TYPE	Select between Triangular and SquareWave Spread Spectrum Clocking 0x0: Triangular Spread Spectrum Clocking is selected 0x1: Square Wave Spread Spectrum Clocking is selected (only available under proper licensing agreement)	RW	0x0
14	DPLL_SSC_DOWNSPREAD	Control if only low frequency spread is required 0x0: When SSC is enabled, clock frequency is spread on both sides of the programmed frequency 0x1: When SSC is enabled, clock frequency is spread only on the lower side of the programmed frequency	RW	0x0
13	DPLL_SSC_ACK	Acknowledgement from the DPLL regarding start and stop of Spread Spectrum Clocking feature 0x0: SSC has been turned off on PLL o/ps 0x1: SSC has been turned on on PLL o/ps	R	0x0
12	DPLL_SSC_EN	Enable or disable Spread Spectrum Clocking 0x0: SSC disabled 0x1: SSC enabled	RW	0x0
11	DPLL_REGM4XEN	Enable the REGM4XEN mode of the DPLL. Please check the DPLL documentation to check when this mode can be enabled. 0x0: REGM4XEN mode of the DPLL is disabled	R	0x0

Bits	Field Name	Description	Type	Reset
10	DPLL_LPMODE_EN	Set the DPLL in Low Power mode. Check the DPLL documentation to see when this can be enabled. 0x0: Low power mode of the DPLL is disabled 0x1: Low power mode of the DPLL is enabled	RW	0x0
9	RESERVED		R	0x0
8	DPLL_DRIFTGUARD_EN	This bit allows to enable or disable the automatic recalibration feature of the DPLL. The DPLL will automatically start a recalibration process upon assertion of the DPLL's RECAL flag if this bit is set. 0x0: DRIFTGUARD feature is disabled 0x1: DRIFTGUARD feature is enabled	RW	0x0
7:3	RESERVED		R	0x0
2:0	DPLL_EN	DPLL control. 0x0: Reserved 0x1: Reserved 0x2: Reserved 0x3: Reserved 0x4: Reserved 0x5: Put the DPLL in Idle Bypass Low Power mode. 0x6: Put the DPLL in Idle Bypass Fast Relock mode. 0x7: Enables the DPLL in Lock mode	RW	0x5

Table 3-393. Register Call Summary for Register CM_CLKMODE_DPLL_CORE

Clock Management Functional Description

- [DPLL_CORE Power Modes: \[0\]\[1\]](#)
- [DPLL_CORE Recalibration: \[2\]](#)

PRCM Register Manual

- [Not Supported Functionality \(Registers and Bits\): \[5\]\[6\]\[7\]\[8\]](#)
- [CM_CORE_AON__CKGEN Register Summary: \[9\]](#)
- [CM_CORE_AON__RESTORE Register Description: \[10\]\[11\]](#)

Table 3-394. CM_IDLEST_DPLL_CORE

Address Offset	0x0000 0024	Instance	CM_CORE_AON__CKGEN
Physical Address	0x4A00 5124		
Description	This register allows monitoring DPLL activity. This register is read only and automatically updated. [warm reset insensitive]		
Type	R		

31	30	29	28	27	26	25	24	23	22	21	20	19	18	17	16	15	14	13	12	11	10	9	8	7	6	5	4	3	2	1	0
RESERVED																ST_DPLL_INIT		ST_DPLL_MODE		ST_DPLL_CLK											

Bits	Field Name	Description	Type	Reset
31:5	RESERVED		R	0x0
4	ST_DPLL_INIT	DPLL init status (for debug purpose). 0x0: DPLL is not init 0x1: DPLL has been init	R	0x0

Bits	Field Name	Description	Type	Reset
3:1	ST_DPLL_MODE	DPLL mode status (for debug purpose). 0x0: Transient state. From reset to any LP idle state or from any power state to any power state (Power states are Low Power Stop mode, Fast Relock Stop mode, Idle Bypass Low Power mode and Idle Bypass Fast Relock mode). 0x1: The DPLL is in Low Power Stop mode. 0x2: The DPLL is in Fast Relock Stop mode. 0x3: Reserved 0x4: Reserved 0x5: The DPLL is in Idle Bypass Low Power mode. 0x6: The DPLL is in Idle Bypass Fast Relock mode. 0x7: Reserved	R	0x0
0	ST_DPLL_CLK	DPLL lock status 0x0: DPLL is either in bypass mode or in stop mode. 0x1: DPLL is LOCKED	R	0x0

Table 3-395. Register Call Summary for Register CM_IDLEST_DPLL_CORE

PRCM Register Manual

- [CM_CORE_AON_CKGEN Register Summary: \[0\]](#)

Table 3-396. CM_AUTOIDLE_DPLL_CORE

Address Offset	0x0000 0028	
Physical Address	0x4A00 5128	Instance CM_CORE_AON_CKGEN
Description	This register provides automatic control over the DPLL activity.	
Type	RW	

31	30	29	28	27	26	25	24	23	22	21	20	19	18	17	16	15	14	13	12	11	10	9	8	7	6	5	4	3	2	1	0
RESERVED																							AUTO_DPLL_MODE								

Bits	Field Name	Description	Type	Reset
31:3	RESERVED		R	0x0
2:0	AUTO_DPLL_MODE	DPLL automatic control. 0x0: DPLL auto control disabled 0x1: The DPLL is automatically put in Low Power Stop mode when its DPLL generated clocks are not required anymore. It is also restarted automatically. 0x2: The DPLL is automatically put in Fast Relock Stop mode when its DPLL generated clocks are not required anymore. It is also restarted automatically. 0x3: Reserved 0x4: Reserved 0x5: The DPLL is automatically put in Idle Bypass Low Power mode when its DPLL generated clocks are not required anymore. It is also restarted automatically. 0x6: The DPLL is automatically put in Idle Bypass Fast Relock mode when its DPLL generated clocks are not required anymore. It is also restarted automatically. 0x7: Reserved	RW	0x0

Table 3-397. Register Call Summary for Register CM_AUTOIDLE_DPLL_CORE

Clock Management Functional Description

- [DPLL_CORE Power Modes: \[0\]](#)

PRCM Register Manual

- [CM_CORE_AON_CKGEN Register Summary: \[1\]](#)
- [CM_CORE_AON_RESTORE Register Description: \[2\]\[3\]](#)

Table 3-398. CM_CLKSEL_DPLL_CORE

Address Offset	0x0000 002C	Instance	CM_CORE_AON_CKGEN
Physical Address	0x4A00 512C		
Description	This register provides controls over the DPLL.		
Type	RW		

31	30	29	28	27	26	25	24	23	22	21	20	19	18	17	16	15	14	13	12	11	10	9	8	7	6	5	4	3	2	1	0
RESERVED								DPLL_BYP_CLKSEL	DCC_EN	RESERVED	DPLL_CLKOUTHIF_CLKSEL	RESERVED	DPLL_MULT										RESERVED	DPLL_DIV							

Bits	Field Name	Description	Type	Reset
31:24	RESERVED		R	0x0
23	DPLL_BYP_CLKSEL	Allows control of the BYPASS clock of the PLL and the associated HSDIVIDER. Same as ULOWCLKEN on DPLL. In DPLL Locked mode, 0 - No impact 1 - No impact In DPLL Bypass mode, 0 - CLKINP is selected as the BYPASS clock for CLKOUT/CLKOUTX2 1 - CLKINPULOW is selected as the BYPASS clock for CLKOUT/CLKOUTX2	RW	0x0

Bits	Field Name	Description	Type	Reset
22	DCC_EN	Duty-cycle corrector for high frequency clock 0x0: Duty-cycle corrector is disabled	R	0x0
21	RESERVED		R	0x0
20	DPLL_CLKOUTHIF_CLKSEL	Selects the source of the DPLL CLKOUTHIF clock. Same as CLKINPHIFSEL pin on the DPLL 0x0: CLKOUTHIF is generated from the DPLL oscillator (DCO) 0x1: CLKOUTHIF is generated from CLKINPHIF	RW	0x0
19	RESERVED		R	0x0
18:8	DPLL_MULT	DPLL multiplier factor (2 to 2047). (equal to input M of DPLL; M=2 to 2047 = DPLL multiplies by M). [warm reset insensitive] 0x0: Reserved 0x1: Reserved	RW	0x0
7	RESERVED		R	0x0
6:0	DPLL_DIV	DPLL divider factor (0 to 127) (equal to input N of DPLL; actual division factor is N+1). [warm reset insensitive]	RW	0x0

Table 3-399. Register Call Summary for Register CM_CLKSEL_DPLL_CORE

Clock Management Functional Description

- [DPLL_CORE Synthesized Clock Parameters: \[0\]\[1\]](#)

PRCM Register Manual

- [CM_CORE_AON_CKGEN Register Summary: \[2\]](#)
- [CM_CORE_AON_RESTORE Register Description: \[3\]\[4\]](#)

Table 3-400. CM_DIV_M2_DPLL_CORE

Address Offset	0x0000 0030	Instance	CM_CORE_AON_CKGEN
Physical Address	0x4A00 5130		
Description	This register provides controls over the M2 divider of the DPLL.		
Type	RW		

31	30	29	28	27	26	25	24	23	22	21	20	19	18	17	16	15	14	13	12	11	10	9	8	7	6	5	4	3	2	1	0
RESERVED																CLKST	RESERVED				DIVHS										

Bits	Field Name	Description	Type	Reset
31:10	RESERVED		R	0x0
9	CLKST	DPLL CLKOUT status 0x0: The clock output is gated 0x1: The clock output is enabled	R	0x0
8:5	RESERVED		R	0x0
4:0	DIVHS	This field programs the M2 post-divider factor (1 to 31) of DPLL_CORE. 0x0: Reserved 0x1: M2 = /1 0x2: M2 = /2 ... 0x1F: M2 = /31	RW	0x1

Table 3-401. Register Call Summary for Register CM_DIV_M2_DPLL_CORE

Clock Management Functional Description

- [DPLL_CORE Synthesized Clock Parameters: \[0\]\[1\]](#)

PRCM Register Manual

- [CM_CORE_AON_CKGEN Register Summary: \[2\]](#)
- [CM_CORE_AON_RESTORE Register Description: \[3\]\[4\]](#)

Table 3-402. CM_DIV_M3_DPLL_CORE

Address Offset	0x0000 0034	Instance	CM_CORE_AON_CKGEN
Physical Address	0x4A00 5134		
Description	This register provides controls over the M3 divider of the DPLL.		
Type	RW		

31	30	29	28	27	26	25	24	23	22	21	20	19	18	17	16	15	14	13	12	11	10	9	8	7	6	5	4	3	2	1	0
RESERVED																CLKST	RESERVED				DIVHS										

Bits	Field Name	Description	Type	Reset
31:10	RESERVED		R	0x0
9	CLKST	DPLL CLKOUTHIF status 0x0: The clock output is gated 0x1: The clock output is enabled	R	0x0
8:5	RESERVED		R	0x0
4:0	DIVHS	This field programs the M3 post-divider factor (1 to 31) of DPLL_CORE. 0x0: Reserved 0x1: M3 = /1 0x2: M3 = /2 ... 0x1F: M3 = /31	RW	0x1

Table 3-403. CM_DIV_H11_DPLL_CORE

Address Offset	0x0000 0038	Instance	CM_CORE_AON_CKGEN
Physical Address	0x4A00 5138		
Description	This register provides controls over the CLKOUT1 o/p of the HSDIVIDER1.		
Type	RW		

31	30	29	28	27	26	25	24	23	22	21	20	19	18	17	16	15	14	13	12	11	10	9	8	7	6	5	4	3	2	1	0
RESERVED																CLKST	RESERVED	DIVHS													

Bits	Field Name	Description	Type	Reset
31:10	RESERVED		R	0x0
9	CLKST	HSDIVIDER1 CLKOUT1 status 0x0: The clock output is gated 0x1: The clock output is enabled	R	0x0
8:6	RESERVED		R	0x0

Bits	Field Name	Description	Type	Reset
5:0	DIVHS	This field programs the H11 post-divider factor (1 to 63) of DPLL_CORE. 0x0: Reserved 0x1: H11 = /1 0x2: H11 = /2 ... 0x3F: H11 = /63	RW	0x1

Table 3-404. CM_DIV_H12_DPLL_CORE

Address Offset	0x0000 003C	Instance	CM_CORE_AON_CKGEN
Physical Address	0x4A00 513C		
Description	This register provides controls over the CLKOUT2 o/p of the HSDIVIDER1.		
Type	RW		

31	30	29	28	27	26	25	24	23	22	21	20	19	18	17	16	15	14	13	12	11	10	9	8	7	6	5	4	3	2	1	0
RESERVED																CLKST	RESERVED	DIVHS													

Bits	Field Name	Description	Type	Reset
31:10	RESERVED	Reserved	R	0x0
9	CLKST	HSDIVIDER1 CLKOUT2 status 0x0: The clock output is gated 0x1: The clock output is enabled	R	0x0
8:6	RESERVED	Reserved	R	0x0
5:0	DIVHS	This field programs the H12 post-divider factor (1 to 63) of DPLL_CORE. 0x0: Reserved 0x1: H12 = /1 0x2: H12 = /2 ... 0x3F: H12 = /63	RW	0x1

Table 3-405. Register Call Summary for Register CM_DIV_H12_DPLL_CORE
Clock Management Functional Description

- [DPLL_CORE Synthesized Clock Parameters: \[0\]\[1\]](#)

PRCM Register Manual

- [CM_CORE_AON_CKGEN Register Summary: \[2\]](#)
- [CM_CORE_AON_CKGEN Register Description: \[3\]](#)
- [CM_CORE_AON_RESTORE Register Description: \[4\]\[5\]\[6\]](#)

Table 3-406. CM_DIV_H13_DPLL_CORE

Address Offset	0x0000 0040	Instance	CM_CORE_AON_CKGEN
Physical Address	0x4A00 5140		
Description	This register provides controls over the CLKOUT3 o/p of the HSDIVIDER1.		
Type	RW		

31	30	29	28	27	26	25	24	23	22	21	20	19	18	17	16	15	14	13	12	11	10	9	8	7	6	5	4	3	2	1	0
RESERVED																CLKST	RESERVED	DIVHS													

Bits	Field Name	Description	Type	Reset
31:10	RESERVED	Reserved	R	0x0
9	CLKST	HSDIVIDER1 CLKOUT3 status 0x0: The clock output is gated 0x1: The clock output is enabled	R	0x0
8:6	RESERVED	Reserved	R	0x0
5:0	DIVHS	This field programs the H13 post-divider factor (1 to 63) of DPLL_CORE. 0x0: Reserved 0x1: H13 = /1 0x2: H13 = /2 ... 0x3F: H13 = /63	RW	0x1

Table 3-407. Register Call Summary for Register CM_DIV_H13_DPLL_CORE

Clock Management Functional Description

- [DPLL_CORE Synthesized Clock Parameters: \[0\]\[1\]](#)

PRCM Register Manual

- [CM_CORE_AON_CKGEN Register Summary: \[2\]](#)
- [CM_CORE_AON_RESTORE Register Description: \[3\]](#)

Table 3-408. CM_DIV_H14_DPLL_CORE

Address Offset	0x0000 0044	Instance	CM_CORE_AON_CKGEN
Physical Address	0x4A00 5144		
Description	This register provides controls over the CLKOUT4 o/p of the HSDIVIDER1.		
Type	RW		

31	30	29	28	27	26	25	24	23	22	21	20	19	18	17	16	15	14	13	12	11	10	9	8	7	6	5	4	3	2	1	0
RESERVED																CLKST	RESERVED	DIVHS													

Bits	Field Name	Description	Type	Reset
31:10	RESERVED		R	0x0
9	CLKST	HSDIVIDER1 CLKOUT4 status 0x0: The clock output is gated 0x1: The clock output is enabled	R	0x0

Bits	Field Name	Description	Type	Reset
8:6	RESERVED		R	0x0
5:0	DIVHS	This field programs the H14 post-divider factor (1 to 63) of DPLL_CORE. When a value of 63 is programmed in this register, HS divider will perform division by 2.5 that is divided by 2 at top level. 0x0: Reserved 0x1: H14 = /1 0x2: H14 = /2 ... 0x3F: H14 = /63	RW	0x1

Table 3-409. Register Call Summary for Register CM_DIV_H14_DPLL_CORE

Clock Management Functional Description

- [DPLL_CORE Synthesized Clock Parameters: \[0\]\[1\]](#)

PRCM Register Manual

- [CM_CORE_AON_CKGEN Register Summary: \[2\]](#)
- [CM_CORE_AON_RESTORE Register Description: \[3\]\[4\]](#)

Table 3-410. CM_SSC_DELTAMSTEP_DPLL_CORE

Address Offset	0x0000 0048	Instance	CM_CORE_AON_CKGEN
Physical Address	0x4A00 5148		
Description	Control the DeltaMStep parameter for Spread Spectrum Clocking. [warm reset insensitive]		
Type	RW		

31	30	29	28	27	26	25	24	23	22	21	20	19	18	17	16	15	14	13	12	11	10	9	8	7	6	5	4	3	2	1	0
RESERVED												DELTAMSTEP																			

Bits	Field Name	Description	Type	Reset
31:20	RESERVED		R	0x0
19:0	DELTAMSTEP	DeltaMStep is split into fractional and integer part. For Triangular Spread Spectrum: [19:18] for integer part, [17:0] for fractional part For Square Wave Spread Spectrum [19:14] for integer part, [13:0] for fractional part	RW	0x0

Table 3-411. CM_SSC_MODFREQDIV_DPLL_CORE

Address Offset	0x0000 004C	Instance	CM_CORE_AON_CKGEN
Physical Address	0x4A00 514C		
Description	Control the Modulation Frequency (Fm) for Spread Spectrum Clocking. [warm reset insensitive]		
Type	RW		

31	30	29	28	27	26	25	24	23	22	21	20	19	18	17	16	15	14	13	12	11	10	9	8	7	6	5	4	3	2	1	0
RESERVED												MODFREQDIV_EXPONENT		RESERVED		MODFREQDIV_MANTISSA															

Bits	Field Name	Description	Type	Reset
31:11	RESERVED		R	0x0
10:8	MODFREQDIV_EXPONENT	Set the Exponent component of MODFREQDIV factor	RW	0x0
7	RESERVED		R	0x0
6:0	MODFREQDIV_MANTISSA	Set the Mantissa component of MODFREQDIV factor	RW	0x0

Table 3-412. CM_DIV_H21_DPLL_CORE

Address Offset	0x0000 0050	Instance	CM_CORE_AON_CKGEN
Physical Address	0x4A00 5150		
Description	This register provides controls over the CLKOUT1 o/p of the 2nd HSDIVIDER.		
Type	RW		

31	30	29	28	27	26	25	24	23	22	21	20	19	18	17	16	15	14	13	12	11	10	9	8	7	6	5	4	3	2	1	0
RESERVED																CLKST	RESERVED	DIVHS													

Bits	Field Name	Description	Type	Reset
31:10	RESERVED		R	0x0
9	CLKST	HSDIVIDER2 CLKOUT2 status 0x0: The clock output is gated 0x1: The clock output is enabled	R	0x0
8:6	RESERVED		R	0x0
5:0	DIVHS	This field programs the H21 post-divider factor (1 to 63) of DPLL_CORE. 0x0: Reserved 0x1: H21 = /1 0x2: H21 = /2 ... 0x3F: H21 = /63	RW	0x1

Table 3-413. CM_DIV_H22_DPLL_CORE

Address Offset	0x0000 0054	Instance	CM_CORE_AON_CKGEN
Physical Address	0x4A00 5154		
Description	This register provides controls over the CLKOUT2 o/p of the 2nd HSDIVIDER.		
Type	RW		

31	30	29	28	27	26	25	24	23	22	21	20	19	18	17	16	15	14	13	12	11	10	9	8	7	6	5	4	3	2	1	0
RESERVED																CLKST	RESERVED	DIVHS													

Bits	Field Name	Description	Type	Reset
31:10	RESERVED		R	0x0
9	CLKST	HSDIVIDER2 CLKOUT2 status 0x0: The clock output is gated 0x1: The clock output is enabled	R	0x0
8:6	RESERVED		R	0x0

Bits	Field Name	Description	Type	Reset
5:0	DIVHS	This field programs the H22 post-divider factor (1 to 63) of DPLL_CORE. 0x0: Reserved 0x1: H22 = /1 0x2: H22 = /2 ... 0x3F: H22 = /63	RW	0x1

Table 3-414. Register Call Summary for Register CM_DIV_H22_DPLL_CORE

Clock Management Functional Description

- [DPLL_CORE Synthesized Clock Parameters: \[0\]\[1\]](#)

PRCM Register Manual

- [CM_CORE_AON__CKGEN Register Summary: \[2\]](#)
- [CM_CORE_AON__RESTORE Register Description: \[3\]\[4\]](#)

Table 3-415. CM_DIV_H23_DPLL_CORE

Address Offset	0x0000 0058	Instance	CM_CORE_AON__CKGEN
Physical Address	0x4A00 5158		
Description	This register provides controls over the CLKOUT3 o/p of the 2nd HSDIVIDER.		
Type	RW		

31	30	29	28	27	26	25	24	23	22	21	20	19	18	17	16	15	14	13	12	11	10	9	8	7	6	5	4	3	2	1	0
RESERVED																CLKST	RESERVED		DIVHS												

Bits	Field Name	Description	Type	Reset
31:10	RESERVED		R	0x0
9	CLKST	HSDIVIDER2 CLKOUT3 status 0x0: The clock output is gated 0x1: The clock output is enabled	R	0x0
8:6	RESERVED		R	0x0
5:0	DIVHS	This field programs the H23 post-divider factor (1 to 63) of DPLL_CORE. 0x0: Reserved 0x1: H23 = /1 0x2: H23 = /2 ... 0x3F: H23 = /63	RW	0x1

Table 3-416. Register Call Summary for Register CM_DIV_H23_DPLL_CORE

Clock Management Functional Description

- [DPLL_CORE Synthesized Clock Parameters: \[0\]\[1\]](#)

PRCM Register Manual

- [CM_CORE_AON__CKGEN Register Summary: \[2\]](#)
- [CM_CORE_AON__RESTORE Register Description: \[3\]\[4\]](#)

Table 3-417. CM_DIV_H24_DPLL_CORE

Address Offset	0x0000 005C	Instance	CM_CORE_AON_CKGEN
Physical Address	0x4A00 515C		
Description	This register provides controls over the CLKOUT4 o/p of the 2nd HSDIVIDER.		
Type	RW		

31	30	29	28	27	26	25	24	23	22	21	20	19	18	17	16	15	14	13	12	11	10	9	8	7	6	5	4	3	2	1	0
RESERVED																CLKST		RESERVED			DIVHS										

Bits	Field Name	Description	Type	Reset
31:10	RESERVED		R	0x0
9	CLKST	HSDIVIDER2 CLKOUT4 status 0x0: The clock output is gated 0x1: The clock output is enabled	R	0x0
8:6	RESERVED		R	0x0
5:0	DIVHS	This field programs the H24 post-divider factor (1 to 63) of DPLL_CORE. 0x0: Reserved 0x1: H24 = /1 0x2: H24 = /2 ... 0x3F: H24 = /63	RW	0x1

Table 3-418. Register Call Summary for Register CM_DIV_H24_DPLL_CORE

Clock Management Functional Description

- [DPLL_CORE Synthesized Clock Parameters: \[0\]\[1\]](#)

PRCM Register Manual

- [CM_CORE_AON_CKGEN Register Summary: \[2\]](#)
- [CM_CORE_AON_RESTORE Register Description: \[3\]\[4\]](#)

Table 3-419. CM_CLKMODE_DPLL_MPU

Address Offset	0x0000 0060	Instance	CM_CORE_AON_CKGEN
Physical Address	0x4A00 5160		
Description	This register allows controlling the DPLL modes.		
Type	RW		

31	30	29	28	27	26	25	24	23	22	21	20	19	18	17	16	15	14	13	12	11	10	9	8	7	6	5	4	3	2	1	0
RESERVED																DPLL_SSC_TYPE	DPLL_SSC_DOWNSPREAD	DPLL_SSC_ACK	DPLL_SSC_EN	DPLL_REGMAXEN	DPLL_LP_MODE_EN	RESERVED	DPLL_DRIFTGUARD_EN	RESERVED						DPLL_EN	

Bits	Field Name	Description	Type	Reset
31:16	RESERVED		R	0x0
15	DPLL_SSC_TYPE	Select between Triangular and SquareWave Spread Spectrum Clocking 0x0: Triangular Spread Spectrum Clocking is selected 0x1: Square Wave Spread Spectrum Clocking is selected (only available under proper licensing agreement)	RW	0x0
14	DPLL_SSC_DOWNSPREAD	Control if only low frequency spread is required 0x0: When SSC is enabled, clock frequency is spread on both sides of the programmed frequency 0x1: When SSC is enabled, clock frequency is spread only on the lower side of the programmed frequency	RW	0x0
13	DPLL_SSC_ACK	Acknowledgement from the DPLL regarding start and stop of Spread Spectrum Clocking feature 0x0: SSC has been turned off on PLL o/ps 0x1: SSC has been turned on on PLL o/ps	R	0x0
12	DPLL_SSC_EN	Enable or disable Spread Spectrum Clocking 0x0: SSC disabled 0x1: SSC enabled	RW	0x0
11	DPLL_REGM4XEN	Enable the REGM4XEN mode of the DPLL. Please check the DPLL documentation to check when this mode can be enabled. 0x0: REGM4XEN mode of the DPLL is disabled	R	0x0
10	DPLL_LPmode_EN	Set the DPLL in Low Power mode. Check the DPLL documentation to see when this can be enabled. 0x0: Low power mode of the DPLL is disabled 0x1: Low power mode of the DPLL is enabled	RW	0x0
9	RESERVED		R	0x0
8	DPLL_DRIFTGUARD_EN	This bit allows to enable or disable the automatic recalibration feature of the DPLL. The DPLL will automatically start a recalibration process upon assertion of the DPLL's RECAL flag if this bit is set. 0x0: DRIFTGUARD feature is disabled 0x1: DRIFTGUARD feature is enabled	RW	0x0
7:3	RESERVED		R	0x0
2:0	DPLL_EN	DPLL control. 0x0: Reserved 0x1: Reserved 0x2: Reserved 0x3: Reserved 0x4: Reserved 0x5: Put the DPLL in Idle Bypass Low Power mode. 0x6: Put the DPLL in Idle Bypass Fast Relock mode. 0x7: Enables the DPLL in Lock mode	RW	0x5

Table 3-420. Register Call Summary for Register CM_CLKMODE_DPLL_MPU

Clock Management Functional Description

- [DPLL_MPU Power Modes: \[0\]\[1\]](#)
- [DPLL_MPU Recalibration: \[2\]](#)

PRCM Register Manual

- [Not Supported Functionality \(Registers and Bits\): \[5\]\[6\]\[7\]\[8\]](#)
- [CM_CORE_AON_CKGEN Register Summary: \[9\]](#)

Table 3-421. CM_IDLEST_DPLL_MPU

Address Offset	0x0000 0064	Instance	CM_CORE_AON_CKGEN
Physical Address	0x4A00 5164		
Description	This register allows monitoring DPLL activity. This register is read only and automatically updated. [warm reset insensitive]		
Type	R		

31	30	29	28	27	26	25	24	23	22	21	20	19	18	17	16	15	14	13	12	11	10	9	8	7	6	5	4	3	2	1	0
RESERVED																												ST_DPLL_INIT	ST_DPLL_MODE	ST_DPLL_CLK	

Bits	Field Name	Description	Type	Reset
31:5	RESERVED		R	0x0
4	ST_DPLL_INIT	DPLL init status (for debug purpose). 0x0: DPLL is not init 0x1: DPLL has been init	R	0x0
3:1	ST_DPLL_MODE	DPLL mode status (for debug purpose). 0x0: Transient state. From reset to any LP idle state or from any power state to any power state (Power states are Low Power Stop mode, Fast Relock Stop mode, Idle Bypass Low Power mode and Idle Bypass Fast Relock mode). 0x1: The DPLL is in Low Power Stop mode. 0x2: The DPLL is in Fast Relock Stop mode. 0x3: Reserved 0x4: Reserved 0x5: The DPLL is in Idle Bypass Low Power mode. 0x6: The DPLL is in Idle Bypass Fast Relock mode. 0x7: Reserved	R	0x0
0	ST_DPLL_CLK	DPLL lock status 0x0: DPLL is either in bypass mode or in stop mode. 0x1: DPLL is LOCKED	R	0x0

Table 3-422. Register Call Summary for Register CM_IDLEST_DPLL_MPU

PRCM Register Manual

- [CM_CORE_AON_CKGEN Register Summary: \[0\]](#)

Table 3-423. CM_AUTOIDLE_DPLL_MPU

Address Offset	0x0000 0068	Instance	CM_CORE_AON__CKGEN
Physical Address	0x4A00 5168		
Description	This register provides automatic control over the DPLL activity.		
Type	RW		

31	30	29	28	27	26	25	24	23	22	21	20	19	18	17	16	15	14	13	12	11	10	9	8	7	6	5	4	3	2	1	0
RESERVED																AUTO_DPLL_MODE															

Bits	Field Name	Description	Type	Reset
31:3	RESERVED		R	0x0
2:0	AUTO_DPLL_MODE	DPLL automatic control; 0x0: DPLL auto control disabled 0x1: The DPLL is automatically put in Low Power Stop mode when its DPLL generated clocks are not required anymore. It is also restarted automatically. 0x2: The DPLL is automatically put in Fast Relock Stop mode when its DPLL generated clocks are not required anymore. It is also restarted automatically. 0x3: Reserved 0x4: Reserved 0x5: The DPLL is automatically put in Idle Bypass Low Power mode when its DPLL generated clocks are not required anymore. It is also restarted automatically. 0x6: The DPLL is automatically put in Idle Bypass Fast Relock mode when its DPLL generated clocks are not required anymore. It is also restarted automatically. 0x7: Reserved	RW	0x0

Table 3-424. Register Call Summary for Register CM_AUTOIDLE_DPLL_MPU

Clock Management Functional Description

- [DPLL_MPU Power Modes: \[0\]](#)

PRCM Register Manual

- [CM_CORE_AON__CKGEN Register Summary: \[1\]](#)

Table 3-425. CM_CLKSEL_DPLL_MPU

Address Offset	0x0000 006C	Instance	CM_CORE_AON__CKGEN
Physical Address	0x4A00 516C		
Description	This register provides controls over the DPLL.		
Type	RW		

31	30	29	28	27	26	25	24	23	22	21	20	19	18	17	16	15	14	13	12	11	10	9	8	7	6	5	4	3	2	1	0
RESERVED								DPLL_BYP_CLKSEL	DCC_EN	RESERVED				DPLL_MULT								RESERVED	DPLL_DIV								

Bits	Field Name	Description	Type	Reset
31:24	RESERVED		R	0x0
23	DPLL_BYP_CLKSEL	Only CLKINPULOW bypass clock supported for this PLL	R	0x1
22	DCC_EN	Duty-cycle corrector for high frequency clock 0x0: Duty-cycle corrector is disabled 0x1: Duty-cycle corrector is enabled	RW	0x0
21:19	RESERVED		R	0x0
18:8	DPLL_MULT	DPLL multiplier factor (2 to 2047). (equal to input M of DPLL; M=2 to 2047 = DPLL multiplies by M). [warm reset insensitive] 0x0: Reserved 0x1: Reserved	RW	0x0
7	RESERVED		R	0x0
6:0	DPLL_DIV	DPLL divider factor (0 to 127) (equal to input N of DPLL; actual division factor is N+1). [warm reset insensitive]	RW	0x0

Table 3-426. Register Call Summary for Register CM_CLKSEL_DPLL_MPU

Clock Management Functional Description

- [DPLLs Output Clocks Parameters: \[0\]\[1\]](#)
- [DPLL_MPU Synthesized Clock Parameters: \[2\]\[3\]\[4\]](#)

PRCM Register Manual

- [CM_CORE_AON__CKGEN Register Summary: \[5\]](#)

Table 3-427. CM_DIV_M2_DPLL_MPU

Address Offset	0x0000 0070	Instance	CM_CORE_AON__CKGEN
Physical Address	0x4A00 5170		
Description	This register provides controls over the M2 divider of the DPLL.		
Type	RW		

31	30	29	28	27	26	25	24	23	22	21	20	19	18	17	16	15	14	13	12	11	10	9	8	7	6	5	4	3	2	1	0
RESERVED																CLKST	RESERVED				DIVHS										

Bits	Field Name	Description	Type	Reset
31:10	RESERVED		R	0x0
9	CLKST	DPLL CLKOUT status 0x0: The clock output is gated 0x1: The clock output is enabled	R	0x0
8:5	RESERVED		R	0x0
4:0	DIVHS	This field programs the M2 post-divider factor (1 to 31) of DPLL_MPU. 0x0: Reserved 0x1: M2 = /1 0x2: M2 = /2 ... 0x1F: M2 = /31	RW	0x1

Table 3-428. Register Call Summary for Register CM_DIV_M2_DPLL_MPU

Clock Management Functional Description

- [DPLL_MPU Synthesized Clock Parameters: \[0\]\[1\]](#)

PRCM Register Manual

- [CM_CORE_AON_CKGEN Register Summary: \[2\]](#)

Table 3-429. CM_SSC_DELTAMSTEP_DPLL_MPU

Address Offset	0x0000 0088	Instance	CM_CORE_AON_CKGEN
Physical Address	0x4A00 5188		
Description	Control the DeltaMStep parameter for Spread Spectrum Clocking. [warm reset insensitive]		
Type	RW		

31	30	29	28	27	26	25	24	23	22	21	20	19	18	17	16	15	14	13	12	11	10	9	8	7	6	5	4	3	2	1	0
RESERVED												DELTAMSTEP																			

Bits	Field Name	Description	Type	Reset
31:20	RESERVED		R	0x0
19:0	DELTAMSTEP	DeltaMStep is split into fractional and integer part. For Triangular Spread Spectrum: [19:18] for integer part, [17:0] for fractional part For Square Wave Spread Spectrum [19:14] for integer part, [13:0] for fractional part	RW	0x0

Table 3-430. CM_SSC_MODFREQDIV_DPLL_MPU

Address Offset	0x0000 008C	Instance	CM_CORE_AON_CKGEN
Physical Address	0x4A00 518C		
Description	Control the Modulation Frequency (Fm) for Spread Spectrum Clocking. [warm reset insensitive]		
Type	RW		

31	30	29	28	27	26	25	24	23	22	21	20	19	18	17	16	15	14	13	12	11	10	9	8	7	6	5	4	3	2	1	0
RESERVED																MODFREQDIV_EXPONENT		RESERVED	MODFREQDIV_MANTISSA												

Bits	Field Name	Description	Type	Reset
31:11	RESERVED		R	0x0
10:8	MODFREQDIV_EXPONENT	Set the Exponent component of MODFREQDIV factor	RW	0x0
7	RESERVED		R	0x0
6:0	MODFREQDIV_MANTISSA	Set the Mantissa component of MODFREQDIV factor	RW	0x0

Table 3-431. CM_BYPCCLK_DPLL_MPU

Address Offset	0x0000 009C	Instance	CM_CORE_AON_CKGEN
Physical Address	0x4A00 519C		
Description	Control MPU PLL BYPASS clock. [warm reset insensitive]		
Type	RW		

31	30	29	28	27	26	25	24	23	22	21	20	19	18	17	16	15	14	13	12	11	10	9	8	7	6	5	4	3	2	1	0
RESERVED																CLKSEL															

Bits	Field Name	Description	Type	Reset
31:2	RESERVED		R	0x0
1:0	CLKSEL	Select the DPLL MPU bypass clock 0x0: DPLL_MPU bypass clock is CORE_X2_CLK divided by 1 0x1: DPLL_MPU bypass clock is CORE_X2_CLK divided by 2 0x2: DPLL_MPU bypass clock is CORE_X2_CLK divided by 4 0x3: DPLL_MPU bypass clock is CORE_X2_CLK divided by 8	RW	0x0

Table 3-432. Register Call Summary for Register CM_BYPCCLK_DPLL_MPU

Clock Management Functional Description

- [CM_CORE_AON Clock Generator: \[0\]](#)

PRCM Register Manual

- [CM_CORE_AON_CKGEN Register Summary: \[1\]](#)

Table 3-433. CM_CLKMODE_DPLL_IVA

Address Offset	0x0000 00A0	Instance	CM_CORE_AON_CKGEN
Physical Address	0x4A00 51A0		
Description	This register allows controlling the DPLL modes.		
Type	RW		

31	30	29	28	27	26	25	24	23	22	21	20	19	18	17	16	15	14	13	12	11	10	9	8	7	6	5	4	3	2	1	0
RESERVED																DPLL_SSC_TYPE	DPLL_SSC_DOWNSPREAD	DPLL_SSC_ACK	DPLL_SSC_EN	DPLL_REGM4XEN	DPLL_LPMODE_EN	RESERVED	DPLL_DRIFTGUARD_EN	RESERVED							DPLL_EN

Bits	Field Name	Description	Type	Reset
31:16	RESERVED		R	0x0
15	DPLL_SSC_TYPE	Select between Triangular and SquareWave Spread Spectrum Clocking 0x0: Triangular Spread Spectrum Clocking is selected 0x1: Square Wave Spread Spectrum Clocking is selected (only available under proper licensing agreement)	RW	0x0
14	DPLL_SSC_DOWNSPREAD	Control if only low frequency spread is required 0x0: When SSC is enabled, clock frequency is spread on both sides of the programmed frequency 0x1: When SSC is enabled, clock frequency is spread only on the lower side of the programmed frequency	RW	0x0
13	DPLL_SSC_ACK	Acknowledgement from the DPLL regarding start and stop of Spread Spectrum Clocking feature 0x0: SSC has been turned off on PLL o/ps 0x1: SSC has been turned on on PLL o/ps	R	0x0
12	DPLL_SSC_EN	Enable or disable Spread Spectrum Clocking 0x0: SSC disabled 0x1: SSC enabled	RW	0x0
11	DPLL_REGM4XEN	Enable the REGM4XEN mode of the DPLL. Please check the DPLL documentation to check when this mode can be enabled. 0x0: REGM4XEN mode of the DPLL is disabled	R	0x0
10	DPLL_LPMODE_EN	Set the DPLL in Low Power mode. Check the DPLL documentation to see when this can be enabled. 0x0: Low power mode of the DPLL is disabled 0x1: Low power mode of the DPLL is enabled	RW	0x0
9	RESERVED		R	0x0
8	DPLL_DRIFTGUARD_EN	This bit allows to enable or disable the automatic recalibration feature of the DPLL. The DPLL will automatically start a recalibration process upon assertion of the DPLL's RECAL flag if this bit is set. 0x0: DRIFTGUARD feature is disabled 0x1: DRIFTGUARD feature is enabled	RW	0x0
7:3	RESERVED		R	0x0

Bits	Field Name	Description	Type	Reset
2:0	DPLL_EN	DPLL control. 0x0: Reserved 0x1: Reserved 0x2: Reserved 0x3: Reserved 0x4: Reserved 0x5: Put the DPLL in Idle Bypass Low Power mode. 0x6: Put the DPLL in Idle Bypass Fast Relock mode. 0x7: Enables the DPLL in Lock mode	RW	0x5

Table 3-434. Register Call Summary for Register CM_CLKMODE_DPLL_IVA

Clock Management Functional Description

- [DPLL_IVA Power Modes: \[0\]\[1\]](#)
- [DPLL_IVA Recalibration: \[2\]](#)

PRCM Register Manual

- [Not Supported Functionality \(Registers and Bits\): \[5\]\[6\]\[7\]\[8\]](#)
- [CM_CORE_AON__CKGEN Register Summary: \[9\]](#)

Table 3-435. CM_IDLEST_DPLL_IVA

Address Offset	0x0000 00A4	Instance	CM_CORE_AON__CKGEN
Physical Address	0x4A00 51A4		
Description	This register allows monitoring DPLL activity. This register is read only and automatically updated. [warm reset insensitive]		
Type	R		

31	30	29	28	27	26	25	24	23	22	21	20	19	18	17	16	15	14	13	12	11	10	9	8	7	6	5	4	3	2	1	0
RESERVED																												ST_DPLL_INIT	ST_DPLL_MODE	ST_DPLL_CLK	

Bits	Field Name	Description	Type	Reset
31:5	RESERVED		R	0x0
4	ST_DPLL_INIT	DPLL init status (for debug purpose) 0x0: DPLL is not init 0x1: DPLL has been init	R	0x0
3:1	ST_DPLL_MODE	DPLL mode status (for debug purpose). 0x0: Transient state. From reset to any LP idle state or from any power state to any power state (Power states are Low Power Stop mode, Fast Relock Stop mode, Idle Bypass Low Power mode and Idle Bypass Fast Relock mode). 0x1: The DPLL is in Low Power Stop mode. 0x2: The DPLL is in Fast Relock Stop mode. 0x3: Reserved 0x4: Reserved 0x5: The DPLL is in Idle Bypass Low Power mode. 0x6: The DPLL is in Idle Bypass Fast Relock mode. 0x7: Reserved	R	0x0

Bits	Field Name	Description	Type	Reset
0	ST_DPLL_CLK	DPLL lock status 0x0: DPLL is either in bypass mode or in stop mode. 0x1: DPLL is LOCKED	R	0x0

Table 3-436. Register Call Summary for Register CM_IDLEST_DPLL_IVA

PRCM Register Manual

- [CM_CORE_AON__CKGEN Register Summary: \[0\]](#)

Table 3-437. CM_AUTOIDLE_DPLL_IVA

Address Offset	0x0000 00A8	Instance	CM_CORE_AON__CKGEN
Physical Address	0x4A00 51A8		
Description	This register provides automatic control over the DPLL activity.		
Type	RW		

31	30	29	28	27	26	25	24	23	22	21	20	19	18	17	16	15	14	13	12	11	10	9	8	7	6	5	4	3	2	1	0
RESERVED																												AUTO_DPLL_MODE			

Bits	Field Name	Description	Type	Reset
31:3	RESERVED		R	0x0
2:0	AUTO_DPLL_MODE	DPLL automatic control; 0x0: DPLL auto control disabled 0x1: The DPLL is automatically put in Low Power Stop mode when its DPLL generated clocks are not required anymore. It is also restarted automatically. 0x2: The DPLL is automatically put in Fast Relock Stop mode when its DPLL generated clocks are not required anymore. It is also restarted automatically. 0x3: Reserved 0x4: Reserved 0x5: The DPLL is automatically put in Idle Bypass Low Power mode when its DPLL generated clocks are not required anymore. It is also restarted automatically. 0x6: The DPLL is automatically put in Idle Bypass Fast Relock mode when its DPLL generated clocks are not required anymore. It is also restarted automatically. 0x7: Reserved	RW	0x0

Table 3-438. Register Call Summary for Register CM_AUTOIDLE_DPLL_IVA

Clock Management Functional Description

- [DPLL_IVA Power Modes: \[0\]](#)

PRCM Register Manual

- [CM_CORE_AON__CKGEN Register Summary: \[1\]](#)

Table 3-439. CM_CLKSEL_DPLL_IVA

Address Offset	0x0000 00AC	Instance	CM_CORE_AON__CKGEN
Physical Address	0x4A00 51AC		
Description	This register provides controls over the DPLL.		
Type	RW		

31	30	29	28	27	26	25	24	23	22	21	20	19	18	17	16	15	14	13	12	11	10	9	8	7	6	5	4	3	2	1	0
RESERVED								DPLL_BYP_CLKSEL	DCC_EN	RESERVED				DPLL_MULT								RESERVED	DPLL_DIV								

Bits	Field Name	Description	Type	Reset
31:24	RESERVED		R	0x0
23	DPLL_BYP_CLKSEL	Allows control of the BYPASS clock of the PLL and the associated HSDIVIDER. Same as ULOWCLKEN on DPLL. In DPLL Locked mode, 0 - No impact 1 - No impact In DPLL Bypass mode, 0 - CLKINP is selected as the BYPASS clock for CLKOUT/CLKOUTX2 1 - CLKINPULOW is selected as the BYPASS clock for CLKOUT/CLKOUTX2	RW	0x0
22	DCC_EN	Duty-cycle corrector for high frequency clock 0x0: Duty-cycle corrector is disabled	R	0x0
21:19	RESERVED		R	0x0
18:8	DPLL_MULT	DPLL multiplier factor (2 to 2047). (equal to input M of DPLL; M=2 to 2047 = DPLL multiplies by M). [warm reset insensitive] 0x0: Reserved 0x1: Reserved	RW	0x0
7	RESERVED		R	0x0
6:0	DPLL_DIV	DPLL divider factor (0 to 127) (equal to input N of DPLL; actual division factor is N+1). [warm reset insensitive]	RW	0x0

Table 3-440. Register Call Summary for Register CM_CLKSEL_DPLL_IVA

Clock Management Functional Description

- [DPLL_IVA Synthesized Clock Parameters: \[0\]\[1\]](#)

PRCM Register Manual

- [CM_CORE_AON__CKGEN Register Summary: \[2\]](#)

Table 3-441. CM_DIV_M2_DPLL_IVA

Address Offset	0x0000 00B0	Instance	CM_CORE_AON__CKGEN
Physical Address	0x4A00 51B0		
Description	This register provides controls over the M2 divider of the DPLL.		
Type	RW		

31	30	29	28	27	26	25	24	23	22	21	20	19	18	17	16	15	14	13	12	11	10	9	8	7	6	5	4	3	2	1	0
RESERVED																CLKST	RESERVED				DIVHS										

Bits	Field Name	Description	Type	Reset
31:10	RESERVED		R	0x0
9	CLKST	DPLL CLKOUT status 0x0: The clock output is gated 0x1: The clock output is enabled	R	0x0
8:5	RESERVED		R	0x0
4:0	DIVHS	This field programs the M2 post-divider factor (1 to 31) of DPLL_IVA. 0x0: Reserved 0x1: M2 = /1 0x2: M2 = /2 ... 0x1F: M2 = /31	RW	0x1

Table 3-442. Register Call Summary for Register CM_DIV_M2_DPLL_IVA

Clock Management Functional Description

- [DPLL_IVA Synthesized Clock Parameters: \[0\]\[1\]](#)

PRCM Register Manual

- [CM_CORE_AON_CKGEN Register Summary: \[2\]](#)

Table 3-443. CM_DIV_M3_DPLL_IVA

Address Offset	0x0000 00B4	Instance	CM_CORE_AON_CKGEN
Physical Address	0x4A00 51B4		
Description	This register provides controls over the M3 divider of the DPLL.		
Type	RW		

31	30	29	28	27	26	25	24	23	22	21	20	19	18	17	16	15	14	13	12	11	10	9	8	7	6	5	4	3	2	1	0
RESERVED																CLKST	RESERVED				DIVHS										

Bits	Field Name	Description	Type	Reset
31:10	RESERVED		R	0x0
9	CLKST	DPLL CLKOUTHIF status 0x0: The clock output is gated 0x1: The clock output is enabled	R	0x0
8:5	RESERVED		R	0x0
4:0	DIVHS	This field programs the M3 post-divider factor (1 to 31) of DPLL_IVA. 0x0: Reserved 0x1: M3 = /1 0x2: M3 = /2 ... 0x1F: M3 = /31	RW	0x1

Table 3-444. CM_SSC_DELTAMSTEP_DPLL_IVA

Address Offset	0x0000 00C8		
Physical Address	0x4A00 51C8	Instance	CM_CORE_AON__CKGEN
Description	Control the DeltaMStep parameter for Spread Spectrum Clocking. [warm reset insensitive]		
Type	RW		

31	30	29	28	27	26	25	24	23	22	21	20	19	18	17	16	15	14	13	12	11	10	9	8	7	6	5	4	3	2	1	0
RESERVED												DELTAMSTEP																			

Bits	Field Name	Description	Type	Reset
31:20	RESERVED		R	0x0
19:0	DELTAMSTEP	DeltaMStep is split into fractional and integer part. For Triangular Spread Spectrum: [19:18] for integer part, [17:0] for fractional part For Square Wave Spread Spectrum [19:14] for integer part, [13:0] for fractional part	RW	0x0

Table 3-445. CM_SSC_MODFREQDIV_DPLL_IVA

Address Offset	0x0000 00CC		
Physical Address	0x4A00 51CC	Instance	CM_CORE_AON__CKGEN
Description	Control the Modulation Frequency (Fm) for Spread Spectrum Clocking. [warm reset insensitive]		
Type	RW		

31	30	29	28	27	26	25	24	23	22	21	20	19	18	17	16	15	14	13	12	11	10	9	8	7	6	5	4	3	2	1	0
RESERVED												MODFREQDIV_EXPONENT				RESERVED	MODFREQDIV_MANTISSA														

Bits	Field Name	Description	Type	Reset
31:11	RESERVED		R	0x0
10:8	MODFREQDIV_EXPONENT	Set the Exponent component of MODFREQDIV factor	RW	0x0
7	RESERVED		R	0x0
6:0	MODFREQDIV_MANTISSA	Set the Mantissa component of MODFREQDIV factor	RW	0x0

Table 3-446. CM_BYPCCLK_DPLL_IVA

Address Offset	0x0000 00DC		
Physical Address	0x4A00 51DC	Instance	CM_CORE_AON__CKGEN
Description	Control IVA PLL BYPASS clock. [warm reset insensitive]		
Type	RW		

31	30	29	28	27	26	25	24	23	22	21	20	19	18	17	16	15	14	13	12	11	10	9	8	7	6	5	4	3	2	1	0
RESERVED																CLKSEL															

Bits	Field Name	Description	Type	Reset
31:2	RESERVED		R	0x0
1:0	CLKSEL	Select the DPLL IVA bypass clock 0x0: DPLL_IVA bypass clock is CORE_X2_CLK divided by 1 0x1: DPLL_IVA bypass clock is CORE_X2_CLK divided by 2 0x2: DPLL_IVA bypass clock is CORE_X2_CLK divided by 4 0x3: DPLL_IVA bypass clock is CORE_X2_CLK divided by 8	RW	0x0

Table 3-447. Register Call Summary for Register CM_BYPCCLK_DPLL_IVA

Clock Management Functional Description

- [CM_CORE_AON Clock Generator: \[0\]](#)

PRCM Register Manual

- [CM_CORE_AON_CKGEN Register Summary: \[1\]](#)

Table 3-448. CM_CLKMODE_DPLL_ABE

Address Offset	0x0000 00E0	Instance	CM_CORE_AON_CKGEN
Physical Address	0x4A00 51E0		
Description	This register allows controlling the DPLL modes.		
Type	RW		

31	30	29	28	27	26	25	24	23	22	21	20	19	18	17	16	15	14	13	12	11	10	9	8	7	6	5	4	3	2	1	0
RESERVED																DPLL_SSC_TYPE	DPLL_SSC_DOWNSPREAD	DPLL_SSC_ACK	DPLL_SSC_EN	DPLL_REGM4XEN	DPLL_LP_MODE_EN	RESERVED	DPLL_DRIFTGUARD_EN	RESERVED							DPLL_EN

Bits	Field Name	Description	Type	Reset
31:16	RESERVED		R	0x0
15	DPLL_SSC_TYPE	Select between Triangular and SquareWave Spread Spectrum Clocking 0x0: Triangular Spread Spectrum Clocking is selected 0x1: Square Wave Spread Spectrum Clocking is selected (only available under proper licensing agreement)	RW	0x0
14	DPLL_SSC_DOWNSPREAD	Control if only low frequency spread is required 0x0: When SSC is enabled, clock frequency is spread on both sides of the programmed frequency 0x1: When SSC is enabled, clock frequency is spread only on the lower side of the programmed frequency	RW	0x0
13	DPLL_SSC_ACK	Acknowledgement from the DPLL regarding start and stop of Spread Spectrum Clocking feature 0x0: SSC has been turned off on PLL o/ps 0x1: SSC has been turned on on PLL o/ps	R	0x0

Bits	Field Name	Description	Type	Reset
12	DPLL_SSC_EN	Enable or disable Spread Spectrum Clocking 0x0: SSC disabled 0x1: SSC enabled	RW	0x0
11	DPLL_REGM4XEN	Enable the REGM4XEN mode of the DPLL. Please check the DPLL documentation to check when this mode can be enabled. 0x0: REGM4XEN mode of the DPLL is disabled 0x1: REGM4XEN mode of the DPLL is enabled	RW	0x0
10	DPLL_LPmode_EN	Set the DPLL in Low Power mode. Check the DPLL documentation to see when this can be enabled. 0x0: Low power mode of the DPLL is disabled 0x1: Low power mode of the DPLL is enabled	RW	0x0
9	RESERVED		R	0x0
8	DPLL_DRIFTGUARD_EN	This bit allows to enable or disable the automatic recalibration feature of the DPLL. The DPLL will automatically start a recalibration process upon assertion of the DPLL's RECAL flag if this bit is set. 0x0: DRIFTGUARD feature is disabled 0x1: DRIFTGUARD feature is enabled	RW	0x0
7:3	RESERVED		R	0x0
2:0	DPLL_EN	DPLL control. 0x0: Reserved 0x1: Reserved 0x2: Reserved 0x3: Reserved 0x4: Reserved 0x5: Put the DPLL in Idle Bypass Low Power mode. 0x6: Put the DPLL in Idle Bypass Fast Relock mode. 0x7: Enables the DPLL in Lock mode	RW	0x5

Table 3-449. Register Call Summary for Register CM_CLKMODE_DPLL_ABE

Clock Management Functional Description

- [DPLLs Output Clocks Parameters: \[0\]](#)
- [DPLL_ABE Synthesized Clock Parameters: \[1\]](#)
- [DPLL_ABE Power Modes: \[2\]\[3\]](#)
- [DPLL_ABE Recalibration: \[4\]](#)

PRCM Register Manual

- [Not Supported Functionality \(Registers and Bits\): \[7\]\[8\]\[9\]\[10\]](#)
- [CM_CORE_AON_CKGEN Register Summary: \[11\]](#)

Table 3-450. CM_IDLEST_DPLL_ABE

Address Offset	0x0000 00E4
Physical Address	0x4A00 51E4
Instance	CM_CORE_AON_CKGEN
Description	This register allows monitoring DPLL activity. This register is read only and automatically updated. [warm reset insensitive]
Type	R

31	30	29	28	27	26	25	24	23	22	21	20	19	18	17	16	15	14	13	12	11	10	9	8	7	6	5	4	3	2	1	0
RESERVED																												ST_DPLL_INIT	ST_DPLL_MODE	ST_DPLL_CLK	

Bits	Field Name	Description	Type	Reset
31:5	RESERVED		R	0x0
4	ST_DPLL_INIT	DPLL init status (for debug purpose). 0x0: DPLL is not init 0x1: DPLL has been init	R	0x0
3:1	ST_DPLL_MODE	DPLL mode status (for debug purpose). 0x0: Transient state. From reset to any LP idle state or from any power state to any power state (Power states are Low Power Stop mode, Fast Relock Stop mode, Idle Bypass Low Power mode and Idle Bypass Fast Relock mode). 0x1: The DPLL is in Low Power Stop mode. 0x2: The DPLL is in Fast Relock Stop mode. 0x3: Reserved 0x4: Reserved 0x5: The DPLL is in Idle Bypass Low Power mode. 0x6: The DPLL is in Idle Bypass Fast Relock mode. 0x7: Reserved	R	0x0
0	ST_DPLL_CLK	DPLL lock status 0x0: DPLL is either in bypass mode or in stop mode. 0x1: DPLL is LOCKED	R	0x0

Table 3-451. Register Call Summary for Register CM_IDLEST_DPLL_ABE

PRCM Register Manual

- [CM_CORE_AON_CKGEN Register Summary: \[0\]](#)

Table 3-452. CM_AUTOIDLE_DPLL_ABE

Address Offset	0x0000 00E8	Instance	CM_CORE_AON__CKGEN
Physical Address	0x4A00 51E8		
Description	This register provides automatic control over the DPLL activity.		
Type	RW		

31	30	29	28	27	26	25	24	23	22	21	20	19	18	17	16	15	14	13	12	11	10	9	8	7	6	5	4	3	2	1	0
RESERVED																							AUTO_DPLL_MODE								

Bits	Field Name	Description	Type	Reset
31:3	RESERVED		R	0x0
2:0	AUTO_DPLL_MODE	DPLL automatic control; 0x0: DPLL auto control disabled 0x1: The DPLL is automatically put in Low Power Stop mode when its DPLL generated clocks are not required anymore. It is also restarted automatically. 0x2: The DPLL is automatically put in Fast Relock Stop mode when its DPLL generated clocks are not required anymore. It is also restarted automatically. 0x3: Reserved 0x4: Reserved 0x5: The DPLL is automatically put in Idle Bypass Low Power mode when its DPLL generated clocks are not required anymore. It is also restarted automatically. 0x6: The DPLL is automatically put in Idle Bypass Fast Relock mode when its DPLL generated clocks are not required anymore. It is also restarted automatically. 0x7: Reserved	RW	0x0

Table 3-453. Register Call Summary for Register CM_AUTOIDLE_DPLL_ABE

Clock Management Functional Description

- [DPLL_ABE Power Modes: \[0\]](#)

PRCM Register Manual

- [CM_CORE_AON__CKGEN Register Summary: \[1\]](#)

Table 3-454. CM_CLKSEL_DPLL_ABE

Address Offset	0x0000 00EC	Instance	CM_CORE_AON_CKGEN
Physical Address	0x4A00 51EC		
Description	This register provides controls over the DPLL.		
Type	RW		

31	30	29	28	27	26	25	24	23	22	21	20	19	18	17	16	15	14	13	12	11	10	9	8	7	6	5	4	3	2	1	0
RESERVED								DPLL_BYP_CLKSEL	DCC_EN	RESERVED				DPLL_MULT								RESERVED	DPLL_DIV								

Bits	Field Name	Description	Type	Reset
31:24	RESERVED		R	0x0
23	DPLL_BYP_CLKSEL	Only CLKINPULOW bypass clock supported for this PLL	R	0x1
22	DCC_EN	Duty-cycle corrector for high frequency clock 0x0: Duty-cycle corrector is disabled	R	0x0
21:19	RESERVED		R	0x0
18:8	DPLL_MULT	DPLL multiplier factor (2 to 2047). (equal to input M of DPLL; M=2 to 2047 = DPLL multiplies by M). [warm reset insensitive] 0x0: Reserved 0x1: Reserved	RW	0x0
7	RESERVED		R	0x0
6:0	DPLL_DIV	DPLL divider factor (0 to 127) (equal to input N of DPLL; actual division factor is N+1). [warm reset insensitive]	RW	0x0

Table 3-455. Register Call Summary for Register CM_CLKSEL_DPLL_ABE

Clock Management Functional Description

- [DPLL_ABE Synthesized Clock Parameters: \[0\]\[1\]](#)

PRCM Register Manual

- [CM_CORE_AON_CKGEN Register Summary: \[2\]](#)

Table 3-456. CM_DIV_M2_DPLL_ABE

Address Offset	0x0000 00F0	Instance	CM_CORE_AON_CKGEN
Physical Address	0x4A00 51F0		
Description	This register provides controls over the M2 divider of the DPLL.		
Type	RW		

31	30	29	28	27	26	25	24	23	22	21	20	19	18	17	16	15	14	13	12	11	10	9	8	7	6	5	4	3	2	1	0
RESERVED											CLKX2ST	RESERVED	CLKST	RESERVED				DIVHS													

Bits	Field Name	Description	Type	Reset
31:12	RESERVED		R	0x0
11	CLKX2ST	DPLL CLKOUTX2 status 0x0: The clock output is gated 0x1: The clock output is enabled	R	0x0
10	RESERVED		R	0x0
9	CLKST	DPLL CLKOUT status 0x0: The clock output is gated 0x1: The clock output is enabled	R	0x0
8:5	RESERVED		R	0x0
4:0	DIVHS	This field programs the M2 post-divider factor (1 to 31) of DPLL_ABE. 0x0: Reserved 0x1: M2 = /1 0x2: M2 = /2 ... 0x1F: M2 = /31	RW	0x1

Table 3-457. Register Call Summary for Register CM_DIV_M2_DPLL_ABE

Clock Management Functional Description

- [DPLL_ABE Synthesized Clock Parameters: \[0\]\[1\]\[2\]](#)

PRCM Register Manual

- [CM_CORE_AON__CKGEN Register Summary: \[3\]](#)

Table 3-458. CM_DIV_M3_DPLL_ABE

Address Offset	0x0000 00F4	Instance	CM_CORE_AON__CKGEN
Physical Address	0x4A00 51F4		
Description	This register provides controls over the M3 divider of the DPLL.		
Type	RW		

31	30	29	28	27	26	25	24	23	22	21	20	19	18	17	16	15	14	13	12	11	10	9	8	7	6	5	4	3	2	1	0
RESERVED																CLKST	RESERVED				DIVHS										

Bits	Field Name	Description	Type	Reset
31:10	RESERVED		R	0x0
9	CLKST	DPLL CLKOUTHIF status 0x0: The clock output is gated 0x1: The clock output is enabled	R	0x0
8:5	RESERVED		R	0x0
4:0	DIVHS	This field programs the M3 post-divider factor (1 to 31) of DPLL_ABE. 0x0: Reserved 0x1: M3 = /1 0x2: M3 = /2 ... 0x1F: M3 = /31	RW	0x1

Table 3-459. Register Call Summary for Register CM_DIV_M3_DPLL_ABE

Clock Management Functional Description

- [DPLL_ABE Synthesized Clock Parameters: \[0\]\[1\]](#)

PRCM Register Manual

- [CM_CORE_AON_CKGEN Register Summary: \[2\]](#)

Table 3-460. CM_SSC_DELTAMSTEP_DPLL_ABE

Address Offset	0x0000 0108	Instance	CM_CORE_AON_CKGEN
Physical Address	0x4A00 5208		
Description	Control the DeltaMStep parameter for Spread Spectrum Clocking. [warm reset insensitive]		
Type	RW		

31	30	29	28	27	26	25	24	23	22	21	20	19	18	17	16	15	14	13	12	11	10	9	8	7	6	5	4	3	2	1	0
RESERVED												DELTAMSTEP																			

Bits	Field Name	Description	Type	Reset
31:20	RESERVED		R	0x0
19:0	DELTAMSTEP	DeltaMStep is split into fractional and integer part. For Triangular Spread Spectrum: [19:18] for integer part, [17:0] for fractional part For Square Wave Spread Spectrum [19:14] for integer part, [13:0] for fractional part	RW	0x0

Table 3-461. CM_SSC_MODFREQDIV_DPLL_ABE

Address Offset	0x0000 010C	Instance	CM_CORE_AON_CKGEN
Physical Address	0x4A00 520C		
Description	Control the Modulation Frequency (Fm) for Spread Spectrum Clocking. [warm reset insensitive]		
Type	RW		

31	30	29	28	27	26	25	24	23	22	21	20	19	18	17	16	15	14	13	12	11	10	9	8	7	6	5	4	3	2	1	0
RESERVED												MODFREQDIV_EXPONENT		RESERVED		MODFREQDIV_MANTISSA															

Bits	Field Name	Description	Type	Reset
31:11	RESERVED		R	0x0
10:8	MODFREQDIV_EXPONENT	Set the Exponent component of MODFREQDIV factor	RW	0x0
7	RESERVED		R	0x0
6:0	MODFREQDIV_MANTISSA	Set the Mantissa component of MODFREQDIV factor	RW	0x0

Table 3-462. CM_CLKMODE_DPLL_DDR

Address Offset	0x0000 0110	Instance	CM_CORE_AON_CKGEN
Physical Address	0x4A00 5210		
Description	This register allows controlling the DPLL modes.		
Type	RW		

31	30	29	28	27	26	25	24	23	22	21	20	19	18	17	16	15	14	13	12	11	10	9	8	7	6	5	4	3	2	1	0
RESERVED																DPLL_SSC_TYPE	DPLL_SSC_DOWNSPREAD	DPLL_SSC_ACK	DPLL_SSC_EN	DPLL_REGM4XEN	DPLL_LP_MODE_EN	RESERVED	DPLL_DRIFTGUARD_EN	RESERVED							DPLL_EN

Bits	Field Name	Description	Type	Reset
31:16	RESERVED		R	0x0
15	DPLL_SSC_TYPE	Select between Triangular and SquareWave Spread Spectrum Clocking 0x0: Triangular Spread Spectrum Clocking is selected 0x1: Square Wave Spread Spectrum Clocking is selected (only available under proper licensing agreement)	RW	0x0
14	DPLL_SSC_DOWNSPREAD	Control if only low frequency spread is required 0x0: When SSC is enabled, clock frequency is spread on both sides of the programmed frequency 0x1: When SSC is enabled, clock frequency is spread only on the lower side of the programmed frequency	RW	0x0
13	DPLL_SSC_ACK	Acknowledgement from the DPLL regarding start and stop of Spread Spectrum Clocking feature 0x0: SSC has been turned off on PLL o/ps 0x1: SSC has been turned on on PLL o/ps	R	0x0
12	DPLL_SSC_EN	Enable or disable Spread Spectrum Clocking 0x0: SSC disabled 0x1: SSC enabled	RW	0x0
11	DPLL_REGM4XEN	Enable the REGM4XEN mode of the DPLL. Please check the DPLL documentation to check when this mode can be enabled. 0x0: REGM4XEN mode of the DPLL is disabled	R	0x0
10	DPLL_LP_MODE_EN	Set the DPLL in Low Power mode. Check the DPLL documentation to see when this can be enabled. 0x0: Low power mode of the DPLL is disabled 0x1: Low power mode of the DPLL is enabled	RW	0x0
9	RESERVED		R	0x0
8	DPLL_DRIFTGUARD_EN	This bit allows to enable or disable the automatic recalibration feature of the DPLL. The DPLL will automatically start a recalibration process upon assertion of the DPLL's RECAL flag if this bit is set. 0x0: DRIFTGUARD feature is disabled 0x1: DRIFTGUARD feature is enabled	RW	0x0
7:3	RESERVED		R	0x0

Bits	Field Name	Description	Type	Reset
2:0	DPLL_EN	DPLL control. 0x0: Reserved 0x1: Reserved 0x2: Reserved 0x3: Reserved 0x4: Reserved 0x5: Put the DPLL in Idle Bypass Low Power mode. 0x6: Put the DPLL in Idle Bypass Fast Relock mode. 0x7: Enables the DPLL in Lock mode	RW	0x5

Table 3-463. Register Call Summary for Register CM_CLKMODE_DPLL_DDR

Clock Management Functional Description

- [DPLL_DDR Power Modes: \[0\]](#)
- [DPLL_DDR Recalibration: \[1\]](#)

PRCM Register Manual

- [Not Supported Functionality \(Registers and Bits\): \[4\]\[5\]\[6\]\[7\]](#)
- [CM_CORE_AON__CKGEN Register Summary: \[8\]](#)
- [CM_CORE_AON__CKGEN Register Description: \[9\]](#)

Table 3-464. CM_IDLEST_DPLL_DDR

Address Offset	0x0000 0114	Instance	CM_CORE_AON__CKGEN
Physical Address	0x4A00 5214		
Description	This register allows monitoring DPLL activity. This register is read only and automatically updated. [warm reset insensitive]		
Type	R		

31	30	29	28	27	26	25	24	23	22	21	20	19	18	17	16	15	14	13	12	11	10	9	8	7	6	5	4	3	2	1	0
RESERVED																ST_DPLL_INIT	ST_DPLL_MODE	ST_DPLL_CLK													

Bits	Field Name	Description	Type	Reset
31:5	RESERVED		R	0x0
4	ST_DPLL_INIT	DPLL init status (for debug purpose). 0x0: DPLL is not init 0x1: DPLL has been init	R	0x0

Bits	Field Name	Description	Type	Reset
3:1	ST_DPLL_MODE	DPLL mode status (for debug purpose). 0x0: Transient state. From reset to any LP idle state or from any power state to any power state (Power states are Low Power Stop mode, Fast Relock Stop mode, Idle Bypass Low Power mode and Idle Bypass Fast Relock mode). 0x1: The DPLL is in Low Power Stop mode. 0x2: The DPLL is in Fast Relock Stop mode. 0x3: Reserved 0x4: Reserved 0x5: The DPLL is in Idle Bypass Low Power mode. 0x6: The DPLL is in Idle Bypass Fast Relock mode. 0x7: Reserved	R	0x0
0	ST_DPLL_CLK	DPLL lock status 0x0: DPLL is either in bypass mode or in stop mode. 0x1: DPLL is LOCKED	R	0x0

Table 3-465. Register Call Summary for Register CM_IDLEST_DPLL_DDR

PRCM Register Manual

- [CM_CORE_AON_CKGEN Register Summary: \[0\]](#)

Table 3-466. CM_AUTOIDLE_DPLL_DDR

Address Offset	0x0000 0118	
Physical Address	0x4A00 5218	Instance CM_CORE_AON_CKGEN
Description	This register provides automatic control over the DPLL activity.	
Type	RW	

31	30	29	28	27	26	25	24	23	22	21	20	19	18	17	16	15	14	13	12	11	10	9	8	7	6	5	4	3	2	1	0
RESERVED																							AUTO_DPLL_MODE								

Bits	Field Name	Description	Type	Reset
31:3	RESERVED		R	0x0
2:0	AUTO_DPLL_MODE	DPLL automatic control; 0x0: DPLL auto control disabled 0x1: The DPLL is automatically put in Low Power Stop mode when its DPLL generated clocks are not required anymore. It is also restarted automatically. 0x2: The DPLL is automatically put in Fast Relock Stop mode when its DPLL generated clocks are not required anymore. It is also restarted automatically. 0x3: Reserved 0x4: Reserved 0x5: The DPLL is automatically put in Idle Bypass Low Power mode when its DPLL generated clocks are not required anymore. It is also restarted automatically. 0x6: The DPLL is automatically put in Idle Bypass Fast Relock mode when its DPLL generated clocks are not required anymore. It is also restarted automatically. 0x7: Reserved	RW	0x0

Table 3-467. Register Call Summary for Register CM_AUTOIDLE_DPLL_DDR

Clock Management Functional Description

- [DPLL_DDR Power Modes: \[0\]](#)

PRCM Register Manual

- [CM_CORE_AON__CKGEN Register Summary: \[1\]](#)

Table 3-468. CM_CLKSEL_DPLL_DDR

Address Offset	0x0000 011C	Instance	CM_CORE_AON__CKGEN
Physical Address	0x4A00 521C		
Description	This register provides controls over the DPLL.		
Type	RW		

31	30	29	28	27	26	25	24	23	22	21	20	19	18	17	16	15	14	13	12	11	10	9	8	7	6	5	4	3	2	1	0
RESERVED								DPLL_BYP_CLKSEL	DCC_EN	RESERVED				DPLL_MULT							RESERVED	DPLL_DIV									

Bits	Field Name	Description	Type	Reset
31:24	RESERVED		R	0x0
23	DPLL_BYP_CLKSEL	Allows control of the BYPASS clock of the PLL and the associated HSDIVIDER. Same as ULOWCLKEN on DPLL. In DPLL Locked mode, 0 - No impact 1 - No impact In DPLL Bypass mode, 0 - CLKINP is selected as the BYPASS clock for CLKOUT/CLKOUTX2 1 - CLKINPULOW is selected as the BYPASS clock for CLKOUT/CLKOUTX2	RW	0x0
22	DCC_EN	Duty-cycle corrector for high frequency clock 0x0: Duty-cycle corrector is disabled 0x1: Duty-cycle corrector is enabled	RW	0x0
21:19	RESERVED		R	0x0

Bits	Field Name	Description	Type	Reset
18:8	DPLL_MULT	DPLL multiplier factor (2 to 2047). (equal to input M of DPLL; M=2 to 2047 = DPLL multiplies by M). [warm reset insensitive] 0x0: Reserved 0x1: Reserved	RW	0x0
7	RESERVED		R	0x0
6:0	DPLL_DIV	DPLL divider factor (0 to 127) (equal to input N of DPLL; actual division factor is N+1). [warm reset insensitive]	RW	0x0

Table 3-469. Register Call Summary for Register CM_CLKSEL_DPLL_DDR

Clock Management Functional Description

- [DPLL_DDR Synthesized Clock Parameters: \[0\]\[1\]](#)

PRCM Register Manual

- [CM_CORE_AON__CKGEN Register Summary: \[2\]](#)

Table 3-470. CM_DIV_M2_DPLL_DDR

Address Offset	0x0000 0120	Instance	CM_CORE_AON__CKGEN
Physical Address	0x4A00 5220		
Description	This register provides controls over the M2 divider of the DPLL.		
Type	RW		

31	30	29	28	27	26	25	24	23	22	21	20	19	18	17	16	15	14	13	12	11	10	9	8	7	6	5	4	3	2	1	0
RESERVED																CLKST	RESERVED			DIVHS											

Bits	Field Name	Description	Type	Reset
31:10	RESERVED		R	0x0
9	CLKST	DPLL CLKOUT status 0x0: The clock output is gated 0x1: The clock output is enabled	R	0x0
8:5	RESERVED		R	0x0
4:0	DIVHS	This field programs the M2 post-divider factor (1 to 31) of DPLL_DDR. 0x0: Reserved 0x1: M2 = /1 0x2: M2 = /2 ... 0x1F: M2 = /31	RW	0x1

Table 3-471. Register Call Summary for Register CM_DIV_M2_DPLL_DDR

Clock Management Functional Description

- [DPLL_DDR Synthesized Clock Parameters: \[0\]\[1\]](#)

PRCM Register Manual

- [CM_CORE_AON__CKGEN Register Summary: \[2\]](#)
- [CM_CORE_AON__CKGEN Register Description: \[3\]](#)

Table 3-472. CM_DIV_M3_DPLL_DDR

Address Offset	0x0000 0124	Instance	CM_CORE_AON_CKGEN
Physical Address	0x4A00 5224		
Description	This register provides controls over the M3 divider of the DPLL.		
Type	RW		

31	30	29	28	27	26	25	24	23	22	21	20	19	18	17	16	15	14	13	12	11	10	9	8	7	6	5	4	3	2	1	0
RESERVED																CLKST	RESERVED				DIVHS										

Bits	Field Name	Description	Type	Reset
31:10	RESERVED		R	0x0
9	CLKST	DPLL CLKOUTHIF status 0x0: The clock output is gated 0x1: The clock output is enabled	R	0x0
8:5	RESERVED		R	0x0
4:0	DIVHS	This field programs the M3 post-divider factor (1 to 31) of DPLL_DDR. 0x0: Reserved 0x1: M3 = /1 0x2: M3 = /2 ... 0x1F: M3 = /31	RW	0x1

Table 3-473. CM_DIV_H11_DPLL_DDR

Address Offset	0x0000 0128	Instance	CM_CORE_AON_CKGEN
Physical Address	0x4A00 5228		
Description	This register provides controls over the CLKOUT1 o/p of the HSDIVIDER1.		
Type	RW		

31	30	29	28	27	26	25	24	23	22	21	20	19	18	17	16	15	14	13	12	11	10	9	8	7	6	5	4	3	2	1	0
RESERVED																CLKST	RESERVED	DIVHS													

Bits	Field Name	Description	Type	Reset
31:10	RESERVED		R	0x0
9	CLKST	HSDIVIDER1 CLKOUT1 status 0x0: The clock output is gated 0x1: The clock output is enabled	R	0x0
8:6	RESERVED		R	0x0
5:0	DIVHS	This field programs the H11 post-divider factor (1 to 63) of DPLL_DDR. 0x0: Reserved 0x1: H11 = /1 0x2: H11 = /2 ... 0x3F: H11 = /63	RW	0x1

Table 3-474. Register Call Summary for Register CM_DIV_H11_DPLL_DDR

Clock Management Functional Description

- [DPLL_DDR Synthesized Clock Parameters: \[0\]\[1\]](#)

PRCM Register Manual

- [CM_CORE_AON_CKGEN Register Summary: \[2\]](#)

Table 3-475. CM_SSC_DELTAMSTEP_DPLL_DDR

Address Offset	0x0000 012C	Instance	CM_CORE_AON_CKGEN
Physical Address	0x4A00 522C		
Description	Control the DeltaMStep parameter for Spread Spectrum Clocking. [warm reset insensitive]		
Type	RW		

31	30	29	28	27	26	25	24	23	22	21	20	19	18	17	16	15	14	13	12	11	10	9	8	7	6	5	4	3	2	1	0
RESERVED												DELTAMSTEP																			

Bits	Field Name	Description	Type	Reset
31:20	RESERVED		R	0x0
19:0	DELTAMSTEP	DeltaMStep is split into fractional and integer part. For Triangular Spread Spectrum: [19:18] for integer part, [17:0] for fractional part For Square Wave Spread Spectrum [19:14] for integer part, [13:0] for fractional part	RW	0x0

Table 3-476. CM_SSC_MODFREQDIV_DPLL_DDR

Address Offset	0x0000 0130	Instance	CM_CORE_AON_CKGEN
Physical Address	0x4A00 5230		
Description	Control the Modulation Frequency (Fm) for Spread Spectrum Clocking. [warm reset insensitive]		
Type	RW		

31	30	29	28	27	26	25	24	23	22	21	20	19	18	17	16	15	14	13	12	11	10	9	8	7	6	5	4	3	2	1	0
RESERVED												MODFREQDIV_EXPONENT		RESERVED	MODFREQDIV_MANTISSA																

Bits	Field Name	Description	Type	Reset
31:11	RESERVED		R	0x0
10:8	MODFREQDIV_EXPONENT	Set the Exponent component of MODFREQDIV factor	RW	0x0
7	RESERVED		R	0x0
6:0	MODFREQDIV_MANTISSA	Set the Mantissa component of MODFREQDIV factor	RW	0x0

Table 3-477. CM_CLKMODE_DPLL_DSP

Address Offset	0x0000 0134	Instance	CM_CORE_AON_CKGEN
Physical Address	0x4A00 5234		
Description	This register allows controlling the DPLL modes.		
Type	RW		

31	30	29	28	27	26	25	24	23	22	21	20	19	18	17	16	15	14	13	12	11	10	9	8	7	6	5	4	3	2	1	0	
RESERVED																DPLL_SSC_TYPE	DPLL_SSC_DOWNSPREAD	DPLL_SSC_ACK	DPLL_SSC_EN	DPLL_REGM4XEN	DPLL_LPMODE_EN	RESERVED	DPLL_DRIFTGUARD_EN	RESERVED							DPLL_EN	

Bits	Field Name	Description	Type	Reset
31:16	RESERVED		R	0x0
15	DPLL_SSC_TYPE	Select between Triangular and SquareWave Spread Spectrum Clocking 0x0: Triangular Spread Spectrum Clocking is selected 0x1: Square Wave Spread Spectrum Clocking is selected (only available under proper licensing agreement)	RW	0x0
14	DPLL_SSC_DOWNSPREAD	Control if only low frequency spread is required 0x0: When SSC is enabled, clock frequency is spread on both sides of the programmed frequency 0x1: When SSC is enabled, clock frequency is spread only on the lower side of the programmed frequency	RW	0x0
13	DPLL_SSC_ACK	Acknowledgement from the DPLL regarding start and stop of Spread Spectrum Clocking feature 0x0: SSC has been turned off on PLL o/ps 0x1: SSC has been turned on on PLL o/ps	R	0x0
12	DPLL_SSC_EN	Enable or disable Spread Spectrum Clocking 0x0: SSC disabled 0x1: SSC enabled	RW	0x0
11	DPLL_REGM4XEN	Enable the REGM4XEN mode of the DPLL. Please check the DPLL documentation to check when this mode can be enabled. 0x0: REGM4XEN mode of the DPLL is disabled	R	0x0
10	DPLL_LPMODE_EN	Set the DPLL in Low Power mode. Check the DPLL documentation to see when this can be enabled. 0x0: Low power mode of the DPLL is disabled 0x1: Low power mode of the DPLL is enabled	RW	0x0
9	RESERVED		R	0x0
8	DPLL_DRIFTGUARD_EN	This bit allows to enable or disable the automatic recalibration feature of the DPLL. The DPLL will automatically start a recalibration process upon assertion of the DPLL's RECAL flag if this bit is set. 0x0: DRIFTGUARD feature is disabled 0x1: DRIFTGUARD feature is enabled	RW	0x0
7:3	RESERVED		R	0x0

Bits	Field Name	Description	Type	Reset
2:0	DPLL_EN	DPLL control. 0x0: Reserved 0x1: Reserved 0x2: Reserved 0x3: Reserved 0x4: Reserved 0x5: Put the DPLL in Idle Bypass Low Power mode. 0x6: Put the DPLL in Idle Bypass Fast Relock mode. 0x7: Enables the DPLL in Lock mode	RW	0x5

Table 3-478. Register Call Summary for Register CM_CLKMODE_DPLL_DSP

Clock Management Functional Description

- [DPLL_DSP Power Modes: \[0\]](#)
- [DPLL_DSP Recalibration: \[1\]](#)

PRCM Register Manual

- [Not Supported Functionality \(Registers and Bits\): \[4\]\[5\]\[6\]\[7\]](#)
- [CM_CORE_AON__CKGEN Register Summary: \[8\]](#)

Table 3-479. CM_IDLEST_DPLL_DSP

Address Offset	0x0000 0138	Instance	CM_CORE_AON__CKGEN
Physical Address	0x4A00 5238		
Description	This register allows monitoring DPLL activity. This register is read only and automatically updated. [warm reset insensitive]		
Type	R		

31	30	29	28	27	26	25	24	23	22	21	20	19	18	17	16	15	14	13	12	11	10	9	8	7	6	5	4	3	2	1	0
RESERVED																							ST_DPLL_INIT		ST_DPLL_MODE		ST_DPLL_CLK				

Bits	Field Name	Description	Type	Reset
31:5	RESERVED		R	0x0
4	ST_DPLL_INIT	DPLL init status (for debug purpose) 0x0: DPLL is not init 0x1: DPLL has been init	R	0x0
3:1	ST_DPLL_MODE	DPLL mode status (for debug purpose). 0x0: Transient state. From reset to any LP idle state or from any power state to any power state (Power states are Low Power Stop mode, Fast Relock Stop mode, Idle Bypass Low Power mode and Idle Bypass Fast Relock mode). 0x1: The DPLL is in Low Power Stop mode. 0x2: The DPLL is in Fast Relock Stop mode. 0x3: Reserved 0x4: Reserved 0x5: The DPLL is in Idle Bypass Low Power mode. 0x6: The DPLL is in Idle Bypass Fast Relock mode. 0x7: Reserved	R	0x0

Bits	Field Name	Description	Type	Reset
0	ST_DPLL_CLK	DPLL lock status 0x0: DPLL is either in bypass mode or in stop mode. 0x1: DPLL is LOCKED	R	0x0

Table 3-480. Register Call Summary for Register CM_IDLEST_DPLL_DSP

PRCM Register Manual

- [CM_CORE_AON__CKGEN Register Summary: \[0\]](#)

Table 3-481. CM_AUTOIDLE_DPLL_DSP

Address Offset	0x0000 013C	Instance	CM_CORE_AON__CKGEN
Physical Address	0x4A00 523C		
Description	This register provides automatic control over the DPLL activity.		
Type	RW		

31	30	29	28	27	26	25	24	23	22	21	20	19	18	17	16	15	14	13	12	11	10	9	8	7	6	5	4	3	2	1	0
RESERVED																												AUTO_DPLL_MODE			

Bits	Field Name	Description	Type	Reset
31:3	RESERVED		R	0x0
2:0	AUTO_DPLL_MODE	DPLL automatic control; 0x0: DPLL auto control disabled 0x1: The DPLL is automatically put in Low Power Stop mode when its DPLL generated clocks are not required anymore. It is also restarted automatically. 0x2: The DPLL is automatically put in Fast Relock Stop mode when its DPLL generated clocks are not required anymore. It is also restarted automatically. 0x3: Reserved 0x4: Reserved 0x5: The DPLL is automatically put in Idle Bypass Low Power mode when its DPLL generated clocks are not required anymore. It is also restarted automatically. 0x6: The DPLL is automatically put in Idle Bypass Fast Relock mode when its DPLL generated clocks are not required anymore. It is also restarted automatically. 0x7: Reserved	RW	0x0

Table 3-482. Register Call Summary for Register CM_AUTOIDLE_DPLL_DSP

Clock Management Functional Description

- [DPLL_DSP Power Modes: \[0\]](#)

PRCM Register Manual

- [CM_CORE_AON__CKGEN Register Summary: \[1\]](#)

Table 3-483. CM_CLKSEL_DPLL_DSP

Address Offset	0x0000 0140	Instance	CM_CORE_AON_CKGEN
Physical Address	0x4A00 5240		
Description	This register provides controls over the DPLL.		
Type	RW		

31	30	29	28	27	26	25	24	23	22	21	20	19	18	17	16	15	14	13	12	11	10	9	8	7	6	5	4	3	2	1	0
RESERVED								DPLL_BYP_CLKSEL	DCC_EN	RESERVED				DPLL_MULT								RESERVED	DPLL_DIV								

Bits	Field Name	Description	Type	Reset
31:24	RESERVED		R	0x0
23	DPLL_BYP_CLKSEL	Allows control of the BYPASS clock of the PLL and the associated HSDIVIDER. Same as ULOWCLKEN on DPLL. In DPLL Locked mode, 0 - No impact 1 - No impact In DPLL Bypass mode, 0 - CLKINP is selected as the BYPASS clock for CLKOUT/CLKOUTX2 1 - CLKINPULOW is selected as the BYPASS clock for CLKOUT/CLKOUTX2	RW	0x0
22	DCC_EN	Duty-cycle corrector for high frequency clock 0x0: Duty-cycle corrector is disabled	R	0x0
21:19	RESERVED		R	0x0
18:8	DPLL_MULT	DPLL multiplier factor (2 to 2047). (equal to input M of DPLL; M=2 to 2047 = DPLL multiplies by M). [warm reset insensitive] 0x0: Reserved 0x1: Reserved	RW	0x0
7	RESERVED		R	0x0
6:0	DPLL_DIV	DPLL divider factor (0 to 127) (equal to input N of DPLL; actual division factor is N+1). [warm reset insensitive]	RW	0x0

Table 3-484. Register Call Summary for Register CM_CLKSEL_DPLL_DSP

Clock Management Functional Description

- [DPLL_DSP Synthesized Clock Parameters: \[0\]\[1\]](#)

PRCM Register Manual

- [CM_CORE_AON_CKGEN Register Summary: \[2\]](#)

Table 3-485. CM_DIV_M2_DPLL_DSP

Address Offset	0x0000 0144	Instance	CM_CORE_AON_CKGEN
Physical Address	0x4A00 5244		
Description	This register provides controls over the M2 divider of the DPLL.		
Type	RW		

31	30	29	28	27	26	25	24	23	22	21	20	19	18	17	16	15	14	13	12	11	10	9	8	7	6	5	4	3	2	1	0
RESERVED																CLKST	RESERVED				DIVHS										

Bits	Field Name	Description	Type	Reset
31:10	RESERVED		R	0x0
9	CLKST	DPLL CLKOUT status 0x0: The clock output is gated 0x1: The clock output is enabled	R	0x0
8:5	RESERVED		R	0x0
4:0	DIVHS	This field programs the M2 post-divider factor (1 to 31) of DPLL_DSP. 0x0: Reserved 0x1: M2 = /1 0x2: M2 = /2 ... 0x1F: M2 = /31	RW	0x1

Table 3-486. Register Call Summary for Register CM_DIV_M2_DPLL_DSP

Clock Management Functional Description

- [DPLL_DSP Synthesized Clock Parameters: \[0\]\[1\]](#)

PRCM Register Manual

- [CM_CORE_AON_CKGEN Register Summary: \[2\]](#)

Table 3-487. CM_DIV_M3_DPLL_DSP

Address Offset	0x0000 0148	Instance	CM_CORE_AON_CKGEN
Physical Address	0x4A00 5248		
Description	This register provides controls over the M3 divider of the DPLL.		
Type	RW		

31	30	29	28	27	26	25	24	23	22	21	20	19	18	17	16	15	14	13	12	11	10	9	8	7	6	5	4	3	2	1	0
RESERVED															CLKST	RESERVED				DIVHS											

Bits	Field Name	Description	Type	Reset
31:10	RESERVED		R	0x0
9	CLKST	DPLL CLKOUTHIF status 0x0: The clock output is gated 0x1: The clock output is enabled	R	0x0
8:5	RESERVED		R	0x0
4:0	DIVHS	This field programs the M3 post-divider factor (1 to 31) of DPLL_DSP. 0x0: Reserved 0x1: M3 = /1 0x2: M3 = /2 ... 0x1F: M3 = /31	RW	0x1

Table 3-488. Register Call Summary for Register CM_DIV_M3_DPLL_DSP

Clock Management Functional Description

- [DPLL_DSP Synthesized Clock Parameters:](#)

PRCM Register Manual

- [CM_CORE_AON_CKGEN Register Summary: \[2\]](#)

Table 3-489. CM_SSC_DELTAMSTEP_DPLL_DSP

Address Offset	0x0000 014C		
Physical Address	0x4A00 524C	Instance	CM_CORE_AON__CKGEN
Description	Control the DeltaMStep parameter for Spread Spectrum Clocking. [warm reset insensitive]		
Type	RW		

31	30	29	28	27	26	25	24	23	22	21	20	19	18	17	16	15	14	13	12	11	10	9	8	7	6	5	4	3	2	1	0
RESERVED												DELTAMSTEP																			

Bits	Field Name	Description	Type	Reset
31:20	RESERVED		R	0x0
19:0	DELTAMSTEP	DeltaMStep is split into fractional and integer part. For Triangular Spread Spectrum: [19:18] for integer part, [17:0] for fractional part For Square Wave Spread Spectrum [19:14] for integer part, [13:0] for fractional part	RW	0x0

Table 3-490. CM_SSC_MODFREQDIV_DPLL_DSP

Address Offset	0x0000 0150		
Physical Address	0x4A00 5250	Instance	CM_CORE_AON__CKGEN
Description	Control the Modulation Frequency (Fm) for Spread Spectrum Clocking. [warm reset insensitive]		
Type	RW		

31	30	29	28	27	26	25	24	23	22	21	20	19	18	17	16	15	14	13	12	11	10	9	8	7	6	5	4	3	2	1	0
RESERVED												MODFREQDIV_EXPONENT				RESERVED	MODFREQDIV_MANTISSA														

Bits	Field Name	Description	Type	Reset
31:11	RESERVED		R	0x0
10:8	MODFREQDIV_EXPONENT	Set the Exponent component of MODFREQDIV factor	RW	0x0
7	RESERVED		R	0x0
6:0	MODFREQDIV_MANTISSA	Set the Mantissa component of MODFREQDIV factor	RW	0x0

Table 3-491. CM_BYPCCLK_DPLL_DSP

Address Offset	0x0000 0154		
Physical Address	0x4A00 5254	Instance	CM_CORE_AON__CKGEN
Description	Control IVA PLL BYPASS clock. [warm reset insensitive]		
Type	RW		

31	30	29	28	27	26	25	24	23	22	21	20	19	18	17	16	15	14	13	12	11	10	9	8	7	6	5	4	3	2	1	0
RESERVED																CLKSEL															

Bits	Field Name	Description	Type	Reset
31:2	RESERVED		R	0x0
1:0	CLKSEL	Select the DPLL IVA bypass clock 0x0: DPLL_IVA bypass clock is CORE_X2_CLK divided by 1 0x1: DPLL_IVA bypass clock is CORE_X2_CLK divided by 2 0x2: DPLL_IVA bypass clock is CORE_X2_CLK divided by 4 0x3: DPLL_IVA bypass clock is CORE_X2_CLK divided by 8	RW	0x0

Table 3-492. Register Call Summary for Register CM_BYPCLK_DPLL_DSP

Clock Management Functional Description

- [CM_CORE_AON Clock Generator: \[0\]](#)

PRCM Register Manual

- [CM_CORE_AON_CKGEN Register Summary: \[1\]](#)

Table 3-493. CM_SHADOW_FREQ_CONFIG1

Address Offset	0x0000 0160	Instance	CM_CORE_AON_CKGEN
Physical Address	0x4A00 5260		
Description	Shadow register to program new DPLL configuration affecting EMIF and GPMC (L3 clock) functional frequency during DVFS. The PRCM h/w automatically applies the new configuration after EMIF/GPMC have been put in idle state.		
Type	RW		

31	30	29	28	27	26	25	24	23	22	21	20	19	18	17	16	15	14	13	12	11	10	9	8	7	6	5	4	3	2	1	0
RESERVED								DPLL_DDR_DPLL_EN		DPLL_DDR_M2_DIV		RESERVED								DLL_RESET	DLL_OVERRIDE	RESERVED	FREQ_UPDATE								

Bits	Field Name	Description	Type	Reset
31:19	RESERVED		R	0x0
18:16	DPLL_DDR_DPLL_EN	Shadow register for CM_CLKMODE_DPLL_DDR.DPLL_EN . The main register is automatically loaded with the shadow register value after EMIF IDLE if the FREQ_UPDATE field is set to '1'. 0x0: Reserved 0x1: Reserved 0x2: Reserved 0x3: Reserved 0x4: Reserved 0x5: Put the DPLL in Idle Bypass Low Power mode. 0x6: Put the DPLL in Idle Bypass Fast Relock mode. 0x7: Enables the DPLL in Lock mode	RW	0x5

Bits	Field Name	Description	Type	Reset
15:11	DPLL_DDR_M2_DIV	Shadow register for CM_DIV_M2_DPLL_DDR.DIVHS . The main register is automatically loaded with the shadow register value after EMIF IDLE if the FREQ_UPDATE field is set to '1'. Divide value from 1 to 31. 0x0: Reserved	RW	0x1
10:4	RESERVED		R	0x0
3	DLL_RESET	Specify if DLL should be reset or not during the frequency change hardware sequence. 0x0: DLL is not reset during the frequency change hardware sequence 0x1: DLL is reset automatically during the frequency change hardware sequence	RW	0x1
2	DLL_OVERRIDE	Shadow register for CM_DLL_CTRL.DLL_OVERRIDE . The main register is automatically loaded with the shadow register value after EMIF IDLE if the FREQ_UPDATE field is set to '1'. 0x0: Lock and code outputs are not overridden 0x1: Lock output is overridden to '1' and code output is overridden with a value coming from control module.	RW	0x1
1	RESERVED		R	0x0
0	FREQ_UPDATE	Writing '1' indicates that a new configuration is available. It is automatically cleared by h/w after the configuration has been applied.	RW	0x0

Table 3-494. Register Call Summary for Register CM_SHADOW_FREQ_CONFIG1

Clock Management Functional Description

Device Low-Power States

- [Wakeup Upon Global Warm Reset: \[2\]](#)

PRCM Register Manual

- [CM_CORE_AON_CKGEN Register Summary: \[3\]](#)
- [CM_CORE_AON_CKGEN Register Description: \[4\]\[5\]](#)
- [CM_CORE_AON_RESTORE Register Description: \[6\]\[7\]](#)

Table 3-495. CM_SHADOW_FREQ_CONFIG2

Address Offset	0x0000 0164	Instance	CM_CORE_AON_CKGEN
Physical Address	0x4A00 5264		
Description	Shadow register to program new DPLL configuration affecting GPMC (L3 clock) functional frequency during DVFS. The PRCM h/w automatically applies the new configuration after EMIF/GPMC have been put in idle state.		
Type	RW		

31	30	29	28	27	26	25	24	23	22	21	20	19	18	17	16	15	14	13	12	11	10	9	8	7	6	5	4	3	2	1	0
RESERVED																DPLL_CORE_H12_DIV							CLKSEL_L3	GPMC_FREQ_UPDATE							

Bits	Field Name	Description	Type	Reset
31:8	RESERVED		R	0x0
7:2	DPLL_CORE_H12_DIV	Shadow register for CM_DIV_H12_DPLL_CORE.DIVHS . The main register is automatically loaded with the shadow register value after GPMC IDLE if the CM_SHADOW_FREQ_CONFIG1.FREQ_UPDATE field is set to '1' and GPMC_FREQ_UPDATE is set to '1'. Divide value from 1 to 31. 0x0: Reserved	RW	0x1
1	CLKSEL_L3	Shadow register for CM_CLKSEL_CORE.CLKSEL_L3 . The main register is automatically loaded with the shadow register value after GPMC IDLE if the CM_SHADOW_FREQ_CONFIG1.FREQ_UPDATE field is set to '1' and GPMC_FREQ_UPDATE is set to '1'. 0x0: L3_CLK is CORE_CLK divided by 1 0x1: L3_CLK is CORE_CLK divided by 2	RW	0x0
0	GPMC_FREQ_UPDATE	Controls whether or not GPMC has to be put automatically into idle during the frequency change operation. 0x0: GPMC is not put automatically into idle during frequency change operation. 0x1: GPMC is put automatically into idle during frequency change operation.	RW	0x0

Table 3-496. Register Call Summary for Register [CM_SHADOW_FREQ_CONFIG2](#)

PRCM Register Manual

- [CM_CORE_AON_CKGEN Register Summary: \[0\]](#)
- [CM_CORE_AON_RESTORE Register Description: \[1\]\[2\]](#)

Table 3-497. [CM_DYN_DEP_PRESCAL](#)

Address Offset	0x0000 0170																																																												
Physical Address	0x4A00 5270	Instance CM_CORE_AON_CKGEN																																																											
Description	Control the time unit of the sliding window for dynamic dependencies (auto-sleep feature).																																																												
Type	RW																																																												
<table border="1" style="width: 100%; text-align: center;"> <thead> <tr> <th>31</th><th>30</th><th>29</th><th>28</th><th>27</th><th>26</th><th>25</th><th>24</th><th>23</th><th>22</th><th>21</th><th>20</th><th>19</th><th>18</th><th>17</th><th>16</th><th>15</th><th>14</th><th>13</th><th>12</th><th>11</th><th>10</th><th>9</th><th>8</th><th>7</th><th>6</th><th>5</th><th>4</th><th>3</th><th>2</th><th>1</th><th>0</th> </tr> </thead> <tbody> <tr> <td colspan="16">RESERVED</td> <td colspan="11">PRESCAL</td> </tr> </tbody> </table>			31	30	29	28	27	26	25	24	23	22	21	20	19	18	17	16	15	14	13	12	11	10	9	8	7	6	5	4	3	2	1	0	RESERVED																PRESCAL										
31	30	29	28	27	26	25	24	23	22	21	20	19	18	17	16	15	14	13	12	11	10	9	8	7	6	5	4	3	2	1	0																														
RESERVED																PRESCAL																																													
Bits	Field Name	Description	Type	Reset																																																									
31:6	RESERVED		R	0x0																																																									
5:0	PRESCAL	Time unit is equal to (PRESCAL + 1) L4 clock cycles.	RW	0x20																																																									

Table 3-498. Register Call Summary for Register CM_DYN_DEP_PRESCAL

Device Power Management Introduction

- [Clock Domain Dependency: \[0\]](#)

PRCM Register Manual

- [CM_CORE_AON_CKGEN Register Summary: \[1\]](#)
- [CM_CORE_AON_DSP1 Register Description: \[2\]](#)
- [CM_CORE_AON_DSP2 Register Description: \[3\]](#)
- [CM_CORE_AON_IPU Register Description: \[4\]](#)
- [CM_CORE_AON_MPU Register Description: \[5\]](#)
- [CM_CORE_AON_RESTORE Register Description: \[6\]](#)
- [CM_CORE__CORE Register Description: \[7\]\[8\]\[9\]](#)
- [CM_CORE__L4PER Register Description: \[10\]\[11\]\[12\]](#)
- [EMU_CM Register Description: \[13\]](#)

Table 3-499. CM_RESTORE_ST

Address Offset	0x0000 0180	Instance	CM_CORE_AON__CKGEN
Physical Address	0x4A00 5280		
Description	Automatic restore status. This register is used by the system DMA to write a predefined value at the end of each automatic restore phase. [warm reset insensitive]		
Type	RW		

31	30	29	28	27	26	25	24	23	22	21	20	19	18	17	16	15	14	13	12	11	10	9	8	7	6	5	4	3	2	1	0
RESERVED																PHASE2B_COMPLETED	PHASE2A_COMPLETED	PHASE1_COMPLETED													

Bits	Field Name	Description	Type	Reset
31:3	RESERVED		R	0x0
2	PHASE2B_COMPLETED	Indicates if restore phase 2b is completed.	RW	0x0
1	PHASE2A_COMPLETED	Indicates if restore phase 2a is completed.	RW	0x0
0	PHASE1_COMPLETED	Indicates if restore phase 1 is completed.	RW	0x0

Table 3-500. CM_CLKMODE_DPLL_EVE

Address Offset	0x0000 0184	Instance	CM_CORE_AON__CKGEN
Physical Address	0x4A00 5284		
Description	This register allows controlling the DPLL modes.		
Type	RW		

31	30	29	28	27	26	25	24	23	22	21	20	19	18	17	16	15	14	13	12	11	10	9	8	7	6	5	4	3	2	1	0	
RESERVED																DPLL_SSC_TYPE	DPLL_SSC_DOWNSPREAD	DPLL_SSC_ACK	DPLL_SSC_EN	DPLL_REGM4XEN	DPLL_LPMODE_EN	RESERVED	DPLL_DRIFTGUARD_EN	RESERVED							DPLL_EN	

Bits	Field Name	Description	Type	Reset
31:16	RESERVED		R	0x0
15	DPLL_SSC_TYPE	Select between Triangular and SquareWave Spread Spectrum Clocking 0x0: Triangular Spread Spectrum Clocking is selected 0x1: Square Wave Spread Spectrum Clocking is selected (only available under proper licensing agreement)	RW	0x0
14	DPLL_SSC_DOWNSPREAD	Control if only low frequency spread is required 0x0: When SSC is enabled, clock frequency is spread on both sides of the programmed frequency 0x1: When SSC is enabled, clock frequency is spread only on the lower side of the programmed frequency	RW	0x0
13	DPLL_SSC_ACK	Acknowledgement from the DPLL regarding start and stop of Spread Spectrum Clocking feature 0x0: SSC has been turned off on PLL o/ps 0x1: SSC has been turned on on PLL o/ps	R	0x0
12	DPLL_SSC_EN	Enable or disable Spread Spectrum Clocking 0x0: SSC disabled 0x1: SSC enabled	RW	0x0
11	DPLL_REGM4XEN	Enable the REGM4XEN mode of the DPLL. Please check the DPLL documentation to check when this mode can be enabled. 0x0: REGM4XEN mode of the DPLL is disabled	R	0x0
10	DPLL_LPMODE_EN	Set the DPLL in Low Power mode. Check the DPLL documentation to see when this can be enabled. 0x0: Low power mode of the DPLL is disabled 0x1: Low power mode of the DPLL is enabled	RW	0x0
9	RESERVED		R	0x0
8	DPLL_DRIFTGUARD_EN	This bit allows to enable or disable the automatic recalibration feature of the DPLL. The DPLL will automatically start a recalibration process upon assertion of the DPLL's RECAL flag if this bit is set. 0x0: DRIFTGUARD feature is disabled 0x1: DRIFTGUARD feature is enabled	RW	0x0
7:3	RESERVED		R	0x0

Bits	Field Name	Description	Type	Reset
2:0	DPLL_EN	DPLL control. 0x0: Reserved 0x1: Reserved 0x2: Reserved 0x3: Reserved 0x4: Reserved 0x5: Put the DPLL in Idle Bypass Low Power mode. 0x6: Put the DPLL in Idle Bypass Fast Relock mode. 0x7: Enables the DPLL in Lock mode	RW	0x5

Table 3-501. CM_IDLEST_DPLL_EVE

Address Offset	0x0000 0188	Instance	CM_CORE_AON__CKGEN
Physical Address	0x4A00 5288		
Description	This register allows monitoring DPLL activity. This register is read only and automatically updated. [warm reset insensitive]		
Type	R		

31	30	29	28	27	26	25	24	23	22	21	20	19	18	17	16	15	14	13	12	11	10	9	8	7	6	5	4	3	2	1	0
RESERVED																												ST_DPLL_INIT	ST_DPLL_MODE	ST_DPLL_CLK	

Bits	Field Name	Description	Type	Reset
31:5	RESERVED		R	0x0
4	ST_DPLL_INIT	DPLL init status (for debug purpose) 0x0: DPLL is not init 0x1: DPLL has been init	R	0x0
3:1	ST_DPLL_MODE	DPLL mode status (for debug purpose). 0x0: Transient state. From reset to any LP idle state or from any power state to any power state (Power states are Low Power Stop mode, Fast Relock Stop mode, Idle Bypass Low Power mode and Idle Bypass Fast Relock mode). 0x1: The DPLL is in Low Power Stop mode. 0x2: The DPLL is in Fast Relock Stop mode. 0x3: Reserved 0x4: Reserved 0x5: The DPLL is in Idle Bypass Low Power mode. 0x6: The DPLL is in Idle Bypass Fast Relock mode. 0x7: Reserved	R	0x0
0	ST_DPLL_CLK	DPLL lock status 0x0: DPLL is either in bypass mode or in stop mode. 0x1: DPLL is LOCKED	R	0x0

Table 3-502. CM_AUTOIDLE_DPLL_EVE

Address Offset	0x0000 018C	Instance	CM_CORE_AON__CKGEN
Physical Address	0x4A00 528C		
Description	This register provides automatic control over the DPLL activity.		
Type	RW		

31	30	29	28	27	26	25	24	23	22	21	20	19	18	17	16	15	14	13	12	11	10	9	8	7	6	5	4	3	2	1	0
RESERVED																AUTO_DPLL_MODE															

Bits	Field Name	Description	Type	Reset
31:3	RESERVED		R	0x0
2:0	AUTO_DPLL_MODE	DPLL automatic control; 0x0: DPLL auto control disabled 0x1: The DPLL is automatically put in Low Power Stop mode when its DPLL generated clocks are not required anymore. It is also restarted automatically. 0x2: The DPLL is automatically put in Fast Relock Stop mode when its DPLL generated clocks are not required anymore. It is also restarted automatically. 0x3: Reserved 0x4: Reserved 0x5: The DPLL is automatically put in Idle Bypass Low Power mode when its DPLL generated clocks are not required anymore. It is also restarted automatically. 0x6: The DPLL is automatically put in Idle Bypass Fast Relock mode when its DPLL generated clocks are not required anymore. It is also restarted automatically. 0x7: Reserved	RW	0x0

Table 3-503. CM_CLKSEL_DPLL_EVE

Address Offset	0x0000 0190	Instance	CM_CORE_AON__CKGEN
Physical Address	0x4A00 5290		
Description	This register provides controls over the DPLL.		
Type	RW		

31	30	29	28	27	26	25	24	23	22	21	20	19	18	17	16	15	14	13	12	11	10	9	8	7	6	5	4	3	2	1	0
RESERVED								DPLL_BYP_CLKSEL	DCC_EN	RESERVED				DPLL_MULT								RESERVED	DPLL_DIV								

Bits	Field Name	Description	Type	Reset
31:24	RESERVED		R	0x0
23	DPLL_BYP_CLKSEL	Allows control of the BYPASS clock of the PLL and the associated HSDIVIDER. Same as ULOWCLKEN on DPLL. In DPLL Locked mode, 0 - No impact 1 - No impact In DPLL Bypass mode, 0 - CLKINP is selected as the BYPASS clock for CLKOUT/CLKOUTX2 1 - CLKINPULOW is selected as the BYPASS clock for CLKOUT/CLKOUTX2	RW	0x0
22	DCC_EN	Duty-cycle corrector for high frequency clock 0x0: Duty-cycle corrector is disabled	R	0x0
21:19	RESERVED		R	0x0
18:8	DPLL_MULT	DPLL multiplier factor (2 to 2047). (equal to input M of DPLL; M=2 to 2047 = DPLL multiplies by M). [warm reset insensitive] 0x0: Reserved 0x1: Reserved	RW	0x0
7	RESERVED		R	0x0
6:0	DPLL_DIV	DPLL divider factor (0 to 127) (equal to input N of DPLL; actual division factor is N+1). [warm reset insensitive]	RW	0x0

Table 3-504. CM_DIV_M2_DPLL_EVE

Address Offset	0x0000 0194	Instance	CM_CORE_AON_CKGEN
Physical Address	0x4A00 5294		
Description	This register provides controls over the M2 divider of the DPLL.		
Type	RW		

31	30	29	28	27	26	25	24	23	22	21	20	19	18	17	16	15	14	13	12	11	10	9	8	7	6	5	4	3	2	1	0
RESERVED																CLKST	RESERVED				DIVHS										

Bits	Field Name	Description	Type	Reset
31:10	RESERVED		R	0x0
9	CLKST	DPLL CLKOUT status 0x0: The clock output is gated 0x1: The clock output is enabled	R	0x0
8:5	RESERVED		R	0x0
4:0	DIVHS	This field programs the M2 post-divider factor (1 to 31) of DPLL_EVE. 0x0: Reserved 0x1: M2 = /1 0x2: M2 = /2 ... 0x1F: M2 = /31	RW	0x1

Table 3-505. CM_DIV_M3_DPLL_EVE

Address Offset	0x0000 0198	Instance	CM_CORE_AON_CKGEN
Physical Address	0x4A00 5298		
Description	This register provides controls over the M3 divider of the DPLL.		
Type	RW		

31	30	29	28	27	26	25	24	23	22	21	20	19	18	17	16	15	14	13	12	11	10	9	8	7	6	5	4	3	2	1	0
RESERVED																CLKST	RESERVED				DIVHS										

Bits	Field Name	Description	Type	Reset
31:10	RESERVED		R	0x0
9	CLKST	DPLL CLKOUTHIF status 0x0: The clock output is gated 0x1: The clock output is enabled	R	0x0
8:5	RESERVED		R	0x0
4:0	DIVHS	This field programs the M3 post-divider factor (1 to 31) of DPLL_EVE. 0x0: Reserved 0x1: M3 = /1 0x2: M3 = /2 ... 0x1F: M3 = /31	RW	0x1

Table 3-506. CM_SSC_DELTAMSTEP_DPLL_EVE

Address Offset	0x0000 019C	Instance	CM_CORE_AON_CKGEN
Physical Address	0x4A00 529C		
Description	Control the DeltaMStep parameter for Spread Spectrum Clocking. [warm reset insensitive]		
Type	RW		

31	30	29	28	27	26	25	24	23	22	21	20	19	18	17	16	15	14	13	12	11	10	9	8	7	6	5	4	3	2	1	0
RESERVED												DELTAMSTEP																			

Bits	Field Name	Description	Type	Reset
31:20	RESERVED		R	0x0
19:0	DELTAMSTEP	DeltaMStep is split into fractional and integer part. For Triangular Spread Spectrum: [19:18] for integer part, [17:0] for fractional part For Square Wave Spread Spectrum [19:14] for integer part, [13:0] for fractional part	RW	0x0

Table 3-507. CM_SSC_MODFREQDIV_DPLL_EVE

Address Offset	0x0000 01A0	Instance	CM_CORE_AON__CKGEN
Physical Address	0x4A00 52A0		
Description	Control the Modulation Frequency (Fm) for Spread Spectrum Clocking. [warm reset insensitive]		
Type	RW		

31	30	29	28	27	26	25	24	23	22	21	20	19	18	17	16	15	14	13	12	11	10	9	8	7	6	5	4	3	2	1	0
RESERVED																MODFREQDIV_EXPONENT		RESERVED	MODFREQDIV_MANTISSA												

Bits	Field Name	Description	Type	Reset
31:11	RESERVED		R	0x0
10:8	MODFREQDIV_EXPONENT	Set the Exponent component of MODFREQDIV factor	RW	0x0
7	RESERVED		R	0x0
6:0	MODFREQDIV_MANTISSA	Set the Mantissa component of MODFREQDIV factor	RW	0x0

Table 3-508. CM_BYPCCLK_DPLL_EVE

Address Offset	0x0000 01A4	Instance	CM_CORE_AON__CKGEN
Physical Address	0x4A00 52A4		
Description	Control IVA PLL BYPASS clock. [warm reset insensitive]		
Type	RW		

31	30	29	28	27	26	25	24	23	22	21	20	19	18	17	16	15	14	13	12	11	10	9	8	7	6	5	4	3	2	1	0
RESERVED																CLKSEL															

Bits	Field Name	Description	Type	Reset
31:2	RESERVED		R	0x0
1:0	CLKSEL	Select the DPLL IVA bypass clock 0x0: DPLL_IVA bypass clock is CORE_X2_CLK divided by 1 0x1: DPLL_IVA bypass clock is CORE_X2_CLK divided by 2 0x2: DPLL_IVA bypass clock is CORE_X2_CLK divided by 4 0x3: DPLL_IVA bypass clock is CORE_X2_CLK divided by 8	RW	0x0

Table 3-509. CM_CLKMODE_DPLL_GMAC

Address Offset	0x0000 01A8	Instance	CM_CORE_AON_CKGEN
Physical Address	0x4A00 52A8		
Description	This register allows controlling the DPLL modes.		
Type	RW		

31	30	29	28	27	26	25	24	23	22	21	20	19	18	17	16	15	14	13	12	11	10	9	8	7	6	5	4	3	2	1	0
RESERVED																DPLL_SSC_TYPE	DPLL_SSC_DOWNSPREAD	DPLL_SSC_ACK	DPLL_SSC_EN	DPLL_REGM4XEN	DPLL_LPMODE_EN	RESERVED	DPLL_DRIFTGUARD_EN	RESERVED							DPLL_EN

Bits	Field Name	Description	Type	Reset
31:16	RESERVED		R	0x0
15	DPLL_SSC_TYPE	Select between Triangular and SquareWave Spread Spectrum Clocking 0x0: Triangular Spread Spectrum Clocking is selected 0x1: Square Wave Spread Spectrum Clocking is selected (only available under proper licensing agreement)	RW	0x0
14	DPLL_SSC_DOWNSPREAD	Control if only low frequency spread is required 0x0: When SSC is enabled, clock frequency is spread on both sides of the programmed frequency 0x1: When SSC is enabled, clock frequency is spread only on the lower side of the programmed frequency	RW	0x0
13	DPLL_SSC_ACK	Acknowledgement from the DPLL regarding start and stop of Spread Spectrum Clocking feature 0x0: SSC has been turned off on PLL o/ps 0x1: SSC has been turned on on PLL o/ps	R	0x0
12	DPLL_SSC_EN	Enable or disable Spread Spectrum Clocking 0x0: SSC disabled 0x1: SSC enabled	RW	0x0
11	DPLL_REGM4XEN	Enable the REGM4XEN mode of the DPLL. Please check the DPLL documentation to check when this mode can be enabled. 0x0: REGM4XEN mode of the DPLL is disabled	R	0x0
10	DPLL_LPMODE_EN	Set the DPLL in Low Power mode. Check the DPLL documentation to see when this can be enabled. 0x0: Low power mode of the DPLL is disabled 0x1: Low power mode of the DPLL is enabled	RW	0x0
9	RESERVED		R	0x0
8	DPLL_DRIFTGUARD_EN	This bit allows to enable or disable the automatic recalibration feature of the DPLL. The DPLL will automatically start a recalibration process upon assertion of the DPLL's RECAL flag if this bit is set. 0x0: DRIFTGUARD feature is disabled 0x1: DRIFTGUARD feature is enabled	RW	0x0
7:3	RESERVED		R	0x0

Bits	Field Name	Description	Type	Reset
2:0	DPLL_EN	DPLL control. 0x0: Reserved 0x1: Reserved 0x2: Reserved 0x3: Reserved 0x4: Reserved 0x5: Put the DPLL in Idle Bypass Low Power mode. 0x6: Put the DPLL in Idle Bypass Fast Relock mode. 0x7: Enables the DPLL in Lock mode	RW	0x5

Table 3-510. Register Call Summary for Register CM_CLKMODE_DPLL_GMAC

Clock Management Functional Description

- [DPLL_GMAC Power Modes: \[0\]](#)
- [DPLL_GMAC Recalibration: \[1\]](#)

PRCM Register Manual

- [Not Supported Functionality \(Registers and Bits\): \[4\]\[5\]\[6\]\[7\]](#)
- [CM_CORE_AON__CKGEN Register Summary: \[8\]](#)

Table 3-511. CM_IDLEST_DPLL_GMAC

Address Offset	0x0000 01AC	Instance	CM_CORE_AON__CKGEN
Physical Address	0x4A00 52AC		
Description	This register allows monitoring DPLL activity. This register is read only and automatically updated. [warm reset insensitive]		
Type	R		

31	30	29	28	27	26	25	24	23	22	21	20	19	18	17	16	15	14	13	12	11	10	9	8	7	6	5	4	3	2	1	0
RESERVED																												ST_DPLL_INIT	ST_DPLL_MODE	ST_DPLL_CLK	

Bits	Field Name	Description	Type	Reset
31:5	RESERVED		R	0x0
4	ST_DPLL_INIT	DPLL init status (for debug purpose). 0x0: DPLL is not init 0x1: DPLL has been init	R	0x0
3:1	ST_DPLL_MODE	DPLL mode status (for debug purpose). 0x0: Transient state. From reset to any LP idle state or from any power state to any power state (Power states are Low Power Stop mode, Fast Relock Stop mode, Idle Bypass Low Power mode and Idle Bypass Fast Relock mode). 0x1: The DPLL is in Low Power Stop mode. 0x2: The DPLL is in Fast Relock Stop mode. 0x3: Reserved 0x4: Reserved 0x5: The DPLL is in Idle Bypass Low Power mode. 0x6: The DPLL is in Idle Bypass Fast Relock mode. 0x7: Reserved	R	0x0

Bits	Field Name	Description	Type	Reset
0	ST_DPLL_CLK	DPLL lock status 0x0: DPLL is either in bypass mode or in stop mode. 0x1: DPLL is LOCKED	R	0x0

Table 3-512. Register Call Summary for Register CM_IDLEST_DPLL_GMAC

PRCM Register Manual

- [CM_CORE_AON__CKGEN Register Summary: \[0\]](#)

Table 3-513. CM_AUTOIDLE_DPLL_GMAC

Address Offset	0x0000 01B0	Instance	CM_CORE_AON__CKGEN
Physical Address	0x4A00 52B0		
Description	This register provides automatic control over the DPLL activity.		
Type	RW		

31	30	29	28	27	26	25	24	23	22	21	20	19	18	17	16	15	14	13	12	11	10	9	8	7	6	5	4	3	2	1	0
RESERVED																												AUTO_DPLL_MODE			

Bits	Field Name	Description	Type	Reset
31:3	RESERVED		R	0x0
2:0	AUTO_DPLL_MODE	DPLL automatic control; 0x0: DPLL auto control disabled 0x1: The DPLL is automatically put in Low Power Stop mode when its DPLL generated clocks are not required anymore. It is also restarted automatically. 0x2: The DPLL is automatically put in Fast Relock Stop mode when its DPLL generated clocks are not required anymore. It is also restarted automatically. 0x3: Reserved 0x4: Reserved 0x5: The DPLL is automatically put in Idle Bypass Low Power mode when its DPLL generated clocks are not required anymore. It is also restarted automatically. 0x6: The DPLL is automatically put in Idle Bypass Fast Relock mode when its DPLL generated clocks are not required anymore. It is also restarted automatically. 0x7: Reserved	RW	0x0

Table 3-514. Register Call Summary for Register CM_AUTOIDLE_DPLL_GMAC

Clock Management Functional Description

- [DPLL_GMAC Power Modes: \[0\]](#)

PRCM Register Manual

- [CM_CORE_AON__CKGEN Register Summary: \[1\]](#)

Table 3-515. CM_CLKSEL_DPLL_GMAC

Address Offset	0x0000 01B4	Instance	CM_CORE_AON_CKGEN
Physical Address	0x4A00 52B4		
Description	This register provides controls over the DPLL.		
Type	RW		

31	30	29	28	27	26	25	24	23	22	21	20	19	18	17	16	15	14	13	12	11	10	9	8	7	6	5	4	3	2	1	0
RESERVED								DPLL_BYP_CLKSEL	DCC_EN	RESERVED	DPLL_CLKOUTHIF_CLKSEL	RESERVED	DPLL_MULT								RESERVED	DPLL_DIV									

Bits	Field Name	Description	Type	Reset
31:24	RESERVED		R	0x0
23	DPLL_BYP_CLKSEL	Allows control of the BYPASS clock of the PLL and the associated HSDIVIDER. Same as ULOWCLKEN on DPLL. In DPLL Locked mode, 0 - No impact 1 - No impact In DPLL Bypass mode, 0 - CLKINP is selected as the BYPASS clock for CLKOUT/CLKOUTX2 1 - CLKINPULOW is selected as the BYPASS clock for CLKOUT/CLKOUTX2	RW	0x0
22	DCC_EN	Duty-cycle corrector for high frequency clock 0x0: Duty-cycle corrector is disabled 0x1: Duty-cycle corrector is enabled	RW	0x0
21	RESERVED		R	0x0
20	DPLL_CLKOUTHIF_CLKSEL	Selects the source of the DPLL CLKOUTHIF clock. Same as CLKINPHIFSEL pin on the DPLL 0x0: CLKOUTHIF is generated from the DPLL oscillator (DCO) 0x1: CLKOUTHIF is generated from CLKINPHIF	RW	0x0
19	RESERVED		R	0x0
18:8	DPLL_MULT	DPLL multiplier factor (2 to 2047). (equal to input M of DPLL; M=2 to 2047 = DPLL multiplies by M). [warm reset insensitive] 0x0: Reserved 0x1: Reserved	RW	0x0
7	RESERVED		R	0x0
6:0	DPLL_DIV	DPLL divider factor (0 to 127) (equal to input N of DPLL; actual division factor is N+1). [warm reset insensitive]	RW	0x0

Table 3-516. Register Call Summary for Register CM_CLKSEL_DPLL_GMAC

Clock Management Functional Description

- [DPLL_GMAC Synthesized Clock Parameters: \[0\]\[1\]](#)

PRCM Register Manual

- [CM_CORE_AON_CKGEN Register Summary: \[2\]](#)

Table 3-517. CM_DIV_M2_DPLL_GMAC

Address Offset	0x0000 01B8	Instance	CM_CORE_AON_CKGEN
Physical Address	0x4A00 52B8		
Description	This register provides controls over the M2 divider of the DPLL.		
Type	RW		

31	30	29	28	27	26	25	24	23	22	21	20	19	18	17	16	15	14	13	12	11	10	9	8	7	6	5	4	3	2	1	0
RESERVED																CLKST	RESERVED				DIVHS										

Bits	Field Name	Description	Type	Reset
31:10	RESERVED		R	0x0
9	CLKST	DPLL CLKOUT status 0x0: The clock output is gated 0x1: The clock output is enabled	R	0x0
8:5	RESERVED		R	0x0
4:0	DIVHS	This field programs the M2 post-divider factor (1 to 31) of DPLL_GMAC. 0x0: Reserved 0x1: M2 = /1 0x2: M2 = /2 ... 0x1F: M2 = /31	RW	0x1

Table 3-518. Register Call Summary for Register CM_DIV_M2_DPLL_GMAC

Clock Management Functional Description

- [DPLL_GMAC Synthesized Clock Parameters: \[0\]\[1\]](#)

PRCM Register Manual

- [CM_CORE_AON_CKGEN Register Summary: \[2\]](#)

Table 3-519. CM_DIV_M3_DPLL_GMAC

Address Offset	0x0000 01BC	Instance	CM_CORE_AON_CKGEN
Physical Address	0x4A00 52BC		
Description	This register provides controls over the M3 divider of the DPLL.		
Type	RW		

31	30	29	28	27	26	25	24	23	22	21	20	19	18	17	16	15	14	13	12	11	10	9	8	7	6	5	4	3	2	1	0
RESERVED																CLKST	RESERVED				DIVHS										

Bits	Field Name	Description	Type	Reset
31:10	RESERVED		R	0x0
9	CLKST	DPLL CLKOUTHIF status 0x0: The clock output is gated 0x1: The clock output is enabled	R	0x0
8:5	RESERVED		R	0x0

Bits	Field Name	Description	Type	Reset
4:0	DIVHS	This field programs the M3 post-divider factor (1 to 31) of DPLL_GMAC. 0x0: Reserved 0x1: M3 = /1 0x2: M3 = /2 ... 0x1F: M3 = /31	RW	0x1

Table 3-520. Register Call Summary for Register CM_DIV_M3_DPLL_GMAC

Clock Management Functional Description

- [DPLL_GMAC Synthesized Clock Parameters: \[0\]\[1\]](#)

PRCM Register Manual

- [CM_CORE_AON_CKGEN Register Summary: \[2\]](#)

Table 3-521. CM_DIV_H11_DPLL_GMAC

Address Offset	0x0000 01C0	Instance	CM_CORE_AON_CKGEN
Physical Address	0x4A00 52C0		
Description	This register provides controls over the CLKOUT1 o/p of the HSDIVIDER1.		
Type	RW		

31	30	29	28	27	26	25	24	23	22	21	20	19	18	17	16	15	14	13	12	11	10	9	8	7	6	5	4	3	2	1	0
RESERVED																CLKST	RESERVED		DIVHS												

Bits	Field Name	Description	Type	Reset
31:10	RESERVED		R	0x0
9	CLKST	HSDIVIDER1 CLKOUT1 status 0x0: The clock output is gated 0x1: The clock output is enabled	R	0x0
8:6	RESERVED		R	0x0
5:0	DIVHS	This field programs the H11 post-divider factor (1 to 63) of DPLL_GMAC. 0x0: Reserved 0x1: H11 = /1 0x2: H11 = /2 ... 0x3F: H11 = /63	RW	0x1

Table 3-522. Register Call Summary for Register CM_DIV_H11_DPLL_GMAC

Clock Management Functional Description

- [DPLL_GMAC Synthesized Clock Parameters: \[0\]\[1\]](#)

PRCM Register Manual

- [CM_CORE_AON_CKGEN Register Summary: \[2\]](#)

Table 3-523. CM_DIV_H12_DPLL_GMAC

Address Offset	0x0000 01C4		
Physical Address	0x4A00 52C4	Instance	CM_CORE_AON_CKGEN
Description	This register provides controls over the CLKOUT2 o/p of the HSDIVIDER1.		
Type	RW		

31	30	29	28	27	26	25	24	23	22	21	20	19	18	17	16	15	14	13	12	11	10	9	8	7	6	5	4	3	2	1	0
RESERVED																CLKST	RESERVED	DIVHS													

Bits	Field Name	Description	Type	Reset
31:10	RESERVED	Reserved	R	0x0
9	CLKST	HSDIVIDER1 CLKOUT2 status 0x0: The clock output is gated 0x1: The clock output is enabled	R	0x0
8:6	RESERVED	Reserved	R	0x0
5:0	DIVHS	This field programs the H12 post-divider factor (1 to 63) of DPLL_GMAC. 0x0: Reserved 0x1: H12 = /1 0x2: H12 = /2 ... 0x3F: H12 = /63	RW	0x1

Table 3-524. Register Call Summary for Register CM_DIV_H12_DPLL_GMAC

Clock Management Functional Description

- [DPLL_GMAC Synthesized Clock Parameters: \[0\]\[1\]](#)

PRCM Register Manual

- [CM_CORE_AON_CKGEN Register Summary: \[2\]](#)

Table 3-525. CM_DIV_H13_DPLL_GMAC

Address Offset	0x0000 01C8		
Physical Address	0x4A00 52C8	Instance	CM_CORE_AON_CKGEN
Description	This register provides controls over the CLKOUT3 o/p of the HSDIVIDER1.		
Type	RW		

31	30	29	28	27	26	25	24	23	22	21	20	19	18	17	16	15	14	13	12	11	10	9	8	7	6	5	4	3	2	1	0
RESERVED																CLKST	RESERVED	DIVHS													

Bits	Field Name	Description	Type	Reset
31:10	RESERVED	Reserved	R	0x0
9	CLKST	HSDIVIDER1 CLKOUT3 status 0x0: The clock output is gated 0x1: The clock output is enabled	R	0x0

Bits	Field Name	Description	Type	Reset
8:6	RESERVED	Reserved	R	0x0
5:0	DIVHS	This field programs the H13 post-divider factor (1 to 63) of DPLL_GMAC. 0x0: Reserved 0x1: H13 = /1 0x2: H13 = /2 ... 0x3F: H13 = /63	RW	0x1

Table 3-526. Register Call Summary for Register CM_DIV_H13_DPLL_GMAC

Clock Management Functional Description

- [DPLL_GMAC Synthesized Clock Parameters: \[0\]\[1\]](#)

PRCM Register Manual

- [CM_CORE_AON_CKGEN Register Summary: \[2\]](#)

Table 3-527. CM_DIV_H14_DPLL_GMAC

Address Offset	0x0000 01CC	Instance	CM_CORE_AON_CKGEN
Physical Address	0x4A00 52CC		
Description	This register provides controls over the CLKOUT4 o/p of the HSDIVIDER1.		
Type	RW		

31	30	29	28	27	26	25	24	23	22	21	20	19	18	17	16	15	14	13	12	11	10	9	8	7	6	5	4	3	2	1	0
RESERVED																CLKST	RESERVED		DIVHS												

Bits	Field Name	Description	Type	Reset
31:10	RESERVED		R	0x0
9	CLKST	HSDIVIDER1 CLKOUT4 status 0x0: The clock output is gated 0x1: The clock output is enabled	R	0x0
8:6	RESERVED		R	0x0
5:0	DIVHS	This field programs the H14 post-divider factor (1 to 63) of DPLL_GMAC. 0x0: Reserved 0x1: H14 = /1 0x2: H14 = /2 ... 0x3F: H14 = /63	RW	0x1

Table 3-528. CM_SSC_DELTAMSTEP_DPLL_GMAC

Address Offset	0x0000 01D0		
Physical Address	0x4A00 52D0	Instance	CM_CORE_AON__CKGEN
Description	Control the DeltaMStep parameter for Spread Spectrum Clocking. [warm reset insensitive]		
Type	RW		

31	30	29	28	27	26	25	24	23	22	21	20	19	18	17	16	15	14	13	12	11	10	9	8	7	6	5	4	3	2	1	0
RESERVED												DELTAMSTEP																			

Bits	Field Name	Description	Type	Reset
31:20	RESERVED		R	0x0
19:0	DELTAMSTEP	DeltaMStep is split into fractional and integer part. For Triangular Spread Spectrum: [19:18] for integer part, [17:0] for fractional part For Square Wave Spread Spectrum [19:14] for integer part, [13:0] for fractional part	RW	0x0

Table 3-529. CM_SSC_MODFREQDIV_DPLL_GMAC

Address Offset	0x0000 01D4		
Physical Address	0x4A00 52D4	Instance	CM_CORE_AON__CKGEN
Description	Control the Modulation Frequency (Fm) for Spread Spectrum Clocking. [warm reset insensitive]		
Type	RW		

31	30	29	28	27	26	25	24	23	22	21	20	19	18	17	16	15	14	13	12	11	10	9	8	7	6	5	4	3	2	1	0
RESERVED												MODFREQDIV_EXPONENT				RESERVED	MODFREQDIV_MANTISSA														

Bits	Field Name	Description	Type	Reset
31:11	RESERVED		R	0x0
10:8	MODFREQDIV_EXPONENT	Set the Exponent component of MODFREQDIV factor	RW	0x0
7	RESERVED		R	0x0
6:0	MODFREQDIV_MANTISSA	Set the Mantissa component of MODFREQDIV factor	RW	0x0

Table 3-530. CM_CLKMODE_DPLL_GPU

Address Offset	0x0000 01D8	Instance	CM_CORE_AON_CKGEN
Physical Address	0x4A00 52D8		
Description	This register allows controlling the DPLL modes.		
Type	RW		

31	30	29	28	27	26	25	24	23	22	21	20	19	18	17	16	15	14	13	12	11	10	9	8	7	6	5	4	3	2	1	0	
RESERVED																DPLL_SSC_TYPE	DPLL_SSC_DOWNSPREAD	DPLL_SSC_ACK	DPLL_SSC_EN	DPLL_REGM4XEN	DPLL_LPMODE_EN	RESERVED	DPLL_DRIFTGUARD_EN	RESERVED							DPLL_EN	

Bits	Field Name	Description	Type	Reset
31:16	RESERVED		R	0x0
15	DPLL_SSC_TYPE	Select between Triangular and SquareWave Spread Spectrum Clocking 0x0: Triangular Spread Spectrum Clocking is selected 0x1: Square Wave Spread Spectrum Clocking is selected (only available under proper licensing agreement)	RW	0x0
14	DPLL_SSC_DOWNSPREAD	Control if only low frequency spread is required 0x0: When SSC is enabled, clock frequency is spread on both sides of the programmed frequency 0x1: When SSC is enabled, clock frequency is spread only on the lower side of the programmed frequency	RW	0x0
13	DPLL_SSC_ACK	Acknowledgement from the DPLL regarding start and stop of Spread Spectrum Clocking feature 0x0: SSC has been turned off on PLL o/ps 0x1: SSC has been turned on on PLL o/ps	R	0x0
12	DPLL_SSC_EN	Enable or disable Spread Spectrum Clocking 0x0: SSC disabled 0x1: SSC enabled	RW	0x0
11	DPLL_REGM4XEN	Enable the REGM4XEN mode of the DPLL. Please check the DPLL documentation to check when this mode can be enabled. 0x0: REGM4XEN mode of the DPLL is disabled	R	0x0
10	DPLL_LPMODE_EN	Set the DPLL in Low Power mode. Check the DPLL documentation to see when this can be enabled. 0x0: Low power mode of the DPLL is disabled 0x1: Low power mode of the DPLL is enabled	RW	0x0
9	RESERVED		R	0x0
8	DPLL_DRIFTGUARD_EN	This bit allows to enable or disable the automatic recalibration feature of the DPLL. The DPLL will automatically start a recalibration process upon assertion of the DPLL's RECAL flag if this bit is set. 0x0: DRIFTGUARD feature is disabled 0x1: DRIFTGUARD feature is enabled	RW	0x0
7:3	RESERVED		R	0x0

Bits	Field Name	Description	Type	Reset
2:0	DPLL_EN	DPLL control. 0x0: Reserved 0x1: Reserved 0x2: Reserved 0x3: Reserved 0x4: Reserved 0x5: Put the DPLL in Idle Bypass Low Power mode. 0x6: Put the DPLL in Idle Bypass Fast Relock mode. 0x7: Enables the DPLL in Lock mode	RW	0x5

Table 3-531. Register Call Summary for Register CM_CLKMODE_DPLL_GPU

Clock Management Functional Description

- [DPLL_GPU Power Modes: \[0\]](#)
- [DPLL_GPU Recalibration: \[1\]](#)

PRCM Register Manual

- [Not Supported Functionality \(Registers and Bits\): \[4\]\[5\]\[6\]\[7\]](#)
- [CM_CORE_AON__CKGEN Register Summary: \[8\]](#)

Table 3-532. CM_IDLEST_DPLL_GPU

Address Offset	0x0000 01DC	Instance	CM_CORE_AON__CKGEN
Physical Address	0x4A00 52DC		
Description	This register allows monitoring DPLL activity. This register is read only and automatically updated. [warm reset insensitive]		
Type	R		

31	30	29	28	27	26	25	24	23	22	21	20	19	18	17	16	15	14	13	12	11	10	9	8	7	6	5	4	3	2	1	0
RESERVED																												ST_DPLL_INIT	ST_DPLL_MODE	ST_DPLL_CLK	

Bits	Field Name	Description	Type	Reset
31:5	RESERVED		R	0x0
4	ST_DPLL_INIT	DPLL init status (for debug purpose). 0x0: DPLL is not init 0x1: DPLL has been init	R	0x0
3:1	ST_DPLL_MODE	DPLL mode status (for debug purpose). 0x0: Transient state. From reset to any LP idle state or from any power state to any power state (Power states are Low Power Stop mode, Fast Relock Stop mode, Idle Bypass Low Power mode and Idle Bypass Fast Relock mode). 0x1: The DPLL is in Low Power Stop mode. 0x2: The DPLL is in Fast Relock Stop mode. 0x3: Reserved 0x4: Reserved 0x5: The DPLL is in Idle Bypass Low Power mode. 0x6: The DPLL is in Idle Bypass Fast Relock mode. 0x7: Reserved	R	0x0

Bits	Field Name	Description	Type	Reset
0	ST_DPLL_CLK	DPLL lock status 0x0: DPLL is either in bypass mode or in stop mode. 0x1: DPLL is LOCKED	R	0x0

Table 3-533. Register Call Summary for Register CM_IDLEST_DPLL_GPU

PRCM Register Manual

- [CM_CORE_AON__CKGEN Register Summary: \[0\]](#)

Table 3-534. CM_AUTOIDLE_DPLL_GPU

Address Offset	0x0000 01E0	Instance	CM_CORE_AON__CKGEN
Physical Address	0x4A00 52E0		
Description	This register provides automatic control over the DPLL activity.		
Type	RW		

31	30	29	28	27	26	25	24	23	22	21	20	19	18	17	16	15	14	13	12	11	10	9	8	7	6	5	4	3	2	1	0
RESERVED																												AUTO_DPLL_MODE			

Bits	Field Name	Description	Type	Reset
31:3	RESERVED		R	0x0
2:0	AUTO_DPLL_MODE	DPLL automatic control. 0x0: DPLL auto control disabled 0x1: The DPLL is automatically put in Low Power Stop mode when its DPLL generated clocks are not required anymore. It is also restarted automatically. 0x2: The DPLL is automatically put in Fast Relock Stop mode when its DPLL generated clocks are not required anymore. It is also restarted automatically. 0x3: Reserved 0x4: Reserved 0x5: The DPLL is automatically put in Idle Bypass Low Power mode when its DPLL generated clocks are not required anymore. It is also restarted automatically. 0x6: The DPLL is automatically put in Idle Bypass Fast Relock mode when its DPLL generated clocks are not required anymore. It is also restarted automatically. 0x7: Reserved	RW	0x0

Table 3-535. Register Call Summary for Register CM_AUTOIDLE_DPLL_GPU

Clock Management Functional Description

- [DPLL_GPU Power Modes: \[0\]](#)

PRCM Register Manual

- [CM_CORE_AON__CKGEN Register Summary: \[1\]](#)

Table 3-536. CM_CLKSEL_DPLL_GPU

Address Offset	0x0000 01E4	Instance	CM_CORE_AON_CKGEN
Physical Address	0x4A00 52E4		
Description	This register provides controls over the DPLL.		
Type	RW		

31	30	29	28	27	26	25	24	23	22	21	20	19	18	17	16	15	14	13	12	11	10	9	8	7	6	5	4	3	2	1	0
RESERVED								DPLL_BYP_CLKSEL	DCC_EN	RESERVED	DPLL_CLKOUTHIF_CLKSEL	RESERVED	DPLL_MULT								RESERVED	DPLL_DIV									

Bits	Field Name	Description	Type	Reset
31:24	RESERVED		R	0x0
23	DPLL_BYP_CLKSEL	Allows control of the BYPASS clock of the PLL and the associated HSDIVIDER. Same as ULOWCLKEN on DPLL. In DPLL Locked mode, 0 - No impact 1 - No impact In DPLL Bypass mode, 0 - CLKINP is selected as the BYPASS clock for CLKOUT/CLKOUTX2 1 - CLKINPULOW is selected as the BYPASS clock for CLKOUT/CLKOUTX2	RW	0x0
22	DCC_EN	Duty-cycle corrector for high frequency clock 0x0: Duty-cycle corrector is disabled	R	0x0
21	RESERVED		R	0x0
20	DPLL_CLKOUTHIF_CLKSEL	Selects the source of the DPLL CLKOUTHIF clock. Same as CLKINPHIFSEL pin on the DPLL 0x0: CLKOUTHIF is generated from the DPLL oscillator (DCO) 0x1: CLKOUTHIF is generated from CLKINPHIF	RW	0x0
19	RESERVED		R	0x0
18:8	DPLL_MULT	DPLL multiplier factor (2 to 2047). (equal to input M of DPLL; M=2 to 2047 = DPLL multiplies by M). [warm reset insensitive] 0x0: Reserved 0x1: Reserved	RW	0x0
7	RESERVED		R	0x0
6:0	DPLL_DIV	DPLL divider factor (0 to 127) (equal to input N of DPLL; actual division factor is N+1). [warm reset insensitive]	RW	0x0

Table 3-537. Register Call Summary for Register CM_CLKSEL_DPLL_GPU

Clock Management Functional Description

- [DPLL_GPU Synthesized Clock Parameters: \[0\]\[1\]](#)

PRCM Register Manual

- [CM_CORE_AON_CKGEN Register Summary: \[2\]](#)

Table 3-538. CM_DIV_M2_DPLL_GPU

Address Offset	0x0000 01E8	Instance	CM_CORE_AON__CKGEN
Physical Address	0x4A00 52E8		
Description	This register provides controls over the M2 divider of the DPLL.		
Type	RW		

31	30	29	28	27	26	25	24	23	22	21	20	19	18	17	16	15	14	13	12	11	10	9	8	7	6	5	4	3	2	1	0
RESERVED																CLKST	RESERVED				DIVHS										

Bits	Field Name	Description	Type	Reset
31:10	RESERVED		R	0x0
9	CLKST	DPLL CLKOUT status 0x0: The clock output is gated 0x1: The clock output is enabled	R	0x0
8:5	RESERVED		R	0x0
4:0	DIVHS	This field programs the M2 post-divider factor (1 to 31) of DPLL_GPU. 0x0: Reserved 0x1: M2 = /1 0x2: M2 = /2 ... 0x1F: M2 = /31	RW	0x1

Table 3-539. Register Call Summary for Register CM_DIV_M2_DPLL_GPU

Clock Management Functional Description

- [DPLL_GPU Synthesized Clock Parameters: \[0\]\[1\]](#)

PRCM Register Manual

- [CM_CORE_AON__CKGEN Register Summary: \[2\]](#)

Table 3-540. CM_DIV_M3_DPLL_GPU

Address Offset	0x0000 01EC	Instance	CM_CORE_AON__CKGEN
Physical Address	0x4A00 52EC		
Description	This register provides controls over the M3 divider of the DPLL.		
Type	RW		

31	30	29	28	27	26	25	24	23	22	21	20	19	18	17	16	15	14	13	12	11	10	9	8	7	6	5	4	3	2	1	0
RESERVED																CLKST	RESERVED				DIVHS										

Bits	Field Name	Description	Type	Reset
31:10	RESERVED		R	0x0
9	CLKST	DPLL CLKOUTHIF status 0x0: The clock output is gated 0x1: The clock output is enabled	R	0x0
8:5	RESERVED		R	0x0

Bits	Field Name	Description	Type	Reset
4:0	DIVHS	This field programs the M3 post-divider factor (1 to 31) of DPLL_GPU. 0x0: Reserved 0x1: M3 = /1 0x2: M3 = /2 ... 0x1F: M3 = /31	RW	0x1

Table 3-541. CM_SSC_DELTAMSTEP_DPLL_GPU

Address Offset	0x0000 01F0	Instance	CM_CORE_AON_CKGEN
Physical Address	0x4A00 52F0		
Description	Control the DeltaMStep parameter for Spread Spectrum Clocking. [warm reset insensitive]		
Type	RW		

31	30	29	28	27	26	25	24	23	22	21	20	19	18	17	16	15	14	13	12	11	10	9	8	7	6	5	4	3	2	1	0
RESERVED												DELTAMSTEP																			

Bits	Field Name	Description	Type	Reset
31:20	RESERVED		R	0x0
19:0	DELTAMSTEP	DeltaMStep is split into fractional and integer part. For Triangular Spread Spectrum: [19:18] for integer part, [17:0] for fractional part For Square Wave Spread Spectrum [19:14] for integer part, [13:0] for fractional part	RW	0x0

Table 3-542. CM_SSC_MODFREQDIV_DPLL_GPU

Address Offset	0x0000 01F4	Instance	CM_CORE_AON_CKGEN
Physical Address	0x4A00 52F4		
Description	Control the Modulation Frequency (Fm) for Spread Spectrum Clocking. [warm reset insensitive]		
Type	RW		

31	30	29	28	27	26	25	24	23	22	21	20	19	18	17	16	15	14	13	12	11	10	9	8	7	6	5	4	3	2	1	0
RESERVED												MODFREQDIV_EXPONENT	RESERVED	MODFREQDIV_MANTISSA																	

Bits	Field Name	Description	Type	Reset
31:11	RESERVED		R	0x0
10:8	MODFREQDIV_EXPONENT	Set the Exponent component of MODFREQDIV factor	RW	0x0
7	RESERVED		R	0x0
6:0	MODFREQDIV_MANTISSA	Set the Mantissa component of MODFREQDIV factor	RW	0x0

3.12.4 CM_CORE_AON__DSP1 Registers

3.12.4.1 CM_CORE_AON__DSP1 Register Summary

Table 3-543. CM_CORE_AON__DSP1 Registers Mapping Summary

Register Name	Type	Register Width (Bits)	Address Offset	CM_CORE_AON__DSP1 Physical Address L4_CFG Interconnect
CM_DSP1_CLKSTCTRL	RW	32	0x0000 0000	0x4A00 5400
CM_DSP1_STATICDEP	RW	32	0x0000 0004	0x4A00 5404
CM_DSP1_DYNAMICDEP	RW	32	0x0000 0008	0x4A00 5408
CM_DSP1_DSP1_CLKCTRL	RW	32	0x0000 0020	0x4A00 5420

3.12.4.2 CM_CORE_AON__DSP1 Register Description

Table 3-544. CM_DSP1_CLKSTCTRL

Address Offset	0x0000 0000	Instance	CM_CORE_AON__DSP1
Physical Address	0x4A00 5400		
Description	This register enables the DSP domain power state transition. It controls the HW supervised domain power state transition between ON-ACTIVE and ON-INACTIVE states. It also hold one status bit per clock input of the domain.		
Type	RW		

31	30	29	28	27	26	25	24	23	22	21	20	19	18	17	16	15	14	13	12	11	10	9	8	7	6	5	4	3	2	1	0
RESERVED																CLKACTIVITY_DSP1_GFCLK	RESERVED							CLKTRCTRL							

Bits	Field Name	Description	Type	Reset
31:9	RESERVED		R	0x0
8	CLKACTIVITY_DSP1_GFCLK	This field indicates the state of the DSP_ROOT_CLK clock in the domain. [warm reset insensitive] 0x0: Corresponding clock is definitely gated 0x1: Corresponding clock is running or gating/ungating transition is on-going	R	0x0
7:2	RESERVED		R	0x0

Bits	Field Name	Description	Type	Reset
1:0	CLKTRCTRL	<p>Controls the clock state transition of the DSP clock domain.</p> <p>0x0: NO_SLEEP: Sleep transition cannot be initiated. Wakeup transition may however occur.</p> <p>0x1: SW_SLEEP: Start a software forced sleep transition on the domain.</p> <p>0x2: SW_WKUP: Start a software forced wake-up transition on the domain.</p> <p>0x3: HW_AUTO: Automatic transition is enabled. Sleep and wakeup transition are based upon hardware conditions.</p>	RW	0x3

Table 3-545. Register Call Summary for Register CM_DSP1_CLKSTCTRL

Reset Management Functional Description

- [DSP1 Subsystem Software Warm Reset Sequence: \[0\]](#)

Clock Management Functional Description

- [Clock Domain Modes: \[1\]\[2\]](#)

PRCM Register Manual

- [CM_CORE_AON_DSP1 Register Summary: \[3\]](#)

Table 3-546. CM_DSP1_STATICDEP

Address Offset	0x0000 0004	Instance	CM_CORE_AON_DSP1
Physical Address	0x4A00 5404		
Description	This register controls the static domain dependencies from DSP domain towards 'target' domains. It is relevant only for domain having system initiator(s).		
Type	RW		

31	30	29	28	27	26	25	24	23	22	21	20	19	18	17	16	15	14	13	12	11	10	9	8	7	6	5	4	3	2	1	0
RESERVED	ATL_STATDEP	PCIE_STATDEP	VPE_STATDEP	L4PER3_STATDEP	L4PER2_STATDEP	GMAC_STATDEP	IPU_STATDEP	IPU1_STATDEP	EVE4_STATDEP	EVE3_STATDEP	EVE2_STATDEP	EVE1_STATDEP	DSP2_STATDEP	CUSTEFUSE_STATDEP	COREAON_STATDEP	WKUPAON_STATDEP	L4SEC_STATDEP	L4PER_STATDEP	L4CFG_STATDEP	RESERVED	GPU_STATDEP	CAM_STATDEP	DSS_STATDEP	L3INIT_STATDEP	RESERVED	L3MAIN1_STATDEP	EMIF_STATDEP	RESERVED	IVA_STATDEP	RESERVED	IPU2_STATDEP

Bits	Field Name	Description	Type	Reset
31	RESERVED		R	0x0
30	ATL_STATDEP	<p>Static dependency towards L3INIT Clock Domain</p> <p>0x0: Dependency is disabled</p> <p>0x1: Dependency is enabled</p>	RW	0x0
29	PCIE_STATDEP	<p>Static dependency towards PCIE Clock Domain</p> <p>0x0: Dependency is disabled</p> <p>0x1: Dependency is enabled</p>	RW	0x0
28	VPE_STATDEP	<p>Static dependency towards VPE Clock Domain</p> <p>0x0: Dependency is disabled</p> <p>0x1: Dependency is enabled</p>	RW	0x0
27	L4PER3_STATDEP	<p>Static dependency towards L4PER3 Clock Domain</p> <p>0x0: Dependency is disabled</p> <p>0x1: Dependency is enabled</p>	RW	0x0

Bits	Field Name	Description	Type	Reset
26	L4PER2_STATDEP	Static dependency towards L4PER2 Clock Domain 0x0: Dependency is disabled 0x1: Dependency is enabled	RW	0x0
25	GMAC_STATDEP	Static dependency towards GMAC Clock Domain 0x0: Dependency is disabled 0x1: Dependency is enabled	RW	0x0
24	IPU_STATDEP	Static dependency towards IPU Clock Domain 0x0: Dependency is disabled 0x1: Dependency is enabled	RW	0x0
23	IPU1_STATDEP	Static dependency towards IPU1 Clock Domain 0x0: Dependency is disabled 0x1: Dependency is enabled	RW	0x0
22	EVE4_STATDEP	Static dependency towards EVE4 Clock Domain 0x0: Dependency is disabled 0x1: Dependency is enabled	RW	0x0
21	EVE3_STATDEP	Static dependency towards EVE3 Clock Domain 0x0: Dependency is disabled 0x1: Dependency is enabled	RW	0x0
20	EVE2_STATDEP	Static dependency towards EVE2 Clock Domain 0x0: Dependency is disabled 0x1: Dependency is enabled	RW	0x0
19	EVE1_STATDEP	Static dependency towards EVE1 Clock Domain 0x0: Dependency is disabled 0x1: Dependency is enabled	RW	0x0
18	DSP2_STATDEP	Static dependency towards DSP2 Cock Domain 0x0: Dependency is disabled 0x1: Dependency is enabled	RW	0x0
17	CUSTEFUSE_STATDEP	Static dependency towards CUSTEFUSE Clock Domain 0x0: Dependency is disabled	R	0x0
16	COREAON_STATDEP	Static dependency towards COREAON Clock Domain 0x0: Dependency is disabled	R	0x0
15	WKUPAON_STATDEP	Static dependency towards WKUPAON Clock Domain 0x0: Dependency is disabled 0x1: Dependency is enabled	RW	0x0
14	L4SEC_STATDEP	Static dependency towards L4SEC Clock Domain 0x0: Dependency is disabled 0x1: Dependency is enabled	RW	0x0
13	L4PER_STATDEP	Static dependency towards L4PER1 Clock Domain 0x0: Dependency is disabled 0x1: Dependency is enabled	RW	0x0
12	L4CFG_STATDEP	Static dependency towards L4CFG Clock Domain 0x0: Dependency is disabled	R	0x0
11	RESERVED		R	0x0
10	GPU_STATDEP	Static dependency towards GPU Clock Domain 0x0: Dependency is disabled 0x1: Dependency is enabled	RW	0x0
9	CAM_STATDEP	Static dependency towards CAM Clock Domain 0x0: Dependency is disabled 0x1: Dependency is enabled	RW	0x0

Bits	Field Name	Description	Type	Reset
8	DSS_STATDEP	Static dependency towards DSS Clock Domain 0x0: Dependency is disabled 0x1: Dependency is enabled	RW	0x0
7	L3INIT_STATDEP	Static dependency towards L3INIT Clock Domain 0x0: Dependency is disabled 0x1: Dependency is enabled	RW	0x0
6	RESERVED		R	0x0
5	L3MAIN1_STATDEP	Static dependency towards L3MAIN1 Clock Domain 0x1: Dependency is enabled	R	0x1
4	EMIF_STATDEP	Static dependency towards EMIF Clock Domain 0x0: Dependency is disabled 0x1: Dependency is enabled	RW	0x0
3	RESERVED		R	0x0
2	IVA_STATDEP	Static dependency towards IVA Clock Domain 0x0: Dependency is disabled 0x1: Dependency is enabled	RW	0x0
1	RESERVED		R	0x0
0	IPU2_STATDEP	Static dependency towards IPU2 Clock Domain 0x0: Dependency is disabled 0x1: Dependency is enabled	RW	0x0

Table 3-547. Register Call Summary for Register CM_DSP1_STATICDEP

Clock Management Functional Description

- [Clock Domain Dependency: \[0\]\[1\]\[2\]\[3\]\[4\]\[5\]\[6\]\[7\]\[8\]\[9\]\[10\]\[11\]\[12\]\[14\]\[15\]\[16\]\[17\]\[18\]\[19\]\[20\]\[21\]\[22\]](#)

PRCM Register Manual

- [Not Supported Functionality \(Registers and Bits\): \[27\]\[28\]\[29\]\[30\]\[31\]](#)
- [CM_CORE_AON_DSP1 Register Summary: \[32\]](#)

Table 3-548. CM_DSP1_DYNAMICDEP

Address Offset	0x0000 0008	Instance	CM_CORE_AON_DSP1
Physical Address	0x4A00 5408		
Description	This register controls the dynamic domain dependencies from DSP domain towards 'target' domains. It is relevant only for domain having OCP master port(s).		
Type	RW		

31	30	29	28	27	26	25	24	23	22	21	20	19	18	17	16	15	14	13	12	11	10	9	8	7	6	5	4	3	2	1	0
RESERVED				WINDOWSIZE				RESERVED										L3MAIN1_DYNDP	RESERVED												

Bits	Field Name	Description	Type	Reset
31:28	RESERVED		R	0x0
27:24	WINDOWSIZE	Size of sliding window used to monitor OCP interface activity for determination of auto-sleep feature. Time unit defined by CM_DYN_DEP_PRESCAL register.	RW	0x4
23:6	RESERVED		R	0x0

Bits	Field Name	Description	Type	Reset
5	L3MAIN1_DYNDEP	Dynamic dependency towards L3MAIN1 clock domain 0x1: Dependency is enabled	R	0x1
4:0	RESERVED		R	0x0

Table 3-549. Register Call Summary for Register CM_DSP1_DYNAMICDEP

Clock Management Functional Description

- [Clock Domain Dependency: \[0\]](#)

PRCM Register Manual

- [CM_CORE_AON__DSP1 Register Summary: \[2\]](#)

Table 3-550. CM_DSP1_DSP1_CLKCTRL

Address Offset	0x0000 0020	Instance	CM_CORE_AON__DSP1
Physical Address	0x4A00 5420		
Description	This register manages the DSP clocks.		
Type	RW		

31	30	29	28	27	26	25	24	23	22	21	20	19	18	17	16	15	14	13	12	11	10	9	8	7	6	5	4	3	2	1	0
RESERVED														STBYST	IDLEST	RESERVED										MODULEMODE					

Bits	Field Name	Description	Type	Reset
31:19	RESERVED		R	0x0
18	STBYST	Module standby status. [warm reset insensitive] 0x0: Module is functional (not in standby) 0x1: Module is in standby	R	0x1
17:16	IDLEST	Module idle status. [warm reset insensitive] 0x0: Module is fully functional, including OCP 0x1: Module is performing transition: wakeup, or sleep, or sleep abortion 0x2: Module is in Idle mode (only OCP part). It is functional if using separate functional clock 0x3: Module is disabled and cannot be accessed	R	0x3
15:2	RESERVED		R	0x0
1:0	MODULEMODE	Control the way mandatory clocks are managed. 0x0: Module is disabled by SW. Any OCP access to module results in an error, except if resulting from a module wakeup (asynchronous wakeup). 0x1: Module is managed automatically by HW according to clock domain transition. A clock domain sleep transition put module into idle. A wakeup domain transition put it back into function. If CLKTRCTRL=3, any OCP access to module is always granted. Module clocks may be gated according to the clock domain state. 0x2: Reserved 0x3: Reserved	RW	0x0

Table 3-551. Register Call Summary for Register CM_DSP1_DSP1_CLKCTRL

Reset Management Functional Description
<ul style="list-style-type: none"> DSP1 Subsystem Software Warm Reset Sequence: [0][1]
Clock Management Functional Description
<ul style="list-style-type: none"> Clock Domain Module Attributes: [2][3][4]
PRCM Register Manual
<ul style="list-style-type: none"> CM_CORE_AON__DSP1 Register Summary: [5]

3.12.5 CM_CORE_AON__DSP2 Registers

3.12.5.1 CM_CORE_AON__DSP2 Register Summary

Table 3-552. CM_CORE_AON__DSP2 Registers Mapping Summary

Register Name	Type	Register Width (Bits)	Address Offset	CM_CORE_AON__DSP2 Physical Address L4_CFG Interconnect
CM_DSP2_CLKSTCTRL	RW	32	0x0000 0000	0x4A00 5600
CM_DSP2_STATICDEP	RW	32	0x0000 0004	0x4A00 5604
CM_DSP2_DYNAMICDEP	RW	32	0x0000 0008	0x4A00 5608
CM_DSP2_DSP2_CLKCTRL	RW	32	0x0000 0020	0x4A00 5620

3.12.5.2 CM_CORE_AON__DSP2 Register Description

Table 3-553. CM_DSP2_CLKSTCTRL

Address Offset	0x0000 0000	Instance	CM_CORE_AON__DSP2
Physical Address	0x4A00 5600		
Description	This register enables the DSP domain power state transition. It controls the HW supervised domain power state transition between ON-ACTIVE and ON-INACTIVE states. It also hold one status bit per clock input of the domain.		
Type	RW		

31	30	29	28	27	26	25	24	23	22	21	20	19	18	17	16	15	14	13	12	11	10	9	8	7	6	5	4	3	2	1	0
RESERVED																CLKACTIVITY_DSP2_GFCLK	RESERVED						CLKCTRL								

Bits	Field Name	Description	Type	Reset
31:9	RESERVED		R	0x0
8	CLKACTIVITY_DSP2_GFCLK	This field indicates the state of the DSP_ROOT_CLK clock in the domain. [warm reset insensitive] 0x0: Corresponding clock is definitely gated 0x1: Corresponding clock is running or gating/ungating transition is on-going	R	0x0
7:2	RESERVED		R	0x0
1:0	CLKTRCTRL	Controls the clock state transition of the DSP clock domain. 0x0: NO_SLEEP: Sleep transition cannot be initiated. Wakeup transition may however occur. 0x1: SW_SLEEP: Start a software forced sleep transition on the domain. 0x2: SW_WKUP: Start a software forced wake-up transition on the domain. 0x3: HW_AUTO: Automatic transition is enabled. Sleep and wakeup transition are based upon hardware conditions.	RW	0x3

Table 3-554. CM_DSP2_STATICDEP

Address Offset	0x0000 0004	Instance	CM_CORE_AON_DSP2
Physical Address	0x4A00 5604		
Description	This register controls the static domain dependencies from DSP domain towards 'target' domains. It is relevant only for domain having system initiator(s).		
Type	RW		

31	30	29	28	27	26	25	24	23	22	21	20	19	18	17	16	15	14	13	12	11	10	9	8	7	6	5	4	3	2	1	0
RESERVED	ATL_STATDEP	PCIE_STATDEP	VPE_STATDEP	L4PER3_STATDEP	L4PER2_STATDEP	GMAC_STATDEP	IPU_STATDEP	IPU1_STATDEP	EVE4_STATDEP	EVE3_STATDEP	EVE2_STATDEP	EVE1_STATDEP	RESERVED	CUSTEFUSE_STATDEP	COREAON_STATDEP	WKUPAON_STATDEP	L4SEC_STATDEP	L4PER_STATDEP	L4CFG_STATDEP	RESERVED	GPU_STATDEP	CAM_STATDEP	DSS_STATDEP	L3INIT_STATDEP	RESERVED	L3MAIN1_STATDEP	EMIF_STATDEP	RESERVED	IVA_STATDEP	DSP1_STATDEP	IPU2_STATDEP

Bits	Field Name	Description	Type	Reset
31	RESERVED		R	0x0
30	ATL_STATDEP	Static dependency towards L3INIT Clock Domain 0x0: Dependency is disabled 0x1: Dependency is enabled	RW	0x0
29	PCIE_STATDEP	Static dependency towards PCIE Clock Domain 0x0: Dependency is disabled 0x1: Dependency is enabled	RW	0x0
28	VPE_STATDEP	Static dependency towards VPE Clock Domain 0x0: Dependency is disabled 0x1: Dependency is enabled	RW	0x0
27	L4PER3_STATDEP	Static dependency towards L4PER3 Clock Domain 0x0: Dependency is disabled 0x1: Dependency is enabled	RW	0x0

Bits	Field Name	Description	Type	Reset
26	L4PER2_STATDEP	Static dependency towards L4PER2 Clock Domain 0x0: Dependency is disabled 0x1: Dependency is enabled	RW	0x0
25	GMAC_STATDEP	Static dependency towards GMAC Clock Domain 0x0: Dependency is disabled 0x1: Dependency is enabled	RW	0x0
24	IPU_STATDEP	Static dependency towards IPU Clock Domain 0x0: Dependency is disabled 0x1: Dependency is enabled	RW	0x0
23	IPU1_STATDEP	Static dependency towards IPU1 Clock Domain 0x0: Dependency is disabled 0x1: Dependency is enabled	RW	0x0
22	EVE4_STATDEP	Static dependency towards EVE4 Clock Domain 0x0: Dependency is disabled 0x1: Dependency is enabled	RW	0x0
21	EVE3_STATDEP	Static dependency towards EVE3 Clock Domain 0x0: Dependency is disabled 0x1: Dependency is enabled	RW	0x0
20	EVE2_STATDEP	Static dependency towards EVE2 Clock Domain 0x0: Dependency is disabled 0x1: Dependency is enabled	RW	0x0
19	EVE1_STATDEP	Static dependency towards EVE1 Clock Domain 0x0: Dependency is disabled 0x1: Dependency is enabled	RW	0x0
18	RESERVED		R	0x0
17	CUSTEFUSE_STATDEP	Static dependency towards CUSTEFUSE Clock Domain 0x0: Dependency is disabled	R	0x0
16	COREAON_STATDEP	Static dependency towards COREAON Clock Domain 0x0: Dependency is disabled	R	0x0
15	WKUPAON_STATDEP	Static dependency towards WKUPAON Clock Domain 0x0: Dependency is disabled 0x1: Dependency is enabled	RW	0x0
14	L4SEC_STATDEP	Static dependency towards L4SEC Clock Domain 0x0: Dependency is disabled 0x1: Dependency is enabled	RW	0x0
13	L4PER_STATDEP	Static dependency towards L4PER1 Clock Domain 0x0: Dependency is disabled 0x1: Dependency is enabled	RW	0x0
12	L4CFG_STATDEP	Static dependency towards L4CFG Clock Domain 0x0: Dependency is disabled	R	0x0
11	RESERVED		R	0x0
10	GPU_STATDEP	Static dependency towards GPU Clock Domain 0x0: Dependency is disabled 0x1: Dependency is enabled	RW	0x0
9	CAM_STATDEP	Static dependency towards CAM Clock Domain 0x0: Dependency is disabled 0x1: Dependency is enabled	RW	0x0

Bits	Field Name	Description	Type	Reset
8	DSS_STATDEP	Static dependency towards DSS Clock Domain 0x0: Dependency is disabled 0x1: Dependency is enabled	RW	0x0
7	L3INIT_STATDEP	Static dependency towards L3INIT Clock Domain 0x0: Dependency is disabled 0x1: Dependency is enabled	RW	0x0
6	RESERVED		R	0x0
5	L3MAIN1_STATDEP	Static dependency towards L3MAIN1 Clock Domain 0x1: Dependency is enabled	R	0x1
4	EMIF_STATDEP	Static dependency towards EMIF Clock Domain 0x0: Dependency is disabled 0x1: Dependency is enabled	RW	0x0
3	RESERVED		R	0x0
2	IVA_STATDEP	Static dependency towards IVA Clock Domain 0x0: Dependency is disabled 0x1: Dependency is enabled	RW	0x0
1	DSP1_STATDEP	Static dependency towards DSP1 Clock Domain 0x0: Dependency is disabled 0x1: Dependency is enabled	RW	0x0
0	IPU2_STATDEP	Static dependency towards IPU2 Clock Domain 0x0: Dependency is disabled 0x1: Dependency is enabled	RW	0x0

Table 3-555. CM_DSP2_DYNAMICDEP

Address Offset	0x0000 0008	Instance	CM_CORE_AON_DSP2
Physical Address	0x4A00 5608		
Description	This register controls the dynamic domain dependencies from DSP domain towards 'target' domains. It is relevant only for domain having OCP master port(s).		
Type	RW		

31	30	29	28	27	26	25	24	23	22	21	20	19	18	17	16	15	14	13	12	11	10	9	8	7	6	5	4	3	2	1	0
RESERVED				WINDOWSIZE				RESERVED										L3MAIN1_DYNDP	RESERVED												

Bits	Field Name	Description	Type	Reset
31:28	RESERVED		R	0x0
27:24	WINDOWSIZE	Size of sliding window used to monitor OCP interface activity for determination of auto-sleep feature. Time unit defined by CM_DYN_DEP_PRESCAL register.	RW	0x4
23:6	RESERVED		R	0x0
5	L3MAIN1_DYNDP	Dynamic dependency towards L3MAIN1 clock domain 0x1: Dependency is enabled	R	0x1
4:0	RESERVED		R	0x0

Table 3-556. CM_DSP2_DSP2_CLKCTRL

Address Offset	0x0000 0020	Instance	CM_CORE_AON__DSP2
Physical Address	0x4A00 5620		
Description	This register manages the DSP clocks.		
Type	RW		

31	30	29	28	27	26	25	24	23	22	21	20	19	18	17	16	15	14	13	12	11	10	9	8	7	6	5	4	3	2	1	0
RESERVED													STBYST		IDLEST		RESERVED													MODULEMODE	

Bits	Field Name	Description	Type	Reset
31:19	RESERVED		R	0x0
18	STBYST	Module standby status. [warm reset insensitive] 0x0: Module is functional (not in standby) 0x1: Module is in standby	R	0x1
17:16	IDLEST	Module idle status. [warm reset insensitive] 0x0: Module is fully functional, including OCP 0x1: Module is performing transition: wakeup, or sleep, or sleep abortion 0x2: Module is in Idle mode (only OCP part). It is functional if using separate functional clock 0x3: Module is disabled and cannot be accessed	R	0x3
15:2	RESERVED		R	0x0
1:0	MODULEMODE	Control the way mandatory clocks are managed. 0x0: Module is disabled by SW. Any OCP access to module results in an error, except if resulting from a module wakeup (asynchronous wakeup). 0x1: Module is managed automatically by HW according to clock domain transition. A clock domain sleep transition put module into idle. A wakeup domain transition put it back into function. If CLKTRCTRL=3, any OCP access to module is always granted. Module clocks may be gated according to the clock domain state. 0x2: Reserved 0x3: Reserved	RW	0x0

3.12.6 CM_CORE_AON__EVE1 Registers

3.12.6.1 CM_CORE_AON__EVE1 Register Summary

Table 3-557. CM_CORE_AON__EVE1 Registers Mapping Summary

Register Name	Type	Register Width (Bits)	Address Offset	CM_CORE_AON__EVE1 Physical Address L4_CFG Interconnect
CM_EVE1_CLKSTCTRL	RW	32	0x0000 0000	0x4A00 5640
CM_EVE1_STATICDEP	RW	32	0x0000 0004	0x4A00 5644
CM_EVE1_EVE1_CLKC TRL	RW	32	0x0000 0020	0x4A00 5660

3.12.6.2 CM_CORE_AON__EVE1 Register Description
Table 3-558. CM_EVE1_CLKSTCTRL

Address Offset	0x0000 0000	Instance	CM_CORE_AON__EVE1
Physical Address	0x4A00 5640		
Description	This register enables the EVE domain power state transition. It controls the HW supervised domain power state transition between ON-ACTIVE and ON-INACTIVE states. It also hold one status bit per clock input of the domain.		
Type	RW		

31	30	29	28	27	26	25	24	23	22	21	20	19	18	17	16	15	14	13	12	11	10	9	8	7	6	5	4	3	2	1	0
RESERVED																CLKACTIVITY_EVE1_GFCLK	RESERVED							CLKTRCTRL							

Bits	Field Name	Description	Type	Reset
31:9	RESERVED		R	0x0
8	CLKACTIVITY_EVE1_GFCLK	This field indicates the state of the EVE1_GFCLK clock in the domain. [warm reset insensitive] 0x0: Corresponding clock is definitely gated 0x1: Corresponding clock is running or gating/ungating transition is on-going	R	0x0
7:2	RESERVED		R	0x0
1:0	CLKTRCTRL	Controls the clock state transition of the DSP clock domain. 0x0: NO_SLEEP: Sleep transition cannot be initiated. Wakeup transition may however occur. 0x1: SW_SLEEP: Start a software forced sleep transition on the domain. 0x2: SW_WKUP: Start a software forced wake-up transition on the domain. 0x3: HW_AUTO: Automatic transition is enabled. Sleep and wakeup transition are based upon hardware conditions.	RW	0x3

Table 3-559. CM_EVE1_STATICDEP

Address Offset	0x0000 0004	Instance	CM_CORE_AON__EVE1
Physical Address	0x4A00 5644		
Description	This register controls the static domain dependencies from EVE1 domain towards 'target' domains. It is relevant only for domain having system initiator(s).		
Type	RW		

31	30	29	28	27	26	25	24	23	22	21	20	19	18	17	16	15	14	13	12	11	10	9	8	7	6	5	4	3	2	1	0
RESERVED								EVE4_STATDEP	EVE3_STATDEP	EVE2_STATDEP	RESERVED								L3MAIN1_STATDEP	EMIF_STATDEP	RESERVED	IVA_STATDEP	RESERVED								

Bits	Field Name	Description	Type	Reset
31:23	RESERVED		R	0x0
22	EVE4_STATDEP	Static dependency towards EVE4 Clock Domain 0x0: Dependency is disabled 0x1: Dependency is enabled	RW	0x0
21	EVE3_STATDEP	Static dependency towards EVE3 Clock Domain 0x0: Dependency is disabled 0x1: Dependency is enabled	RW	0x0
20	EVE2_STATDEP	Static dependency towards EVE2 Clock Domain 0x0: Dependency is disabled 0x1: Dependency is enabled	RW	0x0
19:6	RESERVED		R	0x0
5	L3MAIN1_STATDEP	Static dependency towards L3MAIN1 Clock Domain 0x1: Dependency is enabled	R	0x1
4	EMIF_STATDEP	Static dependency towards EMIF Clock Domain 0x0: Dependency is disabled 0x1: Dependency is enabled	RW	0x1
3	RESERVED		R	0x0
2	IVA_STATDEP	Static dependency towards IVA Clock Domain 0x0: Dependency is disabled 0x1: Dependency is enabled	RW	0x0
1:0	RESERVED		R	0x0

Table 3-560. CM_EVE1_EVE1_CLKCTRL

Address Offset	0x0000 0020	Instance	CM_CORE_AON__EVE1
Physical Address	0x4A00 5660		
Description	This register manages the EVE clocks.		
Type	RW		

31	30	29	28	27	26	25	24	23	22	21	20	19	18	17	16	15	14	13	12	11	10	9	8	7	6	5	4	3	2	1	0
RESERVED												STBYST	IDLEST	RESERVED												MODULEMODE					

Bits	Field Name	Description	Type	Reset
31:19	RESERVED		R	0x0
18	STBYST	Module standby status. [warm reset insensitive] 0x0: Module is functional (not in standby) 0x1: Module is in standby	R	0x1
17:16	IDLEST	Module idle status. [warm reset insensitive] 0x0: Module is fully functional, including OCP 0x1: Module is performing transition: wakeup, or sleep, or sleep abortion 0x2: Module is in Idle mode (only OCP part). It is functional if using separate functional clock 0x3: Module is disabled and cannot be accessed	R	0x3
15:2	RESERVED		R	0x0
1:0	MODULEMODE	Control the way mandatory clocks are managed. 0x0: Module is disabled by SW. Any OCP access to module results in an error, except if resulting from a module wakeup (asynchronous wakeup). 0x1: Module is managed automatically by HW according to clock domain transition. A clock domain sleep transition put module into idle. A wakeup domain transition put it back into function. If CLKTRCTRL=3, any OCP access to module is always granted. Module clocks may be gated according to the clock domain state. 0x2: Reserved 0x3: Reserved	RW	0x0

3.12.7 CM_CORE_AON__EVE2 Registers

3.12.7.1 CM_CORE_AON__EVE2 Register Summary

Table 3-561. CM_CORE_AON__EVE2 Registers Mapping Summary

Register Name	Type	Register Width (Bits)	Address Offset	CM_CORE_AON__EVE2 Physical Address L4_CFG Interconnect
CM_EVE2_CLKSTCTRL	RW	32	0x0000 0000	0x4A00 5680
CM_EVE2_STATICDEP	RW	32	0x0000 0004	0x4A00 5684
CM_EVE2_EVE2_CLKC TRL	RW	32	0x0000 0020	0x4A00 56A0

3.12.7.2 CM_CORE_AON__EVE2 Register Description

Table 3-562. CM_EVE2_CLKSTCTRL

Address Offset	0x0000 0000	Instance	CM_CORE_AON__EVE2
Physical Address	0x4A00 5680		
Description	This register enables the EVE domain power state transition. It controls the HW supervised domain power state transition between ON-ACTIVE and ON-INACTIVE states. It also hold one status bit per clock input of the domain.		
Type	RW		

31	30	29	28	27	26	25	24	23	22	21	20	19	18	17	16	15	14	13	12	11	10	9	8	7	6	5	4	3	2	1	0
RESERVED																CLKACTIVITY_EVE2_GFCLK	RESERVED							CLKTRCTRL							

Bits	Field Name	Description	Type	Reset
31:9	RESERVED		R	0x0
8	CLKACTIVITY_EVE2_GFCLK	This field indicates the state of the EVE2_GFCLK clock in the domain. [warm reset insensitive] 0x0: Corresponding clock is definitely gated 0x1: Corresponding clock is running or gating/ungating transition is on-going	R	0x0
7:2	RESERVED		R	0x0
1:0	CLKTRCTRL	Controls the clock state transition of the DSP clock domain. 0x0: NO_SLEEP: Sleep transition cannot be initiated. Wakeup transition may however occur. 0x1: SW_SLEEP: Start a software forced sleep transition on the domain. 0x2: SW_WKUP: Start a software forced wake-up transition on the domain. 0x3: HW_AUTO: Automatic transition is enabled. Sleep and wakeup transition are based upon hardware conditions.	RW	0x3

Table 3-563. CM_EVE2_STATICDEP

Address Offset	0x0000 0004	Instance	CM_CORE_AON__EVE2
Physical Address	0x4A00 5684		
Description	This register controls the static domain dependencies from EVE2 domain towards 'target' domains. It is relevant only for domain having system initiator(s).		
Type	RW		

31	30	29	28	27	26	25	24	23	22	21	20	19	18	17	16	15	14	13	12	11	10	9	8	7	6	5	4	3	2	1	0
RESERVED								EVE4_STATDEP	EVE3_STATDEP	RESERVED	EVE1_STATDEP	RESERVED								L3MAIN1_STATDEP	EMIF_STATDEP	RESERVED	IVA_STATDEP	RESERVED							

Bits	Field Name	Description	Type	Reset
31:23	RESERVED		R	0x0
22	EVE4_STATDEP	Static dependency towards EVE4 Clock Domain 0x0: Dependency is disabled 0x1: Dependency is enabled	RW	0x0
21	EVE3_STATDEP	Static dependency towards EVE3 Clock Domain 0x0: Dependency is disabled 0x1: Dependency is enabled	RW	0x0
20	RESERVED		R	0x0
19	EVE1_STATDEP	Static dependency towards EVE1 Clock Domain 0x0: Dependency is disabled 0x1: Dependency is enabled	RW	0x0
18:6	RESERVED		R	0x0
5	L3MAIN1_STATDEP	Static dependency towards L3MAIN1 Clock Domain 0x1: Dependency is enabled	R	0x1
4	EMIF_STATDEP	Static dependency towards EMIF Clock Domain 0x0: Dependency is disabled 0x1: Dependency is enabled	RW	0x1
3	RESERVED		R	0x0
2	IVA_STATDEP	Static dependency towards IVA Clock Domain 0x0: Dependency is disabled 0x1: Dependency is enabled	RW	0x0
1:0	RESERVED		R	0x0

Table 3-564. CM_EVE2_EVE2_CLKCTRL

Address Offset	0x0000 0020	Instance	CM_CORE_AON__EVE2
Physical Address	0x4A00 56A0		
Description	This register manages the EVE clocks.		
Type	RW		

31	30	29	28	27	26	25	24	23	22	21	20	19	18	17	16	15	14	13	12	11	10	9	8	7	6	5	4	3	2	1	0
RESERVED													STBYST		IDLEST		RESERVED													MODULEMODE	

Bits	Field Name	Description	Type	Reset
31:19	RESERVED		R	0x0
18	STBYST	Module standby status. [warm reset insensitive] 0x0: Module is functional (not in standby) 0x1: Module is in standby	R	0x1
17:16	IDLEST	Module idle status. [warm reset insensitive] 0x0: Module is fully functional, including OCP 0x1: Module is performing transition: wakeup, or sleep, or sleep abortion 0x2: Module is in Idle mode (only OCP part). It is functional if using separate functional clock 0x3: Module is disabled and cannot be accessed	R	0x3
15:2	RESERVED		R	0x0
1:0	MODULEMODE	Control the way mandatory clocks are managed. 0x0: Module is disabled by SW. Any OCP access to module results in an error, except if resulting from a module wakeup (asynchronous wakeup). 0x1: Module is managed automatically by HW according to clock domain transition. A clock domain sleep transition put module into idle. A wakeup domain transition put it back into function. If CLKTRCTRL=3, any OCP access to module is always granted. Module clocks may be gated according to the clock domain state. 0x2: Reserved 0x3: Reserved	RW	0x0

3.12.8 CM_CORE_AON__EVE3 Registers

3.12.8.1 CM_CORE_AON__EVE3 Register Summary

Table 3-565. CM_CORE_AON__EVE3 Registers Mapping Summary

Register Name	Type	Register Width (Bits)	Address Offset	CM_CORE_AON__EVE ₃ Physical Address L4_CFG Interconnect
CM_EVE3_CLKSTCTRL	RW	32	0x0000 0000	0x4A00 56C0
CM_EVE3_STATICDEP	RW	32	0x0000 0004	0x4A00 56C4
CM_EVE3_EVE3_CLKC TRL	RW	32	0x0000 0020	0x4A00 56E0

3.12.8.2 CM_CORE_AON__EVE3 Register Description
Table 3-566. CM_EVE3_CLKSTCTRL

Address Offset	0x0000 0000	Instance	CM_CORE_AON__EVE3
Physical Address	0x4A00 56C0		
Description	This register enables the EVE domain power state transition. It controls the HW supervised domain power state transition between ON-ACTIVE and ON-INACTIVE states. It also hold one status bit per clock input of the domain.		
Type	RW		

31	30	29	28	27	26	25	24	23	22	21	20	19	18	17	16	15	14	13	12	11	10	9	8	7	6	5	4	3	2	1	0
RESERVED																CLKACTIVITY_EVE3_GFCLK	RESERVED							CLKTRCTRL							

Bits	Field Name	Description	Type	Reset
31:9	RESERVED		R	0x0
8	CLKACTIVITY_EVE3_GFCLK	This field indicates the state of the EVE3_GFCLK clock in the domain. [warm reset insensitive] 0x0: Corresponding clock is definitely gated 0x1: Corresponding clock is running or gating/ungating transition is on-going	R	0x0
7:2	RESERVED		R	0x0
1:0	CLKTRCTRL	Controls the clock state transition of the DSP clock domain. 0x0: NO_SLEEP: Sleep transition cannot be initiated. Wakeup transition may however occur. 0x1: SW_SLEEP: Start a software forced sleep transition on the domain. 0x2: SW_WKUP: Start a software forced wake-up transition on the domain. 0x3: HW_AUTO: Automatic transition is enabled. Sleep and wakeup transition are based upon hardware conditions.	RW	0x3

Table 3-567. CM_EVE3_STATICDEP

Address Offset	0x0000 0004	Instance	CM_CORE_AON__EVE3
Physical Address	0x4A00 56C4		
Description	This register controls the static domain dependencies from EVE3 domain towards 'target' domains. It is relevant only for domain having system initiator(s).		
Type	RW		

31	30	29	28	27	26	25	24	23	22	21	20	19	18	17	16	15	14	13	12	11	10	9	8	7	6	5	4	3	2	1	0
RESERVED								EVE4_STATDEP	RESERVED	EVE2_STATDEP	EVE1_STATDEP	RESERVED								L3MAIN1_STATDEP	EMIF_STATDEP	RESERVED	IVA_STATDEP	RESERVED							

Bits	Field Name	Description	Type	Reset
31:23	RESERVED		R	0x0
22	EVE4_STATDEP	Static dependency towards EVE4 Cock Domain 0x0: Dependency is disabled 0x1: Dependency is enabled	RW	0x0
21	RESERVED		R	0x0
20	EVE2_STATDEP	Static dependency towards EVE2 Clock Domain 0x0: Dependency is disabled 0x1: Dependency is enabled	RW	0x0
19	EVE1_STATDEP	Static dependency towards EVE1 Clock Domain 0x0: Dependency is disabled 0x1: Dependency is enabled	RW	0x0
18:6	RESERVED		R	0x0
5	L3MAIN1_STATDEP	Static dependency towards L3MAIN1 Clock Domain 0x1: Dependency is enabled	R	0x1
4	EMIF_STATDEP	Static dependency towards EMIF Clock Domain 0x0: Dependency is disabled 0x1: Dependency is enabled	RW	0x1
3	RESERVED		R	0x0
2	IVA_STATDEP	Static dependency towards IVA Clock Domain 0x0: Dependency is disabled 0x1: Dependency is enabled	RW	0x0
1:0	RESERVED		R	0x0

Table 3-568. CM_EVE3_EVE3_CLKCTRL

Address Offset	0x0000 0020	Instance	CM_CORE_AON__EVE3
Physical Address	0x4A00 56E0		
Description	This register manages the EVE clocks.		
Type	RW		

31	30	29	28	27	26	25	24	23	22	21	20	19	18	17	16	15	14	13	12	11	10	9	8	7	6	5	4	3	2	1	0
RESERVED													STBYST	IDLEST	RESERVED											MODULEMODE					

Bits	Field Name	Description	Type	Reset
31:19	RESERVED		R	0x0
18	STBYST	Module standby status. [warm reset insensitive] 0x0: Module is functional (not in standby) 0x1: Module is in standby	R	0x1
17:16	IDLEST	Module idle status. [warm reset insensitive] 0x0: Module is fully functional, including OCP 0x1: Module is performing transition: wakeup, or sleep, or sleep abortion 0x2: Module is in Idle mode (only OCP part). It is functional if using separate functional clock 0x3: Module is disabled and cannot be accessed	R	0x3
15:2	RESERVED		R	0x0
1:0	MODULEMODE	Control the way mandatory clocks are managed. 0x0: Module is disabled by SW. Any OCP access to module results in an error, except if resulting from a module wakeup (asynchronous wakeup). 0x1: Module is managed automatically by HW according to clock domain transition. A clock domain sleep transition put module into idle. A wakeup domain transition put it back into function. If CLKTRCTRL=3, any OCP access to module is always granted. Module clocks may be gated according to the clock domain state. 0x2: Reserved 0x3: Reserved	RW	0x0

3.12.9 CM_CORE_AON__EVE4 Registers

3.12.9.1 CM_CORE_AON__EVE4 Register Summary

Table 3-569. CM_CORE_AON__EVE4 Registers Mapping Summary

Register Name	Type	Register Width (Bits)	Address Offset	CM_CORE_AON__EVE4 Physical Address L4_CFG Interconnect
CM_EVE4_CLKSTCTRL	RW	32	0x0000 0000	0x4A00 5700
CM_EVE4_STATICDEP	RW	32	0x0000 0004	0x4A00 5704
CM_EVE4_EVE4_CLKC TRL	RW	32	0x0000 0020	0x4A00 5720

3.12.9.2 CM_CORE_AON__EVE4 Register Description

Table 3-570. CM_EVE4_CLKSTCTRL

Address Offset	0x0000 0000	Instance	CM_CORE_AON__EVE4
Physical Address	0x4A00 5700		
Description	This register enables the EVE domain power state transition. It controls the HW supervised domain power state transition between ON-ACTIVE and ON-INACTIVE states. It also hold one status bit per clock input of the domain.		
Type	RW		

31	30	29	28	27	26	25	24	23	22	21	20	19	18	17	16	15	14	13	12	11	10	9	8	7	6	5	4	3	2	1	0
RESERVED																CLKACTIVITY_EVE4_GFCLK	RESERVED							CLKTRCTRL							

Bits	Field Name	Description	Type	Reset
31:9	RESERVED		R	0x0
8	CLKACTIVITY_EVE4_GFCLK	This field indicates the state of the EVE3_GFCLK clock in the domain. [warm reset insensitive] 0x0: Corresponding clock is definitely gated 0x1: Corresponding clock is running or gating/ungating transition is on-going	R	0x0
7:2	RESERVED		R	0x0
1:0	CLKTRCTRL	Controls the clock state transition of the DSP clock domain. 0x0: NO_SLEEP: Sleep transition cannot be initiated. Wakeup transition may however occur. 0x1: SW_SLEEP: Start a software forced sleep transition on the domain. 0x2: SW_WKUP: Start a software forced wake-up transition on the domain. 0x3: HW_AUTO: Automatic transition is enabled. Sleep and wakeup transition are based upon hardware conditions.	RW	0x3

Table 3-571. CM_EVE4_STATICDEP

Address Offset	0x0000 0004	Instance	CM_CORE_AON__EVE4
Physical Address	0x4A00 5704		
Description	This register controls the static domain dependencies from EVE4 domain towards 'target' domains. It is relevant only for domain having system initiator(s).		
Type	RW		

31	30	29	28	27	26	25	24	23	22	21	20	19	18	17	16	15	14	13	12	11	10	9	8	7	6	5	4	3	2	1	0			
RESERVED								EVE3_STATDEP			EVE2_STATDEP			EVE1_STATDEP			RESERVED								L3MAIN1_STATDEP		EMIF_STATDEP		RESERVED		IVA_STATDEP		RESERVED	

Bits	Field Name	Description	Type	Reset
31:22	RESERVED		R	0x0
21	EVE3_STATDEP	Static dependency towards EVE3 Clock Domain 0x0: Dependency is disabled 0x1: Dependency is enabled	RW	0x0
20	EVE2_STATDEP	Static dependency towards EVE2 Clock Domain 0x0: Dependency is disabled 0x1: Dependency is enabled	RW	0x0
19	EVE1_STATDEP	Static dependency towards EVE1 Clock Domain 0x0: Dependency is disabled 0x1: Dependency is enabled	RW	0x0
18:6	RESERVED		R	0x0
5	L3MAIN1_STATDEP	Static dependency towards L3MAIN1 Clock Domain 0x1: Dependency is enabled	R	0x1
4	EMIF_STATDEP	Static dependency towards EMIF Clock Domain 0x0: Dependency is disabled 0x1: Dependency is enabled	RW	0x1
3	RESERVED		R	0x0
2	IVA_STATDEP	Static dependency towards IVA Clock Domain 0x0: Dependency is disabled 0x1: Dependency is enabled	RW	0x0
1:0	RESERVED		R	0x0

Table 3-572. CM_EVE4_EVE4_CLKCTRL

Address Offset	0x0000 0020	Instance	CM_CORE_AON__EVE4
Physical Address	0x4A00 5720		
Description	This register manages the EVE clocks.		
Type	RW		

31	30	29	28	27	26	25	24	23	22	21	20	19	18	17	16	15	14	13	12	11	10	9	8	7	6	5	4	3	2	1	0
RESERVED											STBYST		IDLEST		RESERVED											MODULEMODE					

Bits	Field Name	Description	Type	Reset
31:19	RESERVED		R	0x0
18	STBYST	Module standby status. [warm reset insensitive] 0x0: Module is functional (not in standby) 0x1: Module is in standby	R	0x1
17:16	IDLEST	Module idle status. [warm reset insensitive] 0x0: Module is fully functional, including OCP 0x1: Module is performing transition: wakeup, or sleep, or sleep abortion 0x2: Module is in Idle mode (only OCP part). It is functional if using separate functional clock 0x3: Module is disabled and cannot be accessed	R	0x3
15:2	RESERVED		R	0x0
1:0	MODULEMODE	Control the way mandatory clocks are managed. 0x0: Module is disabled by SW. Any OCP access to module results in an error, except if resulting from a module wakeup (asynchronous wakeup). 0x1: Module is managed automatically by HW according to clock domain transition. A clock domain sleep transition put module into idle. A wakeup domain transition put it back into function. If CLKTRCTRL=3, any OCP access to module is always granted. Module clocks may be gated according to the clock domain state. 0x2: Reserved 0x3: Reserved	RW	0x0

3.12.10 CM_CORE_AON__INSTR Registers

3.12.10.1 CM_CORE_AON__INSTR Register Summary

Table 3-573. CM_CORE_AON__INSTR Registers Mapping Summary

Register Name	Type	Register Width (Bits)	Address Offset	CM_CORE_AON__INSTR Physical Address L4_CFG Interconnect
CMI_IDENTIFICATION	R	32	0x0000 0000	0x4A00 5F00
CMI_SYS_CONFIG	RW	32	0x0000 0010	0x4A00 5F10
CMI_STATUS	R	32	0x0000 0014	0x4A00 5F14
CMI_CONFIGURATION	RW	32	0x0000 0024	0x4A00 5F24
CMI_CLASS_FILTERING	RW	32	0x0000 0028	0x4A00 5F28
CMI_TRIGGERING	RW	32	0x0000 002C	0x4A00 5F2C
CMI_SAMPLING	RW	32	0x0000 0030	0x4A00 5F30

3.12.10.2 CM_CORE_AON__INSTR Register Description
Table 3-574. CMI_IDENTICATION

Address Offset	0x0000 0000	Instance	CM_CORE_AON__INSTR
Physical Address	0x4A00 5F00		
Description	CM profiling identification register		
Type	R		

31	30	29	28	27	26	25	24	23	22	21	20	19	18	17	16	15	14	13	12	11	10	9	8	7	6	5	4	3	2	1	0
REVISION																															

Bits	Field Name	Description	Type	Reset
31:0	REVISION	IP Revision	R	0x- ⁽¹⁾

⁽¹⁾ TI Internal data.

Table 3-575. Register Call Summary for Register CMI_IDENTICATION

PRCM Register Manual

- [CM_CORE_AON__INSTR Register Summary: \[0\]](#)

Table 3-576. CMI_SYS_CONFIG

Address Offset	0x0000 0010	Instance	CM_CORE_AON__INSTR
Physical Address	0x4A00 5F10		
Description	CM profiling system configuration register		
Type	RW		

31	30	29	28	27	26	25	24	23	22	21	20	19	18	17	16	15	14	13	12	11	10	9	8	7	6	5	4	3	2	1	0
RESERVED																												IDLEMODE	RESERVED	SOFTRESET	

Bits	Field Name	Description	Type	Reset
31:4	RESERVED		R	0x0
3:2	IDLEMODE	Configuration of the local target state management mode	RW	0x2
1	RESERVED		R	0x0
0	SOFTRESET	Software reset	RW	0x0

Table 3-577. Register Call Summary for Register CMI_SYS_CONFIG

PRCM Register Manual

- [CM_CORE_AON__INSTR Register Summary: \[0\]](#)

Table 3-578. CMI_STATUS

Address Offset	0x0000 0014	Instance	CM_CORE_AON__INSTR
Physical Address	0x4A00 5F14		
Description	CM profiling status register		
Type	R		

31	30	29	28	27	26	25	24	23	22	21	20	19	18	17	16	15	14	13	12	11	10	9	8	7	6	5	4	3	2	1	0
RESERVED																FIFOEMPTY	RESERVED														

Bits	Field Name	Description	Type	Reset
31:9	RESERVED		R	0x0
8	FIFOEMPTY	PM Profiling buffer empty	R	0x1
7:0	RESERVED		R	0x0

Table 3-579. Register Call Summary for Register CMI_STATUS

PRCM Register Manual

- [CM_CORE_AON__INSTR Register Summary: \[0\]](#)

Table 3-580. CMI_CONFIGURATION

Address Offset	0x0000 0024	Instance	CM_CORE_AON__INSTR
Physical Address	0x4A00 5F24		
Description	CM profiling configuration register		
Type	RW		

31	30	29	28	27	26	25	24	23	22	21	20	19	18	17	16	15	14	13	12	11	10	9	8	7	6	5	4	3	2	1	0
CLAIM_3	CLAIM_2	CLAIM_1	RESERVED													MOD_ACT_EN	RESERVED							EVT_CAPT_EN	RESERVED						

Bits	Field Name	Description	Type	Reset
31:30	CLAIM_3	Ownership	RW	0x0
29	CLAIM_2	Debugger override qualifier	RW	0x1
28	CLAIM_1	Current owner	R	0x0
27:16	RESERVED		R	0x0
15	MOD_ACT_EN	When HIGH the CM Module Activity collection is enabled	RW	0x0
14:8	RESERVED		R	0x0
7	EVT_CAPT_EN	When HIGH the CM events capture is enabled	RW	0x0
6:0	RESERVED		R	0x0

Table 3-581. Register Call Summary for Register CMI_CONFIGURATION

PRCM Register Manual

- [CM_CORE_AON__INSTR Register Summary: \[0\]](#)

Table 3-582. CMI_CLASS_FILTERING

Address Offset	0x0000 0028	Instance	CM_CORE_AON__INSTR
Physical Address	0x4A00 5F28		
Description	CM profiling class filtering register		
Type	RW		

31	30	29	28	27	26	25	24	23	22	21	20	19	18	17	16	15	14	13	12	11	10	9	8	7	6	5	4	3	2	1	0
SNAP_CAPT_EN_1F	SNAP_CAPT_EN_1E	SNAP_CAPT_EN_1D	SNAP_CAPT_EN_1C	SNAP_CAPT_EN_1B	SNAP_CAPT_EN_1A	SNAP_CAPT_EN_19	SNAP_CAPT_EN_18	SNAP_CAPT_EN_17	SNAP_CAPT_EN_16	SNAP_CAPT_EN_15	SNAP_CAPT_EN_14	SNAP_CAPT_EN_13	SNAP_CAPT_EN_12	SNAP_CAPT_EN_11	SNAP_CAPT_EN_10	RESERVED										SNAP_CAPT_EN_03	SNAP_CAPT_EN_02	SNAP_CAPT_EN_01	SNAP_CAPT_EN_00		

Bits	Field Name	Description	Type	Reset
31	SNAP_CAPT_EN_1F	Snapshot capture enable - Class-ID = 0x1F	RW	0x0
30	SNAP_CAPT_EN_1E	Snapshot capture enable - Class-ID = 0x1E	RW	0x0
29	SNAP_CAPT_EN_1D	Snapshot capture enable - Class-ID = 0x1D	RW	0x0
28	SNAP_CAPT_EN_1C	Snapshot capture enable - Class-ID = 0x1C	RW	0x0
27	SNAP_CAPT_EN_1B	Snapshot capture enable - Class-ID = 0x1B	RW	0x0
26	SNAP_CAPT_EN_1A	Snapshot capture enable - Class-ID = 0x1A	RW	0x0
25	SNAP_CAPT_EN_19	Snapshot capture enable - Class-ID = 0x19	RW	0x0
24	SNAP_CAPT_EN_18	Snapshot capture enable - Class-ID = 0x18	RW	0x0
23	SNAP_CAPT_EN_17	Snapshot capture enable - Class-ID = 0x17	RW	0x0
22	SNAP_CAPT_EN_16	Snapshot capture enable - Class-ID = 0x16	RW	0x0
21	SNAP_CAPT_EN_15	Snapshot capture enable - Class-ID = 0x15	RW	0x0
20	SNAP_CAPT_EN_14	Snapshot capture enable - Class-ID = 0x14	RW	0x0
19	SNAP_CAPT_EN_13	Snapshot capture enable - Class-ID = 0x13	RW	0x0
18	SNAP_CAPT_EN_12	Snapshot capture enable - Class-ID = 0x12	RW	0x0
17	SNAP_CAPT_EN_11	Snapshot capture enable - Class-ID = 0x11	RW	0x0
16	SNAP_CAPT_EN_10	Snapshot capture enable - Class-ID = 0x10	RW	0x0
15:4	RESERVED		R	0x0
3	SNAP_CAPT_EN_03	Snapshot capture enable - Class-ID = 0x03 [0x23]	RW	0x0
2	SNAP_CAPT_EN_02	Snapshot capture enable - Class-ID = 0x02 [0x22]	RW	0x0
1	SNAP_CAPT_EN_01	Snapshot capture enable - Class-ID = 0x01 [0x21]	RW	0x0
0	SNAP_CAPT_EN_00	Snapshot capture enable - Class-ID = 0x00 [0x20]	RW	0x0

Table 3-583. Register Call Summary for Register CMI_CLASS_FILTERING

PRCM Register Manual

- [CM_CORE_AON__INSTR Register Summary: \[0\]](#)

Table 3-584. CMI_TRIGGERING

Address Offset	0x0000 002C	Instance	CM_CORE_AON__INSTR
Physical Address	0x4A00 5F2C		
Description	CM profiling triggering control register		
Type	RW		

31	30	29	28	27	26	25	24	23	22	21	20	19	18	17	16	15	14	13	12	11	10	9	8	7	6	5	4	3	2	1	0
RESERVED																TRIG_STOP_EN		TRIG_START_EN													

Bits	Field Name	Description	Type	Reset
31:2	RESERVED		R	0x0
1	TRIG_STOP_EN	Enable stop capturing CM events from external trigger detection	RW	0x0
0	TRIG_START_EN	Enable start capturing CM events from external trigger detection	RW	0x0

Table 3-585. Register Call Summary for Register CMI_TRIGGERING

PRCM Register Manual

- [CM_CORE_AON__INSTR Register Summary: \[0\]](#)

Table 3-586. CMI_SAMPLING

Address Offset	0x0000 0030	Instance	CM_CORE_AON__INSTR
Physical Address	0x4A00 5F30		
Description	CM profiling sampling window register		
Type	RW		

31	30	29	28	27	26	25	24	23	22	21	20	19	18	17	16	15	14	13	12	11	10	9	8	7	6	5	4	3	2	1	0
RESERVED												FCLK_DIV_FACOR				RESERVED						SAMP_WIND_SIZE									

Bits	Field Name	Description	Type	Reset
31:20	RESERVED		R	0x0
19:16	FCLK_DIV_FACOR	FunClk divide factor ranging from 1 to 16	RW	0x0
15:8	RESERVED		R	0x0
7:0	SAMP_WIND_SIZE	CM events sampling window size	RW	0x0

Table 3-587. Register Call Summary for Register CMI_SAMPLING

PRCM Register Manual

- [CM_CORE_AON__INSTR Register Summary: \[0\]](#)

3.12.11 CM_CORE_AON__IPU Registers

3.12.11.1 CM_CORE_AON__IPU Register Summary

Table 3-588. CM_CORE_AON__IPU Registers Mapping Summary

Register Name	Type	Register Width (Bits)	Address Offset	CM_CORE_AON__IPU Physical Address L4_CFG Interconnect
CM_IPU1_CLKSTCTRL	RW	32	0x0000 0000	0x4A00 5500
CM_IPU1_STATICDEP	RW	32	0x0000 0004	0x4A00 5504
CM_IPU1_DYNAMICDEP	RW	32	0x0000 0008	0x4A00 5508
CM_IPU1_IPU1_CLKCTRL	RW	32	0x0000 0020	0x4A00 5520
CM_IPU_CLKSTCTRL	RW	32	0x0000 0040	0x4A00 5540
CM_IPU_MCASP1_CLKCTRL	RW	32	0x0000 0050	0x4A00 5550
CM_IPU_TIMER5_CLKCTRL	RW	32	0x0000 0058	0x4A00 5558
CM_IPU_TIMER6_CLKCTRL	RW	32	0x0000 0060	0x4A00 5560
CM_IPU_TIMER7_CLKCTRL	RW	32	0x0000 0068	0x4A00 5568
CM_IPU_TIMER8_CLKCTRL	RW	32	0x0000 0070	0x4A00 5570
CM_IPU_I2C5_CLKCTRL	RW	32	0x0000 0078	0x4A00 5578
CM_IPU_UART6_CLKCTRL	RW	32	0x0000 0080	0x4A00 5580

3.12.11.2 CM_CORE_AON__IPU Register Description

Table 3-589. CM_IPU1_CLKSTCTRL

Address Offset	0x0000 0000	Instance	CM_CORE_AON__IPU
Physical Address	0x4A00 5500		
Description	This register enables the domain power state transition. It controls the HW supervised domain power state transition between ON-ACTIVE and ON-INACTIVE states. It also hold one status bit per clock input of the domain.		
Type	RW		

31	30	29	28	27	26	25	24	23	22	21	20	19	18	17	16	15	14	13	12	11	10	9	8	7	6	5	4	3	2	1	0
RESERVED																CLKACTIVITY_IPU1_GFCLK	RESERVED										CLKCTRL				

Bits	Field Name	Description	Type	Reset
31:9	RESERVED		R	0x0
8	CLKACTIVITY_IPU1_GFCLK	This field indicates the state of the IPU1_GFCLK clock in the domain. [warm reset insensitive] 0x0: Corresponding clock is definitely gated 0x1: Corresponding clock is running or gating/ungating transition is on-going	R	0x0
7:2	RESERVED		R	0x0
1:0	CLKTRCTRL	Controls the clock state transition of the BELLINI0 clock domain. 0x0: NO_SLEEP: Sleep transition cannot be initiated. Wakeup transition may however occur. 0x1: SW_SLEEP: Start a software forced sleep transition on the domain. 0x2: SW_WKUP: Start a software forced wake-up transition on the domain. 0x3: HW_AUTO: Automatic transition is enabled. Sleep and wakeup transition are based upon hardware conditions.	RW	0x3

Table 3-590. Register Call Summary for Register CM_IPU1_CLKSTCTRL

Clock Management Functional Description

- [Clock Domain Modes: \[0\]\[1\]](#)

PRCM Register Manual

- [CM_CORE_AON__IPU Register Summary: \[2\]](#)

Table 3-591. CM_IPU1_STATICDEP

Address Offset	0x0000 0004	Instance	CM_CORE_AON__IPU
Physical Address	0x4A00 5504		
Description	This register controls the static domain dependencies from IPU domain towards 'target' domains. It is relevant only for domain having system initiator(s).		
Type	RW		

31	30	29	28	27	26	25	24	23	22	21	20	19	18	17	16	15	14	13	12	11	10	9	8	7	6	5	4	3	2	1	0
RESERVED	ATL_STATDEP	PCIE_STATDEP	VPE_STATDEP	L4PER3_STATDEP	L4PER2_STATDEP	GMAC_STATDEP	IPU_STATDEP	RESERVED	EVE4_STATDEP	EVE3_STATDEP	EVE2_STATDEP	EVE1_STATDEP	DSP2_STATDEP	CUSTEFUSE_STATDEP	COREAON_STATDEP	WKUPAON_STATDEP	L4SEC_STATDEP	L4PER_STATDEP	L4CFG_STATDEP	SDMA_STATDEP	GPU_STATDEP	CAM_STATDEP	DSS_STATDEP	L3INIT_STATDEP	RESERVED	L3MAIN1_STATDEP	EMIF_STATDEP	RESERVED	IVA_STATDEP	DSP1_STATDEP	IPU2_STATDEP

Bits	Field Name	Description	Type	Reset
31	RESERVED		R	0x0
30	ATL_STATDEP	Static dependency towards ATL clock domain 0x0: Dependency is disabled 0x1: Dependency is enabled	RW	0x1
29	PCIE_STATDEP	Static dependency towards PCIE clock domain 0x0: Dependency is disabled 0x1: Dependency is enabled	RW	0x1

Bits	Field Name	Description	Type	Reset
28	VPE_STATDEP	Static dependency towards VPE clock domain 0x0: Dependency is disabled 0x1: Dependency is enabled	RW	0x1
27	L4PER3_STATDEP	Static dependency towards L4PER3 clock domain 0x0: Dependency is disabled 0x1: Dependency is enabled	RW	0x0
26	L4PER2_STATDEP	Static dependency towards L4PER2 clock domain 0x0: Dependency is disabled 0x1: Dependency is enabled	RW	0x0
25	GMAC_STATDEP	Static dependency towards GMAC clock domain 0x0: Dependency is disabled 0x1: Dependency is enabled	RW	0x0
24	IPU_STATDEP	Static dependency towards IPU clock domain 0x0: Dependency is disabled 0x1: Dependency is enabled	RW	0x0
23	RESERVED		R	0x0
22	EVE4_STATDEP	Static dependency towards EVE4 clock domain 0x0: Dependency is disabled 0x1: Dependency is enabled	RW	0x0
21	EVE3_STATDEP	Static dependency towards EVE3 clock domain 0x0: Dependency is disabled 0x1: Dependency is enabled	RW	0x0
20	EVE2_STATDEP	Static dependency towards EVE2 clock domain 0x0: Dependency is disabled 0x1: Dependency is enabled	RW	0x0
19	EVE1_STATDEP	Static dependency towards EVE1 clock domain 0x0: Dependency is disabled 0x1: Dependency is enabled	RW	0x0
18	DSP2_STATDEP	Static dependency towards DSP2 clock domain 0x0: Dependency is disabled 0x1: Dependency is enabled	RW	0x0
17	CUSTEFUSE_STATDEP	Static dependency towards CUSTEFUSE clock domain 0x0: Dependency is disabled	R	0x0
16	COREAON_STATDEP	Static dependency towards COREAON clock domain 0x0: Dependency is disabled	R	0x0
15	WKUPAON_STATDEP	Static dependency towards WKUPAON clock domain 0x0: Dependency is disabled 0x1: Dependency is enabled	RW	0x1
14	L4SEC_STATDEP	Static dependency towards L4SEC clock domain 0x0: Dependency is disabled 0x1: Dependency is enabled	RW	0x0
13	L4PER_STATDEP	Static dependency towards L4PER1 clock domain 0x0: Dependency is disabled 0x1: Dependency is enabled	RW	0x0
12	L4CFG_STATDEP	Static dependency towards L4CFG clock domain 0x0: Dependency is disabled 0x1: Dependency is enabled	RW	0x1
11	SDMA_STATDEP	Static dependency towards DMA clock domain 0x0: Dependency is disabled	R	0x0

Bits	Field Name	Description	Type	Reset
10	GPU_STATDEP	Static dependency towards GPU clock domain 0x0: Dependency is disabled 0x1: Dependency is enabled	RW	0x0
9	CAM_STATDEP	Static dependency towards CAM clock domain 0x0: Dependency is disabled	R	0x0
8	DSS_STATDEP	Static dependency towards DSS clock domain 0x0: Dependency is disabled 0x1: Dependency is enabled	RW	0x0
7	L3INIT_STATDEP	Static dependency towards L3INIT clock domain 0x0: Dependency is disabled 0x1: Dependency is enabled	RW	0x0
6	RESERVED		R	0x0
5	L3MAIN1_STATDEP	Static dependency towards L3MAIN1 clock domain 0x0: Dependency is disabled 0x1: Dependency is enabled	RW	0x1
4	EMIF_STATDEP	Static dependency towards EMIF clock domain 0x0: Dependency is disabled 0x1: Dependency is enabled	RW	0x1
3	RESERVED		R	0x0
2	IVA_STATDEP	Static dependency towards IVA clock domain 0x0: Dependency is disabled 0x1: Dependency is enabled	RW	0x0
1	DSP1_STATDEP	Static dependency towards DSP clock domain 0x0: Dependency is disabled 0x1: Dependency is enabled	RW	0x0
0	IPU2_STATDEP	Static dependency towards IPU2 clock domain 0x0: Dependency is disabled 0x1: Dependency is enabled	RW	0x0

Table 3-592. Register Call Summary for Register CM_IPU1_STATICDEP

Clock Management Functional Description

- [Clock Domain Dependency: \[0\]\[1\]\[2\]\[3\]\[4\]\[5\]\[6\]\[7\]\[8\]\[9\]\[10\]\[11\]\[12\]\[13\]\[14\]\[15\]\[17\]\[18\]\[19\]\[20\]\[21\]\[22\]\[23\]](#)
- [Clock Domain Dependency: \[28\]\[29\]\[30\]\[31\]\[32\]\[33\]\[34\]\[35\]\[36\]\[37\]\[38\]\[39\]\[40\]\[41\]\[42\]\[43\]\[45\]\[46\]\[47\]\[48\]\[49\]\[50\]\[51\]](#)

PRCM Register Manual

- [Not Supported Functionality \(Registers and Bits\): \[56\]\[57\]\[58\]\[59\]\[60\]](#)
- [CM_CORE_AON__IPU Register Summary: \[61\]](#)

Table 3-593. CM_IPU1_DYNAMICDEP

Address Offset	0x0000 0008	Instance	CM_CORE_AON__IPU
Physical Address	0x4A00 5508		
Description	This register controls the dynamic domain dependencies from IPU domain towards 'target' domains. It is relevant only for domain having OCP master port(s).		
Type	RW		

31	30	29	28	27	26	25	24	23	22	21	20	19	18	17	16	15	14	13	12	11	10	9	8	7	6	5	4	3	2	1	0
RESERVED				WINDOWSIZE				RESERVED										L3MAIN1_DYNDP	RESERVED												

Bits	Field Name	Description	Type	Reset
31:28	RESERVED		R	0x0
27:24	WINDOWSIZE	Size of sliding window used to monitor OCP interface activity for determination of auto-sleep feature. Time unit defined by CM_DYN_DEP_PRESCAL register.	RW	0x4
23:6	RESERVED		R	0x0
5	L3MAIN1_DYNDP	Dynamic dependency towards L3MAIN1 clock domain 0x1: Dependency is enabled	R	0x1
4:0	RESERVED		R	0x0

Table 3-594. Register Call Summary for Register CM_IPU1_DYNAMICDEP

Clock Management Functional Description

- [Clock Domain Dependency: \[0\]](#)
- [Clock Domain Dependency: \[1\]](#)

PRCM Register Manual

- [CM_CORE_AON__IPU Register Summary: \[2\]](#)

Table 3-595. CM_IPU1_IPU1_CLKCTRL

Address Offset	0x0000 0020	Instance	CM_CORE_AON__IPU
Physical Address	0x4A00 5520		
Description	This register manages the IPU1 clocks.		
Type	RW		

31	30	29	28	27	26	25	24	23	22	21	20	19	18	17	16	15	14	13	12	11	10	9	8	7	6	5	4	3	2	1	0
RESERVED				CLKSEL	RESERVED				STBYST	IDLEST	RESERVED										MODULEMODE										

Bits	Field Name	Description	Type	Reset
31:25	RESERVED		R	0x0
24	CLKSEL	Selects the timer functional clock 0x0: Selects DPLL_ABE_X2_CLK as the functional clock 0x1: Selects CORE_IPU_ISS_BOOST_CLK as the functional clock	RW	0x0
23:19	RESERVED		R	0x0
18	STBYST	Module standby status. [warm reset insensitive] 0x0: Module is functional (not in standby) 0x1: Module is in standby	R	0x1
17:16	IDLEST	Module idle status. [warm reset insensitive] 0x0: Module is fully functional, including OCP 0x1: Module is performing transition: wakeup, or sleep, or sleep abortion 0x2: Module is in Idle mode (only OCP part). It is functional if using separate functional clock 0x3: Module is disabled and cannot be accessed	R	0x3
15:2	RESERVED		R	0x0
1:0	MODULEMODE	Control the way mandatory clocks are managed. 0x0: Module is disabled by SW. Any OCP access to module results in an error, except if resulting from a module wakeup (asynchronous wakeup). 0x1: Module is managed automatically by HW according to clock domain transition. A clock domain sleep transition put module into idle. A wakeup domain transition put it back into function. If CLKTRCTRL=3, any OCP access to module is always granted. Module clocks may be gated according to the clock domain state. 0x2: Reserved 0x3: Reserved	RW	0x0

Table 3-596. Register Call Summary for Register CM_IPU1_IPU1_CLKCTRL

Clock Management Functional Description

- [CM_CORE_AON Clock Generator: \[0\]](#)
- [Clock Domain Module Attributes: \[1\]\[2\]\[3\]\[4\]](#)

PRCM Register Manual

- [CM_CORE_AON__IPU Register Summary: \[5\]](#)

Table 3-597. CM_IPU_CLKSTCTRL

Address Offset	0x0000 0040	Instance	CM_CORE_AON_IPU
Physical Address	0x4A00 5540		
Description	This register enables the ABE domain power state transition. It controls the HW supervised domain power state transition between ON-ACTIVE and ON-INACTIVE states. It also hold one status bit per clock input of the domain.		
Type	RW		

31	30	29	28	27	26	25	24	23	22	21	20	19	18	17	16	15	14	13	12	11	10	9	8	7	6	5	4	3	2	1	0
RESERVED								CLKACTIVITY_MCASP1_AHCLKR	CLKACTIVITY_MCASP1_AHCLKX	CLKACTIVITY_MCASP1_AUX_GFCLK	RESERVED	CLKACTIVITY_UART6_GFCLK	CLKACTIVITY_IPU_96M_GFCLK	CLKACTIVITY_TIMER8_GFCLK	CLKACTIVITY_TIMER7_GFCLK	CLKACTIVITY_TIMER6_GFCLK	CLKACTIVITY_TIMER5_GFCLK	CLKACTIVITY_IPU_L3_GICLK	RESERVED								CLKTRCTRL				

Bits	Field Name	Description	Type	Reset
31:19	RESERVED		R	0x0
18	CLKACTIVITY_MCASP1_AHCLKR	This field indicates the state of the MCASP1_AHCLKR clock in the domain. [warm reset insensitive] 0x0: Corresponding clock is definitely gated 0x1: Corresponding clock is running or gating/ungating transition is on-going	R	0x0
17	CLKACTIVITY_MCASP1_AHCLKX	This field indicates the state of the MCASP1_AHCLKX clock in the domain. [warm reset insensitive] 0x0: Corresponding clock is definitely gated 0x1: Corresponding clock is running or gating/ungating transition is on-going	R	0x0
16	CLKACTIVITY_MCASP1_AUX_GFCLK	This field indicates the state of the MCASP1_AUX_GFCLK clock in the domain. [warm reset insensitive] 0x0: Corresponding clock is definitely gated 0x1: Corresponding clock is running or gating/ungating transition is on-going	R	0x0
15	RESERVED		R	0x0
14	CLKACTIVITY_UART6_GFCLK	This field indicates the state of the UART6_GFCLK clock in the domain. [warm reset insensitive] 0x0: Corresponding clock is definitely gated 0x1: Corresponding clock is running or gating/ungating transition is on-going	R	0x0
13	CLKACTIVITY_IPU_96M_GFCLK	This field indicates the state of the IPU_96M_GFCLK clock in the domain. [warm reset insensitive] 0x0: Corresponding clock is definitely gated 0x1: Corresponding clock is running or gating/ungating transition is on-going	R	0x0

Bits	Field Name	Description	Type	Reset
12	CLKACTIVITY_TIMER8_GFCLK	This field indicates the state of the TIMER8_GFCLK clock in the domain. [warm reset insensitive] 0x0: Corresponding clock is definitely gated 0x1: Corresponding clock is running or gating/ungating transition is on-going	R	0x0
11	CLKACTIVITY_TIMER7_GFCLK	This field indicates the state of the TIMER7_GFCLK clock in the domain. [warm reset insensitive] 0x0: Corresponding clock is definitely gated 0x1: Corresponding clock is running or gating/ungating transition is on-going	R	0x0
10	CLKACTIVITY_TIMER6_GFCLK	This field indicates the state of the TIMER6_GFCLK clock in the domain. [warm reset insensitive] 0x0: Corresponding clock is definitely gated 0x1: Corresponding clock is running or gating/ungating transition is on-going	R	0x0
9	CLKACTIVITY_TIMER5_GFCLK	This field indicates the state of the TIMER5_GFCLK functional clock in the domain. [warm reset insensitive] 0x0: Corresponding clock is definitely gated 0x1: Corresponding clock is running or gating/ungating transition is on-going	R	0x0
8	CLKACTIVITY_IPU_L3_GICLK	This field indicates the state of the IPU_L3_GICLK interface clock in the domain. [warm reset insensitive] 0x0: Corresponding clock is definitely gated 0x1: Corresponding clock is running or gating/ungating transition is on-going	R	0x0
7:2	RESERVED		R	0x0
1:0	CLKTRCTRL	Controls the clock state transition of the ABE clock domain. 0x0: NO_SLEEP: Sleep transition cannot be initiated. Wakeup transition may however occur. 0x1: SW_SLEEP: Start a software forced sleep transition on the domain. 0x2: SW_WKUP: Start a software forced wake-up transition on the domain. 0x3: HW_AUTO: Automatic transition is enabled. Sleep and wakeup transition are based upon hardware conditions.	RW	0x3

Table 3-598. Register Call Summary for Register CM_IPU_CLKSTCTRL

Clock Management Functional Description

- [Clock Domain Modes: \[0\]\[1\]\[2\]\[3\]\[4\]\[5\]\[6\]\[7\]\[8\]\[9\]\[10\]](#)

PRCM Register Manual

- [CM_CORE_AON_IPU Register Summary: \[11\]](#)

Table 3-599. CM_IPU_MCASP1_CLKCTRL

Address Offset	0x0000 0050	Instance	CM_CORE_AON__IPU
Physical Address	0x4A00 5550		
Description	This register manages the MCASP clocks.		
Type	RW		

31	30	29	28	27	26	25	24	23	22	21	20	19	18	17	16	15	14	13	12	11	10	9	8	7	6	5	4	3	2	1	0
CLKSEL_AHCLKR				CLKSEL_AHCLKX				CLKSEL_AUX_CLK	RESERVED				IDLEST	RESERVED											MODULEMODE						

Bits	Field Name	Description	Type	Reset
31:28	CLKSEL_AHCLKR	Selects reference clock for AHCLKR 0x0: Selects ABE_24M_GFCLK 0x1: Selects ABE_SYS_CLK 0x2: Selects FUNC_24M_GFCLK 0x3: Selects ATL_CLK3 0x4: Selects ATL_CLK2 0x5: Selects ATL_CLK1 0x6: Selects ATL_CLK0 0x7: Selects SYS_CLK2 0x8: Selects XREF_CLK0 0x9: Selects XREF_CLK1 0xA: Selects XREF_CLK2 0xB: Selects XREF_CLK3 0xC: Selects MLB_CLK 0xD: Selects MLBP_CLK 0xE: RESERVED 0xF: RESERVED	RW	0x0
27:24	CLKSEL_AHCLKX	Selects reference clock for AHCLKX 0x0: Selects ABE_24M_GFCLK 0x1: Selects ABE_SYS_CLK 0x2: Selects FUNC_24M_GFCLK 0x3: Selects ATL_CLK3 0x4: Selects ATL_CLK2 0x5: Selects ATL_CLK1 0x6: Selects ATL_CLK0 0x7: Selects SYS_CLK2 0x8: Selects XREF_CLK0 0x9: Selects XREF_CLK1 0xA: Selects XREF_CLK2 0xB: Selects XREF_CLK3 0xC: Selects MLB_CLK 0xD: Selects MLBP_CLK 0xE: RESERVED 0xF: RESERVED	RW	0x0

Bits	Field Name	Description	Type	Reset
23:22	CLKSEL_AUX_CLK	Selects the source of the AUX clock 0x0: Selects PER_ABE_X1_GFCLK 0x1: Selects VIDEO1_CLK 0x2: Selects VIDEO2_CLK 0x3: Selects HDMI_CLK	RW	0x0
21:18	RESERVED		R	0x0
17:16	IDLEST	Module idle status. [warm reset insensitive] 0x0: Module is fully functional, including OCP 0x1: Module is performing transition: wakeup, or sleep, or sleep abortion 0x2: Module is in Idle mode (only OCP part). It is functional if using separate functional clock 0x3: Module is disabled and cannot be accessed	R	0x3
15:2	RESERVED		R	0x0
1:0	MODULEMODE	Control the way mandatory clocks are managed. 0x0: Module is disabled by SW. Any OCP access to module results in an error, except if resulting from a module wakeup (asynchronous wakeup). 0x1: Reserved 0x2: Module is explicitly enabled. Interface clock (if not used for functions) may be gated according to the clock domain state. Functional clocks are guaranteed to stay present. As long as in this configuration, power domain sleep transition cannot happen. 0x3: Reserved	RW	0x0

Table 3-600. Register Call Summary for Register CM_IPU_MCASP1_CLKCTRL
Clock Management Functional Description

- [CM_CORE_AON_MCASP Overview: \[0\]\[1\]\[2\]](#)
- [Clock Domain Module Attributes: \[3\]\[4\]](#)

PRCM Register Manual

- [Not Supported Functionality \(Registers and Bits\): \[5\]](#)
- [CM_CORE_AON_IPU Register Summary: \[6\]](#)

Table 3-601. CM_IPU_TIMER5_CLKCTRL

Address Offset	0x0000 0058	
Physical Address	0x4A00 5558	Instance CM_CORE_AON_IPU
Description	This register manages the TIMER5 clocks.	
Type	RW	

31	30	29	28	27	26	25	24	23	22	21	20	19	18	17	16	15	14	13	12	11	10	9	8	7	6	5	4	3	2	1	0
RESERVED				CLKSEL				RESERVED				IDLEST	RESERVED												MODULEMODE						

Bits	Field Name	Description	Type	Reset
31:28	RESERVED		R	0x0
27:24	CLKSEL	Selects the timer functional clock 0x0: Selects TIMER_SYS_CLK 0x1: Selects FUNC_32K_CLK 0x2: Selects SYS_CLK2 0x3: Selects XREF_CLK0 0x4: Selects XREF_CLK1 0x5: Selects XREF_CLK2 0x6: Selects XREF_CLK3 0x7: Selects ABE_GICLK 0x8: Selects VIDEO1_DIV_CLK 0x9: Selects VIDEO2_DIV_CLK 0xA: Selects HDMI_DIV_CLK 0xB: Selects CLKOUTMUX0_CLK 0xC-0xF: RESERVED	RW	0x0
23:18	RESERVED		R	0x0
17:16	IDLEST	Module idle status. [warm reset insensitive] 0x0: Module is fully functional, including OCP 0x1: Module is performing transition: wakeup, or sleep, or sleep abortion 0x2: Module is in Idle mode (only OCP part). It is functional if using separate functional clock 0x3: Module is disabled and cannot be accessed	R	0x3
15:2	RESERVED		R	0x0
1:0	MODULEMODE	Control the way mandatory clocks are managed. 0x0: Module is disabled by SW. Any OCP access to module results in an error, except if resulting from a module wakeup (asynchronous wakeup). 0x1: Reserved 0x2: Module is explicitly enabled. Interface clock (if not used for functions) may be gated according to the clock domain state. Functional clocks are guaranteed to stay present. As long as in this configuration, power domain sleep transition cannot happen. 0x3: Reserved	RW	0x0

Table 3-602. Register Call Summary for Register CM_IPU_TIMER5_CLKCTRL

Clock Management Functional Description

- [CM_CORE_AON_TIMER Overview: \[0\]](#)
- [Clock Domain Module Attributes: \[1\]\[2\]](#)

PRCM Register Manual

- [Not Supported Functionality \(Registers and Bits\): \[3\]](#)
- [CM_CORE_AON__IPU Register Summary: \[4\]](#)

Table 3-603. CM_IPU_TIMER6_CLKCTRL

Address Offset	0x0000 0060	Instance	CM_CORE_AON__IPU
Physical Address	0x4A00 5560		
Description	This register manages the TIMER6 clocks.		
Type	RW		

31	30	29	28	27	26	25	24	23	22	21	20	19	18	17	16	15	14	13	12	11	10	9	8	7	6	5	4	3	2	1	0
RESERVED								RESERVED				IDLEST	RESERVED										MODULEMODE								

Bits	Field Name	Description	Type	Reset
31:28	RESERVED		R	0x0
27:24	CLKSEL	Selects the timer functional clock 0x0: Selects TIMER_SYS_CLK 0x1: Selects FUNC_32K_CLK 0x2: Selects SYS_CLK2 0x3: Selects XREF_CLK0 0x4: Selects XREF_CLK1 0x5: Selects XREF_CLK2 0x6: Selects XREF_CLK3 0x7: Selects ABE_GICLK 0x8: Selects VIDEO1_DIV_CLK 0x9: Selects VIDEO2_DIV_CLK 0xA: Selects HDMI_DIV_CLK 0xB: Selects CLKOUTMUX0_CLK 0xC-0xF: RESERVED	RW	0x0
23:18	RESERVED		R	0x0
17:16	IDLEST	Module idle status. [warm reset insensitive] 0x0: Module is fully functional, including OCP 0x1: Module is performing transition: wakeup, or sleep, or sleep abortion 0x2: Module is in Idle mode (only OCP part). It is functional if using separate functional clock 0x3: Module is disabled and cannot be accessed	R	0x3
15:2	RESERVED		R	0x0
1:0	MODULEMODE	Control the way mandatory clocks are managed. 0x0: Module is disabled by SW. Any OCP access to module results in an error, except if resulting from a module wakeup (asynchronous wakeup). 0x1: Reserved 0x2: Module is explicitly enabled. Interface clock (if not used for functions) may be gated according to the clock domain state. Functional clocks are guaranteed to stay present. As long as in this configuration, power domain sleep transition cannot happen. 0x3: Reserved	RW	0x0

Table 3-604. Register Call Summary for Register CM_IPU_TIMER6_CLKCTRL

Clock Management Functional Description

- [CM_CORE_AON_TIMER Overview: \[0\]](#)
- [Clock Domain Module Attributes: \[1\]\[2\]](#)

PRCM Register Manual

- [Not Supported Functionality \(Registers and Bits\): \[3\]](#)
- [CM_CORE_AON__IPU Register Summary: \[4\]](#)

Table 3-605. CM_IPU_TIMER7_CLKCTRL

Address Offset	0x0000 0068	Instance	CM_CORE_AON__IPU
Physical Address	0x4A00 5568		
Description	This register manages the TIMER7 clocks.		
Type	RW		

31	30	29	28	27	26	25	24	23	22	21	20	19	18	17	16	15	14	13	12	11	10	9	8	7	6	5	4	3	2	1	0
RESERVED				CLKSEL				RESERVED				IDLEST				RESERVED												MODULEMODE			

Bits	Field Name	Description	Type	Reset
31:28	RESERVED		R	0x0
27:24	CLKSEL	Selects the timer functional clock 0x0: Selects TIMER_SYS_CLK 0x1: Selects FUNC_32K_CLK 0x2: Selects SYS_CLK2 0x3: Selects XREF_CLK0 0x4: Selects XREF_CLK1 0x5: Selects XREF_CLK2 0x6: Selects XREF_CLK3 0x7: Selects ABE_GICLK 0x8: Selects VIDEO1_DIV_CLK 0x9: Selects VIDEO2_DIV_CLK 0xA: Selects HDMI_DIV_CLK 0xB: Selects CLKOUTMUX0_CLK 0xC-0xF: RESERVED	RW	0x0
23:18	RESERVED		R	0x0
17:16	IDLEST	Module idle status. [warm reset insensitive] 0x0: Module is fully functional, including OCP 0x1: Module is performing transition: wakeup, or sleep, or sleep abortion 0x2: Module is in Idle mode (only OCP part). It is functional if using separate functional clock 0x3: Module is disabled and cannot be accessed	R	0x3
15:2	RESERVED		R	0x0

Bits	Field Name	Description	Type	Reset
1:0	MODULEMODE	Control the way mandatory clocks are managed. 0x0: Module is disabled by SW. Any OCP access to module results in an error, except if resulting from a module wakeup (asynchronous wakeup). 0x1: Reserved 0x2: Module is explicitly enabled. Interface clock (if not used for functions) may be gated according to the clock domain state. Functional clocks are guaranteed to stay present. As long as in this configuration, power domain sleep transition cannot happen. 0x3: Reserved	RW	0x0

Table 3-606. Register Call Summary for Register CM_IPU_TIMER7_CLKCTRL

Clock Management Functional Description

- [CM_CORE_AON_TIMER Overview: \[0\]](#)
- [Clock Domain Module Attributes: \[1\]\[2\]](#)

PRCM Register Manual

- [Not Supported Functionality \(Registers and Bits\): \[3\]](#)
- [CM_CORE_AON__IPU Register Summary: \[4\]](#)

Table 3-607. CM_IPU_TIMER8_CLKCTRL

Address Offset	0x0000 0070	Instance	CM_CORE_AON__IPU
Physical Address	0x4A00 5570		
Description	This register manages the TIMER8 clocks.		
Type	RW		

31	30	29	28	27	26	25	24	23	22	21	20	19	18	17	16	15	14	13	12	11	10	9	8	7	6	5	4	3	2	1	0
RESERVED				CLKSEL				RESERVED				IDLEST	RESERVED												MODULEMODE						

Bits	Field Name	Description	Type	Reset
31:28	RESERVED		R	0x0
27:24	CLKSEL	Selects the timer functional clock 0x0: Selects TIMER_SYS_CLK 0x1: Selects FUNC_32K_CLK 0x2: Selects SYS_CLK2 0x3: Selects XREF_CLK0 0x4: Selects XREF_CLK1 0x5: Selects XREF_CLK2 0x6: Selects XREF_CLK3 0x7: Selects ABE_GICLK 0x8: Selects VIDEO1_DIV_CLK 0x9: Selects VIDEO2_DIV_CLK 0xA: Selects HDMI_DIV_CLK 0xB: Selects CLKOUTMUX0_CLK 0xC-0xF: RESERVED	RW	0x0
23:18	RESERVED		R	0x0

Bits	Field Name	Description	Type	Reset
17:16	IDLEST	Module idle status. [warm reset insensitive] 0x0: Module is fully functional, including OCP 0x1: Module is performing transition: wakeup, or sleep, or sleep abortion 0x2: Module is in Idle mode (only OCP part). It is functional if using separate functional clock 0x3: Module is disabled and cannot be accessed	R	0x3
15:2	RESERVED		R	0x0
1:0	MODULEMODE	Control the way mandatory clocks are managed. 0x0: Module is disabled by SW. Any OCP access to module results in an error, except if resulting from a module wakeup (asynchronous wakeup). 0x1: Reserved 0x2: Module is explicitly enabled. Interface clock (if not used for functions) may be gated according to the clock domain state. Functional clocks are guaranteed to stay present. As long as in this configuration, power domain sleep transition cannot happen. 0x3: Reserved	RW	0x0

Table 3-608. Register Call Summary for Register CM_IPU_TIMER8_CLKCTRL

Clock Management Functional Description

- [CM_CORE_AON_TIMER Overview: \[0\]](#)
- [Clock Domain Module Attributes: \[1\]\[2\]](#)

PRCM Register Manual

- [Not Supported Functionality \(Registers and Bits\): \[3\]](#)
- [CM_CORE_AON__IPU Register Summary: \[4\]](#)

Table 3-609. CM_IPU_I2C5_CLKCTRL

Address Offset	0x0000 0078	Instance	CM_CORE_AON__IPU
Physical Address	0x4A00 5578		
Description	This register manages the I2C5 clocks.		
Type	RW		

31	30	29	28	27	26	25	24	23	22	21	20	19	18	17	16	15	14	13	12	11	10	9	8	7	6	5	4	3	2	1	0			
RESERVED																IDLEST		RESERVED																MODULEMODE

Bits	Field Name	Description	Type	Reset
31:18	RESERVED		R	0x0
17:16	IDLEST	Module idle status. [warm reset insensitive] 0x0: Module is fully functional, including OCP 0x1: Module is performing transition: wakeup, or sleep, or sleep abortion 0x2: Module is in Idle mode (only OCP part). It is functional if using separate functional clock 0x3: Module is disabled and cannot be accessed	R	0x3
15:2	RESERVED		R	0x0

Bits	Field Name	Description	Type	Reset
1:0	MODULEMODE	Control the way mandatory clocks are managed. 0x0: Module is disabled by SW. Any OCP access to module results in an error, except if resulting from a module wakeup (asynchronous wakeup). 0x1: Reserved 0x2: Module is explicitly enabled. Interface clock (if not used for functions) may be gated according to the clock domain state. Functional clocks are guaranteed to stay present. As long as in this configuration, power domain sleep transition cannot happen. 0x3: Reserved	RW	0x0

Table 3-610. Register Call Summary for Register CM_IPU_I2C5_CLKCTRL

Clock Management Functional Description

- [Clock Domain Module Attributes: \[0\]\[1\]](#)

PRCM Register Manual

- [CM_CORE_AON__IPU Register Summary: \[2\]](#)

Table 3-611. CM_IPU_UART6_CLKCTRL

Address Offset	0x0000 0080	Instance	CM_CORE_AON__IPU
Physical Address	0x4A00 5580		
Description	This register manages the UART6 clocks.		
Type	RW		

31	30	29	28	27	26	25	24	23	22	21	20	19	18	17	16	15	14	13	12	11	10	9	8	7	6	5	4	3	2	1	0
RESERVED							CLKSEL	RESERVED				IDLEST	RESERVED										MODULEMODE								

Bits	Field Name	Description	Type	Reset
31:25	RESERVED		R	0x0
24	CLKSEL	Selects functional clock for UART6 between FUNC_48M_FCLK and FUNC_192M_CLK 0x0: Selects FUNC_48M_FCLK 0x1: Selects FUNC_192M_CLK	RW	0x0
23:18	RESERVED		R	0x0
17:16	IDLEST	Module idle status. [warm reset insensitive] 0x0: Module is fully functional, including OCP 0x1: Module is performing transition: wakeup, or sleep, or sleep abortion 0x2: Module is in Idle mode (only OCP part). It is functional if using separate functional clock 0x3: Module is disabled and cannot be accessed	R	0x3
15:2	RESERVED		R	0x0

Bits	Field Name	Description	Type	Reset
1:0	MODULEMODE	Control the way mandatory clocks are managed. 0x0: Module is disabled by SW. Any OCP access to module results in an error, except if resulting from a module wakeup (asynchronous wakeup). 0x1: Reserved 0x2: Module is explicitly enabled. Interface clock (if not used for functions) may be gated according to the clock domain state. Functional clocks are guaranteed to stay present. As long as in this configuration, power domain sleep transition cannot happen. 0x3: Reserved	RW	0x0

Table 3-612. Register Call Summary for Register CM_IPU_UART6_CLKCTRL

Clock Management Functional Description

- [CM_CORE_AON Clock Generator: \[0\]](#)
- [Clock Domain Module Attributes: \[1\]\[2\]](#)

PRCM Register Manual

- [CM_CORE_AON__IPU Register Summary: \[3\]](#)

3.12.12 CM_CORE_AON__MPU Registers

3.12.12.1 CM_CORE_AON__MPU Register Summary

Table 3-613. CM_CORE_AON__MPU Registers Mapping Summary

Register Name	Type	Register Width (Bits)	Address Offset	CM_CORE_AON__MPU Physical Address L4_CFG Interconnect
CM_MPU_CLKSTCTRL	RW	32	0x0000 0000	0x4A00 5300
CM_MPU_STATICDEP	RW	32	0x0000 0004	0x4A00 5304
CM_MPU_DYNAMICDEP	RW	32	0x0000 0008	0x4A00 5308
CM_MPU_MPU_CLKCTRL	RW	32	0x0000 0020	0x4A00 5320
CM_MPU_MPU_MPU_DBG_CLKCTRL	R	32	0x0000 0028	0x4A00 5328

3.12.12.2 CM_CORE_AON__MPU Register Description

Table 3-614. CM_MPU_CLKSTCTRL

Address Offset	0x0000 0000	Instance	CM_CORE_AON__MPU
Physical Address	0x4A00 5300		
Description	This register enables the MPU domain power state transition. It controls the HW supervised domain power state transition between ON-ACTIVE and ON-INACTIVE states. It also hold one status bit per clock input of the domain.		
Type	RW		

31	30	29	28	27	26	25	24	23	22	21	20	19	18	17	16	15	14	13	12	11	10	9	8	7	6	5	4	3	2	1	0
RESERVED																CLKACTIVITY_MPU_GCLK	RESERVED							CLKTRCTRL							

Bits	Field Name	Description	Type	Reset
31:9	RESERVED		R	0x0
8	CLKACTIVITY_MPU_GCLK	This field indicates the state of the MPU_DPLL_CLK clock in the domain. [warm reset insensitive] 0x0: Corresponding clock is definitely gated 0x1: Corresponding clock is running or gating/ungating transition is on-going	R	0x0
7:2	RESERVED		R	0x0
1:0	CLKTRCTRL	Controls the clock state transition of the MPU clock domain. 0x0: NO_SLEEP: Sleep transition cannot be initiated. Wakeup transition may however occur. 0x1: Reserved 0x2: SW_WKUP: Start a software forced wake-up transition on the domain. 0x3: HW_AUTO: Automatic transition is enabled. Sleep and wakeup transition are based upon hardware conditions.	RW	0x0

Table 3-615. Register Call Summary for Register CM_MPU_CLKSTCTRL
Clock Management Functional Description

- [Clock Domain Modes: \[0\]\[1\]](#)

Device Low-Power States

- [Wakeup Upon Global Warm Reset: \[2\]](#)

PRCM Register Manual

- [CM_CORE_AON__MPU Register Summary: \[3\]](#)
- [CM_CORE_AON__RESTORE Register Description: \[4\]\[5\]](#)

Table 3-616. CM_MPU_STATICDEP

Address Offset	0x0000 0004	Instance	CM_CORE_AON__MPU
Physical Address	0x4A00 5304		
Description	This register controls the static domain dependencies from MPU domain towards 'target' domains. It is relevant only for domain having system initiator(s).		
Type	RW		

31	30	29	28	27	26	25	24	23	22	21	20	19	18	17	16	15	14	13	12	11	10	9	8	7	6	5	4	3	2	1	0
RESERVED	PCIE_STATDEP	VPE_STATDEP	L4PER3_STATDEP	L4PER2_STATDEP	GMAC_STATDEP	IPU_STATDEP	IPU1_STATDEP	EVE4_STATDEP	EVE3_STATDEP	EVE2_STATDEP	EVE1_STATDEP	DSP2_STATDEP	CUSTEFUSE_STATDEP	COREAON_STATDEP	WKUPAON_STATDEP	L4SEC_STATDEP	L4PER_STATDEP	L4CFG_STATDEP	SDMA_STATDEP	GPU_STATDEP	CAM_STATDEP	DSS_STATDEP	L3INIT_STATDEP	RESERVED	L3MAIN1_STATDEP	EMIF_STATDEP	RESERVED	IVA_STATDEP	DSP1_STATDEP	IPU2_STATDEP	

Bits	Field Name	Description	Type	Reset
31:30	RESERVED		R	0x0
29	PCIE_STATDEP	Static dependency towards PCIE clock domain 0x0: Dependency is disabled 0x1: Dependency is enabled	RW	0x1
28	VPE_STATDEP	Static dependency towards VPE clock domain 0x0: Dependency is disabled 0x1: Dependency is enabled	RW	0x0
27	L4PER3_STATDEP	Static dependency towards L4PER3 clock domain 0x0: Dependency is disabled 0x1: Dependency is enabled	RW	0x1
26	L4PER2_STATDEP	Static dependency towards L4PER2 clock domain 0x0: Dependency is disabled 0x1: Dependency is enabled	RW	0x1
25	GMAC_STATDEP	Static dependency towards GMAC clock domain 0x0: Dependency is disabled 0x1: Dependency is enabled	RW	0x0
24	IPU_STATDEP	Static dependency towards IPU clock domain 0x0: Dependency is disabled 0x1: Dependency is enabled	RW	0x0
23	IPU1_STATDEP	Static dependency towards IPU1 clock domain 0x0: Dependency is disabled 0x1: Dependency is enabled	RW	0x0
22	EVE4_STATDEP	Static dependency towards EVE4 clock domain 0x0: Dependency is disabled 0x1: Dependency is enabled	RW	0x0
21	EVE3_STATDEP	Static dependency towards EVE3 clock domain 0x0: Dependency is disabled 0x1: Dependency is enabled	RW	0x0
20	EVE2_STATDEP	Static dependency towards EVE2 clock domain 0x0: Dependency is disabled 0x1: Dependency is enabled	RW	0x0

Bits	Field Name	Description	Type	Reset
19	EVE1_STATDEP	Static dependency towards EVE1 clock domain 0x0: Dependency is disabled 0x1: Dependency is enabled	RW	0x0
18	DSP2_STATDEP	Static dependency towards DSP2 clock domain 0x0: Dependency is disabled 0x1: Dependency is enabled	RW	0x0
17	CUSTEFUSE_STATDEP	Static dependency towards CUSTEFUSE clock domain 0x0: Dependency is disabled	R	0x0
16	COREAON_STATDEP	Static dependency towards COREAON clock domain 0x0: Dependency is disabled	R	0x0
15	WKUPAON_STATDEP	Static dependency towards WKUPAON clock domain 0x0: Dependency is disabled 0x1: Dependency is enabled	RW	0x1
14	L4SEC_STATDEP	Static dependency towards L4SEC clock domain 0x0: Dependency is disabled 0x1: Dependency is enabled	RW	0x0
13	L4PER_STATDEP	Static dependency towards L4PER clock domain 0x0: Dependency is disabled 0x1: Dependency is enabled	RW	0x1
12	L4CFG_STATDEP	Static dependency towards L4CFG clock domain 0x0: Dependency is disabled 0x1: Dependency is enabled	RW	0x1
11	SDMA_STATDEP	Static dependency towards SDMA clock domain 0x0: Dependency is disabled	R	0x0
10	GPU_STATDEP	Static dependency towards GPU clock domain 0x0: Dependency is disabled 0x1: Dependency is enabled	RW	0x0
9	CAM_STATDEP	Static dependency towards CAM clock domain 0x0: Dependency is disabled 0x1: Dependency is enabled	RW	0x0
8	DSS_STATDEP	Static dependency towards DSS clock domain 0x0: Dependency is disabled 0x1: Dependency is enabled	RW	0x0
7	L3INIT_STATDEP	Static dependency towards L3INIT clock domain 0x0: Dependency is disabled 0x1: Dependency is enabled	RW	0x1
6	RESERVED		R	0x0
5	L3MAIN1_STATDEP	Static dependency towards L3MAIN clock domain 0x0: Dependency is disabled 0x1: Dependency is enabled	RW	0x1
4	EMIF_STATDEP	Static dependency towards EMIF clock domain 0x0: Dependency is disabled 0x1: Dependency is enabled	RW	0x1
3	RESERVED		R	0x0
2	IVA_STATDEP	Static dependency towards IVA clock domain 0x0: Dependency is disabled 0x1: Dependency is enabled	RW	0x0

Bits	Field Name	Description	Type	Reset
1	DSP1_STATDEP	Static dependency towards DSP1 clock domain 0x0: Dependency is disabled 0x1: Dependency is enabled	RW	0x0
0	IPU2_STATDEP	Static dependency towards IPU2 clock domain 0x0: Dependency is disabled 0x1: Dependency is enabled	RW	0x0

Table 3-617. Register Call Summary for Register CM_MPU_STATICDEP

Clock Management Functional Description

- [Clock Domain Dependency: \[0\]\[1\]\[2\]\[3\]\[4\]\[5\]\[6\]\[7\]\[8\]\[9\]\[10\]\[11\]\[12\]\[13\]\[14\]\[15\]\[16\]\[17\]\[19\]\[20\]\[21\]\[22\]\[23\]](#)

PRCM Register Manual

- [Not Supported Functionality \(Registers and Bits\): \[28\]\[29\]\[30\]\[31\]\[32\]](#)
- [CM_CORE_AON__MPU Register Summary: \[33\]](#)

Table 3-618. CM_MPU_DYNAMICDEP

Address Offset	0x0000 0008		
Physical Address	0x4A00 5308	Instance	CM_CORE_AON__MPU
Description	This register controls the dynamic domain dependencies from MPU domain towards 'target' domains. It is relevant only for domain having OCP master port(s).		
Type	RW		

31	30	29	28	27	26	25	24	23	22	21	20	19	18	17	16	15	14	13	12	11	10	9	8	7	6	5	4	3	2	1	0
RESERVED				WINDOWSIZE				RESERVED										L3MAIN1_DYNDP		EMIF_DYNDP		RESERVED									

Bits	Field Name	Description	Type	Reset
31:28	RESERVED		R	0x0
27:24	WINDOWSIZE	Size of sliding window used to monitor OCP interface activity for determination of auto-sleep feature. Time unit defined by CM_DYN_DEP_PRESCAL register.	RW	0x4
23:6	RESERVED		R	0x0
5	L3MAIN1_DYNDP	Dynamic dependency towards L3MAIN1 clock domain 0x1: Dependency is enabled	R	0x1
4	EMIF_DYNDP	Dynamic dependency towards EMIF clock domain 0x1: Dependency is enabled	R	0x1
3:0	RESERVED		R	0x0

Table 3-619. Register Call Summary for Register CM_MPU_DYNAMICDEP

Clock Management Functional Description

- [Clock Domain Dependency: \[0\]\[1\]](#)

PRCM Register Manual

- [CM_CORE_AON__MPU Register Summary: \[2\]](#)

Table 3-620. CM_MPU_MPU_CLKCTRL

Address Offset	0x0000 0020	Instance	CM_CORE_AON__MPU
Physical Address	0x4A00 5320		
Description	This register manages the MPU clocks.		
Type	RW		

31	30	29	28	27	26	25	24	23	22	21	20	19	18	17	16	15	14	13	12	11	10	9	8	7	6	5	4	3	2	1	0
RESERVED						CLKSEL_ABE_DIV_MODE	CLKSEL_EMIF_DIV_MODE	RESERVED				STBYST	IDLEST	RESERVED												MODULEMODE					

Bits	Field Name	Description	Type	Reset
31:27	RESERVED		R	0x0
26	CLKSEL_ABE_DIV_MODE	Selects the ratio for MPU - ABE async bridge versus MPU DPLL clock 0x0: MPU DPLL clock divided by 8 0x1: MPU DPLL clock divided by 16	RW	0x0
25:24	CLKSEL_EMIF_DIV_MODE	Selects the ratio for MPU - L3 async bridge versus MPU DPLL clock 0x0: MPU DPLL clock divided by 4 0x1: MPU DPLL clock divided by 4 0x2: MPU DPLL clock divided by 8 0x3: MPU DPLL clock divided by 8	RW	0x0
23:19	RESERVED		R	0x0
18	STBYST	Module standby status. [warm reset insensitive] 0x0: Module is functional (not in standby) 0x1: Module is in standby	R	0x1
17:16	IDLEST	Module idle status. [warm reset insensitive] 0x0: Module is fully functional, including OCP 0x1: Module is performing transition: wakeup, or sleep, or sleep abortion 0x2: Module is in Idle mode (only OCP part). It is functional if using separate functional clock 0x3: Module is disabled and cannot be accessed	R	0x3
15:2	RESERVED		R	0x0
1:0	MODULEMODE	Control the way mandatory clocks are managed. 0x1: Module is managed automatically by HW according to clock domain transition. A clock domain sleep transition put module into idle. A wakeup domain transition put it back into function. Module clocks may be gated according to the clock domain state.	R	0x1

Table 3-621. Register Call Summary for Register CM_MPU_MPU_CLKCTRL

Clock Management Functional Description

- [PRM Clock Source: \[0\]\[1\]](#)
- [Clock Domain Module Attributes: \[2\]\[3\]\[4\]](#)

Table 3-621. Register Call Summary for Register CM_MPU_MPU_CLKCTRL (continued)

PRCM Register Manual

- [CM_CORE_AON__MPU Register Summary: \[5\]](#)

Table 3-622. CM_MPU_MPU_MPU_DBG_CLKCTRL

Address Offset	0x0000 0028	Instance	CM_CORE_AON__MPU
Physical Address	0x4A00 5328		
Description	This register manages the MPU_MPU_DBG clocks. [warm reset insensitive]		
Type	R		

31	30	29	28	27	26	25	24	23	22	21	20	19	18	17	16	15	14	13	12	11	10	9	8	7	6	5	4	3	2	1	0
RESERVED																IDLEST		RESERVED										MODULEMODE			

Bits	Field Name	Description	Type	Reset
31:18	RESERVED		R	0x0
17:16	IDLEST	Module idle status 0x0: Module is fully functional, including OCP 0x1: Module is performing transition: wakeup, or sleep, or sleep abortion 0x2: Module is in Idle mode (only OCP part). It is functional if using separate functional clock 0x3: Module is disabled and cannot be accessed	R	0x3
15:2	RESERVED		R	0x0
1:0	MODULEMODE	Control the way mandatory clocks are managed. 0x1: Module is managed automatically by HW according to clock domain transition. A clock domain sleep transition put module into idle. A wakeup domain transition put it back into function. If CLKTRCTRL=3, any OCP access to module is always granted. Module clocks may be gated according to the clock domain state.	R	0x1

Table 3-623. Register Call Summary for Register CM_MPU_MPU_MPU_DBG_CLKCTRL

PRCM Register Manual

- [CM_CORE_AON__MPU Register Summary: \[0\]](#)

3.12.13 CM_CORE_AON__OCP_SOCKET Registers

3.12.13.1 CM_CORE_AON__OCP_SOCKET Register Summary

Table 3-624. CM_CORE_AON__OCP_SOCKET Registers Mapping Summary

Register Name	Type	Register Width (Bits)	Address Offset	CM_CORE_AON__OCP_SOCKET Physical Address L4_CFG Interconnect
REVISION_CM_CORE_AON	R	32	0x0000 0000	0x4A00 5000

Table 3-624. CM_CORE_AON__OCP_SOCKET Registers Mapping Summary (continued)

Register Name	Type	Register Width (Bits)	Address Offset	CM_CORE_AON__OCP_SOCKET Physical Address L4_CFG Interconnect
CM_CM_CORE_AON_PROFILING_CLKCTRL	RW	32	0x0000 0040	0x4A00 5040
CM_CORE_AON_DEBUG_OUT	R	32	0x0000 00EC	0x4A00 50EC
CM_CORE_AON_DEBUG_CFG0	RW	32	0x0000 00F0	0x4A00 50F0
CM_CORE_AON_DEBUG_CFG1	RW	32	0x0000 00F4	0x4A00 50F4
CM_CORE_AON_DEBUG_CFG2	RW	32	0x0000 00F8	0x4A00 50F8
CM_CORE_AON_DEBUG_CFG3	RW	32	0x0000 00FC	0x4A00 50FC

3.12.13.2 CM_CORE_AON__OCP_SOCKET Register Description

Table 3-625. REVISION_CM_CORE_AON

Address Offset	0x0000 0000	Instance	CM_CORE_AON__OCP_SOCKET
Physical Address	0x4A00 5000		ET
Description	This register contains the IP revision code for the CM_CORE_AON part of the PRCM		
Type	R		

31	30	29	28	27	26	25	24	23	22	21	20	19	18	17	16	15	14	13	12	11	10	9	8	7	6	5	4	3	2	1	0
REVISION																															

Bits	Field Name	Description	Type	Reset
31:0	REVISION	IP Revision Number	R	0x ⁽¹⁾

⁽¹⁾ TI Internal data.

Table 3-626. Register Call Summary for Register REVISION_CM_CORE_AON

PRCM Register Manual

- [CM_CORE_AON__OCP_SOCKET Register Summary: \[0\]](#)

Table 3-627. CM_CM_CORE_AON_PROFILING_CLKCTRL

Address Offset	0x0000 0040	Instance	CM_CORE_AON__OCP_SOCKET
Physical Address	0x4A00 5040		ET
Description	This register manages the CM_CORE_AON_PROFILING clock. [warm reset insensitive]		
Type	RW		

31	30	29	28	27	26	25	24	23	22	21	20	19	18	17	16	15	14	13	12	11	10	9	8	7	6	5	4	3	2	1	0				
RESERVED																IDLEST		RESERVED																MODULEMODE	

Bits	Field Name	Description	Type	Reset
31:18	RESERVED		R	0x0
17:16	IDLEST	Module idle status 0x0: Module is fully functional 0x1: Module is performing transition: wakeup, or sleep, or sleep abortion 0x2: Module is in Idle 0x3: Module is disabled	R	0x3
15:2	RESERVED		R	0x0
1:0	MODULEMODE	Control the way mandatory clocks are managed. 0x0: Module is disabled by SW. OCP configuration port is not accessible. 0x1: Module is managed automatically by HW along with CM_CORE_AON and EMU domain. OCP configuration port is accessible only when EMU domain is on. 0x2: Reserved 0x3: Reserved	RW	0x1

Table 3-628. Register Call Summary for Register CM_CM_CORE_AON_PROFILING_CLKCTRL

PRCM Register Manual

- [CM_CORE_AON__OCP_SOCKET Register Summary: \[0\]](#)
- [CM_CORE_AON__RESTORE Register Description: \[1\]\[2\]](#)

Table 3-629. CM_CORE_AON_DEBUG_OUT

Address Offset	0x0000 00EC	Instance	CM_CORE_AON__OCP_SOCKET
Physical Address	0x4A00 50EC		ET
Description	This register is used to monitor the CM_COREAON's 32 bit HEDEBUG BUS [warm reset insensitive]		
Type	R		

31	30	29	28	27	26	25	24	23	22	21	20	19	18	17	16	15	14	13	12	11	10	9	8	7	6	5	4	3	2	1	0
OUTPUT																															

Bits	Field Name	Description	Type	Reset
31:0	OUTPUT	HW DEBUG OUTPUT	R	0x0

Table 3-630. Register Call Summary for Register CM_CORE_AON_DEBUG_OUT

PRCM Register Manual

- [CM_CORE_AON__OCP_SOCKET Register Summary: \[0\]](#)

Table 3-631. CM_CORE_AON_DEBUG_CFG0

Address Offset	0x0000 00F0	Instance	CM_CORE_AON__OCP_SOCKET
Physical Address	0x4A00 50F0		ET
Description	This register is used to configure the CM_CORE_AON's 32-bit debug output. There is one 7-bit source select field for selecting from a shared set of 8-bit internal signal blocks per byte. The signals included in each block are specified in the PRCM integration specification. [warm reset insensitive]		
Type	RW		

31	30	29	28	27	26	25	24	23	22	21	20	19	18	17	16	15	14	13	12	11	10	9	8	7	6	5	4	3	2	1	0
RESERVED																SEL0															

Bits	Field Name	Description	Type	Reset
31:10	RESERVED		R	0x0
9:0	SEL0	Internal signal block select for debug word byte-0	RW	0x0

Table 3-632. Register Call Summary for Register CM_CORE_AON_DEBUG_CFG0

PRCM Register Manual

- [CM_CORE_AON__OCP_SOCKET Register Summary: \[0\]](#)

Table 3-633. CM_CORE_AON_DEBUG_CFG1

Address Offset	0x0000 00F4	Instance	CM_CORE_AON__OCP_SOCKET
Physical Address	0x4A00 50F4		ET
Description	This register is used to configure the CM_CORE_AON's 32-bit debug output. There is one 7-bit source select field for selecting from a shared set of 8-bit internal signal blocks per byte. The signals included in each block are specified in the PRCM integration specification. [warm reset insensitive]		
Type	RW		

31	30	29	28	27	26	25	24	23	22	21	20	19	18	17	16	15	14	13	12	11	10	9	8	7	6	5	4	3	2	1	0
RESERVED																SEL1															

Bits	Field Name	Description	Type	Reset
31:10	RESERVED		R	0x0
9:0	SEL1	Internal signal block select for debug word byte-1	RW	0x0

Table 3-634. Register Call Summary for Register CM_CORE_AON_DEBUG_CFG1

PRCM Register Manual

- [CM_CORE_AON__OCP_SOCKET Register Summary: \[0\]](#)

Table 3-635. CM_CORE_AON_DEBUG_CFG2

Address Offset	0x0000 00F8	Instance	CM_CORE_AON__OCP_SOCKET
Physical Address	0x4A00 50F8		ET
Description	This register is used to configure the CM_CORE_AON's 32-bit debug output. There is one 7-bit source select field for selecting from a shared set of 8-bit internal signal blocks per byte. The signals included in each block are specified in the PRCM integration specification. [warm reset insensitive]		
Type	RW		

31	30	29	28	27	26	25	24	23	22	21	20	19	18	17	16	15	14	13	12	11	10	9	8	7	6	5	4	3	2	1	0
RESERVED														SEL2																	

Bits	Field Name	Description	Type	Reset
31:10	RESERVED		R	0x0
9:0	SEL2	Internal signal block select for debug word byte-2	RW	0x0

Table 3-636. Register Call Summary for Register CM_CORE_AON_DEBUG_CFG2

PRCM Register Manual

- [CM_CORE_AON__OCP_SOCKET Register Summary: \[0\]](#)

Table 3-637. CM_CORE_AON_DEBUG_CFG3

Address Offset	0x0000 00FC	Instance	CM_CORE_AON__OCP_SOCKET
Physical Address	0x4A00 50FC		ET
Description	This register is used to configure the CM_CORE_AON's 32-bit debug output. There is one 7-bit source select field for selecting from a shared set of 8-bit internal signal blocks per byte. The signals included in each block are specified in the PRCM integration specification. [warm reset insensitive]		
Type	RW		

31	30	29	28	27	26	25	24	23	22	21	20	19	18	17	16	15	14	13	12	11	10	9	8	7	6	5	4	3	2	1	0
RESERVED														SEL3																	

Bits	Field Name	Description	Type	Reset
31:10	RESERVED		R	0x0
9:0	SEL3	Internal signal block select for debug word byte-3	RW	0x0

Table 3-638. Register Call Summary for Register CM_CORE_AON_DEBUG_CFG3

PRCM Register Manual

- [CM_CORE_AON__OCP_SOCKET Register Summary: \[0\]](#)

3.12.14 CM_CORE_AON__RESTORE Registers

3.12.14.1 CM_CORE_AON__RESTORE Register Summary

Table 3-639. CM_CORE_AON__RESTORE Registers Mapping Summary

Register Name	Type	Register Width (Bits)	Address Offset	CM_CORE_AON__RESTORE Physical Address L4_CFG Interconnect
CM_CLKSEL_CORE_RESTORE	RW	32	0x0000 0000	0x4A00 5E00
CM_DIV_M2_DPLL_CORE_RESTORE	RW	32	0x0000 0004	0x4A00 5E04
CM_DIV_M3_DPLL_CORE_RESTORE	RW	32	0x0000 0008	0x4A00 5E08
CM_DIV_H11_DPLL_CORE_RESTORE	RW	32	0x0000 000C	0x4A00 5E0C
CM_DIV_H12_DPLL_CORE_RESTORE	RW	32	0x0000 0010	0x4A00 5E10
CM_DIV_H13_DPLL_CORE_RESTORE	RW	32	0x0000 0014	0x4A00 5E14
CM_DIV_H14_DPLL_CORE_RESTORE	RW	32	0x0000 0018	0x4A00 5E18
CM_DIV_H21_DPLL_CORE_RESTORE	RW	32	0x0000 001C	0x4A00 5E1C
CM_DIV_H22_DPLL_CORE_RESTORE	RW	32	0x0000 0020	0x4A00 5E20
CM_DIV_H23_DPLL_CORE_RESTORE	RW	32	0x0000 0024	0x4A00 5E24
CM_DIV_H24_DPLL_CORE_RESTORE	RW	32	0x0000 0028	0x4A00 5E28
CM_CLKSEL_DPLL_CORE_RESTORE	RW	32	0x0000 002C	0x4A00 5E2C
CM_SSC_DELTAMSTEP_DPLL_CORE_RESTORE	RW	32	0x0000 0030	0x4A00 5E30
CM_SSC_MODFREQDIV_DPLL_CORE_RESTORE	RW	32	0x0000 0034	0x4A00 5E34
CM_CLKMODE_DPLL_CORE_RESTORE	RW	32	0x0000 0038	0x4A00 5E38
CM_SHADOW_FREQ_CONFIG2_RESTORE	RW	32	0x0000 003C	0x4A00 5E3C
CM_SHADOW_FREQ_CONFIG1_RESTORE	RW	32	0x0000 0040	0x4A00 5E40
CM_AUTOIDLE_DPLL_CORE_RESTORE	RW	32	0x0000 0044	0x4A00 5E44
CM_MPU_CLKSTCTRL_RESTORE	RW	32	0x0000 0048	0x4A00 5E48
CM_CM_CORE_AON_PROFILING_CLKCTRL_RESTORE	RW	32	0x0000 004C	0x4A00 5E4C
CM_DYN_DEP_PRESCAL_RESTORE	RW	32	0x0000 0050	0x4A00 5E50

3.12.14.2 CM_CORE_AON__RESTORE Register Description
Table 3-640. CM_CLKSEL_CORE_RESTORE

Address Offset	0x0000 0000	Instance	CM_CORE_AON__RESTORE
Physical Address	0x4A00 5E00		
Description	Second address map for register CM_CLKSEL_CORE . Used only by automatic restore upon wakeup from device OFF mode.		
Type	RW		

31	30	29	28	27	26	25	24	23	22	21	20	19	18	17	16	15	14	13	12	11	10	9	8	7	6	5	4	3	2	1	0
RESTORE																															

Bits	Field Name	Description	Type	Reset
31:0	RESTORE	See CM_CLKSEL_CORE register.	RW	0x0

Table 3-641. Register Call Summary for Register CM_CLKSEL_CORE_RESTORE

PRCM Register Manual

- [CM_CORE_AON__RESTORE Register Summary: \[0\]](#)

Table 3-642. CM_DIV_M2_DPLL_CORE_RESTORE

Address Offset	0x0000 0004	Instance	CM_CORE_AON__RESTORE
Physical Address	0x4A00 5E04		
Description	Second address map for register CM_DIV_M2_DPLL_CORE . Used only by automatic restore upon wakeup from device OFF mode.		
Type	RW		

31	30	29	28	27	26	25	24	23	22	21	20	19	18	17	16	15	14	13	12	11	10	9	8	7	6	5	4	3	2	1	0
RESTORE																															

Bits	Field Name	Description	Type	Reset
31:0	RESTORE	See CM_DIV_M2_DPLL_CORE register.	RW	0x1

Table 3-643. Register Call Summary for Register CM_DIV_M2_DPLL_CORE_RESTORE

PRCM Register Manual

- [CM_CORE_AON__RESTORE Register Summary: \[0\]](#)

Table 3-644. CM_DIV_M3_DPLL_CORE_RESTORE

Address Offset	0x0000 0008	Instance	CM_CORE_AON__RESTORE
Physical Address	0x4A00 5E08		
Description	Second address map for register CM_DIV_M3_DPLL_CORE . Used only by automatic restore upon wakeup from device OFF mode.		
Type	RW		

31	30	29	28	27	26	25	24	23	22	21	20	19	18	17	16	15	14	13	12	11	10	9	8	7	6	5	4	3	2	1	0
RESTORE																															

Bits	Field Name	Description	Type	Reset
31:0	RESTORE	See CM_DIV_M3_DPLL_CORE register.	RW	0x1

Table 3-645. CM_DIV_H11_DPLL_CORE_RESTORE

Address Offset	0x0000 000C	Instance	CM_CORE_AON__RESTORE
Physical Address	0x4A00 5E0C		
Description	Second address map for register CM_DIV_H11_DPLL_CORE. Used only by automatic restore upon wakeup from device OFF mode.		
Type	RW		

31	30	29	28	27	26	25	24	23	22	21	20	19	18	17	16	15	14	13	12	11	10	9	8	7	6	5	4	3	2	1	0
RESTORE																															

Bits	Field Name	Description	Type	Reset
31:0	RESTORE	See CM_DIV_H11_DPLL_CORE register.	RW	0x4

Table 3-646. CM_DIV_H12_DPLL_CORE_RESTORE

Address Offset	0x0000 0010	Instance	CM_CORE_AON__RESTORE
Physical Address	0x4A00 5E10		
Description	Second address map for register CM_DIV_H12_DPLL_CORE. Used only by automatic restore upon wakeup from device OFF mode.		
Type	RW		

31	30	29	28	27	26	25	24	23	22	21	20	19	18	17	16	15	14	13	12	11	10	9	8	7	6	5	4	3	2	1	0
RESTORE																															

Bits	Field Name	Description	Type	Reset
31:0	RESTORE	See CM_DIV_H12_DPLL_CORE register.	RW	0x4

Table 3-647. Register Call Summary for Register CM_DIV_H12_DPLL_CORE_RESTORE

PRCM Register Manual

- [CM_CORE_AON__RESTORE Register Summary: \[0\]](#)

Table 3-648. CM_DIV_H13_DPLL_CORE_RESTORE

Address Offset	0x0000 0014	Instance	CM_CORE_AON__RESTORE
Physical Address	0x4A00 5E14		
Description	Second address map for register CM_DIV_H13_DPLL_CORE. Used only by automatic restore upon wakeup from device OFF mode.		
Type	RW		

31	30	29	28	27	26	25	24	23	22	21	20	19	18	17	16	15	14	13	12	11	10	9	8	7	6	5	4	3	2	1	0
RESTORE																															

Bits	Field Name	Description	Type	Reset
31:0	RESTORE	See CM_DIV_H12_DPLL_CORE register.	RW	0x4

Table 3-649. Register Call Summary for Register CM_DIV_H13_DPLL_CORE_RESTORE

PRCM Register Manual

- [CM_CORE_AON__RESTORE Register Summary: \[0\]](#)

Table 3-650. CM_DIV_H14_DPLL_CORE_RESTORE

Address Offset	0x0000 0018	Instance	CM_CORE_AON__RESTORE
Physical Address	0x4A00 5E18		
Description	Second address map for register CM_DIV_H14_DPLL_CORE . Used only by automatic restore upon wakeup from device OFF mode.		
Type	RW		

31	30	29	28	27	26	25	24	23	22	21	20	19	18	17	16	15	14	13	12	11	10	9	8	7	6	5	4	3	2	1	0
RESTORE																															

Bits	Field Name	Description	Type	Reset
31:0	RESTORE	See CM_DIV_H14_DPLL_CORE register.	RW	0x4

Table 3-651. Register Call Summary for Register CM_DIV_H14_DPLL_CORE_RESTORE

PRCM Register Manual

- [CM_CORE_AON__RESTORE Register Summary: \[0\]](#)

Table 3-652. CM_DIV_H21_DPLL_CORE_RESTORE

Address Offset	0x0000 001C	Instance	CM_CORE_AON__RESTORE
Physical Address	0x4A00 5E1C		
Description	Second address map for register CM_DIV_H21_DPLL_CORE . Used only by automatic restore upon wakeup from device OFF mode.		
Type	RW		

31	30	29	28	27	26	25	24	23	22	21	20	19	18	17	16	15	14	13	12	11	10	9	8	7	6	5	4	3	2	1	0
RESTORE																															

Bits	Field Name	Description	Type	Reset
31:0	RESTORE	See CM_DIV_H21_DPLL_CORE register.	RW	0x4

Table 3-653. CM_DIV_H22_DPLL_CORE_RESTORE

Address Offset	0x0000 0020	Instance	CM_CORE_AON__RESTORE
Physical Address	0x4A00 5E20		
Description	Second address map for register CM_DIV_H22_DPLL_CORE . Used only by automatic restore upon wakeup from device OFF mode.		
Type	RW		

31	30	29	28	27	26	25	24	23	22	21	20	19	18	17	16	15	14	13	12	11	10	9	8	7	6	5	4	3	2	1	0
RESTORE																															

Bits	Field Name	Description	Type	Reset
31:0	RESTORE	See CM_DIV_H22_DPLL_CORE register.	RW	0x4

Table 3-654. Register Call Summary for Register CM_DIV_H22_DPLL_CORE_RESTORE

PRCM Register Manual

- [CM_CORE_AON__RESTORE Register Summary: \[0\]](#)

Table 3-655. CM_DIV_H23_DPLL_CORE_RESTORE

Address Offset	0x0000 0024
Physical Address	0x4A00 5E24
Instance	CM_CORE_AON__RESTORE
Description	Second address map for register CM_DIV_H23_DPLL_CORE . Used only by automatic restore upon wakeup from device OFF mode.
Type	RW

31	30	29	28	27	26	25	24	23	22	21	20	19	18	17	16	15	14	13	12	11	10	9	8	7	6	5	4	3	2	1	0
RESTORE																															

Bits	Field Name	Description	Type	Reset
31:0	RESTORE	See CM_DIV_H23_DPLL_CORE register.	RW	0x8

Table 3-656. Register Call Summary for Register CM_DIV_H23_DPLL_CORE_RESTORE

PRCM Register Manual

- [CM_CORE_AON__RESTORE Register Summary: \[0\]](#)

Table 3-657. CM_DIV_H24_DPLL_CORE_RESTORE

Address Offset	0x0000 0028
Physical Address	0x4A00 5E28
Instance	CM_CORE_AON__RESTORE
Description	Second address map for register CM_DIV_H24_DPLL_CORE . Used only by automatic restore upon wakeup from device OFF mode.
Type	RW

31	30	29	28	27	26	25	24	23	22	21	20	19	18	17	16	15	14	13	12	11	10	9	8	7	6	5	4	3	2	1	0
RESTORE																															

Bits	Field Name	Description	Type	Reset
31:0	RESTORE	See CM_DIV_H24_DPLL_CORE register.	RW	0x8

Table 3-658. Register Call Summary for Register CM_DIV_H24_DPLL_CORE_RESTORE

PRCM Register Manual

- [CM_CORE_AON__RESTORE Register Summary: \[0\]](#)

Table 3-659. CM_CLKSEL_DPLL_CORE_RESTORE

Address Offset	0x0000 002C
Physical Address	0x4A00 5E2C
Instance	CM_CORE_AON__RESTORE
Description	Second address map for register CM_CLKSEL_DPLL_CORE . Used only by automatic restore upon wakeup from device OFF mode.
Type	RW

31	30	29	28	27	26	25	24	23	22	21	20	19	18	17	16	15	14	13	12	11	10	9	8	7	6	5	4	3	2	1	0
RESTORE																															

Bits	Field Name	Description	Type	Reset
31:0	RESTORE	See CM_CLKSEL_DPLL_CORE register.	RW	0x0

Table 3-660. Register Call Summary for Register CM_CLKSEL_DPLL_CORE_RESTORE

Clock Management Functional Description

- [DPLL_CORE Synthesized Clock Parameters: \[0\]\[1\]](#)

PRCM Register Manual

- [CM_CORE_AON__RESTORE Register Summary: \[2\]](#)

Table 3-661. CM_SSC_DELTAMSTEP_DPLL_CORE_RESTORE

Address Offset	0x0000 0030	Instance	CM_CORE_AON__RESTORE
Physical Address	0x4A00 5E30		
Description	Second address map for register CM_SSC_DELTAMSTEP_DPLL_CORE. Used only by automatic restore upon wakeup from device OFF mode. [warm reset insensitive]		
Type	RW		

31	30	29	28	27	26	25	24	23	22	21	20	19	18	17	16	15	14	13	12	11	10	9	8	7	6	5	4	3	2	1	0
RESTORE																															

Bits	Field Name	Description	Type	Reset
31:0	RESTORE	See CM_SSC_DELTAMSTEP_DPLL_CORE register.	RW	0x0

Table 3-662. CM_SSC_MODFREQDIV_DPLL_CORE_RESTORE

Address Offset	0x0000 0034	Instance	CM_CORE_AON__RESTORE
Physical Address	0x4A00 5E34		
Description	Second address map for register CM_SSC_MODFREQDIV_DPLL_CORE. Used only by automatic restore upon wakeup from device OFF mode. [warm reset insensitive]		
Type	RW		

31	30	29	28	27	26	25	24	23	22	21	20	19	18	17	16	15	14	13	12	11	10	9	8	7	6	5	4	3	2	1	0
RESTORE																															

Bits	Field Name	Description	Type	Reset
31:0	RESTORE	See CM_SSC_MODFREQDIV_DPLL_CORE register.	RW	0x0

Table 3-663. CM_CLKMODE_DPLL_CORE_RESTORE

Address Offset	0x0000 0038	Instance	CM_CORE_AON__RESTORE
Physical Address	0x4A00 5E38		
Description	Second address map for register CM_CLKMODE_DPLL_CORE . Used only by automatic restore upon wakeup from device OFF mode.		
Type	RW		

31	30	29	28	27	26	25	24	23	22	21	20	19	18	17	16	15	14	13	12	11	10	9	8	7	6	5	4	3	2	1	0
RESTORE																															

Bits	Field Name	Description	Type	Reset
31:0	RESTORE	See CM_CLKMODE_DPLL_CORE register.	RW	0x4

Table 3-664. Register Call Summary for Register CM_CLKMODE_DPLL_CORE_RESTORE

Clock Management Functional Description

- [DPLL_CORE Power Modes: \[0\]\[1\]](#)

PRCM Register Manual

- [CM_CORE_AON__RESTORE Register Summary: \[2\]](#)

Table 3-665. CM_SHADOW_FREQ_CONFIG2_RESTORE

Address Offset	0x0000 003C	Instance	CM_CORE_AON__RESTORE
Physical Address	0x4A00 5E3C		
Description	Second address map for register CM_SHADOW_FREQ_CONFIG2 . Used only by automatic restore upon wakeup from device OFF mode.		
Type	RW		

31	30	29	28	27	26	25	24	23	22	21	20	19	18	17	16	15	14	13	12	11	10	9	8	7	6	5	4	3	2	1	0
RESTORE																															

Bits	Field Name	Description	Type	Reset
31:0	RESTORE	See CM_SHADOW_FREQ_CONFIG2 register.	RW	0x20

Table 3-666. Register Call Summary for Register CM_SHADOW_FREQ_CONFIG2_RESTORE

PRCM Register Manual

- [CM_CORE_AON__RESTORE Register Summary: \[0\]](#)

Table 3-667. CM_SHADOW_FREQ_CONFIG1_RESTORE

Address Offset	0x0000 0040	Instance	CM_CORE_AON__RESTORE
Physical Address	0x4A00 5E40		
Description	Second address map for register CM_SHADOW_FREQ_CONFIG1 . Used only by automatic restore upon wakeup from device OFF mode.		
Type	RW		

31	30	29	28	27	26	25	24	23	22	21	20	19	18	17	16	15	14	13	12	11	10	9	8	7	6	5	4	3	2	1	0
RESTORE																															

Bits	Field Name	Description	Type	Reset
31:0	RESTORE	See CM_SHADOW_FREQ_CONFIG1 register.	RW	0xc0c

Table 3-668. Register Call Summary for Register CM_SHADOW_FREQ_CONFIG1_RESTORE

PRCM Register Manual

- [CM_CORE_AON__RESTORE Register Summary: \[0\]](#)

Table 3-669. CM_AUTOIDLE_DPLL_CORE_RESTORE

Address Offset	0x0000 0044	Instance	CM_CORE_AON__RESTORE
Physical Address	0x4A00 5E44		
Description	Second address map for register CM_AUTOIDLE_DPLL_CORE . Used only by automatic restore upon wakeup from device OFF mode.		
Type	RW		

31	30	29	28	27	26	25	24	23	22	21	20	19	18	17	16	15	14	13	12	11	10	9	8	7	6	5	4	3	2	1	0
RESTORE																															

Bits	Field Name	Description	Type	Reset
31:0	RESTORE	See CM_AUTOIDLE_DPLL_CORE register.	RW	0x0

Table 3-670. Register Call Summary for Register CM_AUTOIDLE_DPLL_CORE_RESTORE

Clock Management Functional Description

- [DPLL_CORE Power Modes: \[0\]](#)

PRCM Register Manual

- [CM_CORE_AON__RESTORE Register Summary: \[1\]](#)

Table 3-671. CM_MPU_CLKSTCTRL_RESTORE

Address Offset	0x0000 0048	Instance	CM_CORE_AON__RESTORE
Physical Address	0x4A00 5E48		
Description	Second address map for register CM_MPU_CLKSTCTRL . Used only by automatic restore upon wakeup from device OFF mode.		
Type	RW		

31	30	29	28	27	26	25	24	23	22	21	20	19	18	17	16	15	14	13	12	11	10	9	8	7	6	5	4	3	2	1	0
RESTORE																															

Bits	Field Name	Description	Type	Reset
31:0	RESTORE	See CM_MPU_CLKSTCTRL register.	RW	0x0

Table 3-672. Register Call Summary for Register CM_MPU_CLKSTCTRL_RESTORE

PRCM Register Manual

- [CM_CORE_AON__RESTORE Register Summary: \[0\]](#)

Table 3-673. CM_CM_CORE_AON_PROFILING_CLKCTRL_RESTORE

Address Offset	0x0000 004C	Instance	CM_CORE_AON__RESTORE
Physical Address	0x4A00 5E4C		
Description	Second address map for register CM_CM_CORE_AON_PROFILING_CLKCTRL . Used only by automatic restore upon wakeup from device OFF mode. [warm reset insensitive]		
Type	RW		

31	30	29	28	27	26	25	24	23	22	21	20	19	18	17	16	15	14	13	12	11	10	9	8	7	6	5	4	3	2	1	0
RESTORE																															

Bits	Field Name	Description	Type	Reset
31:0	RESTORE	See CM_CM_CORE_AON_PROFILING_CLKCTRL register.	RW	0x30001

**Table 3-674. Register Call Summary for Register
CM_CM_CORE_AON_PROFILING_CLKCTRL_RESTORE**

PRCM Register Manual

- [CM_CORE_AON__RESTORE Register Summary: \[0\]](#)

Table 3-675. CM_DYN_DEP_PRESCAL_RESTORE

Address Offset	0x0000 0050	
Physical Address	0x4A00 5E50	Instance CM_CORE_AON__RESTORE
Description	Second address map for register CM_DYN_DEP_PRESCAL . Used only by automatic restore upon wakeup from device OFF mode.	
Type	RW	

31	30	29	28	27	26	25	24	23	22	21	20	19	18	17	16	15	14	13	12	11	10	9	8	7	6	5	4	3	2	1	0
RESTORE																															

Bits	Field Name	Description	Type	Reset
31:0	RESTORE	See CCM_DYN_DEP_PRESCAL register.	RW	0x20

Table 3-676. Register Call Summary for Register CM_DYN_DEP_PRESCAL_RESTORE

PRCM Register Manual

- [CM_CORE_AON__RESTORE Register Summary: \[0\]](#)

3.12.15 CM_CORE_AON__RTC Registers

NOTE: *RTC is NOT supported on the AM570x family of devices.*

3.12.15.1 CM_CORE_AON__RTC Register Summary

Table 3-677. CM_CORE_AON__RTC Registers Mapping Summary

Register Name	Type	Register Width (Bits)	Address Offset	CM_CORE_AON__RTC Physical Address L4_CFG Interconnect
CM_RTC_CLKSTCTRL	RW	32	0x0000 0000	0x4A00 5740
CM_RTC_RTCSS_CLK CTRL	RW	32	0x0000 0004	0x4A00 5744

3.12.15.2 CM_CORE_AON_RTC Register Description
Table 3-678. CM_RTC_CLKSTCTRL

Address Offset	0x0000 0000	Instance	CM_CORE_AON_RTC
Physical Address	0x4A00 5740		
Description	This register enables the domain power state transition. It controls the HW supervised domain power state transition between ON-ACTIVE and ON-INACTIVE states. It also hold one status bit per clock input of the domain.		
Type	RW		

31	30	29	28	27	26	25	24	23	22	21	20	19	18	17	16	15	14	13	12	11	10	9	8	7	6	5	4	3	2	1	0
RESERVED																CLKACTIVITY_RTC_AUX_CLK		RESERVED	CLKACTIVITY_RTC_L4_GICLK		RESERVED										CLKTRCTRL

Bits	Field Name	Description	Type	Reset
31:11	RESERVED		R	0x0
10	CLKACTIVITY_RTC_AUX_CLK	This field indicates the state of the RTC_AUX_CLK in the domain. [warm reset insensitive] 0x0: Corresponding clock is definitely gated 0x1: Corresponding clock is running or gating/ungating transition is on-going	R	0x0
9	RESERVED		R	0x0
8	CLKACTIVITY_RTC_L4_GICLK	This field indicates the state of the RTC_L4_GICLK clock in the domain. [warm reset insensitive] 0x0: Corresponding clock is definitely gated 0x1: Corresponding clock is running or gating/ungating transition is on-going	R	0x0
7:2	RESERVED		R	0x0
1:0	CLKTRCTRL	Controls the clock state transition of the WKUPAON clock domain. 0x0: NO_SLEEP: Sleep transition cannot be initiated. Wakeup transition may however occur. 0x1: Reserved 0x2: SW_WKUP: Start a software forced wake-up transition on the domain. 0x3: HW_AUTO: Automatic transition is enabled. Sleep and wakeup transition are based upon hardware conditions.	RW	0x0

Table 3-679. Register Call Summary for Register CM_RTC_CLKSTCTRL

Clock Management Functional Description

- [Clock Domain Modes: \[0\]\[1\]\[2\]](#)

PRCM Register Manual

- [CM_CORE_AON_RTC Register Summary: \[3\]](#)

Table 3-680. CM_RTC_RTCSS_CLKCTRL

Address Offset	0x0000 0004	Instance	CM_CORE_AON_RTC
Physical Address	0x4A00 5744		
Description	This register manages the RTC clocks.		
Type	RW		

31	30	29	28	27	26	25	24	23	22	21	20	19	18	17	16	15	14	13	12	11	10	9	8	7	6	5	4	3	2	1	0
RESERVED												IDLEST				RESERVED												MODULEMODE			

Bits	Field Name	Description	Type	Reset
31:18	RESERVED		R	0x0
17:16	IDLEST	Module idle status. [warm reset insensitive] 0x0: Module is fully functional, including OCP 0x1: Module is performing transition: wakeup, or sleep, or sleep abortion 0x2: Module is in Idle mode (only OCP part). It is functional if using separate functional clock 0x3: Module is disabled and cannot be accessed	R	0x3
15:2	RESERVED		R	0x0
1:0	MODULEMODE	Control the way mandatory clocks are managed. 0x0: Module is disabled by SW. Any OCP access to module results in an error, except if resulting from a module wakeup (asynchronous wakeup). 0x1: Reserved 0x2: Module is explicitly enabled. Interface clock (if not used for functions) may be gated according to the clock domain state. Functional clocks are guaranteed to stay present. As long as in this configuration, power domain sleep transition cannot happen. 0x3: Reserved	RW	0x0

Table 3-681. Register Call Summary for Register CM_RTC_RTCSS_CLKCTRL

Clock Management Functional Description

- [Clock Domain Module Attributes: \[0\]\[1\]](#)

PRCM Register Manual

- [CM_CORE_AON_RTC Register Summary: \[2\]](#)

3.12.16 CM_CORE_AON_VPE Registers

3.12.16.1 CM_CORE_AON_VPE Register Summary

Table 3-682. CM_CORE_AON_VPE Registers Mapping Summary

Register Name	Type	Register Width (Bits)	Address Offset	CM_CORE_AON_VPE Physical Address L4_CFG Interconnect
CM_VPE_CLKSTCTRL	RW	32	0x0000 0000	0x4A00 5760
CM_VPE_VPE_CLKCT RL	RW	32	0x0000 0004	0x4A00 5764

Table 3-682. CM_CORE_AON__VPE Registers Mapping Summary (continued)

Register Name	Type	Register Width (Bits)	Address Offset	CM_CORE_AON__VPE Physical Address L4_CFG Interconnect
CM_VPE_STATICDEP	RW	32	0x0000 0008	0x4A00 5768

3.12.16.2 CM_CORE_AON__VPE Register Description

Table 3-683. CM_VPE_CLKSTCTRL

Address Offset	0x0000 0000	Instance	CM_CORE_AON__VPE
Physical Address	0x4A00 5760		
Description	This register enables the VPE domain power state transition. It controls the HW supervised domain power state transition between ON-ACTIVE and ON-INACTIVE states. It also hold one status bit per clock input of the domain.		
Type	RW		

31	30	29	28	27	26	25	24	23	22	21	20	19	18	17	16	15	14	13	12	11	10	9	8	7	6	5	4	3	2	1	0
RESERVED																CLKACTIVITY_VPE_GCLK	RESERVED						CLKTRCTRL								

Bits	Field Name	Description	Type	Reset
31:9	RESERVED		R	0x0
8	CLKACTIVITY_VPE_GCLK	This field indicates the state of the VPE_GCLK clock in the domain. [warm reset insensitive] 0x0: Corresponding clock is definitely gated 0x1: Corresponding clock is running or gating/ungating transition is on-going	R	0x0
7:2	RESERVED		R	0x0
1:0	CLKTRCTRL	Controls the clock state transition of the DSP clock domain. 0x0: NO_SLEEP: Sleep transition cannot be initiated. Wakeup transition may however occur. 0x1: SW_SLEEP: Start a software forced sleep transition on the domain. 0x2: SW_WKUP: Start a software forced wake-up transition on the domain. 0x3: HW_AUTO: Automatic transition is enabled. Sleep and wakeup transition are based upon hardware conditions.	RW	0x3

Table 3-684. Register Call Summary for Register CM_VPE_CLKSTCTRL

Clock Management Functional Description

- [Clock Domain Modes: \[0\]\[1\]](#)

PRCM Register Manual

- [CM_CORE_AON__VPE Register Summary: \[2\]](#)

Table 3-685. CM_VPE_VPE_CLKCTRL

Address Offset	0x0000 0004	Instance	CM_CORE_AON__VPE
Physical Address	0x4A00 5764		
Description	This register manages the VPE clocks.		
Type	RW		

31	30	29	28	27	26	25	24	23	22	21	20	19	18	17	16	15	14	13	12	11	10	9	8	7	6	5	4	3	2	1	0
RESERVED												STBYST	IDLEST	RESERVED												MODULEMODE					

Bits	Field Name	Description	Type	Reset
31:19	RESERVED		R	0x0
18	STBYST	Module standby status. [warm reset insensitive] 0x0: Module is functional (not in standby) 0x1: Module is in standby	R	0x1
17:16	IDLEST	Module idle status. [warm reset insensitive] 0x0: Module is fully functional, including OCP 0x1: Module is performing transition: wakeup, or sleep, or sleep abortion 0x2: Module is in Idle mode (only OCP part). It is functional if using separate functional clock 0x3: Module is disabled and cannot be accessed	R	0x3
15:2	RESERVED		R	0x0
1:0	MODULEMODE	Control the way mandatory clocks are managed. 0x0: Module is disabled by SW. Any OCP access to module results in an error, except if resulting from a module wakeup (asynchronous wakeup). 0x1: Module is managed automatically by HW according to clock domain transition. A clock domain sleep transition put module into idle. A wakeup domain transition put it back into function. If CLKTRCTRL=3, any OCP access to module is always granted. Module clocks may be gated according to the clock domain state. 0x2: Reserved 0x3: Reserved	RW	0x0

Table 3-686. Register Call Summary for Register CM_VPE_VPE_CLKCTRL

Clock Management Functional Description

- [Clock Domain Module Attributes: \[0\]\[1\]\[2\]](#)

PRCM Register Manual

- [CM_CORE_AON__VPE Register Summary: \[3\]](#)

Table 3-687. CM_VPE_STATICDEP

Address Offset	0x0000 0008	Instance	CM_CORE_AON__VPE
Physical Address	0x4A00 5768		
Description	This register controls the static domain dependencies from VPE domain towards 'target' domains. It is relevant only for domain having system initiator(s).		
Type	RW		

31	30	29	28	27	26	25	24	23	22	21	20	19	18	17	16	15	14	13	12	11	10	9	8	7	6	5	4	3	2	1	0
RESERVED				L4PER3_STATDEP	RESERVED												L3MAIN1_STATDEP	EMIF_STATDEP	RESERVED												

Bits	Field Name	Description	Type	Reset
31:28	RESERVED		R	0x0
27	L4PER3_STATDEP	Static dependency towards L4PER3 clock domain 0x0: Dependency is disabled 0x1: Dependency is enabled	RW	0x0
26:6	RESERVED		R	0x0
5	L3MAIN1_STATDEP	Static dependency towards L3MAIN1 clock domain 0x1: Dependency is enabled	R	0x1
4	EMIF_STATDEP	Static dependency towards EMIF clock domain 0x0: Dependency is disabled 0x1: Dependency is enabled	RW	0x0
3:0	RESERVED		R	0x0

Table 3-688. Register Call Summary for Register CM_VPE_STATICDEP

Clock Management Functional Description

- [Clock Domain Dependency: \[0\]\[1\]\[2\]](#)

PRCM Register Manual

- [CM_CORE_AON__VPE Register Summary: \[3\]](#)

3.12.17 CM_CORE__CAM Registers

3.12.17.1 CM_CORE__CAM Register Summary

Table 3-689. CM_CORE__CAM Registers Mapping Summary

Register Name	Type	Register Width (Bits)	Address Offset	CM_CORE__CAM Physical Address L4_CFG Interconnect
CM_CAM_CLKSTCTRL	RW	32	0x0000 0000	0x4A00 9000
CM_CAM_STATICDEP	RW	32	0x0000 0004	0x4A00 9004
CM_CAM_VIP1_CLKCT RL	RW	32	0x0000 0020	0x4A00 9020
CM_CAM_CAL_CLKCT RL	RW	32	0x0000 0028	0x4A00 9028
CM_CAM_VIP3_CLKCT RL	RW	32	0x0000 0030	0x4A00 9030

Table 3-689. CM_CORE__CAM Registers Mapping Summary (continued)

Register Name	Type	Register Width (Bits)	Address Offset	CM_CORE__CAM Physical Address L4_CFG Interconnect
CM_CAM_LVDSRX_CL KCTRL	RW	32	0x0000 0038	0x4A00 9038
CM_CAM_CSI1_CLKCT RL	R	32	0x0000 0040	0x4A00 9040
CM_CAM_CSI2_CLKCT RL	R	32	0x0000 0048	0x4A00 9048

3.12.17.2 CM_CORE__CAM Register Description

Table 3-690. CM_CAM_CLKSTCTRL

Address Offset	0x0000 0000	Instance	CM_CORE__CAM
Physical Address	0x4A00 9000		
Description	This register enables the domain power state transition. It controls the HW supervised domain power state transition between ON-ACTIVE and ON-INACTIVE states. It also hold one status bit per clock input of the domain.		
Type	RW		

31	30	29	28	27	26	25	24	23	22	21	20	19	18	17	16	15	14	13	12	11	10	9	8	7	6	5	4	3	2	1	0
RESERVED																CLKACTIVITY_LVDSRX_96M_GFCLK CLKACTIVITY_LVDSRX_L4_GICLK CLKACTIVITY_VIP3_GCLK CLKACTIVITY_CAL_GCLK CLKACTIVITY_VIP1_GCLK					RESERVED					CLKTRCTRL					

Bits	Field Name	Description	Type	Reset
31:13	RESERVED		R	0x0
12	CLKACTIVITY_LVDSRX_96M_G FCLK	This field indicates the state of the LVDSRX_96M_GFCLK clock input of the domain. [warm reset insensitive] 0x0: Corresponding clock is definitely gated 0x1: Corresponding clock is running or gating/ungating transition is on-going	R	0x0
11	CLKACTIVITY_LVDSRX_L4_GI CLK	This field indicates the state of the LVDSRX_L4_GICLK clock input of the domain. [warm reset insensitive] 0x0: Corresponding clock is definitely gated 0x1: Corresponding clock is running or gating/ungating transition is on-going	R	0x0
10	CLKACTIVITY_VIP3_GCLK	This field indicates the state of the VIP3_GCLK clock input of the domain. [warm reset insensitive] 0x0: Corresponding clock is definitely gated 0x1: Corresponding clock is running or gating/ungating transition is on-going	R	0x0

Bits	Field Name	Description	Type	Reset
9	CLKACTIVITY_CAL_GCLK	This field indicates the state of the CAL_GCLK clock input of the domain. [warm reset insensitive] 0x0: Corresponding clock is definitely gated 0x1: Corresponding clock is running or gating/ungating transition is on-going	R	0x0
8	CLKACTIVITY_VIP1_GCLK	This field indicates the state of the VIP1_GCLK clock input of the domain. [warm reset insensitive] 0x0: Corresponding clock is definitely gated 0x1: Corresponding clock is running or gating/ungating transition is on-going	R	0x0
7:2	RESERVED		R	0x0
1:0	CLKTRCTRL	Controls the clock state transition of the CAM clock domain. 0x0: NO_SLEEP: Sleep transition cannot be initiated. Wakeup transition may however occur. 0x1: SW_SLEEP: Start a software forced sleep transition on the domain. 0x2: SW_WKUP: Start a software forced wake-up transition on the domain. 0x3: HW_AUTO: Automatic transition is enabled. Sleep and wakeup transition are based upon hardware conditions.	RW	0x3

Table 3-691. Register Call Summary for Register CM_CAM_CLKSTCTRL

Clock Management Functional Description

- [Clock Domain Modes: \[0\]\[1\]\[2\]\[3\]](#)

PRCM Register Manual

- [Not Supported Functionality \(Registers and Bits\): \[4\]](#)
- [CM_CORE_CAM Register Summary: \[5\]](#)

Table 3-692. CM_CAM_STATICDEP

Address Offset	0x0000 0004	Instance	CM_CORE_CAM
Physical Address	0x4A00 9004		
Description	This register controls the static domain dependencies from CAM domain towards 'target' domains. It is relevant only for domain having system initiator(s).		
Type	RW		

31	30	29	28	27	26	25	24	23	22	21	20	19	18	17	16	15	14	13	12	11	10	9	8	7	6	5	4	3	2	1	0
RESERVED	VPE_STATDEP	L4PER3_STATDEP	RESERVED	GMAC_STATDEP	RESERVED	EVE4_STATDEP	EVE3_STATDEP	EVE2_STATDEP	EVE1_STATDEP	RESERVED	L4CFG_STATDEP	RESERVED	RESERVED	RESERVED	RESERVED	L3MAIN1_STATDEP	EMIF_STATDEP	RESERVED	IVA_STATDEP	RESERVED	RESERVED	RESERVED	RESERVED	RESERVED	RESERVED	RESERVED	RESERVED	RESERVED	RESERVED	RESERVED	RESERVED

Bits	Field Name	Description	Type	Reset
31:29	RESERVED		R	0x0
28	VPE_STATDEP	Static dependency towards VPE clock domain 0x0: Dependency is disabled 0x1: Dependency is enabled	RW	0x0

Bits	Field Name	Description	Type	Reset
27	L4PER3_STATDEP	Static dependency towards L4PER3 clock domain 0x0: Dependency is disabled 0x1: Dependency is enabled	RW	0x0
26	RESERVED		R	0x0
25	GMAC_STATDEP	Static dependency towards GMAC clock domain 0x0: Dependency is disabled 0x1: Dependency is enabled	RW	0x0
24:23	RESERVED		R	0x0
22	EVE4_STATDEP	Static dependency towards EVE4 clock domain 0x0: Dependency is disabled 0x1: Dependency is enabled	RW	0x0
21	EVE3_STATDEP	Static dependency towards EVE3 clock domain 0x0: Dependency is disabled 0x1: Dependency is enabled	RW	0x0
20	EVE2_STATDEP	Static dependency towards EVE2 clock domain 0x0: Dependency is disabled 0x1: Dependency is enabled	RW	0x0
19	EVE1_STATDEP	Static dependency towards EVE1 clock domain 0x0: Dependency is disabled 0x1: Dependency is enabled	RW	0x0
18:13	RESERVED		R	0x0
12	L4CFG_STATDEP	Static dependency towards L4CFG clock domain 0x0: Dependency is disabled	R	0x0
11:6	RESERVED		R	0x0
5	L3MAIN1_STATDEP	Static dependency towards L3MAIN1 clock domain 0x1: Dependency is enabled	R	0x1
4	EMIF_STATDEP	Static dependency towards EMIF clock domain 0x0: Dependency is disabled 0x1: Dependency is enabled	RW	0x1
3	RESERVED		R	0x0
2	IVA_STATDEP	Static dependency towards IVA clock domain 0x0: Dependency is disabled 0x1: Dependency is enabled	RW	0x0
1:0	RESERVED		R	0x0

Table 3-693. Register Call Summary for Register CM_CAM_STATICDEP

Clock Management Functional Description

- [Clock Domain Dependency: \[0\]\[1\]\[2\]\[3\]\[8\]\[9\]\[10\]](#)

PRCM Register Manual

- [Not Supported Functionality \(Registers and Bits\): \[11\]\[12\]\[13\]\[14\]](#)
- [CM_CORE_CAM Register Summary: \[15\]](#)

Table 3-694. CM_CAM_VIP1_CLKCTRL

Address Offset	0x0000 0020	Instance	CM_CORE__CAM
Physical Address	0x4A00 9020		
Description	This register manages the VIP1 clocks.		
Type	RW		

31	30	29	28	27	26	25	24	23	22	21	20	19	18	17	16	15	14	13	12	11	10	9	8	7	6	5	4	3	2	1	0
RESERVED								CLKSEL	RESERVED				STBYST	IDLEST	RESERVED											MODULEMODE					

Bits	Field Name	Description	Type	Reset
31:25	RESERVED		R	0x0
24	CLKSEL	Selects functional clock for VIP between L3_ICLK and CORE_ISS_MAIN_CLK 0x0: Selects L3_ICLK 0x1: Selects CORE_ISS_MAIN_CLK	RW	0x0
23:19	RESERVED		R	0x0
18	STBYST	Module standby status. [warm reset insensitive] 0x0: Module is functional (not in standby) 0x1: Module is in standby	R	0x1
17:16	IDLEST	Module idle status. [warm reset insensitive] 0x0: Module is fully functional, including OCP 0x1: Module is performing transition: wakeup, or sleep, or sleep abortion 0x2: Module is in Idle mode (only OCP part). It is functional if using separate functional clock 0x3: Module is disabled and cannot be accessed	R	0x3
15:2	RESERVED		R	0x0
1:0	MODULEMODE	Control the way mandatory clocks are managed. 0x0: Module is disabled by SW. Any OCP access to module results in an error, except if resulting from a module wakeup (asynchronous wakeup). 0x1: Module is managed automatically by HW according to clock domain transition. A clock domain sleep transition put module into idle. A wakeup domain transition put it back into function. If CLKTRCTRL=3, any OCP access to module is always granted. Module clocks may be gated according to the clock domain state. 0x2: Reserved 0x3: Reserved	RW	0x0

Table 3-695. Register Call Summary for Register CM_CAM_VIP1_CLKCTRL

Clock Management Functional Description

- [CM_CORE_AON Clock Generator: \[0\]](#)
- [Clock Domain Module Attributes: \[1\]\[2\]\[3\]](#)

PRCM Register Manual

- [CM_CORE__CAM Register Summary: \[4\]](#)

Table 3-696. CM_CAM_CAL_CLKCTRL

Address Offset	0x0000 0028	Instance	CM_CORE__CAM
Physical Address	0x4A00 9028		
Description	This register manages the CAL clocks.		
Type	RW		

31	30	29	28	27	26	25	24	23	22	21	20	19	18	17	16	15	14	13	12	11	10	9	8	7	6	5	4	3	2	1	0
RESERVED								CLKSEL	RESERVED				STBYST	IDLEST	RESERVED											MODULEMODE					

Bits	Field Name	Description	Type	Reset
31:25	RESERVED		R	0x0
24	CLKSEL	Selects functional clock for CAL between L3_ICLK and CORE_ISS_MAIN_CLK 0x0: Selects L3_ICLK 0x1: Selects CORE_ISS_MAIN_CLK	RW	0x0
23:19	RESERVED		R	0x0
18	STBYST	Module standby status. [warm reset insensitive] 0x0: Module is functional (not in standby) 0x1: Module is in standby	R	0x1
17:16	IDLEST	Module idle status. [warm reset insensitive] 0x0: Module is fully functional, including OCP 0x1: Module is performing transition: wakeup, or sleep, or sleep abortion 0x2: Module is in Idle mode (only OCP part). It is functional if using separate functional clock 0x3: Module is disabled and cannot be accessed	R	0x3
15:2	RESERVED		R	0x0
1:0	MODULEMODE	Control the way mandatory clocks are managed. 0x0: Module is disabled by SW. Any OCP access to module results in an error, except if resulting from a module wakeup (asynchronous wakeup). 0x1: Module is managed automatically by HW according to clock domain transition. A clock domain sleep transition put module into idle. A wakeup domain transition put it back into function. If CLKTRCTRL=3, any OCP access to module is always granted. Module clocks may be gated according to the clock domain state. 0x2: Reserved 0x3: Reserved	RW	0x0

Table 3-697. Register Call Summary for Register CM_CAM_CAL_CLKCTRL

Clock Management Functional Description

- [CM_CORE_AON Clock Generator: \[0\]](#)
- [Clock Domain Module Attributes: \[1\]\[2\]\[3\]](#)

PRCM Register Manual

- [Not Supported Functionality \(Registers and Bits\): \[4\]](#)
- [CM_CORE__CAM Register Summary: \[5\]](#)

Table 3-698. CM_CAM_VIP3_CLKCTRL

Address Offset	0x0000 0030	Instance	CM_CORE__CAM
Physical Address	0x4A00 9030		
Description	This register manages the VIP3 clocks.		
Type	RW		

31	30	29	28	27	26	25	24	23	22	21	20	19	18	17	16	15	14	13	12	11	10	9	8	7	6	5	4	3	2	1	0
RESERVED								CLKSEL	RESERVED				STBYST	IDLEST	RESERVED										MODULEMODE						

Bits	Field Name	Description	Type	Reset
31:25	RESERVED		R	0x0
24	CLKSEL	Selects functional clock for VIP between L3_ICLK and CORE_ISS_MAIN_CLK 0x0: Selects L3_ICLK 0x1: Selects CORE_ISS_MAIN_CLK	RW	0x0
23:19	RESERVED		R	0x0
18	STBYST	Module standby status. [warm reset insensitive] 0x0: Module is functional (not in standby) 0x1: Module is in standby	R	0x1
17:16	IDLEST	Module idle status. [warm reset insensitive] 0x0: Module is fully functional, including OCP 0x1: Module is performing transition: wakeup, or sleep, or sleep abortion 0x2: Module is in Idle mode (only OCP part). It is functional if using separate functional clock 0x3: Module is disabled and cannot be accessed	R	0x3
15:2	RESERVED		R	0x0
1:0	MODULEMODE	Control the way mandatory clocks are managed. 0x0: Module is disabled by SW. Any OCP access to module results in an error, except if resulting from a module wakeup (asynchronous wakeup). 0x1: Module is managed automatically by HW according to clock domain transition. A clock domain sleep transition put module into idle. A wakeup domain transition put it back into function. If CLKTRCTRL=3, any OCP access to module is always granted. Module clocks may be gated according to the clock domain state. 0x2: Reserved 0x3: Reserved	RW	0x0

Table 3-699. CM_CAM_LVDSRX_CLKCTRL

Address Offset	0x0000 0038	Instance	CM_CORE__CAM
Physical Address	0x4A00 9038		
Description	This register manages the LVDSRX clocks.		
Type	RW		

31	30	29	28	27	26	25	24	23	22	21	20	19	18	17	16	15	14	13	12	11	10	9	8	7	6	5	4	3	2	1	0
RESERVED														IDLEST		RESERVED														MODULEMODE	

Bits	Field Name	Description	Type	Reset
31:18	RESERVED		R	0x0
17:16	IDLEST	Module idle status. [warm reset insensitive] 0x0: Module is fully functional, including OCP 0x1: Module is performing transition: wakeup, or sleep, or sleep abortion 0x2: Module is in Idle mode (only OCP part). It is functional if using separate functional clock 0x3: Module is disabled and cannot be accessed	R	0x3
15:2	RESERVED		R	0x0
1:0	MODULEMODE	Control the way mandatory clocks are managed. 0x0: Module is disabled by SW. Any OCP access to module results in an error, except if resulting from a module wakeup (asynchronous wakeup). 0x1: Reserved 0x2: Module is explicitly enabled. Interface clock (if not used for functions) may be gated according to the clock domain state. Functional clocks are guaranteed to stay present. As long as in this configuration, power domain sleep transition cannot happen. 0x3: Reserved	RW	0x0

Table 3-700. CM_CAM_CSI1_CLKCTRL

Address Offset	0x0000 0040	Instance	CM_CORE__CAM
Physical Address	0x4A00 9040		
Description	This register manages the CSI1 clocks.		
Type	R		

31	30	29	28	27	26	25	24	23	22	21	20	19	18	17	16	15	14	13	12	11	10	9	8	7	6	5	4	3	2	1	0
RESERVED														STBYST	IDLEST	RESERVED														MODULEMODE	

Bits	Field Name	Description	Type	Reset
31:19	RESERVED		R	0x0
18	STBYST	Module standby status. [warm reset insensitive] 0x0: Module is functional (not in standby) 0x1: Module is in standby	R	0x1
17:16	IDLEST	Module idle status. [warm reset insensitive] 0x0: Module is fully functional, including OCP 0x1: Module is performing transition: wakeup, or sleep, or sleep abortion 0x2: Module is in Idle mode (only OCP part). It is functional if using separate functional clock 0x3: Module is disabled and cannot be accessed	R	0x3
15:2	RESERVED		R	0x0
1:0	MODULEMODE	Control the way mandatory clocks are managed. 0x1: Module is managed automatically by HW according to clock domain transition. A clock domain sleep transition put module into idle. A wakeup domain transition put it back into function. If CLKTRCTRL=3, any OCP access to module is always granted. Module clocks may be gated according to the clock domain state.	R	0x1

Table 3-701. CM_CAM_CSI2_CLKCTRL

Address Offset	0x0000 0048	Instance	CM_CORE_CAM
Physical Address	0x4A00 9048		
Description	This register manages the CSI2 clocks.		
Type	R		

31	30	29	28	27	26	25	24	23	22	21	20	19	18	17	16	15	14	13	12	11	10	9	8	7	6	5	4	3	2	1	0
RESERVED								STBYST		IDLEST		RESERVED										MODULEMODE									

Bits	Field Name	Description	Type	Reset
31:19	RESERVED		R	0x0
18	STBYST	Module standby status. [warm reset insensitive] 0x0: Module is functional (not in standby) 0x1: Module is in standby	R	0x1
17:16	IDLEST	Module idle status. [warm reset insensitive] 0x0: Module is fully functional, including OCP 0x1: Module is performing transition: wakeup, or sleep, or sleep abortion 0x2: Module is in Idle mode (only OCP part). It is functional if using separate functional clock 0x3: Module is disabled and cannot be accessed	R	0x3
15:2	RESERVED		R	0x0
1:0	MODULEMODE	Control the way mandatory clocks are managed. 0x1: Module is managed automatically by HW according to clock domain transition. A clock domain sleep transition put module into idle. A wakeup domain transition put it back into function. If CLKTRCTRL=3, any OCP access to module is always granted. Module clocks may be gated according to the clock domain state.	R	0x1

3.12.18 CM_CORE__CKGEN Registers

3.12.18.1 CM_CORE__CKGEN Register Summary

Table 3-702. CM_CORE__CKGEN Registers Mapping Summary

Register Name	Type	Register Width (Bits)	Address Offset	CM_CORE__CKGEN Physical Address L4_CFG Interconnect
CM_CLKSEL_USB_60MHZ	RW	32	0x0000 0000	0x4A00 8104
CM_CLKMODE_DPLL_PER	RW	32	0x0000 003C	0x4A00 8140
CM_IDLEST_DPLL_PER	R	32	0x0000 0040	0x4A00 8144
CM_AUTOIDLE_DPLL_PER	RW	32	0x0000 0044	0x4A00 8148
CM_CLKSEL_DPLL_PER	RW	32	0x0000 0048	0x4A00 814C
CM_DIV_M2_DPLL_PER	RW	32	0x0000 004C	0x4A00 8150
CM_DIV_M3_DPLL_PER	RW	32	0x0000 0050	0x4A00 8154
CM_DIV_H11_DPLL_PER	RW	32	0x0000 0054	0x4A00 8158
CM_DIV_H12_DPLL_PER	RW	32	0x0000 0058	0x4A00 815C
CM_DIV_H13_DPLL_PER	RW	32	0x0000 005C	0x4A00 8160
CM_DIV_H14_DPLL_PER	RW	32	0x0000 0060	0x4A00 8164
CM_SSC_DELTAMSTEP_DPLL_PER	RW	32	0x0000 0064	0x4A00 8168
CM_SSC_MODFREQDIV_DPLL_PER	RW	32	0x0000 0068	0x4A00 816C
CM_CLKMODE_DPLL_USB	RW	32	0x0000 007C	0x4A00 8180
CM_IDLEST_DPLL_USB	R	32	0x0000 0080	0x4A00 8184
CM_AUTOIDLE_DPLL_USB	RW	32	0x0000 0084	0x4A00 8188
CM_CLKSEL_DPLL_USB	RW	32	0x0000 0088	0x4A00 818C
CM_DIV_M2_DPLL_USB	RW	32	0x0000 008C	0x4A00 8190
CM_SSC_DELTAMSTEP_DPLL_USB	RW	32	0x0000 00A4	0x4A00 81A8
CM_SSC_MODFREQDIV_DPLL_USB	RW	32	0x0000 00A8	0x4A00 81AC
CM_CLKDCOLDO_DPLL_USB	R	32	0x0000 00B0	0x4A00 81B4
CM_CLKMODE_DPLL_PCIE_REF	RW	32	0x0000 00FC	0x4A00 8200
CM_IDLEST_DPLL_PCIE_REF	R	32	0x0000 0100	0x4A00 8204
CM_AUTOIDLE_DPLL_PCIE_REF	RW	32	0x0000 0104	0x4A00 8208
CM_CLKSEL_DPLL_PCIE_REF	RW	32	0x0000 0108	0x4A00 820C

Table 3-702. CM_CORE__CKGEN Registers Mapping Summary (continued)

Register Name	Type	Register Width (Bits)	Address Offset	CM_CORE__CKGEN Physical Address L4_CFG Interconnect
CM_DIV_M2_DPLL_PCIE_REF	RW	32	0x0000 010C	0x4A00 8210
CM_SSC_DELTAMSTEP_DPLL_PCIE_REF	RW	32	0x0000 0110	0x4A00 8214
CM_SSC_MODFREQDIV_DPLL_PCIE_REF	RW	32	0x0000 0114	0x4A00 8218
CM_CLKMODE_APLL_PCIE	RW	32	0x0000 0118	0x4A00 821C
CM_IDLEST_APLL_PCIE	R	32	0x0000 011C	0x4A00 8220
CM_DIV_M2_APLL_PCIE	R	32	0x0000 0120	0x4A00 8224
CM_CLKVCOLDO_APLL_PCIE	R	32	0x0000 0124	0x4A00 8228

3.12.18.2 CM_CORE__CKGEN Register Description

Table 3-703. CM_CLKSEL_USB_60MHZ

Address Offset	0x0000 0000	Instance	CM_CORE__CKGEN
Physical Address	0x4A00 8104		
Description	Selects the configuration of the divider generating 60MHz clock for USB from the DPLL_USB o/p.		
Type	RW		

31	30	29	28	27	26	25	24	23	22	21	20	19	18	17	16	15	14	13	12	11	10	9	8	7	6	5	4	3	2	1	0
RESERVED																CLKSEL															

Bits	Field Name	Description	Type	Reset
31:1	RESERVED		R	0x0
0	CLKSEL	Select the configuration of the divider 0x0: Set the divider in bypass mode to support bypass clock from DPLL_USB to pass through without division. 0x1: Set the divider to divide the DPLL o/p (480MHz typical) by 8 to generate 60MHz clock.	RW	0x1

Table 3-704. Register Call Summary for Register CM_CLKSEL_USB_60MHZ

PRCM Register Manual

- [CM_CORE__CKGEN Register Summary: \[0\]](#)

Table 3-705. CM_CLKMODE_DPLL_PER

Address Offset	0x0000 003C	Instance	CM_CORE__CKGEN
Physical Address	0x4A00 8140		
Description	This register allows controlling the DPLL modes.		
Type	RW		

31	30	29	28	27	26	25	24	23	22	21	20	19	18	17	16	15	14	13	12	11	10	9	8	7	6	5	4	3	2	1	0
RESERVED																DPLL_SSC_TYPE	DPLL_SSC_DOWNSPREAD	DPLL_SSC_ACK	DPLL_SSC_EN	DPLL_REGM4XEN	DPLL_LPMODE_EN	RESERVED	DPLL_DRIFTGUARD_EN	RESERVED							DPLL_EN

Bits	Field Name	Description	Type	Reset
31:16	RESERVED		R	0x0
15	DPLL_SSC_TYPE	Select between Triangular and SquareWave Spread Spectrum Clocking 0x0: Triangular Spread Spectrum Clocking is selected 0x1: Square Wave Spread Spectrum Clocking is selected (only available under proper licensing agreement)	RW	0x0
14	DPLL_SSC_DOWNSPREAD	Control if only low frequency spread is required 0x0: When SSC is enabled, clock frequency is spread on both sides of the programmed frequency 0x1: When SSC is enabled, clock frequency is spread only on the lower side of the programmed frequency	RW	0x0
13	DPLL_SSC_ACK	Acknowledgement from the DPLL regarding start and stop of Spread Spectrum Clocking feature 0x0: SSC has been turned off on PLL o/ps 0x1: SSC has been turned on on PLL o/ps	R	0x0
12	DPLL_SSC_EN	Enable or disable Spread Spectrum Clocking 0x0: SSC disabled 0x1: SSC enabled	RW	0x0
11	DPLL_REGM4XEN	Enable the REGM4XEN mode of the DPLL. Please check the DPLL documentation to check when this mode can be enabled. 0x0: REGM4XEN mode of the DPLL is disabled	R	0x0
10	DPLL_LPMODE_EN	Set the DPLL in Low Power mode. Check the DPLL documentation to see when this can be enabled. 0x0: Low power mode of the DPLL is disabled 0x1: Low power mode of the DPLL is enabled	RW	0x0
9	RESERVED		R	0x0
8	DPLL_DRIFTGUARD_EN	This bit allows to enable or disable the automatic recalibration feature of the DPLL. The DPLL will automatically start a recalibration process upon assertion of the DPLL's RECAL flag if this bit is set. 0x0: DRIFTGUARD feature is disabled 0x1: DRIFTGUARD feature is enabled	RW	0x0
7:3	RESERVED		R	0x0

Bits	Field Name	Description	Type	Reset
2:0	DPLL_EN	DPLL control. 0x0: Reserved 0x1: Reserved 0x2: Reserved 0x3: Reserved 0x4: Reserved 0x5: Put the DPLL in Idle Bypass Low Power mode. 0x6: Put the DPLL in Idle Bypass Fast Relock mode. 0x7: Enables the DPLL in Lock mode	RW	0x5

Table 3-706. Register Call Summary for Register CM_CLKMODE_DPLL_PER

Clock Management Functional Description

- [DPLL_PER Power Modes: \[0\]\[1\]](#)
- [DPLL_PER Recalibration: \[2\]](#)

PRCM Register Manual

- [Not Supported Functionality \(Registers and Bits\): \[5\]\[6\]\[7\]\[8\]](#)
- [CM_CORE_CKGEN Register Summary: \[9\]](#)

Table 3-707. CM_IDLEST_DPLL_PER

Address Offset	0x0000 0040	Instance	CM_CORE_CKGEN
Physical Address	0x4A00 8144		
Description	This register allows monitoring DPLL activity. This register is read only and automatically updated. [warm reset insensitive]		
Type	R		

31	30	29	28	27	26	25	24	23	22	21	20	19	18	17	16	15	14	13	12	11	10	9	8	7	6	5	4	3	2	1	0
RESERVED																												ST_DPLL_INIT	ST_DPLL_MODE	ST_DPLL_CLK	

Bits	Field Name	Description	Type	Reset
31:5	RESERVED		R	0x0
4	ST_DPLL_INIT	DPLL init status (for debug purpose). 0x0: DPLL is not init 0x1: DPLL has been init	R	0x0
3:1	ST_DPLL_MODE	DPLL mode status (for debug purpose). 0x0: Transient state. From reset to any LP idle state or from any power state to any power state (Power states are Low Power Stop mode, Fast Relock Stop mode, Idle Bypass Low Power mode and Idle Bypass Fast Relock mode). 0x1: The DPLL is in Low Power Stop mode. 0x2: The DPLL is in Fast Relock Stop mode. 0x3: Reserved 0x4: Reserved 0x5: The DPLL is in Idle Bypass Low Power mode. 0x6: The DPLL is in Idle Bypass Fast Relock mode. 0x7: Reserved	R	0x0

Bits	Field Name	Description	Type	Reset
0	ST_DPLL_CLK	DPLL lock status 0x0: DPLL is either in bypass mode or in stop mode. 0x1: DPLL is LOCKED	R	0x0

Table 3-708. Register Call Summary for Register CM_IDLEST_DPLL_PER

PRCM Register Manual

- [CM_CORE__CKGEN Register Summary: \[0\]](#)

Table 3-709. CM_AUTOIDLE_DPLL_PER

Address Offset	0x0000 0044	Instance	CM_CORE__CKGEN
Physical Address	0x4A00 8148		
Description	This register provides automatic control over the DPLL activity.		
Type	RW		

31	30	29	28	27	26	25	24	23	22	21	20	19	18	17	16	15	14	13	12	11	10	9	8	7	6	5	4	3	2	1	0
RESERVED																												AUTO_DPLL_MODE			

Bits	Field Name	Description	Type	Reset
31:3	RESERVED		R	0x0
2:0	AUTO_DPLL_MODE	DPLL automatic control; 0x0: DPLL auto control disabled 0x1: The DPLL is automatically put in Low Power Stop mode when its DPLL generated clocks are not required anymore. It is also restarted automatically. 0x2: The DPLL is automatically put in Fast Relock Stop mode when its DPLL generated clocks are not required anymore. It is also restarted automatically. 0x3: Reserved 0x4: Reserved 0x5: The DPLL is automatically put in Idle Bypass Low Power mode when its DPLL generated clocks are not required anymore. It is also restarted automatically. 0x6: The DPLL is automatically put in Idle Bypass Fast Relock mode when its DPLL generated clocks are not required anymore. It is also restarted automatically. 0x7: Reserved	RW	0x0

Table 3-710. Register Call Summary for Register CM_AUTOIDLE_DPLL_PER

Clock Management Functional Description

- [DPLL_PER Power Modes: \[0\]](#)

PRCM Register Manual

- [CM_CORE__CKGEN Register Summary: \[1\]](#)

Table 3-711. CM_CLKSEL_DPLL_PER

Address Offset	0x0000 0048	Instance	CM_CORE__CKGEN
Physical Address	0x4A00 814C		
Description	This register provides controls over the DPLL.		
Type	RW		

31	30	29	28	27	26	25	24	23	22	21	20	19	18	17	16	15	14	13	12	11	10	9	8	7	6	5	4	3	2	1	0
RESERVED								DPLL_BYP_CLKSEL	DCC_EN	RESERVED				DPLL_MULT								RESERVED	DPLL_DIV								

Bits	Field Name	Description	Type	Reset
31:24	RESERVED		R	0x0
23	DPLL_BYP_CLKSEL	Allows control of the BYPASS clock of the PLL and the associated HSDIVIDER. Same as ULOWCLKEN on DPLL. In DPLL Locked mode, 0 - No impact 1 - No impact In DPLL Bypass mode, 0 - CLKINP is selected as the BYPASS clock for CLKOUT/CLKOUTX2 1 - CLKINPULOW is selected as the BYPASS clock for CLKOUT/CLKOUTX2	RW	0x0
22	DCC_EN	Duty-cycle corrector for high frequency clock 0x0: Duty-cycle corrector is disabled	R	0x0
21:19	RESERVED		R	0x0
18:8	DPLL_MULT	DPLL multiplier factor (2 to 2047). (equal to input M of DPLL; M=2 to 2047 = DPLL multiplies by M). [warm reset insensitive] 0x0: Reserved 0x1: Reserved	RW	0x0
7	RESERVED		R	0x0
6:0	DPLL_DIV	DPLL divider factor (0 to 127) (equal to input N of DPLL; actual division factor is N+1). [warm reset insensitive]	RW	0x0

Table 3-712. Register Call Summary for Register CM_CLKSEL_DPLL_PER

Clock Management Functional Description

- [DPLL_PER Synthesized Clock Parameters: \[0\]\[1\]](#)

PRCM Register Manual

- [CM_CORE__CKGEN Register Summary: \[2\]](#)

Table 3-713. CM_DIV_M2_DPLL_PER

Address Offset	0x0000 004C	Instance	CM_CORE__CKGEN
Physical Address	0x4A00 8150		
Description	This register provides controls over the M2 divider of the DPLL.		
Type	RW		

31	30	29	28	27	26	25	24	23	22	21	20	19	18	17	16	15	14	13	12	11	10	9	8	7	6	5	4	3	2	1	0
RESERVED											CLKX2ST	RESERVED	CLKST	RESERVED				DIVHS													

Bits	Field Name	Description	Type	Reset
31:12	RESERVED		R	0x0
11	CLKX2ST	DPLL CLKOUTX2 status 0x0: The clock output is gated 0x1: The clock output is enabled	R	0x0
10	RESERVED		R	0x0
9	CLKST	DPLL CLKOUT status 0x0: The clock output is gated 0x1: The clock output is enabled	R	0x0
8:5	RESERVED		R	0x0
4:0	DIVHS	This field programs the M2 post-divider factor (1 to 31) of DPLL_PER. 0x0: Reserved 0x1: M2 = /1 0x2: M2 = /2 ... 0x1F: M2 = /31	RW	0x1

Table 3-714. Register Call Summary for Register CM_DIV_M2_DPLL_PER

Clock Management Functional Description

- [DPLL_PER Synthesized Clock Parameters: \[0\]\[1\]\[2\]](#)

PRCM Register Manual

- [CM_CORE__CKGEN Register Summary: \[3\]](#)

Table 3-715. CM_DIV_M3_DPLL_PER

Address Offset	0x0000 0050	Instance	CM_CORE__CKGEN
Physical Address	0x4A00 8154		
Description	This register provides controls over the M3 divider of the DPLL.		
Type	RW		

31	30	29	28	27	26	25	24	23	22	21	20	19	18	17	16	15	14	13	12	11	10	9	8	7	6	5	4	3	2	1	0
RESERVED																CLKST	RESERVED				DIVHS										

Bits	Field Name	Description	Type	Reset
31:10	RESERVED		R	0x0
9	CLKST	DPLL CLKOUTHIF status 0x0: The clock output is gated 0x1: The clock output is enabled	R	0x0
8:5	RESERVED		R	0x0
4:0	DIVHS	This field programs the M3 post-divider factor (1 to 31) of DPLL_PER. 0x0: Reserved 0x1: M3 = /1 0x2: M3 = /2 ... 0x1F: M3 = /31	RW	0x1

Table 3-716. CM_DIV_H11_DPLL_PER

Address Offset	0x0000 0054	Instance	CM_CORE__CKGEN
Physical Address	0x4A00 8158		
Description	This register provides controls over the CLKOUT1 o/p of the HSDIVIDER1.		
Type	RW		

31	30	29	28	27	26	25	24	23	22	21	20	19	18	17	16	15	14	13	12	11	10	9	8	7	6	5	4	3	2	1	0
RESERVED																CLKST	RESERVED	DIVHS													

Bits	Field Name	Description	Type	Reset
31:10	RESERVED		R	0x0
9	CLKST	HSDIVIDER1 CLKOUT1 status 0x0: The clock output is gated 0x1: The clock output is enabled	R	0x0
8:6	RESERVED		R	0x0
5:0	DIVHS	This field programs the H11 post-divider factor (1 to 63) of DPLL_PER. 0x0: Reserved 0x1: H11 = /1 0x2: H11 = /2 ... 0x3F: H11 = /63	RW	0x1

Table 3-717. Register Call Summary for Register CM_DIV_H11_DPLL_PER

Clock Management Functional Description

- [DPLL_PER Synthesized Clock Parameters: \[0\]\[1\]](#)

PRCM Register Manual

- [CM_CORE__CKGEN Register Summary: \[2\]](#)

Table 3-718. CM_DIV_H12_DPLL_PER

Address Offset	0x0000 0058	Instance	CM_CORE__CKGEN
Physical Address	0x4A00 815C		
Description	This register provides controls over the CLKOUT2 o/p of the HSDIVIDER1.		
Type	RW		

31	30	29	28	27	26	25	24	23	22	21	20	19	18	17	16	15	14	13	12	11	10	9	8	7	6	5	4	3	2	1	0
RESERVED																CLKST	RESERVED	DIVHS													

Bits	Field Name	Description	Type	Reset
31:10	RESERVED		R	0x0
9	CLKST	HSDIVIDER1 CLKOUT2 status 0x0: The clock output is gated 0x1: The clock output is enabled	R	0x0

Bits	Field Name	Description	Type	Reset
8:6	RESERVED		R	0x0
5:0	DIVHS	This field programs the H12 post-divider factor (1 to 63) of DPLL_PER. 0x0: Reserved 0x1: H12 = /1 0x2: H12 = /2 ... 0x3F: H12 = /63	RW	0x1

Table 3-719. Register Call Summary for Register CM_DIV_H12_DPLL_PER

Clock Management Functional Description

- [DPLL_PER Synthesized Clock Parameters: \[0\]\[1\]](#)

PRCM Register Manual

- [CM_CORE__CKGEN Register Summary: \[2\]](#)

Table 3-720. CM_DIV_H13_DPLL_PER

Address Offset	0x0000 005C	Instance	CM_CORE__CKGEN
Physical Address	0x4A00 8160		
Description	This register provides controls over the CLKOUT3 o/p of the HSDIVIDER1.		
Type	RW		

31	30	29	28	27	26	25	24	23	22	21	20	19	18	17	16	15	14	13	12	11	10	9	8	7	6	5	4	3	2	1	0
RESERVED																CLKST	RESERVED		DIVHS												

Bits	Field Name	Description	Type	Reset
31:10	RESERVED		R	0x0
9	CLKST	HSDIVIDER1 CLKOUT3 status 0x0: The clock output is gated 0x1: The clock output is enabled	R	0x0
8:6	RESERVED		R	0x0
5:0	DIVHS	This field programs the H13 post-divider factor (1 to 63) of DPLL_PER. 0x0: Reserved 0x1: H13 = /1 0x2: H13 = /2 ... 0x3F: H13 = /63	RW	0x1

Table 3-721. Register Call Summary for Register CM_DIV_H13_DPLL_PER

Clock Management Functional Description

- [DPLL_PER Synthesized Clock Parameters: \[0\]\[1\]](#)

PRCM Register Manual

- [CM_CORE__CKGEN Register Summary: \[2\]](#)

Table 3-722. CM_DIV_H14_DPLL_PER

Address Offset	0x0000 0060	Instance	CM_CORE__CKGEN
Physical Address	0x4A00 8164		
Description	This register provides controls over the CLKOUT4 o/p of the HSDIVIDER1.		
Type	RW		

31	30	29	28	27	26	25	24	23	22	21	20	19	18	17	16	15	14	13	12	11	10	9	8	7	6	5	4	3	2	1	0
RESERVED																CLKST	RESERVED		DIVHS												

Bits	Field Name	Description	Type	Reset
31:10	RESERVED		R	0x0
9	CLKST	HSDIVIDER1 CLKOUT4 status 0x0: The clock output is gated 0x1: The clock output is enabled	R	0x0
8:6	RESERVED		R	0x0
5:0	DIVHS	This field programs the H14 post-divider factor (1 to 63) of DPLL_PER. When a value of 63 is programmed in this register, HS divider will perform division by 2.5 that is divided by 2 at top level. 0x0: Reserved 0x2: 2 0x4: 4	RW	0x1

Table 3-723. Register Call Summary for Register CM_DIV_H14_DPLL_PER

Clock Management Functional Description

- [DPLL_PER Synthesized Clock Parameters: \[0\]\[1\]](#)

PRCM Register Manual

- [CM_CORE__CKGEN Register Summary: \[2\]](#)

Table 3-724. CM_SSC_DELTAMSTEP_DPLL_PER

Address Offset	0x0000 0064	Instance	CM_CORE__CKGEN
Physical Address	0x4A00 8168		
Description	Control the DeltaMStep parameter for Spread Spectrum Clocking. [warm reset insensitive]		
Type	RW		

31	30	29	28	27	26	25	24	23	22	21	20	19	18	17	16	15	14	13	12	11	10	9	8	7	6	5	4	3	2	1	0
RESERVED												DELTAMSTEP																			

Bits	Field Name	Description	Type	Reset
31:20	RESERVED		R	0x0
19:0	DELTAMSTEP	DeltaMStep is split into fractional and integer part. For Triangular Spread Spectrum: [19:18] for integer part, [17:0] for fractional part For Square Wave Spread Spectrum [19:14] for integer part, [13:0] for fractional part	RW	0x0

Table 3-725. CM_SSC_MODFREQDIV_DPLL_PER

Address Offset	0x0000 0068	Instance	CM_CORE__CKGEN
Physical Address	0x4A00 816C		
Description	Control the Modulation Frequency (Fm) for Spread Spectrum Clocking. [warm reset insensitive]		
Type	RW		

31	30	29	28	27	26	25	24	23	22	21	20	19	18	17	16	15	14	13	12	11	10	9	8	7	6	5	4	3	2	1	0
RESERVED																MODFREQDIV_EXPONENT				RESERVED	MODFREQDIV_MANTISSA										

Bits	Field Name	Description	Type	Reset
31:11	RESERVED		R	0x0
10:8	MODFREQDIV_EXPONENT	Set the Exponent component of MODFREQDIV factor	RW	0x0
7	RESERVED		R	0x0
6:0	MODFREQDIV_MANTISSA	Set the Mantissa component of MODFREQDIV factor	RW	0x0

Table 3-726. CM_CLKMODE_DPLL_USB

Address Offset	0x0000 007C	Instance	CM_CORE__CKGEN
Physical Address	0x4A00 8180		
Description	This register allows controlling the DPLL modes.		
Type	RW		

31	30	29	28	27	26	25	24	23	22	21	20	19	18	17	16	15	14	13	12	11	10	9	8	7	6	5	4	3	2	1	0
RESERVED																DPLL_SSC_TYPE	DPLL_SSC_DOWNSPREAD	DPLL_SSC_ACK	DPLL_SSC_EN	RESERVED							DPLL_EN				

Bits	Field Name	Description	Type	Reset
31:16	RESERVED		R	0x0
15	DPLL_SSC_TYPE	Select between Triangular and SquareWave Spread Spectrum Clocking 0x0: Triangular Spread Spectrum Clocking is selected 0x1: SquareWave Spread Spectrum Clocking is selected (only available under proper licensing agreement)	RW	0x0
14	DPLL_SSC_DOWNSPREAD	Control if only low frequency spread is required 0x0: When SSC is enabled, clock frequency is spread on both sides of the programmed frequency 0x1: When SSC is enabled, clock frequency is spread only on the lower side of the programmed frequency	RW	0x0

Bits	Field Name	Description	Type	Reset
13	DPLL_SSC_ACK	Acknowledgement from the DPLL regarding start and stop of Spread Spectrum Clocking feature 0x0: SSC has been turned off on PLL o/ps 0x1: SSC has been turned on on PLL o/ps	R	0x0
12	DPLL_SSC_EN	Enable or disable Spread Spectrum Clocking 0x0: SSC disabled 0x1: SSC enabled	RW	0x0
11:3	RESERVED		R	0x0
2:0	DPLL_EN	DPLL control. 0x0: Reserved 0x1: Put the DPLL in Low Power Stop mode 0x2: Reserved2 0x3: Reserved 0x4: Reserved 0x5: Put the DPLL in Idle Bypass Low Power mode. 0x6: Reserved 0x7: Enables the DPLL in Lock mode	RW	0x5

Table 3-727. Register Call Summary for Register CM_CLKMODE_DPLL_USB

Clock Management Functional Description

- [DPLL_USB Power Modes: \[0\]](#)

PRCM Register Manual

- [Not Supported Functionality \(Registers and Bits\): \[1\]\[2\]\[3\]\[4\]](#)
- [CM_CORE__CKGEN Register Summary: \[5\]](#)

Table 3-728. CM_IDLEST_DPLL_USB

Address Offset	0x0000 0080	Instance	CM_CORE__CKGEN
Physical Address	0x4A00 8184		
Description	This register allows monitoring DPLL activity. This register is read only and automatically updated. [warm reset insensitive]		
Type	R		

31	30	29	28	27	26	25	24	23	22	21	20	19	18	17	16	15	14	13	12	11	10	9	8	7	6	5	4	3	2	1	0
RESERVED																							ST_DPLL_INIT		ST_DPLL_MODE		ST_DPLL_CLK				

Bits	Field Name	Description	Type	Reset
31:5	RESERVED		R	0x0
4	ST_DPLL_INIT	DPLL init status (for debug purpose). 0x0: DPLL is not init 0x1: DPLL has been init	R	0x0

Bits	Field Name	Description	Type	Reset
3:1	ST_DPLL_MODE	DPLL mode status (for debug purpose). 0x0: Transient state. From reset to any LP idle state or from any power state to any power state (Power states are Low Power Stop mode, Fast Relock Stop mode, Idle Bypass Low Power mode and Idle Bypass Fast Relock mode). 0x1: The DPLL is in Low Power Stop mode. 0x2: Reserved 0x3: Reserved 0x4: Reserved 0x5: The DPLL is in Idle Bypass Low Power mode. 0x6: Reserved 0x7: Reserved	R	0x0
0	ST_DPLL_CLK	DPLL lock status 0x0: DPLL is either in bypass mode or in stop mode. 0x1: DPLL is LOCKED	R	0x0

Table 3-729. Register Call Summary for Register CM_IDLEST_DPLL_USB

PRCM Register Manual

- [CM_CORE__CKGEN Register Summary: \[0\]](#)

Table 3-730. CM_AUTOIDLE_DPLL_USB

Address Offset	0x0000 0084	Instance	CM_CORE__CKGEN
Physical Address	0x4A00 8188		
Description	This register provides automatic control over the DPLL activity.		
Type	RW		

31	30	29	28	27	26	25	24	23	22	21	20	19	18	17	16	15	14	13	12	11	10	9	8	7	6	5	4	3	2	1	0
RESERVED																							AUTO_DPLL_MODE								

Bits	Field Name	Description	Type	Reset
31:3	RESERVED		R	0x0
2:0	AUTO_DPLL_MODE	DPLL automatic control; 0x0: DPLL auto control disabled 0x1: The DPLL is automatically put in Low Power Stop mode when its DPLL generated clocks are not required anymore. It is also restarted automatically. 0x2: Reserved 0x3: Reserved 0x4: Reserved 0x5: The DPLL is automatically put in Idle Bypass Low Power mode when its DPLL generated clocks are not required anymore. It is also restarted automatically. 0x6: Reserved 0x7: Reserved	RW	0x0

Table 3-731. Register Call Summary for Register CM_AUTOIDLE_DPLL_USB

Clock Management Functional Description

- [DPLL_USB Power Modes: \[0\]](#)

PRCM Register Manual

- [CM_CORE__CKGEN Register Summary: \[1\]](#)

Table 3-732. CM_CLKSEL_DPLL_USB

Address Offset	0x0000 0088	Instance	CM_CORE__CKGEN
Physical Address	0x4A00 818C		
Description	This register provides controls over the DPLL.		
Type	RW		

31	30	29	28	27	26	25	24	23	22	21	20	19	18	17	16	15	14	13	12	11	10	9	8	7	6	5	4	3	2	1	0
DPLL_SD_DIV								DPLL_BYP_CLKSEL	DCC_EN	DPLL_SELFREQDCO	RESERVED	DPLL_MULT											DPLL_DIV								

Bits	Field Name	Description	Type	Reset
31:24	DPLL_SD_DIV	Sigma-Delta divider select (2-255). This factor must be set by s/w to ensure optimum jitter performance. $DPLL_SD_DIV = \text{CEILING}([DPLL_MULT/(DPLL_DIV+1)] * CLKINP / 250)$, where CLKINP is the input clock of the DPLL in MHz). Must be set with M and N factors, and must not be changed once DPLL is locked. 0x0: Reserved 0x1: Reserved	RW	0x4
23	DPLL_BYP_CLKSEL	Allows control of the BYPASS clock of the PLL and the associated HSDIVIDER. Same as ULOWCLKEN on DPLL. In DPLL Locked mode, 0 - No impact 1 - No impact In DPLL Bypass mode, 0 - CLKINP is selected as the BYPASS clock for CLKOUT 1 - CLKINPULOW is selected as the BYPASS clock for CLKOUT	RW	0x0
22	DCC_EN	Duty-cycle corrector for high frequency clock 0x0: Duty-cycle corrector is disabled	R	0x0
21	DPLL_SELFREQDCO	select DCO output according to required frequency. 0x0: DCO clock is 1500MHz SELFREQDCO input of DPLL is set to '010' 0x1: DCO clock is 1250MHz SELFREQDCO input of DPLL is set to '100'	RW	0x0
20	RESERVED		R	0x0
19:8	DPLL_MULT	DPLL multiplier factor (2 to 4095). (equal to input M of DPLL; $M=2$ to $4095 = DPLL$ multiplies by M). [warm reset insensitive] 0x0: Reserved 0x1: Reserved	RW	0x0
7:0	DPLL_DIV	DPLL divider factor (0 to 255) (equal to input N of DPLL; actual division factor is $N+1$). [warm reset insensitive]	RW	0x0

Table 3-733. Register Call Summary for Register CM_CLKSEL_DPLL_USB

Clock Management Functional Description
<ul style="list-style-type: none"> • DPLL_USB Synthesized Clock Parameters: [0][1][2]
PRCM Register Manual
<ul style="list-style-type: none"> • CM_CORE_CKGEN Register Summary: [3]

Table 3-734. CM_DIV_M2_DPLL_USB

Address Offset	0x0000 008C	Instance	CM_CORE_CKGEN
Physical Address	0x4A00 8190		
Description	This register provides controls over the M2 divider of the DPLL.		
Type	RW		

31	30	29	28	27	26	25	24	23	22	21	20	19	18	17	16	15	14	13	12	11	10	9	8	7	6	5	4	3	2	1	0
RESERVED																CLKST		RESERVED		DIVHS											

Bits	Field Name	Description	Type	Reset
31:10	RESERVED		R	0x0
9	CLKST	DPLL CLKOUT status 0x0: The clock output is gated 0x1: The clock output is enabled	R	0x0
8:7	RESERVED		R	0x0
6:0	DIVHS	This field programs the M2 post-divider factor (1 to 127) of DPLL_USB. 0x0: Reserved 0x1: M2 = /1 0x2: M2 = /2 ... 0x7F: M2 = /127	RW	0x1

Table 3-735. Register Call Summary for Register CM_DIV_M2_DPLL_USB

Clock Management Functional Description
<ul style="list-style-type: none"> • DPLL_USB Synthesized Clock Parameters: [0][1]
PRCM Register Manual
<ul style="list-style-type: none"> • CM_CORE_CKGEN Register Summary: [2]

Table 3-736. CM_SSC_DELTAMSTEP_DPLL_USB

Address Offset	0x0000 00A4	Instance	CM_CORE_CKGEN
Physical Address	0x4A00 81A8		
Description	Control the DeltaMStep parameter for Spread Spectrum Clocking. [warm reset insensitive]		
Type	RW		

31	30	29	28	27	26	25	24	23	22	21	20	19	18	17	16	15	14	13	12	11	10	9	8	7	6	5	4	3	2	1	0
RESERVED												DELTAMSTEP																			

Bits	Field Name	Description	Type	Reset
31:21	RESERVED		R	0x0
20:0	DELTAMSTEP	DeltaMStep is split into fractional and integer part. For Triangular Spread Spectrum: [20:18] for integer part, [17:0] for fractional part For Square Wave Spread Spectrum [19:14] for integer part, [13:0] for fractional part	RW	0x0

Table 3-737. CM_SSC_MODFREQDIV_DPLL_USB

Address Offset	0x0000 00A8	Instance	CM_CORE__CKGEN
Physical Address	0x4A00 81AC		
Description	Control the Modulation Frequency (Fm) for Spread Spectrum Clocking. [warm reset insensitive]		
Type	RW		

31	30	29	28	27	26	25	24	23	22	21	20	19	18	17	16	15	14	13	12	11	10	9	8	7	6	5	4	3	2	1	0
RESERVED																MODFREQDIV_EXPONENT		RESERVED	MODFREQDIV_MANTISSA												

Bits	Field Name	Description	Type	Reset
31:11	RESERVED		R	0x0
10:8	MODFREQDIV_EXPONENT	Set the Exponent component of MODFREQDIV factor	RW	0x0
7	RESERVED		R	0x0
6:0	MODFREQDIV_MANTISSA	Set the Mantissa component of MODFREQDIV factor	RW	0x0

Table 3-738. CM_CLKDCOLDO_DPLL_USB

Address Offset	0x0000 00B0	Instance	CM_CORE__CKGEN
Physical Address	0x4A00 81B4		
Description	This register provides status over CLKDCOLDO output of the DPLL.		
Type	R		

31	30	29	28	27	26	25	24	23	22	21	20	19	18	17	16	15	14	13	12	11	10	9	8	7	6	5	4	3	2	1	0
RESERVED																ST_DPLL_CLKDCOLDO		RESERVED													

Bits	Field Name	Description	Type	Reset
31:10	RESERVED		R	0x0
9	ST_DPLL_CLKDCOLDO	DPLL CLKDCOLDO status 0x0: The clock output is gated 0x1: The clock output is enabled	R	0x0
8:0	RESERVED		R	0x0

Table 3-739. Register Call Summary for Register CM_CLKDCOLDO_DPLL_USB

PRCM Register Manual

- [CM_CORE__CKGEN Register Summary: \[0\]](#)

Table 3-740. CM_CLKMODE_DPLL_PCIE_REF

Address Offset	0x0000 00FC	Instance	CM_CORE__CKGEN
Physical Address	0x4A00 8200		
Description	This register allows controlling the DPLL modes.		
Type	RW		

31	30	29	28	27	26	25	24	23	22	21	20	19	18	17	16	15	14	13	12	11	10	9	8	7	6	5	4	3	2	1	0	
RESERVED																DPLL_SSC_TYPE	DPLL_SSC_DOWNSPREAD	DPLL_SSC_ACK	DPLL_SSC_EN	RESERVED												DPLL_EN

Bits	Field Name	Description	Type	Reset
31:16	RESERVED		R	0x0
15	DPLL_SSC_TYPE	Select between Triangular and SquareWave Spread Spectrum Clocking 0x0: Triangular Spread Spectrum Clocking is selected 0x1: SquareWave Spread Spectrum Clocking is selected (only available under proper licensing agreement)	RW	0x0
14	DPLL_SSC_DOWNSPREAD	Control if only low frequency spread is required 0x0: When SSC is enabled, clock frequency is spread on both sides of the programmed frequency 0x1: When SSC is enabled, clock frequency is spread only on the lower side of the programmed frequency	RW	0x0
13	DPLL_SSC_ACK	Acknowledgement from the DPLL regarding start and stop of Spread Spectrum Clocking feature 0x0: SSC has been turned off on PLL o/ps 0x1: SSC has been turned on on PLL o/ps	R	0x0
12	DPLL_SSC_EN	Enable or disable Spread Spectrum Clocking 0x0: SSC disabled 0x1: SSC enabled	RW	0x0
11:3	RESERVED		R	0x0
2:0	DPLL_EN	DPLL control. 0x0: Reserved 0x1: Put the DPLL in Low Power Stop mode 0x2: Reserved2 0x3: Reserved 0x4: Reserved 0x5: Put the DPLL in Idle Bypass Low Power mode. 0x6: Reserved 0x7: Enables the DPLL in Lock mode	RW	0x5

Table 3-741. Register Call Summary for Register CM_CLKMODE_DPLL_PCIE_REF

Clock Management Functional Description

- [DPLL_PCIE_REF Power Modes: \[0\]](#)

PRCM Register Manual

- [Not Supported Functionality \(Registers and Bits\): \[1\]\[2\]\[3\]\[4\]](#)
- [CM_CORE__CKGEN Register Summary: \[5\]](#)

Table 3-742. CM_IDLEST_DPLL_PCIE_REF

Address Offset	0x0000 0100	Instance	CM_CORE__CKGEN
Physical Address	0x4A00 8204		
Description	This register allows monitoring DPLL activity. This register is read only and automatically updated. [warm reset insensitive]		
Type	R		

31	30	29	28	27	26	25	24	23	22	21	20	19	18	17	16	15	14	13	12	11	10	9	8	7	6	5	4	3	2	1	0
RESERVED																ST_DPLL_INIT		ST_DPLL_MODE		ST_DPLL_CLK											

Bits	Field Name	Description	Type	Reset
31:5	RESERVED		R	0x0
4	ST_DPLL_INIT	DPLL init status (for debug purpose). 0x0: DPLL is not init 0x1: DPLL has been init	R	0x0
3:1	ST_DPLL_MODE	DPLL mode status (for debug purpose). 0x0: Transient state. From reset to any LP idle state or from any power state to any power state (Power states are Low Power Stop mode, Fast Relock Stop mode, Idle Bypass Low Power mode and Idle Bypass Fast Relock mode). 0x1: The DPLL is in Low Power Stop mode. 0x2: Reserved 0x3: Reserved 0x4: Reserved 0x5: The DPLL is in Idle Bypass Low Power mode. 0x6: Reserved 0x7: Reserved	R	0x0
0	ST_DPLL_CLK	DPLL lock status 0x0: DPLL is either in bypass mode or in stop mode. 0x1: DPLL is LOCKED	R	0x0

Table 3-743. Register Call Summary for Register CM_IDLEST_DPLL_PCIE_REF

PRCM Register Manual

- [CM_CORE__CKGEN Register Summary: \[0\]](#)

Table 3-744. CM_AUTOIDLE_DPLL_PCIE_REF

Address Offset	0x0000 0104	Instance	CM_CORE__CKGEN
Physical Address	0x4A00 8208		
Description	This register provides automatic control over the DPLL activity.		
Type	RW		

31	30	29	28	27	26	25	24	23	22	21	20	19	18	17	16	15	14	13	12	11	10	9	8	7	6	5	4	3	2	1	0
RESERVED																AUTO_DPLL_MODE															

Bits	Field Name	Description	Type	Reset
31:3	RESERVED		R	0x0
2:0	AUTO_DPLL_MODE	DPLL automatic control; 0x0: DPLL auto control disabled 0x1: The DPLL is automatically put in Low Power Stop mode when its DPLL generated clocks are not required anymore. It is also restarted automatically. 0x2: Reserved 0x3: Reserved 0x4: Reserved 0x5: The DPLL is automatically put in Idle Bypass Low Power mode when its DPLL generated clocks are not required anymore. It is also restarted automatically. 0x6: Reserved 0x7: Reserved	RW	0x0

Table 3-745. Register Call Summary for Register CM_AUTOIDLE_DPLL_PCIE_REF

Clock Management Functional Description

- [DPLL_PCIE_REF Power Modes: \[0\]](#)

PRCM Register Manual

- [CM_CORE__CKGEN Register Summary: \[1\]](#)

Table 3-746. CM_CLKSEL_DPLL_PCIE_REF

Address Offset	0x0000 0108	Instance	CM_CORE__CKGEN
Physical Address	0x4A00 820C		
Description	This register provides controls over the DPLL.		
Type	RW		

31	30	29	28	27	26	25	24	23	22	21	20	19	18	17	16	15	14	13	12	11	10	9	8	7	6	5	4	3	2	1	0
DPLL_SD_DIV								DPLL_BYP_CLKSEL	DCC_EN	DPLL_SELFREQDCO	RESERVED	DPLL_MULT												DPLL_DIV							

Bits	Field Name	Description	Type	Reset
31:24	DPLL_SD_DIV	Sigma-Delta divider select (2-255). This factor must be set by s/w to ensure optimum jitter performance. DPLL_SD_DIV = CEILING ([DPLL_MULT/(DPLL_DIV+1)] * CLKINP / 250), where CLKINP is the input clock of the DPLL in MHz). Must be set with M and N factors, and must not be changed once DPLL is locked. 0x0: Reserved 0x1: Reserved	RW	0x4
23	DPLL_BYP_CLKSEL	Allows control of the BYPASS clock of the PLL and the associated HSDIVIDER. Same as ULOWCLKEN on DPLL. In DPLL Locked mode, 0 - No impact 1 - No impact In DPLL Bypass mode, 0 - CLKINP is selected as the BYPASS clock for CLKOUT 1 - CLKINPULOW is selected as the BYPASS clock for CLKOUT	R	0x0
22	DCC_EN	Duty-cycle corrector for high frequency clock 0x0: Duty-cycle corrector is disabled	R	0x0
21	DPLL_SELFREQDCO	select DCO output according to required frequency. 0x0: DCO clock is 1500MHz SELFREQDCO input of DPLL is set to '010' 0x1: DCO clock is 1250MHz SELFREQDCO input of DPLL is set to '100'	RW	0x0
20	RESERVED		R	0x0
19:8	DPLL_MULT	DPLL multiplier factor (2 to 4095). (equal to input M of DPLL; M=2 to 4095 = DPLL multiplies by M). [warm reset insensitive] 0x0: Reserved 0x1: Reserved	RW	0x0
7:0	DPLL_DIV	DPLL divider factor (0 to 255) (equal to input N of DPLL; actual division factor is N+1). [warm reset insensitive]	RW	0x0

Table 3-747. Register Call Summary for Register CM_CLKSEL_DPLL_PCIE_REF

Clock Management Functional Description

- [DPLL_PCIE_REF Synthesized Clock Parameters: \[0\]\[1\]](#)

PRCM Register Manual

- [CM_CORE_CKGEN Register Summary: \[2\]](#)

Table 3-748. CM_DIV_M2_DPLL_PCIE_REF

Address Offset	0x0000 010C	Instance	CM_CORE_CKGEN
Physical Address	0x4A00 8210		
Description	This register provides controls over the M2 divider of the DPLL.		
Type	RW		

31	30	29	28	27	26	25	24	23	22	21	20	19	18	17	16	15	14	13	12	11	10	9	8	7	6	5	4	3	2	1	0
RESERVED																CLKLDOST	CLKST	RESERVED	DIVHS												

Bits	Field Name	Description	Type	Reset
31:11	RESERVED		R	0x0
10	CLKLDOST	DPLL CLKOUTLDO status 0x0: Output clock is gated 0x1: Output clock is enabled	R	0x0

Bits	Field Name	Description	Type	Reset
9	CLKST	DPLL CLKOUT status 0x0: The clock output is gated 0x1: The clock output is enabled	R	0x0
8:7	RESERVED		R	0x0
6:0	DIVHS	This field programs the M2 post-divider factor (1 to 127) of DPLL_PCIE_REF. 0x0: Reserved 0x1: M2 = /1 0x2: M2 = /2 ... 0x7F: M2 = /127	RW	0x1

Table 3-749. Register Call Summary for Register CM_DIV_M2_DPLL_PCIE_REF

Clock Management Functional Description

- [DPLL_PCIE_REF Synthesized Clock Parameters: \[0\]\[1\]\[2\]](#)

PRCM Register Manual

- [CM_CORE_CKGEN Register Summary: \[3\]](#)

Table 3-750. CM_SSC_DELTAMSTEP_DPLL_PCIE_REF

Address Offset	0x0000 0110	Instance	CM_CORE_CKGEN
Physical Address	0x4A00 8214		
Description	Control the DeltaMStep parameter for Spread Spectrum Clocking. [warm reset insensitive]		
Type	RW		

31	30	29	28	27	26	25	24	23	22	21	20	19	18	17	16	15	14	13	12	11	10	9	8	7	6	5	4	3	2	1	0
RESERVED								DELTAMSTEP																							

Bits	Field Name	Description	Type	Reset
31:21	RESERVED		R	0x0
20:0	DELTAMSTEP	DeltaMStep is split into fractional and integer part. For Triangular Spread Spectrum: [20:18] for integer part, [17:0] for fractional part For Square Wave Spread Spectrum [19:14] for integer part, [13:0] for fractional part	RW	0x0

Table 3-751. CM_SSC_MODFREQDIV_DPLL_PCIE_REF

Address Offset	0x0000 0114	Instance	CM_CORE_CKGEN
Physical Address	0x4A00 8218		
Description	Control the Modulation Frequency (Fm) for Spread Spectrum Clocking. [warm reset insensitive]		
Type	RW		

31	30	29	28	27	26	25	24	23	22	21	20	19	18	17	16	15	14	13	12	11	10	9	8	7	6	5	4	3	2	1	0
RESERVED																MODFREQDIV_EXPONENT		RESERVED	MODFREQDIV_MANTISSA												

Bits	Field Name	Description	Type	Reset
31:11	RESERVED		R	0x0
10:8	MODFREQDIV_EXPONENT	Set the Exponent component of MODFREQDIV factor	RW	0x0
7	RESERVED		R	0x0
6:0	MODFREQDIV_MANTISSA	Set the Mantissa component of MODFREQDIV factor	RW	0x0

Table 3-752. CM_CLKMODE_APLL_PCIE

Address Offset	0x0000 0118	Instance	CM_CORE__CKGEN
Physical Address	0x4A00 821C		
Description	This register allows controlling the APLL modes.		
Type	RW		

31	30	29	28	27	26	25	24	23	22	21	20	19	18	17	16	15	14	13	12	11	10	9	8	7	6	5	4	3	2	1	0
RESERVED																CLKDIV_BYPASS	REFSEL	RESERVED	INPSEL			MODE	MODE_SELECT								

Bits	Field Name	Description	Type	Reset
31:9	RESERVED		R	0x0
8	CLKDIV_BYPASS	0x0: Division of CLKVCOLDO_DIV clock is controlled by OUTSEL pin driven by PCIE controller. If OUTSEL is '0', CLKVCOLDO_DIV is at same frequency than CLKVCOLDO output If OUTSEL is '1', CLKVCOLDO_DIV is at CLKVCOLDO divide by 2 frequency 0x1: CLKVCOLDO_DIV clock is not divided by 2 (CLKVCOLDO_DIV is at same frequency than CLKVCOLDO output)	RW	0x0
7	REFSEL	Select source of reference input clock 0x0: APLL reference input clock is from ADPLL 0x1: APLL reference input clock is from ACSPCIE	RW	0x0
6	RESERVED		R	0x0
5:3	INPSEL	Reference clock is 100MHz.	R	0x0
2	MODE	APLLPCIE Mode Status 0x0: APLLPCIE Mode Status	R	0x0
1:0	MODE_SELECT	Control APLL mode. Note: Please note that setting CM_CLKMODE_APLL_PCIE [1:0] MODE_SELECT bitfield to 0x0 does not disable the APLL_PCIE. In order to disable the APLL_PCIE, the user needs to disable PCIe_SSx (where x = 1 or 2) using the CM_PCIE_PCISSx_CLKCTRL[1:0] MODULEMODE registers. When PCIe_SS is disabled, the PRCM module automatically disables the APLL_PCIE. 0x0: RESERVED 0x1: Put the APLL in Force Lock mode 0x2: Put the APLL in Auto Idle mode 0x3: RESERVED	RW	0x0

Table 3-753. Register Call Summary for Register CM_CLKMODE_APLL_PCIE

Clock Management Functional Description

- [APLL_PCIE Power Modes: \[0\]\[1\]](#)
- [Clock Domain Module Attributes: \[2\]](#)

PRCM Register Manual

- [CM_CORE__CKGEN Register Summary: \[3\]](#)
- [CM_CORE__CKGEN Register Description: \[4\]](#)
- [CM_CORE__L3INIT Register Description: \[5\]\[6\]](#)

Table 3-754. CM_IDLEST_APLL_PCIE

Address Offset	0x0000 011C		
Physical Address	0x4A00 8220	Instance	CM_CORE__CKGEN
Description	This register allows monitoring APLL activity. This register is read only and automatically updated. [warm reset insensitive]		
Type	R		

31	30	29	28	27	26	25	24	23	22	21	20	19	18	17	16	15	14	13	12	11	10	9	8	7	6	5	4	3	2	1	0
RESERVED																RESERVED												ST_APLL_CLK			

Bits	Field Name	Description	Type	Reset
31:1	RESERVED		R	0x0
0	ST_APLL_CLK	APLL lock status 0x0: APLL is either in bypass mode or in stop mode. 0x1: APLL is LOCKED	R	0x0

Table 3-755. Register Call Summary for Register CM_IDLEST_APLL_PCIE

PRCM Register Manual

- [CM_CORE__CKGEN Register Summary: \[0\]](#)

Table 3-756. CM_DIV_M2_APLL_PCIE

Address Offset	0x0000 0120		
Physical Address	0x4A00 8224	Instance	CM_CORE__CKGEN
Description	This register provides controls over the M2 divider of the DPLL.		
Type	R		

31	30	29	28	27	26	25	24	23	22	21	20	19	18	17	16	15	14	13	12	11	10	9	8	7	6	5	4	3	2	1	0
RESERVED																CLKST	RESERVED	DIVHS													

Bits	Field Name	Description	Type	Reset
31:10	RESERVED		R	0x0
9	CLKST	DPLL CLKOUT status 0x0: The clock output is gated 0x1: The clock output is enabled	R	0x0
8:7	RESERVED		R	0x0
6:0	DIVHS	DPLL M2 post-divider factor (1 to 127). (RESERVED) 0x0: Reserved	R	0x1

Table 3-757. Register Call Summary for Register CM_DIV_M2_APLL_PCIE

Clock Management Functional Description

- [APLL_PCIE Synthesized Clock Parameters: \[0\]\[1\]](#)

PRCM Register Manual

- [CM_CORE__CKGEN Register Summary: \[2\]](#)

Table 3-758. CM_CLKVCOLDO_APLL_PCIE

Address Offset	0x0000 0124	Instance	CM_CORE__CKGEN
Physical Address	0x4A00 8228		
Description	This register provides status over CLKVCOLDO and CLKVCOLDO_DIV outputs of the APLL.		
Type	R		

31	30	29	28	27	26	25	24	23	22	21	20	19	18	17	16	15	14	13	12	11	10	9	8	7	6	5	4	3	2	1	0
RESERVED																CLK_DIVST	CLKST	RESERVED													

Bits	Field Name	Description	Type	Reset
31:11	RESERVED		R	0x0
10	CLK_DIVST	APLL CLKVCOLDO_DIV status 0x0: The clock output is gated 0x1: The clock output is enabled	R	0x0
9	CLKST	APLL CLKVCOLDO status 0x0: The clock output is gated 0x1: The clock output is enabled	R	0x0
8:0	RESERVED		R	0x0

Table 3-759. Register Call Summary for Register CM_CLKVCOLDO_APLL_PCIE

Clock Management Functional Description

- [APLL_PCIE Synthesized Clock Parameters: \[0\]\[1\]](#)

PRCM Register Manual

- [CM_CORE__CKGEN Register Summary: \[2\]](#)

3.12.19 CM_CORE__COREAON Registers

3.12.19.1 CM_CORE__COREAON Register Summary

Table 3-760. CM_CORE__COREAON Registers Mapping Summary

Register Name	Type	Register Width (Bits)	Address Offset	CM_CORE__COREAON N Physical Address L4_CFG Interconnect
CM_COREAON_CLKSTCTRL	RW	32	0x0000 0000	0x4A00 8600
CM_COREAON_SMARTREFLEX_MPU_CLKCTRL	RW	32	0x0000 0028	0x4A00 8628
CM_COREAON_SMARTREFLEX_CORE_CLKCTRL	RW	32	0x0000 0038	0x4A00 8638
CM_COREAON_USB_PHY1_CORE_CLKCTRL	RW	32	0x0000 0040	0x4A00 8640
CM_COREAON_IO_SCOMP_CLKCTRL	RW	32	0x0000 0050	0x4A00 8650
CM_COREAON_SMARTREFLEX_GPU_CLKCTRL	RW	32	0x0000 0058	0x4A00 8658
CM_COREAON_SMARTREFLEX_DSPEVE_CLKCTRL	RW	32	0x0000 0068	0x4A00 8668
CM_COREAON_SMARTREFLEX_IVAHD_CLKCTRL	RW	32	0x0000 0078	0x4A00 8678
CM_COREAON_USB_PHY2_CORE_CLKCTRL	RW	32	0x0000 0088	0x4A00 8688
CM_COREAON_USB_PHY3_CORE_CLKCTRL	RW	32	0x0000 0098	0x4A00 8698
CM_COREAON_CLKO_UTMUX1_CLKCTRL	RW	32	0x0000 00A0	0x4A00 86A0
CM_COREAON_CLKO_UTMUX2_CLKCTRL	RW	32	0x0000 00B0	0x4A00 86B0
CM_COREAON_L3INIT_60M_GFCLK_CLKCTRL	RW	32	0x0000 00C0	0x4A00 86C0
CM_COREAON_ABE_GICLK_CLKCTRL	RW	32	0x0000 00D0	0x4A00 86D0

3.12.19.2 CM_CORE__COREAON Register Description
Table 3-761. CM_COREAON_CLKSTCTRL

Address Offset	0x0000 0000	Instance	CM_CORE__COREAON
Physical Address	0x4A00 8600		
Description	This register enables the domain power state transition. It controls the HW supervised domain power state transition between ON-ACTIVE and ON-INACTIVE states. It also hold one status bit per clock input of the domain.		
Type	RW		

31	30	29	28	27	26	25	24	23	22	21	20	19	18	17	16	15	14	13	12	11	10	9	8	7	6	5	4	3	2	1	0
RESERVED								CLKACTIVITY_ABE_GICLK CLKACTIVITY_SR_IVAHD_SYS_GFCLK CLKACTIVITY_COREAON_IO_SRCOMP_GFCLK CLKACTIVITY_SR_DSPEVE_SYS_GFCLK CLKACTIVITY_COREAON_32K_GFCLK CLKACTIVITY_SR_CORE_SYS_GFCLK CLKACTIVITY_SR_GPU_SYS_GFCLK CLKACTIVITY_SR_MPU_SYS_GFCLK CLKACTIVITY_COREAON_L4_GICLK								RESERVED								CLKTRCTRL							

Bits	Field Name	Description	Type	Reset
31:17	RESERVED		R	0x0
16	CLKACTIVITY_ABE_GICLK	This field indicates the state of the ABE_GICLK clock input of the domain. [warm reset insensitive] 0x0: Corresponding clock is definitely gated 0x1: Corresponding clock is running or gating/ungating transition is on-going	R	0x0
15	CLKACTIVITY_SR_IVAHD_SYS_GFCLK	This field indicates the state of the SR_IVAHD_SYS_GFCLK clock input of the domain. [warm reset insensitive] 0x0: Corresponding clock is definitely gated 0x1: Corresponding clock is running or gating/ungating transition is on-going	R	0x0
14	CLKACTIVITY_COREAON_IO_SRCOMP_GFCLK	This field indicates the state of the COREAON_IO_SRCOMP_GFCLK clock in the domain. [warm reset insensitive] 0x0: Corresponding clock is definitely gated 0x1: Corresponding clock is running or gating/ungating transition is on-going	R	0x0
13	CLKACTIVITY_SR_DSPEVE_SYS_GFCLK	This field indicates the state of the SR_DSPEVE_SYS_GFCLK clock input of the domain. [warm reset insensitive] 0x0: Corresponding clock is definitely gated 0x1: Corresponding clock is running or gating/ungating transition is on-going	R	0x0

Bits	Field Name	Description	Type	Reset
12	CLKACTIVITY_COREAON_32K_GFCLK	This field indicates the state of the COREAON_32K_GFCLK clock in the domain. [warm reset insensitive] 0x0: Corresponding clock is definitely gated 0x1: Corresponding clock is running or gating/ungating transition is on-going	R	0x0
11	CLKACTIVITY_SR_CORE_SYS_GFCLK	This field indicates the state of the SR_CORE_SYS_GFCLK clock input of the domain. [warm reset insensitive] 0x0: Corresponding clock is definitely gated 0x1: Corresponding clock is running or gating/ungating transition is on-going	R	0x0
10	CLKACTIVITY_SR_GPU_SYS_GFCLK	This field indicates the state of the SR_GPU_SYS_GFCLK clock input of the domain. [warm reset insensitive] 0x0: Corresponding clock is definitely gated 0x1: Corresponding clock is running or gating/ungating transition is on-going	R	0x0
9	CLKACTIVITY_SR_MPU_SYS_GFCLK	This field indicates the state of the SR_MPU_SYS_GFCLK clock input of the domain. [warm reset insensitive] 0x0: Corresponding clock is definitely gated 0x1: Corresponding clock is running or gating/ungating transition is on-going	R	0x0
8	CLKACTIVITY_COREAON_L4_GICLK	This field indicates the state of the COREAON_L4_GICLK clock of the domain. [warm reset insensitive] 0x0: Corresponding clock is definitely gated 0x1: Corresponding clock is running or gating/ungating transition is on-going	R	0x0
7:2	RESERVED		R	0x0
1:0	CLKTRCTRL	Controls the clock state transition of the COREAON clock domain. 0x0: NO_SLEEP: Sleep transition cannot be initiated. Wakeup transition may however occur. 0x1: Reserved 0x2: SW_WKUP: Start a software forced wake-up transition on the domain. 0x3: HW_AUTO: Automatic transition is enabled. Sleep and wakeup transition are based upon hardware conditions.	RW	0x3

Table 3-762. Register Call Summary for Register CM_COREAON_CLKSTCTRL

Clock Management Functional Description

- [Clock Domain Modes: \[0\]\[1\]\[2\]](#)

PRCM Register Manual

- [Not Supported Functionality \(Registers and Bits\): \[3\]\[4\]\[5\]\[6\]\[7\]\[8\]\[9\]](#)
- [CM_CORE__COREAON Register Summary: \[10\]](#)

Table 3-763. CM_COREAON_SMARTREFLEX_MPU_CLKCTRL

Address Offset	0x0000 0028	Instance	CM_CORE__COREAON
Physical Address	0x4A00 8628		
Description	This register manages the SR_MPU clocks.		
Type	RW		

31	30	29	28	27	26	25	24	23	22	21	20	19	18	17	16	15	14	13	12	11	10	9	8	7	6	5	4	3	2	1	0
RESERVED														IDLEST		RESERVED														MODULEMODE	

Bits	Field Name	Description	Type	Reset
31:18	RESERVED		R	0x0
17:16	IDLEST	Module idle status. [warm reset insensitive] 0x0: Module is fully functional, including OCP 0x1: Module is performing transition: wakeup, or sleep, or sleep abortion 0x2: Module is in Idle mode (only OCP part). It is functional if using separate functional clock 0x3: Module is disabled and cannot be accessed	R	0x3
15:2	RESERVED		R	0x0
1:0	MODULEMODE	Control the way mandatory clocks are managed. 0x0: Module is disabled by SW. Any OCP access to module results in an error, except if resulting from a module wakeup (asynchronous wakeup). 0x1: Reserved 0x2: Module is explicitly enabled. Interface clock (if not used for functions) may be gated according to the clock domain state. Functional clocks are guaranteed to stay present. As long as in this configuration, power domain sleep transition cannot happen. 0x3: Reserved	RW	0x0

Table 3-764. CM_COREAON_SMARTREFLEX_CORE_CLKCTRL

Address Offset	0x0000 0038	Instance	CM_CORE__COREAON
Physical Address	0x4A00 8638		
Description	This register manages the SR_CORE clocks.		
Type	RW		

31	30	29	28	27	26	25	24	23	22	21	20	19	18	17	16	15	14	13	12	11	10	9	8	7	6	5	4	3	2	1	0
RESERVED														IDLEST		RESERVED														MODULEMODE	

Bits	Field Name	Description	Type	Reset
31:18	RESERVED		R	0x0
17:16	IDLEST	Module idle status. [warm reset insensitive] 0x0: Module is fully functional, including OCP 0x1: Module is performing transition: wakeup, or sleep, or sleep abortion 0x2: Module is in Idle mode (only OCP part). It is functional if using separate functional clock 0x3: Module is disabled and cannot be accessed	R	0x3
15:2	RESERVED		R	0x0
1:0	MODULEMODE	Control the way mandatory clocks are managed. 0x0: Module is disabled by SW. Any OCP access to module results in an error, except if resulting from a module wakeup (asynchronous wakeup). 0x1: Reserved 0x2: Module is explicitly enabled. Interface clock (if not used for functions) may be gated according to the clock domain state. Functional clocks are guaranteed to stay present. As long as in this configuration, power domain sleep transition cannot happen. 0x3: Reserved	RW	0x0

Table 3-765. CM_COREAON_USB_PHY1_CORE_CLKCTRL

Address Offset	0x0000 0040	Instance	CM_CORE__COREAON
Physical Address	0x4A00 8640		
Description	This register manages the USB PHY 32KHz clock.		
Type	RW		

31	30	29	28	27	26	25	24	23	22	21	20	19	18	17	16	15	14	13	12	11	10	9	8	7	6	5	4	3	2	1	0
RESERVED																OPTFCLKEN_CLK32K	RESERVED														

Bits	Field Name	Description	Type	Reset
31:9	RESERVED		R	0x0
8	OPTFCLKEN_CLK32K	Optional functional clock control. 0x0: Optional functional clock is disabled 0x1: Optional functional clock is enabled	RW	0x0
7:0	RESERVED		R	0x0

Table 3-766. Register Call Summary for Register CM_COREAON_USB_PHY1_CORE_CLKCTRL

Clock Management Functional Description

- [Clock Domain Modes: \[0\]](#)
- [Clock Domain Module Attributes: \[1\]](#)

PRCM Register Manual

- [CM_CORE__COREAON Register Summary: \[2\]](#)

Table 3-767. CM_COREAON_IO_SRCOMP_CLKCTRL

Address Offset	0x0000 0050	Instance	CM_CORE__COREAON
Physical Address	0x4A00 8650		
Description	This register manages the clock delivered to the IO Slew rate compensation cells. [warm reset insensitive]		
Type	RW		

31	30	29	28	27	26	25	24	23	22	21	20	19	18	17	16	15	14	13	12	11	10	9	8	7	6	5	4	3	2	1	0
RESERVED																CLKEN_SRCOMP_FCLK	RESERVED														

Bits	Field Name	Description	Type	Reset
31:9	RESERVED		R	0x0
8	CLKEN_SRCOMP_FCLK	Functional clock control. 0x0: Functional clock is disabled 0x1: Functional clock is enabled.	RW	0x0
7:0	RESERVED		R	0x0

Table 3-768. CM_COREAON_SMARTREFLEX_GPU_CLKCTRL

Address Offset	0x0000 0058	Instance	CM_CORE__COREAON
Physical Address	0x4A00 8658		
Description	This register manages the SR_GPU clocks.		
Type	RW		

31	30	29	28	27	26	25	24	23	22	21	20	19	18	17	16	15	14	13	12	11	10	9	8	7	6	5	4	3	2	1	0
RESERVED														IDLEST	RESERVED											MODULEMODE					

Bits	Field Name	Description	Type	Reset
31:18	RESERVED		R	0x0
17:16	IDLEST	Module idle status. [warm reset insensitive] 0x0: Module is fully functional, including OCP 0x1: Module is performing transition: wakeup, or sleep, or sleep abortion 0x2: Module is in Idle mode (only OCP part). It is functional if using separate functional clock 0x3: Module is disabled and cannot be accessed	R	0x3
15:2	RESERVED		R	0x0

Bits	Field Name	Description	Type	Reset
1:0	MODULEMODE	Control the way mandatory clocks are managed. 0x0: Module is disabled by SW. Any OCP access to module results in an error, except if resulting from a module wakeup (asynchronous wakeup). 0x1: Reserved 0x2: Module is explicitly enabled. Interface clock (if not used for functions) may be gated according to the clock domain state. Functional clocks are guaranteed to stay present. As long as in this configuration, power domain sleep transition cannot happen. 0x3: Reserved	RW	0x0

Table 3-769. CM_COREAON_SMARTREFLEX_DSPEVE_CLKCTRL

Address Offset	0x0000 0068	Instance	CM_CORE__COREAON
Physical Address	0x4A00 8668		
Description	This register manages the SR_DSPEVE clocks.		
Type	RW		

31	30	29	28	27	26	25	24	23	22	21	20	19	18	17	16	15	14	13	12	11	10	9	8	7	6	5	4	3	2	1	0		
RESERVED																IDLEST	RESERVED																MODULEMODE

Bits	Field Name	Description	Type	Reset
31:18	RESERVED		R	0x0
17:16	IDLEST	Module idle status. [warm reset insensitive] 0x0: Module is fully functional, including OCP 0x1: Module is performing transition: wakeup, or sleep, or sleep abortion 0x2: Module is in Idle mode (only OCP part). It is functional if using separate functional clock 0x3: Module is disabled and cannot be accessed	R	0x3
15:2	RESERVED		R	0x0
1:0	MODULEMODE	Control the way mandatory clocks are managed. 0x0: Module is disabled by SW. Any OCP access to module results in an error, except if resulting from a module wakeup (asynchronous wakeup). 0x1: Reserved 0x2: Module is explicitly enabled. Interface clock (if not used for functions) may be gated according to the clock domain state. Functional clocks are guaranteed to stay present. As long as in this configuration, power domain sleep transition cannot happen. 0x3: Reserved	RW	0x0

Table 3-770. CM_COREAON_SMARTREFLEX_IVAHD_CLKCTRL

Address Offset	0x0000 0078	Instance	CM_CORE__COREAON
Physical Address	0x4A00 8678		
Description	This register manages the SR_IVAHD clocks.		
Type	RW		

31	30	29	28	27	26	25	24	23	22	21	20	19	18	17	16	15	14	13	12	11	10	9	8	7	6	5	4	3	2	1	0
RESERVED														IDLEST		RESERVED														MODULEMODE	

Bits	Field Name	Description	Type	Reset
31:18	RESERVED		R	0x0
17:16	IDLEST	Module idle status. [warm reset insensitive] 0x0: Module is fully functional, including OCP 0x1: Module is performing transition: wakeup, or sleep, or sleep abortion 0x2: Module is in Idle mode (only OCP part). It is functional if using separate functional clock 0x3: Module is disabled and cannot be accessed	R	0x3
15:2	RESERVED		R	0x0
1:0	MODULEMODE	Control the way mandatory clocks are managed. 0x0: Module is disabled by SW. Any OCP access to module results in an error, except if resulting from a module wakeup (asynchronous wakeup). 0x1: Reserved 0x2: Module is explicitly enabled. Interface clock (if not used for functions) may be gated according to the clock domain state. Functional clocks are guaranteed to stay present. As long as in this configuration, power domain sleep transition cannot happen. 0x3: Reserved	RW	0x0

Table 3-771. CM_COREAON_USB_PHY2_CORE_CLKCTRL

Address Offset	0x0000 0088	Instance	CM_CORE__COREAON
Physical Address	0x4A00 8688		
Description	This register manages the USB PHY 32KHz clock.		
Type	RW		

31	30	29	28	27	26	25	24	23	22	21	20	19	18	17	16	15	14	13	12	11	10	9	8	7	6	5	4	3	2	1	0
RESERVED														OPTFCLKEN_CLK32K	RESERVED																

Bits	Field Name	Description	Type	Reset
31:9	RESERVED		R	0x0
8	OPTFCLKEN_CLK32K	Optional functional clock control. 0x0: Optional functional clock is disabled 0x1: Optional functional clock is enabled	RW	0x0
7:0	RESERVED		R	0x0

Table 3-772. Register Call Summary for Register CM_COREAON_USB_PHY2_CORE_CLKCTRL

Clock Management Functional Description

- [Clock Domain Modes: \[0\]](#)
- [Clock Domain Module Attributes: \[1\]](#)

PRCM Register Manual

- [CM_CORE__COREAON Register Summary: \[2\]](#)

Table 3-773. CM_COREAON_USB_PHY3_CORE_CLKCTRL

Address Offset	0x0000 0098	Instance	CM_CORE__COREAON
Physical Address	0x4A00 8698		
Description	This register manages the USB PHY 32KHz clock.		
Type	RW		

31	30	29	28	27	26	25	24	23	22	21	20	19	18	17	16	15	14	13	12	11	10	9	8	7	6	5	4	3	2	1	0
RESERVED																OPTFCLKEN_CLK32K	RESERVED														

Bits	Field Name	Description	Type	Reset
31:9	RESERVED		R	0x0
8	OPTFCLKEN_CLK32K	Optional functional clock control. 0x0: Optional functional clock is disabled 0x1: Optional functional clock is enabled	RW	0x0
7:0	RESERVED		R	0x0

Table 3-774. Register Call Summary for Register CM_COREAON_USB_PHY3_CORE_CLKCTRL

Clock Management Functional Description

- [Clock Domain Modes: \[0\]](#)
- [Clock Domain Module Attributes: \[1\]](#)

PRCM Register Manual

- [CM_CORE__COREAON Register Summary: \[2\]](#)

Table 3-775. CM_COREAON_CLKOUTMUX1_CLKCTRL

Address Offset	0x0000 00A0	Instance	CM_CORE__COREAON
Physical Address	0x4A00 86A0		
Description	Used for controlling the CLKOUTMUX 1 gate.		
Type	RW		

31	30	29	28	27	26	25	24	23	22	21	20	19	18	17	16	15	14	13	12	11	10	9	8	7	6	5	4	3	2	1	0
RESERVED																OPTFCLKEN_CLKOUTMUX1_CLK	RESERVED														

Bits	Field Name	Description	Type	Reset
31:9	RESERVED		R	0x0
8	OPTFCLKEN_CLKOUTMUX1_C LK	Optional functional clock control. 0x0: Optional functional clock is disabled 0x1: Optional functional clock is enabled	RW	0x0
7:0	RESERVED		R	0x0

Table 3-776. Register Call Summary for Register CM_COREAON_CLKOUTMUX1_CLKCTRL

Clock Management Functional Description

- [CM_CORE_AON_CLKOUTMUX Overview: \[0\]](#)

PRCM Register Manual

- [CM_CORE__COREAON Register Summary: \[1\]](#)

Table 3-777. CM_COREAON_CLKOUTMUX2_CLKCTRL

Address Offset	0x0000 00B0	Instance	CM_CORE__COREAON
Physical Address	0x4A00 86B0		
Description	Used for controlling the CLKOUTMUX 2 gate.		
Type	RW		

31	30	29	28	27	26	25	24	23	22	21	20	19	18	17	16	15	14	13	12	11	10	9	8	7	6	5	4	3	2	1	0
RESERVED																OPTFCLKEN_CLKOUTMUX2_CLK	RESERVED														

Bits	Field Name	Description	Type	Reset
31:9	RESERVED		R	0x0
8	OPTFCLKEN_CLKOUTMUX2_C LK	Optional functional clock control. 0x0: Optional functional clock is disabled 0x1: Optional functional clock is enabled	RW	0x0
7:0	RESERVED		R	0x0

Table 3-778. Register Call Summary for Register CM_COREAON_CLKOUTMUX2_CLKCTRL

Clock Management Functional Description

- [CM_CORE_AON_CLKOUTMUX Overview: \[0\]](#)

PRCM Register Manual

- [CM_CORE__COREAON Register Summary: \[1\]](#)

Table 3-779. CM_COREAON_L3INIT_60M_GFCLK_CLKCTRL

Address Offset	0x0000 00C0	Instance	CM_CORE__COREAON
Physical Address	0x4A00 86C0		
Description	Used for controlling the L3INIT_60M_GFCLK gate.		
Type	RW		

31	30	29	28	27	26	25	24	23	22	21	20	19	18	17	16	15	14	13	12	11	10	9	8	7	6	5	4	3	2	1	0
RESERVED																OPTFCLKEN_L3INIT_60M_GFCLK	RESERVED														

Bits	Field Name	Description	Type	Reset
31:9	RESERVED		R	0x0
8	OPTFCLKEN_L3INIT_60M_GFC LK	Optional functional clock control; used to control the clock of USB2PHY2. 0x0: Optional functional clock is disabled 0x1: Optional functional clock is enabled	RW	0x0
7:0	RESERVED		R	0x0

Table 3-780. Register Call Summary for Register CM_COREAON_L3INIT_60M_GFCLK_CLKCTRL

PRCM Register Manual

- [CM_CORE__COREAON Register Summary: \[0\]](#)

Table 3-781. CM_COREAON_ABE_GICKL_CLKCTRL

Address Offset	0x0000 00D0	Instance	CM_CORE__COREAON
Physical Address	0x4A00 86D0		
Description	Used for controlling ABE_GICKL gate.		
Type	RW		

31	30	29	28	27	26	25	24	23	22	21	20	19	18	17	16	15	14	13	12	11	10	9	8	7	6	5	4	3	2	1	0
RESERVED																OPTFCLKEN_ABE_GICKL	RESERVED														

Bits	Field Name	Description	Type	Reset
31:9	RESERVED		R	0x0
8	OPTFCLKEN_ABE_GICKL	Optional functional clock control. 0x0: Optional functional clock is disabled 0x1: Optional functional clock is enabled	RW	0x0
7:0	RESERVED		R	0x0

Table 3-782. Register Call Summary for Register CM_COREAON_ABE_GICKL_CLKCTRL

PRCM Register Manual

- [CM_CORE__COREAON Register Summary: \[0\]](#)

3.12.20 CM_CORE__CORE Registers

3.12.20.1 CM_CORE__CORE Register Summary

Table 3-783. CM_CORE__CORE Registers Mapping Summary

Register Name	Type	Register Width (Bits)	Address Offset	CM_CORE__CORE Physical Address L4_CFG Interconnect
CM_L3MAIN1_CLKSTCTRL	RW	32	0x0000 0000	0x4A00 8700
CM_L3MAIN1_DYNAMI CDEP	RW	32	0x0000 0008	0x4A00 8708
CM_L3MAIN1_L3_MAIN_1_CLKCTRL	R	32	0x0000 0020	0x4A00 8720
CM_L3MAIN1_GPMC_CLKCTRL	RW	32	0x0000 0028	0x4A00 8728
CM_L3MAIN1_MMU_E DMA_CLKCTRL	R	32	0x0000 0030	0x4A00 8730
CM_L3MAIN1_MMU_P CISS_CLKCTRL	R	32	0x0000 0048	0x4A00 8748
CM_L3MAIN1_OCMC_RAM1_CLKCTRL	R	32	0x0000 0050	0x4A00 8750
CM_L3MAIN1_OCMC_RAM2_CLKCTRL	R	32	0x0000 0058	0x4A00 8758

Table 3-783. CM_CORE__CORE Registers Mapping Summary (continued)

Register Name	Type	Register Width (Bits)	Address Offset	CM_CORE__CORE Physical Address L4_CFG Interconnect
CM_L3MAIN1_OCMC_ RAM3_CLKCTRL	R	32	0x0000 0060	0x4A00 8760
CM_L3MAIN1_OCMC_ ROM_CLKCTRL	R	32	0x0000 0068	0x4A00 8768
CM_L3MAIN1_TPCC_C LKCTRL	R	32	0x0000 0070	0x4A00 8770
CM_L3MAIN1_TPTC1_ CLKCTRL	RW	32	0x0000 0078	0x4A00 8778
CM_L3MAIN1_TPTC2_ CLKCTRL	RW	32	0x0000 0080	0x4A00 8780
CM_L3MAIN1_VCP1_C LKCTRL	R	32	0x0000 0088	0x4A00 8788
CM_L3MAIN1_VCP2_C LKCTRL	R	32	0x0000 0090	0x4A00 8790
CM_L3MAIN1_SPARE_ CME_CLKCTRL	R	32	0x0000 0098	0x4A00 8798
CM_L3MAIN1_SPARE_ HDMI_CLKCTRL	R	32	0x0000 00A0	0x4A00 87A0
CM_L3MAIN1_SPARE_I CM_CLKCTRL	R	32	0x0000 00A8	0x4A00 87A8
CM_L3MAIN1_SPARE_I VA2_CLKCTRL	R	32	0x0000 00B0	0x4A00 87B0
CM_L3MAIN1_SPARE_ SATA2_CLKCTRL	R	32	0x0000 00B8	0x4A00 87B8
CM_L3MAIN1_SPARE_ UNKNOWN4_CLKCTRL	R	32	0x0000 00C0	0x4A00 87C0
CM_L3MAIN1_SPARE_ UNKNOWN5_CLKCTRL	R	32	0x0000 00C8	0x4A00 87C8
CM_L3MAIN1_SPARE_ UNKNOWN6_CLKCTRL	R	32	0x0000 00D0	0x4A00 87D0
CM_L3MAIN1_SPARE_ VIDEOPLL1_CLKCTRL	R	32	0x0000 00D8	0x4A00 87D8
CM_L3MAIN1_SPARE_ VIDEOPLL2_CLKCTRL	R	32	0x0000 00F0	0x4A00 87F0
CM_L3MAIN1_SPARE_ VIDEOPLL3_CLKCTRL	R	32	0x0000 00F8	0x4A00 87F8
CM_IPU2_CLKSTCTRL	RW	32	0x0000 0200	0x4A00 8900
CM_IPU2_STATICDEP	RW	32	0x0000 0204	0x4A00 8904
CM_IPU2_DYNAMICDE P	RW	32	0x0000 0208	0x4A00 8908
CM_IPU2_IPU2_CLKCT RL	RW	32	0x0000 0220	0x4A00 8920
CM_DMA_CLKSTCTRL	RW	32	0x0000 0300	0x4A00 8A00
CM_DMA_STATICDEP	RW	32	0x0000 0304	0x4A00 8A04
CM_DMA_DYNAMICDE P	R	32	0x0000 0308	0x4A00 8A08
CM_DMA_DMA_SYSTE M_CLKCTRL	R	32	0x0000 0320	0x4A00 8A20
CM_EMIF_CLKSTCTRL	RW	32	0x0000 0400	0x4A00 8B00
CM_EMIF_DMM_CLKC TRL	R	32	0x0000 0420	0x4A00 8B20
CM_EMIF_EMIF_OCP_ FW_CLKCTRL	R	32	0x0000 0428	0x4A00 8B28

Table 3-783. CM_CORE__CORE Registers Mapping Summary (continued)

Register Name	Type	Register Width (Bits)	Address Offset	CM_CORE__CORE Physical Address L4_CFG Interconnect
CM_EMIF_EMIF1_CLK_CTRL	RW	32	0x0000 0430	0x4A00 8B30
CM_EMIF_EMIF2_CLK_CTRL	RW	32	0x0000 0438	0x4A00 8B38
CM_EMIF_EMIF_DLL_CLKCTRL	RW	32	0x0000 0440	0x4A00 8B40
CM_ATL_ATL_CLKCTRL	RW	32	0x0000 0500	0x4A00 8C00
CM_ATL_CLKSTCTRL	RW	32	0x0000 0520	0x4A00 8C20
CM_L4CFG_CLKSTCTRL	RW	32	0x0000 0600	0x4A00 8D00
CM_L4CFG_DYNAMIC_DEP	RW	32	0x0000 0608	0x4A00 8D08
CM_L4CFG_L4_CFG_CLKCTRL	R	32	0x0000 0620	0x4A00 8D20
CM_L4CFG_SPINLOCK_CLKCTRL	R	32	0x0000 0628	0x4A00 8D28
CM_L4CFG_MAILBOX1_CLKCTRL	R	32	0x0000 0630	0x4A00 8D30
CM_L4CFG_SAR_ROM_CLKCTRL	R	32	0x0000 0638	0x4A00 8D38
CM_L4CFG_OCP2SCP2_CLKCTRL	R	32	0x0000 0640	0x4A00 8D40
CM_L4CFG_MAILBOX2_CLKCTRL	R	32	0x0000 0648	0x4A00 8D48
CM_L4CFG_MAILBOX3_CLKCTRL	R	32	0x0000 0650	0x4A00 8D50
CM_L4CFG_MAILBOX4_CLKCTRL	R	32	0x0000 0658	0x4A00 8D58
CM_L4CFG_MAILBOX5_CLKCTRL	R	32	0x0000 0660	0x4A00 8D60
CM_L4CFG_MAILBOX6_CLKCTRL	R	32	0x0000 0668	0x4A00 8D68
CM_L4CFG_MAILBOX7_CLKCTRL	R	32	0x0000 0670	0x4A00 8D70
CM_L4CFG_MAILBOX8_CLKCTRL	R	32	0x0000 0678	0x4A00 8D78
CM_L4CFG_MAILBOX9_CLKCTRL	R	32	0x0000 0680	0x4A00 8D80
CM_L4CFG_MAILBOX10_CLKCTRL	R	32	0x0000 0688	0x4A00 8D88
CM_L4CFG_MAILBOX11_CLKCTRL	R	32	0x0000 0690	0x4A00 8D90
CM_L4CFG_MAILBOX12_CLKCTRL	R	32	0x0000 0698	0x4A00 8D98
CM_L4CFG_MAILBOX13_CLKCTRL	R	32	0x0000 06A0	0x4A00 8DA0
CM_L4CFG_SPARE_S_MARTREFLEX_RTC_CLKCTRL	R	32	0x0000 06A8	0x4A00 8DA8
CM_L4CFG_SPARE_S_MARTREFLEX_SDRAM_CLKCTRL	R	32	0x0000 06B0	0x4A00 8DB0

Table 3-783. CM_CORE__CORE Registers Mapping Summary (continued)

Register Name	Type	Register Width (Bits)	Address Offset	CM_CORE__CORE Physical Address L4_CFG Interconnect
CM_L4CFG_SPARE_S MARTREFLEX_WKUP_ CLKCTRL	R	32	0x0000 06B8	0x4A00 8DB8
CM_L4CFG_IO_DELAY _BLOCK_CLKCTRL	R	32	0x0000 06C0	0x4A00 8DC0
CM_L3INSTR_CLKSTC TRL	R	32	0x0000 0700	0x4A00 8E00
CM_L3INSTR_L3_MAIN _2_CLKCTRL	RW	32	0x0000 0720	0x4A00 8E20
CM_L3INSTR_L3_INST R_CLKCTRL	RW	32	0x0000 0728	0x4A00 8E28
CM_L3INSTR_OCP_W P_NOC_CLKCTRL	RW	32	0x0000 0740	0x4A00 8E40
CM_L3INSTR_DLL_AGI NG_CLKCTRL	R	32	0x0000 0748	0x4A00 8E48
CM_L3INSTR_CTRL_M ODULE_BANDGAP_CL KCTRL	RW	32	0x0000 0750	0x4A00 8E50

3.12.20.2 CM_CORE__CORE Register Description

Table 3-784. CM_L3MAIN1_CLKSTCTRL

Address Offset	0x0000 0000	Instance	CM_CORE__CORE
Physical Address	0x4A00 8700		
Description	This register enables the domain power state transition. It controls the HW supervised domain power state transition between ON-ACTIVE and ON-INACTIVE states. It also hold one status bit per clock input of the domain.		
Type	RW		

31	30	29	28	27	26	25	24	23	22	21	20	19	18	17	16	15	14	13	12	11	10	9	8	7	6	5	4	3	2	1	0
RESERVED																CLKACTIVITY_L3MAIN1_L4_GICLK		CLKACTIVITY_L3MAIN1_L3_GICLK		RESERVED										CLKTRCTRL	

Bits	Field Name	Description	Type	Reset
31:10	RESERVED		R	0x0
9	CLKACTIVITY_L3MAIN1_L4_GI CLK	This field indicates the state of the L3MAIN1_L4_GICLK clock in the domain. [warm reset insensitive] 0x0: Corresponding clock is definitely gated 0x1: Corresponding clock is running or gating/ungating transition is on-going	R	0x0

Bits	Field Name	Description	Type	Reset
8	CLKACTIVITY_L3MAIN1_L3_GI CLK	This field indicates the state of the L3MAIN1_L3_GICLK clock in the domain. [warm reset insensitive] 0x0: Corresponding clock is definitely gated 0x1: Corresponding clock is running or gating/ungating transition is on-going	R	0x0
7:2	RESERVED		R	0x0
1:0	CLKTRCTRL	Controls the clock state transition of the L3MAIN1 clock domain. 0x0: NO_SLEEP: Sleep transition cannot be initiated. Wakeup transition may however occur. 0x1: Reserved 0x2: Reserved 0x3: HW_AUTO: Automatic transition is enabled. Sleep and wakeup transition are based upon hardware conditions.	RW	0x0

Table 3-785. Register Call Summary for Register CM_L3MAIN1_CLKSTCTRL

Clock Management Functional Description

- [Clock Domain Modes: \[0\]\[1\]\[2\]](#)

PRCM Register Manual

- [CM_CORE__CORE Register Summary: \[3\]](#)
- [CM_CORE__RESTORE Register Description: \[4\]\[5\]](#)

Table 3-786. CM_L3MAIN1_DYNAMICDEP

Address Offset	0x0000 0008	Instance	CM_CORE__CORE
Physical Address	0x4A00 8708		
Description	This register controls the dynamic domain dependencies from L3MAIN1 domain towards 'target' domains. It is relevant only for domain having OCP master port(s).		
Type	RW		

31	30	29	28	27	26	25	24	23	22	21	20	19	18	17	16	15	14	13	12	11	10	9	8	7	6	5	4	3	2	1	0
EVE4_DYNDP	EVE3_DYNDP	EVE2_DYNDP	EVE1_DYNDP	WINDOWSIZE				L4PER3_DYNDP	L4PER2_DYNDP	PCIE_DYNDP	DSP2_DYNDP	RESERVED	IPU1_DYNDP	RESERVED	WKUPAON_DYNDP	L4SEC_DYNDP	L4PER_DYNDP	L4CFG_DYNDP	RESERVED	GPU_DYNDP	RESERVED	DSS_DYNDP	RESERVED	RESERVED	EMIF_DYNDP	IPU_DYNDP	IVA_DYNDP	DSP1_DYNDP	IPU2_DYNDP		

Bits	Field Name	Description	Type	Reset
31	EVE4_DYNDP	Dynamic dependency towards EVE4 clock domain 0x1: Dependency is enabled	R	0x1
30	EVE3_DYNDP	Dynamic dependency towards EVE3 clock domain 0x1: Dependency is enabled	R	0x1
29	EVE2_DYNDP	Dynamic dependency towards EVE2 clock domain 0x1: Dependency is enabled	R	0x1
28	EVE1_DYNDP	Dynamic dependency towards EVE1 clock domain 0x1: Dependency is enabled	R	0x1
27:24	WINDOWSIZE	Size of sliding window used to monitor OCP interface activity for determination of auto-sleep feature. Time unit defined by CM_DYN_DEP_PRESCAL register.	RW	0x4

Bits	Field Name	Description	Type	Reset
23	L4PER3_DYNDEP	Dynamic dependency towards L4PER3 clock domain 0x1: Dependency is enabled	R	0x1
22	L4PER2_DYNDEP	Dynamic dependency towards L4PER2 clock domain 0x1: Dependency is enabled	R	0x1
21	PCIE_DYNDEP	Dynamic dependency towards PCIE clock domain 0x1: Dependency is enabled	R	0x1
20	DSP2_DYNDEP	Dynamic dependency towards DSP2 clock domain 0x1: Dependency is enabled	R	0x1
19	RESERVED		R	0x0
18	IPU1_DYNDEP	Dynamic dependency towards IPU1 clock domain 0x1: Dependency is enabled	R	0x1
17:16	RESERVED		R	0x0
15	WKUPAON_DYNDEP	Dynamic dependency towards WKUPAON clock domain 0x1: Dependency is enabled	R	0x1
14	L4SEC_DYNDEP	Dynamic dependency towards L4SEC clock domain 0x1: Dependency is enabled	R	0x1
13	L4PER_DYNDEP	Dynamic dependency towards L4PER1 clock domain 0x1: Dependency is enabled	R	0x1
12	L4CFG_DYNDEP	Dynamic dependency towards L4CFG clock domain 0x1: Dependency is enabled	R	0x1
11	RESERVED		R	0x0
10	GPU_DYNDEP	Dynamic dependency towards GPU clock domain 0x1: Dependency is enabled	R	0x1
9	RESERVED		R	0x0
8	DSS_DYNDEP	Dynamic dependency towards DSS clock domain 0x1: Dependency is enabled	R	0x1
7:5	RESERVED		R	0x0
4	EMIF_DYNDEP	Dynamic dependency towards EMIF clock domain 0x1: Dependency is enabled	R	0x1
3	IPU_DYNDEP	Dynamic dependency towards IPU clock domain 0x1: Dependency is enabled	R	0x1
2	IVA_DYNDEP	Dynamic dependency towards IVA clock domain 0x1: Dependency is enabled	R	0x1
1	DSP1_DYNDEP	Dynamic dependency towards DSP1 clock domain 0x1: Dependency is enabled	R	0x1
0	IPU2_DYNDEP	Dynamic dependency towards IPU2 clock domain 0x1: Dependency is enabled	R	0x1

Table 3-787. Register Call Summary for Register CM_L3MAIN1_DYNAMICDEP

Clock Management Functional Description

- [Clock Domain Dependency: \[0\]\[1\]\[2\]\[3\]\[5\]\[6\]\[7\]\[8\]\[9\]\[10\]\[11\]\[12\]\[13\]\[14\]\[15\]](#)

PRCM Register Manual

- [Not Supported Functionality \(Registers and Bits\): \[20\]\[21\]\[22\]\[23\]\[24\]](#)
- [CM_CORE__CORE Register Summary: \[25\]](#)
- [CM_CORE__RESTORE Register Description: \[26\]\[27\]](#)

Table 3-788. CM_L3MAIN1_L3_MAIN_1_CLKCTRL

Address Offset	0x0000 0020	Instance	CM_CORE__CORE
Physical Address	0x4A00 8720		
Description	This register manages the L3_MAIN_1 clocks.		
Type	R		

31	30	29	28	27	26	25	24	23	22	21	20	19	18	17	16	15	14	13	12	11	10	9	8	7	6	5	4	3	2	1	0
RESERVED														IDLEST		RESERVED														MODULEMODE	

Bits	Field Name	Description	Type	Reset
31:18	RESERVED		R	0x0
17:16	IDLEST	Module idle status. [warm reset insensitive] 0x0: Module is fully functional, including OCP 0x1: Module is performing transition: wakeup, or sleep, or sleep abortion 0x2: Module is in Idle mode (only OCP part). It is functional if using separate functional clock 0x3: Module is disabled and cannot be accessed	R	0x3
15:2	RESERVED		R	0x0
1:0	MODULEMODE	Control the way mandatory clocks are managed. 0x1: Module is managed automatically by HW according to clock domain transition. A clock domain sleep transition put module into idle. A wakeup domain transition put it back into function. If CLKTRCTRL=3, any OCP access to module is always granted. Module clocks may be gated according to the clock domain state.	R	0x1

Table 3-789. Register Call Summary for Register CM_L3MAIN1_L3_MAIN_1_CLKCTRL

Clock Management Functional Description

- [Clock Domain Module Attributes: \[0\]\[1\]](#)

PRCM Register Manual

- [CM_CORE__CORE Register Summary: \[2\]](#)

Table 3-790. CM_L3MAIN1_GPMC_CLKCTRL

Address Offset	0x0000 0028	Instance	CM_CORE__CORE
Physical Address	0x4A00 8728		
Description	This register manages the GPMC clocks.		
Type	RW		

31	30	29	28	27	26	25	24	23	22	21	20	19	18	17	16	15	14	13	12	11	10	9	8	7	6	5	4	3	2	1	0
RESERVED														IDLEST		RESERVED														MODULEMODE	

Bits	Field Name	Description	Type	Reset
31:18	RESERVED		R	0x0
17:16	IDLEST	Module idle status. [warm reset insensitive] 0x0: Module is fully functional, including OCP 0x1: Module is performing transition: wakeup, or sleep, or sleep abortion 0x2: Module is in Idle mode (only OCP part). It is functional if using separate functional clock 0x3: Module is disabled and cannot be accessed	R	0x3
15:2	RESERVED		R	0x0
1:0	MODULEMODE	Control the way mandatory clocks are managed. 0x0: Module is temporarily disabled by SW. OCP access to module are stalled. Can be used to change timing parameter of GPMC module. 0x1: Module is managed automatically by HW according to clock domain transition. A clock domain sleep transition put module into idle. A wakeup domain transition put it back into function. If CLKTRCTRL=3, any OCP access to module is always granted. Module clocks may be gated according to the clock domain state. 0x2: Reserved 0x3: Reserved	RW	0x1

Table 3-791. Register Call Summary for Register CM_L3MAIN1_GPMC_CLKCTRL

Clock Management Functional Description

- [Clock Domain Module Attributes: \[0\]\[1\]](#)

PRCM Register Manual

- [CM_CORE__CORE Register Summary: \[2\]](#)

Table 3-792. CM_L3MAIN1_MMU_EDMA_CLKCTRL

Address Offset	0x0000 0030	Instance	CM_CORE__CORE
Physical Address	0x4A00 8730		
Description	This register manages the MMU_L4_EDMA clocks.		
Type	R		

31	30	29	28	27	26	25	24	23	22	21	20	19	18	17	16	15	14	13	12	11	10	9	8	7	6	5	4	3	2	1	0
RESERVED								IDLEST	RESERVED										MODULEMODE												

Bits	Field Name	Description	Type	Reset
31:18	RESERVED		R	0x0
17:16	IDLEST	Module idle status. [warm reset insensitive] 0x0: Module is fully functional, including OCP 0x1: Module is performing transition: wakeup, or sleep, or sleep abortion 0x2: Module is in Idle mode (only OCP part). It is functional if using separate functional clock 0x3: Module is disabled and cannot be accessed	R	0x3
15:2	RESERVED		R	0x0

Bits	Field Name	Description	Type	Reset
1:0	MODULEMODE	Control the way mandatory clocks are managed. 0x1: Module is managed automatically by HW according to clock domain transition. A clock domain sleep transition put module into idle. A wakeup domain transition put it back into function. If CLKTRCTRL=3, any OCP access to module is always granted. Module clocks may be gated according to the clock domain state.	R	0x1

Table 3-793. Register Call Summary for Register CM_L3MAIN1_MMU_EDMA_CLKCTRL

Clock Management Functional Description

- [Clock Domain Module Attributes: \[0\]\[1\]](#)

PRCM Register Manual

- [CM_CORE__CORE Register Summary: \[2\]](#)

Table 3-794. CM_L3MAIN1_MMU_PCIESS_CLKCTRL

Address Offset	0x0000 0048	Instance	CM_CORE__CORE
Physical Address	0x4A00 8748		
Description	This register manages the MMU_L4_PCIESS clocks.		
Type	R		

31	30	29	28	27	26	25	24	23	22	21	20	19	18	17	16	15	14	13	12	11	10	9	8	7	6	5	4	3	2	1	0
RESERVED														IDLEST	RESERVED												MODULEMODE				

Bits	Field Name	Description	Type	Reset
31:18	RESERVED		R	0x0
17:16	IDLEST	Module idle status. [warm reset insensitive] 0x0: Module is fully functional, including OCP 0x1: Module is performing transition: wakeup, or sleep, or sleep abortion 0x2: Module is in Idle mode (only OCP part). It is functional if using separate functional clock 0x3: Module is disabled and cannot be accessed	R	0x3
15:2	RESERVED		R	0x0
1:0	MODULEMODE	Control the way mandatory clocks are managed. 0x1: Module is managed automatically by HW according to clock domain transition. A clock domain sleep transition put module into idle. A wakeup domain transition put it back into function. If CLKTRCTRL=3, any OCP access to module is always granted. Module clocks may be gated according to the clock domain state.	R	0x1

Table 3-795. Register Call Summary for Register CM_L3MAIN1_MMU_PCIESS_CLKCTRL

Clock Management Functional Description

- [Clock Domain Module Attributes: \[0\]\[1\]](#)

PRCM Register Manual

- [CM_CORE__CORE Register Summary: \[2\]](#)

Table 3-796. CM_L3MAIN1_OCMC_RAM1_CLKCTRL

Address Offset	0x0000 0050	Instance	CM_CORE__CORE
Physical Address	0x4A00 8750		
Description	This register manages the OCMC_RAM1 clocks.		
Type	R		

31	30	29	28	27	26	25	24	23	22	21	20	19	18	17	16	15	14	13	12	11	10	9	8	7	6	5	4	3	2	1	0
RESERVED														IDLEST		RESERVED														MODULEMODE	

Bits	Field Name	Description	Type	Reset
31:18	RESERVED		R	0x0
17:16	IDLEST	Module idle status. [warm reset insensitive] 0x0: Module is fully functional, including OCP 0x1: Module is performing transition: wakeup, or sleep, or sleep abortion 0x2: Module is in Idle mode (only OCP part). It is functional if using separate functional clock 0x3: Module is disabled and cannot be accessed	R	0x3
15:2	RESERVED		R	0x0
1:0	MODULEMODE	Control the way mandatory clocks are managed. 0x1: Module is managed automatically by HW according to clock domain transition. A clock domain sleep transition put module into idle. A wakeup domain transition put it back into function. If CLKTRCTRL=3, any OCP access to module is always granted. Module clocks may be gated according to the clock domain state.	R	0x1

Table 3-797. Register Call Summary for Register CM_L3MAIN1_OCMC_RAM1_CLKCTRL

Clock Management Functional Description

- [Clock Domain Module Attributes: \[0\]\[1\]](#)

PRCM Register Manual

- [CM_CORE__CORE Register Summary: \[2\]](#)

Table 3-798. CM_L3MAIN1_OCMC_RAM2_CLKCTRL

Address Offset	0x0000 0058	Instance	CM_CORE__CORE
Physical Address	0x4A00 8758		
Description	This register manages the OCMC_RAM2 clocks.		
Type	R		

31	30	29	28	27	26	25	24	23	22	21	20	19	18	17	16	15	14	13	12	11	10	9	8	7	6	5	4	3	2	1	0
RESERVED														IDLEST		RESERVED														MODULEMODE	

Bits	Field Name	Description	Type	Reset
31:18	RESERVED		R	0x0
17:16	IDLEST	Module idle status. [warm reset insensitive] 0x0: Module is fully functional, including OCP 0x1: Module is performing transition: wakeup, or sleep, or sleep abortion 0x2: Module is in Idle mode (only OCP part). It is functional if using separate functional clock 0x3: Module is disabled and cannot be accessed	R	0x3
15:2	RESERVED		R	0x0
1:0	MODULEMODE	Control the way mandatory clocks are managed. 0x1: Module is managed automatically by HW according to clock domain transition. A clock domain sleep transition put module into idle. A wakeup domain transition put it back into function. If CLKTRCTRL=3, any OCP access to module is always granted. Module clocks may be gated according to the clock domain state.	R	0x1

Table 3-799. CM_L3MAIN1_OCMC_RAM3_CLKCTRL

Address Offset	0x0000 0060	Instance	CM_CORE__CORE
Physical Address	0x4A00 8760		
Description	This register manages the OCMC_RAM3 clocks.		
Type	R		

31	30	29	28	27	26	25	24	23	22	21	20	19	18	17	16	15	14	13	12	11	10	9	8	7	6	5	4	3	2	1	0
RESERVED								IDLEST	RESERVED								MODULEMODE														

Bits	Field Name	Description	Type	Reset
31:18	RESERVED		R	0x0
17:16	IDLEST	Module idle status. [warm reset insensitive] 0x0: Module is fully functional, including OCP 0x1: Module is performing transition: wakeup, or sleep, or sleep abortion 0x2: Module is in Idle mode (only OCP part). It is functional if using separate functional clock 0x3: Module is disabled and cannot be accessed	R	0x3
15:2	RESERVED		R	0x0
1:0	MODULEMODE	Control the way mandatory clocks are managed. 0x1: Module is managed automatically by HW according to clock domain transition. A clock domain sleep transition put module into idle. A wakeup domain transition put it back into function. If CLKTRCTRL=3, any OCP access to module is always granted. Module clocks may be gated according to the clock domain state.	R	0x1

Table 3-800. CM_L3MAIN1_OCMC_ROM_CLKCTRL

Address Offset	0x0000 0068	Instance	CM_CORE__CORE
Physical Address	0x4A00 8768		
Description	This register manages the OCMC_RAM clocks.		
Type	R		

31	30	29	28	27	26	25	24	23	22	21	20	19	18	17	16	15	14	13	12	11	10	9	8	7	6	5	4	3	2	1	0
RESERVED														IDLEST		RESERVED														MODULEMODE	

Bits	Field Name	Description	Type	Reset
31:18	RESERVED		R	0x0
17:16	IDLEST	Module idle status. [warm reset insensitive] 0x0: Module is fully functional, including OCP 0x1: Module is performing transition: wakeup, or sleep, or sleep abortion 0x2: Module is in Idle mode (only OCP part). It is functional if using separate functional clock 0x3: Module is disabled and cannot be accessed	R	0x3
15:2	RESERVED		R	0x0
1:0	MODULEMODE	Control the way mandatory clocks are managed. 0x1: Module is managed automatically by HW according to clock domain transition. A clock domain sleep transition put module into idle. A wakeup domain transition put it back into function. If CLKTRCTRL=3, any OCP access to module is always granted. Module clocks may be gated according to the clock domain state.	R	0x1

Table 3-801. CM_L3MAIN1_TPCC_CLKCTRL

Address Offset	0x0000 0070	Instance	CM_CORE__CORE
Physical Address	0x4A00 8770		
Description	This register manages the TPCC clocks.		
Type	R		

31	30	29	28	27	26	25	24	23	22	21	20	19	18	17	16	15	14	13	12	11	10	9	8	7	6	5	4	3	2	1	0
RESERVED														IDLEST		RESERVED														MODULEMODE	

Bits	Field Name	Description	Type	Reset
31:18	RESERVED		R	0x0
17:16	IDLEST	Module idle status. [warm reset insensitive] 0x0: Module is fully functional, including OCP 0x1: Module is performing transition: wakeup, or sleep, or sleep abortion 0x2: Module is in Idle mode (only OCP part). It is functional if using separate functional clock 0x3: Module is disabled and cannot be accessed	R	0x3
15:2	RESERVED		R	0x0
1:0	MODULEMODE	Control the way mandatory clocks are managed. 0x1: Module is managed automatically by HW according to clock domain transition. A clock domain sleep transition put module into idle. A wakeup domain transition put it back into function. If CLKTRCTRL=3, any OCP access to module is always granted. Module clocks may be gated according to the clock domain state.	R	0x1

Table 3-802. Register Call Summary for Register CM_L3MAIN1_TPCC_CLKCTRL

Clock Management Functional Description

- [Clock Domain Module Attributes: \[0\]\[1\]](#)

PRCM Register Manual

- [CM_CORE__CORE Register Summary: \[2\]](#)

Table 3-803. CM_L3MAIN1_TPTC1_CLKCTRL

Address Offset	0x0000 0078	Instance	CM_CORE__CORE
Physical Address	0x4A00 8778		
Description	This register manages the TPTC1 clocks.		
Type	RW		

31	30	29	28	27	26	25	24	23	22	21	20	19	18	17	16	15	14	13	12	11	10	9	8	7	6	5	4	3	2	1	0
RESERVED								STBYST	IDLEST	RESERVED								MODULEMODE													

Bits	Field Name	Description	Type	Reset
31:19	RESERVED		R	0x0
18	STBYST	Module standby status. [warm reset insensitive] 0x0: Module is functional (not in standby) 0x1: Module is in standby	R	0x1
17:16	IDLEST	Module idle status. [warm reset insensitive] 0x0: Module is fully functional, including OCP 0x1: Module is performing transition: wakeup, or sleep, or sleep abortion 0x2: Module is in Idle mode (only OCP part). It is functional if using separate functional clock 0x3: Module is disabled and cannot be accessed	R	0x3
15:2	RESERVED		R	0x0

Bits	Field Name	Description	Type	Reset
1:0	MODULEMODE	Control the way mandatory clocks are managed. 0x0: Module is disabled by SW. Any OCP access to module results in an error, except if resulting from a module wakeup (asynchronous wakeup). 0x1: Module is managed automatically by HW according to clock domain transition. A clock domain sleep transition put module into idle. A wakeup domain transition put it back into function. If CLKTRCTRL=3, any OCP access to module is always granted. Module clocks may be gated according to the clock domain state. 0x2: Reserved 0x3: Reserved	RW	0x0

Table 3-804. Register Call Summary for Register CM_L3MAIN1_TPTC1_CLKCTRL

Clock Management Functional Description

- [Clock Domain Module Attributes: \[0\]\[1\]\[2\]](#)

PRCM Register Manual

- [CM_CORE__CORE Register Summary: \[3\]](#)

Table 3-805. CM_L3MAIN1_TPTC2_CLKCTRL

Address Offset	0x0000 0080	Instance	CM_CORE__CORE
Physical Address	0x4A00 8780		
Description	This register manages the TPTC2 clocks.		
Type	RW		

31	30	29	28	27	26	25	24	23	22	21	20	19	18	17	16	15	14	13	12	11	10	9	8	7	6	5	4	3	2	1	0
RESERVED														STBYST	IDLEST	RESERVED										MODULEMODE					

Bits	Field Name	Description	Type	Reset
31:19	RESERVED		R	0x0
18	STBYST	Module standby status. [warm reset insensitive] 0x0: Module is functional (not in standby) 0x1: Module is in standby	R	0x1
17:16	IDLEST	Module idle status. [warm reset insensitive] 0x0: Module is fully functional, including OCP 0x1: Module is performing transition: wakeup, or sleep, or sleep abortion 0x2: Module is in Idle mode (only OCP part). It is functional if using separate functional clock 0x3: Module is disabled and cannot be accessed	R	0x3
15:2	RESERVED		R	0x0

Bits	Field Name	Description	Type	Reset
1:0	MODULEMODE	Control the way mandatory clocks are managed. 0x0: Module is disabled by SW. Any OCP access to module results in an error, except if resulting from a module wakeup (asynchronous wakeup). 0x1: Module is managed automatically by HW according to clock domain transition. A clock domain sleep transition put module into idle. A wakeup domain transition put it back into function. If CLKTRCTRL=3, any OCP access to module is always granted. Module clocks may be gated according to the clock domain state. 0x2: Reserved 0x3: Reserved	RW	0x0

Table 3-806. Register Call Summary for Register CM_L3MAIN1_TPTC2_CLKCTRL

Clock Management Functional Description

- [Clock Domain Module Attributes: \[0\]\[1\]\[2\]](#)

PRCM Register Manual

- [CM_CORE__CORE Register Summary: \[3\]](#)

Table 3-807. CM_L3MAIN1_VCP1_CLKCTRL

Address Offset	0x0000 0088	Instance	CM_CORE__CORE
Physical Address	0x4A00 8788		
Description	This register manages the VCP1 clocks.		
Type	R		

31	30	29	28	27	26	25	24	23	22	21	20	19	18	17	16	15	14	13	12	11	10	9	8	7	6	5	4	3	2	1	0				
RESERVED																IDLEST		RESERVED																MODULEMODE	

Bits	Field Name	Description	Type	Reset
31:18	RESERVED		R	0x0
17:16	IDLEST	Module idle status. [warm reset insensitive] 0x0: Module is fully functional, including OCP 0x1: Module is performing transition: wakeup, or sleep, or sleep abortion 0x2: Module is in Idle mode (only OCP part). It is functional if using separate functional clock 0x3: Module is disabled and cannot be accessed	R	0x3
15:2	RESERVED		R	0x0
1:0	MODULEMODE	Control the way mandatory clocks are managed. 0x1: Module is managed automatically by HW according to clock domain transition. A clock domain sleep transition put module into idle. A wakeup domain transition put it back into function. If CLKTRCTRL=3, any OCP access to module is always granted. Module clocks may be gated according to the clock domain state.	R	0x1

Table 3-808. Register Call Summary for Register CM_L3MAIN1_VCP1_CLKCTRL

Clock Management Functional Description

- [Clock Domain Module Attributes: \[0\]\[1\]](#)

PRCM Register Manual

- [CM_CORE__CORE Register Summary: \[2\]](#)

Table 3-809. CM_L3MAIN1_VCP2_CLKCTRL

Address Offset	0x0000 0090	Instance	CM_CORE__CORE
Physical Address	0x4A00 8790		
Description	This register manages the VCP2 clocks.		
Type	R		

31	30	29	28	27	26	25	24	23	22	21	20	19	18	17	16	15	14	13	12	11	10	9	8	7	6	5	4	3	2	1	0
RESERVED																IDLEST		RESERVED										MODULEMODE			

Bits	Field Name	Description	Type	Reset
31:18	RESERVED		R	0x0
17:16	IDLEST	Module idle status. [warm reset insensitive] 0x0: Module is fully functional, including OCP 0x1: Module is performing transition: wakeup, or sleep, or sleep abortion 0x2: Module is in Idle mode (only OCP part). It is functional if using separate functional clock 0x3: Module is disabled and cannot be accessed	R	0x3
15:2	RESERVED		R	0x0
1:0	MODULEMODE	Control the way mandatory clocks are managed. 0x1: Module is managed automatically by HW according to clock domain transition. A clock domain sleep transition put module into idle. A wakeup domain transition put it back into function. If CLKTRCTRL=3, any OCP access to module is always granted. Module clocks may be gated according to the clock domain state.	R	0x1

Table 3-810. Register Call Summary for Register CM_L3MAIN1_VCP2_CLKCTRL

Clock Management Functional Description

- [Clock Domain Module Attributes: \[0\]\[1\]](#)

PRCM Register Manual

- [CM_CORE__CORE Register Summary: \[2\]](#)

Table 3-811. CM_L3MAIN1_SPARE_CME_CLKCTRL

Address Offset	0x0000 0098	Instance	CM_CORE__CORE
Physical Address	0x4A00 8798		
Description	This register manages the SPARE_CME clocks.		
Type	R		

31	30	29	28	27	26	25	24	23	22	21	20	19	18	17	16	15	14	13	12	11	10	9	8	7	6	5	4	3	2	1	0
RESERVED														IDLEST		RESERVED														MODULEMODE	

Bits	Field Name	Description	Type	Reset
31:18	RESERVED		R	0x0
17:16	IDLEST	Module idle status. [warm reset insensitive] 0x0: Module is fully functional, including OCP 0x1: Module is performing transition: wakeup, or sleep, or sleep abortion 0x2: Module is in Idle mode (only OCP part). It is functional if using separate functional clock 0x3: Module is disabled and cannot be accessed	R	0x3
15:2	RESERVED		R	0x0
1:0	MODULEMODE	Control the way mandatory clocks are managed. 0x1: Module is managed automatically by HW according to clock domain transition. A clock domain sleep transition put module into idle. A wakeup domain transition put it back into function. If CLKTRCTRL=3, any OCP access to module is always granted. Module clocks may be gated according to the clock domain state.	R	0x1

Table 3-812. CM_L3MAIN1_SPARE_HDMI_CLKCTRL

Address Offset	0x0000 00A0	Instance	CM_CORE__CORE
Physical Address	0x4A00 87A0		
Description	This register manages the SPARE_HDMI clocks.		
Type	R		

31	30	29	28	27	26	25	24	23	22	21	20	19	18	17	16	15	14	13	12	11	10	9	8	7	6	5	4	3	2	1	0
RESERVED														IDLEST		RESERVED														MODULEMODE	

Bits	Field Name	Description	Type	Reset
31:18	RESERVED		R	0x0
17:16	IDLEST	Module idle status. [warm reset insensitive] 0x0: Module is fully functional, including OCP 0x1: Module is performing transition: wakeup, or sleep, or sleep abortion 0x2: Module is in Idle mode (only OCP part). It is functional if using separate functional clock 0x3: Module is disabled and cannot be accessed	R	0x3
15:2	RESERVED		R	0x0
1:0	MODULEMODE	Control the way mandatory clocks are managed. 0x1: Module is managed automatically by HW according to clock domain transition. A clock domain sleep transition put module into idle. A wakeup domain transition put it back into function. If CLKTRCTRL=3, any OCP access to module is always granted. Module clocks may be gated according to the clock domain state.	R	0x1

Table 3-813. CM_L3MAIN1_SPARE_ICM_CLKCTRL

Address Offset	0x0000 00A8	Instance	CM_CORE__CORE
Physical Address	0x4A00 87A8		
Description	This register manages the SPARE_ICM clocks.		
Type	R		

31	30	29	28	27	26	25	24	23	22	21	20	19	18	17	16	15	14	13	12	11	10	9	8	7	6	5	4	3	2	1	0
RESERVED								IDLEST	RESERVED								MODULEMODE														

Bits	Field Name	Description	Type	Reset
31:18	RESERVED		R	0x0
17:16	IDLEST	Module idle status. [warm reset insensitive] 0x0: Module is fully functional, including OCP 0x1: Module is performing transition: wakeup, or sleep, or sleep abortion 0x2: Module is in Idle mode (only OCP part). It is functional if using separate functional clock 0x3: Module is disabled and cannot be accessed	R	0x3
15:2	RESERVED		R	0x0
1:0	MODULEMODE	Control the way mandatory clocks are managed. 0x1: Module is managed automatically by HW according to clock domain transition. A clock domain sleep transition put module into idle. A wakeup domain transition put it back into function. If CLKTRCTRL=3, any OCP access to module is always granted. Module clocks may be gated according to the clock domain state.	R	0x1

Table 3-814. CM_L3MAIN1_SPARE_IVA2_CLKCTRL

Address Offset	0x0000 00B0	Instance	CM_CORE__CORE
Physical Address	0x4A00 87B0		
Description	This register manages the SPARE_IVA2 clocks.		
Type	R		

31	30	29	28	27	26	25	24	23	22	21	20	19	18	17	16	15	14	13	12	11	10	9	8	7	6	5	4	3	2	1	0
RESERVED														IDLEST		RESERVED														MODULEMODE	

Bits	Field Name	Description	Type	Reset
31:18	RESERVED		R	0x0
17:16	IDLEST	Module idle status. [warm reset insensitive] 0x0: Module is fully functional, including OCP 0x1: Module is performing transition: wakeup, or sleep, or sleep abortion 0x2: Module is in Idle mode (only OCP part). It is functional if using separate functional clock 0x3: Module is disabled and cannot be accessed	R	0x3
15:2	RESERVED		R	0x0
1:0	MODULEMODE	Control the way mandatory clocks are managed. 0x1: Module is managed automatically by HW according to clock domain transition. A clock domain sleep transition put module into idle. A wakeup domain transition put it back into function. If CLKTRCTRL=3, any OCP access to module is always granted. Module clocks may be gated according to the clock domain state.	R	0x1

Table 3-815. CM_L3MAIN1_SPARE_SATA2_CLKCTRL

Address Offset	0x0000 00B8	Instance	CM_CORE__CORE
Physical Address	0x4A00 87B8		
Description	This register manages the SPARE_SATA2 clocks.		
Type	R		

31	30	29	28	27	26	25	24	23	22	21	20	19	18	17	16	15	14	13	12	11	10	9	8	7	6	5	4	3	2	1	0
RESERVED														IDLEST		RESERVED														MODULEMODE	

Bits	Field Name	Description	Type	Reset
31:18	RESERVED		R	0x0
17:16	IDLEST	Module idle status. [warm reset insensitive] 0x0: Module is fully functional, including OCP 0x1: Module is performing transition: wakeup, or sleep, or sleep abortion 0x2: Module is in Idle mode (only OCP part). It is functional if using separate functional clock 0x3: Module is disabled and cannot be accessed	R	0x3
15:2	RESERVED		R	0x0
1:0	MODULEMODE	Control the way mandatory clocks are managed. 0x1: Module is managed automatically by HW according to clock domain transition. A clock domain sleep transition put module into idle. A wakeup domain transition put it back into function. If CLKTRCTRL=3, any OCP access to module is always granted. Module clocks may be gated according to the clock domain state.	R	0x1

Table 3-816. CM_L3MAIN1_SPARE_UNKNOWN4_CLKCTRL

Address Offset	0x0000 00C0	Instance	CM_CORE__CORE
Physical Address	0x4A00 87C0		
Description	This register manages the SPARE_UNKNOWN4 clocks.		
Type	R		

31	30	29	28	27	26	25	24	23	22	21	20	19	18	17	16	15	14	13	12	11	10	9	8	7	6	5	4	3	2	1	0
RESERVED														IDLEST	RESERVED														MODULEMODE		

Bits	Field Name	Description	Type	Reset
31:18	RESERVED		R	0x0
17:16	IDLEST	Module idle status. [warm reset insensitive] 0x0: Module is fully functional, including OCP 0x1: Module is performing transition: wakeup, or sleep, or sleep abortion 0x2: Module is in Idle mode (only OCP part). It is functional if using separate functional clock 0x3: Module is disabled and cannot be accessed	R	0x3
15:2	RESERVED		R	0x0
1:0	MODULEMODE	Control the way mandatory clocks are managed. 0x1: Module is managed automatically by HW according to clock domain transition. A clock domain sleep transition put module into idle. A wakeup domain transition put it back into function. If CLKTRCTRL=3, any OCP access to module is always granted. Module clocks may be gated according to the clock domain state.	R	0x1

Table 3-817. CM_L3MAIN1_SPARE_UNKNOWN5_CLKCTRL

Address Offset	0x0000 00C8	Instance	CM_CORE__CORE
Physical Address	0x4A00 87C8		
Description	This register manages the SPARE_UNKNOWN5 clocks.		
Type	R		

31	30	29	28	27	26	25	24	23	22	21	20	19	18	17	16	15	14	13	12	11	10	9	8	7	6	5	4	3	2	1	0
RESERVED														IDLEST		RESERVED														MODULEMODE	

Bits	Field Name	Description	Type	Reset
31:18	RESERVED		R	0x0
17:16	IDLEST	Module idle status. [warm reset insensitive] 0x0: Module is fully functional, including OCP 0x1: Module is performing transition: wakeup, or sleep, or sleep abortion 0x2: Module is in Idle mode (only OCP part). It is functional if using separate functional clock 0x3: Module is disabled and cannot be accessed	R	0x3
15:2	RESERVED		R	0x0
1:0	MODULEMODE	Control the way mandatory clocks are managed. 0x1: Module is managed automatically by HW according to clock domain transition. A clock domain sleep transition put module into idle. A wakeup domain transition put it back into function. If CLKTRCTRL=3, any OCP access to module is always granted. Module clocks may be gated according to the clock domain state.	R	0x1

Table 3-818. CM_L3MAIN1_SPARE_UNKNOWN6_CLKCTRL

Address Offset	0x0000 00D0	Instance	CM_CORE__CORE
Physical Address	0x4A00 87D0		
Description	This register manages the SPARE_UNKNOWN6 clocks.		
Type	R		

31	30	29	28	27	26	25	24	23	22	21	20	19	18	17	16	15	14	13	12	11	10	9	8	7	6	5	4	3	2	1	0
RESERVED														IDLEST		RESERVED														MODULEMODE	

Bits	Field Name	Description	Type	Reset
31:18	RESERVED		R	0x0
17:16	IDLEST	Module idle status. [warm reset insensitive] 0x0: Module is fully functional, including OCP 0x1: Module is performing transition: wakeup, or sleep, or sleep abortion 0x2: Module is in Idle mode (only OCP part). It is functional if using separate functional clock 0x3: Module is disabled and cannot be accessed	R	0x3
15:2	RESERVED		R	0x0
1:0	MODULEMODE	Control the way mandatory clocks are managed. 0x1: Module is managed automatically by HW according to clock domain transition. A clock domain sleep transition put module into idle. A wakeup domain transition put it back into function. If CLKTRCTRL=3, any OCP access to module is always granted. Module clocks may be gated according to the clock domain state.	R	0x1

Table 3-819. CM_L3MAIN1_SPARE_VIDEOPLL1_CLKCTRL

Address Offset	0x0000 00D8	Instance	CM_CORE__CORE
Physical Address	0x4A00 87D8		
Description	This register manages the SPARE_VIDEOPLL1 clocks.		
Type	R		

31	30	29	28	27	26	25	24	23	22	21	20	19	18	17	16	15	14	13	12	11	10	9	8	7	6	5	4	3	2	1	0
RESERVED								IDLEST	RESERVED								MODULEMODE														

Bits	Field Name	Description	Type	Reset
31:18	RESERVED		R	0x0
17:16	IDLEST	Module idle status. [warm reset insensitive] 0x0: Module is fully functional, including OCP 0x1: Module is performing transition: wakeup, or sleep, or sleep abortion 0x2: Module is in Idle mode (only OCP part). It is functional if using separate functional clock 0x3: Module is disabled and cannot be accessed	R	0x3
15:2	RESERVED		R	0x0
1:0	MODULEMODE	Control the way mandatory clocks are managed. 0x1: Module is managed automatically by HW according to clock domain transition. A clock domain sleep transition put module into idle. A wakeup domain transition put it back into function. If CLKTRCTRL=3, any OCP access to module is always granted. Module clocks may be gated according to the clock domain state.	R	0x1

Table 3-820. CM_L3MAIN1_SPARE_VIDEOPLL2_CLKCTRL

Address Offset	0x0000 00F0	Instance	CM_CORE__CORE
Physical Address	0x4A00 87F0		
Description	This register manages the SPARE_VIDEOPLL2 clocks.		
Type	R		

31	30	29	28	27	26	25	24	23	22	21	20	19	18	17	16	15	14	13	12	11	10	9	8	7	6	5	4	3	2	1	0
RESERVED														IDLEST		RESERVED														MODULEMODE	

Bits	Field Name	Description	Type	Reset
31:18	RESERVED		R	0x0
17:16	IDLEST	Module idle status. [warm reset insensitive] 0x0: Module is fully functional, including OCP 0x1: Module is performing transition: wakeup, or sleep, or sleep abortion 0x2: Module is in Idle mode (only OCP part). It is functional if using separate functional clock 0x3: Module is disabled and cannot be accessed	R	0x3
15:2	RESERVED		R	0x0
1:0	MODULEMODE	Control the way mandatory clocks are managed. 0x1: Module is managed automatically by HW according to clock domain transition. A clock domain sleep transition put module into idle. A wakeup domain transition put it back into function. If CLKTRCTRL=3, any OCP access to module is always granted. Module clocks may be gated according to the clock domain state.	R	0x1

Table 3-821. CM_L3MAIN1_SPARE_VIDEOPLL3_CLKCTRL

Address Offset	0x0000 00F8	Instance	CM_CORE__CORE
Physical Address	0x4A00 87F8		
Description	This register manages the SPARE_VIDEOPLL3 clocks.		
Type	R		

31	30	29	28	27	26	25	24	23	22	21	20	19	18	17	16	15	14	13	12	11	10	9	8	7	6	5	4	3	2	1	0
RESERVED														IDLEST		RESERVED														MODULEMODE	

Bits	Field Name	Description	Type	Reset
31:18	RESERVED		R	0x0
17:16	IDLEST	Module idle status. [warm reset insensitive] 0x0: Module is fully functional, including OCP 0x1: Module is performing transition: wakeup, or sleep, or sleep abortion 0x2: Module is in Idle mode (only OCP part). It is functional if using separate functional clock 0x3: Module is disabled and cannot be accessed	R	0x3
15:2	RESERVED		R	0x0
1:0	MODULEMODE	Control the way mandatory clocks are managed. 0x1: Module is managed automatically by HW according to clock domain transition. A clock domain sleep transition put module into idle. A wakeup domain transition put it back into function. If CLKTRCTRL=3, any OCP access to module is always granted. Module clocks may be gated according to the clock domain state.	R	0x1

Table 3-822. CM_IPU2_CLKSTCTRL

Address Offset	0x0000 0200	Instance	CM_CORE__CORE
Physical Address	0x4A00 8900		
Description	This register enables the domain power state transition. It controls the HW supervised domain power state transition between ON-ACTIVE and ON-INACTIVE states. It also hold one status bit per clock input of the domain.		
Type	RW		

31	30	29	28	27	26	25	24	23	22	21	20	19	18	17	16	15	14	13	12	11	10	9	8	7	6	5	4	3	2	1	0
RESERVED																CLKACTIVITY_IPU2_GFCLK	RESERVED						CLKTRCTRL								

Bits	Field Name	Description	Type	Reset
31:9	RESERVED		R	0x0
8	CLKACTIVITY_IPU2_GFCLK	This field indicates the state of the IPU2_GCLK clock in the domain. [warm reset insensitive] 0x0: Corresponding clock is definitely gated 0x1: Corresponding clock is running or gating/ungating transition is on-going	R	0x0
7:2	RESERVED		R	0x0
1:0	CLKTRCTRL	Controls the clock state transition of the IPU2 clock domain. 0x0: NO_SLEEP: Sleep transition cannot be initiated. Wakeup transition may however occur. 0x1: SW_SLEEP: Start a software forced sleep transition on the domain. 0x2: SW_WKUP: Start a software forced wake-up transition on the domain. 0x3: HW_AUTO: Automatic transition is enabled. Sleep and wakeup transition are based upon hardware conditions.	RW	0x3

Table 3-823. Register Call Summary for Register CM_IPU2_CLKSTCTRL

Clock Management Functional Description

- [Clock Domain Modes: \[0\]\[1\]](#)

PRCM Register Manual

- [CM_CORE__CORE Register Summary: \[2\]](#)

Table 3-824. CM_IPU2_STATICDEP

Address Offset	0x0000 0204	Instance	CM_CORE__CORE
Physical Address	0x4A00 8904		
Description	This register controls the static domain dependencies from IPU domain towards 'target' domains. It is relevant only for domain having system initiator(s).		
Type	RW		

31	30	29	28	27	26	25	24	23	22	21	20	19	18	17	16	15	14	13	12	11	10	9	8	7	6	5	4	3	2	1	0
RESERVED	ATL_STATDEP	PCIE_STATDEP	VPE_STATDEP	L4PER3_STATDEP	L4PER2_STATDEP	GMAC_STATDEP	IPU_STATDEP	IPU1_STATDEP	EVE4_STATDEP	EVE3_STATDEP	EVE2_STATDEP	EVE1_STATDEP	DSP2_STATDEP	CUSTEFUSE_STATDEP	COREAON_STATDEP	WKUPAON_STATDEP	L4SEC_STATDEP	L4PER_STATDEP	L4CFG_STATDEP	SDMA_STATDEP	GPU_STATDEP	CAM_STATDEP	DSS_STATDEP	L3INIT_STATDEP	RESERVED	L3MAIN1_STATDEP	EMIF_STATDEP	RESERVED	IVA_STATDEP	DSP1_STATDEP	RESERVED

Bits	Field Name	Description	Type	Reset
31	RESERVED		R	0x0
30	ATL_STATDEP	Static dependency towards ATL clock domain 0x0: Dependency is disabled 0x1: Dependency is enabled	RW	0x1
29	PCIE_STATDEP	Static dependency towards PCIE clock domain 0x0: Dependency is disabled 0x1: Dependency is enabled	RW	0x1
28	VPE_STATDEP	Static dependency towards VPE clock domain 0x0: Dependency is disabled 0x1: Dependency is enabled	RW	0x1
27	L4PER3_STATDEP	Static dependency towards L4PER3 clock domain 0x0: Dependency is disabled 0x1: Dependency is enabled	RW	0x0
26	L4PER2_STATDEP	Static dependency towards L4PER2 clock domain 0x0: Dependency is disabled 0x1: Dependency is enabled	RW	0x0
25	GMAC_STATDEP	Static dependency towards GMAC clock domain 0x0: Dependency is disabled 0x1: Dependency is enabled	RW	0x0
24	IPU_STATDEP	Static dependency towards IPU clock domain 0x0: Dependency is disabled 0x1: Dependency is enabled	RW	0x0
23	IPU1_STATDEP	Static dependency towards IPU1 clock domain 0x0: Dependency is disabled 0x1: Dependency is enabled	RW	0x0

Bits	Field Name	Description	Type	Reset
22	EVE4_STATDEP	Static dependency towards EVE4 clock domain 0x0: Dependency is disabled 0x1: Dependency is enabled	RW	0x0
21	EVE3_STATDEP	Static dependency towards EVE3 clock domain 0x0: Dependency is disabled 0x1: Dependency is enabled	RW	0x0
20	EVE2_STATDEP	Static dependency towards EVE2 clock domain 0x0: Dependency is disabled 0x1: Dependency is enabled	RW	0x0
19	EVE1_STATDEP	Static dependency towards EVE1 clock domain 0x0: Dependency is disabled 0x1: Dependency is enabled	RW	0x0
18	DSP2_STATDEP	Static dependency towards DSP2 clock domain 0x0: Dependency is disabled 0x1: Dependency is enabled	RW	0x0
17	CUSTEFUSE_STATDEP	Static dependency towards CUSTEFUSE clock domain 0x0: Dependency is disabled	R	0x0
16	COREAON_STATDEP	Static dependency towards COREAON clock domain 0x0: Dependency is disabled	R	0x0
15	WKUPAON_STATDEP	Static dependency towards WKUPAON clock domain 0x0: Dependency is disabled 0x1: Dependency is enabled	RW	0x1
14	L4SEC_STATDEP	Static dependency towards L4SEC clock domain 0x0: Dependency is disabled 0x1: Dependency is enabled	RW	0x0
13	L4PER_STATDEP	Static dependency towards L4PER1 clock domain 0x0: Dependency is disabled 0x1: Dependency is enabled	RW	0x0
12	L4CFG_STATDEP	Static dependency towards L4CFG clock domain 0x0: Dependency is disabled 0x1: Dependency is enabled	RW	0x1
11	SDMA_STATDEP	Static dependency towards DMA clock domain 0x0: Dependency is disabled	R	0x0
10	GPU_STATDEP	Static dependency towards GPU clock domain 0x0: Dependency is disabled 0x1: Dependency is enabled	RW	0x0
9	CAM_STATDEP	Static dependency towards CAM clock domain 0x0: Dependency is disabled	R	0x0
8	DSS_STATDEP	Static dependency towards DSS clock domain 0x0: Dependency is disabled 0x1: Dependency is enabled	RW	0x0
7	L3INIT_STATDEP	Static dependency towards L3INIT clock domain 0x0: Dependency is disabled 0x1: Dependency is enabled	RW	0x0
6	RESERVED		R	0x0
5	L3MAIN1_STATDEP	Static dependency towards L3MAIN1 clock domain 0x0: Dependency is disabled 0x1: Dependency is enabled	RW	0x1

Bits	Field Name	Description	Type	Reset
4	EMIF_STATDEP	Static dependency towards EMIF clock domain 0x0: Dependency is disabled 0x1: Dependency is enabled	RW	0x1
3	RESERVED		R	0x0
2	IVA_STATDEP	Static dependency towards IVA clock domain 0x0: Dependency is disabled 0x1: Dependency is enabled	RW	0x0
1	DSP1_STATDEP	Static dependency towards DSP clock domain 0x0: Dependency is disabled 0x1: Dependency is enabled	RW	0x0
0	RESERVED		R	0x0

Table 3-825. Register Call Summary for Register CM_IPU2_STATICDEP

Clock Management Functional Description

- [Clock Domain Dependency](#): [0][1][2][3][4][5][6][7][8][9][10][11][12][13][14][15][17][18][19][20][21][22][23]

PRCM Register Manual

- [Not Supported Functionality \(Registers and Bits\)](#): [28][29][30][31][32]
- [CM_CORE__CORE Register Summary](#): [33]

Table 3-826. CM_IPU2_DYNAMICDEP

Address Offset	0x0000 0208	Instance	CM_CORE__CORE
Physical Address	0x4A00 8908		
Description	This register controls the dynamic domain dependencies from IPU domain towards 'target' domains. It is relevant only for domain having OCP master port(s).		
Type	RW		

31	30	29	28	27	26	25	24	23	22	21	20	19	18	17	16	15	14	13	12	11	10	9	8	7	6	5	4	3	2	1	0
RESERVED				WINDOWSIZE				RESERVED								CAM_DYNDEP	RESERVED		L3MAIN1_DYNDEP	RESERVED											

Bits	Field Name	Description	Type	Reset
31:28	RESERVED		R	0x0
27:24	WINDOWSIZE	Size of sliding window used to monitor OCP interface activity for determination of auto-sleep feature. Time unit defined by CM_DYN_DEP_PRESCAL register.	RW	0x4
23:10	RESERVED		R	0x0
9	CAM_DYNDEP	Dynamic dependency towards CAM clock domain 0x0: Dependency is disabled	R	0x0
8:6	RESERVED		R	0x0
5	L3MAIN1_DYNDEP	Dynamic dependency towards L3MAIN1 clock domain 0x1: Dependency is enabled	R	0x1
4:0	RESERVED		R	0x0

Table 3-827. Register Call Summary for Register CM_IPU2_DYNAMICDEP

Clock Management Functional Description

- [Clock Domain Dependency: \[0\]\[1\]](#)

PRCM Register Manual

- [CM_CORE__CORE Register Summary: \[2\]](#)

Table 3-828. CM_IPU2_IPU2_CLKCTRL

Address Offset	0x0000 0220	Instance	CM_CORE__CORE
Physical Address	0x4A00 8920		
Description	This register manages the IPU2 clocks.		
Type	RW		

31	30	29	28	27	26	25	24	23	22	21	20	19	18	17	16	15	14	13	12	11	10	9	8	7	6	5	4	3	2	1	0	
RESERVED														STBYST		IDLEST		RESERVED														MODULEMODE

Bits	Field Name	Description	Type	Reset
31:19	RESERVED		R	0x0
18	STBYST	Module standby status. [warm reset insensitive] 0x0: Module is functional (not in standby) 0x1: Module is in standby	R	0x1
17:16	IDLEST	Module idle status. [warm reset insensitive] 0x0: Module is fully functional, including OCP 0x1: Module is performing transition: wakeup, or sleep, or sleep abortion 0x2: Module is in Idle mode (only OCP part). It is functional if using separate functional clock 0x3: Module is disabled and cannot be accessed	R	0x3
15:2	RESERVED		R	0x0
1:0	MODULEMODE	Control the way mandatory clocks are managed. 0x0: Module is disabled by SW. Any OCP access to module results in an error, except if resulting from a module wakeup (asynchronous wakeup). 0x1: Module is managed automatically by HW according to clock domain transition. A clock domain sleep transition put module into idle. A wakeup domain transition put it back into function. If CLKTRCTRL=3, any OCP access to module is always granted. Module clocks may be gated according to the clock domain state. 0x2: Reserved 0x3: Reserved	RW	0x0

Table 3-829. Register Call Summary for Register CM_IPU2_IPU2_CLKCTRL

Clock Management Functional Description

- [Clock Domain Module Attributes: \[0\]\[1\]\[2\]](#)

PRCM Register Manual

- [CM_CORE__CORE Register Summary: \[3\]](#)

Table 3-830. CM_DMA_CLKSTCTRL

Address Offset	0x0000 0300	Instance	CM_CORE__CORE
Physical Address	0x4A00 8A00		
Description	This register enables the domain power state transition. It controls the HW supervised domain power state transition between ON-ACTIVE and ON-INACTIVE states. It also hold one status bit per clock input of the domain.		
Type	RW		

31	30	29	28	27	26	25	24	23	22	21	20	19	18	17	16	15	14	13	12	11	10	9	8	7	6	5	4	3	2	1	0
RESERVED																CLKACTIVITY_DMA_L3_GICLK	RESERVED						CLKTRCTRL								

Bits	Field Name	Description	Type	Reset
31:9	RESERVED		R	0x0
8	CLKACTIVITY_DMA_L3_GICLK	This field indicates the state of the DMA_L3_GICLK clock in the domain. [warm reset insensitive] 0x0: Corresponding clock is definitely gated 0x1: Corresponding clock is running or gating/ungating transition is on-going	R	0x0
7:2	RESERVED		R	0x0
1:0	CLKTRCTRL	Controls the clock state transition of the DMA clock domain. 0x0: NO_SLEEP: Sleep transition cannot be initiated. Wakeup transition may however occur. 0x1: Reserved 0x2: SW_WKUP: Start a software forced wake-up transition on the domain. 0x3: HW_AUTO: Automatic transition is enabled. Sleep and wakeup transition are based upon hardware conditions.	RW	0x3

Table 3-831. Register Call Summary for Register CM_DMA_CLKSTCTRL

Clock Management Functional Description

- [Clock Domain Modes: \[0\]\[1\]](#)

PRCM Register Manual

- [CM_CORE__CORE Register Summary: \[2\]](#)

Table 3-832. CM_DMA_STATICDEP

Address Offset	0x0000 0304	Instance	CM_CORE__CORE
Physical Address	0x4A00 8A04		
Description	This register controls the static domain dependencies from DMA domain towards 'target' domains. It is relevant only for domain having system initiator(s).		
Type	RW		

31	30	29	28	27	26	25	24	23	22	21	20	19	18	17	16	15	14	13	12	11	10	9	8	7	6	5	4	3	2	1	0
RESERVED	PCIE_STATDEP	RESERVED	L4PER3_STATDEP	L4PER2_STATDEP	RESERVED	IPU_STATDEP	IPU1_STATDEP	RESERVED								WKUPAON_STATDEP	L4SEC_STATDEP	L4PER_STATDEP	L4CFG_STATDEP	RESERVED	CAM_STATDEP	DSS_STATDEP	L3INIT_STATDEP	RESERVED	L3MAIN1_STATDEP	EMIF_STATDEP	RESERVED	IWA_STATDEP	RESERVED	IPU2_STATDEP	

Bits	Field Name	Description	Type	Reset
31:30	RESERVED		R	0x0
29	PCIE_STATDEP	Static dependency towards PCIE clock domain 0x0: Dependency is disabled 0x1: Dependency is enabled	RW	0x1
28	RESERVED		R	0x0
27	L4PER3_STATDEP	Static dependency towards L4PER3 clock domain 0x0: Dependency is disabled 0x1: Dependency is enabled	RW	0x1
26	L4PER2_STATDEP	Static dependency towards L4PER2 clock domain 0x0: Dependency is disabled 0x1: Dependency is enabled	RW	0x1
25	RESERVED		R	0x0
24	IPU_STATDEP	Static dependency towards IPU clock domain 0x0: Dependency is disabled 0x1: Dependency is enabled	RW	0x0
23	IPU1_STATDEP	Static dependency towards IPU1 clock domain 0x0: Dependency is disabled 0x1: Dependency is enabled	RW	0x0
22:16	RESERVED		R	0x0
15	WKUPAON_STATDEP	Static dependency towards WKUPAON clock domain 0x0: Dependency is disabled 0x1: Dependency is enabled	RW	0x1
14	L4SEC_STATDEP	Static dependency towards L4SEC clock domain 0x0: Dependency is disabled 0x1: Dependency is enabled	RW	0x0
13	L4PER_STATDEP	Static dependency towards L4PER1 clock domain 0x0: Dependency is disabled 0x1: Dependency is enabled	RW	0x1
12	L4CFG_STATDEP	Static dependency towards L4CFG clock domain 0x0: Dependency is disabled 0x1: Dependency is enabled	RW	0x1
11:10	RESERVED		R	0x0

Bits	Field Name	Description	Type	Reset
9	CAM_STATDEP	Static dependency towards CAM clock domain 0x0: Dependency is disabled	R	0x0
8	DSS_STATDEP	Static dependency towards DSS clock domain 0x0: Dependency is disabled 0x1: Dependency is enabled	RW	0x0
7	L3INIT_STATDEP	Static dependency towards L3INIT clock domain 0x0: Dependency is disabled 0x1: Dependency is enabled	RW	0x1
6	RESERVED		R	0x0
5	L3MAIN1_STATDEP	Static dependency towards L3MAIN1 clock domain 0x1: Dependency is enabled	R	0x1
4	EMIF_STATDEP	Static dependency towards EMIF clock domain 0x0: Dependency is disabled 0x1: Dependency is enabled	RW	0x1
3	RESERVED		R	0x0
2	IVA_STATDEP	Static dependency towards IVA clock domain 0x0: Dependency is disabled 0x1: Dependency is enabled	RW	0x0
1	RESERVED		R	0x0
0	IPU2_STATDEP	Static dependency towards IPU2 clock domain 0x0: Dependency is disabled 0x1: Dependency is enabled	RW	0x0

Table 3-833. Register Call Summary for Register CM_DMA_STATICDEP

Clock Management Functional Description

- [Clock Domain Dependency: \[0\]\[1\]\[2\]\[3\]\[4\]\[5\]\[6\]\[7\]\[8\]\[9\]\[10\]\[11\]\[12\]\[13\]\[14\]\[15\]](#)

PRCM Register Manual

- [CM_CORE__CORE Register Summary: \[16\]](#)
- [CM_CORE__RESTORE Register Description: \[17\]\[18\]](#)

Table 3-834. CM_DMA_DYNAMICDEP

Address Offset	0x0000 0308	Instance	CM_CORE__CORE
Physical Address	0x4A00 8A08		
Description	This register controls the dynamic domain dependencies from SDMA domain towards 'target' domains. It is relevant only for domain having OCP master port(s).		
Type	R		

31	30	29	28	27	26	25	24	23	22	21	20	19	18	17	16	15	14	13	12	11	10	9	8	7	6	5	4	3	2	1	0
RESERVED																L3MAIN1_DYNDEP		RESERVED													

Bits	Field Name	Description	Type	Reset
31:6	RESERVED		R	0x0
5	L3MAIN1_DYNDEP	Dynamic dependency towards L3MAIN1 clock domain 0x0: Dependency is disabled	R	0x0

Bits	Field Name	Description	Type	Reset
4:0	RESERVED		R	0x0

Table 3-835. Register Call Summary for Register CM_DMA_DYNAMICDEP

Clock Management Functional Description

- [Clock Domain Dependency: \[0\]](#)

PRCM Register Manual

- [CM_CORE__CORE Register Summary: \[1\]](#)

Table 3-836. CM_DMA_DMA_SYSTEM_CLKCTRL

Address Offset	0x0000 0320	Instance	CM_CORE__CORE
Physical Address	0x4A00 8A20		
Description	This register manages the DMA_SYSTEM clocks.		
Type	R		

31	30	29	28	27	26	25	24	23	22	21	20	19	18	17	16	15	14	13	12	11	10	9	8	7	6	5	4	3	2	1	0
RESERVED														STBYST	IDLEST	RESERVED										MODULEMODE					

Bits	Field Name	Description	Type	Reset
31:19	RESERVED		R	0x0
18	STBYST	Module standby status. [warm reset insensitive] 0x0: Module is functional (not in standby) 0x1: Module is in standby	R	0x1
17:16	IDLEST	Module idle status. [warm reset insensitive] 0x0: Module is fully functional, including OCP 0x1: Module is performing transition: wakeup, or sleep, or sleep abortion 0x2: Module is in Idle mode (only OCP part). It is functional if using separate functional clock 0x3: Module is disabled and cannot be accessed	R	0x3
15:2	RESERVED		R	0x0
1:0	MODULEMODE	Control the way mandatory clocks are managed. 0x1: Module is managed automatically by HW according to clock domain transition. A clock domain sleep transition put module into idle. A wakeup domain transition put it back into function. If CLKTRCTRL=3, any OCP access to module is always granted. Module clocks may be gated according to the clock domain state.	R	0x1

Table 3-837. Register Call Summary for Register CM_DMA_DMA_SYSTEM_CLKCTRL

Clock Management Functional Description

- [Clock Domain Module Attributes: \[0\]\[1\]\[2\]](#)

PRCM Register Manual

- [CM_CORE__CORE Register Summary: \[3\]](#)

Table 3-838. CM_EMIF_CLKSTCTRL

Address Offset	0x0000 0400	Instance	CM_CORE__CORE
Physical Address	0x4A00 8B00		
Description	This register enables the domain power state transition. It controls the HW supervised domain power state transition between ON-ACTIVE and ON-INACTIVE states. It also hold one status bit per clock input of the domain.		
Type	RW		

31	30	29	28	27	26	25	24	23	22	21	20	19	18	17	16	15	14	13	12	11	10	9	8	7	6	5	4	3	2	1	0
RESERVED																CLKACTIVITY_EMIF_PHY_GCLK			CLKACTIVITY_EMIF_DLL_GCLK			CLKACTIVITY_EMIF_L3_GICKL			RESERVED						CLKTRCTRL

Bits	Field Name	Description	Type	Reset
31:11	RESERVED		R	0x0
10	CLKACTIVITY_EMIF_PHY_GCLK	This field indicates the state of the EMIF_PHY_GCLK clock in the domain. [warm reset insensitive] 0x0: Corresponding clock is definitely gated 0x1: Corresponding clock is running or gating/ungating transition is on-going	R	0x0
9	CLKACTIVITY_EMIF_DLL_GCLK	This field indicates the state of the DLL_GCLK clock in the domain. [warm reset insensitive] 0x0: Corresponding clock is definitely gated 0x1: Corresponding clock is running or gating/ungating transition is on-going	R	0x0
8	CLKACTIVITY_EMIF_L3_GICKL	This field indicates the state of the EMIF_L3_GICKL clock in the domain. [warm reset insensitive] 0x0: Corresponding clock is definitely gated 0x1: Corresponding clock is running or gating/ungating transition is on-going	R	0x0
7:2	RESERVED		R	0x0
1:0	CLKTRCTRL	Controls the clock state transition of the EMIF clock domain. 0x0: NO_SLEEP: Sleep transition cannot be initiated. Wakeup transition may however occur. 0x1: Reserved 0x2: SW_WKUP: Start a software forced wake-up transition on the domain. 0x3: HW_AUTO: Automatic transition is enabled. Sleep and wakeup transition are based upon hardware conditions.	RW	0x0

Table 3-839. Register Call Summary for Register CM_EMIF_CLKSTCTRL

Clock Management Functional Description

- [Clock Domain Modes: \[0\]\[1\]\[2\]\[3\]](#)

PRCM Register Manual

- [CM_CORE__CORE Register Summary: \[4\]](#)

Table 3-840. CM_EMIF_DMM_CLKCTRL

Address Offset	0x0000 0420	Instance	CM_CORE__CORE
Physical Address	0x4A00 8B20		
Description	This register manages the DMM clocks.		
Type	R		

31	30	29	28	27	26	25	24	23	22	21	20	19	18	17	16	15	14	13	12	11	10	9	8	7	6	5	4	3	2	1	0
RESERVED														IDLEST		RESERVED														MODULEMODE	

Bits	Field Name	Description	Type	Reset
31:18	RESERVED		R	0x0
17:16	IDLEST	Module idle status. [warm reset insensitive] 0x0: Module is fully functional, including OCP 0x1: Module is performing transition: wakeup, or sleep, or sleep abortion 0x2: Module is in Idle mode (only OCP part). It is functional if using separate functional clock 0x3: Module is disabled and cannot be accessed	R	0x3
15:2	RESERVED		R	0x0
1:0	MODULEMODE	Control the way mandatory clocks are managed. 0x1: Module is managed automatically by HW according to clock domain transition. A clock domain sleep transition put module into idle. A wakeup domain transition put it back into function. If CLKTRCTRL=3, any OCP access to module is always granted. Module clocks may be gated according to the clock domain state.	R	0x1

Table 3-841. Register Call Summary for Register CM_EMIF_DMM_CLKCTRL

Clock Management Functional Description

- [Clock Domain Module Attributes: \[0\]\[1\]](#)

PRCM Register Manual

- [CM_CORE__CORE Register Summary: \[2\]](#)

Table 3-842. CM_EMIF_EMIF_OCP_FW_CLKCTRL

Address Offset	0x0000 0428	Instance	CM_CORE__CORE
Physical Address	0x4A00 8B28		
Description	This register manages the EMIF_OCP_FW clocks.		
Type	R		

31	30	29	28	27	26	25	24	23	22	21	20	19	18	17	16	15	14	13	12	11	10	9	8	7	6	5	4	3	2	1	0
RESERVED														IDLEST		RESERVED														MODULEMODE	

Bits	Field Name	Description	Type	Reset
31:18	RESERVED		R	0x0
17:16	IDLEST	Module idle status. [warm reset insensitive] 0x0: Module is fully functional, including OCP 0x1: Module is performing transition: wakeup, or sleep, or sleep abortion 0x2: Module is in Idle mode (only OCP part). It is functional if using separate functional clock 0x3: Module is disabled and cannot be accessed	R	0x3
15:2	RESERVED		R	0x0
1:0	MODULEMODE	Control the way mandatory clocks are managed. 0x1: Module is managed automatically by HW according to clock domain transition. A clock domain sleep transition put module into idle. A wakeup domain transition put it back into function. If CLKTRCTRL=3, any OCP access to module is always granted. Module clocks may be gated according to the clock domain state.	R	0x1

Table 3-843. Register Call Summary for Register CM_EMIF_EMIF_OCP_FW_CLKCTRL

Clock Management Functional Description

- [Clock Domain Module Attributes: \[0\]\[1\]](#)

PRCM Register Manual

- [CM_CORE__CORE Register Summary: \[2\]](#)

Table 3-844. CM_EMIF_EMIF1_CLKCTRL

Address Offset	0x0000 0430	Instance	CM_CORE__CORE
Physical Address	0x4A00 8B30		
Description	This register manages the EMIF1 clocks.		
Type	RW		

31	30	29	28	27	26	25	24	23	22	21	20	19	18	17	16	15	14	13	12	11	10	9	8	7	6	5	4	3	2	1	0
RESERVED								CLKSEL_LL	RESERVED								IDLEST	RESERVED										MODULEMODE			

Bits	Field Name	Description	Type	Reset
31:25	RESERVED		R	0x0
24	CLKSEL_LL	Source of EMIF1 External Low Latency interface clock EMIF_LL_GCLK Value is provided by LLI_C2C_SELECT input pin 0x0: EMIF_LL_GCLK is same as C2C clock 0x1: EMIF_LL_GCLK is same as LLI clock	R	0x0
23:18	RESERVED		R	0x0
17:16	IDLEST	Module idle status. [warm reset insensitive] 0x0: Module is fully functional, including OCP 0x1: Module is performing transition: wakeup, or sleep, or sleep abortion 0x2: Module is in Idle mode (only OCP part). It is functional if using separate functional clock 0x3: Module is disabled and cannot be accessed	R	0x3
15:2	RESERVED		R	0x0

Bits	Field Name	Description	Type	Reset
1:0	MODULEMODE	<p>Control the way mandatory clocks are managed.</p> <p>0x0: Module is temporarily disabled by SW. OCP access to module are stalled. Can be used to change timing parameter of EMIF_1 module.</p> <p>0x1: Module is managed automatically by HW according to clock domain transition. A clock domain sleep transition put module into idle. A wakeup domain transition put it back into function. If CLKTRCTRL=3, any OCP access to module is always granted. Module clocks may be gated according to the clock domain state.</p> <p>0x2: Reserved</p> <p>0x3: Reserved</p>	RW	0x1

Table 3-845. Register Call Summary for Register CM_EMIF_EMIF1_CLKCTRL

Clock Management Functional Description

- [Clock Domain Module Attributes: \[0\]\[1\]](#)

PRCM Register Manual

- [Not Supported Functionality \(Registers and Bits\): \[2\]](#)
- [CM_CORE__CORE Register Summary: \[3\]](#)

Table 3-846. CM_EMIF_EMIF2_CLKCTRL

Address Offset	0x0000 0438	Instance	CM_CORE__CORE
Physical Address	0x4A00 8B38		
Description	This register manages the EMIF2 clocks.		
Type	RW		

31	30	29	28	27	26	25	24	23	22	21	20	19	18	17	16	15	14	13	12	11	10	9	8	7	6	5	4	3	2	1	0
RESERVED																IDLEST	RESERVED										MODULEMODE				

Bits	Field Name	Description	Type	Reset
31:18	RESERVED		R	0x0
17:16	IDLEST	<p>Module idle status. [warm reset insensitive]</p> <p>0x0: Module is fully functional, including OCP</p> <p>0x1: Module is performing transition: wakeup, or sleep, or sleep abortion</p> <p>0x2: Module is in Idle mode (only OCP part). It is functional if using separate functional clock</p> <p>0x3: Module is disabled and cannot be accessed</p>	R	0x3
15:2	RESERVED		R	0x0

Bits	Field Name	Description	Type	Reset
1:0	MODULEMODE	Control the way mandatory clocks are managed. 0x0: Module is temporarily disabled by SW. OCP access to module are stalled. Can be used to change timing parameter of EMIF_2 module. 0x1: Module is managed automatically by HW according to clock domain transition. A clock domain sleep transition put module into idle. A wakeup domain transition put it back into function. If CLKTRCTRL=3, any OCP access to module is always granted. Module clocks may be gated according to the clock domain state. 0x2: Reserved 0x3: Reserved	RW	0x1

Table 3-847. CM_EMIF_EMIF_DLL_CLKCTRL

Address Offset	0x0000 0440	Instance	CM_CORE__CORE
Physical Address	0x4A00 8B40		
Description	This register manages the DLL clock.		
Type	RW		

31	30	29	28	27	26	25	24	23	22	21	20	19	18	17	16	15	14	13	12	11	10	9	8	7	6	5	4	3	2	1	0
RESERVED																OPTFCLKEN_DLL_CLK	RESERVED														

Bits	Field Name	Description	Type	Reset
31:9	RESERVED		R	0x0
8	OPTFCLKEN_DLL_CLK	Optional functional clock control. 0x0: Optional functional clock is disabled. DLL_CLK can be gated when EMIF domain performs sleep transition 0x1: Optional functional clock is enabled. DLL_CLK is guaranteed to not be gated if already running.	RW	0x0
7:0	RESERVED		R	0x0

Table 3-848. Register Call Summary for Register CM_EMIF_EMIF_DLL_CLKCTRL

Clock Management Functional Description

- [Clock Domain Modes: \[0\]](#)

PRCM Register Manual

- [CM_CORE__CORE Register Summary: \[1\]](#)

Table 3-849. CM_ATL_ATL_CLKCTRL

Address Offset	0x0000 0500	Instance	CM_CORE__CORE
Physical Address	0x4A00 8C00		
Description	This register manages the ATL clocks.		
Type	RW		

31	30	29	28	27	26	25	24	23	22	21	20	19	18	17	16	15	14	13	12	11	10	9	8	7	6	5	4	3	2	1	0
RESERVED				CLKSEL_SOURCE2	CLKSEL_SOURCE1	RESERVED				IDLEST	RESERVED											MODULEMODE									

Bits	Field Name	Description	Type	Reset
31:28	RESERVED		R	0x0
27:26	CLKSEL_SOURCE2	Selects source for ATL clock 0x0: Selects L3_ICLK 0x1: Selects PER_ABE_X1_CLK 0x2: Selects DPLL_CLK from SOURCE1 0x3: RESERVED	RW	0x0
25:24	CLKSEL_SOURCE1	Selects source for ATL clock 0x0: Selects FUNC_32K_CLK 0x1: Selects VIDEO1_CLK 0x2: Selects VIDEO2_CLK 0x3: Selects HDMI_CLK	RW	0x0
23:18	RESERVED		R	0x0
17:16	IDLEST	Module idle status. [warm reset insensitive] 0x0: Module is fully functional, including OCP 0x1: Module is performing transition: wakeup, or sleep, or sleep abortion 0x2: Module is in Idle mode (only OCP part). It is functional if using separate functional clock 0x3: Module is disabled and cannot be accessed	R	0x3
15:2	RESERVED		R	0x0
1:0	MODULEMODE	Control the way mandatory clocks are managed. 0x0: Module is disabled by SW. Any OCP access to module results in an error, except if resulting from a module wakeup (asynchronous wakeup). 0x1: Reserved 0x2: Module is explicitly enabled. Interface clock (if not used for functions) may be gated according to the clock domain state. Functional clocks are guaranteed to stay present. As long as in this configuration, power domain sleep transition cannot happen. 0x3: Reserved	RW	0x0

Table 3-850. Register Call Summary for Register CM_ATL_ATL_CLKCTRL
Clock Management Functional Description

- [CM_CORE_AON Clock Generator: \[0\]\[1\]](#)
- [Clock Domain Module Attributes: \[2\]\[3\]\[4\]\[5\]](#)

Table 3-850. Register Call Summary for Register CM_ATL_ATL_CLKCTRL (continued)

PRCM Register Manual

- [Not Supported Functionality \(Registers and Bits\): \[6\]](#)
- [CM_CORE__CORE Register Summary: \[7\]](#)

Table 3-851. CM_ATL_CLKSTCTRL

Address Offset	0x0000 0520	Instance	CM_CORE__CORE
Physical Address	0x4A00 8C20		
Description	This register enables the domain power state transition. It controls the HW supervised domain power state transition between ON-ACTIVE and ON-INACTIVE states. It also hold one status bit per clock input of the domain.		
Type	RW		

31	30	29	28	27	26	25	24	23	22	21	20	19	18	17	16	15	14	13	12	11	10	9	8	7	6	5	4	3	2	1	0
RESERVED																CLKACTIVITY_ATL_GFCLK		CLKACTIVITY_ATL_L3_GICLK		RESERVED						CLKTRCTRL					

Bits	Field Name	Description	Type	Reset
31:10	RESERVED		R	0x0
9	CLKACTIVITY_ATL_GFCLK	This field indicates the state of the ATL_GFCLK clock in the domain. [warm reset insensitive] 0x0: Corresponding clock is definitely gated 0x1: Corresponding clock is running or gating/ungating transition is on-going	R	0x0
8	CLKACTIVITY_ATL_L3_GICLK	This field indicates the state of the ATL_L3_GICLK clock in the domain. [warm reset insensitive] 0x0: Corresponding clock is definitely gated 0x1: Corresponding clock is running or gating/ungating transition is on-going	R	0x0
7:2	RESERVED		R	0x0
1:0	CLKTRCTRL	Controls the clock state transition of the C2C clock domain. 0x0: NO_SLEEP: Sleep transition cannot be initiated. Wakeup transition may however occur. 0x1: Reserved 0x2: SW_WKUP: Start a software forced wake-up transition on the domain. 0x3: HW_AUTO: Automatic transition is enabled. Sleep and wakeup transition are based upon hardware conditions.	RW	0x3

Table 3-852. Register Call Summary for Register CM_ATL_CLKSTCTRL

Clock Management Functional Description

- [Clock Domain Modes: \[0\]\[1\]\[2\]](#)

PRCM Register Manual

- [CM_CORE__CORE Register Summary: \[3\]](#)

Table 3-853. CM_L4CFG_CLKSTCTRL

Address Offset	0x0000 0600	Instance	CM_CORE__CORE
Physical Address	0x4A00 8D00		
Description	This register enables the domain power state transition. It controls the HW supervised domain power state transition between ON-ACTIVE and ON-INACTIVE states. It also hold one status bit per clock input of the domain.		
Type	RW		

31	30	29	28	27	26	25	24	23	22	21	20	19	18	17	16	15	14	13	12	11	10	9	8	7	6	5	4	3	2	1	0
RESERVED																CLKACTIVITY_L4CFG_L3_GICLK		CLKACTIVITY_L4CFG_L4_GICLK		RESERVED							CLKTRCTRL				

Bits	Field Name	Description	Type	Reset
31:10	RESERVED		R	0x0
9	CLKACTIVITY_L4CFG_L3_GICLK	This field indicates the state of the L4CFG_L3_GICLK clock in the domain. [warm reset insensitive] 0x0: Corresponding clock is definitely gated 0x1: Corresponding clock is running or gating/ungating transition is on-going	R	0x0
8	CLKACTIVITY_L4CFG_L4_GICLK	This field indicates the state of the L4CFG_L4_GICLK clock in the domain. [warm reset insensitive] 0x0: Corresponding clock is definitely gated 0x1: Corresponding clock is running or gating/ungating transition is on-going	R	0x0
7:2	RESERVED		R	0x0
1:0	CLKTRCTRL	Controls the clock state transition of the L4CFG clock domain. 0x0: NO_SLEEP: Sleep transition cannot be initiated. Wakeup transition may however occur. 0x1: Reserved 0x2: Reserved 0x3: HW_AUTO: Automatic transition is enabled. Sleep and wakeup transition are based upon hardware conditions.	RW	0x0

Table 3-854. Register Call Summary for Register CM_L4CFG_CLKSTCTRL

Clock Management Functional Description

- [Clock Domain Modes: \[0\]\[1\]\[2\]](#)

PRCM Register Manual

- [CM_CORE__CORE Register Summary: \[3\]](#)
- [CM_CORE__RESTORE Register Description: \[4\]](#)

Table 3-855. CM_L4CFG_DYNAMICDEP

Address Offset	0x0000 0608	Instance	CM_CORE__CORE
Physical Address	0x4A00 8D08		
Description	This register controls the dynamic domain dependencies from L4CFG domain towards 'target' domains. It is relevant only for domain having OCP master port(s).		
Type	RW		

31	30	29	28	27	26	25	24	23	22	21	20	19	18	17	16	15	14	13	12	11	10	9	8	7	6	5	4	3	2	1	0	
RESERVED				WINDOWSIZE				RESERVED				MPU_DYNDEP	RESERVED	CUSTEFUSE_DYNDEP	COREAON_DYNDEP	RESERVED				SDMA_DYNDEP	RESERVED				L3INIT_DYNDEP	RESERVED	L3MAIN1_DYNDEP	EMIF_DYNDEP	RESERVED			

Bits	Field Name	Description	Type	Reset
31:28	RESERVED		R	0x0
27:24	WINDOWSIZE	Size of sliding window used to monitor OCP interface activity for determination of auto-sleep feature. Time unit defined by CM_DYN_DEP_PRESCAL register.	RW	0x4
23:20	RESERVED		R	0x0
19	MPU_DYNDEP	Dynamic dependency towards MPU clock domain 0x1: Dependency is enabled	R	0x1
18	RESERVED		R	0x0
17	CUSTEFUSE_DYNDEP	Dynamic dependency towards CUSTEFUSE clock domain 0x1: Dependency is enabled	R	0x1
16	COREAON_DYNDEP	Dynamic dependency towards COREAON clock domain 0x1: Dependency is enabled	R	0x1
15:12	RESERVED		R	0x0
11	SDMA_DYNDEP	Dynamic dependency towards DMA clock domain 0x1: Dependency is enabled	R	0x1
10:8	RESERVED		R	0x0
7	L3INIT_DYNDEP	Dynamic dependency towards L3INIT clock domain 0x1: Dependency is enabled	R	0x1
6	RESERVED		R	0x0
5	L3MAIN1_DYNDEP	Dynamic dependency towards L3MAIN1 clock domain 0x1: Dependency is enabled	R	0x1
4	EMIF_DYNDEP	Dynamic dependency towards EMIF clock domain 0x1: Dependency is enabled	R	0x1
3:0	RESERVED		R	0x0

Table 3-856. Register Call Summary for Register CM_L4CFG_DYNAMICDEP

Clock Management Functional Description
<ul style="list-style-type: none"> • Clock Domain Dependency: [0][1][2][3][4][5][6]
PRCM Register Manual
<ul style="list-style-type: none"> • CM_CORE__CORE Register Summary: [7] • CM_CORE__RESTORE Register Description: [8][9]

Table 3-857. CM_L4CFG_L4_CFG_CLKCTRL

Address Offset	0x0000 0620	Instance	CM_CORE__CORE
Physical Address	0x4A00 8D20		
Description	This register manages the L4_CFG clocks.		
Type	R		

31	30	29	28	27	26	25	24	23	22	21	20	19	18	17	16	15	14	13	12	11	10	9	8	7	6	5	4	3	2	1	0
RESERVED																IDLEST		RESERVED										MODULEMODE			

Bits	Field Name	Description	Type	Reset
31:18	RESERVED		R	0x0
17:16	IDLEST	Module idle status. [warm reset insensitive] 0x0: Module is fully functional, including OCP 0x1: Module is performing transition: wakeup, or sleep, or sleep abortion 0x2: Module is in Idle mode (only OCP part). It is functional if using separate functional clock 0x3: Module is disabled and cannot be accessed	R	0x3
15:2	RESERVED		R	0x0
1:0	MODULEMODE	Control the way mandatory clocks are managed. 0x1: Module is managed automatically by HW according to clock domain transition. A clock domain sleep transition put module into idle. A wakeup domain transition put it back into function. If CLKTRCTRL=3, any OCP access to module is always granted. Module clocks may be gated according to the clock domain state.	R	0x1

Table 3-858. Register Call Summary for Register CM_L4CFG_L4_CFG_CLKCTRL

Clock Management Functional Description
<ul style="list-style-type: none"> • Clock Domain Module Attributes: [0][1]
PRCM Register Manual
<ul style="list-style-type: none"> • CM_CORE__CORE Register Summary: [2]

Table 3-859. CM_L4CFG_SPINLOCK_CLKCTRL

Address Offset	0x0000 0628	Instance	CM_CORE__CORE
Physical Address	0x4A00 8D28		
Description	This register manages the SPINLOCK clocks.		
Type	R		

31	30	29	28	27	26	25	24	23	22	21	20	19	18	17	16	15	14	13	12	11	10	9	8	7	6	5	4	3	2	1	0
RESERVED														IDLEST		RESERVED														MODULEMODE	

Bits	Field Name	Description	Type	Reset
31:18	RESERVED		R	0x0
17:16	IDLEST	Module idle status. [warm reset insensitive] 0x0: Module is fully functional, including OCP 0x1: Module is performing transition: wakeup, or sleep, or sleep abortion 0x2: Module is in Idle mode (only OCP part). It is functional if using separate functional clock 0x3: Module is disabled and cannot be accessed	R	0x3
15:2	RESERVED		R	0x0
1:0	MODULEMODE	Control the way mandatory clocks are managed. 0x1: Module is managed automatically by HW according to clock domain transition. A clock domain sleep transition put module into idle. A wakeup domain transition put it back into function. If CLKTRCTRL=3, any OCP access to module is always granted. Module clocks may be gated according to the clock domain state.	R	0x1

Table 3-860. Register Call Summary for Register CM_L4CFG_SPINLOCK_CLKCTRL

Clock Management Functional Description

- [Clock Domain Module Attributes: \[0\]\[1\]](#)

PRCM Register Manual

- [CM_CORE__CORE Register Summary: \[2\]](#)

Table 3-861. CM_L4CFG_MAILBOX1_CLKCTRL

Address Offset	0x0000 0630	Instance	CM_CORE__CORE
Physical Address	0x4A00 8D30		
Description	This register manages the MAILBOX1 clocks.		
Type	R		

31	30	29	28	27	26	25	24	23	22	21	20	19	18	17	16	15	14	13	12	11	10	9	8	7	6	5	4	3	2	1	0
RESERVED														IDLEST		RESERVED														MODULEMODE	

Bits	Field Name	Description	Type	Reset
31:18	RESERVED		R	0x0
17:16	IDLEST	Module idle status. [warm reset insensitive] 0x0: Module is fully functional, including OCP 0x1: Module is performing transition: wakeup, or sleep, or sleep abortion 0x2: Module is in Idle mode (only OCP part). It is functional if using separate functional clock 0x3: Module is disabled and cannot be accessed	R	0x3
15:2	RESERVED		R	0x0
1:0	MODULEMODE	Control the way mandatory clocks are managed. 0x1: Module is managed automatically by HW according to clock domain transition. A clock domain sleep transition put module into idle. A wakeup domain transition put it back into function. If CLKTRCTRL=3, any OCP access to module is always granted. Module clocks may be gated according to the clock domain state.	R	0x1

Table 3-862. Register Call Summary for Register CM_L4CFG_MAILBOX1_CLKCTRL

Clock Management Functional Description

- [Clock Domain Module Attributes: \[0\]\[1\]](#)

PRCM Register Manual

- [CM_CORE__CORE Register Summary: \[2\]](#)

Table 3-863. CM_L4CFG_SAR_ROM_CLKCTRL

Address Offset	0x0000 0638	Instance	CM_CORE__CORE
Physical Address	0x4A00 8D38		
Description	This register manages the SAR_ROM clocks.		
Type	R		

31	30	29	28	27	26	25	24	23	22	21	20	19	18	17	16	15	14	13	12	11	10	9	8	7	6	5	4	3	2	1	0				
RESERVED																IDLEST		RESERVED																MODULEMODE	

Bits	Field Name	Description	Type	Reset
31:18	RESERVED		R	0x0
17:16	IDLEST	Module idle status. [warm reset insensitive] 0x0: Module is fully functional, including OCP 0x1: Module is performing transition: wakeup, or sleep, or sleep abortion 0x2: Module is in Idle mode (only OCP part). It is functional if using separate functional clock 0x3: Module is disabled and cannot be accessed	R	0x3
15:2	RESERVED		R	0x0
1:0	MODULEMODE	Control the way mandatory clocks are managed. 0x1: Module is managed automatically by HW according to clock domain transition. A clock domain sleep transition put module into idle. A wakeup domain transition put it back into function. If CLKTRCTRL=3, any OCP access to module is always granted. Module clocks may be gated according to the clock domain state.	R	0x1

Table 3-864. CM_L4CFG_OCP2SCP2_CLKCTRL

Address Offset	0x0000 0640	Instance	CM_CORE__CORE
Physical Address	0x4A00 8D40		
Description	This register manages the OCP2SCP2 clocks and the optional clock of USB PHY.		
Type	R		

31	30	29	28	27	26	25	24	23	22	21	20	19	18	17	16	15	14	13	12	11	10	9	8	7	6	5	4	3	2	1	0
RESERVED														IDLEST		RESERVED														MODULEMODE	

Bits	Field Name	Description	Type	Reset
31:18	RESERVED		R	0x0
17:16	IDLEST	Module idle status. [warm reset insensitive] 0x0: Module is fully functional, including OCP 0x1: Module is performing transition: wakeup, or sleep, or sleep abortion 0x2: Module is in Idle mode (only OCP part). It is functional if using separate functional clock 0x3: Module is disabled and cannot be accessed	R	0x3
15:2	RESERVED		R	0x0
1:0	MODULEMODE	Control the way mandatory clocks are managed. 0x1: Module is managed automatically by HW according to clock domain transition. A clock domain sleep transition put module into idle. A wakeup domain transition put it back into function. If CLKTRCTRL=3, any OCP access to module is always granted. Module clocks may be gated according to the clock domain state.	R	0x1

Table 3-865. Register Call Summary for Register CM_L4CFG_OCP2SCP2_CLKCTRL

Clock Management Functional Description

- [Clock Domain Module Attributes: \[0\]\[1\]](#)

PRCM Register Manual

- [CM_CORE__CORE Register Summary: \[2\]](#)

Table 3-866. CM_L4CFG_MAILBOX2_CLKCTRL

Address Offset	0x0000 0648	Instance	CM_CORE__CORE
Physical Address	0x4A00 8D48		
Description	This register manages the MAILBOX2 clocks.		
Type	R		

31	30	29	28	27	26	25	24	23	22	21	20	19	18	17	16	15	14	13	12	11	10	9	8	7	6	5	4	3	2	1	0
RESERVED														IDLEST		RESERVED														MODULEMODE	

Bits	Field Name	Description	Type	Reset
31:18	RESERVED		R	0x0
17:16	IDLEST	Module idle status. [warm reset insensitive] 0x0: Module is fully functional, including OCP 0x1: Module is performing transition: wakeup, or sleep, or sleep abortion 0x2: Module is in Idle mode (only OCP part). It is functional if using separate functional clock 0x3: Module is disabled and cannot be accessed	R	0x3
15:2	RESERVED		R	0x0
1:0	MODULEMODE	Control the way mandatory clocks are managed. 0x1: Module is managed automatically by HW according to clock domain transition. A clock domain sleep transition put module into idle. A wakeup domain transition put it back into function. If CLKTRCTRL=3, any OCP access to module is always granted. Module clocks may be gated according to the clock domain state.	R	0x1

Table 3-867. Register Call Summary for Register CM_L4CFG_MAILBOX2_CLKCTRL

Clock Management Functional Description

- [Clock Domain Module Attributes: \[0\]\[1\]](#)

PRCM Register Manual

- [CM_CORE__CORE Register Summary: \[2\]](#)

Table 3-868. CM_L4CFG_MAILBOX3_CLKCTRL

Address Offset	0x0000 0650	Instance	CM_CORE__CORE
Physical Address	0x4A00 8D50		
Description	This register manages the MAILBOX3 clocks.		
Type	R		

31	30	29	28	27	26	25	24	23	22	21	20	19	18	17	16	15	14	13	12	11	10	9	8	7	6	5	4	3	2	1	0
RESERVED																IDLEST	RESERVED										MODULEMODE				

Bits	Field Name	Description	Type	Reset
31:18	RESERVED		R	0x0
17:16	IDLEST	Module idle status. [warm reset insensitive] 0x0: Module is fully functional, including OCP 0x1: Module is performing transition: wakeup, or sleep, or sleep abortion 0x2: Module is in Idle mode (only OCP part). It is functional if using separate functional clock 0x3: Module is disabled and cannot be accessed	R	0x3
15:2	RESERVED		R	0x0
1:0	MODULEMODE	Control the way mandatory clocks are managed. 0x1: Module is managed automatically by HW according to clock domain transition. A clock domain sleep transition put module into idle. A wakeup domain transition put it back into function. If CLKTRCTRL=3, any OCP access to module is always granted. Module clocks may be gated according to the clock domain state.	R	0x1

Table 3-869. Register Call Summary for Register CM_L4CFG_MAILBOX3_CLKCTRL

Clock Management Functional Description

- [Clock Domain Module Attributes: \[0\]\[1\]](#)

PRCM Register Manual

- [CM_CORE__CORE Register Summary: \[2\]](#)

Table 3-870. CM_L4CFG_MAILBOX4_CLKCTRL

Address Offset	0x0000 0658	Instance	CM_CORE__CORE
Physical Address	0x4A00 8D58		
Description	This register manages the MAILBOX4 clocks.		
Type	R		

31	30	29	28	27	26	25	24	23	22	21	20	19	18	17	16	15	14	13	12	11	10	9	8	7	6	5	4	3	2	1	0
RESERVED														IDLEST		RESERVED														MODULEMODE	

Bits	Field Name	Description	Type	Reset
31:18	RESERVED		R	0x0
17:16	IDLEST	Module idle status. [warm reset insensitive] 0x0: Module is fully functional, including OCP 0x1: Module is performing transition: wakeup, or sleep, or sleep abortion 0x2: Module is in Idle mode (only OCP part). It is functional if using separate functional clock 0x3: Module is disabled and cannot be accessed	R	0x3
15:2	RESERVED		R	0x0
1:0	MODULEMODE	Control the way mandatory clocks are managed. 0x1: Module is managed automatically by HW according to clock domain transition. A clock domain sleep transition put module into idle. A wakeup domain transition put it back into function. If CLKTRCTRL=3, any OCP access to module is always granted. Module clocks may be gated according to the clock domain state.	R	0x1

Table 3-871. Register Call Summary for Register CM_L4CFG_MAILBOX4_CLKCTRL

Clock Management Functional Description

- [Clock Domain Module Attributes: \[0\]\[1\]](#)

PRCM Register Manual

- [CM_CORE__CORE Register Summary: \[2\]](#)

Table 3-872. CM_L4CFG_MAILBOX5_CLKCTRL

Address Offset	0x0000 0660	Instance	CM_CORE__CORE
Physical Address	0x4A00 8D60		
Description	This register manages the MAILBOX5 clocks.		
Type	R		

31	30	29	28	27	26	25	24	23	22	21	20	19	18	17	16	15	14	13	12	11	10	9	8	7	6	5	4	3	2	1	0
RESERVED														IDLEST		RESERVED														MODULEMODE	

Bits	Field Name	Description	Type	Reset
31:18	RESERVED		R	0x0
17:16	IDLEST	Module idle status. [warm reset insensitive] 0x0: Module is fully functional, including OCP 0x1: Module is performing transition: wakeup, or sleep, or sleep abortion 0x2: Module is in Idle mode (only OCP part). It is functional if using separate functional clock 0x3: Module is disabled and cannot be accessed	R	0x3
15:2	RESERVED		R	0x0
1:0	MODULEMODE	Control the way mandatory clocks are managed. 0x1: Module is managed automatically by HW according to clock domain transition. A clock domain sleep transition put module into idle. A wakeup domain transition put it back into function. If CLKTRCTRL=3, any OCP access to module is always granted. Module clocks may be gated according to the clock domain state.	R	0x1

Table 3-873. Register Call Summary for Register CM_L4CFG_MAILBOX5_CLKCTRL

Clock Management Functional Description

- [Clock Domain Module Attributes: \[0\]\[1\]](#)

PRCM Register Manual

- [CM_CORE__CORE Register Summary: \[2\]](#)

Table 3-874. CM_L4CFG_MAILBOX6_CLKCTRL

Address Offset	0x0000 0668	Instance	CM_CORE__CORE
Physical Address	0x4A00 8D68		
Description	This register manages the MAILBOX6 clocks.		
Type	R		

31	30	29	28	27	26	25	24	23	22	21	20	19	18	17	16	15	14	13	12	11	10	9	8	7	6	5	4	3	2	1	0
RESERVED														IDLEST		RESERVED														MODULEMODE	

Bits	Field Name	Description	Type	Reset
31:18	RESERVED		R	0x0
17:16	IDLEST	Module idle status. [warm reset insensitive] 0x0: Module is fully functional, including OCP 0x1: Module is performing transition: wakeup, or sleep, or sleep abortion 0x2: Module is in Idle mode (only OCP part). It is functional if using separate functional clock 0x3: Module is disabled and cannot be accessed	R	0x3
15:2	RESERVED		R	0x0
1:0	MODULEMODE	Control the way mandatory clocks are managed. 0x1: Module is managed automatically by HW according to clock domain transition. A clock domain sleep transition put module into idle. A wakeup domain transition put it back into function. If CLKTRCTRL=3, any OCP access to module is always granted. Module clocks may be gated according to the clock domain state.	R	0x1

Table 3-875. Register Call Summary for Register CM_L4CFG_MAILBOX6_CLKCTRL

Clock Management Functional Description

- [Clock Domain Module Attributes: \[0\]\[1\]](#)

PRCM Register Manual

- [CM_CORE__CORE Register Summary: \[2\]](#)

Table 3-876. CM_L4CFG_MAILBOX7_CLKCTRL

Address Offset	0x0000 0670	Instance	CM_CORE__CORE
Physical Address	0x4A00 8D70		
Description	This register manages the MAILBOX7 clocks.		
Type	R		

31	30	29	28	27	26	25	24	23	22	21	20	19	18	17	16	15	14	13	12	11	10	9	8	7	6	5	4	3	2	1	0
RESERVED																IDLEST	RESERVED										MODULEMODE				

Bits	Field Name	Description	Type	Reset
31:18	RESERVED		R	0x0
17:16	IDLEST	Module idle status. [warm reset insensitive] 0x0: Module is fully functional, including OCP 0x1: Module is performing transition: wakeup, or sleep, or sleep abortion 0x2: Module is in Idle mode (only OCP part). It is functional if using separate functional clock 0x3: Module is disabled and cannot be accessed	R	0x3
15:2	RESERVED		R	0x0
1:0	MODULEMODE	Control the way mandatory clocks are managed. 0x1: Module is managed automatically by HW according to clock domain transition. A clock domain sleep transition put module into idle. A wakeup domain transition put it back into function. If CLKTRCTRL=3, any OCP access to module is always granted. Module clocks may be gated according to the clock domain state.	R	0x1

Table 3-877. Register Call Summary for Register CM_L4CFG_MAILBOX7_CLKCTRL

Clock Management Functional Description

- [Clock Domain Module Attributes: \[0\]\[1\]](#)

PRCM Register Manual

- [CM_CORE__CORE Register Summary: \[2\]](#)

Table 3-878. CM_L4CFG_MAILBOX8_CLKCTRL

Address Offset	0x0000 0678	Instance	CM_CORE__CORE
Physical Address	0x4A00 8D78		
Description	This register manages the MAILBOX8 clocks.		
Type	R		

31	30	29	28	27	26	25	24	23	22	21	20	19	18	17	16	15	14	13	12	11	10	9	8	7	6	5	4	3	2	1	0
RESERVED																IDLEST		RESERVED										MODULEMODE			

Bits	Field Name	Description	Type	Reset
31:18	RESERVED		R	0x0
17:16	IDLEST	Module idle status. [warm reset insensitive] 0x0: Module is fully functional, including OCP 0x1: Module is performing transition: wakeup, or sleep, or sleep abortion 0x2: Module is in Idle mode (only OCP part). It is functional if using separate functional clock 0x3: Module is disabled and cannot be accessed	R	0x3
15:2	RESERVED		R	0x0
1:0	MODULEMODE	Control the way mandatory clocks are managed. 0x1: Module is managed automatically by HW according to clock domain transition. A clock domain sleep transition put module into idle. A wakeup domain transition put it back into function. If CLKTRCTRL=3, any OCP access to module is always granted. Module clocks may be gated according to the clock domain state.	R	0x1

Table 3-879. Register Call Summary for Register CM_L4CFG_MAILBOX8_CLKCTRL

Clock Management Functional Description

- [Clock Domain Module Attributes: \[0\]\[1\]](#)

PRCM Register Manual

- [CM_CORE__CORE Register Summary: \[2\]](#)

Table 3-880. CM_L4CFG_MAILBOX9_CLKCTRL

Address Offset	0x0000 0680	Instance	CM_CORE__CORE
Physical Address	0x4A00 8D80		
Description	This register manages the MAILBOX9 clocks.		
Type	R		

31	30	29	28	27	26	25	24	23	22	21	20	19	18	17	16	15	14	13	12	11	10	9	8	7	6	5	4	3	2	1	0
RESERVED														IDLEST		RESERVED														MODULEMODE	

Bits	Field Name	Description	Type	Reset
31:18	RESERVED		R	0x0
17:16	IDLEST	Module idle status. [warm reset insensitive] 0x0: Module is fully functional, including OCP 0x1: Module is performing transition: wakeup, or sleep, or sleep abortion 0x2: Module is in Idle mode (only OCP part). It is functional if using separate functional clock 0x3: Module is disabled and cannot be accessed	R	0x3
15:2	RESERVED		R	0x0
1:0	MODULEMODE	Control the way mandatory clocks are managed. 0x1: Module is managed automatically by HW according to clock domain transition. A clock domain sleep transition put module into idle. A wakeup domain transition put it back into function. If CLKTRCTRL=3, any OCP access to module is always granted. Module clocks may be gated according to the clock domain state.	R	0x1

Table 3-881. Register Call Summary for Register CM_L4CFG_MAILBOX9_CLKCTRL

Clock Management Functional Description

- [Clock Domain Module Attributes: \[0\]\[1\]](#)

PRCM Register Manual

- [CM_CORE__CORE Register Summary: \[2\]](#)

Table 3-882. CM_L4CFG_MAILBOX10_CLKCTRL

Address Offset	0x0000 0688	Instance	CM_CORE__CORE
Physical Address	0x4A00 8D88		
Description	This register manages the MAILBOX10 clocks.		
Type	R		

31	30	29	28	27	26	25	24	23	22	21	20	19	18	17	16	15	14	13	12	11	10	9	8	7	6	5	4	3	2	1	0
RESERVED														IDLEST		RESERVED														MODULEMODE	

Bits	Field Name	Description	Type	Reset
31:18	RESERVED		R	0x0
17:16	IDLEST	Module idle status. [warm reset insensitive] 0x0: Module is fully functional, including OCP 0x1: Module is performing transition: wakeup, or sleep, or sleep abortion 0x2: Module is in Idle mode (only OCP part). It is functional if using separate functional clock 0x3: Module is disabled and cannot be accessed	R	0x3
15:2	RESERVED		R	0x0
1:0	MODULEMODE	Control the way mandatory clocks are managed. 0x1: Module is managed automatically by HW according to clock domain transition. A clock domain sleep transition put module into idle. A wakeup domain transition put it back into function. If CLKTRCTRL=3, any OCP access to module is always granted. Module clocks may be gated according to the clock domain state.	R	0x1

Table 3-883. Register Call Summary for Register CM_L4CFG_MAILBOX10_CLKCTRL

Clock Management Functional Description

- [Clock Domain Module Attributes: \[0\]\[1\]](#)

PRCM Register Manual

- [CM_CORE__CORE Register Summary: \[2\]](#)

Table 3-884. CM_L4CFG_MAILBOX11_CLKCTRL

Address Offset	0x0000 0690	Instance	CM_CORE__CORE
Physical Address	0x4A00 8D90		
Description	This register manages the MAILBOX11 clocks.		
Type	R		

31	30	29	28	27	26	25	24	23	22	21	20	19	18	17	16	15	14	13	12	11	10	9	8	7	6	5	4	3	2	1	0
RESERVED																IDLEST		RESERVED										MODULEMODE			

Bits	Field Name	Description	Type	Reset
31:18	RESERVED		R	0x0
17:16	IDLEST	Module idle status. [warm reset insensitive] 0x0: Module is fully functional, including OCP 0x1: Module is performing transition: wakeup, or sleep, or sleep abortion 0x2: Module is in Idle mode (only OCP part). It is functional if using separate functional clock 0x3: Module is disabled and cannot be accessed	R	0x3
15:2	RESERVED		R	0x0
1:0	MODULEMODE	Control the way mandatory clocks are managed. 0x1: Module is managed automatically by HW according to clock domain transition. A clock domain sleep transition put module into idle. A wakeup domain transition put it back into function. If CLKTRCTRL=3, any OCP access to module is always granted. Module clocks may be gated according to the clock domain state.	R	0x1

Table 3-885. Register Call Summary for Register CM_L4CFG_MAILBOX11_CLKCTRL

Clock Management Functional Description

- [Clock Domain Module Attributes: \[0\]\[1\]](#)

PRCM Register Manual

- [CM_CORE__CORE Register Summary: \[2\]](#)

Table 3-886. CM_L4CFG_MAILBOX12_CLKCTRL

Address Offset	0x0000 0698	Instance	CM_CORE__CORE
Physical Address	0x4A00 8D98		
Description	This register manages the MAILBOX12 clocks.		
Type	R		

31	30	29	28	27	26	25	24	23	22	21	20	19	18	17	16	15	14	13	12	11	10	9	8	7	6	5	4	3	2	1	0
RESERVED																IDLEST		RESERVED										MODULEMODE			

Bits	Field Name	Description	Type	Reset
31:18	RESERVED		R	0x0
17:16	IDLEST	Module idle status. [warm reset insensitive] 0x0: Module is fully functional, including OCP 0x1: Module is performing transition: wakeup, or sleep, or sleep abortion 0x2: Module is in Idle mode (only OCP part). It is functional if using separate functional clock 0x3: Module is disabled and cannot be accessed	R	0x3
15:2	RESERVED		R	0x0
1:0	MODULEMODE	Control the way mandatory clocks are managed. 0x1: Module is managed automatically by HW according to clock domain transition. A clock domain sleep transition put module into idle. A wakeup domain transition put it back into function. If CLKTRCTRL=3, any OCP access to module is always granted. Module clocks may be gated according to the clock domain state.	R	0x1

Table 3-887. Register Call Summary for Register CM_L4CFG_MAILBOX12_CLKCTRL

Clock Management Functional Description

- [Clock Domain Module Attributes: \[0\]\[1\]](#)

PRCM Register Manual

- [CM_CORE__CORE Register Summary: \[2\]](#)

Table 3-888. CM_L4CFG_MAILBOX13_CLKCTRL

Address Offset	0x0000 06A0	Instance	CM_CORE__CORE
Physical Address	0x4A00 8DA0		
Description	This register manages the MAILBOX13 clocks.		
Type	R		

31	30	29	28	27	26	25	24	23	22	21	20	19	18	17	16	15	14	13	12	11	10	9	8	7	6	5	4	3	2	1	0
RESERVED														IDLEST		RESERVED														MODULEMODE	

Bits	Field Name	Description	Type	Reset
31:18	RESERVED		R	0x0
17:16	IDLEST	Module idle status. [warm reset insensitive] 0x0: Module is fully functional, including OCP 0x1: Module is performing transition: wakeup, or sleep, or sleep abortion 0x2: Module is in Idle mode (only OCP part). It is functional if using separate functional clock 0x3: Module is disabled and cannot be accessed	R	0x3
15:2	RESERVED		R	0x0
1:0	MODULEMODE	Control the way mandatory clocks are managed. 0x1: Module is managed automatically by HW according to clock domain transition. A clock domain sleep transition put module into idle. A wakeup domain transition put it back into function. If CLKTRCTRL=3, any OCP access to module is always granted. Module clocks may be gated according to the clock domain state.	R	0x1

Table 3-889. Register Call Summary for Register CM_L4CFG_MAILBOX13_CLKCTRL

Clock Management Functional Description

- [Clock Domain Module Attributes: \[0\]\[1\]](#)

PRCM Register Manual

- [CM_CORE__CORE Register Summary: \[2\]](#)

Table 3-890. CM_L4CFG_SPARE_SMARTREFLEX_RTC_CLKCTRL

Address Offset	0x0000 06A8	Instance	CM_CORE__CORE
Physical Address	0x4A00 8DA8		
Description	This register manages the SPARE_SMARTREFLEX_RTC clocks.		
Type	R		

31	30	29	28	27	26	25	24	23	22	21	20	19	18	17	16	15	14	13	12	11	10	9	8	7	6	5	4	3	2	1	0
RESERVED														IDLEST		RESERVED														MODULEMODE	

Bits	Field Name	Description	Type	Reset
31:18	RESERVED		R	0x0
17:16	IDLEST	Module idle status. [warm reset insensitive] 0x0: Module is fully functional, including OCP 0x1: Module is performing transition: wakeup, or sleep, or sleep abortion 0x2: Module is in Idle mode (only OCP part). It is functional if using separate functional clock 0x3: Module is disabled and cannot be accessed	R	0x3
15:2	RESERVED		R	0x0
1:0	MODULEMODE	Control the way mandatory clocks are managed. 0x1: Module is managed automatically by HW according to clock domain transition. A clock domain sleep transition put module into idle. A wakeup domain transition put it back into function. If CLKTRCTRL=3, any OCP access to module is always granted. Module clocks may be gated according to the clock domain state.	R	0x1

Table 3-891. CM_L4CFG_SPARE_SMARTREFLEX_SDRAM_CLKCTRL

Address Offset	0x0000 06B0	Instance	CM_CORE__CORE
Physical Address	0x4A00 8DB0		
Description	This register manages the SPARE_SMARTREFLEX_SDRAM clocks.		
Type	R		

31	30	29	28	27	26	25	24	23	22	21	20	19	18	17	16	15	14	13	12	11	10	9	8	7	6	5	4	3	2	1	0
RESERVED								IDLEST	RESERVED								MODULEMODE														

Bits	Field Name	Description	Type	Reset
31:18	RESERVED		R	0x0
17:16	IDLEST	Module idle status. [warm reset insensitive] 0x0: Module is fully functional, including OCP 0x1: Module is performing transition: wakeup, or sleep, or sleep abortion 0x2: Module is in Idle mode (only OCP part). It is functional if using separate functional clock 0x3: Module is disabled and cannot be accessed	R	0x3
15:2	RESERVED		R	0x0
1:0	MODULEMODE	Control the way mandatory clocks are managed. 0x1: Module is managed automatically by HW according to clock domain transition. A clock domain sleep transition put module into idle. A wakeup domain transition put it back into function. If CLKTRCTRL=3, any OCP access to module is always granted. Module clocks may be gated according to the clock domain state.	R	0x1

Table 3-892. CM_L4CFG_SPARE_SMARTREFLEX_WKUP_CLKCTRL

Address Offset	0x0000 06B8	Instance	CM_CORE__CORE
Physical Address	0x4A00 8DB8		
Description	This register manages the SPARE_SMARTREFLEX_WKUP clocks.		
Type	R		

31	30	29	28	27	26	25	24	23	22	21	20	19	18	17	16	15	14	13	12	11	10	9	8	7	6	5	4	3	2	1	0
RESERVED														IDLEST		RESERVED														MODULEMODE	

Bits	Field Name	Description	Type	Reset
31:18	RESERVED		R	0x0
17:16	IDLEST	Module idle status. [warm reset insensitive] 0x0: Module is fully functional, including OCP 0x1: Module is performing transition: wakeup, or sleep, or sleep abortion 0x2: Module is in Idle mode (only OCP part). It is functional if using separate functional clock 0x3: Module is disabled and cannot be accessed	R	0x3
15:2	RESERVED		R	0x0
1:0	MODULEMODE	Control the way mandatory clocks are managed. 0x1: Module is managed automatically by HW according to clock domain transition. A clock domain sleep transition put module into idle. A wakeup domain transition put it back into function. If CLKTRCTRL=3, any OCP access to module is always granted. Module clocks may be gated according to the clock domain state.	R	0x1

Table 3-893. CM_L4CFG_IO_DELAY_BLOCK_CLKCTRL

Address Offset	0x0000 06C0	Instance	CM_CORE__CORE
Physical Address	0x4A00 8DC0		
Description	This register manages the IO_DELAY_BLOCK clocks.		
Type	R		

31	30	29	28	27	26	25	24	23	22	21	20	19	18	17	16	15	14	13	12	11	10	9	8	7	6	5	4	3	2	1	0
RESERVED														IDLEST		RESERVED														MODULEMODE	

Bits	Field Name	Description	Type	Reset
31:18	RESERVED		R	0x0
17:16	IDLEST	Module idle status. [warm reset insensitive] 0x0: Module is fully functional, including OCP 0x1: Module is performing transition: wakeup, or sleep, or sleep abortion 0x2: Module is in Idle mode (only OCP part). It is functional if using separate functional clock 0x3: Module is disabled and cannot be accessed	R	0x3
15:2	RESERVED		R	0x0
1:0	MODULEMODE	Control the way mandatory clocks are managed. 0x1: Module is managed automatically by HW according to clock domain transition. A clock domain sleep transition put module into idle. A wakeup domain transition put it back into function. If CLKTRCTRL=3, any OCP access to module is always granted. Module clocks may be gated according to the clock domain state.	R	0x1

Table 3-894. CM_L3INSTR_CLKSTCTRL

Address Offset	0x0000 0700	Instance	CM_CORE__CORE
Physical Address	0x4A00 8E00		
Description	This register enables the domain power state transition. It controls the HW supervised domain power state transition between ON-ACTIVE and ON-INACTIVE states. It also hold one status bit per clock input of the domain.		
Type	R		

31	30	29	28	27	26	25	24	23	22	21	20	19	18	17	16	15	14	13	12	11	10	9	8	7	6	5	4	3	2	1	0
RESERVED																CLKACTIVITY_L3INSTR_TS_GCLK			CLKACTIVITY_L3INSTR_DLL_AGING_GCLK			CLKACTIVITY_L3INSTR_L3_GICKL			RESERVED						CLKTRCTRL

Bits	Field Name	Description	Type	Reset
31:11	RESERVED		R	0x0
10	CLKACTIVITY_L3INSTR_TS_GCLK	This field indicates the state of the L3INSTR_TS_GCLK clock in the domain. [warm reset insensitive] 0x0: Corresponding clock is definitely gated 0x1: Corresponding clock is running or gating/ungating transition is on-going	R	0x0
9	CLKACTIVITY_L3INSTR_DLL_AGING_GCLK	This field indicates the state of the L3INSTR_DLL_AGING_GCLK clock in the domain. [warm reset insensitive] 0x0: Corresponding clock is definitely gated 0x1: Corresponding clock is running or gating/ungating transition is on-going	R	0x0

Bits	Field Name	Description	Type	Reset
8	CLKACTIVITY_L3INSTR_L3_GI CLK	This field indicates the state of the L3INSTR_L3_GICLK clock in the domain. [warm reset insensitive] 0x0: Corresponding clock is definitely gated 0x1: Corresponding clock is running or gating/ungating transition is on-going	R	0x0
7:2	RESERVED		R	0x0
1:0	CLKTRCTRL	Controls the clock state transition of the L3INSTR clock domain. 0x3: HW_AUTO: Automatic transition is enabled. Sleep and wakeup transition are based upon hardware conditions.	R	0x3

Table 3-895. Register Call Summary for Register CM_L3INSTR_CLKSTCTRL

Clock Management Functional Description

- [Clock Domain Modes: \[0\]\[1\]\[2\]\[3\]](#)

PRCM Register Manual

- [CM_CORE__CORE Register Summary: \[4\]](#)

Table 3-896. CM_L3INSTR_L3_MAIN_2_CLKCTRL

Address Offset	0x0000 0720	Instance	CM_CORE__CORE
Physical Address	0x4A00 8E20		
Description	This register manages the L3_MAIN_2 clocks. [warm reset insensitive]		
Type	RW		

31	30	29	28	27	26	25	24	23	22	21	20	19	18	17	16	15	14	13	12	11	10	9	8	7	6	5	4	3	2	1	0
RESERVED																IDLEST	RESERVED										MODULEMODE				

Bits	Field Name	Description	Type	Reset
31:18	RESERVED		R	0x0
17:16	IDLEST	Module idle status. 0x0: Module is fully functional, including OCP 0x1: Module is performing transition: wakeup, or sleep, or sleep abortion 0x2: Module is in Idle mode (only OCP part). It is functional if using separate functional clock 0x3: Module is disabled and cannot be accessed	R	0x3
15:2	RESERVED		R	0x0
1:0	MODULEMODE	Control the way mandatory clocks are managed. 0x0: Module is disabled by SW. Any OCP access to module results in an error, except if resulting from a module wakeup (asynchronous wakeup). 0x1: Module is managed automatically by HW according to clock domain transition. A clock domain sleep transition put module into idle. A wakeup domain transition put it back into function. If CLKTRCTRL=3, any OCP access to module is always granted. Module clocks may be gated according to the clock domain state. 0x2: Reserved 0x3: Reserved	RW	0x1

Table 3-897. Register Call Summary for Register CM_L3INSTR_L3_MAIN_2_CLKCTRL

Clock Management Functional Description

- [Clock Domain Module Attributes: \[0\]\[1\]](#)

PRCM Register Manual

- [CM_CORE__CORE Register Summary: \[2\]](#)
- [CM_CORE__RESTORE Register Description: \[3\]](#)

Table 3-898. CM_L3INSTR_L3_INSTR_CLKCTRL

Address Offset	0x0000 0728	Instance	CM_CORE__CORE
Physical Address	0x4A00 8E28		
Description	This register manages the L3 INSTRUMENTATION clocks. [warm reset insensitive]		
Type	RW		

31	30	29	28	27	26	25	24	23	22	21	20	19	18	17	16	15	14	13	12	11	10	9	8	7	6	5	4	3	2	1	0
RESERVED														IDLEST		RESERVED														MODULEMODE	

Bits	Field Name	Description	Type	Reset
31:18	RESERVED		R	0x0
17:16	IDLEST	Module idle status. 0x0: Module is fully functional, including OCP 0x1: Module is performing transition: wakeup, or sleep, or sleep abortion 0x2: Module is in Idle mode (only OCP part). It is functional if using separate functional clock 0x3: Module is disabled and cannot be accessed	R	0x3
15:2	RESERVED		R	0x0
1:0	MODULEMODE	Control the way mandatory clocks are managed. 0x0: Module is disabled by SW. Any OCP access to module results in an error, except if resulting from a module wakeup (asynchronous wakeup). 0x1: Module is managed automatically by HW according to clock domain transition. A clock domain sleep transition put module into idle. A wakeup domain transition put it back into function. If CLKTRCTRL=3, any OCP access to module is always granted. Module clocks may be gated according to the clock domain state. 0x2: Reserved 0x3: Reserved	RW	0x1

Table 3-899. Register Call Summary for Register CM_L3INSTR_L3_INSTR_CLKCTRL

Clock Management Functional Description

- [Clock Domain Module Attributes: \[0\]\[1\]](#)

PRCM Register Manual

- [CM_CORE__CORE Register Summary: \[2\]](#)
- [CM_CORE__RESTORE Register Description: \[3\]\[4\]](#)

Table 3-900. CM_L3INSTR_OCP_WP_NOC_CLKCTRL

Address Offset	0x0000 0740	Instance	CM_CORE__CORE
Physical Address	0x4A00 8E40		
Description	This register manages the OCP_WP_NOC clocks. [warm reset insensitive]		
Type	RW		

31	30	29	28	27	26	25	24	23	22	21	20	19	18	17	16	15	14	13	12	11	10	9	8	7	6	5	4	3	2	1	0
RESERVED														IDLEST		RESERVED														MODULEMODE	

Bits	Field Name	Description	Type	Reset
31:18	RESERVED		R	0x0
17:16	IDLEST	Module idle status. 0x0: Module is fully functional, including OCP 0x1: Module is performing transition: wakeup, or sleep, or sleep abortion 0x2: Module is in Idle mode (only OCP part). It is functional if using separate functional clock 0x3: Module is disabled and cannot be accessed	R	0x3
15:2	RESERVED		R	0x0
1:0	MODULEMODE	Control the way mandatory clocks are managed. 0x0: Module is disabled by SW. Any OCP access to module results in an error, except if resulting from a module wakeup (asynchronous wakeup). 0x1: Module is managed automatically by HW according to clock domain transition. A clock domain sleep transition put module into idle. A wakeup domain transition put it back into function. If CLKTRCTRL=3, any OCP access to module is always granted. Module clocks may be gated according to the clock domain state. 0x2: Reserved 0x3: Reserved	RW	0x1

Table 3-901. Register Call Summary for Register CM_L3INSTR_OCP_WP_NOC_CLKCTRL

Clock Management Functional Description

- [Clock Domain Module Attributes: \[0\]\[1\]](#)

PRCM Register Manual

- [CM_CORE__CORE Register Summary: \[2\]](#)
- [CM_CORE__RESTORE Register Description: \[3\]\[4\]](#)

Table 3-902. CM_L3INSTR_DLL_AGING_CLKCTRL

Address Offset	0x0000 0748	Instance	CM_CORE__CORE
Physical Address	0x4A00 8E48		
Description	This register manages the DLL_AGING clocks.		
Type	R		

31	30	29	28	27	26	25	24	23	22	21	20	19	18	17	16	15	14	13	12	11	10	9	8	7	6	5	4	3	2	1	0
RESERVED														IDLEST		RESERVED														MODULEMODE	

Bits	Field Name	Description	Type	Reset
31:18	RESERVED		R	0x0
17:16	IDLEST	Module idle status. [warm reset insensitive] 0x0: Module is fully functional, including OCP 0x1: Module is performing transition: wakeup, or sleep, or sleep abortion 0x2: Module is in Idle mode (only OCP part). It is functional if using separate functional clock 0x3: Module is disabled and cannot be accessed	R	0x3
15:2	RESERVED		R	0x0
1:0	MODULEMODE	Control the way mandatory clocks are managed. 0x1: Module is managed automatically by HW according to clock domain transition. A clock domain sleep transition put module into idle. A wakeup domain transition put it back into function. If CLKTRCTRL=3, any OCP access to module is always granted. Module clocks may be gated according to the clock domain state.	R	0x1

Table 3-903. Register Call Summary for Register CM_L3INSTR_DLL_AGING_CLKCTRL

Clock Management Functional Description

- [Clock Domain Module Attributes: \[0\]\[1\]](#)

PRCM Register Manual

- [CM_CORE__CORE Register Summary: \[2\]](#)

Table 3-904. CM_L3INSTR_CTRL_MODULE_BANDGAP_CLKCTRL

Address Offset	0x0000 0750	Instance	CM_CORE__CORE
Physical Address	0x4A00 8E50		
Description	This register manages the CTRL_MODULE_BANDGAP clock.		
Type	RW		

31	30	29	28	27	26	25	24	23	22	21	20	19	18	17	16	15	14	13	12	11	10	9	8	7	6	5	4	3	2	1	0
RESERVED							CLKSEL	RESERVED							IDLEST	RESERVED														MODULEMODE	

Bits	Field Name	Description	Type	Reset
31:26	RESERVED		R	0x0
25:24	CLKSEL	Selects the divider value for generating the Thermal Sensor clock from WKUPAON_ICLK source. The divider has to be selected so as to guarantee a frequency between 1MHz and 2MHz. 0x0: Divide by 8 0x1: Divide by 16 0x2: Divide by 32 0x3: Reserved	RW	0x2
23:18	RESERVED		R	0x0
17:16	IDLEST	Module idle status. [warm reset insensitive] 0x0: Module is fully functional, including OCP 0x1: Module is performing transition: wakeup, or sleep, or sleep abortion 0x2: Module is in Idle mode (only OCP part). It is functional if using separate functional clock 0x3: Module is disabled and cannot be accessed	R	0x3
15:2	RESERVED		R	0x0
1:0	MODULEMODE	Control the way mandatory clocks are managed. 0x1: Module is managed automatically by HW according to clock domain transition. A clock domain sleep transition put module into idle. A wakeup domain transition put it back into function. If CLKTRCTRL=3, any OCP access to module is always granted. Module clocks may be gated according to the clock domain state.	R	0x1

**Table 3-905. Register Call Summary for Register
CM_L3INSTR_CTRL_MODULE_BANDGAP_CLKCTRL**

Clock Management Functional Description

- [PRM Clock Source: \[0\]](#)
- [Clock Domain Module Attributes: \[1\]\[2\]](#)

PRCM Register Manual

- [CM_CORE__CORE Register Summary: \[3\]](#)

3.12.21 CM_CORE__CUSTEFUSE Registers

3.12.21.1 CM_CORE__CUSTEFUSE Register Summary

Table 3-906. CM_CORE__CUSTEFUSE Registers Mapping Summary

Register Name	Type	Register Width (Bits)	Address Offset	CM_CORE__CUSTEFUSE SE Physical Address L4_CFG Interconnect
CM_CUSTEFUSE_CLKSTCTRL	RW	32	0x0000 0000	0x4A00 9600
CM_CUSTEFUSE_EFUSE_CTRL_CUST_CLKCTRL	RW	32	0x0000 0020	0x4A00 9620

3.12.21.2 CM_CORE__CUSTEFUSE Register Description
Table 3-907. CM_CUSTEFUSE_CLKSTCTRL

Address Offset	0x0000 0000	Instance	CM_CORE__CUSTEFUSE
Physical Address	0x4A00 9600		
Description	This register enables the domain power state transition. It controls the HW supervised domain power state transition between ON-ACTIVE and ON-INACTIVE states. It also hold one status bit per clock input of the domain.		
Type	RW		

31	30	29	28	27	26	25	24	23	22	21	20	19	18	17	16	15	14	13	12	11	10	9	8	7	6	5	4	3	2	1	0
RESERVED																CLKACTIVITY_CUSTEFUSE_SYS_GFCLK		CLKACTIVITY_CUSTEFUSE_L4_GICLK		RESERVED						CLKTRCTRL					

Bits	Field Name	Description	Type	Reset
31:10	RESERVED		R	0x0
9	CLKACTIVITY_CUSTEFUSE_SY S_GFCLK	This field indicates the state of the CUSTEFUSE_SYS_GFCLK clock input of the domain. [warm reset insensitive] 0x0: Corresponding clock is definitely gated 0x1: Corresponding clock is running or gating/ungating transition is on-going	R	0x0
8	CLKACTIVITY_CUSTEFUSE_L4 _GICLK	This field indicates the state of the L4_CUSTEFUSE_GICLK clock input of the domain. [warm reset insensitive] 0x0: Corresponding clock is definitely gated 0x1: Corresponding clock is running or gating/ungating transition is on-going	R	0x0
7:2	RESERVED		R	0x0
1:0	CLKTRCTRL	Controls the clock state transition of the CUSTEFUSE clock domain. 0x0: NO_SLEEP: Sleep transition cannot be initiated. Wakeup transition may however occur. 0x1: Reserved 0x2: SW_WKUP: Start a software forced wake-up transition on the domain. 0x3: HW_AUTO: Automatic transition is enabled. Sleep and wakeup transition are based upon hardware conditions.	RW	0x3

Table 3-908. Register Call Summary for Register CM_CUSTEFUSE_CLKSTCTRL

Clock Management Functional Description

- [Clock Domain Modes: \[0\]\[1\]\[2\]](#)

PRCM Register Manual

- [CM_CORE__CUSTEFUSE Register Summary: \[3\]](#)

Table 3-909. CM_CUSTEFUSE_EFUSE_CTRL_CUST_CLKCTRL

Address Offset	0x0000 0020	Instance	CM_CORE__CUSTEFUSE
Physical Address	0x4A00 9620		
Description	This register manages the CUSTEFUSE clocks.		
Type	RW		

31	30	29	28	27	26	25	24	23	22	21	20	19	18	17	16	15	14	13	12	11	10	9	8	7	6	5	4	3	2	1	0
RESERVED														IDLEST		RESERVED														MODULEMODE	

Bits	Field Name	Description	Type	Reset
31:18	RESERVED		R	0x0
17:16	IDLEST	Module idle status. [warm reset insensitive] 0x0: Module is fully functional, including OCP 0x1: Module is performing transition: wakeup, or sleep, or sleep abortion 0x2: Module is in Idle mode (only OCP part). It is functional if using separate functional clock 0x3: Module is disabled and cannot be accessed	R	0x3
15:2	RESERVED		R	0x0
1:0	MODULEMODE	Control the way mandatory clocks are managed. 0x0: Module is disabled by SW. Any OCP access to module results in an error, except if resulting from a module wakeup (asynchronous wakeup). 0x1: Reserved 0x2: Module is explicitly enabled. Interface clock (if not used for functions) may be gated according to the clock domain state. Functional clocks are guaranteed to stay present. As long as in this configuration, power domain sleep transition cannot happen. 0x3: Reserved	RW	0x0

Table 3-910. Register Call Summary for Register CM_CUSTEFUSE_EFUSE_CTRL_CUST_CLKCTRL

Clock Management Functional Description

- [Clock Domain Module Attributes: \[0\]\[1\]](#)

PRCM Register Manual

- [CM_CORE__CUSTEFUSE Register Summary: \[2\]](#)

3.12.22 CM_CORE__DSS Registers

3.12.22.1 CM_CORE__DSS Register Summary

Table 3-911. CM_CORE__DSS Registers Mapping Summary

Register Name	Type	Register Width (Bits)	Address Offset	CM_CORE__DSS Physical Address L4_CFG Interconnect
CM_DSS_CLKSTCTRL	RW	32	0x0000 0000	0x4A00 9100
CM_DSS_STATICDEP	RW	32	0x0000 0004	0x4A00 9104
CM_DSS_DYNAMICDEP	R	32	0x0000 0008	0x4A00 9108
CM_DSS_DSS_CLKCTRL	RW	32	0x0000 0020	0x4A00 9120
CM_DSS_BB2D_CLKCTRL	RW	32	0x0000 0030	0x4A00 9130
CM_DSS_SDVENC_CLKCTRL	RW	32	0x0000 003C	0x4A00 913C

3.12.22.2 CM_CORE__DSS Register Description

Table 3-912. CM_DSS_CLKSTCTRL

Address Offset	0x0000 0000	Instance	CM_CORE__DSS
Physical Address	0x4A00 9100		
Description	This register enables the DSS domain power state transition. It controls the HW supervised domain power state transition between ON-ACTIVE and ON-INACTIVE states. It also hold one status bit per clock input of the domain.		
Type	RW		

31	30	29	28	27	26	25	24	23	22	21	20	19	18	17	16	15	14	13	12	11	10	9	8	7	6	5	4	3	2	1	0
RESERVED								CLKACTIVITY_HDMI_PHY_GFCLK	CLKACTIVITY_HDMI_CEC_GFCLK	CLKACTIVITY_DSS_SYS_GFCLK	CLKACTIVITY_DSS_L4_GICLK	CLKACTIVITY_SDVENC_GFCLK	CLKACTIVITY_BB2D_GFCLK	CLKACTIVITY_VIDEO2_DPLL_CLK	CLKACTIVITY_HDMI_DPLL_CLK	CLKACTIVITY_VIDEO1_DPLL_CLK	CLKACTIVITY_DSS_GFCLK	CLKACTIVITY_DSS_L3_GICLK	RESERVED								CLKTRCTRL				

Bits	Field Name	Description	Type	Reset
31:19	RESERVED		R	0x0
18	CLKACTIVITY_HDMI_PHY_GFLK	This field indicates the state of the HDMI_PHY_GFCLK clock in the domain. [warm reset insensitive] 0x0: Corresponding clock is definitely gated 0x1: Corresponding clock is running or gating/ungating transition is on-going	R	0x0

Bits	Field Name	Description	Type	Reset
17	CLKACTIVITY_HDMI_CEC_GFCLK	This field indicates the state of the HDMI_CEC_GFCLK clock in the domain. [warm reset insensitive] 0x0: Corresponding clock is definitely gated 0x1: Corresponding clock is running or gating/ungating transition is on-going	R	0x0
16	CLKACTIVITY_DSS_SYS_GFCLK	This field indicates the state of the DSS_SYS_GFCLK clock in the domain. [warm reset insensitive] 0x0: Corresponding clock is definitely gated 0x1: Corresponding clock is running or gating/ungating transition is on-going	R	0x0
15	CLKACTIVITY_DSS_L4_GICLK	This field indicates the state of the DSS_L4_GICLK clock in the domain. [warm reset insensitive] 0x0: Corresponding clock is definitely gated 0x1: Corresponding clock is running or gating/ungating transition is on-going	R	0x0
14	CLKACTIVITY_SDVENC_GFCLK	This field indicates the state of the SDVENC_GFCLK clock in the domain. [warm reset insensitive] 0x0: Corresponding clock is definitely gated 0x1: Corresponding clock is running or gating/ungating transition is on-going	R	0x0
13	CLKACTIVITY_BB2D_GFCLK	This field indicates the state of the BB2D_GFCLK clock in the domain. [warm reset insensitive] 0x0: Corresponding clock is definitely gated 0x1: Corresponding clock is running or gating/ungating transition is on-going	R	0x0
12	CLKACTIVITY_VIDEO2_DPLL_CLK	This field indicates the state of the VIDEO2_PHY_GFCLK clock in the domain. [warm reset insensitive] 0x0: Corresponding clock is definitely gated 0x1: Corresponding clock is running or gating/ungating transition is on-going	R	0x0
11	CLKACTIVITY_HDMI_DPLL_CLK	This field indicates the state of the HDMI_DPLL_CLK clock in the domain. [warm reset insensitive] 0x0: Corresponding clock is definitely gated 0x1: Corresponding clock is running or gating/ungating transition is on-going	R	0x0
10	CLKACTIVITY_VIDEO1_DPLL_CLK	This field indicates the state of the VIDEO1_DPLL_CLK clock in the domain. [warm reset insensitive] 0x0: Corresponding clock is definitely gated 0x1: Corresponding clock is running or gating/ungating transition is on-going	R	0x0
9	CLKACTIVITY_DSS_GFCLK	This field indicates the state of the DSS_GFCLK clock in the domain. [warm reset insensitive] 0x0: Corresponding clock is definitely gated 0x1: Corresponding clock is running or gating/ungating transition is on-going	R	0x0
8	CLKACTIVITY_DSS_L3_GICLK	This field indicates the state of the DSS_L3_GICLK clock in the domain. [warm reset insensitive] 0x0: Corresponding clock is definitely gated 0x1: Corresponding clock is running or gating/ungating transition is on-going	R	0x0
7:2	RESERVED		R	0x0

Bits	Field Name	Description	Type	Reset
1:0	CLKTRCTRL	Controls the clock state transition of the DSS clock domain. 0x0: NO_SLEEP: Sleep transition cannot be initiated. Wakeup transition may however occur. 0x1: SW_SLEEP: Start a software forced sleep transition on the domain. 0x2: SW_WKUP: Start a software forced wake-up transition on the domain. 0x3: HW_AUTO: Automatic transition is enabled. Sleep and wakeup transition are based upon hardware conditions.	RW	0x3

Table 3-913. Register Call Summary for Register CM_DSS_CLKSTCTRL

Clock Management Functional Description

- [Clock Domain Modes: \[0\]\[2\]\[3\]\[4\]\[5\]\[7\]\[8\]\[9\]\[10\]](#)

PRCM Register Manual

- [Not Supported Functionality \(Registers and Bits\): \[11\]\[12\]\[13\]](#)
- [CM_CORE__DSS Register Summary: \[14\]](#)

Table 3-914. CM_DSS_STATICDEP

Address Offset	0x0000 0004	Instance	CM_CORE__DSS
Physical Address	0x4A00 9104		
Description	This register controls the static domain dependencies from DSS domain towards 'target' domains. It is relevant only for domain having system initiator(s).		
Type	RW		

31	30	29	28	27	26	25	24	23	22	21	20	19	18	17	16	15	14	13	12	11	10	9	8	7	6	5	4	3	2	1	0
RESERVED																L3MAIN1_STATDEP	EMIF_STATDEP	RESERVED	IVA_STATDEP	RESERVED											

Bits	Field Name	Description	Type	Reset
31:6	RESERVED		R	0x0
5	L3MAIN1_STATDEP	Static dependency towards L3MAIN1 clock domain 0x1: Dependency is enabled	R	0x1
4	EMIF_STATDEP	Static dependency towards EMIF clock domain 0x0: Dependency is disabled 0x1: Dependency is enabled	RW	0x0
3	RESERVED		R	0x0
2	IVA_STATDEP	Static dependency towards IVA clock domain 0x0: Dependency is disabled 0x1: Dependency is enabled	RW	0x0
1:0	RESERVED		R	0x0

Table 3-915. Register Call Summary for Register CM_DSS_STATICDEP

Clock Management Functional Description

- [Clock Domain Dependency: \[0\]\[1\]\[2\]](#)

PRCM Register Manual

- [CM_CORE__DSS Register Summary: \[3\]](#)

Table 3-916. CM_DSS_DYNAMICDEP

Address Offset	0x0000 0008	Instance	CM_CORE__DSS
Physical Address	0x4A00 9108		
Description	This register controls the dynamic domain dependencies from DSS domain towards 'target' domains. It is relevant only for domain having OCP master port(s).		
Type	R		

31	30	29	28	27	26	25	24	23	22	21	20	19	18	17	16	15	14	13	12	11	10	9	8	7	6	5	4	3	2	1	0
RESERVED																L3MAIN1_DYNDEP		RESERVED													

Bits	Field Name	Description	Type	Reset
31:6	RESERVED		R	0x0
5	L3MAIN1_DYNDEP	Dynamic dependency towards L3MAIN1 domain 0x0: Dependency is disabled	R	0x0
4:0	RESERVED		R	0x0

Table 3-917. Register Call Summary for Register CM_DSS_DYNAMICDEP

Clock Management Functional Description

- [Clock Domain Dependency: \[0\]](#)

PRCM Register Manual

- [CM_CORE__DSS Register Summary: \[1\]](#)

Table 3-918. CM_DSS_DSS_CLKCTRL

Address Offset	0x0000 0020	Instance	CM_CORE__DSS
Physical Address	0x4A00 9120		
Description	This register manages the DSS clocks.		
Type	RW		

31	30	29	28	27	26	25	24	23	22	21	20	19	18	17	16	15	14	13	12	11	10	9	8	7	6	5	4	3	2	1	0														
RESERVED																STBYST		IDLEST		RESERVED		OPTFCLKEN_VIDEO2_CLK		OPTFCLKEN_VIDEO1_CLK		OPTFCLKEN_32KHZ_CLK		OPTFCLKEN_HDMI_CLK		OPTFCLKEN_48MHZ_CLK		OPTFCLKEN_DSSCLK		RESERVED										MODULEMODE	

Bits	Field Name	Description	Type	Reset
31:19	RESERVED		R	0x0
18	STBYST	Module standby status. [warm reset insensitive] 0x0: Module is functional (not in standby) 0x1: Module is in standby	R	0x1
17:16	IDLEST	Module idle status. [warm reset insensitive] 0x0: Module is fully functional, including OCP 0x1: Module is performing transition: wakeup, or sleep, or sleep abortion 0x2: Module is in Idle mode (only OCP part). It is functional if using separate functional clock 0x3: Module is disabled and cannot be accessed	R	0x3
15:14	RESERVED		R	0x0
13	OPTFCLKEN_VIDEO2_CLK	Optional functional clock control. 0x0: Optional functional clock is disabled 0x1: Optional functional clock is enabled	RW	0x0
12	OPTFCLKEN_VIDEO1_CLK	Optional functional clock control. 0x0: Optional functional clock is disabled 0x1: Optional functional clock is enabled	RW	0x0
11	OPTFCLKEN_32KHZ_CLK	Optional functional clock control. 0x0: Optional functional clock is disabled 0x1: Optional functional clock is enabled	RW	0x0
10	OPTFCLKEN_HDMI_CLK	Optional functional clock control. 0x0: Optional functional clock is disabled 0x1: Optional functional clock is enabled	RW	0x0
9	OPTFCLKEN_48MHZ_CLK	Optional functional clock control. 0x0: Optional functional clock is disabled 0x1: Optional functional clock is enabled	RW	0x0
8	OPTFCLKEN_DSSCLK	Optional functional clock control. 0x0: Optional functional clock is disabled 0x1: Optional functional clock is enabled	RW	0x0
7:2	RESERVED		R	0x0
1:0	MODULEMODE	Control the way mandatory clocks are managed. 0x0: Module is disabled by SW. Any OCP access to module results in an error, except if resulting from a module wakeup (asynchronous wakeup). 0x1: Reserved 0x2: Module is explicitly enabled. Interface clock (if not used for functions) may be gated according to the clock domain state. Functional clocks are guaranteed to stay present. As long as in this configuration, power domain sleep transition cannot happen. 0x3: Reserved	RW	0x0

Table 3-919. Register Call Summary for Register CM_DSS_DSS_CLKCTRL

Clock Management Functional Description

- [Clock Domain Modes: \[0\]\[2\]\[3\]\[4\]\[5\]](#)
- [Clock Domain Module Attributes: \[6\]\[7\]\[8\]](#)

PRCM Register Manual

- [Not Supported Functionality \(Registers and Bits\): \[9\]](#)
- [CM_CORE__DSS Register Summary: \[10\]](#)

Table 3-920. CM_DSS_BB2D_CLKCTRL

Address Offset	0x0000 0030	Instance	CM_CORE__DSS
Physical Address	0x4A00 9130		
Description	This register manages the BB2D clocks.		
Type	RW		

31	30	29	28	27	26	25	24	23	22	21	20	19	18	17	16	15	14	13	12	11	10	9	8	7	6	5	4	3	2	1	0
RESERVED													STBYST		IDLEST		RESERVED													MODULEMODE	

Bits	Field Name	Description	Type	Reset
31:19	RESERVED		R	0x0
18	STBYST	Module standby status. [warm reset insensitive] 0x0: Module is functional (not in standby) 0x1: Module is in standby	R	0x1
17:16	IDLEST	Module idle status. [warm reset insensitive] 0x0: Module is fully functional, including OCP 0x1: Module is performing transition: wakeup, or sleep, or sleep abortion 0x2: Module is in Idle mode (only OCP part). It is functional if using separate functional clock 0x3: Module is disabled and cannot be accessed	R	0x3
15:2	RESERVED		R	0x0
1:0	MODULEMODE	Control the way mandatory clocks are managed. 0x0: Module is disabled by SW. Any OCP access to module results in an error, except if resulting from a module wakeup (asynchronous wakeup). 0x1: Reserved 0x2: Module is explicitly enabled. Interface clock (if not used for functions) may be gated according to the clock domain state. Functional clocks are guaranteed to stay present. As long as in this configuration, power domain sleep transition cannot happen. 0x3: Reserved	RW	0x0

Table 3-921. Register Call Summary for Register CM_DSS_BB2D_CLKCTRL

Clock Management Functional Description

- [Clock Domain Module Attributes: \[0\]\[1\]\[2\]](#)

PRCM Register Manual

- [CM_CORE__DSS Register Summary: \[3\]](#)

Table 3-922. CM_DSS_SDVENC_CLKCTRL

Address Offset	0x0000 003C	Instance	CM_CORE__DSS
Physical Address	0x4A00 913C		
Description	This register manages the SDVENC clocks.		
Type	RW		

31	30	29	28	27	26	25	24	23	22	21	20	19	18	17	16	15	14	13	12	11	10	9	8	7	6	5	4	3	2	1	0				
RESERVED																IDLEST		RESERVED																MODULEMODE	

Bits	Field Name	Description	Type	Reset
31:18	RESERVED		R	0x0
17:16	IDLEST	Module idle status. [warm reset insensitive] 0x0: Module is fully functional, including OCP 0x1: Module is performing transition: wakeup, or sleep, or sleep abortion 0x2: Module is in Idle mode (only OCP part). It is functional if using separate functional clock 0x3: Module is disabled and cannot be accessed	R	0x3
15:2	RESERVED		R	0x0
1:0	MODULEMODE	Control the way mandatory clocks are managed. 0x0: Module is disabled by SW. Any OCP access to module results in an error, except if resulting from a module wakeup (asynchronous wakeup). 0x1: Reserved 0x2: Module is explicitly enabled. Interface clock (if not used for functions) may be gated according to the clock domain state. Functional clocks are guaranteed to stay present. As long as in this configuration, power domain sleep transition cannot happen. 0x3: Reserved	RW	0x0

3.12.23 CM_CORE__GPU Registers

3.12.23.1 CM_CORE__GPU Register Summary

Table 3-923. CM_CORE__GPU Registers Mapping Summary

Register Name	Type	Register Width (Bits)	Address Offset	CM_CORE__GPU Physical Address L4_CFG Interconnect
CM_GPU_CLKSTCTRL	RW	32	0x0000 0000	0x4A00 9200
CM_GPU_STATICDEP	RW	32	0x0000 0004	0x4A00 9204
CM_GPU_DYNAMICDEP	R	32	0x0000 0008	0x4A00 9208
CM_GPU_GPU_CLKCTRL	RW	32	0x0000 0020	0x4A00 9220

3.12.23.2 CM_CORE__GPU Register Description

Table 3-924. CM_GPU_CLKSTCTRL

Address Offset	0x0000 0000	Instance	CM_CORE__GPU
Physical Address	0x4A00 9200		
Description	This register enables the GPU domain power state transition. It controls the HW supervised domain power state transition between ON-ACTIVE and ON-INACTIVE states. It also hold one status bit per clock input of the domain.		
Type	RW		

31	30	29	28	27	26	25	24	23	22	21	20	19	18	17	16	15	14	13	12	11	10	9	8	7	6	5	4	3	2	1	0
RESERVED																CLKACTIVITY_GPU_HYD_GCLK			CLKACTIVITY_GPU_CORE_GCLK			CLKACTIVITY_GPU_L3_GICLK			RESERVED				CLKTRCTRL		

Bits	Field Name	Description	Type	Reset
31:11	RESERVED		R	0x0
10	CLKACTIVITY_GPU_HYD_GCLK	This field indicates the state of the GPU_HYD_GCLK clock in the domain. [warm reset insensitive] 0x0: Corresponding clock is definitely gated 0x1: Corresponding clock is running or gating/ungating transition is on-going	R	0x0
9	CLKACTIVITY_GPU_CORE_GCLK	This field indicates the state of the GPU_CORE_GCLK clock in the domain. [warm reset insensitive] 0x0: Corresponding clock is definitely gated 0x1: Corresponding clock is running or gating/ungating transition is on-going	R	0x0
8	CLKACTIVITY_GPU_L3_GICLK	This field indicates the state of the GPU_L3_GICLK clock in the domain. [warm reset insensitive] 0x0: Corresponding clock is definitely gated 0x1: Corresponding clock is running or gating/ungating transition is on-going	R	0x0
7:2	RESERVED		R	0x0
1:0	CLKTRCTRL	Controls the clock state transition of the GPU clock domain. 0x0: NO_SLEEP: Sleep transition cannot be initiated. Wakeup transition may however occur. 0x1: SW_SLEEP: Start a software forced sleep transition on the domain. 0x2: SW_WKUP: Start a software forced wake-up transition on the domain. 0x3: HW_AUTO: Automatic transition is enabled. Sleep and wakeup transition are based upon hardware conditions.	RW	0x3

Table 3-925. Register Call Summary for Register CM_GPU_CLKSTCTRL

Clock Management Functional Description

- [Clock Domain Modes: \[0\]\[1\]\[2\]\[3\]](#)

PRCM Register Manual

- [CM_CORE__GPU Register Summary: \[4\]](#)

Table 3-926. CM_GPU_STATICDEP

Address Offset	0x0000 0004	Instance	CM_CORE__GPU
Physical Address	0x4A00 9204		
Description	This register controls the static domain dependencies from GPU domain towards 'target' domains. It is relevant only for domain having system initiator(s).		
Type	RW		

31	30	29	28	27	26	25	24	23	22	21	20	19	18	17	16	15	14	13	12	11	10	9	8	7	6	5	4	3	2	1	0
RESERVED																L3MAIN1_STATDEP	EMIF_STATDEP	RESERVED	IVA_STATDEP	RESERVED											

Bits	Field Name	Description	Type	Reset
31:6	RESERVED		R	0x0
5	L3MAIN1_STATDEP	Static dependency towards L3MAIN1 clock domain 0x1: Dependency is enabled	R	0x1
4	EMIF_STATDEP	Static dependency towards EMIF clock domain 0x0: Dependency is disabled 0x1: Dependency is enabled	RW	0x0
3	RESERVED		R	0x0
2	IVA_STATDEP	Static dependency towards IVA clock domain 0x0: Dependency is disabled 0x1: Dependency is enabled	RW	0x0
1:0	RESERVED		R	0x0

Table 3-927. Register Call Summary for Register CM_GPU_STATICDEP

Clock Management Functional Description

- [Clock Domain Dependency: \[0\]\[1\]\[2\]](#)

PRCM Register Manual

- [CM_CORE__GPU Register Summary: \[3\]](#)

Table 3-928. CM_GPU_DYNAMICDEP

Address Offset	0x0000 0008	Instance	CM_CORE__GPU
Physical Address	0x4A00 9208		
Description	This register controls the dynamic domain dependencies from GPU domain towards 'target' domains. It is relevant only for domain having OCP master port(s).		
Type	R		

31	30	29	28	27	26	25	24	23	22	21	20	19	18	17	16	15	14	13	12	11	10	9	8	7	6	5	4	3	2	1	0
RESERVED																L3MAIN1_DYNDEP		RESERVED													

Bits	Field Name	Description	Type	Reset
31:7	RESERVED		R	0x0
6	L3MAIN1_DYNDEP	Dynamic dependency towards L3MAIN1 clock domain 0x0: Dependency is disabled	R	0x0
5:0	RESERVED		R	0x0

Table 3-929. Register Call Summary for Register CM_GPU_DYNAMICDEP

Clock Management Functional Description

- [Clock Domain Dependency: \[0\]](#)

PRCM Register Manual

- [CM_CORE__GPU Register Summary: \[1\]](#)

Table 3-930. CM_GPU_GPU_CLKCTRL

Address Offset	0x0000 0020	Instance	CM_CORE__GPU
Physical Address	0x4A00 9220		
Description	This register manages the GPU clocks.		
Type	RW		

31	30	29	28	27	26	25	24	23	22	21	20	19	18	17	16	15	14	13	12	11	10	9	8	7	6	5	4	3	2	1	0
RESERVED				CLKSEL_HYD_CLK	CLKSEL_CORE_CLK	RESERVED				STBYST	IDLEST	RESERVED										MODULEMODE									

Bits	Field Name	Description	Type	Reset
31:28	RESERVED		R	0x0
27:26	CLKSEL_HYD_CLK	Select the source of the functional clock 0x0: Selects the CORE_GPU_CLK as the source 0x1: Selects the PER_GPU_CLK 0x2: Selects GPU_GCLK 0x3: RESERVED	RW	0x0

Bits	Field Name	Description	Type	Reset
25:24	CLKSEL_CORE_CLK	Select the source of the functional clock 0x0: Selects the CORE_GPU_CLK as the source 0x1: Selects the PER_GPU_CLK 0x2: Selects GPU_GCLK 0x3: RESERVED	RW	0x0
23:19	RESERVED		R	0x0
18	STBYST	Module standby status. [warm reset insensitive] 0x0: Module is functional (not in standby) 0x1: Module is in standby	R	0x1
17:16	IDLEST	Module idle status. [warm reset insensitive] 0x0: Module is fully functional, including OCP 0x1: Module is performing transition: wakeup, or sleep, or sleep abortion 0x2: Module is in Idle mode (only OCP part). It is functional if using separate functional clock 0x3: Module is disabled and cannot be accessed	R	0x3
15:2	RESERVED		R	0x0
1:0	MODULEMODE	Control the way mandatory clocks are managed. 0x0: Module is disabled by SW. Any OCP access to module results in an error, except if resulting from a module wakeup (asynchronous wakeup). 0x1: Reserved 0x2: Module is explicitly enabled. Interface clock (if not used for functions) may be gated according to the clock domain state. Functional clocks are guaranteed to stay present. As long as in this configuration, power domain sleep transition cannot happen. 0x3: Reserved	RW	0x0

Table 3-931. Register Call Summary for Register CM_GPU_GPU_CLKCTRL

Clock Management Functional Description

- [CM_CORE_AON Clock Generator: \[0\]\[1\]](#)
- [Clock Domain Modes: \[2\]\[3\]](#)
- [Clock Domain Module Attributes: \[4\]\[5\]\[6\]](#)

PRCM Register Manual

- [CM_CORE__GPU Register Summary: \[7\]](#)

3.12.24 CM_CORE__IVA Registers

3.12.24.1 CM_CORE__IVA Register Summary

Table 3-932. CM_CORE__IVA Registers Mapping Summary

Register Name	Type	Register Width (Bits)	Address Offset	CM_CORE__IVA Physical Address L4_CFG Interconnect
CM_IVA_CLKSTCTRL	RW	32	0x0000 0000	0x4A00 8F00
CM_IVA_STATICDEP	RW	32	0x0000 0004	0x4A00 8F04
CM_IVA_DYNAMICDEP	R	32	0x0000 0008	0x4A00 8F08
CM_IVA_IVA_CLKCTRL	RW	32	0x0000 0020	0x4A00 8F20
CM_IVA_SL2_CLKCTR L	RW	32	0x0000 0028	0x4A00 8F28

3.12.24.2 CM_CORE__IVA Register Description

Table 3-933. CM_IVA_CLKSTCTRL

Address Offset	0x0000 0000	Instance	CM_CORE__IVA
Physical Address	0x4A00 8F00		
Description	This register enables the IVA domain power state transition. It controls the HW supervised domain power state transition between ON-ACTIVE and ON-INACTIVE states. It also hold one status bit per clock input of the domain.		
Type	RW		

31	30	29	28	27	26	25	24	23	22	21	20	19	18	17	16	15	14	13	12	11	10	9	8	7	6	5	4	3	2	1	0
RESERVED																CLKACTIVITY_IVA_GCLK	RESERVED							CLKTRCTRL							

Bits	Field Name	Description	Type	Reset
31:9	RESERVED		R	0x0
8	CLKACTIVITY_IVA_GCLK	This field indicates the state of the IVA_ROOT_CLK clock input of the domain. [warm reset insensitive] 0x0: Corresponding clock is definitely gated 0x1: Corresponding clock is running or gating/ungating transition is on-going	R	0x0
7:2	RESERVED		R	0x0
1:0	CLKTRCTRL	Controls the clock state transition of the IVA clock domain. 0x0: NO_SLEEP: Sleep transition cannot be initiated. Wakeup transition may however occur. 0x1: SW_SLEEP: Start a software forced sleep transition on the domain. 0x2: SW_WKUP: Start a software forced wake-up transition on the domain. 0x3: HW_AUTO: Automatic transition is enabled. Sleep and wakeup transition are based upon hardware conditions.	RW	0x3

Table 3-934. Register Call Summary for Register CM_IVA_CLKSTCTRL

Reset Management Functional Description

- [IVA Subsystem Software Warm Reset Sequence: \[0\]](#)

Clock Management Functional Description

- [Clock Domain Modes: \[1\]\[2\]](#)

PRCM Register Manual

- [CM_CORE__IVA Register Summary: \[3\]](#)

Table 3-935. CM_IVA_STATICDEP

Address Offset	0x0000 0004	Instance	CM_CORE__IVA
Physical Address	0x4A00 8F04		
Description	This register controls the static domain dependencies from IVA domain towards 'target' domains. It is relevant only for domain having system initiator(s).		
Type	RW		

31	30	29	28	27	26	25	24	23	22	21	20	19	18	17	16	15	14	13	12	11	10	9	8	7	6	5	4	3	2	1	0
RESERVED																L3MAIN1_STATDEP		EMIF_STATDEP		RESERVED											

Bits	Field Name	Description	Type	Reset
31:6	RESERVED		R	0x0
5	L3MAIN1_STATDEP	Static dependency towards L3MAIN1 clock domain 0x1: Dependency is enabled	R	0x1
4	EMIF_STATDEP	Static dependency towards EMIF clock domain 0x0: Dependency is disabled 0x1: Dependency is enabled	RW	0x0
3:0	RESERVED		R	0x0

Table 3-936. Register Call Summary for Register CM_IVA_STATICDEP

Clock Management Functional Description

- [Clock Domain Dependency: \[0\]\[1\]](#)

PRCM Register Manual

- [CM_CORE__IVA Register Summary: \[2\]](#)

Table 3-937. CM_IVA_DYNAMICDEP

Address Offset	0x0000 0008	Instance	CM_CORE__IVA
Physical Address	0x4A00 8F08		
Description	This register controls the dynamic domain dependencies from IVA domain towards 'target' domains. It is relevant only for domain having OCP master port(s).		
Type	R		

31	30	29	28	27	26	25	24	23	22	21	20	19	18	17	16	15	14	13	12	11	10	9	8	7	6	5	4	3	2	1	0
RESERVED																L3MAIN1_DYNDEP		RESERVED													

Bits	Field Name	Description	Type	Reset
31:6	RESERVED		R	0x0
5	L3MAIN1_DYNDEP	Dynamic dependency towards L3MAIN1 clock domain 0x0: Dependency is disabled	R	0x0

Bits	Field Name	Description	Type	Reset
4:0	RESERVED		R	0x0

Table 3-938. Register Call Summary for Register CM_IVA_DYNAMICDEP

Clock Management Functional Description

- [Clock Domain Dependency: \[0\]](#)

PRCM Register Manual

- [CM_CORE__IVA Register Summary: \[1\]](#)

Table 3-939. CM_IVA_IVA_CLKCTRL

Address Offset	0x0000 0020	Instance	CM_CORE__IVA
Physical Address	0x4A00 8F20		
Description	This register manages the IVA clocks.		
Type	RW		

31	30	29	28	27	26	25	24	23	22	21	20	19	18	17	16	15	14	13	12	11	10	9	8	7	6	5	4	3	2	1	0
RESERVED								STBYST	IDLEST	RESERVED								MODULEMODE													

Bits	Field Name	Description	Type	Reset
31:19	RESERVED		R	0x0
18	STBYST	Module standby status. [warm reset insensitive] 0x0: Module is functional (not in standby) 0x1: Module is in standby	R	0x1
17:16	IDLEST	Module idle status. [warm reset insensitive] 0x0: Module is fully functional, including OCP 0x1: Module is performing transition: wakeup, or sleep, or sleep abortion 0x2: Module is in Idle mode (only OCP part). It is functional if using separate functional clock 0x3: Module is disabled and cannot be accessed	R	0x3
15:2	RESERVED		R	0x0
1:0	MODULEMODE	Control the way mandatory clocks are managed. 0x0: Module is disabled by SW. Any OCP access to module results in an error, except if resulting from a module wakeup (asynchronous wakeup). 0x1: Module is managed automatically by HW according to clock domain transition. A clock domain sleep transition put module into idle. A wakeup domain transition put it back into function. If CLKTRCTRL=3, any OCP access to module is always granted. Module clocks may be gated according to the clock domain state. 0x2: Reserved 0x3: Reserved	RW	0x0

Table 3-940. Register Call Summary for Register CM_IVA_IVA_CLKCTRL

Reset Management Functional Description
<ul style="list-style-type: none"> • IVA Subsystem Software Warm Reset Sequence: [0][1]
Clock Management Functional Description
<ul style="list-style-type: none"> • Clock Domain Module Attributes: [2][3][4]
PRCM Register Manual
<ul style="list-style-type: none"> • CM_CORE__IVA Register Summary: [5]

Table 3-941. CM_IVA_SL2_CLKCTRL

Address Offset	0x0000 0028	Instance	CM_CORE__IVA
Physical Address	0x4A00 8F28		
Description	This register manages the SL2 clocks.		
Type	RW		

31	30	29	28	27	26	25	24	23	22	21	20	19	18	17	16	15	14	13	12	11	10	9	8	7	6	5	4	3	2	1	0
RESERVED														IDLEST		RESERVED														MODULEMODE	

Bits	Field Name	Description	Type	Reset
31:18	RESERVED		R	0x0
17:16	IDLEST	Module idle status. [warm reset insensitive] 0x0: Module is fully functional, including OCP 0x1: Module is performing transition: wakeup, or sleep, or sleep abortion 0x2: Module is in Idle mode (only OCP part). It is functional if using separate functional clock 0x3: Module is disabled and cannot be accessed	R	0x3
15:2	RESERVED		R	0x0
1:0	MODULEMODE	Control the way mandatory clocks are managed. 0x0: Module is disabled by SW. Any OCP access to module results in an error, except if resulting from a module wakeup (asynchronous wakeup). 0x1: Module is managed automatically by HW according to clock domain transition. A clock domain sleep transition put module into idle. A wakeup domain transition put it back into function. If CLKTRCTRL=3, any OCP access to module is always granted. Module clocks may be gated according to the clock domain state. 0x2: Reserved 0x3: Reserved	RW	0x0

Table 3-942. Register Call Summary for Register CM_IVA_SL2_CLKCTRL

Clock Management Functional Description
<ul style="list-style-type: none"> • Clock Domain Module Attributes: [0][1]
PRCM Register Manual
<ul style="list-style-type: none"> • CM_CORE__IVA Register Summary: [2]

3.12.25 CM_CORE__L3INIT Registers

3.12.25.1 CM_CORE__L3INIT Register Summary

Table 3-943. CM_CORE__L3INIT Registers Mapping Summary

Register Name	Type	Register Width (Bits)	Address Offset	CM_CORE__L3INIT Physical Address L4_CFG Interconnect
CM_L3INIT_CLKSTCTRL	RW	32	0x0000 0000	0x4A00 9300
CM_L3INIT_STATICDEP	RW	32	0x0000 0004	0x4A00 9304
CM_L3INIT_DYNAMICDEP	R	32	0x0000 0008	0x4A00 9308
CM_L3INIT_MMC1_CLKCTRL	RW	32	0x0000 0028	0x4A00 9328
CM_L3INIT_MMC2_CLKCTRL	RW	32	0x0000 0030	0x4A00 9330
CM_L3INIT_USB_OTG_SS2_CLKCTRL	RW	32	0x0000 0040	0x4A00 9340
CM_L3INIT_USB_OTG_SS3_CLKCTRL	RW	32	0x0000 0048	0x4A00 9348
CM_L3INIT_USB_OTG_SS4_CLKCTRL	RW	32	0x0000 0050	0x4A00 9350
CM_L3INIT_MLB_SS_CKCTRL	RW	32	0x0000 0058	0x4A00 9358
CM_L3INIT_IEEE1500_2_OCP_CLKCTRL	R	32	0x0000 0078	0x4A00 9378
CM_L3INIT_SATA_CLKCTRL	RW	32	0x0000 0088	0x4A00 9388
CM_PCIE_CLKSTCTRL	RW	32	0x0000 00A0	0x4A00 93A0
CM_PCIE_STATICDEP	RW	32	0x0000 00A4	0x4A00 93A4
CM_PCIE_PCISS1_CLKCTRL	RW	32	0x0000 00B0	0x4A00 93B0
CM_PCIE_PCISS2_CLKCTRL	RW	32	0x0000 00B8	0x4A00 93B8
CM_GMAC_CLKSTCTRL	RW	32	0x0000 00C0	0x4A00 93C0
CM_GMAC_STATICDEP	RW	32	0x0000 00C4	0x4A00 93C4
CM_GMAC_DYNAMICDEP	R	32	0x0000 00C8	0x4A00 93C8
CM_GMAC_GMAC_CLKCTRL	RW	32	0x0000 00D0	0x4A00 93D0
CM_L3INIT_OCP2SCP1_CLKCTRL	RW	32	0x0000 00E0	0x4A00 93E0
CM_L3INIT_OCP2SCP3_CLKCTRL	RW	32	0x0000 00E8	0x4A00 93E8
CM_L3INIT_USB_OTG_SS1_CLKCTRL	RW	32	0x0000 00F0	0x4A00 93F0

3.12.25.2 CM_CORE__L3INIT Register Description
Table 3-944. CM_L3INIT_CLKSTCTRL

Address Offset	0x0000 0000	Instance	CM_CORE__L3INIT
Physical Address	0x4A00 9300		
Description	This register enables the domain power state transition. It controls the HW supervised domain power state transition between ON-ACTIVE and ON-INACTIVE states. It also hold one status bit per clock input of the domain.		
Type	RW		

31	30	29	28	27	26	25	24	23	22	21	20	19	18	17	16	15	14	13	12	11	10	9	8	7	6	5	4	3	2	1	0
RESERVED								CLKACTIVITY_SATA_REF_GFCLK	CLKACTIVITY_L3INIT_32K_GFCLK	CLKACTIVITY_L3INIT_960M_GFCLK	CLKACTIVITY_L3INIT_480M_GFCLK	CLKACTIVITY_USB_OTG_SS_REF_CLK	CLKACTIVITY_MLB_SYS_L3_GFCLK	CLKACTIVITY_MLB_SPB_L4_GICLK	CLKACTIVITY_MLB_SHB_L3_GICLK	CLKACTIVITY_MMC2_GFCLK	CLKACTIVITY_MMC1_GFCLK	CLKACTIVITY_HSI_GFCLK	CLKACTIVITY_USB_DPLL_HS_CLK	CLKACTIVITY_USB_DPLL_CLK	CLKACTIVITY_L3INIT_48M_GFCLK	CLKACTIVITY_L3INIT_USB_LFPS_TX_GFCLK	CLKACTIVITY_L3INIT_L4_GICLK	CLKACTIVITY_L3INIT_L3_GICLK	RESERVED						CLKTRCTRL

Bits	Field Name	Description	Type	Reset
31:25	RESERVED		R	0x0
24	CLKACTIVITY_SATA_REF_GFCLK	This field indicates the state of the SATA_REF_GFCLK clock in the domain. [warm reset insensitive] 0x0: Corresponding clock is definitely gated 0x1: Corresponding clock is running or gating/ungating transition is on-going	R	0x0
23	CLKACTIVITY_L3INIT_32K_GFCLK	This field indicates the state of the L3INIT_32K_FCLK clock in the domain. [warm reset insensitive] 0x0: Corresponding clock is definitely gated 0x1: Corresponding clock is running or gating/ungating transition is on-going	R	0x0
22	CLKACTIVITY_L3INIT_960M_GFCLK	This field indicates the state of the L3INIT_960M_GFCLK clock in the domain. [warm reset insensitive] 0x0: Corresponding clock is definitely gated 0x1: Corresponding clock is running or gating/ungating transition is on-going	R	0x0
21	CLKACTIVITY_L3INIT_480M_GFCLK	This field indicates the state of the L3INIT_480M_GFCLK clock in the domain. [warm reset insensitive] 0x0: Corresponding clock is definitely gated 0x1: Corresponding clock is running or gating/ungating transition is on-going	R	0x0
20	CLKACTIVITY_USB_OTG_SS_REF_CLK	This field indicates the state of the USB_OTG_SS_REF_CLK clock in the domain. [warm reset insensitive] 0x0: Corresponding clock is definitely gated 0x1: Corresponding clock is running or gating/ungating transition is on-going	R	0x0

Bits	Field Name	Description	Type	Reset
19	CLKACTIVITY_MLB_SYS_L3_GFCLK	This field indicates the state of the MLB_SYS_L3_GFCLK clock in the domain. [warm reset insensitive] 0x0: Corresponding clock is definitely gated 0x1: Corresponding clock is running or gating/ungating transition is on-going	R	0x0
18	CLKACTIVITY_MLB_SPB_L4_GICLK	This field indicates the state of the MLB_SPB_L4_GICLK clock in the domain. [warm reset insensitive] 0x0: Corresponding clock is definitely gated 0x1: Corresponding clock is running or gating/ungating transition is on-going	R	0x0
17	CLKACTIVITY_MLB_SHB_L3_GICLK	This field indicates the state of the MLB_SHB_L3_GICLK clock in the domain. [warm reset insensitive] 0x0: Corresponding clock is definitely gated 0x1: Corresponding clock is running or gating/ungating transition is on-going	R	0x0
16	CLKACTIVITY_MMC2_GFCLK	This field indicates the state of the MMC2 clock in the domain. [warm reset insensitive] 0x0: Corresponding clock is definitely gated 0x1: Corresponding clock is running or gating/ungating transition is on-going	R	0x0
15	CLKACTIVITY_MMC1_GFCLK	This field indicates the state of the MMC1_GFCLK clock in the domain. [warm reset insensitive] 0x0: Corresponding clock is definitely gated 0x1: Corresponding clock is running or gating/ungating transition is on-going	R	0x0
14	CLKACTIVITY_HSI_GFCLK	This field indicates the state of the HSI_GFCLK clock in the domain. [warm reset insensitive] 0x0: Corresponding clock is definitely gated 0x1: Corresponding clock is running or gating/ungating transition is on-going	R	0x0
13	CLKACTIVITY_USB_DPLL_HS_CLK	This field indicates the state of the USB_DPLL_HS_CLK clock in the domain. [warm reset insensitive] 0x0: Corresponding clock is definitely gated 0x1: Corresponding clock is running or gating/ungating transition is on-going	R	0x0
12	CLKACTIVITY_USB_DPLL_CLK	This field indicates the state of the USB_DPLL_CLK clock in the domain. [warm reset insensitive] 0x0: Corresponding clock is definitely gated 0x1: Corresponding clock is running or gating/ungating transition is on-going	R	0x0
11	CLKACTIVITY_L3INIT_48M_GFCLK	This field indicates the state of the INIT_48M_GFCLK clock in the domain. [warm reset insensitive] 0x0: Corresponding clock is definitely gated 0x1: Corresponding clock is running or gating/ungating transition is on-going	R	0x0
10	CLKACTIVITY_L3INIT_USB_LF_PS_TX_GFCLK	This field indicates the state of the L3INIT_USB_LFPS_TX_GFCLK clock in the domain. [warm reset insensitive] 0x0: Corresponding clock is definitely gated 0x1: Corresponding clock is running or gating/ungating transition is on-going	R	0x0
9	CLKACTIVITY_L3INIT_L4_GICLK	This field indicates the state of the L3INIT_L4_GICLK clock in the domain. [warm reset insensitive] 0x0: Corresponding clock is definitely gated 0x1: Corresponding clock is running or gating/ungating transition is on-going	R	0x0

Bits	Field Name	Description	Type	Reset
8	CLKACTIVITY_L3INIT_L3_GICK	This field indicates the state of the L3INIT_L3_GICK clock in the domain. [warm reset insensitive] 0x0: Corresponding clock is definitely gated 0x1: Corresponding clock is running or gating/ungating transition is on-going	R	0x0
7:2	RESERVED		R	0x0
1:0	CLKTRCTRL	Controls the clock state transition of the L3INIT clock domain. 0x0: NO_SLEEP: Sleep transition cannot be initiated. Wakeup transition may however occur. 0x1: SW_SLEEP: Start a software forced sleep transition on the domain. 0x2: SW_WKUP: Start a software forced wake-up transition on the domain. 0x3: HW_AUTO: Automatic transition is enabled. Sleep and wakeup transition are based upon hardware conditions.	RW	0x0

Table 3-945. Register Call Summary for Register CM_L3INIT_CLKSTCTRL

Clock Management Functional Description

- [Clock Domain Modes: \[0\]\[1\]\[2\]\[3\]\[4\]\[5\]\[6\]\[7\]\[8\]\[9\]\[10\]\[11\]\[12\]\[13\]\[14\]\[15\]\[16\]](#)

PRCM Register Manual

- [Not Supported Functionality \(Registers and Bits\): \[17\]](#)
- [CM_CORE__L3INIT Register Summary: \[18\]](#)
- [CM_CORE__RESTORE Register Description: \[19\]\[20\]](#)

Table 3-946. CM_L3INIT_STATICDEP

Address Offset	0x0000 0004	Instance	CM_CORE__L3INIT
Physical Address	0x4A00 9304		
Description	This register controls the static domain dependencies from L3INIT domain towards 'target' domains. It is relevant only for domain having system initiator(s).		
Type	RW		

31	30	29	28	27	26	25	24	23	22	21	20	19	18	17	16	15	14	13	12	11	10	9	8	7	6	5	4	3	2	1	0
RESERVED				L4PER3_STATDEP	RESERVED												WKUPAON_STATDEP	L4SEC_STATDEP	L4PER_STATDEP	L4CFG_STATDEP	RESERVED				L3MAIN1_STATDEP	EMIF_STATDEP	RESERVED	IVA_STATDEP	RESERVED		

Bits	Field Name	Description	Type	Reset
31:28	RESERVED		R	0x0
27	L4PER3_STATDEP	Static dependency towards L4PER3 clock domain 0x0: Dependency is disabled 0x1: Dependency is enabled	RW	0x0
26:16	RESERVED		R	0x0
15	WKUPAON_STATDEP	Static dependency towards WKUPAON clock domain 0x0: Dependency is disabled 0x1: Dependency is enabled	RW	0x0

Bits	Field Name	Description	Type	Reset
14	L4SEC_STATDEP	Static dependency towards L4SEC clock domain 0x0: Dependency is disabled 0x1: Dependency is enabled	RW	0x0
13	L4PER_STATDEP	Static dependency towards L4PER1 clock domain 0x0: Dependency is disabled 0x1: Dependency is enabled	RW	0x0
12	L4CFG_STATDEP	Static dependency towards L4CFG clock domain 0x0: Dependency is disabled 0x1: Dependency is enabled	RW	0x0
11:6	RESERVED		R	0x0
5	L3MAIN1_STATDEP	Static dependency towards L3MAIN1 clock domain 0x1: Dependency is enabled	R	0x1
4	EMIF_STATDEP	Static dependency towards EMIF clock domain 0x0: Dependency is disabled 0x1: Dependency is enabled	RW	0x0
3	RESERVED		R	0x0
2	IVA_STATDEP	Static dependency towards IVA clock domain 0x0: Dependency is disabled 0x1: Dependency is enabled	RW	0x0
1:0	RESERVED		R	0x0

Table 3-947. Register Call Summary for Register CM_L3INIT_STATICDEP

Clock Management Functional Description

- [Clock Domain Dependency: \[0\]\[1\]\[2\]\[3\]\[4\]\[5\]\[6\]\[7\]](#)

PRCM Register Manual

- [CM_CORE__L3INIT Register Summary: \[8\]](#)

Table 3-948. CM_L3INIT_DYNAMICDEP

Address Offset	0x0000 0008	Instance	CM_CORE__L3INIT
Physical Address	0x4A00 9308		
Description	This register controls the dynamic domain dependencies from L3INIT domain towards 'target' domains. It is relevant only for domain having OCP master port(s).		
Type	R		

31	30	29	28	27	26	25	24	23	22	21	20	19	18	17	16	15	14	13	12	11	10	9	8	7	6	5	4	3	2	1	0
RESERVED																L3MAIN1_DYNDEP	RESERVED														

Bits	Field Name	Description	Type	Reset
31:6	RESERVED		R	0x0
5	L3MAIN1_DYNDEP	Dynamic dependency towards L3MAIN1 clock domain 0x0: Dependency is disabled	R	0x0
4:0	RESERVED		R	0x0

Table 3-949. Register Call Summary for Register CM_L3INIT_DYNAMICDEP

Clock Management Functional Description

- [Clock Domain Dependency: \[0\]](#)

PRCM Register Manual

- [CM_CORE__L3INIT Register Summary: \[1\]](#)

Table 3-950. CM_L3INIT_MMC1_CLKCTRL

Address Offset	0x0000 0028	Instance	CM_CORE__L3INIT
Physical Address	0x4A00 9328		
Description	This register manages the MMC1 clocks.		
Type	RW		

31	30	29	28	27	26	25	24	23	22	21	20	19	18	17	16	15	14	13	12	11	10	9	8	7	6	5	4	3	2	1	0
RESERVED				CLKSEL_DIV		CLKSEL_SOURCE		RESERVED				STBYST		IDLEST		RESERVED				OPTFCLKEN_CLK32K		RESERVED				MODULEMODE					

Bits	Field Name	Description	Type	Reset
31:27	RESERVED		R	0x0
26:25	CLKSEL_DIV	MMC1 clock divide ratio. 0x0: MMC1 clock is divided by 1. 0x1: MMC1 clock is divided by 2. 0x2: MMC1 clock is divided by 4. 0x3: RESERVED	RW	0x0
24	CLKSEL_SOURCE	Selects the source of the functional clock. 0x0: 128MHz clock derived from DPLL_PER is selected 0x1: 192MHz clock derived from DPLL_PER is selected	RW	0x0
23:19	RESERVED		R	0x0
18	STBYST	Module standby status. [warm reset insensitive] 0x0: Module is functional (not in standby) 0x1: Module is in standby	R	0x1
17:16	IDLEST	Module idle status. [warm reset insensitive] 0x0: Module is fully functional, including OCP 0x1: Module is performing transition: wakeup, or sleep, or sleep abortion 0x2: Module is in Idle mode (only OCP part). It is functional if using separate functional clock 0x3: Module is disabled and cannot be accessed	R	0x3
15:9	RESERVED		R	0x0
8	OPTFCLKEN_CLK32K	MMC optional clock control: 32K CLK 0x0: Optional functional clock is disabled 0x1: Optional functional clock is enabled	RW	0x0
7:2	RESERVED		R	0x0

Bits	Field Name	Description	Type	Reset
1:0	MODULEMODE	Control the way mandatory clocks are managed. 0x0: Module is disabled by SW. Any OCP access to module results in an error, except if resulting from a module wakeup (asynchronous wakeup). 0x1: Reserved 0x2: Module is explicitly enabled. Interface clock (if not used for functions) may be gated according to the clock domain state. Functional clocks are guaranteed to stay present. As long as in this configuration, power domain sleep transition cannot happen. 0x3: Reserved	RW	0x0

Table 3-951. Register Call Summary for Register CM_L3INIT_MMC1_CLKCTRL

Clock Management Functional Description

- [CM_CORE_AON Clock Generator: \[0\]\[1\]](#)
- [Clock Domain Modes: \[2\]](#)
- [Clock Domain Module Attributes: \[3\]\[4\]\[5\]](#)

PRCM Register Manual

- [CM_CORE__L3INIT Register Summary: \[6\]](#)

Table 3-952. CM_L3INIT_MMC2_CLKCTRL

Address Offset	0x0000 0030	Instance	CM_CORE__L3INIT
Physical Address	0x4A00 9330		
Description	This register manages the MMC2 clocks.		
Type	RW		

31	30	29	28	27	26	25	24	23	22	21	20	19	18	17	16	15	14	13	12	11	10	9	8	7	6	5	4	3	2	1	0
RESERVED							CLKSEL_DIV	CLKSEL_SOURCE	RESERVED					STBYST	IDLEST	RESERVED							OPTFCLKEN_CLK32K	RESERVED					MODULEMODE		

Bits	Field Name	Description	Type	Reset
31:27	RESERVED		R	0x0
26:25	CLKSEL_DIV	MMC2 clock divide ratio 0x0: MMC2 clock is divided by 1. 0x1: MMC2 clock is divided by 2. 0x2: MMC2 clock is divided by 4. 0x3: RESERVED	RW	0x0
24	CLKSEL_SOURCE	Selects the source of the functional clock. 0x0: 128MHz clock derived from DPLL_PER is selected 0x1: 192MHz clock derived from DPLL_PER is selected	RW	0x0
23:19	RESERVED		R	0x0
18	STBYST	Module standby status. [warm reset insensitive] 0x0: Module is functional (not in standby) 0x1: Module is in standby	R	0x1

Bits	Field Name	Description	Type	Reset
17:16	IDLEST	Module idle status. [warm reset insensitive] 0x0: Module is fully functional, including OCP 0x1: Module is performing transition: wakeup, or sleep, or sleep abortion 0x2: Module is in Idle mode (only OCP part). It is functional if using separate functional clock 0x3: Module is disabled and cannot be accessed	R	0x3
15:9	RESERVED		R	0x0
8	OPTFCLKEN_CLK32K	MMC optional clock control: 32K CLK 0x0: Optional functional clock is disabled 0x1: Optional functional clock is enabled	RW	0x0
7:2	RESERVED		R	0x0
1:0	MODULEMODE	Control the way mandatory clocks are managed. 0x0: Module is disabled by SW. Any OCP access to module results in an error, except if resulting from a module wakeup (asynchronous wakeup). 0x1: Reserved 0x2: Module is explicitly enabled. Interface clock (if not used for functions) may be gated according to the clock domain state. Functional clocks are guaranteed to stay present. As long as in this configuration, power domain sleep transition cannot happen. 0x3: Reserved	RW	0x0

Table 3-953. Register Call Summary for Register CM_L3INIT_MMC2_CLKCTRL

Clock Management Functional Description

- [CM_CORE_AON Clock Generator: \[0\]\[1\]](#)
- [Clock Domain Modes: \[2\]](#)
- [Clock Domain Module Attributes: \[3\]\[4\]\[5\]](#)

PRCM Register Manual

- [CM_CORE_L3INIT Register Summary: \[6\]](#)

Table 3-954. CM_L3INIT_USB_OTG_SS2_CLKCTRL

Address Offset	0x0000 0040	Instance	CM_CORE_L3INIT
Physical Address	0x4A00 9340		
Description	This register manages the USB_OTG_SS2 clocks.		
Type	RW		

31	30	29	28	27	26	25	24	23	22	21	20	19	18	17	16	15	14	13	12	11	10	9	8	7	6	5	4	3	2	1	0
RESERVED								STBYST		IDLEST		RESERVED								OPTFCLKEN_REFCLK960M		RESERVED						MODULEMODE			

Bits	Field Name	Description	Type	Reset
31:19	RESERVED		R	0x0
18	STBYST	Module standby status. [warm reset insensitive] 0x0: Module is functional (not in standby) 0x1: Module is in standby	R	0x1
17:16	IDLEST	Module idle status. [warm reset insensitive] 0x0: Module is fully functional, including OCP 0x1: Module is performing transition: wakeup, or sleep, or sleep abortion 0x2: Module is in Idle mode (only OCP part). It is functional if using separate functional clock 0x3: Module is disabled and cannot be accessed	R	0x3
15:9	RESERVED		R	0x0
8	OPTFCLKEN_REFCLK960M	USB_OTG_SS optional clock control: REFCLK960M (960MHz clock) 0x0: Optional functional clock is disabled 0x1: Optional functional clock is enabled	RW	0x0
7:2	RESERVED		R	0x0
1:0	MODULEMODE	Control the way mandatory clocks are managed. 0x0: Module is disabled by SW. Any OCP access to module results in an error, except if resulting from a module wakeup (asynchronous wakeup). 0x1: Module is managed automatically by HW according to clock domain transition. A clock domain sleep transition put module into idle. A wakeup domain transition put it back into function. If CLKTRCTRL=3, any OCP access to module is always granted. Module clocks may be gated according to the clock domain state. 0x2: Reserved 0x3: Reserved	RW	0x0

Table 3-955. Register Call Summary for Register CM_L3INIT_USB_OTG_SS2_CLKCTRL

Clock Management Functional Description

- [Clock Domain Module Attributes: \[0\]\[1\]\[2\]](#)

PRCM Register Manual

- [CM_CORE__L3INIT Register Summary: \[3\]](#)

Table 3-956. CM_L3INIT_USB_OTG_SS3_CLKCTRL

Address Offset	0x0000 0048		
Physical Address	0x4A00 9348	Instance	CM_CORE__L3INIT
Description	This register manages the USB_OTG_SS3 clocks.		
Type	RW		

31	30	29	28	27	26	25	24	23	22	21	20	19	18	17	16	15	14	13	12	11	10	9	8	7	6	5	4	3	2	1	0
RESERVED								STBYST	IDLEST	RESERVED								MODULEMODE													

Bits	Field Name	Description	Type	Reset
31:19	RESERVED		R	0x0
18	STBYST	Module standby status. [warm reset insensitive] 0x0: Module is functional (not in standby) 0x1: Module is in standby	R	0x1
17:16	IDLEST	Module idle status. [warm reset insensitive] 0x0: Module is fully functional, including OCP 0x1: Module is performing transition: wakeup, or sleep, or sleep abortion 0x2: Module is in Idle mode (only OCP part). It is functional if using separate functional clock 0x3: Module is disabled and cannot be accessed	R	0x3
15:2	RESERVED		R	0x0
1:0	MODULEMODE	Control the way mandatory clocks are managed. 0x0: Module is disabled by SW. Any OCP access to module results in an error, except if resulting from a module wakeup (asynchronous wakeup). 0x1: Module is managed automatically by HW according to clock domain transition. A clock domain sleep transition put module into idle. A wakeup domain transition put it back into function. If CLKTRCTRL=3, any OCP access to module is always granted. Module clocks may be gated according to the clock domain state. 0x2: Reserved 0x3: Reserved	RW	0x0

Table 3-957. Register Call Summary for Register CM_L3INIT_USB_OTG_SS3_CLKCTRL

Clock Management Functional Description

- [Clock Domain Module Attributes: \[0\]\[1\]\[2\]](#)

PRCM Register Manual

- [CM_CORE__L3INIT Register Summary: \[3\]](#)

Table 3-958. CM_L3INIT_USB_OTG_SS4_CLKCTRL

Address Offset	0x0000 0050	Instance	CM_CORE__L3INIT
Physical Address	0x4A00 9350		
Description	This register manages the USB_OTG_SS4 clocks.		
Type	RW		

31	30	29	28	27	26	25	24	23	22	21	20	19	18	17	16	15	14	13	12	11	10	9	8	7	6	5	4	3	2	1	0
RESERVED														STBYST	IDLEST	RESERVED														MODULEMODE	

Bits	Field Name	Description	Type	Reset
31:19	RESERVED		R	0x0
18	STBYST	Module standby status. [warm reset insensitive] 0x0: Module is functional (not in standby) 0x1: Module is in standby	R	0x1

Bits	Field Name	Description	Type	Reset
17:16	IDLEST	Module idle status. [warm reset insensitive] 0x0: Module is fully functional, including OCP 0x1: Module is performing transition: wakeup, or sleep, or sleep abortion 0x2: Module is in Idle mode (only OCP part). It is functional if using separate functional clock 0x3: Module is disabled and cannot be accessed	R	0x3
15:2	RESERVED		R	0x0
1:0	MODULEMODE	Control the way mandatory clocks are managed. 0x0: Module is disabled by SW. Any OCP access to module results in an error, except if resulting from a module wakeup (asynchronous wakeup). 0x1: Module is managed automatically by HW according to clock domain transition. A clock domain sleep transition put module into idle. A wakeup domain transition put it back into function. If CLKTRCTRL=3, any OCP access to module is always granted. Module clocks may be gated according to the clock domain state. 0x2: Reserved 0x3: Reserved	RW	0x0

Table 3-959. CM_L3INIT_MLB_SS_CLKCTRL

Address Offset	0x0000 0058	Instance	CM_CORE_L3INIT
Physical Address	0x4A00 9358		
Description	This register manages the MLBSS clocks.		
Type	RW		

31	30	29	28	27	26	25	24	23	22	21	20	19	18	17	16	15	14	13	12	11	10	9	8	7	6	5	4	3	2	1	0	
RESERVED														STBYST		IDLEST		RESERVED														MODULEMODE

Bits	Field Name	Description	Type	Reset
31:19	RESERVED		R	0x0
18	STBYST	Module standby status. [warm reset insensitive] 0x0: Module is functional (not in standby) 0x1: Module is in standby	R	0x1
17:16	IDLEST	Module idle status. [warm reset insensitive] 0x0: Module is fully functional, including OCP 0x1: Module is performing transition: wakeup, or sleep, or sleep abortion 0x2: Module is in Idle mode (only OCP part). It is functional if using separate functional clock 0x3: Module is disabled and cannot be accessed	R	0x3
15:2	RESERVED	Reserved	R	0x0

Bits	Field Name	Description	Type	Reset
1:0	MODULEMODE	Control the way mandatory clocks are managed. 0x0: Module is disabled by SW. Any OCP access to module results in an error, except if resulting from a module wakeup (asynchronous wakeup). 0x1: Reserved 0x2: Module is explicitly enabled. Interface clock (if not used for functions) may be gated according to the clock domain state. Functional clocks are guaranteed to stay present. As long as in this configuration, power domain sleep transition cannot happen. 0x3: Reserved	RW	0x0

Table 3-960. Register Call Summary for Register CM_L3INIT_MLB_SS_CLKCTRL

Clock Management Functional Description

- [Clock Domain Module Attributes: \[0\]\[1\]\[2\]](#)

PRCM Register Manual

- [CM_CORE__L3INIT Register Summary: \[3\]](#)

Table 3-961. CM_L3INIT_IEEE1500_2_OCP_CLKCTRL

Address Offset	0x0000 0078	Instance	CM_CORE__L3INIT
Physical Address	0x4A00 9378		
Description	This register manages the IEE1500_2_OCP clocks.		
Type	R		

31	30	29	28	27	26	25	24	23	22	21	20	19	18	17	16	15	14	13	12	11	10	9	8	7	6	5	4	3	2	1	0
RESERVED														STBYST	IDLEST	RESERVED										MODULEMODE					

Bits	Field Name	Description	Type	Reset
31:19	RESERVED	Reserved	R	0x0
18	STBYST	Module standby status. [warm reset insensitive] 0x0: Module is functional (not in standby) 0x1: Module is in standby	R	0x1
17:16	IDLEST	Module idle status. [warm reset insensitive] 0x0: Module is fully functional, including OCP 0x1: Module is performing transition: wakeup, or sleep, or sleep abortion 0x2: Module is in Idle mode (only OCP part). It is functional if using separate functional clock 0x3: Module is disabled and cannot be accessed	R	0x3
15:2	RESERVED	Reserved	R	0x0
1:0	MODULEMODE	Control the way mandatory clocks are managed. 0x1: Module is managed automatically by HW according to clock domain transition. A clock domain sleep transition put module into idle. A wakeup domain transition put it back into function. If CLKTRCTRL=3, any OCP access to module is always granted. Module clocks may be gated according to the clock domain state.	R	0x1

Table 3-962. Register Call Summary for Register CM_L3INIT_IEEE1500_2_OCP_CLKCTRL

Clock Management Functional Description
• Clock Domain Module Attributes: [0][1][2]
PRCM Register Manual
• CM_CORE__L3INIT Register Summary: [3]

Table 3-963. CM_L3INIT_SATA_CLKCTRL

Address Offset	0x0000 0088	Instance	CM_CORE__L3INIT
Physical Address	0x4A00 9388		
Description	This register manages the SATA clocks. Note: SATA is NOT supported on the AM570x family of devices.		
Type	RW		

31	30	29	28	27	26	25	24	23	22	21	20	19	18	17	16	15	14	13	12	11	10	9	8	7	6	5	4	3	2	1	0
RESERVED								STBYST	IDLEST	RESERVED				OPTFCLKEN_REF_CLK	RESERVED				MODULEMODE												

Bits	Field Name	Description	Type	Reset
31:19	RESERVED	Reserved	R	0x0
18	STBYST	Module standby status. [warm reset insensitive] 0x0: Module is functional (not in standby) 0x1: Module is in standby	R	0x1
17:16	IDLEST	Module idle status. [warm reset insensitive] 0x0: Module is fully functional, including OCP 0x1: Module is performing transition: wakeup, or sleep, or sleep abortion 0x2: Module is in Idle mode (only OCP part). It is functional if using separate functional clock 0x3: Module is disabled and cannot be accessed	R	0x3
15:9	RESERVED		R	0x0
8	OPTFCLKEN_REF_CLK	SATA optional clock control: REF_CLK (from SYS_CLK clock) 0x0: Optional functional clock is disabled 0x1: Optional functional clock is enabled	RW	0x0
7:2	RESERVED		R	0x0
1:0	MODULEMODE	Control the way mandatory clocks are managed. 0x0: Module is disabled by SW. Any OCP access to module results in an error, except if resulting from a module wakeup (asynchronous wakeup). 0x1: Reserved 0x2: Module is explicitly enabled. Interface clock (if not used for functions) may be gated according to the clock domain state. Functional clocks are guaranteed to stay present. As long as in this configuration, power domain sleep transition cannot happen. 0x3: Reserved	RW	0x0

Table 3-964. Register Call Summary for Register CM_L3INIT_SATA_CLKCTRL

Clock Management Functional Description

- [Clock Domain Module Attributes: \[0\]\[1\]\[2\]](#)

PRCM Register Manual

- [CM_CORE__L3INIT Register Summary: \[3\]](#)

Table 3-965. CM_PCIE_CLKSTCTRL

Address Offset	0x0000 00A0	Instance	CM_CORE__L3INIT
Physical Address	0x4A00 93A0		
Description	This register enables the domain power state transition. It controls the HW supervised domain power state transition between ON-ACTIVE and ON-INACTIVE states. It also hold one status bit per clock input of the domain.		
Type	RW		

31	30	29	28	27	26	25	24	23	22	21	20	19	18	17	16	15	14	13	12	11	10	9	8	7	6	5	4	3	2	1	0
RESERVED																CLKACTIVITY_PCIE_32K_GFCLK CLKACTIVITY_PCIE_SYS_GFCLK CLKACTIVITY_PCIE_REF_GFCLK CLKACTIVITY_PCIE_PHY_DIV_GCLK CLKACTIVITY_PCIE_PHY_GCLK CLKACTIVITY_PCIE_L3_GICKL						RESERVED						CLKCTRL			

Bits	Field Name	Description	Type	Reset
31:14	RESERVED		R	0x0
13	CLKACTIVITY_PCIE_32K_GFCLK	This field indicates the state of the PCIE_32K_GFCLK clock in the domain. [warm reset insensitive] 0x0: Corresponding clock is definitely gated 0x1: Corresponding clock is running or gating/ungating transition is on-going	R	0x0
12	CLKACTIVITY_PCIE_SYS_GFCLK	This field indicates the state of the PCIE_SYS_GFCLK clock in the domain. [warm reset insensitive] 0x0: Corresponding clock is definitely gated 0x1: Corresponding clock is running or gating/ungating transition is on-going	R	0x0
11	CLKACTIVITY_PCIE_REF_GFCLK	This field indicates the state of the PCIE_REF_GFCLK clock in the domain. [warm reset insensitive] 0x0: Corresponding clock is definitely gated 0x1: Corresponding clock is running or gating/ungating transition is on-going	R	0x0
10	CLKACTIVITY_PCIE_PHY_DIV_GCLK	This field indicates the state of the PCIE_PHY_DIV_GCLK clock in the domain. [warm reset insensitive] 0x0: Corresponding clock is definitely gated 0x1: Corresponding clock is running or gating/ungating transition is on-going	R	0x0

Bits	Field Name	Description	Type	Reset
9	CLKACTIVITY_PCIE_PHY_GCLK	This field indicates the state of the PCIE_PHY_GCLK clock in the domain. [warm reset insensitive] 0x0: Corresponding clock is definitely gated 0x1: Corresponding clock is running or gating/ungating transition is on-going	R	0x0
8	CLKACTIVITY_PCIE_L3_GICLK	This field indicates the state of the PCIE_L3_GICLK clock in the domain. [warm reset insensitive] 0x0: Corresponding clock is definitely gated 0x1: Corresponding clock is running or gating/ungating transition is on-going	R	0x0
7:2	RESERVED		R	0x0
1:0	CLKTRCTRL	Controls the clock state transition of the L3INIT clock domain. 0x0: NO_SLEEP: Sleep transition cannot be initiated. Wakeup transition may however occur. 0x1: SW_SLEEP: Start a software forced sleep transition on the domain. 0x2: SW_WKUP: Start a software forced wake-up transition on the domain. 0x3: HW_AUTO: Automatic transition is enabled. Sleep and wakeup transition are based upon hardware conditions.	RW	0x0

Table 3-966. Register Call Summary for Register CM_PCIE_CLKSTCTRL

Clock Management Functional Description

- [Clock Domain Modes: \[0\]\[1\]\[2\]\[3\]\[4\]\[5\]\[6\]](#)

PRCM Register Manual

- [CM_CORE_L3INIT Register Summary: \[7\]](#)

Table 3-967. CM_PCIE_STATICDEP

Address Offset	0x0000 00A4	Instance	CM_CORE_L3INIT
Physical Address	0x4A00 93A4		
Description	This register controls the static domain dependencies from PCIE domain towards 'target' domains. It is relevant only for domain having system initiator(s).		
Type	RW		

31	30	29	28	27	26	25	24	23	22	21	20	19	18	17	16	15	14	13	12	11	10	9	8	7	6	5	4	3	2	1	0
RESERVED	ATL_STATDEP	RESERVED	VPE_STATDEP	L4PER3_STATDEP	L4PER2_STATDEP	GMAC_STATDEP	IPU_STATDEP	IPU1_STATDEP	EVE4_STATDEP	EVE3_STATDEP	EVE2_STATDEP	EVE1_STATDEP	DSP2_STATDEP	CUSTEFUSE_STATDEP	COREAON_STATDEP	RESERVED	L4SEC_STATDEP	L4PER_STATDEP	L4CFG_STATDEP	SDMA_STATDEP	GPU_STATDEP	CAM_STATDEP	DSS_STATDEP	L3INIT_STATDEP	RESERVED	EMIF_STATDEP	RESERVED	IVA_STATDEP	DSP1_STATDEP	RESERVED	

Bits	Field Name	Description	Type	Reset
31	RESERVED		R	0x0
30	ATL_STATDEP	Static dependency towards ATL clock domain 0x0: Dependency is disabled 0x1: Dependency is enabled	RW	0x0
29	RESERVED		R	0x0

Bits	Field Name	Description	Type	Reset
28	VPE_STATDEP	Static dependency towards VPE clock domain 0x0: Dependency is disabled 0x1: Dependency is enabled	RW	0x0
27	L4PER3_STATDEP	Static dependency towards L4PER3 clock domain 0x0: Dependency is disabled 0x1: Dependency is enabled	RW	0x1
26	L4PER2_STATDEP	Static dependency towards L4PER2 clock domain 0x0: Dependency is disabled 0x1: Dependency is enabled	RW	0x0
25	GMAC_STATDEP	Static dependency towards GMAC clock domain 0x0: Dependency is disabled 0x1: Dependency is enabled	RW	0x0
24	IPU_STATDEP	Static dependency towards IPU clock domain 0x0: Dependency is disabled 0x1: Dependency is enabled	RW	0x0
23	IPU1_STATDEP	Static dependency towards IPU1 clock domain 0x0: Dependency is disabled 0x1: Dependency is enabled	RW	0x0
22	EVE4_STATDEP	Static dependency towards EVE4 clock domain 0x0: Dependency is disabled 0x1: Dependency is enabled	RW	0x0
21	EVE3_STATDEP	Static dependency towards EVE3 clock domain 0x0: Dependency is disabled 0x1: Dependency is enabled	RW	0x0
20	EVE2_STATDEP	Static dependency towards EVE2 clock domain 0x0: Dependency is disabled 0x1: Dependency is enabled	RW	0x0
19	EVE1_STATDEP	Static dependency towards EVE1 clock domain 0x0: Dependency is disabled 0x1: Dependency is enabled	RW	0x0
18	DSP2_STATDEP	Static dependency towards DSP2 clock domain 0x0: Dependency is disabled 0x1: Dependency is enabled	RW	0x0
17	CUSTEFUSE_STATDEP	Static dependency towards CUSTEFUSE clock domain 0x0: Dependency is disabled	R	0x0
16	COREAON_STATDEP	Static dependency towards COREAON clock domain 0x0: Dependency is disabled	R	0x0
15	RESERVED		R	0x0
14	L4SEC_STATDEP	Static dependency towards L4SEC clock domain 0x0: Dependency is disabled 0x1: Dependency is enabled	RW	0x0
13	L4PER_STATDEP	Static dependency towards L4PER clock domain 0x0: Dependency is disabled 0x1: Dependency is enabled	RW	0x0
12	L4CFG_STATDEP	Static dependency towards L4CFG clock domain 0x0: Dependency is disabled 0x1: Dependency is enabled	RW	0x0
11	SDMA_STATDEP	Static dependency towards SDMA clock domain 0x0: Dependency is disabled	R	0x0

Bits	Field Name	Description	Type	Reset
10	GPU_STATDEP	Static dependency towards GPU clock domain 0x0: Dependency is disabled 0x1: Dependency is enabled	RW	0x0
9	CAM_STATDEP	Static dependency towards CAM clock domain 0x0: Dependency is disabled 0x1: Dependency is enabled	RW	0x0
8	DSS_STATDEP	Static dependency towards DSS clock domain 0x0: Dependency is disabled 0x1: Dependency is enabled	RW	0x0
7	L3INIT_STATDEP	Static dependency towards L3INIT clock domain 0x0: Dependency is disabled 0x1: Dependency is enabled	RW	0x0
6:5	RESERVED		R	0x0
4	EMIF_STATDEP	Static dependency towards EMIF clock domain 0x0: Dependency is disabled 0x1: Dependency is enabled	RW	0x0
3	RESERVED		R	0x0
2	IVA_STATDEP	Static dependency towards IVA clock domain 0x0: Dependency is disabled 0x1: Dependency is enabled	RW	0x0
1	DSP1_STATDEP	Static dependency towards DSP1 clock domain 0x0: Dependency is disabled 0x1: Dependency is enabled	RW	0x0
0	RESERVED		R	0x0

Table 3-968. Register Call Summary for Register CM_PCIE_STATICDEP

Clock Management Functional Description

- [Clock Domain Dependency: \[0\]\[1\]\[2\]\[4\]\[5\]\[6\]\[7\]\[8\]\[9\]\[10\]\[11\]\[12\]\[13\]\[14\]\[15\]\[20\]\[21\]\[22\]\[23\]\[24\]](#)

PRCM Register Manual

- [Not Supported Functionality \(Registers and Bits\): \[25\]\[26\]\[27\]\[28\]\[29\]](#)
- [CM_CORE__L3INIT Register Summary: \[30\]](#)

Table 3-969. CM_PCIE_PCIESS1_CLKCTRL

Address Offset	0x0000 00B0	Instance	CM_CORE__L3INIT
Physical Address	0x4A00 93B0		
Description	This register manages the PCESS1 clocks.		
Type	RW		

31	30	29	28	27	26	25	24	23	22	21	20	19	18	17	16	15	14	13	12	11	10	9	8	7	6	5	4	3	2	1	0
RESERVED								STBYST		IDLEST		RESERVED				OPTFCLKEN_PCIEPHY_CLK_DIV			OPTFCLKEN_PCIEPHY_CLK		OPTFCLKEN_32KHZ		RESERVED					MODULEMODE			

Bits	Field Name	Description	Type	Reset
31:19	RESERVED		R	0x0
18	STBYST	Module standby status. [warm reset insensitive] 0x0: Module is functional (not in standby) 0x1: Module is in standby	R	0x1
17:16	IDLEST	Module idle status. [warm reset insensitive] 0x0: Module is fully functional, including OCP 0x1: Module is performing transition: wakeup, or sleep, or sleep abortion 0x2: Module is in Idle mode (only OCP part). It is functional if using separate functional clock 0x3: Module is disabled and cannot be accessed	R	0x3
15:11	RESERVED		R	0x0
10	OPTFCLKEN_PCIEPHY_CLK_DIV	PCIE PHY optional clock control 0x0: Optional functional clock is disabled 0x1: Optional functional clock is enabled	RW	0x0
9	OPTFCLKEN_PCIEPHY_CLK	PCIE PHY optional clock control 0x0: Optional functional clock is disabled 0x1: Optional functional clock is enabled	RW	0x0
8	OPTFCLKEN_32KHZ	PCIE PHY optional clock control 0x0: Optional functional clock is disabled 0x1: Optional functional clock is enabled	RW	0x0
7:2	RESERVED		R	0x0

Bits	Field Name	Description	Type	Reset
1:0	MODULEMODE	<p>Control the way mandatory clocks are managed.</p> <p>Note: In order to disable the APLL_PCIE, the user needs to disable PCIe_SSx (where x = 1 or 2) using the CM_PCIE_PCISSx_CLKCTRL[1:0] MODULEMODE registers. When PCIe_SS is disabled, the PRCM module automatically disables the APLL_PCIE. Please note that setting CM_CLKMODE_APLL_PCIE [1:0] MODE_SELECT bitfield to 0x0 does not disable the APLL_PCIE.</p> <p>0x0: Module is disabled by SW. Any OCP access to module results in an error, except if resulting from a module wakeup (asynchronous wakeup).</p> <p>0x1: Reserved</p> <p>0x2: Module is explicitly enabled. Interface clock (if not used for functions) may be gated according to the clock domain state. Functional clocks are guaranteed to stay present. As long as in this configuration, power domain sleep transition cannot happen.</p> <p>0x3: Reserved</p>	RW	0x0

Table 3-970. Register Call Summary for Register CM_PCIE_PCISS1_CLKCTRL

Clock Management Functional Description

- [Clock Domain Module Attributes: \[0\]\[1\]\[2\]\[3\]\[4\]\[5\]](#)

PRCM Register Manual

- [CM_CORE_L3INIT Register Summary: \[6\]](#)

Table 3-971. CM_PCIE_PCISS2_CLKCTRL

Address Offset	0x0000 00B8	Instance	CM_CORE_L3INIT
Physical Address	0x4A00 93B8		
Description	This register manages the PCESS2 clocks.		
Type	RW		

31	30	29	28	27	26	25	24	23	22	21	20	19	18	17	16	15	14	13	12	11	10	9	8	7	6	5	4	3	2	1	0		
RESERVED								STBYST		IDLEST		RESERVED						OPTFCLKEN_PCIEPHY_CLK_DIV			OPTFCLKEN_PCIEPHY_CLK			OPTFCLKEN_32KHZ			RESERVED						MODULEMODE

Bits	Field Name	Description	Type	Reset
31:19	RESERVED		R	0x0
18	STBYST	<p>Module standby status. [warm reset insensitive]</p> <p>0x0: Module is functional (not in standby)</p> <p>0x1: Module is in standby</p>	R	0x1

Bits	Field Name	Description	Type	Reset
17:16	IDLEST	Module idle status. [warm reset insensitive] 0x0: Module is fully functional, including OCP 0x1: Module is performing transition: wakeup, or sleep, or sleep abortion 0x2: Module is in Idle mode (only OCP part). It is functional if using separate functional clock 0x3: Module is disabled and cannot be accessed	R	0x3
15:11	RESERVED		R	0x0
10	OPTFCLKEN_PCIEPHY_CLK_D IV	PCIE PHY optional clock control 0x0: Optional functional clock is disabled 0x1: Optional functional clock is enabled	RW	0x0
9	OPTFCLKEN_PCIEPHY_CLK	PCIE PHY optional clock control 0x0: Optional functional clock is disabled 0x1: Optional functional clock is enabled	RW	0x0
8	OPTFCLKEN_32KHZ	PCIE PHY optional clock control 0x0: Optional functional clock is disabled 0x1: Optional functional clock is enabled	RW	0x0
7:2	RESERVED		R	0x0
1:0	MODULEMODE	Control the way mandatory clocks are managed. Note: In order to disable the APLL_PCIE, the user needs to disable PCIe_SSx (where x = 1 or 2) using the CM_PCIE_PCISSx_CLKCTRL[1:0] MODULEMODE registers. When PCIe_SS is disabled, the PRCM module automatically disables the APLL_PCIE. Please note that setting CM_CLKMODE_APLL_PCIE [1:0] MODE_SELECT bitfield to 0x0 does not disable the APLL_PCIE. 0x0: Module is disabled by SW. Any OCP access to module results in an error, except if resulting from a module wakeup (asynchronous wakeup). 0x1: Reserved 0x2: Module is explicitly enabled. Interface clock (if not used for functions) may be gated according to the clock domain state. Functional clocks are guaranteed to stay present. As long as in this configuration, power domain sleep transition cannot happen. 0x3: Reserved	RW	0x0

Table 3-972. Register Call Summary for Register CM_PCIE_PCISS2_CLKCTRL

Clock Management Functional Description

- [Clock Domain Module Attributes: \[0\]\[1\]\[2\]\[3\]\[4\]\[5\]](#)

PRCM Register Manual

- [CM_CORE__L3INIT Register Summary: \[6\]](#)

Table 3-973. CM_GMAC_CLKSTCTRL

Address Offset	0x0000 00C0	Instance	CM_CORE__L3INIT
Physical Address	0x4A00 93C0		
Description	This register enables the domain power state transition. It controls the HW supervised domain power state transition between ON-ACTIVE and ON-INACTIVE states. It also hold one status bit per clock input of the domain.		
Type	RW		

31	30	29	28	27	26	25	24	23	22	21	20	19	18	17	16	15	14	13	12	11	10	9	8	7	6	5	4	3	2	1	0
RESERVED																CLKACTIVITY_GMAC_MAIN_CLK CLKACTIVITY_GMAC_RFT_CLK CLKACTIVITY_RMII_50MHZ_CLK CLKACTIVITY_RGMII_5MHZ_CLK CLKACTIVITY_GMII_250MHZ_CLK						RESERVED						CLKTRCTRL			

Bits	Field Name	Description	Type	Reset
31:13	RESERVED		R	0x0
12	CLKACTIVITY_GMAC_MAIN_CLK	This field indicates the state of the GMAC_MAIN_CLK clock in the domain. [warm reset insensitive] 0x0: Corresponding clock is definitely gated 0x1: Corresponding clock is running or gating/ungating transition is on-going	R	0x0
11	CLKACTIVITY_GMAC_RFT_CLK	This field indicates the state of the GMAC_RFT_CLK clock in the domain. [warm reset insensitive] 0x0: Corresponding clock is definitely gated 0x1: Corresponding clock is running or gating/ungating transition is on-going	R	0x0
10	CLKACTIVITY_RMII_50MHZ_CLK	This field indicates the state of the RMII_50MHZ_CLK clock in the domain. [warm reset insensitive] 0x0: Corresponding clock is definitely gated 0x1: Corresponding clock is running or gating/ungating transition is on-going	R	0x0
9	CLKACTIVITY_RGMII_5MHZ_CLK	This field indicates the state of the RGMII_5MHZ_CLK clock in the domain. [warm reset insensitive] 0x0: Corresponding clock is definitely gated 0x1: Corresponding clock is running or gating/ungating transition is on-going	R	0x0
8	CLKACTIVITY_GMII_250MHZ_CLK	This field indicates the state of the GMII_250MHZ_CLK clock in the domain. [warm reset insensitive] 0x0: Corresponding clock is definitely gated 0x1: Corresponding clock is running or gating/ungating transition is on-going	R	0x0
7:2	RESERVED		R	0x0

Bits	Field Name	Description	Type	Reset
1:0	CLKTRCTRL	<p>WARNING: This bit field must not be programmed for SW_SLEEP or HW_AUTO for EEE mode. Controls the clock state transition of the GMAC clock domain.</p> <p>0x0: NO_SLEEP: Sleep transition cannot be initiated. Wakeup transition may however occur.</p> <p>0x1: SW_SLEEP: Start a software forced sleep transition on the domain.</p> <p>0x2: SW_WKUP: Start a software forced wake-up transition on the domain.</p> <p>0x3: HW_AUTO: Automatic transition is enabled. Sleep and wakeup transition are based upon hardware conditions.</p>	RW	0x0

Table 3-974. Register Call Summary for Register CM_GMAC_CLKSTCTRL

Clock Management Functional Description

- [Clock Domain Modes: \[0\]\[1\]\[2\]\[3\]\[4\]\[5\]](#)

PRCM Register Manual

- [CM_CORE__L3INIT Register Summary: \[6\]](#)

Table 3-975. CM_GMAC_STATICDEP

Address Offset	0x0000 00C4	Instance	CM_CORE__L3INIT
Physical Address	0x4A00 93C4		
Description	This register controls the static domain dependencies from GMAC domain towards 'target' domains. It is relevant only for domain having system initiator(s).		
Type	RW		

31	30	29	28	27	26	25	24	23	22	21	20	19	18	17	16	15	14	13	12	11	10	9	8	7	6	5	4	3	2	1	0
RESERVED						L4PER2_STATDEP	RESERVED										L3MAIN1_STATDEP	EMIF_STATDEP	RESERVED												

Bits	Field Name	Description	Type	Reset
31:27	RESERVED		R	0x0
26	L4PER2_STATDEP	Static dependency towards L4PER2 clock domain 0x0: Dependency is disabled 0x1: Dependency is enabled	RW	0x0
25:6	RESERVED		R	0x0
5	L3MAIN1_STATDEP	Static dependency towards L3MAIN1 clock domain 0x1: Dependency is enabled	R	0x1
4	EMIF_STATDEP	Static dependency towards EMIF clock domain 0x0: Dependency is disabled 0x1: Dependency is enabled	RW	0x0
3:0	RESERVED		R	0x0

Table 3-976. Register Call Summary for Register CM_GMAC_STATICDEP

Clock Management Functional Description

- [Clock Domain Dependency: \[0\]\[1\]\[2\]](#)

PRCM Register Manual

- [CM_CORE__L3INIT Register Summary: \[3\]](#)

Table 3-977. CM_GMAC_DYNAMICDEP

Address Offset	0x0000 00C8	Instance	CM_CORE__L3INIT
Physical Address	0x4A00 93C8		
Description	This register controls the dynamic domain dependencies from GMAC domain towards 'target' domains. It is relevant only for domain having OCP master port(s).		
Type	R		

31	30	29	28	27	26	25	24	23	22	21	20	19	18	17	16	15	14	13	12	11	10	9	8	7	6	5	4	3	2	1	0
RESERVED																L3MAIN1_DYNDEP	RESERVED														

Bits	Field Name	Description	Type	Reset
31:6	RESERVED		R	0x0
5	L3MAIN1_DYNDEP	Dynamic dependency towards L3MAIN1 clock domain 0x0: Dependency is disabled	R	0x0
4:0	RESERVED		R	0x0

Table 3-978. Register Call Summary for Register CM_GMAC_DYNAMICDEP

Clock Management Functional Description

- [Clock Domain Dependency: \[0\]](#)

PRCM Register Manual

- [CM_CORE__L3INIT Register Summary: \[1\]](#)

Table 3-979. CM_GMAC_GMAC_CLKCTRL

Address Offset	0x0000 00D0	Instance	CM_CORE__L3INIT
Physical Address	0x4A00 93D0		
Description	This register manages the GMAC clocks.		
Type	RW		

31	30	29	28	27	26	25	24	23	22	21	20	19	18	17	16	15	14	13	12	11	10	9	8	7	6	5	4	3	2	1	0
RESERVED				CLKSEL_RFT	CLKSEL_REF	RESERVED				STBYST	IDLEST	RESERVED											MODULEMODE								

Bits	Field Name	Description	Type	Reset
31:28	RESERVED		R	0x0
27:25	CLKSEL_RFT	Selects the source of the GMAC_RFT_CLK. [warm reset insensitive] 0x0: VIDEO1_CLK derived from DPLL_VIDEO1 is selected 0x1: Select VIDEO2_CLK from DPLL_VIDEO2 0x2: Selects PER_ABE_X1_GFCLK from DPLL_ABE 0x3: Selects HDMI_CLK from DPLL_HDMI 0x4: Selects L3_ICLK 0x5: RESERVED 0x6: RESERVED 0x7: RESERVED	RW	0x4
24	CLKSEL_REF	Selects the source of the RMII_50MHZ_CLK functional clock. [warm reset insensitive] 0x0: Selects GMAC_RMII_HS_CLK 0x1: Selects GMAC_RMII_CLK	RW	0x0
23:19	RESERVED		R	0x0
18	STBYST	Module standby status. [warm reset insensitive] 0x0: Module is functional (not in standby) 0x1: Module is in standby	R	0x1
17:16	IDLEST	Module idle status. [warm reset insensitive] 0x0: Module is fully functional, including OCP 0x1: Module is performing transition: wakeup, or sleep, or sleep abortion 0x2: Module is in Idle mode (only OCP part). It is functional if using separate functional clock 0x3: Module is disabled and cannot be accessed	R	0x3
15:2	RESERVED	Reserved	R	0x0
1:0	MODULEMODE	Control the way mandatory clocks are managed. [warm reset insensitive] 0x0: Module is disabled by SW. Any OCP access to module results in an error, except if resulting from a module wakeup (asynchronous wakeup). 0x1: Reserved 0x2: Module is explicitly enabled. Interface clock (if not used for functions) may be gated according to the clock domain state. Functional clocks are guaranteed to stay present. As long as in this configuration, power domain sleep transition cannot happen. 0x3: Reserved	RW	0x0

Table 3-980. Register Call Summary for Register CM_GMAC_GMAC_CLKCTRL

Clock Management Functional Description

- [CM_CORE_AON Clock Generator: \[0\]\[1\]](#)
- [Clock Domain Module Attributes: \[2\]\[3\]\[4\]\[5\]\[6\]](#)

PRCM Register Manual

- [Not Supported Functionality \(Registers and Bits\): \[7\]](#)
- [CM_CORE_L3INIT Register Summary: \[8\]](#)

Table 3-981. CM_L3INIT_OCP2SCP1_CLKCTRL

Address Offset	0x0000 00E0	Instance	CM_CORE__L3INIT
Physical Address	0x4A00 93E0		
Description	This register manages the OCP2SCP1 clocks and the optional clock of USB PHY.		
Type	RW		

31	30	29	28	27	26	25	24	23	22	21	20	19	18	17	16	15	14	13	12	11	10	9	8	7	6	5	4	3	2	1	0
RESERVED														IDLEST		RESERVED														MODULEMODE	

Bits	Field Name	Description	Type	Reset
31:18	RESERVED		R	0x0
17:16	IDLEST	Module idle status. [warm reset insensitive] 0x0: Module is fully functional, including OCP 0x1: Module is performing transition: wakeup, or sleep, or sleep abortion 0x2: Module is in Idle mode (only OCP part). It is functional if using separate functional clock 0x3: Module is disabled and cannot be accessed	R	0x3
15:2	RESERVED		R	0x0
1:0	MODULEMODE	Control the way mandatory clocks are managed. 0x0: Module is disabled by SW. Any OCP access to module results in an error, except if resulting from a module wakeup (asynchronous wakeup). 0x1: Module is managed automatically by HW according to clock domain transition. A clock domain sleep transition put module into idle. A wakeup domain transition put it back into function. If CLKTRCTRL=3, any OCP access to module is always granted. Module clocks may be gated according to the clock domain state. 0x2: Reserved 0x3: Reserved	RW	0x0

Table 3-982. Register Call Summary for Register CM_L3INIT_OCP2SCP1_CLKCTRL

Clock Management Functional Description

- [Clock Domain Module Attributes: \[0\]\[1\]](#)

PRCM Register Manual

- [CM_CORE__L3INIT Register Summary: \[2\]](#)

Table 3-983. CM_L3INIT_OCP2SCP3_CLKCTRL

Address Offset	0x0000 00E8	Instance	CM_CORE__L3INIT
Physical Address	0x4A00 93E8		
Description	This register manages the OCP2SCP3 clocks and the optional clock of USB PHY.		
Type	RW		

31	30	29	28	27	26	25	24	23	22	21	20	19	18	17	16	15	14	13	12	11	10	9	8	7	6	5	4	3	2	1	0
RESERVED														IDLEST		RESERVED														MODULEMODE	

Bits	Field Name	Description	Type	Reset
31:18	RESERVED		R	0x0
17:16	IDLEST	Module idle status. [warm reset insensitive] 0x0: Module is fully functional, including OCP 0x1: Module is performing transition: wakeup, or sleep, or sleep abortion 0x2: Module is in Idle mode (only OCP part). It is functional if using separate functional clock 0x3: Module is disabled and cannot be accessed	R	0x3
15:2	RESERVED		R	0x0
1:0	MODULEMODE	Control the way mandatory clocks are managed. 0x0: Module is disabled by SW. Any OCP access to module results in an error, except if resulting from a module wakeup (asynchronous wakeup). 0x1: Module is managed automatically by HW according to clock domain transition. A clock domain sleep transition put module into idle. A wakeup domain transition put it back into function. If CLKTRCTRL=3, any OCP access to module is always granted. Module clocks may be gated according to the clock domain state. 0x2: Reserved 0x3: Reserved	RW	0x0

Table 3-984. Register Call Summary for Register CM_L3INIT_OCP2SCP3_CLKCTRL

Clock Management Functional Description

- [Clock Domain Module Attributes: \[0\]\[1\]](#)

PRCM Register Manual

- [CM_CORE__L3INIT Register Summary: \[2\]](#)

Table 3-985. CM_L3INIT_USB_OTG_SS1_CLKCTRL

Address Offset	0x0000 00F0	Instance	CM_CORE__L3INIT
Physical Address	0x4A00 93F0		
Description	This register manages the USB_OTG_SS1 clocks.		
Type	RW		

31	30	29	28	27	26	25	24	23	22	21	20	19	18	17	16	15	14	13	12	11	10	9	8	7	6	5	4	3	2	1	0				
RESERVED														STBYST		IDLEST		RESERVED								OPTFCLKEN_REFCLK960M		RESERVED						MODULEMODE	

Bits	Field Name	Description	Type	Reset
31:19	RESERVED		R	0x0
18	STBYST	Module standby status. [warm reset insensitive] 0x0: Module is functional (not in standby) 0x1: Module is in standby	R	0x1
17:16	IDLEST	Module idle status. [warm reset insensitive] 0x0: Module is fully functional, including OCP 0x1: Module is performing transition: wakeup, or sleep, or sleep abortion 0x2: Module is in Idle mode (only OCP part). It is functional if using separate functional clock 0x3: Module is disabled and cannot be accessed	R	0x3
15:9	RESERVED		R	0x0
8	OPTFCLKEN_REFCLK960M	USB_OTG_SS optional clock control: REFCLK960M (960MHz clock) 0x0: Optional functional clock is disabled 0x1: Optional functional clock is enabled	RW	0x0
7:2	RESERVED		R	0x0
1:0	MODULEMODE	Control the way mandatory clocks are managed. 0x0: Module is disabled by SW. Any OCP access to module results in an error, except if resulting from a module wakeup (asynchronous wakeup). 0x1: Module is managed automatically by HW according to clock domain transition. A clock domain sleep transition put module into idle. A wakeup domain transition put it back into function. If CLKTRCTRL=3, any OCP access to module is always granted. Module clocks may be gated according to the clock domain state. 0x2: Reserved 0x3: Reserved	RW	0x0

Table 3-986. Register Call Summary for Register CM_L3INIT_USB_OTG_SS1_CLKCTRL

Clock Management Functional Description

- [Clock Domain Module Attributes: \[0\]\[1\]\[2\]](#)

PRCM Register Manual

- [CM_CORE__L3INIT Register Summary: \[3\]](#)

3.12.26 CM_CORE__L4PER Registers

3.12.26.1 CM_CORE__L4PER Register Summary

Table 3-987. CM_CORE__L4PER Registers Mapping Summary

Register Name	Type	Register Width (Bits)	Address Offset	CM_CORE__L4PER Physical Address L4_CFG Interconnect
CM_L4PER_CLKSTCTRL	RW	32	0x0000 0000	0x4A00 9700
CM_L4PER_DYNAMIC DEP	RW	32	0x0000 0008	0x4A00 9708
CM_L4PER2_L4_PER2 _CLKCTRL	R	32	0x0000 000C	0x4A00 970C
CM_L4PER3_L4_PER3 _CLKCTRL	R	32	0x0000 0014	0x4A00 9714
CM_L4PER2_PRUSS1_ CLKCTRL	RW	32	0x0000 0018	0x4A00 9718
CM_L4PER2_PRUSS2_ CLKCTRL	RW	32	0x0000 0020	0x4A00 9720
CM_L4PER_TIMER10_ CLKCTRL	RW	32	0x0000 0028	0x4A00 9728
CM_L4PER_TIMER11_ CLKCTRL	RW	32	0x0000 0030	0x4A00 9730
CM_L4PER_TIMER2_C LKCTRL	RW	32	0x0000 0038	0x4A00 9738
CM_L4PER_TIMER3_C LKCTRL	RW	32	0x0000 0040	0x4A00 9740
CM_L4PER_TIMER4_C LKCTRL	RW	32	0x0000 0048	0x4A00 9748
CM_L4PER_TIMER9_C LKCTRL	RW	32	0x0000 0050	0x4A00 9750
CM_L4PER_ELM_CLK CTRL	R	32	0x0000 0058	0x4A00 9758
CM_L4PER_GPIO2_CL KCTRL	RW	32	0x0000 0060	0x4A00 9760
CM_L4PER_GPIO3_CL KCTRL	RW	32	0x0000 0068	0x4A00 9768
CM_L4PER_GPIO4_CL KCTRL	RW	32	0x0000 0070	0x4A00 9770
CM_L4PER_GPIO5_CL KCTRL	RW	32	0x0000 0078	0x4A00 9778
CM_L4PER_GPIO6_CL KCTRL	RW	32	0x0000 0080	0x4A00 9780
CM_L4PER_HDQ1W_C LKCTRL	RW	32	0x0000 0088	0x4A00 9788
CM_L4PER2_PWMSS2 _CLKCTRL	RW	32	0x0000 0090	0x4A00 9790
CM_L4PER2_PWMSS3 _CLKCTRL	RW	32	0x0000 0098	0x4A00 9798
CM_L4PER_I2C1_CLK CTRL	RW	32	0x0000 00A0	0x4A00 97A0
CM_L4PER_I2C2_CLK CTRL	RW	32	0x0000 00A8	0x4A00 97A8
CM_L4PER_I2C3_CLK CTRL	RW	32	0x0000 00B0	0x4A00 97B0
CM_L4PER_I2C4_CLK CTRL	RW	32	0x0000 00B8	0x4A00 97B8

Table 3-987. CM_CORE__L4PER Registers Mapping Summary (continued)

Register Name	Type	Register Width (Bits)	Address Offset	CM_CORE__L4PER Physical Address L4_CFG Interconnect
CM_L4PER_L4_PER1_CLKCTRL	R	32	0x0000 00C0	0x4A00 97C0
CM_L4PER2_PWMSS1_CLKCTRL	RW	32	0x0000 00C4	0x4A00 97C4
CM_L4PER3_TIMER13_CLKCTRL	RW	32	0x0000 00C8	0x4A00 97C8
CM_L4PER3_TIMER14_CLKCTRL	RW	32	0x0000 00D0	0x4A00 97D0
CM_L4PER3_TIMER15_CLKCTRL	RW	32	0x0000 00D8	0x4A00 97D8
CM_L4PER_MCSP1_C_LKCTRL	RW	32	0x0000 00F0	0x4A00 97F0
CM_L4PER_MCSP2_C_LKCTRL	RW	32	0x0000 00F8	0x4A00 97F8
CM_L4PER_MCSP3_C_LKCTRL	RW	32	0x0000 0100	0x4A00 9800
CM_L4PER_MCSP4_C_LKCTRL	RW	32	0x0000 0108	0x4A00 9808
CM_L4PER_GPIO7_CLKCTRL	RW	32	0x0000 0110	0x4A00 9810
CM_L4PER_GPIO8_CLKCTRL	RW	32	0x0000 0118	0x4A00 9818
CM_L4PER_MMC3_CLKCTRL	RW	32	0x0000 0120	0x4A00 9820
CM_L4PER_MMC4_CLKCTRL	RW	32	0x0000 0128	0x4A00 9828
CM_L4PER3_TIMER16_CLKCTRL	RW	32	0x0000 0130	0x4A00 9830
CM_L4PER2_QSPI_CLKCTRL	RW	32	0x0000 0138	0x4A00 9838
CM_L4PER_UART1_CLKCTRL	RW	32	0x0000 0140	0x4A00 9840
CM_L4PER_UART2_CLKCTRL	RW	32	0x0000 0148	0x4A00 9848
CM_L4PER_UART3_CLKCTRL	RW	32	0x0000 0150	0x4A00 9850
CM_L4PER_UART4_CLKCTRL	RW	32	0x0000 0158	0x4A00 9858
CM_L4PER2_MCASP2_CLKCTRL	RW	32	0x0000 0160	0x4A00 9860
CM_L4PER2_MCASP3_CLKCTRL	RW	32	0x0000 0168	0x4A00 9868
CM_L4PER_UART5_CLKCTRL	RW	32	0x0000 0170	0x4A00 9870
CM_L4PER2_MCASP5_CLKCTRL	RW	32	0x0000 0178	0x4A00 9878
CM_L4SEC_CLKSTCTRL	RW	32	0x0000 0180	0x4A00 9880
CM_L4SEC_STATICDEP	RW	32	0x0000 0184	0x4A00 9884
CM_L4SEC_DYNAMICDEP	R	32	0x0000 0188	0x4A00 9888
CM_L4PER2_MCASP8_CLKCTRL	RW	32	0x0000 0190	0x4A00 9890

Table 3-987. CM_CORE__L4PER Registers Mapping Summary (continued)

Register Name	Type	Register Width (Bits)	Address Offset	CM_CORE__L4PER Physical Address L4_CFG Interconnect
CM_L4PER2_MCASP4_CLKCTRL	RW	32	0x0000 0198	0x4A00 9898
CM_L4SEC_AES1_CLKCTRL	RW	32	0x0000 01A0	0x4A00 98A0
CM_L4SEC_AES2_CLKCTRL	RW	32	0x0000 01A8	0x4A00 98A8
CM_L4SEC_DES3DES_CLKCTRL	RW	32	0x0000 01B0	0x4A00 98B0
CM_L4SEC_FPKA_CLKCTRL	RW	32	0x0000 01B8	0x4A00 98B8
CM_L4SEC_RNG_CLKCTRL	RW	32	0x0000 01C0	0x4A00 98C0
CM_L4SEC_SHA2MD5_1_CLKCTRL	RW	32	0x0000 01C8	0x4A00 98C8
CM_L4PER2_UART7_CLKCTRL	RW	32	0x0000 01D0	0x4A00 98D0
CM_L4SEC_DMA_CRYPTO_CLKCTRL	R	32	0x0000 01D8	0x4A00 98D8
CM_L4PER2_UART8_CLKCTRL	RW	32	0x0000 01E0	0x4A00 98E0
CM_L4PER2_UART9_CLKCTRL	RW	32	0x0000 01E8	0x4A00 98E8
CM_L4PER2_DCAN2_CLKCTRL	RW	32	0x0000 01F0	0x4A00 98F0
CM_L4SEC_SHA2MD5_2_CLKCTRL	RW	32	0x0000 01F8	0x4A00 98F8
CM_L4PER2_CLKSTCTRL	RW	32	0x0000 01FC	0x4A00 98FC
CM_L4PER2_DYNAMICDEP	RW	32	0x0000 0200	0x4A00 9900
CM_L4PER2_MCASP6_CLKCTRL	RW	32	0x0000 0204	0x4A00 9904
CM_L4PER2_MCASP7_CLKCTRL	RW	32	0x0000 0208	0x4A00 9908
CM_L4PER2_STATICDEP	RW	32	0x0000 020C	0x4A00 990C
CM_L4PER3_CLKSTCTRL	RW	32	0x0000 0210	0x4A00 9910
CM_L4PER3_DYNAMICDEP	RW	32	0x0000 0214	0x4A00 9914

3.12.26.2 CM_CORE__L4PER Register Description

Table 3-988. CM_L4PER_CLKSTCTRL

Address Offset	0x0000 0000	Instance	CM_CORE__L4PER
Physical Address	0x4A00 9700		
Description	This register enables the domain power state transition. It controls the HW supervised domain power state transition between ON-ACTIVE and ON-INACTIVE states. It also hold one status bit per clock input of the domain.		
Type	RW		

31	30	29	28	27	26	25	24	23	22	21	20	19	18	17	16	15	14	13	12	11	10	9	8	7	6	5	4	3	2	1	0					
RESERVED								CLKACTIVITY_L4PER_32K_GFCLK	CLKACTIVITY_UART5_GFCLK	CLKACTIVITY_PER_192M_GFCLK	CLKACTIVITY_GPIO_GFCLK	CLKACTIVITY_MMC4_GFCLK	CLKACTIVITY_MMC3_GFCLK	CLKACTIVITY_PER_96M_GFCLK	CLKACTIVITY_PER_48M_GFCLK	CLKACTIVITY_PER_12M_GFCLK	CLKACTIVITY_UART4_GFCLK	CLKACTIVITY_UART3_GFCLK	CLKACTIVITY_UART2_GFCLK	CLKACTIVITY_UART1_GFCLK	CLKACTIVITY_TIMER9_GFCLK	CLKACTIVITY_TIMER4_GFCLK	CLKACTIVITY_TIMER3_GFCLK	CLKACTIVITY_TIMER2_GFCLK	CLKACTIVITY_TIMER11_GFCLK	CLKACTIVITY_TIMER10_GFCLK	CLKACTIVITY_L4PER_L3_GICLK	RESERVED								CLKTRCTRL

Bits	Field Name	Description	Type	Reset
31:28	RESERVED		R	0x0
27	CLKACTIVITY_L4PER_32K_GFCLK	This field indicates the state of the L4PER_32K_FCLK clock in the domain. [warm reset insensitive] 0x0: Corresponding clock is definitely gated 0x1: Corresponding clock is running or gating/ungating transition is on-going	R	0x0
26	CLKACTIVITY_UART5_GFCLK	This field indicates the state of the UART5_GFCLK clock in the domain. [warm reset insensitive] 0x0: Corresponding clock is definitely gated 0x1: Corresponding clock is running or gating/ungating transition is on-going	R	0x0
25	CLKACTIVITY_PER_192M_GFCLK	This field indicates the state of the PER_192M_GFCLK clock in the domain. [warm reset insensitive] 0x0: Corresponding clock is definitely gated 0x1: Corresponding clock is running or gating/ungating transition is on-going	R	0x0
24	CLKACTIVITY_GPIO_GFCLK	This field indicates the state of the GPIO_GFCLK clock in the domain. [warm reset insensitive] 0x0: Corresponding clock is definitely gated 0x1: Corresponding clock is running or gating/ungating transition is on-going	R	0x0
23	CLKACTIVITY_MMC4_GFCLK	This field indicates the state of the MMC4_GFCLK clock in the domain. [warm reset insensitive] 0x0: Corresponding clock is definitely gated 0x1: Corresponding clock is running or gating/ungating transition is on-going	R	0x0
22	CLKACTIVITY_MMC3_GFCLK	This field indicates the state of the MMC3_GFCLK clock in the domain. [warm reset insensitive] 0x0: Corresponding clock is definitely gated 0x1: Corresponding clock is running or gating/ungating transition is on-going	R	0x0

Bits	Field Name	Description	Type	Reset
21	CLKACTIVITY_PER_96M_GFCLK	This field indicates the state of the PER_96M_GFCLK clock in the domain. [warm reset insensitive] 0x0: Corresponding clock is definitely gated 0x1: Corresponding clock is running or gating/ungating transition is on-going	R	0x0
20	CLKACTIVITY_PER_48M_GFCLK	This field indicates the state of the PER_48M_GFCLK clock in the domain. [warm reset insensitive] 0x0: Corresponding clock is definitely gated 0x1: Corresponding clock is running or gating/ungating transition is on-going	R	0x0
19	CLKACTIVITY_PER_12M_GFCLK	This field indicates the state of the PER_12M_GFCLK clock in the domain. [warm reset insensitive] 0x0: Corresponding clock is definitely gated 0x1: Corresponding clock is running or gating/ungating transition is on-going	R	0x0
18	CLKACTIVITY_UART4_GFCLK	This field indicates the state of the UART4_GFCLK clock in the domain. [warm reset insensitive] 0x0: Corresponding clock is definitely gated 0x1: Corresponding clock is running or gating/ungating transition is on-going	R	0x0
17	CLKACTIVITY_UART3_GFCLK	This field indicates the state of the UART3_GFCLK clock in the domain. [warm reset insensitive] 0x0: Corresponding clock is definitely gated 0x1: Corresponding clock is running or gating/ungating transition is on-going	R	0x0
16	CLKACTIVITY_UART2_GFCLK	This field indicates the state of the UART2_GFCLK clock in the domain. [warm reset insensitive] 0x0: Corresponding clock is definitely gated 0x1: Corresponding clock is running or gating/ungating transition is on-going	R	0x0
15	CLKACTIVITY_UART1_GFCLK	This field indicates the state of the UART1_GFCLK clock in the domain. [warm reset insensitive] 0x0: Corresponding clock is definitely gated 0x1: Corresponding clock is running or gating/ungating transition is on-going	R	0x0
14	CLKACTIVITY_TIMER9_GFCLK	This field indicates the state of the DMT9_GFCLK clock in the domain. [warm reset insensitive] 0x0: Corresponding clock is definitely gated 0x1: Corresponding clock is running or gating/ungating transition is on-going	R	0x0
13	CLKACTIVITY_TIMER4_GFCLK	This field indicates the state of the DMT4_GFCLK clock in the domain. [warm reset insensitive] 0x0: Corresponding clock is definitely gated 0x1: Corresponding clock is running or gating/ungating transition is on-going	R	0x0
12	CLKACTIVITY_TIMER3_GFCLK	This field indicates the state of the DMT3_GFCLK clock in the domain. [warm reset insensitive] 0x0: Corresponding clock is definitely gated 0x1: Corresponding clock is running or gating/ungating transition is on-going	R	0x0
11	CLKACTIVITY_TIMER2_GFCLK	This field indicates the state of the DMT2_GFCLK clock in the domain. [warm reset insensitive] 0x0: Corresponding clock is definitely gated 0x1: Corresponding clock is running or gating/ungating transition is on-going	R	0x0

Bits	Field Name	Description	Type	Reset
10	CLKACTIVITY_TIMER11_GFCLK	This field indicates the state of the DMT11_GFCLK clock in the domain. [warm reset insensitive] 0x0: Corresponding clock is definitely gated 0x1: Corresponding clock is running or gating/ungating transition is on-going	R	0x0
9	CLKACTIVITY_TIMER10_GFCLK	This field indicates the state of the DMT10_GFCLK clock in the domain. [warm reset insensitive] 0x0: Corresponding clock is definitely gated 0x1: Corresponding clock is running or gating/ungating transition is on-going	R	0x0
8	CLKACTIVITY_L4PER_L3_GICLK	This field indicates the state of the L4PER_L3_GICLK clock in the domain. [warm reset insensitive] 0x0: Corresponding clock is definitely gated 0x1: Corresponding clock is running or gating/ungating transition is on-going	R	0x0
7:2	RESERVED		R	0x0
1:0	CLKTRCTRL	Controls the clock state transition of the L4PER clock domain. 0x0: NO_SLEEP: Sleep transition cannot be initiated. Wakeup transition may however occur. 0x1: SW_SLEEP: Start a software forced sleep transition on the domain. 0x2: SW_WKUP: Start a software forced wake-up transition on the domain. 0x3: HW_AUTO: Automatic transition is enabled. Sleep and wakeup transition are based upon hardware conditions.	RW	0x0

Table 3-989. Register Call Summary for Register CM_L4PER_CLKSTCTRL

Clock Management Functional Description

- [Clock Domain Modes: \[0\]\[1\]\[2\]\[3\]\[4\]\[5\]\[6\]\[7\]\[8\]\[9\]\[10\]\[11\]\[12\]\[13\]\[14\]\[15\]\[16\]\[17\]\[18\]\[19\]](#)

PRCM Register Manual

- [Not Supported Functionality \(Registers and Bits\): \[20\]](#)
- [CM_CORE_L4PER Register Summary: \[21\]](#)
- [CM_CORE_RESTORE Register Description: \[22\]\[23\]](#)

Table 3-990. CM_L4PER_DYNAMICDEP

Address Offset	0x0000 0008	Instance	CM_CORE_L4PER
Physical Address	0x4A00 9708		
Description	This register controls the dynamic domain dependencies from L4PER domain towards 'target' domains. It is relevant only for domain having OCP master port(s).		
Type	RW		

31	30	29	28	27	26	25	24	23	22	21	20	19	18	17	16	15	14	13	12	11	10	9	8	7	6	5	4	3	2	1	0
RESERVED				WINDOWSIZE				RESERVED									L4SEC_DYNDEP	RESERVED					DSS_DYNDEP	L3INIT_DYNDEP	RESERVED		IPU_DYNDEP	RESERVED			

Bits	Field Name	Description	Type	Reset
31:28	RESERVED		R	0x0
27:24	WINDOWSIZE	Size of sliding window used to monitor OCP interface activity for determination of auto-sleep feature. Time unit defined by CM_DYN_DEP_PRESCAL register.	RW	0x4
23:15	RESERVED		R	0x0
14	L4SEC_DYNDEP	Dynamic dependency towards L4SEC clock domain 0x1: Dependency is enabled	R	0x1
13:9	RESERVED		R	0x0
8	DSS_DYNDEP	Dynamic dependency towards DSS clock domain 0x1: Dependency is enabled	R	0x1
7	L3INIT_DYNDEP	Dynamic dependency towards L3INIT clock domain 0x1: Dependency is enabled	R	0x1
6:4	RESERVED		R	0x0
3	IPU_DYNDEP	Dynamic dependency towards IPU clock domain 0x1: Dependency is enabled	R	0x1
2:0	RESERVED		R	0x0

Table 3-991. Register Call Summary for Register CM_L4PER_DYNAMICDEP

Clock Management Functional Description

- [Clock Domain Dependency: \[0\]\[1\]\[2\]\[3\]](#)

PRCM Register Manual

- [CM_CORE__L4PER Register Summary: \[4\]](#)
- [CM_CORE__RESTORE Register Description: \[5\]\[6\]](#)

Table 3-992. CM_L4PER2_L4_PER2_CLKCTRL

Address Offset	0x0000 000C	Instance	CM_CORE__L4PER
Physical Address	0x4A00 970C		
Description	This register manages the L4_PER2 clocks.		
Type	R		

31	30	29	28	27	26	25	24	23	22	21	20	19	18	17	16	15	14	13	12	11	10	9	8	7	6	5	4	3	2	1	0
RESERVED														IDLEST	RESERVED												MODULEMODE				

Bits	Field Name	Description	Type	Reset
31:18	RESERVED		R	0x0
17:16	IDLEST	Module idle status. [warm reset insensitive] 0x0: Module is fully functional, including OCP 0x1: Module is performing transition: wakeup, or sleep, or sleep abortion 0x2: Module is in Idle mode (only OCP part). It is functional if using separate functional clock 0x3: Module is disabled and cannot be accessed	R	0x3
15:2	RESERVED		R	0x0

Bits	Field Name	Description	Type	Reset
1:0	MODULEMODE	Control the way mandatory clocks are managed. 0x1: Module is managed automatically by HW according to clock domain transition. A clock domain sleep transition put module into idle. A wakeup domain transition put it back into function. If CLKTRCTRL=3, any OCP access to module is always granted. Module clocks may be gated according to the clock domain state.	R	0x1

Table 3-993. Register Call Summary for Register CM_L4PER2_L4_PER2_CLKCTRL

Clock Management Functional Description

- [Clock Domain Module Attributes: \[0\]\[1\]](#)

PRCM Register Manual

- [CM_CORE__L4PER Register Summary: \[2\]](#)

Table 3-994. CM_L4PER3_L4_PER3_CLKCTRL

Address Offset	0x0000 0014	Instance	CM_CORE__L4PER
Physical Address	0x4A00 9714		
Description	This register manages the L4_PER3 clocks.		
Type	R		

31	30	29	28	27	26	25	24	23	22	21	20	19	18	17	16	15	14	13	12	11	10	9	8	7	6	5	4	3	2	1	0
RESERVED														IDLEST	RESERVED											MODULEMODE					

Bits	Field Name	Description	Type	Reset
31:18	RESERVED		R	0x0
17:16	IDLEST	Module idle status. [warm reset insensitive] 0x0: Module is fully functional, including OCP 0x1: Module is performing transition: wakeup, or sleep, or sleep abortion 0x2: Module is in Idle mode (only OCP part). It is functional if using separate functional clock 0x3: Module is disabled and cannot be accessed	R	0x3
15:2	RESERVED		R	0x0
1:0	MODULEMODE	Control the way mandatory clocks are managed. 0x1: Module is managed automatically by HW according to clock domain transition. A clock domain sleep transition put module into idle. A wakeup domain transition put it back into function. If CLKTRCTRL=3, any OCP access to module is always granted. Module clocks may be gated according to the clock domain state.	R	0x1

Table 3-995. Register Call Summary for Register CM_L4PER3_L4_PER3_CLKCTRL

Clock Management Functional Description

- [Clock Domain Module Attributes: \[0\]\[1\]](#)

PRCM Register Manual

- [CM_CORE__L4PER Register Summary: \[2\]](#)

Table 3-996. CM_L4PER2_PRUSS1_CLKCTRL

Address Offset	0x0000 0018	Instance	CM_CORE__L4PER
Physical Address	0x4A00 9718		
Description	This register manages the PRUSS clocks.		
Type	RW		

31	30	29	28	27	26	25	24	23	22	21	20	19	18	17	16	15	14	13	12	11	10	9	8	7	6	5	4	3	2	1	0
RESERVED												STBYST	IDLEST	RESERVED												MODULEMODE					

Bits	Field Name	Description	Type	Reset
31:19	RESERVED		R	0x0
18	STBYST	Module standby status. [warm reset insensitive] 0x0: Module is functional (not in standby) 0x1: Module is in standby	R	0x1
17:16	IDLEST	Module idle status. [warm reset insensitive] 0x0: Module is fully functional, including OCP 0x1: Module is performing transition: wakeup, or sleep, or sleep abortion 0x2: Module is in Idle mode (only OCP part). It is functional if using separate functional clock 0x3: Module is disabled and cannot be accessed	R	0x3
15:2	RESERVED		R	0x0
1:0	MODULEMODE	Control the way mandatory clocks are managed. 0x0: Module is disabled by SW. Any OCP access to module results in an error, except if resulting from a module wakeup (asynchronous wakeup). 0x1: Reserved 0x2: Module is explicitly enabled. Interface clock (if not used for functions) may be gated according to the clock domain state. Functional clocks are guaranteed to stay present. As long as in this configuration, power domain sleep transition cannot happen. 0x3: Reserved	RW	0x0

Table 3-997. Register Call Summary for Register CM_L4PER2_PRUSS1_CLKCTRL

Clock Management Functional Description

- [Clock Domain Module Attributes: \[0\]\[1\]\[2\]](#)

PRCM Register Manual

- [CM_CORE__L4PER Register Summary: \[3\]](#)

Table 3-998. CM_L4PER2_PRUSS2_CLKCTRL

Address Offset	0x0000 0020	Instance	CM_CORE__L4PER
Physical Address	0x4A00 9720		
Description	This register manages the PRUSS clocks.		
Type	RW		

31	30	29	28	27	26	25	24	23	22	21	20	19	18	17	16	15	14	13	12	11	10	9	8	7	6	5	4	3	2	1	0
RESERVED													STBYST	IDLEST	RESERVED											MODULEMODE					

Bits	Field Name	Description	Type	Reset
31:19	RESERVED		R	0x0
18	STBYST	Module standby status. [warm reset insensitive] 0x0: Module is functional (not in standby) 0x1: Module is in standby	R	0x1
17:16	IDLEST	Module idle status. [warm reset insensitive] 0x0: Module is fully functional, including OCP 0x1: Module is performing transition: wakeup, or sleep, or sleep abortion 0x2: Module is in Idle mode (only OCP part). It is functional if using separate functional clock 0x3: Module is disabled and cannot be accessed	R	0x3
15:2	RESERVED		R	0x0
1:0	MODULEMODE	Control the way mandatory clocks are managed. 0x0: Module is disabled by SW. Any OCP access to module results in an error, except if resulting from a module wakeup (asynchronous wakeup). 0x1: Reserved 0x2: Module is explicitly enabled. Interface clock (if not used for functions) may be gated according to the clock domain state. Functional clocks are guaranteed to stay present. As long as in this configuration, power domain sleep transition cannot happen. 0x3: Reserved	RW	0x0

Table 3-999. Register Call Summary for Register CM_L4PER2_PRUSS2_CLKCTRL

Clock Management Functional Description

- [Clock Domain Module Attributes: \[0\]\[1\]\[2\]](#)

PRCM Register Manual

- [CM_CORE__L4PER Register Summary: \[3\]](#)

Table 3-1000. CM_L4PER_TIMER10_CLKCTRL

Address Offset	0x0000 0028	Instance	CM_CORE__L4PER
Physical Address	0x4A00 9728		
Description	This register manages the TIMER10 clocks.		
Type	RW		

31	30	29	28	27	26	25	24	23	22	21	20	19	18	17	16	15	14	13	12	11	10	9	8	7	6	5	4	3	2	1	0
RESERVED				CLKSEL				RESERVED				IDLEST				RESERVED												MODULEMODE			

Bits	Field Name	Description	Type	Reset
31:28	RESERVED		R	0x0
27:24	CLKSEL	Select the source of the functional clock 0x0: Selects SYS_CLK1 0x1: Selects FUNC_32K_CLK 0x2: Selects SYS_CLK2 0x3: Selects XREF_CLK0 0x4: Selects XREF_CLK1 0x5: Selects XREF_CLK2 0x6: Selects XREF_CLK3 0x7: Selects ABE_GICLK 0x8: Selects VIDEO1_DIV_CLK 0x9: Selects VIDEO2_DIV_CLK 0xA: Selects HDMI_DIV_CLK 0xB-0xF: RESERVED	RW	0x0
23:18	RESERVED		R	0x0
17:16	IDLEST	Module idle status. [warm reset insensitive] 0x0: Module is fully functional, including OCP 0x1: Module is performing transition: wakeup, or sleep, or sleep abortion 0x2: Module is in Idle mode (only OCP part). It is functional if using separate functional clock 0x3: Module is disabled and cannot be accessed	R	0x3
15:2	RESERVED		R	0x0
1:0	MODULEMODE	Control the way mandatory clocks are managed. 0x0: Module is disabled by SW. Any OCP access to module results in an error, except if resulting from a module wakeup (asynchronous wakeup). 0x1: Reserved 0x2: Module is explicitly enabled. Interface clock (if not used for functions) may be gated according to the clock domain state. Functional clocks are guaranteed to stay present. As long as in this configuration, power domain sleep transition cannot happen. 0x3: Reserved	RW	0x0

Table 3-1001. Register Call Summary for Register CM_L4PER_TIMER10_CLKCTRL

Clock Management Functional Description

- [CM_CORE_AON_TIMER Overview: \[0\]](#)
- [Clock Domain Module Attributes: \[1\]\[2\]](#)

PRCM Register Manual

- [Not Supported Functionality \(Registers and Bits\): \[3\]](#)
- [CM_CORE__L4PER Register Summary: \[4\]](#)

Table 3-1002. CM_L4PER_TIMER11_CLKCTRL

Address Offset	0x0000 0030	Instance	CM_CORE__L4PER
Physical Address	0x4A00 9730		
Description	This register manages the TIMER11 clocks.		
Type	RW		

31	30	29	28	27	26	25	24	23	22	21	20	19	18	17	16	15	14	13	12	11	10	9	8	7	6	5	4	3	2	1	0
RESERVED								RESERVED				IDLEST	RESERVED										MODULEMODE								

Bits	Field Name	Description	Type	Reset
31:28	RESERVED		R	0x0
27:24	CLKSEL	Select the source of the functional clock 0x0: Selects SYS_CLK1 0x1: Selects FUNC_32K_CLK 0x2: Selects SYS_CLK2 0x3: Selects XREF_CLK0 0x4: Selects XREF_CLK1 0x5: Selects XREF_CLK2 0x6: Selects XREF_CLK3 0x7: Selects ABE_GICLK 0x8: Selects VIDEO1_DIV_CLK 0x9: Selects VIDEO2_DIV_CLK 0xA: Selects HDMI_DIV_CLK 0xB-0xF: RESERVED	RW	0x0
23:18	RESERVED		R	0x0
17:16	IDLEST	Module idle status. [warm reset insensitive] 0x0: Module is fully functional, including OCP 0x1: Module is performing transition: wakeup, or sleep, or sleep abortion 0x2: Module is in Idle mode (only OCP part). It is functional if using separate functional clock 0x3: Module is disabled and cannot be accessed	R	0x3
15:2	RESERVED		R	0x0

Bits	Field Name	Description	Type	Reset
1:0	MODULEMODE	Control the way mandatory clocks are managed. 0x0: Module is disabled by SW. Any OCP access to module results in an error, except if resulting from a module wakeup (asynchronous wakeup). 0x1: Reserved 0x2: Module is explicitly enabled. Interface clock (if not used for functions) may be gated according to the clock domain state. Functional clocks are guaranteed to stay present. As long as in this configuration, power domain sleep transition cannot happen. 0x3: Reserved	RW	0x0

Table 3-1003. Register Call Summary for Register CM_L4PER_TIMER11_CLKCTRL

Clock Management Functional Description

- [CM_CORE_AON_TIMER Overview: \[0\]](#)
- [Clock Domain Module Attributes: \[1\]\[2\]](#)

PRCM Register Manual

- [Not Supported Functionality \(Registers and Bits\): \[3\]](#)
- [CM_CORE__L4PER Register Summary: \[4\]](#)

Table 3-1004. CM_L4PER_TIMER2_CLKCTRL

Address Offset	0x0000 0038	Instance	CM_CORE__L4PER
Physical Address	0x4A00 9738		
Description	This register manages the TIMER2 clocks.		
Type	RW		

31	30	29	28	27	26	25	24	23	22	21	20	19	18	17	16	15	14	13	12	11	10	9	8	7	6	5	4	3	2	1	0
RESERVED				CLKSEL				RESERVED				IDLEST	RESERVED												MODULEMODE						

Bits	Field Name	Description	Type	Reset
31:28	RESERVED		R	0x0
27:24	CLKSEL	Select the source of the functional clock 0x0: Selects SYS_CLK1 0x1: Selects FUNC_32K_CLK 0x2: Selects SYS_CLK2 0x3: Selects XREF_CLK0 0x4: Selects XREF_CLK1 0x5: Selects XREF_CLK2 0x6: Selects XREF_CLK3 0x7: Selects ABE_GICLK 0x8: Selects VIDEO1_DIV_CLK 0x9: Selects VIDEO2_DIV_CLK 0xA: Selects HDMI_DIV_CLK 0xB-0xF: RESERVED	RW	0x0
23:18	RESERVED		R	0x0

Bits	Field Name	Description	Type	Reset
17:16	IDLEST	Module idle status. [warm reset insensitive] 0x0: Module is fully functional, including OCP 0x1: Module is performing transition: wakeup, or sleep, or sleep abortion 0x2: Module is in Idle mode (only OCP part). It is functional if using separate functional clock 0x3: Module is disabled and cannot be accessed	R	0x3
15:2	RESERVED		R	0x0
1:0	MODULEMODE	Control the way mandatory clocks are managed. 0x0: Module is disabled by SW. Any OCP access to module results in an error, except if resulting from a module wakeup (asynchronous wakeup). 0x1: Reserved 0x2: Module is explicitly enabled. Interface clock (if not used for functions) may be gated according to the clock domain state. Functional clocks are guaranteed to stay present. As long as in this configuration, power domain sleep transition cannot happen. 0x3: Reserved	RW	0x0

Table 3-1005. Register Call Summary for Register CM_L4PER_TIMER2_CLKCTRL

Clock Management Functional Description

- [CM_CORE_AON_TIMER Overview: \[0\]](#)
- [Clock Domain Module Attributes: \[1\]\[2\]](#)

PRCM Register Manual

- [Not Supported Functionality \(Registers and Bits\): \[3\]](#)
- [CM_CORE__L4PER Register Summary: \[4\]](#)

Table 3-1006. CM_L4PER_TIMER3_CLKCTRL

Address Offset	0x0000 0040	Instance	CM_CORE__L4PER
Physical Address	0x4A00 9740		
Description	This register manages the TIMER3 clocks.		
Type	RW		

31	30	29	28	27	26	25	24	23	22	21	20	19	18	17	16	15	14	13	12	11	10	9	8	7	6	5	4	3	2	1	0
RESERVED				CLKSEL				RESERVED				IDLEST	RESERVED												MODULEMODE						

Bits	Field Name	Description	Type	Reset
31:28	RESERVED		R	0x0
27:24	CLKSEL	Select the source of the functional clock 0x0: Selects SYS_CLK1 0x1: Selects FUNC_32K_CLK 0x2: Selects SYS_CLK2 0x3: Selects XREF_CLK0 0x4: Selects XREF_CLK1 0x5: Selects XREF_CLK2 0x6: Selects XREF_CLK3 0x7: Selects ABE_GICLK 0x8: Selects VIDEO1_DIV_CLK 0x9: Selects VIDEO2_DIV_CLK 0xA: Selects HDMI_DIV_CLK 0xB-0xF: RESERVED	RW	0x0
23:18	RESERVED		R	0x0
17:16	IDLEST	Module idle status. [warm reset insensitive] 0x0: Module is fully functional, including OCP 0x1: Module is performing transition: wakeup, or sleep, or sleep abortion 0x2: Module is in Idle mode (only OCP part). It is functional if using separate functional clock 0x3: Module is disabled and cannot be accessed	R	0x3
15:2	RESERVED		R	0x0
1:0	MODULEMODE	Control the way mandatory clocks are managed. 0x0: Module is disabled by SW. Any OCP access to module results in an error, except if resulting from a module wakeup (asynchronous wakeup). 0x1: Reserved 0x2: Module is explicitly enabled. Interface clock (if not used for functions) may be gated according to the clock domain state. Functional clocks are guaranteed to stay present. As long as in this configuration, power domain sleep transition cannot happen. 0x3: Reserved	RW	0x0

Table 3-1007. Register Call Summary for Register CM_L4PER_TIMER3_CLKCTRL

Clock Management Functional Description

- [CM_CORE_AON_TIMER Overview: \[0\]](#)
- [Clock Domain Module Attributes: \[1\]\[2\]](#)

PRCM Register Manual

- [Not Supported Functionality \(Registers and Bits\): \[3\]](#)
- [CM_CORE__L4PER Register Summary: \[4\]](#)

Table 3-1008. CM_L4PER_TIMER4_CLKCTRL

Address Offset	0x0000 0048	Instance	CM_CORE__L4PER
Physical Address	0x4A00 9748		
Description	This register manages the TIMER4 clocks.		
Type	RW		

31	30	29	28	27	26	25	24	23	22	21	20	19	18	17	16	15	14	13	12	11	10	9	8	7	6	5	4	3	2	1	0
RESERVED								RESERVED				IDLEST	RESERVED										MODULEMODE								

Bits	Field Name	Description	Type	Reset
31:28	RESERVED		R	0x0
27:24	CLKSEL	Select the source of the functional clock 0x0: Selects SYS_CLK1 0x1: Selects FUNC_32K_CLK 0x2: Selects SYS_CLK2 0x3: Selects XREF_CLK0 0x4: Selects XREF_CLK1 0x5: Selects XREF_CLK2 0x6: Selects XREF_CLK3 0x7: Selects ABE_GICLK 0x8: Selects VIDEO1_DIV_CLK 0x9: Selects VIDEO2_DIV_CLK 0xA: Selects HDMI_DIV_CLK 0xB-0xF: RESERVED	RW	0x0
23:18	RESERVED		R	0x0
17:16	IDLEST	Module idle status. [warm reset insensitive] 0x0: Module is fully functional, including OCP 0x1: Module is performing transition: wakeup, or sleep, or sleep abortion 0x2: Module is in Idle mode (only OCP part). It is functional if using separate functional clock 0x3: Module is disabled and cannot be accessed	R	0x3
15:2	RESERVED		R	0x0
1:0	MODULEMODE	Control the way mandatory clocks are managed. 0x0: Module is disabled by SW. Any OCP access to module results in an error, except if resulting from a module wakeup (asynchronous wakeup). 0x1: Reserved 0x2: Module is explicitly enabled. Interface clock (if not used for functions) may be gated according to the clock domain state. Functional clocks are guaranteed to stay present. As long as in this configuration, power domain sleep transition cannot happen. 0x3: Reserved	RW	0x0

Table 3-1009. Register Call Summary for Register CM_L4PER_TIMER4_CLKCTRL

Clock Management Functional Description

- [CM_CORE_AON_TIMER Overview: \[0\]](#)
- [Clock Domain Module Attributes: \[1\]\[2\]](#)

PRCM Register Manual

- [Not Supported Functionality \(Registers and Bits\): \[3\]](#)
- [CM_CORE__L4PER Register Summary: \[4\]](#)

Table 3-1010. CM_L4PER_TIMER9_CLKCTRL

Address Offset	0x0000 0050	Instance	CM_CORE__L4PER
Physical Address	0x4A00 9750		
Description	This register manages the TIMER9 clocks.		
Type	RW		

31	30	29	28	27	26	25	24	23	22	21	20	19	18	17	16	15	14	13	12	11	10	9	8	7	6	5	4	3	2	1	0
RESERVED				CLKSEL				RESERVED				IDLEST	RESERVED										MODULEMODE								

Bits	Field Name	Description	Type	Reset
31:28	RESERVED		R	0x0
27:24	CLKSEL	Select the source of the functional clock 0x0: Selects SYS_CLK1 0x1: Selects FUNC_32K_CLK 0x2: Selects SYS_CLK2 0x3: Selects XREF_CLK0 0x4: Selects XREF_CLK1 0x5: Selects XREF_CLK2 0x6: Selects XREF_CLK3 0x7: Selects ABE_GICLK 0x8: Selects VIDEO1_DIV_CLK 0x9: Selects VIDEO2_DIV_CLK 0xA: Selects HDMI_DIV_CLK 0xB-0xF: RESERVED	RW	0x0
23:18	RESERVED		R	0x0
17:16	IDLEST	Module idle status. [warm reset insensitive] 0x0: Module is fully functional, including OCP 0x1: Module is performing transition: wakeup, or sleep, or sleep abortion 0x2: Module is in Idle mode (only OCP part). It is functional if using separate functional clock 0x3: Module is disabled and cannot be accessed	R	0x3
15:2	RESERVED		R	0x0

Bits	Field Name	Description	Type	Reset
1:0	MODULEMODE	Control the way mandatory clocks are managed. 0x0: Module is disabled by SW. Any OCP access to module results in an error, except if resulting from a module wakeup (asynchronous wakeup). 0x1: Reserved 0x2: Module is explicitly enabled. Interface clock (if not used for functions) may be gated according to the clock domain state. Functional clocks are guaranteed to stay present. As long as in this configuration, power domain sleep transition cannot happen. 0x3: Reserved	RW	0x0

Table 3-1011. Register Call Summary for Register CM_L4PER_TIMER9_CLKCTRL

Clock Management Functional Description

- [CM_CORE_AON_TIMER Overview: \[0\]](#)
- [Clock Domain Module Attributes: \[1\]\[2\]](#)

PRCM Register Manual

- [Not Supported Functionality \(Registers and Bits\): \[3\]](#)
- [CM_CORE__L4PER Register Summary: \[4\]](#)

Table 3-1012. CM_L4PER_ELM_CLKCTRL

Address Offset	0x0000 0058	Instance	CM_CORE__L4PER
Physical Address	0x4A00 9758		
Description	This register manages the ELM clocks.		
Type	R		

31	30	29	28	27	26	25	24	23	22	21	20	19	18	17	16	15	14	13	12	11	10	9	8	7	6	5	4	3	2	1	0
RESERVED														IDLEST	RESERVED												MODULEMODE				

Bits	Field Name	Description	Type	Reset
31:18	RESERVED		R	0x0
17:16	IDLEST	Module idle status. [warm reset insensitive] 0x0: Module is fully functional, including OCP 0x1: Module is performing transition: wakeup, or sleep, or sleep abortion 0x2: Module is in Idle mode (only OCP part). It is functional if using separate functional clock 0x3: Module is disabled and cannot be accessed	R	0x3
15:2	RESERVED		R	0x0
1:0	MODULEMODE	Control the way mandatory clocks are managed. 0x1: Module is managed automatically by HW according to clock domain transition. A clock domain sleep transition put module into idle. A wakeup domain transition put it back into function. If CLKTRCTRL=3, any OCP access to module is always granted. Module clocks may be gated according to the clock domain state.	R	0x1

Table 3-1013. Register Call Summary for Register CM_L4PER_ELM_CLKCTRL

Clock Management Functional Description

- [Clock Domain Module Attributes: \[0\]\[1\]](#)

PRCM Register Manual

- [CM_CORE__L4PER Register Summary: \[2\]](#)

Table 3-1014. CM_L4PER_GPIO2_CLKCTRL

Address Offset	0x0000 0060	Instance	CM_CORE__L4PER
Physical Address	0x4A00 9760		
Description	This register manages the GPIO2 clocks.		
Type	RW		

31	30	29	28	27	26	25	24	23	22	21	20	19	18	17	16	15	14	13	12	11	10	9	8	7	6	5	4	3	2	1	0		
RESERVED																IDLEST		RESERVED						OPTFCLKEN_DBCLK		RESERVED						MODULEMODE	

Bits	Field Name	Description	Type	Reset
31:18	RESERVED		R	0x0
17:16	IDLEST	Module idle status. [warm reset insensitive] 0x0: Module is fully functional, including OCP 0x1: Module is performing transition: wakeup, or sleep, or sleep abortion 0x2: Module is in Idle mode (only OCP part). It is functional if using separate functional clock 0x3: Module is disabled and cannot be accessed	R	0x3
15:9	RESERVED		R	0x0
8	OPTFCLKEN_DBCLK	Optional functional clock control. 0x0: Optional functional clock is disabled 0x1: Optional functional clock is enabled	RW	0x0
7:2	RESERVED		R	0x0
1:0	MODULEMODE	Control the way mandatory clocks are managed. 0x0: Module is disabled by SW. Any OCP access to module results in an error, except if resulting from a module wakeup (asynchronous wakeup). 0x1: Module is managed automatically by HW according to clock domain transition. A clock domain sleep transition put module into idle. A wakeup domain transition put it back into function. If CLKTRCTRL=3, any OCP access to module is always granted. Module clocks may be gated according to the clock domain state. 0x2: Reserved 0x3: Reserved	RW	0x0

Table 3-1015. Register Call Summary for Register CM_L4PER_GPIO2_CLKCTRL

Clock Management Functional Description

- [Clock Domain Module Attributes: \[0\]\[1\]](#)

PRCM Register Manual

- [CM_CORE__L4PER Register Summary: \[2\]](#)

Table 3-1016. CM_L4PER_GPIO3_CLKCTRL

Address Offset	0x0000 0068	Instance	CM_CORE__L4PER
Physical Address	0x4A00 9768		
Description	This register manages the GPIO3 clocks.		
Type	RW		

31	30	29	28	27	26	25	24	23	22	21	20	19	18	17	16	15	14	13	12	11	10	9	8	7	6	5	4	3	2	1	0	
RESERVED																IDLEST		RESERVED						OPTFCLKEN_DBCLK	RESERVED						MODULEMODE	

Bits	Field Name	Description	Type	Reset
31:18	RESERVED		R	0x0
17:16	IDLEST	Module idle status. [warm reset insensitive] 0x0: Module is fully functional, including OCP 0x1: Module is performing transition: wakeup, or sleep, or sleep abortion 0x2: Module is in Idle mode (only OCP part). It is functional if using separate functional clock 0x3: Module is disabled and cannot be accessed	R	0x3
15:9	RESERVED		R	0x0
8	OPTFCLKEN_DBCLK	Optional functional clock control. 0x0: Optional functional clock is disabled 0x1: Optional functional clock is enabled	RW	0x0
7:2	RESERVED		R	0x0
1:0	MODULEMODE	Control the way mandatory clocks are managed. 0x0: Module is disabled by SW. Any OCP access to module results in an error, except if resulting from a module wakeup (asynchronous wakeup). 0x1: Module is managed automatically by HW according to clock domain transition. A clock domain sleep transition put module into idle. A wakeup domain transition put it back into function. If CLKTRCTRL=3, any OCP access to module is always granted. Module clocks may be gated according to the clock domain state. 0x2: Reserved 0x3: Reserved	RW	0x0

Table 3-1017. Register Call Summary for Register CM_L4PER_GPIO3_CLKCTRL

Clock Management Functional Description

- [Clock Domain Module Attributes: \[0\]\[1\]](#)

PRCM Register Manual

- [CM_CORE__L4PER Register Summary: \[2\]](#)

Table 3-1018. CM_L4PER_GPIO4_CLKCTRL

Address Offset	0x0000 0070	Instance	CM_CORE__L4PER
Physical Address	0x4A00 9770		
Description	This register manages the GPIO4 clocks.		
Type	RW		

31	30	29	28	27	26	25	24	23	22	21	20	19	18	17	16	15	14	13	12	11	10	9	8	7	6	5	4	3	2	1	0		
RESERVED																IDLEST		RESERVED						OPTFCLKEN_DBCLK		RESERVED						MODULEMODE	

Bits	Field Name	Description	Type	Reset
31:18	RESERVED		R	0x0
17:16	IDLEST	Module idle status. [warm reset insensitive] 0x0: Module is fully functional, including OCP 0x1: Module is performing transition: wakeup, or sleep, or sleep abortion 0x2: Module is in Idle mode (only OCP part). It is functional if using separate functional clock 0x3: Module is disabled and cannot be accessed	R	0x3
15:9	RESERVED		R	0x0
8	OPTFCLKEN_DBCLK	Optional functional clock control. 0x0: Optional functional clock is disabled 0x1: Optional functional clock is enabled	RW	0x0
7:2	RESERVED		R	0x0
1:0	MODULEMODE	Control the way mandatory clocks are managed. 0x0: Module is disabled by SW. Any OCP access to module results in an error, except if resulting from a module wakeup (asynchronous wakeup). 0x1: Module is managed automatically by HW according to clock domain transition. A clock domain sleep transition put module into idle. A wakeup domain transition put it back into function. If CLKTRCTRL=3, any OCP access to module is always granted. Module clocks may be gated according to the clock domain state. 0x2: Reserved 0x3: Reserved	RW	0x0

Table 3-1019. Register Call Summary for Register CM_L4PER_GPIO4_CLKCTRL

Clock Management Functional Description

- [Clock Domain Module Attributes: \[0\]\[1\]](#)

PRCM Register Manual

- [CM_CORE__L4PER Register Summary: \[2\]](#)

Table 3-1020. CM_L4PER_GPIO5_CLKCTRL

Address Offset	0x0000 0078	Instance	CM_CORE__L4PER
Physical Address	0x4A00 9778		
Description	This register manages the GPIO5 clocks.		
Type	RW		

31	30	29	28	27	26	25	24	23	22	21	20	19	18	17	16	15	14	13	12	11	10	9	8	7	6	5	4	3	2	1	0
RESERVED																IDLEST		RESERVED						OPTFCLKEN_DBCLK	RESERVED						MODULEMODE

Bits	Field Name	Description	Type	Reset
31:18	RESERVED		R	0x0
17:16	IDLEST	Module idle status. [warm reset insensitive] 0x0: Module is fully functional, including OCP 0x1: Module is performing transition: wakeup, or sleep, or sleep abortion 0x2: Module is in Idle mode (only OCP part). It is functional if using separate functional clock 0x3: Module is disabled and cannot be accessed	R	0x3
15:9	RESERVED		R	0x0
8	OPTFCLKEN_DBCLK	Optional functional clock control. 0x0: Optional functional clock is disabled 0x1: Optional functional clock is enabled	RW	0x0
7:2	RESERVED		R	0x0
1:0	MODULEMODE	Control the way mandatory clocks are managed. 0x0: Module is disabled by SW. Any OCP access to module results in an error, except if resulting from a module wakeup (asynchronous wakeup). 0x1: Module is managed automatically by HW according to clock domain transition. A clock domain sleep transition put module into idle. A wakeup domain transition put it back into function. If CLKTRCTRL=3, any OCP access to module is always granted. Module clocks may be gated according to the clock domain state. 0x2: Reserved 0x3: Reserved	RW	0x0

Table 3-1021. Register Call Summary for Register CM_L4PER_GPIO5_CLKCTRL

Clock Management Functional Description

- [Clock Domain Module Attributes: \[0\]\[1\]](#)

PRCM Register Manual

- [CM_CORE__L4PER Register Summary: \[2\]](#)

Table 3-1022. CM_L4PER_GPIO6_CLKCTRL

Address Offset	0x0000 0080	Instance	CM_CORE__L4PER
Physical Address	0x4A00 9780		
Description	This register manages the GPIO6 clocks.		
Type	RW		

31	30	29	28	27	26	25	24	23	22	21	20	19	18	17	16	15	14	13	12	11	10	9	8	7	6	5	4	3	2	1	0		
RESERVED																IDLEST		RESERVED						OPTFCLKEN_DBCLK		RESERVED						MODULEMODE	

Bits	Field Name	Description	Type	Reset
31:18	RESERVED		R	0x0
17:16	IDLEST	Module idle status. [warm reset insensitive] 0x0: Module is fully functional, including OCP 0x1: Module is performing transition: wakeup, or sleep, or sleep abortion 0x2: Module is in Idle mode (only OCP part). It is functional if using separate functional clock 0x3: Module is disabled and cannot be accessed	R	0x3
15:9	RESERVED		R	0x0
8	OPTFCLKEN_DBCLK	Optional functional clock control. 0x0: Optional functional clock is disabled 0x1: Optional functional clock is enabled	RW	0x0
7:2	RESERVED		R	0x0
1:0	MODULEMODE	Control the way mandatory clocks are managed. 0x0: Module is disabled by SW. Any OCP access to module results in an error, except if resulting from a module wakeup (asynchronous wakeup). 0x1: Module is managed automatically by HW according to clock domain transition. A clock domain sleep transition put module into idle. A wakeup domain transition put it back into function. If CLKTRCTRL=3, any OCP access to module is always granted. Module clocks may be gated according to the clock domain state. 0x2: Reserved 0x3: Reserved	RW	0x0

Table 3-1023. Register Call Summary for Register CM_L4PER_GPIO6_CLKCTRL

Clock Management Functional Description

- [Clock Domain Module Attributes: \[0\]\[1\]](#)

PRCM Register Manual

- [CM_CORE__L4PER Register Summary: \[2\]](#)

Table 3-1024. CM_L4PER_HDQ1W_CLKCTRL

Address Offset	0x0000 0088	Instance	CM_CORE__L4PER
Physical Address	0x4A00 9788		
Description	This register manages the HDQ1W clocks.		
Type	RW		

31	30	29	28	27	26	25	24	23	22	21	20	19	18	17	16	15	14	13	12	11	10	9	8	7	6	5	4	3	2	1	0
RESERVED														IDLEST		RESERVED														MODULEMODE	

Bits	Field Name	Description	Type	Reset
31:18	RESERVED		R	0x0
17:16	IDLEST	Module idle status. [warm reset insensitive] 0x0: Module is fully functional, including OCP 0x1: Module is performing transition: wakeup, or sleep, or sleep abortion 0x2: Module is in Idle mode (only OCP part). It is functional if using separate functional clock 0x3: Module is disabled and cannot be accessed	R	0x3
15:2	RESERVED		R	0x0
1:0	MODULEMODE	Control the way mandatory clocks are managed. 0x0: Module is disabled by SW. Any OCP access to module results in an error, except if resulting from a module wakeup (asynchronous wakeup). 0x1: Reserved 0x2: Module is explicitly enabled. Interface clock (if not used for functions) may be gated according to the clock domain state. Functional clocks are guaranteed to stay present. As long as in this configuration, power domain sleep transition cannot happen. 0x3: Reserved	RW	0x0

Table 3-1025. Register Call Summary for Register CM_L4PER_HDQ1W_CLKCTRL

Clock Management Functional Description

- [Clock Domain Module Attributes: \[0\]\[1\]](#)

PRCM Register Manual

- [CM_CORE__L4PER Register Summary: \[2\]](#)

Table 3-1026. CM_L4PER2_PWMSS2_CLKCTRL

Address Offset	0x0000 0090	Instance	CM_CORE__L4PER
Physical Address	0x4A00 9790		
Description	This register manages the PWMSS1 clocks.		
Type	RW		

31	30	29	28	27	26	25	24	23	22	21	20	19	18	17	16	15	14	13	12	11	10	9	8	7	6	5	4	3	2	1	0
RESERVED														IDLEST		RESERVED														MODULEMODE	

Bits	Field Name	Description	Type	Reset
31:18	RESERVED		R	0x0
17:16	IDLEST	Module idle status. [warm reset insensitive] 0x0: Module is fully functional, including OCP 0x1: Module is performing transition: wakeup, or sleep, or sleep abortion 0x2: Module is in Idle mode (only OCP part). It is functional if using separate functional clock 0x3: Module is disabled and cannot be accessed	R	0x3
15:2	RESERVED		R	0x0
1:0	MODULEMODE	Control the way mandatory clocks are managed. 0x0: Module is disabled by SW. Any OCP access to module results in an error, except if resulting from a module wakeup (asynchronous wakeup). 0x1: Reserved 0x2: Module is explicitly enabled. Interface clock (if not used for functions) may be gated according to the clock domain state. Functional clocks are guaranteed to stay present. As long as in this configuration, power domain sleep transition cannot happen. 0x3: Reserved	RW	0x0

Table 3-1027. Register Call Summary for Register CM_L4PER2_PWMSS2_CLKCTRL

Clock Management Functional Description

- [Clock Domain Module Attributes: \[0\]\[1\]](#)

PRCM Register Manual

- [CM_CORE__L4PER Register Summary: \[2\]](#)

Table 3-1028. CM_L4PER2_PWMSS3_CLKCTRL

Address Offset	0x0000 0098	Instance	CM_CORE__L4PER
Physical Address	0x4A00 9798		
Description	This register manages the PWMSS2 clocks.		
Type	RW		

31	30	29	28	27	26	25	24	23	22	21	20	19	18	17	16	15	14	13	12	11	10	9	8	7	6	5	4	3	2	1	0
RESERVED														IDLEST		RESERVED														MODULEMODE	

Bits	Field Name	Description	Type	Reset
31:18	RESERVED		R	0x0
17:16	IDLEST	Module idle status. [warm reset insensitive] 0x0: Module is fully functional, including OCP 0x1: Module is performing transition: wakeup, or sleep, or sleep abortion 0x2: Module is in Idle mode (only OCP part). It is functional if using separate functional clock 0x3: Module is disabled and cannot be accessed	R	0x3
15:2	RESERVED		R	0x0
1:0	MODULEMODE	Control the way mandatory clocks are managed. 0x0: Module is disabled by SW. Any OCP access to module results in an error, except if resulting from a module wakeup (asynchronous wakeup). 0x1: Reserved 0x2: Module is explicitly enabled. Interface clock (if not used for functions) may be gated according to the clock domain state. Functional clocks are guaranteed to stay present. As long as in this configuration, power domain sleep transition cannot happen. 0x3: Reserved	RW	0x0

Table 3-1029. Register Call Summary for Register CM_L4PER2_PWMSS3_CLKCTRL

Clock Management Functional Description

- [Clock Domain Module Attributes: \[0\]\[1\]](#)

PRCM Register Manual

- [CM_CORE__L4PER Register Summary: \[2\]](#)

Table 3-1030. CM_L4PER_I2C1_CLKCTRL

Address Offset	0x0000 00A0	Instance	CM_CORE__L4PER
Physical Address	0x4A00 97A0		
Description	This register manages the I2C1 clocks.		
Type	RW		

31	30	29	28	27	26	25	24	23	22	21	20	19	18	17	16	15	14	13	12	11	10	9	8	7	6	5	4	3	2	1	0
RESERVED														IDLEST		RESERVED														MODULEMODE	

Bits	Field Name	Description	Type	Reset
31:18	RESERVED		R	0x0
17:16	IDLEST	Module idle status. [warm reset insensitive] 0x0: Module is fully functional, including OCP 0x1: Module is performing transition: wakeup, or sleep, or sleep abortion 0x2: Module is in Idle mode (only OCP part). It is functional if using separate functional clock 0x3: Module is disabled and cannot be accessed	R	0x3
15:2	RESERVED		R	0x0
1:0	MODULEMODE	Control the way mandatory clocks are managed. 0x0: Module is disabled by SW. Any OCP access to module results in an error, except if resulting from a module wakeup (asynchronous wakeup). 0x1: Reserved 0x2: Module is explicitly enabled. Interface clock (if not used for functions) may be gated according to the clock domain state. Functional clocks are guaranteed to stay present. As long as in this configuration, power domain sleep transition cannot happen. 0x3: Reserved	RW	0x0

Table 3-1031. Register Call Summary for Register CM_L4PER_I2C1_CLKCTRL

Clock Management Functional Description

- [Clock Domain Module Attributes: \[0\]\[1\]](#)

PRCM Register Manual

- [CM_CORE__L4PER Register Summary: \[2\]](#)

Table 3-1032. CM_L4PER_I2C2_CLKCTRL

Address Offset	0x0000 00A8	Instance	CM_CORE__L4PER
Physical Address	0x4A00 97A8		
Description	This register manages the I2C2 clocks.		
Type	RW		

31	30	29	28	27	26	25	24	23	22	21	20	19	18	17	16	15	14	13	12	11	10	9	8	7	6	5	4	3	2	1	0
RESERVED														IDLEST		RESERVED														MODULEMODE	

Bits	Field Name	Description	Type	Reset
31:18	RESERVED		R	0x0
17:16	IDLEST	Module idle status. [warm reset insensitive] 0x0: Module is fully functional, including OCP 0x1: Module is performing transition: wakeup, or sleep, or sleep abortion 0x2: Module is in Idle mode (only OCP part). It is functional if using separate functional clock 0x3: Module is disabled and cannot be accessed	R	0x3
15:2	RESERVED		R	0x0
1:0	MODULEMODE	Control the way mandatory clocks are managed. 0x0: Module is disabled by SW. Any OCP access to module results in an error, except if resulting from a module wakeup (asynchronous wakeup). 0x1: Reserved 0x2: Module is explicitly enabled. Interface clock (if not used for functions) may be gated according to the clock domain state. Functional clocks are guaranteed to stay present. As long as in this configuration, power domain sleep transition cannot happen. 0x3: Reserved	RW	0x0

Table 3-1033. Register Call Summary for Register CM_L4PER_I2C2_CLKCTRL

Clock Management Functional Description

- [Clock Domain Module Attributes: \[0\]\[1\]](#)

PRCM Register Manual

- [CM_CORE__L4PER Register Summary: \[2\]](#)

Table 3-1034. CM_L4PER_I2C3_CLKCTRL

Address Offset	0x0000 00B0	Instance	CM_CORE__L4PER
Physical Address	0x4A00 97B0		
Description	This register manages the I2C3 clocks.		
Type	RW		

31	30	29	28	27	26	25	24	23	22	21	20	19	18	17	16	15	14	13	12	11	10	9	8	7	6	5	4	3	2	1	0
RESERVED														IDLEST		RESERVED														MODULEMODE	

Bits	Field Name	Description	Type	Reset
31:18	RESERVED		R	0x0
17:16	IDLEST	Module idle status. [warm reset insensitive] 0x0: Module is fully functional, including OCP 0x1: Module is performing transition: wakeup, or sleep, or sleep abortion 0x2: Module is in Idle mode (only OCP part). It is functional if using separate functional clock 0x3: Module is disabled and cannot be accessed	R	0x3
15:2	RESERVED		R	0x0
1:0	MODULEMODE	Control the way mandatory clocks are managed. 0x0: Module is disabled by SW. Any OCP access to module results in an error, except if resulting from a module wakeup (asynchronous wakeup). 0x1: Reserved 0x2: Module is explicitly enabled. Interface clock (if not used for functions) may be gated according to the clock domain state. Functional clocks are guaranteed to stay present. As long as in this configuration, power domain sleep transition cannot happen. 0x3: Reserved	RW	0x0

Table 3-1035. Register Call Summary for Register CM_L4PER_I2C3_CLKCTRL

Clock Management Functional Description

- [Clock Domain Module Attributes: \[0\]\[1\]](#)

PRCM Register Manual

- [CM_CORE__L4PER Register Summary: \[2\]](#)

Table 3-1036. CM_L4PER_I2C4_CLKCTRL

Address Offset	0x0000 00B8	Instance	CM_CORE_L4PER
Physical Address	0x4A00 97B8		
Description	This register manages the I2C4 clocks.		
Type	RW		

31	30	29	28	27	26	25	24	23	22	21	20	19	18	17	16	15	14	13	12	11	10	9	8	7	6	5	4	3	2	1	0
RESERVED														IDLEST		RESERVED														MODULEMODE	

Bits	Field Name	Description	Type	Reset
31:18	RESERVED		R	0x0
17:16	IDLEST	Module idle status. [warm reset insensitive] 0x0: Module is fully functional, including OCP 0x1: Module is performing transition: wakeup, or sleep, or sleep abortion 0x2: Module is in Idle mode (only OCP part). It is functional if using separate functional clock 0x3: Module is disabled and cannot be accessed	R	0x3
15:2	RESERVED		R	0x0
1:0	MODULEMODE	Control the way mandatory clocks are managed. 0x0: Module is disabled by SW. Any OCP access to module results in an error, except if resulting from a module wakeup (asynchronous wakeup). 0x1: Reserved 0x2: Module is explicitly enabled. Interface clock (if not used for functions) may be gated according to the clock domain state. Functional clocks are guaranteed to stay present. As long as in this configuration, power domain sleep transition cannot happen. 0x3: Reserved	RW	0x0

Table 3-1037. Register Call Summary for Register CM_L4PER_I2C4_CLKCTRL
Clock Management Functional Description

- [Clock Domain Module Attributes: \[0\]\[1\]](#)

PRCM Register Manual

- [CM_CORE_L4PER Register Summary: \[2\]](#)

Table 3-1038. CM_L4PER_L4_PER1_CLKCTRL

Address Offset	0x0000 00C0	Instance	CM_CORE__L4PER
Physical Address	0x4A00 97C0		
Description	This register manages the L4_PER1 clocks.		
Type	R		

31	30	29	28	27	26	25	24	23	22	21	20	19	18	17	16	15	14	13	12	11	10	9	8	7	6	5	4	3	2	1	0
RESERVED														IDLEST		RESERVED														MODULEMODE	

Bits	Field Name	Description	Type	Reset
31:18	RESERVED		R	0x0
17:16	IDLEST	Module idle status. [warm reset insensitive] 0x0: Module is fully functional, including OCP 0x1: Module is performing transition: wakeup, or sleep, or sleep abortion 0x2: Module is in Idle mode (only OCP part). It is functional if using separate functional clock 0x3: Module is disabled and cannot be accessed	R	0x3
15:2	RESERVED		R	0x0
1:0	MODULEMODE	Control the way mandatory clocks are managed. 0x1: Module is managed automatically by HW according to clock domain transition. A clock domain sleep transition put module into idle. A wakeup domain transition put it back into function. If CLKTRCTRL=3, any OCP access to module is always granted. Module clocks may be gated according to the clock domain state.	R	0x1

Table 3-1039. Register Call Summary for Register CM_L4PER_L4_PER1_CLKCTRL

Clock Management Functional Description

- [Clock Domain Module Attributes: \[0\]\[1\]](#)

PRCM Register Manual

- [CM_CORE__L4PER Register Summary: \[2\]](#)

Table 3-1040. CM_L4PER2_PWMSS1_CLKCTRL

Address Offset	0x0000 00C4	Instance	CM_CORE__L4PER
Physical Address	0x4A00 97C4		
Description	This register manages the PWMSS1 clocks.		
Type	RW		

31	30	29	28	27	26	25	24	23	22	21	20	19	18	17	16	15	14	13	12	11	10	9	8	7	6	5	4	3	2	1	0
RESERVED														IDLEST		RESERVED														MODULEMODE	

Bits	Field Name	Description	Type	Reset
31:18	RESERVED		R	0x0
17:16	IDLEST	Module idle status. [warm reset insensitive] 0x0: Module is fully functional, including OCP 0x1: Module is performing transition: wakeup, or sleep, or sleep abortion 0x2: Module is in Idle mode (only OCP part). It is functional if using separate functional clock 0x3: Module is disabled and cannot be accessed	R	0x3
15:2	RESERVED		R	0x0
1:0	MODULEMODE	Control the way mandatory clocks are managed. 0x0: Module is disabled by SW. Any OCP access to module results in an error, except if resulting from a module wakeup (asynchronous wakeup). 0x1: Reserved 0x2: Module is explicitly enabled. Interface clock (if not used for functions) may be gated according to the clock domain state. Functional clocks are guaranteed to stay present. As long as in this configuration, power domain sleep transition cannot happen. 0x3: Reserved	RW	0x0

Table 3-1041. Register Call Summary for Register CM_L4PER2_PWMSS1_CLKCTRL

Clock Management Functional Description

- [Clock Domain Module Attributes: \[0\]\[1\]](#)

PRCM Register Manual

- [CM_CORE__L4PER Register Summary: \[2\]](#)

Table 3-1042. CM_L4PER3_TIMER13_CLKCTRL

Address Offset	0x0000 00C8	Instance	CM_CORE__L4PER
Physical Address	0x4A00 97C8		
Description	This register manages the TIMER13 clocks.		
Type	RW		

31	30	29	28	27	26	25	24	23	22	21	20	19	18	17	16	15	14	13	12	11	10	9	8	7	6	5	4	3	2	1	0
RESERVED				CLKSEL				RESERVED				IDLEST	RESERVED												MODULEMODE						

Bits	Field Name	Description	Type	Reset
31:28	RESERVED		R	0x0
27:24	CLKSEL	Select the source of the functional clock 0x0: Selects SYS_CLK1 0x1: Selects FUNC_32K_CLK 0x2: Selects SYS_CLK2 0x3: Selects XREF_CLK0 0x4: Selects XREF_CLK1 0x5: Selects XREF_CLK2 0x6: Selects XREF_CLK3 0x7: Selects ABE_GICLK 0x8: Selects VIDEO1_DIV_CLK 0x9: Selects VIDEO2_DIV_CLK 0xA: Selects HDMI_DIV_CLK 0xB-0xF: RESERVED	RW	0x0
23:18	RESERVED		R	0x0
17:16	IDLEST	Module idle status. [warm reset insensitive] 0x0: Module is fully functional, including OCP 0x1: Module is performing transition: wakeup, or sleep, or sleep abortion 0x2: Module is in Idle mode (only OCP part). It is functional if using separate functional clock 0x3: Module is disabled and cannot be accessed	R	0x3
15:2	RESERVED		R	0x0
1:0	MODULEMODE	Control the way mandatory clocks are managed. 0x0: Module is disabled by SW. Any OCP access to module results in an error, except if resulting from a module wakeup (asynchronous wakeup). 0x1: Reserved 0x2: Module is explicitly enabled. Interface clock (if not used for functions) may be gated according to the clock domain state. Functional clocks are guaranteed to stay present. As long as in this configuration, power domain sleep transition cannot happen. 0x3: Reserved	RW	0x0

Table 3-1043. Register Call Summary for Register CM_L4PER3_TIMER13_CLKCTRL

Clock Management Functional Description

- [CM_CORE_AON_TIMER Overview: \[0\]](#)
- [Clock Domain Module Attributes: \[1\]\[2\]](#)

PRCM Register Manual

- [Not Supported Functionality \(Registers and Bits\): \[3\]](#)
- [CM_CORE__L4PER Register Summary: \[4\]](#)

Table 3-1044. CM_L4PER3_TIMER14_CLKCTRL

Address Offset	0x0000 00D0	Instance	CM_CORE__L4PER
Physical Address	0x4A00 97D0		
Description	This register manages the TIMER14 clocks.		
Type	RW		

31	30	29	28	27	26	25	24	23	22	21	20	19	18	17	16	15	14	13	12	11	10	9	8	7	6	5	4	3	2	1	0
RESERVED								RESERVED				IDLEST	RESERVED										MODULEMODE								

Bits	Field Name	Description	Type	Reset
31:28	RESERVED		R	0x0
27:24	CLKSEL	Select the source of the functional clock 0x0: Selects SYS_CLK1 0x1: Selects FUNC_32K_CLK 0x2: Selects SYS_CLK2 0x3: Selects XREF_CLK0 0x4: Selects XREF_CLK1 0x5: Selects XREF_CLK2 0x6: Selects XREF_CLK3 0x7: Selects ABE_GICLK 0x8: Selects VIDEO1_DIV_CLK 0x9: Selects VIDEO2_DIV_CLK 0xA: Selects HDMI_DIV_CLK 0xB-0xF: RESERVED	RW	0x0
23:18	RESERVED		R	0x0
17:16	IDLEST	Module idle status. [warm reset insensitive] 0x0: Module is fully functional, including OCP 0x1: Module is performing transition: wakeup, or sleep, or sleep abortion 0x2: Module is in Idle mode (only OCP part). It is functional if using separate functional clock 0x3: Module is disabled and cannot be accessed	R	0x3
15:2	RESERVED		R	0x0
1:0	MODULEMODE	Control the way mandatory clocks are managed. 0x0: Module is disabled by SW. Any OCP access to module results in an error, except if resulting from a module wakeup (asynchronous wakeup). 0x1: Reserved 0x2: Module is explicitly enabled. Interface clock (if not used for functions) may be gated according to the clock domain state. Functional clocks are guaranteed to stay present. As long as in this configuration, power domain sleep transition cannot happen. 0x3: Reserved	RW	0x0

Table 3-1045. Register Call Summary for Register CM_L4PER3_TIMER14_CLKCTRL

Clock Management Functional Description

- [CM_CORE_AON_TIMER Overview: \[0\]](#)
- [Clock Domain Module Attributes: \[1\]\[2\]](#)

PRCM Register Manual

- [Not Supported Functionality \(Registers and Bits\): \[3\]](#)
- [CM_CORE__L4PER Register Summary: \[4\]](#)

Table 3-1046. CM_L4PER3_TIMER15_CLKCTRL

Address Offset	0x0000 00D8	Instance	CM_CORE__L4PER
Physical Address	0x4A00 97D8		
Description	This register manages the TIMER15 clocks.		
Type	RW		

31	30	29	28	27	26	25	24	23	22	21	20	19	18	17	16	15	14	13	12	11	10	9	8	7	6	5	4	3	2	1	0
RESERVED				CLKSEL				RESERVED				IDLEST				RESERVED												MODULEMODE			

Bits	Field Name	Description	Type	Reset
31:28	RESERVED		R	0x0
27:24	CLKSEL	Select the source of the functional clock 0x0: Selects SYS_CLK1 0x1: Selects FUNC_32K_CLK 0x2: Selects SYS_CLK2 0x3: Selects XREF_CLK0 0x4: Selects XREF_CLK1 0x5: Selects XREF_CLK2 0x6: Selects XREF_CLK3 0x7: Selects ABE_GICLK 0x8: Selects VIDEO1_DIV_CLK 0x9: Selects VIDEO2_DIV_CLK 0xA: Selects HDMI_DIV_CLK 0xB-0xF: RESERVED	RW	0x0
23:18	RESERVED		R	0x0
17:16	IDLEST	Module idle status. [warm reset insensitive] 0x0: Module is fully functional, including OCP 0x1: Module is performing transition: wakeup, or sleep, or sleep abortion 0x2: Module is in Idle mode (only OCP part). It is functional if using separate functional clock 0x3: Module is disabled and cannot be accessed	R	0x3
15:2	RESERVED		R	0x0

Bits	Field Name	Description	Type	Reset
1:0	MODULEMODE	Control the way mandatory clocks are managed. 0x0: Module is disabled by SW. Any OCP access to module results in an error, except if resulting from a module wakeup (asynchronous wakeup). 0x1: Reserved 0x2: Module is explicitly enabled. Interface clock (if not used for functions) may be gated according to the clock domain state. Functional clocks are guaranteed to stay present. As long as in this configuration, power domain sleep transition cannot happen. 0x3: Reserved	RW	0x0

Table 3-1047. Register Call Summary for Register CM_L4PER3_TIMER15_CLKCTRL

Clock Management Functional Description

- [CM_CORE_AON_TIMER Overview: \[0\]](#)
- [Clock Domain Module Attributes: \[1\]\[2\]](#)

PRCM Register Manual

- [Not Supported Functionality \(Registers and Bits\): \[3\]](#)
- [CM_CORE__L4PER Register Summary: \[4\]](#)

Table 3-1048. CM_L4PER_MCSP11_CLKCTRL

Address Offset	0x0000 00F0	Instance	CM_CORE__L4PER
Physical Address	0x4A00 97F0		
Description	This register manages the MCSPI1 clocks.		
Type	RW		

31	30	29	28	27	26	25	24	23	22	21	20	19	18	17	16	15	14	13	12	11	10	9	8	7	6	5	4	3	2	1	0
RESERVED																IDLEST	RESERVED										MODULEMODE				

Bits	Field Name	Description	Type	Reset
31:18	RESERVED		R	0x0
17:16	IDLEST	Module idle status. [warm reset insensitive] 0x0: Module is fully functional, including OCP 0x1: Module is performing transition: wakeup, or sleep, or sleep abortion 0x2: Module is in Idle mode (only OCP part). It is functional if using separate functional clock 0x3: Module is disabled and cannot be accessed	R	0x3
15:2	RESERVED		R	0x0

Bits	Field Name	Description	Type	Reset
1:0	MODULEMODE	Control the way mandatory clocks are managed. 0x0: Module is disabled by SW. Any OCP access to module results in an error, except if resulting from a module wakeup (asynchronous wakeup). 0x1: Reserved 0x2: Module is explicitly enabled. Interface clock (if not used for functions) may be gated according to the clock domain state. Functional clocks are guaranteed to stay present. As long as in this configuration, power domain sleep transition cannot happen. 0x3: Reserved	RW	0x0

Table 3-1049. Register Call Summary for Register CM_L4PER_MCSP11_CLKCTRL

Clock Management Functional Description

- [Clock Domain Module Attributes: \[0\]\[1\]](#)

PRCM Register Manual

- [CM_CORE__L4PER Register Summary: \[2\]](#)

Table 3-1050. CM_L4PER_MCSP12_CLKCTRL

Address Offset	0x0000 00F8	Instance	CM_CORE__L4PER
Physical Address	0x4A00 97F8		
Description	This register manages the MCSPI2 clocks.		
Type	RW		

31	30	29	28	27	26	25	24	23	22	21	20	19	18	17	16	15	14	13	12	11	10	9	8	7	6	5	4	3	2	1	0
RESERVED														IDLEST	RESERVED												MODULEMODE				

Bits	Field Name	Description	Type	Reset
31:18	RESERVED		R	0x0
17:16	IDLEST	Module idle status. [warm reset insensitive] 0x0: Module is fully functional, including OCP 0x1: Module is performing transition: wakeup, or sleep, or sleep abortion 0x2: Module is in Idle mode (only OCP part). It is functional if using separate functional clock 0x3: Module is disabled and cannot be accessed	R	0x3
15:2	RESERVED		R	0x0
1:0	MODULEMODE	Control the way mandatory clocks are managed. 0x0: Module is disabled by SW. Any OCP access to module results in an error, except if resulting from a module wakeup (asynchronous wakeup). 0x1: Reserved 0x2: Module is explicitly enabled. Interface clock (if not used for functions) may be gated according to the clock domain state. Functional clocks are guaranteed to stay present. As long as in this configuration, power domain sleep transition cannot happen. 0x3: Reserved	RW	0x0

Table 3-1051. Register Call Summary for Register CM_L4PER_MCSPi2_CLKCTRL

Clock Management Functional Description

- [Clock Domain Module Attributes: \[0\]\[1\]](#)

PRCM Register Manual

- [CM_CORE__L4PER Register Summary: \[2\]](#)

Table 3-1052. CM_L4PER_MCSPi3_CLKCTRL

Address Offset	0x0000 0100	Instance	CM_CORE__L4PER
Physical Address	0x4A00 9800		
Description	This register manages the MCSPi3 clocks.		
Type	RW		

31	30	29	28	27	26	25	24	23	22	21	20	19	18	17	16	15	14	13	12	11	10	9	8	7	6	5	4	3	2	1	0
RESERVED														IDLEST		RESERVED										MODULEMODE					

Bits	Field Name	Description	Type	Reset
31:18	RESERVED		R	0x0
17:16	IDLEST	Module idle status. [warm reset insensitive] 0x0: Module is fully functional, including OCP 0x1: Module is performing transition: wakeup, or sleep, or sleep abortion 0x2: Module is in Idle mode (only OCP part). It is functional if using separate functional clock 0x3: Module is disabled and cannot be accessed	R	0x3
15:2	RESERVED		R	0x0
1:0	MODULEMODE	Control the way mandatory clocks are managed. 0x0: Module is disabled by SW. Any OCP access to module results in an error, except if resulting from a module wakeup (asynchronous wakeup). 0x1: Reserved 0x2: Module is explicitly enabled. Interface clock (if not used for functions) may be gated according to the clock domain state. Functional clocks are guaranteed to stay present. As long as in this configuration, power domain sleep transition cannot happen. 0x3: Reserved	RW	0x0

Table 3-1053. Register Call Summary for Register CM_L4PER_MCSPi3_CLKCTRL

Clock Management Functional Description

- [Clock Domain Module Attributes: \[0\]\[1\]](#)

PRCM Register Manual

- [CM_CORE__L4PER Register Summary: \[2\]](#)

Table 3-1054. CM_L4PER_MCSPi4_CLKCTRL

Address Offset	0x0000 0108	Instance	CM_CORE__L4PER
Physical Address	0x4A00 9808		
Description	This register manages the MCSPi4 clocks.		
Type	RW		

31	30	29	28	27	26	25	24	23	22	21	20	19	18	17	16	15	14	13	12	11	10	9	8	7	6	5	4	3	2	1	0
RESERVED														IDLEST		RESERVED														MODULEMODE	

Bits	Field Name	Description	Type	Reset
31:18	RESERVED		R	0x0
17:16	IDLEST	Module idle status. [warm reset insensitive] 0x0: Module is fully functional, including OCP 0x1: Module is performing transition: wakeup, or sleep, or sleep abortion 0x2: Module is in Idle mode (only OCP part). It is functional if using separate functional clock 0x3: Module is disabled and cannot be accessed	R	0x3
15:2	RESERVED		R	0x0
1:0	MODULEMODE	Control the way mandatory clocks are managed. 0x0: Module is disabled by SW. Any OCP access to module results in an error, except if resulting from a module wakeup (asynchronous wakeup). 0x1: Reserved 0x2: Module is explicitly enabled. Interface clock (if not used for functions) may be gated according to the clock domain state. Functional clocks are guaranteed to stay present. As long as in this configuration, power domain sleep transition cannot happen. 0x3: Reserved	RW	0x0

Table 3-1055. Register Call Summary for Register CM_L4PER_MCSPi4_CLKCTRL

Clock Management Functional Description

- [Clock Domain Module Attributes: \[0\]\[1\]](#)

PRCM Register Manual

- [CM_CORE__L4PER Register Summary: \[2\]](#)

Table 3-1056. CM_L4PER_GPIO7_CLKCTRL

Address Offset	0x0000 0110	Instance	CM_CORE__L4PER
Physical Address	0x4A00 9810		
Description	This register manages the GPIO7 clocks.		
Type	RW		

31	30	29	28	27	26	25	24	23	22	21	20	19	18	17	16	15	14	13	12	11	10	9	8	7	6	5	4	3	2	1	0
RESERVED														IDLEST		RESERVED						OPTFCLKEN_DBCLK		RESERVED						MODULEMODE	

Bits	Field Name	Description	Type	Reset
31:18	RESERVED		R	0x0
17:16	IDLEST	Module idle status. [warm reset insensitive] 0x0: Module is fully functional, including OCP 0x1: Module is performing transition: wakeup, or sleep, or sleep abortion 0x2: Module is in Idle mode (only OCP part). It is functional if using separate functional clock 0x3: Module is disabled and cannot be accessed	R	0x3
15:9	RESERVED		R	0x0
8	OPTFCLKEN_DBCLK	Optional functional clock control. 0x0: Optional functional clock is disabled 0x1: Optional functional clock is enabled	RW	0x0
7:2	RESERVED		R	0x0
1:0	MODULEMODE	Control the way mandatory clocks are managed. 0x0: Module is disabled by SW. Any OCP access to module results in an error, except if resulting from a module wakeup (asynchronous wakeup). 0x1: Module is managed automatically by HW according to clock domain transition. A clock domain sleep transition put module into idle. A wakeup domain transition put it back into function. If CLKTRCTRL=3, any OCP access to module is always granted. Module clocks may be gated according to the clock domain state. 0x2: Reserved 0x3: Reserved	RW	0x0

Table 3-1057. Register Call Summary for Register CM_L4PER_GPIO7_CLKCTRL

Clock Management Functional Description

- [Clock Domain Module Attributes: \[0\]\[1\]](#)

PRCM Register Manual

- [CM_CORE__L4PER Register Summary: \[2\]](#)

Table 3-1058. CM_L4PER_GPIO8_CLKCTRL

Address Offset	0x0000 0118	Instance	CM_CORE__L4PER
Physical Address	0x4A00 9818		
Description	This register manages the GPIO8 clocks.		
Type	RW		

31	30	29	28	27	26	25	24	23	22	21	20	19	18	17	16	15	14	13	12	11	10	9	8	7	6	5	4	3	2	1	0
RESERVED														IDLEST		RESERVED						OPTFCLKEN_DBCLK		RESERVED						MODULEMODE	

Bits	Field Name	Description	Type	Reset
31:18	RESERVED		R	0x0
17:16	IDLEST	Module idle status. [warm reset insensitive] 0x0: Module is fully functional, including OCP 0x1: Module is performing transition: wakeup, or sleep, or sleep abortion 0x2: Module is in Idle mode (only OCP part). It is functional if using separate functional clock 0x3: Module is disabled and cannot be accessed	R	0x3
15:9	RESERVED		R	0x0
8	OPTFCLKEN_DBCLK	Optional functional clock control. 0x0: Optional functional clock is disabled 0x1: Optional functional clock is enabled	RW	0x0
7:2	RESERVED		R	0x0
1:0	MODULEMODE	Control the way mandatory clocks are managed. 0x0: Module is disabled by SW. Any OCP access to module results in an error, except if resulting from a module wakeup (asynchronous wakeup). 0x1: Module is managed automatically by HW according to clock domain transition. A clock domain sleep transition put module into idle. A wakeup domain transition put it back into function. If CLKTRCTRL=3, any OCP access to module is always granted. Module clocks may be gated according to the clock domain state. 0x2: Reserved 0x3: Reserved	RW	0x0

Table 3-1059. Register Call Summary for Register CM_L4PER_GPIO8_CLKCTRL

Clock Management Functional Description

- [Clock Domain Module Attributes: \[0\]\[1\]](#)

PRCM Register Manual

- [CM_CORE__L4PER Register Summary: \[2\]](#)

Table 3-1060. CM_L4PER_MMC3_CLKCTRL

Address Offset	0x0000 0120	Instance	CM_CORE__L4PER
Physical Address	0x4A00 9820		
Description	This register manages the MMC3 clocks.		
Type	RW		

31	30	29	28	27	26	25	24	23	22	21	20	19	18	17	16	15	14	13	12	11	10	9	8	7	6	5	4	3	2	1	0
RESERVED				CLKSEL_DIV	CLKSEL_MUX	RESERVED				IDLEST	RESERVED				OPTFCLKEN_CLK32K	RESERVED				MODULEMODE											

Bits	Field Name	Description	Type	Reset
31:27	RESERVED		R	0x0
26:25	CLKSEL_DIV	Selects the divider value 0x0: Select MMC CLK divided by 1 0x1: Select MMC CLK divided by 2 0x2: Selects MMC CLK divided by 4 0x3: RESERVED	RW	0x0
24	CLKSEL_MUX	Select the clock for the MMC from DPLL_PER. 0x0: Selects FUNC_48M_FCLK 0x1: Selects FUNC_192M_CLK	RW	0x0
23:18	RESERVED		R	0x0
17:16	IDLEST	Module idle status. [warm reset insensitive] 0x0: Module is fully functional, including OCP 0x1: Module is performing transition: wakeup, or sleep, or sleep abortion 0x2: Module is in Idle mode (only OCP part). It is functional if using separate functional clock 0x3: Module is disabled and cannot be accessed	R	0x3
15:9	RESERVED		R	0x0
8	OPTFCLKEN_CLK32K	MMC optional clock control: 32K CLK 0x0: Optional functional clock is disabled 0x1: Optional functional clock is enabled	RW	0x0
7:2	RESERVED		R	0x0
1:0	MODULEMODE	Control the way mandatory clocks are managed. 0x0: Module is disabled by SW. Any OCP access to module results in an error, except if resulting from a module wakeup (asynchronous wakeup). 0x1: Reserved 0x2: Module is explicitly enabled. Interface clock (if not used for functions) may be gated according to the clock domain state. Functional clocks are guaranteed to stay present. As long as in this configuration, power domain sleep transition cannot happen. 0x3: Reserved	RW	0x0

Table 3-1061. Register Call Summary for Register CM_L4PER_MMC3_CLKCTRL

Clock Management Functional Description

- [CM_CORE_AON Clock Generator: \[0\]\[1\]](#)
- [Clock Domain Module Attributes: \[2\]\[3\]](#)

PRCM Register Manual

- [CM_CORE__L4PER Register Summary: \[4\]](#)

Table 3-1062. CM_L4PER_MMC4_CLKCTRL

Address Offset	0x0000 0128	Instance	CM_CORE__L4PER
Physical Address	0x4A00 9828		
Description	This register manages the MMC4 clocks.		
Type	RW		

31	30	29	28	27	26	25	24	23	22	21	20	19	18	17	16	15	14	13	12	11	10	9	8	7	6	5	4	3	2	1	0
RESERVED				CLKSEL_DIV		CLKSEL_MUX		RESERVED				IDLEST		RESERVED				OPTFCLKEN_CLK32K		RESERVED				MODULEMODE							

Bits	Field Name	Description	Type	Reset
31:27	RESERVED		R	0x0
26:25	CLKSEL_DIV	Selects the divider value 0x0: Select MMC4_FCLK divided by 1 0x1: Select MMC4_FCLK divided by 2 0x2: Selects MMC4_FCLK divided by 4 0x3: RESERVED	RW	0x0
24	CLKSEL_MUX	Select the clock for the MMC from DPLL_PER. 0x0: Selects FUNC_48M_FCLK 0x1: Selects FUNC_192M_CLK	RW	0x0
23:18	RESERVED		R	0x0
17:16	IDLEST	Module idle status. [warm reset insensitive] 0x0: Module is fully functional, including OCP 0x1: Module is performing transition: wakeup, or sleep, or sleep abortion 0x2: Module is in Idle mode (only OCP part). It is functional if using separate functional clock 0x3: Module is disabled and cannot be accessed	R	0x3
15:9	RESERVED		R	0x0
8	OPTFCLKEN_CLK32K	MMC4 optional clock control: 32K CLK 0x0: Optional functional clock is disabled 0x1: Optional functional clock is enabled	RW	0x0
7:2	RESERVED		R	0x0

Bits	Field Name	Description	Type	Reset
1:0	MODULEMODE	Control the way mandatory clocks are managed. 0x0: Module is disabled by SW. Any OCP access to module results in an error, except if resulting from a module wakeup (asynchronous wakeup). 0x1: Reserved 0x2: Module is explicitly enabled. Interface clock (if not used for functions) may be gated according to the clock domain state. Functional clocks are guaranteed to stay present. As long as in this configuration, power domain sleep transition cannot happen. 0x3: Reserved	RW	0x0

Table 3-1063. Register Call Summary for Register CM_L4PER_MMC4_CLKCTRL

Clock Management Functional Description

- [CM_CORE_AON Clock Generator: \[0\]\[1\]](#)
- [Clock Domain Module Attributes: \[2\]\[3\]](#)

PRCM Register Manual

- [CM_CORE__L4PER Register Summary: \[4\]](#)

Table 3-1064. CM_L4PER3_TIMER16_CLKCTRL

Address Offset	0x0000 0130	Instance	CM_CORE__L4PER
Physical Address	0x4A00 9830		
Description	This register manages the TIMER16 clocks.		
Type	RW		

31	30	29	28	27	26	25	24	23	22	21	20	19	18	17	16	15	14	13	12	11	10	9	8	7	6	5	4	3	2	1	0
RESERVED				CLKSEL				RESERVED				IDLEST	RESERVED												MODULEMODE						

Bits	Field Name	Description	Type	Reset
31:28	RESERVED		R	0x0
27:24	CLKSEL	Select the source of the functional clock 0x0: Selects SYS_CLK1 0x1: Selects FUNC_32K_CLK 0x2: Selects SYS_CLK2 0x3: Selects XREF_CLK0 0x4: Selects XREF_CLK1 0x5: Selects XREF_CLK2 0x6: Selects XREF_CLK3 0x7: Selects ABE_GICLK 0x8: Selects VIDEO1_DIV_CLK 0x9: Selects VIDEO2_DIV_CLK 0xA: Selects HDMI_DIV_CLK 0xB-0xF: RESERVED	RW	0x0
23:18	RESERVED		R	0x0

Bits	Field Name	Description	Type	Reset
17:16	IDLEST	Module idle status. [warm reset insensitive] 0x0: Module is fully functional, including OCP 0x1: Module is performing transition: wakeup, or sleep, or sleep abortion 0x2: Module is in Idle mode (only OCP part). It is functional if using separate functional clock 0x3: Module is disabled and cannot be accessed	R	0x3
15:2	RESERVED		R	0x0
1:0	MODULEMODE	Control the way mandatory clocks are managed. 0x0: Module is disabled by SW. Any OCP access to module results in an error, except if resulting from a module wakeup (asynchronous wakeup). 0x1: Reserved 0x2: Module is explicitly enabled. Interface clock (if not used for functions) may be gated according to the clock domain state. Functional clocks are guaranteed to stay present. As long as in this configuration, power domain sleep transition cannot happen. 0x3: Reserved	RW	0x0

Table 3-1065. Register Call Summary for Register CM_L4PER3_TIMER16_CLKCTRL

Clock Management Functional Description

- [CM_CORE_AON_TIMER Overview: \[0\]](#)
- [Clock Domain Module Attributes: \[1\]\[2\]](#)

PRCM Register Manual

- [Not Supported Functionality \(Registers and Bits\): \[3\]](#)
- [CM_CORE__L4PER Register Summary: \[4\]](#)

Table 3-1066. CM_L4PER2_QSPI_CLKCTRL

Address Offset	0x0000 0138	Instance	CM_CORE__L4PER
Physical Address	0x4A00 9838		
Description	This register manages the QSPI clocks.		
Type	RW		

31	30	29	28	27	26	25	24	23	22	21	20	19	18	17	16	15	14	13	12	11	10	9	8	7	6	5	4	3	2	1	0
RESERVED				CLKSEL_DIV	CLKSEL_SOURCE	RESERVED				IDLEST	RESERVED											MODULEMODE									

Bits	Field Name	Description	Type	Reset
31:27	RESERVED		R	0x0
26:25	CLKSEL_DIV	QSPI clock divide ratio. 0x0: QSPI clock is divided by 1. 0x1: QSPI clock is divided by 2. 0x2: QSPI clock is divided by 4. 0x3: RESERVED	RW	0x0

Bits	Field Name	Description	Type	Reset
24	CLKSEL_SOURCE	Selects the source of the functional clock. 0x0: FUNC_128M_CLK clock derived from DPLL_PER is selected 0x1: Selects PER_QSPI_CLK from DPLL_PER	RW	0x0
23:18	RESERVED		R	0x0
17:16	IDLEST	Module idle status. [warm reset insensitive] 0x0: Module is fully functional, including OCP 0x1: Module is performing transition: wakeup, or sleep, or sleep abortion 0x2: Module is in Idle mode (only OCP part). It is functional if using separate functional clock 0x3: Module is disabled and cannot be accessed	R	0x3
15:2	RESERVED	Reserved	R	0x0
1:0	MODULEMODE	Control the way mandatory clocks are managed. 0x0: Module is disabled by SW. Any OCP access to module results in an error, except if resulting from a module wakeup (asynchronous wakeup). 0x1: Reserved 0x2: Module is explicitly enabled. Interface clock (if not used for functions) may be gated according to the clock domain state. Functional clocks are guaranteed to stay present. As long as in this configuration, power domain sleep transition cannot happen. 0x3: Reserved	RW	0x0

Table 3-1067. Register Call Summary for Register CM_L4PER2_QSPI_CLKCTRL

Clock Management Functional Description

- [CM_CORE_AON Clock Generator: \[0\]\[1\]](#)
- [Clock Domain Module Attributes: \[2\]\[3\]](#)

PRCM Register Manual

- [CM_CORE__L4PER Register Summary: \[4\]](#)

Table 3-1068. CM_L4PER_UART1_CLKCTRL

Address Offset	0x0000 0140	Instance	CM_CORE__L4PER
Physical Address	0x4A00 9840		
Description	This register manages the UART1 clocks.		
Type	RW		

31	30	29	28	27	26	25	24	23	22	21	20	19	18	17	16	15	14	13	12	11	10	9	8	7	6	5	4	3	2	1	0
RESERVED								CLKSEL	RESERVED				IDLEST	RESERVED												MODULEMODE					

Bits	Field Name	Description	Type	Reset
31:25	RESERVED		R	0x0
24	CLKSEL	Selects functional clock for UART1 between FUNC_48M_FCLK and FUNC_192M_CLK 0x0: Selects FUNC_48M_FCLK 0x1: Selects FUNC_192M_CLK	RW	0x0
23:18	RESERVED		R	0x0

Bits	Field Name	Description	Type	Reset
17:16	IDLEST	Module idle status. [warm reset insensitive] 0x0: Module is fully functional, including OCP 0x1: Module is performing transition: wakeup, or sleep, or sleep abortion 0x2: Module is in Idle mode (only OCP part). It is functional if using separate functional clock 0x3: Module is disabled and cannot be accessed	R	0x3
15:2	RESERVED		R	0x0
1:0	MODULEMODE	Control the way mandatory clocks are managed. 0x0: Module is disabled by SW. Any OCP access to module results in an error, except if resulting from a module wakeup (asynchronous wakeup). 0x1: Reserved 0x2: Module is explicitly enabled. Interface clock (if not used for functions) may be gated according to the clock domain state. Functional clocks are guaranteed to stay present. As long as in this configuration, power domain sleep transition cannot happen. 0x3: Reserved	RW	0x0

Table 3-1069. Register Call Summary for Register CM_L4PER_UART1_CLKCTRL

Clock Management Functional Description

- [CM_CORE_AON Clock Generator: \[0\]](#)
- [Clock Domain Module Attributes: \[1\]\[2\]](#)

PRCM Register Manual

- [CM_CORE__L4PER Register Summary: \[3\]](#)

Table 3-1070. CM_L4PER_UART2_CLKCTRL

Address Offset	0x0000 0148	Instance	CM_CORE__L4PER
Physical Address	0x4A00 9848		
Description	This register manages the UART2 clocks.		
Type	RW		

31	30	29	28	27	26	25	24	23	22	21	20	19	18	17	16	15	14	13	12	11	10	9	8	7	6	5	4	3	2	1	0
RESERVED								CLKSEL	RESERVED				IDLEST	RESERVED										MODULEMODE							

Bits	Field Name	Description	Type	Reset
31:25	RESERVED		R	0x0
24	CLKSEL	Selects functional clock for UART2 between FUNC_48M_FCLK and FUNC_192M_CLK 0x0: Selects FUNC_48M_FCLK 0x1: Selects FUNC_192M_CLK	RW	0x0
23:18	RESERVED		R	0x0

Bits	Field Name	Description	Type	Reset
17:16	IDLEST	Module idle status. [warm reset insensitive] 0x0: Module is fully functional, including OCP 0x1: Module is performing transition: wakeup, or sleep, or sleep abortion 0x2: Module is in Idle mode (only OCP part). It is functional if using separate functional clock 0x3: Module is disabled and cannot be accessed	R	0x3
15:2	RESERVED		R	0x0
1:0	MODULEMODE	Control the way mandatory clocks are managed. 0x0: Module is disabled by SW. Any OCP access to module results in an error, except if resulting from a module wakeup (asynchronous wakeup). 0x1: Reserved 0x2: Module is explicitly enabled. Interface clock (if not used for functions) may be gated according to the clock domain state. Functional clocks are guaranteed to stay present. As long as in this configuration, power domain sleep transition cannot happen. 0x3: Reserved	RW	0x0

Table 3-1071. Register Call Summary for Register CM_L4PER_UART2_CLKCTRL

Clock Management Functional Description

- [CM_CORE_AON Clock Generator: \[0\]](#)
- [Clock Domain Module Attributes: \[1\]\[2\]](#)

PRCM Register Manual

- [CM_CORE__L4PER Register Summary: \[3\]](#)

Table 3-1072. CM_L4PER_UART3_CLKCTRL

Address Offset	0x0000 0150	Instance	CM_CORE__L4PER
Physical Address	0x4A00 9850		
Description	This register manages the UART3 clocks.		
Type	RW		

31	30	29	28	27	26	25	24	23	22	21	20	19	18	17	16	15	14	13	12	11	10	9	8	7	6	5	4	3	2	1	0
RESERVED								CLKSEL	RESERVED								IDLEST	RESERVED								MODULEMODE					

Bits	Field Name	Description	Type	Reset
31:25	RESERVED		R	0x0
24	CLKSEL	Selects functional clock for UART3 between FUNC_48M_FCLK and FUNC_192M_CLK 0x0: Selects FUNC_48M_FCLK 0x1: Selects FUNC_192M_CLK	RW	0x0
23:18	RESERVED		R	0x0

Bits	Field Name	Description	Type	Reset
17:16	IDLEST	Module idle status. [warm reset insensitive] 0x0: Module is fully functional, including OCP 0x1: Module is performing transition: wakeup, or sleep, or sleep abortion 0x2: Module is in Idle mode (only OCP part). It is functional if using separate functional clock 0x3: Module is disabled and cannot be accessed	R	0x3
15:2	RESERVED		R	0x0
1:0	MODULEMODE	Control the way mandatory clocks are managed. 0x0: Module is disabled by SW. Any OCP access to module results in an error, except if resulting from a module wakeup (asynchronous wakeup). 0x1: Reserved 0x2: Module is explicitly enabled. Interface clock (if not used for functions) may be gated according to the clock domain state. Functional clocks are guaranteed to stay present. As long as in this configuration, power domain sleep transition cannot happen. 0x3: Reserved	RW	0x0

Table 3-1073. Register Call Summary for Register CM_L4PER_UART3_CLKCTRL

Clock Management Functional Description

- [CM_CORE_AON Clock Generator: \[0\]](#)
- [Clock Domain Module Attributes: \[1\]\[2\]](#)

PRCM Register Manual

- [CM_CORE__L4PER Register Summary: \[3\]](#)

Table 3-1074. CM_L4PER_UART4_CLKCTRL

Address Offset	0x0000 0158	Instance	CM_CORE__L4PER
Physical Address	0x4A00 9858		
Description	This register manages the UART4 clocks.		
Type	RW		

31	30	29	28	27	26	25	24	23	22	21	20	19	18	17	16	15	14	13	12	11	10	9	8	7	6	5	4	3	2	1	0
RESERVED								CLKSEL	RESERVED								IDLEST	RESERVED								MODULEMODE					

Bits	Field Name	Description	Type	Reset
31:25	RESERVED		R	0x0
24	CLKSEL	Selects functional clock for UART4 between FUNC_48M_FCLK and FUNC_192M_CLK 0x0: Selects FUNC_48M_FCLK 0x1: Selects FUNC_192M_CLK	RW	0x0
23:18	RESERVED		R	0x0

Bits	Field Name	Description	Type	Reset
17:16	IDLEST	Module idle status. [warm reset insensitive] 0x0: Module is fully functional, including OCP 0x1: Module is performing transition: wakeup, or sleep, or sleep abortion 0x2: Module is in Idle mode (only OCP part). It is functional if using separate functional clock 0x3: Module is disabled and cannot be accessed	R	0x3
15:2	RESERVED		R	0x0
1:0	MODULEMODE	Control the way mandatory clocks are managed. 0x0: Module is disabled by SW. Any OCP access to module results in an error, except if resulting from a module wakeup (asynchronous wakeup). 0x1: Reserved 0x2: Module is explicitly enabled. Interface clock (if not used for functions) may be gated according to the clock domain state. Functional clocks are guaranteed to stay present. As long as in this configuration, power domain sleep transition cannot happen. 0x3: Reserved	RW	0x0

Table 3-1075. Register Call Summary for Register CM_L4PER_UART4_CLKCTRL

Clock Management Functional Description

- [CM_CORE_AON Clock Generator: \[0\]](#)
- [Clock Domain Module Attributes: \[1\]\[2\]](#)

PRCM Register Manual

- [CM_CORE__L4PER Register Summary: \[3\]](#)

Table 3-1076. CM_L4PER2_MCASP2_CLKCTRL

Address Offset	0x0000 0160	Instance	CM_CORE__L4PER
Physical Address	0x4A00 9860		
Description	This register manages the MCASP2 clocks.		
Type	RW		

31	30	29	28	27	26	25	24	23	22	21	20	19	18	17	16	15	14	13	12	11	10	9	8	7	6	5	4	3	2	1	0
CLKSEL_AHCLKR				CLKSEL_AHCLKX				CLKSEL_AUX_CLK	RESERVED				IDLEST	RESERVED										MODULEMODE							

Bits	Field Name	Description	Type	Reset
31:28	CLKSEL_AHCLKR	Selects reference clock for MCASP1_AHCLKR 0x0: Selects ABE_24M_GFCLK 0x1: Selects ABE_SYS_CLK 0x2: Selects FUNC_24M_GFCLK 0x3: Selects ATL_CLK3 0x4: Selects ATL_CLK2 0x5: Selects ATL_CLK1 0x6: Selects ATL_CLK0 0x7: Selects SYS_CLK2 0x8: Selects XREF_CLK0 0x9: Selects XREF_CLK1 0xA: Selects XREF_CLK2 0xB: Selects XREF_CLK3 0xC: Selects MLB_CLK 0xD: Selects MLBP_CLK 0xE: RESERVED 0xF: RESERVED	RW	0x0
27:24	CLKSEL_AHCLKX	Selects reference clock for MCASP1_AHCLKX 0x0: Selects ABE_24M_GFCLK 0x1: Selects ABE_SYS_CLK 0x2: Selects FUNC_24M_GFCLK 0x3: Selects ATL_CLK3 0x4: Selects ATL_CLK2 0x5: Selects ATL_CLK1 0x6: Selects ATL_CLK0 0x7: Selects SYS_CLK2 0x8: Selects XREF_CLK0 0x9: Selects XREF_CLK1 0xA: Selects XREF_CLK2 0xB: Selects XREF_CLK3 0xC: Selects MLB_CLK 0xD: Selects MLBP_CLK 0xE: RESERVED 0xF: RESERVED	RW	0x0
23:22	CLKSEL_AUX_CLK	Selects the source of the MCASP1_AUX_GFCLK clock 0x0: Selects PER_ABE_X1_GFCLK 0x1: Selects VIDEO1_CLK 0x2: Selects VIDEO2_CLK 0x3: Selects HDMI_CLK	RW	0x0
21:18	RESERVED		R	0x0
17:16	IDLEST	Module idle status. [warm reset insensitive] 0x0: Module is fully functional, including OCP 0x1: Module is performing transition: wakeup, or sleep, or sleep abortion 0x2: Module is in Idle mode (only OCP part). It is functional if using separate functional clock 0x3: Module is disabled and cannot be accessed	R	0x3
15:2	RESERVED		R	0x0

Bits	Field Name	Description	Type	Reset
1:0	MODULEMODE	Control the way mandatory clocks are managed. 0x0: Module is disabled by SW. Any OCP access to module results in an error, except if resulting from a module wakeup (asynchronous wakeup). 0x1: Reserved 0x2: Module is explicitly enabled. Interface clock (if not used for functions) may be gated according to the clock domain state. Functional clocks are guaranteed to stay present. As long as in this configuration, power domain sleep transition cannot happen. 0x3: Reserved	RW	0x0

Table 3-1077. Register Call Summary for Register CM_L4PER2_MCASP2_CLKCTRL

Clock Management Functional Description

- [CM_CORE_AON_MCASP Overview: \[0\]\[1\]\[2\]](#)
- [Clock Domain Module Attributes: \[3\]\[4\]](#)

PRCM Register Manual

- [Not Supported Functionality \(Registers and Bits\): \[5\]](#)
- [CM_CORE__L4PER Register Summary: \[6\]](#)

Table 3-1078. CM_L4PER2_MCASP3_CLKCTRL

Address Offset	0x0000 0168	Instance	CM_CORE__L4PER
Physical Address	0x4A00 9868		
Description	This register manages the MCASP3 clocks.		
Type	RW		

31	30	29	28	27	26	25	24	23	22	21	20	19	18	17	16	15	14	13	12	11	10	9	8	7	6	5	4	3	2	1	0
RESERVED				CLKSEL_AHCLKX		CLKSEL_AUX_CLK		RESERVED				IDLEST	RESERVED										MODULEMODE								

Bits	Field Name	Description	Type	Reset
31:28	RESERVED		R	0x0
27:24	CLKSEL_AHCLKX	Selects reference clock for MCASP3_AHCLKX 0x0: Selects ABE_24M_GFCLK 0x1: Selects ABE_SYS_CLK 0x2: Selects FUNC_24M_GFCLK 0x3: Selects ATL_CLK3 0x4: Selects ATL_CLK2 0x5: Selects ATL_CLK1 0x6: Selects ATL_CLK0 0x7: Selects SYS_CLK2 0x8: Selects XREF_CLK0 0x9: Selects XREF_CLK1 0xA: Selects XREF_CLK2 0xB: Selects XREF_CLK3 0xC: Selects MLB_CLK 0xD: Selects MLBP_CLK 0xE: RESERVED 0xF: RESERVED	RW	0x0
23:22	CLKSEL_AUX_CLK	Selects the source of the MCASP3_AUX_GFCLK clock 0x0: Selects PER_ABE_X1_GFCLK 0x1: Selects VIDEO1_CLK 0x2: Selects VIDEO2_CLK 0x3: Selects HDMI_CLK	RW	0x0
21:18	RESERVED		R	0x0
17:16	IDLEST	Module idle status. [warm reset insensitive] 0x0: Module is fully functional, including OCP 0x1: Module is performing transition: wakeup, or sleep, or sleep abortion 0x2: Module is in Idle mode (only OCP part). It is functional if using separate functional clock 0x3: Module is disabled and cannot be accessed	R	0x3
15:2	RESERVED		R	0x0
1:0	MODULEMODE	Control the way mandatory clocks are managed. 0x0: Module is disabled by SW. Any OCP access to module results in an error, except if resulting from a module wakeup (asynchronous wakeup). 0x1: Reserved 0x2: Module is explicitly enabled. Interface clock (if not used for functions) may be gated according to the clock domain state. Functional clocks are guaranteed to stay present. As long as in this configuration, power domain sleep transition cannot happen. 0x3: Reserved	RW	0x0

Table 3-1079. Register Call Summary for Register CM_L4PER2_MCASP3_CLKCTRL

Clock Management Functional Description

- [CM_CORE_AON_MCASP Overview: \[0\]\[1\]](#)
- [Clock Domain Module Attributes: \[2\]\[3\]](#)

PRCM Register Manual

- [Not Supported Functionality \(Registers and Bits\): \[4\]](#)
- [CM_CORE_L4PER Register Summary: \[5\]](#)

Table 3-1080. CM_L4PER_UART5_CLKCTRL

Address Offset	0x0000 0170	Instance	CM_CORE__L4PER
Physical Address	0x4A00 9870		
Description	This register manages the UART5 clocks.		
Type	RW		

31	30	29	28	27	26	25	24	23	22	21	20	19	18	17	16	15	14	13	12	11	10	9	8	7	6	5	4	3	2	1	0
RESERVED								CLKSEL	RESERVED				IDLEST	RESERVED												MODULEMODE					

Bits	Field Name	Description	Type	Reset
31:25	RESERVED		R	0x0
24	CLKSEL	Selects functional clock for UART5 between FUNC_48M_FCLK and FUNC_192M_CLK 0x0: Selects FUNC_48M_FCLK 0x1: Selects FUNC_192M_CLK	RW	0x0
23:18	RESERVED		R	0x0
17:16	IDLEST	Module idle status. [warm reset insensitive] 0x0: Module is fully functional, including OCP 0x1: Module is performing transition: wakeup, or sleep, or sleep abortion 0x2: Module is in Idle mode (only OCP part). It is functional if using separate functional clock 0x3: Module is disabled and cannot be accessed	R	0x3
15:2	RESERVED		R	0x0
1:0	MODULEMODE	Control the way mandatory clocks are managed. 0x0: Module is disabled by SW. Any OCP access to module results in an error, except if resulting from a module wakeup (asynchronous wakeup). 0x1: Reserved 0x2: Module is explicitly enabled. Interface clock (if not used for functions) may be gated according to the clock domain state. Functional clocks are guaranteed to stay present. As long as in this configuration, power domain sleep transition cannot happen. 0x3: Reserved	RW	0x0

Table 3-1081. Register Call Summary for Register CM_L4PER_UART5_CLKCTRL

Clock Management Functional Description

- [CM_CORE_AON Clock Generator: \[0\]](#)
- [Clock Domain Module Attributes: \[1\]\[2\]](#)

PRCM Register Manual

- [CM_CORE__L4PER Register Summary: \[3\]](#)

Table 3-1082. CM_L4PER2_MCASP5_CLKCTRL

Address Offset	0x0000 0178	Instance	CM_CORE__L4PER
Physical Address	0x4A00 9878		
Description	This register manages the MCASP5 clocks.		
Type	RW		

31	30	29	28	27	26	25	24	23	22	21	20	19	18	17	16	15	14	13	12	11	10	9	8	7	6	5	4	3	2	1	0
RESERVED				CLKSEL_AHCLKX		CLKSEL_AUX_CLK		RESERVED				IDLEST				RESERVED												MODULEMODE			

Bits	Field Name	Description	Type	Reset
31:28	RESERVED		R	0x0
27:24	CLKSEL_AHCLKX	Selects reference clock for MCASP5_AHCLKX 0x0: Selects ABE_24M_GFCLK 0x1: Selects ABE_SYS_CLK 0x2: Selects FUNC_24M_GFCLK 0x3: Selects ATL_CLK3 0x4: Selects ATL_CLK2 0x5: Selects ATL_CLK1 0x6: Selects ATL_CLK0 0x7: Selects SYS_CLK2 0x8: Selects XREF_CLK0 0x9: Selects XREF_CLK1 0xA: Selects XREF_CLK2 0xB: Selects XREF_CLK3 0xC: Selects MLB_CLK 0xD: Selects MLBP_CLK 0xE: RESERVED 0xF: RESERVED	RW	0x0
23:22	CLKSEL_AUX_CLK	Selects the source of the MCASP5_AUX_GFCLK clock 0x0: Selects PER_ABE_X1_GFCLK 0x1: Selects VIDEO1_CLK 0x2: Selects VIDEO2_CLK 0x3: Selects HDMI_CLK	RW	0x0
21:18	RESERVED		R	0x0
17:16	IDLEST	Module idle status. [warm reset insensitive] 0x0: Module is fully functional, including OCP 0x1: Module is performing transition: wakeup, or sleep, or sleep abortion 0x2: Module is in Idle mode (only OCP part). It is functional if using separate functional clock 0x3: Module is disabled and cannot be accessed	R	0x3
15:2	RESERVED		R	0x0

Bits	Field Name	Description	Type	Reset
1:0	MODULEMODE	Control the way mandatory clocks are managed. 0x0: Module is disabled by SW. Any OCP access to module results in an error, except if resulting from a module wakeup (asynchronous wakeup). 0x1: Reserved 0x2: Module is explicitly enabled. Interface clock (if not used for functions) may be gated according to the clock domain state. Functional clocks are guaranteed to stay present. As long as in this configuration, power domain sleep transition cannot happen. 0x3: Reserved	RW	0x0

Table 3-1083. Register Call Summary for Register CM_L4PER2_MCASP5_CLKCTRL

Clock Management Functional Description

- [CM_CORE_AON_MCASP Overview: \[0\]\[1\]](#)
- [Clock Domain Module Attributes: \[2\]\[3\]](#)

PRCM Register Manual

- [Not Supported Functionality \(Registers and Bits\): \[4\]](#)
- [CM_CORE__L4PER Register Summary: \[5\]](#)

Table 3-1084. CM_L4SEC_CLKSTCTRL

Address Offset	0x0000 0180	Instance	CM_CORE__L4PER
Physical Address	0x4A00 9880		
Description	This register enables the domain power state transition. It controls the HW supervised domain power state transition between ON-ACTIVE and ON-INACTIVE states. It also hold one status bit per clock input of the domain.		
Type	RW		

31	30	29	28	27	26	25	24	23	22	21	20	19	18	17	16	15	14	13	12	11	10	9	8	7	6	5	4	3	2	1	0
RESERVED																CLKACTIVITY_L4SEC_L3_GICLK	RESERVED						CLKTRCTRL								

Bits	Field Name	Description	Type	Reset
31:9	RESERVED		R	0x0
8	CLKACTIVITY_L4SEC_L3_GICLK	This field indicates the state of the L3_SECURE_GICLK clock in the domain. [warm reset insensitive] 0x0: Corresponding clock is definitely gated 0x1: Corresponding clock is running or gating/ungating transition is on-going	R	0x0
7:2	RESERVED		R	0x0

Bits	Field Name	Description	Type	Reset
1:0	CLKTRCTRL	Controls the clock state transition of the L4PER clock domain. 0x0: NO_SLEEP: Sleep transition cannot be initiated. Wakeup transition may however occur. 0x1: SW_SLEEP: Start a software forced sleep transition on the domain. 0x2: SW_WKUP: Start a software forced wake-up transition on the domain. 0x3: HW_AUTO: Automatic transition is enabled. Sleep and wakeup transition are based upon hardware conditions.	RW	0x0

Table 3-1085. Register Call Summary for Register CM_L4SEC_CLKSTCTRL

Clock Management Functional Description

- [Clock Domain Modes: \[0\]\[1\]](#)

PRCM Register Manual

- [CM_CORE__L4PER Register Summary: \[2\]](#)

Table 3-1086. CM_L4SEC_STATICDEP

Address Offset	0x0000 0184	Instance	CM_CORE__L4PER
Physical Address	0x4A00 9884		
Description	This register controls the static domain dependencies from L4SEC domain towards 'target' domains. It is relevant only for domain having system initiator(s).		
Type	RW		

31	30	29	28	27	26	25	24	23	22	21	20	19	18	17	16	15	14	13	12	11	10	9	8	7	6	5	4	3	2	1	0
RESERVED																L4PER_STATDEP	RESERVED						L3MAIN1_STATDEP	EMIF_STATDEP	RESERVED						

Bits	Field Name	Description	Type	Reset
31:14	RESERVED		R	0x0
13	L4PER_STATDEP	Static dependency towards L4PER1 clock domain 0x0: Dependency is disabled 0x1: Dependency is enabled	RW	0x0
12:6	RESERVED		R	0x0
5	L3MAIN1_STATDEP	Static dependency towards L3MAIN1 clock domain 0x1: Dependency is enabled	R	0x1
4	EMIF_STATDEP	Static dependency towards EMIF clock domain 0x0: Dependency is disabled 0x1: Dependency is enabled	RW	0x0
3:0	RESERVED		R	0x0

Table 3-1087. Register Call Summary for Register CM_L4SEC_STATICDEP

Clock Management Functional Description

- [Clock Domain Dependency: \[0\]\[1\]\[2\]](#)

PRCM Register Manual

- [CM_CORE__L4PER Register Summary: \[3\]](#)

Table 3-1088. CM_L4SEC_DYNAMICDEP

Address Offset	0x0000 0188	Instance	CM_CORE__L4PER
Physical Address	0x4A00 9888		
Description	This register controls the dynamic domain dependencies from L4SEC domain towards 'target' domains. It is relevant only for domain having OCP master port(s).		
Type	R		

31	30	29	28	27	26	25	24	23	22	21	20	19	18	17	16	15	14	13	12	11	10	9	8	7	6	5	4	3	2	1	0
RESERVED																L3MAIN1_DYNDEP		RESERVED													

Bits	Field Name	Description	Type	Reset
31:6	RESERVED		R	0x0
5	L3MAIN1_DYNDEP	Dynamic dependency towards L3MAIN1 clock domain 0x0: Dependency is disabled	R	0x0
4:0	RESERVED		R	0x0

Table 3-1089. Register Call Summary for Register CM_L4SEC_DYNAMICDEP

Clock Management Functional Description

- [Clock Domain Dependency: \[0\]](#)

PRCM Register Manual

- [CM_CORE__L4PER Register Summary: \[1\]](#)

Table 3-1090. CM_L4PER2_MCASP8_CLKCTRL

Address Offset	0x0000 0190	Instance	CM_CORE__L4PER
Physical Address	0x4A00 9890		
Description	This register manages the MCASP8 clocks.		
Type	RW		

31	30	29	28	27	26	25	24	23	22	21	20	19	18	17	16	15	14	13	12	11	10	9	8	7	6	5	4	3	2	1	0
RESERVED				CLKSEL_AHCLKX				CLKSEL_AUX_CLK				RESERVED				IDLEST				RESERVED										MODULEMODE	

Bits	Field Name	Description	Type	Reset
31:28	RESERVED		R	0x0
27:24	CLKSEL_AHCLKX	Selects reference clock for MCASP8_AHCLKX 0x0: Selects ABE_24M_GFCLK 0x1: Selects ABE_SYS_CLK 0x2: Selects FUNC_24M_GFCLK 0x3: Selects ATL_CLK3 0x4: Selects ATL_CLK2 0x5: Selects ATL_CLK1 0x6: Selects ATL_CLK0 0x7: Selects SYS_CLK2 0x8: Selects XREF_CLK0 0x9: Selects XREF_CLK1 0xA: Selects XREF_CLK2 0xB: Selects XREF_CLK3 0xC: Selects MLB_CLK 0xD: Selects MLBP_CLK 0xE: RESERVED 0xF: RESERVED	RW	0x0
23:22	CLKSEL_AUX_CLK	Selects the source of the MCASP8_AUX_GFCLK clock 0x0: Selects PER_ABE_X1_GFCLK 0x1: Selects VIDEO1_CLK 0x2: Selects VIDEO2_CLK 0x3: Selects HDMI_CLK	RW	0x0
21:18	RESERVED		R	0x0
17:16	IDLEST	Module idle status. [warm reset insensitive] 0x0: Module is fully functional, including OCP 0x1: Module is performing transition: wakeup, or sleep, or sleep abortion 0x2: Module is in Idle mode (only OCP part). It is functional if using separate functional clock 0x3: Module is disabled and cannot be accessed	R	0x3
15:2	RESERVED		R	0x0
1:0	MODULEMODE	Control the way mandatory clocks are managed. 0x0: Module is disabled by SW. Any OCP access to module results in an error, except if resulting from a module wakeup (asynchronous wakeup). 0x1: Reserved 0x2: Module is explicitly enabled. Interface clock (if not used for functions) may be gated according to the clock domain state. Functional clocks are guaranteed to stay present. As long as in this configuration, power domain sleep transition cannot happen. 0x3: Reserved	RW	0x0

Table 3-1091. Register Call Summary for Register CM_L4PER2_MCASP8_CLKCTRL

Clock Management Functional Description

- [CM_CORE_AON_MCASP Overview: \[0\]\[1\]](#)
- [Clock Domain Module Attributes: \[2\]\[3\]](#)

PRCM Register Manual

- [Not Supported Functionality \(Registers and Bits\): \[4\]](#)
- [CM_CORE_L4PER Register Summary: \[5\]](#)

Table 3-1092. CM_L4PER2_MCASP4_CLKCTRL

Address Offset	0x0000 0198	Instance	CM_CORE__L4PER
Physical Address	0x4A00 9898		
Description	This register manages the MCASP4 clocks.		
Type	RW		

31	30	29	28	27	26	25	24	23	22	21	20	19	18	17	16	15	14	13	12	11	10	9	8	7	6	5	4	3	2	1	0
RESERVED				CLKSEL_AHCLKX				CLKSEL_AUX_CLK	RESERVED				IDLEST	RESERVED											MODULEMODE						

Bits	Field Name	Description	Type	Reset
31:28	RESERVED		R	0x0
27:24	CLKSEL_AHCLKX	Selects reference clock for MCASP4_AHCLKX 0x0: Selects ABE_24M_GFCLK 0x1: Selects ABE_SYS_CLK 0x2: Selects FUNC_24M_GFCLK 0x3: Selects ATL_CLK3 0x4: Selects ATL_CLK2 0x5: Selects ATL_CLK1 0x6: Selects ATL_CLK0 0x7: Selects SYS_CLK2 0x8: Selects XREF_CLK0 0x9: Selects XREF_CLK1 0xA: Selects XREF_CLK2 0xB: Selects XREF_CLK3 0xC: Selects MLB_CLK 0xD: Selects MLBP_CLK 0xE: RESERVED 0xF: RESERVED	RW	0x0
23:22	CLKSEL_AUX_CLK	Selects the source of the MCASP4_AUX_GFCLK clock 0x0: Selects PER_ABE_X1_GFCLK 0x1: Selects VIDEO1_CLK 0x2: Selects VIDEO2_CLK 0x3: Selects HDMI_CLK	RW	0x0
21:18	RESERVED		R	0x0
17:16	IDLEST	Module idle status. [warm reset insensitive] 0x0: Module is fully functional, including OCP 0x1: Module is performing transition: wakeup, or sleep, or sleep abortion 0x2: Module is in Idle mode (only OCP part). It is functional if using separate functional clock 0x3: Module is disabled and cannot be accessed	R	0x3
15:2	RESERVED		R	0x0

Bits	Field Name	Description	Type	Reset
1:0	MODULEMODE	Control the way mandatory clocks are managed. 0x0: Module is disabled by SW. Any OCP access to module results in an error, except if resulting from a module wakeup (asynchronous wakeup). 0x1: Reserved 0x2: Module is explicitly enabled. Interface clock (if not used for functions) may be gated according to the clock domain state. Functional clocks are guaranteed to stay present. As long as in this configuration, power domain sleep transition cannot happen. 0x3: Reserved	RW	0x0

Table 3-1093. Register Call Summary for Register CM_L4PER2_MCASP4_CLKCTRL

Clock Management Functional Description

- [CM_CORE_AON_MCASP Overview: \[0\]\[1\]](#)
- [Clock Domain Module Attributes: \[2\]\[3\]](#)

PRCM Register Manual

- [Not Supported Functionality \(Registers and Bits\): \[4\]](#)
- [CM_CORE__L4PER Register Summary: \[5\]](#)

Table 3-1094. CM_L4SEC_AES1_CLKCTRL

Address Offset	0x0000 01A0	Instance	CM_CORE__L4PER
Physical Address	0x4A00 98A0		
Description	This register manages the AES1 clocks.		
Type	RW		

31	30	29	28	27	26	25	24	23	22	21	20	19	18	17	16	15	14	13	12	11	10	9	8	7	6	5	4	3	2	1	0
RESERVED								IDLEST	RESERVED										MODULEMODE												

Bits	Field Name	Description	Type	Reset
31:18	RESERVED		R	0x0
17:16	IDLEST	Module idle status. [warm reset insensitive] 0x0: Module is fully functional, including OCP 0x1: Module is performing transition: wakeup, or sleep, or sleep abortion 0x2: Module is in Idle mode (only OCP part). It is functional if using separate functional clock 0x3: Module is disabled and cannot be accessed	R	0x3
15:2	RESERVED		R	0x0

Bits	Field Name	Description	Type	Reset
1:0	MODULEMODE	Control the way mandatory clocks are managed. 0x0: Module is disabled by SW. Any OCP access to module results in an error, except if resulting from a module wakeup (asynchronous wakeup). 0x1: Module is managed automatically by HW according to clock domain transition. A clock domain sleep transition put module into idle. A wakeup domain transition put it back into function. If CLKTRCTRL=3, any OCP access to module is always granted. Module clocks may be gated according to the clock domain state. 0x2: Reserved 0x3: Reserved	RW	0x0

Table 3-1095. Register Call Summary for Register CM_L4SEC_AES1_CLKCTRL

Clock Management Functional Description

- [Clock Domain Module Attributes: \[0\]\[1\]](#)

PRCM Register Manual

- [CM_CORE__L4PER Register Summary: \[2\]](#)

Table 3-1096. CM_L4SEC_AES2_CLKCTRL

Address Offset	0x0000 01A8	Instance	CM_CORE__L4PER
Physical Address	0x4A00 98A8		
Description	This register manages the AES2 clocks.		
Type	RW		

31	30	29	28	27	26	25	24	23	22	21	20	19	18	17	16	15	14	13	12	11	10	9	8	7	6	5	4	3	2	1	0		
RESERVED																IDLEST	RESERVED																MODULEMODE

Bits	Field Name	Description	Type	Reset
31:18	RESERVED		R	0x0
17:16	IDLEST	Module idle status. [warm reset insensitive] 0x0: Module is fully functional, including OCP 0x1: Module is performing transition: wakeup, or sleep, or sleep abortion 0x2: Module is in Idle mode (only OCP part). It is functional if using separate functional clock 0x3: Module is disabled and cannot be accessed	R	0x3
15:2	RESERVED		R	0x0

Bits	Field Name	Description	Type	Reset
1:0	MODULEMODE	Control the way mandatory clocks are managed. 0x0: Module is disabled by SW. Any OCP access to module results in an error, except if resulting from a module wakeup (asynchronous wakeup). 0x1: Module is managed automatically by HW according to clock domain transition. A clock domain sleep transition put module into idle. A wakeup domain transition put it back into function. If CLKTRCTRL=3, any OCP access to module is always granted. Module clocks may be gated according to the clock domain state. 0x2: Reserved 0x3: Reserved	RW	0x0

Table 3-1097. Register Call Summary for Register CM_L4SEC_AES2_CLKCTRL

Clock Management Functional Description

- [Clock Domain Module Attributes: \[0\]\[1\]](#)

PRCM Register Manual

- [CM_CORE__L4PER Register Summary: \[2\]](#)

Table 3-1098. CM_L4SEC_DES3DES_CLKCTRL

Address Offset	0x0000 01B0	Instance	CM_CORE__L4PER
Physical Address	0x4A00 98B0		
Description	This register manages the DES3DES clocks.		
Type	RW		

31	30	29	28	27	26	25	24	23	22	21	20	19	18	17	16	15	14	13	12	11	10	9	8	7	6	5	4	3	2	1	0			
RESERVED																IDLEST		RESERVED																MODULEMODE

Bits	Field Name	Description	Type	Reset
31:18	RESERVED		R	0x0
17:16	IDLEST	Module idle status. [warm reset insensitive] 0x0: Module is fully functional, including OCP 0x1: Module is performing transition: wakeup, or sleep, or sleep abortion 0x2: Module is in Idle mode (only OCP part). It is functional if using separate functional clock 0x3: Module is disabled and cannot be accessed	R	0x3
15:2	RESERVED		R	0x0

Bits	Field Name	Description	Type	Reset
1:0	MODULEMODE	Control the way mandatory clocks are managed. 0x0: Module is disabled by SW. Any OCP access to module results in an error, except if resulting from a module wakeup (asynchronous wakeup). 0x1: Module is managed automatically by HW according to clock domain transition. A clock domain sleep transition put module into idle. A wakeup domain transition put it back into function. If CLKTRCTRL=3, any OCP access to module is always granted. Module clocks may be gated according to the clock domain state. 0x2: Reserved 0x3: Reserved	RW	0x0

Table 3-1099. Register Call Summary for Register CM_L4SEC_DES3DES_CLKCTRL

Clock Management Functional Description

- [Clock Domain Module Attributes: \[0\]\[1\]](#)

PRCM Register Manual

- [CM_CORE__L4PER Register Summary: \[2\]](#)

Table 3-1100. CM_L4SEC_FPKA_CLKCTRL

Address Offset	0x0000 01B8	Instance	CM_CORE__L4PER
Physical Address	0x4A00 98B8		
Description	This register manages the FPKA clocks.		
Type	RW		

31	30	29	28	27	26	25	24	23	22	21	20	19	18	17	16	15	14	13	12	11	10	9	8	7	6	5	4	3	2	1	0		
RESERVED																IDLEST	RESERVED																MODULEMODE

Bits	Field Name	Description	Type	Reset
31:18	RESERVED		R	0x0
17:16	IDLEST	Module idle status. [warm reset insensitive] 0x0: Module is fully functional, including OCP 0x1: Module is performing transition: wakeup, or sleep, or sleep abortion 0x2: Module is in Idle mode (only OCP part). It is functional if using separate functional clock 0x3: Module is disabled and cannot be accessed	R	0x3
15:2	RESERVED		R	0x0
1:0	MODULEMODE	Control the way mandatory clocks are managed. 0x0: Module is disabled by SW. Any OCP access to module results in an error, except if resulting from a module wakeup (asynchronous wakeup). 0x1: Reserved 0x2: Module is explicitly enabled. Interface clock (if not used for functions) may be gated according to the clock domain state. Functional clocks are guaranteed to stay present. As long as in this configuration, power domain sleep transition cannot happen. 0x3: Reserved	RW	0x0

Table 3-1101. Register Call Summary for Register CM_L4SEC_FPKA_CLKCTRL

Clock Management Functional Description

- [Clock Domain Module Attributes: \[0\]\[1\]](#)

PRCM Register Manual

- [CM_CORE__L4PER Register Summary: \[2\]](#)

Table 3-1102. CM_L4SEC_RNG_CLKCTRL

Address Offset	0x0000 01C0	Instance	CM_CORE__L4PER
Physical Address	0x4A00 98C0		
Description	This register manages the RNG clocks.		
Type	RW		

31	30	29	28	27	26	25	24	23	22	21	20	19	18	17	16	15	14	13	12	11	10	9	8	7	6	5	4	3	2	1	0
RESERVED														IDLEST		RESERVED										MODULEMODE					

Bits	Field Name	Description	Type	Reset
31:18	RESERVED		R	0x0
17:16	IDLEST	Module idle status. [warm reset insensitive] 0x0: Module is fully functional, including OCP 0x1: Module is performing transition: wakeup, or sleep, or sleep abortion 0x2: Module is in Idle mode (only OCP part). It is functional if using separate functional clock 0x3: Module is disabled and cannot be accessed	R	0x3
15:2	RESERVED		R	0x0
1:0	MODULEMODE	Control the way mandatory clocks are managed. 0x0: Module is disabled by SW. Any OCP access to module results in an error, except if resulting from a module wakeup (asynchronous wakeup). 0x1: Module is managed automatically by HW according to clock domain transition. A clock domain sleep transition put module into idle. A wakeup domain transition put it back into function. If CLKTRCTRL=3, any OCP access to module is always granted. Module clocks may be gated according to the clock domain state. 0x2: Reserved 0x3: Reserved	RW	0x0

Table 3-1103. Register Call Summary for Register CM_L4SEC_RNG_CLKCTRL

Clock Management Functional Description

- [Clock Domain Module Attributes: \[0\]\[1\]](#)

PRCM Register Manual

- [CM_CORE__L4PER Register Summary: \[2\]](#)

Table 3-1104. CM_L4SEC_SHA2MD51_CLKCTRL

Address Offset	0x0000 01C8	Instance	CM_CORE__L4PER
Physical Address	0x4A00 98C8		
Description	This register manages the SHA2MD51 clocks.		
Type	RW		

31	30	29	28	27	26	25	24	23	22	21	20	19	18	17	16	15	14	13	12	11	10	9	8	7	6	5	4	3	2	1	0
RESERVED														IDLEST		RESERVED														MODULEMODE	

Bits	Field Name	Description	Type	Reset
31:18	RESERVED		R	0x0
17:16	IDLEST	Module idle status. [warm reset insensitive] 0x0: Module is fully functional, including OCP 0x1: Module is performing transition: wakeup, or sleep, or sleep abortion 0x2: Module is in Idle mode (only OCP part). It is functional if using separate functional clock 0x3: Module is disabled and cannot be accessed	R	0x3
15:2	RESERVED		R	0x0
1:0	MODULEMODE	Control the way mandatory clocks are managed. 0x0: Module is disabled by SW. Any OCP access to module results in an error, except if resulting from a module wakeup (asynchronous wakeup). 0x1: Module is managed automatically by HW according to clock domain transition. A clock domain sleep transition put module into idle. A wakeup domain transition put it back into function. If CLKTRCTRL=3, any OCP access to module is always granted. Module clocks may be gated according to the clock domain state. 0x2: Reserved 0x3: Reserved	RW	0x0

Table 3-1105. Register Call Summary for Register CM_L4SEC_SHA2MD51_CLKCTRL

Clock Management Functional Description

- [Clock Domain Module Attributes: \[0\]\[1\]](#)

PRCM Register Manual

- [CM_CORE__L4PER Register Summary: \[2\]](#)

Table 3-1106. CM_L4PER2_UART7_CLKCTRL

Address Offset	0x0000 01D0	Instance	CM_CORE__L4PER
Physical Address	0x4A00 98D0		
Description	This register manages the UART7 clocks.		
Type	RW		

31	30	29	28	27	26	25	24	23	22	21	20	19	18	17	16	15	14	13	12	11	10	9	8	7	6	5	4	3	2	1	0
RESERVED								CLKSEL	RESERVED				IDLEST	RESERVED										MODULEMODE							

Bits	Field Name	Description	Type	Reset
31:25	RESERVED		R	0x0
24	CLKSEL	Selects functional clock for UART7 between FUNC_48M_FCLK and FUNC_192M_CLK 0x0: Selects FUNC_48M_FCLK 0x1: Selects FUNC_192M_CLK	RW	0x0
23:18	RESERVED		R	0x0
17:16	IDLEST	Module idle status. [warm reset insensitive] 0x0: Module is fully functional, including OCP 0x1: Module is performing transition: wakeup, or sleep, or sleep abortion 0x2: Module is in Idle mode (only OCP part). It is functional if using separate functional clock 0x3: Module is disabled and cannot be accessed	R	0x3
15:2	RESERVED		R	0x0
1:0	MODULEMODE	Control the way mandatory clocks are managed. 0x0: Module is disabled by SW. Any OCP access to module results in an error, except if resulting from a module wakeup (asynchronous wakeup). 0x1: Reserved 0x2: Module is explicitly enabled. Interface clock (if not used for functions) may be gated according to the clock domain state. Functional clocks are guaranteed to stay present. As long as in this configuration, power domain sleep transition cannot happen. 0x3: Reserved	RW	0x0

Table 3-1107. Register Call Summary for Register CM_L4PER2_UART7_CLKCTRL

Clock Management Functional Description

- [CM_CORE_AON Clock Generator: \[0\]](#)
- [Clock Domain Module Attributes: \[1\]\[2\]](#)

PRCM Register Manual

- [CM_CORE__L4PER Register Summary: \[3\]](#)

Table 3-1108. CM_L4SEC_DMA_CRYPT0_CLKCTRL

Address Offset	0x0000 01D8	Instance	CM_CORE__L4PER
Physical Address	0x4A00 98D8		
Description	This register manages the DMA_CRYPT0 clocks.		
Type	R		

31	30	29	28	27	26	25	24	23	22	21	20	19	18	17	16	15	14	13	12	11	10	9	8	7	6	5	4	3	2	1	0
RESERVED												STBYST	IDLEST	RESERVED												MODULEMODE					

Bits	Field Name	Description	Type	Reset
31:19	RESERVED		R	0x0
18	STBYST	Module standby status. [warm reset insensitive] 0x0: Module is functional (not in standby) 0x1: Module is in standby	R	0x1
17:16	IDLEST	Module idle status. [warm reset insensitive] 0x0: Module is fully functional, including OCP 0x1: Module is performing transition: wakeup, or sleep, or sleep abortion 0x2: Module is in Idle mode (only OCP part). It is functional if using separate functional clock 0x3: Module is disabled and cannot be accessed	R	0x3
15:2	RESERVED		R	0x0
1:0	MODULEMODE	Control the way mandatory clocks are managed. 0x1: Module is managed automatically by HW according to clock domain transition. A clock domain sleep transition put module into idle. A wakeup domain transition put it back into function. If CLKTRCTRL=3, any OCP access to module is always granted. Module clocks may be gated according to the clock domain state.	R	0x1

Table 3-1109. Register Call Summary for Register CM_L4SEC_DMA_CRYPT0_CLKCTRL

Clock Management Functional Description

- [Clock Domain Module Attributes: \[0\]\[1\]\[2\]](#)

PRCM Register Manual

- [CM_CORE__L4PER Register Summary: \[3\]](#)

Table 3-1110. CM_L4PER2_UART8_CLKCTRL

Address Offset	0x0000 01E0	Instance	CM_CORE__L4PER
Physical Address	0x4A00 98E0		
Description	This register manages the UART8 clocks.		
Type	RW		

31	30	29	28	27	26	25	24	23	22	21	20	19	18	17	16	15	14	13	12	11	10	9	8	7	6	5	4	3	2	1	0
RESERVED								CLKSEL	RESERVED				IDLEST	RESERVED												MODULEMODE					

Bits	Field Name	Description	Type	Reset
31:25	RESERVED		R	0x0
24	CLKSEL	Selects functional clock for UART8 between FUNC_48M_FCLK and FUNC_192M_CLK 0x0: Selects FUNC_48M_FCLK 0x1: Selects FUNC_192M_CLK	RW	0x0
23:18	RESERVED		R	0x0
17:16	IDLEST	Module idle status. [warm reset insensitive] 0x0: Module is fully functional, including OCP 0x1: Module is performing transition: wakeup, or sleep, or sleep abortion 0x2: Module is in Idle mode (only OCP part). It is functional if using separate functional clock 0x3: Module is disabled and cannot be accessed	R	0x3
15:2	RESERVED		R	0x0
1:0	MODULEMODE	Control the way mandatory clocks are managed. 0x0: Module is disabled by SW. Any OCP access to module results in an error, except if resulting from a module wakeup (asynchronous wakeup). 0x1: Reserved 0x2: Module is explicitly enabled. Interface clock (if not used for functions) may be gated according to the clock domain state. Functional clocks are guaranteed to stay present. As long as in this configuration, power domain sleep transition cannot happen. 0x3: Reserved	RW	0x0

Table 3-1111. Register Call Summary for Register CM_L4PER2_UART8_CLKCTRL

Clock Management Functional Description

- [CM_CORE_AON Clock Generator: \[0\]](#)
- [Clock Domain Module Attributes: \[1\]\[2\]](#)

PRCM Register Manual

- [CM_CORE__L4PER Register Summary: \[3\]](#)

Table 3-1112. CM_L4PER2_UART9_CLKCTRL

Address Offset	0x0000 01E8	Instance	CM_CORE__L4PER
Physical Address	0x4A00 98E8		
Description	This register manages the UART9 clocks.		
Type	RW		

31	30	29	28	27	26	25	24	23	22	21	20	19	18	17	16	15	14	13	12	11	10	9	8	7	6	5	4	3	2	1	0
RESERVED								CLKSEL	RESERVED				IDLEST	RESERVED										MODULEMODE							

Bits	Field Name	Description	Type	Reset
31:25	RESERVED		R	0x0
24	CLKSEL	Selects functional clock for UART9 between FUNC_48M_FCLK and FUNC_192M_CLK 0x0: Selects FUNC_48M_FCLK 0x1: Selects FUNC_192M_CLK	RW	0x0
23:18	RESERVED		R	0x0
17:16	IDLEST	Module idle status. [warm reset insensitive] 0x0: Module is fully functional, including OCP 0x1: Module is performing transition: wakeup, or sleep, or sleep abortion 0x2: Module is in Idle mode (only OCP part). It is functional if using separate functional clock 0x3: Module is disabled and cannot be accessed	R	0x3
15:2	RESERVED		R	0x0
1:0	MODULEMODE	Control the way mandatory clocks are managed. 0x0: Module is disabled by SW. Any OCP access to module results in an error, except if resulting from a module wakeup (asynchronous wakeup). 0x1: Reserved 0x2: Module is explicitly enabled. Interface clock (if not used for functions) may be gated according to the clock domain state. Functional clocks are guaranteed to stay present. As long as in this configuration, power domain sleep transition cannot happen. 0x3: Reserved	RW	0x0

Table 3-1113. Register Call Summary for Register CM_L4PER2_UART9_CLKCTRL

Clock Management Functional Description

- [CM_CORE_AON Clock Generator: \[0\]](#)
- [Clock Domain Module Attributes: \[1\]\[2\]](#)

PRCM Register Manual

- [CM_CORE__L4PER Register Summary: \[3\]](#)

Table 3-1114. CM_L4PER2_DCAN2_CLKCTRL

Address Offset	0x0000 01F0	Instance	CM_CORE__L4PER
Physical Address	0x4A00 98F0		
Description	This register manages the DCAN2 clocks.		
Type	RW		

31	30	29	28	27	26	25	24	23	22	21	20	19	18	17	16	15	14	13	12	11	10	9	8	7	6	5	4	3	2	1	0
RESERVED														IDLEST		RESERVED														MODULEMODE	

Bits	Field Name	Description	Type	Reset
31:18	RESERVED		R	0x0
17:16	IDLEST	Module idle status. [warm reset insensitive] 0x0: Module is fully functional, including OCP 0x1: Module is performing transition: wakeup, or sleep, or sleep abortion 0x2: Module is in Idle mode (only OCP part). It is functional if using separate functional clock 0x3: Module is disabled and cannot be accessed	R	0x3
15:2	RESERVED		R	0x0
1:0	MODULEMODE	Control the way mandatory clocks are managed. 0x0: Module is disabled by SW. Any OCP access to module results in an error, except if resulting from a module wakeup (asynchronous wakeup). 0x1: Reserved 0x2: Module is explicitly enabled. Interface clock (if not used for functions) may be gated according to the clock domain state. Functional clocks are guaranteed to stay present. As long as in this configuration, power domain sleep transition cannot happen. 0x3: Reserved	RW	0x0

Table 3-1115. Register Call Summary for Register CM_L4PER2_DCAN2_CLKCTRL

Clock Management Functional Description

- [Clock Domain Module Attributes: \[0\]\[1\]](#)

PRCM Register Manual

- [CM_CORE__L4PER Register Summary: \[2\]](#)

Table 3-1116. CM_L4SEC_SHA2MD52_CLKCTRL

Address Offset	0x0000 01F8	Instance	CM_CORE__L4PER
Physical Address	0x4A00 98F8		
Description	This register manages the SHA2MD52 clocks.		
Type	RW		

31	30	29	28	27	26	25	24	23	22	21	20	19	18	17	16	15	14	13	12	11	10	9	8	7	6	5	4	3	2	1	0
RESERVED														IDLEST		RESERVED														MODULEMODE	

Bits	Field Name	Description	Type	Reset
31:18	RESERVED		R	0x0
17:16	IDLEST	Module idle status. [warm reset insensitive] 0x0: Module is fully functional, including OCP 0x1: Module is performing transition: wakeup, or sleep, or sleep abortion 0x2: Module is in Idle mode (only OCP part). It is functional if using separate functional clock 0x3: Module is disabled and cannot be accessed	R	0x3
15:2	RESERVED		R	0x0
1:0	MODULEMODE	Control the way mandatory clocks are managed. 0x0: Module is disabled by SW. Any OCP access to module results in an error, except if resulting from a module wakeup (asynchronous wakeup). 0x1: Module is managed automatically by HW according to clock domain transition. A clock domain sleep transition put module into idle. A wakeup domain transition put it back into function. If CLKTRCTRL=3, any OCP access to module is always granted. Module clocks may be gated according to the clock domain state. 0x2: Reserved 0x3: Reserved	RW	0x0

Table 3-1117. Register Call Summary for Register CM_L4SEC_SHA2MD52_CLKCTRL
Clock Management Functional Description

- [Clock Domain Module Attributes: \[0\]\[1\]](#)

PRCM Register Manual

- [CM_CORE__L4PER Register Summary: \[2\]](#)

Table 3-1118. CM_L4PER2_CLKSTCTRL

Address Offset	0x0000 01FC	Instance	CM_CORE_L4PER
Physical Address	0x4A00 98FC		
Description	This register enables the domain power state transition. It controls the HW supervised domain power state transition between ON-ACTIVE and ON-INACTIVE states. It also hold one status bit per clock input of the domain.		
Type	RW		

31	30	29	28	27	26	25	24	23	22	21	20	19	18	17	16	15	14	13	12	11	10	9	8	7	6	5	4	3	2	1	0
CLKACTIVITY_MCASP8_AUX_GFCLK	CLKACTIVITY_MCASP8_AHCLKX	CLKACTIVITY_MCASP7_AUX_GFCLK	CLKACTIVITY_MCASP7_AHCLKX	CLKACTIVITY_MCASP6_AUX_GFCLK	CLKACTIVITY_MCASP6_AHCLKX	CLKACTIVITY_MCASP5_AUX_GFCLK	CLKACTIVITY_MCASP5_AHCLKX	CLKACTIVITY_MCASP4_AUX_GFCLK	CLKACTIVITY_MCASP4_AHCLKX	CLKACTIVITY_MCASP3_AUX_GFCLK	CLKACTIVITY_MCASP3_AHCLKX	CLKACTIVITY_MCASP2_AUX_GFCLK	CLKACTIVITY_MCASP2_AHCLKR	CLKACTIVITY_MCASP2_AHCLKX	CLKACTIVITY_L4PER2_L3_GICLK	CLKACTIVITY_DCAN2_SYS_CLK	CLKACTIVITY_ICSS_IEP_CLK	CLKACTIVITY_PER_192M_GFCLK	CLKACTIVITY_QSPI_GFCLK	CLKACTIVITY_UART9_GFCLK	CLKACTIVITY_UART8_GFCLK	CLKACTIVITY_UART7_GFCLK	CLKACTIVITY_ICSS_CLK	RESERVED					CLKTRCTRL		

Bits	Field Name	Description	Type	Reset
31	CLKACTIVITY_MCASP8_AUX_GFCLK	This field indicates the state of the MCASP8_AUX_GFCLK clock in the domain. [warm reset insensitive] 0x0: Corresponding clock is definitely gated 0x1: Corresponding clock is running or gating/ungating transition is on-going	R	0x0
30	CLKACTIVITY_MCASP8_AHCLKX	This field indicates the state of the MCASP8_AHCLKX clock in the domain. [warm reset insensitive] 0x0: Corresponding clock is definitely gated 0x1: Corresponding clock is running or gating/ungating transition is on-going	R	0x0
29	CLKACTIVITY_MCASP7_AUX_GFCLK	This field indicates the state of the MCASP7_AUX_GFCLK clock in the domain. [warm reset insensitive] 0x0: Corresponding clock is definitely gated 0x1: Corresponding clock is running or gating/ungating transition is on-going	R	0x0
28	CLKACTIVITY_MCASP7_AHCLKX	This field indicates the state of the MCASP7_AHCLKX clock in the domain. [warm reset insensitive] 0x0: Corresponding clock is definitely gated 0x1: Corresponding clock is running or gating/ungating transition is on-going	R	0x0
27	CLKACTIVITY_MCASP6_AUX_GFCLK	This field indicates the state of the MCASP6_AUX_GFCLK clock in the domain. [warm reset insensitive] 0x0: Corresponding clock is definitely gated 0x1: Corresponding clock is running or gating/ungating transition is on-going	R	0x0

Bits	Field Name	Description	Type	Reset
26	CLKACTIVITY_MCASP6_AHCLKX	This field indicates the state of the MCASP6_AUX_GFCLK clock in the domain. [warm reset insensitive] 0x0: Corresponding clock is definitely gated 0x1: Corresponding clock is running or gating/ungating transition is on-going	R	0x0
25	CLKACTIVITY_MCASP5_AHCLKX	This field indicates the state of the MCASP5_AHCLKX clock in the domain. [warm reset insensitive] 0x0: Corresponding clock is definitely gated 0x1: Corresponding clock is running or gating/ungating transition is on-going	R	0x0
24	CLKACTIVITY_MCASP5_AUX_GFCLK	This field indicates the state of the MCASP5_AUX_GFCLK clock in the domain. [warm reset insensitive] 0x0: Corresponding clock is definitely gated 0x1: Corresponding clock is running or gating/ungating transition is on-going	R	0x0
23	CLKACTIVITY_MCASP4_AUX_GFCLK	This field indicates the state of the MCASP4_AUX_GFCLK clock in the domain. [warm reset insensitive] 0x0: Corresponding clock is definitely gated 0x1: Corresponding clock is running or gating/ungating transition is on-going	R	0x0
22	CLKACTIVITY_MCASP4_AHCLKX	This field indicates the state of the MCASP4_AHCLKX clock in the domain. [warm reset insensitive] 0x0: Corresponding clock is definitely gated 0x1: Corresponding clock is running or gating/ungating transition is on-going	R	0x0
21	CLKACTIVITY_MCASP3_AUX_GFCLK	This field indicates the state of the MCASP3_AUX_GFCLK clock in the domain. [warm reset insensitive] 0x0: Corresponding clock is definitely gated 0x1: Corresponding clock is running or gating/ungating transition is on-going	R	0x0
20	CLKACTIVITY_MCASP3_AHCLKX	This field indicates the state of the MCASP3_AHCLKX clock in the domain. [warm reset insensitive] 0x0: Corresponding clock is definitely gated 0x1: Corresponding clock is running or gating/ungating transition is on-going	R	0x0
19	CLKACTIVITY_MCASP2_AUX_GFCLK	This field indicates the state of the MCASP2_AUX_GFCLK clock in the domain. [warm reset insensitive] 0x0: Corresponding clock is definitely gated 0x1: Corresponding clock is running or gating/ungating transition is on-going	R	0x0
18	CLKACTIVITY_MCASP2_AHCLKR	This field indicates the state of the MCASP2_AHCLKR clock in the domain. [warm reset insensitive] 0x0: Corresponding clock is definitely gated 0x1: Corresponding clock is running or gating/ungating transition is on-going	R	0x0
17	CLKACTIVITY_MCASP2_AHCLKX	This field indicates the state of the MCASP2_AHCLKX clock in the domain. [warm reset insensitive] 0x0: Corresponding clock is definitely gated 0x1: Corresponding clock is running or gating/ungating transition is on-going	R	0x0

Bits	Field Name	Description	Type	Reset
16	CLKACTIVITY_L4PER2_L3_GICLK	This field indicates the state of the L4PER2_L3_GICLK clock in the domain. [warm reset insensitive] 0x0: Corresponding clock is definitely gated 0x1: Corresponding clock is running or gating/ungating transition is on-going	R	0x0
15	CLKACTIVITY_DCAN2_SYS_CLK	This field indicates the state of the DCAN2_SYS_CLK clock in the domain. [warm reset insensitive] 0x0: Corresponding clock is definitely gated 0x1: Corresponding clock is running or gating/ungating transition is on-going	R	0x0
14	CLKACTIVITY_ICSS_IEP_CLK	This field indicates the state of the ICSS_IEP_CLK clock in the domain. [warm reset insensitive] 0x0: Corresponding clock is definitely gated 0x1: Corresponding clock is running or gating/ungating transition is on-going	R	0x0
13	CLKACTIVITY_PER_192M_GFCLK	This field indicates the state of the PER_192M_GFCLK clock in the domain. [warm reset insensitive] 0x0: Corresponding clock is definitely gated 0x1: Corresponding clock is running or gating/ungating transition is on-going	R	0x0
12	CLKACTIVITY_QSPI_GFCLK	This field indicates the state of the QSPI_GFCLK clock in the domain. [warm reset insensitive] 0x0: Corresponding clock is definitely gated 0x1: Corresponding clock is running or gating/ungating transition is on-going	R	0x0
11	CLKACTIVITY_UART9_GFCLK	This field indicates the state of the UART9_GFCLK clock in the domain. [warm reset insensitive] 0x0: Corresponding clock is definitely gated 0x1: Corresponding clock is running or gating/ungating transition is on-going	R	0x0
10	CLKACTIVITY_UART8_GFCLK	This field indicates the state of the UART8_GFCLK clock in the domain. [warm reset insensitive] 0x0: Corresponding clock is definitely gated 0x1: Corresponding clock is running or gating/ungating transition is on-going	R	0x0
9	CLKACTIVITY_UART7_GFCLK	This field indicates the state of the UART7_GFCLK clock in the domain. [warm reset insensitive] 0x0: Corresponding clock is definitely gated 0x1: Corresponding clock is running or gating/ungating transition is on-going	R	0x0
8	CLKACTIVITY_ICSS_CLK	This field indicates the state of the ICSS_CLK clock in the domain. [warm reset insensitive] 0x0: Corresponding clock is definitely gated 0x1: Corresponding clock is running or gating/ungating transition is on-going	R	0x0
7:2	RESERVED		R	0x0
1:0	CLKTRCTRL	Controls the clock state transition of the L4PER clock domain. 0x0: NO_SLEEP: Sleep transition cannot be initiated. Wakeup transition may however occur. 0x1: SW_SLEEP: Start a software forced sleep transition on the domain. 0x2: SW_WKUP: Start a software forced wake-up transition on the domain. 0x3: HW_AUTO: Automatic transition is enabled. Sleep and wakeup transition are based upon hardware conditions.	RW	0x0

Table 3-1119. Register Call Summary for Register CM_L4PER2_CLKSTCTRL

Clock Management Functional Description

- [Clock Domain Modes](#): [0][1][2][3][4][5][6][7][8][9][10][11][12][13][14][15][16][17][18][19][20][21][22][23][24]

PRCM Register Manual

- [Not Supported Functionality \(Registers and Bits\)](#): [25][26][27]
- [CM_CORE__L4PER Register Summary](#): [28]

Table 3-1120. CM_L4PER2_DYNAMICDEP

Address Offset	0x0000 0200	Instance	CM_CORE__L4PER
Physical Address	0x4A00 9900		
Description	This register controls the dynamic domain dependencies from L4PER2 domain towards 'target' domains. It is relevant only for domain having OCP master port(s).		
Type	RW		

31	30	29	28	27	26	25	24	23	22	21	20	19	18	17	16	15	14	13	12	11	10	9	8	7	6	5	4	3	2	1	0
RESERVED				WINDOWSIZE				RESERVED	GMAC_DYNDEP	RESERVED						L4CFG_DYNDEP	RESERVED				L3INIT_DYNDEP	ATL_DYNDEP	RESERVED	IPU_DYNDEP	RESERVED						

Bits	Field Name	Description	Type	Reset
31:28	RESERVED		R	0x0
27:24	WINDOWSIZE	Size of sliding window used to monitor OCP interface activity for determination of auto-sleep feature. Time unit defined by CM_DYN_DEP_PRESCAL register.	RW	0x4
23	RESERVED		R	0x0
22	GMAC_DYNDEP	Dynamic dependency towards GMAC clock domain 0x1: Dependency is enabled	R	0x1
21:13	RESERVED		R	0x0
12	L4CFG_DYNDEP	Dynamic dependency towards L4CFG clock domain 0x1: Dependency is enabled	R	0x1
11:8	RESERVED		R	0x0
7	L3INIT_DYNDEP	Dynamic dependency towards L3INIT clock domain 0x1: Dependency is enabled	R	0x1
6	ATL_DYNDEP	Dynamic dependency towards ATL clock domain 0x1: Dependency is enabled	R	0x1
5:4	RESERVED		R	0x0
3	IPU_DYNDEP	Dynamic dependency towards IPU clock domain 0x1: Dependency is enabled	R	0x1
2:0	RESERVED		R	0x0

Table 3-1121. Register Call Summary for Register CM_L4PER2_DYNAMICDEP

Clock Management Functional Description

- [Clock Domain Dependency](#): [0][1][2][3][4]

PRCM Register Manual

- [CM_CORE__L4PER Register Summary](#): [5]

Table 3-1122. CM_L4PER2_MCASP6_CLKCTRL

Address Offset	0x0000 0204	Instance	CM_CORE__L4PER
Physical Address	0x4A00 9904		
Description	This register manages the MCASP6 clocks.		
Type	RW		

31	30	29	28	27	26	25	24	23	22	21	20	19	18	17	16	15	14	13	12	11	10	9	8	7	6	5	4	3	2	1	0
RESERVED								CLKSEL_AHCLKX	CLKSEL_AUX_CLK	RESERVED				IDLEST	RESERVED											MODULEMODE					

Bits	Field Name	Description	Type	Reset
31:28	RESERVED		R	0x0
27:24	CLKSEL_AHCLKX	Selects reference clock for MCASP6_AHCLKX 0x0: Selects ABE_24M_GFCLK 0x1: Selects ABE_SYS_CLK 0x2: Selects FUNC_24M_GFCLK 0x3: Selects ATL_CLK3 0x4: Selects ATL_CLK2 0x5: Selects ATL_CLK1 0x6: Selects ATL_CLK0 0x7: Selects SYS_CLK2 0x8: Selects XREF_CLK0 0x9: Selects XREF_CLK1 0xA: Selects XREF_CLK2 0xB: Selects XREF_CLK3 0xC: Selects MLB_CLK 0xD: Selects MLBP_CLK 0xE: RESERVED 0xF: RESERVED	RW	0x0
23:22	CLKSEL_AUX_CLK	Selects the source of the MCASP6_AUX_GFCLK clock 0x0: Selects PER_ABE_X1_GFCLK 0x1: Selects VIDEO1_CLK 0x2: Selects VIDEO2_CLK 0x3: Selects HDMI_CLK	RW	0x0
21:18	RESERVED		R	0x0
17:16	IDLEST	Module idle status. [warm reset insensitive] 0x0: Module is fully functional, including OCP 0x1: Module is performing transition: wakeup, or sleep, or sleep abortion 0x2: Module is in Idle mode (only OCP part). It is functional if using separate functional clock 0x3: Module is disabled and cannot be accessed	R	0x3
15:2	RESERVED		R	0x0

Bits	Field Name	Description	Type	Reset
1:0	MODULEMODE	Control the way mandatory clocks are managed. 0x0: Module is disabled by SW. Any OCP access to module results in an error, except if resulting from a module wakeup (asynchronous wakeup). 0x1: Reserved 0x2: Module is explicitly enabled. Interface clock (if not used for functions) may be gated according to the clock domain state. Functional clocks are guaranteed to stay present. As long as in this configuration, power domain sleep transition cannot happen. 0x3: Reserved	RW	0x0

Table 3-1123. Register Call Summary for Register CM_L4PER2_MCASP6_CLKCTRL

Clock Management Functional Description

- [CM_CORE_AON_MCASP Overview: \[0\]\[1\]](#)
- [Clock Domain Module Attributes: \[2\]\[3\]](#)

PRCM Register Manual

- [Not Supported Functionality \(Registers and Bits\): \[4\]](#)
- [CM_CORE__L4PER Register Summary: \[5\]](#)

Table 3-1124. CM_L4PER2_MCASP7_CLKCTRL

Address Offset	0x0000 0208	Instance	CM_CORE__L4PER
Physical Address	0x4A00 9908		
Description	This register manages the MCASP7 clocks.		
Type	RW		

31	30	29	28	27	26	25	24	23	22	21	20	19	18	17	16	15	14	13	12	11	10	9	8	7	6	5	4	3	2	1	0
RESERVED				CLKSEL_AHCLKX		CLKSEL_AUX_CLK		RESERVED				IDLEST	RESERVED										MODULEMODE								

Bits	Field Name	Description	Type	Reset
31:28	RESERVED		R	0x0
27:24	CLKSEL_AHCLKX	Selects reference clock for MCASP7_AHCLKX 0x0: Selects ABE_24M_GFCLK 0x1: Selects ABE_SYS_CLK 0x2: Selects FUNC_24M_GFCLK 0x3: Selects ATL_CLK3 0x4: Selects ATL_CLK2 0x5: Selects ATL_CLK1 0x6: Selects ATL_CLK0 0x7: Selects SYS_CLK2 0x8: Selects XREF_CLK0 0x9: Selects XREF_CLK1 0xA: Selects XREF_CLK2 0xB: Selects XREF_CLK3 0xC: Selects MLB_CLK 0xD: Selects MLBP_CLK 0xE: RESERVED 0xF: RESERVED	RW	0x0
23:22	CLKSEL_AUX_CLK	Selects the source of the MCASP7_AUX_GFCLK clock 0x0: Selects PER_ABE_X1_GFCLK 0x1: Selects VIDEO1_CLK 0x2: Selects VIDEO2_CLK 0x3: Selects HDMI_CLK	RW	0x0
21:18	RESERVED		R	0x0
17:16	IDLEST	Module idle status. [warm reset insensitive] 0x0: Module is fully functional, including OCP 0x1: Module is performing transition: wakeup, or sleep, or sleep abortion 0x2: Module is in Idle mode (only OCP part). It is functional if using separate functional clock 0x3: Module is disabled and cannot be accessed	R	0x3
15:2	RESERVED		R	0x0
1:0	MODULEMODE	Control the way mandatory clocks are managed. 0x0: Module is disabled by SW. Any OCP access to module results in an error, except if resulting from a module wakeup (asynchronous wakeup). 0x1: Reserved 0x2: Module is explicitly enabled. Interface clock (if not used for functions) may be gated according to the clock domain state. Functional clocks are guaranteed to stay present. As long as in this configuration, power domain sleep transition cannot happen. 0x3: Reserved	RW	0x0

Table 3-1125. Register Call Summary for Register CM_L4PER2_MCASP7_CLKCTRL

Clock Management Functional Description

- [CM_CORE_AON_MCASP Overview: \[0\]\[1\]](#)
- [Clock Domain Module Attributes: \[2\]\[3\]](#)

PRCM Register Manual

- [Not Supported Functionality \(Registers and Bits\): \[4\]](#)
- [CM_CORE_L4PER Register Summary: \[5\]](#)

Table 3-1126. CM_L4PER2_STATICDEP

Address Offset	0x0000 020C	Instance	CM_CORE_L4PER
Physical Address	0x4A00 990C		
Description	This register controls the static domain dependencies from L4PER2 domain towards 'target' domains. It is relevant only for domain having system initiator(s).		
Type	RW		

31	30	29	28	27	26	25	24	23	22	21	20	19	18	17	16	15	14	13	12	11	10	9	8	7	6	5	4	3	2	1	0
RESERVED								IPU1_STATDEP	RESERVED				DSP2_STATDEP	RESERVED								L3MAIN1_STATDEP	RESERVED		DSP1_STATDEP	IPU2_STATDEP					

Bits	Field Name	Description	Type	Reset
31:24	RESERVED		R	0x0
23	IPU1_STATDEP	Static dependency towards IPU1 clock domain 0x0: Dependency is disabled 0x1: Dependency is enabled	RW	0x0
22:19	RESERVED		R	0x0
18	DSP2_STATDEP	Static dependency towards DSP2 clock domain 0x0: Dependency is disabled 0x1: Dependency is enabled	RW	0x0
17:6	RESERVED		R	0x0
5	L3MAIN1_STATDEP	Static dependency towards L3MAIN1 clock domain 0x1: Dependency is enabled	R	0x1
4:2	RESERVED		R	0x0
1	DSP1_STATDEP	Static dependency towards DSP1 clock domain 0x0: Dependency is disabled 0x1: Dependency is enabled	RW	0x0
0	IPU2_STATDEP	Static dependency towards IPU2 clock domain 0x0: Dependency is disabled 0x1: Dependency is enabled	RW	0x0

Table 3-1127. Register Call Summary for Register CM_L4PER2_STATICDEP

PRCM Register Manual

- [Not Supported Functionality \(Registers and Bits\): \[0\]](#)
- [CM_CORE_L4PER Register Summary: \[1\]](#)

Table 3-1128. CM_L4PER3_CLKSTCTRL

Address Offset	0x0000 0210	Instance	CM_CORE_L4PER
Physical Address	0x4A00 9910		
Description	This register enables the domain power state transition. It controls the HW supervised domain power state transition between ON-ACTIVE and ON-INACTIVE states. It also hold one status bit per clock input of the domain.		
Type	RW		

31	30	29	28	27	26	25	24	23	22	21	20	19	18	17	16	15	14	13	12	11	10	9	8	7	6	5	4	3	2	1	0
RESERVED																CLKACTIVITY_TIMER16_GFCLK CLKACTIVITY_TIMER15_GFCLK CLKACTIVITY_TIMER14_GFCLK CLKACTIVITY_TIMER13_GFCLK CLKACTIVITY_L4PER3_L3_GICLK					RESERVED						CLKTRCTRL				

Bits	Field Name	Description	Type	Reset
31:13	RESERVED		R	0x0
12	CLKACTIVITY_TIMER16_GFCLK	This field indicates the state of the DMT16_GFCLK clock in the domain. [warm reset insensitive] 0x0: Corresponding clock is definitely gated 0x1: Corresponding clock is running or gating/ungating transition is on-going	R	0x0
11	CLKACTIVITY_TIMER15_GFCLK	This field indicates the state of the DMT15_GFCLK clock in the domain. [warm reset insensitive] 0x0: Corresponding clock is definitely gated 0x1: Corresponding clock is running or gating/ungating transition is on-going	R	0x0
10	CLKACTIVITY_TIMER14_GFCLK	This field indicates the state of the DMT14_GFCLK clock in the domain. [warm reset insensitive] 0x0: Corresponding clock is definitely gated 0x1: Corresponding clock is running or gating/ungating transition is on-going	R	0x0
9	CLKACTIVITY_TIMER13_GFCLK	This field indicates the state of the DMT13_GFCLK clock in the domain. [warm reset insensitive] 0x0: Corresponding clock is definitely gated 0x1: Corresponding clock is running or gating/ungating transition is on-going	R	0x0
8	CLKACTIVITY_L4PER3_L3_GICLK	This field indicates the state of the L4PER2_L3_GICLK clock in the domain. [warm reset insensitive] 0x0: Corresponding clock is definitely gated 0x1: Corresponding clock is running or gating/ungating transition is on-going	R	0x0
7:2	RESERVED		R	0x0

Bits	Field Name	Description	Type	Reset
1:0	CLKTRCTRL	Controls the clock state transition of the L4PER clock domain. 0x0: NO_SLEEP: Sleep transition cannot be initiated. Wakeup transition may however occur. 0x1: SW_SLEEP: Start a software forced sleep transition on the domain. 0x2: SW_WKUP: Start a software forced wake-up transition on the domain. 0x3: HW_AUTO: Automatic transition is enabled. Sleep and wakeup transition are based upon hardware conditions.	RW	0x0

Table 3-1129. Register Call Summary for Register CM_L4PER3_CLKSTCTRL

Clock Management Functional Description

- [Clock Domain Modes: \[0\]\[1\]\[2\]\[3\]\[4\]\[5\]](#)

PRCM Register Manual

- [CM_CORE__L4PER Register Summary: \[6\]](#)

Table 3-1130. CM_L4PER3_DYNAMICDEP

Address Offset	0x0000 0214	Instance	CM_CORE__L4PER
Physical Address	0x4A00 9914		
Description	This register controls the dynamic domain dependencies from L4PER3 domain towards 'target' domains. It is relevant only for domain having OCP master port(s).		
Type	RW		

31	30	29	28	27	26	25	24	23	22	21	20	19	18	17	16	15	14	13	12	11	10	9	8	7	6	5	4	3	2	1	0
VPE_DYNDEP	RESERVED	WINDOWSIZE				RTCDYNDEP	RESERVED					L4CFG_DYNDEP	RESERVED	CAMDYNDEP	RESERVED	L3INIT_DYNDEP	RESERVED	L3MAIN1_DYNDEP	RESERVED	IPUDYNDEP	RESERVED										

Bits	Field Name	Description	Type	Reset
31	VPE_DYNDEP	Dynamic dependency towards VPE clock domain 0x1: Dependency is enabled	R	0x1
30:28	RESERVED		R	0x0
27:24	WINDOWSIZE	Size of sliding window used to monitor OCP interface activity for determination of auto-sleep feature. Time unit defined by CM_DYN_DEP_PRESCAL register.	RW	0x4
23	RTCDYNDEP ⁽¹⁾	Dynamic dependency towards RTC clock domain 0x1: Dependency is enabled	R	0x1
22:13	RESERVED		R	0x0
12	L4CFG_DYNDEP	Dynamic dependency towards L4CFG clock domain 0x1: Dependency is enabled	R	0x1
11:10	RESERVED		R	0x0
9	CAMDYNDEP	Dynamic dependency towards CAM clock domain 0x1: Dependency is enabled	R	0x1
8	RESERVED		R	0x0

⁽¹⁾ **RTC is not supported on the AM570x family of devices.**

Bits	Field Name	Description	Type	Reset
7	L3INIT_DYNDEP	Dynamic dependency towards L3INIT clock domain 0x1: Dependency is enabled	R	0x1
6	RESERVED		R	0x0
5	L3MAIN1_DYNDEP	Dynamic dependency towards L3MAIN1 clock domain 0x1: Dependency is enabled	R	0x1
4	RESERVED		R	0x0
3	IPU_DYNDEP	Dynamic dependency towards IPU clock domain 0x1: Dependency is enabled	R	0x1
2:0	RESERVED		R	0x0

Table 3-1131. Register Call Summary for Register CM_L4PER3_DYNAMICDEP

Clock Management Functional Description

- [Clock Domain Dependency: \[0\]\[1\]\[2\]\[3\]\[4\]\[5\]\[6\]](#)

PRCM Register Manual

- [CM_CORE__L4PER Register Summary: \[7\]](#)

3.12.27 CM_CORE__OCP_SOCKET Registers

3.12.27.1 CM_CORE__OCP_SOCKET Register Summary

Table 3-1132. CM_CORE__OCP_SOCKET Registers Mapping Summary

Register Name	Type	Register Width (Bits)	Address Offset	CM_CORE__OCP_SOCKET Physical Address L4_CFG Interconnect
REVISION_CM_CORE	R	32	0x0000 0000	0x4A00 8000
CM_CM_CORE_PROFI LING_CLKCTRL	RW	32	0x0000 0040	0x4A00 8040
CM_CORE_DEBUG_C FG	RW	32	0x0000 00F0	0x4A00 80F0

3.12.27.2 CM_CORE__OCP_SOCKET Register Description

Table 3-1133. REVISION_CM_CORE

Address Offset	0x0000 0000	Instance	CM_CORE__OCP_SOCKET
Physical Address	0x4A00 8000		
Description	This register contains the IP revision code for the CM_CORE part of the PRCM		
Type	R		

31	30	29	28	27	26	25	24	23	22	21	20	19	18	17	16	15	14	13	12	11	10	9	8	7	6	5	4	3	2	1	0
REVISION																															

Bits	Field Name	Description	Type	Reset
31:0	REVISION	IP Revision Number	R	0x- ⁽¹⁾

⁽¹⁾ TI Internal data.

Table 3-1134. Register Call Summary for Register REVISION_CM_CORE

PRCM Register Manual

- [CM_CORE__OCP_SOCKET Register Summary: \[0\]](#)

Table 3-1135. CM_CM_CORE_PROFILING_CLKCTRL

Address Offset	0x0000 0040	Instance	CM_CORE__OCP_SOCKET
Physical Address	0x4A00 8040		
Description	This register manages the CM_CORE_PROFILING clocks. [warm reset insensitive]		
Type	RW		

31	30	29	28	27	26	25	24	23	22	21	20	19	18	17	16	15	14	13	12	11	10	9	8	7	6	5	4	3	2	1	0
RESERVED														IDLEST		RESERVED														MODULEMODE	

Bits	Field Name	Description	Type	Reset
31:18	RESERVED		R	0x0
17:16	IDLEST	Module idle status 0x0: Module is fully functional 0x1: Module is performing transition: wakeup, or sleep, or sleep abortion 0x2: Module is in Idle 0x3: Module is disabled	R	0x3
15:2	RESERVED		R	0x0
1:0	MODULEMODE	Control the way mandatory clocks are managed. 0x0: Module is disabled by SW. OCP configuration port is not accessible. 0x1: Module is managed automatically by HW along with L3INSTR domain. 0x2: Reserved 0x3: Reserved	RW	0x1

Table 3-1136. Register Call Summary for Register CM_CM_CORE_PROFILING_CLKCTRL

PRCM Register Manual

- [CM_CORE__OCP_SOCKET Register Summary: \[0\]](#)
- [CM_CORE__RESTORE Register Description: \[1\]\[2\]](#)

Table 3-1137. CM_CORE_DEBUG_CFG

Address Offset	0x0000 00F0	Instance	CM_CORE__OCP_SOCKET
Physical Address	0x4A00 80F0		
Description	This register is used to configure the CM_CORE's 32-bit debug output. There is one 8-bit source select field for selecting from a shared set of 8-bit internal signal blocks per byte. The signals included in each block are specified in the PRCM integration specification. [warm reset insensitive]		
Type	RW		

31	30	29	28	27	26	25	24	23	22	21	20	19	18	17	16	15	14	13	12	11	10	9	8	7	6	5	4	3	2	1	0
SEL3								SEL2								SEL1								SEL0							

Bits	Field Name	Description	Type	Reset
31:24	SEL3	Internal signal block select for debug word byte-3	RW	0x3
23:16	SEL2	Internal signal block select for debug word byte-2	RW	0x2
15:8	SEL1	Internal signal block select for debug word byte-1	RW	0x1
7:0	SEL0	Internal signal block select for debug word byte-0	RW	0x0

Table 3-1138. Register Call Summary for Register CM_CORE_DEBUG_CFG

PRCM Register Manual

- [CM_CORE__OCP_SOCKET Register Summary: \[0\]](#)

3.12.28 CM_CORE__RESTORE Registers

3.12.28.1 CM_CORE__RESTORE Register Summary

Table 3-1139. CM_CORE__RESTORE Registers Mapping Summary

Register Name	Type	Register Width (Bits)	Address Offset	CM_CORE__RESTORE Physical Address L4_CFG Interconnect
CM_L3MAIN1_CLKSTC TRL_RESTORE	RW	32	0x0000 0000	0x4A00 9E18
CM_L4CFG_CLKSTCT RL_RESTORE	RW	32	0x0000 0008	0x4A00 9E20
CM_L4PER_CLKSTCT RL_RESTORE	RW	32	0x0000 0010	0x4A00 9E28
CM_L3INIT_CLKSTCTR L_RESTORE	RW	32	0x0000 0014	0x4A00 9E2C
CM_L3INSTR_L3_MAIN _2_CLKCTRL_RESTORE	RW	32	0x0000 0018	0x4A00 9E30
CM_L3INSTR_L3_INST R_CLKCTRL_RESTORE	RW	32	0x0000 001C	0x4A00 9E34
CM_L3INSTR_OCP_W P_NOC_CLKCTRL_RE STORE	RW	32	0x0000 0020	0x4A00 9E38
CM_CM_CORE_PROFI LING_CLKCTRL_RE STORE	RW	32	0x0000 0024	0x4A00 9E3C
CM_L3MAIN1_DYNAMI CDEP_RESTORE	RW	32	0x0000 0030	0x4A00 9E48
CM_L4CFG_DYNAMIC DEP_RESTORE	RW	32	0x0000 0040	0x4A00 9E58

Table 3-1139. CM_CORE__RESTORE Registers Mapping Summary (continued)

Register Name	Type	Register Width (Bits)	Address Offset	CM_CORE__RESTORE Physical Address L4_CFG Interconnect
CM_L4PER_DYNAMIC_DEP_RESTORE	RW	32	0x0000 0044	0x4A00 9E5C
CM_COREAON_IO_SR_COMP_CLKCTRL_RESTORE	RW	32	0x0000 0048	0x4A00 9E60
CM_DMA_STATICDEP_RESTORE	RW	32	0x0000 0054	0x4A00 9E6C

3.12.28.2 CM_CORE__RESTORE Register Description

Table 3-1140. CM_L3MAIN1_CLKSTCTRL_RESTORE

Address Offset	0x0000 0000		
Physical Address	0x4A00 9E18	Instance	CM_CORE__RESTORE
Description	Second address map for register CM_L3MAIN1_CLKSTCTRL . Used only by automatic restore upon wakeup from device OFF mode.		
Type	RW		

31	30	29	28	27	26	25	24	23	22	21	20	19	18	17	16	15	14	13	12	11	10	9	8	7	6	5	4	3	2	1	0
RESTORE																															

Bits	Field Name	Description	Type	Reset
31:0	RESTORE	See CM_L3MAIN1_CLKSTCTRL register.	RW	0x0

Table 3-1141. Register Call Summary for Register CM_L3MAIN1_CLKSTCTRL_RESTORE

- PRCM Register Manual
- [CM_CORE__RESTORE Register Summary: \[0\]](#)

Table 3-1142. CM_L4CFG_CLKSTCTRL_RESTORE

Address Offset	0x0000 0008		
Physical Address	0x4A00 9E20	Instance	CM_CORE__RESTORE
Description	Second address map for register CM_L4CFG_CLKSTCTRL . Used only by automatic restore upon wakeup from device OFF mode.		
Type	RW		

31	30	29	28	27	26	25	24	23	22	21	20	19	18	17	16	15	14	13	12	11	10	9	8	7	6	5	4	3	2	1	0
RESTORE																															

Bits	Field Name	Description	Type	Reset
31:0	RESTORE	See CM_L4CFG_CLKSTCTRL register.	RW	0x0

Table 3-1143. Register Call Summary for Register CM_L4CFG_CLKSTCTRL_RESTORE

- PRCM Register Manual
- [CM_CORE__RESTORE Register Summary: \[0\]](#)

Table 3-1144. CM_L4PER_CLKSTCTRL_RESTORE

Address Offset	0x0000 0010
Physical Address	0x4A00 9E28
Instance	CM_CORE__RESTORE
Description	Second address map for register CM_L4PER_CLKSTCTRL . Used only by automatic restore upon wakeup from device OFF mode.
Type	RW

31	30	29	28	27	26	25	24	23	22	21	20	19	18	17	16	15	14	13	12	11	10	9	8	7	6	5	4	3	2	1	0
RESTORE																															

Bits	Field Name	Description	Type	Reset
31:0	RESTORE	See CM_L4PER_CLKSTCTRL register.	RW	0x0

Table 3-1145. Register Call Summary for Register CM_L4PER_CLKSTCTRL_RESTORE

PRCM Register Manual

- [CM_CORE__RESTORE Register Summary: \[0\]](#)

Table 3-1146. CM_L3INIT_CLKSTCTRL_RESTORE

Address Offset	0x0000 0014
Physical Address	0x4A00 9E2C
Instance	CM_CORE__RESTORE
Description	Second address map for register CM_L3INIT_CLKSTCTRL . Used only by automatic restore upon wakeup from device OFF mode.
Type	RW

31	30	29	28	27	26	25	24	23	22	21	20	19	18	17	16	15	14	13	12	11	10	9	8	7	6	5	4	3	2	1	0
RESTORE																															

Bits	Field Name	Description	Type	Reset
31:0	RESTORE	See CM_L3INIT_CLKSTCTRL register.	RW	0x0

Table 3-1147. Register Call Summary for Register CM_L3INIT_CLKSTCTRL_RESTORE

PRCM Register Manual

- [CM_CORE__RESTORE Register Summary: \[0\]](#)

Table 3-1148. CM_L3INSTR_L3_MAIN_2_CLKCTRL_RESTORE

Address Offset	0x0000 0018
Physical Address	0x4A00 9E30
Instance	CM_CORE__RESTORE
Description	Second address map for register CM_L3INSTR_L3_MAIN_2_CLKCTRL . Used only by automatic restore upon wakeup from device OFF mode. [warm reset insensitive]
Type	RW

31	30	29	28	27	26	25	24	23	22	21	20	19	18	17	16	15	14	13	12	11	10	9	8	7	6	5	4	3	2	1	0
RESTORE																															

Bits	Field Name	Description	Type	Reset
31:0	RESTORE	See CM_L3INSTR_L3_MAIN_3_CLKCTRL register.	RW	0x30001

Table 3-1149. Register Call Summary for Register CM_L3INSTR_L3_MAIN_2_CLKCTRL_RESTORE

Clock Management Functional Description

- [Clock Domain Module Attributes: \[0\]\[1\]](#)

PRCM Register Manual

- [CM_CORE__RESTORE Register Summary: \[2\]](#)

Table 3-1150. CM_L3INSTR_L3_INSTR_CLKCTRL_RESTORE

Address Offset	0x0000 001C	Instance	CM_CORE__RESTORE
Physical Address	0x4A00 9E34		
Description	Second address map for register CM_L3INSTR_L3_INSTR_CLKCTRL . Used only by automatic restore upon wakeup from device OFF mode. [warm reset insensitive]		
Type	RW		

31	30	29	28	27	26	25	24	23	22	21	20	19	18	17	16	15	14	13	12	11	10	9	8	7	6	5	4	3	2	1	0
RESTORE																															

Bits	Field Name	Description	Type	Reset
31:0	RESTORE	See CM_L3INSTR_L3_INSTR_CLKCTRL register.	RW	0x30001

Table 3-1151. Register Call Summary for Register CM_L3INSTR_L3_INSTR_CLKCTRL_RESTORE

Clock Management Functional Description

- [Clock Domain Module Attributes: \[0\]\[1\]](#)

PRCM Register Manual

- [CM_CORE__RESTORE Register Summary: \[2\]](#)

Table 3-1152. CM_L3INSTR_OCP_WP_NOC_CLKCTRL_RESTORE

Address Offset	0x0000 0020	Instance	CM_CORE__RESTORE
Physical Address	0x4A00 9E38		
Description	Second address map for register CM_L3INSTR_OCP_WP_NOC_CLKCTRL . Used only by automatic restore upon wakeup from device OFF mode. [warm reset insensitive]		
Type	RW		

31	30	29	28	27	26	25	24	23	22	21	20	19	18	17	16	15	14	13	12	11	10	9	8	7	6	5	4	3	2	1	0
RESTORE																															

Bits	Field Name	Description	Type	Reset
31:0	RESTORE	See CM_L3INSTR_OCP_WP_NOC_CLKCTRL register.	RW	0x30001

**Table 3-1153. Register Call Summary for Register
CM_L3INSTR_OCP_WP_NOC_CLKCTRL_RESTORE**

Clock Management Functional Description

- [Clock Domain Module Attributes: \[0\]\[1\]](#)

PRCM Register Manual

- [CM_CORE__RESTORE Register Summary: \[2\]](#)

Table 3-1154. CM_CM_CORE_PROFILING_CLKCTRL_RESTORE

Address Offset	0x0000 0024
Physical Address	0x4A00 9E3C
Instance	CM_CORE__RESTORE
Description	Second address map for register CM_CM_CORE_PROFILING_CLKCTRL . Used only by automatic restore upon wakeup from device OFF mode. [warm reset insensitive]
Type	RW

31	30	29	28	27	26	25	24	23	22	21	20	19	18	17	16	15	14	13	12	11	10	9	8	7	6	5	4	3	2	1	0
RESTORE																															

Bits	Field Name	Description	Type	Reset
31:0	RESTORE	See CM_CM_CORE_PROFILING_CLKCTRL register.	RW	0x30001

Table 3-1155. Register Call Summary for Register CM_CM_CORE_PROFILING_CLKCTRL_RESTORE

PRCM Register Manual

- [CM_CORE__RESTORE Register Summary: \[0\]](#)

Table 3-1156. CM_L3MAIN1_DYNAMICDEP_RESTORE

Address Offset	0x0000 0030
Physical Address	0x4A00 9E48
Instance	CM_CORE__RESTORE
Description	Second address map for register CM_L3MAIN1_DYNAMICDEP . Used only by automatic restore upon wakeup from device OFF mode.
Type	RW

31	30	29	28	27	26	25	24	23	22	21	20	19	18	17	16	15	14	13	12	11	10	9	8	7	6	5	4	3	2	1	0
RESTORE																															

Bits	Field Name	Description	Type	Reset
31:0	RESTORE	See CM_L3MAIN1_DYNAMICDEP register.	RW	0x4001058

Table 3-1157. Register Call Summary for Register CM_L3MAIN1_DYNAMICDEP_RESTORE

PRCM Register Manual

- [CM_CORE__RESTORE Register Summary: \[0\]](#)

Table 3-1158. CM_L4CFG_DYNAMICDEP_RESTORE

Address Offset	0x0000 0040
Physical Address	0x4A00 9E58
Instance	CM_CORE__RESTORE
Description	Second address map for register CM_L4CFG_DYNAMICDEP . Used only by automatic restore upon wakeup from device OFF mode.
Type	RW

31	30	29	28	27	26	25	24	23	22	21	20	19	18	17	16	15	14	13	12	11	10	9	8	7	6	5	4	3	2	1	0
RESTORE																															

Bits	Field Name	Description	Type	Reset
31:0	RESTORE	See CM_L4CFG_DYNAMICDEP register.	RW	0x40789f2

Table 3-1159. Register Call Summary for Register CM_L4CFG_DYNAMICDEP_RESTORE

PRCM Register Manual

- [CM_CORE__RESTORE Register Summary: \[0\]](#)

Table 3-1160. CM_L4PER_DYNAMICDEP_RESTORE

Address Offset	0x0000 0044
Physical Address	0x4A00 9E5C
Description	Second address map for register CM_L4PER_DYNAMICDEP . Used only by automatic restore upon wakeup from device OFF mode.
Type	RW

31	30	29	28	27	26	25	24	23	22	21	20	19	18	17	16	15	14	13	12	11	10	9	8	7	6	5	4	3	2	1	0
RESTORE																															

Bits	Field Name	Description	Type	Reset
31:0	RESTORE	See CM_L4PER_DYNAMICDEP register.	RW	0x4004180

Table 3-1161. Register Call Summary for Register CM_L4PER_DYNAMICDEP_RESTORE

PRCM Register Manual

- [CM_CORE__RESTORE Register Summary: \[0\]](#)

Table 3-1162. CM_COREAON_IO_SRCOMP_CLKCTRL_RESTORE

Address Offset	0x0000 0048
Physical Address	0x4A00 9E60
Description	Second address map for register CM_COREAON_IO_SRCOMP_CLKCTRL . Used only by automatic restore upon wakeup from device OFF mode.
Type	RW

31	30	29	28	27	26	25	24	23	22	21	20	19	18	17	16	15	14	13	12	11	10	9	8	7	6	5	4	3	2	1	0
RESTORE																															

Bits	Field Name	Description	Type	Reset
31:0	RESTORE	See CCM_DYN_DEP_PRESCAL register.	RW	0x20

Table 3-1163. CM_DMA_STATICDEP_RESTORE

Address Offset	0x0000 0054
Physical Address	0x4A00 9E6C
Description	Second address map for register CM_DMA_STATICDEP . Used only by automatic restore upon wakeup from device OFF mode.
Type	RW

31	30	29	28	27	26	25	24	23	22	21	20	19	18	17	16	15	14	13	12	11	10	9	8	7	6	5	4	3	2	1	0
RESTORE																															

Bits	Field Name	Description	Type	Reset
31:0	RESTORE	See CM_DMA_STATICDEP register.	RW	0xb0f0

Table 3-1164. Register Call Summary for Register CM_DMA_STATICDEP_RESTORE

PRCM Register Manual

- [CM_CORE__RESTORE Register Summary: \[0\]](#)

3.12.29 SMARTREFLEX Registers

3.12.29.1 SMARTREFLEX Register Summary

Table 3-1165. SMARTREFLEX Registers Mapping Summary 1

Register Name	Type	Register Width (Bits)	Address Offset	SMARTREFLEX_MPU Physical Address L4_CFG Interconnect	SMARTREFLEX_CORE Physical Address L4_CFG Interconnect	SMARTREFLEX_DSPEVE Physical Address L4_CFG Interconnect
SRCONFIG	RW	32	0x0000 0000	0x4A0D 9000	0x4A0D D000	0x4A18 3000
SRSTATUS	R	32	0x0000 0004	0x4A0D 9004	0x4A0D D004	0x4A18 3004
SEINVAL	R	32	0x0000 0008	0x4A0D 9008	0x4A0D D008	0x4A18 3008
SENMIN	R	32	0x0000 000C	0x4A0D 900C	0x4A0D D00C	0x4A18 300C
SENMAX	R	32	0x0000 0010	0x4A0D 9010	0x4A0D D010	0x4A18 3010
SENAVG	R	32	0x0000 0014	0x4A0D 9014	0x4A0D D014	0x4A18 3014
AVGWEIGHT	RW	32	0x0000 0018	0x4A0D 9018	0x4A0D D018	0x4A18 3018
NVALUERECIP ROCAL	RW	32	0x0000 001C	0x4A0D 901C	0x4A0D D01C	0x4A18 301C
IRQ_EOI	RW	32	0x0000 0020	0x4A0D 9020	0x4A0D D020	0x4A18 3020
IRQSTATUS_RAW	RW	32	0x0000 0024	0x4A0D 9024	0x4A0D D024	0x4A18 3024
IRQSTATUS	RW	32	0x0000 0028	0x4A0D 9028	0x4A0D D028	0x4A18 3028
IRQENABLE_SE T	RW	32	0x0000 002C	0x4A0D 902C	0x4A0D D02C	0x4A18 302C
IRQENABLE_CL R	RW	32	0x0000 0030	0x4A0D 9030	0x4A0D D030	0x4A18 3030
SENERRO	R	32	0x0000 0034	0x4A0D 9034	0x4A0D D034	0x4A18 3034
ERRCONFIG	RW	32	0x0000 0038	0x4A0D 9038	0x4A0D D038	0x4A18 3038

Table 3-1166. SMARTREFLEX Registers Mapping Summary 2

Register Name	Type	Register Width (Bits)	Address Offset	SMARTREFLEX_G PU Physical Address L4_CFG Interconnect	SMARTREFLEX_IV A Physical Address L4_CFG Interconnect
SRCONFIG	RW	32	0x0000 0000	0x4A18 5000	0x4A18 7000
SRSTATUS	R	32	0x0000 0004	0x4A18 5004	0x4A18 7004
SEINVAL	R	32	0x0000 0008	0x4A18 5008	0x4A18 7008
SENMIN	R	32	0x0000 000C	0x4A18 500C	0x4A18 700C
SENMAX	R	32	0x0000 0010	0x4A18 5010	0x4A18 7010
SENAVG	R	32	0x0000 0014	0x4A18 5014	0x4A18 7014
AVGWEIGHT	RW	32	0x0000 0018	0x4A18 5018	0x4A18 7018
NVALUERECIPRO CAL	RW	32	0x0000 001C	0x4A18 501C	0x4A18 701C
IRQ_EOI	RW	32	0x0000 0020	0x4A18 5020	0x4A18 7020
IRQSTATUS_RAW	RW	32	0x0000 0024	0x4A18 5024	0x4A18 7024

Table 3-1166. SMARTREFLEX Registers Mapping Summary 2 (continued)

Register Name	Type	Register Width (Bits)	Address Offset	SMARTREFLEX_G	SMARTREFLEX_IV
				PU	A
				Physical Address L4_CFG Interconnect	Physical Address L4_CFG Interconnect
IRQSTATUS	RW	32	0x0000 0028	0x4A18 5028	0x4A18 7028
IRQENABLE_SET	RW	32	0x0000 002C	0x4A18 502C	0x4A18 702C
IRQENABLE_CLR	RW	32	0x0000 0030	0x4A18 5030	0x4A18 7030
SENERORR	R	32	0x0000 0034	0x4A18 5034	0x4A18 7034
ERRCONFIG	RW	32	0x0000 0038	0x4A18 5038	0x4A18 7038

3.12.29.2 SMARTREFLEX Register Description
Table 3-1167. SRCONFIG

Address Offset	0x0000 0000	Instance	SMARTREFLEX_MPU
Physical Address	0x4A0D 9000 0x4A0D D000 0x4A18 3000 0x4A18 5000 0x4A18 7000		SMARTREFLEX_CORE SMARTREFLEX_DSPEVE SMARTREFLEX_GPU SMARTREFLEX_IVA
Description	Configuration bits for the Sensor Core and the Digital Processing		
Type	RW		

31	30	29	28	27	26	25	24	23	22	21	20	19	18	17	16	15	14	13	12	11	10	9	8	7	6	5	4	3	2	1	0
ACCUMDATA								SRCLKLENGTH								SRENABLE	SENENABLE	ERRORGENERATORENABLE	MINMAXAVGENABLE	RESERVED							SENNENABLE	SENPENABLE			

Bits	Field Name	Description	Type	Reset
31:22	ACCUMDATA	Number of values to accumulate.	RW	0x80
21:12	SRCLKLENGTH	Determines the frequency of SRCIk.	RW	0x200
11	SRENABLE	0: Synchronously resets MinMaxAvgAccumValid, MinMaxAvgValid, ErrorGeneratorValid, AccumData sensor, SRCIk counter, and MinMaxAvg registers. Also gates the clock for power savings and disables all of the digital logic. 1: Enables the module	RW	0x0
10	SENENABLE	0: Both N and P sensors disabled (SVT) 1: Sensors enabled per SenNEnable SenPEnable	RW	0x1
9	ERRORGENERATORENABLE	0: Error Generator Module disabled 1: Error Generator Module enabled	RW	0x0
8	MINMAXAVGENABLE	0: Min/Max/Avg Detector Module disabled 1: Min/Max/Avg Detector Module enabled	RW	0x0
7:2	RESERVED		R	0x0
1	SENNENABLE	0: Disables SenN sensor 1: Enables SenN sensor	RW	0x1
0	SENPENABLE	0: Disables SenP sensor 1: Enables SenP sensor	RW	0x0

Table 3-1168. SRSTATUS

Address Offset	0x0000 0004	Instance	SMARTREFLEX_MPU
Physical Address	0x4A0D 9004 0x4A0D D004 0x4A18 3004 0x4A18 5004 0x4A18 7004		SMARTREFLEX_CORE SMARTREFLEX_DSPEVE SMARTREFLEX_GPU SMARTREFLEX_IVA
Description	Status bits that indicate that the values in the register are valid or events have occurred		
Type	R		

31	30	29	28	27	26	25	24	23	22	21	20	19	18	17	16	15	14	13	12	11	10	9	8	7	6	5	4	3	2	1	0
RESERVED																AVGERRVALID		MINMAXAVGVALID		ERRORGENERATORVALID		MINMAXAVGACCUMVALID									

Bits	Field Name	Description	Type	Reset
31:4	RESERVED		R	0x0
3	AVGERRVALID	0: AvgError registers are not valid 1: AvgError registers are valid	R	0x0
2	MINMAXAVGVALID	0: SenVal, SenMin, SenMax, SenAvg registers are not valid 1: SenVal, SenMin, SenMax, SenAvg registers are valid, but not necessarily fully accumulated	R	0x0
1	ERRORGENERATORVALID	0: SenError register do not have valid data 1: SenError registers have valid data	R	0x0
0	MINMAXAVGACCUMVALID	0: SenVal, SenMin, SenMax, SenAvg registers are not valid 1: SenVal, SenMin, SenMax, SenAvg registers have valid, final data	R	0x0

Table 3-1169. SENVAL

Address Offset	0x0000 0008	Instance	SMARTREFLEX_MPU
Physical Address	0x4A0D 9008 0x4A0D D008 0x4A18 3008 0x4A18 5008 0x4A18 7008		SMARTREFLEX_CORE SMARTREFLEX_DSPEVE SMARTREFLEX_GPU SMARTREFLEX_IVA
Description	The current sensor values from the Sensor Core(SVT)		
Type	R		

31	30	29	28	27	26	25	24	23	22	21	20	19	18	17	16	15	14	13	12	11	10	9	8	7	6	5	4	3	2	1	0
SENPVAL																SENINVAL															

Bits	Field Name	Description	Type	Reset
31:16	SENPVAL	The latest value of the SenPVal from the SVT sensor core	R	0x0
15:0	SENINVAL	The latest value of the SenNVal from the SVT sensor core	R	0x0

Table 3-1170. SENMIN

Address Offset	0x0000 000C		
Physical Address	0x4A0D 900C 0x4A0D D00C 0x4A18 300C 0x4A18 500C 0x4A18 700C	Instance	SMARTREFLEX_MPU SMARTREFLEX_CORE SMARTREFLEX_DSPEVE SMARTREFLEX_GPU SMARTREFLEX_IVA
Description	The minimum sensor values(SVT)		
Type	R		

31	30	29	28	27	26	25	24	23	22	21	20	19	18	17	16	15	14	13	12	11	10	9	8	7	6	5	4	3	2	1	0
SENPMIN																SENNMIN															

Bits	Field Name	Description	Type	Reset
31:16	SENPMIN	The minimum value of the SenPVal from the SVT sensor core since the last restart operation	R	0xffff
15:0	SENNMIN	The minimum value of the SenNVal from the SVT sensor core since the last restart operation	R	0xffff

Table 3-1171. SENMAX

Address Offset	0x0000 0010		
Physical Address	0x4A0D 9010 0x4A0D D010 0x4A18 3010 0x4A18 5010 0x4A18 7010	Instance	SMARTREFLEX_MPU SMARTREFLEX_CORE SMARTREFLEX_DSPEVE SMARTREFLEX_GPU SMARTREFLEX_IVA
Description	The maximum sensor values(SVT)		
Type	R		

31	30	29	28	27	26	25	24	23	22	21	20	19	18	17	16	15	14	13	12	11	10	9	8	7	6	5	4	3	2	1	0
SENPMAX																SENNMAX															

Bits	Field Name	Description	Type	Reset
31:16	SENPMAX	The maximum value of the SenPVal from the SVT sensor core since the last restart operation	R	0x0
15:0	SENNMAX	The maximum value of the SenNVal from the SVT sensor core since the last restart operation	R	0x0

Table 3-1172. SENAVG

Address Offset	0x0000 0014		
Physical Address	0x4A0D 9014 0x4A0D D014 0x4A18 3014 0x4A18 5014 0x4A18 7014	Instance	SMARTREFLEX_MPU SMARTREFLEX_CORE SMARTREFLEX_DSPEVE SMARTREFLEX_GPU SMARTREFLEX_IVA
Description	The average sensor values(SVT)		
Type	R		

31	30	29	28	27	26	25	24	23	22	21	20	19	18	17	16	15	14	13	12	11	10	9	8	7	6	5	4	3	2	1	0
SENPAVG																SENNAVG															

Bits	Field Name	Description	Type	Reset
31:16	SENPAVG	The running average of the SenPVal from the SVT sensor core since the last restart operation	R	0x0
15:0	SENNAVG	The running average of the SenNVal from the SVT sensor core since the last restart operation	R	0x0

Table 3-1173. AVGWEIGHT

Address Offset	0x0000 0018		
Physical Address	0x4A0D 9018 0x4A0D D018 0x4A18 3018 0x4A18 5018 0x4A18 7018	Instance	SMARTREFLEX_MPU SMARTREFLEX_CORE SMARTREFLEX_DSPEVE SMARTREFLEX_GPU SMARTREFLEX_IVA
Description	The weighting factor in the average computation		
Type	RW		

31	30	29	28	27	26	25	24	23	22	21	20	19	18	17	16	15	14	13	12	11	10	9	8	7	6	5	4	3	2	1	0
SENPAVGWEIGHT1																SENNAVGWEIGHT															

Bits	Field Name	Description	Type	Reset
31:16	SENPAVGWEIGHT1	The weighting factor for the SenP averager	RW	0x0
15:0	SENNAVGWEIGHT	The weighting factor for the SenN averager	RW	0x0

Table 3-1174. NVALUERECIPROCAL

Address Offset	0x0000 001C		
Physical Address	0x4A0D 901C 0x4A0D D01C 0x4A18 301C 0x4A18 501C 0x4A18 701C	Instance	SMARTREFLEX_MPU SMARTREFLEX_CORE SMARTREFLEX_DSPEVE SMARTREFLEX_GPU SMARTREFLEX_IVA
Description	The reciprocal of the SenN and SenP values used in error generation(SVT)		
Type	RW		

31	30	29	28	27	26	25	24	23	22	21	20	19	18	17	16	15	14	13	12	11	10	9	8	7	6	5	4	3	2	1	0
RESERVED								SENPGAIN				SENNGAIN				SENPRN				SENNRN											

Bits	Field Name	Description	Type	Reset
31:24	RESERVED		R	0x0
23:20	SENPGAIN	The gain value for the SVT SenP reciprocal	RW	0x0
19:16	SENNGAIN	The gain value for the SVT SenN reciprocal	RW	0x0
15:8	SENPRN	The scale value for the SVT SenP reciprocal	RW	0x0
7:0	SENNRN	The scale value for the SVT SenN reciprocal	RW	0x0

Table 3-1175. IRQ_EOI

Address Offset	0x0000 0020		
Physical Address	0x4A0D 9020 0x4A0D D020 0x4A18 3020 0x4A18 5020 0x4A18 7020	Instance	SMARTREFLEX_MPU SMARTREFLEX_CORE SMARTREFLEX_DSPEVE SMARTREFLEX_GPU SMARTREFLEX_IVA
Description	EOI protocol re-trigger		
Type	RW		

31	30	29	28	27	26	25	24	23	22	21	20	19	18	17	16	15	14	13	12	11	10	9	8	7	6	5	4	3	2	1	0
RESERVED																												EOI			

Bits	Field Name	Description	Type	Reset
31:1	RESERVED		R	0x0
0	EOI	The value read is always '0' Write: 0: re-evaluate pending sources re-send intr* 1: No change to interrupt	RW	0x0

Table 3-1176. IRQSTATUS_RAW

Address Offset	0x0000 0024		
Physical Address	0x4A0D 9024 0x4A0D D024 0x4A18 3024 0x4A18 5024 0x4A18 7024	Instance	SMARTREFLEX_MPU SMARTREFLEX_CORE SMARTREFLEX_DSPEVE SMARTREFLEX_GPU SMARTREFLEX_IVA
Description	MCU raw interrupt raw status and set		
Type	RW		

31	30	29	28	27	26	25	24	23	22	21	20	19	18	17	16	15	14	13	12	11	10	9	8	7	6	5	4	3	2	1	0
RESERVED																												MCUACCUMINTSTATRAW	MCUVALIDINTSTATRAW	MCUBOUNDSINTSTATRAW	MCUDISABLEACKINTSTATRAW

Bits	Field Name	Description	Type	Reset
31:4	RESERVED		R	0x0
3	MCUACCUMINTSTATRAW	Read:Accum interrupt status Write: 0: Accum interrupt status is unchanged 1: Accum interrupt status is set	RW	0x0
2	MCUVALIDINTSTATRAW	Read:Valid interrupt status Write: 0: Valid status is unchanged 1: Valid status is set	RW	0x0
1	MCUBOUNDSINTSTATRAW	Read:Bounds interrupt status Write: 0: Bounds interrupt status is unchanged 1: Bounds interrupt status is set	RW	0x0
0	MCUDISABLEACKINTSTATRAW	Read:MCUDisable acknowledge interrupt status Write: 0: MCUDisable acknowledge status is unchanged 1: MCUDisable acknowledge status is set	RW	0x0

Table 3-1177. IRQSTATUS

Address Offset	0x0000 0028		
Physical Address	0x4A0D 9028 0x4A0D D028 0x4A18 3028 0x4A18 5028 0x4A18 7028	Instance	SMARTREFLEX_MPU SMARTREFLEX_CORE SMARTREFLEX_DSPEVE SMARTREFLEX_GPU SMARTREFLEX_IVA
Description	MCU masked interrupt status and clear		
Type	RW		

31	30	29	28	27	26	25	24	23	22	21	20	19	18	17	16	15	14	13	12	11	10	9	8	7	6	5	4	3	2	1	0
RESERVED																MCUACCUMINTSTATENA	MCUVALIDINTSTATENA	MCUBOUNDSINTSTATENA	MCUDISABLEACKINTSTATENA												

Bits	Field Name	Description	Type	Reset
31:4	RESERVED		R	0x0
3	MCUACCUMINTSTATENA	Read:Accum interrupt status if enabled Write: 0: Accum interrupt status is unchanged 1: Accum interrupt status is cleared	RW	0x0
2	MCUVALIDINTSTATENA	Read:Valid interrupt status if enabled Write: 0: Valid interrupt status is unchanged 1: Valid interrupt status is cleared	RW	0x0
1	MCUBOUNDSINTSTATENA	Read:Bounds interrupt status if enabled Write: 0: Bounds interrupt status is unchanged 1: Bounds interrupt status is cleared	RW	0x0
0	MCUDISABLEACKINTSTATENA	Read:MCUDisable acknowledge interrupt status if enabled Write: 0: MCUDisable acknowledge status is unchanged 1: MCUDisable acknowledge status is cleared	RW	0x0

Table 3-1178. IRQENABLE_SET

Address Offset	0x0000 002C		
Physical Address	0x4A0D 902C 0x4A0D D02C 0x4A18 302C 0x4A18 502C 0x4A18 702C	Instance	SMARTREFLEX_MPU SMARTREFLEX_CORE SMARTREFLEX_DSPEVE SMARTREFLEX_GPU SMARTREFLEX_IVA
Description	MCU interrupt enable flag set		
Type	RW		

31	30	29	28	27	26	25	24	23	22	21	20	19	18	17	16	15	14	13	12	11	10	9	8	7	6	5	4	3	2	1	0
RESERVED																MCUACCUMINTENASET		MCUVALIDINTENASET		MCUBOUNDSINTENASET		MCUDISABLEACKINTENASET									

Bits	Field Name	Description	Type	Reset
31:4	RESERVED		R	0x0
3	MCUACCUMINTENASET	Read: 0: Accum interrupt generation is disabled/masked 1: Accum interrupt generation is enabled Write: 0: No change to Accum interrupt enable 1: Enable Accum interrupt generation	RW	0x0
2	MCUVALIDINTENASET	Read: 0: Valid interrupt generation is disabled/masked 1: Valid interrupt generation is enabled Write: 0: No change to Valid interrupt enable 1: Enable Valid interrupt generation	RW	0x0
1	MCUBOUNDSINTENASET	Read: 0: Bounds interrupt generation is disabled/masked 1: Bounds interrupt generation is enabled Write: 0: No change to Bounds interrupt enable 1: Enable Bounds interrupt generation	RW	0x0
0	MCUDISABLEACKINTENASET	Read: 0: MCUDisableAck interrupt generation is disabled/masked 1: MCUDisableAck interrupt generation is enabled Write: 0: No change to MCUDisAck interrupt enable 1: Enable MCUDisableAck interrupt generation	RW	0x0

Table 3-1179. IRQENABLE_CLR

Address Offset	0x0000 0030	Instance	SMARTREFLEX_MPU
Physical Address	0x4A0D 9030 0x4A0D D030 0x4A18 3030 0x4A18 5030 0x4A18 7030		SMARTREFLEX_CORE SMARTREFLEX_DSPEVE SMARTREFLEX_GPU SMARTREFLEX_IVA
Description	MCU interrupt enable flag clear		
Type	RW		

31	30	29	28	27	26	25	24	23	22	21	20	19	18	17	16	15	14	13	12	11	10	9	8	7	6	5	4	3	2	1	0
RESERVED																MCUACCUMINTENACL		MCUVALIDINTENACL		MCUBOUNDSINTENACL		MCUDISABLEACKINTENACL									

Bits	Field Name	Description	Type	Reset
31:4	RESERVED		R	0x0
3	MCUACCUMINTENACL	Read: 0: Accum interrupt generation is disabled/masked 1: Accum interrupt generation is enabled Write: 0: No change to Disable Accum interrupt enable 1: Disable Accum interrupt generation	RW	0x0
2	MCUVALIDINTENACL	Read: 0: Valid interrupt generation is disabled/masked 1: Valid interrupt generation is enabled Write: 0: No change to Disable Valid interrupt enable 1: Disable Valid interrupt generation	RW	0x0
1	MCUBOUNDSINTENACL	Read: 0: Bounds interrupt generation is disabled/masked 1: Bounds interrupt generation is enabled Write: 0: No change to Bounds interrupt enable 1: Disable Bounds interrupt generation	RW	0x0
0	MCUDISABLEACKINTENACL	Read: 0: MCUDisableAck interrupt generation is disabled/masked 1: MCUDisableAck interrupt generation is enabled Write: 0: No change to MCUDisAck interrupt enable 1: Disable MCUDisableAck interrupt generation	RW	0x0

Table 3-1180. SENERROR

Address Offset	0x0000 0034	Instance	SMARTREFLEX_MPU
Physical Address	0x4A0D 9034 0x4A0D D034 0x4A18 3034 0x4A18 5034 0x4A18 7034		SMARTREFLEX_CORE SMARTREFLEX_DSPEVE SMARTREFLEX_GPU SMARTREFLEX_IVA
Description	The sensor error from the error generator		
Type	R		

31	30	29	28	27	26	25	24	23	22	21	20	19	18	17	16	15	14	13	12	11	10	9	8	7	6	5	4	3	2	1	0
RESERVED																AVGERROR															

Bits	Field Name	Description	Type	Reset
31:16	RESERVED		R	0x0
15:8	AVGERROR	The average sensor error	R	0x0
7:0	SENEROR	The percentage of sensor error	R	0x0

Table 3-1181. ERRCONFIG

Address Offset	0x0000 0038	Instance	SMARTREFLEX_MPU SMARTREFLEX_CORE SMARTREFLEX_DSPEVE SMARTREFLEX_GPU SMARTREFLEX_IVA
Physical Address	0x4A0D 9038 0x4A0D D038 0x4A18 3038 0x4A18 5038 0x4A18 7038		
Description	The sensor error configuration		
Type	RW		

31	30	29	28	27	26	25	24	23	22	21	20	19	18	17	16	15	14	13	12	11	10	9	8	7	6	5	4	3	2	1	0
RESERVED				WAKEUPENABLE	IDLEMODE	VPBOUNDSINTSTATENA	VPBOUNDSINTENABLE	RESERVED	ERRWEIGHT	ERRMAXLIMIT							ERRMINLIMIT														

Bits	Field Name	Description	Type	Reset
31:27	RESERVED		R	0x0
26	WAKEUPENABLE	Wakeup from MCU Interrupts enable	RW	0x0
25:24	IDLEMODE	0b00: Force-Idle Mode 0b01: No Idle Mode 0b10: SmartIdle Mode #2 0b11: Smart-Idle-Wkup mode	RW	0x2
23	VPBOUNDSINTSTATENA	Read: Bounds interrupt status if enabled Write: 0: Bounds interrupt status is unchanged 1: Bounds interrupt status is cleared	RW	0x0
22	VPBOUNDSINTENABLE	0: Bounds interrupt disabled 1: Bounds interrupt enabled	RW	0x0
21:19	RESERVED		R	0x0
18:16	ERRWEIGHT	The AvgSenError weight.	RW	0x0
15:8	ERRMAXLIMIT	The upper limit of SenError for interrupt generation	RW	0x7f
7:0	ERRMINLIMIT	The lower limit of SenError for interrupt generation	RW	0x80

3.12.30 CAM_PRM Registers

3.12.30.1 CAM_PRM Register Summary

Table 3-1182. CAM_PRM Registers Mapping Summary

Register Name	Type	Register Width (Bits)	Address Offset	CAM_PRM Physical Address L4_WKUP Interconnect
PM_CAM_PWRSTCTRL	RW	32	0x0000 0000	0x4AE0 7000
PM_CAM_PWRSTST	RW	32	0x0000 0004	0x4AE0 7004
PM_CAM_VIP1_WKDE P	RW	32	0x0000 0020	0x4AE0 7020
RM_CAM_VIP1_CONT EXT	RW	32	0x0000 0024	0x4AE0 7024

Table 3-1182. CAM_PRM Registers Mapping Summary (continued)

Register Name	Type	Register Width (Bits)	Address Offset	CAM_PRM Physical Address L4_WKUP Interconnect
PM_CAM_CAL_WKDEP	RW	32	0x0000 0028	0x4AE0 7028
RM_CAM_CAL_CONTEXT	RW	32	0x0000 002C	0x4AE0 702C
PM_CAM_VIP3_WKDEP	RW	32	0x0000 0030	0x4AE0 7030
RM_CAM_VIP3_CONTEXT	RW	32	0x0000 0034	0x4AE0 7034
RM_CAM_LVDSRX_CONTEXT	RW	32	0x0000 003C	0x4AE0 703C
RM_CAM_CSI1_CONTEXT	RW	32	0x0000 0044	0x4AE0 7044
RM_CAM_CSI2_CONTEXT	RW	32	0x0000 004C	0x4AE0 704C

3.12.30.2 CAM_PRM Register Description

Table 3-1183. PM_CAM_PWRSTCTRL

Address Offset	0x0000 0000
Physical Address	0x4AE0 7000
Description	This register controls the CAM power state to reach upon a domain sleep transition
Type	RW

31	30	29	28	27	26	25	24	23	22	21	20	19	18	17	16	15	14	13	12	11	10	9	8	7	6	5	4	3	2	1	0
RESERVED								VIP_BANK_ONSTATE		RESERVED								LOWPOWERSTATECHANGE	RESERVED		POWERSTATE										

Bits	Field Name	Description	Type	Reset
31:18	RESERVED		R	0x0
17:16	VIP_BANK_ONSTATE	VIP_BANK memory state when domain is ON. 0x3: Memory bank is on when the domain is ON.	R	0x3
15:5	RESERVED		R	0x0
4	LOWPOWERSTATECHANGE	Power state change request when domain has already performed a sleep transition. Allows going into deeper low power state without waking up the power domain. 0x0: Do not request a low power state change. 0x1: Request a low power state change. This bit is automatically cleared when the power state is effectively changed or when power state is ON.	RW	0x0
3:2	RESERVED		R	0x0

Bits	Field Name	Description	Type	Reset
1:0	POWERSTATE	Power state control 0x0: OFF state 0x1: Reserved 0x2: INACTIVE state 0x3: ON State	RW	0x0

Table 3-1184. Register Call Summary for Register PM_CAM_PWRSTCTRL

Power Management Functional Description

- [Logic and Memory Area Power Mode Control and Status: \[0\]\[1\]\[2\]](#)

PRCM Register Manual

- [Not Supported Functionality \(Registers and Bits\): \[3\]](#)
- [CAM_PRM Register Summary: \[4\]](#)

Table 3-1185. PM_CAM_PWRSTST

Address Offset	0x0000 0004	Instance	CAM_PRM
Physical Address	0x4AE0 7004		
Description	This register provides a status on the current CAM power domain state. [warm reset insensitive]		
Type	RW		

31	30	29	28	27	26	25	24	23	22	21	20	19	18	17	16	15	14	13	12	11	10	9	8	7	6	5	4	3	2	1	0
RESERVED								LASTPOWERSTATEENTERED		RESERVED		INTRANSITION		RESERVED										VIP_BANK_STATEST		RESERVED		LOGICSTATEST		POWERSTATEST	

Bits	Field Name	Description	Type	Reset
31:26	RESERVED		R	0x0
25:24	LASTPOWERSTATEENTERED	Last low power state entered. Set to 0x3 upon write of the same only. This register is intended for debug purpose only. 0x0: Power domain was previously OFF 0x1: Power domain was previously in RETENTION 0x2: Power domain was previously ON-INACTIVE 0x3: Power domain was previously ON-ACTIVE	RW	0x0
23:21	RESERVED		R	0x0
20	INTRANSITION	Domain transition status 0x0: No on-going transition on power domain 0x1: Power domain transition is in progress.	R	0x0
19:6	RESERVED		R	0x0
5:4	VIP_BANK_STATEST	VIP_BANK memory state status 0x0: Memory is OFF 0x1: Reserved 0x2: Reserved 0x3: Memory is ON	R	0x3

Bits	Field Name	Description	Type	Reset
3	RESERVED		R	0x0
2	LOGICSTATEST	Logic state status 0x0: Logic in domain is OFF 0x1: Logic in domain is ON	R	0x1
1:0	POWERSTATEST	Current power state status 0x0: Power domain is OFF 0x1: Power domain is in RETENTION 0x2: Power domain is ON-INACTIVE 0x3: Power domain is ON-ACTIVE	R	0x3

Table 3-1186. Register Call Summary for Register PM_CAM_PWRSTST

Power Management Functional Description

- [Logic and Memory Area Power Mode Control and Status: \[0\]\[1\]\[2\]\[3\]\[4\]](#)

PRCM Register Manual

- [Not Supported Functionality \(Registers and Bits\): \[5\]\[6\]\[7\]\[8\]\[9\]](#)
- [CAM_PRM Register Summary: \[10\]](#)

Table 3-1187. PM_CAM_VIP1_WKDEP

Address Offset	0x0000 0020	Instance	CAM_PRM
Physical Address	0x4AE0 7020		
Description	This register controls wakeup dependency based on VIP1 service requests.		
Type	RW		

31	30	29	28	27	26	25	24	23	22	21	20	19	18	17	16	15	14	13	12	11	10	9	8	7	6	5	4	3	2	1	0						
RESERVED																							WKUPDEP_VIP1_EVE4	WKUPDEP_VIP1_EVE3	WKUPDEP_VIP1_EVE2	WKUPDEP_VIP1_EVE1	WKUPDEP_VIP1_DSP2	WKUPDEP_VIP1_IPU1	RESERVED	WKUPDEP_VIP1_DSP1	WKUPDEP_VIP1_IPU2	WKUPDEP_VIP1_MPU					

Bits	Field Name	Description	Type	Reset
31:10	RESERVED		R	0x0
9	WKUPDEP_VIP1_EVE4	Wakeup dependency from VIP1 module (SWakeup signal) towards EVE4 + L3_MAIN1 + L4PER1 + L4PER2 + L4PER3 domains 0x0: Dependency is disabled 0x1: Dependency is enabled	RW	0x0
8	WKUPDEP_VIP1_EVE3	Wakeup dependency from VIP1 module (SWakeup signal) towards EVE3 + L3_MAIN1 + L4PER1 + L4PER2 + L4PER3 domains 0x0: Dependency is disabled 0x1: Dependency is enabled	RW	0x0
7	WKUPDEP_VIP1_EVE2	Wakeup dependency from VIP1 module (SWakeup signal) towards EVE2 + L3_MAIN1 + L4PER1 + L4PER2 + L4PER3 domains 0x0: Dependency is disabled 0x1: Dependency is enabled	RW	0x0

Bits	Field Name	Description	Type	Reset
6	WKUPDEP_VIP1_EVE1	Wakeup dependency from VIP1 module (SWakeup signal) towards EVE1 + L3_MAIN1 + L4PER1 + L4PER2 + L4PER3 domains 0x0: Dependency is disabled 0x1: Dependency is enabled	RW	0x0
5	WKUPDEP_VIP1_DSP2	Wakeup dependency from VIP1 module (SWakeup signal) towards DSP2 + L3_MAIN1 + L4PER1 + L4PER2 + L4PER3 domains 0x0: Dependency is disabled 0x1: Dependency is enabled	RW	0x0
4	WKUPDEP_VIP1_IPU1	Wakeup dependency from VIP1 module (SWakeup signal) towards IPU1 + L3_MAIN1 + L4PER1 + L4PER2 + L4PER3 domains 0x0: Dependency is disabled 0x1: Dependency is enabled	RW	0x0
3	RESERVED		R	0x0
2	WKUPDEP_VIP1_DSP1	Wakeup dependency from VIP1 module (SWakeup signal) towards DSP + L3MAIN1 + L4PER1 + L4PER2 + L4PER3 domains 0x0: Dependency is disabled 0x1: Dependency is enabled	RW	0x0
1	WKUPDEP_VIP1_IPU2	Wakeup dependency from vip1 module (SWakeup signal) towards IPU2 + L3_MAIN1 + L4PER1 + L4PER2 + L4PER3 domains 0x0: Dependency is disabled 0x1: Dependency is enabled	RW	0x0
0	WKUPDEP_VIP1_MPU	Wakeup dependency from VIP1 module (SWakeup signal) towards MPU + L3_MAIN1 + L4PER1 + L4PER2 + L4PER3 domains 0x0: Dependency is disabled 0x1: Dependency is enabled	RW	0x0

Table 3-1188. Register Call Summary for Register PM_CAM_VIP1_WKDEP

PRCM Register Manual

- [Not Supported Functionality \(Registers and Bits\): \[0\]\[1\]\[2\]\[3\]\[4\]](#)
- [CAM_PRM Register Summary: \[5\]](#)

Table 3-1189. RM_CAM_VIP1_CONTEXT

Address Offset	0x0000 0024	Instance	CAM_PRM
Physical Address	0x4AE0 7024		
Description	This register contains dedicated VIP1 context statuses. [warm reset insensitive]		
Type	RW		

31	30	29	28	27	26	25	24	23	22	21	20	19	18	17	16	15	14	13	12	11	10	9	8	7	6	5	4	3	2	1	0
RESERVED																LOSTMEM_VIP_BANK	RESERVED										LOSTCONTEXT_DFF				

Bits	Field Name	Description	Type	Reset
31:9	RESERVED		R	0x0
8	LOSTMEM_VIP_BANK	Specify if memory-based context in VIP_MEM memory bank has been lost due to a previous power transition or other reset source. 0x0: Context has been maintained 0x1: Context has been lost	RW	0x1
7:1	RESERVED		R	0x0
0	LOSTCONTEXT_DFF	Specify if DFF-based context has been lost due to a previous power transition or other reset source. (set upon assertion of CAM_RST signal) 0x0: Context has been maintained 0x1: Context has been lost	RW	0x1

Table 3-1190. Register Call Summary for Register RM_CAM_VIP1_CONTEXT

Power Management Functional Description

- [PD_CAM Description: \[0\]](#)

PRCM Register Manual

- [CAM_PRM Register Summary: \[1\]](#)

Table 3-1191. PM_CAM_CAL_WKDEP

Address Offset	0x0000 0028	Instance	CAM_PRM
Physical Address	0x4AE0 7028		
Description	This register controls wakeup dependency based on VIP2 service requests.		
Type	RW		

31	30	29	28	27	26	25	24	23	22	21	20	19	18	17	16	15	14	13	12	11	10	9	8	7	6	5	4	3	2	1	0				
RESERVED																WKUPDEP_VIP2_EVE4		WKUPDEP_VIP2_EVE3		WKUPDEP_VIP2_EVE2		WKUPDEP_VIP2_EVE1		WKUPDEP_VIP2_DSP2		WKUPDEP_VIP2_IPU1		RESERVED		WKUPDEP_VIP2_DSP1		WKUPDEP_VIP2_IPU2		WKUPDEP_VIP2_MPU	

Bits	Field Name	Description	Type	Reset
31:10	RESERVED		R	0x0
9	WKUPDEP_VIP2_EVE4	Wakeup dependency from VIP2 module (SWakeup signal) towards EVE4 + L3_MAIN1 + L4PER1 + L4PER2 + L4PER3 domains 0x0: Dependency is disabled 0x1: Dependency is enabled	RW	0x0
8	WKUPDEP_VIP2_EVE3	Wakeup dependency from VIP2 module (SWakeup signal) towards EVE3 + L3_MAIN1 + L4PER1 + L4PER2 + L4PER3 domains 0x0: Dependency is disabled 0x1: Dependency is enabled	RW	0x0
7	WKUPDEP_VIP2_EVE2	Wakeup dependency from VIP2 module (SWakeup signal) towards EVE2 + L3_MAIN1 + L4PER1 + L4PER2 + L4PER3 domains 0x0: Dependency is disabled 0x1: Dependency is enabled	RW	0x0

Bits	Field Name	Description	Type	Reset
6	WKUPDEP_VIP2_EVE1	Wakeup dependency from VIP2 module (SWakeup signal) towards EVE1 + L3_MAIN1 + L4PER1 + L4PER2 + L4PER3 domains 0x0: Dependency is disabled 0x1: Dependency is enabled	RW	0x0
5	WKUPDEP_VIP2_DSP2	Wakeup dependency from VIP1 module (SWakeup signal) towards DSP2 + L3_MAIN1 + L4PER1 + L4PER2 + L4PER3 domains 0x0: Dependency is disabled 0x1: Dependency is enabled	RW	0x0
4	WKUPDEP_VIP2_IPU1	Wakeup dependency from VIP2 module (SWakeup signal) towards IPU1 + L3_MAIN1 + L4PER1 + L4PER2 + L4PER3 domains 0x0: Dependency is disabled 0x1: Dependency is enabled	RW	0x0
3	RESERVED		R	0x0
2	WKUPDEP_VIP2_DSP1	Wakeup dependency from VIP2 module (SWakeup signal) towards DSP + L3MAIN1 + L4PER1 + L4PER2 + L4PER3 domains 0x0: Dependency is disabled 0x1: Dependency is enabled	RW	0x0
1	WKUPDEP_VIP2_IPU2	Wakeup dependency from VIP2 module (SWakeup signal) towards IPU2 + L3_MAIN1 + L4PER1 + L4PER2 + L4PER3 domains 0x0: Dependency is disabled 0x1: Dependency is enabled	RW	0x0
0	WKUPDEP_VIP2_MPU	Wakeup dependency from VIP2 module (SWakeup signal) towards MPU + L3_MAIN1 + L4PER1 + L4PER2 + L4PER3 domains 0x0: Dependency is disabled 0x1: Dependency is enabled	RW	0x0

Table 3-1192. Register Call Summary for Register PM_CAM_CAL_WKDEP

PRCM Register Manual

- [Not Supported Functionality \(Registers and Bits\): \[0\]\[1\]\[2\]\[3\]\[4\]](#)
- [CAM_PRM Register Summary: \[5\]](#)

Table 3-1193. RM_CAM_CAL_CONTEXT

Address Offset	0x0000 002C	Instance	CAM_PRM
Physical Address	0x4AE0 702C		
Description	This register contains dedicated VIP2 context statuses. [warm reset insensitive]		
Type	RW		

31	30	29	28	27	26	25	24	23	22	21	20	19	18	17	16	15	14	13	12	11	10	9	8	7	6	5	4	3	2	1	0
RESERVED																LOSTMEM_VIP_BANK	RESERVED										LOSTCONTEXT_DFF				

Bits	Field Name	Description	Type	Reset
31:9	RESERVED		R	0x0
8	LOSTMEM_VIP_BANK	Specify if memory-based context in VIP_MEM memory bank has been lost due to a previous power transition or other reset source. 0x0: Context has been maintained 0x1: Context has been lost	RW	0x1
7:1	RESERVED		R	0x0
0	LOSTCONTEXT_DFF	Specify if DFF-based context has been lost due to a previous power transition or other reset source. (set upon assertion of CAM_RST signal) 0x0: Context has been maintained 0x1: Context has been lost	RW	0x1

Table 3-1194. Register Call Summary for Register RM_CAM_CAL_CONTEXT

Power Management Functional Description

- [PD_CAM Description: \[0\]](#)

PRCM Register Manual

- [CAM_PRM Register Summary: \[1\]](#)

Table 3-1195. PM_CAM_VIP3_WKDEP

Address Offset	0x0000 0030	Instance	CAM_PRM
Physical Address	0x4AE0 7030		
Description	This register controls wakeup dependency based on VIP3 service requests.		
Type	RW		

31	30	29	28	27	26	25	24	23	22	21	20	19	18	17	16	15	14	13	12	11	10	9	8	7	6	5	4	3	2	1	0				
RESERVED																WKUPDEP_VIP3_EVE4		WKUPDEP_VIP3_EVE3		WKUPDEP_VIP3_EVE2		WKUPDEP_VIP3_EVE1		WKUPDEP_VIP3_DSP2		WKUPDEP_VIP3_IPU1		RESERVED		WKUPDEP_VIP3_DSP1		WKUPDEP_VIP3_IPU2		WKUPDEP_VIP3_MPU	

Bits	Field Name	Description	Type	Reset
31:10	RESERVED		R	0x0
9	WKUPDEP_VIP3_EVE4	Wakeup dependency from VIP3 module (SWakeup signal) towards EVE4 + L3_MAIN1 + L4PER1 + L4PER2 + L4PER3 domains 0x0: Dependency is disabled 0x1: Dependency is enabled	RW	0x0
8	WKUPDEP_VIP3_EVE3	Wakeup dependency from VIP3 module (SWakeup signal) towards EVE3 + L3_MAIN1 + L4PER1 + L4PER2 + L4PER3 domains 0x0: Dependency is disabled 0x1: Dependency is enabled	RW	0x0
7	WKUPDEP_VIP3_EVE2	Wakeup dependency from VIP3 module (SWakeup signal) towards EVE2 + L3_MAIN1 + L4PER1 + L4PER2 + L4PER3 domains 0x0: Dependency is disabled 0x1: Dependency is enabled	RW	0x0

Bits	Field Name	Description	Type	Reset
6	WKUPDEP_VIP3_EVE1	Wakeup dependency from VIP3 module (SWakeup signal) towards EVE1 + L3_MAIN1 + L4PER1 + L4PER2 + L4PER3 domains 0x0: Dependency is disabled 0x1: Dependency is enabled	RW	0x0
5	WKUPDEP_VIP3_DSP2	Wakeup dependency from VIP3 module (SWakeup signal) towards DSP2 + L3_MAIN1 + L4PER1 + L4PER2 + L4PER3 domains 0x0: Dependency is disabled 0x1: Dependency is enabled	RW	0x0
4	WKUPDEP_VIP3_IPU1	Wakeup dependency from VIP3 module (SWakeup signal) towards IPU1 + L3_MAIN1 + L4PER1 + L4PER2 + L4PER3 domains 0x0: Dependency is disabled 0x1: Dependency is enabled	RW	0x0
3	RESERVED		R	0x0
2	WKUPDEP_VIP3_DSP1	Wakeup dependency from VIP3 module (SWakeup signal) towards DSP + L3MAIN1 + L4PER1 + L4PER2 + L4PER3 domains 0x0: Dependency is disabled 0x1: Dependency is enabled	RW	0x0
1	WKUPDEP_VIP3_IPU2	Wakeup dependency from vip3 module (SWakeup signal) towards IPU2 + L3_MAIN1 + L4PER1 + L4PER2 + L4PER3 domains 0x0: Dependency is disabled 0x1: Dependency is enabled	RW	0x0
0	WKUPDEP_VIP3_MPU	Wakeup dependency from VIP3 module (SWakeup signal) towards MPU + L3_MAIN1 + L4PER1 + L4PER2 + L4PER3 domains 0x0: Dependency is disabled 0x1: Dependency is enabled	RW	0x0

Table 3-1196. RM_CAM_VIP3_CONTEXT

Address Offset	0x0000 0034	Instance	CAM_PRM
Physical Address	0x4AE0 7034		
Description	This register contains dedicated VIP3 context statuses. [warm reset insensitive]		
Type	RW		

31	30	29	28	27	26	25	24	23	22	21	20	19	18	17	16	15	14	13	12	11	10	9	8	7	6	5	4	3	2	1	0		
RESERVED																LOSTMEM_VIP_BANK	RESERVED																LOSTCONTEXT_DFF

Bits	Field Name	Description	Type	Reset
31:9	RESERVED		R	0x0
8	LOSTMEM_VIP_BANK	Specify if memory-based context in VIP_MEM memory bank has been lost due to a previous power transition or other reset source. 0x0: Context has been maintained 0x1: Context has been lost	RW	0x1
7:1	RESERVED		R	0x0
0	LOSTCONTEXT_DFF	Specify if DFF-based context has been lost due to a previous power transition or other reset source. (set upon assertion of CAM_RST signal) 0x0: Context has been maintained 0x1: Context has been lost	RW	0x1

Table 3-1197. RM_CAM_LVDSRX_CONTEXT

Address Offset	0x0000 003C	Instance	CAM_PRM
Physical Address	0x4AE0 703C		
Description	This register contains dedicated LVDSRX context statuses. [warm reset insensitive]		
Type	RW		

31	30	29	28	27	26	25	24	23	22	21	20	19	18	17	16	15	14	13	12	11	10	9	8	7	6	5	4	3	2	1	0
RESERVED																LOSTCONTEXT_DFF															

Bits	Field Name	Description	Type	Reset
31:1	RESERVED		R	0x0
0	LOSTCONTEXT_DFF	Specify if DFF-based context has been lost due to a previous power transition or other reset source. (set upon assertion of CAM_RST signal) 0x0: Context has been maintained 0x1: Context has been lost	RW	0x1

Table 3-1198. RM_CAM_CSI1_CONTEXT

Address Offset	0x0000 0044	Instance	CAM_PRM
Physical Address	0x4AE0 7044		
Description	This register contains dedicated CSI1 context statuses. [warm reset insensitive]		
Type	RW		

31	30	29	28	27	26	25	24	23	22	21	20	19	18	17	16	15	14	13	12	11	10	9	8	7	6	5	4	3	2	1	0
RESERVED																LOSTCONTEXT_DFF															

Bits	Field Name	Description	Type	Reset
31:1	RESERVED		R	0x0
0	LOSTCONTEXT_DFF	Specify if DFF-based context has been lost due to a previous power transition or other reset source. (set upon assertion of CAM_RST signal) 0x0: Context has been maintained 0x1: Context has been lost	RW	0x1

Table 3-1199. RM_CAM_CSI2_CONTEXT

Address Offset	0x0000 004C	Instance	CAM_PRM
Physical Address	0x4AE0 704C		
Description	This register contains dedicated CSI2 context statuses. [warm reset insensitive]		
Type	RW		

31	30	29	28	27	26	25	24	23	22	21	20	19	18	17	16	15	14	13	12	11	10	9	8	7	6	5	4	3	2	1	0	
RESERVED																																LOSTCONTEXT_DFF

Bits	Field Name	Description	Type	Reset
31:1	RESERVED		R	0x0
0	LOSTCONTEXT_DFF	Specify if DFF-based context has been lost due to a previous power transition or other reset source. (set upon assertion of CAM_RST signal) 0x0: Context has been maintained 0x1: Context has been lost	RW	0x1

3.12.31 CKGEN_PRM Registers

3.12.31.1 CKGEN_PRM Register Summary

Table 3-1200. CKGEN_PRM Registers Mapping Summary

Register Name	Type	Register Width (Bits)	Address Offset	CKGEN_PRM Physical Address L4_WKUP Interconnect
CM_CLKSEL_SYSCLK1	RW	32	0x0000 0000	0x4AE0 6100
CM_CLKSEL_WKUPAON	RW	32	0x0000 0008	0x4AE0 6108
CM_CLKSEL_ABE_PLL_REF	RW	32	0x0000 000C	0x4AE0 610C
CM_CLKSEL_SYS	RW	32	0x0000 0010	0x4AE0 6110
CM_CLKSEL_ABE_PLL_BYPAS	RW	32	0x0000 0014	0x4AE0 6114
CM_CLKSEL_ABE_PLL_SYS	RW	32	0x0000 0018	0x4AE0 6118
CM_CLKSEL_ABE_24M	RW	32	0x0000 001C	0x4AE0 611C
CM_CLKSEL_ABE_SYS	RW	32	0x0000 0020	0x4AE0 6120
CM_CLKSEL_HDMI_MCASP_AUX	RW	32	0x0000 0024	0x4AE0 6124
CM_CLKSEL_HDMI_TIMER	RW	32	0x0000 0028	0x4AE0 6128
CM_CLKSEL_MCASP_SYS	RW	32	0x0000 002C	0x4AE0 612C
CM_CLKSEL_MLBP_MCASP	RW	32	0x0000 0030	0x4AE0 6130

Table 3-1200. CKGEN_PRM Registers Mapping Summary (continued)

Register Name	Type	Register Width (Bits)	Address Offset	CKGEN_PRM Physical Address L4_WKUP Interconnect
CM_CLKSEL_MLB_MCASP	RW	32	0x0000 0034	0x4AE0 6134
CM_CLKSEL_PER_ABE_X1_GFCLK_MCASP_AUX	RW	32	0x0000 0038	0x4AE0 6138
CM_CLKSEL_SYS_CLK1_32K	RW	32	0x0000 0040	0x4AE0 6140
CM_CLKSEL_TIMER_SYS	RW	32	0x0000 0044	0x4AE0 6144
CM_CLKSEL_VIDEO1_MCASP_AUX	RW	32	0x0000 0048	0x4AE0 6148
CM_CLKSEL_VIDEO1_TIMER	RW	32	0x0000 004C	0x4AE0 614C
CM_CLKSEL_VIDEO2_MCASP_AUX	RW	32	0x0000 0050	0x4AE0 6150
CM_CLKSEL_VIDEO2_TIMER	RW	32	0x0000 0054	0x4AE0 6154
CM_CLKSEL_CLKOUTMUX0	RW	32	0x0000 0058	0x4AE0 6158
CM_CLKSEL_CLKOUTMUX1	RW	32	0x0000 005C	0x4AE0 615C
CM_CLKSEL_CLKOUTMUX2	RW	32	0x0000 0060	0x4AE0 6160
CM_CLKSEL_HDMI_PLL_SYS	RW	32	0x0000 0064	0x4AE0 6164
CM_CLKSEL_VIDEO1_PLL_SYS	RW	32	0x0000 0068	0x4AE0 6168
CM_CLKSEL_VIDEO2_PLL_SYS	RW	32	0x0000 006C	0x4AE0 616C
CM_CLKSEL_ABE_CLK_DIV	RW	32	0x0000 0070	0x4AE0 6170
CM_CLKSEL_ABE_GICLK_DIV	RW	32	0x0000 0074	0x4AE0 6174
CM_CLKSEL_AESS_FCLK_DIV	RW	32	0x0000 0078	0x4AE0 6178
CM_CLKSEL_EVE_CLK	RW	32	0x0000 0080	0x4AE0 6180
CM_CLKSEL_USB_OTG_CLK_CLKOUTMUX	RW	32	0x0000 0084	0x4AE0 6184
CM_CLKSEL_CORE_DPLL_OUT_CLK_CLKOUTMUX	RW	32	0x0000 0088	0x4AE0 6188
CM_CLKSEL_DSP_GFCLK_CLKOUTMUX	RW	32	0x0000 008C	0x4AE0 618C
CM_CLKSEL_EMIF_PHY_GCLK_CLKOUTMUX	RW	32	0x0000 0090	0x4AE0 6190
CM_CLKSEL_EMU_CLK_CLKOUTMUX	RW	32	0x0000 0094	0x4AE0 6194
CM_CLKSEL_FUNC_96M_AON_CLK_CLKOUTMUX	RW	32	0x0000 0098	0x4AE0 6198
CM_CLKSEL_GMAC_250M_CLK_CLKOUTMUX	RW	32	0x0000 009C	0x4AE0 619C
CM_CLKSEL_GPU_GCLK_CLKOUTMUX	RW	32	0x0000 00A0	0x4AE0 61A0
CM_CLKSEL_HDMI_CLK_CLKOUTMUX	RW	32	0x0000 00A4	0x4AE0 61A4
CM_CLKSEL_IVA_GCLK_CLKOUTMUX	RW	32	0x0000 00A8	0x4AE0 61A8
CM_CLKSEL_L3INIT_480M_GFCLK_CLKOUTMUX	RW	32	0x0000 00AC	0x4AE0 61AC
CM_CLKSEL_MPU_GCLK_CLKOUTMUX	RW	32	0x0000 00B0	0x4AE0 61B0
CM_CLKSEL_PCIE1_CLK_CLKOUTMUX	RW	32	0x0000 00B4	0x4AE0 61B4
CM_CLKSEL_PCIE2_CLK_CLKOUTMUX	RW	32	0x0000 00B8	0x4AE0 61B8
CM_CLKSEL_PER_ABE_X1_CLK_CLKOUTMUX	RW	32	0x0000 00BC	0x4AE0 61BC
CM_CLKSEL_SATA_CLK_CLKOUTMUX	RW	32	0x0000 00C0	0x4AE0 61C0
CM_CLKSEL_OSC_32K_CLK_CLKOUTMUX	RW	32	0x0000 00C4	0x4AE0 61C4
CM_CLKSEL_SYS_CLK1_CLKOUTMUX	RW	32	0x0000 00C8	0x4AE0 61C8
CM_CLKSEL_SYS_CLK2_CLKOUTMUX	RW	32	0x0000 00CC	0x4AE0 61CC
CM_CLKSEL_VIDEO1_CLK_CLKOUTMUX	RW	32	0x0000 00D0	0x4AE0 61D0
CM_CLKSEL_VIDEO2_CLK_CLKOUTMUX	RW	32	0x0000 00D4	0x4AE0 61D4
CM_CLKSEL_ABE_LP_CLK	RW	32	0x0000 00D8	0x4AE0 61D8
CM_CLKSEL_ADC_GFCLK	RW	32	0x0000 00DC	0x4AE0 61DC
CM_CLKSEL_EVE_GFCLK_CLKOUTMUX	RW	32	0x0000 00E0	0x4AE0 61E0

3.12.31.2 CKGEN_PRM Register Description

Table 3-1201. CM_CLKSEL_SYSCLK1

Address Offset	0x0000 0000	Instance	CKGEN_PRM
Physical Address	0x4AE0 6100		
Description	Select the SYS CLK for SYSCLK1_32K_CLK. [warm reset insensitive]		
Type	RW		

31	30	29	28	27	26	25	24	23	22	21	20	19	18	17	16	15	14	13	12	11	10	9	8	7	6	5	4	3	2	1	0	CLKSEL
RESERVED																																

Bits	Field Name	Description	Type	Reset
31:1	RESERVED		R	0x0
0	CLKSEL	Selects the divider value 0x0: Select SYS_CLK divided by 6 0x1: Select SYS_CLK divided by 10	RW	0x0

Table 3-1202. Register Call Summary for Register CM_CLKSEL_SYSCLK1

PRCM Register Manual

- [CKGEN_PRM Register Summary: \[0\]](#)

Table 3-1203. CM_CLKSEL_WKUPAON

Address Offset	0x0000 0008	Instance	CKGEN_PRM
Physical Address	0x4AE0 6108		
Description	Control the functional clock source of WKUPAON, PRM and Smart Reflex functional clock.		
Type	RW		

31	30	29	28	27	26	25	24	23	22	21	20	19	18	17	16	15	14	13	12	11	10	9	8	7	6	5	4	3	2	1	0	CLKSEL
RESERVED																																

Bits	Field Name	Description	Type	Reset
31:1	RESERVED		R	0x0
0	CLKSEL	Select the clock source for WKUPAON_ICLK clock 0x0: Selects SYS_CLK1 for WKUPAON_ICLK 0x1: Selects ABE_LP_CLK for WKUPAON_ICLK	RW	0x0

Table 3-1204. Register Call Summary for Register CM_CLKSEL_WKUPAON

Clock Management Functional Description

- [PRM Clock Source: \[0\]](#)

PRCM Register Manual

- [CKGEN_PRM Register Summary: \[1\]](#)

Table 3-1205. CM_CLKSEL_ABE_PLL_REF

Address Offset	0x0000 000C	Instance	CKGEN_PRM
Physical Address	0x4AE0 610C		
Description	Control the source of the reference clock for DPLL_ABE		
Type	RW		

31	30	29	28	27	26	25	24	23	22	21	20	19	18	17	16	15	14	13	12	11	10	9	8	7	6	5	4	3	2	1	0
RESERVED																												CLKSEL			

Bits	Field Name	Description	Type	Reset
31:1	RESERVED		R	0x0
0	CLKSEL	Select the source for the DPLL_ABE reference clock. 0x0: Selects ABE_DPLL_SYS_CLK for ABE_DPLL_CLK 0x1: Selects FUNC_32K_CLK for ABE_DPLL_CLK	RW	0x0

Table 3-1206. Register Call Summary for Register CM_CLKSEL_ABE_PLL_REF

Clock Management Functional Description

- [PRM Clock Source: \[0\]](#)

PRCM Register Manual

- [CKGEN_PRM Register Summary: \[1\]](#)

Table 3-1207. CM_CLKSEL_SYS

Address Offset	0x0000 0010	Instance	CKGEN_PRM
Physical Address	0x4AE0 6110		
Description	ROM code sets the SYS_CLK configuration corresponding to the frequency of SYS_CLK. [warm reset insensitive]		
Type	RW		

31	30	29	28	27	26	25	24	23	22	21	20	19	18	17	16	15	14	13	12	11	10	9	8	7	6	5	4	3	2	1	0
RESERVED																												SYS_CLKSEL			

Bits	Field Name	Description	Type	Reset
31:3	RESERVED		R	0x0
2:0	SYS_CLKSEL	System clock input selection. 0x0: Uninitialized 0x1: Input clock is 12 MHz 0x2: Input clock is 20 MHz 0x3: Input clock is 16.8 MHz 0x4: Input clock is 19.2 MHz 0x5: Input clock is 26 MHz 0x6: Input clock is 27 MHz 0x7: Input clock is 38.4 MHz	RW	0x0

Table 3-1208. Register Call Summary for Register CM_CLKSEL_SYS

PRCM Register Manual

- [Not Supported Functionality \(Registers and Bits\): \[0\]\[1\]\[2\]\[3\]](#)
- [CKGEN_PRM Register Summary: \[4\]](#)

Table 3-1209. CM_CLKSEL_ABE_PLL_BYPAS

Address Offset	0x0000 0014	Instance	CKGEN_PRM
Physical Address	0x4AE0 6114		
Description	Control the source of the bypass clock for DPLL_ABE		
Type	RW		

31	30	29	28	27	26	25	24	23	22	21	20	19	18	17	16	15	14	13	12	11	10	9	8	7	6	5	4	3	2	1	0
RESERVED																	CLKSEL														

Bits	Field Name	Description	Type	Reset
31:1	RESERVED		R	0x0
0	CLKSEL	Control the source of the bypass clock for DPLL_ABE 0x0: Selects ABE_DPLL_SYS_CLK for ABE_DPLL_BYPASS_CLK 0x1: Selects FUNC_32K_CLK for ABE_DPLL_BYPASS_CLK	RW	0x0

Table 3-1210. Register Call Summary for Register CM_CLKSEL_ABE_PLL_BYPAS

Clock Management Functional Description

- [PRM Clock Source: \[0\]](#)

PRCM Register Manual

- [CKGEN_PRM Register Summary: \[1\]](#)

Table 3-1211. CM_CLKSEL_ABE_PLL_SYS

Address Offset	0x0000 0018	Instance	CKGEN_PRM
Physical Address	0x4AE0 6118		
Description	Control the source of the SYS clock for DPLL_ABE		
Type	RW		

31	30	29	28	27	26	25	24	23	22	21	20	19	18	17	16	15	14	13	12	11	10	9	8	7	6	5	4	3	2	1	0
RESERVED																	CLKSEL														

Bits	Field Name	Description	Type	Reset
31:1	RESERVED		R	0x0
0	CLKSEL	Select the SYS clock for the DPLL_ABE reference and bypass clock. 0x0: Selects SYS_CLK1 0x1: Selects SYS_CLK2	RW	0x0

Table 3-1212. Register Call Summary for Register CM_CLKSEL_ABE_PLL_SYS

Clock Management Functional Description

- [PRM Clock Source: \[0\]](#)

PRCM Register Manual

- [CKGEN_PRM Register Summary: \[1\]](#)

Table 3-1213. CM_CLKSEL_ABE_24M

Address Offset	0x0000 001C	Instance	CKGEN_PRM
Physical Address	0x4AE0 611C		
Description	Select the ABE_24M_FCLK for TIMERS subsystems. [warm reset insensitive]		
Type	RW		

31	30	29	28	27	26	25	24	23	22	21	20	19	18	17	16	15	14	13	12	11	10	9	8	7	6	5	4	3	2	1	0
RESERVED																															CLKSEL

Bits	Field Name	Description	Type	Reset
31:1	RESERVED		R	0x0
0	CLKSEL	Selects the divider value 0x0: Select SYS_CLK divided by 8 0x1: Select SYS_CLK divided by 16	RW	0x0

Table 3-1214. Register Call Summary for Register CM_CLKSEL_ABE_24M

Clock Management Functional Description

- [CM_CORE_AON Clock Generator: \[0\]](#)

PRCM Register Manual

- [CKGEN_PRM Register Summary: \[1\]](#)

Table 3-1215. CM_CLKSEL_ABE_SYS

Address Offset	0x0000 0020	Instance	CKGEN_PRM
Physical Address	0x4AE0 6120		
Description	Select the SYS CLK for IPU subsystems. [warm reset insensitive]		
Type	RW		

31	30	29	28	27	26	25	24	23	22	21	20	19	18	17	16	15	14	13	12	11	10	9	8	7	6	5	4	3	2	1	0
RESERVED																															CLKSEL

Bits	Field Name	Description	Type	Reset
31:1	RESERVED		R	0x0
0	CLKSEL	Selects the divider value 0x0: Select SYS_CLK divided by 1 0x1: Select SYS_CLK divided by 2 Must be used for SYS_CLK 26MHz	RW	0x0

Table 3-1216. Register Call Summary for Register CM_CLKSEL_ABE_SYS

Clock Management Functional Description

- [PRM Clock Source: \[0\]](#)

PRCM Register Manual

- [CKGEN_PRM Register Summary: \[1\]](#)

Table 3-1217. CM_CLKSEL_HDMI_MCASP_AUX

Address Offset	0x0000 0024	Instance	CKGEN_PRM
Physical Address	0x4AE0 6124		
Description	Select the HDMI_CLK for MCASP subsystems. [warm reset insensitive]		
Type	RW		

31	30	29	28	27	26	25	24	23	22	21	20	19	18	17	16	15	14	13	12	11	10	9	8	7	6	5	4	3	2	1	0
RESERVED																CLKSEL															

Bits	Field Name	Description	Type	Reset
31:3	RESERVED		R	0x0
2:0	CLKSEL	Selects the divider value 0x0: Select HDMI_CLK divided by 1 0x1: Select HDMI_CLK divided by 2 0x2: Select HDMI_CLK divided by 4 0x3: Select HDMI_CLK divided by 8 0x4: Select HDMI_CLK divided by 16 0x5: Reserved 0x6: Reserved 0x7: Reserved	RW	0x0

Table 3-1218. Register Call Summary for Register CM_CLKSEL_HDMI_MCASP_AUX

Clock Management Functional Description

- [CM_CORE_AON_MCASP Overview: \[0\]](#)

PRCM Register Manual

- [CKGEN_PRM Register Summary: \[1\]](#)

Table 3-1219. CM_CLKSEL_HDMI_TIMER

Address Offset	0x0000 0028	Instance	CKGEN_PRM
Physical Address	0x4AE0 6128		
Description	Select the HDMI_CLK for TIMER subsystems. [warm reset insensitive]		
Type	RW		

31	30	29	28	27	26	25	24	23	22	21	20	19	18	17	16	15	14	13	12	11	10	9	8	7	6	5	4	3	2	1	0
RESERVED																CLKSEL															

Bits	Field Name	Description	Type	Reset
31:3	RESERVED		R	0x0
2:0	CLKSEL	Selects the divider value 0x0: Select HDMI_CLK divided by 1 0x1: Select HDMI_CLK divided by 2 0x2: Select HDMI_CLK divided by 4 0x3: Select HDMI_CLK divided by 8 0x4: Select HDMI_CLK divided by 16 0x5: Select HDMI_CLK divided by 22 0x6: Select HDMI_CLK divided by 32 0x7: Reserved	RW	0x0

Table 3-1220. Register Call Summary for Register CM_CLKSEL_HDMI_TIMER

Clock Management Functional Description

- [CM_CORE_AON_TIMER Overview: \[0\]](#)

PRCM Register Manual

- [CKGEN_PRM Register Summary: \[1\]](#)

Table 3-1221. CM_CLKSEL_MCASP_SYS

Address Offset	0x0000 002C	Instance	CKGEN_PRM
Physical Address	0x4AE0 612C		
Description	Select the SYS_CLK for ABE_24M_FCLK. [warm reset insensitive]		
Type	RW		

31	30	29	28	27	26	25	24	23	22	21	20	19	18	17	16	15	14	13	12	11	10	9	8	7	6	5	4	3	2	1	0
RESERVED																	CLKSEL														

Bits	Field Name	Description	Type	Reset
31:1	RESERVED		R	0x0
0	CLKSEL	Selects the divider value 0x0: Select SYS_CLK divided by 8 0x1: Select SYS_CLK divided by 16	RW	0x0

Table 3-1222. Register Call Summary for Register CM_CLKSEL_MCASP_SYS

PRCM Register Manual

- [CKGEN_PRM Register Summary: \[0\]](#)

Table 3-1223. CM_CLKSEL_MLBP_MCASP

Address Offset	0x0000 0030		
Physical Address	0x4AE0 6130	Instance	CKGEN_PRM
Description	Select the MLBP_CLK for MCASP subsystems. [warm reset insensitive]		
Type	RW		

31	30	29	28	27	26	25	24	23	22	21	20	19	18	17	16	15	14	13	12	11	10	9	8	7	6	5	4	3	2	1	0
RESERVED																							CLKSEL								

Bits	Field Name	Description	Type	Reset
31:3	RESERVED		R	0x0
2:0	CLKSEL	Selects the divider value 0x0: Select MLBP_CLK divided by 1 0x1: Select MLBP_CLK divided by 2 0x2: Select MLBP_CLK divided by 4 0x3: Select MLBP_CLK divided by 8 0x4: Select MLBP_CLK divided by 16 0x5: RESERVED 0x6: RESERVED 0x7: RESERVED	RW	0x0

Table 3-1224. Register Call Summary for Register CM_CLKSEL_MLBP_MCASP

Clock Management Functional Description

- [CM_CORE_AON_MCASP Overview: \[0\]](#)

PRCM Register Manual

- [CKGEN_PRM Register Summary: \[1\]](#)

Table 3-1225. CM_CLKSEL_MLB_MCASP

Address Offset	0x0000 0034		
Physical Address	0x4AE0 6134	Instance	CKGEN_PRM
Description	Select the MLB_CLK for MCASP subsystems. [warm reset insensitive]		
Type	RW		

31	30	29	28	27	26	25	24	23	22	21	20	19	18	17	16	15	14	13	12	11	10	9	8	7	6	5	4	3	2	1	0
RESERVED																							CLKSEL								

Bits	Field Name	Description	Type	Reset
31:3	RESERVED		R	0x0
2:0	CLKSEL	Selects the divider value 0x0: Select MLB_CLK divided by 1 0x1: Select MLB_CLK divided by 2 0x2: Select MLB_CLK divided by 4 0x3: Select MLB_CLK divided by 8 0x4: Select MLB_CLK divided by 16 0x5: RESERVED 0x6: RESERVED 0x7: RESERVED	RW	0x0

Table 3-1226. Register Call Summary for Register CM_CLKSEL_MLB_MCASP

Clock Management Functional Description

- [CM_CORE_AON_MCASP Overview: \[0\]](#)

PRCM Register Manual

- [CKGEN_PRM Register Summary: \[1\]](#)

Table 3-1227. CM_CLKSEL_PER_ABE_X1_GFCLK_MCASP_AUX

Address Offset	0x0000 0038	Instance	CKGEN_PRM
Physical Address	0x4AE0 6138		
Description	Select the PER_ABE_X1_GFCLK_CLK for MCASP subsystems. [warm reset insensitive]		
Type	RW		

31	30	29	28	27	26	25	24	23	22	21	20	19	18	17	16	15	14	13	12	11	10	9	8	7	6	5	4	3	2	1	0
RESERVED																CLKSEL															

Bits	Field Name	Description	Type	Reset
31:3	RESERVED		R	0x0
2:0	CLKSEL	Selects the divider value 0x0: Select PER_ABE_X1_GFCLK divided by 1 0x1: Select PER_ABE_X1_GFCLK divided by 2 0x2: Select PER_ABE_X1_GFCLK divided by 4 0x3: Select PER_ABE_X1_GFCLK divided by 8 0x4: Select PER_ABE_X1_GFCLK divided by 16 0x5: Reserved 0x6: Reserved 0x7: Reserved	RW	0x0

Table 3-1228. Register Call Summary for Register CM_CLKSEL_PER_ABE_X1_GFCLK_MCASP_AUX

Clock Management Functional Description

- [CM_CORE_AON_MCASP Overview: \[0\]](#)

PRCM Register Manual

- [CKGEN_PRM Register Summary: \[1\]](#)

Table 3-1229. CM_CLKSEL_SYS_CLK1_32K

Address Offset	0x0000 0040	Instance	CKGEN_PRM
Physical Address	0x4AE0 6140		
Description	Control the source of the SYS clock for GPIO, WD_TIMER,KBD.		
Type	RW		

31	30	29	28	27	26	25	24	23	22	21	20	19	18	17	16	15	14	13	12	11	10	9	8	7	6	5	4	3	2	1	0
RESERVED																CLKSEL															

Bits	Field Name	Description	Type	Reset
31:1	RESERVED		R	0x0
0	CLKSEL	Select the SYS clock for the DPLL_ABE reference and bypass clock. 0x0: Selects SYS_CLK1 0x1: Selects SYS_CLK32K	RW	0x0

Table 3-1230. CM_CLKSEL_TIMER_SYS

Address Offset	0x0000 0044	Instance	CKGEN_PRM
Physical Address	0x4AE0 6144		
Description	Select the SYS_CLK1 for TIMERS subsystems. [warm reset insensitive]		
Type	RW		

31	30	29	28	27	26	25	24	23	22	21	20	19	18	17	16	15	14	13	12	11	10	9	8	7	6	5	4	3	2	1	0
RESERVED																CLKSEL															

Bits	Field Name	Description	Type	Reset
31:1	RESERVED		R	0x0
0	CLKSEL	Selects the divider value 0x0: Select SYS_CLK1 divided by 1 0x1: Select SYS_CLK1 divided by 2	RW	0x0

Table 3-1231. Register Call Summary for Register CM_CLKSEL_TIMER_SYS

Clock Management Functional Description

- [PRM Clock Source: \[0\]](#)

PRCM Register Manual

- [CKGEN_PRM Register Summary: \[1\]](#)

Table 3-1232. CM_CLKSEL_VIDEO1_MCASP_AUX

Address Offset	0x0000 0048	Instance	CKGEN_PRM
Physical Address	0x4AE0 6148		
Description	Select the VIDEO1_CLK for MCASP subsystems. [warm reset insensitive]		
Type	RW		

31	30	29	28	27	26	25	24	23	22	21	20	19	18	17	16	15	14	13	12	11	10	9	8	7	6	5	4	3	2	1	0
RESERVED																CLKSEL															

Bits	Field Name	Description	Type	Reset
31:3	RESERVED		R	0x0
2:0	CLKSEL	Selects the divider value 0x0: Select VIDEO1_CLK divided by 1 0x1: Select VIDEO1_CLK divided by 2 0x2: Select VIDEO1_CLK divided by 4 0x3: Select VIDEO1_CLK divided by 8 0x4: Select VIDEO1_CLK divided by 16 0x5: Reserved 0x6: Reserved 0x7: Reserved	RW	0x0

Table 3-1233. Register Call Summary for Register CM_CLKSEL_VIDEO1_MCASP_AUX

Clock Management Functional Description

- [CM_CORE_AON_MCASP Overview: \[0\]](#)

PRCM Register Manual

- [CKGEN_PRM Register Summary: \[1\]](#)

Table 3-1234. CM_CLKSEL_VIDEO1_TIMER

Address Offset	0x0000 004C	Instance	CKGEN_PRM
Physical Address	0x4AE0 614C		
Description	Select the VIDEO1_CLK for TIMER subsystems. [warm reset insensitive]		
Type	RW		

31	30	29	28	27	26	25	24	23	22	21	20	19	18	17	16	15	14	13	12	11	10	9	8	7	6	5	4	3	2	1	0
RESERVED																CLKSEL															

Bits	Field Name	Description	Type	Reset
31:3	RESERVED		R	0x0
2:0	CLKSEL	Selects the divider value 0x0: Select VIDEO1_CLK divided by 1 0x1: Select VIDEO1_CLK divided by 2 0x2: Select VIDEO1_CLK divided by 4 0x3: Select VIDEO1_CLK divided by 8 0x4: Select VIDEO1_CLK divided by 16 0x5: Select VIDEO1_CLK divided by 22 0x6: Select VIDEO1_CLK divided by 32 0x7: RESERVED	RW	0x0

Table 3-1235. Register Call Summary for Register CM_CLKSEL_VIDEO1_TIMER

Clock Management Functional Description

- [CM_CORE_AON_TIMER Overview: \[0\]](#)

PRCM Register Manual

- [CKGEN_PRM Register Summary: \[1\]](#)

Table 3-1236. CM_CLKSEL_VIDEO2_MCASP_AUX

Address Offset	0x0000 0050		
Physical Address	0x4AE0 6150	Instance	CKGEN_PRM
Description	Select the VIDEO2_CLK for MCASP subsystems. [warm reset insensitive]		
Type	RW		

31	30	29	28	27	26	25	24	23	22	21	20	19	18	17	16	15	14	13	12	11	10	9	8	7	6	5	4	3	2	1	0
RESERVED																CLKSEL															

Bits	Field Name	Description	Type	Reset
31:3	RESERVED		R	0x0
2:0	CLKSEL	Selects the divider value 0x0: Select VIDEO2_CLK divided by 1 0x1: Select VIDEO2_CLK divided by 2 0x2: Select VIDEO2_CLK divided by 4 0x3: Select VIDEO2_CLK divided by 8 0x4: Select VIDEO2_CLK divided by 16 0x5: Reserved 0x6: Reserved 0x7: Reserved	RW	0x0

Table 3-1237. CM_CLKSEL_VIDEO2_TIMER

Address Offset	0x0000 0054		
Physical Address	0x4AE0 6154	Instance	CKGEN_PRM
Description	Select the VIDEO2_CLK for TIMER subsystems. [warm reset insensitive]		
Type	RW		

31	30	29	28	27	26	25	24	23	22	21	20	19	18	17	16	15	14	13	12	11	10	9	8	7	6	5	4	3	2	1	0
RESERVED																CLKSEL															

Bits	Field Name	Description	Type	Reset
31:3	RESERVED		R	0x0
2:0	CLKSEL	Selects the divider value 0x0: Select VIDEO2_CLK divided by 1 0x1: Select VIDEO2_CLK divided by 2 0x2: Select VIDEO2_CLK divided by 4 0x3: Select VIDEO2_CLK divided by 8 0x4: Select VIDEO2_CLK divided by 16 0x5: Select VIDEO2_CLK divided by 22 0x6: Select VIDEO2_CLK divided by 32 0x7: RESERVED	RW	0x0

Table 3-1238. CM_CLKSEL_CLKOUTMUX0

Address Offset	0x0000 0058		
Physical Address	0x4AE0 6158	Instance	CKGEN_PRM
Description	Control the source of the CLKOUTMUX0_CLK.		
Type	RW		

31	30	29	28	27	26	25	24	23	22	21	20	19	18	17	16	15	14	13	12	11	10	9	8	7	6	5	4	3	2	1	0
RESERVED																CLKSEL															

Bits	Field Name	Description	Type	Reset
31:5	RESERVED		R	0x0
4:0	CLKSEL	<p>Select the source clock for CLKOUTMUX0_CLK.</p> <p>0x0: Selects divided version of SYS_CLK1. See CM_CLKSEL_SYS_CLK1_CLKOUTMUX</p> <p>0x1: Selects divided version of EVE_GFCLKM_CLKSEL_EVE_GFCLK_CLKOUTMUX See</p> <p>0x2: Selects divided version of PER_ABE_X1_GFCLK See CM_CLKSEL_PER_ABE_X1_CLK_CLKOUTMUX</p> <p>0x3: Selects divided version of MPU_GCLK See CM_CLKSEL_MPU_GCLK_CLKOUTMUX</p> <p>0x4: Selects divided version of DSP_GFCLK See CM_CLKSEL_DSP_GFCLK_CLKOUTMUX</p> <p>0x5: Selects divided version of IVA_GCLK See CM_CLKSEL_IVA_GCLK_CLKOUTMUX</p> <p>0x6: Selects divided version of GPU_GCLK See CM_CLKSEL_GPU_GCLK_CLKOUTMUX</p> <p>0x7: Selects divided version of CORE_DPLL_OUT_CLK See CM_CLKSEL_CORE_DPLL_OUT_CLK_CLKOUTMUX</p> <p>0x8: Selects divided version of EMIF_PHY_GCLK See CM_CLKSEL_EMIF_PHY_GCLK_CLKOUTMUX</p> <p>0x9: Selects divided version of GMAC_250M_CLK See CM_CLKSEL_GMAC_250M_CLK_CLKOUTMUX</p> <p>0xA: Selects divided version of VIDEO2_CLK CM_CLKSEL_VIDEO2_CLK_CLKOUTMUX See</p> <p>0xB: Selects divided version of VIDEO1_CLK See CM_CLKSEL_VIDEO1_CLK_CLKOUTMUX</p> <p>0xC: Selects divided version of HDMI_CLK See CM_CLKSEL_HDMI_CLK_CLKOUTMUX</p> <p>0xD: Selects divided version of FUNC_96M_AON_CLK See CM_CLKSEL_FUNC_96M_AON_CLK_CLKOUTMUX</p> <p>0xE: Selects divided version of L3INIT_480M_GFCLK See CM_CLKSEL_L3INIT_480M_GFCLK_CLKOUTMUX</p> <p>0xF: Selects divided version of USB_OTG_CLK See CM_CLKSEL_USB_OTG_CLK_CLKOUTMUX</p> <p>0x10: Selects divided version of SATA_CLK See CM_CLKSEL_SATA_CLK_CLKOUTMUX</p> <p>0x11: Selects divided version of PCIE_M2_CLK See CM_CLKSEL_PCIE2_CLK_CLKOUTMUX</p> <p>0x12: Selects divided version of APLL_PCIE_M2_CLK See CM_CLKSEL_PCIE1_CLK_CLKOUTMUX</p> <p>0x13: Selects divided version of EMU_CLK See CM_CLKSEL_EMU_CLK_CLKOUTMUX</p> <p>0x14: Selects divided version of OSC_32K_CLK See CM_CLKSEL_OSC_32K_CLK_CLKOUTMUX Note: The OSC_32K_CLK clock, provided by the On-die 32K RC Osc is not accurate 32KHz clock. The frequency may vary with temperature and silicon characteristics.</p> <p>0x15-0x1F: RESERVED</p>	RW	0x0

Table 3-1239. Register Call Summary for Register CM_CLKSEL_CLKOUTMUX0

Clock Management Functional Description

- [CM_CORE_AON_CLKOUTMUX Overview: \[0\]](#)

PRCM Register Manual

- [CKGEN_PRM Register Summary: \[1\]](#)

Table 3-1240. CM_CLKSEL_CLKOUTMUX1

Address Offset	0x0000 005C	Instance	CKGEN_PRM
Physical Address	0x4AE0 615C		
Description	Control the source of the CLKOUTMUX1_CLK.		
Type	RW		

31	30	29	28	27	26	25	24	23	22	21	20	19	18	17	16	15	14	13	12	11	10	9	8	7	6	5	4	3	2	1	0
RESERVED																CLKSEL															

Bits	Field Name	Description	Type	Reset
31:5	RESERVED		R	0x0
4:0	CLKSEL	<p>Select the source clock for CLKOUTMUX1_CLK.</p> <p>0x0: Selects divided version of SYS_CLK1. See CM_CLKSEL_SYS_CLK1_CLKOUTMUX</p> <p>0x1: Selects divided version of SYS_CLK2 See CM_CLKSEL_SYS_CLK2_CLKOUTMUX</p> <p>0x2: Selects divided version of PER_ABE_X1_GFCLK See CM_CLKSEL_PER_ABE_X1_CLK_CLKOUTMUX</p> <p>0x3: Selects divided version of MPU_GCLK See CM_CLKSEL_MPU_GCLK_CLKOUTMUX</p> <p>0x4: Selects divided version of DSP_GFCLK See CM_CLKSEL_DSP_GFCLK_CLKOUTMUX</p> <p>0x5: Selects divided version of IVA_GCLK See CM_CLKSEL_IVA_GCLK_CLKOUTMUX</p> <p>0x6: Selects divided version of GPU_GCLK See CM_CLKSEL_GPU_GCLK_CLKOUTMUX</p> <p>0x7: Selects divided version of CORE_DPLL_OUT_CLK See CM_CLKSEL_CORE_DPLL_OUT_CLK_CLKOUTMUX</p> <p>0x8: Selects divided version of EMIF_PHY_GCLK See CM_CLKSEL_EMIF_PHY_GCLK_CLKOUTMUX</p> <p>0x9: Selects divided version of GMAC_250M_CLK See CM_CLKSEL_GMAC_250M_CLK_CLKOUTMUX</p> <p>0xA: Selects divided version of VIDEO2_CLK CM_CLKSEL_VIDEO2_CLK_CLKOUTMUX See</p> <p>0xB: Selects divided version of VIDEO1_CLK See CM_CLKSEL_VIDEO1_CLK_CLKOUTMUX</p> <p>0xC: Selects divided version of HDMI_CLK See CM_CLKSEL_HDMI_CLK_CLKOUTMUX</p> <p>0xD: Selects divided version of FUNC_96M_AON_CLK See CM_CLKSEL_FUNC_96M_AON_CLK_CLKOUTMUX</p> <p>0xE: Selects divided version of L3INIT_480M_GFCLK See CM_CLKSEL_L3INIT_480M_GFCLK_CLKOUTMUX</p> <p>0xF: Selects divided version of USB_OTG_CLK See CM_CLKSEL_USB_OTG_CLK_CLKOUTMUX</p> <p>0x10: Selects divided version of SATA_CLK See CM_CLKSEL_SATA_CLK_CLKOUTMUX</p> <p>0x11: Selects divided version of PCIE_M2_CLK See CM_CLKSEL_PCIE2_CLK_CLKOUTMUX</p> <p>0x12: Selects divided version of APLL_PCIE_M2_CLK See CM_CLKSEL_PCIE1_CLK_CLKOUTMUX</p> <p>0x13: Selects divided version of EMU_CLK See CM_CLKSEL_EMU_CLK_CLKOUTMUX</p> <p>0x14: Selects divided version of OSC_32K_CLK See CM_CLKSEL_OSC_32K_CLK_CLKOUTMUX Note: The OSC_32K_CLK clock, provided by the On-die 32K RC Osc is not accurate 32KHz clock. The frequency may vary with temperature and silicon characteristics.</p> <p>0x15: Selects divided version of EVE_GFCLK CM_CLKSEL_EVE_GFCLK_CLKOUTMUX See</p> <p>0x16-0x1F: RESERVED</p>	RW	0x0

Table 3-1241. Register Call Summary for Register CM_CLKSEL_CLKOUTMUX1

Clock Management Functional Description

- [CM_CORE_AON_CLKOUTMUX Overview: \[0\]](#)

PRCM Register Manual

- [CKGEN_PRM Register Summary: \[1\]](#)

Table 3-1242. CM_CLKSEL_CLKOUTMUX2

Address Offset	0x0000 0060		
Physical Address	0x4AE0 6160	Instance	CKGEN_PRM
Description	Control the source of the CLKOUTMUX2_CLK.		
Type	RW		

31	30	29	28	27	26	25	24	23	22	21	20	19	18	17	16	15	14	13	12	11	10	9	8	7	6	5	4	3	2	1	0
RESERVED																CLKSEL															

Bits	Field Name	Description	Type	Reset
31:5	RESERVED		R	0x0
4:0	CLKSEL	<p>Select the source clock for CLKOUTMUX2_CLK.</p> <p>0x0: Selects divided version of SYS_CLK1. See CM_CLKSEL_SYS_CLK1_CLKOUTMUX</p> <p>0x1: Selects divided version of SYS_CLK2 See CM_CLKSEL_SYS_CLK2_CLKOUTMUX</p> <p>0x2: Selects divided version of PER_ABE_X1_GFCLK See CM_CLKSEL_PER_ABE_X1_CLK_CLKOUTMUX</p> <p>0x3: Selects divided version of MPU_GCLK See CM_CLKSEL_MPU_GCLK_CLKOUTMUX</p> <p>0x4: Selects divided version of DSP_GFCLK See CM_CLKSEL_DSP_GFCLK_CLKOUTMUX</p> <p>0x5: Selects divided version of IVA_GCLK See CM_CLKSEL_IVA_GCLK_CLKOUTMUX</p> <p>0x6: Selects divided version of GPU_GCLK See CM_CLKSEL_GPU_GCLK_CLKOUTMUX</p> <p>0x7: Selects divided version of CORE_DPLL_OUT_CLK See CM_CLKSEL_CORE_DPLL_OUT_CLK_CLKOUTMUX</p> <p>0x8: Selects divided version of EMIF_PHY_GCLK See CM_CLKSEL_EMIF_PHY_GCLK_CLKOUTMUX</p> <p>0x9: Selects divided version of GMAC_250M_CLK See CM_CLKSEL_GMAC_250M_CLK_CLKOUTMUX</p> <p>0xA: Selects divided version of VIDEO2_CLKCM_CLKSEL_VIDEO2_CLK_CLKOUTMUX See</p> <p>0xB: Selects divided version of VIDEO1_CLK See CM_CLKSEL_VIDEO1_CLK_CLKOUTMUX</p> <p>0xC: Selects divided version of HDMI_CLK See CM_CLKSEL_HDMI_CLK_CLKOUTMUX</p> <p>0xD: Selects divided version of FUNC_96M_AON_CLK See CM_CLKSEL_FUNC_96M_AON_CLK_CLKOUTMUX</p> <p>0xE: Selects divided version of L3INIT_480M_GFCLK See CM_CLKSEL_L3INIT_480M_GFCLK_CLKOUTMUX</p> <p>0xF: Selects divided version of USB_OTG_CLK See CM_CLKSEL_USB_OTG_CLK_CLKOUTMUX</p> <p>0x10: Selects divided version of SATA_CLK See CM_CLKSEL_SATA_CLK_CLKOUTMUX</p> <p>0x11: Selects divided version of PCIE_M2_CLK See CM_CLKSEL_PCIE2_CLK_CLKOUTMUX</p> <p>0x12: Selects divided version of APLL_PCIE_M2_CLK See CM_CLKSEL_PCIE1_CLK_CLKOUTMUX</p> <p>0x13: Selects divided version of EMU_CLK See CM_CLKSEL_EMU_CLK_CLKOUTMUX</p> <p>0x14: Selects divided version of OSC_32K_CLK See CM_CLKSEL_OSC_32K_CLK_CLKOUTMUX Note: The OSC_32K_CLK clock, provided by the On-die 32K RC Osc is not accurate 32KHz clock. The frequency may vary with temperature and silicon characteristics.</p> <p>0x15: Selects divided version of EVE_GFCLK CM_CLKSEL_EVE_GFCLK_CLKOUTMUX See</p> <p>0x16-0x1F: RESERVED</p>	RW	0x0

Table 3-1243. Register Call Summary for Register CM_CLKSEL_CLKOUTMUX2

Clock Management Functional Description

- [CM_CORE_AON_CLKOUTMUX Overview: \[0\]](#)

PRCM Register Manual

- [CKGEN_PRM Register Summary: \[1\]](#)

Table 3-1244. CM_CLKSEL_HDMI_PLL_SYS

Address Offset	0x0000 0064	Instance	CKGEN_PRM
Physical Address	0x4AE0 6164		
Description	Control the source of the SYS clock for DPLL_HDMI		
Type	RW		

31	30	29	28	27	26	25	24	23	22	21	20	19	18	17	16	15	14	13	12	11	10	9	8	7	6	5	4	3	2	1	0
RESERVED																	CLKSEL														

Bits	Field Name	Description	Type	Reset
31:1	RESERVED		R	0x0
0	CLKSEL	Select the SYS clock for the DPLL_HDMI 0x0: Selects SYS_CLK1 0x1: Selects SYS_CLK2	RW	0x0

Table 3-1245. Register Call Summary for Register CM_CLKSEL_HDMI_PLL_SYS

Clock Management Functional Description

- [PRM Clock Source: \[0\]](#)

PRCM Register Manual

- [CKGEN_PRM Register Summary: \[1\]](#)

Table 3-1246. CM_CLKSEL_VIDEO1_PLL_SYS

Address Offset	0x0000 0068	Instance	CKGEN_PRM
Physical Address	0x4AE0 6168		
Description	Control the source of the SYS clock for DPLL_VIDEO1		
Type	RW		

31	30	29	28	27	26	25	24	23	22	21	20	19	18	17	16	15	14	13	12	11	10	9	8	7	6	5	4	3	2	1	0
RESERVED																	CLKSEL														

Bits	Field Name	Description	Type	Reset
31:1	RESERVED		R	0x0
0	CLKSEL	Select the SYS clock for the DPLL_VIDEO1. 0x0: Selects SYS_CLK1 0x1: Selects SYS_CLK2	RW	0x0

Table 3-1247. Register Call Summary for Register CM_CLKSEL_VIDEO1_PLL_SYS

Clock Management Functional Description

- [PRM Clock Source: \[0\]](#)

PRCM Register Manual

- [CKGEN_PRM Register Summary: \[1\]](#)

Table 3-1248. CM_CLKSEL_VIDEO2_PLL_SYS

Address Offset	0x0000 006C	Instance	CKGEN_PRM
Physical Address	0x4AE0 616C		
Description	Control the source of the SYS clock for DPLL_VIDEO1		
Type	RW		

31	30	29	28	27	26	25	24	23	22	21	20	19	18	17	16	15	14	13	12	11	10	9	8	7	6	5	4	3	2	1	0
RESERVED																	CLKSEL														

Bits	Field Name	Description	Type	Reset
31:1	RESERVED		R	0x0
0	CLKSEL	Select the SYS clock for the DPLL_VIDEO2. 0x0: Selects SYS_CLK1 0x1: Selects SYS_CLK2	RW	0x0

Table 3-1249. CM_CLKSEL_ABE_CLK_DIV

Address Offset	0x0000 0070	Instance	CKGEN_PRM
Physical Address	0x4AE0 6170		
Description	Select the ABE_CLK. [warm reset insensitive]		
Type	RW		

31	30	29	28	27	26	25	24	23	22	21	20	19	18	17	16	15	14	13	12	11	10	9	8	7	6	5	4	3	2	1	0
RESERVED																	CLKSEL														

Bits	Field Name	Description	Type	Reset
31:3	RESERVED		R	0x0
2:0	CLKSEL	Selects the divider value 0x0: Select CLK divided by 1 0x1: Select CLK divided by 2 0x2: Select CLK divided by 4 0x3: Select CLK divided by 8 0x4: Select CLK divided by 16 0x5: RESERVED 0x6: RESERVED 0x7: RESERVED	RW	0x0

Table 3-1250. Register Call Summary for Register CM_CLKSEL_ABE_CLK_DIV

Clock Management Functional Description

- [CM_CORE_AON Clock Generator: \[0\]](#)

PRCM Register Manual

- [CKGEN_PRM Register Summary: \[1\]](#)

Table 3-1251. CM_CLKSEL_ABE_GICKL_DIV

Address Offset	0x0000 0074	Instance	CKGEN_PRM
Physical Address	0x4AE0 6174		
Description	Select the ABE_GICKL. [warm reset insensitive]		
Type	RW		

31	30	29	28	27	26	25	24	23	22	21	20	19	18	17	16	15	14	13	12	11	10	9	8	7	6	5	4	3	2	1	0
RESERVED																												CLKSEL			

Bits	Field Name	Description	Type	Reset
31:1	RESERVED		R	0x0
0	CLKSEL	Selects the divider value 0x0: Select CLK divided by 1 0x1: Select CLK divided by 2	RW	0x0

Table 3-1252. Register Call Summary for Register CM_CLKSEL_ABE_GICKL_DIV

Clock Management Functional Description

- [CM_CORE_AON Clock Generator: \[0\]](#)

PRCM Register Manual

- [CKGEN_PRM Register Summary: \[1\]](#)

Table 3-1253. CM_CLKSEL_AESS_FCLK_DIV

Address Offset	0x0000 0078	Instance	CKGEN_PRM
Physical Address	0x4AE0 6178		
Description	Select the AESS_FCLK. [warm reset insensitive]		
Type	RW		

31	30	29	28	27	26	25	24	23	22	21	20	19	18	17	16	15	14	13	12	11	10	9	8	7	6	5	4	3	2	1	0
RESERVED																												CLKSEL			

Bits	Field Name	Description	Type	Reset
31:1	RESERVED		R	0x0
0	CLKSEL	Selects the divider value 0x0: Select CLK divided by 1 0x1: Select CLK divided by 2	RW	0x0

Table 3-1254. Register Call Summary for Register CM_CLKSEL_AESS_FCLK_DIV

Clock Management Functional Description

- [CM_CORE_AON Clock Generator: \[0\]](#)

PRCM Register Manual

- [CKGEN_PRM Register Summary: \[1\]](#)

Table 3-1255. CM_CLKSEL_EVE_CLK

Address Offset	0x0000 0080	Instance	CKGEN_PRM
Physical Address	0x4AE0 6180		
Description	Control the source of the EVE_CLK for EVE1, EVE2, EVE3, EVE4		
Type	RW		

31	30	29	28	27	26	25	24	23	22	21	20	19	18	17	16	15	14	13	12	11	10	9	8	7	6	5	4	3	2	1	0	CLKSEL
RESERVED																																

Bits	Field Name	Description	Type	Reset
31:1	RESERVED		R	0x0
0	CLKSEL	Select the EVE_CLK for EVE1, EVE2, EVE3, EVE4 0x0: Selects clock from DPLL_EVE 0x1: Selects clock from DPLL_DSP	RW	0x0

Table 3-1256. CM_CLKSEL_USB_OTG_CLK_CLKOUTMUX

Address Offset	0x0000 0084	Instance	CKGEN_PRM
Physical Address	0x4AE0 6184		
Description	Select the USB_OTG_CLK. [warm reset insensitive]		
Type	RW		

31	30	29	28	27	26	25	24	23	22	21	20	19	18	17	16	15	14	13	12	11	10	9	8	7	6	5	4	3	2	1	0	CLKSEL
RESERVED																																

Bits	Field Name	Description	Type	Reset
31:3	RESERVED		R	0x0
2:0	CLKSEL	Selects the divider value 0x0: Select CLK divided by 1 0x1: Select CLK divided by 2 0x2: Select CLK divided by 4 0x3: Select CLK divided by 8 0x4: Select CLK divided by 16 0x5: SELECT CLK divided by 32 0x6: RESERVED 0x7: RESERVED	RW	0x0

Table 3-1257. Register Call Summary for Register CM_CLKSEL_USB_OTG_CLK_CLKOUTMUX

Clock Management Functional Description

- [CM_CORE_AON_CLKOUTMUX Overview: \[0\]](#)

PRCM Register Manual

- [CKGEN_PRM Register Summary: \[1\]](#)
- [CKGEN_PRM Register Description: \[2\]\[3\]\[4\]](#)

Table 3-1258. CM_CLKSEL_CORE_DPLL_OUT_CLK_CLKOUTMUX

Address Offset	0x0000 0088	
Physical Address	0x4AE0 6188	Instance CKGEN_PRM
Description	Select the CORE_DPLL_OUT_CLK. [warm reset insensitive]	
Type	RW	

31	30	29	28	27	26	25	24	23	22	21	20	19	18	17	16	15	14	13	12	11	10	9	8	7	6	5	4	3	2	1	0
RESERVED																CLKSEL															

Bits	Field Name	Description	Type	Reset
31:3	RESERVED		R	0x0
2:0	CLKSEL	Selects the divider value 0x0: Select CLK divided by 1 0x1: Select CLK divided by 2 0x2: Select CLK divided by 4 0x3: Select CLK divided by 8 0x4: Select CLK divided by 16 0x5: Select CLK divided by 32 0x6: RESERVED 0x7: RESERVED	RW	0x0

**Table 3-1259. Register Call Summary for Register
CM_CLKSEL_CORE_DPLL_OUT_CLK_CLKOUTMUX**

Clock Management Functional Description

- [CM_CORE_AON_CLKOUTMUX Overview: \[0\]](#)

PRCM Register Manual

- [CKGEN_PRM Register Summary: \[1\]](#)
- [CKGEN_PRM Register Description: \[2\]\[3\]\[4\]](#)

Table 3-1260. CM_CLKSEL_DSP_GFCLK_CLKOUTMUX

Address Offset	0x0000 008C	
Physical Address	0x4AE0 618C	Instance CKGEN_PRM
Description	Select the DSP_GFCLK. [warm reset insensitive]	
Type	RW	

31	30	29	28	27	26	25	24	23	22	21	20	19	18	17	16	15	14	13	12	11	10	9	8	7	6	5	4	3	2	1	0
RESERVED																CLKSEL															

Bits	Field Name	Description	Type	Reset
31:3	RESERVED		R	0x0
2:0	CLKSEL	Selects the divider value 0x0: Select CLK divided by 1 0x1: Select CLK divided by 2 0x2: Select CLK divided by 4 0x3: Select CLK divided by 8 0x4: Select CLK divided by 16 0x5: Select CLK divided by 32 0x6: RESERVED 0x7: RESERVED	RW	0x0

Table 3-1261. Register Call Summary for Register CM_CLKSEL_DSP_GFCLK_CLKOUTMUX

Clock Management Functional Description

- [CM_CORE_AON_CLKOUTMUX Overview: \[0\]](#)

PRCM Register Manual

- [CKGEN_PRM Register Summary: \[1\]](#)
- [CKGEN_PRM Register Description: \[2\]\[3\]\[4\]](#)

Table 3-1262. CM_CLKSEL_EMIF_PHY_GCLK_CLKOUTMUX

Address Offset	0x0000 0090	Instance	CKGEN_PRM
Physical Address	0x4AE0 6190		
Description	Select the EMIF_PHY_GCLK. [warm reset insensitive]		
Type	RW		

31	30	29	28	27	26	25	24	23	22	21	20	19	18	17	16	15	14	13	12	11	10	9	8	7	6	5	4	3	2	1	0
RESERVED																CLKSEL															

Bits	Field Name	Description	Type	Reset
31:3	RESERVED		R	0x0
2:0	CLKSEL	Selects the divider value 0x0: Select CLK divided by 1 0x1: Select CLK divided by 2 0x2: Select CLK divided by 4 0x3: Select CLK divided by 8 0x4: Select CLK divided by 16 0x5: Select CLK divided by 32 0x6: RESERVED 0x7: RESERVED	RW	0x0

Table 3-1263. Register Call Summary for Register CM_CLKSEL_EMIF_PHY_GCLK_CLKOUTMUX

Clock Management Functional Description

- [CM_CORE_AON_CLKOUTMUX Overview: \[0\]](#)

PRCM Register Manual

- [CKGEN_PRM Register Summary: \[1\]](#)
- [CKGEN_PRM Register Description: \[2\]\[3\]\[4\]](#)

Table 3-1264. CM_CLKSEL_EMU_CLK_CLKOUTMUX

Address Offset	0x0000 0094	Instance	CKGEN_PRM
Physical Address	0x4AE0 6194		
Description	Select the EMU_CLK. [warm reset insensitive]		
Type	RW		

31	30	29	28	27	26	25	24	23	22	21	20	19	18	17	16	15	14	13	12	11	10	9	8	7	6	5	4	3	2	1	0
RESERVED																CLKSEL															

Bits	Field Name	Description	Type	Reset
31:3	RESERVED		R	0x0
2:0	CLKSEL	Selects the divider value 0x0: Select CLK divided by 1 0x1: Select CLK divided by 2 0x2: Select CLK divided by 4 0x3: Select CLK divided by 8 0x4: Select CLK divided by 16 0x5: Select CLK divided by 32 0x6: RESERVED 0x7: RESERVED	RW	0x0

Table 3-1265. Register Call Summary for Register CM_CLKSEL_EMU_CLK_CLKOUTMUX

Clock Management Functional Description

- [CM_CORE_AON_CLKOUTMUX Overview: \[0\]](#)

PRCM Register Manual

- [CKGEN_PRM Register Summary: \[1\]](#)
- [CKGEN_PRM Register Description: \[2\]\[3\]\[4\]](#)

Table 3-1266. CM_CLKSEL_FUNC_96M_AON_CLK_CLKOUTMUX

Address Offset	0x0000 0098	Instance	CKGEN_PRM
Physical Address	0x4AE0 6198		
Description	Select the FUNC_96M_AON_CLK. [warm reset insensitive]		
Type	RW		

31	30	29	28	27	26	25	24	23	22	21	20	19	18	17	16	15	14	13	12	11	10	9	8	7	6	5	4	3	2	1	0
RESERVED																CLKSEL															

Bits	Field Name	Description	Type	Reset
31:3	RESERVED		R	0x0
2:0	CLKSEL	Selects the divider value 0x0: Select CLK divided by 1 0x1: Select CLK divided by 2 0x2: Select CLK divided by 4 0x3: Select CLK divided by 8 0x4: Select CLK divided by 16 0x5: Select CLK divided by 32 0x6: RESERVED 0x7: RESERVED	RW	0x0

Table 3-1267. Register Call Summary for Register CM_CLKSEL_FUNC_96M_AON_CLK_CLKOUTMUX

Clock Management Functional Description

- [CM_CORE_AON_CLKOUTMUX Overview: \[0\]](#)

PRCM Register Manual

- [CKGEN_PRM Register Summary: \[1\]](#)
- [CKGEN_PRM Register Description: \[2\]\[3\]\[4\]](#)

Table 3-1268. CM_CLKSEL_GMAC_250M_CLK_CLKOUTMUX

Address Offset	0x0000 009C	
Physical Address	0x4AE0 619C	Instance CKGEN_PRM
Description	Select the GMAC_250M_CLK. [warm reset insensitive]	
Type	RW	

31	30	29	28	27	26	25	24	23	22	21	20	19	18	17	16	15	14	13	12	11	10	9	8	7	6	5	4	3	2	1	0
RESERVED																CLKSEL															

Bits	Field Name	Description	Type	Reset
31:3	RESERVED		R	0x0
2:0	CLKSEL	Selects the divider value 0x0: Select CLK divided by 1 0x1: Select CLK divided by 2 0x2: Select CLK divided by 4 0x3: Select CLK divided by 8 0x4: Select CLK divided by 16 0x5: Select CLK divided by 32 0x6: RESERVED 0x7: RESERVED	RW	0x0

Table 3-1269. Register Call Summary for Register CM_CLKSEL_GMAC_250M_CLK_CLKOUTMUX

Clock Management Functional Description

- [CM_CORE_AON_CLKOUTMUX Overview: \[0\]](#)

PRCM Register Manual

- [CKGEN_PRM Register Summary: \[1\]](#)
- [CKGEN_PRM Register Description: \[2\]\[3\]\[4\]](#)

Table 3-1270. CM_CLKSEL_GPU_GCLK_CLKOUTMUX

Address Offset	0x0000 00A0	
Physical Address	0x4AE0 61A0	Instance CKGEN_PRM
Description	Select the GPU_GCLK. [warm reset insensitive]	
Type	RW	

31	30	29	28	27	26	25	24	23	22	21	20	19	18	17	16	15	14	13	12	11	10	9	8	7	6	5	4	3	2	1	0
RESERVED																CLKSEL															

Bits	Field Name	Description	Type	Reset
31:3	RESERVED		R	0x0
2:0	CLKSEL	Selects the divider value 0x0: Select CLK divided by 1 0x1: Select CLK divided by 2 0x2: Select CLK divided by 4 0x3: Select CLK divided by 8 0x4: Select CLK divided by 16 0x5: Select CLK divided by 32 0x6: RESERVED 0x7: RESERVED	RW	0x0

Table 3-1271. Register Call Summary for Register CM_CLKSEL_GPU_GCLK_CLKOUTMUX

Clock Management Functional Description

- [CM_CORE_AON_CLKOUTMUX Overview: \[0\]](#)

PRCM Register Manual

- [CKGEN_PRM Register Summary: \[1\]](#)
- [CKGEN_PRM Register Description: \[2\]\[3\]\[4\]](#)

Table 3-1272. CM_CLKSEL_HDMI_CLK_CLKOUTMUX

Address Offset	0x0000 00A4	Instance	CKGEN_PRM
Physical Address	0x4AE0 61A4		
Description	Select the HDMI_CLK. [warm reset insensitive]		
Type	RW		

31	30	29	28	27	26	25	24	23	22	21	20	19	18	17	16	15	14	13	12	11	10	9	8	7	6	5	4	3	2	1	0
RESERVED																CLKSEL															

Bits	Field Name	Description	Type	Reset
31:3	RESERVED		R	0x0
2:0	CLKSEL	Selects the divider value 0x0: Select CLK divided by 1 0x1: Select CLK divided by 2 0x2: Select CLK divided by 4 0x3: Select CLK divided by 8 0x4: Select CLK divided by 16 0x5: Select CLK divided by 32 0x6: RESERVED 0x7: RESERVED	RW	0x0

Table 3-1273. Register Call Summary for Register CM_CLKSEL_HDMI_CLK_CLKOUTMUX

Clock Management Functional Description

- [CM_CORE_AON_CLKOUTMUX Overview: \[0\]](#)

PRCM Register Manual

- [CKGEN_PRM Register Summary: \[1\]](#)
- [CKGEN_PRM Register Description: \[2\]\[3\]\[4\]](#)

Table 3-1274. CM_CLKSEL_IVA_GCLK_CLKOUTMUX

Address Offset	0x0000 00A8	Instance	CKGEN_PRM
Physical Address	0x4AE0 61A8		
Description	Select the IVA_GCLK. [warm reset insensitive]		
Type	RW		

31	30	29	28	27	26	25	24	23	22	21	20	19	18	17	16	15	14	13	12	11	10	9	8	7	6	5	4	3	2	1	0
RESERVED																CLKSEL															

Bits	Field Name	Description	Type	Reset
31:3	RESERVED		R	0x0
2:0	CLKSEL	Selects the divider value 0x0: Select CLK divided by 1 0x1: Select CLK divided by 2 0x2: Select CLK divided by 4 0x3: Select CLK divided by 8 0x4: Select CLK divided by 16 0x5: Select CLK divided by 32 0x6: RESERVED 0x7: RESERVED	RW	0x0

Table 3-1275. Register Call Summary for Register CM_CLKSEL_IVA_GCLK_CLKOUTMUX

Clock Management Functional Description

- [CM_CORE_AON_CLKOUTMUX Overview: \[0\]](#)

PRCM Register Manual

- [CKGEN_PRM Register Summary: \[1\]](#)
- [CKGEN_PRM Register Description: \[2\]\[3\]\[4\]](#)

Table 3-1276. CM_CLKSEL_L3INIT_480M_GFCLK_CLKOUTMUX

Address Offset	0x0000 00AC	Instance	CKGEN_PRM
Physical Address	0x4AE0 61AC		
Description	Select the L3INIT_480M_GFCLK. [warm reset insensitive]		
Type	RW		

31	30	29	28	27	26	25	24	23	22	21	20	19	18	17	16	15	14	13	12	11	10	9	8	7	6	5	4	3	2	1	0
RESERVED																CLKSEL															

Bits	Field Name	Description	Type	Reset
31:3	RESERVED		R	0x0
2:0	CLKSEL	Selects the divider value 0x0: Select CLK divided by 1 0x1: Select CLK divided by 2 0x2: Select CLK divided by 4 0x3: Select CLK divided by 8 0x4: Select CLK divided by 16 0x5: Select CLK divided by 32 0x6: RESERVED 0x7: RESERVED	RW	0x0

Table 3-1277. Register Call Summary for Register CM_CLKSEL_L3INIT_480M_GFCLK_CLKOUTMUX

Clock Management Functional Description

- [CM_CORE_AON_CLKOUTMUX Overview: \[0\]](#)

PRCM Register Manual

- [CKGEN_PRM Register Summary: \[1\]](#)
- [CKGEN_PRM Register Description: \[2\]\[3\]\[4\]](#)

Table 3-1278. CM_CLKSEL_MPU_GCLK_CLKOUTMUX

Address Offset	0x0000 00B0	Instance	CKGEN_PRM
Physical Address	0x4AE0 61B0		
Description	Select the MPU_GCLK. [warm reset insensitive]		
Type	RW		

31	30	29	28	27	26	25	24	23	22	21	20	19	18	17	16	15	14	13	12	11	10	9	8	7	6	5	4	3	2	1	0
RESERVED																CLKSEL															

Bits	Field Name	Description	Type	Reset
31:3	RESERVED		R	0x0
2:0	CLKSEL	Selects the divider value 0x0: Select CLK divided by 1 0x1: Select CLK divided by 2 0x2: Select CLK divided by 4 0x3: Select CLK divided by 8 0x4: Select CLK divided by 16 0x5: Select CLK divided by 32 0x6: RESERVED 0x7: RESERVED	RW	0x0

Table 3-1279. Register Call Summary for Register CM_CLKSEL_MPU_GCLK_CLKOUTMUX

Clock Management Functional Description

- [CM_CORE_AON_CLKOUTMUX Overview: \[0\]](#)

PRCM Register Manual

- [CKGEN_PRM Register Summary: \[1\]](#)
- [CKGEN_PRM Register Description: \[2\]\[3\]\[4\]](#)

Table 3-1280. CM_CLKSEL_PCIE1_CLK_CLKOUTMUX

Address Offset	0x0000 00B4	Instance	CKGEN_PRM
Physical Address	0x4AE0 61B4		
Description	Select the PCIE1_DCLK, where APLL_PCIE_M2_CLK is the source clock of PCIE1_DCLK. [warm reset insensitive]		
Type	RW		

31	30	29	28	27	26	25	24	23	22	21	20	19	18	17	16	15	14	13	12	11	10	9	8	7	6	5	4	3	2	1	0
RESERVED																CLKSEL															

Bits	Field Name	Description	Type	Reset
31:3	RESERVED		R	0x0
2:0	CLKSEL	Selects the divider value 0x0: Select APLL_PCIE_M2_CLK divided by 1 0x1: Select APLL_PCIE_M2_CLK divided by 2 0x2: Select APLL_PCIE_M2_CLK divided by 4 0x3: Select APLL_PCIE_M2_CLK divided by 8 0x4: Select APLL_PCIE_M2_CLK divided by 16 0x5: Select APLL_PCIE_M2_CLK divided by 32 0x6: RESERVED 0x7: RESERVED	RW	0x0

Table 3-1281. Register Call Summary for Register CM_CLKSEL_PCIE1_CLK_CLKOUTMUX

Clock Management Functional Description

- [CM_CORE_AON_CLKOUTMUX Overview: \[0\]](#)

PRCM Register Manual

- [CKGEN_PRM Register Summary: \[1\]](#)
- [CKGEN_PRM Register Description: \[2\]\[3\]\[4\]](#)

Table 3-1282. CM_CLKSEL_PCIE2_CLK_CLKOUTMUX

Address Offset	0x0000 00B8	Instance	CKGEN_PRM
Physical Address	0x4AE0 61B8		
Description	Select the PCIE2_DCLK, where PCIE_M2_CLK is the source clock of PCIE2_DCLK. [warm reset insensitive]		
Type	RW		

31	30	29	28	27	26	25	24	23	22	21	20	19	18	17	16	15	14	13	12	11	10	9	8	7	6	5	4	3	2	1	0
RESERVED																CLKSEL															

Bits	Field Name	Description	Type	Reset
31:3	RESERVED		R	0x0
2:0	CLKSEL	Selects the divider value 0x0: Select PCIE_M2_CLK divided by 1 0x1: Select PCIE_M2_CLK divided by 2 0x2: Select PCIE_M2_CLK divided by 4 0x3: Select PCIE_M2_CLK divided by 8 0x4: Select PCIE_M2_CLK divided by 16 0x5: Select PCIE_M2_CLK divided by 32 0x6: RESERVED 0x7: RESERVED	RW	0x0

Table 3-1283. Register Call Summary for Register CM_CLKSEL_PCIE2_CLK_CLKOUTMUX

Clock Management Functional Description

- [CM_CORE_AON_CLKOUTMUX Overview: \[0\]](#)

PRCM Register Manual

- [CKGEN_PRM Register Summary: \[1\]](#)
- [CKGEN_PRM Register Description: \[2\]\[3\]\[4\]](#)

Table 3-1284. CM_CLKSEL_PER_ABE_X1_CLK_CLKOUTMUX

Address Offset	0x0000 00BC	Instance	CKGEN_PRM
Physical Address	0x4AE0 61BC		
Description	Select the PER_ABE_X1_CLK. [warm reset insensitive]		
Type	RW		

31	30	29	28	27	26	25	24	23	22	21	20	19	18	17	16	15	14	13	12	11	10	9	8	7	6	5	4	3	2	1	0
RESERVED																CLKSEL															

Bits	Field Name	Description	Type	Reset
31:3	RESERVED		R	0x0
2:0	CLKSEL	Selects the divider value 0x0: Select CLK divided by 1 0x1: Select CLK divided by 2 0x2: Select CLK divided by 4 0x3: Select CLK divided by 8 0x4: Select CLK divided by 16 0x5: Select CLK divided by 32 0x6: RESERVED 0x7: RESERVED	RW	0x0

Table 3-1285. Register Call Summary for Register CM_CLKSEL_PER_ABE_X1_CLK_CLKOUTMUX

Clock Management Functional Description

- [CM_CORE_AON_CLKOUTMUX Overview: \[0\]](#)

PRCM Register Manual

- [CKGEN_PRM Register Summary: \[1\]](#)
- [CKGEN_PRM Register Description: \[2\]\[3\]\[4\]](#)

Table 3-1286. CM_CLKSEL_SATA_CLK_CLKOUTMUX

Address Offset	0x0000 00C0	Instance	CKGEN_PRM
Physical Address	0x4AE0 61C0		
Description	Select the SATA_CLK. [warm reset insensitive] Note: SATA is not supported on the AM570x family of devices.		
Type	RW		

31	30	29	28	27	26	25	24	23	22	21	20	19	18	17	16	15	14	13	12	11	10	9	8	7	6	5	4	3	2	1	0
RESERVED																CLKSEL															

Bits	Field Name	Description	Type	Reset
31:3	RESERVED		R	0x0
2:0	CLKSEL	Selects the divider value 0x0: Select CLK divided by 1 0x1: Select CLK divided by 2 0x2: Select CLK divided by 4 0x3: Select CLK divided by 8 0x4: Select CLK divided by 16 0x5: Select CLK divided by 32 0x6: RESERVED 0x7: RESERVED	RW	0x0

Table 3-1287. Register Call Summary for Register CM_CLKSEL_SATA_CLK_CLKOUTMUX

Clock Management Functional Description

- [CM_CORE_AON_CLKOUTMUX Overview: \[0\]](#)

PRCM Register Manual

- [CKGEN_PRM Register Summary: \[1\]](#)
- [CKGEN_PRM Register Description: \[2\]\[3\]\[4\]](#)

Table 3-1288. CM_CLKSEL_OSC_32K_CLK_CLKOUTMUX

Address Offset	0x0000 00C4	Instance	CKGEN_PRM
Physical Address	0x4AE0 61C4		
Description	Select the OSC_32K_CLK. [warm reset insensitive] <i>Note: The OSC_32K_CLK clock, provided by the On-die 32K RC Osc is not accurate 32KHz clock. The frequency may vary with temperature and silicon characteristics.</i>		
Type	RW		

31	30	29	28	27	26	25	24	23	22	21	20	19	18	17	16	15	14	13	12	11	10	9	8	7	6	5	4	3	2	1	0
RESERVED																CLKSEL															

Bits	Field Name	Description	Type	Reset
31:3	RESERVED		R	0x0
2:0	CLKSEL	Selects the divider value 0x0: Select CLK divided by 1 0x1: Select CLK divided by 2 0x2: Select CLK divided by 4 0x3: Select CLK divided by 8 0x4: Select CLK divided by 16 0x5: Select CLK divided by 32 0x6: RESERVED 0x7: RESERVED	RW	0x0

Table 3-1289. Register Call Summary for Register CM_CLKSEL_OSC_32K_CLK_CLKOUTMUX

Clock Management Functional Description

- [CM_CORE_AON_CLKOUTMUX Overview: \[0\]](#)

PRCM Register Manual

- [CKGEN_PRM Register Summary: \[1\]](#)
- [CKGEN_PRM Register Description: \[2\]\[3\]\[4\]](#)

Table 3-1290. CM_CLKSEL_SYS_CLK1_CLKOUTMUX

Address Offset	0x0000 00C8	Instance	CKGEN_PRM
Physical Address	0x4AE0 61C8		
Description	Select the SYS_CLK1. [warm reset insensitive]		
Type	RW		

31	30	29	28	27	26	25	24	23	22	21	20	19	18	17	16	15	14	13	12	11	10	9	8	7	6	5	4	3	2	1	0
RESERVED																CLKSEL															

Bits	Field Name	Description	Type	Reset
31:3	RESERVED		R	0x0
2:0	CLKSEL	Selects the divider value 0x0: Select CLK divided by 1 0x1: Select CLK divided by 2 0x2: Select CLK divided by 4 0x3: Select CLK divided by 8 0x4: Select CLK divided by 16 0x5: SELECT CLK divided by 32 0x6: RESERVED 0x7: RESERVED	RW	0x0

Table 3-1291. Register Call Summary for Register CM_CLKSEL_SYS_CLK1_CLKOUTMUX

Clock Management Functional Description

- [CM_CORE_AON_CLKOUTMUX Overview: \[0\]](#)

PRCM Register Manual

- [CKGEN_PRM Register Summary: \[1\]](#)
- [CKGEN_PRM Register Description: \[2\]\[3\]\[4\]](#)

Table 3-1292. CM_CLKSEL_SYS_CLK2_CLKOUTMUX

Address Offset	0x0000 00CC	Instance	CKGEN_PRM
Physical Address	0x4AE0 61CC		
Description	Select the SYS_CLK2. [warm reset insensitive]		
Type	RW		

31	30	29	28	27	26	25	24	23	22	21	20	19	18	17	16	15	14	13	12	11	10	9	8	7	6	5	4	3	2	1	0
RESERVED																CLKSEL															

Bits	Field Name	Description	Type	Reset
31:3	RESERVED		R	0x0
2:0	CLKSEL	Selects the divider value 0x0: Select CLK divided by 1 0x1: Select CLK divided by 2 0x2: Select CLK divided by 4 0x3: Select CLK divided by 8 0x4: Select CLK divided by 16 0x5: SELECT CLK divided by 32 0x6: RESERVED 0x7: RESERVED	RW	0x0

Table 3-1293. Register Call Summary for Register CM_CLKSEL_SYS_CLK2_CLKOUTMUX

Clock Management Functional Description

- [CM_CORE_AON_CLKOUTMUX Overview: \[0\]](#)

PRCM Register Manual

- [CKGEN_PRM Register Summary: \[1\]](#)
- [CKGEN_PRM Register Description: \[2\]\[3\]](#)

Table 3-1294. CM_CLKSEL_VIDEO1_CLK_CLKOUTMUX

Address Offset	0x0000 00D0	
Physical Address	0x4AE0 61D0	Instance CKGEN_PRM
Description	Select the VIDEO1_CLK. [warm reset insensitive]	
Type	RW	

31	30	29	28	27	26	25	24	23	22	21	20	19	18	17	16	15	14	13	12	11	10	9	8	7	6	5	4	3	2	1	0
RESERVED																CLKSEL															

Bits	Field Name	Description	Type	Reset
31:3	RESERVED		R	0x0
2:0	CLKSEL	Selects the divider value 0x0: Select CLK divided by 1 0x1: Select CLK divided by 2 0x2: Select CLK divided by 4 0x3: Select CLK divided by 8 0x4: Select CLK divided by 16 0x5: SELECT CLK divided by 32 0x6: RESERVED 0x7: RESERVED	RW	0x0

Table 3-1295. Register Call Summary for Register CM_CLKSEL_VIDEO1_CLK_CLKOUTMUX

Clock Management Functional Description

- [CM_CORE_AON_CLKOUTMUX Overview: \[0\]](#)

PRCM Register Manual

- [CKGEN_PRM Register Summary: \[1\]](#)
- [CKGEN_PRM Register Description: \[2\]\[3\]\[4\]](#)

Table 3-1296. CM_CLKSEL_VIDEO2_CLK_CLKOUTMUX

Address Offset	0x0000 00D4	
Physical Address	0x4AE0 61D4	Instance CKGEN_PRM
Description	Select the VIDEO2_CLK. [warm reset insensitive]	
Type	RW	

31	30	29	28	27	26	25	24	23	22	21	20	19	18	17	16	15	14	13	12	11	10	9	8	7	6	5	4	3	2	1	0
RESERVED																CLKSEL															

Bits	Field Name	Description	Type	Reset
31:3	RESERVED		R	0x0
2:0	CLKSEL	Selects the divider value 0x0: Select CLK divided by 1 0x1: Select CLK divided by 2 0x2: Select CLK divided by 4 0x3: Select CLK divided by 8 0x4: Select CLK divided by 16 0x5: SELECT CLK divided by 32 0x6: RESERVED 0x7: RESERVED	RW	0x0

Table 3-1297. CM_CLKSEL_ABE_LP_CLK

Address Offset	0x0000 00D8	Instance	CKGEN_PRM
Physical Address	0x4AE0 61D8		
Description	Select the ABE_LP_CLK. [warm reset insensitive]		
Type	RW		

31	30	29	28	27	26	25	24	23	22	21	20	19	18	17	16	15	14	13	12	11	10	9	8	7	6	5	4	3	2	1	0
RESERVED																CLKSEL															

Bits	Field Name	Description	Type	Reset
31:1	RESERVED		R	0x0
0	CLKSEL	Selects the divider value 0x0: Select CLK divided by 16 0x1: Select CLK divided by 32	RW	0x0

Table 3-1298. Register Call Summary for Register CM_CLKSEL_ABE_LP_CLK

Clock Management Functional Description

- [CM_CORE_AON Clock Generator: \[0\]](#)

PRCM Register Manual

- [CKGEN_PRM Register Summary: \[1\]](#)

Table 3-1299. CM_CLKSEL_ADC_GFCLK

Address Offset	0x0000 00DC	Instance	CKGEN_PRM
Physical Address	0x4AE0 61DC		
Description	Control the source of the ADC_GFCLK clock for		
Type	RW		

31	30	29	28	27	26	25	24	23	22	21	20	19	18	17	16	15	14	13	12	11	10	9	8	7	6	5	4	3	2	1	0
RESERVED																CLKSEL															

Bits	Field Name	Description	Type	Reset
31:2	RESERVED		R	0x0
1:0	CLKSEL	Select the SYS clock for the DPLL_ABE reference and bypass clock. 0x0: Selects SYS_CLK1 0x1: Selects SYS_CLK2 0x2: Selects SYS_CLK1_32K_CLK 0x3: RESERVED	RW	0x0

Table 3-1300. CM_CLKSEL_EVE_GFCLK_CLKOUTMUX

Address Offset	0x0000 00E0	Instance	CKGEN_PRM
Physical Address	0x4AE0 61E0		
Description	Select the EVE_GFCLK. [warm reset insensitive]		
Type	RW		

31	30	29	28	27	26	25	24	23	22	21	20	19	18	17	16	15	14	13	12	11	10	9	8	7	6	5	4	3	2	1	0
RESERVED																CLKSEL															

Bits	Field Name	Description	Type	Reset
31:3	RESERVED		R	0x0
2:0	CLKSEL	Selects the divider value 0x0: Select CLK divided by 1 0x1: Select CLK divided by 2 0x2: Select CLK divided by 4 0x3: Select CLK divided by 8 0x4: Select CLK divided by 16 0x5: SELECT CLK divided by 32 0x6: RESERVED 0x7: RESERVED	RW	0x0

3.12.32 COREAON_PRM Registers

3.12.32.1 COREAON_PRM Register Summary

Table 3-1301. COREAON_PRM Registers Mapping Summary

Register Name	Type	Register Width (Bits)	Address Offset	COREAON_PRM Physical Address L4_WKUP Interconnect
PM_COREAON_SMAR TREFLEX_MPU_WKDE P	RW	32	0x0000 0000	0x4AE0 6628
RM_COREAON_SMAR TREFLEX_MPU_CON TEXT	RW	32	0x0000 0004	0x4AE0 662C
PM_COREAON_SMAR TREFLEX_CORE_WKDE P	RW	32	0x0000 0010	0x4AE0 6638
RM_COREAON_SMAR TREFLEX_CORE_CON TEXT	RW	32	0x0000 0014	0x4AE0 663C
PM_COREAON_SMAR TREFLEX_GPU_WKDE P	RW	32	0x0000 0030	0x4AE0 6658
RM_COREAON_SMAR TREFLEX_GPU_CON TEXT	RW	32	0x0000 0034	0x4AE0 665C
PM_COREAON_SMAR TREFLEX_DSPEVE_W KDEP	RW	32	0x0000 0040	0x4AE0 6668
RM_COREAON_SMAR TREFLEX_DSPEVE_C ONTEXT	RW	32	0x0000 0044	0x4AE0 666C

Table 3-1301. COREAON_PRM Registers Mapping Summary (continued)

Register Name	Type	Register Width (Bits)	Address Offset	COREAON_PRM Physical Address L4_WKUP Interconnect
PM_COREAON_SMAR TREFLEX_IVAHD_WKD EP	RW	32	0x0000 0050	0x4AE0 6678
RM_COREAON_SMAR TREFLEX_IVAHD_CON TEXT	RW	32	0x0000 0054	0x4AE0 667C
RM_COREAON_DUMM Y_MODULE1_CONTEX T	RW	32	0x0000 0084	0x4AE0 66AC
RM_COREAON_DUMM Y_MODULE2_CONTEX T	RW	32	0x0000 0094	0x4AE0 66BC
RM_COREAON_DUMM Y_MODULE3_CONTEX T	RW	32	0x0000 00A4	0x4AE0 66CC
RM_COREAON_DUMM Y_MODULE4_CONTEX T	RW	32	0x0000 00B4	0x4AE0 66DC

3.12.32.2 COREAON_PRM Register Description

Table 3-1302. PM_COREAON_SMARTREFLEX_MPU_WKDEP

Address Offset	0x0000 0000	Instance	COREAON_PRM
Physical Address	0x4AE0 6628		
Description	This register controls wakeup dependency based on SMARTREFLEX_MPU service requests.		
Type	RW		

31	30	29	28	27	26	25	24	23	22	21	20	19	18	17	16	15	14	13	12	11	10	9	8	7	6	5	4	3	2	1	0				
RESERVED																WKUPDEP_SMARTREFLEX_MPU_EVE4		WKUPDEP_SMARTREFLEX_MPU_EVE3		WKUPDEP_SMARTREFLEX_MPU_EVE2		WKUPDEP_SMARTREFLEX_MPU_EVE1		WKUPDEP_SMARTREFLEX_MPU_DSP2		WKUPDEP_SMARTREFLEX_MPU_IPU1		RESERVED		WKUPDEP_SMARTREFLEX_MPU_DSP1		WKUPDEP_SMARTREFLEX_MPU_IPU2		WKUPDEP_SMARTREFLEX_MPU_MPU	

Bits	Field Name	Description	Type	Reset
31:10	RESERVED		R	0x0
9	WKUPDEP_SMARTREFLEX_M PU_EVE4	Wakeup dependency from SMARTREFLEX_MPU module (SWakeup signal) towards EVE4 + L3_MAIN1 + L4PER1 + L4PER2 + L4PER3 domains 0x0: Dependency is disabled 0x1: Dependency is enabled	RW	0x0

Bits	Field Name	Description	Type	Reset
8	WKUPDEP_SMARTREFLEX_M PU_EVE3	Wakeup dependency from SMARTREFLEX_MPU module (SWakeup signal) towards EVE3 + L3_MAIN1 + L4PER1 + L4PER2 + L4PER3 domains 0x0: Dependency is disabled 0x1: Dependency is enabled	RW	0x0
7	WKUPDEP_SMARTREFLEX_M PU_EVE2	Wakeup dependency from SMARTREFLEX_MPU module (SWakeup signal) towards EVE2 + L3_MAIN1 + L4PER1 + L4PER2 + L4PER3 domains 0x0: Dependency is disabled 0x1: Dependency is enabled	RW	0x0
6	WKUPDEP_SMARTREFLEX_M PU_EVE1	Wakeup dependency from SMARTREFLEX_MPU module (SWakeup signal) towards EVE1 + L3_MAIN1 + L4PER1 + L4PER2 + L4PER3 domains 0x0: Dependency is disabled 0x1: Dependency is enabled	RW	0x0
5	WKUPDEP_SMARTREFLEX_M PU_DSP2	Wakeup dependency from SMARTREFLEX_MPU module (SWakeup signal) towards DSP2 + L3_MAIN1 + L4PER1 + L4PER2 + L4PER3 domains 0x0: Dependency is disabled 0x1: Dependency is enabled	RW	0x0
4	WKUPDEP_SMARTREFLEX_M PU_IPU1	Wakeup dependency from SMARTREFLEX_MPU module (SWakeup signal) towards IPU1 + L3_MAIN1 + L4PER1 + L4PER2 + L4PER3 domains 0x0: Dependency is disabled 0x1: Dependency is enabled	RW	0x0
3	RESERVED		R	0x0
2	WKUPDEP_SMARTREFLEX_M PU_DSP1	Wakeup dependency from SMARTREFLEX_MPU module (SWakeup signal) towards DSP + L3MAIN1 + L4PER1 + L4PER2 + L4PER3 domains 0x0: Dependency is disabled 0x1: Dependency is enabled	RW	0x0
1	WKUPDEP_SMARTREFLEX_M PU_IPU2	Wakeup dependency from SMARTREFLEX_MPU module (SWakeup signal) towards IPU2 + L3_MAIN1 + L4PER1 + L4PER2 + L4PER3 domains 0x0: Dependency is disabled 0x1: Dependency is enabled	RW	0x0
0	WKUPDEP_SMARTREFLEX_M PU_MPU	Wakeup dependency from SMARTREFLEX_MPU module (SWakeup signal) towards MPU + L3_MAIN1 + L4PER1 + L4PER2 + L4PER3 domains 0x0: Dependency is disabled 0x1: Dependency is enabled	RW	0x0

Table 3-1303. RM_COREAON_SMARTREFLEX_MPU_CONTEXT

Address Offset	0x0000 0004	Instance	COREAON_PRM
Physical Address	0x4AE0 662C		
Description	This register contains dedicated SMARTREFLEX_MPU context statuses. [warm reset insensitive]		
Type	RW		

31	30	29	28	27	26	25	24	23	22	21	20	19	18	17	16	15	14	13	12	11	10	9	8	7	6	5	4	3	2	1	0
RESERVED																LOSTCONTEXT_DFF															

Bits	Field Name	Description	Type	Reset
31:1	RESERVED		R	0x0
0	LOSTCONTEXT_DFF	Specify if DFF-based context has been lost due to a previous power transition or other reset source. (set upon assertion of COREAON_RST signal) 0x0: Context has been maintained 0x1: Context has been lost	RW	0x1

Table 3-1304. PM_COREAON_SMARTREFLEX_CORE_WKDEP

Address Offset	0x0000 0010	Instance	COREAON_PRM
Physical Address	0x4AE0 6638		
Description	This register controls wakeup dependency based on SMARTREFLEX_CORE service requests.		
Type	RW		

31	30	29	28	27	26	25	24	23	22	21	20	19	18	17	16	15	14	13	12	11	10	9	8	7	6	5	4	3	2	1	0
RESERVED																WKUPDEP_SMARTREFLEX_CORE_EVE4	WKUPDEP_SMARTREFLEX_CORE_EVE3	WKUPDEP_SMARTREFLEX_CORE_EVE2	WKUPDEP_SMARTREFLEX_CORE_EVE1	WKUPDEP_SMARTREFLEX_CORE_DSP2	WKUPDEP_SMARTREFLEX_CORE_IPU1	RESERVED	WKUPDEP_SMARTREFLEX_CORE_DSP1	WKUPDEP_SMARTREFLEX_CORE_IPU2	WKUPDEP_SMARTREFLEX_CORE_MPU						

Bits	Field Name	Description	Type	Reset
31:10	RESERVED		R	0x0
9	WKUPDEP_SMARTREFLEX_CORE_EVE4	Wakeup dependency from SMARTREFLEX_CORE module (SWakeup signal) towards EVE4 + L3_MAIN1 + L4PER1 + L4PER2 + L4PER3 domains 0x0: Dependency is disabled 0x1: Dependency is enabled	RW	0x0

Bits	Field Name	Description	Type	Reset
8	WKUPDEP_SMARTREFLEX_CORE_EVE3	Wakeup dependency from SMARTREFLEX_CORE module (SWakeup signal) towards EVE3 + L3_MAIN1 + L4PER1 + L4PER2 + L4PER3 domains 0x0: Dependency is disabled 0x1: Dependency is enabled	RW	0x0
7	WKUPDEP_SMARTREFLEX_CORE_EVE2	Wakeup dependency from SMARTREFLEX_CORE module (SWakeup signal) towards EVE2 + L3_MAIN1 + L4PER1 + L4PER2 + L4PER3 domains 0x0: Dependency is disabled 0x1: Dependency is enabled	RW	0x0
6	WKUPDEP_SMARTREFLEX_CORE_EVE1	Wakeup dependency from SMARTREFLEX_CORE module (SWakeup signal) towards EVE1 + L3_MAIN1 + L4PER1 + L4PER2 + L4PER3 domains 0x0: Dependency is disabled 0x1: Dependency is enabled	RW	0x0
5	WKUPDEP_SMARTREFLEX_CORE_DSP2	Wakeup dependency from SMARTREFLEX_CORE module (SWakeup signal) towards DSP2 + L3_MAIN1 + L4PER1 + L4PER2 + L4PER3 domains 0x0: Dependency is disabled 0x1: Dependency is enabled	RW	0x0
4	WKUPDEP_SMARTREFLEX_CORE_IPU1	Wakeup dependency from SMARTREFLEX_CORE module (SWakeup signal) towards IPU1 + L3_MAIN1 + L4PER1 + L4PER2 + L4PER3 domains 0x0: Dependency is disabled 0x1: Dependency is enabled	RW	0x0
3	RESERVED		R	0x0
2	WKUPDEP_SMARTREFLEX_CORE_DSP1	Wakeup dependency from SMARTREFLEX_CORE module (SWakeup signal) towards DSP + L3MAIN1 + L4PER1 + L4PER2 + L4PER3 domains 0x0: Dependency is disabled 0x1: Dependency is enabled	RW	0x0
1	WKUPDEP_SMARTREFLEX_CORE_IPU2	Wakeup dependency from SMARTREFLEX_CORE module (SWakeup signal) towards IPU2 + L3_MAIN1 + L4PER1 + L4PER2 + L4PER3 domains 0x0: Dependency is disabled 0x1: Dependency is enabled	RW	0x0
0	WKUPDEP_SMARTREFLEX_CORE_MPU	Wakeup dependency from SMARTREFLEX_CORE module (SWakeup signal) towards MPU + L3_MAIN1 + L4PER1 + L4PER2 + L4PER3 domains 0x0: Dependency is disabled 0x1: Dependency is enabled	RW	0x0

Table 3-1305. RM_COREAON_SMARTREFLEX_CORE_CONTEXT

Address Offset	0x0000 0014	Instance	COREAON_PRM
Physical Address	0x4AE0 663C		
Description	This register contains dedicated SMARTREFLEX_CORE context statuses. [warm reset insensitive]		
Type	RW		

31	30	29	28	27	26	25	24	23	22	21	20	19	18	17	16	15	14	13	12	11	10	9	8	7	6	5	4	3	2	1	0
RESERVED																LOSTCONTEXT_DFF															

Bits	Field Name	Description	Type	Reset
31:1	RESERVED		R	0x0
0	LOSTCONTEXT_DFF	Specify if DFF-based context has been lost due to a previous power transition or other reset source. (set upon assertion of COREAON_RST signal) 0x0: Context has been maintained 0x1: Context has been lost	RW	0x1

Table 3-1306. PM_COREAON_SMARTREFLEX_GPU_WKDEP

Address Offset	0x0000 0030	Instance	COREAON_PRM
Physical Address	0x4AE0 6658		
Description	This register controls wakeup dependency based on SMARTREFLEX_GPU service requests.		
Type	RW		

31	30	29	28	27	26	25	24	23	22	21	20	19	18	17	16	15	14	13	12	11	10	9	8	7	6	5	4	3	2	1	0
RESERVED																WKUPDEP_SMARTREFLEX_GPU_EVE4	WKUPDEP_SMARTREFLEX_GPU_EVE3	WKUPDEP_SMARTREFLEX_GPU_EVE2	WKUPDEP_SMARTREFLEX_GPU_EVE1	WKUPDEP_SMARTREFLEX_GPU_DSP2	WKUPDEP_SMARTREFLEX_GPU_IPU1	RESERVED	WKUPDEP_SMARTREFLEX_GPU_DSP1	WKUPDEP_SMARTREFLEX_GPU_IPU2	WKUPDEP_SMARTREFLEX_GPU_MPU						

Bits	Field Name	Description	Type	Reset
31:10	RESERVED		R	0x0
9	WKUPDEP_SMARTREFLEX_G PU_EVE4	Wakeup dependency from SMARTREFLEX_GPU module (SWakeup signal) towards EVE4 + L3_MAIN1 + L4PER1 + L4PER2 + L4PER3 domains 0x0: Dependency is disabled 0x1: Dependency is enabled	RW	0x0

Bits	Field Name	Description	Type	Reset
8	WKUPDEP_SMARTREFLEX_G PU_EVE3	Wakeup dependency from SMARTREFLEX_GPU module (SWakeup signal) towards EVE3 + L3_MAIN1 + L4PER1 + L4PER2 + L4PER3 domains 0x0: Dependency is disabled 0x1: Dependency is enabled	RW	0x0
7	WKUPDEP_SMARTREFLEX_G PU_EVE2	Wakeup dependency from SMARTREFLEX_GPU module (SWakeup signal) towards EVE2 + L3_MAIN1 + L4PER1 + L4PER2 + L4PER3 domains 0x0: Dependency is disabled 0x1: Dependency is enabled	RW	0x0
6	WKUPDEP_SMARTREFLEX_G PU_EVE1	Wakeup dependency from SMARTREFLEX_GPU module (SWakeup signal) towards EVE1 + L3_MAIN1 + L4PER1 + L4PER2 + L4PER3 domains 0x0: Dependency is disabled 0x1: Dependency is enabled	RW	0x0
5	WKUPDEP_SMARTREFLEX_G PU_DSP2	Wakeup dependency from SMARTREFLEX_GPU module (SWakeup signal) towards DSP2 + L3_MAIN1 + L4PER1 + L4PER2 + L4PER3 domains 0x0: Dependency is disabled 0x1: Dependency is enabled	RW	0x0
4	WKUPDEP_SMARTREFLEX_G PU_IPU1	Wakeup dependency from SMARTREFLEX_GPU module (SWakeup signal) towards IPU1 + L3_MAIN1 + L4PER1 + L4PER2 + L4PER3 domains 0x0: Dependency is disabled 0x1: Dependency is enabled	RW	0x0
3	RESERVED		R	0x0
2	WKUPDEP_SMARTREFLEX_G PU_DSP1	Wakeup dependency from SMARTREFLEX_GPU module (SWakeup signal) towards DSP + L3MAIN1 + L4PER1 + L4PER2 + L4PER3 domains 0x0: Dependency is disabled 0x1: Dependency is enabled	RW	0x0
1	WKUPDEP_SMARTREFLEX_G PU_IPU2	Wakeup dependency from SMARTREFLEX_GPU module (SWakeup signal) towards IPU2 + L3_MAIN1 + L4PER1 + L4PER2 + L4PER3 domains 0x0: Dependency is disabled 0x1: Dependency is enabled	RW	0x0
0	WKUPDEP_SMARTREFLEX_G PU_MPU	Wakeup dependency from SMARTREFLEX_GPU module (SWakeup signal) towards MPU + L3_MAIN1 + L4PER1 + L4PER2 + L4PER3 domains 0x0: Dependency is disabled 0x1: Dependency is enabled	RW	0x0

Table 3-1307. RM_COREAON_SMARTREFLEX_GPU_CONTEXT

Address Offset	0x0000 0034	Instance	COREAON_PRM
Physical Address	0x4AE0 665C		
Description	This register contains dedicated SMARTREFLEX_GPU context statuses. [warm reset insensitive]		
Type	RW		

31	30	29	28	27	26	25	24	23	22	21	20	19	18	17	16	15	14	13	12	11	10	9	8	7	6	5	4	3	2	1	0
RESERVED																LOSTCONTEXT_DFF															

Bits	Field Name	Description	Type	Reset
31:1	RESERVED		R	0x0
0	LOSTCONTEXT_DFF	Specify if DFF-based context has been lost due to a previous power transition or other reset source. (set upon assertion of COREAON_RST signal) 0x0: Context has been maintained 0x1: Context has been lost	RW	0x1

Table 3-1308. PM_COREAON_SMARTREFLEX_DSPEVE_WKDEP

Address Offset	0x0000 0040	Instance	COREAON_PRM
Physical Address	0x4AE0 6668		
Description	This register controls wakeup dependency based on SMARTREFLEX_DSPEVE service requests.		
Type	RW		

31	30	29	28	27	26	25	24	23	22	21	20	19	18	17	16	15	14	13	12	11	10	9	8	7	6	5	4	3	2	1	0
RESERVED																WKUPDEP_SMARTREFLEX_DSPEVE_EVE4	WKUPDEP_SMARTREFLEX_DSPEVE_EVE3	WKUPDEP_SMARTREFLEX_DSPEVE_EVE2	WKUPDEP_SMARTREFLEX_DSPEVE_EVE1	WKUPDEP_SMARTREFLEX_DSPEVE_DSP2	WKUPDEP_SMARTREFLEX_DSPEVE_IPU1	WKUPDEP_SMARTREFLEX_DSPEVE_SDMA	WKUPDEP_SMARTREFLEX_DSPEVE_DSP1	WKUPDEP_SMARTREFLEX_DSPEVE_IPU2	WKUPDEP_SMARTREFLEX_DSPEVE_MPU						

Bits	Field Name	Description	Type	Reset
31:10	RESERVED		R	0x0
9	WKUPDEP_SMARTREFLEX_DSPEVE_EVE4	Wakeup dependency from SMARTREFLEX_DSPEVE module (SWakeup signal) towards EVE4 + L3_MAIN1 + L4PER1 + L4PER2 + L4PER3 domains 0x0: Dependency is disabled 0x1: Dependency is enabled	RW	0x0

Bits	Field Name	Description	Type	Reset
8	WKUPDEP_SMARTREFLEX_DS PEVE_EVE3	Wakeup dependency from SMARTREFLEX_DSPEVE module (SWakeup signal) towards EVE3 + L3_MAIN1 + L4PER1 + L4PER2 + L4PER3 domains 0x0: Dependency is disabled 0x1: Dependency is enabled	RW	0x0
7	WKUPDEP_SMARTREFLEX_DS PEVE_EVE2	Wakeup dependency from SMARTREFLEX_DSPEVE module (SWakeup signal) towards EVE2 + L3_MAIN1 + L4PER1 + L4PER2 + L4PER3 domains 0x0: Dependency is disabled 0x1: Dependency is enabled	RW	0x0
6	WKUPDEP_SMARTREFLEX_DS PEVE_EVE1	Wakeup dependency from SMARTREFLEX_DSPEVE module (SWakeup signal) towards EVE1 + L3_MAIN1 + L4PER1 + L4PER2 + L4PER3 domains 0x0: Dependency is disabled 0x1: Dependency is enabled	RW	0x0
5	WKUPDEP_SMARTREFLEX_DS PEVE_DSP2	Wakeup dependency from SMARTREFLEX_DSPEVE module (SWakeup signal) towards DSP2 + L3_MAIN1 + L4PER1 + L4PER2 + L4PER3 domains 0x0: Dependency is disabled 0x1: Dependency is enabled	RW	0x0
4	WKUPDEP_SMARTREFLEX_DS PEVE_IPU1	Wakeup dependency from SMARTREFLEX_DSPEVE module (SWakeup signal) towards IPU1 + L3_MAIN1 + L4PER1 + L4PER2 + L4PER3 domains 0x0: Dependency is disabled 0x1: Dependency is enabled	RW	0x0
3	WKUPDEP_SMARTREFLEX_DS PEVE_SDMA	Wakeup dependency from SMARTREFLEX_DSPEVE module (SWakeup signal) towards SDMA + L3MAIN1 + L4PER1 + L4PER2 + L4PER3 domains 0x0: Dependency is disabled 0x1: Dependency is enabled	RW	0x0
2	WKUPDEP_SMARTREFLEX_DS PEVE_DSP1	Wakeup dependency from SMARTREFLEX_GPU module (SWakeup signal) towards DSP + L3MAIN1 + L4PER1 + L4PER2 + L4PER3 domains 0x0: Dependency is disabled 0x1: Dependency is enabled	RW	0x0
1	WKUPDEP_SMARTREFLEX_DS PEVE_IPU2	Wakeup dependency from SMARTREFLEX_DSPEVE module (SWakeup signal) towards IPU2 + L3_MAIN1 + L4PER1 + L4PER2 + L4PER3 domains 0x0: Dependency is disabled 0x1: Dependency is enabled	RW	0x0
0	WKUPDEP_SMARTREFLEX_DS PEVE_MPU	Wakeup dependency from SMARTREFLEX_DSPEVE module (SWakeup signal) towards MPU + L3_MAIN1 + L4PER1 + L4PER2 + L4PER3 domains 0x0: Dependency is disabled 0x1: Dependency is enabled	RW	0x0

Table 3-1309. RM_COREAON_SMARTREFLEX_DSPEVE_CONTEXT

Address Offset	0x0000 0044	Instance	COREAON_PRM
Physical Address	0x4AE0 666C		
Description	This register contains dedicated SMARTREFLEX_DSPEVE context statuses. [warm reset insensitive]		
Type	RW		

31	30	29	28	27	26	25	24	23	22	21	20	19	18	17	16	15	14	13	12	11	10	9	8	7	6	5	4	3	2	1	0
RESERVED																LOSTCONTEXT_DFF															

Bits	Field Name	Description	Type	Reset
31:1	RESERVED		R	0x0
0	LOSTCONTEXT_DFF	Specify if DFF-based context has been lost due to a previous power transition or other reset source. (set upon assertion of COREAON_RST signal) 0x0: Context has been maintained 0x1: Context has been lost	RW	0x1

Table 3-1310. PM_COREAON_SMARTREFLEX_IVAHD_WKDEP

Address Offset	0x0000 0050	Instance	COREAON_PRM
Physical Address	0x4AE0 6678		
Description	This register controls wakeup dependency based on SMARTREFLEX_IVAHD service requests.		
Type	RW		

31	30	29	28	27	26	25	24	23	22	21	20	19	18	17	16	15	14	13	12	11	10	9	8	7	6	5	4	3	2	1	0
RESERVED																WKUPDEP_SMARTREFLEX_IVAHD_EVE4	WKUPDEP_SMARTREFLEX_IVAHD_EVE3	WKUPDEP_SMARTREFLEX_IVAHD_EVE2	WKUPDEP_SMARTREFLEX_IVAHD_EVE1	WKUPDEP_SMARTREFLEX_IVAHD_DSP2	WKUPDEP_SMARTREFLEX_IVAHD_IPU1	RESERVED	WKUPDEP_SMARTREFLEX_IVAHD_DSP1	WKUPDEP_SMARTREFLEX_IVAHD_IPU2	WKUPDEP_SMARTREFLEX_IVAHD_MPU						

Bits	Field Name	Description	Type	Reset
31:10	RESERVED		R	0x0
9	WKUPDEP_SMARTREFLEX_IVAHD_EVE4	Wakeup dependency from SMARTREFLEX_IVAHD module (SWakeup signal) towards EVE4 + L3_MAIN1 + L4PER1 + L4PER2 + L4PER3 domains 0x0: Dependency is disabled 0x1: Dependency is enabled	RW	0x0

Bits	Field Name	Description	Type	Reset
8	WKUPDEP_SMARTREFLEX_IV_AHD_EVE3	Wakeup dependency from SMARTREFLEX_IVAHD module (SWakeup signal) towards EVE3 + L3_MAIN1 + L4PER1 + L4PER2 + L4PER3 domains 0x0: Dependency is disabled 0x1: Dependency is enabled	RW	0x0
7	WKUPDEP_SMARTREFLEX_IV_AHD_EVE2	Wakeup dependency from SMARTREFLEX_IVAHD module (SWakeup signal) towards EVE2 + L3_MAIN1 + L4PER1 + L4PER2 + L4PER3 domains 0x0: Dependency is disabled 0x1: Dependency is enabled	RW	0x0
6	WKUPDEP_SMARTREFLEX_IV_AHD_EVE1	Wakeup dependency from SMARTREFLEX_IVAHD module (SWakeup signal) towards EVE1 + L3_MAIN1 + L4PER1 + L4PER2 + L4PER3 domains 0x0: Dependency is disabled 0x1: Dependency is enabled	RW	0x0
5	WKUPDEP_SMARTREFLEX_IV_AHD_DSP2	Wakeup dependency from SMARTREFLEX_IVAHD module (SWakeup signal) towards DSP2 + L3_MAIN1 + L4PER1 + L4PER2 + L4PER3 domains 0x0: Dependency is disabled 0x1: Dependency is enabled	RW	0x0
4	WKUPDEP_SMARTREFLEX_IV_AHD_IPU1	Wakeup dependency from SMARTREFLEX_IVAHD module (SWakeup signal) towards IPU1 + L3_MAIN1 + L4PER1 + L4PER2 + L4PER3 domains 0x0: Dependency is disabled 0x1: Dependency is enabled	RW	0x0
3	RESERVED		R	0x0
2	WKUPDEP_SMARTREFLEX_IV_AHD_DSP1	Wakeup dependency from SMARTREFLEX_IVAHD module (SWakeup signal) towards DSP + L3MAIN1 + L4PER1 + L4PER2 + L4PER3 domains 0x0: Dependency is disabled 0x1: Dependency is enabled	RW	0x0
1	WKUPDEP_SMARTREFLEX_IV_AHD_IPU2	Wakeup dependency from SMARTREFLEX_IVAHD module (SWakeup signal) towards IPU2 + L3_MAIN1 + L4PER1 + L4PER2 + L4PER3 domains 0x0: Dependency is disabled 0x1: Dependency is enabled	RW	0x0
0	WKUPDEP_SMARTREFLEX_IV_AHD_MPU	Wakeup dependency from SMARTREFLEX_IVAHD module (SWakeup signal) towards MPU + L3_MAIN1 + L4PER1 + L4PER2 + L4PER3 domains 0x0: Dependency is disabled 0x1: Dependency is enabled	RW	0x0

Table 3-1311. RM_COREAON_SMARTREFLEX_IVAHD_CONTEXT

Address Offset	0x0000 0054	Instance	COREAON_PRM
Physical Address	0x4AE0 667C		
Description	This register contains dedicated SMARTREFLEX_IVA context statuses. [warm reset insensitive]		
Type	RW		

31	30	29	28	27	26	25	24	23	22	21	20	19	18	17	16	15	14	13	12	11	10	9	8	7	6	5	4	3	2	1	0
RESERVED																												LOSTCONTEXT_DFF			

Bits	Field Name	Description	Type	Reset
31:1	RESERVED		R	0x0
0	LOSTCONTEXT_DFF	Specify if DFF-based context has been lost due to a previous power transition or other reset source. (set upon assertion of COREAON_RST signal) 0x0: Context has been maintained 0x1: Context has been lost	RW	0x1

Table 3-1312. RM_COREAON_DUMMY_MODULE1_CONTEXT

Address Offset	0x0000 0084	Instance	COREAON_PRM
Physical Address	0x4AE0 66AC		
Description	This register contains dedicated DUMMY MODULE1 context statuses. [warm reset insensitive]		
Type	RW		

31	30	29	28	27	26	25	24	23	22	21	20	19	18	17	16	15	14	13	12	11	10	9	8	7	6	5	4	3	2	1	0
RESERVED																												LOSTCONTEXT_DFF			

Bits	Field Name	Description	Type	Reset
31:1	RESERVED		R	0x0
0	LOSTCONTEXT_DFF	Specify if DFF-based context has been lost due to a previous power transition or other reset source. (set upon assertion of COREAON_RST signal) 0x0: Context has been maintained 0x1: Context has been lost	RW	0x1

Table 3-1313. RM_COREAON_DUMMY_MODULE2_CONTEXT

Address Offset	0x0000 0094	Instance	COREAON_PRM
Physical Address	0x4AE0 66BC		
Description	This register contains dedicated DUMMY MODULE2 context statuses. [warm reset insensitive]		
Type	RW		

31	30	29	28	27	26	25	24	23	22	21	20	19	18	17	16	15	14	13	12	11	10	9	8	7	6	5	4	3	2	1	0
RESERVED																												LOSTCONTEXT_DFF			

Bits	Field Name	Description	Type	Reset
31:1	RESERVED		R	0x0
0	LOSTCONTEXT_DFF	Specify if DFF-based context has been lost due to a previous power transition or other reset source. (set upon assertion of COREAON_RST signal) 0x0: Context has been maintained 0x1: Context has been lost	RW	0x1

Table 3-1314. RM_COREAON_DUMMY_MODULE3_CONTEXT

Address Offset	0x0000 00A4	Instance	COREAON_PRM
Physical Address	0x4AE0 66CC		
Description	This register contains DUMMY MODULE USBSTUB context statuses. [warm reset insensitive]		
Type	RW		

31	30	29	28	27	26	25	24	23	22	21	20	19	18	17	16	15	14	13	12	11	10	9	8	7	6	5	4	3	2	1	0
RESERVED																												LOSTCONTEXT_DFF			

Bits	Field Name	Description	Type	Reset
31:1	RESERVED		R	0x0
0	LOSTCONTEXT_DFF	Specify if DFF-based context has been lost due to a previous power transition or other reset source. (set upon assertion of COREAON_RST signal) 0x0: Context has been maintained 0x1: Context has been lost	RW	0x1

Table 3-1315. RM_COREAON_DUMMY_MODULE4_CONTEXT

Address Offset	0x0000 00B4	Instance	COREAON_PRM
Physical Address	0x4AE0 66DC		
Description	This register contains dedicated DUMMY MODULE context statuses. [warm reset insensitive]		
Type	RW		

31	30	29	28	27	26	25	24	23	22	21	20	19	18	17	16	15	14	13	12	11	10	9	8	7	6	5	4	3	2	1	0
RESERVED																															
																															LOSTCONTEXT_DFF

Bits	Field Name	Description	Type	Reset
31:1	RESERVED		R	0x0
0	LOSTCONTEXT_DFF	Specify if DFF-based context has been lost due to a previous power transition or other reset source. (set upon assertion of COREAON_RST signal) 0x0: Context has been maintained 0x1: Context has been lost	RW	0x1

3.12.33 CORE_PRM Registers

3.12.33.1 CORE_PRM Register Summary

Table 3-1316. CORE_PRM Registers Mapping Summary

Register Name	Type	Register Width (Bits)	Address Offset	CORE_PRM Physical Address L4_WKUP Interconnect
PM_CORE_PWRSTCT RL	RW	32	0x0000 0000	0x4AE0 6700
PM_CORE_PWRSTST	RW	32	0x0000 0004	0x4AE0 6704
RM_L3MAIN1_L3_MAIN_1_CONTEXT	RW	32	0x0000 0024	0x4AE0 6724
RM_L3MAIN1_GPMC_CONTEXT	RW	32	0x0000 002C	0x4AE0 672C
RM_L3MAIN1_MMU_E DMA_CONTEXT	RW	32	0x0000 0034	0x4AE0 6734
RM_L3MAIN1_MMU_P CISS_CONTEXT	RW	32	0x0000 004C	0x4AE0 674C
PM_L3MAIN1_OCMC_RAM1_WKDEP	RW	32	0x0000 0050	0x4AE0 6750
RM_L3MAIN1_OCMC_RAM1_CONTEXT	RW	32	0x0000 0054	0x4AE0 6754
PM_L3MAIN1_OCMC_RAM2_WKDEP	RW	32	0x0000 0058	0x4AE0 6758
RM_L3MAIN1_OCMC_RAM2_CONTEXT	RW	32	0x0000 005C	0x4AE0 675C
PM_L3MAIN1_OCMC_RAM3_WKDEP	RW	32	0x0000 0060	0x4AE0 6760
RM_L3MAIN1_OCMC_RAM3_CONTEXT	RW	32	0x0000 0064	0x4AE0 6764

Table 3-1316. CORE_PRM Registers Mapping Summary (continued)

Register Name	Type	Register Width (Bits)	Address Offset	CORE_PRM Physical Address L4_WKUP Interconnect
RM_L3MAIN1_OCMC_ROM_CONTEXT	RW	32	0x0000 006C	0x4AE0 676C
PM_L3MAIN1_TPCC_WKDEP	RW	32	0x0000 0070	0x4AE0 6770
RM_L3MAIN1_TPCC_CONTEXT	RW	32	0x0000 0074	0x4AE0 6774
PM_L3MAIN1_TPTC1_WKDEP	RW	32	0x0000 0078	0x4AE0 6778
RM_L3MAIN1_TPTC1_CONTEXT	RW	32	0x0000 007C	0x4AE0 677C
PM_L3MAIN1_TPTC2_WKDEP	RW	32	0x0000 0080	0x4AE0 6780
RM_L3MAIN1_TPTC2_CONTEXT	RW	32	0x0000 0084	0x4AE0 6784
RM_L3MAIN1_VCP1_CONTEXT	RW	32	0x0000 008C	0x4AE0 678C
RM_L3MAIN1_VCP2_CONTEXT	RW	32	0x0000 0094	0x4AE0 6794
RM_L3MAIN1_SPARE_CME_CONTEXT	RW	32	0x0000 009C	0x4AE0 679C
RM_L3MAIN1_SPARE_HDMI_CONTEXT	RW	32	0x0000 00A4	0x4AE0 67A4
RM_L3MAIN1_SPARE_ICM_CONTEXT	RW	32	0x0000 00AC	0x4AE0 67AC
RM_L3MAIN1_SPARE_IVA2_CONTEXT	RW	32	0x0000 00B4	0x4AE0 67B4
RM_L3MAIN1_SPARE_SATA2_CONTEXT	RW	32	0x0000 00BC	0x4AE0 67BC
RM_L3MAIN1_SPARE_UNKNOWN4_CONTEXT	RW	32	0x0000 00C4	0x4AE0 67C4
RM_L3MAIN1_SPARE_UNKNOWN5_CONTEXT	RW	32	0x0000 00CC	0x4AE0 67CC
RM_L3MAIN1_SPARE_UNKNOWN6_CONTEXT	RW	32	0x0000 00D4	0x4AE0 67D4
RM_L3MAIN1_SPARE_VIDEOPLL1_CONTEXT	RW	32	0x0000 00DC	0x4AE0 67DC
RM_L3MAIN1_SPARE_VIDEOPLL2_CONTEXT	RW	32	0x0000 00F4	0x4AE0 67F4
RM_L3MAIN1_SPARE_VIDEOPLL3_CONTEXT	RW	32	0x0000 00FC	0x4AE0 67FC
RM_IPU2_RSTCTRL	RW	32	0x0000 0210	0x4AE0 6910
RM_IPU2_RSTST	RW	32	0x0000 0214	0x4AE0 6914
RM_IPU2_IPU2_CONTEXT_EXT	RW	32	0x0000 0224	0x4AE0 6924
RM_DMA_DMA_SYSTEM_CONTEXT	RW	32	0x0000 0324	0x4AE0 6A24
RM_EMIF_DMM_CONTEXT_EXT	RW	32	0x0000 0424	0x4AE0 6B24
RM_EMIF_EMIF_OCP_FW_CONTEXT	RW	32	0x0000 042C	0x4AE0 6B2C
RM_EMIF_EMIF1_CONTEXT	RW	32	0x0000 0434	0x4AE0 6B34

Table 3-1316. CORE_PRM Registers Mapping Summary (continued)

Register Name	Type	Register Width (Bits)	Address Offset	CORE_PRM Physical Address L4_WKUP Interconnect
RM_EMIF_EMIF2_CON TEXT	RW	32	0x0000 043C	0x4AE0 6B3C
RM_EMIF_EMIF_DLL_ CONTEXT	RW	32	0x0000 0444	0x4AE0 6B44
RM_ATL_ATL_CONTEX T	RW	32	0x0000 0524	0x4AE0 6C24
RM_L4CFG_L4_CFG_C ONTEXT	RW	32	0x0000 0624	0x4AE0 6D24
RM_L4CFG_SPINLOCK _CONTEXT	RW	32	0x0000 062C	0x4AE0 6D2C
RM_L4CFG_MAILBOX1 _CONTEXT	RW	32	0x0000 0634	0x4AE0 6D34
RM_L4CFG_SAR_ROM _CONTEXT	RW	32	0x0000 063C	0x4AE0 6D3C
RM_L4CFG_OCP2SCP 2_CONTEXT	RW	32	0x0000 0644	0x4AE0 6D44
RM_L4CFG_MAILBOX2 _CONTEXT	RW	32	0x0000 064C	0x4AE0 6D4C
RM_L4CFG_MAILBOX3 _CONTEXT	RW	32	0x0000 0654	0x4AE0 6D54
RM_L4CFG_MAILBOX4 _CONTEXT	RW	32	0x0000 065C	0x4AE0 6D5C
RM_L4CFG_MAILBOX5 _CONTEXT	RW	32	0x0000 0664	0x4AE0 6D64
RM_L4CFG_MAILBOX6 _CONTEXT	RW	32	0x0000 066C	0x4AE0 6D6C
RM_L4CFG_MAILBOX7 _CONTEXT	RW	32	0x0000 0674	0x4AE0 6D74
RM_L4CFG_MAILBOX8 _CONTEXT	RW	32	0x0000 067C	0x4AE0 6D7C
RM_L4CFG_MAILBOX9 _CONTEXT	RW	32	0x0000 0684	0x4AE0 6D84
RM_L4CFG_MAILBOX1 0_CONTEXT	RW	32	0x0000 068C	0x4AE0 6D8C
RM_L4CFG_MAILBOX1 1_CONTEXT	RW	32	0x0000 0694	0x4AE0 6D94
RM_L4CFG_MAILBOX1 2_CONTEXT	RW	32	0x0000 069C	0x4AE0 6D9C
RM_L4CFG_MAILBOX1 3_CONTEXT	RW	32	0x0000 06A4	0x4AE0 6DA4
RM_L4CFG_SPARE_S MARTREFLEX_RTC_C ONTEXT	RW	32	0x0000 06AC	0x4AE0 6DAC
RM_L4CFG_SPARE_S MARTREFLEX_SDRAM _CONTEXT	RW	32	0x0000 06B4	0x4AE0 6DB4
RM_L4CFG_SPARE_S MARTREFLEX_WKUP_ CONTEXT	RW	32	0x0000 06BC	0x4AE0 6DBC
RM_L4CFG_IO_DELAY _BLOCK_CONTEXT	RW	32	0x0000 06C4	0x4AE0 6DC4
RM_L3INSTR_L3_MAIN _2_CONTEXT	RW	32	0x0000 0724	0x4AE0 6E24
RM_L3INSTR_L3_INST R_CONTEXT	RW	32	0x0000 072C	0x4AE0 6E2C

Table 3-1316. CORE_PRM Registers Mapping Summary (continued)

Register Name	Type	Register Width (Bits)	Address Offset	CORE_PRM Physical Address L4_WKUP Interconnect
RM_L3INSTR_OCP_W P_NOC_CONTEXT	RW	32	0x0000 0744	0x4AE0 6E44

3.12.33.2 CORE_PRM Register Description

Table 3-1317. PM_CORE_PWRSTCTRL

Address Offset	0x0000 0000	Instance	CORE_PRM
Physical Address	0x4AE0 6700		
Description	This register controls the CORE power state to reach upon a domain sleep transition		
Type	RW		

31	30	29	28	27	26	25	24	23	22	21	20	19	18	17	16	15	14	13	12	11	10	9	8	7	6	5	4	3	2	1	0
RESERVED								OCNRET_BANK_ONSTATE	IPI_UNICACHE_ONSTATE	IPI_L2RAM_ONSTATE	CORE_OCMRAM_ONSTATE	CORE_OTHER_BANK_ONSTATE	RESERVED				OCNRET_BANK_RETSTATE	IPI_UNICACHE_RETSTATE	IPI_L2RAM_RETSTATE	CORE_OCMRAM_RETSTATE	CORE_OTHER_BANK_RETSTATE	RESERVED		LOWPOWERSTATECHANGE	RESERVED	LOGICRETSTATE	POWERSTATE				

Bits	Field Name	Description	Type	Reset
31:26	RESERVED		R	0x0
25:24	OCNRET_BANK_ONSTATE	OCN_WP bank and DMM bank2 state when domain is ON. 0x3: Memory bank is on when the domain is ON.	R	0x3
23:22	IPI_UNICACHE_ONSTATE	IPI UNICACHE bank state when domain is ON. 0x3: Memory bank is on when the domain is ON.	R	0x3
21:20	IPI_L2RAM_ONSTATE	IPI L2 bank state when domain is ON. 0x3: Memory bank is on when the domain is ON.	R	0x3
19:18	CORE_OCMRAM_ONSTATE	OCMRAM bank state when domain is ON. 0x3: Memory bank is on when the domain is ON.	R	0x3
17:16	CORE_OTHER_BANK_ONSTATE	DMA/ICR bank and DMM bank1 state when domain is ON. 0x3: Memory bank is on when the domain is ON.	R	0x3
15:13	RESERVED		R	0x0
12	OCNRET_BANK_RETSTATE	OCN_WP bank and DMM bank2 state when domain is RETENTION. 0x0: Memory bank is off when the domain is in the RETENTION state.	R	0x0

Bits	Field Name	Description	Type	Reset
11	IPU_UNICACHE_RETSTATE	IPU UNICACHE bank state when domain is RETENTION. 0x0: Memory bank is off when the domain is in the RETENTION state. 0x1: Memory bank is retained when domain is in RETENTION state.	RW	0x1
10	IPU_L2RAM_RETSTATE	IPU L2 bank state when domain is RETENTION. 0x0: Memory bank is off when the domain is in the RETENTION state. 0x1: Memory bank is retained when domain is in RETENTION state.	RW	0x1
9	CORE_OCMRAM_RETSTATE	OCMRAM bank state when domain is RETENTION. 0x1: Memory bank is retained when domain is in RETENTION state.	R	0x1
8	CORE_OTHER_BANK_RETSTATE	DMA/ICR bank and DMM bank1 state when domain is RETENTION. 0x1: Memory bank is retained when domain is in RETENTION state.	R	0x1
7:5	RESERVED		R	0x0
4	LOWPOWERSTATECHANGE	Power state change request when domain has already performed a sleep transition. Allows going into deeper low power state without waking up the power domain. 0x0: Do not request a low power state change. 0x1: Request a low power state change. This bit is automatically cleared when the power state is effectively changed or when power state is ON.	RW	0x0
3	RESERVED		R	0x0
2	LOGICRETSTATE	Logic state when power domain is RETENTION 0x0: Only retention registers are retained and remaining logic is off when the domain is in RETENTION state. 0x1: Whole logic is retained when domain is in RETENTION state.	RW	0x1
1:0	POWERSTATE	Power state control 0x0: Reserved 0x1: RETENTION state 0x2: INACTIVE state 0x3: ON State	RW	0x3

Table 3-1318. Register Call Summary for Register PM_CORE_PWRSTCTRL

Power Management Functional Description

- [Logic and Memory Area Power Mode Control and Status: \[0\]\[1\]\[2\]\[3\]\[4\]\[5\]\[6\]](#)

PRCM Register Manual

- [Not Supported Functionality \(Registers and Bits\): \[7\]\[8\]\[9\]\[10\]\[11\]\[12\]\[13\]\[14\]\[15\]\[16\]\[17\]](#)
- [CORE_PRM Register Summary: \[18\]](#)

Table 3-1319. PM_CORE_PWRSTST

Address Offset	0x0000 0004	Instance	CORE_PRM
Physical Address	0x4AE0 6704		
Description	This register provides a status on the current CORE power domain state. [warm reset insensitive]		
Type	RW		

31	30	29	28	27	26	25	24	23	22	21	20	19	18	17	16	15	14	13	12	11	10	9	8	7	6	5	4	3	2	1	0		
RESERVED								LASTPOWERSTATEENTERED		RESERVED		INTRANSITION		RESERVED				OCP_NRET_BANK_STATEST		IPU_UNICACHE_STATEST		IPU_L2RAM_STATEST		CORE_OCMRAM_STATEST		CORE_OTHER_BANK_STATEST		RESERVED		LOGICSTATEST		POWERSTATEST	

Bits	Field Name	Description	Type	Reset
31:26	RESERVED		R	0x0
25:24	LASTPOWERSTATEENTERED	Last low power state entered. Set to 0x3 upon write of the same only. This register is intended for debug purpose only. 0x0: Power domain was previously OFF 0x1: Power domain was previously in RETENTION 0x2: Power domain was previously ON-INACTIVE 0x3: Power domain was previously ON-ACTIVE	RW	0x0
23:21	RESERVED		R	0x0
20	INTRANSITION	Domain transition status 0x0: No on-going transition on power domain 0x1: Power domain transition is in progress.	R	0x0
19:14	RESERVED		R	0x0
13:12	OCP_NRET_BANK_STATEST	OCP_WP bank and DMM bank2 state status 0x0: Memory is OFF 0x1: Reserved 0x2: Reserved 0x3: Memory is ON	R	0x3
11:10	IPU_UNICACHE_STATEST	IPU UNICACHE bank state status 0x0: Memory is OFF 0x1: Memory is RETENTION 0x2: Reserved 0x3: Memory is ON	R	0x3
9:8	IPU_L2RAM_STATEST	IPU L2 bank state status 0x0: Memory is OFF 0x1: Memory is RETENTION 0x2: Reserved 0x3: Memory is ON	R	0x3

Bits	Field Name	Description	Type	Reset
7:6	CORE_OCMRAM_STATEST	OCMRAM bank state status 0x0: Memory is OFF 0x1: Memory is RETENTION 0x2: Reserved 0x3: Memory is ON	R	0x3
5:4	CORE_OTHER_BANK_STATES T	DMA/ICR bank and DMM bank1 state status 0x0: Memory is OFF 0x1: Memory is RETENTION 0x2: Reserved 0x3: Memory is ON	R	0x3
3	RESERVED		R	0x0
2	LOGICSTATEST	Logic state status 0x0: Logic in domain is OFF 0x1: Logic in domain is ON	R	0x1
1:0	POWERSTATEST	Current power state status 0x0: Reserved 0x1: Power domain is in RETENTION 0x2: Power domain is ON-INACTIVE 0x3: Power domain is ON-ACTIVE	R	0x3

Table 3-1320. Register Call Summary for Register PM_CORE_PWRSTST

Power Management Functional Description

- [Logic and Memory Area Power Mode Control and Status: \[0\]\[1\]\[2\]\[3\]\[4\]\[5\]](#)

PRCM Register Manual

- [Not Supported Functionality \(Registers and Bits\): \[6\]\[7\]\[8\]\[9\]\[10\]\[11\]\[12\]\[13\]\[14\]\[15\]](#)
- [CORE_PRM Register Summary: \[16\]](#)

Table 3-1321. RM_L3MAIN1_L3_MAIN_1_CONTEXT

Address Offset	0x0000 0024	Instance	CORE_PRM
Physical Address	0x4AE0 6724		
Description	This register contains dedicated L3_MAIN_1 context statuses. [warm reset insensitive]		
Type	RW		

31	30	29	28	27	26	25	24	23	22	21	20	19	18	17	16	15	14	13	12	11	10	9	8	7	6	5	4	3	2	1	0
RESERVED																LOSTCONTEXT_RFF		LOSTCONTEXT_DFF													

Bits	Field Name	Description	Type	Reset
31:2	RESERVED		R	0x0
1	LOSTCONTEXT_RFF	Specify if RFF-based context has been lost due to a previous power transition or other reset source. (set upon assertion of CORE_PWRON_RET_RST signal) 0x0: Context has been maintained 0x1: Context has been lost	RW	0x1

Bits	Field Name	Description	Type	Reset
0	LOSTCONTEXT_DFF	Specify if DFF-based context has been lost due to a previous power transition or other reset source. (set upon assertion of CORE_RST signal) 0x0: Context has been maintained 0x1: Context has been lost	RW	0x1

Table 3-1322. RM_L3MAIN1_GPMC_CONTEXT

Address Offset	0x0000 002C	Instance	CORE_PRM
Physical Address	0x4AE0 672C		
Description	This register contains dedicated GPMC context statuses. [warm reset insensitive]		
Type	RW		

31	30	29	28	27	26	25	24	23	22	21	20	19	18	17	16	15	14	13	12	11	10	9	8	7	6	5	4	3	2	1	0
RESERVED																															
																LOSTCONTEXT_RFF															
																RESERVED															

Bits	Field Name	Description	Type	Reset
31:2	RESERVED		R	0x0
1	LOSTCONTEXT_RFF	Specify if RFF-based context has been lost due to a previous power transition or other reset source. (set upon assertion of CORE_RET_RST signal) 0x0: Context has been maintained 0x1: Context has been lost	RW	0x1
0	RESERVED		R	0x0

Table 3-1323. RM_L3MAIN1_MMU_EDMA_CONTEXT

Address Offset	0x0000 0034	Instance	CORE_PRM
Physical Address	0x4AE0 6734		
Description	This register contains dedicated MMU context statuses. [warm reset insensitive]		
Type	RW		

31	30	29	28	27	26	25	24	23	22	21	20	19	18	17	16	15	14	13	12	11	10	9	8	7	6	5	4	3	2	1	0
RESERVED																															
																LOSTCONTEXT_RFF															
																RESERVED															

Bits	Field Name	Description	Type	Reset
31:2	RESERVED		R	0x0
1	LOSTCONTEXT_RFF	Specify if RFF-based context has been lost due to a previous power transition or other reset source. (set upon assertion of CORE_PWRON_RET_RST signal) 0x0: Context has been maintained 0x1: Context has been lost	RW	0x1
0	RESERVED		R	0x0

Table 3-1324. RM_L3MAIN1_MMU_PCIESS_CONTEXT

Address Offset	0x0000 004C	Instance	CORE_PRM
Physical Address	0x4AE0 674C		
Description	This register contains dedicated MMU context statuses. [warm reset insensitive]		
Type	RW		

31	30	29	28	27	26	25	24	23	22	21	20	19	18	17	16	15	14	13	12	11	10	9	8	7	6	5	4	3	2	1	0
RESERVED																											LOSTCONTEXT_RFF	RESERVED			

Bits	Field Name	Description	Type	Reset
31:2	RESERVED		R	0x0
1	LOSTCONTEXT_RFF	Specify if RFF-based context has been lost due to a previous power transition or other reset source. (set upon assertion of CORE_PWRON_RET_RST signal) 0x0: Context has been maintained 0x1: Context has been lost	RW	0x1
0	RESERVED		R	0x0

Table 3-1325. PM_L3MAIN1_OCMC_RAM1_WKDEP

Address Offset	0x0000 0050	Instance	CORE_PRM
Physical Address	0x4AE0 6750		
Description	This register controls wakeup dependency based on OCMC_RAM1 service requests.		
Type	RW		

31	30	29	28	27	26	25	24	23	22	21	20	19	18	17	16	15	14	13	12	11	10	9	8	7	6	5	4	3	2	1	0
RESERVED																WKUPDEP_OCMC_RAM1_EVE4	WKUPDEP_OCMC_RAM1_EVE3	WKUPDEP_OCMC_RAM1_EVE2	WKUPDEP_OCMC_RAM1_EVE1	WKUPDEP_OCMC_RAM1_DSP2	WKUPDEP_OCMC_RAM1_IPU1	RESERVED	WKUPDEP_OCMC_RAM1_DSP1	WKUPDEP_OCMC_RAM1_IPU2	WKUPDEP_OCMC_RAM1_MPU						

Bits	Field Name	Description	Type	Reset
31:10	RESERVED		R	0x0
9	WKUPDEP_OCMC_RAM1_EVE4	Wakeup dependency from OCMC_RAM1 module (SWakeup signal) towards EVE4 + L3_MAIN1 + L4PER1 + L4PER2 + L4PER3 domains 0x0: Dependency is disabled 0x1: Dependency is enabled	RW	0x0
8	WKUPDEP_OCMC_RAM1_EVE3	Wakeup dependency from OCMC_RAM1 module (SWakeup signal) towards EVE3 + L3_MAIN1 + L4PER1 + L4PER2 + L4PER3 domains 0x0: Dependency is disabled 0x1: Dependency is enabled	RW	0x0
7	WKUPDEP_OCMC_RAM1_EVE2	Wakeup dependency from OCMC_RAM1 module (SWakeup signal) towards EVE2 + L3_MAIN1 + L4PER1 + L4PER2 + L4PER3 domains 0x0: Dependency is disabled 0x1: Dependency is enabled	RW	0x0
6	WKUPDEP_OCMC_RAM1_EVE1	Wakeup dependency from OCMC_RAM1 module (SWakeup signal) towards EVE1 + L3_MAIN1 + L4PER1 + L4PER2 + L4PER3 domains 0x0: Dependency is disabled 0x1: Dependency is enabled	RW	0x0
5	WKUPDEP_OCMC_RAM1_DSP2	Wakeup dependency from OCMC_RAM1 module (SWakeup signal) towards DSP2 + L3_MAIN1 + L4PER1 + L4PER2 + L4PER3 domains 0x0: Dependency is disabled 0x1: Dependency is enabled	RW	0x0
4	WKUPDEP_OCMC_RAM1_IPU1	Wakeup dependency from OCMC_RAM1 module (SWakeup signal) towards IPU1 + L3_MAIN1 + L4PER1 + L4PER2 + L4PER3 domains 0x0: Dependency is disabled 0x1: Dependency is enabled	RW	0x0
3	RESERVED		R	0x0
2	WKUPDEP_OCMC_RAM1_DSP1	Wakeup dependency from OCMC_RAM1 module (SWakeup signal) towards DSP + L3MAIN1 + L4PER1 + L4PER2 + L4PER3 domains 0x0: Dependency is disabled 0x1: Dependency is enabled	RW	0x0
1	WKUPDEP_OCMC_RAM1_IPU2	Wakeup dependency from OCMC_RAM1 module (SWakeup signal) towards IPU2 + L3_MAIN1 + L4PER1 + L4PER2 + L4PER3 domains 0x0: Dependency is disabled 0x1: Dependency is enabled	RW	0x0
0	WKUPDEP_OCMC_RAM1_MPU	Wakeup dependency from OCMC_RAM1 module (SWakeup signal) towards MPU + L3_MAIN1 + L4PER1 + L4PER2 + L4PER3 domains 0x0: Dependency is disabled 0x1: Dependency is enabled	RW	0x0

Table 3-1326. Register Call Summary for Register PM_L3MAIN1_OCMC_RAM1_WKDEP

PRCM Register Manual

- [Not Supported Functionality \(Registers and Bits\): \[0\]\[1\]\[2\]\[3\]\[4\]](#)
- [CORE_PRM Register Summary: \[5\]](#)

Table 3-1327. RM_L3MAIN1_OCMC_RAM1_CONTEXT

Address Offset	0x0000 0054	Instance	CORE_PRM
Physical Address	0x4AE0 6754		
Description	This register contains dedicated OCMC_RAM1 context statuses. [warm reset insensitive]		
Type	RW		

31	30	29	28	27	26	25	24	23	22	21	20	19	18	17	16	15	14	13	12	11	10	9	8	7	6	5	4	3	2	1	0
RESERVED																LOSTMEM_CORE_OCMRAM	RESERVED										LOSTCONTEXT_DFF				

Bits	Field Name	Description	Type	Reset
31:9	RESERVED		R	0x0
8	LOSTMEM_CORE_OCMRAM	Specify if memory-based context in CORE_OCMRAM memory bank has been lost due to a previous power transition or other reset source (not affected by a global warm reset). 0x0: Context has been maintained 0x1: Context has been lost	RW	0x1
7:1	RESERVED		R	0x0
0	LOSTCONTEXT_DFF	Specify if DFF-based context has been lost due to a previous power transition or other reset source. (set upon assertion of CORE_RST signal) 0x0: Context has been maintained 0x1: Context has been lost	RW	0x1

Table 3-1328. PM_L3MAIN1_OCMC_RAM2_WKDEP

Address Offset	0x0000 0058	Instance	CORE_PRM
Physical Address	0x4AE0 6758		
Description	This register controls wakeup dependency based on OCMC_RAM2 service requests.		
Type	RW		

31	30	29	28	27	26	25	24	23	22	21	20	19	18	17	16	15	14	13	12	11	10	9	8	7	6	5	4	3	2	1	0
RESERVED																WKUPDEP_OCMC_RAM2_EVE4	WKUPDEP_OCMC_RAM2_EVE3	WKUPDEP_OCMC_RAM2_EVE2	WKUPDEP_OCMC_RAM2_EVE1	WKUPDEP_OCMC_RAM2_DSP2	WKUPDEP_OCMC_RAM2_IPU1	RESERVED	WKUPDEP_OCMC_RAM2_DSP1	WKUPDEP_OCMC_RAM2_IPU2	WKUPDEP_OCMC_RAM2_MPU						

Bits	Field Name	Description	Type	Reset
31:10	RESERVED		R	0x0
9	WKUPDEP_OCMC_RAM2_EVE4	Wakeup dependency from OCMC_RAM2 module (SWakeup signal) towards EVE4 + L3_MAIN1 + L4PER1 + L4PER2 + L4PER3 domains 0x0: Dependency is disabled 0x1: Dependency is enabled	RW	0x0
8	WKUPDEP_OCMC_RAM2_EVE3	Wakeup dependency from OCMC_RAM2 module (SWakeup signal) towards EVE3 + L3_MAIN1 + L4PER1 + L4PER2 + L4PER3 domains 0x0: Dependency is disabled 0x1: Dependency is enabled	RW	0x0
7	WKUPDEP_OCMC_RAM2_EVE2	Wakeup dependency from OCMC_RAM2 module (SWakeup signal) towards EVE2 + L3_MAIN1 + L4PER1 + L4PER2 + L4PER3 domains 0x0: Dependency is disabled 0x1: Dependency is enabled	RW	0x0
6	WKUPDEP_OCMC_RAM2_EVE1	Wakeup dependency from OCMC_RAM2 module (SWakeup signal) towards EVE1 + L3_MAIN1 + L4PER1 + L4PER2 + L4PER3 domains 0x0: Dependency is disabled 0x1: Dependency is enabled	RW	0x0
5	WKUPDEP_OCMC_RAM2_DSP2	Wakeup dependency from OCMC_RAM2 module (SWakeup signal) towards DSP2 + L3_MAIN1 + L4PER1 + L4PER2 + L4PER3 domains 0x0: Dependency is disabled 0x1: Dependency is enabled	RW	0x0
4	WKUPDEP_OCMC_RAM2_IPU1	Wakeup dependency from OCMC_RAM2 module (SWakeup signal) towards IPU1 + L3_MAIN1 + L4PER1 + L4PER2 + L4PER3 domains 0x0: Dependency is disabled 0x1: Dependency is enabled	RW	0x0
3	RESERVED		R	0x0
2	WKUPDEP_OCMC_RAM2_DSP1	Wakeup dependency from OCMC_RAM2 module (SWakeup signal) towards DSP + L3MAIN1 + L4PER1 + L4PER2 + L4PER3 domains 0x0: Dependency is disabled 0x1: Dependency is enabled	RW	0x0
1	WKUPDEP_OCMC_RAM2_IPU2	Wakeup dependency from OCMC_RAM2 module (SWakeup signal) towards IPU2 + L3_MAIN1 + L4PER1 + L4PER2 + L4PER3 domains 0x0: Dependency is disabled 0x1: Dependency is enabled	RW	0x0
0	WKUPDEP_OCMC_RAM2_MPU	Wakeup dependency from OCMC_RAM2 module (SWakeup signal) towards MPU + L3_MAIN1 + L4PER1 + L4PER2 + L4PER3 domains 0x0: Dependency is disabled 0x1: Dependency is enabled	RW	0x0

Table 3-1329. RM_L3MAIN1_OCMC_RAM2_CONTEXT

Address Offset	0x0000 005C	Instance	CORE_PRM
Physical Address	0x4AE0 675C		
Description	This register contains dedicated OCMC_RAM2 context statuses. [warm reset insensitive]		
Type	RW		

31	30	29	28	27	26	25	24	23	22	21	20	19	18	17	16	15	14	13	12	11	10	9	8	7	6	5	4	3	2	1	0
RESERVED																LOSTMEM_CORE_OCMRAM	RESERVED										LOSTCONTEXT_DFF				

Bits	Field Name	Description	Type	Reset
31:9	RESERVED		R	0x0
8	LOSTMEM_CORE_OCMRAM	Specify if memory-based context in CORE_OCMRAM memory bank has been lost due to a previous power transition or other reset source (not affected by a global warm reset). 0x0: Context has been maintained 0x1: Context has been lost	RW	0x1
7:1	RESERVED		R	0x0
0	LOSTCONTEXT_DFF	Specify if DFF-based context has been lost due to a previous power transition or other reset source. (set upon assertion of CORE_RST signal) 0x0: Context has been maintained 0x1: Context has been lost	RW	0x1

Table 3-1330. PM_L3MAIN1_OCMC_RAM3_WKDEP

Address Offset	0x0000 0060	Instance	CORE_PRM
Physical Address	0x4AE0 6760		
Description	This register controls wakeup dependency based on OCMC_RAM3 service requests.		
Type	RW		

31	30	29	28	27	26	25	24	23	22	21	20	19	18	17	16	15	14	13	12	11	10	9	8	7	6	5	4	3	2	1	0
RESERVED																WKUPDEP_OCMC_RAM3_EVE4	WKUPDEP_OCMC_RAM3_EVE3	WKUPDEP_OCMC_RAM3_EVE2	WKUPDEP_OCMC_RAM3_EVE1	WKUPDEP_OCMC_RAM3_DSP2	WKUPDEP_OCMC_RAM3_IPU1	RESERVED	WKUPDEP_OCMC_RAM3_DSP1	WKUPDEP_OCMC_RAM3_IPU2	WKUPDEP_OCMC_RAM3_MPU						

Bits	Field Name	Description	Type	Reset
31:10	RESERVED		R	0x0
9	WKUPDEP_OCMC_RAM3_EVE4	Wakeup dependency from OCMC_RAM3 module (SWakeup signal) towards EVE4 + L3_MAIN1 + L4PER1 + L4PER2 + L4PER3 domains 0x0: Dependency is disabled 0x1: Dependency is enabled	RW	0x0
8	WKUPDEP_OCMC_RAM3_EVE3	Wakeup dependency from OCMC_RAM3 module (SWakeup signal) towards EVE3 + L3_MAIN1 + L4PER1 + L4PER2 + L4PER3 domains 0x0: Dependency is disabled 0x1: Dependency is enabled	RW	0x0
7	WKUPDEP_OCMC_RAM3_EVE2	Wakeup dependency from OCMC_RAM3 module (SWakeup signal) towards EVE2 + L3_MAIN1 + L4PER1 + L4PER2 + L4PER3 domains 0x0: Dependency is disabled 0x1: Dependency is enabled	RW	0x0
6	WKUPDEP_OCMC_RAM3_EVE1	Wakeup dependency from OCMC_RAM3 module (SWakeup signal) towards EVE1 + L3_MAIN1 + L4PER1 + L4PER2 + L4PER3 domains 0x0: Dependency is disabled 0x1: Dependency is enabled	RW	0x0
5	WKUPDEP_OCMC_RAM3_DSP2	Wakeup dependency from OCMC_RAM3 module (SWakeup signal) towards DSP2 + L3_MAIN1 + L4PER1 + L4PER2 + L4PER3 domains 0x0: Dependency is disabled 0x1: Dependency is enabled	RW	0x0
4	WKUPDEP_OCMC_RAM3_IPU1	Wakeup dependency from OCMC_RAM3 module (SWakeup signal) towards IPU1 + L3_MAIN1 + L4PER1 + L4PER2 + L4PER3 domains 0x0: Dependency is disabled 0x1: Dependency is enabled	RW	0x0
3	RESERVED		R	0x0
2	WKUPDEP_OCMC_RAM3_DSP1	Wakeup dependency from OCMC_RAM3 module (SWakeup signal) towards DSP + L3MAIN1 + L4PER1 + L4PER2 + L4PER3 domains 0x0: Dependency is disabled 0x1: Dependency is enabled	RW	0x0
1	WKUPDEP_OCMC_RAM3_IPU2	Wakeup dependency from OCMC_RAM3 module (SWakeup signal) towards IPU2 + L3_MAIN1 + L4PER1 + L4PER2 + L4PER3 domains 0x0: Dependency is disabled 0x1: Dependency is enabled	RW	0x0
0	WKUPDEP_OCMC_RAM3_MPU	Wakeup dependency from OCMC_RAM3 module (SWakeup signal) towards MPU + L3_MAIN1 + L4PER1 + L4PER2 + L4PER3 domains 0x0: Dependency is disabled 0x1: Dependency is enabled	RW	0x0

Table 3-1331. RM_L3MAIN1_OCMC_RAM3_CONTEXT

Address Offset	0x0000 0064	Instance	CORE_PRM
Physical Address	0x4AE0 6764		
Description	This register contains dedicated OCMC_RAM3 context statuses. [warm reset insensitive]		
Type	RW		

31	30	29	28	27	26	25	24	23	22	21	20	19	18	17	16	15	14	13	12	11	10	9	8	7	6	5	4	3	2	1	0
RESERVED																LOSTMEM_CORE_OCMRAM	RESERVED										LOSTCONTEXT_DFF				

Bits	Field Name	Description	Type	Reset
31:9	RESERVED		R	0x0
8	LOSTMEM_CORE_OCMRAM	Specify if memory-based context in CORE_OCMRAM memory bank has been lost due to a previous power transition or other reset source (not affected by a global warm reset). 0x0: Context has been maintained 0x1: Context has been lost	RW	0x1
7:1	RESERVED		R	0x0
0	LOSTCONTEXT_DFF	Specify if DFF-based context has been lost due to a previous power transition or other reset source. (set upon assertion of CORE_RST signal) 0x0: Context has been maintained 0x1: Context has been lost	RW	0x1

Table 3-1332. RM_L3MAIN1_OCMC_ROM_CONTEXT

Address Offset	0x0000 006C	Instance	CORE_PRM
Physical Address	0x4AE0 676C		
Description	This register contains dedicated OCMC_ROM context statuses. [warm reset insensitive]		
Type	RW		

31	30	29	28	27	26	25	24	23	22	21	20	19	18	17	16	15	14	13	12	11	10	9	8	7	6	5	4	3	2	1	0
RESERVED																LOSTMEM_CORE_OCMROM	RESERVED										LOSTCONTEXT_DFF				

Bits	Field Name	Description	Type	Reset
31:9	RESERVED		R	0x0
8	LOSTMEM_CORE_OCMROM	Specify if memory-based context in CORE_OCMROM memory bank has been lost due to a previous power transition or other reset source (not affected by a global warm reset). 0x0: Context has been maintained 0x1: Context has been lost	RW	0x1
7:1	RESERVED		R	0x0
0	LOSTCONTEXT_DFF	Specify if DFF-based context has been lost due to a previous power transition or other reset source. (set upon assertion of CORE_RST signal) 0x0: Context has been maintained 0x1: Context has been lost	RW	0x1

Table 3-1333. PM_L3MAIN1_TPCC_WKDEP

Address Offset	0x0000 0070	Instance	CORE_PRM
Physical Address	0x4AE0 6770		
Description	This register controls wakeup dependency based on TPCC service requests.		
Type	RW		

31	30	29	28	27	26	25	24	23	22	21	20	19	18	17	16	15	14	13	12	11	10	9	8	7	6	5	4	3	2	1	0	
RESERVED																							WKUPDEP_TPCC_EVE4	WKUPDEP_TPCC_EVE3	WKUPDEP_TPCC_EVE2	WKUPDEP_TPCC_EVE1	WKUPDEP_TPCC_DSP2	WKUPDEP_TPCC_IPU1	RESERVED	WKUPDEP_TPCC_DSP1	WKUPDEP_TPCC_IPU2	WKUPDEP_TPCC_MPU

Bits	Field Name	Description	Type	Reset
31:10	RESERVED		R	0x0
9	WKUPDEP_TPCC_EVE4	Wakeup dependency from TPCC module (SWakeup signal) towards EVE4 + L3_MAIN1 + L4PER1 + L4PER2 + L4PER3 domains 0x0: Dependency is disabled 0x1: Dependency is enabled	RW	0x0
8	WKUPDEP_TPCC_EVE3	Wakeup dependency from TPCC module (SWakeup signal) towards EVE3 + L3_MAIN1 + L4PER1 + L4PER2 + L4PER3 domains 0x0: Dependency is disabled 0x1: Dependency is enabled	RW	0x0
7	WKUPDEP_TPCC_EVE2	Wakeup dependency from TPCC module (SWakeup signal) towards EVE2 + L3_MAIN1 + L4PER1 + L4PER2 + L4PER3 domains 0x0: Dependency is disabled 0x1: Dependency is enabled	RW	0x0
6	WKUPDEP_TPCC_EVE1	Wakeup dependency from TPCC module (SWakeup signal) towards EVE1 + L3_MAIN1 + L4PER1 + L4PER2 + L4PER3 domains 0x0: Dependency is disabled 0x1: Dependency is enabled	RW	0x0

Bits	Field Name	Description	Type	Reset
5	WKUPDEP_TPCC_DSP2	Wakeup dependency from TPCC module (SWakeup signal) towards DSP2 + L3_MAIN1 + L4PER1 + L4PER2 + L4PER3 domains 0x0: Dependency is disabled 0x1: Dependency is enabled	RW	0x0
4	WKUPDEP_TPCC_IPU1	Wakeup dependency from TPCC module (SWakeup signal) towards IPU1 + L3_MAIN1 + L4PER1 + L4PER2 + L4PER3 domains 0x0: Dependency is disabled 0x1: Dependency is enabled	RW	0x0
3	RESERVED		R	0x0
2	WKUPDEP_TPCC_DSP1	Wakeup dependency from TPCC module (SWakeup signal) towards DSP + L3MAIN1 + L4PER1 + L4PER2 + L4PER3 domains 0x0: Dependency is disabled 0x1: Dependency is enabled	RW	0x0
1	WKUPDEP_TPCC_IPU2	Wakeup dependency from TPCC module (SWakeup signal) towards IPU2 + L3_MAIN1 + L4PER1 + L4PER2 + L4PER3 domains 0x0: Dependency is disabled 0x1: Dependency is enabled	RW	0x0
0	WKUPDEP_TPCC_MPU	Wakeup dependency from TPCC module (SWakeup signal) towards MPU + L3_MAIN1 + L4PER1 + L4PER2 + L4PER3 domains 0x0: Dependency is disabled 0x1: Dependency is enabled	RW	0x0

Table 3-1334. Register Call Summary for Register PM_L3MAIN1_TPCC_WKDEP

PRCM Register Manual

- [Not Supported Functionality \(Registers and Bits\): \[0\]\[1\]\[2\]\[3\]\[4\]](#)
- [CORE_PRM Register Summary: \[5\]](#)

Table 3-1335. RM_L3MAIN1_TPCC_CONTEXT

Address Offset	0x0000 0074	Instance	CORE_PRM
Physical Address	0x4AE0 6774		
Description	This register contains dedicated TPCC context statuses. [warm reset insensitive]		
Type	RW		

31	30	29	28	27	26	25	24	23	22	21	20	19	18	17	16	15	14	13	12	11	10	9	8	7	6	5	4	3	2	1	0
RESERVED																LOSTMEM_TPCC_BANK	RESERVED										LOSTCONTEXT_RFF	RESERVED			

Bits	Field Name	Description	Type	Reset
31:9	RESERVED		R	0x0
8	LOSTMEM_TPCC_BANK	Specify if memory-based context in TPCC_MEM memory bank has been lost due to a previous power transition or other reset source (not affected by a global warm reset). 0x0: Context has been maintained 0x1: Context has been lost	RW	0x1
7:2	RESERVED		R	0x0
1	LOSTCONTEXT_RFF	Specify if RFF-based context has been lost due to a previous power transition or other reset source. (set upon assertion of CORE_RET_RST signal) 0x0: Context has been maintained 0x1: Context has been lost	RW	0x1
0	RESERVED		R	0x0

Table 3-1336. PM_L3MAIN1_TPTC1_WKDEP

Address Offset	0x0000 0078	Instance	CORE_PRM
Physical Address	0x4AE0 6778		
Description	This register controls wakeup dependency based on TPTC service requests.		
Type	RW		

31	30	29	28	27	26	25	24	23	22	21	20	19	18	17	16	15	14	13	12	11	10	9	8	7	6	5	4	3	2	1	0				
RESERVED																WKUPDEP_TPTC1_EVE4		WKUPDEP_TPTC1_EVE3		WKUPDEP_TPTC1_EVE2		WKUPDEP_TPTC1_EVE1		WKUPDEP_TPTC1_DSP2		WKUPDEP_TPTC1_IPU1		RESERVED		WKUPDEP_TPTC1_DSP1		WKUPDEP_TPTC1_IPU2		WKUPDEP_TPTC1_MPU	

Bits	Field Name	Description	Type	Reset
31:10	RESERVED		R	0x0
9	WKUPDEP_TPTC1_EVE4	Wakeup dependency from TPTC module (SWakeup signal) towards EVE4 + L3_MAIN1 + L4PER1 + L4PER2 + L4PER3 domains 0x0: Dependency is disabled 0x1: Dependency is enabled	RW	0x0
8	WKUPDEP_TPTC1_EVE3	Wakeup dependency from TPTC module (SWakeup signal) towards EVE3 + L3_MAIN1 + L4PER1 + L4PER2 + L4PER3 domains 0x0: Dependency is disabled 0x1: Dependency is enabled	RW	0x0
7	WKUPDEP_TPTC1_EVE2	Wakeup dependency from TPTC module (SWakeup signal) towards EVE2 + L3_MAIN1 + L4PER1 + L4PER2 + L4PER3 domains 0x0: Dependency is disabled 0x1: Dependency is enabled	RW	0x0
6	WKUPDEP_TPTC1_EVE1	Wakeup dependency from TPTC module (SWakeup signal) towards EVE1 + L3_MAIN1 + L4PER1 + L4PER2 + L4PER3 domains 0x0: Dependency is disabled 0x1: Dependency is enabled	RW	0x0

Bits	Field Name	Description	Type	Reset
5	WKUPDEP_TPTC1_DSP2	Wakeup dependency from TPTC module (SWakeup signal) towards DSP2 + L3_MAIN1 + L4PER1 + L4PER2 + L4PER3 domains 0x0: Dependency is disabled 0x1: Dependency is enabled	RW	0x0
4	WKUPDEP_TPTC1_IPU1	Wakeup dependency from TPTC module (SWakeup signal) towards IPU1 + L3_MAIN1 + L4PER1 + L4PER2 + L4PER3 domains 0x0: Dependency is disabled 0x1: Dependency is enabled	RW	0x0
3	RESERVED		R	0x0
2	WKUPDEP_TPTC1_DSP1	Wakeup dependency from TPTC module (SWakeup signal) towards DSP + L3MAIN1 + L4PER1 + L4PER2 + L4PER3 domains 0x0: Dependency is disabled 0x1: Dependency is enabled	RW	0x0
1	WKUPDEP_TPTC1_IPU2	Wakeup dependency from TPTC module (SWakeup signal) towards IPU2 + L3_MAIN1 + L4PER1 + L4PER2 + L4PER3 domains 0x0: Dependency is disabled 0x1: Dependency is enabled	RW	0x0
0	WKUPDEP_TPTC1_MPU	Wakeup dependency from TPTC module (SWakeup signal) towards MPU + L3_MAIN1 + L4PER1 + L4PER2 + L4PER3 domains 0x0: Dependency is disabled 0x1: Dependency is enabled	RW	0x0

Table 3-1337. Register Call Summary for Register PM_L3MAIN1_TPTC1_WKDEP

PRCM Register Manual

- [Not Supported Functionality \(Registers and Bits\): \[0\]\[1\]\[2\]\[3\]\[4\]](#)
- [CORE_PRM Register Summary: \[5\]](#)

Table 3-1338. RM_L3MAIN1_TPTC1_CONTEXT

Address Offset	0x0000 007C	Instance	CORE_PRM
Physical Address	0x4AE0 677C		
Description	This register contains dedicated TPTC1 context statuses. [warm reset insensitive]		
Type	RW		

31	30	29	28	27	26	25	24	23	22	21	20	19	18	17	16	15	14	13	12	11	10	9	8	7	6	5	4	3	2	1	0
RESERVED																LOSTMEM_TPTC_BANK	RESERVED										LOSTCONTEXT_RFF	RESERVED			

Bits	Field Name	Description	Type	Reset
31:9	RESERVED		R	0x0
8	LOSTMEM_TPTC_BANK	Specify if memory-based context in TPTC_MEM memory bank has been lost due to a previous power transition or other reset source (not affected by a global warm reset). 0x0: Context has been maintained 0x1: Context has been lost	RW	0x1
7:2	RESERVED		R	0x0
1	LOSTCONTEXT_RFF	Specify if RFF-based context has been lost due to a previous power transition or other reset source. (set upon assertion of CORE_RET_RST signal) 0x0: Context has been maintained 0x1: Context has been lost	RW	0x1
0	RESERVED		R	0x0

Table 3-1339. PM_L3MAIN1_TPTC2_WKDEP

Address Offset	0x0000 0080	Instance	CORE_PRM
Physical Address	0x4AE0 6780		
Description	This register controls wakeup dependency based on TPTC service requests.		
Type	RW		

31	30	29	28	27	26	25	24	23	22	21	20	19	18	17	16	15	14	13	12	11	10	9	8	7	6	5	4	3	2	1	0
RESERVED																WKUPDEP_TPTC2_EVE4	WKUPDEP_TPTC2_EVE3	WKUPDEP_TPTC2_EVE2	WKUPDEP_TPTC2_EVE1	WKUPDEP_TPTC2_DSP2	WKUPDEP_TPTC2_IPU1	RESERVED	WKUPDEP_TPTC2_DSP1	WKUPDEP_TPTC2_IPU2	WKUPDEP_TPTC2_MPU						

Bits	Field Name	Description	Type	Reset
31:10	RESERVED		R	0x0
9	WKUPDEP_TPTC2_EVE4	Wakeup dependency from TPTC module (SWakeup signal) towards EVE4 + L3_MAIN1 + L4PER1 + L4PER2 + L4PER3 domains 0x0: Dependency is disabled 0x1: Dependency is enabled	RW	0x0
8	WKUPDEP_TPTC2_EVE3	Wakeup dependency from TPTC module (SWakeup signal) towards EVE3 + L3_MAIN1 + L4PER1 + L4PER2 + L4PER3 domains 0x0: Dependency is disabled 0x1: Dependency is enabled	RW	0x0
7	WKUPDEP_TPTC2_EVE2	Wakeup dependency from TPTC module (SWakeup signal) towards EVE2 + L3_MAIN1 + L4PER1 + L4PER2 + L4PER3 domains 0x0: Dependency is disabled 0x1: Dependency is enabled	RW	0x0
6	WKUPDEP_TPTC2_EVE1	Wakeup dependency from TPTC module (SWakeup signal) towards EVE1 + L3_MAIN1 + L4PER1 + L4PER2 + L4PER3 domains 0x0: Dependency is disabled 0x1: Dependency is enabled	RW	0x0

Bits	Field Name	Description	Type	Reset
5	WKUPDEP_TPTC2_DSP2	Wakeup dependency from TPTC module (SWakeup signal) towards DSP2 + L3_MAIN1 + L4PER1 + L4PER2 + L4PER3 domains 0x0: Dependency is disabled 0x1: Dependency is enabled	RW	0x0
4	WKUPDEP_TPTC2_IPU1	Wakeup dependency from TPTC module (SWakeup signal) towards IPU1 + L3_MAIN1 + L4PER1 + L4PER2 + L4PER3 domains 0x0: Dependency is disabled 0x1: Dependency is enabled	RW	0x0
3	RESERVED		R	0x0
2	WKUPDEP_TPTC2_DSP1	Wakeup dependency from TPTC module (SWakeup signal) towards DSP + L3MAIN1 + L4PER1 + L4PER2 + L4PER3 domains 0x0: Dependency is disabled 0x1: Dependency is enabled	RW	0x0
1	WKUPDEP_TPTC2_IPU2	Wakeup dependency from TPTC module (SWakeup signal) towards IPU2 + L3_MAIN1 + L4PER1 + L4PER2 + L4PER3 domains 0x0: Dependency is disabled 0x1: Dependency is enabled	RW	0x0
0	WKUPDEP_TPTC2_MPU	Wakeup dependency from TPTC module (SWakeup signal) towards MPU + L3_MAIN1 + L4PER1 + L4PER2 + L4PER3 domains 0x0: Dependency is disabled 0x1: Dependency is enabled	RW	0x0

Table 3-1340. Register Call Summary for Register PM_L3MAIN1_TPTC2_WKDEP

PRCM Register Manual

- [Not Supported Functionality \(Registers and Bits\): \[0\]\[1\]\[2\]\[3\]\[4\]](#)
- [CORE_PRM Register Summary: \[5\]](#)

Table 3-1341. RM_L3MAIN1_TPTC2_CONTEXT

Address Offset	0x0000 0084	Instance	CORE_PRM
Physical Address	0x4AE0 6784		
Description	This register contains dedicated TPTC2 context statuses. [warm reset insensitive]		
Type	RW		

31	30	29	28	27	26	25	24	23	22	21	20	19	18	17	16	15	14	13	12	11	10	9	8	7	6	5	4	3	2	1	0
RESERVED																LOSTMEM_TPTC_BANK	RESERVED										LOSTCONTEXT_RFF	RESERVED			

Bits	Field Name	Description	Type	Reset
31:9	RESERVED		R	0x0
8	LOSTMEM_TPTC_BANK	Specify if memory-based context in TPTC_MEM memory bank has been lost due to a previous power transition or other reset source (not affected by a global warm reset). 0x0: Context has been maintained 0x1: Context has been lost	RW	0x1
7:2	RESERVED		R	0x0
1	LOSTCONTEXT_RFF	Specify if RFF-based context has been lost due to a previous power transition or other reset source. (set upon assertion of CORE_RET_RST signal) 0x0: Context has been maintained 0x1: Context has been lost	RW	0x1
0	RESERVED		R	0x0

Table 3-1342. RM_L3MAIN1_VCP1_CONTEXT

Address Offset	0x0000 008C	Instance	CORE_PRM
Physical Address	0x4AE0 678C		
Description	This register contains dedicated VCP1 context statuses. [warm reset insensitive]		
Type	RW		

31	30	29	28	27	26	25	24	23	22	21	20	19	18	17	16	15	14	13	12	11	10	9	8	7	6	5	4	3	2	1	0		
RESERVED																LOSTMEM_VCP_BANK	RESERVED																LOSTCONTEXT_DFF

Bits	Field Name	Description	Type	Reset
31:9	RESERVED		R	0x0
8	LOSTMEM_VCP_BANK	Specify if memory-based context in VCP memory bank has been lost due to a previous power transition or other reset source. 0x0: Context has been maintained 0x1: Context has been lost	RW	0x1
7:1	RESERVED		R	0x0
0	LOSTCONTEXT_DFF	Specify if DFF-based context has been lost due to a previous power transition or other reset source. (set upon assertion of CORE_RET_RST signal) 0x0: Context has been maintained 0x1: Context has been lost	RW	0x1

Table 3-1343. RM_L3MAIN1_VCP2_CONTEXT

Address Offset	0x0000 0094	Instance	CORE_PRM
Physical Address	0x4AE0 6794		
Description	This register contains dedicated VCP2 context statuses. [warm reset insensitive]		
Type	RW		

31	30	29	28	27	26	25	24	23	22	21	20	19	18	17	16	15	14	13	12	11	10	9	8	7	6	5	4	3	2	1	0
RESERVED																LOSTMEM_VCP_BANK	RESERVED										LOSTCONTEXT_DFF				

Bits	Field Name	Description	Type	Reset
31:9	RESERVED		R	0x0
8	LOSTMEM_VCP_BANK	Specify if memory-based context in VCP memory bank has been lost due to a previous power transition or other reset source. 0x0: Context has been maintained 0x1: Context has been lost	RW	0x1
7:1	RESERVED		R	0x0
0	LOSTCONTEXT_DFF	Specify if DFF-based context has been lost due to a previous power transition or other reset source. (set upon assertion of CORE_RET_RST signal) 0x0: Context has been maintained 0x1: Context has been lost	RW	0x1

Table 3-1344. RM_L3MAIN1_SPARE_CME_CONTEXT

Address Offset	0x0000 009C	Instance	CORE_PRM
Physical Address	0x4AE0 679C		
Description	This register contains dedicated SPARE_CME context statuses. [warm reset insensitive]		
Type	RW		

31	30	29	28	27	26	25	24	23	22	21	20	19	18	17	16	15	14	13	12	11	10	9	8	7	6	5	4	3	2	1	0
RESERVED																LOSTCONTEXT_DFF															

Bits	Field Name	Description	Type	Reset
31:1	RESERVED		R	0x0
0	LOSTCONTEXT_DFF	Specify if DFF-based context has been lost due to a previous power transition or other reset source. (set upon assertion of CORE_RST signal) 0x0: Context has been maintained 0x1: Context has been lost	RW	0x1

Table 3-1345. RM_L3MAIN1_SPARE_HDMI_CONTEXT

Address Offset	0x0000 00A4	Instance	CORE_PRM
Physical Address	0x4AE0 67A4		
Description	This register contains dedicated SPARE_HDMI context statuses. [warm reset insensitive]		
Type	RW		

31	30	29	28	27	26	25	24	23	22	21	20	19	18	17	16	15	14	13	12	11	10	9	8	7	6	5	4	3	2	1	0
RESERVED																												LOSTCONTEXT_DFF			

Bits	Field Name	Description	Type	Reset
31:1	RESERVED		R	0x0
0	LOSTCONTEXT_DFF	Specify if DFF-based context has been lost due to a previous power transition or other reset source. (set upon assertion of CORE_RST signal) 0x0: Context has been maintained 0x1: Context has been lost	RW	0x1

Table 3-1346. RM_L3MAIN1_SPARE_ICM_CONTEXT

Address Offset	0x0000 00AC	Instance	CORE_PRM
Physical Address	0x4AE0 67AC		
Description	This register contains dedicated SPARE_ICM context statuses. [warm reset insensitive]		
Type	RW		

31	30	29	28	27	26	25	24	23	22	21	20	19	18	17	16	15	14	13	12	11	10	9	8	7	6	5	4	3	2	1	0
RESERVED																												LOSTCONTEXT_DFF			

Bits	Field Name	Description	Type	Reset
31:1	RESERVED		R	0x0
0	LOSTCONTEXT_DFF	Specify if DFF-based context has been lost due to a previous power transition or other reset source. (set upon assertion of CORE_RST signal) 0x0: Context has been maintained 0x1: Context has been lost	RW	0x1

Table 3-1347. RM_L3MAIN1_SPARE_IVA2_CONTEXT

Address Offset	0x0000 00B4	Instance	CORE_PRM
Physical Address	0x4AE0 67B4		
Description	This register contains dedicated SPARE_IVA2 context statuses. [warm reset insensitive]		
Type	RW		

31	30	29	28	27	26	25	24	23	22	21	20	19	18	17	16	15	14	13	12	11	10	9	8	7	6	5	4	3	2	1	0
RESERVED																												LOSTCONTEXT_DFF			

Bits	Field Name	Description	Type	Reset
31:1	RESERVED		R	0x0
0	LOSTCONTEXT_DFF	Specify if DFF-based context has been lost due to a previous power transition or other reset source. (set upon assertion of CORE_RST signal) 0x0: Context has been maintained 0x1: Context has been lost	RW	0x1

Table 3-1348. RM_L3MAIN1_SPARE_SATA2_CONTEXT

Address Offset	0x0000 00BC	Instance	CORE_PRM
Physical Address	0x4AE0 67BC		
Description	This register contains dedicated SPARE_SATA2 context statuses. [warm reset insensitive]		
Type	RW		

31	30	29	28	27	26	25	24	23	22	21	20	19	18	17	16	15	14	13	12	11	10	9	8	7	6	5	4	3	2	1	0
RESERVED																												LOSTCONTEXT_DFF			

Bits	Field Name	Description	Type	Reset
31:1	RESERVED		R	0x0
0	LOSTCONTEXT_DFF	Specify if DFF-based context has been lost due to a previous power transition or other reset source. (set upon assertion of CORE_RST signal) 0x0: Context has been maintained 0x1: Context has been lost	RW	0x1

Table 3-1349. RM_L3MAIN1_SPARE_UNKNOWN4_CONTEXT

Address Offset	0x0000 00C4	Instance	CORE_PRM
Physical Address	0x4AE0 67C4		
Description	This register contains dedicated SPARE_UNKNOWN4 context statuses. [warm reset insensitive]		
Type	RW		

31	30	29	28	27	26	25	24	23	22	21	20	19	18	17	16	15	14	13	12	11	10	9	8	7	6	5	4	3	2	1	0
RESERVED																LOSTCONTEXT_DFF															

Bits	Field Name	Description	Type	Reset
31:1	RESERVED		R	0x0
0	LOSTCONTEXT_DFF	Specify if DFF-based context has been lost due to a previous power transition or other reset source. (set upon assertion of CORE_RST signal) 0x0: Context has been maintained 0x1: Context has been lost	RW	0x1

Table 3-1350. RM_L3MAIN1_SPARE_UNKNOWN5_CONTEXT

Address Offset	0x0000 00CC	Instance	CORE_PRM
Physical Address	0x4AE0 67CC		
Description	This register contains dedicated SPARE_UNKNOWN5 context statuses. [warm reset insensitive]		
Type	RW		

31	30	29	28	27	26	25	24	23	22	21	20	19	18	17	16	15	14	13	12	11	10	9	8	7	6	5	4	3	2	1	0
RESERVED																LOSTCONTEXT_DFF															

Bits	Field Name	Description	Type	Reset
31:1	RESERVED		R	0x0
0	LOSTCONTEXT_DFF	Specify if DFF-based context has been lost due to a previous power transition or other reset source. (set upon assertion of CORE_RST signal) 0x0: Context has been maintained 0x1: Context has been lost	RW	0x1

Table 3-1351. RM_L3MAIN1_SPARE_UNKNOWN6_CONTEXT

Address Offset	0x0000 00D4	Instance	CORE_PRM
Physical Address	0x4AE0 67D4		
Description	This register contains dedicated SPARE_UNKNOWN6 context statuses. [warm reset insensitive]		
Type	RW		

31	30	29	28	27	26	25	24	23	22	21	20	19	18	17	16	15	14	13	12	11	10	9	8	7	6	5	4	3	2	1	0
RESERVED																												LOSTCONTEXT_DFF			

Bits	Field Name	Description	Type	Reset
31:1	RESERVED		R	0x0
0	LOSTCONTEXT_DFF	Specify if DFF-based context has been lost due to a previous power transition or other reset source. (set upon assertion of CORE_RST signal) 0x0: Context has been maintained 0x1: Context has been lost	RW	0x1

Table 3-1352. RM_L3MAIN1_SPARE_VIDEOPLL1_CONTEXT

Address Offset	0x0000 00DC	Instance	CORE_PRM
Physical Address	0x4AE0 67DC		
Description	This register contains dedicated SPARE_VIDEOPLL1 context statuses. [warm reset insensitive]		
Type	RW		

31	30	29	28	27	26	25	24	23	22	21	20	19	18	17	16	15	14	13	12	11	10	9	8	7	6	5	4	3	2	1	0
RESERVED																												LOSTCONTEXT_DFF			

Bits	Field Name	Description	Type	Reset
31:1	RESERVED		R	0x0
0	LOSTCONTEXT_DFF	Specify if DFF-based context has been lost due to a previous power transition or other reset source. (set upon assertion of CORE_RST signal) 0x0: Context has been maintained 0x1: Context has been lost	RW	0x1

Table 3-1353. RM_L3MAIN1_SPARE_VIDEOPLL2_CONTEXT

Address Offset	0x0000 00F4	Instance	CORE_PRM
Physical Address	0x4AE0 67F4		
Description	This register contains dedicated SPARE_VIDEOPLL2 context statuses. [warm reset insensitive]		
Type	RW		

31	30	29	28	27	26	25	24	23	22	21	20	19	18	17	16	15	14	13	12	11	10	9	8	7	6	5	4	3	2	1	0
RESERVED																LOSTCONTEXT_DFF															

Bits	Field Name	Description	Type	Reset
31:1	RESERVED		R	0x0
0	LOSTCONTEXT_DFF	Specify if DFF-based context has been lost due to a previous power transition or other reset source. (set upon assertion of CORE_RST signal) 0x0: Context has been maintained 0x1: Context has been lost	RW	0x1

Table 3-1354. RM_L3MAIN1_SPARE_VIDEOPLL3_CONTEXT

Address Offset	0x0000 00FC	Instance	CORE_PRM
Physical Address	0x4AE0 67FC		
Description	This register contains dedicated SPARE_VIDEOPLL3 context statuses. [warm reset insensitive]		
Type	RW		

31	30	29	28	27	26	25	24	23	22	21	20	19	18	17	16	15	14	13	12	11	10	9	8	7	6	5	4	3	2	1	0
RESERVED																LOSTCONTEXT_DFF															

Bits	Field Name	Description	Type	Reset
31:1	RESERVED		R	0x0
0	LOSTCONTEXT_DFF	Specify if DFF-based context has been lost due to a previous power transition or other reset source. (set upon assertion of CORE_RST signal) 0x0: Context has been maintained 0x1: Context has been lost	RW	0x1

Table 3-1355. RM_IPU2_RSTCTRL

Address Offset	0x0000 0210	Instance	CORE_PRM
Physical Address	0x4AE0 6910		
Description	This register controls the release of the IPU2 sub-system resets.		
Type	RW		

31	30	29	28	27	26	25	24	23	22	21	20	19	18	17	16	15	14	13	12	11	10	9	8	7	6	5	4	3	2	1	0
RESERVED																											RST_IPU	RST_CPU1	RST_CPU0		

Bits	Field Name	Description	Type	Reset
31:3	RESERVED		R	0x0
2	RST_IPU	IPU system reset control. 0x0: Reset is cleared for IPU CACHE and MMU 0x1: Reset is asserted for the IPU CACHE and MMU	RW	0x1
1	RST_CPU1	IPU Cortex M4 CPU1 reset control 0x0: Reset is cleared for the IPU Cortex M4 CPU1 0x1: Reset is asserted for the IPU Cortex M4 CPU1	RW	0x1
0	RST_CPU0	IPU Cortex M4 CPU0 reset control. 0x0: Reset is cleared for the IPU Cortex M4 CPU0 0x1: Reset is asserted for the IPU Cortex M4 CPU0	RW	0x1

Table 3-1356. Register Call Summary for Register RM_IPU2_RSTCTRL

Reset Management Functional Description

- [Reset Domains: \[0\]\[1\]\[2\]\[3\]\[4\]](#)
- [IPU2 Subsystem Power-On Reset Sequence: \[5\]\[6\]\[7\]](#)
- [IPU2 Subsystem Software Warm Reset Sequence: \[8\]\[9\]\[10\]\[11\]\[12\]\[13\]](#)

PRCM Register Manual

- [CORE_PRM Register Summary: \[14\]](#)

Table 3-1357. RM_IPU2_RSTST

Address Offset	0x0000 0214	Instance	CORE_PRM
Physical Address	0x4AE0 6914		
Description	This register logs the different reset sources of the IPU2 SS. Each bit is set upon release of the domain reset signal. Must be cleared by software. [warm reset insensitive]		
Type	RW		

31	30	29	28	27	26	25	24	23	22	21	20	19	18	17	16	15	14	13	12	11	10	9	8	7	6	5	4	3	2	1	0		
RESERVED																											RST_ICECRUSHER_CPU1	RST_ICECRUSHER_CPU0	RST_EMULATION_CPU1	RST_EMULATION_CPU0	RST_IPU	RST_CPU1	RST_CPU0

Bits	Field Name	Description	Type	Reset
31:7	RESERVED		R	0x0
6	RST_ICECRUSHER_CPU1	Cortex M4 CPU1 has been reset due to IPU ICECRUSHER1 reset source 0x0: No icecrusher reset 0x1: CPU1 has been reset upon icecrusher reset	RW	0x0
5	RST_ICECRUSHER_CPU0	Cortex M4 CPU0 has been reset due to IPU ICECRUSHER0 reset source 0x0: No icecrusher reset 0x1: CPU0 has been reset upon icecrusher reset	RW	0x0
4	RST_EMULATION_CPU1	Cortex M4 CPU1 has been reset due to emulation reset source e.g. assert reset command initiated by the icepick module 0x0: No emulation reset 0x1: CPU1 has been reset upon emulation reset	RW	0x0
3	RST_EMULATION_CPU0	Cortex M4 CPU0 has been reset due to emulation reset source e.g. assert reset command initiated by the icepick module 0x0: No emulation reset 0x1: CPU0 has been reset upon emulation reset	RW	0x0
2	RST_IPU	IPU system SW reset status 0x0: No SW reset occurred 0x1: IPU MMU and CACHE interface has been reset upon SW reset	RW	0x0
1	RST_CPU1	IPU Cortex-M4 CPU1 SW reset status 0x0: No SW reset occurred 0x1: Cortex M4 CPU1 has been reset upon SW reset	RW	0x0
0	RST_CPU0	IPU Cortex-M4 CPU0 SW reset status 0x0: No SW reset occurred 0x1: Cortex M4 CPU0 has been reset upon SW reset	RW	0x0

Table 3-1358. Register Call Summary for Register RM_IPU2_RSTST

PRCM Register Manual

- [CORE_PRM Register Summary: \[0\]](#)

Table 3-1359. RM_IPU2_IPU2_CONTEXT

Address Offset	0x0000 0224		
Physical Address	0x4AE0 6924	Instance	CORE_PRM
Description	This register contains dedicated IPU2 context statuses. [warm reset insensitive]		
Type	RW		

31	30	29	28	27	26	25	24	23	22	21	20	19	18	17	16	15	14	13	12	11	10	9	8	7	6	5	4	3	2	1	0
RESERVED																LOSTMEM_IPU_L2RAM	LOSTMEM_IPU_UNICACHE	RESERVED										LOSTCONTEXT_RFF	LOSTCONTEXT_DFF		

Bits	Field Name	Description	Type	Reset
31:10	RESERVED		R	0x0
9	LOSTMEM_IPU_L2RAM	Specify if memory-based context in IPU_L2RAM memory bank has been lost due to a previous power transition or other reset source. 0x0: Context has been maintained 0x1: Context has been lost	RW	0x1
8	LOSTMEM_IPU_UNICACHE	Specify if memory-based context in IPU_UNICACHE memory bank has been lost due to a previous power transition or other reset source. 0x0: Context has been maintained 0x1: Context has been lost	RW	0x1
7:2	RESERVED		R	0x0
1	LOSTCONTEXT_RFF	Specify if RFF-based context has been lost due to a previous power transition or other reset source. (set upon assertion of IPU_RET_RST signal) 0x0: Context has been maintained 0x1: Context has been lost	RW	0x1
0	LOSTCONTEXT_DFF	Specify if DFF-based context has been lost due to a previous power transition or other reset source. (set upon assertion of IPU_RST signal) 0x0: Context has been maintained 0x1: Context has been lost	RW	0x1

Table 3-1360. Register Call Summary for Register RM_IPU2_IPU2_CONTEXT

Power Management Functional Description

- [PD_CORE Description: \[0\]\[1\]](#)

PRCM Register Manual

- [CORE_PRM Register Summary: \[2\]](#)

Table 3-1361. RM_DMA_DMA_SYSTEM_CONTEXT

Address Offset	0x0000 0324	Instance	CORE_PRM
Physical Address	0x4AE0 6A24		
Description	This register contains dedicated SDMA context statuses. [warm reset insensitive]		
Type	RW		

31	30	29	28	27	26	25	24	23	22	21	20	19	18	17	16	15	14	13	12	11	10	9	8	7	6	5	4	3	2	1	0
RESERVED																LOSTMEM_CORE_OTHER_BANK	RESERVED										LOSTCONTEXT_RFF	RESERVED			

Bits	Field Name	Description	Type	Reset
31:9	RESERVED		R	0x0
8	LOSTMEM_CORE_OTHER_BANK	Specify if memory-based context in CORE_OTHER_BANK memory bank has been lost due to a previous power transition or other reset source. 0x0: Context has been maintained 0x1: Context has been lost	RW	0x1
7:2	RESERVED		R	0x0
1	LOSTCONTEXT_RFF	Specify if RFF-based context has been lost due to a previous power transition or other reset source. (set upon assertion of DMA_RET_RST signal) 0x0: Context has been maintained 0x1: Context has been lost	RW	0x1
0	RESERVED		R	0x0

Table 3-1362. RM_EMIF_DMM_CONTEXT

Address Offset	0x0000 0424	Instance	CORE_PRM
Physical Address	0x4AE0 6B24		
Description	This register contains dedicated DMM context statuses. [warm reset insensitive]		
Type	RW		

31	30	29	28	27	26	25	24	23	22	21	20	19	18	17	16	15	14	13	12	11	10	9	8	7	6	5	4	3	2	1	0
RESERVED																LOSTCONTEXT_RFF		LOSTCONTEXT_DFF													

Bits	Field Name	Description	Type	Reset
31:2	RESERVED		R	0x0
1	LOSTCONTEXT_RFF	Specify if RFF-based context has been lost due to a previous power transition or other reset source. (set upon assertion of CORE_PWRON_RET_RST signal) 0x0: Context has been maintained 0x1: Context has been lost	RW	0x1
0	LOSTCONTEXT_DFF	Specify if DFF-based context has been lost due to a previous power transition or other reset source. (set upon assertion of CORE_PWRON_RST signal) 0x0: Context has been maintained 0x1: Context has been lost	RW	0x1

Table 3-1363. RM_EMIF_EMIF_OCP_FW_CONTEXT

Address Offset	0x0000 042C	Instance	CORE_PRM
Physical Address	0x4AE0 6B2C		
Description	This register contains dedicated EMIF_OCP_FW context statuses. [warm reset insensitive]		
Type	RW		

31	30	29	28	27	26	25	24	23	22	21	20	19	18	17	16	15	14	13	12	11	10	9	8	7	6	5	4	3	2	1	0
RESERVED																LOSTCONTEXT_RFF		LOSTCONTEXT_DFF													

Bits	Field Name	Description	Type	Reset
31:2	RESERVED		R	0x0
1	LOSTCONTEXT_RFF	Specify if RFF-based context has been lost due to a previous power transition or other reset source. (set upon assertion of CORE_PWRON_RET_RST signal) 0x0: Context has been maintained 0x1: Context has been lost	RW	0x1
0	LOSTCONTEXT_DFF	Specify if DFF-based context has been lost due to a previous power transition or other reset source. (set upon assertion of CORE_RST signal) 0x0: Context has been maintained 0x1: Context has been lost	RW	0x1

Table 3-1364. RM_EMIF_EMIF1_CONTEXT

Address Offset	0x0000 0434	Instance	CORE_PRM
Physical Address	0x4AE0 6B34		
Description	This register contains dedicated EMIF_1 context statuses. [warm reset insensitive]		
Type	RW		

31	30	29	28	27	26	25	24	23	22	21	20	19	18	17	16	15	14	13	12	11	10	9	8	7	6	5	4	3	2	1	0
RESERVED																LOSTCONTEXT_RFF		LOSTCONTEXT_DFF													

Bits	Field Name	Description	Type	Reset
31:2	RESERVED		R	0x0
1	LOSTCONTEXT_RFF	Specify if RFF-based context has been lost due to a previous power transition or other reset source. (set upon assertion of CORE_PWRON_RET_RST signal) 0x0: Context has been maintained 0x1: Context has been lost	RW	0x1

Bits	Field Name	Description	Type	Reset
0	LOSTCONTEXT_DFF	Specify if DFF-based context has been lost due to a previous power transition or other reset source. (set upon assertion of CORE_PWRON_RST signal) 0x0: Context has been maintained 0x1: Context has been lost	RW	0x1

Table 3-1365. RM_EMIF_EMIF2_CONTEXT

Address Offset	0x0000 043C	Instance	CORE_PRM
Physical Address	0x4AE0 6B3C		
Description	This register contains dedicated EMIF_2 context statuses. [warm reset insensitive]		
Type	RW		

31	30	29	28	27	26	25	24	23	22	21	20	19	18	17	16	15	14	13	12	11	10	9	8	7	6	5	4	3	2	1	0
RESERVED																LOSTCONTEXT_RFF		LOSTCONTEXT_DFF													

Bits	Field Name	Description	Type	Reset
31:2	RESERVED		R	0x0
1	LOSTCONTEXT_RFF	Specify if RFF-based context has been lost due to a previous power transition or other reset source. (set upon assertion of CORE_PWRON_RET_RST signal) 0x0: Context has been maintained 0x1: Context has been lost	RW	0x1
0	LOSTCONTEXT_DFF	Specify if DFF-based context has been lost due to a previous power transition or other reset source. (set upon assertion of CORE_PWRON_RST signal) 0x0: Context has been maintained 0x1: Context has been lost	RW	0x1

Table 3-1366. RM_EMIF_EMIF_DLL_CONTEXT

Address Offset	0x0000 0444	Instance	CORE_PRM
Physical Address	0x4AE0 6B44		
Description	This register contains dedicated DLL context statuses. [warm reset insensitive]		
Type	RW		

31	30	29	28	27	26	25	24	23	22	21	20	19	18	17	16	15	14	13	12	11	10	9	8	7	6	5	4	3	2	1	0
RESERVED																LOSTCONTEXT_DFF															

Bits	Field Name	Description	Type	Reset
31:1	RESERVED		R	0x0
0	LOSTCONTEXT_DFF	Specify if DFF-based context has been lost due to a previous power transition or other reset source. (set upon assertion of DLL_RST signal) 0x0: Context has been maintained 0x1: Context has been lost	RW	0x1

Table 3-1367. RM_ATL_ATL_CONTEXT

Address Offset	0x0000 0524	Instance	CORE_PRM
Physical Address	0x4AE0 6C24		
Description	This register contains dedicated ATL context statuses. [warm reset insensitive]		
Type	RW		

31	30	29	28	27	26	25	24	23	22	21	20	19	18	17	16	15	14	13	12	11	10	9	8	7	6	5	4	3	2	1	0
RESERVED																LOSTMEM_ATL_BANK	RESERVED										LOSTCONTEXT_DFF				

Bits	Field Name	Description	Type	Reset
31:9	RESERVED		R	0x0
8	LOSTMEM_ATL_BANK	Specify if memory-based context in ATL_MEM memory bank has been lost due to a previous power transition or other reset source. 0x0: Context has been maintained 0x1: Context has been lost	RW	0x1
7:1	RESERVED		R	0x0
0	LOSTCONTEXT_DFF	Specify if DFF-based context has been lost due to a previous power transition or other reset source. (set upon assertion of CORE_RST signal) 0x0: Context has been maintained 0x1: Context has been lost	RW	0x1

Table 3-1368. RM_L4CFG_L4_CFG_CONTEXT

Address Offset	0x0000 0624	Instance	CORE_PRM
Physical Address	0x4AE0 6D24		
Description	This register contains dedicated L4_CFG context statuses. [warm reset insensitive]		
Type	RW		

31	30	29	28	27	26	25	24	23	22	21	20	19	18	17	16	15	14	13	12	11	10	9	8	7	6	5	4	3	2	1	0
RESERVED																LOSTCONTEXT_RFF	LOSTCONTEXT_DFF														

Bits	Field Name	Description	Type	Reset
31:2	RESERVED		R	0x0
1	LOSTCONTEXT_RFF	Specify if RFF-based context has been lost due to a previous power transition or other reset source. (set upon assertion of CORE_PWRON_RET_RST signal) 0x0: Context has been maintained 0x1: Context has been lost	RW	0x1
0	LOSTCONTEXT_DFF	Specify if DFF-based context has been lost due to a previous power transition or other reset source. (set upon assertion of CORE_RST signal) 0x0: Context has been maintained 0x1: Context has been lost	RW	0x1

Table 3-1369. RM_L4CFG_SPINLOCK_CONTEXT

Address Offset	0x0000 062C	Instance	CORE_PRM
Physical Address	0x4AE0 6D2C		
Description	This register contains dedicated HW_SEM context statuses. [warm reset insensitive]		
Type	RW		

31	30	29	28	27	26	25	24	23	22	21	20	19	18	17	16	15	14	13	12	11	10	9	8	7	6	5	4	3	2	1	0
RESERVED																LOSTCONTEXT_RFF		RESERVED													

Bits	Field Name	Description	Type	Reset
31:2	RESERVED		R	0x0
1	LOSTCONTEXT_RFF	Specify if RFF-based context has been lost due to a previous power transition or other reset source. (set upon assertion of CORE_RET_RST signal) 0x0: Context has been maintained 0x1: Context has been lost	RW	0x1
0	RESERVED		R	0x0

Table 3-1370. RM_L4CFG_MAILBOX1_CONTEXT

Address Offset	0x0000 0634	Instance	CORE_PRM
Physical Address	0x4AE0 6D34		
Description	This register contains dedicated MAILBOX1 context statuses. [warm reset insensitive]		
Type	RW		

31	30	29	28	27	26	25	24	23	22	21	20	19	18	17	16	15	14	13	12	11	10	9	8	7	6	5	4	3	2	1	0
RESERVED																LOSTCONTEXT_RFF		RESERVED													

Bits	Field Name	Description	Type	Reset
31:2	RESERVED		R	0x0
1	LOSTCONTEXT_RFF	Specify if RFF-based context has been lost due to a previous power transition or other reset source. (set upon assertion of CORE_RET_RST signal) 0x0: Context has been maintained 0x1: Context has been lost	RW	0x1
0	RESERVED		R	0x0

Table 3-1371. RM_L4CFG_SAR_ROM_CONTEXT

Address Offset	0x0000 063C	Instance	CORE_PRM
Physical Address	0x4AE0 6D3C		
Description	This register contains dedicated SAR_ROM context statuses. [warm reset insensitive]		
Type	RW		

31	30	29	28	27	26	25	24	23	22	21	20	19	18	17	16	15	14	13	12	11	10	9	8	7	6	5	4	3	2	1	0
RESERVED																													LOSTCONTEXT_DFF		

Bits	Field Name	Description	Type	Reset
31:1	RESERVED		R	0x0
0	LOSTCONTEXT_DFF	Specify if DFF-based context has been lost due to a previous power transition or other reset source. (set upon assertion of CORE_RST signal) 0x0: Context has been maintained 0x1: Context has been lost	RW	0x1

Table 3-1372. RM_L4CFG_OCP2SCP2_CONTEXT

Address Offset	0x0000 0644	Instance	CORE_PRM
Physical Address	0x4AE0 6D44		
Description	This register contains dedicated OCP2SCP2 context statuses. [warm reset insensitive]		
Type	RW		

31	30	29	28	27	26	25	24	23	22	21	20	19	18	17	16	15	14	13	12	11	10	9	8	7	6	5	4	3	2	1	0
RESERVED																													LOSTCONTEXT_DFF		

Bits	Field Name	Description	Type	Reset
31:1	RESERVED		R	0x0
0	LOSTCONTEXT_DFF	Specify if DFF-based context has been lost due to a previous power transition or other reset source. (set upon assertion of CORE_RST signal) 0x0: Context has been maintained 0x1: Context has been lost	RW	0x1

Table 3-1373. RM_L4CFG_MAILBOX2_CONTEXT

Address Offset	0x0000 064C	Instance	CORE_PRM
Physical Address	0x4AE0 6D4C		
Description	This register contains dedicated MAILBOX2 context statuses. [warm reset insensitive]		
Type	RW		

31	30	29	28	27	26	25	24	23	22	21	20	19	18	17	16	15	14	13	12	11	10	9	8	7	6	5	4	3	2	1	0
RESERVED																LOSTCONTEXT_RFF		RESERVED													

Bits	Field Name	Description	Type	Reset
31:2	RESERVED		R	0x0
1	LOSTCONTEXT_RFF	Specify if RFF-based context has been lost due to a previous power transition or other reset source. (set upon assertion of CORE_RET_RST signal) 0x0: Context has been maintained 0x1: Context has been lost	RW	0x1
0	RESERVED		R	0x0

Table 3-1374. RM_L4CFG_MAILBOX3_CONTEXT

Address Offset	0x0000 0654	Instance	CORE_PRM
Physical Address	0x4AE0 6D54		
Description	This register contains dedicated MAILBOX3 context statuses. [warm reset insensitive]		
Type	RW		

31	30	29	28	27	26	25	24	23	22	21	20	19	18	17	16	15	14	13	12	11	10	9	8	7	6	5	4	3	2	1	0
RESERVED																LOSTCONTEXT_RFF		RESERVED													

Bits	Field Name	Description	Type	Reset
31:2	RESERVED		R	0x0
1	LOSTCONTEXT_RFF	Specify if RFF-based context has been lost due to a previous power transition or other reset source. (set upon assertion of CORE_RET_RST signal) 0x0: Context has been maintained 0x1: Context has been lost	RW	0x1
0	RESERVED		R	0x0

Table 3-1375. RM_L4CFG_MAILBOX4_CONTEXT

Address Offset	0x0000 065C	Instance	CORE_PRM
Physical Address	0x4AE0 6D5C		
Description	This register contains dedicated MAILBOX4 context statuses. [warm reset insensitive]		
Type	RW		

31	30	29	28	27	26	25	24	23	22	21	20	19	18	17	16	15	14	13	12	11	10	9	8	7	6	5	4	3	2	1	0
RESERVED																LOSTCONTEXT_RFF		RESERVED													

Bits	Field Name	Description	Type	Reset
31:2	RESERVED		R	0x0
1	LOSTCONTEXT_RFF	Specify if RFF-based context has been lost due to a previous power transition or other reset source. (set upon assertion of CORE_RET_RST signal) 0x0: Context has been maintained 0x1: Context has been lost	RW	0x1
0	RESERVED		R	0x0

Table 3-1376. RM_L4CFG_MAILBOX5_CONTEXT

Address Offset	0x0000 0664	Instance	CORE_PRM
Physical Address	0x4AE0 6D64		
Description	This register contains dedicated MAILBOX5 context statuses. [warm reset insensitive]		
Type	RW		

31	30	29	28	27	26	25	24	23	22	21	20	19	18	17	16	15	14	13	12	11	10	9	8	7	6	5	4	3	2	1	0
RESERVED																LOSTCONTEXT_RFF		RESERVED													

Bits	Field Name	Description	Type	Reset
31:2	RESERVED		R	0x0
1	LOSTCONTEXT_RFF	Specify if RFF-based context has been lost due to a previous power transition or other reset source. (set upon assertion of CORE_RET_RST signal) 0x0: Context has been maintained 0x1: Context has been lost	RW	0x1
0	RESERVED		R	0x0

Table 3-1377. RM_L4CFG_MAILBOX6_CONTEXT

Address Offset	0x0000 066C	Instance	CORE_PRM
Physical Address	0x4AE0 6D6C		
Description	This register contains dedicated MAILBOX6 context statuses. [warm reset insensitive]		
Type	RW		

31	30	29	28	27	26	25	24	23	22	21	20	19	18	17	16	15	14	13	12	11	10	9	8	7	6	5	4	3	2	1	0
RESERVED																LOSTCONTEXT_RFF	RESERVED														

Bits	Field Name	Description	Type	Reset
31:2	RESERVED		R	0x0
1	LOSTCONTEXT_RFF	Specify if RFF-based context has been lost due to a previous power transition or other reset source. (set upon assertion of CORE_RET_RST signal) 0x0: Context has been maintained 0x1: Context has been lost	RW	0x1
0	RESERVED		R	0x0

Table 3-1378. RM_L4CFG_MAILBOX7_CONTEXT

Address Offset	0x0000 0674	Instance	CORE_PRM
Physical Address	0x4AE0 6D74		
Description	This register contains dedicated MAILBOX7 context statuses. [warm reset insensitive]		
Type	RW		

31	30	29	28	27	26	25	24	23	22	21	20	19	18	17	16	15	14	13	12	11	10	9	8	7	6	5	4	3	2	1	0
RESERVED																LOSTCONTEXT_RFF	RESERVED														

Bits	Field Name	Description	Type	Reset
31:2	RESERVED		R	0x0
1	LOSTCONTEXT_RFF	Specify if RFF-based context has been lost due to a previous power transition or other reset source. (set upon assertion of CORE_RET_RST signal) 0x0: Context has been maintained 0x1: Context has been lost	RW	0x1
0	RESERVED		R	0x0

Table 3-1379. RM_L4CFG_MAILBOX8_CONTEXT

Address Offset	0x0000 067C	Instance	CORE_PRM
Physical Address	0x4AE0 6D7C		
Description	This register contains dedicated MAILBOX8 context statuses. [warm reset insensitive]		
Type	RW		

31	30	29	28	27	26	25	24	23	22	21	20	19	18	17	16	15	14	13	12	11	10	9	8	7	6	5	4	3	2	1	0
RESERVED																LOSTCONTEXT_RFF		RESERVED													

Bits	Field Name	Description	Type	Reset
31:2	RESERVED		R	0x0
1	LOSTCONTEXT_RFF	Specify if RFF-based context has been lost due to a previous power transition or other reset source. (set upon assertion of CORE_RET_RST signal) 0x0: Context has been maintained 0x1: Context has been lost	RW	0x1
0	RESERVED		R	0x0

Table 3-1380. RM_L4CFG_MAILBOX9_CONTEXT

Address Offset	0x0000 0684	Instance	CORE_PRM
Physical Address	0x4AE0 6D84		
Description	This register contains dedicated MAILBOX9 context statuses. [warm reset insensitive]		
Type	RW		

31	30	29	28	27	26	25	24	23	22	21	20	19	18	17	16	15	14	13	12	11	10	9	8	7	6	5	4	3	2	1	0
RESERVED																LOSTCONTEXT_RFF		RESERVED													

Bits	Field Name	Description	Type	Reset
31:2	RESERVED		R	0x0
1	LOSTCONTEXT_RFF	Specify if RFF-based context has been lost due to a previous power transition or other reset source. (set upon assertion of CORE_RET_RST signal) 0x0: Context has been maintained 0x1: Context has been lost	RW	0x1
0	RESERVED		R	0x0

Table 3-1381. RM_L4CFG_MAILBOX10_CONTEXT

Address Offset	0x0000 068C	Instance	CORE_PRM
Physical Address	0x4AE0 6D8C		
Description	This register contains dedicated MAILBOX10 context statuses. [warm reset insensitive]		
Type	RW		

31	30	29	28	27	26	25	24	23	22	21	20	19	18	17	16	15	14	13	12	11	10	9	8	7	6	5	4	3	2	1	0
RESERVED																LOSTCONTEXT_RFF		RESERVED													

Bits	Field Name	Description	Type	Reset
31:2	RESERVED		R	0x0
1	LOSTCONTEXT_RFF	Specify if RFF-based context has been lost due to a previous power transition or other reset source. (set upon assertion of CORE_RET_RST signal) 0x0: Context has been maintained 0x1: Context has been lost	RW	0x1
0	RESERVED		R	0x0

Table 3-1382. RM_L4CFG_MAILBOX11_CONTEXT

Address Offset	0x0000 0694	Instance	CORE_PRM
Physical Address	0x4AE0 6D94		
Description	This register contains dedicated MAILBOX11 context statuses. [warm reset insensitive]		
Type	RW		

31	30	29	28	27	26	25	24	23	22	21	20	19	18	17	16	15	14	13	12	11	10	9	8	7	6	5	4	3	2	1	0
RESERVED																LOSTCONTEXT_RFF		RESERVED													

Bits	Field Name	Description	Type	Reset
31:2	RESERVED		R	0x0
1	LOSTCONTEXT_RFF	Specify if RFF-based context has been lost due to a previous power transition or other reset source. (set upon assertion of CORE_RET_RST signal) 0x0: Context has been maintained 0x1: Context has been lost	RW	0x1
0	RESERVED		R	0x0

Table 3-1383. RM_L4CFG_MAILBOX12_CONTEXT

Address Offset	0x0000 069C	Instance	CORE_PRM
Physical Address	0x4AE0 6D9C		
Description	This register contains dedicated MAILBOX12 context statuses. [warm reset insensitive]		
Type	RW		

31	30	29	28	27	26	25	24	23	22	21	20	19	18	17	16	15	14	13	12	11	10	9	8	7	6	5	4	3	2	1	0		
RESERVED																																	
																																LOSTCONTEXT_RFF	RESERVED

Bits	Field Name	Description	Type	Reset
31:2	RESERVED		R	0x0
1	LOSTCONTEXT_RFF	Specify if RFF-based context has been lost due to a previous power transition or other reset source. (set upon assertion of CORE_RET_RST signal) 0x0: Context has been maintained 0x1: Context has been lost	RW	0x1
0	RESERVED		R	0x0

Table 3-1384. RM_L4CFG_MAILBOX13_CONTEXT

Address Offset	0x0000 06A4	Instance	CORE_PRM
Physical Address	0x4AE0 6DA4		
Description	This register contains dedicated MAILBOX13 context statuses. [warm reset insensitive]		
Type	RW		

31	30	29	28	27	26	25	24	23	22	21	20	19	18	17	16	15	14	13	12	11	10	9	8	7	6	5	4	3	2	1	0		
RESERVED																																	
																																LOSTCONTEXT_RFF	RESERVED

Bits	Field Name	Description	Type	Reset
31:2	RESERVED		R	0x0
1	LOSTCONTEXT_RFF	Specify if RFF-based context has been lost due to a previous power transition or other reset source. (set upon assertion of CORE_RET_RST signal) 0x0: Context has been maintained 0x1: Context has been lost	RW	0x1
0	RESERVED		R	0x0

Table 3-1385. RM_L4CFG_SPARE_SMARTREFLEX_RTC_CONTEXT

Address Offset	0x0000 06AC	Instance	CORE_PRM
Physical Address	0x4AE0 6DAC		
Description	This register contains dedicated SPARE_SMARTREFLEX_RTC context statuses. [warm reset insensitive]		
Type	RW		

31	30	29	28	27	26	25	24	23	22	21	20	19	18	17	16	15	14	13	12	11	10	9	8	7	6	5	4	3	2	1	0
RESERVED																													LOSTCONTEXT_DFF		

Bits	Field Name	Description	Type	Reset
31:1	RESERVED		R	0x0
0	LOSTCONTEXT_DFF	Specify if DFF-based context has been lost due to a previous power transition or other reset source. (set upon assertion of CORE_RST signal) 0x0: Context has been maintained 0x1: Context has been lost	RW	0x1

Table 3-1386. RM_L4CFG_SPARE_SMARTREFLEX_SDRAM_CONTEXT

Address Offset	0x0000 06B4	Instance	CORE_PRM
Physical Address	0x4AE0 6DB4		
Description	This register contains dedicated SPARE_SMARTREFLEX_SDRAM context statuses. [warm reset insensitive]		
Type	RW		

31	30	29	28	27	26	25	24	23	22	21	20	19	18	17	16	15	14	13	12	11	10	9	8	7	6	5	4	3	2	1	0
RESERVED																													LOSTCONTEXT_DFF		

Bits	Field Name	Description	Type	Reset
31:1	RESERVED		R	0x0
0	LOSTCONTEXT_DFF	Specify if DFF-based context has been lost due to a previous power transition or other reset source. (set upon assertion of CORE_RST signal) 0x0: Context has been maintained 0x1: Context has been lost	RW	0x1

Table 3-1387. RM_L4CFG_SPARE_SMARTREFLEX_WKUP_CONTEXT

Address Offset	0x0000 06BC	Instance	CORE_PRM
Physical Address	0x4AE0 6DBC		
Description	This register contains dedicated SPARE_SMARTREFLEX_WKUP context statuses. [warm reset insensitive]		
Type	RW		

31	30	29	28	27	26	25	24	23	22	21	20	19	18	17	16	15	14	13	12	11	10	9	8	7	6	5	4	3	2	1	0
RESERVED																							LOSTCONTEXT_DFF								

Bits	Field Name	Description	Type	Reset
31:1	RESERVED		R	0x0
0	LOSTCONTEXT_DFF	Specify if DFF-based context has been lost due to a previous power transition or other reset source. (set upon assertion of CORE_RST signal) 0x0: Context has been maintained 0x1: Context has been lost	RW	0x1

Table 3-1388. RM_L4CFG_IO_DELAY_BLOCK_CONTEXT

Address Offset	0x0000 06C4	Instance	CORE_PRM
Physical Address	0x4AE0 6DC4		
Description	This register contains dedicated IO_DELAY_BLOCK context statuses. [warm reset insensitive]		
Type	RW		

31	30	29	28	27	26	25	24	23	22	21	20	19	18	17	16	15	14	13	12	11	10	9	8	7	6	5	4	3	2	1	0
RESERVED																							LOSTCONTEXT_DFF								

Bits	Field Name	Description	Type	Reset
31:1	RESERVED		R	0x0
0	LOSTCONTEXT_DFF	Specify if DFF-based context has been lost due to a previous power transition or other reset source. (set upon assertion of CORE_RST signal) 0x0: Context has been maintained 0x1: Context has been lost	RW	0x1

Table 3-1389. RM_L3INSTR_L3_MAIN_2_CONTEXT

Address Offset	0x0000 0724	Instance	CORE_PRM
Physical Address	0x4AE0 6E24		
Description	This register contains dedicated L3_3 context statuses. [warm reset insensitive]		
Type	RW		

31	30	29	28	27	26	25	24	23	22	21	20	19	18	17	16	15	14	13	12	11	10	9	8	7	6	5	4	3	2	1	0
RESERVED																LOSTCONTEXT_RFF		LOSTCONTEXT_DFF													

Bits	Field Name	Description	Type	Reset
31:2	RESERVED		R	0x0
1	LOSTCONTEXT_RFF	Specify if RFF-based context has been lost due to a previous power transition or other reset source. (set upon assertion of CORE_PWRON_RET_RST signal) 0x0: Context has been maintained 0x1: Context has been lost	RW	0x1
0	LOSTCONTEXT_DFF	Specify if DFF-based context has been lost due to a previous power transition or other reset source. (set upon assertion of CORE_RST signal) 0x0: Context has been maintained 0x1: Context has been lost	RW	0x1

Table 3-1390. RM_L3INSTR_L3_INSTR_CONTEXT

Address Offset	0x0000 072C	Instance	CORE_PRM
Physical Address	0x4AE0 6E2C		
Description	This register contains dedicated L3_INSTR context statuses. [warm reset insensitive]		
Type	RW		

31	30	29	28	27	26	25	24	23	22	21	20	19	18	17	16	15	14	13	12	11	10	9	8	7	6	5	4	3	2	1	0
RESERVED																LOSTCONTEXT_DFF															

Bits	Field Name	Description	Type	Reset
31:1	RESERVED		R	0x0
0	LOSTCONTEXT_DFF	Specify if DFF-based context has been lost due to a previous power transition or other reset source. (set upon assertion of CORE_RST signal) 0x0: Context has been maintained 0x1: Context has been lost	RW	0x1

Table 3-1391. RM_L3INSTR_OCP_WP1_NO_CONTEXT

Address Offset	0x0000 0744	Instance	CORE_PRM
Physical Address	0x4AE0 6E44		
Description	This register contains dedicated OCP_WP1 context statuses. [warm reset insensitive]		
Type	RW		

31	30	29	28	27	26	25	24	23	22	21	20	19	18	17	16	15	14	13	12	11	10	9	8	7	6	5	4	3	2	1	0
RESERVED																LOSTMEM_CORE_NRET_BANK	RESERVED										LOSTCONTEXT_RFF	LOSTCONTEXT_DFF			

Bits	Field Name	Description	Type	Reset
31:9	RESERVED		R	0x0
8	LOSTMEM_CORE_NRET_BANK	Specify if memory-based context in CORE_NRET_BANK memory bank has been lost due to a previous power transition or other reset source. 0x0: Context has been maintained 0x1: Context has been lost	RW	0x1
7:2	RESERVED		R	0x0
1	LOSTCONTEXT_RFF	Specify if RFF-based context has been lost due to a previous power transition or other reset source. (set upon assertion of CORE_PWRON_RET_RST signal) 0x0: Context has been maintained 0x1: Context has been lost	RW	0x1
0	LOSTCONTEXT_DFF	Specify if DFF-based context has been lost due to a previous power transition or other reset source. (set upon assertion of CORE_RST signal) 0x0: Context has been maintained 0x1: Context has been lost	RW	0x1

3.12.34 CUSTEFUSE_PRM Registers

3.12.34.1 CUSTEFUSE_PRM Register Summary

Table 3-1392. CUSTEFUSE_PRM Registers Mapping Summary

Register Name	Type	Register Width (Bits)	Address Offset	CUSTEFUSE_PRM Physical Address L4_WKUP Interconnect
PM_CUSTEFUSE_PWRSTCTRL	RW	32	0x0000 0000	0x4AE0 7600
PM_CUSTEFUSE_PWRSTST	RW	32	0x0000 0004	0x4AE0 7604
RM_CUSTEFUSE_EFU SE_CTRL_CUST_CON TEXT	RW	32	0x0000 0024	0x4AE0 7624

3.12.34.2 CUSTEFUSE_PRM Register Description

Table 3-1393. PM_CUSTEFUSE_PWRSTCTRL

Address Offset	0x0000 0000	Instance	CUSTEFUSE_PRM
Physical Address	0x4AE0 7600		
Description	This register controls the CUSTEFUSE power state to reach upon a domain sleep transition		
Type	RW		

31	30	29	28	27	26	25	24	23	22	21	20	19	18	17	16	15	14	13	12	11	10	9	8	7	6	5	4	3	2	1	0
RESERVED																LOWPOWERSTATECHANGE		RESERVED		POWERSTATE											

Bits	Field Name	Description	Type	Reset
31:5	RESERVED		R	0x0
4	LOWPOWERSTATECHANGE	Power state change request when domain has already performed a sleep transition. Allows going into deeper low power state without waking up the power domain. 0x0: Do not request a low power state change. 0x1: Request a low power state change. This bit is automatically cleared when the power state is effectively changed or when power state is ON.	RW	0x0
3:2	RESERVED		R	0x0
1:0	POWERSTATE	Power state control Note: This bit field is not functional for SR2.x devices. 0x0: OFF state 0x1: Reserved 0x2: INACTIVE state 0x3: ON State	RW	0x0

Table 3-1394. Register Call Summary for Register PM_CUSTEFUSE_PWRSTCTRL

Power Management Functional Description

- [Logic and Memory Area Power Modes Control and Status: \[0\]\[1\]](#)

PRCM Register Manual

- [Not Supported Functionality \(Registers and Bits\): \[2\]](#)
- [CUSTEFUSE_PRM Register Summary: \[3\]](#)

Table 3-1395. PM_CUSTEFUSE_PWRSTST

Address Offset	0x0000 0004	Instance	CUSTEFUSE_PRM
Physical Address	0x4AE0 7604		
Description	This register provides a status on the current CUSTEFUSE power domain state. [warm reset insensitive]		
Type	RW		

31	30	29	28	27	26	25	24	23	22	21	20	19	18	17	16	15	14	13	12	11	10	9	8	7	6	5	4	3	2	1	0
RESERVED								LASTPOWERSTATEENTERED		RESERVED		INTRANSITION		RESERVED								LOGICSTATEST		POWERSTATEST							

Bits	Field Name	Description	Type	Reset
31:26	RESERVED		R	0x0
25:24	LASTPOWERSTATEENTERED	Last low power state entered. Set to 0x3 upon write of the same only. This register is intended for debug purpose only. 0x0: Power domain was previously OFF 0x1: Power domain was previously in RETENTION 0x2: Power domain was previously ON-INACTIVE 0x3: Power domain was previously ON-ACTIVE	RW	0x0
23:21	RESERVED		R	0x0
20	INTRANSITION	Domain transition status 0x0: No on-going transition on power domain 0x1: Power domain transition is in progress.	R	0x0
19:3	RESERVED		R	0x0
2	LOGICSTATEST	Logic state status 0x0: Logic in domain is OFF 0x1: Logic in domain is ON	R	0x1
1:0	POWERSTATEST	Current power state status 0x0: Power domain is OFF <i>Note: This bit field value is not valid for SR2.0 devices.</i> 0x1: Power domain is in RETENTION 0x2: Power domain is ON-INACTIVE 0x3: Power domain is ON-ACTIVE	R	0x3

Table 3-1396. Register Call Summary for Register PM_CUSTEFUSE_PWRSTST

- Power Management Functional Description
- [Logic and Memory Area Power Modes Control and Status: \[0\]\[1\]\[2\]\[3\]](#)
- PRCM Register Manual
- [Not Supported Functionality \(Registers and Bits\): \[4\]\[5\]\[6\]\[7\]\[8\]](#)
 - [CUSTEFUSE_PRM Register Summary: \[9\]](#)

Table 3-1397. RM_CUSTEFUSE_EFUSE_CTRL_CUST_CONTEXT

Address Offset	0x0000 0024	Instance	CUSTEFUSE_PRM
Physical Address	0x4AE0 7624		
Description	This register contains dedicated CUSTEFUSE module context statuses. [warm reset insensitive]		
Type	RW		

31	30	29	28	27	26	25	24	23	22	21	20	19	18	17	16	15	14	13	12	11	10	9	8	7	6	5	4	3	2	1	0	
RESERVED																																LOSTCONTEXT_DFF

Bits	Field Name	Description	Type	Reset
31:1	RESERVED		R	0x0
0	LOSTCONTEXT_DFF	Specify if DFF-based context has been lost due to a previous power transition or other reset source. (set upon assertion of CUSTEFUSE_RST signal) 0x0: Context has been maintained 0x1: Context has been lost	RW	0x1

Table 3-1398. Register Call Summary for Register RM_CUSTEFUSE_EFUSE_CTRL_CUST_CONTEXT

- Power Management Functional Description
- [PD_CUSTEFUSE Description: \[0\]](#)
- PRCM Register Manual
- [CUSTEFUSE_PRM Register Summary: \[1\]](#)

3.12.35 DEVICE_PRM Registers

3.12.35.1 DEVICE_PRM Register Summary

Table 3-1399. DEVICE_PRM Registers Mapping Summary

Register Name	Type	Register Width (Bits)	Address Offset	DEVICE_PRM Physical Address L4_WKUP Interconnect
PRM_RSTCTRL	RW	32	0x0000 0000	0x4AE0 7D00
PRM_RSTST	RW	32	0x0000 0004	0x4AE0 7D04
PRM_RSTTIME	RW	32	0x0000 0008	0x4AE0 7D08
RESERVED	RW	32	0x0000 000C	0x4AE0 7D0C
PRM_VOLTCTRL	RW	32	0x0000 0010	0x4AE0 7D10

Table 3-1399. DEVICE_PRM Registers Mapping Summary (continued)

Register Name	Type	Register Width (Bits)	Address Offset	DEVICE_PRM Physical Address L4_WKUP Interconnect
PRM_PWRREQCTRL	RW	32	0x0000 0014	0x4AE0 7D14
PRM_PSCON_COUNT	RW	32	0x0000 0018	0x4AE0 7D18
PRM_IO_COUNT	RW	32	0x0000 001C	0x4AE0 7D1C
PRM_IO_PMCTRL	RW	32	0x0000 0020	0x4AE0 7D20
PRM_VOLTSETUP_WA RMRESET	RW	32	0x0000 0024	0x4AE0 7D24
PRM_VOLTSETUP_CO RE_OFF	RW	32	0x0000 0028	0x4AE0 7D28
PRM_VOLTSETUP_MP U_OFF	RW	32	0x0000 002C	0x4AE0 7D2C
PRM_VOLTSETUP_MM _OFF	RW	32	0x0000 0030	0x4AE0 7D30
PRM_VOLTSETUP_CO RE_RET_SLEEP	RW	32	0x0000 0034	0x4AE0 7D34
PRM_VOLTSETUP_MP U_RET_SLEEP	RW	32	0x0000 0038	0x4AE0 7D38
PRM_VOLTSETUP_MM _RET_SLEEP	RW	32	0x0000 003C	0x4AE0 7D3C
PRM_VP_CORE_CONF IG	RW	32	0x0000 0040	0x4AE0 7D40
PRM_VP_CORE_STAT US	R	32	0x0000 0044	0x4AE0 7D44
PRM_VP_CORE_VLIMI TTO	RW	32	0x0000 0048	0x4AE0 7D48
PRM_VP_CORE_VOLT AGE	RW	32	0x0000 004C	0x4AE0 7D4C
PRM_VP_CORE_VSTE PMAX	RW	32	0x0000 0050	0x4AE0 7D50
PRM_VP_CORE_VSTE PMIN	RW	32	0x0000 0054	0x4AE0 7D54
PRM_VP_MPU_CONFI G	RW	32	0x0000 0058	0x4AE0 7D58
PRM_VP_MPU_STATU S	R	32	0x0000 005C	0x4AE0 7D5C
PRM_VP_MPU_VLIMIT TO	RW	32	0x0000 0060	0x4AE0 7D60
PRM_VP_MPU_VOLTA GE	RW	32	0x0000 0064	0x4AE0 7D64
PRM_VP_MPU_VSTEP MAX	RW	32	0x0000 0068	0x4AE0 7D68
PRM_VP_MPU_VSTEP MIN	RW	32	0x0000 006C	0x4AE0 7D6C
PRM_VP_MM_CONFIG	RW	32	0x0000 0070	0x4AE0 7D70
PRM_VP_MM_STATUS	R	32	0x0000 0074	0x4AE0 7D74
PRM_VP_MM_VLIMIT O	RW	32	0x0000 0078	0x4AE0 7D78
PRM_VP_MM_VOLTAG E	RW	32	0x0000 007C	0x4AE0 7D7C
PRM_VP_MM_VSTEPM AX	RW	32	0x0000 0080	0x4AE0 7D80
PRM_VP_MM_VSTEPM IN	RW	32	0x0000 0084	0x4AE0 7D84
PRM_VC_SMPS_CORE _CONFIG	RW	32	0x0000 0088	0x4AE0 7D88

Table 3-1399. DEVICE_PRM Registers Mapping Summary (continued)

Register Name	Type	Register Width (Bits)	Address Offset	DEVICE_PRM Physical Address L4_WKUP Interconnect
PRM_VC_SMPS_MM_CONFIG	RW	32	0x0000 008C	0x4AE0 7D8C
PRM_VC_SMPS_MPU_CONFIG	RW	32	0x0000 0090	0x4AE0 7D90
PRM_VC_VAL_CMD_VDD_CORE_L	RW	32	0x0000 0094	0x4AE0 7D94
PRM_VC_VAL_CMD_VDD_MM_L	RW	32	0x0000 0098	0x4AE0 7D98
PRM_VC_VAL_CMD_VDD_MPU_L	RW	32	0x0000 009C	0x4AE0 7D9C
PRM_VC_VAL_BYPASS	RW	32	0x0000 00A0	0x4AE0 7DA0
PRM_VC_CORE_ERRST	RW	32	0x0000 00A4	0x4AE0 7DA4
PRM_VC_MM_ERRST	RW	32	0x0000 00A8	0x4AE0 7DA8
PRM_VC_MPU_ERRST	RW	32	0x0000 00AC	0x4AE0 7DAC
PRM_VC_BYPASS_ERRST	RW	32	0x0000 00B0	0x4AE0 7DB0
PRM_VC_CFG_I2C_MODE	RW	32	0x0000 00B4	0x4AE0 7DB4
PRM_VC_CFG_I2C_CLOCK	RW	32	0x0000 00B8	0x4AE0 7DB8
PRM_SRAM_COUNT	RW	32	0x0000 00BC	0x4AE0 7DBC
PRM_SRAM_WKUP_SETUP	RW	32	0x0000 00C0	0x4AE0 7DC0
PRM_SLDO_CORE_SETUP	RW	32	0x0000 00C4	0x4AE0 7DC4
PRM_SLDO_CORE_CTRL	R	32	0x0000 00C8	0x4AE0 7DC8
PRM_SLDO_MPU_SETUP	RW	32	0x0000 00CC	0x4AE0 7DCC
PRM_SLDO_MPU_CTRL	RW	32	0x0000 00D0	0x4AE0 7DD0
PRM_SLDO_GPU_SETUP	RW	32	0x0000 00D4	0x4AE0 7DD4
PRM_SLDO_GPU_CTRL	RW	32	0x0000 00D8	0x4AE0 7DD8
PRM_ABBLDO_MPU_SETUP	RW	32	0x0000 00DC	0x4AE0 7DDC
PRM_ABBLDO_MPU_CTRL	RW	32	0x0000 00E0	0x4AE0 7DE0
PRM_ABBLDO_GPU_SETUP	RW	32	0x0000 00E4	0x4AE0 7DE4
PRM_ABBLDO_GPU_CTRL	RW	32	0x0000 00E8	0x4AE0 7DE8
PRM_BANDGAP_SETUP	RW	32	0x0000 00EC	0x4AE0 7DEC
PRM_DEVICE_OFF_CTRL	RW	32	0x0000 00F0	0x4AE0 7DF0
PRM_PHASE1_CNDP	R	32	0x0000 00F4	0x4AE0 7DF4
PRM_PHASE2A_CNDP	R	32	0x0000 00F8	0x4AE0 7DF8
PRM_PHASE2B_CNDP	R	32	0x0000 00FC	0x4AE0 7DFC
PRM_MODEM_IF_CTRL	RW	32	0x0000 0100	0x4AE0 7E00

Table 3-1399. DEVICE_PRM Registers Mapping Summary (continued)

Register Name	Type	Register Width (Bits)	Address Offset	DEVICE_PRM Physical Address L4_WKUP Interconnect
PRM_VOLTST_MPU	R	32	0x0000 0110	0x4AE0 7E10
PRM_VOLTST_MM	R	32	0x0000 0114	0x4AE0 7E14
PRM_SLDO_DSPEVE_SETUP	RW	32	0x0000 0118	0x4AE0 7E18
PRM_SLDO_IVA_SETUP	RW	32	0x0000 011C	0x4AE0 7E1C
PRM_ABBLDO_DSPEVE_CTRL	RW	32	0x0000 0120	0x4AE0 7E20
PRM_ABBLDO_IVA_CTRL	RW	32	0x0000 0124	0x4AE0 7E24
PRM_SLDO_DSPEVE_CTRL	RW	32	0x0000 0128	0x4AE0 7E28
PRM_SLDO_IVA_CTRL	RW	32	0x0000 012C	0x4AE0 7E2C
PRM_ABBLDO_DSPEVE_SETUP	RW	32	0x0000 0130	0x4AE0 7E30
PRM_ABBLDO_IVA_SETUP	RW	32	0x0000 0134	0x4AE0 7E34

3.12.35.2 DEVICE_PRM Register Description

Table 3-1400. PRM_RSTCTRL

Address Offset	0x0000 0000
Physical Address	0x4AE0 7D00
Description	Global software cold and warm reset control. This register is auto-cleared. Only write 1 is possible. A read returns 0 only.
Type	RW

31	30	29	28	27	26	25	24	23	22	21	20	19	18	17	16	15	14	13	12	11	10	9	8	7	6	5	4	3	2	1	0
RESERVED																RST_GLOBAL_COLD_SW		RST_GLOBAL_WARM_SW													

Bits	Field Name	Description	Type	Reset
31:2	RESERVED		R	0x0
1	RST_GLOBAL_COLD_SW	Global COLD software reset control. This bit is reset only upon a global cold source of reset. 0x0: Global COLD software reset is cleared. 0x1: Triggers a global COLD software reset. The software must ensure the SDRAM is properly put in self-refresh mode before applying this reset.	RW	0x0
0	RST_GLOBAL_WARM_SW	Global WARM software reset control. This bit is reset upon any global source of reset (warm and cold). 0x0: Global warm software reset is cleared. 0x1: Triggers a global warm software reset.	RW	0x0

Table 3-1401. Register Call Summary for Register PRM_RSTCTRL

Reset Management Functional Description

- [Global Reset Sources: \[0\]\[1\]](#)

PRCM Register Manual

- [DEVICE_PRM Register Summary: \[2\]](#)

Table 3-1402. PRM_RSTST

Address Offset	0x0000 0004	Instance	DEVICE_PRM
Physical Address	0x4AE0 7D04		
Description	This register logs the global reset sources. Each bit is set upon release of the domain reset signal. Must be cleared by software. [warm reset insensitive]		
Type	RW		

31	30	29	28	27	26	25	24	23	22	21	20	19	18	17	16	15	14	13	12	11	10	9	8	7	6	5	4	3	2	1	0	
RESERVED																TSHUT_IVA_RST	TSHUT_DSPEVE_RST	LLI_RST	TSHUT_CORE_RST	TSHUT_MM_RST	TSHUT_MPU_RST	C2C_RST	ICEPICK_RST	VDD_CORE_VOLT_MGR_RST	VDD_MM_VOLT_MGR_RST	VDD_MPU_VOLT_MGR_RST	EXTERNAL_WARM_RST	SECURE_WDT_RST	MPU_WDT_RST	MPU_SECURITY_VIOL_RST	GLOBAL_WARM_SW_RST	GLOBAL_COLD_RST

Bits	Field Name	Description	Type	Reset
31:17	RESERVED		R	0x0
16	TSHUT_IVA_RST	TSHUT_IVA warm reset event. This is a source of global WARM reset. 0x0: No TSHUT_MM reset. 0x1: TSHUT_MM reset has occurred.	RW	0x0
15	TSHUT_DSPEVE_RST	TSHUT_DSPEVE warm reset event. This is a source of global WARM reset. 0x0: No TSHUT_MM reset. 0x1: TSHUT_MM reset has occurred.	RW	0x0
14	LLI_RST	LLI warm reset event. This is a source of global WARM reset. 0x0: No LLI warm reset. 0x1: LLI warm reset has occurred.	RW	0x0
13	TSHUT_CORE_RST	TSHUT_CORE warm reset event. This is a source of global WARM reset. 0x0: No TSHUT_CORE reset. 0x1: TSHUT_CORE reset has occurred.	RW	0x0
12	TSHUT_MM_RST	TSHUT_GPU warm reset event. This is a source of global WARM reset. 0x0: No TSHUT_MM reset. 0x1: TSHUT_MM reset has occurred.	RW	0x0
11	TSHUT_MPU_RST	TSHUT_MPU warm reset event. This is a source of global WARM reset. 0x0: No TSHUT_MPU reset. 0x1: TSHUT_MPU reset has occurred.	RW	0x0

Bits	Field Name	Description	Type	Reset
10	C2C_RST	C2C warm reset event. This is a source of global WARM reset. 0x0: No C2C warm reset. 0x1: C2C warm reset has occurred.	RW	0x0
9	ICEPICK_RST	IcePick reset event. This is a source of global warm reset initiated by the emulation. 0x0: No ICEPICK reset. 0x1: IcePick reset has occurred.	RW	0x0
8	VDD_CORE_VOLT_MGR_RST	VDD_CORE voltage manager reset event This is a source of global WARM reset. 0x0: No VDD_CORE voltage manager reset. 0x1: VDD_CORE voltage manager reset has occurred.	RW	0x0
7	VDD_MM_VOLT_MGR_RST	VDD_MM voltage manager reset event This is a source of global WARM reset. 0x0: No VDD_MM voltage manager reset. 0x1: VDD_MM voltage manager reset has occurred.	RW	0x0
6	VDD_MPU_VOLT_MGR_RST	VDD_MPU voltage manager reset event This is a source of global WARM reset. 0x0: No VDD_MPU voltage manager reset. 0x1: VDD_MPU voltage manager reset has occurred.	RW	0x0
5	EXTERNAL_WARM_RST	External warm reset event 0x0: No global warm reset. 0x1: Global external warm reset has occurred.	RW	0x0
4	SECURE_WDT_RST	Secure Watchdog timer or HDCP reset event. This is a source of global WARM reset. 0x0: No Secure watchdog / HDCP reset. 0x1: Secure watchdog or HDCP reset has occurred.	RW	0x0
3	MPU_WDT_RST	WD_TIMER2 and MPU subsystem watchdog reset event. This is a source of global WARM reset. 0x0: No reset. 0x1: Reset has occurred.	RW	0x0
2	MPU_SECURITY_VIOL_RST	Security violation reset event triggered by Security State Machine inside MPUSS. This is a source of global WARM reset. 0x0: No security violation reset. 0x1: Security violation reset has occurred.	RW	0x0
1	GLOBAL_WARM_SW_RST	Global warm software reset event 0x0: No global warm SW reset 0x1: Global warm SW reset has occurred.	RW	0x0
0	GLOBAL_COLD_RST	Power-on (cold) reset event 0x0: No power-on reset. 0x1: Power-on reset has occurred.	RW	0x1

Table 3-1403. Register Call Summary for Register PRM_RSTST

Reset Management Functional Description

- [Reset Logging: \[0\]\[1\]](#)

PRCM Register Manual

- [Not Supported Functionality \(Registers and Bits\): \[2\]\[3\]\[4\]\[5\]\[6\]\[7\]\[8\]](#)
- [DEVICE_PRM Register Summary: \[9\]](#)

Table 3-1404. PRM_RSTTIME

Address Offset	0x0000 0008	Instance	DEVICE_PRM
Physical Address	0x4AE0 7D08		
Description	Reset duration control. [warm reset insensitive]		
Type	RW		

31	30	29	28	27	26	25	24	23	22	21	20	19	18	17	16	15	14	13	12	11	10	9	8	7	6	5	4	3	2	1	0
RESERVED												RSTTIME2						RSTTIME1													

Bits	Field Name	Description	Type	Reset
31:15	RESERVED		R	0x0
14:10	RSTTIME2	Power domain reset duration 2 in number of RM.SYSCLK clock cycles. 0x0: Reserved	RW	0x10
9:0	RSTTIME1	Global reset duration 1 in number of FUNC_32K_CLK clock cycles. This bit-field is only sensitive to the external power-on reset (WKUPAON_SYS_PWRON_RST reset line) 0x0: Reserved	RW	0x6

Table 3-1405. Register Call Summary for Register PRM_RSTTIME

Reset Management Functional Description

- [Reset Domains: \[0\]](#)
- [IPU1 Subsystem Power-On Reset Sequence: \[1\]\[2\]](#)
- [IPU1 Subsystem Software Warm Reset Sequence: \[3\]](#)
- [IPU2 Subsystem Power-On Reset Sequence: \[4\]\[5\]](#)
- [IPU2 Subsystem Software Warm Reset Sequence: \[6\]](#)
- [Global Warm Reset Sequence: \[7\]](#)

Device Low-Power States

- [Wakeup Upon Global Warm Reset: \[8\]](#)

PRCM Register Manual

- [DEVICE_PRM Register Summary: \[9\]](#)

Table 3-1406. PRM_VOLTCTRL

Address Offset	0x0000 0010	Instance	DEVICE_PRM
Physical Address	0x4AE0 7D10		
Description	This register provides voltage domain management controls.		
Type	RW		

31	30	29	28	27	26	25	24	23	22	21	20	19	18	17	16	15	14	13	12	11	10	9	8	7	6	5	4	3	2	1	0
RESERVED												VDD_MM_I2C_DISABLE	VDD_MPU_I2C_DISABLE	VDD_CORE_I2C_DISABLE	RESERVED	VDD_MM_PRESENCE	VDD_MPU_PRESENCE	RESERVED	AUTO_CTRL_VDD_MM_L	AUTO_CTRL_VDD_MPU_L	AUTO_CTRL_VDD_CORE_L										

Bits	Field Name	Description	Type	Reset
31:15	RESERVED		R	0x0
14	VDD_MM_I2C_DISABLE	This bit allows disabling I2C interface with powerIC for MM voltage (for debug purpose only). [warm reset insensitive] 0x0: Normal mode: I2C is enabled. 0x1: Debug mode: I2C is disabled.	RW	0x0
13	VDD_MPU_I2C_DISABLE	This bit allows disabling I2C interface with powerIC for MPU voltage (for debug purpose only). [warm reset insensitive] 0x0: Normal mode: I2C is enabled. 0x1: Debug mode: I2C is disabled.	RW	0x0
12	VDD_CORE_I2C_DISABLE	This bit allows disabling I2C interface with powerIC for CORE voltage (for debug purpose only). [warm reset insensitive] 0x0: Normal mode: I2C is enabled. 0x1: Debug mode: I2C is disabled.	RW	0x0
11:10	RESERVED		R	0x0
9	VDD_MM_PRESENCE	This bit control the presence of MM voltage in device. [warm reset insensitive] 0x0: MM voltage is not present as an individual voltage: MM voltage is merged with MPU voltage if VDD_MPU_presence=1. MM voltage is merged with CORE voltage if VDD_MPU_presence=0. 0x1: MM voltage is present on the device.	RW	0x1
8	VDD_MPU_PRESENCE	This bit control the presence of MPU voltage in device. [warm reset insensitive] 0x0: MPU voltage is not present as an individual voltage: MPU voltage is merged with MM voltage if VDD_MM_presence=1. MPU voltage is merged with CORE voltage if VDD_MM_presence=0. 0x1: MPU voltage is present on the device.	RW	0x1
7:6	RESERVED		R	0x0
5:4	AUTO_CTRL_VDD_MM_L	This bit field specifies the state to which the hardware can automatically transition the VDD_MM_L voltage domain. 0x0: Voltage domain transitions are disabled. 0x1: Voltage domain transitions to SLEEP are enabled. 0x2: Voltage domain transitions to RET are enabled. 0x3: reserved	RW	0x0
3:2	AUTO_CTRL_VDD_MPU_L	This bit field specifies the state to which the hardware can automatically transition the VDD_MPU_L voltage domain. 0x0: Voltage domain transitions are disabled. 0x1: Voltage domain transitions to SLEEP are enabled. 0x2: Voltage domain transitions to RET are enabled. 0x3: reserved	RW	0x0
1:0	AUTO_CTRL_VDD_CORE_L	This bit field specifies the state to which the hardware can automatically transition the VDD_CORE_L voltage domain. 0x0: Voltage domain transitions are disabled. 0x1: Voltage domain transitions to SLEEP are enabled. 0x2: Voltage domain transitions to RET are enabled. 0x3: reserved	RW	0x0

Table 3-1407. PRM_PWRREQCTRL

Address Offset	0x0000 0014	Instance	DEVICE_PRM
Physical Address	0x4AE0 7D14		
Description	This register allows controlling the PWRREQ signal towards power IC.		
Type	RW		

31	30	29	28	27	26	25	24	23	22	21	20	19	18	17	16	15	14	13	12	11	10	9	8	7	6	5	4	3	2	1	0
RESERVED																												PWRREQ_COND			

Bits	Field Name	Description	Type	Reset
31:2	RESERVED		R	0x0
1:0	PWRREQ_COND	Control upon which condition from MPU, MM and CORE voltage domains PWRREQ is de-asserted. 0x0: PWRREQ is never de-asserted 0x1: PWRREQ is de-asserted if all voltage domain are in SLEEP, RET or OFF state. Conversely, PWRREQ is asserted upon any voltage domain entering or staying in ON state. 0x2: PWRREQ is de-asserted if all voltage domain are in RET or OFF state. Conversely, PWRREQ is asserted upon any voltage domain entering or staying in ON or SLEEP state. 0x3: PWRREQ is de-asserted if all voltage domain are in OFF state. Conversely, PWRREQ is asserted upon any voltage domain entering or staying in ON or SLEEP or RET state.	RW	0x0

Table 3-1408. PRM_PSCON_COUNT

Address Offset	0x0000 0018	Instance	DEVICE_PRM
Physical Address	0x4AE0 7D18		
Description	This register allows controlling 2 parameters for power state controller. [warm reset insensitive]		
Type	RW		

31	30	29	28	27	26	25	24	23	22	21	20	19	18	17	16	15	14	13	12	11	10	9	8	7	6	5	4	3	2	1	0
RESERVED								HG_PONOUT_2_PGOODIN_TIME								PONOUT_2_PGOODIN_TIME								PCHARGE_TIME							

Bits	Field Name	Description	Type	Reset
31:24	RESERVED		R	0x0
23:16	HG_PONOUT_2_PGOODIN_TIME	The value 'NbCycles' set in this field determines the duration of the PONOUT to PGOODIN transition for power domain without DPS. The duration is computed as 8 x NbCycles of system clock cycles. Target is 10us.	RW	0x30
15:8	PONOUT_2_PGOODIN_TIME	The value 'NbCycles' set in this field determines the duration of the PONOUT to PGOODIN transition for power domain without DPS. The duration is computed as 8 x NbCycles of system clock cycles. Target is 10us.	RW	0x30
7:0	PCHARGE_TIME	Number of system clock cycles for the SRAM pre-charge duration. Target is 600ns.	RW	0x17

Table 3-1409. Register Call Summary for Register PRM_PSCON_COUNT

PRCM Register Manual

- [DEVICE_PRM Register Summary: \[0\]](#)

Table 3-1410. PRM_IO_COUNT

Address Offset	0x0000 001C	Instance	DEVICE_PRM
Physical Address	0x4AE0 7D1C		
Description	This register allows controlling DDR IO isolation removal setup. [warm reset insensitive]		
Type	RW		

31	30	29	28	27	26	25	24	23	22	21	20	19	18	17	16	15	14	13	12	11	10	9	8	7	6	5	4	3	2	1	0
RESERVED																ISO_2_ON_TIME															

Bits	Field Name	Description	Type	Reset
31:8	RESERVED		R	0x0
7:0	ISO_2_ON_TIME	Determines the setup time of the DDR IOs going out of isolation. Counting on the system clock. Target is 1.5us.	RW	0x3a

Table 3-1411. Register Call Summary for Register PRM_IO_COUNT

PRCM Register Manual

- [DEVICE_PRM Register Summary: \[0\]](#)

Table 3-1412. PRM_IO_PMCTRL

Address Offset	0x0000 0020	Instance	DEVICE_PRM
Physical Address	0x4AE0 7D20		
Description	This register allows controlling power management features of the IOs.		
Type	RW		

31	30	29	28	27	26	25	24	23	22	21	20	19	18	17	16	15	14	13	12	11	10	9	8	7	6	5	4	3	2	1	0
RESERVED																GLOBAL_WUEN	RESERVED						WUCLK_STATUS	WUCLK_CTRL	RESERVED	IO_ON_STATUS	ISOOVR_EXTEND	RESERVED	ISOCLK_STATUS	ISOCLK_OVERRIDE	

Bits	Field Name	Description	Type	Reset
31:17	RESERVED		R	0x0
16	GLOBAL_WUEN	Global IO wakeup enable. This is a gating condition to all individual IO WUEN coming from control module. Gating is done in the Spinner logic. 0x0: All individual IO WUEN are gated in the Spinner logic (overridden to 0). 0x1: All individual IO WUEN from control module are going to IOs.	RW	0x0
15:10	RESERVED		R	0x0
9	WUCLK_STATUS	Gives value of WUCLKOUT signal coming back from IO pad ring.	R	0x0
8	WUCLK_CTRL	Direct control on WUCLKIN signal to IO pad ring. 0x0: WUCLKIN signal is driven to 0. IO wakeup daisy chain is functional as well as IO whose wakeup feature is enabled. 0x1: WUCLKIN signal is driven to 1. IO wakeup daisy chain is reset and is latching current pad states and WUEN inputs.	RW	0x0
7:6	RESERVED		R	0x0
5	IO_ON_STATUS	Gives the functional status of the IO ring. 0x0: Part or all of the IOs are not in the ON state, that is are in isolation state. 0x1: All IOs are in the ON state.	R	0x1
4	ISOOVR_EXTEND	Control non-EMIF IO isolation extension upon a device wakeup from OFF mode. 0x0: Non-EMIF IO isolation is not extended. 'EMIF_ON' IO transition happens as soon as automatic restore is completed. 0x1: Non-EMIF IO isolation is extended. 'EMIF_ON' IO transition is stalled.	RW	0x0
3:2	RESERVED		R	0x0
1	ISOCLK_STATUS	Gives value of ISOCLKOUT signal coming back from IO pad ring.	R	0x0
0	ISOCLK_OVERRIDE	Override control on ISOCLKIN signal to IO pad ring. Used at boot time when it is needed to change the mode of an IO from 1.8V default mode to 1.2V mode. When not overridden, this signal is controlled by hardware only. 0x0: ISOCLKIN signal is not overridden. 0x1: ISOCLKIN signal is overridden to active value ('1').	RW	0x0

Table 3-1413. Register Call Summary for Register PRM_IO_PMCTRL

Device Low-Power States

- [Isolation / Wakeup Sequence: \[0\]\[1\]\[2\]\[3\]\[4\]\[5\]](#)
- [Software-Controlled I/O Isolation: \[6\]\[7\]](#)

PRCM Register Manual

- [DEVICE_PRM Register Summary: \[8\]](#)

Table 3-1414. PRM_VOLTSETUP_WARMRESET

Address Offset	0x0000 0024	Instance	DEVICE_PRM
Physical Address	0x4AE0 7D24		
Description	This register provides bit-fields for specifying voltage stabilization duration upon a global warm reset. [warm reset insensitive]		
Type	RW		

31	30	29	28	27	26	25	24	23	22	21	20	19	18	17	16	15	14	13	12	11	10	9	8	7	6	5	4	3	2	1	0
RESERVED																STABLE_PRESCAL		RESERVED		STABLE_COUNT											

Bits	Field Name	Description	Type	Reset
31:10	RESERVED		R	0x0
9:8	STABLE_PRESCAL	Determines prescaler for stabilization duration counting. 0x0: Ramp-up counter is incremented every 32 system clock cycles 0x1: Ramp-up counter is incremented every 256 system clock cycles 0x2: Ramp-up counter is incremented every 2048 system clock cycles 0x3: Ramp-up counter is incremented every 16384 system clock cycles	RW	0x0
7:6	RESERVED		R	0x0
5:0	STABLE_COUNT	Determines the stabilization duration of all VDD_xxx_L regulators upon a global warm reset assertion. The duration is computed according to Stable_Prescal.	RW	0x0

Table 3-1415. PRM_VOLTSETUP_CORE_OFF

Address Offset	0x0000 0028	Instance	DEVICE_PRM
Physical Address	0x4AE0 7D28		
Description	This register provides bit-fields for specifying voltage ramp-up and ramp-down times for PRM managed external regulators. These values are used for VDD_CORE_L domain transitions with OFF state. [warm reset insensitive]		
Type	RW		

31	30	29	28	27	26	25	24	23	22	21	20	19	18	17	16	15	14	13	12	11	10	9	8	7	6	5	4	3	2	1	0
RESERVED								RAMP_DOWN_PRESCAL		RESERVED		RAMP_DOWN_COUNT				RESERVED				RAMP_UP_PRESCAL		RESERVED		RAMP_UP_COUNT							

Bits	Field Name	Description	Type	Reset
31:26	RESERVED		R	0x0
25:24	RAMP_DOWN_PRESCAL	Determines prescaler for ramp-down duration counting. 0x0: Ramp-down counter is incremented every 64 system clock cycles 0x1: Ramp-down counter is incremented every 256 system clock cycles 0x2: Ramp-down counter is incremented every 512 system clock cycles 0x3: Ramp-down counter is incremented every 2048 system clock cycles	RW	0x0
23:22	RESERVED		R	0x0
21:16	RAMP_DOWN_COUNT	Determines the ramp-down duration of VDD_CORE_L regulators. The duration is computed according to Ramp_Down_Prescal.	RW	0x0
15:10	RESERVED		R	0x0
9:8	RAMP_UP_PRESCAL	Determines prescaler for ramp-up duration counting. 0x0: Ramp-up counter is incremented every 64 system clock cycles 0x1: Ramp-up counter is incremented every 256 system clock cycles 0x2: Ramp-up counter is incremented every 512 system clock cycles 0x3: Ramp-up counter is incremented every 2048 system clock cycles	RW	0x0
7:6	RESERVED		R	0x0
5:0	RAMP_UP_COUNT	Determines the ramp-up duration of VDD_CORE_L regulators. The duration is computed according to Ramp_Up_Prescal. At cold reset, PRCM assumes that VDD_CORE_L will be at a valid ON voltage before SYS_NRESPWRON is de-asserted.	RW	0x0

Table 3-1416. PRM_VOLTSETUP_MPU_OFF

Address Offset	0x0000 002C	Instance	DEVICE_PRM
Physical Address	0x4AE0 7D2C		
Description	This register provides bit-fields for specifying voltage ramp-up and ramp-down times for PRM managed external regulators. These values are used for VDD_MPU_L domain transitions to or from OFF state. [warm reset insensitive]		
Type	RW		

31	30	29	28	27	26	25	24	23	22	21	20	19	18	17	16	15	14	13	12	11	10	9	8	7	6	5	4	3	2	1	0
RESERVED								RAMP_DOWN_PRESCAL	RESERVED	RAMP_DOWN_COUNT								RESERVED	RAMP_UP_PRESCAL	RESERVED	RAMP_UP_COUNT										

Bits	Field Name	Description	Type	Reset
31:26	RESERVED		R	0x0
25:24	RAMP_DOWN_PRESCAL	Determines prescaler for ramp-down duration counting. 0x0: Ramp-down counter is incremented every 64 system clock cycles 0x1: Ramp-down counter is incremented every 256 system clock cycles 0x2: Ramp-down counter is incremented every 512 system clock cycles 0x3: Ramp-down counter is incremented every 2048 system clock cycles	RW	0x0
23:22	RESERVED		R	0x0
21:16	RAMP_DOWN_COUNT	Determines the ramp-down duration of VDD_MPU_L regulators. The duration is computed according to Ramp_Down_Prescal.	RW	0x0
15:10	RESERVED		R	0x0
9:8	RAMP_UP_PRESCAL	Determines prescaler for ramp-up duration counting. 0x0: Ramp-up counter is incremented every 64 system clock cycles 0x1: Ramp-up counter is incremented every 256 system clock cycles 0x2: Ramp-up counter is incremented every 512 system clock cycles 0x3: Ramp-up counter is incremented every 2048 system clock cycles	RW	0x0
7:6	RESERVED		R	0x0
5:0	RAMP_UP_COUNT	Determines the ramp-up duration of VDD_MPU_L regulators. The duration is computed according to Ramp_Up_Prescal. At cold reset, PRCM assumes that VDD_MPU_L will be at a valid ON voltage before SYS_NRESPWRON is de-asserted.	RW	0x0

Table 3-1417. PRM_VOLTSETUP_MM_OFF

Address Offset	0x0000 0030	Instance	DEVICE_PRM
Physical Address	0x4AE0 7D30		
Description	This register provides bit-fields for specifying voltage ramp-up and ramp-down times for PRM managed external regulators. These values are used for VDD_MM_L domain transitions to or from OFF state. [warm reset insensitive]		
Type	RW		

31	30	29	28	27	26	25	24	23	22	21	20	19	18	17	16	15	14	13	12	11	10	9	8	7	6	5	4	3	2	1	0
RESERVED								RAMP_DOWN_PRESCAL	RESERVED	RAMP_DOWN_COUNT								RESERVED	RAMP_UP_PRESCAL	RESERVED	RAMP_UP_COUNT										

Bits	Field Name	Description	Type	Reset
31:26	RESERVED		R	0x0
25:24	RAMP_DOWN_PRESCAL	Determines prescaler for ramp-down duration counting. 0x0: Ramp-down counter is incremented every 64 system clock cycles 0x1: Ramp-down counter is incremented every 256 system clock cycles 0x2: Ramp-down counter is incremented every 512 system clock cycles 0x3: Ramp-down counter is incremented every 2048 system clock cycles	RW	0x0
23:22	RESERVED		R	0x0
21:16	RAMP_DOWN_COUNT	Determines the ramp-down duration of VDD_MM_L regulators. The duration is computed according to Ramp_Down_Prescal.	RW	0x0
15:10	RESERVED		R	0x0
9:8	RAMP_UP_PRESCAL	Determines prescaler for ramp-up duration counting. 0x0: Ramp-up counter is incremented every 64 system clock cycles 0x1: Ramp-up counter is incremented every 256 system clock cycles 0x2: Ramp-up counter is incremented every 512 system clock cycles 0x3: Ramp-up counter is incremented every 2048 system clock cycles	RW	0x0
7:6	RESERVED		R	0x0
5:0	RAMP_UP_COUNT	Determines the ramp-up duration of VDD_MM_L regulators. The duration is computed according to Ramp_Up_Prescal. At cold reset, PRCM assumes that VDD_MM_L will be at a valid ON voltage before SYS_NRESPWRON is de-asserted.	RW	0x0

Table 3-1418. PRM_VOLTSETUP_CORE_RET_SLEEP

Address Offset	0x0000 0034	Instance	DEVICE_PRM
Physical Address	0x4AE0 7D34		
Description	This register provides bit-fields for specifying voltage ramp-up and ramp-down times for PRM managed external regulators. These values are used for VDD_CORE_L domain transitions between ON and RET or SLEEP state. [warm reset insensitive]		
Type	RW		

31	30	29	28	27	26	25	24	23	22	21	20	19	18	17	16	15	14	13	12	11	10	9	8	7	6	5	4	3	2	1	0				
RESERVED								RAMP_DOWN_PRESCAL	RESERVED	RAMP_DOWN_COUNT								RESERVED								RAMP_UP_PRESCAL	RESERVED	RAMP_UP_COUNT							

Bits	Field Name	Description	Type	Reset
31:26	RESERVED		R	0x0
25:24	RAMP_DOWN_PRESCAL	Determines prescaler for ramp-down duration counting. 0x0: Ramp-down counter is incremented every 64 system clock cycles 0x1: Ramp-down counter is incremented every 256 system clock cycles 0x2: Ramp-down counter is incremented every 512 system clock cycles 0x3: Ramp-down counter is incremented every 2048 system clock cycles	RW	0x0
23:22	RESERVED		R	0x0
21:16	RAMP_DOWN_COUNT	Determines the ramp-down duration of VDD_CORE_L regulators. The duration is computed according to Ramp_Down_Prescal.	RW	0x0
15:10	RESERVED		R	0x0
9:8	RAMP_UP_PRESCAL	Determines prescaler for ramp-up duration counting. 0x0: Ramp-up counter is incremented every 64 system clock cycles 0x1: Ramp-up counter is incremented every 256 system clock cycles 0x2: Ramp-up counter is incremented every 512 system clock cycles 0x3: Ramp-up counter is incremented every 2048 system clock cycles	RW	0x0
7:6	RESERVED		R	0x0
5:0	RAMP_UP_COUNT	Determines the ramp-up duration of VDD_CORE_L regulators. The duration is computed according to Ramp_Up_Prescal.	RW	0x0

Table 3-1419. PRM_VOLTSETUP_MPU_RET_SLEEP

Address Offset	0x0000 0038
Physical Address	0x4AE0 7D38
Description	This register provides bit-fields for specifying voltage ramp-up and ramp-down times for PRM managed external regulators. These values are used for VDD_MPU_L domain transitions between ON and RET or SLEEP state. [warm reset insensitive]
Type	RW
Instance	DEVICE_PRM

31	30	29	28	27	26	25	24	23	22	21	20	19	18	17	16	15	14	13	12	11	10	9	8	7	6	5	4	3	2	1	0				
RESERVED								RAMP_DOWN_PRESCAL	RESERVED	RAMP_DOWN_COUNT								RESERVED								RAMP_UP_PRESCAL	RESERVED	RAMP_UP_COUNT							

Bits	Field Name	Description	Type	Reset
31:26	RESERVED		R	0x0
25:24	RAMP_DOWN_PRESCAL	Determines prescaler for ramp-down duration counting. 0x0: Ramp-down counter is incremented every 64 system clock cycles 0x1: Ramp-down counter is incremented every 256 system clock cycles 0x2: Ramp-down counter is incremented every 512 system clock cycles 0x3: Ramp-down counter is incremented every 2048 system clock cycles	RW	0x0
23:22	RESERVED		R	0x0
21:16	RAMP_DOWN_COUNT	Determines the ramp-down duration of VDD_MPU_L regulators. The duration is computed according to Ramp_Down_Prescal.	RW	0x0
15:10	RESERVED		R	0x0
9:8	RAMP_UP_PRESCAL	Determines prescaler for ramp-up duration counting. 0x0: Ramp-up counter is incremented every 64 system clock cycles 0x1: Ramp-up counter is incremented every 265 system clock cycles 0x2: Ramp-up counter is incremented every 512 system clock cycles 0x3: Ramp-up counter is incremented every 2048 system clock cycles	RW	0x0
7:6	RESERVED		R	0x0
5:0	RAMP_UP_COUNT	Determines the ramp-up duration of VDD_MPU_L regulators. The duration is computed according to Ramp_Up_Prescal.	RW	0x0

Table 3-1420. PRM_VOLTSETUP_MM_RET_SLEEP

Address Offset	0x0000 003C	Instance	DEVICE_PRM
Physical Address	0x4AE0 7D3C		
Description	This register provides bit-fields for specifying voltage ramp-up and ramp-down times for PRM managed external regulators. These values are used for VDD_MM_L domain transitions between ON and RET or SLEEP state. [warm reset insensitive]		
Type	RW		

31	30	29	28	27	26	25	24	23	22	21	20	19	18	17	16	15	14	13	12	11	10	9	8	7	6	5	4	3	2	1	0				
RESERVED								RAMP_DOWN_PRESCAL	RESERVED	RAMP_DOWN_COUNT								RESERVED								RAMP_UP_PRESCAL	RESERVED	RAMP_UP_COUNT							

Bits	Field Name	Description	Type	Reset
31:26	RESERVED		R	0x0
25:24	RAMP_DOWN_PRESCAL	Determines prescaler for ramp-down duration counting. 0x0: Ramp-down counter is incremented every 64 system clock cycles 0x1: Ramp-down counter is incremented every 256 system clock cycles 0x2: Ramp-down counter is incremented every 512 system clock cycles 0x3: Ramp-down counter is incremented every 2048 system clock cycles	RW	0x0
23:22	RESERVED		R	0x0
21:16	RAMP_DOWN_COUNT	Determines the ramp-down duration of VDD_MM_L regulators. The duration is computed according to Ramp_Down_Prescal.	RW	0x0
15:10	RESERVED		R	0x0
9:8	RAMP_UP_PRESCAL	Determines prescaler for ramp-up duration counting. 0x0: Ramp-up counter is incremented every 64 system clock cycles 0x1: Ramp-up counter is incremented every 256 system clock cycles 0x2: Ramp-up counter is incremented every 512 system clock cycles 0x3: Ramp-up counter is incremented every 2048 system clock cycles	RW	0x0
7:6	RESERVED		R	0x0
5:0	RAMP_UP_COUNT	Determines the ramp-up duration of VDD_MM_L regulators. The duration is computed according to Ramp_Up_Prescal.	RW	0x0

Table 3-1421. PRM_VP_CORE_CONFIG

Address Offset	0x0000 0040	Instance	DEVICE_PRM
Physical Address	0x4AE0 7D40		
Description	This register allows the configuration of the Voltage Processor dedicated to CORE Voltage Domain (VDD_CORE_L).		
Type	RW		

31	30	29	28	27	26	25	24	23	22	21	20	19	18	17	16	15	14	13	12	11	10	9	8	7	6	5	4	3	2	1	0
ERROROFFSET								ERRORGAIN								INITVOLTAGE								RESERVED				TIMEOUTEN	INITVDD	FORCEUPDATE	VPENABLE

Bits	Field Name	Description	Type	Reset
31:24	ERROROFFSET	Offset value in the Error to Voltage converter (two's complement number).	RW	0x0
23:16	ERRORGAIN	Gain value in the Error to Voltage converter (two's complement number).	RW	0x0
15:8	INITVOLTAGE	Set the initial voltage level of the SMPS.	RW	0x0
7:4	RESERVED	Write 0's for future compatibility. Read is undefined.	R	0x0

Bits	Field Name	Description	Type	Reset
3	TIMEOUTEN	Enable or disable the timeout capability of the Voltage Controller State Machine. 0x0: Timeout is disabled. Loop will wait indefinitely. 0x1: Timeout will occur when TIMEOUT cycles have elapsed.	RW	0x0
2	INITVDD	Initializes the voltage in the Voltage Processor. 0x0: Reset the initialization bit. 0x1: The positive edge of InitVdd triggers a write of the value in the InitVoltage into the Voltage Processor.	RW	0x0
1	FORCEUPDATE	Forces an update of the SMPS. 0x0: Reset the force bit. 0x1: The positive edge of ForceUpdate triggers an update of the voltage to the SMPS.	RW	0x0
0	VPENABLE	Enables or disables the Voltage Processor updates on SR_SInterruptz. 0x0: Disables the Voltage Processor. 0x1: Enables the Voltage Processor.	RW	0x0

Table 3-1422. PRM_VP_CORE_STATUS

Address Offset	0x0000 0044	Instance	DEVICE_PRM
Physical Address	0x4AE0 7D44		
Description	This register reflects the idle state of the Voltage Processor dedicated to the CORE Voltage Domain (VDD_CORE_L. This register is read only and automatically updated.		
Type	R		

31	30	29	28	27	26	25	24	23	22	21	20	19	18	17	16	15	14	13	12	11	10	9	8	7	6	5	4	3	2	1	0
RESERVED																												VPINIDLE			

Bits	Field Name	Description	Type	Reset
31:1	RESERVED	Write 0's for future compatibility. Read is undefined.	R	0x0
0	VPINIDLE	CORE Voltage Processor idle status. 0x0: The Voltage Processor for CORE is processing. Warm reset sensitive 0x1: The Voltage Processor for CORE is in idle state.	R	0x1

Table 3-1423. PRM_VP_CORE_VLIMITTO

Address Offset	0x0000 0048	Instance	DEVICE_PRM
Physical Address	0x4AE0 7D48		
Description	This register allows the configuration of the voltage limits and timeout values of the Voltage Processor dedicated to the CORE Voltage Domain (VDD_CORE_L).		
Type	RW		

31	30	29	28	27	26	25	24	23	22	21	20	19	18	17	16	15	14	13	12	11	10	9	8	7	6	5	4	3	2	1	0
VDDMAX								VDDMIN								TIMEOUT															

Bits	Field Name	Description	Type	Reset
31:24	VDDMAX	Defines the maximum voltage supply level.	RW	0x0
23:16	VDDMIN	Defines the minimum voltage supply level.	RW	0x0
15:0	TIMEOUT	Defines Voltage Controller maximum wait time for responses.	RW	0x0

Table 3-1424. PRM_VP_CORE_VOLTAGE

Address Offset	0x0000 004C	Instance	DEVICE_PRM
Physical Address	0x4AE0 7D4C		
Description	This register indicates the current value of the SMPS voltage for the Voltage Processor dedicated to the CORE Voltage Domain (VDD_CORE_L).		
Type	RW		

31	30	29	28	27	26	25	24	23	22	21	20	19	18	17	16	15	14	13	12	11	10	9	8	7	6	5	4	3	2	1	0
FORCEUPDATEWAIT																VPVOLTAGE															

Bits	Field Name	Description	Type	Reset
31:8	FORCEUPDATEWAIT	The time voltage processor needs to wait for SMPS to be settled after receiving SMPS acknowledge. This wait can only be used during force_update operation.	RW	0x111
7:0	VPVOLTAGE	Indicates the current SMPS programmed voltage.	R	0x0

Table 3-1425. PRM_VP_CORE_VSTEPMAX

Address Offset	0x0000 0050	Instance	DEVICE_PRM
Physical Address	0x4AE0 7D50		
Description	This register allows the programming of the maximum voltage step and waiting time of the Voltage Processor dedicated to CORE Voltage Domain (VDD_CORE_L).		
Type	RW		

31	30	29	28	27	26	25	24	23	22	21	20	19	18	17	16	15	14	13	12	11	10	9	8	7	6	5	4	3	2	1	0
RESERVED								SMPSWAITTIMEMAX																VSTEPMAX							

Bits	Field Name	Description	Type	Reset
31:24	RESERVED	Write 0's for future compatibility. Read is undefined.	R	0x0
23:8	SMPSWAITTIMEMAX	Slew rate for positive voltage step (in number of cycles per step).	RW	0x0
7:0	VSTEPMAX	Maximum voltage step	RW	0x0

Table 3-1426. PRM_VP_CORE_VSTEPMIN

Address Offset	0x0000 0054	Instance	DEVICE_PRM
Physical Address	0x4AE0 7D54		
Description	This register allows the programming of the minimum voltage step and waiting time of the Voltage Processor dedicated to the CORE Voltage Domain (VDD_CORE_L).		
Type	RW		

31	30	29	28	27	26	25	24	23	22	21	20	19	18	17	16	15	14	13	12	11	10	9	8	7	6	5	4	3	2	1	0
RESERVED								SMPSWAITTIMEMIN																VSTEPMIN							

Bits	Field Name	Description	Type	Reset
31:24	RESERVED	Write 0's for future compatibility. Read is undefined.	R	0x0
23:8	SMPSWAITTIMEMIN	Slew rate for negative voltage step (in number of cycles per step).	RW	0x0
7:0	VSTEPMIN	Minimum voltage step	RW	0x0

Table 3-1427. PRM_VP_MPU_CONFIG

Address Offset	0x0000 0058	Instance	DEVICE_PRM
Physical Address	0x4AE0 7D58		
Description	This register allows the configuration of the Voltage Processor dedicated to MPU Voltage Domain (VDD_MPU_L).		
Type	RW		

31	30	29	28	27	26	25	24	23	22	21	20	19	18	17	16	15	14	13	12	11	10	9	8	7	6	5	4	3	2	1	0
ERROROFFSET								ERRORGAIN								INITVOLTAGE								RESERVED				TIMEOUTEN	INITVDD	FORCEUPDATE	VPENABLE

Bits	Field Name	Description	Type	Reset
31:24	ERROROFFSET	Offset value in the Error to Voltage converter (two's complement number).	RW	0x0
23:16	ERRORGAIN	Gain value in the Error to Voltage converter (two's complement number).	RW	0x0
15:8	INITVOLTAGE	Set the initial voltage level of the SMPS.	RW	0x0
7:4	RESERVED	Write 0's for future compatibility. Read is undefined.	R	0x0
3	TIMEOUTEN	Enable or disable the timeout capability of the Voltage Controller State Machine. 0x0: Timeout is disabled. Loop will wait indefinitely. 0x1: Timeout will occur when TIMEOUT cycles have elapsed.	RW	0x0
2	INITVDD	Initializes the voltage in the Voltage Processor. 0x0: Reset the initialization bit. 0x1: The positive edge of InitVdd triggers a write of the value in the InitVoltage into the Voltage Processor.	RW	0x0
1	FORCEUPDATE	Forces an update of the SMPS. 0x0: Reset the force bit. 0x1: The positive edge of ForceUpdate triggers an update of the voltage to the SMPS.	RW	0x0
0	VPENABLE	Enables or disables the Voltage Processor updates on SR_SInterruptz. 0x0: Disables the Voltage Processor. 0x1: Enables the Voltage Processor.	RW	0x0

Table 3-1428. PRM_VP_MPU_STATUS

Address Offset	0x0000 005C	Instance	DEVICE_PRM
Physical Address	0x4AE0 7D5C		
Description	This register reflects the idle state of the Voltage Processor dedicated to the MPU Voltage Domain (VDD_MPU_L). This register is read only and automatically updated.		
Type	R		

31	30	29	28	27	26	25	24	23	22	21	20	19	18	17	16	15	14	13	12	11	10	9	8	7	6	5	4	3	2	1	0
RESERVED																VPINIDLE															

Bits	Field Name	Description	Type	Reset
31:1	RESERVED	Write 0's for future compatibility. Read is undefined.	R	0x0
0	VPINIDLE	Voltage Processor 1 idle status. 0x0: The Voltage Processor 1 is processing. 0x1: The Voltage Processor 1 is in idle state.	R	0x1

Table 3-1429. PRM_VP_MPU_VLIMITTO

Address Offset	0x0000 0060	Instance	DEVICE_PRM
Physical Address	0x4AE0 7D60		
Description	This register allows the configuration of the voltage limits and timeout values of the Voltage Processor dedicated to the MPU Voltage Domain (VDD_MPU_L).		
Type	RW		

31	30	29	28	27	26	25	24	23	22	21	20	19	18	17	16	15	14	13	12	11	10	9	8	7	6	5	4	3	2	1	0
VDDMAX								VDDMIN								TIMEOUT															

Bits	Field Name	Description	Type	Reset
31:24	VDDMAX	Defines the maximum voltage supply level.	RW	0x0
23:16	VDDMIN	Defines the minimum voltage supply level.	RW	0x0
15:0	TIMEOUT	Defines Voltage Controller maximum wait time for responses.	RW	0x0

Table 3-1430. PRM_VP_MPU_VOLTAGE

Address Offset	0x0000 0064	Instance	DEVICE_PRM
Physical Address	0x4AE0 7D64		
Description	This register indicates the current value of the SMPS voltage for the Voltage Processor dedicated to the MPU Voltage Domain (VDD_MPU_L).		
Type	RW		

31	30	29	28	27	26	25	24	23	22	21	20	19	18	17	16	15	14	13	12	11	10	9	8	7	6	5	4	3	2	1	0
FORCEUPDATEWAIT																VPVOLTAGE															

Bits	Field Name	Description	Type	Reset
31:8	FORCEUPDATEWAIT	The time voltage processor needs to wait for SMPS to be settled after receiving SMPS acknowledge. This wait only be used during force_update operation.	RW	0x111
7:0	VPVOLTAGE	Indicates the current SMPS programmed voltage.	R	0x0

Table 3-1431. PRM_VP_MPU_VSTEPMAX

Address Offset	0x0000 0068		
Physical Address	0x4AE0 7D68	Instance	DEVICE_PRM
Description	This register allows the programming of the maximum voltage step and waiting time of the Voltage Processor dedicated to MPU Voltage Domain (VDD_MPU_L).		
Type	RW		

31	30	29	28	27	26	25	24	23	22	21	20	19	18	17	16	15	14	13	12	11	10	9	8	7	6	5	4	3	2	1	0
RESERVED								SMPSWAITTIMEMAX								VSTEPMAX															

Bits	Field Name	Description	Type	Reset
31:24	RESERVED	Write 0's for future compatibility. Read is undefined.	R	0x0
23:8	SMPSWAITTIMEMAX	Slew rate for positive voltage step (in number of cycles per step).	RW	0x0
7:0	VSTEPMAX	Maximum voltage step	RW	0x0

Table 3-1432. PRM_VP_MPU_VSTEPMIN

Address Offset	0x0000 006C		
Physical Address	0x4AE0 7D6C	Instance	DEVICE_PRM
Description	This register allows the programming of the minimum voltage step and waiting time of the Voltage Processor dedicated to the MPU Voltage Domain (VDD_MPU_L).		
Type	RW		

31	30	29	28	27	26	25	24	23	22	21	20	19	18	17	16	15	14	13	12	11	10	9	8	7	6	5	4	3	2	1	0
RESERVED								SMPSWAITTIMEMIN								VSTEPMIN															

Bits	Field Name	Description	Type	Reset
31:24	RESERVED	Write 0's for future compatibility. Read is undefined.	R	0x0
23:8	SMPSWAITTIMEMIN	Slew rate for negative voltage step (in number of cycles per step).	RW	0x0
7:0	VSTEPMIN	Minimum voltage step	RW	0x0

Table 3-1433. PRM_VP_MM_CONFIG

Address Offset	0x0000 0070		
Physical Address	0x4AE0 7D70	Instance	DEVICE_PRM
Description	This register allows the configuration of the Voltage Processor dedicated to MM Voltage Domain (VDD_MM_L).		
Type	RW		

31	30	29	28	27	26	25	24	23	22	21	20	19	18	17	16	15	14	13	12	11	10	9	8	7	6	5	4	3	2	1	0
ERROROFFSET								ERRORGAIN								INITVOLTAGE								RESERVED		TIMEOUTEN	INITVDD	FORCEUPDATE	VPENABLE		

Bits	Field Name	Description	Type	Reset
31:24	ERROROFFSET	Offset value in the Error to Voltage converter (two's complement number).	RW	0x0
23:16	ERRORGAIN	Gain value in the Error to Voltage converter (two's complement number).	RW	0x0

Bits	Field Name	Description	Type	Reset
15:8	INITVOLTAGE	Set the initial voltage level of the SMPS.	RW	0x0
7:4	RESERVED	Write 0's for future compatibility. Read is undefined.	R	0x0
3	TIMEOUTEN	Enable or disable the timeout capability of the Voltage Controller State Machine. 0x0: Timeout is disabled. Loop will wait indefinitely. 0x1: Timeout will occur when TIMEOUT cycles have elapsed.	RW	0x0
2	INITVDD	Initializes the voltage in the Voltage Processor. 0x0: Reset the initialization bit. 0x1: The positive edge of InitVdd triggers a write of the value in the InitVoltage into the Voltage Processor.	RW	0x0
1	FORCEUPDATE	Forces an update of the SMPS. 0x0: Reset the force bit. 0x1: The positive edge of ForceUpdate triggers an update of the voltage to the SMPS.	RW	0x0
0	VPENABLE	Enables or disables the Voltage Processor updates on SR_SInterruptz. 0x0: Disables the Voltage Processor. 0x1: Enables the Voltage Processor.	RW	0x0

Table 3-1434. PRM_VP_MM_STATUS

Address Offset	0x0000 0074	Instance	DEVICE_PRM
Physical Address	0x4AE0 7D74		
Description	This register reflects the idle state of the Voltage Processor dedicated to the MPU Voltage Domain (VDD_MM_L). This register is read only and automatically updated.		
Type	R		

31	30	29	28	27	26	25	24	23	22	21	20	19	18	17	16	15	14	13	12	11	10	9	8	7	6	5	4	3	2	1	0
RESERVED																VPINIDLE															

Bits	Field Name	Description	Type	Reset
31:1	RESERVED	Write 0's for future compatibility. Read is undefined.	R	0x0
0	VPINIDLE	Voltage Processor 1 idle status. 0x0: The Voltage Processor 1 is processing. 0x1: The Voltage Processor 1 is in idle state.	R	0x1

Table 3-1435. PRM_VP_MM_VLIMITTO

Address Offset	0x0000 0078	Instance	DEVICE_PRM
Physical Address	0x4AE0 7D78		
Description	This register allows the configuration of the voltage limits and timeout values of the Voltage Processor dedicated to the MM voltage Domain (VDD_MM_L).		
Type	RW		

31	30	29	28	27	26	25	24	23	22	21	20	19	18	17	16	15	14	13	12	11	10	9	8	7	6	5	4	3	2	1	0
VDDMAX								VDDMIN								TIMEOUT															

Bits	Field Name	Description	Type	Reset
31:24	VDDMAX	Defines the maximum voltage supply level.	RW	0x0
23:16	VDDMIN	Defines the minimum voltage supply level.	RW	0x0
15:0	TIMEOUT	Defines Voltage Controller maximum wait time for responses.	RW	0x0

Table 3-1436. PRM_VP_MM_VOLTAGE

Address Offset	0x0000 007C	Instance	DEVICE_PRM
Physical Address	0x4AE0 7D7C		
Description	This register indicates the current value of the SMPS voltage for the Voltage Processor dedicated to the MM voltage Domain (VDD_MM_L).		
Type	RW		

31	30	29	28	27	26	25	24	23	22	21	20	19	18	17	16	15	14	13	12	11	10	9	8	7	6	5	4	3	2	1	0
FORCEUPDATEWAIT																VPVOLTAGE															

Bits	Field Name	Description	Type	Reset
31:8	FORCEUPDATEWAIT	The time voltage processor needs to wait for SMPS to be settled after receiving SMPS acknowledge. This wait only be used during force_update operation.	RW	0x111
7:0	VPVOLTAGE	Indicates the current SMPS programmed voltage.	R	0x0

Table 3-1437. PRM_VP_MM_VSTEPMAX

Address Offset	0x0000 0080	Instance	DEVICE_PRM
Physical Address	0x4AE0 7D80		
Description	This register allows the programming of the maximum voltage step and waiting time of the Voltage Processor dedicated to MM voltage Domain (VDD_MM_L).		
Type	RW		

31	30	29	28	27	26	25	24	23	22	21	20	19	18	17	16	15	14	13	12	11	10	9	8	7	6	5	4	3	2	1	0
RESERVED								SMPSWAITTIMEMAX																VSTEPMAX							

Bits	Field Name	Description	Type	Reset
31:24	RESERVED	Write 0's for future compatibility. Read is undefined.	R	0x0
23:8	SMPSWAITTIMEMAX	Slew rate for positive voltage step (in number of cycles per step).	RW	0x0
7:0	VSTEPMAX	Maximum voltage step	RW	0x0

Table 3-1438. PRM_VP_MM_VSTEPMIN

Address Offset	0x0000 0084	Instance	DEVICE_PRM
Physical Address	0x4AE0 7D84		
Description	This register allows the programming of the minimum voltage step and waiting time of the Voltage Processor dedicated to the MM voltage Domain (VDD_MM_L).		
Type	RW		

31	30	29	28	27	26	25	24	23	22	21	20	19	18	17	16	15	14	13	12	11	10	9	8	7	6	5	4	3	2	1	0
RESERVED								SMPSWAITTIMEMIN																VSTEPMIN							

Bits	Field Name	Description	Type	Reset
31:24	RESERVED	Write 0's for future compatibility. Read is undefined.	R	0x0
23:8	SMPSWAITTIMEMIN	Slew rate for negative voltage step (in number of cycles per step).	RW	0x0
7:0	VSTEPMIN	Minimum voltage step	RW	0x0

Table 3-1439. PRM_VC_SMPS_CORE_CONFIG

Address Offset	0x0000 0088	Instance	DEVICE_PRM
Physical Address	0x4AE0 7D88		
Description	This register allows the setting of the I2C slave address of the Power IC device, the setting of the voltage configuration register address for the CORE VDD and the Command (ON/ON-Low-Power/Retention/OFF) configuration register address values for CORE VDD (if used SMPS chips have different command configuration register than voltage configuration register). [warm reset insensitive]		
Type	RW		

31	30	29	28	27	26	25	24	23	22	21	20	19	18	17	16	15	14	13	12	11	10	9	8	7	6	5	4	3	2	1	0
RESERVED							CMD_VDD_CORE_L	RACEN_VDD_CORE_L	RAC_VDD_CORE_L	RAV_VDD_CORE_L	SEL_SA_VDD_CORE_L	CMDRA_VDD_CORE_L					VOLRA_VDD_CORE_L					RESERVED	SA_VDD_CORE_L								

Bits	Field Name	Description	Type	Reset
31:29	RESERVED	Write 0's for future compatibility. Read is undefined.	R	0x0
28	CMD_VDD_CORE_L	Command values (ON/ON-Low-Power/Retention/OFF voltage values) set selection for VDD_CORE_L channel 0x0: VDD_CORE_L channel use VC_VAL_CMD_VDD_MPU_L set for command values 0x1: VDD_CORE_L channel use VC_VAL_CMD_VDD_CORE_L set for command values	RW	0x1
27	RACEN_VDD_CORE_L	Enable bit for usage of RAC_VDD_CORE_L 0x0: VDD_CORE_L channel uses VOLRA values for register address of VFSM-s commands. VFSM-s commands goes also to voltage configuration register. 0x1: VDD_CORE_L channel uses CMDRA values for register address of VFSM-s commands. VFSM-s commands goes to different command configuration register.	RW	0x0
26	RAC_VDD_CORE_L	Command (ON/ON-Low-Power/Retention/OFF) configuration register address pointer for VDD_CORE_L channel 0x0: Select CMDRA_VDD_MPU_L for VDD_CORE_L channel 0x1: Select CMDRA_VDD_CORE_L for VDD_CORE_L channel	RW	0x1
25	RAV_VDD_CORE_L	Voltage configuration register address pointer for VDD_CORE_L channel. 0x0: Select VOLRA_VDD_MPU_L for VDD_CORE_L channel 0x1: Select VOLRA_VDD_CORE_L for VDD_CORE_L channel	RW	0x1

Bits	Field Name	Description	Type	Reset
24	SEL_SA_VDD_CORE_L	Slave address pointer for VDD_CORE_L channel. 0x0: Select SA_VDD_MPU_L for VDD_CORE_L channel 0x1: Select SA_VDD_CORE_L for VDD_CORE_L channel	RW	0x0
23:16	CMDRA_VDD_CORE_L	Command (ON/ON-Low-Power /Retention/OFF) configuration register address value for VDD_CORE_L channel.(if VDD_CORE_L source has different command configuration register than voltage VDD_MPU_L)	RW	0x0
15:8	VOLRA_VDD_CORE_L	Set the voltage configuration register address value for the VDD_CORE_L channel (if VDD_CORE_L source is placed in same chip as VDD_MPU_L source and have different voltage configuration register)	RW	0x0
7	RESERVED	Write 0's for future compatibility. Read is undefined.	R	0x0
6:0	SA_VDD_CORE_L	Set the I2C slave address value for the first Power IC device.	RW	0x0

Table 3-1440. PRM_VC_SMPS_MM_CONFIG

Address Offset	0x0000 008C	Instance	DEVICE_PRM
Physical Address	0x4AE0 7D8C		
Description	This register allows the setting of the I2C slave address of the Power IC device, the setting of the voltage configuration register address for the MM VDD and the Command (ON/ON-Low-Power/Retention/OFF) configuration register address values for MM VDD (if used SMPS chips have different command configuration register than voltage configuration register).. [warm reset insensitive]		
Type	RW		

31	30	29	28	27	26	25	24	23	22	21	20	19	18	17	16	15	14	13	12	11	10	9	8	7	6	5	4	3	2	1	0								
RESERVED								CMDRA_VDD_MM_L								VOLRA_VDD_MM_L								RESERVED								SA_VDD_MM_L							

Bits	Field Name	Description	Type	Reset
31:29	RESERVED	Write 0's for future compatibility. Read is undefined.	R	0x0
28	CMD_VDD_MM_L	Command values (ON/ON-Low-Power/Retention/OFF voltage values) set selection for VDD_MM_L channel 0x0: VDD_MM_L channel use VC_VAL_CMD_VDD_MPU_L set for command values 0x1: VDD_MM_L channel use VC_VAL_CMD_VDD_MM_L set for command values	RW	0x1
27	RACEN_VDD_MM_L	Enable bit for usage of RAC_VDD_MM_L 0x0: VDD_MM_L channel uses VOLRA values for register address of VFSM-s commands. VFSM-s commands goes also to voltage configuration register. 0x1: VDD_MM_L channel uses CMDRA values for register address of VFSM-s commands. VFSM-s commands goes to different command configuration register.	RW	0x0
26	RAC_VDD_MM_L	Command (ON/ON-Low-Power/Retention/OFF) configuration register address pointer for VDD_MM_L channel 0x0: Select CMDRA_VDD_MPU_L for VDD_MM_L channel 0x1: Select CMDRA_VDD_MM_L for VDD_MM_L channel	RW	0x1

Bits	Field Name	Description	Type	Reset
25	RAV_VDD_MM_L	Voltage configuration register address pointer for VDD_MM_L channel. 0x0: Select VOLRA_VDD_MPU_L for VDD_MM_L channel 0x1: Select VOLRA_VDD_MM_L for VDD_MM_L channel	RW	0x1
24	SEL_SA_VDD_MM_L	Slave address pointer for VDD_MM_L channel. 0x0: Select SA_VDD_MPU_L for VDD_MM_L channel 0x1: Select SA_VDD_MM_L for VDD_MM_L channel	RW	0x0
23:16	CMDRA_VDD_MM_L	Command (ON/ON-Low-Power /Retention/OFF) configuration register address value for VDD_MM_L channel (if VDD_MM_L source has different command configuration register than voltage VDD_MPU_L)	RW	0x0
15:8	VOLRA_VDD_MM_L	Voltage configuration register address value for VDD_MM_L channel (if VDD_MM_L source is placed in same chip as VDD_MPU_L source and have different voltage configuration register)	RW	0x0
7	RESERVED	Write 0's for future compatibility. Read is undefined.	R	0x0
6:0	SA_VDD_MM_L	Set the I2C slave address value for the second (if any) Power IC device.	RW	0x0

Table 3-1441. PRM_VC_SMPS_MPU_CONFIG

Address Offset	0x0000 0090	Instance	DEVICE_PRM
Physical Address	0x4AE0 7D90		
Description	This register allows the setting of the I2C slave address of the Power IC device, the setting of the voltage configuration register address for the MPU VDD and the Command (ON/ON-Low-Power/Retention/OFF) configuration register address values for MPU VDD (if used SMPS chips have different command configuration register than voltage configuration register). [warm reset insensitive]		
Type	RW		

31	30	29	28	27	26	25	24	23	22	21	20	19	18	17	16	15	14	13	12	11	10	9	8	7	6	5	4	3	2	1	0								
RESERVED								CMDRA_VDD_MPU_L								VOLRA_VDD_MPU_L								RESERVED								SA_VDD_MPU_L							

Bits	Field Name	Description	Type	Reset
31:29	RESERVED	Write 0's for future compatibility. Read is undefined.	R	0x0
28	CMD_VDD_MPU_L	Command values (ON/ON-Low-Power/Retention/OFF voltage values) set selection for VDD_MPU_L channel (This bit has no influence on VDD_MPU_L channel)	RW	0x0
27	RACEN_VDD_MPU_L	Enable bit for usage of RAC_VDD_MPU_L 0x0: VDD_MPU_L channel uses VOLRA values for register address of VFSM-s commands. VFSM-s commands goes also to voltage configuration register. 0x1: VDD_MPU_L channel uses CMDRA values for register address of VFSM-s commands. VFSM-s commands goes to different command configuration register.	RW	0x0
26	RAC_VDD_MPU_L	Command (ON/ON-Low-Power/Retention/OFF) configuration register address pointer for VDD_MPU_L channel. (This bit has no influence on first VDD_MPU_L channel)	RW	0x0

Bits	Field Name	Description	Type	Reset
25	RAV_VDD_MPU_L	Voltage configuration register address pointer for VDD_MPU_L channel. (This bit has no influence on first VDD_MPU_L channel)	RW	0x0
24	SEL_SA_VDD_MPU_L	Slave address pointer for VDD_MPU_L channel. (This bit has no influence on first VDD_MPU_L channel)	RW	0x0
23:16	CMDRA_VDD_MPU_L	Command (ON/ON-Low-Power /Retention/OFF) configuration register address value for VDD_MPU_L channel.	RW	0x0
15:8	VOLRA_VDD_MPU_L	Voltage configuration register address value for VDD_MPU_L channel.	RW	0x0
7	RESERVED	Write 0's for future compatibility. Read is undefined.	R	0x0
6:0	SA_VDD_MPU_L	Set the I2C slave address value for the third (if any) Power IC device.	RW	0x0

Table 3-1442. PRM_VC_VAL_CMD_VDD_CORE_L

Address Offset	0x0000 0094	Instance	DEVICE_PRM
Physical Address	0x4AE0 7D94		
Description	This register allows the setting of the ON/ON-Low-Power/Retention/OFF command values for VDD_CORE_L channel. [warm reset insensitive]		
Type	RW		

31	30	29	28	27	26	25	24	23	22	21	20	19	18	17	16	15	14	13	12	11	10	9	8	7	6	5	4	3	2	1	0
ON								ONLP								RET								OFF							

Bits	Field Name	Description	Type	Reset
31:24	ON	Set the ON command value.	RW	0x0
23:16	ONLP	Set the ON-Low-Power command value.	RW	0x0
15:8	RET	Set the RET command value.	RW	0x0
7:0	OFF	Set the OFF command value.	RW	0x0

Table 3-1443. PRM_VC_VAL_CMD_VDD_MM_L

Address Offset	0x0000 0098	Instance	DEVICE_PRM
Physical Address	0x4AE0 7D98		
Description	This register allows the setting of the ON/ON-Low-Power/Retention/OFF command values for VDD_MM_L channel. [warm reset insensitive]		
Type	RW		

31	30	29	28	27	26	25	24	23	22	21	20	19	18	17	16	15	14	13	12	11	10	9	8	7	6	5	4	3	2	1	0
ON								ONLP								RET								OFF							

Bits	Field Name	Description	Type	Reset
31:24	ON	Set the ON command value.	RW	0x0
23:16	ONLP	Set the ON-Low-Power command value.	RW	0x0
15:8	RET	Set the RET command value.	RW	0x0
7:0	OFF	Set the OFF command value.	RW	0x0

Table 3-1444. PRM_VC_VAL_CMD_VDD_MPU_L

Address Offset	0x0000 009C		
Physical Address	0x4AE0 7D9C	Instance	DEVICE_PRM
Description	This register allows the setting of the ON/ON-Low-Power/Retention/OFF command values for VDD_MPU_L channel. [warm reset insensitive]		
Type	RW		

31	30	29	28	27	26	25	24	23	22	21	20	19	18	17	16	15	14	13	12	11	10	9	8	7	6	5	4	3	2	1	0
ON								ONLP								RET								OFF							

Bits	Field Name	Description	Type	Reset
31:24	ON	Set the ON command value.	RW	0x0
23:16	ONLP	Set the ON-Low-Power command value.	RW	0x0
15:8	RET	Set the RET command value.	RW	0x0
7:0	OFF	Set the OFF command value.	RW	0x0

Table 3-1445. PRM_VC_VAL_BYPASS

Address Offset	0x0000 00A0		
Physical Address	0x4AE0 7DA0	Instance	DEVICE_PRM
Description	Bypass data values register used for bypass command channel to send other configuration information (other than voltage configuration parameters) for SMPS chips which have no other configuration interface than this I2C interface and flag to indicate OPP change to EMIF to allow read/write leveling. [warm reset insensitive]		
Type	RW		

31	30	29	28	27	26	25	24	23	22	21	20	19	18	17	16	15	14	13	12	11	10	9	8	7	6	5	4	3	2	1	0								
RESERVED								DATA								REGADDR								RESERVED								SLAVEADDR							
								OPP_CHANGE_EMIF_LVL								VALID																							

Bits	Field Name	Description	Type	Reset
31:26	RESERVED		R	0x0
25	OPP_CHANGE_EMIF_LVL	This bit controls read-write leveling of EMIF memories (DDR3). It must be set in case OPP voltage change is done through Voltage Controller without passing through Voltage processor. 0x0: Enable leveling 0x1: disable leveling	RW	0x0
24	VALID	This bit validates the bypass command. It is automatically cleared by HW either after getting the acknowledge back from the SMPS or if an error occurred. 0x0: The last command send has been acknowledged 0x1: Pending command is being process	RW	0x0
23:16	DATA	Data to send to the Power IC device.	RW	0x0
15:8	REGADDR	Set the address of Power IC device register to configure.	RW	0x0
7	RESERVED		R	0x0
6:0	SLAVEADDR	Set the I2C slave address value.	RW	0x0

Table 3-1446. PRM_VC_CORE_ERRST

Address Offset	0x0000 00A4	Instance	DEVICE_PRM
Physical Address	0x4AE0 7DA4		
Description	This debug register logs CORE related error status coming from Voltage Controller. Must be cleared by software.		
Type	RW		

31	30	29	28	27	26	25	24	23	22	21	20	19	18	17	16	15	14	13	12	11	10	9	8	7	6	5	4	3	2	1	0		
RESERVED																												VFSM_TIMEOUT_ERR_CORE	VFSM_RA_ERR_CORE	VFSM_SA_ERR_CORE	SMPS_TIMEOUT_ERR_CORE	SMPS_RA_ERR_CORE	SMPS_SA_ERR_CORE

Bits	Field Name	Description	Type	Reset
31:6	RESERVED		R	0x0
5	VFSM_TIMEOUT_ERR_CORE	CORE voltage FSM command frame is finished but is not acknowledged by the slave, or (I2C multimaster) arbitration lost. 0x0: No error 0x1: An error has been logged	RW	0x0
4	VFSM_RA_ERR_CORE	Wrong register address error for CORE voltage FSM 0x0: No error 0x1: An error has been logged	RW	0x0
3	VFSM_SA_ERR_CORE	Wrong slave address error for CORE voltage FSM 0x0: No error 0x1: An error has been logged	RW	0x0
2	SMPS_TIMEOUT_ERR_CORE	CORE voltage processor command frame is finished but is not acknowledged by the slave, or (I2C multimaster) arbitration lost. 0x0: No error 0x1: An error has been logged	RW	0x0
1	SMPS_RA_ERR_CORE	Wrong register address error for CORE voltage processor 0x0: No error 0x1: An error has been logged	RW	0x0
0	SMPS_SA_ERR_CORE	Wrong slave address error for CORE voltage processor 0x0: No error 0x1: An error has been logged	RW	0x0

Table 3-1447. PRM_VC_MM_ERRST

Address Offset	0x0000 00A8	Instance	DEVICE_PRM
Physical Address	0x4AE0 7DA8		
Description	This debug register logs MM related error status coming from Voltage Controller. Must be cleared by software.		
Type	RW		

31	30	29	28	27	26	25	24	23	22	21	20	19	18	17	16	15	14	13	12	11	10	9	8	7	6	5	4	3	2	1	0		
RESERVED																												VFSM_TIMEOUT_ERR_MM	VFSM_RA_ERR_MM	VFSM_SA_ERR_MM	SMPS_TIMEOUT_ERR_MM	SMPS_RA_ERR_MM	SMPS_SA_ERR_MM

Bits	Field Name	Description	Type	Reset
31:6	RESERVED		R	0x0
5	VFSM_TIMEOUT_ERR_MM	MM voltage FSM command frame is finished but is not acknowledged by the slave, or (I2C multimaster) arbitration lost. 0x0: No error 0x1: An error has been logged	RW	0x0
4	VFSM_RA_ERR_MM	Wrong register address error for MM voltage FSM 0x0: No error 0x1: An error has been logged	RW	0x0
3	VFSM_SA_ERR_MM	Wrong slave address error for MM voltage FSM 0x0: No error 0x1: An error has been logged	RW	0x0
2	SMPS_TIMEOUT_ERR_MM	MM voltage processor command frame is finished but is not acknowledged by the slave, or (I2C multimaster) arbitration lost. 0x0: No error 0x1: An error has been logged	RW	0x0
1	SMPS_RA_ERR_MM	Wrong register address error for MM voltage processor 0x0: No error 0x1: An error has been logged	RW	0x0
0	SMPS_SA_ERR_MM	Wrong slave address error for MM voltage processor 0x0: No error 0x1: An error has been logged	RW	0x0

Table 3-1448. PRM_VC_MPU_ERRST

Address Offset	0x0000 00AC	Instance	DEVICE_PRM
Physical Address	0x4AE0 7DAC		
Description	This debug register logs MPU related error status coming from Voltage Controller. Must be cleared by software.		
Type	RW		

31	30	29	28	27	26	25	24	23	22	21	20	19	18	17	16	15	14	13	12	11	10	9	8	7	6	5	4	3	2	1	0	
RESERVED																																
																VFSM_TIMEOUT_ERR_MPU	VFSM_RA_ERR_MPU	VFSM_SA_ERR_MPU	SMPS_TIMEOUT_ERR_MPU	SMPS_RA_ERR_MPU	SMPS_SA_ERR_MPU											

Bits	Field Name	Description	Type	Reset
31:6	RESERVED		R	0x0
5	VFSM_TIMEOUT_ERR_MPU	MPU voltage FSM command frame is finished but is not acknowledged by the slave, or (I2C multimaster) arbitration lost. 0x0: No error 0x1: An error has been logged	RW	0x0
4	VFSM_RA_ERR_MPU	Wrong register address error for MPU voltage FSM 0x0: No error 0x1: An error has been logged	RW	0x0
3	VFSM_SA_ERR_MPU	Wrong slave address error for MPU voltage FSM 0x0: No error 0x1: An error has been logged	RW	0x0
2	SMPS_TIMEOUT_ERR_MPU	MPU voltage processor command frame is finished but is not acknowledged by the slave, or (I2C multimaster) arbitration lost. 0x0: No error 0x1: An error has been logged	RW	0x0
1	SMPS_RA_ERR_MPU	Wrong register address error for MPU voltage processor 0x0: No error 0x1: An error has been logged	RW	0x0
0	SMPS_SA_ERR_MPU	Wrong slave address error for MPU voltage processor 0x0: No error 0x1: An error has been logged	RW	0x0

Table 3-1449. PRM_VC_BYPASS_ERRST

Address Offset	0x0000 00B0	Instance	DEVICE_PRM
Physical Address	0x4AE0 7DB0		
Description	This debug register logs BYPASS related error status coming from Voltage Controller. Must be cleared by software.		
Type	RW		

31	30	29	28	27	26	25	24	23	22	21	20	19	18	17	16	15	14	13	12	11	10	9	8	7	6	5	4	3	2	1	0
RESERVED																BYPASS_TIMEOUT_ERR		BYPASS_RA_ERR		BYPASS_SA_ERR											

Bits	Field Name	Description	Type	Reset
31:3	RESERVED		R	0x0
2	BYPASS_TIMEOUT_ERR	BYPASS command frame is finished but is not acknowledged by the slave, or (I2C multimaster) arbitration lost. 0x0: No error 0x1: An error has been logged	RW	0x0
1	BYPASS_RA_ERR	Wrong register address error for BYPASS command 0x0: No error 0x1: An error has been logged	RW	0x0
0	BYPASS_SA_ERR	Wrong slave address error for BYPASS command 0x0: No error 0x1: An error has been logged	RW	0x0

Table 3-1450. PRM_VC_CFG_I2C_MODE

Address Offset	0x0000 00B4	Instance	DEVICE_PRM
Physical Address	0x4AE0 7DB4		
Description	I2C configuration register. [warm reset insensitive]		
Type	RW		

31	30	29	28	27	26	25	24	23	22	21	20	19	18	17	16	15	14	13	12	11	10	9	8	7	6	5	4	3	2	1	0
RESERVED														DFILTEREN	RESERVED	SRMODEEN	HSMODEEN	HSMCODE													

Bits	Field Name	Description	Type	Reset
31:7	RESERVED		R	0x0
6	DFILTEREN	This field enables double filter procedure for I2C input lines 0x0: I2C bus digital filter rejects all glitches smaller than 1 sytem clock cycle 0x1: I2C bus digital filter rejects all glitches smaller than 2 sytem clock cycle	RW	0x0
5	RESERVED		R	0x0

Bits	Field Name	Description	Type	Reset
4	SRMODEEN	Enables the I2C repeated start operation mode (effect of holding the SCL and SDA lines low, in effect blocking the I2C bus from losing arbitration between repeated start points). Use of this feature results from a trade-off between speed and power consumption of I2C interface. 0x0: Disables the repeated start operation mode 0x1: Enables the repeated start operation mode	RW	0x1
3	HSMODEEN	Enables I2C bus High Speed mode. 0x0: Disables the I2C high speed mode 0x1: Enables the I2C high speed mode	RW	0x1
2:0	HSMCODE	Master code value for I2C High Speed preamble transmission.	RW	0x0

Table 3-1451. PRM_VC_CFG_I2C_CLK

Address Offset	0x0000 00B8		
Physical Address	0x4AE0 7DB8	Instance	DEVICE_PRM
Description	I2C Interface clock configuration parameters. [warm reset insensitive]		
Type	RW		

31 30 29 28 27 26 25 24	23 22 21 20 19 18 17 16	15 14 13 12 11 10 9 8	7 6 5 4 3 2 1 0
HSSCLL	HSSCLH	SCLL	SCLH

Bits	Field Name	Description	Type	Reset
31:24	HSSCLL	Number of the system clock cycles, necessary to count the low period of the I2C clock signal, when the I2C interface runs in High-Speed mode of operation.	RW	0x0
23:16	HSSCLH	Number of the system clock cycles, necessary to count the high period of the I2C clock signal, when the I2C interface runs in High-Speed mode of operation.	RW	0x0
15:8	SCLL	Number of the system clock cycles, necessary to count the low period of the I2C clock signal, when the I2C interface runs in Fast mode of operation.	RW	0x0
7:0	SCLH	Number of the system clock cycles, necessary to count the high period of the I2C clock signal, when the I2C interface runs in Fast mode of operation.	RW	0x0

Table 3-1452. PRM_SRAM_COUNT

Address Offset	0x0000 00BC		
Physical Address	0x4AE0 7DBC	Instance	DEVICE_PRM
Description	Common setup for SRAM LDO transition counters. Applies to all voltage domains. [warm reset insensitive]		
Type	RW		

31 30 29 28 27 26 25 24	23 22 21 20 19 18 17 16	15 14 13 12 11 10 9 8	7 6 5 4 3 2 1 0
STARTUP_COUNT	SLPCNT_VALUE	VSETUPCNT_VALUE	RESERVED PCHARGEcnt_VALUE

Bits	Field Name	Description	Type	Reset
31:24	STARTUP_COUNT	Determines the start-up duration of SRAM and ABB LDO. The duration is computed as 16 x NbCycles of system clock cycles. Target is 50us.	RW	0x78
23:16	SLPCNT_VALUE	Delay between retention/off assertion of last SRAM bank and SRAMALLRET signal to LDO is driven high. Counting on system clock. Target is 2us.	RW	0x0
15:8	VSETUPCNT_VALUE	SRAM LDO rampup time from retention to active mode. The duration is computed as 8 x NbCycles of system clock cycles. Target is 30us.	RW	0x0
7:6	RESERVED		R	0x0
5:0	PCHARGEcnt_VALUE	Delay between de-assertion of standby_rta_ret_on and standby_rta_ret_good. Counting on system clock. Target is 600ns.	RW	0x17

Table 3-1453. Register Call Summary for Register PRM_SRAM_COUNT

PRCM Register Manual

- [DEVICE_PRM Register Summary: \[0\]](#)

Table 3-1454. PRM_SRAM_WKUP_SETUP

Address Offset	0x0000 00C0	Instance	DEVICE_PRM
Physical Address	0x4AE0 7DC0		
Description	Setup of memory in WKUP voltage domain. [warm reset insensitive]		
Type	RW		

31	30	29	28	27	26	25	24	23	22	21	20	19	18	17	16	15	14	13	12	11	10	9	8	7	6	5	4	3	2	1	0
RESERVED																ENABLE_RTA															

Bits	Field Name	Description	Type	Reset
31:1	RESERVED		R	0x0
0	ENABLE_RTA	Control for HD memory RTA feature. After PowerOn reset and Efuse sensing, this bitfield is automatically loaded with an Efuse value from control module. Bitfield remains writable after this. 0x0: HD memory RTA feature is disabled 0x1: HD memory RTA feature is enabled	RW	0x0

Table 3-1455. PRM_SLDO_CORE_SETUP

Address Offset	0x0000 00C4	Instance	DEVICE_PRM
Physical Address	0x4AE0 7DC4		
Description	Setup of the SRAM LDO for CORE voltage domain. [warm reset insensitive]		
Type	RW		

31	30	29	28	27	26	25	24	23	22	21	20	19	18	17	16	15	14	13	12	11	10	9	8	7	6	5	4	3	2	1	0
RESERVED																AIPOFF	ENFUNC5	ENFUNC4	ENFUNC3	ENFUNC2	ENFUNC1	ABBOFF_SLEEP	ABBOFF_ACT	ENABLE_RTA							

Bits	Field Name	Description	Type	Reset
31:9	RESERVED		R	0x0
8	AIPOFF	Override on AIPOFF input of SRAM LDO. 0x0: AIPOFF signal is not overridden 0x1: AIPOFF signal is overridden to '1'. Corresponding SRAM LDO is disabled and in HZ mode.	RW	0x0
7	ENFUNC5	ENFUNC5 input of SRAM LDO. 0x0: Active to retention is a one step transfer 0x1: Active to retention is a two steps transfer	RW	0x0
6	ENFUNC4	ENFUNC4 input of SRAM LDO. 0x0: One external clock is supplied 0x1: No external clock is supplied	RW	0x0
5	ENFUNC3	ENFUNC3 input of SRAM LDO. After PowerOn reset and Efuse sensing, this bitfield is automatically loaded with an Efuse value from control module. Bitfield remains writable after this. 0x0: Sub regulation is disabled 0x1: Sub regulation is enabled	RW	0x0
4	ENFUNC2	ENFUNC2 input of SRAM LDO. After PowerOn reset and Efuse sensing, this bitfield is automatically loaded with an Efuse value from control module. Bitfield remains writable after this. 0x0: External cap is used 0x1: External cap is not used	RW	0x0
3	ENFUNC1	ENFUNC1 input of SRAM LDO. After PowerOn reset and Efuse sensing, this bitfield is automatically loaded with an Efuse value from control module. Bitfield remains writable after this. 0x0: Short circuit protection is disabled 0x1: Short circuit protection is enabled	RW	0x0
2	ABBOFF_SLEEP	Determines whether SRAMNWA is supplied by VDDS or VDDAR during deep-sleep. After PowerOn reset and Efuse sensing, this bitfield is automatically loaded with an Efuse value from control module. Bitfield remains writable after this. 0x0: SRAMNWA supplied with VDDS 0x1: SRAMNWA supplied with VDDAR	RW	0x0
1	ABBOFF_ACT	Determines whether SRAMNWA is supplied by VDDS or VDDAR during active mode. After PowerOn reset and Efuse sensing, this bitfield is automatically loaded with an Efuse value from control module. Bitfield remains writable after this. 0x0: SRAMNWA supplied with VDDS 0x1: SRAMNWA supplied with VDDAR	RW	0x0
0	ENABLE_RTA	Control for HD memory RTA feature. After PowerOn reset and Efuse sensing, this bitfield is automatically loaded with an Efuse value from control module. Bitfield remains writable after this. 0x0: HD memory RTA feature is disabled 0x1: HD memory RTA feature is enabled	RW	0x0

Table 3-1456. Register Call Summary for Register PRM_SLDO_CORE_SETUP

PRCM Register Manual

- [DEVICE_PRM Register Summary: \[0\]](#)

Table 3-1457. PRM_SLDO_CORE_CTRL

Address Offset	0x0000 00C8	Instance	DEVICE_PRM
Physical Address	0x4AE0 7DC8		
Description	Control and status of the SRAM LDO for CORE voltage domain. [warm reset insensitive]		
Type	R		

31	30	29	28	27	26	25	24	23	22	21	20	19	18	17	16	15	14	13	12	11	10	9	8	7	6	5	4	3	2	1	0
RESERVED																SRAM_IN_TRANSITION		SRAMLDO_STATUS		RESERVED										RETMODE_ENABLE	

Bits	Field Name	Description	Type	Reset
31:10	RESERVED		R	0x0
9	SRAM_IN_TRANSITION	Status indicating SRAM LDO state machine state. 0x0: SRAM LDO state machine is stable 0x1: SRAM LDO state machine is in transition state	R	0x0
8	SRAMLDO_STATUS	SRAMLDO status 0x0: SRAMLDO is in ACTIVE mode. 0x1: SRAMLDO is on RETENTION mode.	R	0x0
7:1	RESERVED		R	0x0
0	RETMODE_ENABLE	Control if the SRAM LDO retention mode is used or not. 0x0: SRAM LDO is not allowed to go to RET mode	R	0x0

Table 3-1458. Register Call Summary for Register PRM_SLDO_CORE_CTRL

PRCM Register Manual

- [DEVICE_PRM Register Summary: \[0\]](#)

Table 3-1459. PRM_SLDO_MPU_SETUP

Address Offset	0x0000 00CC	Instance	DEVICE_PRM
Physical Address	0x4AE0 7DCC		
Description	Setup of the SRAM LDO for MPU voltage domain. [warm reset insensitive]		
Type	RW		

31	30	29	28	27	26	25	24	23	22	21	20	19	18	17	16	15	14	13	12	11	10	9	8	7	6	5	4	3	2	1	0
RESERVED																AIPOFF	ENFUNC5	ENFUNC4	ENFUNC3	ENFUNC2	ENFUNC1	ABBOFF_SLEEP	ABBOFF_ACT	ENABLE_RTA							

Bits	Field Name	Description	Type	Reset
31:9	RESERVED		R	0x0
8	AIPOFF	Override on AIPOFF input of SRAM LDO. 0x0: AIPOFF signal is not overridden 0x1: AIPOFF signal is overridden to '1'. Corresponding SRAM LDO is disabled and in HZ mode.	RW	0x0
7	ENFUNC5	ENFUNC5 input of SRAM LDO. 0x0: Active to retention is a one step transfer 0x1: Active to retention is a two steps transfer	RW	0x0
6	ENFUNC4	ENFUNC4 input of SRAM LDO. 0x0: One external clock is supplied 0x1: No external clock is supplied	RW	0x0
5	ENFUNC3	ENFUNC3 input of SRAM LDO. After PowerOn reset and Efuse sensing, this bitfield is automatically loaded with an Efuse value from control module. Bitfield remains writable after this. 0x0: Sub regulation is disabled 0x1: Sub regulation is enabled	RW	0x0
4	ENFUNC2	ENFUNC2 input of SRAM LDO. After PowerOn reset and Efuse sensing, this bitfield is automatically loaded with an Efuse value from control module. Bitfield remains writable after this. 0x0: External cap is used 0x1: External cap is not used	RW	0x0
3	ENFUNC1	ENFUNC1 input of SRAM LDO. After PowerOn reset and Efuse sensing, this bitfield is automatically loaded with an Efuse value from control module. Bitfield remains writable after this. 0x0: Short circuit protection is disabled 0x1: Short circuit protection is enabled	RW	0x0
2	ABBOFF_SLEEP	Determines whether SRAMNWA is supplied by VDDS or VDDAR during deep-sleep. After PowerOn reset and Efuse sensing, this bitfield is automatically loaded with an Efuse value from control module. Bitfield remains writable after this. 0x0: SRAMNWA supplied with VDDS 0x1: SRAMNWA supplied with VDDAR	RW	0x0
1	ABBOFF_ACT	Determines whether SRAMNWA is supplied by VDDS or VDDAR during active mode. After PowerOn reset and Efuse sensing, this bitfield is automatically loaded with an Efuse value from control module. Bitfield remains writable after this. 0x0: SRAMNWA supplied with VDDS 0x1: SRAMNWA supplied with VDDAR	RW	0x0
0	ENABLE_RTA	Control for HD memory RTA feature. After PowerOn reset and Efuse sensing, this bitfield is automatically loaded with an Efuse value from control module. Bitfield remains writable after this. 0x0: HD memory RTA feature is disabled 0x1: HD memory RTA feature is enabled	RW	0x0

Table 3-1460. Register Call Summary for Register PRM_SLDO_MPU_SETUP

PRCM Register Manual

- [DEVICE_PRM Register Summary: \[0\]](#)

Table 3-1461. PRM_SLDO_MPU_CTRL

Address Offset	0x0000 00D0	Instance	DEVICE_PRM
Physical Address	0x4AE0 7DD0		
Description	Control and status of the SRAM LDO for MPU voltage domain. [warm reset insensitive]		
Type	RW		

31	30	29	28	27	26	25	24	23	22	21	20	19	18	17	16	15	14	13	12	11	10	9	8	7	6	5	4	3	2	1	0
RESERVED																SRAM_IN_TRANSITION		SRAMLDO_STATUS		RESERVED										RETMODE_ENABLE	

Bits	Field Name	Description	Type	Reset
31:10	RESERVED		R	0x0
9	SRAM_IN_TRANSITION	Status indicating SRAM LDO state machine state. 0x0: SRAM LDO state machine is stable 0x1: SRAM LDO state machine is in transition state	R	0x0
8	SRAMLDO_STATUS	SRAMLDO status 0x0: SRAMLDO is in ACTIVE mode. 0x1: SRAMLDO is on RETENTION mode.	R	0x0
7:1	RESERVED		R	0x0
0	RETMODE_ENABLE	Control if the SRAM LDO retention mode is used or not. 0x0: SRAM LDO is not allowed to go to RET mode 0x1: SRAM LDO go to RET mode when all memory of voltage domain are OFF or RET	RW	0x0

Table 3-1462. Register Call Summary for Register PRM_SLDO_MPU_CTRL

PRCM Register Manual

- [DEVICE_PRM Register Summary: \[0\]](#)

Table 3-1463. PRM_SLDO_GPU_SETUP

Address Offset	0x0000 00D4	Instance	DEVICE_PRM
Physical Address	0x4AE0 7DD4		
Description	Setup of the SRAM LDO for GPU voltage domain. [warm reset insensitive]		
Type	RW		

31	30	29	28	27	26	25	24	23	22	21	20	19	18	17	16	15	14	13	12	11	10	9	8	7	6	5	4	3	2	1	0
RESERVED																AIPOFF	ENFUNC5	ENFUNC4	ENFUNC3	ENFUNC2	ENFUNC1	ABBOFF_SLEEP	ABBOFF_ACT	ENABLE_RTA							

Bits	Field Name	Description	Type	Reset
31:9	RESERVED		R	0x0
8	AIPOFF	Override on AIPOFF input of SRAM LDO. 0x0: AIPOFF signal is not overridden 0x1: AIPOFF signal is overridden to '1'. Corresponding SRAM LDO is disabled and in HZ mode.	RW	0x0
7	ENFUNC5	ENFUNC5 input of SRAM LDO. 0x0: Active to retention is a one step transfer 0x1: Active to retention is a two steps transfer	RW	0x0
6	ENFUNC4	ENFUNC4 input of SRAM LDO. 0x0: One external clock is supplied 0x1: No external clock is supplied	RW	0x0
5	ENFUNC3	ENFUNC3 input of SRAM LDO. After PowerOn reset and Efuse sensing, this bitfield is automatically loaded with an Efuse value from control module. Bitfield remains writable after this. 0x0: Sub regulation is disabled 0x1: Sub regulation is enabled	RW	0x0
4	ENFUNC2	ENFUNC2 input of SRAM LDO. After PowerOn reset and Efuse sensing, this bitfield is automatically loaded with an Efuse value from control module. Bitfield remains writable after this. 0x0: External cap is used 0x1: External cap is not used	RW	0x0
3	ENFUNC1	ENFUNC1 input of SRAM LDO. After PowerOn reset and Efuse sensing, this bitfield is automatically loaded with an Efuse value from control module. Bitfield remains writable after this. 0x0: Short circuit protection is disabled 0x1: Short circuit protection is enabled	RW	0x0
2	ABBOFF_SLEEP	Determines whether SRAMNWA is supplied by VDDS or VDDAR during deep-sleep. After PowerOn reset and Efuse sensing, this bitfield is automatically loaded with an Efuse value from control module. Bitfield remains writable after this. 0x0: SRAMNWA supplied with VDDS 0x1: SRAMNWA supplied with VDDAR	RW	0x0
1	ABBOFF_ACT	Determines whether SRAMNWA is supplied by VDDS or VDDAR during active mode. After PowerOn reset and Efuse sensing, this bitfield is automatically loaded with an Efuse value from control module. Bitfield remains writable after this. 0x0: SRAMNWA supplied with VDDS 0x1: SRAMNWA supplied with VDDAR	RW	0x0
0	ENABLE_RTA	Control for HD memory RTA feature. After PowerOn reset and Efuse sensing, this bitfield is automatically loaded with an Efuse value from control module. Bitfield remains writable after this. 0x0: HD memory RTA feature is disabled 0x1: HD memory RTA feature is enabled	RW	0x0

Table 3-1464. Register Call Summary for Register PRM_SLDO_GPU_SETUP

PRCM Register Manual

- [DEVICE_PRM Register Summary: \[0\]](#)

Table 3-1465. PRM_SLDO_GPU_CTRL

Address Offset	0x0000 00D8	Instance	DEVICE_PRM
Physical Address	0x4AE0 7DD8		
Description	Control and status of the SRAM LDO for GPU voltage domain. [warm reset insensitive]		
Type	RW		

31	30	29	28	27	26	25	24	23	22	21	20	19	18	17	16	15	14	13	12	11	10	9	8	7	6	5	4	3	2	1	0
RESERVED																SRAM_IN_TRANSITION		SRAMLDO_STATUS		RESERVED										RETMODE_ENABLE	

Bits	Field Name	Description	Type	Reset
31:10	RESERVED		R	0x0
9	SRAM_IN_TRANSITION	Status indicating SRAM LDO state machine state. 0x0: SRAM LDO state machine is stable 0x1: SRAM LDO state machine is in transition state	R	0x0
8	SRAMLDO_STATUS	SRAMLDO status 0x0: SRAMLDO is in ACTIVE mode. 0x1: SRAMLDO is on RETENTION mode.	R	0x0
7:1	RESERVED		R	0x0
0	RETMODE_ENABLE	Control if the SRAM LDO retention mode is used or not. 0x0: SRAM LDO is not allowed to go to RET mode 0x1: SRAM LDO go to RET mode when all memory of voltage domain are OFF or RET	RW	0x0

Table 3-1466. Register Call Summary for Register PRM_SLDO_GPU_CTRL

PRCM Register Manual

- [DEVICE_PRM Register Summary: \[0\]](#)

Table 3-1467. PRM_ABBLDO_MPU_SETUP

Address Offset	0x0000 00DC	Instance	DEVICE_PRM
Physical Address	0x4AE0 7DDC		
Description	Selects the MPU_ABB LDO mode.		
Type	RW		

31	30	29	28	27	26	25	24	23	22	21	20	19	18	17	16	15	14	13	12	11	10	9	8	7	6	5	4	3	2	1	0
RESERVED																SR2_WTCNT_VALUE										RESERVED	RESERVED	RESERVED	ACTIVE_FBB_SEL	RESERVED	SR2EN

Bits	Field Name	Description	Type	Reset
31:16	RESERVED		R	0x0
15:8	SR2_WTCNT_VALUE	LDO settling time for active-mode OPP change. Counting at a 16 system clock cycles rate. Target is 50us. [warm reset insensitive]	RW	0x0
7:5	RESERVED		R	0x0
4	RESERVED		R	0x0
3	RESERVED		R	0x0
2	ACTIVE_FBB_SEL	Defines ABB LDO mode when voltage is in slow fast OPP. [warm reset insensitive] 0x0: ABB LDO is in bypass mode 0x1: ABB LDO is in FBB mode	RW	0x0
1	RESERVED		R	0x0
0	SR2EN	Enable ABB power management 0x0: ABB LDO is put in bypass mode 0x1: ABB LDO will operate accordingly to settings	RW	0x0

Table 3-1468. Register Call Summary for Register PRM_ABBLDO_MPU_SETUP

Voltage-Management Functional Description

- [ABB LDOs Control: \[0\]](#)

PRCM Register Manual

- [DEVICE_PRM Register Summary: \[1\]](#)

Table 3-1469. PRM_ABBLDO_MPU_CTRL

Address Offset	0x0000 00E0	Instance	DEVICE_PRM
Physical Address	0x4AE0 7DE0		
Description	Control and Status of ABB on MPU voltage domain. [warm reset insensitive]		
Type	RW		

31	30	29	28	27	26	25	24	23	22	21	20	19	18	17	16	15	14	13	12	11	10	9	8	7	6	5	4	3	2	1	0
RESERVED																							SR2_IN_TRANSITION	RESERVED	SR2_STATUS	OPP_CHANGE	OPP_SEL				

Bits	Field Name	Description	Type	Reset
31:7	RESERVED		R	0x0
6	SR2_IN_TRANSITION	Indicates VBBLDO_CON is or is not in transition state. This output should be used by programming interface to clear OPP_CHANGE bit as an indication of OPP change completion. 0x0: IDLE 0x1: Indicates that VBBLDO_CON is in transition and SR2_STATUS bits are not stable to read.	R	0x0
5	RESERVED		R	0x0

Bits	Field Name	Description	Type	Reset
4:3	SR2_STATUS	Indicate ABB LDO current operation status 0x0: ABB LDO is placed in bypass mode. 0x1: Reserved 0x2: ABB LDO is placed in FBB active mode. 0x3: Reserved	R	0x0
2	OPP_CHANGE	When OPP_CHANGE is set to 1, VBBLDO_CON samples OPP_SEL ACTIVE_FBB_SEL upon detecting rising edge. VBBLDO_CON asserts signal SR2_IN_TRANSITION in response to OPP_CHANGE. OPP_CHANGE should be cleared to 0 when SR2_IN_TRANSITION from VBBLDO_CON is de-asserted.	RW	0x0
1:0	OPP_SEL	To control the ABB LDO (FBB/RBB) at a given OPP, set to 0x1. Refer to ABB LDO Programming sequence . 0x0: default : Nominal 0x1: Fast OPP	RW	0x0

Table 3-1470. Register Call Summary for Register PRM_ABBLDO_MPU_CTRL

Voltage-Management Functional Description

- [ABB LDOs Control: \[0\]](#)
- [ABB LDO Enable Sequence: \[1\]](#)
- [ABB LDO Disable Sequence \(Entering in Bypass Mode\): \[2\]](#)

PRCM Register Manual

- [DEVICE_PRM Register Summary: \[3\]](#)
- [OCP_SOCKET_PRM Register Description: \[4\]](#)

Table 3-1471. PRM_ABBLDO_GPU_SETUP

Address Offset	0x0000 00E4	Instance	DEVICE_PRM
Physical Address	0x4AE0 7DE4		
Description	Selects the GPU_ABB LDO mode.		
Type	RW		

31	30	29	28	27	26	25	24	23	22	21	20	19	18	17	16	15	14	13	12	11	10	9	8	7	6	5	4	3	2	1	0
RESERVED																SR2_WTCNT_VALUE								RESERVED	RESERVED	RESERVED	ACTIVE_FBB_SEL	RESERVED	SR2EN		

Bits	Field Name	Description	Type	Reset
31:16	RESERVED		R	0x0
15:8	SR2_WTCNT_VALUE	LDO settling time for active-mode OPP change. Counting at a 16 system clock cycles rate. Target is 50us. [warm reset insensitive]	RW	0x0
7:5	RESERVED		R	0x0
4	RESERVED		R	0x0
3	RESERVED		R	0x0
2	ACTIVE_FBB_SEL	Defines ABB LDO mode when voltage is in slow fast OPP. [warm reset insensitive] 0x0: ABB LDO is in bypass mode 0x1: ABB LDO is in FBB mode	RW	0x0

Bits	Field Name	Description	Type	Reset
1	RESERVED		R	0x0
0	SR2EN	Enable ABB power management 0x0: ABB LDO is put in bypass mode 0x1: ABB LDO will operate accordingly to settings	RW	0x0

Table 3-1472. Register Call Summary for Register PRM_ABBLDO_GPU_SETUP

Voltage-Management Functional Description

- [ABB LDOs Control: \[0\]](#)

PRCM Register Manual

- [DEVICE_PRM Register Summary: \[1\]](#)

Table 3-1473. PRM_ABBLDO_GPU_CTRL

Address Offset	0x0000 00E8		
Physical Address	0x4AE0 7DE8	Instance	DEVICE_PRM
Description	Control and Status of ABB on GPU voltage domain. [warm reset insensitive]		
Type	RW		

31	30	29	28	27	26	25	24	23	22	21	20	19	18	17	16	15	14	13	12	11	10	9	8	7	6	5	4	3	2	1	0
RESERVED																							SR2_IN_TRANSITION	RESERVED	SR2_STATUS	OPP_CHANGE	OPP_SEL				

Bits	Field Name	Description	Type	Reset
31:7	RESERVED		R	0x0
6	SR2_IN_TRANSITION	Indicates VBBLDO_CON is or is not in transition state. This output should be used by programming interface to clear OPP_CHANGE bit as an indication of OPP change completion. 0x0: IDLE 0x1: Indicates that VBBLDO_CON is in transition and SR2_STATUS bits are not stable to read.	R	0x0
5	RESERVED		R	0x0
4:3	SR2_STATUS	Indicate ABB LDO current operation status 0x0: ABB LDO is placed in bypass mode. 0x1: Reserved 0x2: ABB LDO is placed in FBB active mode. 0x3: Reserved	R	0x0
2	OPP_CHANGE	When OPP_CHANGE is set to 1, VBBLDO_CON samples OPP_SEL ACTIVE_FBB_SEL upon detecting rising edge. VBBLDO_CON asserts signal SR2_IN_TRANSITION in response to OPP_CHANGE. OPP_CHANGE should be cleared to 0 when SR2_IN_TRANSITION from VBBLDO_CON is de-asserted.	RW	0x0
1:0	OPP_SEL	To control the ABB LDO (FBB/RBB) at a given OPP, set to 0x1. Refer to ABB LDO Programming sequence . 0x0: default : Nominal 0x1: Fast OPP	RW	0x0

Table 3-1474. Register Call Summary for Register PRM_ABBLDO_GPU_CTRL

Voltage-Management Functional Description

- [ABB LDOs Control: \[0\]](#)

PRCM Register Manual

- [DEVICE_PRM Register Summary: \[1\]](#)

Table 3-1475. PRM_BANDGAP_SETUP

Address Offset	0x0000 00EC	Instance	DEVICE_PRM
Physical Address	0x4AE0 7DEC		
Description	Setup of the bandgap. [warm reset insensitive]		
Type	RW		

31	30	29	28	27	26	25	24	23	22	21	20	19	18	17	16	15	14	13	12	11	10	9	8	7	6	5	4	3	2	1	0
RESERVED																STARTUP_COUNT															

Bits	Field Name	Description	Type	Reset
31:8	RESERVED		R	0x0
7:0	STARTUP_COUNT	Determines the start-up duration of BANDGAP. The duration is computed as 32 x NbCycles of system clock cycles. Target is 100us.	RW	0x78

Table 3-1476. Register Call Summary for Register PRM_BANDGAP_SETUP

Voltage-Management Functional Description

- [BANDGAPs Control: \[0\]](#)

PRCM Register Manual

- [DEVICE_PRM Register Summary: \[1\]](#)

Table 3-1477. PRM_DEVICE_OFF_CTRL

Address Offset	0x0000 00F0	Instance	DEVICE_PRM
Physical Address	0x4AE0 7DF0		
Description	This register is used to control device OFF transition.		
Type	RW		

31	30	29	28	27	26	25	24	23	22	21	20	19	18	17	16	15	14	13	12	11	10	9	8	7	6	5	4	3	2	1	0	
RESERVED																EMIF2_OFFWKUP_DISABLE		EMIF1_OFFWKUP_DISABLE		RESERVED												DEVICE_OFF_ENABLE

Bits	Field Name	Description	Type	Reset
31:10	RESERVED		R	0x0
9	EMIF2_OFFWKUP_DISABLE	Controls the EMIF2_DEVICE_OFFWKUP_CORESRTACTST notifier sent to EMIF1 upon a device wakeup from OFF mode. [warm reset insensitive] 0x0: Notifier is activated. 0x1: Notifier is not activated - stays low	RW	0x0
8	EMIF1_OFFWKUP_DISABLE	Controls the EMIF1_DEVICE_OFFWKUP_CORESRTACTST notifier sent to EMIF2 upon a device wakeup from OFF mode. [warm reset insensitive] 0x0: Notifier is activated. 0x1: Notifier is not activated - stays low	RW	0x0
7:1	RESERVED		R	0x0
0	DEVICE_OFF_ENABLE	Controls transition to device OFF mode. 0x0: Device is not allowed to perform transition to OFF mode 0x1: Device is allowed to perform transition to OFF mode as soon as all power domains in MPU, MM and CORE voltage are in OFF or OSWRET state (open switch retention)	RW	0x0

Table 3-1478. PRM_PHASE1_CNDP

Address Offset	0x0000 00F4	Instance	DEVICE_PRM
Physical Address	0x4AE0 7DF4		
Description	This register stores the start descriptor address of automatic restore phase1. [warm reset insensitive]		
Type	R		

31	30	29	28	27	26	25	24	23	22	21	20	19	18	17	16	15	14	13	12	11	10	9	8	7	6	5	4	3	2	1	0
PHASE1_CNDP																															

Bits	Field Name	Description	Type	Reset
31:0	PHASE1_CNDP	Start descriptor address of automatic restore phase1. Hard-coded to SAR_ROM base address.	R	0x4a05e000

Table 3-1479. PRM_PHASE2A_CNDP

Address Offset	0x0000 00F8	Instance	DEVICE_PRM
Physical Address	0x4AE0 7DF8		
Description	This register stores the start descriptor address of automatic restore phase2A. [warm reset insensitive]		
Type	R		

31	30	29	28	27	26	25	24	23	22	21	20	19	18	17	16	15	14	13	12	11	10	9	8	7	6	5	4	3	2	1	0
PHASE2A_CNDP																															

Bits	Field Name	Description	Type	Reset
31:0	PHASE2A_CNDP	Start descriptor address of automatic restore phase2A. Hard-coded to SAR_ROM base address + 0x30.	R	0x4a05e030

Table 3-1480. PRM_PHASE2B_CNDP

Address Offset	0x0000 00FC	Instance	DEVICE_PRM
Physical Address	0x4AE0 7DFC		
Description	This register stores the start descriptor address of automatic restore phase2B. [warm reset insensitive]		
Type	R		

31	30	29	28	27	26	25	24	23	22	21	20	19	18	17	16	15	14	13	12	11	10	9	8	7	6	5	4	3	2	1	0
PHASE2B_CNDP																															

Bits	Field Name	Description	Type	Reset
31:0	PHASE2B_CNDP	Start descriptor address of automatic restore phase2B. Hard-coded to SAR_ROM base address + 0x60.	R	0x4a05e060

Table 3-1481. PRM_MODEM_IF_CTRL

Address Offset	0x0000 0100	Instance	DEVICE_PRM
Physical Address	0x4AE0 7E00		
Description	This register is used to control dedicated interfaces between on-chip modem and APE.		
Type	RW		

31	30	29	28	27	26	25	24	23	22	21	20	19	18	17	16	15	14	13	12	11	10	9	8	7	6	5	4	3	2	1	0
RESERVED																MODEM_SHUTDOWN_IRQ	MODEM_WAKE_IRQ	RESERVED													

Bits	Field Name	Description	Type	Reset
31:10	RESERVED		R	0x0
9	MODEM_SHUTDOWN_IRQ	Controls an interrupt signal to shutdown modem. 0x0: Interrupt is inactive 0x1: Interrupt is active	RW	0x0
8	MODEM_WAKE_IRQ	Controls an interrupt signal to wakeup modem. 0x0: Interrupt is inactive 0x1: Interrupt is active	RW	0x0
7:0	RESERVED		R	0x0

Table 3-1482. PRM_VOLTST_MPU

Address Offset	0x0000 0110	Instance	DEVICE_PRM
Physical Address	0x4AE0 7E10		
Description	This register provides a status on the current MPU voltage domain state. [warm reset insensitive]		
Type	R		

31	30	29	28	27	26	25	24	23	22	21	20	19	18	17	16	15	14	13	12	11	10	9	8	7	6	5	4	3	2	1	0
RESERVED											INTRANSITION	RESERVED											VOLTSTATEST								

Bits	Field Name	Description	Type	Reset
31:21	RESERVED		R	0x0
20	INTRANSITION	Domain transition status 0x0: No on-going transition on voltage domain 0x1: Voltage domain transition is in progress.	R	0x0
19:2	RESERVED		R	0x0
1:0	VOLTSTATEST	Current voltage state status 0x0: Voltage domain is OFF 0x1: Voltage domain is in RETENTION 0x2: Voltage domain is SLEEP 0x3: Voltage domain is ON	R	0x3

Table 3-1483. PRM_VOLTST_MM

Address Offset	0x0000 0114	Instance	DEVICE_PRM
Physical Address	0x4AE0 7E14		
Description	This register provides a status on the current MM voltage domain state. [warm reset insensitive]		
Type	R		

31	30	29	28	27	26	25	24	23	22	21	20	19	18	17	16	15	14	13	12	11	10	9	8	7	6	5	4	3	2	1	0
RESERVED											INTRANSITION	RESERVED											VOLTSTATEST								

Bits	Field Name	Description	Type	Reset
31:21	RESERVED		R	0x0
20	INTRANSITION	Domain transition status 0x0: No on-going transition on voltage domain 0x1: Voltage domain transition is in progress.	R	0x0
19:2	RESERVED		R	0x0
1:0	VOLTSTATEST	Current voltage state status 0x0: Voltage domain is OFF 0x1: Voltage domain is in RETENTION 0x2: Voltage domain is SLEEP 0x3: Voltage domain is ON	R	0x3

Table 3-1484. PRM_SLDO_DSPEVE_SETUP

Address Offset	0x0000 0118	Instance	DEVICE_PRM
Physical Address	0x4AE0 7E18		
Description	Setup of the SRAM LDO for DSPEVE voltage domain. [warm reset insensitive]		
Type	RW		

31	30	29	28	27	26	25	24	23	22	21	20	19	18	17	16	15	14	13	12	11	10	9	8	7	6	5	4	3	2	1	0
RESERVED																AIPOFF	ENFUNC5	ENFUNC4	ENFUNC3	ENFUNC2	ENFUNC1	ABBOFF_SLEEP	ABBOFF_ACT	ENABLE_RTA							

Bits	Field Name	Description	Type	Reset
31:9	RESERVED		R	0x0
8	AIPOFF	Override on AIPOFF input of SRAM LDO. 0x0: AIPOFF signal is not overridden 0x1: AIPOFF signal is overridden to '1'. Corresponding SRAM LDO is disabled and in HZ mode.	RW	0x0
7	ENFUNC5	ENFUNC5 input of SRAM LDO. 0x0: Active to retention is a one step transfer 0x1: Active to retention is a two steps transfer	RW	0x0
6	ENFUNC4	ENFUNC4 input of SRAM LDO. 0x0: One external clock is supplied 0x1: No external clock is supplied	RW	0x0
5	ENFUNC3	ENFUNC3 input of SRAM LDO. After PowerOn reset and Efuse sensing, this bitfield is automatically loaded with an Efuse value from control module. Bitfield remains writable after this. 0x0: Sub regulation is disabled 0x1: Sub regulation is enabled	RW	0x0
4	ENFUNC2	ENFUNC2 input of SRAM LDO. After PowerOn reset and Efuse sensing, this bitfield is automatically loaded with an Efuse value from control module. Bitfield remains writable after this. 0x0: External cap is used 0x1: External cap is not used	RW	0x0
3	ENFUNC1	ENFUNC1 input of SRAM LDO. After PowerOn reset and Efuse sensing, this bitfield is automatically loaded with an Efuse value from control module. Bitfield remains writable after this. 0x0: Short circuit protection is disabled 0x1: Short circuit protection is enabled	RW	0x0
2	ABBOFF_SLEEP	Determines whether SRAMNWA is supplied by VDDS or VDDAR during deep-sleep. After PowerOn reset and Efuse sensing, this bitfield is automatically loaded with an Efuse value from control module. Bitfield remains writable after this. 0x0: SRAMNWA supplied with VDDS 0x1: SRAMNWA supplied with VDDAR	RW	0x0

Bits	Field Name	Description	Type	Reset
1	ABBOFF_ACT	Determines whether SRAMNWA is supplied by VDDS or VDDAR during active mode. After PowerOn reset and Efuse sensing, this bitfield is automatically loaded with an Efuse value from control module. Bitfield remains writable after this. 0x0: SRAMNWA supplied with VDDS 0x1: SRAMNWA supplied with VDDAR	RW	0x0
0	ENABLE_RTA	Control for HD memory RTA feature. After PowerOn reset and Efuse sensing, this bitfield is automatically loaded with an Efuse value from control module. Bitfield remains writable after this. 0x0: HD memory RTA feature is disabled 0x1: HD memory RTA feature is enabled	RW	0x0

Table 3-1485. Register Call Summary for Register PRM_SLDO_DSPEVE_SETUP

PRCM Register Manual

- [DEVICE_PRM Register Summary: \[0\]](#)

Table 3-1486. PRM_SLDO_IVA_SETUP

Address Offset	0x0000 011C	Instance	DEVICE_PRM
Physical Address	0x4AE0 7E1C		
Description	Setup of the SRAM LDO for IVA voltage domain. [warm reset insensitive]		
Type	RW		

31	30	29	28	27	26	25	24	23	22	21	20	19	18	17	16	15	14	13	12	11	10	9	8	7	6	5	4	3	2	1	0
RESERVED																AIPOFF	ENFUNC5	ENFUNC4	ENFUNC3	ENFUNC2	ENFUNC1	ABBOFF_SLEEP	ABBOFF_ACT	ENABLE_RTA							

Bits	Field Name	Description	Type	Reset
31:9	RESERVED		R	0x0
8	AIPOFF	Override on AIPOFF input of SRAM LDO. 0x0: AIPOFF signal is not overridden 0x1: AIPOFF signal is overridden to '1'. Corresponding SRAM LDO is disabled and in HZ mode.	RW	0x0
7	ENFUNC5	ENFUNC5 input of SRAM LDO. 0x0: Active to retention is a one step transfer 0x1: Active to retention is a two steps transfer	RW	0x0
6	ENFUNC4	ENFUNC4 input of SRAM LDO. 0x0: One external clock is supplied 0x1: No external clock is supplied	RW	0x0
5	ENFUNC3	ENFUNC3 input of SRAM LDO. After PowerOn reset and Efuse sensing, this bitfield is automatically loaded with an Efuse value from control module. Bitfield remains writable after this. 0x0: Sub regulation is disabled 0x1: Sub regulation is enabled	RW	0x0

Bits	Field Name	Description	Type	Reset
4	ENFUNC2	ENFUNC2 input of SRAM LDO. After PowerOn reset and Efuse sensing, this bitfield is automatically loaded with an Efuse value from control module. Bitfield remains writable after this. 0x0: External cap is used 0x1: External cap is not used	RW	0x0
3	ENFUNC1	ENFUNC1 input of SRAM LDO. After PowerOn reset and Efuse sensing, this bitfield is automatically loaded with an Efuse value from control module. Bitfield remains writable after this. 0x0: Short circuit protection is disabled 0x1: Short circuit protection is enabled	RW	0x0
2	ABBOFF_SLEEP	Determines whether SRAMNWA is supplied by VDDS or VDDAR during deep-sleep. After PowerOn reset and Efuse sensing, this bitfield is automatically loaded with an Efuse value from control module. Bitfield remains writable after this. 0x0: SRAMNWA supplied with VDDS 0x1: SRAMNWA supplied with VDDAR	RW	0x0
1	ABBOFF_ACT	Determines whether SRAMNWA is supplied by VDDS or VDDAR during active mode. After PowerOn reset and Efuse sensing, this bitfield is automatically loaded with an Efuse value from control module. Bitfield remains writable after this. 0x0: SRAMNWA supplied with VDDS 0x1: SRAMNWA supplied with VDDAR	RW	0x0
0	ENABLE_RTA	Control for HD memory RTA feature. After PowerOn reset and Efuse sensing, this bitfield is automatically loaded with an Efuse value from control module. Bitfield remains writable after this. 0x0: HD memory RTA feature is disabled 0x1: HD memory RTA feature is enabled	RW	0x0

Table 3-1487. Register Call Summary for Register PRM_SLDO_IVA_SETUP

PRCM Register Manual

- [DEVICE_PRM Register Summary: \[0\]](#)

Table 3-1488. PRM_ABLDO_DSPEVE_CTRL

Address Offset	0x0000 0120	Instance	DEVICE_PRM
Physical Address	0x4AE0 7E20		
Description	Control and Status of ABB on DSPEVE voltage domain. [warm reset insensitive]		
Type	RW		

31	30	29	28	27	26	25	24	23	22	21	20	19	18	17	16	15	14	13	12	11	10	9	8	7	6	5	4	3	2	1	0
RESERVED																SR2_IN_TRANSITION	RESERVED	SR2_STATUS	OPP_CHANGE	OPP_SEL											

Bits	Field Name	Description	Type	Reset
31:7	RESERVED		R	0x0
6	SR2_IN_TRANSITION	Indicates VBBLDO_CON is or is not in transition state. This output should be used by programming interface to clear OPP_CHANGE bit as an indication of OPP change completion. 0x0: IDLE 0x1: Indicates that VBBLDO_CON is in transition and SR2_STATUS bits are not stable to read.	R	0x0
5	RESERVED		R	0x0
4:3	SR2_STATUS	Indicate ABB LDO current operation status 0x0: ABB LDO is placed in bypass mode. 0x1: Reserved 0x2: ABB LDO is placed in FBB active mode. 0x3: Reserved	R	0x0
2	OPP_CHANGE	When OPP_CHANGE is set to 1, VBBLDO_CON samples OPP_SEL ACTIVE_FBB_SEL upon detecting rising edge. VBBLDO_CON asserts signal SR2_IN_TRANSITION in response to OPP_CHANGE. OPP_CHANGE should be cleared to 0 when SR2_IN_TRANSITION from VBBLDO_CON is de-asserted.	RW	0x0
1:0	OPP_SEL	To control the ABB LDO (FBB/RBB) at a given OPP, set to 0x1. Refer to ABB LDO Programming sequence . 0x0: default : Nominal 0x1: Fast OPP	RW	0x0

Table 3-1489. Register Call Summary for Register PRM_ABBLDO_DSPEVE_CTRL

PRCM Register Manual

- [DEVICE_PRM Register Summary: \[0\]](#)

Table 3-1490. PRM_ABBLDO_IVA_CTRL

Address Offset	0x0000 0124	Instance	DEVICE_PRM
Physical Address	0x4AE0 7E24		
Description	Control and Status of ABB on IVA voltage domain. [warm reset insensitive]		
Type	RW		

31	30	29	28	27	26	25	24	23	22	21	20	19	18	17	16	15	14	13	12	11	10	9	8	7	6	5	4	3	2	1	0
RESERVED																SR2_IN_TRANSITION	RESERVED	SR2_STATUS	OPP_CHANGE	OPP_SEL											

Bits	Field Name	Description	Type	Reset
31:7	RESERVED		R	0x0
6	SR2_IN_TRANSITION	Indicates VBBLDO_CON is or is not in transition state. This output should be used by programming interface to clear OPP_CHANGE bit as an indication of OPP change completion. 0x0: IDLE 0x1: Indicates that VBBLDO_CON is in transition and SR2_STATUS bits are not stable to read.	R	0x0
5	RESERVED		R	0x0
4:3	SR2_STATUS	Indicate ABB LDO current operation status 0x0: ABB LDO is placed in bypass mode. 0x1: Reserved 0x2: ABB LDO is placed in FBB active mode. 0x3: Reserved	R	0x0
2	OPP_CHANGE	When OPP_CHANGE is set to 1, VBBLDO_CON samples OPP_SEL ACTIVE_FBB_SEL upon detecting rising edge. VBBLDO_CON asserts signal SR2_IN_TRANSITION in response to OPP_CHANGE. OPP_CHANGE should be cleared to 0 when SR2_IN_TRANSITION from VBBLDO_CON is de-asserted.	RW	0x0
1:0	OPP_SEL	To control the ABB LDO (FBB/RBB) at a given OPP, set to 0x1. Refer to ABB LDO Programming sequence . 0x0: default : Nominal 0x1: Fast OPP	RW	0x0

Table 3-1491. Register Call Summary for Register PRM_ABBLDO_IVA_CTRL

PRCM Register Manual

- [DEVICE_PRM Register Summary: \[0\]](#)

Table 3-1492. PRM_SLDO_DSPEVE_CTRL

Address Offset	0x0000 0128	Instance	DEVICE_PRM
Physical Address	0x4AE0 7E28		
Description	Control and status of the SRAM LDO for CORE voltage domain. [warm reset insensitive]		
Type	RW		

31	30	29	28	27	26	25	24	23	22	21	20	19	18	17	16	15	14	13	12	11	10	9	8	7	6	5	4	3	2	1	0
RESERVED																SRAM_IN_TRANSITION	SRAMLDO_STATUS	RESERVED										RETMODE_ENABLE			

Bits	Field Name	Description	Type	Reset
31:10	RESERVED		R	0x0
9	SRAM_IN_TRANSITION	Status indicating SRAM LDO state machine state. 0x0: SRAM LDO state machine is stable 0x1: SRAM LDO state machine is in transition state	R	0x0

Bits	Field Name	Description	Type	Reset
8	SRAMLDO_STATUS	SRAMLDO status 0x0: SRAMLDO is in ACTIVE mode. 0x1: SRAMLDO is on RETENTION mode.	R	0x0
7:1	RESERVED		R	0x0
0	RETMODE_ENABLE	Control if the SRAM LDO retention mode is used or not. 0x0: SRAM LDO is not allowed to go to RET mode 0x1: SRAM LDO go to RET mode when all memory of voltage domain are OFF or RET	RW	0x0

Table 3-1493. Register Call Summary for Register PRM_SLDO_DSPEVE_CTRL

PRCM Register Manual

- [DEVICE_PRM Register Summary: \[0\]](#)

Table 3-1494. PRM_SLDO_IVA_CTRL

Address Offset	0x0000 012C	Instance	DEVICE_PRM
Physical Address	0x4AE0 7E2C		
Description	Control and status of the SRAM LDO for CORE voltage domain. [warm reset insensitive]		
Type	RW		

31	30	29	28	27	26	25	24	23	22	21	20	19	18	17	16	15	14	13	12	11	10	9	8	7	6	5	4	3	2	1	0
RESERVED																SRAM_IN_TRANSITION	SRAMLDO_STATUS	RESERVED										RETMODE_ENABLE			

Bits	Field Name	Description	Type	Reset
31:10	RESERVED		R	0x0
9	SRAM_IN_TRANSITION	Status indicating SRAM LDO state machine state. 0x0: SRAM LDO state machine is stable 0x1: SRAM LDO state machine is in transition state	R	0x0
8	SRAMLDO_STATUS	SRAMLDO status 0x0: SRAMLDO is in ACTIVE mode. 0x1: SRAMLDO is on RETENTION mode.	R	0x0
7:1	RESERVED		R	0x0
0	RETMODE_ENABLE	Control if the SRAM LDO retention mode is used or not. 0x0: SRAM LDO is not allowed to go to RET mode 0x1: SRAM LDO go to RET mode when all memory of voltage domain are OFF or RET	RW	0x0

Table 3-1495. Register Call Summary for Register PRM_SLDO_IVA_CTRL

PRCM Register Manual

- [DEVICE_PRM Register Summary: \[0\]](#)

Table 3-1496. PRM_ABBLDO_DSPEVE_SETUP

Address Offset	0x0000 0130	Instance	DEVICE_PRM
Physical Address	0x4AE0 7E30		
Description	Selects the GPU_ABB LDO mode.		
Type	RW		

31	30	29	28	27	26	25	24	23	22	21	20	19	18	17	16	15	14	13	12	11	10	9	8	7	6	5	4	3	2	1	0
RESERVED																SR2_WTCNT_VALUE								RESERVED	RESERVED	RESERVED	ACTIVE_FBB_SEL	RESERVED	SR2EN		

Bits	Field Name	Description	Type	Reset
31:16	RESERVED		R	0x0
15:8	SR2_WTCNT_VALUE	LDO settling time for active-mode OPP change. Counting at a 16 system clock cycles rate. Target is 50us. [warm reset insensitive]	RW	0x0
7:5	RESERVED		R	0x0
4	RESERVED		R	0x0
3	RESERVED		R	0x0
2	ACTIVE_FBB_SEL	Defines ABB LDO mode when voltage is in slow fast OPP. [warm reset insensitive] 0x0: ABB LDO is in bypass mode 0x1: ABB LDO is in FBB mode	RW	0x0
1	RESERVED		R	0x0
0	SR2EN	Enable ABB power management 0x0: ABB LDO is put in bypass mode 0x1: ABB LDO will operate accordingly to settings	RW	0x0

Table 3-1497. Register Call Summary for Register PRM_ABBLDO_DSPEVE_SETUP

PRCM Register Manual

- [DEVICE_PRM Register Summary: \[0\]](#)

Table 3-1498. PRM_ABBLDO_IVA_SETUP

Address Offset	0x0000 0134	Instance	DEVICE_PRM
Physical Address	0x4AE0 7E34		
Description	Selects the GPU_ABB LDO mode.		
Type	RW		

31	30	29	28	27	26	25	24	23	22	21	20	19	18	17	16	15	14	13	12	11	10	9	8	7	6	5	4	3	2	1	0
RESERVED																SR2_WTCNT_VALUE								RESERVED	RESERVED	RESERVED	ACTIVE_FBB_SEL	RESERVED	SR2EN		

Bits	Field Name	Description	Type	Reset
31:16	RESERVED		R	0x0
15:8	SR2_WTCNT_VALUE	LDO settling time for active-mode OPP change. Counting at a 16 system clock cycles rate. Target is 50us. [warm reset insensitive]	RW	0x0
7:5	RESERVED		R	0x0
4	RESERVED		R	0x0
3	RESERVED		R	0x0
2	ACTIVE_FBB_SEL	Defines ABB LDO mode when voltage is in slow fast OPP. [warm reset insensitive] 0x0: ABB LDO is in bypass mode 0x1: ABB LDO is in FBB mode	RW	0x0
1	RESERVED		R	0x0
0	SR2EN	Enable ABB power management 0x0: ABB LDO is put in bypass mode 0x1: ABB LDO will operate accordingly to settings	RW	0x0

Table 3-1499. Register Call Summary for Register PRM_ABBLDO_IVA_SETUP

PRCM Register Manual

- [DEVICE_PRM Register Summary: \[0\]](#)

3.12.36 DSP1_PRM registers

3.12.36.1 DSP1_PRM Register Summary

Table 3-1500. DSP1_PRM Registers Mapping Summary

Register Name	Type	Register Width (Bits)	Address Offset	DSP1_PRM Physical Address L4_WKUP Interconnect
PM_DSP1_PWRSTCTRL	RW	32	0x0000 0000	0x4AE0 6400
PM_DSP1_PWRSTST	RW	32	0x0000 0004	0x4AE0 6404
RM_DSP1_RSTCTRL	RW	32	0x0000 0010	0x4AE0 6410
RM_DSP1_RSTST	RW	32	0x0000 0014	0x4AE0 6414
RM_DSP1_DSP1_CONTEXT	RW	32	0x0000 0024	0x4AE0 6424

3.12.36.2 DSP1_PRM Register Description

Table 3-1501. PM_DSP1_PWRSTCTRL

Address Offset	0x0000 0000	Instance	DSP1_PRM
Physical Address	0x4AE0 6400		
Description	This register controls the DSP power state to reach upon a domain sleep transition		
Type	RW		

31	30	29	28	27	26	25	24	23	22	21	20	19	18	17	16	15	14	13	12	11	10	9	8	7	6	5	4	3	2	1	0
RESERVED								DSP1_EDMA_ONSTATE			DSP1_L2_ONSTATE			DSP1_L1_ONSTATE			RESERVED								LOWPOWERSTATECHANGE	RESERVED		POWERSTATE			

Bits	Field Name	Description	Type	Reset
31:22	RESERVED		R	0x0
21:20	DSP1_EDMA_ONSTATE	DSP_EDMA state when domain is ON. 0x3: Memory bank is on when the domain is ON.	R	0x3
19:18	DSP1_L2_ONSTATE	DSP_L2 state when domain is ON. 0x3: Memory bank is on when the domain is ON.	R	0x3
17:16	DSP1_L1_ONSTATE	DSP_L1 state when domain is ON. 0x3: Memory bank is on when the domain is ON.	R	0x3
15:5	RESERVED		R	0x0
4	LOWPOWERSTATECHANGE	Power state change request when domain has already performed a sleep transition. Allows going into deeper low power state without waking up the power domain. 0x0: Do not request a low power state change. 0x1: Request a low power state change. This bit is automatically cleared when the power state is effectively changed or when power state is ON.	RW	0x0
3:2	RESERVED		R	0x0
1:0	POWERSTATE	Power state control 0x0: OFF state 0x1: RESERVED 0x2: INACTIVE state 0x3: ON State	RW	0x3

Table 3-1502. Register Call Summary for Register PM_DSP1_PWRSTCTRL

Power Management Functional Description

- [Logic and Memory Area Power Modes Control and Status: \[0\]\[1\]\[2\]\[3\]\[4\]](#)

PRCM Register Manual

- [Not Supported Functionality \(Registers and Bits\): \[5\]](#)
- [DSP1_PRM Register Summary: \[6\]](#)

Table 3-1503. PM_DSP1_PWRSTST

Address Offset	0x0000 0004	Instance	DSP1_PRM
Physical Address	0x4AE0 6404		
Description	This register provides a status on the DSP domain current power state. [warm reset insensitive]		
Type	RW		

31	30	29	28	27	26	25	24	23	22	21	20	19	18	17	16	15	14	13	12	11	10	9	8	7	6	5	4	3	2	1	0		
RESERVED								LASTPOWERSTATEENTERED		RESERVED		INTRANSITION		RESERVED								DSP1_EDMA_STATEST		DSP1_L2_STATEST		DSP1_L1_STATEST		RESERVED		LOGICSTATEST		POWERSTATEST	

Bits	Field Name	Description	Type	Reset
31:26	RESERVED		R	0x0
25:24	LASTPOWERSTATEENTERED	Last low power state entered. Set to 0x3 upon write of the same only. This register is intended for debug purpose only. 0x0: Power domain was previously OFF 0x1: Power domain was previously in RETENTION 0x2: Power domain was previously ON-INACTIVE 0x3: Power domain was previously ON-ACTIVE	RW	0x0
23:21	RESERVED		R	0x0
20	INTRANSITION	Domain transition status 0x0: No on-going transition on power domain 0x1: Power domain transition is in progress.	R	0x0
19:10	RESERVED		R	0x0
9:8	DSP1_EDMA_STATEST	DSP_EDMA memory state status 0x0: Memory is OFF 0x1: RESERVED 0x2: Reserved 0x3: Memory is ON	R	0x3
7:6	DSP1_L2_STATEST	DSP_L2 memory state status 0x0: Memory is OFF 0x1: RESERVED 0x2: Reserved 0x3: Memory is ON	R	0x3
5:4	DSP1_L1_STATEST	DSP_L1 memory state status 0x0: Memory is OFF 0x1: RESERVED 0x2: Reserved 0x3: Memory is ON	R	0x3
3	RESERVED		R	0x0
2	LOGICSTATEST	Logic state status 0x0: Logic in domain is OFF 0x1: Logic in domain is ON	R	0x1

Bits	Field Name	Description	Type	Reset
1:0	POWERSTATEST	Current power state status 0x0: Power domain is OFF 0x1: Power domain is in RETENTION 0x2: Power domain is ON-INACTIVE 0x3: Power domain is ON-ACTIVE	R	0x3

Table 3-1504. Register Call Summary for Register PM_DSP1_PWRSTST

Power Management Functional Description

- [Logic and Memory Area Power Modes Control and Status: \[0\]\[1\]\[2\]\[3\]\[4\]\[5\]\[6\]](#)

PRCM Register Manual

- [Not Supported Functionality \(Registers and Bits\): \[7\]\[8\]\[9\]\[10\]\[11\]](#)
- [DSP1_PRM Register Summary: \[12\]](#)

Table 3-1505. RM_DSP1_RSTCTRL

Address Offset	0x0000 0010		
Physical Address	0x4AE0 6410	Instance	DSP1_PRM
Description	This register controls the release of the DSP sub-system resets.		
Type	RW		

31	30	29	28	27	26	25	24	23	22	21	20	19	18	17	16	15	14	13	12	11	10	9	8	7	6	5	4	3	2	1	0
RESERVED																RST_DSP1		RST_DSP1_LRST													

Bits	Field Name	Description	Type	Reset
31:2	RESERVED		R	0x0
1	RST_DSP1	DSP reset control 0x0: Reset is cleared for the MMU, cache and slave interface 0x1: Reset is asserted for the MMU, cache and slave interface	RW	0x1
0	RST_DSP1_LRST	DSP Local reset control 0x0: Reset is cleared for the DSP - DSP 0x1: Reset is asserted for the DSP - DSP	RW	0x1

Table 3-1506. Register Call Summary for Register RM_DSP1_RSTCTRL

Reset Management Functional Description

- [Reset Domains: \[0\]\[1\]\[2\]\[3\]](#)
- [DSP1 Subsystem Power-On Reset Sequence: \[4\]\[5\]](#)
- [DSP1 Subsystem Software Warm Reset Sequence: \[6\]\[7\]\[8\]\[9\]](#)

PRCM Register Manual

- [DSP1_PRM Register Summary: \[10\]](#)

Table 3-1507. RM_DSP1_RSTST

Address Offset	0x0000 0014
Physical Address	0x4AE0 6414
Instance	DSP1_PRM
Description	This register logs the different reset sources of the DSP domain. Each bit is set upon release of the domain reset signal. Must be cleared by software. [warm reset insensitive]
Type	RW

31	30	29	28	27	26	25	24	23	22	21	20	19	18	17	16	15	14	13	12	11	10	9	8	7	6	5	4	3	2	1	0
RESERVED																												RST_DSP1_EMU_REQ	RST_DSP1_EMU	RST_DSP1	RST_DSP1_LRST

Bits	Field Name	Description	Type	Reset
31:4	RESERVED		R	0x0
3	RST_DSP1_EMU_REQ	DSP processor has been reset due to DSP emulation reset request driven from DSP-SS 0x0: No emulation reset 0x1: DSP DSP has been reset upon emulation reset request	RW	0x0
2	RST_DSP1_EMU	DSP domain has been reset due to emulation reset source e.g. assert reset command initiated by the icepick module 0x0: No emulation reset 0x1: DSP has been reset upon emulation reset	RW	0x0
1	RST_DSP1	DSP SW reset status 0x0: No SW reset occurred 0x1: MMU, cache and slave interface has been reset upon SW reset	RW	0x0
0	RST_DSP1_LRST	DSP Local SW reset 0x0: No SW reset occurred 0x1: DSP has been reset upon SW reset	RW	0x0

Table 3-1508. Register Call Summary for Register RM_DSP1_RSTST

PRCM Register Manual

- [DSP1_PRM Register Summary: \[0\]](#)

Table 3-1509. RM_DSP1_DSP1_CONTEXT

Address Offset	0x0000 0024	Instance	DSP1_PRM
Physical Address	0x4AE0 6424		
Description	This register contains dedicated DSP context statuses. [warm reset insensitive]		
Type	RW		

31	30	29	28	27	26	25	24	23	22	21	20	19	18	17	16	15	14	13	12	11	10	9	8	7	6	5	4	3	2	1	0	
RESERVED																LOSTMEM_DSP_EDMA			LOSTMEM_DSP_L2			LOSTMEM_DSP_L1			RESERVED							LOSTCONTEXT_DFF

Bits	Field Name	Description	Type	Reset
31:11	RESERVED		R	0x0
10	LOSTMEM_DSP_EDMA	Specify if memory-based context in DSP_EDMA memory bank has been lost due to a previous power transition or other reset source. 0x0: Context has been maintained 0x1: Context has been lost	RW	0x1
9	LOSTMEM_DSP_L2	Specify if memory-based context in DSP_L2 memory bank has been lost due to a previous power transition or other reset source. 0x0: Context has been maintained 0x1: Context has been lost	RW	0x1
8	LOSTMEM_DSP_L1	Specify if memory-based context in DSP_L1 memory bank has been lost due to a previous power transition or other reset source. 0x0: Context has been maintained 0x1: Context has been lost	RW	0x1
7:1	RESERVED		R	0x0
0	LOSTCONTEXT_DFF	Specify if DFF-based context has been lost due to a previous power transition or other reset source. (set upon assertion of DSP_SYS_RST signal) 0x0: Context has been maintained 0x1: Context has been lost	RW	0x1

Table 3-1510. Register Call Summary for Register RM_DSP1_DSP1_CONTEXT

Power Management Functional Description

- [PD_DSP1 Description: \[0\]](#)

PRCM Register Manual

- [DSP1_PRM Register Summary: \[1\]](#)

3.12.37 DSP2_PRM Registers

3.12.37.1 DSP2_PRM Register Summary

Table 3-1511. DSP2_PRM Registers Mapping Summary

Register Name	Type	Register Width (Bits)	Address Offset	DSP2_PRM Physical Address L4_WKUP Interconnect
PM_DSP2_PWRSTCTRL	RW	32	0x0000 0000	0x4AE0 7B00
PM_DSP2_PWRSTST	RW	32	0x0000 0004	0x4AE0 7B04
RM_DSP2_RSTCTRL	RW	32	0x0000 0010	0x4AE0 7B10
RM_DSP2_RSTST	RW	32	0x0000 0014	0x4AE0 7B14
RM_DSP2_DSP2_CON TEXT	RW	32	0x0000 0024	0x4AE0 7B24

3.12.37.2 DSP2_PRM Register Description

Table 3-1512. PM_DSP2_PWRSTCTRL

Address Offset	0x0000 0000	Instance	DSP2_PRM
Physical Address	0x4AE0 7B00		
Description	This register controls the DSP power state to reach upon a domain sleep transition		
Type	RW		

31	30	29	28	27	26	25	24	23	22	21	20	19	18	17	16	15	14	13	12	11	10	9	8	7	6	5	4	3	2	1	0
RESERVED								DSP2_EDMA_ONSTATE			DSP2_L2_ONSTATE			DSP2_L1_ONSTATE			RESERVED								LOWPOWERSTATECHANGE	RESERVED		POWERSTATE			

Bits	Field Name	Description	Type	Reset
31:22	RESERVED		R	0x0
21:20	DSP2_EDMA_ONSTATE	DSP_EDMA state when domain is ON. 0x3: Memory bank is on when the domain is ON.	R	0x3
19:18	DSP2_L2_ONSTATE	DSP_L2 state when domain is ON. 0x3: Memory bank is on when the domain is ON.	R	0x3
17:16	DSP2_L1_ONSTATE	DSP_L1 state when domain is ON. 0x3: Memory bank is on when the domain is ON.	R	0x3
15:5	RESERVED		R	0x0
4	LOWPOWERSTATECHANGE	Power state change request when domain has already performed a sleep transition. Allows going into deeper low power state without waking up the power domain. 0x0: Do not request a low power state change. 0x1: Request a low power state change. This bit is automatically cleared when the power state is effectively changed or when power state is ON.	RW	0x0

Bits	Field Name	Description	Type	Reset
3:2	RESERVED		R	0x0
1:0	POWERSTATE	Power state control 0x0: OFF 0x1: RESERVED 0x2: INACTIVE state 0x3: ON State	RW	0x3

Table 3-1513. PM_DSP2_PWRSTST

Address Offset	0x0000 0004	Instance	DSP2_PRM
Physical Address	0x4AE0 7B04		
Description	This register provides a status on the DSP domain current power state. [warm reset insensitive]		
Type	RW		

31	30	29	28	27	26	25	24	23	22	21	20	19	18	17	16	15	14	13	12	11	10	9	8	7	6	5	4	3	2	1	0		
RESERVED								LASTPOWERSTATEENTERED		RESERVED		INTRANSITION		RESERVED								DSP2_EDMA_STATEST		DSP2_L2_STATEST		DSP2_L1_STATEST		RESERVED		LOGICSTATEST		POWERSTATEST	

Bits	Field Name	Description	Type	Reset
31:26	RESERVED		R	0x0
25:24	LASTPOWERSTATEENTERED	Last low power state entered. Set to 0x3 upon write of the same only. This register is intended for debug purpose only. 0x0: Power domain was previously OFF 0x1: Power domain was previously in RETENTION 0x2: Power domain was previously ON-INACTIVE 0x3: Power domain was previously ON-ACTIVE	RW	0x0
23:21	RESERVED		R	0x0
20	INTRANSITION	Domain transition status 0x0: No on-going transition on power domain 0x1: Power domain transition is in progress.	R	0x0
19:10	RESERVED		R	0x0
9:8	DSP2_EDMA_STATEST	DSP_EDMA memory state status 0x0: Memory is OFF 0x1: Memory is RETENTION 0x2: Reserved 0x3: Memory is ON	R	0x3
7:6	DSP2_L2_STATEST	DSP_L2 memory state status 0x0: Memory is OFF 0x1: RESERVED 0x2: Reserved 0x3: Memory is ON	R	0x3

Bits	Field Name	Description	Type	Reset
5:4	DSP2_L1_STATEST	DSP_L1 memory state status 0x0: Memory is OFF 0x1: RESERVED 0x2: Reserved 0x3: Memory is ON	R	0x3
3	RESERVED		R	0x0
2	LOGICSTATEST	Logic state status 0x0: Logic in domain is OFF 0x1: Logic in domain is ON	R	0x1
1:0	POWERSTATEST	Current power state status 0x0: Power domain is OFF 0x1: Power domain is in RETENTION 0x2: Power domain is ON-INACTIVE 0x3: Power domain is ON-ACTIVE	R	0x3

Table 3-1514. RM_DSP2_RSTCTRL

Address Offset	0x0000 0010	Instance	DSP2_PRM
Physical Address	0x4AE0 7B10		
Description	This register controls the release of the DSP sub-system resets.		
Type	RW		

31	30	29	28	27	26	25	24	23	22	21	20	19	18	17	16	15	14	13	12	11	10	9	8	7	6	5	4	3	2	1	0
RESERVED																RST_DSP2		RST_DSP2_LRST													

Bits	Field Name	Description	Type	Reset
31:2	RESERVED		R	0x0
1	RST_DSP2	DSP SW reset control 0x0: Reset is cleared for the MMU, cache and slave interface 0x1: Reset is asserted for the MMU, cache and slave interface	RW	0x1
0	RST_DSP2_LRST	DSP Local reset control 0x0: Reset is cleared for the DSP - DSP 0x1: Reset is asserted for the DSP - DSP	RW	0x1

Table 3-1515. RM_DSP2_RSTST

Address Offset	0x0000 0014	Instance	DSP2_PRM
Physical Address	0x4AE0 7B14		
Description	This register logs the different reset sources of the DSP domain. Each bit is set upon release of the domain reset signal. Must be cleared by software. [warm reset insensitive]		
Type	RW		

31	30	29	28	27	26	25	24	23	22	21	20	19	18	17	16	15	14	13	12	11	10	9	8	7	6	5	4	3	2	1	0
RESERVED																								RST_DSP2_EMU_REQ	RST_DSP2_EMU	RST_DSP2	RST_DSP2_LRST				

Bits	Field Name	Description	Type	Reset
31:4	RESERVED		R	0x0
3	RST_DSP2_EMU_REQ	DSP processor has been reset due to DSP emulation reset request driven from DSP-SS 0x0: No emulation reset 0x1: DSP DSP has been reset upon emulation reset request	RW	0x0
2	RST_DSP2_EMU	DSP domain has been reset due to emulation reset source e.g. assert reset command initiated by the icepick module 0x0: No emulation reset 0x1: DSP has been reset upon emulation reset	RW	0x0
1	RST_DSP2	DSP SW reset status 0x0: No SW reset occurred 0x1: MMU, cache and slave interface has been reset upon SW reset	RW	0x0
0	RST_DSP2_LRST	DSP Local SW reset 0x0: No SW reset occurred 0x1: DSP has been reset upon SW reset	RW	0x0

Table 3-1516. RM_DSP2_DSP2_CONTEXT

Address Offset	0x0000 0024	Instance	DSP2_PRM
Physical Address	0x4AE0 7B24		
Description	This register contains dedicated DSP context statuses. [warm reset insensitive]		
Type	RW		

31	30	29	28	27	26	25	24	23	22	21	20	19	18	17	16	15	14	13	12	11	10	9	8	7	6	5	4	3	2	1	0								
RESERVED																								LOSTMEM_DSP_EDMA	LOSTMEM_DSP_L2	LOSTMEM_DSP_L1	RESERVED												LOSTCONTEXT_DFF

Bits	Field Name	Description	Type	Reset
31:11	RESERVED		R	0x0
10	LOSTMEM_DSP_EDMA	Specify if memory-based context in DSP_EDMA memory bank has been lost due to a previous power transition or other reset source. 0x0: Context has been maintained 0x1: Context has been lost	RW	0x1
9	LOSTMEM_DSP_L2	Specify if memory-based context in DSP_L2 memory bank has been lost due to a previous power transition or other reset source. 0x0: Context has been maintained 0x1: Context has been lost	RW	0x1
8	LOSTMEM_DSP_L1	Specify if memory-based context in DSP_L1 memory bank has been lost due to a previous power transition or other reset source. 0x0: Context has been maintained 0x1: Context has been lost	RW	0x1
7:1	RESERVED		R	0x0
0	LOSTCONTEXT_DFF	Specify if DFF-based context has been lost due to a previous power transition or other reset source. (set upon assertion of DSP_SYS_RST signal) 0x0: Context has been maintained 0x1: Context has been lost	RW	0x1

3.12.38 DSS_PRM Registers

3.12.38.1 DSS_PRM Register Summary

Table 3-1517. DSS_PRM Registers Mapping Summary

Register Name	Type	Register Width (Bits)	Address Offset	DSS_PRM Physical Address L4_WKUP Interconnect
PM_DSS_PWRSTCTRL	RW	32	0x0000 0000	0x4AE0 7100
PM_DSS_PWRSTST	RW	32	0x0000 0004	0x4AE0 7104
PM_DSS_DSS_WKDEP	RW	32	0x0000 0020	0x4AE0 7120
RM_DSS_DSS_CONTEX T	RW	32	0x0000 0024	0x4AE0 7124
PM_DSS_DSS2_WKDE P	RW	32	0x0000 0028	0x4AE0 7128
RM_DSS_BB2D_CONT EXT	RW	32	0x0000 0034	0x4AE0 7134
RM_DSS_SDVENC_CO NTEXT	RW	32	0x0000 003C	0x4AE0 713C

3.12.38.2 DSS_PRM Register Description
Table 3-1518. PM_DSS_PWRSTCTRL

Address Offset	0x0000 0000	Instance	DSS_PRM
Physical Address	0x4AE0 7100		
Description	This register controls the DSS power state to reach upon a domain sleep transition		
Type	RW		

31	30	29	28	27	26	25	24	23	22	21	20	19	18	17	16	15	14	13	12	11	10	9	8	7	6	5	4	3	2	1	0				
RESERVED																DSS_MEM_ONSTATE		RESERVED								DSS_MEM_RETSTATE		RESERVED			LOWPOWERSTATECHANGE	RESERVED	LOGICRETSTATE	POWERSTATE	

Bits	Field Name	Description	Type	Reset
31:18	RESERVED		R	0x0
17:16	DSS_MEM_ONSTATE	DSS_MEM state when domain is ON. 0x3: Memory bank is on when the domain is ON.	R	0x3
15:9	RESERVED		R	0x0
8	DSS_MEM_RETSTATE	DSS_MEM state when domain is RETENTION. 0x0: Memory bank is off when the domain is in the RETENTION state.	R	0x0
7:5	RESERVED		R	0x0
4	LOWPOWERSTATECHANGE	Power state change request when domain has already performed a sleep transition. Allows going into deeper low power state without waking up the power domain. 0x0: Do not request a low power state change. 0x1: Request a low power state change. This bit is automatically cleared when the power state is effectively changed or when power state is ON.	RW	0x0
3	RESERVED		R	0x0
2	LOGICRETSTATE	Logic state when power domain is RETENTION 0x0: Whole logic is off when the domain is in RETENTION state.	R	0x0
1:0	POWERSTATE	Power state control 0x0: OFF state 0x1: RETENTION state 0x2: INACTIVE state 0x3: ON State	RW	0x0

Table 3-1519. Register Call Summary for Register PM_DSS_PWRSTCTRL

Power Management Functional Description

- [Logic and Memory Area Power Mode Control and Status: \[0\]\[1\]\[2\]\[3\]\[4\]](#)

PRCM Register Manual

- [Not Supported Functionality \(Registers and Bits\): \[5\]\[6\]\[7\]\[8\]](#)
- [DSS_PRM Register Summary: \[9\]](#)

Table 3-1520. PM_DSS_PWRSTST

Address Offset	0x0000 0004	Instance	DSS_PRM
Physical Address	0x4AE0 7104		
Description	This register provides a status on the current DSS power domain state. [warm reset insensitive]		
Type	RW		

31	30	29	28	27	26	25	24	23	22	21	20	19	18	17	16	15	14	13	12	11	10	9	8	7	6	5	4	3	2	1	0
RESERVED								LASTPOWERSTATEENTERED		RESERVED		INTRANSITION		RESERVED								DSS_MEM_STATEST		RESERVED	LOGICSTATEST	POWERSTATEST					

Bits	Field Name	Description	Type	Reset
31:26	RESERVED		R	0x0
25:24	LASTPOWERSTATEENTERED	Last low power state entered. Set to 0x3 upon write of the same only. This register is intended for debug purpose only. 0x0: Power domain was previously OFF 0x1: Power domain was previously in RETENTION 0x2: Power domain was previously ON-INACTIVE 0x3: Power domain was previously ON-ACTIVE	RW	0x0
23:21	RESERVED		R	0x0
20	INTRANSITION	Domain transition status 0x0: No on-going transition on power domain 0x1: Power domain transition is in progress.	R	0x0
19:6	RESERVED		R	0x0
5:4	DSS_MEM_STATEST	DSS_MEM state status 0x0: Memory is OFF 0x1: Reserved 0x2: Reserved 0x3: Memory is ON	R	0x3
3	RESERVED		R	0x0
2	LOGICSTATEST	Logic state status 0x0: Logic in domain is OFF 0x1: Logic in domain is ON	R	0x1
1:0	POWERSTATEST	Current power state status 0x0: Power domain is OFF 0x1: Power domain is in RETENTION 0x2: Power domain is ON-INACTIVE 0x3: Power domain is ON-ACTIVE	R	0x3

Table 3-1521. Register Call Summary for Register PM_DSS_PWRSTST

Power Management Functional Description

- [Logic and Memory Area Power Mode Control and Status: \[0\]\[1\]\[2\]\[3\]\[4\]](#)

PRCM Register Manual

- [Not Supported Functionality \(Registers and Bits\): \[5\]\[6\]\[7\]\[8\]\[9\]](#)
- [DSS_PRM Register Summary: \[10\]](#)

Table 3-1522. PM_DSS_DSS_WKDEP

Address Offset	0x0000 0020	Instance	DSS_PRM
Physical Address	0x4AE0 7120		
Description	This register controls wakeup dependency based on DSS service requests.		
Type	RW		

31	30	29	28	27	26	25	24	23	22	21	20	19	18	17	16	15	14	13	12	11	10	9	8	7	6	5	4	3	2	1	0
RESERVED	RESERVED	RESERVED	RESERVED	RESERVED	RESERVED	RESERVED	RESERVED	RESERVED	RESERVED	RESERVED	RESERVED	RESERVED	RESERVED	RESERVED	RESERVED	RESERVED	RESERVED	RESERVED	RESERVED	RESERVED	RESERVED	RESERVED	RESERVED	RESERVED	RESERVED	RESERVED	RESERVED	RESERVED	RESERVED	RESERVED	RESERVED
		WKUPDEP_DSI1_B_EVE4	WKUPDEP_DSI1_B_EVE3	WKUPDEP_DSI1_B_EVE2	WKUPDEP_DSI1_B_EVE1	WKUPDEP_DSI1_B_DSP2	WKUPDEP_DSI1_B_IPU1	WKUPDEP_DSI1_B_SDMA	WKUPDEP_DSI1_B_DSP1	WKUPDEP_DSI1_B_IPU2	WKUPDEP_DSI1_B_MPU	WKUPDEP_DSI1_A_EVE4	WKUPDEP_DSI1_A_EVE3	WKUPDEP_DSI1_A_EVE2	WKUPDEP_DSI1_A_EVE1	WKUPDEP_DSI1_A_DSP2	WKUPDEP_DSI1_A_IPU1	WKUPDEP_DSI1_A_SDMA	WKUPDEP_DSI1_A_DSP1	WKUPDEP_DSI1_A_IPU2	WKUPDEP_DSI1_A_MPU	WKUPDEP_DISPC_EVE4	WKUPDEP_DISPC_EVE3	WKUPDEP_DISPC_EVE2	WKUPDEP_DISPC_EVE1	WKUPDEP_DISPC_DSP2	WKUPDEP_DISPC_IPU1	WKUPDEP_DISPC_SDMA	WKUPDEP_DISPC_DSP1	WKUPDEP_DISPC_IPU2	WKUPDEP_DISPC_MPU

Bits	Field Name	Description	Type	Reset
31:30	RESERVED		R	0x0
29	WKUPDEP_DSI1_B_EVE4	Wakeup dependency from DSS module (SWakeup signal) towards EVE4 + L3_MAIN1 + L4PER1 + L4PER2 + L4PER3 domains 0x0: Dependency is disabled 0x1: Dependency is enabled	RW	0x0
28	WKUPDEP_DSI1_B_EVE3	Wakeup dependency from DSS module (SWakeup signal) towards EVE3 + L3_MAIN1 + L4PER1 + L4PER2 + L4PER3 domains 0x0: Dependency is disabled 0x1: Dependency is enabled	RW	0x0
27	WKUPDEP_DSI1_B_EVE2	Wakeup dependency from DSS module (SWakeup signal) towards EVE2 + L3_MAIN1 + L4PER1 + L4PER2 + L4PER3 domains 0x0: Dependency is disabled 0x1: Dependency is enabled	RW	0x0
26	WKUPDEP_DSI1_B_EVE1	Wakeup dependency from DSS module (SWakeup signal) towards EVE1 + L3_MAIN1 + L4PER1 + L4PER2 + L4PER3 domains 0x0: Dependency is disabled 0x1: Dependency is enabled	RW	0x0
25	WKUPDEP_DSI1_B_DSP2	Wakeup dependency from DSS module (SWakeup signal) towards DSP2 + L3_MAIN1 + L4PER1 + L4PER2 + L4PER3 domains 0x0: Dependency is disabled 0x1: Dependency is enabled	RW	0x0

Bits	Field Name	Description	Type	Reset
24	WKUPDEP_DSI1_B_IPU1	Wakeup dependency from DSS module (SWakeup signal) towards IPU1 + L3_MAIN1 + L4PER1 + L4PER2 + L4PER3 domains 0x0: Dependency is disabled 0x1: Dependency is enabled	RW	0x0
23	WKUPDEP_DSI1_B_SDMA	Wakeup dependency from DSS module (SWakeup signal) towards SDMA + L3MAIN1 + L4PER1 + L4PER2 + L4PER3 domains 0x0: Dependency is disabled 0x1: Dependency is enabled	RW	0x0
22	WKUPDEP_DSI1_B_DSP1	Wakeup dependency from DSS module (SWakeup signal) towards DSP + L3MAIN1 + L4PER1 + L4PER2 + L4PER3 domains 0x0: Dependency is disabled 0x1: Dependency is enabled	RW	0x0
21	WKUPDEP_DSI1_B_IPU2	Wakeup dependency from DSS module (SWakeup signal) towards IPU2 + L3_MAIN1 + L4PER1 + L4PER2 + L4PER3 domains 0x0: Dependency is disabled 0x1: Dependency is enabled	RW	0x0
20	WKUPDEP_DSI1_B_MPU	Wakeup dependency from DSS module (SWakeup signal) towards MPU + L3_MAIN1 + L4PER1 + L4PER2 + L4PER3 domains 0x0: Dependency is disabled 0x1: Dependency is enabled	RW	0x0
19	WKUPDEP_DSI1_A_EVE4	Wakeup dependency from DSS module (SWakeup signal) towards EVE4 + L3_MAIN1 + L4PER1 + L4PER2 + L4PER3 domains 0x0: Dependency is disabled 0x1: Dependency is enabled	RW	0x0
18	WKUPDEP_DSI1_A_EVE3	Wakeup dependency from DSS module (SWakeup signal) towards EVE3 + L3_MAIN1 + L4PER1 + L4PER2 + L4PER3 domains 0x0: Dependency is disabled 0x1: Dependency is enabled	RW	0x0
17	WKUPDEP_DSI1_A_EVE2	Wakeup dependency from DSS module (SWakeup signal) towards EVE2 + L3_MAIN1 + L4PER1 + L4PER2 + L4PER3 domains 0x0: Dependency is disabled 0x1: Dependency is enabled	RW	0x0
16	WKUPDEP_DSI1_A_EVE1	Wakeup dependency from DSS module (SWakeup signal) towards EVE1 + L3_MAIN1 + L4PER1 + L4PER2 + L4PER3 domains 0x0: Dependency is disabled 0x1: Dependency is enabled	RW	0x0
15	WKUPDEP_DSI1_A_DSP2	Wakeup dependency from DSS module (SWakeup signal) towards DSP2 + L3_MAIN1 + L4PER1 + L4PER2 + L4PER3 domains 0x0: Dependency is disabled 0x1: Dependency is enabled	RW	0x0
14	WKUPDEP_DSI1_A_IPU1	Wakeup dependency from DSS module (SWakeup signal) towards IPU1 + L3_MAIN1 + L4PER1 + L4PER2 + L4PER3 domains 0x0: Dependency is disabled 0x1: Dependency is enabled	RW	0x0

Bits	Field Name	Description	Type	Reset
13	WKUPDEP_DSI1_A_SDMA	Wakeup dependency from DSS module (SWakeup signal) towards SDMA + L3MAIN1 + L4PER1 + L4PER2 + L4PER3 domains 0x0: Dependency is disabled 0x1: Dependency is enabled	RW	0x0
12	WKUPDEP_DSI1_A_DSP1	Wakeup dependency from DSS module (SWakeup signal) towards DSP + L3MAIN1 + L4PER1 + L4PER2 + L4PER3 domains 0x0: Dependency is disabled 0x1: Dependency is enabled	RW	0x0
11	WKUPDEP_DSI1_A_IPU2	Wakeup dependency from DSS module (SWakeup signal) towards IPU2 + L3_MAIN1 + L4PER1 + L4PER2 + L4PER3 domains 0x0: Dependency is disabled 0x1: Dependency is enabled	RW	0x0
10	WKUPDEP_DSI1_A_MPU	Wakeup dependency from DSS module (SWakeup signal) towards MPU + L3_MAIN1 + L4PER1 + L4PER2 + L4PER3 domains 0x0: Dependency is disabled 0x1: Dependency is enabled	RW	0x0
9	WKUPDEP_DISPC_EVE4	Wakeup dependency from DSS module (SWakeup signal) towards EVE4 + L3_MAIN1 + L4PER1 + L4PER2 + L4PER3 domains 0x0: Dependency is disabled 0x1: Dependency is enabled	RW	0x0
8	WKUPDEP_DISPC_EVE3	Wakeup dependency from DSS module (SWakeup signal) towards EVE3 + L3_MAIN1 + L4PER1 + L4PER2 + L4PER3 domains 0x0: Dependency is disabled 0x1: Dependency is enabled	RW	0x0
7	WKUPDEP_DISPC_EVE2	Wakeup dependency from DSS module (SWakeup signal) towards EVE2 + L3_MAIN1 + L4PER1 + L4PER2 + L4PER3 domains 0x0: Dependency is disabled 0x1: Dependency is enabled	RW	0x0
6	WKUPDEP_DISPC_EVE1	Wakeup dependency from DSS module (SWakeup signal) towards EVE1 + L3_MAIN1 + L4PER1 + L4PER2 + L4PER3 domains 0x0: Dependency is disabled 0x1: Dependency is enabled	RW	0x0
5	WKUPDEP_DISPC_DSP2	Wakeup dependency from DSS module (SWakeup signal) towards DSP2 + L3_MAIN1 + L4PER1 + L4PER2 + L4PER3 domains 0x0: Dependency is disabled 0x1: Dependency is enabled	RW	0x0
4	WKUPDEP_DISPC_IPU1	Wakeup dependency from DSS module (SWakeup signal) towards IPU1 + L3_MAIN1 + L4PER1 + L4PER2 + L4PER3 domains 0x0: Dependency is disabled 0x1: Dependency is enabled	RW	0x0
3	WKUPDEP_DISPC_SDMA	Wakeup dependency from DSS module (SWakeup signal) towards SDMA + L3MAIN1 + L4PER1 + L4PER2 + L4PER3 domains 0x0: Dependency is disabled 0x1: Dependency is enabled	RW	0x0

Bits	Field Name	Description	Type	Reset
2	WKUPDEP_DISPC_DSP1	Wakeup dependency from DSS module (SWakeup signal) towards DSP + L3MAIN1 + L4PER1 + L4PER2 + L4PER3 domains 0x0: Dependency is disabled 0x1: Dependency is enabled	RW	0x0
1	WKUPDEP_DISPC_IPU2	Wakeup dependency from DSS module (SWakeup signal) towards IPU2 + L3_MAIN1 + L4PER1 + L4PER2 + L4PER3 domains 0x0: Dependency is disabled 0x1: Dependency is enabled	RW	0x0
0	WKUPDEP_DISPC_MPU	Wakeup dependency from DSS module (SWakeup signal) towards MPU + L3_MAIN1 + L4PER1 + L4PER2 + L4PER3 domains 0x0: Dependency is disabled 0x1: Dependency is enabled	RW	0x0

Table 3-1523. Register Call Summary for Register PM_DSS_DSS_WKDEP

Clock Management Functional Description

- [Clock Domain Dependency: \[0\]\[2\]\[3\]\[4\]\[5\]\[10\]\[12\]\[13\]\[14\]\[15\]\[20\]\[22\]\[23\]\[24\]\[25\]](#)

PRCM Register Manual

- [Not Supported Functionality \(Registers and Bits\): \[30\]\[31\]\[32\]\[33\]\[34\]\[35\]\[36\]\[37\]\[38\]\[39\]\[40\]\[41\]\[42\]\[43\]\[44\]](#)
- [DSS_PRM Register Summary: \[45\]](#)

Table 3-1524. RM_DSS_DSS_CONTEXT

Address Offset	0x0000 0024	Instance	DSS_PRM
Physical Address	0x4AE0 7124		
Description	This register contains dedicated DSS context statuses. [warm reset insensitive]		
Type	RW		

31	30	29	28	27	26	25	24	23	22	21	20	19	18	17	16	15	14	13	12	11	10	9	8	7	6	5	4	3	2	1	0
RESERVED																LOSTMEM_DSS_MEM	RESERVED										LOSTCONTEXT_RFF	LOSTCONTEXT_DFF			

Bits	Field Name	Description	Type	Reset
31:9	RESERVED		R	0x0
8	LOSTMEM_DSS_MEM	Specify if memory-based context in DSS_MEM memory bank has been lost due to a previous power transition or other reset source. 0x0: Context has been maintained 0x1: Context has been lost	RW	0x1
7:2	RESERVED		R	0x0
1	LOSTCONTEXT_RFF	Specify if RFF-based context has been lost due to a previous power transition or other reset source. (set upon assertion of DSS_RET_RST signal) 0x0: Context has been maintained 0x1: Context has been lost	RW	0x1

Bits	Field Name	Description	Type	Reset
0	LOSTCONTEXT_DFF	Specify if DFF-based context has been lost due to a previous power transition or other reset source. (set upon assertion of DSS_RST signal) 0x0: Context has been maintained 0x1: Context has been lost	RW	0x1

Table 3-1525. Register Call Summary for Register RM_DSS_DSS_CONTEXT

Power Management Functional Description

- [PD_DSS Description: \[0\]\[1\]](#)

PRCM Register Manual

- [DSS_PRM Register Summary: \[2\]](#)

Table 3-1526. PM_DSS_DSS2_WKDEP

Address Offset	0x0000 0028	Instance	DSS_PRM
Physical Address	0x4AE0 7128		
Description	This register controls wakeup dependency based on DSS service requests.		
Type	RW		

31	30	29	28	27	26	25	24	23	22	21	20	19	18	17	16	15	14	13	12	11	10	9	8	7	6	5	4	3	2	1	0	
RESERVED								WKUPDEP_HDMIDMA_DSP2	RESERVED	WKUPDEP_HDMIDMA_SDMA	WKUPDEP_HDMIDMA_DSP1	RESERVED	WKUPDEP_DS11_C_EVE4	WKUPDEP_DS11_C_EVE3	WKUPDEP_DS11_C_EVE2	WKUPDEP_DS11_C_EVE1	WKUPDEP_DS11_C_DSP2	WKUPDEP_DS11_C_IPU1	WKUPDEP_DS11_C_SDMA	WKUPDEP_DS11_C_DSP1	WKUPDEP_DS11_C_IPU2	WKUPDEP_DS11_C_MPU	WKUPDEP_HDMIIRQ_EVE4	WKUPDEP_HDMIIRQ_EVE3	WKUPDEP_HDMIIRQ_EVE2	WKUPDEP_HDMIIRQ_EVE1	WKUPDEP_HDMIIRQ_DSP2	WKUPDEP_HDMIIRQ_IPU1	RESERVED	WKUPDEP_HDMIIRQ_DSP1	WKUPDEP_HDMIIRQ_IPU2	WKUPDEP_HDMIIRQ_MPU

Bits	Field Name	Description	Type	Reset
31:26	RESERVED		R	0x0
25	WKUPDEP_HDMIDMA_DSP2	Wakeup dependency from DSS module (SWakeup signal) towards DSP2 + L3_MAIN1 + L4PER1 + L4PER2 + L4PER3 domains 0x0: Dependency is disabled 0x1: Dependency is enabled	RW	0x0
24	RESERVED		R	0x0
23	WKUPDEP_HDMIDMA_SDMA	Wakeup dependency from DSS module (SWakeup signal) towards SDMA + L3MAIN1 + L4PER1 + L4PER2 + L4PER3 domains 0x0: Dependency is disabled 0x1: Dependency is enabled	RW	0x0
22	WKUPDEP_HDMIDMA_DSP1	Wakeup dependency from DSS module (SWakeup signal) towards DSP + L3MAIN1 + L4PER1 + L4PER2 + L4PER3 domains 0x0: Dependency is disabled 0x1: Dependency is enabled	RW	0x0
21:20	RESERVED		R	0x0

Bits	Field Name	Description	Type	Reset
19	WKUPDEP_DSI1_C_EVE4	Wakeup dependency from DSS module (SWakeup signal) towards EVE4 + L3_MAIN1 + L4PER1 + L4PER2 + L4PER3 domains 0x0: Dependency is disabled 0x1: Dependency is enabled	RW	0x0
18	WKUPDEP_DSI1_C_EVE3	Wakeup dependency from DSS module (SWakeup signal) towards EVE3 + L3_MAIN1 + L4PER1 + L4PER2 + L4PER3 domains 0x0: Dependency is disabled 0x1: Dependency is enabled	RW	0x0
17	WKUPDEP_DSI1_C_EVE2	Wakeup dependency from DSS module (SWakeup signal) towards EVE2 + L3_MAIN1 + L4PER1 + L4PER2 + L4PER3 domains 0x0: Dependency is disabled 0x1: Dependency is enabled	RW	0x0
16	WKUPDEP_DSI1_C_EVE1	Wakeup dependency from DSS module (SWakeup signal) towards EVE1 + L3_MAIN1 + L4PER1 + L4PER2 + L4PER3 domains 0x0: Dependency is disabled 0x1: Dependency is enabled	RW	0x0
15	WKUPDEP_DSI1_C_DSP2	Wakeup dependency from DSS module (SWakeup signal) towards DSP2 + L3_MAIN1 + L4PER1 + L4PER2 + L4PER3 domains 0x0: Dependency is disabled 0x1: Dependency is enabled	RW	0x0
14	WKUPDEP_DSI1_C_IPU1	Wakeup dependency from DSS module (SWakeup signal) towards IPU1 + L3_MAIN1 + L4PER1 + L4PER2 + L4PER3 domains 0x0: Dependency is disabled 0x1: Dependency is enabled	RW	0x0
13	WKUPDEP_DSI1_C_SDMA	Wakeup dependency from DSS module (SWakeup signal) towards SDMA + L3MAIN1 + L4PER1 + L4PER2 + L4PER3 domains 0x0: Dependency is disabled 0x1: Dependency is enabled	RW	0x0
12	WKUPDEP_DSI1_C_DSP1	Wakeup dependency from DSS module (SWakeup signal) towards DSP + L3MAIN1 + L4PER1 + L4PER2 + L4PER3 domains 0x0: Dependency is disabled 0x1: Dependency is enabled	RW	0x0
11	WKUPDEP_DSI1_C_IPU2	Wakeup dependency from DSS module (SWakeup signal) towards IPU2 + L3_MAIN1 + L4PER1 + L4PER2 + L4PER3 domains 0x0: Dependency is disabled 0x1: Dependency is enabled	RW	0x0
10	WKUPDEP_DSI1_C_MPU	Wakeup dependency from DSS module (SWakeup signal) towards MPU + L3_MAIN1 + L4PER1 + L4PER2 + L4PER3 domains 0x0: Dependency is disabled 0x1: Dependency is enabled	RW	0x0
9	WKUPDEP_HDMIIRQ_EVE4	Wakeup dependency from DSS module (SWakeup signal) towards EVE4 + L3_MAIN1 + L4PER1 + L4PER2 + L4PER3 domains 0x0: Dependency is disabled 0x1: Dependency is enabled	RW	0x0

Bits	Field Name	Description	Type	Reset
8	WKUPDEP_HDMIIRQ_EVE3	Wakeup dependency from DSS module (SWakeup signal) towards EVE3 + L3_MAIN1 + L4PER1 + L4PER2 + L4PER3 domains 0x0: Dependency is disabled 0x1: Dependency is enabled	RW	0x0
7	WKUPDEP_HDMIIRQ_EVE2	Wakeup dependency from DSS module (SWakeup signal) towards EVE2 + L3_MAIN1 + L4PER1 + L4PER2 + L4PER3 domains 0x0: Dependency is disabled 0x1: Dependency is enabled	RW	0x0
6	WKUPDEP_HDMIIRQ_EVE1	Wakeup dependency from DSS module (SWakeup signal) towards EVE1 + L3_MAIN1 + L4PER1 + L4PER2 + L4PER3 domains 0x0: Dependency is disabled 0x1: Dependency is enabled	RW	0x0
5	WKUPDEP_HDMIIRQ_DSP2	Wakeup dependency from DSS module (SWakeup signal) towards DSP2 + L3_MAIN1 + L4PER1 + L4PER2 + L4PER3 domains 0x0: Dependency is disabled 0x1: Dependency is enabled	RW	0x0
4	WKUPDEP_HDMIIRQ_IPU1	Wakeup dependency from DSS module (SWakeup signal) towards IPU1 + L3_MAIN1 + L4PER1 + L4PER2 + L4PER3 domains 0x0: Dependency is disabled 0x1: Dependency is enabled	RW	0x0
3	RESERVED		R	0x0
2	WKUPDEP_HDMIIRQ_DSP1	Wakeup dependency from DSS module (SWakeup signal) towards DSP + L3MAIN1 + L4PER1 + L4PER2 + L4PER3 domains 0x0: Dependency is disabled 0x1: Dependency is enabled	RW	0x0
1	WKUPDEP_HDMIIRQ_IPU2	Wakeup dependency from DSS module (SWakeup signal) towards IPU2 + L3_MAIN1 + L4PER1 + L4PER2 + L4PER3 domains 0x0: Dependency is disabled 0x1: Dependency is enabled	RW	0x0
0	WKUPDEP_HDMIIRQ_MPU	Wakeup dependency from DSS module (SWakeup signal) towards MPU + L3_MAIN1 + L4PER1 + L4PER2 + L4PER3 domains 0x0: Dependency is disabled 0x1: Dependency is enabled	RW	0x0

Table 3-1527. Register Call Summary for Register PM_DSS_DSS2_WKDEP

Clock Management Functional Description

- [Clock Domain Dependency: \[0\]\[1\]\[3\]\[4\]\[5\]\[7\]\[12\]\[14\]\[15\]\[16\]\[17\]](#)

PRCM Register Manual

- [Not Supported Functionality \(Registers and Bits\): \[22\]\[23\]\[24\]\[25\]\[26\]\[27\]\[28\]\[29\]\[30\]\[31\]\[32\]](#)
- [DSS_PRM Register Summary: \[33\]](#)

Table 3-1528. RM_DSS_BB2D_CONTEXT

Address Offset	0x0000 0034	Instance	DSS_PRM
Physical Address	0x4AE0 7134		
Description	This register contains dedicated BB2B context statuses. [warm reset insensitive]		
Type	RW		

31	30	29	28	27	26	25	24	23	22	21	20	19	18	17	16	15	14	13	12	11	10	9	8	7	6	5	4	3	2	1	0
RESERVED																LOSTMEM_DSS_MEM	RESERVED										LOSTCONTEXT_DFF				

Bits	Field Name	Description	Type	Reset
31:9	RESERVED		R	0x0
8	LOSTMEM_DSS_MEM	Specify if memory-based context in DSS_MEM memory bank has been lost due to a previous power transition or other reset source. 0x0: Context has been maintained 0x1: Context has been lost	RW	0x1
7:1	RESERVED		R	0x0
0	LOSTCONTEXT_DFF	Specify if DFF-based context has been lost due to a previous power transition or other reset source. (set upon assertion of DSS_RST signal) 0x0: Context has been maintained 0x1: Context has been lost	RW	0x1

Table 3-1529. Register Call Summary for Register RM_DSS_BB2D_CONTEXT

Power Management Functional Description

- [PD_DSS Description: \[0\]](#)

PRCM Register Manual

- [DSS_PRM Register Summary: \[1\]](#)

Table 3-1530. RM_DSS_SDVENC_CONTEXT

Address Offset	0x0000 003C	Instance	DSS_PRM
Physical Address	0x4AE0 713C		
Description	This register contains dedicated SDVENC context statuses. [warm reset insensitive]		
Type	RW		

31	30	29	28	27	26	25	24	23	22	21	20	19	18	17	16	15	14	13	12	11	10	9	8	7	6	5	4	3	2	1	0
RESERVED																LOSTCONTEXT_DFF															

Bits	Field Name	Description	Type	Reset
31:1	RESERVED		R	0x0
0	LOSTCONTEXT_DFF	Specify if DFF-based context has been lost due to a previous power transition or other reset source. (set upon assertion of DSS_RST signal) 0x0: Context has been maintained 0x1: Context has been lost	RW	0x1

3.12.39 EMU_CM Registers

3.12.39.1 EMU_CM Register Summary

Table 3-1531. EMU_CM Registers Mapping Summary

Register Name	Type	Register Width (Bits)	Address Offset	EMU_CM Physical Address L4_WKUP Interconnect
CM_EMU_CLKSTCTRL	RW	32	0x0000 0000	0x4AE0 7A00
CM_EMU_DEBUGSS_C LKCTRL	R	32	0x0000 0004	0x4AE0 7A04
CM_EMU_DYNAMICDE P	RW	32	0x0000 0008	0x4AE0 7A08
CM_EMU_MPU_EMU_DBG_CLKCTRL	R	32	0x0000 000C	0x4AE0 7A0C

3.12.39.2 EMU_CM Register Description

Table 3-1532. CM_EMU_CLKSTCTRL

Address Offset	0x0000 0000	Instance	EMU_CM
Physical Address	0x4AE0 7A00		
Description	This register enables the EMU domain power state transition. It controls the HW supervised domain power state transition between ON-ACTIVE and ON-INACTIVE states. It also hold one status bit per clock input of the domain. [warm reset insensitive]		
Type	RW		

31	30	29	28	27	26	25	24	23	22	21	20	19	18	17	16	15	14	13	12	11	10	9	8	7	6	5	4	3	2	1	0
RESERVED																CLKACTIVITY_EMU_SYS_CLK	RESERVED										CLKTRCTRL				

Bits	Field Name	Description	Type	Reset
31:9	RESERVED		R	0x0
8	CLKACTIVITY_EMU_SYS_CLK	This field indicates the state of the EMU_SYS_CLK clock in the domain. 0x0: Corresponding clock is definitely gated 0x1: Corresponding clock is running or gating/ungating transition is on-going	R	0x0

Bits	Field Name	Description	Type	Reset
7:2	RESERVED		R	0x0
1:0	CLKTRCTRL	Controls the clock state transition of the EMU clock domain. 0x0: Reserved 0x1: Reserved 0x2: SW_WKUP: Start a software forced wake-up transition on the domain. 0x3: HW_AUTO: Automatic transition is enabled. Sleep and wakeup transition are based upon hardware conditions.	RW	0x2

Table 3-1533. Register Call Summary for Register CM_EMU_CLKSTCTRL

Clock Management Functional Description

- [Clock Domain Modes: \[0\]\[1\]](#)

PRCM Register Manual

- [EMU_CM Register Summary: \[2\]](#)

Table 3-1534. CM_EMU_DEBUGSS_CLKCTRL

Address Offset	0x0000 0004	Instance	EMU_CM
Physical Address	0x4AE0 7A04		
Description	This register manages the DEBUGSS clocks. [warm reset insensitive]		
Type	R		

31	30	29	28	27	26	25	24	23	22	21	20	19	18	17	16	15	14	13	12	11	10	9	8	7	6	5	4	3	2	1	0
RESERVED													STBYST	IDLEST	RESERVED										MODULEMODE						

Bits	Field Name	Description	Type	Reset
31:19	RESERVED		R	0x0
18	STBYST	Module standby status 0x0: Module is functional (not in standby) 0x1: Module is in standby	R	0x1
17:16	IDLEST	Module idle status 0x0: Module is fully functional, including OCP 0x1: Module is performing transition: wakeup, or sleep, or sleep abortion 0x2: Module is in Idle mode (only OCP part). It is functional if using separate functional clock 0x3: Module is disabled and cannot be accessed	R	0x3
15:2	RESERVED		R	0x0
1:0	MODULEMODE	Control the way mandatory clocks are managed. 0x1: Module is managed automatically by HW according to clock domain transition. A clock domain sleep transition put module into idle. A wakeup domain transition put it back into function. If CLKTRCTRL=3, any OCP access to module is always granted. Module clocks may be gated according to the clock domain state.	R	0x1

Table 3-1535. Register Call Summary for Register CM_EMU_DEBUGSS_CLKCTRL

PRCM Register Manual

- [EMU_CM Register Summary: \[0\]](#)

Table 3-1536. CM_EMU_DYNAMICDEP

Address Offset	0x0000 0008	Instance	EMU_CM
Physical Address	0x4AE0 7A08		
Description	This register controls the dynamic domain dependencies from EMU domain towards 'target' domains. It is relevant only for domain having OCP master port(s).		
Type	RW		

31	30	29	28	27	26	25	24	23	22	21	20	19	18	17	16	15	14	13	12	11	10	9	8	7	6	5	4	3	2	1	0
RESERVED				WINDOWSIZE				RESERVED										L3MAIN1_DYNDEP	RESERVED												

Bits	Field Name	Description	Type	Reset
31:28	RESERVED		R	0x0
27:24	WINDOWSIZE	Size of sliding window used to monitor OCP interface activity for determination of auto-sleep feature. Time unit defined by CM_DYN_DEP_PRESCAL register.	RW	0x4
23:6	RESERVED		R	0x0
5	L3MAIN1_DYNDEP	Dynamic dependency towards L3MAIN1 clock domain 0x1: Dependency is enabled	R	0x1
4:0	RESERVED		R	0x0

Table 3-1537. Register Call Summary for Register CM_EMU_DYNAMICDEP

Clock Management Functional Description

- [Clock Domain Dependency: \[0\]](#)

PRCM Register Manual

- [EMU_CM Register Summary: \[1\]](#)

Table 3-1538. CM_EMU_MPU_EMU_DBG_CLKCTRL

Address Offset	0x0000 000C	Instance	EMU_CM
Physical Address	0x4AE0 7A0C		
Description	This register manages the MPU_EMU_DBG clocks. [warm reset insensitive]		
Type	R		

31	30	29	28	27	26	25	24	23	22	21	20	19	18	17	16	15	14	13	12	11	10	9	8	7	6	5	4	3	2	1	0
RESERVED										IDLEST	RESERVED										MODULEMODE										

Bits	Field Name	Description	Type	Reset
31:18	RESERVED		R	0x0
17:16	IDLEST	Module idle status 0x0: Module is fully functional, including OCP 0x1: Module is performing transition: wakeup, or sleep, or sleep abortion 0x2: Module is in Idle mode (only OCP part). It is functional if using separate functional clock 0x3: Module is disabled and cannot be accessed	R	0x3
15:2	RESERVED		R	0x0
1:0	MODULEMODE	Control the way mandatory clocks are managed. 0x1: Module is managed automatically by HW according to clock domain transition. A clock domain sleep transition put module into idle. A wakeup domain transition put it back into function. If CLKTRCTRL=3, any OCP access to module is always granted. Module clocks may be gated according to the clock domain state.	R	0x1

Table 3-1539. Register Call Summary for Register CM_EMU_MPU_EMU_DBG_CLKCTRL

PRCM Register Manual

- [EMU_CM Register Summary: \[0\]](#)

3.12.40 EMU_PRM Registers

3.12.40.1 EMU_PRM Register Summary

Table 3-1540. EMU_PRM Registers Mapping Summary

Register Name	Type	Register Width (Bits)	Address Offset	EMU_PRM Physical Address L4_WKUP Interconnect
PM_EMU_PWRSTCTRL	R	32	0x0000 0000	0x4AE0 7900
PM_EMU_PWRSTST	RW	32	0x0000 0004	0x4AE0 7904
RM_EMU_DEBUGSS_C ONTEXT	RW	32	0x0000 0024	0x4AE0 7924

3.12.40.2 EMU_PRM Register Description

Table 3-1541. PM_EMU_PWRSTCTRL

Address Offset	0x0000 0000	Instance	EMU_PRM
Physical Address	0x4AE0 7900		
Description	This register controls the EMU power state to reach upon a domain sleep transition		
Type	R		

31	30	29	28	27	26	25	24	23	22	21	20	19	18	17	16	15	14	13	12	11	10	9	8	7	6	5	4	3	2	1	0		
RESERVED																EMU_BANK_ONSTATE	RESERVED																POWERSTATE

Bits	Field Name	Description	Type	Reset
31:18	RESERVED		R	0x0
17:16	EMU_BANK_ONSTATE	EMU memory state when domain is ON. 0x3: Memory bank is on when the domain is ON.	R	0x3
15:2	RESERVED		R	0x0
1:0	POWERSTATE	Power state control 0x0: OFF state	R	0x0

Table 3-1542. PM_EMU_PWRSTST

Address Offset	0x0000 0004	Instance	EMU_PRM
Physical Address	0x4AE0 7904		
Description	This register provides a status on the EMU domain current power state. [warm reset insensitive]		
Type	RW		

31	30	29	28	27	26	25	24	23	22	21	20	19	18	17	16	15	14	13	12	11	10	9	8	7	6	5	4	3	2	1	0
RESERVED							LASTPOWERSTATEENTERED	RESERVED		INTRANSITION	RESERVED											EMU_BANK_STATEST	RESERVED	LOGICSTATEST	POWERSTATEST						

Bits	Field Name	Description	Type	Reset
31:26	RESERVED		R	0x0
25:24	LASTPOWERSTATEENTERED	Last low power state entered. Set to 0x3 upon write of the same only. This register is intended for debug purpose only. 0x0: Power domain was previously OFF 0x1: Power domain was previously in RETENTION 0x2: Power domain was previously ON-INACTIVE 0x3: Power domain was previously ON-ACTIVE	RW	0x0
23:21	RESERVED		R	0x0
20	INTRANSITION	Domain transition status 0x0: No on-going transition on power domain 0x1: Power domain transition is in progress.	R	0x0
19:6	RESERVED		R	0x0
5:4	EMU_BANK_STATEST	EMU memory bank state status 0x0: Memory is OFF 0x1: Reserved 0x2: Reserved 0x3: Memory is ON It is supplied by WKUP LDO	R	0x3
3	RESERVED		R	0x0
2	LOGICSTATEST	Logic state status 0x0: Logic in domain is OFF 0x1: Logic in domain is ON	R	0x1

Bits	Field Name	Description	Type	Reset
1:0	POWERSTATEST	Current power state status 0x0: Power domain is OFF 0x3: Power domain is ON-ACTIVE	R	0x3

Table 3-1543. RM_EMU_DEBUGSS_CONTEXT

Address Offset	0x0000 0024	Instance	EMU_PRM
Physical Address	0x4AE0 7924		
Description	This register contains dedicated DEBUGSS context statuses. [warm reset insensitive]		
Type	RW		

31	30	29	28	27	26	25	24	23	22	21	20	19	18	17	16	15	14	13	12	11	10	9	8	7	6	5	4	3	2	1	0
RESERVED																LOSTMEM_EMU_BANK	RESERVED										LOSTCONTEXT_DFF				

Bits	Field Name	Description	Type	Reset
31:9	RESERVED		R	0x0
8	LOSTMEM_EMU_BANK	Specify if memory-based context in EMU_BANK memory bank has been lost due to a previous power transition or other reset source. 0x0: Context has been maintained 0x1: Context has been lost	RW	0x1
7:1	RESERVED		R	0x0
0	LOSTCONTEXT_DFF	Specify if DFF-based context has been lost due to a previous power transition or other reset source. (set upon assertion of EMU_RST signal) 0x0: Context has been maintained 0x1: Context has been lost	RW	0x1

3.12.41 EVE1_PRM Registers

3.12.41.1 EVE1_PRM Register Summary

Table 3-1544. EVE1_PRM Registers Mapping Summary

Register Name	Type	Register Width (Bits)	Address Offset	EVE1_PRM Physical Address L4_WKUP Interconnect
PM_EVE1_PWRSTCTRL	RW	32	0x0000 0000	0x4AE0 7B40
PM_EVE1_PWRSTST	RW	32	0x0000 0004	0x4AE0 7B44
RM_EVE1_RSTCTRL	RW	32	0x0000 0010	0x4AE0 7B50
RM_EVE1_RSTST	RW	32	0x0000 0014	0x4AE0 7B54
PM_EVE1_EVE1_WKDEP	RW	32	0x0000 0020	0x4AE0 7B60
RM_EVE1_EVE1_CONTEXT	RW	32	0x0000 0024	0x4AE0 7B64

3.12.41.2 EVE1_PRM Register Description
Table 3-1545. PM_EVE1_PWRSTCTRL

Address Offset	0x0000 0000	Instance	EVE1_PRM
Physical Address	0x4AE0 7B40		
Description	This register controls the EVE power state to reach upon a domain sleep transition		
Type	RW		

31	30	29	28	27	26	25	24	23	22	21	20	19	18	17	16	15	14	13	12	11	10	9	8	7	6	5	4	3	2	1	0
RESERVED																EVE1_BANK_ONSTATE		RESERVED										LOWPOWERSTATECHANGE	RESERVED		POWERSTATE

Bits	Field Name	Description	Type	Reset
31:18	RESERVED		R	0x0
17:16	EVE1_BANK_ONSTATE	EVE1 state when domain is ON. 0x3: Memory bank is on when the domain is ON.	R	0x3
15:5	RESERVED		R	0x0
4	LOWPOWERSTATECHANGE	Power state change request when domain has already performed a sleep transition. Allows going into deeper low power state without waking up the power domain. 0x0: Do not request a low power state change. 0x1: Request a low power state change. This bit is automatically cleared when the power state is effectively changed or when power state is ON.	RW	0x0
3:2	RESERVED		R	0x0
1:0	POWERSTATE	Power state control 0x0: OFF state 0x1: Reserved 0x2: INACTIVE state 0x3: ON State	RW	0x3

Table 3-1546. PM_EVE1_PWRSTST

Address Offset	0x0000 0004	Instance	EVE1_PRM
Physical Address	0x4AE0 7B44		
Description	This register provides a status on the EVE domain current power state. [warm reset insensitive]		
Type	RW		

31	30	29	28	27	26	25	24	23	22	21	20	19	18	17	16	15	14	13	12	11	10	9	8	7	6	5	4	3	2	1	0
RESERVED							LASTPOWERSTATEENTERED	RESERVED		INTRANSITION	RESERVED							EVE1_BANK_STATEST	RESERVED	LOGICSTATEST	POWERSTATEST										

Bits	Field Name	Description	Type	Reset
31:26	RESERVED		R	0x0
25:24	LASTPOWERSTATEENTERED	Last low power state entered. Set to 0x3 upon write of the same only. This register is intended for debug purpose only. 0x0: Power domain was previously OFF 0x1: Power domain was previously in RETENTION 0x2: Power domain was previously ON-INACTIVE 0x3: Power domain was previously ON-ACTIVE	RW	0x0
23:21	RESERVED		R	0x0
20	INTRANSITION	Domain transition status 0x0: No on-going transition on power domain 0x1: Power domain transition is in progress.	R	0x0
19:6	RESERVED		R	0x0
5:4	EVE1_BANK_STATEST	EVE0 memory state status 0x0: Memory is OFF 0x1: RESERVED 0x2: Reserved 0x3: Memory is ON	R	0x3
3	RESERVED		R	0x0
2	LOGICSTATEST	Logic state status 0x0: Logic in domain is OFF 0x1: Logic in domain is ON	R	0x1
1:0	POWERSTATEST	Current power state status 0x0: Power domain is OFF 0x1: Power domain is in RETENTION 0x2: Power domain is ON-INACTIVE 0x3: Power domain is ON-ACTIVE	R	0x3

Table 3-1547. RM_EVE1_RSTCTRL

Address Offset	0x0000 0010	Instance	EVE1_PRM
Physical Address	0x4AE0 7B50		
Description	This register controls the release of the EVE sub-system resets.		
Type	RW		

31	30	29	28	27	26	25	24	23	22	21	20	19	18	17	16	15	14	13	12	11	10	9	8	7	6	5	4	3	2	1	0
RESERVED																RST_EVE1		RST_EVE1_LRST													

Bits	Field Name	Description	Type	Reset
31:2	RESERVED		R	0x0
1	RST_EVE1	EVE reset control 0x0: Reset is cleared 0x1: Local Reset is asserted	RW	0x1
0	RST_EVE1_LRST	EVE Local reset control 0x0: Reset is cleared for the DSP - DSP 0x1: Reset is asserted for the DSP - DSP	RW	0x1

Table 3-1548. RM_EVE1_RSTST

Address Offset	0x0000 0014	Instance	EVE1_PRM
Physical Address	0x4AE0 7B54		
Description	This register logs the different reset sources of the EVE domain. Each bit is set upon release of the domain reset signal. Must be cleared by software. [warm reset insensitive]		
Type	RW		

31	30	29	28	27	26	25	24	23	22	21	20	19	18	17	16	15	14	13	12	11	10	9	8	7	6	5	4	3	2	1	0
RESERVED																RST_EVE1_EMU_REQ	RST_EVE1_EMU	RST_EVE1	RST_EVE1_LRST												

Bits	Field Name	Description	Type	Reset
31:4	RESERVED		R	0x0
3	RST_EVE1_EMU_REQ	EVE1 processor has been reset due to EVE emulation reset request driven from EVE1-SS 0x0: No emulation reset 0x1: EVE has been reset upon emulation reset request	RW	0x0
2	RST_EVE1_EMU	EVE1 domain has been reset due to emulation reset source e.g. assert reset command initiated by the icepick module 0x0: No emulation reset 0x1: EVE has been reset upon emulation reset	RW	0x0

Bits	Field Name	Description	Type	Reset
1	RST_EVE1	EVE0 SW reset status 0x0: No SW reset occurred 0x1: Local reset upon SW reset	RW	0x0
0	RST_EVE1_LRST	EVE0 Local SW reset 0x0: No SW reset occurred 0x1: EVE has been reset upon SW reset	RW	0x0

Table 3-1549. PM_EVE1_EVE1_WKDEP

Address Offset	0x0000 0020	Instance	EVE1_PRM
Physical Address	0x4AE0 7B60		
Description	This register controls wakeup dependency based on EVE1 service requests.		
Type	RW		

31	30	29	28	27	26	25	24	23	22	21	20	19	18	17	16	15	14	13	12	11	10	9	8	7	6	5	4	3	2	1	0	
RESERVED																							WKUPDEP_EVE1_EVE4	WKUPDEP_EVE1_EVE3	WKUPDEP_EVE1_EVE2	RESERVED	WKUPDEP_EVE1_DSP2	WKUPDEP_EVE1_IPU1	WKUPDEP_EVE1_SDMA	WKUPDEP_EVE1_DSP1	WKUPDEP_EVE1_IPU2	WKUPDEP_EVE1_MPU

Bits	Field Name	Description	Type	Reset
31:10	RESERVED		R	0x0
9	WKUPDEP_EVE1_EVE4	Wakeup dependency from EVE1 module (SWakeup signal) towards EVE4 + L3_MAIN1 + L4PER1 + L4PER2 + L4PER3 domains 0x0: Dependency is disabled 0x1: Dependency is enabled	RW	0x0
8	WKUPDEP_EVE1_EVE3	Wakeup dependency from EVE1 module (SWakeup signal) towards EVE3 + L3_MAIN1 + L4PER1 + L4PER2 + L4PER3 domains 0x0: Dependency is disabled 0x1: Dependency is enabled	RW	0x0
7	WKUPDEP_EVE1_EVE2	Wakeup dependency from EVE1 module (SWakeup signal) towards EVE2 + L3_MAIN1 + L4PER1 + L4PER2 + L4PER3 domains 0x0: Dependency is disabled 0x1: Dependency is enabled	RW	0x0
6	RESERVED		R	0x0
5	WKUPDEP_EVE1_DSP2	Wakeup dependency from EVE1 module (SWakeup signal) towards DSP2 + L3_MAIN1 + L4PER1 + L4PER2 + L4PER3 domains 0x0: Dependency is disabled 0x1: Dependency is enabled	RW	0x0
4	WKUPDEP_EVE1_IPU1	Wakeup dependency from EVE1 module (SWakeup signal) towards IPU1 + L3_MAIN1 + L4PER1 + L4PER2 + L4PER3 domains 0x0: Dependency is disabled 0x1: Dependency is enabled	RW	0x0

Bits	Field Name	Description	Type	Reset
3	WKUPDEP_EVE1_SDMA	Wakeup dependency from EVE1 module (SWakeup signal) towards SDMA + L3MAIN1 + L4PER1 + L4PER2 + L4PER3 domains 0x0: Dependency is disabled 0x1: Dependency is enabled	RW	0x0
2	WKUPDEP_EVE1_DSP1	Wakeup dependency from EVE1 module (SWakeup signal) towards DSP + L3MAIN1 + L4PER1 + L4PER2 + L4PER3 domains 0x0: Dependency is disabled 0x1: Dependency is enabled	RW	0x0
1	WKUPDEP_EVE1_IPU2	Wakeup dependency from EVE1 module (SWakeup signal) towards IPU2 + L3_MAIN1 + L4PER1 + L4PER2 + L4PER3 domains 0x0: Dependency is disabled 0x1: Dependency is enabled	RW	0x0
0	WKUPDEP_EVE1_MPU	Wakeup dependency from EVE1 module (SWakeup signal) towards MPU + L3_MAIN1 + L4PER1 + L4PER2 + L4PER3 domains 0x0: Dependency is disabled 0x1: Dependency is enabled	RW	0x0

Table 3-1550. RM_EVE1_EVE1_CONTEXT

Address Offset	0x0000 0024	Instance	EVE1_PRM
Physical Address	0x4AE0 7B64		
Description	This register contains dedicated EVE context statuses. [warm reset insensitive]		
Type	RW		

31	30	29	28	27	26	25	24	23	22	21	20	19	18	17	16	15	14	13	12	11	10	9	8	7	6	5	4	3	2	1	0
RESERVED																LOSTMEM_EVE_BANK	RESERVED										LOSTCONTEXT_DFF				

Bits	Field Name	Description	Type	Reset
31:9	RESERVED		R	0x0
8	LOSTMEM_EVE_BANK	Specify if memory-based context in EVE1 memory bank has been lost due to a previous power transition or other reset source. 0x0: Context has been maintained 0x1: Context has been lost	RW	0x1
7:1	RESERVED		R	0x0
0	LOSTCONTEXT_DFF	Specify if DFF-based context has been lost due to a previous power transition or other reset source. (set upon assertion of EVE0_SYS_RST signal) 0x0: Context has been maintained 0x1: Context has been lost	RW	0x1

3.12.42 EVE2_PRM Registers

3.12.42.1 EVE2_PRM Register Summary

Table 3-1551. EVE2_PRM Registers Mapping Summary

Register Name	Type	Register Width (Bits)	Address Offset	EVE2_PRM Physical Address L4_WKUP Interconnect
PM_EVE2_PWRSTCTRL	RW	32	0x0000 0000	0x4AE0 7B80
PM_EVE2_PWRSTST	RW	32	0x0000 0004	0x4AE0 7B84
RM_EVE2_RSTCTRL	RW	32	0x0000 0010	0x4AE0 7B90
RM_EVE2_RSTST	RW	32	0x0000 0014	0x4AE0 7B94
PM_EVE2_EVE2_WKDEP	RW	32	0x0000 0020	0x4AE0 7BA0
RM_EVE2_EVE2_CONTEXT	RW	32	0x0000 0024	0x4AE0 7BA4

3.12.42.2 EVE2_PRM Register Description

Table 3-1552. PM_EVE2_PWRSTCTRL

Address Offset	0x0000 0000		
Physical Address	0x4AE0 7B80	Instance	EVE2_PRM
Description	This register controls the EVE power state to reach upon a domain sleep transition		
Type	RW		

31	30	29	28	27	26	25	24	23	22	21	20	19	18	17	16	15	14	13	12	11	10	9	8	7	6	5	4	3	2	1	0
RESERVED																EVE2_BANK_ONSTATE	RESERVED							LOWPOWERSTATECHANGE	RESERVED		POWERSTATE				

Bits	Field Name	Description	Type	Reset
31:18	RESERVED		R	0x0
17:16	EVE2_BANK_ONSTATE	EVE2 state when domain is ON. 0x3: Memory bank is on when the domain is ON.	R	0x3
15:5	RESERVED		R	0x0
4	LOWPOWERSTATECHANGE	Power state change request when domain has already performed a sleep transition. Allows going into deeper low power state without waking up the power domain. 0x0: Do not request a low power state change. 0x1: Request a low power state change. This bit is automatically cleared when the power state is effectively changed or when power state is ON.	RW	0x0
3:2	RESERVED		R	0x0

Bits	Field Name	Description	Type	Reset
1:0	POWERSTATE	Power state control 0x0: OFF state 0x1: RESERVED 0x2: INACTIVE state 0x3: ON State	RW	0x3

Table 3-1553. PM_EVE2_PWRSTST

Address Offset	0x0000 0004	Instance	EVE2_PRM
Physical Address	0x4AE0 7B84		
Description	This register provides a status on the EVE domain current power state. [warm reset insensitive]		
Type	RW		

31	30	29	28	27	26	25	24	23	22	21	20	19	18	17	16	15	14	13	12	11	10	9	8	7	6	5	4	3	2	1	0
RESERVED								LASTPOWERSTATEENTERED		RESERVED		INTRANSITION		RESERVED										EVE2_BANK_STATEST		RESERVED	LOGICSTATEST	POWERSTATEST			

Bits	Field Name	Description	Type	Reset
31:26	RESERVED		R	0x0
25:24	LASTPOWERSTATEENTERED	Last low power state entered. Set to 0x3 upon write of the same only. This register is intended for debug purpose only. 0x0: Power domain was previously OFF 0x1: Power domain was previously in RETENTION 0x2: Power domain was previously ON-INACTIVE 0x3: Power domain was previously ON-ACTIVE	RW	0x0
23:21	RESERVED		R	0x0
20	INTRANSITION	Domain transition status 0x0: No on-going transition on power domain 0x1: Power domain transition is in progress.	R	0x0
19:6	RESERVED		R	0x0
5:4	EVE2_BANK_STATEST	EVE2 memory state status 0x0: Memory is OFF 0x1: RESERVED 0x2: Reserved 0x3: Memory is ON	R	0x3
3	RESERVED		R	0x0
2	LOGICSTATEST	Logic state status 0x0: Logic in domain is OFF 0x1: Logic in domain is ON	R	0x1

Bits	Field Name	Description	Type	Reset
1:0	POWERSTATEST	Current power state status 0x0: Power domain is OFF 0x1: Power domain is in RETENTION 0x2: Power domain is ON-INACTIVE 0x3: Power domain is ON-ACTIVE	R	0x3

Table 3-1554. RM_EVE2_RSTCTRL

Address Offset	0x0000 0010	Instance	EVE2_PRM
Physical Address	0x4AE0 7B90		
Description	This register controls the release of the EVE sub-system resets.		
Type	RW		

31	30	29	28	27	26	25	24	23	22	21	20	19	18	17	16	15	14	13	12	11	10	9	8	7	6	5	4	3	2	1	0
RESERVED																RST_EVE2		RST_EVE2_LRST													

Bits	Field Name	Description	Type	Reset
31:2	RESERVED		R	0x0
1	RST_EVE2	EVE SW reset control 0x0: Reset is cleared 0x1: Local Reset is asserted	RW	0x1
0	RST_EVE2_LRST	EVE Local reset control 0x0: Reset is cleared for the DSP - DSP 0x1: Reset is asserted for the DSP - DSP	RW	0x1

Table 3-1555. RM_EVE2_RSTST

Address Offset	0x0000 0014	Instance	EVE2_PRM
Physical Address	0x4AE0 7B94		
Description	This register logs the different reset sources of the EVE domain. Each bit is set upon release of the domain reset signal. Must be cleared by software. [warm reset insensitive]		
Type	RW		

31	30	29	28	27	26	25	24	23	22	21	20	19	18	17	16	15	14	13	12	11	10	9	8	7	6	5	4	3	2	1	0
RESERVED																RST_EVE2_EMU_REQ	RST_EVE2_EMU	RST_EVE2	RST_EVE2_LRST												

Bits	Field Name	Description	Type	Reset
31:4	RESERVED		R	0x0
3	RST_EVE2_EMU_REQ	EVE2 processor has been reset due to EVE emulation reset request driven from EVE2-SS 0x0: No emulation reset 0x1: EVE has been reset upon emulation reset request	RW	0x0
2	RST_EVE2_EMU	EVE2 domain has been reset due to emulation reset source e.g. assert reset command initiated by the icepick module 0x0: No emulation reset 0x1: EVE has been reset upon emulation reset	RW	0x0
1	RST_EVE2	EVE SW reset status 0x0: No SW reset occurred 0x1: Local reset upon SW reset	RW	0x0
0	RST_EVE2_LRST	EVE Local SW reset 0x0: No SW reset occurred 0x1: EVE has been reset upon SW reset	RW	0x0

Table 3-1556. PM_EVE2_EVE2_WKDEP

Address Offset	0x0000 0020	Instance	EVE2_PRM
Physical Address	0x4AE0 7BA0		
Description	This register controls wakeup dependency based on EVE2 service requests.		
Type	RW		

31	30	29	28	27	26	25	24	23	22	21	20	19	18	17	16	15	14	13	12	11	10	9	8	7	6	5	4	3	2	1	0				
RESERVED																WKUPDEP_EVE2_EVE4		WKUPDEP_EVE2_EVE3		RESERVED		WKUPDEP_EVE2_EVE1		WKUPDEP_EVE2_DSP2		WKUPDEP_EVE2_IPU1		WKUPDEP_EVE2_SDMA		WKUPDEP_EVE2_DSP1		WKUPDEP_EVE2_IPU2		WKUPDEP_EVE2_MPU	

Bits	Field Name	Description	Type	Reset
31:10	RESERVED		R	0x0
9	WKUPDEP_EVE2_EVE4	Wakeup dependency from EVE2 module (SWakeup signal) towards EVE4 + L3_MAIN1 + L4PER1 + L4PER2 + L4PER3 domains 0x0: Dependency is disabled 0x1: Dependency is enabled	RW	0x0
8	WKUPDEP_EVE2_EVE3	Wakeup dependency from EVE2 module (SWakeup signal) towards EVE3 + L3_MAIN1 + L4PER1 + L4PER2 + L4PER3 domains 0x0: Dependency is disabled 0x1: Dependency is enabled	RW	0x0
7	RESERVED		R	0x0
6	WKUPDEP_EVE2_EVE1	Wakeup dependency from EVE2 module (SWakeup signal) towards EVE1 + L3_MAIN1 + L4PER1 + L4PER2 + L4PER3 domains 0x0: Dependency is disabled 0x1: Dependency is enabled	RW	0x0

Bits	Field Name	Description	Type	Reset
5	WKUPDEP_EVE2_DSP2	Wakeup dependency from EVE2 module (SWakeup signal) towards DSP2 + L3_MAIN1 + L4PER1 + L4PER2 + L4PER3 domains 0x0: Dependency is disabled 0x1: Dependency is enabled	RW	0x0
4	WKUPDEP_EVE2_IPU1	Wakeup dependency from EVE2 module (SWakeup signal) towards IPU1 + L3_MAIN1 + L4PER1 + L4PER2 + L4PER3 domains 0x0: Dependency is disabled 0x1: Dependency is enabled	RW	0x0
3	WKUPDEP_EVE2_SDMA	Wakeup dependency from EVE2 module (SWakeup signal) towards SDMA + L3MAIN1 + L4PER1 + L4PER2 + L4PER3 domains 0x0: Dependency is disabled 0x1: Dependency is enabled	RW	0x0
2	WKUPDEP_EVE2_DSP1	Wakeup dependency from EVE2 module (SWakeup signal) towards DSP + L3MAIN1 + L4PER1 + L4PER2 + L4PER3 domains 0x0: Dependency is disabled 0x1: Dependency is enabled	RW	0x0
1	WKUPDEP_EVE2_IPU2	Wakeup dependency from EVE2 module (SWakeup signal) towards IPU2 + L3_MAIN1 + L4PER1 + L4PER2 + L4PER3 domains 0x0: Dependency is disabled 0x1: Dependency is enabled	RW	0x0
0	WKUPDEP_EVE2_MPU	Wakeup dependency from EVE2 module (SWakeup signal) towards MPU + L3_MAIN1 + L4PER1 + L4PER2 + L4PER3 domains 0x0: Dependency is disabled 0x1: Dependency is enabled	RW	0x0

Table 3-1557. RM_EVE2_EVE2_CONTEXT

Address Offset	0x0000 0024	Instance	EVE2_PRM
Physical Address	0x4AE0 7BA4		
Description	This register contains dedicated EVE context statuses. [warm reset insensitive]		
Type	RW		

31	30	29	28	27	26	25	24	23	22	21	20	19	18	17	16	15	14	13	12	11	10	9	8	7	6	5	4	3	2	1	0		
RESERVED																LOSTMEM_EVE_BANK	RESERVED																LOSTCONTEXT_DFF

Bits	Field Name	Description	Type	Reset
31:9	RESERVED		R	0x0
8	LOSTMEM_EVE_BANK	Specify if memory-based context in EVE2 memory bank has been lost due to a previous power transition or other reset source. 0x0: Context has been maintained 0x1: Context has been lost	RW	0x1

Bits	Field Name	Description	Type	Reset
7:1	RESERVED		R	0x0
0	LOSTCONTEXT_DFF	Specify if DFF-based context has been lost due to a previous power transition or other reset source. (set upon assertion of EVE1_SYS_RST signal) 0x0: Context has been maintained 0x1: Context has been lost	RW	0x1

3.12.43 EVE3_PRM Registers

3.12.43.1 EVE3_PRM Register Summary

Table 3-1558. EVE3_PRM Registers Mapping Summary

Register Name	Type	Register Width (Bits)	Address Offset	EVE3_PRM Physical Address L4_WKUP Interconnect
PM_EVE3_PWRSTCTRL	RW	32	0x0000 0000	0x4AE0 7BC0
PM_EVE3_PWRSTST	RW	32	0x0000 0004	0x4AE0 7BC4
RM_EVE3_RSTCTRL	RW	32	0x0000 0010	0x4AE0 7BD0
RM_EVE3_RSTST	RW	32	0x0000 0014	0x4AE0 7BD4
PM_EVE3_EVE3_WKDEP	RW	32	0x0000 0020	0x4AE0 7BE0
RM_EVE3_EVE3_CONTEXT	RW	32	0x0000 0024	0x4AE0 7BE4

3.12.43.2 EVE3_PRM Register Description

Table 3-1559. PM_EVE3_PWRSTCTRL

Address Offset	0x0000 0000	Instance	EVE3_PRM
Physical Address	0x4AE0 7BC0		
Description	This register controls the EVE power state to reach upon a domain sleep transition		
Type	RW		

31	30	29	28	27	26	25	24	23	22	21	20	19	18	17	16	15	14	13	12	11	10	9	8	7	6	5	4	3	2	1	0
RESERVED								EVE3_BANK_ONSTATE								RESERVED								LOWPOWERSTATECHANGE	RESERVED		POWERSTATE				

Bits	Field Name	Description	Type	Reset
31:18	RESERVED		R	0x0
17:16	EVE3_BANK_ONSTATE	EVE3 state when domain is ON. 0x3: Memory bank is on when the domain is ON.	R	0x3
15:5	RESERVED		R	0x0

Bits	Field Name	Description	Type	Reset
4	LOWPOWERSTATECHANGE	Power state change request when domain has already performed a sleep transition. Allows going into deeper low power state without waking up the power domain. 0x0: Do not request a low power state change. 0x1: Request a low power state change. This bit is automatically cleared when the power state is effectively changed or when power state is ON.	RW	0x0
3:2	RESERVED		R	0x0
1:0	POWERSTATE	Power state control 0x0: OFF state 0x1: RESERVED 0x2: INACTIVE state 0x3: ON State	RW	0x3

Table 3-1560. PM_EVE3_PWRSTST

Address Offset	0x0000 0004	Instance	EVE3_PRM
Physical Address	0x4AE0 7BC4		
Description	This register provides a status on the EVE domain current power state. [warm reset insensitive]		
Type	RW		

31	30	29	28	27	26	25	24	23	22	21	20	19	18	17	16	15	14	13	12	11	10	9	8	7	6	5	4	3	2	1	0
RESERVED								LASTPOWERSTATEENTERED		RESERVED		INTRANSITION		RESERVED								EVE3_BANK_STATEST		RESERVED		LOGICSTATEST		POWERSTATEST			

Bits	Field Name	Description	Type	Reset
31:26	RESERVED		R	0x0
25:24	LASTPOWERSTATEENTERED	Last low power state entered. Set to 0x3 upon write of the same only. This register is intended for debug purpose only. 0x0: Power domain was previously OFF 0x1: Power domain was previously in RETENTION 0x2: Power domain was previously ON-INACTIVE 0x3: Power domain was previously ON-ACTIVE	RW	0x0
23:21	RESERVED		R	0x0
20	INTRANSITION	Domain transition status 0x0: No on-going transition on power domain 0x1: Power domain transition is in progress.	R	0x0
19:6	RESERVED		R	0x0
5:4	EVE3_BANK_STATEST	EVE3 memory state status 0x0: Memory is OFF 0x1: RESERVED 0x2: Reserved 0x3: Memory is ON	R	0x3

Bits	Field Name	Description	Type	Reset
3	RESERVED		R	0x0
2	LOGICSTATEST	Logic state status 0x0: Logic in domain is OFF 0x1: Logic in domain is ON	R	0x1
1:0	POWERSTATEST	Current power state status 0x0: Power domain is OFF 0x1: Power domain is in RETENTION 0x2: Power domain is ON-INACTIVE 0x3: Power domain is ON-ACTIVE	R	0x3

Table 3-1561. RM_EVE3_RSTCTRL

Address Offset	0x0000 0010	Instance	EVE3_PRM
Physical Address	0x4AE0 7BD0		
Description	This register controls the release of the EVE sub-system resets.		
Type	RW		

31	30	29	28	27	26	25	24	23	22	21	20	19	18	17	16	15	14	13	12	11	10	9	8	7	6	5	4	3	2	1	0
RESERVED																												RST_EVE3	RST_EVE3_LRST		

Bits	Field Name	Description	Type	Reset
31:2	RESERVED		R	0x0
1	RST_EVE3	EVE SW reset control 0x0: Reset is cleared 0x1: Local Reset is asserted	RW	0x1
0	RST_EVE3_LRST	EVE3 Local reset control 0x0: Reset is cleared for the DSP - DSP 0x1: Reset is asserted for the DSP - DSP	RW	0x1

Table 3-1562. RM_EVE3_RSTST

Address Offset	0x0000 0014	Instance	EVE3_PRM
Physical Address	0x4AE0 7BD4		
Description	This register logs the different reset sources of the EVE domain. Each bit is set upon release of the domain reset signal. Must be cleared by software. [warm reset insensitive]		
Type	RW		

31	30	29	28	27	26	25	24	23	22	21	20	19	18	17	16	15	14	13	12	11	10	9	8	7	6	5	4	3	2	1	0
RESERVED																												RST_EVE3_EMU_REQ	RST_EVE3_EMU	RST_EVE3	RST_EVE3_LRST

Bits	Field Name	Description	Type	Reset
31:4	RESERVED		R	0x0
3	RST_EVE3_EMU_REQ	EVE3 processor has been reset due to EVE emulation reset request driven from EVE3-SS 0x0: No emulation reset 0x1: EVE has been reset upon emulation reset request	RW	0x0
2	RST_EVE3_EMU	EVE3 domain has been reset due to emulation reset source e.g. assert reset command initiated by the icepick module 0x0: No emulation reset 0x1: EVE has been reset upon emulation reset	RW	0x0
1	RST_EVE3	EVE3 SW reset status 0x0: No SW reset occurred 0x1: Local reset upon SW reset	RW	0x0
0	RST_EVE3_LRST	EVE3 Local SW reset 0x0: No SW reset occurred 0x1: EVE has been reset upon SW reset	RW	0x0

Table 3-1563. PM_EVE3_EVE3_WKDEP

Address Offset	0x0000 0020	Instance	EVE3_PRM
Physical Address	0x4AE0 7BE0		
Description	This register controls wakeup dependency based on EVE3 service requests.		
Type	RW		

31	30	29	28	27	26	25	24	23	22	21	20	19	18	17	16	15	14	13	12	11	10	9	8	7	6	5	4	3	2	1	0																	
RESERVED																WKUPDEP_EVE3_EVE4	RESERVED	WKUPDEP_EVE3_EVE2	WKUPDEP_EVE3_EVE1	WKUPDEP_EVE3_DSP2	WKUPDEP_EVE3_IPU1	WKUPDEP_EVE3_SDMA	WKUPDEP_EVE3_DSP1	WKUPDEP_EVE3_IPU2	WKUPDEP_EVE3_MPU																							

Bits	Field Name	Description	Type	Reset
31:10	RESERVED		R	0x0
9	WKUPDEP_EVE3_EVE4	Wakeup dependency from EVE3 module (SWakeup signal) towards EVE4 + L3_MAIN1 + L4PER1 + L4PER2 + L4PER3 domains 0x0: Dependency is disabled 0x1: Dependency is enabled	RW	0x0
8	RESERVED		R	0x0
7	WKUPDEP_EVE3_EVE2	Wakeup dependency from EVE3 module (SWakeup signal) towards EVE2 + L3_MAIN1 + L4PER1 + L4PER2 + L4PER3 domains 0x0: Dependency is disabled 0x1: Dependency is enabled	RW	0x0
6	WKUPDEP_EVE3_EVE1	Wakeup dependency from EVE3 module (SWakeup signal) towards EVE1 + L3_MAIN1 + L4PER1 + L4PER2 + L4PER3 domains 0x0: Dependency is disabled 0x1: Dependency is enabled	RW	0x0

Bits	Field Name	Description	Type	Reset
5	WKUPDEP_EVE3_DSP2	Wakeup dependency from EVE3 module (SWakeup signal) towards DSP2 + L3_MAIN1 + L4PER1 + L4PER2 + L4PER3 domains 0x0: Dependency is disabled 0x1: Dependency is enabled	RW	0x0
4	WKUPDEP_EVE3_IPU1	Wakeup dependency from EVE3 module (SWakeup signal) towards IPU1 + L3_MAIN1 + L4PER1 + L4PER2 + L4PER3 domains 0x0: Dependency is disabled 0x1: Dependency is enabled	RW	0x0
3	WKUPDEP_EVE3_SDMA	Wakeup dependency from EVE3 module (SWakeup signal) towards SDMA + L3MAIN1 + L4PER1 + L4PER2 + L4PER3 domains 0x0: Dependency is disabled 0x1: Dependency is enabled	RW	0x0
2	WKUPDEP_EVE3_DSP1	Wakeup dependency from EVE3 module (SWakeup signal) towards DSP + L3MAIN1 + L4PER1 + L4PER2 + L4PER3 domains 0x0: Dependency is disabled 0x1: Dependency is enabled	RW	0x0
1	WKUPDEP_EVE3_IPU2	Wakeup dependency from EVE3 module (SWakeup signal) towards IPU2 + L3_MAIN1 + L4PER1 + L4PER2 + L4PER3 domains 0x0: Dependency is disabled 0x1: Dependency is enabled	RW	0x0
0	WKUPDEP_EVE3_MPU	Wakeup dependency from EVE3 module (SWakeup signal) towards MPU + L3_MAIN1 + L4PER1 + L4PER2 + L4PER3 domains 0x0: Dependency is disabled 0x1: Dependency is enabled	RW	0x0

Table 3-1564. RM_EVE3_EVE3_CONTEXT

Address Offset	0x0000 0024	Instance	EVE3_PRM
Physical Address	0x4AE0 7BE4		
Description	This register contains dedicated EVE context statuses. [warm reset insensitive]		
Type	RW		

31	30	29	28	27	26	25	24	23	22	21	20	19	18	17	16	15	14	13	12	11	10	9	8	7	6	5	4	3	2	1	0
RESERVED																LOSTMEM_EVE_BANK	RESERVED										LOSTCONTEXT_DFF				

Bits	Field Name	Description	Type	Reset
31:9	RESERVED		R	0x0
8	LOSTMEM_EVE_BANK	Specify if memory-based context in EVE3 memory bank has been lost due to a previous power transition or other reset source. 0x0: Context has been maintained 0x1: Context has been lost	RW	0x1

Bits	Field Name	Description	Type	Reset
7:1	RESERVED		R	0x0
0	LOSTCONTEXT_DFF	Specify if DFF-based context has been lost due to a previous power transition or other reset source. (set upon assertion of EVE1_SYS_RST signal) 0x0: Context has been maintained 0x1: Context has been lost	RW	0x1

3.12.44 EVE4_PRM Registers

3.12.44.1 EVE4_PRM Register Summary

Table 3-1565. EVE4_PRM Registers Mapping Summary

Register Name	Type	Register Width (Bits)	Address Offset	EVE4_PRM Physical Address L4_WKUP Interconnect
PM_EVE4_PWRSTCTRL	RW	32	0x0000 0000	0x4AE0 7C00
PM_EVE4_PWRSTST	RW	32	0x0000 0004	0x4AE0 7C04
RM_EVE4_RSTCTRL	RW	32	0x0000 0010	0x4AE0 7C10
RM_EVE4_RSTST	RW	32	0x0000 0014	0x4AE0 7C14
PM_EVE4_EVE4_WKDEP	RW	32	0x0000 0020	0x4AE0 7C20
RM_EVE4_EVE4_CONTEXT	RW	32	0x0000 0024	0x4AE0 7C24

3.12.44.2 EVE4_PRM Register Description

Table 3-1566. PM_EVE4_PWRSTCTRL

Address Offset	0x0000 0000	Instance	EVE4_PRM
Physical Address	0x4AE0 7C00		
Description	This register controls the EVE power state to reach upon a domain sleep transition		
Type	RW		

31	30	29	28	27	26	25	24	23	22	21	20	19	18	17	16	15	14	13	12	11	10	9	8	7	6	5	4	3	2	1	0
RESERVED								EVE4_BANK_ONSTATE								RESERVED								LOWPOWERSTATECHANGE	RESERVED		POWERSTATE				

Bits	Field Name	Description	Type	Reset
31:18	RESERVED		R	0x0
17:16	EVE4_BANK_ONSTATE	EVE4 state when domain is ON. 0x3: Memory bank is on when the domain is ON.	R	0x3
15:5	RESERVED		R	0x0

Bits	Field Name	Description	Type	Reset
4	LOWPOWERSTATECHANGE	Power state change request when domain has already performed a sleep transition. Allows going into deeper low power state without waking up the power domain. 0x0: Do not request a low power state change. 0x1: Request a low power state change. This bit is automatically cleared when the power state is effectively changed or when power state is ON.	RW	0x0
3:2	RESERVED		R	0x0
1:0	POWERSTATE	Power state control 0x0: OFF state 0x1: RESERVED 0x2: INACTIVE state 0x3: ON State	RW	0x3

Table 3-1567. PM_EVE4_PWRSTST

Address Offset	0x0000 0004	Instance	EVE4_PRM
Physical Address	0x4AE0 7C04		
Description	This register provides a status on the EVE domain current power state. [warm reset insensitive]		
Type	RW		

31	30	29	28	27	26	25	24	23	22	21	20	19	18	17	16	15	14	13	12	11	10	9	8	7	6	5	4	3	2	1	0
RESERVED								LASTPOWERSTATEENTERED		RESERVED		INTRANSITION		RESERVED								EVE4_BANK_STATEST		RESERVED		LOGICSTATEST		POWERSTATEST			

Bits	Field Name	Description	Type	Reset
31:26	RESERVED		R	0x0
25:24	LASTPOWERSTATEENTERED	Last low power state entered. Set to 0x3 upon write of the same only. This register is intended for debug purpose only. 0x0: Power domain was previously OFF 0x1: Power domain was previously in RETENTION 0x2: Power domain was previously ON-INACTIVE 0x3: Power domain was previously ON-ACTIVE	RW	0x0
23:21	RESERVED		R	0x0
20	INTRANSITION	Domain transition status 0x0: No on-going transition on power domain 0x1: Power domain transition is in progress.	R	0x0
19:6	RESERVED		R	0x0
5:4	EVE4_BANK_STATEST	EVE4 memory state status 0x0: Memory is OFF 0x1: Reserved 0x2: Reserved 0x3: Memory is ON	R	0x3

Bits	Field Name	Description	Type	Reset
3	RESERVED		R	0x0
2	LOGICSTATEST	Logic state status 0x0: Logic in domain is OFF 0x1: Logic in domain is ON	R	0x1
1:0	POWERSTATEST	Current power state status 0x0: Power domain is OFF 0x1: Power domain is in RETENTION 0x2: Power domain is ON-INACTIVE 0x3: Power domain is ON-ACTIVE	R	0x3

Table 3-1568. RM_EVE4_RSTCTRL

Address Offset	0x0000 0010	Instance	EVE4_PRM
Physical Address	0x4AE0 7C10		
Description	This register controls the release of the EVE sub-system resets.		
Type	RW		

31	30	29	28	27	26	25	24	23	22	21	20	19	18	17	16	15	14	13	12	11	10	9	8	7	6	5	4	3	2	1	0
RESERVED																								RST_EVE4	RST_EVE4_LRST						

Bits	Field Name	Description	Type	Reset
31:2	RESERVED		R	0x0
1	RST_EVE4	EVE SW reset control 0x0: Reset is cleared 0x1: Local Reset is asserted	RW	0x1
0	RST_EVE4_LRST	EVE4 Local reset control 0x0: Reset is cleared for the DSP - DSP 0x1: Reset is asserted for the DSP - DSP	RW	0x1

Table 3-1569. RM_EVE4_RSTST

Address Offset	0x0000 0014	Instance	EVE4_PRM
Physical Address	0x4AE0 7C14		
Description	This register logs the different reset sources of the EVE domain. Each bit is set upon release of the domain reset signal. Must be cleared by software. [warm reset insensitive]		
Type	RW		

31	30	29	28	27	26	25	24	23	22	21	20	19	18	17	16	15	14	13	12	11	10	9	8	7	6	5	4	3	2	1	0
RESERVED																								RST_EVE4_EMU_REQ	RST_EVE4_EMU	RST_EVE4	RST_EVE4_LRST				

Bits	Field Name	Description	Type	Reset
31:4	RESERVED		R	0x0
3	RST_EVE4_EMU_REQ	EVE4 processor has been reset due to EVE emulation reset request driven from EVE4-SS 0x0: No emulation reset 0x1: EVE has been reset upon emulation reset request	RW	0x0
2	RST_EVE4_EMU	EVE4 domain has been reset due to emulation reset source e.g. assert reset command initiated by the icepick module 0x0: No emulation reset 0x1: EVE has been reset upon emulation reset	RW	0x0
1	RST_EVE4	EVE4 SW reset status 0x0: No SW reset occurred 0x1: Local reset upon SW reset	RW	0x0
0	RST_EVE4_LRST	EVE4 Local SW reset 0x0: No SW reset occurred 0x1: EVE has been reset upon SW reset	RW	0x0

Table 3-1570. PM_EVE4_EVE4_WKDEP

Address Offset	0x0000 0020	Instance	EVE4_PRM
Physical Address	0x4AE0 7C20		
Description	This register controls wakeup dependency based on EVE4 service requests.		
Type	RW		

31	30	29	28	27	26	25	24	23	22	21	20	19	18	17	16	15	14	13	12	11	10	9	8	7	6	5	4	3	2	1	0
RESERVED																WKUPDEP_EVE4_EVE3	WKUPDEP_EVE4_EVE2	WKUPDEP_EVE4_EVE1	WKUPDEP_EVE4_DSP2	WKUPDEP_EVE4_IPU1	WKUPDEP_EVE4_SDMA	WKUPDEP_EVE4_DSP1	WKUPDEP_EVE4_IPU2	WKUPDEP_EVE4_MPU							

Bits	Field Name	Description	Type	Reset
31:9	RESERVED		R	0x0
8	WKUPDEP_EVE4_EVE3	Wakeup dependency from EVE4 module (SWakeup signal) towards EVE3 + L3_MAIN1 + L4PER1 + L4PER2 + L4PER3 domains 0x0: Dependency is disabled 0x1: Dependency is enabled	RW	0x0
7	WKUPDEP_EVE4_EVE2	Wakeup dependency from EVE4 module (SWakeup signal) towards EVE2 + L3_MAIN1 + L4PER1 + L4PER2 + L4PER3 domains 0x0: Dependency is disabled 0x1: Dependency is enabled	RW	0x0
6	WKUPDEP_EVE4_EVE1	Wakeup dependency from EVE4 module (SWakeup signal) towards EVE1 + L3_MAIN1 + L4PER1 + L4PER2 + L4PER3 domains 0x0: Dependency is disabled 0x1: Dependency is enabled	RW	0x0

Bits	Field Name	Description	Type	Reset
5	WKUPDEP_EVE4_DSP2	Wakeup dependency from EVE4 module (SWakeup signal) towards DSP2 + L3_MAIN1 + L4PER1 + L4PER2 + L4PER3 domains 0x0: Dependency is disabled 0x1: Dependency is enabled	RW	0x0
4	WKUPDEP_EVE4_IPU1	Wakeup dependency from EVE4 module (SWakeup signal) towards IPU1 + L3_MAIN1 + L4PER1 + L4PER2 + L4PER3 domains 0x0: Dependency is disabled 0x1: Dependency is enabled	RW	0x0
3	WKUPDEP_EVE4_SDMA	Wakeup dependency from EVE4 module (SWakeup signal) towards SDMA + L3MAIN1 + L4PER1 + L4PER2 + L4PER3 domains 0x0: Dependency is disabled 0x1: Dependency is enabled	RW	0x0
2	WKUPDEP_EVE4_DSP1	Wakeup dependency from EVE4 module (SWakeup signal) towards DSP + L3MAIN1 + L4PER1 + L4PER2 + L4PER3 domains 0x0: Dependency is disabled 0x1: Dependency is enabled	RW	0x0
1	WKUPDEP_EVE4_IPU2	Wakeup dependency from EVE4 module (SWakeup signal) towards IPU2 + L3_MAIN1 + L4PER1 + L4PER2 + L4PER3 domains 0x0: Dependency is disabled 0x1: Dependency is enabled	RW	0x0
0	WKUPDEP_EVE4_MPU	Wakeup dependency from EVE4 module (SWakeup signal) towards MPU + L3_MAIN1 + L4PER1 + L4PER2 + L4PER3 domains 0x0: Dependency is disabled 0x1: Dependency is enabled	RW	0x0

Table 3-1571. RM_EVE4_EVE4_CONTEXT

Address Offset	0x0000 0024	Instance	EVE4_PRM
Physical Address	0x4AE0 7C24		
Description	This register contains dedicated EVE context statuses. [warm reset insensitive]		
Type	RW		

31	30	29	28	27	26	25	24	23	22	21	20	19	18	17	16	15	14	13	12	11	10	9	8	7	6	5	4	3	2	1	0		
RESERVED																LOSTMEM_EVE_BANK	RESERVED																LOSTCONTEXT_DFF

Bits	Field Name	Description	Type	Reset
31:9	RESERVED		R	0x0
8	LOSTMEM_EVE_BANK	Specify if memory-based context in EVE4 memory bank has been lost due to a previous power transition or other reset source. 0x0: Context has been maintained 0x1: Context has been lost	RW	0x1

Bits	Field Name	Description	Type	Reset
7:1	RESERVED		R	0x0
0	LOSTCONTEXT_DFF	Specify if DFF-based context has been lost due to a previous power transition or other reset source. (set upon assertion of EVE1_SYS_RST signal) 0x0: Context has been maintained 0x1: Context has been lost	RW	0x1

3.12.45 GPU_PRM Registers

3.12.45.1 GPU_PRM Register Summary

Table 3-1572. GPU_PRM Registers Mapping Summary

Register Name	Type	Register Width (Bits)	Address Offset	GPU_PRM Physical Address L4_WKUP Interconnect
PM_GPU_PWRSTCTRL	RW	32	0x0000 0000	0x4AE0 7200
PM_GPU_PWRSTST	RW	32	0x0000 0004	0x4AE0 7204
RM_GPU_GPU_CONTE XT	RW	32	0x0000 0024	0x4AE0 7224

3.12.45.2 GPU_PRM Register Description

Table 3-1573. PM_GPU_PWRSTCTRL

Address Offset	0x0000 0000		
Physical Address	0x4AE0 7200	Instance	GPU_PRM
Description	This register controls the GPU power state to reach upon a domain sleep transition		
Type	RW		

31	30	29	28	27	26	25	24	23	22	21	20	19	18	17	16	15	14	13	12	11	10	9	8	7	6	5	4	3	2	1	0
RESERVED								GPU_MEM_ONSTATE	RESERVED								LOWPOWERSTATECHANGE	RESERVED	POWERSTATE												

Bits	Field Name	Description	Type	Reset
31:18	RESERVED		R	0x0
17:16	GPU_MEM_ONSTATE	GPU_MEM memory bank state when domain is ON. 0x3: Memory bank is on when the domain is ON.	R	0x3
15:5	RESERVED		R	0x0
4	LOWPOWERSTATECHANGE	Power state change request when domain has already performed a sleep transition. Allows going into deeper low power state without waking up the power domain. 0x0: Do not request a low power state change. 0x1: Request a low power state change. This bit is automatically cleared when the power state is effectively changed or when power state is ON.	RW	0x0

Bits	Field Name	Description	Type	Reset
3:2	RESERVED		R	0x0
1:0	POWERSTATE	Power state control 0x0: OFF state 0x1: Reserved 0x2: INACTIVE state 0x3: ON State	RW	0x0

Table 3-1574. Register Call Summary for Register PM_GPU_PWRSTCTRL

Power Management Functional Description

- [Logic and Memory Area Power Modes Control and Status: \[0\]\[1\]\[2\]](#)

PRCM Register Manual

- [Not Supported Functionality \(Registers and Bits\): \[3\]](#)
- [GPU_PRM Register Summary: \[4\]](#)

Table 3-1575. PM_GPU_PWRSTST

Address Offset	0x0000 0004	Instance	GPU_PRM
Physical Address	0x4AE0 7204		
Description	This register provides a status on the current GPU power domain state. [warm reset insensitive]		
Type	RW		

31	30	29	28	27	26	25	24	23	22	21	20	19	18	17	16	15	14	13	12	11	10	9	8	7	6	5	4	3	2	1	0
RESERVED								LASTPOWERSTATEENTERED		RESERVED		INTRANSITION		RESERVED										GPU_MEM_STATE		RESERVED		LOGICSTATE		POWERSTATE	

Bits	Field Name	Description	Type	Reset
31:26	RESERVED		R	0x0
25:24	LASTPOWERSTATEENTERED	Last low power state entered. Set to 0x3 upon write of the same only. This register is intended for debug purpose only. 0x0: Power domain was previously OFF 0x1: Power domain was previously in RETENTION 0x2: Power domain was previously ON-INACTIVE 0x3: Power domain was previously ON-ACTIVE	RW	0x0
23:21	RESERVED		R	0x0
20	INTRANSITION	Domain transition status 0x0: No on-going transition on power domain 0x1: Power domain transition is in progress.	R	0x0
19:6	RESERVED		R	0x0

Bits	Field Name	Description	Type	Reset
5:4	GPU_MEM_STATEST	GPU_MEM memory bank state status 0x0: Memory is OFF 0x1: Reserved 0x2: Reserved 0x3: Memory is ON	R	0x3
3	RESERVED		R	0x0
2	LOGICSTATEST	Logic state status 0x0: Logic in domain is OFF 0x1: Logic in domain is ON	R	0x0
1:0	POWERSTATEST	Current power state status 0x0: Power domain is OFF 0x1: Power domain is in RETENTION 0x2: Power domain is ON-INACTIVE 0x3: Power domain is ON-ACTIVE	R	0x0

Table 3-1576. Register Call Summary for Register PM_GPU_PWRSTST

Power Management Functional Description

- [Logic and Memory Area Power Modes Control and Status: \[0\]\[1\]\[2\]\[3\]\[4\]](#)

PRCM Register Manual

- [Not Supported Functionality \(Registers and Bits\): \[5\]\[6\]\[7\]\[8\]\[9\]](#)
- [GPU_PRM Register Summary: \[10\]](#)

Table 3-1577. RM_GPU_GPU_CONTEXT

Address Offset	0x0000 0024	Instance	GPU_PRM
Physical Address	0x4AE0 7224		
Description	This register contains dedicated GPU context statuses. [warm reset insensitive]		
Type	RW		

31	30	29	28	27	26	25	24	23	22	21	20	19	18	17	16	15	14	13	12	11	10	9	8	7	6	5	4	3	2	1	0
RESERVED																LOSTMEM_GPU_MEM	RESERVED										LOSTCONTEXT_DFF				

Bits	Field Name	Description	Type	Reset
31:9	RESERVED		R	0x0
8	LOSTMEM_GPU_MEM	Specify if memory-based context in GPU_MEM memory bank has been lost due to a previous power transition or other reset source. 0x0: Context has been maintained 0x1: Context has been lost	RW	0x1
7:1	RESERVED		R	0x0
0	LOSTCONTEXT_DFF	Specify if DFF-based context has been lost due to a previous power transition or other reset source. (set upon assertion of GPU_RST signal) 0x0: Context has been maintained 0x1: Context has been lost	RW	0x1

Table 3-1578. Register Call Summary for Register RM_GPU_GPU_CONTEXT

Power Management Functional Description

- [PD_GPU Description: \[0\]](#)

PRCM Register Manual

- [GPU_PRM Register Summary: \[1\]](#)

3.12.46 INSTR_PRM Registers

3.12.46.1 INSTR_PRM Register Summary

Table 3-1579. INSTR_PRM Registers Mapping Summary

Register Name	Type	Register Width (Bits)	Address Offset	INSTR_PRM Physical Address L4_WKUP Interconnect
PMI_IDENTIFICATION	R	32	0x0000 0000	0x4AE0 7F00
PMI_SYS_CONFIG	RW	32	0x0000 0010	0x4AE0 7F10
PMI_STATUS	R	32	0x0000 0014	0x4AE0 7F14
PMI_CONFIGURATION	RW	32	0x0000 0024	0x4AE0 7F24
PMI_CLASS_FILTERING	RW	32	0x0000 0028	0x4AE0 7F28
PMI_TRIGGERING	RW	32	0x0000 002C	0x4AE0 7F2C
PMI_SAMPLING	RW	32	0x0000 0030	0x4AE0 7F30

3.12.46.2 INSTR_PRM Register Description

Table 3-1580. PMI_IDENTIFICATION

Address Offset	0x0000 0000	Instance	INSTR_PRM
Physical Address	0x4AE0 7F00		
Description	PM profiling identification register		
Type	R		

31	30	29	28	27	26	25	24	23	22	21	20	19	18	17	16	15	14	13	12	11	10	9	8	7	6	5	4	3	2	1	0
REVISION																															

Bits	Field Name	Description	Type	Reset
31:0	REVISION	IP revision	R	0x- ⁽¹⁾

⁽¹⁾ TI Internal data.

Table 3-1581. Register Call Summary for Register PMI_IDENTIFICATION

PRCM Register Manual

- [INSTR_PRM Register Summary: \[0\]](#)

Table 3-1582. PMI_SYS_CONFIG

Address Offset	0x0000 0010	Instance	INSTR_PRM
Physical Address	0x4AE0 7F10		
Description	PM profiling system configuration register		
Type	RW		

31	30	29	28	27	26	25	24	23	22	21	20	19	18	17	16	15	14	13	12	11	10	9	8	7	6	5	4	3	2	1	0
RESERVED																IDLEMODE		RESERVED	SOFTRESET												

Bits	Field Name	Description	Type	Reset
31:4	RESERVED		R	0x0
3:2	IDLEMODE	Configuration of the local target state management mode	RW	0x2
1	RESERVED		R	0x0
0	SOFTRESET	Software reset	RW	0x0

Table 3-1583. Register Call Summary for Register PMI_SYS_CONFIG

PRCM Register Manual

- [INSTR_PRM Register Summary: \[0\]](#)

Table 3-1584. PMI_STATUS

Address Offset	0x0000 0014	Instance	INSTR_PRM
Physical Address	0x4AE0 7F14		
Description	PM profiling status register		
Type	R		

31	30	29	28	27	26	25	24	23	22	21	20	19	18	17	16	15	14	13	12	11	10	9	8	7	6	5	4	3	2	1	0
RESERVED																FIFOEMPTY	RESERVED														

Bits	Field Name	Description	Type	Reset
31:9	RESERVED		R	0x0
8	FIFOEMPTY	PM Profiling buffer empty	R	0x1
7:0	RESERVED		R	0x0

Table 3-1585. Register Call Summary for Register PMI_STATUS

PRCM Register Manual

- [INSTR_PRM Register Summary: \[0\]](#)

Table 3-1586. PMI_CONFIGURATION

Address Offset	0x0000 0024	Instance	INSTR_PRM
Physical Address	0x4AE0 7F24		
Description	PM profiling configuration register		
Type	RW		

31	30	29	28	27	26	25	24	23	22	21	20	19	18	17	16	15	14	13	12	11	10	9	8	7	6	5	4	3	2	1	0
CLAIM_3	CLAIM_2	CLAIM_1	RESERVED													EVT_CAPT_EN	RESERVED														

Bits	Field Name	Description	Type	Reset
31:30	CLAIM_3	Ownership	RW	0x0
29	CLAIM_2	Debugger override qualifier	RW	0x1
28	CLAIM_1	Current owner	R	0x0
27:8	RESERVED		R	0x0
7	EVT_CAPT_EN	When HIGH the PM events capture is enabled	RW	0x0
6:0	RESERVED		R	0x0

Table 3-1587. Register Call Summary for Register PMI_CONFIGURATION

PRCM Register Manual

- [INSTR_PRM Register Summary: \[0\]](#)

Table 3-1588. PMI_CLASS_FILTERING

Address Offset	0x0000 0028	Instance	INSTR_PRM
Physical Address	0x4AE0 7F28		
Description	PM profiling class filtering register		
Type	RW		

31	30	29	28	27	26	25	24	23	22	21	20	19	18	17	16	15	14	13	12	11	10	9	8	7	6	5	4	3	2	1	0
RESERVED														SNAP_CAPT_EN_03	SNAP_CAPT_EN_02	SNAP_CAPT_EN_01	SNAP_CAPT_EN_00														

Bits	Field Name	Description	Type	Reset
31:4	RESERVED		R	0x0
3	SNAP_CAPT_EN_03	Snapshot capture enable - Class-ID = 0x03	RW	0x0
2	SNAP_CAPT_EN_02	Snapshot capture enable - Class-ID = 0x02	RW	0x0
1	SNAP_CAPT_EN_01	Snapshot capture enable - Class-ID = 0x01	RW	0x0
0	SNAP_CAPT_EN_00	Snapshot capture enable - Class-ID = 0x00	RW	0x0

Table 3-1589. Register Call Summary for Register PMI_CLASS_FILTERING

PRCM Register Manual

- [INSTR_PRM Register Summary: \[0\]](#)

Table 3-1590. PMI_TRIGGERING

Address Offset	0x0000 002C	Instance	INSTR_PRM
Physical Address	0x4AE0 7F2C		
Description	PM profiling triggering control register		
Type	RW		

31	30	29	28	27	26	25	24	23	22	21	20	19	18	17	16	15	14	13	12	11	10	9	8	7	6	5	4	3	2	1	0
RESERVED																TRIG_STOP_EN		TRIG_START_EN													

Bits	Field Name	Description	Type	Reset
31:2	RESERVED		R	0x0
1	TRIG_STOP_EN	Enable stop capturing PM events from external trigger detection	RW	0x0
0	TRIG_START_EN	Enable start capturing PM events from external trigger detection	RW	0x0

Table 3-1591. Register Call Summary for Register PMI_TRIGGERING

PRCM Register Manual

- [INSTR_PRM Register Summary: \[0\]](#)

Table 3-1592. PMI_SAMPLING

Address Offset	0x0000 0030	Instance	INSTR_PRM
Physical Address	0x4AE0 7F30		
Description	PM profiling sampling window register		
Type	RW		

31	30	29	28	27	26	25	24	23	22	21	20	19	18	17	16	15	14	13	12	11	10	9	8	7	6	5	4	3	2	1	0
RESERVED												FCLK_DIV_FACOR				RESERVED								SAMP_WIND_SIZE							

Bits	Field Name	Description	Type	Reset
31:20	RESERVED		R	0x0
19:16	FCLK_DIV_FACOR	FunClk divide factor ranging from 1 to 16	RW	0x0
15:8	RESERVED		R	0x0
7:0	SAMP_WIND_SIZE	PM events sampling window size	RW	0x0

Table 3-1593. Register Call Summary for Register PMI_SAMPLING

PRCM Register Manual

- [INSTR_PRM Register Summary: \[0\]](#)

3.12.47 IPU_PRM registers

3.12.47.1 IPU_PRM Register Summary

Table 3-1594. IPU_PRM Registers Mapping Summary

Register Name	Type	Register Width (Bits)	Address Offset	IPU_PRM Physical Address L4_WKUP Interconnect
PM_IPU_PWRSTCTRL	RW	32	0x0000 0000	0x4AE0 6500
PM_IPU_PWRSTST	RW	32	0x0000 0004	0x4AE0 6504
RM_IPU1_RSTCTRL	RW	32	0x0000 0010	0x4AE0 6510
RM_IPU1_RSTST	RW	32	0x0000 0014	0x4AE0 6514
RM_IPU1_IPU1_CONT EXT	RW	32	0x0000 0024	0x4AE0 6524
PM_IPU_MCASP1_WK DEP	RW	32	0x0000 0050	0x4AE0 6550
RM_IPU_MCASP1_CO NTEXT	RW	32	0x0000 0054	0x4AE0 6554
PM_IPU_TIMER5_WKD EP	RW	32	0x0000 0058	0x4AE0 6558
RM_IPU_TIMER5_CON TEXT	RW	32	0x0000 005C	0x4AE0 655C
PM_IPU_TIMER6_WKD EP	RW	32	0x0000 0060	0x4AE0 6560
RM_IPU_TIMER6_CON TEXT	RW	32	0x0000 0064	0x4AE0 6564
PM_IPU_TIMER7_WKD EP	RW	32	0x0000 0068	0x4AE0 6568
RM_IPU_TIMER7_CON TEXT	RW	32	0x0000 006C	0x4AE0 656C
PM_IPU_TIMER8_WKD EP	RW	32	0x0000 0070	0x4AE0 6570
RM_IPU_TIMER8_CON TEXT	RW	32	0x0000 0074	0x4AE0 6574
PM_IPU_I2C5_WKDEP	RW	32	0x0000 0078	0x4AE0 6578
RM_IPU_I2C5_CONTE XT	RW	32	0x0000 007C	0x4AE0 657C
PM_IPU_UART6_WKD EP	RW	32	0x0000 0080	0x4AE0 6580
RM_IPU_UART6_CONT EXT	RW	32	0x0000 0084	0x4AE0 6584

3.12.47.2 IPU_PRM Register Description
Table 3-1595. PM_IPU_PWRSTCTRL

Address Offset	0x0000 0000	Instance	IPU_PRM
Physical Address	0x4AE0 6500		
Description	This register controls the IPU domain power state to reach upon a domain sleep transition		
Type	RW		

31	30	29	28	27	26	25	24	23	22	21	20	19	18	17	16	15	14	13	12	11	10	9	8	7	6	5	4	3	2	1	0
RESERVED								PERIPHMEM_ONSTATE	RESERVED	AESSMEM_ONSTATE	RESERVED				PERIPHMEM_RETSTATE	RESERVED	AESSMEM_RETSTATE	RESERVED	LOWPOWERSTATECHANGE	RESERVED	LOGICRETSTATE	POWERSTATE									

Bits	Field Name	Description	Type	Reset
31:22	RESERVED		R	0x0
21:20	PERIPHMEM_ONSTATE	PERIPHMEM memory state when domain is ON. 0x3: Memory bank is on when the domain is ON.	R	0x3
19:18	RESERVED		R	0x0
17:16	AESSMEM_ONSTATE	AESSMEM memory state when domain is ON. 0x3: Memory bank is on when the domain is ON.	R	0x3
15:11	RESERVED		R	0x0
10	PERIPHMEM_RETSTATE	PERIPHMEM memory state when domain is RETENTION. 0x0: Memory bank is off when the domain is in the RETENTION state. 0x1: Memory bank is retained when domain is in RETENTION state.	RW	0x0
9	RESERVED		R	0x0
8	AESSMEM_RETSTATE	AESSMEM memory state when domain is RETENTION. 0x0: Memory bank is off when the domain is in the RETENTION state. 0x1: Memory bank is retained when domain is in RETENTION state.	RW	0x1
7:5	RESERVED		R	0x0
4	LOWPOWERSTATECHANGE	Power state change request when domain has already performed a sleep transition. Allows going into deeper low power state without waking up the power domain. 0x0: Do not request a low power state change. 0x1: Request a low power state change. This bit is automatically cleared when the power state is effectively changed or when power state is ON.	RW	0x0
3	RESERVED		R	0x0
2	LOGICRETSTATE	Logic state when power domain is RETENTION 0x0: Whole logic is off when the domain is in RETENTION state.	R	0x0

Bits	Field Name	Description	Type	Reset
1:0	POWERSTATE	Power state control 0x0: OFF state 0x1: RETENTION state 0x2: INACTIVE state 0x3: ON State	RW	0x0

Table 3-1596. Register Call Summary for Register PM_IPU_PWRSTCTRL

Power Management Functional Description

- [Logic and Memory Area Power Modes Control and Status: \[0\]\[1\]\[2\]\[3\]\[4\]\[5\]\[6\]](#)

PRCM Register Manual

- [Not Supported Functionality \(Registers and Bits\): \[7\]\[8\]\[9\]\[10\]\[11\]](#)
- [IPU_PRM Register Summary: \[12\]](#)

Table 3-1597. PM_IPU_PWRSTST

Address Offset	0x0000 0004	Instance	IPU_PRM
Physical Address	0x4AE0 6504		
Description	This register provides a status on the IPU domain current power domain state. [warm reset insensitive]		
Type	RW		

31	30	29	28	27	26	25	24	23	22	21	20	19	18	17	16	15	14	13	12	11	10	9	8	7	6	5	4	3	2	1	0		
RESERVED								LASTPOWERSTATEENTERED		RESERVED		INTRANSITION		RESERVED								PERIPHEM_STATEST		RESERVED		AESSMEM_STATEST		RESERVED		LOGICSTATEST		POWERSTATEST	

Bits	Field Name	Description	Type	Reset
31:26	RESERVED		R	0x0
25:24	LASTPOWERSTATEENTERED	Last low power state entered. Set to 0x3 upon write of the same only. This register is intended for debug purpose only. 0x0: Power domain was previously OFF 0x1: Power domain was previously in RETENTION 0x2: Power domain was previously ON-INACTIVE 0x3: Power domain was previously ON-ACTIVE	RW	0x0
23:21	RESERVED		R	0x0
20	INTRANSITION	Domain transition status 0x0: No on-going transition on power domain 0x1: Power domain transition is in progress.	R	0x0
19:10	RESERVED		R	0x0
9:8	PERIPHEM_STATEST	PERIPHEM memory state status 0x0: Memory is OFF 0x1: Reserved 0x2: Reserved 0x3: Memory is ON	R	0x3

Bits	Field Name	Description	Type	Reset
7:6	RESERVED		R	0x0
5:4	AESSMEM_STATEST	AESSMEM memory state status 0x0: Memory is OFF 0x1: Memory is RETENTION 0x2: Reserved 0x3: Memory is ON	R	0x3
3	RESERVED		R	0x0
2	LOGICSTATEST	Logic state status 0x0: Logic in domain is OFF 0x1: Logic in domain is ON	R	0x1
1:0	POWERSTATEST	Current power state status 0x0: Power domain is OFF 0x1: Power domain is in RETENTION 0x2: Power domain is ON-INACTIVE 0x3: Power domain is ON-ACTIVE	R	0x3

Table 3-1598. Register Call Summary for Register PM_IPU_PWRSTST

Power Management Functional Description

- [Logic and Memory Area Power Modes Control and Status: \[0\]\[1\]\[2\]\[3\]\[4\]\[5\]](#)

PRCM Register Manual

- [Not Supported Functionality \(Registers and Bits\): \[6\]\[7\]\[8\]\[9\]\[10\]\[11\]](#)
- [IPU_PRM Register Summary: \[12\]](#)

Table 3-1599. RM_IPU1_RSTCTRL

Address Offset	0x0000 0010	Instance	IPU_PRM
Physical Address	0x4AE0 6510		
Description	This register controls the release of the IPU1 sub-system resets.		
Type	RW		

31	30	29	28	27	26	25	24	23	22	21	20	19	18	17	16	15	14	13	12	11	10	9	8	7	6	5	4	3	2	1	0
RESERVED																RST_IPU	RST_CPU1	RST_CPU0													

Bits	Field Name	Description	Type	Reset
31:3	RESERVED		R	0x0
2	RST_IPU	IPU system reset control. 0x0: Reset is cleared for IPU CACHE MMU 0x1: Reset is asserted for the IPU CACHE MMU	RW	0x1
1	RST_CPU1	IPU Cortex M4 CPU1 reset control 0x0: Reset is cleared for the IPU Cortex M4 CPU1 0x1: Reset is asserted for the IPU Cortex M4 CPU1	RW	0x1
0	RST_CPU0	IPU Cortex M4 CPU0 reset control. 0x0: Reset is cleared for the IPU Cortex M4 CPU0 0x1: Reset is asserted for the IPU Cortex M4 CPU0	RW	0x1

Table 3-1600. Register Call Summary for Register RM_IPU1_RSTCTRL

Reset Management Functional Description

- [Reset Domains: \[0\]\[1\]\[2\]\[3\]\[4\]](#)
- [IPU1 Subsystem Power-On Reset Sequence: \[5\]\[6\]\[7\]](#)
- [IPU1 Subsystem Software Warm Reset Sequence: \[8\]\[9\]\[10\]\[11\]\[12\]\[13\]](#)

PRCM Register Manual

- [IPU_PRM Register Summary: \[14\]](#)

Table 3-1601. RM_IPU1_RSTST

Address Offset	0x0000 0014	Instance	IPU_PRM
Physical Address	0x4AE0 6514		
Description	This register logs the different reset sources of the IPU1 SS. Each bit is set upon release of the domain reset signal. Must be cleared by software. [warm reset insensitive]		
Type	RW		

31	30	29	28	27	26	25	24	23	22	21	20	19	18	17	16	15	14	13	12	11	10	9	8	7	6	5	4	3	2	1	0				
RESERVED																																			
																RST_ICECRUSHER_CPU1	RST_ICECRUSHER_CPU0	RST_EMULATION_CPU1	RST_EMULATION_CPU0	RST_IPU	RST_CPU1	RST_CPU0													

Bits	Field Name	Description	Type	Reset
31:7	RESERVED		R	0x0
6	RST_ICECRUSHER_CPU1	Cortex M4 CPU1 has been reset due to IPU ICECRUSHER1 reset source Read 0x0: No icecrusher reset Read 0x1: CPU1 has been reset upon icecrusher reset Write 0x0: No effect Write 0x1: Clear Reset	RW	0x0
5	RST_ICECRUSHER_CPU0	Cortex M4 CPU0 has been reset due to IPU ICECRUSHER0 reset source Read 0x0: No icecrusher reset Read 0x1: CPU0 has been reset upon icecrusher reset Write 0x0: No effect Write 0x1: Clear Reset	RW	0x0
4	RST_EMULATION_CPU1	Cortex M4 CPU1 has been reset due to emulation reset source e.g. assert reset command initiated by the icepick module Read 0x0: No emulation reset Read 0x1: CPU1 has been reset upon emulation reset Write 0x0: No effect Write 0x1: Clear Reset	RW	0x0

Bits	Field Name	Description	Type	Reset
3	RST_EMULATION_CPU0	Cortex M4 CPU0 has been reset due to emulation reset source e.g. assert reset command initiated by the icepick module Read 0x0: No emulation reset Read 0x1: CPU0 has been reset upon emulation reset Write 0x0: No effect Write 0x1: Clear Reset	RW	0x0
2	RST_IPU	IPU system SW reset status Read 0x0: No SW reset occurred Read 0x1: IPU MMU and CACHE interface has been reset upon SW reset Write 0x0: No effect Write 0x1: Clear Reset	RW	0x0
1	RST_CPU1	IPU Cortex-M4 CPU1 SW reset status Read 0x0: No SW reset occurred Read 0x1: Cortex M4 CPU1 has been reset upon SW reset Write 0x0: No effect Write 0x1: Clear Reset	RW	0x0
0	RST_CPU0	IPU Cortex-M4 CPU0 SW reset status Read 0x0: No SW reset occurred Read 0x1: Cortex M4 CPU0 has been reset upon SW reset Write 0x0: No effect Write 0x1: Clear Reset	RW	0x0

Table 3-1602. Register Call Summary for Register RM_IPU1_RSTST

PRCM Register Manual

- [IPU_PRM Register Summary: \[0\]](#)

Table 3-1603. RM_IPU1_IPU1_CONTEXT

Address Offset	0x0000 0024	Instance	IPU_PRM
Physical Address	0x4AE0 6524		
Description	This register contains dedicated IPU1 context statuses. [warm reset insensitive]		
Type	RW		

31	30	29	28	27	26	25	24	23	22	21	20	19	18	17	16	15	14	13	12	11	10	9	8	7	6	5	4	3	2	1	0		
RESERVED																LOSTMEM_IPU_L2RAM		LOSTMEM_IPU_UNICACHE		RESERVED										LOSTCONTEXT_RFF		LOSTCONTEXT_DFF	

Bits	Field Name	Description	Type	Reset
31:10	RESERVED		R	0x0
9	LOSTMEM_IPU_L2RAM	Specify if memory-based context in IPU_L2RAM memory bank has been lost due to a previous power transition or other reset source. 0x0: Context has been maintained 0x1: Context has been lost	RW	0x1
8	LOSTMEM_IPU_UNICACHE	Specify if memory-based context in IPU_UNICACHE memory bank has been lost due to a previous power transition or other reset source. 0x0: Context has been maintained 0x1: Context has been lost	RW	0x1
7:2	RESERVED		R	0x0
1	LOSTCONTEXT_RFF	Specify if RFF-based context has been lost due to a previous power transition or other reset source. (set upon assertion of IPU_RET_RST signal) 0x0: Context has been maintained 0x1: Context has been lost	RW	0x1
0	LOSTCONTEXT_DFF	Specify if DFF-based context has been lost due to a previous power transition or other reset source. (set upon assertion of IPU_RST signal) 0x0: Context has been maintained 0x1: Context has been lost	RW	0x1

Table 3-1604. Register Call Summary for Register RM_IPU1_IPU1_CONTEXT

Power Management Functional Description

- [PD_IPU Description: \[0\]\[1\]](#)

PRCM Register Manual

- [IPU_PRM Register Summary: \[2\]](#)

Table 3-1605. PM_IPU_MCASP1_WKDEP

Address Offset	0x0000 0050	Instance	IPU_PRM
Physical Address	0x4AE0 6550		
Description	This register controls wakeup dependency based on MCASP1 service requests.		
Type	RW		

31	30	29	28	27	26	25	24	23	22	21	20	19	18	17	16	15	14	13	12	11	10	9	8	7	6	5	4	3	2	1	0															
RESERVED																WKUPDEP_MCASP1_DMA_DSP2	RESERVED	WKUPDEP_MCASP1_DMA_SDMA	WKUPDEP_MCASP1_DMA_DSP1	RESERVED	WKUPDEP_MCASP1_IRQ_EVE4	WKUPDEP_MCASP1_IRQ_EVE3	WKUPDEP_MCASP1_IRQ_EVE2	WKUPDEP_MCASP1_IRQ_EVE1	WKUPDEP_MCASP1_IRQ_DSP2	WKUPDEP_MCASP1_IRQ_IPU1	RESERVED	WKUPDEP_MCASP1_IRQ_DSP1	WKUPDEP_MCASP1_IRQ_IPU2	WKUPDEP_MCASP1_IRQ_MPU																

Bits	Field Name	Description	Type	Reset
31:16	RESERVED		R	0x0
15	WKUPDEP_MCASP1_DMA_DS P2	Wakeup dependency from MCASP1 module (SWakeup_dma signal) towards DSP2 + L3_MAIN1 + L4PER1 + L4PER2 + L4PER3 domains 0x0: Dependency is disabled 0x1: Dependency is enabled	RW	0x1
14	RESERVED		R	0x0
13	WKUPDEP_MCASP1_DMA_SD MA	Wakeup dependency from MCASP1 module (SWakeup_dma signal) towards SDMA + L3MAIN1 + L4PER1 + L4PER2 + L4PER3 domains 0x0: Dependency is disabled 0x1: Dependency is enabled	RW	0x1
12	WKUPDEP_MCASP1_DMA_DS P1	Wakeup dependency from MCASP1 module (SWakeup_dma signal) towards DSP + L3MAIN1 + L4PER1 + L4PER2 + L4PER3 domains 0x0: Dependency is disabled 0x1: Dependency is enabled	RW	0x1
11:10	RESERVED		R	0x0
9	WKUPDEP_MCASP1_IRQ_EVE 4	Wakeup dependency from MCASP1 module (SWakeup IRQ signal) towards EVE4 + L3_MAIN1 + L4PER1 + L4PER2 + L4PER3 domains 0x0: Dependency is disabled 0x1: Dependency is enabled	RW	0x0
8	WKUPDEP_MCASP1_IRQ_EVE 3	Wakeup dependency from MCASP1 module (SWakeup IRQ signal) towards EVE3 + L3_MAIN1 + L4PER1 + L4PER2 + L4PER3 domains 0x0: Dependency is disabled 0x1: Dependency is enabled	RW	0x0
7	WKUPDEP_MCASP1_IRQ_EVE 2	Wakeup dependency from MCASP1 module (SWakeup IRQ signal) towards EVE2 + L3_MAIN1 + L4PER1 + L4PER2 + L4PER3 domains 0x0: Dependency is disabled 0x1: Dependency is enabled	RW	0x0
6	WKUPDEP_MCASP1_IRQ_EVE 1	Wakeup dependency from MCASP1 module (SWakeup IRQ signal) towards EVE1 + L3_MAIN1 + L4PER1 + L4PER2 + L4PER3 domains 0x0: Dependency is disabled 0x1: Dependency is enabled	RW	0x0
5	WKUPDEP_MCASP1_IRQ_DSP 2	Wakeup dependency from MCASP1 module (SWakeup IRQ signal) towards DSP2 + L3_MAIN1 + L4PER1 + L4PER2 + L4PER3 domains 0x0: Dependency is disabled 0x1: Dependency is enabled	RW	0x0
4	WKUPDEP_MCASP1_IRQ_IPU1	Wakeup dependency from MCASP1 module (SWakeup IRQ signal) towards IPU1 + L3_MAIN1 + L4PER1 + L4PER2 + L4PER3 domains 0x0: Dependency is disabled 0x1: Dependency is enabled	RW	0x0
3	RESERVED		R	0x0
2	WKUPDEP_MCASP1_IRQ_DSP 1	Wakeup dependency from MCASP1 module (SWakeup IRQ signal) towards DSP + L3MAIN1 + L4PER1 + L4PER2 + L4PER3 domains 0x0: Dependency is disabled 0x1: Dependency is enabled	RW	0x0

Bits	Field Name	Description	Type	Reset
1	WKUPDEP_MCASP1_IRQ_IPU2	Wakeup dependency from MCASP1 module (SWakeup IRQ signal) towards IPU2 + L3_MAIN1 + L4PER1 + L4PER2 + L4PER3 domains 0x0: Dependency is disabled 0x1: Dependency is enabled	RW	0x0
0	WKUPDEP_MCASP1_IRQ_MPU	Wakeup dependency from MCASP1 module (SWakeup IRQ signal) towards MPU + L3_MAIN1 + L4PER1 + L4PER2 + L4PER3 domains 0x0: Dependency is disabled 0x1: Dependency is enabled	RW	0x0

Table 3-1606. Register Call Summary for Register PM_IPU_MCASP1_WKDEP

PRCM Register Manual

- [Not Supported Functionality \(Registers and Bits\): \[0\]\[1\]\[2\]\[3\]\[4\]\[5\]](#)
- [IPU_PRM Register Summary: \[6\]](#)

Table 3-1607. RM_IPU_MCASP1_CONTEXT

Address Offset	0x0000 0054	Instance	IPU_PRM
Physical Address	0x4AE0 6554		
Description	This register contains dedicated MCASP context statuses. [warm reset insensitive]		
Type	RW		

31	30	29	28	27	26	25	24	23	22	21	20	19	18	17	16	15	14	13	12	11	10	9	8	7	6	5	4	3	2	1	0
RESERVED																LOSTCONTEXT_DFF															

Bits	Field Name	Description	Type	Reset
31:1	RESERVED		R	0x0
0	LOSTCONTEXT_DFF	Specify if DFF-based context has been lost due to a previous power transition or other reset source. (set upon assertion of ABE_RST signal) 0x0: Context has been maintained 0x1: Context has been lost	RW	0x1

Table 3-1608. PM_IPU_TIMER5_WKDEP

Address Offset	0x0000 0058	Instance	IPU_PRM
Physical Address	0x4AE0 6558		
Description	This register controls wakeup dependency based on TIMER5 service requests.		
Type	RW		

31	30	29	28	27	26	25	24	23	22	21	20	19	18	17	16	15	14	13	12	11	10	9	8	7	6	5	4	3	2	1	0				
RESERVED																WKUPDEP_TIMER5_EVE4		WKUPDEP_TIMER5_EVE3		WKUPDEP_TIMER5_EVE2		WKUPDEP_TIMER5_EVE1		WKUPDEP_TIMER5_DSP2		WKUPDEP_TIMER5_IPU1		RESERVED		WKUPDEP_TIMER5_DSP1		WKUPDEP_TIMER5_IPU2		WKUPDEP_TIMER5_MPU	

Bits	Field Name	Description	Type	Reset
31:10	RESERVED		R	0x0
9	WKUPDEP_TIMER5_EVE4	Wakeup dependency from TIMER5 module (SWakeup signal) towards EVE4 + L3_MAIN1 + L4PER1 + L4PER2 + L4PER3 domains 0x0: Dependency is disabled 0x1: Dependency is enabled	RW	0x0
8	WKUPDEP_TIMER5_EVE3	Wakeup dependency from TIMER5 module (SWakeup signal) towards EVE3 + L3_MAIN1 + L4PER1 + L4PER2 + L4PER3 domains 0x0: Dependency is disabled 0x1: Dependency is enabled	RW	0x0
7	WKUPDEP_TIMER5_EVE2	Wakeup dependency from TIMER5 module (SWakeup signal) towards EVE2 + L3_MAIN1 + L4PER1 + L4PER2 + L4PER3 domains 0x0: Dependency is disabled 0x1: Dependency is enabled	RW	0x0
6	WKUPDEP_TIMER5_EVE1	Wakeup dependency from TIMER5 module (SWakeup signal) towards EVE1 + L3_MAIN1 + L4PER1 + L4PER2 + L4PER3 domains 0x0: Dependency is disabled 0x1: Dependency is enabled	RW	0x0
5	WKUPDEP_TIMER5_DSP2	Wakeup dependency from TIMER5 module (SWakeup signal) towards DSP2 + L3_MAIN1 + L4PER1 + L4PER2 + L4PER3 domains 0x0: Dependency is disabled 0x1: Dependency is enabled	RW	0x0
4	WKUPDEP_TIMER5_IPU1	Wakeup dependency from TIMER5 module (SWakeup signal) towards IPU1 + L3_MAIN1 + L4PER1 + L4PER2 + L4PER3 domains 0x0: Dependency is disabled 0x1: Dependency is enabled	RW	0x0
3	RESERVED		R	0x0
2	WKUPDEP_TIMER5_DSP1	Wakeup dependency from TIMER5 module (SWakeup signal) towards DSP + L3MAIN1 + L4PER1 + L4PER2 + L4PER3 domains 0x0: Dependency is disabled 0x1: Dependency is enabled	RW	0x0

Bits	Field Name	Description	Type	Reset
1	WKUPDEP_TIMER5_IPU2	Wakeup dependency from TIMER5 module (SWakeup signal) towards IPU2 + L3_MAIN1 + L4PER1 + L4PER2 + L4PER3 domains 0x0: Dependency is disabled 0x1: Dependency is enabled	RW	0x0
0	WKUPDEP_TIMER5_MPU	Wakeup dependency from TIMER5 module (SWakeup signal) towards MPU + L3_MAIN1 + L4PER1 + L4PER2 + L4PER3 domains 0x0: Dependency is disabled 0x1: Dependency is enabled	RW	0x0

Table 3-1609. Register Call Summary for Register PM_IPU_TIMER5_WKDEP

PRCM Register Manual

- [Not Supported Functionality \(Registers and Bits\): \[0\]\[1\]\[2\]\[3\]\[4\]](#)
- [IPU_PRM Register Summary: \[5\]](#)

Table 3-1610. RM_IPU_TIMER5_CONTEXT

Address Offset	0x0000 005C		
Physical Address	0x4AE0 655C	Instance	IPU_PRM
Description	This register contains dedicated TIMER5 context statuses. [warm reset insensitive]		
Type	RW		

31	30	29	28	27	26	25	24	23	22	21	20	19	18	17	16	15	14	13	12	11	10	9	8	7	6	5	4	3	2	1	0
RESERVED																LOSTCONTEXT_DFF															

Bits	Field Name	Description	Type	Reset
31:1	RESERVED		R	0x0
0	LOSTCONTEXT_DFF	Specify if DFF-based context has been lost due to a previous power transition or other reset source. (set upon assertion of ABE_RST signal) 0x0: Context has been maintained 0x1: Context has been lost	RW	0x1

Table 3-1611. PM_IPU_TIMER6_WKDEP

Address Offset	0x0000 0060	Instance	IPU_PRM
Physical Address	0x4AE0 6560		
Description	This register controls wakeup dependency based on TIMER6 service requests.		
Type	RW		

31	30	29	28	27	26	25	24	23	22	21	20	19	18	17	16	15	14	13	12	11	10	9	8	7	6	5	4	3	2	1	0
RESERVED																WKUPDEP_TIMER6_EVE4	WKUPDEP_TIMER6_EVE3	WKUPDEP_TIMER6_EVE2	WKUPDEP_TIMER6_EVE1	WKUPDEP_TIMER6_DSP2	WKUPDEP_TIMER6_IPU1	RESERVED	WKUPDEP_TIMER6_DSP1	WKUPDEP_TIMER6_IPU2	WKUPDEP_TIMER6_MPU						

Bits	Field Name	Description	Type	Reset
31:10	RESERVED		R	0x0
9	WKUPDEP_TIMER6_EVE4	Wakeup dependency from TIMER6 module (SWakeup signal) towards EVE4 + L3_MAIN1 + L4PER1 + L4PER2 + L4PER3 domains 0x0: Dependency is disabled 0x1: Dependency is enabled	RW	0x0
8	WKUPDEP_TIMER6_EVE3	Wakeup dependency from TIMER6 (SWakeup signal) towards EVE3 + L3_MAIN1 + L4PER1 + L4PER2 + L4PER3 domains 0x0: Dependency is disabled 0x1: Dependency is enabled	RW	0x0
7	WKUPDEP_TIMER6_EVE2	Wakeup dependency from TIMER6 module (SWakeup signal) towards EVE2 + L3_MAIN1 + L4PER1 + L4PER2 + L4PER3 domains 0x0: Dependency is disabled 0x1: Dependency is enabled	RW	0x0
6	WKUPDEP_TIMER6_EVE1	Wakeup dependency from TIMER6 module (SWakeup signal) towards EVE1 + L3_MAIN1 + L4PER1 + L4PER2 + L4PER3 domains 0x0: Dependency is disabled 0x1: Dependency is enabled	RW	0x0
5	WKUPDEP_TIMER6_DSP2	Wakeup dependency from TIMER6 module (SWakeup signal) towards DSP2 + L3_MAIN1 + L4PER1 + L4PER2 + L4PER3 domains 0x0: Dependency is disabled 0x1: Dependency is enabled	RW	0x0
4	WKUPDEP_TIMER6_IPU1	Wakeup dependency from TIMER6 module (SWakeup signal) towards IPU1 + L3_MAIN1 + L4PER1 + L4PER2 + L4PER3 domains 0x0: Dependency is disabled 0x1: Dependency is enabled	RW	0x0
3	RESERVED		R	0x0
2	WKUPDEP_TIMER6_DSP1	Wakeup dependency from TIMER6 module (SWakeup signal) towards DSP + L3MAIN1 + L4PER1 + L4PER2 + L4PER3 domains 0x0: Dependency is disabled 0x1: Dependency is enabled	RW	0x0

Bits	Field Name	Description	Type	Reset
1	WKUPDEP_TIMER6_IPU2	Wakeup dependency from TIMER6 module (SWakeup signal) towards IPU2 + L3_MAIN1 + L4PER1 + L4PER2 + L4PER3 domains 0x0: Dependency is disabled 0x1: Dependency is enabled	RW	0x0
0	WKUPDEP_TIMER6_MPU	Wakeup dependency from TIMER6 module (SWakeup signal) towards MPU + L3_MAIN1 + L4PER1 + L4PER2 + L4PER3 domains 0x0: Dependency is disabled 0x1: Dependency is enabled	RW	0x0

Table 3-1612. Register Call Summary for Register PM_IPU_TIMER6_WKDEP

PRCM Register Manual

- [Not Supported Functionality \(Registers and Bits\): \[0\]\[1\]\[2\]\[3\]\[4\]](#)
- [IPU_PRM Register Summary: \[5\]](#)

Table 3-1613. RM_IPU_TIMER6_CONTEXT

Address Offset	0x0000 0064	Instance	IPU_PRM
Physical Address	0x4AE0 6564		
Description	This register contains dedicated TIMER6 context statuses. [warm reset insensitive]		
Type	RW		

31	30	29	28	27	26	25	24	23	22	21	20	19	18	17	16	15	14	13	12	11	10	9	8	7	6	5	4	3	2	1	0
RESERVED																															LOSTCONTEXT_DFF

Bits	Field Name	Description	Type	Reset
31:1	RESERVED		R	0x0
0	LOSTCONTEXT_DFF	Specify if DFF-based context has been lost due to a previous power transition or other reset source. (set upon assertion of ABE_RST signal) 0x0: Context has been maintained 0x1: Context has been lost	RW	0x1

Table 3-1614. PM_IPU_TIMER7_WKDEP

Address Offset	0x0000 0068	Instance	IPU_PRM
Physical Address	0x4AE0 6568		
Description	This register controls wakeup dependency based on TIMER7 service requests.		
Type	RW		

31	30	29	28	27	26	25	24	23	22	21	20	19	18	17	16	15	14	13	12	11	10	9	8	7	6	5	4	3	2	1	0
RESERVED																WKUPDEP_TIMER7_EVE4	WKUPDEP_TIMER7_EVE3	WKUPDEP_TIMER7_EVE2	WKUPDEP_TIMER7_EVE1	WKUPDEP_TIMER7_DSP2	WKUPDEP_TIMER7_IPU1	RESERVED	WKUPDEP_TIMER7_DSP1	WKUPDEP_TIMER7_IPU2	WKUPDEP_TIMER7_MPU						

Bits	Field Name	Description	Type	Reset
31:10	RESERVED		R	0x0
9	WKUPDEP_TIMER7_EVE4	Wakeup dependency from TIMER7 module (SWakeup signal) towards EVE4 + L3_MAIN1 + L4PER1 + L4PER2 + L4PER3 domains 0x0: Dependency is disabled 0x1: Dependency is enabled	RW	0x0
8	WKUPDEP_TIMER7_EVE3	Wakeup dependency from TIMER7 (SWakeup signal) towards EVE3 + L3_MAIN1 + L4PER1 + L4PER2 + L4PER3 domains 0x0: Dependency is disabled 0x1: Dependency is enabled	RW	0x0
7	WKUPDEP_TIMER7_EVE2	Wakeup dependency from TIMER7 module (SWakeup signal) towards EVE2 + L3_MAIN1 + L4PER1 + L4PER2 + L4PER3 domains 0x0: Dependency is disabled 0x1: Dependency is enabled	RW	0x0
6	WKUPDEP_TIMER7_EVE1	Wakeup dependency from TIMER7 module (SWakeup signal) towards EVE1 + L3_MAIN1 + L4PER1 + L4PER2 + L4PER3 domains 0x0: Dependency is disabled 0x1: Dependency is enabled	RW	0x0
5	WKUPDEP_TIMER7_DSP2	Wakeup dependency from TIMER7 module (SWakeup signal) towards DSP2 + L3_MAIN1 + L4PER1 + L4PER2 + L4PER3 domains 0x0: Dependency is disabled 0x1: Dependency is enabled	RW	0x0
4	WKUPDEP_TIMER7_IPU1	Wakeup dependency from TIMER7 module (SWakeup signal) towards IPU1 + L3_MAIN1 + L4PER1 + L4PER2 + L4PER3 domains 0x0: Dependency is disabled 0x1: Dependency is enabled	RW	0x0
3	RESERVED		R	0x0
2	WKUPDEP_TIMER7_DSP1	Wakeup dependency from TIMER7 module (SWakeup signal) towards DSP + L3MAIN1 + L4PER1 + L4PER2 + L4PER3 domains 0x0: Dependency is disabled 0x1: Dependency is enabled	RW	0x0

Bits	Field Name	Description	Type	Reset
1	WKUPDEP_TIMER7_IPU2	Wakeup dependency from TIMER7 module (SWakeup signal) towards IPU2 + L3_MAIN1 + L4PER1 + L4PER2 + L4PER3 domains 0x0: Dependency is disabled 0x1: Dependency is enabled	RW	0x0
0	WKUPDEP_TIMER7_MPU	Wakeup dependency from TIMER7 module (SWakeup signal) towards MPU + L3_MAIN1 + L4PER1 + L4PER2 + L4PER3 domains 0x0: Dependency is disabled 0x1: Dependency is enabled	RW	0x0

Table 3-1615. Register Call Summary for Register PM_IPU_TIMER7_WKDEP

PRCM Register Manual

- [Not Supported Functionality \(Registers and Bits\): \[0\]\[1\]\[2\]\[3\]\[4\]](#)
- [IPU_PRM Register Summary: \[5\]](#)

Table 3-1616. RM_IPU_TIMER7_CONTEXT

Address Offset	0x0000 006C	Instance	IPU_PRM
Physical Address	0x4AE0 656C		
Description	This register contains dedicated TIMER7 context statuses. [warm reset insensitive]		
Type	RW		

31	30	29	28	27	26	25	24	23	22	21	20	19	18	17	16	15	14	13	12	11	10	9	8	7	6	5	4	3	2	1	0
RESERVED																															LOSTCONTEXT_DFF

Bits	Field Name	Description	Type	Reset
31:1	RESERVED		R	0x0
0	LOSTCONTEXT_DFF	Specify if DFF-based context has been lost due to a previous power transition or other reset source. (set upon assertion of ABE_RST signal) 0x0: Context has been maintained 0x1: Context has been lost	RW	0x1

Table 3-1617. PM_IPU_TIMER8_WKDEP

Address Offset	0x0000 0070	Instance	IPU_PRM
Physical Address	0x4AE0 6570		
Description	This register controls wakeup dependency based on TIMER8 service requests.		
Type	RW		

31	30	29	28	27	26	25	24	23	22	21	20	19	18	17	16	15	14	13	12	11	10	9	8	7	6	5	4	3	2	1	0
RESERVED																WKUPDEP_TIMER8_EVE4	WKUPDEP_TIMER8_EVE3	WKUPDEP_TIMER8_EVE2	WKUPDEP_TIMER8_EVE1	WKUPDEP_TIMER8_DSP2	WKUPDEP_TIMER8_IPU1	RESERVED	WKUPDEP_TIMER8_DSP1	WKUPDEP_TIMER8_IPU2	WKUPDEP_TIMER8_MPU						

Bits	Field Name	Description	Type	Reset
31:10	RESERVED		R	0x0
9	WKUPDEP_TIMER8_EVE4	Wakeup dependency from TIMER8 module (SWakeup signal) towards EVE4 + L3_MAIN1 + L4PER1 + L4PER2 + L4PER3 domains 0x0: Dependency is disabled 0x1: Dependency is enabled	RW	0x0
8	WKUPDEP_TIMER8_EVE3	Wakeup dependency from TIMER8 (SWakeup signal) towards EVE3 + L3_MAIN1 + L4PER1 + L4PER2 + L4PER3 domains 0x0: Dependency is disabled 0x1: Dependency is enabled	RW	0x0
7	WKUPDEP_TIMER8_EVE2	Wakeup dependency from TIMER8 module (SWakeup signal) towards EVE2 + L3_MAIN1 + L4PER1 + L4PER2 + L4PER3 domains 0x0: Dependency is disabled 0x1: Dependency is enabled	RW	0x0
6	WKUPDEP_TIMER8_EVE1	Wakeup dependency from TIMER8 module (SWakeup signal) towards EVE1 + L3_MAIN1 + L4PER1 + L4PER2 + L4PER3 domains 0x0: Dependency is disabled 0x1: Dependency is enabled	RW	0x0
5	WKUPDEP_TIMER8_DSP2	Wakeup dependency from TIMER8 module (SWakeup signal) towards DSP2 + L3_MAIN1 + L4PER1 + L4PER2 + L4PER3 domains 0x0: Dependency is disabled 0x1: Dependency is enabled	RW	0x0
4	WKUPDEP_TIMER8_IPU1	Wakeup dependency from TIMER8 module (SWakeup signal) towards IPU1 + L3_MAIN1 + L4PER1 + L4PER2 + L4PER3 domains 0x0: Dependency is disabled 0x1: Dependency is enabled	RW	0x0
3	RESERVED		R	0x0
2	WKUPDEP_TIMER8_DSP1	Wakeup dependency from TIMER8 module (SWakeup signal) towards DSP + L3MAIN1 + L4PER1 + L4PER2 + L4PER3 domains 0x0: Dependency is disabled 0x1: Dependency is enabled	RW	0x0

Bits	Field Name	Description	Type	Reset
1	WKUPDEP_TIMER8_IPU2	Wakeup dependency from TIMER8 module (SWakeup signal) towards IPU2 + L3_MAIN1 + L4PER1 + L4PER2 + L4PER3 domains 0x0: Dependency is disabled 0x1: Dependency is enabled	RW	0x0
0	WKUPDEP_TIMER8_MPU	Wakeup dependency from TIMER8 module (SWakeup signal) towards MPU + L3_MAIN1 + L4PER1 + L4PER2 + L4PER3 domains 0x0: Dependency is disabled 0x1: Dependency is enabled	RW	0x0

Table 3-1618. Register Call Summary for Register PM_IPU_TIMER8_WKDEP

PRCM Register Manual

- [Not Supported Functionality \(Registers and Bits\): \[0\]\[1\]\[2\]\[3\]\[4\]](#)
- [IPU_PRM Register Summary: \[5\]](#)

Table 3-1619. RM_IPU_TIMER8_CONTEXT

Address Offset	0x0000 0074	Instance	IPU_PRM
Physical Address	0x4AE0 6574		
Description	This register contains dedicated TIMER8 context statuses. [warm reset insensitive]		
Type	RW		

31	30	29	28	27	26	25	24	23	22	21	20	19	18	17	16	15	14	13	12	11	10	9	8	7	6	5	4	3	2	1	0
RESERVED																															LOSTCONTEXT_DFF

Bits	Field Name	Description	Type	Reset
31:1	RESERVED		R	0x0
0	LOSTCONTEXT_DFF	Specify if DFF-based context has been lost due to a previous power transition or other reset source. (set upon assertion of ABE_RST signal) 0x0: Context has been maintained 0x1: Context has been lost	RW	0x1

Table 3-1620. PM_IPU_I2C5_WKDEP

Address Offset	0x0000 0078	Instance	IPU_PRM
Physical Address	0x4AE0 6578		
Description	This register controls wakeup dependency based on I2C5 service requests.		
Type	RW		

31	30	29	28	27	26	25	24	23	22	21	20	19	18	17	16	15	14	13	12	11	10	9	8	7	6	5	4	3	2	1	0
RESERVED																WKUPDEP_I2C5_DMA_DSP2	RESERVED	WKUPDEP_I2C5_DMA_SDMA	WKUPDEP_I2C5_DMA_DSP1	RESERVED	WKUPDEP_I2C5_IRQ_EVE4	WKUPDEP_I2C5_IRQ_EVE3	WKUPDEP_I2C5_IRQ_EVE2	WKUPDEP_I2C5_IRQ_EVE1	WKUPDEP_I2C5_IRQ_DSP2	WKUPDEP_I2C5_IRQ_IPU1	RESERVED	WKUPDEP_I2C5_IRQ_DSP1	WKUPDEP_I2C5_IRQ_IPU2	WKUPDEP_I2C5_IRQ_MPU	

Bits	Field Name	Description	Type	Reset
31:16	RESERVED		R	0x0
15	WKUPDEP_I2C5_DMA_DSP2	Wakeup dependency from I2C5 module (SWakeup_dma signal) towards DSP2 + L3_MAIN1 + L4PER1 + L4PER2 + L4PER3 domains 0x0: Dependency is disabled 0x1: Dependency is enabled	RW	0x1
14	RESERVED		R	0x0
13	WKUPDEP_I2C5_DMA_SDMA	Wakeup dependency from I2C5 module (SWakeup_dma signal) towards SDMA + L3MAIN1 + L4PER1 + L4PER2 + L4PER3 domains 0x0: Dependency is disabled 0x1: Dependency is enabled	RW	0x1
12	WKUPDEP_I2C5_DMA_DSP1	Wakeup dependency from I2C5 module (SWakeup_dma signal) towards DSP + L3MAIN1 + L4PER1 + L4PER2 + L4PER3 domains 0x0: Dependency is disabled 0x1: Dependency is enabled	RW	0x1
11:10	RESERVED		R	0x0
9	WKUPDEP_I2C5_IRQ_EVE4	Wakeup dependency from I2C5 module (SWakeup IRQ signal) towards EVE4 + L3_MAIN1 + L4PER1 + L4PER2 + L4PER3 domains 0x0: Dependency is disabled 0x1: Dependency is enabled	RW	0x0
8	WKUPDEP_I2C5_IRQ_EVE3	Wakeup dependency from I2C5 module (SWakeup IRQ signal) towards EVE3 + L3_MAIN1 + L4PER1 + L4PER2 + L4PER3 domains 0x0: Dependency is disabled 0x1: Dependency is enabled	RW	0x0
7	WKUPDEP_I2C5_IRQ_EVE2	Wakeup dependency from I2C5 module (SWakeup IRQ signal) towards EVE2 + L3_MAIN1 + L4PER1 + L4PER2 + L4PER3 domains 0x0: Dependency is disabled 0x1: Dependency is enabled	RW	0x0

Bits	Field Name	Description	Type	Reset
6	WKUPDEP_I2C5_IRQ_EVE1	Wakeup dependency from I2C5 module (SWakeup IRQ signal) towards EVE1 + L3_MAIN1 + L4PER1 + L4PER2 + L4PER3 domains 0x0: Dependency is disabled 0x1: Dependency is enabled	RW	0x0
5	WKUPDEP_I2C5_IRQ_DSP2	Wakeup dependency from I2C5 module (SWakeup IRQ signal) towards DSP2 + L3_MAIN1 + L4PER1 + L4PER2 + L4PER3 domains 0x0: Dependency is disabled 0x1: Dependency is enabled	RW	0x0
4	WKUPDEP_I2C5_IRQ_IPU1	Wakeup dependency from I2C5 module (SWakeup IRQ signal) towards IPU1 + L3_MAIN1 + L4PER1 + L4PER2 + L4PER3 domains 0x0: Dependency is disabled 0x1: Dependency is enabled	RW	0x0
3	RESERVED		R	0x0
2	WKUPDEP_I2C5_IRQ_DSP1	Wakeup dependency from I2C5 module (SWakeup IRQ signal) towards DSP + L3MAIN1 + L4PER1 + L4PER2 + L4PER3 domains 0x0: Dependency is disabled 0x1: Dependency is enabled	RW	0x0
1	WKUPDEP_I2C5_IRQ_IPU2	Wakeup dependency from I2C5 module (SWakeup IRQ signal) towards IPU2 + L3_MAIN1 + L4PER1 + L4PER2 + L4PER3 domains 0x0: Dependency is disabled 0x1: Dependency is enabled	RW	0x0
0	WKUPDEP_I2C5_IRQ_MPU	Wakeup dependency from I2C5 module (SWakeup IRQ signal) towards MPU + L3_MAIN1 + L4PER1 + L4PER2 + L4PER3 domains 0x0: Dependency is disabled 0x1: Dependency is enabled	RW	0x0

Table 3-1621. Register Call Summary for Register PM_IPU_I2C5_WKDEP

PRCM Register Manual

- [Not Supported Functionality \(Registers and Bits\): \[0\]\[1\]\[2\]\[3\]\[4\]\[5\]](#)
- [IPU_PRM Register Summary: \[6\]](#)

Table 3-1622. RM_IPU_I2C5_CONTEXT

Address Offset	0x0000 007C		
Physical Address	0x4AE0 657C	Instance	IPU_PRM
Description	This register contains dedicated I2C5 context statuses. [warm reset insensitive]		
Type	RW		

31	30	29	28	27	26	25	24	23	22	21	20	19	18	17	16	15	14	13	12	11	10	9	8	7	6	5	4	3	2	1	0	
RESERVED																																LOSTCONTEXT_DFF

Bits	Field Name	Description	Type	Reset
31:1	RESERVED		R	0x0
0	LOSTCONTEXT_DFF	Specify if DFF-based context has been lost due to a previous power transition or other reset source. (set upon assertion of L4PER_RST signal) 0x0: Context has been maintained 0x1: Context has been lost	RW	0x1

Table 3-1623. PM_IPU_UART6_WKDEP

Address Offset	0x0000 0080	Instance	IPU_PRM
Physical Address	0x4AE0 6580		
Description	This register controls wakeup dependency based on UART6 service requests.		
Type	RW		

31	30	29	28	27	26	25	24	23	22	21	20	19	18	17	16	15	14	13	12	11	10	9	8	7	6	5	4	3	2	1	0				
RESERVED																WKUPDEP_UART6_EVE4		WKUPDEP_UART6_EVE3		WKUPDEP_UART6_EVE2		WKUPDEP_UART6_EVE1		WKUPDEP_UART6_DSP2		WKUPDEP_UART6_IPU1		WKUPDEP_UART6_SDMA		WKUPDEP_UART6_DSP1		WKUPDEP_UART6_IPU2		WKUPDEP_UART6_MPU	

Bits	Field Name	Description	Type	Reset
31:10	RESERVED		R	0x0
9	WKUPDEP_UART6_EVE4	Wakeup dependency from UART6 module (SWakeup signal) towards EVE4 + L3_MAIN1 + L4PER1 + L4PER2 + L4PER3 domains 0x0: Dependency is disabled 0x1: Dependency is enabled	RW	0x0
8	WKUPDEP_UART6_EVE3	Wakeup dependency from UART6 module (SWakeup signal) towards EVE3 + L3_MAIN1 + L4PER1 + L4PER2 + L4PER3 domains 0x0: Dependency is disabled 0x1: Dependency is enabled	RW	0x0
7	WKUPDEP_UART6_EVE2	Wakeup dependency from UART6 module (SWakeup signal) towards EVE2 + L3_MAIN1 + L4PER1 + L4PER2 + L4PER3 domains 0x0: Dependency is disabled 0x1: Dependency is enabled	RW	0x0
6	WKUPDEP_UART6_EVE1	Wakeup dependency from UART6 module (SWakeup signal) towards EVE1 + L3_MAIN1 + L4PER1 + L4PER2 + L4PER3 domains 0x0: Dependency is disabled 0x1: Dependency is enabled	RW	0x0
5	WKUPDEP_UART6_DSP2	Wakeup dependency from UART6 module (SWakeup signal) towards DSP2 + L3_MAIN1 + L4PER1 + L4PER2 + L4PER3 domains 0x0: Dependency is disabled 0x1: Dependency is enabled	RW	0x0

Bits	Field Name	Description	Type	Reset
4	WKUPDEP_UART6_IPU1	Wakeup dependency from UART6 module (SWakeup signal) towards IPU1 + L3_MAIN1 + L4PER1 + L4PER2 + L4PER3 domains 0x0: Dependency is disabled 0x1: Dependency is enabled	RW	0x0
3	WKUPDEP_UART6_SDMA	Wakeup dependency from UART6 module (SWakeup signal) towards SDMA + L3MAIN1 + L4PER1 + L4PER2 + L4PER3 domains 0x0: Dependency is disabled 0x1: Dependency is enabled	RW	0x0
2	WKUPDEP_UART6_DSP1	Wakeup dependency from UART6 module (SWakeup signal) towards DSP + L3MAIN1 + L4PER1 + L4PER2 + L4PER3 domains 0x0: Dependency is disabled 0x1: Dependency is enabled	RW	0x0
1	WKUPDEP_UART6_IPU2	Wakeup dependency from UART6 module (SWakeup signal) towards IPU2 + L3_MAIN1 + L4PER1 + L4PER2 + L4PER3 domains 0x0: Dependency is disabled 0x1: Dependency is enabled	RW	0x0
0	WKUPDEP_UART6_MPU	Wakeup dependency from UART6 module (SWakeup signal) towards MPU + L3_MAIN1 + L4PER1 + L4PER2 + L4PER3 domains 0x0: Dependency is disabled 0x1: Dependency is enabled	RW	0x0

Table 3-1624. Register Call Summary for Register PM_IPU_UART6_WKDEP

PRCM Register Manual

- [Not Supported Functionality \(Registers and Bits\): \[0\]\[1\]\[2\]\[3\]\[4\]](#)
- [IPU_PRM Register Summary: \[5\]](#)

Table 3-1625. RM_IPU_UART6_CONTEXT

Address Offset	0x0000 0084	Instance	IPU_PRM
Physical Address	0x4AE0 6584		
Description	This register contains dedicated UART6 context statuses. [warm reset insensitive]		
Type	RW		

31	30	29	28	27	26	25	24	23	22	21	20	19	18	17	16	15	14	13	12	11	10	9	8	7	6	5	4	3	2	1	0
RESERVED																LOSTMEM_RETAINED_BANK	RESERVED										LOSTCONTEXT_RFF	RESERVED			

Bits	Field Name	Description	Type	Reset
31:9	RESERVED		R	0x0
8	LOSTMEM_RETAINED_BANK	Specify if memory-based context in RETAINED_BANK memory bank has been lost due to a previous power transition or other reset source. 0x0: Context has been maintained 0x1: Context has been lost	RW	0x1
7:2	RESERVED		R	0x0
1	LOSTCONTEXT_RFF	Specify if DFF-based context has been lost due to a previous power transition or other reset source. (set upon assertion of L4PER_RST signal) 0x0: Context has been maintained 0x1: Context has been lost	RW	0x1
0	RESERVED		R	0x0

3.12.48 IVA_PRM Registers

3.12.48.1 IVA_PRM Register Summary

Table 3-1626. IVA_PRM Registers Mapping Summary

Register Name	Type	Register Width (Bits)	Address Offset	IVA_PRM Physical Address L4_WKUP Interconnect
PM_IVA_PWRSTCTRL	RW	32	0x0000 0000	0x4AE0 6F00
PM_IVA_PWRSTST	RW	32	0x0000 0004	0x4AE0 6F04
RM_IVA_RSTCTRL	RW	32	0x0000 0010	0x4AE0 6F10
RM_IVA_RSTST	RW	32	0x0000 0014	0x4AE0 6F14
RM_IVA_IVA_CONTEX T	RW	32	0x0000 0024	0x4AE0 6F24
RM_IVA_SL2_CONTEX T	RW	32	0x0000 002C	0x4AE0 6F2C

3.12.48.2 IVA_PRM Register Description

Table 3-1627. PM_IVA_PWRSTCTRL

Address Offset	0x0000 0000	Instance	IVA_PRM
Physical Address	0x4AE0 6F00		
Description	This register controls the IVA power state to reach upon a domain sleep transition		
Type	RW		

31	30	29	28	27	26	25	24	23	22	21	20	19	18	17	16	15	14	13	12	11	10	9	8	7	6	5	4	3	2	1	0
RESERVED								TCM2_MEM_ONSTATE	TCM1_MEM_ONSTATE	SL2_MEM_ONSTATE	HWA_MEM_ONSTATE	RESERVED				TCM2_MEM_RETSTATE	TCM1_MEM_RETSTATE	SL2_MEM_RETSTATE	HWA_MEM_RETSTATE	RESERVED		LOWPOWERSTATECHANGE	RESERVED	LOGICRETSTATE	POWERSTATE						

Bits	Field Name	Description	Type	Reset
31:24	RESERVED		R	0x0
23:22	TCM2_MEM_ONSTATE	TCM_CORE memory state when domain is ON. 0x3: Memory bank is on when the domain is ON.	R	0x3
21:20	TCM1_MEM_ONSTATE	TCM1 memory state when domain is ON. 0x3: Memory bank is on when the domain is ON.	R	0x3
19:18	SL2_MEM_ONSTATE	SL2 memory state when domain is ON. 0x3: Memory bank is on when the domain is ON.	R	0x3
17:16	HWA_MEM_ONSTATE	HWA memory state when domain is ON. 0x3: Memory bank is on when the domain is ON.	R	0x3
15:12	RESERVED		R	0x0
11	TCM2_MEM_RETSTATE	TCM2 memory state when domain is RETENTION. 0x0: Memory bank is off when the domain is in the RETENTION state. 0x1: Memory bank is retained when domain is in RETENTION state.	RW	0x1
10	TCM1_MEM_RETSTATE	TCM1 memory state when domain is RETENTION. 0x0: Memory bank is off when the domain is in the RETENTION state. 0x1: Memory bank is retained when domain is in RETENTION state.	RW	0x1
9	SL2_MEM_RETSTATE	SL2 memory state when domain is RETENTION. 0x0: Memory bank is off when the domain is in the RETENTION state. 0x1: Memory bank is retained when domain is in RETENTION state.	RW	0x1
8	HWA_MEM_RETSTATE	HWA memory state when domain is RETENTION. 0x0: Memory bank is off when the domain is in the RETENTION state.	R	0x0
7:5	RESERVED		R	0x0
4	LOWPOWERSTATECHANGE	Power state change request when domain has already performed a sleep transition. Allows going into deeper low power state without waking up the power domain. 0x0: Do not request a low power state change. 0x1: Request a low power state change. This bit is automatically cleared when the power state is effectively changed or when power state is ON.	RW	0x0
3	RESERVED		R	0x0
2	LOGICRETSTATE	Logic state when power domain is RETENTION 0x0: Whole logic is off when the domain is in RETENTION state.	R	0x0
1:0	POWERSTATE	Power state control 0x0: OFF state 0x1: RETENTION state 0x2: INACTIVE state 0x3: ON State	RW	0x3

Table 3-1628. Register Call Summary for Register PM_IVA_PWRSTCTRL

Power Management Functional Description

- [Logic and Memory Area Power Modes Control and Status: \[0\]\[1\]\[2\]\[3\]\[4\]\[5\]\[6\]\[7\]\[8\]\[9\]\[10\]](#)

PRCM Register Manual

- [Not Supported Functionality \(Registers and Bits\): \[11\]\[12\]\[13\]\[14\]\[15\]\[16\]\[17\]](#)
- [IVA_PRM Register Summary: \[18\]](#)

Table 3-1629. PM_IVA_PWRSTST

Address Offset	0x0000 0004	Instance	IVA_PRM
Physical Address	0x4AE0 6F04		
Description	This register provides a status on the current IVA power domain state. [warm reset insensitive]		
Type	RW		

31	30	29	28	27	26	25	24	23	22	21	20	19	18	17	16	15	14	13	12	11	10	9	8	7	6	5	4	3	2	1	0				
RESERVED								LASTPOWERSTATEENTERED		RESERVED		INTRANSITION		RESERVED								TCM2_MEM_STATEST		TCM1_MEM_STATEST		SL2_MEM_STATEST		HWA_MEM_STATEST		RESERVED		LOGICSTATEST		POWERSTATEST	

Bits	Field Name	Description	Type	Reset
31:26	RESERVED		R	0x0
25:24	LASTPOWERSTATEENTERED	Last low power state entered. Set to 0x3 upon write of the same only. This register is intended for debug purpose only. 0x0: Power domain was previously OFF 0x1: Power domain was previously in RETENTION 0x2: Power domain was previously ON-INACTIVE 0x3: Power domain was previously ON-ACTIVE	RW	0x0
23:21	RESERVED		R	0x0
20	INTRANSITION	Domain transition status 0x0: No on-going transition on power domain 0x1: Power domain transition is in progress.	R	0x0
19:12	RESERVED		R	0x0
11:10	TCM2_MEM_STATEST	TCM2 memory state status 0x0: Memory is OFF 0x1: Memory is RETENTION 0x2: Reserved 0x3: Memory is ON	R	0x3
9:8	TCM1_MEM_STATEST	TCM1 memory state status 0x0: Memory is OFF 0x1: Memory is RETENTION 0x2: Reserved 0x3: Memory is ON	R	0x3
7:6	SL2_MEM_STATEST	SL2 memory state status 0x0: Memory is OFF 0x1: Memory is RETENTION 0x2: Reserved 0x3: Memory is ON	R	0x3

Bits	Field Name	Description	Type	Reset
5:4	HWA_MEM_STATEST	HWA memory state status 0x0: Memory is OFF 0x1: Memory is RETENTION 0x2: Reserved 0x3: Memory is ON	R	0x3
3	RESERVED		R	0x0
2	LOGICSTATEST	Logic state status 0x0: Logic in domain is OFF 0x1: Logic in domain is ON	R	0x1
1:0	POWERSTATEST	Current power state status 0x0: Power domain is OFF 0x1: Power domain is in RETENTION 0x2: Power domain is ON-INACTIVE 0x3: Power domain is ON-ACTIVE	R	0x3

Table 3-1630. Register Call Summary for Register PM_IVA_PWRSTST

Power Management Functional Description

- [Logic and Memory Area Power Modes Control and Status: \[0\]\[1\]\[2\]\[3\]\[4\]\[5\]\[6\]\[7\]](#)

PRCM Register Manual

- [Not Supported Functionality \(Registers and Bits\): \[8\]\[9\]\[10\]\[11\]\[12\]\[13\]\[14\]\[15\]\[16\]](#)
- [IVA_PRM Register Summary: \[17\]](#)

Table 3-1631. RM_IVA_RSTCTRL

Address Offset	0x0000 0010	Instance	IVA_PRM
Physical Address	0x4AE0 6F10		
Description	This register controls the release of the IVA sub-system resets.		
Type	RW		

31	30	29	28	27	26	25	24	23	22	21	20	19	18	17	16	15	14	13	12	11	10	9	8	7	6	5	4	3	2	1	0
RESERVED																RST_LOGIC	RST_SEQ2	RST_SEQ1													

Bits	Field Name	Description	Type	Reset
31:3	RESERVED		R	0x0
2	RST_LOGIC	IVA logic and SL2 reset control 0x0: Reset is cleared for the IVA logic and SL2 0x1: Reset is asserted for IVA logic and SL2	RW	0x1
1	RST_SEQ2	IVA Sequencer2 reset control 0x0: Reset is cleared for IVA Sequencer CPU2 0x1: Reset is asserted for IVA Sequencer CPU2	RW	0x1
0	RST_SEQ1	IVA sequencer1 reset control 0x0: Reset is cleared for the IVA Sequencer CPU1 0x1: Reset is asserted for the IVA sequencer CPU1	RW	0x1

Table 3-1632. Register Call Summary for Register RM_IVA_RSTCTRL

Reset Management Functional Description

- [Reset Domains: \[0\]\[1\]\[2\]\[3\]](#)
- [IVA Subsystem Power-On Reset Sequence: \[4\]\[5\]\[6\]](#)
- [IVA Subsystem Software Warm Reset Sequence: \[7\]\[8\]\[9\]\[10\]\[11\]\[12\]](#)

PRCM Register Manual

- [IVA_PRM Register Summary: \[13\]](#)

Table 3-1633. RM_IVA_RSTST

Address Offset	0x0000 0014	Instance	IVA_PRM
Physical Address	0x4AE0 6F14		
Description	This register logs the different reset sources of the IVA domain. Each bit is set upon release of the domain reset signal. Must be cleared by software. [warm reset insensitive]		
Type	RW		

31	30	29	28	27	26	25	24	23	22	21	20	19	18	17	16	15	14	13	12	11	10	9	8	7	6	5	4	3	2	1	0
RESERVED																RST_ICECRUSHER_SEQ2	RST_ICECRUSHER_SEQ1	RST_EMULATION_SEQ2	RST_EMULATION_SEQ1	RST_LOGIC	RST_SEQ2	RST_SEQ1									

Bits	Field Name	Description	Type	Reset
31:7	RESERVED		R	0x0
6	RST_ICECRUSHER_SEQ2	Sequencer2 CPU has been reset due to IVA ICECRUSHER2 reset event 0x0: No icecrusher reset 0x1: Sequencer2 has been reset upon icecrusher reset	RW	0x0
5	RST_ICECRUSHER_SEQ1	Sequencer1 CPU has been reset due to IVA ICECRUSHER1 reset event 0x0: No icecrusher reset 0x1: Sequencer1 has been reset upon icecrusher reset	RW	0x0
4	RST_EMULATION_SEQ2	Sequencer2 CPU has been reset due to emulation reset source e.g. assert reset command initiated by the icepick module 0x0: No emulation reset 0x1: Sequencer2 has been reset upon emulation reset	RW	0x0
3	RST_EMULATION_SEQ1	Sequencer1 CPU has been reset due to emulation reset source e.g. assert reset command initiated by the icepick module 0x0: No emulation reset 0x1: Sequencer1 has been reset upon emulation reset	RW	0x0
2	RST_LOGIC	IVA logic and SL2 SW reset 0x0: No SW reset occurred 0x1: IVA logic and SL2 has been reset upon SW reset	RW	0x0
1	RST_SEQ2	IVA Sequencer2 CPU SW reset 0x0: No SW reset occurred 0x1: Sequencer2 has been reset upon SW reset	RW	0x0

Bits	Field Name	Description	Type	Reset
0	RST_SEQ1	IVA Sequencer1 CPU SW reset 0x0: No SW reset occurred 0x1: Sequencer1 has been reset upon SW reset	RW	0x0

Table 3-1634. Register Call Summary for Register RM_IVA_RSTST

PRCM Register Manual

- [IVA_PRM Register Summary: \[0\]](#)

Table 3-1635. RM_IVA_IVA_CONTEXT

Address Offset	0x0000 0024	Instance	IVA_PRM
Physical Address	0x4AE0 6F24		
Description	This register contains dedicated IVA context statuses. [warm reset insensitive]		
Type	RW		

31	30	29	28	27	26	25	24	23	22	21	20	19	18	17	16	15	14	13	12	11	10	9	8	7	6	5	4	3	2	1	0	
RESERVED																LOSTMEM_HWA_MEM			LOSTMEM_TCM2_MEM			LOSTMEM_TCM1_MEM			RESERVED							LOSTCONTEXT_DFF

Bits	Field Name	Description	Type	Reset
31:11	RESERVED		R	0x0
10	LOSTMEM_HWA_MEM	Specify if memory-based context in HWA_MEM memory bank has been lost due to a previous power transition or other reset source. 0x0: Context has been maintained 0x1: Context has been lost	RW	0x1
9	LOSTMEM_TCM2_MEM	Specify if memory-based context in TCM2_MEM memory bank has been lost due to a previous power transition or other reset source. 0x0: Context has been maintained 0x1: Context has been lost	RW	0x1
8	LOSTMEM_TCM1_MEM	Specify if memory-based context in TCM1_MEM memory bank has been lost due to a previous power transition or other reset source. 0x0: Context has been maintained 0x1: Context has been lost	RW	0x1
7:1	RESERVED		R	0x0
0	LOSTCONTEXT_DFF	Specify if DFF-based context has been lost due to a previous power transition or other reset source. (set upon assertion of IVA_RST signal) 0x0: Context has been maintained 0x1: Context has been lost	RW	0x1

Table 3-1636. Register Call Summary for Register RM_IVA_IVA_CONTEXT

Power Management Functional Description

- [PD_IVA Description: \[0\]](#)

PRCM Register Manual

- [IVA_PRM Register Summary: \[1\]](#)

Table 3-1637. RM_IVA_SL2_CONTEXT

Address Offset	0x0000 002C	Instance	IVA_PRM
Physical Address	0x4AE0 6F2C		
Description	This register contains dedicated SL2 context statuses. [warm reset insensitive]		
Type	RW		

31	30	29	28	27	26	25	24	23	22	21	20	19	18	17	16	15	14	13	12	11	10	9	8	7	6	5	4	3	2	1	0
RESERVED																LOSTMEM_SL2_MEM	RESERVED										LOSTCONTEXT_DFF				

Bits	Field Name	Description	Type	Reset
31:9	RESERVED		R	0x0
8	LOSTMEM_SL2_MEM	Specify if memory-based context in SL2_MEM memory bank has been lost due to a previous power transition or other reset source. 0x0: Context has been maintained 0x1: Context has been lost	RW	0x1
7:1	RESERVED		R	0x0
0	LOSTCONTEXT_DFF	Specify if DFF-based context has been lost due to a previous power transition or other reset source. (set upon assertion of IVA_RST signal) 0x0: Context has been maintained 0x1: Context has been lost	RW	0x1

Table 3-1638. Register Call Summary for Register RM_IVA_SL2_CONTEXT

Power Management Functional Description

- [PD_IVA Description: \[0\]](#)

PRCM Register Manual

- [IVA_PRM Register Summary: \[1\]](#)

3.12.49 L3INIT_PRM Registers

3.12.49.1 L3INIT_PRM Register Summary

Table 3-1639. L3INIT_PRM Registers Mapping Summary

Register Name	Type	Register Width (Bits)	Address Offset	L3INIT_PRM Physical Address L4_WKUP Interconnect
PM_L3INIT_PWRSTCT RL	RW	32	0x0000 0000	0x4AE0 7300

Table 3-1639. L3INIT_PRM Registers Mapping Summary (continued)

Register Name	Type	Register Width (Bits)	Address Offset	L3INIT_PRM Physical Address L4_WKUP Interconnect
PM_L3INIT_PWRSTST	RW	32	0x0000 0004	0x4AE0 7304
RM_PCISS_RSTCTRL	RW	32	0x0000 0010	0x4AE0 7310
RM_PCISS_RSTST	RW	32	0x0000 0014	0x4AE0 7314
PM_L3INIT_MMC1_WKDEP	RW	32	0x0000 0028	0x4AE0 7328
RM_L3INIT_MMC1_CONTEXT	RW	32	0x0000 002C	0x4AE0 732C
PM_L3INIT_MMC2_WKDEP	RW	32	0x0000 0030	0x4AE0 7330
RM_L3INIT_MMC2_CONTEXT	RW	32	0x0000 0034	0x4AE0 7334
PM_L3INIT_USB_OTG_SS2_WKDEP	RW	32	0x0000 0040	0x4AE0 7340
RM_L3INIT_USB_OTG_SS2_CONTEXT	RW	32	0x0000 0044	0x4AE0 7344
PM_L3INIT_USB_OTG_SS3_WKDEP	RW	32	0x0000 0048	0x4AE0 7348
RM_L3INIT_USB_OTG_SS3_CONTEXT	RW	32	0x0000 004C	0x4AE0 734C
PM_L3INIT_USB_OTG_SS4_WKDEP	RW	32	0x0000 0050	0x4AE0 7350
RM_L3INIT_USB_OTG_SS4_CONTEXT	RW	32	0x0000 0054	0x4AE0 7354
RM_L3INIT_MLB_SS_CONTEXT	RW	32	0x0000 005C	0x4AE0 735C
RM_L3INIT_IEEE1500_2_OCP_CONTEXT	RW	32	0x0000 007C	0x4AE0 737C
PM_L3INIT_SATA_WKDEP	RW	32	0x0000 0088	0x4AE0 7388
RM_L3INIT_SATA_CONTEXT	RW	32	0x0000 008C	0x4AE0 738C
PM_PCIE_PCISS1_WKDEP	RW	32	0x0000 00B0	0x4AE0 73B0
RM_PCIE_PCISS1_CONTEXT	RW	32	0x0000 00B4	0x4AE0 73B4
PM_PCIE_PCISS2_WKDEP	RW	32	0x0000 00B8	0x4AE0 73B8
RM_PCIE_PCISS2_CONTEXT	RW	32	0x0000 00BC	0x4AE0 73BC
RM_GMAC_GMAC_CONTEXT	RW	32	0x0000 00D4	0x4AE0 73D4
RM_L3INIT_OCP2SCP1_CONTEXT	RW	32	0x0000 00E4	0x4AE0 73E4
RM_L3INIT_OCP2SCP3_CONTEXT	RW	32	0x0000 00EC	0x4AE0 73EC
PM_L3INIT_USB_OTG_SS1_WKDEP	RW	32	0x0000 00F0	0x4AE0 73F0
RM_L3INIT_USB_OTG_SS1_CONTEXT	RW	32	0x0000 00F4	0x4AE0 73F4

3.12.49.2 L3INIT_PRM Register Description
Table 3-1640. PM_L3INIT_PWRSTCTRL

Address Offset	0x0000 0000	Instance	L3INIT_PRM
Physical Address	0x4AE0 7300		
Description	This register controls the L3INIT power state to reach upon a domain sleep transition. Note: In the L3INIT power domain OFF state is only allowed in systems where Ethernet RGMII is NOT used in the system - this is very application specific and may not be available in all TI standard software offerings.		
Type	RW		

31	30	29	28	27	26	25	24	23	22	21	20	19	18	17	16	15	14	13	12	11	10	9	8	7	6	5	4	3	2	1	0
RESERVED								GMAC_BANK_ONSTATE		L3INIT_BANK2_ONSTATE		L3INIT_BANK1_ONSTATE		RESERVED		GMAC_BANK_RETSTATE		L3INIT_BANK2_RETSTATE		L3INIT_BANK1_RETSTATE		RESERVED		LOWPOWERSTATECHANGE	RESERVED	LOGICRETSTATE	POWERSTATE				

Bits	Field Name	Description	Type	Reset
31:20	RESERVED		R	0x0
19:18	GMAC_BANK_ONSTATE	GMAC BANK state when domain is ON. 0x3: Memory bank is on when the domain is ON.	R	0x3
17:16	L3INIT_BANK2_ONSTATE	L3INIT BANK2 state when domain is ON. 0x3: Memory bank is on when the domain is ON.	R	0x3
15:14	L3INIT_BANK1_ONSTATE	L3INIT BANK1 state when domain is ON. 0x3: Memory bank is on when the domain is ON.	R	0x3
13:11	RESERVED		R	0x0
10	GMAC_BANK_RETSTATE	GMAC BANK state when domain is RETENTION. 0x1: Memory bank is retained when domain is in RETENTION state.	R	0x1
9	L3INIT_BANK2_RETSTATE	L3INIT BANK2 state when domain is RETENTION. 0x1: Memory bank is retained when domain is in RETENTION state.	R	0x1
8	L3INIT_BANK1_RETSTATE	L3INIT BANK1 state when domain is RETENTION. 0x0: Memory bank is off when the domain is in the RETENTION state.	R	0x0
7:5	RESERVED		R	0x0
4	LOWPOWERSTATECHANGE	Power state change request when domain has already performed a sleep transition. Allows going into deeper low power state without waking up the power domain. 0x0: Do not request a low power state change. 0x1: Request a low power state change. This bit is automatically cleared when the power state is effectively changed or when power state is ON.	RW	0x0
3	RESERVED		R	0x0
2	LOGICRETSTATE	Logic state when power domain is RETENTION 0x0: Only retention registers are retained and remaining logic is off when the domain is in RETENTION state. 0x1: Whole logic is retained when domain is in RETENTION state.	RW	0x1

Bits	Field Name	Description	Type	Reset
1:0	POWERSTATE	Power state control 0x0: OFF state 0x1: RETENTION state 0x2: INACTIVE state 0x3: ON State	RW	0x0

Table 3-1641. Register Call Summary for Register PM_L3INIT_PWRSTCTRL

Power Management Functional Description

- [Logic and Memory Area Power Modes Control and Status: \[0\]\[1\]\[2\]\[3\]\[4\]\[5\]\[6\]](#)

PRCM Register Manual

- [Not Supported Functionality \(Registers and Bits\): \[7\]\[8\]\[9\]\[10\]\[11\]\[12\]\[13\]](#)
- [L3INIT_PRM Register Summary: \[14\]](#)

Table 3-1642. PM_L3INIT_PWRSTST

Address Offset	0x0000 0004	Instance	L3INIT_PRM
Physical Address	0x4AE0 7304		
Description	This register provides a status on the current L3INIT power domain state. [warm reset insensitive].		
Type	RW		

31	30	29	28	27	26	25	24	23	22	21	20	19	18	17	16	15	14	13	12	11	10	9	8	7	6	5	4	3	2	1	0		
RESERVED								LASTPOWERSTATEENTERED		RESERVED		INTRANSITION		RESERVED								L3INIT_GMAC_STATEST		L3INIT_BANK2_STATEST		L3INIT_BANK1_STATEST		RESERVED		LOGICSTATEST		POWERSTATEST	

Bits	Field Name	Description	Type	Reset
31:26	RESERVED		R	0x0
25:24	LASTPOWERSTATEENTERED	Last low power state entered. Set to 0x3 upon write of the same only. This register is intended for debug purpose only. 0x0: Power domain was previously OFF 0x1: Power domain was previously in RETENTION 0x2: Power domain was previously ON-INACTIVE 0x3: Power domain was previously ON-ACTIVE	RW	0x0
23:21	RESERVED		R	0x0
20	INTRANSITION	Domain transition status 0x0: No on-going transition on power domain 0x1: Power domain transition is in progress.	R	0x0
19:10	RESERVED		R	0x0
9:8	L3INIT_GMAC_STATEST	L3INIT GMAC state status 0x0: Memory is OFF 0x1: Reserved 0x2: Reserved 0x3: Memory is ON	R	0x3

Bits	Field Name	Description	Type	Reset
7:6	L3INIT_BANK2_STATEST	L3INIT BANK2 state status 0x0: Memory is OFF 0x1: Memory is RETENTION 0x2: Reserved 0x3: Memory is ON	R	0x3
5:4	L3INIT_BANK1_STATEST	L3INIT BANK1 state status 0x0: Memory is OFF 0x1: Reserved 0x2: Reserved 0x3: Memory is ON	R	0x3
3	RESERVED		R	0x0
2	LOGICSTATEST	Logic state status 0x0: Logic in domain is OFF 0x1: Logic in domain is ON	R	0x1
1:0	POWERSTATEST	Current power state status 0x0: Power domain is OFF 0x1: Power domain is in RETENTION 0x2: Power domain is ON-INACTIVE 0x3: Power domain is ON-ACTIVE	R	0x3

Table 3-1643. Register Call Summary for Register PM_L3INIT_PWRSTST

Power Management Functional Description

- [Logic and Memory Area Power Modes Control and Status: \[0\]\[1\]\[2\]\[3\]\[4\]\[5\]](#)

PRCM Register Manual

- [Not Supported Functionality \(Registers and Bits\): \[6\]\[7\]\[8\]\[9\]\[10\]\[11\]\[12\]](#)
- [L3INIT_PRM Register Summary: \[13\]](#)

Table 3-1644. RM_PCIESS_RSTCTRL

Address Offset	0x0000 0010	Instance	L3INIT_PRM
Physical Address	0x4AE0 7310		
Description	This register controls the release of the PCIESS local reset.		
Type	RW		

31	30	29	28	27	26	25	24	23	22	21	20	19	18	17	16	15	14	13	12	11	10	9	8	7	6	5	4	3	2	1	0
RESERVED																RST_LOCAL_PCIE2		RST_LOCAL_PCIE1													

Bits	Field Name	Description	Type	Reset
31:2	RESERVED		R	0x0
1	RST_LOCAL_PCIE2	PCIESS2 local reset control 0x0: Reset is cleared for the PCIE2 0x1: Reset is asserted for the PCIE2	RW	0x1

Bits	Field Name	Description	Type	Reset
0	RST_LOCAL_PCIE1	PCIESS1 local reset control 0x0: Reset is cleared for the PCIE1 0x1: Reset is asserted for the PCIE1	RW	0x1

Table 3-1645. Register Call Summary for Register RM_PCIESS_RSTCTRL

PRCM Register Manual

- [L3INIT_PRM Register Summary: \[0\]](#)

Table 3-1646. RM_PCIESS_RSTST

Address Offset	0x0000 0014	Instance	L3INIT_PRM
Physical Address	0x4AE0 7314		
Description	This register logs the different reset sources of the PCIESS domain. Each bit is set upon release of the domain reset signal. Must be cleared by software. [warm reset insensitive]		
Type	RW		

31	30	29	28	27	26	25	24	23	22	21	20	19	18	17	16	15	14	13	12	11	10	9	8	7	6	5	4	3	2	1	0
RESERVED																												RST_LOCAL_PCIE2	RST_LOCAL_PCIE1		

Bits	Field Name	Description	Type	Reset
31:2	RESERVED		R	0x0
1	RST_LOCAL_PCIE2	PCIESS2 local SW reset 0x0: No SW reset occurred 0x1: PCIE2 has been reset upon SW reset	RW	0x0
0	RST_LOCAL_PCIE1	PCIESS1 local SW reset 0x0: No SW reset occurred 0x1: PCIE1 has been reset upon SW reset	RW	0x0

Table 3-1647. Register Call Summary for Register RM_PCIESS_RSTST

PRCM Register Manual

- [L3INIT_PRM Register Summary: \[0\]](#)

Table 3-1648. PM_L3INIT_MMC1_WKDEP

Address Offset	0x0000 0028	Instance	L3INIT_PRM
Physical Address	0x4AE0 7328		
Description	This register controls wakeup dependency based on MMC1 service requests.		
Type	RW		

31	30	29	28	27	26	25	24	23	22	21	20	19	18	17	16	15	14	13	12	11	10	9	8	7	6	5	4	3	2	1	0
RESERVED																WKUPDEP_MMC1_EVE4	WKUPDEP_MMC1_EVE3	WKUPDEP_MMC1_EVE2	WKUPDEP_MMC1_EVE1	WKUPDEP_MMC1_DSP2	WKUPDEP_MMC1_IPU1	WKUPDEP_MMC1_SDMA	WKUPDEP_MMC1_DSP1	WKUPDEP_MMC1_IPU2	WKUPDEP_MMC1_MPU						

Bits	Field Name	Description	Type	Reset
31:10	RESERVED		R	0x0
9	WKUPDEP_MMC1_EVE4	Wakeup dependency from MMC1 module (SWakeup signal) towards EVE4 + L3_MAIN1 + L4PER1 + L4PER2 + L4PER3 domains 0x0: Dependency is disabled 0x1: Dependency is enabled	RW	0x0
8	WKUPDEP_MMC1_EVE3	Wakeup dependency from MMC1 module (SWakeup signal) towards EVE3 + L3_MAIN1 + L4PER1 + L4PER2 + L4PER3 domains 0x0: Dependency is disabled 0x1: Dependency is enabled	RW	0x0
7	WKUPDEP_MMC1_EVE2	Wakeup dependency from MMC1 module (SWakeup signal) towards EVE2 + L3_MAIN1 + L4PER1 + L4PER2 + L4PER3 domains 0x0: Dependency is disabled 0x1: Dependency is enabled	RW	0x0
6	WKUPDEP_MMC1_EVE1	Wakeup dependency from MMC1 module (SWakeup signal) towards EVE1 + L3_MAIN1 + L4PER1 + L4PER2 + L4PER3 domains 0x0: Dependency is disabled 0x1: Dependency is enabled	RW	0x0
5	WKUPDEP_MMC1_DSP2	Wakeup dependency from MMC1 module (SWakeup signal) towards DSP2 + L3_MAIN1 + L4PER1 + L4PER2 + L4PER3 domains 0x0: Dependency is disabled 0x1: Dependency is enabled	RW	0x0
4	WKUPDEP_MMC1_IPU1	Wakeup dependency from MMC1 module (SWakeup signal) towards IPU1 + L3_MAIN1 + L4PER1 + L4PER2 + L4PER3 domains 0x0: Dependency is disabled 0x1: Dependency is enabled	RW	0x0
3	WKUPDEP_MMC1_SDMA	Wakeup dependency from MMC1 module (SWakeup signal) towards SDMA + L3MAIN1 + L4PER1 + L4PER2 + L4PER3 domains 0x0: Dependency is disabled 0x1: Dependency is enabled	RW	0x0

Bits	Field Name	Description	Type	Reset
2	WKUPDEP_MMC1_DSP1	Wakeup dependency from MMC1 module (SWakeup signal) towards DSP + L3MAIN1 + L4PER1 + L4PER2 + L4PER3 domains 0x0: Dependency is disabled 0x1: Dependency is enabled	RW	0x0
1	WKUPDEP_MMC1_IPU2	Wakeup dependency from MMC1 module (SWakeup signal) towards IPU2 + L3_MAIN1 + L4PER1 + L4PER2 + L4PER3 domains 0x0: Dependency is disabled 0x1: Dependency is enabled	RW	0x0
0	WKUPDEP_MMC1_MPU	Wakeup dependency from MMC1 module (SWakeup signal) towards MPU + L3_MAIN1 + L4PER1 + L4PER2 + L4PER3 domains 0x0: Dependency is disabled 0x1: Dependency is enabled	RW	0x0

Table 3-1649. Register Call Summary for Register PM_L3INIT_MMC1_WKDEP

Clock Management Functional Description

- [Clock Domain Dependency: \[0\]\[1\]\[3\]\[4\]\[5\]](#)

PRCM Register Manual

- [Not Supported Functionality \(Registers and Bits\): \[10\]\[11\]\[12\]\[13\]\[14\]](#)
- [L3INIT_PRM Register Summary: \[15\]](#)

Table 3-1650. RM_L3INIT_MMC1_CONTEXT

Address Offset	0x0000 002C	Instance	L3INIT_PRM
Physical Address	0x4AE0 732C		
Description	This register contains dedicated MMC1 context statuses. [warm reset insensitive]		
Type	RW		

31	30	29	28	27	26	25	24	23	22	21	20	19	18	17	16	15	14	13	12	11	10	9	8	7	6	5	4	3	2	1	0
RESERVED																LOSTMEM_L3INIT_BANK1	RESERVED										LOSTCONTEXT_RFF	RESERVED			

Bits	Field Name	Description	Type	Reset
31:9	RESERVED		R	0x0
8	LOSTMEM_L3INIT_BANK1	Specify if memory-based context in L3INIT_BANK1 memory bank has been lost due to a previous power transition or other reset source. 0x0: Context has been maintained 0x1: Context has been lost	RW	0x1
7:2	RESERVED		R	0x0
1	LOSTCONTEXT_RFF	Specify if RFF-based context has been lost due to a previous power transition or other reset source. (set upon assertion of L3INIT_RET_RST signal) 0x0: Context has been maintained 0x1: Context has been lost	RW	0x1

Bits	Field Name	Description	Type	Reset
0	RESERVED		R	0x0

Table 3-1651. PM_L3INIT_MMC2_WKDEP

Address Offset	0x0000 0030	Instance	L3INIT_PRM
Physical Address	0x4AE0 7330		
Description	This register controls wakeup dependency based on MMC2 service requests.		
Type	RW		

31	30	29	28	27	26	25	24	23	22	21	20	19	18	17	16	15	14	13	12	11	10	9	8	7	6	5	4	3	2	1	0	
RESERVED																							WKUPDEP_MMC2_EVE4	WKUPDEP_MMC2_EVE3	WKUPDEP_MMC2_EVE2	WKUPDEP_MMC2_EVE1	WKUPDEP_MMC2_DSP2	WKUPDEP_MMC2_IPU1	WKUPDEP_MMC2_SDMA	WKUPDEP_MMC2_DSP1	WKUPDEP_MMC2_IPU2	WKUPDEP_MMC2_MPU

Bits	Field Name	Description	Type	Reset
31:10	RESERVED		R	0x0
9	WKUPDEP_MMC2_EVE4	Wakeup dependency from MMC2 module (SWakeup signal) towards EVE4 + L3_MAIN1 + L4PER1 + L4PER2 + L4PER3 domains 0x0: Dependency is disabled 0x1: Dependency is enabled	RW	0x0
8	WKUPDEP_MMC2_EVE3	Wakeup dependency from MMC2 module (SWakeup signal) towards EVE3 + L3_MAIN1 + L4PER1 + L4PER2 + L4PER3 domains 0x0: Dependency is disabled 0x1: Dependency is enabled	RW	0x0
7	WKUPDEP_MMC2_EVE2	Wakeup dependency from MMC2 module (SWakeup signal) towards EVE2 + L3_MAIN1 + L4PER1 + L4PER2 + L4PER3 domains 0x0: Dependency is disabled 0x1: Dependency is enabled	RW	0x0
6	WKUPDEP_MMC2_EVE1	Wakeup dependency from MMC2 module (SWakeup signal) towards EVE1 + L3_MAIN1 + L4PER1 + L4PER2 + L4PER3 domains 0x0: Dependency is disabled 0x1: Dependency is enabled	RW	0x0
5	WKUPDEP_MMC2_DSP2	Wakeup dependency from MMC2 module (SWakeup signal) towards DSP2 + L3_MAIN1 + L4PER1 + L4PER2 + L4PER3 domains 0x0: Dependency is disabled 0x1: Dependency is enabled	RW	0x0
4	WKUPDEP_MMC2_IPU1	Wakeup dependency from MMC2 module (SWakeup signal) towards IPU1 + L3_MAIN1 + L4PER1 + L4PER2 + L4PER3 domains 0x0: Dependency is disabled 0x1: Dependency is enabled	RW	0x0

Bits	Field Name	Description	Type	Reset
3	WKUPDEP_MMC2_SDMA	Wakeup dependency from MMC2 module (SWakeup signal) towards SDMA + L3MAIN1 + L4PER1 + L4PER2 + L4PER3 domains 0x0: Dependency is disabled 0x1: Dependency is enabled	RW	0x0
2	WKUPDEP_MMC2_DSP1	Wakeup dependency from MMC2 module (SWakeup signal) towards DSP + L3MAIN1 + L4PER1 + L4PER2 + L4PER3 domains 0x0: Dependency is disabled 0x1: Dependency is enabled	RW	0x0
1	WKUPDEP_MMC2_IPU2	Wakeup dependency from MMC2 module (SWakeup signal) towards IPU2 + L3_MAIN1 + L4PER1 + L4PER2 + L4PER3 domains 0x0: Dependency is disabled 0x1: Dependency is enabled	RW	0x0
0	WKUPDEP_MMC2_MPU	Wakeup dependency from MMC2 module (SWakeup signal) towards MPU + L3_MAIN1 + L4PER1 + L4PER2 + L4PER3 domains 0x0: Dependency is disabled 0x1: Dependency is enabled	RW	0x0

Table 3-1652. Register Call Summary for Register PM_L3INIT_MMC2_WKDEP

Clock Management Functional Description

- [Clock Domain Dependency: \[0\]\[1\]\[3\]\[4\]\[5\]](#)

PRCM Register Manual

- [Not Supported Functionality \(Registers and Bits\): \[10\]\[11\]\[12\]\[13\]\[14\]](#)
- [L3INIT_PRM Register Summary: \[15\]](#)

Table 3-1653. RM_L3INIT_MMC2_CONTEXT

Address Offset	0x0000 0034	Instance	L3INIT_PRM
Physical Address	0x4AE0 7334		
Description	This register contains dedicated MMC2 context statuses. [warm reset insensitive]		
Type	RW		

31	30	29	28	27	26	25	24	23	22	21	20	19	18	17	16	15	14	13	12	11	10	9	8	7	6	5	4	3	2	1	0
RESERVED																LOSTMEM_L3INIT_BANK1	RESERVED										LOSTCONTEXT_RFF	RESERVED			

Bits	Field Name	Description	Type	Reset
31:9	RESERVED		R	0x0
8	LOSTMEM_L3INIT_BANK1	Specify if memory-based context in L3INIT_BANK1 memory bank has been lost due to a previous power transition or other reset source. 0x0: Context has been maintained 0x1: Context has been lost	RW	0x1
7:2	RESERVED		R	0x0

Bits	Field Name	Description	Type	Reset
1	LOSTCONTEXT_RFF	Specify if RFF-based context has been lost due to a previous power transition or other reset source. (set upon assertion of L3INIT_RET_RST signal) 0x0: Context has been maintained 0x1: Context has been lost	RW	0x1
0	RESERVED		R	0x0

Table 3-1654. PM_L3INIT_USB_OTG_SS2_WKDEP

Address Offset	0x0000 0040	Instance	L3INIT_PRM
Physical Address	0x4AE0 7340		
Description	This register controls wakeup dependency based on USB_OTG_SS2 service requests.		
Type	RW		

31	30	29	28	27	26	25	24	23	22	21	20	19	18	17	16	15	14	13	12	11	10	9	8	7	6	5	4	3	2	1	0				
RESERVED																WKUPDEP_USB_OTG_SS2_EVE4		WKUPDEP_USB_OTG_SS2_EVE3		WKUPDEP_USB_OTG_SS2_EVE2		WKUPDEP_USB_OTG_SS2_EVE1		WKUPDEP_USB_OTG_SS2_DSP2		WKUPDEP_USB_OTG_SS2_IPU1		RESERVED		WKUPDEP_USB_OTG_SS2_DSP1		WKUPDEP_USB_OTG_SS2_IPU2		WKUPDEP_USB_OTG_SS2_MPU	

Bits	Field Name	Description	Type	Reset
31:10	RESERVED		R	0x0
9	WKUPDEP_USB_OTG_SS2_EV E4	Wakeup dependency from USB2 module (SWakeup signal) towards EVE4 + L3_MAIN1 + L4PER1 + L4PER2 + L4PER3 domains 0x0: Dependency is disabled 0x1: Dependency is enabled	RW	0x0
8	WKUPDEP_USB_OTG_SS2_EV E3	Wakeup dependency from USB2 module (SWakeup signal) towards EVE3 + L3_MAIN1 + L4PER1 + L4PER2 + L4PER3 domains 0x0: Dependency is disabled 0x1: Dependency is enabled	RW	0x0
7	WKUPDEP_USB_OTG_SS2_EV E2	Wakeup dependency from USB2 module (SWakeup signal) towards EVE2 + L3_MAIN1 + L4PER1 + L4PER2 + L4PER3 domains 0x0: Dependency is disabled 0x1: Dependency is enabled	RW	0x0
6	WKUPDEP_USB_OTG_SS2_EV E1	Wakeup dependency from USB2 module (SWakeup signal) towards EVE1 + L3_MAIN1 + L4PER1 + L4PER2 + L4PER3 domains 0x0: Dependency is disabled 0x1: Dependency is enabled	RW	0x0
5	WKUPDEP_USB_OTG_SS2_DS P2	Wakeup dependency from USB2 module (SWakeup signal) towards DSP2 + L3_MAIN1 + L4PER1 + L4PER2 + L4PER3 domains 0x0: Dependency is disabled 0x1: Dependency is enabled	RW	0x0

Bits	Field Name	Description	Type	Reset
4	WKUPDEP_USB_OTG_SS2_IP U1	Wakeup dependency from USB2 module (SWakeup signal) towards IPU1 + L3_MAIN1 + L4PER1 + L4PER2 + L4PER3 domains 0x0: Dependency is disabled 0x1: Dependency is enabled	RW	0x0
3	RESERVED		R	0x0
2	WKUPDEP_USB_OTG_SS2_DS P1	Wakeup dependency from USB2 module (SWakeup signal) towards DSP + L3MAIN1 + L4PER1 + L4PER2 + L4PER3 domains 0x0: Dependency is disabled 0x1: Dependency is enabled	RW	0x0
1	WKUPDEP_USB_OTG_SS2_IP U2	Wakeup dependency from USB2 module (SWakeup signal) towards IPU2 + L3_MAIN1 + L4PER1 + L4PER2 + L4PER3 domains 0x0: Dependency is disabled 0x1: Dependency is enabled	RW	0x0
0	WKUPDEP_USB_OTG_SS2_MP U	Wakeup dependency from USB2 module (SWakeup signal) towards MPU + L3_MAIN1 + L4PER1 + L4PER2 + L4PER3 domains 0x0: Dependency is disabled 0x1: Dependency is enabled	RW	0x0

Table 3-1655. Register Call Summary for Register PM_L3INIT_USB_OTG_SS2_WKDEP

Clock Management Functional Description

- [Clock Domain Dependency: \[0\]\[1\]\[2\]\[4\]](#)

PRCM Register Manual

- [Not Supported Functionality \(Registers and Bits\): \[9\]\[10\]\[11\]\[12\]\[13\]](#)
- [L3INIT_PRM Register Summary: \[14\]](#)

Table 3-1656. RM_L3INIT_USB_OTG_SS2_CONTEXT

Address Offset	0x0000 0044	Instance	L3INIT_PRM
Physical Address	0x4AE0 7344		
Description	This register contains dedicated USB_OTG_SS2 context statuses. [warm reset insensitive]		
Type	RW		

31	30	29	28	27	26	25	24	23	22	21	20	19	18	17	16	15	14	13	12	11	10	9	8	7	6	5	4	3	2	1	0
RESERVED																LOSTMEM_L3INIT_BANK1	RESERVED						LOSTCONTEXT_RFF	RESERVED							

Bits	Field Name	Description	Type	Reset
31:9	RESERVED		R	0x0
8	LOSTMEM_L3INIT_BANK1	Specify if memory-based context in L3INIT_BANK1 memory bank has been lost due to a previous power transition or other reset source. 0x0: Context has been maintained 0x1: Context has been lost	RW	0x1

Bits	Field Name	Description	Type	Reset
7:2	RESERVED		R	0x0
1	LOSTCONTEXT_RFF	Specify if RFF-based context has been lost due to a previous power transition or other reset source. (set upon assertion of L3INIT_RET_RST signal) 0x0: Context has been maintained 0x1: Context has been lost	RW	0x1
0	RESERVED		R	0x0

Table 3-1657. Register Call Summary for Register RM_L3INIT_USB_OTG_SS2_CONTEXT

Power Management Functional Description

- [PD_L3INIT Description: \[0\]](#)

PRCM Register Manual

- [L3INIT_PRM Register Summary: \[1\]](#)

Table 3-1658. PM_L3INIT_USB_OTG_SS3_WKDEP

Address Offset	0x0000 0048	Instance	L3INIT_PRM
Physical Address	0x4AE0 7348		
Description	This register controls wakeup dependency based on USB_OTG_SS3 service requests.		
Type	RW		

31	30	29	28	27	26	25	24	23	22	21	20	19	18	17	16	15	14	13	12	11	10	9	8	7	6	5	4	3	2	1	0	
RESERVED																							WKUPDEP_USB_OTG_SS3_EVE4	WKUPDEP_USB_OTG_SS3_EVE3	WKUPDEP_USB_OTG_SS3_EVE2	WKUPDEP_USB_OTG_SS3_EVE1	WKUPDEP_USB_OTG_SS3_DSP2	WKUPDEP_USB_OTG_SS3_IPU1	RESERVED	WKUPDEP_USB_OTG_SS3_DSP1	WKUPDEP_USB_OTG_SS3_IPU2	WKUPDEP_USB_OTG_SS3_MPU

Bits	Field Name	Description	Type	Reset
31:10	RESERVED		R	0x0
9	WKUPDEP_USB_OTG_SS3_EV E4	Wakeup dependency from USB3 module (SWakeup signal) towards EVE4 + L3_MAIN1 + L4PER1 + L4PER2 + L4PER3 domains 0x0: Dependency is disabled 0x1: Dependency is enabled	RW	0x0
8	WKUPDEP_USB_OTG_SS3_EV E3	Wakeup dependency from USB3 module (SWakeup signal) towards EVE3 + L3_MAIN1 + L4PER1 + L4PER2 + L4PER3 domains 0x0: Dependency is disabled 0x1: Dependency is enabled	RW	0x0
7	WKUPDEP_USB_OTG_SS3_EV E2	Wakeup dependency from USB3 module (SWakeup signal) towards EVE2 + L3_MAIN1 + L4PER1 + L4PER2 + L4PER3 domains 0x0: Dependency is disabled 0x1: Dependency is enabled	RW	0x0

Bits	Field Name	Description	Type	Reset
6	WKUPDEP_USB_OTG_SS3_EV E1	Wakeup dependency from USB3 module (SWakeup signal) towards EVE1 + L3_MAIN1 + L4PER1 + L4PER2 + L4PER3 domains 0x0: Dependency is disabled 0x1: Dependency is enabled	RW	0x0
5	WKUPDEP_USB_OTG_SS3_DS P2	Wakeup dependency from USB3 module (SWakeup signal) towards DSP2 + L3_MAIN1 + L4PER1 + L4PER2 + L4PER3 domains 0x0: Dependency is disabled 0x1: Dependency is enabled	RW	0x0
4	WKUPDEP_USB_OTG_SS3_IP U1	Wakeup dependency from USB3 module (SWakeup signal) towards IPU1 + L3_MAIN1 + L4PER1 + L4PER2 + L4PER3 domains 0x0: Dependency is disabled 0x1: Dependency is enabled	RW	0x0
3	RESERVED		R	0x0
2	WKUPDEP_USB_OTG_SS3_DS P1	Wakeup dependency from USB3 module (SWakeup signal) towards DSP + L3MAIN1 + L4PER1 + L4PER2 + L4PER3 domains 0x0: Dependency is disabled 0x1: Dependency is enabled	RW	0x0
1	WKUPDEP_USB_OTG_SS3_IP U2	Wakeup dependency from USB3 module (SWakeup signal) towards IPU2 + L3_MAIN1 + L4PER1 + L4PER2 + L4PER3 domains 0x0: Dependency is disabled 0x1: Dependency is enabled	RW	0x0
0	WKUPDEP_USB_OTG_SS3_MP U	Wakeup dependency from USB3 module (SWakeup signal) towards MPU + L3_MAIN1 + L4PER1 + L4PER2 + L4PER3 domains 0x0: Dependency is disabled 0x1: Dependency is enabled	RW	0x0

Table 3-1659. Register Call Summary for Register PM_L3INIT_USB_OTG_SS3_WKDEP

Clock Management Functional Description

- [Clock Domain Dependency: \[0\]\[1\]\[2\]\[4\]](#)

PRCM Register Manual

- [Not Supported Functionality \(Registers and Bits\): \[9\]\[10\]\[11\]\[12\]\[13\]](#)
- [L3INIT_PRM Register Summary: \[14\]](#)

Table 3-1660. RM_L3INIT_USB_OTG_SS3_CONTEXT

Address Offset	0x0000 004C
Physical Address	0x4AE0 734C
Instance	L3INIT_PRM
Description	This register contains dedicated USB_OTG_SS3 context statuses. [warm reset insensitive]
Type	RW

31	30	29	28	27	26	25	24	23	22	21	20	19	18	17	16	15	14	13	12	11	10	9	8	7	6	5	4	3	2	1	0
RESERVED																LOSTMEM_L3INIT_BANK1	RESERVED						LOSTCONTEXT_RFF	RESERVED							

Bits	Field Name	Description	Type	Reset
31:9	RESERVED		R	0x0
8	LOSTMEM_L3INIT_BANK1	Specify if memory-based context in L3INIT_BANK1 memory bank has been lost due to a previous power transition or other reset source. 0x0: Context has been maintained 0x1: Context has been lost	RW	0x1
7:2	RESERVED		R	0x0
1	LOSTCONTEXT_RFF	Specify if RFF-based context has been lost due to a previous power transition or other reset source. (set upon assertion of L3INIT_RET_RST signal) 0x0: Context has been maintained 0x1: Context has been lost	RW	0x1
0	RESERVED		R	0x0

Table 3-1661. Register Call Summary for Register RM_L3INIT_USB_OTG_SS3_CONTEXT

Power Management Functional Description

- [PD_L3INIT Description: \[0\]](#)

PRCM Register Manual

- [L3INIT_PRM Register Summary: \[1\]](#)

Table 3-1662. PM_L3INIT_USB_OTG_SS4_WKDEP

Address Offset	0x0000 0050	Instance	L3INIT_PRM
Physical Address	0x4AE0 7350		
Description	This register controls wakeup dependency based on USB_OTG_SS4 service requests.		
Type	RW		

31	30	29	28	27	26	25	24	23	22	21	20	19	18	17	16	15	14	13	12	11	10	9	8	7	6	5	4	3	2	1	0				
RESERVED																WKUPDEP_USB_OTG_SS4_EVE4		WKUPDEP_USB_OTG_SS4_EVE3		WKUPDEP_USB_OTG_SS4_EVE2		WKUPDEP_USB_OTG_SS4_EVE1		WKUPDEP_USB_OTG_SS4_DSP2		WKUPDEP_USB_OTG_SS4_IPU1		RESERVED		WKUPDEP_USB_OTG_SS4_DSP1		WKUPDEP_USB_OTG_SS4_IPU2		WKUPDEP_USB_OTG_SS4_MPU	

Bits	Field Name	Description	Type	Reset
31:10	RESERVED		R	0x0
9	WKUPDEP_USB_OTG_SS4_EV E4	Wakeup dependency from USB4 module (SWakeup signal) towards EVE4 + L3_MAIN1 + L4PER1 + L4PER2 + L4PER3 domains 0x0: Dependency is disabled 0x1: Dependency is enabled	RW	0x0
8	WKUPDEP_USB_OTG_SS4_EV E3	Wakeup dependency from USB4 module (SWakeup signal) towards EVE3 + L3_MAIN1 + L4PER1 + L4PER2 + L4PER3 domains 0x0: Dependency is disabled 0x1: Dependency is enabled	RW	0x0
7	WKUPDEP_USB_OTG_SS4_EV E2	Wakeup dependency from USB4 module (SWakeup signal) towards EVE2 + L3_MAIN1 + L4PER1 + L4PER2 + L4PER3 domains 0x0: Dependency is disabled 0x1: Dependency is enabled	RW	0x0
6	WKUPDEP_USB_OTG_SS4_EV E1	Wakeup dependency from USB4 module (SWakeup signal) towards EVE1 + L3_MAIN1 + L4PER1 + L4PER2 + L4PER3 domains 0x0: Dependency is disabled 0x1: Dependency is enabled	RW	0x0
5	WKUPDEP_USB_OTG_SS4_DS P2	Wakeup dependency from USB4 module (SWakeup signal) towards DSP2 + L3_MAIN1 + L4PER1 + L4PER2 + L4PER3 domains 0x0: Dependency is disabled 0x1: Dependency is enabled	RW	0x0
4	WKUPDEP_USB_OTG_SS4_IP U1	Wakeup dependency from USB4 module (SWakeup signal) towards IPU1 + L3_MAIN1 + L4PER1 + L4PER2 + L4PER3 domains 0x0: Dependency is disabled 0x1: Dependency is enabled	RW	0x0
3	RESERVED		R	0x0

Bits	Field Name	Description	Type	Reset
2	WKUPDEP_USB_OTG_SS4_DS P1	Wakeup dependency from USB4 module (SWakeup signal) towards DSP + L3MAIN1 + L4PER1 + L4PER2 + L4PER3 domains 0x0: Dependency is disabled 0x1: Dependency is enabled	RW	0x0
1	WKUPDEP_USB_OTG_SS4_IP U2	Wakeup dependency from USB4 module (SWakeup signal) towards IPU2 + L3_MAIN1 + L4PER1 + L4PER2 + L4PER3 domains 0x0: Dependency is disabled 0x1: Dependency is enabled	RW	0x0
0	WKUPDEP_USB_OTG_SS4_MP U	Wakeup dependency from USB4 module (SWakeup signal) towards MPU + L3_MAIN1 + L4PER1 + L4PER2 + L4PER3 domains 0x0: Dependency is disabled 0x1: Dependency is enabled	RW	0x0

Table 3-1663. RM_L3INIT_USB_OTG_SS4_CONTEXT

Address Offset	0x0000 0054	Instance	L3INIT_PRM
Physical Address	0x4AE0 7354		
Description	This register contains dedicated USB_OTG_SS4 context statuses. [warm reset insensitive]		
Type	RW		

31	30	29	28	27	26	25	24	23	22	21	20	19	18	17	16	15	14	13	12	11	10	9	8	7	6	5	4	3	2	1	0
RESERVED																LOSTMEM_L3INIT_BANK1	RESERVED						LOSTCONTEXT_RFF	RESERVED							

Bits	Field Name	Description	Type	Reset
31:9	RESERVED		R	0x0
8	LOSTMEM_L3INIT_BANK1	Specify if memory-based context in L3INIT_BANK1 memory bank has been lost due to a previous power transition or other reset source. 0x0: Context has been maintained 0x1: Context has been lost	RW	0x1
7:2	RESERVED		R	0x0
1	LOSTCONTEXT_RFF	Specify if RFF-based context has been lost due to a previous power transition or other reset source. (set upon assertion of L3INIT_RET_RST signal) 0x0: Context has been maintained 0x1: Context has been lost	RW	0x1
0	RESERVED		R	0x0

Table 3-1664. RM_L3INIT_MLB_SS_CONTEXT

Address Offset	0x0000 005C	Instance	L3INIT_PRM
Physical Address	0x4AE0 735C		
Description	This register contains dedicated MLBSS context statuses. [warm reset insensitive]		
Type	RW		

31	30	29	28	27	26	25	24	23	22	21	20	19	18	17	16	15	14	13	12	11	10	9	8	7	6	5	4	3	2	1	0
RESERVED																LOSTMEM_MLB_BANK	RESERVED										LOSTCONTEXT_DFF				

Bits	Field Name	Description	Type	Reset
31:9	RESERVED		R	0x0
8	LOSTMEM_MLB_BANK	Specify if memory-based context in MLB_MEM memory bank has been lost due to a previous power transition or other reset source. 0x0: Context has been maintained 0x1: Context has been lost	RW	0x1
7:1	RESERVED		R	0x0
0	LOSTCONTEXT_DFF	Specify if DFF-based context has been lost due to a previous power transition or other reset source. (set upon assertion of L3INIT_RST signal) 0x0: Context has been maintained 0x1: Context has been lost	RW	0x1

Table 3-1665. RM_L3INIT_IEEE1500_2_OCP_CONTEXT

Address Offset	0x0000 007C	Instance	L3INIT_PRM
Physical Address	0x4AE0 737C		
Description	This register contains dedicated IEEE1500_2_OCP context statuses. [warm reset insensitive]		
Type	RW		

31	30	29	28	27	26	25	24	23	22	21	20	19	18	17	16	15	14	13	12	11	10	9	8	7	6	5	4	3	2	1	0
RESERVED																LOSTCONTEXT_DFF															

Bits	Field Name	Description	Type	Reset
31:1	RESERVED	Reserved	R	0x0
0	LOSTCONTEXT_DFF	Specify if DFF-based context has been lost due to a previous power transition or other reset source. (set upon assertion of L3INIT_RST signal) 0x0: Context has been maintained 0x1: Context has been lost	RW	0x1

Table 3-1666. PM_L3INIT_SATA_WKDEP

Address Offset	0x0000 0088	Instance	L3INIT_PRM
Physical Address	0x4AE0 7388		
Description	This register controls wakeup dependency based on SATA service requests. Note: SATA is not supported on the AM570x family of devices.		
Type	RW		

31	30	29	28	27	26	25	24	23	22	21	20	19	18	17	16	15	14	13	12	11	10	9	8	7	6	5	4	3	2	1	0
RESERVED																WKUPDEP_SATA_EVE4	WKUPDEP_SATA_EVE3	WKUPDEP_SATA_EVE2	WKUPDEP_SATA_EVE1	WKUPDEP_SATA_DSP2	WKUPDEP_SATA_IPU1	RESERVED	WKUPDEP_SATA_DSP1	WKUPDEP_SATA_IPU2	WKUPDEP_SATA_MPU						

Bits	Field Name	Description	Type	Reset
31:10	RESERVED		R	0x0
9	WKUPDEP_SATA_EVE4	Wakeup dependency from SATA module (SWakeup signal) towards EVE4 + L3_MAIN1 + L4PER1 + L4PER2 + L4PER3 domains 0x0: Dependency is disabled 0x1: Dependency is enabled	RW	0x0
8	WKUPDEP_SATA_EVE3	Wakeup dependency from SATA module (SWakeup signal) towards EVE3 + L3_MAIN1 + L4PER1 + L4PER2 + L4PER3 domains 0x0: Dependency is disabled 0x1: Dependency is enabled	RW	0x0
7	WKUPDEP_SATA_EVE2	Wakeup dependency from SATA module (SWakeup signal) towards EVE2 + L3_MAIN1 + L4PER1 + L4PER2 + L4PER3 domains 0x0: Dependency is disabled 0x1: Dependency is enabled	RW	0x0
6	WKUPDEP_SATA_EVE1	Wakeup dependency from SATA module (SWakeup signal) towards EVE1 + L3_MAIN1 + L4PER1 + L4PER2 + L4PER3 domains 0x0: Dependency is disabled 0x1: Dependency is enabled	RW	0x0
5	WKUPDEP_SATA_DSP2	Wakeup dependency from SATA module (SWakeup signal) towards DSP2 + L3_MAIN1 + L4PER1 + L4PER2 + L4PER3 domains 0x0: Dependency is disabled 0x1: Dependency is enabled	RW	0x0
4	WKUPDEP_SATA_IPU1	Wakeup dependency from SATA module (SWakeup signal) towards IPU1 + L3_MAIN1 + L4PER1 + L4PER2 + L4PER3 domains 0x0: Dependency is disabled 0x1: Dependency is enabled	RW	0x0
3	RESERVED		R	0x0
2	WKUPDEP_SATA_DSP1	Wakeup dependency from SATA module (SWakeup signal) towards DSP + L3MAIN1 + L4PER1 + L4PER2 + L4PER3 domains 0x0: Dependency is disabled 0x1: Dependency is enabled	RW	0x0

Bits	Field Name	Description	Type	Reset
1	WKUPDEP_SATA_IPU2	Wakeup dependency from SATA module (SWakeup signal) towards IPU2 + L3_MAIN1 + L4PER1 + L4PER2 + L4PER3 domains 0x0: Dependency is disabled 0x1: Dependency is enabled	RW	0x0
0	WKUPDEP_SATA_MPU	Wakeup dependency from SATA module (SWakeup signal) towards MPU + L3MAIN1 + L4CFG domains 0x0: Dependency is disabled 0x1: Dependency is enabled	RW	0x0

Table 3-1667. Register Call Summary for Register PM_L3INIT_SATA_WKDEP

Clock Management Functional Description

- [Clock Domain Dependency: \[0\]\[1\]\[2\]](#)

PRCM Register Manual

- [Not Supported Functionality \(Registers and Bits\): \[8\]\[9\]\[10\]\[11\]\[12\]](#)
- [L3INIT_PRM Register Summary: \[13\]](#)

Table 3-1668. RM_L3INIT_SATA_CONTEXT

Address Offset	0x0000 008C	Instance	L3INIT_PRM
Physical Address	0x4AE0 738C		
Description	This register contains dedicated SATA context statuses. [warm reset insensitive] Note: SATA is not supported on the AM570x family of devices.		
Type	RW		

31	30	29	28	27	26	25	24	23	22	21	20	19	18	17	16	15	14	13	12	11	10	9	8	7	6	5	4	3	2	1	0
RESERVED																LOSTMEM_L3INIT_BANK1	RESERVED										LOSTCONTEXT_DFF				

Bits	Field Name	Description	Type	Reset
31:9	RESERVED		R	0x0
8	LOSTMEM_L3INIT_BANK1	Specify if memory-based context in L3INIT_BANK1 memory bank has been lost due to a previous power transition or other reset source. 0x0: Context has been maintained 0x1: Context has been lost	RW	0x1
7:1	RESERVED		R	0x0
0	LOSTCONTEXT_DFF	Specify if DFF-based context has been lost due to a previous power transition or other reset source. (set upon assertion of L3INIT_RST signal) 0x0: Context has been maintained 0x1: Context has been lost	RW	0x1

Table 3-1669. Register Call Summary for Register RM_L3INIT_SATA_CONTEXT

Power Management Functional Description

- [PD_L3INIT Description: \[0\]](#)

PRCM Register Manual

- [L3INIT_PRM Register Summary: \[1\]](#)

Table 3-1670. PM_PCIE_PCIESS1_WKDEP

Address Offset	0x0000 00B0	Instance	L3INIT_PRM
Physical Address	0x4AE0 73B0		
Description	This register controls wakeup dependency based on PCIESS1 service requests.		
Type	RW		

31	30	29	28	27	26	25	24	23	22	21	20	19	18	17	16	15	14	13	12	11	10	9	8	7	6	5	4	3	2	1	0
RESERVED																WKUPDEP_PCIESS1_EVE4	WKUPDEP_PCIESS1_EVE3	WKUPDEP_PCIESS1_EVE2	WKUPDEP_PCIESS1_EVE1	WKUPDEP_PCIESS1_DSP2	WKUPDEP_PCIESS1_IPU1	RESERVED	WKUPDEP_PCIESS1_DSP1	WKUPDEP_PCIESS1_IPU2	WKUPDEP_PCIESS1_MPU						

Bits	Field Name	Description	Type	Reset
31:10	RESERVED		R	0x0
9	WKUPDEP_PCIESS1_EVE4	Wakeup dependency from PCIESS1 module (SWakeup signal) towards EVE4 + L3_MAIN1 + L4PER1 + L4PER2 + L4PER3 domains 0x0: Dependency is disabled 0x1: Dependency is enabled	RW	0x0
8	WKUPDEP_PCIESS1_EVE3	Wakeup dependency from PCIESS1 module (SWakeup signal) towards EVE3 + L3_MAIN1 + L4PER1 + L4PER2 + L4PER3 domains 0x0: Dependency is disabled 0x1: Dependency is enabled	RW	0x0
7	WKUPDEP_PCIESS1_EVE2	Wakeup dependency from PCIESS1 module (SWakeup signal) towards EVE2 + L3_MAIN1 + L4PER1 + L4PER2 + L4PER3 domains 0x0: Dependency is disabled 0x1: Dependency is enabled	RW	0x0
6	WKUPDEP_PCIESS1_EVE1	Wakeup dependency from PCIESS1 module (SWakeup signal) towards EVE1 + L3_MAIN1 + L4PER1 + L4PER2 + L4PER3 domains 0x0: Dependency is disabled 0x1: Dependency is enabled	RW	0x0
5	WKUPDEP_PCIESS1_DSP2	Wakeup dependency from PCIESS1 module (SWakeup signal) towards DSP2 + L3_MAIN1 + L4PER1 + L4PER2 + L4PER3 domains 0x0: Dependency is disabled 0x1: Dependency is enabled	RW	0x0

Bits	Field Name	Description	Type	Reset
4	WKUPDEP_PCIESS1_IPU1	Wakeup dependency from PCIESS1 module (SWakeup signal) towards IPU1 + L3_MAIN1 + L4PER1 + L4PER2 + L4PER3 domains 0x0: Dependency is disabled 0x1: Dependency is enabled	RW	0x0
3	RESERVED		R	0x0
2	WKUPDEP_PCIESS1_DSP1	Wakeup dependency from PCIESS1 module (SWakeup signal) towards DSP + L3MAIN1 + L4PER1 + L4PER2 + L4PER3 domains 0x0: Dependency is disabled 0x1: Dependency is enabled	RW	0x0
1	WKUPDEP_PCIESS1_IPU2	Wakeup dependency from PCIESS1 module (SWakeup signal) towards IPU2 + L3_MAIN1 + L4PER1 + L4PER2 + L4PER3 domains 0x0: Dependency is disabled 0x1: Dependency is enabled	RW	0x0
0	WKUPDEP_PCIESS1_MPU	Wakeup dependency from PCIESS1 module (SWakeup signal) towards MPU + L3_MAIN1 + L4PER1 + L4PER2 + L4PER3 domains 0x0: Dependency is disabled 0x1: Dependency is enabled	RW	0x0

Table 3-1671. Register Call Summary for Register PM_PCIE_PCIESS1_WKDEP

Clock Management Functional Description

- [Clock Domain Dependency: \[0\]\[1\]\[2\]\[3\]](#)

PRCM Register Manual

- [Not Supported Functionality \(Registers and Bits\): \[9\]\[10\]\[11\]\[12\]\[13\]](#)
- [L3INIT_PRM Register Summary: \[14\]](#)

Table 3-1672. RM_PCIE_PCIESS1_CONTEXT

Address Offset	0x0000 00B4	Instance	L3INIT_PRM
Physical Address	0x4AE0 73B4		
Description	This register contains dedicated PCIESS1 context statuses. [warm reset insensitive]		
Type	RW		

31	30	29	28	27	26	25	24	23	22	21	20	19	18	17	16	15	14	13	12	11	10	9	8	7	6	5	4	3	2	1	0
RESERVED																LOSTMEM_L3INIT_BANK1	RESERVED										LOSTCONTEXT_DFF				

Bits	Field Name	Description	Type	Reset
31:9	RESERVED		R	0x0
8	LOSTMEM_L3INIT_BANK1	Specify if memory-based context in PCIESS1_BANK memory bank has been lost due to a previous power transition or other reset source. 0x0: Context has been maintained 0x1: Context has been lost	RW	0x1

Bits	Field Name	Description	Type	Reset
7:1	RESERVED		R	0x0
0	LOSTCONTEXT_DFF	Specify if DFF-based context has been lost due to a previous power transition or other reset source. (set upon assertion of L3INIT_RST signal) 0x0: Context has been maintained 0x1: Context has been lost	RW	0x1

Table 3-1673. Register Call Summary for Register RM_PCIE_PCIESS1_CONTEXT

Power Management Functional Description

- [PD_L3INIT Description: \[0\]](#)

PRCM Register Manual

- [L3INIT_PRM Register Summary: \[1\]](#)

Table 3-1674. PM_PCIE_PCIESS2_WKDEP

Address Offset	0x0000 00B8	Instance	L3INIT_PRM
Physical Address	0x4AE0 73B8		
Description	This register controls wakeup dependency based on PCIESS2 service requests.		
Type	RW		

31	30	29	28	27	26	25	24	23	22	21	20	19	18	17	16	15	14	13	12	11	10	9	8	7	6	5	4	3	2	1	0				
RESERVED																WKUPDEP_PCIESS2_EVE4		WKUPDEP_PCIESS2_EVE3		WKUPDEP_PCIESS2_EVE2		WKUPDEP_PCIESS2_EVE1		WKUPDEP_PCIESS2_DSP2		WKUPDEP_PCIESS2_IPU1		RESERVED		WKUPDEP_PCIESS2_DSP1		WKUPDEP_PCIESS2_IPU2		WKUPDEP_PCIESS2_MPU	

Bits	Field Name	Description	Type	Reset
31:10	RESERVED		R	0x0
9	WKUPDEP_PCIESS2_EVE4	Wakeup dependency from PCIESS2 module (SWakeup signal) towards EVE4 + L3_MAIN1 + L4PER1 + L4PER2 + L4PER3 domains 0x0: Dependency is disabled 0x1: Dependency is enabled	RW	0x0
8	WKUPDEP_PCIESS2_EVE3	Wakeup dependency from PCIESS2 module (SWakeup signal) towards EVE3 + L3_MAIN1 + L4PER1 + L4PER2 + L4PER3 domains 0x0: Dependency is disabled 0x1: Dependency is enabled	RW	0x0
7	WKUPDEP_PCIESS2_EVE2	Wakeup dependency from PCIESS2 module (SWakeup signal) towards EVE2 + L3_MAIN1 + L4PER1 + L4PER2 + L4PER3 domains 0x0: Dependency is disabled 0x1: Dependency is enabled	RW	0x0
6	WKUPDEP_PCIESS2_EVE1	Wakeup dependency from PCIESS2 module (SWakeup signal) towards EVE1 + L3_MAIN1 + L4PER1 + L4PER2 + L4PER3 domains 0x0: Dependency is disabled 0x1: Dependency is enabled	RW	0x0

Bits	Field Name	Description	Type	Reset
5	WKUPDEP_PCIESS2_DSP2	Wakeup dependency from PCIESS2 module (SWakeup signal) towards DSP2 + L3_MAIN1 + L4PER1 + L4PER2 + L4PER3 domains 0x0: Dependency is disabled 0x1: Dependency is enabled	RW	0x0
4	WKUPDEP_PCIESS2_IPU1	Wakeup dependency from PCIESS2 module (SWakeup signal) towards IPU1 + L3_MAIN1 + L4PER1 + L4PER2 + L4PER3 domains 0x0: Dependency is disabled 0x1: Dependency is enabled	RW	0x0
3	RESERVED		R	0x0
2	WKUPDEP_PCIESS2_DSP1	Wakeup dependency from PCIESS2 module (SWakeup signal) towards DSP + L3MAIN1 + L4PER1 + L4PER2 + L4PER3 domains 0x0: Dependency is disabled 0x1: Dependency is enabled	RW	0x0
1	WKUPDEP_PCIESS2_IPU2	Wakeup dependency from PCIESS2 module (SWakeup signal) towards IPU2 + L3_MAIN1 + L4PER1 + L4PER2 + L4PER3 domains 0x0: Dependency is disabled 0x1: Dependency is enabled	RW	0x0
0	WKUPDEP_PCIESS2_MPU	Wakeup dependency from PCIESS2 module (SWakeup signal) towards MPU + L3_MAIN1 + L4PER1 + L4PER2 + L4PER3 domains 0x0: Dependency is disabled 0x1: Dependency is enabled	RW	0x0

Table 3-1675. Register Call Summary for Register PM_PCIE_PCIESS2_WKDEP

Clock Management Functional Description

- [Clock Domain Dependency: \[0\]\[1\]\[2\]\[3\]](#)

PRCM Register Manual

- [Not Supported Functionality \(Registers and Bits\): \[9\]\[10\]\[11\]\[12\]\[13\]](#)
- [L3INIT_PRM Register Summary: \[14\]](#)

Table 3-1676. RM_PCIE_PCIESS2_CONTEXT

Address Offset	0x0000 00BC		
Physical Address	0x4AE0 73BC	Instance	L3INIT_PRM
Description	This register contains dedicated PCIESS2 context statuses. [warm reset insensitive]		
Type	RW		

31	30	29	28	27	26	25	24	23	22	21	20	19	18	17	16	15	14	13	12	11	10	9	8	7	6	5	4	3	2	1	0
RESERVED																LOSTMEM_L3INIT_BANK1	RESERVED										LOSTCONTEXT_DFF				

Bits	Field Name	Description	Type	Reset
31:9	RESERVED		R	0x0
8	LOSTMEM_L3INIT_BANK1	Specify if memory-based context in PCIESS1_BANK memory bank has been lost due to a previous power transition or other reset source. 0x0: Context has been maintained 0x1: Context has been lost	RW	0x1
7:1	RESERVED		R	0x0
0	LOSTCONTEXT_DFF	Specify if DFF-based context has been lost due to a previous power transition or other reset source. (set upon assertion of L3INIT_RST signal) 0x0: Context has been maintained 0x1: Context has been lost	RW	0x1

Table 3-1677. Register Call Summary for Register RM_PCIE_PCIESS2_CONTEXT

Power Management Functional Description

- [PD_L3INIT Description: \[0\]](#)

PRCM Register Manual

- [L3INIT_PRM Register Summary: \[1\]](#)

Table 3-1678. RM_GMAC_GMAC_CONTEXT

Address Offset	0x0000 00D4	Instance	L3INIT_PRM
Physical Address	0x4AE0 73D4		
Description	This register contains dedicated GMAC context statuses. [warm reset insensitive]		
Type	RW		

31	30	29	28	27	26	25	24	23	22	21	20	19	18	17	16	15	14	13	12	11	10	9	8	7	6	5	4	3	2	1	0
RESERVED																LOSTMEM_GMAC_BANK	RESERVED										LOSTCONTEXT_DFF				

Bits	Field Name	Description	Type	Reset
31:9	RESERVED		R	0x0
8	LOSTMEM_GMAC_BANK	Specify if memory-based context in GMAC_BANK memory bank has been lost due to a previous power transition or other reset source. 0x0: Context has been maintained 0x1: Context has been lost	RW	0x1
7:1	RESERVED		R	0x0
0	LOSTCONTEXT_DFF	Specify if DFF-based context has been lost due to a previous power transition or other reset source. (set upon assertion of L3INIT_RST signal) 0x0: Context has been maintained 0x1: Context has been lost	RW	0x1

Table 3-1679. RM_L3INIT_OCP2SCP1_CONTEXT

Address Offset	0x0000 00E4		
Physical Address	0x4AE0 73E4	Instance	L3INIT_PRM
Description	This register contains dedicated OCP2SCP1 context statuses. [warm reset insensitive]		
Type	RW		

31	30	29	28	27	26	25	24	23	22	21	20	19	18	17	16	15	14	13	12	11	10	9	8	7	6	5	4	3	2	1	0
RESERVED																												LOSTCONTEXT_DFF			

Bits	Field Name	Description	Type	Reset
31:1	RESERVED		R	0x0
0	LOSTCONTEXT_DFF	Specify if DFF-based context has been lost due to a previous power transition or other reset source. (set upon assertion of L3INIT_RST signal) 0x0: Context has been maintained 0x1: Context has been lost	RW	0x1

Table 3-1680. RM_L3INIT_OCP2SCP3_CONTEXT

Address Offset	0x0000 00EC		
Physical Address	0x4AE0 73EC	Instance	L3INIT_PRM
Description	This register contains dedicated OCP2SCP3 context statuses. [warm reset insensitive]		
Type	RW		

31	30	29	28	27	26	25	24	23	22	21	20	19	18	17	16	15	14	13	12	11	10	9	8	7	6	5	4	3	2	1	0
RESERVED																												LOSTCONTEXT_DFF			

Bits	Field Name	Description	Type	Reset
31:1	RESERVED		R	0x0
0	LOSTCONTEXT_DFF	Specify if DFF-based context has been lost due to a previous power transition or other reset source. (set upon assertion of L3INIT_RST signal) 0x0: Context has been maintained 0x1: Context has been lost	RW	0x1

Table 3-1681. PM_L3INIT_USB_OTG_SS1_WKDEP

Address Offset	0x0000 00F0	Instance	L3INIT_PRM
Physical Address	0x4AE0 73F0		
Description	This register controls wakeup dependency based on USB_OTG_SS1 service requests.		
Type	RW		

31	30	29	28	27	26	25	24	23	22	21	20	19	18	17	16	15	14	13	12	11	10	9	8	7	6	5	4	3	2	1	0				
RESERVED																WKUPDEP_USB_OTG_SS1_EVE4		WKUPDEP_USB_OTG_SS1_EVE3		WKUPDEP_USB_OTG_SS1_EVE2		WKUPDEP_USB_OTG_SS1_EVE1		WKUPDEP_USB_OTG_SS1_DSP2		WKUPDEP_USB_OTG_SS1_IPU1		RESERVED		WKUPDEP_USB_OTG_SS1_DSP1		WKUPDEP_USB_OTG_SS1_IPU2		WKUPDEP_USB_OTG_SS1_MPU	

Bits	Field Name	Description	Type	Reset
31:10	RESERVED		R	0x0
9	WKUPDEP_USB_OTG_SS1_EV E4	Wakeup dependency from USB1 module (SWakeup signal) towards EVE4 + L3_MAIN1 + L4PER1 + L4PER2 + L4PER3 domains 0x0: Dependency is disabled 0x1: Dependency is enabled	RW	0x0
8	WKUPDEP_USB_OTG_SS1_EV E3	Wakeup dependency from USB1 module (SWakeup signal) towards EVE3 + L3_MAIN1 + L4PER1 + L4PER2 + L4PER3 domains 0x0: Dependency is disabled 0x1: Dependency is enabled	RW	0x0
7	WKUPDEP_USB_OTG_SS1_EV E2	Wakeup dependency from USB1 module (SWakeup signal) towards EVE2 + L3_MAIN1 + L4PER1 + L4PER2 + L4PER3 domains 0x0: Dependency is disabled 0x1: Dependency is enabled	RW	0x0
6	WKUPDEP_USB_OTG_SS1_EV E1	Wakeup dependency from USB1 module (SWakeup signal) towards EVE1 + L3_MAIN1 + L4PER1 + L4PER2 + L4PER3 domains 0x0: Dependency is disabled 0x1: Dependency is enabled	RW	0x0
5	WKUPDEP_USB_OTG_SS1_DS P2	Wakeup dependency from USB1 module (SWakeup signal) towards DSP2 + L3_MAIN1 + L4PER1 + L4PER2 + L4PER3 domains 0x0: Dependency is disabled 0x1: Dependency is enabled	RW	0x0
4	WKUPDEP_USB_OTG_SS1_IP U1	Wakeup dependency from USB1 module (SWakeup signal) towards IPU1 + L3_MAIN1 + L4PER1 + L4PER2 + L4PER3 domains 0x0: Dependency is disabled 0x1: Dependency is enabled	RW	0x0
3	RESERVED		R	0x0

Bits	Field Name	Description	Type	Reset
2	WKUPDEP_USB_OTG_SS1_DS P1	Wakeup dependency from USB1 module (SWakeup signal) towards DSP + L3MAIN1 + L4PER1 + L4PER2 + L4PER3 domains 0x0: Dependency is disabled 0x1: Dependency is enabled	RW	0x0
1	WKUPDEP_USB_OTG_SS1_IP U2	Wakeup dependency from USB1 module (SWakeup signal) towards IPU2 + L3_MAIN1 + L4PER1 + L4PER2 + L4PER3 domains 0x0: Dependency is disabled 0x1: Dependency is enabled	RW	0x0
0	WKUPDEP_USB_OTG_SS1_MP U	Wakeup dependency from USB1 module (SWakeup signal) towards MPU + L3_MAIN1 + L4PER1 + L4PER2 + L4PER3 domains 0x0: Dependency is disabled 0x1: Dependency is enabled	RW	0x0

Table 3-1682. Register Call Summary for Register PM_L3INIT_USB_OTG_SS1_WKDEP

Clock Management Functional Description

- [Clock Domain Dependency: \[0\]\[1\]\[2\]\[4\]](#)

PRCM Register Manual

- [Not Supported Functionality \(Registers and Bits\): \[9\]\[10\]\[11\]\[12\]\[13\]](#)
- [L3INIT_PRM Register Summary: \[14\]](#)

Table 3-1683. RM_L3INIT_USB_OTG_SS1_CONTEXT

Address Offset	0x0000 00F4	Instance	L3INIT_PRM
Physical Address	0x4AE0 73F4		
Description	This register contains dedicated USB_OTG_SS1 context statuses. [warm reset insensitive]		
Type	RW		

31	30	29	28	27	26	25	24	23	22	21	20	19	18	17	16	15	14	13	12	11	10	9	8	7	6	5	4	3	2	1	0
RESERVED																LOSTMEM_L3INIT_BANK1	RESERVED										LOSTCONTEXT_RFF	RESERVED			

Bits	Field Name	Description	Type	Reset
31:9	RESERVED		R	0x0
8	LOSTMEM_L3INIT_BANK1	Specify if memory-based context in L3INIT_BANK1 memory bank has been lost due to a previous power transition or other reset source. 0x0: Context has been maintained 0x1: Context has been lost	RW	0x1
7:2	RESERVED		R	0x0
1	LOSTCONTEXT_RFF	Specify if RFF-based context has been lost due to a previous power transition or other reset source. (set upon assertion of L3INIT_RET_RST signal) 0x0: Context has been maintained 0x1: Context has been lost	RW	0x1

Bits	Field Name	Description	Type	Reset
0	RESERVED		R	0x0

Table 3-1684. Register Call Summary for Register RM_L3INIT_USB_OTG_SS1_CONTEXT

Power Management Functional Description

- [PD_L3INIT Description: \[0\]](#)

PRCM Register Manual

- [L3INIT_PRM Register Summary: \[1\]](#)

3.12.50 L4PER_PRM Registers

3.12.50.1 L4PER_PRM Register Summary

Table 3-1685. L4PER_PRM Registers Mapping Summary

Register Name	Type	Register Width (Bits)	Address Offset	L4PER_PRM Physical Address L4_WKUP Interconnect
PM_L4PER_PWRSTCT RL	RW	32	0x0000 0000	0x4AE0 7400
PM_L4PER_PWRSTST	RW	32	0x0000 0004	0x4AE0 7404
RM_L4PER2_L4PER2_CONTEXT	RW	32	0x0000 000C	0x4AE0 740C
RM_L4PER3_L4PER3_CONTEXT	RW	32	0x0000 0014	0x4AE0 7414
RM_L4PER2_PRUSS1_CONTEXT	RW	32	0x0000 001C	0x4AE0 741C
RM_L4PER2_PRUSS2_CONTEXT	RW	32	0x0000 0024	0x4AE0 7424
PM_L4PER_TIMER10_WKDEP	RW	32	0x0000 0028	0x4AE0 7428
RM_L4PER_TIMER10_CONTEXT	RW	32	0x0000 002C	0x4AE0 742C
PM_L4PER_TIMER11_WKDEP	RW	32	0x0000 0030	0x4AE0 7430
RM_L4PER_TIMER11_CONTEXT	RW	32	0x0000 0034	0x4AE0 7434
PM_L4PER_TIMER2_WKDEP	RW	32	0x0000 0038	0x4AE0 7438
RM_L4PER_TIMER2_CONTEXT	RW	32	0x0000 003C	0x4AE0 743C
PM_L4PER_TIMER3_WKDEP	RW	32	0x0000 0040	0x4AE0 7440
RM_L4PER_TIMER3_CONTEXT	RW	32	0x0000 0044	0x4AE0 7444
PM_L4PER_TIMER4_WKDEP	RW	32	0x0000 0048	0x4AE0 7448
RM_L4PER_TIMER4_CONTEXT	RW	32	0x0000 004C	0x4AE0 744C
PM_L4PER_TIMER9_WKDEP	RW	32	0x0000 0050	0x4AE0 7450
RM_L4PER_TIMER9_CONTEXT	RW	32	0x0000 0054	0x4AE0 7454
RM_L4PER_ELM_CONTEXT	RW	32	0x0000 005C	0x4AE0 745C
PM_L4PER_GPIO2_WKDEP	RW	32	0x0000 0060	0x4AE0 7460

Table 3-1685. L4PER_PRM Registers Mapping Summary (continued)

Register Name	Type	Register Width (Bits)	Address Offset	L4PER_PRM Physical Address L4_WKUP Interconnect
RM_L4PER_GPIO2_CO NTEXT	RW	32	0x0000 0064	0x4AE0 7464
PM_L4PER_GPIO3_WK DEP	RW	32	0x0000 0068	0x4AE0 7468
RM_L4PER_GPIO3_CO NTEXT	RW	32	0x0000 006C	0x4AE0 746C
PM_L4PER_GPIO4_WK DEP	RW	32	0x0000 0070	0x4AE0 7470
RM_L4PER_GPIO4_CO NTEXT	RW	32	0x0000 0074	0x4AE0 7474
PM_L4PER_GPIO5_WK DEP	RW	32	0x0000 0078	0x4AE0 7478
RM_L4PER_GPIO5_CO NTEXT	RW	32	0x0000 007C	0x4AE0 747C
PM_L4PER_GPIO6_WK DEP	RW	32	0x0000 0080	0x4AE0 7480
RM_L4PER_GPIO6_CO NTEXT	RW	32	0x0000 0084	0x4AE0 7484
RM_L4PER_HDQ1W_C ONTEXT	RW	32	0x0000 008C	0x4AE0 748C
RM_L4PER2_PWMSS2 _CONTEXT	RW	32	0x0000 0094	0x4AE0 7494
RM_L4PER2_PWMSS3 _CONTEXT	RW	32	0x0000 009C	0x4AE0 749C
PM_L4PER_I2C1_WKD EP	RW	32	0x0000 00A0	0x4AE0 74A0
RM_L4PER_I2C1_CON TEXT	RW	32	0x0000 00A4	0x4AE0 74A4
PM_L4PER_I2C2_WKD EP	RW	32	0x0000 00A8	0x4AE0 74A8
RM_L4PER_I2C2_CON TEXT	RW	32	0x0000 00AC	0x4AE0 74AC
PM_L4PER_I2C3_WKD EP	RW	32	0x0000 00B0	0x4AE0 74B0
RM_L4PER_I2C3_CON TEXT	RW	32	0x0000 00B4	0x4AE0 74B4
PM_L4PER_I2C4_WKD EP	RW	32	0x0000 00B8	0x4AE0 74B8
RM_L4PER_I2C4_CON TEXT	RW	32	0x0000 00BC	0x4AE0 74BC
RM_L4PER_L4PER1_C ONTEXT	RW	32	0x0000 00C0	0x4AE0 74C0
RM_L4PER2_PWMSS1 _CONTEXT	RW	32	0x0000 00C4	0x4AE0 74C4
PM_L4PER_TIMER13_ WKDEP	RW	32	0x0000 00C8	0x4AE0 74C8
RM_L4PER3_TIMER13 _CONTEXT	RW	32	0x0000 00CC	0x4AE0 74CC
PM_L4PER_TIMER14_ WKDEP	RW	32	0x0000 00D0	0x4AE0 74D0
RM_L4PER3_TIMER14 _CONTEXT	RW	32	0x0000 00D4	0x4AE0 74D4
PM_L4PER_TIMER15_ WKDEP	RW	32	0x0000 00D8	0x4AE0 74D8

Table 3-1685. L4PER_PRM Registers Mapping Summary (continued)

Register Name	Type	Register Width (Bits)	Address Offset	L4PER_PRM Physical Address L4_WKUP Interconnect
RM_L4PER3_TIMER15_CONTEXT	RW	32	0x0000 00DC	0x4AE0 74DC
PM_L4PER_MCSP11_WKDEP	RW	32	0x0000 00F0	0x4AE0 74F0
RM_L4PER_MCSP11_CONTEXT	RW	32	0x0000 00F4	0x4AE0 74F4
PM_L4PER_MCSP12_WKDEP	RW	32	0x0000 00F8	0x4AE0 74F8
RM_L4PER_MCSP12_CONTEXT	RW	32	0x0000 00FC	0x4AE0 74FC
PM_L4PER_MCSP13_WKDEP	RW	32	0x0000 0100	0x4AE0 7500
RM_L4PER_MCSP13_CONTEXT	RW	32	0x0000 0104	0x4AE0 7504
PM_L4PER_MCSP14_WKDEP	RW	32	0x0000 0108	0x4AE0 7508
RM_L4PER_MCSP14_CONTEXT	RW	32	0x0000 010C	0x4AE0 750C
PM_L4PER_GPIO7_WKDEP	RW	32	0x0000 0110	0x4AE0 7510
RM_L4PER_GPIO7_CONTEXT	RW	32	0x0000 0114	0x4AE0 7514
PM_L4PER_GPIO8_WKDEP	RW	32	0x0000 0118	0x4AE0 7518
RM_L4PER_GPIO8_CONTEXT	RW	32	0x0000 011C	0x4AE0 751C
PM_L4PER_MMC3_WKDEP	RW	32	0x0000 0120	0x4AE0 7520
RM_L4PER_MMC3_CONTEXT	RW	32	0x0000 0124	0x4AE0 7524
PM_L4PER_MMC4_WKDEP	RW	32	0x0000 0128	0x4AE0 7528
RM_L4PER_MMC4_CONTEXT	RW	32	0x0000 012C	0x4AE0 752C
PM_L4PER_TIMER16_WKDEP	RW	32	0x0000 0130	0x4AE0 7530
RM_L4PER3_TIMER16_CONTEXT	RW	32	0x0000 0134	0x4AE0 7534
PM_L4PER2_QSPI_WKDEP	RW	32	0x0000 0138	0x4AE0 7538
RM_L4PER2_QSPI_CONTEXT	RW	32	0x0000 013C	0x4AE0 753C
PM_L4PER_UART1_WKDEP	RW	32	0x0000 0140	0x4AE0 7540
RM_L4PER_UART1_CONTEXT	RW	32	0x0000 0144	0x4AE0 7544
PM_L4PER_UART2_WKDEP	RW	32	0x0000 0148	0x4AE0 7548
RM_L4PER_UART2_CONTEXT	RW	32	0x0000 014C	0x4AE0 754C
PM_L4PER_UART3_WKDEP	RW	32	0x0000 0150	0x4AE0 7550
RM_L4PER_UART3_CONTEXT	RW	32	0x0000 0154	0x4AE0 7554

Table 3-1685. L4PER_PRM Registers Mapping Summary (continued)

Register Name	Type	Register Width (Bits)	Address Offset	L4PER_PRM Physical Address L4_WKUP Interconnect
PM_L4PER_UART4_WKDEP	RW	32	0x0000 0158	0x4AE0 7558
RM_L4PER_UART4_CONTEXT	RW	32	0x0000 015C	0x4AE0 755C
PM_L4PER2_MCASP2_WKDEP	RW	32	0x0000 0160	0x4AE0 7560
RM_L4PER2_MCASP2_CONTEXT	RW	32	0x0000 0164	0x4AE0 7564
PM_L4PER2_MCASP3_WKDEP	RW	32	0x0000 0168	0x4AE0 7568
RM_L4PER2_MCASP3_CONTEXT	RW	32	0x0000 016C	0x4AE0 756C
PM_L4PER_UART5_WKDEP	RW	32	0x0000 0170	0x4AE0 7570
RM_L4PER_UART5_CONTEXT	RW	32	0x0000 0174	0x4AE0 7574
PM_L4PER2_MCASP5_WKDEP	RW	32	0x0000 0178	0x4AE0 7578
RM_L4PER2_MCASP5_CONTEXT	RW	32	0x0000 017C	0x4AE0 757C
PM_L4PER2_MCASP6_WKDEP	RW	32	0x0000 0180	0x4AE0 7580
RM_L4PER2_MCASP6_CONTEXT	RW	32	0x0000 0184	0x4AE0 7584
PM_L4PER2_MCASP7_WKDEP	RW	32	0x0000 0188	0x4AE0 7588
RM_L4PER2_MCASP7_CONTEXT	RW	32	0x0000 018C	0x4AE0 758C
PM_L4PER2_MCASP8_WKDEP	RW	32	0x0000 0190	0x4AE0 7590
RM_L4PER2_MCASP8_CONTEXT	RW	32	0x0000 0194	0x4AE0 7594
PM_L4PER2_MCASP4_WKDEP	RW	32	0x0000 0198	0x4AE0 7598
RM_L4PER2_MCASP4_CONTEXT	RW	32	0x0000 019C	0x4AE0 759C
RM_L4SEC_AES1_CONTEXT	RW	32	0x0000 01A4	0x4AE0 75A4
RM_L4SEC_AES2_CONTEXT	RW	32	0x0000 01AC	0x4AE0 75AC
RM_L4SEC_DES3DES_CONTEXT	RW	32	0x0000 01B4	0x4AE0 75B4
RM_L4SEC_FPKA_CONTEXT	RW	32	0x0000 01BC	0x4AE0 75BC
RM_L4SEC_RNG_CONTEXT	RW	32	0x0000 01C4	0x4AE0 75C4
RM_L4SEC_SHA2MD51_CONTEXT	RW	32	0x0000 01CC	0x4AE0 75CC
PM_L4PER2_UART7_WKDEP	RW	32	0x0000 01D0	0x4AE0 75D0
RM_L4PER2_UART7_CONTEXT	RW	32	0x0000 01D4	0x4AE0 75D4
RM_L4SEC_DMA_CRYPTO_CONTEXT	RW	32	0x0000 01DC	0x4AE0 75DC

Table 3-1685. L4PER_PRM Registers Mapping Summary (continued)

Register Name	Type	Register Width (Bits)	Address Offset	L4PER_PRM Physical Address L4_WKUP Interconnect
PM_L4PER2_UART8_WKDEP	RW	32	0x0000 01E0	0x4AE0 75E0
RM_L4PER2_UART8_CONTEXT	RW	32	0x0000 01E4	0x4AE0 75E4
PM_L4PER2_UART9_WKDEP	RW	32	0x0000 01E8	0x4AE0 75E8
RM_L4PER2_UART9_CONTEXT	RW	32	0x0000 01EC	0x4AE0 75EC
PM_L4PER2_DCAN2_WKDEP	RW	32	0x0000 01F0	0x4AE0 75F0
RM_L4PER2_DCAN2_CONTEXT	RW	32	0x0000 01F4	0x4AE0 75F4
RM_L4SEC_SHA2MD5_2_CONTEXT	RW	32	0x0000 01FC	0x4AE0 75FC

3.12.50.2 L4PER_PRM Register Description

Table 3-1686. PM_L4PER_PWRSTCTRL

Address Offset	0x0000 0000	Instance	L4PER_PRM
Physical Address	0x4AE0 7400		
Description	This register controls the L4PER power state to reach upon a domain sleep transition		
Type	RW		

31	30	29	28	27	26	25	24	23	22	21	20	19	18	17	16	15	14	13	12	11	10	9	8	7	6	5	4	3	2	1	0
RESERVED								NONRETAINED_BANK_ONSTATE		RETAINED_BANK_ONSTATE		RESERVED				NONRETAINED_BANK_RETSTATE		RETAINED_BANK_RETSTATE		RESERVED		LOWPOWERSTATECHANGE		RESERVED		LOGICRETSTATE		POWERSTATE			

Bits	Field Name	Description	Type	Reset
31:20	RESERVED		R	0x0
19:18	NONRETAINED_BANK_ONSTATE	NONRETAINED_BANK state when domain is ON. 0x3: Memory bank is on when the domain is ON.	R	0x3
17:16	RETAINED_BANK_ONSTATE	RETAINED_BANK state when domain is ON. 0x3: Memory bank is on when the domain is ON.	R	0x3
15:10	RESERVED		R	0x0
9	NONRETAINED_BANK_RETSTATE	NONRETAINED_BANK state when domain is RETENTION. 0x0: Memory bank is off when the domain is in the RETENTION state.	R	0x0

Bits	Field Name	Description	Type	Reset
8	RETAINED_BANK_RETSTATE	RETAINED_BANK state when domain is RETENTION. 0x1: Memory bank is retained when domain is in RETENTION state.	R	0x1
7:5	RESERVED		R	0x0
4	LOWPOWERSTATECHANGE	Power state change request when domain has already performed a sleep transition. Allows going into deeper low power state without waking up the power domain. 0x0: Do not request a low power state change. 0x1: Request a low power state change. This bit is automatically cleared when the power state is effectively changed or when power state is ON.	RW	0x0
3	RESERVED		R	0x0
2	LOGICRETSTATE	Logic state when power domain is RETENTION 0x0: Only retention registers are retained and remaining logic is off when the domain is in RETENTION state. 0x1: Whole logic is retained when domain is in RETENTION state.	RW	0x1
1:0	POWERSTATE	Power state control 0x0: Reserved 0x1: RETENTION state 0x2: INACTIVE state 0x3: ON State	RW	0x3

Table 3-1687. PM_L4PER_PWRSTST

Address Offset	0x0000 0004	Instance	L4PER_PRM
Physical Address	0x4AE0 7404		
Description	This register provides a status on the current L4PER power domain state. [warm reset insensitive]		
Type	RW		

31	30	29	28	27	26	25	24	23	22	21	20	19	18	17	16	15	14	13	12	11	10	9	8	7	6	5	4	3	2	1	0
RESERVED								LASTPOWERSTATEENTERED		RESERVED		INTRANSITION		RESERVED								NONRETAINED_BANK_STATEST		RETAINED_BANK_STATEST		RESERVED		LOGICSTATEST		POWERSTATEST	

Bits	Field Name	Description	Type	Reset
31:26	RESERVED		R	0x0
25:24	LASTPOWERSTATEENTERED	Last low power state entered. Set to 0x3 upon write of the same only. This register is intended for debug purpose only. 0x0: Power domain was previously OFF 0x1: Power domain was previously in RETENTION 0x2: Power domain was previously ON-INACTIVE 0x3: Power domain was previously ON-ACTIVE	RW	0x0
23:21	RESERVED		R	0x0

Bits	Field Name	Description	Type	Reset
20	INTRANSITION	Domain transition status 0x0: No on-going transition on power domain 0x1: Power domain transition is in progress.	R	0x0
19:8	RESERVED		R	0x0
7:6	NONRETAINED_BANK_STATE ST	NONRETAINED_BANK state status 0x0: Memory is OFF 0x1: Reserved 0x2: Reserved 0x3: Memory is ON	R	0x3
5:4	RETAINED_BANK_STATEST	RETAINED_BANK state status 0x0: Memory is OFF 0x1: Memory is RETENTION 0x2: Reserved 0x3: Memory is ON	R	0x3
3	RESERVED		R	0x0
2	LOGICSTATEST	Logic state status 0x0: Logic in domain is OFF 0x1: Logic in domain is ON	R	0x1
1:0	POWERSTATEST	Current power state status 0x0: Reserved 0x1: Power domain is in RETENTION 0x2: Power domain is ON-INACTIVE 0x3: Power domain is ON-ACTIVE	R	0x3

Table 3-1688. RM_L4PER2_L4PER2_CONTEXT

Address Offset	0x0000 000C	Instance	L4PER_PRM
Physical Address	0x4AE0 740C		
Description	This register contains dedicated L4_PER2 context statuses. [warm reset insensitive]		
Type	RW		

31	30	29	28	27	26	25	24	23	22	21	20	19	18	17	16	15	14	13	12	11	10	9	8	7	6	5	4	3	2	1	0
RESERVED																													LOSTCONTEXT_RFF	LOSTCONTEXT_DFF	

Bits	Field Name	Description	Type	Reset
31:2	RESERVED		R	0x0
1	LOSTCONTEXT_RFF	Specify if RFF-based context has been lost due to a previous power transition or other reset source. (set upon assertion of L4PER_PWRON_RET_RST signal) 0x0: Context has been maintained 0x1: Context has been lost	RW	0x1

Bits	Field Name	Description	Type	Reset
0	LOSTCONTEXT_DFF	Specify if DFF-based context has been lost due to a previous power transition or other reset source. (set upon assertion of L4PER_RST signal) 0x0: Context has been maintained 0x1: Context has been lost	RW	0x1

Table 3-1689. RM_L4PER3_L4PER3_CONTEXT

Address Offset	0x0000 0014	Instance	L4PER_PRM
Physical Address	0x4AE0 7414		
Description	This register contains dedicated L4_PER3 context statuses. [warm reset insensitive]		
Type	RW		

31	30	29	28	27	26	25	24	23	22	21	20	19	18	17	16	15	14	13	12	11	10	9	8	7	6	5	4	3	2	1	0
RESERVED																LOSTCONTEXT_RFF	LOSTCONTEXT_DFF														

Bits	Field Name	Description	Type	Reset
31:2	RESERVED		R	0x0
1	LOSTCONTEXT_RFF	Specify if RFF-based context has been lost due to a previous power transition or other reset source. (set upon assertion of L4PER_PWRON_RET_RST signal) 0x0: Context has been maintained 0x1: Context has been lost	RW	0x1
0	LOSTCONTEXT_DFF	Specify if DFF-based context has been lost due to a previous power transition or other reset source. (set upon assertion of L4PER_RST signal) 0x0: Context has been maintained 0x1: Context has been lost	RW	0x1

Table 3-1690. RM_L4PER2_PRUSS1_CONTEXT

Address Offset	0x0000 001C	Instance	L4PER_PRM
Physical Address	0x4AE0 741C		
Description	This register contains dedicated PRUSS1 context statuses. [warm reset insensitive]		
Type	RW		

31	30	29	28	27	26	25	24	23	22	21	20	19	18	17	16	15	14	13	12	11	10	9	8	7	6	5	4	3	2	1	0
RESERVED																LOSTMEM_PRUSS1_BANK	RESERVED										LOSTCONTEXT_DFF				

Bits	Field Name	Description	Type	Reset
31:9	RESERVED		R	0x0
8	LOSTMEM_PRUSS1_BANK	Specify if memory-based context in PRUSS1 memory bank has been lost due to a previous power transition or other reset source. 0x0: Context has been maintained 0x1: Context has been lost	RW	0x1
7:1	RESERVED		R	0x0
0	LOSTCONTEXT_DFF	Specify if DFF-based context has been lost due to a previous power transition or other reset source. (set upon assertion of L3INIT_RST signal) 0x0: Context has been maintained 0x1: Context has been lost	RW	0x1

Table 3-1691. RM_L4PER2_PRUSS2_CONTEXT

Address Offset	0x0000 0024	Instance	L4PER_PRM
Physical Address	0x4AE0 7424		
Description	This register contains dedicated PRUSS2 context statuses. [warm reset insensitive]		
Type	RW		

31	30	29	28	27	26	25	24	23	22	21	20	19	18	17	16	15	14	13	12	11	10	9	8	7	6	5	4	3	2	1	0
RESERVED																LOSTMEM_PRUSS2_BANK	RESERVED										LOSTCONTEXT_DFF				

Bits	Field Name	Description	Type	Reset
31:9	RESERVED		R	0x0
8	LOSTMEM_PRUSS2_BANK	Specify if memory-based context in PRUSS2 memory bank has been lost due to a previous power transition or other reset source. 0x0: Context has been maintained 0x1: Context has been lost	RW	0x1
7:1	RESERVED		R	0x0
0	LOSTCONTEXT_DFF	Specify if DFF-based context has been lost due to a previous power transition or other reset source. (set upon assertion of L3INIT_RST signal) 0x0: Context has been maintained 0x1: Context has been lost	RW	0x1

Table 3-1692. PM_L4PER_TIMER10_WKDEP

Address Offset	0x0000 0028	Instance	L4PER_PRM
Physical Address	0x4AE0 7428		
Description	This register controls wakeup dependency based on TIMER10 service requests.		
Type	RW		

31	30	29	28	27	26	25	24	23	22	21	20	19	18	17	16	15	14	13	12	11	10	9	8	7	6	5	4	3	2	1	0
RESERVED																WKUPDEP_TIMER10_EVE4	WKUPDEP_TIMER10_EVE3	WKUPDEP_TIMER10_EVE2	WKUPDEP_TIMER10_EVE1	WKUPDEP_TIMER10_DSP2	WKUPDEP_TIMER10_IPU1	RESERVED	WKUPDEP_TIMER10_DSP1	WKUPDEP_TIMER10_IPU2	WKUPDEP_TIMER10_MPU						

Bits	Field Name	Description	Type	Reset
31:10	RESERVED		R	0x0
9	WKUPDEP_TIMER10_EVE4	Wakeup dependency from TIMER10 module (SWakeup IRQ signal) towards EVE4 + L3_MAIN1 + L4PER1 + L4PER2 + L4PER3 domains 0x0: Dependency is disabled 0x1: Dependency is enabled	RW	0x0
8	WKUPDEP_TIMER10_EVE3	Wakeup dependency from TIMER10 module (SWakeup IRQ signal) towards EVE3 + L3_MAIN1 + L4PER1 + L4PER2 + L4PER3 domains 0x0: Dependency is disabled 0x1: Dependency is enabled	RW	0x0
7	WKUPDEP_TIMER10_EVE2	Wakeup dependency from TIMER10 module (SWakeup IRQ signal) towards EVE2 + L3_MAIN1 + L4PER1 + L4PER2 + L4PER3 domains 0x0: Dependency is disabled 0x1: Dependency is enabled	RW	0x0
6	WKUPDEP_TIMER10_EVE1	Wakeup dependency from TIMER10 module (SWakeup IRQ signal) towards EVE1 + L3_MAIN1 + L4PER1 + L4PER2 + L4PER3 domains 0x0: Dependency is disabled 0x1: Dependency is enabled	RW	0x0
5	WKUPDEP_TIMER10_DSP2	Wakeup dependency from TIMER10 module (SWakeup IRQ signal) towards DSP2 + L3_MAIN1 + L4PER1 + L4PER2 + L4PER3 domains 0x0: Dependency is disabled 0x1: Dependency is enabled	RW	0x0
4	WKUPDEP_TIMER10_IPU1	Wakeup dependency from TIMER10 module (SWakeup IRQ signal) towards IPU1 + L3_MAIN1 + L4PER1 + L4PER2 + L4PER3 domains 0x0: Dependency is disabled 0x1: Dependency is enabled	RW	0x0
3	RESERVED		R	0x0
2	WKUPDEP_TIMER10_DSP1	Wakeup dependency from TIMER10 module (SWakeup IRQ signal) towards DSP + L3MAIN1 + L4PER1 + L4PER2 + L4PER3 domains 0x0: Dependency is disabled 0x1: Dependency is enabled	RW	0x0

Bits	Field Name	Description	Type	Reset
1	WKUPDEP_TIMER10_IPU2	Wakeup dependency from TIMER10 module (SWakeup IRQ signal) towards IPU2 + L3_MAIN1 + L4PER1 + L4PER2 + L4PER3 domains 0x0: Dependency is disabled 0x1: Dependency is enabled	RW	0x0
0	WKUPDEP_TIMER10_MPU	Wakeup dependency from TIMER10 module (SWakeup IRQ signal) towards MPU + L3_MAIN1 + L4PER1 + L4PER2 + L4PER3 domains 0x0: Dependency is disabled 0x1: Dependency is enabled	RW	0x0

Table 3-1693. Register Call Summary for Register PM_L4PER_TIMER10_WKDEP

Clock Management Functional Description

- [Clock Domain Dependency: \[0\]\[1\]\[3\]\[4\]](#)

PRCM Register Manual

- [Not Supported Functionality \(Registers and Bits\): \[9\]\[10\]\[11\]\[12\]\[13\]](#)
- [L4PER_PRM Register Summary: \[14\]](#)

Table 3-1694. RM_L4PER_TIMER10_CONTEXT

Address Offset	0x0000 002C	Instance	L4PER_PRM
Physical Address	0x4AE0 742C		
Description	This register contains dedicated TIMER10 context statuses. [warm reset insensitive]		
Type	RW		

31	30	29	28	27	26	25	24	23	22	21	20	19	18	17	16	15	14	13	12	11	10	9	8	7	6	5	4	3	2	1	0
RESERVED																													LOSTCONTEXT_DFF		

Bits	Field Name	Description	Type	Reset
31:1	RESERVED		R	0x0
0	LOSTCONTEXT_DFF	Specify if DFF-based context has been lost due to a previous power transition or other reset source. (set upon assertion of L4PER_RST signal) 0x0: Context has been maintained 0x1: Context has been lost	RW	0x1

Table 3-1695. PM_L4PER_TIMER11_WKDEP

Address Offset	0x0000 0030
Physical Address	0x4AE0 7430
Instance	L4PER_PRM
Description	This register controls wakeup dependency based on TIMER11 service requests.
Type	RW

31	30	29	28	27	26	25	24	23	22	21	20	19	18	17	16	15	14	13	12	11	10	9	8	7	6	5	4	3	2	1	0
RESERVED																WKUPDEP_TIMER11_EVE4	WKUPDEP_TIMER11_EVE3	WKUPDEP_TIMER11_EVE2	WKUPDEP_TIMER11_EVE1	WKUPDEP_TIMER11_DSP2	WKUPDEP_TIMER11_IPU1	RESERVED	WKUPDEP_TIMER11_DSP1	WKUPDEP_TIMER11_IPU2	WKUPDEP_TIMER11_MPU						

Bits	Field Name	Description	Type	Reset
31:10	RESERVED		R	0x0
9	WKUPDEP_TIMER11_EVE4	Wakeup dependency from TIMER11 module (SWakeup IRQ signal) towards EVE4 + L3_MAIN1 + L4PER1 + L4PER2 + L4PER3 domains 0x0: Dependency is disabled 0x1: Dependency is enabled	RW	0x0
8	WKUPDEP_TIMER11_EVE3	Wakeup dependency from TIMER11 module (SWakeup IRQ signal) towards EVE3 + L3_MAIN1 + L4PER1 + L4PER2 + L4PER3 domains 0x0: Dependency is disabled 0x1: Dependency is enabled	RW	0x0
7	WKUPDEP_TIMER11_EVE2	Wakeup dependency from TIMER11 module (SWakeup IRQ signal) towards EVE2 + L3_MAIN1 + L4PER1 + L4PER2 + L4PER3 domains 0x0: Dependency is disabled 0x1: Dependency is enabled	RW	0x0
6	WKUPDEP_TIMER11_EVE1	Wakeup dependency from TIMER11 module (SWakeup IRQ signal) towards EVE1 + L3_MAIN1 + L4PER1 + L4PER2 + L4PER3 domains 0x0: Dependency is disabled 0x1: Dependency is enabled	RW	0x0
5	WKUPDEP_TIMER11_DSP2	Wakeup dependency from TIMER11 module (SWakeup IRQ signal) towards DSP2 + L3_MAIN1 + L4PER1 + L4PER2 + L4PER3 domains 0x0: Dependency is disabled 0x1: Dependency is enabled	RW	0x0
4	WKUPDEP_TIMER11_IPU1	Wakeup dependency from TIMER11 module (SWakeup IRQ signal) towards IPU1 + L3_MAIN1 + L4PER1 + L4PER2 + L4PER3 domains 0x0: Dependency is disabled 0x1: Dependency is enabled	RW	0x0
3	RESERVED		R	0x0
2	WKUPDEP_TIMER11_DSP1	Wakeup dependency from TIMER11 module (SWakeup IRQ signal) towards DSP + L3MAIN1 + L4PER1 + L4PER2 + L4PER3 domains 0x0: Dependency is disabled 0x1: Dependency is enabled	RW	0x0

Bits	Field Name	Description	Type	Reset
1	WKUPDEP_TIMER11_IPU2	Wakeup dependency from TIMER11 module (SWakeup IRQ signal) towards IPU2 + L3_MAIN1 + L4PER1 + L4PER2 + L4PER3 domains 0x0: Dependency is disabled 0x1: Dependency is enabled	RW	0x0
0	WKUPDEP_TIMER11_MPU	Wakeup dependency from TIMER11 module (SWakeup IRQ signal) towards MPU + L3_MAIN1 + L4PER1 + L4PER2 + L4PER3 domains 0x0: Dependency is disabled 0x1: Dependency is enabled	RW	0x0

Table 3-1696. Register Call Summary for Register PM_L4PER_TIMER11_WKDEP

Clock Management Functional Description

- [Clock Domain Dependency: \[0\]\[1\]\[2\]\[3\]](#)

PRCM Register Manual

- [Not Supported Functionality \(Registers and Bits\): \[9\]\[10\]\[11\]\[12\]\[13\]](#)
- [L4PER_PRM Register Summary: \[14\]](#)

Table 3-1697. RM_L4PER_TIMER11_CONTEXT

Address Offset	0x0000 0034	Instance	L4PER_PRM
Physical Address	0x4AE0 7434		
Description	This register contains dedicated TIMER11 context statuses. [warm reset insensitive]		
Type	RW		

31	30	29	28	27	26	25	24	23	22	21	20	19	18	17	16	15	14	13	12	11	10	9	8	7	6	5	4	3	2	1	0
RESERVED																															LOSTCONTEXT_DFF

Bits	Field Name	Description	Type	Reset
31:1	RESERVED		R	0x0
0	LOSTCONTEXT_DFF	Specify if DFF-based context has been lost due to a previous power transition or other reset source. (set upon assertion of L4PER_RST signal) 0x0: Context has been maintained 0x1: Context has been lost	RW	0x1

Table 3-1698. PM_L4PER_TIMER2_WKDEP

Address Offset	0x0000 0038	Instance	L4PER_PRM
Physical Address	0x4AE0 7438		
Description	This register controls wakeup dependency based on TIMER2 service requests.		
Type	RW		

31	30	29	28	27	26	25	24	23	22	21	20	19	18	17	16	15	14	13	12	11	10	9	8	7	6	5	4	3	2	1	0
RESERVED																WKUPDEP_TIMER2_EVE4	WKUPDEP_TIMER2_EVE3	WKUPDEP_TIMER2_EVE2	WKUPDEP_TIMER2_EVE1	WKUPDEP_TIMER2_DSP2	WKUPDEP_TIMER2_IPU1	RESERVED	WKUPDEP_TIMER2_DSP1	WKUPDEP_TIMER2_IPU2	WKUPDEP_TIMER2_MPU						

Bits	Field Name	Description	Type	Reset
31:10	RESERVED		R	0x0
9	WKUPDEP_TIMER2_EVE4	Wakeup dependency from TIMER2 module (SWakeup IRQ signal) towards EVE4 + L3_MAIN1 + L4PER1 + L4PER2 + L4PER3 domains 0x0: Dependency is disabled 0x1: Dependency is enabled	RW	0x0
8	WKUPDEP_TIMER2_EVE3	Wakeup dependency from TIMER2 module (SWakeup IRQ signal) towards EVE3 + L3_MAIN1 + L4PER1 + L4PER2 + L4PER3 domains 0x0: Dependency is disabled 0x1: Dependency is enabled	RW	0x0
7	WKUPDEP_TIMER2_EVE2	Wakeup dependency from TIMER2 module (SWakeup IRQ signal) towards EVE2 + L3_MAIN1 + L4PER1 + L4PER2 + L4PER3 domains 0x0: Dependency is disabled 0x1: Dependency is enabled	RW	0x0
6	WKUPDEP_TIMER2_EVE1	Wakeup dependency from TIMER2 module (SWakeup IRQ signal) towards EVE1 + L3_MAIN1 + L4PER1 + L4PER2 + L4PER3 domains 0x0: Dependency is disabled 0x1: Dependency is enabled	RW	0x0
5	WKUPDEP_TIMER2_DSP2	Wakeup dependency from TIMER2 module (SWakeup IRQ signal) towards DSP2 + L3_MAIN1 + L4PER1 + L4PER2 + L4PER3 domains 0x0: Dependency is disabled 0x1: Dependency is enabled	RW	0x0
4	WKUPDEP_TIMER2_IPU1	Wakeup dependency from TIMER2 module (SWakeup IRQ signal) towards IPU1 + L3_MAIN1 + L4PER1 + L4PER2 + L4PER3 domains 0x0: Dependency is disabled 0x1: Dependency is enabled	RW	0x0
3	RESERVED		R	0x0
2	WKUPDEP_TIMER2_DSP1	Wakeup dependency from TIMER2 module (SWakeup IRQ signal) towards DSP + L3MAIN1 + L4PER1 + L4PER2 + L4PER3 domains 0x0: Dependency is disabled 0x1: Dependency is enabled	RW	0x0

Bits	Field Name	Description	Type	Reset
1	WKUPDEP_TIMER2_IPU2	Wakeup dependency from TIMER2 module (SWakeup IRQ signal) towards IPU2 + L3_MAIN1 + L4PER1 + L4PER2 + L4PER3 domains 0x0: Dependency is disabled 0x1: Dependency is enabled	RW	0x0
0	WKUPDEP_TIMER2_MPU	Wakeup dependency from TIMER2 module (SWakeup IRQ signal) towards MPU + L3_MAIN1 + L4PER1 + L4PER2 + L4PER3 domains 0x0: Dependency is disabled 0x1: Dependency is enabled	RW	0x0

Table 3-1699. Register Call Summary for Register PM_L4PER_TIMER2_WKDEP

Clock Management Functional Description

- [Clock Domain Dependency: \[0\]\[1\]\[3\]\[4\]](#)

PRCM Register Manual

- [Not Supported Functionality \(Registers and Bits\): \[9\]\[10\]\[11\]\[12\]\[13\]](#)
- [L4PER_PRM Register Summary: \[14\]](#)

Table 3-1700. RM_L4PER_TIMER2_CONTEXT

Address Offset	0x0000 003C	Instance	L4PER_PRM
Physical Address	0x4AE0 743C		
Description	This register contains dedicated TIMER2 context statuses. [warm reset insensitive]		
Type	RW		

31	30	29	28	27	26	25	24	23	22	21	20	19	18	17	16	15	14	13	12	11	10	9	8	7	6	5	4	3	2	1	0
RESERVED																															LOSTCONTEXT_DFF

Bits	Field Name	Description	Type	Reset
31:1	RESERVED		R	0x0
0	LOSTCONTEXT_DFF	Specify if DFF-based context has been lost due to a previous power transition or other reset source. (set upon assertion of L4PER_RST signal) 0x0: Context has been maintained 0x1: Context has been lost	RW	0x1

Table 3-1701. PM_L4PER_TIMER3_WKDEP

Address Offset	0x0000 0040	Instance	L4PER_PRM
Physical Address	0x4AE0 7440		
Description	This register controls wakeup dependency based on TIMER3 service requests.		
Type	RW		

31	30	29	28	27	26	25	24	23	22	21	20	19	18	17	16	15	14	13	12	11	10	9	8	7	6	5	4	3	2	1	0
RESERVED																WKUPDEP_TIMER3_EVE4	WKUPDEP_TIMER3_EVE3	WKUPDEP_TIMER3_EVE2	WKUPDEP_TIMER3_EVE1	WKUPDEP_TIMER3_DSP2	WKUPDEP_TIMER3_IPU1	RESERVED	WKUPDEP_TIMER3_DSP1	WKUPDEP_TIMER3_IPU2	WKUPDEP_TIMER3_MPU						

Bits	Field Name	Description	Type	Reset
31:10	RESERVED		R	0x0
9	WKUPDEP_TIMER3_EVE4	Wakeup dependency from TIMER3 module (SWakeup IRQ signal) towards EVE4 + L3_MAIN1 + L4PER1 + L4PER2 + L4PER3 domains 0x0: Dependency is disabled 0x1: Dependency is enabled	RW	0x0
8	WKUPDEP_TIMER3_EVE3	Wakeup dependency from TIMER3 module (SWakeup IRQ signal) towards EVE3 + L3_MAIN1 + L4PER1 + L4PER2 + L4PER3 domains 0x0: Dependency is disabled 0x1: Dependency is enabled	RW	0x0
7	WKUPDEP_TIMER3_EVE2	Wakeup dependency from TIMER3 module (SWakeup IRQ signal) towards EVE2 + L3_MAIN1 + L4PER1 + L4PER2 + L4PER3 domains 0x0: Dependency is disabled 0x1: Dependency is enabled	RW	0x0
6	WKUPDEP_TIMER3_EVE1	Wakeup dependency from TIMER3 module (SWakeup IRQ signal) towards EVE1 + L3_MAIN1 + L4PER1 + L4PER2 + L4PER3 domains 0x0: Dependency is disabled 0x1: Dependency is enabled	RW	0x0
5	WKUPDEP_TIMER3_DSP2	Wakeup dependency from TIMER3 module (SWakeup IRQ signal) towards DSP2 + L3_MAIN1 + L4PER1 + L4PER2 + L4PER3 domains 0x0: Dependency is disabled 0x1: Dependency is enabled	RW	0x0
4	WKUPDEP_TIMER3_IPU1	Wakeup dependency from TIMER3 module (SWakeup IRQ signal) towards IPU1 + L3_MAIN1 + L4PER1 + L4PER2 + L4PER3 domains 0x0: Dependency is disabled 0x1: Dependency is enabled	RW	0x0
3	RESERVED		R	0x0
2	WKUPDEP_TIMER3_DSP1	Wakeup dependency from TIMER3 module (SWakeup IRQ signal) towards DSP + L3MAIN1 + L4PER1 + L4PER2 + L4PER3 domains 0x0: Dependency is disabled 0x1: Dependency is enabled	RW	0x0

Bits	Field Name	Description	Type	Reset
1	WKUPDEP_TIMER3_IPU2	Wakeup dependency from TIMER3 module (SWakeup IRQ signal) towards IPU2 + L3_MAIN1 + L4PER1 + L4PER2 + L4PER3 domains 0x0: Dependency is disabled 0x1: Dependency is enabled	RW	0x0
0	WKUPDEP_TIMER3_MPU	Wakeup dependency from TIMER3 module (SWakeup IRQ signal) towards MPU + L3_MAIN1 + L4PER1 + L4PER2 + L4PER3 domains 0x0: Dependency is disabled 0x1: Dependency is enabled	RW	0x0

Table 3-1702. Register Call Summary for Register PM_L4PER_TIMER3_WKDEP

Clock Management Functional Description

- [Clock Domain Dependency: \[0\]\[1\]\[2\]\[3\]](#)

PRCM Register Manual

- [Not Supported Functionality \(Registers and Bits\): \[9\]\[10\]\[11\]\[12\]\[13\]](#)
- [L4PER_PRM Register Summary: \[14\]](#)

Table 3-1703. RM_L4PER_TIMER3_CONTEXT

Address Offset	0x0000 0044	Instance	L4PER_PRM
Physical Address	0x4AE0 7444		
Description	This register contains dedicated TIMER3 context statuses. [warm reset insensitive]		
Type	RW		

31	30	29	28	27	26	25	24	23	22	21	20	19	18	17	16	15	14	13	12	11	10	9	8	7	6	5	4	3	2	1	0
RESERVED																															LOSTCONTEXT_DFF

Bits	Field Name	Description	Type	Reset
31:1	RESERVED		R	0x0
0	LOSTCONTEXT_DFF	Specify if DFF-based context has been lost due to a previous power transition or other reset source. (set upon assertion of L4PER_RST signal) 0x0: Context has been maintained 0x1: Context has been lost	RW	0x1

Table 3-1704. PM_L4PER_TIMER4_WKDEP

Address Offset	0x0000 0048	Instance	L4PER_PRM
Physical Address	0x4AE0 7448		
Description	This register controls wakeup dependency based on TIMER4 service requests.		
Type	RW		

31	30	29	28	27	26	25	24	23	22	21	20	19	18	17	16	15	14	13	12	11	10	9	8	7	6	5	4	3	2	1	0
RESERVED																WKUPDEP_TIMER4_EVE4	WKUPDEP_TIMER4_EVE3	WKUPDEP_TIMER4_EVE2	WKUPDEP_TIMER4_EVE1	WKUPDEP_TIMER4_DSP2	WKUPDEP_TIMER4_IPU1	RESERVED	WKUPDEP_TIMER4_DSP1	WKUPDEP_TIMER4_IPU2	WKUPDEP_TIMER4_MPU						

Bits	Field Name	Description	Type	Reset
31:10	RESERVED		R	0x0
9	WKUPDEP_TIMER4_EVE4	Wakeup dependency from TIMER4 module (SWakeup IRQ signal) towards EVE4 + L3_MAIN1 + L4PER1 + L4PER2 + L4PER3 domains 0x0: Dependency is disabled 0x1: Dependency is enabled	RW	0x0
8	WKUPDEP_TIMER4_EVE3	Wakeup dependency from TIMER4 module (SWakeup IRQ signal) towards EVE3 + L3_MAIN1 + L4PER1 + L4PER2 + L4PER3 domains 0x0: Dependency is disabled 0x1: Dependency is enabled	RW	0x0
7	WKUPDEP_TIMER4_EVE2	Wakeup dependency from TIMER4 module (SWakeup IRQ signal) towards EVE2 + L3_MAIN1 + L4PER1 + L4PER2 + L4PER3 domains 0x0: Dependency is disabled 0x1: Dependency is enabled	RW	0x0
6	WKUPDEP_TIMER4_EVE1	Wakeup dependency from TIMER4 module (SWakeup IRQ signal) towards EVE1 + L3_MAIN1 + L4PER1 + L4PER2 + L4PER3 domains 0x0: Dependency is disabled 0x1: Dependency is enabled	RW	0x0
5	WKUPDEP_TIMER4_DSP2	Wakeup dependency from TIMER4 module (SWakeup IRQ signal) towards DSP2 + L3_MAIN1 + L4PER1 + L4PER2 + L4PER3 domains 0x0: Dependency is disabled 0x1: Dependency is enabled	RW	0x0
4	WKUPDEP_TIMER4_IPU1	Wakeup dependency from TIMER4 module (SWakeup IRQ signal) towards IPU1 + L3_MAIN1 + L4PER1 + L4PER2 + L4PER3 domains 0x0: Dependency is disabled 0x1: Dependency is enabled	RW	0x0
3	RESERVED		R	0x0
2	WKUPDEP_TIMER4_DSP1	Wakeup dependency from TIMER4 module (SWakeup IRQ signal) towards DSP + L3MAIN1 + L4PER1 + L4PER2 + L4PER3 domains 0x0: Dependency is disabled 0x1: Dependency is enabled	RW	0x0

Bits	Field Name	Description	Type	Reset
1	WKUPDEP_TIMER4_IPU2	Wakeup dependency from TIMER4 module (SWakeup IRQ signal) towards IPU2 + L3_MAIN1 + L4PER1 + L4PER2 + L4PER3 domains 0x0: Dependency is disabled 0x1: Dependency is enabled	RW	0x0
0	WKUPDEP_TIMER4_MPU	Wakeup dependency from TIMER4 module (SWakeup IRQ signal) towards MPU + L3_MAIN1 + L4PER1 + L4PER2 + L4PER3 domains 0x0: Dependency is disabled 0x1: Dependency is enabled	RW	0x0

Table 3-1705. Register Call Summary for Register PM_L4PER_TIMER4_WKDEP

Clock Management Functional Description

- [Clock Domain Dependency: \[0\]\[1\]\[2\]\[3\]](#)

PRCM Register Manual

- [Not Supported Functionality \(Registers and Bits\): \[9\]\[10\]\[11\]\[12\]\[13\]](#)
- [L4PER_PRM Register Summary: \[14\]](#)

Table 3-1706. RM_L4PER_TIMER4_CONTEXT

Address Offset	0x0000 004C	Instance	L4PER_PRM
Physical Address	0x4AE0 744C		
Description	This register contains dedicated TIMER4 context statuses. [warm reset insensitive]		
Type	RW		

31	30	29	28	27	26	25	24	23	22	21	20	19	18	17	16	15	14	13	12	11	10	9	8	7	6	5	4	3	2	1	0
RESERVED																															LOSTCONTEXT_DFF

Bits	Field Name	Description	Type	Reset
31:1	RESERVED		R	0x0
0	LOSTCONTEXT_DFF	Specify if DFF-based context has been lost due to a previous power transition or other reset source. (set upon assertion of L4PER_RST signal) 0x0: Context has been maintained 0x1: Context has been lost	RW	0x1

Table 3-1707. PM_L4PER_TIMER9_WKDEP

Address Offset	0x0000 0050	Instance	L4PER_PRM
Physical Address	0x4AE0 7450		
Description	This register controls wakeup dependency based on TIMER9 service requests.		
Type	RW		

31	30	29	28	27	26	25	24	23	22	21	20	19	18	17	16	15	14	13	12	11	10	9	8	7	6	5	4	3	2	1	0				
RESERVED																WKUPDEP_TIMER9_EVE4		WKUPDEP_TIMER9_EVE3		WKUPDEP_TIMER9_EVE2		WKUPDEP_TIMER9_EVE1		WKUPDEP_TIMER9_DSP2		WKUPDEP_TIMER9_IPU1		RESERVED		WKUPDEP_TIMER9_DSP1		WKUPDEP_TIMER9_IPU2		WKUPDEP_TIMER9_MPU	

Bits	Field Name	Description	Type	Reset
31:10	RESERVED		R	0x0
9	WKUPDEP_TIMER9_EVE4	Wakeup dependency from TIMER9 module (SWakeup IRQ signal) towards EVE4 + L3_MAIN1 + L4PER1 + L4PER2 + L4PER3 domains 0x0: Dependency is disabled 0x1: Dependency is enabled	RW	0x0
8	WKUPDEP_TIMER9_EVE3	Wakeup dependency from TIMER4 module (SWakeup IRQ signal) towards EVE3 + L3_MAIN1 + L4PER1 + L4PER2 + L4PER3 domains 0x0: Dependency is disabled 0x1: Dependency is enabled	RW	0x0
7	WKUPDEP_TIMER9_EVE2	Wakeup dependency from TIMER9 module (SWakeup IRQ signal) towards EVE2 + L3_MAIN1 + L4PER1 + L4PER2 + L4PER3 domains 0x0: Dependency is disabled 0x1: Dependency is enabled	RW	0x0
6	WKUPDEP_TIMER9_EVE1	Wakeup dependency from TIMER9 module (SWakeup IRQ signal) towards EVE1 + L3_MAIN1 + L4PER1 + L4PER2 + L4PER3 domains 0x0: Dependency is disabled 0x1: Dependency is enabled	RW	0x0
5	WKUPDEP_TIMER9_DSP2	Wakeup dependency from TIMER4 module (SWakeup IRQ signal) towards DSP2 + L3_MAIN1 + L4PER1 + L4PER2 + L4PER3 domains 0x0: Dependency is disabled 0x1: Dependency is enabled	RW	0x0
4	WKUPDEP_TIMER9_IPU1	Wakeup dependency from TIMER9 module (SWakeup IRQ signal) towards IPU1 + L3_MAIN1 + L4PER1 + L4PER2 + L4PER3 domains 0x0: Dependency is disabled 0x1: Dependency is enabled	RW	0x0
3	RESERVED		R	0x0
2	WKUPDEP_TIMER9_DSP1	Wakeup dependency from TIMER4 module (SWakeup IRQ signal) towards DSP + L3MAIN1 + L4PER1 + L4PER2 + L4PER3 domains 0x0: Dependency is disabled 0x1: Dependency is enabled	RW	0x0

Bits	Field Name	Description	Type	Reset
1	WKUPDEP_TIMER9_IPU2	Wakeup dependency from TIMER4 module (SWakeup IRQ signal) towards IPU2 + L3_MAIN1 + L4PER1 + L4PER2 + L4PER3 domains 0x0: Dependency is disabled 0x1: Dependency is enabled	RW	0x0
0	WKUPDEP_TIMER9_MPU	Wakeup dependency from TIMER4 module (SWakeup IRQ signal) towards MPU + L3_MAIN1 + L4PER1 + L4PER2 + L4PER3 domains 0x0: Dependency is disabled 0x1: Dependency is enabled	RW	0x0

Table 3-1708. Register Call Summary for Register PM_L4PER_TIMER9_WKDEP

Clock Management Functional Description

- [Clock Domain Dependency: \[0\]\[1\]\[2\]\[3\]](#)

PRCM Register Manual

- [Not Supported Functionality \(Registers and Bits\): \[9\]\[10\]\[11\]\[12\]\[13\]](#)
- [L4PER_PRM Register Summary: \[14\]](#)

Table 3-1709. RM_L4PER_TIMER9_CONTEXT

Address Offset	0x0000 0054	Instance	L4PER_PRM
Physical Address	0x4AE0 7454		
Description	This register contains dedicated TIMER9 context statuses. [warm reset insensitive]		
Type	RW		

31	30	29	28	27	26	25	24	23	22	21	20	19	18	17	16	15	14	13	12	11	10	9	8	7	6	5	4	3	2	1	0
RESERVED																															LOSTCONTEXT_DFF

Bits	Field Name	Description	Type	Reset
31:1	RESERVED		R	0x0
0	LOSTCONTEXT_DFF	Specify if DFF-based context has been lost due to a previous power transition or other reset source. (set upon assertion of L4PER_RST signal) 0x0: Context has been maintained 0x1: Context has been lost	RW	0x1

Table 3-1710. RM_L4PER_ELM_CONTEXT

Address Offset	0x0000 005C	Instance	L4PER_PRM
Physical Address	0x4AE0 745C		
Description	This register contains dedicated ELM context statuses. [warm reset insensitive]		
Type	RW		

31	30	29	28	27	26	25	24	23	22	21	20	19	18	17	16	15	14	13	12	11	10	9	8	7	6	5	4	3	2	1	0
RESERVED																												LOSTCONTEXT_DFF			

Bits	Field Name	Description	Type	Reset
31:1	RESERVED		R	0x0
0	LOSTCONTEXT_DFF	Specify if DFF-based context has been lost due to a previous power transition or other reset source. (set upon assertion of L4PER_RST signal) 0x0: Context has been maintained 0x1: Context has been lost	RW	0x1

Table 3-1711. PM_L4PER_GPIO2_WKDEP

Address Offset	0x0000 0060	Instance	L4PER_PRM
Physical Address	0x4AE0 7460		
Description	This register controls wakeup dependency based on GPIO2 service requests.		
Type	RW		

31	30	29	28	27	26	25	24	23	22	21	20	19	18	17	16	15	14	13	12	11	10	9	8	7	6	5	4	3	2	1	0
RESERVED												WKUPDEP_GPIO2_IRQ2_EVE4	WKUPDEP_GPIO2_IRQ2_EVE3	WKUPDEP_GPIO2_IRQ2_EVE2	WKUPDEP_GPIO2_IRQ2_EVE1	WKUPDEP_GPIO2_IRQ2_DSP2	WKUPDEP_GPIO2_IRQ2_IPU1	RESERVED	WKUPDEP_GPIO2_IRQ2_DSP1	WKUPDEP_GPIO2_IRQ2_IPU2	WKUPDEP_GPIO2_IRQ2_MPU	WKUPDEP_GPIO2_IRQ1_EVE4	WKUPDEP_GPIO2_IRQ1_EVE3	WKUPDEP_GPIO2_IRQ1_EVE2	WKUPDEP_GPIO2_IRQ1_EVE1	WKUPDEP_GPIO2_IRQ1_DSP2	WKUPDEP_GPIO2_IRQ1_IPU1	RESERVED	WKUPDEP_GPIO2_IRQ1_DSP1	WKUPDEP_GPIO2_IRQ1_IPU2	WKUPDEP_GPIO2_IRQ1_MPU

Bits	Field Name	Description	Type	Reset
31:20	RESERVED		R	0x0
19	WKUPDEP_GPIO2_IRQ2_EVE4	Wakeup dependency from GPIO2 module (SWakeup signal) towards EVE4 + L3_MAIN1 + L4PER1 + L4PER2 + L4PER3 domains 0x0: Dependency is disabled 0x1: Dependency is enabled	RW	0x0

Bits	Field Name	Description	Type	Reset
18	WKUPDEP_GPIO2_IRQ2_EVE3	Wakeup dependency from GPIO2 module (SWakeup signal) towards EVE3 + L3_MAIN1 + L4PER1 + L4PER2 + L4PER3 domains 0x0: Dependency is disabled 0x1: Dependency is enabled	RW	0x0
17	WKUPDEP_GPIO2_IRQ2_EVE2	Wakeup dependency from GPIO2 module (SWakeup signal) towards EVE2 + L3_MAIN1 + L4PER1 + L4PER2 + L4PER3 domains 0x0: Dependency is disabled 0x1: Dependency is enabled	RW	0x0
16	WKUPDEP_GPIO2_IRQ2_EVE1	Wakeup dependency from GPIO2 module (SWakeup signal) towards EVE1 + L3_MAIN1 + L4PER1 + L4PER2 + L4PER3 domains 0x0: Dependency is disabled 0x1: Dependency is enabled	RW	0x0
15	WKUPDEP_GPIO2_IRQ2_DSP2	Wakeup dependency from GPIO2 module (SWakeup signal) towards DSP2 + L3_MAIN1 + L4PER1 + L4PER2 + L4PER3 domains 0x0: Dependency is disabled 0x1: Dependency is enabled	RW	0x0
14	WKUPDEP_GPIO2_IRQ2_IPU1	Wakeup dependency from GPIO2 module (SWakeup signal) towards IPU1 + L3_MAIN1 + L4PER1 + L4PER2 + L4PER3 domains 0x0: Dependency is disabled 0x1: Dependency is enabled	RW	0x0
13	RESERVED		R	0x0
12	WKUPDEP_GPIO2_IRQ2_DSP1	Wakeup dependency from GPIO2 module (SWakeup signal) towards DSP + L3MAIN1 + L4PER1 + L4PER2 + L4PER3 domains 0x0: Dependency is disabled 0x1: Dependency is enabled	RW	0x0
11	WKUPDEP_GPIO2_IRQ2_IPU2	Wakeup dependency from GPIO2 module (SWakeup signal) towards IPU2 + L3_MAIN1 + L4PER1 + L4PER2 + L4PER3 domains 0x0: Dependency is disabled 0x1: Dependency is enabled	RW	0x0
10	WKUPDEP_GPIO2_IRQ2_MPU	Wakeup dependency from GPIO2 module (SWakeup signal) towards MPU + L3_MAIN1 + L4PER1 + L4PER2 + L4PER3 domains 0x0: Dependency is disabled 0x1: Dependency is enabled	RW	0x0
9	WKUPDEP_GPIO2_IRQ1_EVE4	Wakeup dependency from GPIO2 module (SWakeup signal) towards EVE4 + L3_MAIN1 + L4PER1 + L4PER2 + L4PER3 domains 0x0: Dependency is disabled 0x1: Dependency is enabled	RW	0x0
8	WKUPDEP_GPIO2_IRQ1_EVE3	Wakeup dependency from GPIO2 module (SWakeup signal) towards EVE3 + L3_MAIN1 + L4PER1 + L4PER2 + L4PER3 domains 0x0: Dependency is disabled 0x1: Dependency is enabled	RW	0x0
7	WKUPDEP_GPIO2_IRQ1_EVE2	Wakeup dependency from GPIO2 module (SWakeup signal) towards EVE2 + L3_MAIN1 + L4PER1 + L4PER2 + L4PER3 domains 0x0: Dependency is disabled 0x1: Dependency is enabled	RW	0x0

Bits	Field Name	Description	Type	Reset
6	WKUPDEP_GPIO2_IRQ1_EVE1	Wakeup dependency from GPIO2 module (SWakeup signal) towards EVE1 + L3_MAIN1 + L4PER1 + L4PER2 + L4PER3 domains 0x0: Dependency is disabled 0x1: Dependency is enabled	RW	0x0
5	WKUPDEP_GPIO2_IRQ1_DSP2	Wakeup dependency from GPIO2 module (SWakeup signal) towards DSP2 + L3_MAIN1 + L4PER1 + L4PER2 + L4PER3 domains 0x0: Dependency is disabled 0x1: Dependency is enabled	RW	0x0
4	WKUPDEP_GPIO2_IRQ1_IPU1	Wakeup dependency from GPIO2 module (SWakeup signal) towards IPU1 + L3_MAIN1 + L4PER1 + L4PER2 + L4PER3 domains 0x0: Dependency is disabled 0x1: Dependency is enabled	RW	0x0
3	RESERVED		R	0x0
2	WKUPDEP_GPIO2_IRQ1_DSP1	Wakeup dependency from GPIO2 module (SWakeup signal) towards DSP + L3MAIN1 + L4PER1 + L4PER2 + L4PER3 domains 0x0: Dependency is disabled 0x1: Dependency is enabled	RW	0x0
1	WKUPDEP_GPIO2_IRQ1_IPU2	Wakeup dependency from GPIO2 module (SWakeup signal) towards IPU2 + L3_MAIN1 + L4PER1 + L4PER2 + L4PER3 domains 0x0: Dependency is disabled 0x1: Dependency is enabled	RW	0x0
0	WKUPDEP_GPIO2_IRQ1_MPU	Wakeup dependency from GPIO2 module (SWakeup signal for POROCPSINTERRUPT1) towards MPU + L3_MAIN1 + L4PER1 + L4PER2 + L4PER3 domains 0x0: Dependency is disabled 0x1: Dependency is enabled	RW	0x0

Table 3-1712. Register Call Summary for Register PM_L4PER_GPIO2_WKDEP

Clock Management Functional Description

- [Clock Domain Dependency: \[0\]\[2\]\[4\]\[5\]\[6\]\[7\]\[8\]\[9\]](#)

PRCM Register Manual

- [Not Supported Functionality \(Registers and Bits\): \[18\]\[19\]\[20\]\[21\]\[22\]\[23\]\[24\]\[25\]\[26\]\[27\]](#)
- [L4PER_PRM Register Summary: \[28\]](#)

Table 3-1713. RM_L4PER_GPIO2_CONTEXT

Address Offset	0x0000 0064	Instance	L4PER_PRM
Physical Address	0x4AE0 7464		
Description	This register contains dedicated GPIO2 context statuses. [warm reset insensitive]		
Type	RW		

31	30	29	28	27	26	25	24	23	22	21	20	19	18	17	16	15	14	13	12	11	10	9	8	7	6	5	4	3	2	1	0
RESERVED																LOSTCONTEXT_RFF		RESERVED													

Bits	Field Name	Description	Type	Reset
31:2	RESERVED		R	0x0
1	LOSTCONTEXT_RFF	Specify if RFF-based context has been lost due to a previous power transition or other reset source. (set upon assertion of L4PER_RET_RST signal) 0x0: Context has been maintained 0x1: Context has been lost	RW	0x1
0	RESERVED		R	0x0

Table 3-1714. PM_L4PER_GPIO3_WKDEP

Address Offset	0x0000 0068	Instance	L4PER_PRM
Physical Address	0x4AE0 7468		
Description	This register controls wakeup dependency based on GPIO3 service requests.		
Type	RW		

31	30	29	28	27	26	25	24	23	22	21	20	19	18	17	16	15	14	13	12	11	10	9	8	7	6	5	4	3	2	1	0		
RESERVED												WKUPDEP_GPIO3_IRQ2_EVE4	WKUPDEP_GPIO3_IRQ2_EVE3	WKUPDEP_GPIO3_IRQ2_EVE2	WKUPDEP_GPIO3_IRQ2_EVE1	WKUPDEP_GPIO3_IRQ2_DSP2	WKUPDEP_GPIO3_IRQ2_IPU1	RESERVED	WKUPDEP_GPIO3_IRQ2_DSP1	WKUPDEP_GPIO3_IRQ2_IPU2	WKUPDEP_GPIO3_IRQ2_MPU	WKUPDEP_GPIO3_IRQ1_EVE4	WKUPDEP_GPIO3_IRQ1_EVE3	WKUPDEP_GPIO3_IRQ1_EVE2	WKUPDEP_GPIO3_IRQ1_EVE1	WKUPDEP_GPIO3_IRQ1_DSP2	WKUPDEP_GPIO3_IRQ1_IPU1	RESERVED	WKUPDEP_GPIO3_IRQ1_DSP1	WKUPDEP_GPIO3_IRQ1_IPU2	WKUPDEP_GPIO3_IRQ1_MPU		

Bits	Field Name	Description	Type	Reset
31:20	RESERVED		R	0x0
19	WKUPDEP_GPIO3_IRQ2_EVE4	Wakeup dependency from GPIO3 module (SWakeup signal) towards EVE4 + L3_MAIN1 + L4PER1 + L4PER2 + L4PER3 domains 0x0: Dependency is disabled 0x1: Dependency is enabled	RW	0x0
18	WKUPDEP_GPIO3_IRQ2_EVE3	Wakeup dependency from GPIO3 module (SWakeup signal) towards EVE3 + L3_MAIN1 + L4PER1 + L4PER2 + L4PER3 domains 0x0: Dependency is disabled 0x1: Dependency is enabled	RW	0x0
17	WKUPDEP_GPIO3_IRQ2_EVE2	Wakeup dependency from GPIO3 module (SWakeup signal) towards EVE2 + L3_MAIN1 + L4PER1 + L4PER2 + L4PER3 domains 0x0: Dependency is disabled 0x1: Dependency is enabled	RW	0x0
16	WKUPDEP_GPIO3_IRQ2_EVE1	Wakeup dependency from GPIO3 module (SWakeup signal) towards EVE1 + L3_MAIN1 + L4PER1 + L4PER2 + L4PER3 domains 0x0: Dependency is disabled 0x1: Dependency is enabled	RW	0x0
15	WKUPDEP_GPIO3_IRQ2_DSP2	Wakeup dependency from GPIO3 module (SWakeup signal) towards DSP2 + L3_MAIN1 + L4PER1 + L4PER2 + L4PER3 domains 0x0: Dependency is disabled 0x1: Dependency is enabled	RW	0x0

Bits	Field Name	Description	Type	Reset
14	WKUPDEP_GPIO3_IRQ2_IPU1	Wakeup dependency from GPIO3 module (SWakeup signal) towards IPU1 + L3_MAIN1 + L4PER1 + L4PER2 + L4PER3 domains 0x0: Dependency is disabled 0x1: Dependency is enabled	RW	0x0
13	RESERVED		R	0x0
12	WKUPDEP_GPIO3_IRQ2_DSP1	Wakeup dependency from GPIO3 module (SWakeup signal) towards DSP + L3MAIN1 + L4PER1 + L4PER2 + L4PER3 domains 0x0: Dependency is disabled 0x1: Dependency is enabled	RW	0x0
11	WKUPDEP_GPIO3_IRQ2_IPU2	Wakeup dependency from GPIO3 module (SWakeup signal) towards IPU2 + L3_MAIN1 + L4PER1 + L4PER2 + L4PER3 domains 0x0: Dependency is disabled 0x1: Dependency is enabled	RW	0x0
10	WKUPDEP_GPIO3_IRQ2_MPU	Wakeup dependency from GPIO3 module (SWakeup signal) towards MPU + L3_MAIN1 + L4PER1 + L4PER2 + L4PER3 domains 0x0: Dependency is disabled 0x1: Dependency is enabled	RW	0x0
9	WKUPDEP_GPIO3_IRQ1_EVE4	Wakeup dependency from GPIO3 module (SWakeup signal) towards EVE4 + L3_MAIN1 + L4PER1 + L4PER2 + L4PER3 domains 0x0: Dependency is disabled 0x1: Dependency is enabled	RW	0x0
8	WKUPDEP_GPIO3_IRQ1_EVE3	Wakeup dependency from GPIO3 module (SWakeup signal) towards EVE3 + L3_MAIN1 + L4PER1 + L4PER2 + L4PER3 domains 0x0: Dependency is disabled 0x1: Dependency is enabled	RW	0x0
7	WKUPDEP_GPIO3_IRQ1_EVE2	Wakeup dependency from GPIO3 module (SWakeup signal) towards EVE2 + L3_MAIN1 + L4PER1 + L4PER2 + L4PER3 domains 0x0: Dependency is disabled 0x1: Dependency is enabled	RW	0x0
6	WKUPDEP_GPIO3_IRQ1_EVE1	Wakeup dependency from GPIO3 module (SWakeup signal) towards EVE1 + L3_MAIN1 + L4PER1 + L4PER2 + L4PER3 domains 0x0: Dependency is disabled 0x1: Dependency is enabled	RW	0x0
5	WKUPDEP_GPIO3_IRQ1_DSP2	Wakeup dependency from GPIO3 module (SWakeup signal) towards DSP2 + L3_MAIN1 + L4PER1 + L4PER2 + L4PER3 domains 0x0: Dependency is disabled 0x1: Dependency is enabled	RW	0x0
4	WKUPDEP_GPIO3_IRQ1_IPU1	Wakeup dependency from GPIO3 module (SWakeup signal) towards IPU1 + L3_MAIN1 + L4PER1 + L4PER2 + L4PER3 domains 0x0: Dependency is disabled 0x1: Dependency is enabled	RW	0x0
3	RESERVED		R	0x0

Bits	Field Name	Description	Type	Reset
2	WKUPDEP_GPIO3_IRQ1_DSP1	Wakeup dependency from GPIO3 module (SWakeup signal) towards DSP + L3MAIN1 + L4PER1 + L4PER2 + L4PER3 domains 0x0: Dependency is disabled 0x1: Dependency is enabled	RW	0x0
1	WKUPDEP_GPIO3_IRQ1_IPU2	3Wakeup dependency from GPIO2 module (SWakeup signal) towards IPU2 + L3_MAIN1 + L4PER1 + L4PER2 + L4PER3 domains 0x0: Dependency is disabled 0x1: Dependency is enabled	RW	0x0
0	WKUPDEP_GPIO3_IRQ1_MPU	Wakeup dependency from GPIO3 module (SWakeup signal) towards MPU + L3_MAIN1 + L4PER1 + L4PER2 + L4PER3 domains 0x0: Dependency is disabled 0x1: Dependency is enabled	RW	0x0

Table 3-1715. Register Call Summary for Register PM_L4PER_GPIO3_WKDEP

Clock Management Functional Description

- [Clock Domain Dependency: \[0\]\[2\]\[4\]\[5\]\[6\]\[7\]\[8\]\[9\]](#)

PRCM Register Manual

- [Not Supported Functionality \(Registers and Bits\): \[18\]\[19\]\[20\]\[21\]\[22\]\[23\]\[24\]\[25\]\[26\]\[27\]](#)
- [L4PER_PRM Register Summary: \[28\]](#)

Table 3-1716. RM_L4PER_GPIO3_CONTEXT

Address Offset	0x0000 006C	Instance	L4PER_PRM
Physical Address	0x4AE0 746C		
Description	This register contains dedicated GPIO3 context statuses. [warm reset insensitive]		
Type	RW		

31	30	29	28	27	26	25	24	23	22	21	20	19	18	17	16	15	14	13	12	11	10	9	8	7	6	5	4	3	2	1	0
RESERVED																LOSTCONTEXT_RFF		RESERVED													

Bits	Field Name	Description	Type	Reset
31:2	RESERVED		R	0x0
1	LOSTCONTEXT_RFF	Specify if RFF-based context has been lost due to a previous power transition or other reset source. (set upon assertion of L4PER_RET_RST signal) 0x0: Context has been maintained 0x1: Context has been lost	RW	0x1
0	RESERVED		R	0x0

Table 3-1717. PM_L4PER_GPIO4_WKDEP

Address Offset	0x0000 0070	Instance	L4PER_PRM
Physical Address	0x4AE0 7470		
Description	This register controls wakeup dependency based on GPIO4 service requests.		
Type	RW		

31	30	29	28	27	26	25	24	23	22	21	20	19	18	17	16	15	14	13	12	11	10	9	8	7	6	5	4	3	2	1	0																																																								
RESERVED								WKUPDEP_GPIO4_IRQ2_EVE4				WKUPDEP_GPIO4_IRQ2_EVE3				WKUPDEP_GPIO4_IRQ2_EVE2				WKUPDEP_GPIO4_IRQ2_EVE1				WKUPDEP_GPIO4_IRQ2_DSP2				WKUPDEP_GPIO4_IRQ2_IPU1				RESERVED				WKUPDEP_GPIO4_IRQ2_DSP1				WKUPDEP_GPIO4_IRQ2_IPU2				WKUPDEP_GPIO4_IRQ2_MPU				WKUPDEP_GPIO4_IRQ1_EVE4				WKUPDEP_GPIO4_IRQ1_EVE3				WKUPDEP_GPIO4_IRQ1_EVE2				WKUPDEP_GPIO4_IRQ1_EVE1				WKUPDEP_GPIO4_IRQ1_DSP2				WKUPDEP_GPIO4_IRQ1_IPU1				RESERVED				WKUPDEP_GPIO4_IRQ1_DSP1				WKUPDEP_GPIO4_IRQ1_IPU2				WKUPDEP_GPIO4_IRQ1_MPU			

Bits	Field Name	Description	Type	Reset
31:20	RESERVED		R	0x0
19	WKUPDEP_GPIO4_IRQ2_EVE4	Wakeup dependency from GPIO4 module (SWakeup signal) towards EVE4 + L3_MAIN1 + L4PER1 + L4PER2 + L4PER3 domains 0x0: Dependency is disabled 0x1: Dependency is enabled	RW	0x0
18	WKUPDEP_GPIO4_IRQ2_EVE3	Wakeup dependency from GPIO4 module (SWakeup signal) towards EVE3 + L3_MAIN1 + L4PER1 + L4PER2 + L4PER3 domains 0x0: Dependency is disabled 0x1: Dependency is enabled	RW	0x0
17	WKUPDEP_GPIO4_IRQ2_EVE2	Wakeup dependency from GPIO4 module (SWakeup signal) towards EVE2 + L3_MAIN1 + L4PER1 + L4PER2 + L4PER3 domains 0x0: Dependency is disabled 0x1: Dependency is enabled	RW	0x0
16	WKUPDEP_GPIO4_IRQ2_EVE1	Wakeup dependency from GPIO4 module (SWakeup signal) towards EVE1 + L3_MAIN1 + L4PER1 + L4PER2 + L4PER3 domains 0x0: Dependency is disabled 0x1: Dependency is enabled	RW	0x0
15	WKUPDEP_GPIO4_IRQ2_DSP2	Wakeup dependency from GPIO4 module (SWakeup signal) towards DSP2 + L3_MAIN1 + L4PER1 + L4PER2 + L4PER3 domains 0x0: Dependency is disabled 0x1: Dependency is enabled	RW	0x0
14	WKUPDEP_GPIO4_IRQ2_IPU1	Wakeup dependency from GPIO4 module (SWakeup signal) towards IPU1 + L3_MAIN1 + L4PER1 + L4PER2 + L4PER3 domains 0x0: Dependency is disabled 0x1: Dependency is enabled	RW	0x0
13	RESERVED		R	0x0

Bits	Field Name	Description	Type	Reset
12	WKUPDEP_GPIO4_IRQ2_DSP1	Wakeup dependency from GPIO4 module (SWakeup signal) towards DSP + L3MAIN1 + L4PER1 + L4PER2 + L4PER3 domains 0x0: Dependency is disabled 0x1: Dependency is enabled	RW	0x0
11	WKUPDEP_GPIO4_IRQ2_IPU2	Wakeup dependency from GPIO4 module (SWakeup signal) towards IPU2 + L3_MAIN1 + L4PER1 + L4PER2 + L4PER3 domains 0x0: Dependency is disabled 0x1: Dependency is enabled	RW	0x0
10	WKUPDEP_GPIO4_IRQ2_MPU	Wakeup dependency from GPIO4 module (SWakeup signal) towards MPU + L3_MAIN1 + L4PER1 + L4PER2 + L4PER3 domains 0x0: Dependency is disabled 0x1: Dependency is enabled	RW	0x0
9	WKUPDEP_GPIO4_IRQ1_EVE4	Wakeup dependency from GPIO4 module (SWakeup signal) towards EVE4 + L3_MAIN1 + L4PER1 + L4PER2 + L4PER3 domains 0x0: Dependency is disabled 0x1: Dependency is enabled	RW	0x0
8	WKUPDEP_GPIO4_IRQ1_EVE3	Wakeup dependency from GPIO4 module (SWakeup signal) towards EVE3 + L3_MAIN1 + L4PER1 + L4PER2 + L4PER3 domains 0x0: Dependency is disabled 0x1: Dependency is enabled	RW	0x0
7	WKUPDEP_GPIO4_IRQ1_EVE2	Wakeup dependency from GPIO4 module (SWakeup signal) towards EVE2 + L3_MAIN1 + L4PER1 + L4PER2 + L4PER3 domains 0x0: Dependency is disabled 0x1: Dependency is enabled	RW	0x0
6	WKUPDEP_GPIO4_IRQ1_EVE1	Wakeup dependency from GPIO4 module (SWakeup signal) towards EVE1 + L3_MAIN1 + L4PER1 + L4PER2 + L4PER3 domains 0x0: Dependency is disabled 0x1: Dependency is enabled	RW	0x0
5	WKUPDEP_GPIO4_IRQ1_DSP2	Wakeup dependency from GPIO4 module (SWakeup signal) towards DSP2 + L3_MAIN1 + L4PER1 + L4PER2 + L4PER3 domains 0x0: Dependency is disabled 0x1: Dependency is enabled	RW	0x0
4	WKUPDEP_GPIO4_IRQ1_IPU1	Wakeup dependency from GPIO4 module (SWakeup signal) towards IPU1 + L3_MAIN1 + L4PER1 + L4PER2 + L4PER3 domains 0x0: Dependency is disabled 0x1: Dependency is enabled	RW	0x0
3	RESERVED		R	0x0
2	WKUPDEP_GPIO4_IRQ1_DSP1	Wakeup dependency from GPIO4 module (SWakeup signal) towards DSP + L3MAIN1 + L4PER1 + L4PER2 + L4PER3 domains 0x0: Dependency is disabled 0x1: Dependency is enabled	RW	0x0
1	WKUPDEP_GPIO4_IRQ1_IPU2	Wakeup dependency from GPIO4 module (SWakeup signal) towards IPU2 + L3_MAIN1 + L4PER1 + L4PER2 + L4PER3 domains 0x0: Dependency is disabled 0x1: Dependency is enabled	RW	0x0

Bits	Field Name	Description	Type	Reset
0	WKUPDEP_GPIO4_IRQ1_MPU	Wakeup dependency from GPIO4 module (SWakeup signal) towards MPU + L3_MAIN1 + L4PER1 + L4PER2 + L4PER3 domains 0x0: Dependency is disabled 0x1: Dependency is enabled	RW	0x0

Table 3-1718. Register Call Summary for Register PM_L4PER_GPIO4_WKDEP

Clock Management Functional Description

- [Clock Domain Dependency: \[0\]\[2\]\[4\]\[5\]\[6\]\[7\]\[8\]\[9\]](#)

PRCM Register Manual

- [Not Supported Functionality \(Registers and Bits\): \[18\]\[19\]\[20\]\[21\]\[22\]\[23\]\[24\]\[25\]\[26\]\[27\]](#)
- [L4PER_PRM Register Summary: \[28\]](#)

Table 3-1719. RM_L4PER_GPIO4_CONTEXT

Address Offset	0x0000 0074	Instance	L4PER_PRM
Physical Address	0x4AE0 7474		
Description	This register contains dedicated GPIO4 context statuses. [warm reset insensitive]		
Type	RW		

31	30	29	28	27	26	25	24	23	22	21	20	19	18	17	16	15	14	13	12	11	10	9	8	7	6	5	4	3	2	1	0
RESERVED																LOSTCONTEXT_RFF		RESERVED													

Bits	Field Name	Description	Type	Reset
31:2	RESERVED		R	0x0
1	LOSTCONTEXT_RFF	Specify if RFF-based context has been lost due to a previous power transition or other reset source. (set upon assertion of L4PER_RET_RST signal) 0x0: Context has been maintained 0x1: Context has been lost	RW	0x1
0	RESERVED		R	0x0

Table 3-1720. PM_L4PER_GPIO5_WKDEP

Address Offset	0x0000 0078	Instance	L4PER_PRM
Physical Address	0x4AE0 7478		
Description	This register controls wakeup dependency based on GPIO5 service requests.		
Type	RW		

31	30	29	28	27	26	25	24	23	22	21	20	19	18	17	16	15	14	13	12	11	10	9	8	7	6	5	4	3	2	1	0																																																																																																																																								
RESERVED								RESERVED								RESERVED								RESERVED																																																																																																																																															
								WKUPDEP_GPIO5_IRQ2_EVE4								WKUPDEP_GPIO5_IRQ2_EVE3								WKUPDEP_GPIO5_IRQ2_EVE2								WKUPDEP_GPIO5_IRQ2_EVE1								WKUPDEP_GPIO5_IRQ2_DSP2								WKUPDEP_GPIO5_IRQ2_IPU1								RESERVED								WKUPDEP_GPIO5_IRQ2_DSP1								WKUPDEP_GPIO5_IRQ2_IPU2								WKUPDEP_GPIO5_IRQ2_MPU								WKUPDEP_GPIO5_IRQ1_EVE4								WKUPDEP_GPIO5_IRQ1_EVE3								WKUPDEP_GPIO5_IRQ1_EVE2								WKUPDEP_GPIO5_IRQ1_EVE1								WKUPDEP_GPIO5_IRQ1_DSP2								WKUPDEP_GPIO5_IRQ1_IPU1								RESERVED								WKUPDEP_GPIO5_IRQ1_DSP1								WKUPDEP_GPIO5_IRQ1_IPU2								WKUPDEP_GPIO5_IRQ1_MPU							

Bits	Field Name	Description	Type	Reset
31:20	RESERVED		R	0x0
19	WKUPDEP_GPIO5_IRQ2_EVE4	Wakeup dependency from GPIO5 module (SWakeup signal) towards EVE4 + L3_MAIN1 + L4PER1 + L4PER2 + L4PER3 domains 0x0: Dependency is disabled 0x1: Dependency is enabled	RW	0x0
18	WKUPDEP_GPIO5_IRQ2_EVE3	Wakeup dependency from GPIO5 module (SWakeup signal) towards EVE3 + L3_MAIN1 + L4PER1 + L4PER2 + L4PER3 domains 0x0: Dependency is disabled 0x1: Dependency is enabled	RW	0x0
17	WKUPDEP_GPIO5_IRQ2_EVE2	Wakeup dependency from GPIO5 module (SWakeup signal) towards EVE2 + L3_MAIN1 + L4PER1 + L4PER2 + L4PER3 domains 0x0: Dependency is disabled 0x1: Dependency is enabled	RW	0x0
16	WKUPDEP_GPIO5_IRQ2_EVE1	Wakeup dependency from GPIO5 module (SWakeup signal) towards EVE1 + L3_MAIN1 + L4PER1 + L4PER2 + L4PER3 domains 0x0: Dependency is disabled 0x1: Dependency is enabled	RW	0x0
15	WKUPDEP_GPIO5_IRQ2_DSP2	Wakeup dependency from GPIO5 module (SWakeup signal) towards DSP2 + L3_MAIN1 + L4PER1 + L4PER2 + L4PER3 domains 0x0: Dependency is disabled 0x1: Dependency is enabled	RW	0x0
14	WKUPDEP_GPIO5_IRQ2_IPU1	Wakeup dependency from GPIO5 module (SWakeup signal) towards IPU1 + L3_MAIN1 + L4PER1 + L4PER2 + L4PER3 domains 0x0: Dependency is disabled 0x1: Dependency is enabled	RW	0x0
13	RESERVED		R	0x0

Bits	Field Name	Description	Type	Reset
12	WKUPDEP_GPIO5_IRQ2_DSP1	Wakeup dependency from GPIO5 module (SWakeup signal) towards DSP + L3MAIN1 + L4PER1 + L4PER2 + L4PER3 domains 0x0: Dependency is disabled 0x1: Dependency is enabled	RW	0x0
11	WKUPDEP_GPIO5_IRQ2_IPU2	Wakeup dependency from GPIO5 module (SWakeup signal) towards IPU2 + L3_MAIN1 + L4PER1 + L4PER2 + L4PER3 domains 0x0: Dependency is disabled 0x1: Dependency is enabled	RW	0x0
10	WKUPDEP_GPIO5_IRQ2_MPU	Wakeup dependency from GPIO5 module (SWakeup signal) towards MPU + L3_MAIN1 + L4PER1 + L4PER2 + L4PER3 domains 0x0: Dependency is disabled 0x1: Dependency is enabled	RW	0x0
9	WKUPDEP_GPIO5_IRQ1_EVE4	Wakeup dependency from GPIO5 module (SWakeup signal) towards EVE4 + L3_MAIN1 + L4PER1 + L4PER2 + L4PER3 domains 0x0: Dependency is disabled 0x1: Dependency is enabled	RW	0x0
8	WKUPDEP_GPIO5_IRQ1_EVE3	Wakeup dependency from GPIO5 module (SWakeup signal) towards EVE3 + L3_MAIN1 + L4PER1 + L4PER2 + L4PER3 domains 0x0: Dependency is disabled 0x1: Dependency is enabled	RW	0x0
7	WKUPDEP_GPIO5_IRQ1_EVE2	Wakeup dependency from GPIO5 module (SWakeup signal) towards EVE2 + L3_MAIN1 + L4PER1 + L4PER2 + L4PER3 domains 0x0: Dependency is disabled 0x1: Dependency is enabled	RW	0x0
6	WKUPDEP_GPIO5_IRQ1_EVE1	Wakeup dependency from GPIO5 module (SWakeup signal) towards EVE1 + L3_MAIN1 + L4PER1 + L4PER2 + L4PER3 domains 0x0: Dependency is disabled 0x1: Dependency is enabled	RW	0x0
5	WKUPDEP_GPIO5_IRQ1_DSP2	Wakeup dependency from GPIO5 module (SWakeup signal) towards DSP2 + L3_MAIN1 + L4PER1 + L4PER2 + L4PER3 domains 0x0: Dependency is disabled 0x1: Dependency is enabled	RW	0x0
4	WKUPDEP_GPIO5_IRQ1_IPU1	Wakeup dependency from GPIO5 module (SWakeup signal) towards IPU1 + L3_MAIN1 + L4PER1 + L4PER2 + L4PER3 domains 0x0: Dependency is disabled 0x1: Dependency is enabled	RW	0x0
3	RESERVED		R	0x0
2	WKUPDEP_GPIO5_IRQ1_DSP1	Wakeup dependency from GPIO5 module (SWakeup signal) towards DSP + L3MAIN1 + L4PER1 + L4PER2 + L4PER3 domains 0x0: Dependency is disabled 0x1: Dependency is enabled	RW	0x0
1	WKUPDEP_GPIO5_IRQ1_IPU2	Wakeup dependency from GPIO4 module (SWakeup signal) towards IPU2 + L3_MAIN1 + L4PER1 + L4PER2 + L4PER3 domains 0x0: Dependency is disabled 0x1: Dependency is enabled	RW	0x0

Bits	Field Name	Description	Type	Reset
0	WKUPDEP_GPIO5_IRQ1_MPU	Wakeup dependency from GPIO5 module (SWakeup signal) towards MPU + L3_MAIN1 + L4PER1 + L4PER2 + L4PER3 domains 0x0: Dependency is disabled 0x1: Dependency is enabled	RW	0x0

Table 3-1721. Register Call Summary for Register PM_L4PER_GPIO5_WKDEP

Clock Management Functional Description

- [Clock Domain Dependency: \[0\]\[2\]\[4\]\[5\]\[6\]\[7\]\[8\]\[9\]](#)

PRCM Register Manual

- [Not Supported Functionality \(Registers and Bits\): \[18\]\[19\]\[20\]\[21\]\[22\]\[23\]\[24\]\[25\]\[26\]\[27\]](#)
- [L4PER_PRM Register Summary: \[28\]](#)

Table 3-1722. RM_L4PER_GPIO5_CONTEXT

Address Offset	0x0000 007C	Instance	L4PER_PRM
Physical Address	0x4AE0 747C		
Description	This register contains dedicated GPIO5 context statuses. [warm reset insensitive]		
Type	RW		

31	30	29	28	27	26	25	24	23	22	21	20	19	18	17	16	15	14	13	12	11	10	9	8	7	6	5	4	3	2	1	0
RESERVED																LOSTCONTEXT_RFF		RESERVED													

Bits	Field Name	Description	Type	Reset
31:2	RESERVED		R	0x0
1	LOSTCONTEXT_RFF	Specify if RFF-based context has been lost due to a previous power transition or other reset source. (set upon assertion of L4PER_RET_RST signal) 0x0: Context has been maintained 0x1: Context has been lost	RW	0x1
0	RESERVED		R	0x0

Table 3-1723. PM_L4PER_GPIO6_WKDEP

Address Offset	0x0000 0080	Instance	L4PER_PRM
Physical Address	0x4AE0 7480		
Description	This register controls wakeup dependency based on GPIO6 service requests.		
Type	RW		

31	30	29	28	27	26	25	24	23	22	21	20	19	18	17	16	15	14	13	12	11	10	9	8	7	6	5	4	3	2	1	0			
RESERVED												WKUPDEP_GPIO6_IRQ2_EVE4	WKUPDEP_GPIO6_IRQ2_EVE3	WKUPDEP_GPIO6_IRQ2_EVE2	WKUPDEP_GPIO6_IRQ2_EVE1	WKUPDEP_GPIO6_IRQ2_DSP2	WKUPDEP_GPIO6_IRQ2_IPU1	RESERVED					WKUPDEP_GPIO6_IRQ1_EVE2	WKUPDEP_GPIO6_IRQ1_EVE1	WKUPDEP_GPIO6_IRQ1_DSP2	WKUPDEP_GPIO6_IRQ1_IPU1	RESERVED					WKUPDEP_GPIO6_IRQ1_DSP1	WKUPDEP_GPIO6_IRQ1_IPU2	WKUPDEP_GPIO6_IRQ1 MPU

Bits	Field Name	Description	Type	Reset
31:20	RESERVED		R	0x0
19	WKUPDEP_GPIO6_IRQ2_EVE4	Wakeup dependency from GPIO6 module (SWakeup signal) towards EVE4 + L3_MAIN1 + L4PER1 + L4PER2 + L4PER3 domains 0x0: Dependency is disabled 0x1: Dependency is enabled	RW	0x0
18	WKUPDEP_GPIO6_IRQ2_EVE3	Wakeup dependency from GPIO6 module (SWakeup signal) towards EVE3 + L3_MAIN1 + L4PER1 + L4PER2 + L4PER3 domains 0x0: Dependency is disabled 0x1: Dependency is enabled	RW	0x0
17	WKUPDEP_GPIO6_IRQ2_EVE2	Wakeup dependency from GPIO6 module (SWakeup signal) towards EVE2 + L3_MAIN1 + L4PER1 + L4PER2 + L4PER3 domains 0x0: Dependency is disabled 0x1: Dependency is enabled	RW	0x0
16	WKUPDEP_GPIO6_IRQ2_EVE1	Wakeup dependency from GPIO6 module (SWakeup signal) towards EVE1 + L3_MAIN1 + L4PER1 + L4PER2 + L4PER3 domains 0x0: Dependency is disabled 0x1: Dependency is enabled	RW	0x0
15	WKUPDEP_GPIO6_IRQ2_DSP2	Wakeup dependency from GPIO6 module (SWakeup signal) towards DSP2 + L3_MAIN1 + L4PER1 + L4PER2 + L4PER3 domains 0x0: Dependency is disabled 0x1: Dependency is enabled	RW	0x0
14	WKUPDEP_GPIO6_IRQ2_IPU1	Wakeup dependency from GPIO6 module (SWakeup signal) towards IPU1 + L3_MAIN1 + L4PER1 + L4PER2 + L4PER3 domains 0x0: Dependency is disabled 0x1: Dependency is enabled	RW	0x0
13	RESERVED		R	0x0

Bits	Field Name	Description	Type	Reset
12	WKUPDEP_GPIO6_IRQ2_DSP1	Wakeup dependency from GPIO6 module (SWakeup signal) towards DSP + L3MAIN1 + L4PER1 + L4PER2 + L4PER3 domains 0x0: Dependency is disabled 0x1: Dependency is enabled	RW	0x0
11	WKUPDEP_GPIO6_IRQ2_IPU2	Wakeup dependency from GPIO6 module (SWakeup signal) towards IPU2 + L3_MAIN1 + L4PER1 + L4PER2 + L4PER3 domains 0x0: Dependency is disabled 0x1: Dependency is enabled	RW	0x0
10	WKUPDEP_GPIO6_IRQ2_MPU	Wakeup dependency from GPIO6 module (SWakeup signal) towards MPU + L3_MAIN1 + L4PER1 + L4PER2 + L4PER3 domains 0x0: Dependency is disabled 0x1: Dependency is enabled	RW	0x0
9	WKUPDEP_GPIO6_IRQ1_EVE4	Wakeup dependency from GPIO6 module (SWakeup signal) towards EVE4 + L3_MAIN1 + L4PER1 + L4PER2 + L4PER3 domains 0x0: Dependency is disabled 0x1: Dependency is enabled	RW	0x0
8	WKUPDEP_GPIO6_IRQ1_EVE3	Wakeup dependency from GPIO6 module (SWakeup signal) towards EVE3 + L3_MAIN1 + L4PER1 + L4PER2 + L4PER3 domains 0x0: Dependency is disabled 0x1: Dependency is enabled	RW	0x0
7	WKUPDEP_GPIO6_IRQ1_EVE2	Wakeup dependency from GPIO6 module (SWakeup signal) towards EVE2 + L3_MAIN1 + L4PER1 + L4PER2 + L4PER3 domains 0x0: Dependency is disabled 0x1: Dependency is enabled	RW	0x0
6	WKUPDEP_GPIO6_IRQ1_EVE1	Wakeup dependency from GPIO6 module (SWakeup signal) towards EVE1 + L3_MAIN1 + L4PER1 + L4PER2 + L4PER3 domains 0x0: Dependency is disabled 0x1: Dependency is enabled	RW	0x0
5	WKUPDEP_GPIO6_IRQ1_DSP2	Wakeup dependency from GPIO6 module (SWakeup signal) towards DSP2 + L3_MAIN1 + L4PER1 + L4PER2 + L4PER3 domains 0x0: Dependency is disabled 0x1: Dependency is enabled	RW	0x0
4	WKUPDEP_GPIO6_IRQ1_IPU1	Wakeup dependency from GPIO6 module (SWakeup signal) towards IPU1 + L3_MAIN1 + L4PER1 + L4PER2 + L4PER3 domains 0x0: Dependency is disabled 0x1: Dependency is enabled	RW	0x0
3	RESERVED		R	0x0
2	WKUPDEP_GPIO6_IRQ1_DSP1	Wakeup dependency from GPIO6 module (SWakeup signal) towards DSP + L3MAIN1 + L4PER1 + L4PER2 + L4PER3 domains 0x0: Dependency is disabled 0x1: Dependency is enabled	RW	0x0
1	WKUPDEP_GPIO6_IRQ1_IPU2	5Wakeup dependency from GPIO6 module (SWakeup signal) towards IPU2 + L3_MAIN1 + L4PER1 + L4PER2 + L4PER3 domains 0x0: Dependency is disabled 0x1: Dependency is enabled	RW	0x0

Bits	Field Name	Description	Type	Reset
0	WKUPDEP_GPIO6_IRQ1_MPU	Wakeup dependency from GPIO6 module (SWakeup signal) towards MPU + L3_MAIN1 + L4PER1 + L4PER2 + L4PER3 domains 0x0: Dependency is disabled 0x1: Dependency is enabled	RW	0x0

Table 3-1724. Register Call Summary for Register PM_L4PER_GPIO6_WKDEP

Clock Management Functional Description

- [Clock Domain Dependency: \[0\]\[2\]\[4\]\[5\]\[6\]\[7\]\[8\]\[9\]](#)

PRCM Register Manual

- [Not Supported Functionality \(Registers and Bits\): \[18\]\[19\]\[20\]\[21\]\[22\]\[23\]\[24\]\[25\]\[26\]\[27\]](#)
- [L4PER_PRM Register Summary: \[28\]](#)

Table 3-1725. RM_L4PER_GPIO6_CONTEXT

Address Offset	0x0000 0084	Instance	L4PER_PRM
Physical Address	0x4AE0 7484		
Description	This register contains dedicated GPIO6 context statuses. [warm reset insensitive]		
Type	RW		

31	30	29	28	27	26	25	24	23	22	21	20	19	18	17	16	15	14	13	12	11	10	9	8	7	6	5	4	3	2	1	0
RESERVED																LOSTCONTEXT_RFF		RESERVED													

Bits	Field Name	Description	Type	Reset
31:2	RESERVED		R	0x0
1	LOSTCONTEXT_RFF	Specify if RFF-based context has been lost due to a previous power transition or other reset source. (set upon assertion of L4PER_RET_RST signal) 0x0: Context has been maintained 0x1: Context has been lost	RW	0x1
0	RESERVED		R	0x0

Table 3-1726. RM_L4PER_HDQ1W_CONTEXT

Address Offset	0x0000 008C	Instance	L4PER_PRM
Physical Address	0x4AE0 748C		
Description	This register contains dedicated HDQ1W context statuses. [warm reset insensitive]		
Type	RW		

31	30	29	28	27	26	25	24	23	22	21	20	19	18	17	16	15	14	13	12	11	10	9	8	7	6	5	4	3	2	1	0
RESERVED																												LOSTCONTEXT_DFF			

Bits	Field Name	Description	Type	Reset
31:1	RESERVED		R	0x0
0	LOSTCONTEXT_DFF	Specify if DFF-based context has been lost due to a previous power transition or other reset source. (set upon assertion of L4PER_RST signal) 0x0: Context has been maintained 0x1: Context has been lost	RW	0x1

Table 3-1727. RM_L4PER2_PWMSS2_CONTEXT

Address Offset	0x0000 0094	Instance	L4PER_PRM
Physical Address	0x4AE0 7494		
Description	This register contains dedicated PWMSS2 context statuses. [warm reset insensitive]		
Type	RW		

31	30	29	28	27	26	25	24	23	22	21	20	19	18	17	16	15	14	13	12	11	10	9	8	7	6	5	4	3	2	1	0
RESERVED																												LOSTCONTEXT_DFF			

Bits	Field Name	Description	Type	Reset
31:1	RESERVED		R	0x0
0	LOSTCONTEXT_DFF	Specify if DFF-based context has been lost due to a previous power transition or other reset source. (set upon assertion of CORE_RET_RST signal) 0x0: Context has been maintained 0x1: Context has been lost	RW	0x1

Table 3-1728. RM_L4PER2_PWMSS3_CONTEXT

Address Offset	0x0000 009C	Instance	L4PER_PRM
Physical Address	0x4AE0 749C		
Description	This register contains dedicated PWMSS3 context statuses. [warm reset insensitive]		
Type	RW		

31	30	29	28	27	26	25	24	23	22	21	20	19	18	17	16	15	14	13	12	11	10	9	8	7	6	5	4	3	2	1	0
RESERVED																LOSTCONTEXT_DFF															

Bits	Field Name	Description	Type	Reset
31:1	RESERVED		R	0x0
0	LOSTCONTEXT_DFF	Specify if DFF-based context has been lost due to a previous power transition or other reset source. (set upon assertion of CORE_RET_RST signal) 0x0: Context has been maintained 0x1: Context has been lost	RW	0x1

Table 3-1729. PM_L4PER_I2C1_WKDEP

Address Offset	0x0000 00A0	Instance	L4PER_PRM
Physical Address	0x4AE0 74A0		
Description	This register controls wakeup dependency based on I2C1 service requests.		
Type	RW		

31	30	29	28	27	26	25	24	23	22	21	20	19	18	17	16	15	14	13	12	11	10	9	8	7	6	5	4	3	2	1	0
RESERVED																WKUPDEP_I2C1_DMA_DSP2	RESERVED	WKUPDEP_I2C1_DMA_SDMA	WKUPDEP_I2C1_DMA_DSP1	RESERVED	WKUPDEP_I2C1_IRQ_EVE4	WKUPDEP_I2C1_IRQ_EVE3	WKUPDEP_I2C1_IRQ_EVE2	WKUPDEP_I2C1_IRQ_EVE1	WKUPDEP_I2C1_IRQ_DSP2	WKUPDEP_I2C1_IRQ_IPU1	RESERVED	WKUPDEP_I2C1_IRQ_DSP1	WKUPDEP_I2C1_IRQ_IPU2	WKUPDEP_I2C1_IRQ_MPU	

Bits	Field Name	Description	Type	Reset
31:16	RESERVED		R	0x0
15	WKUPDEP_I2C1_DMA_DSP2	Wakeup dependency from I2C1 module (SWakeup_dma signal) towards DSP2 + L3_MAIN1 + L4PER1 + L4PER2 + L4PER3 domains 0x0: Dependency is disabled 0x1: Dependency is enabled	RW	0x1
14	RESERVED		R	0x0

Bits	Field Name	Description	Type	Reset
13	WKUPDEP_I2C1_DMA_SDMA	Wakeup dependency from I2C1 module (SWakeup_dma signal) towards SDMA + L3MAIN1 + L4PER1 + L4PER2 + L4PER3 domains 0x0: Dependency is disabled 0x1: Dependency is enabled	RW	0x1
12	WKUPDEP_I2C1_DMA_DSP1	Wakeup dependency from I2C1 module (SWakeup_dma signal) towards DSP + L3MAIN1 + L4PER1 + L4PER2 + L4PER3 domains 0x0: Dependency is disabled 0x1: Dependency is enabled	RW	0x1
11:10	RESERVED		R	0x0
9	WKUPDEP_I2C1_IRQ_EVE4	Wakeup dependency from I2C1 module (SWakeup IRQ signal) towards EVE4 + L3_MAIN1 + L4PER1 + L4PER2 + L4PER3 domains 0x0: Dependency is disabled 0x1: Dependency is enabled	RW	0x0
8	WKUPDEP_I2C1_IRQ_EVE3	Wakeup dependency from I2C1 module (SWakeup IRQ signal) towards EVE3 + L3_MAIN1 + L4PER1 + L4PER2 + L4PER3 domains 0x0: Dependency is disabled 0x1: Dependency is enabled	RW	0x0
7	WKUPDEP_I2C1_IRQ_EVE2	Wakeup dependency from I2C1 module (SWakeup IRQ signal) towards EVE2 + L3_MAIN1 + L4PER1 + L4PER2 + L4PER3 domains 0x0: Dependency is disabled 0x1: Dependency is enabled	RW	0x0
6	WKUPDEP_I2C1_IRQ_EVE1	Wakeup dependency from I2C1 module (SWakeup IRQ signal) towards EVE1 + L3_MAIN1 + L4PER1 + L4PER2 + L4PER3 domains 0x0: Dependency is disabled 0x1: Dependency is enabled	RW	0x0
5	WKUPDEP_I2C1_IRQ_DSP2	Wakeup dependency from I2C1 module (SWakeup IRQ signal) towards DSP2 + L3_MAIN1 + L4PER1 + L4PER2 + L4PER3 domains 0x0: Dependency is disabled 0x1: Dependency is enabled	RW	0x0
4	WKUPDEP_I2C1_IRQ_IPU1	Wakeup dependency from I2C1 module (SWakeup IRQ signal) towards IPU1 + L3_MAIN1 + L4PER1 + L4PER2 + L4PER3 domains 0x0: Dependency is disabled 0x1: Dependency is enabled	RW	0x0
3	RESERVED		R	0x0
2	WKUPDEP_I2C1_IRQ_DSP1	Wakeup dependency from I2C1 module (SWakeup IRQ signal) towards DSP + L3MAIN1 + L4PER1 + L4PER2 + L4PER3 domains 0x0: Dependency is disabled 0x1: Dependency is enabled	RW	0x0
1	WKUPDEP_I2C1_IRQ_IPU2	Wakeup dependency from I2C1 module (SWakeup IRQ signal) towards IPU2 + L3_MAIN1 + L4PER1 + L4PER2 + L4PER3 domains 0x0: Dependency is disabled 0x1: Dependency is enabled	RW	0x0

Bits	Field Name	Description	Type	Reset
0	WKUPDEP_I2C1_IRQ_MPU	Wakeup dependency from I2C1 module (SWakeup IRQ signal) towards MPU + L3_MAIN1 + L4PER1 + L4PER2 + L4PER3 domains 0x0: Dependency is disabled 0x1: Dependency is enabled	RW	0x0

Table 3-1730. Register Call Summary for Register PM_L4PER_I2C1_WKDEP

Clock Management Functional Description

- [Clock Domain Dependency: \[0\]\[1\]\[2\]\[3\]\[4\]\[6\]](#)

PRCM Register Manual

- [Not Supported Functionality \(Registers and Bits\): \[12\]\[13\]\[14\]\[15\]\[16\]\[17\]](#)
- [L4PER_PRM Register Summary: \[18\]](#)

Table 3-1731. RM_L4PER_I2C1_CONTEXT

Address Offset	0x0000 00A4	Instance	L4PER_PRM
Physical Address	0x4AE0 74A4		
Description	This register contains dedicated I2C1 context statuses. [warm reset insensitive]		
Type	RW		

31	30	29	28	27	26	25	24	23	22	21	20	19	18	17	16	15	14	13	12	11	10	9	8	7	6	5	4	3	2	1	0
RESERVED																LOSTCONTEXT_RFF		RESERVED													

Bits	Field Name	Description	Type	Reset
31:2	RESERVED		R	0x0
1	LOSTCONTEXT_RFF	Specify if RFF-based context has been lost due to a previous power transition or other reset source. (set upon assertion of L4PER_RET_RST signal) 0x0: Context has been maintained 0x1: Context has been lost	RW	0x1
0	RESERVED		R	0x0

Table 3-1732. PM_L4PER_I2C2_WKDEP

Address Offset	0x0000 00A8	Instance	L4PER_PRM
Physical Address	0x4AE0 74A8		
Description	This register controls wakeup dependency based on I2C2 service requests.		
Type	RW		

31	30	29	28	27	26	25	24	23	22	21	20	19	18	17	16	15	14	13	12	11	10	9	8	7	6	5	4	3	2	1	0
RESERVED																WKUPDEP_I2C2_DMA_DSP2	RESERVED	WKUPDEP_I2C2_DMA_SDMA	WKUPDEP_I2C2_DMA_DSP1	RESERVED	WKUPDEP_I2C2_IRQ_EVE4	WKUPDEP_I2C2_IRQ_EVE3	WKUPDEP_I2C2_IRQ_EVE2	WKUPDEP_I2C2_IRQ_EVE1	WKUPDEP_I2C2_IRQ_DSP2	WKUPDEP_I2C2_IRQ_IPU1	RESERVED	WKUPDEP_I2C2_IRQ_DSP1	WKUPDEP_I2C2_IRQ_IPU2	WKUPDEP_I2C2_IRQ_MPU	

Bits	Field Name	Description	Type	Reset
31:16	RESERVED		R	0x0
15	WKUPDEP_I2C2_DMA_DSP2	Wakeup dependency from I2C2 module (SWakeup_dma signal) towards DSP2 + L3_MAIN1 + L4PER1 + L4PER2 + L4PER3 domains 0x0: Dependency is disabled 0x1: Dependency is enabled	RW	0x1
14	RESERVED		R	0x0
13	WKUPDEP_I2C2_DMA_SDMA	Wakeup dependency from I2C2 module (SWakeup_dma signal) towards SDMA + L3MAIN1 + L4PER1 + L4PER2 + L4PER3 domains 0x0: Dependency is disabled 0x1: Dependency is enabled	RW	0x1
12	WKUPDEP_I2C2_DMA_DSP1	Wakeup dependency from I2C2 module (SWakeup_dma signal) towards DSP + L3MAIN1 + L4PER1 + L4PER2 + L4PER3 domains 0x0: Dependency is disabled 0x1: Dependency is enabled	RW	0x1
11:10	RESERVED		R	0x0
9	WKUPDEP_I2C2_IRQ_EVE4	Wakeup dependency from I2C2 module (SWakeup IRQ signal) towards EVE4 + L3_MAIN1 + L4PER1 + L4PER2 + L4PER3 domains 0x0: Dependency is disabled 0x1: Dependency is enabled	RW	0x0
8	WKUPDEP_I2C2_IRQ_EVE3	Wakeup dependency from I2C2 module (SWakeup IRQ signal) towards EVE3 + L3_MAIN1 + L4PER1 + L4PER2 + L4PER3 domains 0x0: Dependency is disabled 0x1: Dependency is enabled	RW	0x0
7	WKUPDEP_I2C2_IRQ_EVE2	Wakeup dependency from I2C2 module (SWakeup IRQ signal) towards EVE2 + L3_MAIN1 + L4PER1 + L4PER2 + L4PER3 domains 0x0: Dependency is disabled 0x1: Dependency is enabled	RW	0x0

Bits	Field Name	Description	Type	Reset
6	WKUPDEP_I2C2_IRQ_EVE1	Wakeup dependency from I2C2 module (SWakeup IRQ signal) towards EVE1 + L3_MAIN1 + L4PER1 + L4PER2 + L4PER3 domains 0x0: Dependency is disabled 0x1: Dependency is enabled	RW	0x0
5	WKUPDEP_I2C2_IRQ_DSP2	Wakeup dependency from I2C2 module (SWakeup IRQ signal) towards DSP2 + L3_MAIN1 + L4PER1 + L4PER2 + L4PER3 domains 0x0: Dependency is disabled 0x1: Dependency is enabled	RW	0x0
4	WKUPDEP_I2C2_IRQ_IPU1	Wakeup dependency from I2C2 module (SWakeup IRQ signal) towards IPU1 + L3_MAIN1 + L4PER1 + L4PER2 + L4PER3 domains 0x0: Dependency is disabled 0x1: Dependency is enabled	RW	0x0
3	RESERVED		R	0x0
2	WKUPDEP_I2C2_IRQ_DSP1	Wakeup dependency from I2C2 module (SWakeup IRQ signal) towards DSP + L3MAIN1 + L4PER1 + L4PER2 + L4PER3 domains 0x0: Dependency is disabled 0x1: Dependency is enabled	RW	0x0
1	WKUPDEP_I2C2_IRQ_IPU2	Wakeup dependency from I2C2 module (SWakeup IRQ signal) towards IPU2 + L3_MAIN1 + L4PER1 + L4PER2 + L4PER3 domains 0x0: Dependency is disabled 0x1: Dependency is enabled	RW	0x0
0	WKUPDEP_I2C2_IRQ_MPU	Wakeup dependency from I2C2 module (SWakeup IRQ signal) towards MPU + L3_MAIN1 + L4PER1 + L4PER2 + L4PER3 domains 0x0: Dependency is disabled 0x1: Dependency is enabled	RW	0x0

Table 3-1733. Register Call Summary for Register PM_L4PER_I2C2_WKDEP

Clock Management Functional Description

- [Clock Domain Dependency: \[0\]\[1\]\[2\]\[3\]\[4\]\[6\]](#)

PRCM Register Manual

- [Not Supported Functionality \(Registers and Bits\): \[12\]\[13\]\[14\]\[15\]\[16\]\[17\]](#)
- [L4PER_PRM Register Summary: \[18\]](#)

Table 3-1734. RM_L4PER_I2C2_CONTEXT

Address Offset	0x0000 00AC	Instance	L4PER_PRM
Physical Address	0x4AE0 74AC		
Description	This register contains dedicated I2C2 context statuses. [warm reset insensitive]		
Type	RW		

31	30	29	28	27	26	25	24	23	22	21	20	19	18	17	16	15	14	13	12	11	10	9	8	7	6	5	4	3	2	1	0	
RESERVED																																LOSTCONTEXT_DFF

Bits	Field Name	Description	Type	Reset
31:1	RESERVED		R	0x0
0	LOSTCONTEXT_DFF	Specify if DFF-based context has been lost due to a previous power transition or other reset source. (set upon assertion of L4PER_RST signal) 0x0: Context has been maintained 0x1: Context has been lost	RW	0x1

Table 3-1735. PM_L4PER_I2C3_WKDEP

Address Offset	0x0000 00B0	Instance	L4PER_PRM
Physical Address	0x4AE0 74B0		
Description	This register controls wakeup dependency based on I2C3 service requests.		
Type	RW		

31	30	29	28	27	26	25	24	23	22	21	20	19	18	17	16	15	14	13	12	11	10	9	8	7	6	5	4	3	2	1	0																
RESERVED																WKUPDEP_I2C3_DMA_DSP2	RESERVED	WKUPDEP_I2C3_DMA_SDMA	WKUPDEP_I2C3_DMA_DSP1	RESERVED	WKUPDEP_I2C3_IRQ_EVE4	WKUPDEP_I2C3_IRQ_EVE3	WKUPDEP_I2C3_IRQ_EVE2	WKUPDEP_I2C3_IRQ_EVE1	WKUPDEP_I2C3_IRQ_DSP2	WKUPDEP_I2C3_IRQ_IPU1	RESERVED	WKUPDEP_I2C3_IRQ_DSP1	WKUPDEP_I2C3_IRQ_IPU2	WKUPDEP_I2C3_IRQ_MPU																	

Bits	Field Name	Description	Type	Reset
31:16	RESERVED		R	0x0
15	WKUPDEP_I2C3_DMA_DSP2	Wakeup dependency from I2C3 module (SWakeup_dma signal) towards DSP2 + L3_MAIN1 + L4PER1 + L4PER2 + L4PER3 domains 0x0: Dependency is disabled 0x1: Dependency is enabled	RW	0x1
14	RESERVED		R	0x0
13	WKUPDEP_I2C3_DMA_SDMA	Wakeup dependency from I2C3 module (SWakeup_dma signal) towards SDMA + L3MAIN1 + L4PER1 + L4PER2 + L4PER3 domains 0x0: Dependency is disabled 0x1: Dependency is enabled	RW	0x1
12	WKUPDEP_I2C3_DMA_DSP1	Wakeup dependency from I2C3 module (SWakeup_dma signal) towards DSP + L3MAIN1 + L4PER1 + L4PER2 + L4PER3 domains 0x0: Dependency is disabled 0x1: Dependency is enabled	RW	0x1
11:10	RESERVED		R	0x0
9	WKUPDEP_I2C3_IRQ_EVE4	Wakeup dependency from I2C3 module (SWakeup IRQ signal) towards EVE4 + L3_MAIN1 + L4PER1 + L4PER2 + L4PER3 domains 0x0: Dependency is disabled 0x1: Dependency is enabled	RW	0x0
8	WKUPDEP_I2C3_IRQ_EVE3	Wakeup dependency from I2C3 module (SWakeup IRQ signal) towards EVE3 + L3_MAIN1 + L4PER1 + L4PER2 + L4PER3 domains 0x0: Dependency is disabled 0x1: Dependency is enabled	RW	0x0

Bits	Field Name	Description	Type	Reset
7	WKUPDEP_I2C3_IRQ_EVE2	Wakeup dependency from I2C3 module (SWakeup IRQ signal) towards EVE2 + L3_MAIN1 + L4PER1 + L4PER2 + L4PER3 domains 0x0: Dependency is disabled 0x1: Dependency is enabled	RW	0x0
6	WKUPDEP_I2C3_IRQ_EVE1	Wakeup dependency from I2C3 module (SWakeup IRQ signal) towards EVE1 + L3_MAIN1 + L4PER1 + L4PER2 + L4PER3 domains 0x0: Dependency is disabled 0x1: Dependency is enabled	RW	0x0
5	WKUPDEP_I2C3_IRQ_DSP2	Wakeup dependency from I2C3 module (SWakeup IRQ signal) towards DSP2 + L3_MAIN1 + L4PER1 + L4PER2 + L4PER3 domains 0x0: Dependency is disabled 0x1: Dependency is enabled	RW	0x0
4	WKUPDEP_I2C3_IRQ_IPU1	Wakeup dependency from I2C3 module (SWakeup IRQ signal) towards IPU1 + L3_MAIN1 + L4PER1 + L4PER2 + L4PER3 domains 0x0: Dependency is disabled 0x1: Dependency is enabled	RW	0x0
3	RESERVED		R	0x0
2	WKUPDEP_I2C3_IRQ_DSP1	Wakeup dependency from I2C3 module (SWakeup IRQ signal) towards DSP + L3MAIN1 + L4PER1 + L4PER2 + L4PER3 domains 0x0: Dependency is disabled 0x1: Dependency is enabled	RW	0x0
1	WKUPDEP_I2C3_IRQ_IPU2	Wakeup dependency from I2C3 module (SWakeup IRQ signal) towards IPU2 + L3_MAIN1 + L4PER1 + L4PER2 + L4PER3 domains 0x0: Dependency is disabled 0x1: Dependency is enabled	RW	0x0
0	WKUPDEP_I2C3_IRQ_MPU	Wakeup dependency from I2C3 module (SWakeup IRQ signal) towards MPU + L3_MAIN1 + L4PER1 + L4PER2 + L4PER3 domains 0x0: Dependency is disabled 0x1: Dependency is enabled	RW	0x0

Table 3-1736. Register Call Summary for Register PM_L4PER_I2C3_WKDEP

Clock Management Functional Description

- [Clock Domain Dependency: \[0\]\[1\]\[2\]\[3\]\[4\]\[6\]](#)

PRCM Register Manual

- [Not Supported Functionality \(Registers and Bits\): \[12\]\[13\]\[14\]\[15\]\[16\]\[17\]](#)
- [L4PER_PRM Register Summary: \[18\]](#)

Table 3-1737. RM_L4PER_I2C3_CONTEXT

Address Offset	0x0000 00B4	Instance	L4PER_PRM
Physical Address	0x4AE0 74B4		
Description	This register contains dedicated I2C3 context statuses. [warm reset insensitive]		
Type	RW		

31	30	29	28	27	26	25	24	23	22	21	20	19	18	17	16	15	14	13	12	11	10	9	8	7	6	5	4	3	2	1	0
RESERVED																LOSTCONTEXT_DFF															

Bits	Field Name	Description	Type	Reset
31:1	RESERVED		R	0x0
0	LOSTCONTEXT_DFF	Specify if DFF-based context has been lost due to a previous power transition or other reset source. (set upon assertion of L4PER_RST signal) 0x0: Context has been maintained 0x1: Context has been lost	RW	0x1

Table 3-1738. PM_L4PER_I2C4_WKDEP

Address Offset	0x0000 00B8	Instance	L4PER_PRM
Physical Address	0x4AE0 74B8		
Description	This register controls wakeup dependency based on I2C4 service requests.		
Type	RW		

31	30	29	28	27	26	25	24	23	22	21	20	19	18	17	16	15	14	13	12	11	10	9	8	7	6	5	4	3	2	1	0
RESERVED																WKUPDEP_I2C4_DMA_DSP2	RESERVED	WKUPDEP_I2C4_DMA_SDMA	WKUPDEP_I2C4_DMA_DSP1	RESERVED	WKUPDEP_I2C4_IRQ_EVE4	WKUPDEP_I2C4_IRQ_EVE3	WKUPDEP_I2C4_IRQ_EVE2	WKUPDEP_I2C4_IRQ_EVE1	WKUPDEP_I2C4_IRQ_DSP2	WKUPDEP_I2C4_IRQ_IPU1	RESERVED	WKUPDEP_I2C4_IRQ_DSP1	WKUPDEP_I2C4_IRQ_IPU2	WKUPDEP_I2C4_IRQ_MPU	

Bits	Field Name	Description	Type	Reset
31:16	RESERVED		R	0x0
15	WKUPDEP_I2C4_DMA_DSP2	Wakeup dependency from I2C4 module (SWakeup_dma signal) towards DSP2 + L3_MAIN1 + L4PER1 + L4PER2 + L4PER3 domains 0x0: Dependency is disabled 0x1: Dependency is enabled	RW	0x1
14	RESERVED		R	0x0

Bits	Field Name	Description	Type	Reset
13	WKUPDEP_I2C4_DMA_SDMA	Wakeup dependency from I2C4 module (SWakeup_dma signal) towards SDMA + L3MAIN1 + L4PER1 + L4PER2 + L4PER3 domains 0x0: Dependency is disabled 0x1: Dependency is enabled	RW	0x1
12	WKUPDEP_I2C4_DMA_DSP1	Wakeup dependency from I2C4 module (SWakeup_dma signal) towards DSP + L3MAIN1 + L4PER1 + L4PER2 + L4PER3 domains 0x0: Dependency is disabled 0x1: Dependency is enabled	RW	0x1
11:10	RESERVED		R	0x0
9	WKUPDEP_I2C4_IRQ_EVE4	Wakeup dependency from I2C4 module (SWakeup IRQ signal) towards EVE4 + L3_MAIN1 + L4PER1 + L4PER2 + L4PER3 domains 0x0: Dependency is disabled 0x1: Dependency is enabled	RW	0x0
8	WKUPDEP_I2C4_IRQ_EVE3	Wakeup dependency from I2C4 module (SWakeup IRQ signal) towards EVE3 + L3_MAIN1 + L4PER1 + L4PER2 + L4PER3 domains 0x0: Dependency is disabled 0x1: Dependency is enabled	RW	0x0
7	WKUPDEP_I2C4_IRQ_EVE2	Wakeup dependency from I2C4 module (SWakeup IRQ signal) towards EVE2 + L3_MAIN1 + L4PER1 + L4PER2 + L4PER3 domains 0x0: Dependency is disabled 0x1: Dependency is enabled	RW	0x0
6	WKUPDEP_I2C4_IRQ_EVE1	Wakeup dependency from I2C4 module (SWakeup IRQ signal) towards EVE1 + L3_MAIN1 + L4PER1 + L4PER2 + L4PER3 domains 0x0: Dependency is disabled 0x1: Dependency is enabled	RW	0x0
5	WKUPDEP_I2C4_IRQ_DSP2	Wakeup dependency from I2C4 module (SWakeup IRQ signal) towards DSP2 + L3_MAIN1 + L4PER1 + L4PER2 + L4PER3 domains 0x0: Dependency is disabled 0x1: Dependency is enabled	RW	0x0
4	WKUPDEP_I2C4_IRQ_IPU1	Wakeup dependency from I2C4 module (SWakeup IRQ signal) towards IPU1 + L3_MAIN1 + L4PER1 + L4PER2 + L4PER3 domains 0x0: Dependency is disabled 0x1: Dependency is enabled	RW	0x0
3	RESERVED		R	0x0
2	WKUPDEP_I2C4_IRQ_DSP1	Wakeup dependency from I2C4 module (SWakeup IRQ signal) towards DSP + L3MAIN1 + L4PER1 + L4PER2 + L4PER3 domains 0x0: Dependency is disabled 0x1: Dependency is enabled	RW	0x0
1	WKUPDEP_I2C4_IRQ_IPU2	Wakeup dependency from I2C4 module (SWakeup IRQ signal) towards IPU2 + L3_MAIN1 + L4PER1 + L4PER2 + L4PER3 domains 0x0: Dependency is disabled 0x1: Dependency is enabled	RW	0x0

Bits	Field Name	Description	Type	Reset
0	WKUPDEP_I2C4_IRQ_MPU	Wakeup dependency from I2C4 module (SWakeup IRQ signal) towards MPU + L3_MAIN1 + L4PER1 + L4PER2 + L4PER3 domains 0x0: Dependency is disabled 0x1: Dependency is enabled	RW	0x0

Table 3-1739. Register Call Summary for Register PM_L4PER_I2C4_WKDEP

Clock Management Functional Description

- [Clock Domain Dependency: \[0\]\[1\]\[2\]\[3\]\[4\]\[6\]](#)

PRCM Register Manual

- [Not Supported Functionality \(Registers and Bits\): \[12\]\[13\]\[14\]\[15\]\[16\]\[17\]](#)
- [L4PER_PRM Register Summary: \[18\]](#)

Table 3-1740. RM_L4PER_I2C4_CONTEXT

Address Offset	0x0000 00BC	Instance	L4PER_PRM
Physical Address	0x4AE0 74BC		
Description	This register contains dedicated I2C4 context statuses. [warm reset insensitive]		
Type	RW		

31	30	29	28	27	26	25	24	23	22	21	20	19	18	17	16	15	14	13	12	11	10	9	8	7	6	5	4	3	2	1	0
RESERVED																												LOSTCONTEXT_DFF			

Bits	Field Name	Description	Type	Reset
31:1	RESERVED		R	0x0
0	LOSTCONTEXT_DFF	Specify if DFF-based context has been lost due to a previous power transition or other reset source. (set upon assertion of L4PER_RST signal) 0x0: Context has been maintained 0x1: Context has been lost	RW	0x1

Table 3-1741. RM_L4PER_L4PER1_CONTEXT

Address Offset	0x0000 00C0	Instance	L4PER_PRM
Physical Address	0x4AE0 74C0		
Description	This register contains dedicated L4_PER1 context statuses. [warm reset insensitive]		
Type	RW		

31	30	29	28	27	26	25	24	23	22	21	20	19	18	17	16	15	14	13	12	11	10	9	8	7	6	5	4	3	2	1	0
RESERVED																												LOSTCONTEXT_RFF	LOSTCONTEXT_DFF		

Bits	Field Name	Description	Type	Reset
31:2	RESERVED		R	0x0
1	LOSTCONTEXT_RFF	Specify if RFF-based context has been lost due to a previous power transition or other reset source. (set upon assertion of L4PER_PWRON_RET_RST signal) 0x0: Context has been maintained 0x1: Context has been lost	RW	0x1
0	LOSTCONTEXT_DFF	Specify if DFF-based context has been lost due to a previous power transition or other reset source. (set upon assertion of L4PER_RST signal) 0x0: Context has been maintained 0x1: Context has been lost	RW	0x1

Table 3-1742. RM_L4PER2_PWMSS1_CONTEXT

Address Offset	0x0000 00C4	Instance	L4PER_PRM
Physical Address	0x4AE0 74C4		
Description	This register contains dedicated PWMSS1 context statuses. [warm reset insensitive]		
Type	RW		

31	30	29	28	27	26	25	24	23	22	21	20	19	18	17	16	15	14	13	12	11	10	9	8	7	6	5	4	3	2	1	0
RESERVED																												LOSTCONTEXT_DFF			

Bits	Field Name	Description	Type	Reset
31:1	RESERVED		R	0x0
0	LOSTCONTEXT_DFF	Specify if DFF-based context has been lost due to a previous power transition or other reset source. (set upon assertion of CORE_RET_RST signal) 0x0: Context has been maintained 0x1: Context has been lost	RW	0x1

Table 3-1743. PM_L4PER_TIMER13_WKDEP

Address Offset	0x0000 00C8	Instance	L4PER_PRM
Physical Address	0x4AE0 74C8		
Description	This register controls wakeup dependency based on TIMER13 service requests.		
Type	RW		

31	30	29	28	27	26	25	24	23	22	21	20	19	18	17	16	15	14	13	12	11	10	9	8	7	6	5	4	3	2	1	0						
RESERVED																												WKUPDEP_TIMER13_EVE4	WKUPDEP_TIMER13_EVE3	WKUPDEP_TIMER13_EVE2	WKUPDEP_TIMER13_EVE1	WKUPDEP_TIMER13_DSP2	WKUPDEP_TIMER13_IPU1	RESERVED	WKUPDEP_TIMER13_DSP1	WKUPDEP_TIMER13_IPU2	WKUPDEP_TIMER13_MPU

Bits	Field Name	Description	Type	Reset
31:10	RESERVED		R	0x0
9	WKUPDEP_TIMER13_EVE4	Wakeup dependency from TIMER13 module (SWakeup IRQ signal) towards EVE4 + L3_MAIN1 + L4PER1 + L4PER2 + L4PER3 domains 0x0: Dependency is disabled 0x1: Dependency is enabled	RW	0x0
8	WKUPDEP_TIMER13_EVE3	Wakeup dependency from TIMER13 module (SWakeup IRQ signal) towards EVE3 + L3_MAIN1 + L4PER1 + L4PER2 + L4PER3 domains 0x0: Dependency is disabled 0x1: Dependency is enabled	RW	0x0
7	WKUPDEP_TIMER13_EVE2	Wakeup dependency from TIMER13 module (SWakeup IRQ signal) towards EVE2 + L3_MAIN1 + L4PER1 + L4PER2 + L4PER3 domains 0x0: Dependency is disabled 0x1: Dependency is enabled	RW	0x0
6	WKUPDEP_TIMER13_EVE1	Wakeup dependency from TIMER13 module (SWakeup IRQ signal) towards EVE1 + L3_MAIN1 + L4PER1 + L4PER2 + L4PER3 domains 0x0: Dependency is disabled 0x1: Dependency is enabled	RW	0x0
5	WKUPDEP_TIMER13_DSP2	Wakeup dependency from TIMER13 module (SWakeup IRQ signal) towards DSP2 + L3_MAIN1 + L4PER1 + L4PER2 + L4PER3 domains 0x0: Dependency is disabled 0x1: Dependency is enabled	RW	0x0
4	WKUPDEP_TIMER13_IPU1	Wakeup dependency from TIMER13 module (SWakeup IRQ signal) towards IPU1 + L3_MAIN1 + L4PER1 + L4PER2 + L4PER3 domains 0x0: Dependency is disabled 0x1: Dependency is enabled	RW	0x0
3	RESERVED		R	0x0
2	WKUPDEP_TIMER13_DSP1	Wakeup dependency from TIMER13 module (SWakeup IRQ signal) towards DSP + L3MAIN1 + L4PER1 + L4PER2 + L4PER3 domains 0x0: Dependency is disabled 0x1: Dependency is enabled	RW	0x0
1	WKUPDEP_TIMER13_IPU2	Wakeup dependency from TIMER13 module (SWakeup IRQ signal) towards IPU2 + L3_MAIN1 + L4PER1 + L4PER2 + L4PER3 domains 0x0: Dependency is disabled 0x1: Dependency is enabled	RW	0x0
0	WKUPDEP_TIMER13_MPU	Wakeup dependency from TIMER13 module (SWakeup IRQ signal) towards MPU + L3_MAIN1 + L4PER1 + L4PER2 + L4PER3 domains 0x0: Dependency is disabled 0x1: Dependency is enabled	RW	0x0

Table 3-1744. Register Call Summary for Register PM_L4PER_TIMER13_WKDEP

PRCM Register Manual

- [Not Supported Functionality \(Registers and Bits\): \[0\]\[1\]\[2\]\[3\]\[4\]](#)
- [L4PER_PRM Register Summary: \[5\]](#)

Table 3-1745. RM_L4PER3_TIMER13_CONTEXT

Address Offset	0x0000 00CC	Instance	L4PER_PRM
Physical Address	0x4AE0 74CC		
Description	This register contains dedicated TIMER13 context statuses. [warm reset insensitive]		
Type	RW		

31	30	29	28	27	26	25	24	23	22	21	20	19	18	17	16	15	14	13	12	11	10	9	8	7	6	5	4	3	2	1	0
RESERVED																RESERVED												LOSTCONTEXT_DFF			

Bits	Field Name	Description	Type	Reset
31:1	RESERVED		R	0x0
0	LOSTCONTEXT_DFF	Specify if DFF-based context has been lost due to a previous power transition or other reset source. (set upon assertion of L4PER_RST signal) 0x0: Context has been maintained 0x1: Context has been lost	RW	0x1

Table 3-1746. PM_L4PER_TIMER14_WKDEP

Address Offset	0x0000 00D0	Instance	L4PER_PRM
Physical Address	0x4AE0 74D0		
Description	This register controls wakeup dependency based on TIMER14 service requests.		
Type	RW		

31	30	29	28	27	26	25	24	23	22	21	20	19	18	17	16	15	14	13	12	11	10	9	8	7	6	5	4	3	2	1	0
RESERVED																WKUPDEP_TIMER14_EVE4	WKUPDEP_TIMER14_EVE3	WKUPDEP_TIMER14_EVE2	WKUPDEP_TIMER14_EVE1	WKUPDEP_TIMER14_DSP2	WKUPDEP_TIMER14_IPU1	RESERVED	WKUPDEP_TIMER14_DSP1	WKUPDEP_TIMER14_IPU2	WKUPDEP_TIMER14_MPU						

Bits	Field Name	Description	Type	Reset
31:10	RESERVED		R	0x0
9	WKUPDEP_TIMER14_EVE4	Wakeup dependency from TIMER14 module (SWakeup IRQ signal) towards EVE4 + L3_MAIN1 + L4PER1 + L4PER2 + L4PER3 domains 0x0: Dependency is disabled 0x1: Dependency is enabled	RW	0x0
8	WKUPDEP_TIMER14_EVE3	Wakeup dependency from TIMER14 module (SWakeup IRQ signal) towards EVE3 + L3_MAIN1 + L4PER1 + L4PER2 + L4PER3 domains 0x0: Dependency is disabled 0x1: Dependency is enabled	RW	0x0

Bits	Field Name	Description	Type	Reset
7	WKUPDEP_TIMER14_EVE2	Wakeup dependency from TIMER14 module (SWakeup IRQ signal) towards EVE2 + L3_MAIN1 + L4PER1 + L4PER2 + L4PER3 domains 0x0: Dependency is disabled 0x1: Dependency is enabled	RW	0x0
6	WKUPDEP_TIMER14_EVE1	Wakeup dependency from TIMER14 module (SWakeup IRQ signal) towards EVE1 + L3_MAIN1 + L4PER1 + L4PER2 + L4PER3 domains 0x0: Dependency is disabled 0x1: Dependency is enabled	RW	0x0
5	WKUPDEP_TIMER14_DSP2	Wakeup dependency from TIMER14 module (SWakeup IRQ signal) towards DSP2 + L3_MAIN1 + L4PER1 + L4PER2 + L4PER3 domains 0x0: Dependency is disabled 0x1: Dependency is enabled	RW	0x0
4	WKUPDEP_TIMER14_IPU1	Wakeup dependency from TIMER14 module (SWakeup IRQ signal) towards IPU1 + L3_MAIN1 + L4PER1 + L4PER2 + L4PER3 domains 0x0: Dependency is disabled 0x1: Dependency is enabled	RW	0x0
3	RESERVED		R	0x0
2	WKUPDEP_TIMER14_DSP1	Wakeup dependency from TIMER14 module (SWakeup IRQ signal) towards DSP + L3MAIN1 + L4PER1 + L4PER2 + L4PER3 domains 0x0: Dependency is disabled 0x1: Dependency is enabled	RW	0x0
1	WKUPDEP_TIMER14_IPU2	Wakeup dependency from TIMER14 module (SWakeup IRQ signal) towards IPU2 + L3_MAIN1 + L4PER1 + L4PER2 + L4PER3 domains 0x0: Dependency is disabled 0x1: Dependency is enabled	RW	0x0
0	WKUPDEP_TIMER14_MPU	Wakeup dependency from TIMER14 module (SWakeup IRQ signal) towards MPU + L3_MAIN1 + L4PER1 + L4PER2 + L4PER3 domains 0x0: Dependency is disabled 0x1: Dependency is enabled	RW	0x0

Table 3-1747. Register Call Summary for Register PM_L4PER_TIMER14_WKDEP

PRCM Register Manual

- [Not Supported Functionality \(Registers and Bits\): \[0\]\[1\]\[2\]\[3\]\[4\]](#)
- [L4PER_PRM Register Summary: \[5\]](#)

Table 3-1748. RM_L4PER3_TIMER14_CONTEXT

Address Offset	0x0000 00D4	Instance	L4PER_PRM
Physical Address	0x4AE0 74D4		
Description	This register contains dedicated TIMER14 context statuses. [warm reset insensitive]		
Type	RW		

31	30	29	28	27	26	25	24	23	22	21	20	19	18	17	16	15	14	13	12	11	10	9	8	7	6	5	4	3	2	1	0
RESERVED																LOSTCONTEXT_DFF															

Bits	Field Name	Description	Type	Reset
31:1	RESERVED		R	0x0
0	LOSTCONTEXT_DFF	Specify if DFF-based context has been lost due to a previous power transition or other reset source. (set upon assertion of L4PER_RST signal) 0x0: Context has been maintained 0x1: Context has been lost	RW	0x1

Table 3-1749. PM_L4PER_TIMER15_WKDEP

Address Offset	0x0000 00D8	Instance	L4PER_PRM
Physical Address	0x4AE0 74D8		
Description	This register controls wakeup dependency based on TIMER15 service requests.		
Type	RW		

31	30	29	28	27	26	25	24	23	22	21	20	19	18	17	16	15	14	13	12	11	10	9	8	7	6	5	4	3	2	1	0
RESERVED																WKUPDEP_TIMER15_EVE4	WKUPDEP_TIMER15_EVE3	WKUPDEP_TIMER15_EVE2	WKUPDEP_TIMER15_EVE1	WKUPDEP_TIMER15_DSP2	WKUPDEP_TIMER15_IPU1	RESERVED	WKUPDEP_TIMER15_DSP1	WKUPDEP_TIMER15_IPU2	WKUPDEP_TIMER15_MPU						

Bits	Field Name	Description	Type	Reset
31:10	RESERVED		R	0x0
9	WKUPDEP_TIMER15_EVE4	5Wakeup dependency from TIMER15 module (SWakeup IRQ signal) towards EVE4 + L3_MAIN1 + L4PER1 + L4PER2 + L4PER3 domains 0x0: Dependency is disabled 0x1: Dependency is enabled	RW	0x0
8	WKUPDEP_TIMER15_EVE3	Wakeup dependency from TIMER15 module (SWakeup IRQ signal) towards EVE3 + L3_MAIN1 + L4PER1 + L4PER2 + L4PER3 domains 0x0: Dependency is disabled 0x1: Dependency is enabled	RW	0x0

Bits	Field Name	Description	Type	Reset
7	WKUPDEP_TIMER15_EVE2	Wakeup dependency from TIMER15 module (SWakeup IRQ signal) towards EVE2 + L3_MAIN1 + L4PER1 + L4PER2 + L4PER3 domains 0x0: Dependency is disabled 0x1: Dependency is enabled	RW	0x0
6	WKUPDEP_TIMER15_EVE1	Wakeup dependency from TIMER15 module (SWakeup IRQ signal) towards EVE1 + L3_MAIN1 + L4PER1 + L4PER2 + L4PER3 domains 0x0: Dependency is disabled 0x1: Dependency is enabled	RW	0x0
5	WKUPDEP_TIMER15_DSP2	Wakeup dependency from TIMER15 module (SWakeup IRQ signal) towards DSP2 + L3_MAIN1 + L4PER1 + L4PER2 + L4PER3 domains 0x0: Dependency is disabled 0x1: Dependency is enabled	RW	0x0
4	WKUPDEP_TIMER15_IPU1	Wakeup dependency from TIMER15 module (SWakeup IRQ signal) towards IPU1 + L3_MAIN1 + L4PER1 + L4PER2 + L4PER3 domains 0x0: Dependency is disabled 0x1: Dependency is enabled	RW	0x0
3	RESERVED		R	0x0
2	WKUPDEP_TIMER15_DSP1	Wakeup dependency from TIMER15 module (SWakeup IRQ signal) towards DSP + L3MAIN1 + L4PER1 + L4PER2 + L4PER3 domains 0x0: Dependency is disabled 0x1: Dependency is enabled	RW	0x0
1	WKUPDEP_TIMER15_IPU2	Wakeup dependency from TIMER15 module (SWakeup IRQ signal) towards IPU2 + L3_MAIN1 + L4PER1 + L4PER2 + L4PER3 domains 0x0: Dependency is disabled 0x1: Dependency is enabled	RW	0x0
0	WKUPDEP_TIMER15_MPU	Wakeup dependency from TIMER15 module (SWakeup IRQ signal) towards MPU + L3_MAIN1 + L4PER1 + L4PER2 + L4PER3 domains 0x0: Dependency is disabled 0x1: Dependency is enabled	RW	0x0

Table 3-1750. Register Call Summary for Register PM_L4PER_TIMER15_WKDEP

PRCM Register Manual

- [Not Supported Functionality \(Registers and Bits\): \[0\]\[1\]\[2\]\[3\]\[4\]](#)
- [L4PER_PRM Register Summary: \[5\]](#)

Table 3-1751. RM_L4PER3_TIMER15_CONTEXT

Address Offset	0x0000 00DC	Instance	L4PER_PRM
Physical Address	0x4AE0 74DC		
Description	This register contains dedicated TIMER15 context statuses. [warm reset insensitive]		
Type	RW		

31	30	29	28	27	26	25	24	23	22	21	20	19	18	17	16	15	14	13	12	11	10	9	8	7	6	5	4	3	2	1	0
RESERVED																												LOSTCONTEXT_DFF			

Bits	Field Name	Description	Type	Reset
31:1	RESERVED		R	0x0
0	LOSTCONTEXT_DFF	Specify if DFF-based context has been lost due to a previous power transition or other reset source. (set upon assertion of L4PER_RST signal) 0x0: Context has been maintained 0x1: Context has been lost	RW	0x1

Table 3-1752. PM_L4PER_MCSP11_WKDEP

Address Offset	0x0000 00F0	Instance	L4PER_PRM
Physical Address	0x4AE0 74F0		
Description	This register controls wakeup dependency based on MCSP11 service requests.		
Type	RW		

31	30	29	28	27	26	25	24	23	22	21	20	19	18	17	16	15	14	13	12	11	10	9	8	7	6	5	4	3	2	1	0						
RESERVED																												WKUPDEP_MCSP11_EVE4	WKUPDEP_MCSP11_EVE3	WKUPDEP_MCSP11_EVE2	WKUPDEP_MCSP11_EVE1	WKUPDEP_MCSP11_DSP2	WKUPDEP_MCSP11_IPU1	WKUPDEP_MCSP11_SDMA	WKUPDEP_MCSP11_DSP1	WKUPDEP_MCSP11_IPU2	WKUPDEP_MCSP11_MPU

Bits	Field Name	Description	Type	Reset
31:10	RESERVED		R	0x0
9	WKUPDEP_MCSP11_EVE4	Wakeup dependency from MCSP11 module (SWakeup signal) towards EVE4 + L3_MAIN1 + L4PER1 + L4PER2 + L4PER3 domains 0x0: Dependency is disabled 0x1: Dependency is enabled	RW	0x0
8	WKUPDEP_MCSP11_EVE3	Wakeup dependency from MCSP11 module (SWakeup signal) towards EVE3 + L3_MAIN1 + L4PER1 + L4PER2 + L4PER3 domains 0x0: Dependency is disabled 0x1: Dependency is enabled	RW	0x0

Bits	Field Name	Description	Type	Reset
7	WKUPDEP_MCSP11_EVE2	Wakeup dependency from MCSP11 module (SWakeup signal) towards EVE2 + L3_MAIN1 + L4PER1 + L4PER2 + L4PER3 domains 0x0: Dependency is disabled 0x1: Dependency is enabled	RW	0x0
6	WKUPDEP_MCSP11_EVE1	Wakeup dependency from MCSP11 module (SWakeup signal) towards EVE1 + L3_MAIN1 + L4PER1 + L4PER2 + L4PER3 domains 0x0: Dependency is disabled 0x1: Dependency is enabled	RW	0x0
5	WKUPDEP_MCSP11_DSP2	Wakeup dependency from MCSP11 module (SWakeup signal) towards DSP2 + L3_MAIN1 + L4PER1 + L4PER2 + L4PER3 domains 0x0: Dependency is disabled 0x1: Dependency is enabled	RW	0x0
4	WKUPDEP_MCSP11_IPU1	Wakeup dependency from MCSP11 module (SWakeup signal) towards IPU1 + L3_MAIN1 + L4PER1 + L4PER2 + L4PER3 domains 0x0: Dependency is disabled 0x1: Dependency is enabled	RW	0x0
3	WKUPDEP_MCSP11_SDMA	Wakeup dependency from MCSP11 module (SWakeup signal) towards SDMA + L3MAIN1 + L4PER1 + L4PER2 + L4PER3 domains 0x0: Dependency is disabled 0x1: Dependency is enabled	RW	0x0
2	WKUPDEP_MCSP11_DSP1	Wakeup dependency from MCSP11 module (SWakeup signal) towards DSP + L3MAIN1 + L4PER1 + L4PER2 + L4PER3 domains 0x0: Dependency is disabled 0x1: Dependency is enabled	RW	0x0
1	WKUPDEP_MCSP11_IPU2	Wakeup dependency from MCSP11 module (SWakeup signal) towards IPU2 + L3_MAIN1 + L4PER1 + L4PER2 + L4PER3 domains 0x0: Dependency is disabled 0x1: Dependency is enabled	RW	0x0
0	WKUPDEP_MCSP11_MPU	Wakeup dependency from MCSP11 module (SWakeup signal) towards MPU + L3_MAIN1 + L4PER1 + L4PER2 + L4PER3 domains 0x0: Dependency is disabled 0x1: Dependency is enabled	RW	0x0

Table 3-1753. Register Call Summary for Register PM_L4PER_MCSP11_WKDEP

Clock Management Functional Description

- [Clock Domain Dependency: \[0\]\[1\]\[3\]\[4\]\[5\]](#)

PRCM Register Manual

- [Not Supported Functionality \(Registers and Bits\): \[10\]\[11\]\[12\]\[13\]\[14\]](#)
- [L4PER_PRM Register Summary: \[15\]](#)

Table 3-1754. RM_L4PER_MCSP11_CONTEXT

Address Offset	0x0000 00F4	Instance	L4PER_PRM
Physical Address	0x4AE0 74F4		
Description	This register contains dedicated MCSP11 context statuses. [warm reset insensitive]		
Type	RW		

31	30	29	28	27	26	25	24	23	22	21	20	19	18	17	16	15	14	13	12	11	10	9	8	7	6	5	4	3	2	1	0
RESERVED																												LOSTCONTEXT_DFF			

Bits	Field Name	Description	Type	Reset
31:1	RESERVED		R	0x0
0	LOSTCONTEXT_DFF	Specify if DFF-based context has been lost due to a previous power transition or other reset source. (set upon assertion of L4PER_RST signal) 0x0: Context has been maintained 0x1: Context has been lost	RW	0x1

Table 3-1755. PM_L4PER_MCSP12_WKDEP

Address Offset	0x0000 00F8	Instance	L4PER_PRM
Physical Address	0x4AE0 74F8		
Description	This register controls wakeup dependency based on MCSP12 service requests.		
Type	RW		

31	30	29	28	27	26	25	24	23	22	21	20	19	18	17	16	15	14	13	12	11	10	9	8	7	6	5	4	3	2	1	0						
RESERVED																												WKUPDEP_MCSP12_EVE4	WKUPDEP_MCSP12_EVE3	WKUPDEP_MCSP12_EVE2	WKUPDEP_MCSP12_EVE1	WKUPDEP_MCSP12_DSP2	WKUPDEP_MCSP12_IPU1	WKUPDEP_MCSP12_SDMA	WKUPDEP_MCSP12_DSP1	WKUPDEP_MCSP12_IPU2	WKUPDEP_MCSP12_MPU

Bits	Field Name	Description	Type	Reset
31:10	RESERVED		R	0x0
9	WKUPDEP_MCSP12_EVE4	Wakeup dependency from MCSP12 module (SWakeup signal) towards EVE4 + L3_MAIN1 + L4PER1 + L4PER2 + L4PER3 domains 0x0: Dependency is disabled 0x1: Dependency is enabled	RW	0x0
8	WKUPDEP_MCSP12_EVE3	Wakeup dependency from MCSP12 module (SWakeup signal) towards EVE3 + L3_MAIN1 + L4PER1 + L4PER2 + L4PER3 domains 0x0: Dependency is disabled 0x1: Dependency is enabled	RW	0x0

Bits	Field Name	Description	Type	Reset
7	WKUPDEP_MCSPi2_EVE2	Wakeup dependency from MCSPi2 module (SWakeup signal) towards EVE2 + L3_MAIN1 + L4PER1 + L4PER2 + L4PER3 domains 0x0: Dependency is disabled 0x1: Dependency is enabled	RW	0x0
6	WKUPDEP_MCSPi2_EVE1	Wakeup dependency from MCSPi2 module (SWakeup signal) towards EVE1 + L3_MAIN1 + L4PER1 + L4PER2 + L4PER3 domains 0x0: Dependency is disabled 0x1: Dependency is enabled	RW	0x0
5	WKUPDEP_MCSPi2_DSP2	Wakeup dependency from MCSPi2 module (SWakeup signal) towards DSP2 + L3_MAIN1 + L4PER1 + L4PER2 + L4PER3 domains 0x0: Dependency is disabled 0x1: Dependency is enabled	RW	0x0
4	WKUPDEP_MCSPi2_IPU1	Wakeup dependency from MCSPi2 module (SWakeup signal) towards IPU1 + L3_MAIN1 + L4PER1 + L4PER2 + L4PER3 domains 0x0: Dependency is disabled 0x1: Dependency is enabled	RW	0x0
3	WKUPDEP_MCSPi2_SDMA	Wakeup dependency from MCSPi2 module (SWakeup signal) towards SDMA + L3MAIN1 + L4PER1 + L4PER2 + L4PER3 domains 0x0: Dependency is disabled 0x1: Dependency is enabled	RW	0x0
2	WKUPDEP_MCSPi2_DSP1	Wakeup dependency from MCSPi2 module (SWakeup signal) towards DSP + L3MAIN1 + L4PER1 + L4PER2 + L4PER3 domains 0x0: Dependency is disabled 0x1: Dependency is enabled	RW	0x0
1	WKUPDEP_MCSPi2_IPU2	Wakeup dependency from MCSPi2 module (SWakeup signal) towards IPU2 + L3_MAIN1 + L4PER1 + L4PER2 + L4PER3 domains 0x0: Dependency is disabled 0x1: Dependency is enabled	RW	0x0
0	WKUPDEP_MCSPi2_MPU	Wakeup dependency from MCSPi2 module (SWakeup signal) towards MPU + L3_MAIN1 + L4PER1 + L4PER2 + L4PER3 domains 0x0: Dependency is disabled 0x1: Dependency is enabled	RW	0x0

Table 3-1756. Register Call Summary for Register PM_L4PER_MCSPi2_WKDEP

Clock Management Functional Description

- [Clock Domain Dependency: \[0\]\[1\]\[3\]\[4\]\[5\]](#)

PRCM Register Manual

- [Not Supported Functionality \(Registers and Bits\): \[10\]\[11\]\[12\]\[13\]\[14\]](#)
- [L4PER_PRM Register Summary: \[15\]](#)

Table 3-1757. RM_L4PER_MCSP12_CONTEXT

Address Offset	0x0000 00FC	Instance	L4PER_PRM
Physical Address	0x4AE0 74FC		
Description	This register contains dedicated MCSPI2 context statuses. [warm reset insensitive]		
Type	RW		

31	30	29	28	27	26	25	24	23	22	21	20	19	18	17	16	15	14	13	12	11	10	9	8	7	6	5	4	3	2	1	0
RESERVED																												LOSTCONTEXT_DFF			

Bits	Field Name	Description	Type	Reset
31:1	RESERVED		R	0x0
0	LOSTCONTEXT_DFF	Specify if DFF-based context has been lost due to a previous power transition or other reset source. (set upon assertion of L4PER_RST signal) 0x0: Context has been maintained 0x1: Context has been lost	RW	0x1

Table 3-1758. PM_L4PER_MCSP13_WKDEP

Address Offset	0x0000 0100	Instance	L4PER_PRM
Physical Address	0x4AE0 7500		
Description	This register controls wakeup dependency based on MCSPI3 service requests.		
Type	RW		

31	30	29	28	27	26	25	24	23	22	21	20	19	18	17	16	15	14	13	12	11	10	9	8	7	6	5	4	3	2	1	0						
RESERVED																												WKUPDEP_MCSP13_EVE4	WKUPDEP_MCSP13_EVE3	WKUPDEP_MCSP13_EVE2	WKUPDEP_MCSP13_EVE1	WKUPDEP_MCSP13_DSP2	WKUPDEP_MCSP13_IPU1	WKUPDEP_MCSP13_SDMA	WKUPDEP_MCSP13_DSP1	WKUPDEP_MCSP13_IPU2	WKUPDEP_MCSP13_MPU

Bits	Field Name	Description	Type	Reset
31:10	RESERVED		R	0x0
9	WKUPDEP_MCSP13_EVE4	Wakeup dependency from MCSPI3 module (SWakeup signal) towards EVE4 + L3_MAIN1 + L4PER1 + L4PER2 + L4PER3 domains 0x0: Dependency is disabled 0x1: Dependency is enabled	RW	0x0
8	WKUPDEP_MCSP13_EVE3	Wakeup dependency from MCSPI3 module (SWakeup signal) towards EVE3 + L3_MAIN1 + L4PER1 + L4PER2 + L4PER3 domains 0x0: Dependency is disabled 0x1: Dependency is enabled	RW	0x0

Bits	Field Name	Description	Type	Reset
7	WKUPDEP_MCSPi3_EVE2	Wakeup dependency from MCSPi3 module (SWakeup signal) towards EVE2 + L3_MAIN1 + L4PER1 + L4PER2 + L4PER3 domains 0x0: Dependency is disabled 0x1: Dependency is enabled	RW	0x0
6	WKUPDEP_MCSPi3_EVE1	Wakeup dependency from MCSPi3 module (SWakeup signal) towards EVE1 + L3_MAIN1 + L4PER1 + L4PER2 + L4PER3 domains 0x0: Dependency is disabled 0x1: Dependency is enabled	RW	0x0
5	WKUPDEP_MCSPi3_DSP2	Wakeup dependency from MCSPi3 module (SWakeup signal) towards DSP2 + L3_MAIN1 + L4PER1 + L4PER2 + L4PER3 domains 0x0: Dependency is disabled 0x1: Dependency is enabled	RW	0x0
4	WKUPDEP_MCSPi3_IPU1	Wakeup dependency from MCSPi3 module (SWakeup signal) towards IPU1 + L3_MAIN1 + L4PER1 + L4PER2 + L4PER3 domains 0x0: Dependency is disabled 0x1: Dependency is enabled	RW	0x0
3	WKUPDEP_MCSPi3_SDMA	Wakeup dependency from MCSPi3 module (SWakeup signal) towards SDMA + L3MAIN1 + L4PER1 + L4PER2 + L4PER3 domains 0x0: Dependency is disabled 0x1: Dependency is enabled	RW	0x0
2	WKUPDEP_MCSPi3_DSP1	Wakeup dependency from MCSPi3 module (SWakeup signal) towards DSP + L3MAIN1 + L4PER1 + L4PER2 + L4PER3 domains 0x0: Dependency is disabled 0x1: Dependency is enabled	RW	0x0
1	WKUPDEP_MCSPi3_IPU2	Wakeup dependency from MCSPi3 module (SWakeup signal) towards IPU2 + L3_MAIN1 + L4PER1 + L4PER2 + L4PER3 domains 0x0: Dependency is disabled 0x1: Dependency is enabled	RW	0x0
0	WKUPDEP_MCSPi3_MPU	Wakeup dependency from MCSPi3 module (SWakeup signal) towards MPU + L3_MAIN1 + L4PER1 + L4PER2 + L4PER3 domains 0x0: Dependency is disabled 0x1: Dependency is enabled	RW	0x0

Table 3-1759. Register Call Summary for Register PM_L4PER_MCSPi3_WKDEP

Clock Management Functional Description

- [Clock Domain Dependency: \[0\]\[1\]\[3\]\[4\]\[5\]](#)

PRCM Register Manual

- [Not Supported Functionality \(Registers and Bits\): \[10\]\[11\]\[12\]\[13\]\[14\]](#)
- [L4PER_PRM Register Summary: \[15\]](#)

Table 3-1760. RM_L4PER_MCSP13_CONTEXT

Address Offset	0x0000 0104	Instance	L4PER_PRM
Physical Address	0x4AE0 7504		
Description	This register contains dedicated MCSP13 context statuses. [warm reset insensitive]		
Type	RW		

31	30	29	28	27	26	25	24	23	22	21	20	19	18	17	16	15	14	13	12	11	10	9	8	7	6	5	4	3	2	1	0
RESERVED																LOSTCONTEXT_DFF															

Bits	Field Name	Description	Type	Reset
31:1	RESERVED		R	0x0
0	LOSTCONTEXT_DFF	Specify if DFF-based context has been lost due to a previous power transition or other reset source. (set upon assertion of L4PER_RST signal) 0x0: Context has been maintained 0x1: Context has been lost	RW	0x1

Table 3-1761. PM_L4PER_MCSP14_WKDEP

Address Offset	0x0000 0108	Instance	L4PER_PRM
Physical Address	0x4AE0 7508		
Description	This register controls wakeup dependency based on MCSP14 service requests.		
Type	RW		

31	30	29	28	27	26	25	24	23	22	21	20	19	18	17	16	15	14	13	12	11	10	9	8	7	6	5	4	3	2	1	0
RESERVED																WKUPDEP_MCSP14_EVE4	WKUPDEP_MCSP14_EVE3	WKUPDEP_MCSP14_EVE2	WKUPDEP_MCSP14_EVE1	WKUPDEP_MCSP14_DSP2	WKUPDEP_MCSP14_IPU1	WKUPDEP_MCSP14_SDMA	WKUPDEP_MCSP14_DSP1	WKUPDEP_MCSP14_IPU2	WKUPDEP_MCSP14_MPU						

Bits	Field Name	Description	Type	Reset
31:10	RESERVED		R	0x0
9	WKUPDEP_MCSP14_EVE4	Wakeup dependency from MCSP14 module (SWakeup signal) towards EVE4 + L3_MAIN1 + L4PER1 + L4PER2 + L4PER3 domains 0x0: Dependency is disabled 0x1: Dependency is enabled	RW	0x0
8	WKUPDEP_MCSP14_EVE3	Wakeup dependency from MCSP14 module (SWakeup signal) towards EVE3 + L3_MAIN1 + L4PER1 + L4PER2 + L4PER3 domains 0x0: Dependency is disabled 0x1: Dependency is enabled	RW	0x0

Bits	Field Name	Description	Type	Reset
7	WKUPDEP_MCSPi4_EVE2	Wakeup dependency from MCSPi4 module (SWakeup signal) towards EVE2 + L3_MAIN1 + L4PER1 + L4PER2 + L4PER3 domains 0x0: Dependency is disabled 0x1: Dependency is enabled	RW	0x0
6	WKUPDEP_MCSPi4_EVE1	Wakeup dependency from MCSPi4 module (SWakeup signal) towards EVE1 + L3_MAIN1 + L4PER1 + L4PER2 + L4PER3 domains 0x0: Dependency is disabled 0x1: Dependency is enabled	RW	0x0
5	WKUPDEP_MCSPi4_DSP2	Wakeup dependency from MCSPi4 module (SWakeup signal) towards DSP2 + L3_MAIN1 + L4PER1 + L4PER2 + L4PER3 domains 0x0: Dependency is disabled 0x1: Dependency is enabled	RW	0x0
4	WKUPDEP_MCSPi4_IPU1	Wakeup dependency from MCSPi4 module (SWakeup signal) towards IPU1 + L3_MAIN1 + L4PER1 + L4PER2 + L4PER3 domains 0x0: Dependency is disabled 0x1: Dependency is enabled	RW	0x0
3	WKUPDEP_MCSPi4_SDMA	Wakeup dependency from MCSPi4 module (SWakeup signal) towards SDMA + L3MAIN1 + L4PER1 + L4PER2 + L4PER3 domains 0x0: Dependency is disabled 0x1: Dependency is enabled	RW	0x0
2	WKUPDEP_MCSPi4_DSP1	Wakeup dependency from MCSPi4 module (SWakeup signal) towards DSP + L3MAIN1 + L4PER1 + L4PER2 + L4PER3 domains 0x0: Dependency is disabled 0x1: Dependency is enabled	RW	0x0
1	WKUPDEP_MCSPi4_IPU2	Wakeup dependency from MCSPi4 module (SWakeup signal) towards IPU2 + L3_MAIN1 + L4PER1 + L4PER2 + L4PER3 domains 0x0: Dependency is disabled 0x1: Dependency is enabled	RW	0x0
0	WKUPDEP_MCSPi4_MPU	Wakeup dependency from MCSPi4 module (SWakeup signal) towards MPU + L3_MAIN1 + L4PER1 + L4PER2 + L4PER3 domains 0x0: Dependency is disabled 0x1: Dependency is enabled	RW	0x0

Table 3-1762. Register Call Summary for Register PM_L4PER_MCSPi4_WKDEP

Clock Management Functional Description

- [Clock Domain Dependency: \[0\]\[1\]\[3\]\[4\]\[5\]](#)

PRCM Register Manual

- [Not Supported Functionality \(Registers and Bits\): \[10\]\[11\]\[12\]\[13\]\[14\]](#)
- [L4PER_PRM Register Summary: \[15\]](#)

Table 3-1763. RM_L4PER_MCSP14_CONTEXT

Address Offset	0x0000 010C	Instance	L4PER_PRM
Physical Address	0x4AE0 750C		
Description	This register contains dedicated MCSPI4 context statuses. [warm reset insensitive]		
Type	RW		

31	30	29	28	27	26	25	24	23	22	21	20	19	18	17	16	15	14	13	12	11	10	9	8	7	6	5	4	3	2	1	0
RESERVED																LOSTCONTEXT_DFF															

Bits	Field Name	Description	Type	Reset
31:1	RESERVED		R	0x0
0	LOSTCONTEXT_DFF	Specify if DFF-based context has been lost due to a previous power transition or other reset source. (set upon assertion of L4PER_RST signal) 0x0: Context has been maintained 0x1: Context has been lost	RW	0x1

Table 3-1764. PM_L4PER_GPIO7_WKDEP

Address Offset	0x0000 0110	Instance	L4PER_PRM
Physical Address	0x4AE0 7510		
Description	This register controls wakeup dependency based on GPIO7 service requests.		
Type	RW		

31	30	29	28	27	26	25	24	23	22	21	20	19	18	17	16	15	14	13	12	11	10	9	8	7	6	5	4	3	2	1	0				
RESERVED																WKUPDEP_GPIO7_IRQ2_EVE4	WKUPDEP_GPIO7_IRQ2_EVE3	WKUPDEP_GPIO7_IRQ2_EVE2	WKUPDEP_GPIO7_IRQ2_EVE1	WKUPDEP_GPIO7_IRQ2_DSP2	WKUPDEP_GPIO7_IRQ2_IPU1	RESERVED	WKUPDEP_GPIO7_IRQ2_DSP1	WKUPDEP_GPIO7_IRQ2_IPU2	WKUPDEP_GPIO7_IRQ2_MPU	WKUPDEP_GPIO7_IRQ1_EVE4	WKUPDEP_GPIO7_IRQ1_EVE3	WKUPDEP_GPIO7_IRQ1_EVE2	WKUPDEP_GPIO7_IRQ1_EVE1	WKUPDEP_GPIO7_IRQ1_DSP2	WKUPDEP_GPIO7_IRQ1_IPU1	RESERVED	WKUPDEP_GPIO7_IRQ1_DSP1	WKUPDEP_GPIO7_IRQ1_IPU2	WKUPDEP_GPIO7_IRQ1_MPU

Bits	Field Name	Description	Type	Reset
31:20	RESERVED		R	0x0
19	WKUPDEP_GPIO7_IRQ2_EVE4	Wakeup dependency from GPIO7 module (SWakeup signal) towards EVE4 + L3_MAIN1 + L4PER1 + L4PER2 + L4PER3 domains 0x0: Dependency is disabled 0x1: Dependency is enabled	RW	0x0

Bits	Field Name	Description	Type	Reset
18	WKUPDEP_GPIO7_IRQ2_EVE3	Wakeup dependency from GPIO7 module (SWakeup signal) towards EVE3 + L3_MAIN1 + L4PER1 + L4PER2 + L4PER3 domains 0x0: Dependency is disabled 0x1: Dependency is enabled	RW	0x0
17	WKUPDEP_GPIO7_IRQ2_EVE2	Wakeup dependency from GPIO7 module (SWakeup signal) towards EVE2 + L3_MAIN1 + L4PER1 + L4PER2 + L4PER3 domains 0x0: Dependency is disabled 0x1: Dependency is enabled	RW	0x0
16	WKUPDEP_GPIO7_IRQ2_EVE1	Wakeup dependency from GPIO7 module (SWakeup signal) towards EVE1 + L3_MAIN1 + L4PER1 + L4PER2 + L4PER3 domains 0x0: Dependency is disabled 0x1: Dependency is enabled	RW	0x0
15	WKUPDEP_GPIO7_IRQ2_DSP2	Wakeup dependency from GPIO7 module (SWakeup signal) towards DSP2 + L3_MAIN1 + L4PER1 + L4PER2 + L4PER3 domains 0x0: Dependency is disabled 0x1: Dependency is enabled	RW	0x0
14	WKUPDEP_GPIO7_IRQ2_IPU1	Wakeup dependency from GPIO7 module (SWakeup signal) towards IPU1 + L3_MAIN1 + L4PER1 + L4PER2 + L4PER3 domains 0x0: Dependency is disabled 0x1: Dependency is enabled	RW	0x0
13	RESERVED		R	0x0
12	WKUPDEP_GPIO7_IRQ2_DSP1	Wakeup dependency from GPIO7 module (SWakeup signal) towards DSP + L3MAIN1 + L4PER1 + L4PER2 + L4PER3 domains 0x0: Dependency is disabled 0x1: Dependency is enabled	RW	0x0
11	WKUPDEP_GPIO7_IRQ2_IPU2	Wakeup dependency from GPIO7 module (SWakeup signal) towards IPU2 + L3_MAIN1 + L4PER1 + L4PER2 + L4PER3 domains 0x0: Dependency is disabled 0x1: Dependency is enabled	RW	0x0
10	WKUPDEP_GPIO7_IRQ2_MPU	Wakeup dependency from GPIO7 module (SWakeup signal) towards MPU + L3_MAIN1 + L4PER1 + L4PER2 + L4PER3 domains 0x0: Dependency is disabled 0x1: Dependency is enabled	RW	0x0
9	WKUPDEP_GPIO7_IRQ1_EVE4	Wakeup dependency from GPIO7 module (SWakeup signal) towards EVE4 + L3_MAIN1 + L4PER1 + L4PER2 + L4PER3 domains 0x0: Dependency is disabled 0x1: Dependency is enabled	RW	0x0
8	WKUPDEP_GPIO7_IRQ1_EVE3	Wakeup dependency from GPIO7 module (SWakeup signal) towards EVE3 + L3_MAIN1 + L4PER1 + L4PER2 + L4PER3 domains 0x0: Dependency is disabled 0x1: Dependency is enabled	RW	0x0
7	WKUPDEP_GPIO7_IRQ1_EVE2	Wakeup dependency from GPIO7 module (SWakeup signal) towards EVE2 + L3_MAIN1 + L4PER1 + L4PER2 + L4PER3 domains 0x0: Dependency is disabled 0x1: Dependency is enabled	RW	0x0

Bits	Field Name	Description	Type	Reset
6	WKUPDEP_GPIO7_IRQ1_EVE1	Wakeup dependency from GPIO7 module (SWakeup signal) towards EVE1 + L3_MAIN1 + L4PER1 + L4PER2 + L4PER3 domains 0x0: Dependency is disabled 0x1: Dependency is enabled	RW	0x0
5	WKUPDEP_GPIO7_IRQ1_DSP2	Wakeup dependency from GPIO7 module (SWakeup signal) towards DSP2 + L3_MAIN1 + L4PER1 + L4PER2 + L4PER3 domains 0x0: Dependency is disabled 0x1: Dependency is enabled	RW	0x0
4	WKUPDEP_GPIO7_IRQ1_IPU1	Wakeup dependency from GPIO7 module (SWakeup signal) towards IPU1 + L3_MAIN1 + L4PER1 + L4PER2 + L4PER3 domains 0x0: Dependency is disabled 0x1: Dependency is enabled	RW	0x0
3	RESERVED		R	0x0
2	WKUPDEP_GPIO7_IRQ1_DSP1	Wakeup dependency from GPIO7 module (SWakeup signal) towards DSP + L3MAIN1 + L4PER1 + L4PER2 + L4PER3 domains 0x0: Dependency is disabled 0x1: Dependency is enabled	RW	0x0
1	WKUPDEP_GPIO7_IRQ1_IPU2	5Wakeup dependency from GPIO7 module (SWakeup signal) towards IPU2 + L3_MAIN1 + L4PER1 + L4PER2 + L4PER3 domains 0x0: Dependency is disabled 0x1: Dependency is enabled	RW	0x0
0	WKUPDEP_GPIO7_IRQ1_MPU	Wakeup dependency from GPIO7 module (SWakeup signal) towards MPU + L3_MAIN1 + L4PER1 + L4PER2 + L4PER3 domains 0x0: Dependency is disabled 0x1: Dependency is enabled	RW	0x0

Table 3-1765. Register Call Summary for Register PM_L4PER_GPIO7_WKDEP

Clock Management Functional Description

- [Clock Domain Dependency: \[0\]\[2\]\[4\]\[5\]\[6\]\[7\]\[8\]\[9\]](#)

PRCM Register Manual

- [Not Supported Functionality \(Registers and Bits\): \[18\]\[19\]\[20\]\[21\]\[22\]\[23\]\[24\]\[25\]\[26\]\[27\]](#)
- [L4PER_PRM Register Summary: \[28\]](#)

Table 3-1766. RM_L4PER_GPIO7_CONTEXT

Address Offset	0x0000 0114	Instance	L4PER_PRM
Physical Address	0x4AE0 7514		
Description	This register contains dedicated GPIO7 context statuses. [warm reset insensitive]		
Type	RW		

31	30	29	28	27	26	25	24	23	22	21	20	19	18	17	16	15	14	13	12	11	10	9	8	7	6	5	4	3	2	1	0
RESERVED																LOSTCONTEXT_RFF		RESERVED													

Bits	Field Name	Description	Type	Reset
31:2	RESERVED		R	0x0
1	LOSTCONTEXT_RFF	Specify if RFF-based context has been lost due to a previous power transition or other reset source. (set upon assertion of L4PER_RET_RST signal) 0x0: Context has been maintained 0x1: Context has been lost	RW	0x1
0	RESERVED		R	0x0

Table 3-1767. PM_L4PER_GPIO8_WKDEP

Address Offset	0x0000 0118	Instance	L4PER_PRM
Physical Address	0x4AE0 7518		
Description	This register controls wakeup dependency based on GPIO8 service requests.		
Type	RW		

31	30	29	28	27	26	25	24	23	22	21	20	19	18	17	16	15	14	13	12	11	10	9	8	7	6	5	4	3	2	1	0		
RESERVED								WKUPDEP_GPIO8_IRQ2_EVE4	WKUPDEP_GPIO8_IRQ2_EVE3	WKUPDEP_GPIO8_IRQ2_EVE2	WKUPDEP_GPIO8_IRQ2_EVE1	WKUPDEP_GPIO8_IRQ2_DSP2	WKUPDEP_GPIO8_IRQ2_IPU1	RESERVED	WKUPDEP_GPIO8_IRQ2_DSP1	WKUPDEP_GPIO8_IRQ2_IPU2	WKUPDEP_GPIO8_IRQ2_MPU	WKUPDEP_GPIO8_IRQ1_EVE4	WKUPDEP_GPIO8_IRQ1_EVE3	WKUPDEP_GPIO8_IRQ1_EVE2	WKUPDEP_GPIO8_IRQ1_EVE1	WKUPDEP_GPIO8_IRQ1_DSP2	WKUPDEP_GPIO8_IRQ1_IPU1	RESERVED	WKUPDEP_GPIO8_IRQ1_DSP1	WKUPDEP_GPIO8_IRQ1_IPU2	WKUPDEP_GPIO8_IRQ1_MPU						

Bits	Field Name	Description	Type	Reset
31:20	RESERVED		R	0x0
19	WKUPDEP_GPIO8_IRQ2_EVE4	Wakeup dependency from GPIO8 module (SWakeup signal) towards EVE4 + L3_MAIN1 + L4PER1 + L4PER2 + L4PER3 domains 0x0: Dependency is disabled 0x1: Dependency is enabled	RW	0x0
18	WKUPDEP_GPIO8_IRQ2_EVE3	Wakeup dependency from GPIO8 module (SWakeup signal) towards EVE3 + L3_MAIN1 + L4PER1 + L4PER2 + L4PER3 domains 0x0: Dependency is disabled 0x1: Dependency is enabled	RW	0x0
17	WKUPDEP_GPIO8_IRQ2_EVE2	Wakeup dependency from GPIO8 module (SWakeup signal) towards EVE2 + L3_MAIN1 + L4PER1 + L4PER2 + L4PER3 domains 0x0: Dependency is disabled 0x1: Dependency is enabled	RW	0x0
16	WKUPDEP_GPIO8_IRQ2_EVE1	Wakeup dependency from GPIO8 module (SWakeup signal) towards EVE1 + L3_MAIN1 + L4PER1 + L4PER2 + L4PER3 domains 0x0: Dependency is disabled 0x1: Dependency is enabled	RW	0x0
15	WKUPDEP_GPIO8_IRQ2_DSP2	Wakeup dependency from GPIO8 module (SWakeup signal) towards DSP2 + L3_MAIN1 + L4PER1 + L4PER2 + L4PER3 domains 0x0: Dependency is disabled 0x1: Dependency is enabled	RW	0x0

Bits	Field Name	Description	Type	Reset
14	WKUPDEP_GPIO8_IRQ2_IPU1	Wakeup dependency from GPIO8 module (SWakeup signal) towards IPU1 + L3_MAIN1 + L4PER1 + L4PER2 + L4PER3 domains 0x0: Dependency is disabled 0x1: Dependency is enabled	RW	0x0
13	RESERVED		R	0x0
12	WKUPDEP_GPIO8_IRQ2_DSP1	Wakeup dependency from GPIO8 module (SWakeup signal) towards DSP + L3MAIN1 + L4PER1 + L4PER2 + L4PER3 domains 0x0: Dependency is disabled 0x1: Dependency is enabled	RW	0x0
11	WKUPDEP_GPIO8_IRQ2_IPU2	Wakeup dependency from GPIO8 module (SWakeup signal) towards IPU2 + L3_MAIN1 + L4PER1 + L4PER2 + L4PER3 domains 0x0: Dependency is disabled 0x1: Dependency is enabled	RW	0x0
10	WKUPDEP_GPIO8_IRQ2_MPU	Wakeup dependency from GPIO8 module (SWakeup signal) towards MPU + L3_MAIN1 + L4PER1 + L4PER2 + L4PER3 domains 0x0: Dependency is disabled 0x1: Dependency is enabled	RW	0x0
9	WKUPDEP_GPIO8_IRQ1_EVE4	Wakeup dependency from GPIO8 module (SWakeup signal) towards EVE4 + L3_MAIN1 + L4PER1 + L4PER2 + L4PER3 domains 0x0: Dependency is disabled 0x1: Dependency is enabled	RW	0x0
8	WKUPDEP_GPIO8_IRQ1_EVE3	Wakeup dependency from GPIO8 (SWakeup signal) towards EVE3 + L3_MAIN1 + L4PER1 + L4PER2 + L4PER3 domains 0x0: Dependency is disabled 0x1: Dependency is enabled	RW	0x0
7	WKUPDEP_GPIO8_IRQ1_EVE2	Wakeup dependency from GPIO8 module (SWakeup signal) towards EVE2 + L3_MAIN1 + L4PER1 + L4PER2 + L4PER3 domains 0x0: Dependency is disabled 0x1: Dependency is enabled	RW	0x0
6	WKUPDEP_GPIO8_IRQ1_EVE1	Wakeup dependency from GPIO8 module (SWakeup signal) towards EVE1 + L3_MAIN1 + L4PER1 + L4PER2 + L4PER3 domains 0x0: Dependency is disabled 0x1: Dependency is enabled	RW	0x0
5	WKUPDEP_GPIO8_IRQ1_DSP2	Wakeup dependency from GPIO8 module (SWakeup signal) towards DSP2 + L3_MAIN1 + L4PER1 + L4PER2 + L4PER3 domains 0x0: Dependency is disabled 0x1: Dependency is enabled	RW	0x0
4	WKUPDEP_GPIO8_IRQ1_IPU1	Wakeup dependency from GPIO8 module (SWakeup signal) towards IPU1 + L3_MAIN1 + L4PER1 + L4PER2 + L4PER3 domains 0x0: Dependency is disabled 0x1: Dependency is enabled	RW	0x0
3	RESERVED		R	0x0

Bits	Field Name	Description	Type	Reset
2	WKUPDEP_GPIO8_IRQ1_DSP1	Wakeup dependency from GPIO8 module (SWakeup signal) towards DSP + L3MAIN1 + L4PER1 + L4PER2 + L4PER3 domains 0x0: Dependency is disabled 0x1: Dependency is enabled	RW	0x0
1	WKUPDEP_GPIO8_IRQ1_IPU2	5Wakeup dependency from GPIO8 module (SWakeup signal) towards IPU2 + L3_MAIN1 + L4PER1 + L4PER2 + L4PER3 domains 0x0: Dependency is disabled 0x1: Dependency is enabled	RW	0x0
0	WKUPDEP_GPIO8_IRQ1_MPU	Wakeup dependency from GPIO8 module (SWakeup signal) towards MPU + L3_MAIN1 + L4PER1 + L4PER2 + L4PER3 domains 0x0: Dependency is disabled 0x1: Dependency is enabled	RW	0x0

Table 3-1768. Register Call Summary for Register PM_L4PER_GPIO8_WKDEP

Clock Management Functional Description

- [Clock Domain Dependency: \[0\]\[2\]\[4\]\[5\]\[6\]\[7\]\[8\]\[9\]](#)

PRCM Register Manual

- [Not Supported Functionality \(Registers and Bits\): \[18\]\[19\]\[20\]\[21\]\[22\]\[23\]\[24\]\[25\]\[26\]\[27\]](#)
- [L4PER_PRM Register Summary: \[28\]](#)

Table 3-1769. RM_L4PER_GPIO8_CONTEXT

Address Offset	0x0000 011C	Instance	L4PER_PRM
Physical Address	0x4AE0 751C		
Description	This register contains dedicated GPIO8 context statuses. [warm reset insensitive]		
Type	RW		

31	30	29	28	27	26	25	24	23	22	21	20	19	18	17	16	15	14	13	12	11	10	9	8	7	6	5	4	3	2	1	0
RESERVED																LOSTCONTEXT_RFF		RESERVED													

Bits	Field Name	Description	Type	Reset
31:2	RESERVED		R	0x0
1	LOSTCONTEXT_RFF	Specify if RFF-based context has been lost due to a previous power transition or other reset source. (set upon assertion of L4PER_RET_RST signal) 0x0: Context has been maintained 0x1: Context has been lost	RW	0x1
0	RESERVED		R	0x0

Table 3-1770. PM_L4PER_MMC3_WKDEP

Address Offset	0x0000 0120
Physical Address	0x4AE0 7520
Instance	L4PER_PRM
Description	This register controls wakeup dependency based on MMC3 service requests.
Type	RW

31	30	29	28	27	26	25	24	23	22	21	20	19	18	17	16	15	14	13	12	11	10	9	8	7	6	5	4	3	2	1	0
RESERVED																WKUPDEP_MMC3_EVE4	WKUPDEP_MMC3_EVE3	WKUPDEP_MMC3_EVE2	WKUPDEP_MMC3_EVE1	WKUPDEP_MMC3_DSP2	WKUPDEP_MMC3_IPU1	WKUPDEP_MMC3_SDMA	WKUPDEP_MMC3_DSP1	WKUPDEP_MMC3_IPU2	WKUPDEP_MMC3_MPU						

Bits	Field Name	Description	Type	Reset
31:10	RESERVED		R	0x0
9	WKUPDEP_MMC3_EVE4	Wakeup dependency from MMC3 module (SWakeup signal) towards EVE4 + L3_MAIN1 + L4PER1 + L4PER2 + L4PER3 domains 0x0: Dependency is disabled 0x1: Dependency is enabled	RW	0x0
8	WKUPDEP_MMC3_EVE3	Wakeup dependency from MMC3 module (SWakeup signal) towards EVE3 + L3_MAIN1 + L4PER1 + L4PER2 + L4PER3 domains 0x0: Dependency is disabled 0x1: Dependency is enabled	RW	0x0
7	WKUPDEP_MMC3_EVE2	Wakeup dependency from MMC3 module (SWakeup signal) towards EVE2 + L3_MAIN1 + L4PER1 + L4PER2 + L4PER3 domains 0x0: Dependency is disabled 0x1: Dependency is enabled	RW	0x0
6	WKUPDEP_MMC3_EVE1	Wakeup dependency from MMC3 module (SWakeup signal) towards EVE1 + L3_MAIN1 + L4PER1 + L4PER2 + L4PER3 domains 0x0: Dependency is disabled 0x1: Dependency is enabled	RW	0x0
5	WKUPDEP_MMC3_DSP2	Wakeup dependency from MMC3 module (SWakeup signal) towards DSP2 + L3_MAIN1 + L4PER1 + L4PER2 + L4PER3 domains 0x0: Dependency is disabled 0x1: Dependency is enabled	RW	0x0
4	WKUPDEP_MMC3_IPU1	Wakeup dependency from MMC3 module (SWakeup signal) towards IPU1 + L3_MAIN1 + L4PER1 + L4PER2 + L4PER3 domains 0x0: Dependency is disabled 0x1: Dependency is enabled	RW	0x0
3	WKUPDEP_MMC3_SDMA	Wakeup dependency from MMC3 module (SWakeup signal) towards SDMA + L3MAIN1 + L4PER1 + L4PER2 + L4PER3 domains 0x0: Dependency is disabled 0x1: Dependency is enabled	RW	0x0

Bits	Field Name	Description	Type	Reset
2	WKUPDEP_MMC3_DSP1	Wakeup dependency from MMC3 module (SWakeup signal) towards DSP + L3MAIN1 + L4PER1 + L4PER2 + L4PER3 domains 0x0: Dependency is disabled 0x1: Dependency is enabled	RW	0x0
1	WKUPDEP_MMC3_IPU2	Wakeup dependency from MMC3 module (SWakeup signal) towards IPU2 + L3_MAIN1 + L4PER1 + L4PER2 + L4PER3 domains 0x0: Dependency is disabled 0x1: Dependency is enabled	RW	0x0
0	WKUPDEP_MMC3_MPU	Wakeup dependency from MMC3 module (SWakeup signal) towards MPU + L3_MAIN1 + L4PER1 + L4PER2 + L4PER3 domains 0x0: Dependency is disabled 0x1: Dependency is enabled	RW	0x0

Table 3-1771. Register Call Summary for Register PM_L4PER_MMC3_WKDEP

Clock Management Functional Description

- [Clock Domain Dependency: \[0\]\[1\]\[3\]\[4\]\[5\]](#)

PRCM Register Manual

- [Not Supported Functionality \(Registers and Bits\): \[10\]\[11\]\[12\]\[13\]\[14\]](#)
- [L4PER_PRM Register Summary: \[15\]](#)

Table 3-1772. RM_L4PER_MMC3_CONTEXT

Address Offset	0x0000 0124	Instance	L4PER_PRM
Physical Address	0x4AE0 7524		
Description	This register contains dedicated MMC3 context statuses. [warm reset insensitive]		
Type	RW		

31	30	29	28	27	26	25	24	23	22	21	20	19	18	17	16	15	14	13	12	11	10	9	8	7	6	5	4	3	2	1	0
RESERVED																LOSTMEM_NONRETAINED_BANK	RESERVED										LOSTCONTEXT_DFF				

Bits	Field Name	Description	Type	Reset
31:9	RESERVED		R	0x0
8	LOSTMEM_NONRETAINED_BANK	Specify if memory-based context in NONRETAINED_BANK memory bank has been lost due to a previous power transition or other reset source. 0x0: Context has been maintained 0x1: Context has been lost	RW	0x1
7:1	RESERVED		R	0x0

Bits	Field Name	Description	Type	Reset
0	LOSTCONTEXT_DFF	Specify if DFF-based context has been lost due to a previous power transition or other reset source. (set upon assertion of L4PER_RST signal) 0x0: Context has been maintained 0x1: Context has been lost	RW	0x1

Table 3-1773. PM_L4PER_MMC4_WKDEP

Address Offset	0x0000 0128	Instance	L4PER_PRM
Physical Address	0x4AE0 7528		
Description	This register controls wakeup dependency based on MMC4 service requests.		
Type	RW		

31	30	29	28	27	26	25	24	23	22	21	20	19	18	17	16	15	14	13	12	11	10	9	8	7	6	5	4	3	2	1	0
RESERVED																WKUPDEP_MMC4_EVE4	WKUPDEP_MMC4_EVE3	WKUPDEP_MMC4_EVE2	WKUPDEP_MMC4_EVE1	WKUPDEP_MMC4_DSP2	WKUPDEP_MMC4_IPU1	WKUPDEP_MMC4_SDMA	WKUPDEP_MMC4_DSP1	WKUPDEP_MMC4_IPU2	WKUPDEP_MMC4_MPU						

Bits	Field Name	Description	Type	Reset
31:10	RESERVED		R	0x0
9	WKUPDEP_MMC4_EVE4	Wakeup dependency from MMC4 module (SWakeup signal) towards EVE4 + L3_MAIN1 + L4PER1 + L4PER2 + L4PER3 domains 0x0: Dependency is disabled 0x1: Dependency is enabled	RW	0x0
8	WKUPDEP_MMC4_EVE3	Wakeup dependency from MMC4 module (SWakeup signal) towards EVE3 + L3_MAIN1 + L4PER1 + L4PER2 + L4PER3 domains 0x0: Dependency is disabled 0x1: Dependency is enabled	RW	0x0
7	WKUPDEP_MMC4_EVE2	Wakeup dependency from MMC4 module (SWakeup signal) towards EVE2 + L3_MAIN1 + L4PER1 + L4PER2 + L4PER3 domains 0x0: Dependency is disabled 0x1: Dependency is enabled	RW	0x0
6	WKUPDEP_MMC4_EVE1	Wakeup dependency from MMC4 module (SWakeup signal) towards EVE1 + L3_MAIN1 + L4PER1 + L4PER2 + L4PER3 domains 0x0: Dependency is disabled 0x1: Dependency is enabled	RW	0x0
5	WKUPDEP_MMC4_DSP2	Wakeup dependency from MMC4 module (SWakeup signal) towards DSP2 + L3_MAIN1 + L4PER1 + L4PER2 + L4PER3 domains 0x0: Dependency is disabled 0x1: Dependency is enabled	RW	0x0

Bits	Field Name	Description	Type	Reset
4	WKUPDEP_MMC4_IPU1	Wakeup dependency from MMC4 module (SWakeup signal) towards IPU1 + L3_MAIN1 + L4PER1 + L4PER2 + L4PER3 domains 0x0: Dependency is disabled 0x1: Dependency is enabled	RW	0x0
3	WKUPDEP_MMC4_SDMA	Wakeup dependency from MMC4 module (SWakeup signal) towards SDMA + L3MAIN1 + L4PER1 + L4PER2 + L4PER3 domains 0x0: Dependency is disabled 0x1: Dependency is enabled	RW	0x0
2	WKUPDEP_MMC4_DSP1	Wakeup dependency from MMC4 module (SWakeup signal) towards DSP + L3MAIN1 + L4PER1 + L4PER2 + L4PER3 domains 0x0: Dependency is disabled 0x1: Dependency is enabled	RW	0x0
1	WKUPDEP_MMC4_IPU2	Wakeup dependency from MMC4 module (SWakeup signal) towards IPU2 + L3_MAIN1 + L4PER1 + L4PER2 + L4PER3 domains 0x0: Dependency is disabled 0x1: Dependency is enabled	RW	0x0
0	WKUPDEP_MMC4_MPU	Wakeup dependency from MMC4 module (SWakeup signal) towards MPU + L3_MAIN1 + L4PER1 + L4PER2 + L4PER3 domains 0x0: Dependency is disabled 0x1: Dependency is enabled	RW	0x0

Table 3-1774. Register Call Summary for Register PM_L4PER_MMC4_WKDEP

Clock Management Functional Description

- [Clock Domain Dependency: \[0\]\[1\]\[3\]\[4\]\[5\]](#)

PRCM Register Manual

- [Not Supported Functionality \(Registers and Bits\): \[10\]\[11\]\[12\]\[13\]\[14\]](#)
- [L4PER_PRM Register Summary: \[15\]](#)

Table 3-1775. RM_L4PER_MMC4_CONTEXT

Address Offset	0x0000 012C	Instance	L4PER_PRM
Physical Address	0x4AE0 752C		
Description	This register contains dedicated MMC4 context statuses. [warm reset insensitive]		
Type	RW		

31	30	29	28	27	26	25	24	23	22	21	20	19	18	17	16	15	14	13	12	11	10	9	8	7	6	5	4	3	2	1	0
RESERVED																LOSTMEM_NONRETAINED_BANK	RESERVED										LOSTCONTEXT_DFF				

Bits	Field Name	Description	Type	Reset
31:9	RESERVED		R	0x0
8	LOSTMEM_NONRETAINED_BANK	Specify if memory-based context in NONRETAINED_BANK memory bank has been lost due to a previous power transition or other reset source. 0x0: Context has been maintained 0x1: Context has been lost	RW	0x1
7:1	RESERVED		R	0x0
0	LOSTCONTEXT_DFF	Specify if DFF-based context has been lost due to a previous power transition or other reset source. (set upon assertion of L4PER_RST signal) 0x0: Context has been maintained 0x1: Context has been lost	RW	0x1

Table 3-1776. PM_L4PER_TIMER16_WKDEP

Address Offset	0x0000 0130	Instance	L4PER_PRM
Physical Address	0x4AE0 7530		
Description	This register controls wakeup dependency based on TIMER16 service requests.		
Type	RW		

31	30	29	28	27	26	25	24	23	22	21	20	19	18	17	16	15	14	13	12	11	10	9	8	7	6	5	4	3	2	1	0				
RESERVED																WKUPDEP_TIMER16_EVE4		WKUPDEP_TIMER16_EVE3		WKUPDEP_TIMER16_EVE2		WKUPDEP_TIMER16_EVE1		WKUPDEP_TIMER16_DSP2		WKUPDEP_TIMER16_IPU1		RESERVED		WKUPDEP_TIMER16_DSP1		WKUPDEP_TIMER16_IPU2		WKUPDEP_TIMER16_MPU	

Bits	Field Name	Description	Type	Reset
31:10	RESERVED		R	0x0
9	WKUPDEP_TIMER16_EVE4	Wakeup dependency from TIMER16 module (SWakeup IRQ signal) towards EVE4 + L3_MAIN1 + L4PER1 + L4PER2 + L4PER3 domains 0x0: Dependency is disabled 0x1: Dependency is enabled	RW	0x0
8	WKUPDEP_TIMER16_EVE3	Wakeup dependency from TIMER16 module (SWakeup IRQ signal) towards EVE3 + L3_MAIN1 + L4PER1 + L4PER2 + L4PER3 domains 0x0: Dependency is disabled 0x1: Dependency is enabled	RW	0x0
7	WKUPDEP_TIMER16_EVE2	Wakeup dependency from TIMER16 module (SWakeup IRQ signal) towards EVE2 + L3_MAIN1 + L4PER1 + L4PER2 + L4PER3 domains 0x0: Dependency is disabled 0x1: Dependency is enabled	RW	0x0
6	WKUPDEP_TIMER16_EVE1	Wakeup dependency from TIMER16 module (SWakeup IRQ signal) towards EVE1 + L3_MAIN1 + L4PER1 + L4PER2 + L4PER3 domains 0x0: Dependency is disabled 0x1: Dependency is enabled	RW	0x0

Bits	Field Name	Description	Type	Reset
5	WKUPDEP_TIMER16_DSP2	Wakeup dependency from TIMER16 module (SWakeup IRQ signal) towards DSP2 + L3_MAIN1 + L4PER1 + L4PER2 + L4PER3 domains 0x0: Dependency is disabled 0x1: Dependency is enabled	RW	0x0
4	WKUPDEP_TIMER16_IPU1	Wakeup dependency from TIMER16 module (SWakeup IRQ signal) towards IPU1 + L3_MAIN1 + L4PER1 + L4PER2 + L4PER3 domains 0x0: Dependency is disabled 0x1: Dependency is enabled	RW	0x0
3	RESERVED		R	0x0
2	WKUPDEP_TIMER16_DSP1	Wakeup dependency from TIMER16 module (SWakeup IRQ signal) towards DSP + L3_MAIN1 + L4PER1 + L4PER2 + L4PER3 domains 0x0: Dependency is disabled 0x1: Dependency is enabled	RW	0x0
1	WKUPDEP_TIMER16_IPU2	Wakeup dependency from TIMER16 module (SWakeup IRQ signal) towards IPU2 + L3_MAIN1 + L4PER1 + L4PER2 + L4PER3 domains 0x0: Dependency is disabled 0x1: Dependency is enabled	RW	0x0
0	WKUPDEP_TIMER16_MPU	Wakeup dependency from TIMER13 module (SWakeup IRQ signal) towards MPU + L3_MAIN1 + L4PER1 + L4PER2 + L4PER3 domains 0x0: Dependency is disabled 0x1: Dependency is enabled	RW	0x0

Table 3-1777. Register Call Summary for Register PM_L4PER_TIMER16_WKDEP

PRCM Register Manual

- [Not Supported Functionality \(Registers and Bits\): \[0\]\[1\]\[2\]\[3\]\[4\]](#)
- [L4PER_PRM Register Summary: \[5\]](#)

Table 3-1778. RM_L4PER3_TIMER16_CONTEXT

Address Offset	0x0000 0134		
Physical Address	0x4AE0 7534	Instance	L4PER_PRM
Description	This register contains dedicated TIMER16 context statuses. [warm reset insensitive]		
Type	RW		

31	30	29	28	27	26	25	24	23	22	21	20	19	18	17	16	15	14	13	12	11	10	9	8	7	6	5	4	3	2	1	0
RESERVED																															LOSTCONTEXT_DFF

Bits	Field Name	Description	Type	Reset
31:1	RESERVED		R	0x0
0	LOSTCONTEXT_DFF	Specify if DFF-based context has been lost due to a previous power transition or other reset source. (set upon assertion of L4PER_RST signal) 0x0: Context has been maintained 0x1: Context has been lost	RW	0x1

Table 3-1779. PM_L4PER2_QSPI_WKDEP

Address Offset	0x0000 0138	Instance	L4PER_PRM
Physical Address	0x4AE0 7538		
Description	This register controls wakeup dependency based on QSPI service requests.		
Type	RW		

31	30	29	28	27	26	25	24	23	22	21	20	19	18	17	16	15	14	13	12	11	10	9	8	7	6	5	4	3	2	1	0				
RESERVED																WKUPDEP_QSPI_EVE4		WKUPDEP_QSPI_EVE3		WKUPDEP_QSPI_EVE2		WKUPDEP_QSPI_EVE1		WKUPDEP_QSPI_DSP2		WKUPDEP_QSPI_IPU1		RESERVED		WKUPDEP_QSPI_DSP1		WKUPDEP_QSPI_IPU2		WKUPDEP_QSPI_MPU	

Bits	Field Name	Description	Type	Reset
31:10	RESERVED		R	0x0
9	WKUPDEP_QSPI_EVE4	Wakeup dependency from QSPI module (SWakeup IRQ signal) towards EVE4 + L3_MAIN1 + L4PER1 + L4PER2 + L4PER3 domains 0x0: Dependency is disabled 0x1: Dependency is enabled	RW	0x0
8	WKUPDEP_QSPI_EVE3	Wakeup dependency from QSPI module (SWakeup IRQ signal) towards EVE3 + L3_MAIN1 + L4PER1 + L4PER2 + L4PER3 domains 0x0: Dependency is disabled 0x1: Dependency is enabled	RW	0x0
7	WKUPDEP_QSPI_EVE2	Wakeup dependency from QSPI module (SWakeup IRQ signal) towards EVE2 + L3_MAIN1 + L4PER1 + L4PER2 + L4PER3 domains 0x0: Dependency is disabled 0x1: Dependency is enabled	RW	0x0
6	WKUPDEP_QSPI_EVE1	Wakeup dependency from QSPI module (SWakeup IRQ signal) towards EVE1 + L3_MAIN1 + L4PER1 + L4PER2 + L4PER3 domains 0x0: Dependency is disabled 0x1: Dependency is enabled	RW	0x0
5	WKUPDEP_QSPI_DSP2	Wakeup dependency from QSPI module (SWakeup IRQ signal) towards DSP2 + L3_MAIN1 + L4PER1 + L4PER2 + L4PER3 domains 0x0: Dependency is disabled 0x1: Dependency is enabled	RW	0x0

Bits	Field Name	Description	Type	Reset
4	WKUPDEP_QSPI_IPU1	Wakeup dependency from QSPI module (SWakeup IRQ signal) towards IPU1 + L3_MAIN1 + L4PER1 + L4PER2 + L4PER3 domains 0x0: Dependency is disabled 0x1: Dependency is enabled	RW	0x0
3	RESERVED		R	0x0
2	WKUPDEP_QSPI_DSP1	Wakeup dependency from QSPI module (SWakeup IRQ signal) towards DSP + L3MAIN1 + L4PER1 + L4PER2 + L4PER3 domains 0x0: Dependency is disabled 0x1: Dependency is enabled	RW	0x0
1	WKUPDEP_QSPI_IPU2	Wakeup dependency from QSPI module (SWakeup IRQ signal) towards IPU2 + L3_MAIN1 + L4PER1 + L4PER2 + L4PER3 domains 0x0: Dependency is disabled 0x1: Dependency is enabled	RW	0x0
0	WKUPDEP_QSPI_MPU	Wakeup dependency from QSPI module (SWakeup IRQ signal) towards MPU + L3_MAIN1 + L4PER1 + L4PER2 + L4PER3 domains 0x0: Dependency is disabled 0x1: Dependency is enabled	RW	0x0

Table 3-1780. Register Call Summary for Register PM_L4PER2_QSPI_WKDEP

Clock Management Functional Description

- [Clock Domain Dependency: \[0\]\[1\]\[3\]\[4\]](#)

PRCM Register Manual

- [Not Supported Functionality \(Registers and Bits\): \[9\]\[10\]\[11\]\[12\]\[13\]](#)
- [L4PER_PRM Register Summary: \[14\]](#)

Table 3-1781. RM_L4PER2_QSPI_CONTEXT

Address Offset	0x0000 013C	Instance	L4PER_PRM
Physical Address	0x4AE0 753C		
Description	This register contains dedicated QSPI context statuses. [warm reset insensitive]		
Type	RW		

31	30	29	28	27	26	25	24	23	22	21	20	19	18	17	16	15	14	13	12	11	10	9	8	7	6	5	4	3	2	1	0
RESERVED																LOSTCONTEXT_DFF															

Bits	Field Name	Description	Type	Reset
31:1	RESERVED		R	0x0
0	LOSTCONTEXT_DFF	Specify if DFF-based context has been lost due to a previous power transition or other reset source. (set upon assertion of CORE_RET_RST signal) 0x0: Context has been maintained 0x1: Context has been lost	RW	0x1

Table 3-1782. PM_L4PER_UART1_WKDEP

Address Offset	0x0000 0140	Instance	L4PER_PRM
Physical Address	0x4AE0 7540		
Description	This register controls wakeup dependency based on UART1 service requests.		
Type	RW		

31	30	29	28	27	26	25	24	23	22	21	20	19	18	17	16	15	14	13	12	11	10	9	8	7	6	5	4	3	2	1	0
RESERVED																WKUPDEP_UART1_EVE4	WKUPDEP_UART1_EVE3	WKUPDEP_UART1_EVE2	WKUPDEP_UART1_EVE1	WKUPDEP_UART1_DSP2	WKUPDEP_UART1_IPU1	WKUPDEP_UART1_SDMA	WKUPDEP_UART1_DSP1	WKUPDEP_UART1_IPU2	WKUPDEP_UART1_MPU						

Bits	Field Name	Description	Type	Reset
31:10	RESERVED		R	0x0
9	WKUPDEP_UART1_EVE4	Wakeup dependency from UART1 module (SWakeup signal) towards EVE4 + L3_MAIN1 + L4PER1 + L4PER2 + L4PER3 domains 0x0: Dependency is disabled 0x1: Dependency is enabled	RW	0x0
8	WKUPDEP_UART1_EVE3	Wakeup dependency from UART1 module (SWakeup signal) towards EVE3 + L3_MAIN1 + L4PER1 + L4PER2 + L4PER3 domains 0x0: Dependency is disabled 0x1: Dependency is enabled	RW	0x0
7	WKUPDEP_UART1_EVE2	Wakeup dependency from UART1 module (SWakeup signal) towards EVE2 + L3_MAIN1 + L4PER1 + L4PER2 + L4PER3 domains 0x0: Dependency is disabled 0x1: Dependency is enabled	RW	0x0
6	WKUPDEP_UART1_EVE1	Wakeup dependency from UART1 module (SWakeup signal) towards EVE1 + L3_MAIN1 + L4PER1 + L4PER2 + L4PER3 domains 0x0: Dependency is disabled 0x1: Dependency is enabled	RW	0x0
5	WKUPDEP_UART1_DSP2	Wakeup dependency from UART1 module (SWakeup signal) towards DSP2 + L3_MAIN1 + L4PER1 + L4PER2 + L4PER3 domains 0x0: Dependency is disabled 0x1: Dependency is enabled	RW	0x0
4	WKUPDEP_UART1_IPU1	Wakeup dependency from UART1 module (SWakeup signal) towards IPU1 + L3_MAIN1 + L4PER1 + L4PER2 + L4PER3 domains 0x0: Dependency is disabled 0x1: Dependency is enabled	RW	0x0
3	WKUPDEP_UART1_SDMA	Wakeup dependency from UART1 module (SWakeup signal) towards SDMA + L3MAIN1 + L4PER1 + L4PER2 + L4PER3 domains 0x0: Dependency is disabled 0x1: Dependency is enabled	RW	0x0

Bits	Field Name	Description	Type	Reset
2	WKUPDEP_UART1_DSP1	Wakeup dependency from UART1 module (SWakeup signal) towards DSP + L3MAIN1 + L4PER1 + L4PER2 + L4PER3 domains 0x0: Dependency is disabled 0x1: Dependency is enabled	RW	0x0
1	WKUPDEP_UART1_IPU2	Wakeup dependency from UART1 module (SWakeup signal) towards IPU2 + L3_MAIN1 + L4PER1 + L4PER2 + L4PER3 domains 0x0: Dependency is disabled 0x1: Dependency is enabled	RW	0x0
0	WKUPDEP_UART1_MPU	Wakeup dependency from UART1 module (SWakeup signal) towards MPU + L3_MAIN1 + L4PER1 + L4PER2 + L4PER3 domains 0x0: Dependency is disabled 0x1: Dependency is enabled	RW	0x0

Table 3-1783. Register Call Summary for Register PM_L4PER_UART1_WKDEP

Clock Management Functional Description

- [Clock Domain Dependency: \[0\]\[1\]\[3\]\[4\]\[5\]](#)

PRCM Register Manual

- [Not Supported Functionality \(Registers and Bits\): \[10\]\[11\]\[12\]\[13\]\[14\]](#)
- [L4PER_PRM Register Summary: \[15\]](#)

Table 3-1784. RM_L4PER_UART1_CONTEXT

Address Offset	0x0000 0144	Instance	L4PER_PRM
Physical Address	0x4AE0 7544		
Description	This register contains dedicated UART1 context statuses. [warm reset insensitive]		
Type	RW		

31	30	29	28	27	26	25	24	23	22	21	20	19	18	17	16	15	14	13	12	11	10	9	8	7	6	5	4	3	2	1	0
RESERVED																LOSTMEM_RETAINED_BANK	RESERVED										LOSTCONTEXT_RFF	RESERVED			

Bits	Field Name	Description	Type	Reset
31:9	RESERVED		R	0x0
8	LOSTMEM_RETAINED_BANK	Specify if memory-based context in RETAINED_BANK memory bank has been lost due to a previous power transition or other reset source. 0x0: Context has been maintained 0x1: Context has been lost	RW	0x1
7:2	RESERVED		R	0x0

Bits	Field Name	Description	Type	Reset
1	LOSTCONTEXT_RFF	Specify if RFF-based context has been lost due to a previous power transition or other reset source. (set upon assertion of L4PER_RET_RST signal) 0x0: Context has been maintained 0x1: Context has been lost	RW	0x1
0	RESERVED		R	0x0

Table 3-1785. PM_L4PER_UART2_WKDEP

Address Offset	0x0000 0148	Instance	L4PER_PRM
Physical Address	0x4AE0 7548		
Description	This register controls wakeup dependency based on UART2 service requests.		
Type	RW		

31	30	29	28	27	26	25	24	23	22	21	20	19	18	17	16	15	14	13	12	11	10	9	8	7	6	5	4	3	2	1	0				
RESERVED																WKUPDEP_UART2_EVE4		WKUPDEP_UART2_EVE3		WKUPDEP_UART2_EVE2		WKUPDEP_UART2_EVE1		WKUPDEP_UART2_DSP2		WKUPDEP_UART2_IPU1		WKUPDEP_UART2_SDMA		WKUPDEP_UART2_DSP1		WKUPDEP_UART2_IPU2		WKUPDEP_UART2_MPU	

Bits	Field Name	Description	Type	Reset
31:10	RESERVED		R	0x0
9	WKUPDEP_UART2_EVE4	Wakeup dependency from UART2 module (SWakeup signal) towards EVE4 + L3_MAIN1 + L4PER1 + L4PER2 + L4PER3 domains 0x0: Dependency is disabled 0x1: Dependency is enabled	RW	0x0
8	WKUPDEP_UART2_EVE3	Wakeup dependency from UART2 module (SWakeup signal) towards EVE3 + L3_MAIN1 + L4PER1 + L4PER2 + L4PER3 domains 0x0: Dependency is disabled 0x1: Dependency is enabled	RW	0x0
7	WKUPDEP_UART2_EVE2	Wakeup dependency from UART2 module (SWakeup signal) towards EVE2 + L3_MAIN1 + L4PER1 + L4PER2 + L4PER3 domains 0x0: Dependency is disabled 0x1: Dependency is enabled	RW	0x0
6	WKUPDEP_UART2_EVE1	Wakeup dependency from UART2 module (SWakeup signal) towards EVE1 + L3_MAIN1 + L4PER1 + L4PER2 + L4PER3 domains 0x0: Dependency is disabled 0x1: Dependency is enabled	RW	0x0
5	WKUPDEP_UART2_DSP2	Wakeup dependency from UART2 module (SWakeup signal) towards DSP2 + L3_MAIN1 + L4PER1 + L4PER2 + L4PER3 domains 0x0: Dependency is disabled 0x1: Dependency is enabled	RW	0x0

Bits	Field Name	Description	Type	Reset
4	WKUPDEP_UART2_IPU1	Wakeup dependency from UART2 module (SWakeup signal) towards IPU1 + L3_MAIN1 + L4PER1 + L4PER2 + L4PER3 domains 0x0: Dependency is disabled 0x1: Dependency is enabled	RW	0x0
3	WKUPDEP_UART2_SDMA	2Wakeup dependency from UART1 module (SWakeup signal) towards SDMA + L3MAIN1 + L4PER1 + L4PER2 + L4PER3 domains 0x0: Dependency is disabled 0x1: Dependency is enabled	RW	0x0
2	WKUPDEP_UART2_DSP1	Wakeup dependency from UART2 module (SWakeup signal) towards DSP + L3MAIN1 + L4PER1 + L4PER2 + L4PER3 domains 0x0: Dependency is disabled 0x1: Dependency is enabled	RW	0x0
1	WKUPDEP_UART2_IPU2	Wakeup dependency from UART2 module (SWakeup signal) towards IPU2 + L3_MAIN1 + L4PER1 + L4PER2 + L4PER3 domains 0x0: Dependency is disabled 0x1: Dependency is enabled	RW	0x0
0	WKUPDEP_UART2_MPU	Wakeup dependency from UART2 module (SWakeup signal) towards MPU + L3_MAIN1 + L4PER1 + L4PER2 + L4PER3 domains 0x0: Dependency is disabled 0x1: Dependency is enabled	RW	0x0

Table 3-1786. Register Call Summary for Register PM_L4PER_UART2_WKDEP

Clock Management Functional Description

- [Clock Domain Dependency: \[0\]\[1\]\[3\]\[4\]\[5\]](#)

PRCM Register Manual

- [Not Supported Functionality \(Registers and Bits\): \[10\]\[11\]\[12\]\[13\]\[14\]](#)
- [L4PER_PRM Register Summary: \[15\]](#)

Table 3-1787. RM_L4PER_UART2_CONTEXT

Address Offset	0x0000 014C	Instance	L4PER_PRM
Physical Address	0x4AE0 754C		
Description	This register contains dedicated UART2 context statuses. [warm reset insensitive]		
Type	RW		

31	30	29	28	27	26	25	24	23	22	21	20	19	18	17	16	15	14	13	12	11	10	9	8	7	6	5	4	3	2	1	0
RESERVED																LOSTMEM_RETAINED_BANK	RESERVED							LOSTCONTEXT_RFF	RESERVED						

Bits	Field Name	Description	Type	Reset
31:9	RESERVED		R	0x0
8	LOSTMEM_RETAINED_BANK	Specify if memory-based context in RETAINED_BANK memory bank has been lost due to a previous power transition or other reset source. 0x0: Context has been maintained 0x1: Context has been lost	RW	0x1
7:2	RESERVED		R	0x0
1	LOSTCONTEXT_RFF	Specify if RFF-based context has been lost due to a previous power transition or other reset source. (set upon assertion of L4PER_RET_RST signal) 0x0: Context has been maintained 0x1: Context has been lost	RW	0x1
0	RESERVED		R	0x0

Table 3-1788. PM_L4PER_UART3_WKDEP

Address Offset	0x0000 0150	Instance	L4PER_PRM
Physical Address	0x4AE0 7550		
Description	This register controls wakeup dependency based on UART3 service requests.		
Type	RW		

31	30	29	28	27	26	25	24	23	22	21	20	19	18	17	16	15	14	13	12	11	10	9	8	7	6	5	4	3	2	1	0				
RESERVED																WKUPDEP_UART3_EVE4		WKUPDEP_UART3_EVE3		WKUPDEP_UART3_EVE2		WKUPDEP_UART3_EVE1		WKUPDEP_UART3_DSP2		WKUPDEP_UART3_IPU1		WKUPDEP_UART3_SDMA		WKUPDEP_UART3_DSP1		WKUPDEP_UART3_IPU2		WKUPDEP_UART3_MPU	

Bits	Field Name	Description	Type	Reset
31:10	RESERVED		R	0x0
9	WKUPDEP_UART3_EVE4	Wakeup dependency from UART3 module (SWakeup signal) towards EVE4 + L3_MAIN1 + L4PER1 + L4PER2 + L4PER3 domains 0x0: Dependency is disabled 0x1: Dependency is enabled	RW	0x0
8	WKUPDEP_UART3_EVE3	Wakeup dependency from UART3 module (SWakeup signal) towards EVE3 + L3_MAIN1 + L4PER1 + L4PER2 + L4PER3 domains 0x0: Dependency is disabled 0x1: Dependency is enabled	RW	0x0
7	WKUPDEP_UART3_EVE2	Wakeup dependency from UART3 module (SWakeup signal) towards EVE2 + L3_MAIN1 + L4PER1 + L4PER2 + L4PER3 domains 0x0: Dependency is disabled 0x1: Dependency is enabled	RW	0x0
6	WKUPDEP_UART3_EVE1	Wakeup dependency from UART3 module (SWakeup signal) towards EVE1 + L3_MAIN1 + L4PER1 + L4PER2 + L4PER3 domains 0x0: Dependency is disabled 0x1: Dependency is enabled	RW	0x0

Bits	Field Name	Description	Type	Reset
5	WKUPDEP_UART3_DSP2	Wakeup dependency from UART3 module (SWakeup signal) towards DSP2 + L3_MAIN1 + L4PER1 + L4PER2 + L4PER3 domains 0x0: Dependency is disabled 0x1: Dependency is enabled	RW	0x0
4	WKUPDEP_UART3_IPU1	Wakeup dependency from UART3 module (SWakeup signal) towards IPU1 + L3_MAIN1 + L4PER1 + L4PER2 + L4PER3 domains 0x0: Dependency is disabled 0x1: Dependency is enabled	RW	0x0
3	WKUPDEP_UART3_SDMA	Wakeup dependency from UART3 module (SWakeup signal) towards SDMA + L3MAIN1 + L4PER1 + L4PER2 + L4PER3 domains 0x0: Dependency is disabled 0x1: Dependency is enabled	RW	0x0
2	WKUPDEP_UART3_DSP1	Wakeup dependency from UART3 module (SWakeup signal) towards DSP + L3MAIN1 + L4PER1 + L4PER2 + L4PER3 domains 0x0: Dependency is disabled 0x1: Dependency is enabled	RW	0x0
1	WKUPDEP_UART3_IPU2	Wakeup dependency from UART3 module (SWakeup signal) towards IPU2 + L3_MAIN1 + L4PER1 + L4PER2 + L4PER3 domains 0x0: Dependency is disabled 0x1: Dependency is enabled	RW	0x0
0	WKUPDEP_UART3_MPU	Wakeup dependency from UART3 module (SWakeup signal) towards MPU + L3_MAIN1 + L4PER1 + L4PER2 + L4PER3 domains 0x0: Dependency is disabled 0x1: Dependency is enabled	RW	0x0

Table 3-1789. Register Call Summary for Register PM_L4PER_UART3_WKDEP

Clock Management Functional Description

- [Clock Domain Dependency: \[0\]\[1\]\[3\]\[4\]\[5\]](#)

PRCM Register Manual

- [Not Supported Functionality \(Registers and Bits\): \[10\]\[11\]\[12\]\[13\]\[14\]](#)
- [L4PER_PRM Register Summary: \[15\]](#)

Table 3-1790. RM_L4PER_UART3_CONTEXT

Address Offset	0x0000 0154	Instance	L4PER_PRM
Physical Address	0x4AE0 7554		
Description	This register contains dedicated UART3 context statuses. [warm reset insensitive]		
Type	RW		

31	30	29	28	27	26	25	24	23	22	21	20	19	18	17	16	15	14	13	12	11	10	9	8	7	6	5	4	3	2	1	0
RESERVED																LOSTMEM_RETAINED_BANK	RESERVED						LOSTCONTEXT_RFF	RESERVED							

Bits	Field Name	Description	Type	Reset
31:9	RESERVED		R	0x0
8	LOSTMEM_RETAINED_BANK	Specify if memory-based context in RETAINED_BANK memory bank has been lost due to a previous power transition or other reset source. 0x0: Context has been maintained 0x1: Context has been lost	RW	0x1
7:2	RESERVED		R	0x0
1	LOSTCONTEXT_RFF	Specify if RFF-based context has been lost due to a previous power transition or other reset source. (set upon assertion of L4PER_RET_RST signal) 0x0: Context has been maintained 0x1: Context has been lost	RW	0x1
0	RESERVED		R	0x0

Table 3-1791. PM_L4PER_UART4_WKDEP

Address Offset	0x0000 0158	Instance	L4PER_PRM
Physical Address	0x4AE0 7558		
Description	This register controls wakeup dependency based on UART4 service requests.		
Type	RW		

31	30	29	28	27	26	25	24	23	22	21	20	19	18	17	16	15	14	13	12	11	10	9	8	7	6	5	4	3	2	1	0
RESERVED																WKUPDEP_UART4_EVE4	WKUPDEP_UART4_EVE3	WKUPDEP_UART4_EVE2	WKUPDEP_UART4_EVE1	WKUPDEP_UART4_DSP2	WKUPDEP_UART4_IPU1	WKUPDEP_UART4_SDMA	WKUPDEP_UART4_DSP1	WKUPDEP_UART4_IPU2	WKUPDEP_UART4_MPU						

Bits	Field Name	Description	Type	Reset
31:10	RESERVED		R	0x0
9	WKUPDEP_UART4_EVE4	Wakeup dependency from UART4 module (SWakeup signal) towards EVE4 + L3_MAIN1 + L4PER1 + L4PER2 + L4PER3 domains 0x0: Dependency is disabled 0x1: Dependency is enabled	RW	0x0
8	WKUPDEP_UART4_EVE3	Wakeup dependency from UART4 module (SWakeup signal) towards EVE3 + L3_MAIN1 + L4PER1 + L4PER2 + L4PER3 domains 0x0: Dependency is disabled 0x1: Dependency is enabled	RW	0x0
7	WKUPDEP_UART4_EVE2	Wakeup dependency from UART4 module (SWakeup signal) towards EVE2 + L3_MAIN1 + L4PER1 + L4PER2 + L4PER3 domains 0x0: Dependency is disabled 0x1: Dependency is enabled	RW	0x0
6	WKUPDEP_UART4_EVE1	Wakeup dependency from UART4 module (SWakeup signal) towards EVE1 + L3_MAIN1 + L4PER1 + L4PER2 + L4PER3 domains 0x0: Dependency is disabled 0x1: Dependency is enabled	RW	0x0
5	WKUPDEP_UART4_DSP2	Wakeup dependency from UART4 module (SWakeup signal) towards DSP2 + L3_MAIN1 + L4PER1 + L4PER2 + L4PER3 domains 0x0: Dependency is disabled 0x1: Dependency is enabled	RW	0x0
4	WKUPDEP_UART4_IPU1	Wakeup dependency from UART4 module (SWakeup signal) towards IPU1 + L3_MAIN1 + L4PER1 + L4PER2 + L4PER3 domains 0x0: Dependency is disabled 0x1: Dependency is enabled	RW	0x0
3	WKUPDEP_UART4_SDMA	Wakeup dependency from UART4 module (SWakeup signal) towards SDMA + L3MAIN1 + L4PER1 + L4PER2 + L4PER3 domains 0x0: Dependency is disabled 0x1: Dependency is enabled	RW	0x0
2	WKUPDEP_UART4_DSP1	Wakeup dependency from UART4 module (SWakeup signal) towards DSP + L3MAIN1 + L4PER1 + L4PER2 + L4PER3 domains 0x0: Dependency is disabled 0x1: Dependency is enabled	RW	0x0
1	WKUPDEP_UART4_IPU2	Wakeup dependency from UART4 module (SWakeup signal) towards IPU2 + L3_MAIN1 + L4PER1 + L4PER2 + L4PER3 domains 0x0: Dependency is disabled 0x1: Dependency is enabled	RW	0x0
0	WKUPDEP_UART4_MPU	Wakeup dependency from UART4 module (SWakeup signal) towards MPU + L3_MAIN1 + L4PER1 + L4PER2 + L4PER3 domains 0x0: Dependency is disabled 0x1: Dependency is enabled	RW	0x0

Table 3-1792. Register Call Summary for Register PM_L4PER_UART4_WKDEP

Clock Management Functional Description

- [Clock Domain Dependency: \[0\]\[1\]\[3\]\[4\]\[5\]](#)

PRCM Register Manual

- [Not Supported Functionality \(Registers and Bits\): \[10\]\[11\]\[12\]\[13\]\[14\]](#)
- [L4PER_PRM Register Summary: \[15\]](#)

Table 3-1793. RM_L4PER_UART4_CONTEXT

Address Offset	0x0000 015C	Instance	L4PER_PRM
Physical Address	0x4AE0 755C		
Description	This register contains dedicated UART4 context statuses. [warm reset insensitive]		
Type	RW		

31	30	29	28	27	26	25	24	23	22	21	20	19	18	17	16	15	14	13	12	11	10	9	8	7	6	5	4	3	2	1	0
RESERVED																LOSTMEM_RETAINED_BANK	RESERVED						LOSTCONTEXT_RFF	RESERVED							

Bits	Field Name	Description	Type	Reset
31:9	RESERVED		R	0x0
8	LOSTMEM_RETAINED_BANK	Specify if memory-based context in RETAINED_BANK memory bank has been lost due to a previous power transition or other reset source. 0x0: Context has been maintained 0x1: Context has been lost	RW	0x1
7:2	RESERVED		R	0x0
1	LOSTCONTEXT_RFF	Specify if RFF-based context has been lost due to a previous power transition or other reset source. (set upon assertion of L4PER_RET_RST signal) 0x0: Context has been maintained 0x1: Context has been lost	RW	0x1
0	RESERVED		R	0x0

Table 3-1794. PM_L4PER2_MCASP2_WKDEP

Address Offset	0x0000 0160	Instance	L4PER_PRM
Physical Address	0x4AE0 7560		
Description	This register controls wakeup dependency based on MCASP2 service requests.		
Type	RW		

31	30	29	28	27	26	25	24	23	22	21	20	19	18	17	16	15	14	13	12	11	10	9	8	7	6	5	4	3	2	1	0
RESERVED																WKUPDEP_MCASP2_DMA_DSP2	RESERVED	WKUPDEP_MCASP2_DMA_SDMA	WKUPDEP_MCASP2_DMA_DSP1	RESERVED	WKUPDEP_MCASP2_IRQ_EVE4	WKUPDEP_MCASP2_IRQ_EVE3	WKUPDEP_MCASP2_IRQ_EVE2	WKUPDEP_MCASP2_IRQ_EVE1	WKUPDEP_MCASP2_IRQ_DSP2	WKUPDEP_MCASP2_IRQ_IPU1	RESERVED	WKUPDEP_MCASP2_IRQ_DSP1	WKUPDEP_MCASP2_IRQ_IPU2	WKUPDEP_MCASP2_IRQ_MPU	

Bits	Field Name	Description	Type	Reset
31:16	RESERVED		R	0x0
15	WKUPDEP_MCASP2_DMA_DSP2	Wakeup dependency from MCASP2 module (SWakeup_dma signal) towards DSP2 + L3_MAIN1 + L4PER1 + L4PER2 + L4PER3 domains 0x0: Dependency is disabled 0x1: Dependency is enabled	RW	0x1
14	RESERVED		R	0x0
13	WKUPDEP_MCASP2_DMA_SDMA	Wakeup dependency from MCASP2 module (SWakeup_dma signal) towards SDMA + L3MAIN1 + L4PER1 + L4PER2 + L4PER3 domains 0x0: Dependency is disabled 0x1: Dependency is enabled	RW	0x1
12	WKUPDEP_MCASP2_DMA_DSP1	Wakeup dependency from MCASP2 module (SWakeup_dma signal) towards DSP + L3MAIN1 + L4PER1 + L4PER2 + L4PER3 domains 0x0: Dependency is disabled 0x1: Dependency is enabled	RW	0x1
11:10	RESERVED		R	0x0
9	WKUPDEP_MCASP2_IRQ_EVE4	Wakeup dependency from MCASP2 module (SWakeup_IRQ signal) towards EVE4 + L3_MAIN1 + L4PER1 + L4PER2 + L4PER3 domains 0x0: Dependency is disabled 0x1: Dependency is enabled	RW	0x0
8	WKUPDEP_MCASP2_IRQ_EVE3	Wakeup dependency from MCASP2 module (SWakeup_IRQ signal) towards EVE3 + L3_MAIN1 + L4PER1 + L4PER2 + L4PER3 domains 0x0: Dependency is disabled 0x1: Dependency is enabled	RW	0x0
7	WKUPDEP_MCASP2_IRQ_EVE2	Wakeup dependency from MCASP2 module (SWakeup_IRQ signal) towards EVE2 + L3_MAIN1 + L4PER1 + L4PER2 + L4PER3 domains 0x0: Dependency is disabled 0x1: Dependency is enabled	RW	0x0

Bits	Field Name	Description	Type	Reset
6	WKUPDEP_MCASP2_IRQ_EVE 1	Wakeup dependency from MCASP2 module (SWakeup IRQ signal) towards EVE1 + L3_MAIN1 + L4PER1 + L4PER2 + L4PER3 domains 0x0: Dependency is disabled 0x1: Dependency is enabled	RW	0x0
5	WKUPDEP_MCASP2_IRQ_DSP 2	Wakeup dependency from MCASP2 module (SWakeup IRQ signal) towards DSP2 + L3_MAIN1 + L4PER1 + L4PER2 + L4PER3 domains 0x0: Dependency is disabled 0x1: Dependency is enabled	RW	0x0
4	WKUPDEP_MCASP2_IRQ_IPU1	Wakeup dependency from MCASP2 module (SWakeup IRQ signal) towards IPU1 + L3_MAIN1 + L4PER1 + L4PER2 + L4PER3 domains 0x0: Dependency is disabled 0x1: Dependency is enabled	RW	0x0
3	RESERVED		R	0x0
2	WKUPDEP_MCASP2_IRQ_DSP 1	Wakeup dependency from MCASP2 module (SWakeup IRQ signal) towards DSP + L3_MAIN1 + L4PER1 + L4PER2 + L4PER3 domains 0x0: Dependency is disabled 0x1: Dependency is enabled	RW	0x0
1	WKUPDEP_MCASP2_IRQ_IPU2	Wakeup dependency from MCASP2 module (SWakeup IRQ signal) towards IPU2 + L3_MAIN1 + L4PER1 + L4PER2 + L4PER3 domains 0x0: Dependency is disabled 0x1: Dependency is enabled	RW	0x0
0	WKUPDEP_MCASP2_IRQ_MPU	Wakeup dependency from MCASP2 module (SWakeup IRQ signal) towards MPU + L3_MAIN1 + L4PER1 + L4PER2 + L4PER3 domains 0x0: Dependency is disabled 0x1: Dependency is enabled	RW	0x0

Table 3-1795. Register Call Summary for Register PM_L4PER2_MCASP2_WKDEP

Clock Management Functional Description

- [Clock Domain Dependency: \[0\]\[1\]\[3\]\[4\]\[6\]\[7\]](#)

PRCM Register Manual

- [Not Supported Functionality \(Registers and Bits\): \[12\]\[13\]\[14\]\[15\]\[16\]\[17\]](#)
- [L4PER_PRM Register Summary: \[18\]](#)

Table 3-1796. RM_L4PER2_MCASP2_CONTEXT

Address Offset	0x0000 0164	Instance	L4PER_PRM
Physical Address	0x4AE0 7564		
Description	This register contains dedicated MCASP2 context statuses. [warm reset insensitive]		
Type	RW		

31	30	29	28	27	26	25	24	23	22	21	20	19	18	17	16	15	14	13	12	11	10	9	8	7	6	5	4	3	2	1	0	
RESERVED																																LOSTCONTEXT_DFF

Bits	Field Name	Description	Type	Reset
31:1	RESERVED		R	0x0
0	LOSTCONTEXT_DFF	Specify if DFF-based context has been lost due to a previous power transition or other reset source. (set upon assertion of L4PER_RST signal) 0x0: Context has been maintained 0x1: Context has been lost	RW	0x1

Table 3-1797. PM_L4PER2_MCASP3_WKDEP

Address Offset	0x0000 0168	Instance	L4PER_PRM
Physical Address	0x4AE0 7568		
Description	This register controls wakeup dependency based on MCASP3 service requests.		
Type	RW		

31	30	29	28	27	26	25	24	23	22	21	20	19	18	17	16	15	14	13	12	11	10	9	8	7	6	5	4	3	2	1	0																
RESERVED																WKUPDEP_MCASP3_DMA_DSP2	RESERVED	WKUPDEP_MCASP3_DMA_SDMA	WKUPDEP_MCASP3_DMA_DSP1	RESERVED	WKUPDEP_MCASP3_IRQ_EVE4	WKUPDEP_MCASP3_IRQ_EVE3	WKUPDEP_MCASP3_IRQ_EVE2	WKUPDEP_MCASP3_IRQ_EVE1	WKUPDEP_MCASP3_IRQ_DSP2	WKUPDEP_MCASP3_IRQ_IPU1	RESERVED	WKUPDEP_MCASP3_IRQ_DSP1	WKUPDEP_MCASP3_IRQ_IPU2	WKUPDEP_MCASP3_IRQ_MPU																	

Bits	Field Name	Description	Type	Reset
31:16	RESERVED		R	0x0
15	WKUPDEP_MCASP3_DMA_DSP2	Wakeup dependency from MCASP3 module (SWakeup_dma signal) towards DSP2 + L3_MAIN1 + L4PER1 + L4PER2 + L4PER3 domains 0x0: Dependency is disabled 0x1: Dependency is enabled	RW	0x1
14	RESERVED		R	0x0
13	WKUPDEP_MCASP3_DMA_SDMA	Wakeup dependency from MCASP3 module (SWakeup_dma signal) towards SDMA + L3MAIN1 + L4PER1 + L4PER2 + L4PER3 domains 0x0: Dependency is disabled 0x1: Dependency is enabled	RW	0x1
12	WKUPDEP_MCASP3_DMA_DSP1	3Wakeup dependency from MCASP2 module (SWakeup_dma signal) towards DSP + L3MAIN1 + L4PER1 + L4PER2 + L4PER3 domains 0x0: Dependency is disabled 0x1: Dependency is enabled	RW	0x1
11:10	RESERVED		R	0x0
9	WKUPDEP_MCASP3_IRQ_EVE4	Wakeup dependency from MCASP3 module (SWakeup_IRQ signal) towards EVE4 + L3_MAIN1 + L4PER1 + L4PER2 + L4PER3 domains 0x0: Dependency is disabled 0x1: Dependency is enabled	RW	0x0

Bits	Field Name	Description	Type	Reset
8	WKUPDEP_MCASP3_IRQ_EVE 3	Wakeup dependency from MCASP3 module (SWakeup IRQ signal) towards EVE3 + L3_MAIN1 + L4PER1 + L4PER2 + L4PER3 domains 0x0: Dependency is disabled 0x1: Dependency is enabled	RW	0x0
7	WKUPDEP_MCASP3_IRQ_EVE 2	Wakeup dependency from MCASP3 module (SWakeup IRQ signal) towards EVE2 + L3_MAIN1 + L4PER1 + L4PER2 + L4PER3 domains 0x0: Dependency is disabled 0x1: Dependency is enabled	RW	0x0
6	WKUPDEP_MCASP3_IRQ_EVE 1	Wakeup dependency from MCASP3 module (SWakeup IRQ signal) towards EVE1 + L3_MAIN1 + L4PER1 + L4PER2 + L4PER3 domains 0x0: Dependency is disabled 0x1: Dependency is enabled	RW	0x0
5	WKUPDEP_MCASP3_IRQ_DSP 2	Wakeup dependency from MCASP3 module (SWakeup IRQ signal) towards DSP2 + L3_MAIN1 + L4PER1 + L4PER2 + L4PER3 domains 0x0: Dependency is disabled 0x1: Dependency is enabled	RW	0x0
4	WKUPDEP_MCASP3_IRQ_IPU1	Wakeup dependency from MCASP3 module (SWakeup IRQ signal) towards IPU1 + L3_MAIN1 + L4PER1 + L4PER2 + L4PER3 domains 0x0: Dependency is disabled 0x1: Dependency is enabled	RW	0x0
3	RESERVED		R	0x0
2	WKUPDEP_MCASP3_IRQ_DSP 1	Wakeup dependency from MCASP3 module (SWakeup IRQ signal) towards DSP + L3_MAIN1 + L4PER1 + L4PER2 + L4PER3 domains 0x0: Dependency is disabled 0x1: Dependency is enabled	RW	0x0
1	WKUPDEP_MCASP3_IRQ_IPU2	Wakeup dependency from MCASP3 module (SWakeup IRQ signal) towards IPU2 + L3_MAIN1 + L4PER1 + L4PER2 + L4PER3 domains 0x0: Dependency is disabled 0x1: Dependency is enabled	RW	0x0
0	WKUPDEP_MCASP3_IRQ_MPU	Wakeup dependency from MCASP3 module (SWakeup IRQ signal) towards MPU + L3_MAIN1 + L4PER1 + L4PER2 + L4PER3 domains 0x0: Dependency is disabled 0x1: Dependency is enabled	RW	0x0

Table 3-1798. Register Call Summary for Register PM_L4PER2_MCASP3_WKDEP

Clock Management Functional Description

- [Clock Domain Dependency: \[0\]\[1\]\[3\]\[4\]\[6\]\[7\]](#)

PRCM Register Manual

- [Not Supported Functionality \(Registers and Bits\): \[12\]\[13\]\[14\]\[15\]\[16\]\[17\]](#)
- [L4PER_PRM Register Summary: \[18\]](#)

Table 3-1799. RM_L4PER2_MCASP3_CONTEXT

Address Offset	0x0000 016C	Instance	L4PER_PRM
Physical Address	0x4AE0 756C		
Description	This register contains dedicated MCASP3 context statuses. [warm reset insensitive]		
Type	RW		

31	30	29	28	27	26	25	24	23	22	21	20	19	18	17	16	15	14	13	12	11	10	9	8	7	6	5	4	3	2	1	0
RESERVED																LOSTCONTEXT_DFF															

Bits	Field Name	Description	Type	Reset
31:1	RESERVED		R	0x0
0	LOSTCONTEXT_DFF	Specify if DFF-based context has been lost due to a previous power transition or other reset source. (set upon assertion of L4PER_RST signal) 0x0: Context has been maintained 0x1: Context has been lost	RW	0x1

Table 3-1800. PM_L4PER_UART5_WKDEP

Address Offset	0x0000 0170	Instance	L4PER_PRM
Physical Address	0x4AE0 7570		
Description	This register controls wakeup dependency based on UART5 service requests.		
Type	RW		

31	30	29	28	27	26	25	24	23	22	21	20	19	18	17	16	15	14	13	12	11	10	9	8	7	6	5	4	3	2	1	0
RESERVED																WKUPDEP_UART5_EVE4	WKUPDEP_UART5_EVE3	WKUPDEP_UART5_EVE2	WKUPDEP_UART5_EVE1	WKUPDEP_UART5_DSP2	WKUPDEP_UART5_IPU1	WKUPDEP_UART5_SDMA	WKUPDEP_UART5_DSP1	WKUPDEP_UART5_IPU2	WKUPDEP_UART5_MPU						

Bits	Field Name	Description	Type	Reset
31:10	RESERVED		R	0x0
9	WKUPDEP_UART5_EVE4	Wakeup dependency from UART5 module (SWakeup signal) towards EVE4 + L3_MAIN1 + L4PER1 + L4PER2 + L4PER3 domains 0x0: Dependency is disabled 0x1: Dependency is enabled	RW	0x0
8	WKUPDEP_UART5_EVE3	Wakeup dependency from UART5 module (SWakeup signal) towards EVE3 + L3_MAIN1 + L4PER1 + L4PER2 + L4PER3 domains 0x0: Dependency is disabled 0x1: Dependency is enabled	RW	0x0

Bits	Field Name	Description	Type	Reset
7	WKUPDEP_UART5_EVE2	Wakeup dependency from UART5 module (SWakeup signal) towards EVE2 + L3_MAIN1 + L4PER1 + L4PER2 + L4PER3 domains 0x0: Dependency is disabled 0x1: Dependency is enabled	RW	0x0
6	WKUPDEP_UART5_EVE1	Wakeup dependency from UART5 module (SWakeup signal) towards EVE1 + L3_MAIN1 + L4PER1 + L4PER2 + L4PER3 domains 0x0: Dependency is disabled 0x1: Dependency is enabled	RW	0x0
5	WKUPDEP_UART5_DSP2	Wakeup dependency from UART5 module (SWakeup signal) towards DSP2 + L3_MAIN1 + L4PER1 + L4PER2 + L4PER3 domains 0x0: Dependency is disabled 0x1: Dependency is enabled	RW	0x0
4	WKUPDEP_UART5_IPU1	Wakeup dependency from UART5 module (SWakeup signal) towards IPU1 + L3_MAIN1 + L4PER1 + L4PER2 + L4PER3 domains 0x0: Dependency is disabled 0x1: Dependency is enabled	RW	0x0
3	WKUPDEP_UART5_SDMA	Wakeup dependency from UART5 module (SWakeup signal) towards SDMA + L3MAIN1 + L4PER1 + L4PER2 + L4PER3 domains 0x0: Dependency is disabled 0x1: Dependency is enabled	RW	0x0
2	WKUPDEP_UART5_DSP1	Wakeup dependency from UART5 module (SWakeup signal) towards DSP + L3MAIN1 + L4PER1 + L4PER2 + L4PER3 domains 0x0: Dependency is disabled 0x1: Dependency is enabled	RW	0x0
1	WKUPDEP_UART5_IPU2	Wakeup dependency from UART5 module (SWakeup signal) towards IPU2 + L3_MAIN1 + L4PER1 + L4PER2 + L4PER3 domains 0x0: Dependency is disabled 0x1: Dependency is enabled	RW	0x0
0	WKUPDEP_UART5_MPU	Wakeup dependency from UART5 module (SWakeup signal) towards MPU + L3_MAIN1 + L4PER1 + L4PER2 + L4PER3 domains 0x0: Dependency is disabled 0x1: Dependency is enabled	RW	0x0

Table 3-1801. Register Call Summary for Register PM_L4PER_UART5_WKDEP

Clock Management Functional Description

- [Clock Domain Dependency: \[0\]\[1\]\[3\]\[4\]\[5\]](#)

PRCM Register Manual

- [Not Supported Functionality \(Registers and Bits\): \[10\]\[11\]\[12\]\[13\]\[14\]](#)
- [L4PER_PRM Register Summary: \[15\]](#)

Table 3-1802. RM_L4PER_UART5_CONTEXT

Address Offset	0x0000 0174	Instance	L4PER_PRM
Physical Address	0x4AE0 7574		
Description	This register contains dedicated UART5 context statuses. [warm reset insensitive]		
Type	RW		

31	30	29	28	27	26	25	24	23	22	21	20	19	18	17	16	15	14	13	12	11	10	9	8	7	6	5	4	3	2	1	0
RESERVED																LOSTMEM_RETAINED_BANK	RESERVED						LOSTCONTEXT_RFF	RESERVED							

Bits	Field Name	Description	Type	Reset
31:9	RESERVED		R	0x0
8	LOSTMEM_RETAINED_BANK	Specify if memory-based context in RETAINED_BANK memory bank has been lost due to a previous power transition or other reset source. 0x0: Context has been maintained 0x1: Context has been lost	RW	0x1
7:2	RESERVED		R	0x0
1	LOSTCONTEXT_RFF	Specify if RFF-based context has been lost due to a previous power transition or other reset source. (set upon assertion of L4PER_RET_RST signal) 0x0: Context has been maintained 0x1: Context has been lost	RW	0x1
0	RESERVED		R	0x0

Table 3-1803. PM_L4PER2_MCASP5_WKDEP

Address Offset	0x0000 0178	Instance	L4PER_PRM
Physical Address	0x4AE0 7578		
Description	This register controls wakeup dependency based on MCASP5 service requests.		
Type	RW		

31	30	29	28	27	26	25	24	23	22	21	20	19	18	17	16	15	14	13	12	11	10	9	8	7	6	5	4	3	2	1	0
RESERVED																WKUPDEP_MCASP5_DMA_DSP2	RESERVED	WKUPDEP_MCASP5_DMA_SDMA	WKUPDEP_MCASP5_DMA_DSP1	RESERVED	WKUPDEP_MCASP5_IRQ_EVE4	WKUPDEP_MCASP5_IRQ_EVE3	WKUPDEP_MCASP5_IRQ_EVE2	WKUPDEP_MCASP5_IRQ_EVE1	WKUPDEP_MCASP5_IRQ_DSP2	WKUPDEP_MCASP5_IRQ_IPU1	RESERVED	WKUPDEP_MCASP5_IRQ_DSP1	WKUPDEP_MCASP5_IRQ_IPU2	WKUPDEP_MCASP5_IRQ_MPU	

Bits	Field Name	Description	Type	Reset
31:16	RESERVED		R	0x0
15	WKUPDEP_MCASP5_DMA_DS P2	Wakeup dependency from MCASP5 module (SWakeup_dma signal) towards DSP2 + L3_MAIN1 + L4PER1 + L4PER2 + L4PER3 domains 0x0: Dependency is disabled 0x1: Dependency is enabled	RW	0x1
14	RESERVED		R	0x0
13	WKUPDEP_MCASP5_DMA_SD MA	Wakeup dependency from MCASP5 module (SWakeup_dma signal) towards SDMA + L3MAIN1 + L4PER1 + L4PER2 + L4PER3 domains 0x0: Dependency is disabled 0x1: Dependency is enabled	RW	0x1
12	WKUPDEP_MCASP5_DMA_DS P1	Wakeup dependency from MCASP5 module (SWakeup_dma signal) towards DSP + L3MAIN1 + L4PER1 + L4PER2 + L4PER3 domains 0x0: Dependency is disabled 0x1: Dependency is enabled	RW	0x1
11:10	RESERVED		R	0x0
9	WKUPDEP_MCASP5_IRQ_EVE 4	Wakeup dependency from MCASP5 module (SWakeup IRQ signal) towards EVE4 + L3_MAIN1 + L4PER1 + L4PER2 + L4PER3 domains 0x0: Dependency is disabled 0x1: Dependency is enabled	RW	0x0
8	WKUPDEP_MCASP5_IRQ_EVE 3	Wakeup dependency from MCASP5 module (SWakeup IRQ signal) towards EVE3 + L3_MAIN1 + L4PER1 + L4PER2 + L4PER3 domains 0x0: Dependency is disabled 0x1: Dependency is enabled	RW	0x0
7	WKUPDEP_MCASP5_IRQ_EVE 2	Wakeup dependency from MCASP5 module (SWakeup IRQ signal) towards EVE2 + L3_MAIN1 + L4PER1 + L4PER2 + L4PER3 domains 0x0: Dependency is disabled 0x1: Dependency is enabled	RW	0x0
6	WKUPDEP_MCASP5_IRQ_EVE 1	Wakeup dependency from MCASP5 module (SWakeup IRQ signal) towards EVE1 + L3_MAIN1 + L4PER1 + L4PER2 + L4PER3 domains 0x0: Dependency is disabled 0x1: Dependency is enabled	RW	0x0
5	WKUPDEP_MCASP5_IRQ_DSP 2	Wakeup dependency from MCASP5 module (SWakeup IRQ signal) towards DSP2 + L3_MAIN1 + L4PER1 + L4PER2 + L4PER3 domains 0x0: Dependency is disabled 0x1: Dependency is enabled	RW	0x0
4	WKUPDEP_MCASP5_IRQ_IPU1	Wakeup dependency from MCASP5 module (SWakeup IRQ signal) towards IPU1 + L3_MAIN1 + L4PER1 + L4PER2 + L4PER3 domains 0x0: Dependency is disabled 0x1: Dependency is enabled	RW	0x0
3	RESERVED		R	0x0
2	WKUPDEP_MCASP5_IRQ_DSP 1	Wakeup dependency from MCASP5 module (SWakeup IRQ signal) towards DSP + L3MAIN1 + L4PER1 + L4PER2 + L4PER3 domains 0x0: Dependency is disabled 0x1: Dependency is enabled	RW	0x0

Bits	Field Name	Description	Type	Reset
1	WKUPDEP_MCASP5_IRQ_IPU2	Wakeup dependency from MCASP2 module (SWakeup IRQ signal) towards IPU2 + L3_MAIN1 + L4PER1 + L4PER2 + L4PER3 domains 0x0: Dependency is disabled 0x1: Dependency is enabled	RW	0x0
0	WKUPDEP_MCASP5_IRQ_MPU	Wakeup dependency from MCASP5 module (SWakeup IRQ signal) towards MPU + L3_MAIN1 + L4PER1 + L4PER2 + L4PER3 domains 0x0: Dependency is disabled 0x1: Dependency is enabled	RW	0x0

Table 3-1804. Register Call Summary for Register PM_L4PER2_MCASP5_WKDEP

Clock Management Functional Description

- [Clock Domain Dependency: \[0\]\[1\]\[3\]\[4\]\[6\]\[7\]](#)

PRCM Register Manual

- [Not Supported Functionality \(Registers and Bits\): \[12\]\[13\]\[14\]\[15\]\[16\]\[17\]](#)
- [L4PER_PRM Register Summary: \[18\]](#)

Table 3-1805. RM_L4PER2_MCASP5_CONTEXT

Address Offset	0x0000 017C
Physical Address	0x4AE0 757C
Description	This register contains dedicated MCASP5 context statuses. [warm reset insensitive]
Type	RW
Instance	L4PER_PRM

31	30	29	28	27	26	25	24	23	22	21	20	19	18	17	16	15	14	13	12	11	10	9	8	7	6	5	4	3	2	1	0
RESERVED																															
LOSTCONTEXT_DFF																															

Bits	Field Name	Description	Type	Reset
31:1	RESERVED		R	0x0
0	LOSTCONTEXT_DFF	Specify if DFF-based context has been lost due to a previous power transition or other reset source. (set upon assertion of L4PER_RST signal) 0x0: Context has been maintained 0x1: Context has been lost	RW	0x1

Table 3-1806. PM_L4PER2_MCASP6_WKDEP

Address Offset	0x0000 0180
Physical Address	0x4AE0 7580
Description	This register controls wakeup dependency based on MCASP6 service requests.
Type	RW

31	30	29	28	27	26	25	24	23	22	21	20	19	18	17	16	15	14	13	12	11	10	9	8	7	6	5	4	3	2	1	0
RESERVED																WKUPDEP_MCASP6_DMA_DSP2	RESERVED	WKUPDEP_MCASP6_DMA_SDMA	WKUPDEP_MCASP6_DMA_DSP1	RESERVED	WKUPDEP_MCASP6_IRQ_EVE4	WKUPDEP_MCASP6_IRQ_EVE3	WKUPDEP_MCASP6_IRQ_EVE2	WKUPDEP_MCASP6_IRQ_EVE1	WKUPDEP_MCASP6_IRQ_DSP2	WKUPDEP_MCASP6_IRQ_IPU1	RESERVED	WKUPDEP_MCASP6_IRQ_DSP1	WKUPDEP_MCASP6_IRQ_IPU2	WKUPDEP_MCASP6_IRQ_MPU	

Bits	Field Name	Description	Type	Reset
31:16	RESERVED		R	0x0
15	WKUPDEP_MCASP6_DMA_DSP2	Wakeup dependency from MCASP6 module (SWakeup_dma signal) towards DSP2 + L3_MAIN1 + L4PER1 + L4PER2 + L4PER3 domains 0x0: Dependency is disabled 0x1: Dependency is enabled	RW	0x1
14	RESERVED		R	0x0
13	WKUPDEP_MCASP6_DMA_SDMA	Wakeup dependency from MCASP6 module (SWakeup_dma signal) towards SDMA + L3MAIN1 + L4PER1 + L4PER2 + L4PER3 domains 0x0: Dependency is disabled 0x1: Dependency is enabled	RW	0x1
12	WKUPDEP_MCASP6_DMA_DSP1	Wakeup dependency from MCASP6 module (SWakeup_dma signal) towards DSP + L3MAIN1 + L4PER1 + L4PER2 + L4PER3 domains 0x0: Dependency is disabled 0x1: Dependency is enabled	RW	0x1
11:10	RESERVED		R	0x0
9	WKUPDEP_MCASP6_IRQ_EVE4	Wakeup dependency from MCASP6 module (SWakeup_IRQ signal) towards EVE4 + L3_MAIN1 + L4PER1 + L4PER2 + L4PER3 domains 0x0: Dependency is disabled 0x1: Dependency is enabled	RW	0x0
8	WKUPDEP_MCASP6_IRQ_EVE3	Wakeup dependency from MCASP6 module (SWakeup_IRQ signal) towards EVE3 + L3_MAIN1 + L4PER1 + L4PER2 + L4PER3 domains 0x0: Dependency is disabled 0x1: Dependency is enabled	RW	0x0
7	WKUPDEP_MCASP6_IRQ_EVE2	Wakeup dependency from MCASP6 module (SWakeup_IRQ signal) towards EVE2 + L3_MAIN1 + L4PER1 + L4PER2 + L4PER3 domains 0x0: Dependency is disabled 0x1: Dependency is enabled	RW	0x0

Bits	Field Name	Description	Type	Reset
6	WKUPDEP_MCASP6_IRQ_EVE 1	Wakeup dependency from MCASP6 module (SWakeup IRQ signal) towards EVE1 + L3_MAIN1 + L4PER1 + L4PER2 + L4PER3 domains 0x0: Dependency is disabled 0x1: Dependency is enabled	RW	0x0
5	WKUPDEP_MCASP6_IRQ_DSP 2	Wakeup dependency from MCASP6 module (SWakeup IRQ signal) towards DSP2 + L3_MAIN1 + L4PER1 + L4PER2 + L4PER3 domains 0x0: Dependency is disabled 0x1: Dependency is enabled	RW	0x0
4	WKUPDEP_MCASP6_IRQ_IPU1	Wakeup dependency from MCASP6 module (SWakeup IRQ signal) towards IPU1 + L3_MAIN1 + L4PER1 + L4PER2 + L4PER3 domains 0x0: Dependency is disabled 0x1: Dependency is enabled	RW	0x0
3	RESERVED		R	0x0
2	WKUPDEP_MCASP6_IRQ_DSP 1	Wakeup dependency from MCASP6 module (SWakeup IRQ signal) towards DSP + L3_MAIN1 + L4PER1 + L4PER2 + L4PER3 domains 0x0: Dependency is disabled 0x1: Dependency is enabled	RW	0x0
1	WKUPDEP_MCASP6_IRQ_IPU2	Wakeup dependency from MCASP6 (SWakeup IRQ signal) towards IPU2 + L3_MAIN1 + L4PER1 + L4PER2 + L4PER3 domains 0x0: Dependency is disabled 0x1: Dependency is enabled	RW	0x0
0	WKUPDEP_MCASP6_IRQ_MPU	Wakeup dependency from MCASP6 module (SWakeup IRQ signal) towards MPU + L3_MAIN1 + L4PER1 + L4PER2 + L4PER3 domains 0x0: Dependency is disabled 0x1: Dependency is enabled	RW	0x0

Table 3-1807. Register Call Summary for Register PM_L4PER2_MCASP6_WKDEP

Clock Management Functional Description

- [Clock Domain Dependency: \[0\]\[1\]\[3\]\[4\]\[6\]\[7\]](#)

PRCM Register Manual

- [Not Supported Functionality \(Registers and Bits\): \[12\]\[13\]\[14\]\[15\]\[16\]\[17\]](#)
- [L4PER_PRM Register Summary: \[18\]](#)

Table 3-1808. RM_L4PER2_MCASP6_CONTEXT

Address Offset	0x0000 0184	Instance	L4PER_PRM
Physical Address	0x4AE0 7584		
Description	This register contains dedicated MCASP6 context statuses. [warm reset insensitive]		
Type	RW		

31	30	29	28	27	26	25	24	23	22	21	20	19	18	17	16	15	14	13	12	11	10	9	8	7	6	5	4	3	2	1	0	
RESERVED																																LOSTCONTEXT_DFF

Bits	Field Name	Description	Type	Reset
31:1	RESERVED		R	0x0
0	LOSTCONTEXT_DFF	Specify if DFF-based context has been lost due to a previous power transition or other reset source. (set upon assertion of L4PER_RST signal) 0x0: Context has been maintained 0x1: Context has been lost	RW	0x1

Table 3-1809. PM_L4PER2_MCASP7_WKDEP

Address Offset	0x0000 0188	Instance	L4PER_PRM
Physical Address	0x4AE0 7588		
Description	This register controls wakeup dependency based on MCASP7 service requests.		
Type	RW		

31	30	29	28	27	26	25	24	23	22	21	20	19	18	17	16	15	14	13	12	11	10	9	8	7	6	5	4	3	2	1	0															
RESERVED																WKUPDEP_MCASP7_DMA_DSP2	RESERVED	WKUPDEP_MCASP7_DMA_SDMA	WKUPDEP_MCASP7_DMA_DSP1	RESERVED	WKUPDEP_MCASP7_IRQ_EVE4	WKUPDEP_MCASP7_IRQ_EVE3	WKUPDEP_MCASP7_IRQ_EVE2	WKUPDEP_MCASP7_IRQ_EVE1	WKUPDEP_MCASP7_IRQ_DSP2	WKUPDEP_MCASP7_IRQ_IPU1	RESERVED	WKUPDEP_MCASP7_IRQ_DSP1	WKUPDEP_MCASP7_IRQ_IPU2	WKUPDEP_MCASP7_IRQ_MPU																

Bits	Field Name	Description	Type	Reset
31:16	RESERVED		R	0x0
15	WKUPDEP_MCASP7_DMA_DSP2	Wakeup dependency from MCASP7 module (SWakeup_dma signal) towards DSP2 + L3_MAIN1 + L4PER1 + L4PER2 + L4PER3 domains 0x0: Dependency is disabled 0x1: Dependency is enabled	RW	0x1
14	RESERVED		R	0x0
13	WKUPDEP_MCASP7_DMA_SDMA	Wakeup dependency from MCASP7 module (SWakeup_dma signal) towards SDMA + L3MAIN1 + L4PER1 + L4PER2 + L4PER3 domains 0x0: Dependency is disabled 0x1: Dependency is enabled	RW	0x1
12	WKUPDEP_MCASP7_DMA_DSP1	Wakeup dependency from MCASP7 module (SWakeup_dma signal) towards DSP + L3MAIN1 + L4PER1 + L4PER2 + L4PER3 domains 0x0: Dependency is disabled 0x1: Dependency is enabled	RW	0x1
11:10	RESERVED		R	0x0
9	WKUPDEP_MCASP7_IRQ_EVE4	Wakeup dependency from MCASP7 module (SWakeup_IRQ signal) towards EVE4 + L3_MAIN1 + L4PER1 + L4PER2 + L4PER3 domains 0x0: Dependency is disabled 0x1: Dependency is enabled	RW	0x0

Bits	Field Name	Description	Type	Reset
8	WKUPDEP_MCASP7_IRQ_EVE 3	Wakeup dependency from MCASP7 module (SWakeup IRQ signal) towards EVE3 + L3_MAIN1 + L4PER1 + L4PER2 + L4PER3 domains 0x0: Dependency is disabled 0x1: Dependency is enabled	RW	0x0
7	WKUPDEP_MCASP7_IRQ_EVE 2	Wakeup dependency from MCASP7 module (SWakeup IRQ signal) towards EVE2 + L3_MAIN1 + L4PER1 + L4PER2 + L4PER3 domains 0x0: Dependency is disabled 0x1: Dependency is enabled	RW	0x0
6	WKUPDEP_MCASP7_IRQ_EVE 1	Wakeup dependency from MCASP7 module (SWakeup IRQ signal) towards EVE1 + L3_MAIN1 + L4PER1 + L4PER2 + L4PER3 domains 0x0: Dependency is disabled 0x1: Dependency is enabled	RW	0x0
5	WKUPDEP_MCASP7_IRQ_DSP 2	Wakeup dependency from MCASP7 module (SWakeup IRQ signal) towards DSP2 + L3_MAIN1 + L4PER1 + L4PER2 + L4PER3 domains 0x0: Dependency is disabled 0x1: Dependency is enabled	RW	0x0
4	WKUPDEP_MCASP7_IRQ_IPU1	Wakeup dependency from MCASP7 module (SWakeup IRQ signal) towards IPU1 + L3_MAIN1 + L4PER1 + L4PER2 + L4PER3 domains 0x0: Dependency is disabled 0x1: Dependency is enabled	RW	0x0
3	RESERVED		R	0x0
2	WKUPDEP_MCASP7_IRQ_DSP 1	Wakeup dependency from MCASP7 module (SWakeup IRQ signal) towards DSP + L3_MAIN1 + L4PER1 + L4PER2 + L4PER3 domains 0x0: Dependency is disabled 0x1: Dependency is enabled	RW	0x0
1	WKUPDEP_MCASP7_IRQ_IPU2	Wakeup dependency from MCASP7 module (SWakeup IRQ signal) towards IPU2 + L3_MAIN1 + L4PER1 + L4PER2 + L4PER3 domains 0x0: Dependency is disabled 0x1: Dependency is enabled	RW	0x0
0	WKUPDEP_MCASP7_IRQ_MPU	Wakeup dependency from MCASP7 module (SWakeup IRQ signal) towards MPU + L3_MAIN1 + L4PER1 + L4PER2 + L4PER3 domains 0x0: Dependency is disabled 0x1: Dependency is enabled	RW	0x0

Table 3-1810. Register Call Summary for Register PM_L4PER2_MCASP7_WKDEP

Clock Management Functional Description

- [Clock Domain Dependency: \[0\]\[1\]\[3\]\[4\]\[6\]\[7\]](#)

PRCM Register Manual

- [Not Supported Functionality \(Registers and Bits\): \[12\]\[13\]\[14\]\[15\]\[16\]\[17\]](#)
- [L4PER_PRM Register Summary: \[18\]](#)

Table 3-1811. RM_L4PER2_MCASP7_CONTEXT

Address Offset	0x0000 018C
Physical Address	0x4AE0 758C
Description	This register contains dedicated MCASP7 context statuses. [warm reset insensitive]
Type	RW

31	30	29	28	27	26	25	24	23	22	21	20	19	18	17	16	15	14	13	12	11	10	9	8	7	6	5	4	3	2	1	0
RESERVED																LOSTCONTEXT_DFF															

Bits	Field Name	Description	Type	Reset
31:1	RESERVED		R	0x0
0	LOSTCONTEXT_DFF	Specify if DFF-based context has been lost due to a previous power transition or other reset source. (set upon assertion of L4PER_RST signal) 0x0: Context has been maintained 0x1: Context has been lost	RW	0x1

Table 3-1812. PM_L4PER2_MCASP8_WKDEP

Address Offset	0x0000 0190
Physical Address	0x4AE0 7590
Description	This register controls wakeup dependency based on MCASP8 service requests.
Type	RW

31	30	29	28	27	26	25	24	23	22	21	20	19	18	17	16	15	14	13	12	11	10	9	8	7	6	5	4	3	2	1	0
RESERVED																WKUPDEP_MCASP8_DMA_DSP2	RESERVED	WKUPDEP_MCASP8_DMA_SDMA	WKUPDEP_MCASP8_DMA_DSP1	RESERVED	WKUPDEP_MCASP8_IRQ_EVE4	WKUPDEP_MCASP8_IRQ_EVE3	WKUPDEP_MCASP8_IRQ_EVE2	WKUPDEP_MCASP8_IRQ_EVE1	WKUPDEP_MCASP8_IRQ_DSP2	WKUPDEP_MCASP8_IRQ_IPU1	RESERVED	WKUPDEP_MCASP8_IRQ_DSP1	WKUPDEP_MCASP8_IRQ_IPU2	WKUPDEP_MCASP8_IRQ_MPU	

Bits	Field Name	Description	Type	Reset
31:16	RESERVED		R	0x0
15	WKUPDEP_MCASP8_DMA_DSP2	Wakeup dependency from MCASP8 module (SWakeup_dma signal) towards DSP2 + L3_MAIN1 + L4PER1 + L4PER2 + L4PER3 domains 0x0: Dependency is disabled 0x1: Dependency is enabled	RW	0x1
14	RESERVED		R	0x0

Bits	Field Name	Description	Type	Reset
13	WKUPDEP_MCASP8_DMA_SD MA	Wakeup dependency from MCASP8 module (SWakeup_dma signal) towards SDMA + L3MAIN1 + L4PER1 + L4PER2 + L4PER3 domains 0x0: Dependency is disabled 0x1: Dependency is enabled	RW	0x1
12	WKUPDEP_MCASP8_DMA_DS P1	Wakeup dependency from MCASP8 module (SWakeup_dma signal) towards DSP + L3MAIN1 + L4PER1 + L4PER2 + L4PER3 domains 0x0: Dependency is disabled 0x1: Dependency is enabled	RW	0x1
11:10	RESERVED		R	0x0
9	WKUPDEP_MCASP8_IRQ_EVE 4	Wakeup dependency from MCASP8 module (SWakeup IRQ signal) towards EVE4 + L3_MAIN1 + L4PER1 + L4PER2 + L4PER3 domains 0x0: Dependency is disabled 0x1: Dependency is enabled	RW	0x0
8	WKUPDEP_MCASP8_IRQ_EVE 3	Wakeup dependency from MCASP8 module (SWakeup IRQ signal) towards EVE3 + L3_MAIN1 + L4PER1 + L4PER2 + L4PER3 domains 0x0: Dependency is disabled 0x1: Dependency is enabled	RW	0x0
7	WKUPDEP_MCASP8_IRQ_EVE 2	Wakeup dependency from MCASP8 module (SWakeup IRQ signal) towards EVE2 + L3_MAIN1 + L4PER1 + L4PER2 + L4PER3 domains 0x0: Dependency is disabled 0x1: Dependency is enabled	RW	0x0
6	WKUPDEP_MCASP8_IRQ_EVE 1	Wakeup dependency from MCASP8 module (SWakeup IRQ signal) towards EVE1 + L3_MAIN1 + L4PER1 + L4PER2 + L4PER3 domains 0x0: Dependency is disabled 0x1: Dependency is enabled	RW	0x0
5	WKUPDEP_MCASP8_IRQ_DSP 2	Wakeup dependency from MCASP8 module (SWakeup IRQ signal) towards DSP2 + L3_MAIN1 + L4PER1 + L4PER2 + L4PER3 domains 0x0: Dependency is disabled 0x1: Dependency is enabled	RW	0x0
4	WKUPDEP_MCASP8_IRQ_IPU1	Wakeup dependency from MCASP8 module (SWakeup IRQ signal) towards IPU1 + L3_MAIN1 + L4PER1 + L4PER2 + L4PER3 domains 0x0: Dependency is disabled 0x1: Dependency is enabled	RW	0x0
3	RESERVED		R	0x0
2	WKUPDEP_MCASP8_IRQ_DSP 1	Wakeup dependency from MCASP8 module (SWakeup IRQ signal) towards DSP + L3MAIN1 + L4PER1 + L4PER2 + L4PER3 domains 0x0: Dependency is disabled 0x1: Dependency is enabled	RW	0x0
1	WKUPDEP_MCASP8_IRQ_IPU2	Wakeup dependency from MCASP8 module (SWakeup IRQ signal) towards IPU2 + L3_MAIN1 + L4PER1 + L4PER2 + L4PER3 domains 0x0: Dependency is disabled 0x1: Dependency is enabled	RW	0x0

Bits	Field Name	Description	Type	Reset
0	WKUPDEP_MCASP8_IRQ_MPU	Wakeup dependency from MCASP8 module (SWakeup IRQ signal) towards MPU + L3_MAIN1 + L4PER1 + L4PER2 + L4PER3 domains 0x0: Dependency is disabled 0x1: Dependency is enabled	RW	0x0

Table 3-1813. Register Call Summary for Register PM_L4PER2_MCASP8_WKDEP

Clock Management Functional Description

- [Clock Domain Dependency: \[0\]\[1\]\[3\]\[4\]\[6\]\[7\]](#)

PRCM Register Manual

- [Not Supported Functionality \(Registers and Bits\): \[12\]\[13\]\[14\]\[15\]\[16\]\[17\]](#)
- [L4PER_PRM Register Summary: \[18\]](#)

Table 3-1814. RM_L4PER2_MCASP8_CONTEXT

Address Offset	0x0000 0194	Instance	L4PER_PRM
Physical Address	0x4AE0 7594		
Description	This register contains dedicated MCASP8 context statuses. [warm reset insensitive]		
Type	RW		

31	30	29	28	27	26	25	24	23	22	21	20	19	18	17	16	15	14	13	12	11	10	9	8	7	6	5	4	3	2	1	0
RESERVED																															
LOSTCONTEXT_DFF																															

Bits	Field Name	Description	Type	Reset
31:1	RESERVED		R	0x0
0	LOSTCONTEXT_DFF	Specify if DFF-based context has been lost due to a previous power transition or other reset source. (set upon assertion of ABE_RST signal) 0x0: Context has been maintained 0x1: Context has been lost	RW	0x1

Table 3-1815. PM_L4PER2_MCASP4_WKDEP

Address Offset	0x0000 0198	Instance	L4PER_PRM
Physical Address	0x4AE0 7598		
Description	This register controls wakeup dependency based on MCASP4 service requests.		
Type	RW		

31	30	29	28	27	26	25	24	23	22	21	20	19	18	17	16	15	14	13	12	11	10	9	8	7	6	5	4	3	2	1	0
RESERVED																WKUPDEP_MCASP4_DMA_DSP2	RESERVED	WKUPDEP_MCASP4_DMA_SDMA	WKUPDEP_MCASP4_DMA_DSP1	RESERVED	WKUPDEP_MCASP4_IRQ_EVE4	WKUPDEP_MCASP4_IRQ_EVE3	WKUPDEP_MCASP4_IRQ_EVE2	WKUPDEP_MCASP4_IRQ_EVE1	WKUPDEP_MCASP4_IRQ_DSP2	WKUPDEP_MCASP4_IRQ_IPU1	RESERVED	WKUPDEP_MCASP4_IRQ_DSP1	WKUPDEP_MCASP4_IRQ_IPU2	WKUPDEP_MCASP4_IRQ_MPU	

Bits	Field Name	Description	Type	Reset
31:16	RESERVED		R	0x0
15	WKUPDEP_MCASP4_DMA_DSP2	Wakeup dependency from MCASP4 module (SWakeup_dma signal) towards DSP2 + L3_MAIN1 + L4PER1 + L4PER2 + L4PER3 domains 0x0: Dependency is disabled 0x1: Dependency is enabled	RW	0x1
14	RESERVED		R	0x0
13	WKUPDEP_MCASP4_DMA_SDMA	Wakeup dependency from MCASP4 module (SWakeup_dma signal) towards SDMA + L3MAIN1 + L4PER1 + L4PER2 + L4PER3 domains 0x0: Dependency is disabled 0x1: Dependency is enabled	RW	0x1
12	WKUPDEP_MCASP4_DMA_DSP1	Wakeup dependency from MCASP4 module (SWakeup_dma signal) towards DSP + L3MAIN1 + L4PER1 + L4PER2 + L4PER3 domains 0x0: Dependency is disabled 0x1: Dependency is enabled	RW	0x1
11:10	RESERVED		R	0x0
9	WKUPDEP_MCASP4_IRQ_EVE4	Wakeup dependency from MCASP4 module (SWakeup_IRQ signal) towards EVE4 + L3_MAIN1 + L4PER1 + L4PER2 + L4PER3 domains 0x0: Dependency is disabled 0x1: Dependency is enabled	RW	0x0
8	WKUPDEP_MCASP4_IRQ_EVE3	Wakeup dependency from MCASP4 module (SWakeup_IRQ signal) towards EVE3 + L3_MAIN1 + L4PER1 + L4PER2 + L4PER3 domains 0x0: Dependency is disabled 0x1: Dependency is enabled	RW	0x0
7	WKUPDEP_MCASP4_IRQ_EVE2	Wakeup dependency from MCASP4 module (SWakeup_IRQ signal) towards EVE2 + L3_MAIN1 + L4PER1 + L4PER2 + L4PER3 domains 0x0: Dependency is disabled 0x1: Dependency is enabled	RW	0x0

Bits	Field Name	Description	Type	Reset
6	WKUPDEP_MCASP4_IRQ_EVE 1	Wakeup dependency from MCASP4 module (SWakeup IRQ signal) towards EVE1 + L3_MAIN1 + L4PER1 + L4PER2 + L4PER3 domains 0x0: Dependency is disabled 0x1: Dependency is enabled	RW	0x0
5	WKUPDEP_MCASP4_IRQ_DSP 2	Wakeup dependency from MCASP4 module (SWakeup IRQ signal) towards DSP2 + L3_MAIN1 + L4PER1 + L4PER2 + L4PER3 domains 0x0: Dependency is disabled 0x1: Dependency is enabled	RW	0x0
4	WKUPDEP_MCASP4_IRQ_IPU1	Wakeup dependency from MCASP4 module (SWakeup IRQ signal) towards IPU1 + L3_MAIN1 + L4PER1 + L4PER2 + L4PER3 domains 0x0: Dependency is disabled 0x1: Dependency is enabled	RW	0x0
3	RESERVED		R	0x0
2	WKUPDEP_MCASP4_IRQ_DSP 1	Wakeup dependency from MCASP4 module (SWakeup IRQ signal) towards DSP + L3_MAIN1 + L4PER1 + L4PER2 + L4PER3 domains 0x0: Dependency is disabled 0x1: Dependency is enabled	RW	0x0
1	WKUPDEP_MCASP4_IRQ_IPU2	Wakeup dependency from MCASP4 module (SWakeup IRQ signal) towards IPU2 + L3_MAIN1 + L4PER1 + L4PER2 + L4PER3 domains 0x0: Dependency is disabled 0x1: Dependency is enabled	RW	0x0
0	WKUPDEP_MCASP4_IRQ_MPU	Wakeup dependency from MCASP4 module (SWakeup IRQ signal) towards MPU + L3_MAIN1 + L4PER1 + L4PER2 + L4PER3 domains 0x0: Dependency is disabled 0x1: Dependency is enabled	RW	0x0

Table 3-1816. Register Call Summary for Register PM_L4PER2_MCASP4_WKDEP

Clock Management Functional Description

- [Clock Domain Dependency: \[0\]\[1\]\[3\]\[4\]\[6\]\[7\]](#)

PRCM Register Manual

- [Not Supported Functionality \(Registers and Bits\): \[12\]\[13\]\[14\]\[15\]\[16\]\[17\]](#)
- [L4PER_PRM Register Summary: \[18\]](#)

Table 3-1817. RM_L4PER2_MCASP4_CONTEXT

Address Offset	0x0000 019C	Instance	L4PER_PRM
Physical Address	0x4AE0 759C		
Description	This register contains dedicated MCASP4 context statuses. [warm reset insensitive]		
Type	RW		

31	30	29	28	27	26	25	24	23	22	21	20	19	18	17	16	15	14	13	12	11	10	9	8	7	6	5	4	3	2	1	0	
RESERVED																																LOSTCONTEXT_DFF

Bits	Field Name	Description	Type	Reset
31:1	RESERVED		R	0x0
0	LOSTCONTEXT_DFF	Specify if DFF-based context has been lost due to a previous power transition or other reset source. (set upon assertion of L4PER_RST signal) 0x0: Context has been maintained 0x1: Context has been lost	RW	0x1

Table 3-1818. RM_L4SEC_AES1_CONTEXT

Address Offset	0x0000 01A4	Instance	L4PER_PRM
Physical Address	0x4AE0 75A4		
Description	This register contains dedicated AES1 context statuses. [warm reset insensitive]		
Type	RW		

31	30	29	28	27	26	25	24	23	22	21	20	19	18	17	16	15	14	13	12	11	10	9	8	7	6	5	4	3	2	1	0
RESERVED																LOSTCONTEXT_RFF		RESERVED													

Bits	Field Name	Description	Type	Reset
31:2	RESERVED		R	0x0
1	LOSTCONTEXT_RFF	Specify if RFF-based context has been lost due to a previous power transition or other reset source. (set upon assertion of L4PER_RET_RST signal) 0x0: Context has been maintained 0x1: Context has been lost	RW	0x1
0	RESERVED		R	0x0

Table 3-1819. RM_L4SEC_AES2_CONTEXT

Address Offset	0x0000 01AC	Instance	L4PER_PRM
Physical Address	0x4AE0 75AC		
Description	This register contains dedicated AES2 context statuses. [warm reset insensitive]		
Type	RW		

31	30	29	28	27	26	25	24	23	22	21	20	19	18	17	16	15	14	13	12	11	10	9	8	7	6	5	4	3	2	1	0
RESERVED																LOSTCONTEXT_RFF		RESERVED													

Bits	Field Name	Description	Type	Reset
31:2	RESERVED		R	0x0
1	LOSTCONTEXT_RFF	Specify if RFF-based context has been lost due to a previous power transition or other reset source. (set upon assertion of L4PER_RET_RST signal) 0x0: Context has been maintained 0x1: Context has been lost	RW	0x1
0	RESERVED		R	0x0

Table 3-1820. RM_L4SEC_DES3DES_CONTEXT

Address Offset	0x0000 01B4	Instance	L4PER_PRM
Physical Address	0x4AE0 75B4		
Description	This register contains dedicated DES3DES context statuses. [warm reset insensitive]		
Type	RW		

31	30	29	28	27	26	25	24	23	22	21	20	19	18	17	16	15	14	13	12	11	10	9	8	7	6	5	4	3	2	1	0
RESERVED																											LOSTCONTEXT_RFF	RESERVED			

Bits	Field Name	Description	Type	Reset
31:2	RESERVED		R	0x0
1	LOSTCONTEXT_RFF	Specify if RFF-based context has been lost due to a previous power transition or other reset source. (set upon assertion of L4PER_RET_RST signal) 0x0: Context has been maintained 0x1: Context has been lost	RW	0x1
0	RESERVED		R	0x0

Table 3-1821. RM_L4SEC_FPKA_CONTEXT

Address Offset	0x0000 01BC	Instance	L4PER_PRM
Physical Address	0x4AE0 75BC		
Description	This register contains dedicated FPKA context statuses. [warm reset insensitive]		
Type	RW		

31	30	29	28	27	26	25	24	23	22	21	20	19	18	17	16	15	14	13	12	11	10	9	8	7	6	5	4	3	2	1	0							
RESERVED																LOSTMEM_NONRETAINED_BANK											RESERVED											LOSTCONTEXT_DFF

Bits	Field Name	Description	Type	Reset
31:9	RESERVED		R	0x0
8	LOSTMEM_NONRETAINED_BANK	Specify if memory-based context in NONRETAINED_BANK memory bank has been lost due to a previous power transition or other reset source. 0x0: Context has been maintained 0x1: Context has been lost	RW	0x1
7:1	RESERVED		R	0x0
0	LOSTCONTEXT_DFF	Specify if DFF-based context has been lost due to a previous power transition or other reset source. (set upon assertion of L4PER_RST signal) 0x0: Context has been maintained 0x1: Context has been lost	RW	0x1

Table 3-1822. RM_L4SEC_RNG_CONTEXT

Address Offset	0x0000 01C4	Instance	L4PER_PRM
Physical Address	0x4AE0 75C4		
Description	This register contains dedicated RNG context statuses. [warm reset insensitive]		
Type	RW		

31	30	29	28	27	26	25	24	23	22	21	20	19	18	17	16	15	14	13	12	11	10	9	8	7	6	5	4	3	2	1	0
RESERVED																LOSTCONTEXT_RFF		RESERVED													

Bits	Field Name	Description	Type	Reset
31:2	RESERVED		R	0x0
1	LOSTCONTEXT_RFF	Specify if RFF-based context has been lost due to a previous power transition or other reset source. (set upon assertion of L4PER_RET_RST signal) 0x0: Context has been maintained 0x1: Context has been lost	RW	0x1
0	RESERVED		R	0x0

Table 3-1823. RM_L4SEC_SHA2MD51_CONTEXT

Address Offset	0x0000 01CC	Instance	L4PER_PRM
Physical Address	0x4AE0 75CC		
Description	This register contains dedicated SHA2MD51 context statuses. [warm reset insensitive]		
Type	RW		

31	30	29	28	27	26	25	24	23	22	21	20	19	18	17	16	15	14	13	12	11	10	9	8	7	6	5	4	3	2	1	0
RESERVED																LOSTCONTEXT_RFF		RESERVED													

Bits	Field Name	Description	Type	Reset
31:2	RESERVED		R	0x0
1	LOSTCONTEXT_RFF	Specify if RFF-based context has been lost due to a previous power transition or other reset source. (set upon assertion of L4PER_RET_RST signal) 0x0: Context has been maintained 0x1: Context has been lost	RW	0x1
0	RESERVED		R	0x0

Table 3-1824. PM_L4PER2_UART7_WKDEP

Address Offset	0x0000 01D0	Instance	L4PER_PRM
Physical Address	0x4AE0 75D0		
Description	This register controls wakeup dependency based on UART7 service requests.		
Type	RW		

31	30	29	28	27	26	25	24	23	22	21	20	19	18	17	16	15	14	13	12	11	10	9	8	7	6	5	4	3	2	1	0
RESERVED																WKUPDEP_UART7_EVE4	WKUPDEP_UART7_EVE3	WKUPDEP_UART7_EVE2	WKUPDEP_UART7_EVE1	WKUPDEP_UART7_DSP2	WKUPDEP_UART7_IPU1	WKUPDEP_UART7_SDMA	WKUPDEP_UART7_DSP1	WKUPDEP_UART7_IPU2	WKUPDEP_UART7_MPU						

Bits	Field Name	Description	Type	Reset
31:10	RESERVED		R	0x0
9	WKUPDEP_UART7_EVE4	Wakeup dependency from UART7 module (SWakeup signal) towards EVE4 + L3_MAIN1 + L4PER1 + L4PER2 + L4PER3 domains 0x0: Dependency is disabled 0x1: Dependency is enabled	RW	0x0
8	WKUPDEP_UART7_EVE3	Wakeup dependency from UART7 module (SWakeup signal) towards EVE3 + L3_MAIN1 + L4PER1 + L4PER2 + L4PER3 domains 0x0: Dependency is disabled 0x1: Dependency is enabled	RW	0x0
7	WKUPDEP_UART7_EVE2	Wakeup dependency from UART7 module (SWakeup signal) towards EVE2 + L3_MAIN1 + L4PER1 + L4PER2 + L4PER3 domains 0x0: Dependency is disabled 0x1: Dependency is enabled	RW	0x0
6	WKUPDEP_UART7_EVE1	Wakeup dependency from UART7 module (SWakeup signal) towards EVE1 + L3_MAIN1 + L4PER1 + L4PER2 + L4PER3 domains 0x0: Dependency is disabled 0x1: Dependency is enabled	RW	0x0
5	WKUPDEP_UART7_DSP2	Wakeup dependency from UART7 module (SWakeup signal) towards DSP2 + L3_MAIN1 + L4PER1 + L4PER2 + L4PER3 domains 0x0: Dependency is disabled 0x1: Dependency is enabled	RW	0x0

Bits	Field Name	Description	Type	Reset
4	WKUPDEP_UART7_IPU1	Wakeup dependency from UART7 module (SWakeup signal) towards IPU1 + L3_MAIN1 + L4PER1 + L4PER2 + L4PER3 domains 0x0: Dependency is disabled 0x1: Dependency is enabled	RW	0x0
3	WKUPDEP_UART7_SDMA	Wakeup dependency from UART7 module (SWakeup signal) towards SDMA + L3MAIN1 + L4PER1 + L4PER2 + L4PER3 domains 0x0: Dependency is disabled 0x1: Dependency is enabled	RW	0x0
2	WKUPDEP_UART7_DSP1	Wakeup dependency from UART7 module (SWakeup signal) towards DSP + L3MAIN1 + L4PER1 + L4PER2 + L4PER3 domains 0x0: Dependency is disabled 0x1: Dependency is enabled	RW	0x0
1	WKUPDEP_UART7_IPU2	Wakeup dependency from UART7 module (SWakeup signal) towards IPU2 + L3_MAIN1 + L4PER1 + L4PER2 + L4PER3 domains 0x0: Dependency is disabled 0x1: Dependency is enabled	RW	0x0
0	WKUPDEP_UART7_MPU	Wakeup dependency from UART7 module (SWakeup signal) towards MPU + L3_MAIN1 + L4PER1 + L4PER2 + L4PER3 domains 0x0: Dependency is disabled 0x1: Dependency is enabled	RW	0x0

Table 3-1825. Register Call Summary for Register PM_L4PER2_UART7_WKDEP

Clock Management Functional Description

- [Clock Domain Dependency: \[0\]\[1\]\[2\]\[4\]\[5\]](#)

PRCM Register Manual

- [Not Supported Functionality \(Registers and Bits\): \[10\]\[11\]\[12\]\[13\]\[14\]](#)
- [L4PER_PRM Register Summary: \[15\]](#)

Table 3-1826. RM_L4PER2_UART7_CONTEXT

Address Offset	0x0000 01D4	Instance	L4PER_PRM
Physical Address	0x4AE0 75D4		
Description	This register contains dedicated UART7 context statuses. [warm reset insensitive]		
Type	RW		

31	30	29	28	27	26	25	24	23	22	21	20	19	18	17	16	15	14	13	12	11	10	9	8	7	6	5	4	3	2	1	0
RESERVED																LOSTMEM_RETAINED_BANK	RESERVED							LOSTCONTEXT_RFF	RESERVED						

Bits	Field Name	Description	Type	Reset
31:9	RESERVED		R	0x0
8	LOSTMEM_RETAINED_BANK	Specify if memory-based context in RETAINED_BANK memory bank has been lost due to a previous power transition or other reset source. 0x0: Context has been maintained 0x1: Context has been lost	RW	0x1
7:2	RESERVED		R	0x0
1	LOSTCONTEXT_RFF	Specify if RFF-based context has been lost due to a previous power transition or other reset source. (set upon assertion of L4PER_RET_RST signal) 0x0: Context has been maintained 0x1: Context has been lost	RW	0x1
0	RESERVED		R	0x0

Table 3-1827. RM_L4SEC_DMA_CRYPT0_CONTEXT

Address Offset	0x0000 01DC	Instance	L4PER_PRM
Physical Address	0x4AE0 75DC		
Description	This register contains dedicated DMA_CRYPT0 context statuses. [warm reset insensitive]		
Type	RW		

31	30	29	28	27	26	25	24	23	22	21	20	19	18	17	16	15	14	13	12	11	10	9	8	7	6	5	4	3	2	1	0
RESERVED																LOSTMEM_RETAINED_BANK	RESERVED										LOSTCONTEXT_RFF	RESERVED			

Bits	Field Name	Description	Type	Reset
31:9	RESERVED		R	0x0
8	LOSTMEM_RETAINED_BANK	Specify if memory-based context in RETAINED_BANK memory bank has been lost due to a previous power transition or other reset source. 0x0: Context has been maintained 0x1: Context has been lost	RW	0x1
7:2	RESERVED		R	0x0
1	LOSTCONTEXT_RFF	Specify if RFF-based context has been lost due to a previous power transition or other reset source. (set upon assertion of L4PER_RET_RST signal) 0x0: Context has been maintained 0x1: Context has been lost	RW	0x1
0	RESERVED		R	0x0

Table 3-1828. PM_L4PER2_UART8_WKDEP

Address Offset	0x0000 01E0	Instance	L4PER_PRM
Physical Address	0x4AE0 75E0		
Description	This register controls wakeup dependency based on UART8 service requests.		
Type	RW		

31	30	29	28	27	26	25	24	23	22	21	20	19	18	17	16	15	14	13	12	11	10	9	8	7	6	5	4	3	2	1	0
RESERVED																WKUPDEP_UART8_EVE4	WKUPDEP_UART8_EVE3	WKUPDEP_UART8_EVE2	WKUPDEP_UART8_EVE1	WKUPDEP_UART8_DSP2	WKUPDEP_UART8_IPU1	WKUPDEP_UART8_SDMA	WKUPDEP_UART8_DSP1	WKUPDEP_UART8_IPU2	WKUPDEP_UART8_MPU						

Bits	Field Name	Description	Type	Reset
31:10	RESERVED		R	0x0
9	WKUPDEP_UART8_EVE4	Wakeup dependency from UART8 module (SWakeup signal) towards EVE4 + L3_MAIN1 + L4PER1 + L4PER2 + L4PER3 domains 0x0: Dependency is disabled 0x1: Dependency is enabled	RW	0x0
8	WKUPDEP_UART8_EVE3	Wakeup dependency from UART8 module (SWakeup signal) towards EVE3 + L3_MAIN1 + L4PER1 + L4PER2 + L4PER3 domains 0x0: Dependency is disabled 0x1: Dependency is enabled	RW	0x0
7	WKUPDEP_UART8_EVE2	Wakeup dependency from UART8 module (SWakeup signal) towards EVE2 + L3_MAIN1 + L4PER1 + L4PER2 + L4PER3 domains 0x0: Dependency is disabled 0x1: Dependency is enabled	RW	0x0
6	WKUPDEP_UART8_EVE1	Wakeup dependency from UART8 module (SWakeup signal) towards EVE1 + L3_MAIN1 + L4PER1 + L4PER2 + L4PER3 domains 0x0: Dependency is disabled 0x1: Dependency is enabled	RW	0x0
5	WKUPDEP_UART8_DSP2	Wakeup dependency from UART8 module (SWakeup signal) towards DSP2 + L3_MAIN1 + L4PER1 + L4PER2 + L4PER3 domains 0x0: Dependency is disabled 0x1: Dependency is enabled	RW	0x0
4	WKUPDEP_UART8_IPU1	Wakeup dependency from UART8 module (SWakeup signal) towards IPU1 + L3_MAIN1 + L4PER1 + L4PER2 + L4PER3 domains 0x0: Dependency is disabled 0x1: Dependency is enabled	RW	0x0
3	WKUPDEP_UART8_SDMA	Wakeup dependency from UART8 module (SWakeup signal) towards SDMA + L3MAIN1 + L4PER1 + L4PER2 + L4PER3 domains 0x0: Dependency is disabled 0x1: Dependency is enabled	RW	0x0

Bits	Field Name	Description	Type	Reset
2	WKUPDEP_UART8_DSP1	Wakeup dependency from UART8 module (SWakeup signal) towards DSP + L3MAIN1 + L4PER1 + L4PER2 + L4PER3 domains 0x0: Dependency is disabled 0x1: Dependency is enabled	RW	0x0
1	WKUPDEP_UART8_IPU2	Wakeup dependency from UART8 module (SWakeup signal) towards IPU2 + L3_MAIN1 + L4PER1 + L4PER2 + L4PER3 domains 0x0: Dependency is disabled 0x1: Dependency is enabled	RW	0x0
0	WKUPDEP_UART8_MPU	Wakeup dependency from UART8 module (SWakeup signal) towards MPU + L3_MAIN1 + L4PER1 + L4PER2 + L4PER3 domains 0x0: Dependency is disabled 0x1: Dependency is enabled	RW	0x0

Table 3-1829. Register Call Summary for Register PM_L4PER2_UART8_WKDEP

PRCM Register Manual

- [Not Supported Functionality \(Registers and Bits\): \[0\]\[1\]\[2\]\[3\]\[4\]](#)
- [L4PER_PRM Register Summary: \[5\]](#)

Table 3-1830. RM_L4PER2_UART8_CONTEXT

Address Offset	0x0000 01E4	Instance	L4PER_PRM
Physical Address	0x4AE0 75E4		
Description	This register contains dedicated UART8 context statuses. [warm reset insensitive]		
Type	RW		

31	30	29	28	27	26	25	24	23	22	21	20	19	18	17	16	15	14	13	12	11	10	9	8	7	6	5	4	3	2	1	0
RESERVED																LOSTMEM_RETAINED_BANK	RESERVED										LOSTCONTEXT_RFF	RESERVED			

Bits	Field Name	Description	Type	Reset
31:9	RESERVED		R	0x0
8	LOSTMEM_RETAINED_BANK	Specify if memory-based context in RETAINED_BANK memory bank has been lost due to a previous power transition or other reset source. 0x0: Context has been maintained 0x1: Context has been lost	RW	0x1
7:2	RESERVED		R	0x0
1	LOSTCONTEXT_RFF	Specify if RFF-based context has been lost due to a previous power transition or other reset source. (set upon assertion of L4PER_RET_RST signal) 0x0: Context has been maintained 0x1: Context has been lost	RW	0x1

Bits	Field Name	Description	Type	Reset
0	RESERVED		R	0x0

Table 3-1831. PM_L4PER2_UART9_WKDEP

Address Offset	0x0000 01E8	Instance	L4PER_PRM
Physical Address	0x4AE0 75E8		
Description	This register controls wakeup dependency based on UART9 service requests.		
Type	RW		

31	30	29	28	27	26	25	24	23	22	21	20	19	18	17	16	15	14	13	12	11	10	9	8	7	6	5	4	3	2	1	0																					
RESERVED																							WKUPDEP_UART9_EVE4	WKUPDEP_UART9_EVE3	WKUPDEP_UART9_EVE2	WKUPDEP_UART9_EVE1	WKUPDEP_UART9_DSP2	WKUPDEP_UART9_IPU1	WKUPDEP_UART9_SDMA	WKUPDEP_UART9_DSP1	WKUPDEP_UART9_IPU2	WKUPDEP_UART9_MPU																				

Bits	Field Name	Description	Type	Reset
31:10	RESERVED		R	0x0
9	WKUPDEP_UART9_EVE4	Wakeup dependency from UART9 module (SWakeup signal) towards EVE4 + L3_MAIN1 + L4PER1 + L4PER2 + L4PER3 domains 0x0: Dependency is disabled 0x1: Dependency is enabled	RW	0x0
8	WKUPDEP_UART9_EVE3	Wakeup dependency from UART9 module (SWakeup signal) towards EVE3 + L3_MAIN1 + L4PER1 + L4PER2 + L4PER3 domains 0x0: Dependency is disabled 0x1: Dependency is enabled	RW	0x0
7	WKUPDEP_UART9_EVE2	Wakeup dependency from UART9 module (SWakeup signal) towards EVE2 + L3_MAIN1 + L4PER1 + L4PER2 + L4PER3 domains 0x0: Dependency is disabled 0x1: Dependency is enabled	RW	0x0
6	WKUPDEP_UART9_EVE1	Wakeup dependency from UART9 module (SWakeup signal) towards EVE1 + L3_MAIN1 + L4PER1 + L4PER2 + L4PER3 domains 0x0: Dependency is disabled 0x1: Dependency is enabled	RW	0x0
5	WKUPDEP_UART9_DSP2	Wakeup dependency from UART9 module (SWakeup signal) towards DSP2 + L3_MAIN1 + L4PER1 + L4PER2 + L4PER3 domains 0x0: Dependency is disabled 0x1: Dependency is enabled	RW	0x0
4	WKUPDEP_UART9_IPU1	Wakeup dependency from UART9 module (SWakeup signal) towards IPU1 + L3_MAIN1 + L4PER1 + L4PER2 + L4PER3 domains 0x0: Dependency is disabled 0x1: Dependency is enabled	RW	0x0

Bits	Field Name	Description	Type	Reset
3	WKUPDEP_UART9_SDMA	Wakeup dependency from UART9 module (SWakeup signal) towards SDMA + L3MAIN1 + L4PER1 + L4PER2 + L4PER3 domains 0x0: Dependency is disabled 0x1: Dependency is enabled	RW	0x0
2	WKUPDEP_UART9_DSP1	Wakeup dependency from UART4 module (SWakeup signal) towards DSP + L3MAIN1 + L4PER1 + L4PER2 + L4PER3 domains 0x0: Dependency is disabled 0x1: Dependency is enabled	RW	0x0
1	WKUPDEP_UART9_IPU2	Wakeup dependency from UART4 module (SWakeup signal) towards IPU2 + L3_MAIN1 + L4PER1 + L4PER2 + L4PER3 domains 0x0: Dependency is disabled 0x1: Dependency is enabled	RW	0x0
0	WKUPDEP_UART9_MPU	Wakeup dependency from UART9 module (SWakeup signal) towards MPU + L3_MAIN1 + L4PER1 + L4PER2 + L4PER3 domains 0x0: Dependency is disabled 0x1: Dependency is enabled	RW	0x0

Table 3-1832. Register Call Summary for Register PM_L4PER2_UART9_WKDEP

PRCM Register Manual

- [Not Supported Functionality \(Registers and Bits\): \[0\]\[1\]\[2\]\[3\]\[4\]](#)
- [L4PER_PRM Register Summary: \[5\]](#)

Table 3-1833. RM_L4PER2_UART9_CONTEXT

Address Offset	0x0000 01EC	Instance	L4PER_PRM
Physical Address	0x4AE0 75EC		
Description	This register contains dedicated UART9 context statuses. [warm reset insensitive]		
Type	RW		

31	30	29	28	27	26	25	24	23	22	21	20	19	18	17	16	15	14	13	12	11	10	9	8	7	6	5	4	3	2	1	0
RESERVED																LOSTMEM_RETAINED_BANK	RESERVED						LOSTCONTEXT_RFF	RESERVED							

Bits	Field Name	Description	Type	Reset
31:9	RESERVED		R	0x0
8	LOSTMEM_RETAINED_BANK	Specify if memory-based context in RETAINED_BANK memory bank has been lost due to a previous power transition or other reset source. 0x0: Context has been maintained 0x1: Context has been lost	RW	0x1
7:2	RESERVED		R	0x0

Bits	Field Name	Description	Type	Reset
1	LOSTCONTEXT_RFF	Specify if RFF-based context has been lost due to a previous power transition or other reset source. (set upon assertion of L4PER_RET_RST signal) 0x0: Context has been maintained 0x1: Context has been lost	RW	0x1
0	RESERVED		R	0x0

Table 3-1834. PM_L4PER2_DCAN2_WKDEP

Address Offset	0x0000 01F0	Instance	L4PER_PRM
Physical Address	0x4AE0 75F0		
Description	This register controls wakeup dependency based on DCAN2 service requests.		
Type	RW		

31	30	29	28	27	26	25	24	23	22	21	20	19	18	17	16	15	14	13	12	11	10	9	8	7	6	5	4	3	2	1	0				
RESERVED																WKUPDEP_DCAN2_EVE4		WKUPDEP_DCAN2_EVE3		WKUPDEP_DCAN2_EVE2		WKUPDEP_DCAN2_EVE1		WKUPDEP_DCAN2_DSP2		WKUPDEP_DCAN2_IPU1		WKUPDEP_DCAN2_SDMA		WKUPDEP_DCAN2_DSP1		WKUPDEP_DCAN2_IPU2		WKUPDEP_DCAN2_MPU	

Bits	Field Name	Description	Type	Reset
31:10	RESERVED		R	0x0
9	WKUPDEP_DCAN2_EVE4	Wakeup dependency from DCAN2 module (SWakeup signal) towards EVE4 + L3_MAIN1 + L4PER1 + L4PER2 + L4PER3 domains 0x0: Dependency is disabled 0x1: Dependency is enabled	RW	0x0
8	WKUPDEP_DCAN2_EVE3	Wakeup dependency from DCAN2 module (SWakeup signal) towards EVE3 + L3_MAIN1 + L4PER1 + L4PER2 + L4PER3 domains 0x0: Dependency is disabled 0x1: Dependency is enabled	RW	0x0
7	WKUPDEP_DCAN2_EVE2	Wakeup dependency from DCAN2 module (SWakeup signal) towards EVE2 + L3_MAIN1 + L4PER1 + L4PER2 + L4PER3 domains 0x0: Dependency is disabled 0x1: Dependency is enabled	RW	0x0
6	WKUPDEP_DCAN2_EVE1	Wakeup dependency from DCAN2 module (SWakeup signal) towards EVE1 + L3_MAIN1 + L4PER1 + L4PER2 + L4PER3 domains 0x0: Dependency is disabled 0x1: Dependency is enabled	RW	0x0
5	WKUPDEP_DCAN2_DSP2	Wakeup dependency from DCAN2 module (SWakeup signal) towards DSP2 + L3_MAIN1 + L4PER1 + L4PER2 + L4PER3 domains 0x0: Dependency is disabled 0x1: Dependency is enabled	RW	0x0

Bits	Field Name	Description	Type	Reset
4	WKUPDEP_DCAN2_IPU1	Wakeup dependency from DCAN2 module (SWakeup signal) towards IPU1 + L3_MAIN1 + L4PER1 + L4PER2 + L4PER3 domains 0x0: Dependency is disabled 0x1: Dependency is enabled	RW	0x0
3	WKUPDEP_DCAN2_SDMA	Wakeup dependency from DCAN2 module (SWakeup signal) towards SDMA + L3MAIN1 + L4PER1 + L4PER2 + L4PER3 domains 0x0: Dependency is disabled 0x1: Dependency is enabled	RW	0x0
2	WKUPDEP_DCAN2_DSP1	Wakeup dependency from DCAN2 module (SWakeup signal) towards DSP + L3MAIN1 + L4PER1 + L4PER2 + L4PER3 domains 0x0: Dependency is disabled 0x1: Dependency is enabled	RW	0x0
1	WKUPDEP_DCAN2_IPU2	Wakeup dependency from DCAN2 module (SWakeup signal) towards IPU2 + L3_MAIN1 + L4PER1 + L4PER2 + L4PER3 domains 0x0: Dependency is disabled 0x1: Dependency is enabled	RW	0x0
0	WKUPDEP_DCAN2_MPU	Wakeup dependency from DCAN2 module (SWakeup signal) towards MPU + L3_MAIN1 + L4PER1 + L4PER2 + L4PER3 domains 0x0: Dependency is disabled 0x1: Dependency is enabled	RW	0x0

Table 3-1835. Register Call Summary for Register PM_L4PER2_DCAN2_WKDEP

Clock Management Functional Description

- [Clock Domain Dependency: \[0\]\[1\]\[2\]\[4\]\[5\]](#)

PRCM Register Manual

- [Not Supported Functionality \(Registers and Bits\): \[10\]\[11\]\[12\]\[13\]\[14\]](#)
- [L4PER_PRM Register Summary: \[15\]](#)

Table 3-1836. RM_L4PER2_DCAN2_CONTEXT

Address Offset	0x0000 01F4		
Physical Address	0x4AE0 75F4	Instance	L4PER_PRM
Description	This register contains dedicated DCAN2 context statuses. [warm reset insensitive]		
Type	RW		

31	30	29	28	27	26	25	24	23	22	21	20	19	18	17	16	15	14	13	12	11	10	9	8	7	6	5	4	3	2	1	0
RESERVED																LOSTMEM_DCAN_BANK	RESERVED										LOSTCONTEXT_DFF				

Bits	Field Name	Description	Type	Reset
31:9	RESERVED		R	0x0
8	LOSTMEM_DCAN_BANK	Specify if memory-based context in DCAN memory bank has been lost due to a previous power transition or other reset source. 0x0: Context has been maintained 0x1: Context has been lost	RW	0x1
7:1	RESERVED		R	0x0
0	LOSTCONTEXT_DFF	Specify if DFF-based context has been lost due to a previous power transition or other reset source. (set upon assertion of L3INIT_RST signal) 0x0: Context has been maintained 0x1: Context has been lost	RW	0x1

Table 3-1837. RM_L4SEC_SHA2MD52_CONTEXT

Address Offset	0x0000 01FC	Instance	L4PER_PRM
Physical Address	0x4AE0 75FC		
Description	This register contains dedicated SHA2MD52 context statuses. [warm reset insensitive]		
Type	RW		

31	30	29	28	27	26	25	24	23	22	21	20	19	18	17	16	15	14	13	12	11	10	9	8	7	6	5	4	3	2	1	0
RESERVED																LOSTCONTEXT_RFF		RESERVED													

Bits	Field Name	Description	Type	Reset
31:2	RESERVED		R	0x0
1	LOSTCONTEXT_RFF	Specify if RFF-based context has been lost due to a previous power transition or other reset source. (set upon assertion of L4PER_RET_RST signal) 0x0: Context has been maintained 0x1: Context has been lost	RW	0x1
0	RESERVED		R	0x0

3.12.51 MPU_PRM Registers

3.12.51.1 MPU_PRM Register Summary

Table 3-1838. MPU_PRM Registers Mapping Summary

Register Name	Type	Register Width (Bits)	Address Offset	MPU_PRM Physical Address L4_WKUP Interconnect
PM_MPU_PWRSTCTRL	RW	32	0x0000 0000	0x4AE0 6300
PM_MPU_PWRSTST	RW	32	0x0000 0004	0x4AE0 6304
RM_MPU_MPU_CONT EXT	RW	32	0x0000 0024	0x4AE0 6324

3.12.51.2 MPU_PRM Register Description

Table 3-1839. PM_MPU_PWRSTCTRL

Address Offset	0x0000 0000	Instance	MPU_PRM
Physical Address	0x4AE0 6300		
Description	<p>This register controls the MPU domain power state to reach upon a domain sleep transition. If the value programmed in this register correspond to a lower power state than the one programmed in MPU-SS for CPU0 and/or CPU1, then value of this register is overwritten in PRCM logic to limit the power state to enter.</p> <p>Notes: Even if value of this register is overwritten in PRCM logic, value of this register remains unchanged.</p> <p>If user programs MPU power domain to go to CSWRET, then he can not program L2 cache to OFF mode.</p> <p>Note: Only the MPU Subsystem supports memory retention. MPU subsystem does not support OFF state. Only CPU1 supports FORCED_OFF state with no subsequent recovery to ON/active state - this is very application specific and may not be available in all TI standard software offerings.</p>		
Type	RW		

31	30	29	28	27	26	25	24	23	22	21	20	19	18	17	16	15	14	13	12	11	10	9	8	7	6	5	4	3	2	1	0		
RESERVED								MPU_RAM_ONSTATE			MPU_L2_ONSTATE			RESERVED								MPU_RAM_RETSTATE			MPU_L2_RETSTATE		RESERVED			LOWPOWERSTATECHANGE	RESERVED	LOGICRETSTATE	POWERSTATE

Bits	Field Name	Description	Type	Reset
31:22	RESERVED		R	0x0
21:20	MPU_RAM_ONSTATE	MPU_RAM memory state when domain is ON. 0x3: Memory bank is on when the domain is ON.	R	0x3
19:18	MPU_L2_ONSTATE	MPU_L2 memory state when domain is ON. 0x3: Memory bank is on when the domain is ON.	R	0x3
17:11	RESERVED		R	0x0
10	MPU_RAM_RETSTATE	MPU_RAM memory state when domain is RETENTION. 0x1: Memory bank is retained when domain is in RETENTION state.	R	0x1
9	MPU_L2_RETSTATE	MPU_L2 memory state when domain is RETENTION. Should always be same as or higher than LogicRETState bit-field. 0x0: Memory bank is off when the domain is in the RETENTION state. 0x1: Memory bank is retained when domain is in RETENTION state.	RW	0x1
8:5	RESERVED		R	0x0
4	LOWPOWERSTATECHANGE	Power state change request when domain has already performed a sleep transition. Allows going into deeper low power state without waking up the power domain. 0x0: Do not request a low power state change.	R	0x0
3	RESERVED		R	0x0

Bits	Field Name	Description	Type	Reset
2	LOGICRETSTATE	Logic state when power domain is RETENTION 0x0: Only retention registers are retained and remaining logic is off when the domain is in RETENTION state. 0x1: Whole logic is retained when domain is in RETENTION state.	RW	0x1
1:0	POWERSTATE	Power state control 0x0: Reserved 0x1: RETENTION state 0x2: INACTIVE state 0x3: ON State	RW	0x3

Table 3-1840. Register Call Summary for Register PM_MPU_PWRSTCTRL

Power Management Functional Description

- [Logic and Memory Area Power Modes Control and Status: \[0\]\[1\]\[2\]\[3\]\[4\]\[5\]\[6\]](#)
- [Power State Override: \[7\]\[8\]\[9\]\[10\]](#)

PRCM Register Manual

- [MPU_PRM Register Summary: \[11\]](#)

Table 3-1841. PM_MPU_PWRSTST

Address Offset	0x0000 0004	Instance	MPU_PRM
Physical Address	0x4AE0 6304		
Description	This register provides a status on the MPU domain current power state. [warm reset insensitive]		
Type	RW		

31	30	29	28	27	26	25	24	23	22	21	20	19	18	17	16	15	14	13	12	11	10	9	8	7	6	5	4	3	2	1	0
RESERVED								LASTPOWERSTATEENTERED		RESERVED		INTRANSITION		RESERVED								MPU_RAM_STATEST		MPU_L2_STATEST		RESERVED		LOGICSTATEST		POWERSTATEST	

Bits	Field Name	Description	Type	Reset
31:26	RESERVED		R	0x0
25:24	LASTPOWERSTATEENTERED	Last low power state entered. Set to 0x3 upon write of the same only. This register is intended for debug purpose only. 0x0: Power domain was previously OFF 0x1: Power domain was previously in RETENTION 0x2: Power domain was previously ON-INACTIVE 0x3: Power domain was previously ON-ACTIVE	RW	0x0
23:21	RESERVED		R	0x0
20	INTRANSITION	Domain transition status 0x0: No on-going transition on power domain 0x1: Power domain transition is in progress.	R	0x0
19:10	RESERVED		R	0x0

Bits	Field Name	Description	Type	Reset
9:8	MPU_RAM_STATEST	MPU_RAM memory state status 0x0: Memory is OFF 0x1: Memory is RETENTION 0x2: Reserved 0x3: Memory is ON	R	0x3
7:6	MPU_L2_STATEST	MPU_L2 memory state status 0x0: Memory is OFF 0x1: Memory is RETENTION 0x2: Reserved 0x3: Memory is ON	R	0x3
5:3	RESERVED		R	0x0
2	LOGICSTATEST	Logic state status 0x0: Logic in domain is OFF 0x1: Logic in domain is ON	R	0x1
1:0	POWERSTATEST	Current power state status 0x0: Power domain is OFF 0x1: Power domain is in RETENTION 0x2: Power domain is ON-INACTIVE 0x3: Power domain is ON-ACTIVE	R	0x3

Table 3-1842. Register Call Summary for Register PM_MPU_PWRSTST

Power Management Functional Description

- [Logic and Memory Area Power Modes Control and Status: \[0\]\[1\]\[2\]\[3\]\[4\]\[5\]](#)

PRCM Register Manual

- [MPU_PRM Register Summary: \[6\]](#)

Table 3-1843. RM_MPU_MPU_CONTEXT

Address Offset	0x0000 0024	Instance	MPU_PRM
Physical Address	0x4AE0 6324		
Description	This register contains dedicated MPU context statuses. [warm reset insensitive]		
Type	RW		

31	30	29	28	27	26	25	24	23	22	21	20	19	18	17	16	15	14	13	12	11	10	9	8	7	6	5	4	3	2	1	0
RESERVED																LOSTMEM_MPU_RAM		LOSTMEM_MPU_L2		RESERVED						LOSTCONTEXT_RFF		LOSTCONTEXT_DFF			

Bits	Field Name	Description	Type	Reset
31:11	RESERVED		R	0x0
10	LOSTMEM_MPU_RAM	Specify if memory-based context in MPU_RAM memory bank has been lost due to a previous power transition or other reset source (not affected by a global warm reset). 0x0: Context has been maintained 0x1: Context has been lost	RW	0x1

Bits	Field Name	Description	Type	Reset
9	LOSTMEM_MPU_L2	Specify if memory-based context in MPU_L2 memory bank has been lost due to a previous power transition or other reset source. 0x0: Context has been maintained 0x1: Context has been lost	RW	0x1
8:2	RESERVED		R	0x0
1	LOSTCONTEXT_RFF	Specify if RFF-based context has been lost due to a previous power transition or other reset source. (set upon assertion of MPU_MA_PWRON_RET_RST signal) 0x0: Context has been maintained 0x1: Context has been lost	RW	0x1
0	LOSTCONTEXT_DFF	Specify if DFF-based context has been lost due to a previous power transition or other reset source. (set upon assertion of MPU_RST signal) 0x0: Context has been maintained 0x1: Context has been lost	RW	0x1

Table 3-1844. Register Call Summary for Register RM_MPU_MPU_CONTEXT

Power Management Functional Description

- [PD_MPU Description: \[0\]\[1\]](#)

PRCM Register Manual

- [MPU_PRM Register Summary: \[2\]](#)

3.12.52 OCP_SOCKET_PRM Registers

3.12.52.1 OCP_SOCKET_PRM Register Summary

Table 3-1845. OCP_SOCKET_PRM Registers Mapping Summary

Register Name	Type	Register Width (Bits)	Address Offset	OCP_SOCKET_PRM Physical Address L4_WKUP Interconnect
REVISION_PRM	R	32	0x0000 0000	0x4AE0 6000
PRM_IRQSTATUS MPU	RW	32	0x0000 0010	0x4AE0 6010
PRM_IRQSTATUS MPU_2	RW	32	0x0000 0014	0x4AE0 6014
PRM_IRQENABLE MPU	RW	32	0x0000 0018	0x4AE0 6018
PRM_IRQENABLE MPU_2	RW	32	0x0000 001C	0x4AE0 601C
PRM_IRQSTATUS_IPU 2	RW	32	0x0000 0020	0x4AE0 6020
PRM_IRQENABLE_IPU 2	RW	32	0x0000 0028	0x4AE0 6028
PRM_IRQSTATUS_DSP1	RW	32	0x0000 0030	0x4AE0 6030
PRM_IRQENABLE_DSP1	RW	32	0x0000 0038	0x4AE0 6038
CM_PRM_PROFILING_CLKCTRL	RW	32	0x0000 0040	0x4AE0 6040
PRM_IRQENABLE_DSP2	RW	32	0x0000 0044	0x4AE0 6044
PRM_IRQENABLE_EVE 1	RW	32	0x0000 0048	0x4AE0 6048

Table 3-1845. OCP_SOCKET_PRM Registers Mapping Summary (continued)

Register Name	Type	Register Width (Bits)	Address Offset	OCP_SOCKET_PRM Physical Address L4_WKUP Interconnect
PRM_IRQENABLE_EVE 2	RW	32	0x0000 004C	0x4AE0 604C
PRM_IRQENABLE_EVE 3	RW	32	0x0000 0050	0x4AE0 6050
PRM_IRQENABLE_EVE 4	RW	32	0x0000 0054	0x4AE0 6054
PRM_IRQENABLE_IPU 1	RW	32	0x0000 0058	0x4AE0 6058
PRM_IRQSTATUS_DS P2	RW	32	0x0000 005C	0x4AE0 605C
PRM_IRQSTATUS_EVE 1	RW	32	0x0000 0060	0x4AE0 6060
PRM_IRQSTATUS_EVE 2	RW	32	0x0000 0064	0x4AE0 6064
PRM_IRQSTATUS_EVE 3	RW	32	0x0000 0068	0x4AE0 6068
PRM_IRQSTATUS_EVE 4	RW	32	0x0000 006C	0x4AE0 606C
PRM_IRQSTATUS_IPU 1	RW	32	0x0000 0070	0x4AE0 6070
PRM_DEBUG_CFG1	RW	32	0x0000 00E4	0x4AE0 60E4
PRM_DEBUG_CFG2	RW	32	0x0000 00E8	0x4AE0 60E8
PRM_DEBUG_CFG3	RW	32	0x0000 00EC	0x4AE0 60EC
PRM_DEBUG_CFG	RW	32	0x0000 00F0	0x4AE0 60F0
PRM_DEBUG_OUT	R	32	0x0000 00F4	0x4AE0 60F4

3.12.52.2 OCP_SOCKET_PRM Register Description

Table 3-1846. REVISION_PRM

Address Offset	0x0000 0000	Instance	OCP_SOCKET_PRM
Physical Address	0x4AE0 6000		
Description	This register contains the IP revision code for the PRM part of the PRCM		
Type	R		

31	30	29	28	27	26	25	24	23	22	21	20	19	18	17	16	15	14	13	12	11	10	9	8	7	6	5	4	3	2	1	0
REVISION																															

Bits	Field Name	Description	Type	Reset
31:0	REVISION	IP Revision	R	0x- ⁽¹⁾

⁽¹⁾ TI internal data.

Table 3-1847. Register Call Summary for Register REVISION_PRM

- PRCM Register Manual
- [OCP_SOCKET_PRM Register Summary: \[0\]](#)

Table 3-1848. PRM_IRQSTATUS_MPU

Address Offset	0x0000 0010	Instance	OCP_SOCKET_PRM
Physical Address	0x4AE0 6010		
Description	This register provides status on MPU interrupt events. Any event is logged independently of the corresponding IRQENABLE value. SW is required to clear a set bit by writing a '1' into the bit-position to be cleared.		
Type	RW		

31	30	29	28	27	26	25	24	23	22	21	20	19	18	17	16	15	14	13	12	11	10	9	8	7	6	5	4	3	2	1	0
RESERVED	ABB_IVA_DONE_ST	ABB_DSPEVE_DONE_ST	ABB_GPU_DONE_ST	RESERVED												DPLL_EVE_RECAL_ST	DPLL_DSP_RECAL_ST	RESERVED	IO_ST	TRANSITION_ST	DPLL_DDR_RECAL_ST	DPLL_GPU_RECAL_ST	DPLL_GMAC_RECAL_ST	DPLL_ABE_RECAL_ST	DPLL_PER_RECAL_ST	DPLL_IVA_RECAL_ST	DPLL_MPU_RECAL_ST	DPLL_CORE_RECAL_ST			

Bits	Field Name	Description	Type	Reset
31	RESERVED		R	0x0
30	ABB_IVA_DONE_ST	IVA ABB mode change completion status. This status is set for both automatic transition upon a voltage transition, and OPP change (when OPP_CHANGE bit is cleared by hardware in PRM_ABBLDO_MM_CTRL register). It is cleared by SW. 0x0: No interrupt 0x1: Interrupt is pending	RW	0x0
29	ABB_DSPEVE_DONE_ST	DSPEVE ABB mode change completion status. This status is set for both automatic transition upon a voltage transition, and OPP change (when OPP_CHANGE bit is cleared by hardware in PRM_ABBLDO_MM_CTRL register). It is cleared by SW. 0x0: No interrupt 0x1: Interrupt is pending	RW	0x0
28	ABB_GPU_DONE_ST	GPU ABB mode change completion status. This status is set for both automatic transition upon a voltage transition, and OPP change (when OPP_CHANGE bit is cleared by hardware in PRM_ABBLDO_MM_CTRL register). It is cleared by SW. 0x0: No interrupt 0x1: Interrupt is pending	RW	0x0
27:13	RESERVED		R	0x0
12	DPLL_EVE_RECAL_ST	EVE DPLL recalibration interrupt status. 0x0: No interrupt 0x1: Interrupt is pending	RW	0x0
11	DPLL_DSP_RECAL_ST	DSP DPLL recalibration interrupt status. 0x0: No interrupt 0x1: Interrupt is pending	RW	0x0
10	RESERVED		R	0x0
9	IO_ST	IO pad event interrupt status. 0x0: No interrupt 0x1: Interrupt is pending	RW	0x0

Bits	Field Name	Description	Type	Reset
8	TRANSITION_ST	Software supervised transition completed event interrupt status (any domain). Asserted upon completion of any clock domain force wakeup transition or upon completion of any power domain sleep transition with at least one enclosed clock domain configured in forced-sleep. 0x0: No interrupt 0x1: Interrupt is pending	RW	0x0
7	DPLL_DDR_RECAL_ST	DDR DPLL recalibration interrupt status. 0x0: No interrupt 0x1: Interrupt is pending	RW	0x0
6	DPLL_GPU_RECAL_ST	GPU DPLL recalibration interrupt status. 0x0: No interrupt 0x1: Interrupt is pending	RW	0x0
5	DPLL_GMAC_RECAL_ST	GMAC DPLL recalibration interrupt status. 0x0: No interrupt 0x1: Interrupt is pending	RW	0x0
4	DPLL_ABE_RECAL_ST	ABE DPLL recalibration interrupt status. 0x0: No interrupt 0x1: Interrupt is pending	RW	0x0
3	DPLL_PER_RECAL_ST	PER DPLL recalibration interrupt status. 0x0: No interrupt 0x1: Interrupt is pending	RW	0x0
2	DPLL_IVA_RECAL_ST	IVA DPLL recalibration interrupt status. 0x0: No interrupt 0x1: Interrupt is pending	RW	0x0
1	DPLL_MPU_RECAL_ST	MPU DPLL recalibration interrupt status. 0x0: No interrupt 0x1: Interrupt is pending	RW	0x0
0	DPLL_CORE_RECAL_ST	CORE DPLL recalibration interrupt status. 0x0: No interrupt 0x1: Interrupt is pending	RW	0x0

Table 3-1849. Register Call Summary for Register PRM_IRQSTATUS_MPU

Clock Management Functional Description

- [DPLL Recalibration: \[0\]](#)
- [DPLL_PER Recalibration: \[1\]](#)
- [DPLL_CORE Recalibration: \[2\]](#)
- [DPLL_ABE Recalibration: \[3\]](#)
- [DPLL_MPU Recalibration: \[4\]](#)
- [DPLL_IVA Recalibration: \[5\]](#)
- [DPLL_DSP Recalibration: \[7\]](#)
- [DPLL_GMAC Recalibration: \[8\]](#)
- [DPLL_GPU Recalibration: \[9\]](#)
- [DPLL_DDR Recalibration: \[10\]](#)

Voltage-Management Functional Description

- [ABB LDO Enable Sequence: \[11\]\[12\]\[13\]](#)
- [ABB LDO Disable Sequence \(Entering in Bypass Mode\): \[14\]\[15\]\[16\]](#)

PRCM Register Manual

- [Not Supported Functionality \(Registers and Bits\): \[17\]](#)
- [OCP_SOCKET_PRM Register Summary: \[18\]](#)

Table 3-1850. PRM_IRQSTATUS_MPU_2

Address Offset	0x0000 0014		
Physical Address	0x4AE0 6014	Instance	OCP_SOCKET_PRM
Description	This register provides status on MPU interrupt events. Any event is logged independently of the corresponding IRQENABLE value. SW is required to clear a set bit by writing a '1' into the bit-position to be cleared.		
Type	RW		

31	30	29	28	27	26	25	24	23	22	21	20	19	18	17	16	15	14	13	12	11	10	9	8	7	6	5	4	3	2	1	0
RESERVED																ABB_MPU_DONE_ST	RESERVED														

Bits	Field Name	Description	Type	Reset
31:8	RESERVED		R	0x0
7	ABB_MPU_DONE_ST	MPU ABB mode change completion status. This status is set for both automatic transition upon a voltage transition, and OPP change (when OPP_CHANGE bit is cleared by hardware in PRM_ABBLDO_MPU_CTRL register). It is cleared by SW. 0x0: No interrupt 0x1: Interrupt is pending	RW	0x0
6:0	RESERVED		R	0x0

Table 3-1851. Register Call Summary for Register PRM_IRQSTATUS_MPU_2

Clock Management Functional Description

- [DPLL Recalibration: \[0\]](#)

PRCM Register Manual

- [OCP_SOCKET_PRM Register Summary: \[1\]](#)

Table 3-1852. PRM_IRQENABLE_MPU

Address Offset	0x0000 0018		
Physical Address	0x4AE0 6018	Instance	OCP_SOCKET_PRM
Description	This register is used to enable or disable MPU interrupt activation upon presence of corresponding IRQSTATUS bit.		
Type	RW		

31	30	29	28	27	26	25	24	23	22	21	20	19	18	17	16	15	14	13	12	11	10	9	8	7	6	5	4	3	2	1	0
ABB_IVA_DONE_EN	ABB_DSPEVE_DONE_EN	ABB_GPU_DONE_EN	RESERVED													DPLL_EVE_RECAL_EN	DPLL_DSP_RECAL_EN	IO_EN	TRANSITION_EN	DPLL_DDR_RECAL_EN	DPLL_GPU_RECAL_EN	DPLL_GMAC_RECAL_EN	DPLL_ABE_RECAL_EN	DPLL_PER_RECAL_EN	DPLL_IVA_RECAL_EN	DPLL_MPU_RECAL_EN	DPLL_CORE_RECAL_EN				

Bits	Field Name	Description	Type	Reset
31	ABB_IVA_DONE_EN	IVA ABB mode change done enable 0x0: No interrupt 0x1: Interrupt is pending	RW	0x0
30	ABB_DSPEVE_DONE_EN	DSPEVE ABB mode change done enable 0x0: No interrupt 0x1: Interrupt is pending	RW	0x0
29	ABB_GPU_DONE_EN	GPU ABB mode change done enable 0x0: No interrupt 0x1: Interrupt is pending	RW	0x0
28:12	RESERVED		R	0x0
11	DPLL_EVE_RECAL_EN	EVE DPLL recalibration interrupt enable 0x0: Interrupt is masked 0x1: Interrupt is enabled	RW	0x0
10	DPLL_DSP_RECAL_EN	DSP DPLL recalibration interrupt enable 0x0: Interrupt is masked 0x1: Interrupt is enabled	RW	0x0
9	IO_EN	IO pad event interrupt enable 0x0: Interrupt is masked 0x1: Interrupt is enabled	RW	0x0
8	TRANSITION_EN	Software supervised transition completed event interrupt enable (any domain) 0x0: Interrupt is masked 0x1: Interrupt is enabled	RW	0x0
7	DPLL_DDR_RECAL_EN	DDR DPLL recalibration interrupt enable 0x0: Interrupt is masked 0x1: Interrupt is enabled	RW	0x0
6	DPLL_GPU_RECAL_EN	GPU DPLL recalibration interrupt enable 0x0: Interrupt is masked 0x1: Interrupt is enabled	RW	0x0
5	DPLL_GMAC_RECAL_EN	GMAC DPLL recalibration interrupt enable 0x0: Interrupt is masked 0x1: Interrupt is enabled	RW	0x0
4	DPLL_ABE_RECAL_EN	ABEDPLL recalibration interrupt enable 0x0: Interrupt is masked 0x1: Interrupt is enabled	RW	0x0
3	DPLL_PER_RECAL_EN	PER DPLL recalibration interrupt enable 0x0: Interrupt is masked 0x1: Interrupt is enabled	RW	0x0
2	DPLL_IVA_RECAL_EN	IVA DPLL recalibration interrupt enable 0x0: Interrupt is masked 0x1: Interrupt is enabled	RW	0x0
1	DPLL_MPU_RECAL_EN	MPU DPLL recalibration interrupt enable 0x0: Interrupt is masked 0x1: Interrupt is enabled	RW	0x0
0	DPLL_CORE_RECAL_EN	CORE DPLL recalibration interrupt enable 0x0: Interrupt is masked 0x1: Interrupt is enabled	RW	0x0

Table 3-1853. Register Call Summary for Register PRM_IRQENABLE_MPU

Clock Management Functional Description

- [DPLL Recalibration: \[0\]](#)
- [DPLL_PER Recalibration: \[1\]](#)
- [DPLL_CORE Recalibration: \[2\]](#)
- [DPLL_ABE Recalibration: \[3\]](#)
- [DPLL_MPU Recalibration: \[4\]](#)
- [DPLL_IVA Recalibration: \[5\]](#)
- [DPLL_DSP Recalibration: \[7\]](#)
- [DPLL_GMAC Recalibration: \[8\]](#)
- [DPLL_GPU Recalibration: \[9\]](#)
- [DPLL_DDR Recalibration: \[10\]](#)

PRCM Register Manual

- [Not Supported Functionality \(Registers and Bits\): \[11\]](#)
- [OCP_SOCKET_PRM Register Summary: \[12\]](#)

Table 3-1854. PRM_IRQENABLE_MPU_2

Address Offset	0x0000 001C	Instance	OCP_SOCKET_PRM
Physical Address	0x4AE0 601C		
Description	This register is used to enable or disable MPU interrupt activation upon presence of corresponding IRQSTATUS bit.		
Type	RW		

31	30	29	28	27	26	25	24	23	22	21	20	19	18	17	16	15	14	13	12	11	10	9	8	7	6	5	4	3	2	1	0
RESERVED																ABB_MPU_DONE_EN	RESERVED														

Bits	Field Name	Description	Type	Reset
31:8	RESERVED		R	0x0
7	ABB_MPU_DONE_EN	MPU ABB mode change done enable 0x0: No interrupt 0x1: Interrupt is pending	RW	0x0
6:0	RESERVED		R	0x0

Table 3-1855. Register Call Summary for Register PRM_IRQENABLE_MPU_2

Clock Management Functional Description

- [DPLL Recalibration: \[0\]](#)

PRCM Register Manual

- [OCP_SOCKET_PRM Register Summary: \[1\]](#)

Table 3-1856. PRM_IRQSTATUS_IPU2

Address Offset	0x0000 0020	Instance	OCP_SOCKET_PRM
Physical Address	0x4AE0 6020		
Description	This register provides status on IPU2 interrupt events. Any event is logged independently of the corresponding IRQENABLE value. SW is required to clear a set bit by writing a '1' into the bit-position to be cleared.		
Type	RW		

31	30	29	28	27	26	25	24	23	22	21	20	19	18	17	16	15	14	13	12	11	10	9	8	7	6	5	4	3	2	1	0
ABB_MPU_DONE_ST	ABB_IVA_DONE_ST	ABB_DSPEVE_DONE_ST	ABB_GPU_DONE_ST	RESERVED												DPLL_EVE_RECAL_ST	DPLL_DSP_RECAL_ST	FORCEWKUP_ST	IO_ST	TRANSITION_ST	DPLL_DDR_RECAL_ST	DPLL_GPU_RECAL_ST	DPLL_GMAC_RECAL_ST	DPLL_ABE_RECAL_ST	DPLL_PER_RECAL_ST	DPLL_IVA_RECAL_ST	DPLL_MPU_RECAL_ST	DPLL_CORE_RECAL_ST			

Bits	Field Name	Description	Type	Reset
31	ABB_MPU_DONE_ST	MPU ABB mode change completion status. This status is set for both automatic transition upon a voltage transition, and OPP change (when OPP_CHANGE bit is cleared by hardware in PRM_ABBLDO_MM_CTRL register). It is cleared by SW. 0x0: No interrupt 0x1: Interrupt is pending	RW	0x0
30	ABB_IVA_DONE_ST	IVA ABB mode change completion status. This status is set for both automatic transition upon a voltage transition, and OPP change (when OPP_CHANGE bit is cleared by hardware in PRM_ABBLDO_MM_CTRL register). It is cleared by SW. 0x0: No interrupt 0x1: Interrupt is pending	RW	0x0
29	ABB_DSPEVE_DONE_ST	DSPEVE ABB mode change completion status. This status is set for both automatic transition upon a voltage transition, and OPP change (when OPP_CHANGE bit is cleared by hardware in PRM_ABBLDO_MM_CTRL register). It is cleared by SW. 0x0: No interrupt 0x1: Interrupt is pending	RW	0x0
28	ABB_GPU_DONE_ST	GPU ABB mode change completion status. This status is set for both automatic transition upon a voltage transition, and OPP change (when OPP_CHANGE bit is cleared by hardware in PRM_ABBLDO_MM_CTRL register). It is cleared by SW. 0x0: No interrupt 0x1: Interrupt is pending	RW	0x0
27:13	RESERVED		R	0x0
12	DPLL_EVE_RECAL_ST	EVE DPLL recalibration interrupt status. 0x0: No interrupt 0x1: Interrupt is pending	RW	0x0
11	DPLL_DSP_RECAL_ST	DSP DPLL recalibration interrupt status. 0x0: No interrupt 0x1: Interrupt is pending	RW	0x0

Bits	Field Name	Description	Type	Reset
10	FORCEWKUP_ST	IPU domain software supervised wakeup transition completed event interrupt status. 0x0: No interrupt 0x1: Interrupt is pending	RW	0x0
9	IO_ST	IO pad event interrupt status. 0x0: No interrupt 0x1: Interrupt is pending	RW	0x0
8	TRANSITION_ST	Software supervised transition completed event interrupt status (any domain). Asserted upon completion of any clock domain force wakeup transition or upon completion of any power domain sleep transition with at least one enclosed clock domain configured in forced-sleep. 0x0: No interrupt 0x1: Interrupt is pending	RW	0x0
7	DPLL_DDR_RECAL_ST	DDR DPLL recalibration interrupt status. 0x0: No interrupt 0x1: Interrupt is pending	RW	0x0
6	DPLL_GPU_RECAL_ST	GPU DPLL recalibration interrupt status. 0x0: No interrupt 0x1: Interrupt is pending	RW	0x0
5	DPLL_GMAC_RECAL_ST	GMAC DPLL recalibration interrupt status. 0x0: No interrupt 0x1: Interrupt is pending	RW	0x0
4	DPLL_ABE_RECAL_ST	ABE DPLL recalibration interrupt status. 0x0: No interrupt 0x1: Interrupt is pending	RW	0x0
3	DPLL_PER_RECAL_ST	PER DPLL recalibration interrupt status. 0x0: No interrupt 0x1: Interrupt is pending	RW	0x0
2	DPLL_IVA_RECAL_ST	IVA DPLL recalibration interrupt status. 0x0: No interrupt 0x1: Interrupt is pending	RW	0x0
1	DPLL_MPU_RECAL_ST	MPU DPLL recalibration interrupt status. 0x0: No interrupt 0x1: Interrupt is pending	RW	0x0
0	DPLL_CORE_RECAL_ST	CORE DPLL recalibration interrupt status. 0x0: No interrupt 0x1: Interrupt is pending	RW	0x0

Table 3-1857. Register Call Summary for Register PRM_IRQSTATUS_IPU2

Clock Management Functional Description

- [DPLL Recalibration: \[0\]](#)
- [DPLL_PER Recalibration: \[1\]](#)
- [DPLL_CORE Recalibration: \[2\]](#)
- [DPLL_ABE Recalibration: \[3\]](#)
- [DPLL_MPU Recalibration: \[4\]](#)
- [DPLL_IVA Recalibration: \[5\]](#)
- [DPLL_DSP Recalibration: \[7\]](#)
- [DPLL_GMAC Recalibration: \[8\]](#)
- [DPLL_GPU Recalibration: \[9\]](#)
- [DPLL_DDR Recalibration: \[10\]](#)

Table 3-1857. Register Call Summary for Register PRM_IRQSTATUS_IPU2 (continued)

PRCM Register Manual

- [Not Supported Functionality \(Registers and Bits\): \[11\]](#)
- [OCP_SOCKET_PRM Register Summary: \[12\]](#)

Table 3-1858. PRM_IRQENABLE_IPU2

Address Offset	0x0000 0028	Instance	OCP_SOCKET_PRM
Physical Address	0x4AE0 6028		
Description	This register is used to enable or disable IPU2 interrupt activation upon presence of corresponding IRQSTATUS bit.		
Type	RW		

31	30	29	28	27	26	25	24	23	22	21	20	19	18	17	16	15	14	13	12	11	10	9	8	7	6	5	4	3	2	1	0
ABB_MPU_DONE_EN	ABB_IVA_DONE_EN	ABB_DSPEVE_DONE_EN	ABB_GPU_DONE_EN	RESERVED												DPLL_EVE_RECAL_EN	DPLL_DSP_RECAL_EN	FORCEWKUP_EN	IO_EN	TRANSITION_EN	DPLL_DDR_RECAL_EN	DPLL_GPU_RECAL_EN	DPLL_GMAC_RECAL_EN	DPLL_ABE_RECAL_EN	DPLL_PER_RECAL_EN	DPLL_IVA_RECAL_EN	DPLL_MPU_RECAL_EN	DPLL_CORE_RECAL_EN			

Bits	Field Name	Description	Type	Reset
31	ABB_MPU_DONE_EN	MPU ABB mode change done enable 0x0: No interrupt 0x1: Interrupt is pending	RW	0x0
30	ABB_IVA_DONE_EN	IVA ABB mode change done enable 0x0: No interrupt 0x1: Interrupt is pending	RW	0x0
29	ABB_DSPEVE_DONE_EN	DSPEVE ABB mode change done enable 0x0: No interrupt 0x1: Interrupt is pending	RW	0x0
28	ABB_GPU_DONE_EN	GPU ABB mode change done enable 0x0: No interrupt 0x1: Interrupt is pending	RW	0x0
27:13	RESERVED		R	0x0
12	DPLL_EVE_RECAL_EN	EVE DPLL recalibration interrupt enable 0x0: Interrupt is masked 0x1: Interrupt is enabled	RW	0x0
11	DPLL_DSP_RECAL_EN	DSP DPLL recalibration interrupt enable 0x0: Interrupt is masked 0x1: Interrupt is enabled	RW	0x0
10	FORCEWKUP_EN	IPU domain software supervised wakeup transition completed event interrupt enable. 0x0: Interrupt is masked 0x1: Interrupt is enabled	RW	0x0
9	IO_EN	IO pad event interrupt enable 0x0: Interrupt is masked 0x1: Interrupt is enabled	RW	0x0

Bits	Field Name	Description	Type	Reset
8	TRANSITION_EN	Software supervised transition completed event interrupt enable (any domain) 0x0: Interrupt is masked 0x1: Interrupt is enabled	RW	0x0
7	DPLL_DDR_RECAL_EN	DDR DPLL recalibration interrupt enable 0x0: Interrupt is masked 0x1: Interrupt is enabled	RW	0x0
6	DPLL_GPU_RECAL_EN	GPU DPLL recalibration interrupt enable 0x0: Interrupt is masked 0x1: Interrupt is enabled	RW	0x0
5	DPLL_GMAC_RECAL_EN	GMAC DPLL recalibration interrupt enable 0x0: Interrupt is masked 0x1: Interrupt is enabled	RW	0x0
4	DPLL_ABE_RECAL_EN	ABEDPLL recalibration interrupt enable 0x0: Interrupt is masked 0x1: Interrupt is enabled	RW	0x0
3	DPLL_PER_RECAL_EN	PER DPLL recalibration interrupt enable 0x0: Interrupt is masked 0x1: Interrupt is enabled	RW	0x0
2	DPLL_IVA_RECAL_EN	IVA DPLL recalibration interrupt enable 0x0: Interrupt is masked 0x1: Interrupt is enabled	RW	0x0
1	DPLL_MPU_RECAL_EN	MPU DPLL recalibration interrupt enable 0x0: Interrupt is masked 0x1: Interrupt is enabled	RW	0x0
0	DPLL_CORE_RECAL_EN	CORE DPLL recalibration interrupt enable 0x0: Interrupt is masked 0x1: Interrupt is enabled	RW	0x0

Table 3-1859. Register Call Summary for Register PRM_IRQENABLE_IPU2

Clock Management Functional Description

- [DPLL Recalibration: \[0\]](#)
- [DPLL_PER Recalibration: \[1\]](#)
- [DPLL_CORE Recalibration: \[2\]](#)
- [DPLL_ABE Recalibration: \[3\]](#)
- [DPLL_MPU Recalibration: \[4\]](#)
- [DPLL_IVA Recalibration: \[5\]](#)
- [DPLL_DSP Recalibration: \[7\]](#)
- [DPLL_GMAC Recalibration: \[8\]](#)
- [DPLL_GPU Recalibration: \[9\]](#)
- [DPLL_DDR Recalibration: \[10\]](#)

PRCM Register Manual

- [Not Supported Functionality \(Registers and Bits\): \[11\]](#)
- [OCP_SOCKET_PRM Register Summary: \[12\]](#)

Table 3-1860. PRM_IRQSTATUS_DSP1

Address Offset	0x0000 0030	Instance	OCP_SOCKET_PRM
Physical Address	0x4AE0 6030		
Description	This register provides status on DSP1 interrupt events. Any event is logged independently of the corresponding IRQENABLE value. SW is required to clear a set bit by writing a '1' into the bit-position to be cleared.		
Type	RW		

31	30	29	28	27	26	25	24	23	22	21	20	19	18	17	16	15	14	13	12	11	10	9	8	7	6	5	4	3	2	1	0
ABB_MPU_DONE_ST	ABB_IVA_DONE_ST	ABB_DSPEVE_DONE_ST	ABB_GPU_DONE_ST	RESERVED												DPLL_EVE_RECAL_ST	DPLL_DSP_RECAL_ST	FORCEWKUP_ST	IO_ST	RESERVED	DPLL_DDR_RECAL_ST	DPLL_GPU_RECAL_ST	DPLL_GMAC_RECAL_ST	DPLL_ABE_RECAL_ST	DPLL_PER_RECAL_ST	DPLL_IVA_RECAL_ST	DPLL_MPU_RECAL_ST	DPLL_CORE_RECAL_ST			

Bits	Field Name	Description	Type	Reset
31	ABB_MPU_DONE_ST	MPU ABB mode change completion status. This status is set for both automatic transition upon a voltage transition, and OPP change (when OPP_CHANGE bit is cleared by hardware in PRM_ABBLDO_MM_CTRL register). It is cleared by SW. 0x0: No interrupt 0x1: Interrupt is pending	RW	0x0
30	ABB_IVA_DONE_ST	IVA ABB mode change completion status. This status is set for both automatic transition upon a voltage transition, and OPP change (when OPP_CHANGE bit is cleared by hardware in PRM_ABBLDO_MM_CTRL register). It is cleared by SW. 0x0: No interrupt 0x1: Interrupt is pending	RW	0x0
29	ABB_DSPEVE_DONE_ST	DSPEVE ABB mode change completion status. This status is set for both automatic transition upon a voltage transition, and OPP change (when OPP_CHANGE bit is cleared by hardware in PRM_ABBLDO_MM_CTRL register). It is cleared by SW. 0x0: No interrupt 0x1: Interrupt is pending	RW	0x0
28	ABB_GPU_DONE_ST	GPU ABB mode change completion status. This status is set for both automatic transition upon a voltage transition, and OPP change (when OPP_CHANGE bit is cleared by hardware in PRM_ABBLDO_MM_CTRL register). It is cleared by SW. 0x0: No interrupt 0x1: Interrupt is pending	RW	0x0
27:13	RESERVED		R	0x0
12	DPLL_EVE_RECAL_ST	EVE DPLL recalibration interrupt status. 0x0: No interrupt 0x1: Interrupt is pending	RW	0x0
11	DPLL_DSP_RECAL_ST	DSP DPLL recalibration interrupt status. 0x0: No interrupt 0x1: Interrupt is pending	RW	0x0

Bits	Field Name	Description	Type	Reset
10	FORCEWKUP_ST	IPU domain software supervised wakeup transition completed event interrupt status. 0x0: No interrupt 0x1: Interrupt is pending	RW	0x0
9	IO_ST	IO pad event interrupt status. 0x0: No interrupt 0x1: Interrupt is pending	RW	0x0
8	RESERVED		R	0x0
7	DPLL_DDR_RECAL_ST	DDR DPLL recalibration interrupt status. 0x0: No interrupt 0x1: Interrupt is pending	RW	0x0
6	DPLL_GPU_RECAL_ST	GPU DPLL recalibration interrupt status. 0x0: No interrupt 0x1: Interrupt is pending	RW	0x0
5	DPLL_GMAC_RECAL_ST	GMAC DPLL recalibration interrupt status. 0x0: No interrupt 0x1: Interrupt is pending	RW	0x0
4	DPLL_ABE_RECAL_ST	ABE DPLL recalibration interrupt status. 0x0: No interrupt 0x1: Interrupt is pending	RW	0x0
3	DPLL_PER_RECAL_ST	PER DPLL recalibration interrupt status. 0x0: No interrupt 0x1: Interrupt is pending	RW	0x0
2	DPLL_IVA_RECAL_ST	IVA DPLL recalibration interrupt status. 0x0: No interrupt 0x1: Interrupt is pending	RW	0x0
1	DPLL_MPU_RECAL_ST	MPU DPLL recalibration interrupt status. 0x0: No interrupt 0x1: Interrupt is pending	RW	0x0
0	DPLL_CORE_RECAL_ST	CORE DPLL recalibration interrupt status. 0x0: No interrupt 0x1: Interrupt is pending	RW	0x0

Table 3-1861. Register Call Summary for Register PRM_IRQSTATUS_DSP1

Clock Management Functional Description

- [DPLL Recalibration: \[0\]](#)
- [DPLL_PER Recalibration: \[1\]](#)
- [DPLL_CORE Recalibration: \[2\]](#)
- [DPLL_ABE Recalibration: \[3\]](#)
- [DPLL_MPU Recalibration: \[4\]](#)
- [DPLL_IVA Recalibration: \[5\]](#)
- [DPLL_DSP Recalibration: \[7\]](#)
- [DPLL_GMAC Recalibration: \[8\]](#)
- [DPLL_GPU Recalibration: \[9\]](#)
- [DPLL_DDR Recalibration: \[10\]](#)

PRCM Register Manual

- [Not Supported Functionality \(Registers and Bits\): \[11\]](#)
- [OCP_SOCKET_PRM Register Summary: \[12\]](#)

Table 3-1862. PRM_IRQENABLE_DSP1

Address Offset	0x0000 0038	Instance	OCP_SOCKET_PRM
Physical Address	0x4AE0 6038		
Description	This register is used to enable or disable DSP1 interrupt activation upon presence of corresponding IRQSTATUS bit.		
Type	RW		

31	30	29	28	27	26	25	24	23	22	21	20	19	18	17	16	15	14	13	12	11	10	9	8	7	6	5	4	3	2	1	0
ABB_MPU_DONE_EN	ABB_IVA_DONE_EN	ABB_DSPEVE_DONE_EN	ABB_GPU_DONE_EN	RESERVED												DPLL_USB_RECAL_EN	DPLL_EVE_RECAL_EN	DPLL_DSP_RECAL_EN	FORCEWKUP_EN	IO_EN	RESERVED	DPLL_DDR_RECAL_EN	DPLL_GPU_RECAL_EN	DPLL_GMAC_RECAL_EN	DPLL_ABE_RECAL_EN	DPLL_PER_RECAL_EN	DPLL_IVA_RECAL_EN	DPLL_MPU_RECAL_EN	DPLL_CORE_RECAL_EN		

Bits	Field Name	Description	Type	Reset
31	ABB_MPU_DONE_EN	MPU ABB mode change done enable 0x0: No interrupt 0x1: Interrupt is pending	RW	0x0
30	ABB_IVA_DONE_EN	IVA ABB mode change done enable 0x0: No interrupt 0x1: Interrupt is pending	RW	0x0
29	ABB_DSPEVE_DONE_EN	DSPEVE ABB mode change done enable 0x0: No interrupt 0x1: Interrupt is pending	RW	0x0
28	ABB_GPU_DONE_EN	GPU ABB mode change done enable 0x0: No interrupt 0x1: Interrupt is pending	RW	0x0
27:14	RESERVED		R	0x0
13	DPLL_USB_RECAL_EN	USB DPLL recalibration interrupt enable 0x0: Interrupt is masked 0x1: Interrupt is enabled	RW	0x0
12	DPLL_EVE_RECAL_EN	EVE DPLL recalibration interrupt enable 0x0: Interrupt is masked 0x1: Interrupt is enabled	RW	0x0
11	DPLL_DSP_RECAL_EN	DSP DPLL recalibration interrupt enable 0x0: Interrupt is masked 0x1: Interrupt is enabled	RW	0x0
10	FORCEWKUP_EN	IPU domain software supervised wakeup transition completed event interrupt enable. 0x0: Interrupt is masked 0x1: Interrupt is enabled	RW	0x0
9	IO_EN	IO pad event interrupt enable 0x0: Interrupt is masked 0x1: Interrupt is enabled	RW	0x0
8	RESERVED		R	0x0

Bits	Field Name	Description	Type	Reset
7	DPLL_DDR_RECAL_EN	DDR DPLL recalibration interrupt enable 0x0: Interrupt is masked 0x1: Interrupt is enabled	RW	0x0
6	DPLL_GPU_RECAL_EN	GPU DPLL recalibration interrupt enable 0x0: Interrupt is masked 0x1: Interrupt is enabled	RW	0x0
5	DPLL_GMAC_RECAL_EN	GMAC DPLL recalibration interrupt enable 0x0: Interrupt is masked 0x1: Interrupt is enabled	RW	0x0
4	DPLL_ABE_RECAL_EN	ABEDPLL recalibration interrupt enable 0x0: Interrupt is masked 0x1: Interrupt is enabled	RW	0x0
3	DPLL_PER_RECAL_EN	PER DPLL recalibration interrupt enable 0x0: Interrupt is masked 0x1: Interrupt is enabled	RW	0x0
2	DPLL_IVA_RECAL_EN	IVA DPLL recalibration interrupt enable 0x0: Interrupt is masked 0x1: Interrupt is enabled	RW	0x0
1	DPLL_MPU_RECAL_EN	MPU DPLL recalibration interrupt enable 0x0: Interrupt is masked 0x1: Interrupt is enabled	RW	0x0
0	DPLL_CORE_RECAL_EN	CORE DPLL recalibration interrupt enable 0x0: Interrupt is masked 0x1: Interrupt is enabled	RW	0x0

Table 3-1863. Register Call Summary for Register PRM_IRQENABLE_DSP1

Clock Management Functional Description

- [DPLL Recalibration: \[0\]](#)
- [DPLL_PER Recalibration: \[1\]](#)
- [DPLL_CORE Recalibration: \[2\]](#)
- [DPLL_ABE Recalibration: \[3\]](#)
- [DPLL_MPU Recalibration: \[4\]](#)
- [DPLL_IVA Recalibration: \[5\]](#)
- [DPLL_USB Recalibration: \[6\]](#)
- [DPLL_DSP Recalibration: \[8\]](#)
- [DPLL_GMAC Recalibration: \[9\]](#)
- [DPLL_GPU Recalibration: \[10\]](#)
- [DPLL_DDR Recalibration: \[11\]](#)

PRCM Register Manual

- [Not Supported Functionality \(Registers and Bits\): \[12\]](#)
 - [OCP_SOCKET_PRM Register Summary: \[13\]](#)
 - [Not Supported Functionality \(Registers and Bits\): \[14\]](#)
-

Table 3-1864. CM_PRM_PROFILING_CLKCTRL

Address Offset	0x0000 0040	Instance	OCP_SOCKET_PRM
Physical Address	0x4AE0 6040		
Description	This register manages the PRM_PROFILING clock. [warm reset insensitive]		
Type	RW		

31	30	29	28	27	26	25	24	23	22	21	20	19	18	17	16	15	14	13	12	11	10	9	8	7	6	5	4	3	2	1	0
RESERVED														IDLEST		RESERVED														MODULEMODE	

Bits	Field Name	Description	Type	Reset
31:18	RESERVED		R	0x0
17:16	IDLEST	Module idle status 0x0: Module is fully functional 0x1: Module is performing transition: wakeup, or sleep, or sleep abortion 0x2: Module is in Idle 0x3: Module is disabled	R	0x3
15:2	RESERVED		R	0x0
1:0	MODULEMODE	Control the way mandatory clocks are managed. 0x0: Module is disabled by SW. OCP configuration port is not accessible. 0x1: Module is managed automatically by HW along with EMU domain. OCP configuration port is accessible only when EMU domain is on. 0x2: Reserved 0x3: Reserved	RW	0x0

Table 3-1865. Register Call Summary for Register CM_PRM_PROFILING_CLKCTRL

PRCM Register Manual

- [OCP_SOCKET_PRM Register Summary: \[0\]](#)

Table 3-1866. PRM_IRQENABLE_DSP2

Address Offset	0x0000 0044	Instance	OCP_SOCKET_PRM
Physical Address	0x4AE0 6044		
Description	This register is used to enable or disable DSP2 interrupt activation upon presence of corresponding IRQSTATUS bit.		
Type	RW		

31	30	29	28	27	26	25	24	23	22	21	20	19	18	17	16	15	14	13	12	11	10	9	8	7	6	5	4	3	2	1	0
ABB_MPU_DONE_EN	ABB_IVA_DONE_EN	ABB_DSPEVE_DONE_EN	ABB_GPU_DONE_EN	RESERVED												DPLL_EVE_RECAL_EN	DPLL_DSP_RECAL_EN	FORCEWKUP_EN	IO_EN	RESERVED	DPLL_DDR_RECAL_EN	DPLL_GPU_RECAL_EN	DPLL_GMAC_RECAL_EN	DPLL_ABE_RECAL_EN	DPLL_PER_RECAL_EN	DPLL_IVA_RECAL_EN	DPLL_MPU_RECAL_EN	DPLL_CORE_RECAL_EN			

Bits	Field Name	Description	Type	Reset
31	ABB_MPU_DONE_EN	MPU ABB mode change done enable 0x0: No interrupt 0x1: Interrupt is pending	RW	0x0
30	ABB_IVA_DONE_EN	IVA ABB mode change done enable 0x0: No interrupt 0x1: Interrupt is pending	RW	0x0
29	ABB_DSPEVE_DONE_EN	DSPEVE ABB mode change done enable 0x0: No interrupt 0x1: Interrupt is pending	RW	0x0
28	ABB_GPU_DONE_EN	GPU ABB mode change done enable 0x0: No interrupt 0x1: Interrupt is pending	RW	0x0
27:13	RESERVED		R	0x0
12	DPLL_EVE_RECAL_EN	EVE DPLL recalibration interrupt enable 0x0: Interrupt is masked 0x1: Interrupt is enabled	RW	0x0
11	DPLL_DSP_RECAL_EN	DSP DPLL recalibration interrupt enable 0x0: Interrupt is masked 0x1: Interrupt is enabled	RW	0x0
10	FORCEWKUP_EN	IPU domain software supervised wakeup transition completed event interrupt enable. 0x0: Interrupt is masked 0x1: Interrupt is enabled	RW	0x0
9	IO_EN	IO pad event interrupt enable 0x0: Interrupt is masked 0x1: Interrupt is enabled	RW	0x0
8	RESERVED		R	0x0
7	DPLL_DDR_RECAL_EN	DDR DPLL recalibration interrupt enable 0x0: Interrupt is masked 0x1: Interrupt is enabled	RW	0x0
6	DPLL_GPU_RECAL_EN	GPU DPLL recalibration interrupt enable 0x0: Interrupt is masked 0x1: Interrupt is enabled	RW	0x0
5	DPLL_GMAC_RECAL_EN	GMAC DPLL recalibration interrupt enable 0x0: Interrupt is masked 0x1: Interrupt is enabled	RW	0x0
4	DPLL_ABE_RECAL_EN	ABEDPLL recalibration interrupt enable 0x0: Interrupt is masked 0x1: Interrupt is enabled	RW	0x0
3	DPLL_PER_RECAL_EN	PER DPLL recalibration interrupt enable 0x0: Interrupt is masked 0x1: Interrupt is enabled	RW	0x0
2	DPLL_IVA_RECAL_EN	IVA DPLL recalibration interrupt enable 0x0: Interrupt is masked 0x1: Interrupt is enabled	RW	0x0
1	DPLL_MPU_RECAL_EN	MPU DPLL recalibration interrupt enable 0x0: Interrupt is masked 0x1: Interrupt is enabled	RW	0x0

Bits	Field Name	Description	Type	Reset
0	DPLL_CORE_RECAL_EN	CORE DPLL recalibration interrupt enable 0x0: Interrupt is masked 0x1: Interrupt is enabled	RW	0x0

Table 3-1867. PRM_IRQENABLE_EVE1

Address Offset	0x0000 0048	Instance	OCP_SOCKET_PRM
Physical Address	0x4AE0 6048		
Description	This register is used to enable or disable EVE1 interrupt activation upon presence of corresponding IRQSTATUS bit.		
Type	RW		

31	30	29	28	27	26	25	24	23	22	21	20	19	18	17	16	15	14	13	12	11	10	9	8	7	6	5	4	3	2	1	0
ABB_MPU_DONE_EN	ABB_IVA_DONE_EN	ABB_DSPEVE_DONE_EN	ABB_GPU_DONE_EN	RESERVED												DPLL_EVE_RECAL_EN	DPLL_DSP_RECAL_EN	FORCEWKUP_EN	IO_EN	RESERVED	DPLL_DDR_RECAL_EN	DPLL_GPU_RECAL_EN	DPLL_GMAC_RECAL_EN	DPLL_ABE_RECAL_EN	DPLL_PER_RECAL_EN	DPLL_IVA_RECAL_EN	DPLL_MPU_RECAL_EN	DPLL_CORE_RECAL_EN			

Bits	Field Name	Description	Type	Reset
31	ABB_MPU_DONE_EN	MPU ABB mode change done enable 0x0: No interrupt 0x1: Interrupt is pending	RW	0x0
30	ABB_IVA_DONE_EN	IVA ABB mode change done enable 0x0: No interrupt 0x1: Interrupt is pending	RW	0x0
29	ABB_DSPEVE_DONE_EN	DSPEVE ABB mode change done enable 0x0: No interrupt 0x1: Interrupt is pending	RW	0x0
28	ABB_GPU_DONE_EN	GPU ABB mode change done enable 0x0: No interrupt 0x1: Interrupt is pending	RW	0x0
27:13	RESERVED		R	0x0
12	DPLL_EVE_RECAL_EN	EVE DPLL recalibration interrupt enable 0x0: Interrupt is masked 0x1: Interrupt is enabled	RW	0x0
11	DPLL_DSP_RECAL_EN	DSP DPLL recalibration interrupt enable 0x0: Interrupt is masked 0x1: Interrupt is enabled	RW	0x0
10	FORCEWKUP_EN	IPU domain software supervised wakeup transition completed event interrupt enable. 0x0: Interrupt is masked 0x1: Interrupt is enabled	RW	0x0
9	IO_EN	IO pad event interrupt enable 0x0: Interrupt is masked 0x1: Interrupt is enabled	RW	0x0
8	RESERVED		R	0x0

Bits	Field Name	Description	Type	Reset
7	DPLL_DDR_RECAL_EN	DDR DPLL recalibration interrupt enable 0x0: Interrupt is masked 0x1: Interrupt is enabled	RW	0x0
6	DPLL_GPU_RECAL_EN	GPU DPLL recalibration interrupt enable 0x0: Interrupt is masked 0x1: Interrupt is enabled	RW	0x0
5	DPLL_GMAC_RECAL_EN	GMAC DPLL recalibration interrupt enable 0x0: Interrupt is masked 0x1: Interrupt is enabled	RW	0x0
4	DPLL_ABE_RECAL_EN	ABEDPLL recalibration interrupt enable 0x0: Interrupt is masked 0x1: Interrupt is enabled	RW	0x0
3	DPLL_PER_RECAL_EN	PER DPLL recalibration interrupt enable 0x0: Interrupt is masked 0x1: Interrupt is enabled	RW	0x0
2	DPLL_IVA_RECAL_EN	IVA DPLL recalibration interrupt enable 0x0: Interrupt is masked 0x1: Interrupt is enabled	RW	0x0
1	DPLL_MPU_RECAL_EN	MPU DPLL recalibration interrupt enable 0x0: Interrupt is masked 0x1: Interrupt is enabled	RW	0x0
0	DPLL_CORE_RECAL_EN	CORE DPLL recalibration interrupt enable 0x0: Interrupt is masked 0x1: Interrupt is enabled	RW	0x0

Table 3-1868. PRM_IRQENABLE_EVE2

Address Offset	0x0000 004C	Instance	OCP_SOCKET_PRM
Physical Address	0x4AE0 604C		
Description	This register is used to enable or disable EVE2 interrupt activation upon presence of corresponding IRQSTATUS bit.		
Type	RW		

31	30	29	28	27	26	25	24	23	22	21	20	19	18	17	16	15	14	13	12	11	10	9	8	7	6	5	4	3	2	1	0
ABB_MPU_DONE_EN	ABB_IVA_DONE_EN	ABB_DSPEVE_DONE_EN	ABB_GPU_DONE_EN	RESERVED												DPLL_EVE_RECAL_EN	DPLL_DSP_RECAL_EN	FORCEWKUP_EN	IO_EN	RESERVED	DPLL_DDR_RECAL_EN	DPLL_GPU_RECAL_EN	DPLL_GMAC_RECAL_EN	DPLL_ABE_RECAL_EN	DPLL_PER_RECAL_EN	DPLL_IVA_RECAL_EN	DPLL_MPU_RECAL_EN	DPLL_CORE_RECAL_EN			

Bits	Field Name	Description	Type	Reset
31	ABB_MPU_DONE_EN	MPU ABB mode change done enable 0x0: No interrupt 0x1: Interrupt is pending	RW	0x0
30	ABB_IVA_DONE_EN	IVA ABB mode change done enable 0x0: No interrupt 0x1: Interrupt is pending	RW	0x0

Bits	Field Name	Description	Type	Reset
29	ABB_DSPEVE_DONE_EN	DSPEVE ABB mode change done enable 0x0: No interrupt 0x1: Interrupt is pending	RW	0x0
28	ABB_GPU_DONE_EN	GPU ABB mode change done enable 0x0: No interrupt 0x1: Interrupt is pending	RW	0x0
27:13	RESERVED		R	0x0
12	DPLL_EVE_RECAL_EN	EVE DPLL recalibration interrupt enable 0x0: Interrupt is masked 0x1: Interrupt is enabled	RW	0x0
11	DPLL_DSP_RECAL_EN	DSP DPLL recalibration interrupt enable 0x0: Interrupt is masked 0x1: Interrupt is enabled	RW	0x0
10	FORCEWKUP_EN	IPU domain software supervised wakeup transition completed event interrupt enable. 0x0: Interrupt is masked 0x1: Interrupt is enabled	RW	0x0
9	IO_EN	IO pad event interrupt enable 0x0: Interrupt is masked 0x1: Interrupt is enabled	RW	0x0
8	RESERVED		R	0x0
7	DPLL_DDR_RECAL_EN	DDR DPLL recalibration interrupt enable 0x0: Interrupt is masked 0x1: Interrupt is enabled	RW	0x0
6	DPLL_GPU_RECAL_EN	GPU DPLL recalibration interrupt enable 0x0: Interrupt is masked 0x1: Interrupt is enabled	RW	0x0
5	DPLL_GMAC_RECAL_EN	GMAC DPLL recalibration interrupt enable 0x0: Interrupt is masked 0x1: Interrupt is enabled	RW	0x0
4	DPLL_ABE_RECAL_EN	ABEDPLL recalibration interrupt enable 0x0: Interrupt is masked 0x1: Interrupt is enabled	RW	0x0
3	DPLL_PER_RECAL_EN	PER DPLL recalibration interrupt enable 0x0: Interrupt is masked 0x1: Interrupt is enabled	RW	0x0
2	DPLL_IVA_RECAL_EN	IVA DPLL recalibration interrupt enable 0x0: Interrupt is masked 0x1: Interrupt is enabled	RW	0x0
1	DPLL_MPU_RECAL_EN	MPU DPLL recalibration interrupt enable 0x0: Interrupt is masked 0x1: Interrupt is enabled	RW	0x0
0	DPLL_CORE_RECAL_EN	CORE DPLL recalibration interrupt enable 0x0: Interrupt is masked 0x1: Interrupt is enabled	RW	0x0

Table 3-1869. PRM_IRQENABLE_EVE3

Address Offset	0x0000 0050	Instance	OCP_SOCKET_PRM
Physical Address	0x4AE0 6050		
Description	This register is used to enable or disable EVE3 interrupt activation upon presence of corresponding IRQSTATUS bit.		
Type	RW		

31	30	29	28	27	26	25	24	23	22	21	20	19	18	17	16	15	14	13	12	11	10	9	8	7	6	5	4	3	2	1	0
ABB_MPU_DONE_EN	ABB_IVA_DONE_EN	ABB_DSPEVE_DONE_EN	ABB_GPU_DONE_EN	RESERVED												DPLL_EVE_RECAL_EN	DPLL_DSP_RECAL_EN	FORCEWKUP_EN	IO_EN	RESERVED	DPLL_DDR_RECAL_EN	DPLL_GPU_RECAL_EN	DPLL_GMAC_RECAL_EN	DPLL_ABE_RECAL_EN	DPLL_PER_RECAL_EN	DPLL_IVA_RECAL_EN	DPLL_MPU_RECAL_EN	DPLL_CORE_RECAL_EN			

Bits	Field Name	Description	Type	Reset
31	ABB_MPU_DONE_EN	MPU ABB mode change done enable 0x0: No interrupt 0x1: Interrupt is pending	RW	0x0
30	ABB_IVA_DONE_EN	IVA ABB mode change done enable 0x0: No interrupt 0x1: Interrupt is pending	RW	0x0
29	ABB_DSPEVE_DONE_EN	DSPEVE ABB mode change done enable 0x0: No interrupt 0x1: Interrupt is pending	RW	0x0
28	ABB_GPU_DONE_EN	GPU ABB mode change done enable 0x0: No interrupt 0x1: Interrupt is pending	RW	0x0
27:13	RESERVED		R	0x0
12	DPLL_EVE_RECAL_EN	EVE DPLL recalibration interrupt enable 0x0: Interrupt is masked 0x1: Interrupt is enabled	RW	0x0
11	DPLL_DSP_RECAL_EN	DSP DPLL recalibration interrupt enable 0x0: Interrupt is masked 0x1: Interrupt is enabled	RW	0x0
10	FORCEWKUP_EN	IPU domain software supervised wakeup transition completed event interrupt enable. 0x0: Interrupt is masked 0x1: Interrupt is enabled	RW	0x0
9	IO_EN	IO pad event interrupt enable 0x0: Interrupt is masked 0x1: Interrupt is enabled	RW	0x0
8	RESERVED		R	0x0
7	DPLL_DDR_RECAL_EN	DDR DPLL recalibration interrupt enable 0x0: Interrupt is masked 0x1: Interrupt is enabled	RW	0x0

Bits	Field Name	Description	Type	Reset
6	DPLL_GPU_RECAL_EN	GPU DPLL recalibration interrupt enable 0x0: Interrupt is masked 0x1: Interrupt is enabled	RW	0x0
5	DPLL_GMAC_RECAL_EN	GMAC DPLL recalibration interrupt enable 0x0: Interrupt is masked 0x1: Interrupt is enabled	RW	0x0
4	DPLL_ABE_RECAL_EN	ABEDPLL recalibration interrupt enable 0x0: Interrupt is masked 0x1: Interrupt is enabled	RW	0x0
3	DPLL_PER_RECAL_EN	PER DPLL recalibration interrupt enable 0x0: Interrupt is masked 0x1: Interrupt is enabled	RW	0x0
2	DPLL_IVA_RECAL_EN	IVA DPLL recalibration interrupt enable 0x0: Interrupt is masked 0x1: Interrupt is enabled	RW	0x0
1	DPLL_MPU_RECAL_EN	MPU DPLL recalibration interrupt enable 0x0: Interrupt is masked 0x1: Interrupt is enabled	RW	0x0
0	DPLL_CORE_RECAL_EN	CORE DPLL recalibration interrupt enable 0x0: Interrupt is masked 0x1: Interrupt is enabled	RW	0x0

Table 3-1870. PRM_IRQENABLE_EVE4

Address Offset	0x0000 0054	Instance	OCP_SOCKET_PRM
Physical Address	0x4AE0 6054		
Description	This register is used to enable or disable EVE4 interrupt activation upon presence of corresponding IRQSTATUS bit.		
Type	RW		

31	30	29	28	27	26	25	24	23	22	21	20	19	18	17	16	15	14	13	12	11	10	9	8	7	6	5	4	3	2	1	0
ABB_MPU_DONE_EN	ABB_IVA_DONE_EN	ABB_DSPEVE_DONE_EN	ABB_GPU_DONE_EN	RESERVED												DPLL_EVE_RECAL_EN	DPLL_DSP_RECAL_EN	FORCEWKUP_EN	IO_EN	RESERVED	DPLL_DDR_RECAL_EN	DPLL_GPU_RECAL_EN	DPLL_GMAC_RECAL_EN	DPLL_ABE_RECAL_EN	DPLL_PER_RECAL_EN	DPLL_IVA_RECAL_EN	DPLL_MPU_RECAL_EN	DPLL_CORE_RECAL_EN			

Bits	Field Name	Description	Type	Reset
31	ABB_MPU_DONE_EN	MPU ABB mode change done enable 0x0: No interrupt 0x1: Interrupt is pending	RW	0x0
30	ABB_IVA_DONE_EN	IVA ABB mode change done enable 0x0: No interrupt 0x1: Interrupt is pending	RW	0x0
29	ABB_DSPEVE_DONE_EN	DSPEVE ABB mode change done enable 0x0: No interrupt 0x1: Interrupt is pending	RW	0x0

Bits	Field Name	Description	Type	Reset
28	ABB_GPU_DONE_EN	GPU ABB mode change done enable 0x0: No interrupt 0x1: Interrupt is pending	RW	0x0
27:13	RESERVED		R	0x0
12	DPLL_EVE_RECAL_EN	EVE DPLL recalibration interrupt enable 0x0: Interrupt is masked 0x1: Interrupt is enabled	RW	0x0
11	DPLL_DSP_RECAL_EN	DSP DPLL recalibration interrupt enable 0x0: Interrupt is masked 0x1: Interrupt is enabled	RW	0x0
10	FORCEWKUP_EN	IPU domain software supervised wakeup transition completed event interrupt enable. 0x0: Interrupt is masked 0x1: Interrupt is enabled	RW	0x0
9	IO_EN	IO pad event interrupt enable 0x0: Interrupt is masked 0x1: Interrupt is enabled	RW	0x0
8	RESERVED		R	0x0
7	DPLL_DDR_RECAL_EN	DDR DPLL recalibration interrupt enable 0x0: Interrupt is masked 0x1: Interrupt is enabled	RW	0x0
6	DPLL_GPU_RECAL_EN	GPU DPLL recalibration interrupt enable 0x0: Interrupt is masked 0x1: Interrupt is enabled	RW	0x0
5	DPLL_GMAC_RECAL_EN	GMAC DPLL recalibration interrupt enable 0x0: Interrupt is masked 0x1: Interrupt is enabled	RW	0x0
4	DPLL_ABE_RECAL_EN	ABEDPLL recalibration interrupt enable 0x0: Interrupt is masked 0x1: Interrupt is enabled	RW	0x0
3	DPLL_PER_RECAL_EN	PER DPLL recalibration interrupt enable 0x0: Interrupt is masked 0x1: Interrupt is enabled	RW	0x0
2	DPLL_IVA_RECAL_EN	IVA DPLL recalibration interrupt enable 0x0: Interrupt is masked 0x1: Interrupt is enabled	RW	0x0
1	DPLL_MPU_RECAL_EN	MPU DPLL recalibration interrupt enable 0x0: Interrupt is masked 0x1: Interrupt is enabled	RW	0x0
0	DPLL_CORE_RECAL_EN	CORE DPLL recalibration interrupt enable 0x0: Interrupt is masked 0x1: Interrupt is enabled	RW	0x0

Table 3-1871. PRM_IRQENABLE_IPU1

Address Offset	0x0000 0058	Instance	OCP_SOCKET_PRM
Physical Address	0x4AE0 6058		
Description	This register is used to enable or disable IPU1 interrupt activation upon presence of corresponding IRQSTATUS bit.		
Type	RW		

31	30	29	28	27	26	25	24	23	22	21	20	19	18	17	16	15	14	13	12	11	10	9	8	7	6	5	4	3	2	1	0
ABB_MPU_DONE_EN	ABB_IVA_DONE_EN	ABB_DSPEVE_DONE_EN	ABB_GPU_DONE_EN	RESERVED												DPLL_EVE_RECAL_EN	DPLL_DSP_RECAL_EN	FORCEWKUP_EN	IO_EN	TRANSITION_EN	DPLL_DDR_RECAL_EN	DPLL_GPU_RECAL_EN	DPLL_GMAC_RECAL_EN	DPLL_ABE_RECAL_EN	DPLL_PER_RECAL_EN	DPLL_IVA_RECAL_EN	DPLL_MPU_RECAL_EN	DPLL_CORE_RECAL_EN			

Bits	Field Name	Description	Type	Reset
31	ABB_MPU_DONE_EN	MPU ABB mode change done enable 0x0: No interrupt 0x1: Interrupt is pending	RW	0x0
30	ABB_IVA_DONE_EN	IVA ABB mode change done enable 0x0: No interrupt 0x1: Interrupt is pending	RW	0x0
29	ABB_DSPEVE_DONE_EN	DSPEVE ABB mode change done enable 0x0: No interrupt 0x1: Interrupt is pending	RW	0x0
28	ABB_GPU_DONE_EN	GPU ABB mode change done enable 0x0: No interrupt 0x1: Interrupt is pending	RW	0x0
27:13	RESERVED		R	0x0
12	DPLL_EVE_RECAL_EN	EVE DPLL recalibration interrupt enable 0x0: Interrupt is masked 0x1: Interrupt is enabled	RW	0x0
11	DPLL_DSP_RECAL_EN	DSP DPLL recalibration interrupt enable 0x0: Interrupt is masked 0x1: Interrupt is enabled	RW	0x0
10	FORCEWKUP_EN	IPU domain software supervised wakeup transition completed event interrupt enable. 0x0: Interrupt is masked 0x1: Interrupt is enabled	RW	0x0
9	IO_EN	IO pad event interrupt enable 0x0: Interrupt is masked 0x1: Interrupt is enabled	RW	0x0
8	TRANSITION_EN	Software supervised transition completed event interrupt enable (any domain) 0x0: Interrupt is masked 0x1: Interrupt is enabled	RW	0x0
7	DPLL_DDR_RECAL_EN	DDR DPLL recalibration interrupt enable 0x0: Interrupt is masked 0x1: Interrupt is enabled	RW	0x0

Bits	Field Name	Description	Type	Reset
6	DPLL_GPU_RECAL_EN	GPU DPLL recalibration interrupt enable 0x0: Interrupt is masked 0x1: Interrupt is enabled	RW	0x0
5	DPLL_GMAC_RECAL_EN	GMAC DPLL recalibration interrupt enable 0x0: Interrupt is masked 0x1: Interrupt is enabled	RW	0x0
4	DPLL_ABE_RECAL_EN	ABEDPLL recalibration interrupt enable 0x0: Interrupt is masked 0x1: Interrupt is enabled	RW	0x0
3	DPLL_PER_RECAL_EN	PER DPLL recalibration interrupt enable 0x0: Interrupt is masked 0x1: Interrupt is enabled	RW	0x0
2	DPLL_IVA_RECAL_EN	IVA DPLL recalibration interrupt enable 0x0: Interrupt is masked 0x1: Interrupt is enabled	RW	0x0
1	DPLL_MPU_RECAL_EN	MPU DPLL recalibration interrupt enable 0x0: Interrupt is masked 0x1: Interrupt is enabled	RW	0x0
0	DPLL_CORE_RECAL_EN	CORE DPLL recalibration interrupt enable 0x0: Interrupt is masked 0x1: Interrupt is enabled	RW	0x0

Table 3-1872. Register Call Summary for Register PRM_IRQENABLE_IPU1

Clock Management Functional Description

- [DPLL Recalibration: \[0\]](#)
- [DPLL_PER Recalibration: \[1\]](#)
- [DPLL_CORE Recalibration: \[2\]](#)
- [DPLL_ABE Recalibration: \[3\]](#)
- [DPLL_MPU Recalibration: \[4\]](#)
- [DPLL_IVA Recalibration: \[5\]](#)
- [DPLL_DSP Recalibration: \[7\]](#)
- [DPLL_GMAC Recalibration: \[8\]](#)
- [DPLL_GPU Recalibration: \[9\]](#)
- [DPLL_DDR Recalibration: \[10\]](#)

PRCM Register Manual

- [Not Supported Functionality \(Registers and Bits\): \[11\]](#)
 - [OCP_SOCKET_PRM Register Summary: \[12\]](#)
-

Table 3-1873. PRM_IRQSTATUS_DSP2

Address Offset	0x0000 005C	Instance	OCP_SOCKET_PRM
Physical Address	0x4AE0 605C		
Description	This register provides status on DSP interrupt events. Any event is logged independently of the corresponding IRQENABLE value. SW is required to clear a set bit by writing a '1' into the bit-position to be cleared.		
Type	RW		

31	30	29	28	27	26	25	24	23	22	21	20	19	18	17	16	15	14	13	12	11	10	9	8	7	6	5	4	3	2	1	0
ABB_MPU_DONE_ST	ABB_IVA_DONE_ST	ABB_DSPEVE_DONE_ST	ABB_GPU_DONE_ST	RESERVED												DPLL_EVE_RECAL_ST	DPLL_DSP_RECAL_ST	FORCEWKUP_ST	IO_ST	RESERVED	DPLL_DDR_RECAL_ST	DPLL_GPU_RECAL_ST	DPLL_GMAC_RECAL_ST	DPLL_ABE_RECAL_ST	DPLL_PER_RECAL_ST	DPLL_IVA_RECAL_ST	DPLL_MPU_RECAL_ST	DPLL_CORE_RECAL_ST			

Bits	Field Name	Description	Type	Reset
31	ABB_MPU_DONE_ST	MPU ABB mode change completion status. This status is set for both automatic transition upon a voltage transition, and OPP change (when OPP_CHANGE bit is cleared by hardware in PRM_ABBLDO_MM_CTRL register). It is cleared by SW. 0x0: No interrupt 0x1: Interrupt is pending	RW	0x0
30	ABB_IVA_DONE_ST	IVA ABB mode change completion status. This status is set for both automatic transition upon a voltage transition, and OPP change (when OPP_CHANGE bit is cleared by hardware in PRM_ABBLDO_MM_CTRL register). It is cleared by SW. 0x0: No interrupt 0x1: Interrupt is pending	RW	0x0
29	ABB_DSPEVE_DONE_ST	DSPEVE ABB mode change completion status. This status is set for both automatic transition upon a voltage transition, and OPP change (when OPP_CHANGE bit is cleared by hardware in PRM_ABBLDO_MM_CTRL register). It is cleared by SW. 0x0: No interrupt 0x1: Interrupt is pending	RW	0x0
28	ABB_GPU_DONE_ST	GPU ABB mode change completion status. This status is set for both automatic transition upon a voltage transition, and OPP change (when OPP_CHANGE bit is cleared by hardware in PRM_ABBLDO_MM_CTRL register). It is cleared by SW. 0x0: No interrupt 0x1: Interrupt is pending	RW	0x0
27:13	RESERVED		R	0x0
12	DPLL_EVE_RECAL_ST	EVE DPLL recalibration interrupt status. 0x0: No interrupt 0x1: Interrupt is pending	RW	0x0
11	DPLL_DSP_RECAL_ST	DSP DPLL recalibration interrupt status. 0x0: No interrupt 0x1: Interrupt is pending	RW	0x0

Bits	Field Name	Description	Type	Reset
10	FORCEWKUP_ST	IPU domain software supervised wakeup transition completed event interrupt status. 0x0: No interrupt 0x1: Interrupt is pending	RW	0x0
9	IO_ST	IO pad event interrupt status. 0x0: No interrupt 0x1: Interrupt is pending	RW	0x0
8	RESERVED		R	0x0
7	DPLL_DDR_RECAL_ST	DDR DPLL recalibration interrupt status. 0x0: No interrupt 0x1: Interrupt is pending	RW	0x0
6	DPLL_GPU_RECAL_ST	GPU DPLL recalibration interrupt status. 0x0: No interrupt 0x1: Interrupt is pending	RW	0x0
5	DPLL_GMAC_RECAL_ST	GMAC DPLL recalibration interrupt status. 0x0: No interrupt 0x1: Interrupt is pending	RW	0x0
4	DPLL_ABE_RECAL_ST	ABE DPLL recalibration interrupt status. 0x0: No interrupt 0x1: Interrupt is pending	RW	0x0
3	DPLL_PER_RECAL_ST	PER DPLL recalibration interrupt status. 0x0: No interrupt 0x1: Interrupt is pending	RW	0x0
2	DPLL_IVA_RECAL_ST	IVA DPLL recalibration interrupt status. 0x0: No interrupt 0x1: Interrupt is pending	RW	0x0
1	DPLL_MPU_RECAL_ST	MPU DPLL recalibration interrupt status. 0x0: No interrupt 0x1: Interrupt is pending	RW	0x0
0	DPLL_CORE_RECAL_ST	CORE DPLL recalibration interrupt status. 0x0: No interrupt 0x1: Interrupt is pending	RW	0x0

Table 3-1874. PRM_IRQSTATUS_EVE1

Address Offset	0x0000 0060	Instance	OCP_SOCKET_PRM
Physical Address	0x4AE0 6060		
Description	This register provides status on EVE interrupt events. Any event is logged independently of the corresponding IRQENABLE value. SW is required to clear a set bit by writing a '1' into the bit-position to be cleared.		
Type	RW		

31	30	29	28	27	26	25	24	23	22	21	20	19	18	17	16	15	14	13	12	11	10	9	8	7	6	5	4	3	2	1	0	
ABB_MPU_DONE_ST	ABB_IVA_DONE_ST	ABB_DSPEVE_DONE_ST	ABB_GPU_DONE_ST	RESERVED												DPLL_EVE_RECAL_ST	DPLL_DSP_RECAL_ST	FORCEWKUP_ST	IO_ST	RESERVED	DPLL_DDR_RECAL_ST	DPLL_GPU_RECAL_ST	DPLL_GMAC_RECAL_ST	DPLL_ABE_RECAL_ST	DPLL_PER_RECAL_ST	DPLL_IVA_RECAL_ST	DPLL_MPU_RECAL_ST	DPLL_CORE_RECAL_ST				

Bits	Field Name	Description	Type	Reset
31	ABB_MPU_DONE_ST	MPU ABB mode change completion status. This status is set for both automatic transition upon a voltage transition, and OPP change (when OPP_CHANGE bit is cleared by hardware in PRM_ABBLDO_MM_CTRL register). It is cleared by SW. 0x0: No interrupt 0x1: Interrupt is pending	RW	0x0
30	ABB_IVA_DONE_ST	IVA ABB mode change completion status. This status is set for both automatic transition upon a voltage transition, and OPP change (when OPP_CHANGE bit is cleared by hardware in PRM_ABBLDO_MM_CTRL register). It is cleared by SW. 0x0: No interrupt 0x1: Interrupt is pending	RW	0x0
29	ABB_DSPEVE_DONE_ST	DSPEVE ABB mode change completion status. This status is set for both automatic transition upon a voltage transition, and OPP change (when OPP_CHANGE bit is cleared by hardware in PRM_ABBLDO_MM_CTRL register). It is cleared by SW. 0x0: No interrupt 0x1: Interrupt is pending	RW	0x0
28	ABB_GPU_DONE_ST	GPU ABB mode change completion status. This status is set for both automatic transition upon a voltage transition, and OPP change (when OPP_CHANGE bit is cleared by hardware in PRM_ABBLDO_MM_CTRL register). It is cleared by SW. 0x0: No interrupt 0x1: Interrupt is pending	RW	0x0
27:13	RESERVED		R	0x0
12	DPLL_EVE_RECAL_ST	EVE DPLL recalibration interrupt status. 0x0: No interrupt 0x1: Interrupt is pending	RW	0x0
11	DPLL_DSP_RECAL_ST	DSP DPLL recalibration interrupt status. 0x0: No interrupt 0x1: Interrupt is pending	RW	0x0
10	FORCEWKUP_ST	IPU domain software supervised wakeup transition completed event interrupt status. 0x0: No interrupt 0x1: Interrupt is pending	RW	0x0
9	IO_ST	IO pad event interrupt status. 0x0: No interrupt 0x1: Interrupt is pending	RW	0x0
8	RESERVED		R	0x0
7	DPLL_DDR_RECAL_ST	DDR DPLL recalibration interrupt status. 0x0: No interrupt 0x1: Interrupt is pending	RW	0x0
6	DPLL_GPU_RECAL_ST	GPU DPLL recalibration interrupt status. 0x0: No interrupt 0x1: Interrupt is pending	RW	0x0
5	DPLL_GMAC_RECAL_ST	GMAC DPLL recalibration interrupt status. 0x0: No interrupt 0x1: Interrupt is pending	RW	0x0

Bits	Field Name	Description	Type	Reset
4	DPLL_ABE_RECAL_ST	ABE DPLL recalibration interrupt status. 0x0: No interrupt 0x1: Interrupt is pending	RW	0x0
3	DPLL_PER_RECAL_ST	PER DPLL recalibration interrupt status. 0x0: No interrupt 0x1: Interrupt is pending	RW	0x0
2	DPLL_IVA_RECAL_ST	IVA DPLL recalibration interrupt status. 0x0: No interrupt 0x1: Interrupt is pending	RW	0x0
1	DPLL_MPU_RECAL_ST	MPU DPLL recalibration interrupt status. 0x0: No interrupt 0x1: Interrupt is pending	RW	0x0
0	DPLL_CORE_RECAL_ST	CORE DPLL recalibration interrupt status. 0x0: No interrupt 0x1: Interrupt is pending	RW	0x0

Table 3-1875. PRM_IRQSTATUS_EVE2

Address Offset	0x0000 0064	Instance	OCP_SOCKET_PRM
Physical Address	0x4AE0 6064		
Description	This register provides status on EVE interrupt events. Any event is logged independently of the corresponding IRQENABLE value. SW is required to clear a set bit by writing a '1' into the bit-position to be cleared.		
Type	RW		

31	30	29	28	27	26	25	24	23	22	21	20	19	18	17	16	15	14	13	12	11	10	9	8	7	6	5	4	3	2	1	0
ABB_MPU_DONE_ST	ABB_IVA_DONE_ST	ABB_DSPEVE_DONE_ST	ABB_GPU_DONE_ST	RESERVED												DPLL_EVE_RECAL_ST	DPLL_DSP_RECAL_ST	FORCEWKUP_ST	IO_ST	RESERVED	DPLL_DDR_RECAL_ST	DPLL_GPU_RECAL_ST	DPLL_GMAC_RECAL_ST	DPLL_ABE_RECAL_ST	DPLL_PER_RECAL_ST	DPLL_IVA_RECAL_ST	DPLL_MPU_RECAL_ST	DPLL_CORE_RECAL_ST			

Bits	Field Name	Description	Type	Reset
31	ABB_MPU_DONE_ST	MPU ABB mode change completion status. This status is set for both automatic transition upon a voltage transition, and OPP change (when OPP_CHANGE bit is cleared by hardware in PRM_ABBLDO_MM_CTRL register). It is cleared by SW. 0x0: No interrupt 0x1: Interrupt is pending	RW	0x0
30	ABB_IVA_DONE_ST	IVA ABB mode change completion status. This status is set for both automatic transition upon a voltage transition, and OPP change (when OPP_CHANGE bit is cleared by hardware in PRM_ABBLDO_MM_CTRL register). It is cleared by SW. 0x0: No interrupt 0x1: Interrupt is pending	RW	0x0

Bits	Field Name	Description	Type	Reset
29	ABB_DSPEVE_DONE_ST	DSPEVE ABB mode change completion status. This status is set for both automatic transition upon a voltage transition, and OPP change (when OPP_CHANGE bit is cleared by hardware in PRM_ABBLDO_MM_CTRL register). It is cleared by SW. 0x0: No interrupt 0x1: Interrupt is pending	RW	0x0
28	ABB_GPU_DONE_ST	GPU ABB mode change completion status. This status is set for both automatic transition upon a voltage transition, and OPP change (when OPP_CHANGE bit is cleared by hardware in PRM_ABBLDO_MM_CTRL register). It is cleared by SW. 0x0: No interrupt 0x1: Interrupt is pending	RW	0x0
27:13	RESERVED		R	0x0
12	DPLL_EVE_RECAL_ST	EVE DPLL recalibration interrupt status. 0x0: No interrupt 0x1: Interrupt is pending	RW	0x0
11	DPLL_DSP_RECAL_ST	DSP DPLL recalibration interrupt status. 0x0: No interrupt 0x1: Interrupt is pending	RW	0x0
10	FORCEWKUP_ST	IPU domain software supervised wakeup transition completed event interrupt status. 0x0: No interrupt 0x1: Interrupt is pending	RW	0x0
9	IO_ST	IO pad event interrupt status. 0x0: No interrupt 0x1: Interrupt is pending	RW	0x0
8	RESERVED		R	0x0
7	DPLL_DDR_RECAL_ST	DDR DPLL recalibration interrupt status. 0x0: No interrupt 0x1: Interrupt is pending	RW	0x0
6	DPLL_GPU_RECAL_ST	GPU DPLL recalibration interrupt status. 0x0: No interrupt 0x1: Interrupt is pending	RW	0x0
5	DPLL_GMAC_RECAL_ST	GMAC DPLL recalibration interrupt status. 0x0: No interrupt 0x1: Interrupt is pending	RW	0x0
4	DPLL_ABE_RECAL_ST	ABE DPLL recalibration interrupt status. 0x0: No interrupt 0x1: Interrupt is pending	RW	0x0
3	DPLL_PER_RECAL_ST	PER DPLL recalibration interrupt status. 0x0: No interrupt 0x1: Interrupt is pending	RW	0x0
2	DPLL_IVA_RECAL_ST	IVA DPLL recalibration interrupt status. 0x0: No interrupt 0x1: Interrupt is pending	RW	0x0
1	DPLL_MPU_RECAL_ST	MPU DPLL recalibration interrupt status. 0x0: No interrupt 0x1: Interrupt is pending	RW	0x0

Bits	Field Name	Description	Type	Reset
0	DPLL_CORE_RECAL_ST	CORE DPLL recalibration interrupt status. 0x0: No interrupt 0x1: Interrupt is pending	RW	0x0

Table 3-1876. PRM_IRQSTATUS_EVE3

Address Offset	0x0000 0068	Instance	OCP_SOCKET_PRM
Physical Address	0x4AE0 6068		
Description	This register provides status on EVE interrupt events. Any event is logged independently of the corresponding IRQENABLE value. SW is required to clear a set bit by writing a '1' into the bit-position to be cleared.		
Type	RW		

31	30	29	28	27	26	25	24	23	22	21	20	19	18	17	16	15	14	13	12	11	10	9	8	7	6	5	4	3	2	1	0
ABB_MPU_DONE_ST	ABB_IVA_DONE_ST	ABB_DSPEVE_DONE_ST	ABB_GPU_DONE_ST	RESERVED												DPLL_EVE_RECAL_ST	DPLL_DSP_RECAL_ST	FORCEWKUP_ST	IO_ST	RESERVED	DPLL_DDR_RECAL_ST	DPLL_GPU_RECAL_ST	DPLL_GMAC_RECAL_ST	DPLL_ABE_RECAL_ST	DPLL_PER_RECAL_ST	DPLL_IVA_RECAL_ST	DPLL_MPU_RECAL_ST	DPLL_CORE_RECAL_ST			

Bits	Field Name	Description	Type	Reset
31	ABB_MPU_DONE_ST	MPU ABB mode change completion status. This status is set for both automatic transition upon a voltage transition, and OPP change (when OPP_CHANGE bit is cleared by hardware in PRM_ABBLDO_MM_CTRL register). It is cleared by SW. 0x0: No interrupt 0x1: Interrupt is pending	RW	0x0
30	ABB_IVA_DONE_ST	IVA ABB mode change completion status. This status is set for both automatic transition upon a voltage transition, and OPP change (when OPP_CHANGE bit is cleared by hardware in PRM_ABBLDO_MM_CTRL register). It is cleared by SW. 0x0: No interrupt 0x1: Interrupt is pending	RW	0x0
29	ABB_DSPEVE_DONE_ST	DSPEVE ABB mode change completion status. This status is set for both automatic transition upon a voltage transition, and OPP change (when OPP_CHANGE bit is cleared by hardware in PRM_ABBLDO_MM_CTRL register). It is cleared by SW. 0x0: No interrupt 0x1: Interrupt is pending	RW	0x0
28	ABB_GPU_DONE_ST	GPU ABB mode change completion status. This status is set for both automatic transition upon a voltage transition, and OPP change (when OPP_CHANGE bit is cleared by hardware in PRM_ABBLDO_MM_CTRL register). It is cleared by SW. 0x0: No interrupt 0x1: Interrupt is pending	RW	0x0
27:13	RESERVED		R	0x0
12	DPLL_EVE_RECAL_ST	EVE DPLL recalibration interrupt status. 0x0: No interrupt 0x1: Interrupt is pending	RW	0x0

Bits	Field Name	Description	Type	Reset
11	DPLL_DSP_RECAL_ST	DSP DPLL recalibration interrupt status. 0x0: No interrupt 0x1: Interrupt is pending	RW	0x0
10	FORCEWKUP_ST	IPU domain software supervised wakeup transition completed event interrupt status. 0x0: No interrupt 0x1: Interrupt is pending	RW	0x0
9	IO_ST	IO pad event interrupt status. 0x0: No interrupt 0x1: Interrupt is pending	RW	0x0
8	RESERVED		R	0x0
7	DPLL_DDR_RECAL_ST	DDR DPLL recalibration interrupt status. 0x0: No interrupt 0x1: Interrupt is pending	RW	0x0
6	DPLL_GPU_RECAL_ST	GPU DPLL recalibration interrupt status. 0x0: No interrupt 0x1: Interrupt is pending	RW	0x0
5	DPLL_GMAC_RECAL_ST	GMAC DPLL recalibration interrupt status. 0x0: No interrupt 0x1: Interrupt is pending	RW	0x0
4	DPLL_ABE_RECAL_ST	ABE DPLL recalibration interrupt status. 0x0: No interrupt 0x1: Interrupt is pending	RW	0x0
3	DPLL_PER_RECAL_ST	PER DPLL recalibration interrupt status. 0x0: No interrupt 0x1: Interrupt is pending	RW	0x0
2	DPLL_IVA_RECAL_ST	IVA DPLL recalibration interrupt status. 0x0: No interrupt 0x1: Interrupt is pending	RW	0x0
1	DPLL_MPU_RECAL_ST	MPU DPLL recalibration interrupt status. 0x0: No interrupt 0x1: Interrupt is pending	RW	0x0
0	DPLL_CORE_RECAL_ST	CORE DPLL recalibration interrupt status. 0x0: No interrupt 0x1: Interrupt is pending	RW	0x0

Table 3-1877. PRM_IRQSTATUS_EVE4

Address Offset	0x0000 006C	Instance	OCP_SOCKET_PRM
Physical Address	0x4AE0 606C		
Description	This register provides status on EVE interrupt events. Any event is logged independently of the corresponding IRQENABLE value. SW is required to clear a set bit by writing a '1' into the bit-position to be cleared.		
Type	RW		

31	30	29	28	27	26	25	24	23	22	21	20	19	18	17	16	15	14	13	12	11	10	9	8	7	6	5	4	3	2	1	0
ABB_MPU_DONE_ST	ABB_IVA_DONE_ST	ABB_DSPEVE_DONE_ST	ABB_GPU_DONE_ST	RESERVED												DPLL_EVE_RECAL_ST	DPLL_DSP_RECAL_ST	FORCEWKUP_ST	IO_ST	RESERVED	DPLL_DDR_RECAL_ST	DPLL_GPU_RECAL_ST	DPLL_GMAC_RECAL_ST	DPLL_ABE_RECAL_ST	DPLL_PER_RECAL_ST	DPLL_IVA_RECAL_ST	DPLL_MPU_RECAL_ST	DPLL_CORE_RECAL_ST			

Bits	Field Name	Description	Type	Reset
31	ABB_MPU_DONE_ST	MPU ABB mode change completion status. This status is set for both automatic transition upon a voltage transition, and OPP change (when OPP_CHANGE bit is cleared by hardware in PRM_ABBLDO_MM_CTRL register). It is cleared by SW. 0x0: No interrupt 0x1: Interrupt is pending	RW	0x0
30	ABB_IVA_DONE_ST	IVA ABB mode change completion status. This status is set for both automatic transition upon a voltage transition, and OPP change (when OPP_CHANGE bit is cleared by hardware in PRM_ABBLDO_MM_CTRL register). It is cleared by SW. 0x0: No interrupt 0x1: Interrupt is pending	RW	0x0
29	ABB_DSPEVE_DONE_ST	DSPEVE ABB mode change completion status. This status is set for both automatic transition upon a voltage transition, and OPP change (when OPP_CHANGE bit is cleared by hardware in PRM_ABBLDO_MM_CTRL register). It is cleared by SW. 0x0: No interrupt 0x1: Interrupt is pending	RW	0x0
28	ABB_GPU_DONE_ST	GPU ABB mode change completion status. This status is set for both automatic transition upon a voltage transition, and OPP change (when OPP_CHANGE bit is cleared by hardware in PRM_ABBLDO_MM_CTRL register). It is cleared by SW. 0x0: No interrupt 0x1: Interrupt is pending	RW	0x0
27:13	RESERVED		R	0x0
12	DPLL_EVE_RECAL_ST	EVE DPLL recalibration interrupt status. 0x0: No interrupt 0x1: Interrupt is pending	RW	0x0
11	DPLL_DSP_RECAL_ST	DSP DPLL recalibration interrupt status. 0x0: No interrupt 0x1: Interrupt is pending	RW	0x0

Bits	Field Name	Description	Type	Reset
10	FORCEWKUP_ST	IPU domain software supervised wakeup transition completed event interrupt status. 0x0: No interrupt 0x1: Interrupt is pending	RW	0x0
9	IO_ST	IO pad event interrupt status. 0x0: No interrupt 0x1: Interrupt is pending	RW	0x0
8	RESERVED		R	0x0
7	DPLL_DDR_RECAL_ST	DDR DPLL recalibration interrupt status. 0x0: No interrupt 0x1: Interrupt is pending	RW	0x0
6	DPLL_GPU_RECAL_ST	GPU DPLL recalibration interrupt status. 0x0: No interrupt 0x1: Interrupt is pending	RW	0x0
5	DPLL_GMAC_RECAL_ST	GMAC DPLL recalibration interrupt status. 0x0: No interrupt 0x1: Interrupt is pending	RW	0x0
4	DPLL_ABE_RECAL_ST	ABE DPLL recalibration interrupt status. 0x0: No interrupt 0x1: Interrupt is pending	RW	0x0
3	DPLL_PER_RECAL_ST	PER DPLL recalibration interrupt status. 0x0: No interrupt 0x1: Interrupt is pending	RW	0x0
2	DPLL_IVA_RECAL_ST	IVA DPLL recalibration interrupt status. 0x0: No interrupt 0x1: Interrupt is pending	RW	0x0
1	DPLL_MPU_RECAL_ST	MPU DPLL recalibration interrupt status. 0x0: No interrupt 0x1: Interrupt is pending	RW	0x0
0	DPLL_CORE_RECAL_ST	CORE DPLL recalibration interrupt status. 0x0: No interrupt 0x1: Interrupt is pending	RW	0x0

Table 3-1878. PRM_IRQSTATUS_IPU1

Address Offset	0x0000 0070	Instance	OCP_SOCKET_PRM
Physical Address	0x4AE0 6070		
Description	This register provides status on IPU1 interrupt events. Any event is logged independently of the corresponding IRQENABLE value. SW is required to clear a set bit by writing a '1' into the bit-position to be cleared.		
Type	RW		

31	30	29	28	27	26	25	24	23	22	21	20	19	18	17	16	15	14	13	12	11	10	9	8	7	6	5	4	3	2	1	0	
ABB_MPU_DONE_ST	ABB_IVA_DONE_ST	ABB_DSPEVE_DONE_ST	ABB_GPU_DONE_ST	RESERVED												DPLL_EVE_RECAL_ST	DPLL_DSP_RECAL_ST	FORCEWKUP_ST	IO_ST	TRANSITION_ST	DPLL_DDR_RECAL_ST	DPLL_GPU_RECAL_ST	DPLL_GMAC_RECAL_ST	DPLL_ABE_RECAL_ST	DPLL_PER_RECAL_ST	DPLL_IVA_RECAL_ST	DPLL_MPU_RECAL_ST	DPLL_CORE_RECAL_ST				

Bits	Field Name	Description	Type	Reset
31	ABB_MPU_DONE_ST	MPU ABB mode change completion status. This status is set for both automatic transition upon a voltage transition, and OPP change (when OPP_CHANGE bit is cleared by hardware in PRM_ABBLDO_MM_CTRL register). It is cleared by SW. 0x0: No interrupt 0x1: Interrupt is pending	RW	0x0
30	ABB_IVA_DONE_ST	IVA ABB mode change completion status. This status is set for both automatic transition upon a voltage transition, and OPP change (when OPP_CHANGE bit is cleared by hardware in PRM_ABBLDO_MM_CTRL register). It is cleared by SW. 0x0: No interrupt 0x1: Interrupt is pending	RW	0x0
29	ABB_DSPEVE_DONE_ST	DSPEVE ABB mode change completion status. This status is set for both automatic transition upon a voltage transition, and OPP change (when OPP_CHANGE bit is cleared by hardware in PRM_ABBLDO_MM_CTRL register). It is cleared by SW. 0x0: No interrupt 0x1: Interrupt is pending	RW	0x0
28	ABB_GPU_DONE_ST	GPU ABB mode change completion status. This status is set for both automatic transition upon a voltage transition, and OPP change (when OPP_CHANGE bit is cleared by hardware in PRM_ABBLDO_MM_CTRL register). It is cleared by SW. 0x0: No interrupt 0x1: Interrupt is pending	RW	0x0
27:13	RESERVED		R	0x0
12	DPLL_EVE_RECAL_ST	EVE DPLL recalibration interrupt status. 0x0: No interrupt 0x1: Interrupt is pending	RW	0x0
11	DPLL_DSP_RECAL_ST	DSP DPLL recalibration interrupt status. 0x0: No interrupt 0x1: Interrupt is pending	RW	0x0
10	FORCEWKUP_ST	IPU domain software supervised wakeup transition completed event interrupt status. 0x0: No interrupt 0x1: Interrupt is pending	RW	0x0
9	IO_ST	IO pad event interrupt status. 0x0: No interrupt 0x1: Interrupt is pending	RW	0x0
8	TRANSITION_ST	Software supervised transition completed event interrupt status (any domain). Asserted upon completion of any clock domain force wakeup transition or upon completion of any power domain sleep transition with at least one enclosed clock domain configured in forced-sleep. 0x0: No interrupt 0x1: Interrupt is pending	RW	0x0
7	DPLL_DDR_RECAL_ST	DDR DPLL recalibration interrupt status. 0x0: No interrupt 0x1: Interrupt is pending	RW	0x0
6	DPLL_GPU_RECAL_ST	GPU DPLL recalibration interrupt status. 0x0: No interrupt 0x1: Interrupt is pending	RW	0x0

Bits	Field Name	Description	Type	Reset
5	DPLL_GMAC_RECAL_ST	GMAC DPLL recalibration interrupt status. 0x0: No interrupt 0x1: Interrupt is pending	RW	0x0
4	DPLL_ABE_RECAL_ST	ABE DPLL recalibration interrupt status. 0x0: No interrupt 0x1: Interrupt is pending	RW	0x0
3	DPLL_PER_RECAL_ST	PER DPLL recalibration interrupt status. 0x0: No interrupt 0x1: Interrupt is pending	RW	0x0
2	DPLL_IVA_RECAL_ST	IVA DPLL recalibration interrupt status. 0x0: No interrupt 0x1: Interrupt is pending	RW	0x0
1	DPLL_MPU_RECAL_ST	MPU DPLL recalibration interrupt status. 0x0: No interrupt 0x1: Interrupt is pending	RW	0x0
0	DPLL_CORE_RECAL_ST	CORE DPLL recalibration interrupt status. 0x0: No interrupt 0x1: Interrupt is pending	RW	0x0

Table 3-1879. Register Call Summary for Register PRM_IRQSTATUS_IPU1
Clock Management Functional Description

- [DPLL Recalibration: \[0\]](#)
- [DPLL_PER Recalibration: \[1\]](#)
- [DPLL_CORE Recalibration: \[2\]](#)
- [DPLL_ABE Recalibration: \[3\]](#)
- [DPLL_MPU Recalibration: \[4\]](#)
- [DPLL_IVA Recalibration: \[5\]](#)
- [DPLL_DSP Recalibration: \[7\]](#)
- [DPLL_GMAC Recalibration: \[8\]](#)
- [DPLL_GPU Recalibration: \[9\]](#)
- [DPLL_DDR Recalibration: \[10\]](#)

PRCM Register Manual

- [Not Supported Functionality \(Registers and Bits\): \[11\]](#)
- [OCP_SOCKET_PRM Register Summary: \[12\]](#)

Table 3-1880. PRM_DEBUG_CFG1

Address Offset	0x0000 00E4
Physical Address	0x4AE0 60E4
Description	This register is used to configure the PRM's 32-bit debug output. There is one 7-bit source select field for selecting from a shared set of 8-bit internal signal blocks per byte. The signals included in each block are specified in the PRCM integration specification. [warm reset insensitive]
Type	RW

31	30	29	28	27	26	25	24	23	22	21	20	19	18	17	16	15	14	13	12	11	10	9	8	7	6	5	4	3	2	1	0
RESERVED																SEL1															

Bits	Field Name	Description	Type	Reset
31:9	RESERVED		R	0x0
8:0	SEL1	Internal signal block select for debug word byte-1	RW	0x0

Table 3-1881. Register Call Summary for Register PRM_DEBUG_CFG1

PRCM Register Manual

- [OCP_SOCKET_PRM Register Summary: \[0\]](#)

Table 3-1882. PRM_DEBUG_CFG2

Address Offset	0x0000 00E8	Instance	OCP_SOCKET_PRM
Physical Address	0x4AE0 60E8		
Description	This register is used to configure the PRM's 32-bit debug output. There is one 7-bit source select field for selecting from a shared set of 8-bit internal signal blocks per byte. The signals included in each block are specified in the PRCM integration specification. [warm reset insensitive]		
Type	RW		

31	30	29	28	27	26	25	24	23	22	21	20	19	18	17	16	15	14	13	12	11	10	9	8	7	6	5	4	3	2	1	0
RESERVED																SEL2															

Bits	Field Name	Description	Type	Reset
31:9	RESERVED		R	0x0
8:0	SEL2	Internal signal block select for debug word byte-2	RW	0x0

Table 3-1883. Register Call Summary for Register PRM_DEBUG_CFG2

PRCM Register Manual

- [OCP_SOCKET_PRM Register Summary: \[0\]](#)

Table 3-1884. PRM_DEBUG_CFG3

Address Offset	0x0000 00EC	Instance	OCP_SOCKET_PRM
Physical Address	0x4AE0 60EC		
Description	This register is used to configure the PRM's 32-bit debug output. There is one 7-bit source select field for selecting from a shared set of 8-bit internal signal blocks per byte. The signals included in each block are specified in the PRCM integration specification. [warm reset insensitive]		
Type	RW		

31	30	29	28	27	26	25	24	23	22	21	20	19	18	17	16	15	14	13	12	11	10	9	8	7	6	5	4	3	2	1	0
RESERVED																SEL3															

Bits	Field Name	Description	Type	Reset
31:9	RESERVED		R	0x0
8:0	SEL3	Internal signal block select for debug word byte-3	RW	0x0

Table 3-1885. Register Call Summary for Register PRM_DEBUG_CFG3

PRCM Register Manual

- [OCP_SOCKET_PRM Register Summary: \[0\]](#)

Table 3-1886. PRM_DEBUG_CFG

Address Offset	0x0000 00F0	Instance	OCP_SOCKET_PRM
Physical Address	0x4AE0 60F0		
Description	This register is used to configure the PRM's 32-bit debug output. There is one 7-bit source select field for selecting from a shared set of 8-bit internal signal blocks per byte. The signals included in each block are specified in the PRCM integration specification. [warm reset insensitive]		
Type	RW		

31	30	29	28	27	26	25	24	23	22	21	20	19	18	17	16	15	14	13	12	11	10	9	8	7	6	5	4	3	2	1	0
RESERVED																SELO															

Bits	Field Name	Description	Type	Reset
31:9	RESERVED		R	0x0
8:0	SELO	Internal signal block select for debug word byte-0	RW	0x0

Table 3-1887. Register Call Summary for Register PRM_DEBUG_CFG

PRCM Register Manual

- [OCP_SOCKET_PRM Register Summary: \[0\]](#)

Table 3-1888. PRM_DEBUG_OUT

Address Offset	0x0000 00F4	Instance	OCP_SOCKET_PRM
Physical Address	0x4AE0 60F4		
Description	This register is used to monitor the PRM's 32 bit HEDEBUG BUS [warm reset insensitive]		
Type	R		

31	30	29	28	27	26	25	24	23	22	21	20	19	18	17	16	15	14	13	12	11	10	9	8	7	6	5	4	3	2	1	0
OUTPUT																															

Bits	Field Name	Description	Type	Reset
31:0	OUTPUT	HW DEBUG OUTPUT	R	0x0

Table 3-1889. Register Call Summary for Register PRM_DEBUG_OUT

PRCM Register Manual

- [OCP_SOCKET_PRM Register Summary: \[0\]](#)

3.12.53 RTC_PRM Registers

NOTE: RTC is not supported on the AM570x family of devices.

3.12.53.1 RTC_PRM Register Summary

Table 3-1890. RTC_PRM Registers Mapping Summary

Register Name	Type	Register Width (Bits)	Address Offset	RTC_PRM Physical Address L4_WKUP Interconnect
PM_RTC_RTCSS_WKD EP	RW	32	0x0000 0000	0x4AE0 7C60

Table 3-1890. RTC_PRM Registers Mapping Summary (continued)

Register Name	Type	Register Width (Bits)	Address Offset	RTC_PRM Physical Address L4_WKUP Interconnect
RM_RTC_RTCSS_CON TEXT	RW	32	0x0000 0004	0x4AE0 7C64

3.12.53.2 RTC_PRM Register Description

Table 3-1891. PM_RTC_RTCSS_WKDEP

Address Offset	0x0000 0000	Instance	RTC_PRM
Physical Address	0x4AE0 7C60		
Description	This register controls wakeup dependency based on RTCSS service requests.		
Type	RW		

31	30	29	28	27	26	25	24	23	22	21	20	19	18	17	16	15	14	13	12	11	10	9	8	7	6	5	4	3	2	1	0																
RESERVED								WKUPDEP_RTC_IRQ2_EVE4		WKUPDEP_RTC_IRQ2_EVE3		WKUPDEP_RTC_IRQ2_EVE2		WKUPDEP_RTC_IRQ2_EVE1		WKUPDEP_RTC_IRQ2_DSP2		WKUPDEP_RTC_IRQ2_IPU1		RESERVED		WKUPDEP_RTC_IRQ2_DSP1		WKUPDEP_RTC_IRQ2_IPU2		WKUPDEP_RTC_IRQ2_MPU		WKUPDEP_RTC_IRQ1_EVE4		WKUPDEP_RTC_IRQ1_EVE3		WKUPDEP_RTC_IRQ1_EVE2		WKUPDEP_RTC_IRQ1_EVE1		WKUPDEP_RTC_IRQ1_DSP2		WKUPDEP_RTC_IRQ1_IPU1		RESERVED		WKUPDEP_RTC_IRQ1_DSP1		WKUPDEP_RTC_IRQ1_IPU2		WKUPDEP_RTC_IRQ1_MPU	

Bits	Field Name	Description	Type	Reset
31:20	RESERVED		R	0x0
19	WKUPDEP_RTC_IRQ2_EVE4	Wakeup dependency from RTCSS module (timer_swakeup signal) towards EVE4 + L3_MAIN1 + L4PER1 + L4PER2 + L4PER3 domains 0x0: Dependency is disabled 0x1: Dependency is enabled	RW	0x0
18	WKUPDEP_RTC_IRQ2_EVE3	Wakeup dependency from RTCSS module (timer_swakeup signal) towards EVE3 + L3_MAIN1 + L4PER1 + L4PER2 + L4PER3 domains 0x0: Dependency is disabled 0x1: Dependency is enabled	RW	0x0
17	WKUPDEP_RTC_IRQ2_EVE2	Wakeup dependency from RTCSS module (timer_swakeup signal) towards EVE2 + L3_MAIN1 + L4PER1 + L4PER2 + L4PER3 domains 0x0: Dependency is disabled 0x1: Dependency is enabled	RW	0x0
16	WKUPDEP_RTC_IRQ2_EVE1	Wakeup dependency from RTCSS module (timer_swakeup signal) towards EVE1 + L3_MAIN1 + L4PER1 + L4PER2 + L4PER3 domains 0x0: Dependency is disabled 0x1: Dependency is enabled	RW	0x0
15	WKUPDEP_RTC_IRQ2_DSP2	Wakeup dependency from RTCSS module (timer_swakeup signal) towards DSP2 + L3_MAIN1 + L4PER1 + L4PER2 + L4PER3 domains 0x0: Dependency is disabled 0x1: Dependency is enabled	RW	0x0

Bits	Field Name	Description	Type	Reset
14	WKUPDEP_RTC_IRQ2_IPU1	Wakeup dependency from RTCSS module (timer_swakeup signal) towards IPU1 + L3_MAIN1 + L4PER1 + L4PER2 + L4PER3 domains 0x0: Dependency is disabled 0x1: Dependency is enabled	RW	0x0
13	RESERVED		R	0x0
12	WKUPDEP_RTC_IRQ2_DSP1	Wakeup dependency from RTCSS module (timer_swakeup signal) towards DSP + L3MAIN1 + L4PER1 + L4PER2 + L4PER3 domains 0x0: Dependency is disabled 0x1: Dependency is enabled	RW	0x0
11	WKUPDEP_RTC_IRQ2_IPU2	Wakeup dependency from RTCSS module (timer_swakeup signal) towards IPU2 + L3_MAIN1 + L4PER1 + L4PER2 + L4PER3 domains 0x0: Dependency is disabled 0x1: Dependency is enabled	RW	0x0
10	WKUPDEP_RTC_IRQ2_MPU	Wakeup dependency from RTCSS module (timer_swakeup signal) towards MPU + L3_MAIN1 + L4PER1 + L4PER2 + L4PER3 domains 0x0: Dependency is disabled 0x1: Dependency is enabled	RW	0x0
9	WKUPDEP_RTC_IRQ1_EVE4	Wakeup dependency from RTCSS module (alarm_swakeup signal) towards EVE4 + L3_MAIN1 + L4PER1 + L4PER2 + L4PER3 domains 0x0: Dependency is disabled 0x1: Dependency is enabled	RW	0x0
8	WKUPDEP_RTC_IRQ1_EVE3	Wakeup dependency from RTCSS module (alarm_swakeup signal) towards EVE3 + L3_MAIN1 + L4PER1 + L4PER2 + L4PER3 domains 0x0: Dependency is disabled 0x1: Dependency is enabled	RW	0x0
7	WKUPDEP_RTC_IRQ1_EVE2	Wakeup dependency from RTCSS module (alarm_swakeup signal) towards EVE2 + L3_MAIN1 + L4PER1 + L4PER2 + L4PER3 domains 0x0: Dependency is disabled 0x1: Dependency is enabled	RW	0x0
6	WKUPDEP_RTC_IRQ1_EVE1	Wakeup dependency from RTCSS module (alarm_swakeup signal) towards EVE1 + L3_MAIN1 + L4PER1 + L4PER2 + L4PER3 domains 0x0: Dependency is disabled 0x1: Dependency is enabled	RW	0x0
5	WKUPDEP_RTC_IRQ1_DSP2	Wakeup dependency from RTCSS module (alarm_swakeup signal) towards DSP2 + L3_MAIN1 + L4PER1 + L4PER2 + L4PER3 domains 0x0: Dependency is disabled 0x1: Dependency is enabled	RW	0x0
4	WKUPDEP_RTC_IRQ1_IPU1	Wakeup dependency from RTCSS module (alarm_swakeup signal) towards IPU1 + L3_MAIN1 + L4PER1 + L4PER2 + L4PER3 domains 0x0: Dependency is disabled 0x1: Dependency is enabled	RW	0x0
3	RESERVED		R	0x0

Bits	Field Name	Description	Type	Reset
2	WKUPDEP_RTC_IRQ1_DSP1	Wakeup dependency from RTCSS module (alarm_swakeup signal) towards DSP + L3MAIN1 + L4PER1 + L4PER2 + L4PER3 domains 0x0: Dependency is disabled 0x1: Dependency is enabled	RW	0x0
1	WKUPDEP_RTC_IRQ1_IPU2	Wakeup dependency from RTCSS module (alarm_swakeup signal) towards IPU2 + L3_MAIN1 + L4PER1 + L4PER2 + L4PER3 domains 0x0: Dependency is disabled 0x1: Dependency is enabled	RW	0x0
0	WKUPDEP_RTC_IRQ1_MPU	Wakeup dependency from RTCSS module (alarm_swakeup signal) towards MPU + L3_MAIN1 + L4PER1 + L4PER2 + L4PER3 domains 0x0: Dependency is disabled 0x1: Dependency is enabled	RW	0x0

Table 3-1892. Register Call Summary for Register PM_RTC_RTCSS_WKDEP

Clock Management Functional Description

- [Clock Domain Dependency: \[0\]\[1\]\[2\]\[3\]\[9\]\[10\]\[11\]\[12\]](#)

PRCM Register Manual

- [Not Supported Functionality \(Registers and Bits\): \[18\]\[19\]\[20\]\[21\]\[22\]\[23\]\[24\]\[25\]\[26\]\[27\]](#)
- [RTC_PRM Register Summary: \[28\]](#)

Table 3-1893. RM_RTC_RTCSS_CONTEXT

Address Offset	0x0000 0004	Instance	RTC_PRM
Physical Address	0x4AE0 7C64		
Description	This register contains dedicated RTCSS context statuses. [warm reset insensitive]		
Type	RW		

31	30	29	28	27	26	25	24	23	22	21	20	19	18	17	16	15	14	13	12	11	10	9	8	7	6	5	4	3	2	1	0
RESERVED																												LOSTCONTEXT_DFF			

Bits	Field Name	Description	Type	Reset
31:1	RESERVED		R	0x0
0	LOSTCONTEXT_DFF	Specify if DFF-based context has been lost due to a previous power transition or other reset source. (set upon assertion of L4PER_RST signal) 0x0: Context has been maintained 0x1: Context has been lost	RW	0x1

Table 3-1894. Register Call Summary for Register RM_RTC_RTCSS_CONTEXT

Power Management Functional Description

- [PD_RTC Description: \[0\]](#)

PRCM Register Manual

- [RTC_PRM Register Summary: \[1\]](#)

3.12.54 VPE_PRM Registers

3.12.54.1 VPE_PRM Register Summary

Table 3-1895. VPE_PRM Registers Mapping Summary

Register Name	Type	Register Width (Bits)	Address Offset	VPE_PRM Physical Address L4_WKUP Interconnect
PM_VPE_PWRSTCTRL	RW	32	0x0000 0000	0x4AE0 7C80
PM_VPE_PWRSTST	RW	32	0x0000 0004	0x4AE0 7C84
PM_VPE_VPE_WKDEP	RW	32	0x0000 0020	0x4AE0 7CA0
RM_VPE_VPE_CONTEX	RW	32	0x0000 0024	0x4AE0 7CA4

3.12.54.2 VPE_PRM Register Description

Table 3-1896. PM_VPE_PWRSTCTRL

Address Offset	0x0000 0000	Instance	VPE_PRM
Physical Address	0x4AE0 7C80		
Description	This register controls the VPE power state to reach upon a domain sleep transition		
Type	RW		

31	30	29	28	27	26	25	24	23	22	21	20	19	18	17	16	15	14	13	12	11	10	9	8	7	6	5	4	3	2	1	0
RESERVED								VPE_BANK_ONSTATE		RESERVED								VPE_BANK_RETSTATE		RESERVED		LOWPOWERSTATECHANGE	RESERVED	LOGICRETSTATE	POWERSTATE						

Bits	Field Name	Description	Type	Reset
31:18	RESERVED		R	0x0
17:16	VPE_BANK_ONSTATE	DSP_L1 state when domain is ON. 0x3: Memory bank is on when the domain is ON.	R	0x3
15:9	RESERVED		R	0x0
8	VPE_BANK_RETSTATE	VPE_BANK state when domain is RETENTION. 0x0: Memory bank is off when the domain is in the RETENTION state. 0x1: Memory bank is retained when domain is in RETENTION state.	RW	0x1
7:5	RESERVED		R	0x0
4	LOWPOWERSTATECHANGE	Power state change request when domain has already performed a sleep transition. Allows going into deeper low power state without waking up the power domain. 0x0: Do not request a low power state change. 0x1: Request a low power state change. This bit is automatically cleared when the power state is effectively changed or when power state is ON.	RW	0x0
3	RESERVED		R	0x0

Bits	Field Name	Description	Type	Reset
2	LOGICRETSTATE	Logic state when power domain is RETENTION 0x0: Only retention registers are retained and remaining logic is off when the domain is in RETENTION state. 0x1: Whole logic is retained when domain is in RETENTION state.	RW	0x1
1:0	POWERSTATE	Power state control 0x0: OFF state 0x1: RETENTION state 0x2: INACTIVE state 0x3: ON State	RW	0x3

Table 3-1897. Register Call Summary for Register PM_VPE_PWRSTCTRL

Power Management Functional Description

- [Logic and Memory Area Power Modes Control and Status: \[0\]\[1\]\[2\]\[3\]\[4\]](#)

PRCM Register Manual

- [Not Supported Functionality \(Registers and Bits\): \[5\]\[6\]\[7\]\[8\]](#)
- [VPE_PRM Register Summary: \[9\]](#)

Table 3-1898. PM_VPE_PWRSTST

Address Offset	0x0000 0004	Instance	VPE_PRM
Physical Address	0x4AE0 7C84		
Description	This register provides a status on the VPE domain current power state. [warm reset insensitive]		
Type	RW		

31	30	29	28	27	26	25	24	23	22	21	20	19	18	17	16	15	14	13	12	11	10	9	8	7	6	5	4	3	2	1	0
RESERVED								LASTPOWERSTATEENTERED		RESERVED		INTRANSITION		RESERVED										VPE_BANK_STATE		RESERVED	LOGICSTATE	POWERSTATE			

Bits	Field Name	Description	Type	Reset
31:26	RESERVED		R	0x0
25:24	LASTPOWERSTATEENTERED	Last low power state entered. Set to 0x3 upon write of the same only. This register is intended for debug purpose only. 0x0: Power domain was previously OFF 0x1: Power domain was previously in RETENTION 0x2: Power domain was previously ON-INACTIVE 0x3: Power domain was previously ON-ACTIVE	RW	0x0
23:21	RESERVED		R	0x0
20	INTRANSITION	Domain transition status 0x0: No on-going transition on power domain 0x1: Power domain transition is in progress.	R	0x0
19:6	RESERVED		R	0x0

Bits	Field Name	Description	Type	Reset
5:4	VPE_BANK_STATEST	VPE_BANK memory state status 0x0: Memory is OFF 0x1: Memory is RETENTION 0x2: Reserved 0x3: Memory is ON	R	0x3
3	RESERVED		R	0x0
2	LOGICSTATEST	Logic state status 0x0: Logic in domain is OFF 0x1: Logic in domain is ON	R	0x1
1:0	POWERSTATEST	Current power state status 0x0: Power domain is OFF 0x1: Power domain is in RETENTION 0x2: Power domain is ON-INACTIVE 0x3: Power domain is ON-ACTIVE	R	0x3

Table 3-1899. Register Call Summary for Register PM_VPE_PWRSTST

Power Management Functional Description

- [Logic and Memory Area Power Modes Control and Status: \[0\]\[1\]\[2\]\[3\]\[4\]](#)

PRCM Register Manual

- [Not Supported Functionality \(Registers and Bits\): \[5\]\[6\]\[7\]\[8\]\[9\]\[10\]](#)
- [VPE_PRM Register Summary: \[11\]](#)

Table 3-1900. PM_VPE_VPE_WKDEP

Address Offset	0x0000 0020	Instance	VPE_PRM
Physical Address	0x4AE0 7CA0		
Description	This register controls wakeup dependency based on VPE service requests.		
Type	RW		

31	30	29	28	27	26	25	24	23	22	21	20	19	18	17	16	15	14	13	12	11	10	9	8	7	6	5	4	3	2	1	0
RESERVED																WKUPDEP_VPE_EVE4	WKUPDEP_VPE_EVE3	WKUPDEP_VPE_EVE2	WKUPDEP_VPE_EVE1	WKUPDEP_VPE_DSP2	WKUPDEP_VPE_IPU1	RESERVED	WKUPDEP_VPE_DSP1	WKUPDEP_VPE_IPU2	WKUPDEP_VPE_MPU						

Bits	Field Name	Description	Type	Reset
31:10	RESERVED		R	0x0
9	WKUPDEP_VPE_EVE4	Wakeup dependency from VPE module (Swakeup signal) towards EVE4 + L3_MAIN1 + L4PER1 + L4PER2 + L4PER3 domains 0x0: Dependency is disabled 0x1: Dependency is enabled	RW	0x0
8	WKUPDEP_VPE_EVE3	Wakeup dependency from VPE module (Swakeup signal) towards EVE3 + L3_MAIN1 + L4PER1 + L4PER2 + L4PER3 domains 0x0: Dependency is disabled 0x1: Dependency is enabled	RW	0x0

Bits	Field Name	Description	Type	Reset
7	WKUPDEP_VPE_EVE2	Wakeup dependency from VPE module (Swakeup signal) towards EVE2 + L3_MAIN1 + L4PER1 + L4PER2 + L4PER3 domains 0x0: Dependency is disabled 0x1: Dependency is enabled	RW	0x0
6	WKUPDEP_VPE_EVE1	Wakeup dependency from VPE module (Swakeup signal) towards EVE1 + L3_MAIN1 + L4PER1 + L4PER2 + L4PER3 domains 0x0: Dependency is disabled 0x1: Dependency is enabled	RW	0x0
5	WKUPDEP_VPE_DSP2	Wakeup dependency from VPE module (Swakeup signal) towards DSP2 + L3_MAIN1 + L4PER1 + L4PER2 + L4PER3 domains 0x0: Dependency is disabled 0x1: Dependency is enabled	RW	0x0
4	WKUPDEP_VPE_IPU1	Wakeup dependency from VPE module (Swakeup signal) towards IPU1 + L3_MAIN1 + L4PER1 + L4PER2 + L4PER3 domains 0x0: Dependency is disabled 0x1: Dependency is enabled	RW	0x0
3	RESERVED		R	0x0
2	WKUPDEP_VPE_DSP1	Wakeup dependency from VPE module (Swakeup signal) towards DSP + L3MAIN1 + L4PER1 + L4PER2 + L4PER3 domains 0x0: Dependency is disabled 0x1: Dependency is enabled	RW	0x0
1	WKUPDEP_VPE_IPU2	Wakeup dependency from VPE module (Swakeup signal) towards IPU2 + L3_MAIN1 + L4PER1 + L4PER2 + L4PER3 domains 0x0: Dependency is disabled 0x1: Dependency is enabled	RW	0x0
0	WKUPDEP_VPE_MPU	Wakeup dependency from VPE module (Swakeup signal) towards MPU + L3_MAIN1 + L4PER1 + L4PER2 + L4PER3 domains 0x0: Dependency is disabled 0x1: Dependency is enabled	RW	0x0

Table 3-1901. Register Call Summary for Register PM_VPE_VPE_WKDEP

Clock Management Functional Description

- [Clock Domain Dependency: \[0\]\[1\]\[2\]\[3\]](#)

PRCM Register Manual

- [Not Supported Functionality \(Registers and Bits\): \[9\]\[10\]\[11\]\[12\]\[13\]](#)
- [VPE_PRM Register Summary: \[14\]](#)

Table 3-1902. RM_VPE_VPE_CONTEXT

Address Offset	0x0000 0024	Instance	VPE_PRM
Physical Address	0x4AE0 7CA4		
Description	This register contains dedicated VPE context statuses. [warm reset insensitive]		
Type	RW		

31	30	29	28	27	26	25	24	23	22	21	20	19	18	17	16	15	14	13	12	11	10	9	8	7	6	5	4	3	2	1	0
RESERVED																LOSTMEM_VPE_BANK	RESERVED										LOSTCONTEXT_DFF				

Bits	Field Name	Description	Type	Reset
31:9	RESERVED		R	0x0
8	LOSTMEM_VPE_BANK	Specify if memory-based context in VPE memory bank has been lost due to a previous power transition or other reset source. 0x0: Context has been maintained 0x1: Context has been lost	RW	0x1
7:1	RESERVED		R	0x0
0	LOSTCONTEXT_DFF	Specify if DFF-based context has been lost due to a previous power transition or other reset source. (set upon assertion of VPE_RST signal) 0x0: Context has been maintained 0x1: Context has been lost	RW	0x1

Table 3-1903. Register Call Summary for Register RM_VPE_VPE_CONTEXT

Power Management Functional Description

- [PD_VPE Description: \[0\]](#)

PRCM Register Manual

- [VPE_PRM Register Summary: \[1\]](#)

3.12.55 WKUPAON_CM Registers

3.12.55.1 WKUPAON_CM Register Summary

Table 3-1904. WKUPAON_CM Registers Mapping Summary

Register Name	Type	Register Width (Bits)	Address Offset	WKUPAON_CM Physical Address L4_WKUP Interconnect
CM_WKUPAON_CLKST CTRL	RW	32	0x0000 0000	0x4AE0 7800
CM_WKUPAON_L4_WKUP_CLKCTRL	R	32	0x0000 0020	0x4AE0 7820
CM_WKUPAON_WD_T1 MER1_CLKCTRL	R	32	0x0000 0028	0x4AE0 7828
CM_WKUPAON_WD_T1 MER2_CLKCTRL	RW	32	0x0000 0030	0x4AE0 7830

Table 3-1904. WKUPAON_CM Registers Mapping Summary (continued)

Register Name	Type	Register Width (Bits)	Address Offset	WKUPAON_CM Physical Address L4_WKUP Interconnect
CM_WKUPAON_GPIO1_CLKCTRL	RW	32	0x0000 0038	0x4AE0 7838
CM_WKUPAON_TIMER1_CLKCTRL	RW	32	0x0000 0040	0x4AE0 7840
CM_WKUPAON_TIMER12_CLKCTRL	R	32	0x0000 0048	0x4AE0 7848
CM_WKUPAON_COUNTER_32K_CLKCTRL	R	32	0x0000 0050	0x4AE0 7850
CM_WKUPAON_SAR_RAM_CLKCTRL	R	32	0x0000 0060	0x4AE0 7860
CM_WKUPAON_KBD_CLKCTRL	RW	32	0x0000 0078	0x4AE0 7878
CM_WKUPAON_UART10_CLKCTRL	RW	32	0x0000 0080	0x4AE0 7880
CM_WKUPAON_DCAN1_CLKCTRL	RW	32	0x0000 0088	0x4AE0 7888
CM_WKUPAON_SCRM_CLKCTRL	RW	32	0x0000 0090	0x4AE0 7890
CM_WKUPAON_IO_SR_COMP_CLKCTRL	RW	32	0x0000 0098	0x4AE0 7898
CM_WKUPAON_ADC_CLKCTRL	RW	32	0x0000 00A0	0x4AE0 78A0
CM_WKUPAON_SPARE_SAFETY1_CLKCTRL	R	32	0x0000 00B0	0x4AE0 78B0
CM_WKUPAON_SPARE_SAFETY2_CLKCTRL	R	32	0x0000 00B8	0x4AE0 78B8
CM_WKUPAON_SPARE_SAFETY3_CLKCTRL	R	32	0x0000 00C0	0x4AE0 78C0
CM_WKUPAON_SPARE_SAFETY4_CLKCTRL	R	32	0x0000 00C8	0x4AE0 78C8
CM_WKUPAON_SPARE_UNKNOWN2_CLKCTRL	R	32	0x0000 00D0	0x4AE0 78D0
CM_WKUPAON_SPARE_UNKNOWN3_CLKCTRL	R	32	0x0000 00D8	0x4AE0 78D8

3.12.55.2 WKUPAON_CM Register Description

Table 3-1905. CM_WKUPAON_CLKSTCTRL

Address Offset	0x0000 0000	Instance	WKUPAON_CM
Physical Address	0x4AE0 7800		
Description	This register enables the domain power state transition. It controls the HW supervised domain power state transition between ON-ACTIVE and ON-INACTIVE states. It also hold one status bit per clock input of the domain.		
Type	RW		

31	30	29	28	27	26	25	24	23	22	21	20	19	18	17	16	15	14	13	12	11	10	9	8	7	6	5	4	3	2	1	0
RESERVED								CLKACTIVITY_ADC_L3_GICLK CLKACTIVITY_UART10_GFCLK CLKACTIVITY_TIMER1_GFCLK CLKACTIVITY_DCAN1_SYS_CLK CLKACTIVITY_SYS_CLK_ALL CLKACTIVITY_SYS_CLK_FUNC CLKACTIVITY_WKUPAON_IO_SRCOMP_GFCLK CLKACTIVITY_WKUPAON_GICLK CLKACTIVITY_WKUPAON_SYS_GFCLK CLKACTIVITY_ADC_GFCLK CLKACTIVITY_ABE_LP_CLK CLKACTIVITY_SYS_CLK								RESERVED								CLKTRCTRL							

Bits	Field Name	Description	Type	Reset
31:20	RESERVED		R	0x0
19	CLKACTIVITY_ADC_L3_GICLK	This field indicates the state of the ADC_L3_GICLK clock in the domain(it includes profiling, EMU_SYS_GCLK and all functional SYS_CLK. [warm reset insensitive] 0x0: Corresponding clock is definitely gated 0x1: Corresponding clock is running or gating/ungating transition is on-going	R	0x0
18	CLKACTIVITY_UART10_GFCLK	This field indicates the state of the UART10_GFCLK clock in the domain. [warm reset insensitive] 0x0: Corresponding clock is definitely gated 0x1: Corresponding clock is running or gating/ungating transition is on-going	R	0x0
17	CLKACTIVITY_TIMER1_GFCLK	This field indicates the state of the TIMER1_GFCLK clock in the domain. [warm reset insensitive] 0x0: Corresponding clock is definitely gated 0x1: Corresponding clock is running or gating/ungating transition is on-going	R	0x0
16	CLKACTIVITY_DCAN1_SYS_CLK	This field indicates the state of the DCAN1_SYS_CLK clock in the domain. [warm reset insensitive] 0x0: Corresponding clock is definitely gated 0x1: Corresponding clock is running or gating/ungating transition is on-going	R	0x0

Bits	Field Name	Description	Type	Reset
15	CLKACTIVITY_SYS_CLK_ALL	This field indicates the state of the SYS_CLK running at SCRM level because of any SCRM clock request. [warm reset insensitive] 0x0: Corresponding clock is definitely gated 0x1: Corresponding clock is running or gating/ungating transition is on-going	R	0x0
14	CLKACTIVITY_SYS_CLK_FUNC	This field indicates the state of the functional SYS_CLK clocks in the domain (this exclude activity of EMU_GCLK clock). [warm reset insensitive] 0x0: Corresponding clock is definitely gated 0x1: Corresponding clock is running or gating/ungating transition is on-going	R	0x0
13	CLKACTIVITY_WKUPAON_IO_SRCOMP_GFCLK	This field indicates the state of the WKUPAON_IO_SRCOMP_GFCLK clock in the domain. [warm reset insensitive] 0x0: Corresponding clock is definitely gated 0x1: Corresponding clock is running or gating/ungating transition is on-going	R	0x0
12	CLKACTIVITY_WKUPAON_GICLK	This field indicates the state of the WKUPAON_GICLK clock in the domain. [warm reset insensitive] 0x0: Corresponding clock is definitely gated 0x1: Corresponding clock is running or gating/ungating transition is on-going	R	0x0
11	CLKACTIVITY_WKUPAON_SYS_GFCLK	This field indicates the state of the WKUPAON_SYS_GFCLK clock in the domain. [warm reset insensitive] 0x0: Corresponding clock is definitely gated 0x1: Corresponding clock is running or gating/ungating transition is on-going	R	0x0
10	CLKACTIVITY_ADC_GFCLK	This field indicates the state of the ADC_GFCLK clock in the domain. [warm reset insensitive] 0x0: Corresponding clock is definitely gated 0x1: Corresponding clock is running or gating/ungating transition is on-going	R	0x0
9	CLKACTIVITY_ABE_LP_CLK	This field indicates the state of the ABE_LP_CLK clock in the domain. [warm reset insensitive] 0x0: Corresponding clock is definitely gated 0x1: Corresponding clock is running or gating/ungating transition is on-going	R	0x0
8	CLKACTIVITY_SYS_CLK	This field indicates the state of the SYS_CLK clock in the domain(it includes profiling, EMU_SYS_GCLK and all functional SYS_CLK. [warm reset insensitive] 0x0: Corresponding clock is definitely gated 0x1: Corresponding clock is running or gating/ungating transition is on-going	R	0x0
7:2	RESERVED		R	0x0
1:0	CLKTRCTRL	Controls the clock state transition of the WKUPAON clock domain. 0x0: NO_SLEEP: Sleep transition cannot be initiated. Wakeup transition may however occur. 0x1: Reserved 0x2: SW_WKUP: Start a software forced wake-up transition on the domain. 0x3: HW_AUTO: Automatic transition is enabled. Sleep and wakeup transition are based upon hardware conditions.	RW	0x0

Table 3-1906. Register Call Summary for Register CM_WKUPAON_CLKSTCTRL

Clock Management Functional Description

- [Clock Domain Modes: \[1\]\[2\]\[3\]\[4\]\[7\]\[8\]\[9\]\[10\]](#)

PRCM Register Manual

- [Not Supported Functionality \(Registers and Bits\): \[11\]\[12\]\[13\]](#)
- [WKUPAON_CM Register Summary: \[14\]](#)

Table 3-1907. CM_WKUPAON_L4_WKUP_CLKCTRL

Address Offset	0x0000 0020	Instance	WKUPAON_CM
Physical Address	0x4AE0 7820		
Description	This register manages the WKUPAON clocks.		
Type	R		

31	30	29	28	27	26	25	24	23	22	21	20	19	18	17	16	15	14	13	12	11	10	9	8	7	6	5	4	3	2	1	0
RESERVED														IDLEST		RESERVED														MODULEMODE	

Bits	Field Name	Description	Type	Reset
31:18	RESERVED		R	0x0
17:16	IDLEST	Module idle status. [warm reset insensitive] 0x0: Module is fully functional, including OCP 0x1: Module is performing transition: wakeup, or sleep, or sleep abortion 0x2: Module is in Idle mode (only OCP part). It is functional if using separate functional clock 0x3: Module is disabled and cannot be accessed	R	0x3
15:2	RESERVED		R	0x0
1:0	MODULEMODE	Control the way mandatory clocks are managed. 0x1: Module is managed automatically by HW according to clock domain transition. A clock domain sleep transition put module into idle. A wakeup domain transition put it back into function. If CLKTRCTRL=3, any OCP access to module is always granted. Module clocks may be gated according to the clock domain state.	R	0x1

Table 3-1908. Register Call Summary for Register CM_WKUPAON_L4_WKUP_CLKCTRL

Clock Management Functional Description

- [Clock Domain Module Attributes: \[0\]\[1\]](#)

PRCM Register Manual

- [WKUPAON_CM Register Summary: \[2\]](#)

Table 3-1909. CM_WKUPAON_WD_TIMER1_CLKCTRL

Address Offset	0x0000 0028	Instance	WKUPAON_CM
Physical Address	0x4AE0 7828		
Description	This register manages the WD_TIMER1 clocks.		
Type	R		

31	30	29	28	27	26	25	24	23	22	21	20	19	18	17	16	15	14	13	12	11	10	9	8	7	6	5	4	3	2	1	0
RESERVED														IDLEST		RESERVED														MODULEMODE	

Bits	Field Name	Description	Type	Reset
31:18	RESERVED		R	0x0
17:16	IDLEST	Module idle status. [warm reset insensitive] 0x0: Module is fully functional, including OCP 0x1: Module is performing transition: wakeup, or sleep, or sleep abortion 0x2: Module is in Idle mode (only OCP part). It is functional if using separate functional clock 0x3: Module is disabled and cannot be accessed	R	0x3
15:2	RESERVED		R	0x0
1:0	MODULEMODE	Control the way mandatory clocks are managed. 0x1: Module is managed automatically by HW according to clock domain transition. A clock domain sleep transition put module into idle. A wakeup domain transition put it back into function. If CLKTRCTRL=3, any OCP access to module is always granted. Module clocks may be gated according to the clock domain state.	R	0x1

Table 3-1910. CM_WKUPAON_WD_TIMER2_CLKCTRL

Address Offset	0x0000 0030	Instance	WKUPAON_CM
Physical Address	0x4AE0 7830		
Description	This register manages the WD_TIMER2 clocks.		
Type	RW		

31	30	29	28	27	26	25	24	23	22	21	20	19	18	17	16	15	14	13	12	11	10	9	8	7	6	5	4	3	2	1	0
RESERVED														IDLEST		RESERVED														MODULEMODE	

Bits	Field Name	Description	Type	Reset
31:18	RESERVED		R	0x0
17:16	IDLEST	Module idle status. [warm reset insensitive] 0x0: Module is fully functional, including OCP 0x1: Module is performing transition: wakeup, or sleep, or sleep abortion 0x2: Module is in Idle mode (only OCP part). It is functional if using separate functional clock 0x3: Module is disabled and cannot be accessed	R	0x3
15:2	RESERVED		R	0x0
1:0	MODULEMODE	Control the way mandatory clocks are managed. 0x0: Module is disabled by SW. Any OCP access to module results in an error, except if resulting from a module wakeup (asynchronous wakeup). 0x1: Reserved 0x2: Module is explicitly enabled. Interface clock (if not used for functions) may be gated according to the clock domain state. Functional clocks are guaranteed to stay present. As long as in this configuration, power domain sleep transition cannot happen. 0x3: Reserved	RW	0x0

Table 3-1911. Register Call Summary for Register CM_WKUPAON_WD_TIMER2_CLKCTRL

Clock Management Functional Description

- [Clock Domain Module Attributes: \[0\]\[1\]](#)

PRCM Register Manual

- [WKUPAON_CM Register Summary: \[2\]](#)

Table 3-1912. CM_WKUPAON_GPIO1_CLKCTRL

Address Offset	0x0000 0038	Instance	WKUPAON_CM
Physical Address	0x4AE0 7838		
Description	This register manages the GPIO1 clocks.		
Type	RW		

31	30	29	28	27	26	25	24	23	22	21	20	19	18	17	16	15	14	13	12	11	10	9	8	7	6	5	4	3	2	1	0		
RESERVED																IDLEST		RESERVED						OPTFCLKEN_DBCLK		RESERVED						MODULEMODE	

Bits	Field Name	Description	Type	Reset
31:18	RESERVED		R	0x0
17:16	IDLEST	Module idle status. [warm reset insensitive] 0x0: Module is fully functional, including OCP 0x1: Module is performing transition: wakeup, or sleep, or sleep abortion 0x2: Module is in Idle mode (only OCP part). It is functional if using separate functional clock 0x3: Module is disabled and cannot be accessed	R	0x3
15:9	RESERVED		R	0x0

Bits	Field Name	Description	Type	Reset
8	OPTFCLKEN_DBCLK	Optional functional clock control. 0x0: Optional functional clock is disabled 0x1: Optional functional clock is enabled	RW	0x0
7:2	RESERVED		R	0x0
1:0	MODULEMODE	Control the way mandatory clocks are managed. 0x0: Module is disabled by SW. Any OCP access to module results in an error, except if resulting from a module wakeup (asynchronous wakeup). 0x1: Module is managed automatically by HW according to clock domain transition. A clock domain sleep transition put module into idle. A wakeup domain transition put it back into function. If CLKTRCTRL=3, any OCP access to module is always granted. Module clocks may be gated according to the clock domain state. 0x2: Reserved 0x3: Reserved	RW	0x0

Table 3-1913. Register Call Summary for Register CM_WKUPAON_GPIO1_CLKCTRL

Clock Management Functional Description

- [Clock Domain Modes: \[0\]](#)
- [Clock Domain Module Attributes: \[1\]\[2\]](#)

PRCM Register Manual

- [WKUPAON_CM Register Summary: \[3\]](#)

Table 3-1914. CM_WKUPAON_TIMER1_CLKCTRL

Address Offset	0x0000 0040	Instance	WKUPAON_CM
Physical Address	0x4AE0 7840		
Description	This register manages the TIMER1 clocks.		
Type	RW		

31	30	29	28	27	26	25	24	23	22	21	20	19	18	17	16	15	14	13	12	11	10	9	8	7	6	5	4	3	2	1	0
RESERVED				CLKSEL				RESERVED				IDLEST	RESERVED												MODULEMODE						

Bits	Field Name	Description	Type	Reset
31:28	RESERVED		R	0x0
27:24	CLKSEL	Select the source of the functional clock 0x0: Selects SYS_CLK1 0x1: Selects FUNC_32K_CLK 0x2: Selects SYS_CLK2 0x3: Selects XREF_CLK0 0x4: Selects XREF_CLK1 0x5: Selects XREF_CLK2 0x6: Selects XREF_CLK3 0x7: Selects ABE_GICLK 0x8: Selects VIDEO1_DIV_CLK 0x9: Selects VIDEO2_DIV_CLK 0xA: Selects HDMI_DIV_CLK 0xB-0xF: RESERVED	RW	0x0
23:18	RESERVED		R	0x0
17:16	IDLEST	Module idle status. [warm reset insensitive] 0x0: Module is fully functional, including OCP 0x1: Module is performing transition: wakeup, or sleep, or sleep abortion 0x2: Module is in Idle mode (only OCP part). It is functional if using separate functional clock 0x3: Module is disabled and cannot be accessed	R	0x3
15:2	RESERVED		R	0x0
1:0	MODULEMODE	Control the way mandatory clocks are managed. 0x0: Module is disabled by SW. Any OCP access to module results in an error, except if resulting from a module wakeup (asynchronous wakeup). 0x1: Reserved 0x2: Module is explicitly enabled. Interface clock (if not used for functions) may be gated according to the clock domain state. Functional clocks are guaranteed to stay present. As long as in this configuration, power domain sleep transition cannot happen. 0x3: Reserved	RW	0x0

Table 3-1915. Register Call Summary for Register CM_WKUPAON_TIMER1_CLKCTRL

Clock Management Functional Description

- [CM_CORE_AON_TIMER Overview: \[0\]](#)
- [Clock Domain Module Attributes: \[1\]\[2\]](#)

PRCM Register Manual

- [Not Supported Functionality \(Registers and Bits\): \[3\]](#)
- [WKUPAON_CM Register Summary: \[4\]](#)

Table 3-1916. CM_WKUPAON_TIMER12_CLKCTRL

Address Offset	0x0000 0048	Instance	WKUPAON_CM
Physical Address	0x4AE0 7848		
Description	This register manages the TIMER12 clocks.		
Type	R		

31	30	29	28	27	26	25	24	23	22	21	20	19	18	17	16	15	14	13	12	11	10	9	8	7	6	5	4	3	2	1	0
RESERVED														IDLEST		RESERVED														MODULEMODE	

Bits	Field Name	Description	Type	Reset
31:18	RESERVED		R	0x0
17:16	IDLEST	Module idle status. [warm reset insensitive] 0x0: Module is fully functional, including OCP 0x1: Module is performing transition: wakeup, or sleep, or sleep abortion 0x2: Module is in Idle mode (only OCP part). It is functional if using separate functional clock 0x3: Module is disabled and cannot be accessed	R	0x3
15:2	RESERVED		R	0x0
1:0	MODULEMODE	Control the way mandatory clocks are managed. 0x1: Module is managed automatically by HW according to clock domain transition. A clock domain sleep transition put module into idle. A wakeup domain transition put it back into function. If CLKTRCTRL=3, any OCP access to module is always granted. Module clocks may be gated according to the clock domain state.	R	0x1

Table 3-1917. Register Call Summary for Register CM_WKUPAON_TIMER12_CLKCTRL

Clock Management Functional Description

- [Clock Domain Module Attributes: \[0\]\[1\]](#)

PRCM Register Manual

- [WKUPAON_CM Register Summary: \[2\]](#)

Table 3-1918. CM_WKUPAON_COUNTER_32K_CLKCTRL

Address Offset	0x0000 0050	Instance	WKUPAON_CM
Physical Address	0x4AE0 7850		
Description	This register manages the COUNTER_32K clocks.		
Type	R		

31	30	29	28	27	26	25	24	23	22	21	20	19	18	17	16	15	14	13	12	11	10	9	8	7	6	5	4	3	2	1	0
RESERVED														IDLEST		RESERVED														MODULEMODE	

Bits	Field Name	Description	Type	Reset
31:18	RESERVED		R	0x0
17:16	IDLEST	Module idle status. [warm reset insensitive] 0x0: Module is fully functional, including OCP 0x1: Module is performing transition: wakeup, or sleep, or sleep abortion 0x2: Module is in Idle mode (only OCP part). It is functional if using separate functional clock 0x3: Module is disabled and cannot be accessed	R	0x3
15:2	RESERVED		R	0x0
1:0	MODULEMODE	Control the way mandatory clocks are managed. 0x1: Module is managed automatically by HW according to clock domain transition. A clock domain sleep transition put module into idle. A wakeup domain transition put it back into function. If CLKTRCTRL=3, any OCP access to module is always granted. Module clocks may be gated according to the clock domain state.	R	0x1

Table 3-1919. Register Call Summary for Register CM_WKUPAON_COUNTER_32K_CLKCTRL

Clock Management Functional Description

- [Clock Domain Module Attributes: \[0\]\[1\]](#)

PRCM Register Manual

- [WKUPAON_CM Register Summary: \[2\]](#)

Table 3-1920. CM_WKUPAON_SAR_RAM_CLKCTRL

Address Offset	0x0000 0060	Instance	WKUPAON_CM
Physical Address	0x4AE0 7860		
Description	This register manages the SAR_RAM clocks.		
Type	R		

31	30	29	28	27	26	25	24	23	22	21	20	19	18	17	16	15	14	13	12	11	10	9	8	7	6	5	4	3	2	1	0
RESERVED																IDLEST		RESERVED										MODULEMODE			

Bits	Field Name	Description	Type	Reset
31:18	RESERVED		R	0x0
17:16	IDLEST	Module idle status. [warm reset insensitive] 0x0: Module is fully functional, including OCP 0x1: Module is performing transition: wakeup, or sleep, or sleep abortion 0x2: Module is in Idle mode (only OCP part). It is functional if using separate functional clock 0x3: Module is disabled and cannot be accessed	R	0x3
15:2	RESERVED		R	0x0
1:0	MODULEMODE	Control the way mandatory clocks are managed. 0x1: Module is managed automatically by HW according to clock domain transition. A clock domain sleep transition put module into idle. A wakeup domain transition put it back into function. If CLKTRCTRL=3, any OCP access to module is always granted. Module clocks may be gated according to the clock domain state.	R	0x1

Table 3-1921. CM_WKUPAON_KBD_CLKCTRL

Address Offset	0x0000 0078	Instance	WKUPAON_CM
Physical Address	0x4AE0 7878		
Description	This register manages the KBD clocks.		
Type	RW		

31	30	29	28	27	26	25	24	23	22	21	20	19	18	17	16	15	14	13	12	11	10	9	8	7	6	5	4	3	2	1	0
RESERVED														IDLEST		RESERVED														MODULEMODE	

Bits	Field Name	Description	Type	Reset
31:18	RESERVED		R	0x0
17:16	IDLEST	Module idle status. [warm reset insensitive] 0x0: Module is fully functional, including OCP 0x1: Module is performing transition: wakeup, or sleep, or sleep abortion 0x2: Module is in Idle mode (only OCP part). It is functional if using separate functional clock 0x3: Module is disabled and cannot be accessed	R	0x3
15:2	RESERVED		R	0x0
1:0	MODULEMODE	Control the way mandatory clocks are managed. 0x0: Module is disabled by SW. Any OCP access to module results in an error, except if resulting from a module wakeup (asynchronous wakeup). 0x1: Reserved 0x2: Module is explicitly enabled. Interface clock (if not used for functions) may be gated according to the clock domain state. Functional clocks are guaranteed to stay present. As long as in this configuration, power domain sleep transition cannot happen. 0x3: Reserved	RW	0x0

Table 3-1922. Register Call Summary for Register CM_WKUPAON_KBD_CLKCTRL

Clock Management Functional Description

- [Clock Domain Module Attributes: \[0\]\[1\]](#)

PRCM Register Manual

- [WKUPAON_CM Register Summary: \[2\]](#)

Table 3-1923. CM_WKUPAON_UART10_CLKCTRL

Address Offset	0x0000 0080	Instance	WKUPAON_CM
Physical Address	0x4AE0 7880		
Description	This register manages the UART10 clocks.		
Type	RW		

31	30	29	28	27	26	25	24	23	22	21	20	19	18	17	16	15	14	13	12	11	10	9	8	7	6	5	4	3	2	1	0
RESERVED								CLKSEL	RESERVED				IDLEST	RESERVED												MODULEMODE					

Bits	Field Name	Description	Type	Reset
31:25	RESERVED		R	0x0
24	CLKSEL	Selects functional clock for UART10 between FUNC_48M_FCLK and FUNC_192M_CLK 0x0: Selects FUNC_48M_FCLK 0x1: Selects FUNC_192M_CLK	RW	0x0
23:18	RESERVED		R	0x0
17:16	IDLEST	Module idle status. [warm reset insensitive] 0x0: Module is fully functional, including OCP 0x1: Module is performing transition: wakeup, or sleep, or sleep abortion 0x2: Module is in Idle mode (only OCP part). It is functional if using separate functional clock 0x3: Module is disabled and cannot be accessed	R	0x3
15:2	RESERVED		R	0x0
1:0	MODULEMODE	Control the way mandatory clocks are managed. 0x0: Module is disabled by SW. Any OCP access to module results in an error, except if resulting from a module wakeup (asynchronous wakeup). 0x1: Reserved 0x2: Module is explicitly enabled. Interface clock (if not used for functions) may be gated according to the clock domain state. Functional clocks are guaranteed to stay present. As long as in this configuration, power domain sleep transition cannot happen. 0x3: Reserved	RW	0x0

Table 3-1924. Register Call Summary for Register CM_WKUPAON_UART10_CLKCTRL

Clock Management Functional Description

- [CM_CORE_AON Clock Generator: \[0\]](#)
- [Clock Domain Module Attributes: \[1\]\[2\]](#)

PRCM Register Manual

- [WKUPAON_CM Register Summary: \[3\]](#)

Table 3-1925. CM_WKUPAON_DCAN1_CLKCTRL

Address Offset	0x0000 0088	Instance	WKUPAON_CM
Physical Address	0x4AE0 7888		
Description	This register manages the DCAN1 clocks.		
Type	RW		

31	30	29	28	27	26	25	24	23	22	21	20	19	18	17	16	15	14	13	12	11	10	9	8	7	6	5	4	3	2	1	0
RESERVED								CLKSEL	RESERVED				IDLEST	RESERVED												MODULEMODE					

Bits	Field Name	Description	Type	Reset
31:25	RESERVED		R	0x0
24	CLKSEL	Selects SYS clock for DCAN1 between SYS_CLK1 and SYS_CLK2 0x0: Selects SYS_CLK1 0x1: Selects SYS_CLK2	RW	0x0
23:18	RESERVED		R	0x0
17:16	IDLEST	Module idle status. [warm reset insensitive] 0x0: Module is fully functional, including OCP 0x1: Module is performing transition: wakeup, or sleep, or sleep abortion 0x2: Module is in Idle mode (only OCP part). It is functional if using separate functional clock 0x3: Module is disabled and cannot be accessed	R	0x3
15:2	RESERVED		R	0x0
1:0	MODULEMODE	Control the way mandatory clocks are managed. 0x0: Module is disabled by SW. Any OCP access to module results in an error, except if resulting from a module wakeup (asynchronous wakeup). 0x1: Reserved 0x2: Module is explicitly enabled. Interface clock (if not used for functions) may be gated according to the clock domain state. Functional clocks are guaranteed to stay present. As long as in this configuration, power domain sleep transition cannot happen. 0x3: Reserved	RW	0x0

Table 3-1926. Register Call Summary for Register CM_WKUPAON_DCAN1_CLKCTRL

Clock Management Functional Description

- [PRM Clock Source: \[0\]](#)
- [Clock Domain Module Attributes: \[1\]\[2\]](#)

PRCM Register Manual

- [WKUPAON_CM Register Summary: \[3\]](#)

Table 3-1927. CM_WKUPAON_SCRM_CLKCTRL

Address Offset	0x0000 0090	Instance	WKUPAON_CM
Physical Address	0x4AE0 7890		
Description	This register manages the SCRM clocks.		
Type	RW		

31	30	29	28	27	26	25	24	23	22	21	20	19	18	17	16	15	14	13	12	11	10	9	8	7	6	5	4	3	2	1	0
RESERVED																OPTFCLKEN_SCRM_PER		OPTFCLKEN_SCRM_CORE		RESERVED											

Bits	Field Name	Description	Type	Reset
31:10	RESERVED		R	0x0
9	OPTFCLKEN_SCRM_PER	Optional functional clock control. 0x0: Optional functional clock is disabled 0x1: Optional functional clock is enabled	RW	0x0
8	OPTFCLKEN_SCRM_CORE	Optional functional clock control. 0x0: Optional functional clock is disabled 0x1: Optional functional clock is enabled	RW	0x0
7:0	RESERVED		R	0x0

Table 3-1928. CM_WKUPAON_IO_SRCOMP_CLKCTRL

Address Offset	0x0000 0098	Instance	WKUPAON_CM
Physical Address	0x4AE0 7898		
Description	This register manages the clock delivered to the IO Slew rate compensation cells. [warm reset insensitive]		
Type	RW		

31	30	29	28	27	26	25	24	23	22	21	20	19	18	17	16	15	14	13	12	11	10	9	8	7	6	5	4	3	2	1	0
RESERVED																CLKEN_SRCOMP_FCLK		RESERVED													

Bits	Field Name	Description	Type	Reset
31:9	RESERVED		R	0x0
8	CLKEN_SRCOMP_FCLK	Functional clock control. 0x0: Functional clock is disabled 0x1: Functional clock is enabled.	RW	0x0
7:0	RESERVED		R	0x0

Table 3-1929. CM_WKUPAON_ADC_CLKCTRL

Address Offset	0x0000 00A0	Instance	WKUPAON_CM
Physical Address	0x4AE0 78A0		
Description	This register manages the ADC clocks.		
Type	RW		

31	30	29	28	27	26	25	24	23	22	21	20	19	18	17	16	15	14	13	12	11	10	9	8	7	6	5	4	3	2	1	0
RESERVED												IDLEST				RESERVED												MODULEMODE			

Bits	Field Name	Description	Type	Reset
31:18	RESERVED		R	0x0
17:16	IDLEST	Module idle status. [warm reset insensitive] 0x0: Module is fully functional, including OCP 0x1: Module is performing transition: wakeup, or sleep, or sleep abortion 0x2: Module is in Idle mode (only OCP part). It is functional if using separate functional clock 0x3: Module is disabled and cannot be accessed	R	0x3
15:2	RESERVED		R	0x0
1:0	MODULEMODE	Control the way mandatory clocks are managed. 0x0: Module is disabled by SW. Any OCP access to module results in an error, except if resulting from a module wakeup (asynchronous wakeup). 0x1: Reserved 0x2: Module is explicitly enabled. Interface clock (if not used for functions) may be gated according to the clock domain state. Functional clocks are guaranteed to stay present. As long as in this configuration, power domain sleep transition cannot happen. 0x3: Reserved	RW	0x0

Table 3-1930. CM_WKUPAON_SPARE_SAFETY1_CLKCTRL

Address Offset	0x0000 00B0	Instance	WKUPAON_CM
Physical Address	0x4AE0 78B0		
Description	This register manages the SPARE_SAFETY1 clocks.		
Type	R		

31	30	29	28	27	26	25	24	23	22	21	20	19	18	17	16	15	14	13	12	11	10	9	8	7	6	5	4	3	2	1	0
RESERVED												IDLEST				RESERVED												MODULEMODE			

Bits	Field Name	Description	Type	Reset
31:18	RESERVED		R	0x0
17:16	IDLEST	Module idle status. [warm reset insensitive] 0x0: Module is fully functional, including OCP 0x1: Module is performing transition: wakeup, or sleep, or sleep abortion 0x2: Module is in Idle mode (only OCP part). It is functional if using separate functional clock 0x3: Module is disabled and cannot be accessed	R	0x3
15:2	RESERVED		R	0x0
1:0	MODULEMODE	Control the way mandatory clocks are managed. 0x1: Module is managed automatically by HW according to clock domain transition. A clock domain sleep transition put module into idle. A wakeup domain transition put it back into function. If CLKTRCTRL=3, any OCP access to module is always granted. Module clocks may be gated according to the clock domain state.	R	0x1

Table 3-1931. CM_WKUPAON_SPARE_SAFETY2_CLKCTRL

Address Offset	0x0000 00B8	Instance	WKUPAON_CM
Physical Address	0x4AE0 78B8		
Description	This register manages the SPARE_SAFETY2 clocks.		
Type	R		

31	30	29	28	27	26	25	24	23	22	21	20	19	18	17	16	15	14	13	12	11	10	9	8	7	6	5	4	3	2	1	0
RESERVED								IDLEST	RESERVED								MODULEMODE														

Bits	Field Name	Description	Type	Reset
31:18	RESERVED		R	0x0
17:16	IDLEST	Module idle status. [warm reset insensitive] 0x0: Module is fully functional, including OCP 0x1: Module is performing transition: wakeup, or sleep, or sleep abortion 0x2: Module is in Idle mode (only OCP part). It is functional if using separate functional clock 0x3: Module is disabled and cannot be accessed	R	0x3
15:2	RESERVED		R	0x0
1:0	MODULEMODE	Control the way mandatory clocks are managed. 0x1: Module is managed automatically by HW according to clock domain transition. A clock domain sleep transition put module into idle. A wakeup domain transition put it back into function. If CLKTRCTRL=3, any OCP access to module is always granted. Module clocks may be gated according to the clock domain state.	R	0x1

Table 3-1932. CM_WKUPAON_SPARE_SAFETY3_CLKCTRL

Address Offset	0x0000 00C0	Instance	WKUPAON_CM
Physical Address	0x4AE0 78C0		
Description	This register manages the SPARE_SAFETY3 clocks.		
Type	R		

31	30	29	28	27	26	25	24	23	22	21	20	19	18	17	16	15	14	13	12	11	10	9	8	7	6	5	4	3	2	1	0
RESERVED														IDLEST		RESERVED														MODULEMODE	

Bits	Field Name	Description	Type	Reset
31:18	RESERVED		R	0x0
17:16	IDLEST	Module idle status. [warm reset insensitive] 0x0: Module is fully functional, including OCP 0x1: Module is performing transition: wakeup, or sleep, or sleep abortion 0x2: Module is in Idle mode (only OCP part). It is functional if using separate functional clock 0x3: Module is disabled and cannot be accessed	R	0x3
15:2	RESERVED		R	0x0
1:0	MODULEMODE	Control the way mandatory clocks are managed. 0x1: Module is managed automatically by HW according to clock domain transition. A clock domain sleep transition put module into idle. A wakeup domain transition put it back into function. If CLKTRCTRL=3, any OCP access to module is always granted. Module clocks may be gated according to the clock domain state.	R	0x1

Table 3-1933. CM_WKUPAON_SPARE_SAFETY4_CLKCTRL

Address Offset	0x0000 00C8	Instance	WKUPAON_CM
Physical Address	0x4AE0 78C8		
Description	This register manages the SPARE_SAFETY4 clocks.		
Type	R		

31	30	29	28	27	26	25	24	23	22	21	20	19	18	17	16	15	14	13	12	11	10	9	8	7	6	5	4	3	2	1	0
RESERVED														IDLEST		RESERVED														MODULEMODE	

Bits	Field Name	Description	Type	Reset
31:18	RESERVED		R	0x0
17:16	IDLEST	Module idle status. [warm reset insensitive] 0x0: Module is fully functional, including OCP 0x1: Module is performing transition: wakeup, or sleep, or sleep abortion 0x2: Module is in Idle mode (only OCP part). It is functional if using separate functional clock 0x3: Module is disabled and cannot be accessed	R	0x3
15:2	RESERVED		R	0x0
1:0	MODULEMODE	Control the way mandatory clocks are managed. 0x1: Module is managed automatically by HW according to clock domain transition. A clock domain sleep transition put module into idle. A wakeup domain transition put it back into function. If CLKTRCTRL=3, any OCP access to module is always granted. Module clocks may be gated according to the clock domain state.	R	0x1

Table 3-1934. CM_WKUPAON_SPARE_UNKNOWN2_CLKCTRL

Address Offset	0x0000 00D0	Instance	WKUPAON_CM
Physical Address	0x4AE0 78D0		
Description	This register manages the SPARE_UNKNOWN2 clocks.		
Type	R		

31	30	29	28	27	26	25	24	23	22	21	20	19	18	17	16	15	14	13	12	11	10	9	8	7	6	5	4	3	2	1	0
RESERVED								IDLEST	RESERVED								MODULEMODE														

Bits	Field Name	Description	Type	Reset
31:18	RESERVED		R	0x0
17:16	IDLEST	Module idle status. [warm reset insensitive] 0x0: Module is fully functional, including OCP 0x1: Module is performing transition: wakeup, or sleep, or sleep abortion 0x2: Module is in Idle mode (only OCP part). It is functional if using separate functional clock 0x3: Module is disabled and cannot be accessed	R	0x3
15:2	RESERVED		R	0x0
1:0	MODULEMODE	Control the way mandatory clocks are managed. 0x1: Module is managed automatically by HW according to clock domain transition. A clock domain sleep transition put module into idle. A wakeup domain transition put it back into function. If CLKTRCTRL=3, any OCP access to module is always granted. Module clocks may be gated according to the clock domain state.	R	0x1

Table 3-1935. CM_WKUPAON_SPARE_UNKNOWN3_CLKCTRL

Address Offset	0x0000 00D8	Instance	WKUPAON_CM
Physical Address	0x4AE0 78D8		
Description	This register manages the SPARE_UNKNOWN3 clocks.		
Type	R		

31	30	29	28	27	26	25	24	23	22	21	20	19	18	17	16	15	14	13	12	11	10	9	8	7	6	5	4	3	2	1	0
RESERVED														IDLEST		RESERVED														MODULEMODE	

Bits	Field Name	Description	Type	Reset
31:18	RESERVED		R	0x0
17:16	IDLEST	Module idle status. [warm reset insensitive] 0x0: Module is fully functional, including OCP 0x1: Module is performing transition: wakeup, or sleep, or sleep abortion 0x2: Module is in Idle mode (only OCP part). It is functional if using separate functional clock 0x3: Module is disabled and cannot be accessed	R	0x3
15:2	RESERVED		R	0x0
1:0	MODULEMODE	Control the way mandatory clocks are managed. 0x1: Module is managed automatically by HW according to clock domain transition. A clock domain sleep transition put module into idle. A wakeup domain transition put it back into function. If CLKTRCTRL=3, any OCP access to module is always granted. Module clocks may be gated according to the clock domain state.	R	0x1

3.12.56 WKUPAON_PRM registers

3.12.56.1 WKUPAON_PRM Register Summary

Table 3-1936. WKUPAON_PRM Registers Mapping Summary

Register Name	Type	Register Width (Bits)	Address Offset	WKUPAON_PRM Physical Address L4_WKUP Interconnect
RM_WKUPAON_L4_WKUP_CONTEXT	RW	32	0x0000 0000	0x4AE0 7724
PM_WKUPAON_WD_TIMER1_WKDEP	RW	32	0x0000 0004	0x4AE0 7728
RM_WKUPAON_WD_TIMER1_CONTEXT	RW	32	0x0000 0008	0x4AE0 772C
PM_WKUPAON_WD_TIMER2_WKDEP	RW	32	0x0000 000C	0x4AE0 7730
RM_WKUPAON_WD_TIMER2_CONTEXT	RW	32	0x0000 0010	0x4AE0 7734
PM_WKUPAON_GPIO1_WKDEP	RW	32	0x0000 0014	0x4AE0 7738
RM_WKUPAON_GPIO1_CONTEXT	RW	32	0x0000 0018	0x4AE0 773C
PM_WKUPAON_TIMER1_WKDEP	RW	32	0x0000 001C	0x4AE0 7740

Table 3-1936. WKUPAON_PRM Registers Mapping Summary (continued)

Register Name	Type	Register Width (Bits)	Address Offset	WKUPAON_PRM Physical Address L4_WKUP Interconnect
RM_WKUPAON_TIMER 1_CONTEXT	RW	32	0x0000 0020	0x4AE0 7744
PM_WKUPAON_TIMER 12_WKDEP	RW	32	0x0000 0024	0x4AE0 7748
RM_WKUPAON_TIMER 12_CONTEXT	RW	32	0x0000 0028	0x4AE0 774C
RM_WKUPAON_COUN TER_32K_CONTEXT	RW	32	0x0000 0030	0x4AE0 7754
RM_WKUPAON_SAR_ RAM_CONTEXT	RW	32	0x0000 0040	0x4AE0 7764
PM_WKUPAON_KBD_ WKDEP	RW	32	0x0000 0054	0x4AE0 7778
RM_WKUPAON_KBD_ CONTEXT	RW	32	0x0000 0058	0x4AE0 777C
PM_WKUPAON_UART1 0_WKDEP	RW	32	0x0000 005C	0x4AE0 7780
RM_WKUPAON_UART 10_CONTEXT	RW	32	0x0000 0060	0x4AE0 7784
PM_WKUPAON_DCAN 1_WKDEP	RW	32	0x0000 0064	0x4AE0 7788
RM_WKUPAON_DCAN 1_CONTEXT	RW	32	0x0000 0068	0x4AE0 778C
PM_WKUPAON_ADC_ WKDEP	RW	32	0x0000 007C	0x4AE0 77A0
RM_WKUPAON_ADC_ CONTEXT	RW	32	0x0000 0080	0x4AE0 77A4
RM_WKUPAON_SPAR E_SAFETY1_CONTEXT	RW	32	0x0000 0090	0x4AE0 77B4
RM_WKUPAON_SPAR E_SAFETY2_CONTEXT	RW	32	0x0000 0098	0x4AE0 77BC
RM_WKUPAON_SPAR E_SAFETY3_CONTEXT	RW	32	0x0000 00A0	0x4AE0 77C4
RM_WKUPAON_SPAR E_SAFETY4_CONTEXT	RW	32	0x0000 00A8	0x4AE0 77CC
RM_WKUPAON_SPAR E_UNKNOWN2_CONT EXT	RW	32	0x0000 00B0	0x4AE0 77D4
RM_WKUPAON_SPAR E_UNKNOWN3_CONT EXT	RW	32	0x0000 00B8	0x4AE0 77DC

3.12.56.2 WKUPAON_PRM Register Description
Table 3-1937. RM_WKUPAON_L4_WKUP_CONTEXT

Address Offset	0x0000 0000	Instance	WKUPAON_PRM
Physical Address	0x4AE0 7724		
Description	This register contains dedicated L4_WKUP context statuses. [warm reset insensitive]		
Type	RW		

31	30	29	28	27	26	25	24	23	22	21	20	19	18	17	16	15	14	13	12	11	10	9	8	7	6	5	4	3	2	1	0
RESERVED																												LOSTCONTEXT_DFF			

Bits	Field Name	Description	Type	Reset
31:1	RESERVED		R	0x0
0	LOSTCONTEXT_DFF	Specify if DFF-based context has been lost due to a previous power transition or other reset source. (set upon assertion of WKUPAON_RST signal) 0x0: Context has been maintained 0x1: Context has been lost	RW	0x1

Table 3-1938. Register Call Summary for Register RM_WKUPAON_L4_WKUP_CONTEXT

Power Management Functional Description

- [PD_WKUPAON Description: \[0\]](#)

PRCM Register Manual

- [WKUPAON_PRM Register Summary: \[1\]](#)

Table 3-1939. PM_WKUPAON_WD_TIMER1_WKDEP

Address Offset	0x0000 0004	Instance	WKUPAON_PRM
Physical Address	0x4AE0 7728		
Description	This register controls wakeup dependency based on WD_TIMER1 service requests.		
Type	RW		

31	30	29	28	27	26	25	24	23	22	21	20	19	18	17	16	15	14	13	12	11	10	9	8	7	6	5	4	3	2	1	0						
RESERVED																												WKUPDEP_WD_TIMER1_EVE4	WKUPDEP_WD_TIMER1_EVE3	WKUPDEP_WD_TIMER1_EVE2	WKUPDEP_WD_TIMER1_EVE1	WKUPDEP_WD_TIMER1_DSP2	WKUPDEP_WD_TIMER1_IPU1	RESERVED	WKUPDEP_WD_TIMER1_DSP1	WKUPDEP_WD_TIMER1_IPU2	WKUPDEP_WD_TIMER1_MPU

Bits	Field Name	Description	Type	Reset
31:10	RESERVED		R	0x0
9	WKUPDEP_WD_TIMER1_EVE4	Wakeup dependency from TIMER module (SWakeup IRQ signal) towards EVE4 + L3_MAIN1 + L4PER1 + L4PER2 + L4PER3 domains 0x0: Dependency is disabled 0x1: Dependency is enabled	RW	0x0
8	WKUPDEP_WD_TIMER1_EVE3	Wakeup dependency from TIMER module (SWakeup IRQ signal) towards EVE3 + L3_MAIN1 + L4PER1 + L4PER2 + L4PER3 domains 0x0: Dependency is disabled 0x1: Dependency is enabled	RW	0x0
7	WKUPDEP_WD_TIMER1_EVE2	Wakeup dependency from TIMER module (SWakeup IRQ signal) towards EVE2 + L3_MAIN1 + L4PER1 + L4PER2 + L4PER3 domains 0x0: Dependency is disabled 0x1: Dependency is enabled	RW	0x0
6	WKUPDEP_WD_TIMER1_EVE1	Wakeup dependency from TIMER module (SWakeup IRQ signal) towards EVE1 + L3_MAIN1 + L4PER1 + L4PER2 + L4PER3 domains 0x0: Dependency is disabled 0x1: Dependency is enabled	RW	0x0
5	WKUPDEP_WD_TIMER1_DSP2	Wakeup dependency from TIMER module (SWakeup IRQ signal) towards DSP2 + L3_MAIN1 + L4PER1 + L4PER2 + L4PER3 domains 0x0: Dependency is disabled 0x1: Dependency is enabled	RW	0x0
4	WKUPDEP_WD_TIMER1_IPU1	Wakeup dependency from TIMER module (SWakeup IRQ signal) towards IPU1 + L3_MAIN1 + L4PER1 + L4PER2 + L4PER3 domains 0x0: Dependency is disabled 0x1: Dependency is enabled	RW	0x0
3	RESERVED		R	0x0
2	WKUPDEP_WD_TIMER1_DSP1	Wakeup dependency from TIMER module (SWakeup IRQ signal) towards DSP + L3MAIN1 + L4PER1 + L4PER2 + L4PER3 domains 0x0: Dependency is disabled 0x1: Dependency is enabled	RW	0x0
1	WKUPDEP_WD_TIMER1_IPU2	Wakeup dependency from TIMER module (SWakeup IRQ signal) towards IPU2 + L3_MAIN1 + L4PER1 + L4PER2 + L4PER3 domains 0x0: Dependency is disabled 0x1: Dependency is enabled	RW	0x0
0	WKUPDEP_WD_TIMER1_MPU	Wakeup dependency from WDT1 module (SWakeup signal) towards MPU + L3MAIN1 + L4CFG domains 0x0: Dependency is disabled 0x1: Dependency is enabled	RW	0x0

Table 3-1940. RM_WKUPAON_WD_TIMER1_CONTEXT

Address Offset	0x0000 0008	Instance	WKUPAON_PRM
Physical Address	0x4AE0 772C		
Description	This register contains dedicated WD_TIMER1 context statuses. [warm reset insensitive]		
Type	RW		

31	30	29	28	27	26	25	24	23	22	21	20	19	18	17	16	15	14	13	12	11	10	9	8	7	6	5	4	3	2	1	0
RESERVED																LOSTCONTEXT_DFF															

Bits	Field Name	Description	Type	Reset
31:1	RESERVED		R	0x0
0	LOSTCONTEXT_DFF	Specify if DFF-based context has been lost due to a previous power transition or other reset source. (set upon assertion of WKUPAON_PWRON_RST signal) 0x0: Context has been maintained 0x1: Context has been lost	RW	0x1

Table 3-1941. PM_WKUPAON_WD_TIMER2_WKDEP

Address Offset	0x0000 000C	Instance	WKUPAON_PRM
Physical Address	0x4AE0 7730		
Description	This register controls wakeup dependency based on WD_TIMER2 service requests.		
Type	RW		

31	30	29	28	27	26	25	24	23	22	21	20	19	18	17	16	15	14	13	12	11	10	9	8	7	6	5	4	3	2	1	0
RESERVED																WKUPDEP_WD_TIMER2_EVE4	WKUPDEP_WD_TIMER2_EVE3	WKUPDEP_WD_TIMER2_EVE2	WKUPDEP_WD_TIMER2_EVE1	WKUPDEP_WD_TIMER2_DSP2	WKUPDEP_WD_TIMER2_IPU1	RESERVED	WKUPDEP_WD_TIMER2_DSP1	WKUPDEP_WD_TIMER2_IPU2	WKUPDEP_WD_TIMER2_MPU						

Bits	Field Name	Description	Type	Reset
31:10	RESERVED		R	0x0
9	WKUPDEP_WD_TIMER2_EVE4	Wakeup dependency from TIMER module (SWakeup IRQ signal) towards EVE4 + L3_MAIN1 + L4PER1 + L4PER2 + L4PER3 domains 0x0: Dependency is disabled 0x1: Dependency is enabled	RW	0x0

Bits	Field Name	Description	Type	Reset
8	WKUPDEP_WD_TIMER2_EVE3	Wakeup dependency from TIMER module (SWakeup IRQ signal) towards EVE3 + L3_MAIN1 + L4PER1 + L4PER2 + L4PER3 domains 0x0: Dependency is disabled 0x1: Dependency is enabled	RW	0x0
7	WKUPDEP_WD_TIMER2_EVE2	Wakeup dependency from TIMER module (SWakeup IRQ signal) towards EVE2 + L3_MAIN1 + L4PER1 + L4PER2 + L4PER3 domains 0x0: Dependency is disabled 0x1: Dependency is enabled	RW	0x0
6	WKUPDEP_WD_TIMER2_EVE1	Wakeup dependency from TIMER module (SWakeup IRQ signal) towards EVE1 + L3_MAIN1 + L4PER1 + L4PER2 + L4PER3 domains 0x0: Dependency is disabled 0x1: Dependency is enabled	RW	0x0
5	WKUPDEP_WD_TIMER2_DSP2	Wakeup dependency from TIMER module (SWakeup IRQ signal) towards DSP2 + L3_MAIN1 + L4PER1 + L4PER2 + L4PER3 domains 0x0: Dependency is disabled 0x1: Dependency is enabled	RW	0x0
4	WKUPDEP_WD_TIMER2_IPU1	Wakeup dependency from TIMER module (SWakeup IRQ signal) towards IPU1 + L3_MAIN1 + L4PER1 + L4PER2 + L4PER3 domains 0x0: Dependency is disabled 0x1: Dependency is enabled	RW	0x0
3	RESERVED		R	0x0
2	WKUPDEP_WD_TIMER2_DSP1	Wakeup dependency from TIMER module (SWakeup IRQ signal) towards DSP + L3MAIN1 + L4PER1 + L4PER2 + L4PER3 domains 0x0: Dependency is disabled 0x1: Dependency is enabled	RW	0x0
1	WKUPDEP_WD_TIMER2_IPU2	Wakeup dependency from TIMER module (SWakeup IRQ signal) towards IPU2 + L3_MAIN1 + L4PER1 + L4PER2 + L4PER3 domains 0x0: Dependency is disabled 0x1: Dependency is enabled	RW	0x0
0	WKUPDEP_WD_TIMER2_MPU	Wakeup dependency from WDT2 module (SWakeup signal) towards MPU + L3MAIN1 + L4CFG domains 0x0: Dependency is disabled 0x1: Dependency is enabled	RW	0x0

Table 3-1942. Register Call Summary for Register PM_WKUPAON_WD_TIMER2_WKDEP

Clock Management Functional Description

- [Clock Domain Dependency: \[0\]\[1\]\[3\]\[4\]](#)

PRCM Register Manual

- [Not Supported Functionality \(Registers and Bits\): \[9\]\[10\]\[11\]\[12\]\[13\]](#)
- [WKUPAON_PRM Register Summary: \[14\]](#)

Table 3-1943. RM_WKUPAON_WD_TIMER2_CONTEXT

Address Offset	0x0000 0010	Instance	WKUPAON_PRM
Physical Address	0x4AE0 7734		
Description	This register contains dedicated WD_TIMER2 context statuses. [warm reset insensitive]		
Type	RW		

31	30	29	28	27	26	25	24	23	22	21	20	19	18	17	16	15	14	13	12	11	10	9	8	7	6	5	4	3	2	1	0
RESERVED																												LOSTCONTEXT_DFF			

Bits	Field Name	Description	Type	Reset
31:1	RESERVED		R	0x0
0	LOSTCONTEXT_DFF	Specify if DFF-based context has been lost due to a previous power transition or other reset source. (set upon assertion of WKUPAON_RST signal) 0x0: Context has been maintained 0x1: Context has been lost	RW	0x1

Table 3-1944. Register Call Summary for Register RM_WKUPAON_WD_TIMER2_CONTEXT

Power Management Functional Description

- [PD_WKUPAON Description: \[0\]](#)

PRCM Register Manual

- [WKUPAON_PRM Register Summary: \[1\]](#)

Table 3-1945. PM_WKUPAON_GPIO1_WKDEP

Address Offset	0x0000 0014	Instance	WKUPAON_PRM
Physical Address	0x4AE0 7738		
Description	This register controls wakeup dependency based on GPIO1 service requests.		
Type	RW		

31	30	29	28	27	26	25	24	23	22	21	20	19	18	17	16	15	14	13	12	11	10	9	8	7	6	5	4	3	2	1	0				
RESERVED																WKUPDEP_GPIO1_IRQ2_EVE4	WKUPDEP_GPIO1_IRQ2_EVE3	WKUPDEP_GPIO1_IRQ2_EVE2	WKUPDEP_GPIO1_IRQ2_EVE1	WKUPDEP_GPIO1_IRQ2_DSP2	WKUPDEP_GPIO1_IRQ2_IPU1	RESERVED	WKUPDEP_GPIO1_IRQ2_DSP1	WKUPDEP_GPIO1_IRQ2_IPU2	WKUPDEP_GPIO1_IRQ2_MPU	WKUPDEP_GPIO1_IRQ1_EVE4	WKUPDEP_GPIO1_IRQ1_EVE3	WKUPDEP_GPIO1_IRQ1_EVE2	WKUPDEP_GPIO1_IRQ1_EVE1	WKUPDEP_GPIO1_IRQ1_DSP2	WKUPDEP_GPIO1_IRQ1_IPU1	RESERVED	WKUPDEP_GPIO1_IRQ1_DSP1	WKUPDEP_GPIO1_IRQ1_IPU2	WKUPDEP_GPIO1_IRQ1_MPU

Bits	Field Name	Description	Type	Reset
31:20	RESERVED		R	0x0
19	WKUPDEP_GPIO1_IRQ2_EVE4	Wakeup dependency from GPIO1 module (SWakeup signal) towards EVE4 + L3_MAIN1 + L4PER1 + L4PER2 + L4PER3 domains 0x0: Dependency is disabled 0x1: Dependency is enabled	RW	0x0
18	WKUPDEP_GPIO1_IRQ2_EVE3	Wakeup dependency from GPIO1 module (SWakeup signal) towards EVE3 + L3_MAIN1 + L4PER1 + L4PER2 + L4PER3 domains 0x0: Dependency is disabled 0x1: Dependency is enabled	RW	0x0
17	WKUPDEP_GPIO1_IRQ2_EVE2	Wakeup dependency from GPIO1 module (SWakeup signal) towards EVE2 + L3_MAIN1 + L4PER1 + L4PER2 + L4PER3 domains 0x0: Dependency is disabled 0x1: Dependency is enabled	RW	0x0
16	WKUPDEP_GPIO1_IRQ2_EVE1	Wakeup dependency from GPIO1 module (SWakeup signal) towards EVE1 + L3_MAIN1 + L4PER1 + L4PER2 + L4PER3 domains 0x0: Dependency is disabled 0x1: Dependency is enabled	RW	0x0
15	WKUPDEP_GPIO1_IRQ2_DSP2	Wakeup dependency from GPIO1 module (SWakeup signal) towards DSP2 + L3_MAIN1 + L4PER1 + L4PER2 + L4PER3 domains 0x0: Dependency is disabled 0x1: Dependency is enabled	RW	0x0
14	WKUPDEP_GPIO1_IRQ2_IPU1	Wakeup dependency from GPIO1 module (SWakeup signal) towards IPU1 + L3_MAIN1 + L4PER1 + L4PER2 + L4PER3 domains 0x0: Dependency is disabled 0x1: Dependency is enabled	RW	0x0
13	RESERVED		R	0x0
12	WKUPDEP_GPIO1_IRQ2_DSP1	Wakeup dependency from GPIO1 module (SWakeup signal) towards DSP + L3MAIN1 + L4PER1 + L4PER2 + L4PER3 domains 0x0: Dependency is disabled 0x1: Dependency is enabled	RW	0x0
11	WKUPDEP_GPIO1_IRQ2_IPU2	Wakeup dependency from GPIO1 module (SWakeup signal) towards IPU2 + L3_MAIN1 + L4PER1 + L4PER2 + L4PER3 domains 0x0: Dependency is disabled 0x1: Dependency is enabled	RW	0x0
10	WKUPDEP_GPIO1_IRQ2_MPU	Wakeup dependency from GPIO1 module (SWakeup signal) towards MPU + L3_MAIN1 + L4PER1 + L4PER2 + L4PER3 domains 0x0: Dependency is disabled 0x1: Dependency is enabled	RW	0x0
9	WKUPDEP_GPIO1_IRQ1_EVE4	Wakeup dependency from GPIO1 module (SWakeup signal) towards EVE4 + L3_MAIN1 + L4PER1 + L4PER2 + L4PER3 domains 0x0: Dependency is disabled 0x1: Dependency is enabled	RW	0x0

Bits	Field Name	Description	Type	Reset
8	WKUPDEP_GPIO1_IRQ1_EVE3	Wakeup dependency from GPIO1 module (SWakeup signal) towards EVE3 + L3_MAIN1 + L4PER1 + L4PER2 + L4PER3 domains 0x0: Dependency is disabled 0x1: Dependency is enabled	RW	0x0
7	WKUPDEP_GPIO1_IRQ1_EVE2	Wakeup dependency from GPIO1 module (SWakeup signal) towards EVE2 + L3_MAIN1 + L4PER1 + L4PER2 + L4PER3 domains 0x0: Dependency is disabled 0x1: Dependency is enabled	RW	0x0
6	WKUPDEP_GPIO1_IRQ1_EVE1	Wakeup dependency from GPIO1 module (SWakeup signal) towards EVE1 + L3_MAIN1 + L4PER1 + L4PER2 + L4PER3 domains 0x0: Dependency is disabled 0x1: Dependency is enabled	RW	0x0
5	WKUPDEP_GPIO1_IRQ1_DSP2	Wakeup dependency from GPIO1 module (SWakeup signal) towards DSP2 + L3_MAIN1 + L4PER1 + L4PER2 + L4PER3 domains 0x0: Dependency is disabled 0x1: Dependency is enabled	RW	0x0
4	WKUPDEP_GPIO1_IRQ1_IPU1	Wakeup dependency from GPIO1 module (SWakeup signal) towards IPU1 + L3_MAIN1 + L4PER1 + L4PER2 + L4PER3 domains 0x0: Dependency is disabled 0x1: Dependency is enabled	RW	0x0
3	RESERVED		R	0x0
2	WKUPDEP_GPIO1_IRQ1_DSP1	Wakeup dependency from GPIO1 module (SWakeup signal) towards DSP + L3MAIN1 + L4PER1 + L4PER2 + L4PER3 domains 0x0: Dependency is disabled 0x1: Dependency is enabled	RW	0x0
1	WKUPDEP_GPIO1_IRQ1_IPU2	Wakeup dependency from GPIO1 module (SWakeup signal) towards IPU2 + L3_MAIN1 + L4PER1 + L4PER2 + L4PER3 domains 0x0: Dependency is disabled 0x1: Dependency is enabled	RW	0x0
0	WKUPDEP_GPIO1_IRQ1_MPU	Wakeup dependency from GPIO1 module (SWakeup signal for POROCPSINTERRUPT1) towards MPU + L3_MAIN1 + L4PER1 + L4PER2 + L4PER3 domains 0x0: Dependency is disabled 0x1: Dependency is enabled	RW	0x0

Table 3-1946. Register Call Summary for Register PM_WKUPAON_GPIO1_WKDEP

Clock Management Functional Description

- [Clock Domain Dependency: \[0\]\[2\]\[4\]\[5\]\[6\]\[7\]\[8\]\[9\]](#)

PRCM Register Manual

- [Not Supported Functionality \(Registers and Bits\): \[18\]\[19\]\[20\]\[21\]\[22\]\[23\]\[24\]\[25\]\[26\]\[27\]](#)
- [WKUPAON_PRM Register Summary: \[28\]](#)

Table 3-1947. RM_WKUPAON_GPIO1_CONTEXT

Address Offset	0x0000 0018	Instance	WKUPAON_PRM
Physical Address	0x4AE0 773C		
Description	This register contains dedicated GPIO1 context statuses. [warm reset insensitive]		
Type	RW		

31	30	29	28	27	26	25	24	23	22	21	20	19	18	17	16	15	14	13	12	11	10	9	8	7	6	5	4	3	2	1	0
RESERVED																RESERVED												LOSTCONTEXT_DFF			

Bits	Field Name	Description	Type	Reset
31:1	RESERVED		R	0x0
0	LOSTCONTEXT_DFF	Specify if DFF-based context has been lost due to a previous power transition or other reset source. (set upon assertion of WKUPAON_RST signal) 0x0: Context has been maintained 0x1: Context has been lost	RW	0x1

Table 3-1948. Register Call Summary for Register RM_WKUPAON_GPIO1_CONTEXT

Power Management Functional Description

- [PD_WKUPAON Description: \[0\]](#)

PRCM Register Manual

- [WKUPAON_PRM Register Summary: \[1\]](#)

Table 3-1949. PM_WKUPAON_TIMER1_WKDEP

Address Offset	0x0000 001C	Instance	WKUPAON_PRM
Physical Address	0x4AE0 7740		
Description	This register controls wakeup dependency based on TIMER1 service requests.		
Type	RW		

31	30	29	28	27	26	25	24	23	22	21	20	19	18	17	16	15	14	13	12	11	10	9	8	7	6	5	4	3	2	1	0
RESERVED																WKUPDEP_TIMER1_EVE4	WKUPDEP_TIMER1_EVE3	WKUPDEP_TIMER1_EVE2	WKUPDEP_TIMER1_EVE1	WKUPDEP_TIMER1_DSP2	WKUPDEP_TIMER1_IPU1	RESERVED	WKUPDEP_TIMER1_DSP1	WKUPDEP_TIMER1_IPU2	WKUPDEP_TIMER1_MPU						

Bits	Field Name	Description	Type	Reset
31:10	RESERVED		R	0x0
9	WKUPDEP_TIMER1_EVE4	Wakeup dependency from TIMER1 module (SWakeup IRQ signal) towards EVE4 + L3_MAIN1 + L4PER1 + L4PER2 + L4PER3 domains 0x0: Dependency is disabled 0x1: Dependency is enabled	RW	0x0
8	WKUPDEP_TIMER1_EVE3	Wakeup dependency from TIMER1 module (SWakeup IRQ signal) towards EVE3 + L3_MAIN1 + L4PER1 + L4PER2 + L4PER3 domains 0x0: Dependency is disabled 0x1: Dependency is enabled	RW	0x0
7	WKUPDEP_TIMER1_EVE2	Wakeup dependency from TIMER1 module (SWakeup IRQ signal) towards EVE2 + L3_MAIN1 + L4PER1 + L4PER2 + L4PER3 domains 0x0: Dependency is disabled 0x1: Dependency is enabled	RW	0x0
6	WKUPDEP_TIMER1_EVE1	Wakeup dependency from TIMER1 module (SWakeup IRQ signal) towards EVE1 + L3_MAIN1 + L4PER1 + L4PER2 + L4PER3 domains 0x0: Dependency is disabled 0x1: Dependency is enabled	RW	0x0
5	WKUPDEP_TIMER1_DSP2	Wakeup dependency from TIMER1 module (SWakeup IRQ signal) towards DSP2 + L3_MAIN1 + L4PER1 + L4PER2 + L4PER3 domains 0x0: Dependency is disabled 0x1: Dependency is enabled	RW	0x0
4	WKUPDEP_TIMER1_IPU1	Wakeup dependency from TIMER1 module (SWakeup IRQ signal) towards IPU1 + L3_MAIN1 + L4PER1 + L4PER2 + L4PER3 domains 0x0: Dependency is disabled 0x1: Dependency is enabled	RW	0x0
3	RESERVED		R	0x0
2	WKUPDEP_TIMER1_DSP1	Wakeup dependency from TIMER1 module (SWakeup IRQ signal) towards DSP + L3MAIN1 + L4PER1 + L4PER2 + L4PER3 domains 0x0: Dependency is disabled 0x1: Dependency is enabled	RW	0x0
1	WKUPDEP_TIMER1_IPU2	Wakeup dependency from TIMER4 module (SWakeup IRQ signal) towards IPU2 + L3_MAIN1 + L4PER1 + L4PER2 + L4PER3 domains 0x0: Dependency is disabled 0x1: Dependency is enabled	RW	0x0
0	WKUPDEP_TIMER1_MPU	Wakeup dependency from TIMER1 module (SWakeup IRQ signal) towards MPU + L3_MAIN1 + L4PER1 + L4PER2 + L4PER3 domains 0x0: Dependency is disabled 0x1: Dependency is enabled	RW	0x0

Table 3-1950. Register Call Summary for Register PM_WKUPAON_TIMER1_WKDEP

Clock Management Functional Description

- [Clock Domain Dependency: \[0\]\[1\]\[3\]\[4\]](#)

PRCM Register Manual

- [Not Supported Functionality \(Registers and Bits\): \[9\]\[10\]\[11\]\[12\]\[13\]](#)
- [WKUPAON_PRM Register Summary: \[14\]](#)

Table 3-1951. RM_WKUPAON_TIMER1_CONTEXT

Address Offset	0x0000 0020	Instance	WKUPAON_PRM
Physical Address	0x4AE0 7744		
Description	This register contains dedicated TIMER1 context statuses. [warm reset insensitive]		
Type	RW		

31	30	29	28	27	26	25	24	23	22	21	20	19	18	17	16	15	14	13	12	11	10	9	8	7	6	5	4	3	2	1	0
RESERVED																												LOSTCONTEXT_DFF			

Bits	Field Name	Description	Type	Reset
31:1	RESERVED		R	0x0
0	LOSTCONTEXT_DFF	Specify if DFF-based context has been lost due to a previous power transition or other reset source. (set upon assertion of WKUPAON_RST signal) 0x0: Context has been maintained 0x1: Context has been lost	RW	0x1

Table 3-1952. Register Call Summary for Register RM_WKUPAON_TIMER1_CONTEXT

Power Management Functional Description

- [PD_WKUPAON Description: \[0\]](#)

PRCM Register Manual

- [WKUPAON_PRM Register Summary: \[1\]](#)

Table 3-1953. PM_WKUPAON_TIMER12_WKDEP

Address Offset	0x0000 0024	Instance	WKUPAON_PRM
Physical Address	0x4AE0 7748		
Description	This register controls wakeup dependency based on TIMER12 service requests.		
Type	RW		

31	30	29	28	27	26	25	24	23	22	21	20	19	18	17	16	15	14	13	12	11	10	9	8	7	6	5	4	3	2	1	0						
RESERVED																												WKUPDEP_TIMER12_EVE4	WKUPDEP_TIMER12_EVE3	WKUPDEP_TIMER12_EVE2	WKUPDEP_TIMER12_EVE1	WKUPDEP_TIMER12_DSP2	WKUPDEP_TIMER12_IPU1	RESERVED	WKUPDEP_TIMER12_DSP1	WKUPDEP_TIMER12_IPU2	WKUPDEP_TIMER12_MPU

Bits	Field Name	Description	Type	Reset
31:10	RESERVED		R	0x0
9	WKUPDEP_TIMER12_EVE4	Wakeup dependency from TIMER12 module (SWakeup IRQ signal) towards EVE4 + L3_MAIN1 + L4PER1 + L4PER2 + L4PER3 domains 0x0: Dependency is disabled 0x1: Dependency is enabled	RW	0x0
8	WKUPDEP_TIMER12_EVE3	Wakeup dependency from TIMER12 module (SWakeup IRQ signal) towards EVE3 + L3_MAIN1 + L4PER1 + L4PER2 + L4PER3 domains 0x0: Dependency is disabled 0x1: Dependency is enabled	RW	0x0
7	WKUPDEP_TIMER12_EVE2	Wakeup dependency from TIMER12 module (SWakeup IRQ signal) towards EVE2 + L3_MAIN1 + L4PER1 + L4PER2 + L4PER3 domains 0x0: Dependency is disabled 0x1: Dependency is enabled	RW	0x0
6	WKUPDEP_TIMER12_EVE1	Wakeup dependency from TIMER12 module (SWakeup IRQ signal) towards EVE1 + L3_MAIN1 + L4PER1 + L4PER2 + L4PER3 domains 0x0: Dependency is disabled 0x1: Dependency is enabled	RW	0x0
5	WKUPDEP_TIMER12_DSP2	Wakeup dependency from TIMER12 module (SWakeup IRQ signal) towards DSP2 + L3_MAIN1 + L4PER1 + L4PER2 + L4PER3 domains 0x0: Dependency is disabled 0x1: Dependency is enabled	RW	0x0
4	WKUPDEP_TIMER12_IPU1	Wakeup dependency from TIMER12 module (SWakeup IRQ signal) towards IPU1 + L3_MAIN1 + L4PER1 + L4PER2 + L4PER3 domains 0x0: Dependency is disabled 0x1: Dependency is enabled	RW	0x0
3	RESERVED		R	0x0
2	WKUPDEP_TIMER12_DSP1	Wakeup dependency from TIMER12 module (SWakeup IRQ signal) towards DSP + L3MAIN1 + L4PER1 + L4PER2 + L4PER3 domains 0x0: Dependency is disabled 0x1: Dependency is enabled	RW	0x0
1	WKUPDEP_TIMER12_IPU2	Wakeup dependency from TIMER12 module (SWakeup IRQ signal) towards IPU2 + L3_MAIN1 + L4PER1 + L4PER2 + L4PER3 domains 0x0: Dependency is disabled 0x1: Dependency is enabled	RW	0x0
0	WKUPDEP_TIMER12_MPU	Wakeup dependency from TIMER12 module (SWakeup IRQ signal) towards MPU + L3_MAIN1 + L4PER1 + L4PER2 + L4PER3 domains 0x0: Dependency is disabled 0x1: Dependency is enabled	RW	0x0

Table 3-1954. Register Call Summary for Register PM_WKUPAON_TIMER12_WKDEP

Clock Management Functional Description

- [Clock Domain Dependency: \[0\]\[1\]\[3\]\[4\]](#)

PRCM Register Manual

- [Not Supported Functionality \(Registers and Bits\): \[7\]\[8\]\[9\]\[10\]\[11\]](#)
- [WKUPAON_PRM Register Summary: \[12\]](#)

Table 3-1955. RM_WKUPAON_TIMER12_CONTEXT

Address Offset	0x0000 0028	Instance	WKUPAON_PRM
Physical Address	0x4AE0 774C		
Description	This register contains dedicated TIMER12 context statuses. [warm reset insensitive]		
Type	RW		

31	30	29	28	27	26	25	24	23	22	21	20	19	18	17	16	15	14	13	12	11	10	9	8	7	6	5	4	3	2	1	0	
RESERVED																																LOSTCONTEXT_DFF

Bits	Field Name	Description	Type	Reset
31:1	RESERVED		R	0x0
0	LOSTCONTEXT_DFF	Specify if DFF-based context has been lost due to a previous power transition or other reset source. (set upon assertion of WKUPAON_RST signal) 0x0: Context has been maintained 0x1: Context has been lost	RW	0x1

Table 3-1956. Register Call Summary for Register RM_WKUPAON_TIMER12_CONTEXT

Power Management Functional Description

- [PD_WKUPAON Description: \[0\]](#)

PRCM Register Manual

- [WKUPAON_PRM Register Summary: \[1\]](#)

Table 3-1957. RM_WKUPAON_COUNTER_32K_CONTEXT

Address Offset	0x0000 0030	Instance	WKUPAON_PRM
Physical Address	0x4AE0 7754		
Description	This register contains dedicated COUNTER_32K context statuses. This bit-field is only sensitive to the external power-on reset (SYS_PWRON_RST reset line)		
Type	RW		

31	30	29	28	27	26	25	24	23	22	21	20	19	18	17	16	15	14	13	12	11	10	9	8	7	6	5	4	3	2	1	0	
RESERVED																																LOSTCONTEXT_DFF

Bits	Field Name	Description	Type	Reset
31:1	RESERVED		R	0x0
0	LOSTCONTEXT_DFF	Specify if DFF-based context has been lost due to a previous power transition or other reset source. (set upon assertion of WKUPAON_SYS_PWRON_RST signal) 0x0: Context has been maintained 0x1: Context has been lost	RW	0x1

Table 3-1958. Register Call Summary for Register RM_WKUPAON_COUNTER_32K_CONTEXT

Power Management Functional Description

- [PD_WKUPAON Description: \[0\]](#)

PRCM Register Manual

- [WKUPAON_PRM Register Summary: \[1\]](#)

Table 3-1959. RM_WKUPAON_SAR_RAM_CONTEXT

Address Offset	0x0000 0040	Instance	WKUPAON_PRM
Physical Address	0x4AE0 7764		
Description	This register contains dedicated SAR_RAM context statuses. [warm reset insensitive]		
Type	RW		

31	30	29	28	27	26	25	24	23	22	21	20	19	18	17	16	15	14	13	12	11	10	9	8	7	6	5	4	3	2	1	0
RESERVED																LOSTMEM_WKUP_BANK	RESERVED										LOSTCONTEXT_DFF				

Bits	Field Name	Description	Type	Reset
31:9	RESERVED		R	0x0
8	LOSTMEM_WKUP_BANK	Specify if memory-based context in WKUP_BANK memory bank has been lost due to a previous global cold reset. 0x0: Context has been maintained 0x1: Context has been lost	RW	0x1
7:1	RESERVED		R	0x0
0	LOSTCONTEXT_DFF	Specify if DFF-based context has been lost due to a previous power transition or other reset source. (set upon assertion of WKUPAON_RST signal) 0x0: Context has been maintained 0x1: Context has been lost	RW	0x1

Table 3-1960. PM_WKUPAON_KBD_WKDEP

Address Offset	0x0000 0054	Instance	WKUPAON_PRM
Physical Address	0x4AE0 7778		
Description	This register controls wakeup dependency based on KBD service requests.		
Type	RW		

31	30	29	28	27	26	25	24	23	22	21	20	19	18	17	16	15	14	13	12	11	10	9	8	7	6	5	4	3	2	1	0
RESERVED																WKUPDEP_KBD_EVE4	WKUPDEP_KBD_EVE3	WKUPDEP_KBD_EVE2	WKUPDEP_KBD_EVE1	WKUPDEP_KBD_DSP2	WKUPDEP_KBD_IPU1	RESERVED	WKUPDEP_KBD_DSP1	WKUPDEP_KBD_IPU2	WKUPDEP_KBD_MPU						

Bits	Field Name	Description	Type	Reset
31:10	RESERVED		R	0x0
9	WKUPDEP_KBD_EVE4	Wakeup dependency from KBD module (SWakeup IRQ signal) towards EVE4 + L3_MAIN1 + L4PER1 + L4PER2 + L4PER3 domains 0x0: Dependency is disabled 0x1: Dependency is enabled	RW	0x0
8	WKUPDEP_KBD_EVE3	Wakeup dependency from KBD module (SWakeup IRQ signal) towards EVE3 + L3_MAIN1 + L4PER1 + L4PER2 + L4PER3 domains 0x0: Dependency is disabled 0x1: Dependency is enabled	RW	0x0
7	WKUPDEP_KBD_EVE2	Wakeup dependency from KBD module (SWakeup IRQ signal) towards EVE2 + L3_MAIN1 + L4PER1 + L4PER2 + L4PER3 domains 0x0: Dependency is disabled 0x1: Dependency is enabled	RW	0x0
6	WKUPDEP_KBD_EVE1	Wakeup dependency from KBD module (SWakeup IRQ signal) towards EVE1 + L3_MAIN1 + L4PER1 + L4PER2 + L4PER3 domains 0x0: Dependency is disabled 0x1: Dependency is enabled	RW	0x0
5	WKUPDEP_KBD_DSP2	Wakeup dependency from KBD module (SWakeup IRQ signal) towards DSP2 + L3_MAIN1 + L4PER1 + L4PER2 + L4PER3 domains 0x0: Dependency is disabled 0x1: Dependency is enabled	RW	0x0
4	WKUPDEP_KBD_IPU1	Wakeup dependency from KBD module (SWakeup IRQ signal) towards IPU1 + L3_MAIN1 + L4PER1 + L4PER2 + L4PER3 domains 0x0: Dependency is disabled 0x1: Dependency is enabled	RW	0x0
3	RESERVED		R	0x0
2	WKUPDEP_KBD_DSP1	Wakeup dependency from KBD module (SWakeup IRQ signal) towards DSP + L3MAIN1 + L4PER1 + L4PER2 + L4PER3 domains 0x0: Dependency is disabled 0x1: Dependency is enabled	RW	0x0

Bits	Field Name	Description	Type	Reset
1	WKUPDEP_KBD_IPU2	Wakeup dependency from KBD module (SWakeup IRQ signal) towards IPU2 + L3_MAIN1 + L4PER1 + L4PER2 + L4PER3 domains 0x0: Dependency is disabled 0x1: Dependency is enabled	RW	0x0
0	WKUPDEP_KBD_MPU	Wakeup dependency from KBD module (SWakeup IRQ signal) towards MPU + L3_MAIN1 + L4PER1 + L4PER2 + L4PER3 domains 0x0: Dependency is disabled 0x1: Dependency is enabled	RW	0x0

Table 3-1961. Register Call Summary for Register PM_WKUPAON_KBD_WKDEP

Clock Management Functional Description

- [Clock Domain Dependency: \[0\]\[1\]\[3\]\[4\]](#)

PRCM Register Manual

- [Not Supported Functionality \(Registers and Bits\): \[9\]\[10\]\[11\]\[12\]\[13\]](#)
- [WKUPAON_PRM Register Summary: \[14\]](#)

Table 3-1962. RM_WKUPAON_KBD_CONTEXT

Address Offset	0x0000 0058	Instance	WKUPAON_PRM
Physical Address	0x4AE0 777C		
Description	This register contains dedicated KBD context statuses. [warm reset insensitive]		
Type	RW		

31	30	29	28	27	26	25	24	23	22	21	20	19	18	17	16	15	14	13	12	11	10	9	8	7	6	5	4	3	2	1	0
RESERVED																													LOSTCONTEXT_DFF		

Bits	Field Name	Description	Type	Reset
31:1	RESERVED		R	0x0
0	LOSTCONTEXT_DFF	Specify if DFF-based context has been lost due to a previous power transition or other reset source. (set upon assertion of WKUPAON_RST signal) 0x0: Context has been maintained 0x1: Context has been lost	RW	0x1

Table 3-1963. Register Call Summary for Register RM_WKUPAON_KBD_CONTEXT

Power Management Functional Description

- [PD_WKUPAON Description: \[0\]](#)

PRCM Register Manual

- [WKUPAON_PRM Register Summary: \[1\]](#)

Table 3-1964. PM_WKUPAON_UART10_WKDEP

Address Offset	0x0000 005C	Instance	WKUPAON_PRM
Physical Address	0x4AE0 7780		
Description	This register controls wakeup dependency based on UART10 service requests.		
Type	RW		

31	30	29	28	27	26	25	24	23	22	21	20	19	18	17	16	15	14	13	12	11	10	9	8	7	6	5	4	3	2	1	0
RESERVED																WKUPDEP_UART10_EVE4	WKUPDEP_UART10_EVE3	WKUPDEP_UART10_EVE2	WKUPDEP_UART10_EVE1	WKUPDEP_UART10_DSP2	WKUPDEP_UART10_IPU1	WKUPDEP_UART10_SDMA	WKUPDEP_UART10_DSP1	WKUPDEP_UART10_IPU2	WKUPDEP_UART10_MPU						

Bits	Field Name	Description	Type	Reset
31:10	RESERVED		R	0x0
9	WKUPDEP_UART10_EVE4	Wakeup dependency from UART10 module (SWakeup signal) towards EVE4 + L3_MAIN1 + L4PER1 + L4PER2 + L4PER3 domains 0x0: Dependency is disabled 0x1: Dependency is enabled	RW	0x0
8	WKUPDEP_UART10_EVE3	Wakeup dependency from UART10 module (SWakeup signal) towards EVE3 + L3_MAIN1 + L4PER1 + L4PER2 + L4PER3 domains 0x0: Dependency is disabled 0x1: Dependency is enabled	RW	0x0
7	WKUPDEP_UART10_EVE2	Wakeup dependency from UART10 module (SWakeup signal) towards EVE2 + L3_MAIN1 + L4PER1 + L4PER2 + L4PER3 domains 0x0: Dependency is disabled 0x1: Dependency is enabled	RW	0x0
6	WKUPDEP_UART10_EVE1	Wakeup dependency from UART10 module (SWakeup signal) towards EVE1 + L3_MAIN1 + L4PER1 + L4PER2 + L4PER3 domains 0x0: Dependency is disabled 0x1: Dependency is enabled	RW	0x0
5	WKUPDEP_UART10_DSP2	Wakeup dependency from UART10 module (SWakeup signal) towards DSP2 + L3_MAIN1 + L4PER1 + L4PER2 + L4PER3 domains 0x0: Dependency is disabled 0x1: Dependency is enabled	RW	0x0
4	WKUPDEP_UART10_IPU1	Wakeup dependency from UART10 module (SWakeup signal) towards IPU1 + L3_MAIN1 + L4PER1 + L4PER2 + L4PER3 domains 0x0: Dependency is disabled 0x1: Dependency is enabled	RW	0x0
3	WKUPDEP_UART10_SDMA	Wakeup dependency from UART10 module (SWakeup signal) towards SDMA + L3_MAIN1 + L4PER1 + L4PER2 + L4PER3 domains 0x0: Dependency is disabled 0x1: Dependency is enabled	RW	0x0

Bits	Field Name	Description	Type	Reset
2	WKUPDEP_UART10_DSP1	Wakeup dependency from UART10 module (SWakeup signal) towards DSP + L3MAIN1 + L4PER1 + L4PER2 + L4PER3 domains 0x0: Dependency is disabled 0x1: Dependency is enabled	RW	0x0
1	WKUPDEP_UART10_IPU2	Wakeup dependency from UART10 module (SWakeup signal) towards IPU2 + L3_MAIN1 + L4PER1 + L4PER2 + L4PER3 domains 0x0: Dependency is disabled 0x1: Dependency is enabled	RW	0x0
0	WKUPDEP_UART10_MPU	Wakeup dependency from UART10 module (SWakeup signal) towards MPU + L3_MAIN1 + L4PER1 + L4PER2 + L4PER3 domains 0x0: Dependency is disabled 0x1: Dependency is enabled	RW	0x0

Table 3-1965. Register Call Summary for Register PM_WKUPAON_UART10_WKDEP

PRCM Register Manual

- [Not Supported Functionality \(Registers and Bits\): \[0\]\[1\]\[2\]\[3\]\[4\]](#)
- [WKUPAON_PRM Register Summary: \[5\]](#)

Table 3-1966. RM_WKUPAON_UART10_CONTEXT

Address Offset	0x0000 0060	Instance	WKUPAON_PRM
Physical Address	0x4AE0 7784		
Description	This register contains dedicated UART10 context statuses. [warm reset insensitive]		
Type	RW		

31	30	29	28	27	26	25	24	23	22	21	20	19	18	17	16	15	14	13	12	11	10	9	8	7	6	5	4	3	2	1	0
RESERVED																LOSTMEM_RETAINED_BANK	RESERVED										LOSTCONTEXT_DFF				

Bits	Field Name	Description	Type	Reset
31:9	RESERVED		R	0x0
8	LOSTMEM_RETAINED_BANK	Specify if memory-based context in UART memory bank has been lost due to a previous power transition or other reset source. 0x0: Context has been maintained 0x1: Context has been lost	RW	0x1
7:1	RESERVED		R	0x0
0	LOSTCONTEXT_DFF	Specify if DFF-based context has been lost due to a previous power transition or other reset source. (set upon assertion of WKUPAON_RST signal) 0x0: Context has been maintained 0x1: Context has been lost	RW	0x1

Table 3-1967. Register Call Summary for Register RM_WKUPAON_UART10_CONTEXT

Power Management Functional Description

- [PD_WKUPAON Description: \[0\]](#)

PRCM Register Manual

- [WKUPAON_PRM Register Summary: \[1\]](#)

Table 3-1968. PM_WKUPAON_DCAN1_WKDEP

Address Offset	0x0000 0064	Instance	WKUPAON_PRM
Physical Address	0x4AE0 7788		
Description	This register controls wakeup dependency based on DCAN1 service requests.		
Type	RW		

31	30	29	28	27	26	25	24	23	22	21	20	19	18	17	16	15	14	13	12	11	10	9	8	7	6	5	4	3	2	1	0
RESERVED																WKUPDEP_DCAN1_EVE4	WKUPDEP_DCAN1_EVE3	WKUPDEP_DCAN1_EVE2	WKUPDEP_DCAN1_EVE1	WKUPDEP_DCAN1_DSP2	WKUPDEP_DCAN1_IPU1	WKUPDEP_DCAN1_SDMA	WKUPDEP_DCAN1_DSP1	WKUPDEP_DCAN1_IPU2	WKUPDEP_DCAN1_MPU						

Bits	Field Name	Description	Type	Reset
31:10	RESERVED		R	0x0
9	WKUPDEP_DCAN1_EVE4	Wakeup dependency from DCAN1 module (SWakeup signal) towards EVE4 + L3_MAIN1 + L4PER1 + L4PER2 + L4PER3 domains 0x0: Dependency is disabled 0x1: Dependency is enabled	RW	0x0
8	WKUPDEP_DCAN1_EVE3	Wakeup dependency from DCAN1 module (SWakeup signal) towards EVE3 + L3_MAIN1 + L4PER1 + L4PER2 + L4PER3 domains 0x0: Dependency is disabled 0x1: Dependency is enabled	RW	0x0
7	WKUPDEP_DCAN1_EVE2	Wakeup dependency from DCAN1 module (SWakeup signal) towards EVE2 + L3_MAIN1 + L4PER1 + L4PER2 + L4PER3 domains 0x0: Dependency is disabled 0x1: Dependency is enabled	RW	0x0
6	WKUPDEP_DCAN1_EVE1	Wakeup dependency from DCAN1 module (SWakeup signal) towards EVE1 + L3_MAIN1 + L4PER1 + L4PER2 + L4PER3 domains 0x0: Dependency is disabled 0x1: Dependency is enabled	RW	0x0
5	WKUPDEP_DCAN1_DSP2	Wakeup dependency from DCAN1 module (SWakeup signal) towards DSP2 + L3_MAIN1 + L4PER1 + L4PER2 + L4PER3 domains 0x0: Dependency is disabled 0x1: Dependency is enabled	RW	0x0

Bits	Field Name	Description	Type	Reset
4	WKUPDEP_DCAN1_IPU1	Wakeup dependency from DCAN1 module (SWakeup signal) towards IPU1 + L3_MAIN1 + L4PER1 + L4PER2 + L4PER3 domains 0x0: Dependency is disabled 0x1: Dependency is enabled	RW	0x0
3	WKUPDEP_DCAN1_SDMA	Wakeup dependency from DCAN1 module (SWakeup signal) towards SDMA + L3MAIN1 + L4PER1 + L4PER2 + L4PER3 domains 0x0: Dependency is disabled 0x1: Dependency is enabled	RW	0x0
2	WKUPDEP_DCAN1_DSP1	Wakeup dependency from DCAN1 module (SWakeup signal) towards DSP + L3MAIN1 + L4PER1 + L4PER2 + L4PER3 domains 0x0: Dependency is disabled 0x1: Dependency is enabled	RW	0x0
1	WKUPDEP_DCAN1_IPU2	Wakeup dependency from DCAN1 module (SWakeup signal) towards IPU2 + L3_MAIN1 + L4PER1 + L4PER2 + L4PER3 domains 0x0: Dependency is disabled 0x1: Dependency is enabled	RW	0x0
0	WKUPDEP_DCAN1_MPU	Wakeup dependency from DCAN1 module (SWakeup signal) towards MPU + L3_MAIN1 + L4PER1 + L4PER2 + L4PER3 domains 0x0: Dependency is disabled 0x1: Dependency is enabled	RW	0x0

Table 3-1969. Register Call Summary for Register PM_WKUPAON_DCAN1_WKDEP

PRCM Register Manual

- [Not Supported Functionality \(Registers and Bits\): \[0\]\[1\]\[2\]\[3\]\[4\]](#)
- [WKUPAON_PRM Register Summary: \[5\]](#)

Table 3-1970. RM_WKUPAON_DCAN1_CONTEXT

Address Offset	0x0000 0068	Instance	WKUPAON_PRM
Physical Address	0x4AE0 778C		
Description	This register contains dedicated DCAN1 context statuses. [warm reset insensitive]		
Type	RW		

31	30	29	28	27	26	25	24	23	22	21	20	19	18	17	16	15	14	13	12	11	10	9	8	7	6	5	4	3	2	1	0
RESERVED																LOSTMEM_DCAN_MEM	RESERVED										LOSTCONTEXT_DFF				

Bits	Field Name	Description	Type	Reset
31:9	RESERVED		R	0x0
8	LOSTMEM_DCAN_MEM	Specify if memory-based context in DCAN memory bank has been lost due to a previous power transition or other reset source. 0x0: Context has been maintained 0x1: Context has been lost	RW	0x1
7:1	RESERVED		R	0x0
0	LOSTCONTEXT_DFF	Specify if DFF-based context has been lost due to a previous power transition or other reset source. (set upon assertion of WKUPAON_RST signal) 0x0: Context has been maintained 0x1: Context has been lost	RW	0x1

Table 3-1971. Register Call Summary for Register RM_WKUPAON_DCAN1_CONTEXT

Power Management Functional Description

- [PD_WKUPAON Description: \[0\]](#)

PRCM Register Manual

- [WKUPAON_PRM Register Summary: \[1\]](#)

Table 3-1972. PM_WKUPAON_ADC_WKDEP

Address Offset	0x0000 007C	Instance	WKUPAON_PRM
Physical Address	0x4AE0 77A0		
Description	This register controls wakeup dependency based on ADC service requests.		
Type	RW		

31	30	29	28	27	26	25	24	23	22	21	20	19	18	17	16	15	14	13	12	11	10	9	8	7	6	5	4	3	2	1	0				
RESERVED																WKUPDEP_ADC_EVE4		WKUPDEP_ADC_EVE3		WKUPDEP_ADC_EVE2		WKUPDEP_ADC_EVE1		WKUPDEP_ADC_DSP2		WKUPDEP_ADC_IPU1		RESERVED		WKUPDEP_ADC_DSP1		WKUPDEP_ADC_IPU2		WKUPDEP_ADC_MPU	

Bits	Field Name	Description	Type	Reset
31:10	RESERVED		R	0x0
9	WKUPDEP_ADC_EVE4	Wakeup dependency from ADC module (SWakeup signal) towards EVE4 + L3_MAIN1 + L4PER1 + L4PER2 + L4PER3 domains 0x0: Dependency is disabled 0x1: Dependency is enabled	RW	0x0
8	WKUPDEP_ADC_EVE3	Wakeup dependency from ADC module (SWakeup signal) towards EVE3 + L3_MAIN1 + L4PER1 + L4PER2 + L4PER3 domains 0x0: Dependency is disabled 0x1: Dependency is enabled	RW	0x0
7	WKUPDEP_ADC_EVE2	Wakeup dependency from ADC module (SWakeup signal) towards EVE2 + L3_MAIN1 + L4PER1 + L4PER2 + L4PER3 domains 0x0: Dependency is disabled 0x1: Dependency is enabled	RW	0x0

Bits	Field Name	Description	Type	Reset
6	WKUPDEP_ADC_EVE1	Wakeup dependency from ADC module (SWakeup signal) towards EVE1 + L3_MAIN1 + L4PER1 + L4PER2 + L4PER3 domains 0x0: Dependency is disabled 0x1: Dependency is enabled	RW	0x0
5	WKUPDEP_ADC_DSP2	Wakeup dependency from ADC module (SWakeup signal) towards DSP2 + L3_MAIN1 + L4PER1 + L4PER2 + L4PER3 domains 0x0: Dependency is disabled 0x1: Dependency is enabled	RW	0x0
4	WKUPDEP_ADC_IPU1	Wakeup dependency from ADC module (SWakeup signal) towards IPU1 + L3_MAIN1 + L4PER1 + L4PER2 + L4PER3 domains 0x0: Dependency is disabled 0x1: Dependency is enabled	RW	0x0
3	RESERVED		R	0x0
2	WKUPDEP_ADC_DSP1	Wakeup dependency from ADC module (SWakeup signal) towards DSP + L3MAIN1 + L4PER1 + L4PER2 + L4PER3 domains 0x0: Dependency is disabled 0x1: Dependency is enabled	RW	0x0
1	WKUPDEP_ADC_IPU2	Wakeup dependency from ADC module (SWakeup signal) towards IPU2 + L3_MAIN1 + L4PER1 + L4PER2 + L4PER3 domains 0x0: Dependency is disabled 0x1: Dependency is enabled	RW	0x0
0	WKUPDEP_ADC_MPU	Wakeup dependency from ADC module (SWakeup signal) towards MPU + L3_MAIN1 + L4PER1 + L4PER2 + L4PER3 domains 0x0: Dependency is disabled 0x1: Dependency is enabled	RW	0x0

Table 3-1973. RM_WKUPAON_ADC_CONTEXT

Address Offset	0x0000 0080	Instance	WKUPAON_PRM
Physical Address	0x4AE0 77A4		
Description	This register contains dedicated ADC context statuses. [warm reset insensitive]		
Type	RW		

31	30	29	28	27	26	25	24	23	22	21	20	19	18	17	16	15	14	13	12	11	10	9	8	7	6	5	4	3	2	1	0
RESERVED																															
																															LOSTCONTEXT_DFF

Bits	Field Name	Description	Type	Reset
31:1	RESERVED		R	0x0
0	LOSTCONTEXT_DFF	Specify if DFF-based context has been lost due to a previous power transition or other reset source. (set upon assertion of CAM_RST signal) 0x0: Context has been maintained 0x1: Context has been lost	RW	0x1

Table 3-1974. RM_WKUPAON_SPARE_SAFETY1_CONTEXT

Address Offset	0x0000 0090		
Physical Address	0x4AE0 77B4	Instance	WKUPAON_PRM
Description	This register contains dedicated SPARE_SAFETY1 context statuses. [warm reset insensitive]		
Type	RW		

31	30	29	28	27	26	25	24	23	22	21	20	19	18	17	16	15	14	13	12	11	10	9	8	7	6	5	4	3	2	1	0
RESERVED																LOSTCONTEXT_DFF															

Bits	Field Name	Description	Type	Reset
31:1	RESERVED		R	0x0
0	LOSTCONTEXT_DFF	Specify if DFF-based context has been lost due to a previous power transition or other reset source. (set upon assertion of WKUPAON_RST signal) 0x0: Context has been maintained 0x1: Context has been lost	RW	0x1

Table 3-1975. RM_WKUPAON_SPARE_SAFETY2_CONTEXT

Address Offset	0x0000 0098		
Physical Address	0x4AE0 77BC	Instance	WKUPAON_PRM
Description	This register contains dedicated SPARE_SAFETY2 context statuses. [warm reset insensitive]		
Type	RW		

31	30	29	28	27	26	25	24	23	22	21	20	19	18	17	16	15	14	13	12	11	10	9	8	7	6	5	4	3	2	1	0
RESERVED																LOSTCONTEXT_DFF															

Bits	Field Name	Description	Type	Reset
31:1	RESERVED		R	0x0
0	LOSTCONTEXT_DFF	Specify if DFF-based context has been lost due to a previous power transition or other reset source. (set upon assertion of WKUPAON_RST signal) 0x0: Context has been maintained 0x1: Context has been lost	RW	0x1

Table 3-1976. RM_WKUPAON_SPARE_SAFETY3_CONTEXT

Address Offset	0x0000 00A0	Instance	WKUPAON_PRM
Physical Address	0x4AE0 77C4		
Description	This register contains dedicated SPARE_SAFETY3 context statuses. [warm reset insensitive]		
Type	RW		

31	30	29	28	27	26	25	24	23	22	21	20	19	18	17	16	15	14	13	12	11	10	9	8	7	6	5	4	3	2	1	0
RESERVED																												LOSTCONTEXT_DFF			

Bits	Field Name	Description	Type	Reset
31:1	RESERVED		R	0x0
0	LOSTCONTEXT_DFF	Specify if DFF-based context has been lost due to a previous power transition or other reset source. (set upon assertion of WKUPAON_RST signal) 0x0: Context has been maintained 0x1: Context has been lost	RW	0x1

Table 3-1977. RM_WKUPAON_SPARE_SAFETY4_CONTEXT

Address Offset	0x0000 00A8	Instance	WKUPAON_PRM
Physical Address	0x4AE0 77CC		
Description	This register contains dedicated SPARE_SAFETY4 context statuses. [warm reset insensitive]		
Type	RW		

31	30	29	28	27	26	25	24	23	22	21	20	19	18	17	16	15	14	13	12	11	10	9	8	7	6	5	4	3	2	1	0
RESERVED																												LOSTCONTEXT_DFF			

Bits	Field Name	Description	Type	Reset
31:1	RESERVED		R	0x0
0	LOSTCONTEXT_DFF	Specify if DFF-based context has been lost due to a previous power transition or other reset source. (set upon assertion of WKUPAON_RST signal) 0x0: Context has been maintained 0x1: Context has been lost	RW	0x1

Table 3-1978. RM_WKUPAON_SPARE_UNKNOWN2_CONTEXT

Address Offset	0x0000 00B0	Instance	WKUPAON_PRM
Physical Address	0x4AE0 77D4		
Description	This register contains dedicated SPARE_UNKNOWN2 context statuses. [warm reset insensitive]		
Type	RW		

31	30	29	28	27	26	25	24	23	22	21	20	19	18	17	16	15	14	13	12	11	10	9	8	7	6	5	4	3	2	1	0
RESERVED																LOSTCONTEXT_DFF															

Bits	Field Name	Description	Type	Reset
31:1	RESERVED		R	0x0
0	LOSTCONTEXT_DFF	Specify if DFF-based context has been lost due to a previous power transition or other reset source. (set upon assertion of WKUPAON_RST signal) 0x0: Context has been maintained 0x1: Context has been lost	RW	0x1

Table 3-1979. RM_WKUPAON_SPARE_UNKNOWN3_CONTEXT

Address Offset	0x0000 00B8	Instance	WKUPAON_PRM
Physical Address	0x4AE0 77DC		
Description	This register contains dedicated SPARE_UNKNOWN3 context statuses. [warm reset insensitive]		
Type	RW		

31	30	29	28	27	26	25	24	23	22	21	20	19	18	17	16	15	14	13	12	11	10	9	8	7	6	5	4	3	2	1	0
RESERVED																LOSTCONTEXT_DFF															

Bits	Field Name	Description	Type	Reset
31:1	RESERVED		R	0x0
0	LOSTCONTEXT_DFF	Specify if DFF-based context has been lost due to a previous power transition or other reset source. (set upon assertion of WKUPAON_RST signal) 0x0: Context has been maintained 0x1: Context has been lost	RW	0x1

Cortex-A15 MPU Subsystem

This chapter describes the Cortex®-A15 MPU subsystem.

Topic	Page
4.1 Cortex-A15 MPU Subsystem Overview	1565
4.2 Cortex-A15 MPU Subsystem Integration	1570
4.3 Cortex-A15 MPU Subsystem Functional Description	1574
4.4 Cortex-A15 MPU Subsystem Register Manual	1597

4.1 Cortex-A15 MPU Subsystem Overview

4.1.1 Introduction

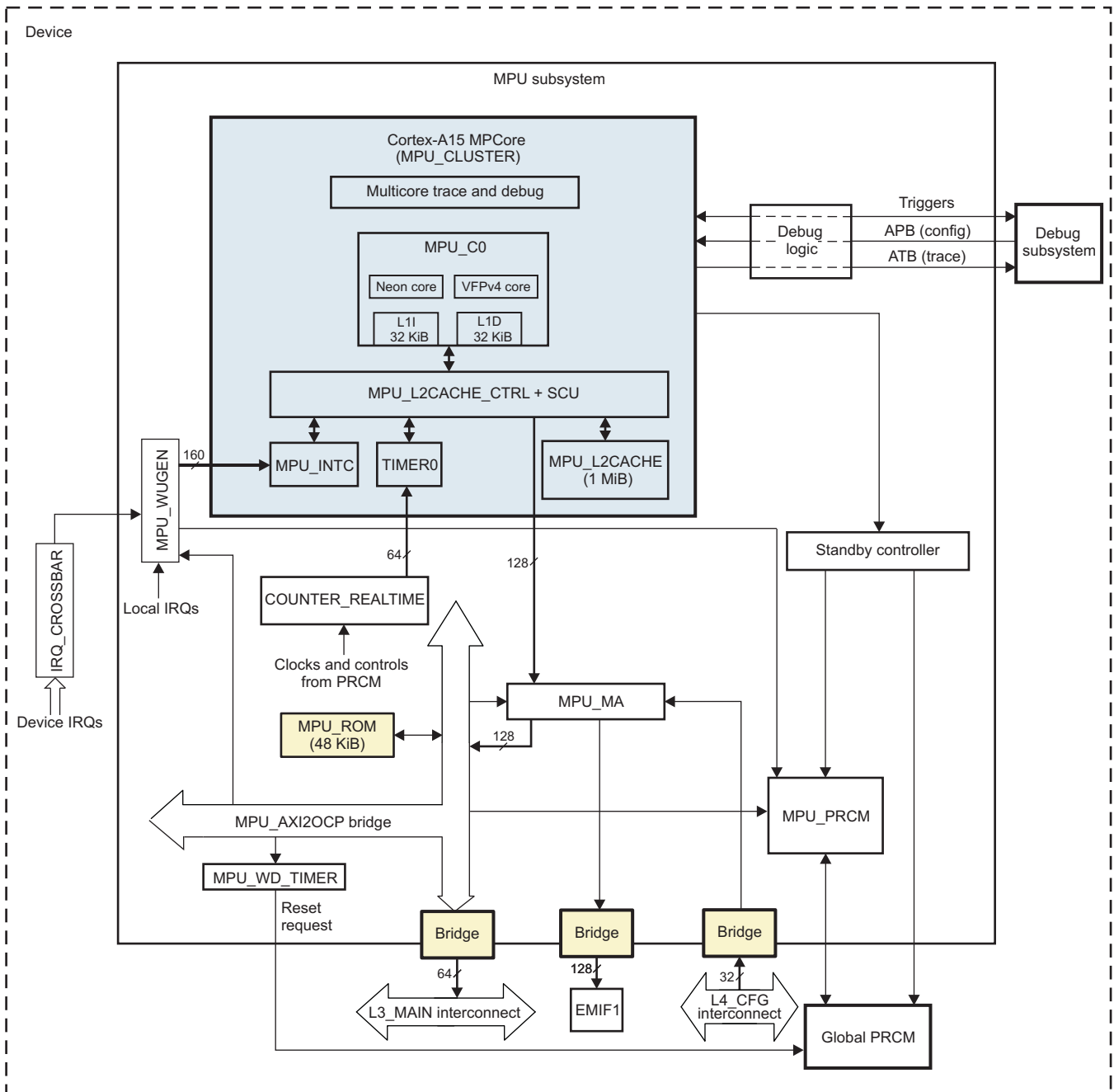
The Cortex®-A15 microprocessor unit (MPU) subsystem serves the applications processing role by running the high-level operating system (HLOS) and application code.

The MPU subsystem incorporates one Cortex-A15 MPU core (MPU_C0), individual level 1 (L1) caches, level 2 (L2) cache (MPU_L2CACHE) shared between them, and various other shared peripherals. To aid software development, the processor core can be kept cache-coherent with the L2 cache.

The MPU subsystem provides a high-performance computing platform with high peak-computing performance and low memory latency.

[Figure 4-1](#) is a high-level block diagram of the MPU subsystem.

Figure 4-1. MPU Subsystem Overview



4.1.2 Features

The MPU subsystem integrates the following:

- Arm® Cortex®-A15 MPCore (MPU_CLUSTER)
 - One Cortex-A15 MPU core (revision r2p2) which has the following features:
 - Superscalar, dynamic multi-issue technology
 - Out-of-order (OoO) instruction dispatch and completion
 - Dynamic branch prediction with branch target buffer (BTB), global history buffer (GHB), and 48-entry return stack
 - Continuous fetch and decoding of three instructions per clock cycle
 - Dispatch of up to four instructions and completion of eight instructions per clock cycle
 - Provides optimal performance from binaries compiled for previous Arm processors
 - Five execution units handle simple instructions, branch instructions, Neon™ and floating point instructions, multiply instructions, and load and store instructions.
 - Simple instructions take two cycles from dispatch, while complex instructions take up to 11 cycles.
 - Can issue two simple instructions in a cycle
 - Can issue a load and a store instruction in the same cycle
 - Integrated Neon processing engine to include the Arm Neon Advanced SIMD (single instruction, multiple data) support for accelerated media and signal processing computation
 - Includes VFPv4-compatible hardware to support single- and double-precision add, subtract, divide, multiply and accumulate, and square root operations
 - Extensive support to accelerate virtualization using a hypervisor
 - 32-KiB L1 instruction (L1I) and 32-KiB L1 data (L1D) cache:
 - 64-byte line size
 - 2-way set associative
 - Memory management unit (MMU):
 - Two-level translation lookaside buffer (TLB) organization
 - First level is an 32-entry, fully associative micro-TLB implemented for each of instruction fetch, load, and store.
 - Second level is a unified, 4-way associative, 512-entry main TLB
 - Supports hardware TLB table-walk for backward-compatible and new 64-bit entry page table formats
 - New page table format can produce 40-bit physical addresses
 - Two-stage translation where first stage is HLOS-controlled and the second level may be controlled by a hypervisor. Second stage always uses the new page table format
 - Integrated L2 cache (MPU_L2CACHE) and snoop control unit (SCU):
 - 1-MiB of unified (instructions and data) cache organized as 16 ways of 1024 sets of 64-byte lines
 - Redundant L1 data (cache) tags to perform snoop filtering (L1 instruction cache tags are not duplicated)
 - Operates at Cortex-A15 MPU core clock rate
 - Integrated L2 cache controller (MPU_L2CACHE_CTRL):
 - Sixteen 64-byte line buffers that handle evictions, line fills and snoop transfers
 - One 128-bit AMBA4 Coherent Bus (AXI4-ACE) port
 - Auto-prefetch buffer for up to 16 streams and detecting forward and backward strides
 - Generalized interrupt controller (GIC, also referred to as MPU_INTIC): An interrupt controller supplied by Arm. The single GIC in the MPU_CLUSTER routes interrupts to the MPU core. The GIC supports:

- Number of shared peripheral interrupts (SPI): 160
- Number of software generated interrupts (SGI): 16
- Number of CPU interfaces: 1
- Virtual CPU interface for virtualization support. This allows the majority of guest operating system (OS) interactions with the GIC to be handled in hardware, but with physical interrupts still requiring hypervisor intervention to assign them to the appropriate virtual machine.
- Integrated timer counter and one timer block
- Arm CoreSight™ debug and trace modules. For more information, see [Chapter 34, On-Chip Debug Support](#).
- MPU_AXI2OCP bridge (local interconnect):
 - Connected to Memory Adapter (MPU_MA), which routes the non-EMIF address space transactions to MPU_AXI2OCP
 - Single request multiple data (SRMD) protocol on L3_MAIN port
 - Multiple targets:
 - 64-bit port to the L3_MAIN interconnect. Interface frequency is 1/4 or 1/8 of core frequency
 - MPU_ROM
 - Internal MPU subsystem peripheral targets, including Memory Adapter LISA Section Manager (MA_LSM), wake-up generator (MPU_WUGEN), watchdog timer (MPU_WD_TIMER), and local PRCM module (MPU_PRCM) configuration
 - Internal AXI target, CoreSight System Trace Module (CS_STM)
- Memory adapter (MPU_MA): Helps decrease the latency of accesses between the MPU_L2CACHE and the external memory interface (EMIF1) by providing a direct path between the MPU subsystem and EMIF1:
 - Connected to 128-bit AMBA4 interface of MPU_CLUSTER
 - Direct 128-bit interface to EMIF1
 - Interface speed between MPU_CLUSTER and MPU_MA is at half-speed of the MPU core frequency
 - Quarter-speed interface to EMIF
 - Uses firewall logic to check access rights of incoming addresses
- Local PRCM (MPU_PRCM):
 - Handles MPU_C0 power domain
 - Supports SR3-APG (SmartReflex3 Automatic Power Gating) power management technology inside the MPU_CLUSTER
 - MPU subsystem has five power domains
- Wake-up generator (MPU_WUGEN)
 - Responsible for waking up the MPU core
- Standby controller: Handles the power transitions inside the MPU subsystem
- Realtime (master) counter (COUNTER_REALTIME): Produces the count used by the private timer peripheral in the MPU_CLUSTER
- Watchdog timer (MPU_WD_TIMER): Used to generate a chip-level watchdog reset request to global PRCM
- On-chip boot ROM (MPU_ROM): The MPU_ROM size is 48-KiB, and the address range is from 0x4003 8000 to 0x4004 3FFF. For more information about booting from this memory, see [Chapter 33, Initialization](#).
- Interfaces:
 - 128-bit interface to EMIF1
 - 64-bit master port to the L3_MAIN interconnect
 - 32-bit slave port from the L4_CFG_EMU interconnect (debug subsystem) for configuration of the MPU subsystem debug modules

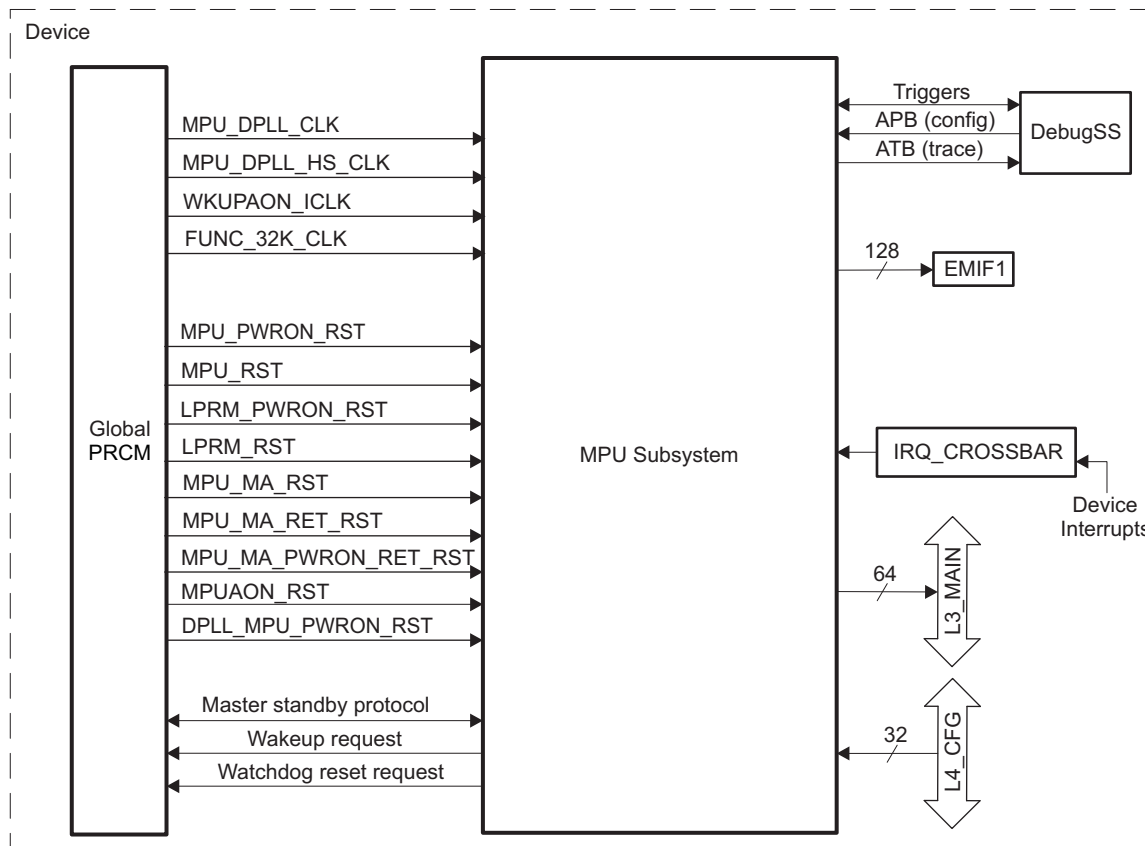
- 32-bit slave port from the L4_CFG interconnect for memory adapter firewall (MPU_MA_NTTP_FW) configuration
- 32-bit ATB output for transmitting debug and trace data
- 160 peripheral interrupt inputs

4.2 Cortex-A15 MPU Subsystem Integration

This section describes the integration of the module in the device, including information about clocks, resets, and hardware requests.

Figure 4-2 shows the MPU subsystem integration.

Figure 4-2. MPU Subsystem Integration



NOTE: For more information about:

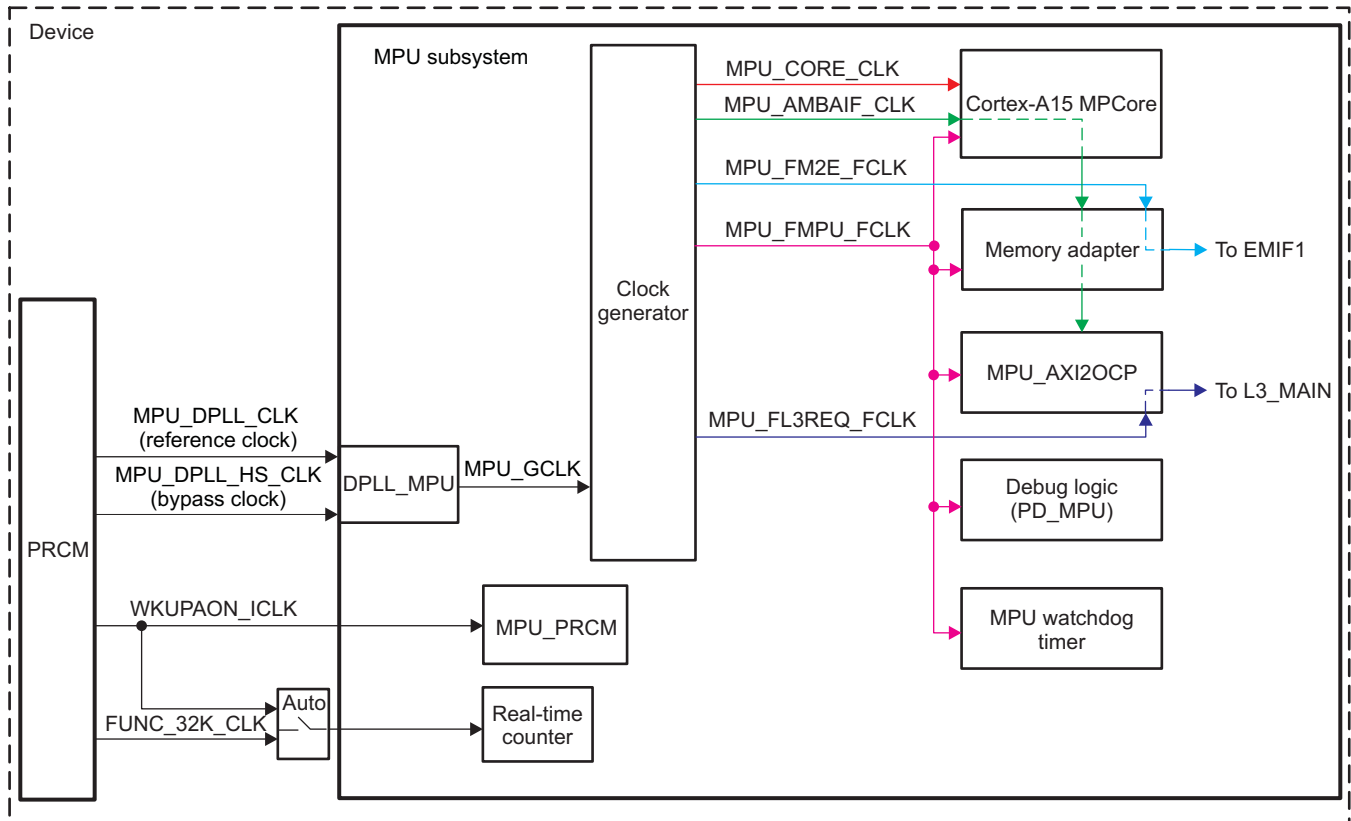
- Clock distribution inside MPU subsystem, see [Section 4.2.1, Clock Distribution](#).
- Reset distribution inside MPU subsystem, see [Section 4.2.2, Reset Distribution](#).
- MPU_INTC default interrupt mapping, and IRQ_CROSSBAR mapping, see [Chapter 17, Interrupt Controllers](#).
- MPU watchdog timer reset request, see [Section 4.3.6, MPU Watchdog Timer](#).
- MPU trace and cross-triggering with Debug Subsystem, see [Chapter 34, On-Chip Debug Support](#).
- Master standby protocol and wakeup request, see [Section 3.1.1.1.2, Module-Level Clock Management](#) in [Chapter 3, Power, Reset, and Clock Management](#).

4.2.1 Clock Distribution

The Cortex-A15 MPU clock generator is fed by the MPU digital phase-locked loop (DPLL), which can be gated off by the global power, reset, and clock management (PRCM) module when system power domain is in a low-power state. Because of the DPLL_MPU, the MPU subsystem is asynchronous from the rest of the device.

Figure 4-3 shows the MPU subsystem clocking scheme.

Figure 4-3. MPU Subsystem Clocking Scheme



The clock generator generates the following clocks from the DPLL_MPU output clock (MPU_GCLK):

- MPU_CORE_CLK
- MPU_AMBAIF_CLK
- MPU_FMPU_FCLK
- MPU_FL3REQ_FCLK
- MPU_FM2E_FCLK

MPU_CORE_CLK is directly derived (no hardware dividing) from the DPLL_MPU output clock (that is, MPU_CORE_CLK = MPU_GCLK). The other clocks are derived via dividers.

Table 4-1 shows the supported frequency values for MPU subsystem clocks at different OPPs.

Table 4-1. MPU Subsystem Clocks Frequency Value Versus OPP

Clocks (Derived From DPLL_MPU)	OPP_LOW	OPP_NOM	OPP_OD ⁽¹⁾	OPP_HIGH ⁽¹⁾	OPP_PLUS
MPU_CORE_CLK (f)	See ⁽²⁾	See ⁽²⁾	See ⁽²⁾	See ⁽²⁾	See ⁽²⁾
MPU_AMBAIF_CLK	f/2	f/2	f/2	f/2	f/2
MPU_FMPU_FCLK	f/4	f/4	f/4	f/4	f/4
MPU_FL3REQ_FCLK	f/4	f/4	f/4	f/8	f/8

⁽¹⁾ OPP_OD and OPP_HIGH are not supported for MPU on the AM570x family of devices.

⁽²⁾ See device Data Manual for information about frequency value

Table 4-1. MPU Subsystem Clocks Frequency Value Versus OPP (continued)

Clocks (Derived From DPLL_MPU)	OPP_LOW	OPP_NOM	OPP_OD ⁽¹⁾	OPP_HIGH ⁽¹⁾	OPP_PLUS
MPU_FM2E_FC LK	f/4	f/4	f/4	f/4	f/4

Some of the OPPs listed in [Table 4-1](#) may not be supported for some devices.

NOTE: For more information about the supported OPPs, see the "Operating Performance Points" section of the device Data Manual.

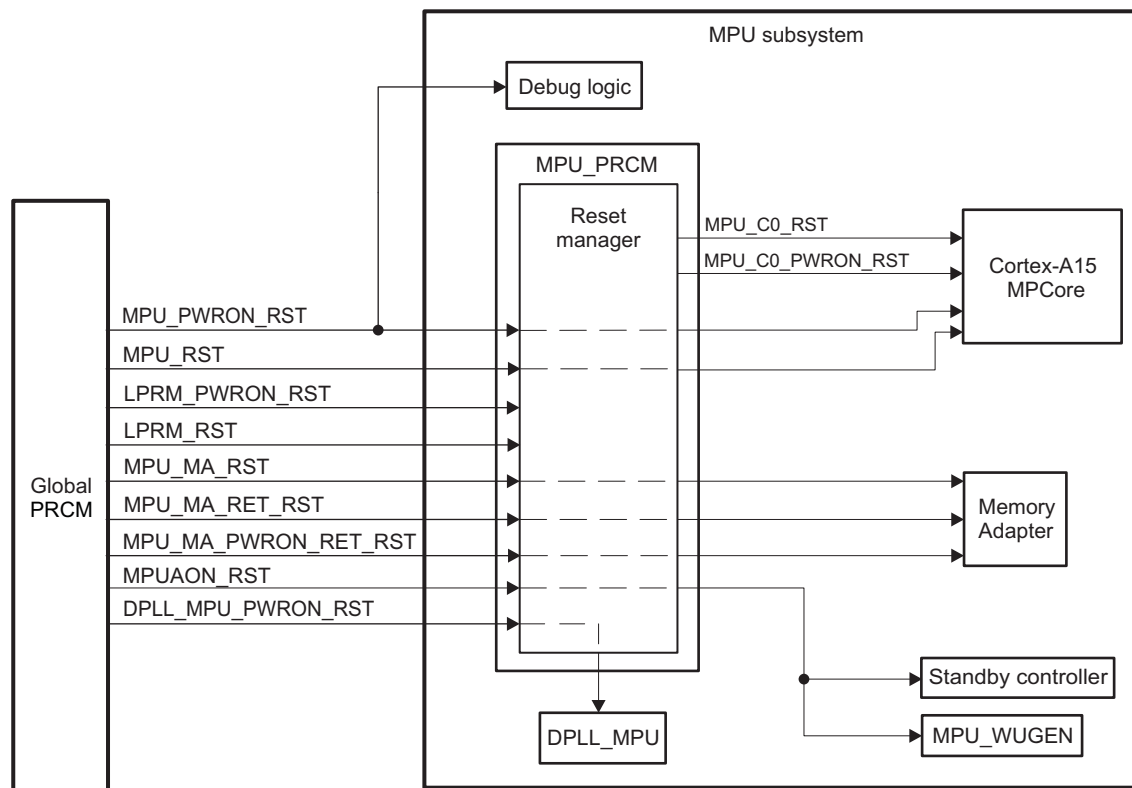
NOTE: For more information about the DPLL_MPU, see [Section 3.6.3.7, DPLL_MPU Description](#), in [Chapter 3, Power, Reset, and Clock Management](#).

The realtime counter (COUNTER_REALTIME) is clocked by either WKUPAON_ICLK or FUNC_32K_CLK clocks, provided by the global PRCM module. By default, WKUPAON_ICLK is used as a COUNTER_REALTIME clock. When the MPU subsystem goes to standby mode, the counter automatically switches to a low-power mode using the FUNC_32K_CLK (SYS_CLK1/610).

4.2.2 Reset Distribution

Resets to the MPU subsystem are provided by the global PRCM module and controlled by the local MPU_PRCM module.

[Figure 4-4](#) shows the reset scheme of the MPU subsystem.

Figure 4-4. MPU Subsystem Reset Scheme


All external resets that are input to the local PRCM signals are active low. All external reset input signals are driven by the global PRCM. Four internal reset signals are generated by the local PRCM module.

The LPRM_PWRON_RST reset signal is a global cold reset for the wake-up logic and resets the wake-up domain logic (the PSCON modules) in the local PRCM module. A cold reset is typically asserted when power is initially applied to the system. The user can check whether this reset event has occurred by reading the [PRM_RSTST\[0\]](#) GLOBAL_COLD_RST bit.

The LPRM_RST reset signal is a global warm reset that resets the wake-up domain logic (the PSCON modules) in the local PRCM module. Warm reset is typically used to reset a system that has been operating for some time. The user can check whether this reset event has occurred by reading the [PRM_RSTST\[1\]](#) GLOBAL_WARM_RST bit.

The DPLL_MPU_PWRON_RST reset signal resets the DPLL_MPU.

The MPUAON_RST reset signal resets the MPU always-on domain: the standby controller and the MPU_WUGEN. The user can check whether the reset has occurred by reading the [WKG_CONTROL_0\[15\]](#) DOMAIN_RST bit.

The MPU_MA has three incoming reset signals:

- MPU_MA_RST
- MPU_MA_RET_RST
- MPU_MA_PWRON_RET_RST

The local PRCM module provides two reset signals for the MPU core:

- The MPU_C0_RST reset signal is a warm reset event. This reset signal initialize most of the Arm MPU core, except the debug logic (breakpoints and watchpoints are retained during this reset). The user can check whether this reset event has occurred by reading the [RM_CPU0_RSTCTRL\[0\]](#) RST bit.
- The MPU_C0_PWRON_RST reset signal is cold and debug reset event.

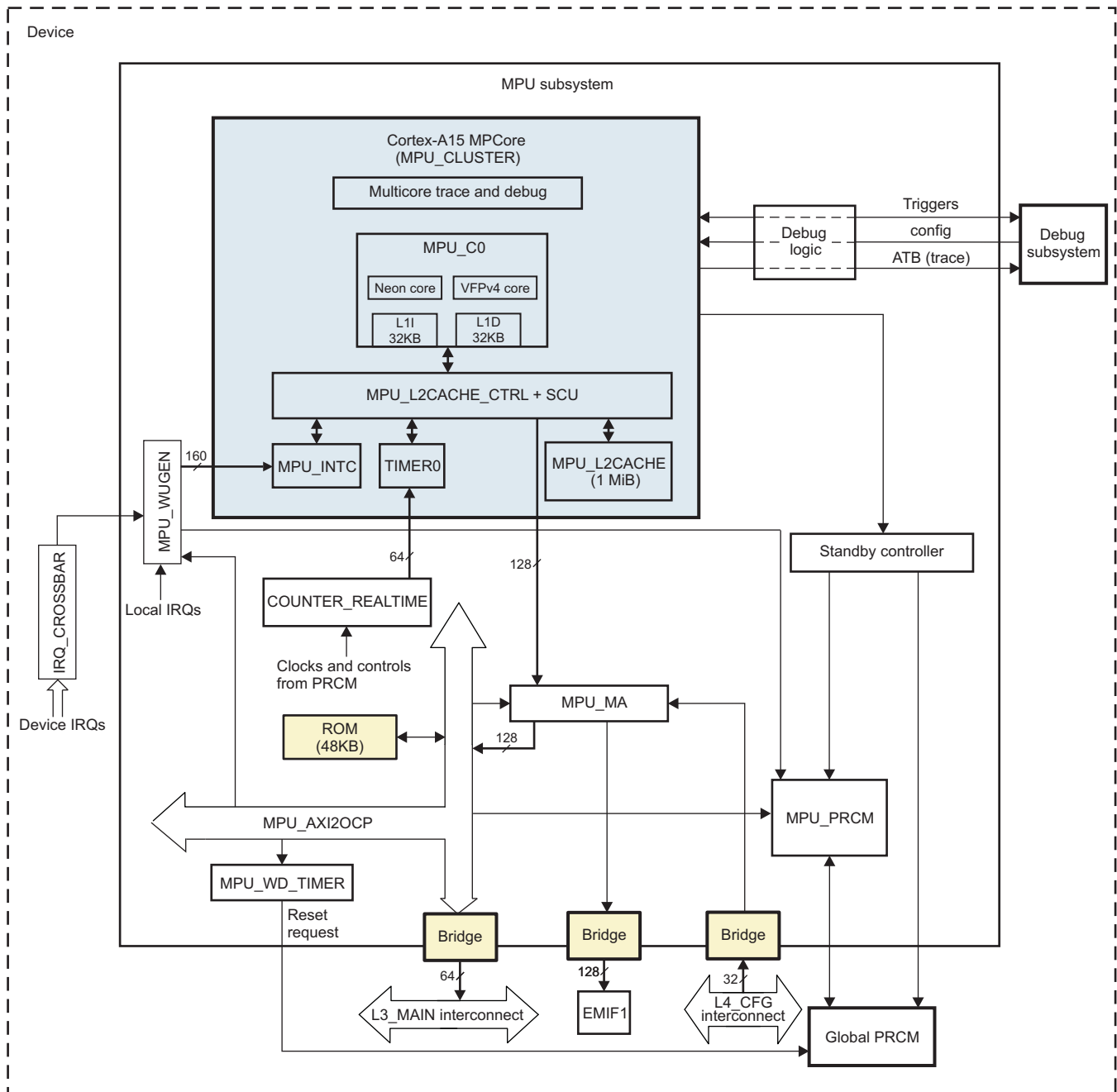
For more information about clocks, resets, and power domains, and the MPU_PWRON_RST and MPU_RST reset signals, see [Chapter 3, Power, Reset, and Clock Management](#).

4.3 Cortex-A15 MPU Subsystem Functional Description

4.3.1 MPU Subsystem Block Diagram

Figure 4-5 shows the block diagram of the MPU subsystem.

Figure 4-5. MPU Subsystem Block Diagram



4.3.2 Cortex-A15 MPCore (MPU_CLUSTER)

The MPU_CLUSTER consists of:

- One CPU (single-core configuration), including:
 - Arm version 7 ISA: Standard Arm instruction set plus Thumb®-2, Jazelle® RCT, and Jazelle DBX Java™ accelerator

- Neon SIMD coprocessor and VFPv4
- 12-stage in-order MPU core pipeline
- 128-bit-wide instruction fetch allows fetching up to four instructions/cycle
- 32 KiB/32 KiB instruction and data cache
- Complex Execution Unit (FPU)
- 32-entry fully-associative micro-TLB each for instruction and data
- 512-entry 4-way set-associative unified TLB
- Unified L2 cache control including tags
- L2 Cache Error Correction Code (ECC)
- Interrupt controller (MPU_INTC)
 - Supports 160 hardware interrupts. For more information about interrupt mapping, see [Chapter 17, Interrupt Controllers](#).
- One timer and watchdog timer
- Internal APB bridge that connects to the APB port of the MPU core

The major interfaces of the MPU_CLUSTER are:

- Single AXI master supporting 128-bit interface
- System coherency supported through the AXI4 ACE interface
- An ATB port (for processor trace)
- An APB port
- Interrupt request lines

NOTE: The following hardware restrictions/limitations are applied to the Cortex-A15 MPCore in this device:

- Not implemented features:
 - ACP port to support hardware coherency with external master
- Supported ACE configurations:
 - **AXI3** mode (default). In this configuration, barrier transactions are not issued on the AMBA4 interface.
 - **ACE non-coherent, no L3** mode. In this configuration, barrier transactions are issued on the AMBA4 interface.

For more information about AMBA4 interface configuration, see [Section 4.3.8, MPU Subsystem AMBA Interface Configuration](#).

For more information about Cortex-A15 MPCore, see the *Arm Cortex-A15 MPCore Technical Reference Manual* (available at infocenter.arm.com/help/index.jsp).

4.3.2.1 MPU L2 Cache Memory System

The MPU subsystem implements an L2 memory system. This memory system consists of an L2 cache (MPU_L2CACHE) and associated L2 cache controller (MPU_L2CACHE_CTRL). The MPU L2 cache controller runs at full-CPU speed and is configured to have one 128-bit master port. The L2 cache controller is configurable via CP15 registers and is tightly coupled to the L1 memory system. The MPU L2 memory system supports Arm Instruction Set Architecture (v7).

MPU L2 supports hardware cache coherency, but is used in a limited way in the device. Because the rest of the system does not support coherency with the MPU L2 cache, software coherence is required.

ECC is enabled on the L2 cache.

The L2 cache size on the MPU subsystem is 1 MiB. The cache is configured as 16-way set associative, with 64-B line size. The L2 cache controller performs critical word-first-refilling with a random or pseudo-random cache replacement policy.

The L2 includes logic to support cache event monitoring. The events being monitored are routed to the hardware debug (MPUHWDBGOUT[31:0]) port. The mapping of these events to the MPUHWDBGOUT[31:0] port is described in the *Control Module* chapter.

The L2 can be configured to generate interrupts on error conditions or event counter overflow/increment. The L2 interrupt (MPU_CLUSTER_IRQ_AXIERR) is mapped to interrupt line MPU_IRQ_3. When an interrupt occurs, software may look at corresponding interrupt register to determine the source of the interrupt.

4.3.2.1.1 MPU L2 Cache Architecture

The main features of the MPU_L2CACHE are:

- 1024-KiB 16-way set-associative unified instruction/data cache
- 9-stage L2 pipeline
- L2 hit latency of 12 cycles
- Fixed line length of 64-bytes (16 words)
- L1 inclusive
- Physically indexed and tagged
- 16-way set-associative (maximum)
- Bank partitions to support streaming Neon loads and simultaneous (two) L2 requests
- Exclusive-D L2 cache fill policy
- Global-random replacement strategy
- Four dirty bits per cache line to minimize traffic to L3
- Low-leakage sleep mode (retention until accessed)
- Cache redundancy and repair

4.3.2.1.2 MPU L2 Cache Controller

The main features of the MPU_L2CACHE_CTRL are:

- Single 128-bit AXI4 master port interface
- Tightly coupled L2/SCU for better L2 hit latency
- Nonblocking: Supports hit-under-miss and miss-under-miss for Neon requests
- Performs critical data first refilling
- Supports the following cache modes:
 - Write-through
 - Write-back, read allocate, and write allocate
- Supports write-combining to two independently tagged quad-words
- 12 × 128-bit write buffers to buffer subblock writes
- 12 × 128-bit ACP write buffer
- 16-entry × 512-bit victim buffers
- Separate 128-bit interfaces to the I-side and the D-side:
 - Four beat (128-bit) transfers to refill L1 from L2 (or 128-bit AXI)
 - Eight beat (64-bit) transfers to refill L1 from AXI
- 128-bit subblock write and copy-back interface on the D-side
- Outstanding transactions on the AXI4 master port:
 - 16 read
 - 16 write
- Performs hardware table walk using the L2 unified TLB

NOTE: The Cortex-A15 processor memory system treats all write-through (WT) accesses as 'write-through, no-allocate'. This means that no cache line from any write-through page allocates in any L1 data or L2 cache. This implies that write-through lines are implemented as non-cacheable in Cortex-A15. Memory requests for write-through cache lines are not looked-up in the L1D or L2, and are sent directly to the AXI master interface. Not caching WT lines was done primarily to avoid back-and-forth L1/L2 snoop invalidations.

For non-cacheable and WT memory, all Cortex-A15 memory read requests are 64 bytes. A15 over-reads and then allows forwarding of the data to multiple load instructions. If there is only a single load request for that line, there is no latency hit (since Cortex-A15 does critical word first) although there is potentially an increase in bus power. If there are multiple hits due to consecutive loads of data within the same line, there is a possibility of significant performance gains.

4.3.3 MPU_AXI2OCP

MPU_AXI2OCP provides a protocol bridge between buses and also serves as a small local interconnect to:

- Handle traffic to the L3_MAIN interconnect
- Configure local configuration registers in the MPU subsystem

Main features of MPU_AXI2OCP:

- Connects to the L3_MAIN interconnect through a 64-bit port. The interface frequency is configurable between one fourth (default value) and one eighth of the MPU_DPLL_CLK clock signal frequency. This is programmable in the global PRCM register CM_MPU_MPU_CLKCTRL[25:24] CLKSEL_EMIF_DIV_MODE bit. For CM_MPU_MPU_CLKCTRL register description, see [Chapter 3, Power, Reset, and Clock Management](#)
- Connects to the CS_STM module through a 32-bit AXI interface (for software instrumentation)
- Connection to the following modules for register configuration:
 - MPU_MA
 - MPU_PRCM
 - MPU_WUGEN
 - MPU_WD_TIMER
- Contains internal configuration register related to the MPU_MA function ([MA_PRIORITY](#))
- Supports memory barrier instruction
- Supports single-request-multiple-data (data handshaking) burst mode to pipeline requests
- Supports multiple outstanding requests
- Supports posted and nonposted write transactions, based on the attributes of the transactions coming from the Cortex-A15 processor. Software can override all writes from the MPU_AXI2OCP to the L3_MAIN interconnect to be nonposted, regardless of the attributes of the transactions coming from the Arm Cortex-A15 processor, by setting the Control Module register CTRL_CORE_MPU_FORCEWRNP[0] MPU_FORCEWRNP bit to 0x1. This bit must not be changed until the transfer completes. For CTRL_CORE_MPU_FORCEWRNP register description, see [Chapter 18, Control Module](#).

4.3.4 Memory Adapter

NOTE: NOTE TO USERS: Even though this section describes the interleaving function of the MPU_MA, it is NOT used in this device (only single EMIF instance is instantiated).

4.3.4.1 MPU_MA Overview

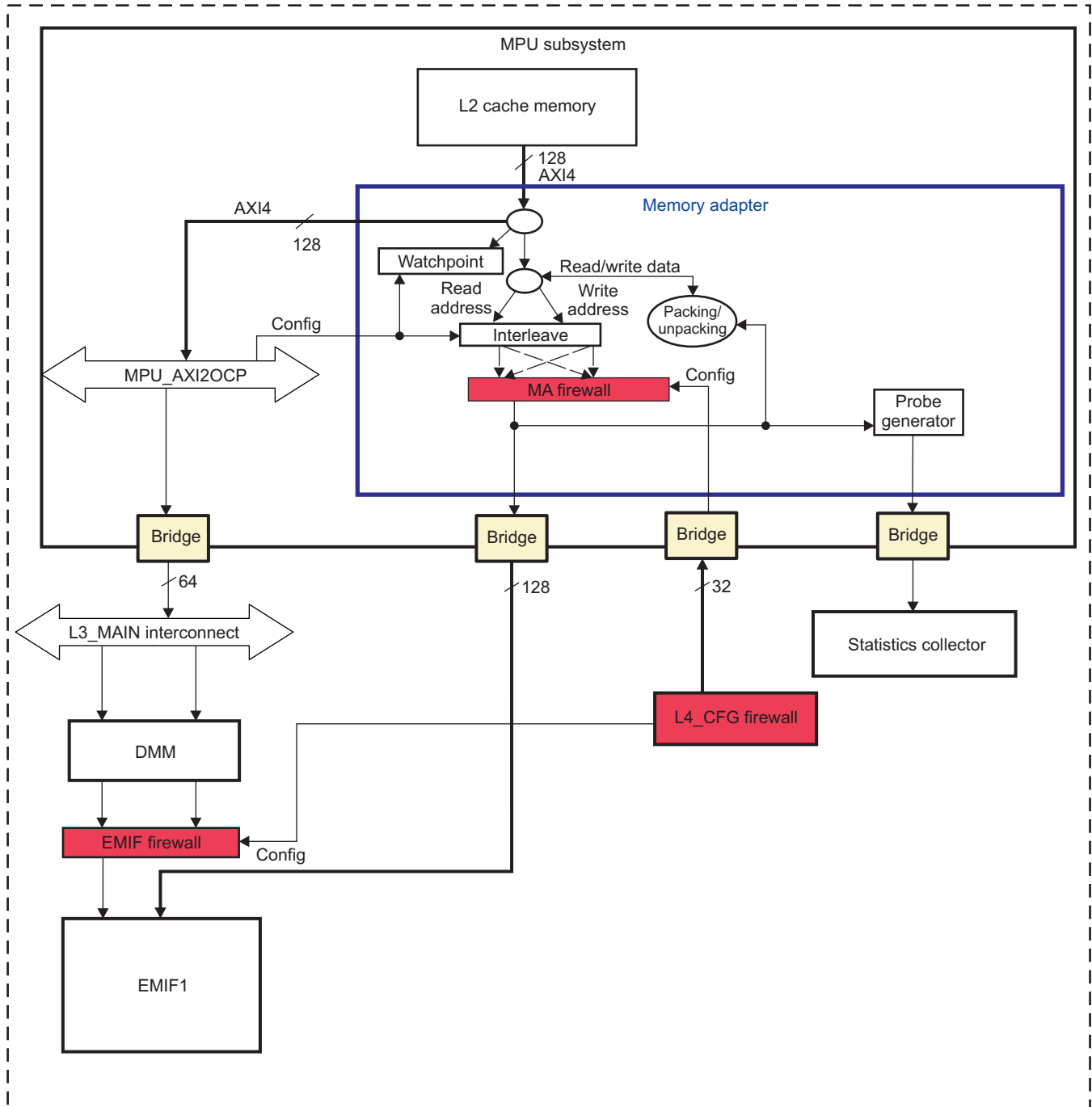
In order to improve the L2 cache miss latency between the MPU L2 cache and the EMIF1 module, a direct path between the MPU subsystem and EMIF1 is created. This direct path is supported by a memory adapter (MPU_MA) module. The MPU_MA splits the incoming (from L2 cache) AXI4 traffic into MPU_AXI2OCP and EMIF1 accesses. The MPU_AXI2OCP accesses are sent to the memory adapter A2O ports. Mandatory firewall checks are performed on all accesses to EMIF1.

The main features of the MPU_MA are:

- Splits accesses between the MPU_AXI2OCP and the EMIF
- Input from L2 cache and output to MPU_AXI2OCP is AMBA4-compatible and runs at half the Cortex-A15 CPU frequency
- Supported read response interleaving on A2O port
- Parallel processing of reads and writes
- Support for narrow bursts
- Supports 4 × 128-bit line fills and eviction with critical word first
- Supports barrier instructions on normal read and write channels
- Direct 128-bit interfaces to EMIF1:
 - Single request multiple data
 - No write response on posted writes
- Uses firewall logic to check access rights of incoming addresses. The firewall on EMIF1 supports:
 - Configurable number of regions with fixed priority
 - Access support for up to eight execution domains
 - Busy indicator during reconfiguration
- Blocked read and write access to the EMIF for all accesses failing authorization checks
- Burst wrap for single cache line fills
- Supports boot from EMIF space
- Supports 4 GiB of memory
- Supports standard disconnect and idle protocols for independent powering down of the MPU_MA and both EMIFs (the EMIF must be powered down or up as a pair)
- Probe interface for performance monitoring of the EMIF ports
- 11 outstanding reads and 16 outstanding writes
- Supports exclusive accesses used for MPU internal synchronization
- Provides watchpoint capability on AXI bus. For more information, see [Chapter 34, On-Chip Debug Support](#).

Figure 4-6 shows the integration of the MPU_MA in the device.

Figure 4-6. MPU_MA Overview



4.3.4.2 AXI Input Interface

The AXI input is driven from the single external port of the L2 cache. The incoming accesses are directed to the MPU_AXI2OCP module through the A2O port or begin their processing for a potential EMIF access. The routing of accesses is based on the AXI address and the EMIF boot input (pi_emifboot).

Table 4-2 lists the AXI access memory mapping. If the accesses are targeted for the MPU_AXI2OCP, then they are registered and sent to the A2O port without any alterations in its attributes (size, ID, etc.). The reserved space in the lower order memory area is a result of providing 8 GiB of continuous space for all the nonaliased regions.

The EMIF memory space is broken into eight 1-GiB sections, which are denoted *emif(a)* through *emif(h)*. This partitioning helps to specify the aliasing of several memory ranges. It also aids in the discussion of how the MPU memory space is mapped into the physical EMIF space.

It is expected that the OS uses either the lower 2-GiB space and the lower aliased address of *emif(a)* and (b), or the continuous 8-GiB space and the upper aliasing of the *emif(a)* and (b) for all EMIF accesses.

Table 4-2. AXI Access Memory Mapping

Region Name	Start Address	End Address	Interleaving	MPU_MA Action
Boot space	0x00 0000 0000	0x00 000F FFFF	Default	Sent to Firewall/EMIF, if pi_emifboot = 1
			N/A	Sent to A2O port, if pi_emifboot = 0
Non-emif	0x00 0010 0000	0x00 7FFF FFFF	N/A	Sent to A2O port
Emif(a)	0x00 8000 0000	0x00 BFFF FFFF	Programmable	Aliased to address range 0x02 8000 0000–0x02 FFFF FFFF
Emif(b)	0x00 C000 0000	0x00 FFFF FFFF	Programmable	
Reserved	0x01 0000 0000	0x01 FFFF FFFF	N/A	DECERR returned
Emif(c)	0x02 0000 0000	0x02 3FFF FFFF	Fixed	Sent to Firewall/EMIF
Emif(d)	0x02 4000 0000	0x02 7FFF FFFF	Fixed	Sent to Firewall/EMIF
Emif(a)	0x02 8000 0000	0x02 BFFF FFFF	Programmable	Sent to Firewall/EMIF
Emif(b)	0x02 C000 0000	0x02 FFFF FFFF	Programmable	Sent to Firewall/EMIF
Emif(g)	0x03 0000 0000	0x03 3FFF FFFF	Fixed	Sent to Firewall/EMIF
Emif(h)	0x03 4000 0000	0x03 7FFF FFFF	Fixed	Sent to Firewall/EMIF
Emif(e)	0x03 8000 0000	0x03 BFFF FFFF	Fixed	Sent to Firewall/EMIF
Emif(f)	0x03 C000 0000	0x03 FFFF FFFF	Fixed	Sent to Firewall/EMIF
Reserved	0x04 0000 0000	0xFF FFFF FFFF	N/A	DECERR returned

4.3.4.3 Interleaving

To load-balance the activities across the two EMIFs, interleaving is used. For the lower 2-GiB address space, which is used by the system and the MPU, a wide range of interleaving options are provided. Because the EMIF memories are accessible by the MPU subsystem through MPU_MA and by the L3_MAIN interconnect through the DMM, the same interleaving scheme must be used in both paths. To ensure compatibility, the interleaving function is implemented by a scaled down version of the LISA Section Manager (LSM), which implements the interleaving function in the DMM.

The high-order memory space, which is accessible only from the MPU subsystem, uses a simple fixed-interleaving scheme, which can be disabled. Heavy use in high memory space under noninterleaved configuration affects the balancing of the system access in lower-order memory.

4.3.4.3.1 High-Order Fixed Interleaving Model

The memory address ranges *emif(c)* through *emif(h)* can be interleaved between the two EMIFs by setting the MA_PRIORITY[8] HMEM_INTERLEAVE_UN bit to 0x1. If enabled, the interleaving occurs on a 256-byte boundary.

Figure 4-7 and Figure 4-8 show how the predefined *emif* sections are mapped into the EMIF. The LISA configuration can be programmed to allow *emif(a)* and *emif(b)* address ranges to be remapped anywhere in EMIF1 or EMIF2. Restricting them to the locations 0x0000 0000–0x7FFF FFFF allows the fully programmable regions to co-exist with the fixed interleaving regions without overlap. Although it is not recommended, the user can program the interleaver to map the *emif(a)* and *emif(b)* address ranges to the EMIF 0x8000 0000–0xFFFF FFFF location. If this is done, then additional address aliasing exists between *emif* sections (a/b) and sections (c) through (h).

NOTE: In fixed interleaving, memory address space 0 is always used.

Figure 4-7. EMIF Partitioning Without High-Order Interleaving

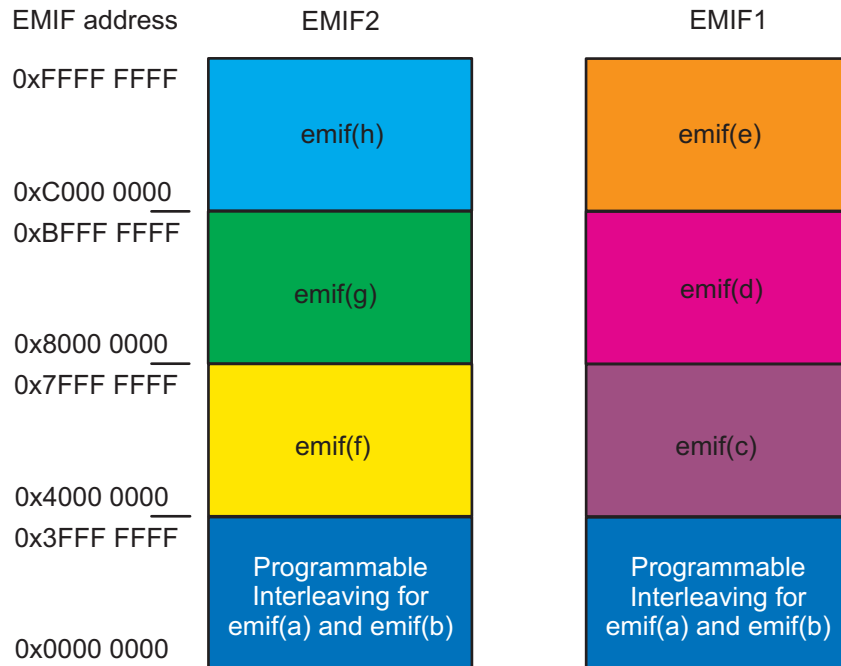
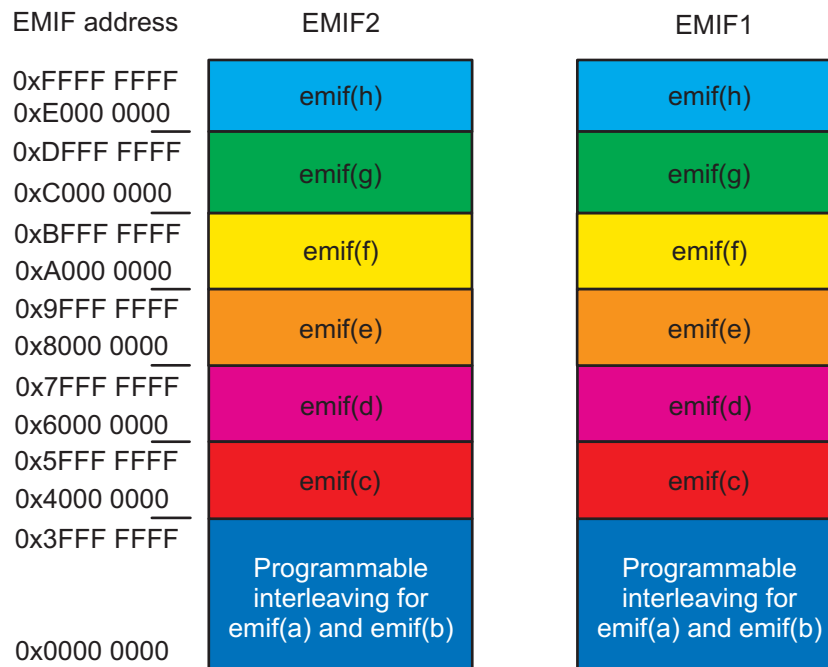


Figure 4-8. EMIF Partitioning With High-Order Interleaving



4.3.4.3.2 Lower 2-GiB Programmable Interleaving Model

For more information about the lower 2-GiB programmable interleaving model of the MA_LSM, see the *Dynamic Mapping*, and *Address Mapping* sections in [Section 15.2, Dynamic Memory Manager](#). When reading, replace DMM with MA_LSM.

4.3.4.3.3 Local Interconnect and Synchronization Agent (LISA) Section Manager

The LSM module in the MPU_MA contains one set of registers and two ports. Each port can handle one address translation, provide the interface size, and determine the EMIF mapping. The two ports process read and write addresses simultaneously. The MA_LSM supports four sections.

4.3.4.3.4 MA_LSM Registers

Table 4-3 lists the DMM registers that are duplicated locally in the MPU_MA. These registers have the same names except that DMM is replaced by MPU_MA. Software must keep the content of these registers equal to the content of their counterparts in the DMM.

Table 4-3. MPU_MA Registers Duplicated From the DMM Register Map

Register	Type	Width (Bits)	Base Address
MA_LISA_LOCK	RW	32	0x482A F01C
MA_LISA_MAP_i (where i = 0 to 3)	RW	32	0x482A F040–0x482A F04C

For descriptions of the registers, see [Section 15.2, Dynamic Memory Manager](#). The only differences are the following reset values of the MA_LISA_MAP_0 register:

- MA_LISA_MAP_0[22:20] SYS_SIZE = 0x1 (32-MiB section)
- MA_LISA_MAP_0[17:16] SDRC_ADDRSPC = 0x1
- MA_LISA_MAP_0[9:8] SDRC_MAP = 0x1

The configuration of the MPU_MA must be programmed by the Cortex-A15 MPU to match the configuration of the DMM during boot. The registers must be locked after initial programming to avoid corruption by application software. When the SM configuration registers are being programmed, there are no interlocks or safeguards to prevent accesses from being processed at the same time. The MA_LISA_LOCK and MA_LISA_MAP_i registers are retained during power down of retention mode.

If an access is made to a region marked as having unused address space or an unmapped SDRC map, no access is made to the EMIF and an error is returned. If an access is made to a region marked as accesses-SDRC-internal-registers, no access occurs to the EMIF and an error is returned. This is because the internal registers are not accessible from this port.

If an access is made to a region that is not mapped to any LISA section, or selects a section with one of the following programmations, then no access is made to the EMIF and an error is returned on the AXI port:

- SDRC_MAP field equal to UNMAPPED
- SDRC_ADDRSPC field equal to UNUSED

4.3.4.3.5 Posted and Nonposted Writes

On posted writes, a response is returned after all write data is accepted by the MPU_MA and one of the following occurs:

- The request is canceled, because of an interleaving error.
- The request is pushed into the firewall FIFO.

On nonposted writes, a response is not returned until after all write data is accepted by the MPU_MA and one of the following occurs:

- The request is canceled, because of an interleaving error.
- The request has a firewall violation.
- The associated response is received from the EMIF (access is completed in the EMIF).

When the FORCEWRNP[0] MPUFORCEWRNP bit is set to 0x1, all writes are forced to be converted to nonposted writes (prevents posted writes).

4.3.4.3.6 Errors

If the region is marked as unmapped, or targets EMIF internal registers or reserved space, access is blocked and an error response is returned. Such an error occurs on the first half of a potential split access and aborts the entire access at that time. DECERR errors ultimately generate Arm aborts. See the Arm Fault Status Register for more information.

To avoid undefined results, the following program rules must be followed:

- A section cannot be mapped as interleaving (MA_LISA_MAP_i[9:8] SDRC_MAP = 0x3), and the MA_LISA_MAP_i[19:18] SDRC_INTL bit field must be equal to 0x0.
- If the section maps to a single EMIF (MA_LISA_MAP_i[9:8] SDRC_MAP = 0x1 or 0x2), the MA_LISA_MAP_i[7:0] SDRC_ADDR bit field must be aligned to the MA_LISA_MAP_i[22:20] SYS_SIZE bit field (that is, the lower SDRC_ADDR bits must be 0).
- If the section maps to both EMIFs (MA_LISA_MAP_i[9:8] SDRC_MAP = 0x3), the MA_LISA_MAP_i[7:0] SDRC_ADDR bit field must be aligned to MA_LISA_MAP_i[22:20] SYS_SIZE – 1, because the addressable space for each EMIF is half.
- If the section maps to both EMIFs (MA_LISA_MAP_i[9:8] SDRC_MAP = 0x3), the MA_LISA_MAP_i[22:20] SYS_SIZE bit field cannot be 0.

4.3.4.4 Statistics Collector Probe Ports

To enable performance monitoring by the debug subsystem, a subset of interconnect signals must be monitored and sent to a statistics collector in the CORE domain. For more information about the statistics collector, see [Chapter 34, On-Chip Debug Support](#) chapter.

4.3.4.5 MPU_MA Firewall

A firewall (MA_MPU_NTTP_FW) exists between the interleaving logic and the EMIF port. The firewall checks the address and access qualifiers against the permission attributes for the highest priority region to which the address belongs. If the access fails to get permission, a violation occurs and the fw_func_error or fw_debug_error output is asserted. The failing access is blocked and a slave error response is returned on the MPU_MA port for read and nonposted accesses. For more information about the MPU_MA firewall, see [Chapter 14, Interconnect](#).

4.3.4.6 MPU_MA Power and Reset Management

The MA_LSM supports only smart-idle mode.

4.3.4.7 MPU_MA Watchpoint

The MPU_MA implements a Watchpoint unit (MPU_MA_WP) attached to its AXI input interface and thus allowing the user to track certain AXI transactions. The MPU_MA_WP can be programmed to generate a trigger when a specified AXI transaction (or a chain of AXI transactions) satisfies a set of user-defined attributes. Upon triggering (that is, upon transaction match), additional information about the target transaction is captured in dedicated log registers.

4.3.4.7.1 Watchpoint Types

The MPU_MA_WP supports three types of watchpoints:

- Data watchpoint
- Memory barrier watchpoint
- Chained watchpoint (combination of data watchpoint and memory barrier)

Two types of chaining are supported based on the configuration of the [DBG_HWWP0_CHAIN_CNTL\[1\] CHAIN_TYPE](#) bit:

- Data watchpoint match *followed* by memory barrier match
- Data watchpoint match *preceded* by memory barrier match

Chaining is enabled by setting the [DBG_HWWP0_CHAIN_CNTL\[0\]](#) CHAIN_WP_EN bit to '1'. Note that both the data watchpoint and the memory barrier must also be subsequently enabled (by setting the [DBG_HWWP0_MAIN_CNTL\[0\]](#) WP_EN and [DBG_HWWP0_MEM_CNTL\[0\]](#) MEM_BAR_WP_EN bits, respectively) for chaining to work. To avoid race conditions and partial matches, no chained match may occur until the complete chain of watchpoints has been fully enabled.

4.3.4.7.2 Transaction Filtering Options

The following filtering options can be specified for a **data watchpoint match** condition (via the [DBG_HWWP0_MAIN_CNTL](#) and [DBG_HWWP0_AUX_CNTL](#) registers):

- Address within or outside a specific range
- Various access types:
 - Read or Write (non-posted/posted/either) or any (no preference)
 - Supervisor or User or any (no preference)
 - Data or Instruction or any (no preference)
- MPU_MA target: AXI2OCP bridge or EMIF or any (no preference)
- Initiator: CPU0 or unknown source (ACP, FEQ, etc.) or any (no preference)

The following filtering options can be specified for a **memory barrier match** condition (via the [DBG_HWWP0_MEM_CNTL](#) register):

- Type of memory barrier instruction: DSB or DMB or any (no preference)
- Type of memory barrier access: Read or Write or any (no preference)

4.3.4.7.3 Transaction Match Effects

The following information concerns transaction attributes logging depending on the transaction match:

- **Data watchpoint match:** When a data watchpoint matches, the following transaction attributes are logged irrespective of the target of the transaction (not all attributes may be applicable for all targets):
 - 40-bit AXI physical address of the transaction
 - Related log registers: [DBG_HWWP0_HG_ADDR0_LOG](#) and [DBG_HWWP0_LW_ADDR0_LOG](#)
 - 128-bit data associated to the n -th beat of the burst transaction, where n is configured by the user (before enabling the watchpoint) in the [DBG_HWWP0_MAIN_CNTL\[23:20\]](#) BEAT_SEL bit field
 - Related log registers: [DBG_HWWP0_DATA0_LOG](#), [DBG_HWWP0_DATA1_LOG](#), [DBG_HWWP2_DATA0_LOG](#), and [DBG_HWWP3_DATA0_LOG](#)
 - Byte Enable: Specifies the 16 data byte enables associated with the up to 128-bit data captured
 - Related log register: [DBG_HWWP0_DATA_TRANS_ATTR0_LOG\[15:0\]](#) BYTE_EN
 - Initiator Info: Specifies which initiator generated the transaction
 - Related log register: [DBG_HWWP0_TRANS_ATTR0_LOG\[22:20\]](#) INIT_INFO
 - Response Info: Specifies whether the response indicates transaction success or failure
 - Related log register: [DBG_HWWP0_TRANS_ATTR0_LOG\[25:24\]](#) RESP_INFO
 - Target Info: Specifies the target of the access
 - Related log register: [DBG_HWWP0_TRANS_ATTR0_LOG\[18:16\]](#) TARGET_INFO
 - Transaction Type: Specifies the type of the transaction which matches
 - Related log register: [DBG_HWWP0_TRANS_ATTR0_LOG\[12:10\]](#) TRANS_TYPE
 - Burst Length (1..63)
 - Related log register: [DBG_HWWP0_TRANS_ATTR0_LOG\[9:4\]](#) BURST_LENGTH
 - Burst Type: Specifies the type of the burst (only relevant if Burst Length > 1)
 - Related log register: [DBG_HWWP0_TRANS_ATTR0_LOG\[2:0\]](#) BURST_TYPE
 - Additional attributes, such as:
 - Data/Instruction access ([DBG_HWWP0_TRANS_ATTR1_LOG\[2\]](#) DATA)
 - Supervisor/User access ([DBG_HWWP0_TRANS_ATTR1_LOG\[1\]](#) SUPERVISOR)

- **Memory barrier watchpoint match:** When a memory barrier watchpoint matches, transaction attributes logged are those of the transaction immediately following the memory barrier
- **Chained watchpoint match:** When a chained watchpoint matches (which implies that both memory barrier and data watchpoint have matched), transaction attributes logged are those of the transaction of the matching data watchpoint

4.3.4.7.4 Trigger Generation

The user can configure the MPU_MA_WP unit to generate a trigger upon watchpoint match. The MPU_MA_WP has a single trigger output (MA_WP_TRIGGER) which is mapped to the CTITRIGIN[6] input of the CS_CTI_S module and is shared by the following trigger sources:

- **Data watchpoint trigger:** Upon data watchpoint match, the [DBG_HWWP0_MAIN_CNTL\[31\]](#) TRIG bit is set (if trigger generation is enabled). This status bit is cleared upon 0->1 transition of the [DBG_HWWP0_MAIN_CNTL\[0\]](#) WP_EN bit
- **Memory barrier watchpoint trigger:** Upon memory barrier match, the [DBG_HWWP0_MEM_CNTL\[31\]](#) MEM_BAR_TRIG bit is set (if trigger generation is enabled). This status bit is cleared upon 0->1 transition of the [DBG_HWWP0_MEM_CNTL\[0\]](#) MEM_BAR_WP_EN bit
- **Chained watchpoint trigger:** Upon chained watchpoint match, the [DBG_HWWP0_CHAIN_CNTL\[31\]](#) CHAIN_WP_TRIG bit is set (if trigger generation is enabled). This status bit is cleared upon 0->1 transition of the [DBG_HWWP0_CHAIN_CNTL\[0\]](#) CHAIN_WP_EN bit

Note that the MPU_MA_WP module supports only a global enable (by setting the [TRIG_CTRL\[0\]](#) TRIG_EN bit) for all three sources listed above. It is SW responsibility to identify the source of the trigger generation by checking the corresponding trigger status bits.

4.3.4.7.5 Programming Options Summary

Below is a summary of the MPU_MA_WP programmable options:

- Match on a data watchpoint only:
 - Configure the [DBG_HWWP0_MAIN_CNTL](#) register
 - Configure the [DBG_HWWP0_AUX_CNTL](#) register
 - Set the [DBG_HWWP0_MAIN_CNTL\[0\]](#) WP_EN bit to enable data watchpoint
- Match on a memory barrier only:
 - Configure the [DBG_HWWP0_MEM_CNTL](#) register
 - Set the [DBG_HWWP0_MEM_CNTL\[0\]](#) MEM_BAR_WP_EN bit to enable memory barrier
- Match on a data watchpoint chained with a memory barrier:
 - Configure the [DBG_HWWP0_CHAIN_CNTL\[1\]](#) CHAIN_TYPE bit to chain data watchpoint *before* memory barrier or data watchpoint *after* memory barrier.
 - Set the [DBG_HWWP0_CHAIN_CNTL\[0\]](#) CHAIN_WP_EN bit to enable the chain (but both the memory and data watchpoints must also be subsequently enabled)
 - Configure the [DBG_HWWP0_MAIN_CNTL](#) register
 - Configure the [DBG_HWWP0_AUX_CNTL](#) register
 - Set the [DBG_HWWP0_MAIN_CNTL\[0\]](#) WP_EN bit to enable data watchpoint
 - Configure the [DBG_HWWP0_MEM_CNTL](#) register
 - Set the [DBG_HWWP0_MEM_CNTL\[0\]](#) MEM_BAR_WP_EN bit to enable memory barrier

4.3.5 Realtime Counter (Master Counter)

4.3.5.1 Counter Operation

The real-time counter (COUNTER_REALTIME) is a free-running counter which produces the count used by the private timer peripherals in the MPU_CLUSTER. For this reason, it is also called Master Counter.

COUNTER_REALTIME supports two modes of operation:

- **Active (FUNC):** This is the normal mode in which the counter runs
- **Sleep / Low-Power (LP):** The counter automatically switches to this mode when the MPU subsystem goes to standby mode

COUNTER_REALTIME has two clock inputs:

- **32K (slow) clock:** This is the FUNC_32K_CLK (SYSCLK1/610) clock
- **System (fast) clock:** This is the WKUPAON_ICLK clock (coming from the global PRCM). The two sources for this clock are:
 - SYS_CLK1: Main system clock of the SoC. Supported frequencies are: 19.2, 20, and 27 MHz
 - ABE_LP_CLK: Clock derived from DPLL_ABE, used in some low-power use cases; runs at 12.288 MHz (DPLL cascading)

COUNTER_REALTIME implements two internal counters: a 40-bit coarse counter, and a 48-bit system counter.

The coarse counter is driven by the FUNC_32K_CLK clock. The coarse counter is the only one running in LP mode (the system counter is off in LP mode) and it is also used in FUNC mode as a timebase reference for the system counter. During active mode, the coarse counter value is multiplied by 375/2. This effectively shifts left the base counter value. This initial value is output to the CPU and is also fed back into the circuit.

The system clock is running in parallel to the 32K clock and it drives the active mode circuit of COUNTER_REALTIME, which includes the following basic blocks:

- 48-bit system counter
- 12-bit fractional incrementor. It has the following input parameters:
 - Numerator (N) for SYS mode: [PRM_FRAC_INCREMENTER_NUMERATOR](#) [11:0] SYS_MODE_NUMERATOR
 - Numerator for ABE_LP mode: [PRM_FRAC_INCREMENTER_NUMERATOR](#) [27:16] ABE_LP_MODE_NUMERATOR
 - Common Denominator (D): [PRM_FRAC_INCREMENTER_DENUMERATOR_RELOAD](#) [11:0] DENOMINATOR
- Fine alignment circuit

At each system clock rising edge, the system counter value is compared to the shifted ($\times 375/2$) coarse counter value and based on this comparison, the system counter is either incremented or unchanged.

NOTE: COUNTER_REALTIME is designed for a count rate of 6.144 million counts per second ($32768\text{Hz} \times 375/2$). Since the SoC does not use a true 32768Hz source (instead uses SYS_CLK1/610, which is $\sim 32787\text{Hz}$ for 20MHz SYS_CLK1), the resulting timer rate is not 6.144 and timer drift can accumulate. To minimize error in active mode, the adjustable fine increment rate MUST equal the fixed coarse increment rate.

Table 4-4 shows suggested COUNTER_REALTIME increment values.

Table 4-4. COUNTER_REALTIME Increment Values

COUNTER_REALTIME Clock Mode	COUNTER_REALTIME Clock Name	COUNTER_REALTIME Fast Source Rate (Hz)	Numerator (N) for Fast Source	Denominator (D) for Fast Source	COUNTER_REALTIME Fine Rate (Hz)	COUNTER_REALTIME 32K Source Rate (Hz)	COUNTER_REALTIME Fixed Coarse Rate (Hz)
			Target 32K*(375/2)		(Sys clock)*(N/D)	(SYSCLK1/610)	32K*(375/2)
System (SYS)	SYS_CLK1	19,200,000	75	244	5,901,639.3	31,475	5,901,639.3
		20,000,000	75	244	6,147,541.0	32,787	6,147,541.0
		27,000,000	75	244	8,299,180.3	44,262	8,299,180.3
ABE Low-Power (ABE_LP)	ABE_LP_CLK	12,288,000	1875	3904	5,901,639.3	31,475	5,901,639.3
			868	1735	6,147,541.2	32,787	6,147,541.0
			955	1414	8,299,179.6	44,262	8,299,180.3
Low-Power (LP)	FUNC_32K_CLK	NA	NA	NA	NA	31,475	5,901,639.3
		NA	NA	NA	NA	32,787	6,147,541.0
		NA	NA	NA	NA	44,262	8,299,180.3

4.3.5.2 Frequency Change Procedure

The change between the system clock (SYS_CLK1) and the ABE low-power clock (ABE_LP_CLK) is performed within global PRCM. A software-controllable bit (CM_CLKSEL_WKUPAON[0] CLKSEL) controls this change. A glitch-free clock multiplexer produces the resulting clock (WKUPAON_ICLK), which is used as the functional clock of the master counter. The CM_CLKSEL_WKUPAON[0] CLKSEL bit is exported from global PRCM to the master counter to control simultaneously the mode (SYS or ABE_LP).

The transition from SYS to ABE_LP mode (DPLL cascading entry) is done under software control as follows:

- DPLL_ABE must be locked before (under software control, global PRCM register CM_CLKMODE_DPLL_ABE[2:0] DPLL_EN = 0x7).
- Software writes 1 in the global PRCM register CM_CLKSEL_WKUPAON[0] CLKSEL bit to choose DPLL_ABE clock.

The transition from ABE_LP to SYS mode (DPLL cascading exit) is done under software control as follows:

- Software writes 0 in the global PRCM register CM_CLKSEL_WKUPAON[0] CLKSEL bit to choose SYS CLK.
- DPLL_ABE may be unlocked after.

Transition from FUNC (ABE_LP or SYS) to LP mode is done by hardware upon MPU subsystem standby entry sequence.

Transition from LP to FUNC (ABE_LP or SYS) mode is done by hardware upon MPU subsystem standby exit sequence.

The frequency change involves some uncertainty on the counter due to a glitch-free clock MUX in global PRCM. In order not to accumulate them, a free-running coarse counter on the FUNC_32K_CLK clock holds the reference count, used for realignment when necessary. To load and reload the reference count value (x375/2) from the coarse counter, the user must write 1 in the [PRM_FRAC_INCREMENTER_DENUMERATOR_RELOAD\[16\] RELOAD](#) bit (but it must be 0 prior to that).

Once configured (at first boot time), the counter is running in all modes without any action required by software.

4.3.6 MPU Watchdog Timer

The MPU watchdog timer (MPU_WD_TIMER) implements one channel for the single MPU core (MPU_WD_TIMER_C0). The MPU_WD_TIMER operates on MPU subsystem clock (MPU_DPLL_CLK).

The MPU_WD_TIMER_C0 channel implements:

- A 32-bit decrementing counter which has a period set by the value loaded into the counter (via the [WDT_LOAD_REGISTER_0\[31:0\]](#) NEWCOUNT bit field) and the prescaler ratio (set via the [WDT_PRESCALER_REGISTER_0\[9:0\]](#) PRESCALER bit field). The period is calculated as follows: $T_{\text{MPU_WD_TIMER_C0}} = (\text{PRESCALER} + 1) \times (\text{NEWCOUNT} + 1) / f(\text{MPU_DPLL_CLK})$.
- Two interrupt output signals (WARN, INTR)
- One reset request output (MPUSSRST)

The counter starts decrementing when the [WDT_CONTROL_REGISTER_0\[0\]](#) ENABLE bit is set to 0x1. The current count value can be monitored by reading the [WDT_COUNT_REGISTER_0\[31:0\]](#) CURRENTCOUNT bit field. When the counter reaches zero, a timeout condition occurs. In the timeout condition, the counter stops counting and:

- MPU_WD_TIMER_C0_IRQ interrupt is generated to the MPU_INTC, if enabled by setting the [WDT_CONTROL_REGISTER_0\[1\]](#) INTREN bit to 0x1.
- Reset request is generated to the global PRCM, if enabled by setting the [WDT_CONTROL_REGISTER_0\[3\]](#) MPUSSRSTEN bit to 0x1.

NOTE: If the MPU core is in debug state, the MPU_WD_TIMER_C0 counter does not decrement until the MPU core returns to non-debug state. Debug state is inferred by monitoring the DBGACK signal of the MPU core.

Additionally, the user can also setup a warning condition which can be used to signal an interrupt that gives software a notice when the MPU_WD_TIMER_C0 is getting close to a timeout. The threshold value is set in the [WDT_WARNING_REGISTER_0\[31:0\]](#) WARNING_WATERMARK bit field. The current count value is then compared to the threshold (warning watermark) level value and when $\text{CURRENTCOUNT} = \text{WARNING_WATERMARK}$, a warning interrupt (MPU_WD_TIMER_C0_IRQ_WARN) is generated to the MPU_INTC (if enabled by setting the [WDT_CONTROL_REGISTER_0\[1\]](#) WARNEN bit to 0x1).

The mapping of the two MPU_WD_TIMER_C0 interrupts is as follows:

- MPU_WD_TIMER_C0_IRQ_WARN mapped to MPU_IRQ_5
- MPU_WD_TIMER_C0_IRQ mapped to MPU_IRQ_139

The user can also poll the following status bits:

- [WDT_RESET_STATUS_REGISTER_0\[0\]](#) TO, to know when the timeout condition has occurred.
- [WDT_RESET_STATUS_REGISTER_0\[1\]](#) WARN, to know when the warning condition has occurred.

The following programming guidelines should be taken into account:

- The [WDT_PRESCALER_REGISTER_0](#) register should be written (if needed) before the [WDT_LOAD_REGISTER_0](#) register is written. This is because when the [WDT_LOAD_REGISTER_0](#) register is written, the [WDT_COUNT_REGISTER_0](#) register is immediately updated with this value and at the same time, the PRESCALER value is sampled to be used by the decrement logic which controls the [WDT_COUNT_REGISTER_0](#) register.
- The [WDT_WARNING_REGISTER_0](#) and [WDT_LOAD_REGISTER_0](#) registers should be written before the MPU_WD_TIMER_C0 is enabled

([WDT_CONTROL_REGISTER_0\[0\] ENABLE = 0x1](#)). Otherwise, interrupts and reset request may be asserted immediately depending on the state of these registers. For example, after reset these registers have '0' and if the [WDT_CONTROL_REGISTER](#) register is configured to enable the corresponding interrupts and reset request, and then [MPU_WD_TIMER_C0](#) is enabled, interrupts and reset request are immediately asserted.

The suggested programming order is as follows:

1. Set the warning watermark level ([WDT_WARNING_REGISTER_0](#)), if needed
2. Set the prescaler ratio ([WDT_PRESCALER_REGISTER_0\[9:0\] PRESCALER](#))
3. Set the new count value ([WDT_LOAD_REGISTER_0](#))
4. Enable corresponding interrupts and reset request in [WDT_CONTROL_REGISTER_0](#), if needed
5. Enable [MPU_WD_TIMER_C0](#) ([WDT_CONTROL_REGISTER_0\[0\] ENABLE = 0x1](#))

NOTE: When the MPU core is going to low power state, the [MPU_WD_TIMER](#) may need to be disabled. If it is not disabled, then the [MPU_WD_TIMER](#) may timeout (since the MPU core is not refreshing the timeout counters) and will generate MPUSS reset request which will reset the MPU domain.

4.3.7 MPU Subsystem Power Management

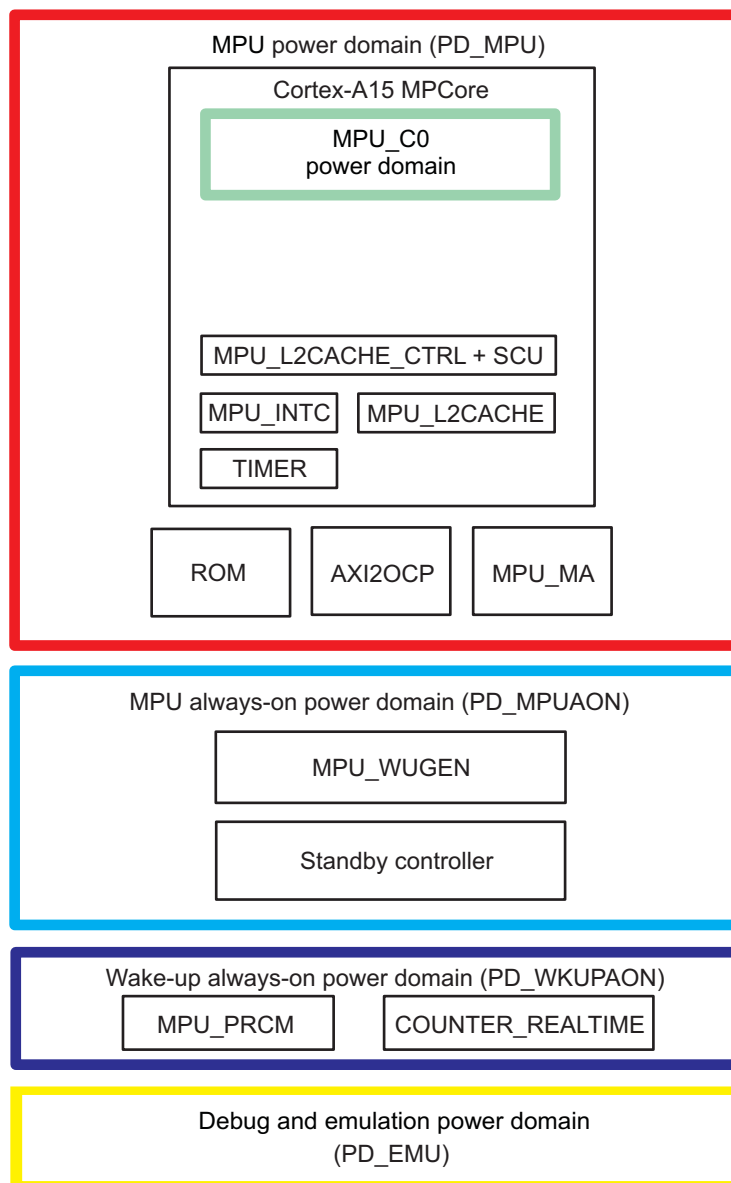
The MPU subsystem implements a local PRCM ([MPU_PRCM](#)) module to handle the local Cortex-A15 CPU power domain, along with the corresponding L1 cache. The [MPU_PRCM](#) module includes one power-management control ([PSCON](#)) module to control the power chain for [MPU_C0](#). The [PRM_PSCON_COUNT](#) register is used for that control purpose.

In addition to the standard power-management technique supported in the device, the MPU subsystem also employs an SR3-APG (SmartReflex3 automatic power gating) power-management technology to reduce leakage. This technology allows for full logic and memories retention on [MPU_C0](#) and is controlled by the [MPU_PRCM](#). The SR3-APG power-management can be enabled by setting the [PRM_PSCON_COUNT\[24\] HG_EN](#) bit. For more information about how to enable SR3-APG fast-wakeup, see [Section 4.3.7.6, SR3-APG Technology Fail-Safe Mode](#).

4.3.7.1 Power Domains

The MPU subsystem is divided into five power domains controlled by the local or global PRCM module, as shown in [Figure 4-9](#).

Figure 4-9. MPU Subsystem Power Domains Overview



NOTE: The MPU debug and trace modules are implemented in various power domains. For more information, see [Chapter 34, On-Chip Debug Support](#).

The device-level power domains are directly aligned with voltage domains and thus can be represented as a cross-reference to the different voltage domains.

For information about the physical power domains (PD_MPU, PD_MPUAON, PD_WKUPAON, and PD_EMU) and the related voltage domains, see [Chapter 3, Power, Reset, and Clock Management](#).

4.3.7.2 Power States of MPU_C0

MPU_C0 changes power states only when the StandbyWFI signal is asserted. There is no signal coming from the MPU core, or the MPU_CLUSTER to define in which power state MPU_C0 can go. Software must program such information by writing to the [PM_CPU0_PWRSTCTRL\[1:0\] POWERSTATE](#) bit field before executing the WFI instruction. [Table 4-5](#) provides the software requirements before executing the WFI instruction, and the condition to return to RUN mode.

Table 4-5. MPU_C0 State Transitions

Low-Power State	Software Sequence Before Executing WFI	Wakeup (Transition Back to Run Mode)
WFI/ON Logic ON L1\$ ON	Execute a Data Synchronization Barrier (DSB) instruction.	Managed locally to MPU_C0 upon one of the following sources: <ul style="list-style-type: none"> • An interrupt, masked or unmasked (important: masked does not mean disabled) • An imprecise data abort, regardless of the value of the CPSRA bit • A debug request generated by writing 1 to the HALTING DEBUG MODE bit of the Cortex-A15 DBGSCR register, or the assertion of the Cortex-A15 EDBGQR pin • Global device cold or warm reset source
WFI/INACT Logic ON L1\$ ON	Execute a DSB instruction.	Managed locally by MPU_PRCM upon following source: <ul style="list-style-type: none"> • An interrupt, enabled at MPU_WUGEN level • A forced wakeup (sw_wkup) • A full debug wake-up request sequence: ForceActive from the DAP_PC, a debug request (as explained previously), assert block reset, wait for processor to halt and clear the block reset • Global device cold or warm reset source
WFI/RETENTION Logic RET L1\$ ON L1\$ peripheral OFF	<ol style="list-style-type: none"> 1. Set the PM_CPU0_PWRSTCTRL[1:0] POWERSTATE bit field to 0x1 (RETENTION state). 2. Execute a DSB instruction. 	Managed locally by MPU_PRCM upon following source: <ul style="list-style-type: none"> • An interrupt, enabled at MPU_WUGEN level • A forced wakeup (sw_wkup) • A full debug wake-up request sequence: ForceActive from the DAP_PC, a debug request (as explained previously), assert block reset, wait for processor to halt and clear the block reset • Global device cold or warm reset source MPU_PRCM does not need to reset MPU_C0.

NOTE: For the description of the Cortex-A15 CPU registers and the DSB/ISB instructions, see the *Arm Cortex-A15 Technical Reference Manual* (available at infocenter.arm.com/help/index.jsp).

The RETENTION low-power state is not natively supported by the MPU_CLUSTER. This mode is implemented with SR3-APG power-management technology. In this mode, the MPU_C0 logic is in full retention with all memory content preserved by keeping the array of memories fully powered and the logic of the memory peripherals shut down. In slow wake-up mode, memories are put into retention to prevent more leakage.

In RETENTION low-power state, the standby controller gates the clock to the MPU_CLUSTER by deasserting the CLKEN signal before signaling the MPU_PRCM to perform a power transition. In this low-power state, the MPU core can be wakened only by the MPU_PRCM. A number of important actions must be performed by software before entering such a state.

A wakeup from RETENTION low-power state does not need to happen through a MPU core reset because MPU core logics are fully retained.

[Table 4-6](#) gives details of the power state of the supported MPU_C0 and the corresponding values of the MPU_PRCM register.

Table 4-6. MPU_C0 Supported Power States

Hardware Conditions		MPU_C0 Programming Model		Resulting MPU_C0 State			
StandbyWFI StandbyWFE	State of L2	MPU_PRCM Power State PM_CPU0_PWRSTCTRL[1:0] POWERSTATE	MPU_PRCM Clock Transition Control CM_CPU0_CLKSTCTRL[1:0] CLKTRCTRL	Logic	L1 Cache	Arm Cortex-A15 Internal Clock	Power State at MPU_PRCM
MPU_C0 running	Any	Any	Any	ON	ON	ON	ON
MPU_C0 in WFE	Any	Any	Any	ON	ON	OFF	ON
MPU_C0 in WFI	Any	Any	NO_SLEEP/SW_WKUP	ON	ON	OFF	ON
MPU_C0 in WFI	Any	ON	HW_AUTO	ON	ON	OFF	ON
MPU_C0 in WFI	!= (IDLE/WFI /WFI)	Any	HW_AUTO	ON	ON	OFF	ON
MPU_C0 in WFI	IDLE/WFI/WFI	INACT	HW_AUTO	ON	ON	OFF	INACT
MPU_C0 in WFI	IDLE/WFI/WFI	RETENTION	HW_AUTO	SR3-APG/ON ⁽¹⁾	ON/RETENTION ⁽²⁾	OFF	CSWRET

⁽¹⁾ If [PRM_PSCON_COUNT](#)[24] HG_EN = 1, MPU core logic is put in SR3-APG state. If not, MPU core logic is kept ON.

⁽²⁾ L1\$ state depends on the values of the [PRM_PSCON_COUNT](#)[25] HG_RAMPUP and [PRM_PSCON_COUNT](#)[24] HG_EN bits. When CPU PD is in the CSWRET state, if HG_ENABLE = 0x1 and HG_RAMPUP = 0x1, then L1\$ memory is in ON state, else L1\$ memory is in the RETENTION state. For more information, see [Section 4.3.7.6, SR3-APG Technology Fail-Safe Mode](#).

The [PM_CPU0_PWRSTCTRL](#) register is static over any power transition. That is, software programs it before executing the WFI instruction and does not change it until MPU_C0 is again in running mode. In other words, when MPU_C0 reaches a low-power state, it cannot move to another low-power state. It must be woken up to reach another low-power state. To wake up MPU_C0, the user must:

- Execute a forced wake-up transition to the MPU_C0: [CM_CPU0_CLKSTCTRL](#)[1:0] CLKTRCTRL = 0x2.
- The MPU_C0 interrupt handler must write back the automatic hardware transition: [CM_CPU0_CLKSTCTRL](#)[1:0] CLKTRCTRL = 0x3.

4.3.7.3 Power States of MPU Subsystem

The MPU subsystem power domain (PD_MPU) must be at a higher or equal power state (a state that consumes more power) than the MPU core. For example, it is illegal for the MPU subsystem power state to be RETENTION, while the power state of the MPU core is ON. Software must ensure that only legal power states are programmed. When an illegal state is entered, the behavior of the hardware is unpredictable.

[Table 4-7](#) lists the MPU subsystem legal power states.

Table 4-7. MPU Subsystem Legal Power States

Hardware Conditions		MPU/System Programming Model				Resulting MPU/System State			
MPU_C0 States	State of L2	PRCM Power State PM_MPU_PWRSTCTRL[1:0] POWERSTATE	PRCM Logic Retention State PM_MPU_PWRSTCTRL[2] LOGICRETSTATE	PRCM L2 Memory Retention State PM_MPU_PWRSTCTRL[9] MPU_L2_RETSTATE	PRCM Clock Transition Control CM_MPU_CLKSTCTRL[1:0] CLKTRCTRL	Logic	L2 Cache	DPLL Clock	Power State (at PRCM)
At least one is ON	Any	Any	Any	Any	Any	ON	ON	ON	ON

Table 4-7. MPU Subsystem Legal Power States (continued)

Hardware Conditions		MPU/System Programming Model				Resulting MPU/System State			
MPU_C0 States	State of L2	PRCM Power State PM_MPU_PWRSTCTRL[1:0] POWERSTATE	PRCM Logic Retention State PM_MPU_PWRSTCTRL[2] LOGICRETSTATE	PRCM L2 Memory Retention State PM_MPU_PWRSTCTRL[9] MPU_L2_RETSTATE	PRCM Clock Transition Control CM_MPU_CLKSTCTRL[1:0] CLKTRCTRL	Logic	L2 Cache	DPLL Clock	Power State (at PRCM)
Any	!= (IDLE / WFI)	Any	Any	Any	Any	ON	ON	ON	ON
Power state of MPU core is less than or equal to INACT	IDLE / WFI	Any	Any	Any	NO_SLEEP/SW_WKUP	ON	ON	ON	ON
	IDLE / WFI	ON	Any	Any	HW_AUTO	ON	ON	ON	ON
	IDLE / WFI	INACT	Any	Any	HW_AUTO	ON	ON	OFF	INACT
Power state of MPU core is less than or equal to CSWRET	IDLE / WFI	RETENTION	CSWRET	RETENTION	HW_AUTO	ON	RETENTION	OFF	CSWRET
	IDLE / WFI	RETENTION	CSWRET	OFF	HW_AUTO	ON	OFF	OFF	CSWRET

NOTE: All the transitions presented in [Table 4-7](#), except for the first line, are handled by the MPU_PRCM and the global PRCM.

Once the MPU subsystem reaches a low-power state (INACT, CSWRET), it cannot move to another low-power state. It must be woken up to reach another low-power state.

4.3.7.4 MPU_WUGEN

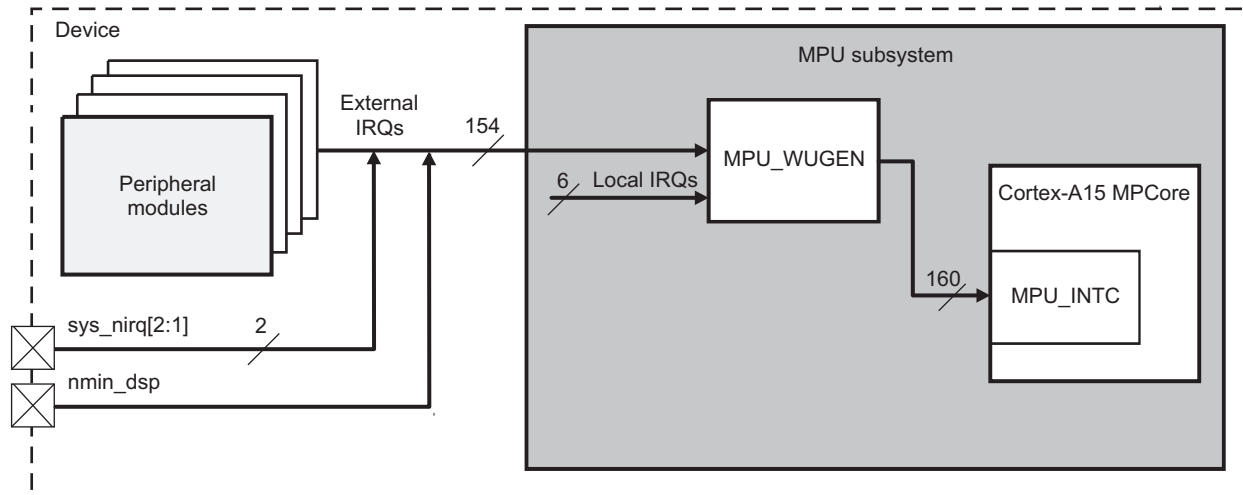
The MPU_WUGEN belongs to the MPU always-on power domain (PD_MPUAON) and is responsible for generating wake-up events from the incoming interrupts (external and local to the MPU subsystem) according to the MPU_WUGEN 160-bit enable field (from [WKG_ENB_A_0](#) to [WKG_ENB_E_0](#)), which defines the interrupt that wakes up the MPU core.

All interrupts are enabled after reset, except MPU_IRQ_8. The Cortex-A15 MPU can access the MPU_WUGEN internal configuration registers through the MPU_AXI2OCP.

Software must program interrupt enabling and disabling coherently in the MPU_INTC and in the MPU_WUGEN enable registers. That is, a given interrupt for a given MPU core is either enabled at both MPU_INTC and MPU_WUGEN, or disabled at both; no combination is allowed.

[Figure 4-10](#) is a functional overview of the MPU_WUGEN in the MPU subsystem.

Figure 4-10. MPU_WUGEN Overview



4.3.7.5 Power Transition Sequence

At power-on-reset (POR), or global warm reset, the MPU core is powered on. Software can determine the appropriate power mode for the MPU core and program the MPU_PRCM accordingly.

There are three types of power transitions:

- Power transitions that do not involve the local or global PRCM module
 - MPU_C0 transition to WFE/ON - corresponds to line 2 of [Table 4-6](#)
 - MPU_C0 transition to WFI/ON - corresponds to lines 3, 4, and 6 of [Table 4-6](#)
- Power transitions handled by the local PRCM module
 - MPU_C0 transition to WFI/INACT, or WFI/RET - corresponds to line 7, 8 and 9 of [Table 4-6](#). Requires software to program the MPU_PRCM with INACT/RET mode.
- Power transitions handled by the local and global PRCM modules

4.3.7.6 SR3-APG Technology Fail-Safe Mode

The SR3-APG power-management technology implements a fast power ramp-up technology. To take advantage of the fast ramp-up feature in SR3-APG, software must first enable it by setting the [PRM_PSCON_COUNT\[25\] HG_RAMPUP](#) bit to 1.

A fail-safe mechanism is put in place to revert back to the standard power ramp-up time by setting the [PRM_PSCON_COUNT\[25\] HG_RAMPUP](#) bit to 0.

The slow ramp-up time can be set through the [PRM_PSCON_COUNT\[23:16\] HG_PONOUT_2_PGDOODIN_TIME](#) bit field when the HG weak chain is used (in other words, the [PRM_PSCON_COUNT\[25\] HG_RAMPUP](#) bit is set to 0x0).

This applies only when SR3-APG is enabled ([PRM_PSCON_COUNT\[24\] HG_EN](#) = 1).

The L1 cache memory state depends on the values of the [PRM_PSCON_COUNT\[25\] HG_RAMPUP](#) and [PRM_PSCON_COUNT\[24\] HG_EN](#) bits. When CPU PD is in CSWRET state and HG_ENABLE and HG_RAMPUP are set to 0x1, L1 cache is in the ON state.

If SR3-APG is disabled ([PRM_PSCON_COUNT\[24\] HG_EN](#) = 0), the L1 cache array can be put in RETENTION during CSWRET regardless of the [PRM_PSCON_COUNT\[25\] HG_RAMPUP](#) bit.

4.3.8 MPU Subsystem AMBA Interface Configuration

There are some inputs at the MPU core (MPU_C0) boundary which can be tied off to disable certain kind of transactions appearing on the AMBA4 interface:

- SYSBARDISABLE (SBD): This controls whether:

- Barriers are handled internal to MPU core (SBD = 1), or
- Barriers are issued on the AMBA4 interface (SBD = 0).
- BROADCASTINNER (BI), BROADCASTOUTER (BO), BROADCASTMAINTENANCE (BCM): These control whether external snoops are issued on AMBA4 interface or not:
 - BI=BO=BCM=0: No external snoops issued.
 - BI=BO=BCM=1: External snoops can be issued. Not supported in the device.

For detailed description on these inputs, see the Arm *Cortex-A15 Technical Reference Manual* (available at infocenter.arm.com/help/index.jsp).

To give flexibility and mitigate risk, a programmable register ([AMBA_IF_MODE](#)) is added to control the tie-off value of these MPU_C0 inputs. Once this register is programmed, MPU power domain has to go through OSWRET transition for the programmed values in bits [AMBA_IF_MODE](#) [3:0] to take effect. This is because the MPU_C0 non-cpu logic latches the value on the corresponding inputs when it is coming out of reset.

These are the only legal combinations of [BI, BO, BCM, SBD] allowed:

- BI, BO, BCM, SBD = 0001 – Corresponds to **AXI3** mode. Barriers not issued on AMBA4 interface. External snoops not issued. This is the default mode.
- BI, BO, BCM, SBD = 0000 – Corresponds to **ACE non-coherent, no L3** mode. Barriers issued on AMBA4 interface. External snoops not issued.

The ROM code provides specific API for configuring the [AMBA_IF_MODE](#) register. For more information, see section *Wakeup Generator*, in [Chapter 33, Initialization](#).

4.4 Cortex-A15 MPU Subsystem Register Manual

4.4.1 Cortex-A15 MPU Subsystem Instance Summary

Table 4-8. Cortex-A15 MPU Subsystem Instance Summary

Module Name	Base Address	Size
MPU_CS_STM	0x4700 0000	16 MiB
MPU_INTC	0x4821 0000	32 KiB
MPU_PRCM_OCP_SOCKET	0x4824 3000	512 bytes
MPU_PRCM_DEVICE	0x4824 3200	512 bytes
MPU_PRCM_PRM_C0	0x4824 3400	512 bytes
MPU_PRCM_CM_C0	0x4824 3600	512 bytes
Reserved	0x4824 3800	512 bytes
Reserved	0x4824 3A00	512 bytes
MPU_WUGEN	0x4828 1000	4 KiB
Reserved	0x4829 0000	12 KiB
MPU_WD_TIMER	0x482A 0000	4 KiB
MPU_AXI2OCP_MISC	0x482A 2000	4 KiB
MPU_MA_LSM	0x482A F000	256 bytes
MPU_MA_WP	0x482A F200	256 bytes

4.4.2 MPU_CS_STM Registers

For information about the MPU_CS_STM registers and their description, see the Arm *CoreSight STM Technical Reference Manual* (available at infocenter.arm.com/help/index.jsp).

4.4.3 MPU_INTC Registers

For information about the MPU_INTC registers and their description, see the Arm *Cortex-A15 MPCore Technical Reference Manual* (available at infocenter.arm.com/help/index.jsp).

4.4.4 MPU_PRCM_OCP_SOCKET Registers

4.4.4.1 MPU_PRCM_OCP_SOCKET Register Summary

Table 4-9. Local PRCM Revision Register Mapping Summary

Register Name	Type	Register Width (Bits)	Address Offset	MPU_PRCM_OCP_SOCKET Physical Address
REVISION_PRCM_MPU	R	32	0x0000 0000	0x4824 3000

4.4.4.2 MPU_PRCM_OCP_SOCKET Register Description

Table 4-10. REVISION_PRCM_MPU

Address Offset	0x0000 0000	Instance	MPU_PRCM_OCP_SOCKET
Physical Address	0x4824 3000		
Description	IP Revision register		
Type	R		

31	30	29	28	27	26	25	24	23	22	21	20	19	18	17	16	15	14	13	12	11	10	9	8	7	6	5	4	3	2	1	0
REVISION																															

Bits	Field Name	Description	Type	Reset
31:0	REVISION	IP revision	R	TI internal data

Table 4-11. Register Call Summary for Register REVISION_PRCM_MPU

Cortex-A15 MPU Subsystem Register Manual

- [MPU_PRCM_OCP_SOCKET Register Summary: \[0\]](#)

4.4.5 MPU_PRCM_DEVICE Registers

4.4.5.1 MPU_PRCM_DEVICE Register Summary

Table 4-12. MPU_PRCM_DEVICE Registers Mapping Summary

Register Name	Type	Register Width (Bits)	Address Offset	MPU_PRCM_DEVICE Physical Address
PRM_RSTST	RW	32	0x0000 0000	0x4824 3200
PRM_PSCON_COUNT	RW	32	0x0000 0004	0x4824 3204
PRM_FRAC_INCREMENTER_NUMERATOR	RW	32	0x0000 0010	0x4824 3210
PRM_FRAC_INCREMENTER_DENUMERATOR_RELOAD	RW	32	0x0000 0014	0x4824 3214

4.4.5.2 MPU_PRCM_DEVICE Register Description

Table 4-13. PRM_RSTST

Address Offset	0x0000 0000	Instance	MPU_PRCM_DEVICE
Physical Address	0x4824 3200		
Description	This register logs the global reset sources, thus contains information regarding the cold/warm reset events generated by global PRCM. Each bit is set upon release of the domain reset signal. Must be cleared by software. This register is insensitive to global warm reset.		
Type	RW		

31	30	29	28	27	26	25	24	23	22	21	20	19	18	17	16	15	14	13	12	11	10	9	8	7	6	5	4	3	2	1	0
RESERVED																GLOBAL_WARM_RST		GLOBAL_COLD_RST													

Bits	Field Name	Description	Type	Reset
31:2	RESERVED	Reserved	R	0x0000 0000
1	GLOBAL_WARM_RST	Global warm reset event generated by global PRCM 0x0: No global warm reset. 0x1: Global external warm reset has occurred.	RW (W1toClr)	0x0
0	GLOBAL_COLD_RST	Power-on (cold) reset event generated by global PRCM 0x0: No power-on reset. 0x1: Power-on reset has occurred.	RW (W1toClr)	0x1

Table 4-14. Register Call Summary for Register PRM_RSTST

Cortex-A15 MPU Subsystem Integration

- [Reset Distribution: \[0\]\[1\]](#)

Cortex-A15 MPU Subsystem Register Manual

- [MPU_PRCM_DEVICE Register Summary: \[2\]](#)

Table 4-15. PRM_PSCON_COUNT

Address Offset	0x0000 0004	Instance	MPU_PRCM_DEVICE
Physical Address	0x4824 3204		
Description	Programmable precharge count for L1cache		
Type	RW		

31	30	29	28	27	26	25	24	23	22	21	20	19	18	17	16	15	14	13	12	11	10	9	8	7	6	5	4	3	2	1	0
RESERVED								HG_PONOUT_2_PGDOODIN_TIME								RESERVED								PCHARGE_TIME							
								HG_RAMPUP																							
								HG_EN																							

Bits	Field Name	Description	Type	Reset
31:26	RESERVED	Reserved	R	0x00
25	HG_RAMPUP	Ramp-up mode selection of HG power chain switch 0x0: Slow ramp-up mode – HG weak chain is used. The delay between PONOUTHG and PGOODINHG is defined by the HG_PONOUT_2_PGDOODIN_TIME bit field. 0x1: Fast ramp-up mode – HG weak chain is not used	RW	0x0
24	HG_EN	HG power chain switch enable 0x0: HG power chain switch is disabled 0x1: HG power chain switch is enabled	RW	0x0
23:16	HG_PONOUT_2_PGDOODIN_TIME	The value set in this field determines the slow ramp-up time and the duration (number of cycles) of the PONOUTHG to PGOODINHG (transition for power domain without DPS). The duration is computed as 8 x HG_PONOUT_2_PGDOODIN_TIME of system clock cycles. Target is 10us.	RW	0x30
15:8	RESERVED	Reserved	R	0x00
7:0	PCHARGE_TIME	Programmable precharge count during retention	RW	0x17

Table 4-16. Register Call Summary for Register PRM_PSCON_COUNT

Cortex-A15 MPU Subsystem Functional Description

- [MPU Subsystem Power Management: \[0\]\[1\]](#)
- [Power States of MPU_C0: \[2\]\[3\]\[4\]](#)
- [SR3-APG Technology Fail-Safe Mode: \[5\]\[6\]\[7\]\[8\]\[9\]\[10\]\[11\]\[12\]\[13\]](#)

Cortex-A15 MPU Subsystem Register Manual

- [MPU_PRCM_DEVICE Register Summary: \[14\]](#)

Table 4-17. PRM_FRAC_INCREMENTER_NUMERATOR

Address Offset	0x0000 0010	Instance	MPU_PRCM_DEVICE
Physical Address	0x4824 3210		
Description	Fractional incrementor		
Type	RW		

31	30	29	28	27	26	25	24	23	22	21	20	19	18	17	16	15	14	13	12	11	10	9	8	7	6	5	4	3	2	1	0
RESERVED								ABE_LP_MODE_NUMERATOR								RESERVED				SYS_MODE_NUMERATOR											

Bits	Field Name	Description	Type	Reset
31:28	RESERVED	Reserved	R	0x0
27:16	ABE_LP_MODE_NUMERATOR	Numerator to be used in fractional incrementor when ABE_LP_CLK clock is used as PRCM clock. Reset value corresponds to ABE_LP_CLK clock = 12.288 MHz.	RW	0x659
15:12	RESERVED	Reserved	R	0x0
11:0	SYS_MODE_NUMERATOR	Numerator to be used in fractional incrementor when SYS_CLK1 is used as PRCM clock. NOTE: The reset value corresponds to SYS_CLK1 = 38.4 MHz. Because the device does not support such SYS_CLK1 frequency, it is SW responsibility to set a value corresponding to one of the SYS_CLK1 frequencies listed in .	RW	0x208

Table 4-18. Register Call Summary for Register PRM_FRAC_INCREMENTER_NUMERATOR

Cortex-A15 MPU Subsystem Functional Description

- [Counter Operation: \[0\]\[1\]](#)

Cortex-A15 MPU Subsystem Register Manual

- [MPU_PRCM_DEVICE Register Summary: \[2\]](#)

Table 4-19. PRM_FRAC_INCREMENTER_DENOMINATOR_RELOAD

Address Offset	0x0000 0014	Instance	MPU_PRCM_DEVICE
Physical Address	0x4824 3214		
Description	Reload command and denominator to be used in fractional incrementor		
Type	RW		

31	30	29	28	27	26	25	24	23	22	21	20	19	18	17	16	15	14	13	12	11	10	9	8	7	6	5	4	3	2	1	0
RESERVED																RELOAD	RESERVED				DENOMINATOR										

Bits	Field Name	Description	Type	Reset
31:17	RESERVED	Reserved	R	0x0000
16	RELOAD	Reload counter value from coarse counter. 0->1 transition in this field is used to load the coarse counter into counter.	RW	0x0
15:12	RESERVED	Reserved	R	0x0
11:0	DENOMINATOR	Denominator to be used in fractional incrementor when when SYS_CLK1 is used as PRCM clock. NOTE: The reset value corresponds to SYS_CLK1 = 38.4 MHz. Because the device does not support such SYS_CLK1 frequency, it is SW responsibility to set a value corresponding to one of the SYS_CLK1 frequencies listed in .	RW	0xCB2

Table 4-20. Register Call Summary for Register PRM_FRAC_INCREMENTER_DENUMERATOR_RELOAD

Cortex-A15 MPU Subsystem Functional Description

- Counter Operation: [0]
- Frequency Change Procedure: [1]

Cortex-A15 MPU Subsystem Register Manual

- MPU_PRCM_DEVICE Register Summary: [2]

4.4.6 MPU_PRCM_PRM_C0 Registers

4.4.6.1 MPU_PRCM_PRM_C0 Register Summary

Table 4-21. MPU_PRCM_PRM_C0 Registers Mapping Summary

Register Name	Type	Register Width (Bits)	Address Offset	MPU_PRCM_PRM_C0 Base Address
PM_CPU0_PWRSTCTRL	RW	32	0x0000 0000	0x4824 3400
PM_CPU0_PWRSTST	RW	32	0x0000 0004	0x4824 3404
RM_CPU0_CPU0_RSTCTRL	RW	32	0x0000 0010	0x4824 3410
RM_CPU0_CPU0_RSTST	RW	32	0x0000 0014	0x4824 3414
RM_CPU0_CPU0_CONTEXT	RW	32	0x0000 0024	0x4824 3424

4.4.6.2 MPU_PRCM_PRM_C0 Register Description

Table 4-22. PM_CPU0_PWRSTCTRL

Address Offset	0x0000 0000	Instance	MPU_PRCM_PRM_C0
Physical Address	0x4824 3400		
Description	This register controls the CPU domain power state to reach upon a domain sleep transition		
Type	RW		

31	30	29	28	27	26	25	24	23	22	21	20	19	18	17	16	15	14	13	12	11	10	9	8	7	6	5	4	3	2	1	0		
RESERVED																L1_BANK_ONSTATE		RESERVED						L1_BANK_RETSTATE		RESERVED				LOGICRETSTATE		POWERSTATE	

Bits	Field Name	Description	Type	Reset
31:18	RESERVED	Reserved	R	0x0000
17:16	L1_BANK_ONSTATE	CPU_L1 memory state when domain is ON. Read 0x3: Memory bank is on when the domain is ON.	R	0x3
15:9	RESERVED	Reserved	R	0x00
8	L1_BANK_RETSTATE	CPU_L1 memory state when domain is RETENTION. Read 0x1: Memory bank is retained when domain is in RETENTION state.	R	0x1

Bits	Field Name	Description	Type	Reset
7:3	RESERVED	Reserved	R	0x00
2	LOGICRETSTATE	Logic state when power domain is RETENTION Read 0x1: Whole logic is retained when domain is in RETENTION state.	R	0x1
1:0	POWERSTATE	Power state control 0x0: OFF state NOTE: OFF state for MPU_C0 is NOT supported in this device. 0x1: RETENTION state 0x2: INACTIVE state 0x3: ON state	RW	0x3

Table 4-23. Register Call Summary for Register PM_CPU0_PWRSTCTRL

Cortex-A15 MPU Subsystem Functional Description

- [Power States of MPU_C0: \[0\]\[1\]\[3\]\[4\]](#)

Cortex-A15 MPU Subsystem Register Manual

- [MPU_PRCM_PRM_C0 Register Summary: \[5\]](#)

Table 4-24. PM_CPU0_PWRSTST

Address Offset	0x0000 0004	Instance	MPU_PRCM_PRM_C0
Physical Address	0x4824 3404		
Description	This register provides a status on the CPU domain current power state. [warm reset insensitive]		
Type	RW		

31	30	29	28	27	26	25	24	23	22	21	20	19	18	17	16	15	14	13	12	11	10	9	8	7	6	5	4	3	2	1	0
RESERVED								LASTPOWERSTATEENTERED		RESERVED		INTRANSITION		RESERVED								L1_BANK_STATE		RESERVED		LOGICSTATE		POWERSTATE			

Bits	Field Name	Description	Type	Reset
31:26	RESERVED	Reserved	R	0x00
25:24	LASTPOWERSTATEENTERED	Last low power state entered 0x0: Power domain was previously in OFF NOTE: OFF state for MPU_C0 is NOT supported in this device. 0x1: Power domain was previously RETENTION 0x2: Power domain was previously INACTIVE 0x3: Power domain was previously ON	RW	0x0
23:21	RESERVED	Reserved	R	0x0
20	INTRANSITION	Domain transition status Read 0x0: No ongoing transition on power domain Read 0x1: Power domain transition is in progress.	R	0x0
19:6	RESERVED	Reserved	R	0x0000

Bits	Field Name	Description	Type	Reset
5:4	L1_BANK_STATEST	CPU_L1 memory state status Read 0x0: Memory is OFF Read 0x1: Memory is RET Read 0x2: Reserved Read 0x3: Memory is ON	R	0x3
3	RESERVED	Reserved	R	0x0
2	LOGICSTATEST	Logic state status Read 0x0: Logic in domain is OFF Read 0x1: Logic in domain is ON	R	0x1
1:0	POWERSTATEST	Current power state status Read 0x0: Power domain is OFF NOTE: OFF state for MPU_C0 is NOT supported in this device. Read 0x1: Power domain is in RETENTION Read 0x2: Power domain is ON-INACTIVE Read 0x3: Power domain is ON-ACTIVE	R	0x3

Table 4-25. Register Call Summary for Register PM_CPU0_PWRSTST

Cortex-A15 MPU Subsystem Register Manual

- [MPU_PRCM_PRM_C0 Register Summary: \[0\]](#)

Table 4-26. RM_CPU0_CPU0_RSTCTRL

Address Offset	0x0000 0010	
Physical Address	0x4824 3410	Instance MPU_PRCM_PRM_C0
Description	This register controls the assertion/release of the CPU CORE reset.	
Type	RW	

31	30	29	28	27	26	25	24	23	22	21	20	19	18	17	16	15	14	13	12	11	10	9	8	7	6	5	4	3	2	1	0
RESERVED																	RST														

Bits	Field Name	Description	Type	Reset
31:1	RESERVED	Reserved	R	0x0000 0000
0	RST	CPU warm local reset control 0x0: Reset is cleared 0x1: Reset is asserted	RW	0x0

Table 4-27. Register Call Summary for Register RM_CPU0_CPU0_RSTCTRL

Cortex-A15 MPU Subsystem Register Manual

- [MPU_PRCM_PRM_C0 Register Summary: \[0\]](#)

Table 4-28. RM_CPU0_CPU0_RSTST

Address Offset	0x0000 0014	Instance	MPU_PRCM_PRM_C0
Physical Address	0x4824 3414		
Description	This register logs the different reset sources of the MPU domain. Each bit is set upon release of the domain reset signal. Must be cleared by software. [warm reset insensitive]		
Type	RW		

31	30	29	28	27	26	25	24	23	22	21	20	19	18	17	16	15	14	13	12	11	10	9	8	7	6	5	4	3	2	1	0
RESERVED																DBGRST_REQ_RSTST		RSTST													

Bits	Field Name	Description	Type	Reset
31:2	RESERVED	Reserved	R	0x0000 0000
1	DBGRST_REQ_RSTST	MPU_C0 processor has been reset due to MPU_C0 emulation reset request driven from MPUSS. Read 0x0: No emulation reset Read 0x1: MPU_C0 has been reset upon emulation request.	RW (W1toClr)	0x0
0	RSTST	MPU_C0 software reset Read 0x0: No software reset occurred. Read 0x1: MPU_C0 has been reset upon software reset.	RW (W1toClr)	0x0

Table 4-29. Register Call Summary for Register RM_CPU0_CPU0_RSTST

- Cortex-A15 MPU Subsystem Register Manual
- [MPU_PRCM_PRM_C0 Register Summary: \[0\]](#)

Table 4-30. RM_CPU0_CPU0_CONTEXT

Address Offset	0x0000 0024	Instance	MPU_PRCM_PRM_C0
Physical Address	0x4824 3424		
Description	This register contains dedicated CPU context statuses. [warm reset insensitive]		
Type	RW		

31	30	29	28	27	26	25	24	23	22	21	20	19	18	17	16	15	14	13	12	11	10	9	8	7	6	5	4	3	2	1	0
RESERVED																LOSTMEM_CPU_L1	RESERVED										LOSTCONTEXT_DFF				

Bits	Field Name	Description	Type	Reset
31:9	RESERVED	Reserved	R	0x00 0000
8	LOSTMEM_CPU_L1	Specify if memory-based context in CPU_L1 memory bank has been lost due to a previous power transition or other reset source. 0x0: Context has been maintained 0x1: Context has been lost	RW (W1toClr)	0x1
7:1	RESERVED	Reserved	R	0x00
0	LOSTCONTEXT_DFF	Specify if DFF-based context has been lost due to a previous power transition or other reset source. 0x0: Context has been maintained 0x1: Context has been lost	RW (W1toClr)	0x1

Table 4-31. Register Call Summary for Register RM_CPU0_CPU0_CONTEXT

Cortex-A15 MPU Subsystem Register Manual

- [MPU_PRCM_PRM_C0 Register Summary: \[0\]](#)

4.4.7 MPU_PRCM_CM_C0 Registers

4.4.7.1 MPU_PRCM_CM_C0 Register Summary

Table 4-32. MPU_PRCM_CM_C0 Registers Mapping Summary

Register Name	Type	Register Width (Bits)	Address Offset	MPU_PRCM_CM_C0 Base Address
CM_CPU0_CLKSTCTRL	RW	32	0x0000 0000	0x4824 3600
CM_CPU0_CPU0_CLKCTRL	R	32	0x0000 0020	0x4824 3620

4.4.7.2 MPU_PRCM_CM_C0 Register Description

Table 4-33. CM_CPU0_CLKSTCTRL

Address Offset	0x0000 0000	Instance	MPU_PRCM_CM_C0
Physical Address	0x4824 3600		
Description	This register enables the CPU domain power state transition. It controls the HW supervised domain power state transition between ON-ACTIVE and ON-INACTIVE states. It also holds 1 status bit per clock input of the domain.		
Type	RW		

31	30	29	28	27	26	25	24	23	22	21	20	19	18	17	16	15	14	13	12	11	10	9	8	7	6	5	4	3	2	1	0
RESERVED																CLKTRCTRL															

Bits	Field Name	Description	Type	Reset
31:2	RESERVED	Reserved	R	0x0000 0000
1:0	CLKTRCTRL	Controls the full domain transition of the CPU domain. 0x0: NO_SLEEP: Sleep transition cannot be initiated. Wakeup transition may, however, occur. 0x1: Reserved 0x2: SW_WKUP: Start a software forced wakeup transition on the domain.0x1: Reserved 0x3: HW_AUTO: Automatic transition is enabled. Sleep and wakeup transition are based upon hardware conditions.	RW	0x0

Table 4-34. Register Call Summary for Register CM_CPU0_CLKSTCTRL

Cortex-A15 MPU Subsystem Functional Description

- [Power States of MPU_C0: \[0\]\[1\]\[2\]](#)

Cortex-A15 MPU Subsystem Register Manual

- [MPU_PRCM_CM_C0 Register Summary: \[3\]](#)

Table 4-35. CM_CPU0_CPU0_CLKCTRL

Address Offset	0x0000 0020	Instance	MPU_PRCM_CM_C0
Physical Address	0x4824 3620		
Description	This register manages the CPU clocks.		
Type	R		

31	30	29	28	27	26	25	24	23	22	21	20	19	18	17	16	15	14	13	12	11	10	9	8	7	6	5	4	3	2	1	0
RESERVED																	STBYST														

Bits	Field Name	Description	Type	Reset
31:1	RESERVED	Reserved	R	0x0000 0000
0	STBYST	Module standby status. [warm reset insensitive] Read 0x0: Module is functional (not in standby). Read 0x1: Module is in standby.	R	0x1

Table 4-36. Register Call Summary for Register CM_CPU0_CPU0_CLKCTRL

Cortex-A15 MPU Subsystem Register Manual

- [MPU_PRCM_CM_C0 Register Summary: \[0\]](#)

4.4.8 MPU_WUGEN Registers

4.4.8.1 MPU_WUGEN Register Summary

Table 4-37. MPU_WUGEN Registers Mapping Summary

Register Name	Type	Register Width (Bits)	Address Offset	MPU_WUGEN Physical Address
WKG_CONTROL_0	R	32	0x0000 0000	0x4828 1000
WKG_ENB_A_0	RW	32	0x0000 0010	0x4828 1010
WKG_ENB_B_0	RW	32	0x0000 0014	0x4828 1014
WKG_ENB_C_0	RW	32	0x0000 0018	0x4828 1018

Table 4-37. MPU_WUGEN Registers Mapping Summary (continued)

Register Name	Type	Register Width (Bits)	Address Offset	MPU_WUGEN Physical Address
WKG_ENB_D_0	RW	32	0x0000 001C	0x4828 101C
WKG_ENB_E_0	RW	32	0x0000 0020	0x4828 1020
RESERVED	R	32	0x0000 0024	0x4828 1024
RESERVED	R	32	0x0000 0028	0x4828 1028
RESERVED	R	32	0x0000 002C	0x4828 102C
RESERVED	R	32	0x0000 0030	0x4828 1030
RESERVED	R	32	0x0000 0034	0x4828 1034
RESERVED	R	32	0x0000 0400	0x4828 1400
RESERVED	R	32	0x0000 0410	0x4828 1410
RESERVED	R	32	0x0000 0414	0x4828 1414
RESERVED	R	32	0x0000 0418	0x4828 1418
RESERVED	R	32	0x0000 041C	0x4828 141C
RESERVED	R	32	0x0000 0420	0x4828 1420
RESERVED	R	32	0x0000 0424	0x4828 1424
RESERVED	R	32	0x0000 0428	0x4828 1428
RESERVED	R	32	0x0000 042C	0x4828 142C
RESERVED	R	32	0x0000 0430	0x4828 1430
RESERVED	R	32	0x0000 0434	0x4828 1434
RESERVED	R	32	0x0000 0800	0x4828 1800
RESERVED	R	32	0x0000 0804	0x4828 1804
STM_HWEVENTS_INV	RW	32	0x0000 0808	0x4828 1808
AMBA_IF_MODE	RW	32	0x0000 080C	0x4828 180C
RESERVED	R	32	0x0000 0C00	0x4828 1C00
RESERVED	R	32	0x0000 0C04	0x4828 1C04
TIMESTAMP_CYCLELO	R	32	0x0000 0C08	0x4828 1C08
TIMESTAMP_CYCLEHI	R	32	0x0000 0C0C	0x4828 1C0C

4.4.8.2 MPU_WUGEN Register Description

Table 4-38. WKG_CONTROL_0

Address Offset	0x0000 0000	Instance	MPU_WUGEN
Physical Address	0x4828 1000		
Description	Wake-up generator control and status register for MPU_C0		
Type	R		

31	30	29	28	27	26	25	24	23	22	21	20	19	18	17	16	15	14	13	12	11	10	9	8	7	6	5	4	3	2	1	0	
RESERVED																DOMAINRESET	MPU_WARM_RESET	MPU_COLD_RESET	RESERVED	EVENTO	STANDBYWFE	STANDBYWFI	RESERVED									

Bits	Field Name	Description	Type	Reset
31:16	RESERVED	Reserved	R	0x00000
15	DOMAINRESET	MPU always-on power domain (PD_MPUAON) reset status bit. It shows if the reset occurred previously. 0x0: no reset occur 0x1: reset occur	R	0x0
14	MPU_WARM_RESET	This bit is set when the MPU_WARM_RESET signal is asserted. 0x0: MPU_WARM_RESET reset signal has not been asserted 0x1: MPU_WARM_RESET reset request has been asserted	RW	0x0
13	MPU_COLD_RESET	This bit is set when the MPU_COLD_RESET signal is asserted. 0x0: MPU_COLD_RESET reset signal has not been asserted 0x1: MPU_COLD_RESET reset request has been asserted	RW	0x0
12:11	RESERVED	Reserved	R	0x0
10	EVENTO	EVENTO status bit. The event output signal is active, when one SEV instruction is executed. This bit is set when a rising edge of EVENTO from CPU is detected. 0x0: Rising edge of EVENTO is not detected 0x1: Rising edge of EVENTO is detected	RW	0x0
9	STANDBYWFE	This bit gives software the visibility to track whether WFE mode have been entered. 0x0: WFE mode has not been entered 0x1: WFE mode has been entered	RW	0x0
8	STANDBYWFI	This bit gives software the visibility to track whether WFI mode have been entered. 0x0: WFI mode has not been entered 0x1: WFI mode has been entered	RW	0x0
7:0	RESERVED	Reserved	R	0x0

Table 4-39. Register Call Summary for Register WKG_CONTROL_0

Cortex-A15 MPU Subsystem Integration

- [Reset Distribution: \[0\]](#)

Cortex-A15 MPU Subsystem Register Manual

- [MPU_WUGEN Register Summary: \[1\]](#)

Table 4-40. WKG_ENB_A_0

Address Offset	0x0000 0010	Instance	MPU_WUGEN
Physical Address	0x4828 1010		
Description	Wake-up interrupt enable register for MPU_C0 (interrupts MPU_IRQ_0 to MPU_IRQ_31). Write 0x0: Disable interrupt. Write 0x1: Enable interrupt.		
Type	RW		

31	30	29	28	27	26	25	24	23	22	21	20	19	18	17	16	15	14	13	12	11	10	9	8	7	6	5	4	3	2	1	0
WKG_ENB_FOR_INTR31	WKG_ENB_FOR_INTR30	WKG_ENB_FOR_INTR29	WKG_ENB_FOR_INTR28	WKG_ENB_FOR_INTR27	WKG_ENB_FOR_INTR26	WKG_ENB_FOR_INTR25	WKG_ENB_FOR_INTR24	WKG_ENB_FOR_INTR23	WKG_ENB_FOR_INTR22	WKG_ENB_FOR_INTR21	WKG_ENB_FOR_INTR20	WKG_ENB_FOR_INTR19	WKG_ENB_FOR_INTR18	WKG_ENB_FOR_INTR17	WKG_ENB_FOR_INTR16	WKG_ENB_FOR_INTR15	WKG_ENB_FOR_INTR14	WKG_ENB_FOR_INTR13	WKG_ENB_FOR_INTR12	WKG_ENB_FOR_INTR11	WKG_ENB_FOR_INTR10	WKG_ENB_FOR_INTR9	WKG_ENB_FOR_INTR8	WKG_ENB_FOR_INTR7	WKG_ENB_FOR_INTR6	WKG_ENB_FOR_INTR5	WKG_ENB_FOR_INTR4	WKG_ENB_FOR_INTR3	WKG_ENB_FOR_INTR2	WKG_ENB_FOR_INTR1	WKG_ENB_FOR_INTR0

Bits	Field Name	Description	Type	Reset
31	WKG_ENB_FOR_INTR31	Wakeup enable for interrupt line MPU_IRQ_31	RW	0x1
30	WKG_ENB_FOR_INTR30	Wakeup enable for interrupt line MPU_IRQ_30	RW	0x1
29	WKG_ENB_FOR_INTR29	Wakeup enable for interrupt line MPU_IRQ_29	RW	0x1
28	WKG_ENB_FOR_INTR28	Wakeup enable for interrupt line MPU_IRQ_28	RW	0x1
27	WKG_ENB_FOR_INTR27	Wakeup enable for interrupt line MPU_IRQ_27	RW	0x1
26	WKG_ENB_FOR_INTR26	Wakeup enable for interrupt line MPU_IRQ_26	RW	0x1
25	WKG_ENB_FOR_INTR25	Wakeup enable for interrupt line MPU_IRQ_25	RW	0x1
24	WKG_ENB_FOR_INTR24	Wakeup enable for interrupt line MPU_IRQ_24	RW	0x1
23	WKG_ENB_FOR_INTR23	Wakeup enable for interrupt line MPU_IRQ_23	RW	0x1
22	WKG_ENB_FOR_INTR22	Wakeup enable for interrupt line MPU_IRQ_22	RW	0x1
21	WKG_ENB_FOR_INTR21	Wakeup enable for interrupt line MPU_IRQ_21	RW	0x1
20	WKG_ENB_FOR_INTR20	Wakeup enable for interrupt line MPU_IRQ_20	RW	0x1
19	WKG_ENB_FOR_INTR19	Wakeup enable for interrupt line MPU_IRQ_19	RW	0x1
18	WKG_ENB_FOR_INTR18	Wakeup enable for interrupt line MPU_IRQ_18	RW	0x1
17	WKG_ENB_FOR_INTR17	Wakeup enable for interrupt line MPU_IRQ_17	RW	0x1
16	WKG_ENB_FOR_INTR16	Wakeup enable for interrupt line MPU_IRQ_16	RW	0x1
15	WKG_ENB_FOR_INTR15	Wakeup enable for interrupt line MPU_IRQ_15	RW	0x1
14	WKG_ENB_FOR_INTR14	Wakeup enable for interrupt line MPU_IRQ_14	RW	0x1
13	WKG_ENB_FOR_INTR13	Wakeup enable for interrupt line MPU_IRQ_13	RW	0x1
12	WKG_ENB_FOR_INTR12	Wakeup enable for interrupt line MPU_IRQ_12	RW	0x1
11	WKG_ENB_FOR_INTR11	Wakeup enable for interrupt line MPU_IRQ_11	RW	0x1
10	WKG_ENB_FOR_INTR10	Wakeup enable for interrupt line MPU_IRQ_10	RW	0x1
9	WKG_ENB_FOR_INTR9	Wakeup enable for interrupt line MPU_IRQ_9	RW	0x1
8	WKG_ENB_FOR_INTR8	Wakeup enable for interrupt line MPU_IRQ_8	RW	0x0
7	WKG_ENB_FOR_INTR7	Wakeup enable for interrupt line MPU_IRQ_7	RW	0x1
6	WKG_ENB_FOR_INTR6	Wakeup enable for interrupt line MPU_IRQ_6	RW	0x1
5	WKG_ENB_FOR_INTR5	Wakeup enable for interrupt line MPU_IRQ_5	RW	0x1
4	WKG_ENB_FOR_INTR4	Wakeup enable for interrupt line MPU_IRQ_4	RW	0x1
3	WKG_ENB_FOR_INTR3	Wakeup enable for interrupt line MPU_IRQ_3	RW	0x1
2	WKG_ENB_FOR_INTR2	Wakeup enable for interrupt line MPU_IRQ_2	RW	0x1
1	WKG_ENB_FOR_INTR1	Wakeup enable for interrupt line MPU_IRQ_1	RW	0x1
0	WKG_ENB_FOR_INTR0	Wakeup enable for interrupt line MPU_IRQ_0	RW	0x1

Table 4-41. Register Call Summary for Register WKG_ENB_A_0

 Cortex-A15 MPU Subsystem Functional Description

- [MPU_WUGEN: \[0\]](#)

 Cortex-A15 MPU Subsystem Register Manual

- [MPU_WUGEN Register Summary: \[1\]](#)
-

Table 4-42. WKG_ENB_B_0

Address Offset	0x0000 0014	Instance	MPU_WUGEN
Physical Address	0x4828 1014		
Description	Wake-up interrupt enable register for MPU_C0 (interrupts MPU_IRQ_32 to MPU_IRQ_63). Write 0x0: Disable interrupt. Write 0x1: Enable interrupt.		
Type	RW		

31	30	29	28	27	26	25	24	23	22	21	20	19	18	17	16	15	14	13	12	11	10	9	8	7	6	5	4	3	2	1	0
WKG_ENB_FOR_INTR63	WKG_ENB_FOR_INTR62	WKG_ENB_FOR_INTR61	WKG_ENB_FOR_INTR60	WKG_ENB_FOR_INTR59	WKG_ENB_FOR_INTR58	WKG_ENB_FOR_INTR57	WKG_ENB_FOR_INTR56	WKG_ENB_FOR_INTR55	WKG_ENB_FOR_INTR54	WKG_ENB_FOR_INTR53	WKG_ENB_FOR_INTR52	WKG_ENB_FOR_INTR51	WKG_ENB_FOR_INTR50	WKG_ENB_FOR_INTR49	WKG_ENB_FOR_INTR48	WKG_ENB_FOR_INTR47	WKG_ENB_FOR_INTR46	WKG_ENB_FOR_INTR45	WKG_ENB_FOR_INTR44	WKG_ENB_FOR_INTR43	WKG_ENB_FOR_INTR42	WKG_ENB_FOR_INTR41	WKG_ENB_FOR_INTR40	WKG_ENB_FOR_INTR39	WKG_ENB_FOR_INTR38	WKG_ENB_FOR_INTR37	WKG_ENB_FOR_INTR36	WKG_ENB_FOR_INTR35	WKG_ENB_FOR_INTR34	WKG_ENB_FOR_INTR33	WKG_ENB_FOR_INTR32

Bits	Field Name	Description	Type	Reset
31	WKG_ENB_FOR_INTR63	Wakeup enable for interrupt line MPU_IRQ_63	RW	0x1
30	WKG_ENB_FOR_INTR62	Wakeup enable for interrupt line MPU_IRQ_62	RW	0x1
29	WKG_ENB_FOR_INTR61	Wakeup enable for interrupt line MPU_IRQ_61	RW	0x1
28	WKG_ENB_FOR_INTR60	Wakeup enable for interrupt line MPU_IRQ_60	RW	0x1
27	WKG_ENB_FOR_INTR59	Wakeup enable for interrupt line MPU_IRQ_59	RW	0x1
26	WKG_ENB_FOR_INTR58	Wakeup enable for interrupt line MPU_IRQ_58	RW	0x1
25	WKG_ENB_FOR_INTR57	Wakeup enable for interrupt line MPU_IRQ_57	RW	0x1
24	WKG_ENB_FOR_INTR56	Wakeup enable for interrupt line MPU_IRQ_56	RW	0x1
23	WKG_ENB_FOR_INTR55	Wakeup enable for interrupt line MPU_IRQ_55	RW	0x1
22	WKG_ENB_FOR_INTR54	Wakeup enable for interrupt line MPU_IRQ_54	RW	0x1
21	WKG_ENB_FOR_INTR53	Wakeup enable for interrupt line MPU_IRQ_53	RW	0x1
20	WKG_ENB_FOR_INTR52	Wakeup enable for interrupt line MPU_IRQ_52	RW	0x1
19	WKG_ENB_FOR_INTR51	Wakeup enable for interrupt line MPU_IRQ_51	RW	0x1
18	WKG_ENB_FOR_INTR50	Wakeup enable for interrupt line MPU_IRQ_50	RW	0x1
17	WKG_ENB_FOR_INTR49	Wakeup enable for interrupt line MPU_IRQ_49	RW	0x1
16	WKG_ENB_FOR_INTR48	Wakeup enable for interrupt line MPU_IRQ_48	RW	0x1
15	WKG_ENB_FOR_INTR47	Wakeup enable for interrupt line MPU_IRQ_47	RW	0x1
14	WKG_ENB_FOR_INTR46	Wakeup enable for interrupt line MPU_IRQ_46	RW	0x1
13	WKG_ENB_FOR_INTR45	Wakeup enable for interrupt line MPU_IRQ_45	RW	0x1
12	WKG_ENB_FOR_INTR44	Wakeup enable for interrupt line MPU_IRQ_44	RW	0x1
11	WKG_ENB_FOR_INTR43	Wakeup enable for interrupt line MPU_IRQ_43	RW	0x1
10	WKG_ENB_FOR_INTR42	Wakeup enable for interrupt line MPU_IRQ_42	RW	0x1
9	WKG_ENB_FOR_INTR41	Wakeup enable for interrupt line MPU_IRQ_41	RW	0x1
8	WKG_ENB_FOR_INTR40	Wakeup enable for interrupt line MPU_IRQ_40	RW	0x1
7	WKG_ENB_FOR_INTR39	Wakeup enable for interrupt line MPU_IRQ_39	RW	0x1
6	WKG_ENB_FOR_INTR38	Wakeup enable for interrupt line MPU_IRQ_38	RW	0x1
5	WKG_ENB_FOR_INTR37	Wakeup enable for interrupt line MPU_IRQ_37	RW	0x1
4	WKG_ENB_FOR_INTR36	Wakeup enable for interrupt line MPU_IRQ_36	RW	0x1
3	WKG_ENB_FOR_INTR35	Wakeup enable for interrupt line MPU_IRQ_35	RW	0x1
2	WKG_ENB_FOR_INTR34	Wakeup enable for interrupt line MPU_IRQ_34	RW	0x1
1	WKG_ENB_FOR_INTR33	Wakeup enable for interrupt line MPU_IRQ_33	RW	0x1
0	WKG_ENB_FOR_INTR32	Wakeup enable for interrupt line MPU_IRQ_32	RW	0x1

Table 4-43. Register Call Summary for Register WKG_ENB_B_0

Cortex-A15 MPU Subsystem Register Manual

- [MPU_WUGEN Register Summary: \[0\]](#)

Table 4-44. WKG_ENB_C_0

Address Offset	0x0000 0018	Instance	MPU_WUGEN
Physical Address	0x4828 1018		
Description	Wake-up interrupt enable register for MPU_C0 (interrupts MPU_IRQ_64 to MPU_IRQ_95). Write 0x0: Disable interrupt. Write 0x1: Enable interrupt.		
Type	RW		

31	30	29	28	27	26	25	24	23	22	21	20	19	18	17	16	15	14	13	12	11	10	9	8	7	6	5	4	3	2	1	0
WKG_ENB_FOR_INTR95	WKG_ENB_FOR_INTR94	WKG_ENB_FOR_INTR93	WKG_ENB_FOR_INTR92	WKG_ENB_FOR_INTR91	WKG_ENB_FOR_INTR90	WKG_ENB_FOR_INTR89	WKG_ENB_FOR_INTR88	WKG_ENB_FOR_INTR87	WKG_ENB_FOR_INTR86	WKG_ENB_FOR_INTR85	WKG_ENB_FOR_INTR84	WKG_ENB_FOR_INTR83	WKG_ENB_FOR_INTR82	WKG_ENB_FOR_INTR81	WKG_ENB_FOR_INTR80	WKG_ENB_FOR_INTR79	WKG_ENB_FOR_INTR78	WKG_ENB_FOR_INTR77	WKG_ENB_FOR_INTR76	WKG_ENB_FOR_INTR75	WKG_ENB_FOR_INTR74	WKG_ENB_FOR_INTR73	WKG_ENB_FOR_INTR72	WKG_ENB_FOR_INTR71	WKG_ENB_FOR_INTR70	WKG_ENB_FOR_INTR69	WKG_ENB_FOR_INTR68	WKG_ENB_FOR_INTR67	WKG_ENB_FOR_INTR66	WKG_ENB_FOR_INTR65	WKG_ENB_FOR_INTR64

Bits	Field Name	Description	Type	Reset
31	WKG_ENB_FOR_INTR95	Wakeup enable for interrupt line MPU_IRQ_95	RW	0x1
30	WKG_ENB_FOR_INTR94	Wakeup enable for interrupt line MPU_IRQ_94	RW	0x1
29	WKG_ENB_FOR_INTR93	Wakeup enable for interrupt line MPU_IRQ_93	RW	0x1
28	WKG_ENB_FOR_INTR92	Wakeup enable for interrupt line MPU_IRQ_92	RW	0x1
27	WKG_ENB_FOR_INTR91	Wakeup enable for interrupt line MPU_IRQ_91	RW	0x1
26	WKG_ENB_FOR_INTR90	Wakeup enable for interrupt line MPU_IRQ_90	RW	0x1
25	WKG_ENB_FOR_INTR89	Wakeup enable for interrupt line MPU_IRQ_89	RW	0x1
24	WKG_ENB_FOR_INTR88	Wakeup enable for interrupt line MPU_IRQ_88	RW	0x1
23	WKG_ENB_FOR_INTR87	Wakeup enable for interrupt line MPU_IRQ_87	RW	0x1
22	WKG_ENB_FOR_INTR86	Wakeup enable for interrupt line MPU_IRQ_86	RW	0x1
21	WKG_ENB_FOR_INTR85	Wakeup enable for interrupt line MPU_IRQ_85	RW	0x1
20	WKG_ENB_FOR_INTR84	Wakeup enable for interrupt line MPU_IRQ_84	RW	0x1
19	WKG_ENB_FOR_INTR83	Wakeup enable for interrupt line MPU_IRQ_83	RW	0x1
18	WKG_ENB_FOR_INTR82	Wakeup enable for interrupt line MPU_IRQ_82	RW	0x1
17	WKG_ENB_FOR_INTR81	Wakeup enable for interrupt line MPU_IRQ_81	RW	0x1
16	WKG_ENB_FOR_INTR80	Wakeup enable for interrupt line MPU_IRQ_80	RW	0x1
15	WKG_ENB_FOR_INTR79	Wakeup enable for interrupt line MPU_IRQ_79	RW	0x1
14	WKG_ENB_FOR_INTR78	Wakeup enable for interrupt line MPU_IRQ_78	RW	0x1
13	WKG_ENB_FOR_INTR77	Wakeup enable for interrupt line MPU_IRQ_77	RW	0x1
12	WKG_ENB_FOR_INTR76	Wakeup enable for interrupt line MPU_IRQ_76	RW	0x1
11	WKG_ENB_FOR_INTR75	Wakeup enable for interrupt line MPU_IRQ_75	RW	0x1
10	WKG_ENB_FOR_INTR74	Wakeup enable for interrupt line MPU_IRQ_74	RW	0x1
9	WKG_ENB_FOR_INTR73	Wakeup enable for interrupt line MPU_IRQ_73	RW	0x1
8	WKG_ENB_FOR_INTR72	Wakeup enable for interrupt line MPU_IRQ_72	RW	0x1
7	WKG_ENB_FOR_INTR71	Wakeup enable for interrupt line MPU_IRQ_71	RW	0x1
6	WKG_ENB_FOR_INTR70	Wakeup enable for interrupt line MPU_IRQ_70	RW	0x1
5	WKG_ENB_FOR_INTR69	Wakeup enable for interrupt line MPU_IRQ_69	RW	0x1

Bits	Field Name	Description	Type	Reset
4	WKG_ENB_FOR_INTR68	Wakeup enable for interrupt line MPU_IRQ_68	RW	0x1
3	WKG_ENB_FOR_INTR67	Wakeup enable for interrupt line MPU_IRQ_67	RW	0x1
2	WKG_ENB_FOR_INTR66	Wakeup enable for interrupt line MPU_IRQ_66	RW	0x1
1	WKG_ENB_FOR_INTR65	Wakeup enable for interrupt line MPU_IRQ_65	RW	0x1
0	WKG_ENB_FOR_INTR64	Wakeup enable for interrupt line MPU_IRQ_64	RW	0x1

Table 4-45. Register Call Summary for Register WKG_ENB_C_0

Cortex-A15 MPU Subsystem Register Manual

- [MPU_WUGEN Register Summary: \[0\]](#)

Table 4-46. WKG_ENB_D_0

Address Offset	0x0000 001C		
Physical Address	0x4828 101C	Instance	MPU_WUGEN
Description	Wake-up interrupt enable register for MPU_C0 (interrupts MPU_IRQ_96 to MPU_IRQ_127). Write 0x0: Disable interrupt. Write 0x1: Enable interrupt.		
Type	RW		

31	30	29	28	27	26	25	24	23	22	21	20	19	18	17	16	15	14	13	12	11	10	9	8	7	6	5	4	3	2	1	0
WKG_ENB_FOR_INTR127	WKG_ENB_FOR_INTR126	WKG_ENB_FOR_INTR125	WKG_ENB_FOR_INTR124	WKG_ENB_FOR_INTR123	WKG_ENB_FOR_INTR122	WKG_ENB_FOR_INTR121	WKG_ENB_FOR_INTR120	WKG_ENB_FOR_INTR119	WKG_ENB_FOR_INTR118	WKG_ENB_FOR_INTR117	WKG_ENB_FOR_INTR116	WKG_ENB_FOR_INTR115	WKG_ENB_FOR_INTR114	WKG_ENB_FOR_INTR113	WKG_ENB_FOR_INTR112	WKG_ENB_FOR_INTR111	WKG_ENB_FOR_INTR110	WKG_ENB_FOR_INTR109	WKG_ENB_FOR_INTR108	WKG_ENB_FOR_INTR107	WKG_ENB_FOR_INTR106	WKG_ENB_FOR_INTR105	WKG_ENB_FOR_INTR104	WKG_ENB_FOR_INTR103	WKG_ENB_FOR_INTR102	WKG_ENB_FOR_INTR101	WKG_ENB_FOR_INTR100	WKG_ENB_FOR_INTR99	WKG_ENB_FOR_INTR98	WKG_ENB_FOR_INTR97	WKG_ENB_FOR_INTR96

Bits	Field Name	Description	Type	Reset
31	WKG_ENB_FOR_INTR127	Wakeup enable for interrupt line MPU_IRQ_127	RW	0x1
30	WKG_ENB_FOR_INTR126	Wakeup enable for interrupt line MPU_IRQ_126	RW	0x1
29	WKG_ENB_FOR_INTR125	Wakeup enable for interrupt line MPU_IRQ_125	RW	0x1
28	WKG_ENB_FOR_INTR124	Wakeup enable for interrupt line MPU_IRQ_124	RW	0x1
27	WKG_ENB_FOR_INTR123	Wakeup enable for interrupt line MPU_IRQ_123	RW	0x1
26	WKG_ENB_FOR_INTR122	Wakeup enable for interrupt line MPU_IRQ_122	RW	0x1
25	WKG_ENB_FOR_INTR121	Wakeup enable for interrupt line MPU_IRQ_121	RW	0x1
24	WKG_ENB_FOR_INTR120	Wakeup enable for interrupt line MPU_IRQ_120	RW	0x1
23	WKG_ENB_FOR_INTR119	Wakeup enable for interrupt line MPU_IRQ_119	RW	0x1
22	WKG_ENB_FOR_INTR118	Wakeup enable for interrupt line MPU_IRQ_118	RW	0x1
21	WKG_ENB_FOR_INTR117	Wakeup enable for interrupt line MPU_IRQ_117	RW	0x1
20	WKG_ENB_FOR_INTR116	Wakeup enable for interrupt line MPU_IRQ_116	RW	0x1
19	WKG_ENB_FOR_INTR115	Wakeup enable for interrupt line MPU_IRQ_115	RW	0x1
18	WKG_ENB_FOR_INTR114	Wakeup enable for interrupt line MPU_IRQ_114	RW	0x1
17	WKG_ENB_FOR_INTR113	Wakeup enable for interrupt line MPU_IRQ_113	RW	0x1
16	WKG_ENB_FOR_INTR112	Wakeup enable for interrupt line MPU_IRQ_112	RW	0x1
15	WKG_ENB_FOR_INTR111	Wakeup enable for interrupt line MPU_IRQ_111	RW	0x1
14	WKG_ENB_FOR_INTR110	Wakeup enable for interrupt line MPU_IRQ_110	RW	0x1
13	WKG_ENB_FOR_INTR109	Wakeup enable for interrupt line MPU_IRQ_109	RW	0x1
12	WKG_ENB_FOR_INTR108	Wakeup enable for interrupt line MPU_IRQ_108	RW	0x1

Bits	Field Name	Description	Type	Reset
11	WKG_ENB_FOR_INTR107	Wakeup enable for interrupt line MPU_IRQ_107	RW	0x1
10	WKG_ENB_FOR_INTR106	Wakeup enable for interrupt line MPU_IRQ_106	RW	0x1
9	WKG_ENB_FOR_INTR105	Wakeup enable for interrupt line MPU_IRQ_105	RW	0x1
8	WKG_ENB_FOR_INTR104	Wakeup enable for interrupt line MPU_IRQ_104	RW	0x1
7	WKG_ENB_FOR_INTR103	Wakeup enable for interrupt line MPU_IRQ_103	RW	0x1
6	WKG_ENB_FOR_INTR102	Wakeup enable for interrupt line MPU_IRQ_102	RW	0x1
5	WKG_ENB_FOR_INTR101	Wakeup enable for interrupt line MPU_IRQ_101	RW	0x1
4	WKG_ENB_FOR_INTR100	Wakeup enable for interrupt line MPU_IRQ_100	RW	0x1
3	WKG_ENB_FOR_INTR99	Wakeup enable for interrupt line MPU_IRQ_99	RW	0x1
2	WKG_ENB_FOR_INTR98	Wakeup enable for interrupt line MPU_IRQ_98	RW	0x1
1	WKG_ENB_FOR_INTR97	Wakeup enable for interrupt line MPU_IRQ_97	RW	0x1
0	WKG_ENB_FOR_INTR96	Wakeup enable for interrupt line MPU_IRQ_96	RW	0x1

Table 4-47. Register Call Summary for Register WKG_ENB_D_0

Cortex-A15 MPU Subsystem Register Manual

- [MPU_WUGEN Register Summary: \[0\]](#)

Table 4-48. WKG_ENB_E_0

Address Offset	0x0000 001C	Instance	MPU_WUGEN
Physical Address	0x4828 1020		
Description	Wake-up interrupt enable register for MPU_C0 (interrupts MPU_IRQ_128 to MPU_IRQ_159). Write 0x0: Disable interrupt. Write 0x1: Enable interrupt.		
Type	RW		

31	30	29	28	27	26	25	24	23	22	21	20	19	18	17	16	15	14	13	12	11	10	9	8	7	6	5	4	3	2	1	0
WKG_ENB_FOR_INTR159	WKG_ENB_FOR_INTR158	WKG_ENB_FOR_INTR157	WKG_ENB_FOR_INTR156	WKG_ENB_FOR_INTR155	WKG_ENB_FOR_INTR154	WKG_ENB_FOR_INTR153	WKG_ENB_FOR_INTR152	WKG_ENB_FOR_INTR151	WKG_ENB_FOR_INTR150	WKG_ENB_FOR_INTR149	WKG_ENB_FOR_INTR148	WKG_ENB_FOR_INTR147	WKG_ENB_FOR_INTR146	WKG_ENB_FOR_INTR145	WKG_ENB_FOR_INTR144	WKG_ENB_FOR_INTR143	WKG_ENB_FOR_INTR142	WKG_ENB_FOR_INTR141	WKG_ENB_FOR_INTR140	WKG_ENB_FOR_INTR139	WKG_ENB_FOR_INTR138	WKG_ENB_FOR_INTR137	WKG_ENB_FOR_INTR136	WKG_ENB_FOR_INTR135	WKG_ENB_FOR_INTR134	WKG_ENB_FOR_INTR133	WKG_ENB_FOR_INTR132	WKG_ENB_FOR_INTR131	WKG_ENB_FOR_INTR130	WKG_ENB_FOR_INTR129	WKG_ENB_FOR_INTR128

Bits	Field Name	Description	Type	Reset
31	WKG_ENB_FOR_INTR159	Wakeup enable for interrupt line MPU_IRQ_159	RW	0x1
30	WKG_ENB_FOR_INTR158	Wakeup enable for interrupt line MPU_IRQ_158	RW	0x1
29	WKG_ENB_FOR_INTR157	Wakeup enable for interrupt line MPU_IRQ_157	RW	0x1
28	WKG_ENB_FOR_INTR156	Wakeup enable for interrupt line MPU_IRQ_156	RW	0x1
27	WKG_ENB_FOR_INTR155	Wakeup enable for interrupt line MPU_IRQ_155	RW	0x1
26	WKG_ENB_FOR_INTR154	Wakeup enable for interrupt line MPU_IRQ_154	RW	0x1
25	WKG_ENB_FOR_INTR153	Wakeup enable for interrupt line MPU_IRQ_153	RW	0x1
24	WKG_ENB_FOR_INTR152	Wakeup enable for interrupt line MPU_IRQ_152	RW	0x1
23	WKG_ENB_FOR_INTR151	Wakeup enable for interrupt line MPU_IRQ_151	RW	0x1
22	WKG_ENB_FOR_INTR150	Wakeup enable for interrupt line MPU_IRQ_150	RW	0x1
21	WKG_ENB_FOR_INTR149	Wakeup enable for interrupt line MPU_IRQ_149	RW	0x1
20	WKG_ENB_FOR_INTR148	Wakeup enable for interrupt line MPU_IRQ_148	RW	0x1
19	WKG_ENB_FOR_INTR147	Wakeup enable for interrupt line MPU_IRQ_147	RW	0x1

Bits	Field Name	Description	Type	Reset
18	WKG_ENB_FOR_INTR146	Wakeup enable for interrupt line MPU_IRQ_146	RW	0x1
17	WKG_ENB_FOR_INTR145	Wakeup enable for interrupt line MPU_IRQ_145	RW	0x1
16	WKG_ENB_FOR_INTR144	Wakeup enable for interrupt line MPU_IRQ_144	RW	0x1
15	WKG_ENB_FOR_INTR143	Wakeup enable for interrupt line MPU_IRQ_143	RW	0x1
14	WKG_ENB_FOR_INTR142	Wakeup enable for interrupt line MPU_IRQ_142	RW	0x1
13	WKG_ENB_FOR_INTR141	Wakeup enable for interrupt line MPU_IRQ_141	RW	0x1
12	WKG_ENB_FOR_INTR140	Wakeup enable for interrupt line MPU_IRQ_140	RW	0x1
11	WKG_ENB_FOR_INTR139	Wakeup enable for interrupt line MPU_IRQ_139	RW	0x1
10	WKG_ENB_FOR_INTR138	Wakeup enable for interrupt line MPU_IRQ_138	RW	0x1
9	WKG_ENB_FOR_INTR137	Wakeup enable for interrupt line MPU_IRQ_137	RW	0x1
8	WKG_ENB_FOR_INTR136	Wakeup enable for interrupt line MPU_IRQ_136	RW	0x1
7	WKG_ENB_FOR_INTR135	Wakeup enable for interrupt line MPU_IRQ_135	RW	0x1
6	WKG_ENB_FOR_INTR134	Wakeup enable for interrupt line MPU_IRQ_134	RW	0x1
5	WKG_ENB_FOR_INTR133	Wakeup enable for interrupt line MPU_IRQ_133	RW	0x1
4	WKG_ENB_FOR_INTR132	Wakeup enable for interrupt line MPU_IRQ_132	RW	0x1
3	WKG_ENB_FOR_INTR131	Wakeup enable for interrupt line MPU_IRQ_131	RW	0x1
2	WKG_ENB_FOR_INTR130	Wakeup enable for interrupt line MPU_IRQ_130	RW	0x1
1	WKG_ENB_FOR_INTR129	Wakeup enable for interrupt line MPU_IRQ_129	RW	0x1
0	WKG_ENB_FOR_INTR128	Wakeup enable for interrupt line MPU_IRQ_128	RW	0x1

Table 4-49. Register Call Summary for Register WKG_ENB_E_0

Cortex-A15 MPU Subsystem Functional Description

- [MPU_WUGEN: \[0\]](#)

Cortex-A15 MPU Subsystem Register Manual

- [MPU_WUGEN Register Summary: \[1\]](#)

Table 4-50. STM_HWEVENTS_INV

Address Offset	0x0000 0808	Instance	MPU_WUGEN
Physical Address	0x4828 1808		
Description	Gives programmable control of inverting or not inverting MPUHWDBGOUT[31:0] going to HWEVENTS[31:0] input of CS_STM		
Type	RW		

31	30	29	28	27	26	25	24	23	22	21	20	19	18	17	16	15	14	13	12	11	10	9	8	7	6	5	4	3	2	1	0
STM_HWEVENT_INV_31	STM_HWEVENT_INV_30	STM_HWEVENT_INV_29	STM_HWEVENT_INV_28	STM_HWEVENT_INV_27	STM_HWEVENT_INV_26	STM_HWEVENT_INV_25	STM_HWEVENT_INV_24	STM_HWEVENT_INV_23	STM_HWEVENT_INV_22	STM_HWEVENT_INV_21	STM_HWEVENT_INV_20	STM_HWEVENT_INV_19	STM_HWEVENT_INV_18	STM_HWEVENT_INV_17	STM_HWEVENT_INV_16	STM_HWEVENT_INV_15	STM_HWEVENT_INV_14	STM_HWEVENT_INV_13	STM_HWEVENT_INV_12	STM_HWEVENT_INV_11	STM_HWEVENT_INV_10	STM_HWEVENT_INV_9	STM_HWEVENT_INV_8	STM_HWEVENT_INV_7	STM_HWEVENT_INV_6	STM_HWEVENT_INV_5	STM_HWEVENT_INV_4	STM_HWEVENT_INV_3	STM_HWEVENT_INV_2	STM_HWEVENT_INV_1	STM_HWEVENT_INV_0

Bits	Field Name	Description	Type	Reset
31	STM_HWEVENT_INV_31	Polarity inversion control for MPUHWDBGOUT31 signal.	RW	0x0
		0x0: Polarity unchanged		
		0x1: Polarity inverted		

Bits	Field Name	Description	Type	Reset
30	STM_HWEVENT_INV_30	Polarity inversion control for MPUHWDBGOUT30 signal. 0x0: Polarity unchanged 0x1: Polarity inverted	RW	0x0
29	STM_HWEVENT_INV_29	Polarity inversion control for MPUHWDBGOUT29 signal. 0x0: Polarity unchanged 0x1: Polarity inverted	RW	0x0
28	STM_HWEVENT_INV_28	Polarity inversion control for MPUHWDBGOUT28 signal. 0x0: Polarity unchanged 0x1: Polarity inverted	RW	0x0
27	STM_HWEVENT_INV_27	Polarity inversion control for MPUHWDBGOUT27 signal. 0x0: Polarity unchanged 0x1: Polarity inverted	RW	0x0
26	STM_HWEVENT_INV_26	Polarity inversion control for MPUHWDBGOUT26 signal. 0x0: Polarity unchanged 0x1: Polarity inverted	RW	0x0
25	STM_HWEVENT_INV_25	Polarity inversion control for MPUHWDBGOUT25 signal. 0x0: Polarity unchanged 0x1: Polarity inverted	RW	0x0
24	STM_HWEVENT_INV_24	Polarity inversion control for MPUHWDBGOUT24 signal. 0x0: Polarity unchanged 0x1: Polarity inverted	RW	0x0
23	STM_HWEVENT_INV_23	Polarity inversion control for MPUHWDBGOUT23 signal. 0x0: Polarity unchanged 0x1: Polarity inverted	RW	0x0
22	STM_HWEVENT_INV_22	Polarity inversion control for MPUHWDBGOUT22 signal. 0x0: Polarity unchanged 0x1: Polarity inverted	RW	0x0
21	STM_HWEVENT_INV_21	Polarity inversion control for MPUHWDBGOUT21 signal. 0x0: Polarity unchanged 0x1: Polarity inverted	RW	0x0
20	STM_HWEVENT_INV_20	Polarity inversion control for MPUHWDBGOUT20 signal. 0x0: Polarity unchanged 0x1: Polarity inverted	RW	0x0
19	STM_HWEVENT_INV_19	Polarity inversion control for MPUHWDBGOUT19 signal. 0x0: Polarity unchanged 0x1: Polarity inverted	RW	0x0
18	STM_HWEVENT_INV_18	Polarity inversion control for MPUHWDBGOUT18 signal. 0x0: Polarity unchanged 0x1: Polarity inverted	RW	0x0
17	STM_HWEVENT_INV_17	Polarity inversion control for MPUHWDBGOUT17 signal. 0x0: Polarity unchanged 0x1: Polarity inverted	RW	0x0
16	STM_HWEVENT_INV_16	Polarity inversion control for MPUHWDBGOUT16 signal. 0x0: Polarity unchanged 0x1: Polarity inverted	RW	0x0
15	STM_HWEVENT_INV_15	Polarity inversion control for MPUHWDBGOUT15 signal. 0x0: Polarity unchanged 0x1: Polarity inverted	RW	0x0

Bits	Field Name	Description	Type	Reset
14	STM_HWEVENT_INV_14	Polarity inversion control for MPUHWDBGOUT14 signal. 0x0: Polarity unchanged 0x1: Polarity inverted	RW	0x0
13	STM_HWEVENT_INV_13	Polarity inversion control for MPUHWDBGOUT13 signal. 0x0: Polarity unchanged 0x1: Polarity inverted	RW	0x0
12	STM_HWEVENT_INV_12	Polarity inversion control for MPUHWDBGOUT12 signal. 0x0: Polarity unchanged 0x1: Polarity inverted	RW	0x0
11	STM_HWEVENT_INV_11	Polarity inversion control for MPUHWDBGOUT11 signal. 0x0: Polarity unchanged 0x1: Polarity inverted	RW	0x0
10	STM_HWEVENT_INV_10	Polarity inversion control for MPUHWDBGOUT10 signal. 0x0: Polarity unchanged 0x1: Polarity inverted	RW	0x0
9	STM_HWEVENT_INV_9	Polarity inversion control for MPUHWDBGOUT9 signal. 0x0: Polarity unchanged 0x1: Polarity inverted	RW	0x0
8	STM_HWEVENT_INV_8	Polarity inversion control for MPUHWDBGOUT8 signal. 0x0: Polarity unchanged 0x1: Polarity inverted	RW	0x0
7	STM_HWEVENT_INV_7	Polarity inversion control for MPUHWDBGOUT7 signal. 0x0: Polarity unchanged 0x1: Polarity inverted	RW	0x0
6	STM_HWEVENT_INV_6	Polarity inversion control for MPUHWDBGOUT6 signal. 0x0: Polarity unchanged 0x1: Polarity inverted	RW	0x0
5	STM_HWEVENT_INV_5	Polarity inversion control for MPUHWDBGOUT5 signal. 0x0: Polarity unchanged 0x1: Polarity inverted	RW	0x0
4	STM_HWEVENT_INV_4	Polarity inversion control for MPUHWDBGOUT4 signal. 0x0: Polarity unchanged 0x1: Polarity inverted	RW	0x0
3	STM_HWEVENT_INV_3	Polarity inversion control for MPUHWDBGOUT3 signal. 0x0: Polarity unchanged 0x1: Polarity inverted	RW	0x0
2	STM_HWEVENT_INV_2	Polarity inversion control for MPUHWDBGOUT2 signal. 0x0: Polarity unchanged 0x1: Polarity inverted	RW	0x0
1	STM_HWEVENT_INV_1	Polarity inversion control for MPUHWDBGOUT1 signal. 0x0: Polarity unchanged 0x1: Polarity inverted	RW	0x0
0	STM_HWEVENT_INV_0	Polarity inversion control for MPUHWDBGOUT0 signal. 0x0: Polarity unchanged 0x1: Polarity inverted	RW	0x0

Table 4-51. Register Call Summary for Register STM_HWEVENTS_INV

Cortex-A15 MPU Subsystem Register Manual

- [MPU_WUGEN Register Summary: \[0\]](#)

Table 4-52. AMBA_IF_MODE

Address Offset	0x0000 080C	Instance	MPU_WUGEN
Physical Address	0x4828 180C		
Description	This register controls the MPU core interface tie-off values for BI, BO, BCM and SBD. This register is located in MPU always-on domain and is reset by MPUAON_RST.		
Type	RW		

31	30	29	28	27	26	25	24	23	22	21	20	19	18	17	16	15	14	13	12	11	10	9	8	7	6	5	4	3	2	1	0	
RESERVED																												APB_FENCE_EN	BI	BO	BCM	SBD

Bits	Field Name	Description	Type	Reset
31:5	RESERVED	Reserved. Ignored on write and zero on read.	R	0x000 0000
4	APB_FENCE_EN	Enables APB fencing logic.	RW	0x1
3	BI	BROADCASTINNER input of MPU core.	RW	0x0
2	BO	BROADCASTOUTER input of MPU core.	RW	0x0
1	BCM	BROADCASTMAINTENANCE input of MPU core.	RW	0x0
0	SBD	SYSBARDISABLE input of MPU core.	RW	0x1

Table 4-53. Register Call Summary for Register AMBA_IF_MODE

Cortex-A15 MPU Subsystem Functional Description

- [Power States of MPU_C0:](#)
- [MPU Subsystem AMBA Interface Configuration: \[6\]\[7\]\[8\]](#)

Cortex-A15 MPU Subsystem Register Manual

- [MPU_WUGEN Register Summary: \[9\]](#)

Table 4-54. TIMESTAMPCYCLELO

Address Offset	0x0000 0C08	Instance	MPU_WUGEN
Physical Address	0x4828 1C08		
Description	Lower 32 bits of the 48-bit timestamp counter value		
Type	R		

31	30	29	28	27	26	25	24	23	22	21	20	19	18	17	16	15	14	13	12	11	10	9	8	7	6	5	4	3	2	1	0
COUNTER_31_0																															

Bits	Field Name	Description	Type	Reset
31:0	COUNTER_31_0	Lower 32 bits of the 48-bit timestamp counter value.	R	0x000 0000

Table 4-55. Register Call Summary for Register TIMESTAMPCYCLELO

Cortex-A15 MPU Subsystem Register Manual

- [MPU_WUGEN Register Summary: \[0\]](#)

Table 4-56. TIMESTAMPCYCLEHI

Address Offset	0x0000 0C0C	Instance	MPU_WUGEN
Physical Address	0x4828 1C0C		
Description	Higher 16 bits of the 48-bit timestamp counter value		
Type	R		

31	30	29	28	27	26	25	24	23	22	21	20	19	18	17	16	15	14	13	12	11	10	9	8	7	6	5	4	3	2	1	0
RESERVED																COUNTER_47_32															

Bits	Field Name	Description	Type	Reset
31:16	RESERVED	Reserved. Ignored on write and zero on read.	R	0x0000
15:0	COUNTER_47_32	Higher 16 bits of the timestamp counter value.	R	0x0000

Table 4-57. Register Call Summary for Register TIMESTAMPCYCLEHI

Cortex-A15 MPU Subsystem Register Manual

- [MPU_WUGEN Register Summary: \[0\]](#)

4.4.9 MPU_WD_TIMER Registers

4.4.9.1 MPU_WD_TIMER Register Summary

Table 4-58. MPU_WD_TIMER Registers Mapping Summary

Register Name	Type	Register Width (Bits)	Address Offset	MPU_WD_TIMER Physical Address
WDT_LOAD_REGISTER_0	RW	32	0x0000 0000	0x482A 0000
WDT_COUNT_REGISTER_0	R	32	0x0000 0004	0x482A 0004
WDT_WARNING_REGISTER_0	RW	32	0x0000 0008	0x482A 0008
WDT_PRESCALER_REGISTER_0	RW	32	0x0000 000C	0x482A 000C
WDT_CONTROL_REGISTER_0	RW	32	0x0000 0010	0x482A 0010
WDT_RESET_STATUS_REGISTER_0	RW	32	0x0000 0014	0x482A 0014

4.4.9.2 MPU_WD_TIMER Register Description

Table 4-59. WDT_LOAD_REGISTER_0

Address Offset	0x0000 0000	Index	
Physical Address	0x482A 0000	Instance	MPU_WD_TIMER
Description	When a new value is stored in this register, the WDT_COUNT_REGISTER_0 is immediately loaded with this value and the prescaler state is cleared. This register is reset by warm reset of the MPU core.		
Type	RW		

31	30	29	28	27	26	25	24	23	22	21	20	19	18	17	16	15	14	13	12	11	10	9	8	7	6	5	4	3	2	1	0
NEWCOUNT																															

Bits	Field Name	Description	Type	Reset
31:0	NEWCOUNT	New value to load into WDT_COUNT_REGISTER_0 .	RW	0x0000 0000

Table 4-60. Register Call Summary for Register WDT_LOAD_REGISTER_0

Cortex-A15 MPU Subsystem Functional Description

- [MPU Watchdog Timer: \[0\]\[1\]\[2\]\[3\]\[4\]](#)

Cortex-A15 MPU Subsystem Register Manual

- [MPU_WD_TIMER Register Summary: \[5\]](#)
- [MPU_WD_TIMER Register Description: \[6\]](#)

Table 4-61. WDT_COUNT_REGISTER_0

Address Offset	0x0000 0004	Index	
Physical Address	0x482A 0004	Instance	MPU_WD_TIMER
Description	This register is a 32-bit decrementing counter. The decrement rate is programmed in the WDT_PRESCALER_REGISTER_0 . The WDT_COUNT_REGISTER_0 can be read to get the current count. It decrements if the MPU_WD_TIMER_C0 is enabled (WDT_CONTROL_REGISTER_0[0] ENABLE = 0x1). If the MPU core is in debug state, the counter does not decrement until the MPU core returns to non-debug state. The WDT_COUNT_REGISTER_0 decrements down to zero and stops. The only way to update the WDT_COUNT_REGISTER_0 is to write to the WDT_LOAD_REGISTER_0 . If a software failure prevents the WDT_COUNT_REGISTER_0 from being refreshed, the WDT_COUNT_REGISTER_0 reaches zero, the watchdog timeout status flag is set and all interrupt requests or reset requests enabled in the WDT_CONTROL_REGISTER_0 are signalled. If a reset request is enabled, the global PRCM is then responsible for resetting the MPUSS. Debug state is inferred by monitoring the DBGACK signal of the MPU core. This register is reset by warm reset of the MPU core.		
Type	R		

31	30	29	28	27	26	25	24	23	22	21	20	19	18	17	16	15	14	13	12	11	10	9	8	7	6	5	4	3	2	1	0
CURRENTCOUNT																															

Bits	Field Name	Description	Type	Reset
31:0	CURRENTCOUNT	Current count of the MPU_WD_TIMER.	R	0x0000 0000

Table 4-62. Register Call Summary for Register WDT_COUNT_REGISTER_0

Cortex-A15 MPU Subsystem Functional Description

- [MPU Watchdog Timer: \[0\]\[1\]\[2\]](#)

Cortex-A15 MPU Subsystem Register Manual

- [MPU_WD_TIMER Register Summary: \[3\]](#)
- [MPU_WD_TIMER Register Description: \[4\]\[5\]\[6\]\[7\]\[8\]\[9\]\[10\]\[11\]\[12\]\[13\]\[14\]\[15\]](#)

Table 4-63. WDT_WARNING_REGISTER_0

Address Offset	0x0000 0008	Index	
Physical Address	0x482A 0008	Instance	MPU_WD_TIMER
Description	The WDT_COUNT_REGISTER_0 is compared to the WDT_WARNING_REGISTER_0 . If WDT_COUNT_REGISTER_0 is less than or equal to the WDT_WARNING_REGISTER_0 and WDT_CONTROL_REGISTER_0[8] WARNEN = 0b1, a warning interrupt is signalled to the MPU_INTC. The warning condition can be used to signal an interrupt that gives software a notice that the MPU_WD_TIMER_C0 is getting close to a timeout, when a more serious action should be taken.		
Type	RW		

31	30	29	28	27	26	25	24	23	22	21	20	19	18	17	16	15	14	13	12	11	10	9	8	7	6	5	4	3	2	1	0
WARNING_WATERMARK																															

Bits	Field Name	Description	Type	Reset
31:0	WARNING_WATERMARK	A warning condition occurs when the WDT_COUNT_REGISTER_0 value is less than or equal to the WDT_WARNING_REGISTER_0 .	RW	0x0000 0000

Table 4-64. Register Call Summary for Register WDT_WARNING_REGISTER_0

Cortex-A15 MPU Subsystem Functional Description

- [MPU Watchdog Timer: \[0\]\[1\]\[2\]](#)

Cortex-A15 MPU Subsystem Register Manual

- [MPU_WD_TIMER Register Summary: \[3\]](#)
- [MPU_WD_TIMER Register Description: \[4\]\[5\]\[6\]](#)

Table 4-65. WDT_PRESCALER_REGISTER_0

Address Offset	0x0000 000C	Index	
Physical Address	0x482A 000C	Instance	MPU_WD_TIMER
Description	This register is used to set the count rate of the MPU_WD_TIMER_C0 counter.		
Type	RW		

31	30	29	28	27	26	25	24	23	22	21	20	19	18	17	16	15	14	13	12	11	10	9	8	7	6	5	4	3	2	1	0
RESERVED																PRESCALER															

Bits	Field Name	Description	Type	Reset
31:10	RESERVED	Reserved. Ignored on writes. Reads return 0s.	R	0x00 0000
9:0	PRESCALER	Sets the prescaler ratio. WDT_COUNT_REGISTER_0 decrements every (PRESCALER + 1) MPU_DPLL_CLK clocks. Note: If the prescaler is set to (MPU_DPLL_CLK [in MHz] - 1), the MPU_WD_TIMER_C0 counter counts at a 1 microsecond rate.	RW	0x000

Table 4-66. Register Call Summary for Register WDT_PRESCALER_REGISTER_0

Cortex-A15 MPU Subsystem Functional Description

- [MPU Watchdog Timer: \[0\]\[1\]\[2\]](#)

Cortex-A15 MPU Subsystem Register Manual

- [MPU_WD_TIMER Register Summary: \[3\]](#)
- [MPU_WD_TIMER Register Description: \[4\]](#)

Table 4-67. WDT_CONTROL_REGISTER_0

Address Offset	0x0000 0010	Index	
Physical Address	0x482A 0010	Instance	MPU_WD_TIMER
Description	This register controls the behavior of the MPU_WD_TIMER_C0. This register is reset by warm reset of the MPU core.		
Type	RW		

31	30	29	28	27	26	25	24	23	22	21	20	19	18	17	16	15	14	13	12	11	10	9	8	7	6	5	4	3	2	1	0
RESERVED																							WARNEN	RESERVED				MPUSSRSTEN	RESERVED	INTREN	ENABLE

Bits	Field Name	Description	Type	Reset
31:9	RESERVED	Reserved. Ignored on writes. Reads return 0s.	R	0x00 0000
8	WARNEN	Warning Interrupt Enable. If this bit is set and the warning watermark test is true, a warning interrupt is generated to the MPU_INTC.	RW	0
7:4	RESERVED	Reserved. Ignored on writes. Reads return 0s.	R	0x0
3	MPUSSRSTEN	MPUSS Reset Enable. If this field is 0b1 when the timer reaches zero, a request is sent to the global PRCM for a global warm reset.	RW	0
2	RESERVED	Reserved. Ignored on writes. Reads return 0s.	R	0
1	INTREN	Interrupt Enable. If this field is 0b1 when the timer reaches zero, an interrupt request is sent to the MPU_INTC.	RW	0
0	ENABLE	Enable for MPU_WD_TIMER_C0. 0: MPU_WD_TIMER_C0 is disabled. It will not count down and it will not generate a reset request. All MPU_WD_TIMER_C0 registers may be accessed. 1: MPU_WD_TIMER_C0 is enabled. It will count down and generate a reset request if it reaches 0. This bit is reset by warm or power-on reset.	RW	0

Table 4-68. Register Call Summary for Register WDT_CONTROL_REGISTER_0

Cortex-A15 MPU Subsystem Functional Description

- [MPU Watchdog Timer: \[0\]\[1\]\[2\]\[3\]\[4\]\[5\]\[6\]](#)

Cortex-A15 MPU Subsystem Register Manual

- [MPU_WD_TIMER Register Summary: \[7\]](#)
- [MPU_WD_TIMER Register Description: \[8\]\[9\]\[10\]\[11\]\[12\]](#)

Table 4-69. WDT_RESET_STATUS_REGISTER_0

Address Offset	0x0000 0014	Index	
Physical Address	0x482A 0014	Instance	MPU_WD_TIMER
Description	The TO bit indicated that this MPU_WD_TIMER_C0 has timed out. This register is not reset by warm reset, but only by cold reset.		
Type	RW		

31	30	29	28	27	26	25	24	23	22	21	20	19	18	17	16	15	14	13	12	11	10	9	8	7	6	5	4	3	2	1	0
RESERVED																WARN		TO													

Bits	Field Name	Description	Type	Reset
31:2	RESERVED	Reserved. Ignored on writes. Reads return 0s.	R	0x0000 0000
1	WARN	Warning. Indicates that the count has passed the warning watermark level while the WDT_CONTROL_REGISTER_0[8] WARNEN bit was set. Write a '1' to this bit to reset it.	RW W1toClr	0
0	TO	Timeout. Indicates the WDT_COUNT_REGISTER_0 has reached zero (timed out) and the signalling enabled in the WDT_CONTROL_REGISTER_0 has occurred. Can be used to determine which MPU_WD_TIMER_C0 instance caused a reset. Write a '1' to this bit to reset it.	RW W1toClr	0

Table 4-70. Register Call Summary for Register WDT_RESET_STATUS_REGISTER_0

Cortex-A15 MPU Subsystem Functional Description

- [MPU Watchdog Timer: \[0\]\[1\]](#)

Cortex-A15 MPU Subsystem Register Manual

- [MPU_WD_TIMER Register Summary: \[2\]](#)

4.4.10 MPU_AXI2OCP_MISC Registers

4.4.10.1 MPU_AXI2OCP_MISC Register Summary

Table 4-71. MPU_AXI2OCP_MISC Register Mapping Summary

Register Name	Type	Register Width (Bits)	Address Offset	MPU_AXI2OCP_MISC Base Address
MA_PRIORITY	RW	32	0x0	0x482A 2000

4.4.10.2 MPU_AXI2OCP_MISC Register Description

Table 4-72. MA_PRIORITY

Address Offset	0x0000 0000	Instance	MPU_AXI2OCP_MISC
Physical Address	0x482A 2000		
Description	Memory adapter priority register. This register indicates the priority of memory access from MPU_MA to EMIF. This priority is used by EMIF in scheduling MPU_MA access to EMIF. 0x0 is highest priority and 0x7 is lowest priority.		
Type	RW		

31	30	29	28	27	26	25	24	23	22	21	20	19	18	17	16	15	14	13	12	11	10	9	8	7	6	5	4	3	2	1	0
RESERVED																HIMEM_INTERLEAVE_UN	RESERVED				PRIORITY										

Bits	Field Name	Description	Type	Reset
31:9	RESERVED	Reserved	R	0x00 0000
8	HIMEM_INTERLEAVE_UN	HIMEM_INTERLEAVE_UN	RW	0
7:3	RESERVED	Reserved	R	0x00
2:0	PRIORITY	MPU_MA priority value	RW	0x4

Table 4-73. Register Call Summary for Register MA_PRIORITY

Cortex-A15 MPU Subsystem Functional Description

- [MPU_AXI2OCP: \[0\]](#)
- [Interleaving: \[1\]](#)

Cortex-A15 MPU Subsystem Register Manual

- [MPU_AXI2OCP_MISC Register Summary: \[2\]](#)

4.4.11 MPU_MA_LSM Registers

4.4.11.1 MPU_MA_LSM Register Summary

Table 4-74. MPU_MA_LSM Register Mapping Summary

Register Name	Type	Register Width (Bits)	Address Offset	MPU_MA_LSM Base Address
RESERVED	R	32	0x0000 0010	0x482A F010
MA_LISA_LOCK	RW	32	0x0000 001C	0x482A F01C
MA_LISA_MAP_i ⁽¹⁾	RW	32	0x0000 0040 + (0x4 * i)	0x482A F040 + (0x4 * i)

⁽¹⁾ i = 0 to 3

4.4.11.2 MPU_MA_LSM Register Description

For the description of the MPU_MA_LSM registers, see [Section 15.2, Dynamic Memory Manager](#), where MA_LISA_LOCK corresponds to the DMM_LISA_LOCK register description, and MA_LISA_MAP_i corresponds to the DMM_LISA_MAP_i register description.

4.4.12 MPU_MA_WP Registers

4.4.12.1 MPU_MA_WP Register Summary

Table 4-75. MPU_MA_WP Registers Mapping Summary

Register Name	Type	Register Width (Bits)	Address Offset	MPU_MA_WP Physical Address
DBG_HWWP_CAP	R	32	0x0000 0000	0x482A F200
TRIG_CTRL	RW	32	0x0000 0004	0x482A F204
DBG_HWWP0_LW_ADDR0	RW	32	0x0000 0008	0x482A F208
DBG_HWWP0_HG_ADDR0	RW	32	0x0000 000C	0x482A F20C
DBG_HWWP0_MAIN_CNTL	RW	32	0x0000 0010	0x482A F210
DBG_HWWP0_AUX_CNTL	RW	32	0x0000 0014	0x482A F214
DBG_HWWP0_MEM_CNTL	RW	32	0x0000 0018	0x482A F218
DBG_HWWP0_CHAIN_CNTL	RW	32	0x0000 001C	0x482A F21C
DBG_HWWP0_LW_ADDR0_LOG	R	32	0x0000 0020	0x482A F220
DBG_HWWP0_HG_ADDR0_LOG	R	32	0x0000 0024	0x482A F224
DBG_HWWP0_DATA0_LOG	R	32	0x0000 0028	0x482A F228
DBG_HWWP0_DATA1_LOG	R	32	0x0000 002C	0x482A F22C
DBG_HWWP0_DATA2_LOG	R	32	0x0000 0030	0x482A F230
DBG_HWWP0_DATA3_LOG	R	32	0x0000 0034	0x482A F234
DBG_HWWP0_TRANS_ATTR0_LOG	R	32	0x0000 0038	0x482A F238
DBG_HWWP0_TRANS_ATTR1_LOG	R	32	0x0000 003C	0x482A F23C
DBG_HWWP0_DATA_TRANS_ATTR0_LOG	R	32	0x0000 0040	0x482A F240

NOTE: The user is required to set all trigger options and match criteria *before* enabling the watchpoint via setting the [DBG_HWWP0_MAIN_CNTL\[0\]](#) WP_EN bit. To change any match options or to re-enable the trigger, the WP_EN must first be cleared. The _LOG registers should normally be read only after the [DBG_HWWP0_MAIN_CNTL\[31\]](#) TRIG bit is verified to be '1'.

4.4.12.2 MPU_MA_WP Register Description

Table 4-76. DBG_HWWP_CAP

Address Offset	0x0000 0000	Instance	MPU_MA_WP
Physical Address	0x482A F200		
Description	Debug Watchpoint Capabilities Register		
Type	R		

31	30	29	28	27	26	25	24	23	22	21	20	19	18	17	16	15	14	13	12	11	10	9	8	7	6	5	4	3	2	1	0
RESERVED																HWWP_MEM_CHAIN_REG_PRESENT	HWWP_TRANS_ATTR1_REG_PRESENT	HWWP_TRANS_ATTR0_REG_PRESENT	HWWP_AUX_CNTL_REG_PRESENT	RESERVED	DATA_WIDTH			RESERVED	ADDR_WIDTH			NUM_WP			

Bits	Field Name	Description	Type	Reset
31:16	RESERVED	Reserved	R	0x0000
15	HWWP_MEM_CHAIN_REG_P ESENT	Memory Barrier Chain Control Register implementation 0x0: Not present 0x1: Present	R	0x1
14	HWWP_TRANS_ATTR1_REG_P RESENT	Transaction Attribute 1 Register implementation 0x0: Not present 0x1: Present	R	0x1
13	HWWP_TRANS_ATTR0_REG_P RESENT	Transaction Attribute 0 Register implementation 0x0: Not present 0x1: Present	R	0x1
12	HWWP_AUX_CNTL_REG_PRE SENT	Auxillary Control Register implementation 0x0: Not present 0x1: Present	R	0x1
11	RESERVED	Reserved	R	0x0
10:8	DATA_WIDTH	Data Bus Width 0x0: 8 bits 0x1: 16 bits 0x2: 32 bits 0x3: 64 bits 0x4: 128 bits All other values: Reserved	R	0x4
7	RESERVED	Reserved	R	0x0
6:4	ADDR_WIDTH	Address Bus Width 0x0: 8 bits 0x1: 16 bits 0x2: 24 bits 0x3: 32 bits 0x4: 36 bits 0x5: 40 bits 0x6: 64 bits 0x7: Reserved	R	0x5
3:0	NUM_WP	Number of Watchpoints supported (0-15)	R	0x1

Table 4-77. Register Call Summary for Register DBG_HWWP_CAP

Cortex-A15 MPU Subsystem Register Manual

- [MPU_MA_WP Register Summary: \[0\]](#)

Table 4-78. TRIG_CTRL

Address Offset	0x0000 0004	Instance	MPU_MA_WP
Physical Address	0x482A F204		
Description	Trigger Control Register		
Type	RW		

31	30	29	28	27	26	25	24	23	22	21	20	19	18	17	16	15	14	13	12	11	10	9	8	7	6	5	4	3	2	1	0
RESERVED																TRIG_EN															

Bits	Field Name	Description	Type	Reset
31:1	RESERVED	Reserved	R	0x0000 0000
0	TRIG_EN	0x0: Trigger disabled. Trigger output (MA_WP_TRIGGER) will not fire 0x1: Trigger enabled. Trigger output (MA_WP_TRIGGER) will fire	RW	0x0

Table 4-79. Register Call Summary for Register TRIG_CTRL

Cortex-A15 MPU Subsystem Functional Description

- [MPU_MA Watchpoint: \[0\]](#)

Cortex-A15 MPU Subsystem Register Manual

- [MPU_MA_WP Register Summary: \[1\]](#)

Table 4-80. DBG_HWWP0_LW_ADDR0

Address Offset	0x0000 0008	Instance	MPU_MA_WP
Physical Address	0x482A F208		
Description	Debug Watchpoint Addr0 Register (lower order bits 31:0). This register should be written only when WP_EN=0.		
Type	RW		

31	30	29	28	27	26	25	24	23	22	21	20	19	18	17	16	15	14	13	12	11	10	9	8	7	6	5	4	3	2	1	0
LOWER_ORDER_WP_ADDR																															

Bits	Field Name	Description	Type	Reset
31:0	LOWER_ORDER_WP_ADDR	The byte-addressable lower order AXI-4 physical watchpoint address to monitor	RW	0x0000 0000

Table 4-81. Register Call Summary for Register DBG_HWWP0_LW_ADDR0

Cortex-A15 MPU Subsystem Register Manual

- [MPU_MA_WP Register Summary: \[0\]](#)

Table 4-82. DBG_HWWP0_HG_ADDR0

Address Offset	0x0000 000C		
Physical Address	0x482A F20C	Instance	MPU_MA_WP
Description	Debug Watchpoint Addr0 Register (higher order bits 39:32). This register should be written only when WP_EN=0.		
Type	RW		

31	30	29	28	27	26	25	24	23	22	21	20	19	18	17	16	15	14	13	12	11	10	9	8	7	6	5	4	3	2	1	0
RESERVED																HIGHER_ORDER_WP_ADDR															

Bits	Field Name	Description	Type	Reset
31:8	RESERVED	Reserved	R	0x00 0000
7:0	HIGHER_ORDER_WP_ADDR	The byte-addressable higher order AXI-4 physical watchpoint address to monitor	RW	0x00

Table 4-83. Register Call Summary for Register DBG_HWWP0_HG_ADDR0

Cortex-A15 MPU Subsystem Register Manual

- [MPU_MA_WP Register Summary: \[0\]](#)

Table 4-84. DBG_HWWP0_MAIN_CNTL

Address Offset	0x0000 0010		
Physical Address	0x482A F210	Instance	MPU_MA_WP
Description	Debug Watchpoint Main Control Register		
Type	RW		

31	30	29	28	27	26	25	24	23	22	21	20	19	18	17	16	15	14	13	12	11	10	9	8	7	6	5	4	3	2	1	0
TRIG	RESERVED							BEAT_SEL	RESERVED		RESERVED	SUPERVISOR_USER_ACCESS	RESERVED			SECURE_ACCESS	RESERVED		WP_ADDR_MASK	WP_MATCH_CRITERIA	WP_LS_ACCESS	WP_EN									

Bits	Field Name	Description	Type	Reset
31	TRIG	Watchpoint trigger 0x0: Watchpoint not triggered 0x1: Watchpoint has triggered (Reset upon 0->1 transition of WP_EN)	R	0x0
30:24	RESERVED	Reserved	R	0x00
23:20	BEAT_SEL	Beat Select (This parameter decides upon for which beat of the burst the data byte lanes should be captured data)	RW	0x0
19:17	RESERVED	Reserved	R	0x0
16	RESERVED	Reserved	R	0x0

Bits	Field Name	Description	Type	Reset
15:14	SUPERVISOR_USER_ACCESS	Supervisor/User access 0x0: Reserved 0x1: User 0x2: Supervisor 0x3: No preference	RW	0x3
13:12	SECURE_ACCESS	Secure/Non-secure access 0x0: Reserved 0x1: Non-secure 0x2: Secure. Not supported on GP device 0x3: No preference	RW	0x3
11	RESERVED	Reserved	R	0x0
10:5	WP_ADDR_MASK	Watchpoint address mask (bits to ignore) 0x0: Ignore address bit 0 0x27: Ignore address bit 39 0x28 – 0x3F: Reserved	RW	0x00
4	WP_MATCH_CRITERIA	Watchpoint match criteria 0x0: Match if access within address range to include MIN and MAX 0x1: Match if access outside address range	RW	0x0
3:1	WP_LS_ACCESS	Watchpoint Load/Store access 0x0: (Load) Load exclusive or swap 0x1: (Store) Store exclusive or swap (non-posted) 0x2: (Store) Store exclusive or swap (posted) 0x3: Any type of store 0x4, 0x5, 0x6: Reserved 0x7: No preference (valid only if CHAIN_WP_EN=0; otherwise, reserved) Note: In the case of CHAIN_WP_EN=1, both data and memory barrier watchpoints must have the same transaction type; that is, both must be read or both must be write	RW	0x7
0	WP_EN	Watchpoint enable 0x0: Disable the watchpoint 0x1: Enable the watchpoint	RW	0x0

Table 4-85. Register Call Summary for Register DBG_HWWP0_MAIN_CNTL

Cortex-A15 MPU Subsystem Functional Description

- [MPU_MA Watchpoint: \[0\]\[1\]\[2\]\[3\]\[4\]\[5\]\[6\]\[7\]\[8\]](#)

Cortex-A15 MPU Subsystem Register Manual

- [MPU_MA_WP Register Summary: \[9\]\[10\]\[11\]](#)

Table 4-86. DBG_HWWP0_AUX_CNTL

Address Offset	0x0000 0014	Instance	MPU_MA_WP
Physical Address	0x482A F214		
Description	Debug Watchpoint Auxilliary Control Register. This register should be written only when WP_EN=0.		
Type	RW		

31	30	29	28	27	26	25	24	23	22	21	20	19	18	17	16	15	14	13	12	11	10	9	8	7	6	5	4	3	2	1	0
RESERVED																MA_SPLIT_TARG	RESERVED						INITIATOR_ID	RESERVED	ACCESS_TYPE						

Bits	Field Name	Description	Type	Reset
31:16	RESERVED	Reserved	R	0x0000
15:14	MA_SPLIT_TARG	MA splitter target 0x0: Reserved 0x1: AXI2OCP bridge 0x2: EMIF 0x3: No preference	RW	0x3
13:7	RESERVED	Reserved	R	0x00
6:4	INITIATOR_ID	Initiator ID 0x0: CPU_0 0x1: CPU_1. Not supported on this device 0x2: CPU_2. Not supported on this device 0x3: CPU_3. Not supported on this device 0x4: Unknown source (ACP, FEQ, etc) 0x5: CMU. Not supported on this device 0x6: Reserved 0x7: No preference	RW	0x7
3:2	RESERVED	Reserved	R	0x0
1:0	ACCESS_TYPE	Access type 0x0: Reserved 0x1: Instructions 0x2: Data/others 0x3: No preference	RW	0x3

Table 4-87. Register Call Summary for Register DBG_HWWP0_AUX_CNTL

Cortex-A15 MPU Subsystem Functional Description

- [MPU_MA Watchpoint: \[0\]\[1\]\[2\]](#)

Cortex-A15 MPU Subsystem Register Manual

- [MPU_MA_WP Register Summary: \[3\]](#)

Table 4-88. DBG_HWWP0_MEM_CNTL

Address Offset	0x0000 0018	Instance	MPU_MA_WP
Physical Address	0x482A F218		
Description	Debug Watchpoint Memory Barrier Control Register. This register should be written only when WP_EN=0.		
Type	RW		

31	30	29	28	27	26	25	24	23	22	21	20	19	18	17	16	15	14	13	12	11	10	9	8	7	6	5	4	3	2	1	0
MEM_BAR_TRIG	RESERVED																							MEM_BAR_ACCESS_TYPE	MEM_BAR_TYPE	MEM_BAR_WP_EN					

Bits	Field Name	Description	Type	Reset
31	MEM_BAR_TRIG	Memory barrier trigger 0x0: Memory Barrier Watchpoint not triggered 0x1: Memory Barrier Watchpoint has triggered (Reset upon 0->1 transition of MEM_BAR_WP_EN)	R	0x0
30:5	RESERVED	Reserved	R	0x000 0000

Bits	Field Name	Description	Type	Reset
4:3	MEM_BAR_ACCESS_TYPE	Type of memory barrier access 0x0: Reserved 0x1: Read 0x2: Write 0x3: Don't care (only if CHAIN_WP_EN=0; otherwise, reserved) Note: In the case of CHAIN_WP_EN=1, both memory barrier and data watchpoint must have the same transaction types; that is, both must be read or both must be write	RW	0x3
2:1	MEM_BAR_TYPE	Memory barrier type 0x0: Reserved 0x1: DSB 0x2: DMB 0x3: No preference	RW	0x3
0	MEM_BAR_WP_EN	Memory barrier watchpoint enable 0x0: Disable the watchpoint 0x1: Enable the watchpoint	RW	0x0

Table 4-89. Register Call Summary for Register DBG_HWWP0_MEM_CNTL

Cortex-A15 MPU Subsystem Functional Description

- [MPU_MA Watchpoint: \[0\]\[1\]\[2\]\[3\]\[4\]\[5\]\[6\]\[7\]](#)

Cortex-A15 MPU Subsystem Register Manual

- [MPU_MA_WP Register Summary: \[8\]](#)

Table 4-90. DBG_HWWP0_CHAIN_CNTL

Address Offset	0x0000 001C	
Physical Address	0x482A F21C	Instance MPU_MA_WP
Description	Debug Watchpoint Data/Memory Barrier Chain Control Register. This register should be written only when WP_EN=0.	
Type	RW	

31	30	29	28	27	26	25	24	23	22	21	20	19	18	17	16	15	14	13	12	11	10	9	8	7	6	5	4	3	2	1	0
RESERVED																CHAIN_WP_TRIG	CHAIN_TYPE	CHAIN_WP_EN													

Bits	Field Name	Description	Type	Reset
31	CHAIN_WP_TRIG	Chained watchpoints (memory barrier and data watchpoint) trigger 0x0: Chained Watchpoints not triggered 0x1: Chained Watchpoints have triggered (Reset upon 0->1 transition of CHAIN_WP_EN)	R	0x0
30:2	RESERVED	Reserved	R	0x0000 0000
1	CHAIN_TYPE	Chain type 0x0: Watchpoint match then memory barrier match 0x1: Memory barrier match then watchpoint match	RW	0x0
0	CHAIN_WP_EN	Chained watchpoints (memory barrier and data watchpoint) enable 0x0: Disable the chained watchpoints 0x1: Enable the chained watchpoints Note: Both the memory barrier and data watchpoint should be enabled subsequent to this to avoid partial match/race conditions	RW	0x0

Table 4-91. Register Call Summary for Register DBG_HWWP0_CHAIN_CNTL

Cortex-A15 MPU Subsystem Functional Description

- [MPU_MA Watchpoint: \[0\]\[1\]\[2\]\[3\]\[4\]\[5\]](#)

Cortex-A15 MPU Subsystem Register Manual

- [MPU_MA_WP Register Summary: \[6\]](#)

Table 4-92. DBG_HWWP0_LW_ADDR0_LOG

Address Offset	0x0000 0020	Instance	MPU_MA_WP
Physical Address	0x482A F220		
Description	Debug Watchpoint Addr0 Log Register (lower order bits 31:0). This register should be read only when TRIG=1 or WP_EN=0. This register is reset upon 0->1 transition of WP_EN.		
Type	R		

31	30	29	28	27	26	25	24	23	22	21	20	19	18	17	16	15	14	13	12	11	10	9	8	7	6	5	4	3	2	1	0
WP_ADDR_LOWER_ORDER_BITS																															

Bits	Field Name	Description	Type	Reset
31:0	WP_ADDR_LOWER_ORDER_BITS	Watchpoint address lower order bits (bits 31:0) (The byte-addressable lower order AXI-4 physical watchpoint address bits which results in a match)	R	0x0000 0000

Table 4-93. Register Call Summary for Register DBG_HWWP0_LW_ADDR0_LOG

Cortex-A15 MPU Subsystem Functional Description

- [MPU_MA Watchpoint: \[0\]](#)

Cortex-A15 MPU Subsystem Register Manual

- [MPU_MA_WP Register Summary: \[1\]](#)

Table 4-94. DBG_HWWP0_HG_ADDR0_LOG

Address Offset	0x0000 0024	Instance	MPU_MA_WP
Physical Address	0x482A F224		
Description	Debug Watchpoint Addr0 Log Register (higher order bits 39:32). This register should be read only when TRIG=1 or WP_EN=0. This register is reset upon 0->1 transition of WP_EN.		
Type	R		

31	30	29	28	27	26	25	24	23	22	21	20	19	18	17	16	15	14	13	12	11	10	9	8	7	6	5	4	3	2	1	0
RESERVED																WP_ADDR_HIGHER_ORDER_BITS															

Bits	Field Name	Description	Type	Reset
31:8	RESERVED	Reserved	R	0x00 0000
7:0	WP_ADDR_HIGHER_ORDER_BITS	Watchpoint address higher order bits (bits 39:32) (The byte-addressable higher order AXI-4 physical watchpoint address bits which results in a match)	R	0x00

Table 4-95. Register Call Summary for Register DBG_HWWP0_HG_ADDR0_LOG

Cortex-A15 MPU Subsystem Functional Description

- [MPU_MA Watchpoint: \[0\]](#)

Cortex-A15 MPU Subsystem Register Manual

- [MPU_MA_WP Register Summary: \[1\]](#)

Table 4-96. DBG_HWWP0_DATA0_LOG

Address Offset	0x0000 0028	Instance	MPU_MA_WP
Physical Address	0x482A F228		
Description	Debug Watchpoint Data Log Register (bits 31:0). This register should be read only when TRIG=1 or WP_EN=0. This register is reset upon 0->1 transition of WP_EN.		
Type	R		

31	30	29	28	27	26	25	24	23	22	21	20	19	18	17	16	15	14	13	12	11	10	9	8	7	6	5	4	3	2	1	0
DATA0_CAPTURE																															

Bits	Field Name	Description	Type	Reset
31:0	DATA0_CAPTURE	Data capture (bits 31:0) (32-bit data associated with the access which results in a watchpoint match)	R	0x0000 0000

Table 4-97. Register Call Summary for Register DBG_HWWP0_DATA0_LOG

Cortex-A15 MPU Subsystem Functional Description

- [MPU_MA Watchpoint: \[0\]](#)

Cortex-A15 MPU Subsystem Register Manual

- [MPU_MA_WP Register Summary: \[1\]](#)

Table 4-98. DBG_HWWP0_DATA1_LOG

Address Offset	0x0000 002C	Instance	MPU_MA_WP
Physical Address	0x482A F22C		
Description	Debug Watchpoint Data Log Register (bits 63:32). This register should be read only when TRIG=1 or WP_EN=0. This register is reset upon 0->1 transition of WP_EN.		
Type	R		

31	30	29	28	27	26	25	24	23	22	21	20	19	18	17	16	15	14	13	12	11	10	9	8	7	6	5	4	3	2	1	0
DATA1_CAPTURE																															

Bits	Field Name	Description	Type	Reset
31:0	DATA1_CAPTURE	Data capture (bits 63:32) (32-bit data associated with the access which results in a watchpoint match)	R	0x0000 0000

Table 4-99. Register Call Summary for Register DBG_HWWP0_DATA1_LOG

Cortex-A15 MPU Subsystem Functional Description

- [MPU_MA Watchpoint: \[0\]](#)

Cortex-A15 MPU Subsystem Register Manual

- [MPU_MA_WP Register Summary: \[1\]](#)

Table 4-100. DBG_HWWP0_DATA2_LOG

Address Offset	0x0000 0030	Instance	MPU_MA_WP
Physical Address	0x482A F230		
Description	Debug Watchpoint Data Log Register (bits 95:64). This register should be read only when TRIG=1 or WP_EN=0. This register is reset upon 0->1 transition of WP_EN.		
Type	R		

31	30	29	28	27	26	25	24	23	22	21	20	19	18	17	16	15	14	13	12	11	10	9	8	7	6	5	4	3	2	1	0
DATA2_CAPTURE																															

Bits	Field Name	Description	Type	Reset
31:0	DATA2_CAPTURE	Data capture (bits 95:64) (32-bit data associated with the access which results in a watchpoint match)	R	0x0000 0000

Table 4-101. Register Call Summary for Register DBG_HWWP0_DATA2_LOG

Cortex-A15 MPU Subsystem Register Manual

- [MPU_MA_WP Register Summary: \[0\]](#)

Table 4-102. DBG_HWWP0_DATA3_LOG

Address Offset	0x0000 0034	Instance	MPU_MA_WP
Physical Address	0x482A F234		
Description	Debug Watchpoint Data Log Register (bits 127:96). This register should be read only when TRIG=1 or WP_EN=0. This register is reset upon 0->1 transition of WP_EN.		
Type	R		

31	30	29	28	27	26	25	24	23	22	21	20	19	18	17	16	15	14	13	12	11	10	9	8	7	6	5	4	3	2	1	0
DATA3_CAPTURE																															

Bits	Field Name	Description	Type	Reset
31:0	DATA3_CAPTURE	Data capture (bits 127:96) (32-bit data associated with the access which results in a watchpoint match)	R	0x0000 0000

Table 4-103. Register Call Summary for Register DBG_HWWP0_DATA3_LOG

Cortex-A15 MPU Subsystem Register Manual

- [MPU_MA_WP Register Summary: \[0\]](#)

Table 4-104. DBG_HWWP0_TRANS_ATTR0_LOG

Address Offset	0x0000 0038	Instance	MPU_MA_WP
Physical Address	0x482A F238		
Description	Debug Watchpoint Transaction Attributes 0 Log Register. This register should be read only when TRIG=1 or WP_EN=0. This register is reset upon 0->1 transition of WP_EN.		
Type	R		

31	30	29	28	27	26	25	24	23	22	21	20	19	18	17	16	15	14	13	12	11	10	9	8	7	6	5	4	3	2	1	0
RESERVED								RESP_INFO	RESERVED	INIT_INFO			RESERVED	TARGET_INFO		RESERVED	TRANS_TYPE			BURST_LENGTH				RESERVED	BURST_TYPE						

Bits	Field Name	Description	Type	Reset
31:26	RESERVED	Reserved	R	0x00
25:24	RESP_INFO	Response info 0x0: Reserved 0x1: Okay 0x2: Request failed 0x3: Request error	R	0x0
23	RESERVED	Reserved	R	0x0
22:20	INIT_INFO	Initiator info 0x0: CPU_0 0x1: CPU_1. Not supported on this device 0x2: CPU_2. Not supported on this device 0x3: CPU_3. Not supported on this device 0x4: Unknown source (ACP, FEQ, etc) 0x5: CMU. Not supported on this device 0x6, 0x7: Reserved	R	0x0
19	RESERVED	Reserved	R	0x0
18:16	TARGET_INFO	Target info 0x0: AXI2OCP 0x1: EMIF All other values: Reserved	R	0x0
15:13	RESERVED	Reserved	R	0x0
12:10	TRANS_TYPE	Transaction type (The type of transaction which results in a watchpoint match and is protocol independent. Not all protocols support all transaction types) 0x0: Reserved 0x1: Write posted 0x2: Read 0x3: Read exclusive 0x4: Read linked 0x5: Write non-posted 0x6: Write conditional 0x7: Broadcast	R	0x0
9:4	BURST_LENGTH	Burst length (The length of the burst which results in a watchpoint match) 0x1: Burst length = 1 (min value) 0x2: Burst length = 2 0x3F: Burst length = 63 (max value)	R	0x00
3	RESERVED	Reserved	R	0x0

Bits	Field Name	Description	Type	Reset
2:0	BURST_TYPE	Burst type 0x0: Incrementing 0x1: Wrapping 0x3: Fixed (streaming) All other values: Reserved	R	0x0

Table 4-105. Register Call Summary for Register DBG_HWWP0_TRANS_ATTR0_LOG

Cortex-A15 MPU Subsystem Functional Description

- [MPU_MA Watchpoint: \[0\]\[1\]\[2\]\[3\]\[4\]\[5\]](#)

Cortex-A15 MPU Subsystem Register Manual

- [MPU_MA_WP Register Summary: \[6\]](#)

Table 4-106. DBG_HWWP0_TRANS_ATTR1_LOG

Address Offset	0x0000 003C	Instance	MPU_MA_WP
Physical Address	0x482A F23C		
Description	Debug Watchpoint Transaction Attributes 1 Log Register. This register should be read only when TRIG=1 or WP_EN=0. This register is reset upon 0->1 transition of WP_EN.		
Type	R		

31	30	29	28	27	26	25	24	23	22	21	20	19	18	17	16	15	14	13	12	11	10	9	8	7	6	5	4	3	2	1	0
RESERVED																							DATA	SUPERVISOR	SECURE						

Bits	Field Name	Description	Type	Reset
31:3	RESERVED	Reserved	R	0x0000 0000
2	DATA	Data access/Instruction fetch 0x0: Other, data, PLE, eviction 0x1: Instruction	R	0x0
1	SUPERVISOR	Supervisor/User access 0x0: User 0x1: Supervisor	R	0x0
0	SECURE	Secure/Non-secure access 0x0: Non-secure 0x1: Secure. Not supported on GP device	R	0x0

Table 4-107. Register Call Summary for Register DBG_HWWP0_TRANS_ATTR1_LOG

Cortex-A15 MPU Subsystem Functional Description

- [MPU_MA Watchpoint: \[0\]\[1\]](#)

Cortex-A15 MPU Subsystem Register Manual

- [MPU_MA_WP Register Summary: \[2\]](#)

Table 4-108. DBG_HWWP0_DATA_TRANS_ATTR0_LOG

Address Offset	0x0000 0040	Instance	MPU_MA_WP
Physical Address	0x482A F240		
Description	Debug Watchpoint Data Transaction Attributes 0 Log Register. This register should be read only when TRIG=1 or WP_EN=0. This register is reset upon 0->1 transition of WP_EN.		
Type	R		

31	30	29	28	27	26	25	24	23	22	21	20	19	18	17	16	15	14	13	12	11	10	9	8	7	6	5	4	3	2	1	0
RESERVED																BYTE_EN															

Bits	Field Name	Description	Type	Reset
31:16	RESERVED	Reserved	R	0x0000
15:0	BYTE_EN	Byte enable (Byte enables for the 128-bit of data captured for the transaction match)	R	0x0000

Table 4-109. Register Call Summary for Register DBG_HWWP0_DATA_TRANS_ATTR0_LOG

Cortex-A15 MPU Subsystem Functional Description

- [MPU_MA Watchpoint: \[0\]](#)

Cortex-A15 MPU Subsystem Register Manual

- [MPU_MA_WP Register Summary: \[1\]](#)

DSP Subsystem

This chapter describes the features and functions of the device integrated digital signal processing (DSP) subsystem.

Topic	Page
5.1 DSP Subsystem Overview	1638
5.2 DSP Subsystem Integration	1643
5.3 DSP Subsystem Functional Description	1647
5.4 DSP Subsystem Register Manual	1681

5.1 DSP Subsystem Overview

The device includes a single instance (DSP1) of a digital signal processor (DSP) subsystem, based on the TI's standard TMS320C66x™ DSP CorePac core.

The TMS320C66x DSP core enhances the TMS320C674x™ core, which merges the C674x™ floating point and the C64x+™ fixed-point instruction set architectures. The C66x DSP is object-code compatible with the C64x+/C674x DSPs.

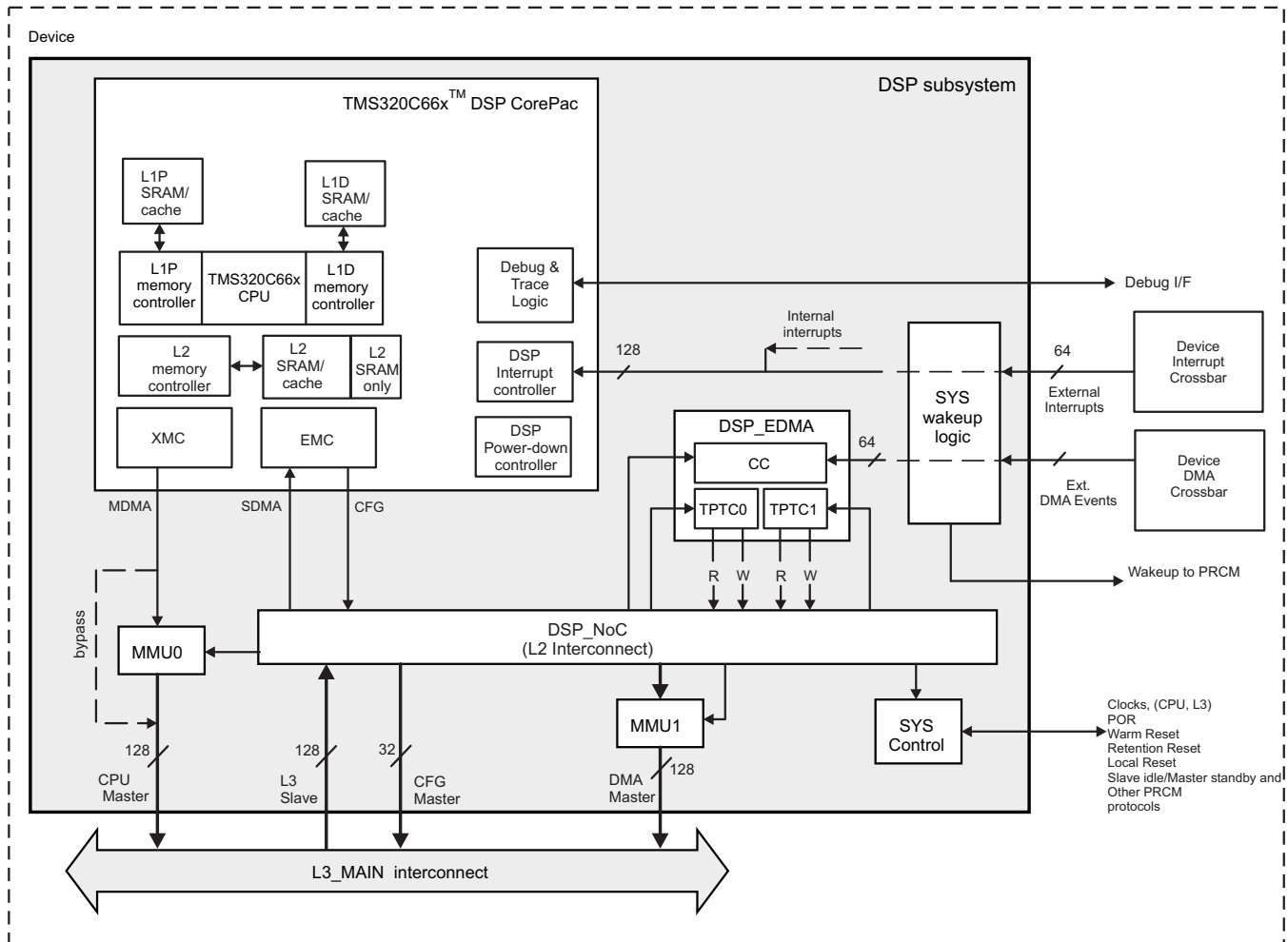
For more information on the TMS320C66x core CPU, see the *TMS320C66x DSP CPU and Instruction Set Reference Guide*, ([SPRUGH7](#)).

The DSP subsystem integrated in the device includes the following components:

- A TMS320C66x™ CorePac DSP core that encompasses:
 - L1 program-dedicated (L1P) cacheable memory
 - L1 data-dedicated (L1D) cacheable memory
 - L2 (program and data) cacheable memory
 - Extended Memory Controller (XMC)
 - External Memory Controller (EMC)
 - DSP CorePac located interrupt controller (INTC)
 - DSP CorePac located power-down controller (PDC)
- Dedicated enhanced data memory access engine - EDMA, to transfer data from/to memories and peripherals external to the DSP subsystem and to local DSP memory (most commonly L2 SRAM). The external DMA requests are passed through DSP system level (SYS) wakeup logic, and collected from the DSP1 dedicated outputs of the device DMA Events Crossbar for the subsystem.
- A level 2 (L2) interconnect network (DSP NoC) to allow connectivity between different modules of the subsystem or the remainder of the device via the device L3_MAIN interconnect.
- Two memory management units (on EDMA L2 interconnect and DSP MDMA paths) for accessing the device L3_MAIN interconnect address space
- Dedicated system control logic (DSP_SYSTEM) responsible for power management, clock generation, and connection to the device power, reset, and clock management (PRCM) module

[Figure 5-1](#) is the DSP subsystem top-level architecture.

Figure 5-1. DSP Subsystem Highlight



dspss-001

5.1.1 DSP Subsystem Key Features

The TMS320C66x Instruction Set Architecture (ISA) is the latest for the C6000 family. As with its predecessors (C64x, C64x+ and C674x), the C66x is an advanced VLIW architecture with 8 functional units (two multiplier units and six arithmetic logic units) that operate in parallel. The C66x CPU has a total of 64 general-purpose 32-bit registers.

Some features of the DSP C6000 family devices are:

- Advanced VLIW CPU with eight functional units (two multipliers and six ALUs) which:
 - Executes up to eight instructions per cycle for up to ten times the performance of typical DSPs
 - Allows designers to develop highly effective RISC-like code for fast development time
- Instruction packing
 - Gives code size equivalence for eight instructions executed serially or in parallel
 - Reduces code size, program fetches, and power consumption
- Conditional execution of most instructions
 - Reduces costly branching
 - Increases parallelism for higher sustained performance
- Efficient code execution on independent functional units
 - Industry's most efficient C compiler on DSP benchmark suite

- Industry's first assembly optimizer for fast development and improved parallelization
- 8-/16-/32-bit/64-bit data support, providing efficient memory support for a variety of applications
- 40-bit arithmetic options which add extra precision for vocoders and other computationally intensive applications
- Saturation and normalization to provide support for key arithmetic operations
- Field manipulation and instruction extract, set, clear, and bit counting support common operation found in control and data manipulation applications.

The C66x CPU has the following additional features:

- Each multiplier can perform two 16 × 16-bit or four 8 × 8 bit multiplies every clock cycle.
- Quad 8-bit and dual 16-bit instruction set extensions with data flow support
- Support for non-aligned 32-bit (word) and 64-bit (double word) memory accesses
- Special communication-specific instructions have been added to address common operations in error-correcting codes.
- Bit count and rotate hardware extends support for bit-level algorithms.
- Compact instructions: Common instructions (AND, ADD, LD, MPY) have 16-bit versions to reduce code size.
- Protected mode operation: A two-level system of privileged program execution to support higher-capability operating systems and system features such as memory protection.
- Exceptions support for error detection and program redirection to provide robust code execution
- Hardware support for modulo loop operation to reduce code size and allow interrupts during fully-pipelined code
- Each multiplier can perform 32 × 32 bit multiplies
- Additional instructions to support complex multiplies allowing up to eight 16-bit multiply/add/subtracts per clock cycle

The TMS320C66x has the following key improvements to the ISA:

- 4x Multiply Accumulate improvement for both fixed and floating point
- Improvement of the floating point arithmetic
- Enhancement of the vector processing capability for fixed and floating point
- Addition of domain-specific instructions for complex arithmetic and matrix operations

On the C66x ISA, the vector processing capability is improved by extending the width of the SIMD instructions. The C674x DSP supports 2-way SIMD operations for 16-bit data and 4-way SIMD operations for 8-bit data. C66x enhances this capabilities with the addition of SIMD instructions for 32-bit data allowing operation on 128-bit vectors. For example the QMPY32 instruction is able to perform the element to element multiplication between two vectors of four 32-bit data each.

C66x ISA includes a set of specific instructions to handle complex arithmetic and matrix operations.

- **TMS320C66x DSP CorePac memory components:**
 - A 32-KiB L1 program memory (L1P) configurable as cache and/or SRAM:
 - When configured as a cache, the L1P is a 1-way set-associative cache with a 32-byte cache line
 - The DSP CorePac L1P memory controller provides bandwidth management, memory protection, and power-down functions
 - The L1P is capable of cache block and global coherence operations
 - The L1P controller has an Error Detection (ED) mechanism, including necessary SRAM
 - The L1P memory can be fully configured as a cache or SRAM
 - Page size for L1P memory is 2KB
 - A 32-KiB L1 data memory (L1D) configurable as cache and / or SRAM:
 - When configured as a cache, the L1D is a 2-way set-associative cache with a 64-byte cache line

- The DSP CorePac L1D memory controller provides bandwidth management, memory protection, and power-down functions
- The L1D memory can be fully configured as a cache or SRAM
- No support for error correction or detection
- Page size for L1D memory is 2KB
- A 288-KiB (program and data) L2 memory, only part of which is cacheable:
 - When configured as a cache, the L2 memory is a 4-way set associative cache with a 128-byte cache line
 - Only 256 KiB of L2 memory can be configured as cache or SRAM
 - 32 KiB of the L2 memory is always mapped as SRAM
 - The L2 memory controller has an Error Correction Code (ECC) and ED mechanism, including necessary SRAM
 - The L2 memory controller supports hardware prefetching and also provides bandwidth management, memory protection, and power-down functions.
 - Page size for L2 memory is 16KB
- The **External Memory Controller (EMC)** is a bridge from the C66x CorePac to the rest of the DSP subsystem and device. It has :
 - a 32-bit configuration port (CFG) providing access to local subsystem resources (like DSP_EDMA, DSP_SYSTEM, and so forth) or to L3_MAIN resources accessible via the CFG address range.
 - a 128-bit slave-DMA port (SDMA) which provides accesses of system masters outside the DSP subsystem to resources inside the DSP subsystem or C66x DSP CorePac memories, i.e. when the DSP subsystem is the slave in a transaction.
- The **Extended Memory Controller (XMC)** processes requests from the L2 Cache Controller (which are a result of CPU instruction fetches, load/store commands, cache operations) to device resources via the C66x DSP CorePac 128-bit master DMA (MDMA) port:
 - Memory protection for addresses outside C66x DSP CorePac generated over device L3_MAIN on the MDMA port
 - Prefetch, multi-in-flight requests
- A DSP local **Interrupt Controller (INTC)** in the DSP C66x CorePac, interfaces the system events to the DSP C66x core CPU interrupt and exceptions inputs. The DSP subsystem C66x CorePac interrupt controller supports up to 128 system events of which 64 interrupts are external to DSP subsystem, collected from the DSP1 dedicated outputs of the device Interrupt Crossbar.
- **Local Enhanced Direct Memory Access (EDMA) controller features:**
 - Channel controller (CC) : 64-channel, 128 PaRAM, 2 Queues
 - 2 x Third-party Transfer Controllers (TPTC0 and TPTC1):
 - Each TC has a 128-bit read port and a 128-bit write port
 - 2KiB FIFOs on each TPTC
 - 1-dimensional/2-dimensional (1D/2D) addressing
 - Chaining capability
- **DSP subsystem integrated MMUs:**
 - Two MMUs are integrated:
 - The MMU0 is located between DSP MDMA master port and the device L3_MAIN interconnect and can be optionally bypassed
 - The MMU1 is located between the EDMA master port and the device L3_MAIN interconnect
- A DSP local **Power-Down Controller (PDC)** is responsible to power-down various parts of the DSP C66x CorePac, or the entire DSP C66x CorePac.
- The DSP subsystem **System Control logic** provides:
 - Slave idle and master standby protocols with device PRCM for powerdown
 - OCP Disconnect handshake for init and target busses

- Asynchronous reset
- Power-down modes:
 - "Clockstop" mode featuring wake-up on interrupt event. The DMA event wake-up is managed in software.
- The device DSP subsystem is supplied by a PRCM DPLL, but DSP1 **has integrated its own PLL module** outside the C66x CorePac for clock gating and division.
- **The device DSP subsystem has following port instances** to connect to remaining part of the device. See also [Figure 5-1](#):
 - A 128-bit initiator (DSP MDMA master) port for MDMA/Cache requests
 - A 128-bit initiator (DSP EDMA master) port for EDMA requests
 - A 32-bit initiator (DSP CFG master) port for configuration requests
 - A 128-bit target (DSP slave) port for requests to DSP memories and various peripherals
- **C66x DSP subsystem (DSPSS) safety aspects:**
 - Above mentioned memory ECC/ED mechanisms
 - MMUs enable mapping of only the necessary application space to the processor
 - Memory Protection Units internal to the DSPSS (in L1P, L1D and L2 memory controllers) and external to DSPSS (firewalls) to help define legal accesses and raise exceptions on illegal accesses
 - Exceptions: Memory errors, various DSP errors, MMU errors and some system errors are detected and cause exceptions. The exceptions could be handled by the DSP or by a designated safety processor at the chip level. Note that it may not be possible for the safety processor to completely handle some exceptions

Unsupported features on the C66x DSP core for the device are:

- The Extended Memory Controller MPAX (memory protection and address extension) 36-bit addressing is NOT supported

Known DSP subsystem powermode restrictions for the device are:

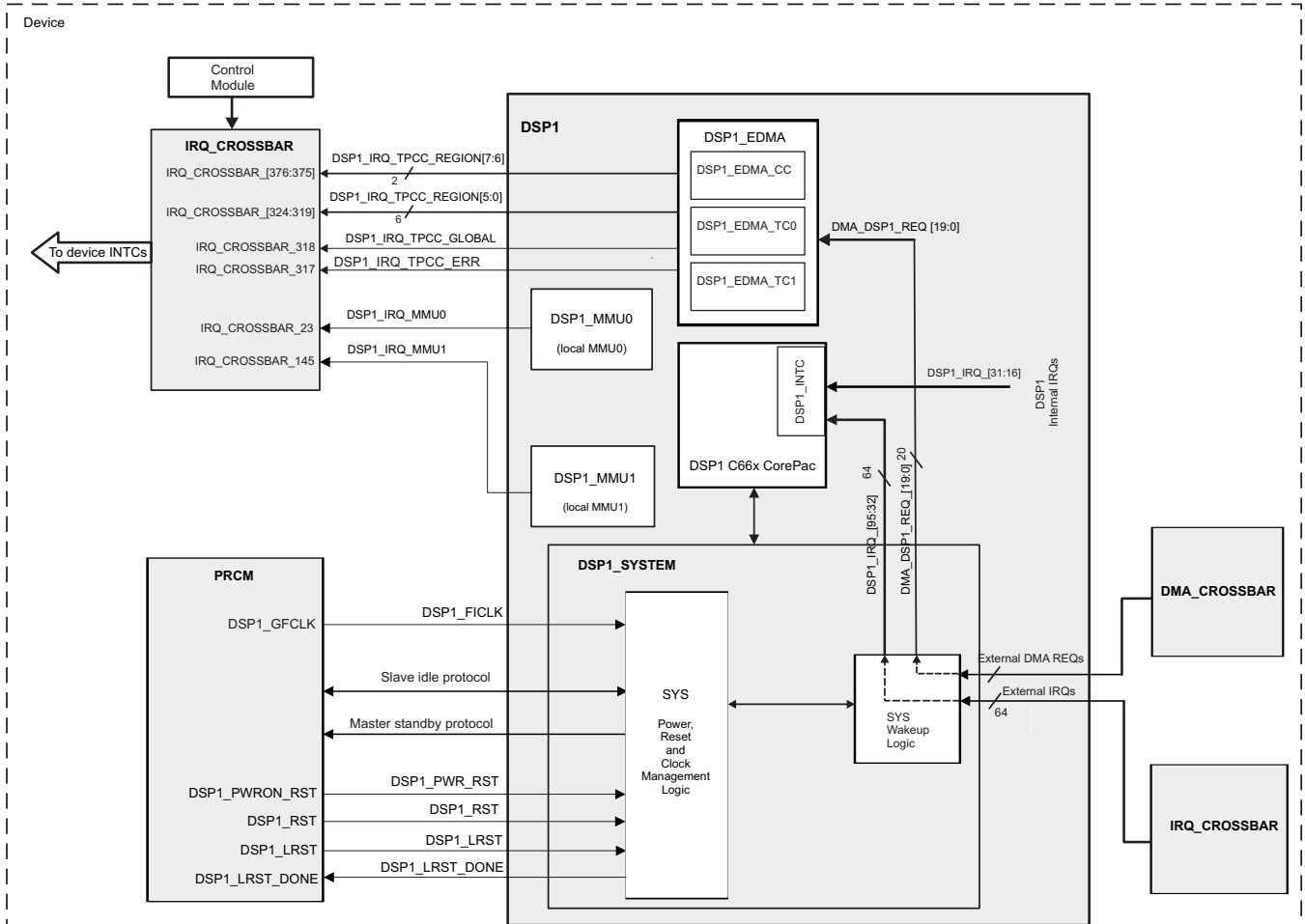
- "Full logic / RAM retention" mode featuring wake-up on both interrupt or DMA event (logic in "always on" domain). Only OFF mode is supported by DSP subsystem, **requiring full boot**.

5.2 DSP Subsystem Integration

This section describes the integration of the module in the device, including information about clocks, resets, and hardware requests.

Figure 5-2 shows the integration of the DSP subsystem.

Figure 5-2. DSP Subsystem Integration



dspss-002

NOTE: For more information about the slave idle protocol and the wake-up request, see [Section 3.1.1.1.2, Module-Level Clock Management](#), in [Chapter 3, Power, Reset, and Clock Management](#).

Table 5-1 through Table 5-3 summarize the integration of the module in the device.

Table 5-1. DSP1 Integration Attributes

Module Instance	Attributes	
	Power Domain	Interconnect
DSP1	PD_DSP1	L3_MAIN

Table 5-2. DSP1 Clocks and Resets

Clocks				
Module Instance	Destination Signal Name	Source Signal Name	Source	Description
DSP1	DSP1_FICLK	DSP1_GFCLK	PRCM module	DSP1 subsystem gateable interface and functional clock.
Resets				
Module Instance	Destination Signal Name	Source Signal Name	Source	Description
DSP1	DSP1_PWR_RST	DSP1_PWRON_RST	PRCM module	For information about PRCM reset sources and distribution, see Section 3.7.2, PD_DSP1 Description in Chapter 3, Power, Reset, and Clock Management . For DSP1 local reset details see also the Section 5.3.3.2 .
	DSP1_RST	DSP1_RST	PRCM module	
	DSP1_LRST	DSP1_LRST	PRCM module	
	DSP1_LRST_DONE ⁽¹⁾	DSP1_LRST_DONE	DSP1	

⁽¹⁾ Destination of this local reset monitoring signal is the PRCM

NOTE: For information about PRCM clock gating and management, see [Section 3.7.2, PD_DSP1 Description](#) in [Chapter 3, Power, Reset, and Clock Management](#).

The DSP1 generates a number of interrupt requests (IRQs) mapped via the device IRQ_CROSBAR to other device interrupt controllers (outside DSP subsystem). They are described in [Table 5-3](#).

Table 5-3. DSP1 Hardware Interrupt Requests

Module Instance	Source Signal Name	Interrupt Requests		
		Destination IRQ_CROSSBAR Input	Default Mapping	Description
DSP1	DSP1_IRQ_MMU0	IRQ_CROSSBAR_23	MPU_IRQ_28; DSP1_IRQ_54; PRUSS1_IRQ_54 PRUSS2_IRQ_54	Interrupt from the DSP1 subsystem local MMU0 (DSP1_MMU0CFG).
	DSP1_IRQ_MMU1	IRQ_CROSSBAR_145	-	DSP1 subsystem local MMU1 (DSP1_MMUCFG1) interrupt. This IRQ source signal is not mapped by default to any device INTC.
	DSP1_IRQ_TPCC_ERR	IRQ_CROSSBAR_317	-	DSP1 subsystem aggregated ("OR-ed") error interrupt. This IRQ source signal is not mapped by default to any device INTC.
	DSP1_IRQ_TPCC_GLOBAL	IRQ_CROSSBAR_318	-	DSP1 subsystem EDMA channel controller global interrupt. This IRQ source signal is not mapped by default to any device INTC.
	DSP1_IRQ_TPCC_REGION0	IRQ_CROSSBAR_319	-	DSP1 subsystem EDMA channel controller REGION0 interrupt. This IRQ source signal is not mapped by default to any device INTC.
	DSP1_IRQ_TPCC_REGION1	IRQ_CROSSBAR_320	-	DSP1 subsystem EDMA channel controller REGION1 interrupt. This IRQ source signal is not mapped by default to any device INTC.
	DSP1_IRQ_TPCC_REGION2	IRQ_CROSSBAR_321	-	DSP1 subsystem EDMA channel controller REGION2 interrupt. This IRQ source signal is not mapped by default to any device INTC.
	DSP1_IRQ_TPCC_REGION3	IRQ_CROSSBAR_322	-	DSP1 subsystem EDMA channel controller REGION3 interrupt. This IRQ source signal is not mapped by default to any device INTC.
	DSP1_IRQ_TPCC_REGION4	IRQ_CROSSBAR_323	-	DSP1 subsystem EDMA channel controller REGION4 interrupt. This IRQ source signal is not mapped by default to any device INTC.
	DSP1_IRQ_TPCC_REGION5	IRQ_CROSSBAR_324	-	DSP1 subsystem EDMA channel controller REGION5 interrupt. This IRQ source signal is not mapped by default to any device INTC.

Table 5-3. DSP1 Hardware Interrupt Requests (continued)

DSP1_IRQ_TPCC_REGION6	IRQ_CROSSBAR_375	-	DSP1 subsystem EDMA channel controller REGION6 interrupt. This IRQ source signal is not mapped by default to any device INTC.
DSP1_IRQ_TPCC_REGION7	IRQ_CROSSBAR_376	-	DSP1 subsystem EDMA channel controller REGION7 interrupt. This IRQ source signal is not mapped by default to any device INTC.

NOTE: The DSP1 does NOT generate any DMA requests towards other device DMA controllers outside DSP1 (EDMA, DMA_SYSTEM, and so forth).

NOTE: The “Default Mapping” column in [Table 5-3, DSP1 Hardware Requests](#) shows the default mapping of module IRQ source signals. These IRQ source signals can also be mapped to other lines of each device Interrupt controller through the IRQ_CROSSBAR module. For more information about the IRQ_CROSSBAR module, see [Section 18.4.6.4, IRQ_CROSSBAR Module Functional Description](#), in [Chapter 18, Control Module](#). For more information about the device interrupt controllers, see [Chapter 17, Interrupt Controllers](#).

NOTE:

- For a description of the interrupt source controls at DSP subsystem level, see [Section 5.3.4, DSP Interrupt Requests](#).

DSP1 subsystem external interrupt sources: The default interrupt sources mapped by the device IRQ_CROSSBAR to the DSP1 interrupt controller lines are described in the [Chapter 17, Interrupt Controllers](#). The programmable muxing of various external interrupt sources to the DSP1_INTC.DSP1_IRQ_x input lines (where x=32 to 95) is covered in the [Section 18.4.6.4, IRQ_CROSSBAR Module Functional Description](#), of the [Chapter 18, Control Module](#).

DSP1 subsystem internal interrupt sources: The mapping of DSP subsystem internal IRQ sources to DSP1_IRQ_x lines (where x=0 to 31 and x=96 to 127 for DSP subsystem internal event sources) is described in the [Section 5.3.4, DSP Interrupt Requests](#).

DSP1 subsystem external DMA request sources: [Table 5-6](#) lists the default DSP1 external DMA request sources, routed via the device DMA_CROSSBAR to the DSP1_EDMA channel controller inputs (DMA_DSP1_DREQ_i).

5.3 DSP Subsystem Functional Description

5.3.1 DSP Subsystem Block Diagram

The device DSP subsystem - DSP1 is composed of a DSP C66x CorePac coupled with several other submodules that enable its integration in the device architecture. Device DSP subsystem provides:

- a 128-bit master data port (MDMA) on device L3_MAIN with a dedicated DSP subsystem local MMU (MMU0) on the path.
- a 32-bit master configuration port (CFG) on device L3_MAIN through which DSP host configures various device located peripherals (external to the DSP subsystem).
- a 128-bit slave DMA port (SDMA) on device L3_MAIN which allows external initiators (masters) to DSP to manipulate some portion of its config / status registers (those which are mapped in the L3_MAIN space) in the device
- a 128-bit master EDMA port - which allows the DSP_EDMA traffic controllers to initiate transfers on L3_MAIN.

The C66x DSP subsystem is illustrated in the [Figure 5-1](#).

5.3.2 DSP Subsystem Components

5.3.2.1 C66x DSP Subsystem Introduction

The key component of the C66x DSP subsystem is built on the TI's high performance TMS320C66x DSP CorePac which consists of a single TMS320C66x CPU (DSP_C0) processor along with a level 1 (L1P and L1D) cacheable SRAM and a level 2 (L2) cacheable SRAM memories interfaced via associated local L1P, L1D and L2 memory controllers, respectively. A DSP C66x CorePac includes also some other internal peripheral components, see [Section 5.3.2.2.3](#) for details.

This chapter provides an overview of the DSP subsystem and the following considerations associated with it:

- DSP C66x CorePac Core and L1 / L2 Memories
- DSP System control and configuration:
 - clock management
 - wake-up event generation
 - interrupt masking
- DSP Booting
- DSP subsystem internal memory and external memory (L3_MAIN) space views
- DSP INTC interrupts mapping, event combining and exception generation
- DMA requests mapping to EDMA channels and EDMA traffic routing
- Others

For more information on the TMS320C66x DSP CorePac, refer to the *TMS320C66x DSP CorePac User Guide*, ([SPRUGW0C](#)), the *TMS320C66x DSP Cache User Guide*, ([SPRUGY8](#)) and the *TMS320C66x DSP CPU and Instruction Set Reference Guide*, ([SPRUGH7](#)).

5.3.2.2 DSP TMS320C66x CorePac

The TMS320C66x DSP CorePac is illustrated on [Figure 5-1](#). It consists of a single DSP C66x CPU (DSP_C0) processor tightly coupled with level 1 - L1P (program), L1D (data) cacheable SRAM memories and level 2 (L2) cacheable SRAM memories. The C66x CorePac integrated memories are interfaced via associated local L1P, L1D and L2 memory controllers, respectively.

Additionally, the DSP C66x CorePac contains the following internal peripherals:

- an interrupt controller (DSP_INTC) to service DSP C66x CorePac internal and external interrupt events
- a power-down controller (DSP_PDC)
- an external memory controller - DSP_EMCC
- an extended memory controller - DSP_XMC_CTRL
- a bandwidth manager - BWM with local controls to the L1P-, L1D- and L2-memories
- an internal direct memory access controller - IDMA

The C66x CorePac DSP also instantiates Debug and Trace logic, part of which is implemented in the DSP core C66x CPU. For more details, refer to the [Chapter 34, On-Chip Debug Support](#).

5.3.2.2.1 DSP TMS320C66x CorePac CPU

The DSP C66x CorePac CPU includes following key components :

- A program fetch unit
- 16-/32-bit instruction dispatch unit, advanced instruction packing
- Instruction decode unit
- Two data paths, each with four functional units
- 64 x 32-bit general purpose registers
- Control logic and associated registers
- An internal interrupt and exception controller
- Test, emulation logic
- Internal DMA (IDMA) for transfers between internal memories

For more information on the TMS320C66x central processing unit, see the *TMS320C66x DSP CPU and Instruction Set Reference Guide*, ([SPRUH7](#)).

5.3.2.2.2 DSP TMS320C66x CorePac Internal Memory Controllers and Memories

The TMS320C66x DSP CorePac implements a two-level internal cache-based memory architecture.

5.3.2.2.2.1 Level 1 Memories

Level 1 memory (L1) is split into separate program memory (L1P memory) and data memory (L1D memory). Each of the memories can be split into static RAM (normal addressable on-chip memory) and cache.

L1P memory is dedicated to TMS320C66x CPU program words storage and is interfaced via a dedicated L1P memory controller in the DSP C66x CorePac. User can choose to initialize one part of the L1P memory as cache and the other as SRAM. The entire 32 KiB memory is cacheable. The L1P features a dynamically configurable cache size (4 KiB, 8 KiB, 16 KiB and 32 KiB) defined via L1P controller configuration register - L1PCFG[2:0] L1PMODE bitfield. **Note that, the L1P controller maps the cache space by starting at the top of the L1P memory map (i.e. from most significant address) and working downwards. The L1P mapped SRAM size is 32 KiB minus the configured cache size.**

NOTE: The L1P cache / SRAM is ONLY read-accessible by the C66x CPU processor. The DSP C66x CorePac external DMAs (SDMA and EDMA) and internal DMA (IDMA) are the only initiators which can write to the L1P memory. The CPU may however write access and modify certain L1P cache/SRAM controller registers if such access is allowed for the register.

NOTE: In the device integrated DSP, at reset, the entire 32 KiB- L1P memory is initialized as a cache (reset value of L1PMODE=0x7).

For more information on the L1P cache/SRAM memories, refer to the *TMS320C66x DSP Cache User Guide*, ([SPRUGY8](#)).

L1D memory is used for level 1 CPU data storage and is interfaced via a dedicated L1D memory controller in the DSP C66x CorePac. User can choose to initialize one part of the L1D memory as cache and the other as SRAM. The entire 32 KiB memory is cacheable. The L1D features a dynamically configurable cache size (4 KiB, 8 KiB, 16 KiB and 32 KiB) defined via L1D configuration register - L1DCFG[2:0] L1DMODE bitfield. **Note that, the L1D controller maps the cache space by starting at the top of the L1D memory map (i.e. from most significant address) and working downwards. The L1D mapped SRAM size is 32 KiB minus the configured cache size.**

NOTE: In the device integrated DSP, at reset, the entire 32 KiB- L1D memory is initialized as a cache (i.e. reset value of L1DMODE = 0x7).

For more information on the L1D cache/SRAM memories, refer to the *TMS320C66x DSP Cache User Guide*, ([SPRUGY8](#)).

5.3.2.2.2 Level 2 Memory

The L2 memory can also be split into L2 RAM (normal addressable on-chip memory) and L2-cache for caching external to the DSP meagmodule memory locations. The on-chip integrated L2 memory total size is 288 KiB. The L2 memory is shared between data and program word sources within and outside the DSP C66x CorePac. The L2 memory is divided into two physical 128 bit-wide banks, accesses to which are interleaved on address LSB. Each of the two L2 banks is further split into 4 subbanks.

NOTE: Only 256 KiB of the L2 memory are cacheable in the device DSP. The remaining 32 KiB are always mapped as static RAM.

The L2 memory features a dynamically configurable cache size (32 KiB, 64 KiB, 128 KiB and 256 KiB) defined via L2 configuration register - L2CFG[2:0] L2MODE bitfield. The additional (to the 32KiB fixed SRAM L2) SRAM available is 256-KiB minus the cache size.

L2 memory controller is responsible for MDMA bus error events reporting. The DSP C66x CorePac MDMA bus error event is exported outside the C66x DSP CorePac in the subsystem, and can be enabled to trigger the ERRINT_IRQ aggregated interrupt output. See also corresponding "MDMAERREVT" event in the [Table 5-5](#).

NOTE: The MDMA bus error event is not exported outside DSP subsystem. However it is merged (OR-ed) along with other error event sources within the DSP subsystem to produce a single ERRINT_IRQ interrupt exported outside the DSP subsystem.

For more details on ERRINT_IRQ generation and associated event registers at DSP_SYSTEM level, refer to the [Section 5.3.4.2.2](#).

5.3.2.2.3 DSP C66x CorePac Internal Peripherals

The DSP C66x CorePac includes the following internal peripherals:

- DSP interrupt controller (DSP_INTC)
- DSP power-down controller (DSP_PDC)
- Bandwidth manager (DSP_BWM)
- Memory Protection Hardware
- Internal DMA (DSP_IDMA) controller

- External Memory Controller (DSP_EMC)
- Extended Memory Controller (DSP_XMC_CTRL) including prefetch buffer logic
- Error Detection logic for the L1P memory
- Error Detection and Correction (ECC) logic for the L2 memory

This section briefly describes the DSP_INTC, DSP_PDC, DSP_BWM, DSP_IDMA, DSP_EMC, DSP_XMC_CTRL controller, L1P Error detection and L2 ECC logic. For more information on the TMS320C66x DSP CorePac, see the *TMS320C66x DSP CorePac User Guide*, ([SPRUGW0C](#)).

5.3.2.2.3.1 DSP C66x CorePac Interrupt Controller (DSP INTC)

The DSP C66x CorePac includes an interrupt controller (DSP_INTC) and can receive a total of 128 system events as inputs. They include DSP-generated events and chip-level events.

In addition to these 128 events, a non-maskable (NMI) event (see the [Section 5.3.4.1.1](#)) and reset events are mapped to the DSP_INTC as well, and are routed straight through to the DSP CPU core.

For more details on the DSP_INTC functionalities and its corresponding control / status registers (part of the DSP_ICFG local configuration space), refer to the section *Interrupt Controller* within the *TMS320C66x DSP CorePac User Guide*, ([SPRUGW0C](#)).

For more details on input interrupt mappings and associated IRQ wake-up events, refer to the [Section 5.3.4.1](#).

For more information about the device DSP_INTC, see [Chapter 17, Interrupt Controllers](#). For more information on chip level IRQ mapping via the device IRQ_CROSSBAR module, see [Section 18.4.6.4, IRQ_CROSSBAR Module Functional Description](#), in [Chapter 18, Control Module](#).

5.3.2.2.3.2 DSP C66x CorePac Power-Down Controller (DSP PDC)

The DSP C66x CorePac includes a power-down controller (PDC). The PDC can power-down all of the following components of the DSP C66x CorePac and internal memories of the DSP subsystem:

- C66x CPU
- L1P Memory
- L2 Memory
- Cache controllers
- Entire TMS320C66x DSP CorePac

Refer to the *Power-Down Controller* in the *TMS320C66x DSP CorePac User Guide*, ([SPRUGW0C](#)) for detailed descriptions of the DSP C66x CorePac components power-down control.

5.3.2.2.3.3 DSP C66x CorePac Bandwidth Manager (BWM)

The DSP C66x CorePac implements a bandwidth manager (BWM) to assure that some requestors do NOT block resources in the C66x CorePac DSP for extended periods of time.

Refer to the *Bandwidth Management Architecture* in the *TMS320C66x DSP CorePac User Guide*, ([SPRUGW0C](#)) for detailed descriptions of the DSP C66x CorePac components power-down control.

5.3.2.2.3.4 DSP C66x CorePac Memory Protection Hardware

The C66x Core Pac memory protection architecture introduces in the DSP a combination of DSP privilege levels and a memory system permission structure. This provides several benefits to the system, as follows:

The DSP C66x CorePac MP events are exported outside the DSP C66x CorePac in DSP subsystem, and can be enabled to trigger the ERRINT_IRQ aggregated interrupt output. See also corresponding memory protection fault events listed in the [Table 5-5](#).

NOTE: The memory protection exception events are not exported outside DSP subsystem. However they are merged (OR-ed) along with other error event sources within the DSP subsystem to produce a single ERRINT_IRQ interrupt exported outside the DSP subsystem.

For more details on ERRINT_IRQ generation and associated event registers at DSP_SYSTEM level, refer to the [Section 5.3.4.2.2](#).

NOTE: IDMA, DMA or System initiators should not issue read/write requests to regions of DSP L1P, L1D, or L2 memory configured as cache. In such cases the corresponding MPPA register should be set to 0x0 to disallow external read/write accesses.

Refer to the section *Memory Protection* in the *TMS320C66x DSP CorePac User Guide*, ([SPRUGW0C](#)) for detailed descriptions of the DSP C66x CorePac components power-down control.

5.3.2.2.3.5 DSP C66x CorePac Internal DMA (IDMA) Controller

The IDMA controller performs fast block transfers between any two memory locations local to the DSP C66x CorePac. Local memory locations are defined as those in Level 1 program (L1P), Level 1 data (L1D), and Level 2 (L2) memories, or in the external peripheral configuration (CFG) port.

The IDMA configuration / status registers themselves are part of the DSP_ICFG and are visible only to C66x CPU.

NOTE: The IDMA cannot transfer data to or from the internal DSP memory-mapped register space (DSP_ICFG).

The IDMA exception is mapped to the system level ERRINT_IRQ interrupt event. For more details, refer to the [Section 5.3.4.2.2](#) and the [Table 5-5](#).

The DSP C66x CorePac IDMA error event is exported outside the DSP C66x CorePac in the subsystem, and can be enabled to trigger the ERRINT_IRQ aggregated interrupt output. See also corresponding "EMC_IDMAERR" event in the [Table 5-5](#).

NOTE: The IDMA exception error event is not exported outside DSP subsystem. However it is merged (OR-ed) along with other error event sources within the DSP subsystem to produce a single ERRINT_IRQ interrupt exported outside the DSP subsystem.

For more details on ERRINT_IRQ generation and associated event registers at DSP_SYSTEM level, refer to the [Section 5.3.4.2.2](#).

The IDMA is fully described in the section *Internal Direct Memory Access (IDMA) Controller* of the *TMS320C66x DSP CorePac User Guide*, ([SPRUGW0C](#)).

5.3.2.2.3.6 DSP C66x CorePac External Memory Controller

The DSP C66x CorePac has an embedded External Memory Controller which acts as a bridge between the DSP C66x CorePac CPU and the remaining part of DSP subsystem. It implements two ports interfacing the DSP C66x CorePac environment:

- An external peripheral 32-bit CFG port which acts as an (DSP CPU cfg) initiator on the DSP_NoC L2 interconnect. It is the root source of all C66x CPU external configuration traffic (**excluding the DSP_ICFG traffic which takes place only within the DSP C66x CorePac**) towards the subsystem.
- An SDMA slave port which is a target on the L2 DSP_NoC interconnect. It generally accepts traffic initiated on DSP_NoC by the:
 - DSP_EDMA_TC0 and DSP_EDMA_TC1
 - DSP external slave port on the L3_MAIN

In summary:

- The CPU CFG port provides access to the memory-mapped registers which control various peripherals

and resources within the DSP subsystem, such as the MMUs, DSP_EDMA controllers, DSP system control and wakeup logic, DSP NoC itself, DSP external peripherals, and so forth.

- The DSP system masters found outside the DSP C66x CorePac such as the DSP_EDMA controllers (TC0 and TC1) or L3_MAIN masters (device MPU, IPU1, IPU2, and so forth) access the SDMA slave port to reach resources inside the DSP C66x CorePac. In respect to the SDMA port, the DSP C66x CorePac is the slave in the transaction.

The DSP_EMC controller adds following functionalities to the DSP C66x CorePac:

- Reporting errors related to the C66x CPU external peripheral configuration bus (associated registers)

NOTE: Regarding PrivID versus AID mapping functionality of the EMC, the C66x DSP CorePac is able to distinguish ONLY "local" vs "external" requests. The device integrated C66x DSP CorePac has the SDMA PrivID input tied-off to a value of 0x0. On DSP C66x CorePac SDMA port, this means that no distinguishing can be made between external requests which come over DSP_NoC interconnect from local DSP_EDMA and those coming from other initiators accessing DSP via the device L3_MAIN interconnect.

This limits the functionality of the internal memory protection registers.

The DSP C66x CorePac EMC error event is exported outside the DSP C66x CorePac in the subsystem, and is capable to trigger the ERRINT_IRQ aggregated interrupt output. See also corresponding **EMC_BUSERR** event in the [Table 5-5](#).

NOTE: The EMC configuration bus error event is not exported outside DSP subsystem. However it is merged (OR-ed) along with other error event sources within the DSP subsystem to produce a single ERRINT_IRQ interrupt exported outside the DSP subsystem.

For more details on ERRINT_IRQ generation and associated event registers at DSP_SYSTEM level, refer to the [Section 5.3.4.2.2](#).

For various DSP_NoC initiator vs target mappings, refer to the [Table 5-7](#).

Note that, there are DSP_NoC pressure (Mflag bus) controls in DSP_SYSTEM logic related to the C66x CPU CFG and DSP_NoC SDMA init traffic. They are described in the [Section 5.3.8.3](#).

The EMC functionalities / registers are fully described in the section *External Memory Controller (EMC)* of the *TMS320C66x DSP CorePac User Guide*, ([SPRUGW0C](#)).

5.3.2.2.3.7 DSP C66x CorePac Extended Memory Controller

The DSP C66x CorePac located extended memory controller (DSP_XMC_CTRL) implements a local DMA master port (MDMA) which provides the primary path for C66x CPU and cache requests to the device level memories such as (DDR or L3 SRAM) and peripheral / memory mapped register space. Via some additional logic, including DSP_SYSTEM controls and a local DSP MMU - DSP_MMU0 on the path (with option to bypass), C66x local MDMA port is mapped to the DSP subsystem CPU master port (i.e. MDMA master port of the DSP CPU on L3_MAIN). The DSP C66x Corepac MDMA port is mapped to the DSP Subsystem CPU Master Port (with DSP_MMU0 involved or not involved) to allow fast accesses (DSP_NoC not involved) to the external SDRAM (via the L3_MAIN and DMM) or to L3 SRAM (via the L3_MAIN).

The memory protection settings in MPAX defines types of the memory accesses permitted on various address ranges within DSP C66x CorePac 32-bit address map.

The DSP_XMC_CTRL also instantiates program and data prefetch buffer logic to reduce time during servicing read requests from the L1D, L1P and L2 memory controllers. The aim is to buffer program and data fetches from external L3_MAIN memory locations. While the program prefetch buffer is organized as 4 entry x 32 byte, the data prefetch buffer is organized in 8 slots, with 128 bytes per slot. The DSP_XMC_CTRL prefetch reduces the penalty associated with accesses to the L3_MAIN SDRAM upon L1P, L1D and L2-cache read-misses.

NOTE: the DSP_XMC_CTRL registers are part of the DSP_ICFG space, hence they are not accessible outside the DSP C66x CorePac (visible only to the C66x CPU).

In summary the DSP_XMC_CTRL provides:

- a master path from the DSP C66x CorePac level 2 cache / SRAM memory to device memory such as SDRAM or L3 SRAM or peripheral / MMR address space.
- memory protection on external address ranges related to L3_MAIN RAMs (via MPAX unit):
 - 16 user-defined address ranges (MPAX segments) can be used to divide external memory space
- Address translation
- Data and Program prefetch buffer logic
- 12- address candidate buffer that acts as a "stream detection filter"

NOTE: The device DSP subsystem does NOT use the DSP C66x CorePac multicore shared memory controller (MSMC) port to add more static RAM within subsystem boundaries, i.e. no additional SRAM is available in the DSP except for the L1P, L1D and L2 memories. Only the DSP_XMC_CTRL controller MDMA port on the L3_MAIN interconnect is used to extend DSP available RAM memory via a direct or DSP_MMU0 translated access to the device EMIF DDR memories and OCMC RAMs.

NOTE: Only the memory protection function of the DSP_XMC_CTRL MPAX unit is intergated and used in the device DSP subsystem. The MDMA port 32-bit to 36-bit address extension function is NOT used in the device DSP because L3_MAIN address bus width is 32-bit. The DSP_MMU0 does NOT perform an address size (32b -> 36b) extension as well.

The XMC functionalities / registers are fully described in the section *Extended Memory Controller (XMC)* of the *TMS320C66x DSP CorePac User Guide*, ([SPRUGW0C](#)).

5.3.2.2.3.7.1 XMC MDMA Accesses at DSP System Level

5.3.2.2.3.7.1.1 DSP System MPAX Logic

The default configuration of MPAX registers provides a 32-bit view of system memory on L3_MAIN.

In summary, each MPAX segment (mentioned above) is programmed with a starting virtual base address, segment sizes from 4 GiB down to 4 KiB, replacement address (i.e., physical address); and permission attributes. Provided that DSP_MMU0 can be used to perform address translation, in most cases the replacement address will equal the base address (i.e., virtual == physical from DSP C66x CorePac perspective).

The system level implementation of MPAX logic allows the C66x CPU to change permission without being required to flush the cache.

The C66x CPU subsystem relies on the MPAXn.PERM field to properly configure the permissions for remote address ranges. The MDMA.rperm[6:0] signals are tie-off to a fixed value of 0x7F on the DSP C66x CorePac boundary.

5.3.2.2.3.7.1.2 MDMA Non-Post Override Control

The C66x corepac submits writes denoted as either "cacheable" or non-cacheable. Write accesses that are non-cacheable will be submitted as interconnect (L3_MAIN) non-posted writes; whereas write accesses that are cacheable are submitted as interconnect posted writes. An exception for the cache writes to L3_MAIN is that in the case of a cache block write-back operation (when actual cache evict busrts are actually issued towards L3_MAIN connected memory), a non-posted write is submitted.

NOTE: In order to provide a safety net for interconnects that may do aggressive reordering, a memory-mapped register SW control is provided - [DSP_SYS_BUS_CONFIG\[24\]](#) `NOPOSTOVERRIDE`. When set, this results in all write commands being issued as non-posted. This bit defaults to set, and thus the default behavior is for non-posted writes to be used exclusively.

5.3.2.2.3.8 L1P Memory Error Detection Logic

The L1P memory detection logic (no correction is implemented) uses a 4-bit parity per 256-bit location (1-bit parity per 64-bit line quadrant).

The L1P error detection logic features:

- L1P error detection command, status and address controls (registers)
- L1P_ED error detection exception / interrupt to the DSP_INTC upon DMA / IDMA access
- a direct exception event to C66x CPU (DSP_INTC not involved) upon parity error during a program fetch from L1P-cache
- L1P-cache error recovery

The L1P parity error detection event is exported outside the DSP C66x CorePac in the subsystem, and can be enabled to trigger the ERRINT_IRQ aggregated interrupt output. See also corresponding "PMC_ED" event in the [Table 5-5](#).

NOTE: The L1P error detection event is not exported outside DSP subsystem. However it is merged (OR-ed) along with other error event sources within the DSP subsystem to produce a single ERRINT_IRQ interrupt exported outside the DSP subsystem.

For more details on ERRINT_IRQ generation and associated event registers at DSP_SYSTEM level, refer to the [Section 5.3.4.2.2](#).

For more details on L1P error detection logic, refer to the section *L1P Error Detection*, of the *TMS320C66x DSP CorePac User Guide*, ([SPRUGW0C](#)).

5.3.2.2.3.9 L2 Memory Error Detection and Correction Logic

The L2 Memory error detection and correction logic (ECC) implements a distance-3 “detect 2, correct 1” Hamming code based error correction / detection algorithm. A 12-bit hamming code per 256-bit is used.

The L2 error detection and correction logic features:

- L2 error detection command, status and address controls (registers)
- L2 EDC enable
- L2 error detection event counter
- 2x L2 EDC exception / interrupts mapped to the DSP_INTC :
 - L2_ED1 = "error corrected" event
 - L2_ED2 = "error-not-corrected" event

The two L2 memory error correction events are exported outside the DSP C66x CorePac in the subsystem, and can be enabled to trigger the ERRINT_IRQ aggregated interrupt output. See also corresponding "UMC_ED1" and "UMC_ED2" events in the [Table 5-5](#).

NOTE: The L2 error detection events are not exported outside DSP subsystem. However they are merged (OR-ed) along with other error event sources within the DSP subsystem to produce a single ERRINT_IRQ interrupt exported outside the DSP subsystem.

For more details on ERRINT_IRQ generation and associated event registers at DSP_SYSTEM level, refer to the [Section 5.3.4.2.2](#).

For more details on L2 error detection and correction logic, refer to the section *L2 Error Detection and Correction* of the *TMS320C66x DSP CorePac User Guide*, ([SPRUGW0C](#)).

5.3.2.3 DSP Debug and Trace Support

The DSP subsystem offers full support for the native DSP C66x CorePac debug features. This includes Advanced Event Triggering (AET) and Trace.

5.3.2.3.1 DSP Advanced Event Triggering (AET)

AET capability can be used to debug complex problems as well as understand performance characteristics of user applications. AET provides the following capabilities:

- **Hardware Program Breakpoints:** specify addresses or address ranges that can generate events such as halting the processor or triggering the trace capture.
- **Data Watchpoints:** specify data variable addresses, address ranges, or data values that can generate events such as halting the processor or triggering the trace capture.
- **Counters:** count the occurrence of an event or cycles for performance monitoring.
- **State Sequencing:** allows combinations of hardware program breakpoints and data watchpoints to precisely generate events for complex sequences.

5.3.2.3.2 DSP Trace Support

Trace is a debug technology that provides a detailed, historical account of application code execution, timing, and data accesses. Trace collects, compresses, and exports debug information for analysis. Trace works in real-time and does not impact the execution of the system. Trace is supported via Code Composer Studio.

See also the [Chapter 34, On-Chip Debug Support](#).

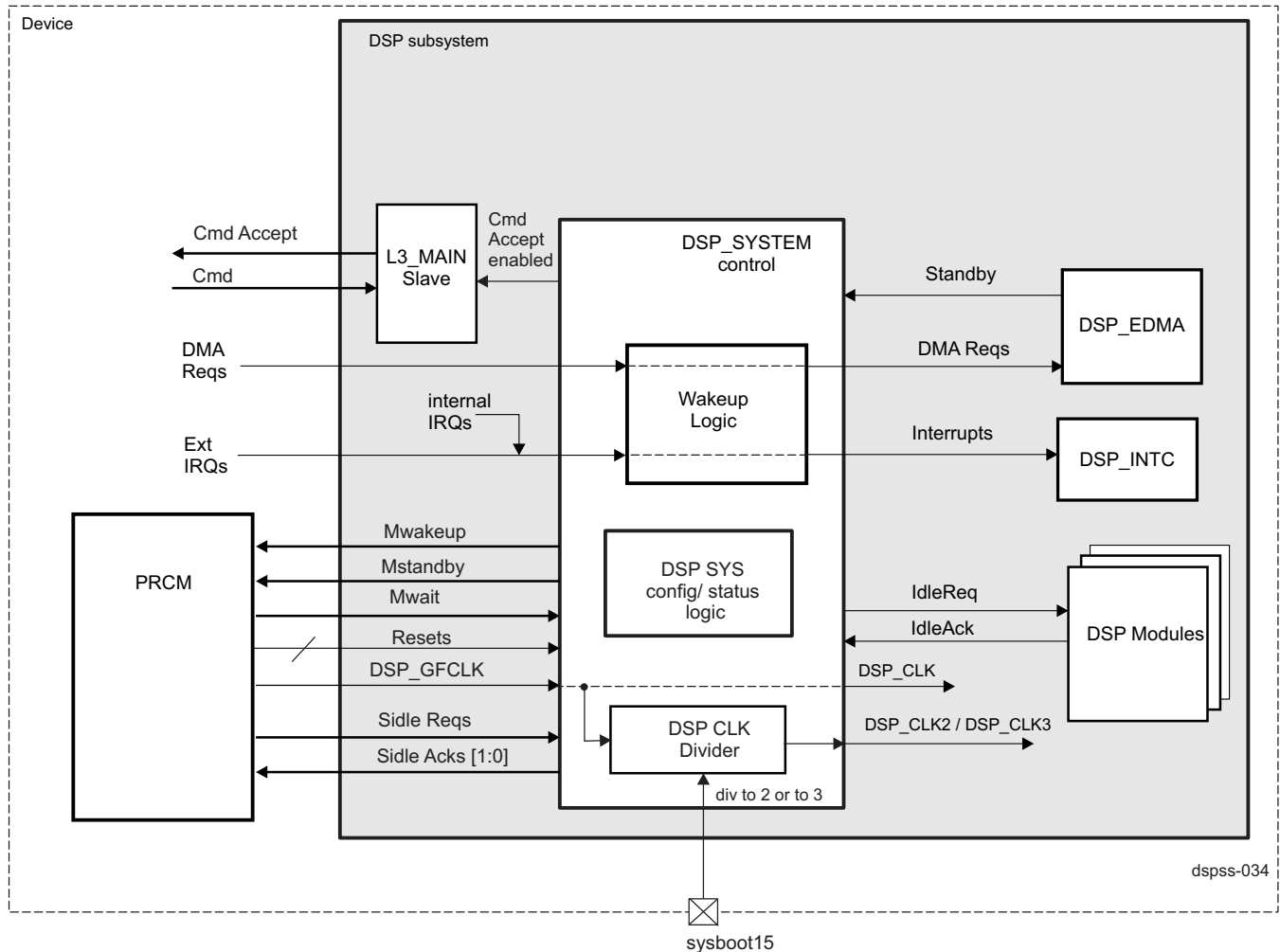
5.3.3 DSP System Control Logic

The DSP_SYSTEM module controls the following functions:

- Generation of the divided clocks (DSP_CLK2 or DSP_CLK3) to all components of the DSP subsystem
- Synchronization of the DSP divided clocks
- PRCM module power handshaking
- Reset input resynchronization of the active-to-inactive transition to the CD1_CLK clock
- DSP subsystem top level configuration registers and its access from the DSP core.

[Figure 5-3](#) highlights the DSP_SYSTEM and its connectivities to the surrounding blocks within the subsystem and in the device.

Figure 5-3. DSP_SYSTEM Block Diagram



5.3.3.1 DSP System Clocks

The DSP1 subsystem inputs a primary non-divided clock (DSP1_FICLK) and based on it (DSP_CLK1), internally generates either **a divided by 2 clock** (DSP_CLK2) version or **a divided by 3 clock** (DSP_CLK3). The divided clock determines the operation rate of the DSP subsystem logic and bus interfaces. The division is defined upon device boot time through signal level externally applied on the device **sysboot15** input. The actual bit configuration is latched upon power-on reset in Control Module register CTRL_CORE_BOOTSTRAP[15] SYS_BOOT_15_CLOCK_DIVIDER boot status bit. For more details, refer to the [Section 18.4.6.14.1, System Boot Status Settings of Chapter 18, Control Module](#).

NOTE: Only DSP_CLK3 clock is supported on this SoC. Upon boot time, sysboot15 set at '1' selects a DSP_CLK3 divided clock version for the DSP subsystem logic and bus interfaces. For SR1.0, sysboot15 must be tied to vdd to select DSP_CLK3, but for SR2.x it is configurable. For more information, see [Section 18.4.6.1.1.1, Permanent PU/PD disabling \(SR2.x only\) in Chapter 18, Control Module](#).

SR1.0 information is valid only for the AM571x devices.

The clock operating mode setting (DSP_CLK2 or DSP_CLK3) must be static just before and continually after reset deassertion. This signal will also drive the configuration to the DSP C66x CorePac for the XMC_MDMA_CLK, EMC_SDMA_CLK, and EMC_CFG_CLK configurations.

The DSP1 subsystem input clock frequency (DSP_CLK1) corresponds to the PRCM DSP1_GFCLK frequency that is configured in the device PRCM registers.

NOTE: For valid DSP_CLK1 (and hence for DSP_CLK3 = DSP_CLK1 / 3) frequency range, see the Operating Performance Points section of the device Data Manual.

The [Section 5.3.2](#) also shows the distribution of the different DSP subsystem blocks within the two DSP local clock domains CD0_CLK (running on DSP_CLK frequency) and CD1_CLK (running on DSP_CLK2 or DSP_CLK3 frequency).

5.3.3.2 DSP Hardware Resets

The DSP uses the same reset sources than those mapped to the DSP C66x CorePac; i.e. DSP C66x CorePac reset inputs will be pinned out as DSP system reset inputs.

The [Table 5-4](#) summarizes the DSP hardware reset inputs and their functional descriptions.

Table 5-4. Summary of the DSP1 Hardware Resets

DSP1 reset input	DSP1 reset "done" output to PRCM	Description
DSP1_PWR_RST	-	This is power-on reset signal used inside DSP1 to reset mainly the emulation logic. It resets the entire DSP1 logic.
DSP1_RST	-	Reset signal used to reset all logic inside DSP1 except Emulation logic.
DSP1_LRST	-	Reset applied ONLY to the C66x CPU inside DSP1
-	DSP1_LRST_DONE	Indicates completion of the DSP1 local C66x CPU reset to device PRCM

See also the [Section 5.2](#) for more information on the PRCM reset sources to DSP reset inputs connectivity.

Refer to the [Section 3.5.6.6](#), *DSP1 Subsystem Power-on Reset Sequence* in the chapter, *Power, Reset and Clock Management* for more details on the DSP1 power-on reset sequence, respectively.

NOTE: In the case of DSP1 recovery from the "Powerdown-grid off", a full power-on-reset sequence is required before re-booting and resuming functional operation.

The DSP host (device MPU) software must ensure that the PRCM functional clock DSP1_GFCLK is enabled to the DSP1 prior to starting the DSP1 power-on reset sequence.

5.3.3.3 DSP Software Resets

During a software reset on the DSP, all resets described in [Table 5-4](#) are asserted, except for the power-on DSP_PWRON_RST signal which remains de-asserted in this case.

The DSP subsystem does NOT implement any local software reset controls. The software reset assertion and DSP_LRST completion monitoring is done in PRCM located registers (part of the DSP1_PRM address space).

Refer to the [Section 3.5.6.7](#), *DSP1 Subsystem Software Warm Reset Sequence* in the chapter, *Power, Reset and Clock Management* for more details on the DSP1 software reset sequence and related software controls, respectively.

5.3.3.4 DSP Power Management

The supported power-down modes are:

- Slave idle and master standby protocols for powerdown
- "Disconnect from interconnect" handshake for init and target busses
- Clock Stop mode - wakeup on interrupt or DMA event
- Grid OFF mode: No power supply is switched-on

NOTE: Powerdown-retention mode is NOT supported by DSP subsystem. **The DSP recovery from the Powerdown-grid OFF mode requires full boot.**

The DSP C66x CorePac natively supports "CLKSTOP/Static Powerdown" and "POWERDOWN (Grid off)" modes of operation. Once the device PRCM restores clocks and power supply, then the DSP C66x CorePac can exit static-powerdown.

The DSP_SYSTEM wakeup logic is implemented in the "always-on" clock / power supply domain. This logic monitors new interrupts / events and will drive the IDLE wakeup request when a new interrupt / event occurs.

5.3.3.4.1 DSP System Powerdown Protocols

For each of the powerdown modes – Static or Powerdown-Grid Off, the device PRCM will control whether clocks are gated, or whether supplies are reduced or removed.

NOTE: In the case of "Powerdown-grid off", a full power-on-reset sequence is required before re-booting and resuming functional operation.

in the static powerdown modes - the DSP recognizes new level interrupts while in a clock-gated state (and drive wakeup request). During this powerdown mode all internal state will be retained, including DSP C66x CorePac, interconnect, EDMA, memories, and so forth.

The following protocols are implemented with PRCM:

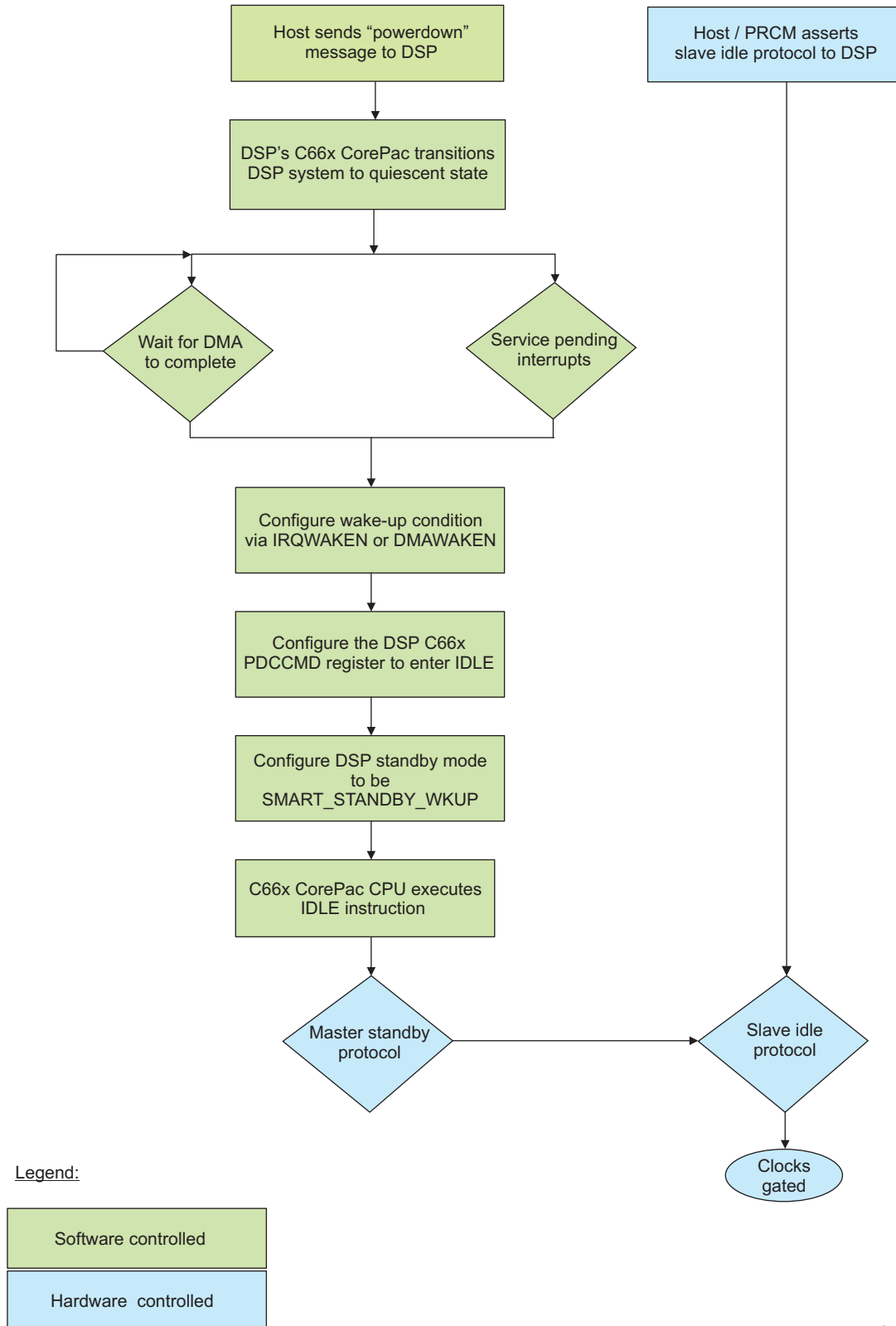
- Slave idle protocol with device PRCM for powerdown (wake-up capable)
- Master standby protocol with device PRCM for powerdown
- Interconnect disconnect for master and slave ports

The master standby and slave idle protocols behavior is controlled in the is enabled, then the hardware [DSP_SYS_SYSCONFIG](#) register.

5.3.3.4.2 DSP Software and Hardware Power Down Sequence Overview

[Figure 5-4](#) highlights the high level flow-chart for entry into any of the DSP powerdown modes. The system host (typically) first informs the DSP that it should enter a powerdown mode. The host (g.h. device MPU) sends a software message (normally via system level mailbox+interrupt). In parallel, the PRCM (via host or DSP programming) will hardware assert an SIdleReq request to the DSP via the IDLE Protocol connection. At the next stage, the C66x CPU, in general, performs any software bookkeeping necessary to transition the DSP subsystem to a quiescent state. This may include: waiting for outstanding DMA transfers to complete, waiting for outstanding DMA transfers to complete, and so forth. The C66x processor should finally execute the IDLE instruction when it is ready to be powered-down. Assuming the [DSP_SYS_SYSCONFIG\[5:4\]](#) STANDBYMODE is enabled, then the hardware will transition to an idle state and notify to the system the intention to enter powerdown state to the system via the master standby and slave idle protocols. After IDLE and MSTANDBY handshake is completed, the DSP clocks are optionally gated; and supply rails are optionally reduced or turned off.

Figure 5-4. Extended Duration Sleep Software and Hardware Sequence



dsps-042

NOTE: The PM_DSP1_PWRSTCTRL[1:0] POWERSTATE bit field in device PRCM must be set to 0x3 (ON state) prior to performing the sequence shown in [Figure 5-4](#) for the transition to be successful.

5.3.3.4.3 DSP IDLE Wakeup

In order to facilitate auto-wakeup of DSP C66x, the IDLE protocol's wakeup capability is used. Wakeup operation is enabled if [DSP_SYS_SYSCONFIG\[3:2\] IDLEMODE](#) is set to 0x3.

In this mode, while in IDLE state, if an external input interrupt source is asserted (if enabled via the [DSP_SYS_IRQWAKEEN0 / DSP_SYS_IRQWAKEEN1](#) mask) or if an external DMA event source is asserted (if enabled via the [DSP_SYS_DMAWAKEEN0 / DSP_SYS_DMAWAKEEN1](#) mask) or if the DSP subsystem NMI input is asserted (**note that there is no wake enable mask for the non-maskable interrupt**) then the Mwakeup signal is asserted to the PRCM which is expected to observe the Mwakeup. Upon such assertion the PRCM enables the clocks, exiting the "Standby" and "Idle" states. at this point the C66x CPU is able to branch to the pending interrupt service routine. The Mwakeup is deasserted when all IRQ or DMA requests enabled in the [DSP_SYS_IRQWAKEEN0/1](#) and [DSP_SYS_DMAWAKEEN0/1](#) are deasserted.

The Wakeup logic controlling assertion of the Mwakeup request is completely asynchronous because in IDLE mode the clock may not be present. It relies on level sensitive interrupts.

NOTE: The DSP_EDMA must be manually removed from IDLE / Standby state. During that time, it is possible that the EDMA input event is no longer pending and may not have been recognized/latched as an EVENT to the EDMA. In that case, the user SW can enable the DSP_EDMA_WAKE_INT (in associated [DSP_SYS_EDMAWAKE0_IRQENABLE_SET](#) register) to recognize in the ([DSP_SYS_EDMAWAKE0_IRQSTATUS_RAW / DSP_SYS_EDMAWAKE0_IRQSTATUS](#)) which specific EDMA event was asserted and caused the wakeup condition. The DSP software can then trigger the corresponding DSP_EDMA channel manually (by setting the ESR) or by servicing the interrupt/event manually via reads and writes. For more details, refer to the [Section 5.3.5.1](#).

5.3.3.4.4 DSP SYSTEM IRQWAKEEN registers

The [DSP_SYS_IRQWAKEEN0 / DSP_SYS_IRQWAKEEN1](#) masking bits must be appropriately set for any valid interrupt mapped from device IRQ_CROSSBAR to the DSP subsystem boundary, to enable its path (passing through the DSP_SYSTEM wakeup logic) to the DSP local interrupt controller - DSP_INTC.

CAUTION

In order for a given interrupt to be serviced by the DSP (even when the Idle Instruction is NOT being executed), the Interrupt must be enabled in the corresponding [DSP_SYS_IRQWAKEEN0](#) or [DSP_SYS_IRQWAKEEN1](#) register.

5.3.3.4.5 DSP Automatic Power Transition

This section provides register details for configuring the DSP1 subsystem in automatic power transition mode.

The DSP1 module is supposed to be configured to automatic management in PRCM.DSP1_CM_CORE_AON via setting the register CM_DSP1_DSP1_CLKCTRL[1:0] MODULEMODE bitfield to 0x1. The DSP1 clock domain is supposed to be configured in automatic "HW_AUTO" transition (setting bitfield CM_DSP1_CLKSTCTRL[1:0] CLKTRCTRL=0x3).

The power state (controls are in the PRCM.DSP1_PRM instance) to reach upon a sleep transition is configured in the PM_DSP1_PWRSTCTRL[1:0]POWERSTATE bitfield.

5.3.4 DSP Interrupt Requests

The DSP subsystem relies on the DSP C66x CorePac local interrupt controller - DSP_INTC for mapping the various input interrupts to the C66x CPU, that are:

- generated outside the DSP, by the device intergrated modules and subsystems
- generated within the DSP subsystems but outside the DSP C66x CorePac
- generated by different components within the DSP C66x CorePac

In addition, a non-maskable input interrupt, direct mapped on a C66x processor NMI input is implemented. It is mapped via a register that resides within the device Control Module. Both the maskable interrupts and the non-maskable interrupts are synchronized internally.

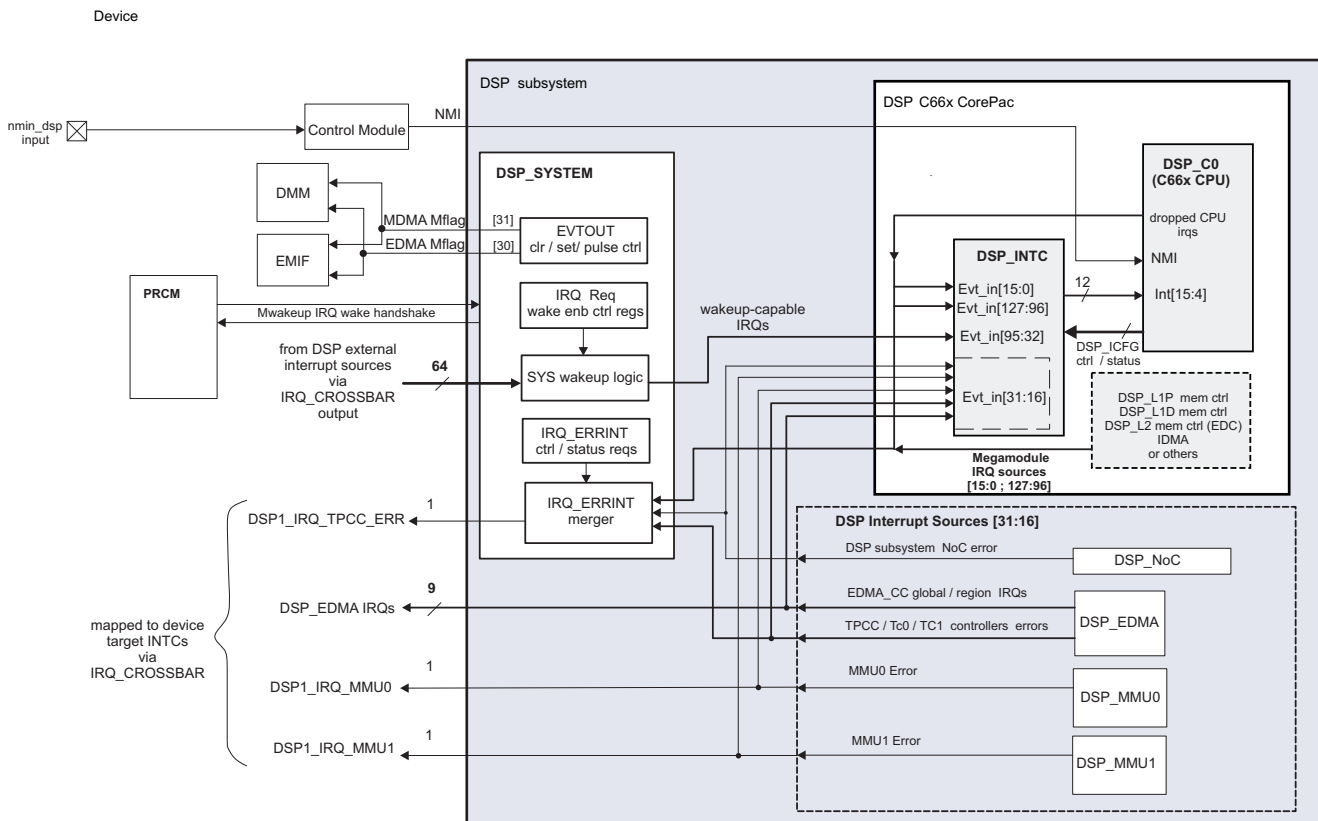
Part of the DSP subsystem module generated interrupts which are output as follows:

- DSP_EDMA interrupts
- DSP_MMU0 and DSP_MMU1 interrupts
- Error interrupts

Figure 5-5 shows how are the interrupt sources organized. To manage and expand the interrupt capabilities of the DSP C66x CorePac (internal and external interrupt requests), the DSP subsystem includes two levels of interrupt control :

- The DSP C66x CorePac local Interrupt controller - DSP_INTC
- The System control logic - DSP_SYSTEM

Figure 5-5. DSP Subsystem Interrupt Management



dsps-006

5.3.4.1 DSP Input Interrupts

In summary, the DSP_INTC accepts up to 124 event inputs, and flexibly maps those down to 12 interrupt inputs to the DSP. The mapping can be 1:1 (input:output), or can use the event combiner to map multiple interrupts (within a 32-bit group) to one of the DSP interrupt inputs. In general, many of the 124 interrupt controller inputs are collected within the DSP C66x CorePac, and are NOT available at the DSP C66x CorePac boundaries.

The C66x CPU dropped event is exported outside the C66x CorePac in DSP subsystem, and can be enabled to trigger the ERRINT_IRQ aggregated interrupt output. See also corresponding "INTERR" event listed in the [Table 5-5](#).

NOTE: The dropped CPU event is not exported outside DSP subsystem. However it is merged (OR-ed) along with other error event sources within the DSP subsystem to produce a single ERRINT_IRQ interrupt exported outside the DSP subsystem.

For more details on ERRINT_IRQ generation and associated event registers at DSP_SYSTEM level, refer to the [Section 5.3.4.2.2](#).

Part of the input interrupts, generated by DSP peripherals that are located outside the DSP C66x CorePac - DSP_EDMA (DSP_EDMA_CC, DSP_EDMA_TC0, DSP_EDMA_TC1), DSP_MMU0, DSP_MMU1 and DSP_NoC, are also mapped to outputs at the DSP subsystem boundary, such that they can be exported to system hosts (MPU, and so forth) via the device IRQ_CROSSBAR.

Of particular interest, MMUs (DSP_MMU0 and DSP_MMU1) interrupts will typically be serviced by the device MPU instead of by the local DSP core.

Any interrupt input at DSP subsystem boundaries (i.e. excluding the DSP subsystem internal IRQ sources that reside in and outside the DSP C66x CorePac) can be used to wake-up the DSP subsystem from an IDLE state. This is described in the [Section 5.3.3.4.3](#) and is controlled by the DSP_SYSTEM logic register [DSP_SYS_SYSCONFIG \[3:2\] IDLEMODE](#) bitfield along with the [DSP_SYS_IRQWAKEEN0 / DSP_SYS_IRQWAKEEN1](#) registers.

CAUTION

The [DSP_SYS_IRQWAKEEN0 / DSP_SYS_IRQWAKEEN1](#) bits MUST be enabled for externally mapped interrupts (DSP_INTC[95:32]) to be serviced by the DSP regardless of the DSP power state (IDLE or non-IDLE).

The DSP C66x CorePac DSP_INTC registers are NOT readable by any entity other than the C66x CPU, because they are part of the DSP_ICFG C66x CorePac internal configuration space (see also the [Section 5.3.10](#)). Hereby, only the C66x itself is able to service these interrupt events. The only way for these interrupts to be cleared is for the DSP CPU to clear the state in the EVTFLAGi (where i=0 to 3) register, or via reset assertion.

NOTE: For cases where the DSP maps an interrupt directly, the DSP is not strictly required to clear the EVTFLAGi register. User software must take the extra step of clearing the EVTFLAGi to cause the corresponding output interrupt to be cleared and re-asserted upon a new input event assertion.

5.3.4.1.1 DSP Non-maskable Interrupt Input

The device DSP also supports a non-maskable interrupt (NMI) directly mapped to the NMI input of the C66x CPU. This line is also mapped to the NMEVT input of the DSP local INTC, and can be used as an exception signal, too. At system level, the NMI interrupt mapping to the DSP_INTC is controlled via the **device core Control Module** register as follows:

- CTRL_CORE_NMI_DESTINATION_2 [15:8] DSP1 = 0x1 enables the DSP1 to receive the NMI coming from the device **nmin_dsp** input.

For more details on the NMI receive enable bit mapping, refer to the [Section 18.5, Control Module Register Manual](#) in the chapter, *Control Module*.

5.3.4.2 DSP Event and Interrupt Generation Outputs

5.3.4.2.1 DSP MDMA and DSP EDMA Mflag Event Outputs

The Mflag events generated by DSP subsystem EVTOUT bus are represented in the [Figure 5-5](#).

A couple of the DSP EVTOUT bus outputs - EVTOUT[31] and EVTOUT[30] are used for generation of MFLAGS dedicated to the DSP MDMA and EDMA ports, respectively. DSP MFLAGS are connected directly to DMM and EMIF. The DSP MFLAGS participate in the DMM Emergency and EMIF MFLAG prioritization schemes. At the L3 Level Bandwidth regulators connected to the DSP MDMA and EDMA ports can be used to control DSP traffic versus other device traffic.

The device DSP subsystem is able to generate the 2 output Mflag events via the following DSP_SYSTEM module located registers:

- [DSP_SYS_EVTOUT_SET](#)[31:30]
- [DSP_SYS_EVTOUT_CLR](#)[31:30]

The current state of the outputs can be detected by reading any of these "pseudo" register bits.

NOTE: Only EVTOUT[31:30] outputs are implemented in the device, hence only bits [31:30] of the mentioned DSP_SYS_EVTOUT_x registers are used.

The [DSP_SYS_EVTOUT_SET](#) register unconditionally drives the corresponding output event to '1'. The [DSP_SYS_EVTOUT_CLR](#) register unconditionally drives the corresponding output event to a '0'.

5.3.4.2.2 DSP Aggregated Error Interrupt Output

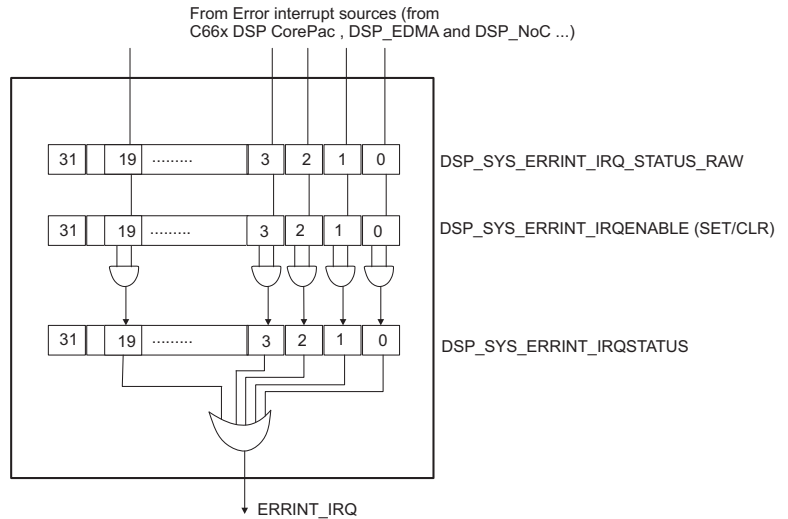
The aggregated error interrupt of the DSP subsystem is shown in the [Figure 5-5](#).

The subset of those events that correspond to: **DSP C66x CorePac generated error events**, **DSP_EDMA error interrupts** and **L2 DSP_NoC interconnect error interrupt**, is reduced by an OR-schematic to a single ERRINT_IRQ output interrupt which is made available on DSP subsystem boundary. It is expected that one of the DSP system hosts monitors the interrupts/error conditions in safety conscious systems.

[Figure 5-6](#) shows a functional representation of the DSP error interrupt "OR"-reduction logic. In summary, there exists an **unmasked status** ([DSP_SYS_ERRINT_IRQSTATUS_RAW](#)) register, two complementary enable bit-vector registers ([DSP_SYS_ERRINT_IRQENABLE_SET](#) / [DSP_SYS_ERRINT_IRQENABLE_CLR](#)), and a masked status register ([DSP_SYS_ERRINT_IRQSTATUS](#)). The ERRINT event is asserted when any enabled error interrupt input is asserted.

NOTE: The ERRINT_IRQ output can be programmatically mapped as the DSP1_IRQ_TPCC_ERR interrupt to all device (dsp hosts) interrupt controllers via the device IRQ_CROSSBAR. For more information on the IRQ_CROSSBAR module, see [Section 18.4.6.4, IRQ_CROSSBAR Module Functional Description](#), in [Chapter 18, Control Module](#). For more information about the device interrupt controllers, see [Chapter 17, Interrupt Controllers](#).

Figure 5-6. ERRINT Diagram



dsps-043

The Table 5-5 details the mapping of error event output sources to the bit positions within the following DSP error event related registers:

- [DSP_SYS_ERRINT_IRQSTATUS_RAW](#)
- [DSP_SYS_ERRINT_IRQSTATUS](#)
- [DSP_SYS_ERRINT_IRQENABLE_SET](#)
- [DSP_SYS_ERRINT_IRQENABLE_CLR](#)

Following functional descriptions are valid for the above registers:

- **IRQ status raw register** - This register provides a per-event raw interrupt status vector. The Raw status is set even if the corresponding event is not enabled. Software can write '1' to set the (raw) status for debug purposes.
- **IRQ status register** - This register provides a per-event enabled interrupt status vector. The Enabled status is set if the corresponding event is enabled and the raw status is set. Software can write 1 to clear the (raw) status after the interrupt has been serviced. The clear takes effect even if the interrupt is not enabled.
- **IRQ enable register** - This register provides a per-event interrupt enable bit vector. Software can write 1 to set (i.e., enable the corresponding interrupt). Reads of this register return the actual state of the enable register (and is the same as reading the corresponding "IRQ Clear" - register)
- **IRQ clear register** - This register provides a per-event interrupt enable bit vector. Software can write 1 to clear (i.e., disable the corresponding interrupt). Reads of this register return the actual state of the enable register (and is the same as reading the corresponding "IRQ Set" register)

NOTE: A [DSP_SYS_ERRINT_IRQSTATUS_RAW](#) bit is set even if the corresponding event is NOT enabled in the [DSP_SYS_ERRINT_IRQENABLE_SET](#).

Table 5-5. DSP ERRINT Interrupt Mapping

Interrupt Number	Name	Description
0	tpcc_errint_level	DSP EDMA CC error interrupt
1	tptc_errint0_level	DSP EDMA TC0 error interrupt
2	tptc_errint1_level	DSP EDMA TC1 error interrupt
3	noc_errint_level	DSP L2 Interconnect (DSP_NoC) error interrupt

Table 5-5. DSP ERRINT Interrupt Mapping (continued)

Interrupt Number	Name	Description
4	INTERR	DSP C66x CorePac Dropped CPU Interrupt event
5	EMC_IDMAERR	DSP C66x CorePac Invalid IDMA Parameters
6	MDMAERREVT	DSP C66x CorePac VbusM Error Event
7	PMC_ED	DSP C66x CorePac Single bit error detected during DMA read
8	UMC_ED1	DSP C66x CorePac Corrected bit error detected
9	UMC_ED2	DSP C66x CorePac Uncorrected bit error detected
10	SYS_CMPA	DSP C66x CorePac CPU memory protection fault
11	PMC_CMPA	DSP C66x CorePac CPU memory protection fault
12	PMC_DMPA	DSP C66x CorePac DMA memory protection fault
13	DMC_CMPA	DSP C66x CorePac CPU memory protection fault
14	DMC_DMPA	DSP C66x CorePac DMA memory protection fault
15	UMC_CMPA	DSP C66x CorePac CPU memory protection fault
16	UMC_DMPA	DSP C66x CorePac DMA memory protection fault
17	EMC_CMPA	DSP C66x CorePac CPU memory protection fault
18	EMC_BUSERR	DSP C66x CorePac Bus Error Interrupt
19	Reserved	-
20	Reserved	-
21	Reserved	-
22	Reserved	-

Note that neither of the events, listed in [Table 5-5](#), is exported as a separate hardware interrupt off the DSP boundary.

5.3.4.2.3 Non-DSP C66x CorePac Generated Peripheral Interrupt Outputs

The non-DSP C66x CorePac interrupts generated by peripherals within the DSP subsystem are also summarized in the [Figure 5-5](#).

Besides the aggregated error event ERRINT_IRQ interrupt - DSP1_IRQ_TPCC_ERR, interrupts (see also [Figure 5-5](#)) **generated individually by DSPSS peripherals located outside the DSP C66x CorePac**, are mapped as separate IRQ outputs at DSP boundaries. They are sourced by the DSP_EDMA_CC, DSP_EDMA_TC0, DSP_EDMA_TC1, DSP_MMU0, DSP_MMU1 and DSP_NoC and exported to other host INTCs via the device IRQ_CROSSBAR. Refer to the [Section 5.2](#), for more information on these DSP interrupt outputs mapping.

5.3.5 DSP DMA Requests

The DSP_EDMA_CC (channel controller) supports 64 hardware event inputs, that can be used to synchronize the 64 DMA channels. These event inputs are provided at the DSP subsystem boundary via the device DMA_CROSSBAR and can be mapped to sources within the device.

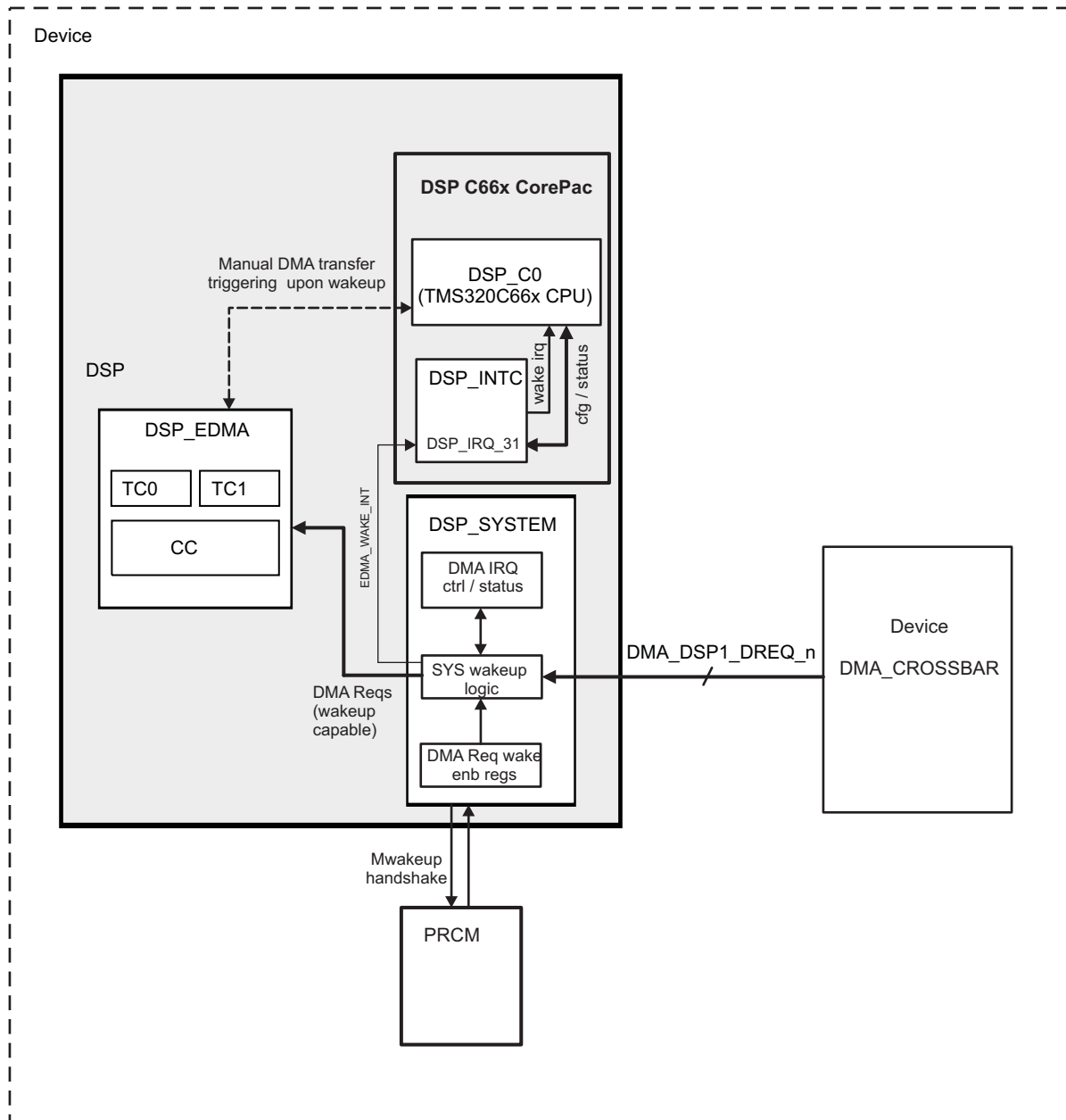
The DSP subsystem receives DMA requests from certain peripherals, such as the McASP module. The DMA requests path through the DSP logic is shown in [Figure 5-7](#).

Similar to the interrupts received at DSP subsystem boundary, the DSP EDMA requests are first routed through the wakeup generation logic of the DSP_SYSTEM module, hence, each DMA request received by the DSP subsystem can wakeup the system from DSP low power modes (including wakeup from DSP OFF mode). To enable the DMA requests mapped via the DMA_CROSSBAR to **DSP_EDMA_CC [19:0]** inputs, corresponding bits in range [19:0] of the register **DSP_SYS_DMAWAKEEN0** must be enabled in software.

CAUTION

The DMA request corresponding **DSP_SYS_DMAWAKEEN0** / **DSP_SYS_DMAWAKEEN1** MUST be enabled, for the DMA requests to be serviced by the DSP regardless of the DSP being in IDLE or active state.

Figure 5-7. DSP DMA Requests



dsps-005

Table 5-6 lists the default DMA sources for the DSP1_EDMA controller. In addition, the DMA_DSP1_DREQ_[19:0] inputs can alternatively be sourced through the associated DMA_CROSSBAR from one of the 256 multiplexed device DMA sources listed in Table 16-6. The CTRL_CORE_DMA_DSP1_DREQ_y_z registers (where y and z are indexes of DSP1_EDMA input lines) in the Control Module are used to select between the default DMA sources and the multiplexed DMA sources.

For more details on the device DMA_CROSSBAR multiplexing registers structure, refer to Section 18.4.6.5, DMA_CROSSBAR Module Functional Description of chapter, Control Module.

Table 5-6. DSP1_EDMA Default Request Mapping

DMA Request Line	DMA_CROSSBAR Instance Number	DMA_CROSSBAR Configuration Register	DMA_CROSSBAR Default Input Index	Default DMA Source Name	Default DMA Source Description
DMA_DSP1_DREQ_0	1	CTRL_CORE_DMA_DSP1_DREQ_0_1[7:0]	128	McASP1_DREQ_RX	McASP1 receive event
DMA_DSP1_DREQ_1	2	CTRL_CORE_DMA_DSP1_DREQ_0_1[23:16]	129	McASP1_DREQ_TX	McASP1 transmit event
DMA_DSP1_DREQ_2	3	CTRL_CORE_DMA_DSP1_DREQ_2_3[7:0]	130	McASP2_DREQ_RX	McASP2 receive event
DMA_DSP1_DREQ_3	4	CTRL_CORE_DMA_DSP1_DREQ_2_3[23:16]	131	McASP2_DREQ_TX	McASP2 transmit event
DMA_DSP1_DREQ_4	5	CTRL_CORE_DMA_DSP1_DREQ_4_5[7:0]	132	McASP3_DREQ_RX	McASP3 receive event
DMA_DSP1_DREQ_5	6	CTRL_CORE_DMA_DSP1_DREQ_4_5[23:16]	133	McASP3_DREQ_TX	McASP3 transmit event
DMA_DSP1_DREQ_6	7	CTRL_CORE_DMA_DSP1_DREQ_6_7[7:0]	134	McASP4_DREQ_RX	McASP4 receive event
DMA_DSP1_DREQ_7	8	CTRL_CORE_DMA_DSP1_DREQ_6_7[23:16]	135	McASP4_DREQ_TX	McASP4 transmit event
DMA_DSP1_DREQ_8	9	CTRL_CORE_DMA_DSP1_DREQ_8_9[7:0]	136	McASP5_DREQ_RX	McASP5 receive event
DMA_DSP1_DREQ_9	10	CTRL_CORE_DMA_DSP1_DREQ_8_9[23:16]	137	McASP5_DREQ_TX	McASP5 transmit event
DMA_DSP1_DREQ_10	11	CTRL_CORE_DMA_DSP1_DREQ_10_11[7:0]	138	McASP6_DREQ_RX	McASP6 receive event
DMA_DSP1_DREQ_11	12	CTRL_CORE_DMA_DSP1_DREQ_10_11[23:16]	139	McASP6_DREQ_TX	McASP6 transmit event
DMA_DSP1_DREQ_12	13	CTRL_CORE_DMA_DSP1_DREQ_12_13[7:0]	140	McASP7_DREQ_RX	McASP7 receive event
DMA_DSP1_DREQ_13	14	CTRL_CORE_DMA_DSP1_DREQ_12_13[23:16]	141	McASP7_DREQ_TX	McASP7 transmit event
DMA_DSP1_DREQ_14	15	CTRL_CORE_DMA_DSP1_DREQ_14_15[7:0]	142	McASP8_DREQ_RX	McASP8 receive event
DMA_DSP1_DREQ_15	16	CTRL_CORE_DMA_DSP1_DREQ_14_15[23:16]	143	McASP8_DREQ_TX	McASP8 transmit event
DMA_DSP1_DREQ_16	17	CTRL_CORE_DMA_DSP1_DREQ_16_17[7:0]	154	VCP1_DREQ_RX ⁽¹⁾	VCP1 RX event ⁽²⁾
DMA_DSP1_DREQ_17	18	CTRL_CORE_DMA_DSP1_DREQ_16_17[23:16]	155	VCP1_DREQ_TX ⁽¹⁾	VCP1 TX event ⁽²⁾
DMA_DSP1_DREQ_18	19	CTRL_CORE_DMA_DSP1_DREQ_18_19[7:0]	156	VCP2_DREQ_RX ⁽¹⁾	VCP2 RX event ⁽²⁾
DMA_DSP1_DREQ_19	20	CTRL_CORE_DMA_DSP1_DREQ_18_19[23:16]	157	VCP2_DREQ_TX ⁽¹⁾	VCP2 TX event ⁽²⁾
DMA_DSP1_DREQ_20 - DMA_DSP1_DREQ_63	N/A	N/A	N/A	Reserved	Reserved

⁽¹⁾ VCP1 and VCP2 are not supported on the AM571x / AM570x family of devices.

⁽²⁾ VCP does not support Const/FIFO mode DMA transfers. The DSP1_EDMA should be configured for AB-Synchronized transfer with ACNT = 8, BCNT = number of elements.

5.3.5.1 DSP EDMA Wakeup Interrupt

This section provides description of the registers used for the **EDMA wakeup interrupt** functionality, including the EDMA_WAKE_INT IRQ status and enable fields. The EDMA Wakeup Interrupt allows incoming EDMA events to be latched and an interrupt sent to the DSP (if enabled). This interrupt is generated in the DSP_SYSTEM as a single "OR-ed" output of all external DMA requests latched in DSP subsystem. This output is further synchronized to DSP_FCLK and mapped as the EDMA_WAKE_INT event to the DSP_IRQ_31 input of the C66x DSP CorePac DSP_INTC. The C66x CPU is expected to service the interrupt by triggering the corresponding EDMA channel manually, or by servicing the request via normal reads and writes (instead of using the EDMA). This functionality is required since the EDMA is not capable of following the smart wakeup protocol.

NOTE: The [DSP_SYS_DMAWAKEEN0](#) / [DSP_SYS_DMAWAKEEN1](#) registers are used for enabling the assertion of the 'Mwakeup' asynchronous wakeup request to the device PRCM upon DMA requests reception. The interrupt functionality of the registers: [DSP_SYS_EDMAWAKE0_x](#) covered in this subsection is specifically for generating **an wake interrupt** to the DSP. In most cases, the enable mask for the two sets of registers should be set to the same value.

The EDMAWAKE0 registers corresponding to the EDMA Events 19 thru 0 (msbit to lsb) are as follows:

- [DSP_SYS_EDMAWAKE0_IRQSTATUS_RAW](#)[19:0]
- [DSP_SYS_EDMAWAKE0_IRQSTATUS](#)[19:0]
- [DSP_SYS_EDMAWAKE0_IRQENABLE_SET](#)[19:0]
- [DSP_SYS_EDMAWAKE0_IRQENABLE_CLR](#)[19:0]

Following functional descriptions are valid for the above registers:

- **IRQ status raw register** - This register provides a per-event raw interrupt status vector. The Raw status is set even if the corresponding event is not enabled. Software can write '1' to set the (raw) status for debug purposes.
- **IRQ status register** - This register provides a per-event enabled interrupt status vector. The Enabled status is set if the corresponding event is enabled and the raw status is set. Software can write 1 to clear the (raw) status after the interrupt has been serviced. The clear takes effect even if the interrupt is not enabled.
- **IRQ enable register** - This register provides a per-event interrupt enable bit vector. Software can write 1 to set (i.e., enable the corresponding interrupt). Reads of this register return the actual state of the enable register (and is the same as reading the corresponding "IRQ Clear" - register)
- **IRQ clear register** - This register provides a per-event interrupt enable bit vector. Software can write 1 to clear (i.e., disable the corresponding interrupt). Reads of this register return the actual state of the enable register (and is the same as reading the corresponding "IRQ Set" register)

NOTE: A [DSP_SYS_EDMAWAKE0_IRQSTATUS_RAW](#) bit is set even if the corresponding event is NOT enabled in the [DSP_SYS_EDMAWAKE0_IRQENABLE_SET](#)[19:0].

5.3.6 DSP Intergated Memory Management Units

5.3.6.1 DSP MMUs Overview

A standalone memory management unit (DSP_MMU0) is included within the DSP1 (DSP1_MMU0) subsystem boundaries. The DSP_MMU0 is integrated on the C66x CPU MDMA path to the device L3_MAIN interconnect. This provides several benefits including protection of the system memories from corruption by DSP1 accidental accesses.

A standalone memory management unit (DSP_MMU1) is included within the DSP1 (DSP1_MMU1) subsystem boundaries. The DSP_MMU1 is integrated on the EDMA data path which starts from the L2 DSP_NoC interconnect and leaves the DSP subsystem on the DSP EDMA master port. This provides several benefits including protection of the device L3_MAIN memory space from corruption by DSP1 DMA (DSP1_EDMA) accidental accesses.

Both DSP MMUs generate interrupts which are internally mapped to the DSP C66x CorePac DSP_INTC and output to the device IRQ_CROSSBAR. See also the [Section 5.2](#) and [Section 5.3.4](#).

CAUTION

In the case of a page fault, a DSP C66x CorePac CPU is unable to service its own DSP_MMU0 and DSP_MMU1 interrupts. The device MPU (Cortex-A15) is expected to manage any TLB patches as necessary.

Both DSP MMUs (on MDMA and EDMA paths respectively) have identical functionalities.

- 32-bit input and output address width (to match L3_MAIN address width)
- 32 TLB cache entries
- 32 + 1 tags
- 128-bit data bus for MDMA and EDMA

5.3.6.2 Routing MDMA Traffic through DSP MMU0

DSP C66x CPU traffic initiated on the DSP MDMA port can be optionally routed through the DSP_MMU0 on the 32-bit MDMA address path. This is controlled in two levels :

- **global** by the DSP_SYSTEM register [DSP_SYS_MMU_CONFIG](#) [0] MMU0_EN bit. This bit acts as a mux-select: setting it to 0b1 enables requests to use the DSP_MMU0; clearing this bit to 0b0 disables MMU table lookup and causes accesses to use the non-translated address (MMU bypass). By default the DSP_MMU0 is disabled in DSP_SYSTEM and MDMA port traffic bypasses the DSP_MMU0.
- **local** by MMU enable control in a dedicated DSP_MMU0 memory mapped register. It is used to enable the MMU functionality after the page tables are programmed for MMU operation. For details, refer to the [Chapter 20, Memory Management Units](#).

NOTE: For the DSP_MMU0 to operate, SW should enable it both at the DSP_SYSTEM global level and DSP_MMU0 local register level.

When enabling the DSP_MMU0, software must take care that no transactions are in flight through that MMU. This is typically handled by issuing a DSP "MFENCE" instruction operation. Note that the local enable bit inside the DSP_MMU0 must be configured as normal (refer to the [Chapter 20, Memory Management Units](#).)

For more information on the MFENCE operation, refer to the section, *C66x CPU Instruction Set* of the *TMS320C66x DSP CPU and Instruction Set*).

In addition, the DSP_MMU0 traffic can be aborted in case of a lockup via the [DSP_SYS_MMU_CONFIG](#) [8] MMU0_ABORT bit. In other words, this bit can be used to clear a hang condition that may occur if the DSP_MMU0 encounters a page fault that cannot be serviced.

For more information on device DSP_MMU0 functionality and register settings, refer to the [Section 20.3, MMU Functional Description](#) and [Section 20.5, MMU Register Manual](#), in the chapter, *Memory Management Units*, respectively.

5.3.6.3 Routing EDMA Traffic through DSP MMU1

The DSP_EDMA traffics initiated on the DSP EDMA master port can be optionally routed through the DSP_MMU1 on the EDMA address path. This is controlled in two levels :

- **global** by the DSP_SYSTEM register [DSP_SYS_MMU_CONFIG](#) [4] MMU1_EN bit. This bit acts as a mux-select: setting it to 0b1 enables requests to use the DSP_MMU1; clearing this bit to 0b0 disables MMU table lookup and causes accesses to use the non-translated address (MMU bypass). By default the DSP_MMU1 is disabled in DSP_SYSTEM and EDMA traffic bypasses the DSP_MMU1.
- **local** by MMU enable control in a dedicated DSP_MMU1 memory mapped register. It is used to enable the MMU functionality after the page tables are programmed for MMU operation. For details, refer to the [Section 20.5, MMU Register Manual](#), in the [Chapter 20, Memory Management Units](#).

NOTE: For the DSP_MMU1 to operate, SW should enable it both at the DSP_SYSTEM global level and DSP_MMU1 local register level.

When enabling the DSP_MMU1, software must take care that no transactions are in flight through that MMU. This is typically handled by disabling any EDMA transactions prior to enabling the MMU. Note that the local enable bit inside the DSP_MMU1 must be configured as normal (refer to the [Chapter 20, Memory Management Units](#).)

For more information on the MFENCE operation, refer to the section, *C66x CPU Instruction Set of the TMS320C66x DSP CPU and Instruction Set*).

In addition, the DSP_MMU1 traffic can be aborted in case of a lockup via the [DSP_SYS_MMU_CONFIG](#) [12] MMU1_ABORT bit. In other words, this bit can be used to clear a hang condition that may occur if the DSP_MMU1 encounters a page fault that cannot be serviced.

For more information on device DSP_MMU1 functionality and settings, refer to the [Section 20.3, MMU Functional Description](#) and the [Section 20.5, MMU Register Manual](#), in the chapter, *Memory Management Units*, respectively.

5.3.7 DSP Integrated EDMA Subsystem

This section represents an overview of the DSP integrated EDMA functionalities, as well as the subsystem level and device related register controls. For more details on the EDMA functionalities and programming registers, refer to the [Section 16.2, Enhanced DMA](#).

5.3.7.1 DSP EDMA Overview

The enhanced-DMA subsystem which is part of the DSP1 (DSP1_EDMA) subsystem is the primary DMA engine for transfers between system memory (DDR and/or L3_MAIN SRAM) and DSP internal memories (L1s and L2).

The Channel Controller - DSP_EDMA_CC serves as the “user interface” of the DSP_EDMA. The two Transfer Controllers - DSP_EDMA_TC0 and DSP_EDMA_TC1 serve as the data transfer engines of the DSP_EDMA. The C66x CPU typically programs the Channel Controller, which in turn submits Transfer Requests (TR) to the appropriate Transfer Controller. Interrupts are posted in the DSP_EDMA_CC upon transfer completion (if requested), and signaled to the C66x. The EDMA TC completion interrupt is not supported/connected.

The DSP_EDMA is primarily used to perform block transfers between DSP C66x CorePac memories (mostly L2 memory) and system memory (mostly DDR or L3 SRAM).

The DSP_EDMA is configured with 2 Queues (in the CC). Two DSP_EDMA traffic controllers (TC) offer high performance and preemptability of transfers. For typical use cases, it is expected that low latency/small payload transfers use Queue0/TC0 and high bandwidth/large payload transfers (e.g., DDR on L3_MAIN or DSP local L2 SRAM) will use Queue1/TC1.

DSP_EDMA_CC configuration in the device features:

- 64x EDMA channels
- 8x QDMA channels
- 64x interrupt channels
- 128x PaRAM entries
- 2x Event Queues
- 2x Traffic controllers
- memory protection support
- channel mapping capability
- 8x memory protected and Shadow Regions

DSP_EDMA_TC0/TC1 configuration in the device features:

- 2048 Byte FIFO support
- multitag support
- 16-bit data bus
- 4-level destination register depth
- 7-bit address for internal FIFOs
- 16 IDs for Read commands
- 16 IDs for Write commands

NOTE: The device DSP integrated EDMA controller instances (DSP_EDMA_CC, DSP_EDMA_TC0 and DSP_EDMA_TC1) are functionally identical with the device EDMA controller instances (EDMA_TPCC, EDMA_TPTC0 and EDMA_TPTC1). The only difference is that the DSP_EDMA instances are located at different physical addresses.

For more details on the DSP_EDMA_CC, DSP_EDMA_TC0 and DSP_EDMA_TC1 controllers functionalities, refer to the [Section 16.2.4, EDMA Controller Functional Description](#), in the chapter, [Section 16.2, Enhanced DMA](#).

The DSP_EDMA instances, their corresponding registers summary and descriptions are covered in the [Section 16.2.7, EDMA Register Manual](#) of the chapter, *Enhanced DMA*.

5.3.7.2 DSP System and Device Level Settings of DSP EDMA

DSP_EDMA traffic TC0 and TC1 controllers "Active" or "Idle" status: can be monitored in DSP_SYSTEM located:

- [DSP_SYS_STAT\[1\]](#) TC0_STAT bit
- [DSP_SYS_STAT\[2\]](#) TC1_STAT bit

The **default** burst size for both the DSP_EDMA_TC0 and DSP_EDMA_TC1 can be defined in DSP_SYSTEM register. This is achieved via programming:

- [DSP_SYS_BUS_CONFIG](#) [1:0] TC0_DBS
- [DSP_SYS_BUS_CONFIG](#) [5:4] TC1_DBS

There are also other DSP_EDMA controls associated with DSP_NoC interconnect pressure settings. For more details, refer to the [Section 5.3.8](#).

The 3 error events associated with the DSP_EDMA_CC, DSP_EDMA_TC0 and DSP_EDMA_TC1 are exported outside the DSP C66x CorePac in the subsystem, and are able to trigger the ERRINT_IRQ aggregated interrupt output. See also corresponding "tpcc_errint_level", "tptc_errint0_level" and "tptc_errint1_level" events, respectively in the [Table 5-5](#).

NOTE: The DSP_EDMA_CC, DSP_EDMA_TC0 and DSP_EDMA_TC1 events are NOT exported outside DSP subsystem. However they are merged (OR-ed) along with other error event sources within the DSP subsystem to produce a single ERRINT_IRQ interrupt exported outside the DSP subsystem.

For more details on ERRINT_IRQ generation and associated event registers at DSP_SYSTEM level, refer to the [Section 5.3.4.2.2](#).

The DSP_SYSTEM logic is assigned to route the external DMA requests to the EDMA hardware request inputs. Additionally, EDMA events can conditionally wake-up the DSP system from a low power mode, via software enabling DSP_SYSTEM MWakeup handshake with the device PRCM. This mechanism is described in the [Section 5.3.5](#).

The programmable muxing of various external DMA request sources to the DSP EDMA. DMA_DSP1_DREQ_x input lines (where x=0 to 19) is covered in the [Section 18.4.6.5](#), *DMA_CROSSBAR Module Functional Description*, of the [Chapter 18](#), *Control Module*.

DSP1 subsystem external DMA request sources: For the default DSP1 external DMA request sources, routed via the device DMA_CROSSBAR to the DSP1_EDMA channel controller inputs (DMA_DSP1_DREQ_i), respectively, refer to the [Section 5.3.5](#).

5.3.8 DSP L2 interconnect Network

A 128-bit level 2 (L2) Interconnect from Arteris - FlexNoC® is instantiated in the DSP subsystem, outside the DSP C66x CorePac. It is signified as "DSP_NoC" throughout this chapter.

NOTE: The C66x master MDMA data does NOT flow through the DSP_NoC.

The system and local initiators on DSP_NoC are as follows :

- local C66x CPU 32-bit CFG master port which traffic is split via DSP_NoC fabric into several configuration target traffics inside and outside the DSP subsystem.
- SDMA initiator port on DSP_NoC which conveys accesses towards DSP Memories and memory-mapped registers initiated outside the DSP subsystem via the L3_MAIN interconnect.
- EDMA traffic controllers - TC0 read / write initiator ports
- EDMA traffic controllers - TC1 read / write initiator ports

NOTE: The DSP_ICFG space is not visible to SDMA initiators (DSP_EDMA or DSP hosts on L3_MAIN) with CFG traffic.

The targets on the DSP_NoC are as follows :

- DSP C66x CorePac SDMA port
- Internal CFG targets on the DSP_NoC:
 - DSP_MMU0 Cfg
 - DSP_MMU1 Cfg
 - DSP_SYSTEM Cfg
 - DSP_EDMA_CC Cfg
 - DSP_EDMA_TC0 Cfg
 - DSP_EDMA_TC1 Cfg
- 32-bit CFG port on L3_MAIN (it acts as master on the L3_MAIN)
- EDMA Target port which conveys EDMA bidi transfers outside the DSP (through or bypassing DSP_MMU1).

The [Table 5-7](#) summarizes the interconnections which can be established between DSP initiators and targets over the L2 DSP_NoC in the device. In this table HW implemented interconnections are marked with an asterics.

Table 5-7. DSP_NoC Defined Connectivities

		DSP_NoC Initiators			
		DSP C66x CorePac CFG init	EDMA_TC0 init	EDMA_TC1 init	SDMA init (mapped to SDMA port on L3_MAIN)
DSP_NoC Targets	DSP C66x CorePac SDMA (slave) port	n.a.	*	*	*
	DSP_MMU0 Cfg	*	n.a.	n.a.	*
	DSP_MMU1 Cfg	*	n.a.	n.a.	*
	DSP_SYSTEM Cfg	*	n.a.	n.a.	*
	DSP_EDMA_CC Cfg	*	n.a.	n.a.	*
	DSP_EDMA_TC0 Cfg	*	n.a.	n.a.	*
	DSP_EDMA_TC1 Cfg	*	n.a.	n.a.	*
	DSP_NoC Cfg	*	n.a.	n.a.	*
	Cfg port (Cfg Init on L3_MAIN)	*	n.a.	n.a.	n.a.
	Master DMA port (DSP DMA init on L3_MAIN)	n.a.	*	*	n.a.

A DSP_NoC error event (combination of several local to the interconnect events) is exported outside the DSP C66x CorePac in the subsystem, and can be enabled to trigger the ERRINT_IRQ aggregated interrupt output. See also corresponding "noc_errint_level" event in the [Table 5-5](#).

NOTE: The DSP_NoC event is NOT exported outside DSP subsystem. However it is merged (OR-ed) along with other error event sources within the DSP subsystem to produce a single ERRINT_IRQ interrupt exported outside the DSP subsystem.

For more details on ERRINT_IRQ generation and associated event registers at DSP_SYSTEM level, refer to the [Section 5.3.4.2.2](#).

5.3.8.1 DSP Public Firewall Settings

The DSP1 L2 Interconnect (DSP1_NoC) implements two firewalls – dsp firewall0 (DSP_FW0) is used to protect DSP_MMU0's configuration space (which includes the TLB) and dsp firewall1 is used to protect DSP_MMU1's configuration space (which includes the TLB). Access permission is based on the privilege level, domain, ConnID, and access types of a request.

The default value of 0xFFFF_FFFF in the MRM region 0 permission registers:

- [L3_DSPSS_INIT_OCP_MMU0_CTRL_TARG_OCP_FW_503000_MRM_PERMISSION_REGION_LO_W_0](#)
- [L3_DSPSS_INIT_OCP_MMU0_CTRL_TARG_OCP_FW_503000_MRM_PERMISSION_REGION_HIG_H_0](#)
- [L3_DSPSS_INIT_OCP_MMU1_CTRL_TARG_OCP_FW_504000_MRM_PERMISSION_REGION_LO_W_0](#)
- [L3_DSPSS_INIT_OCP_MMU1_CTRL_TARG_OCP_FW_504000_MRM_PERMISSION_REGION_HIG_H_0](#)

permits any requestor to access the DSP_MMU0 and DSP_MMU1 configuration space.

For more information on the access region definitions, public privilege access, public user access and initiator permission settings, which are identical between DSP_NoC firewalls and L3_MAIN interconnect firewalls, refer to the [Section 14.2.3.7.3, L3_MAIN Firewall Functionality](#), in the, [Section 14.2, L3_MAIN Interconnect](#).

There are also several other DSP_NoC registers - [L3_DSPSS_INIT_OCP_MMU0_CTRL_TARG_OCP_FW_503000_LOGICAL_ADDR_ERRLOG_0](#), [L3_DSPSS_INIT_OCP_MMU0_CTRL_TARG_OCP_FW_503000_REGUPDATE_CONTROL](#) used for error handling, firewall reset and other purposes. These are functionally identical with the corresponding L3_MAIN interconnect registers, described in the [Section 14.2.3.8, L3_MAIN Interconnect Error Handling](#), in the [Section 14.2, L3_MAIN Interconnect](#).

The various firewall access control registers are part of the C66x CPU local accessible - DSP_FW_L2_NOC_CFG address space, and L3_MAIN initiators accessible DSP1_FW_L2_NOC_CFG configuration space. The corresponding MMU0 and MMU1 configuration space firewall registers (DSP_FW0 starting at offset **0x0000_0000** , and DSP_FW1 starting at offset **0x0000_1000**) are summarized and described in the [Section 5.4.4](#).

5.3.8.2 DSP NoC Flag Mux and Error Log Registers

The DSP_NoC registers (starting at offset \geq 0x0000_4000) are used for error logging and flag muxing purposes. The status information stored in there can be used for example to resolve issues related to DSP_NoC access conflicts, for debug purposes, and so forth.

For more information, refer to the [Section 14.2.3.5, Flag Muxing](#), in the [Section 14.2, L3_MAIN Interconnect](#).

5.3.8.3 DSP NoC Arbitration

A pressure based arbitration is implemented for the DSP_NoC interconnect.

A DSP_NoC local MFlag mechanism is used but it is SW controlled in the DSP_SYSTEM configuration space.

This is done via the register [DSP_SYS_BUS_CONFIG](#) bitfields:

- TC0_L2PRES - for DSP_EDMA_TC0 pressure control
- TC1_L2PRES - for DSP_EDMA_TC1 pressure control
- CFG_L2PRES - for the DSP C66x CorePac 32-bit CFG pressure control
- SDMA_L2PRES - for pressure control of the DSP system and L3_MAIN accesses targeting the DSP C66x CorePac SDMA slave port

The pressure for each port is signaled on a MFlag[1:0] bus and conveys a value of 0 (lowest), 1 (medium), or 3 (highest). A value of 0x2 is reserved/undefined.

NOTE: The default pressure level for all ports is 0x0 and is recommended for most systems. This results in round-robin arbitration across active requests.

5.3.9 DSP Boot Configuration

DSP1 subsystem boot vector input which defines the 22-bit DSP1 Boot Address is mapped to the device core control module register CTRL_CORE_CONTROL_DSP1_RST_VECT[21:0] DSP1_RST_VECT bitfield. In general, the device MPU (Cortex-A15) host loads code to a given address location in the device system memory, sets the DSP1_RST_VECT bitfield to the address value, and then release the DSP1 from reset. At that point, the DSP1 will begin fetching code from that location.

NOTE: If the values of the control core module CTRL_CORE_CONTROL_DSP1_RST_VECT[21:0] register change, the values will be taken into account by DSP upon the next reset.

NOTE: Upon device boot time (a power-on reset applied), the device "sysboot15" input latched in the Control Module bootstrap register defines the value of DSP functional clock divider (2 or 3). For more details, refer to the [Section 5.3.3.1](#)

5.3.10 DSP Internal and External Memory Views

5.3.10.1 C66x CPU View of the Address Space

The **C66x CPU View** represents the view from the DSP, which result from program fetches, or load / store instructions. Accesses to DSP memories (L1P, L1D, L2) and to DSP Internal configuration space (DSP_ICFG) are intercepted within the DSP C66x CorePac (whether using local or global addresses).

The DSP C66x CorePac CFG (C66x CPU 32-bit master port) interface is strictly for non-cacheable loads and stores, and is intended to be used for I/O space or memory mapped registers (MMR) space. DSP C66x CorePac CFG accesses are routed / arbitrated by the DSP_NoC L2 interconnect. DSP C66x CorePac CFG accesses are mapped between 0x01C0_0000 and 0x0FFF_FFFF.

NOTE: The DSP C66x CorePac CFG initiator interface is strictly for non-cacheable loads and stores within MMR and I/O spaces.

DSP configuration accesses to **external to DSP subsystem** peripherals can be issued on either the DSP subsystem CFG Master port which is mapped to the device L3_MAIN or DSP 32-bit CFG "system" interface is connected to the chip level L3_MAIN interconnect and used to access L3_MAIN addresses that are mapped between 0x01C0_0000 and 0x0FFF_FFFF.

DSP accesses (to non-DSP memories like SDRAM on L3_MAIN) for addresses above 0x1000_0000 are handled via the DSP (XMC) MDMA 128-bit master interface and are routed to the DSP subsystem MDMA Initiator port either through DSP_MMU0 or bypassing MMU.

NOTE: In some cases, L3_MAIN peripherals may be mapped to both the MDMA bus and the CFG bus. In that case, there may be a latency advantage of using the CFG address for those peripherals

Table 5-8 shows the DSP C66x CPU memory view of the various DSP C66x CorePac internal and external resources.

Table 5-8. C66x CPU View Map

C66x CPU View (DSP C66x CorePac Internal only, MDMA or CFG init ports) ⁽¹⁾		Size	DSP Memory Region	Function
Start Address	End Address			
0x0080_0000	0x0084_7FFF	288 KiB	DSP_L2	DSP L2 SRAM (local)
0x00E0_0000	0x00E0_7FFF	32 KiB	DSP_L1P	DSP L1P SRAM (local)
0x00F0_0000	0x00F0_7FFF	32KiB	DSP_L1D	DSP L1D SRAM (local)
0x0180_0000	0x01BF_FFFF	4096 KiB	DSP_ICFG	DSP Internal CFG ⁽²⁾
0x01D0_0000	0x01D0_0FFF	4 KiB	DSP_SYSTEM	DSP_SYSTEM Memory Mapped Registers block
0x01D0_1000	0x01D0_1FFF	4 KiB	DSP_MMU0CFG	DSP MMU0 configuration / registers
0x01D0_2000	0x01D0_2FFF	4 KiB	DSP_MMU1CFG	DSP MMU1 configuration / registers
0x01D0_5000	0x01D0_5FFF	4 KiB	DSP_EDMA_TC0	DSP_EDMA Transfer Controller 0
0x01D0_6000	0x01D0_6FFF	4 KiB	DSP_EDMA_TC1	DSP_EDMA Transfer Controller 1
0x01D0_7000	0x01D0_7FFF	4 KiB	DSP_NoC	DSP L2 interconnect registers
0x01D1_0000	0x01D1_7FFF	32 KiB	DSP_EDMA_CC	DSP_EDMA Channel Controller
0x0330_0000	0x033F_FFFF	1 MiB	EDMA_TPCC	DSP configuration traffic to the EDMA_TPCC (mapped on MDMA)
0x0340_0000	0x034F_FFFF	1 MiB	EDMA_TC0	DSP configuration traffic to the EDMA_TC0 (mapped on MDMA)
0x0350_0000	0x035F_FFFF	1 MiB	EDMA_TC1	DSP configuration traffic to the EDMA_TC1 (mapped on MDMA)
0x0800_0000	0x0800_FFFF	64 KiB	DSP_XMC_CTRL MMRs	DSP internal MMRs for XMC controller (non-cache)
0x0802_0000	0x080F_FFFF	896 KiB	MDMA non-cache	MDMA initiator (non-cache) to L3_MAIN (DSP_MMU0)
0x0810_0000	0x0BBF_FFFF	59 MiB		
0x1000_0000	0x10FF_FFFF	16 MiB	DSP1 L1P, L1D and L2 memories	An image of DSP1 C66x CorePac internal space - only L1P, L1D and L2 memories (global) ⁽³⁾
0x1200_0000	0x1FFF_FFFF	224 MiB	MDMA (cached)	DSP1 MDMA initiator (cached) to L3_MAIN (through DSP1_MMU0)
0x2000_0000	0xFFFF_FFFF	3584 MiB	MDMA (cached)	DSP1 MDMA initiator (cached) to L3_MAIN (through DSP1_MMU0)

⁽¹⁾ Only the C66x CPU view of device implemented functional memory regions are shown. The remaining regions are reserved.

⁽²⁾ The internal configuration space registers are visible ONLY to the C66x CPU (DSP_C0) within the DSP C66x CorePac, i.e. they are NOT visible to initiators outside the DSP C66x CorePac.

⁽³⁾ The DSP1 CPU sees an image of its own memories in the 0x1000_0000 - 0x10FF_FFFF address range (the same mapped also at lower addresses 0x0080_0000 - 0x00F0_7FFF).

Refer to the [Section 2.2, L3_MAIN Memory Space Mapping](#), in the chapter, *Memory Mapping*, for the addresses of the L3_MAIN space memory-mapped registers. Refer to the [Section 2.6, DSP Subsystem Memory Space Mapping](#) in the same chapter for a description of the DSP1 internal memory, additional memory, and peripherals that the DSP1 have access to.

5.3.10.2 DSP_EDMA View of the Address Space

EDMA is able to initiate internal accesses directly to the DSP memories via the DSP C66x CorePac SDMA bus. The access is conducted to the DSP C66x CorePac internal memories over the L2 DSP_NoC interconnect.

[Table 5-9](#) shows the DSP integrated EDMA controller memory view of the various DSP C66x CorePac internal and external resources.

Table 5-9. DSP EDMA Controller View Map

DSP_EDMA Controller View (EDMA master internal / external port)		Size	DSP Memory Region	Function
Start Address	End Address			
0x0080_0000	0x0084_7FFF	288 KiB	DSP_L2	DSP L2 SRAM (local)
0x00E0_0000	0x00E0_7FFF	32 KiB	DSP_L1P	DSP L1P SRAM (local)
0x00F0_0000	0x00F0_7FFF	32KiB	DSP_L1D	DSP L1D SRAM (local)
0x0802_0000	0x0BBF_FFFF	59 MiB	EDMA to L3_MAIN	EDMA initiator (DSP_MMU1)
0x1000_0000	0x10FF_FFFF	16 MiB	DSP L1/L2	An image of DSP C66x CorePac internal space - only L1P, L1D and L2 memories (global) ⁽¹⁾
0x2000_0000	0xFFFF_FFFF	3584 MiB	DMA OCP	L3_MAIN interconnect memory via MMU1 / DMA OCP Initiator

⁽¹⁾ The internal configuration space registers DSP_ICFG are visible ONLY to the C66x CPU (DSP_C0) within the DSP C66x CorePac , i.e. they are NOT visible to the DSP_EDMA.

Access from EDMA to external resources on L3_MAIN are routed via DSP subsystem **EDMA initiator port**. **Note that these accesses are transferred through the DSP_MMU1 memory management unit.**

NOTE: The DSP_EDMA can NOT access the DSP_ICFG (DSP C66x CorePac internal) addresses.

With the DSP_MMU1 disabled, the subset of the memory map used for DSP_EDMA internal accesses will NOT be visible. Thus only addresse which equal 0x2000_0000 and above will be considered as valid 32-bit addresses (i.e. L3_MAIN space accesses only).

Refer to the [Section 2.2, L3_MAIN Memory Space Mapping](#), in the chapter, *Memory Mapping*, for the addresses of the L3_MAIN space memory-mapped registers. Refer to the [Section 2.6, DSP Subsystem Memory Space Mapping](#) in the same chapter for a description of the DSP1 internal memory, additional memory, and peripherals that the DSP1 have access to.

5.3.10.3 L3_MAIN View of the DSP Address Space

System initiated accesses (i.e. external-to-DSP accesses over device L3_MAIN) to DSP are issued over the DSP SDMA target port.

NOTE: The MSB-bits of the address are truncated to only provide an 8 MiB view of the memory map within the DSP subsystem. Notice that the relative offsets of the DSP CFG space is different for the OCP SDMA target port relative to the DSP internal initiators.

The SDMA target bus is able to access internal subsystem address space (such as DSP_EDMA, DSP_MMU0, DSP_MMU1, and so forth), or the DSP local memory address space. The SDMA target bus **is NOT able to access the DSP ICFG space (such as DSP_INTC, DSP_BWM, and so forth)** or the other initiator ports on the DSP subsystem boundary (i.e., accesses cannot go through DSPSS to get to the DSP_EDMA initiator port, L3_MAIN CFG initiator port).

The DSP slave DMA port memory map - [Table 5-10](#) shows an 8 MiB window (23-bit address) both from the SDMA Target bus (0x0000_0000 through 0x007F_FFFF), as well as the EDMA (0x0080_0000 through 0x00FF_FFFF). The DSP C66x CorePac internally views itself as a 16 MiB window where 0x0000_0000 through 0x007F_FFFF is reserved, L2 SRAM starts at 0x0080_0000, L1P SRAM starts at 0x00E0_0000, and L1D SRAM starts at 0x00F0_0000).

Table 5-10. SDMA Target Port Memory Map

System L3_MAIN View ⁽¹⁾		Size	DSP Memory Region	Function
Start Address	End Address			
0x0000_0000	0x0004_7FFF	288 KiB	DSP_L2	DSP L2 SRAM (local)
0x0050_0000	0x0050_0FFF	4 KiB	DSP_SYSTEM	DSP SYSTEM MMR Block
0x0050_1000	0x0050_1FFF	4 KiB	DSP_MMU0CFG	DSP MMU0 configuration / regs
0x0050_2000	0x0050_2FFF	4 KiB	DSP_MMU1CFG	DSP MMU1 configuration / regs
0x0050_5000	0x0050_5FFF	4 KiB	DSP_EDMA_TC0	DSP EDMA Transfer Controller 0
0x0050_6000	0x0050_6FFF	4 KiB	DSP_EDMA_TC1	DSP EDMA Transfer Controller 1
0x0050_7000	0x0050_7FFF	4 KiB	DSP_NoC	DSP L2 Interconnect registers
0x0051_0000	0x0051_7FFF	32 KiB	DSP_EDMA_CC	DSP EDMA Channel Controller
0x0060_0000	0x0060_7FFF	32 KiB	DSP_L1P	DSP L1P SRAM (local)
0x0070_0000	0x0070_7FFF	32 KiB	DSP_L1D	DSP L1D SRAM (local)

⁽¹⁾ Only system (L3_MAIN) view over functionally used regions are shown. The remaining regions are reserved.

Refer to the [Section 2.2, L3_MAIN Memory Space Mapping](#), in the chapter, *Memory Mapping*, for the addresses of the L3_MAIN space memory-mapped registers. Refer to the [Section 2.6, DSP Subsystem Memory Space Mapping](#) in the same chapter for a description of the DSP1 internal memory, additional memory, and peripherals that the DSP1 have access to.

5.4 DSP Subsystem Register Manual

This section describes the DSP Subsystem instances registers.

5.4.1 DSP Subsystem Instance Summary

Table 5-11. DSP Subsystem Instance Summary

Module Name	Module Base Address	Size
DSP_ICFG	0x0180 0000 ⁽¹⁾	4 KiB
DSP_SYSTEM	0x01D0 0000 ⁽¹⁾	256 Bytes
DSP_FW_L2_NOC_CFG	0x01D0 3000 ⁽¹⁾	8576 Bytes
DSP1_SYSTEM	0x40D0 0000	256 Bytes
DSP1_FW_L2_NOC_CFG	0x40D0 3000	8576 Bytes

⁽¹⁾ The registers of DSP subsystem instances prefixed only with DSP in the name, and NOT DSP1, are NOT visible on the device L3_MAIN. They are visible only within the DSP_ICFG internal configuration space hence accessible only by the DSP C66x CPU.

NOTE: For more details on the DSP_MMU0 and DSP_MMU1 registers, as well as their:

- DSP_MMU0CFG and DSP_MMU1CFG physical addresses accessible only by DSP_C0 CPU core in the DSP subsystem
- DSP1_MMU0CFG and DSP1_MMU1CFG physical addresses visible on L3_MAIN

refer to the [Section 20.5](#), *MMU Register Manual*, in the [Chapter 20](#), *Memory Management Units*.

NOTE: For more details on the DSP_EDMA_CC, DSP_EDMA_TC0 and DSP_EDMA_TC1 registers, as well as their:

- DSP1_EDMA_CC, DSP1_EDMA_TC0 and DSP1_EDMA_TC1 physical addresses visible on L3_MAIN

refer to the [Section 16.2.7](#), *EDMA Register Manual*, in the chapter, [Section 16.2](#), *Enhanced DMA*.

CAUTION

The L1P, L1D and L2 memory controller registers mapped in the L3_MAIN are limited to 32-bit data access; 16- and 8-bit access are not allowed and can corrupt register content.

5.4.2 DSP_ICFG Registers

5.4.2.1 DSP_ICFG Register Summary

NOTE: The DSP_ICFG addresses are visible only within the DSP core internal configuration space.

Table 5-12. DSP_ICFG Registers Mapping Summary

Register Name	Type	Register Width (Bits)	Address Offset	DSP_ICFG Physical Address	Register Reset Value ⁽¹⁾
EVTFLAG0	R	32	0x0000 0000	0x0180 0000	0x0000 0000
EVTFLAG1	R	32	0x0000 0004	0x0180 0004	0x0000 0000
EVTFLAG2	R	32	0x0000 0008	0x0180 0008	0x0000 0000
EVTFLAG3	R	32	0x0000 000C	0x0180 000C	0x0000 0000
EVTSET0	W	32	0x0000 0020	0x0180 0020	0x0000 0000
EVTSET1	W	32	0x0000 0024	0x0180 0024	0x0000 0000
EVTSET2	W	32	0x0000 0028	0x0180 0028	0x0000 0000
EVTSET3	W	32	0x0000 002C	0x0180 002C	0x0000 0000
EVTCLR0	W	32	0x0000 0040	0x0180 0040	0x0000 0000
EVTCLR1	W	32	0x0000 0044	0x0180 0044	0x0000 0000
EVTCLR2	W	32	0x0000 0048	0x0180 0048	0x0000 0000
EVTCLR3	W	32	0x0000 004C	0x0180 004C	0x0000 0000
EVTMASK0	RW	32	0x0000 0080	0x0180 0080	0x0000 0000
EVTMASK1	RW	32	0x0000 0084	0x0180 0084	0x0000 0000
EVTMASK2	RW	32	0x0000 0088	0x0180 0088	0x0000 0000
EVTMASK3	RW	32	0x0000 008C	0x0180 008C	0x0000 0000

⁽¹⁾ This column considers not ONLY the DSP C66x CorePac specific reset values, but also the device level specific reset values.

Table 5-12. DSP_ICFG Registers Mapping Summary (continued)

Register Name	Type	Register Width (Bits)	Address Offset	DSP_ICFG Physical Address	Register Reset Value ⁽¹⁾
MEVTFLAG0	R	32	0x0000 00A0	0x0180 00A0	0x0000 0000
MEVTFLAG1	R	32	0x0000 00A4	0x0180 00A4	0x0000 0000
MEVTFLAG2	R	32	0x0000 00A8	0x0180 00A8	0x0000 0000
MEVTFLAG3	R	32	0x0000 00AC	0x0180 00AC	0x0000 0000
EXPMASK0	RW	32	0x0000 00C0	0x0180 00C0	0xFFFF FFFF
EXPMASK1	RW	32	0x0000 00C4	0x0180 00C4	0xFFFF FFFF
EXPMASK2	RW	32	0x0000 00C8	0x0180 00C8	0xFFFF FFFF
EXPMASK3	RW	32	0x0000 00CC	0x0180 00CC	0xFFFF FFFF
MEXPFLAG0	R	32	0x0000 00E0	0x0180 00E0	0x0000 0000
MEXPFLAG1	R	32	0x0000 00E4	0x0180 00E4	0x0000 0000
MEXPFLAG2	R	32	0x0000 00E8	0x0180 00E8	0x0000 0000
MEXPFLAG3	R	32	0x0000 00EC	0x0180 00EC	0x0000 0000
INTMUX1	RW	32	0x0000 0104	0x0180 0104	0x0706 0504
INTMUX2	RW	32	0x0000 0108	0x0180 0108	0x0B0A 0908
INTMUX3	RW	32	0x0000 010C	0x0180 010C	0x0F0E 0D0C
AEGMUX0	RW	32	0x0000 0140	0x0180 0140	0x0302 0100
AEGMUX1	RW	32	0x0000 0144	0x0180 0144	0x0706 0504
INTXSTAT	RW	32	0x0000 0180	0x0180 0180	0x0000 0000
INTXCLR	RW	32	0x0000 0184	0x0180 0184	0x0000 0000
INTDMASK	RW	32	0x0000 0188	0x0180 0188	0x0000 0000
EVTASRT	RW	32	0x0000 01C0	0x0180 01C0	0x0302 0100
PDCCMD	RW	32	0x0001 0000	0x0181 0000	0x0000 0000
MM_REVID	RW	32	0x0001 2000	0x0181 2000	0x0000 0000
IDMA0_STAT	RW	32	0x0002 0000	0x0182 0000	0x0000 0000
IDMA0_MASK	RW	32	0x0002 0004	0x0182 0004	0x0000 0000
IDMA0_SOURCE	RW	32	0x0002 0008	0x0182 0008	0x0000 0000
IDMA0_DEST	RW	32	0x0002 000C	0x0182 000C	0x0000 0000
IDMA0_COUNT	RW	32	0x0002 0010	0x0182 0010	0x0000 0000
IDMA1_STAT	RW	32	0x0002 0100	0x0182 0100	0x0000 0000
IDMA1_SOURCE	RW	32	0x0002 0108	0x0182 0108	0x0000 0000
IDMA1_DEST	RW	32	0x0002 010C	0x0182 010C	0x0000 0000
IDMA1_COUNT	RW	32	0x0002 0110	0x0182 0110	0x0000 0000
CPUARBE	RW	32	0x0002 0200	0x0182 0200	0x0001 0010
IDMAARBE	RW	32	0x0002 0204	0x0182 0204	0x0000 0010
SDMAARBE	RW	32	0x0002 0208	0x0182 0208	0x0000 0001
ECFGARBE	RW	32	0x0002 0210	0x0182 0210	0x0007 0000
ICFGMPFAR	R	32	0x0002 0300	0x0182 0300	0x0000 0000
ICFGMPFSR	RW	32	0x0002 0304	0x0182 0304	0x0000 0000
ICFGMPFCR	RW	32	0x0002 0308	0x0182 0308	0x0000 0000
ECFGERR	RW	32	0x0002 0408	0x0182 0408	0x0000 0000
ECFGERRCLR	RW	32	0x0002 040C	0x0182 040C	0x0000 0000
PAMAP0	RW	32	0x0002 0500	0x0182 0500	0x0000 0000
PAMAP1	RW	32	0x0002 0504	0x0182 0504	0x0000 0001
PAMAP2	RW	32	0x0002 0508	0x0182 0508	0x0000 0002
PAMAP3	RW	32	0x0002 050C	0x0182 050C	0x0000 0003
PAMAP4	RW	32	0x0002 0510	0x0182 0510	0x0000 0004
PAMAP5	RW	32	0x0002 0514	0x0182 0514	0x0000 0005

Table 5-12. DSP_ICFG Registers Mapping Summary (continued)

Register Name	Type	Register Width (Bits)	Address Offset	DSP_ICFG Physical Address	Register Reset Value ⁽¹⁾
PAMAP6	RW	32	0x0002 0518	0x0182 0518	0x0000 0006
PAMAP7	RW	32	0x0002 051C	0x0182 051C	0x0000 0007
PAMAP8	RW	32	0x0002 0520	0x0182 0520	0x0000 0007
PAMAP9	RW	32	0x0002 0524	0x0182 0524	0x0000 0007
PAMAP10	RW	32	0x0002 0528	0x0182 0528	0x0000 0007
PAMAP11	RW	32	0x0002 052C	0x0182 052C	0x0000 0007
PAMAP12	RW	32	0x0002 0530	0x0182 0530	0x0000 0007
PAMAP13	RW	32	0x0002 0534	0x0182 0534	0x0000 0007
PAMAP14	RW	32	0x0002 0538	0x0182 0538	0x0000 0007
PAMAP15	RW	32	0x0002 053C	0x0182 053C	0x0000 0007
L2CFG	RW	32	0x0004 0000	0x0184 0000	0x0100 0000
L1PCFG	RW	32	0x0004 0020	0x0184 0020	0x0000 0007
L1PCC	RW	32	0x0004 0024	0x0184 0024	0x0000 0000
L1DCFG	RW	32	0x0004 0040	0x0184 0040	0x0000 0007
L1DCC	RW	32	0x0004 0044	0x0184 0044	0x0000 0000
CPUARBU	RW	32	0x0004 1000	0x0184 1000	0x0001 0010
IDMAARBU	RW	32	0x0004 1004	0x0184 1004	0x0000 0010
SDMAARBU	RW	32	0x0004 1008	0x0184 1008	0x0000 0001
UCARBU	RW	32	0x0004 100C	0x0184 100C	0x0000 0020
MDMAARBU	RW	32	0x0004 1010	0x0184 1010	0x0607 0000
CPUARBD	RW	32	0x0004 1040	0x0184 1040	0x0001 0010
IDMAARBD	RW	32	0x0004 1044	0x0184 1044	0x0000 0010
SDMAARBD	RW	32	0x0004 1048	0x0184 1048	0x0000 0001
UCARBD	RW	32	0x0004 104C	0x0184 104C	0x0000 0020
L2WBAR	W	32	0x0004 4000	0x0184 4000	0x0000 0000
L2WWC	RW	32	0x0004 4004	0x0184 4004	0x0000 0000
L2WIBAR	W	32	0x0004 4010	0x0184 4010	0x0000 0000
L2WIWC	RW	32	0x0004 4014	0x0184 4014	0x0000 0000
L2IBAR	W	32	0x0004 4018	0x0184 4018	0x0000 0000
L2IWC	RW	32	0x0004 401C	0x0184 401C	0x0000 0000
L1PIBAR	W	32	0x0004 4020	0x0184 4020	0x0000 0000
L1PIWC	RW	32	0x0004 4024	0x0184 4024	0x0000 0000
L1DWIBAR	W	32	0x0004 4030	0x0184 4030	0x0000 0000
L1DWIWC	RW	32	0x0004 4034	0x0184 4034	0x0000 0000
L1DWBAR	W	32	0x0004 4040	0x0184 4040	0x0000 0000
L1DWWC	RW	32	0x0004 4044	0x0184 4044	0x0000 0000
L1DIBAR	W	32	0x0004 4048	0x0184 4048	0x0000 0000
L1DIWC	RW	32	0x0004 404C	0x0184 404C	0x0000 0000
L2WB	RW	32	0x0004 5000	0x0184 5000	0x0000 0000
L2WBINV	RW	32	0x0004 5004	0x0184 5004	0x0000 0000
L2INV	RW	32	0x0004 5008	0x0184 5008	0x0000 0000
L1PINV	RW	32	0x0004 5028	0x0184 5028	0x0000 0000
L1DWB	RW	32	0x0004 5040	0x0184 5040	0x0000 0000
L1DWBINV	RW	32	0x0004 5044	0x0184 5044	0x0000 0000
L1DINV	RW	32	0x0004 5048	0x0184 5048	0x0000 0000
L2EDSTAT	RW	32	0x0004 6004	0x0184 6004	0x0000 0001
L2EDCMD	RW	32	0x0004 6008	0x0184 6008	0x0000 0001

Table 5-12. DSP_ICFG Registers Mapping Summary (continued)

Register Name	Type	Register Width (Bits)	Address Offset	DSP_ICFG Physical Address	Register Reset Value ⁽¹⁾
L2EDADDR	RW	32	0x0004 600C	0x0184 600C	0x0000 0000
L2EDCPEC	RW	32	0x0004 6018	0x0184 6018	0x0000 0000
L2EDCNEC	RW	32	0x0004 601C	0x0184 601C	0x0000 0000
MDMAERR	RW	32	0x0004 6020	0x0184 6020	0x0000 0000
MDMAERRCLR	RW	32	0x0004 6024	0x0184 6024	0x0000 0000
L2EDCEN	RW	32	0x0004 6030	0x0184 6030	0x0000 001F
L1PEDSTAT	RW	32	0x0004 6404	0x0184 6404	0x0000 0000
L1PEDCMD	RW	32	0x0004 6408	0x0184 6408	0x0000 0000
L1PEDADDR	RW	32	0x0004 640C	0x0184 640C	0x0000 0000
MARK ⁽²⁾	RW	32	0x0004 8000 + (0x4*k)	0x0184 8000 + (0x4*k)	See ⁽³⁾
L2MPFAR	R	32	0x0004 A000	0x0184 A000	0x0000 0000
L2MPFSR	RW	32	0x0004 A004	0x0184 A004	0x0000 0000
L2MPFCR	RW	32	0x0004 A008	0x0184 A008	0x0000 0000
L2MPPAm ⁽⁴⁾	RW	32	0x0004 A200 + (0x4*m)	0x0184 A200 + (0x4*m)	0x0000 FFFF
L1PMPFAR	R	32	0x0004 A400	0x0184 A400	0x0000 0000
L1PMPFSR	RW	32	0x0004 A404	0x0184 A404	0x0000 0000
L1PMPFCR	RW	32	0x0004 A408	0x0184 A408	0x0000 0000
L1PMPPA16	RW	32	0x0004 A640	0x0184 A640	0x0000 FFFF
L1PMPPA17	RW	32	0x0004 A644	0x0184 A644	0x0000 FFFF
L1PMPPA18	RW	32	0x0004 A648	0x0184 A648	0x0000 FFFF
L1PMPPA19	RW	32	0x0004 A64C	0x0184 A64C	0x0000 FFFF
L1PMPPA20	RW	32	0x0004 A650	0x0184 A650	0x0000 FFFF
L1PMPPA21	RW	32	0x0004 A654	0x0184 A654	0x0000 FFFF
L1PMPPA22	RW	32	0x0004 A658	0x0184 A658	0x0000 FFFF
L1PMPPA23	RW	32	0x0004 A65C	0x0184 A65C	0x0000 FFFF
L1PMPPA24	RW	32	0x0004 A660	0x0184 A660	0x0000 FFFF
L1PMPPA25	RW	32	0x0004 A664	0x0184 A664	0x0000 FFFF
L1PMPPA26	RW	32	0x0004 A668	0x0184 A668	0x0000 FFFF
L1PMPPA27	RW	32	0x0004 A66C	0x0184 A66C	0x0000 FFFF
L1PMPPA28	RW	32	0x0004 A670	0x0184 A670	0x0000 FFFF
L1PMPPA29	RW	32	0x0004 A674	0x0184 A674	0x0000 FFFF
L1PMPPA30	RW	32	0x0004 A678	0x0184 A678	0x0000 FFFF
L1PMPPA31	RW	32	0x0004 A67C	0x0184 A67C	0x0000 FFFF
L1DMPFAR	R	32	0x0004 AC00	0x0184 AC00	0x0000 0000
L1DMPFSR	RW	32	0x0004 AC04	0x0184 AC04	0x0000 0000
L1DMPFCR	RW	32	0x0004 AC08	0x0184 AC08	0x0000 0000
MPLK0	W	32	0x0004 AD00	0x0184 AD00	0x0000 0000
MPLK1	W	32	0x0004 AD04	0x0184 AD04	0x0000 0000
MPLK2	W	32	0x0004 AD08	0x0184 AD08	0x0000 0000
MPLK3	W	32	0x0004 AD0C	0x0184 AD0C	0x0000 0000
MPLKCMD	RW	32	0x0004 AD10	0x0184 AD10	0x0000 0000

⁽²⁾ k = 0 to 255⁽³⁾ MAR0 = 0x0000 0001;
MAR1...MAR11 = 0x0000 0000;
MAR12...MAR15 = 0x0000 000D;
MAR16...MAR255 = 0x0000 000C.⁽⁴⁾ m = 0 to 31

Table 5-12. DSP_ICFG Registers Mapping Summary (continued)

Register Name	Type	Register Width (Bits)	Address Offset	DSP_ICFG Physical Address	Register Reset Value ⁽¹⁾
MPLKSTAT	RW	32	0x0004 AD14	0x0184 AD14	0x0000 0002
L1DMPPA16	RW	32	0x0004 AE40	0x0184 AE40	0x0000 FFF6
L1DMPPA17	RW	32	0x0004 AE44	0x0184 AE44	0x0000 FFF6
L1DMPPA18	RW	32	0x0004 AE48	0x0184 AE48	0x0000 FFF6
L1DMPPA19	RW	32	0x0004 AE4C	0x0184 AE4C	0x0000 FFF6
L1DMPPA20	RW	32	0x0004 AE50	0x0184 AE50	0x0000 FFF6
L1DMPPA21	RW	32	0x0004 AE54	0x0184 AE54	0x0000 FFF6
L1DMPPA22	RW	32	0x0004 AE58	0x0184 AE58	0x0000 FFF6
L1DMPPA23	RW	32	0x0004 AE5C	0x0184 AE5C	0x0000 FFF6
L1DMPPA24	RW	32	0x0004 AE60	0x0184 AE60	0x0000 FFF6
L1DMPPA25	RW	32	0x0004 AE64	0x0184 AE64	0x0000 FFF6
L1DMPPA26	RW	32	0x0004 AE68	0x0184 AE68	0x0000 FFF6
L1DMPPA27	RW	32	0x0004 AE6C	0x0184 AE6C	0x0000 FFF6
L1DMPPA28	RW	32	0x0004 AE70	0x0184 AE70	0x0000 FFF6
L1DMPPA29	RW	32	0x0004 AE74	0x0184 AE74	0x0000 FFF6
L1DMPPA30	RW	32	0x0004 AE78	0x0184 AE78	0x0000 FFF6
L1DMPPA31	RW	32	0x0004 AE7C	0x0184 AE7C	0x0000 FFF6

5.4.2.2 DSP_ICFG Register Description

For bitfield descriptions of all registers which reside within the DSP_ICFG configuration address space, refer to the *TMS320C66x DSP CorePac User Guide*, ([SPRUGW0C](#)).

5.4.3 DSP_SYSTEM Registers

5.4.3.1 DSP_SYSTEM Register Summary

NOTE: While the DSP1_SYSTEM is a part of the device L3_MAIN memory space, the **DSP_SYSTEM addresses are visible only within the DSP_ICFG internal configuration space (visible only to C66x CPU and debug logic).**

Table 5-13. DSP_SYSTEM and DSP1_SYSTEM Registers Mapping Summary

Register Name	Type	Register Width (Bits)	Address Offset	DSP_SYSTEM Physical Address L3_MAIN Interconnect	DSP1_SYSTEM Physical Address L3_MAIN Interconnect
DSP_SYS_REVISION	R	32	0x0000 0000	0x01D0 0000	0x40D0 0000
DSP_SYS_HWINFO	R	32	0x0000 0004	0x01D0 0004	0x40D0 0004
DSP_SYS_SYSCONFIG	RW	32	0x0000 0008	0x01D0 0008	0x40D0 0008
DSP_SYS_STAT	R	32	0x0000 000C	0x01D0 000C	0x40D0 000C
DSP_SYS_DISC_CONFIG	RW	32	0x0000 0010	0x01D0 0010	0x40D0 0010
DSP_SYS_BUS_CONFIG	RW	32	0x0000 0014	0x01D0 0014	0x40D0 0014
DSP_SYS_MMU_CONFIG	RW	32	0x0000 0018	0x01D0 0018	0x40D0 0018
DSP_SYS_IRQWAKEEN0	RW	32	0x0000 0020	0x01D0 0020	0x40D0 0020
DSP_SYS_IRQWAKEEN1	RW	32	0x0000 0024	0x01D0 0024	0x40D0 0024
DSP_SYS_DMAWAKEEN0	RW	32	0x0000 0030	0x01D0 0030	0x40D0 0030
DSP_SYS_DMAWAKEEN1	RW	32	0x0000 0034	0x01D0 0034	0x40D0 0034

Table 5-13. DSP_SYSTEM and DSP1_SYSTEM Registers Mapping Summary (continued)

Register Name	Type	Register Width (Bits)	Address Offset	DSP_SYSTEM Physical Address L3_MAIN Interconnect	DSP1_SYSTEM Physical Address L3_MAIN Interconnect
DSP_SYS_EVTOUT_SET	RW	32	0x0000 0040	0x01D0 0040	0x40D0 0040
DSP_SYS_EVTOUT_CLR	RW	32	0x0000 0044	0x01D0 0044	0x40D0 0044
RESERVED	R	32	0x0000 0048	0x01D0 0048	0x40D0 0048
DSP_SYS_ERRINT_IRQSTATUS_RAW	RW	32	0x0000 0050	0x01D0 0050	0x40D0 0050
DSP_SYS_ERRINT_IRQSTATUS	RW	32	0x0000 0054	0x01D0 0054	0x40D0 0054
DSP_SYS_ERRINT_IRQENABLE_SET	RW	32	0x0000 0058	0x01D0 0058	0x40D0 0058
DSP_SYS_ERRINT_IRQENABLE_CLR	RW	32	0x0000 005C	0x01D0 005C	0x40D0 005C
DSP_SYS_EDMAWAKE0_IRQSTATUS_RAW	RW	32	0x0000 0060	0x01D0 0060	0x40D0 0060
DSP_SYS_EDMAWAKE0_IRQSTATUS	RW	32	0x0000 0064	0x01D0 0064	0x40D0 0064
DSP_SYS_EDMAWAKE0_IRQENABLE_SET	RW	32	0x0000 0068	0x01D0 0068	0x40D0 0068
DSP_SYS_EDMAWAKE0_IRQENABLE_CLR	RW	32	0x0000 006C	0x01D0 006C	0x40D0 006C
DSP_SYS_EDMAWAKE1_IRQSTATUS_RAW	RW	32	0x0000 0070	0x01D0 0070	0x40D0 0070
DSP_SYS_EDMAWAKE1_IRQSTATUS	RW	32	0x0000 0074	0x01D0 0074	0x40D0 0074
DSP_SYS_EDMAWAKE1_IRQENABLE_SET	RW	32	0x0000 0078	0x01D0 0078	0x40D0 0078
DSP_SYS_EDMAWAKE1_IRQENABLE_CLR	RW	32	0x0000 007C	0x01D0 007C	0x40D0 007C
RESERVED	R	32	0x0000 00E0	0x01D0 00E0	0x40D0 00E0
RESERVED	R	32	0x0000 00E4	0x01D0 00E4	0x40D0 00E4
DSP_SYS_HW_DBGOUT_SEL	RW	32	0x0000 00F8	0x01D0 00F8	0x40D0 00F8
DSP_SYS_HW_DBGOUT_VAL	R	32	0x0000 00FC	0x01D0 00FC	0x40D0 00FC

5.4.3.2 DSP_SYSTEM Register Description

Table 5-14. DSP_SYS_REVISION

Address Offset	0x0000 0000	Instance	DSP_SYSTEM DSP1_SYSTEM
Physical Address	0x01D0 0000 0x40D0 0000		
Description			
Type	R		

31	30	29	28	27	26	25	24	23	22	21	20	19	18	17	16	15	14	13	12	11	10	9	8	7	6	5	4	3	2	1	0
REVISION																															

Bits	Field Name	Description	Type	Reset
31:0	REVISION	IP Revision	R	0x ⁽¹⁾

⁽¹⁾ TI Internal Data

Table 5-15. Register Call Summary for Register DSP_SYS_REVISION

- DSP Subsystem Register Manual
- [DSP_SYSTEM Register Summary: \[0\]](#)

Table 5-16. DSP_SYS_HWINFO

Address Offset	0x0000 0004	Instance	DSP_SYSTEM DSP1_SYSTEM
Physical Address	0x01D0 0004 0x40D0 0004		
Description			
Type	R		

31	30	29	28	27	26	25	24	23	22	21	20	19	18	17	16	15	14	13	12	11	10	9	8	7	6	5	4	3	2	1	0
INFO																NUM															

Bits	Field Name	Description	Type	Reset
31:4	INFO	0x0: No configurable options in subsystem.	R	0x0
3:0	NUM	Instance Number Set by subsystem input. In a multi-DSP system, provides a unique/incrementing values for each DSP.	R	0x0

Table 5-17. Register Call Summary for Register DSP_SYS_HWINFO

DSP Subsystem Register Manual

- [DSP_SYSTEM Register Summary: \[0\]](#)

Table 5-18. DSP_SYS_SYSCONFIG

Address Offset	0x0000 0008	Instance	DSP_SYSTEM DSP1_SYSTEM
Physical Address	0x01D0 0008 0x40D0 0008		
Description			
Type	RW		

31	30	29	28	27	26	25	24	23	22	21	20	19	18	17	16	15	14	13	12	11	10	9	8	7	6	5	4	3	2	1	0
RESERVED																RESERVED	RESERVED	STANDBYMODE	IDLEMODE	RESERVED											

Bits	Field Name	Description	Type	Reset
31:9	RESERVED	Reserved. Read returns 0.	R	0x00 0000
8	RESERVED	Reserved. User must write 0.	RW	0x0
7:6	RESERVED	Reserved. Read returns 0.	R	0x0

Bits	Field Name	Description	Type	Reset
5:4	STANDBYMODE	<p>0x0: FORCE_STANDBY This mode is a backup mode intended to be used only if the smart-idle mode is bugged. When in this mode, the SAF asserts with minimal hardware condition the "STANDBY" status. It is the responsibility of the software to ensure that the SAF is in a correct quiet state before programming this mode. Additionally when in this mode, the SAF is not allowed to generate wakeup request.</p> <p>0x1: NO_STANDBY This mode is a backup mode intended to be used only if the smart-idle mode is bugged. When in this mode, the SAF in C66xOSS asserts the "STANDBY" status.</p> <p>0x2: SMART_STANDBY default. C66xOSS generates the standby status based upon all hardware internal status, namely after having performed all hardware operations necessary to be in a correct quiet state. Additionally when in this mode, the SAF is not allowed to generate wakeup request.</p> <p>0x3: SMART_STANDBY_WKUP Same as Smart-Standby. (C66xOSS generates the standby status based upon all hardware internal status, namely after having performed all hardware operations necessary to be in a correct quiet state). . Additionally when in this mode, the SAF is allowed to generate wakeup request</p>	RW	0x2
3:2	IDLEMODE	<p>0x0: FORCE_IDLE This mode is a backup mode intended to be used only if the smart-idle mode is bugged. When in this mode, the IAF acknowledges a request to go idle from the power manager with minimal hardware condition. It is the responsibility of the software to ensure that the IAF are in a correct quiet state before requesting a force-idle transition. Additionally when in this mode, the IAF is not allowed to generate any wakeup request.</p> <p>0x1: NO_IDLE When in this mode, the IAF disregards any request to go idle from the power manager.</p> <p>0x2: SMART_IDLE default. When in this mode, the IAF acknowledges a request to go idle from the power manager after having performed all hardware operations necessary to be in a correct quiet state. Additionally when in this mode, the IAF is not allowed to generate any wakeup request</p> <p>0x3: SMARTIDLEWKUP When in this mode, the IAF acknowledges a request to go idle from the power manager after having performed all hardware operations necessary for the IAF to be in a correct quiet state. Additionally when in this mode, the IAF is allowed to generate wakeup request.</p>	RW	0x2
1:0	RESERVED	Reserved	R	0x0

Table 5-19. Register Call Summary for Register DSP_SYS_SYSCONFIG

DSP Subsystem Functional Description

- [DSP Power Management: \[0\]\[1\]\[2\]](#)
- [DSP Input Interrupts: \[3\]](#)

DSP Subsystem Register Manual

- [DSP_SYSTEM Register Summary: \[4\]](#)

Table 5-20. DSP_SYS_STAT

Address Offset	Physical Address	Instance	DSP_SYSTEM DSP1_SYSTEM
0x0000 000C	0x01D0 000C 0x40D0 000C		

Table 5-20. DSP_SYS_STAT (continued)

Description	This register is intended to provide indication to software (including a remote host) as to whether the DSP is able to enter a low power mode.
Type	R

31	30	29	28	27	26	25	24	23	22	21	20	19	18	17	16	15	14	13	12	11	10	9	8	7	6	5	4	3	2	1	0
RESERVED																							OCPI_DISC_STAT	RESERVED	TC1_STAT	TC0_STAT	C66X_STAT				

Bits	Field Name	Description	Type	Reset
31:6	RESERVED		R	0x000 0000
5:4	OCPI_DISC_STAT	L3_MAIN (OCP) Initiator(s) Disconnect Status Read 0x0 : OCP initiator ports are disconnected Read 0x1 : OCP initiator ports are attempting to disconnect. Read 0x2 : OCP initiator ports are active, no request to disconnect is pending.	R	0x2
3	RESERVED		R	0
2	TC1_STAT	EDMA TC1 Status 0x0: IDLE 0x1: ACTIVE - Active, based on inverse of tptc1_mstandby	R	1
1	TC0_STAT	EDMA TC0 Status 0x0: IDLE 0x1: ACTIVE - Active, based on inverse of tptc0_mstandby	R	1
0	C66X_STAT	C66x Status 0x0: IDLE C66x core is idle 0x1: ACTIVE C66x core is active.	R	1

Table 5-21. Register Call Summary for Register DSP_SYS_STAT

DSP Subsystem Functional Description	<ul style="list-style-type: none"> DSP System and Device Level Settings of DSP EDMA: [0][1]
DSP Subsystem Register Manual	<ul style="list-style-type: none"> DSP_SYSTEM Register Summary: [2]

Table 5-22. DSP_SYS_DISC_CONFIG

Address Offset	0x0000 0010	Instance	DSP_SYSTEM DSP1_SYSTEM
Physical Address	0x01D0 0010 0x40D0 0010		
Description	This register is used to manually disconnect the OCP busses.		
Type	RW		

31	30	29	28	27	26	25	24	23	22	21	20	19	18	17	16	15	14	13	12	11	10	9	8	7	6	5	4	3	2	1	0
RESERVED																OCPI_DISC															

Bits	Field Name	Description	Type	Reset
31:1	RESERVED		R	0x0
0	OCPI_DISC	OCP Initiator (on L3_MAIN) Disconnect request Read 0: Disconnect not in progress, or has completed. Write 0: No effect. Read 1: Disconnect request is in progress. Write 1: Request for OCP Initiator to disconnect and mask write byte enable signals.	RW	0

Table 5-23. Register Call Summary for Register DSP_SYS_DISC_CONFIG

DSP Subsystem Register Manual

- [DSP_SYSTEM Register Summary: \[0\]](#)

Table 5-24. DSP_SYS_BUS_CONFIG

Address Offset	0x0000 0014	Instance	DSP_SYSTEM DSP1_SYSTEM
Physical Address	0x01D0 0014 0x40D0 0014		
Description	This register controls the burst and priority settings for the internal initiators.		
Type	RW		

31	30	29	28	27	26	25	24	23	22	21	20	19	18	17	16	15	14	13	12	11	10	9	8	7	6	5	4	3	2	1	0
RESERVED	SDMA_PRI		RESERVED	NOPOSTOVERRIDE	RESERVED	SDMA_L2PRES	RESERVED	CFG_L2PRES	RESERVED	TC1_L2PRES	RESERVED	TC0_L2PRES	RESERVED	TC1_DBS	RESERVED	TC0_DBS															

Bits	Field Name	Description	Type	Reset
31	RESERVED		R	0
30:28	SDMA_PRI	Sets the CBA/BusM Priority for the DSP C66x CorePac SDMA port. Can typically be left at default value. 0x0 is highest, ..., 0x7 is lowest priority.	RW	0x4
27:25	RESERVED		R	0x0
24	NOPOSTOVERRIDE	OCP Posted Write vs Non-Posted Write override 0x0: MIX Posted writes are used for cacheable write transactions. Non-posted writes are used for non-cacheable write transactions. 0x1: NOPOST Non-posted writes are used exclusively.	RW	1
23:22	RESERVED		R	0x0

Bits	Field Name	Description	Type	Reset
21:20	SDMA_L2PRES	OCP Target port L2 Interconnect Pressure. Driven on ocp mflag to control arbitration within the L2 interconnect. 0x0: LOW - Lowest pressure 0x1: MED - Medium pressure 0x2: Reserved 0x3: HIGH - High pressure	RW	0x0
19:18	RESERVED		R	0x0
17:16	CFG_L2PRES	DSP CFG L2 Interconnect Pressure. Driven on ocp mflag to control arbitration within the L2 interconnect 0x0: LOW - Lowest pressure 0x1: MED - Medium pressure 0x2: Reserved 0x3: HIGH - High pressure	RW	0x0
15:14	RESERVED		R	0x0
13:12	TC1_L2PRES	TC1 L2 Interconnect Pressure. Driven on ocp mflag to control arbitration within the L2 interconnect 0x0: LOW - Lowest pressure 0x1: MED - Medium pressure 0x2: Reserved 0x3: HIGH - High pressure	RW	0x0
11:10	RESERVED		R	0x0
9:8	TC0_L2PRES	TC0 L2 Interconnect Pressure. Driven on ocp mflag to control arbitration within the L2 interconnect. 0x0: LOW - Lowest pressure 0x1: MED - Medium pressure 0x2: Reserved 0x3: HIGH - High pressure	RW	0x0
7:6	RESERVED		R	0x0
5:4	TC1_DBS	TC1 Default Burst size. 0x0: BYTE_16 - "16-Byte" bursts 0x1: BYTE_32 - "32-Byte" bursts 0x2: BYTE_64 - "64-Byte" bursts 0x3: BYTE_128 - "128-Byte" bursts	RW	0x3
3:2	RESERVED		R	0x0
1:0	TC0_DBS	TC0 Default Burst size 0x0: BYTE_16 - "16-Byte" bursts 0x1: BYTE_32 - "32-Byte" bursts 0x2: BYTE_64 - "64-Byte" bursts 0x3: BYTE_128 - "128-Byte" bursts	RW	0x3

Table 5-25. Register Call Summary for Register DSP_SYS_BUS_CONFIG

DSP Subsystem Functional Description

- [DSP TMS320C66x CorePac: \[0\]](#)
- [DSP System and Device Level Settings of DSP EDMA: \[1\]\[2\]](#)
- [DSP NoC Arbitration: \[3\]](#)

DSP Subsystem Register Manual

- [DSP_SYSTEM Register Summary: \[4\]](#)

Table 5-26. DSP_SYS_MMU_CONFIG

Address Offset	0x0000 0018	Instance	DSP_SYSTEM DSP1_SYSTEM
Physical Address	0x01D0 0018 0x40D0 0018		
Description	This register is used to enable the subsystem MMUs.		
Type	RW		

31	30	29	28	27	26	25	24	23	22	21	20	19	18	17	16	15	14	13	12	11	10	9	8	7	6	5	4	3	2	1	0
RESERVED																MMU1_ABORT	RESERVED		MMU0_ABORT	RESERVED		MMU1_EN	RESERVED		MMU0_EN						

Bits	Field Name	Description	Type	Reset
31:13	RESERVED		R	0x0
12	MMU1_ABORT	MMU1 Abort 0x0: NOABORT = Abort not requested. 0x1: ABORT = MMU abort requested. Can be used in case of page translation failure or lockup.	RW	0
11:9	RESERVED		R	0x0
8	MMU0_ABORT	MMU0 Abort 0x0: NOABORT = Abort not requested. 0x1: ABORT = MMU abort requested. Can be used in case of page translation failure or lockup.	RW	0
7:5	RESERVED		R	0x0
4	MMU1_EN	MMU1 Enable 0x0: DISABLED = MMU is disabled and the MMU IP is bypassed. 0x1: ENABLED = MMU is enabled. (The MMU mmrs (including Enable bit) need to be set in addition to this bit.)	RW	0
3:1	RESERVED		R	0x0
0	MMU0_EN	MMU0 Enable 0x0: DISABLED = MMU is disabled and the MMU IP is bypassed. 0x1: ENABLED = MMU is enabled. (The MMU mmrs (including Enable bit) need to be set in addition to this bit.)	RW	0

Table 5-27. Register Call Summary for Register DSP_SYS_MMU_CONFIG

DSP Subsystem Functional Description

- [Routing MDMA Traffic through DSP MMU0: \[0\]\[1\]](#)
- [Routing EDMA Traffic through DSP MMU1: \[2\]\[3\]](#)

DSP Subsystem Register Manual

- [DSP_SYSTEM Register Summary: \[4\]](#)

Table 5-28. DSP_SYS_IRQWAKEEN0

Address Offset	0x0000 0020	Instance	DSP_SYSTEM DSP1_SYSTEM
Physical Address	0x01D0 0020 0x40D0 0020		

Table 5-28. DSP_SYS_IRQWAKEEN0 (continued)

Description	The register provides a global interrupt wakeup enable bit vector that defines which input interrupts are used to cause a wake from powerdown state (via the slave idle protocol). IRQWAKEEN0 is for interrupt inputs 63 thru 32, and IRQWAKEEN1 is for interrupt inputs 95 thru 64. Internal interrupts cannot cause a wake condition since in this state there is no guaranteed clock and all sub-modules should be in idle state. Software can write 1 to set and 0 to clear the corresponding bit (i.e., enable the corresponding interrupt for wakeup). Reads of this register return the actual state of the enable register.
Type	RW

31	30	29	28	27	26	25	24	23	22	21	20	19	18	17	16	15	14	13	12	11	10	9	8	7	6	5	4	3	2	1	0
ENABLE																															

Bits	Field Name	Description	Type	Reset
31:0	ENABLE	Wakeup Enable bit vector for interrupt #n+32 0x0: DISABLE = Interrupt #n+32 disabled for wakeup 0x1: ENABLE = Interrupt #n+32 enabled for wakeup	RW	0x0

Table 5-29. Register Call Summary for Register DSP_SYS_IRQWAKEEN0

DSP Subsystem Functional Description

- [DSP Power Management: \[0\]\[1\]\[2\]\[3\]](#)
- [DSP Input Interrupts: \[4\]\[5\]](#)

DSP Subsystem Register Manual

- [DSP_SYSTEM Register Summary: \[6\]](#)

Table 5-30. DSP_SYS_IRQWAKEEN1

Address Offset	0x0000 0024		
Physical Address	0x01D0 0024 0x40D0 0024	Instance	DSP_SYSTEM DSP1_SYSTEM
Description	The register provides a global interrupt wakeup enable bit vector that defines which input interrupts are used to cause a wake from powerdown state (via the slave idle protocol). IRQWAKEEN0 is for interrupt inputs 63 thru 32, and IRQWAKEEN1 is for interrupt inputs 95 thru 64. Internal interrupts cannot cause a wake condition since in this state there is no guaranteed clock and all sub-modules should be in idle state. Software can write 1 to set and 0 to clear the corresponding bit (i.e., enable the corresponding interrupt for wakeup). Reads of this register return the actual state of the enable register.		
Type	RW		

31	30	29	28	27	26	25	24	23	22	21	20	19	18	17	16	15	14	13	12	11	10	9	8	7	6	5	4	3	2	1	0
ENABLE																															

Bits	Field Name	Description	Type	Reset
31:0	ENABLE	Wakeup Enable bit vector for interrupt #n+64 0x0: DISABLE = Interrupt #n+64 disabled for wakeup 0x1: ENABLE = Interrupt #n+64 enabled for wakeup	RW	0x0

Table 5-31. Register Call Summary for Register DSP_SYS_IRQWAKEEN1

DSP Subsystem Functional Description

- [DSP Power Management: \[0\]\[1\]\[2\]](#)
- [DSP Input Interrupts: \[3\]\[4\]](#)

DSP Subsystem Register Manual

- [DSP_SYSTEM Register Summary: \[5\]](#)

Table 5-32. DSP_SYS_DMAWAKEEN0

Address Offset	0x0000 0030	Instance	DSP_SYSTEM DSP1_SYSTEM
Physical Address	0x01D0 0030 0x40D0 0030		
Description	The register provides a global dma event wakeup enable bit vector that defines which input dma events are used to cause a wake from powerdown state (via the slave idle protocol). DMAWAKEEN0 is for dma event inputs 31 thru 0, and DMAWAKEEN1 is for dma event inputs 63 thru 32. Software can write 1 to set and 0 to clear the corresponding bit (i.e., enable the corresponding dma event for wakeup). Reads of this register return the actual state of the enable register.		
Type	RW		

31	30	29	28	27	26	25	24	23	22	21	20	19	18	17	16	15	14	13	12	11	10	9	8	7	6	5	4	3	2	1	0
ENABLE																															

Bits	Field Name	Description	Type	Reset
31:0	ENABLE	Wakeup Enable for event #n 0x0: DISABLE = Interrupt #n disabled for wakeup 0x1: ENABLE = Interrupt #n enabled for wakeup	RW	0x0

Table 5-33. Register Call Summary for Register DSP_SYS_DMAWAKEEN0

DSP Subsystem Functional Description

- [DSP Power Management: \[0\]\[1\]](#)
- [DSP DMA Requests: \[2\]\[3\]](#)
- [DSP EDMA Wakeup Interrupt: \[4\]](#)

DSP Subsystem Register Manual

- [DSP_SYSTEM Register Summary: \[5\]](#)

Table 5-34. DSP_SYS_DMAWAKEEN1

Address Offset	0x0000 0034	Instance	DSP_SYSTEM DSP1_SYSTEM
Physical Address	0x01D0 0034 0x40D0 0034		
Description	The register provides a global dma event wakeup enable bit vector that defines which input dma events are used to cause a wake from powerdown state (via the slave idle protocol). DMAWAKEEN0 is for dma event inputs 31 thru 0, and DMAWAKEEN1 is for dma event inputs 63 thru 32. Software can write 1 to set and 0 to clear the corresponding bit (i.e., enable the corresponding dma event for wakeup). Reads of this register return the actual state of the enable register.		
Type	RW		

31	30	29	28	27	26	25	24	23	22	21	20	19	18	17	16	15	14	13	12	11	10	9	8	7	6	5	4	3	2	1	0
ENABLE																															

Bits	Field Name	Description	Type	Reset
31:0	ENABLE	Wakeup Enable for event #n+32 0x0: DISABLE = Interrupt #n+32 disabled for wakeup 0x1: ENABLE = Interrupt #n+32 enabled for wakeup	RW	0x0

Table 5-35. Register Call Summary for Register DSP_SYS_DMAWAKEEN1

DSP Subsystem Functional Description

- [DSP Power Management: \[0\]](#)
- [DSP DMA Requests: \[1\]](#)
- [DSP EDMA Wakeup Interrupt: \[2\]](#)

DSP Subsystem Register Manual

- [DSP_SYSTEM Register Summary: \[3\]](#)

Table 5-36. DSP_SYS_EVTOUT_SET

Address Offset	0x0000 0040	Instance	DSP_SYSTEM DSP1_SYSTEM
Physical Address	0x01D0 0040 0x40D0 0040		
Description	These registers can be used to drive event outputs from the DSP subsystem to a desired state.		
Type	RW		

31	30	29	28	27	26	25	24	23	22	21	20	19	18	17	16	15	14	13	12	11	10	9	8	7	6	5	4	3	2	1	0
EVENT																															

Bits	Field Name	Description	Type	Reset
31:0	EVENT	Output Event for event #n Write 0x00 0001: Drive output event #n high/1. Read 0x00 0000: Event #n is low/0. Read 0x00 0001 : Event #n is high/1. Write 0x00 0000 : No action.	RW	0x0

Table 5-37. Register Call Summary for Register DSP_SYS_EVTOUT_SET

DSP Subsystem Functional Description

- [DSP Event and Interrupt Generation Outputs: \[0\]\[1\]](#)

DSP Subsystem Register Manual

- [DSP_SYSTEM Register Summary: \[2\]](#)

Table 5-38. DSP_SYS_EVTOUT_CLR

Address Offset	0x0000 0044	Instance	DSP_SYSTEM DSP1_SYSTEM
Physical Address	0x01D0 0044 0x40D0 0044		
Description	These registers can be used to drive event outputs from the DSP subsystem to a desired state.		
Type	RW		

31	30	29	28	27	26	25	24	23	22	21	20	19	18	17	16	15	14	13	12	11	10	9	8	7	6	5	4	3	2	1	0
EVENT																															

Bits	Field Name	Description	Type	Reset
31:0	EVENT	Output Event for event #n Read 0x00 0000: Event #n is low/0. Write 0x00 0001: Drive output event #n low/0. Read 0x00 0001 : Event #n is high/1. Write 0x00 0000 : No action.	RW	0x0

Table 5-39. Register Call Summary for Register DSP_SYS_EVTOUT_CLR

DSP Subsystem Functional Description
<ul style="list-style-type: none"> • DSP Event and Interrupt Generation Outputs: [0][1]
DSP Subsystem Register Manual
<ul style="list-style-type: none"> • DSP_SYSTEM Register Summary: [2]

Table 5-40. DSP_SYS_ERRINT_IRQSTATUS_RAW

Address Offset	0x0000 0050	Instance	DSP_SYSTEM DSP1_SYSTEM
Physical Address	0x01D0 0050 0x40D0 0050		
Description	This register provides a per-event raw interrupt status vector		
Type	RW		

31	30	29	28	27	26	25	24	23	22	21	20	19	18	17	16	15	14	13	12	11	10	9	8	7	6	5	4	3	2	1	0
RESERVED												EVENT																			

Bits	Field Name	Description	Type	Reset
31:19	RESERVED		R	0x0
18:0	EVENT	Settable raw status for event #n Read 0x00 0000 : No event pending Write 0x00 0000 : No action Read 0x00 0001: Event pending Write 0x00 0001: Set event (for debug)	RW	0x0

Table 5-41. Register Call Summary for Register DSP_SYS_ERRINT_IRQSTATUS_RAW

DSP Subsystem Functional Description
<ul style="list-style-type: none"> • DSP Event and Interrupt Generation Outputs: [0][1][2]
DSP Subsystem Register Manual
<ul style="list-style-type: none"> • DSP_SYSTEM Register Summary: [3]

Table 5-42. DSP_SYS_ERRINT_IRQSTATUS

Address Offset	0x0000 0054	Instance	DSP_SYSTEM DSP1_SYSTEM
Physical Address	0x01D0 0054 0x40D0 0054		
Description	This register provides a per-event enabled interrupt status vector.		
Type	RW		

31	30	29	28	27	26	25	24	23	22	21	20	19	18	17	16	15	14	13	12	11	10	9	8	7	6	5	4	3	2	1	0
RESERVED												EVENT																			

Bits	Field Name	Description	Type	Reset
31:19	RESERVED		R	0x0
18:0	EVENT	Clearable, enabled status for event #n Read 0x00 0000 : No enabled event pending Write 0x00 0000 : No action Read 0x00 0001 : Enabled Event pending Write 0x00 0001 : Clear raw event	RW	0x0

Table 5-43. Register Call Summary for Register DSP_SYS_ERRINT_IRQSTATUS

DSP Subsystem Functional Description
<ul style="list-style-type: none"> • DSP Event and Interrupt Generation Outputs: [0][1]
DSP Subsystem Register Manual
<ul style="list-style-type: none"> • DSP_SYSTEM Register Summary: [2]

Table 5-44. DSP_SYS_ERRINT_IRQENABLE_SET

Address Offset	0x0000 0058	Instance	DSP_SYSTEM DSP1_SYSTEM
Physical Address	0x01D0 0058 0x40D0 0058		
Description	This register provides a per-event interrupt enable bit vector.		
Type	RW		

31	30	29	28	27	26	25	24	23	22	21	20	19	18	17	16	15	14	13	12	11	10	9	8	7	6	5	4	3	2	1	0
RESERVED												ENABLE																			

Bits	Field Name	Description	Type	Reset
31:19	RESERVED		R	0x0
18:0	ENABLE	Enable for event #n Read 0x00 0000 : Interrupt disabled Write 0x00 0000 : No action Read 0x00 0001 : Interrupt enabled Write 0x00 0001 : Enable interrupt	RW	0x0

Table 5-45. Register Call Summary for Register DSP_SYS_ERRINT_IRQENABLE_SET

DSP Subsystem Functional Description
<ul style="list-style-type: none"> • DSP Event and Interrupt Generation Outputs: [0][1][2]
DSP Subsystem Register Manual
<ul style="list-style-type: none"> • DSP_SYSTEM Register Summary: [3]

Table 5-46. DSP_SYS_ERRINT_IRQENABLE_CLR

Address Offset	0x0000 005C	Instance	DSP_SYSTEM DSP1_SYSTEM
Physical Address	0x01D0 005C 0x40D0 005C		
Description	This register provides a per-event interrupt enable bit vector.		
Type	RW		

31	30	29	28	27	26	25	24	23	22	21	20	19	18	17	16	15	14	13	12	11	10	9	8	7	6	5	4	3	2	1	0
RESERVED												ENABLE																			

Bits	Field Name	Description	Type	Reset
31:19	RESERVED		R	0x0
18:0	ENABLE	Enable for event #n Read 0x00 0000 : Interrupt disabled Write 0x00 0000 : No action Read 0x00 0001 : Interrupt enabled Write 0x00 0001 : Disable interrupt (i.e., clear ENABLEn bit)	RW	0x0

Table 5-47. Register Call Summary for Register DSP_SYS_ERRINT_IRQENABLE_CLR

DSP Subsystem Functional Description
<ul style="list-style-type: none"> • DSP Event and Interrupt Generation Outputs: [0][1]
DSP Subsystem Register Manual
<ul style="list-style-type: none"> • DSP_SYSTEM Register Summary: [2]

Table 5-48. DSP_SYS_EDMAWAKE0_IRQSTATUS_RAW

Address Offset	0x0000 0060	Instance	DSP_SYSTEM DSP1_SYSTEM
Physical Address	0x01D0 0060 0x40D0 0060		
Description	This register provides a per-event raw interrupt status vector		
Type	RW		

31	30	29	28	27	26	25	24	23	22	21	20	19	18	17	16	15	14	13	12	11	10	9	8	7	6	5	4	3	2	1	0
EVENT																															

Bits	Field Name	Description	Type	Reset
31:0	EVENT	Settable raw status for event #n Read 0x0000 0000 : No event pending Write 0x0000 0001 : Set event (for debug) Read 0x0000 0001 : Event pending Write 0x0000 0000 : No action	RW	0x0

Table 5-49. Register Call Summary for Register DSP_SYS_EDMAWAKE0_IRQSTATUS_RAW

DSP Subsystem Functional Description
<ul style="list-style-type: none"> • DSP Power Management: [0] • DSP EDMA Wakeup Interrupt: [1][2]
DSP Subsystem Register Manual
<ul style="list-style-type: none"> • DSP_SYSTEM Register Summary: [3]

Table 5-50. DSP_SYS_EDMAWAKE0_IRQSTATUS

Address Offset	0x0000 0064	Instance	DSP_SYSTEM DSP1_SYSTEM
Physical Address	0x01D0 0064 0x40D0 0064		
Description	This register provides a per-event enabled interrupt status vector.		
Type	RW		

31	30	29	28	27	26	25	24	23	22	21	20	19	18	17	16	15	14	13	12	11	10	9	8	7	6	5	4	3	2	1	0
EVENT																															

Bits	Field Name	Description	Type	Reset
31:0	EVENT	Clearable, enabled status for event #n Read 0x0000 0000 : No enabled event pending Write 0x0000 0001 : Clear raw event Read 0x0000 0001 : Enabled Event pending Write 0x0000 0000 : No action	RW	0x0

Table 5-51. Register Call Summary for Register DSP_SYS_EDMAWAKE0_IRQSTATUS

DSP Subsystem Functional Description

- [DSP Power Management: \[0\]](#)
- [DSP EDMA Wakeup Interrupt: \[1\]](#)

DSP Subsystem Register Manual

- [DSP_SYSTEM Register Summary: \[2\]](#)

Table 5-52. DSP_SYS_EDMAWAKE0_IRQENABLE_SET

Address Offset	0x0000 0068	Instance	DSP_SYSTEM DSP1_SYSTEM
Physical Address	0x01D0 0068 0x40D0 0068		
Description	This register provides a per-event interrupt enable bit vector.		
Type	RW		

31	30	29	28	27	26	25	24	23	22	21	20	19	18	17	16	15	14	13	12	11	10	9	8	7	6	5	4	3	2	1	0
ENABLE																															

Bits	Field Name	Description	Type	Reset
31:0	ENABLE	Enable for event #n Read 0x0000 0000: Interrupt disabled Write 0x0000 0001: Enable interrupt Read 0x0000 0001: Interrupt enabled Write 0x0000 0000: No action	RW	0x0000 0000

Table 5-53. Register Call Summary for Register DSP_SYS_EDMAWAKE0_IRQENABLE_SET

DSP Subsystem Functional Description

- [DSP Power Management: \[0\]](#)
- [DSP EDMA Wakeup Interrupt: \[1\]\[2\]](#)

DSP Subsystem Register Manual

- [DSP_SYSTEM Register Summary: \[3\]](#)

Table 5-54. DSP_SYS_EDMAWAKE0_IRQENABLE_CLR

Address Offset	0x0000 006C	Instance	DSP_SYSTEM DSP1_SYSTEM
Physical Address	0x01D0 006C 0x40D0 006C		
Description	This register provides a per-event interrupt enable bit vector.		
Type	RW		

31	30	29	28	27	26	25	24	23	22	21	20	19	18	17	16	15	14	13	12	11	10	9	8	7	6	5	4	3	2	1	0
ENABLE																															

Bits	Field Name	Description	Type	Reset
31:0	ENABLE	Enable for event #n Read 0x0000 0000: Interrupt disabled Write 0x0000 0001: Disable interrupt (i.e., clear ENABLEn bit) Read 0x0000 0001: Interrupt enabled Write 0x0000 0000: No action	RW	0x0

Table 5-55. Register Call Summary for Register DSP_SYS_EDMAWAKE0_IRQENABLE_CLR

DSP Subsystem Functional Description

- [DSP EDMA Wakeup Interrupt: \[0\]](#)

DSP Subsystem Register Manual

- [DSP_SYSTEM Register Summary: \[1\]](#)

Table 5-56. DSP_SYS_EDMAWAKE1_IRQSTATUS_RAW

Address Offset	0x0000 0070	Instance	DSP_SYSTEM DSP1_SYSTEM
Physical Address	0x01D0 0070 0x40D0 0070		
Description	This register provides a per-event raw interrupt status vector		
Type	RW		

31	30	29	28	27	26	25	24	23	22	21	20	19	18	17	16	15	14	13	12	11	10	9	8	7	6	5	4	3	2	1	0
EVENT																															

Bits	Field Name	Description	Type	Reset
31:0	EVENT	Settable raw status for event #n+32 Read 0x0000 0000: No event pending Write 0x0000 0001: Set event (for debug) Read 0x0000 0001: Event pending Write 0x0000 0000 : No action	RW	0x0

Table 5-57. Register Call Summary for Register DSP_SYS_EDMAWAKE1_IRQSTATUS_RAW

DSP Subsystem Register Manual

- [DSP_SYSTEM Register Summary: \[0\]](#)

Table 5-58. DSP_SYS_EDMAWAKE1_IRQSTATUS

Address Offset	0x0000 0074	Instance	DSP_SYSTEM DSP1_SYSTEM
Physical Address	0x01D0 0074 0x40D0 0074		
Description	This register provides a per-event enabled interrupt status vector.		
Type	RW		

31	30	29	28	27	26	25	24	23	22	21	20	19	18	17	16	15	14	13	12	11	10	9	8	7	6	5	4	3	2	1	0
EVENT																															

Bits	Field Name	Description	Type	Reset
31:0	EVENT	Clearable, enabled status for event #n+32 Read 0x0000 0000: No enabled event pending Write 0x0000 0001: Clear raw event Read 0x0000 0001: Enabled Event pending Write 0x0000 0000: No action	RW	0x0

Table 5-59. Register Call Summary for Register DSP_SYS_EDMAWAKE1_IRQSTATUS

DSP Subsystem Register Manual

- [DSP_SYSTEM Register Summary: \[0\]](#)

Table 5-60. DSP_SYS_EDMAWAKE1_IRQENABLE_SET

Address Offset	0x0000 0078		
Physical Address	0x01D0 0078 0x40D0 0078	Instance	DSP_SYSTEM DSP1_SYSTEM
Description	This register provides a per-event interrupt enable bit vector.		
Type	RW		

31	30	29	28	27	26	25	24	23	22	21	20	19	18	17	16	15	14	13	12	11	10	9	8	7	6	5	4	3	2	1	0
ENABLE																															

Bits	Field Name	Description	Type	Reset
31:0	ENABLE	Enable for event #n+32 Read 0x0000 0000: Interrupt disabled Write 0x0000 0001: Enable interrupt Read 0x0000 0001: Interrupt enabled Write 0x0000 0000: No action	RW	0x0

Table 5-61. Register Call Summary for Register DSP_SYS_EDMAWAKE1_IRQENABLE_SET

DSP Subsystem Register Manual

- [DSP_SYSTEM Register Summary: \[0\]](#)

Table 5-62. DSP_SYS_EDMAWAKE1_IRQENABLE_CLR

Address Offset	0x0000 007C		
Physical Address	0x01D0 007C 0x40D0 007C	Instance	DSP_SYSTEM DSP1_SYSTEM
Description	This register provides a per-event interrupt enable bit vector.		
Type	RW		

31	30	29	28	27	26	25	24	23	22	21	20	19	18	17	16	15	14	13	12	11	10	9	8	7	6	5	4	3	2	1	0
ENABLE																															

Bits	Field Name	Description	Type	Reset
31:0	ENABLE	Enable for event #n+32 Read 0x0000 0000: Interrupt disabled Write 0x0000 0001: Disable interrupt (i.e., clear ENABLEn bit) Read 0x0000 0001: Interrupt enabled Write 0x0000 0000 : No action	RW	0x0

Table 5-63. Register Call Summary for Register DSP_SYS_EDMAWAKE1_IRQENABLE_CLR

DSP Subsystem Register Manual

- [DSP_SYSTEM Register Summary: \[0\]](#)

Table 5-64. DSP_SYS_HW_DBGOUT_SEL

Address Offset	0x0000 00F8		
Physical Address	0x01D0 00F8 0x40D0 00F8	Instance	DSP_SYSTEM DSP1_SYSTEM

Table 5-64. DSP_SYS_HW_DBGOUT_SEL (continued)

Description	This register is used to select which group of internal signals are mapped to the hw_dbgout output bus.
Type	RW

31	30	29	28	27	26	25	24	23	22	21	20	19	18	17	16	15	14	13	12	11	10	9	8	7	6	5	4	3	2	1	0
RESERVED															GROUP																

Bits	Field Name	Description	Type	Reset
31:4	RESERVED		R	0x00000000
3:0	GROUP	Debug Group output control mux select 0x0 : Disabled, debug outputs driven to 0x0. 0x1 : G1 = select output group 1 0x2 : G2 = select output group 2 N: GN = select output group N	RW	0x0

Table 5-65. Register Call Summary for Register DSP_SYS_HW_DBGOUT_SEL

DSP Subsystem Register Manual

- [DSP_SYSTEM Register Summary: \[0\]](#)

Table 5-66. DSP_SYS_HW_DBGOUT_VAL

Address Offset	0x0000 00FC	
Physical Address	0x01D0 00FC 0x40D0 00FC	Instance DSP_SYSTEM DSP1_SYSTEM
Description	This register is used to read the value of the currently selected debug output group.	
Type	R	

31	30	29	28	27	26	25	24	23	22	21	20	19	18	17	16	15	14	13	12	11	10	9	8	7	6	5	4	3	2	1	0
VALUE																															

Bits	Field Name	Description	Type	Reset
31:0	VALUE	Read returns state of hw_dbgout bus	R	0x0

Table 5-67. Register Call Summary for Register DSP_SYS_HW_DBGOUT_VAL

DSP Subsystem Register Manual

- [DSP_SYSTEM Register Summary: \[0\]](#)

5.4.4 DSP_FW_L2_NOC_CFG Registers

This section covers the DSPSS level defined public firewall (DSP_MMU0, DSP_MMU1) and L2 interconnect (DSP_NoC) functional registers.

5.4.4.1 DSP_FW_L2_NOC_CFG Register Summary

NOTE: While the DSP1_FW_L2_NOC_CFG is a part of the device L3_MAIN memory space, the **DSP_FW_L2_NOC_CFG addresses are visible only within the DSP_ICFG internal configuration space (visible only to C66x CPU and debug logic).**

Table 5-68. DSP_FW_L2_NOC_CFG and DSP1_FW_L2_NOC_CFG Registers Mapping Summary

Register Name	Type	Register Width (Bits)	Address Offset	DSP_FW_L2_NOC_CFG DSP1 private	DSP1_FW_L2_NO C_CFG Physical Address L3_MAIN Interconnect
L3_DSPSS_INIT_O CP_MMU0_CTRL_ TARG_OCP_FW_5 03000_ERROR_LO G_0	RW	32	0x0000 0000	0x01D0 3000	0x40D0 3000
L3_DSPSS_INIT_O CP_MMU0_CTRL_ TARG_OCP_FW_5 03000_LOGICAL_A DDR_ERRLOG_0	R	32	0x0000 0004	0x01D0 3004	0x40D0 3004
L3_DSPSS_INIT_O CP_MMU0_CTRL_ TARG_OCP_FW_5 03000_REGUPDAT E_CONTROL	RW	32	0x0000 0040	0x01D0 3040	0x40D0 3040
L3_DSPSS_INIT_O CP_MMU0_CTRL_ TARG_OCP_FW_5 03000_MRM_PER MISSION_REGION _LOW_0	RW	32	0x0000 0088	0x01D0 3088	0x40D0 3088
L3_DSPSS_INIT_O CP_MMU0_CTRL_ TARG_OCP_FW_5 03000_MRM_PER MISSION_REGION _HIGH_0	RW	32	0x0000 008C	0x01D0 308C	0x40D0 308C
L3_DSPSS_INIT_O CP_MMU0_CTRL_ TARG_OCP_FW_5 03000_START_RE GION_1	RW	32	0x0000 0090	0x01D0 3090	0x40D0 3090
L3_DSPSS_INIT_O CP_MMU0_CTRL_ TARG_OCP_FW_5 03000_END_REGI ON_1	RW	32	0x0000 0094	0x01D0 3094	0x40D0 3094
L3_DSPSS_INIT_O CP_MMU0_CTRL_ TARG_OCP_FW_5 03000_MRM_PER MISSION_REGION _LOW_1	RW	32	0x0000 0098	0x01D0 3098	0x40D0 3098
L3_DSPSS_INIT_O CP_MMU0_CTRL_ TARG_OCP_FW_5 03000_MRM_PER MISSION_REGION _HIGH_1	RW	32	0x0000 009C	0x01D0 309C	0x40D0 309C
L3_DSPSS_INIT_O CP_MMU1_CTRL_ TARG_OCP_FW_5 04000_ERROR_LO G_0	RW	32	0x0000 1000	0x01D0 4000	0x40D0 4000
L3_DSPSS_INIT_O CP_MMU1_CTRL_ TARG_OCP_FW_5 04000_LOGICAL_A DDR_ERRLOG_0	R	32	0x0000 1004	0x01D0 4004	0x40D0 4004

Table 5-68. DSP_FW_L2_NOC_CFG and DSP1_FW_L2_NOC_CFG Registers Mapping Summary (continued)

Register Name	Type	Register Width (Bits)	Address Offset	DSP_FW_L2_NOC_CFG DSP1 private	DSP1_FW_L2_NOC_CFG Physical Address L3_MAIN Interconnect
L3_DSPSS_INIT_O CP_MMU1_CTRL_ TARG_OCP_FW_5 04000_REGUPDAT E_CONTROL	RW	32	0x0000 1040	0x01D0 4040	0x40D0 4040
L3_DSPSS_INIT_O CP_MMU1_CTRL_ TARG_OCP_FW_5 04000_MRM_PER MISSION_REGION _LOW_0	RW	32	0x0000 1088	0x01D0 4088	0x40D0 4088
L3_DSPSS_INIT_O CP_MMU1_CTRL_ TARG_OCP_FW_5 04000_MRM_PER MISSION_REGION _HIGH_0	RW	32	0x0000 108C	0x01D0 408C	0x40D0 408C
DSPNOC_FLAGMU X_ID_COREID	R	32	0x0000 4000	0x01D0 7000	0x40D0 7000
DSPNOC_FLAGMU X_ID_REVISIONID	R	32	0x0000 4004	0x01D0 7004	0x40D0 7004
DSPNOC_FLAGMU X_FAULTEN	RW	32	0x0000 4008	0x01D0 7008	0x40D0 7008
DSPNOC_FLAGMU X_FAULTSTATUS	R	32	0x0000 400C	0x01D0 700C	0x40D0 700C
DSPNOC_FLAGMU X_FLAGINEN0	RW	32	0x0000 4010	0x01D0 7010	0x40D0 7010
DSPNOC_FLAGMU X_FLAGINSTATUS 0	R	32	0x0000 4014	0x01D0 7014	0x40D0 7014
DSPNOC_ERRORL OG_ID_COREID	R	32	0x0000 4200	0x01D0 7200	0x40D0 7200
DSPNOC_ERRORL OG_ID_REVISIONI D	R	32	0x0000 4204	0x01D0 7204	0x40D0 7204
DSPNOC_ERRORL OG_FAULTEN	RW	32	0x0000 4208	0x01D0 7208	0x40D0 7208
DSPNOC_ERRORL OG_ERRVLD	R	32	0x0000 420C	0x01D0 720C	0x40D0 720C
DSPNOC_ERRORL OG_ERRCLR	RW	32	0x0000 4210	0x01D0 7210	0x40D0 7210
DSPNOC_ERRORL OG_ERRLOG0	R	32	0x0000 4214	0x01D0 7214	0x40D0 7214
DSPNOC_ERRORL OG_ERRLOG1	R	32	0x0000 4218	0x01D0 7218	0x40D0 7218
DSPNOC_ERRORL OG_ERRLOG3	R	32	0x0000 4220	0x01D0 7220	0x40D0 7220
DSPNOC_ERRORL OG_ERRLOG5	R	32	0x0000 4228	0x01D0 7228	0x40D0 7228

5.4.4.2 DSP_FW_L2_NOC_CFG Register Description

Table 5-69. L3_DSPSS_INIT_OCP_MMU0_CTRL_TARG_OCP_FW_503000_ERROR_LOG_0

Address Offset	0x0000 0000	Instance	DSP_FW_L2_NOC_CFG DSP1_FW_L2_NOC_CFG
Physical Address	0x01D0 3000 0x40D0 3000		
Description	Core 0 Error log register		
Type	RW		

31	30	29	28	27	26	25	24	23	22	21	20	19	18	17	16	15	14	13	12	11	10	9	8	7	6	5	4	3	2	1	0
RESERVED				BLK_BURST_VIOLATION	RESERVED	REGION_START_ERRLOG				REGION_END_ERRLOG				REQINFO_ERRLOG																	

Bits	Field Name	Description	Type	Reset
31:28	RESERVED		R	0x0
27	BLK_BURST_VIOLATION	2D burst not allowed or exceeding allowed size	RW	0x0
26	RESERVED		R	0x0
25:21	REGION_START_ERRLOG	Wrong access hit this region number	RW	0x0
20:16	REGION_END_ERRLOG	Wrong access hit this region number	RW	0x0
15:0	REQINFO_ERRLOG	Error in reqinfo vector	RW	0x0

Table 5-70. Register Call Summary for Register L3_DSPSS_INIT_OCP_MMU0_CTRL_TARG_OCP_FW_503000_ERROR_LOG_0

DSP Subsystem Register Manual

- [DSP_FW_L2_NOC_CFG Register Summary: \[0\]](#)

Table 5-71. L3_DSPSS_INIT_OCP_MMU0_CTRL_TARG_OCP_FW_503000_LOGICAL_ADDR_ERRLOG_0

Address Offset	0x0000 0004	Instance	DSP_FW_L2_NOC_CFG DSP1_FW_L2_NOC_CFG
Physical Address	0x01D0 3004 0x40D0 3004		
Description	Core 0 Logical Physical Address Error log register		
Type	R		

31	30	29	28	27	26	25	24	23	22	21	20	19	18	17	16	15	14	13	12	11	10	9	8	7	6	5	4	3	2	1	0
RESERVED				SLVOFS_LOGICAL																											

Bits	Field Name	Description	Type	Reset
31:28	RESERVED		R	0x0
27:0	SLVOFS_LOGICAL	Address generated by the Arm before being translated	R	0x0

**Table 5-72. Register Call Summary for Register
L3_DSPSS_INIT_OCP_MMU0_CTRL_TARG_OCP_FW_503000_LOGICAL_ADDR_ERRLOG_0**

DSP Subsystem Functional Description

- [DSP Public Firewall Settings: \[0\]](#)

DSP Subsystem Register Manual

- [DSP_FW_L2_NOC_CFG Register Summary: \[1\]](#)

Table 5-73. L3_DSPSS_INIT_OCP_MMU0_CTRL_TARG_OCP_FW_503000_REGUPDATE_CONTROL

Address Offset	0x0000 0040	Instance	DSP_FW_L2_NOC_CFG DSP1_FW_L2_NOC_CFG
Physical Address	0x01D0 3040 0x40D0 3040		
Description	Register update control register		
Type	RW		

31	30	29	28	27	26	25	24	23	22	21	20	19	18	17	16	15	14	13	12	11	10	9	8	7	6	5	4	3	2	1	0
RESERVED	RESERVED																FW_LOAD_REQ	FW_UPDATE_REQ													

Bits	Field Name	Description	Type	Reset
31	RESERVED		R	0x0
30:2	RESERVED	Reserved	R	0x0
1	FW_LOAD_REQ	HW set/SW clear	RW	0x1
0	FW_UPDATE_REQ	HW set/SW clear	RW	0x1

**Table 5-74. Register Call Summary for Register
L3_DSPSS_INIT_OCP_MMU0_CTRL_TARG_OCP_FW_503000_REGUPDATE_CONTROL**

DSP Subsystem Functional Description

- [DSP Public Firewall Settings: \[0\]](#)

DSP Subsystem Register Manual

- [DSP_FW_L2_NOC_CFG Register Summary: \[1\]](#)

**Table 5-75.
L3_DSPSS_INIT_OCP_MMU0_CTRL_TARG_OCP_FW_503000_MRM_PERMISSION_REGION_LOW_0**

Address Offset	0x0000 0088	Instance	DSP_FW_L2_NOC_CFG DSP1_FW_L2_NOC_CFG
Physical Address	0x01D0 3088 0x40D0 3088		
Description	MRM_PERMISSION_REGION_0_LOW register		
Type	RW		

31	30	29	28	27	26	25	24	23	22	21	20	19	18	17	16	15	14	13	12	11	10	9	8	7	6	5	4	3	2	1	0			
RESERVED																PUB_PRIV_DEBUG	PUB_USR_DEBUG	RESERVED			PUB_PRIV_READ	PUB_PRIV_WRITE	PUB_PRIV_EXE	PUB_USR_READ	PUB_USR_WRITE	PUB_USR_EXE	RESERVED							

Bits	Field Name	Description	Type	Reset
31:16	RESERVED		RW	0xFFFF
15	PUB_PRIV_DEBUG	Public Privilege Domain Debug Allowed	RW	0x1
14	PUB_USR_DEBUG	Public User Domain Debug Allowed	RW	0x1
13:12	RESERVED		R	0x3
11	PUB_PRIV_READ	Public Privilege Read Allowed	RW	0x1
10	PUB_PRIV_WRITE	Public Privilege Write Allowed	RW	0x1
9	PUB_PRIV_EXE	Public Privilege Exe Allowed	RW	0x1
8	PUB_USR_READ	Public User Read Access Allowed	RW	0x1
7	PUB_USR_WRITE	Public User Write Access Allowed	RW	0x1
6	PUB_USR_EXE	Public User Exe Access Allowed	RW	0x1
5:0	RESERVED		R	0x3F

**Table 5-76. Register Call Summary for Register
L3_DSPSS_INIT_OCP_MMU0_CTRL_TARG_OCP_FW_503000_MRM_PERMISSION_REGION_LOW_0**

DSP Subsystem Functional Description

- [DSP Public Firewall Settings: \[0\]](#)

DSP Subsystem Register Manual

- [DSP_FW_L2_NOC_CFG Register Summary: \[1\]](#)

**Table 5-77.
L3_DSPSS_INIT_OCP_MMU0_CTRL_TARG_OCP_FW_503000_MRM_PERMISSION_REGION_HIGH_0**

Address Offset	0x0000 008C	Instance	DSP_FW_L2_NOC_CFG DSP1_FW_L2_NOC_CFG
Physical Address	0x01D0 308C 0x40D0 308C		
Description	RM_PERMISSION_REGION_0_HIGH register		
Type	RW		

31	30	29	28	27	26	25	24	23	22	21	20	19	18	17	16	15	14	13	12	11	10	9	8	7	6	5	4	3	2	1	0
W15	R15	W14	R14	W13	R13	W12	R12	W11	R11	W10	R10	W9	R9	W8	R8	W7	R7	W6	R6	W5	R5	W4	R4	W3	R3	W2	R2	W1	R1	W0	R0

Bits	Field Name	Description	Type	Reset
31	W15	Initiator ID15 permission	RW	0x1
30	R15	Initiator ID15 permission	RW	0x1
29	W14	Initiator ID14 permission	RW	0x1
28	R14	Initiator ID14 permission	RW	0x1
27	W13	Initiator ID13 permission	RW	0x1
26	R13	Initiator ID13 permission	RW	0x1
25	W12	Initiator ID12 permission	RW	0x1

Bits	Field Name	Description	Type	Reset
24	R12	Initiator ID12 permission	RW	0x1
23	W11	Initiator ID11 permission	RW	0x1
22	R11	Initiator ID11 permission	RW	0x1
21	W10	Initiator ID10 permission	RW	0x1
20	R10	Initiator ID10 permission	RW	0x1
19	W9	Initiator ID9 permission	RW	0x1
18	R9	Initiator ID9 permission	RW	0x1
17	W8	Initiator ID8 permission	RW	0x1
16	R8	Initiator ID8 permission	RW	0x1
15	W7	Initiator ID7 permission	RW	0x1
14	R7	Initiator ID7 permission	RW	0x1
13	W6	Initiator ID6 permission	RW	0x1
12	R6	Initiator ID6 permission	RW	0x1
11	W5	Initiator ID5 permission	RW	0x1
10	R5	Initiator ID5 permission	RW	0x1
9	W4	Initiator ID4 permission	RW	0x1
8	R4	Initiator ID4 permission	RW	0x1
7	W3	Initiator ID3 permission	RW	0x1
6	R3	Initiator ID3 permission	RW	0x1
5	W2	Initiator ID2 permission	RW	0x1
4	R2	Initiator ID2 permission	RW	0x1
3	W1	Initiator ID1 permission	RW	0x1
2	R1	Initiator ID1 permission	RW	0x1
1	W0	Initiator ID0 permission	RW	0x1
0	R0	Initiator ID0 permission	RW	0x1

**Table 5-78. Register Call Summary for Register
L3_DSPSS_INIT_OCP_MMU0_CTRL_TARG_OCP_FW_503000_MRM_PERMISSION_REGION_HIGH_0**

DSP Subsystem Functional Description

- [DSP Public Firewall Settings: \[0\]](#)

DSP Subsystem Register Manual

- [DSP_FW_L2_NOC_CFG Register Summary: \[1\]](#)

Table 5-79. L3_DSPSS_INIT_OCP_MMU0_CTRL_TARG_OCP_FW_503000_START_REGION_1

Address Offset	0x0000 0090	Instance	DSP_FW_L2_NOC_CFG DSP1_FW_L2_NOC_CFG
Physical Address	0x01D0 3090 0x40D0 3090		
Description	Start physical address of region 1		
Type	RW		

31	30	29	28	27	26	25	24	23	22	21	20	19	18	17	16	15	14	13	12	11	10	9	8	7	6	5	4	3	2	1	0
RESERVED																START_REGION_1															

Bits	Field Name	Description	Type	Reset
31:4	RESERVED		R	0x0
3:0	START_REGION_1	Physical target start address of firewall region 1	RW	0x0

Table 5-80. Register Call Summary for Register L3_DSPSS_INIT_OCP_MMU0_CTRL_TARG_OCP_FW_503000_START_REGION_1

DSP Subsystem Register Manual

- [DSP_FW_L2_NOC_CFG Register Summary: \[0\]](#)

Table 5-81. L3_DSPSS_INIT_OCP_MMU0_CTRL_TARG_OCP_FW_503000_END_REGION_1

Address Offset	0x0000 0094	Instance	DSP_FW_L2_NOC_CFG DSP1_FW_L2_NOC_CFG
Physical Address	0x01D0 3094 0x40D0 3094		
Description	End physical address of region 1		
Type	RW		

31	30	29	28	27	26	25	24	23	22	21	20	19	18	17	16	15	14	13	12	11	10	9	8	7	6	5	4	3	2	1	0
END_REGION_1_ENABLE	RESERVED																END_REGION_1														

Bits	Field Name	Description	Type	Reset
31	END_REGION_1_ENABLE	End Region 1 enable	RW	0x0
30:4	RESERVED		R	0x0
3:0	END_REGION_1	Physical target end address of firewall region 1	RW	0x0

Table 5-82. Register Call Summary for Register L3_DSPSS_INIT_OCP_MMU0_CTRL_TARG_OCP_FW_503000_END_REGION_1

DSP Subsystem Register Manual

- [DSP_FW_L2_NOC_CFG Register Summary: \[0\]](#)

Table 5-83. L3_DSPSS_INIT_OCP_MMU0_CTRL_TARG_OCP_FW_503000_MRM_PERMISSION_REGION_LOW_1

Address Offset	0x0000 0098	Instance	DSP_FW_L2_NOC_CFG DSP1_FW_L2_NOC_CFG
Physical Address	0x01D0 3098 0x40D0 3098		
Description	RM_PERMISSION_REGION_1_LOW register		
Type	RW		

31	30	29	28	27	26	25	24	23	22	21	20	19	18	17	16	15	14	13	12	11	10	9	8	7	6	5	4	3	2	1	0		
RESERVED																PUB_PRIV_DEBUG	PUB_USR_DEBUG	RESERVED			PUB_PRIV_READ	PUB_PRIV_WRITE	PUB_PRIV_EXE	PUB_USR_READ	PUB_USR_WRITE	PUB_USR_EXE	RESERVED						

Bits	Field Name	Description	Type	Reset
31:16	RESERVED		RW	0xFFFF
15	PUB_PRIV_DEBUG	Public Privilege Domain Debug Allowed	RW	0x1
14	PUB_USR_DEBUG	Public User Domain Debug Allowed	RW	0x1
13:12	RESERVED		R	0x3
11	PUB_PRIV_READ	Public Privilege Read Allowed	RW	0x1
10	PUB_PRIV_WRITE	Public Privilege Write Allowed	RW	0x1
9	PUB_PRIV_EXE	Public Privilege Exe Allowed	RW	0x1
8	PUB_USR_READ	Public User Read Access Allowed	RW	0x1
7	PUB_USR_WRITE	Public User Write Access Allowed	RW	0x1
6	PUB_USR_EXE	Public User Exe Access Allowed	RW	0x1
5:0	RESERVED		R	0x3F

**Table 5-84. Register Call Summary for Register
L3_DSPSS_INIT_OCP_MMU0_CTRL_TARG_OCP_FW_503000_MRM_PERMISSION_REGION_LOW_1**

DSP Subsystem Register Manual

- [DSP_FW_L2_NOC_CFG Register Summary: \[0\]](#)

**Table 5-85.
L3_DSPSS_INIT_OCP_MMU0_CTRL_TARG_OCP_FW_503000_MRM_PERMISSION_REGION_HIGH_1**

Address Offset	0x0000 009C	Instance	DSP_FW_L2_NOC_CFG DSP1_FW_L2_NOC_CFG
Physical Address	0x01D0 309C 0x40D0 309C		
Description	RM_PERMISSION_REGION_1_HIGH register		
Type	RW		

31	30	29	28	27	26	25	24	23	22	21	20	19	18	17	16	15	14	13	12	11	10	9	8	7	6	5	4	3	2	1	0
W15	R15	W14	R14	W13	R13	W12	R12	W11	R11	W10	R10	W9	R9	W8	R8	W7	R7	W6	R6	W5	R5	W4	R4	W3	R3	W2	R2	W1	R1	W0	R0

Bits	Field Name	Description	Type	Reset
31	W15	Initiator ID15 permission	RW	0x1
30	R15	Initiator ID15 permission	RW	0x1
29	W14	Initiator ID14 permission	RW	0x1
28	R14	Initiator ID14 permission	RW	0x1
27	W13	Initiator ID13 permission	RW	0x1
26	R13	Initiator ID13 permission	RW	0x1
25	W12	Initiator ID12 permission	RW	0x1
24	R12	Initiator ID12 permission	RW	0x1
23	W11	Initiator ID11 permission	RW	0x1

Bits	Field Name	Description	Type	Reset
22	R11	Initiator ID11 permission	RW	0x1
21	W10	Initiator ID10 permission	RW	0x1
20	R10	Initiator ID10 permission	RW	0x1
19	W9	Initiator ID9 permission	RW	0x1
18	R9	Initiator ID9 permission	RW	0x1
17	W8	Initiator ID8 permission	RW	0x1
16	R8	Initiator ID8 permission	RW	0x1
15	W7	Initiator ID7 permission	RW	0x1
14	R7	Initiator ID7 permission	RW	0x1
13	W6	Initiator ID6 permission	RW	0x1
12	R6	Initiator ID6 permission	RW	0x1
11	W5	Initiator ID5 permission	RW	0x1
10	R5	Initiator ID5 permission	RW	0x1
9	W4	Initiator ID4 permission	RW	0x1
8	R4	Initiator ID4 permission	RW	0x1
7	W3	Initiator ID3 permission	RW	0x1
6	R3	Initiator ID3 permission	RW	0x1
5	W2	Initiator ID2 permission	RW	0x1
4	R2	Initiator ID2 permission	RW	0x1
3	W1	Initiator ID1 permission	RW	0x1
2	R1	Initiator ID1 permission	RW	0x1
1	W0	Initiator ID0 permission	RW	0x1
0	R0	Initiator ID0 permission	RW	0x1

**Table 5-86. Register Call Summary for Register
L3_DSPSS_INIT_OCP_MMU0_CTRL_TARG_OCP_FW_503000_MRM_PERMISSION_REGION_HIGH_1**

DSP Subsystem Register Manual

- [DSP_FW_L2_NOC_CFG Register Summary: \[0\]](#)

Table 5-87. L3_DSPSS_INIT_OCP_MMU1_CTRL_TARG_OCP_FW_504000_ERROR_LOG_0

Address Offset	0x0000 1000	Instance	DSP_FW_L2_NOC_CFG DSP1_FW_L2_NOC_CFG
Physical Address	0x01D0 4000 0x40D0 4000		
Description	Core 0 Error log register		
Type	RW		

31	30	29	28	27	26	25	24	23	22	21	20	19	18	17	16	15	14	13	12	11	10	9	8	7	6	5	4	3	2	1	0
RESERVED				BLK_BURST_VIOLATION	RESERVED	REGION_START_ERRLOG				REGION_END_ERRLOG				REQINFO_ERRLOG																	

Bits	Field Name	Description	Type	Reset
31:28	RESERVED		R	0x0
27	BLK_BURST_VIOLATION	2D burst not allowed or exceeding allowed size	RW	0x0
26	RESERVED		R	0x0
25:21	REGION_START_ERRLOG	Wrong access hit this region number	RW	0x0
20:16	REGION_END_ERRLOG	Wrong access hit this region number	RW	0x0
15:0	REQINFO_ERRLOG	Error in reqinfo vector	RW	0x0

**Table 5-88. Register Call Summary for Register
L3_DSPSS_INIT_OCP_MMU1_CTRL_TARG_OCP_FW_504000_ERROR_LOG_0**

DSP Subsystem Register Manual

- [DSP_FW_L2_NOC_CFG Register Summary: \[0\]](#)

Table 5-89. L3_DSPSS_INIT_OCP_MMU1_CTRL_TARG_OCP_FW_504000_LOGICAL_ADDR_ERRLOG_0

Address Offset	0x0000 1004	Instance	DSP_FW_L2_NOC_CFG DSP1_FW_L2_NOC_CFG
Physical Address	0x01D0 4004 0x40D0 4004		
Description	Core 0 Logical Physical Address Error log register		
Type	R		

31	30	29	28	27	26	25	24	23	22	21	20	19	18	17	16	15	14	13	12	11	10	9	8	7	6	5	4	3	2	1	0
RESERVED								SLVOFS_LOGICAL																							

Bits	Field Name	Description	Type	Reset
31:28	RESERVED		R	0x0
27:0	SLVOFS_LOGICAL	Address generated by the Arm before being translated	R	0x0

**Table 5-90. Register Call Summary for Register
L3_DSPSS_INIT_OCP_MMU1_CTRL_TARG_OCP_FW_504000_LOGICAL_ADDR_ERRLOG_0**

DSP Subsystem Register Manual

- [DSP_FW_L2_NOC_CFG Register Summary: \[0\]](#)

Table 5-91. L3_DSPSS_INIT_OCP_MMU1_CTRL_TARG_OCP_FW_504000_REGUPDATE_CONTROL

Address Offset	0x0000 1040	Instance	DSP_FW_L2_NOC_CFG DSP1_FW_L2_NOC_CFG
Physical Address	0x01D0 4040 0x40D0 4040		
Description	Register update control register		
Type	RW		

31	30	29	28	27	26	25	24	23	22	21	20	19	18	17	16	15	14	13	12	11	10	9	8	7	6	5	4	3	2	1	0
RESERVED	RESERVED																FW_LOAD_REQ	FW_UPDATE_REQ													

Bits	Field Name	Description	Type	Reset
31	RESERVED		R	0x0
30:2	RESERVED	Reserved	R	0x0
1	FW_LOAD_REQ	HW set/SW clear	RW	0x1
0	FW_UPDATE_REQ	HW set/SW clear	RW	0x1

**Table 5-92. Register Call Summary for Register
L3_DSPSS_INIT_OCP_MMU1_CTRL_TARG_OCP_FW_504000_REGUPDATE_CONTROL**

DSP Subsystem Register Manual

- [DSP_FW_L2_NOC_CFG Register Summary: \[0\]](#)

**Table 5-93.
L3_DSPSS_INIT_OCP_MMU1_CTRL_TARG_OCP_FW_504000_MRM_PERMISSION_REGION_LOW_0**

Address Offset	0x0000 1088	Instance	DSP_FW_L2_NOC_CFG DSP1_FW_L2_NOC_CFG
Physical Address	0x01D0 4088 0x40D0 4088		
Description	RM_PERMISSION_REGION_0_LOW register		
Type	RW		

31	30	29	28	27	26	25	24	23	22	21	20	19	18	17	16	15	14	13	12	11	10	9	8	7	6	5	4	3	2	1	0
RESERVED																PUB_PRV_DEBUG	PUB_USR_DEBUG	RESERVED	PUB_PRV_READ	PUB_PRV_WRITE	PUB_PRV_EXE	PUB_USR_READ	PUB_USR_WRITE	PUB_USR_EXE	RESERVED						

Bits	Field Name	Description	Type	Reset
31:16	RESERVED		RW	0xFFFF
15	PUB_PRV_DEBUG	Public Privilege Domain Debug Allowed	RW	0x1
14	PUB_USR_DEBUG	Public User Domain Debug Allowed	RW	0x1
13:12	RESERVED		R	0x3
11	PUB_PRV_READ	Public Privilege Read Allowed	RW	0x1
10	PUB_PRV_WRITE	Public Privilege Write Allowed	RW	0x1
9	PUB_PRV_EXE	Public Privilege Exe Allowed	RW	0x1
8	PUB_USR_READ	Public User Read Access Allowed	RW	0x1
7	PUB_USR_WRITE	Public User Write Access Allowed	RW	0x1
6	PUB_USR_EXE	Public User Exe Access Allowed	RW	0x1
5:0	RESERVED		R	0x3F

**Table 5-94. Register Call Summary for Register
L3_DSPSS_INIT_OCP_MMU1_CTRL_TARG_OCP_FW_504000_MRM_PERMISSION_REGION_LOW_0**

DSP Subsystem Functional Description

- [DSP Public Firewall Settings: \[0\]](#)

DSP Subsystem Register Manual

- [DSP_FW_L2_NOC_CFG Register Summary: \[1\]](#)

Table 5-95.
L3_DSPSS_INIT_OCP_MMU1_CTRL_TARG_OCP_FW_504000_MRM_PERMISSION_REGION_HIGH_0

Address Offset	0x0000 108C	Instance	DSP_FW_L2_NOC_CFG DSP1_FW_L2_NOC_CFG
Physical Address	0x01D0 408C 0x40D0 408C		
Description	RM_PERMISSION_REGION_0_HIGH register		
Type	RW		

31	30	29	28	27	26	25	24	23	22	21	20	19	18	17	16	15	14	13	12	11	10	9	8	7	6	5	4	3	2	1	0
W15	R15	W14	R14	W13	R13	W12	R12	W11	R11	W10	R10	W9	R9	W8	R8	W7	R7	W6	R6	W5	R5	W4	R4	W3	R3	W2	R2	W1	R1	W0	R0

Bits	Field Name	Description	Type	Reset
31	W15	Initiator ID15 permission	RW	0x1
30	R15	Initiator ID15 permission	RW	0x1
29	W14	Initiator ID14 permission	RW	0x1
28	R14	Initiator ID14 permission	RW	0x1
27	W13	Initiator ID13 permission	RW	0x1
26	R13	Initiator ID13 permission	RW	0x1
25	W12	Initiator ID12 permission	RW	0x1
24	R12	Initiator ID12 permission	RW	0x1
23	W11	Initiator ID11 permission	RW	0x1
22	R11	Initiator ID11 permission	RW	0x1
21	W10	Initiator ID10 permission	RW	0x1
20	R10	Initiator ID10 permission	RW	0x1
19	W9	Initiator ID9 permission	RW	0x1
18	R9	Initiator ID9 permission	RW	0x1
17	W8	Initiator ID8 permission	RW	0x1
16	R8	Initiator ID8 permission	RW	0x1
15	W7	Initiator ID7 permission	RW	0x1
14	R7	Initiator ID7 permission	RW	0x1
13	W6	Initiator ID6 permission	RW	0x1
12	R6	Initiator ID6 permission	RW	0x1
11	W5	Initiator ID5 permission	RW	0x1
10	R5	Initiator ID5 permission	RW	0x1
9	W4	Initiator ID4 permission	RW	0x1
8	R4	Initiator ID4 permission	RW	0x1
7	W3	Initiator ID3 permission	RW	0x1
6	R3	Initiator ID3 permission	RW	0x1
5	W2	Initiator ID2 permission	RW	0x1
4	R2	Initiator ID2 permission	RW	0x1
3	W1	Initiator ID1 permission	RW	0x1
2	R1	Initiator ID1 permission	RW	0x1
1	W0	Initiator ID0 permission	RW	0x1
0	R0	Initiator ID0 permission	RW	0x1

**Table 5-96. Register Call Summary for Register
L3_DSPSS_INIT_OCP_MMU1_CTRL_TARG_OCP_FW_504000_MRM_PERMISSION_REGION_HIGH_0**

DSP Subsystem Functional Description

- [DSP Public Firewall Settings: \[0\]](#)

DSP Subsystem Register Manual

- [DSP_FW_L2_NOC_CFG Register Summary: \[1\]](#)

Table 5-97. DSPNOC_FLAGMUX_ID_COREID

Address Offset	0x0000 4000	Instance	DSP_FW_L2_NOC_CFG DSP1_FW_L2_NOC_CFG
Physical Address	0x01D0 7000 0x40D0 7000		
Description			
Type	R		

31	30	29	28	27	26	25	24	23	22	21	20	19	18	17	16	15	14	13	12	11	10	9	8	7	6	5	4	3	2	1	0
CORECHECKSUM																CORETYPEID															

Bits	Field Name	Description	Type	Reset
31:8	CORECHECKSUM	Field containing a checksum of the parameters of the IP.	R	0xff71d7
7:0	CORETYPEID	Field identifying the type of IP.	R	0xb

Table 5-98. Register Call Summary for Register DSPNOC_FLAGMUX_ID_COREID

DSP Subsystem Register Manual

- [DSP_FW_L2_NOC_CFG Register Summary: \[0\]](#)

Table 5-99. DSPNOC_FLAGMUX_ID_REVISIONID

Address Offset	0x0000 4004	Instance	DSP_FW_L2_NOC_CFG DSP1_FW_L2_NOC_CFG
Physical Address	0x01D0 7004 0x40D0 7004		
Description			
Type	R		

31	30	29	28	27	26	25	24	23	22	21	20	19	18	17	16	15	14	13	12	11	10	9	8	7	6	5	4	3	2	1	0
REVISION																															

Bits	Field Name	Description	Type	Reset
31:0	REVISION	IP Revision.	R	0x ⁽¹⁾

⁽¹⁾ TI internal data

Table 5-100. Register Call Summary for Register DSPNOC_FLAGMUX_ID_REVISIONID

DSP Subsystem Register Manual

- [DSP_FW_L2_NOC_CFG Register Summary: \[0\]](#)

Table 5-101. DSPNOC_FLAGMUX_FAULTEN

Address Offset	0x0000 4008	Instance	DSP_FW_L2_NOC_CFG DSP1_FW_L2_NOC_CFG
Physical Address	0x01D0 7008 0x40D0 7008		

Table 5-101. DSPNOC_FLAGMUX_FAULTEN (continued)

Description	
Type	RW

31	30	29	28	27	26	25	24	23	22	21	20	19	18	17	16	15	14	13	12	11	10	9	8	7	6	5	4	3	2	1	0
RESERVED																FAULTEN															

Bits	Field Name	Description	Type	Reset
31:1	RESERVED		R	0x0
0	FAULTEN	Global Fault Enable register	RW	0x1

Table 5-102. Register Call Summary for Register DSPNOC_FLAGMUX_FAULTEN

DSP Subsystem Register Manual

- [DSP_FW_L2_NOC_CFG Register Summary: \[0\]](#)

Table 5-103. DSPNOC_FLAGMUX_FAULTSTATUS

Address Offset	0x0000 400C	Instance	DSP_FW_L2_NOC_CFG DSP1_FW_L2_NOC_CFG
Physical Address	0x01D0 700C 0x40D0 700C		
Description			
Type	R		

31	30	29	28	27	26	25	24	23	22	21	20	19	18	17	16	15	14	13	12	11	10	9	8	7	6	5	4	3	2	1	0
RESERVED																FAULTSTATUS															

Bits	Field Name	Description	Type	Reset
31:1	RESERVED		R	0x0
0	FAULTSTATUS	Global Fault Status register	R	0x0

Table 5-104. Register Call Summary for Register DSPNOC_FLAGMUX_FAULTSTATUS

DSP Subsystem Register Manual

- [DSP_FW_L2_NOC_CFG Register Summary: \[0\]](#)

Table 5-105. DSPNOC_FLAGMUX_FLAGINEN0

Address Offset	0x0000 4010	Instance	DSP_FW_L2_NOC_CFG DSP1_FW_L2_NOC_CFG
Physical Address	0x01D0 7010 0x40D0 7010		
Description			
Type	RW		

31	30	29	28	27	26	25	24	23	22	21	20	19	18	17	16	15	14	13	12	11	10	9	8	7	6	5	4	3	2	1	0
RESERVED																												FLAGINEN0			

Bits	Field Name	Description	Type	Reset
31:1	RESERVED		R	0x0
0	FLAGINEN0	FlagIn Enable register #0	RW	0x1

Table 5-106. Register Call Summary for Register DSPNOC_FLAGMUX_FLAGINEN0

DSP Subsystem Register Manual

- [DSP_FW_L2_NOC_CFG Register Summary: \[0\]](#)

Table 5-107. DSPNOC_FLAGMUX_FLAGINSTAUS0

Address Offset	0x0000 4014	Instance	DSP_FW_L2_NOC_CFG DSP1_FW_L2_NOC_CFG
Physical Address	0x01D0 7014 0x40D0 7014		
Description			
Type	R		

31	30	29	28	27	26	25	24	23	22	21	20	19	18	17	16	15	14	13	12	11	10	9	8	7	6	5	4	3	2	1	0
RESERVED																												FLAGINSTAUS0			

Bits	Field Name	Description	Type	Reset
31:1	RESERVED		R	0x0
0	FLAGINSTAUS0	FlagIn Status register #0	R	0x0

Table 5-108. Register Call Summary for Register DSPNOC_FLAGMUX_FLAGINSTAUS0

DSP Subsystem Register Manual

- [DSP_FW_L2_NOC_CFG Register Summary: \[0\]](#)

Table 5-109. DSPNOC_ERRORLOG_ID_COREID

Address Offset	0x0000 4200	Instance	DSP_FW_L2_NOC_CFG DSP1_FW_L2_NOC_CFG
Physical Address	0x01D0 7200 0x40D0 7200		
Description			
Type	R		

31	30	29	28	27	26	25	24	23	22	21	20	19	18	17	16	15	14	13	12	11	10	9	8	7	6	5	4	3	2	1	0
CORECHECKSUM														CORETYPEID																	

Bits	Field Name	Description	Type	Reset
31:8	CORECHECKSUM	Field containing a checksum of the parameters of the IP.	R	0xaf434
7:0	CORETYPEID	Field identifying the type of IP.	R	0xd

Table 5-110. Register Call Summary for Register DSPNOC_ERRORLOG_ID_COREID

DSP Subsystem Register Manual

- [DSP_FW_L2_NOC_CFG Register Summary: \[0\]](#)

Table 5-111. DSPNOC_ERRORLOG_ID_REVISIONID

Address Offset	0x0000 4204		
Physical Address	0x01D0 7204 0x40D0 7204	Instance	DSP_FW_L2_NOC_CFG DSP1_FW_L2_NOC_CFG
Description			
Type	R		

31	30	29	28	27	26	25	24	23	22	21	20	19	18	17	16	15	14	13	12	11	10	9	8	7	6	5	4	3	2	1	0
REVISION																															

Bits	Field Name	Description	Type	Reset
31:0	REVISION	IP Revision.	R	0x- ⁽¹⁾

⁽¹⁾ TI Internal data

Table 5-112. Register Call Summary for Register DSPNOC_ERRORLOG_ID_REVISIONID

DSP Subsystem Register Manual

- [DSP_FW_L2_NOC_CFG Register Summary: \[0\]](#)

Table 5-113. DSPNOC_ERRORLOG_FAULTEN

Address Offset	0x0000 4208		
Physical Address	0x01D0 7208 0x40D0 7208	Instance	DSP_FW_L2_NOC_CFG DSP1_FW_L2_NOC_CFG
Description			
Type	RW		

31	30	29	28	27	26	25	24	23	22	21	20	19	18	17	16	15	14	13	12	11	10	9	8	7	6	5	4	3	2	1	0
RESERVED																															FAULTEN

Bits	Field Name	Description	Type	Reset
31:1	RESERVED		R	0x0
0	FAULTEN	Enable Fault output	RW	0x1

Table 5-114. Register Call Summary for Register DSPNOC_ERRORLOG_FAULTEN

DSP Subsystem Register Manual

- [DSP_FW_L2_NOC_CFG Register Summary: \[0\]](#)

Table 5-115. DSPNOC_ERRORLOG_ERRVLD

Address Offset	0x0000 420C	Instance	DSP_FW_L2_NOC_CFG DSP1_FW_L2_NOC_CFG
Physical Address	0x01D0 720C 0x40D0 720C		
Description			
Type	R		

31	30	29	28	27	26	25	24	23	22	21	20	19	18	17	16	15	14	13	12	11	10	9	8	7	6	5	4	3	2	1	0
RESERVED																															ERRVLD

Bits	Field Name	Description	Type	Reset
31:1	RESERVED		R	0x0
0	ERRVLD	Error logged Valid	R	0x0

Table 5-116. Register Call Summary for Register DSPNOC_ERRORLOG_ERRVLD

DSP Subsystem Register Manual

- [DSP_FW_L2_NOC_CFG Register Summary: \[0\]](#)

Table 5-117. DSPNOC_ERRORLOG_ERRCLR

Address Offset	0x0000 4210	Instance	DSP_FW_L2_NOC_CFG DSP1_FW_L2_NOC_CFG
Physical Address	0x01D0 7210 0x40D0 7210		
Description			
Type	RW		

31	30	29	28	27	26	25	24	23	22	21	20	19	18	17	16	15	14	13	12	11	10	9	8	7	6	5	4	3	2	1	0
RESERVED																															ERRCLR

Bits	Field Name	Description	Type	Reset
31:1	RESERVED		R	0x0
0	ERRCLR	Clr ErrVld status	RW	0x0

Table 5-118. Register Call Summary for Register DSPNOC_ERRORLOG_ERRCLR

DSP Subsystem Register Manual

- [DSP_FW_L2_NOC_CFG Register Summary: \[0\]](#)

Table 5-119. DSPNOC_ERRORLOG_ERRLOG0

Address Offset	0x0000 4214	Instance	DSP_FW_L2_NOC_CFG DSP1_FW_L2_NOC_CFG
Physical Address	0x01D0 7214 0x40D0 7214		
Description	Header: Lock, Opcode, Len1, ErrCode values		
Type	R		

31	30	29	28	27	26	25	24	23	22	21	20	19	18	17	16	15	14	13	12	11	10	9	8	7	6	5	4	3	2	1	0
FORMAT	RESERVED			LEN1												RESERVED				ERRCODE	RESERVED			OPC				LOCK			

Bits	Field Name	Description	Type	Reset
31	FORMAT	Format of ErrLog0 register	R	0x1
30:28	RESERVED		R	0x0
27:16	LEN1	Header: Len1 value	R	0x0
15:11	RESERVED		R	0x0
10:8	ERRCODE	Header: Error Code value	R	0x0
7:5	RESERVED		R	0x0
4:1	OPC	Header: Opcode value	R	0x0
0	LOCK	Header: Lock bit value	R	0x0

Table 5-120. Register Call Summary for Register DSPNOC_ERRORLOG_ERRLOG0

DSP Subsystem Register Manual

- [DSP_FW_L2_NOC_CFG Register Summary: \[0\]](#)

Table 5-121. DSPNOC_ERRORLOG_ERRLOG1

Address Offset	0x0000 4218	Instance	DSP_FW_L2_NOC_CFG DSP1_FW_L2_NOC_CFG
Physical Address	0x01D0 7218 0x40D0 7218		
Description			
Type	R		

31	30	29	28	27	26	25	24	23	22	21	20	19	18	17	16	15	14	13	12	11	10	9	8	7	6	5	4	3	2	1	0
RESERVED															ERRLOG1																

Bits	Field Name	Description	Type	Reset
31:15	RESERVED		R	0x0
14:0	ERRLOG1	Header: Routeld lsb value	R	0x0

Table 5-122. Register Call Summary for Register DSPNOC_ERRORLOG_ERRLOG1

DSP Subsystem Register Manual

- [DSP_FW_L2_NOC_CFG Register Summary: \[0\]](#)

Table 5-123. DSPNOC_ERRORLOG_ERRLOG3

Address Offset	0x0000 4220	Instance	DSP_FW_L2_NOC_CFG DSP1_FW_L2_NOC_CFG
Physical Address	0x01D0 7220 0x40D0 7220		
Description			
Type	R		

31	30	29	28	27	26	25	24	23	22	21	20	19	18	17	16	15	14	13	12	11	10	9	8	7	6	5	4	3	2	1	0
RESERVED								ERRLOG3																							

Bits	Field Name	Description	Type	Reset
31	RESERVED		R	0x0
30:0	ERRLOG3	Header: Addr lsb value	R	0x0

Table 5-124. Register Call Summary for Register DSPNOC_ERRORLOG_ERRLOG3

DSP Subsystem Register Manual

- [DSP_FW_L2_NOC_CFG Register Summary: \[0\]](#)

Table 5-125. DSPNOC_ERRORLOG_ERRLOG5

Address Offset	0x0000 4228	Instance	DSP_FW_L2_NOC_CFG DSP1_FW_L2_NOC_CFG
Physical Address	0x01D0 7228 0x40D0 7228		
Description			
Type	R		

31	30	29	28	27	26	25	24	23	22	21	20	19	18	17	16	15	14	13	12	11	10	9	8	7	6	5	4	3	2	1	0
RESERVED								ERRLOG5																							

Bits	Field Name	Description	Type	Reset
31:22	RESERVED		R	0x0
21:0	ERRLOG5	Header: User lsb value	R	0x0

Table 5-126. Register Call Summary for Register DSPNOC_ERRORLOG_ERRLOG5

DSP Subsystem Register Manual

- [DSP_FW_L2_NOC_CFG Register Summary: \[0\]](#)

IVA Subsystem

NOTE: The IVA-HD subsystem is a set of video encoder and decoder hardware accelerators. The list of supported codecs can be found in the software development kit (SDK) documentation.

The IVA-HD subsystem availability is device part number dependent. Refer to device *Data Manual*, for more information.

Dual Cortex-M4 IPU Subsystem

This chapter describes the dual Cortex-M4 image processor unit (IPU) subsystem.

Topic	Page
7.1 Dual Cortex-M4 IPU Subsystem Overview	1725
7.2 Dual Cortex-M4 IPU Subsystem Integration.....	1728
7.3 Dual Cortex-M4 IPU Subsystem Functional Description.....	1733
7.4 Dual Cortex-M4 IPU Subsystem Register Manual	1746

7.1 Dual Cortex-M4 IPU Subsystem Overview

7.1.1 Introduction

The device instantiates two dual Cortex®-M4 image processor unit (IPU) subsystems available for general purpose usage.

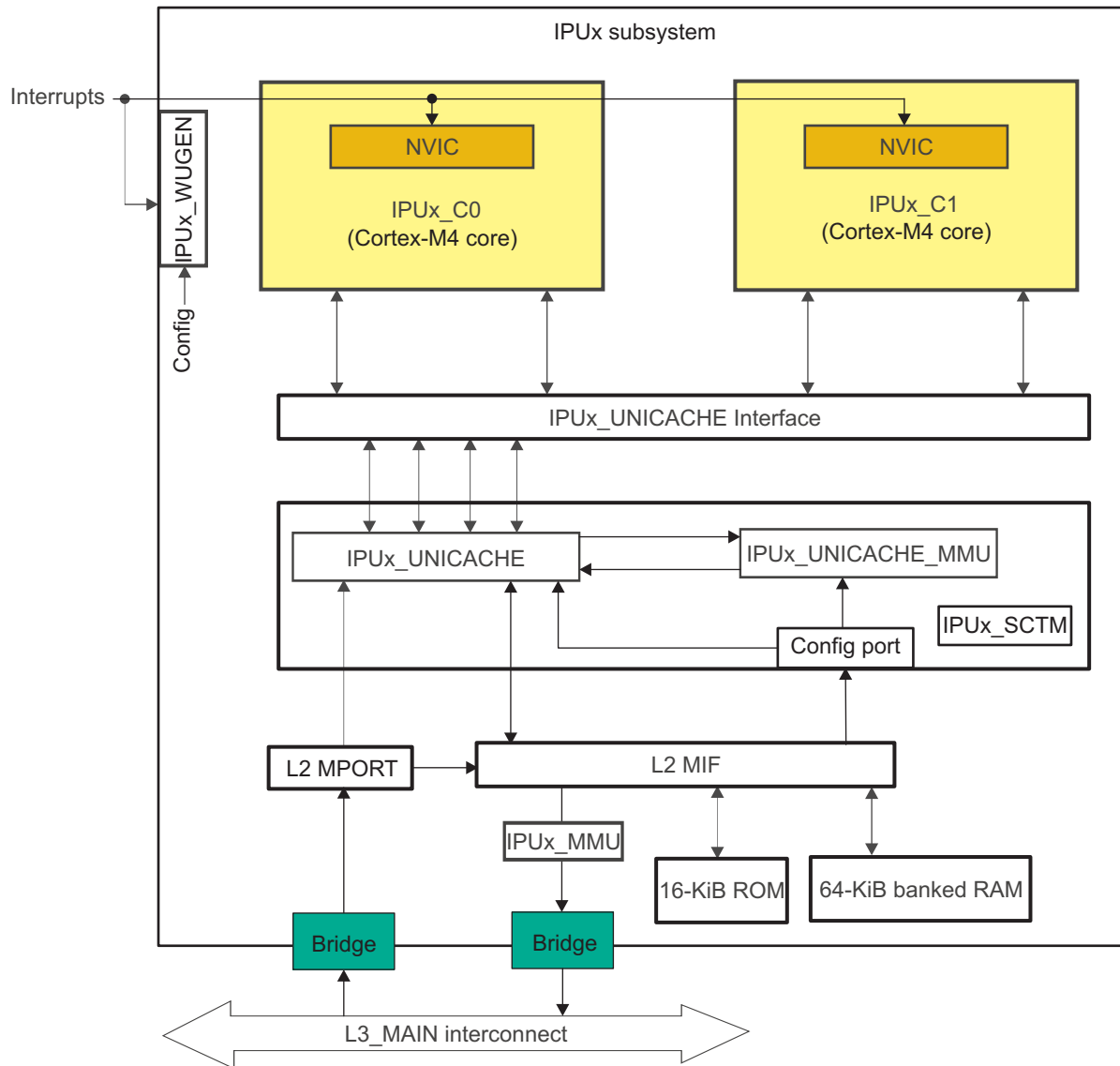
NOTE: The two IPU subsystems are identical from functional point of view. Thus, a unified name **IPUx** shall be used throughout the chapter for simplification.

Each IPU subsystem contains two Arm® Cortex-M4 processors (IPUx_C0 and IPUx_C1) that share a common level 1 (L1) cache (called unicache [IPUx_UNICACHE]). The two Cortex-M4 cores are completely homogeneous to one another. Any task possible using one Cortex-M4 core is also possible using the other Cortex-M4 core. It is software responsibility to distribute the various tasks between each Cortex-M4 core for optimal performance.

The integrated interrupt handling of the IPUx subsystem allows it to function as an efficient control unit.

[Figure 7-1](#) is a high-level block diagram of the IPUx subsystem.

Figure 7-1. IPUx Subsystem Overview



7.1.2 Features

Each IPU subsystem integrates the following:

- Two Arm Cortex-M4 microprocessors (IPUx_C0 and IPUx_C1):
 - Armv7-M and Thumb®-2 instruction set architecture (ISA)
 - Armv6 SIMD and digital signal processor (DSP) extensions
 - Single-cycle MAC
 - Integrated nested vector interrupt controller (NVIC) (also called IPUx_Cx_INTC, where x = 0, 1)
 - Integrated bus matrix
 - Registers:
 - Thirteen general-purpose 32-bit registers
 - Link register (LR)
 - Program counter (PC)
 - Program status register, xPSR
 - Two banked SP registers
 - Integrated power management
 - Extensive debug capabilities
- Unicache interface:
 - Instruction and data interface
 - Supports paralleled accesses
- Level 2 (L2) master interface (MIF) splitter for access to memory or configuration port
- Configuration port: Used for unicache maintenance and unicache memory management unit (IPUx_UNICACHE_MMU) configuration
- Unicache:
 - 32 KiB divided into 16 banks
 - 4-way
 - Cache configuration lock/freeze/preload
 - Internal MMU:
 - 16-entry region-based address translation
 - Read/write control and access type control
 - Execute Never (XN) MMU protection policy
 - Little-endian format
- Subsystem counter timer module (IPUx_UNICACHE_SCTM, or just SCTM)
- On-chip ROM (IPUx_ROM) and banked RAM (IPUx_RAM) memory
- Emulation/debug: Emulation feature embedded in Cortex-M4
- L2 MMU (IPUx_MMU): 32 entries with table walking logic
- Wake-up generator (IPUx_WUGEN): Generates wake-up request from external interrupts
- Power management:
 - Local power-management control: Configurable through the IPUx_WUGEN registers.
 - Three sleep modes supported, controlled by the local power-management module.
 - IPUx is clock-gated in all sleep modes.
 - IPUx_Cx_INTC interrupt interface stays awake.

7.2 Dual Cortex-M4 IPU Subsystem Integration

Figure 7-2 and Figure 7-3 show the integration of IPU1 and IPU2 in the device.

Figure 7-2. IPU1 Subsystem Integration

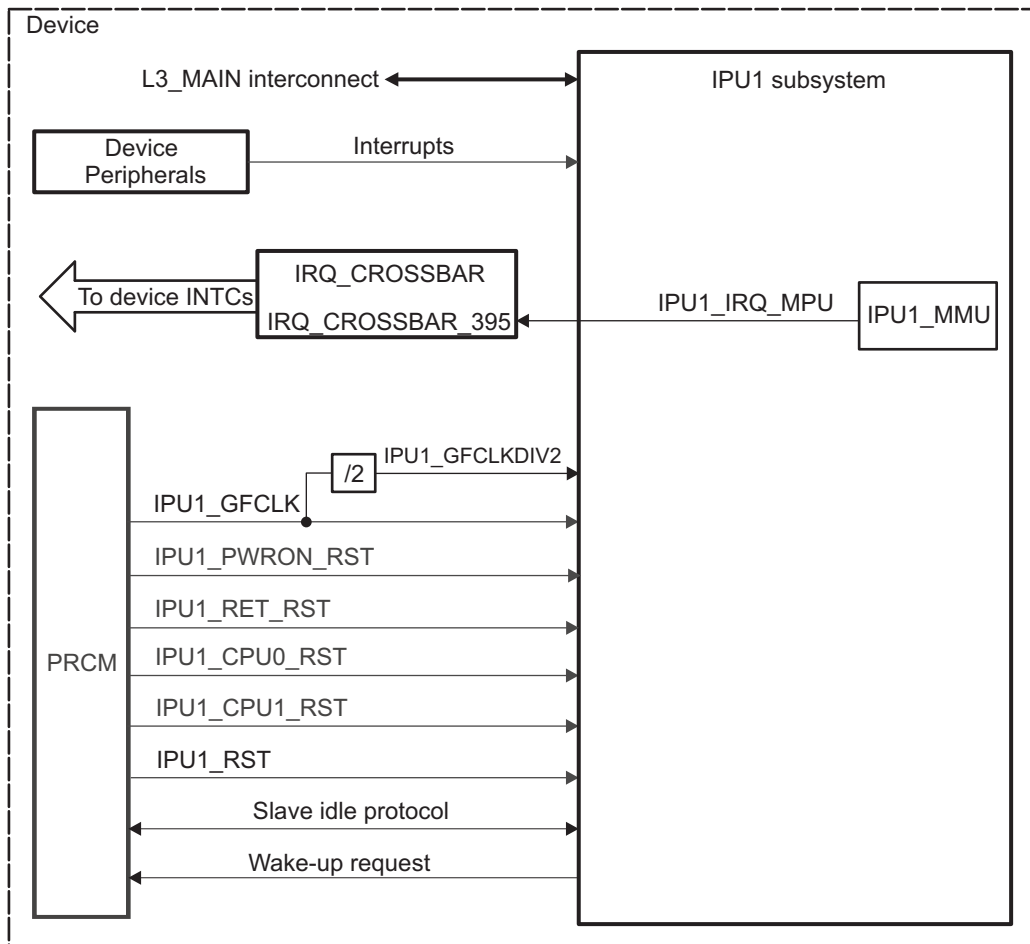


Figure 7-3. IPU2 Subsystem Integration

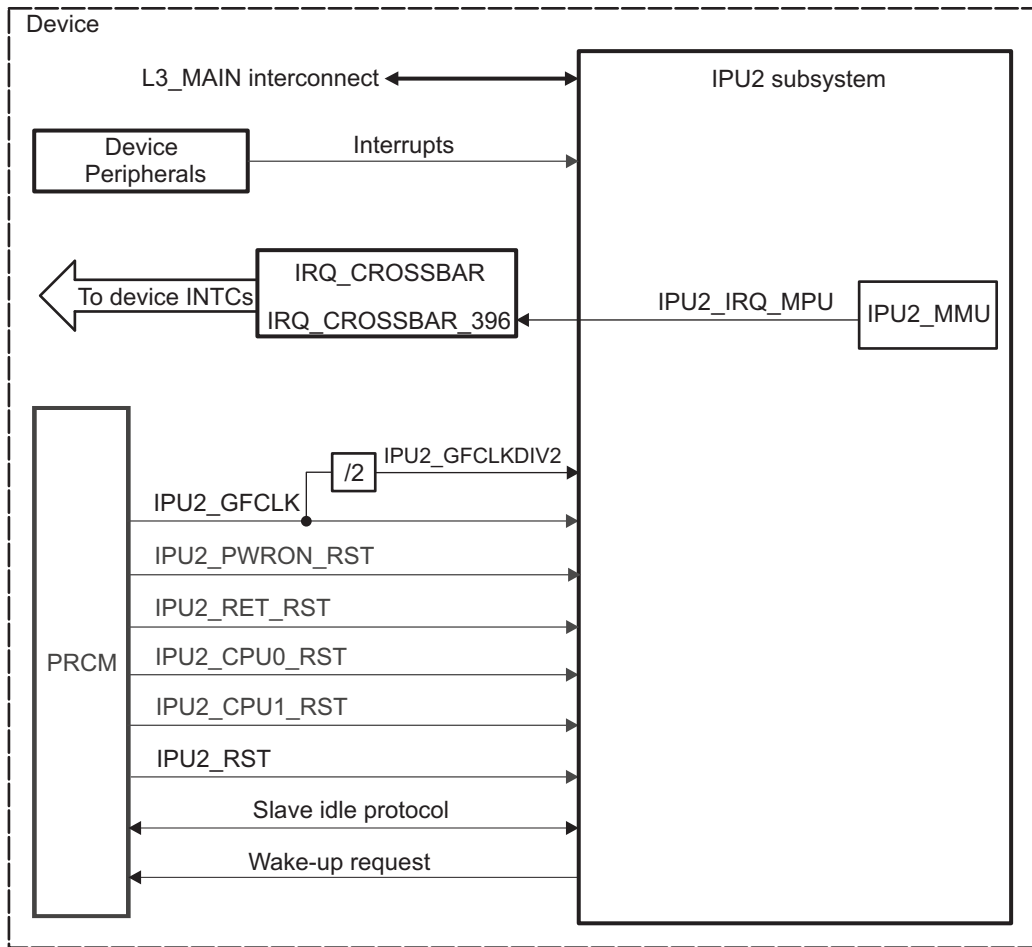


Table 7-1 through Table 7-3 summarize the integration of the module in the device.

Table 7-1. IPUx Integration Attributes

Module Instance	Attributes	
	Power Domain	Interconnect
IPU1	PD_IPU	L3_MAIN
IPU2	PD_CORE	L3_MAIN

Table 7-2. IPUx Hardware Requests

Interrupt Requests				
Module Instance	Interrupt Name (Source)	IRQ_CROSSBAR Input (Destination)	Default Mapping	Description
IPU1	IPU1_IRQ_MPU	IRQ_CROSSBAR_395	MPU_IRQ_100	IPU1_MMU fault interrupt.
IPU2	IPU2_IRQ_MPU	IRQ_CROSSBAR_396	–	IPU2_MMU fault interrupt. This interrupt is not mapped by default to any device INTC.

Table 7-3. IPUx Clocks and Resets

Clocks				
Module Instance	Destination Signal Name	Source Signal Name	Source	Description
IPU1	IPU1_GFCLK	IPU1_GFCLK	PRCM module	IPU1 interface and functional clock(s). See Section 7.2.1.1 for details.
	IPU1_GFCLKDIV2	IPU1_GFCLK		
IPU2	IPU2_GFCLK	IPU2_GFCLK	PRCM module	IPU2 interface and functional clock(s). See Section 7.2.1.1 for details.
	IPU2_GFCLKDIV2	IPU2_GFCLK		
Resets				
Module Instance	Destination Signal Name	Source Signal Name	Source	Description
IPU1	IPU1_PWRON_RST	IPU1_PWRON_RST	PRCM module	Power-on reset, used to reset the whole IPU1 subsystem
	IPU1_RET_RST	IPU1_RET_RST	PRCM module	Retention reset to few retention logic inside the IPU1_UNICACHE
	IPU1_CPU0_RST	IPU1_CPU0_RST	PRCM module	Reset signal to IPU1_C0
	IPU1_CPU1_RST	IPU1_CPU1_RST	PRCM module	Reset signal to IPU1_C1
	IPU1_RST	IPU1_RST	PRCM module	Reset signal to the IPU1_UNICACHE and the IPU1_MMU
IPU2	IPU2_PWRON_RST	IPU2_PWRON_RST	PRCM module	Power-on reset, used to reset the whole IPU2 subsystem
	IPU2_RET_RST	IPU2_RET_RST	PRCM module	Retention reset to few retention logic inside the IPU2_UNICACHE
	IPU2_CPU0_RST	IPU2_CPU0_RST	PRCM module	Reset signal to IPU2_C0
	IPU2_CPU1_RST	IPU2_CPU1_RST	PRCM module	Reset signal to IPU2_C1
	IPU2_RST	IPU2_RST	PRCM module	Reset signal to the IPU2_UNICACHE and the IPU2_MMU

NOTE: The “**Default Mapping**” column in [Table 7-2](#) shows the default mapping of module IRQ source signal. This IRQ source signal can also be mapped to other lines of each device Interrupt controller through the IRQ_CROSSBAR module.

For more information about the IRQ_CROSSBAR module, see [Chapter 18, Control Module](#).

For more information about the device interrupt controllers, see [Chapter 17, Interrupt Controllers](#).

For more information about clocks, resets, and power domains, see [Chapter 3, Power, Reset, and Clock Management](#).

7.2.1 Dual Cortex-M4 IPU Subsystem Clock and Reset Distribution

7.2.1.1 Clock Distribution

The IPUx subsystem has two clock inputs:

- **IPUx_GFCLK:** Main source clock for IPUx; feeds most of IPUx internal modules:
 - IPUx Unicache & MMU, L2 MIF & MPORT (all running on (1x) IPUx_GFCLK)
 - Cortex-M4 cores, IPUx_RAM, IPUx_ROM (all running on (1/2x) IPUx_GFCLK via internal divider)
- **IPUx_GFCLKDIV2:** This is IPUx_GFCLK externally divided by two; feeds IPUx L2 MMU

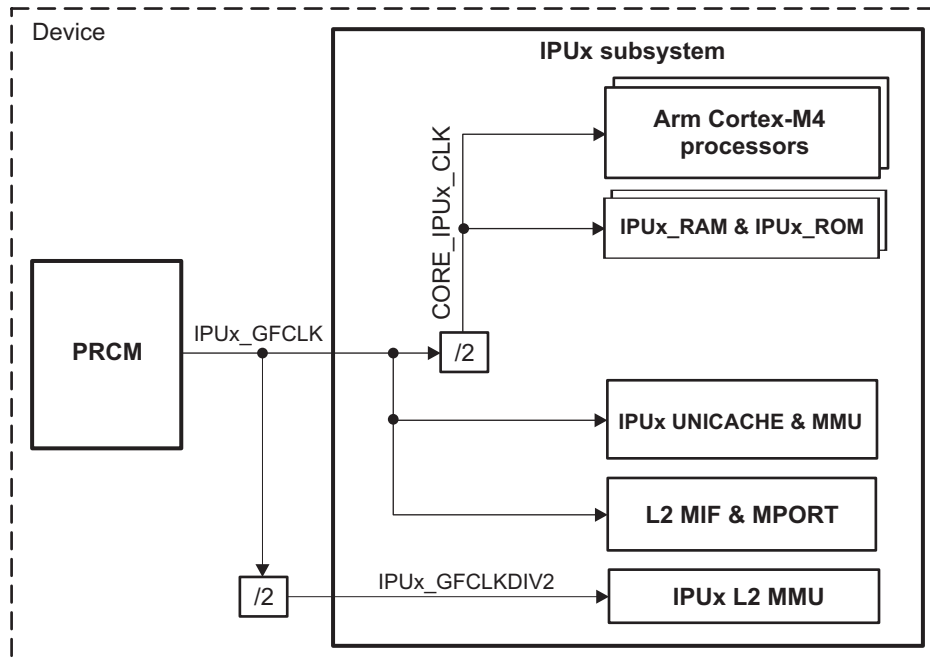
The IPUx_GFCLK itself can be derived from either:

- CORE_IPUx_ISS_BOOST_CLK – main clock for IPUx from DPLL_CORE, or
- DPLL_ABE_X2_CLK – alternative clock from DPLL_DDR

For more information, see [Chapter 3, Power, Reset, and Clock Management](#).

Figure 7-4 shows the clocking scheme of the IPUx subsystem.

Figure 7-4. IPUx Subsystem Clocking Scheme



7.2.1.2 Reset Distribution

Three reset signals controlled by the power, reset, and clock management (PRCM) module let the two Arm Cortex-M4 processors and the rest of the IPUx subsystem be reset independently. These three reset signals are: IPUx_CPU0_RST, IPUx_CPU1_RST, and IPUx_RST. The Arm Cortex-M4 processors must come out of reset one at a time:

- At IPUx_CPU0_RST, IPUx_C0 comes out of reset, but IPUx_C1 is held in reset.
- IPUx_C0 controls the reset for IPUx_C1 (through the PRCM RM_IPUx_RSTCTRL[1] RST2 bit).

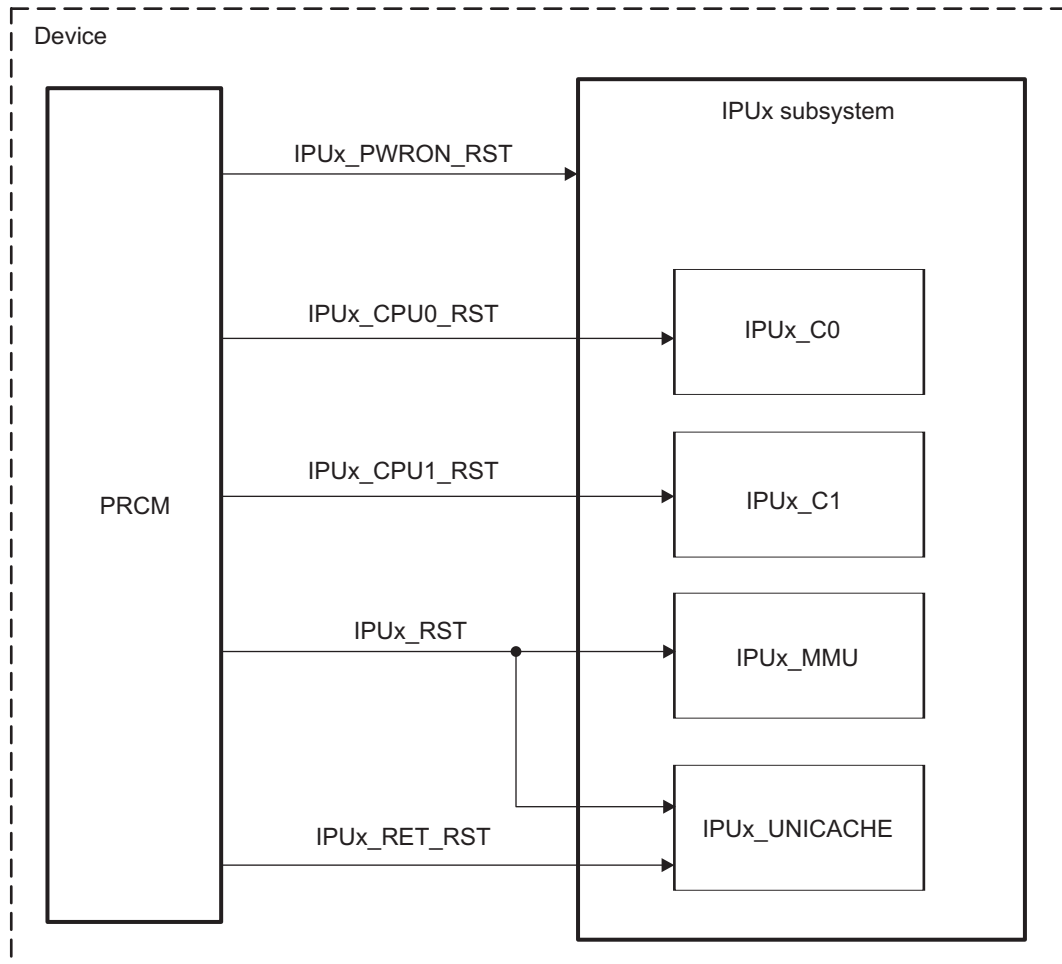
Because IPUx_C0 controls the reset for IPUx_C1 (through the PRCM registers), the code running on IPUx_C0 decides the mode of operation, whether it is:

- Mode 1: One Arm Cortex-M4 processor is running, and the other processor is held on reset.
- Mode 2: The two Arm Cortex-M4 processors are running.

This decision of which mode to use is driven by the use case. If the software partitioning and performance requirement for a use case requires two Cortex-M4 processors to run simultaneously, the user must go to mode 2. If IPUx_C1 is not required for a particular use case, the user can remain in mode 1.

Figure 7-5 shows the reset scheme of the IPUx subsystem.

Figure 7-5. IPUx Subsystem Reset Scheme



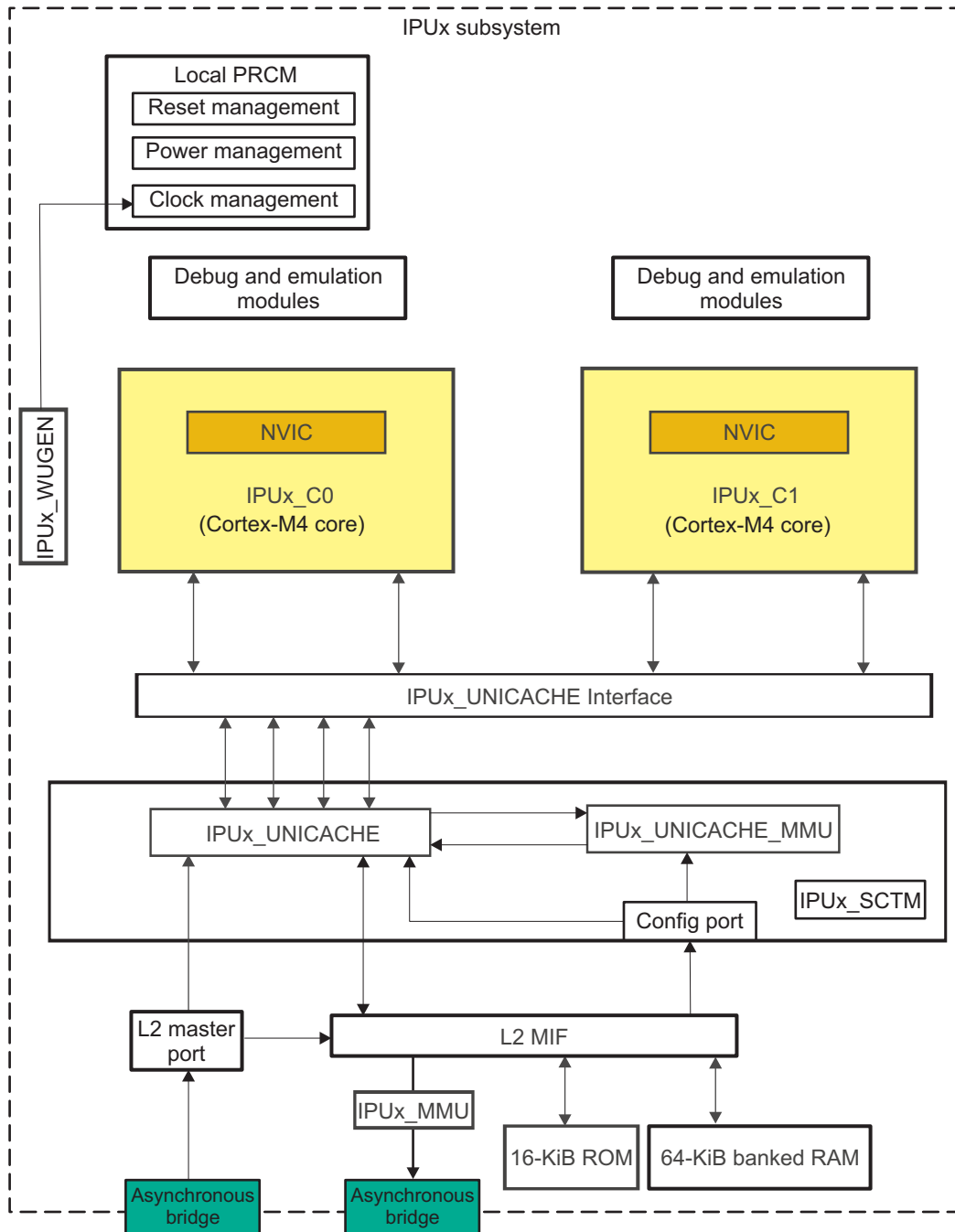
7.3 Dual Cortex-M4 IPU Subsystem Functional Description

7.3.1 IPUx Subsystem Block Diagram

The IPUx subsystem integrates the following group of submodules:

- Two Arm Cortex-M4 processors: Two cores (r0p1 revision), IPUx_C0 and IPUx_C1. For a description of the Arm Cortex-M4 processor, see the *Arm Cortex-M4 Technical Reference Manual*, available at infocenter.arm.com/help/index.jsp.
- Interrupt controller (IPUx_Cx_INTC): To facilitate parallel processing, the interrupt mapping is the same for the two cores. Each Cortex-M4 processor receives the same interrupts, except for a few internal interrupts. Every IRQ line is shared between the two Arm processors. By properly configuring the IPUx_Cx_INTC registers inside each Arm processor, it can be ensured that the shared IRQ is taken by only one of the Arm processors (for more information, see [Chapter 17, Interrupt Controllers](#)).
- IPUx_UNICACHE interface: The cache interface converts the data between the different protocols in the subsystem. Four ports are required to support the four buses from the Arm Cortex-M4 processors (two for each processor). The instruction and data connections from each Arm Cortex-M4 are multiplexed, but the Arm Cortex-M4 prevents conflicts on this connection. Default cache policies are provided through the sideband signals and are not used to access the cache. Cacheability is provided through the MMU inside the cache.
- IPUx_UNICACHE: Allows basic maintenance operations, which are performed through a dedicated interface: preload, lock, clean (write out dirty lines, but do not invalidate directly), and invalidate.
- IPUx_UNICACHE_MMU: Serves the role of an attribute MMU (AMMU) for the unicache. It provides the multi-access cache with region-based address translation, read/write control, access type control, and multilevel cache maintenance. Access to the IPUx_UNICACHE_MMU is done only under privilege mode. The IPUx_UNICACHE_MMU can be programmed by the dual Cortex-A15 microprocessor unit (MPU) subsystem through the IPUx subsystem slave port.
- IPUx_UNICACHE_SCTM: Embedded in the IPUx_UNICACHE
- Interconnect configuration port: Cache maintenance and MMU configuration are done through an interconnect slave port. Accesses must be performed to a noncacheable area that must be defined within the IPUx_UNICACHE_MMU. Interconnect accesses are generated from the L2 MIF.
- IPUx_MMU: Provides address translation for all the accesses done from the IPUx subsystem to the level 3 (L3_MAIN) interconnect. The IPUx_MMU can be programmed by the MPU subsystem through the IPUx subsystem slave port.
- L3_MAIN interconnect port: Allows access to the system memories and peripherals. For the address mapping of the modules in the IPUx subsystem, see [Chapter 2, Memory Mapping](#).
- On-chip IPUx_ROM and banked IPUx_RAM memory. The IPUx_ROM memory is used for boot/initialization purposes. For more information about the initialization of the device, see [Chapter 33, Initialization](#).

[Figure 7-6](#) is a block diagram of the IPUx subsystem.

Figure 7-6. IPUx Subsystem Block Diagram


7.3.2 Power Management

7.3.2.1 Local Power Management

The user can configure the local power management through the [STANDBY_CORE_SYSCONFIG](#), [IDLE_CORE_SYSCONFIG](#), and [WUGEN_IRQ_EN](#) registers. The user can:

- Configure the different standby modes (the default is smart wake-up standby mode) through the [STANDBY_CORE_SYSCONFIG\[1:0\]](#) STANDBYMODE bit field
- Configure the different idle modes (the default is smart wake-up idle mode) through the [IDLE_CORE_SYSCONFIG\[1:0\]](#) IDLEMODE bit field

- Control which interrupts will cause a wakeup by appropriately configuring the [WUGEN_MEVT0](#) and [WUGEN_MEVT1](#) registers (the default is ALL_MASKED)

The IPUx subsystem provides three sleep modes:

- On mode: Sleep on exit (wait for the interrupt service routine [ISR] to complete)
- Sleep mode: Wait for interrupt to wake up the processor
- Deep-sleep mode: Long duration sleep; phase-locked loop (PLL) can be stopped

During sleep mode, the system clock can be stopped, but the free-running clock input must still be running to allow the processor to be wakened by an interrupt or an event. The sleep modes are invoked by wait for interrupt (WFI) or wait for event (WFE) instructions. The processor clock is automatically stopped, waiting for an interrupt or an event. Deep-sleep mode also stops the processor clock, but this can also be supported by the PRCM module. A combined signal is generated from the two Cortex-M4 processors in deep-sleep mode to initiate another power state and let the PRCM module handle the next power states. At this time, software must ensure that all IPUx_UNICACHE background operations (for example, maintenance) are complete.

[Table 7-4](#) describes local clock gating.

Table 7-4. Local Clock Gating

Cortex-M4 CPU Mode	IPUx_C1 On	IPUx_C1 Sleep	IPUx_C1 Deep Sleep
IPUx_C0 On	On	Functional clock 2 stopped locally	Functional clock 2 stopped locally
IPUx_C0 Sleep	Functional clock 1 stopped locally	Functional clock 1 and clock 2 stopped locally	Functional clock 1 and clock 2 stopped locally
IPUx_C0 Deep Sleep	Functional clock 1 stopped locally	Functional clock 1 and clock 2 stopped locally	Standby request to power-management module

NOTE: For information about source clock gating and for a description of the sleep/wake-up transitions, see [Chapter 3, Power, Reset, and Clock Management](#).

7.3.2.2 Power Domains

The IPUx subsystem is divided into two power domains (PD_IPU and PD_COREAON), which are controlled by the PRCM module.

The PD_IPU power domain is the main power domain and includes all the IPUx subsystem components (two Arm Cortex-M4 processors, IPUx_UNICACHE, IPUx_ROM and IPUx_RAM memories, and emulation\debug modules) except the IPUx_WUGEN.

The PD_COREAON power domain is an always-on power domain. The PD_COREAON power domain contains the IPUx_WUGEN, which generates a wake-up request from external interrupts. By this separate PD_COREAON power domain, the wake-up request can be generated even when the PD_IPU power domain is in OFF or RET state.

For information about the PD_IPU and PD_COREAON power domains, see [Chapter 3, Power, Reset, and Clock Management](#).

7.3.2.3 Voltage Domain

The IPUx subsystem is located within the CORE voltage domain (VD_CORE). All IPU logic (Cortex-M4 cores, IPUx_UNICACHE/MMU, IPUx_WUGEN, etc...) is fed by VD_CORE. All IPU memory arrays are fed by on-chip memory (SRAM) LDO dedicated to the CORE domain – SLDO_CORE.

For information about VD_CORE and SLDO_CORE, see [Chapter 3, Power, Reset, and Clock Management](#).

7.3.2.4 Power States and Modes

[Table 7-5](#) lists the different power modes and the expected states for each power domain.

Table 7-5. IPUx Subsystem Power Modes

	Functional Domain	Activity			Power Status	
		Core		IPUx subsystem	PD_DSP Power Domain	PD_COREAON Power Domain
	Modules included	IPUx_C0	IPUx_C1	IPUx_WUGEN		
Power modes	Active	Active	Active	Active	ON	ON
	IPUx_C0 idle	Idle	Active	Active	ON	ON
	IPUx_C1 idle	Active	Idle	Active	ON	ON
	Core standby	Idle	Idle	Active	ON	ON
	Full idle	Idle	Idle	Idle	ON	ON
	CSWR	Idle	Idle	Idle	ON/LOWV	ON/LOWV
	OSWR	Idle	Idle	Idle	RET	ON
	Power off	Idle	Idle	Idle	OFF	OFF

Table 7-6 lists the power mode transitions in the IPUx subsystem.

Table 7-6. Power Mode Transitions

	Active	IPUx_C0 Idle	IPUx_C1 Idle	Standby	Full-Idle	Retention	Power Off
Active		WFE/WFI instruction	WFE/WFI instruction				
IPUx_C0 idle	Events/interrupts			Deep sleep			
IPUx_C1 idle	Events/interrupts			Deep sleep			
Standby	Wake-up IRQ				L1/L2/ IPUx_WUGEN functional domain idle		
Full idle	Wake-up IRQ			Wake-up (through interconnect)		PRCM module	PRCM module
CSWR/OSWR					PRCM module or wakeup		PRCM module
Power off					PRCM module or wakeup	PRCM module	

The different power modes and their features are:

- Active mode: All function domains are operative.
- IPUx_C0 and IPUx_C1 idle mode:
 - Only the CPU core is idled (when running WFE/WFI instructions).
 - Only one Cortex-M4 core can be in this mode. Interrupts or events can waken the core.
 - Can go into sleep or deep-sleep mode. Potentially, both cores can be in sleep mode.
 - When both cores are in deep-sleep mode, a standby request is sent to the PRCM module.
 - Software must ensure that all IPUx_UNICACHE background operations (for example, maintenance) are complete before the PRCM module asserts an IdleReq.
- Core standby mode
 - Both cores in the CORE functional domain are in idle mode (an interrupt cannot wake up either of the cores).
 - The PRCM module must have acknowledged its acceptance by an MWait signal.
 - After this handshake, all power management is under the control of the PRCM module.
- Full-idle mode:
 - The IPUx subsystem functional domain is also idled.

- After coming to this mode, power states can be moved deeper.
- Retention mode:
 - The voltage of the logic supply is lowered to reduce static power consumption by leakage current. The logic power switch in the PD_IPU power domain is still closed (ON); thus, all logic states are retained.
 - L1 and/or L2 memories can go independently into retention depending on the settings done at the PRCM level.
- Power off mode:
 - The voltage source is shut down. The logic states, including the retention logic, are lost.
 - The IPUx_WUGEN is not operating and only the PRCM module can trigger the IPUx subsystem wakeup.
 - Reset must be applied to the IPUx subsystem to restart the two Arm Cortex-M4 processors and the memory subsystem.

7.3.2.5 Wake-Up Generator (IPUx_WUGEN)

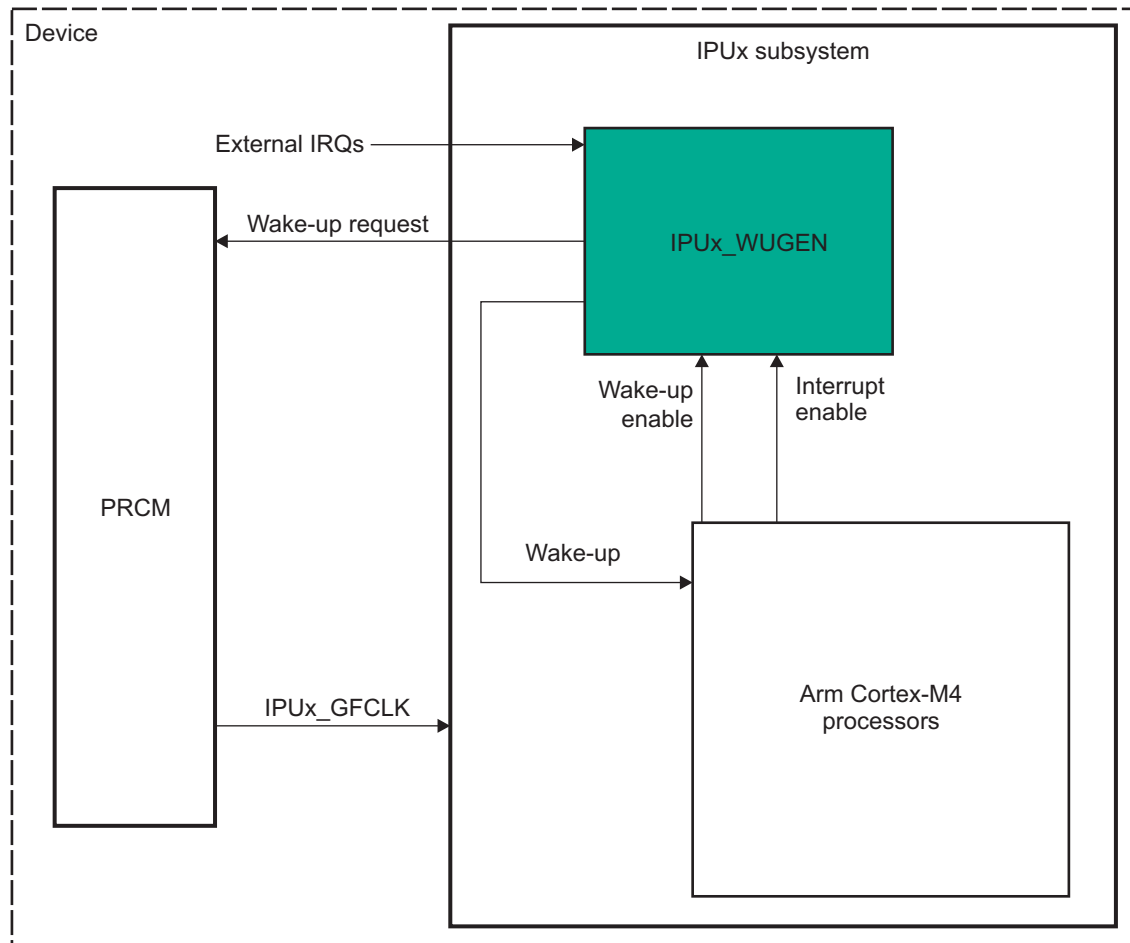
The IPUx_WUGEN in the IPUx subsystem enables efficient power management. The IPUx_WUGEN generates a wake-up signal to the PRCM module to enable the IPUx subsystem to recover its functional clocks, which are gated by the PRCM module when at least one request is active. The IPUx_WUGEN can be configured in standby mode or idle mode through the [STANDBY_CORE_SYSCONFIG\[1:0\]](#) STANDBYMODE and [IDLE_CORE_SYSCONFIG\[1:0\]](#) IDLEMODE bit fields.

7.3.2.5.1 IPUx_WUGEN Main Features

The IPUx_WUGEN allows:

- Gating of the IPUx subsystem clock dynamically, thus reducing power consumption
- Simplifying of dependencies in the PRCM module

[Figure 7-7](#) is an overview of the IPUx_WUGEN.

Figure 7-7. IPUx_WUGEN Overview


The wake-up signal to the PRCM module requests the IPUx subsystem functional clock (IPUx_GFCLK). The wake-up signal to the Arm Cortex-M4 processors indicates to them that at least one enabled request is active.

7.3.3 IPUx_UNICACHE

Table 7-7 describes the IPUx_UNICACHE configuration in the IPUx subsystem platform.

Table 7-7. IPUx_UNICACHE Configuration

Parameter	Value
Way	4
Size	32 KiB
Bank elements	32 bits
Bank number	16
Slave interface data size	32 bits
Master interface data size	64 bits
Line size	256 bits
MMU lookup	Included
Number of slaves	4
Number of masters	1
Number of fill/prefetch buffers	Four prefetch buffers
Slave types	IPUx_UNICACHE interface

IPUx_UNICACHE allows basic maintenance operations, which are performed through a dedicated interface:

1. Preload
2. Lock
3. Clean
4. Invalidate

Maintenance of the cache is performed between the start and end addresses. This allows for direct control of memory regions. All maintenance operations occur in the background and can generate an interrupt when they complete. Such operations are protected by software semaphore, because only one operation at a time can be performed. The maintenance operations can also be performed using MMU small entries.

7.3.4 IPUx_UNICACHE_MMU

The IPUx_UNICACHE_MMU serves the role of an attribute MMU (AMMU) for the unicache. It provides the multi-access cache with region-based address translation, read/write control, access type control, and multi-level cache maintenance. [Table 7-8](#) describes the IPUx_UNICACHE_MMU configuration in the device.

Table 7-8. IPUx_UNICACHE_MMU Configuration

Parameter	Values
Number of large pages	4 entries
Size of large pages	512 MiB or 32 MiB (configurable)
Number of medium pages	2 entries
Size of medium pages	256 KiB or 128 KiB (configurable)
Number of small pages	10 entries
Size of small pages	16 KiB or 4 KiB (configurable)
Number of patch pages	Not included
Size of line pages	256-bit
Number of comparison interfaces	4
Number of comparator sets	1
Write pipeline data comparison	Disabled
Number of IPUx_UNICACHE maintenance interfaces	3
Size of entry address	32-bit

As can be seen in [Table 7-8](#), IPUx_UNICACHE_MMU supports different page sizes: large, medium, and small. The number of large pages, number of medium pages, etc., is defined at design time. The size of the pages is configurable in the following IPUx_UNICACHE_MMU registers:

- [CACHE_MMU_LARGE_POLICY_i\[1\] SIZE](#)
- [CACHE_MMU_MED_POLICY_j\[1\] SIZE](#)
- [CACHE_MMU_SMALL_POLICY_k\[1\] SIZE](#)

The different MMU page sizes can be used to create smaller policies within a larger region.

The logical source address is configured in:

- [CACHE_MMU_LARGE_ADDR_i\[31:25\] ADDRESS](#)
- [CACHE_MMU_MED_ADDR_j\[31:17\] ADDRESS](#)
- [CACHE_MMU_SMALL_ADDR_k\[31:12\] ADDRESS](#)

The logical source translated address is configured in:

- [CACHE_MMU_LARGE_XLTE_i\[31:25\] ADDRESS](#)
- [CACHE_MMU_MED_XLTE_j\[31:17\] ADDRESS](#)
- [CACHE_MMU_SMALL_XLTE_k\[31:12\] ADDRESS](#)

When the SIZE bit is set to 0, all the bits in the ADDRESS bit field of the corresponding logical source address and logical source translated address can be used.

When the SIZE bit is set to 1, the ADDRESS bit field of the corresponding logical source address and logical source translated address must be programmed only with addresses that can address the size of a second possible page.

7.3.5 IPUx_UNICACHE_SCTM

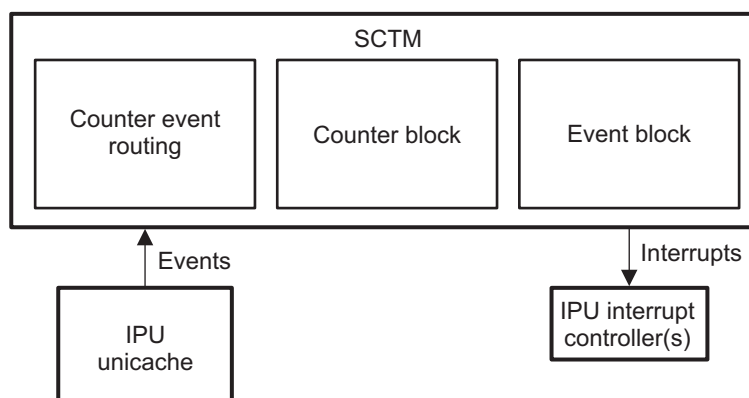
The Subsystem Counter Timer Module (SCTM) is a generic profile counter and timer module that provides the following functions:

- Counter functions:
 - Input events counting
 - Two counter modes:
 - Event counting
 - Duration counting
 - Counter chaining
- Timer functions:
 - Periodic intervals generation
 - Two timer modes:
 - Run-once mode
 - Restart mode
 - Events and/or interrupt generation

The SCTM has eight counters (two of which have timer functions). There are input events going into the SCTM and interrupt events going to the IPU INTC. For more information about the counter configuration and the SCTM input events, see [Section 34.7.2, IPU Subsystem Performance Monitoring](#), in [Chapter 34, On-Chip Debug Support](#). For more information about the mapping of the SCTM interrupt event signals to IPU INTC inputs, see [Section 17.3.3, Interrupt Requests to IPU1_Cx_INTC](#), in [Chapter 17, Interrupt Controllers](#).

Figure 7-8 shows the SCTM block diagram.

Figure 7-8. SCTM Block Diagram



7.3.5.1 Counter Functions

7.3.5.1.1 Input Events

Signals from within the subsystem are routed to the SCTM and used to control the counters and timers in the module. The routing of the input events from the module boundary to an individual counter is accomplished through an input event multiplexer and is controlled by the [CACHE_SCTM_CTCR_WT_i\[20:16\] INPSEL](#) and [CACHE_SCTM_CTCR_WOT_j\[20:16\] INPSEL](#) bit fields.

NOTE: For more information about input events to the module boundary, see [Section 34.7.2.2, Cache Events](#), in [Chapter 34, On-Chip Debug Support](#).

7.3.5.1.2 Counters

There are individual 32-bit counters in the SCTM. The counters count when the input event signals are asserted.

7.3.5.1.2.1 Counting Modes

The counters in the SCTM support two mutually exclusive counting modes:

- Event mode: The counter increments each time a rising edge is detected on the designated input event signal.
- Duration mode: The counter continually increments when the event input is asserted.

7.3.5.1.2.2 Counter Overflow

When the counter reaches the terminal value (0xFFFFFFFF) it wraps and continues to increment. This is considered a timer overflow condition. The [CACHE_SCTM_CTCR_WT_i\[6\] OVRFLW](#) and [CACHE_SCTM_CTCR_WOT_j\[6\] OVRFLW](#) bits indicate that overflow has occurred. The overflow bit can be cleared by reading it. When chained, only the high-order counter overflows.

7.3.5.1.2.3 Counters and Processor State

The counters can be configured to alter their behavior based on the state of the CPU. The [CACHE_SCTM_CTCR_WT_i\[4\] FREE](#) and [CACHE_SCTM_CTCR_WOT_j\[4\] FREE](#) bits determine whether the counter will continue to operate when the processor enters debug halt state. When the FREE bit is set to 0, the counter stops incrementing while the debug halt input from the CPU is asserted. Normal operation resumes when the processor exits the debug halt state and the debug halt input is deasserted. When the FREE bit is set to 1, the state of the debug halt input is not used to control counter operation.

The [CACHE_SCTM_CTCR_WT_i\[5\] IDLE](#) and [CACHE_SCTM_CTCR_WOT_j\[5\] IDLE](#) bits determine whether the counter will continue to operate when the processor enters idle state (the processor is no longer executing instructions and is waiting for a wake-up event). When the IDLE bit is set to 0, the counter stops incrementing while the idle input from the CPU is asserted. Normal operation resumes when the processor exits the idle state and the idle input is deasserted. When the IDLE bit is set to 1, the state of the idle input is not used to control counter operation.

7.3.5.1.2.4 Chaining Counters

The individual 32-bit counters in the SCTM can be chained with an adjacent counter to form a 64-bit counter. Counters chained to a counter across an even-odd index boundary with the even counter contain the least-significant 32 bits of the 64-bit pairing. For example, counters 1 and 0 can be paired and counter 1 will contain bits 63:32 and counter 0 will contain bits 31:0. The high-order counter increments by 1 each time the low-order counter wraps.

Counters are chained by setting the [CACHE_SCTM_CTCR_WT_i\[2\] CHAIN](#) or [CACHE_SCTM_CTCR_WOT_j\[2\] CHAIN](#) bit for both counters. When chained, the counter control for both counters is taken from the [CACHE_SCTM_CTCR_WT_i](#) or [CACHE_SCTM_CTCR_WOT_j](#) register of the low-order counter. Other than the CHAIN bit, all other bits in the high-order [CACHE_SCTM_CTCR_WT_i](#) or [CACHE_SCTM_CTCR_WOT_j](#) register are ignored.

Chained counters can function only in counter mode. Timer mode is not supported.

The [CACHE_SCTM_CTCR_WT_i\[7\] CHNSDW](#) and [CACHE_SCTM_CTCR_WOT_j\[7\] CHNSDW](#) bits are used to indicate that a counter can provide atomics accessed when chained. These bits are valid only for counters with even indexes (the lower half of a 64-bit counter pair). When these bits are set, the counter can shadow the value of the lower half of the chained counter value at the same time the upper half of the counter is read. The shadowed value (not the current value) is returned when the value of the low-order

counter is read. Therefore, when a chained counter has atomic read capability, an atomic counter value can be obtained simply by reading the high-order counter first, followed by the low-order counter. This order must always be observed to prevent reading stale counter values from the low-order counter. When counters are functioning independently, the shadow feature is deactivated and a read of the counter always returns the current value.

7.3.5.1.2.5 Enabling and Disabling Counters

After the counter is correctly configured, it can be started by setting the `CACHE_SCTM_CTCR_WT_i[0]` ENBL or `CACHE_SCTM_CTCR_WOT_j[0]` ENBL bit. At this point, the counter begins incrementing under the control of the configured event input. The counter can be disabled (counting stops) at any time by clearing the ENBL bit. Counters can be enabled and disabled dynamically during application flow.

Counters can also be enabled and disabled as groups through the `CACHE_SCTM_CTGNBL` register. This register provides control of the individual counter-enable in groups. This allows an application to enable or disable groups of counters in lockstep by setting corresponding bits to 1 (bit number corresponds to counter number).

7.3.5.1.2.6 Resetting Counters

The counters can be reset to their initial value (0x00000000) by writing 1 to the `CACHE_SCTM_CTCR_WT_i[1]` RESET or `CACHE_SCTM_CTCR_WOT_j[1]` RESET bit. If the counter is chained, the high-order and low-order counters are reset when the RESET bit is written for the low-order counter.

Counters can also be reset as groups through the `CACHE_SCTM_CTGRST` registers. These registers provide control of the individual counter reset in groups. This allows an application to reset groups of counters in lockstep.

7.3.5.2 Timer Functions

Counters 0 and 1 in the SCTM can function as timers. When operating as timers, interrupts and/or debug input events are generated when the value of the counter reaches a designated interval.

7.3.5.2.1 Periodic Intervals

The interval for a timer is contained in the `CACHE_SCTM_TINTVLR_i` register. There is a `CACHE_SCTM_TINTVLR_i` register for every timer-capable counter in the SCTM. Timers are initialized to 0. When the corresponding `CACHE_SCTM_CTCNTR_k` increments and matches the values designated in `CACHE_SCTM_TINTVLR_i`, the timer is considered to be triggered and events configured in `CACHE_SCTM_CTCR_WT_i` are generated.

Timers can function in one of two mutually exclusive modes:

- Run-once mode: The timer stops after the first interval match and is not re-enabled until the timer is reset to the initial value (0) by setting the `CACHE_SCTM_CTCR_WT_i[1]` RESET bit to 1.
- Restart mode: The timer automatically resets to the initial value (0) each time the designated interval is reached.

The `CACHE_SCTM_CTCR_WT_i[10]` RESTART bit is used to configure the timer mode.

7.3.5.2.2 Event Generation

Timers can generate interrupts and debug events. Interrupts are routed from the module boundary to the interrupt controller(s) in the subsystem. Debug events are routed as triggers to debug logic within the subsystem.

The generation of the interrupts is controlled by the `CACHE_SCTM_CTCR_WT_i[8]` INT bit. The generation of debug events is controlled by the `CACHE_SCTM_CTCR_WT_i[9]` DBG bit. The INT and DBG bits can be set simultaneously and both signals are generated on interval match.

If neither INT nor DBG is set, the timer function is disabled and the counter functions as a regular counter.

7.3.6 IPUx_MMU

An additional MMU provides address translation for the accesses done from the IPUx subsystem to the L3_MAIN interconnect. The main characteristics of this MMU are:

- 32 entries
- Compatible with Armv6 architecture MMU translation tables (protection bits not used)
- Page-based or access-based endianness conversion
- Two-level descriptor hierarchy
- One intermediate page table
- Four page sizes (16 MiB, 1 MiB, 64 KiB, 4 KiB)
- Page table alignment on 128-byte boundary for Arm11® compatibility

The configuration of the MMU can be done from one of the Cortex-M4 cores or from the L3_MAIN interconnect slave port. The accesses done to configure the MMU cannot be part of a burst access.

For more information about the IPUx_MMU, see [Chapter 20, Memory Management Units](#).

7.3.6.1 IPUx_MMU Behavior on Page-Fault in IPUx Subsystem

Table 7-9. IPUx_MMU Behavior on Page-Fault

Application		Debug	
Table-Walker Enabled	Table-Walker Disabled	Table-Walker Enabled	Table-Walker Disabled
Use Table-Walker to find translation. Update TLB cache if successful, set TRANSLATIONFAULT bit and interrupt if not. The following bits are used for the purpose: MMU_IRQENABLE[1] TRANSLATIONFAULT and MMU_IRQSTATUS[1] TRANSLATIONFAULT.	Set TLBMISS bit and interrupt and stall. The following registers are used for the purpose: MMU_IRQENABLE[0] TLBMISS and MMU_IRQSTATUS[0] TLBMISS.	Use Table-Walker to find translation. Update TLB cache if successful (only if the MMU_CNTL[3] EMUTLBUPDATE bit is set), generate in-band bus error if not.	Set EMUMISS bit and interrupt and stall. The following bits are used for the purpose: MMU_IRQENABLE[2] EMUMISS and MMU_IRQSTATUS[2] EMUMISS.

The MMU fault interrupt line is connected to both Cortex-M4 cores (at IPUx_IRQ_16 interrupt line) and is also propagated outside of the IPUx subsystem and connected to an IRQ_CROSSBAR input (IRQ_CROSSBAR_395 for the IPU1 MMU interrupt, IRQ_CROSSBAR_396 for the IPU2 MMU interrupt). The user can route this interrupt to any device host processor by programming properly the corresponding Control Module registers. The host processor (typically, a Cortex-A15) receives the MMU fault and must clean up the fault to resume the execution of the code (or reset IPUx subsystem). It is not possible for one of the Cortex-M4 CPUs to clean up the fault caused by the other Cortex-M4 CPU. This is because both the slave port of the IPUx_MMU (which is stalled) and the configuration port of IPUx_MMU are connected (through a splitter) to the same IPUx_UNICACHE master port.

The default behavior of the IPUx_MMU previously described can be overridden by setting the MMU_GP_REG[0] BUS_ERR_BACK_EN bit to 1. Once this bit is set, all MMU faults (including TLB miss) return a bus error to the IPUx subsystem (interrupt event XLATE_MMU_FAULT). This allows the end user to quickly establish the cause of the MMU fault by having appropriate code in the ISR.

7.3.7 Interprocessor Communication (IPC)

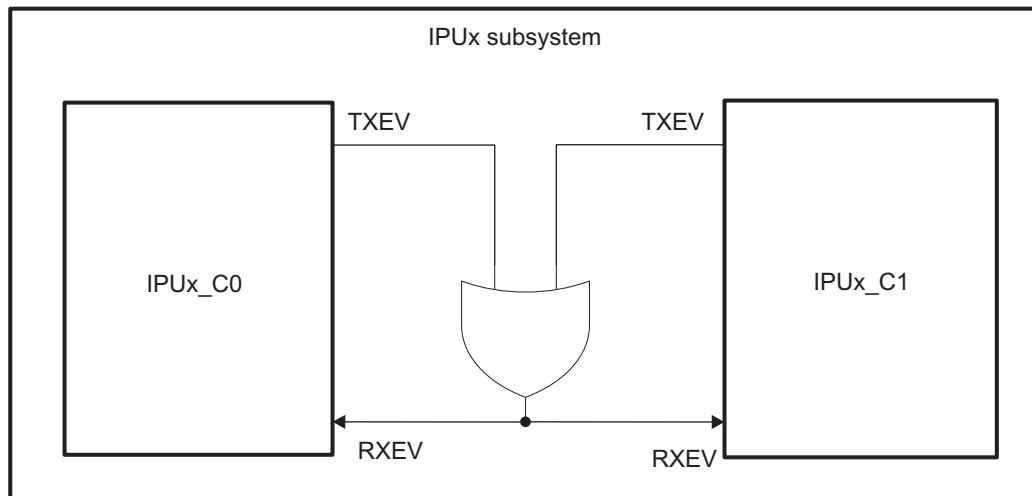
7.3.7.1 Use of WFE and SEV

The IPUx subsystem provides a multiprocessor communication interface for synchronizing tasks. The Arm processors have one output signal, TXEV (transmit event), for sending events and one input signal, RXEV (receive event), for receiving events. [Figure 7-9](#) shows how TXEV and RXEV are connected in the IPUx subsystem.

When a WFE instruction is executed, the processor enters into sleep mode waiting for an event and continues instruction execution when an external event is received. With an SEV (send event) instruction, one processor can wake up the other processor, which is in sleep mode.

The WFE and SEV instructions can help reduce the number of iterations around a lock acquire loop (a spinlock), and thereby reduce power consumption. The basic mechanism involves an observer that is in a spinlock executing a WFE instruction, which suspends execution on that observer until an asynchronous exception or an explicit event (sent by an observer using the SEV instruction) is seen by that observer. The observer that holds the lock uses the SEV instruction to send an event after a lock is released.

Figure 7-9. Event Communication Connection in IPUx Subsystem



7.3.7.2 Use of Interrupt for IPC

Each Cortex-M4 core can interrupt the other Cortex-M4 core by setting up an interrupt register ([CORTEXM4_CTRL_REG](#)). This register is used to trigger the corresponding 'per core' HWSEM_M4_IRQ interrupt (interrupt number 19). Because the priority level for that interrupt can be defined, it is possible to choose the task level at which the interrupt will run. For example, if IPUx_C0 was active and IPUx_C1 was idle (WFI state), when IPUx_C0 completes its task it sets the bit for IPUx_C1 in the control register ([CORTEXM4_CTRL_REG\[16\] INT_CORTEX_2](#)) and goes into sleep mode. IPUx_C1 wakes up seeing this interrupt, and starts running its task. After the completion of its task, IPUx_C1 sets the interrupt for IPUx_C0 ([CORTEXM4_CTRL_REG\[0\] INT_CORTEX_1](#)), and then goes into WFI state. This kind of handshake ensures that if IPUx_C0 and IPUx_C1 are accessing the same resources (memory, registers etc.), only one of the CPUs at a time is active.

7.3.7.3 Use of the Bit-Band Feature for Semaphore Operations

The two Cortex-M4 cores share the same memory system, and it is possible to use the bit-band feature to carry semaphore operations. Because the bit-band alias writes are locked read-modify-write transfers, provided that all tasks changed only the lock bit representing themselves, the lock bits of other tasks are not lost, even if two tasks try to write to the same memory location at the same time.

Each Cortex-M4 core supports two bit-band regions.

Bit-band 1 applies to the virtual address space 0x2000 0000–0x200F FFFF (1 MiB). This virtual address space can be mapped to any physical address and bit-banding will apply to that region. It is recommended that the user map the L2 IPUx_RAM (64 KiB) to this virtual space and use it only for bit-banding operations. If required, the user can define other available small and medium pages over and above the L2 IPUx_RAM virtual space and further extend the use of the bit-band feature.

Bit-band 2 applies to the virtual address space 0x4000 0000–0x400F FFFF (1 MiB). The first 16 KiB of this space (0x4000 0000–0x4000 3FFF) are already reserved for small (one page) pages and cannot be remapped by software. The bit-band alias that corresponds to this 16-KiB region (0x4200 0000–0x4207 FFFF) must also be treated as reserved and no access should be made. The rest of bit-band 2 can be used by appropriately defining the available small and medium pages. In this device, because it is likely that during normal AMMU programming all of L3_MAIN is mapped to this region, it is highly recommended that the user use only bit-band 1 for all purposes and bit-band 2 only if it is necessary.

7.3.7.4 Private Memory Space

Each Arm Cortex-M4 processor has its own memory space, inaccessible by the other processor. In the private memory space are the IPUx_Cx_INTC and RW table registers: [CORTEXM4_RW_PID1](#) and [CORTEXM4_RW_PID2](#). [CORTEXM4_RW_PID1](#) and [CORTEXM4_RW_PID2](#) are accessible only by the respective Cortex-M4 cores ([CORTEXM4_RW_PID1](#) is accessible only by IPUx_C0, while [CORTEXM4_RW_PID2](#) is accessible only by IPUx_C1). These registers are not accessible from the Cortex-A15 MPU. Because they are not shared, they do not require the bit-band feature (semaphore) to read and write to them.

7.3.8 IPU Boot Options

The IPU boot location is controlled via two Control Module registers:

- [CTRL_CORE_CORTEX_M4_MMUADDRTRANSLTR](#)[19:0] [CORTEX_M4_MMUADDRTRANSLTR](#): Used to set the physical translated address for IPU AMMU
- [CTRL_CORE_CORTEX_M4_MMUADDRLOGICTR](#)[19:0] [CORTEX_M4_MMUADDRLOGICTR](#): Used to set the logical source address for IPU AMMU

By default, two AMMU pages are enabled:

- Small page-0: Translates the 16KB address range from [CORTEX_M4_MMUADDRLOGICTR](#) to ([CORTEX_M4_MMUADDRLOGICTR](#) + 0x3FFF). If [CORTEX_M4_MMUADDRLOGICTR](#) is set to 0x00000, page-0 will control the boot location. If the boot location needs to be mapped to the L2 RAM (0x5502_0000), then [CORTEX_M4_MMUADDRTRANSLTR](#) needs to be set to 0x55020. This page is set as non-cacheable at reset.
- Small page-1: Loaded with the physical address of the IPU AMMU configuration registers (0x5508_0000 - 0x5508_0FFF), which is mapped to the virtual address range from 0x4000_0000 to 0x4000_0FFF. This page is also set as non-cacheable at reset.

NOTE: Small page-1 is by default 4KB. Software has to modify it to 16KB to cover L2MMU/WUGEN masks.

For IPU to boot from any location in L3:

1. Provide boot address through [CORTEX_M4_MMUADDRTRANSLTR](#) to AMMU page-0 ([CORTEX_M4_MMUADDRLOGICTR](#) set to 0x00000). Keep L2 MMU disabled (or enable L2 MMU but keep the same translation for 0x0; otherwise there will be L2-MMU page-walks / page-faults).
2. Set [CORTEX_M4_MMUADDRTRANSLTR](#) to 0x00000 (or any value). Host CPU re-programs AMMU page to map 0x0 virtual address to a physical L2 RAM / L3 location. Only after the programming is complete, Cortex-M4 reset is released. L2 MMU as described above.
3. Set [CORTEX_M4_MMUADDRTRANSLTR](#) to 0x00000 (no translation). Host CPU programs L2 MMU to do the address translation for 0x0.

For IPU to boot from L2 RAM:

1. This must be done through AMMU page-0. Use either (1) or (2) as described above.

7.4 Dual Cortex-M4 IPU Subsystem Register Manual

7.4.1 IPUx Subsystem Instance Summary

Table 7-10 and Table 7-11 summarize the IPU1 and IPU2 subsystem instances, respectively.

Table 7-10. IPU1 Subsystem Instance Summary

Module Name	Base Address (IPU Private Access)	Base Address (L3_MAIN Interconnect)	Size
IPU1_UNICACHE_CFG	0x5508 0000	N/A	256 B
IPU1_UNICACHE_SCTM	0x5508 0400	N/A	1 KiB
IPU1_UNICACHE_MMU (AMMU)	0x5508 0800	0x5888 0800	2 KiB
IPU1_WUGEN	0x5508 1000	N/A	4 KiB
IPU1_MMU	0x5508 2000	0x5888 2000	4 KiB
IPU1_C0_INTC ⁽¹⁾	0xE000 E000	N/A	4 KiB
IPU1_C1_INTC ⁽¹⁾	0xE000 E000	N/A	4 KiB
IPU1_C0_RW_TABLE ⁽¹⁾	0xE00F E000	N/A	4 KiB
IPU1_C1_RW_TABLE ⁽¹⁾	0xE00F E000	N/A	4 KiB

⁽¹⁾ Different view from each Cortex-M4

Table 7-11. IPU2 Subsystem Instance Summary

Module Name	Base Address (IPU Private Access)	Base Address (L3_MAIN Interconnect)	Size
IPU2_UNICACHE_CFG	0x5508 0000	N/A	256 B
IPU2_UNICACHE_SCTM	0x5508 0400	N/A	1 KiB
IPU2_UNICACHE_MMU (AMMU)	0x5508 0800	0x5508 0800	2 KiB
IPU2_WUGEN	0x5508 1000	N/A	4 KiB
IPU2_MMU	0x5508 2000	0x5508 2000	4 KiB
IPU2_C0_INTC ⁽¹⁾	0xE000 E000	N/A	4 KiB
IPU2_C1_INTC ⁽¹⁾	0xE000 E000	N/A	4 KiB
IPU2_C0_RW_TABLE ⁽¹⁾	0xE00F E000	N/A	4 KiB
IPU2_C1_RW_TABLE ⁽¹⁾	0xE00F E000	N/A	4 KiB

⁽¹⁾ Different view from each Cortex-M4

7.4.2 IPUx_UNICACHE_CFG Registers

7.4.2.1 IPUx_UNICACHE_CFG Register Summary

Table 7-12. IPU1_UNICACHE_CFG Registers Mapping Summary

Register Name	Type	Register Width (Bits)	Address Offset	Physical Address (IPU1 Private Access)
CACHE_CONFIG	RW	32	0x0000 0004	0x5508 0004
CACHE_INT	RW	32	0x0000 0008	0x5508 0008
CACHE_OCP	RW	32	0x0000 000C	0x5508 000C
CACHE_MAINT	RW	32	0x0000 0010	0x5508 0010
CACHE_MTSTART	RW	32	0x0000 0014	0x5508 0014
CACHE_MTEND	RW	32	0x0000 0018	0x5508 0018

Table 7-12. IPU1_UNICACHE_CFG Registers Mapping Summary (continued)

Register Name	Type	Register Width (Bits)	Address Offset	Physical Address (IPU1 Private Access)
CACHE_CTADDR	RW	32	0x0000 001C	0x5508 001C
CACHE_CTDATA	RW	32	0x0000 0020	0x5508 0020

Table 7-13. IPU2_UNICACHE_CFG Registers Mapping Summary

Register Name	Type	Register Width (Bits)	Address Offset	Physical Address (IPU2 Private Access)
CACHE_CONFIG	RW	32	0x0000 0004	0x5508 0004
CACHE_INT	RW	32	0x0000 0008	0x5508 0008
CACHE_OCP	RW	32	0x0000 000C	0x5508 000C
CACHE_MAINT	RW	32	0x0000 0010	0x5508 0010
CACHE_MTSTART	RW	32	0x0000 0014	0x5508 0014
CACHE_MTEND	RW	32	0x0000 0018	0x5508 0018
CACHE_CTADDR	RW	32	0x0000 001C	0x5508 001C
CACHE_CTDATA	RW	32	0x0000 0020	0x5508 0020

7.4.2.2 IPUx_UNICACHE_CFG Register Description

Table 7-14. CACHE_CONFIG

Address Offset	0x0000 0004	Instance	IPU1_WUGEN_IPU IPU1_WUGEN_MAIN_L3 IPU2_WUGEN_IPU IPU2_WUGEN_MAIN_L3
Physical Address	0x5508 0004 0x5888 0004 0x5508 0004 0x5508 0004		
Description	Configuration Register		
Type	RW		

31	30	29	28	27	26	25	24	23	22	21	20	19	18	17	16	15	14	13	12	11	10	9	8	7	6	5	4	3	2	1	0	
RESERVED																												LOCK_MAIN	LOCK_PORT	LOCK_INT	BYPASS	CACHE_LOCK

Bits	Field Name	Description	Type	Reset
31:5	RESERVED	Reserved	R	0x0
4	LOCK_MAIN	Lock access to maintenance registers 0x0: Locked 0x1: Not locked	RW	1
3	LOCK_PORT	Lock access to interface registers 0x0: Locked 0x1: Not locked	RW	1
2	LOCK_INT	Lock access to interrupt registers 0x0: Locked 0x1: Not locked	RW	1

Bits	Field Name	Description	Type	Reset
1	BYPASS	Bypass cache 0x0: Everything is non-cacheable. 0x1: Everything is cacheable.	RW	0
0	CACHE_LOCK	Unicache lock. Once this bit is set only debugger or hardware reset can clear. 0x0: No effect 0x1: Only debug accesses allowed	RW	0

Table 7-15. Register Call Summary for Register CACHE_CONFIG

Dual Cortex-M4 IPU Subsystem Register Manual

- [IPUx_UNICACHE_CFG Register Summary: \[0\]\[1\]](#)

Table 7-16. CACHE_INT

Address Offset	0x0000 0008	Instance	IPU1_WUGEN_IPU IPU1_WUGEN_MAIN_L3 IPU2_WUGEN_IPU IPU2_WUGEN_MAIN_L3
Physical Address	0x5508 0008 0x5888 0008 0x5508 0008 0x5508 0008		
Description	Interrupt Register		
Type	RW		

31	30	29	28	27	26	25	24	23	22	21	20	19	18	17	16	15	14	13	12	11	10	9	8	7	6	5	4	3	2	1	0
RESERVED																PORT		READ	WRITE	MAINT	PAGEFAULT	CONFIG									

Bits	Field Name	Description	Type	Reset
31:9	RESERVED	Reserved.	R	0x000000
8:5	PORT	Slave interface number that has recorded an error	RW W1toClr	0x0
4	READ	Interface read response error	RW W1toClr	0
3	WRITE	Interface write response error	RW W1toClr	0
2	MAINT	Maintenance is completed	RW W1toClr	0
1	PAGEFAULT	Unicache MMU page fault	RW W1toClr	0
0	CONFIG	Configuration error	RW W1toClr	0

Table 7-17. Register Call Summary for Register CACHE_INT

Dual Cortex-M4 IPU Subsystem Register Manual

- [IPUx_UNICACHE_CFG Register Summary: \[0\]\[1\]](#)

Table 7-18. CACHE_OCP

Address Offset	0x0000 000C		
Physical Address	0x5508 000C 0x5888 000C 0x5508 000C 0x5508 000C	Instance	IPU1_WUGEN_IPU IPU1_WUGEN_MAIN_L3 IPU2_WUGEN_IPU IPU2_WUGEN_MAIN_L3
Description	Interface Configuration Register		
Type	RW		

31	30	29	28	27	26	25	24	23	22	21	20	19	18	17	16	15	14	13	12	11	10	9	8	7	6	5	4	3	2	1	0		
RESERVED																												CLEANBUF	PREFETCH	CACHED	WRALLOCATE	WRBUFFER	WRAP

Bits	Field Name	Description	Type	Reset
31:6	RESERVED	Reserved.	R	0x00000000
5	CLEANBUF	Clean write and prefetch buffers in cache 0x0: Do not clean 0x1: Clean	RW	0
4	PREFETCH	Always prefetch data 0x0: Follow MMU policies 0x1: Always prefetch	RW	0
3	CACHED	Follow cacheable sideband signals 0x0: Reads always not allocated, writes write through if cached 0x1: Slave sideband signals determine policy	RW	1
2	WRALLOCATE	Follow write allocate sideband signals 0x0: No writes are allocated independent to sideband 0x1: Follow sideband	RW	0
1	WRBUFFER	Write throughs and write back no allocate are buffered 0x0: Write throughs and write back no allocated are not buffered 0x1: Write throughs and write back no allocated are buffered	RW	0
0	WRAP	OCP wrap mode (critical word first) 0x0: Disabled 0x1: Enabled	RW	0

Table 7-19. Register Call Summary for Register CACHE_OCP

- Dual Cortex-M4 IPU Subsystem Register Manual
- [IPUx_UNICACHE_CFG Register Summary: \[0\]\[1\]](#)

Table 7-20. CACHE_MAINT

Address Offset	0x0000 0010	Instance	IPU1_WUGEN_IPU IPU1_WUGEN_MAIN_L3 IPU2_WUGEN_IPU IPU2_WUGEN_MAIN_L3
Physical Address	0x5508 0010 0x5888 0010 0x5508 0010 0x5508 0010		
Description	Maintenance Configuration Register		
Type	RW		

31	30	29	28	27	26	25	24	23	22	21	20	19	18	17	16	15	14	13	12	11	10	9	8	7	6	5	4	3	2	1	0
RESERVED																							INTERRUPT	INVALIDATE	CLEAN	UNLOCK	LOCK	PRELOAD			

Bits	Field Name	Description	Type	Reset
31:6	RESERVED	Reserved.	R	0x00000000
5	INTERRUPT	Generate interrupt when maintenance operation is complete 0x0: Do not generate interrupt 0x1: Generate interrupt Note: This bit is cleared by HW when maintenance is complete.	RW	0
4	INVALIDATE	Invalidate lines in region defined by maintenance start/end addresses 0x0: Do nothing 0x1: Invalidate Note: This bit is cleared by HW when maintenance is complete.	RW	0
3	CLEAN	Evict dirty lines in region defined by maintenance start/end addresses 0x0: Do nothing 0x1: Clean Note: This bit is cleared by HW when maintenance is complete.	RW	0
2	UNLOCK	Unlock region defined by maintenance start/end addresses 0x0: Do nothing 0x1: Unlock Note: This bit is cleared by HW when maintenance is complete.	RW	0
1	LOCK	Lock region defined by maintenance start/end addresses 0x0: Do nothing 0x1: Lock Note: This bit is cleared by HW when maintenance is complete.	RW	0
0	PRELOAD	Preload region defined by maintenance start/end addresses 0x0: Do nothing 0x1: Preload Note: This bit is cleared by HW when maintenance is complete.	RW	0

Table 7-21. Register Call Summary for Register CACHE_MAINT

- Dual Cortex-M4 IPU Subsystem Register Manual
- [IPUX_UNICACHE_CFG Register Summary: \[0\]\[1\]](#)

Table 7-22. CACHE_MTSTART

Address Offset	0x0000 0014		
Physical Address	0x5508 0014 0x5888 0014 0x5508 0014 0x5508 0014	Instance	IPU1_WUGEN_IPU IPU1_WUGEN_MAIN_L3 IPU2_WUGEN_IPU IPU2_WUGEN_MAIN_L3
Description	Maintenance Start Configuration Register		
Type	RW		

31	30	29	28	27	26	25	24	23	22	21	20	19	18	17	16	15	14	13	12	11	10	9	8	7	6	5	4	3	2	1	0
START_ADDR																															

Bits	Field Name	Description	Type	Reset
31:0	START_ADDR	Start address of maintenance operations, reset to 0x0000 0000 when finished	RW	0x0000 0000

Table 7-23. Register Call Summary for Register CACHE_MTSTART

Dual Cortex-M4 IPU Subsystem Register Manual

- [IPUx_UNICACHE_CFG Register Summary: \[0\]\[1\]](#)

Table 7-24. CACHE_MTEND

Address Offset	0x0000 0018		
Physical Address	0x5508 0018 0x5888 0018 0x5508 0018 0x5508 0018	Instance	IPU1_WUGEN_IPU IPU1_WUGEN_MAIN_L3 IPU2_WUGEN_IPU IPU2_WUGEN_MAIN_L3
Description	Maintenance End Configuration Register		
Type	RW		

31	30	29	28	27	26	25	24	23	22	21	20	19	18	17	16	15	14	13	12	11	10	9	8	7	6	5	4	3	2	1	0
END_ADDR																															

Bits	Field Name	Description	Type	Reset
31:0	END_ADDR	End address of maintenance operations, reset to 0x0000 0000 when finished	RW	0x0000 0000

Table 7-25. Register Call Summary for Register CACHE_MTEND

Dual Cortex-M4 IPU Subsystem Register Manual

- [IPUx_UNICACHE_CFG Register Summary: \[0\]\[1\]](#)

Table 7-26. CACHE_CTADDR

Address Offset	0x0000 001C		
Physical Address	0x5508 001C 0x5888 001C 0x5508 001C 0x5508 001C	Instance	IPU1_WUGEN_IPU IPU1_WUGEN_MAIN_L3 IPU2_WUGEN_IPU IPU2_WUGEN_MAIN_L3
Description	Cache Test Address Register		
Type	RW		

31	30	29	28	27	26	25	24	23	22	21	20	19	18	17	16	15	14	13	12	11	10	9	8	7	6	5	4	3	2	1	0
ADDRESS																															

Bits	Field Name	Description	Type	Reset
31:0	ADDRESS	Address of cache visibility when read CACHE_CTADDR register, autoincrements	RW	0x0000 0000

Table 7-27. Register Call Summary for Register CACHE_CTADDR

Dual Cortex-M4 IPU Subsystem Register Manual

- [IPUx_UNICACHE_CFG Register Summary: \[0\]\[1\]](#)
- [IPUx_UNICACHE_CFG Register Description: \[2\]\[3\]](#)

Table 7-28. CACHE_CTDATA

Address Offset	0x0000 0020		
Physical Address	0x5508 0020 0x5888 0020 0x5508 0020 0x5508 0020	Instance	IPU1_WUGEN_IPU IPU1_WUGEN_MAIN_L3 IPU2_WUGEN_IPU IPU2_WUGEN_MAIN_L3
Description	Cache Test Data Register		
Type	RW		

31	30	29	28	27	26	25	24	23	22	21	20	19	18	17	16	15	14	13	12	11	10	9	8	7	6	5	4	3	2	1	0
DATA																															

Bits	Field Name	Description	Type	Reset
31:0	DATA	Cache data at address of CACHE_CTADDR register, CACHE_CTADDR autoincrements each time CACHE_CTDATA is read	RW	0x0000 0000

Table 7-29. Register Call Summary for Register CACHE_CTDATA

Dual Cortex-M4 IPU Subsystem Register Manual

- [IPUx_UNICACHE_CFG Register Summary: \[0\]\[1\]](#)
- [IPUx_UNICACHE_CFG Register Description: \[2\]\[3\]](#)

7.4.3 IPUx_UNICACHE_SCTM Registers

7.4.3.1 IPUx_UNICACHE_SCTM Register Summary

Table 7-30. IPU1_UNICACHE_SCTM Registers Mapping Summary

Register Name	Type	Register Width (Bits)	Address Offset	Physical Address (IPU1 Private Access)
CACHE_SCTM_CTCNTL	RW	32	0x0000 0000	0x5508 0400
RESERVED	R	32	0x0000 0020	0x5508 0420
RESERVED	R	32	0x0000 0024	0x5508 0424
RESERVED	R	32	0x0000 0028	0x5508 0428
RESERVED	R	32	0x0000 002C	0x5508 042C
CACHE_SCTM_TINTVLR_i ⁽¹⁾	RW	32	0x0000 0040 + (0x4 * i)	0x5508 0440 + (0x4 * i)
CACHE_SCTM_CTDBGNUM	R	32	0x0000 007C	0x5508 047C
CACHE_SCTM_CTGNBL	RW	32	0x0000 00F0	0x5508 04F0
CACHE_SCTM_CTGRST	RW	32	0x0000 00F8	0x5508 04F8
CACHE_SCTM_CTCR_WT_i ⁽¹⁾	RW	32	0x0000 0100 + (0x4 * i)	0x5508 0500 + (0x4 * i)
CACHE_SCTM_CTCR_WOT_j ⁽³⁾	RW	32	0x0000 0108 + (0x4 * j)	0x5508 0508 + (0x4 * j)
CACHE_SCTM_CTCNTR_k ⁽²⁾	R	32	0x0000 0180 + (0x4 * k)	0x5508 0580 + (0x4 * k)

(1) i = 0 to 1

(2) k = 0 to 7

(3) j = 0 to 5

Table 7-31. IPU2_UNICACHE_SCTM Registers Mapping Summary

Register Name	Type	Register Width (Bits)	Address Offset	Physical Address (IPU2 Private Access)
CACHE_SCTM_CTCNTL	RW	32	0x0000 0000	0x5508 0400
RESERVED	R	32	0x0000 0020	0x5508 0420
RESERVED	R	32	0x0000 0024	0x5508 0424
RESERVED	R	32	0x0000 0028	0x5508 0428
RESERVED	R	32	0x0000 002C	0x5508 042C
CACHE_SCTM_TINTVLR_i ⁽¹⁾	RW	32	0x0000 0040 + (0x4 * i)	0x5508 0440 + (0x4 * i)
CACHE_SCTM_CTDBGNUM	R	32	0x0000 007C	0x5508 047C
CACHE_SCTM_CTGNBL	RW	32	0x0000 00F0	0x5508 04F0
CACHE_SCTM_CTGRST	RW	32	0x0000 00F8	0x5508 04F8
CACHE_SCTM_CTCR_WT_i ⁽¹⁾	RW	32	0x0000 0100 + (0x4 * i)	0x5508 0500 + (0x4 * i)
CACHE_SCTM_CTCR_WOT_j ⁽³⁾	RW	32	0x0000 0108 + (0x4 * j)	0x5508 0508 + (0x4 * j)
CACHE_SCTM_CTCNTR_k ⁽²⁾	R	32	0x0000 0180 + (0x4 * k)	0x5508 0580 + (0x4 * k)

(1) i = 0 to 1

(2) k = 0 to 7

(3) j = 0 to 5

7.4.3.2 IPUx_UNICACHE_SCTM Register Description
Table 7-32. CACHE_SCTM_CTCNTL

Address Offset	0x0000 0000		
Physical Address	0x5508 0400 0x5888 0400 0x5508 0400 0x5508 0400	Instance	IPU1_WUGEN_IPU IPU1_WUGEN_MAIN_L3 IPU2_WUGEN_IPU IPU2_WUGEN_MAIN_L3
Description			
Type	RW		

31	30	29	28	27	26	25	24	23	22	21	20	19	18	17	16	15	14	13	12	11	10	9	8	7	6	5	4	3	2	1	0								
NUMSTM								NUMINPT								NUMTIMR								NUMCNTR								REVISION				IDLEMODE		ENBL	

Bits	Field Name	Description	Type	Reset
31:26	NUMSTM	Number of timers that can export via STM	R	0x00
25:18	NUMINPT	Number of event input signals	R	0x1F
17:13	NUMTIMR	Number of timers in the module	R	0x02
12:7	NUMCNTR	Number of counters in the module	R	0x08
6:3	REVISION	Revision ID of SCTM	R	0x- TI internal data
2:1	IDLEMODE	Idle mode control 0x0: Force Idle mode 0x1: This SCTM will acknowledge the idle request, but never transition to the idle state 0x2: This SCTM uses the smart idle protocol. This is the default mode 0x3: Since the SCTM does not support internal wakeup, this mode is identical to smart_idle	RW	0x2
0	ENBL	SCTM global enable 0x0: This module is disabled. Only the configuration interface is functional. All other logic is reset 0x1: The module is enabled and individual counter/timers can be configured	RW	0

Table 7-33. Register Call Summary for Register CACHE_SCTM_CTCNTL

Dual Cortex-M4 IPU Subsystem Register Manual

- [IPUx_UNICACHE_SCTM Register Summary: \[0\]\[1\]](#)

Table 7-34. CACHE_SCTM_TINTVLR_i

Address Offset	0x0000 0040 + (0x4 * i)		
Physical Address	0x5508 0440 + (0x4 * i) 0x5888 0440 + (0x4 * i) 0x5508 0440 + (0x4 * i) 0x5508 0440 + (0x4 * i)	Instance	IPU1_WUGEN_IPU IPU1_WUGEN_MAIN_L3 IPU2_WUGEN_IPU IPU2_WUGEN_MAIN_L3
Description	These registers contain the interval match value for the corresponding timers in the SCTM		
Type	RW		

31	30	29	28	27	26	25	24	23	22	21	20	19	18	17	16	15	14	13	12	11	10	9	8	7	6	5	4	3	2	1	0
INTERVAL																															

Bits	Field Name	Description	Type	Reset
31:0	INTERVAL	Interval match value for the timers in the SCTM	RW	0x0000 0000

Table 7-35. Register Call Summary for Register CACHE_SCTM_TINTVLR_i

Dual Cortex-M4 IPU Subsystem Functional Description

- [Periodic Intervals: \[0\]\[1\]\[2\]](#)

Dual Cortex-M4 IPU Subsystem Register Manual

- [IPUx_UNICACHE_SCTM Register Summary: \[3\]\[4\]](#)

Table 7-36. CACHE_SCTM_CTDBGNUM

Address Offset	0x0000 007C		
Physical Address	0x5508 047C 0x5888 047C 0x5508 047C 0x5508 047C	Instance	IPU1_WUGEN_IPU IPU1_WUGEN_MAIN_L3 IPU2_WUGEN_IPU IPU2_WUGEN_MAIN_L3
Description	Counter Timer Number Debug Event Register		
Type	R		

31	30	29	28	27	26	25	24	23	22	21	20	19	18	17	16	15	14	13	12	11	10	9	8	7	6	5	4	3	2	1	0
RESERVED																														NUMEVT	

Bits	Field Name	Description	Type	Reset
31:3	RESERVED	Reserved.	R	0x0000 0000
2:0	NUMEVT	Number of input selectors for debug events	R	0x0

Table 7-37. Register Call Summary for Register CACHE_SCTM_CTDBGNUM

Dual Cortex-M4 IPU Subsystem Register Manual

- [IPUx_UNICACHE_SCTM Register Summary: \[0\]\[1\]](#)

Table 7-38. CACHE_SCTM_CTGNBL

Address Offset	0x0000 00F0		
Physical Address	0x5508 04F0 0x5888 04F0 0x5508 04F0 0x5508 04F0	Instance	IPU1_WUGEN_IPU IPU1_WUGEN_MAIN_L3 IPU2_WUGEN_IPU IPU2_WUGEN_MAIN_L3
Description	These registers provide for simultaneous enable/disable of 32 counters		
Type	RW		

31	30	29	28	27	26	25	24	23	22	21	20	19	18	17	16	15	14	13	12	11	10	9	8	7	6	5	4	3	2	1	0
RESERVED																ENABLE															

Bits	Field Name	Description	Type	Reset
31:8	RESERVED	Reserved.	R	0x000000
7:0	ENABLE	The counter enable bit field	RW	0x00

Table 7-39. Register Call Summary for Register CACHE_SCTM_CTGNBL

Dual Cortex-M4 IPU Subsystem Functional Description

- [Enabling and Disabling Counters: \[0\]](#)

Dual Cortex-M4 IPU Subsystem Register Manual

- [IPUx_UNICACHE_SCTM Register Summary: \[1\]\[2\]](#)

Table 7-40. CACHE_SCTM_CTGRST

Address Offset	0x0000 00F8		
Physical Address	0x5508 04F8 0x5888 04F8 0x5508 04F8 0x5508 04F8	Instance	IPU1_WUGEN_IPU IPU1_WUGEN_MAIN_L3 IPU2_WUGEN_IPU IPU2_WUGEN_MAIN_L3
Description	These registers provide for simultaneous reset of 32 counters		
Type	RW		

31	30	29	28	27	26	25	24	23	22	21	20	19	18	17	16	15	14	13	12	11	10	9	8	7	6	5	4	3	2	1	0
RESERVED																RESET															

Bits	Field Name	Description	Type	Reset
31:8	RESERVED	Reserved.	R	0x000000
7:0	RESET	The counter reset bit field	RW	0x00

Table 7-41. Register Call Summary for Register CACHE_SCTM_CTGRST

Dual Cortex-M4 IPU Subsystem Functional Description

- [Resetting Counters: \[0\]](#)

Dual Cortex-M4 IPU Subsystem Register Manual

- [IPUx_UNICACHE_SCTM Register Summary: \[1\]\[2\]](#)

Table 7-42. CACHE_SCTM_CTCR_WT_i

Address Offset	0x0000 0100 + (0x4 * i)		
Physical Address	0x5508 0500 + (0x4 * i) 0x5888 0500 + (0x4 * i) 0x5508 0500 + (0x4 * i) 0x5508 0500 + (0x4 * i)	Instance	IPU1_WUGEN_IPU IPU1_WUGEN_MAIN_L3 IPU2_WUGEN_IPU IPU2_WUGEN_MAIN_L3
Description	These registers contain the control and status settings for a single counter in the module. There will be a CTCR for every counter in the module (WT: with timer)		
Type	RW		

31	30	29	28	27	26	25	24	23	22	21	20	19	18	17	16	15	14	13	12	11	10	9	8	7	6	5	4	3	2	1	0			
RESERVED								INPSEL								RESERVED								RESTART	DBG	INT	CHNSDW	OVRFLW	IDLE	FREE	DURMODE	CHAIN	RESET	ENBL

Bits	Field Name	Description	Type	Reset
31:21	RESERVED	Reserved.	R	0x000
20:16	INPSEL	Counter Timer input selection 0: Constantly asserted input that results in a free-running counter/timer 1-31: Index of event input signal selected	RW	0x00
15:11	RESERVED	Reserved.	R	0x00
10	RESTART	Restart the timer after an interval match 0: The timer stops after the first interval match. It must be manually reset by software before it starts counting again (run-once timer mode). 1: The timer immediately resets to 0 and begins incrementing again based on the current input configuration (restart timer mode).	RW	0
9	DBG	Signal debug logic on interval match 0: No debug event is generated. 1: Upon interval match, generates a debug event on the corresponding debug output event signal	RW	0
8	INT	Generate interrupt on interval match 0: No interrupt is generated. 1: Upon interval match, generates an interrupt on the corresponding interrupt output event signal	RW	0
7	CHNSDW	Counter has a shadow register for chain reads. 0: The read of the corresponding counter register returns the current value. 1: Read of the high-order counter register, simultaneously loads the current value of the 32 LSBs into a shadow register. The read of the counter register that corresponds to this counter returns the value of the shadow register. This is applicable only when the counter is chained.	R	0
6	OVRFLW	Counter has wrapped since it was last read 0: The counter has not wrapped since the last read. 1: The counter has wrapped since the last read.	R	0
5	IDLE	Counter ignores processor IDLE state 0: The counter does not increment during IDLE state. 1: The counter continues to function during IDLE state; applicable if IDLEMODE = 1.	RW	0
4	FREE	Counter ignores processor debug halt state	RW	0

Bits	Field Name	Description	Type	Reset
		0: The counter does not increment (decrement) during the debug halt state. 1: The counter continues to function during debug halt state.		
3	DURMODE	Counter is in duration or occurrence mode 0: The counter operates in event mode. The counter increments by 1 each time a rising edge is seen on the designated input event signal. 1: The counter operates in duration mode. The counter increments every time a clock cycle is seen and the corresponding input event signal is asserted.	RW	0
2	CHAIN	Counter is chained to an adjacent counter 0: The counter is not chained. 1: Reserved	RW	0
1	RESET	Counter reset control 0: No effect 1: The corresponding counter is reset to the initial value and the OVERFLW bit is cleared. It continues to function if it is still enabled.	RW	0
0	ENBL	Counter enable control 0: The counter does not increment. 1: The counter increments as configured.	RW	0

Table 7-43. Register Call Summary for Register CACHE_SCTM_CTCR_WT_i

Dual Cortex-M4 IPU Subsystem Functional Description

- [Input Events: \[0\]](#)
- [Counter Overflow: \[1\]](#)
- [Counters and Processor State: \[2\]\[3\]](#)
- [Chaining Counters: \[4\]\[5\]\[6\]\[7\]](#)
- [Enabling and Disabling Counters: \[8\]](#)
- [Resetting Counters: \[9\]](#)
- [Periodic Intervals: \[10\]\[11\]\[12\]](#)
- [Event Generation: \[13\]\[14\]](#)

Dual Cortex-M4 IPU Subsystem Register Manual

- [IPUx_UNICACHE_SCTM Register Summary: \[15\]\[16\]](#)

Table 7-44. CACHE_SCTM_CTCR_WOT_j

Address Offset	0x0000 0108 + (0x4 * j)	
Physical Address	0x5508 0508 + (0x4 * j) 0x5888 0508 + (0x4 * j) 0x5508 0508 + (0x4 * j) 0x5508 0508 + (0x4 * j)	Instance
		IPU1_WUGEN_IPU IPU1_WUGEN_MAIN_L3 IPU2_WUGEN_IPU IPU2_WUGEN_MAIN_L3
Description	These registers contain the control and status settings for a single counter in the module. There will be a CTCR for every counter in the module (WOT: without timer)	
Type	RW	

31	30	29	28	27	26	25	24	23	22	21	20	19	18	17	16	15	14	13	12	11	10	9	8	7	6	5	4	3	2	1	0
RESERVED								INPSEL				RESERVED								CHNSDW	OVFLW	IDLE	FREE	DURMODE	CHAIN	RESET	ENBL				

Bits	Field Name	Description	Type	Reset
31:21	RESERVED	Reserved.	R	0x000
20:16	INPSEL	Counter input selection 0: Constant low signal on the output interface 1–31: Index of event input signal selected	RW	0x000
15:8	RESERVED	Reserved.	R	0x00
7	CHNSDW	Counter has a shadow register for chain reads. 0: The read of the corresponding counter register returns the current value. 1: Read of the high-order counter register, simultaneously loads the current value of the 32 LSBs into a shadow register. The read of the counter register that corresponds to this counter returns the value of the shadow register. This is applicable only when the counter is chained.	R	1
6	OVRFLW	Counter has wrapped since it was last read 0: The counter has not wrapped since the last read. 1: The counter has wrapped since the last read.	R	0
5	IDLE	Counter ignores processor IDLE state 0: The counter does not increment during IDLE state. 1: The counter continues to function during IDLE state; applicable if IDLEMODE = 1.	RW	0
4	FREE	Counter ignores processor debug halt state 0: The counter does not increment (decrement) during the debug halt state. 1: The counter continues to function during debug halt state.	RW	0
3	DURMODE	Counter is in duration or occurrence mode 0: The counter operates in event mode. The counter increments by 1 each time a rising edge is seen on the designated input event signal. 1: The counter operates in duration mode. The counter increments every time a clock cycle is seen and the corresponding input event signal is asserted.	RW	0
2	CHAIN	Counter is chained to an adjacent counter 0: The counter is not chained. 1: The counter is chained to its partner.	RW	0
1	RESET	Counter reset control 0: No effect 1: The corresponding counter is reset to the initial value and the OVERFLW bit is cleared. It continues to function if it is still enabled.	RW	0
0	ENBL	Counter enable control 0: The counter does not increment. 1: The counter increments as configured.	RW	0

Table 7-45. Register Call Summary for Register CACHE_SCTM_CTCR_WOT_j

Dual Cortex-M4 IPU Subsystem Functional Description

- [Input Events: \[0\]](#)
- [Counter Overflow: \[1\]](#)
- [Counters and Processor State: \[2\]\[3\]](#)
- [Chaining Counters: \[4\]\[5\]\[6\]\[7\]](#)
- [Enabling and Disabling Counters: \[8\]](#)
- [Resetting Counters: \[9\]](#)

Table 7-45. Register Call Summary for Register CACHE_SCTM_CTCR_WOT_j (continued)

Dual Cortex-M4 IPU Subsystem Register Manual

- [IPUx_UNICACHE_SCTM Register Summary: \[10\]\[11\]](#)

Table 7-46. CACHE_SCTM_CTCNTR_k

Address Offset	0x0000 0180 + (0x4 * k)		
Physical Address	0x5508 0580 + (0x4 * k)	Instance	IPU1_WUGEN_IPU
	0x5888 0580 + (0x4 * k)		IPU1_WUGEN_MAIN_L3
	0x5508 0580 + (0x4 * k)		IPU2_WUGEN_IPU
	0x5508 0580 + (0x4 * k)		IPU2_WUGEN_MAIN_L3
Description	These registers contain the value of an individual counter in the module. There will be a CTCNTR for every counter in the module		
Type	R		

31	30	29	28	27	26	25	24	23	22	21	20	19	18	17	16	15	14	13	12	11	10	9	8	7	6	5	4	3	2	1	0
COUNT																															

Bits	Field Name	Description	Type	Reset
31:0	COUNT	Counter value	R	0x0000 0000

Table 7-47. Register Call Summary for Register CACHE_SCTM_CTCNTR_k

Dual Cortex-M4 IPU Subsystem Functional Description

- [Periodic Intervals: \[0\]](#)

Dual Cortex-M4 IPU Subsystem Register Manual

- [IPUx_UNICACHE_SCTM Register Summary: \[1\]\[2\]](#)

7.4.4 IPUx_UNICACHE_MMU (AMMU) Registers

7.4.4.1 IPUx_UNICACHE_MMU (AMMU) Register Summary

Table 7-48. IPU1_UNICACHE_MMU (AMMU) Registers Mapping Summary

Register Name	Type	Register Width (Bits)	Address Offset	Physical Address (IPU1 Private Access)	Physical Address (L3_MAIN Access)
CACHE_MMU_LARGE_ADDR_i⁽¹⁾	RW	32	0x0000 0000 + (0x4 * i)	0x5508 0800 + (0x4 * i)	0x5888 0800 + (0x4 * i)
CACHE_MMU_LARGE_XLTE_j⁽¹⁾	RW	32	0x0000 0020 + (0x4 * i)	0x5508 0820 + (0x4 * i)	0x5888 0820 + (0x4 * i)
CACHE_MMU_LARGE_POLICY_i⁽¹⁾	RW	32	0x0000 0040 + (0x4 * i)	0x5508 0840 + (0x4 * i)	0x5888 0840 + (0x4 * i)
CACHE_MMU_MED_ADDR_j⁽²⁾	RW	32	0x0000 0060 + (0x4 * j)	0x5508 0860 + (0x4 * j)	0x5888 0860 + (0x4 * j)
CACHE_MMU_MED_XLTE_j⁽²⁾	RW	32	0x0000 00A0 + (0x4 * j)	0x5508 08A0 + (0x4 * j)	0x5888 08A0 + (0x4 * j)
CACHE_MMU_MED_POLICY_j⁽²⁾	RW	32	0x0000 00E0 + (0x4 * j)	0x5508 08E0 + (0x4 * j)	0x5888 08E0 + (0x4 * j)
CACHE_MMU_SMALL_ADDR_k⁽³⁾	RW	32	0x0000 0120 + (0x4 * k)	0x5508 0920 + (0x4 * k)	0x5888 0920 + (0x4 * k)
CACHE_MMU_SMALL_XLTE_k⁽³⁾	RW	32	0x0000 01A0 + (0x4 * k)	0x5508 09A0 + (0x4 * k)	0x5888 09A0 + (0x4 * k)

⁽¹⁾ i = 0 to 3

⁽²⁾ j = 0 to 1

⁽³⁾ k = 0 to 9

Table 7-48. IPU1_UNICACHE_MMU (AMMU) Registers Mapping Summary (continued)

Register Name	Type	Register Width (Bits)	Address Offset	Physical Address (IPU1 Private Access)	Physical Address (L3_MAIN Access)
CACHE_MMU_SMALL_POLICY_k ⁽³⁾	RW	32	0x0000 0220 + (0x4 * k)	0x5508 0A20 + (0x4 * k)	0x5888 0A20 + (0x4 * k)
CACHE_MMU_SMALL_MAINT_k ⁽³⁾	RW	32	0x0000 02A0 + (0x4 * k)	0x5508 0AA0 + (0x4 * k)	0x5888 0AA0 + (0x4 * k)
Reserved	RW	32	0x0000 04A8	0x5508 0CA8	0x5888 0CA8
Reserved	RW	32	0x0000 04AC	0x5508 0CAC	0x5888 0CAC
Reserved	RW	32	0x0000 04B0	0x5508 0CB0	0x5888 0CB0
Reserved	R	32	0x0000 04B4	0x5508 0CB4	0x5888 0CB4
CACHE_MMU_MMUCONFIG	RW	32	0x0000 04B8	0x5508 0CB8	0x5888 0CB8

Table 7-49. IPU2_UNICACHE_MMU (AMMU) Registers Mapping Summary

Register Name	Type	Register Width (Bits)	Address Offset	Physical Address (IPU2 Private Access)	Physical Address (L3_MAIN Access)
CACHE_MMU_LARGE_ADDR_i ⁽¹⁾	RW	32	0x0000 0000 + (0x4 * i)	0x5508 0800 + (0x4 * i)	0x5508 0800 + (0x4 * i)
CACHE_MMU_LARGE_XLTE_j ⁽¹⁾	RW	32	0x0000 0020 + (0x4 * i)	0x5508 0820 + (0x4 * i)	0x5508 0820 + (0x4 * i)
CACHE_MMU_LARGE_POLICY_i ⁽¹⁾	RW	32	0x0000 0040 + (0x4 * i)	0x5508 0840 + (0x4 * i)	0x5508 0840 + (0x4 * i)
CACHE_MMU_MED_ADDR_j ⁽²⁾	RW	32	0x0000 0060 + (0x4 * j)	0x5508 0860 + (0x4 * j)	0x5508 0860 + (0x4 * j)
CACHE_MMU_MED_XLTE_j ⁽²⁾	RW	32	0x0000 00A0 + (0x4 * j)	0x5508 08A0 + (0x4 * j)	0x5508 08A0 + (0x4 * j)
CACHE_MMU_MED_POLICY_j ⁽²⁾	RW	32	0x0000 00E0 + (0x4 * j)	0x5508 08E0 + (0x4 * j)	0x5508 08E0 + (0x4 * j)
CACHE_MMU_SMALL_ADDR_k ⁽³⁾	RW	32	0x0000 0120 + (0x4 * k)	0x5508 0920 + (0x4 * k)	0x5508 0920 + (0x4 * k)
CACHE_MMU_SMALL_XLTE_k ⁽³⁾	RW	32	0x0000 01A0 + (0x4 * k)	0x5508 09A0 + (0x4 * k)	0x5508 09A0 + (0x4 * k)
CACHE_MMU_SMALL_POLICY_k ⁽³⁾	RW	32	0x0000 0220 + (0x4 * k)	0x5508 0A20 + (0x4 * k)	0x5508 0A20 + (0x4 * k)
CACHE_MMU_SMALL_MAINT_k ⁽³⁾	RW	32	0x0000 02A0 + (0x4 * k)	0x5508 0AA0 + (0x4 * k)	0x5508 0AA0 + (0x4 * k)
Reserved	RW	32	0x0000 04A8	0x5508 0CA8	0x5508 0CA8
Reserved	RW	32	0x0000 04AC	0x5508 0CAC	0x5508 0CAC
Reserved	RW	32	0x0000 04B0	0x5508 0CB0	0x5508 0CB0
Reserved	R	32	0x0000 04B4	0x5508 0CB4	0x5508 0CB4
CACHE_MMU_MMUCONFIG	RW	32	0x0000 04B8	0x5508 0CB8	0x5508 0CB8

⁽¹⁾ i = 0 to 3⁽²⁾ j = 0 to 1⁽³⁾ k = 0 to 9

7.4.4.2 IPUx_UNICACHE_MMU (AMMU) Register Description
Table 7-50. CACHE_MMU_LARGE_ADDR_i

Address Offset	0x0000 0000 + (0x4 * i)		
Physical Address	0x5508 0800 + (0x4 * i) 0x5888 0800 + (0x4 * i) 0x5508 0800 + (0x4 * i) 0x5508 0800 + (0x4 * i)	Instance	IPU1_WUGEN_IPU IPU1_WUGEN_MAIN_L3 IPU2_WUGEN_IPU IPU2_WUGEN_MAIN_L3
Description	Large page address		
Type	RW		

31	30	29	28	27	26	25	24	23	22	21	20	19	18	17	16	15	14	13	12	11	10	9	8	7	6	5	4	3	2	1	0
ADDRESS								RESERVED																							

Bits	Field Name	Description	Type	Reset
31:25	ADDRESS	Logical source address	RW	0x00
24:0	RESERVED	Reserved.	R	0x0000000

Table 7-51. Register Call Summary for Register CACHE_MMU_LARGE_ADDR_i

Dual Cortex-M4 IPU Subsystem Functional Description

- [IPUx_UNICACHE_MMU: \[0\]](#)

Dual Cortex-M4 IPU Subsystem Register Manual

- [IPUx_UNICACHE_MMU Register Summary: \[1\]\[2\]](#)

Table 7-52. CACHE_MMU_LARGE_XLTE_i

Address Offset	0x0000 0020 + (0x4 * i)		
Physical Address	0x5508 0820 + (0x4 * i) 0x5888 0820 + (0x4 * i) 0x5508 0820 + (0x4 * i) 0x5508 0820 + (0x4 * i)	Instance	IPU1_WUGEN_IPU IPU1_WUGEN_MAIN_L3 IPU2_WUGEN_IPU IPU2_WUGEN_MAIN_L3
Description	Large page translated address		
Type	RW		

31	30	29	28	27	26	25	24	23	22	21	20	19	18	17	16	15	14	13	12	11	10	9	8	7	6	5	4	3	2	1	0
ADDRESS								RESERVED																			IGNORE				

Bits	Field Name	Description	Type	Reset
31:25	ADDRESS	Logical source translated address	RW	0x00
24:1	RESERVED	Reserved	R	0x0000000
0	IGNORE	Do not use translated address.	RW	0

Table 7-53. Register Call Summary for Register CACHE_MMU_LARGE_XLTE_i

Dual Cortex-M4 IPU Subsystem Functional Description

- [IPUx_UNICACHE_MMU: \[0\]](#)

Dual Cortex-M4 IPU Subsystem Register Manual

- [IPUx_UNICACHE_MMU Register Summary: \[1\]\[2\]](#)

Table 7-54. CACHE_MMU_LARGE_POLICY_i

Address Offset	0x0000 0040 + (0x4 * i)	Instance	IPU1_WUGEN_IPU IPU1_WUGEN_MAIN_L3 IPU2_WUGEN_IPU IPU2_WUGEN_MAIN_L3
Physical Address	0x5508 0840 + (0x4 * i) 0x5888 0840 + (0x4 * i) 0x5508 0840 + (0x4 * i) 0x5508 0840 + (0x4 * i)		
Description	Large page policy		
Type	RW		

31	30	29	28	27	26	25	24	23	22	21	20	19	18	17	16	15	14	13	12	11	10	9	8	7	6	5	4	3	2	1	0
RESERVED												L1_WR_POLICY	L1_ALLOCATE	L1_POSTED	L1_CACHEABLE	RESERVED								PRELOAD	READ	EXECUTE	RESERVED	SIZE	ENABLE		

Bits	Field Name	Description	Type	Reset
31:20	RESERVED	Reserved	R	0x000
19	L1_WR_POLICY	L1 write policy 0x0: Write through 0x1: Write back	RW	0
18	L1_ALLOCATE	L1 allocate policy 0x0: No writes are allocated 0x1: Follow sideband	RW	0
17	L1_POSTED	L1 posted policy 0x0: Not posted 0x1: Posted	RW	0
16	L1_CACHEABLE	L1 cache policy 0x0: Non-cacheable 0x1: Cacheable	RW	0
15:7	RESERVED	Reserved	R	0x000
6	PRELOAD	Preload region 0x0: Do not preload 0x1: Preload	RW	0
5	READ	Read only	RW	0
4	EXECUTE	Execute only	RW	0
3:2	RESERVED	Reserved	R	0x0
1	SIZE	Size of page 0x0: 32 MiB 0x1: 512 MiB	RW	0
0	ENABLE	Enable page 0x0: Page not enabled 0x1: Page enabled	RW	0

Table 7-55. Register Call Summary for Register CACHE_MMU_LARGE_POLICY_i

Dual Cortex-M4 IPU Subsystem Functional Description

- [IPUx_UNICACHE_MMU: \[0\]](#)

Dual Cortex-M4 IPU Subsystem Register Manual

- [IPUx_UNICACHE_MMU Register Summary: \[1\]\[2\]](#)

Table 7-56. CACHE_MMU_MED_ADDR_j

Address Offset	0x0000 0060 + (0x4 * j)		
Physical Address	0x5508 0860 + (0x4 * j) 0x5888 0860 + (0x4 * j) 0x5508 0860 + (0x4 * j) 0x5508 0860 + (0x4 * j)	Instance	IPU1_WUGEN_IPU IPU1_WUGEN_MAIN_L3 IPU2_WUGEN_IPU IPU2_WUGEN_MAIN_L3
Description	Medium page address		
Type	RW		

31	30	29	28	27	26	25	24	23	22	21	20	19	18	17	16	15	14	13	12	11	10	9	8	7	6	5	4	3	2	1	0
ADDRESS																RESERVED															

Bits	Field Name	Description	Type	Reset
31:17	ADDRESS	Logical source address	RW	0x0000
16:0	RESERVED	Reserved	R	0x00000

Table 7-57. Register Call Summary for Register CACHE_MMU_MED_ADDR_j

Dual Cortex-M4 IPU Subsystem Functional Description

- [IPUx_UNICACHE_MMU: \[0\]](#)

Dual Cortex-M4 IPU Subsystem Register Manual

- [IPUx_UNICACHE_MMU Register Summary: \[1\]\[2\]](#)

Table 7-58. CACHE_MMU_MED_XLTE_j

Address Offset	0x0000 00A0 + (0x4 * j)		
Physical Address	0x5508 08A0 + (0x4 * j) 0x5888 08A0 + (0x4 * j) 0x5508 08A0 + (0x4 * j) 0x5508 08A0 + (0x4 * j)	Instance	IPU1_WUGEN_IPU IPU1_WUGEN_MAIN_L3 IPU2_WUGEN_IPU IPU2_WUGEN_MAIN_L3
Description	Medium page translated address		
Type	RW		

31	30	29	28	27	26	25	24	23	22	21	20	19	18	17	16	15	14	13	12	11	10	9	8	7	6	5	4	3	2	1	0
ADDRESS																RESERVED												IGNORE			

Bits	Field Name	Description	Type	Reset
31:17	ADDRESS	Logical source translated address	RW	0x0000
16:1	RESERVED	Reserved.	R	0x0000
0	IGNORE	Do not use translated address.	RW	0

Table 7-59. Register Call Summary for Register CACHE_MMU_MED_XLTE_j

Dual Cortex-M4 IPU Subsystem Functional Description

- [IPUx_UNICACHE_MMU: \[0\]](#)

Dual Cortex-M4 IPU Subsystem Register Manual

- [IPUx_UNICACHE_MMU Register Summary: \[1\]\[2\]](#)

Table 7-60. CACHE_MMU_MED_POLICY_j

Address Offset	0x0000 00E0 + (0x4 * j)	Instance	IPU1_WUGEN_IPU IPU1_WUGEN_MAIN_L3 IPU2_WUGEN_IPU IPU2_WUGEN_MAIN_L3
Physical Address	0x5508 08E0 + (0x4 * j) 0x5888 08E0 + (0x4 * j) 0x5508 08E0 + (0x4 * j) 0x5508 08E0 + (0x4 * j)		
Description	Medium page policy		
Type	RW		

31	30	29	28	27	26	25	24	23	22	21	20	19	18	17	16	15	14	13	12	11	10	9	8	7	6	5	4	3	2	1	0
RESERVED												L1_WR_POLICY	L1_ALLOCATE	L1_POSTED	L1_CACHEABLE	RESERVED								PRELOAD	READ	EXECUTE	RESERVED	SIZE	ENABLE		

Bits	Field Name	Description	Type	Reset
31:20	RESERVED	Reserved	R	0x000
19	L1_WR_POLICY	L1 write policy 0x0: Write through 0x1: Write back	RW	0
18	L1_ALLOCATE	L1 allocate policy 0x0: No writes are allocated 0x1: Follow sideband	RW	0
17	L1_POSTED	L1 posted policy 0x0: Non-posted 0x1: Posted	RW	0
16	L1_CACHEABLE	L1 cache policy 0x0: Non-cacheable 0x1: Cacheable	RW	0
15:7	RESERVED	Reserved	R	0x000
6	PRELOAD	Preload region 0x0: Do not preload 0x1: Preload	RW	0
5	READ	Read only	RW	0
4	EXECUTE	Execute only	RW	0
3:2	RESERVED	Reserved	R	0x0
1	SIZE	Size of page 0x0: 128 KiB 0x1: 256 KiB	RW	0
0	ENABLE	Enable page 0x0: Page not enabled 0x1: Page enabled	RW	0

Table 7-61. Register Call Summary for Register CACHE_MMU_MED_POLICY_j

Dual Cortex-M4 IPU Subsystem Functional Description

- [IPUx_UNICACHE_MMU: \[0\]](#)

Dual Cortex-M4 IPU Subsystem Register Manual

- [IPUx_UNICACHE_MMU Register Summary: \[1\]\[2\]](#)

Table 7-62. CACHE_MMU_SMALL_ADDR_k

Address Offset	0x0000 0120 + (0x4 * k)		
Physical Address	0x5508 0920 + (0x4 * k) 0x5888 0920 + (0x4 * k) 0x5508 0920 + (0x4 * k) 0x5508 0920 + (0x4 * k)	Instance	IPU1_WUGEN_IPU IPU1_WUGEN_MAIN_L3 IPU2_WUGEN_IPU IPU2_WUGEN_MAIN_L3
Description	Small page address		
Type	RW		

31	30	29	28	27	26	25	24	23	22	21	20	19	18	17	16	15	14	13	12	11	10	9	8	7	6	5	4	3	2	1	0
ADDRESS																RESERVED															

Bits	Field Name	Description	Type	Reset
31:12	ADDRESS	Logical source address	RW	See Table 7-64 .
11:0	RESERVED	Reserved.	R	0x000

Table 7-63. Register Call Summary for Register CACHE_MMU_SMALL_ADDR_k

Dual Cortex-M4 IPU Subsystem Functional Description

- [IPUx_UNICACHE_MMU: \[0\]](#)

Dual Cortex-M4 IPU Subsystem Register Manual

- [IPUx_UNICACHE_MMU Register Summary: \[1\]\[2\]](#)

Table 7-64. Reset Value for CACHE_MMU_SMALL_ADDR_k[31:12] ADDRESS

Instance	Reset Value
CACHE_MMU_SMALL_ADDR_0	Takes the value of CTRL_CORE_CORTEX_M4_MMUADDRLOGICTR [19:0] shifted 12-bit left
CACHE_MMU_SMALL_ADDR_1	0x40000
CACHE_MMU_SMALL_ADDR_[2..9]	0x00000

Table 7-65. CACHE_MMU_SMALL_XLTE_k

Address Offset	0x0000 01A0 + (0x4 * k)		
Physical Address	0x5508 09A0 + (0x4 * k) 0x5888 09A0 + (0x4 * k) 0x5508 09A0 + (0x4 * k) 0x5508 09A0 + (0x4 * k)	Instance	IPU1_WUGEN_IPU IPU1_WUGEN_MAIN_L3 IPU2_WUGEN_IPU IPU2_WUGEN_MAIN_L3
Description	Small page translated address		
Type	RW		

31	30	29	28	27	26	25	24	23	22	21	20	19	18	17	16	15	14	13	12	11	10	9	8	7	6	5	4	3	2	1	0
ADDRESS																RESERVED												IGNORE			

Bits	Field Name	Description	Type	Reset
31:12	ADDRESS	Physical translated address	RW	See Table 7-67 .
11:1	RESERVED	Reserved	R	0x000
0	IGNORE	Do not use translated address.	RW	0

Table 7-66. Register Call Summary for Register CACHE_MMU_SMALL_XLTE_k

Dual Cortex-M4 IPU Subsystem Functional Description

- [IPUx_UNICACHE_MMU: \[0\]](#)

Dual Cortex-M4 IPU Subsystem Register Manual

- [IPUx_UNICACHE_MMU Register Summary: \[1\]\[2\]](#)

Table 7-67. Reset Value for CACHE_MMU_SMALL_XLTE_k[31:12] ADDRESS

Instance	Reset Value
CACHE_MMU_SMALL_XLTE_0	Takes the value of CTRL_CORE_Cortex_M4_MMUADDRTRANSLTR [19:0] shifted 12-bit left
CACHE_MMU_SMALL_XLTE_1	0x55080
CACHE_MMU_SMALL_XLTE_[2..9]	0x00000

Table 7-68. CACHE_MMU_SMALL_POLICY_k

Address Offset	0x0000 0220 + (0x4 * k)	Instance	IPU1_WUGEN_IPU IPU1_WUGEN_MAIN_L3 IPU2_WUGEN_IPU IPU2_WUGEN_MAIN_L3
Physical Address	0x5508 0A20 + (0x4 * k) 0x5888 0A20 + (0x4 * k) 0x5508 0A20 + (0x4 * k) 0x5508 0A20 + (0x4 * k)		
Description	Small page policy		
Type	RW		

31	30	29	28	27	26	25	24	23	22	21	20	19	18	17	16	15	14	13	12	11	10	9	8	7	6	5	4	3	2	1	0			
RESERVED																RESERVED											COHERENCY	RESERVED	PRELOAD	READ	EXECUTE	RESERVED	SIZE	ENABLE

Bits	Field Name	Description	Type	Reset
31:20	RESERVED	Reserved	R	0x00
19	L1_WR_POLICY	L1 write policy 0x0: Write through 0x1: Write back	RW	0
18	L1_ALLOCATE	L1 allocate policy 0x0: No writes are allocated 0x1: Follow sideband	RW	0
17	L1_POSTED	L1 posted policy 0x0: Non-posted 0x1: Posted	RW	0
16	L1_CACHEABLE	L1 cache policy 0x0: Non-cacheable 0x1: Cacheable	RW	0
15:9	RESERVED	Reserved	R	0x00
8	COHERENCY	Coherency	R	0
7	RESERVED	Reserved	R	0
6	PRELOAD	Preload region 0x0: Do not preload 0x1: Preload	RW	0

Bits	Field Name	Description	Type	Reset
5	READ	Read only	RW	0
4	EXECUTE	Execute only	RW	0
3:2	RESERVED	Reserved	R	0x0
1	SIZE	Size of page 0x0: 4 KiB 0x1: 16 KiB	RW	0
0	ENABLE	Enable page 0x0: Page not enabled 0x1: Page enabled	RW	0

Table 7-69. Register Call Summary for Register CACHE_MMU_SMALL_POLICY_k

Dual Cortex-M4 IPU Subsystem Functional Description

- [IPUx_UNICACHE_MMU: \[0\]](#)

Dual Cortex-M4 IPU Subsystem Register Manual

- [IPUx_UNICACHE_MMU Register Summary: \[1\]\[2\]](#)

Table 7-70. CACHE_MMU_SMALL_MAINT_k

Address Offset	0x0000 02A0 + (0x4 * k)	Instance	IPU1_WUGEN_IPU IPU1_WUGEN_MAIN_L3 IPU2_WUGEN_IPU IPU2_WUGEN_MAIN_L3
Physical Address	0x5508 0AA0 + (0x4 * k) 0x5888 0AA0 + (0x4 * k) 0x5508 0AA0 + (0x4 * k) 0x5508 0AA0 + (0x4 * k)		
Description	Small page maintenance configuration		
Type	RW		

31	30	29	28	27	26	25	24	23	22	21	20	19	18	17	16	15	14	13	12	11	10	9	8	7	6	5	4	3	2	1	0
RESERVED																							INTERRUPT	INVALIDATE	CLEAN	LOCK	PRELOAD				

Bits	Field Name	Description	Type	Reset
31:5	RESERVED	Reserved.	R	0x00000000
4	INTERRUPT	Generate interrupt when maintenance operation is complete	RW	0
3	INVALIDATE	Invalidate page	RW	0
2	CLEAN	Evict page	RW	0
1	LOCK	Lock page	RW	0
0	PRELOAD	Preload page	RW	0

Table 7-71. Register Call Summary for Register CACHE_MMU_SMALL_MAINT_k

Dual Cortex-M4 IPU Subsystem Register Manual

- [IPUx_UNICACHE_MMU Register Summary: \[0\]\[1\]](#)

Table 7-72. CACHE_MMU_MMUCONFIG

Address Offset	0x0000 04B8		
Physical Address	0x5508 0CB8 0x5888 0CB8 0x5508 0CB8 0x5508 0CB8	Instance	IPU1_WUGEN_IPU IPU1_WUGEN_MAIN_L3 IPU2_WUGEN_IPU IPU2_WUGEN_MAIN_L3
Description	MMU configuration register		
Type	RW		

31	30	29	28	27	26	25	24	23	22	21	20	19	18	17	16	15	14	13	12	11	10	9	8	7	6	5	4	3	2	1	0
RESERVED																PRIVILEGE		MMU_LOCK													

Bits	Field Name	Description	Type	Reset
31:2	RESERVED	Reserved.	R	0x0000 0000
1	PRIVILEGE	Privilege bit. Once this bit is set, only global flush, debugger, or hardware reset can clear. 0x0: CPU can access everything. 0x1: CPU can only access maintenance, and DMA cannot access MMU at all.	RW	0
0	MMU_LOCK	MMU lock. Once this bit is set only a global flush, debugger, or hardware reset can clear. 0x0: CPU can access everything. 0x1: CPU can only access maintenance, and DMA cannot access the MMU.	RW	0

Table 7-73. Register Call Summary for Register CACHE_MMU_MMUCONFIG

Dual Cortex-M4 IPU Subsystem Register Manual

- [IPUx_UNICACHE_MMU Register Summary: \[0\]\[1\]](#)

7.4.5 IPUx_MMU Registers

For information about the IPUx_MMU registers and their description, see [Chapter 20, Memory Management Units](#).

7.4.6 IPUx_Cx_INTC Registers

For information about the IPUx_Cx_INTC (NVICs) registers and their description, see the *Arm Cortex-M4 Technical Reference Manual* (available at infocenter.arm.com/help/index.jsp).

7.4.7 IPUx_WUGEN Registers

7.4.7.1 IPUx_WUGEN Register Summary

[Table 7-74](#) summarizes the IPU1_WUGEN, and IPU2_WUGEN register mapping, respectively..

Table 7-74. IPU1_WUGEN Registers Mapping Summary

Register Name	Type	Register Width (Bits)	Address Offset	Physical Address (IPU1 Private Access)
CORTEXM4_CTRL_REG	RW	32	0x0000 0000	0x5508 1000
STANDBY_CORE_SYSCONFIG	RW	32	0x0000 0004	0x5508 1004
IDLE_CORE_SYSCONFIG	RW	32	0x0000 0008	0x5508 1008

Table 7-74. IPU1_WUGEN Registers Mapping Summary (continued)

Register Name	Type	Register Width (Bits)	Address Offset	Physical Address (IPU1 Private Access)
WUGEN_MEVT0	RW	32	0x0000 000C	0x5508 100C
WUGEN_MEVT1	RW	32	0x0000 0010	0x5508 1010
RESERVED	R	32	0x0000 0014	0x5508 1014

Table 7-75. IPU2_WUGEN Registers Mapping Summary

Register Name	Type	Register Width (Bits)	Address Offset	Physical Address (IPU2 Private Access)
CORTEXM4_CTRL_REG	RW	32	0x0000 0000	0x5508 1000
STANDBY_CORE_SYSCONFIG	RW	32	0x0000 0004	0x5508 1004
IDLE_CORE_SYSCONFIG	RW	32	0x0000 0008	0x5508 1008
WUGEN_MEVT0	RW	32	0x0000 000C	0x5508 100C
WUGEN_MEVT1	RW	32	0x0000 0010	0x5508 1010
RESERVED	R	32	0x0000 0014	0x5508 1014

7.4.7.2 IPUx_WUGEN Register Description

Table 7-76. CORTEXM4_CTRL_REG

Address Offset	0x0000 0000		
Physical Address	0x5508 1000 0x5888 1000 0x5508 1000 0x5508 1000	Instance	IPU1_WUGEN_IPU IPU1_WUGEN_MAIN_L3 IPU2_WUGEN_IPU IPU2_WUGEN_MAIN_L3
Description	The register is used by one CPU to interrupt the other, thus used as a handshake between the two CPUs 0x0: Interrupt is cleared; 0x1: Interrupt is set.		
Type	RW		

31	30	29	28	27	26	25	24	23	22	21	20	19	18	17	16	15	14	13	12	11	10	9	8	7	6	5	4	3	2	1	0		
RESERVED																INT_CORTEX_2	RESERVED																INT_CORTEX_1

Bits	Field Name	Description	Type	Reset
31:17	RESERVED	Reserved	RW	0x0000 0000
16	INT_CORTEX_2	Interrupt to IPUx_C1	RW	0
15:1	RESERVED	Reserved	RW	0x0000 0000
0	INT_CORTEX_1	Interrupt to IPUx_C0	RW	0

Table 7-77. Register Call Summary for Register CORTEXM4_CTRL_REG

Dual Cortex-M4 IPU Subsystem Functional Description

- [Use of Interrupt for IPC: \[0\]\[1\]\[2\]](#)

Dual Cortex-M4 IPU Subsystem Register Manual

- [IPUx_WUGEN Register Summary: \[3\]\[4\]](#)

Table 7-78. STANDBY_CORE_SYSCONFIG

Address Offset	0x0000 0004		
Physical Address	0x5508 1004 0x5888 1004 0x5508 1004 0x5508 1004	Instance	IPU1_WUGEN_IPU IPU1_WUGEN_MAIN_L3 IPU2_WUGEN_IPU IPU2_WUGEN_MAIN_L3
Description	Standby protocol		
Type	RW		

31	30	29	28	27	26	25	24	23	22	21	20	19	18	17	16	15	14	13	12	11	10	9	8	7	6	5	4	3	2	1	0
RESERVED																												STANDBYMODE			

Bits	Field Name	Description	Type	Reset
31:2	RESERVED	Reserved	RW	0x0000 0000
1:0	STANDBYMODE	0x0: Force-standby mode 0x1: No-standby mode 0x2: Smart-standby mode 0x3: Smart-standby wake-up mode – normal mode to be used	RW	0x3

Table 7-79. Register Call Summary for Register STANDBY_CORE_SYSCONFIG

Dual Cortex-M4 IPU Subsystem Functional Description

- [Local Power Management: \[0\]\[1\]](#)
- [Wake-Up Generator \(IPUx_WUGEN\): \[2\]](#)

Dual Cortex-M4 IPU Subsystem Register Manual

- [IPUx_WUGEN Register Summary: \[3\]\[4\]](#)

Table 7-80. IDLE_CORE_SYSCONFIG

Address Offset	0x0000 0008		
Physical Address	0x5508 1008 0x5888 1008 0x5508 1008 0x5508 1008	Instance	IPU1_WUGEN_IPU IPU1_WUGEN_MAIN_L3 IPU2_WUGEN_IPU IPU2_WUGEN_MAIN_L3
Description	Idle protocol		
Type	RW		

31	30	29	28	27	26	25	24	23	22	21	20	19	18	17	16	15	14	13	12	11	10	9	8	7	6	5	4	3	2	1	0
RESERVED																												IDLEMODE			

Bits	Field Name	Description	Type	Reset
31:2	RESERVED	Reserved	RW	0x0000 0000
1:0	IDLEMODE	0x0: Force-idle mode 0x1: No-idle mode 0x2: Smart-idle mode 0x3: Smart-idle wake-up mode – normal mode to be used	RW	0x3

Table 7-81. Register Call Summary for Register IDLE_CORE_SYSCONFIG

Dual Cortex-M4 IPU Subsystem Functional Description

- [Local Power Management: \[0\]\[1\]](#)
- [Wake-Up Generator \(IPUx_WUGEN\): \[2\]](#)

Dual Cortex-M4 IPU Subsystem Register Manual

- [IPUx_WUGEN Register Summary: \[3\]\[4\]](#)

Table 7-82. WUGEN_MEVT0

Address Offset	0x0000 000C		
Physical Address	0x5508 100C 0x5888 100C 0x5508 100C 0x5508 100C	Instance	IPU1_WUGEN_IPU IPU1_WUGEN_MAIN_L3 IPU2_WUGEN_IPU IPU2_WUGEN_MAIN_L3
Description	This register contains the interrupt mask (LSB) wake-up enable bit per interrupt request: 0x0: Interrupt is disabled; 0x1: Interrupt is enabled.		
Type	RW		

31	30	29	28	27	26	25	24	23	22	21	20	19	18	17	16	15	14	13	12	11	10	9	8	7	6	5	4	3	2	1	0
MIRQ31	MIRQ30	MIRQ29	MIRQ28	MIRQ27	MIRQ26	MIRQ25	MIRQ24	MIRQ23	MIRQ22	MIRQ21	MIRQ20	MIRQ19	MIRQ18	MIRQ17	MIRQ16	MIRQ15	MIRQ14	MIRQ13	MIRQ12	MIRQ11	MIRQ10	MIRQ9	MIRQ8	MIRQ7	MIRQ6	MIRQ5	MIRQ4	MIRQ3	MIRQ2	MIRQ1	MIRQ0

Bits	Field Name	Description	Type	Reset
31	MIRQ31	Interrupt Mask bit 31	RW	0
30	MIRQ30	Interrupt Mask bit 30	RW	0
29	MIRQ29	Interrupt Mask bit 29	RW	0
28	MIRQ28	Interrupt Mask bit 28	RW	0
27	MIRQ27	Interrupt Mask bit 27	RW	0
26	MIRQ26	Interrupt Mask bit 26	RW	0
25	MIRQ25	Interrupt Mask bit 25	RW	0
24	MIRQ24	Interrupt Mask bit 24	RW	0
23	MIRQ23	Interrupt Mask bit 23	RW	0
22	MIRQ22	Interrupt Mask bit 22	RW	0
21	MIRQ21	Interrupt Mask bit 21	RW	0
20	MIRQ20	Interrupt Mask bit 20	RW	0
19	MIRQ19	Interrupt Mask bit 19	RW	0
18	MIRQ18	Interrupt Mask bit 18	RW	0
17	MIRQ17	Interrupt Mask bit 17	RW	0
16	MIRQ16	Interrupt Mask bit 16	RW	0
15	MIRQ15	Interrupt Mask bit 15	RW	0
14	MIRQ14	Interrupt Mask bit 14	RW	0
13	MIRQ13	Interrupt Mask bit 13	RW	0
12	MIRQ12	Interrupt Mask bit 12	RW	0
11	MIRQ11	Interrupt Mask bit 11	RW	0

Bits	Field Name	Description	Type	Reset
10	MIRQ10	Interrupt Mask bit 10	RW	0
9	MIRQ9	Interrupt Mask bit 9	RW	0
8	MIRQ8	Interrupt Mask bit 8	RW	0
7	MIRQ7	Interrupt Mask bit 7	RW	0
6	MIRQ6	Interrupt Mask bit 6	RW	0
5	MIRQ5	Interrupt Mask bit 5	RW	0
4	MIRQ4	Interrupt Mask bit 4	RW	0
3	MIRQ3	Interrupt Mask bit 3	RW	0
2	MIRQ2	Interrupt Mask bit 2	RW	0
1	MIRQ1	Interrupt Mask bit 1	RW	0
0	MIRQ0	Interrupt Mask bit 0	RW	0

Table 7-83. Register Call Summary for Register WUGEN_MEVT0

Dual Cortex-M4 IPU Subsystem Functional Description

- [Local Power Management: \[0\]](#)

Dual Cortex-M4 IPU Subsystem Register Manual

- [IPUx_WUGEN Register Summary: \[1\]\[2\]](#)

Table 7-84. WUGEN_MEVT1

Address Offset	0x0000 0010	Instance	IPU1_WUGEN_IPU IPU1_WUGEN_MAIN_L3 IPU2_WUGEN_IPU IPU2_WUGEN_MAIN_L3
Physical Address	0x5508 1010 0x5888 1010 0x5508 1010 0x5508 1010		
Description	This register contains the interrupt mask (MSB) wake-up enable bit per interrupt request: 0x0: Interrupt is disabled; 0x1: Interrupt is enabled.		
Type	RW		

31	30	29	28	27	26	25	24	23	22	21	20	19	18	17	16	15	14	13	12	11	10	9	8	7	6	5	4	3	2	1	0
MIRQ63	MIRQ62	MIRQ61	MIRQ60	MIRQ59	MIRQ58	MIRQ57	MIRQ56	MIRQ55	MIRQ54	MIRQ53	MIRQ52	MIRQ51	MIRQ50	MIRQ49	MIRQ48	MIRQ47	MIRQ46	MIRQ45	MIRQ44	MIRQ43	MIRQ42	MIRQ41	MIRQ40	MIRQ39	MIRQ38	MIRQ37	MIRQ36	MIRQ35	MIRQ34	MIRQ33	MIRQ32

Bits	Field Name	Description	Type	Reset
31	MIRQ63	Interrupt Mask bit 63	RW	0
30	MIRQ62	Interrupt Mask bit 62	RW	0
29	MIRQ61	Interrupt Mask bit 61	RW	0
28	MIRQ60	Interrupt Mask bit 60	RW	0
27	MIRQ59	Interrupt Mask bit 59	RW	0
26	MIRQ58	Interrupt Mask bit 58	RW	0
25	MIRQ57	Interrupt Mask bit 57	RW	0
24	MIRQ56	Interrupt Mask bit 56	RW	0
23	MIRQ55	Interrupt Mask bit 55	RW	0
22	MIRQ54	Interrupt Mask bit 54	RW	0
21	MIRQ53	Interrupt Mask bit 53	RW	0
20	MIRQ52	Interrupt Mask bit 52	RW	0
19	MIRQ51	Interrupt Mask bit 51	RW	0
18	MIRQ50	Interrupt Mask bit 50	RW	0
17	MIRQ49	Interrupt Mask bit 49	RW	0
16	MIRQ48	Interrupt Mask bit 48	RW	0

Bits	Field Name	Description	Type	Reset
15	MIRQ47	Interrupt Mask bit 47	RW	0
14	MIRQ46	Interrupt Mask bit 46	RW	0
13	MIRQ45	Interrupt Mask bit 45	RW	0
12	MIRQ44	Interrupt Mask bit 44	RW	0
11	MIRQ43	Interrupt Mask bit 43	RW	0
10	MIRQ42	Interrupt Mask bit 42	RW	0
9	MIRQ41	Interrupt Mask bit 41	RW	0
8	MIRQ40	Interrupt Mask bit 40	RW	0
7	MIRQ39	Interrupt Mask bit 39	RW	0
6	MIRQ38	Interrupt Mask bit 38	RW	0
5	MIRQ37	Interrupt Mask bit 37	RW	0
4	MIRQ36	Interrupt Mask bit 36	RW	0
3	MIRQ35	Interrupt Mask bit 35	RW	0
2	MIRQ34	Interrupt Mask bit 34	RW	0
1	MIRQ33	Interrupt Mask bit 33	RW	0
0	MIRQ32	Interrupt Mask bit 32	RW	0

Table 7-85. Register Call Summary for Register WUGEN_MEVT1

Dual Cortex-M4 IPU Subsystem Functional Description

- [Local Power Management: \[0\]](#)

Dual Cortex-M4 IPU Subsystem Register Manual

- [IPUx_WUGEN Register Summary: \[1\]\[2\]](#)

7.4.8 IPUx_Cx_RW_TABLE Registers

7.4.8.1 IPUx_Cx_RW_TABLE Register Summary

Table 7-86. IPU1_Cx_RW_TABLE Register Summary

Register Name	Type	Register Width (Bits)	Address Offset	Physical Address (IPU1 Private Access)	Physical Address (L3_MAIN Access)
CORTEXM4_RW_PID1	RW	32	0x0000 0000	0xE00F E000	N/A
CORTEXM4_RW_PID2	RW	32	0x0000 0004	0xE00F E004	N/A
RESERVED	R	32	0x0000 0008	0xE00F E008	N/A

Table 7-87. IPU2_Cx_RW_TABLE Register Summary

Register Name	Type	Register Width (Bits)	Address Offset	Physical Address (IPU2 Private Access)	Physical Address (L3_MAIN Access)
CORTEXM4_RW_PID1	RW	32	0x0000 0000	0xE00F E000	N/A
CORTEXM4_RW_PID2	RW	32	0x0000 0004	0xE00F E004	N/A
RESERVED	R	32	0x0000 0008	0xE00F E008	N/A

7.4.8.2 IPUx_Cx_RW_TABLE Register Description

Table 7-88. CORTEXM4_RW_PID1

Address Offset	0x0000 0000		
Physical Address	0xE00F E000 0xE00F E000	Instance	IPU1_CX_RW_TABLE_IPU IPU2_CX_RW_TABLE_IPU
Description	Peripheral Identification register– allows the user software to differentiate between the two Arm Cortex-M4 processors (two CPUs). The same piece of code running on the two CPUs can result in different execution (for example, branch to different location) depending on the address stored in the register. The address is stored by the BIOS code. The register cannot be accessed when the BIOS code is running (used).		
Type	RW		

31	30	29	28	27	26	25	24	23	22	21	20	19	18	17	16	15	14	13	12	11	10	9	8	7	6	5	4	3	2	1	0
BASEADD1																															

Bits	Field Name	Description	Type	Reset
31:0	BASEADD1	IPUx_ROM memory address	RW	0x0000 0000

Table 7-89. Register Call Summary for Register CORTEXM4_RW_PID1

Dual Cortex-M4 IPU Subsystem Functional Description

- [Private Memory Space: \[0\]\[1\]\[2\]](#)

Dual Cortex-M4 IPU Subsystem Register Manual

- [IPUx_Cx_RW_TABLE Register Summary: \[3\]\[4\]](#)

Table 7-90. CORTEXM4_RW_PID2

Address Offset	0x0000 0004		
Physical Address	0xE00F E004 0xE00F E004	Instance	IPU1_CX_RW_TABLE_IPU IPU2_CX_RW_TABLE_IPU
Description	Peripheral Identification register – allows the user software to differentiate between the two Arm Cortex-M4 processors (two CPUs). The same piece of code running on the two CPUs can result in different execution (for example, branch to different location) depending on the address stored in the register. The address is stored by the BIOS code. The register cannot be accessed when the BIOS code is running (used).		
Type	RW		

31	30	29	28	27	26	25	24	23	22	21	20	19	18	17	16	15	14	13	12	11	10	9	8	7	6	5	4	3	2	1	0
BASEADD2																															

Bits	Field Name	Description	Type	Reset
31:0	BASEADD2	IPUx_ROM memory address	RW	0x0000 0000

Table 7-91. Register Call Summary for Register CORTEXM4_RW_PID2

Dual Cortex-M4 IPU Subsystem Functional Description

- [Private Memory Space: \[0\]\[1\]\[2\]](#)

Dual Cortex-M4 IPU Subsystem Register Manual

- [IPUx_Cx_RW_TABLE Register Summary: \[3\]\[4\]](#)

Camera Interface Subsystem

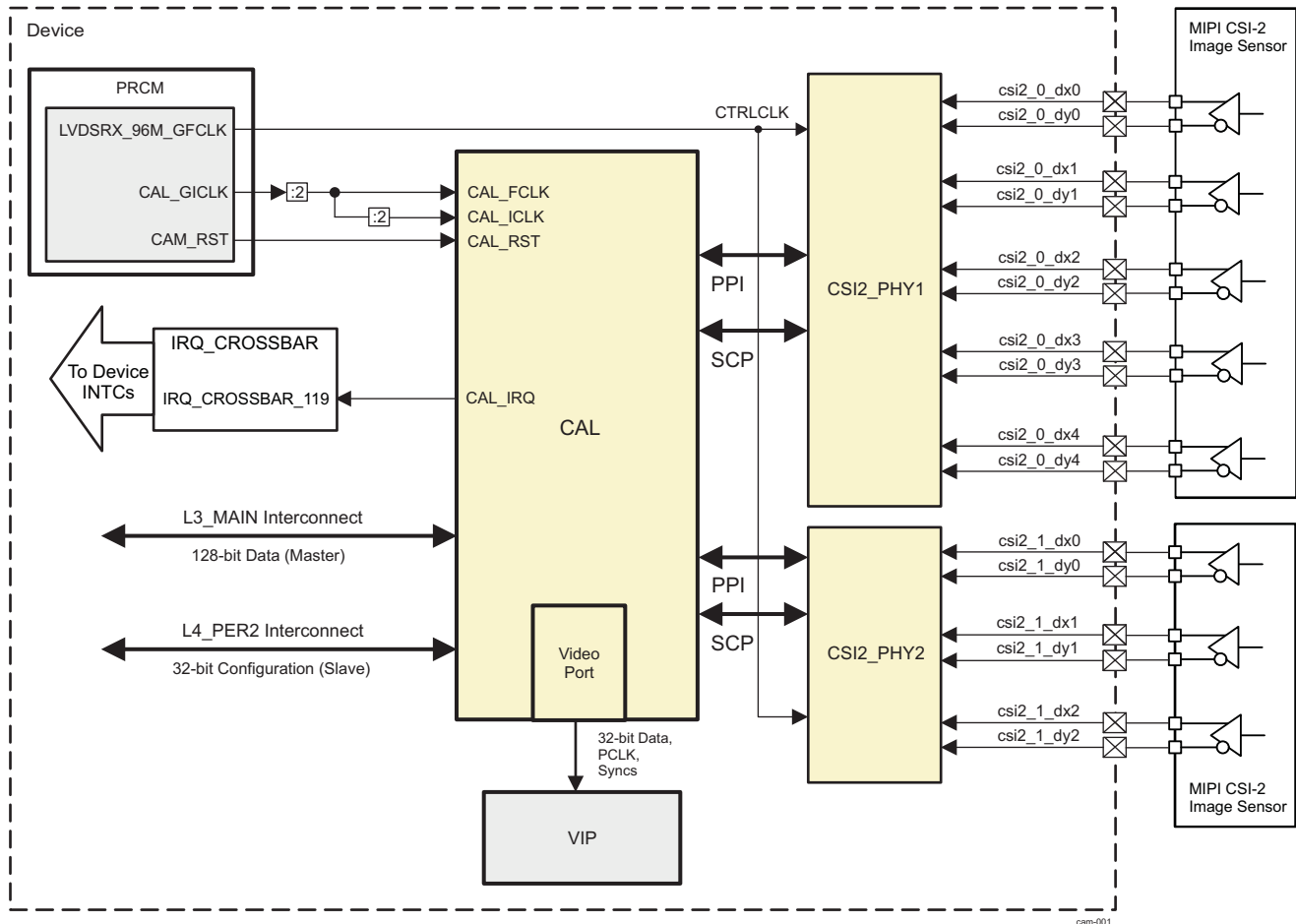
This chapter describes the Camera Interface Subsystem (CAL and CSI2_PHY) in the device.

Topic	Page
8.1 CAMSS Overview	1777
8.2 CAMSS Environment	1779
8.3 CAMSS Integration	1781
8.4 CAMSS Functional Description	1784
8.5 CAMSS Register Manual	1825

8.1 CAMSS Overview

8.1.1 CAMSS Block Diagram

Figure 8-1. CAMSS Overview



NOTE: The following configuration is supported on the AM571x family of devices:

- CSI2_PHY1: 1 clock lane + up to 4 data lanes
- CSI2_PHY2: 1 clock lane + up to 2 data lanes

The following configuration is supported on the AM570x family of devices:

- CSI2_PHY1: 1 clock lane + up to 2 data lanes
- CSI2_PHY2: not supported

See Table 8-1, CAMSS I/O Description, and a device-specific Data Manual, for more details.

8.1.2 CAMSS Features

The device CAMSS provides:

- Camera Adapter Layer (CAL) module with up to 304 MHz processing clock rate
- CAL interfaces:
 - Two PHY Protocol Interfaces (PPI) to MIPI D-PHY compliant receivers (CSI2_PHY1 and CSI2_PHY2)
 - Byte clock for data transfers up to 187.5 MHz (that is, D-PHY with 1.5 Gbps per lane)

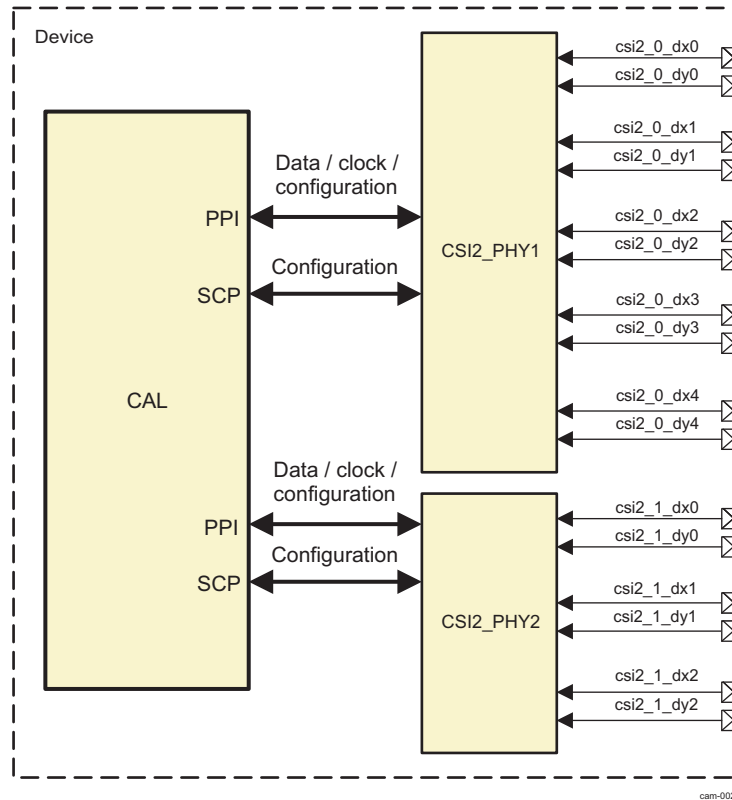
- Programmable clock and data lane position
- Serial Configuration Interface (SCP)
 - 32-bit slave configuration interface (OCPC) to the L4_PER2 interconnect
 - 128-bit master data interface (OCPO) to the L3_MAIN interconnect and system memory
 - Video port:
 - Up to 2 pixels per clock cycle
 - Pixel rate smoothing buffer
- On-the-fly functional mode: A byte stream received from a PPI is interpreted as a CSI-2 stream. Pixels are extracted and sent to the system memory and/or video port
- MIPI CSI-2 low level protocol support:
 - Up to 8 contexts (VCT + DT combinations)
 - Data lane merger
 - Error detection / correction (CRC/ECC)
 - Re-synchronization FIFO
- Up to four [4] independent pixel processing contexts:
 - All primary and secondary MIPI CSI-2 formats supported
 - Extract pixels from byte stream
 - DPCM decompression (4 pixels/cycle for predictor1; 1 pixel/cycle for predictor2)
 - DPCM compression (2 pixels/cycle for predictor1; predictor2 is not supported)
 - Pixel packing into a byte stream (for memory storage)
- Up to eight [8] independent write DMA contexts:
 - Write header, pixel, or attribute data
 - Horizontal cropping
 - Pack data from independent streams into efficient OCP transactions
 - 1D and 2D addressing modes (only INCR bursts)
 - Resynchronize on line boundaries (for TxBuffer overflows)
 - Linear, circular, and sub-sampled addressing modes

8.2 CAMSS Environment

This section describes the CAMSS application fields from an environment point of view (external connections). It describes the CAMSS connectivity options and lists all possible interfaces.

8.2.1 CAMSS Interfaces Signal Descriptions

Figure 8-2. CAMSS Environment



NOTE: The following configuration is supported on the AM571x family of devices:

- CSI2_PHY1: 1 clock lane + up to 4 data lanes
- CSI2_PHY2: 1 clock lane + up to 2 data lanes

The following configuration is supported on the AM570x family of devices:

- CSI2_PHY1: 1 clock lane + up to 2 data lanes
- CSI2_PHY2: not supported

See Table 8-1, CAMSS I/O Description, and a device-specific Data Manual, for more details.

Table 8-1 summarizes the CAMSS I/O signals.

Table 8-1. CAMSS I/O Description

Signal Name	I/O ⁽¹⁾	Description
csi2_0_dx0	I	Serial CSI2 mode: Differential clock lane positive input
csi2_0_dy0	I	Serial CSI2 mode: Differential clock lane negative input
csi2_0_dx1	I	Serial CSI2 mode: Differential data lane positive input

⁽¹⁾ I = Input; O = Output

Table 8-1. CAMSS I/O Description (continued)

Signal Name	I/O ⁽¹⁾	Description
csi2_0_dy1	I	Serial CSI2 mode: Differential data lane negative input
csi2_0_dx2	I	Serial CSI2 mode: Differential data lane positive input
csi2_0_dy2	I	Serial CSI2 mode: Differential data lane negative input
csi2_0_dx3 ⁽²⁾	I	Serial CSI2 mode: Differential data lane positive input
csi2_0_dy3 ⁽²⁾	I	Serial CSI2 mode: Differential data lane negative input
csi2_0_dx4 ⁽²⁾	I	Serial CSI2 mode: Differential data lane positive input
csi2_0_dy4 ⁽²⁾	I	Serial CSI2 mode: Differential data lane negative input
csi2_1_dx0 ⁽²⁾	I	Serial CSI2 mode: Differential clock lane positive input
csi2_1_dy0 ⁽²⁾	I	Serial CSI2 mode: Differential clock lane negative input
csi2_1_dx1 ⁽²⁾	I	Serial CSI2 mode: Differential data lane positive input
csi2_1_dy1 ⁽²⁾	I	Serial CSI2 mode: Differential data lane negative input
csi2_1_dx2 ⁽²⁾	I	Serial CSI2 mode: Differential data lane positive input
csi2_1_dy2 ⁽²⁾	I	Serial CSI2 mode: Differential data lane negative input

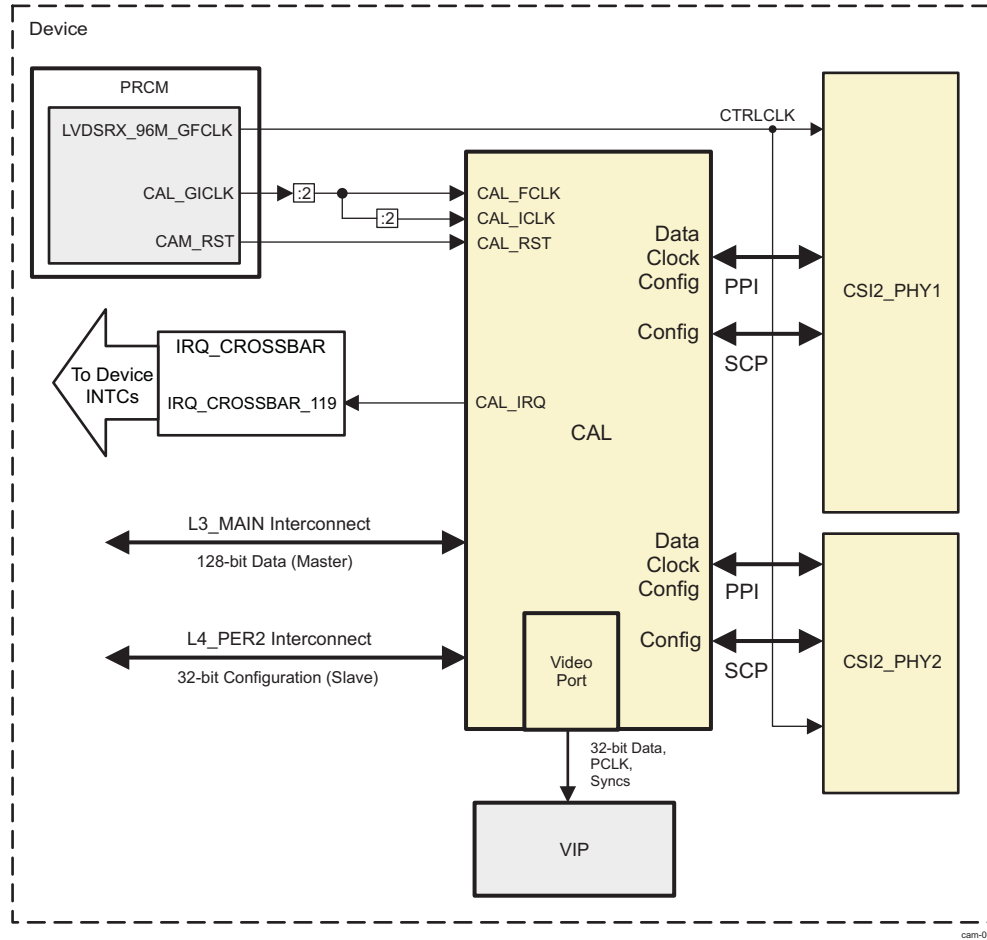
⁽²⁾ Not supported on the AM570x family of devices.

NOTE: The *Description* column in [Table 8-1](#) shows only the default function (data or clock lane) of each CSI2 differential pair. Refer to [Section 8.4.5, CSI2 PHY Functional Description](#), for more details on configurations available.

8.3 CAMSS Integration

This section describes the integration of CAMSS in the device, including information about clocks, resets, and hardware requests.

Figure 8-3. CAMSS Integration



NOTE: For more information about the slave idle protocol, see [Section 3.1.1.1.2, Module-Level Clock Management](#), in [Chapter 3, Power, Reset, and Clock Management](#).

NOTE: CSI2_PHY2 is not supported on the AM570x family of devices.

8.3.1 CAMSS Main Integration Attributes

This section describes the CAMSS integration in the device, including information about clocks, resets, and hardware requests.

Table 8-2 through Table 8-4 summarize the integration of the module in the device.

Table 8-2. CAL Integration Attributes

Module Instance	Attributes		
	Power Domain	Wake-Up Capability	Interconnect
CAL	PD_COREAON PD_CAM ⁽¹⁾	No	L3_MAIN for data transfers to system memory; L4_PER2 for configuration

⁽¹⁾ CAL module is placed in PD_COREAON but its clocks and resets controls are associated with PD_CAM. In order to use the CAL module, PD_CAM needs to be turned on. For more information on the power domains, see [Chapter 3, Power, Reset, and Clock Management](#).

Table 8-3. CAMSS Clocks and Resets

Clocks				
Module Instance	Destination Signal Name	Source Signal Name	Source	Description
CAL	CAL_FCLK	CAL_GICLK	PRCM	Functional clock.
	CAL_ICLK	CAL_GICLK / 2	PRCM	Configuration clock on L4_PER2 interconnect (OCPC port). Equal to 1/2 of the CAL_FLCK.
	CAL_BYTECLKHS	RXBYTECLKHS	CSI2 PHY	CSI2 High-Speed Receive Byte Clock.
CSI2_PHY1 and CSI2_PHY2	CTRLCLK	LVDSRX_96M_GFCLK	PRCM	Control clock for CSI2 PHY modules.
	SCPCLK	CAL_SCPCLK	CAL	Configuration clock for CSI2 PHY modules. Equal to 1/4 of CAL_FLCK.
	PWRCLK	CAL_PWRCLK	CAL	Power management clock for CSI2 PHY modules. Equal to 1/4 of CAL_FLCK.
VIP	-	VP_PCLK	CAL	Pixel clock provided on the CAL output video port.
Resets				
Module Instance	Destination Signal Name	Source Signal Name	Source	Description
CAL	CAL_RST	CAM_RST	PRCM	CAL global hardware reset

Table 8-4. CAL Hardware Requests

Interrupt Requests				
Module Instance	Source Signal Name	Destination IRQ_CROSSBAR Input	Default Mapping	Description
CAL	CAL_IRQ	IRQ_CROSSBAR_119	MPU_IRQ_124 IPU1_IRQ_71 IPU2_IRQ_71	CAL interrupt request

NOTE: The “Default Mapping” column in [Table 8-4 CAL Hardware Requests](#) shows the default mapping of module IRQ source signals. These IRQ source signals can also be mapped to other lines of each device Interrupt controller through the IRQ_CROSSBAR module. For more information about the IRQ_CROSSBAR module, see [Section 18.4.6.4, IRQ_CROSSBAR Module Functional Description](#), in [Chapter 18, Control Module](#). For more information about the device interrupt controllers, see [Chapter 17, Interrupt Controllers](#).

8.3.2 CAL Integration - Video Port

CAL has one output video port for data transfer to the device VIP module. The mapping of CAL video port signals to VIP module is controlled via registers in the device Control Module. For more information, see [Section 9.2, VIP Environment](#).

[Table 8-5](#) summarizes the video port interface signals.

Table 8-5. CAL Video Port Signals

Signal name	I/O	Description
VP_PCLK	O	Output pixel clock. Synchronous to the functional clock. Mean clock rate defined by the CAL_VPORT_CTRL1[16:0] PCLK register bit-field.
VP_VS	O	Active during the first pixel of the frame.
VP_VE	O	Active during the last pixel of the frame.
VP_HS	O	Active during the first pixel of any line.
VP_HE	O	Active during the last pixel of any line.
VP_DATA[15:0]	O	When CAL_VPORT_CTRL1[31] WIDTH = 0: Pixel data for any position When CAL_VPORT_CTRL1[31] WIDTH = 1: Pixel data for position (X%2) = 0 MSBs are padded with 0s when less than 16 bits are used.
VP_DATA[31:16]	O	When CAL_VPORT_CTRL1[31] WIDTH = 0: Stuffed with 0s for any position When CAL_VPORT_CTRL1[31] WIDTH = 1: Pixel data for position (X%2) = 1 MSBs are padded with 0s when less than 16 bits are used.
VP_STALL	I	Hardwired to 0. The video port cannot be stalled from outside CAL.

Software can control the minimum time between two consecutive VP_PCLK pulses using the [CAL_VPORT_CTRL1\[16:0\]](#) PCLK bit field. It can also impose minimum vertical and horizontal blanking using the [CAL_VPORT_CTRL1\[24:17\]](#) XBLK and [CAL_VPORT_CTRL1\[30:25\]](#) YBLK bit fields.

The video port can carry up to 2 pixels per VP_PCLK clock cycle.

For more details on the video port, see [Section 8.4.6.9, CAL Video Port](#).

8.3.3 CAL Integration - PPI Interface

CAL does not connect directly to an image sensor but to a complex I/O (CSI2 PHY). CAL can connect to up to two CSI2 complex I/Os through PHY Protocol Interfaces (PPI) which can be used simultaneously. For more details on the PPI interface configuration, refer to [Section 8.4.5, CSI2 PHY Functional Description](#), and [Section 8.4.6.2.1, CSI2 Physical Layer](#).

8.4 CAMSS Functional Description

8.4.1 CAMSS Hardware and Software Reset

An active low asynchronous hardware reset is provided by the PRCM. It is internally resynchronized to the functional clock domain.

A software reset is triggered by setting the [CAL_HL_SYSCONFIG\[0\] SOFTRESET](#) bit to 0x1. The CAL hardware ensures that the software reset is performed on clean OCP transactions boundaries and that no OCP protocol violation can occur due to the software reset. Mainly, it finishes ongoing OCP transactions and prevents generation of new ones.

The [CAL_HL_SYSCONFIG\[0\] SOFTRESET](#) bit is automatically cleared by hardware when the software reset has completed. The software reset will never complete, if outstanding OCP responses are not returned. This situation is only expected when the slave with which CAL is communicating fails. A hardware reset is reset in that case.

A software reset is faster than a hardware reset controlled by the device PRCM module. In fact, to avoid OCP protocol violations, the PRCM module first puts the CAL into Idle mode. The PRCM can only perform a clean hardware reset once CAL has acknowledged the IDLE request. That only happens once the CAL has flushed all pending traffic. A software reset simply waits for the next clean OCP transaction boundary without finishing the frame.

OCPC is fully functional after a software reset.

8.4.2 CAMSS Clock Configuration

CAL receives one functional clock (CAL_FLCK) from PRCM that is also used for the OCP ports. The configuration port (OCPC) operates at half the functional clock speed (clock enable signal used).

In addition, CAL receives one asynchronous clock for each PPI interface. This clock is generated from the bit clock received from the image sensor and converted into a byte clock (CAL_BYTECLKHS) by the connected CSI2 PHY.

CAL also provides the PWRSCP clock used to configure the CSI2 PHY. It is equal to the CAL functional clock divided by 4 (CAL_FLCK / 4) and is gated depending on the functional needs.

8.4.3 CAMSS Power Management

CAL supports a IDLE protocol interface. It is used to ensure that the CAL clock / power can only be cut where there are no pending transactions. It is also used to ensure that CAL generates no more traffic before gating the functional clock. The PRCM sends an IDLE request to CAL when the software requests CAL shutdown.

When CAL receives an IDLE request, it performs the following actions:

1. Finishes pending transactions:
 - a. All data has been flushed out from the write buffer.
 - b. FE short packet has been received (but no new FS) on all enabled PPI virtual channels.
2. Disconnects the OCPC and OCPO ports on clean transaction boundaries.
3. Acknowledges the IDLE request.

On CAL level the IDLE protocol configuration is controlled via [CAL_HL_SYSCONFIG\[3:2\] IDLEMODE](#) register bit-field. For more information on CAL clock and power management on device level, see [Section 3.6.4.23, CD_CAM Clock Domain](#) and [Section 3.7.13, PD_CAM Description](#) in [Chapter 3, Power, Reset, and Clock Management](#).

For more information on CSI2 PHY power management, refer to [Section 8.4.5.2, CSI2 PHY Configuration](#).

8.4.4 CAMSS Interrupt Events

This section describes the interrupt events that can trigger the CAL_IRQ signal (see also [Section 8.3.1, CAL Main Integration Attributes](#)).

NOTE: The CAL does not provide an event to detect Attribute Payload data at low level protocol level. Attribute data can only be sent to memory and therefore software can use the IRQ_WDMA_START / END events detected by the Write DMA block.

Table 8-6 lists the event generation and corresponding registers of the CSI2 Low Level Protocol engines.

Table 8-6. CSI2 Low Level Protocol Interrupts

Event and Register	Description
CAL_CSI2_COMPLEXIO_IRQENABLE_I[27] FIFO_OVF_IRQ	FIFO overflow error: This interrupt is triggered when a FIFO overflow is detected. An overflow can occur if there is a mismatch between the data input and output rates. In case of an overflow the module properly finishes the burst that has been started and does not issue any new OCP transactions on the master port. A reset of the module is required to restart correctly.
CAL_CSI2_COMPLEXIO_IRQENABLE_I[28] SHORT_PACKET_IRQ	Short packet reception (other than sync events: line start, line end, frame start, and frame end; only data types from 0x8 to 0xF are considered)
CAL_CSI2_COMPLEXIO_IRQENABLE_I[30] ECC_NO_CORRECTION_IRQ	ECC was not used to correct the header because the error is larger than 1 bit (short and long packets).
CAL_CSI2_VC_IRQENABLE_I[] ECC_CORRECTION_IRQ_x, where x = [0...3]	ECC was used to correct a 1-bit error (short packet only).
CAL_CSI2_VC_IRQENABLE_I[] FS_IRQ_x, where x = [0...3]	Frame start: This interrupt is triggered when a frame-start synchronization code is detected in the CSI2 data stream.
CAL_CSI2_VC_IRQENABLE_I[] FE_IRQ_x, where x = [0...3]	Frame end: This interrupt is triggered when a frame-end synchronization code is detected in the CSI2 data stream.
CAL_CSI2_VC_IRQENABLE_I[] LS_IRQ_x, where x = [0...3]	Line start: This interrupt is triggered when a line-start synchronization code is detected in the CSI2 data stream.
CAL_CSI2_VC_IRQENABLE_I[] LE_IRQ_x, where x = [0...3]	Line end: This interrupt is triggered when a line-end synchronization code is detected in the CSI2 data stream.
CAL_CSI2_VC_IRQENABLE_I[] CS_IRQ_x, where x = [0...3]	CS error: This interrupt is triggered when a mismatch between the transmitter and receiver checksums (payload) is detected.

Table 8-7 lists CSI2 Complex I/O event generation. The events are checked and controlled from the [CAL_CSI2_COMPLEXIO_IRQSTATUS_I](#) and [CAL_CSI2_COMPLEXIO_IRQENABLE_I](#) registers.

Table 8-7. CSI2 Complex I/O Interrupts

Event and Register	Description
CAL_CSI2_COMPLEXIO_IRQENABLE_I[0] ERRSOTHS1	Start of transmission error for lane 1
CAL_CSI2_COMPLEXIO_IRQENABLE_I[1] ERRSOTHS2	Start of transmission error for lane 2
CAL_CSI2_COMPLEXIO_IRQENABLE_I[2] ERRSOTHS3	Start of transmission error for lane 3
CAL_CSI2_COMPLEXIO_IRQENABLE_I[3] ERRSOTHS3	Start of transmission error for lane 4
CAL_CSI2_COMPLEXIO_IRQENABLE_I[4] ERRSOTHS3	Start of transmission error for lane 5
CAL_CSI2_COMPLEXIO_IRQENABLE_I[5] ERRSOTSYNCHS1	Start of transmission sync error for lane 1
CAL_CSI2_COMPLEXIO_IRQENABLE_I[6] ERRSOTSYNCHS2	Start of transmission sync error for lane 2
CAL_CSI2_COMPLEXIO_IRQENABLE_I[7] ERRSOTSYNCHS3	Start of transmission sync error for lane 3
CAL_CSI2_COMPLEXIO_IRQENABLE_I[8] ERRSOTSYNCHS3	Start of transmission sync error for lane 4
CAL_CSI2_COMPLEXIO_IRQENABLE_I[9] ERRSOTSYNCHS3	Start of transmission sync error for lane 5
CAL_CSI2_COMPLEXIO_IRQENABLE_I[10] ERRESC1	Escape entry error for lane 1
CAL_CSI2_COMPLEXIO_IRQENABLE_I[11] ERRESC2	Escape entry error for lane 2
CAL_CSI2_COMPLEXIO_IRQENABLE_I[12] ERRESC3	Escape entry error for lane 3
CAL_CSI2_COMPLEXIO_IRQENABLE_I[13] ERRESC4	Escape entry error for lane 4
CAL_CSI2_COMPLEXIO_IRQENABLE_I[14] ERRESC5	Escape entry error for lane 5

Table 8-7. CSI2 Complex I/O Interrupts (continued)

Event and Register	Description
CAL_CSI2_COMPLEXIO_IRQENABLE_I [15] ERRCONTROL1	Control error for lane 1
CAL_CSI2_COMPLEXIO_IRQENABLE_I [16] ERRCONTROL2	Control error for lane 2
CAL_CSI2_COMPLEXIO_IRQENABLE_I [17] ERRCONTROL3	Control error for lane 3
CAL_CSI2_COMPLEXIO_IRQENABLE_I [18] ERRCONTROL4	Control error for lane 4
CAL_CSI2_COMPLEXIO_IRQENABLE_I [19] ERRCONTROL5	Control error for lane 5
CAL_CSI2_COMPLEXIO_IRQENABLE_I [20] STATEULPM1	Lane 1 in ULPM
CAL_CSI2_COMPLEXIO_IRQENABLE_I [21] STATEULPM2	Lane 2 in ULPM
CAL_CSI2_COMPLEXIO_IRQENABLE_I [22] STATEULPM3	Lane 3 in ULPM
CAL_CSI2_COMPLEXIO_IRQENABLE_I [23] STATEULPM4	Lane 4 in ULPM
CAL_CSI2_COMPLEXIO_IRQENABLE_I [24] STATEULPM5	Lane 5 in ULPM
CAL_CSI2_COMPLEXIO_IRQENABLE_I [25] STATEALLULPMENTER	All active lanes are entering the ULPM.
CAL_CSI2_COMPLEXIO_IRQENABLE_I [26] STATEALLULPMEXIT	At least one active lane exited the ULPM.

Table 8-8. CAL Write DMA Interrupts

Event	Description
IRQ_WDMA_STARTx x= [0 ... CAL_HL_HWINFO [18:13] WCTX - 1]	Frame start. Triggered by the Write DMA when a data word tagged as ATT_HDR_S, ATT_DAT_S, CTRL_HDR_S, PIX_HDR_S or PIX_DAT_FS has been detected by the Write DMA. Typically used by SW to detect when shadowed registers can be updated for the next frame. Refer to Section 8.4.6.8, CAL Write DMA , for more details.
IRQ_WDMA_ENDx x= [0 ... CAL_HL_HWINFO [18:13] WCTX - 1]	Frame end. Triggered by the Write DMA when the FE tag has been received by the cropping stage and the last data of the last line has been sent to memory. Therefore, this event may be triggered after the last data has been written to memory when data has been discarded by the cropping feature. The FE corresponds to a data word tagged as ATT_HDR_E, ATT_DAT_E, CTRL_HDR_E, PIX_HDR_E, PIX_DAT_FE or FE_CODE. Typically used by SW to detect when all data of a header, attribute packet, control packet or pixel frame has been written to memory. This event is triggered when the last OCP transaction has been sent to memory but before the response for this OCP transaction has been received from the target. Therefore, there is a small delay between the moment where the event is triggered and the last data can be read back from the buffer. Typically that delay is compensated by IRQ detection latencies.
IRQ_WDMA_CIRCx x= [0 ... CAL_HL_HWINFO [18:13] WCTX - 1]	Circular event. Triggered when the number of lines defined by CAL_WR_DMA_OFST_k [23:22] CIRC_MODE has been sent to the OCP master port.

Table 8-9. CAL Line Number Interrupt

Event	Description
IRQ_LINE_NUMBER	Line number reached. The line number programmed in CAL_LINE_NUMBER_EVT [29:16] LINE register bit-field) is received on CPORT# CAL_LINE_NUMBER_EVT [4:0] CPORT.

Table 8-10. CAL Video Port EOF Interrupt

Event	Description
IRQ_VPORT_EOF	Event triggered when data tagged as PIX_DAT_FE is sent to the video port. Typically used by SW to detect when all data has been sent to the video port.

On CAL top level, the different events trigger IRQs, if they have been enabled using the [CAL_HL_IRQENABLE_SET_j](#) register. The status can be read from the [CAL_HL_IRQSTATUS_j](#) register. The event-to-register mapping is shown in [Figure 8-4](#).

- IRQ_PPI1_VC and IRQ_PPI0_VC refer to events controlled by [CAL_CSI2_VC_IRQENABLE_I](#) register and described in [Table 8-6, CSI2 Low Level Protocol Interrupts](#).
- IRQ_PPI1 and IRQ_PPI0 refer to events controlled by [CAL_CSI2_COMPLEXIO_IRQENABLE_I](#) and described in [Table 8-6, CSI2 Low Level Protocol Interrupts](#) and [Table 8-7, CSI2 Complex I/O Interrupts](#).

All events are merged into a single CAL_IRQ signal available at CAL boundary.

NOTE: [CAL_HL_IRQSTATUS_j](#) does not refer to events, but is used to collect events tracked in [CAL_CSI2_VC_IRQSTATUS_I](#) and [CAL_CSI2_COMPLEXIO_IRQSTATUS_I](#) registers, and enabled by [CAL_CSI2_VC_IRQENABLE_I](#) and [CAL_CSI2_COMPLEXIO_IRQENABLE_I](#) registers. SW must use them to detect, if a Complex I/O or PPI event is pending and then get event details from the relevant second level IRQ status register. SW must only clear those events by setting the relevant bits in the [CAL_CSI2_VC_IRQSTATUS_I](#) and [CAL_CSI2_COMPLEXIO_IRQSTATUS_I](#) registers. [CAL_HL_IRQSTATUS_j](#) is automatically cleared by the HW when no more enabled Complex I/O or PPI events are pending

Figure 8-4. CAL Interrupt Events Mapping to Registers

Register name	Bit position																															
	31:26	25	24	23	22	21	20	19	18	17	16	15	14	13	12	11	10	9	8	7	6	5	4	3	2	1	0					
CAL_HL_IRQSTATUS_j CAL_HL_IRQENABLE_SET_j CAL_HL_IRQENABLE_CLR_j where j = 0	reserved	IRQ_PPI1_VC	IRQ_PPI1	reserved	reserved	reserved	reserved	reserved	reserved	IRQ_PPI0_VC	IRQ_PPI0	reserved	reserved	reserved	reserved	reserved	reserved	reserved	reserved	LINE_NUMBER_IRQ	reserved	IRQ_OCPO_ERR	reserved	reserved	reserved	reserved	reserved	reserved	reserved			
CAL_HL_IRQSTATUS_j CAL_HL_IRQENABLE_SET_j CAL_HL_IRQENABLE_CLR_j where j = 1	reserved	reserved	reserved	IRQ_WDMA_CICR7	IRQ_WDMA_CICR6	IRQ_WDMA_CICR5	IRQ_WDMA_CICR4	IRQ_WDMA_CICR3	IRQ_WDMA_CICR2	IRQ_WDMA_CICR1	IRQ_WDMA_CICR0	reserved	reserved	reserved	reserved	reserved	reserved	reserved	reserved	reserved	IRQ_WDMA_END7	IRQ_WDMA_END6	IRQ_WDMA_END5	IRQ_WDMA_END4	IRQ_WDMA_END3	IRQ_WDMA_END2	IRQ_WDMA_END1	IRQ_WDMA_END0				
CAL_HL_IRQSTATUS_j CAL_HL_IRQENABLE_SET_j CAL_HL_IRQENABLE_CLR_j where j = 2	reserved	reserved	reserved	reserved	reserved	reserved	reserved	reserved	reserved	reserved	reserved	reserved	reserved	reserved	reserved	reserved	reserved	reserved	reserved	reserved	IRQ_WDMA_START7	IRQ_WDMA_START6	IRQ_WDMA_START5	IRQ_WDMA_START4	IRQ_WDMA_START3	IRQ_WDMA_START2	IRQ_WDMA_START1	IRQ_WDMA_START0				
CAL_HL_IRQSTATUS_j CAL_HL_IRQENABLE_SET_j CAL_HL_IRQENABLE_CLR_j where j = 3 to 9	reserved	reserved	reserved	reserved	reserved	reserved	reserved	reserved	reserved	reserved	reserved	reserved	reserved	reserved	reserved	reserved	reserved	reserved	reserved	reserved	reserved	reserved	reserved	reserved	reserved	reserved	reserved	reserved	reserved			

cam-008

8.4.5 CSI2 PHY Functional Description

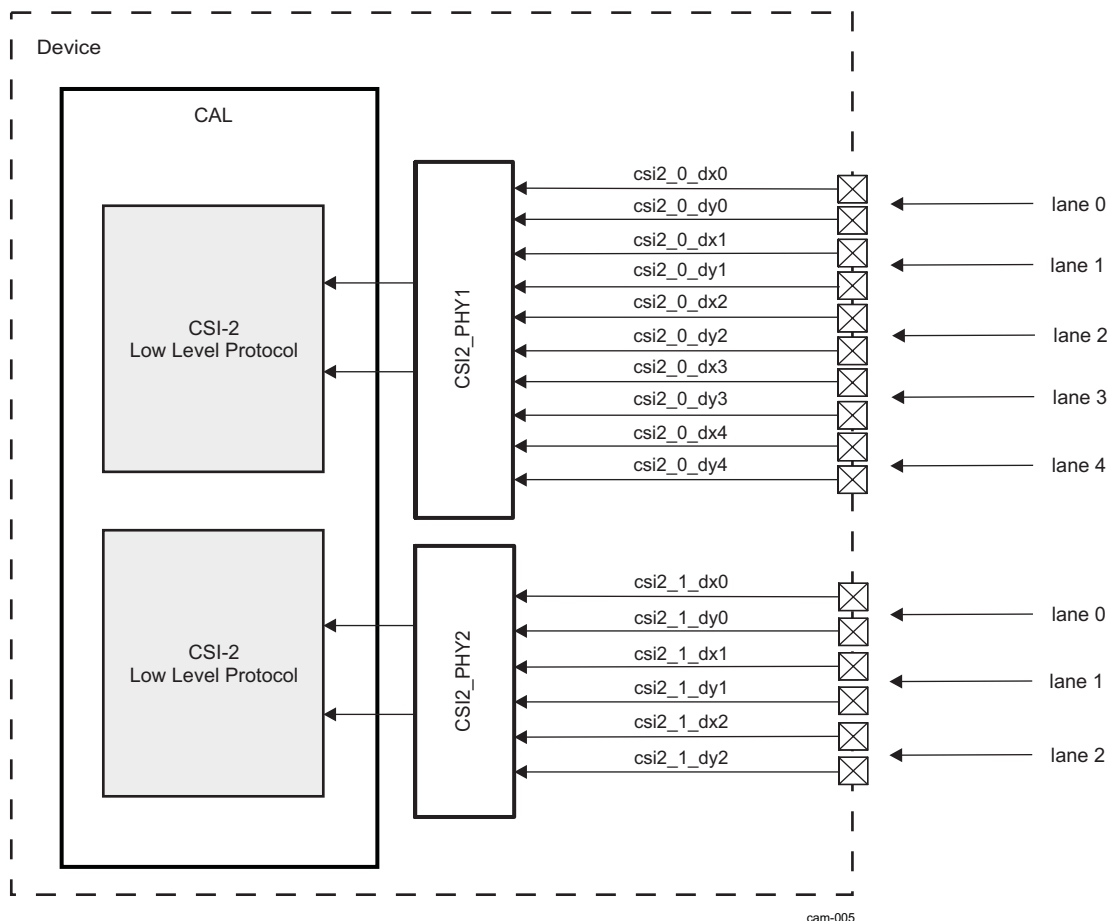
8.4.5.1 CSI2 PHY Overview

Two MIPI D-PHY compliant PHY receivers (CSI2_PHY1 and CSI2_PHY2, or generally referenced to as CSI2 PHY) immediately before the CAL module act as a physical connection and configuration of clock/data lanes with external sensors. A CSI2 PHY supports up to four configurations, depending on the required number of D-PHY data lane external sensors. The receivers are compatible with the *MIPI D-PHY Specification v1.00.00*. The selection of a CSI2 PHY in D-PHY mode must be done before reset and not on the fly.

The CSI2 PHY is controlled and must be configured first from the device Control Module for pad configuration. The differential data/clock lanes coming into the CSI2 PHY1 and CSI2 PHY2 are configured from registers explained in [Section 8.4.5.3, CSI2 PHY Link Initialization Sequence](#).

There are two CSI2 PHY instances integrated in the device. As shown in [Figure 8-5](#), the CSI2_PHY1 contains four data lanes and CSI2_PHY2 has two data lanes. [Figure 8-5](#) shows the two CSI2 PHY cases, with their signals further covered in [Section 8.4.6.2.1, CSI2 Physical Layer](#).

Figure 8-5. CSI2 PHY Diagram



cam-005

NOTE: The following configuration is supported on the AM571x family of devices:

- CSI2_PHY1: 1 clock lane + up to 4 data lanes
- CSI2_PHY2: 1 clock lane + up to 2 data lanes

The following configuration is supported on the AM570x family of devices:

- CSI2_PHY1: 1 clock lane + up to 2 data lanes
- CSI2_PHY2: not supported

See [Table 8-1](#), *CAMSS I/O Description*, and a device-specific Data Manual, for more details.

NOTE: LANE 4 of CSI2_PHY1 can be used only as a data lane, never as a clock lane. All other configurations are possible.

CSI2_PHY1 and CSI2_PHY2 represent the overall PHY solution for connecting external sensors to feed the CAL module. The MIPI D-PHY function can support up to four data lane modules and one clock lane module. Reverse direction escape mode is not supported. The lane module polarity and positions are configurable; that is, any lane module can be chosen as the clock lane module (except otherwise notified), and the DX/DY data pad for each lane module can be configured as DP or DN pins defined. The configuration and the selection of D-PHY mode, data/clock are done through the device Control Module (see [Chapter 18](#), *Control Module*). The only exception is the four-data-lane use case, in which one corner lane is allowed to be only a data lane. Both CSI2 PHY modules can be configured through serial configuration protocol (SCP) interface.

8.4.5.2 CSI2 PHY Configuration

The CSI2 PHY converts the bitstream, divided into 1 up to 4 serial data lanes, and one clock lane, into a bitstream compatible with the CSI2 low level protocol within the CAL module .

The CSI2 low level protocol engine only provides the SCP clock when CSI2 PHY registers are accessed and `CAL_CTRL[21] PWRSCPCLK = 0`. However, the CSI2 PHY needs at least 3 SCP clock cycles to come out of the reset state. Therefore, SW must perform a dummy read of a CSI2 PHY register (32 SCP clock pulses) to complete the CSI2 PHY reset sequence. Alternatively, the SCP clock can be programmed to be free-running by setting `CAL_CTRL[21] PWRSCPCLK = 1` (not preferred).

The `CAL_CSI2_COMPLEXIO_IRQSTATUS_I` register logs complex I/O events of the following types:

- Line power-state change (all lanes in ultralow-power mode [ULPM], at least one lane exits ULPM, etc.)
- Error on one lane

Some complex I/O parameters can be configured through the following registers:

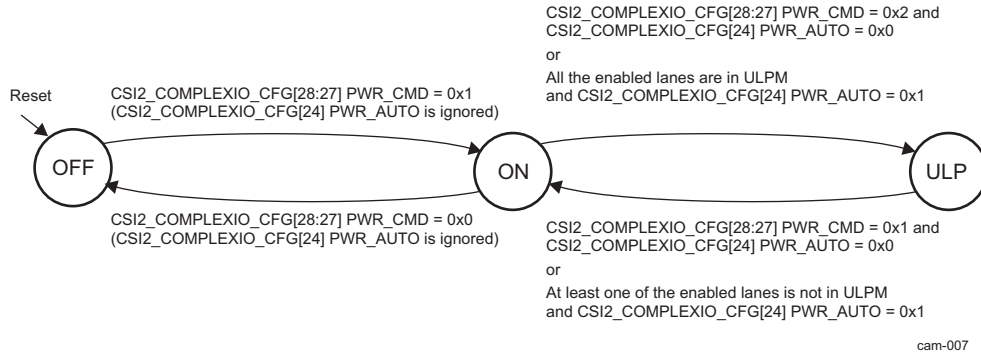
- The `REG0` register detects clock miss with respect to the *MIPI D-PHY Specification v1.00.00* and control timing.
- The `REG0` register reports completion of reset on the different parts of the module and configures the timing parameters.
- The `CAL_CSI2_COMPLEXIO_CFG_I` register contains the `PWR_AUTO` and `PWR_CMD` bit fields, which affect the power management of the complex I/Os.

The Complex I/O FSM has three power states: ON, OFF, and Ultralow Power (ULP). Two operation modes are available:

- Automatic mode, when the `CAL_CSI2_COMPLEXIO_CFG_I[24] PWR_AUTO` bit is set to 1. The transitions between ON and ULP states is done automatically based on the received ULPM signals from the complex I/O for the active lanes defined in `CAL_CSI2_COMPLEXIO_CFG_I[] DATAx_POSITION` bit-field, where $x = [1...4]$.
- Manual mode, when the `CAL_CSI2_COMPLEXIO_CFG_I[24] PWR_AUTO` bit is set to 0 (default). The complex I/O power state is controlled by the `CAL_CSI2_COMPLEXIO_CFG_I[28:27] PWR_CMD` bit field. The allowed transitions are: OFF <-> ON and ON <-> ULP.

[Figure 8-6](#) shows the complex I/O power finite state-machine (FSM).

Figure 8-6. CSI2 Complex I/O Power FSM



Another register, [CAL_CSI2_TIMING_I](#), is used to control the power state of the complex I/O modules with regard to the differential line state. This register controls the mode of the three complex I/Os (RxMode and NoRxMode) and the delay between the differential lanes in STOP state and the complex I/O on NoRxMode. The [CAL_CSI2_TIMING_I\[15\] FORCE_RX_MODE_IO1](#) bit sets the complex I/O in RxMode or NoRxMode (stopped mode). The FORCE_RX_MODE_IO1 bit is automatically reset to 0 by hardware when the counter ends and the FSM returns to NoRxMode. Three bits ([CAL_CSI2_TIMING_I\[14\] STOP_STATE_X16_IO1](#), [CAL_CSI2_TIMING_I\[13\] STOP_STATE_X4_IO1](#), and the [CAL_CSI2_TIMING_I\[12:0\] STOP_STATE_COUNTER_IO1](#) bit field) configure the delay between line stop mode and complex I/O stop mode. The delay represents the number of functional clock cycles and can be calculated as follows:

Total delay in functional clock cycles = [CAL_CSI2_TIMING_I.STOP_STATE_COUNTER_IO1](#) x (1 + [CAL_CSI2_TIMING_I.STOP_STATE_X16_IO1](#) x 15) x (1 + [CAL_CSI2_TIMING_I.STOP_STATE_X4_IO1](#) x 3).

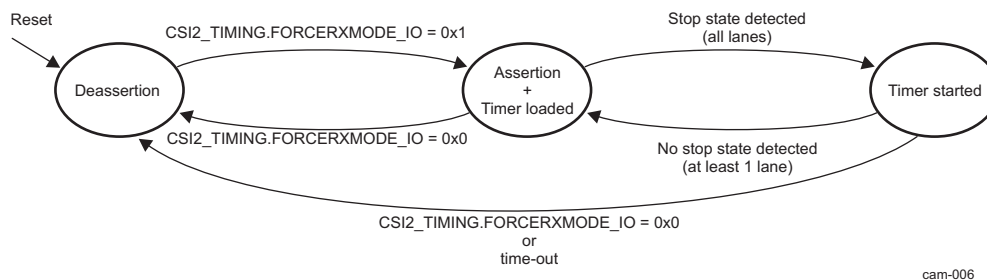
[Table 8-11](#) lists the possible values of the delay, in terms of the functional clock cycles, depending on the values of the STOP_STATE_X16_IO1 and STOP_STATE_X4_IO1 bits.

Table 8-11. CSI2 PHY Possible Time-Out Value for RxMode Counter

STOP_STATE_X16_IO1	STOP_STATE_X4_IO1	Possible Delay Value (in Functional Clock Cycles)
0x0	0x0	8191 (with step of 1)
0x0	0x1	32764 (with step of 4)
0x1	0x0	131056 (with step of 16)
0x1	0x1	524224 (with step of 64)

The FORCERXMODE signal is used at initialization time (complex I/O). [Figure 8-7](#) describes the ForceRxMode and StopState FSM to assert and deassert the FORCERXMODE signal and to monitor STOPSTATE from the complex I/O.

Figure 8-7. CSI2 PHY RxMode and StopState FSM



CAL asserts FORCERXMODE signal when the bit-field [CAL_CSI2_TIMING_I\[15\]](#) FORCE_RX_MODE_IO1 is set by the SW. It can be reset by SW or automatically by HW when the time out occurs. At the same time the signal is asserted, the logic starts monitoring the StopState[0:4] signals corresponding only to the enabled lanes. When all of StopState signals for only the enabled lanes are asserted by the complex IO, the timer starts. When one of the signals, for the enabled lanes only, is not in StopState, the timer is reloaded and the logic re-starts monitoring the stop state signals. When the timer period is finished, the ForceRxMode signal is de-asserted.

8.4.5.3 CSI2 PHY Link Initialization Sequence

The MIPI D-PHY initialization sequence is not implemented within CSI2 PHY. The CAL CSI2 low level protocol coordinates the PHY initialization. The controller must ensure that the CSI2 PHY is held in RESET/WAIT for RX mode until the D-PHY transmitter is powered up and the link comes to the defined state. The controller can use the STOPSTATE and FORCERXMODE signals of CSI2 PHY for this purpose. STOPSTATE indicates the line states, while FORCERXMODE forces the receiver state-machine into "wait for stop state". One possible initialization sequence is:

To fully initialize the CSI2 PHY, perform the following steps:

1. Configure all CSI2 low level protocol registers to be ready to receive signals/data from the CSI2 PHY:
 - i. Set [CAL_CSI2_COMPLEXIO_CFG_I\[18:16\]](#) DATA4_POSITION.
 - ii. Set [CAL_CSI2_COMPLEXIO_CFG_I\[14:12\]](#) DATA3_POSITION.
 - iii. Set [CAL_CSI2_COMPLEXIO_CFG_I\[10:8\]](#) DATA2_POSITION.
 - iv. Set [CAL_CSI2_COMPLEXIO_CFG_I\[6:4\]](#) DATA1_POSITION.
 - v. Set [CAL_CSI2_COMPLEXIO_CFG_I\[2:0\]](#) CLOCK_POSITION.
 - vi. Set the CTRL_CORE_CAMERRX_CONTROL[12:11] CSI0_CAMMODE (for CSI2_PHY1) and CTRL_CORE_CAMERRX_CONTROL[2:1] CSI1_CAMMODE (for CSI2_PHY2).

CAUTION

The above settings must be done before the CSI2 PHY is active.

- vii. A dedicated internal clock gate control is present for each CSI2 PHY. Enable/disable the internal CTRLCLK from the CTRL_CORE_CAMERRX_CONTROL register by setting the following bits:
 - [10] CSI0_CTRLCLKEN for CSI2_PHY1
 - [0] CSI1_CTRLCLKEN for CSI2_PHY2
2. CSI2 PHY and link initialization sequence:
 - a. Deassert the CSI2 PHY reset:
 - i. Set [CAL_CSI2_COMPLEXIO_CFG_I\[30\]](#) RESET_CTRL to 0x1.

CAUTION

For the [CAL_CSI2_COMPLEXIO_CFG_I\[29\]](#) RESET_DONE bit to be set to 0x1 (reset completed), the external sensor must to be active and sending the MIPI HS BYTECLK.

The following registers can be set only after deasserting the CSI2 PHY reset and before asserting the FORCERXMODE signal:

- [REG0](#)
 - [REG1](#)
 - [REG2](#)
- b. Assert the FORCERXMODE signal:
 - i. Set [CAL_CSI2_TIMING_I\[15\]](#) FORCE_RX_MODE_IO1 to 0x1.

- c. Power up the CSI2 PHY:
 - a. Set `CAL_CSI2_COMPLEXIO_CFG_I[28:27]` `PWR_CMD` to 0x1.
 - d. Check whether the state status reaches the ON state:
 - `CAL_CSI2_COMPLEXIO_CFG_I[26:25]` `PWR_STATUS` = 0x1
 - e. Wait for `STOPSTATE` = 1 (for all enabled lane modules):
 - a. The timer is set through the `CAL_CSI2_TIMING_I[14:0]` bit field. The reset value can be kept.
 - b. Wait until `CAL_CSI2_TIMING_I[15]` `FORCE_RX_MODE_IO1` = 0x0. It is automatically put at 0 when all enabled lanes are in `STOPSTATE` and the timer is finished.
3. The CSI2 PHY is initialized and ready/active in CSI-2 (D-PHY) mode.

8.4.5.4 CSI2 PHY Error Signals

In D-PHY mode, the CSI2 PHY supports the following error detection and signaling to the associated receiver:

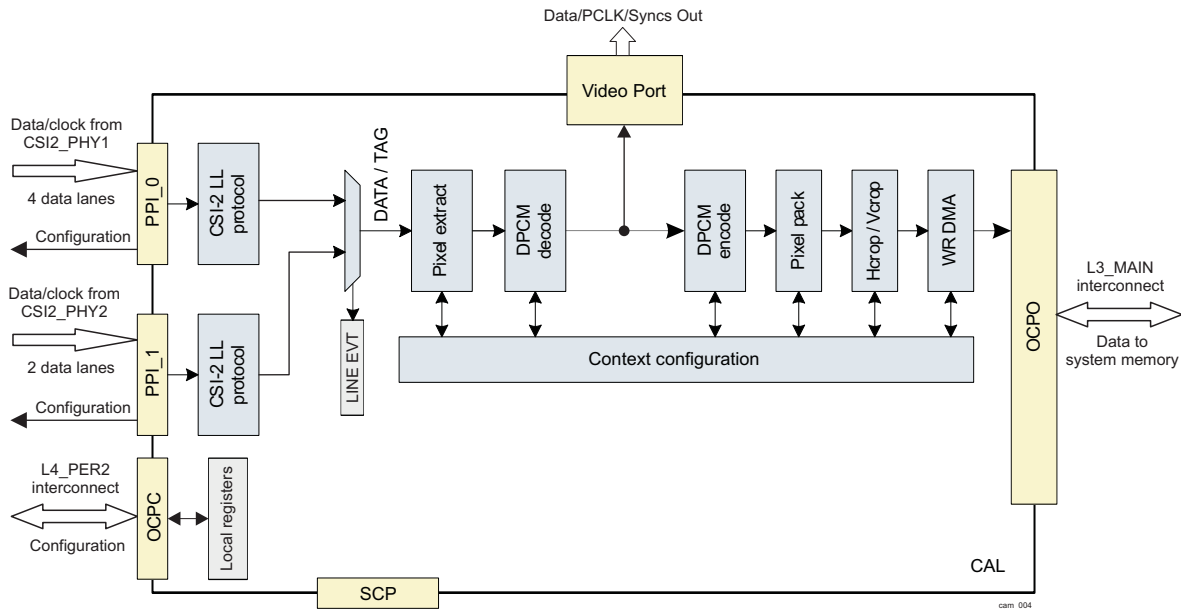
- **ERRSOTHS**: Flags 1-bit errors in the HS start of transmission synchronization pattern. In this error scenario, the CSI2 PHY continues to receive the data and pass it to the receiver, but confidence in the data may be low, because of the 1-bit error seen in sync. This signal, if asserted, is high for one cycle of `RXBYTECLKHS`.
- **ERRSOTSYNCHS**: Flags multiple bit errors in the HS start of transmission synchronization pattern. In this case, the CSI2 PHY cannot achieve proper synchronization and does not pass the received data to the receiver. This signal, if asserted, is high for one cycle of `RXBYTECLKHS`.
- **ERRCONTROL**: Flags the control sequence error; that is, when the LP sequence observed on line is not recognized as a valid control sequence. This signal, if asserted, is high until the next change in the state of the LP line.
- **ERRESC**: Flags the escape entry error; that is, when the escape entry sequence is unrecognized. This signal, if asserted, is high until the next change in the state of the LP line.
- **ERRSYNCESC**: Flags the low-power data transmission synchronization error. This error is flagged if the number of bits received during a low-power data transmission is not a multiple of 8 bits. This signal, if asserted, is high until the next change in the state of the LP line. In case the number of received bits is 1 less than a multiple of 8, `RXVALIDESC` is also asserted together with `ERRSYNCESC`, and an erroneous data byte is output on `RXDATAESC`. In other cases of this error, `RXVALIDESC` is not asserted and an erroneous data byte is not sent out.

8.4.6 CAL Functional Description

8.4.6.1 CAL Block Diagram

[Figure 8-8](#) shows a top-level overview diagram of the CAL module.

Figure 8-8. CAL Top-Level Diagram



NOTE: The following configuration is supported on the AM571x family of devices:

- CSI2_PHY1: 1 clock lane + up to 4 data lanes
- CSI2_PHY2: 1 clock lane + up to 2 data lanes

The following configuration is supported on the AM570x family of devices:

- CSI2_PHY1: 1 clock lane + up to 2 data lanes
- CSI2_PHY2: not supported

See Table 8-1, CAMSS I/O Description, and a device-specific Data Manual, for more details.

The CAL module is composed of two possible data sources (two CSI-2 low level protocol decoders) plus a pixel data processing pipeline.

The CSI-2 LL protocol block receives data from a D-PHY receiver (CSI2 PHY, up to four data pairs), merges data from multiple lanes, detects and corrects errors, extracts the virtual channel ID, detects and extracts the synchronization codes and re-formats the data into a stream understood by the CAL processing pipeline. Each PPI interface has a small FIFO to accommodate latencies to access the CAL pipeline.

The data from all sources is multiplexed with 64-bit granularity and sent to the CAL pipeline for further processing. The data pipeline forwards 64-bit wide data words as well as a 5-bit wide data qualifier + 4-bit validity qualifier + 5-bit CPORT number referred to as TAG in this chapter.

The TAG is set by the data source and controls how the different stages in the processing pipeline behave. Figure 8-9 summarizes possible values for the data qualifier and the corresponding behavior of the different processing stages:

Figure 8-9. CAL Data Pipeline TAGs

ID	Label	Description / generation	Pixel extraction	DPCM decode	DPCM encode	Pixel packing	Video Port	WRITE DMA
0	IDLE	Indicates no active data in the pipeline. Used to gate processing logic and save power	idle	idle	idle	idle	idle	idle
1	ATT_HDR_S	Attribute header (bytes 0~7)	bypass	bypass	bypass	bypass	idle	reset + write
2	ATT_HDR_E	Attribute header (bytes 8~15)	bypass	bypass	bypass	bypass	idle	write + flush
3	ATT_DAT_S	Attribute payload (bytes 16~23)	bypass	bypass	bypass	bypass	idle	reset + write
4	ATT_DAT	Attribute payload (bytes 23 ~ last-8)	bypass	bypass	bypass	bypass	idle	write
5	ATT_DAT_E	Attribute payload (bytes last-7 ~ last)	bypass	bypass	bypass	bypass	idle	write + flush
6	CTRL_HDR_S	EOP / Control packet (bytes 0~7)	bypass	bypass	bypass	bypass	idle	reset + write
7	CTRL_HDR_E	EOP / Control packet (bytes 8~15)	bypass	bypass	bypass	bypass	idle	write + flush
8	DPCM_INIT	Initialization data for the DPCM decoder (available at CAL module level, not used in the device)	bypass	init + discard	na	na	na	na
9	PIX_HDR_S	Data header (bytes 0~7)	bypass	bypass	bypass	bypass	idle	reset + write
10	PIX_HDR_E	Data header (bytes 8~15)	bypass	bypass	bypass	bypass	idle	write + flush
11	PIX_DAT_FS	Data payload (bytes 16~23, 1st line)	reset + process	reset + process	reset + process	reset + process	reset + output	reset + write
12	PIX_DAT_LS	Data payload (bytes 16~23, line 2 ~ n)	reset + process	reset + process	reset + process	reset + process	reset + output	next line + write
13	PIX_DAT	Data payload (bytes 24 ~ last-8)	process	process	process	process	output	write
14	PIX_DAT_FE	Data payload (bytes last-7 ~ last, line n)	process	process	process	process	output	write + flush
15	PIX_DAT_LE	Data payload (bytes last-7 ~ last, line 2 ~ n-1)	process	process	process	process	output	write + flush
16	FE_CODE	Frame end short packet received. Used for data received from PPI when the number of lines per frame is not known	bypass	bypass	bypass	bypass	frame end	frame end

cam_009

NOTE: Figure 8-9 does not describe all possible configurations for the CAL pixel processing stages. Depending on the use case, each pixel processing stage (extraction, DPCM decoding/encoding, packing) can be individually configured or bypassed via a dedicated bit-field in the `CAL_PIX_PROC_i` register.

8.4.6.2 CSI2 Low Level Protocol

CAL has two PPI interfaces that connect directly to two D-PHY instances of up to 4 lanes each. It also implements an OCP to SCP bridge to access the complex IO internal registers.

8.4.6.2.1 CSI2 Physical Layer

The CSI2 serial interface is a unidirectional differential serial interface with data/clock for the physical layer.

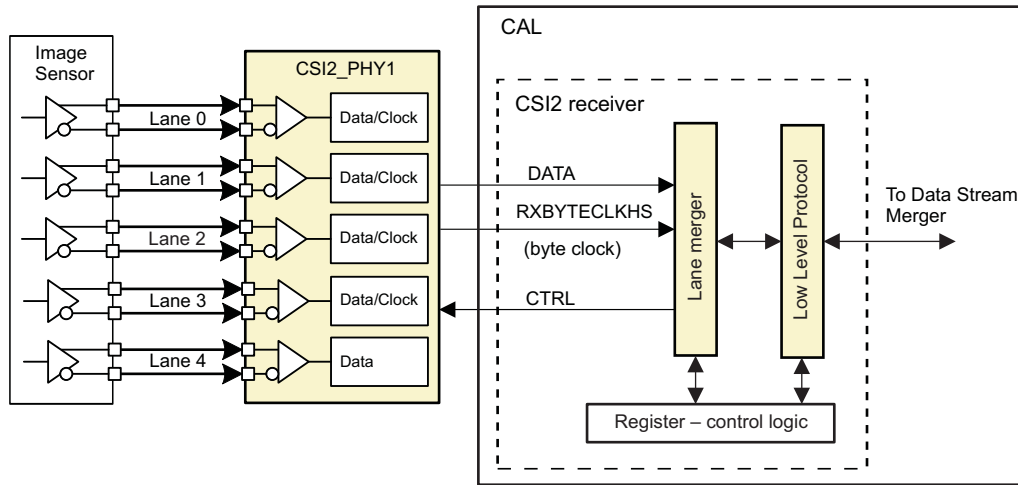
The maximum CSI2 data transfer capacity is 1500 Mbps per data lane. The speed of the link is reconfigurable by SW only when the CSI2 PHY is in "stop state" or in ULPM (ultra-low power mode).

Data-clock signaling consists of two to five differential signal pairs: from one to four data lanes and one clock lane. The minimum configuration is one data pair and one clock pair.

- The data signal carries the bit-serial data. The CSI2 transmitter in the image sensor sends the data in-quadrature with the dual-data rate (DDR) clock in HS mode; otherwise, the clock is extracted from the received data in LS (low speed) mode. Data is transmitted byte-wise, LSB first. The CSI2 complex I/O receives the data and sends the byte stream to the CSI2 LL protocol core.
- The clock signal carries the DDR clock signal.
- The SW has to configure the order of the data lanes to indicate the byte order while merging the received bytes for each CSI2 PHY into a byte stream.

Figure 8-10 is the CSI2 Low Level Protocol engine block diagram (it assumes there are four CSI2 image sensor data lanes). The CSI2 receiver receives the byte data coming from a CSI2 D-PHY receiver (Figure 8-10 shows CSI2_PHY1 with up to four data pairs), converts the data to byte stream, detects and corrects errors, extracts the virtual channel ID, detects and extracts the synchronization codes, reformats the data, and forwards it to the the CAL Data Stream Merger.

Figure 8-10. CSI2 Low Level Protocol Engine Block Diagram



cam-019

NOTE: The following configuration is supported on the AM571x family of devices:

- CSI2_PHY1: 1 clock lane + up to 4 data lanes
- CSI2_PHY2: 1 clock lane + up to 2 data lanes

The following configuration is supported on the AM570x family of devices:

- CSI2_PHY1: 1 clock lane + up to 2 data lanes
- CSI2_PHY2: not supported

See Table 8-1, CAMSS I/O Description, and a device-specific Data Manual, for more details.

Each physical lane can be a data or clock lane with a restriction to the fourth lane, which can only be data (see Section 8.4.5.1, CSI2 PHY Overview). The clock/data lane must be configured before transmission to indicate the byte order, while merging the received bytes into a byte stream shows the reachable speed per data lane function of data lane numbers.

Lanes are configured through the CAL_CSI2_COMPLEXIO_CFG_I registers. The CAL_CSI2_COMPLEXIO_CFG_I[2:0] CLOCK_POSITION bit field and the CAL_CSI2_COMPLEXIO_CFG_I[3] CLOCK_POL bit configure which lane transmits the clock and define its polarity. The DATAx_POSITION and DATAx_POL bit-fields configure the data lanes and their polarity, where x is the number of the data lane (x = 1 to 4). When the DATAx_POSITION field is set to 0, data lane x is not used.

CAUTION

Lane 4 (position 5) supports only data. The CLOCK_POSITION must not be set at position 5.

Table 8-12. CSI2_PHY1 I/O Description

Signal Name		I/O ⁽¹⁾	Description
csi2_0_dx0	lane 0 (position 1)	I	Serial data/clock input
csi2_0_dy0			
csi2_0_dx1	lane 1 (position 2)	I	Serial data/clock input
csi2_0_dy1			
csi2_0_dx2	lane 2 (position 3)	I	Serial data/clock input
csi2_0_dy2			
csi2_0_dx3 ⁽²⁾	lane 3 (position 4)	I	Serial data/clock input
csi2_0_dy3 ⁽²⁾			
csi2_0_dx4 ⁽²⁾	lane 4 (position 5)	I	Serial data input only
csi2_0_dy4 ⁽²⁾			

⁽¹⁾ I = Input

⁽²⁾ Not supported on the AM570x family of devices.

Table 8-13. CSI2_PHY2 I/O Description

Signal Name		I/O ⁽¹⁾	Description
csi2_1_dx0 ⁽²⁾	lane 0 (position 1)	I	Serial data/clock input
csi2_1_dy0 ⁽²⁾			
csi2_1_dx1 ⁽²⁾	lane 1 (position 2)	I	Serial data/clock input
csi2_1_dy1 ⁽²⁾			
csi2_1_dx2 ⁽²⁾	lane 2 (position 3)	I	Serial data/clock input
csi2_1_dy2 ⁽²⁾			

⁽¹⁾ I = Input

⁽²⁾ Not supported on the AM570x family of devices.

Lanes support the two operating modes:

- HS mode: High-speed transmit mode
- Off mode: Lane is off.

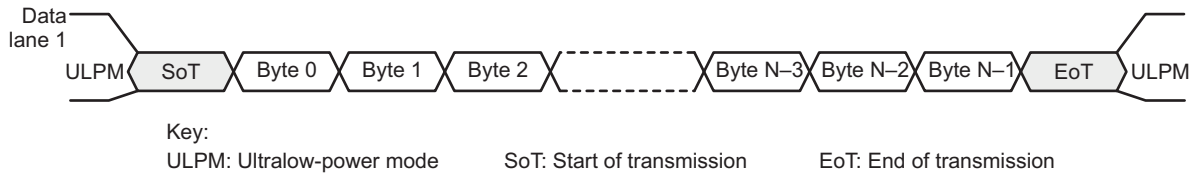
8.4.6.2.2 CSI2 Multi-lane Layer and Lane Merger

The layer consists of lane merger logic in order to merge the incoming serial stream into a byte stream. The bits are sent with LSB first. The number of active lanes is configurable through register. The order of the lanes at the CSI-2 receiver core is also configurable. The number of lanes can be changed only in ULPM or when all data lanes are in "stop state" (OFF mode).

The lane merger can merge up to four lanes into a single byte stream, and is not used for a single lane.

Figure 8-11 to Figure 8-14 show the byte position into each serial link for one to four data lane configurations. The byte stream always starts from lane 1. It finishes on one of the lanes, depending on the number of bytes to receive and the number of lanes.

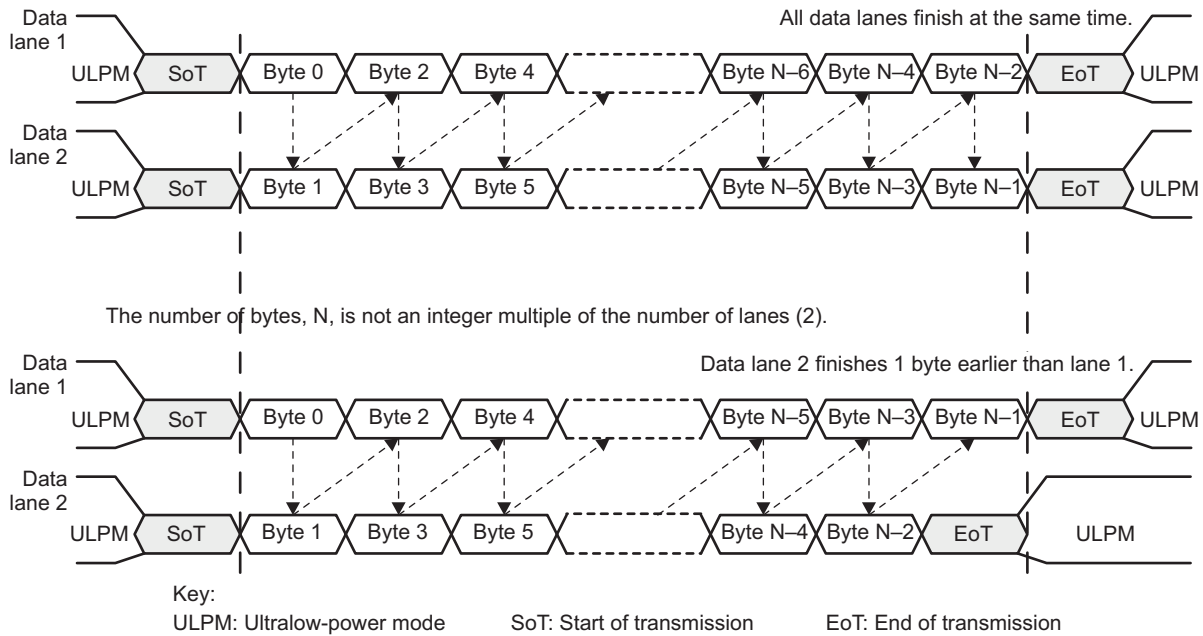
Figure 8-11. CSI2 One Data-Lane Configuration



camss-240

Figure 8-12. CSI2 Two Data-Lane Merger Configuration

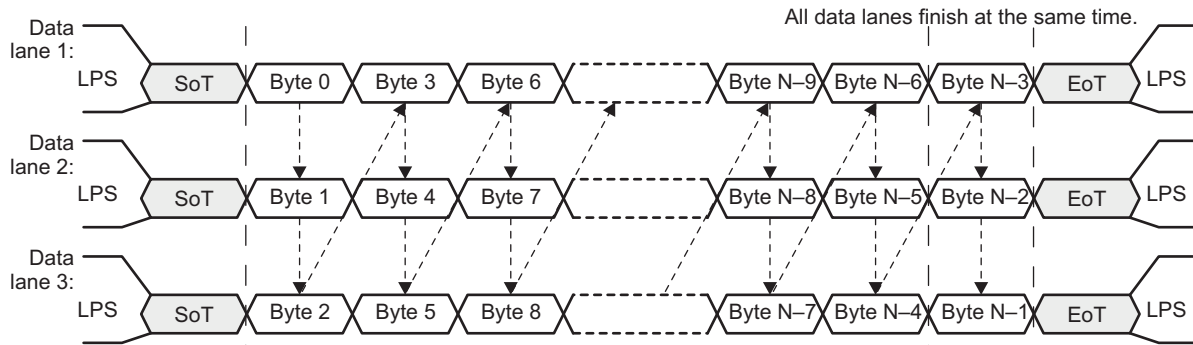
The number of bytes, N, is an integer multiple of the number of lanes (2).



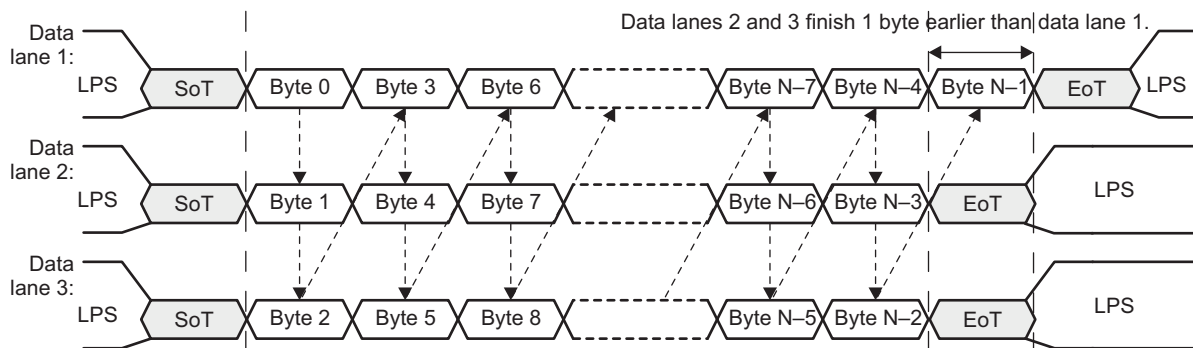
camss-239

Figure 8-13. CSI2 Three Data-Lane Merger Configuration

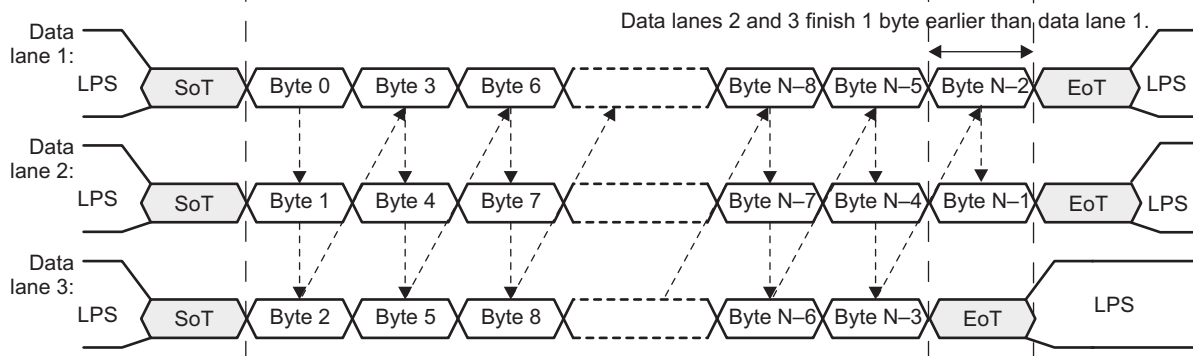
Number of bytes, N, transmitted is an integer multiple of the number of data lanes:



Number of bytes, N, transmitted is not an integer multiple of the number of data lanes (Example 1):



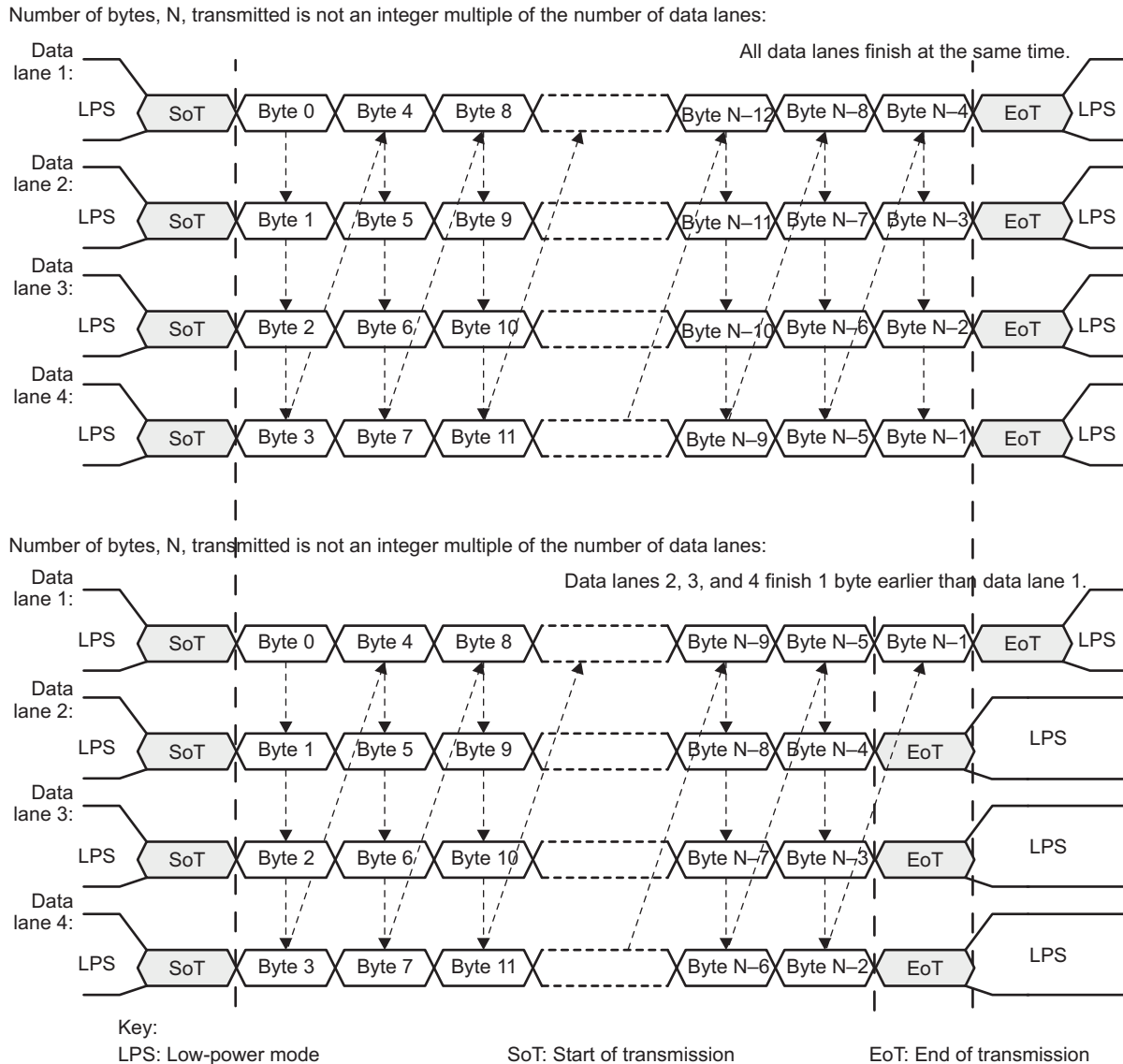
Number of bytes, N, transmitted is not an integer multiple of the number of data lanes (Example 2):



Key:
 LPM: Low-power mode SoT: Start of transmission EoT: End of transmission

camss-257

Figure 8-14. CSI2 Four Data-Lane Merger Configuration



NOTE: The following configuration is supported on the AM571x family of devices:

- CSI2_PHY1: 1 clock lane + up to 4 data lanes
- CSI2_PHY2: 1 clock lane + up to 2 data lanes

The following configuration is supported on the AM570x family of devices:

- CSI2_PHY1: 1 clock lane + up to 2 data lanes
- CSI2_PHY2: not supported

See Table 8-1, CAMSS I/O Description, and a device-specific Data Manual, for more details.

8.4.6.2.3 CSI2 Protocol Layer

The low-level protocol (LLP) is a byte-oriented protocol from the lane merger layer. It supports short and long packet formats.

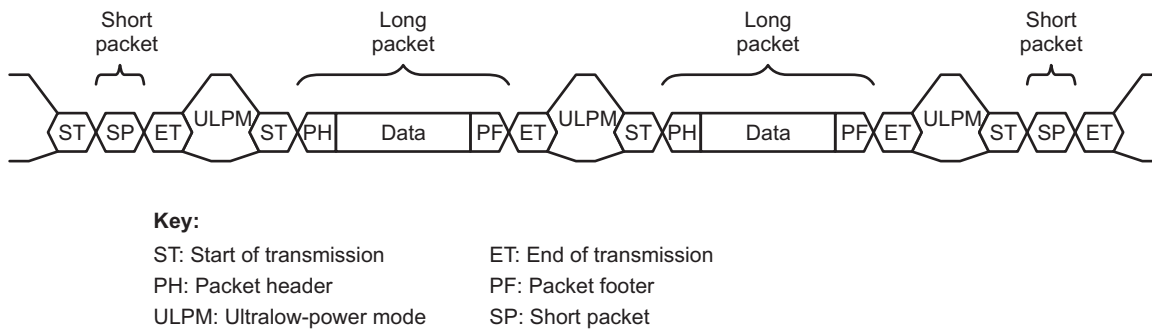
The CSI2 protocol layer defines how image-sensor data is transported onto the physical layer.

The feature set of the protocol layer implemented by the CSI2 receiver is:

- Transport of arbitrary data (payload-independent)
- 8-bit word size
- Support for up to four interleaved virtual channels on the same link
- Special packets for frame-start, frame-end, line-start, and line-end information
- Error-correction code (ECC) for 1-bit error correction or 2-bit error detection in the header
- 16-bit checksum code for payload error detection

Figure 8-15 shows the CSI2 protocol layer with short and long packets.

Figure 8-15. CSI2 Protocol Layer With Short and Long Packets



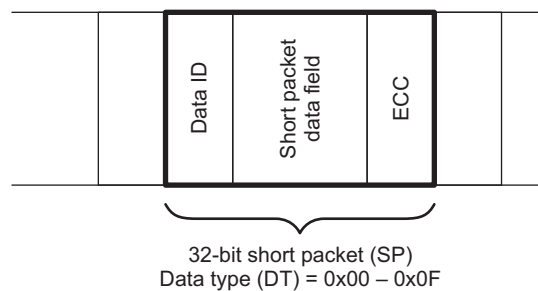
camss-241

Two packets are always separated from each other with a sequence of ET, ULPM, and ST.

8.4.6.2.3.1 CSI2 Short Packet

A short packet is identified by data types 0x00 to 0x0F. A short packet can be used for frame or line synchronization or for generic data. A short packet contains only a Packet Header; a Packet Footer is not be present. Figure 8-16 shows the structure of a short packet.

Figure 8-16. CSI2 Short Packet Structure



camss-242

NOTE: CAL accepts but does not use the frame number or line numbers transmitted by the sensor as required by the MIPI CSI-2 standard.

The ECC byte allows single-bit errors to be corrected and 2-bit errors to be detected in the short packet.

Short packets apply to all contexts using the same virtual channel ID . The data type associated with the context is not used to distinguish which context is used when receiving short packets.

8.4.6.2.3.2 CSI2 Long Packet

A long packet is identified by data types 0x10 to 0x37. A long packet consists of three elements:

- A 32-bit packet header (PH)
- An application-specific data payload with a variable number of 8-bit data words

- A 16-bit packet footer (PF)

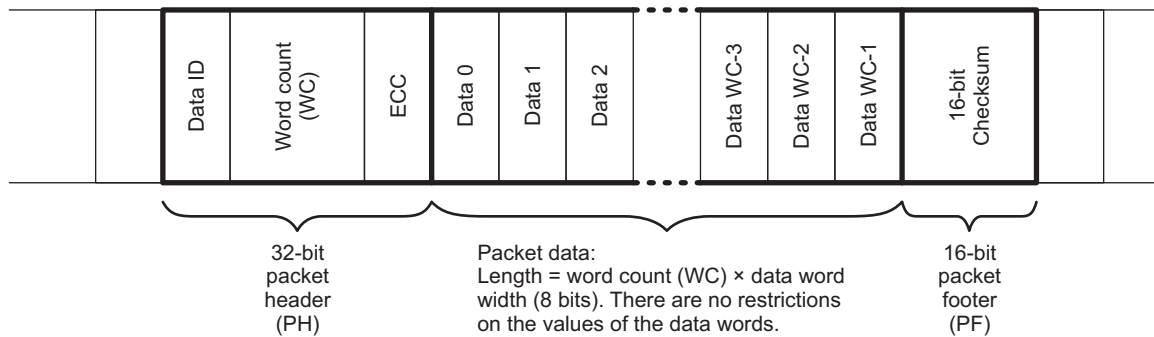
The packet header is further composed of three elements:

- An 8-bit data identifier
- A 16-bit word count field
- An 8-bit ECC

The packet footer has one element, a 16-bit checksum.

Figure 8-17 and Table 8-14 show the structure of a long packet.

Figure 8-17. CSI2 Long Packet Structure



camss-243

Table 8-14. CSI2 Long Packet Structure Description

Packet Part	Field Name	Size (Bits)	Description
Header	Data ID	8	Contains the virtual channel identifier for data and the data-type for the application specific payload data
	Word count	16	Number of 8-bit data words in the Data Payload between the end of the Packet Header and the start of the Packet Footer. Neither the Packet Header nor the Packet Footer are included in the Word Count.
	ECC	8	ECC for data ID and WC field. Allows 1-bit error recovery and 2-bit error detection.
Data	Data	WC-8	Application-specific payload (WC words of 8 bits)
Footer	Checksum	16	16-bit CRC for packet data

There are no restrictions on the size of the packet data, but each data format can impose additional restrictions on the length of the payload data (for example, a multiple of 4 bytes).

8.4.6.2.3.3 CSI2 ECC and Checksum Generation

The CSI2 receiver includes an ECC in the packet header and a checksum in the packet footer for long-packet transmission. These two fields can be used to detect and/or correct errors in the received packet.

8.4.6.2.3.3.1 CSI2 ECC

To detect and correct transmission errors of the header of short and long packets, an 8-bit ECC is included in the header of packets (short and long packet). It allows single-bit errors to be corrected and 2-bit errors to be detected in the packet header.

The ECC concerns all the fields for a short packet (data ID and short-packet data field) and the packet header for a long packet (data ID and word count). The ECC can only correct one error. Additional errors cannot be repaired, but they are flagged. After the end of the Packet Header, the receiver reads the next Word Count * 8-bit data words of the Data Payload. While reading the Data Payload the receiver does not look for any embedded sync codes. Therefore, there are no limitations on the value of a data word.

The CSI2 receiver ECC is compared against the CSI2 transmitter ECC embedded in the bitstream. If the ECC does not match, an interrupt is triggered.

For long and short packets, the correction is always done, if there is only one error per packet header. An ECC error with or without correction can be reported at two levels, depending on the type of packet. Table 8-15 describes the field in which events are logged. Logging cannot be disabled, but SW can set the corresponding bit in the CAL_CSI2_VC_IRQENABLE_I register to prevent event generation at a higher level.

Table 8-15. CSI2 ECC Event Logging

Short and Long Packet	
With correction	Global CAL_CSI2_VC_IRQSTATUS_I[] ECC_CORRECTION_IRQ_x, where x = [0 to 3]
Without correction	Global CAL_CSI2_VC_IRQSTATUS_I[] ECC_NO_CORRECTION_IRQ_x, where x = [0 to 3]

The ECC check can be disabled (short and long packet) by setting the CAL_CSI2_PPI_CTRL_I[2] ECC_EN bit to 0. Setting the bit to 1 enables the ECC check.

Refer to the MIPI CSI-2 1.0 standard for more details on ECC generation.

8.4.6.2.3.3.2 CSI2 Checksum

Once the CSI2 receiver has read the Data Payload, it reads the checksum in the Packet Footer. In the generic case, the length of the Data Payload is a multiple of 8-bit data words. In addition, each data format may impose additional restrictions on the length of the payload data, e.g. multiple of four bytes. Each byte is transmitted LSB first.

To detect errors in transmission of the payload of long packets, a 16-bit CRC checksum is computed on the payload of the long packets in the transmitter. This CRC is stored in the packet footer. The CSI2 receiver checksum is compared against the CSI-2 transmitter checksum. If the checksum does not match, an interrupt is triggered.

CRC errors are logged in the CAL_CSI2_VC_IRQSTATUS_I[] CS_IRQ_x (where x = [0 to 3]) register bit-fields. Logging cannot be disabled, but SW can configure the corresponding bit in the CAL_CSI2_VC_IRQENABLE_I register to prevent event generation at a higher level.

Since the payload has been already transferred into memory, it is not possible to discard the data but only to generate an interrupt.

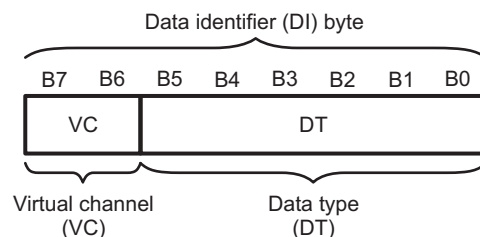
8.4.6.2.3.4 CSI2 Alignment Constraints

Payload data may be transmitted in any byte order restricted only by data format requirements. Multi-byte elements such as Word Count, Checksum and the Short packet 16-bit Data Field is transmitted LSB byte first.

8.4.6.2.3.5 CSI2 Data Identifier

The data identifier byte contains the virtual channel identifier (VC) value and the data-type (DT) value, as shown in Figure 8-18. The VC value is contained in the 2 MSBs of the data identifier byte. The DT value is in the 6 LSBs of the data identifier byte.

Figure 8-18. CSI2 Data Identifier Structure

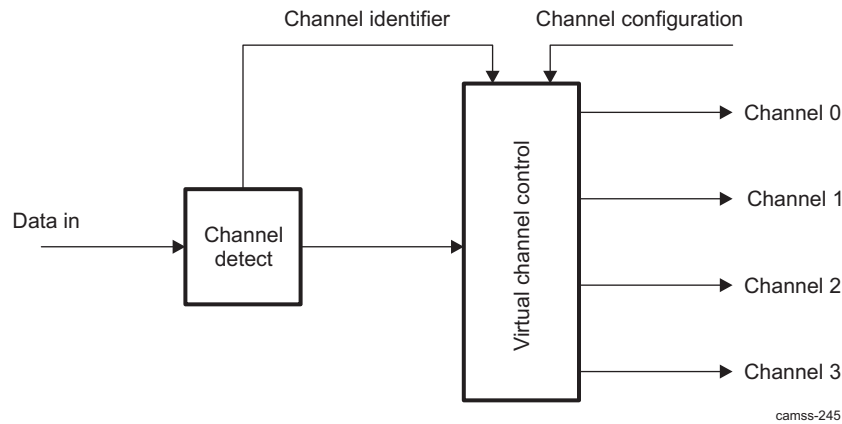


camss-244

8.4.6.2.3.6 CSI2 Virtual Channel ID

The CSI2 protocol layer transports virtual channels. Virtual channels are built of frames. A frame can comprise embedded data and image-sensor data. Two contexts are used to send the two types of data (embedded and image-sensor) separately. Each frame is identified by unique mandatory synchronization codes: frame start and frame end. Line start and line end synchronization codes are optional for the transmitter. A set of registers is associated with each context defined by the virtual channel ID and the data type. [Figure 8-19](#) shows a virtual channel.

Figure 8-19. CSI2 Virtual Channel



8.4.6.2.3.7 CSI2 Synchronization Codes

Each frame is clearly identified by a synchronization code for the start of frame and the end of frame. The start of line and end of line can be sent by the image sensor but it is optional.

In order to send the synchronization codes, the camera uses the short packets. Data reception from the image-sensor module uses four synchronization codes embedded in the serial bitstream:

- FSC: Identifies the start of a new frame
- LSC: Identifies the start of a new line; received for every line
- LEC: Identifies the end of a line; received for every line
- FEC: Identifies the end of the last line and the end of the current frame

[Table 8-16](#) summarizes the synchronization code values.

Table 8-16. CSI2 Synchronization Codes

Synchronization Code	Value	Comments
FSC	0x0	Mandatory
FEC	0x1	Mandatory
LSC	0x2	Optional
LEC	0x3	Optional
Reserved	0x4 to 0x7	Not used

8.4.6.2.3.8 CSI2 Generic Short Packet Codes

When the synchronization code value is from 0x8 to 0xF, the short packet is called a generic short packet. Short packets are not processed by the camera interface hardware. A generic short packet is stored in a register without the ECC and an interrupt can be generated. Therefore, generic short packets must be handled by software.

An interrupt (logged in [CAL_CSI2_COMPLEXIO_IRQSTATUS_I](#)[28] SHORT_PACKET register bit) indicates to the application the short packet event. Logging cannot be disabled, but SW can set the corresponding bit in the [CAL_CSI2_COMPLEXIO_IRQENABLE_I](#) register to prevent event generation at a higher level. It is SW responsibility to read the register [CAL_CSI2_SHORT_PACKET_I](#) before the next short packet with a code between 0x8 and 0xF. There is a single register for capturing the generic short packets since there is no data type in it to be associated with context.

8.4.6.2.3.9 CSI2 Frame Structure and Data

Each frame consists of short packets to indicate SOF and EOF. Optional short packets for start of line and end of line can be sent by the image sensor.

Some information before and after the picture data can be sent by the image sensor as SOF and EOF information. It is decoded by the receiver and is sent to the system memory through the OCPO port.

For each frame, the pixel data (arbitrary data or user-defined byte data) are valid only after an SOF short packet. If the data are invalid, they are discarded by the protocol engine.

A frame contains embedded data and image-sensor data. [Figure 8-20](#) shows where the embedded data and image-sensor data are in the frame. The frame is scanned in raster order starting from the top-left corner, as shown in [Figure 8-20](#) and [Figure 8-21](#). The following definitions for a frame apply:

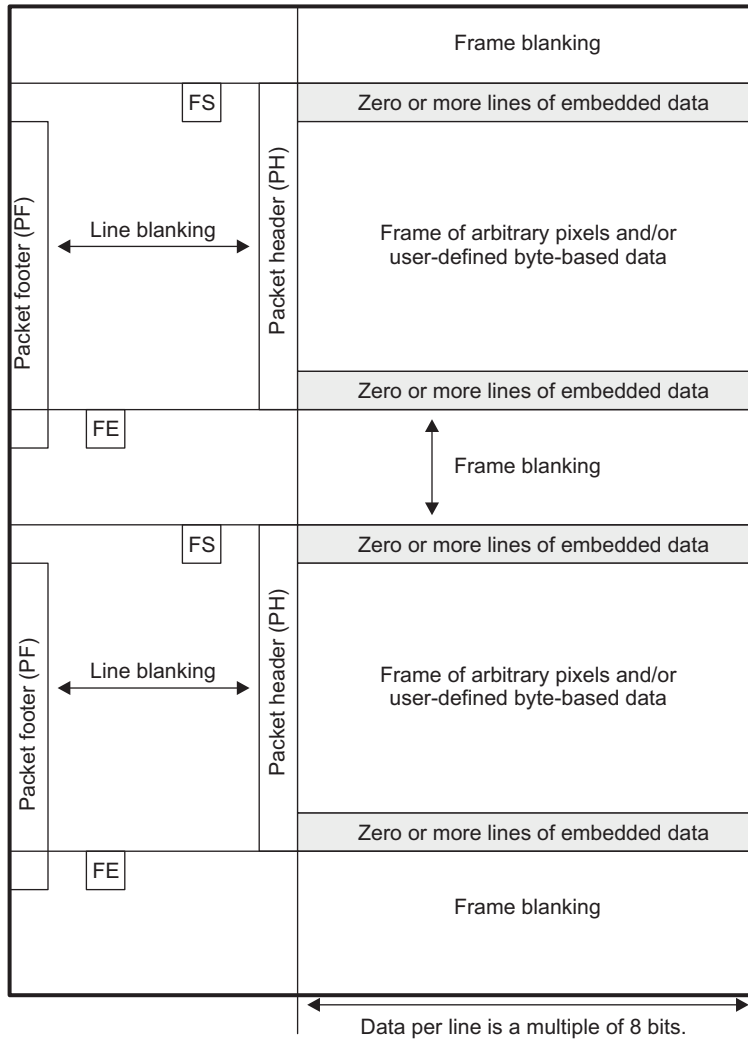
- Zero or more SOF status lines (SOF lines) can be embedded at the beginning of a CSI2 frame.
- The image data comprises pixels of the same or different data formats. The image embedded data is carried using separate data types and virtual channels (see [Section 8.4.6.2.3.10, CSI2 Virtual Channel and Context](#)).
- Zero or more EOF status lines (EOF lines) can be embedded at the end of a CSI2 frame.
- The SOF lines, pixel data, and EOF lines do not overlap.

The CSI2 receiver does not use the information in the status lines. However, it extracts it and stores it in memory for use by software.

Because the data types are different, the data is carried using separate data types called virtual channels. Those must be mapped to the adequate context. The CSI2 receiver uses a different context for embedded data and image-sensor data. See [Section 8.4.6.2.3.10, CSI2 Virtual Channel and Context](#).

Embedded data is supported as a context by the CSI2 receiver; therefore, there is no specific hardware support for embedded data.

Figure 8-20. CSI2 General Frame Structure (Informative)



Key:

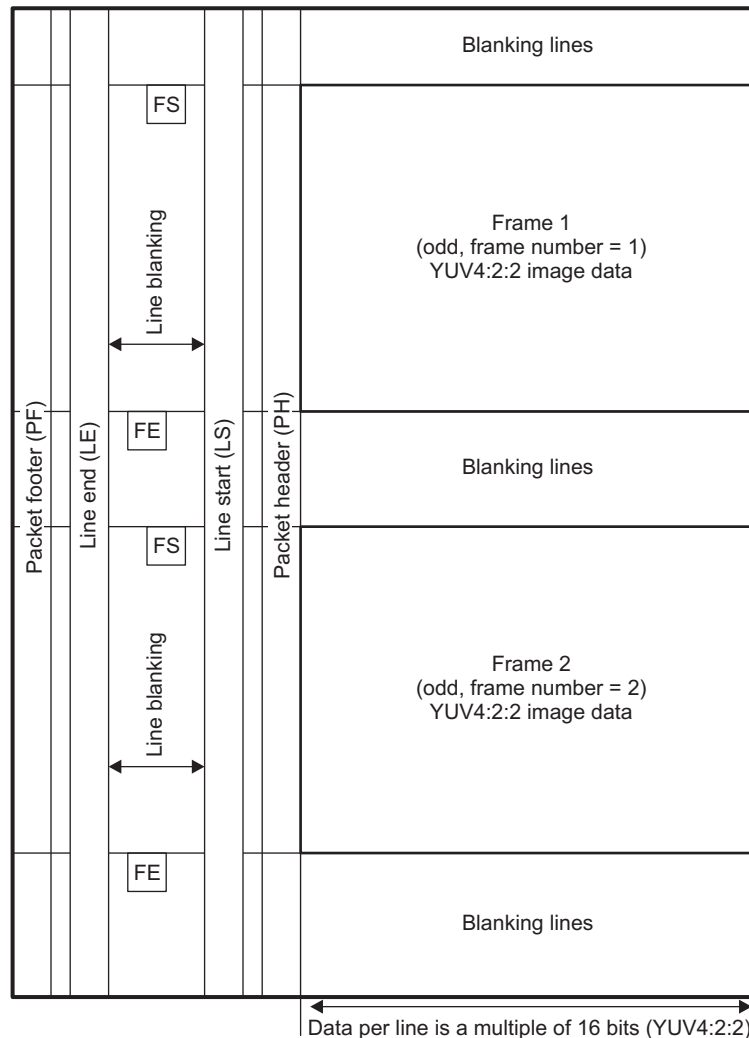
PH: Packet header
FS: Frame start

PF: Packet footer
FE: Frame end

camss-246

Figure 8-21 shows the frame structure of a YUV4:2:2 interlaced video frame without embedded data.

Figure 8-21. CSI2 Digital Interlaced Video Frame (Informative)



Key:

- PH: Packet header
- FS: Frame start
- LS: Line start
- PF: Packet footer
- FE: Frame end
- LE: Line end

camss-247

The period between the LEC and the new LSC is called line blanking period. The time between the FEC and the new FSC is called frame blanking period. The receiver works with "near zero" line blanking period.

NOTE: The embedded information (SOF & EOF lines) is never compressed (no DPCM). The embedded information covers full lines. The embedded information is not encoded in the same data format as the pixel data. The CSI-2 receiver extracts the embedded information but does not modify the data format.

The pixel data can be compressed.

8.4.6.2.3.10 CSI2 Virtual Channel and Context

The CSI2 protocol layer transports virtual channels. The virtual channels separate different data flows interleaved in the same data stream. Each virtual channel is identified by a unique channel identification number in the packet header. This channel identification number is encoded in the 2-bit code.

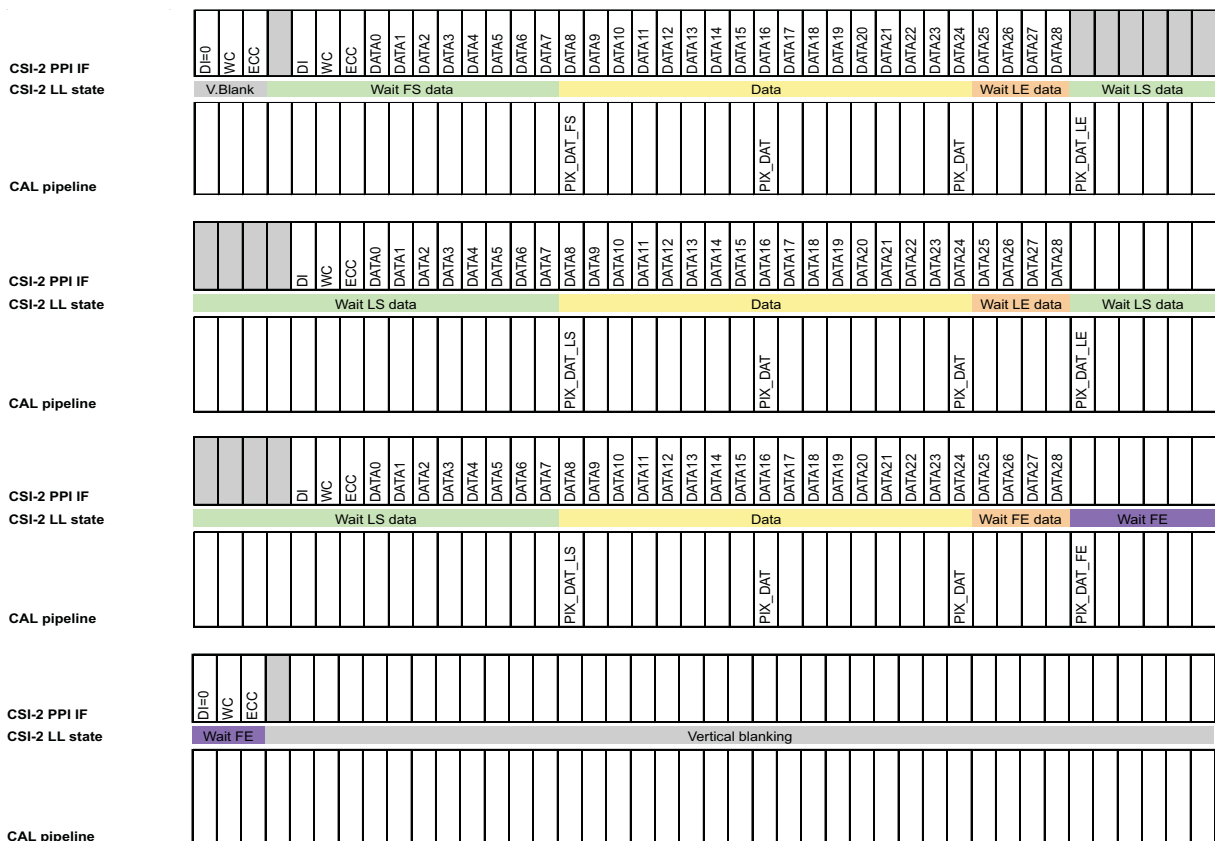
The CSI2 receiver monitors the channel identifier number and demultiplexes the interleaved data streams. The CSI2 receiver supports up to four concurrent virtual channels. The virtual channel values used for each channel are as follows:

- Virtual channel 0 -> 0x0
- Virtual channel 1 -> 0x1
- Virtual channel 2 -> 0x2
- Virtual channel 3 -> 0x3

8.4.6.2.4 CSI2 TAG Generation FSM

Figure 8-22 shows how the synchronization codes for the CAL internal pipeline are extracted from the CSI-2 stream. CSI-2 PPI IF corresponds to the byte stream after lane merge and PHY LS -> HS transition detection. CSI-2 LL state corresponds to the internal state of the TAG generation engine. CAL pipeline corresponds to the tags sent to the CAL processing pipeline.

Figure 8-22. CSI-2 LL Tag Generation Example - Line Mode



cam_010

Data is packed into words of 64-bits before it can be sent to the shared CAL processing pipeline. Each PPI has its own TAG generation & packing state machine. Both CSI2 PHYs are therefore independent and can operate simultaneously. Each PPI FSM has 8 copies of the CAL_CSI2_CTXy_I (y = [0 to 7], CAL_CSI2_CTX0_I through CAL_CSI2_CTX7_I) state registers (that is, contexts).

To use a context, SW must define:

- The used virtual channel (through CAL_CSI2_CTXy_I[7:0] VC register bit-field)
- The expected MIPI CSI-2 Data Type (through CAL_CSI2_CTXy_I[5:0] DT bit-field)
- The CPORT ID to use (through CAL_CSI2_CTXy_I[12:8] CPORT bit-field) for the data, and if it should be tagged as Attribute (that is, Embedded) data or as Pixel data (through CAL_CSI2_CTXy_I[13] ATT bit).

Attribute data is tagged using ATT_DAT_S, ATT_DAT and ATT_E tags. Pixel data is tagged using PIX_DAT_FS, PIX_DAT, PIX_DAT_LE, PIX_DAT_LS, PIX_DAT_FE. Data reception is disabled by setting CAL_CSI2_CTXy_I[5:0] DT bit to 0.

The tag generation FSM accumulates words of up to 64-bits of data from the physical interface. Two SW selectable modes are supported:

- Line mode (set by CAL_CSI2_CTXy_I[14] PACK_MODE = 0). In this mode CAL generates frame (PIX_DAT_FS; PIX_DAT_FE) and line (PIX_DAT_LS, PIX_DAT_LE) synchronization codes using synchronization information provided by the CSI-2 transmitter. It pads words with 0's when the line end or frame end is reached and generates the adequate data validity qualifier (VQ). Line and frame starts always correspond to full 64-bit words (VQ=0x0). This is typically the mode to be used to receive pixel data.
- Frame mode (set by CAL_CSI2_CTXy_I[14] PACK_MODE = 1). In this mode CAL only generates PIX_DAT_FS and PIX_DAT_FE synchronization codes. PIX_DAT_LE and PIX_DAT_LS are replaced by PIX_DAT and adequate data validity qualifiers are generated to create a contiguous stream. This mode is typically used to receive a JPEG frame from a CSI-2 camera.

This appended dummy data can be cropped by the Write DMA, or the hardware accelerator attached to the Video port. The shared CAL processing pipeline therefore always receives full 64-bit words. The line length is detected from the CSI-2 long packet header and mismatches are detected through CRC errors.

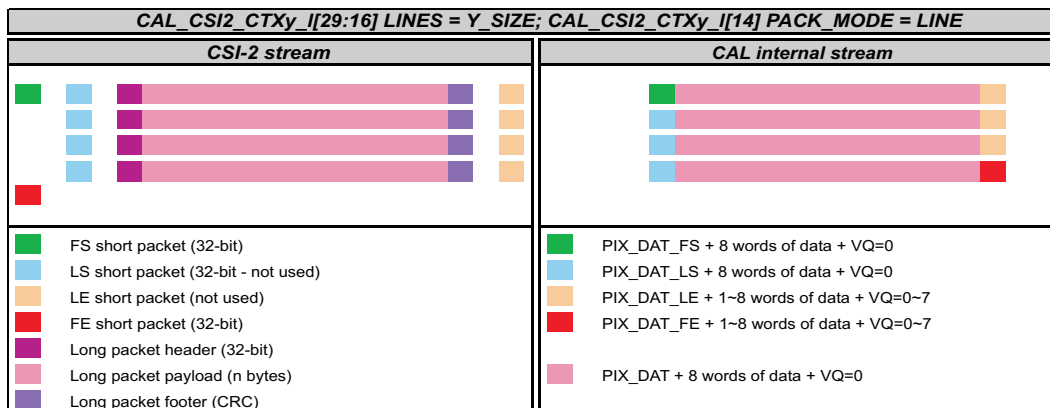
The tag generation FSM ensures that only valid TAG sequences can be provided to the shared CAL processing pipeline. FS, LS and LE codes are directly extracted from the CSI-2 stream. The FE code is not directly available and can be generated by two mechanisms:

- If SW knows the number of lines transmitted by the camera, it must write it into the CAL_CSI2_CTXy_I[29:16] LINES register bit-field. The tag generation FSM will send a FE TAG for the last received line of each frame instead of the LE TAG. This leads to regular video timings and avoids potential artifacts. CAL generates the FE_CODE tag when the FE short packet is received earlier than expected (for example, incorrect configuration or lines discarded due to transmission errors). The PIX_DATA_FE tag is generated at the end of the last line specified in CAL_CSI2_CTXy_I[29:16] LINES bit-field. Additional lines received for the same frame are discarded.
- If the number of lines is not known, SW must set the CAL_CSI2_CTXy_I[29:16] LINES register bit-field to 0. The tag generation FSM sends the PIX_DAT_LE TAG for the last line in the case and FE_CODE tag line when a FE short packet is received.

No LS/LE tags are generated when CAL_CSI2_CTXy_I[13] ATT = 1.

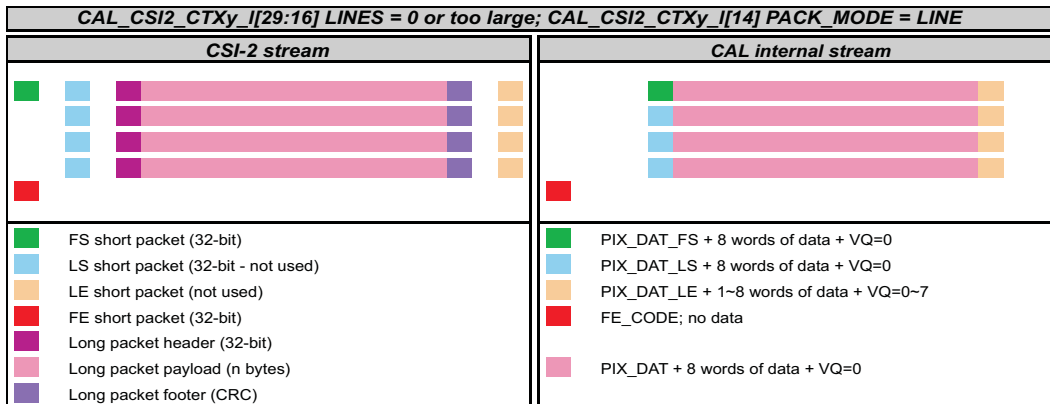
Figure 8-23 through Figure 8-26 illustrate the operation of the packing stage.

Figure 8-23. CSI-2 Packing – Example 1



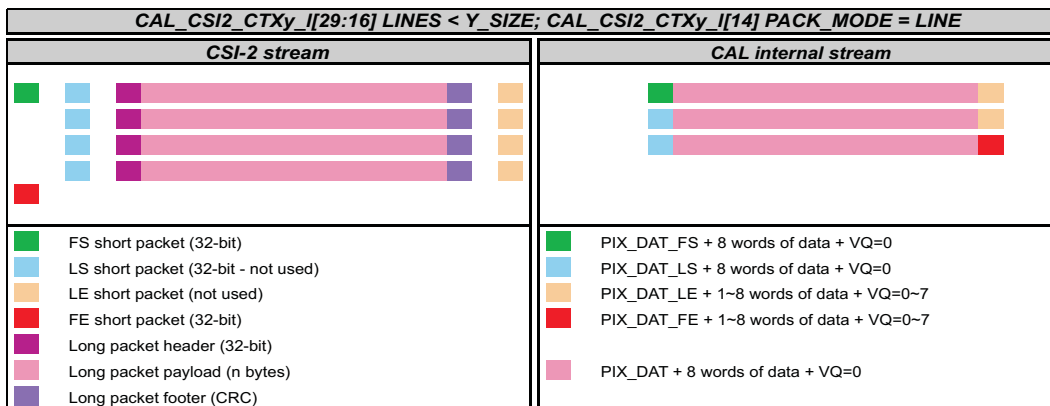
cam_011

Figure 8-24. CSI-2 Packing – Example 2



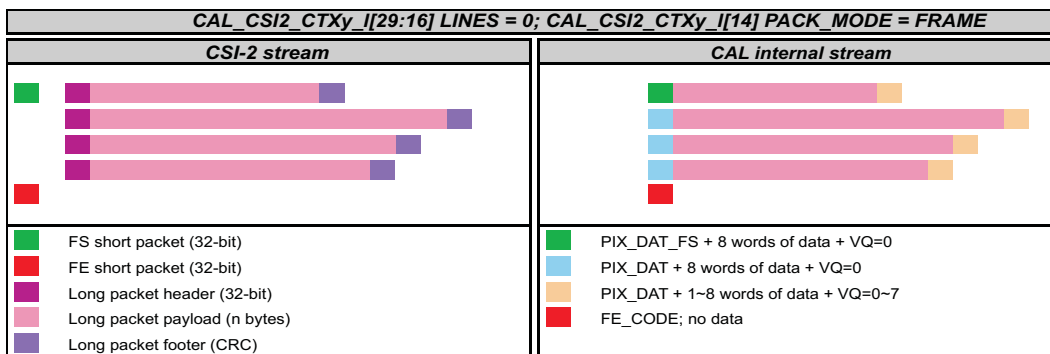
cam_012

Figure 8-25. CSI-2 Packing – Example 3



cam_013

Figure 8-26. CSI-2 Packing – Example 4



cam_014

Data is discarded and an FIFO_OVR event is triggered when the CAL shared pipeline cannot accept the data from PPI interfaces fast enough. The tag generation FSM ensures however that only valid tag sequences can be generated:

- Only a few words are dropped in the middle of a line: corresponding data words are dropped and synchronization TAGs (LE or FE) are transmitted normally. The line where the overflow has occurred is therefore corrupted (that is, pixels shifted left), but synchronization is recovered from the next line start.
- The overflow condition persists over a line or frame boundary: one or multiple lines/frames are dropped. HW waits until one word becomes available in the PPI FIFO and inserts a data word with TAG FE. It then waits for the next FS to resume normal operation.

No specific SW intervention is required to recover synchronization and the HW ensures that no protocol violations or accesses outside of allocated buffers could occur.

NOTE: Optional MIPI CSI-2 LS and LE short packets are ignored by CAL. They are allowed in the datastream from the camera, but are not used and not forwarded to the CAL shared processing pipeline.

CAL does not have a specific mechanism to ignore CRC checking. SW must simply disable the CS_IRQ event. CAL does not discard data with invalid CRC.

8.4.6.3 CAL Data Stream Merger

Two possible sources (2 x PPI) can produce data that is sent through the shared CAL processing pipeline. The shared processing pipeline is time multiplexed at 64-bit word level. Data from the PPI interfaces cannot be stalled. It is therefore stored in a FIFO (per PPI) to compensate shared pipeline access latencies.

A fixed priority arbitration scheme is used when data is ready from multiple sources. PPI_0 source is with highest priority, after that PPI_1.

PPI FIFOs are only intended to compensate internal pipeline access latencies. It is SW responsibility to ensure that the total pixel rates are compatible with CAL capabilities.

8.4.6.4 CAL Pixel Extraction

Software must configure which CPORT a given pixel processing context must process, by setting the [CAL_PIX_PROC_i\[23:19\]](#) CPORT register bit-field to the CPORT ID. The operation to perform is defined by the [CAL_PIX_PROC_i\[4:1\]](#) EXTRACT bit-field.

The data of a CPORT is forwarded without modification when pixel processing is disabled for that CPORT.

The pixel extraction stage receives up to 64 bits per cycle and can output either 64 bits (bypass) or 4 samples (6 ~ 16 bits per sample; 1 sample = 1 pixel for RAW data) per cycle.

Extracted pixels are left padded with 0's to fill 16-bit containers (for example, for RAW10: out[15:10]=0's and out[9:0]=data)

It only processes data tagged as DAT_PIX_FS, DAT_PIX_LS, DAT_PIX, DAT_PIX_FE, and DAT_PIX_LE (see [Figure 8-9, CAL Data Pipeline TAGs](#), for definitions). All other data types are simply forwarded (that is, output = input).

DAT_PIX_FS and DAT_PIX_LS tags reset the pixel extraction state-machine. That ensures proper recovery in case the pixel decoder goes out of sync for some reason (for example, TxBuffer overflow in the transmitter, wrong configuration, bad synchronization between hardware and software).

Four samples do not necessarily align with a complete 64-bit word and several bits remain unused. They are stored locally until enough data is available to extract four additional samples or the end of a line has been reached (that is, TAG = PIX_DAT_LE or PIX_DAT_FE). The last 64-bit word can be padded with 0's, if there is not enough data to generate 4 pixels after all data tagged as PIX_DAT_LE or PIX_DAT_FE has been processed.

Contexts can be interleaved with 64-bit word granularity (that is, two consecutive words can have different TAGs).

The number of contexts is as defined in the [CAL_HL_HWINFO\[12:8\]](#) PCTX register bit-field

NOTE: The pixel extraction engine does not process the VQ (data validity qualifier) generated by the CSI-2 data packing stage. It forwards the VQ when bypass mode is selected and replaces it by VQ=0 (all data valid) when data expansion is performed.

8.4.6.5 CAL DPCM Decoding and Encoding

The CAL DPCM decoder block only processes data tagged as DAT_PIX_FS, DAT_PIX_LS, DAT_PIX, DAT_PIX_LE and DAT_PIX_FE (as defined in [Figure 8-9](#), *CAL Data Pipeline TAGs*). All other data types or data belonging to CPORTs where DPCM encode/decode is disabled, is simply forwarded. Software chooses which CPORT a given pixel processing context must process by setting the [CAL_PIX_PROC_i\[23:19\]](#) CPORT register bit-field to the CPORT ID. The DPCM decompression operation is selected through the [CAL_PIX_PROC_i\[9:5\]](#) DPCMD bit-field, and the DPCM compression operation is selected through the [CAL_PIX_PROC_i\[15:11\]](#) DPCME bit-field.

PIX_DAT_FS and PIX_DAT_LS tags initialize the DPCM encoder.

PIX_DAT_FS and PIX_DAT_LS tags initialize the DPCM decoder, except when the previous TAG received on that context was DPCM_INIT. DPCM_INIT copies the received word into the context status register of the DPCM decoder and discards the initialization word (that is, it is not forwarded to the next pipeline stage). The next word of four pixels received on that context is DPCM decoded and the usual initialization step is skipped. That feature is intended to enable DPCM decoding of an image in multiple vertical stripes without re-decoding each line from the beginning.

Table 8-17. CAL DPCM Formats

Codec	Predictor	Decode	Encode	Performance
10 - 8 - 10	Predictor 1	YES	YES	4 px/cyc
10 - 8 - 10	Predictor 2	-	-	-
10 - 7 - 10	Predictor 1	YES	-	4 px/cyc
10 - 7 - 10	Predictor 2	YES	-	1 px/cyc
10 - 6 - 10	Predictor 1	YES	-	4 px/cyc
10 - 6 - 10	Predictor 2	YES	-	1 px/cyc
12 - 8 - 12	Predictor 1	YES	YES	4 px/cyc
12 - 8 - 12	Predictor 2	-	-	-
12 - 7 - 12	Predictor 1	YES	-	4 px/cyc
12 - 7 - 12	Predictor 2	-	-	-
12 - 6 - 12	Predictor 1	YES	-	4 px/cyc
12 - 6 - 12	Predictor 2	-	-	-
14 - 10 - 14	Predictor 1	YES	YES	4 px/cyc
14 - 10 - 14	Predictor 2	-	-	-
14 - 8 - 14	Predictor 1	YES	YES	4 px/cyc
14 - 8 - 14	Predictor 2	-	-	-
16 - 12 - 16	Predictor 1	YES	YES	4 px/cyc
16 - 12 - 16	Predictor 2	-	-	-
16 - 10 - 16	Predictor 1	YES	YES	4 px/cyc
16 - 10 - 16	Predictor 2	-	-	-
16 - 8 - 16	Predictor 1	YES	YES	4 px/cyc
16 - 8 - 16	Predictor 2	-	-	-

The DPCM encoder and decoder are independent. They preserve state for each of the pixel processing contexts (defined in [CAL_HL_HWINFO\[12:8\]](#) PCTX register bit-field), so that the encoder and the decoder context can be swapped with 4-pixel granularity.

The DPCM encoder and decoder can stall the incoming pixel from the pixel extraction block, if it arrives faster than what they can handle (that is, PREDICTOR2 selection or dataflow stalled by the pixel packing stage/Write DMA).

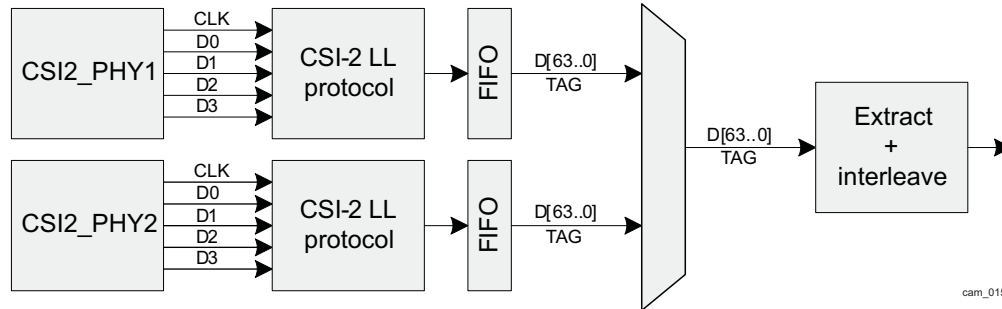
8.4.6.6 CAL Stream Interleaving

CAL supports interleaving at pixel level of data streams received from two cameras that are synchronized. These two cameras are typically CSI-2 cameras attached to the PPI_0 and PPI_1 interfaces.

In order to use the stream interleaving feature, `CAL_CTRL1[1:0] PPI_GROUPING` register bit-field must be set to `PPI_0` or `PPI_1`.

Figure 8-27 shows a physical view of the interleaving.

Figure 8-27. CAL PPI Interleaving - Physical View



NOTE: The following configuration is supported on the AM571x family of devices:

- **CSI2_PHY1:** 1 clock lane + up to 4 data lanes
- **CSI2_PHY2:** 1 clock lane + up to 2 data lanes

The following configuration is supported on the AM570x family of devices:

- **CSI2_PHY1:** 1 clock lane + up to 2 data lanes
- **CSI2_PHY2:** not supported

See Table 8-1, *CAMSS I/O Description*, and a device-specific Data Manual, for more details.

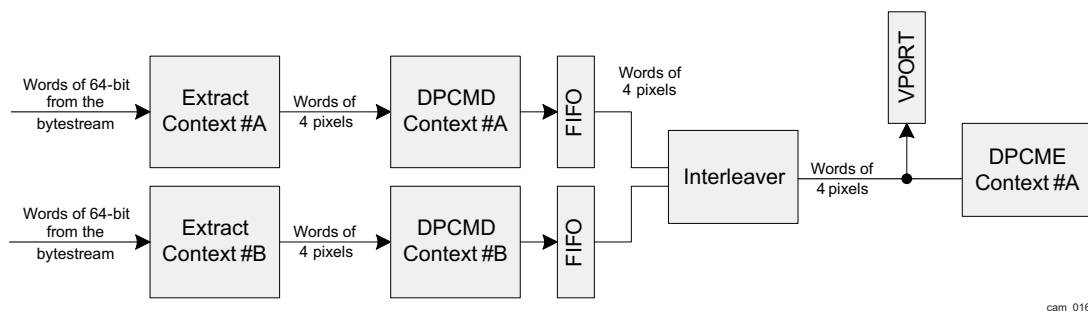
The actual interleaving is done after the DPCM decompression stage of the CAL processing pipeline and requires two linked pixel processing contexts. The interleaving feature is controlled by bit-fields [5:4] `INTERLEAVE23` and [3:2] `INTERLEAVE01` of the `CAL_CTRL1` register. CAL supports no interleaving, interleaving with 1 pixel granularity or interleaving with 4 pixel granularity.

Both PPI interfaces must be configured to forward the received bytestream to the internal processing pipeline using two separate CPORT IDs. The bytestream is then converted into words of 4 pixels by the two independent extraction contexts and DPCM decompressed. Up to this stage, the processing is identical to non interleaved mode.

Data generated by the two pixel processing contexts is stored in two small FIFOs when interleaving is enabled (that is, when bit-fields [5:4] `INTERLEAVE23` and [3:2] `INTERLEAVE01` of the `CAL_CTRL1` register are set to a value different than 0x0). Otherwise, the data is directly forwarded to the rest of the pipeline.

Figure 8-28 provides a logical view of a CAL stream interleaving.

Figure 8-28. CAL Stream Interleaving - Logical View



The interleaver reads blocks of 2 or 4 pixels from the 2 FIFOs (physically stored in 16-bit containers) and interleaves the data with 1 pixel or 4 pixel granularity. Figure 8-29 below shows when pixels are read from the respective FIFOs (the number in the cell is the pixel position)

Figure 8-29. CAL Interleave FIFO reads

CAL_CTRL1[] INTERLEAVExy = 1									CAL_CTRL1[] INTERLEAVExy = 2								
CYC	Read from FIFO0			Read from FIFO1					CYC	Read from FIFO0			Read from FIFO1				
0	0	1	2	3					0	0	2			1	3		
1					4	5	6	7	1			4	6			5	7
2	8	9	10	11					2	8	10			9	11		
3					12	13	14	15	3			12	14			13	15
4	16	17	18	19					4	16	18			17	19		
5					20	21	22	23	5			20	22			21	23

cam_017

Figure 8-30 illustrates the processing applied to a RAW pixel stream.

Figure 8-30. CAL Interleaver - Example of RAW Bayer Data

CAL_CTRL1[] INTERLEAVExy = 1PIXEL															
<i>Pixel stream pixel processing context 0 (from one camera interface)</i>															
Line 0	RAW0	RAW2	RAW4	RAW6	RAW8	RAW10	RAW12	RAW14	RAW16	RAW18	RAW20	RAW22	RAW24	RAW26	RAW28
Line 1	RAW0	RAW2	RAW4	RAW6	RAW8	RAW10	RAW12	RAW14	RAW16	RAW18	RAW20	RAW22	RAW24	RAW26	RAW28
Line 2	RAW0	RAW2	RAW4	RAW6	RAW8	RAW10	RAW12	RAW14	RAW16	RAW18	RAW20	RAW22	RAW24	RAW26	RAW28
<i>Pixel stream pixel processing context 0 (from the other camera interface)</i>															
Line 0	RAW1	RAW3	RAW5	RAW7	RAW9	RAW11	RAW13	RAW15	RAW17	RAW19	RAW21	RAW23	RAW25	RAW27	RAW29
Line 1	RAW1	RAW3	RAW5	RAW7	RAW9	RAW11	RAW13	RAW15	RAW17	RAW19	RAW21	RAW23	RAW25	RAW27	RAW29
Line 2	RAW1	RAW3	RAW5	RAW7	RAW9	RAW11	RAW13	RAW15	RAW17	RAW19	RAW21	RAW23	RAW25	RAW27	RAW29
<i>Pixel stream after interleaving</i>															
Line 0	RAW0	RAW1	RAW2	RAW3	RAW4	RAW5	RAW6	RAW7	RAW8	RAW9	RAW10	RAW11	RAW12	RAW13	RAW14
Line 1	RAW0	RAW1	RAW2	RAW3	RAW4	RAW5	RAW6	RAW7	RAW8	RAW9	RAW10	RAW11	RAW12	RAW13	RAW14
Line 2	RAW0	RAW1	RAW2	RAW3	RAW4	RAW5	RAW6	RAW7	RAW8	RAW9	RAW10	RAW11	RAW12	RAW13	RAW14
CAL_CTRL1[] INTERLEAVExy = 4PIXEL															
<i>Pixel stream pixel processing context 0 (from one camera interface)</i>															
Line 0	RAW0	RAW1	RAW2	RAW3	RAW8	RAW9	RAW10	RAW11	RAW16	RAW17	RAW18	RAW19	RAW24	RAW25	RAW26
Line 1	RAW0	RAW1	RAW2	RAW3	RAW8	RAW9	RAW10	RAW11	RAW16	RAW17	RAW18	RAW19	RAW24	RAW25	RAW26
Line 2	RAW0	RAW1	RAW2	RAW3	RAW8	RAW9	RAW10	RAW11	RAW16	RAW17	RAW18	RAW19	RAW24	RAW25	RAW26
<i>Pixel stream pixel processing context 0 (from the other camera interface)</i>															
Line 0	RAW4	RAW5	RAW6	RAW7	RAW12	RAW13	RAW14	RAW15	RAW20	RAW21	RAW22	RAW23	RAW28	RAW29	RAW30
Line 1	RAW4	RAW5	RAW6	RAW7	RAW12	RAW13	RAW14	RAW15	RAW20	RAW21	RAW22	RAW23	RAW28	RAW29	RAW30
Line 2	RAW4	RAW5	RAW6	RAW7	RAW12	RAW13	RAW14	RAW15	RAW20	RAW21	RAW22	RAW23	RAW28	RAW29	RAW30
<i>Pixel stream after interleaving</i>															
Line 0	RAW0	RAW1	RAW2	RAW3	RAW4	RAW5	RAW6	RAW7	RAW8	RAW9	RAW10	RAW11	RAW12	RAW13	RAW14
Line 1	RAW0	RAW1	RAW2	RAW3	RAW4	RAW5	RAW6	RAW7	RAW8	RAW9	RAW10	RAW11	RAW12	RAW13	RAW14
Line 2	RAW0	RAW1	RAW2	RAW3	RAW4	RAW5	RAW6	RAW7	RAW8	RAW9	RAW10	RAW11	RAW12	RAW13	RAW14

cam_016

The datastream uses the pixel processing context #0 and its CPORT ID after interleaving.

NOTE: Bit-fields [5:4] INTERLEAVE23 and [3:2] INTERLEAVE01 of the CAL_CTRL1 register must not be changed when the pixel processing contexts 0 or 1 are processing data.

8.4.6.7 CAL Pixel Packing

Software selects which CPORT a given pixel processing context must process by setting the CAL_PIX_PROC_i[23:19] CPORT bit field to the CPORT ID. The operation to perform is defined by the CAL_PIX_PROC_i[18:16] PACK bit field.

The pixel packing stage only processes data tagged as PIX_DAT_FS, PIX_DAT_LS, PIX_DAT, PIX_DAT_FE and PIX_DAT_LE. All other data types or data belonging to a CPORT where pixel packing is disabled is simply forwarded. The packing stage is reset by PIX_DAT_FS and PIX_DAT_LS to recover synchronization in case it has been lost.

The pixel packing stage is flushed by a PIX_DAT_FE, PIX_DAT_LE and PIX_DAT_LE TAG: the last generated 64-bit word may be padded with 0's

Pixel packing is a symmetrical processing step to the pixel extraction (see [Section 8.4.6.4, CAL Pixel Extraction](#)). However, the list of supported formats is different. The pixel packing stage also has buffering to preserve temporary (that is, incomplete) data when contexts are switched.

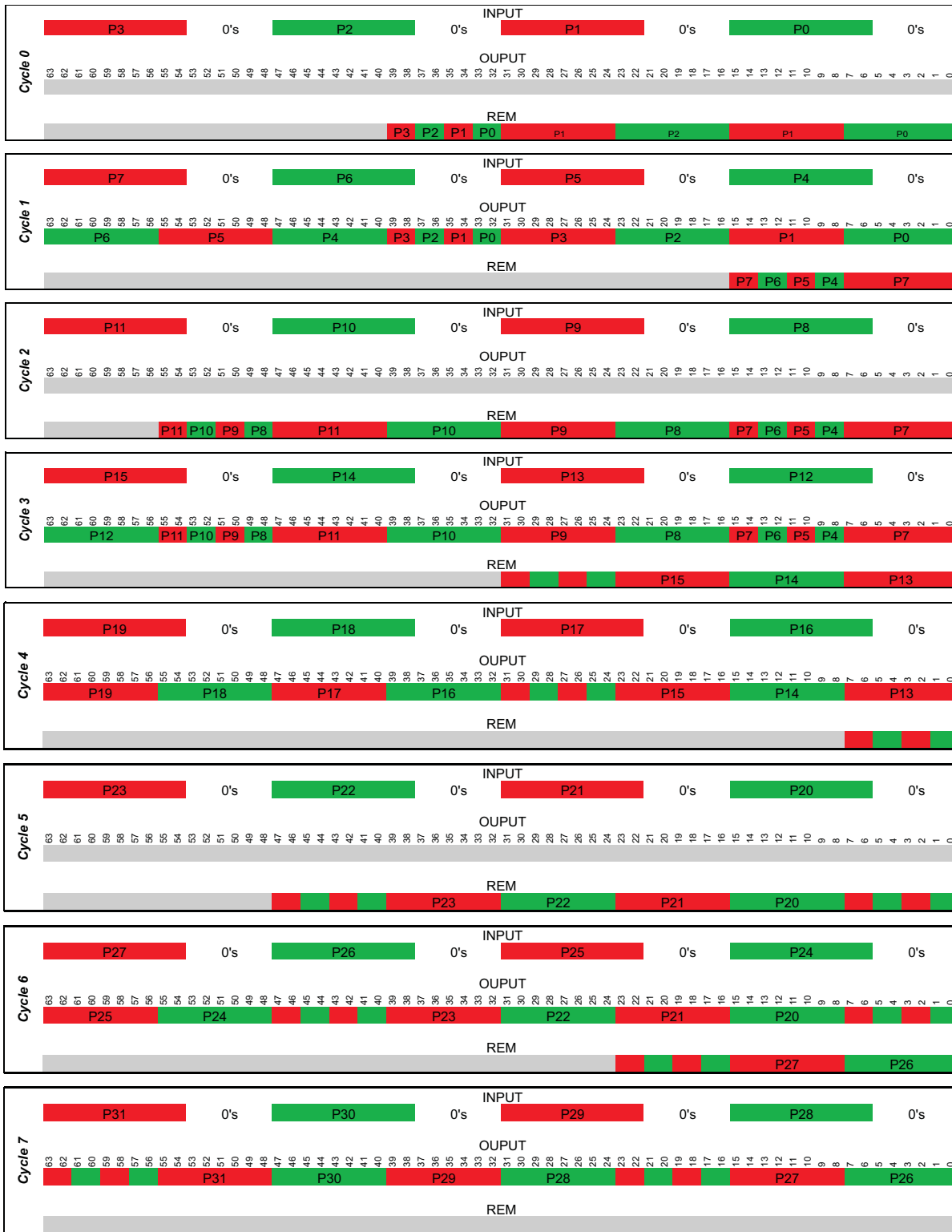
Supported packing modes are:

- RAW8 (8 bits per pixel)
- RAW10 (MIPI) (10 bits per pixel)
- RAW12 (linear) (12 bits per pixel)
- RAW12 (MIPI) (12 bits per pixel)
- RAW16 (16 bits per pixel)
- ARGB (32 bits per pixel)

The pixel packing engine does not process the VQ (data validity qualifier) generated by the CSI-2 data packing stage. It forwards the VQ when bypass mode is selected and replaces it by VQ=0 (all data valid) when data expansion is performed.

[Figure 8-31](#) shows how the packing engine packs 32 consecutive pixels (equal to 8 active input cycles as 4 pixels are provided per cycle) into five 64-bit words ready to be sent to memory (REM).

Figure 8-31. CAL MIPI RAW10 Data Packing



camcsi3-011

Figure 8-32 shows how the packing engine packs consecutive pixels (Px corresponds to a 16-bit pixel in the internal pipeline) into 64-bit words.

Figure 8-32. CAL Pixel Packing – Data Storage in Memory

Format = 8-bit																																
ADDR	31	30	29	28	27	26	25	24	23	22	21	20	19	18	17	16	15	14	13	12	11	10	9	8	7	6	5	4	3	2	1	0
0	P3[7..0]							P2[7..0]							P1[7..0]							P0[7..0]										
4	P7[7..0]							P6[7..0]							P5[7..0]							P4[7..0]										
8	P11[7..0]							P10[7..0]							P9[7..0]							P8[7..0]										
Format = 10-bit (MIPI)																																
ADDR	31	30	29	28	27	26	25	24	23	22	21	20	19	18	17	16	15	14	13	12	11	10	9	8	7	6	5	4	3	2	1	0
0	P3[9..2]						P2[9..2]						P1[9..2]						P0[9..2]													
4	P6[7..0]						P5[7..0]						P4[7..0]						P3[1..0]		P2[1..0]		P1[1..0]		P0[1..0]							
8	P9[7..0]						P8[7..0]						P7[1..0]		P6[1..0]		P5[1..0]		P4[1..0]		P7[7..0]											
Format = 12-bit (linear)																																
ADDR	31	30	29	28	27	26	25	24	23	22	21	20	19	18	17	16	15	14	13	12	11	10	9	8	7	6	5	4	3	2	1	0
0	P2[7..0]						P1[11..0]												P0[11..0]													
4	P5[3..0]			P4[11..0]												P3[11..0]												P2[11..8]				
8	P7[11..0]												P6[11..0]												P5[11..4]							
Format = 12-bit (MIPI)																																
ADDR	31	30	29	28	27	26	25	24	23	22	21	20	19	18	17	16	15	14	13	12	11	10	9	8	7	6	5	4	3	2	1	0
0	P2[11..4]						P1[3..0]			P0[3..0]			P1[11..4]						P0[11..4]													
4	P5[11..4]						P4[11..4]						P3[3..0]			P2[3..0]			P3[11..4]													
8	P7[3..0]			P6[3..0]			P7[11..4]						P6[11..4]						P5[3..0]			P4[3..0]										
Format = 16-bit (LE)																																
ADDR	31	30	29	28	27	26	25	24	23	22	21	20	19	18	17	16	15	14	13	12	11	10	9	8	7	6	5	4	3	2	1	0
0	P1[15..0]															P0[15..0]																
4	P3[15..0]															P2[15..0]																
8	P5[15..0]															P4[15..0]																
Format = ARGB																																
ADDR	31	30	29	28	27	26	25	24	23	22	21	20	19	18	17	16	15	14	13	12	11	10	9	8	7	6	5	4	3	2	1	0
0	Ø's						P1[7..0]						P0[15..0]																			
4	Ø's						P2[15..0]															P1[15..8]										
8	Ø's						P4[7..0]						P3[15..0]																			

camcsi3-012

8.4.6.8 CAL Write DMA

8.4.6.8.1 CAL Write DMA Overview

The memory Write DMA has WCTX (defined in [CAL_HL_HWINFO\[18:13\]](#) WCTX register bit-field) independent write contexts (that is, logical DMA channels). Each context receives a byte stream over a 64-bit wide bus as well as the TAG.

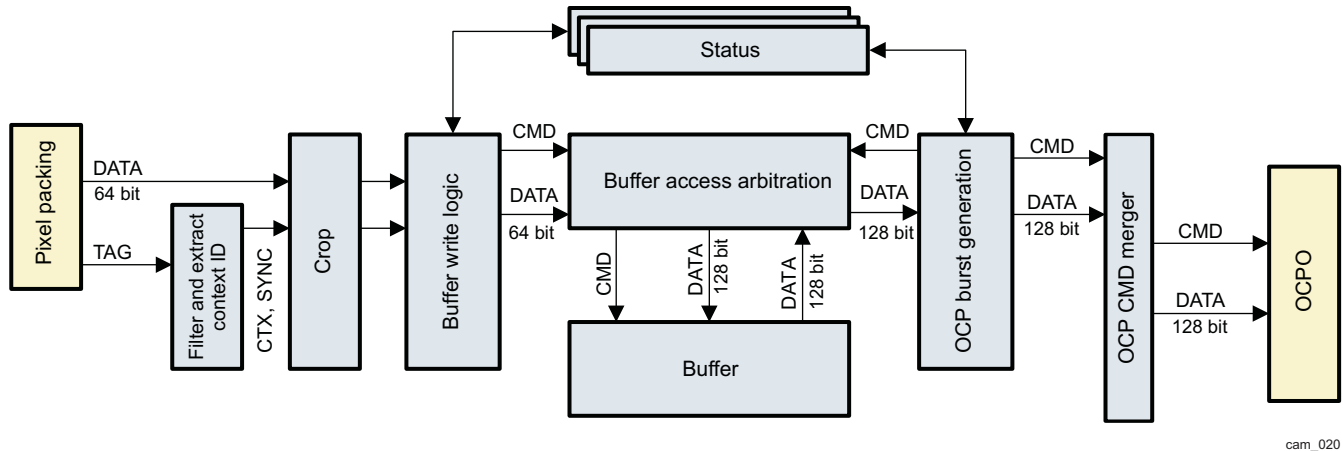
The Write DMA filters incoming data using the CPORT number and data type contained in the TAG. Data is only processed, if it matches the CPORT number defined in the [CAL_WR_DMA_CTRL_k\[13:9\]](#) CPORT register bit-field and the data type defined in the [CAL_WR_DMA_CTRL_k\[8:6\]](#) DTAG bit-field. It also uses the received TAG to lookup the adequate context information and control the address generation logic.

Only one write context can process a given data word from the internal pipeline at the time. Said differently, the Write DMA cannot be used to write two copies of the same data into separate locations. Software must prevent that two active write contexts have the same settings for [CAL_WR_DMA_CTRL_k\[13:9\]](#) CPORT and [CAL_WR_DMA_CTRL_k\[8:6\]](#) DTAG bit-fields.

Data that is not processed by the Write DMA is discarded. Since the Write DMA is the last stage in the CAL processing pipeline, it cannot forward data to a next stage.

Figure 8-33 shows a simplified block diagram of the Write DMA engine.

Figure 8-33. CAL Pixel Packing – Data Storage in Memory



cam_020

8.4.6.8.2 CAL Write DMA Data Cropping

It is possible also SW to discard part of the received data for pixel and attribute data (that is, header and control data cannot be discarded). This is performed inside the Write DMA cropping block. The feature is enabled by configuring:

- The position of the 1st byte to preserve in each line in the `CAL_WR_DMA_XSIZE_k[15:3]` XSKIP register bit-field
- The number of bytes to preserve for each line in the `CAL_WR_DMA_XSIZE_k[31:19]` XSIZE bit-field

The cropping block discards unwanted data and modifies data TAG to preserve integrity. For example, when pixel data is processed:

- PIX_DAT_FS => 1st word of a frame
- PIX_DAT_LS => 1st word of a line, except for the 1st line
- PIX_DAT_LE => last word of a line, except for the last line
- PIX_DAT_FE => last word of a frame
- PIX_DAT => any other pixel data

Cropping is mainly intended to reduce storage requirements / power consumption when digital zoom is used. No dummy data will be written, if the programmed size is less than what is received.

Cropping may also be used for attribute data. It cannot be used for header data. It is SW responsibility to not use cropping for header data. HW does not perform any additional checks.

The Write DMA accumulates data independently for contexts until an OCP write transaction can be generated. That is the case when enough data is available to generate a full burst or when the end of an image line has been reached.

NOTE: Data cropping is performed after the DPCM encoder. Therefore, horizontal skipping cannot be used when data is DPCM encoded. Otherwise, it will be not possible to decode the data, unless reference samples have been stored to resume decode.

8.4.6.8.3 CAL Write DMA Buffer Management

The DMA write buffer has two functions:

- Accumulate enough data to issue efficient OCP transactions

- Buffer data when it cannot be written to the OCPO port

Different write contexts do not have fixed locations in the write buffer to optimize the required buffer size. In fact, at a given point of time only some of the contexts are active while others are idle. There is no reserved space for unused contexts. Also, different contexts have different bandwidth requirements. Therefore, different amounts of data will pile up for different contexts when OCPO is stalled.

The buffer is divided into slots of $2^{(WDMA_SLOTSIZE+7)}$ bytes that are dynamically allocated to a context. CAL maintains some internal status information to manage the buffer:

- For each slot:
 - State (2 bits):
 - Empty
 - Open (ready to receive more data)
 - Closed (does not accept new data; ready for OCP burst generation)
 - Level (4 bits): amount of data currently stored in the data slot
 - Cleared when data has been sent to OCPO
 - Incremented by 8 bytes each time a new word of 64-bits is added
 - Destination Address (29 bits): destination address for an OCP burst
 - This value is computed when the 1st word of 64-bits is stored in the slot
 - All data of the slot is stored contiguously in memory. The HW allocates new slots to skip memory locations at line ends.
- For each context
 - Slot current in use (if applicable)
 - Destination address

The Write DMA uses the data qualifier provided along with data words to pack data in the local working memory. It has a barrel shifter to pack data when lines ends do not correspond to 64-bit word boundaries and CAL_CSI2_CTXy_I[14] PACK_MODE = 0x1 (Frame mode).

OCP bursts cannot span over multiple slots for design simplification. Refer to section OCP Transaction Generation for more details.

8.4.6.8.4 CAL Write DMA OCP Address Generation

NOTE: CAL can perform TILER view memory access by configuring CTRL_CORE_CAL_REG[0] CAL_TILED_MEMORY_SPACE register bit. For more details, refer to [Section 2.2, L3_MAIN Memory Map](#), and [Chapter 18, Control Module](#).

8.4.6.8.4.1 Write DMA Buffer Base Address

The buffer base address (referred to as BASE, internal variable that cannot be read by SW) is automatically updated when an ATT_HDR_S, ATT_DAT_S, CTRL_HDR_S, PIX_HDR_S or PIX_DAT_FS is received by the Write DMA using the following algorithm based around CAL_WR_DMA_CTRL_k[2:0] MODE register bit-field:

- MODE = 0x0 (Disable): DMA is disabled
- MODE = 0x1 (Ping/pong destination address on every frame):
 - BASE = CAL_WR_DMA_ADDR_k
 - CAL_WR_DMA_ADDR_k = CAL_WR_DMA_ADDR_OLD
 - CAL_WR_DMA_ADDR_OLD = BASE
- MODE = 0x3 (Initialize start address for continuous mode. The first frame will be written at this address and consecutive frames will be appended):
 - BASE = CAL_WR_DMA_ADDR_k
 - CAL_WR_DMA_ADDR_k = CAL_WR_DMA_ADDR_OLD

- CAL_WR_DMA_ADDR_OLD = LINE_START (See [Section 8.4.6.8.4.2, Write DMA Line Start Address](#), for further details)
- CAL_WR_DMA_CTRL_k[2:0] MODE = 0x2
- MODE = 0x2 (Continuously write data to memory):
 - BASE = LINE_START + CAL_WR_DMA_OFST_k
- MODE = 0x4 (Use CAL_WR_DMA_ADDR_k as base address)
 - BASE = CAL_WR_DMA_ADDR_k

After reset, CAL_WR_DMA_ADDR_OLD = 0x00000000. Software must update the CAL_WR_DMA_ADDR_k register after the first FE event with a valid destination address. Otherwise, data will be sent to address 0 which is typically not a valid destination.

8.4.6.8.4.2 Write DMA Line Start Address

The line start address is set to the base address when the base address is updated (that is, LINE_NUMBER = 0 at frame start). Otherwise, the line start address is updated upon reception of the PIX_DAT_LS tag depending on the CAL_WR_DMA_OFST_k[23:22] CIRC_MODE register bit-field and CAL_WR_DMA_CTRL_k[4:3] WR_PATTERN bit-field. [Table 8-18](#) summarizes how the line starts address (LINE_START) and line numbers are updated on every PIX_DAT_LS tag.

Table 8-18. Write DMA - Line Start Address Computation

CAL_WR_DMA_OFST_k [23:22] CIRC_MODE	CAL_WR_DMA_CTRL_k [4:3] WR_PATTERN	Description
0 (Disabled)	0 (Linear)	Linear buffer LINE_N = LINE_N + 1 LINE_START = LINE_START + CAL_WR_DMA_OFST_k[18:4] OFST
0 (Disabled)	2 (Write 2 lines, skip 2 lines)	Linear buffer + skip pattern if LINE_N #2 == 0: LINE_N = LINE_N + 1 LINE_START = LINE_START + CAL_WR_DMA_OFST_k[18:4] OFST else: LINE_N = LINE_N + 3 LINE_START = LINE_START + 3*CAL_WR_DMA_OFST_k[18:4] OFST
0 (Disabled)	3 (Write 2 lines, skip 4 lines)	Linear buffer + skip pattern if LINE_N #2 == 0: LINE_N = LINE_N + 1 LINE_START = LINE_START + CAL_WR_DMA_OFST_k[18:4] OFST else: LINE_N = LINE_N + 5 LINE_START = LINE_START + 5*CAL_WR_DMA_OFST_k[18:4] OFST
1 (1 Line) 2 (4 Lines) 3 (64 Lines)	0 (Linear)	Circular buffer if CIRC_MODE == 1: G = 1 elif CIRC_MODE == 2: G = 4 else: G = 64 if LINE_N == G*CAL_WR_DMA_OFST_k[31:24] CIRC_SIZE: LINE_N = 0 LINE_START = BASE else: LINE_N = LINE_N + 1 LINE_START = LINE_START + CAL_WR_DMA_OFST_k[18:4] OFST
different than 0	different than 0	Reserved. Do not use this combination.

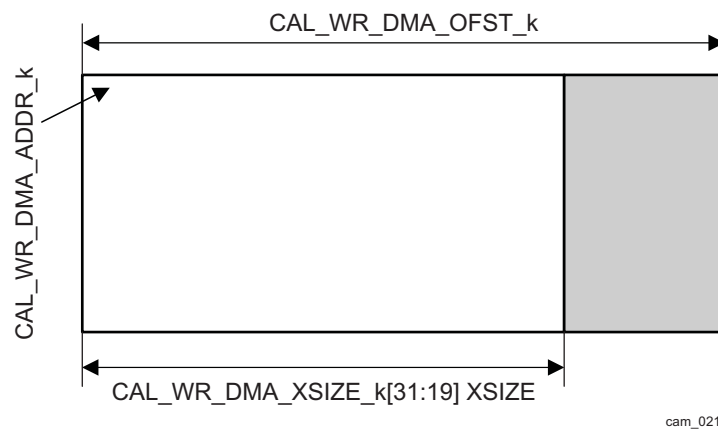
NOTE: [CAL_WR_DMA_CTRL_k\[2:0\] MODE](#) must be set to 0x0 (disabled) or 0x4 (use [CAL_WR_DMA_ADDR_k](#) as base address), when [CAL_WR_DMA_OFST_k\[23:22\] CIRC_MODE](#) != 0.

8.4.6.8.4.3 Write DMA Data Address

Data received together with the ATT_HDR_S, ATT_DAT_S, CTRL_HDR_S, PIX_HDR_S, PIX_DAT_FS or PIX_DAT_LS tag is stored at the line start address (refer to section Line Start Address). For all other tags (ATT_HDR_E, ATT_DAT, ATT_DAT_E, PIX_HDR_E, CTRL_HDR_E, PIX_DAT, PIX_DAT_FE or PIX_DAT_LE), data is appended (that is, ADDR+ = 8, for each word of 64-bits).

Figure 8-34 illustrates how data is stored in memory when [CAL_WR_DMA_OFST_k\[23:22\] CIRC_MODE](#) = 0 (disabled) and [CAL_WR_DMA_CTRL_k\[4:3\] WR_PATTERN](#) = 0 (linear).

Figure 8-34. Write DMA - Framing



The Write DMA channel with the lowest ID has the highest priority when multiple channels are ready to send data simultaneously.

Software can use [CAL_WR_DMA_XSIZE_k\[31:19\] XSIZE](#) = 0 in case the stream size is not known or exceeds the maximum range of the XSIZE bitfield. CAL skips the cropping feature in that case and sends all data to memory. However, software must still ensure that enough memory space has been allocated.

8.4.6.8.5 CAL Write DMA OCP Transaction Generation

The Write DMA generates OCP write bursts of 1~8 x 16 bytes. A burst never crosses a 128 byte boundary. The maximum burst size is defined by the [CAL_CTRL\[6:5\] BURSTSIZE](#) register bit-field. The first and the last burst of a contiguous data block may use smaller burst sizes than defined in the BURSTSIZE bit-field. Bursts in the middle of the data block must use exactly the size defined in the BURSTSIZE bit-field.

8.4.6.8.6 CAL Write DMA Real Time Traffic

Traffic for which the pixel rate is imposed by the camera is qualified as hard real time traffic. Example of such hard real time traffic is data received from the camera (through PPI), optionally processed in the CAL and then sent to SDRAM using the OCPO port.

Hard real time traffic cannot be stalled for long periods of time. Indeed, the camera sends data at constant speed and it can only be stalled until FIFOs on the path are filled up. When FIFOs become full, data is discarded and the frame is therefore corrupted. To minimize the risk of real time data corruption, the device supports a mechanism that is activated by the MFlag generated by real time initiators.

MFlag generation must be disabled (through [CAL_CTRL\[20:13\] MFLAGL](#) = 0xFF and [CAL_CTRL\[31:24\] MFLAGH](#) = 0xFF), when CAL does not generate any real time traffic.

Static assertion of MFlag is only supported for debug purposes and must not be enabled for normal utilization (`CAL_CTRL[20:13] MFLAGL = 0x00 -> MFlag=0x11`; `CAL_CTRL[20:13] MFLAGL = 0xFF` and `CAL_CTRL[30:24] MFLAGH = 0x00 -> MFlag=0x01`).

Dynamic MFlag generation is to be used when the Write DMA operates on real time data. In that case, the MFlag value depends on the number of slots (n) ready to generate transactions in the Write DMA:

- MFlag = 00: SAFE ($n < \text{CAL_CTRL}[20:13] \text{MFLAGL}$)
- MFlag = 01: VULNERABLE ($\text{CAL_CTRL}[20:13] \text{MFLAGL} \leq n < \text{CAL_CTRL}[31:24] \text{MFLAGH}$)
- MFlag = 11: ENDANGERED ($\text{CAL_CTRL}[30:24] \text{MFLAGH} \leq n$)

Software must ensure that:

- $\text{CAL_CTRL}[20:13] \text{MFLAGL} \leq \text{CAL_CTRL}[30:24] \text{MFLAGH}$ (only 0x00 or 0x11 generated, when $\text{MFLAGL} = \text{MFLAGH}$)
- $\text{CAL_CTRL}[20:13] \text{MFLAGL} = 0x00, 0xFF$ or less or equal to $2^{(\text{CAL_HL_HWINFO}[3:0] \text{WFIFO} - 3)}$
- $\text{CAL_CTRL}[30:24] \text{MFLAGH} = 0x00, 0xFF$ or less or equal to $2^{(\text{CAL_HL_HWINFO}[3:0] \text{WFIFO} - 3)}$

8.4.6.9 CAL Video Port

8.4.6.9.1 CAL Video Port Overview

Figure 8-35 shows the CAL video port internal architecture. It is composed of a timing generator and a FIFO.

The video port receives data + TAGs from the DPCM decoder stage. It filters the received data and only processes:

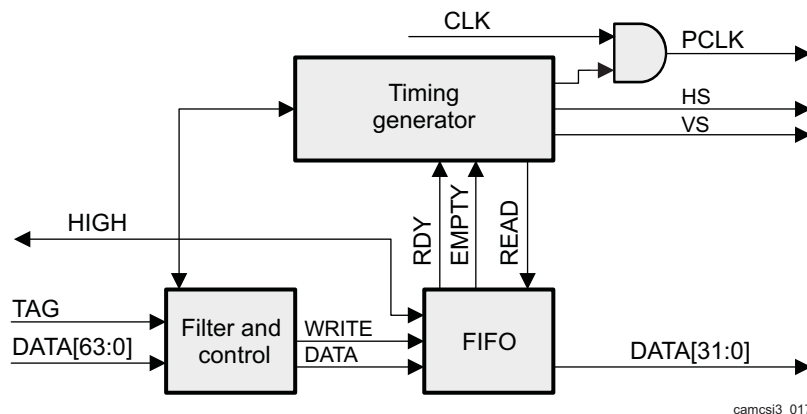
- Data that matches the CPORT ID defined by the `CAL_VPORT_CTRL2[4:0]` CPORT register bit-field
- Data that is tagged as `PIX_DAT_FS`, `PIX_DAT_LS`, `PIX_DAT`, `PIX_DAT_LE` or `PIX_DAT_FE`

In addition, it uses the `FE_CODE` tag to enter the vertical blanking period after the end of the horizontal blanking period when the vertical blanking period is not already started.

Other data is ignored by the video port (this does not affect the operation of other pipeline stages).

NOTE: Only one CPORT can use the video port and only pixel data can be sent to the video port (that is, control and attribute packets are ignored).

Figure 8-35. CAL Video Port and Timing Generator



The FIFO receives data from the internal processing pipeline at a variable rate (up to 4 pixels per cycle). The HIGH signal is asserted a few cycles before the FIFO becomes full. It is used to stall the incoming pixel flow. Therefore, no FIFO overflow can occur.

The timing generator is started after a `PIX_DAT_FS` tag, when the FIFO level exceeds the threshold defined in `CAL_VPORT_CTRL2[31:18] RDY_THR` bit field. This threshold is 0 by default but may be used to smooth the traffic on the video port.

The timing generator controls pixel reads from the FIFO. It only reads a pixel when:

- The current output position corresponds to an active location.
- Data is ready in the FIFO.

8.4.6.9.2 CAL Video Port Pixel Clock Generation

The video port pixel clock (VP_PCLK) is generated from the functional clock (CAL_FCLK). Software sets the peak pixel rate using the [CAL_VPORT_CTRL1\[16:0\] PCLK](#) register bit-field. The pixel rate is automatically controlled by the hardware, when data arrives from the RD_DMA.

The mean pixel clock rate on the video port can be given with the equation:

$$VP_PCLK = CAL_FCLK \times CAL_VPORT_CTRL1[16:0] PCLK / 65536$$

As VP_PCLK is generated from the CAL functional clock, some clock pulses are gated to reach the selected frequency. The following algorithm is used to generate the internal PCLK_EN signal:

1. ACC = [CAL_VPORT_CTRL1\[16:0\] PCLK](#)
2. If (ACC + [CAL_VPORT_CTRL1\[16:0\] PCLK](#) >= 65536) then PCLK_EN=1 else PCLK_EN=0
3. ACC = (ACC + [CAL_VPORT_CTRL1\[16:0\] PCLK](#)) % 65536
4. Go back to step #2

The configured pixel clock is used for active as well as for blanking periods.

8.4.6.9.3 CAL Video Port Video Timing Generator

The timing generator state-machine reuses the synchronization information received through TAGs to:

- Control state transitions
- Assert the VP_HS and VP_VS signals
- Detect when data is ready to be sent

For more details on the video port, refer to [Section 8.3.2, CAL Integration - Video Port](#).

The timing generator can be unconditionally reset in the following ways:

- A general hardware (by CAL_RST signal) or software (through the [CAL_HL_SYSCONFIG\[0\] SOFTRESET](#) register bit) reset
- Setting the [CAL_VPORT_CTRL2\[17\] FSM_RESET](#) bit

It is also reset by data tagged as PIX_DAT_FS when the [CAL_VPORT_CTRL2\[16\] FS_RESETS](#) bit is set. This bit is enabled by default, but may be disabled when vertical blanking times are very short and there is no risk of TX data dropping/desynchronizing.

Four VP_PCLK cycles are sent before the first active pixel. The video port state-machine then waits until four VP_PCLK cycles are sent after the last blanking cycle of the frame.

Active data is sent to the video port only when at least 4 × [CAL_VPORT_CTRL2\[31:18\] RDY_THR](#) pixels are available. That mechanism can be used to smooth the pixel rate on the video port, if input data arrives at bursty rate. The video port FIFO accumulates 4 × [CAL_VPORT_CTRL2\[31:18\] RDY_THR](#) after frame start before it sends the first pixel, and signal VP_VS = VP_HS = 1.

The video port can generate horizontal and vertical blanking in addition to pixels received from the CAL pipeline. The amount of blanking is defined by the [CAL_VPORT_CTRL1\[24:17\] XBLK](#) and [CAL_VPORT_CTRL1\[30:25\] YBLK](#) bit fields. The pixel clock is active at the chosen speed during blanking. VP_HS pulses are provided during vertical blanking. The pixel clock is cut during the idle period.

The timing generator is stalled (VP_PCLK = 0, state-machine stalled) when the current position is in the active video region (waiting for data), but no data is available. VP_PCLK is free running (at the speed defined by [CAL_VPORT_CTRL1\[16:0\] PCLK](#) bit-field) during horizontal and vertical blanking periods. No line PIX_DAT_HS, PIX_DAT_HE, PIX_DAT_VS, PIX_DAT_VE tags are expected by the video port state-machine during blanking periods.

NOTE: Software does not need to configure the size of the image for the video port. This information is extracted from the received datastream. Generally, to generate the vertical blanking, CAL counts the number of active pixels from the last image line.

The VP_VE signal is not generated when data comes from PPI interfaces, and no line or a too large number of lines have been configured in the CAL_CSI2_CTXy_j[29:16] LINES register bit-field. However, the PPI provides the FE_CODE tag when the FE short packet is received from the camera. The state machine enters into vertical blanking generation mode upon reception, in case of this tag (if it is not already in vertical blanking mode: in that case it has no effect).

8.4.6.10 CAL Registers Shadowing

Table 8-19 summarizes which CAL registers are shadowed.

Table 8-19. CAL Registers Shadowing

Register	Shadowed	Trigger	Additional Information
CAL_HL_REVISION	No	N/A	
CAL_HL_HWINFO	No	N/A	
CAL_HL_SYSCONFIG	No	N/A	
CAL_HL_IRQ_EOI	No	N/A	
CAL_HL_IRQSTATUS_RAW_j	No	N/A	
CAL_HL_IRQSTATUS_j	No	N/A	
CAL_HL_IRQENABLE_SET_j	No	N/A	
CAL_HL_IRQENABLE_CLR_j	No	N/A	
CAL_PIX_PROC_j[0] EN	Yes	FS @ pixel processing input	Format received on CPORT may change (for example between viewfinder and full frame). However, utilization of separate CPORTs is preferred (if camera sensor permits).
CAL_PIX_PROC_j other bits	No	N/A	Use separate contexts and EN bits, if pixel processing for a given CPORT must be changed on a frame by frame basis
CAL_CTRL	No	N/A	Typically not changed while there is active traffic
CAL_LINE_NUMBER_EVT	No	N/A	
CAL_VPORT_CTRL1	Yes	FS @ video port input	Blanking / PCLK settings may need to be changed on each frame; for example when binning / digital zoom settings change.
CAL_VPORT_CTRL2[j] FSRESET bit	No	N/A	Control bit for debug only
CAL_VPORT_CTRL2 other bits	Yes	FS @ video port input	Pixel rate and source CPORT may need to change on the fly (that is, switch between camera modes that use separate CPORTs)
CAL_RD_DMA_CTRL	No	N/A	One-shot-operation only
CAL_RD_DMA_PIX_ADDR	No	N/A	One-shot-operation only
CAL_RD_DMA_PIX_OFST	No	N/A	One-shot-operation only
CAL_RD_DMA_XSIZE	No	N/A	One-shot-operation only
CAL_RD_DMA_YSIZE	No	N/A	One-shot-operation only
CAL_RD_DMA_INIT_ADDR	No	N/A	One-shot-operation only
CAL_RD_DMA_INIT_OFST	No	N/A	One-shot-operation only
CAL_WR_DMA_CTRL_k[1:0] MODE	Yes	FS @ CPORT = CAL_WR_DMA_CTRL_k[13:9] CPORT	Resolution may change for a given CPORT. That is not preferred but some sensors may require this mode.
CAL_WR_DMA_CTRL_k other bits	No	N/A	Use separate contexts and MODE bits, if size changes for a given CPORT.

Table 8-19. CAL Registers Shadowing (continued)

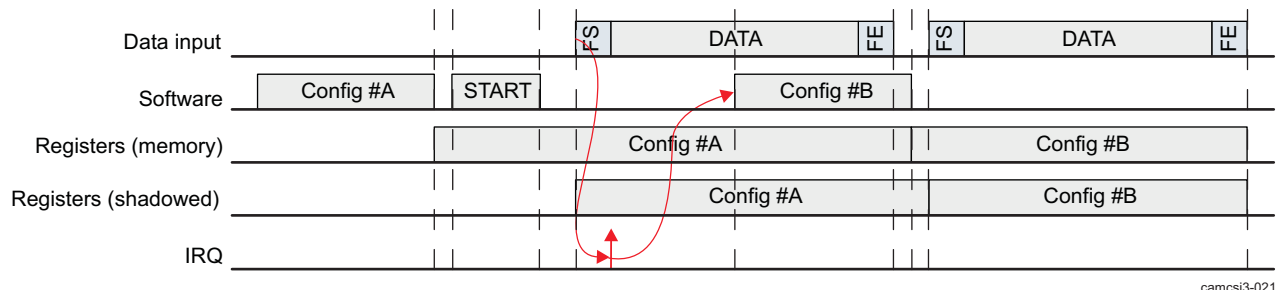
Register	Shadowed	Trigger	Additional Information
CAL_WR_DMA_ADDR_k	Yes	FS @ CPORT = CAL_WR_DMA_CTRL_k [13:9] CPORT	Output is typically double buffered so that CAL writes one buffer when the other buffer is read.

NOTE: Registers that are not shadowed are busy writable. Changes are immediately taken into account and may cause failure, if they are done while the hardware is using the register (that is, outside of the blanking periods).

For all shadowed registers, except [CAL_WR_DMA_ADDR_k](#), the content of the shadowed register is copied into the internal copy when the FS of the newly enabled stream is received by the corresponding engine. Said differently, new settings are taken into account just before they are needed. That maximizes time available to the software to change register settings. In particular, the first received FS copies initial settings into a shadow register.

The FS event is detected at the location in the pipeline where the setting applies. Said differently, the copy from shadow to working register does not occur exactly at the same time in all pipeline stages and there is no risk that the shadowing mechanism is activated too late or too early.

[Figure 8-36](#) shows an example. Software writes configuration #A and then starts the processing step. The value from the configuration register is copied into the shadowed register that is used by hardware when the PIX_DAT_FS tag is received by relevant pipeline stage. Software may use an IRQ to detect the frame start and provide the settings for the next frame. The frame start interrupt is triggered by the low-level protocol. This happens up to 8 cycles before the PIX_DAT_FS tag reaches the processing stage. Therefore, software must ensure that there is a delay of at least 8 functional clock cycles from the FS_IRQ to the configuration update. In a real world case, this delay is ensured by the IRQ controller plus software latency. Software must first read the [CAL_HL_IRQSTATUS_j](#) registers to detect which event has triggered the IRQ before it can update configuration registers.

Figure 8-36. CAL Registers Shadowing Example


camcsi3-021

The [CAL_WR_DMA_ADDR_k](#) register has a specific shadowing to avoid that multibuffer management is on the critical software path. For more details, see [Section 8.4.6.8.4, Write DMA OCP Address Generation](#).

8.5 CAMSS Register Manual

8.5.1 CAMSS Instance Summary

Table 8-20 summarizes the CAMSS instances.

Table 8-20. CAMSS Instance Summary

Module Name	L4_PER2 Base Address	Size
CAL	0x4845 B000	1 KiB
CAMERARX_CORE_0	0x4845 B800	64 bytes
CAMERARX_CORE_1	0x4845 B900	64 bytes

NOTE: CAMERARX_CORE_0 is for CSI2_PHY1.

CAMERARX_CORE_1 is for CSI2_PHY2. **CSI2_PHY2 is not supported on the AM570x family of devices.**

8.5.2 CAL Registers

NOTE: BYS, RD DMA, ICM and CSI-3 features are available on CAL module level, but not supported on device level.

8.5.2.1 CAL Register Summary

Table 8-21. CAL Registers Mapping Summary

Register Name	Type	Register Width (Bits)	Address Offset	CAL L4_PER2 Physical Address
CAL_HL_REVISION	R	32	0x0000 0000	0x4845 B000
CAL_HL_HWINFO	R	32	0x0000 0004	0x4845 B004
CAL_HL_SYSCONFIG	RW	32	0x0000 0010	0x4845 B010
CAL_HL_IRQ_EOI	RW	32	0x0000 001C	0x4845 B01C
CAL_HL_IRQSTATUS_RAW_j ⁽¹⁾	RW	32	0x0000 0020 + (0x10 * j)	0x4845 B020 + (0x10 * j)
CAL_HL_IRQSTATUS_j ⁽¹⁾	RW	32	0x0000 0024 + (0x10 * j)	0x4845 B024 + (0x10 * j)
CAL_HL_IRQENABLE_SET_j ⁽¹⁾	RW	32	0x0000 0028 + (0x10 * j)	0x4845 B028 + (0x10 * j)
CAL_HL_IRQENABLE_CLR_j ⁽¹⁾	RW	32	0x0000 002C + (0x10 * j)	0x4845 B02C + (0x10 * j)
CAL_PIX_PROC_i ⁽²⁾	RW	32	0x0000 00C0 + (0x4 * i)	0x4845 B0C0 + (0x4 * i)
CAL_CTRL	RW	32	0x0000 0100	0x4845 B100
CAL_CTRL1	RW	32	0x0000 0104	0x4845 B104
CAL_LINE_NUMBER_EVT	RW	32	0x0000 0108	0x4845 B108
CAL_VPORT_CTRL1	RW	32	0x0000 0120	0x4845 B120
CAL_VPORT_CTRL2	RW	32	0x0000 0124	0x4845 B124
CAL_BYS_CTRL1 ⁽³⁾	RW	32	0x0000 0130	0x4845 B130
CAL_BYS_CTRL2 ⁽³⁾	RW	32	0x0000 0134	0x4845 B134
CAL_RD_DMA_CTRL ⁽³⁾	RW	32	0x0000 0140	0x4845 B140

⁽¹⁾ j = 0 to 9

⁽²⁾ i = 0 to 3

⁽³⁾ Feature is available on CAL module level, but not supported on device level.

Table 8-21. CAL Registers Mapping Summary (continued)

Register Name	Type	Register Width (Bits)	Address Offset	CAL L4_PER2 Physical Address
CAL_RD_DMA_PIX_AD DR ⁽³⁾	RW	32	0x0000 0144	0x4845 B144
CAL_RD_DMA_PIX_OF ST ⁽³⁾	RW	32	0x0000 0148	0x4845 B148
CAL_RD_DMA_XSIZE ⁽³⁾	RW	32	0x0000 014C	0x4845 B14C
CAL_RD_DMA_YSIZE ⁽³⁾	RW	32	0x0000 0150	0x4845 B150
CAL_RD_DMA_INIT_A DDR ⁽³⁾	RW	32	0x0000 0154	0x4845 B154
CAL_RD_DMA_INIT_O FST ⁽³⁾	RW	32	0x0000 0168	0x4845 B168
CAL_RD_DMA_CTRL2 ⁽³⁾	RW	32	0x0000 016C	0x4845 B16C
CAL_WR_DMA_CTRL_ k ⁽⁴⁾	RW	32	0x0000 0200 + (0x10 * k)	0x4845 B200 + (0x10 * k)
CAL_WR_DMA_ADDR_ k ⁽⁴⁾	RW	32	0x0000 0204 + (0x10 * k)	0x4845 B204 + (0x10 * k)
CAL_WR_DMA_OFST_ k ⁽⁴⁾	RW	32	0x0000 0208 + (0x10 * k)	0x4845 B208 + (0x10 * k)
CAL_WR_DMA_XSIZE_ k ⁽⁴⁾	RW	32	0x0000 020C + (0x10 * k)	0x4845 B20C + (0x10 * k)
CAL_CSI2_PPI_CTRL_I ⁽⁵⁾	RW	32	0x0000 0300 + (0x80 * I)	0x4845 B300 + (0x80 * I)
CAL_CSI2_COMPLEXI O_CFG_I ⁽⁵⁾	RW	32	0x0000 0304 + (0x80 * I)	0x4845 B304 + (0x80 * I)
CAL_CSI2_COMPLEXI O_IRQSTATUS_I ⁽⁵⁾	RW	32	0x0000 0308 + (0x80 * I)	0x4845 B308 + (0x80 * I)
CAL_CSI2_SHORT_PA CKET_I ⁽⁵⁾	R	32	0x0000 030C + (0x80 * I)	0x4845 B30C + (0x80 * I)
CAL_CSI2_COMPLEXI O_IRQENABLE_I ⁽⁵⁾	RW	32	0x0000 0310 + (0x80 * I)	0x4845 B310 + (0x80 * I)
CAL_CSI2_TIMING_I ⁽⁵⁾	RW	32	0x0000 0314 + (0x80 * I)	0x4845 B314 + (0x80 * I)
CAL_CSI2_VC_IRQENA BLE_I ⁽⁵⁾	RW	32	0x0000 0318 + (0x80 * I)	0x4845 B318 + (0x80 * I)
CAL_CSI2_VC_IRQSTA TUS_I ⁽⁵⁾	RW	32	0x0000 0328 + (0x80 * I)	0x4845 B328 + (0x80 * I)
CAL_CSI2_CTX0_I ⁽⁵⁾	RW	32	0x0000 0330 + (0x80 * I)	0x4845 B330 + (0x80 * I)
CAL_CSI2_CTX1_I ⁽⁵⁾	RW	32	0x0000 0334 + (0x80 * I)	0x4845 B334 + (0x80 * I)
CAL_CSI2_CTX2_I ⁽⁵⁾	RW	32	0x0000 0338 + (0x80 * I)	0x4845 B338 + (0x80 * I)
CAL_CSI2_CTX3_I ⁽⁵⁾	RW	32	0x0000 033C + (0x80 * I)	0x4845 B33C + (0x80 * I)
CAL_CSI2_CTX4_I ⁽⁵⁾	RW	32	0x0000 0340 + (0x80 * I)	0x4845 B340 + (0x80 * I)
CAL_CSI2_CTX5_I ⁽⁵⁾	RW	32	0x0000 0344 + (0x80 * I)	0x4845 B344 + (0x80 * I)
CAL_CSI2_CTX6_I ⁽⁵⁾	RW	32	0x0000 0348 + (0x80 * I)	0x4845 B348 + (0x80 * I)
CAL_CSI2_CTX7_I ⁽⁵⁾	RW	32	0x0000 034C + (0x80 * I)	0x4845 B34C + (0x80 * I)

⁽⁴⁾ k = 0 to 7

⁽⁵⁾ I = 0 to 1

Table 8-21. CAL Registers Mapping Summary (continued)

Register Name	Type	Register Width (Bits)	Address Offset	CAL L4_PER2 Physical Address
CAL_CSI2_STATUS0_I ⁽⁵⁾	R	32	0x0000 0350 + (0x80 * I)	0x4845 B350 + (0x80 * I)
CAL_CSI2_STATUS1_I ⁽⁵⁾	R	32	0x0000 0354 + (0x80 * I)	0x4845 B354 + (0x80 * I)
CAL_CSI2_STATUS2_I ⁽⁵⁾	R	32	0x0000 0358 + (0x80 * I)	0x4845 B358 + (0x80 * I)
CAL_CSI2_STATUS3_I ⁽⁵⁾	R	32	0x0000 035C + (0x80 * I)	0x4845 B35C + (0x80 * I)
CAL_CSI2_STATUS4_I ⁽⁵⁾	R	32	0x0000 0360 + (0x80 * I)	0x4845 B360 + (0x80 * I)
CAL_CSI2_STATUS5_I ⁽⁵⁾	R	32	0x0000 0364 + (0x80 * I)	0x4845 B364 + (0x80 * I)
CAL_CSI2_STATUS6_I ⁽⁵⁾	R	32	0x0000 0368 + (0x80 * I)	0x4845 B368 + (0x80 * I)
CAL_CSI2_STATUS7_I ⁽⁵⁾	R	32	0x0000 036C + (0x80 * I)	0x4845 B36C + (0x80 * I)

8.5.2.2 CAL Register Description

Table 8-22. CAL_HL_REVISION

Address Offset	0x0000 0000		
Physical Address	0x4845 B000	Instance	CAL
Description	IP Revision Identifier (X.Y.R) Used by software to track features, bugs, and compatibility		
Type	R		

31	30	29	28	27	26	25	24	23	22	21	20	19	18	17	16	15	14	13	12	11	10	9	8	7	6	5	4	3	2	1	0
REVISION																															

Bits	Field Name	Description	Type	Reset
31:0	REVISION	IP Revision	R	See ⁽¹⁾

⁽¹⁾ TI internal data

Table 8-23. Register Call Summary for Register CAL_HL_REVISION

CAMSS Functional Description	<ul style="list-style-type: none"> CAL Registers Shadowing: [0]
CAMSS Register Manual	<ul style="list-style-type: none"> CAL Register Summary: [1]

Table 8-24. CAL_HL_HWINFO

Address Offset	0x0000 0004		
Physical Address	0x4845 B004	Instance	CAL
Description	Information about the IP module's hardware configuration, i.e. typically the module's HDL generics (if any). Actual field format and encoding is up to the module's designer to decide.		
Type	R		

31	30	29	28	27	26	25	24	23	22	21	20	19	18	17	16	15	14	13	12	11	10	9	8	7	6	5	4	3	2	1	0
NPPI_CONTEXTS1		NPPI_CONTEXTS0		NCPORT				VFIFO				WCTX				PCTX				RFIFO			WFIFO								

Bits	Field Name	Description	Type	Reset
31:30	NPPI_CONTEXTS1	Number of contexts for PPI interface #0 Read 0x3: Read 0x2: PPI interface supported with 8 contexts Read 0x1: PPI interface supported with 4 contexts Read 0x0: PPI interface not supported	R	0x2
29:28	NPPI_CONTEXTS0	Number of contexts for PPI interface #0 Read 0x3: Read 0x2: PPI interface supported with 8 contexts Read 0x1: PPI interface supported with 4 contexts Read 0x0: PPI interface not supported	R	0x2
27:23	NCPORT	Number of supported CPORTs (including CPORT #0) minus 1. That number typically corresponds to the number of CPORTs that can provide data from OCPI. E.g. NCPORT=7 means that CAL implements 8 CPorts but one of them (CPORT0) is typically used for data read from memory and typically 7 (CPORT1~CPORT7) can be used for data received on OCPI Note: Equals NCPORT generic parameter minus 1	R	0x07
22:19	VFIFO	Video port FIFO size	R	0x9
18:13	WCTX	Number of implemented DMA write contexts	R	0x08
12:8	PCTX	Number of implemented pixel processing contexts	R	0x04
7:4	RFIFO	Read FIFO size 2^{\wedge} RFIFO words of 16 bytes	R	0x6
3:0	WFIFO	Write FIFO size 2^{\wedge} WFIFO words of 16 bytes	R	0x9

Table 8-25. Register Call Summary for Register CAL_HL_HWINFO

CAMSS Functional Description

- [CAMSS Interrupt Events: \[0\]\[1\]\[2\]](#)
- [CAL Pixel Extraction: \[3\]](#)
- [CAL DPCM Decoding and Encoding: \[5\]](#)
- [CAL Write DMA: \[6\]](#)
- [CAL Registers Shadowing: \[7\]](#)

CAMSS Register Manual

- [CAL Register Summary: \[8\]](#)
- [CAL Register Description: \[10\]](#)

Table 8-26. CAL_HL_SYSCONFIG

Address Offset	0x0000 0010	Instance	CAL
Physical Address	0x4845 B010		
Description	Clock management configuration		
Type	RW		

31	30	29	28	27	26	25	24	23	22	21	20	19	18	17	16	15	14	13	12	11	10	9	8	7	6	5	4	3	2	1	0
RESERVED																							IDLEMODE	RESERVED	SOFTRESET						

Bits	Field Name	Description	Type	Reset
31:4	RESERVED		R	0x000 0000
3:2	IDLEMODE	IDLE protocol configuration 0x0: Force Idle 0x1: No Idle 0x3: Smart Idle 0x2: Smart Idle	RW	0x2
1	RESERVED		R	0
0	SOFTRESET	Software reset Write 0x0: No action Write 0x1: Initiate software reset Read 0x1: Reset (software or other) ongoing Read 0x0: Reset done, no pending action	RW	0

Table 8-27. Register Call Summary for Register CAL_HL_SYSCONFIG

CAMSS Functional Description

- [CAMSS Hardware and Software Reset: \[0\]\[1\]](#)
- [CAMSS Power Management: \[2\]](#)
- [CAL Video Port: \[3\]](#)
- [CAL Registers Shadowing: \[4\]](#)

CAMSS Register Manual

- [CAL Register Summary: \[5\]](#)

Table 8-28. CAL_HL_IRQ_EOI

Address Offset	0x0000 001C	Instance	CAL
Physical Address	0x4845 B01C		
Description	End Of Interrupt number specification		
Type	RW		

31	30	29	28	27	26	25	24	23	22	21	20	19	18	17	16	15	14	13	12	11	10	9	8	7	6	5	4	3	2	1	0
RESERVED																											LINE_NUMBER				

Bits	Field Name	Description	Type	Reset
31:1	RESERVED		R	0x0000 0000
0	LINE_NUMBER	Software End Of Interrupt (EOI) control. Write number of interrupt output. Write 0x0: EOI for interrupt output line #0 Read 0x0: Reads always 0 (no EOI memory)	RW	0

Table 8-29. Register Call Summary for Register CAL_HL_IRQ_EOI

CAMSS Functional Description

- [CAL Registers Shadowing: \[0\]](#)

CAMSS Register Manual

- [CAL Register Summary: \[1\]](#)

Table 8-30. CAL_HL_IRQSTATUS_RAW_j

Address Offset	0x0000 0020 + (0x10 * j)	Index	j = 0 to 9
Physical Address	0x4845 B020 + (0x10 * j)	Instance	CAL
Description	Per-event raw interrupt status vector, line #0. Raw status is set even if event is not enabled.		
Type	RW		

31	30	29	28	27	26	25	24	23	22	21	20	19	18	17	16	15	14	13	12	11	10	9	8	7	6	5	4	3	2	1	0
IRQ31	IRQ30	IRQ29	IRQ28	IRQ27	IRQ26	IRQ25	IRQ24	IRQ23	IRQ22	IRQ21	IRQ20	IRQ19	IRQ18	IRQ17	IRQ16	IRQ15	IRQ14	IRQ13	IRQ12	IRQ11	IRQ10	IRQ9	IRQ8	IRQ7	IRQ6	IRQ5	IRQ4	IRQ3	IRQ2	IRQ1	IRQ0

Bits	Field Name	Description	Type	Reset
31	IRQ31	Check section CAMSS Interrupt Events for details Write 0x0: No action Write 0x1: Set event (debug) Read 0x1: Event pending Read 0x0: No event pending	RW W1toSet	0
30	IRQ30	Check section CAMSS Interrupt Events for details Write 0x0: No action Write 0x1: Set event (debug) Read 0x1: Event pending Read 0x0: No event pending	RW W1toSet	0
29	IRQ29	Check section CAMSS Interrupt Events for details Write 0x0: No action Write 0x1: Set event (debug) Read 0x1: Event pending Read 0x0: No event pending	RW W1toSet	0
28	IRQ28	Check section CAMSS Interrupt Events for details Write 0x0: No action Write 0x1: Set event (debug) Read 0x1: Event pending Read 0x0: No event pending	RW W1toSet	0
27	IRQ27	Check section CAMSS Interrupt Events for details Write 0x0: No action Write 0x1: Set event (debug) Read 0x1: Event pending Read 0x0: No event pending	RW W1toSet	0
26	IRQ26	Check section CAMSS Interrupt Events for details Write 0x0: No action Write 0x1: Set event (debug) Read 0x1: Event pending Read 0x0: No event pending	RW W1toSet	0

Bits	Field Name	Description	Type	Reset
25	IRQ25	Check section CAMSS Interrupt Events for details Write 0x0: No action Write 0x1: Set event (debug) Read 0x1: Event pending Read 0x0: No event pending	RW W1toSet	0
24	IRQ24	Check section CAMSS Interrupt Events for details Write 0x0: No action Write 0x1: Set event (debug) Read 0x1: Event pending Read 0x0: No event pending	RW W1toSet	0
23	IRQ23	Check section CAMSS Interrupt Events for details Write 0x0: No action Write 0x1: Set event (debug) Read 0x1: Event pending Read 0x0: No event pending	RW W1toSet	0
22	IRQ22	Check section CAMSS Interrupt Events for details Write 0x0: No action Write 0x1: Set event (debug) Read 0x1: Event pending Read 0x0: No event pending	RW W1toSet	0
21	IRQ21	Check section CAMSS Interrupt Events for details Write 0x0: No action Write 0x1: Set event (debug) Read 0x1: Event pending Read 0x0: No event pending	RW W1toSet	0
20	IRQ20	Check section CAMSS Interrupt Events for details Write 0x0: No action Write 0x1: Set event (debug) Read 0x1: Event pending Read 0x0: No event pending	RW W1toSet	0
19	IRQ19	Check section CAMSS Interrupt Events for details Write 0x0: No action Write 0x1: Set event (debug) Read 0x1: Event pending Read 0x0: No event pending	RW W1toSet	0
18	IRQ18	Check section CAMSS Interrupt Events for details Write 0x0: No action Write 0x1: Set event (debug) Read 0x1: Event pending Read 0x0: No event pending	RW W1toSet	0
17	IRQ17	Check section CAMSS Interrupt Events for details Write 0x0: No action Write 0x1: Set event (debug) Read 0x1: Event pending Read 0x0: No event pending	RW W1toSet	0

Bits	Field Name	Description	Type	Reset
16	IRQ16	Check section CAMSS Interrupt Events for details Write 0x0: No action Write 0x1: Set event (debug) Read 0x1: Event pending Read 0x0: No event pending	RW W1toSet	0
15	IRQ15	Check section CAMSS Interrupt Events for details Write 0x0: No action Write 0x1: Set event (debug) Read 0x1: Event pending Read 0x0: No event pending	RW W1toSet	0
14	IRQ14	Check section CAMSS Interrupt Events for details Write 0x0: No action Write 0x1: Set event (debug) Read 0x1: Event pending Read 0x0: No event pending	RW W1toSet	0
13	IRQ13	Check section CAMSS Interrupt Events for details Write 0x0: No action Write 0x1: Set event (debug) Read 0x1: Event pending Read 0x0: No event pending	RW W1toSet	0
12	IRQ12	Check section CAMSS Interrupt Events for details Write 0x0: No action Write 0x1: Set event (debug) Read 0x1: Event pending Read 0x0: No event pending	RW W1toSet	0
11	IRQ11	Check section CAMSS Interrupt Events for details Write 0x0: No action Write 0x1: Set event (debug) Read 0x1: Event pending Read 0x0: No event pending	RW W1toSet	0
10	IRQ10	Check section CAMSS Interrupt Events for details Write 0x0: No action Write 0x1: Set event (debug) Read 0x1: Event pending Read 0x0: No event pending	RW W1toSet	0
9	IRQ9	Check section CAMSS Interrupt Events for details Write 0x0: No action Write 0x1: Set event (debug) Read 0x1: Event pending Read 0x0: No event pending	RW W1toSet	0
8	IRQ8	Check section CAMSS Interrupt Events for details Write 0x0: No action Write 0x1: Set event (debug) Read 0x1: Event pending Read 0x0: No event pending	RW W1toSet	0

Bits	Field Name	Description	Type	Reset
7	IRQ7	Check section CAMSS Interrupt Events for details Write 0x0: No action Write 0x1: Set event (debug) Read 0x1: Event pending Read 0x0: No event pending	RW W1toSet	0
6	IRQ6	Check section CAMSS Interrupt Events for details Write 0x0: No action Write 0x1: Set event (debug) Read 0x1: Event pending Read 0x0: No event pending	RW W1toSet	0
5	IRQ5	Check section CAMSS Interrupt Events for details Write 0x0: No action Write 0x1: Set event (debug) Read 0x1: Event pending Read 0x0: No event pending	RW W1toSet	0
4	IRQ4	Check section CAMSS Interrupt Events for details Write 0x0: No action Write 0x1: Set event (debug) Read 0x1: Event pending Read 0x0: No event pending	RW W1toSet	0
3	IRQ3	Check section CAMSS Interrupt Events for details Write 0x0: No action Write 0x1: Set event (debug) Read 0x1: Event pending Read 0x0: No event pending	RW W1toSet	0
2	IRQ2	Check section CAMSS Interrupt Events for details Write 0x0: No action Write 0x1: Set event (debug) Read 0x1: Event pending Read 0x0: No event pending	RW W1toSet	0
1	IRQ1	Check section CAMSS Interrupt Events for details Write 0x0: No action Write 0x1: Set event (debug) Read 0x1: Event pending Read 0x0: No event pending	RW W1toSet	0
0	IRQ0	Check section CAMSS Interrupt Events for details Write 0x0: No action Write 0x1: Set event (debug) Read 0x1: Event pending Read 0x0: No event pending	RW W1toSet	0

Table 8-31. Register Call Summary for Register CAL_HL_IRQSTATUS_RAW_j

CAMSS Functional Description

- [CAL Registers Shadowing: \[0\]](#)

CAMSS Register Manual

- [CAL Register Summary: \[1\]](#)

Table 8-32. CAL_HL_IRQSTATUS_j

Address Offset	0x0000 0024 + (0x10 * j)	Index	j = 0 to 9
Physical Address	0x4845 B024 + (0x10 * j)	Instance	CAL
Description	Per-event "enabled" interrupt status vector, line #0. Enabled status is not set unless event is enabled.		
Type	RW		

31	30	29	28	27	26	25	24	23	22	21	20	19	18	17	16	15	14	13	12	11	10	9	8	7	6	5	4	3	2	1	0
IRQ31	IRQ30	IRQ29	IRQ28	IRQ27	IRQ26	IRQ25	IRQ24	IRQ23	IRQ22	IRQ21	IRQ20	IRQ19	IRQ18	IRQ17	IRQ16	IRQ15	IRQ14	IRQ13	IRQ12	IRQ11	IRQ10	IRQ9	IRQ8	IRQ7	IRQ6	IRQ5	IRQ4	IRQ3	IRQ2	IRQ1	IRQ0

Bits	Field Name	Description	Type	Reset
31	IRQ31	Check section CAMSS Interrupt Events for details Write 0x0: No action Write 0x1: Clear (RAW) event Read 0x1: Event pending Read 0x0: No (enabled) event pending	RW W1toClr	0
30	IRQ30	Check section CAMSS Interrupt Events for details Write 0x0: No action Write 0x1: Clear (RAW) event Read 0x1: Event pending Read 0x0: No (enabled) event pending	RW W1toClr	0
29	IRQ29	Check section CAMSS Interrupt Events for details Write 0x0: No action Write 0x1: Clear (RAW) event Read 0x1: Event pending Read 0x0: No (enabled) event pending	RW W1toClr	0
28	IRQ28	Check section CAMSS Interrupt Events for details Write 0x0: No action Write 0x1: Clear (RAW) event Read 0x1: Event pending Read 0x0: No (enabled) event pending	RW W1toClr	0
27	IRQ27	Check section CAMSS Interrupt Events for details Write 0x0: No action Write 0x1: Clear (RAW) event Read 0x1: Event pending Read 0x0: No (enabled) event pending	RW W1toClr	0
26	IRQ26	Check section CAMSS Interrupt Events for details Write 0x0: No action Write 0x1: Clear (RAW) event Read 0x1: Event pending Read 0x0: No (enabled) event pending	RW W1toClr	0
25	IRQ25	Check section CAMSS Interrupt Events for details Write 0x0: No action Write 0x1: Clear (RAW) event Read 0x1: Event pending Read 0x0: No (enabled) event pending	RW W1toClr	0

Bits	Field Name	Description	Type	Reset
24	IRQ24	Check section CAMSS Interrupt Events for details Write 0x0: No action Write 0x1: Clear (RAW) event Read 0x1: Event pending Read 0x0: No (enabled) event pending	RW W1toClr	0
23	IRQ23	Check section CAMSS Interrupt Events for details Write 0x0: No action Write 0x1: Clear (RAW) event Read 0x1: Event pending Read 0x0: No (enabled) event pending	RW W1toClr	0
22	IRQ22	Check section CAMSS Interrupt Events for details Write 0x0: No action Write 0x1: Clear (RAW) event Read 0x1: Event pending Read 0x0: No (enabled) event pending	RW W1toClr	0
21	IRQ21	Check section CAMSS Interrupt Events for details Write 0x0: No action Write 0x1: Clear (RAW) event Read 0x1: Event pending Read 0x0: No (enabled) event pending	RW W1toClr	0
20	IRQ20	Check section CAMSS Interrupt Events for details Write 0x0: No action Write 0x1: Clear (RAW) event Read 0x1: Event pending Read 0x0: No (enabled) event pending	RW W1toClr	0
19	IRQ19	Check section CAMSS Interrupt Events for details Write 0x0: No action Write 0x1: Clear (RAW) event Read 0x1: Event pending Read 0x0: No (enabled) event pending	RW W1toClr	0
18	IRQ18	Check section CAMSS Interrupt Events for details Write 0x0: No action Write 0x1: Clear (RAW) event Read 0x1: Event pending Read 0x0: No (enabled) event pending	RW W1toClr	0
17	IRQ17	Check section CAMSS Interrupt Events for details Write 0x0: No action Write 0x1: Clear (RAW) event Read 0x1: Event pending Read 0x0: No (enabled) event pending	RW W1toClr	0
16	IRQ16	Check section CAMSS Interrupt Events for details Write 0x0: No action Write 0x1: Clear (RAW) event Read 0x1: Event pending Read 0x0: No (enabled) event pending	RW W1toClr	0

Bits	Field Name	Description	Type	Reset
15	IRQ15	Check section CAMSS Interrupt Events for details Write 0x0: No action Write 0x1: Clear (RAW) event Read 0x1: Event pending Read 0x0: No (enabled) event pending	RW W1toClr	0
14	IRQ14	Check section CAMSS Interrupt Events for details Write 0x0: No action Write 0x1: Clear (RAW) event Read 0x1: Event pending Read 0x0: No (enabled) event pending	RW W1toClr	0
13	IRQ13	Check section CAMSS Interrupt Events for details Write 0x0: No action Write 0x1: Clear (RAW) event Read 0x1: Event pending Read 0x0: No (enabled) event pending	RW W1toClr	0
12	IRQ12	Check section CAMSS Interrupt Events for details Write 0x0: No action Write 0x1: Clear (RAW) event Read 0x1: Event pending Read 0x0: No (enabled) event pending	RW W1toClr	0
11	IRQ11	Check section CAMSS Interrupt Events for details Write 0x0: No action Write 0x1: Clear (RAW) event Read 0x1: Event pending Read 0x0: No (enabled) event pending	RW W1toClr	0
10	IRQ10	Check section CAMSS Interrupt Events for details Write 0x0: No action Write 0x1: Clear (RAW) event Read 0x1: Event pending Read 0x0: No (enabled) event pending	RW W1toClr	0
9	IRQ9	Check section CAMSS Interrupt Events for details Write 0x0: No action Write 0x1: Clear (RAW) event Read 0x1: Event pending Read 0x0: No (enabled) event pending	RW W1toClr	0
8	IRQ8	Check section CAMSS Interrupt Events for details Write 0x0: No action Write 0x1: Clear (RAW) event Read 0x1: Event pending Read 0x0: No (enabled) event pending	RW W1toClr	0
7	IRQ7	Check section CAMSS Interrupt Events for details Write 0x0: No action Write 0x1: Clear (RAW) event Read 0x1: Event pending Read 0x0: No (enabled) event pending	RW W1toClr	0

Bits	Field Name	Description	Type	Reset
6	IRQ6	Check section CAMSS Interrupt Events for details Write 0x0: No action Write 0x1: Clear (RAW) event Read 0x1: Event pending Read 0x0: No (enabled) event pending	RW W1toClr	0
5	IRQ5	Check section CAMSS Interrupt Events for details Write 0x0: No action Write 0x1: Clear (RAW) event Read 0x1: Event pending Read 0x0: No (enabled) event pending	RW W1toClr	0
4	IRQ4	Check section CAMSS Interrupt Events for details Write 0x0: No action Write 0x1: Clear (RAW) event Read 0x1: Event pending Read 0x0: No (enabled) event pending	RW W1toClr	0
3	IRQ3	Check section CAMSS Interrupt Events for details Write 0x0: No action Write 0x1: Clear (RAW) event Read 0x1: Event pending Read 0x0: No (enabled) event pending	RW W1toClr	0
2	IRQ2	Check section CAMSS Interrupt Events for details Write 0x0: No action Write 0x1: Clear (RAW) event Read 0x1: Event pending Read 0x0: No (enabled) event pending	RW W1toClr	0
1	IRQ1	Check section CAMSS Interrupt Events for details Write 0x0: No action Write 0x1: Clear (RAW) event Read 0x1: Event pending Read 0x0: No (enabled) event pending	RW W1toClr	0
0	IRQ0	Check section CAMSS Interrupt Events for details Write 0x0: No action Write 0x1: Clear (RAW) event Read 0x1: Event pending Read 0x0: No (enabled) event pending	RW W1toClr	0

Table 8-33. Register Call Summary for Register CAL_HL_IRQSTATUS_j

CAMSS Functional Description

- [CAMSS Interrupt Events: \[0\]\[1\]\[2\]](#)
- [CAL Registers Shadowing: \[3\]\[4\]](#)

CAMSS Register Manual

- [CAL Register Summary: \[5\]](#)

Table 8-34. CAL_HL_IRQENABLE_SET_j

Address Offset	0x0000 0028 + (0x10 * j)	Index	j = 0 to 9
Physical Address	0x4845 B028 + (0x10 * j)	Instance	CAL
Description	Per-event interrupt enable bit vector Write 1 to set (enable interrupt). Readout equal to corresponding _CLR register.		

Table 8-34. CAL_HL_IRQENABLE_SET_j (continued)

Type		RW																													
31	30	29	28	27	26	25	24	23	22	21	20	19	18	17	16	15	14	13	12	11	10	9	8	7	6	5	4	3	2	1	0
IRQ31	IRQ30	IRQ29	IRQ28	IRQ27	IRQ26	IRQ25	IRQ24	IRQ23	IRQ22	IRQ21	IRQ20	IRQ19	IRQ18	IRQ17	IRQ16	IRQ15	IRQ14	IRQ13	IRQ12	IRQ11	IRQ10	IRQ9	IRQ8	IRQ7	IRQ6	IRQ5	IRQ4	IRQ3	IRQ2	IRQ1	IRQ0

Bits	Field Name	Description	Type	Reset
31	IRQ31	Check section CAMSS Interrupt Events for details Write 0x0: No action Write 0x1: Enable interrupt Read 0x1: Interrupt enabled Read 0x0: Interrupt disabled (masked)	RW W1toSet	0
30	IRQ30	Check section CAMSS Interrupt Events for details Write 0x0: No action Write 0x1: Enable interrupt Read 0x1: Interrupt enabled Read 0x0: Interrupt disabled (masked)	RW W1toSet	0
29	IRQ29	Check section CAMSS Interrupt Events for details Write 0x0: No action Write 0x1: Enable interrupt Read 0x1: Interrupt enabled Read 0x0: Interrupt disabled (masked)	RW W1toSet	0
28	IRQ28	Check section CAMSS Interrupt Events for details Write 0x0: No action Write 0x1: Enable interrupt Read 0x1: Interrupt enabled Read 0x0: Interrupt disabled (masked)	RW W1toSet	0
27	IRQ27	Check section CAMSS Interrupt Events for details Write 0x0: No action Write 0x1: Enable interrupt Read 0x1: Interrupt enabled Read 0x0: Interrupt disabled (masked)	RW W1toSet	0
26	IRQ26	Check section CAMSS Interrupt Events for details Write 0x0: No action Write 0x1: Enable interrupt Read 0x1: Interrupt enabled Read 0x0: Interrupt disabled (masked)	RW W1toSet	0
25	IRQ25	Check section CAMSS Interrupt Events for details Write 0x0: No action Write 0x1: Enable interrupt Read 0x1: Interrupt enabled Read 0x0: Interrupt disabled (masked)	RW W1toSet	0
24	IRQ24	Check section CAMSS Interrupt Events for details Write 0x0: No action Write 0x1: Enable interrupt Read 0x1: Interrupt enabled Read 0x0: Interrupt disabled (masked)	RW W1toSet	0

Bits	Field Name	Description	Type	Reset
23	IRQ23	Check section CAMSS Interrupt Events for details Write 0x0: No action Write 0x1: Enable interrupt Read 0x1: Interrupt enabled Read 0x0: Interrupt disabled (masked)	RW W1toSet	0
22	IRQ22	Check section CAMSS Interrupt Events for details Write 0x0: No action Write 0x1: Enable interrupt Read 0x1: Interrupt enabled Read 0x0: Interrupt disabled (masked)	RW W1toSet	0
21	IRQ21	Check section CAMSS Interrupt Events for details Write 0x0: No action Write 0x1: Enable interrupt Read 0x1: Interrupt enabled Read 0x0: Interrupt disabled (masked)	RW W1toSet	0
20	IRQ20	Check section CAMSS Interrupt Events for details Write 0x0: No action Write 0x1: Enable interrupt Read 0x1: Interrupt enabled Read 0x0: Interrupt disabled (masked)	RW W1toSet	0
19	IRQ19	Check section CAMSS Interrupt Events for details Write 0x0: No action Write 0x1: Enable interrupt Read 0x1: Interrupt enabled Read 0x0: Interrupt disabled (masked)	RW W1toSet	0
18	IRQ18	Check section CAMSS Interrupt Events for details Write 0x0: No action Write 0x1: Enable interrupt Read 0x1: Interrupt enabled Read 0x0: Interrupt disabled (masked)	RW W1toSet	0
17	IRQ17	Check section CAMSS Interrupt Events for details Write 0x0: No action Write 0x1: Enable interrupt Read 0x1: Interrupt enabled Read 0x0: Interrupt disabled (masked)	RW W1toSet	0
16	IRQ16	Check section CAMSS Interrupt Events for details Write 0x0: No action Write 0x1: Enable interrupt Read 0x1: Interrupt enabled Read 0x0: Interrupt disabled (masked)	RW W1toSet	0
15	IRQ15	Check section CAMSS Interrupt Events for details Write 0x0: No action Write 0x1: Enable interrupt Read 0x1: Interrupt enabled Read 0x0: Interrupt disabled (masked)	RW W1toSet	0

Bits	Field Name	Description	Type	Reset
14	IRQ14	Check section CAMSS Interrupt Events for details Write 0x0: No action Write 0x1: Enable interrupt Read 0x1: Interrupt enabled Read 0x0: Interrupt disabled (masked)	RW W1toSet	0
13	IRQ13	Check section CAMSS Interrupt Events for details Write 0x0: No action Write 0x1: Enable interrupt Read 0x1: Interrupt enabled Read 0x0: Interrupt disabled (masked)	RW W1toSet	0
12	IRQ12	Check section CAMSS Interrupt Events for details Write 0x0: No action Write 0x1: Enable interrupt Read 0x1: Interrupt enabled Read 0x0: Interrupt disabled (masked)	RW W1toSet	0
11	IRQ11	Check section CAMSS Interrupt Events for details Write 0x0: No action Write 0x1: Enable interrupt Read 0x1: Interrupt enabled Read 0x0: Interrupt disabled (masked)	RW W1toSet	0
10	IRQ10	Check section CAMSS Interrupt Events for details Write 0x0: No action Write 0x1: Enable interrupt Read 0x1: Interrupt enabled Read 0x0: Interrupt disabled (masked)	RW W1toSet	0
9	IRQ9	Check section CAMSS Interrupt Events for details Write 0x0: No action Write 0x1: Enable interrupt Read 0x1: Interrupt enabled Read 0x0: Interrupt disabled (masked)	RW W1toSet	0
8	IRQ8	Check section CAMSS Interrupt Events for details Write 0x0: No action Write 0x1: Enable interrupt Read 0x1: Interrupt enabled Read 0x0: Interrupt disabled (masked)	RW W1toSet	0
7	IRQ7	Check section CAMSS Interrupt Events for details Write 0x0: No action Write 0x1: Enable interrupt Read 0x1: Interrupt enabled Read 0x0: Interrupt disabled (masked)	RW W1toSet	0
6	IRQ6	Check section CAMSS Interrupt Events for details Write 0x0: No action Write 0x1: Enable interrupt Read 0x1: Interrupt enabled Read 0x0: Interrupt disabled (masked)	RW W1toSet	0

Bits	Field Name	Description	Type	Reset
5	IRQ5	Check section CAMSS Interrupt Events for details Write 0x0: No action Write 0x1: Enable interrupt Read 0x1: Interrupt enabled Read 0x0: Interrupt disabled (masked)	RW W1toSet	0
4	IRQ4	Check section CAMSS Interrupt Events for details Write 0x0: No action Write 0x1: Enable interrupt Read 0x1: Interrupt enabled Read 0x0: Interrupt disabled (masked)	RW W1toSet	0
3	IRQ3	Check section CAMSS Interrupt Events for details Write 0x0: No action Write 0x1: Enable interrupt Read 0x1: Interrupt enabled Read 0x0: Interrupt disabled (masked)	RW W1toSet	0
2	IRQ2	Check section CAMSS Interrupt Events for details Write 0x0: No action Write 0x1: Enable interrupt Read 0x1: Interrupt enabled Read 0x0: Interrupt disabled (masked)	RW W1toSet	0
1	IRQ1	Check section CAMSS Interrupt Events for details Write 0x0: No action Write 0x1: Enable interrupt Read 0x1: Interrupt enabled Read 0x0: Interrupt disabled (masked)	RW W1toSet	0
0	IRQ0	Check section CAMSS Interrupt Events for details Write 0x0: No action Write 0x1: Enable interrupt Read 0x1: Interrupt enabled Read 0x0: Interrupt disabled (masked)	RW W1toSet	0

Table 8-35. Register Call Summary for Register CAL_HL_IRQENABLE_SET_j

CAMSS Functional Description

- [CAMSS Interrupt Events: \[0\]](#)
- [CAL Registers Shadowing: \[1\]](#)

CAMSS Register Manual

- [CAL Register Summary: \[2\]](#)

Table 8-36. CAL_HL_IRQENABLE_CLR_j

Address Offset	0x0000 002C + (0x10 * j)	Index	j = 0 to 9
Physical Address	0x4845 B02C + (0x10 * j)	Instance	CAL
Description	Per-event interrupt enable bit vector Write 1 to clear (disable interrupt). Readout equal to corresponding _SET register.		
Type	RW		

31	30	29	28	27	26	25	24	23	22	21	20	19	18	17	16	15	14	13	12	11	10	9	8	7	6	5	4	3	2	1	0
IRQ31	IRQ30	IRQ29	IRQ28	IRQ27	IRQ26	IRQ25	IRQ24	IRQ23	IRQ22	IRQ21	IRQ20	IRQ19	IRQ18	IRQ17	IRQ16	IRQ15	IRQ14	IRQ13	IRQ12	IRQ11	IRQ10	IRQ9	IRQ8	IRQ7	IRQ6	IRQ5	IRQ4	IRQ3	IRQ2	IRQ1	IRQ0

Bits	Field Name	Description	Type	Reset
31	IRQ31	Check section CAMSS Interrupt Events for details Write 0x0: No action Write 0x1: Disable interrupt Read 0x1: Interrupt enabled Read 0x0: Interrupt disabled (masked)	RW W1toClr	0
30	IRQ30	Check section CAMSS Interrupt Events for details Write 0x0: No action Write 0x1: Disable interrupt Read 0x1: Interrupt enabled Read 0x0: Interrupt disabled (masked)	RW W1toClr	0
29	IRQ29	Check section CAMSS Interrupt Events for details Write 0x0: No action Write 0x1: Disable interrupt Read 0x1: Interrupt enabled Read 0x0: Interrupt disabled (masked)	RW W1toClr	0
28	IRQ28	Check section CAMSS Interrupt Events for details Write 0x0: No action Write 0x1: Disable interrupt Read 0x1: Interrupt enabled Read 0x0: Interrupt disabled (masked)	RW W1toClr	0
27	IRQ27	Check section CAMSS Interrupt Events for details Write 0x0: No action Write 0x1: Disable interrupt Read 0x1: Interrupt enabled Read 0x0: Interrupt disabled (masked)	RW W1toClr	0
26	IRQ26	Check section CAMSS Interrupt Events for details Write 0x0: No action Write 0x1: Disable interrupt Read 0x1: Interrupt enabled Read 0x0: Interrupt disabled (masked)	RW W1toClr	0
25	IRQ25	Check section CAMSS Interrupt Events for details Write 0x0: No action Write 0x1: Disable interrupt Read 0x1: Interrupt enabled Read 0x0: Interrupt disabled (masked)	RW W1toClr	0
24	IRQ24	Check section CAMSS Interrupt Events for details Write 0x0: No action Write 0x1: Disable interrupt Read 0x1: Interrupt enabled Read 0x0: Interrupt disabled (masked)	RW W1toClr	0
23	IRQ23	Check section CAMSS Interrupt Events for details Write 0x0: No action Write 0x1: Disable interrupt Read 0x1: Interrupt enabled Read 0x0: Interrupt disabled (masked)	RW W1toClr	0

Bits	Field Name	Description	Type	Reset
22	IRQ22	Check section CAMSS Interrupt Events for details Write 0x0: No action Write 0x1: Disable interrupt Read 0x1: Interrupt enabled Read 0x0: Interrupt disabled (masked)	RW W1toClr	0
21	IRQ21	Check section CAMSS Interrupt Events for details Write 0x0: No action Write 0x1: Disable interrupt Read 0x1: Interrupt enabled Read 0x0: Interrupt disabled (masked)	RW W1toClr	0
20	IRQ20	Check section CAMSS Interrupt Events for details Write 0x0: No action Write 0x1: Disable interrupt Read 0x1: Interrupt enabled Read 0x0: Interrupt disabled (masked)	RW W1toClr	0
19	IRQ19	Check section CAMSS Interrupt Events for details Write 0x0: No action Write 0x1: Disable interrupt Read 0x1: Interrupt enabled Read 0x0: Interrupt disabled (masked)	RW W1toClr	0
18	IRQ18	Check section CAMSS Interrupt Events for details Write 0x0: No action Write 0x1: Disable interrupt Read 0x1: Interrupt enabled Read 0x0: Interrupt disabled (masked)	RW W1toClr	0
17	IRQ17	Check section CAMSS Interrupt Events for details Write 0x0: No action Write 0x1: Disable interrupt Read 0x1: Interrupt enabled Read 0x0: Interrupt disabled (masked)	RW W1toClr	0
16	IRQ16	Check section CAMSS Interrupt Events for details Write 0x0: No action Write 0x1: Disable interrupt Read 0x1: Interrupt enabled Read 0x0: Interrupt disabled (masked)	RW W1toClr	0
15	IRQ15	Check section CAMSS Interrupt Events for details Write 0x0: No action Write 0x1: Disable interrupt Read 0x1: Interrupt enabled Read 0x0: Interrupt disabled (masked)	RW W1toClr	0
14	IRQ14	Check section CAMSS Interrupt Events for details Write 0x0: No action Write 0x1: Disable interrupt Read 0x1: Interrupt enabled Read 0x0: Interrupt disabled (masked)	RW W1toClr	0

Bits	Field Name	Description	Type	Reset
13	IRQ13	Check section CAMSS Interrupt Events for details Write 0x0: No action Write 0x1: Disable interrupt Read 0x1: Interrupt enabled Read 0x0: Interrupt disabled (masked)	RW W1toClr	0
12	IRQ12	Check section CAMSS Interrupt Events for details Write 0x0: No action Write 0x1: Disable interrupt Read 0x1: Interrupt enabled Read 0x0: Interrupt disabled (masked)	RW W1toClr	0
11	IRQ11	Check section CAMSS Interrupt Events for details Write 0x0: No action Write 0x1: Disable interrupt Read 0x1: Interrupt enabled Read 0x0: Interrupt disabled (masked)	RW W1toClr	0
10	IRQ10	Check section CAMSS Interrupt Events for details Write 0x0: No action Write 0x1: Disable interrupt Read 0x1: Interrupt enabled Read 0x0: Interrupt disabled (masked)	RW W1toClr	0
9	IRQ9	Check section CAMSS Interrupt Events for details Write 0x0: No action Write 0x1: Disable interrupt Read 0x1: Interrupt enabled Read 0x0: Interrupt disabled (masked)	RW W1toClr	0
8	IRQ8	Check section CAMSS Interrupt Events for details Write 0x0: No action Write 0x1: Disable interrupt Read 0x1: Interrupt enabled Read 0x0: Interrupt disabled (masked)	RW W1toClr	0
7	IRQ7	Check section CAMSS Interrupt Events for details Write 0x0: No action Write 0x1: Disable interrupt Read 0x1: Interrupt enabled Read 0x0: Interrupt disabled (masked)	RW W1toClr	0
6	IRQ6	Check section CAMSS Interrupt Events for details Write 0x0: No action Write 0x1: Disable interrupt Read 0x1: Interrupt enabled Read 0x0: Interrupt disabled (masked)	RW W1toClr	0
5	IRQ5	Check section CAMSS Interrupt Events for details Write 0x0: No action Write 0x1: Disable interrupt Read 0x1: Interrupt enabled Read 0x0: Interrupt disabled (masked)	RW W1toClr	0

Bits	Field Name	Description	Type	Reset
4	IRQ4	Check section CAMSS Interrupt Events for details Write 0x0: No action Write 0x1: Disable interrupt Read 0x1: Interrupt enabled Read 0x0: Interrupt disabled (masked)	RW W1toClr	0
3	IRQ3	Check section CAMSS Interrupt Events for details Write 0x0: No action Write 0x1: Disable interrupt Read 0x1: Interrupt enabled Read 0x0: Interrupt disabled (masked)	RW W1toClr	0
2	IRQ2	Check section CAMSS Interrupt Events for details Write 0x0: No action Write 0x1: Disable interrupt Read 0x1: Interrupt enabled Read 0x0: Interrupt disabled (masked)	RW W1toClr	0
1	IRQ1	Check section CAMSS Interrupt Events for details Write 0x0: No action Write 0x1: Disable interrupt Read 0x1: Interrupt enabled Read 0x0: Interrupt disabled (masked)	RW W1toClr	0
0	IRQ0	Check section CAMSS Interrupt Events for details Write 0x0: No action Write 0x1: Disable interrupt Read 0x1: Interrupt enabled Read 0x0: Interrupt disabled (masked)	RW W1toClr	0

Table 8-37. Register Call Summary for Register CAL_HL_IRQENABLE_CLR_j

CAMSS Functional Description

- [CAL Registers Shadowing: \[0\]](#)

CAMSS Register Manual

- [CAL Register Summary: \[1\]](#)

Table 8-38. CAL_PIX_PROC_i

Address Offset	0x0000 00C0 + (0x4 * i)	Index	i = 0 to 3
Physical Address	0x4845 B0C0 + (0x4 * i)	Instance	CAL
Description	Pixel processing control		
Type	RW		

31	30	29	28	27	26	25	24	23	22	21	20	19	18	17	16	15	14	13	12	11	10	9	8	7	6	5	4	3	2	1	0
RESERVED								CPORT				PACK				DPCME				RESERVED	DPCMD				EXTRACT				Z		

Bits	Field Name	Description	Type	Reset
31:24	RESERVED		R	0x00
23:19	CPORT	CPort ID to process.	RW	0x00
18:16	PACK	Control pixel packing 0x6: 3 samples coded into 3x 8 bits followed by 8-bit padding 0x0: 8 bit 0x2: 10 bit - MIPI 0x4: 12 bit - MIPI 0x5: 16 bit 0x3: 12 bit	RW	0x5
15:11	DPCME	DPCM encoder 0x16: 16-8-16 Predictor 1 0x0: Bypass 0x2: 10-8-10 Predictor 1 0x10: 14-8-14 Predictor 1 0x12: 16-12-16 Predictor 1 0x8: 12-8-12 Predictor 1 0x14: 16-10-16 Predictor 1 0xE: 14-10-14 Predictor 1	RW	0x00
10	RESERVED		R	0
9:5	DPCMD	DPCM Decoder 0x16: 16-8-16 Predictor 1 0x6: 10-6-10 Predictor 1 0xA: 12-7-12 Predictor 1 0x7: 10-6-10 Predictor 2 0x0: Bypass 0x2: 10-8-10 Predictor 1 0x8: 12-8-12 Predictor 1 0x10: 14-8-14 Predictor 1 0x12: 16-12-16 Predictor 1 0x5: 10-7-10 Predictor 2 0xC: 12-6-12 Predictor 1 0x4: 10-7-10 Predictor 1 0x14: 16-10-16 Predictor 1 0xE: 14-10-14 Predictor 1	RW	0x00
4:1	EXTRACT	Control pixel extraction from the byte stream 0x6: 12 bit MIPI 0x1: 7 bit 0xA: 16-bit (little endian) = bypass 0x7: 14 bit (linear) 0x0: 6 bit 0x2: 8 bit 0x8: 14 bit MIPI 0x9: 16-bit (big endian) 0x4: 10 bit MIPI 0x5: 12 bit (linear) 0x3: 10 bit (linear)	RW	0xA

Bits	Field Name	Description	Type	Reset
0	EN	Enable the pixel processing context 0x0: Disabled 0x1: Enabled	RW	0

Table 8-39. Register Call Summary for Register CAL_PIX_PROC_i

CAMSS Functional Description

- [CAL Block Diagram: \[0\]](#)
- [CAL Pixel Extraction: \[1\]\[2\]](#)
- [CAL DPCM Decoding and Encoding: \[3\]\[4\]\[5\]](#)
- [CAL Pixel Packing: \[6\]\[7\]](#)
- [CAL Registers Shadowing: \[8\]\[9\]](#)

CAMSS Register Manual

- [CAL Register Summary: \[10\]](#)

Table 8-40. CAL_CTRL

Address Offset	0x0000 0100	Instance	CAL
Physical Address	0x4845 B100		
Description	Global control register		
Type	RW		

31	30	29	28	27	26	25	24	23	22	21	20	19	18	17	16	15	14	13	12	11	10	9	8	7	6	5	4	3	2	1	0
MFLAGH								RESERVED	RD_DMA_STALL	PWRSCPCLK	MFLAGL					LL_FORCE_STATE				BURSTSIZE	TAGCNT			POSTED_WRITES							

Bits	Field Name	Description	Type	Reset
31:24	MFLAGH	Refer to section CAL Write DMA Real Time Traffic.	RW	0xFF
23	RESERVED		R	0
22	RD_DMA_STALL	Controls if the pixel stream from the RD DMA's FIFO to the internal pipeline shall be stalled when MFlag/=0. Shall be enabled to protect real time traffic against non real time, memory to memory dataflows through CAL. 0x0: Disabled. 0x1: Enabled. The MFlag information is propagated to the RD DMA FIFO readout control.	RW	0
21	PWRSCPCLK	Controls autogating of the PWRSCP clock 0x0: PWRSCP clock is automatically cut when it is not needed. 0x1: PWRSCP clock is free running	RW	0
20:13	MFLAGL	Refer to section CAL Write DMA Real Time Traffic	RW	0xFF

Bits	Field Name	Description	Type	Reset
12:7	LL_FORCE_STATE	Forces the state of the CSI-3 low level protocol state machine. Intended to recover synchronization Writing 0 into this register has no effect. Reads always return 0s bit0: 0: the next OCP I transaction for this CPORT will only contain data 1: the next OCP I transaction for this CPORT will contain the CSI-3 packet header bit1~5: CPort ID (1..31)	W	0x00
6:5	BURSTSIZE	Maximum allowed burst size for the write DMA. 0x0: 16 bytes 0x1: 32 bytes 0x3: 128 bytes 0x2: 64 bytes	RW	0x3
4:1	TAGCNT	Maximum number of outstanding OCP transactions = TAGCNT+1	RW	0xF
0	POSTED_WRITES	0x0: Generate only non posted writes 0x1: Generate only posted writes	RW	0

Table 8-41. Register Call Summary for Register CAL_CTRL

CAMSS Functional Description

- [CSI2 PHY Configuration: \[0\]\[1\]](#)
- [CAL Write DMA: \[2\]\[3\]\[4\]\[5\]\[6\]\[7\]\[8\]\[9\]\[10\]\[11\]\[12\]\[13\]\[14\]\[15\]](#)
- [CAL Registers Shadowing: \[16\]](#)

CAMSS Register Manual

- [CAL Register Summary: \[17\]](#)

Table 8-42. CAL_CTRL1

Address Offset	0x0000 0104	Instance	CAL
Physical Address	0x4845 B104		
Description	CAL global control register		
Type	RW		

31	30	29	28	27	26	25	24	23	22	21	20	19	18	17	16	15	14	13	12	11	10	9	8	7	6	5	4	3	2	1	0
RESERVED																INTERLEAVE23		INTERLEAVE01		PPI_GROUPING											

Bits	Field Name	Description	Type	Reset
31:6	RESERVED		R	0x000 0000
5:4	INTERLEAVE23	Controls stream interleaving Context #2 and #3 0x0: Disabled 0x1: 1 pixel from pixel processing context #0 1 pixel from pixel processing context #1 1 pixel from pixel processing context #0 1 pixel from pixel processing context #1 ... 0x3: reserved 0x2: 4 pixel from pixel processing context #0 4 pixel from pixel processing context #1 4 pixel from pixel processing context #0 4 pixel from pixel processing context #1 ...	RW	0x0
3:2	INTERLEAVE01	Controls stream interleaving Context #0 and #1 0x0: Disabled 0x1: 1 pixel from pixel processing context #0 1 pixel from pixel processing context #1 1 pixel from pixel processing context #0 1 pixel from pixel processing context #1 ... 0x3: reserved 0x2: 4 pixel from pixel processing context #0 4 pixel from pixel processing context #1 4 pixel from pixel processing context #0 4 pixel from pixel processing context #1 ...	RW	0x0
1:0	PPI_GROUPING	Controls PPI grouping 0x0: no PPI grouping 0x1: Reserved 0x2: PPI grouped. Start with PPI_0 0x3: PPI grouped. Start with PPI_1	RW	0x0

Table 8-43. Register Call Summary for Register CAL_CTRL1

CAMSS Functional Description

- [CAL Stream Interleaving: \[0\]\[1\]\[2\]\[3\]](#)

CAMSS Register Manual

- [CAL Register Summary: \[4\]](#)

Table 8-44. CAL_LINE_NUMBER_EVT

Address Offset	0x0000 0108	Instance	CAL
Physical Address	0x4845 B108		
Description	Controls generation of the line number event		
Type	RW		

31	30	29	28	27	26	25	24	23	22	21	20	19	18	17	16	15	14	13	12	11	10	9	8	7	6	5	4	3	2	1	0
RESERVED	LINE																RESERVED								CPORT						

Bits	Field Name	Description	Type	Reset
31:30	RESERVED		R	0x0
29:16	LINE	0: Event triggered when PIX_DAT_FS TAG is received by the line number event generator 1~2 ¹⁴ -1: Event triggered when the LINEth occurrence of the PIX_DAT_LS TAG is received by the line number event generator.	RW	0x0000
15:5	RESERVED		R	0x000
4:0	CPORT	CPort ID to monitor	RW	0x00

Table 8-45. Register Call Summary for Register CAL_LINE_NUMBER_EVT

CAMSS Functional Description

- [CAMSS Interrupt Events: \[0\]\[1\]](#)
- [CAL Registers Shadowing: \[2\]](#)

CAMSS Register Manual

- [CAL Register Summary: \[3\]](#)

Table 8-46. CAL_VPORT_CTRL1

Address Offset	0x0000 0120	Instance	CAL
Physical Address	0x4845 B120		
Description	Video port control register		
Type	RW		

31	30	29	28	27	26	25	24	23	22	21	20	19	18	17	16	15	14	13	12	11	10	9	8	7	6	5	4	3	2	1	0
WIDTH	YBLK							XBLK								PCLK															

Bits	Field Name	Description	Type	Reset
31	WIDTH	Video port width 0x0: 1 pixel per PCLK cycle 0x1: 2 pixels per PCLK cycle	RW	0
30:25	YBLK	Vertical blanking = YBLK lines Valid range : 0 ... 63	RW	0x00
24:17	XBLK	Horizontal blanking = 8*XBLK cycles Valid range = 0..2040 cycles	RW	0x00
16:0	PCLK	Video port pixel clock = FCLK * PCLK / 2 ¹⁶ Valid range: 0 .. 2 ¹⁶	RW	0x0 0000

Table 8-47. Register Call Summary for Register CAL_VPORT_CTRL1

CAMSS Integration

- [CAL Integration - Video Port: \[0\]\[1\]\[2\]\[3\]\[4\]\[5\]\[6\]\[7\]](#)

CAMSS Functional Description

- [CAL Video Port: \[8\]\[9\]\[10\]\[11\]\[12\]\[13\]\[14\]\[15\]](#)
- [CAL Registers Shadowing: \[16\]](#)

CAMSS Register Manual

- [CAL Register Summary: \[17\]](#)

Table 8-48. CAL_VPORT_CTRL2

Address Offset	0x0000 0124	Instance	CAL
Physical Address	0x4845 B124		
Description	Video port control register		
Type	RW		

31	30	29	28	27	26	25	24	23	22	21	20	19	18	17	16	15	14	13	12	11	10	9	8	7	6	5	4	3	2	1	0
RDY_THR								FSM_RESET	FS_RESETS	FREERUNNING	RESERVED												CPORT								

Bits	Field Name	Description	Type	Reset
31:18	RDY_THR	Data shall be send to the video port after frame start only when (RDY_THR+1)*4 pixels are ready and the 4 PCLK cycles (require before each frame start) have been sent. This register only controls when the 1st pixels of each frame are sent. Consecutive pixels shall be sent immediately. The threshold shall be less or equal to the FIFO size.	RW	0x0000
17	FSM_RESET	Forces a reset of the video port FSM Write 0x0: No Effect Write 0x1: Reset	W	0
16	FS_RESETS	Controls the behavior of the timing generator when a data tagged as PIX_DAT_FS is received. 0x0: Data is processed normally 0x1: The state machine is reset on every FS	RW	1
15	FREERUNNING	Controls PCLK generation during IDLE. 0x0: Clock gated during idle (recommended setting) 0x1: Free running	RW	0
14:5	RESERVED	Reserved	R	0x000
4:0	CPORT	Cport ID Valid range=0..(CAL_HL_HWINFO.NCPORT-1)	RW	0x00

Table 8-49. Register Call Summary for Register CAL_VPORT_CTRL2

CAMSS Functional Description

- [CAL Video Port: \[0\]\[5\]\[6\]\[7\]\[8\]\[9\]](#)
- [CAL Registers Shadowing: \[10\]\[11\]](#)

CAMSS Register Manual

- [CAL Register Summary: \[12\]](#)

Table 8-50. CAL_BYS_CTRL1

Address Offset	0x0000 0130	Instance	CAL
Physical Address	0x4845 B130		
Description	BYS port control register		
Type	RW		

31	30	29	28	27	26	25	24	23	22	21	20	19	18	17	16	15	14	13	12	11	10	9	8	7	6	5	4	3	2	1	0	
BYSINEN	YBLK								XBLK								PCLK															

Bits	Field Name	Description	Type	Reset
31	BYSINEN	Enable/disable the BYS input port Note: the BYS output port is disabled by setting PCLK=0 0x0: Disable. Ignore data received on the BYS input port. 0x1: Enable. Process data received on the BYSin port	RW	0
30:25	YBLK	Vertical blanking = YBLK lines Valid range : 0 ... 63	RW	0x04
24:17	XBLK	Horizontal blanking = 8*XBLK cycles Valid range = 0..2040 cycles	RW	0x04
16:0	PCLK	BYSout port pixel clock = FCLK * PCLK / 2 ¹⁶ Valid range: 0 .. 2 ¹⁶ 0 disables the BYS output port	RW	0x0 0000

Table 8-51. Register Call Summary for Register CAL_BYS_CTRL1

CAMSS Functional Description

- [CAMSS Power Management](#):
- [CAL Registers Shadowing](#):

CAMSS Register Manual

- [CAL Register Summary](#): [5]
- [CAL Register Description](#): [7][8]

Table 8-52. CAL_BYS_CTRL2

Address Offset	0x0000 0134	Instance	CAL
Physical Address	0x4845 B134		
Description	BYS port control register		
Type	RW		

31	30	29	28	27	26	25	24	23	22	21	20	19	18	17	16	15	14	13	12	11	10	9	8	7	6	5	4	3	2	1	0
RESERVED											FREERUNNING	DUPLICATEDDATA	CPORTOUT				CPORTIN														

Bits	Field Name	Description	Type	Reset
31:12	RESERVED		R	0x0 0000
11	FREERUNNING	Controls PCLK generation when the BYSout state machine is in the IDLE state 0x0: No. PCLK gated during IDLE 0x1: Yes. PCLK running at the speed defined by CAL_BYS_CTRL1 .PCLK during IDLE.	RW	0

Bits	Field Name	Description	Type	Reset
10	DUPLICATEDDATA	Control if data sent to the BYS output port should also be send to the DPCM encoder 0x0: No 0x1: Yes	RW	0
9:5	CPORTOUT	BYS output port processes data received with the CPORT ID defined in this register	RW	0x00
4:0	CPORTIN	Cport ID used for data received from the BYSin port	RW	0x00

Table 8-53. Register Call Summary for Register CAL_BYB_CTRL2

CAMSS Functional Description

- [CAL Registers Shadowing](#):

CAMSS Register Manual

- [CAL Register Summary: \[3\]](#)

Table 8-54. CAL_RD_DMA_CTRL

Address Offset	0x0000 0140	Instance	CAL
Physical Address	0x4845 B140		
Description	Read DMA control register		
Type	RW		

31	30	29	28	27	26	25	24	23	22	21	20	19	18	17	16	15	14	13	12	11	10	9	8	7	6	5	4	3	2	1	0
PCLK																OCP_TAG_CNT						BW_LIMITER						INIT	GO		

Bits	Field Name	Description	Type	Reset
31:15	PCLK	Controls the data rate at which data is read from the read DMA FIFO and sent to the internal processing pipeline. Data rate = FCLK * 8 * PCLK / 2 ¹⁶ Bytes/s HW guarantees that data is never sent at faster rate than defined by this register. The data may be sent at slower rate when the RD DMA FIFO is empty or the processing pipeline is busy (data from OCPI has higher priority) Missed slots are not cummulated. Valid range: 0 .. 2 ¹⁶	RW	0x0 0000
14:11	OCP_TAG_CNT	Maximum allowed number of outstanding OCP read requests minus 1 (i.e. 0xF meand up to 16 outstanding requests)	RW	0x0
10:2	BW_LIMITER	Defines a minimum cycle count between to consecutive read requests issued by the RD DMA. Used to limit the SDRAM load in memory to memory mode. The pixel rate should be controlled at video port level when data read from memory is send to the video port. Valid range = 9..4095 cycles	RW	0x000
1	INIT	Enable reading of DPCM decoder initialization data from SDRAM 0x0: Disabled 0x1: Enabled	RW	0

Bits	Field Name	Description	Type	Reset
0	GO	Start data read from memory. This bit is set by SW and automatically cleared by HW when the frame has been processed. Write 0x0: No effect Write 0x1: Start read DMA Read 0x1: Read DMA BUSY / it is currently fetching data from memory and sends it to the processing pipeline Read 0x0: Read DMA idle / ready to receive the next start trigger from SW	RW	0

Table 8-55. Register Call Summary for Register CAL_RD_DMA_CTRL

CAMSS Functional Description

- [CAL Registers Shadowing: \[0\]](#)

CAMSS Register Manual

- [CAL Register Summary: \[1\]](#)
- [CAL Register Description: \[3\]\[4\]](#)

Table 8-56. CAL_RD_DMA_PIX_ADDR

Address Offset	0x0000 0144		
Physical Address	0x4845 B144	Instance	CAL
Description	Byte address of the top left corner of the buffer to read in system memory. Used for Y when YUV420 mode is selected Shall be 16 byte aligned for YUV420		
Type	RW		

31	30	29	28	27	26	25	24	23	22	21	20	19	18	17	16	15	14	13	12	11	10	9	8	7	6	5	4	3	2	1	0
ADDR																RESERVED															

Bits	Field Name	Description	Type	Reset
31:3	ADDR	Address, in words of 8 bytes.	RW	0x0000 0000
2:0	RESERVED		R	0x0

Table 8-57. Register Call Summary for Register CAL_RD_DMA_PIX_ADDR

CAMSS Functional Description

- [CAL Registers Shadowing: \[0\]](#)

CAMSS Register Manual

- [CAL Register Summary: \[1\]](#)

Table 8-58. CAL_RD_DMA_PIX_OFST

Address Offset	0x0000 0148		
Physical Address	0x4845 B148	Instance	CAL
Description	Byte offset between two consecutive line starts Shall be 16 byte aligned for YUV420		
Type	RW		

31	30	29	28	27	26	25	24	23	22	21	20	19	18	17	16	15	14	13	12	11	10	9	8	7	6	5	4	3	2	1	0
OFST																RESERVED															

Bits	Field Name	Description	Type	Reset
31:4	OFST	Offset in words of 16 bytes. This value should be a multiple of 128 bytes for best performance.	RW	0x000 0000
3:0	RESERVED		R	0x0

Table 8-59. Register Call Summary for Register CAL_RD_DMA_PIX_OFST

CAMSS Functional Description

- [CAL Registers Shadowing: \[0\]](#)

CAMSS Register Manual

- [CAL Register Summary: \[1\]](#)

Table 8-60. CAL_RD_DMA_XSIZE

Address Offset	0x0000 014C	Instance	CAL
Physical Address	0x4845 B14C		
Description	Number of bytes to read per line.		
Type	RW		

31	30	29	28	27	26	25	24	23	22	21	20	19	18	17	16	15	14	13	12	11	10	9	8	7	6	5	4	3	2	1	0
XSIZE												RESERVED																			

Bits	Field Name	Description	Type	Reset
31:19	XSIZE	Words of 64-bits to read per line. Valid range = 2..8191	RW	0x0000
18:0	RESERVED		R	0x0 0000

Table 8-61. Register Call Summary for Register CAL_RD_DMA_XSIZE

CAMSS Functional Description

- [CAL Registers Shadowing: \[0\]](#)

CAMSS Register Manual

- [CAL Register Summary: \[1\]](#)

Table 8-62. CAL_RD_DMA_YSIZE

Address Offset	0x0000 0150	Instance	CAL
Physical Address	0x4845 B150		
Description	Number of lines to read. Valid range 1 ~ 16383		
Type	RW		

31	30	29	28	27	26	25	24	23	22	21	20	19	18	17	16	15	14	13	12	11	10	9	8	7	6	5	4	3	2	1	0
RESERVED	YSIZE															RESERVED															

Bits	Field Name	Description	Type	Reset
31:30	RESERVED		R	0x0
29:16	YSIZE		RW	0x0000
15:0	RESERVED		R	0x0000

Table 8-63. Register Call Summary for Register CAL_RD_DMA_YSIZE

CAMSS Functional Description

- [CAL Registers Shadowing: \[0\]](#)

CAMSS Register Manual

- [CAL Register Summary: \[1\]](#)

Table 8-64. CAL_RD_DMA_INIT_ADDR

Address Offset	0x0000 0154	Instance	CAL
Physical Address	0x4845 B154		
Description	Read address. Used for DPCM initialization (CAL_RD_DMA_CTRL.INIT=1) or UV data CAL_RD_DMA_CTRL2.RD_PATTERN=YUV420 Shall be 16 byte aligned for YUV420		
Type	RW		

31	30	29	28	27	26	25	24	23	22	21	20	19	18	17	16	15	14	13	12	11	10	9	8	7	6	5	4	3	2	1	0
ADDR																RESERVED															

Bits	Field Name	Description	Type	Reset
31:3	ADDR	Address, in words of 8 bytes.	RW	0x0000 0000
2:0	RESERVED		R	0x0

Table 8-65. Register Call Summary for Register CAL_RD_DMA_INIT_ADDR

CAMSS Functional Description

- [CAL Registers Shadowing: \[0\]](#)

CAMSS Register Manual

- [CAL Register Summary: \[1\]](#)

Table 8-66. CAL_RD_DMA_INIT_OFST

Address Offset	0x0000 0168	Instance	CAL
Physical Address	0x4845 B168		
Description	Byte offset between two consecutive line starts. Used for DPCM initialization (CAL_RD_DMA_CTRL.INIT=1) or UV data CAL_RD_DMA_CTRL2.RD_PATTERN=YUV420 Shall be 16 byte aligned for YUV420		
Type	RW		

31	30	29	28	27	26	25	24	23	22	21	20	19	18	17	16	15	14	13	12	11	10	9	8	7	6	5	4	3	2	1	0
OFST																RESERVED															

Bits	Field Name	Description	Type	Reset
31:3	OFST	Offset in words of 8 bytes.	RW	0x0000 0000
2:0	RESERVED		R	0x0

Table 8-67. Register Call Summary for Register CAL_RD_DMA_INIT_OFST

CAMSS Functional Description

- [CAL Registers Shadowing: \[0\]](#)

CAMSS Register Manual

- [CAL Register Summary: \[1\]](#)

Table 8-68. CAL_RD_DMA_CTRL2

Address Offset	0x0000 016C	Instance	CAL
Physical Address	0x4845 B16C		
Description	Read DMA control register		
Type	RW		

31	30	29	28	27	26	25	24	23	22	21	20	19	18	17	16	15	14	13	12	11	10	9	8	7	6	5	4	3	2	1	0
RESERVED	CIRC_SIZE																RESERVED										BYSOUT_LE_WAIT	RD_PATTERN	ICM_CSTART	CIRC_MODE	

Bits	Field Name	Description	Type	Reset
31:30	RESERVED		R	0x0
29:16	CIRC_SIZE	Circular buffer size minus one. Granularity defined by CIRC_MODE. E.g. 1M lines for CIRC_MODE=4 && CIRC_SIZE=0x3FFF	RW	0x0000
15:7	RESERVED		R	0x000
6	BYSOUT_LE_WAIT	Controls the behavior of the RD DMA when the line end is reached. 0x0: RD DMA starts the next line when the current line finishes without waiting for other events. 0x1: RD DMA is stalled at each line end until BYSSout finishes generating horizontal blanking (i.e. the state machine is in the IDLE state). This prevents back pressuring the shared pipelined during horizontal blanking generation. This bit should be set when CAL_BYS_CTRL1.XBLK > 0 and real time traffic goes through the shared pipeline.	RW	0
5:4	RD_PATTERN	Data read pattern 0x0: 0x1: 0x3: Read 2 lines Skip 4 lines 0x2: Read two lines Skip two lines	RW	0x0

Bits	Field Name	Description	Type	Reset
3	ICM_CSTART	Enables monitoring of the ICM_CSTART signal 0x0: Disabled. Ignore CSTART input 0x1: Enabled. Read the number of lines defined by CIRC_SIZE and CIRC_CTRL for each received CSTART pulse.	RW	0
2:0	CIRC_MODE	Circular mode control 0x1: Granularity = 1 line 0x0: Circular mode disabled 0x2: Granularity = 4 lines 0x4: Granularity = 64 lines 0x5: 0x3: Granularity = 16 lines	RW	0x0

Table 8-69. Register Call Summary for Register CAL_RD_DMA_CTRL2

CAMSS Register Manual

- [CAL Register Summary: \[0\]](#)
- [CAL Register Description: \[2\]\[3\]](#)

Table 8-70. CAL_WR_DMA_CTRL_k

Address Offset	0x0000 0200 + (0x10 * k)	Index	k = 0 to 7
Physical Address	0x4845 B200 + (0x10 * k)	Instance	CAL
Description	Write DMA control register		
Type	RW		

31	30	29	28	27	26	25	24	23	22	21	20	19	18	17	16	15	14	13	12	11	10	9	8	7	6	5	4	3	2	1	0
YSIZE								RESERVED				STALL_RD_DMA		CPORT				DTAG		ICM_PSTART	WR_PATTERN		MODE								

Bits	Field Name	Description	Type	Reset
31:18	YSIZE	Maximum number of lines the WR DMA can write to memory. That feature is typically used to prevent writes outside of an allocated memory buffer (may, for example, happen when sync information is lost). 0: No limitation. All received lines are written to memory. 1~2 ¹⁴ -1: maximum number of lines to write to memory	RW	0x0000
17:15	RESERVED	Reserved	R	0x0
14	STALL_RD_DMA	Controls if a the RD DMA shall be stalled when the write context is stalled because it waits for the PSTART pulse. 0x0: Don't stall the read DMA 0x1: Stall the read DMA if the write DMA context is stalled.	RW	0x1
13:9	CPORT	Cport ID	RW	0x00

Bits	Field Name	Description	Type	Reset
8:6	DTAG	Store data tagged as DTAG 0x6: reserved 0x1: Attribute data TAG=ATT_DAT_S; ATT_DAT; ATT_DAT_E 0x7: reserved 0x0: Attribute packet headers. TAG=ATT_HDR_S, ATT_HDR_E 0x2: Control packets TAG=CTRL_HDR_S; CTRL_HDR_E 0x4: Pixel data TAG=PIX_DAT_FS; PIX_DAT_LS; PIX_DAT; PIX_DAT_LE; PIX_DAT_FE; FE_CODE 0x5: reserved 0x3: Pixel packet headers TAG=PIX_HDR_S; PIX_HDR_E	RW	0x0
5	ICM_PSTART	Enables monitoring of the ICM_PSTART[x] signal 0x0: Disabled. Ignore PSTART input 0x1: Enabled. Write the number of lines defined by CAL_WR_DMA_OFST_k.CIRC_MODE for each received PSTART pulse.	RW	0x0
4:3	WR_PATTERN	Data write pattern. The write pattern must be set to linear for formats that don't have a concept of lines. 0x0: Linear 0x1: Reserved 0x3: Write 2 lines Skip 4 lines 0x2: Write two lines Skip two lines	RW	0x0
2:0	MODE	Mode 0x1: Ping/pong destination address on every frame 0x0: Disable 0x2: Continuously write data to memory 0x4: Use CAL_WR_DMA_ADDR_k as base address. 0x5: Reserved 0x3: Initialize start address for continuous mode. The 1st frame will be written at this address and consecutive frames will be appended.	RW	0x0

Table 8-71. Register Call Summary for Register CAL_WR_DMA_CTRL_k

CAMSS Functional Description

- [CAL Write DMA: \[0\]\[1\]\[2\]\[3\]\[6\]\[7\]\[8\]\[9\]\[10\]\[11\]](#)
- [CAL Registers Shadowing: \[12\]\[13\]\[14\]\[15\]](#)

CAMSS Register Manual

- [CAL Register Summary: \[16\]](#)
- [CAL Register Description: \[18\]](#)

Table 8-72. CAL_WR_DMA_ADDR_k

Address Offset	0x0000 0204 + (0x10 * k)	Index	k = 0 to 7
Physical Address	0x4845 B204 + (0x10 * k)	Instance	CAL
Description	Byte address of the top left corner of the buffer to write in system memory		

Table 8-72. CAL_WR_DMA_ADDR_k (continued)

Type		RW																													
31	30	29	28	27	26	25	24	23	22	21	20	19	18	17	16	15	14	13	12	11	10	9	8	7	6	5	4	3	2	1	0
ADDR																											RESERVED				

Bits	Field Name	Description	Type	Reset
31:4	ADDR	Destination address, in words of 16 bytes. This value should be a multiple of 128 bytes for best performance.	RW	0x000 0000
3:0	RESERVED		R	0x0

Table 8-73. Register Call Summary for Register CAL_WR_DMA_ADDR_k

CAMSS Functional Description

- [CAL Write DMA: \[0\]\[1\]\[2\]\[3\]\[4\]\[5\]\[6\]\[7\]](#)
- [CAL Registers Shadowing: \[8\]\[9\]\[10\]](#)

CAMSS Register Manual

- [CAL Register Summary: \[11\]](#)
- [CAL Register Description: \[13\]](#)

Table 8-74. CAL_WR_DMA_OFST_k

Address Offset	0x0000 0208 + (0x10 * k)	Index	k = 0 to 7
Physical Address	0x4845 B208 + (0x10 * k)	Instance	CAL
Description	Offset between two consecutive line starts. Signed value. SW can directly write a signed 32-bit offset into that register. Valid range = -262144 .. 262143		
Type	RW		

31	30	29	28	27	26	25	24	23	22	21	20	19	18	17	16	15	14	13	12	11	10	9	8	7	6	5	4	3	2	1	0
CIRC_SIZE								CIRC_MODE	RESERVED	OFST																RESERVED					

Bits	Field Name	Description	Type	Reset
31:24	CIRC_SIZE	Circular buffer size minus one. Unit defined by the CIRC_MODE register. E.g. Circular buffer size = 16k lines when CIRC_SIZE=255 and CIRC_MODE=3	RW	0x00
23:22	CIRC_MODE	Defines the granularity for circular buffer mode. Circular addressing mode shall be disabled (CIRC_MODE=0) when - CAL_WR_DMA_CTRL_k.MODE is not CONST - for formats that don't have a concept of lines 0x0: Circular addressing mode disabled 0x1: 1 Line 0x3: 64 lines 0x2: 4 lines	RW	0x0
21:19	RESERVED		R	0x0
18:4	OFST	S14. Offset in words of 16 bytes.	RW	0x0000
3:0	RESERVED		R	0x0

Table 8-75. Register Call Summary for Register CAL_WR_DMA_OFST_k

CAMSS Functional Description

- CAMSS Interrupt Events: [0]
- CAL Write DMA: [2][3][4][5][6][7][8][9][10][11][12][13]

CAMSS Register Manual

- CAL Register Summary: [14]
- CAL Register Description: [16]

Table 8-76. CAL_WR_DMA_XSIZE_k

Address Offset	0x0000 020C + (0x10 * k)	Index	k = 0 to 7
Physical Address	0x4845 B20C + (0x10 * k)	Instance	CAL
Description	Defines the size of a line written to memory. The minimum size to be written must be >= 16 bytes		
Type	RW		

31	30	29	28	27	26	25	24	23	22	21	20	19	18	17	16	15	14	13	12	11	10	9	8	7	6	5	4	3	2	1	0
XSIZE								RESERVED								XSKIP								RESERVED							

Bits	Field Name	Description	Type	Reset
31:19	XSIZE	Words of 64-bits to write per line Valid range = 0 or 1..n 0 : write the complete stream until the end is detected. n = stream size in words of 64 bits	RW	0x0000
18:16	RESERVED		R	0x0
15:3	XSKIP	Words of 64 bits to skip from the line start. Valid range: 0...n-1 n = number of 64-bit words in the stream	RW	0x0000
2:0	RESERVED		R	0x0

Table 8-77. Register Call Summary for Register CAL_WR_DMA_XSIZE_k

CAMSS Functional Description

- CAL Write DMA: [0][1][2]

CAMSS Register Manual

- CAL Register Summary: [3]

Table 8-78. CAL_CSI2_PPI_CTRL_I

Address Offset	0x0000 0300 + (0x80 * I)	Index	I = 0 to 1
Physical Address	0x4845 B300 + (0x80 * I)	Instance	CAL
Description	Controls the low level CSI-2 protocol interface (PPI)		
Type	RW		

31	30	29	28	27	26	25	24	23	22	21	20	19	18	17	16	15	14	13	12	11	10	9	8	7	6	5	4	3	2	1	0
RESERVED																FRAME		ECC_EN		RESERVED		IF_EN									

Bits	Field Name	Description	Type	Reset
31:4	RESERVED		R	0x000 0000
3	FRAME	Set the modality in which IF_EN works. 0x0: If IF_EN = 0 the interface is disabled immediately. 0x1: If IF_EN = 1 the interface is disabled after all FEC sync code have been received for the active contexts.	RW	0
2	ECC_EN	Enables the Error Correction Code check for the received header (short and long packets for all virtual channel ids). 0x0: Disabled 0x1: Enabled	RW	0
1	RESERVED		R	0
0	IF_EN	Enables the physical interface to the module. 0x0: The interface is disabled. If CAL_CSI2_PPI_CTRL_I.FRAME = 0, it is disabled immediately. If CAL_CSI2_PPI_CTRL_I.FRAME = 1, it is disabled when all active contexts have received the FE sync code. 0x1: The interface is enabled immediately, the data acquisition starts on the next FS sync code.	RW	0

Table 8-79. Register Call Summary for Register CAL_CSI2_PPI_CTRL_I

CAMSS Functional Description

- [CSI2 Low Level Protocol: \[0\]](#)

CAMSS Register Manual

- [CAL Register Summary: \[1\]](#)
- [CAL Register Description: \[3\]\[4\]\[5\]](#)

Table 8-80. CAL_CSI2_COMPLEXIO_CFG_I

Address Offset	0x0000 0304 + (0x80 * I)	Index	I = 0 to 1
Physical Address	0x4845 B304 + (0x80 * I)	Instance	CAL
Description	<p>COMPLEXIO CONFIGURATION REGISTER This register contains the lane configuration for the order and position of the lanes (clock and data) and the polarity order for the control of the PHY differential signals in addition to the control bit for the power FSM.</p> <p>Note: The following CAL/CSI2 configuration is supported on the AM571x family of devices:</p> <ul style="list-style-type: none"> • CSI2_0: CLK + 4 lane • CSI2_1: CLK + 2 lane <p>A reduced CAL/CSI2 configuration is supported on the AM570x family of devices:</p> <ul style="list-style-type: none"> • CSI2_0: CLK + 2 lane • CSI2_1: Not supported 		
Type	RW		

31	30	29	28	27	26	25	24	23	22	21	20	19	18	17	16	15	14	13	12	11	10	9	8	7	6	5	4	3	2	1	0
RESERVED	RESET_CTRL	RESET_DONE	PWR_CMD	PWR_STATUS	PWR_AUTO	RESERVED	RESERVED	DATA4_POL	DATA4_POSITION	DATA3_POL	DATA3_POSITION	DATA2_POL	DATA2_POSITION	DATA1_POL	DATA1_POSITION	CLOCK_POL	CLOCK_POSITION														

Bits	Field Name	Description	Type	Reset
31	RESERVED		R	0
30	RESET_CTRL	Controls the reset of the complex IO 0x0: Complex IO reset active. 0x1: Complex IO reset de-asserted.	RW	0
29	RESET_DONE	Internal reset monitoring of the power domain using the PPI byte clock from the complex io Read 0x1: Reset completed. Read 0x0: Internal module reset is on going.	R	0
28:27	PWR_CMD	Command for power control of the complex io 0x0: Command to change to OFF state 0x1: Command to change to ON state 0x2: Command to change to Ultra Low Power state	RW	0x0
26:25	PWR_STATUS	Status of the power control of the complex io Read 0x2: Complex IO in Ultra Low Power state Read 0x1: Complex IO in ON state Read 0x0: Complex IO in OFF state	R	0x0
24	PWR_AUTO	Automatic switch between ULP and ON states based on ULPM signals from complex iO 0x0: Disable 0x1: Enable	RW	0
23:20	RESERVED		R	0x0
19	DATA4_POL	+/- differential pin order of DATA lane 4. 0x0: +/- pin order 0x1: -/+ pin order	RW	0
18:16	DATA4_POSITION	Position and order of the DATA lane 4. The values 6 and 7 are reserved. 0x1: Data lane 4 is at the position 1. 0x0: Not used/connected 0x2: Data lane 4 is at the position 2. 0x4: Data lane 4 is at the position 4. 0x5: Data lane 4 is at the position 5. 0x3: Data lane 4 is at the position 3.	RW	0x0
15	DATA3_POL	+/- differential pin order of DATA lane 3. 0x0: +/- pin order 0x1: -/+ pin order	RW	0
14:12	DATA3_POSITION	Position and order of the DATA lane 3. The values 6 and 7 are reserved. 0x1: Data lane 3 is at the position 1. 0x0: Not used/connected 0x2: Data lane 3 is at the position 2. 0x4: Data lane 3 is at the position 4. 0x5: Data lane 3 is at the position 5. 0x3: Data lane 3 is at the position 3.	RW	0x0
11	DATA2_POL	+/- differential pin order of DATA lane 2. 0x0: +/- pin order 0x1: -/+ pin order	RW	0

Bits	Field Name	Description	Type	Reset
10:8	DATA2_POSITION	Position and order of the DATA lane 2. The values 6 and 7 are reserved. 0x1: Data lane 2 is at the position 1. 0x0: Not used/connected 0x2: Data lane 2 is at the position 2. 0x4: Data lane 2 is at the position 4. 0x5: Data lane 2 is at the position 5. 0x3: Data lane 2 is at the position 3.	RW	0x0
7	DATA1_POL	+/- differential pin order of DATA lane 1. 0x0: +/- pin order 0x1: -/+ pin order	RW	0
6:4	DATA1_POSITION	Position and order of the DATA lane 1. 0, 6 and 7 are reserved. The data lane 1 is always present. 0x4: Data lane 1 is at the position 4. 0x1: Data lane 1 is at the position 1. 0x5: Data lane 1 is at the position 5. 0x3: Data lane 1 is at the position 3. 0x2: Data lane 1 is at the position 2.	RW	0x0
3	CLOCK_POL	+/- differential pin order of CLOCK lane. 0x0: +/- pin order 0x1: -/+ pin order	RW	0
2:0	CLOCK_POSITION	Position and order of the CLOCK lane. 0, 6 and 7 are reserved. The clock lane is always present. 0x4: Clock lane is at the position 4. 0x1: Clock lane is at the position 1. 0x5: Clock lane is at the position 5. 0x3: Clock lane is at the position 3. 0x2: Clock lane is at the position 2.	RW	0x0

Table 8-81. Register Call Summary for Register CAL_CSI2_COMPLEXIO_CFG_I

CAMSS Functional Description

- [CSI2 PHY Configuration: \[0\]\[1\]\[2\]\[3\]\[4\]](#)
- [CSI2 PHY Link Initialization Sequence: \[5\]\[6\]\[7\]\[8\]\[9\]\[10\]\[11\]\[12\]\[13\]](#)
- [CSI2 Low Level Protocol: \[14\]\[15\]\[16\]](#)

CAMSS Register Manual

- [CAL Register Summary: \[17\]](#)

Table 8-82. CAL_CSI2_COMPLEXIO_IRQSTATUS_I

Address Offset	0x0000 0308 + (0x80 * I)	Index	I = 0 to 1
Physical Address	0x4845 B308 + (0x80 * I)	Instance	CAL
Description	INTERRUPT STATUS REGISTER - All errors from complex IO #1		
Type	RW		

31	30	29	28	27	26	25	24	23	22	21	20	19	18	17	16	15	14	13	12	11	10	9	8	7	6	5	4	3	2	1	0
RESERVED	ECC_NO_CORRECTION	RESERVED	SHORT_PACKET	FIFO_OVR	STATEALLULPMEXIT	STATEALLULPMENTER	STATEULPM5	STATEULPM4	STATEULPM3	STATEULPM2	STATEULPM1	ERRCONTROL5	ERRCONTROL4	ERRCONTROL3	ERRCONTROL2	ERRCONTROL1	ERRESC5	ERRESC4	ERRESC3	ERRESC2	ERRESC1	ERRSOTSYNCHS5	ERRSOTSYNCHS4	ERRSOTSYNCHS3	ERRSOTSYNCHS2	ERRSOTSYNCHS1	ERRSOTHS5	ERRSOTHS4	ERRSOTHS3	ERRSOTHS2	ERRSOTHS1

Bits	Field Name	Description	Type	Reset
31	RESERVED		R	0
30	ECC_NO_CORRECTION	ECC has not been used to correct the header because there is more than 1-bit error (short and long packets). 0x0: READS: Event is false. WRITES: Status bit unchanged. 0x1: READS: Event is true (pending). WRITES: Status bit is reset.	RW W1toClr	0
29	RESERVED		R	0
28	SHORT_PACKET	Short packet (other than FS, FE, LS, LE) received. 0x0: READS: Event is false. WRITES: Status bit unchanged. 0x1: READS: Event is true (pending). WRITES: Status bit is reset.	RW W1toClr	0
27	FIFO_OVR	CSI-2 low level protocol interface FIFO overflow 0x0: READS: Event is false. WRITES: Status bit unchanged. 0x1: READS: Event is true (pending). WRITES: Status bit is reset.	RW W1toClr	0
26	STATEALLULPMEXIT	At least one of the active lanes has exit the ULPM 0x0: READS: Event is false. WRITES: Status bit unchanged. 0x1: READS: Event is true (pending). WRITES: Status bit is reset.	RW W1toClr	0
25	STATEALLULPMENTER	All active lanes are entering in ULPM. 0x0: READS: Event is false. WRITES: Status bit unchanged. 0x1: READS: Event is true (pending). WRITES: Status bit is reset.	RW W1toClr	0
24	STATEULPM5	Lane #5 in Ultra Low Power Mode 0x0: READS: Event is false. WRITES: Status bit unchanged. 0x1: READS: Event is true (pending). WRITES: Status bit is reset.	RW W1toClr	0
23	STATEULPM4	Lane #4 in Ultra Low Power Mode 0x0: READS: Event is false. WRITES: Status bit unchanged. 0x1: READS: Event is true (pending). WRITES: Status bit is reset.	RW W1toClr	0
22	STATEULPM3	Lane #3 in Ultra Low Power Mode 0x0: READS: Event is false. WRITES: Status bit unchanged. 0x1: READS: Event is true (pending). WRITES: Status bit is reset.	RW W1toClr	0

Bits	Field Name	Description	Type	Reset
21	STATEULPM2	Lane #2 in Ultra Low Power Mode 0x0: READS: Event is false. WRITES: Status bit unchanged. 0x1: READS: Event is true (pending). WRITES: Status bit is reset.	RW W1toClr	0
20	STATEULPM1	Lane #1 in Ultra Low Power Mode 0x0: READS: Event is false. WRITES: Status bit unchanged. 0x1: READS: Event is true (pending). WRITES: Status bit is reset.	RW W1toClr	0
19	ERRCONTROL5	Control error for lane #5 0x0: READS: Event is false. WRITES: Status bit unchanged. 0x1: READS: Event is true (pending). WRITES: Status bit is reset.	RW W1toClr	0
18	ERRCONTROL4	Control error for lane #4 0x0: READS: Event is false. WRITES: Status bit unchanged. 0x1: READS: Event is true (pending). WRITES: Status bit is reset.	RW W1toClr	0
17	ERRCONTROL3	Control error for lane #3 0x0: READS: Event is false. WRITES: Status bit unchanged. 0x1: READS: Event is true (pending). WRITES: Status bit is reset.	RW W1toClr	0
16	ERRCONTROL2	Control error for lane #2 0x0: READS: Event is false. WRITES: Status bit unchanged. 0x1: READS: Event is true (pending). WRITES: Status bit is reset.	RW W1toClr	0
15	ERRCONTROL1	Control error for lane #1 0x0: READS: Event is false. WRITES: Status bit unchanged. 0x1: READS: Event is true (pending). WRITES: Status bit is reset.	RW W1toClr	0
14	ERRESC5	Escape entry error for lane #5 0x0: READS: Event is false. WRITES: Status bit unchanged. 0x1: READS: Event is true (pending). WRITES: Status bit is reset.	RW W1toClr	0
13	ERRESC4	Escape entry error for lane #4 0x0: READS: Event is false. WRITES: Status bit unchanged. 0x1: READS: Event is true (pending). WRITES: Status bit is reset.	RW W1toClr	0
12	ERRESC3	Escape entry error for lane #3 0x0: READS: Event is false. WRITES: Status bit unchanged. 0x1: READS: Event is true (pending). WRITES: Status bit is reset.	RW W1toClr	0
11	ERRESC2	Escape entry error for lane #2 0x0: READS: Event is false. WRITES: Status bit unchanged. 0x1: READS: Event is true (pending). WRITES: Status bit is reset.	RW W1toClr	0

Bits	Field Name	Description	Type	Reset
10	ERRESC1	Escape entry error for lane #1 0x0: READS: Event is false. WRITES: Status bit unchanged. 0x1: READS: Event is true (pending). WRITES: Status bit is reset.	RW W1toClr	0
9	ERRSOTSYNCHS5	Start of transmission sync error for lane #5 0x0: READS: Event is false. WRITES: Status bit unchanged. 0x1: READS: Event is true (pending). WRITES: Status bit is reset.	RW W1toClr	0
8	ERRSOTSYNCHS4	Start of transmission sync error for lane #4 0x0: READS: Event is false. WRITES: Status bit unchanged. 0x1: READS: Event is true (pending). WRITES: Status bit is reset.	RW W1toClr	0
7	ERRSOTSYNCHS3	Start of transmission sync error for lane #3 0x0: READS: Event is false. WRITES: Status bit unchanged. 0x1: READS: Event is true (pending). WRITES: Status bit is reset.	RW W1toClr	0
6	ERRSOTSYNCHS2	Start of transmission sync error for lane #2 0x0: READS: Event is false. WRITES: Status bit unchanged. 0x1: READS: Event is true (pending). WRITES: Status bit is reset.	RW W1toClr	0
5	ERRSOTSYNCHS1	Start of transmission sync error for lane #1 0x0: READS: Event is false. WRITES: Status bit unchanged. 0x1: READS: Event is true (pending). WRITES: Status bit is reset.	RW W1toClr	0
4	ERRSOTHS5	Start of transmission error for lane #5 0x0: READS: Event is false. WRITES: Status bit unchanged. 0x1: READS: Event is true (pending). WRITES: Status bit is reset.	RW W1toClr	0
3	ERRSOTHS4	Start of transmission error for lane #4 0x0: READS: Event is false. WRITES: Status bit unchanged. 0x1: READS: Event is true (pending). WRITES: Status bit is reset.	RW W1toClr	0
2	ERRSOTHS3	Start of transmission error for lane #3 0x0: READS: Event is false. WRITES: Status bit unchanged. 0x1: READS: Event is true (pending). WRITES: Status bit is reset.	RW W1toClr	0
1	ERRSOTHS2	Start of transmission error for lane #2 0x0: READS: Event is false. WRITES: Status bit unchanged. 0x1: READS: Event is true (pending). WRITES: Status bit is reset.	RW W1toClr	0
0	ERRSOTHS1	Start of transmission error for lane #1 0x0: READS: Event is false. WRITES: Status bit unchanged. 0x1: READS: Event is true (pending). WRITES: Status bit is reset.	RW W1toClr	0

Table 8-83. Register Call Summary for Register CAL_CSI2_COMPLEXIO_IRQSTATUS_I

CAMSS Functional Description

- [CAMSS Interrupt Events: \[0\]\[1\]\[2\]](#)
- [CSI2 PHY Configuration: \[3\]](#)
- [CSI2 Low Level Protocol: \[4\]](#)

CAMSS Register Manual

- [CAL Register Summary: \[5\]](#)

Table 8-84. CAL_CSI2_SHORT_PACKET_I

Address Offset	0x0000 030C + (0x80 * I)	Index	I = 0 to 1
Physical Address	0x4845 B30C + (0x80 * I)	Instance	CAL
Description	SHORT PACKET INFORMATION - This register sets the 24-bit DATA_ID + Short Packet Data Field when the data type is between 0x8 and x0F		
Type	R		

31	30	29	28	27	26	25	24	23	22	21	20	19	18	17	16	15	14	13	12	11	10	9	8	7	6	5	4	3	2	1	0
RESERVED								SHORT_PACKET																							

Bits	Field Name	Description	Type	Reset
31:24	RESERVED	Reads returns 0.	R	0x00
23:0	SHORT_PACKET	Short Packet information: DATA ID + DATA FIELD	R	0x00 0000

Table 8-85. Register Call Summary for Register CAL_CSI2_SHORT_PACKET_I

CAMSS Functional Description

- [CSI2 Low Level Protocol: \[0\]](#)

CAMSS Register Manual

- [CAL Register Summary: \[1\]](#)

Table 8-86. CAL_CSI2_COMPLEXIO_IRQENABLE_I

Address Offset	0x0000 0310 + (0x80 * I)	Index	I = 0 to 1
Physical Address	0x4845 B310 + (0x80 * I)	Instance	CAL
Description	INTERRUPT ENABLE REGISTER - All errors from complex IO #1		
Type	RW		

31	30	29	28	27	26	25	24	23	22	21	20	19	18	17	16	15	14	13	12	11	10	9	8	7	6	5	4	3	2	1	0
RESERVED	ECC_NO_CORRECTION	RESERVED	SHORT_PACKET	FIFO_OVR	STATEALLUPMEXIT	STATEALLUPMENTER	STATEULPM5	STATEULPM4	STATEULPM3	STATEULPM2	STATEULPM1	ERRCONTROL5	ERRCONTROL4	ERRCONTROL3	ERRCONTROL2	ERRCONTROL1	ERRESC5	ERRESC4	ERRESC3	ERRESC2	ERRESC1	ERRSOTSYNCHS5	ERRSOTSYNCHS4	ERRSOTSYNCHS3	ERRSOTSYNCHS2	ERRSOTSYNCHS1	ERRSOTHS5	ERRSOTHS4	ERRSOTHS3	ERRSOTHS2	ERRSOTHS1

Bits	Field Name	Description	Type	Reset
31	RESERVED		R	0
30	ECC_NO_CORRECTION	ECC has not been used to correct the header because there is more than 1-bit error (short and long packets). 0x0: Event is masked 0x1: Event generates an interrupt when it occurs	RW	0
29	RESERVED		R	0
28	SHORT_PACKET	Short packet (other than FS, FE, LS, LE) received. 0x0: Event is masked 0x1: Event generates an interrupt when it occurs	RW	0
27	FIFO_OVR	CSI-2 low level protocol interface FIFO overflow 0x0: Event is masked 0x1: Event generates an interrupt when it occurs	RW	0
26	STATEALLULPMEXIT	At least one of the active lanes has exit the ULPM 0x0: Event is masked 0x1: Event generates an interrupt when it occurs	RW	0
25	STATEALLULPMENTER	All active lanes are entering in ULPM. 0x0: Event is masked 0x1: Event generates an interrupt when it occurs	RW	0
24	STATEULPM5	Lane #5 in Ultra Low Power Mode 0x0: Event is masked 0x1: Event generates an interrupt when it occurs	RW	0
23	STATEULPM4	Lane #4 in Ultra Low Power Mode 0x0: Event is masked 0x1: Event generates an interrupt when it occurs	RW	0
22	STATEULPM3	Lane #3 in Ultra Low Power Mode 0x0: Event is masked 0x1: Event generates an interrupt when it occurs	RW	0
21	STATEULPM2	Lane #2 in Ultra Low Power Mode 0x0: Event is masked 0x1: Event generates an interrupt when it occurs	RW	0
20	STATEULPM1	Lane #1 in Ultra Low Power Mode 0x0: Event is masked 0x1: Event generates an interrupt when it occurs	RW	0
19	ERRCONTROL5	Control error for lane #5 0x0: Event is masked 0x1: Event generates an interrupt when it occurs	RW	0
18	ERRCONTROL4	Control error for lane #4 0x0: Event is masked 0x1: Event generates an interrupt when it occurs	RW	0
17	ERRCONTROL3	Control error for lane #3 0x0: Event is masked 0x1: Event generates an interrupt when it occurs	RW	0
16	ERRCONTROL2	Control error for lane #2 0x0: Event is masked 0x1: Event generates an interrupt when it occurs	RW	0
15	ERRCONTROL1	Control error for lane #1 0x0: Event is masked 0x1: Event generates an interrupt when it occurs	RW	0

Bits	Field Name	Description	Type	Reset
14	ERRESC5	Escape entry error for lane #5 0x0: Event is masked 0x1: Event generates an interrupt when it occurs	RW	0
13	ERRESC4	Escape entry error for lane #4 0x0: Event is masked 0x1: Event generates an interrupt when it occurs	RW	0
12	ERRESC3	Escape entry error for lane #3 0x0: Event is masked 0x1: Event generates an interrupt when it occurs	RW	0
11	ERRESC2	Escape entry error for lane #2 0x0: Event is masked 0x1: Event generates an interrupt when it occurs	RW	0
10	ERRESC1	Escape entry error for lane #1 0x0: Event is masked 0x1: Event generates an interrupt when it occurs	RW	0
9	ERRSOTSYNCHS5	Start of transmission sync error for lane #5 0x0: Event is masked 0x1: Event generates an interrupt when it occurs	RW	0
8	ERRSOTSYNCHS4	Start of transmission sync error for lane #4 0x0: Event is masked 0x1: Event generates an interrupt when it occurs	RW	0
7	ERRSOTSYNCHS3	Start of transmission sync error for lane #3 0x0: Event is masked 0x1: Event generates an interrupt when it occurs	RW	0
6	ERRSOTSYNCHS2	Start of transmission sync error for lane #2 0x0: Event is masked 0x1: Event generates an interrupt when it occurs	RW	0
5	ERRSOTSYNCHS1	Start of transmission sync error for lane #1 0x0: Event is masked 0x1: Event generates an interrupt when it occurs	RW	0
4	ERRSOTHS5	Start of transmission error for lane #5 0x0: Event is masked 0x1: Event generates an interrupt when it occurs	RW	0
3	ERRSOTHS4	Start of transmission error for lane #4 0x0: Event is masked 0x1: Event generates an interrupt when it occurs	RW	0
2	ERRSOTHS3	Start of transmission error for lane #3 0x0: Event is masked 0x1: Event generates an interrupt when it occurs	RW	0
1	ERRSOTHS2	Start of transmission error for lane #2 0x0: Event is masked 0x1: Event generates an interrupt when it occurs	RW	0
0	ERRSOTHS1	Start of transmission error for lane #1 0x0: Event is masked 0x1: Event generates an interrupt when it occurs	RW	0

Table 8-87. Register Call Summary for Register CAL_CSI2_COMPLEXIO_IRQENABLE_I

CAMSS Functional Description

- [CAMSS Interrupt Events: \[0\]\[1\]\[2\]\[3\]\[4\]\[5\]\[6\]\[7\]\[8\]\[9\]\[10\]\[11\]\[12\]\[13\]\[14\]\[15\]\[16\]\[17\]\[18\]\[19\]\[20\]\[21\]\[22\]\[23\]\[24\]\[25\]\[26\]\[27\]\[28\]\[29\]\[30\]\[31\]\[32\]](#)
- [CSI2 Low Level Protocol: \[33\]](#)

CAMSS Register Manual

- [CAL Register Summary: \[34\]](#)

Table 8-88. CAL_CSI2_TIMING_I

Address Offset	0x0000 0314 + (0x80 * I)	Index	I = 0 to 1
Physical Address	0x4845 B314 + (0x80 * I)	Instance	CAL
Description	TIMING REGISTER This register shall not be =modified when CAL_CSI2_PPI_CTRL_I .IF_EN=1 It is used to indicate the number of functional clock cycles for the Stop State monitoring.		
Type	RW		

31	30	29	28	27	26	25	24	23	22	21	20	19	18	17	16	15	14	13	12	11	10	9	8	7	6	5	4	3	2	1	0
RESERVED																FORCE_RX_MODE_IO1	STOP_STATE_X16_IO1	STOP_STATE_X4_IO1	STOP_STATE_COUNTER_IO1												

Bits	Field Name	Description	Type	Reset
31:16	RESERVED		R	0x0000
15	FORCE_RX_MODE_IO1	Control of ForceRxMode signal 0x0: De-assertion of ForceRxMode. The HW reset the bit at the end of the Force RX Mode assertion. The SW can reset the bit in order to stop the assertion of the ForceRXMode signal prior to the completion of the period. 0x1: Assertion of ForceRxMode	RW	0
14	STOP_STATE_X16_IO1	Multiplication factor for the number of L3 cycles defined in STOP_STATE_COUNTER bit-field 0x0: The number of L3 cycles defined in STOP_STATE_COUNTER is multiplied by 1x 0x1: The number of L3 cycles defined in STOP_STATE_COUNTER is multiplied by 16x	RW	1
13	STOP_STATE_X4_IO1	Multiplication factor for the number of L3 cycles defined in STOP_STATE_COUNTER bit-field 0x0: The number of L3 cycles defined in STOP_STATE_COUNTER is multiplied by 1x 0x1: The number of L3 cycles defined in STOP_STATE_COUNTER is multiplied by 4x	RW	1
12:0	STOP_STATE_COUNTER_IO1	Stop State counter for monitoring. It indicates the number of L3 to monitor for Stop State before de-asserting ForceRxMode (Complex IO #1). The value is from 0 to 8191.	RW	0x1FFF

Table 8-89. Register Call Summary for Register CAL_CSI2_TIMING_I

CAMSS Functional Description

- [CSI2 PHY Configuration: \[0\]\[1\]\[2\]\[3\]\[4\]\[5\]\[6\]\[7\]\[8\]](#)
- [CSI2 PHY Link Initialization Sequence: \[9\]\[10\]\[11\]](#)

CAMSS Register Manual

- [CAL Register Summary: \[12\]](#)

Table 8-90. CAL_CSI2_VC_IRQENABLE_I

Address Offset	0x0000 0318 + (0x80 * I)	Index	I = 0 to 1
Physical Address	0x4845 B318 + (0x80 * I)	Instance	CAL
Description	INTERRUPT ENABLE REGISTER - Virtual channels		
Type	RW		

31	30	29	28	27	26	25	24	23	22	21	20	19	18	17	16	15	14	13	12	11	10	9	8	7	6	5	4	3	2	1	0
RESERVED	ECC_CORRECTION0_IRQ_3	CS_IRQ_3	LE_IRQ_3	LS_IRQ_3	FE_IRQ_3	FS_IRQ_3	RESERVED	ECC_CORRECTION0_IRQ_2	CS_IRQ_2	LE_IRQ_2	LS_IRQ_2	FE_IRQ_2	FS_IRQ_2	RESERVED	ECC_CORRECTION0_IRQ_1	CS_IRQ_1	LE_IRQ_1	LS_IRQ_1	FE_IRQ_1	FS_IRQ_1	RESERVED	ECC_CORRECTION0_IRQ_0	CS_IRQ_0	LE_IRQ_0	LS_IRQ_0	FE_IRQ_0	FS_IRQ_0				

Bits	Field Name	Description	Type	Reset
31:30	RESERVED		R	0x0
29	ECC_CORRECTION0_IRQ_3	ECC has been used to correct the only 1-bit error 0x0: Event is masked 0x1: Event generates an interrupt when it occurs	RW	0
28	CS_IRQ_3	Check-Sum of the payload mismatch detection 0x0: Event is masked 0x1: Event generates an interrupt when it occurs	RW	0
27	LE_IRQ_3	Line end sync code detection. 0x0: Event is masked 0x1: Event generates an interrupt when it occurs	RW	0
26	LS_IRQ_3	Line start sync code detection. 0x0: Event is masked 0x1: Event generates an interrupt when it occurs	RW	0
25	FE_IRQ_3	Frame end sync code detection. 0x0: Event is masked 0x1: Event generates an interrupt when it occurs	RW	0
24	FS_IRQ_3	Frame start sync code detection. 0x0: Event is masked 0x1: Event generates an interrupt when it occurs	RW	0
23:22	RESERVED		R	0x0
21	ECC_CORRECTION0_IRQ_2	ECC has been used to correct the only 1-bit error 0x0: Event is masked 0x1: Event generates an interrupt when it occurs	RW	0

Bits	Field Name	Description	Type	Reset
20	CS_IRQ_2	Check-Sum of the payload mismatch detection 0x0: Event is masked 0x1: Event generates an interrupt when it occurs	RW	0
19	LE_IRQ_2	Line end sync code detection. 0x0: Event is masked 0x1: Event generates an interrupt when it occurs	RW	0
18	LS_IRQ_2	Line start sync code detection. 0x0: Event is masked 0x1: Event generates an interrupt when it occurs	RW	0
17	FE_IRQ_2	Frame end sync code detection. 0x0: Event is masked 0x1: Event generates an interrupt when it occurs	RW	0
16	FS_IRQ_2	Frame start sync code detection. 0x0: Event is masked 0x1: Event generates an interrupt when it occurs	RW	0
15:14	RESERVED		R	0x0
13	ECC_CORRECTION0_IRQ_1	ECC has been used to correct the only 1-bit error 0x0: Event is masked 0x1: Event generates an interrupt when it occurs	RW	0
12	CS_IRQ_1	Check-Sum of the payload mismatch detection 0x0: Event is masked 0x1: Event generates an interrupt when it occurs	RW	0
11	LE_IRQ_1	Line end sync code detection. 0x0: Event is masked 0x1: Event generates an interrupt when it occurs	RW	0
10	LS_IRQ_1	Line start sync code detection. 0x0: Event is masked 0x1: Event generates an interrupt when it occurs	RW	0
9	FE_IRQ_1	Frame end sync code detection. 0x0: Event is masked 0x1: Event generates an interrupt when it occurs	RW	0
8	FS_IRQ_1	Frame start sync code detection. 0x0: Event is masked 0x1: Event generates an interrupt when it occurs	RW	0
7:6	RESERVED		R	0x0
5	ECC_CORRECTION0_IRQ_0	ECC has been used to correct the only 1-bit error 0x0: Event is masked 0x1: Event generates an interrupt when it occurs	RW	0
4	CS_IRQ_0	Check-Sum of the payload mismatch detection 0x0: Event is masked 0x1: Event generates an interrupt when it occurs	RW	0
3	LE_IRQ_0	Line end sync code detection. 0x0: Event is masked 0x1: Event generates an interrupt when it occurs	RW	0
2	LS_IRQ_0	Line start sync code detection. 0x0: Event is masked 0x1: Event generates an interrupt when it occurs	RW	0

Bits	Field Name	Description	Type	Reset
1	FE_IRQ_0	Frame end sync code detection. 0x0: Event is masked 0x1: Event generates an interrupt when it occurs	RW	0
0	FS_IRQ_0	Frame start sync code detection. 0x0: Event is masked 0x1: Event generates an interrupt when it occurs	RW	0

Table 8-91. Register Call Summary for Register CAL_CSI2_VC_IRQENABLE_I

CAMSS Functional Description

- [CAMSS Interrupt Events: \[0\]\[1\]\[2\]\[3\]\[4\]\[5\]\[6\]\[7\]](#)
- [CSI2 Low Level Protocol: \[8\]\[9\]](#)

CAMSS Register Manual

- [CAL Register Summary: \[10\]](#)

Table 8-92. CAL_CSI2_VC_IRQSTATUS_I

Address Offset	0x0000 0328 + (0x80 * I)	Index	I = 0 to 1
Physical Address	0x4845 B328 + (0x80 * I)	Instance	CAL
Description	INTERRUPT STATUS REGISTER - Virtual channels This register regroupes all the events related to Context.		
Type	RW		

31	30	29	28	27	26	25	24	23	22	21	20	19	18	17	16	15	14	13	12	11	10	9	8	7	6	5	4	3	2	1	0
RESERVED	RESERVED	ECC_CORRECTION_IRQ_3	CS_IRQ_3	LE_IRQ_3	LS_IRQ_3	FE_IRQ_3	FS_IRQ_3	RESERVED	RESERVED	ECC_CORRECTION_IRQ_2	CS_IRQ_2	LE_IRQ_2	LS_IRQ_2	FE_IRQ_2	FS_IRQ_2	RESERVED	RESERVED	ECC_CORRECTION_IRQ_1	CS_IRQ_1	LE_IRQ_1	LS_IRQ_1	FE_IRQ_1	FS_IRQ_1	RESERVED	RESERVED	ECC_CORRECTION_IRQ_0	CS_IRQ_0	LE_IRQ_0	LS_IRQ_0	FE_IRQ_0	FS_IRQ_0

Bits	Field Name	Description	Type	Reset
31:30	RESERVED		R	0x0
29	ECC_CORRECTION_IRQ_3	ECC has been used to do the correction of the only 1-bit error status 0x0: READS: Event is false. WRITES: Status bit unchanged. 0x1: READS: Event is true (pending). WRITES: Status bit is reset.	RW W1toClr	0
28	CS_IRQ_3	Check-Sum mismatch status. 0x0: READS: Event is false. WRITES: Status bit unchanged. 0x1: READS: Event is true (pending). WRITES: Status bit is reset.	RW W1toClr	0
27	LE_IRQ_3	Line end sync code detection status. 0x0: READS: Event is false. WRITES: Status bit unchanged. 0x1: READS: Event is true (pending). WRITES: Status bit is reset.	RW W1toClr	0

Bits	Field Name	Description	Type	Reset
26	LS_IRQ_3	Line start sync code detection status. 0x0: READS: Event is false. WRITES: Status bit unchanged. 0x1: READS: Event is true (pending). WRITES: Status bit is reset.	RW W1toClr	0
25	FE_IRQ_3	Frame end sync code detection status. 0x0: READS: Event is false. WRITES: Status bit unchanged. 0x1: READS: Event is true (pending). WRITES: Status bit is reset.	RW W1toClr	0
24	FS_IRQ_3	Frame start sync code detection status. 0x0: READS: Event is false. WRITES: Status bit unchanged. 0x1: READS: Event is true (pending). WRITES: Status bit is reset.	RW W1toClr	0
23:22	RESERVED		R	0x0
21	ECC_CORRECTION_IRQ_2	ECC has been used to do the correction of the only 1-bit error status 0x0: READS: Event is false. WRITES: Status bit unchanged. 0x1: READS: Event is true (pending). WRITES: Status bit is reset.	RW W1toClr	0
20	CS_IRQ_2	Check-Sum mismatch status. 0x0: READS: Event is false. WRITES: Status bit unchanged. 0x1: READS: Event is true (pending). WRITES: Status bit is reset.	RW W1toClr	0
19	LE_IRQ_2	Line end sync code detection status. 0x0: READS: Event is false. WRITES: Status bit unchanged. 0x1: READS: Event is true (pending). WRITES: Status bit is reset.	RW W1toClr	0
18	LS_IRQ_2	Line start sync code detection status. 0x0: READS: Event is false. WRITES: Status bit unchanged. 0x1: READS: Event is true (pending). WRITES: Status bit is reset.	RW W1toClr	0
17	FE_IRQ_2	Frame end sync code detection status. 0x0: READS: Event is false. WRITES: Status bit unchanged. 0x1: READS: Event is true (pending). WRITES: Status bit is reset.	RW W1toClr	0
16	FS_IRQ_2	Frame start sync code detection status. 0x0: READS: Event is false. WRITES: Status bit unchanged. 0x1: READS: Event is true (pending). WRITES: Status bit is reset.	RW W1toClr	0
15:14	RESERVED		R	0x0
13	ECC_CORRECTION_IRQ_1	ECC has been used to do the correction of the only 1-bit error status 0x0: READS: Event is false. WRITES: Status bit unchanged. 0x1: READS: Event is true (pending). WRITES: Status bit is reset.	RW W1toClr	0

Bits	Field Name	Description	Type	Reset
12	CS_IRQ_1	Check-Sum mismatch status. 0x0: READS: Event is false. WRITES: Status bit unchanged. 0x1: READS: Event is true (pending). WRITES: Status bit is reset.	RW W1toClr	0
11	LE_IRQ_1	Line end sync code detection status. 0x0: READS: Event is false. WRITES: Status bit unchanged. 0x1: READS: Event is true (pending). WRITES: Status bit is reset.	RW W1toClr	0
10	LS_IRQ_1	Line start sync code detection status. 0x0: READS: Event is false. WRITES: Status bit unchanged. 0x1: READS: Event is true (pending). WRITES: Status bit is reset.	RW W1toClr	0
9	FE_IRQ_1	Frame end sync code detection status. 0x0: READS: Event is false. WRITES: Status bit unchanged. 0x1: READS: Event is true (pending). WRITES: Status bit is reset.	RW W1toClr	0
8	FS_IRQ_1	Frame start sync code detection status. 0x0: READS: Event is false. WRITES: Status bit unchanged. 0x1: READS: Event is true (pending). WRITES: Status bit is reset.	RW W1toClr	0
7:6	RESERVED		R	0x0
5	ECC_CORRECTION_IRQ_0	ECC has been used to do the correction of the only 1-bit error status 0x0: READS: Event is false. WRITES: Status bit unchanged. 0x1: READS: Event is true (pending). WRITES: Status bit is reset.	RW W1toClr	0
4	CS_IRQ_0	Check-Sum mismatch status. 0x0: READS: Event is false. WRITES: Status bit unchanged. 0x1: READS: Event is true (pending). WRITES: Status bit is reset.	RW W1toClr	0
3	LE_IRQ_0	Line end sync code detection status. 0x0: READS: Event is false. WRITES: Status bit unchanged. 0x1: READS: Event is true (pending). WRITES: Status bit is reset.	RW W1toClr	0
2	LS_IRQ_0	Line start sync code detection status. 0x0: READS: Event is false. WRITES: Status bit unchanged. 0x1: READS: Event is true (pending). WRITES: Status bit is reset.	RW W1toClr	0
1	FE_IRQ_0	Frame end sync code detection status. 0x0: READS: Event is false. WRITES: Status bit unchanged. 0x1: READS: Event is true (pending). WRITES: Status bit is reset.	RW W1toClr	0

Bits	Field Name	Description	Type	Reset
0	FS_IRQ_0	Frame start sync code detection status. 0x0: READS: Event is false. WRITES: Status bit unchanged. 0x1: READS: Event is true (pending). WRITES: Status bit is reset.	RW W1toClr	0

Table 8-93. Register Call Summary for Register CAL_CSI2_VC_IRQSTATUS_I

CAMSS Functional Description

- [CAMSS Interrupt Events: \[0\]\[1\]](#)
- [CSI2 Low Level Protocol: \[2\]\[3\]\[4\]](#)

CAMSS Register Manual

- [CAL Register Summary: \[5\]](#)

Table 8-94. CAL_CSI2_CTX0_I

Address Offset	0x0000 0330 + (0x80 * I)	Index	I = 0 to 1
Physical Address	0x4845 B330 + (0x80 * I)	Instance	CAL
Description	Context control		
Type	RW		

31	30	29	28	27	26	25	24	23	22	21	20	19	18	17	16	15	14	13	12	11	10	9	8	7	6	5	4	3	2	1	0
RESERVED	LINES															RESERVED	PACK_MODE	ATT	CPORT				VC	DT							

Bits	Field Name	Description	Type	Reset
31:30	RESERVED		R	0x0
29:16	LINES	Number of expected lines 0: Number of lines unknown. TAG generation FSM will insert a dummy line upon reception of a FE short packet. Other values: Number of lines	RW	0x0000
15	RESERVED		R	0
14	PACK_MODE	Controls the data packing behavior 0x0: Line mode Data is packed in between line boundaries. Line boundaries are preserved. Recommended mode for pixel data. 0x1: Frame mode Data is packed in between frame boundaries. Line boundaries are removed. Recommended mode for JPEG data.	RW	0
13	ATT	Selects which tags to use for the CAL internal pipeline 0x0: Data tagged as Pixel Data 0x1: Data tagged as Attributes / Embedded Data	RW	0
12:8	CPORT	CAL internal CPort ID to use for Data	RW	0x00
7:6	VC	Virtual channel	RW	0x0
5:0	DT	DT value received over CSI-2 to use for data. 0x00 : context is disabled (don't receive data) 0x01 : filter is disabled (accept any DT) 0x02 ~ 0x0F: reserved 0x10 ~ 0x3F: receive data with Data Type field = DT	RW	0x00

Table 8-95. Register Call Summary for Register CAL_CSI2_CTX0_I

CAMSS Functional Description

- [CSI2 Low Level Protocol: \[0\]](#)

CAMSS Register Manual

- [CAL Register Summary: \[1\]](#)

Table 8-96. CAL_CSI2_CTX1_I

Address Offset	0x0000 0334 + (0x80 * I)	Index	I = 0 to 1
Physical Address	0x4845 B334 + (0x80 * I)	Instance	CAL
Description	Context control		
Type	RW		

31	30	29	28	27	26	25	24	23	22	21	20	19	18	17	16	15	14	13	12	11	10	9	8	7	6	5	4	3	2	1	0
RESERVED								LINES								RESERVED	PACK_MODE	ATT	CPORT						VC	DT					

Bits	Field Name	Description	Type	Reset
31:30	RESERVED		R	0x0
29:16	LINES	Number of expected lines 0: Number of lines unknown. TAG generation FSM will insert a dummy line upon reception of a FE short packet. Other values: Number of lines	RW	0x0000
15	RESERVED		R	0
14	PACK_MODE	Controls the data packing behavior 0x0: Line mode Data is packed in between line boundaries. Line boundaries are preserved. Recommended mode for pixel data. 0x1: Frame mode Data is packed in between frame boundaries. Line boundaries are removed. Recommended mode for JPEG data.	RW	0
13	ATT	Selects which tags to use for the CAL internal pipeline 0x0: Data tagged as Pixel Data 0x1: Data tagged as Attributes / Embedded Data	RW	0
12:8	CPORT	CAL internal CPort ID to use for Data	RW	0x00
7:6	VC	Virtual channel	RW	0x0
5:0	DT	DT value received over CSI-2 to use for data. 0x00 : context is disabled (don't receive data) 0x01 : filter is disabled (accept any DT) 0x02 ~ 0x0F: reserved 0x10 ~ 0x3F: receive data with Data Type field = DT	RW	0x00

Table 8-97. Register Call Summary for Register CAL_CSI2_CTX1_I

CAMSS Register Manual

- [CAL Register Summary: \[0\]](#)

Table 8-98. CAL_CSI2_CTX2_I

Address Offset	0x0000 0338 + (0x80 * I)	Index	I = 0 to 1
Physical Address	0x4845 B338 + (0x80 * I)	Instance	CAL
Description	Context control		
Type	RW		

31	30	29	28	27	26	25	24	23	22	21	20	19	18	17	16	15	14	13	12	11	10	9	8	7	6	5	4	3	2	1	0
RESERVED		LINES														RESERVED	PACK_MODE	ATT	CPORT					VC	DT						

Bits	Field Name	Description	Type	Reset
31:30	RESERVED		R	0x0
29:16	LINES	Number of expected lines 0: Number of lines unknown. TAG generation FSM will insert a dummy line upon reception of a FE short packet. Other values: Number of lines	RW	0x0000
15	RESERVED		R	0
14	PACK_MODE	Controls the data packing behavior 0x0: Line mode Data is packed in between line boundaries. Line boundaries are preserved. Recommended mode for pixel data. 0x1: Frame mode Data is packed in between frame boundaries. Line boundaries are removed. Recommended mode for JPEG data.	RW	0
13	ATT	Selects which tags to use for the CAL internal pipeline 0x0: Data tagged as Pixel Data 0x1: Data tagged as Attributes / Embedded Data	RW	0
12:8	CPORT	CAL internal CPort ID to use for Data	RW	0x00
7:6	VC	Virtual channel	RW	0x0
5:0	DT	DT value received over CSI-2 to use for data. 0x00 : context is disabled (don't receive data) 0x01 : filter is disabled (accept any DT) 0x02 ~ 0x0F: reserved 0x10 ~ 0x3F: receive data with Data Type field = DT	RW	0x00

Table 8-99. Register Call Summary for Register CAL_CSI2_CTX2_I

CAMSS Register Manual

- [CAL Register Summary: \[0\]](#)

Table 8-100. CAL_CSI2_CTX3_I

Address Offset	0x0000 033C + (0x80 * I)	Index	I = 0 to 1
Physical Address	0x4845 B33C + (0x80 * I)	Instance	CAL
Description	Context control		
Type	RW		

31	30	29	28	27	26	25	24	23	22	21	20	19	18	17	16	15	14	13	12	11	10	9	8	7	6	5	4	3	2	1	0	
RESERVED								LINES								RESERVED	PACK_MODE	ATT	CPORT						VC		DT					

Bits	Field Name	Description	Type	Reset
31:30	RESERVED		R	0x0
29:16	LINES	Number of expected lines 0: Number of lines unknown. TAG generation FSM will insert a dummy line upon reception of a FE short packet. Other values: Number of lines	RW	0x0000
15	RESERVED		R	0
14	PACK_MODE	Controls the data packing behavior 0x0: Line mode Data is packed in between line boundaries. Line boundaries are preserved. Recommended mode for pixel data. 0x1: Frame mode Data is packed in between frame boundaries. Line boundaries are removed. Recommended mode for JPEG data.	RW	0
13	ATT	Selects which tags to use for the CAL internal pipeline 0x0: Data tagged as Pixel Data 0x1: Data tagged as Attributes / Embedded Data	RW	0
12:8	CPORT	CAL internal CPort ID to use for Data	RW	0x00
7:6	VC	Virtual channel	RW	0x0
5:0	DT	DT value received over CSI-2 to use for data. 0x00 : context is disabled (don't receive data) 0x01 : filter is disabled (accept any DT) 0x02 ~ 0x0F: reserved 0x10 ~ 0x3F: receive data with Data Type field = DT	RW	0x00

Table 8-101. Register Call Summary for Register CAL_CSI2_CTX3_I

CAMSS Register Manual

- [CAL Register Summary: \[0\]](#)

Table 8-102. CAL_CSI2_CTX4_I

Address Offset	0x0000 0340 + (0x80 * I)	Index	I = 0 to 1
Physical Address	0x4845 B340 + (0x80 * I)	Instance	CAL
Description	Context control		
Type	RW		

31	30	29	28	27	26	25	24	23	22	21	20	19	18	17	16	15	14	13	12	11	10	9	8	7	6	5	4	3	2	1	0	
RESERVED								LINES								RESERVED	PACK_MODE	ATT	CPORT						VC		DT					

Bits	Field Name	Description	Type	Reset
31:30	RESERVED		R	0x0
29:16	LINES	Number of expected lines 0: Number of lines unknown. TAG generation FSM will insert a dummy line upon reception of a FE short packet. Other values: Number of lines	RW	0x0000
15	RESERVED		R	0
14	PACK_MODE	Controls the data packing behavior 0x0: Line mode Data is packed in between line boundaries. Line boundaries are preserved. Recommended mode for pixel data. 0x1: Frame mode Data is packed in between frame boundaries. Line boundaries are removed. Recommended mode for JPEG data.	RW	0
13	ATT	Selects which tags to use for the CAL internal pipeline 0x0: Data tagged as Pixel Data 0x1: Data tagged as Attributes / Embedded Data	RW	0
12:8	CPORT	CAL internal CPort ID to use for Data	RW	0x00
7:6	VC	Virtual channel	RW	0x0
5:0	DT	DT value received over CSI-2 to use for data. 0x00 : context is disabled (don't receive data) 0x01 : filter is disabled (accept any DT) 0x02 ~ 0x0F: reserved 0x10 ~ 0x3F: receive data with Data Type field = DT	RW	0x00

Table 8-103. Register Call Summary for Register CAL_CSI2_CTX4_I

CAMSS Register Manual

- [CAL Register Summary: \[0\]](#)

Table 8-104. CAL_CSI2_CTX5_I

Address Offset	0x0000 0344 + (0x80 * I)	Index	I = 0 to 1
Physical Address	0x4845 B344 + (0x80 * I)	Instance	CAL
Description	Context control		
Type	RW		

31	30	29	28	27	26	25	24	23	22	21	20	19	18	17	16	15	14	13	12	11	10	9	8	7	6	5	4	3	2	1	0
RESERVED								LINES								RESERVED	PACK_MODE	ATT		CPORT				VC							DT

Bits	Field Name	Description	Type	Reset
31:30	RESERVED		R	0x0
29:16	LINES	Number of expected lines 0: Number of lines unknown. TAG generation FSM will insert a dummy line upon reception of a FE short packet. Other values: Number of lines	RW	0x0000
15	RESERVED		R	0

Bits	Field Name	Description	Type	Reset
14	PACK_MODE	Controls the data packing behavior 0x0: Line mode Data is packed in between line boundaries. Line boundaries are preserved. Recommended mode for pixel data. 0x1: Frame mode Data is packed in between frame boundaries. Line boundaries are removed. Recommended mode for JPEG data.	RW	0
13	ATT	Selects which tags to use for the CAL internal pipeline 0x0: Data tagged as Pixel Data 0x1: Data tagged as Attributes / Embedded Data	RW	0
12:8	CPORT	CAL internal CPort ID to use for Data	RW	0x00
7:6	VC	Virtual channel	RW	0x0
5:0	DT	DT value received over CSI-2 to use for data. 0x00 : context is disabled (don't receive data) 0x01 : filter is disabled (accept any DT) 0x02 ~ 0x0F: reserved 0x10 ~ 0x3F: receive data with Data Type field = DT	RW	0x00

Table 8-105. Register Call Summary for Register CAL_CSI2_CTX5_I

CAMSS Register Manual

- [CAL Register Summary: \[0\]](#)

Table 8-106. CAL_CSI2_CTX6_I

Address Offset	0x0000 0348 + (0x80 * I)	Index	I = 0 to 1
Physical Address	0x4845 B348 + (0x80 * I)	Instance	CAL
Description	Context control		
Type	RW		

31	30	29	28	27	26	25	24	23	22	21	20	19	18	17	16	15	14	13	12	11	10	9	8	7	6	5	4	3	2	1	0
RESERVED	LINES																RESERVED	PACK_MODE	ATT	CPORT				VC	DT						

Bits	Field Name	Description	Type	Reset
31:30	RESERVED		R	0x0
29:16	LINES	Number of expected lines 0: Number of lines unknown. TAG generation FSM will insert a dummy line upon reception of a FE short packet. Other values: Number of lines	RW	0x0000
15	RESERVED		R	0
14	PACK_MODE	Controls the data packing behavior 0x0: Line mode Data is packed in between line boundaries. Line boundaries are preserved. Recommended mode for pixel data. 0x1: Frame mode Data is packed in between frame boundaries. Line boundaries are removed. Recommended mode for JPEG data.	RW	0

Bits	Field Name	Description	Type	Reset
13	ATT	Selects which tags to use for the CAL internal pipeline 0x0: Data tagged as Pixel Data 0x1: Data tagged as Attributes / Embedded Data	RW	0
12:8	CPORT	CAL internal CPort ID to use for Data	RW	0x00
7:6	VC	Virtual channel	RW	0x0
5:0	DT	DT value received over CSI-2 to use for data. 0x00 : context is disabled (don't receive data) 0x01 : filter is disabled (accept any DT) 0x02 ~ 0x0F: reserved 0x10 ~ 0x3F: receive data with Data Type field = DT	RW	0x00

Table 8-107. Register Call Summary for Register CAL_CSI2_CTX6_I

CAMSS Register Manual

- [CAL Register Summary: \[0\]](#)

Table 8-108. CAL_CSI2_CTX7_I

Address Offset	0x0000 034C + (0x80 * I)	Index	I = 0 to 1
Physical Address	0x4845 B34C + (0x80 * I)	Instance	CAL
Description	Context control		
Type	RW		

31	30	29	28	27	26	25	24	23	22	21	20	19	18	17	16	15	14	13	12	11	10	9	8	7	6	5	4	3	2	1	0
RESERVED	LINES															RESERVED	PACK_MODE	ATT	CPORT					VC	DT						

Bits	Field Name	Description	Type	Reset
31:30	RESERVED		R	0x0
29:16	LINES	Number of expected lines 0: Number of lines unknown. TAG generation FSM will insert a dummy line upon reception of a FE short packet. Other values: Number of lines	RW	0x0000
15	RESERVED		R	0
14	PACK_MODE	Controls the data packing behavior 0x0: Line mode Data is packed in between line boundaries. Line boundaries are preserved. Recommended mode for pixel data. 0x1: Frame mode Data is packed in between frame boundaries. Line boundaries are removed. Recommended mode for JPEG data.	RW	0
13	ATT	Selects which tags to use for the CAL internal pipeline 0x0: Data tagged as Pixel Data 0x1: Data tagged as Attributes / Embedded Data	RW	0
12:8	CPORT	CAL internal CPort ID to use for Data	RW	0x00
7:6	VC	Virtual channel	RW	0x0

Bits	Field Name	Description	Type	Reset
5:0	DT	DT value received over CSI-2 to use for data. 0x00 : context is disabled (don't receive data) 0x01 : filter is disabled (accept any DT) 0x02 ~ 0x0F: reserved 0x10 ~ 0x3F: receive data with Data Type field = DT	RW	0x00

Table 8-109. Register Call Summary for Register CAL_CSI2_CTX7_I

CAMSS Functional Description

- [CSI2 Low Level Protocol: \[0\]](#)

CAMSS Register Manual

- [CAL Register Summary: \[1\]](#)

Table 8-110. CAL_CSI2_STATUS0_I

Address Offset	0x0000 0350 + (0x80 * I)	Index	I = 0 to 1
Physical Address	0x4845 B350 + (0x80 * I)	Instance	CAL
Description	Context status register		
Type	R		

31	30	29	28	27	26	25	24	23	22	21	20	19	18	17	16	15	14	13	12	11	10	9	8	7	6	5	4	3	2	1	0
RESERVED																FRAME															

Bits	Field Name	Description	Type	Reset
31:16	RESERVED		R	0x0000
15:0	FRAME	Frame number. Matches the frame number sent by the camera when the camera transmits it. Otherwise, incremented by one on every FS short packet for this context. Reset when the context is enabled.	R	0x0000

Table 8-111. Register Call Summary for Register CAL_CSI2_STATUS0_I

CAMSS Register Manual

- [CAL Register Summary: \[0\]](#)

Table 8-112. CAL_CSI2_STATUS1_I

Address Offset	0x0000 0354 + (0x80 * I)	Index	I = 0 to 1
Physical Address	0x4845 B354 + (0x80 * I)	Instance	CAL
Description	Context status register		
Type	R		

31	30	29	28	27	26	25	24	23	22	21	20	19	18	17	16	15	14	13	12	11	10	9	8	7	6	5	4	3	2	1	0
RESERVED																FRAME															

Bits	Field Name	Description	Type	Reset
31:16	RESERVED		R	0x0000
15:0	FRAME	Frame number. Matches the frame number sent by the camera when the camera transmits it. Otherwise, incremented by one on every FS short packet for this context. Reset when the context is enabled.	R	0x0000

Table 8-113. Register Call Summary for Register CAL_CSI2_STATUS1_I

CAMSS Register Manual

- [CAL Register Summary: \[0\]](#)

Table 8-114. CAL_CSI2_STATUS2_I

Address Offset	0x0000 0358 + (0x80 * I)	Index	I = 0 to 1
Physical Address	0x4845 B358 + (0x80 * I)	Instance	CAL
Description	Context status register		
Type	R		

31	30	29	28	27	26	25	24	23	22	21	20	19	18	17	16	15	14	13	12	11	10	9	8	7	6	5	4	3	2	1	0
RESERVED																FRAME															

Bits	Field Name	Description	Type	Reset
31:16	RESERVED		R	0x0000
15:0	FRAME	Frame number. Matches the frame number sent by the camera when the camera transmits it. Otherwise, incremented by one on every FS short packet for this context. Reset when the context is enabled.	R	0x0000

Table 8-115. Register Call Summary for Register CAL_CSI2_STATUS2_I

CAMSS Register Manual

- [CAL Register Summary: \[0\]](#)

Table 8-116. CAL_CSI2_STATUS3_I

Address Offset	0x0000 035C + (0x80 * I)	Index	I = 0 to 1
Physical Address	0x4845 B35C + (0x80 * I)	Instance	CAL
Description	Context status register		
Type	R		

31	30	29	28	27	26	25	24	23	22	21	20	19	18	17	16	15	14	13	12	11	10	9	8	7	6	5	4	3	2	1	0
RESERVED																FRAME															

Bits	Field Name	Description	Type	Reset
31:16	RESERVED		R	0x0000
15:0	FRAME	Frame number. Matches the frame number sent by the camera when the camera transmits it. Otherwise, incremented by one on every FS short packet for this context. Reset when the context is enabled.	R	0x0000

Table 8-117. Register Call Summary for Register CAL_CSI2_STATUS3_I

CAMSS Register Manual

- [CAL Register Summary: \[0\]](#)

Table 8-118. CAL_CSI2_STATUS4_I

Address Offset	0x0000 0360 + (0x80 * I)	Index	I = 0 to 1
Physical Address	0x4845 B360 + (0x80 * I)	Instance	CAL
Description	Context status register		
Type	R		

31	30	29	28	27	26	25	24	23	22	21	20	19	18	17	16	15	14	13	12	11	10	9	8	7	6	5	4	3	2	1	0
RESERVED																FRAME															

Bits	Field Name	Description	Type	Reset
31:16	RESERVED		R	0x0000
15:0	FRAME	Frame number. Matches the frame number sent by the camera when the camera transmits it. Otherwise, incremented by one on every FS short packet for this context. Reset when the context is enabled.	R	0x0000

Table 8-119. Register Call Summary for Register CAL_CSI2_STATUS4_I

CAMSS Register Manual

- [CAL Register Summary: \[0\]](#)

Table 8-120. CAL_CSI2_STATUS5_I

Address Offset	0x0000 0364 + (0x80 * I)	Index	I = 0 to 1
Physical Address	0x4845 B364 + (0x80 * I)	Instance	CAL
Description	Context status register		
Type	R		

31	30	29	28	27	26	25	24	23	22	21	20	19	18	17	16	15	14	13	12	11	10	9	8	7	6	5	4	3	2	1	0
RESERVED																FRAME															

Bits	Field Name	Description	Type	Reset
31:16	RESERVED		R	0x0000
15:0	FRAME	Frame number. Matches the frame number sent by the camera when the camera transmits it. Otherwise, incremented by one on every FS short packet for this context. Reset when the context is enabled.	R	0x0000

Table 8-121. Register Call Summary for Register CAL_CSI2_STATUS5_I

CAMSS Register Manual

- [CAL Register Summary: \[0\]](#)

Table 8-122. CAL_CSI2_STATUS6_I

Address Offset	0x0000 0368 + (0x80 * I)	Index	I = 0 to 1
Physical Address	0x4845 B368 + (0x80 * I)	Instance	CAL
Description	Context status register		
Type	R		

31	30	29	28	27	26	25	24	23	22	21	20	19	18	17	16	15	14	13	12	11	10	9	8	7	6	5	4	3	2	1	0
RESERVED																FRAME															

Bits	Field Name	Description	Type	Reset
31:16	RESERVED		R	0x0000
15:0	FRAME	Frame number. Matches the frame number sent by the camera when the camera transmits it. Otherwise, incremented by one on every FS short packet for this context. Reset when the context is enabled.	R	0x0000

Table 8-123. Register Call Summary for Register CAL_CSI2_STATUS6_I

CAMSS Register Manual

- [CAL Register Summary: \[0\]](#)

Table 8-124. CAL_CSI2_STATUS7_I

Address Offset	0x0000 036C + (0x80 * I)	Index	I = 0 to 1
Physical Address	0x4845 B36C + (0x80 * I)	Instance	CAL
Description	Context status register		
Type	R		

31	30	29	28	27	26	25	24	23	22	21	20	19	18	17	16	15	14	13	12	11	10	9	8	7	6	5	4	3	2	1	0
RESERVED																FRAME															

Bits	Field Name	Description	Type	Reset
31:16	RESERVED		R	0x0000
15:0	FRAME	Frame number. Matches the frame number sent by the camera when the camera transmits it. Otherwise, incremented by one on every FS short packet for this context. Reset when the context is enabled.	R	0x0000

Table 8-125. Register Call Summary for Register CAL_CSI2_STATUS7_I

CAMSS Register Manual

- [CAL Register Summary: \[0\]](#)

8.5.3 CSI2 PHY Registers

8.5.3.1 CSI2 PHY Register Summary

Table 8-126 summarizes the CSI2 PHY registers mapping.

NOTE: CAMERARX_CORE_0 is for CSI2_PHY1.

CAMERARX_CORE_1 is for CSI2_PHY2. **CSI2_PHY2 is not supported on the AM570x family of devices.**

Table 8-126. CSI2 PHY Registers Mapping Summary

Register Name	Type	Register Width (Bits)	Address Offset	CAMERARX_CORE_0 L4_PER2 Physical Address	CAMERARX_CORE_1 L4_PER2 Physical Address
REG0	RW	32	0x0000 0000	0x4845 B800	0x4845 B900
REG1	RW	32	0x0000 0004	0x4845 B804	0x4845 B904
REG2	RW	32	0x0000 0008	0x4845 B808	0x4845 B908

8.5.3.2 CSI2 PHY Register Description

Table 8-127. REG0

Address Offset	0x0000 0000		
Physical Address	0x4845 B800 0x4845 B900	Instance	CAMERARX_CORE_0 CAMERARX_CORE_1
Description	First register. Note: For detailed description on parameter functionality, refer to MIPI D-PHY Specification v1.00.00.		
Type	RW		

31	30	29	28	27	26	25	24	23	22	21	20	19	18	17	16	15	14	13	12	11	10	9	8	7	6	5	4	3	2	1	0	
RESERVED								HSCLOCKCONFIG	RESERVED								THS_TERM								THS_SETTLE							

Bits	Field Name	Description	Type	Reset
31:25	RESERVED	Reserved fields	NA	0x00
24	HSCLOCKCONFIG	Disable clock missing detector	RW	0
23:16	RESERVED	Read returns zero	R	0x00
15:8	THS_TERM	THS_TERM timing parameter in multiples of DDR clock frequency. Effective time for enabling of termination = synchronizer delay + timer delay + LPRX delay + combinational routing delay ~ (1-2)* DDRCLK + THS-TERM + ~ (1 -15) ns. Programmed value = floor(20 ns/DDR_CLK), where DDR_CLK is the period of the CSI-2 I/O lane rate. Default value: 4 (for 400 MHz).	RW	0x04
7:0	THS_SETTLE	THS_SETTLE timing parameter in multiples of DDR clock frequency. Effective THS_SETTLE seen on line (starting to look for sync pattern) = synchronizer delay + timer delay + LPRX delay + combinational routing delay – pipeline delay in HS data path ~ (1-2)* DDRCLK + THS-SETTLE + ~ (1-15) ns -1*DDRCLK. Programmed value = floor(105 ns/DDR_CLK) + 4, where DDR_CLK is the period of the CSI-2 I/O lane rate. Default value: 39 (for 400 MHz). Minimum supported THS-SETTLE programmed value = 3.	RW	0x27

Table 8-128. Register Call Summary for Register REG0

- CAMSS Functional Description
- [CSI2 PHY Configuration: \[0\]\[1\]](#)
 - [CSI2 PHY Link Initialization Sequence: \[2\]](#)
-
- CAMSS Register Manual
- [CSI2 PHY Register Summary: \[3\]](#)

Table 8-129. REG1

Address Offset	0x0000 0004	Instance	CAMERARX_CORE_0 CAMERARX_CORE_1
Physical Address	0x4845 B804 0x4845 B904		
Description	Second register. Note: For detailed description on parameter functionality, refer to MIPI D-PHY Specification v1.00.00.		
Type	RW		

31	30	29	28	27	26	25	24	23	22	21	20	19	18	17	16	15	14	13	12	11	10	9	8	7	6	5	4	3	2	1	0
RESVD_READ_BIT		RESET_DONE_STATUS		RESERVED		CLOCK_MISS_DETECTOR_STATUS		TCLK_TERM				DPHY_HS_SYNC_PATTERN				CTRLCLK_DIV_FACTOR		TCLK_SETTLE													

Bits	Field Name	Description	Type	Reset
31:30	RESVD_READ_BIT	Reserved bit	NA	0x0
29:28	RESET_DONE_STATUS	Reset done read bits. 28: RESETDONERXBYTECLK Note: BYTECLK is provided to the CSI2 low level protocol 29: RESETDONECTRLCLK Note: This is the CTRLCLK provided to the PHY from the PRCM module.	R	0x0
27:26	RESERVED	Write 0 for future compatibility.	RW	0x0
25	CLOCK_MISS_DETECTOR_STATUS	Clock missing detector status. Internal debug bit. 1: Error in clock missing detector. 0: Clock missing detector successful Note: CLKMISS detector is likely to malfunction, if tclk-trail section CAMSS Interrupt Events (60ns) is not honoured.	R	0
24:18	TCLK_TERM	TCLK_TERM timing parameter in multiples of CTRLCLK Effective time for enabling of termination = synchronizer delay + timer delay + LPRX delay + combinational routing delay ~ (1-2)* CTRLCLK + TCLK_TERM + ~ (1-15) ns Programmed value = ceil(9.5 / CTRLCLK period) - 1 Default value : 0 (for 96 MHz)	RW	0x00
17:10	DPHY_HS_SYNC_PATTERN	DPHY mode HS sync pattern in byte order (reverse of received order) See Section 8.4.5.4, CSI2 PHY Error Signals .	RW	0xB8

Bits	Field Name	Description	Type	Reset
9:8	TCLK_DIV	CTRLCLK_DIV_FACTOR Divide factor for CTRLCLK for CLKMISS detector Programmed value = ceil (15ns/CTRLCLK Period) - 1 Default value: 1 (for 96 MHz) CLKMISS detection time = (5*TCLK_DIV+1)*(CTRLCLK period) < 60ns Note: Only the CTRLCLK frequencies that satisfy above relationship are allowed. Typically, 96MHz will be used at CTRLCLK.	RW	0x1
7:0	TCLK_SETTLE	TCLK_SETTLE timing parameter in multiples of CTRLCLK Clock Effective TCLK_SETTLE = synchronizer delay + timer delay + LPRX delay + combinational routing delay ~ (1-2)* CTRLCLK + Tclk-settle + ~ (1 -15) ns Programmed value = max[3, ceil(155 ns/CTRLCLK period) -1] Default value: 14 (for 96 MHz)	RW	0x0E

Table 8-130. Register Call Summary for Register REG1

CAMSS Functional Description

- [CSI2 PHY Link Initialization Sequence: \[0\]](#)

CAMSS Register Manual

- [CSI2 PHY Register Summary: \[1\]](#)

Table 8-131. REG2

Address Offset	0x0000 0008	Instance	CAMERARX_CORE_0 CAMERARX_CORE_1
Physical Address	0x4845 B808 0x4845 B908		
Description	Third register		
Type	RW		

31	30	29	28	27	26	25	24	23	22	21	20	19	18	17	16	15	14	13	12	11	10	9	8	7	6	5	4	3	2	1	0
TRIGGER_CMD_RXTRIGESC0		TRIGGER_CMD_RXTRIGESC1		TRIGGER_CMD_RXTRIGESC2		TRIGGER_CMD_RXTRIGESC3		CCP2_SYNC_PATTERN																							

Bits	Field Name	Description	Type	Reset
31:30	TRIGGER_CMD_RXTRIGESC0	Mapping of Trigger escape entry command to PPI output RXTRIGGERESC0 00 : "01100010" 01 : "01011101" 10 : "00100001" 11 : "10100000"	RW	0x0
29:28	TRIGGER_CMD_RXTRIGESC1	Mapping of Trigger escape entry command to PPI output RXTRIGGERESC1 00 : "01011101" 01 : "00100001" 10 : "10100000" 11 : "01100010"	RW	0x0

Bits	Field Name	Description	Type	Reset
27:26	TRIGGER_CMD_RXTRIGESC2	Mapping of Trigger escape entry command to PPI output RXTRIGGERESC2 00 : "00100001" 01 : "01100010" 10 : "01100010" 11 : "01011101"	RW	0x0
25:24	TRIGGER_CMD_RXTRIGESC3	Mapping of Trigger escape entry command to PPI output RXTRIGGERESC3 00 : "10100000" 01 : "01100010" 10 : "01011101" 11 : "00100001"	RW	0x0
23:0	CCP2_SYNC_PATTERN ⁽¹⁾	CCP2 mode sync pattern in byte order (reverse of received order) See Section 8.4.5.4, CSI2 PHY Error Signals .	R	0x0000FF

⁽¹⁾ CCP2 functions are available on PHY module level, but not supported on device level.

Table 8-132. Register Call Summary for Register REG2

CAMSS Functional Description

- [CSI2 PHY Link Initialization Sequence: \[0\]](#)

CAMSS Register Manual

- [CSI2 PHY Register Summary: \[1\]](#)

Video Input Port

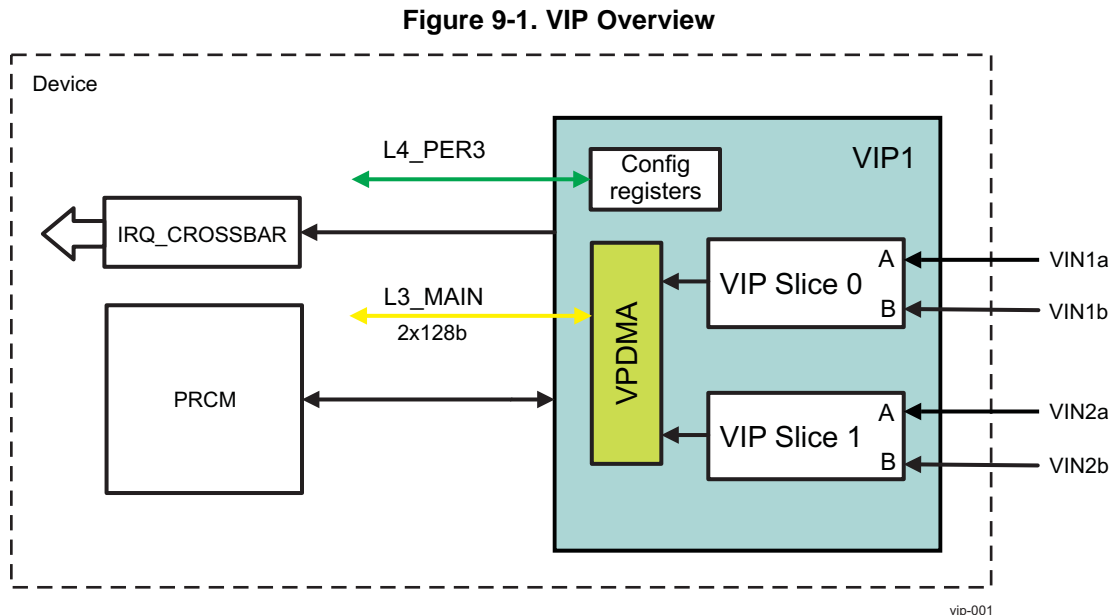
This chapter describes the Video Input Port (VIP) module for the device.

Topic	Page
9.1 VIP Overview	1893
9.2 VIP Environment	1895
9.3 VIP Integration	1898
9.4 VIP Functional Description	1899
9.5 VIP Register Manual	2044

9.1 VIP Overview

The VIP module provides video capture functions for the device. VIP incorporates a multi-channel raw video parser, various video processing blocks, and a flexible Video Port Direct Memory Access (VPDMA) engine to store incoming video in various formats. The device integrates a single instantiation of the VIP module giving the ability of capturing up to four video streams.

Figure 9-1 shows a block diagram with the VIP module within the device.



A VIP module includes the following main features:

- Two independently configurable external video input capture slices (Slice 0 and Slice 1) each providing up to two video input ports, Port A and Port B:
 - Port A can be configured as a 24/16/8-bit port.
 - Port B is a fixed 8-bit port.
- Each video Port A can be operated as a port with clock independent input channels (with interleaved or separated Y/C data input). Embedded sync and external sync modes are supported for all input configurations.
- Support for a single external asynchronous pixel clock, up to 165MHz per port.
- Pixel Clock Input Domain Port A supports up to one 24-bit input data bus, including BT.1120 style embedded sync for 16-bit and 24-bit data.
- Embedded Sync data interface mode supports single or multiplexed sources
- Discrete Sync data interface mode supports only single source input
- 24-bit data input plus discrete syncs can be configured to include:
 - 8-bit YUV422 (Y and U/V time interleaved)
 - 16-bit YUV422 (CbY and CrY time interleaved)
 - 24-bit YUV444
 - 16-bit RGB565
 - 24-bit RGB888
 - 12/16-bit RAW Capture
 - 24-bit RAW capture
- Discrete sync modes include:
 - VSYNC + HSYNC (FID determined by FID signal pin or HSYNC/VSYNC skew)
 - VSYNC + ACTVID + FID

- VBLANK + ACTVID (ACTVID toggles in VBLANK) + FID
- VBLANK + ACTVID (no ACTVID toggles in VBLANK) + FID
- Multichannel parser (embedded syncs only):
 - Embedded syncs only
 - Pixel (2x or 4x) or Line multiplexed modes supported
 - Performs demultiplexing and basic error checking
 - Supports maximum of 9 channels in Line Mux (8 normal + 1 split line)
- Ancillary data capture support:
 - For 16-bit or 24-bit input, ancillary data may be extracted from any single channel
 - For 8-bit time interleaved input, ancillary data can be chosen from the Luma channel, the Chroma channel, or both channels
 - Horizontal blanking interval data capture only supported when using discrete syncs (VSYNC + HSYNC or VSYNC + HBLANK)
 - Ancillary data extraction supported on multichannel capture as well as single source streams
- Format conversion and scaling:
 - Programmable color space conversion
 - YUV422 to YUV444 conversion
 - YUV444 to YUV422 conversion
 - YUV422 to YUV420 conversion
 - YUV444 Source: YUV444 to YUV444, YUV444 to RGB888, YUV444 to YUV422, YUV444 to YUV420
 - RGB888 Source: RGB888 to RGB888, RGB888 to YUV444, RGB888 to YUV422, RGB888 to YUV420
 - YUV422 Source: YUV422 to YUV422, YUV422 to YUV420, YUV422 to YUV444, YUV422 to RGB888
 - Supports RAW to RAW (no processing)
 - Scaling and format conversions do not work for multiplexed input
- Supports up to 2047 pixels wide input - when scaling is engaged
- Supports up to 3840 pixels wide input - when only chroma up/down sampling is engaged, without scaling
- Supports up to 4095 pixels wide input - without scaling and chroma up/down sampling
- The maximum supported input resolution is further limited by:
 - Pixel clock and feature-dependent constraints
 - For RGB24-bit format (RAW data), the maximum frame width is limited to 2730 pixels

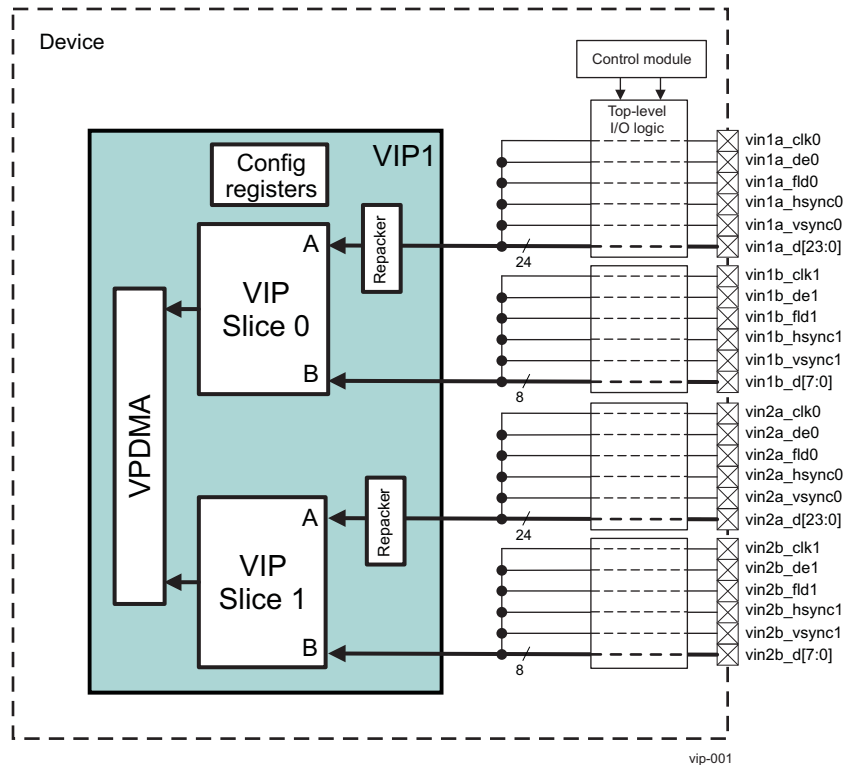
A VPDMA module includes the following main features:

- VPDMA output buffer size restriction feature, which ensures that writes do not exceed allocated memory buffer size
- Support for Tiled (2D) and raster addressing without bandwidth penalty
- Dual clients per channel allows for capture of scaled and nonscaled versions of the data stream (non-multiplexed mode only)
- Start on new frame capability
- Interrupt every X number of frames
- Interrupt every X lines (synced to frame start)
- Dynamic MFLAG generation

9.2 VIP Environment

This section describes the VIP module from an environment point of view (external connections). It describes the VIP connectivity options and lists all possible interfaces. Figure 9-2 is a block diagram of the VIP environment.

Figure 9-2. VIP Environment



NOTE: The path from a module pin to device pad(s) is defined at the device I/O logic level. The I/O logic maps the module signals to different pads of the device and is programmable in the device Control Module registers and/or dedicated module registers. For more information, see Section 18.4.6.1.1, *Pad Configuration Registers* in Chapter 18, *Control Module*.

Additionally, by configuring the [6:4] VIP_SEL_1A and [2:1] VIP_SEL_2A bit-fields of CTRL_CORE_VIP_MUX_SELECT register in the device Control Module it is possible to map the signals of the CAL video port (described in Section 8.3.2, *CAL Integration - Video Port*) to Port A of each VIP1 slice.

Table 9-1. VIP1 Interface Signals

Sub-module Name	Signal Name	Type ⁽¹⁾	Description
Slice 0	vin1a_d[23:0]	I	Pixel data.
Port A	vin1a_clk0	I	Pixel clock.
	vin1a_vsync0	I	Vertical synchronization.
	vin1a_hsync0 ⁽²⁾	I	Horizontal synchronization.

⁽¹⁾ I = Input, O = Output, I/O = Input/Output

⁽²⁾ Signal not used (tied low) when VIP1 is connected to CAL video ports.

Table 9-1. VIP1 Interface Signals (continued)

Sub-module Name	Signal Name	Type ⁽¹⁾	Description
	vin1a_de0	I	The DE signal acts as an Input-enable signal to indicate when data must be latched using the input clock. DE is also referred to as ACTVID throughout the VIP chapter. Both of these terms, ACTVID and DE, are the same and used interchangeably.
	vin1a_fld0 ⁽²⁾	I	The FID signal indicates the field identifier for the video input field: <ul style="list-style-type: none"> • 0 means even. • 1 means odd.
Slice 0	vin1b_d[7:0]	I	Pixel data.
Port B	vin1b_clk1	I	Pixel clock.
	vin1b_vsync1	I	Vertical synchronization.
	vin1b_hsync1	I	Horizontal synchronization.
	vin1b_de1	I	The DE signal acts as an Input-enable signal to indicate when data must be latched using the input clock. DE is also referred to as ACTVID throughout the VIP chapter. Both of these terms, ACTVID and DE, are the same and used interchangeably.
	vin1b_fld1	I	The FID signal indicates the field identifier for the video input field: <ul style="list-style-type: none"> • 0 means even. • 1 means odd.
Slice 1	vin2a_d[23:0]	I	Pixel data.
Port A	vin2a_clk0	I	Pixel clock.
	vin2a_vsync0	I	Vertical synchronization.
	vin2a_hsync0 ⁽²⁾	I	Horizontal synchronization.
	vin2a_de0	I	The DE signal acts as an Input-enable signal to indicate when data must be latched using the input clock. DE is also referred to as ACTVID throughout the VIP chapter. Both of these terms, ACTVID and DE, are the same and used interchangeably.
	vin2a_fld0 ⁽²⁾	I	The FID signal indicates the field identifier for the video input field: <ul style="list-style-type: none"> • 0 means even. • 1 means odd.
Slice 1	vin2b_d[7:0]	I	Pixel data.
Port B	vin2b_clk1	I	Pixel clock.
	vin2b_vsync1	I	Vertical synchronization.
	vin2b_hsync1	I	Horizontal synchronization.
	vin2b_de1	I	The DE signal acts as an Input-enable signal to indicate when data must be latched using the input clock. DE is also referred to as ACTVID throughout the VIP chapter. Both of these terms, ACTVID and DE, are the same and used interchangeably.
	vin2b_fld1	I	The FID signal indicates the field identifier for the LCD output field: <ul style="list-style-type: none"> • 0 means even. • 1 means odd.

Table 9-2 summarizes the mapping of RGB and YUV color components to VIP input data signals, with corresponding settings of `VIP_MAIN[1:0] DATA_INTERFACE_MODE` register bit-field.

Table 9-2. VIP1 Input Data Signals to RGB and YUV Color Components Mapping

VIP Port A Data Signals	VIP Port B Data Signals	24-bit RGB888 Input Mode	16-bit RGB565 Input Mode	24-bit YUV444 Input Mode	16-bit YUV422 Input Mode ⁽¹⁾	8-bit YUV422 Input Mode ⁽²⁾
X = 1 to 2	X = 1 to 2	DATA_INTERFAC E_MODE = 00b	DATA_INTERFACE_ MODE = 00b	DATA_INTERFAC E_MODE = 00b	DATA_INTERFAC E_MODE = 01b	DATA_INTERFAC E_MODE = 10b
vinXa_d23	-	Red 7 (MS bit)	Red 4 (MS bit)	Y7 (MS bit)	-	-
vinXa_d22	-	Red 6	Red 3	Y6	-	-
vinXa_d21	-	Red 5	Red 2	Y5	-	-
vinXa_d20	-	Red 4	Red 1	Y4	-	-
vinXa_d19	-	Red 3	Red 0	Y3	-	-
vinXa_d18	-	Red 2	-	Y2	-	-
vinXa_d17	-	Red 1	-	Y1	-	-
vinXa_d16	-	Red 0	-	Y0	-	-
vinXa_d15	-	Green 7	Green 5	Cb7	Y7 (MS bit)	-
vinXa_d14	-	Green 6	Green 4	Cb6	Y6	-
vinXa_d13	-	Green 5	Green 3	Cb5	Y5	-
vinXa_d12	-	Green 4	Green 2	Cb4	Y4	-
vinXa_d11	-	Green 3	Green 1	Cb3	Y3	-
vinXa_d10	-	Green 2	Green 0	Cb2	Y2	-
vinXa_d9	-	Green 1	-	Cb1	Y1	-
vinXa_d8	-	Green 0	-	Cb0	Y0	-
vinXa_d7	vinXb_d7	Blue 7	Blue 4	Cr7	Cb7/Cr7/...	Cb7/Y7/Cr7/... (MS bit)
vinXa_d6	vinXb_d6	Blue 6	Blue 3	Cr6	Cb6/Cr6/...	Cb6/Y6/Cr6/...
vinXa_d5	vinXb_d5	Blue 5	Blue 2	Cr5	Cb5/Cr5/...	Cb5/Y5/Cr5/...
vinXa_d4	vinXb_d4	Blue 4	Blue 1	Cr4	Cb4/Cr4/...	Cb4/Y4/Cr4/...
vinXa_d3	vinXb_d3	Blue 3	Blue 0 (LS bit)	Cr3	Cb3/Cr3/...	Cb3/Y3/Cr3/...
vinXa_d2	vinXb_d2	Blue 2	-	Cr2	Cb2/Cr2/...	Cb2/Y2/Cr2/...
vinXa_d1	vinXb_d1	Blue 1	-	Cr1	Cb1/Cr1/...	Cb1/Y1/Cr1/...
vinXa_d0	vinXb_d0	Blue 0 (LS bit)	-	Cr0 (LS bit)	Cb0/Cr0/... (LS bit)	Cb0/Y0/Cr0/... (LS bit)

⁽¹⁾ Chroma is time division multiplexed (interleaved). For more details, see [Section 9.4.5.6.2, 16b Interface Mode](#).

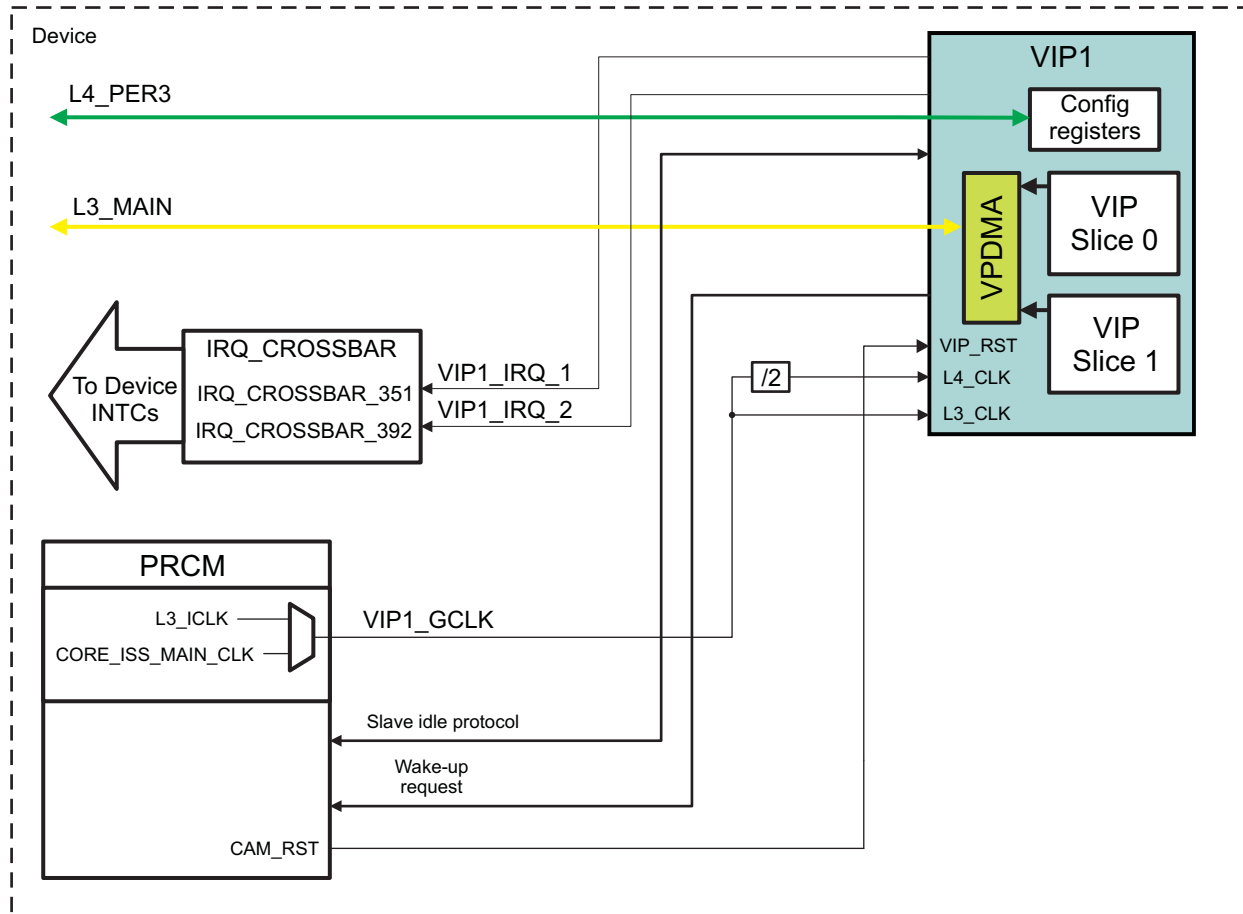
⁽²⁾ Luma and Chroma are time division multiplexed (interleaved). For more details, see [Section 9.4.5.6.1, 8b Interface Mode](#).

NOTE: 16-bit RGB data can be captured also on the vinXa_d[15:0] input data bus of Port A. In this case, the 16-bit RGB data captured by the VIP_PARSER will be passed to VPDMA, as if it is a 16-bit YUV data. The `VIP_MAIN[1:0] DATA_INTERFACE_MODE` register bit-field must be configured for a 16-bit input mode. The VPDMA will then directly store this data in memory as a 16-bit data, provided that any 16-bit data type in the VPDMA outbound descriptor is set.

9.3 VIP Integration

This section describes the integration of the module in the device, including information about clocks, resets, and hardware requests. [Figure 9-3](#) summarizes the integration of the module in the device.

Figure 9-3. VIP Integration



vip-003

[Table 9-3](#) and [Table 9-4](#) list the integration attributes and clock and resets, respectively.

Table 9-3. VIP Integration Attributes

Module Instance	Attributes	
	Power Domain	Interconnect
VIP1	PD_CAM	L4_PER3 for configuration L3_MAIN for data (through VPDMA module)

Table 9-4. VIP Clocks and Resets

Clocks				
Module Instance	Destination Signal Name	Source Signal Name	Source	Description
VIP1	L3_CLK PROC_CLK	VIP1_GCLK	PRCM	L3_CLK is the clock used to drive and receive data over the bus to L3_MAIN. The VIP subsystem uses this clock to fetch external data and transfer this data to internal processing. PROC_CLK is the clock used to drive data processing within the VIP subsystem.
	L4_CLK	VIP1_GCLK/2	PRCM	L4_CLK is the interface clock for Memory Mapped Registers (MMR) configuration bus
Resets				
Module Instance	Destination Signal Name	Source Signal Name	Source	Description
VIP1	VIP_RST	CAM_RST	PRCM	VIP1 Reset

Table 9-5. VIP Hardware Requests

Interrupt Requests				
Module Instance	Source Signal Name	Destination IRQ_CROSSBAR Input	Default Mapping	Description
VIP1	VIP1_IRQ1	IRQ_CROSSBAR_351	N/A	VIP1 interrupt requests. These IRQ source signals are not mapped by default to any device INTC.
	VIP1_IRQ2	IRQ_CROSSBAR_392	N/A	

NOTE: The “Default Mapping” column in [Table 9-5 VIP Hardware Requests](#) shows the default mapping of module IRQ source signals. These module IRQ source signals can also be mapped to other lines of each device Interrupt controller through the IRQ_CROSSBAR module, respectively.

For more information about the IRQ_CROSSBAR module, see [Section 18.4.6.4, IRQ_CROSSBAR Module Functional Description](#), in [Chapter 18, Control Module](#).

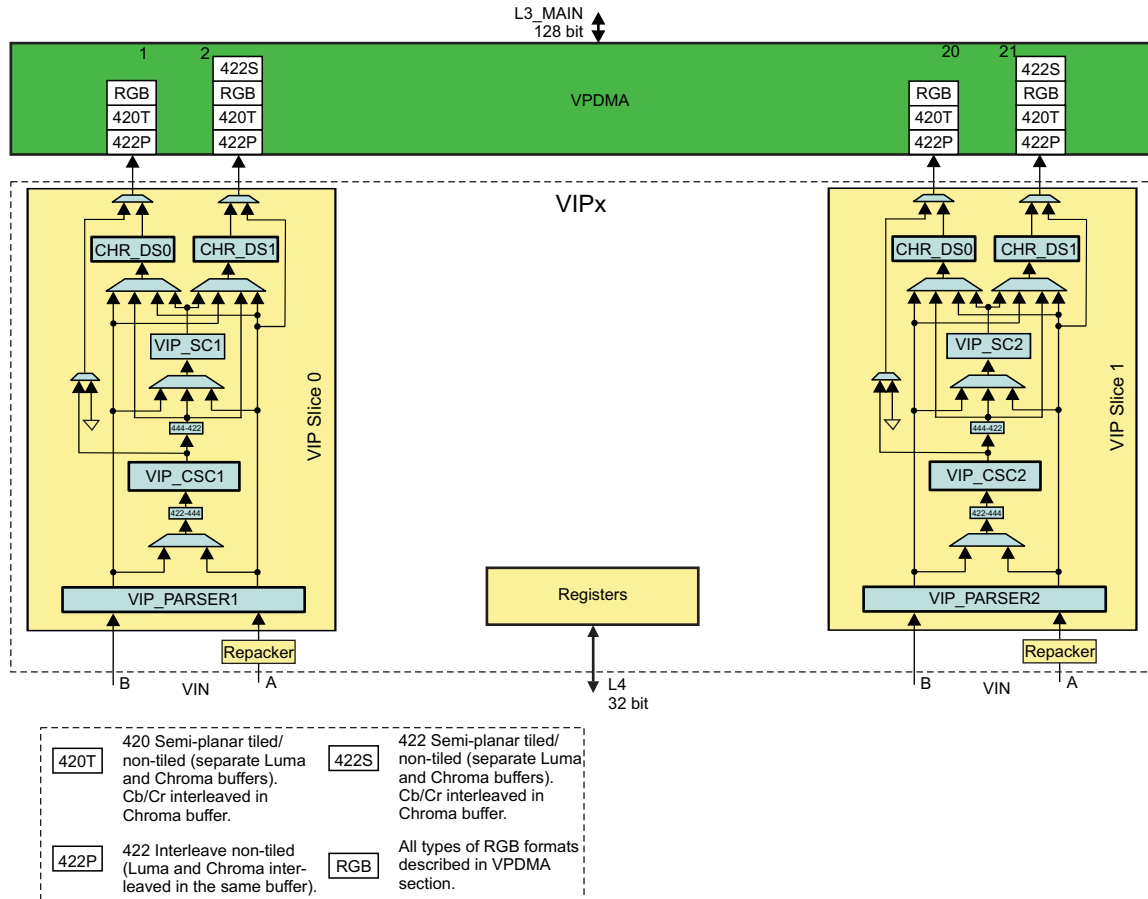
For more information about the device interrupt controllers, see [Chapter 17, Interrupt Controllers](#).

9.4 VIP Functional Description

9.4.1 VIP Block Diagram

[Figure 9-4](#) shows the internal structure of a single VIP module in the device.

Figure 9-4. VIP Block Diagram



vip-004

9.4.2 VIP Software Reset

Software reset in the VIP module can be done by setting the `VIP_CLKC_RST[16]` `VIP1_DP_RST` for Slice 0, `VIP_CLKC_RST[17]` `VIP2_DP_RST` for Slice 1, `VIP_CLKC_RST[0]` `VPDMA_RST` for VIP VPDMA to 0x1. By setting `VIP_CLKC_RST[31]` `MAIN_RST` reset is performed for all modules within the instance. Software must ensure that the software reset completes before performing operations within the VIP module.

9.4.3 VIP Power and Clocks Management

The VIP modules support the MStandby/Wait and IdleReq/SidleAck protocols as defined in [Chapter 3, Power, Reset, and Clock Management](#).

Power Management within the VIP module can be accomplished in several ways:

- L4 MConnect/SConnect can disable the internal L4 clock network
- L3 MConnect/Sconnect can disable the internal L3 clock network

These items are accomplished using the standard slave idle (for L4) and master standby (for L3) protocols. When these modules are instructed to disable clocks for the internal L3 or L4 (MMR) clock domains, the internal clock networks will be shut down. This shut down applies to the clock signals - `L3_CLK` and `L4_CLK`.

9.4.3.1 VIP Clocks

The VIP internal clock domains can only be shut down by writing the appropriate register bit within the Clock Enable register - [VIP_CLKC_CLKEN\[16\]](#) VIP1_DP_EN for slice0, [VIP_CLKC_CLKEN\[17\]](#) VIP2_DP_EN for slice1 and [VIP_CLKC_CLKEN\[0\]](#) VPDMA_EN for the VPDMA engine

9.4.3.2 VIP Idle Mode

The VIP supports no-idle mode, force-idle mode, and smart-idle mode. The mode can be selected by programming the appropriate value in the [VIP_SYSCONFIG\[3:2\]](#) IDLEMODE bit field.

Configuration of the local target state management mode. By definition, target can handle read/write transaction as long as it is out of IDLE state.

- Force-idle mode: local target's idle state follows (acknowledges) the system's idle requests unconditionally, i.e. regardless of the IP module's internal requirements.
- No-idle mode: local target never enters idle state.
- Smart-idle mode: local target's idle state eventually follows (acknowledges) the system's idle requests, depending on the IP module's internal requirements. IP module shall not generate (IRQ- or DMA related requests) wakeup events

9.4.3.3 VIP StandBy Mode

The VIP supports no-standby mode and force-standby mode. The mode is set in the [VIP_SYSCONFIG\[5:4\]](#) STANDBYMODE bit field.

Configuration of the local initiator state management mode:

- Force-standby mode: local initiator is unconditionally placed in standby state.
- No-standby mode: local initiator is unconditionally placed out of standby state.

9.4.4 VIP Slice

9.4.4.1 VIP Slice Processing Path Overview

[Figure 9-5](#) shows in details the internal processing path and output signals to VPDMA for a single VIP Slice. External video source drives the input side of the VIP Slice. Port A[x:y] can be in YUV422 format (A[15:0] in the diagram) or RGB/YUV444 format (A[23:0] in the diagram), depending on the external video input source and configuration options within the VIP_PARSER. Port B[x:y] can be in YUV422 format (B[15:0] in the diagram). When the VIP_PARSER is configured to capture 24bit RGB/444 data, A[23:0] is used and the data path inside VIP must be configured correctly for it. Multiplexer selections and controls shown in [Figure 9-5](#) are described in register [VIP_CLKC_VIP0DPS](#) for Slice 0, and register [VIP_CLKC_VIP1DPS](#) for Slice 1. The outputs of each VIP Slice drive the VPDMA module, which sends the resulting data to DDR memory.

Figure 9-5. VIP Slice Processing Path Block Diagram

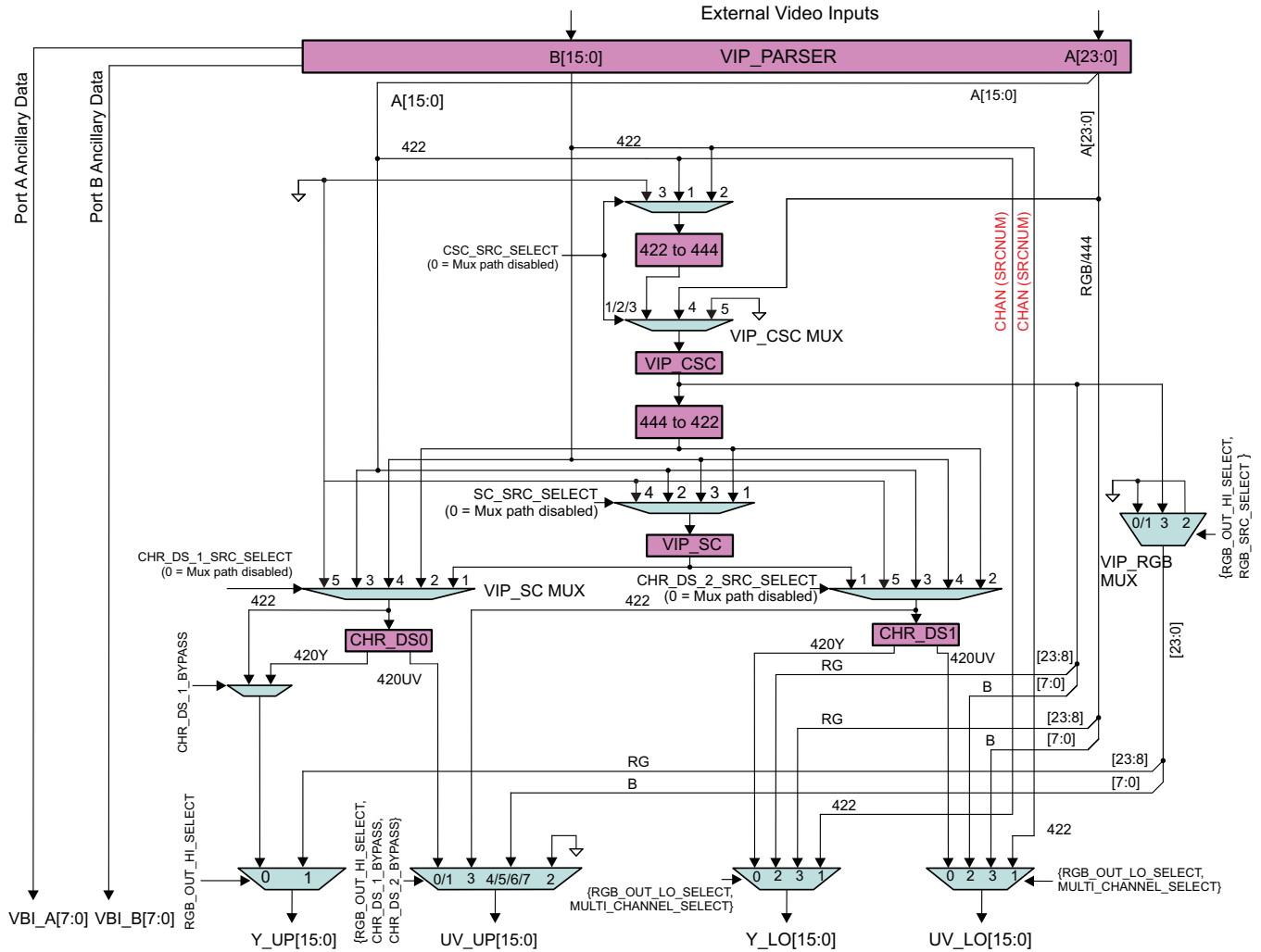


Table 9-6 provides summary of the registers controlling the multiplexers within VIP slice processing path.

Table 9-6. VIP Slice Processing Path Control

Multiplexer Control	Register Bit-fields for Slice 0	Register Bit-fields for Slice 1	Description
CSC_SRC_SELECT	VIP_CLKC_VIP0DPS[2:0] VIP1_CSC_SRC_SELECT	VIP_CLKC_VIP1DPS[2:0] VIP2_CSC_SRC_SELECT	VIP CSC Source Selection MUX
SC_SRC_SELECT	VIP_CLKC_VIP0DPS [5:3] VIP1_SC_SRC_SELECT	VIP_CLKC_VIP1DPS [5:3] VIP2_SC_SRC_SELECT	VIP SC_M Source Selection MUX
CHR_DS_1_SRC_SELECT	VIP_CLKC_VIP0DPS[11:9] VIP1_CHR_DS_1_SRC_SELECT	VIP_CLKC_VIP1DPS[11:9] VIP2_CHR_DS_1_SRC_SELECT	VIP Chroma Downsampler 1 Source Selection MUX
CHR_DS_1_BYPASS	VIP_CLKC_VIP0DPS[16] VIP1_CHR_DS_1_BYPASS	VIP_CLKC_VIP1DPS[16] VIP2_CHR_DS_1_BYPASS	VIP Chroma Downsampler 1 Bypass MUX
CHR_DS_2_SRC_SELECT	VIP_CLKC_VIP0DPS[14:12] VIP1_CHR_DS_2_SRC_SELECT	VIP_CLKC_VIP1DPS[14:12] VIP2_CHR_DS_2_SRC_SELECT	VIP Chroma Downsampler 2 Source Selection MUX

Table 9-6. VIP Slice Processing Path Control (continued)

Multiplexer Control	Register Bit-fields for Slice 0	Register Bit-fields for Slice 1	Description
CHR_DS_2_BYPASS	VIP_CLKC_VIP0DPS[17] VIP1_CHR_DS_2_BYPASS	VIP_CLKC_VIP1DPS[17] VIP2_CHR_DS_2_BYPASS	VIP Chroma Downsamper 1 Bypass MUX
RGB_OUT_HI_SELECT	VIP_CLKC_VIP0DPS[8] VIP1_RGB_OUT_HI_SELECT	VIP_CLKC_VIP1DPS[8] VIP2_RGB_OUT_HI_SELECT	VIP HI RGB Output Selection MUX
RGB_OUT_LO_SELECT	VIP_CLKC_VIP0DPS[7] VIP1_RGB_OUT_LO_SELECT	VIP_CLKC_VIP1DPS[7] VIP2_RGB_OUT_LO_SELECT	VIP LO RGB Output Selection MUX
MULTI_CHANNEL_SELECT	VIP_CLKC_VIP0DPS[15] VIP1_MULTI_CHANNEL_SELECT	VIP_CLKC_VIP1DPS[15] VIP2_MULTI_CHANNEL_SELECT	VIP Multi Channel Selection MUX
RGB_SRC_SELECT	VIP_CLKC_VIP0DPS[6] VIP1_RGB_SRC_SELECT	VIP_CLKC_VIP1DPS[6] VIP2_RGB_SRC_SELECT	VIP RGB Output Path Selection MUX

9.4.4.2 VIP Slice Processing Path Multiplexers

9.4.4.2.1 VIP_CSC Multiplexers

The following registers are controlling the VIP Color Space Converter (CSC) multiplexers: [VIP_CLKC_VIP0DPS\[2:0\]](#) VIP1_CSC_SRC_SELECT for Slice 0 and [VIP_CLKC_VIP1DPS\[2:0\]](#) VIP2_CSC_SRC_SELECT for Slice 1.

The VIP_CSC block (for each slice within the VIP subsystem) receives data from one the following sources:

- VIP_PARSER Port A Output (422)
- VIP_PARSER Port B Output (422)
- VIP_PARSER Port A Output (RGB)

The default state for this multiplexer is disabled, so there is no VIP_CSC input.

9.4.4.2.2 VIP_SC Multiplexer

The multiplexer for Slice 0 and Slice 1 is controlled by [VIP_CLKC_VIP0DPS\[5:3\]](#) VIP1_SC_SRC_SELECT and [VIP_CLKC_VIP1DPS\[5:3\]](#) VIP2_SC_SRC_SELECT, respectively.

The scaler module (VIP_SC) within the VIP subsystem (for a single slice) receives data from one of the following sources:

- VIP_CSC
- VIP_PARSER Port A Output
- VIP_PARSER Port B Output

The default state for this multiplexer is disabled, so there is no VIP_SC input.

9.4.4.2.3 Output to VPDMA Multiplexers

This section is under development and is included as a placeholder for future updates.

9.4.4.3 VIP Slice Processing Path Examples

The following sections provide VIP Slice data path examples for different types of input data, and describe the corresponding multiplexer configurations. Refer to [Table 9-6](#), *VIP Slice Processing Path Control*, for mapping of the multiplexer controls to registers.

In the block diagrams of the following sections:

- Output A refers to the result of processing Input A data.
- Output B refers to the result of processing Input B data.

9.4.4.3.1 Input: A=RGB, B=YUV422; Output: A=RGB, B=RGB

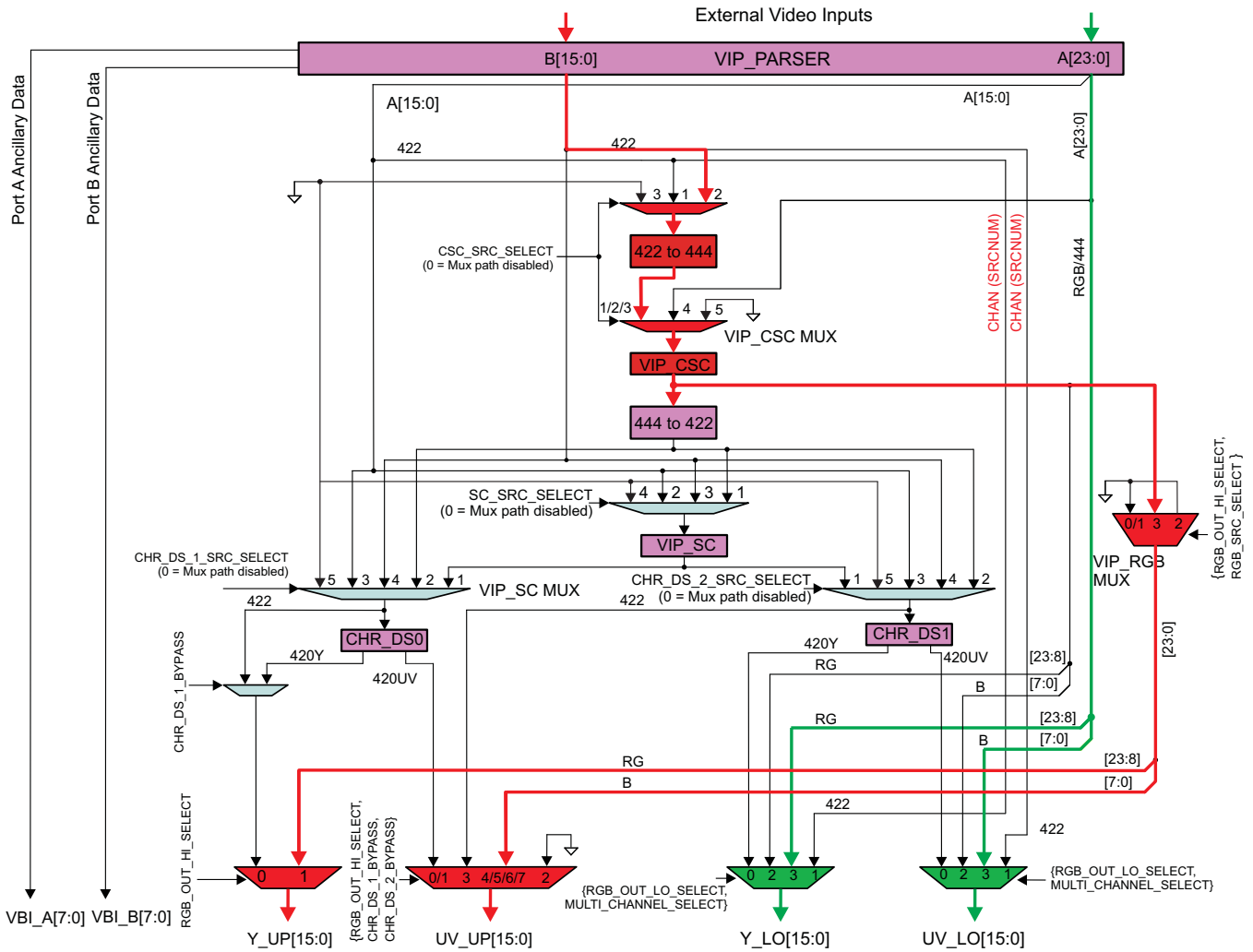
Tested in single channel embedded and discrete mode.

Input: A=RGB, B=YUV422; Output: A=RGB, B=RGB

Multiplexers settings.

- VIPx_CSC_SRC_SELECT = 2
- VIPx_SC_SRC_SELECT = 0
- VIPx_CHR_DS_1_SRC_SELECT = 0
- VIPx_CHR_DS_1_BYPASS = 0
- VIPx_CHR_DS_2_SRC_SELECT = 0
- VIPx_CHR_DS_2_BYPASS = 0
- VIPx_RGB_SRC_SELECT = 1
- VIPx_RGB_OUT_HI_SELECT = 1
- VIPx_RGB_OUT_LO_SELECT = 1
- VIPx_MULTI_CHANNEL_SELECT = 1

Figure 9-6. Input: A=RGB, B=YUV422; Output: A=RGB, B=RGB



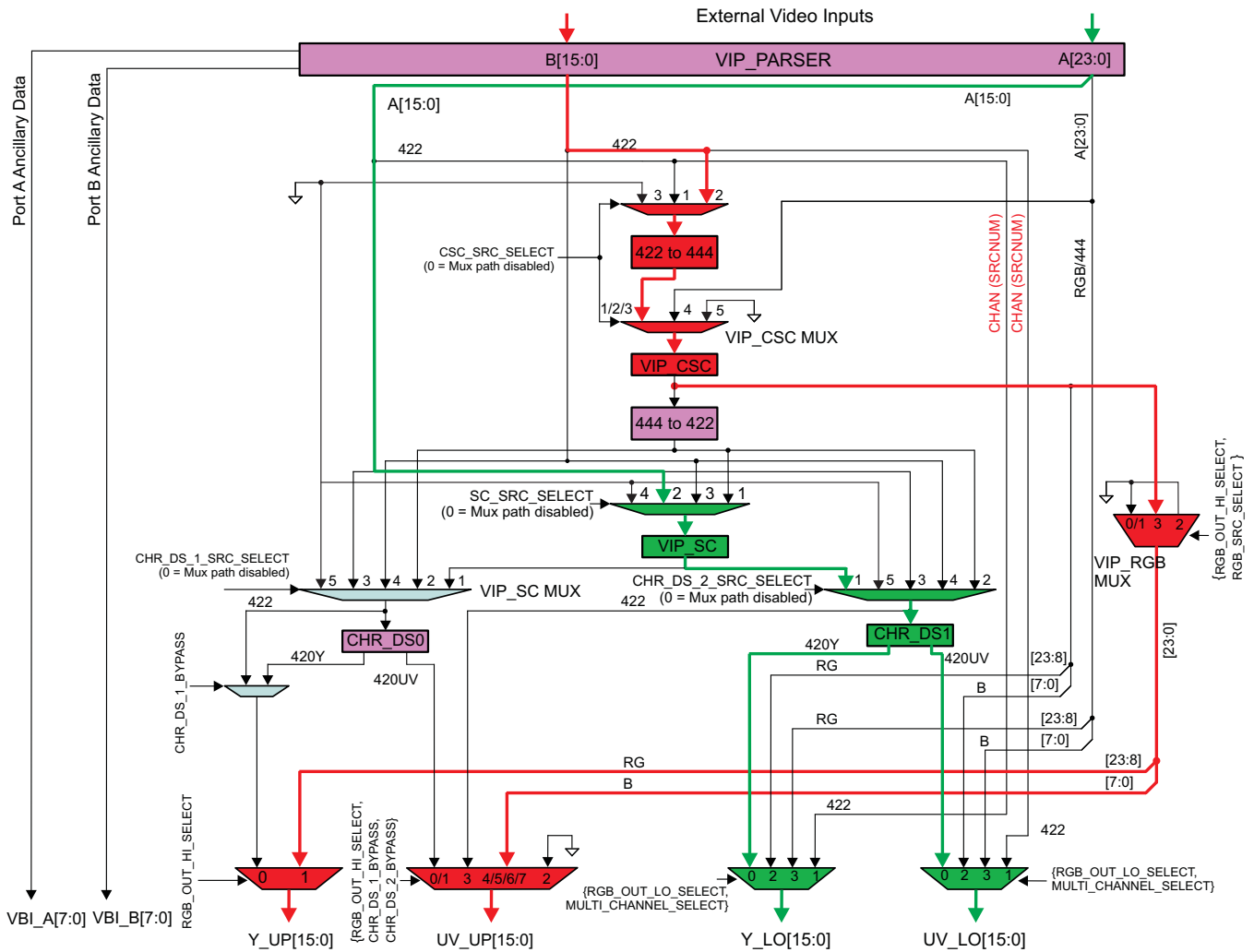
9.4.4.3.2 Input: A=YUV422 8/16, B=YUV422; Output: A=Scaled YUV420, B=RGB

Tested in single channel embedded and discrete mode.

Multiplexers settings:

- VIPx_CSC_SRC_SELECT = 2
- VIPx_SC_SRC_SELECT = 2
- VIPx_CHR_DS_1_SRC_SELECT = 0
- VIPx_CHR_DS_1_BYPASS = 0
- VIPx_CHR_DS_2_SRC_SELECT = 1
- VIPx_CHR_DS_2_BYPASS = 0
- VIPx_RGB_SRC_SELECT = 1
- VIPx_RGB_OUT_HI_SELECT = 1
- VIPx_RGB_OUT_LO_SELECT = 0
- VIPx_MULTI_CHANNEL_SELECT = 0

Figure 9-7. Input: A=YUV422 8/16, B=YUV422; Output: A=Scaled YUV420, B=RGB

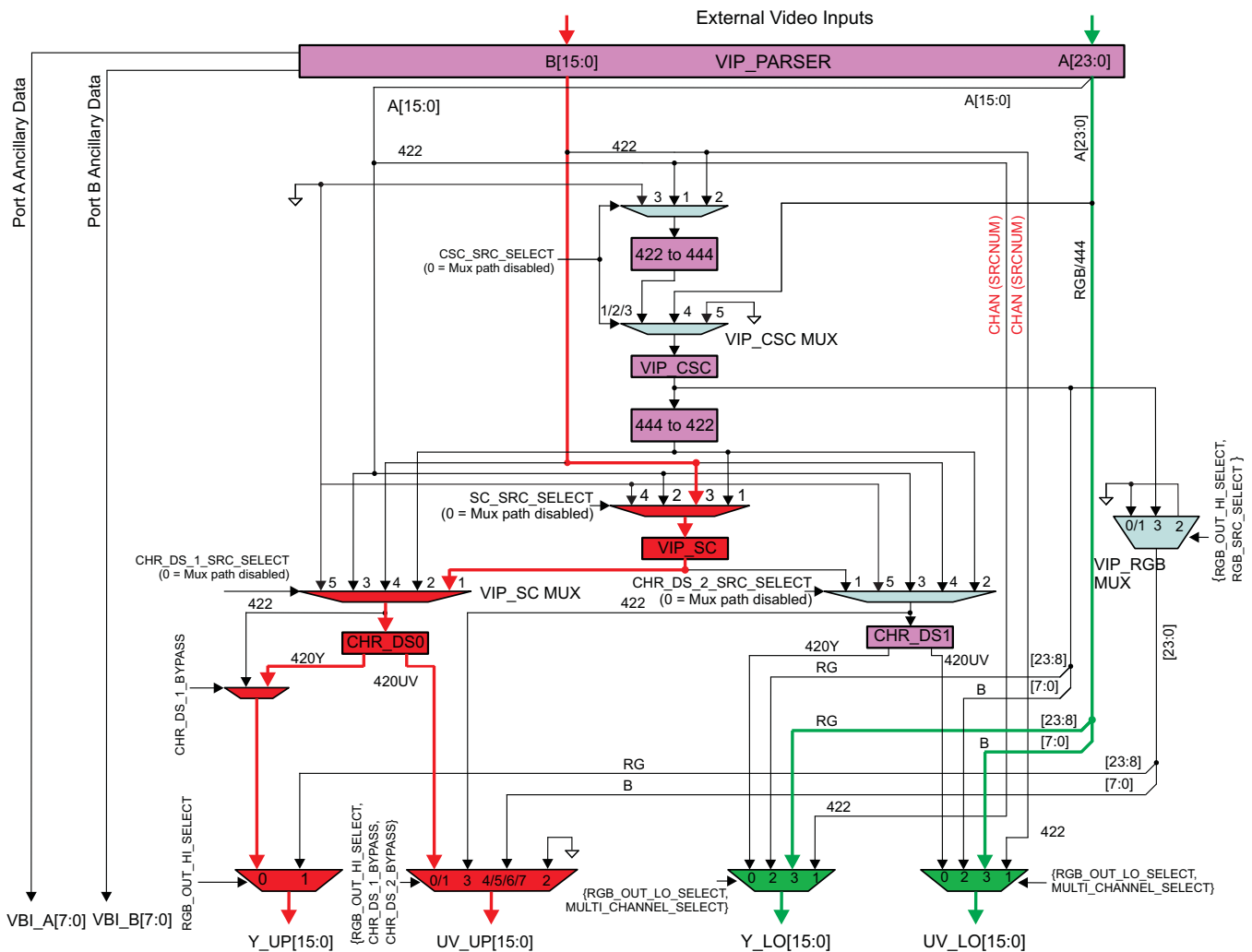


9.4.4.3.3 Input: A=RGB, B=YUV422; Output: A=RGB, B=Scaled YUV420

Tested in single channel embedded and discrete mode and multi-channel mode.

Multiplexers settings:

- VIPx_CSC_SRC_SELECT = 4
- VIPx_SC_SRC_SELECT = 3
- VIPx_CHR_DS_1_SRC_SELECT = 1
- VIPx_CHR_DS_1_BYPASS = 0
- VIPx_CHR_DS_2_SRC_SELECT = 1
- VIPx_CHR_DS_2_BYPASS = 1
- VIPx_RGB_SRC_SELECT = 0
- VIPx_RGB_OUT_HI_SELECT = 0
- VIPx_RGB_OUT_LO_SELECT = 1
- VIPx_MULTI_CHANNEL_SELECT = 1

Figure 9-8. Input: A=RGB, B=YUV422; Output: A=RGB, B=Scaled YUV420


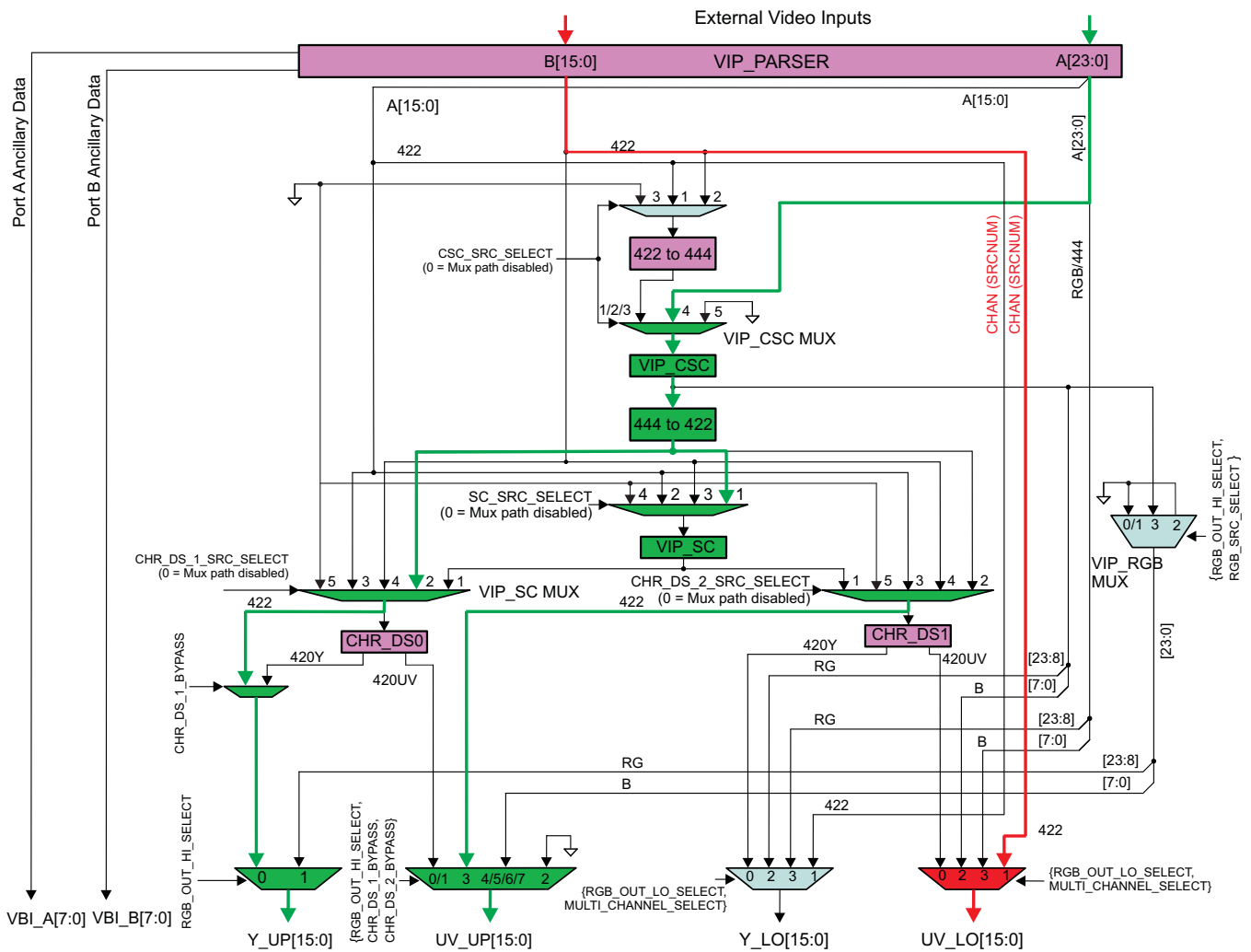
9.4.4.3.4 Input: A=YUV444, B=YUV422; Output: A=YUV422, A=Scaled YUV422, B=YUV422

Tested in single channel embedded and discrete mode.

Multiplexer settings:

- VIPx_CSC_SRC_SELECT = 4
- VIPx_SC_SRC_SELECT = 1
- VIPx_CHR_DS_1_SRC_SELECT = 2
- VIPx_CHR_DS_1_BYPASS = 1
- VIPx_CHR_DS_2_SRC_SELECT = 1
- VIPx_CHR_DS_2_BYPASS = 1
- VIPx_RGB_SRC_SELECT = 0
- VIPx_RGB_OUT_HI_SELECT = 0
- VIPx_RGB_OUT_LO_SELECT = 0
- VIPx_MULTI_CHANNEL_SELECT = 1

Figure 9-9. Input: A=YUV444, B=YUV422; Output: A=YUV422, A=Scaled YUV422, B=YUV422

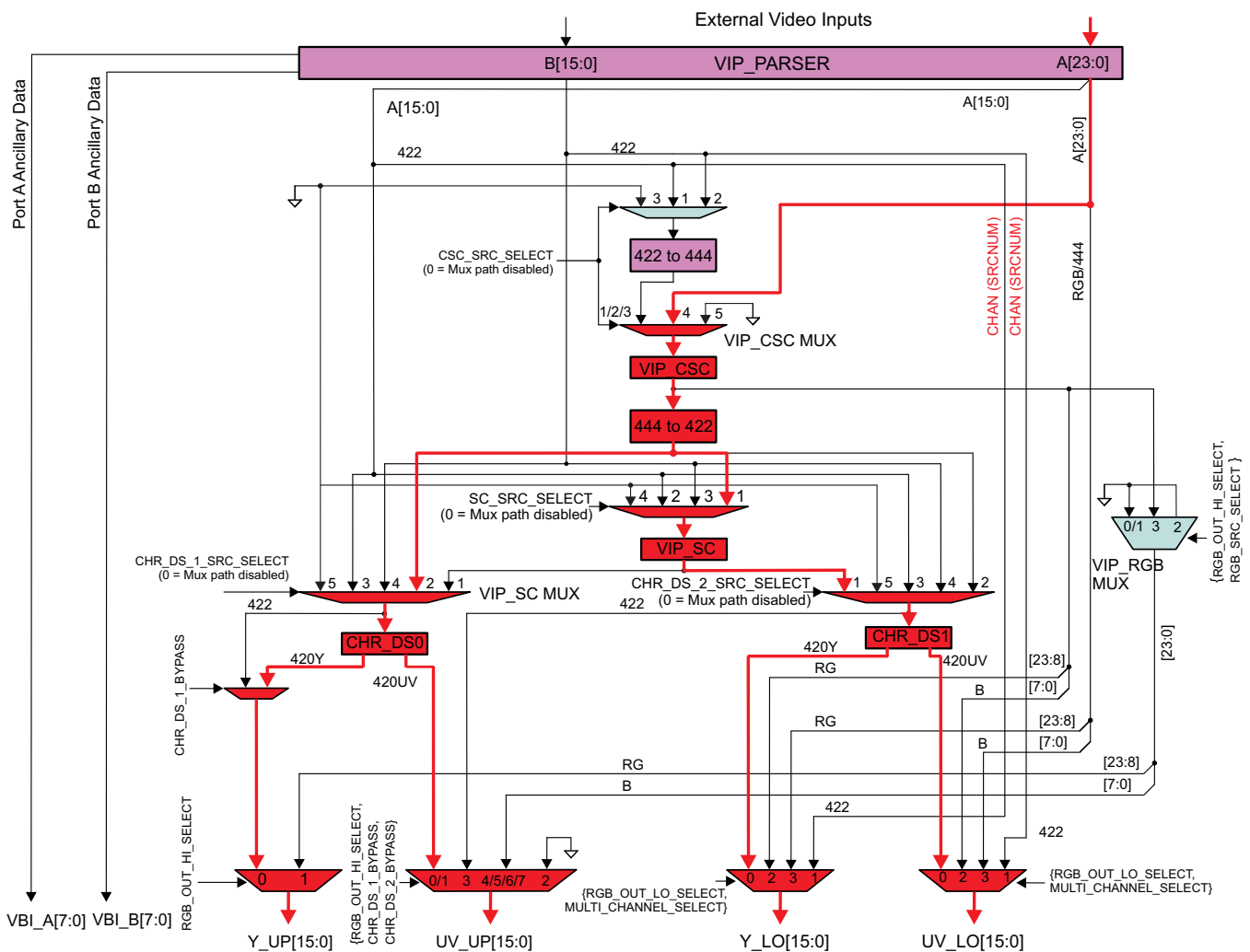


9.4.4.3.5 Input: A=YUV444; Output: A=Scaled YUV420, A=YUV420

Tested in single channel embedded and discrete mode.

Multiplexer settings:

- VIPx_CSC_SRC_SELECT = 4
- VIPx_SC_SRC_SELECT = 1
- VIPx_CHR_DS_1_SRC_SELECT = 2
- VIPx_CHR_DS_1_BYPASS = 0
- VIPx_CHR_DS_2_SRC_SELECT = 1
- VIPx_CHR_DS_2_BYPASS = 0
- VIPx_RGB_SRC_SELECT = 0
- VIPx_RGB_OUT_HI_SELECT = 0
- VIPx_RGB_OUT_LO_SELECT = 0
- VIPx_MULTI_CHANNEL_SELECT = 0

Figure 9-10. Input: A=YUV444; Output: A=Scaled YUV420, A=YUV420


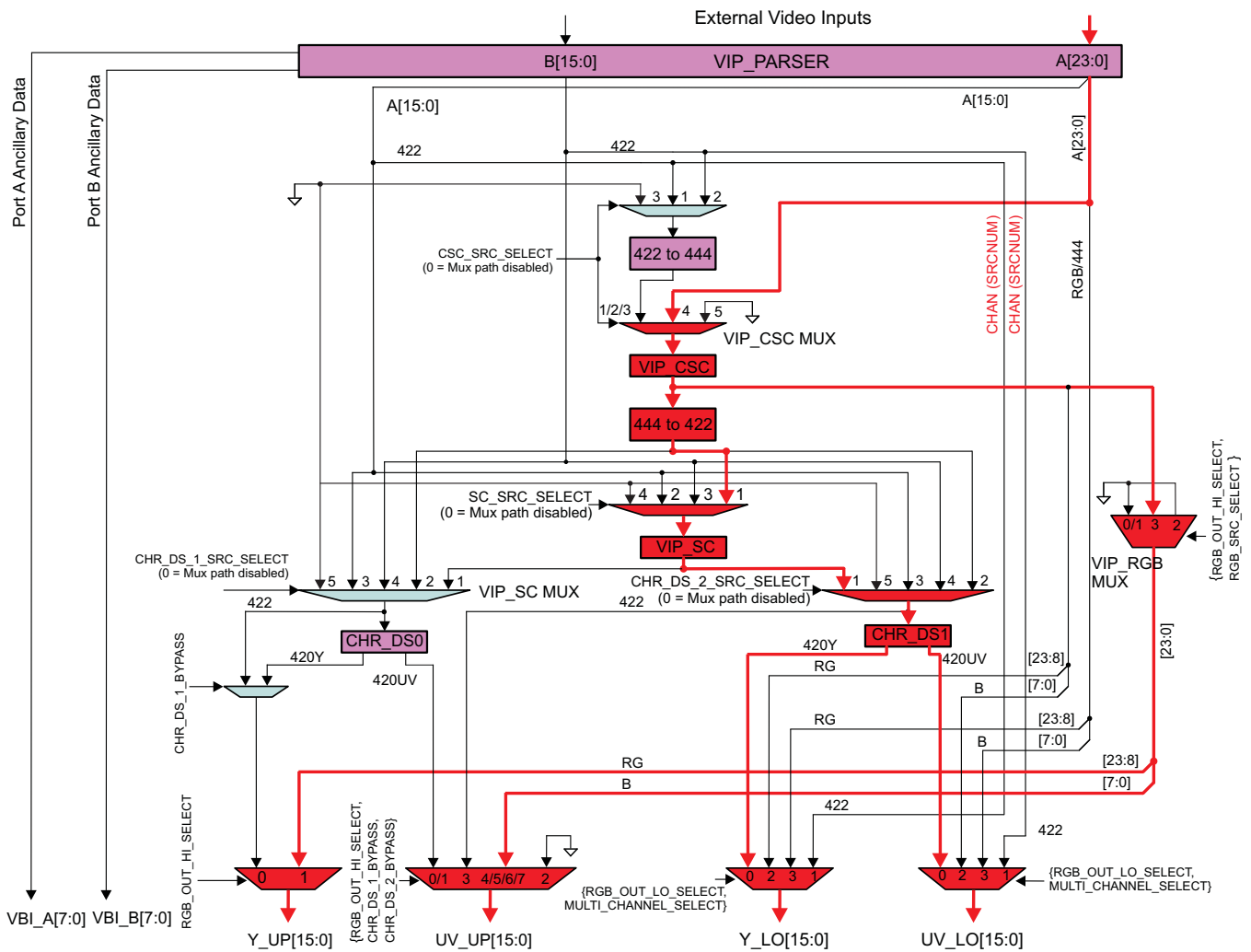
9.4.4.3.6 Input: A=YUV444; Output: A=Scaled YUV420, A=YUV444

Tested in single channel embedded and discrete mode.

Multiplexer settings:

- VIPx_CSC_SRC_SELECT = 4
- VIPx_SC_SRC_SELECT = 1
- VIPx_CHR_DS_1_SRC_SELECT = 0
- VIPx_CHR_DS_1_BYPASS = 0
- VIPx_CHR_DS_2_SRC_SELECT = 1
- VIPx_CHR_DS_2_BYPASS = 0
- VIPx_RGB_SRC_SELECT = 1
- VIPx_RGB_OUT_HI_SELECT = 1
- VIPx_RGB_OUT_LO_SELECT = 0
- VIPx_MULTI_CHANNEL_SELECT = 0

Figure 9-11. Input: A=YUV444; Output: A=Scaled YUV420, A=YUV444

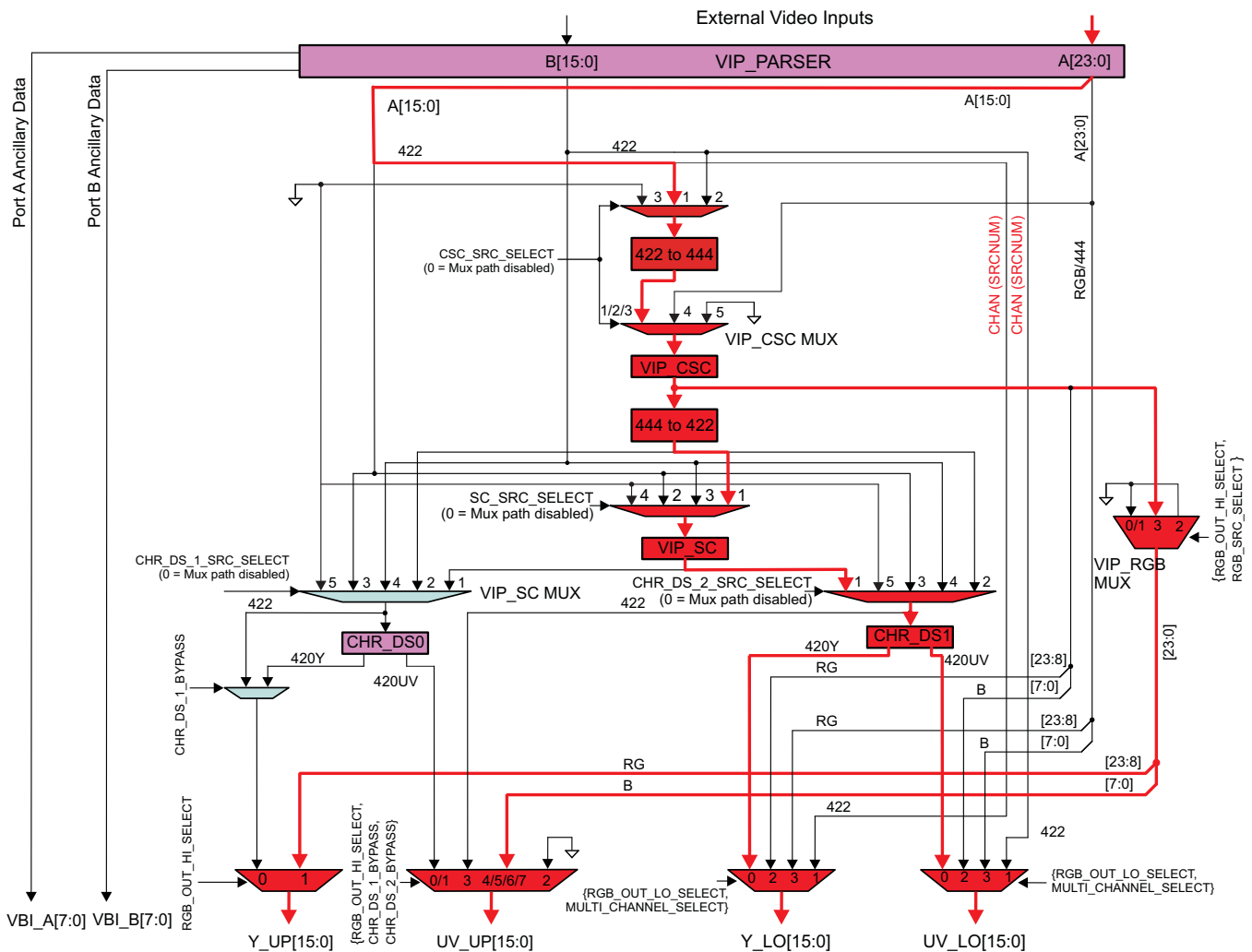


9.4.4.3.7 Input: A=YUV422 8/16; Output: A=Scaled YUV420, A=YUV444

Tested in single channel embedded and discrete mode.

Multiplexer settings:

- VIPx_CSC_SRC_SELECT = 1
- VIPx_SC_SRC_SELECT = 1
- VIPx_CHR_DS_1_SRC_SELECT = 0
- VIPx_CHR_DS_1_BYPASS = 0
- VIPx_CHR_DS_2_SRC_SELECT = 1
- VIPx_CHR_DS_2_BYPASS = 0
- VIPx_RGB_SRC_SELECT = 1
- VIPx_RGB_OUT_HI_SELECT = 1
- VIPx_RGB_OUT_LO_SELECT = 0
- VIPx_MULTI_CHANNEL_SELECT = 0

Figure 9-12. Input: A=YUV422 8/16; Output: A=Scaled YUV420, A=YUV444


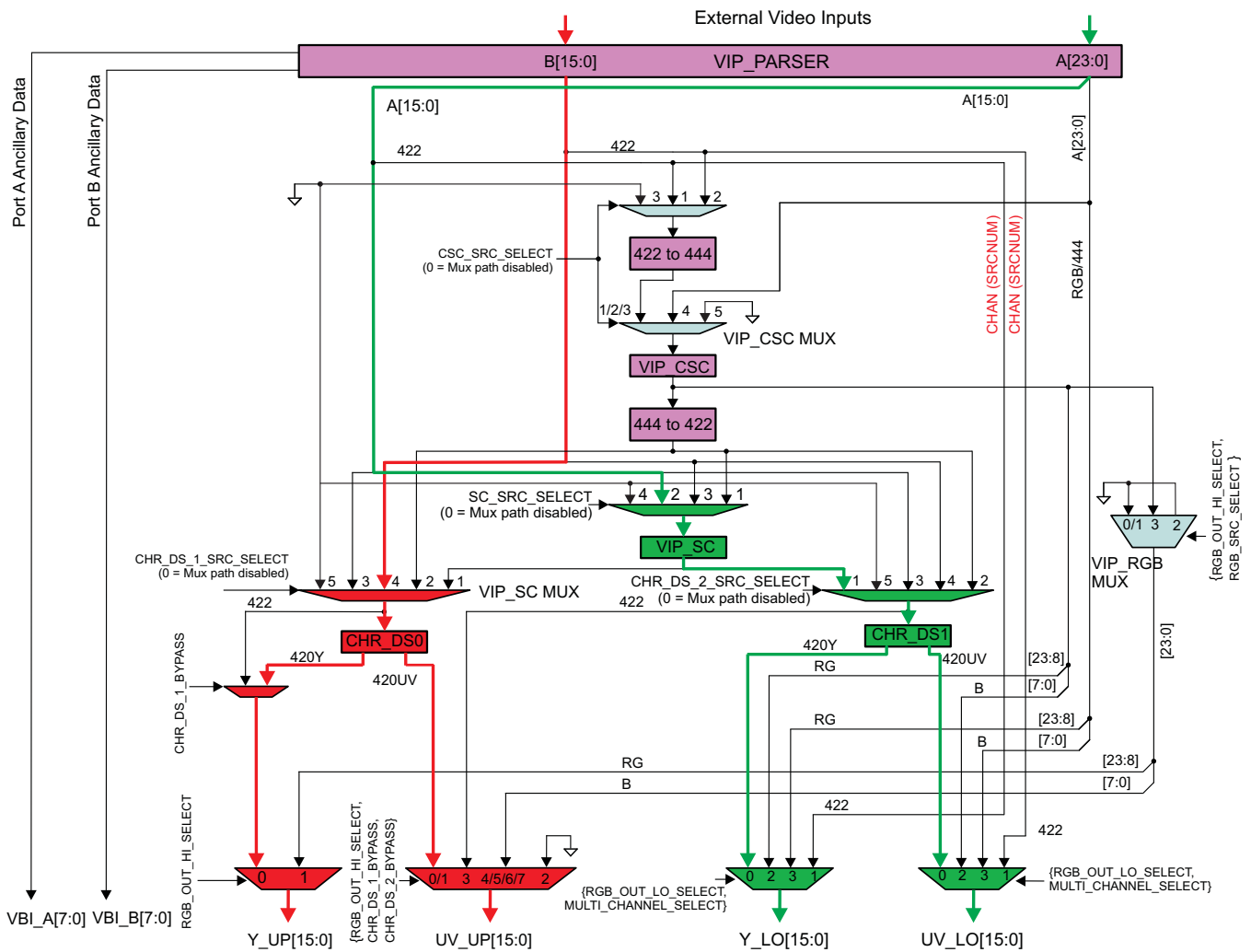
9.4.4.3.8 Input: A=YUV422 8/16, B=YUV422; Output: A=Scaled YUV420, B=YUV420

Tested in single channel embedded and discrete mode.

Multiplexer settings:

- VIPx_CSC_SRC_SELECT = 0
- VIPx_SC_SRC_SELECT = 2
- VIPx_CHR_DS_1_SRC_SELECT = 4
- VIPx_CHR_DS_1_BYPASS = 0
- VIPx_CHR_DS_2_SRC_SELECT = 1
- VIPx_CHR_DS_2_BYPASS = 0
- VIPx_RGB_SRC_SELECT = 0
- VIPx_RGB_OUT_HI_SELECT = 0
- VIPx_RGB_OUT_LO_SELECT = 0
- VIPx_MULTI_CHANNEL_SELECT = 0

Figure 9-13. Input: A=YUV422 8/16, B=YUV422; Output: A=Scaled YUV420, B=YUV420

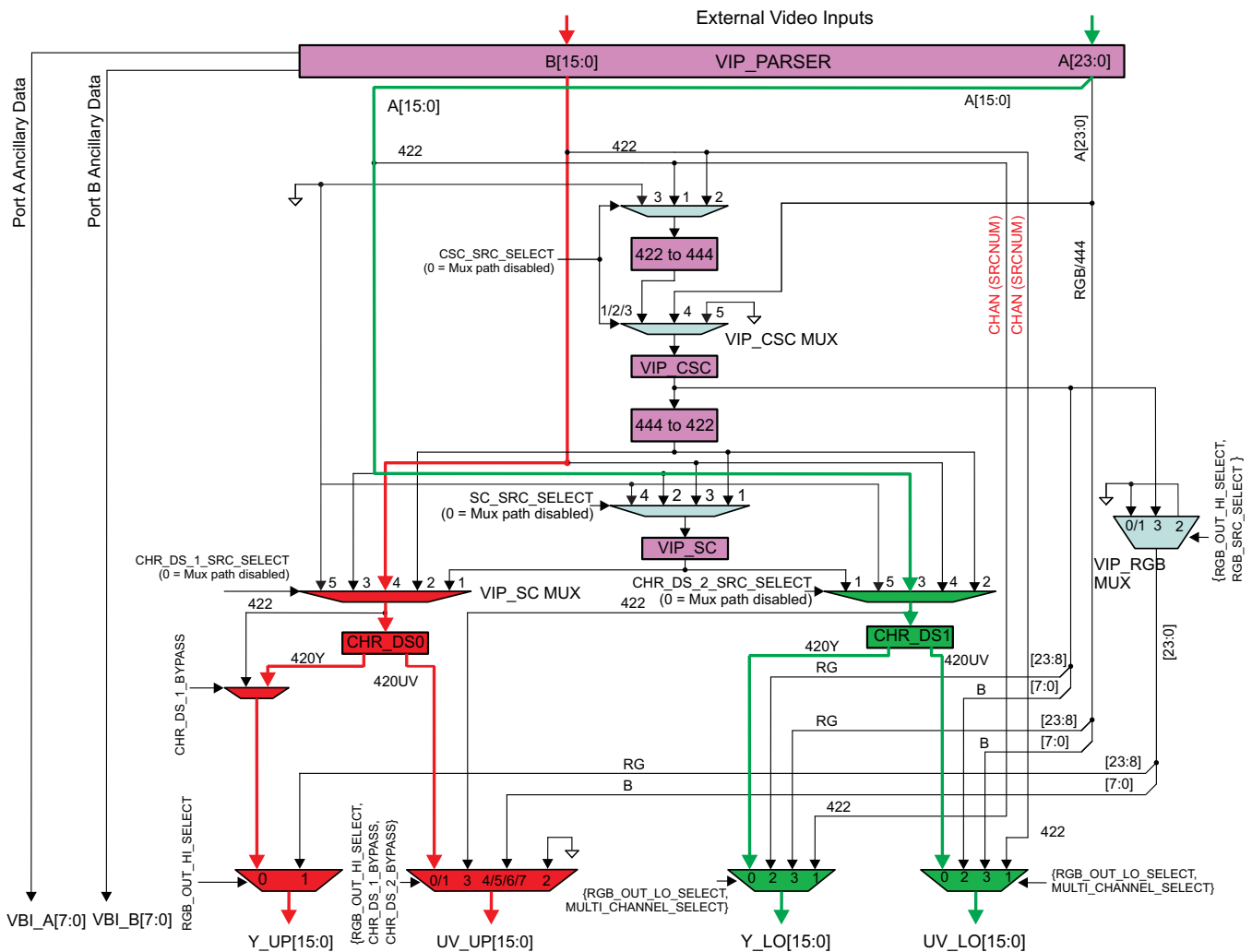


9.4.4.3.9 Input: A=YUV422 8/16, B=YUV422; Output: A=YUV420, B=YUV420

Tested in single channel embedded and discrete mode.

Multiplexer settings:

- VIPx_CSC_SRC_SELECT = 0
- VIPx_SC_SRC_SELECT = 0
- VIPx_CHR_DS_1_SRC_SELECT = 4
- VIPx_CHR_DS_1_BYPASS = 0
- VIPx_CHR_DS_2_SRC_SELECT = 3
- VIPx_CHR_DS_2_BYPASS = 0
- VIPx_RGB_SRC_SELECT = 0
- VIPx_RGB_OUT_HI_SELECT = 0
- VIPx_RGB_OUT_LO_SELECT = 0
- VIPx_MULTI_CHANNEL_SELECT = 0

Figure 9-14. Input: A=YUV422 8/16, B=YUV422; Output: A=YUV420, B=YUV420

9.4.5 VIP Parser

The VIP Parser (VIP_PARSER) module is used to capture the external video data into the VIP module.

9.4.5.1 Features

Each VIP module contains two VIP_PARSER modules (one VIP_PARSER per slice).

For a single VIP_PARSER, the video capture functions include:

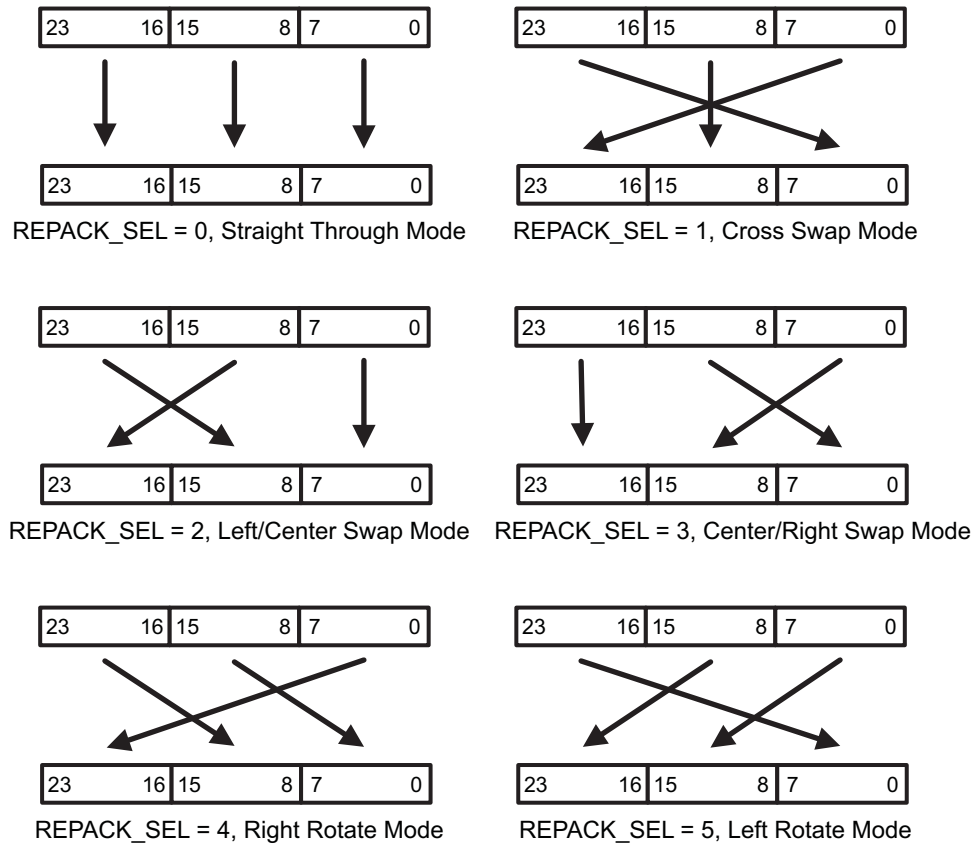
- Two Pixel Clock Input Domains are supported (Port A and Port B):
 - Each Pixel Clock Input Domain has separate clock and framing signals.
 - Each Pixel Clock Input Domain can support embedded (BT.656/1120 style in /24-bit, or BT.656 in 8-bit) or discrete (BT.601 style) sync.
 - Pixel Clock Input Domain Port B supports one 8-bit input data bus. Port A supports one 24-bit input data bus.
- Embedded Sync data interface mode supports single or multiplexed sources;
- Discrete Sync data interface mode supports only single source input;
- The two Pixel Clock Input Domains can be individually configured in any combination of Embedded or Discrete Sync;
- Vertical Ancillary Data capture is supported for each input source;
- A maximum of 8 + 1 (8 normal line sources + 1 split-line source) multiplexed sources are supported for a single Pixel Clock Input Domain using TI Line Mux Mode;
- Multiplexed data can only appear in embedded sync mode;
- Where possible, blanking pixels that may contain embedded vertical ancillary data will be stored in a dedicated buffer per each video source;
- Optional selection of channel (Luma or Chroma, or both) from which Vertical Ancillary data is extracted for YUV422 source;
- For RGB source, Vertical Ancillary data can be found in one of the R, G, or B channels. The VIP_PARSER can select the channel from which Vertical Ancillary data is extracted;
- Ancillary Data can appear in the Horizontal Blanking as well as the Vertical Blanking. Typically, only Vertical Blanking Ancillary Data is captured. However, Horizontal Blanking Ancillary Data can be captured as well using HSYNC style discrete sync capture mode;
- Video up to WUXGA (1920 × 1200) can be supported using Port A in 16-bit or 24-bit mode.

9.4.5.2 Repacker

The Repacker module rearranges the input bit ordering of the 24-bit data bus on Port A of each VIP slice. This module allows external input data to be presented to the datapath such that various data packing formats can be achieved in memory. As shown in [Figure 9-15](#), a Repacker exists for each 24-bit input port.

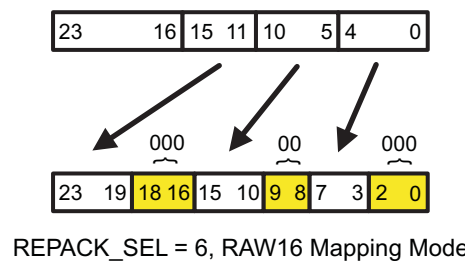
The Repacker module is a simple multiplexer that serves to move input bits to different locations on the its output bus to VIP Parser. [Figure 9-15](#) shows the supported bytelane swapping modes corresponding to different `VIP_XTRA_PORT_A[30:28] REPACK_SEL` settings.

Figure 9-15. Bytelane Swapping Modes



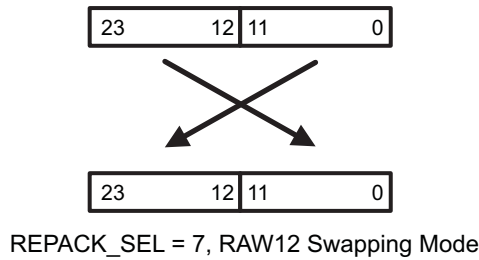
16-bit RAW data entering the VIP subsystem is packed as a contiguous input bus from bits 15 to 0. This 16-bit RAW input must be remapped to the RGB565 format, so that it can be saved to DDR memory properly, because the VPDMA does not support the RAW16 input format natively. Instead, the RAW 16 format is first remapped as RGB565 data and then given to the VPDMA. [Figure 9-16](#) describes the `VIP_XTRA_PORT_A[30:28]` `REPACK_SEL = 6` option to remap a contiguous [15:0] RAW input data bus to a RGB565 compliant output bus. This RAW16 data will use RGB565 data types in the VPDMA Data Descriptors.

Figure 9-16. RAW16 to RGB565 Mapping



[Figure 9-17](#) describes the mux configuration where 12 bit components are swapped. This mode may be useful when the input data is 12 bit per component YUV422 and is sent directly to memory.

Figure 9-17. RAW12 Swap

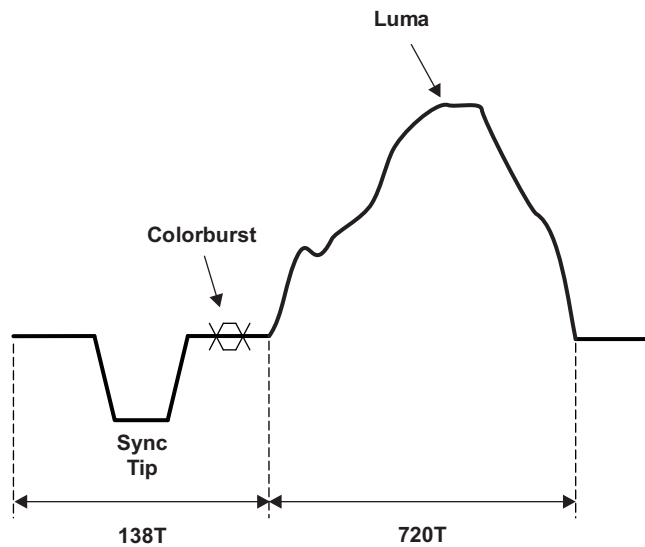


NOTE: There is no repacker for the 8-bit input port (Port B of each VIP slice).
The RAW16 and RAW12 mapping modes do not work for embedded sync streams.

9.4.5.3 Analog Video

A digital interface stream is based on analog video. The waveform for a line of NTSC analog video is shown in Figure 9-18.

Figure 9-18. NTSC Analog Video Waveform for One Horizontal Line



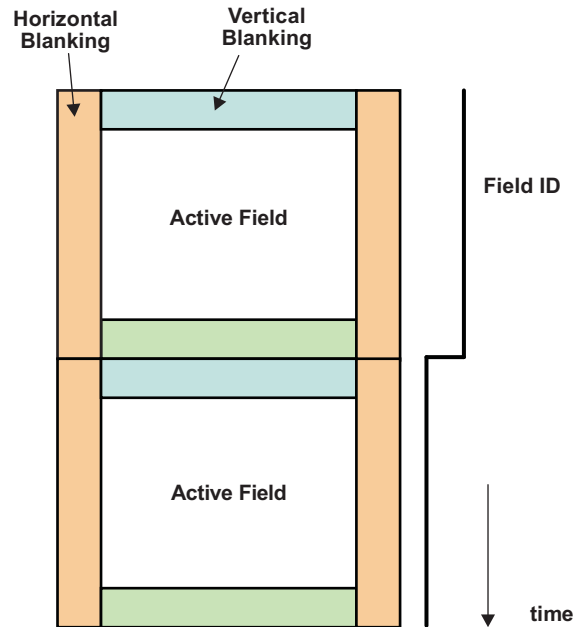
T is a time constant. For NTSC, $T=1/13.5 \text{ MHz} = 74\text{ns}$.

9.4.5.4 Digitized Video

Digitized video is based on scan lines in found in analog video. BT.601 uses various sync signals to specify when a new field and a new line starts. BT.656 and BT.1120 uses sync words embedded in the data stream to specify start of field and start of line.

An image can be digitized into regions shown in Figure 9-19.

Figure 9-19. Digitized Video



With the capability to encode sync words inside the data stream, there is more flexibility for adding non-video related data, called Ancillary Data. Also, code words embedded in the digital stream can be used as a type of identifier for multiplexing several sources of video into one data stream.

Figure 9-20 shows End-of-Active-Video (EAV) and Start-of-Active-Video (SAV) code words added to a video transmission. The period between the EAV and SAV is equivalent to Horizontal Blanking. The period between the SAV to the next EAV is active video or vertical blanking.

In the BT.656 or BT.1120 embedded code word scheme, three bits of the EAV/SAV code word are important: F (field), H (horizontal blanking), and V (vertical blanking).

Figure 9-20. Code Word Embedded Video Format

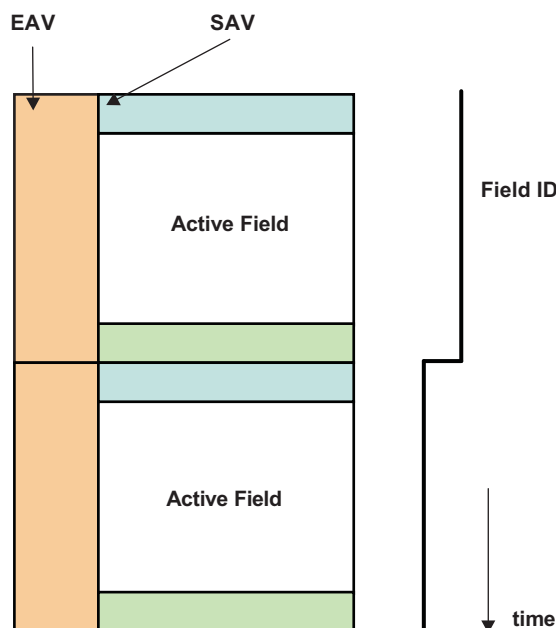
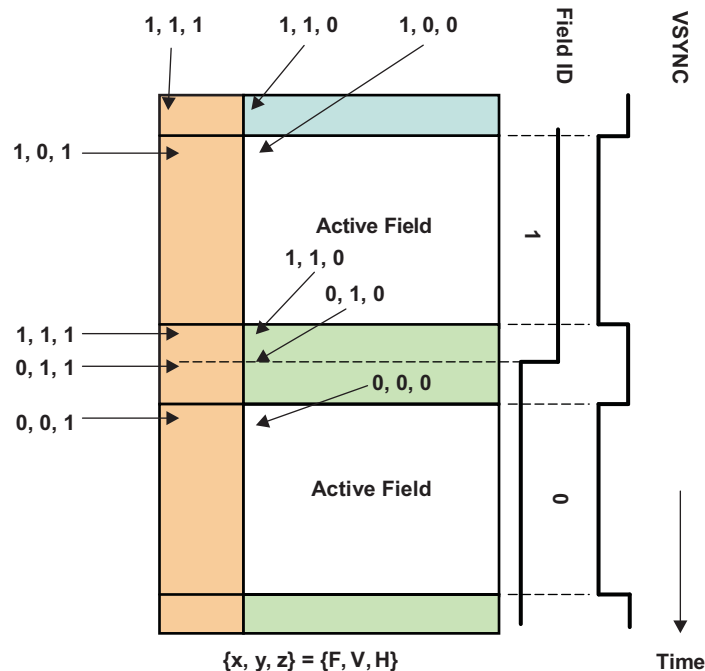


Figure 9-21 shows the values of F, V, and H flags at different locations in the picture. The Field flag represents the state of the Field ID for the picture. For progressive frames, F is always '0.' The V flag specifies vertical blanking areas. The H flag specifies horizontal blanking portions of the picture.

Figure 9-21. Digitized Video with F, V, and H Flags in EAV/SAV



9.4.5.5 Frame Buffers

The VIP/VPDMA support Frame Buffers in DDR memory for Active Video and Ancillary Data.

4:2:2 data is always saved in packed pixel buffers.

4:2:0 data is saved in Planar Luma buffers and Planar CbCr pair buffers.

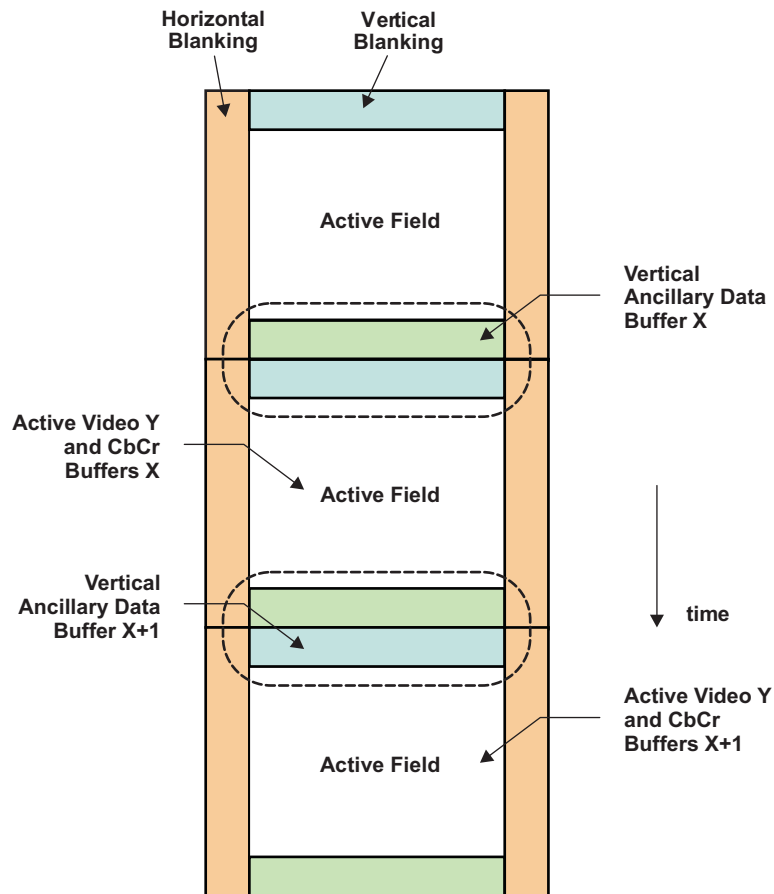
A Luma Frame Buffer is a Planar storage area. Each line is the width in pixels (1Byte/pixel) of the output picture size format. The frame buffer contains the number of active video lines in the output picture size format.

A Chroma Pair Frame Buffer is Planar storage of CbCr pixel pairs, with each pixel being a byte. For 4:2:0 storage, N lines in the output picture active video results in N/2 lines of CbCr pairs being stored.

The Ancillary Data buffer is different than the Active Video Frame Buffers. The Ancillary Data buffer only stores Vertical Blanking Ancillary Data. The number of lines in the Ancillary Data buffer is the same as the number of Vertical Blanking lines. Typically, only one channel is extracted from the Vertical Blanking data, so the width of the Ancillary Data buffer is the same as the width of the Luma Buffer.

In 8-bit input mode, it is possible for both Luma and Chroma sites to be extracted for Vertical Ancillary data. Each color component is strobed on separate input clock cycles. In this case, the line width of the Ancillary data is twice the Luma line width of the picture. Both Luma and Chroma sites cannot be extracted for 16-bit input mode because both Luma and Chroma are sent on the same input clock cycle and the Ancillary port to the VPDMA VPI is only 8 bits wide.

Figure 9-22 shows how the planar data regions are stored in DDR memory. The vertical blanking data is stored in a set of Planar Buffers. Note that the bottom of the Vertical Ancillary Data from the previous field or frame is stored in the same buffer as the top of the Vertical Ancillary Data from the current field or frame.

Figure 9-22. Planar Buffer Storage Description


The Luma representing Active Video is stored in a set of Planar Buffers. The CbCr Chroma Pairs are stored in a set of Planar Buffers.

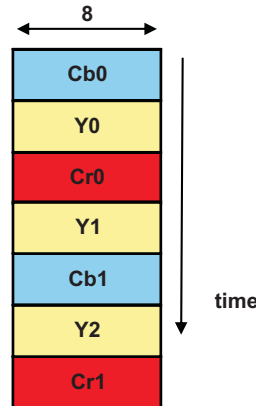
9.4.5.6 Input Data Interface

This section describes how the data (luma and chroma data for YUV422 format capture and R,G, and B data for RGB888 format capture) is muxed for the various interface modes.

9.4.5.6.1 8b Interface Mode

In 8-bit data interface mode, the input pixels are multiplexed according to [Figure 9-23](#). The Chroma Format is 4:2:2. Sites with Cb/Cr pixels are known as Chroma sites. Those sites with Y pixels are known as Luma sites.

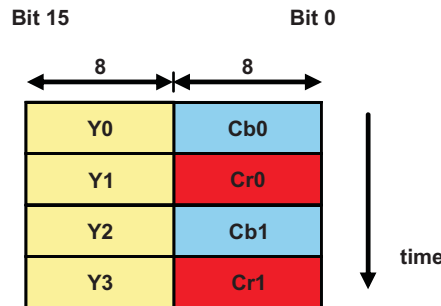
Figure 9-23. 8-bit Interface Discrete Sync Pixel Multiplexing



9.4.5.6.2 16b Interface Mode

In 16-bit interface mode, Luma is on 8 MSB bits of the data bus and Cb/Cr chroma pixels alternate on the other 8 bits of the data bus as shown in Figure 9-24.

Figure 9-24. 16-bit Interface Discrete Sync Pixel Multiplexing

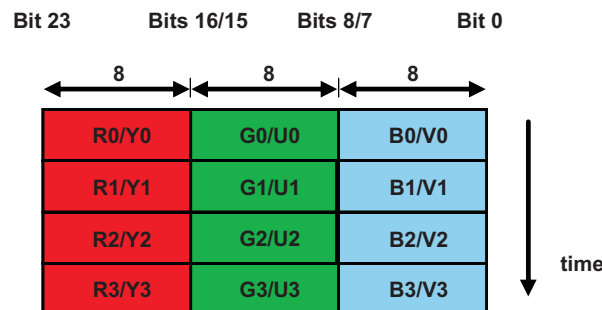


9.4.5.6.3 24b Interface Mode

RGB or YUV444 data is sent in 24b Interface Mode. The three components are packed into the data bus and sent to the VPDMA. The 24-bit Luma VPI client to the VPDMA carries all three components. This data is saved to the DDR in packed mode. That is, the three components are not separated by hardware. The 24-bit data bus is shown in Figure 9-25.

Ancillary data is saved in the Ancillary Data buffer. The VIP_PORT_A[5:4] CTRL_CHAN_SEL and VIP_PORT_B[5:4] CTRL_CHAN_SEL configuration register is used to select whether the ancillary data is from the R/Y, G/U, or B/V channels.

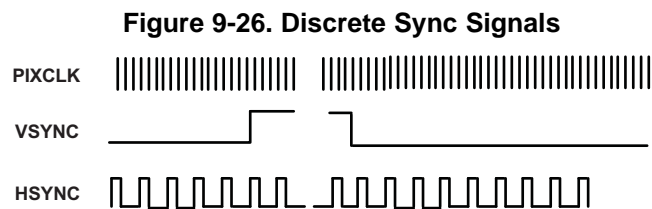
Figure 9-25. 24b Interface RGB Discrete Sync



In 24b interface mode YUV4:4:4 data is also supported. The flow for YUV4:4:4 data is the same as RGB data (Figure 9-25). Bits [23:16] of the input data bus are placed on bits [23:16] of the data bus going to VPDMA, bits [15:8] of the input bus are placed on bits [15:8] of the data bus going to VPDMA and finally bits [7:0] of the input data bus, are placed on bits [7:0] on the bus going to VPDMA.

9.4.5.6.4 Signal Relationships

A digital representation of video can be realized by using HSYNC and VSYNC signals to identify frame start and line start. Suppose HSYNC and VSYNC are active high, Figure 9-26 shows the general relationship of these signals.



Every PIXCLK cycle carries either an active pixel or a blanking pixel. VSYNC pulses between two fields (or frames, in the case of progressive video). HSYNC pulses to signify the beginning of every line. An ACTVID signal can be used as a data valid to specify active video.

Discrete Sync cannot be used with any multi-camera multiplexed stream inputs. In the device, if Port A is configured for 24-bit discrete sync, then Port B must be disabled since there are no more data input pins left over for Port B.

If Port A is not 24 bits, then the 8-bit Port B can be configured and enabled for either discrete or embedded sync.

9.4.5.6.5 General 5 Pin Interfaces

Discrete Sync signal handling varies among different sending devices. The information that must be conveyed includes the pixel data value, field ID, horizontal blanking, and vertical blanking. Many devices can be configured to adjust the timing of the signals relative to each other.

In this section, DATA will be depicted as 8 bits. However, discrete sync does optionally support 16-bit and 24-bit data input. Type 1 is named after a generic five pin interface between the sending and receiving devices.

In Figure 9-27, P0 represents the first pixel in the horizontal blanking interval following the last vertical blanking line of the previous field or frame. HSYNC specifies the horizontal blanking region and VSYNC specifies that the P0 pixel is in the vertical sync area. HSYNC can be a strobe that is active one or more cycles and can deassert before the actual end of horizontal blanking or HSYNC may be active for the full duration of horizontal blanking.

Likewise, VSYNC can be a strobe that is active one or more cycles and can deassert before the actual end of vertical blanking or VSYNC may be active for the full duration of vertical blanking.

FID can change at this pixel or it may change later. For interlaced source, though, the FID will be inverted for this pixel at the same time point in the next field. So, it does not really matter when FID is captured. Many sending devices allow the location of FID changes to be programmable.

In this diagram and all others in this document, the active polarities of the interface signals can be either high or low. For the sake of uniformity in this document, all polarities are drawn active high. Also, different vendors have different datasheet names for the interface signals.

Figure 9-27. Type 1, First Horizontal Blanking Pixel

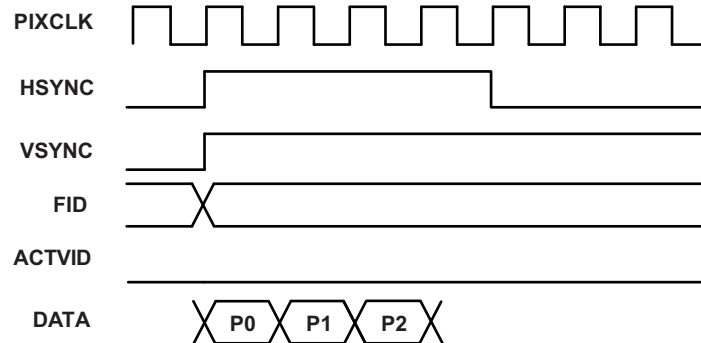
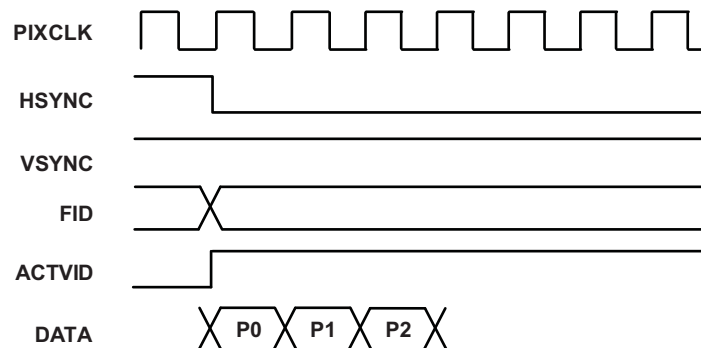


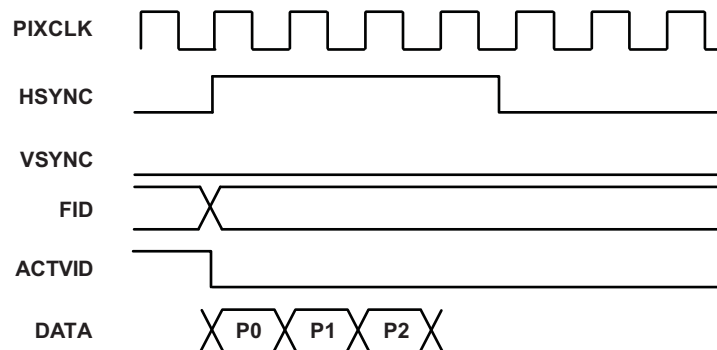
Figure 9-28 shows the P0 pixel being the first Chroma Channel data value in the Vertical Ancillary Data region. HSYNC is definitely de-asserted by now since P0 is no longer in horizontal blanking. ACTVID may or may not be active for Vertical Ancillary Data. Some devices consider these pixels to be Active (as in non-horizontal blanking). Other devices consider only video to be ACTIVE Video.

Figure 9-28. Type 1, First Vertical Ancillary Data Pixel

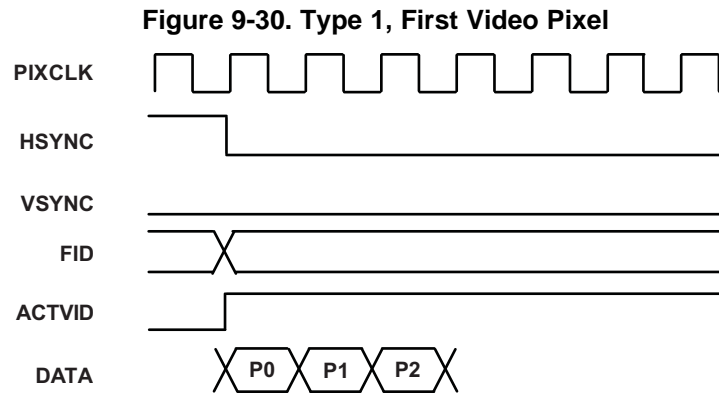


Following the vertical blanking region, the video portion of the field or frame starts. Figure 9-29 shows the horizontal blanking area in this video portion of the field or frame. P0 is the first pixel in the horizontal blanking. HSYNC is active for one or more pixel clocks. VSYNC is inactive in this video area. FID can change here. ACTVID is low since P0 is horizontal blanking.

Figure 9-29. Type 1, Horizontal Blanking in Video Region



In Figure 9-30, P0 represents the first Chroma pixel in the Active video line. HSYNC is inactive, since P0 is in the active video region. Likewise, VSYNC is inactive. FID may or may not change here. ACTVID is high to signal capturing of video pixels.



9.4.5.6.6 Signal Subsets—4 Pin VSYNC, ACTVID, and FID

A sending device may use only a subset of the signals described in Section 9.4.5.6.4. The sending device just needs to convey important signals required to capture the field or frame. It can be shown that various selections of four pins can be used to satisfy all Type 1 conditions.

Three pins, VSYNC, ACTVID, and FID, plus a pixel clock can be used to support discrete sync. VSYNC would bump the capture buffer. An inactive to active level of ACTVID specifies a line of data to capture. FID determines the field ID polarity. The scenario in which the sending device wants the receiving end to capture Vertical Ancillary Data using 4-pin signaling is shown in Figure 9-31.

Figure 9-31. 4-Pin Reduced ACTVID Signaling with Vertical Ancillary Data

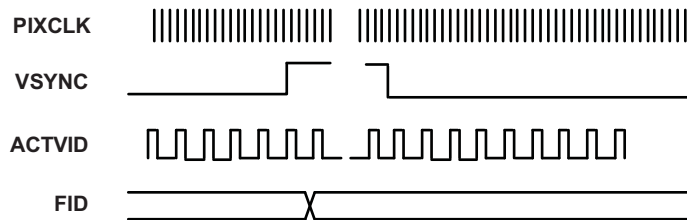
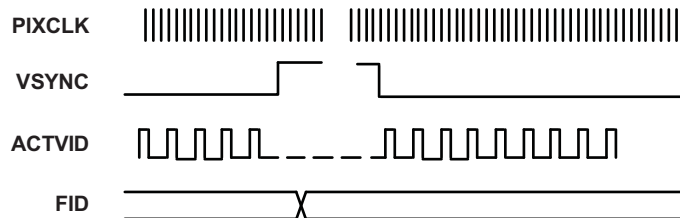


Figure 9-32 describes the case using the 4-pin interface in which the sending device does not send Vertical Ancillary Data.

Figure 9-32. 4-Pin Reduced ACTVID Signaling with No Vertical Ancillary Data

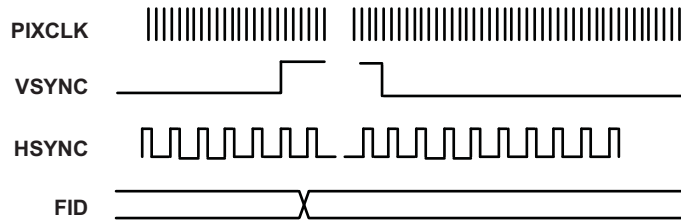


9.4.5.6.7 Signal Subsets—4 Pin VSYNC, HSYNC, and FID

In this style of Discrete Sync, as shown in Figure 9-33, four pins are used including the Pixel Clock. HSYNC signals the beginning of the line. All data in the line is captured, including Horizontal Blanking Data. In fact, this signaling mode is the only one which allows Horizontal Blanking Data to be captured.

Of course, by capturing the horizontal blanking pixels in the frame buffers, there is no way to be certain exactly where the blanking ends and the active video starts. One would have to rely solely on video format specs to find the active video inside the frame buffer.

Figure 9-33. 4-Pin Reduced HSYNC Signaling with Vertical Ancillary Data



9.4.5.6.8 Vertical Sync

Vertical Sync is used to indicate lines that are in the vertical blanking interval. The VSYNC also separates fields or frames. To be spec compliant, VSYNC should be active for a few lines at the bottom of the picture. The exact number of vertical blanking lines at the bottom depends on the specification for the picture format (480i, 480p, 720p, 1080i, 1080p).

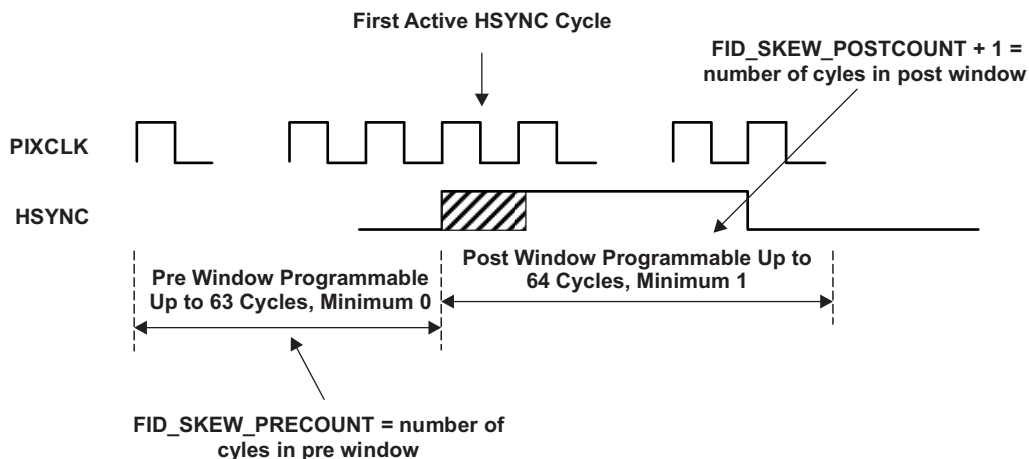
Likewise, the number of vertical blanking lines at the top of the picture depends on the video format specification corresponding to the incoming picture.

In the VIP_PARSER, lines associated with an Active VSYNC are stored in the vertical ancillary data buffers using the ANC VPI port to the VPDMA. Lines without an Active VSYNC are stored in the active video Luma and Chroma-pair buffers using the Y and UV VPI ports, respectively, to the VPDMA.

When using HSYNC signaling instead of ACTVID, the VSYNC signal may be derived from an analog source such as an NTSC/PAL decoder. In this case, VSYNC may not transition on the exact cycle as HSYNC. Thus, the VIP_PARSER supports a window region around HSYNC in which VSYNC transitions will be detected. A VSYNC transition occurring within the window is identified the same way as if VSYNC transitioned on the same cycle as HSYNC going active.

The window is defined by a pre-window, which is determined by the [VIP_PORT_A\[21:16\]](#) FID_SKEW_PRECOUNT and [VIP_PORT_B\[21:16\]](#) FID_SKEW_PRECOUNT registers. There is also a post-window that is defined by [VIP_PORT_A\[29:24\]](#) FID_SKEW_POSTCOUNT and [VIP_PORT_B\[29:24\]](#) FID_SKEW_POSTCOUNT for port B. Note that although the configuration registers are named FID_SKEW, they are also used for defining the VSYNC transition window. The window region definition is shown in [Figure 9-34](#).

Figure 9-34. VSYNC Pre and Post Window



The results of VSYNC behavior in the transition window are shown in [Figure 9-35](#). A low to high transition in the window is equivalent to VSYNC going low to high on the active HSYNC cycle.

Likewise, a high to low transition in the window is equivalent to VSYNC going high to low on the active HSYNC cycle.

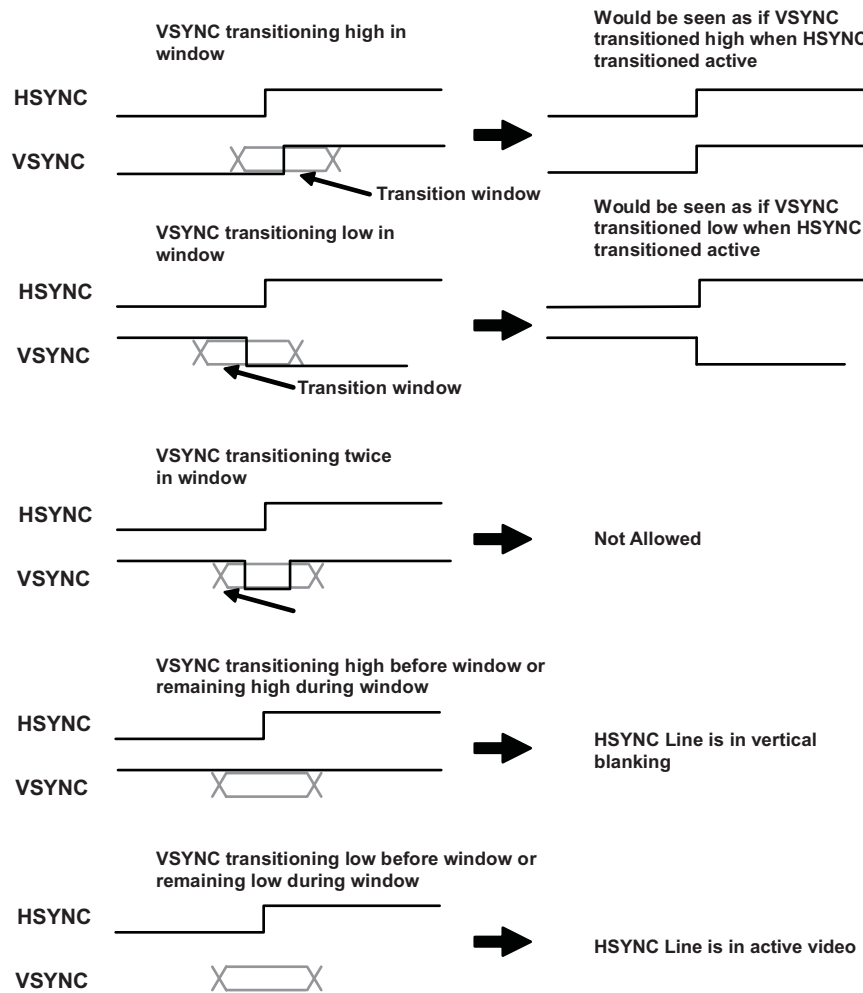
Two transitions of VSYNC within the VSYNC window is not allow and is undefined behavior.

If VSYNC is high throughout the transition window, then the HSYNC line is in vertical blanking.

If VSYNC is low throughout the transition window, then the HSYNC line is in active video.

Note that VSYNC skew generally only applies to input signals that have been sampled from an analog source, as in a NTSC/PAL decoder. If the VSYNC is a VBLANK-type signal or if the sending device is another all-digital IC, then the VSYNC signal does not have a skew since VSYNC will be aligned to HSYNC. In this case, setting FID_SKEW_PRECOUNT = '0' and FID_SKEW_POSTCOUNT = '0' (within PORT_A and PORT_B registers) defines a minimum size window which will capture the value of VSYNC on the same cycle that HSYNC goes active.

Figure 9-35. VSYNC Equivalence When Using Transition Window



9.4.5.6.9 Field ID Determination Using Dedicated Signal

For Progressive Source, FIELD ID is always '0.'

For Interlaced Source, FIELD ID needs to be extracted consistently.

In some cases, vertical sync is active on the first pixel of a line in the vertical blanking period and it stays active until the last line in the vertical blanking period.

However, the pixel where the FIELD ID signal transitions can be quite variable and depends on the external chip driving the VIP_PARSER. Many parts that generate digitized raw video have a programmable feature to specify when FIELD ID changes. FIELD ID is valid at the same point for every field. That is, if FIELD ID is read at one particular place in a field, the polarity of the signal will be reversed at the same location in the next field. So, FIELD ID can be corrected with a programmable polarity configuration bit FID_POLARITY (within VIP_PORT_A and VIP_PORT_B registers) that is XOR'ed with the captured value.

For discrete sync mode, FIELD ID will be registered on the first active pixel capture cycle of each line in both styles of HSYNC and ACTVID usage as specified in Figure 9-36 and Figure 9-37.

Figure 9-36. FID Registering When Using HSYNC

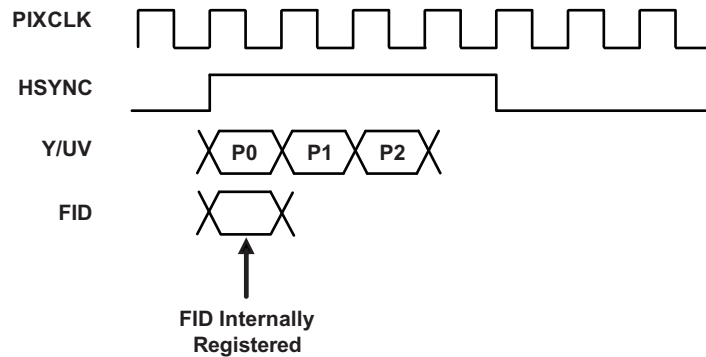
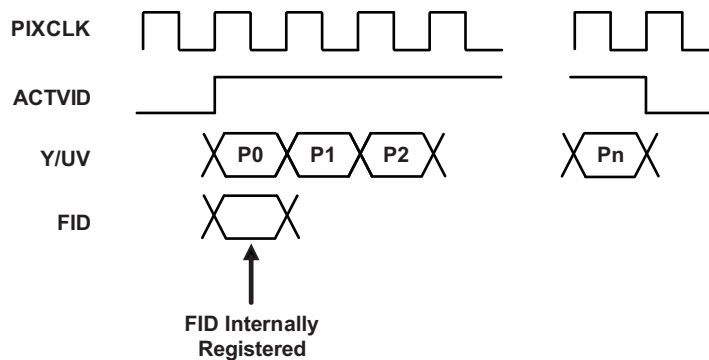


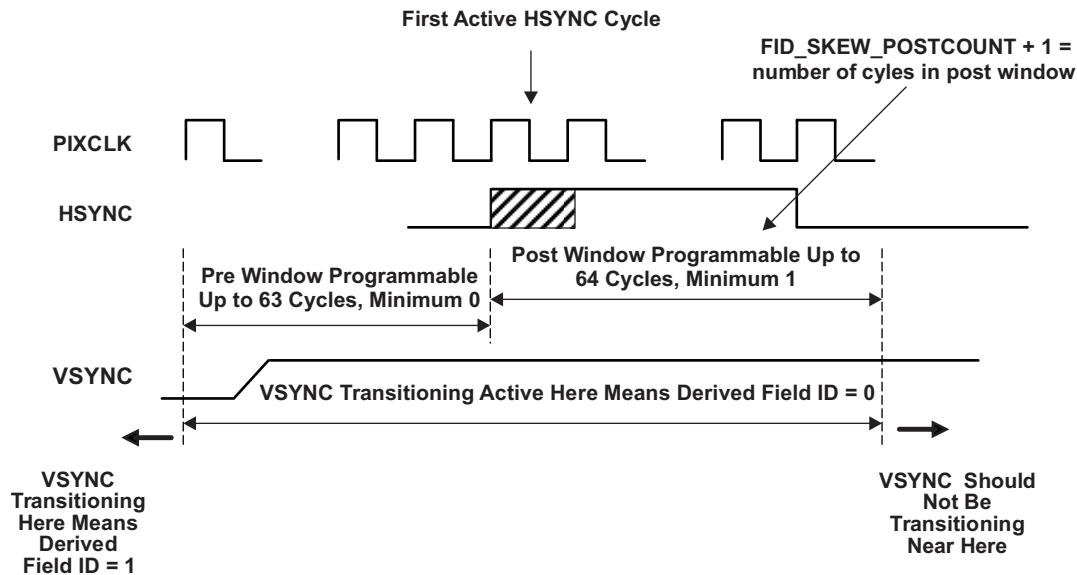
Figure 9-37. FID Registering When Using ACTVID



9.4.5.6.10 Field ID Determination Using VSYNC Skew

In order to save a device pin, there is a case where a skew may be inserted into VSYNC (with respect to HSYNC) when HSYNC is used as a start of line indicator as described in Figure 9-33. In this case, no FIELD ID signal is sent by the source chip. A description of Field ID determination by VSYNC skew is shown in Figure 9-38.

The active polarity of VSYNC falling within n pixel clock cycles of the first active cycle of HSYNC indicates the field id. If VSYNC is active before this time window, then the FIELD_ID = '1' for the next picture. If VSYNC becomes active within this window, then FIELD_ID = '0' for the next picture.

Figure 9-38. Field ID Determination By VSYNC Skew


When using FID determination by VSYNC skew, the value for VSYNC is also determined by transitions in the window as shown in [Figure 9-35](#).

The VIP_PARSER supports a configuration FID_POLARITY bit within [VIP_PORT_A](#) and [VIP_PORT_B](#) registers. For FID determination by VSYNC Skew, the fid determination functions are described in [Table 9-7](#).

Table 9-7. Polarity Table for FID Determination By VSYNC Skew

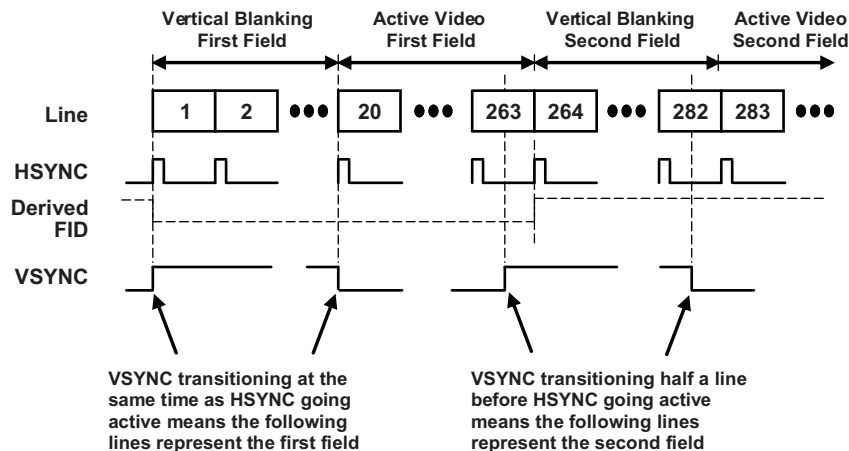
FID_POLARITY	Transition in Pre/Post Range	FID Determination
0	No	1
0	Yes	0
1	No	0
1	Yes	1

9.4.5.6.11 Rationale for FID Determination By VSYNC Skew

FID determination by VSYNC skew is a method for field ID determination derived from the analog NTSC and PAL interlaced specifications. Under this method, the sending device will not be providing a FID signal. NTSC has 525 total lines split between two fields. PAL has 625 total lines split between two fields. Each of these interlaced standards support an odd number of lines.

Let's consider just the 525 active line NTSC signal. For the sake of consistency, let's call Line 1 the first line of the 2-field pair and Line 525 the last line of the 2-field pair.

Figure 9-39. Example of 525-line FID Determination By VSYNC Skew



A waveform is shown in Figure 9-39. VSYNC is defined to go active at the same time as HSYNC for the first line of the first field in a two-field picture pair. For this first field, VSYNC will go inactive after Line 20.

For the second field, VSYNC will go active in the middle of Line 263 to signal that Line 264 is the start of a vertical blanking interval. When HSYNC for Line 264 arrives, coinciding with the vertical blanking interval for the beginning of the second field, VSYNC has already been active for half of Line 263. For the second field, VSYNC will go inactive midway through Line 282 to indicate that Line 283 is active video. When HSYNC for Line 283 appears, VSYNC has already been inactive for half a line.

By seeing whether VSYNC transitions at the beginning of a line or whether it transitions at the midway point of a line, one can determine whether the upcoming group of lines represents the first field or the second field. The derived FID is shown in dashed lines.

The analog NTSC specification defines the field ID changing part way into the vertical blanking. That is, the first few lines of vertical blanking belong to the previous field and the next several lines of vertical blanking belong to the upcoming field. The VIP_PARSER saves one channel of the entire vertical blanking interval between two active video fields into a single buffer. The hardware does not discriminate between whether the vertical blanking lines belong to the bottom of the previous field or those belonging to the start of the next field. This usage model is consistent with vertical ancillary data capture for embedded sync mode of operation.

Obviously, FID Determination by VSYNC skew cannot be used when framing does not use the VSYNC signal but rather relies on the ACTVID signal instead.

9.4.5.6.12 ACTVID Framing

Instead of an HSYNC signal, the VIP_PARSER can use ACTVID framing as described in Figure 9-32. Under ACTVID Framing, VSYNC is used to separate vertical blanking lines from active video lines.

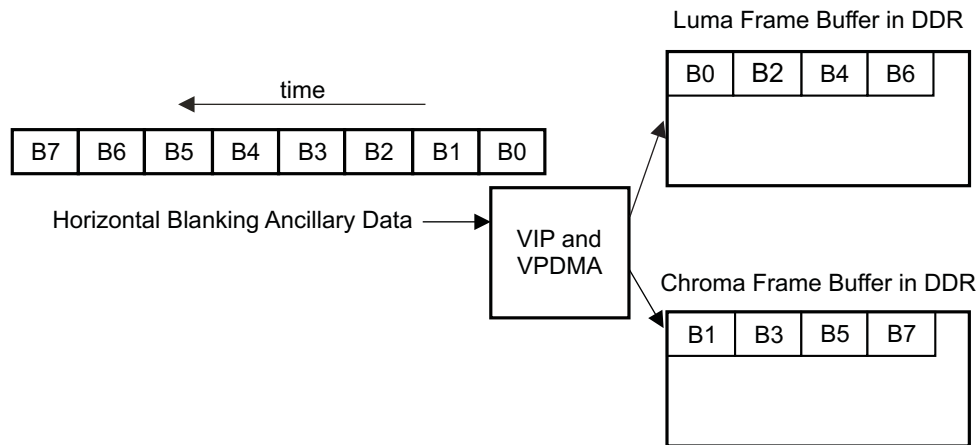
FID determination by VSYNC Skew is not allowed for ACTVID framing because there is no HSYNC input signal in this mode. Also, the VSYNC transition window is not employed. VSYNC is captured at the first pixel of each ACTVID grouping of pixels. Lines are separated by ACTVID transitioning inactive.

9.4.5.6.13 Ancillary Data Storage in Discrete Sync Mode

Ancillary data appearing in horizontal blanking is called Horizontal Blanking Ancillary Data. Ancillary Data in vertical blanking is called Vertical Blanking Ancillary Data.

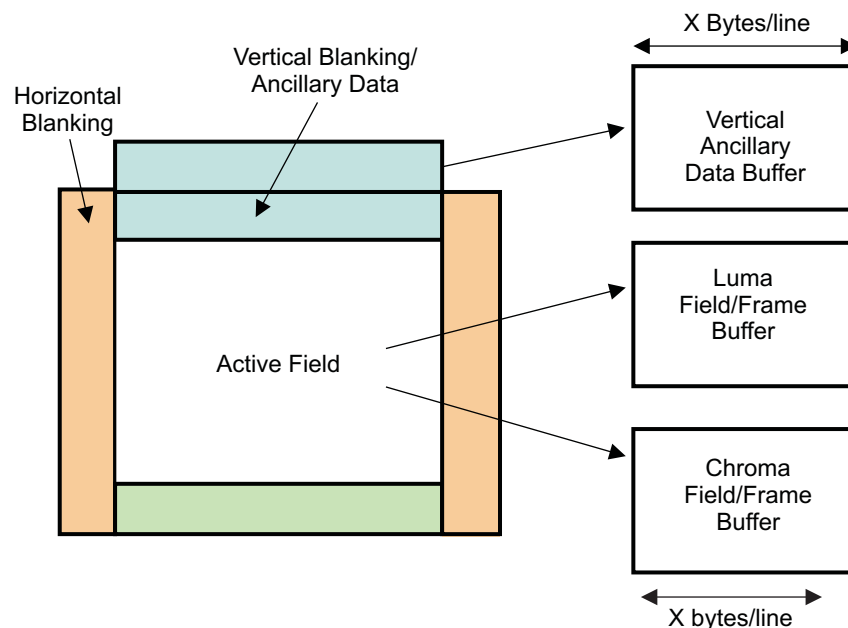
Horizontal Blanking Ancillary Data is not commonly used. For the ACTVID data valid mode described in Figure 9-31, there is no way to capture Horizontal Blanking Ancillary Data. Using the HSYNC mode in Figure 9-33, all blanking pixels are captured. However, the horizontal ancillary data is byte-by-byte distributed between the Luma and Chroma frame buffers. Chroma sited bytes are saved in the Chroma frame buffer and Luma sited bytes are saved in the Luma frame buffer. Some CPU effort would be needed in order to extract ancillary data from the desired Luma or Chroma channel frame buffers. Also, the video on each line starts after the horizontal blanking period. This situation is shown in Figure 9-40.

Figure 9-40. Horizontal Ancillary Data Packing When HSYNC Used as Sync Signal



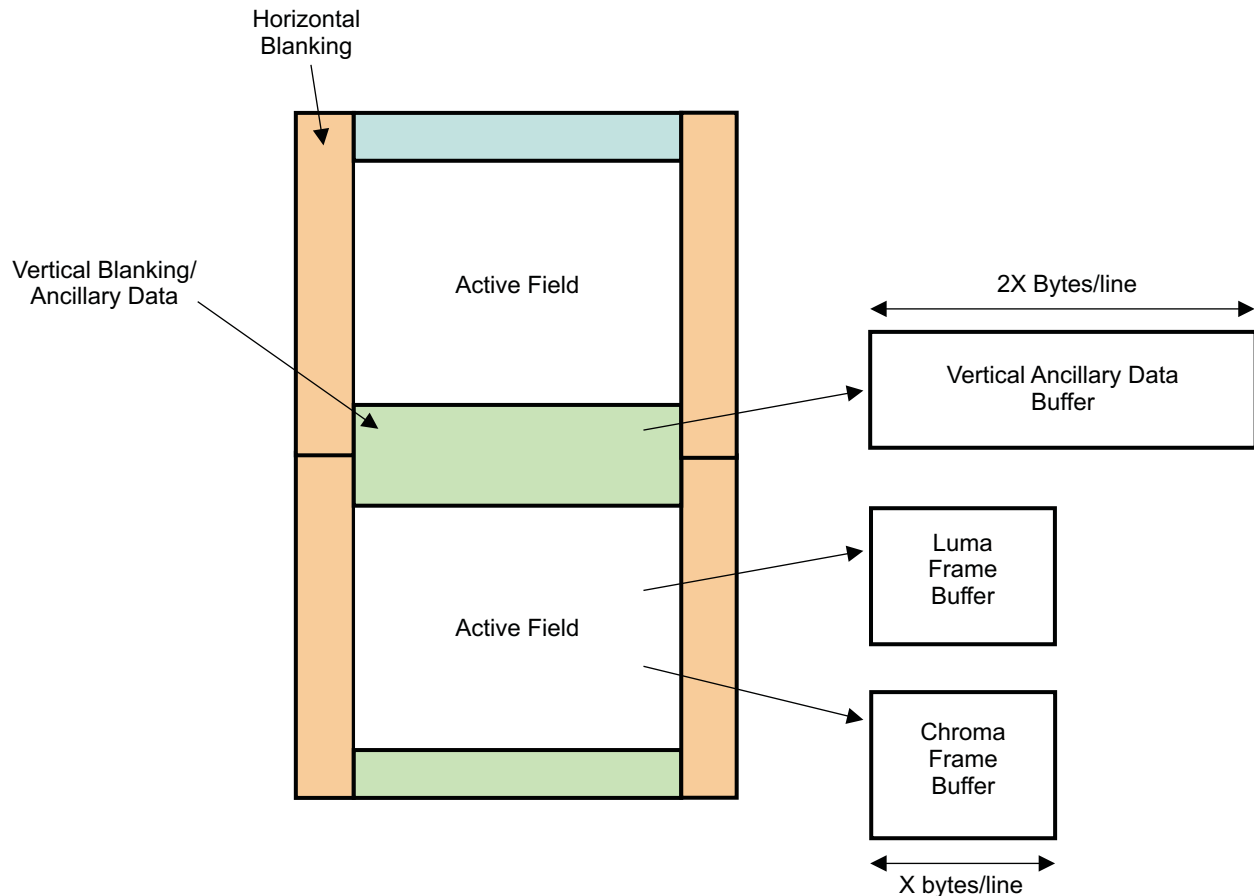
With Interlaced source material, Vertical Blanking Ancillary data will be stored in a separate Vertical Ancillary Data Buffer as shown in [Figure 9-41](#). The Channel from which vertical ancillary data is extracted is a configuration option. For an input image of x active pixels per line, each line of Vertical Blanking Ancillary Data will have x bytes. Unlike the horizontal case, the CPU parsing this Ancillary Data will see a contiguous section of Vertical Ancillary Data that is not intermixed with Video data.

Figure 9-41. Interlaced Field Vertical Blanking Ancillary Data Storage



For Progressive source video, the FIELD ID does not change. So, the Vertical Ancillary Data Buffer will contain all the information beginning from the vertical blanking of the previous frame. This situation is shown in [Figure 9-42](#).

Figure 9-42. Progressive Frame Vertical Blanking Ancillary Data Storage

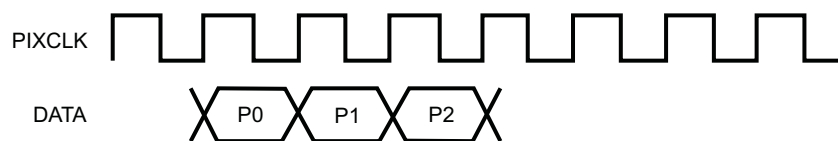


9.4.5.7 BT.656 Style Embedded Sync

9.4.5.7.1 Data Input

Like Discrete Sync Input, Embedded Sync mode takes data from the 24b input bus. Input data can be 8, 16, or 24 bits wide. A sample is retrieved each and every Pixel Clock cycle. There is no valid signal gating data entry. Figure 9-43 shows a valid data sample each Pixel Clock period.

Figure 9-43. Embedded Sync Data Entry



9.4.5.7.2 Sync Words

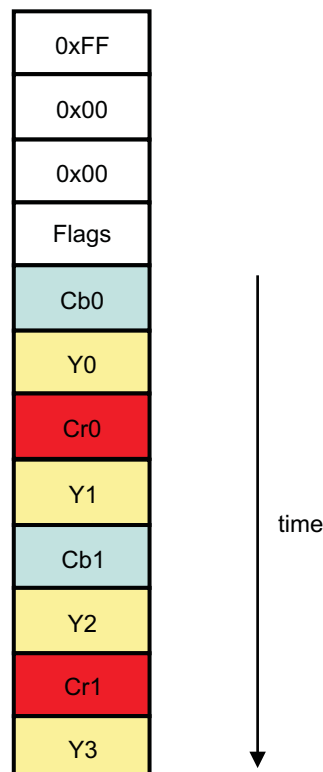
In embedded sync mode, code words are inserted into the stream at pixel clock rates. For external devices that send out 10 bits (single pixel interface) or 20 bits (parallel Y-Cb/Cr interface) of data, only the 8 (single pixel interface) or 16 (parallel 8bY-8bCb/Cr interface) most significant bits of each pixel are used.

The key code words are Start of Active Video (SAV) and End of Active Video (EAV). Three flags are found in these code words: F (field), V (vertical sync), and H (horizontal sync). These flags signify the position in the frame corresponding to the data immediately following the codeword. The flags determine whether the code is EAV or SAV and where they lie in the picture. The first byte of the code word is 0xFF. The second and third bytes are 0x00. The bit ordering of the fourth byte is detailed in Table 9-8.

Table 9-8. Fourth Byte of EAV/SAV Code Word

7 (fixed)	6 (F)	5 (V)	4 (H)	3 (P3=V^H)	2 (P2=F^H)	1 (P1=F^V)	0 (P0=F^V^H)	Description
1	0	0	0	0	0	0	0	SAV, Field 0, Active Video
1	0	0	1	1	1	0	1	EAV, Field 0, Horizontal Blanking
1	0	1	0	1	0	1	1	SAV, Field 0, Vertical Blanking
1	0	1	1	0	1	1	0	EAV, Field 0, Horizontal Blanking in Vertical Blanking Region
1	1	0	0	0	1	1	1	SAV, Field 1, Active Video
1	1	0	1	1	0	1	0	EAV, Field 1, Horizontal Blanking
1	1	1	0	1	1	0	0	SAV, Field 1, Vertical Blanking
1	1	1	1	0	0	0	1	EAV, Field 1, Horizontal Blanking in Vertical Blanking Region

An example of the input ordering of the embedded code word, followed by active video, is shown in [Figure 9-44](#). The input data mode is 8 bits for the example.

Figure 9-44. Code Word Format Example Followed by Video Data


9.4.5.7.3 Error Correction

The FVH flags are sent with four protection bits to support double error detection, single error correction. A non-correctable detected error is simply ignored. An option exists for the protection bits to correct a single bit error in the FVH flags. The correction table is shown in [Table 9-9](#). n/c means that the error condition is detected, but it is non-correctable.

Table 9-9. Error Correction Matrix

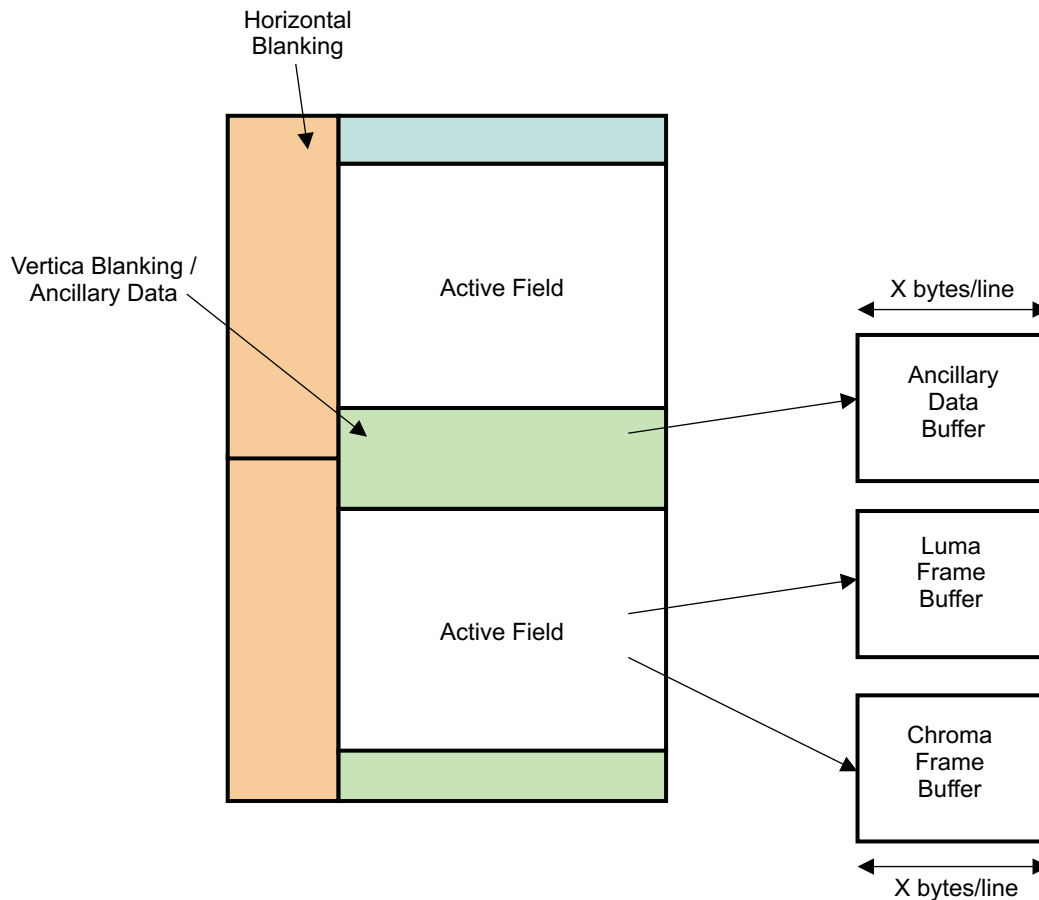
P3, P2, P1, P0	F, V, and H Flags							
	000	001	010	011	100	101	110	111
0000	000	000	000	n/c	000	n/c	n/c	111
0001	000	n/c	n/c	111	n/c	111	111	111
0010	000	n/c	n/c	011	n/c	101	n/c	n/c
0011	n/c	n/c	010	n/c	100	n/c	n/c	111
0100	000	n/c	n/c	011	n/c	n/c	110	n/c
0101	n/c	001	n/c	n/c	100	n/c	n/c	111
0110	n/c	011	011	011	100	n/c	n/c	011
0111	100	n/c	n/c	011	100	100	100	n/c
1000	000	n/c	n/c	n/c	n/c	101	110	n/c
1001	n/c	001	010	n/c	n/c	n/c	n/c	111
1010	n/c	101	010	n/c	101	101	n/c	101
1011	010	n/c	010	010	n/c	101	010	n/c
1100	n/c	001	110	n/c	110	n/c	110	110
1101	001	001	n/c	001	n/c	001	110	n/c
1110	n/c	n/c	n/c	011	n/c	101	110	n/c
1111	n/c	001	010	n/c	100	n/c	n/c	n/c

9.4.5.7.4 Embedded Sync Ancillary Data

With Embedded Sync streams, only Vertical Ancillary Data can be extracted. The Vertical Ancillary Data buffer is the same width as the corresponding Luma and Chroma buffers. The channel from which Vertical Ancillary Data is extracted is a configuration option.

Horizontal Ancillary data cannot be extracted using embedded sync mode.

The Vertical Ancillary Data is captured starting from the end of the previous active video. See [Figure 9-45](#) for a more detailed description of embedded sync packing.

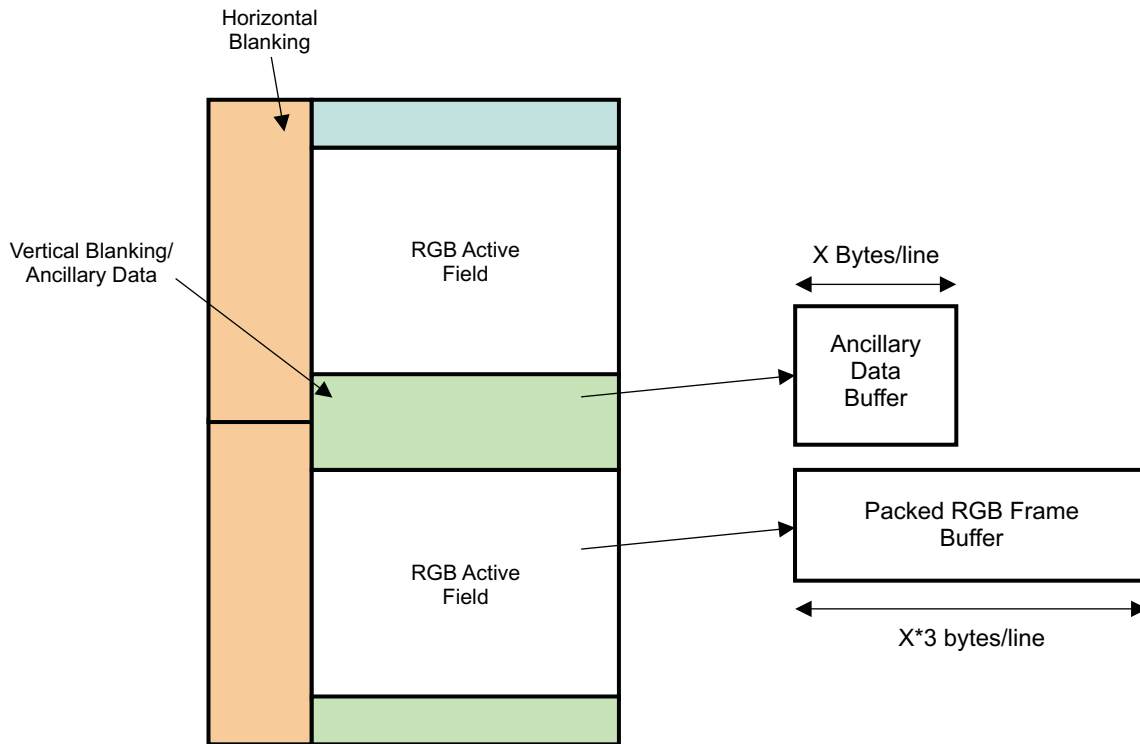
Figure 9-45. Embedded Sync Packing


9.4.5.7.5 Embedded Sync RGB 24-bit Data

YUV streams are separated into a planar Luma buffer, a planar Chroma Pair (CbCr) buffer, and a planar Vertical Ancillary Data buffer. RGB streams, on the other hand, are stored in a packed R-G-B format, as shown in [Figure 9-46](#).

The BT.1120 standard defines a method of carrying RGB streams. After the SAV code, 8 bits of R, 8 bits of G, and 8 bits of B data are clocked in one cycle. A 24 bit data bus is required. The channel in which to search for the embedded sync codes and the FVH control code is determined by a configuration selection. Only vertical ancillary data from one channel (R, G, or B), which happens to be the channel where control codes are found, are captured. Vertical ancillary data in the other two channels are ignored.

Figure 9-46. RGB Frame Storage



9.4.5.8 Source Multiplexing

9.4.5.8.1 Multiplexing Scenarios

Some applications require multiple camera sources to be used at the same time. For this type of device, one solution would be to support N-number of 8-bit or 16-bit data interfaces for each of N cameras. However, this solution does not efficiently minimize pin count. One set of 8-bit or 16-bit interfaces has the bandwidth to support more than one video source, depending on the resolution of the video. Table 9-10 is explanatory only and shows the number of sources that can be multiplexed in one VIP for 8-bit and 16-bit interface modes. Note that it does not reflect the capabilities of the VIP_PARSER. In addition, the interface pixel clock rates are shown. The VPDMA limits 16 camera sources to be saved to DDR memory per Pixel Clock Input Domain.

Table 9-10. Multiplexing Configurations and Pixel Clock Rates

	Maximum Channels in Single 16-bit Data Interface Mode	Maximum Channels in Dual 8-bit Data Interface Mode - Interleaved Channels per Single 8-bit Port. One 16-bit VIP can be configured to support two such 8-bit ports.	Interface Clock Rate (MHz)
HD Interlaced	2	1	148.5
D1 Interlaced	8	4	108.1
CIF Interlaced	n/a	n/a	n/a
HD Progressive	1	n/a	148.5
D1 Progressive	4	2	108.1
CIF Progressive ⁽¹⁾	32	16	162.2

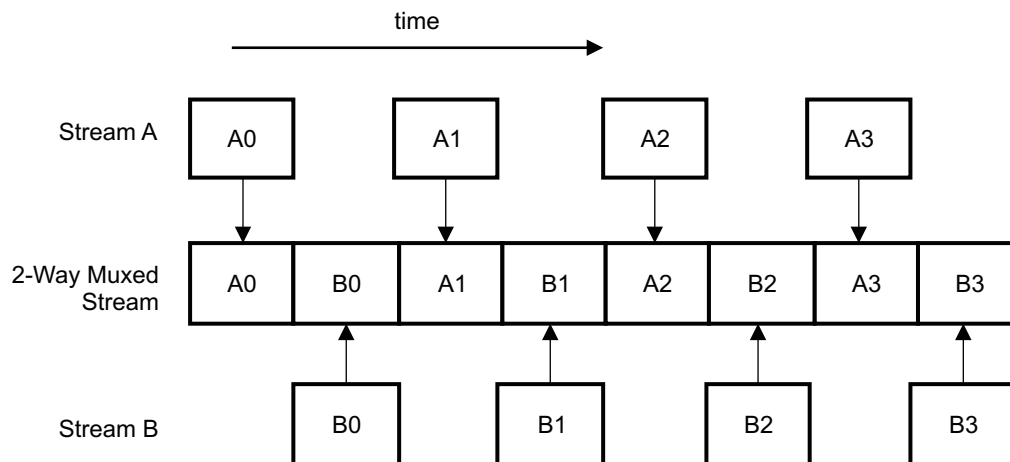
⁽¹⁾ Blanking pixels are not used in the CIF clock rate calculations. Addition of blanking pixels would require a slightly higher clock rate.

NOTE: These Channel Density values reflect one VIP subsystem.

9.4.5.8.2 2-Way Multiplexing

For 2-Way Multiplexing, two embedded sync streams are interleaved a pixel at a time as shown in [Figure 9-47](#).

Figure 9-47. 2-Way Multiplexing



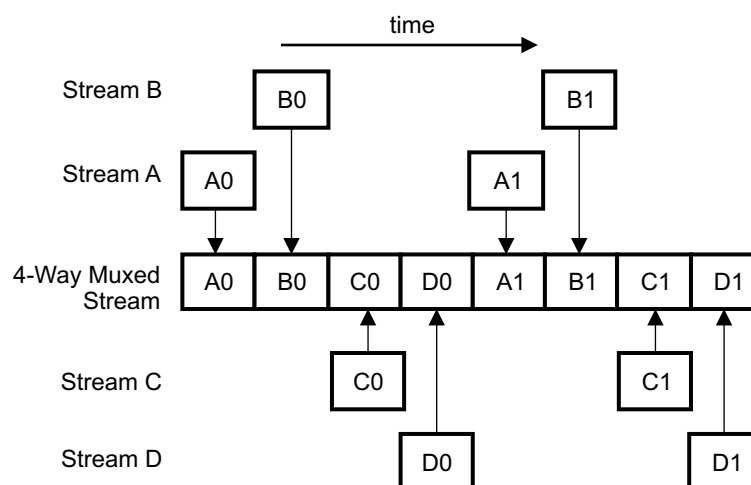
The sync codeword, FF-00-00-XY, is replicated in both source streams. In 2-Way Multiplexing, the sizes of both camera sources must be the same. Likewise, the Vertical Ancillary Data size for both sources must be identical. However, the two streams are not necessarily sending the same pixel site in adjacent clock cycles.

9.4.5.8.3 4-Way Multiplexing

For 4-Way Multiplexing, four embedded sync streams are multiplexed into one as seen in [Figure 9-48](#).

Again, the sync codeword is in all four sources. Like 2-Way Multiplexing, the sizes of the four camera sources are the same and the sizes of the Vertical Ancillary Data regions are the same. The four streams are not necessarily sending the same pixel site in adjacent clock cycles.

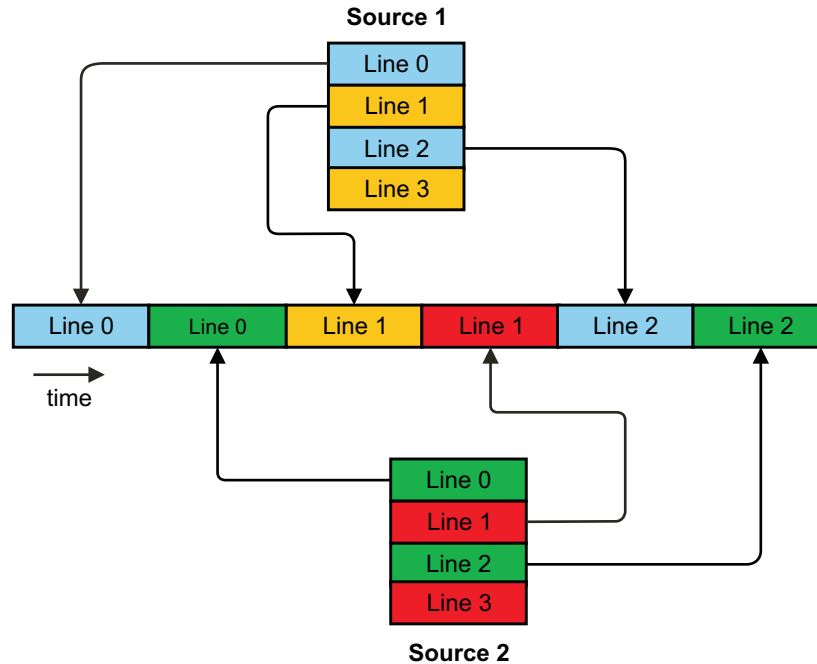
Figure 9-48. Example of 4-Way Multiplexing



9.4.5.8.4 Line Multiplexing

In Line Multiplexing, n-different sources are sent into the VIP a complete line at a time using a modified version of embedded sync. An example of Line Multiplexing for two sources is shown in Figure 9-49.

Figure 9-49. Example of Line Multiplexing



The width and height of each source in Line Multiplexed data can be different. For instance, one source can be PAL while another one can be NTSC. A line is comprised of YUV422 pixels in repeating patterns of CbYCrY.

9.4.5.8.5 Super Frame Concept in Line Multiplexing

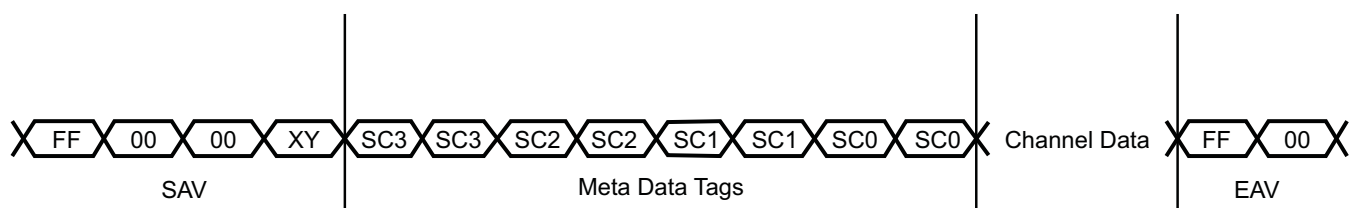
Different camera sources are interleaved on a line-by-line basis. The beginning of each line carries a Metadata tag that provides key information about that line. This Metadata tag is preceded by a SAV codeword in which F=0, V=0, and H=0.

At the end of the line, an EAV code is inserted with an appropriate number of padding pixels following it. This EAV code has F=0, V=0, and H=1. The startcodes used for the Metadata wrapped lines and the dummy lines form the Super Frame. The VIP_PARSER module has logic to parse out the super frame, analyze the Metadata tags, and frame buffer the line contents appropriately.

9.4.5.8.6 8-bit Data Interface in Line Multiplexing

Figure 9-50 is an example of an 8-bit line multiplexing interface. Channel Data is the CbYCrY sequence representing a line. Preceding Channel Data is the four byte Meta Data tags. Note that the Meta Data bytes are replicated in both the Luma and the Chroma sites. The entire structure is bounded by a traditional SAV/EAV code in which the V flag is 0.

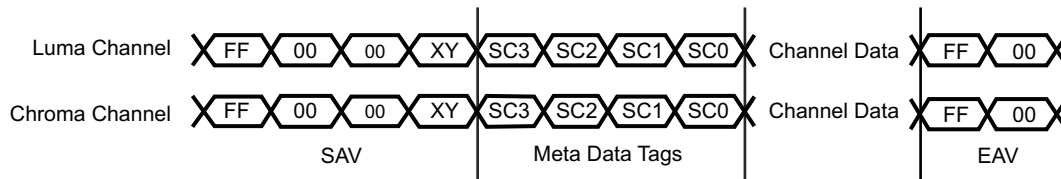
Figure 9-50. 8-bit Line Mux Interface



9.4.5.8.7 16-bit Data Interface in Line Multiplexing

Figure 9-51 describes the 16-bit line multiplexing interface. Channel Data is the active line. All the Y pixels are in the Luma Channel. The CbCr pixels are in the Chroma Channel. Each cycle, a 16-bit value representing one Luma sample and one Chroma sample enters the VIP_PARSER. The Meta Data tags are replicated in both channels. Likewise, the SAV/EAV startcodes are found in both channels. The V flags for the SAV/EAV startcodes are always 0.

Figure 9-51. 16-bit Line Mux Interface



9.4.5.8.8 Split Lines in Line Multiplex Mode

Suppose an external device is sending two dissimilar sources in Line Multiplex mode. One narrower source has X pixels per line. The wider source has 2X pixels per line.

The Meta Data has provisions for the external device to split a line. The Beginning of Line (BOL) and End of Line (EOL) flags tag a split line as described in Table 9-11.

Table 9-11. Split Line Table

BOL	EOL	Function
0	0	Undefined
0	1	Line Segment is the second half of a line
1	0	Line Segment is the first half of a line
1	1	Line has not been segmented into two.

9.4.5.8.9 Meta Data

Table 9-12 shows the bitfields in the Meta Data start codes.

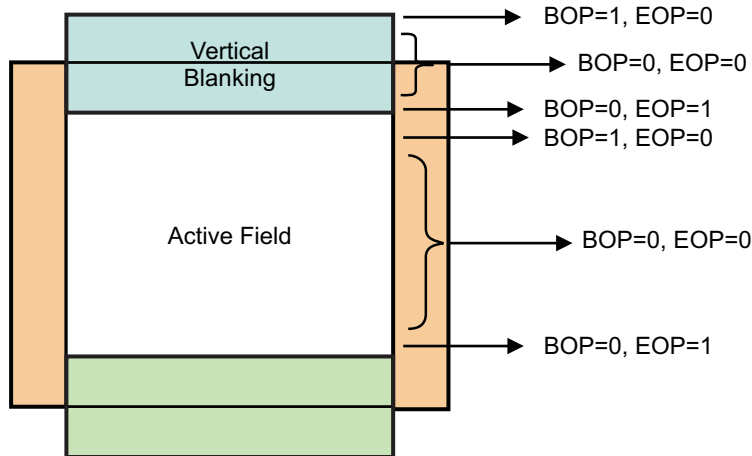
Table 9-12. Meta Data Layout

Byte	7	6	5	4	3	2	1	0
SC3	1	BOP	EOP	RSVD	CH_ID[3:0]			
SC3	1	BOP	EOP	RSVD	CH_ID[3:0]			
SC2	0	BOL	EOL	VDET	LINE_ID[10:7]			
SC1	~LINE_ID[6]	LINE_ID[6:0]						
SC0	PAD	F	V	H	P3	P2	P1	P0

BOP tags the line as a startline in a period. A period is defined as the contiguous lines in a vertical blanking period or the contiguous lines in a field or frame. For the vertical blanking period case, the vertical blanking at the bottom of the previous field or frame combined with the vertical blanking at the top of the current field or frame is combined to create one period.

EOP tags the line as an endline in a period. Figure 9-52 shows the definition of the two types of Periods as outlined by BOP and EOP.

Figure 9-52. BOP/EOP Definition of a Period



For the Split Line at the top of a Period, the BOP bit is set for both halves of the split line. Likewise, for the Split Line at the bottom of a Period, the EOP bit is set for both halves of the split line.

CH_ID is the channel ID, which tags the camera source that generated the incoming line. A maximum of 16 camera sources are support per Pixel Input Clock Domain.

LINE_ID is the line number, starting from 0 and incrementing by one for each subsequent line from the same source.

PAD is a flag which tags the line as an artificially inserted padding line. When PAD is '0', the line should be discarded.

F, V, H, P3, P2, P1, and P0 are the bits representing the normal XY code. F is the Field ID associated with line, V signals when the line is in the vertical blanking, H specifies that the line is in the Horizontal Blanking, and P3:P0 are the protection bits.

Since only active video and vertical ancillary data lines are encapsulated in the Meta Data, the H bit in the SC0 byte should never be '1'.

9.4.5.8.10 TI Line Mux Mode, Split Lines, and Channel ID Remapping

The VIP_PARSER supports a maximum of 8 different Channel IDs per Port. The Channel IDs must be in the range {0:7} (3 bits). In the source multiplex, only one source can be a split line source and have the same Channel ID as one of the non-split line sources.

This scenario involves an external NTSC decoder which supports 8 D1 cameras. The external NTSC decoder will downscale the 8 sources to SIF format. However, one camera source will be sent in the multiplex as both the downscaled version and the original D1 sized version. They will both have the same Channel ID. However, the D1 version will be sent as a split-line. The source multiplex will thus have 9 maximum streams.

The VIP_PARSER (for TI Line Mux Mode only), will left shift the Channel ID by one. Bit 0 is used as an indicator whether the Source is a split-line source or a normal non-split line source. Only one of the nine inputs can be a split line source.

Table 9-13. TI Line Mux Mode Channel ID Remapping

Source Input Channel ID	Channel ID Sent to VPDMA	
	Non-split Line	Split Line
0x0	0x0	0x1
0x1	0x2	0x3
0x2	0x4	0x5
0x3	0x6	0x7
0x4	0x8	0x9

Table 9-13. TI Line Mux Mode Channel ID Remapping (continued)

0x5	0xA	0xB
0x6	0xC	0xD
0x7	0xE	0xF

All subsequent references to the Camera Source, such as in a VPDMA return descriptor, will reference the remapped Channel ID.

The [VIP_OUTPUT_PORT_A_SRC0_SIZE](#) through [VIP_OUTPUT_PORT_A_SRC15_SIZE](#) registers for Port A, and [VIP_OUTPUT_PORT_B_SRC0_SIZE](#) through [VIP_OUTPUT_PORT_B_SRC15_SIZE](#) registers for Port B and the [VIP_OUTPUT_PORT_A_SRC_FID](#) and [VIP_OUTPUT_PORT_B_SRC_FID](#) status registers reflect the remapped Channel ID when the port is in TI Line Mux mode.

9.4.5.9 Channel ID Extraction for 2x/4x Multiplexed Source

9.4.5.9.1 Channel ID Extraction Overview

For 2-way and 4-way multiplexed source, the Channel ID is either embedded in the four protection bits inside the EAV/SAV code words or in the horizontal blanking pixel data. A configuration setting determines where the VIP_PARSER would search for the Channel ID.

9.4.5.9.2 Channel ID Embedded in Protection Bits for 2- and 4-Way Multiplexing

The four-bit channel ID is an identifier corresponding with the source number (camera) of the incoming video. As shown in [Table 9-14](#), the Channel ID is placed in the code fourth byte of the EAV/SAV code words normally used for protection bits. With 4 bits, the maximum number of sources that can be defined in this range is 16. However, only Channel IDs in the range {0:7} are supported. Obviously, error correction cannot be performed on the FVH flags since the protection bits are no longer there.

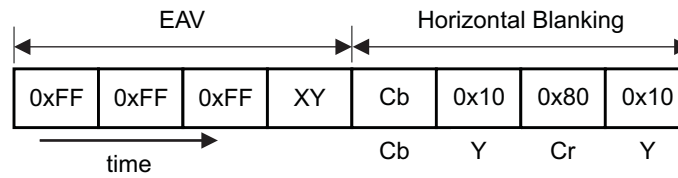
Table 9-14. Channel ID Embedded in EAV/SAV

7 (fixed)	6 (F)	5 (V)	4 (H)	3 (ch_id[3])	2 (ch_id[2])	1 (ch_id[1])	0 (ch_id[0])	Description
1	0	0	0	Ch_id = {0:15}				SAV, Field 0, Active Video
1	0	0	1	Ch_id = {0:15}				EAV, Field 0, Horizontal Blanking
1	0	1	0	Ch_id = {0:15}				SAV, Field 0, Vertical Blanking
1	0	1	1	Ch_id = {0:15}				EAV, Field 0, Horizontal Blanking in Vertical Blanking Region
1	1	0	0	Ch_id = {0:15}				SAV, Field 1, Active Video
1	1	0	1	Ch_id = {0:15}				EAV, Field 1, Horizontal Blanking
1	1	1	0	Ch_id = {0:15}				SAV, Field 1, Vertical Blanking
1	1	1	1	Ch_id = {0:15}				EAV, Field 1, Horizontal Blanking in Vertical Blanking Region

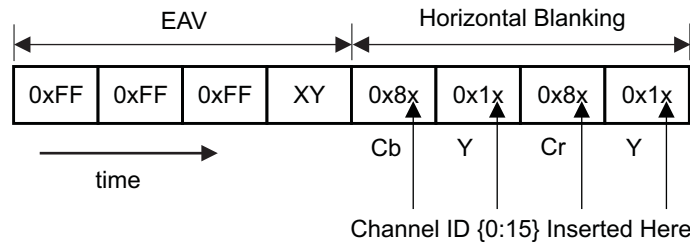
9.4.5.9.3 Channel ID Embedded in Horizontal Blanking Pixel Data for 2- and 4-Way Multiplexing

In Horizontal Blanking and Vertical Blanking, non-ancillary data pixels should be Y=0x10 and Cb=Cr=0x80. When the Channel ID is embedded in the Horizontal Blanking for 2 and 4-way multiplexing, the lower nibbles of all Luma and Chroma pixels are replaced by the 4 bit Channel ID. This scenario is shown in [Figure 9-53](#). The maximum number of values defined by this 4-bit range is $2^4 = 16$. However, only Channel IDs in the range {0:7} are supported.

Figure 9-53. Channel ID Inserted Into Horizontal Blanking
Regular Horizontal Blanking Following EAV



Channel ID Inserted Into Horizontal Blanking Following EAV



9.4.5.10 Embedded Sync Mux Modes and Data Bus Widths

Legal combinations of Embedded Sync Mux Modes and Data Bus Widths are described in [Table 9-15](#).

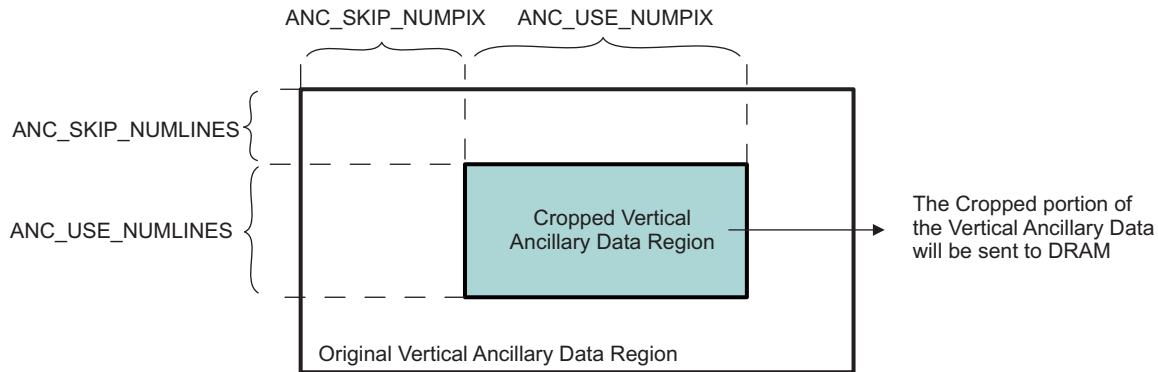
Table 9-15. Valid Embedded Sync Mux Mode and Data Bus Width Combinations

	1x Mux	2x Mux	4x Mux	Line Mux
8 Bit	v	v	v	v
16 Bit	v	n/a	n/a	v
24 Bit	v	n/a	n/a	n/a

9.4.5.11 Ancillary and Active Video Cropping

One Source Number for each Port can be cropped. Cropping is available for both Ancillary Data and Active Video.

For the Vertical Ancillary Data from Port A, cropping is enabled by setting the [VIP_ANC_CROP_HORZ_PORT_A\[15\]](#) ANC_BYPASS_N bit. The Source Number from Port A that gets cropped is defined by the [VIP_ANC_CROP_HORZ_PORT_A\[31:28\]](#) ANC_TARGET_SRCNUM register. [VIP_ANC_CROP_HORZ_PORT_A\[11:0\]](#) ANC_SKIP_NUMPIX, [VIP_ANC_CROP_HORZ_PORT_A\[27:16\]](#) ANC_USE_NUMPIX, [VIP_ANC_CROP_VERT_PORT_A\[11:0\]](#) ANC_SKIP_NUMLINES, and [VIP_ANC_CROP_VERT_PORT_A\[27:16\]](#) ANC_USE_NUMLINES define the region of the selected Source Number that is cropped and sent to DRAM. The Vertical Ancillary Data Cropping region is described in [Figure 9-54](#).

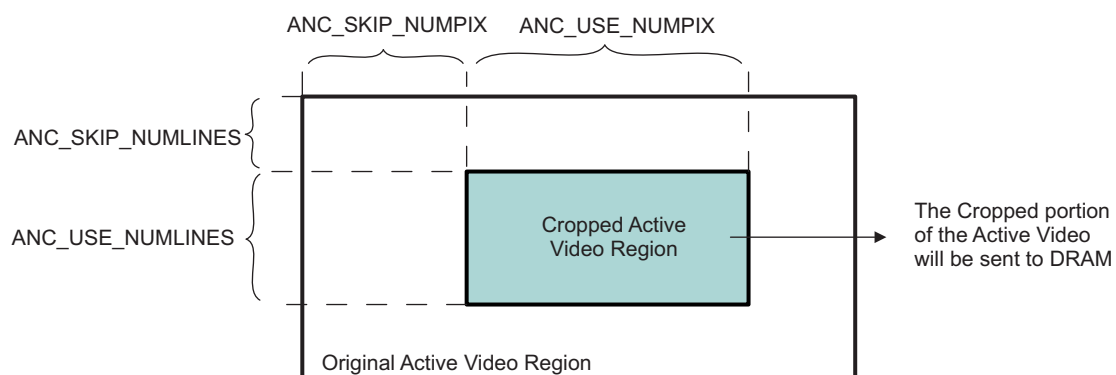
Figure 9-54. Vertical Ancillary Data Cropping


vip-00xs

Note that for 8-bit input mode only, a setting exists that allow Vertical Ancillary data from both the Luma and Chroma channels to be captured. Both channels of Vertical Ancillary Data are captured when [VIP_XTRA_PORT_A\[14:13\] ANC_CHAN_SEL_8B](#) is set to "1x". Thus, the number of data elements per line in this case is twice the equivalent number of Luma pixels per line. In other words, for this particular dual channel capture example, if there are 720 Luma pixels per line, then the total number of Vertical Ancillary Data Pixels in the source picture can be $2 \times 720 = 1440$ pixels.

For Active Video from Port A, cropping is enabled by setting the [VIP_CROP_HORZ_PORT_A\[15\] ACT_BYPASS_N](#) bit. The Source Number from Port A that gets cropped is defined by the [VIP_CROP_HORZ_PORT_A\[31:28\] ACT_TARGET_SRCNUM](#) register.

[VIP_CROP_HORZ_PORT_A\[11:0\] ACT_SKIP_NUMPIX](#), [VIP_CROP_HORZ_PORT_A\[27:16\] ACT_USE_NUMPIX](#), [VIP_CROP_VERT_PORT_A\[11:0\] ACT_SKIP_NUMLINES](#), and [VIP_CROP_VERT_PORT_A\[27:16\] ACT_USE_NUMLINES](#) define the region of the selected Source Number that is cropped and sent to DRAM. The Vertical Ancillary Data Cropping region is described in [Figure 9-55](#)

Figure 9-55. Active Video Cropping


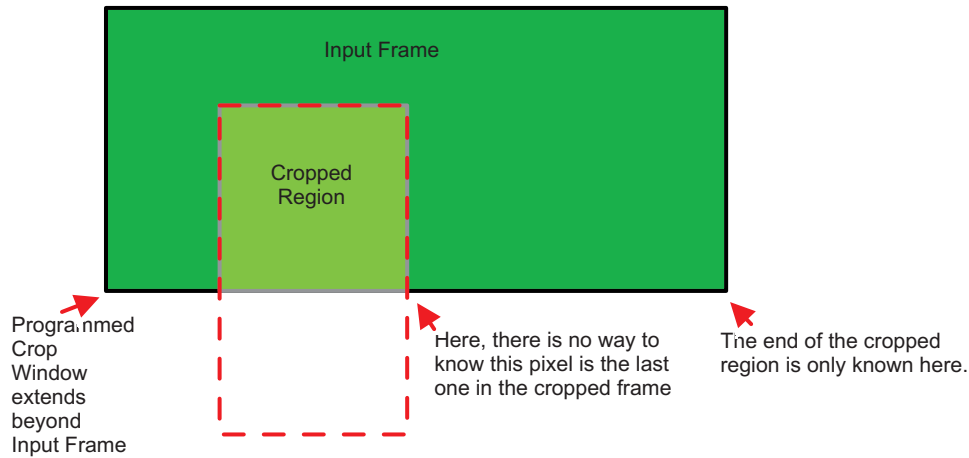
vip-00xs

Cropping for Port B works in a similar way to Port A. Since picture data is in 4:2:2 format, [ANC_SKIP_NUMPIX \(ACT_SKIP_NUMPIX\)](#) and [ANC_USE_NUMPIX \(ACT_USE_NUMPIX\)](#) must be evenly divisible by 2. If the output of [VIP_PARSER](#) is sent to a 4:2:2 to 4:2:0 converter, then [ANC_USE_NUMLINES \(ACT_USE_NUMLINES\)](#) must also be evenly divisible by 2.

Error cases in cropping occur when the crop window programmed is larger than the incoming video frame. Crop window errors normally result in the return of the crop region where the crop window overlays the incoming video frame. However, there is one problematic error cropping case, as illustrated in [Figure 9-56](#).

The programmed crop window extends below the input picture and the last pixel of the input picture is not a part of the selected crop region. In this case, at the last pixel of the last line in the green crop output, there is no way to determine that this pixel is the last pixel of the cropped output.

Figure 9-56. Problematic Error Cropping Case



vip-00x

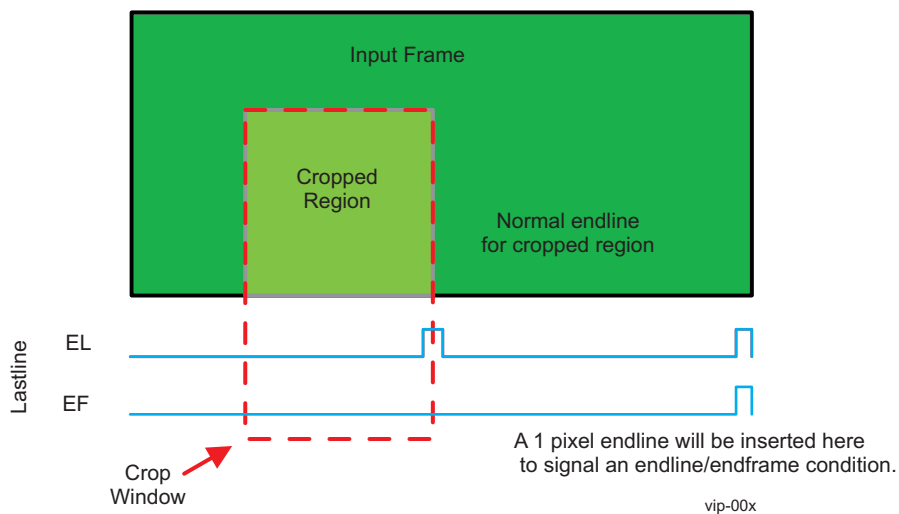
In this case, the crop tool sends out a single pixel with an endline and endframe when it reaches the last pixel of the input picture. If the green cropped region has n lines, the actual output from the crop tool will have $n+1$ lines and the width of the last line will be 1 pixel.

Figure 9-57 shows the endline (EL) and endframe (EF) signals corresponding to the last line of the cropped region. At the last line and last pixel of the cropped region, the crop tool will only output an endline. It cannot output an endframe at this point because the crop tool might get another line from the streaming input.

Later, on the same input line, the last pixel of the input frame appears. Here, the crop tool knows that the cropped region has ended. In this case, a single endline/endframe pixel is sent out to signal that the frame has ended.

NOTE: There is no interrupt to notify that application level that a crop error has occurred.

Figure 9-57. Endline/Endframe Behavior for Error Cropping Case



vip-00x

9.4.5.12 Interrupts

The VIP_PARSER module has 19 interrupts out of which one can be mapped to VIP top level.

When an interrupt occurs and is determined to be from the VIP_PARSER module, the VIP_PARSER level of masks, clears, and status registers must be checked and updated first.

[Table 9-16](#) describes each of the interrupts events supported by the VIP_PARSER, together with associated Interrupt Mask ([VIP_FIQ_MASK](#)), Interrupt Clear ([VIP_FIQ_CLEAR](#)), and Interrupt Status ([VIP_FIQ_STATUS](#)) registers.

Table 9-16. VIP_PARSER Interrupt Events

Event Flag	Event Mask	Map to	Description
VIP_FIQ_STATUS[21] PORT_A_YUV_PROTOCOL_VIOLATION	VIP_FIQ_MASK[21] PORT_A_YUV_PROTOCOL_VIOLATION_MASK	PrtBDisableComplete	When a port is running and VIP_PORT_B[8] ENABLE bit is turned off, logic exists to ensure that a complete frame is sent out of the Ancillary and Active Video VPI ports. That is, a frame is not stopped in the middle. This interrupt is activated when all active frames have been sent out Port B following a disable.
VIP_FIQ_STATUS[20] PORT_A_ANC_PROTOCOL_VIOLATION	VIP_FIQ_MASK[20] PORT_A_ANC_PROTOCOL_VIOLATION_MASK	PrtADisableComplete	When a port is running and VIP_PORT_A[8] ENABLE bit is turned off, logic exists to ensure that a complete frame is sent out of the Ancillary and Active Video VPI ports. That is, a frame is not stopped in the middle. This interrupt is activated when all active frames have been sent out Port A following a disable.
VIP_FIQ_STATUS[19] PORT_B_YUV_PROTOCOL_VIOLATION	VIP_FIQ_MASK[19] PORT_B_YUV_PROTOCOL_VIOLATION_MASK	PrtBANCProtocolVio	This interrupt is enabled when the protocol checker on the output of the VIP_PARSER encounters a violation on the Ancillary VPI of Port B.
VIP_FIQ_STATUS[18] PORT_B_ANC_PROTOCOL_VIOLATION	VIP_FIQ_MASK[18] PORT_B_ANC_PROTOCOL_VIOLATION_MASK	PrtBYUVProtocolVio	This interrupt is enabled when the protocol checker on the output of the VIP_PARSER encounters a violation on the Active Video VPI of Port B.
VIP_FIQ_STATUS[17] PORT_A_CFG_DISABLE_COMPLETE	VIP_FIQ_MASK[17] PORT_A_CFG_DISABLE_COMPLETE_MASK	PrtAANCProtocolVio	This interrupt is enabled when the protocol checker on the output of the VIP_PARSER encounters a violation on the Ancillary VPI of Port A.
VIP_FIQ_STATUS[16] PORT_B_CFG_DISABLE_COMPLETE_CLR	VIP_FIQ_MASK[16] PORT_B_CFG_DISABLE_COMPLETE_MASK	PrtAYUVProtocolVio	This interrupt is enabled when the protocol checker on the output of the VIP_PARSER encounters a violation on the Active Video VPI of Port A.
VIP_FIQ_STATUS[15] PORT_B_SRC0_SIZE_STATUS	VIP_FIQ_MASK[15] PORT_B_SRC0_SIZE	PrtBSrc0Size	The output size for Srcnum=0 on Port B differs from the XTRA_PORT_B[11:0] SRC0_NUMLINES and [27:16] SRC0_NUMPIX register settings
VIP_FIQ_STATUS[14] PORT_A_SRC0_SIZE_STATUS	VIP_FIQ_MASK[14] PORT_A_SRC0_SIZE	PrtASrc0Size	The output size for Srcnum=0 on Port A differs from the XTRA_PORT_B[11:0] SRC0_NUMLINES and [27:16] SRC0_NUMPIX register settings
VIP_FIQ_STATUS[13] PORT_B_DISCONN_STATUS	VIP_FIQ_MASK[13] PORT_B_DISCONN	PrtBDisconn	Port B Link Disconnect for Srcnum 0
VIP_FIQ_STATUS[12] PORT_B_CONN_STATUS	VIP_FIQ_MASK[12] PORT_B_CONN	PrtBConn	Port B Link Connect for Srcnum 0
VIP_FIQ_STATUS[11] PORT_A_DISCONN_STATUS	VIP_FIQ_MASK[11] PORT_A_DISCONN	PrtADisConn	Port A Link Disconnect for Srcnum 0
VIP_FIQ_STATUS[10] PORT_A_CONN_STATUS	VIP_FIQ_MASK[10] PORT_A_CONN	PrtAConn	Port A Link Connect for Srcnum 0
VIP_FIQ_STATUS[9] OUTPUT_FIFO_PRTB_ANC_STATUS	VIP_FIQ_MASK[9] OUTPUT_FIFO_PRTB_ANC_OF	OpPrtBAnc	Overflow at Ancillary Data VPDMA interface for the Port B
VIP_FIQ_STATUS[7] OUTPUT_FIFO_PRTB_LUMA_STATUS	VIP_FIQ_MASK[7] OUTPUT_FIFO_PRTB_YUV_OF	OpPrtBYUV	Overflow at Luma VPDMA interface for Port B

Table 9-16. VIP_PARSER Interrupt Events (continued)

Event Flag	Event Mask	Map to	Description
VIP_FIQ_STATUS[6] OUTPUT_FIFO_PRTA Anc_STATUS	VIP_FIQ_MASK[6] OUTPUT_FIFO_PRTA Anc_OF	OpPrtAAnc	Overflow at Ancillary Data VPDMA interface for the Port A
VIP_FIQ_STATUS[4] OUTPUT_FIFO_PRTA LUMA_STATUS	VIP_FIQ_MASK[4] OUTPUT_FIFO_PRTA_YUV_OF	OpPrtAYUV	Overflow at Luma VPDMA interface for Port A
VIP_FIQ_STATUS[3] ASYNC_FIFO_PRTB_STATUS	VIP_FIQ_MASK[3] ASYNC_FIFO_PRTB_OF	InPrtB	Overflow at Input Async FIFO for Port B
VIP_FIQ_STATUS[2] ASYNC_FIFO_PRTA_STATUS	VIP_FIQ_MASK[2] ASYNC_FIFO_PRTA_OF	InPrtA	Overflow at Input Async FIFO for Port A
VIP_FIQ_STATUS[1] PRTB_VDET_STATUS	VIP_FIQ_MASK[1] PRTB_VDET_MASK	PrtBVdet	Video Detect Interrupt for Port B
VIP_FIQ_STATUS[0] PRTA_VDET_STATUS	VIP_FIQ_MASK[0] PRTA_VDET_MASK	PrtAVdet	Video Detect Interrupt for Port A

A '1' in the Status register associated with an Interrupt source shows that the interrupt source is pending. The Status register is read-only. To clear a bit in the Status register, the associated bit in the Clear register must be written with a '1.'

A '1' in the bit position of the Mask register associated with an Interrupt source ensures that the hardware interrupt will never be passed on to the VIP top level. A '0' in the bit position of the Mask register associated with an Interrupt source will cause the interrupt controller to see a VIP_PARSER interrupt in the event the hardware in the parser triggers it.

A '1' in the bit position of the Clear register associated with an Interrupt source clears the hardware interrupt status register until the next time the hardware triggers it. After a Clear, the CPU should set the bit back to a '0.' Otherwise, the hardware would not be able to set any subsequent interrupts of the same type.

9.4.5.13 VDET Interrupt

For Line Multiplexing Embedded Sync mode only, the Meta Data Header includes a Video Detect (VDET) flag. The device sets this VDET flag whenever NTSC or PAL sync is found. Some other external devices using Line Multiplexing mode may not use VDET. However, when VDET changes, a VDET interrupt is issued (see [Table 9-16](#), *Interrupts*, for more details on the interrupt). Each Pixel Clock Input Domain (Port A and Port B) has a separate VDET interrupt.

The VDET status register is comprised of 32 bits, each bit representing the value of the VDET flag found in the meta data of the Channel ID. Bit 0 is the VDET value from Channel ID 0, Bit 1 is the VDET value from Channel ID 1, and so on. There is a separate status register for each Pixel Input Clock Domain ([VIP_PORT_A_VDET_VEC](#) and [VIP_PORT_B_VDET_VEC](#) registers).

In Line Mux mode, the meta-data field defining the srcnum is 5-bits wide. Only the last three bits of this field and the upper two bits are reserved. This bit should always be set to 1 in TI Line Mux mode.

9.4.5.14 Source Video Size

For each Pixel Input Clock Domain, status registers are available to log the last active video height and width found from 16 camera sources. There is no interrupt activated on the change in the source size in any of the input sources. These readonly registers only inform the application of the width and the height of the last active field or frame associated with each channel ID.

In 2x/4x pixel multiplexing, the four bit nibble carrying the Srcnum defines a maximum of 16 sources.

9.4.5.15 Clipping

In ITU-656/BT.1120 embedded sync streams, the values 0x00 and 0xFF are reserved for sync detection. These values are illegal in the rest of the stream. Only when the ITU-1364 standard came out to for digitally inserted vertical blanking data structures did the 0x00 and 0xFF codes get re-used in the packet synchronization structure.

The VIP_PARSER supports one configuration bit that, when enabled, changes all 0x00 to 0x01 and 0xFF to 0xFE in the vertical ancillary data. Another configuration bit, when enabled, changes all 0x00 to 0x01 and 0xFF to 0xFE in the active video portion of the input picture.

Generally, clipping is only desired for discrete sync input data captured from a NTSC/PAL decoder type of device which does not follow pixel range rules. For Discrete Sync input, the possibility to clip inputs to legal values exists. Clipping is desired if the picture sent to DRAM will be streamed out of the IC again using an ITU-656/BT.1120 style output port. If the picture is processed inside the SOC before it is streamed out, then the processing procedure or the output streaming hardware needs to ensure that illegal values are not in the stream.

For Embedded Sync input, illegal values should not exist except for the ITU-1364 data sync sequence 00-FF-FF. Otherwise, the VIP Parser cannot determine good EAV/SAV. In the hardware, clipping is allowed for Embedded Sync streams even though it is not particularly a useful feature.

Note that if the clipping is enabled for ancillary data, the post processing software will never be able to find a data packet sync header, since the 00-FF-FF sequence will be changed to 01-FE-FE.

For 24-bit YUV, clipping is done on each 8 bit channel. If `data[23:16]==0xFF`, the clipped value will be 0xFE. If `data[23:16]==0x00`, the clipped value will be 0x01. Likewise, clipping is done for data bit ranges 15:8 and 7:0

From a software point of view, clipping should never be enabled for 24-bit RGB. RGB should use the full 8-bit quantization range for each color component. The hardware, however, will clip RGB in active video, if `VIP_MAIN[5] CLIP_ACTIVE='1'`. The clipping will be done on each 8-bit channel as described for 24-bit YUV.

9.4.5.16 Current and Last FID Value

The FID values for the current field or frame are reported in the Status Registers. When a new field or frame enters, the current FID values are saved into the previous FID status registers and the new FID value is loaded into the current FID register.

Following a reset, the previous and current FID status registers are set to '1.' The first two fields or frames are ignored. On the third input field or frame after a reset, the previous FID is loaded with the current FID ('1'), and the current FID is loaded with the actual FID. By the fourth field or frame after a reset, both the previous and current FID values should represent the values found in the input stream.

The FID values are reported for each camera source in both Pixel Input Clock Domains.

9.4.5.17 Disable Handling

A feature was defined for the case of single stream (either discrete sync or embedded sync) input handling where `VIP_PORT_A[8] ENABLE` for Port A and `VIP_PORT_B[8] ENABLE` for Port B is taken inactive. The single stream case was deemed more important than the multi-stream one since the output of the `VIP_PARSER` may be used to drive the Scaler module. The Scaler needs to work on a frame boundary (startframe to endframe) or it may lock up without a reset. The goal of the disable handling for the single stream case is to complete a field or frame of output data to the downstream module. Then, upon enabling of the port again, the system should start up properly without a need to reset the individual modules within the VIP instance.

In this scenario, suppose the `VIP_PARSER` has been processing a single input stream. Then, `ENABLE` is brought inactive. The `VIP_PARSER` will continue to output data downstream until it sends out an endframe pixel and the downstream module accepts the endframe pixel.

9.4.5.18 Picture Size Interrupt

Each VIP port can be set up to trigger an interrupt if the picture size varies from a pre-programmed expected picture size. This interrupt is supported only for the Active Video portion of the input video and not for the Vertical Ancillary portion. Also this interrupt is only support for source number 0 in multi channel capture.

The interrupts are named `PrtASrc0Size` and `PrtBSrc0Size`. They are described in [Table 9-16](#), *VIP_PARSER Interrupt Events*

For Port A, the expected active video picture size values are programmed in `VIP_XTRA_PORT_A[11:0] SRC0_NUMLINES` and `VIP_XTRA_PORT_A[27:16] SRC0_NUMPIX`. For PortB, the expected active video picture size values are programmed in `VIP_XTRA_PORT_B[11:0] SRC0_NUMLINES` and `VIP_XTRA_PORT_B[27:16] SRC0_NUMPIX`.

NOTE: Picture Size Interrupt reflects the Active Video going into the DRAM. If cropping is enabled for `Srcnum=0`, the Picture Size is the post-cropped size.

9.4.5.19 Discrete Sync Signals

External ICs generally produce discrete sync interface signals seen in [Figure 9-58](#).

VBLNK represents the vertical blanking interval. Generally, vertical blanking is at the top of a NTSC/PAL field. In certain standards, the last few lines of a field or frame are in vertical blanking in addition to the beginning few lines in the following field or frame.

VSYNC is the vertical sync indicator. `VSYNC` is active during a portion of the vertical blanking. For NTSC and PAL, since these standards define an odd number of lines for a field pair, `VSYNC` can be use in conjunction with `HSYNC` to determine FID polarity. Generally, `VSYNC` is defined to transition inactive to active sometime during vertical blanking. This signal then transitions to an inactive state before the end of vertical blanking. Certain standards define the line numbers where `VSYNC` transitions.

HBLNK is the horizontal blanking interval for each line. The horizontal blanking is the same number of pixels whether the line is in the active video region or in the vertical blanking region of the scan.

ACTVID is the region of a line that is active video. It is the inverse of the `HBLNK` signal. The number of pixels in the `ACTVID` region is the same for a line in vertical blanking as a line in active video. `ACTVID(1)` is a situation where the signal toggles in vertical blanking as well as active video. `ACTVID(2)` shows the signal toggling only in non-vertical blanking regions. Once `ACTVID` transitions active, it stays active for every `PIXCLK` until the end of the line.

HSYNC transitions from inactive to active for the first pixel of each line, which is a horizontal blanking pixel. HSYNC will transition to the inactive state before the end of the line. HSYNC is similar to HBLNK in that they both transition active on the same PIXCLK cycle. However, HBLNK transitions inactive at the end of the horizontal blanking period. HSYNC can transition inactive either before or after the horizontal blanking period.

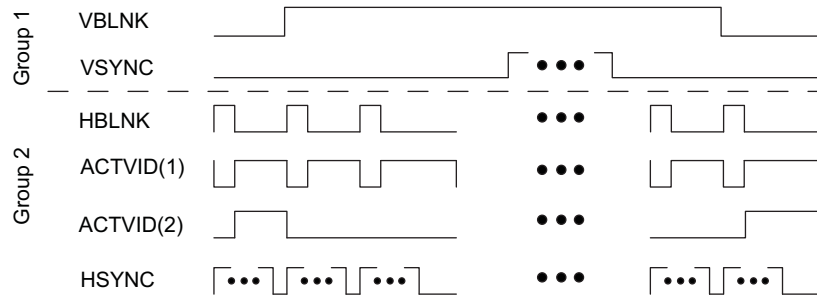
Group 1 signals define the vertical separation between fields or frames. Group 2 signals define the separation between lines. One of the Group 1 signals can be tied to the VSYNC input. The ACTVID(1) and ACTVID(2) signals from Group 2 are tied to the ACTVID input. One of the other two Group 2 signals, HBLNK or HSYNC, can be tied to the HSYNC input.

VIP_PORT_A[15] USE_ACTVID_HSYNC_N for Port A and **VIP_PORT_B[15] USE_ACTVID_HSYNC_N** for Port B defines whether the line separation method uses the signal from the ACTVID or the HSYNC input of the VIP_PARSER module.

VIP_PORT_A[22] DISCRETE_BASIC_MODE for Port A **VIP_PORT_B[22] DISCRETE_BASIC_MODE** for Port B determines whether discrete sync works as described in [Section 9.4.5.6 Input Data Interface](#) or whether a “basic mode” input handler is invoked.

By choosing one signal from Group 1 and one signal from Group 2, there should be a way to capture the external data.

Figure 9-58. Generic External Sync Signals



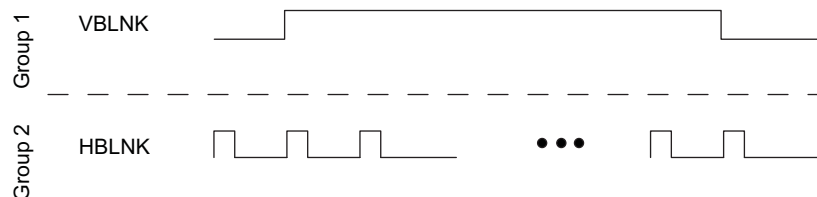
- NOTE:**
1. VIP_PARSER module defines three discrete sync control signals: ACTVID, HSYNC, and VSYNC.
 2. In order to capture external data PIXCLK must never stop, for either horizontal or vertical blanking.

9.4.5.19.1 VBLNK and HBLNK

[Figure 9-59](#) shows VBLNK from Group 1 and HBLNK from Group 2 being used. In this case, set `USE_ACTVID_HSYNC_N='0'` and `DISCRETE_BASIC_MODE='0'`. Vertical Ancillary lines will be sent to the Vertical Ancillary output at Active Video will be sent out the Active Video output.

If `DISCRETE_BASIC_MODE='1'` is chosen, all lines including vertical blanking ones will be sent to the Active Video buffer. Since a line is delineated by HBLNK and HBLNK toggles in vertical blanking as well as active video, every incoming pixel will be save to the Active Video buffer.

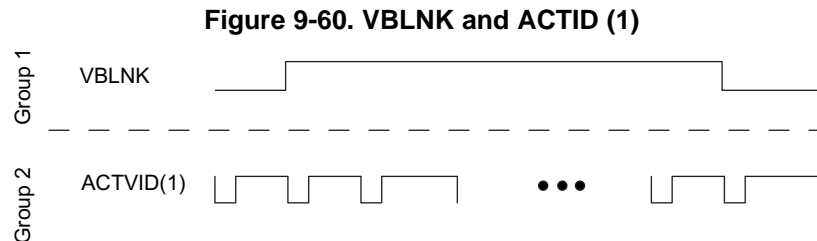
Figure 9-59. vblnk and hblnk



9.4.5.19.2 **BLNK and ACTVID (1)**

Figure 9-60 shows VBLNK from Group 1 and ACTVID(1) from Group 2 being used. ACTVID is toggling during Vertical Blanking. Set USE_ACTVID_HSYNC_N='1' and DISCRETE_BASIC_MODE='0'. Vertical Ancillary lines will be sent to the Vertical Ancillary output and Active Video will be sent out the Active Video output.

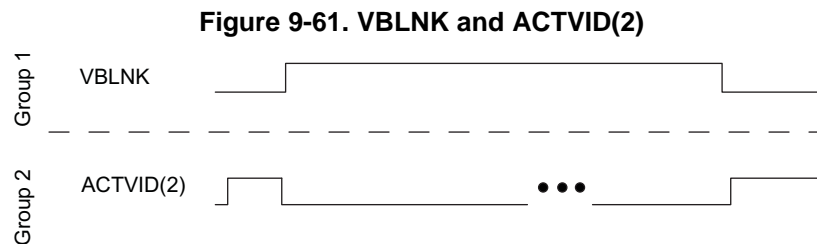
If DISCRETE_BASIC_MODE='1' is chosen, all lines will be sent to the Active Video output.



9.4.5.19.3 **VBLNK and ACTVID(2)**

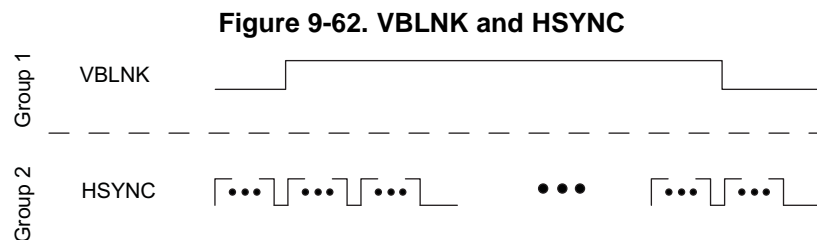
Figure 9-61 shows VBLNK from Group 1 and ACTVID(2) from Group 2 being used. ACTVID is not toggling during Vertical Blanking. Set USE_ACTVID_HSYNC_N='1' and DISCRETE_BASIC_MODE='1'. Since there are no line sync/clocking signals in the Vertical Blanking period, only Active Video lines will be sent to the Active Video output.

If DISCRETE_BASIC_MODE='0' is set, then the hardware will lock up as there is no way for it to determine a frame boundary.



9.4.5.19.4 **VBLNK and HSYNC**

Figure 9-62 shows VBLNK from Group 1 and HSYNC from Group 2 being used. In this scenario, set USE_ACTVID_HSYNC_N='0' and DISCRETE_BASIC_MODE='0'. Vertical Ancillary lines will be sent to the Vertical Ancillary output at Active Video will be sent out the Active Video output.



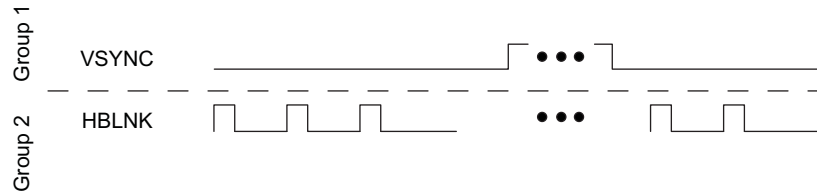
9.4.5.19.5 **VSYNC and HBLNK**

Figure 9-63 shows VSYNC from Group 1 and HBLINK from Group 2 being used. Set USE_ACTVID_HSYNC_N='0' and DISCRETE_BASIC_MODE='1'.

Also, no automatic parsing of vertical ancillary data will be performed so the Ancillary VPI port to the VPDMA should be disabled. All lines, including both vertical ancillary and active video, will appear in the Video DRAM buffer. Lines starting after an inactive to active transition on VSYNC will delineate a start of frame. Every data element strobed on the Pixel clock's active edge will be stored in the Active Video Buffer.

In [Figure 9-63](#), it is likely the HBLNK will toggle when VSYNC is active. In this case, setting `USE_ACTVID_HSYNC_N='0'` and `DISCRETE_BASIC_MODE='0'` mean that those lines appearing under the active VSYNC will be sent to the Ancillary Data Buffer. All other captured lines will be sent to the Active Video Buffer.

Figure 9-63. VSYNC and HBLNK

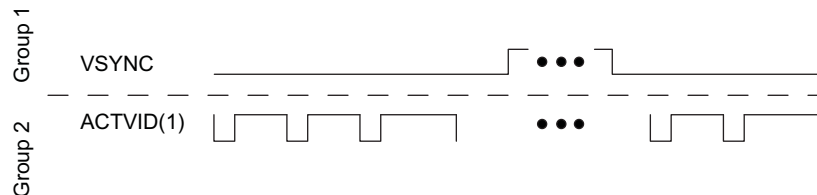


9.4.5.19.6 VSYNC and ACTIVID(1)

[Figure 9-64](#) shows VSYNC from Group 1 and ACTIVID(1) from Group 2 being used. ACTIVID is toggling during the VBLNK interval. ACTIVID does not necessarily toggle during VSYNC. Set `USE_ACTVID_HSYNC_N='1'` and `DISCRETE_BASIC_MODE='1'`.

Also, no automatic parsing of vertical ancillary data will be performed so there is no activity on the Ancillary VPI port to the VPDMA. All lines, including both vertical ancillary and active video, will appear in the Video DRAM buffer. Lines starting after an inactive to active transition on VSYNC will delineate a start of frame. Lines are denoted by an inactive to active transition of ACTIVID. Only those pixels gated by an active ACTIVID will be saved.

Figure 9-64. VSYNC and ACTIVID(1)

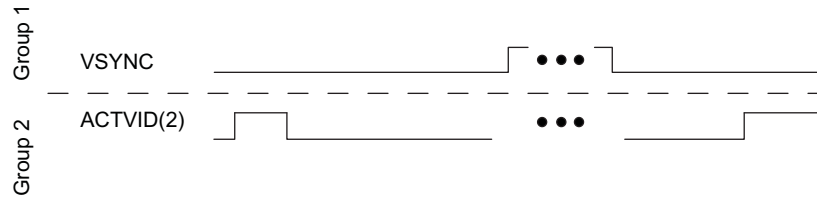


9.4.5.19.7 VSYNC and ACTIVID(2)

[Figure 9-65](#) shows VSYNC from Group 1 and ACTIVID(2) from Group 2 being used. ACTIVID is not toggling during the entire VBLNK interval. Set `USE_ACTVID_HSYNC_N='1'` and `DISCRETE_BASIC_MODE='1'`.

Also, no automatic parsing of vertical ancillary data will be performed so the the Ancillary VPI port to the VPDMA should be turned off. All active video lines, since there are no vertical ancillary data lines, will appear in the Video DRAM buffer. Lines starting after an inactive to active transition on VSYNC will delineate a start of frame. Lines are denoted by an inactive to active transition of ACTIVID. Once a line starts, ACTIVID stays active for every pixel clock until the end of the line. Only those pixels gated by an active ACTIVID will be saved.

Figure 9-65. VSYNC and ACTIVID(2)

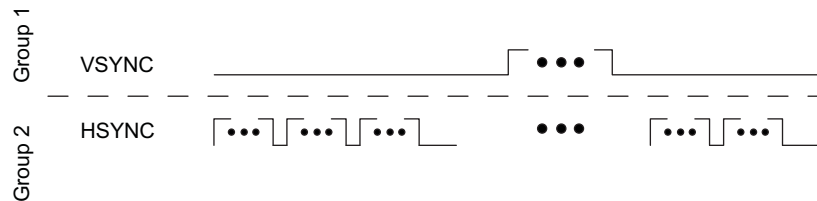


9.4.5.19.8 VSYNC and HSYNC

Figure 9-66 shows VSYNC from Group 1 and HSYNC from Group 2 being used. Set USE_ACTVID_HSYNC_N='0' and DISCRETE_BASIC_MODE='1'.

In the event that the machine is set to DISCRETE_BASIC_MODE='0', lockup will not occur as long as there is an HSYNC active transition during the time that VSYNC is active. This scenario is likely. However, if there is not at least one such transition on HSYNC, then the machine experiences a lock up. It cannot distinguish the end of one frame from the start of the next frame.

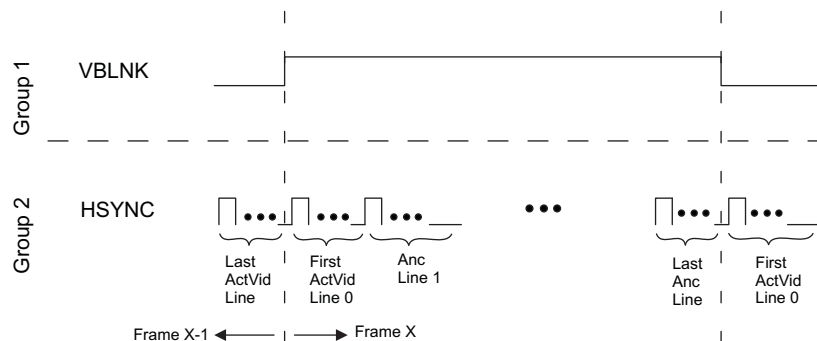
Figure 9-66. VSYNC and HSYNC



9.4.5.19.9 Line and Pixel Capture Examples

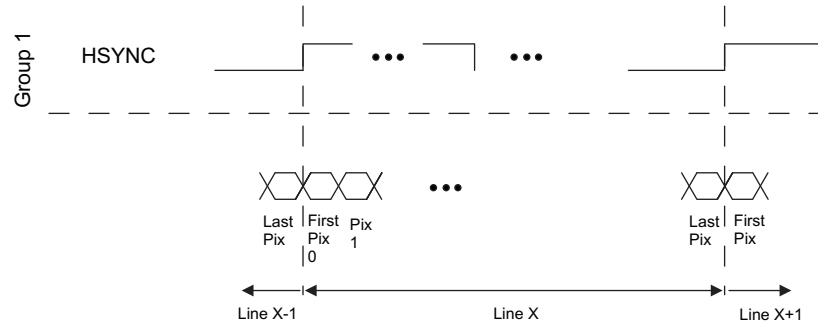
When DISCRETE_BASIC_MODE='0', VBLNK is generally used. All the lines where the start of line is under an active VBLNK are sent to the Ancillary Data buffer. All the lines where the start of line is not under an active VBLNK are sent to the Active Video framebuffer. This situation is shown in Figure 9-67.

Figure 9-67. Ancillary and Active Video Line Determination



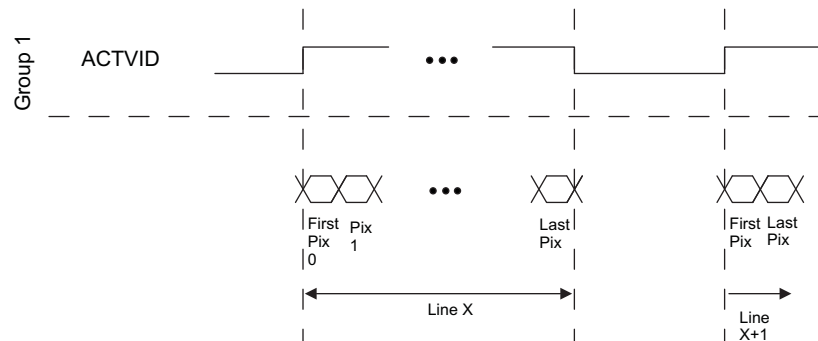
The start of line is the pixel represented by the inactive to active transition on HSYNC when USE_ACTVID_HSYNC_N = '1'. Figure 9-68 illustrates the delineation of a line when using USE_ACTVID_HSYNC_N = '1'.

Figure 9-68. HSYNC Pixel Capture



The start of line is the pixel represented by the inactive to active transition on ACTVID when USE_ACTVID_HSYNC_N = '0.' Note that ACTVID stays active for the entire duration of active video portion of the line. This scenario is shown in [Figure 9-69](#)

Figure 9-69. ACTVID Pixel Capture



In 8-bit mode, the 4:2:2 YUV input color component order is Cb, Y followed by Cr and Y. For 16-bit and 24-bit input modes, all the components are sent in the same cycle.

9.4.5.20 VIP Overflow Detection and Recovery

It is possible that an overflow can occur in the VIP_PARSER. Overflow detection is determined by reading the [VIP_FIQ_STATUS](#) register and checking for bits 8, 7, 5, 4, 3 and 2. If video is being captured, and any of these bits are set, it indicates that not all of the incoming video data was sent to DDR memory. VIP overflow can be caused by one of the following:

1. External pixel clock is faster than processing clock
2. DDR bandwidth is temporarily over-consumed
3. VIP scaler is being used inline with external video input, and is upscaling.
 - VIP scaler in this use case can only be used for downscaling
4. VIP scaler is being used inline with external video input, but has not been configured with scaler coefficients
 - VIP scaler will not accept video input if it is not first configured with scaler coefficients. This will cause overflow
5. VIP scaler is being used inline, but has not been enabled
6. External cables are connected or disconnected while the system is running, resulting in corrupted video streams going into the VIP
7. Bad external video cable, which causes corrupted video streams going into the VIP

Items 6 and 7 above are typically seen as noise events, where it is likely that multiple horizontal syncs per line and/or multiple vertical syncs per frame will be observed. These result in high peak throughput requirements, leading to DDR bandwidth being temporarily over-consumed, and thus VIP overflow.

The high level recovery method for VIP overflow on Port A is outlined in the steps below. Port B is similar.

1. Set `VIP_XTRA6_PORT_A[31:16] YUV_SRCNUM_STOP_IMMEDIATELY = 0xFFFF_FFFF`
2. Set `VIP_XTRA6_PORT_A[15:0] ANC_SRCNUM_STOP_IMMEDIATELY = 0xFFFF_FFFF`
3. Set `VIP_PORT_A[8] ENABLE = 0`
4. Set `VIP_PORT_A[7] CLR_ASYNC_FIFO_RD` and `VIP_PORT_A[6] CLR_ASYNC_FIFO_WR` to 1
5. Set `VIP_PORT_A[23] SW_RESET` to 1
6. Reset other VIP modules
 - For each module used downstream of `VIP_PARSER`, write 1 to the bit location of the `VIP_CLKC_RST` register which is connected to `VIP_PARSER`
7. Abort VPDMA channels
 - Write to list attribute to stop list 0
 - Write to list address register location of abort list
 - Write to list attribute register list 0 and size of abort list
8. Set `VIP_PORT_A[23] SW_RESET` to 0
9. Un-reset other VIP modules
 - For each module used downstream of `VIP_PARSER`, write 0 to the bit location of the `VIP_CLKC_RST` register which is connected to `VIP_PARSER`
10. (Delay)
11. SC coeff downloaded (if `VIP_SCALER` is being used)
12. (Delay)
13. Set `VIP_XTRA6_PORT_A[31:16] YUV_SRCNUM_STOP_IMMEDIATELY = 0x0000_0000`
14. Set `VIP_XTRA6_PORT_A[15:0] ANC_SRCNUM_STOP_IMMEDIATELY = 0x0000_0000`
15. Set `VIP_PORT_A[8] ENABLE = 1`
16. Set `VIP_PORT_A[7] CLR_ASYNC_FIFO_RD` and `VIP_PORT_A[6] CLR_ASYNC_FIFO_WR` to 0

9.4.6 VIP Color Space Converter (CSC)

The Color Space Converter (CSC) module is used to convert video data from one color space to another with nine programmable integer multipliers.

9.4.6.1 CSC Features

- All parameters are programmable
- Each parameter is configurable in signed 13-bits
- Support for Bypass Mode

9.4.6.2 CSC Functional Description

The conversion between the different color spaces requires addition and multiplication operations on color and intensity components. The mathematical expression of the conversion can be written as:

$$\begin{aligned}
 Y &= A0 * R + B0 * G + C0 * B + D0 \\
 Cb &= A1 * R + B1 * G + C1 * B + D1 \\
 Cr &= A2 * R + B2 * G + C2 * B + D2
 \end{aligned}$$

Color space coefficients are set through the following registers:

- For luma component:
 - `VIP_CSC00[12:0] A0`
 - `VIP_CSC00[28:16] B0`

- VIP_CSC01[28:16] C0
- VIP_CSC04[27:16] D0
- For Cb component:
 - VIP_CSC01[28:16] A1
 - VIP_CSC02[12:0] B1
 - VIP_CSC02[27:16] C1
 - VIP_CSC05[11:0] D1
- For Cr component :
 - VIP_CSC03[12:0] A2
 - VIP_CSC03[27:16] B2
 - VIP_CSC04[12:0] C2
 - VIP_CSC05[27:16] D2

Using YUV to RGB conversion as an example: YUV represents one color space and RGB represents another color space. The conversion can be written in the matrix format shown in [Figure 9-70](#).

Figure 9-70. Matrix Format

$$\begin{bmatrix} Y \\ Cb \\ Cr \end{bmatrix} = \begin{bmatrix} A0 & B0 & C0 \\ A1 & B1 & C1 \\ A2 & B2 & C2 \end{bmatrix} \begin{bmatrix} R \\ G \\ B \end{bmatrix} + \begin{bmatrix} D0 \\ D1 \\ D2 \end{bmatrix}$$

Since HDTV and SDTV have different conversion requirements, both conversions of RGB-to-YCbCr and YCbCr-to-RGB are described. The details of derivations of these matrixes will be given in the following subsections.

9.4.6.2.1 HDTV Application

9.4.6.2.1.1 HDTV Application with Video Data Range

The two equations presented in this section are for the HDTV application. The chromaticity parameters are defined by ITU-R709 standard.

The input video data for these equations should be within the range that is defined for video application.

In an 8-bit system:

- Rd, Gd, Bd, and Yd will be in the range [16-235]
- Cb and Cr will be the range [16-240]
- D = 1

In a 10-bit system:

- Rd, Gd, Bd, and Yd will be in the range [64-940]
- Cb and Cr will be in the range [64-960]
- D = 4

Conversion from RGB to YCbCr:

Figure 9-71. Conversion from RGB to YCbCr

$$\begin{bmatrix} Yd \\ Cb \\ Cr \end{bmatrix} = \begin{bmatrix} 0.2126 & 0.7152 & 0.0722 \\ -0.1172 & -0.3942 & 0.5114 \\ 0.5114 & -0.4646 & -0.0468 \end{bmatrix} \begin{bmatrix} Rd \\ Gd \\ Bd \end{bmatrix} + \begin{bmatrix} 0 \\ 128 \\ 128 \end{bmatrix} D$$

Conversion from YCbCr to RGB:

Figure 9-72. Conversion from YCbCr to RGB

$$\begin{bmatrix} R_d \\ G_d \\ B_d \end{bmatrix} = \begin{bmatrix} 1 & 0 & 1.5396 \\ 1 & -0.1831 & -0.4577 \\ 1 & 1.8142 & 0 \end{bmatrix} \begin{bmatrix} Y_d \\ C_b \\ C_r \end{bmatrix} + \begin{bmatrix} -197 \\ 82 \\ -232 \end{bmatrix} D$$

9.4.6.2.1.2 HDTV Application with Graphics Data Range

The two equations presented in this section are for the HDTV application with graphics range data input. The main application is for computer graphics display. The chromaticity parameters are defined by ITU-R709 standard.

The input data ranges for these equations are as follows.

In an 8-bit system:

- R_d , G_d , B_d , Y_d , C_b and C_r will be the range [0-255]
- $D = 1$

In a 10-bit system:

- R_d , G_d , B_d , Y_d , C_b and C_r will be in the range [0-1023]
- $D = 4$

Conversion from RGB to YCbCr:

Figure 9-73. Conversion from RGB to YCbCr

$$\begin{bmatrix} Y_d \\ C_b \\ C_r \end{bmatrix} = \begin{bmatrix} 0.1826 & 0.6142 & 0.0620 \\ -0.1006 & -0.3385 & 0.4392 \\ 0.4392 & -0.3990 & -0.0402 \end{bmatrix} \begin{bmatrix} R_d \\ G_d \\ B_d \end{bmatrix} + \begin{bmatrix} 16 \\ 128 \\ 128 \end{bmatrix} D$$

Conversion from YCbCr to RGB:

Figure 9-74. Conversion from YCbCr to RGB

$$\begin{bmatrix} R_d \\ G_d \\ B_d \end{bmatrix} = \begin{bmatrix} 1.1644 & -0.0003 & 1.7927 \\ 1.1644 & -0.2132 & -0.5329 \\ 1.1642 & 2.1125 & -0.0001 \end{bmatrix} \begin{bmatrix} Y_d \\ C_b \\ C_r \end{bmatrix} + \begin{bmatrix} -248 \\ 77 \\ -289 \end{bmatrix} D$$

9.4.6.2.1.3 Quantized Coefficients for Color Space Converter in HDTV

This section quantizes all the coefficients of color space conversion based on a 10-bit system for HDTV application. These coefficients can be input to the registers of programmable color space converter. Refer to register section for the corresponding register setting.

Table 9-17. Quantized Coefficients of HDTV Application with Video Data Range

Conversion from RGB to YCbCr					Conversion from YCbCr to RGB			
Coefficient Names	Registers	Real Number Format	Quantized Format	Hex Format	Coefficient Names	Real Number Format	Quantized Format	Hex Format
A0(13-bit)	VIP_CSC00[12:0] A0	0.2126	218	0x00DA	A0(13-bit)	1	1024	0x0400
B0(13-bit)	VIP_CSC00[28:16] B0	0.7152	732	0x02DC	B0(13-bit)	0	0	0x0000
C0(13-bit)	VIP_CSC01[28:16] C0	0.0722	74	0x004A	C0(13-bit)	1.5396	1577	0x0629
A1(13-bit)	VIP_CSC01[28:16] A1	-0.1172	-120	0x1F88	A1(13-bit)	1	1024	0x0400
B1(13-bit)	VIP_CSC02[12:0] B1	-0.3942	-404	0x1E6C	B1(13-bit)	-0.1831	-187	0x1F45
C1(13-bit)	VIP_CSC02[27:16] C1	0.5114	524	0x020C	C1(13-bit)	-0.4577	-469	0x1E2B
A2(13-bit)	VIP_CSC03[12:0] A2	0.5114	524	0x020C	A2(13-bit)	1	1024	0x0400
B2(13-bit)	VIP_CSC03[27:16] B2	-0.4646	-476	0x1E24	B2(13-bit)	1.8142	1858	0x0742
C2(13-bit)	VIP_CSC04[12:0] C2	-0.0468	-48	0x1FD0	C2(13-bit)	0	0	0x0000
D0(12-bit)	VIP_CSC04[27:16] D0	0	0	0x000	D0(12-bit)	-197	-788	0xCEC
D1(12-bit)	VIP_CSC05[11:0] D1	128	512	0x200	D1(12-bit)	82	328	0x148
D2(12-bit)	VIP_CSC05[27:16] D2	128	512	0x200	D2(12-bit)	-232	-928	0xC60

Table 9-18. Quantized Coefficients of HDTV Application with Graphics Data Range

Conversion from RGB to YCbCr					Conversion from YCbCr to RGB			
Coefficient Names	Registers	Real Number Format	Quantized Format	Hex Format	Coefficient Names	Real Number Format	Quantized Format	Hex Format
A0(13-bit)	VIP_CSC00[12:0] A0	0.1826	187	0x00BB	A0(13-bit)	1.1644	1192	0x04A8
B0(13-bit)	VIP_CSC00[28:16] B0	0.6142	629	0x0275	B0(13-bit)	-0.0003	0	0x0000
C0(13-bit)	VIP_CSC01[28:16] C0	0.062	63	0x003F	C0(13-bit)	1.7927	1836	0x072C
A1(13-bit)	VIP_CSC01[28:16] A1	-0.1006	-103	0x1F99	A1(13-bit)	1.1644	1192	0x04A8
B1(13-bit)	VIP_CSC02[12:0] B1	-0.3385	-347	0x1EA5	B1(13-bit)	-0.2132	-218	0x1F26
C1(13-bit)	VIP_CSC02[27:16] C1	0.4392	450	0x01C2	C1(13-bit)	-0.5329	-546	0x1DDE
A2(13-bit)	VIP_CSC03[12:0] A2	0.4392	450	0x01C2	A2(13-bit)	1.1642	1192	0x04A8
B2(13-bit)	VIP_CSC03[27:16] B2	-0.399	-409	0x1E67	B2(13-bit)	2.1125	2163	0x0873
C2(13-bit)	VIP_CSC04[12:0] C2	-0.0402	-41	0x1FD7	C2(13-bit)	-0.0001	0	0x0000
D0(12-bit)	VIP_CSC04[27:16] D0	16	64	0x040	D0(12-bit)	-248	-992	0xC20
D1(12-bit)	VIP_CSC05[11:0] D1	128	512	0x200	D1(12-bit)	77	308	0x134
D2(12-bit)	VIP_CSC05[27:16] D2	128	512	0x200	D2(12-bit)	-289	-1156	0xB7C

9.4.6.2.2 SDTV Application

9.4.6.2.2.1 SDTV Application with Video Data Range

The two equations presented in this section are for the SDTV application. The chromaticity parameters are defined by ITU-R601 standard.

The input video data for these equations should be within the range that is defined for video application.

In an 8-bit system:

- Rd, Gd, Bd, and Yd will be in the range [16-235]
- Cb and Cr will be the range [16-240]
- D = 1

In a 10-bit system:

- Rd, Gd, Bd, and Yd will be in the range [64-940]
- Cb and Cr will be in the range [64-960]
- D = 4

Conversion from RGB to YCbCr:

Figure 9-75. Conversion from RGB to YCbCr

$$\begin{bmatrix} Yd \\ Cb \\ Cr \end{bmatrix} = \begin{bmatrix} 0.299 & 0.587 & 0.114 \\ -0.172 & -0.339 & 0.511 \\ 0.511 & -0.428 & -0.083 \end{bmatrix} \begin{bmatrix} Rd \\ Gd \\ Bd \end{bmatrix} + \begin{bmatrix} 0 \\ 128 \\ 128 \end{bmatrix} D$$

Conversion from YCbCr to RGB:

Figure 9-76. Conversion from YCbCr to RGB

$$\begin{bmatrix} Rd \\ Gd \\ Bd \end{bmatrix} = \begin{bmatrix} 1 & -0.0003 & 1.3717 \\ 1 & -0.3365 & -0.6984 \\ 1 & 1.7336 & -0.0016 \end{bmatrix} \begin{bmatrix} Yd \\ Cb \\ Cr \end{bmatrix} + \begin{bmatrix} -176 \\ 132 \\ -222 \end{bmatrix} D$$

9.4.6.2.2.2 SDTV Application with Graphics Data Range

The two equations presented in this section are for the SDTV application with graphics range data input. The main application is for computer graphics display. The chromaticity parameters are defined by ITU-R601 standard.

The input data ranges for these equations are as following.

In an 8-bit system:

- Rd, Gd, Bd, Yd, Cb and Cr will be the range [0-255]
- D = 1

In a 10-bit system:

- Rd, Gd, Bd, Yd, Cb and Cr will be in the range [0-1023]
- D = 4

Conversion from RGB to YCbCr:

Figure 9-77. Conversion from RGB to YCbCr

$$\begin{bmatrix} Yd \\ Cb \\ Cr \end{bmatrix} = \begin{bmatrix} 0.257 & 0.504 & 0.098 \\ -0.148 & -0.291 & 0.439 \\ 0.439 & -0.368 & -0.071 \end{bmatrix} \begin{bmatrix} Rd \\ Gd \\ Bd \end{bmatrix} + \begin{bmatrix} 16 \\ 128 \\ 128 \end{bmatrix} D$$

Conversion from YCbCr to RGB:

Figure 9-78. Conversion from YCbCr to RGB

$$\begin{bmatrix} Rd \\ Gd \\ Bd \end{bmatrix} = \begin{bmatrix} 1.1641 & -0.0018 & 1.5958 \\ 1.1641 & -0.3914 & -0.8135 \\ 1.1641 & 2.0178 & -0.0012 \end{bmatrix} \begin{bmatrix} Yd \\ Cb \\ Cr \end{bmatrix} + \begin{bmatrix} -223 \\ 136 \\ -277 \end{bmatrix} D$$

9.4.6.2.2.3 Quantized Coefficients for Color Space Converter in SDTV

This section quantizes all the coefficients of color space conversion based on a 10-bit system for SDTV application. These coefficients can be input to the registers of programmable color space converter. Refer to register section for the corresponding register setting.

Table 9-19. Quantized Coefficients of SDTV Application with Video Data Range

Conversion from RGB to YCbCr					Conversion from YCbCr to RGB			
Coefficient Names	Registers	Real Number Format	Quantized Format	Hex Format	Coefficient Names	Real Number Format	Quantized Format	Hex Format
A0(13-bit)	VIP_CSC00[12:0] A0	0.299	306	0x0132	A0(13-bit)	1	1024	0x0400
B0(13-bit)	VIP_CSC00[28:16]] B0	0.587	601	0x0259	B0(13-bit)	-0.0003	0	0x0000
C0(13-bit)	VIP_CSC01[28:16]] C0	0.114	117	0x0075	C0(13-bit)	1.3717	1405	0x057D
A1(13-bit)	VIP_CSC01[28:16]] A1	-0.172	-176	0x1F50	A1(13-bit)	1	1024	0x0400
B1(13-bit)	VIP_CSC02[12:0] B1	-0.339	-347	0x1EA5	B1(13-bit)	-0.3365	-345	0x1EA7
C1(13-bit)	VIP_CSC02[27:16]] C1	0.511	523	0x020B	C1(13-bit)	-0.6984	-715	0x1D35
A2(13-bit)	VIP_CSC03[12:0] A2	0.511	523	0x020B	A2(13-bit)	1	1024	0x0400
B2(13-bit)	VIP_CSC03[27:16]] B2	-0.428	-438	0x1E4A	B2(13-bit)	1.7336	1775	0x06EF
C2(13-bit)	VIP_CSC04[12:0] C2	-0.083	-85	0x1FAB	C2(13-bit)	-0.0016	-2	0x1FFE
D0(12-bit)	VIP_CSC04[27:16]] D0	0	0	0x000	D0(12-bit)	-176	-704	0xD40
D1(12-bit)	VIP_CSC05[11:0] D1	128	512	0x200	D1(12-bit)	132	528	0x210
D2(12-bit)	VIP_CSC05[27:16]] D2	128	512	0x200	D2(12-bit)	-222	-888	0xC88

Table 9-20. Quantized Coefficients of SDTV Application with Graphics Data Range

Conversion from RGB to YCbCr					Conversion from YCbCr to RGB			
Coefficient Names	Registers	Real Number Format	Quantized Format	Hex Format	Coefficient Names	Real Number Format	Quantized Format	Hex Format
A0(13-bit)	VIP_CSC00[12:0] A0	0.257	263	0x0107	A0(13-bit)	1.1641	1192	0x04A8
B0(13-bit)	VIP_CSC00[28:16]] B0	0.504	516	0x0204	B0(13-bit)	-0.0018	-2	0x1FFE
C0(13-bit)	VIP_CSC01[28:16]] C0	0.098	100	0x0064	C0(13-bit)	1.5958	1634	0x0662
A1(13-bit)	VIP_CSC01[28:16]] A1	-0.148	-152	0x1F68	A1(13-bit)	1.1641	1192	0x04A8
B1(13-bit)	VIP_CSC02[12:0] B1	-0.291	-298	0x1ED6	B1(13-bit)	-0.3914	-401	0x1E6F
C1(13-bit)	VIP_CSC02[27:16]] C1	0.439	450	0x01C2	C1(13-bit)	-0.8135	-833	0x1CBF
A2(13-bit)	VIP_CSC03[12:0] A2	0.439	450	0x01C2	A2(13-bit)	1.1641	1192	0x04A8
B2(13-bit)	VIP_CSC03[27:16]] B2	-0.368	-377	0x1E87	B2(13-bit)	2.0178	2066	0x0812
C2(13-bit)	VIP_CSC04[12:0] C2	-0.071	-73	0x1FB7	C2(13-bit)	-0.0012	-1	0x1FFF
D0(12-bit)	VIP_CSC04[27:16]] D0	16	64	0x040	D0(12-bit)	-223	-892	0xC84
D1(12-bit)	VIP_CSC05[11:0] D1	128	512	0x200	D1(12-bit)	136	544	0x220
D2(12-bit)	VIP_CSC05[27:16]] D2	128	512	0x200	D2(12-bit)	-277	-1108	0xBAC

9.4.6.3 CSC Bypass Mode

CSC module can be bypassed by setting `VIP_CSC05[28]` BYPASS bit-field to 1.

9.4.7 VIP Scaler (SC)

This section describes the highly optimized video resizers, SC (scalers), in the VIP modules.

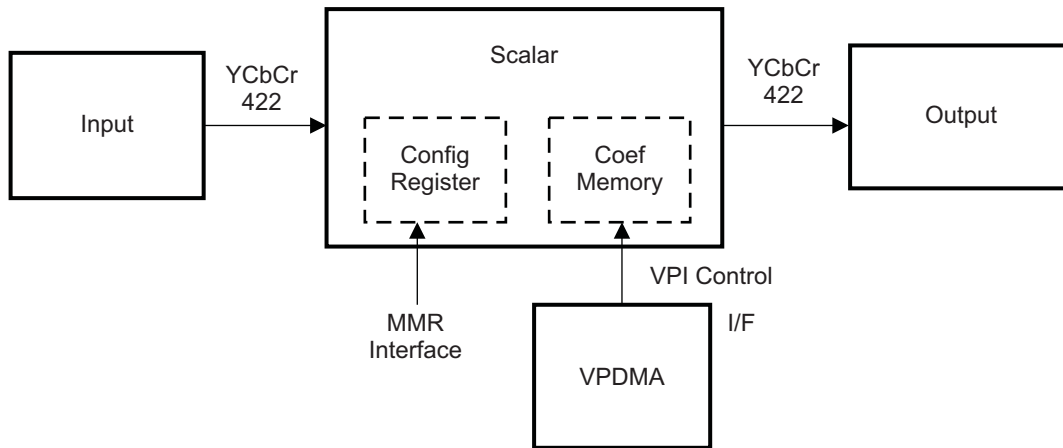
9.4.7.1 SC Features

- Independent vertical and horizontal up and down scaling
- Running average vertical down scaling for memory optimization
- Decimation and polyphase filtering for horizontal scaling
- Non-linear scaling for stretched/compressed left and right sides
- Input image trimmer for pan/scan support
- Pre-scaling peaking filter for enhanced sharpness
- Scale field as frame
- Interlacing of scaled output
- Full 1080p input and output support
- YCbCr422 input and output
- Maximum horizontal scaling ratio only limited by output line buffer (2047 pixels)
- Scaling filter Coefficient memory download via VPI (Video Port Interface) Control interface

9.4.7.2 SC Functional Description

Scaler takes in a 10-bit YCbCr 422 video frame from an upstream module, performs vertical/horizontal scaling and outputs a YCbCr422 scaled image to a next downstream module. All configurations are done via the MMR interface except for the scaler coefficient memory configuration that is done via the common VPI control interface bus by VPDMA. Figure 9-79 shows the high-level block diagram of the scaler module.

Figure 9-79. High Level Block Diagram

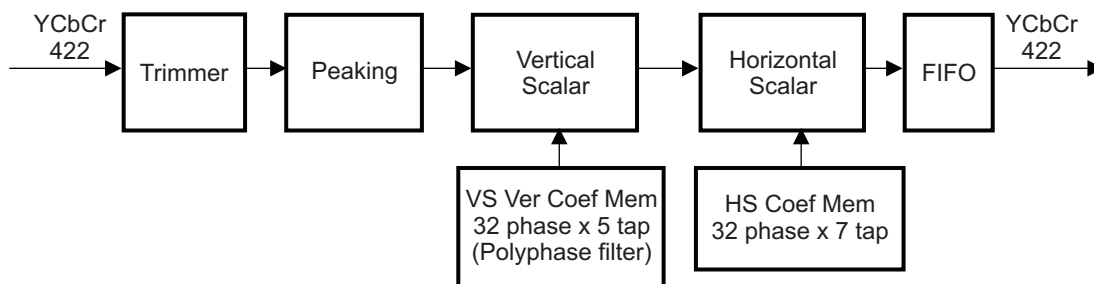


The SC is used in the video path and in all other video write-back data paths in the VIP module.

Scaling is performed in following three steps:

1. Trimming and Pre-peaking filtering
2. Vertical Scaling (Polyphase/Running Average Filter)
3. Horizontal polyphase scaling

Figure 9-80. SC Block Diagram



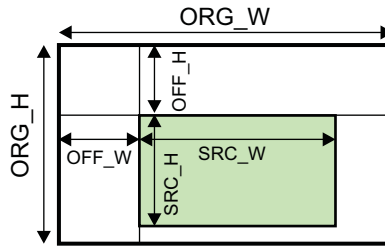
9.4.7.2.1 Trimmer

The trimmer can be programmed to re-define a new source image within the input video frame sent from an upstream module before it is sent to the scaling sub-modules. This feature enables small area zoom out, source pan/scan, or removal of unwanted area in the video (such as black box / curtains / noisy line-21 video) without modifying the VPDMA parameters.

Horizontal and vertical offset is set through [VIP_CFG_SC25\[26:16\] CFG_OFF_W](#) and [VIP_CFG_SC25\[10:0\] CFG_OFF_H](#) registers.

Width and height are set through [VIP_CFG_SC24\[26:16\] CFG_ORG_W](#) and [VIP_CFG_SC24\[10:0\] CFG_ORG_H](#) registers.

Figure 9-81. Input Image Trimming



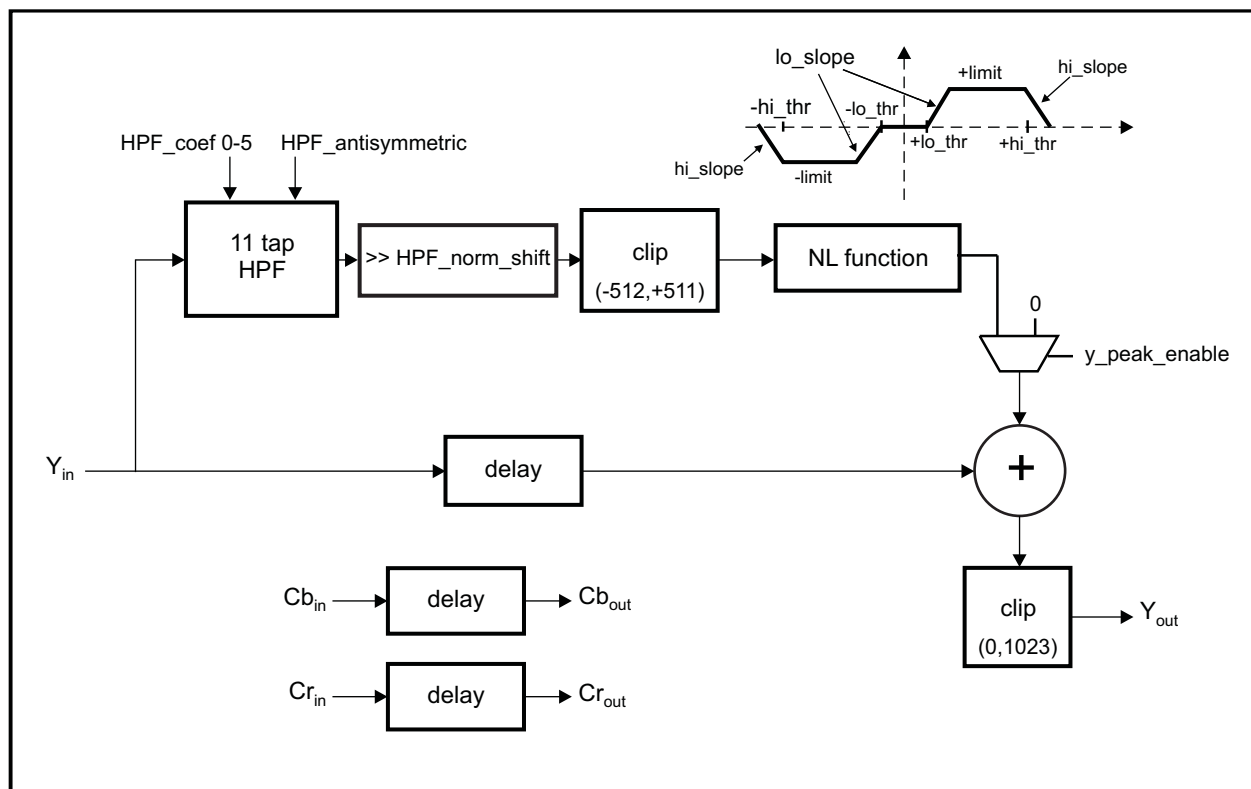
NOTE: Width and height of the source image are global parameters and are set with [VIP_CFG_SC5\[22:12\]](#) CFG_SRC_W and [VIP_CFG_SC5\[10:0\]](#) CFG_SRC_H registers.

It is required that the input image frame ($CFG_SRC_W \times CFG_SRC_H$) to be at least 32×32 (after trimming, if the trimming is enabled) to properly fill the input filter stage pipelines.

9.4.7.2.2 Peaking

The peaking block increases the amplitude of high frequency luminance information in horizontal direction to increase the sharpness of a video image before it is scaled. As shown in [Figure 9-82](#), the high-frequency luminance is increased using an 11-tap High-Pass filter with adjustable gain. The non-linear coring function removes low-level noise and the modified luminance is then added to the original luminance signal. The implementation details are shown in [Figure 9-82](#).

Figure 9-82. Filter Implementation and Parameter Description



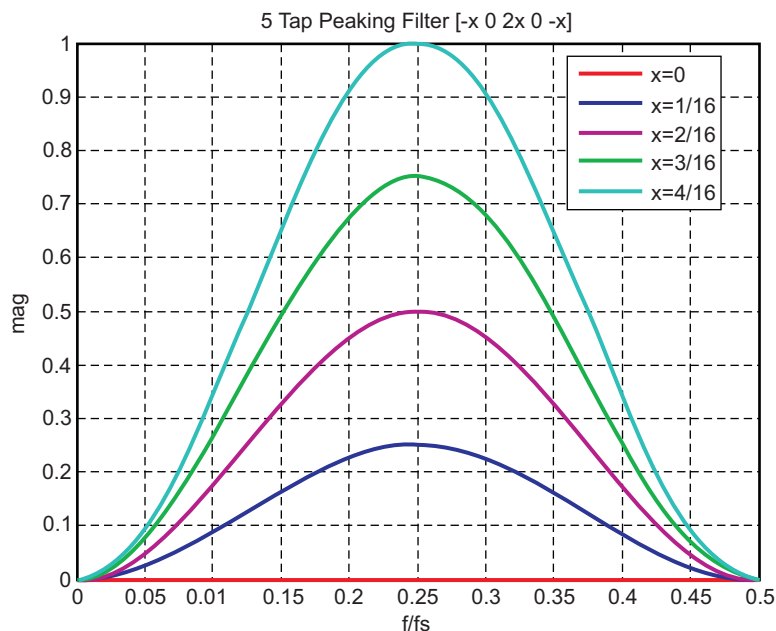
vip-057

Table 9-21. Parameter Description

Parameter	Description	Bits	Default
VIP_CFG_SC19[7:0] CFG_HPF_COEF0 to VIP_CFG_SC20[15:8] CFG_HPF_COEF5	FIR coefficients	8	[0 0 0-4 0 8]
VIP_CFG_SC20[18:16] CFG_HPF_NORM_SHIFT	Right shift	3	4
VIP_CFG_SC21[8:0] CFG_NL_LO_THR	Coring threshold	9	16
VIP_CFG_SC22[8:0] CFG_NL_HI_THR	High threshold	9	400
VIP_CFG_SC21[23:16] CFG_NL_LO_SLOPE	Lo slope = - CFG_NL_LO_SLOPE/16	8	16
VIP_CFG_SC22[18:16] CFG_NL_HI_SLOPE_SHIFT	Hi slope = $2^{(CFG_NL_HI_SLOPE_SHIFT-3)}$	3	4
VIP_CFG_SC20[28:20] CFG_NL_LIMIT	Clipping limit	9	200
VIP_CFG_SC0[14] CFG_Y_PK_EN	Control	1	0

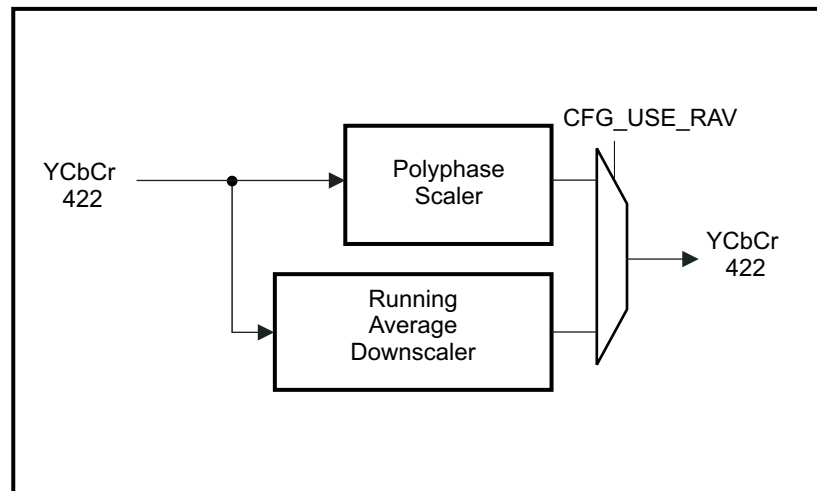
Parameters for the Peaking filters are defined in VIP_CFG_SC19 through VIP_CFG_SC22 registers. The frequency responses of the peaking-filter with different sets of coefficients are shown in Figure 9-83. If the source of the input video is NTSC or PAL format, the peaking filter can be configured to reject the color subcarrier frequency.

Figure 9-83. Peaking Filter at fs/4



9.4.7.2.3 Vertical Scaler

The vertical scaler has a polyphase (32-phase \times 5-tap) filter and a running average filter as shown in Figure 9-84. While the polyphase filter can be used for any up-scaling and preferably downscaling to 3/16 scale factor, the running average filter is used only for downscaling to a 1/2 or less size. Selection between these two scalers is based on the user setting of VIP_CFG_SC0[4] CFG_USE_RAV parameter (CFG_USE_RAV= '0' for poliphase filter, and CFG_USE_RAV= '1' for running average filter), according to the user preference of the tradeoff between sharpness preserving and introduced artifacts.

Figure 9-84. Vertical Scaler Block Diagram


9.4.7.2.3.1 Running Average Filter

When a poly-phase filter is used, usually it has to have many taps in order to achieve acceptable quality for very small downscaling ratio, which requires the use of many line buffers. In VIP, there is a weighted Running Average filter for downscaling when the scaling factor is small (for example, when the scaling ratio is less than 0.5). This highly optimized design requires only one line buffer for luma and one for chroma, which still achieving acceptable quality. The output of the running average filter is based on weighted average of pixels in the current and previous rows in vertical direction. Initializations of accumulators affect the weights.

9.4.7.2.3.2 Vertical Scaler Configuration Parameters

Table 9-22. Vertical Scaler Configuration Parameters

Parameter	Typical Value	Controls	Description
VIP_CFG_SC0[10] CFG_INTERLACE_I		Frame or Field	0 = progressive, 1 = interlace
VIP_CFG_SC0[0] CFG_INTERLACE_O			0 = progressive 1 = interlace
VIP_CFG_SC0[3] CFG_INV_T_FID			Invert field ID input
VIP_CFG_SC0[4] CFG_USE_RAV		Scaler Mode	0 = use polyphase scaler 1 = use running average scaler
VIP_CFG_SC1[26:0] CFG_ROW_ACC_INC		Bilinear & Polyphase Scalers	For progressive in/progressive out: $\text{round}(2^{16} \cdot (\text{srcH} - 1) / (\text{tarH} - 1))$ For progressive_in/interlace_out: $\text{round}(2^{16} \cdot 2 \cdot (\text{srcH} - 1) / (2 \cdot \text{tarH} - 1))$ For interlace_in/progressive_out: $\text{round}(2^{16} \cdot (2 \cdot \text{srcH} - 1) / (2 \cdot (\text{tarH} - 1)))$ For interlace_in/interlace_out: $\text{round}(2^{16} \cdot (2 \cdot \text{srcH} - 1) / (2 \cdot \text{tarH} - 1))$ For interlace in/out, srcH/tarH are number of field lines as specified in VIP_CFG_SC4/VIP_CFG_SC5 descriptions.
VIP_CFG_SC2[27:0] CFG_ROW_ACC_OFFSET	0		Initial row accumulator value for progressive frame and top field
VIP_CFG_SC3[27:0] CFG_ROW_ACC_OFFSET_B	0		Initial row accumulator value for bottom field
VIP_CFG_SC13[27:24] CFG_DELTA_CHROMA_THR	4	Bilinear Scaler	Range for chroma soft switch based on pixel differences (max limit = 8)

Table 9-22. Vertical Scaler Configuration Parameters (continued)

Parameter	Typical Value	Controls	Description
VIP_CFG_SC13[21:12] CFG_CHROMA_INTP_THR	64		Threshold used in chroma soft switch based on pixel differences
VIP_CFG_SC13[9:0] CFG_SC_FACTOR_RAV		Running Average Scaler	Scale factor = round(1024 × tarH/srcH)
VIP_CFG_SC6[9:0] CFG_ROW_ACC_INIT_RAV			Initial row accumulator value for progressive frame and top field
VIP_CFG_SC6[19:10] CFG_ROW_ACC_INIT_RAV_B			Initial row accumulator value for bottom field

NOTE: Bi-linear scaler is not present in this device

9.4.7.2.4 Horizontal Scaler

The Horizontal scaler is implemented using a 32-phase × 7-tap polyphase filter preceded by two sets of 1/2x decimators. The general configuration of the Horizontal scaler is performed as follows:

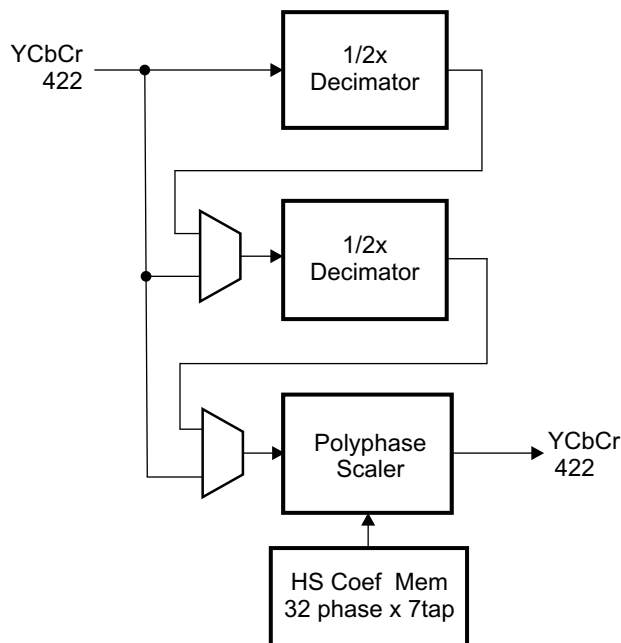
- For up scaling, the input video is interpolated using the polyphase scaler.
- For downscaling, it is recommended that input video is decimated by 2 until the modified scale factor falls between 1/2 and 1. Then, a polyphase filter is configured with coefficients selected based on the mod_scale_factor calculated as shown below from one of nine different sets of coefficients: (8,9,10,11,12,13,14,15,16)/16.

```

if (scale_factor >= 1/2) {
    mux=0; mod_scale_factor=scale_factor;
} else if (scale_factor >= 1/4) {
    mux=1; mod_scale_factor=2*scale_factor;
} else {
    mux=2; mod_scale_factor=4*scale_factor;
}

```

Figure 9-85. Horizontal Scaler Block Diagram



In auto mode ($\text{CFG_AUTO_HS} == 1$), scaler will operate as per above recommendation. In addition to this, for ($\text{CFG_AUTO_HS} == 1$), polyphase filtering will be bypassed when ($\text{scale_factor} == 1$) or ($\text{scale_factor} == \frac{1}{2}$) or ($\text{scale_factor} == \frac{1}{4}$). If $\text{CFG_AUTO_HS} == 0$ is used, user must provide proper values for dcm_2x , dcm_4x , proper values for all inputs to polyphase filter in the registers as well as appropriate coefficient sets. There is no constraint on polyphase filtering in terms of scaling ratio. However, there are constraints on input and output image width for scaler. Frame dimensions are limited from 64×64 to 2047×2047 .

9.4.7.2.4.1 Half Decimation Filter

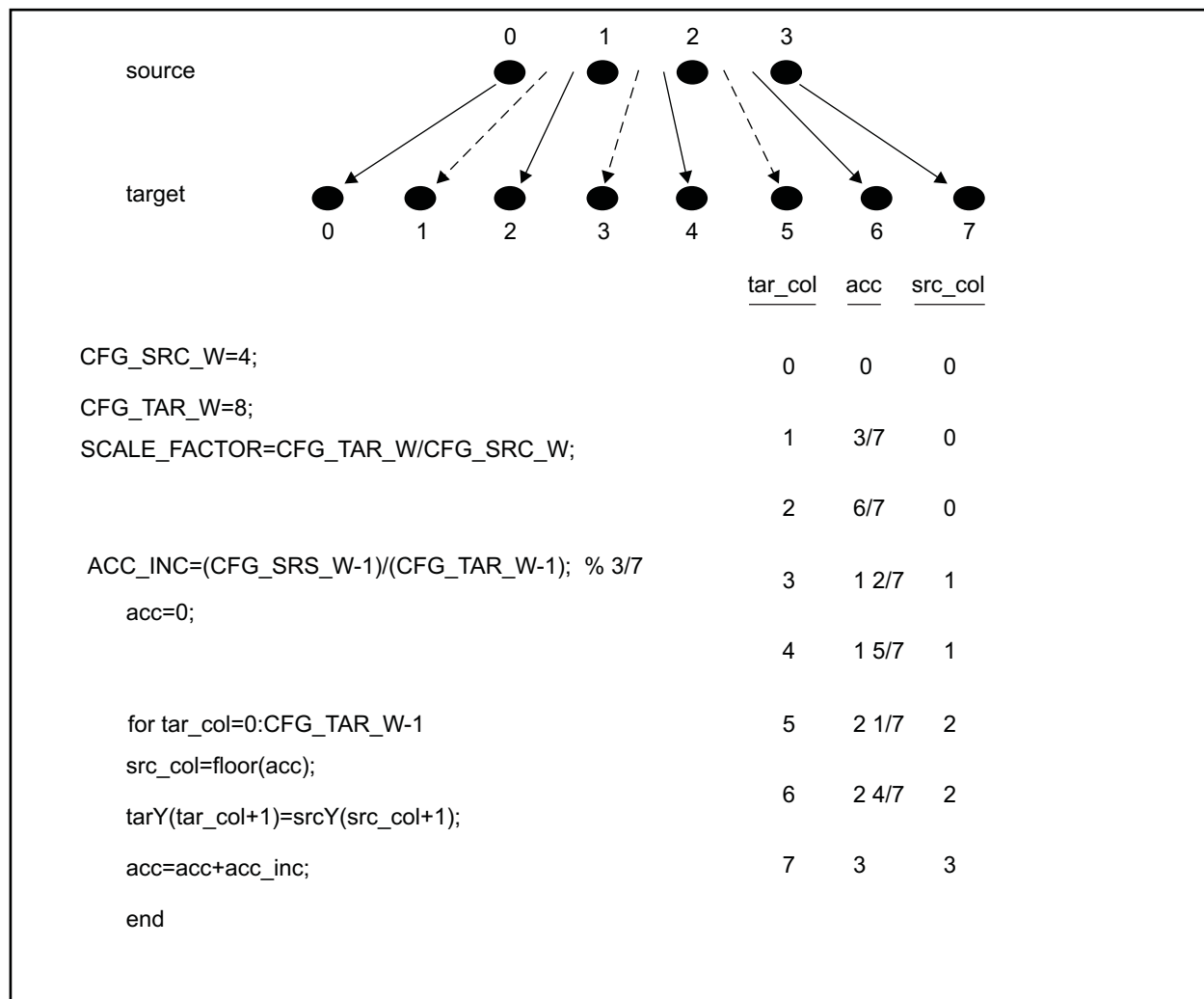
The half-decimation filter is an 11-tap filter with following coefficients: (14, 0, -29, 0, 79, 128, 79, 0, -29, 0, 14). For processing left and right edge pixels, the first and last data are repeated to pre-fill and extend the filter data pipeline respectively. These coefficients are hard-coded into scaler design and user cannot modify these.

9.4.7.2.4.2 Polyphase Filter

The horizontal scaling is done by stepping across the target row and interpolating target pixels based on source pixels. Accumulator points to the source pixel that corresponds to the target pixel.

Figure 9-86 shows an up-scaling example.

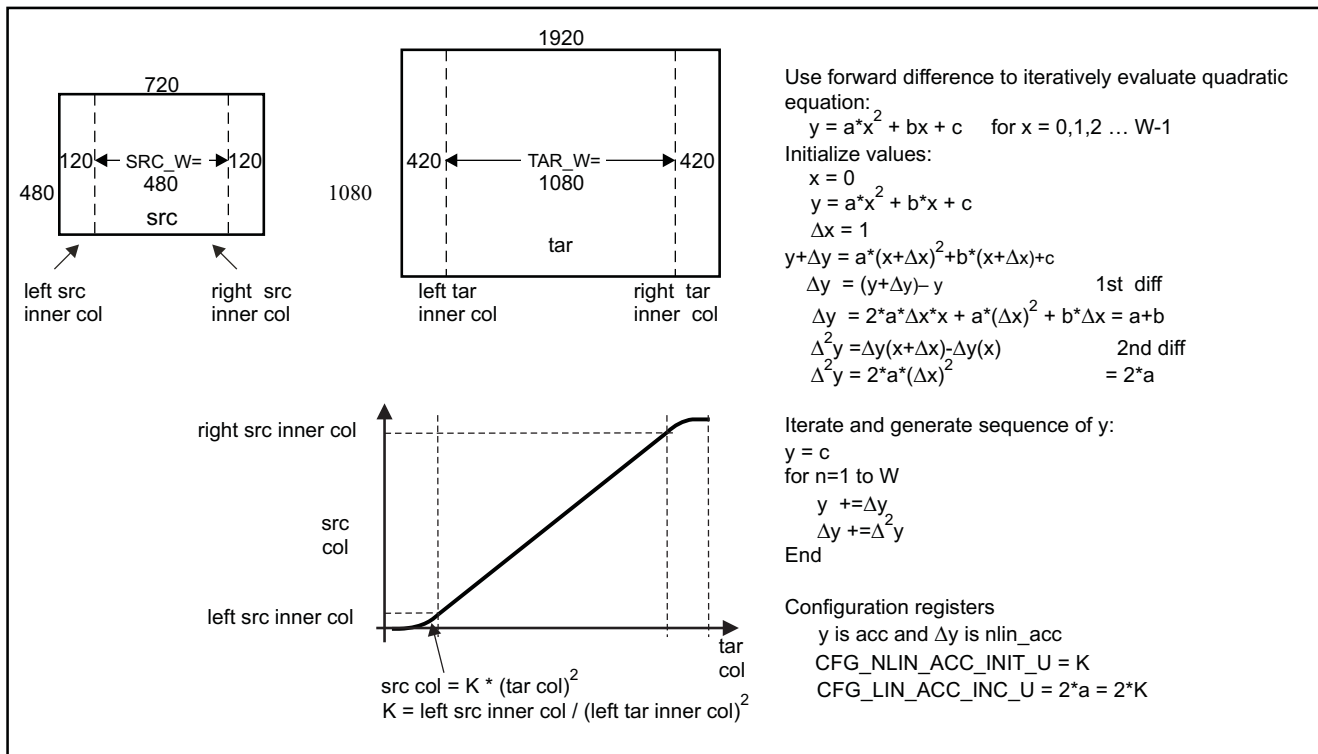
Figure 9-86. Polyphase Filtering Example



9.4.7.2.4.3 Nonlinear Horizontal Scaling

The horizontal scaler supports non-linear scaling to maintain the same aspect ratio for inner picture while stretching picture edges to fill the required resolution when capturing a 4 x 3 picture and fetching it as a 16 x 9 to memory. Non-linear scaling parameters are set with [VIP_CFG_SC4\[30:28\]](#) [CFG_NLIN_ACC_INIT_U](#) and [VIP_CFG_SC4\[26:24\]](#) [CFG_LIN_ACC_INC_U](#) registers. When setting up a non-linear scaling application, the inner picture is defined as the center square portion of the image with width and height equal to the height of the source image. Remaining side regions are then scaled non-linearly. [Figure 9-87](#) shows a non-linear scaling case.

Figure 9-87. Non-linear Scaling Example



9.4.7.2.4.4 Horizontal Scaler Configuration Registers
Table 9-23. Register Group 1

Parameter	Controls	Description			
VIP_CFG_SC4[10:0] CFG_TAR_H	Image Dimension	Source Width			
VIP_CFG_SC4[22:12] CFG_TAR_W		Target Width			
VIP_CFG_SC0[1] CFG_LINEAR	Scaler Mode	If (linear == 1) SRC_Wi = SRC_W and TAR_Wi = TAR_W Else SRC_W= SRC_H and TAR_W = TAR_H			
VIP_CFG_SC0[2] CFG_SC_BYPASS		0 = enable scaler, 1 = bypass scaler			
VIP_CFG_SC0[6] CFG_AUTO_HS		CFG_AUTO_HS	CFG_DCM_2X	CFG_DCM_4X	Definition
		0	0	0	Polyphase scaling
VIP_CFG_SC0[7] CFG_DCM_2X		0	0	1	Horizontal decimation by 4 and polyphase scaling
		0	1	0	Horizontal decimation by 2 and polyphase scaling
VIP_CFG_SC0[8] CFG_DCM_4X	1	-	-	Automatic (selection of decimation filter is automatic)	

Table 9-24. Register Group 2

Scale Factor	Decimation Usage	Control Register Bit
< 1/4	Decimation by 4	VIP_CFG_SC0[8] CFG_DCM_4X (set to 1 to enable decimation; disabled by default)
== 1/4	Decimation by 4	
1/4 < and < 1/2	Decimation by 2	VIP_CFG_SC0[7] CFG_DCM_2X (set to 1 to enable decimation; disabled by default)
== 1/2	Decimation by 2	
1/2 < and < 1	Bypassed	VIP_CFG_SC0[7] CFG_DCM_2X and CFG_DCM_4X (set to 0 to disable decimation; default value)
1	Bypassed	
> 1	Bypassed	

Table 9-25. Register Group 3

Parameter	Controls	Description
VIP_CFG_SC9[26:24] CFG_LIN_ACC_INC	Polyphase Scaler	if upscaling then $CFG_LIN_ACC_INC = \text{round}(2^{24} * (\text{srcWi}-1) / (\text{tarWi}-1))$ elseif downscaling $CFG_LIN_ACC_INC = \text{round}(2^{24} * (\text{srcWi}/n-1) / (\text{tarWi}-1))$ where $n=2$ or 4
VIP_CFG_SC8[10:0] CFG_NLIN_LEFT		if $\text{linear}==1$ $CFG_NLIN_LEFT = 0$ else $CFG_NLIN_LEFT = (\text{tarW} - \text{tarWi})/2$
VIP_CFG_SC8[22:12] CFG_NLIN_RIGHT		if $\text{linear}==1$ $CFG_NLIN_RIGHT = \text{tarW}-1$ else $CFG_NLIN_RIGHT = \text{Ltar} + \text{tarWi} - 1$
VIP_CFG_SC5[26:24] CFG_NLIN_ACC_INC_U		if $\text{tarW}/\text{srcW} \geq 1$ then $d = 0$ if $\text{Ltar} \neq 0$ $K = \text{round}[2^{24} * \text{Lsrc} / (\text{Ltar} * \text{Ltar})]$ where $\text{Lsrc} = (\text{srcW}-\text{srcWi})/2$ else $K = 0$ else $d = (\text{tarW}-1)/2$ if $\text{Ltar} \neq 0$ $K = \text{round}[2^{24} * \text{Lsrc} / (\text{Ltar} * (\text{Ltar}-2d))]$ where $\text{Lsrc} = (\text{srcW}-\text{srcWi}) / (2n)$ and $n=1,2$ or 4 else $K = 0$ $CFG_LIN_ACC_INC = 2 * K$ (negative for downscaling)
VIP_CFG_SC4[30:28] CFG_NLIN_ACC_INIT_U		$CFG_LIN_ACC_INC = K * (1-2*d)$

NOTE: Source width and height variables for the polyphase filter are internally set with trimmer and decimation filter adjusted values.

9.4.7.2.5 Basic Configurations

Table 9-26 shows how the scaler should be configured based on the scale factor and the input/output mode.

Table 9-26. Scaler Configuration

Interlace		Mode ⁽¹⁾	VIP_CFG_SC5[10:0] CFG_SRC_H mod_srcH	VIP_CFG_SC4[10:0] CFG_TAR_H mod_tarH	Scale Factor
In	Out				
0	0	p->p	CFG_SRC_H	CFG_TAR_H	CFG_TAR_H/CFG_SRC_H
0	1	p->i	CFG_SRC_H	CFG_TAR_H/2	CFG_TAR_H/CFG_SRC_H
1	0	i->p	CFG_SRC_H/2	CFG_TAR_H	CFG_TAR_H/(CFG_SRC_H/2)
1	1	i->i	CFG_SRC_H/2	CFG_TAR_H/2	(CFG_TAR_H/2)/(CFG_SRC_H/2)

⁽¹⁾ p = progressive; i = interlaced

Table 9-27 shows how the vertical scaler should be configured based on the scale factor and the input/output mode.

Table 9-27. Vertical Scaler Configuration

Interlace		Mode ⁽¹⁾	VIP_CFG_SC9[26:24] CFG_ROW_ACC_INC/ 216	VIP_CFG_SC6[9:0] CFG_ROW_ACC_INIT_RAV/216	VIP_CFG_SC6[19:10] CFG_ROW_ACC_INIT_RAV_B/216
In	Out		Top	Bot	
0	0	p->p	$(\text{CFG_SRC_H}-1) / (\text{CFG_TAR_H}-1)$	0	0
0	1	p->i	$2 * (\text{CFG_SRC_H}-1) / (\text{CFG_TAR_H}-1)$	0	$(\text{CFG_SRC_H}-1) / (\text{CFG_TAR_H}-1)$
1	0	i->p	$1/2 * (\text{CFG_SRC_H}-1) / (\text{CFG_TAR_H}-1)$	0	-0.5

⁽¹⁾ p = progressive; i = interlaced

Table 9-27. Vertical Scaler Configuration (continued)

1	1	i->i	$(\text{CFG_SRC_H}-1)/(\text{CFG_TAR_H}-1)$	0	$[(\text{CFG_SRC_H}-1)/(\text{CFG_TAR_H}-1)-1]/2$
---	---	------	---	---	---

9.4.7.2.6 Coefficient Memory

9.4.7.2.6.1 Overview

The scaler requires initialization of eight coefficient SRAMs prior to processing a video frame. These coefficients are stored in the external DDR memories and downloaded by the VPDMA. The VPDMA writes the coefficient data through the VPI Control Interface bus.

The eight coefficient SRAMs are:

- HS horizontal polyphase scaler, Luma and Chroma (7tap)
- VS vertical polyphase scaler, Luma and Chroma (5tap or 3tap)

9.4.7.2.6.2 Physical Coefficient SRAM Layout

Each of the six legacy coefficient SRAMs is 32 phases × 91 bits. A single coefficient value is 13 bits. Therefore, one word of the SRAM contains 7 coefficient values as shown in [Figure 9-88](#), and 224 coefficient values are stored in each SRAM.

Figure 9-88. SRAM Layout for 7tap Coefficient

Phase 0	C6	C5	C4	C3	C2	C1	C0
Phase 31	C223	C222	C221	C220	C219	C218	C217

The two vertical polyphase SRAMs are 32 phases × 65 bits. A single coefficient is 13 bits. Therefore, one word of SRAM contains 5 coefficient values as shown in [Figure 9-89](#).

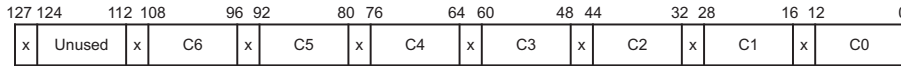
Figure 9-89. SRAM Layout for 5tap Coefficient

Phase 0	C4	C3	C2	C1	C0
Phase 31	C221	C220	C219	C218	C217

9.4.7.2.6.3 Scaler Coefficients Packing on 128-bit VPI Control I/F

A coefficient value is 13 bits wide and takes a single half word. Thus, one VPI Control write carries one phase’s worth of coefficients. The last half-word in a quad-word is not used for 7tap coefficients.

Figure 9-90. VPI Control I/F Coef Data Format (7tap)



The Vertical Polyphase scaler coefficients have only five or three values per phase, so the last three (or five) entries are unused. The Vertical Polyphase coefficient packing is shown in [Figure 9-91](#) and [Figure 9-92](#).

Figure 9-91. VPI Control I/F Coef Data Format (5tap)

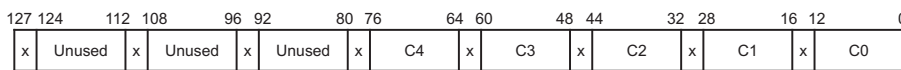
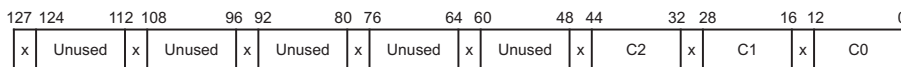


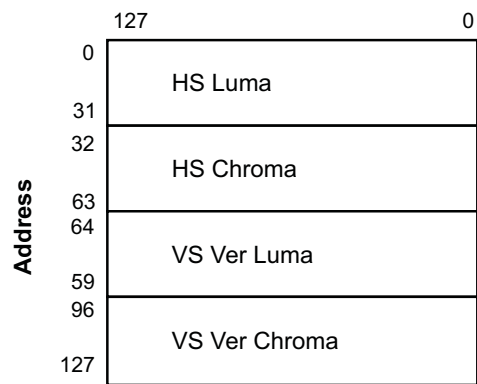
Figure 9-92. VPI Control I/F Coef Data Format (3tap)



9.4.7.2.6.4 VPI Control I/F Memory Map for Scaler Coefficients

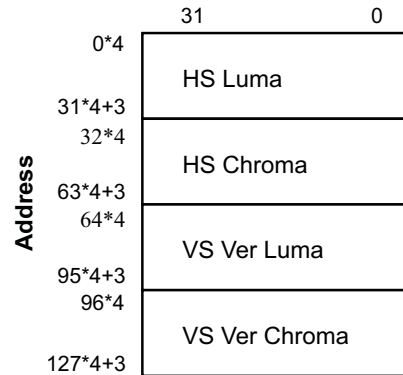
The memory map of the VPI Control I/F for the Scaler coefficients is shown in [Figure 9-93](#). All coefficients can be filled up by a single VPI Control write command. The update address feature of VPI Control I/F enables individual access to a certain location of memories.

Figure 9-93. VPI Control I/F Memory Map (Write)



vip-070

The module supports the VPI Control Read to read back the contents in the coefficient memories for debug purpose. [Figure 9-94](#) shows the memory map of the VPI Control Read. As the VPI Control Read has only 32 bit data bus, it requires the word addressing while the write does the quad-word addressing.

Figure 9-94. VPI Control I/F Memory Map (Read)


sc_m

vip-071

9.4.7.2.6.5 VPI Control Interface

VPDMA is used to configure the coefficient memories of scaler through VPI control interface. Since the coefficient memories are not shadowed (unlike the memory mapped registers), VPI control write access needs to be done only during the gap between video frame processing times. If a write request is made while the Scaler is active, the access will be held off by the hardware until the last data of the currently processed frame is sent out. Care must be given to the order of the DMA descriptors so that blocking of VPI control bus does not occur.

9.4.7.2.6.6 Coefficient Table Selection Guide

The scaler filter coefficient tables are pre-generated using a MATLAB® program for various scaling factor ranges. [Table 9-28](#) provides a general selection guide table for coefficient data files.

The mentioned .dat files are available in [Section 9.4.7.4](#).

Table 9-28. Coefficient Data Files

Scaler	Scale Factor	Coeff table
HS Polyphase Filter	All upscaling	Section 9.4.7.4.1.1, ppfcoef_scael_eq_1_32_phases_flip.dat
	½ or ¼ down scaling	Section 9.4.7.4.1.1, ppfcoef_scale_eq_1_32_phases_flip.dat
	> 15/16	Section 9.4.7.4.1.9, ppfcoef_scale_eq_15div16_32_phases_flip.dat
	> 14/16	Section 9.4.7.4.1.8, ppfcoef_scale_eq_14div16_32_phases_flip.dat
	> 13/16	Section 9.4.7.4.1.7, ppfcoef_scale_eq_13div16_32_phases_flip.dat
	> 12/16	Section 9.4.7.4.1.6, ppfcoef_scale_eq_12div16_32_phases_flip.dat
	> 11/16	Section 9.4.7.4.1.5, ppfcoef_scale_eq_11div16_32_phases_flip.dat
	> 10/16	Section 9.4.7.4.1.4, ppfcoef_scale_eq_10div16_32_phases_flip.dat
	> 9/16	Section 9.4.7.4.1.3, ppfcoef_scale_eq_9div16_32_phases_flip.dat
> 8/16	Section 9.4.7.4.1.2, ppfcoef_scale_eq_8div16_32_phases_flip.dat⁽¹⁾	

⁽¹⁾ HS Scaler has two sets of ½ decimator to perform downscaling ratios below ½ and ¼.

Table 9-28. Coefficient Data Files (continued)

Scaler	Scale Factor	Coeff table
VS Polyphase Filter	Upscaling	Section 9.4.7.4.2.1 , <i>ppfcoef_scale_eq_1_32_phases_ver_5tap_flip.dat</i>
	> 15/16	Section 9.4.7.4.2.6.8 , <i>ppfcoef_scale_eq_15div16_32_phases_ver_5tap_flip.dat</i>
	> 14/16	Section 9.4.7.4.2.6.7 , <i>ppfcoef_scale_eq_14div16_32_phases_ver_5tap_flip.dat</i>
	> 13/16	Section 9.4.7.4.2.6.6 , <i>ppfcoef_scale_eq_13div16_32_phases_ver_5tap_flip.dat</i>
	> 12/16	Section 9.4.7.4.2.6.5 , <i>ppfcoef_scale_eq_12div16_32_phases_ver_5tap_flip.dat</i>
	> 11/16	Section 9.4.7.4.2.6.4 , <i>ppfcoef_scale_eq_11div16_32_phases_ver_5tap_flip.dat</i>
	> 10/16	Section 9.4.7.4.2.6.3 , <i>ppfcoef_scale_eq_10div16_32_phases_ver_5tap_flip.dat</i>
	> 9/16	Section 9.4.7.4.2.6.2 , <i>ppfcoef_scale_eq_9div16_32_phases_ver_5tap_flip.dat</i>
	> 8/16	Section 9.4.7.4.2.6.1 , <i>ppfcoef_scale_eq_8div16_32_phases_ver_5tap_flip.dat</i>
	else	For down-scaling <8/16, RAV filter is recommended. In this case, coefficients for vertical scaling need to be loaded.

9.4.7.3 SC Code

9.4.7.3.1 Generate Coefficient Memory Image

The following Perl script is used to generate a coefficient memory image for a given set of scaling factors.

```
#!/usr/local/bin/perl

$dir="coef/";           # directory which contains the coef files
$cfg_file="sc_config1.cfg"; # configuration file name
$spl_file="sc_config_supl.cfg"; # supplemental configuration file name
$cfg_file=$ARGV[0];     # configuration file name
$spl_file=$ARGV[1];     # supplemental configuration file name
$dir=$ARGV[2];         # directory which contains the coef files

$coef_width=13; # coef bit width
$coef_ntap=7;   # coef tap
$coef_nphase=32; # coef phase
$coef_norm=11;  # coef norm

#-----
# read config file to get srcH/tarH/interlace_i/interlace_o
#-----
open(INFILE, "<$cfg_file") or die "### ERROR: Cannot open $cfg_file";
while(<INFILE>){
    if (m/([0-9]+) +\\\/ +srcW/) {
        $srcW = $1;
    } elsif (m/([0-9]+) +\\\/ +srcH/) {
        $srcH = $1;
    } elsif (m/([0-9]+) +\\\/ +tarW/) {
        $tarW = $1;
    } elsif (m/([0-9]+) +\\\/ +tarH/) {
        $tarH = $1;
    } elsif (m/([0-9]+) +\\\/ +interlace_in/) {
        $interlace_i = $1;
    } elsif (m/([0-9]+) +\\\/ +interlace_out/) {
        $interlace_o = $1;
    }
}
```

```

}
close(INFILE);

#-----
# read supplemental config file to get srcWi/tarWi from
#-----
open(INFILE,"<$spl_file") or die "### ERROR: Cannot open $spl_file";
while(<INFILE>){
    if (m/([0-9]+) +\\\/ +srcWi/) {
        $srcWi = $1;
    } elsif (m/([0-9]+) +\\\/ +tarWi/) {
        $tarWi = $1;
    } elsif (m/([0-9]+) +\\\/ +profile/) {
        $profile = $1; # 0:HIGH,1:MEDIUM,2:LOW
    }
}
close(INFILE);
#-----
# determine coef file based on the width/height
#-----
#VS
#$vsc_file0 = "mod_ppfcoef_scale_eq_1_32_phases_flip.dat";
$vsc_file0 = "ppfcoef_scale_eq_1_32_phases_flip_PPF3_peak5_gain_eq_1_25.dat";
#VS VER
$mod_tarH = ($interlace_i == 0 && $interlace_o == 1)   $tarH<<1 : $tarH; if ($profile==2) {
    # LOW profile
    if ($mod_tarH >= $srcH) {
        $vsc_ver_file0 = "ppfcoef_scale_eq_1_32_phases_ver_3tap_flip.dat";
    } else {
        if ($mod_tarH >=($srcH>>1)) {
            $n = int(16.0*$mod_tarH/$srcH);
            $vsc_ver_file0 = sprintf("ppfcoef_scale_eq_%ddiv16_32_phases_ver_3tap_flip.dat",$n);
        } else {
            $n = 0;
            $vsc_ver_file0 = "ppfcoef_scale_eq_1_32_phases_ver_3tap_flip.dat";
        }
    }
} else {
    if ($mod_tarH >= $srcH) {
        $vsc_ver_file0 = "ppfcoef_scale_eq_1_32_phases_ver_5tap_flip.dat";
    } else {
        $n = int(16.0*$mod_tarH/$srcH);
        $vsc_ver_file0 = sprintf("ppfcoef_scale_eq_%ddiv16_32_phases_ver_5tap_flip.dat",$n);
    }
}

# HS
if ($tarWi >= $srcWi) {
    $hsc_file0 = "ppfcoef_scale_eq_1_32_phases_flip.dat";
} elsif ( ($tarWi == ($srcWi>>1)) || ($tarWi == ($srcWi>>2)) ) {
    $hsc_file0 = "ppfcoef_scale_eq_1_32_phases_flip.dat";
} else {
    if ($tarWi > ($srcWi>>1)) {
        $n = int(16.0*$tarWi/$srcWi);
    } elsif ($tarWi > ($srcWi>>2)) {
        $n = int(16.0*$tarWi/($srcWi>>1));
    } elsif ($tarWi >=($srcWi>>3)) {
        $n = int(16.0*$tarWi/($srcWi>>2));
    } else {
        $n = 0;
    }
    $hsc_file0 = sprintf("ppfcoef_scale_eq_%ddiv16_32_phases_flip.dat",$n);
}
#-----
# write out the coef hex file
#-----

```

```

&write_coef($hsc_file0);
&write_coef($hsc_file0);
&write_coef($vsc_ver_file0);
&write_coef($vsc_ver_file0);
&write_coef($vsc_file0);
&write_coef($vsc_file0);
sub write_coef {

    my ($filename) = @_ ;

    open(INFILE, "<$dir/$filename") or die "### ERROR: Cannot open $dir/$filename";

    $line=<INFILE>;
    @val=split(' ', $line);
    $ntap=$val[0];
    $nphase=$val[1];
    $norm=$val[2];
    for ($p=0;$p<$nphase;$p++) {
        $line=<INFILE>;@val=split(' ', $line);
        for($i=0;$i<$ntap;$i++) {
            if ($val[$i]<0) {
                $val[$i]+=(1<<$coef_width);
            }
        }
        undef(@coef);
        unshift(@coef, sprintf("%04x", $val[0]));
        unshift(@coef, sprintf("%04x", $val[1]));
        unshift(@coef, sprintf("%04x", $val[2]));
        unshift(@coef, sprintf("%04x", $val[3]));
        unshift(@coef, sprintf("%04x", $val[4]));
        unshift(@coef, sprintf("%04x", $val[5]));
        unshift(@coef, sprintf("%04x", $val[6]));
        unshift(@coef, sprintf("%04x", 0));
        $coef=join(" ", @coef);
        print "$coef\n";
    }

    close(INFILE);
}

```

9.4.7.3.2 Scaler Configuration Calculation

The following C-code shows how configuration parameters are calculated:

```

// =====
// Required Input Parameter
// =====
// srcW, srcH, tarW, tarH, srcWi, tarWi
// input/output scan modes
// Note: srcH and tarH refer to number of lines in the frame even for interlace in/out
// scaling. Based on scaling scan mode input/output scan mode option,
// heights are adjusted during internal calculations see mod_srcH and mod_tarH.

pixel_scale_factor=4; // 10 bit pixel
hor_pixel_offset =0.0

// =====
// Peaking Filter Configuration
// =====
// -----
// HPF Coef
// -----
y_peak_enable = 0;

peak_select=0; // 0=peak at fs/4 1=NTSC 2=PAL

```

```

switch(peak_select) {
case 0: { // peak at fs/4 and gain = 1
    HPF_coef0      = 0;
    HPF_coef1      = 0;
    HPF_coef2      = 0;
    HPF_coef3      = -4;
    HPF_coef4      = 0;
    HPF_coef5      = 8; // mid tap
    HPF_norm_shift = 4;
    break;
}
case 1: { // NTSC: peak at 0.133*fs and gain=1
    HPF_coef0      = -2;
    HPF_coef1      = -8;
    HPF_coef2      = -8;
    HPF_coef3      = -2;
    HPF_coef4      = 12;
    HPF_coef5      = 16; // mid tap
    HPF_norm_shift = 6;
    break;
}
case 2: { // PAL: peak at 0.163*fs and gain=1
    HPF_coef0      = 2;
    HPF_coef1      = -4;
    HPF_coef2      = -11;
    HPF_coef3      = -7;
    HPF_coef4      = 9;
    HPF_coef5      = 22; // mid tap
    HPF_norm_shift = 6;
    break;
}
}

// -----
// NonLinear Coring Function typical values
// -----
NL_coring_thr      = 16;
NL_limit           = 200;
NL_lo_slope        = 16;
NL_hi_thr          = 400;
NL_hi_slope_shift  = 4;

// =====
// Edge Detection Configuration
// =====
// edge detection
confidence_default = 0; // 0 =use 5 tap polyphase filter for SC with ev_enable =0

min_Gy_thr         = 64; // 64
min_Gy_thr_range   = 3; // 3 power of 2
gradient_thr       = 200; // 200
gradient_thr_range = 6; // 6 power of 2

ev_thr = int(4.0*3.111+0.5); // edge vector soft switch threshold (3.2)

// =====
// vertical scaler configuration
// =====
// -----
// vertical scaler typical parameters
// -----
invert_field_ID    = 0; // invert field ID input
delta_ev_thr       = 1; // edge vector soft switch range

```

```

    ver_pixel_offset      = 0.0;
    uv_intp_thr          = pixel_scale_factor*16;
    delta_y_thr          = 4; // luma soft switch range
    delta_uv_thr         = 4; // chroma soft switch range
    //
    //
    // -----
    // Vertical Scaler Mode Determination
    // -----
    //
    // interlace
    // in  out  mode mod_srcH mod_tarH      scale
    // -----
    // 0   0   p->p  srcH      tarH        tarH/srcH
    // 0   1   p->i  srcH      tarH>>1     tarH/srcH
    // 1   0   i->p  srcH>>1   tarH        tarH/(srcH/2)
    // 1   1   i->i  srcH>>1   tarH>>1     (tarH/2)/(srcH/2)

    if (interlace_in) mod_srcH=srcH>>1; // interlace
    else              mod_srcH=srcH;   // progressive
    if (interlace_out) mod_tarH=tarH>>1; // interlace
    else              mod_tarH=tarH;   // progressive

    // determine vertical scaler
    if ((interlace_in==0)&&(interlace_out==1)) {
        if (tarH>((1+srcH)>>1)) use_rav = 0; // 1=use RAV scaler 0=use polyphase scaler
        else                  use_rav = 1;
    } else {
        if (mod_tarH>((1+mod_srcH)>>1)) use_rav = 0; // 1=use RAV scaler 0=use polyphase scaler
        else                          use_rav = 1;
    }
}

// -----
// RAV or Polyphase parameters
// -----
if (use_rav) { // downscale
    // -----
    // --- RAV ---
    // -----
    if (use_internal_defaults) enable_edge_detection = 0;

    if ((interlace_in==0)&&(interlace_out==1)) scale = double(tarH)/double(srcH);
    else                                     scale = double(mod_tarH)/double(mod_srcH);
    sc_factor_rav = int(1024.0*scale+0.5);
// Peter's method
    delta      = (1.0/scale-1.0)/2.0;
    int_part   = floor(delta);
    frac_part  = delta-int_part;

    row_acc_init_rav = int(1024*(scale+(1.0-
scale)/2.0)+0.5); // top field
    row_acc_init_b_rav = int(1024*(scale+(1.0-2.0*frac_part)*(1.0-
(1.0+2.0*int_part)*scale)/2.0)+0.5); // bottom field

    row_acc_inc      = 0; // polyphase scaler
    row_acc_offset   = 0; // polyphase scaler
    row_acc_offset_b = 0; // polyphase scaler

} else { // upscale using polyphase scaler
    // -----
    // --- PPF ---
    // -----
    if (use_internal_defaults) enable_edge_detection = 1;

```

```

sc_factor_rav      = 0;
delta_rav         = 0;
row_acc_init_rav  = 0;
row_acc_init_b_rav = 0;

// upscaler
// interlace
//   in  out mode      row acc inc      top      bottom
// -----
// 0  0  p->p      (srcH-1)/(tarH-1)  0          0
// 0  1  p->i      2*(srcH-1)/(tarH-1)  0      (srcH-1)/(tarH-1)
// 1  0  i->p      1/2*(srcH-1)/(tarH-1)  0          -0.5
// 1  1  i->i      (srcH-1)/(tarH-1)  0      [(srcH-1)/(tarH-1)-1]/2

row_acc_offset = int(65536.0*ver_pixel_offset +0.5); // progressive or top field
if (interlace_in) {
if (interlace_out) {
    row_acc_inc      = int(65536.0*double(srcH-1)/double(tarH-1)+0.5);
    row_acc_offset_b = (int(65536.0/2.0*(double(srcH-1)/(double(tarH-1))-
        1.0)+0.5))+row_acc_offset;
} else { // progressive out
    row_acc_inc      = int(65536.0*double(srcH-1)/(2.0*double(tarH-1))+0.5);
    if ((-0.5+row_acc_offset)<0.0) round_factor=-0.5;
    else round_factor= 0.5;
    row_acc_offset_b = int(65536.0*(-0.5)+round_factor)+row_acc_offset;
}
} else { // progressive in
    if (interlace_out) {
        row_acc_inc      = int(65536.0*2.0*double(srcH-1)/double(tarH-1)+0.5);
        row_acc_offset_b = int(65536.0*double(srcH-1)/double(tarH-1)+0.5)+row_acc_offset;
    } else { // progressive out
        row_acc_inc      = int(65536.0*double(srcH-1)/double(tarH-1)+0.5);
        row_acc_offset_b = row_acc_offset;
    }
}
}
}

// =====
// Horizontal Scaler configuration
// =====
// -----
// horizontal scaler mode determination
// -----
auto_hs          = 1;
dcm_2x          = 0;
dcm_4x          = 0;
hp_bypass       = 0;
if (srcWi==srcW) linear = 1;
else            linear = 0;

// hor scaler parameters
if (tarW>srcW) { // upscale
    mod_srcW = srcW;
    mod_srcWi = srcWi;
} else if (tarW<=(srcW>>2)) { // downscale by <=1/4
    mod_srcW = srcW>>2;
    mod_srcWi = srcWi>>2;
} else if (tarW<=(srcW>>1)) { // downscale by <=1/2
    mod_srcW = srcW>>1;
    mod_srcWi = srcWi>>1;
} else { // downscale by <=1
    mod_srcW = srcW;
    mod_srcWi = srcWi;
}

// Not used any more:
// hs_factor      = int(16.0*double(tarWi)/double(mod_srcWi)+0.5); // hor scale factor (6.4)

```



```

// -----
// Horizontal PolyPhase Settings --
// -----
lin_acc_inc      = int(16777216.0*double(mod_srcWi-1)/double(tarWi-1)+0.5);
col_acc_offset   = int(16777216.0*hor_pixel_offset +0.5);
nlin_left        = (tarW-tarWi)>>1;
nlin_right       = nlin_left+tarWi-1;
if (linear) {
    nlin_acc_inc  = 0;
    nlin_acc_init = 0;
} else {
    // -----
    // Non-linear scaling configuration
    // -----
    nlin_left_src = (mod_srcW-mod_srcWi)>>1;

    if (tarWi>=srcWi) { // upscale
        d      = 0.0;
        round_factor = 0.5;
    } else { // downscale
        d      = (double(tarW)-1.0)/2.0;
        round_factor = -0.5;
    }

    K      = 16777216.0*double(nlin_left_src)/(double(nlin_left)*double(nlin_left-
2.0*d));
    nlin_acc_inc = int(2.0*K+round_factor);
    nlin_acc_init = int(K*(1.0-2.0*d)+0.5);
}
nlin_left_tar  = nlin_left;
nlin_right_tar = nlin_right;

// =====
// Bypass Determination
// =====
// bypass
if ((srcW==tarW)&&(srcWi==tarWi)&&(mod_srcH==mod_tarH)) sc_bypass = 1;
else sc_bypass = 0;
//
}

```

9.4.7.3.3 Typical Configuration Values

The following is the list of all scaler register fields that are set to constant values, representing typical settings:

- VIP_CFG_SC0[3] CFG_INV_T_FID = 0 (Field ID will be used without inversion)
- VIP_CFG_SC0[5] CFG_ENABLE_EV = 1 (Field ID will be used without inversion)
- VIP_CFG_SC0[6] CFG_AUTO_HS = 1 (The hardware will automatically decide, if current operation is up or down scaling. In down-scaling, it will also decide, if 2X or 4X decimation filter is needed)
- VIP_CFG_SC0[7] CFG_DCM_2X = 0 (The 2X decimation filter is disabled)
- VIP_CFG_SC0[8] CFG_DCM_4X = 0 (The 4X decimation filter is disabled)
- VIP_CFG_SC0[11] CFG_ENABLE_SIN2_VER_INTP = 1 (Modified bilinear interpolation is used)
- VIP_CFG_SC0[14] CFG_Y_PK_EN = 0 (Luma peaking is disabled)
- VIP_CFG_SC0[15] CFG_TRIM = 1 (Trimming is enabled)
- VIP_CFG_SC12[24:0] CFG_COL_ACC_OFFSET = 0 (No horizontal offset is involved)
- VIP_CFG_SC13[21:12] CFG_CHROMA_INTP_THR = 64 (If the difference is less than this threshold, the interpolation of chroma should be done along edge direction. Otherwise, the interpolation of chroma should be done vertically)
- VIP_CFG_SC13[27:24] CFG_DELTA_CHROMA_THR = 4 (max limit=8)

VIP_CFG_SC18[24:16] CFG_CONF_DEFAULT = 0x100 (Defines confidence factor when edge detection is disabled (VIP_CFG_SC0[5] CFG_ENABLE_EV bit = 0))

VIP_CFG_SC19 = 0xFC000000

VIP_CFG_SC20 = 0x0C840800

VIP_CFG_SC21 = 0x00100010

VIP_CFG_SC22 = 0x00040190

9.4.7.4 SC Coefficient Data Files

9.4.7.4.1 HS Polyphase Filter Coefficients

9.4.7.4.1.1 ppfcoef_scale_eq_1_32_phases_flip.dat

```

7 32 11
31 -112 210 1790 210 -112 31
28 -98 159 1787 264 -126 34
25 -84 111 1779 320 -140 37
22 -71 65 1767 379 -154 40
19 -58 23 1750 439 -168 43
16 -45 -17 1728 502 -181 45
14 -33 -53 1701 565 -193 47
11 -22 -86 1670 631 -205 49
9 -11 -116 1635 696 -216 51
7 -1 -142 1594 763 -225 52
5 8 -166 1551 830 -233 53
3 16 -186 1504 898 -240 53
2 23 -204 1455 965 -245 52
1 30 -218 1401 1031 -248 51
0 35 -230 1345 1097 -249 50
-1 40 -238 1286 1162 -248 47
44 -244 1224 1224 -244 44 0
47 -248 1162 1286 -238 40 -1
50 -249 1097 1345 -230 35 0
51 -248 1031 1401 -218 30 1
52 -245 965 1455 -204 23 2
53 -240 898 1504 -186 16 3
53 -233 830 1551 -166 8 5
52 -225 763 1594 -142 -1 7
51 -216 696 1635 -116 -11 9
49 -205 631 1670 -86 -22 11
47 -193 565 1701 -53 -33 14
45 -181 502 1728 -17 -45 16
43 -168 439 1750 23 -58 19
40 -154 379 1767 65 -71 22
37 -140 320 1779 111 -84 25
34 -126 264 1787 159 -98 28

```

9.4.7.4.1.2 ppfcoef_scale_eq_8div16_32_phases_flip.dat

```

7 32 11
-28 61 542 898 542 61 -28
-27 52 523 899 560 70 -29
-26 44 505 898 578 79 -30
-25 37 487 895 595 89 -30
-24 30 468 892 613 100 -31
-22 23 450 887 630 111 -31
-21 17 432 883 647 122 -32
-20 11 414 877 664 134 -32
-19 6 396 871 680 146 -32
-18 1 378 864 695 159 -31
-16 -4 360 856 711 172 -31
-15 -8 343 847 726 185 -30
-14 -12 325 838 740 200 -29

```

-13	-15	308	828	754	214	-28
-12	-18	292	816	768	229	-27
-10	-21	275	805	780	244	-25
-23	258	789	789	258	-23	0
-25	244	780	805	275	-21	-10
-27	229	768	816	292	-18	-12
-28	214	754	828	308	-15	-13
-29	200	740	838	325	-12	-14
-30	185	726	847	343	-8	-15
-31	172	711	856	360	-4	-16
-31	159	695	864	378	1	-18
-32	146	680	871	396	6	-19
-32	134	664	877	414	11	-20
-32	122	647	883	432	17	-21
-31	111	630	887	450	23	-22
-31	100	613	892	468	30	-24
-30	89	595	895	487	37	-25
-30	79	578	898	505	44	-26
-29	70	560	899	523	52	-27

9.4.7.4.1.3 *ppfcoef_scale_eq_9div16_32_phases_flip.dat*

7	32	11				
-33	8	547	1004	547	8	-33
-31	0	525	1003	570	16	-35
-29	-7	503	1001	592	25	-37
-27	-13	481	998	614	34	-39
-26	-19	459	995	636	44	-41
-24	-25	437	990	658	55	-43
-22	-29	414	983	679	67	-44
-20	-34	393	976	700	79	-46
-18	-38	371	968	721	91	-47
-17	-41	350	959	742	104	-49
-15	-44	330	948	761	118	-50
-13	-46	309	936	780	133	-51
-12	-48	289	924	799	148	-52
-11	-50	270	911	817	163	-52
-9	-51	250	897	833	180	-52
-8	-52	232	882	850	196	-52
-52	213	863	863	213	-52	0
-52	196	850	882	232	-52	-8
-52	180	833	897	250	-51	-9
-52	163	817	911	270	-50	-11
-52	148	799	924	289	-48	-12
-51	133	780	936	309	-46	-13
-50	118	761	948	330	-44	-15
-49	104	742	959	350	-41	-17
-47	91	721	968	371	-38	-18
-46	79	700	976	393	-34	-20
-44	67	679	983	414	-29	-22
-43	55	658	990	437	-25	-24
-41	44	636	995	459	-19	-26
-39	34	614	998	481	-13	-27
-37	25	592	1001	503	-7	-29
-35	16	570	1003	525	0	-31

9.4.7.4.1.4 *ppfcoef_scale_eq_10div16_32_phases_flip.dat*

7	32	11				
-30	-46	542	1116	542	-46	-30
-28	-52	515	1115	570	-39	-33
-25	-57	488	1113	597	-32	-36
-23	-62	462	1109	624	-24	-38
-20	-65	435	1104	650	-15	-41
-18	-69	409	1097	678	-5	-44
-16	-71	383	1089	704	6	-47

-14	-74	358	1081	730	17	-50
-12	-75	333	1070	756	29	-53
-11	-76	309	1058	782	42	-56
-9	-77	285	1045	806	56	-58
-8	-77	262	1030	831	71	-61
-6	-77	239	1015	855	86	-64
-5	-76	218	997	877	103	-66
-4	-75	196	980	899	120	-68
-3	-74	176	961	920	138	-70
-72	156	940	940	156	-72	0
-70	138	920	961	176	-74	-3
-68	120	899	980	196	-75	-4
-66	103	877	997	218	-76	-5
-64	86	855	1015	239	-77	-6
-61	71	831	1030	262	-77	-8
-58	56	806	1045	285	-77	-9
-56	42	782	1058	309	-76	-11
-53	29	756	1070	333	-75	-12
-50	17	730	1081	358	-74	-14
-47	6	704	1089	383	-71	-16
-44	-5	678	1097	409	-69	-18
-41	-15	650	1104	435	-65	-20
-38	-24	624	1109	462	-62	-23
-36	-32	597	1113	488	-57	-25
-33	-39	570	1115	515	-52	-28

9.4.7.4.1.5 *ppfcoef_scale_eq_11div16_32_phases_flip.dat*

7	32	11				
-19	-94	522	1230	522	-94	-19
-17	-98	490	1230	555	-90	-22
-14	-100	458	1227	587	-85	-25
-12	-102	427	1223	620	-79	-29
-10	-103	397	1217	652	-73	-32
-8	-104	367	1209	685	-65	-36
-6	-104	337	1199	717	-56	-39
-4	-103	309	1187	749	-47	-43
-3	-102	281	1174	781	-36	-47
-1	-100	253	1159	812	-24	-51
0	-98	227	1142	843	-11	-55
1	-96	201	1124	874	3	-59
1	-93	177	1105	903	18	-63
2	-90	153	1084	932	34	-67
2	-87	131	1062	961	51	-72
3	-83	109	1038	987	69	-75
-79	89	1014	1014	89	-79	0
-75	69	987	1038	109	-83	3
-72	51	961	1062	131	-87	2
-67	34	932	1084	153	-90	2
-63	18	903	1105	177	-93	1
-59	3	874	1124	201	-96	1
-55	-11	843	1142	227	-98	0
-51	-24	812	1159	253	-100	-1
-47	-36	781	1174	281	-102	-3
-43	-47	749	1187	309	-103	-4
-39	-56	717	1199	337	-104	-6
-36	-65	685	1209	367	-104	-8
-32	-73	652	1217	397	-103	-10
-29	-79	620	1223	427	-102	-12
-25	-85	587	1227	458	-100	-14
-22	-90	555	1230	490	-98	-17

9.4.7.4.1.6 *ppfcoef_scale_eq_12div16_32_phases_flip.dat*

7	32	11				
-3	-132	486	1346	486	-132	-3

-1	-132	449	1345	524	-131	-6
1	-131	413	1342	562	-130	-9
3	-130	378	1336	600	-127	-12
4	-128	343	1328	639	-123	-15
5	-125	309	1319	677	-119	-18
6	-122	277	1306	716	-113	-22
7	-118	245	1292	754	-106	-26
8	-114	214	1276	793	-98	-31
8	-109	185	1257	831	-89	-35
9	-105	156	1237	869	-78	-40
9	-100	130	1214	906	-66	-45
9	-94	104	1190	942	-53	-50
9	-89	79	1165	978	-38	-56
8	-83	56	1138	1012	-22	-61
8	-78	35	1108	1046	-4	-67
-72	15	1081	1081	15	-72	0
-67	-4	1046	1108	35	-78	8
-61	-22	1012	1138	56	-83	8
-56	-38	978	1165	79	-89	9
-50	-53	942	1190	104	-94	9
-45	-66	906	1214	130	-100	9
-40	-78	869	1237	156	-105	9
-35	-89	831	1257	185	-109	8
-31	-98	793	1276	214	-114	8
-26	-106	754	1292	245	-118	7
-22	-113	716	1306	277	-122	6
-18	-119	677	1319	309	-125	5
-15	-123	639	1328	343	-128	4
-12	-127	600	1336	378	-130	3
-9	-130	562	1342	413	-131	1
-6	-131	524	1345	449	-132	-1

9.4.7.4.1.7 ppfcoef_scale_eq_13div16_32_phases_flip.dat

7	32	11				
14	-154	435	1458	435	-154	14
15	-150	393	1458	477	-157	12
16	-146	353	1454	521	-160	10
16	-141	314	1447	565	-161	8
17	-135	276	1436	609	-161	6
17	-129	239	1425	654	-161	3
17	-123	204	1410	699	-159	0
16	-116	170	1393	745	-156	-4
16	-109	137	1373	790	-151	-8
16	-102	107	1350	835	-146	-12
15	-94	77	1325	879	-138	-16
14	-87	50	1298	924	-130	-21
13	-80	24	1269	968	-119	-27
12	-72	0	1238	1010	-107	-33
11	-65	-22	1204	1053	-94	-39
10	-58	-43	1169	1093	-78	-45
-52	-62	1138	1138	-62	-52	0
-45	-78	1093	1169	-43	-58	10
-39	-94	1053	1204	-22	-65	11
-33	-107	1010	1238	0	-72	12
-27	-119	968	1269	24	-80	13
-21	-130	924	1298	50	-87	14
-16	-138	879	1325	77	-94	15
-12	-146	835	1350	107	-102	16
-8	-151	790	1373	137	-109	16
-4	-156	745	1393	170	-116	16
0	-159	699	1410	204	-123	17
3	-161	654	1425	239	-129	17
6	-161	609	1436	276	-135	17
8	-161	565	1447	314	-141	16
10	-160	521	1454	353	-146	16

12 -157 477 1458 393 -150 15

9.4.7.4.1.8 *ppfcoef_scale_eq_14div16_32_phases_flip.dat*

```

7 32 11
27 -158 370 1570 370 -158 27
27 -150 324 1568 417 -165 27
26 -142 281 1563 465 -172 27
25 -133 238 1555 515 -178 26
24 -124 198 1543 565 -183 25
23 -115 159 1527 616 -186 24
22 -106 122 1510 667 -189 22
21 -97 87 1489 719 -191 20
19 -87 54 1464 772 -191 17
18 -78 23 1437 824 -190 14
16 -69 -6 1407 876 -187 11
15 -60 -32 1373 927 -182 7
13 -52 -57 1339 979 -176 2
12 -44 -79 1300 1030 -168 -3
11 -36 -99 1261 1079 -159 -9
9 -28 -117 1218 1128 -147 -15
-21 -134 1179 1179 -134 -21 0
-15 -147 1128 1218 -117 -28 9
-9 -159 1079 1261 -99 -36 11
-3 -168 1030 1300 -79 -44 12
2 -176 979 1339 -57 -52 13
7 -182 927 1373 -32 -60 15
11 -187 876 1407 -6 -69 16
14 -190 824 1437 23 -78 18
17 -191 772 1464 54 -87 19
20 -191 719 1489 87 -97 21
22 -189 667 1510 122 -106 22
24 -186 616 1527 159 -115 23
25 -183 565 1543 198 -124 24
26 -178 515 1555 238 -133 25
27 -172 465 1563 281 -142 26
27 -165 417 1568 324 -150 27

```

9.4.7.4.1.9 *ppfcoef_scale_eq_15div16_32_phases_flip.dat*

```

7 32 11
33 -143 294 1680 294 -143 33
31 -132 246 1678 345 -155 35
30 -121 199 1671 398 -165 36
27 -109 154 1661 452 -175 38
25 -97 112 1647 508 -185 38
23 -86 72 1629 564 -193 39
21 -75 35 1607 622 -201 39
19 -64 0 1580 681 -207 39
17 -53 -32 1551 740 -213 38
15 -43 -61 1518 799 -217 37
13 -33 -88 1481 859 -219 35
11 -24 -113 1442 919 -220 33
9 -15 -134 1399 978 -219 30
8 -7 -153 1354 1036 -217 27
6 0 -170 1307 1094 -212 23
5 7 -184 1257 1150 -205 18
13 -196 1207 1207 -196 13 0
18 -205 1150 1257 -184 7 5
23 -212 1094 1307 -170 0 6
27 -217 1036 1354 -153 -7 8
30 -219 978 1399 -134 -15 9
33 -220 919 1442 -113 -24 11
35 -219 859 1481 -88 -33 13
37 -217 799 1518 -61 -43 15
38 -213 740 1551 -32 -53 17

```

39	-207	681	1580	0	-64	19
39	-201	622	1607	35	-75	21
39	-193	564	1629	72	-86	23
38	-185	508	1647	112	-97	25
38	-175	452	1661	154	-109	27
36	-165	398	1671	199	-121	30
35	-155	345	1678	246	-132	31

9.4.7.4.2 VS Polyphase Filter Coefficients

9.4.7.4.2.1 ppfcoef_scale_eq_1_32_phases_ver_5tap_flip.dat

```

5 32 11
-47 177 1788 177 -47
-40 133 1785 225 -55
-33 91 1778 276 -64
-27 53 1765 330 -73
-21 18 1747 386 -82
-15 -13 1722 445 -91
-11 -41 1693 507 -100
-7 -66 1660 570 -109
-3 -88 1622 635 -118
0 -107 1579 703 -127
2 -122 1532 771 -135
4 -135 1482 839 -142
5 -145 1428 909 -149
6 -153 1371 978 -154
7 -158 1310 1047 -158
7 -161 1247 1116 -161
-162 1186 1186 -162 0
-161 1116 1247 -161 7
-158 1047 1310 -158 7
-154 978 1371 -153 6
-149 909 1428 -145 5
-142 839 1482 -135 4
-135 771 1532 -122 2
-127 703 1579 -107 0
-118 635 1622 -88 -3
-109 570 1660 -66 -7
-100 507 1693 -41 -11
-91 445 1722 -13 -15
-82 386 1747 18 -21
-73 330 1765 53 -27
-64 276 1778 91 -33
-55 225 1785 133 -40

```

9.4.7.4.2.2 ppfcoef_scale_eq_3_32_phases_flip.dat

```

5, 32, 11,
130, 515, 758, 515, 130,
121, 503, 757, 528, 139,
113, 490, 756, 541, 148,
105, 477, 755, 553, 158,
97, 464, 753, 566, 168,
90, 451, 751, 578, 178,
83, 437, 749, 590, 189,
76, 424, 746, 602, 200,
69, 411, 743, 614, 211,
63, 398, 739, 626, 222,
57, 386, 734, 637, 234,
52, 373, 729, 648, 246,
46, 360, 725, 659, 258,
41, 347, 719, 670, 271,
37, 335, 713, 680, 283,
32, 322, 707, 690, 297,
314, 710, 710, 314, 0,

```

```

297, 690, 707, 322, 32,
283, 680, 713, 335, 37,
271, 670, 719, 347, 41,
258, 659, 725, 360, 46,
246, 648, 729, 373, 52,
234, 637, 734, 386, 57,
222, 626, 739, 398, 63,
211, 614, 743, 411, 69,
200, 602, 746, 424, 76,
189, 590, 749, 437, 83,
178, 578, 751, 451, 90,
168, 566, 753, 464, 97,
158, 553, 755, 477, 105,
148, 541, 756, 490, 113,
139, 528, 757, 503, 121};

```

9.4.7.4.2.3 ppfcoef_scale_eq_4_32_phases_flip.dat

```

5, 32, 11,
116, 515, 786, 515, 116,
107, 502, 785, 530, 124,
99, 488, 784, 544, 133,
92, 473, 783, 557, 143,
85, 459, 781, 571, 152,
78, 445, 778, 585, 162,
71, 431, 775, 598, 173,
65, 417, 772, 611, 183,
59, 403, 767, 624, 195,
53, 389, 763, 637, 206,
48, 375, 758, 649, 218,
43, 362, 752, 661, 230,
38, 348, 747, 673, 242,
34, 334, 740, 685, 255,
30, 321, 733, 696, 268,
26, 308, 726, 707, 281,
298, 726, 726, 298, 0,
281, 707, 726, 308, 26,
268, 696, 733, 321, 30,
255, 685, 740, 334, 34,
242, 673, 747, 348, 38,
230, 661, 752, 362, 43,
218, 649, 758, 375, 48,
206, 637, 763, 389, 53,
195, 624, 767, 403, 59,
183, 611, 772, 417, 65,
173, 598, 775, 431, 71,
162, 585, 778, 445, 78,
152, 571, 781, 459, 85,
143, 557, 783, 473, 92,
133, 544, 784, 488, 99,
124, 530, 785, 502, 107};

```

9.4.7.4.2.4 ppfcoef_scale_eq_5_32_phases_flip.dat

```

5, 32, 11,
98, 515, 822, 515, 98,
90, 500, 821, 531, 106,
83, 484, 820, 547, 114,
75, 469, 819, 562, 123,
69, 453, 816, 577, 133,
63, 438, 813, 592, 142,
57, 422, 809, 607, 153,
51, 407, 805, 622, 163,
46, 391, 801, 636, 174,
41, 376, 795, 650, 186,
37, 361, 789, 664, 197,

```



```

32, 347, 782, 678, 209,
28, 332, 775, 691, 222,
25, 317, 767, 704, 235,
22, 303, 759, 716, 248,
18, 289, 750, 729, 262,
278, 746, 746, 278, 0,
262, 729, 750, 289, 18,
248, 716, 759, 303, 22,
235, 704, 767, 317, 25,
222, 691, 775, 332, 28,
209, 678, 782, 347, 32,
197, 664, 789, 361, 37,
186, 650, 795, 376, 41,
174, 636, 801, 391, 46,
163, 622, 805, 407, 51,
153, 607, 809, 422, 57,
142, 592, 813, 438, 63,
133, 577, 816, 453, 69,
123, 562, 819, 469, 75,
114, 547, 820, 484, 83,
106, 531, 821, 500, 90};

```

9.4.7.4.2.5 *ppfcoef_scale_eq_6_32_phases_flip.dat*

```

5, 32, 11,
77, 513, 868, 513, 77,
70, 496, 867, 531, 84,
63, 479, 866, 548, 92,
57, 461, 864, 566, 100,
51, 444, 861, 583, 109,
46, 427, 857, 600, 118,
41, 409, 853, 617, 128,
36, 393, 847, 633, 139,
32, 376, 841, 650, 149,
28, 359, 835, 666, 160,
24, 343, 827, 682, 172,
21, 327, 819, 697, 184,
18, 311, 810, 712, 197,
15, 296, 800, 727, 210,
13, 281, 790, 741, 223,
11, 266, 779, 755, 237,
253, 771, 771, 253, 0,
237, 755, 779, 266, 11,
223, 741, 790, 281, 13,
210, 727, 800, 296, 15,
197, 712, 810, 311, 18,
184, 697, 819, 327, 21,
172, 682, 827, 343, 24,
160, 666, 835, 359, 28,
149, 650, 841, 376, 32,
139, 633, 847, 393, 36,
128, 617, 853, 409, 41,
118, 600, 857, 427, 46,
109, 583, 861, 444, 51,
100, 566, 864, 461, 57,
92, 548, 866, 479, 63,
84, 531, 867, 496, 70};

```

9.4.7.4.2.6 *ppfcoef_scale_eq_7_32_phases_flip.dat*

```

5, 32, 11,
53, 510, 922, 510, 53,
47, 490, 922, 529, 60,
41, 470, 921, 549, 67,
36, 451, 918, 569, 74,
32, 431, 915, 588, 82,

```

```

27, 412, 910, 608, 91,
23, 393, 905, 627, 100,
20, 374, 898, 646, 110,
17, 356, 890, 665, 120,
14, 337, 882, 684, 131,
11, 320, 873, 702, 142,
9, 302, 863, 720, 154,
7, 285, 852, 737, 167,
6, 269, 840, 753, 180,
4, 253, 827, 770, 194,
3, 237, 815, 785, 208,
223, 801, 801, 223, 0,
208, 785, 815, 237, 3,
194, 770, 827, 253, 4,
180, 753, 840, 269, 6,
167, 737, 852, 285, 7,
154, 720, 863, 302, 9,
142, 702, 873, 320, 11,
131, 684, 882, 337, 14,
120, 665, 890, 356, 17,
110, 646, 898, 374, 20,
100, 627, 905, 393, 23,
91, 608, 910, 412, 27,
82, 588, 915, 431, 32,
74, 569, 918, 451, 36,
67, 549, 921, 470, 41,
60, 529, 922, 490, 47};

```

9.4.7.4.2.6.1 *ppfcoef_scale_eq_8div16_32_phases_ver_5tap_flip.dat*

```

5 32 11
28 502 988 502 28
24 479 987 524 34
19 457 985 547 40
15 435 982 570 46
12 413 978 592 53
9 392 972 614 61
6 371 965 637 69
4 350 957 659 78
2 330 948 680 88
0 310 938 702 98
-1 291 926 723 109
-2 272 914 744 120
-3 254 900 764 133
-3 237 886 783 145
-4 220 871 802 159
-4 204 855 820 173
188 836 836 188 0
173 820 855 204 -4
159 802 871 220 -4
145 783 886 237 -3
133 764 900 254 -3
120 744 914 272 -2
109 723 926 291 -1
98 702 938 310 0
88 680 948 330 2
78 659 957 350 4
69 637 965 371 6
61 614 972 392 9
53 592 978 413 12
46 570 982 435 15
40 547 985 457 19
34 524 987 479 24

```

9.4.7.4.2.6.2 ppfcoef_scale_eq_9div16_32_phases_ver_5tap_flip.dat

```

5 32 11
  3 489 1064 489 3
  0 464 1062 515 7
 -3 439 1060 540 12
 -5 414 1056 566 17
 -7 390 1050 592 23
 -9 366 1044 618 29
-10 343 1035 644 36
-11 320 1025 670 44
-12 298 1014 695 53
-12 277 1001 720 62
-12 256 987 745 72
-12 236 972 769 83
-12 217 956 792 95
-11 199 938 815 107
-10 181 920 837 120
-10 165 900 859 134
148 876 876 148 0
134 859 900 165 -10
120 837 920 181 -10
107 815 938 199 -11
 95 792 956 217 -12
 83 769 972 236 -12
 72 745 987 256 -12
 62 720 1001 277 -12
 53 695 1014 298 -12
 44 670 1025 320 -11
 36 644 1035 343 -10
 29 618 1044 366 -9
 23 592 1050 390 -7
 17 566 1056 414 -5
 12 540 1060 439 -3
  7 515 1062 464 0

```

9.4.7.4.2.6.3 ppfcoef_scale_eq_10div16_32_phases_ver_5tap_flip.dat

```

5 32 11
-20 470 1148 470 -20
-22 442 1147 499 -18
-23 413 1144 529 -15
-24 386 1139 558 -11
-24 359 1132 588 -7
-24 333 1124 618 -3
-24 308 1113 648 3
-23 283 1101 678 9
-23 260 1088 707 16
-22 237 1072 737 24
-21 215 1056 765 33
-19 194 1037 793 43
-18 174 1017 822 53
-16 156 995 848 65
-15 138 973 875 77
-13 121 949 900 91
105 919 919 105 0
 91 900 949 121 -13
 77 875 973 138 -15
 65 848 995 156 -16
 53 822 1017 174 -18
 43 793 1037 194 -19
 33 765 1056 215 -21
 24 737 1072 237 -22
 16 707 1088 260 -23
  9 678 1101 283 -23
  3 648 1113 308 -24
 -3 618 1124 333 -24

```

```

-7 588 1132 359 -24
-11 558 1139 386 -24
-15 529 1144 413 -23
-18 499 1147 442 -22

```

9.4.7.4.2.6.4 ppfcoef_scale_eq_11div16_32_phases_ver_5tap_flip.dat

```

5 32 11
-40 444 1240 444 -40
-40 412 1240 476 -40
-40 381 1236 510 -39
-39 350 1231 544 -38
-37 321 1223 577 -36
-36 293 1212 612 -33
-34 265 1200 646 -29
-32 239 1185 681 -25
-30 214 1169 715 -20
-28 190 1150 750 -14
-26 167 1130 783 -6
-23 146 1107 816 2
-21 126 1083 849 11
-19 107 1057 882 21
-17 90 1030 913 32
-15 73 1002 943 45
58 966 966 58 0
45 943 1002 73 -15
32 913 1030 90 -17
21 882 1057 107 -19
11 849 1083 126 -21
2 816 1107 146 -23
-6 783 1130 167 -26
-14 750 1150 190 -28
-20 715 1169 214 -30
-25 681 1185 239 -32
-29 646 1200 265 -34
-33 612 1212 293 -36
-36 577 1223 321 -37
-38 544 1231 350 -39
-39 510 1236 381 -40
-40 476 1240 412 -40

```

9.4.7.4.2.6.5 ppfcoef_scale_eq_12div16_32_phases_ver_5tap_flip.dat

```

5 32 11
-56 409 1342 409 -56
-54 373 1342 445 -58
-51 339 1337 482 -59
-49 306 1330 521 -60
-46 274 1321 559 -60
-43 244 1308 598 -59
-40 215 1293 638 -58
-36 187 1275 678 -56
-33 161 1255 718 -53
-30 137 1233 757 -49
-27 114 1208 797 -44
-24 93 1182 836 -39
-21 73 1152 875 -31
-18 55 1122 912 -23
-16 38 1090 950 -14
-14 23 1056 986 -3
9 1015 1015 9 0
-3 986 1056 23 -14
-14 950 1090 38 -16
-23 912 1122 55 -18
-31 875 1152 73 -21
-39 836 1182 93 -24

```

-44	797	1208	114	-27
-49	757	1233	137	-30
-53	718	1255	161	-33
-56	678	1275	187	-36
-58	638	1293	215	-40
-59	598	1308	244	-43
-60	559	1321	274	-46
-60	521	1330	306	-49
-59	482	1337	339	-51
-58	445	1342	373	-54

9.4.7.4.2.6.6 *ppfcoef_scale_eq_13div16_32_phases_ver_5tap_flip.dat*

5	32	11		
-65	364	1450	364	-65
-61	326	1448	404	-69
-57	289	1443	445	-72
-53	253	1435	488	-75
-48	220	1423	531	-78
-44	188	1408	576	-80
-40	158	1390	621	-81
-36	130	1370	666	-82
-32	103	1346	713	-82
-28	79	1320	758	-81
-24	56	1290	805	-79
-21	36	1259	850	-76
-18	17	1224	896	-71
-15	0	1188	940	-65
-12	-15	1149	984	-58
-10	-28	1109	1027	-50
-40	1064	1064	-40	0
-50	1027	1109	-28	-10
-58	984	1149	-15	-12
-65	940	1188	0	-15
-71	896	1224	17	-18
-76	850	1259	36	-21
-79	805	1290	56	-24
-81	758	1320	79	-28
-82	713	1346	103	-32
-82	666	1370	130	-36
-81	621	1390	158	-40
-80	576	1408	188	-44
-78	531	1423	220	-48
-75	488	1435	253	-53
-72	445	1443	289	-57
-69	404	1448	326	-61

9.4.7.4.2.6.7 *ppfcoef_scale_eq_14div16_32_phases_ver_5tap_flip.dat*

5	32	11		
-67	310	1562	310	-67
-61	269	1559	353	-72
-55	230	1553	398	-78
-50	193	1543	445	-83
-44	158	1529	493	-88
-39	125	1512	543	-93
-34	94	1491	594	-97
-30	66	1468	645	-101
-25	41	1439	697	-104
-22	17	1408	751	-106
-18	-4	1373	804	-107
-15	-23	1336	857	-107
-12	-40	1296	910	-106
-9	-55	1253	962	-103
-7	-67	1208	1013	-99
-5	-78	1161	1064	-94

-86	1110	1110	-86	0
-94	1064	1161	-78	-5
-99	1013	1208	-67	-7
-103	962	1253	-55	-9
-106	910	1296	-40	-12
-107	857	1336	-23	-15
-107	804	1373	-4	-18
-106	751	1408	17	-22
-104	697	1439	41	-25
-101	645	1468	66	-30
-97	594	1491	94	-34
-93	543	1512	125	-39
-88	493	1529	158	-44
-83	445	1543	193	-50
-78	398	1553	230	-55
-72	353	1559	269	-61

9.4.7.4.2.6.8 *ppfcoef_scale_eq_15div16_32_phases_ver_5tap_flip.dat*

5	32	11			
-61	248	1674	248	-61	
-54	204	1673	293	-68	
-47	163	1665	342	-75	
-41	125	1654	392	-82	
-35	90	1638	445	-90	
-29	57	1618	499	-97	
-24	27	1593	556	-104	
-20	0	1565	613	-110	
-16	-24	1532	672	-116	
-12	-46	1495	732	-121	
-9	-65	1455	793	-126	
-6	-81	1411	854	-130	
-4	-95	1364	915	-132	
-2	-107	1315	975	-133	
0	-116	1262	1035	-133	
1	-123	1208	1094	-132	
-128	1152	1152	-128	0	
-132	1094	1208	-123	1	
-133	1035	1262	-116	0	
-133	975	1315	-107	-2	
-132	915	1364	-95	-4	
-130	854	1411	-81	-6	
-126	793	1455	-65	-9	
-121	732	1495	-46	-12	
-116	672	1532	-24	-16	
-110	613	1565	0	-20	
-104	556	1593	27	-24	
-97	499	1618	57	-29	
-90	445	1638	90	-35	
-82	392	1654	125	-41	
-75	342	1665	163	-47	
-68	293	1673	204	-54	

9.4.7.4.3 *VS (Bilinear Filter Coefficients)*

9.4.7.4.3.1 *ppfcoef_scale_eq_1_32_phases_flip_PPF3_peak5_gain_eq_1_25.dat*

This is not applicable for this device

7	32	11				
-11	-106	190	1902	190	-106	-11
-9	-105	153	1897	230	-105	-13
-8	-105	121	1887	274	-105	-16
-6	-104	91	1869	320	-104	-18
-5	-102	65	1843	370	-102	-21
-4	-101	42	1812	424	-101	-24

-3	-99	20	1776	480	-99	-27
-2	-96	3	1730	539	-96	-30
-1	-93	-12	1679	602	-93	-34
-1	-90	-26	1627	665	-90	-37
0	-87	-37	1568	732	-87	-41
0	-84	-46	1506	801	-84	-45
0	-80	-54	1439	871	-80	-48
0	-76	-60	1371	941	-76	-52
1	-72	-65	1299	1013	-72	-56
1	-68	-69	1227	1085	-68	-60
-64	-64	1152	1152	-64	-64	0
-60	-68	1085	1227	-69	-68	1
-56	-72	1013	1299	-65	-72	1
-52	-76	941	1371	-60	-76	0
-48	-80	871	1439	-54	-80	0
-45	-84	801	1506	-46	-84	0
-41	-87	732	1568	-37	-87	0
-37	-90	665	1627	-26	-90	-1
-34	-93	602	1679	-12	-93	-1
-30	-96	539	1730	3	-96	-2
-27	-99	480	1776	20	-99	-3
-24	-101	424	1812	42	-101	-4
-21	-102	370	1843	65	-102	-5
-18	-104	320	1869	91	-104	-6
-16	-105	274	1887	121	-105	-8
-13	-105	230	1897	153	-105	-9

9.4.8 VIP Video Port Direct Memory Access (VPDMA)

9.4.8.1 VPDMA Introduction

The VPDMA primary function is to move data between external memory and internal processing modules that source or sink data. VPDMA is capable buffering this data and then delivering the data as demanded to the modules as programmed. The modules that source or sink data are referred to as clients. A channel is setup inside the VPDMA to connect a specific memory buffer to a specific client. The VPDMA centralizes the DMA control functions and buffering required to allow all the clients to minimize the effect of long latency times. The VPDMA also supports a descriptor based mode where lists of descriptors can be setup to configure all the channels as they become available.

Additionally, in a third-party configuration, the VPDMA is capable of performing DMA transfers as requested by the pulsing of an event strobe. The VPDMA is capable of generation of an address which may reach any location in the range for which it is configured. It is capable of moving this data either to or from a Shared Buffer and ultimately to or from a Client Buffer. For the two type of Client Buffers that are used to drive data into a subsystem (Streaming Buffer and Random Access Buffer) data is either pushed into the buffer or pulled out of the buffer dependent upon the direction of the data transfer. For third-party DMA operations the data is transferred into a Client buffer, and then transferred out of the Client Buffer to the transfer destination. These transfers are triggered by an Event pulse to each of the Client Buffers which are Routing Buffer types.

9.4.8.2 VPDMA Basic Definitions

9.4.8.2.1 Client

The modules that source or sink data are referred to as clients. The clients of the VPDMA are the physical between the processing modules (VIP) and external memory. A channel is the mechanism inside the VPDMA that connects a specific memory buffer or transfer to a specific client.

The start event can also be selected by a channel attribute or to be controlled by an internal frame signal controlled by the List Manager.

9.4.8.2.2 Channel

The VPDMA requires a channel to be setup for each group of transfers. All the channels are described through a Data Transfer Descriptor that has a common format. The client that the channel is mapped to interprets the information in the descriptor to perform the requested data transfer.

Each of the channels has a type of data that it can support based upon the client that it services. The VPDMA supports three types of channels:

- **YUV Channel** - Clients taking data YUV data
- **RGB Channel** - Clients taking RGB data
- **Miscellaneous Channel** - The Miscellaneous channel type is for any data type that is not a normal video type. The Miscellaneous channel type makes no assumptions on data type and just passes the data to the client and supports a single buffer for the client.

9.4.8.2.3 List

A list is a group of descriptors that makes up a set of DMA transfers that need to be completed. The VPDMA supports one kind of list only:

- The **Regular List** is a single list that the VPDMA will execute each descriptor once and initiate an interrupt when the list has completed. A regular list can contain any kind of descriptor without limitation and be of any size.

The VPDMA Controller works on lists of descriptors. In this mode the processor writes the lists of descriptors in the order it wants them executed. It then writes the location of the list to the [VIP_LIST_ADDR](#) register, followed by writing the size (bit LIST_SIZE) and type (bit LIST_TYPE) of the list, and list number (bit LIST_NUM) to the [VIP_LIST_ATTR](#) register. The List Manager module then schedules a DMA transfer to pull in the portion of the list that it can store in internal VPDMA memory. The List Manager will sequentially process the active list of descriptors until either the descriptor requires the use of a client that is currently active, or if it is waiting for the next portion of the list to be transferred from a DMA request. If there is no active list to process the list manager will go into an IDLE mode waiting for any client that is blocking a list or a list DMA transfer to complete.

All the DMA transfers are controlled by List Manager module inside VPDMA. List Manager needs to be loaded with FIRMWARE, before any DMA transfer from memory, after the VPDMA reset. The first MMR write to [VIP_LIST_ADDR](#) register after VPDMA reset should be the address of the memory buffer(128-bit aligned, that is, last four bits of the buffer address should be zero) where the firmware is stored. List Manager then schedules a DMA transaction to fetch the firmware and sets the [VIP_LIST_ATTR\[19\]](#) RDY bit after the firmware loading is complete.

9.4.8.2.4 Data Formats Supported

Following list summarizes the data formats supported in the VPDMA. For more information see [Section 9.4.8.9, VPDMA Data Formats](#).

- RGB Data Types:
 - RGB16-565
 - ARGB-1555
 - ARGB-4444
 - RGBA-5551
 - RGBA-4444
 - ARGB24-6666
 - RGB24-888
 - ARGB32-8888
 - RGBA24-6666
 - RGBA32-8888
 - BGR16-565
 - ABGR-1555

- ABGR-4444
- BGRA-5551
- BGRA-4444
- ABGR24-6666
- BGR24-888
- ABGR32-8888
- BGRA24-6666
- BGRA32-8888
- YUV Data Types:
 - Y 4:4:4
 - Y 4:2:2
 - Y 4:2:0
 - C 4:4:4
 - C 4:2:2
 - C 4:2:0
 - CY 4:2:2
 - YCbC 4:4:4
 - YC 4:2:2

NOTE: VPDMA supports swapping formats (RGB/BGR and Cb/Cr)

9.4.8.3 VPDMA Client Buffering and Functionality

Table 9-29 lists for each client:

- The channels used, amount of buffering allocated for it, and the shared buffer used for its memory
- The line sizes it handles for tiled and non-tiled memory spaces, as well as any additional features it supports

Table 9-29. VPDMA Client Buffering and Functionality

Client	Channel(s)	Tiled Memory Max Line Size	Non-Tiled Memory Max Line Size	Additional Features
vip1_lo_y	vip1_mult_porta_src0 vip1_mult_porta_src1 vip1_mult_porta_src2 vip1_mult_porta_src3 vip1_mult_porta_src4 vip1_mult_porta_src5 vip1_mult_porta_src6 vip1_mult_porta_src7 vip1_mult_porta_src8 vip1_mult_porta_src9 vip1_mult_porta_src10 vip1_mult_porta_src11 vip1_mult_porta_src12 vip1_mult_porta_src13 vip1_mult_porta_src14 vip1_mult_porta_src15 vip1_portb_luma vip1_portb_rgb	1920 (color separate) 960 (interleaved)	4096	TILED

Table 9-29. VPDMA Client Buffering and Functionality (continued)

vip1_lo_uv	vip1_mult_portb_src0 vip1_mult_portb_src1 vip1_mult_portb_src2 vip1_mult_portb_src3 vip1_mult_portb_src4 vip1_mult_portb_src5 vip1_mult_portb_src6 vip1_mult_portb_src7 vip1_mult_portb_src8 vip1_mult_portb_src9 vip1_mult_portb_src10 vip1_mult_portb_src11 vip1_mult_portb_src12 vip1_mult_portb_src13 vip1_mult_portb_src14 vip1_mult_portb_src15 vip1_portb_chroma	1920 (color separate) 960 (interleaved)	4096	TILED
vip1_up_y	vip1_porta_luma vip1_porta_rgb	1920 (color separate) 960 (interleaved)	4096	TILED
vip1_up_uv	vip1_porta_chroma	1920 (color separate) 960 (interleaved)	4096	TILED
vip2_lo_y	vip2_mult_porta_src0 vip2_mult_porta_src1 vip2_mult_porta_src2 vip2_mult_porta_src3 vip2_mult_porta_src4 vip2_mult_porta_src5 vip2_mult_porta_src6 vip2_mult_porta_src7 vip2_mult_porta_src8 vip2_mult_porta_src9 vip2_mult_porta_src10 vip2_mult_porta_src11 vip2_mult_porta_src12 vip2_mult_porta_src13 vip2_mult_porta_src14 vip2_mult_porta_src15 vip2_portb_luma vip2_portb_rgb	1920 (color separate) 960 (interleaved)	4096	TILED
vip2_lo_uv	vip2_mult_portb_src0 vip2_mult_portb_src1 vip2_mult_portb_src2 vip2_mult_portb_src3 vip2_mult_portb_src4 vip2_mult_portb_src5 vip2_mult_portb_src6 vip2_mult_portb_src7 vip2_mult_portb_src8 vip2_mult_portb_src9 vip2_mult_portb_src10 vip2_mult_portb_src11 vip2_mult_portb_src12 vip2_mult_portb_src13 vip2_mult_portb_src14 vip2_mult_portb_src15 vip2_portb_chroma	1920 (color separate) 960 (interleaved)	4096	TILED
vip2_up_y	vip2_porta_luma vip2_porta_rgb	1920 (color separate) 960 (interleaved)	4096	TILED
vip2_up_uv	vip2_porta_chroma	1920 (color separate) 960 (interleaved)	4096	TILED
vpi_ctl		Tiled Data Not Supported	4096	

Table 9-29. VPDMA Client Buffering and Functionality (continued)

vip1_anc_a	vip1_mult_anca_src0 vip1_mult_anca_src1 vip1_mult_anca_src2 vip1_mult_anca_src3 vip1_mult_anca_src4 vip1_mult_anca_src5 vip1_mult_anca_src6 vip1_mult_anca_src7 vip1_mult_anca_src8 vip1_mult_anca_src9 vip1_mult_anca_src10 vip1_mult_anca_src11 vip1_mult_anca_src12 vip1_mult_anca_src13 vip1_mult_anca_src14 vip1_mult_anca_src15	Tiled Data Not Supported	4096	
vip1_anc_b	vip1_mult_ancb_src0 vip1_mult_ancb_src1 vip1_mult_ancb_src2 vip1_mult_ancb_src3 vip1_mult_ancb_src4 vip1_mult_ancb_src5 vip1_mult_ancb_src6 vip1_mult_ancb_src7 vip1_mult_ancb_src8 vip1_mult_ancb_src9 vip1_mult_ancb_src10 vip1_mult_ancb_src11 vip1_mult_ancb_src12 vip1_mult_ancb_src13 vip1_mult_ancb_src14 vip1_mult_ancb_src15	Tiled Data Not Supported	4096	
vip2_anc_a	vip2_mult_anca_src0 vip2_mult_anca_src1 vip2_mult_anca_src2 vip2_mult_anca_src3 vip2_mult_anca_src4 vip2_mult_anca_src5 vip2_mult_anca_src6 vip2_mult_anca_src7 vip2_mult_anca_src8 vip2_mult_anca_src9 vip2_mult_anca_src10 vip2_mult_anca_src11 vip2_mult_anca_src12 vip2_mult_anca_src13 vip2_mult_anca_src14 vip2_mult_anca_src15	Tiled Data Not Supported	4096	

9.4.8.4 VPDMA Channels Assignment

Table 9-30 lists all of the channels in VPDMA and its base attributes. The Data Type column states what type of data YUV, RGB or OTHER the channel handles and in parentheses are the legal data type values that can be entered into a data transfer descriptor. The Client field states the name of the Client and in parentheses it states the reference number in [Figure 9-4](#), *VIP Block Diagram*.

Table 9-30. VPDMA Channels Assignment

Channel	Description	Channel Number	Data Type	Client
vip1_mult_porta_src0	Video Input 1 Port A Channel 0	38	YUV (0x7)	vip1_lo_y (2)
vip1_mult_porta_src1	Video Input 1 Port A Channel 1	39	YUV (0x7)	vip1_lo_y (2)
vip1_mult_porta_src2	Video Input 1 Port A Channel 2	40	YUV (0x7)	vip1_lo_y (2)
vip1_mult_porta_src3	Video Input 1 Port A Channel 3	41	YUV (0x7)	vip1_lo_y (2)
vip1_mult_porta_src4	Video Input 1 Port A Channel 4	42	YUV (0x7)	vip1_lo_y (2)

Table 9-30. VPDMA Channels Assignment (continued)

Channel	Description	Channel Number	Data Type	Client
vip1_mult_porta_src5	Video Input 1 Port A Channel 5	43	YUV (0x7)	vip1_lo_y (2)
vip1_mult_porta_src6	Video Input 1 Port A Channel 6	44	YUV (0x7)	vip1_lo_y (2)
vip1_mult_porta_src7	Video Input 1 Port A Channel 7	45	YUV (0x7)	vip1_lo_y (2)
vip1_mult_porta_src8	Video Input 1 Port A Channel 8	46	YUV (0x7)	vip1_lo_y (2)
vip1_mult_porta_src9	Video Input 1 Port A Channel 9	47	YUV (0x7)	vip1_lo_y (2)
vip1_mult_porta_src10	Video Input 1 Port A Channel 10	48	YUV (0x7)	vip1_lo_y (2)
vip1_mult_porta_src11	Video Input 1 Port A Channel 11	49	YUV (0x7)	vip1_lo_y (2)
vip1_mult_porta_src12	Video Input 1 Port A Channel 12	50	YUV (0x7)	vip1_lo_y (2)
vip1_mult_porta_src13	Video Input 1 Port A Channel 13	51	YUV (0x7)	vip1_lo_y (2)
vip1_mult_porta_src14	Video Input 1 Port A Channel 14	52	YUV (0x7)	vip1_lo_y (2)
vip1_mult_porta_src15	Video Input 1 Port A Channel 15	53	YUV (0x7)	vip1_lo_y (2)
vip1_mult_portb_src0	Video Input 1 Port B Channel 0	54	YUV (0x7)	vip1_lo_uv(1)
vip1_mult_portb_src1	Video Input 1 Port B Channel 1	55	YUV (0x7)	vip1_lo_uv(1)
vip1_mult_portb_src2	Video Input 1 Port B Channel 2	56	YUV (0x7)	vip1_lo_uv(1)
vip1_mult_portb_src3	Video Input 1 Port B Channel 3	57	YUV (0x7)	vip1_lo_uv(1)
vip1_mult_portb_src4	Video Input 1 Port B Channel 4	58	YUV (0x7)	vip1_lo_uv(1)
vip1_mult_portb_src5	Video Input 1 Port B Channel 5	59	YUV (0x7)	vip1_lo_uv(1)
vip1_mult_portb_src6	Video Input 1 Port B Channel 6	60	YUV (0x7)	vip1_lo_uv(1)
vip1_mult_portb_src7	Video Input 1 Port B Channel 7	61	YUV (0x7)	vip1_lo_uv (1)
vip1_mult_portb_src8	Video Input 1 Port B Channel 8	62	YUV (0x7)	vip1_lo_uv (1)
vip1_mult_portb_src9	Video Input 1 Port B Channel 9	63	YUV (0x7)	vip1_lo_uv (1)
vip1_mult_portb_src10	Video Input 1 Port B Channel 10	64	YUV (0x7)	vip1_lo_uv (1)
vip1_mult_portb_src11	Video Input 1 Port B Channel 11	65	YUV (0x7)	vip1_lo_uv (1)
vip1_mult_portb_src12	Video Input 1 Port B Channel 12	66	YUV (0x7)	vip1_lo_uv (1)
vip1_mult_portb_src13	Video Input 1 Port B Channel 13	67	YUV (0x7)	vip1_lo_uv (1)
vip1_mult_portb_src14	Video Input 1 Port B Channel 14	68	YUV (0x7)	vip1_lo_uv (1)
vip1_mult_portb_src15	Video Input 1 Port B Channel 15	69	YUV (0x7)	vip1_lo_uv (1)
vip1_mult_anca_src0	Video Input 1 Port A Ancillary Data Channel 0	70	OTHER (8)	vip1_anc_a(2)
vip1_mult_anca_src1	Video Input 1 Port A Ancillary Data Channel 1	71	OTHER (8)	vip1_anc_a(2)
vip1_mult_anca_src2	Video Input 1 Port A Ancillary Data Channel 2	72	OTHER (8)	vip1_anc_a(2)
vip1_mult_anca_src3	Video Input 1 Port A Ancillary Data Channel 3	73	OTHER (8)	vip1_anc_a(2)
vip1_mult_anca_src4	Video Input 1 Port A Ancillary Data Channel 4	74	OTHER (8)	vip1_anc_a(2)
vip1_mult_anca_src5	Video Input 1 Port A Ancillary Data Channel 5	75	OTHER (8)	vip1_anc_a(2)
vip1_mult_anca_src6	Video Input 1 Port A Ancillary Data Channel 6	76	OTHER (8)	vip1_anc_a(2)
vip1_mult_anca_src7	Video Input 1 Port A Ancillary Data Channel 7	77	OTHER (8)	vip1_anc_a(2)
vip1_mult_anca_src8	Video Input 1 Port A Ancillary Data Channel 8	78	OTHER (8)	vip1_anc_a(2)
vip1_mult_anca_src9	Video Input 1 Port A Ancillary Data Channel 9	79	OTHER (8)	vip1_anc_a(2)
vip1_mult_anca_src10	Video Input 1 Port A Ancillary Data Channel 10	80	OTHER (8)	vip1_anc_a(2)
vip1_mult_anca_src11	Video Input 1 Port A Ancillary Data Channel 11	81	OTHER (8)	vip1_anc_a(2)

Table 9-30. VPDMA Channels Assignment (continued)

Channel	Description	Channel Number	Data Type	Client
vip1_mult_anca_src12	Video Input 1 Port A Ancillary Data Channel 12	82	OTHER (8)	vip1_anc_a(2)
vip1_mult_anca_src13	Video Input 1 Port A Ancillary Data Channel 13	83	OTHER (8)	vip1_anc_a(2)
vip1_mult_anca_src14	Video Input 1 Port A Ancillary Data Channel 14	84	OTHER (8)	vip1_anc_a(2)
vip1_mult_anca_src15	Video Input 1 Port A Ancillary Data Channel 15	85	OTHER (8)	vip1_anc_a(2)
vip1_mult_ancb_src0	Video Input 1 Port B Ancillary Data Channel 0	86	OTHER (8)	vip1_anc_b(2)
vip1_mult_ancb_src1	Video Input 1 Port B Ancillary Data Channel 1	87	OTHER (8)	vip1_anc_b(2)
vip1_mult_ancb_src2	Video Input 1 Port B Ancillary Data Channel 2	88	OTHER (8)	vip1_anc_b(2)
vip1_mult_ancb_src3	Video Input 1 Port B Ancillary Data Channel 3	89	OTHER (8)	vip1_anc_b(2)
vip1_mult_ancb_src4	Video Input 1 Port B Ancillary Data Channel 4	90	OTHER (8)	vip1_anc_b(2)
vip1_mult_ancb_src5	Video Input 1 Port B Ancillary Data Channel 5	91	OTHER (8)	vip1_anc_b(2)
vip1_mult_ancb_src6	Video Input 1 Port B Ancillary Data Channel 6	92	OTHER (8)	vip1_anc_b(2)
vip1_mult_ancb_src7	Video Input 1 Port B Ancillary Data Channel 7	93	OTHER (8)	vip1_anc_b(2)
vip1_mult_ancb_src8	Video Input 1 Port B Ancillary Data Channel 8	94	OTHER (8)	vip1_anc_b(2)
vip1_mult_ancb_src9	Video Input 1 Port B Ancillary Data Channel 9	95	OTHER (8)	vip1_anc_b(2)
vip1_mult_ancb_src10	Video Input 1 Port B Ancillary Data Channel 10	96	OTHER (8)	vip1_anc_b(2)
vip1_mult_ancb_src11	Video Input 1 Port B Ancillary Data Channel 11	97	OTHER (8)	vip1_anc_b(2)
vip1_mult_ancb_src12	Video Input 1 Port B Ancillary Data Channel 12	98	OTHER (8)	vip1_anc_b(2)
vip1_mult_ancb_src13	Video Input 1 Port B Ancillary Data Channel 13	99	OTHER (8)	vip1_anc_b(2)
vip1_mult_ancb_src14	Video Input 1 Port B Ancillary Data Channel 14	100	OTHER (8)	vip1_anc_b(2)
vip1_mult_ancb_src15	Video Input 1 Port B Ancillary Data Channel 15	101	OTHER (8)	vip1_anc_b(2)
vip1_porta_luma	Video Input 1 Port A 420 Data Luma	102	YUV (0x1, 0x2, 0x7)	vip1_up_y (1)
vip1_porta_chroma	Video Input 1 Port A 420 Data Chroma	103	YUV (0x5, 0x6, 0x7)	vip1_up_uv(1)
vip1_portb_luma	Video Input 1 Port B 420 Data Luma	104	YUV (0x1, 0x2, 0x7)	vip1_lo_y (2)
vip1_portb_chroma	Video Input 1 Port B 420 Data Chroma	105	YUV (0x5, 0x6, 0x7)	vip1_lo_uv (2)
vip1_porta_rgb	Video Input 1 Port A RGB Data	106	RGB (0x0 - 0x8)	vip1_up_y (1)
vip1_portb_rgb	Video Input 1 Port B RGB Data	107	RGB (0x0 - 0x8)	vip1_lo_y (2)
vip2_mult_porta_src0	Video Input 2 Port A Channel 0	108	YUV (0x7)	vip2_lo_y (21)
vip2_mult_porta_src1	Video Input 2 Port A Channel 1	109	YUV (0x7)	vip2_lo_y (21)
vip2_mult_porta_src2	Video Input 2 Port A Channel 2	110	YUV (0x7)	vip2_lo_y (21)
vip2_mult_porta_src3	Video Input 2 Port A Channel 3	111	YUV (0x7)	vip2_lo_y (21)
vip2_mult_porta_src4	Video Input 2 Port A Channel 4	112	YUV (0x7)	vip2_lo_y (21)
vip2_mult_porta_src5	Video Input 2 Port A Channel 5	113	YUV (0x7)	vip2_lo_y (21)
vip2_mult_porta_src6	Video Input 2 Port A Channel 6	114	YUV (0x7)	vip2_lo_y (21)
vip2_mult_porta_src7	Video Input 2 Port A Channel 7	115	YUV (0x7)	vip2_lo_y (21)

Table 9-30. VPDMA Channels Assignment (continued)

Channel	Description	Channel Number	Data Type	Client
vip2_mult_porta_src8	Video Input 2 Port A Channel 8	116	YUV (0x7)	vip2_lo_y (21)
vip2_mult_porta_src9	Video Input 2 Port A Channel 9	117	YUV (0x7)	vip2_lo_y (21)
vip2_mult_porta_src10	Video Input 2 Port A Channel 10	118	YUV (0x7)	vip2_lo_y (21)
vip2_mult_porta_src11	Video Input 2 Port A Channel 11	119	YUV (0x7)	vip2_lo_y (21)
vip2_mult_porta_src12	Video Input 2 Port A Channel 12	120	YUV (0x7)	vip2_lo_y (21)
vip2_mult_porta_src13	Video Input 2 Port A Channel 13	121	YUV (0x7)	vip2_lo_y (21)
vip2_mult_porta_src14	Video Input 2 Port A Channel 14	122	YUV (0x7)	vip2_lo_y (21)
vip2_mult_porta_src15	Video Input 2 Port A Channel 15	123	YUV (0x7)	vip2_lo_y (21)
vip2_mult_portb_src0	Video Input 2 Port B Channel 0	124	YUV (0x7)	vip2_lo_uv (20)
vip2_mult_portb_src1	Video Input 2 Port B Channel 1	125	YUV (0x7)	vip2_lo_uv (20)
vip2_mult_portb_src2	Video Input 2 Port B Channel 2	126	YUV (0x7)	vip2_lo_uv (20)
vip2_mult_portb_src3	Video Input 2 Port B Channel 3	127	YUV (0x7)	vip2_lo_uv (20)
vip2_mult_portb_src4	Video Input 2 Port B Channel 4	128	YUV (0x7)	vip2_lo_uv (20)
vip2_mult_portb_src5	Video Input 2 Port B Channel 5	129	YUV (0x7)	vip2_lo_uv (20)
vip2_mult_portb_src6	Video Input 2 Port B Channel 6	130	YUV (0x7)	vip2_lo_uv (20)
vip2_mult_portb_src7	Video Input 2 Port B Channel 7	131	YUV (0x7)	vip2_lo_uv (20)
vip2_mult_portb_src8	Video Input 2 Port B Channel 8	132	YUV (0x7)	vip2_lo_uv (20)
vip2_mult_portb_src9	Video Input 2 Port B Channel 9	133	YUV (0x7)	vip2_lo_uv (20)
vip2_mult_portb_src10	Video Input 2 Port B Channel 10	134	YUV (0x7)	vip2_lo_uv (20)
vip2_mult_portb_src11	Video Input 2 Port B Channel 11	135	YUV (0x7)	vip2_lo_uv (20)
vip2_mult_portb_src12	Video Input 2 Port B Channel 12	136	YUV (0x7)	vip2_lo_uv (20)
vip2_mult_portb_src13	Video Input 2 Port B Channel 13	137	YUV (0x7)	vip2_lo_uv (20)
vip2_mult_portb_src14	Video Input 2 Port B Channel 14	138	YUV (0x7)	vip2_lo_uv (20)
vip2_mult_portb_src15	Video Input 2 Port B Channel 15	139	YUV (0x7)	vip2_lo_uv (20)
vip2_mult_anca_src0	Video Input 2 Port A Ancillary Data Channel 0	140	OTHER (8)	vip2_anc_a(21)
vip2_mult_anca_src1	Video Input 2 Port A Ancillary Data Channel 1	141	OTHER (8)	vip2_anc_a(21)
vip2_mult_anca_src2	Video Input 2 Port A Ancillary Data Channel 2	142	OTHER (8)	vip2_anc_a(21)
vip2_mult_anca_src3	Video Input 2 Port A Ancillary Data Channel 3	143	OTHER (8)	vip2_anc_a(21)
vip2_mult_anca_src4	Video Input 2 Port A Ancillary Data Channel 4	144	OTHER (8)	vip2_anc_a(21)
vip2_mult_anca_src5	Video Input 2 Port A Ancillary Data Channel 5	145	OTHER (8)	vip2_anc_a(21)
vip2_mult_anca_src6	Video Input 2 Port A Ancillary Data Channel 6	146	OTHER (8)	vip2_anc_a(21)
vip2_mult_anca_src7	Video Input 2 Port A Ancillary Data Channel 7	147	OTHER (8)	vip2_anc_a(21)
vip2_mult_anca_src8	Video Input 2 Port A Ancillary Data Channel 8	148	OTHER (8)	vip2_anc_a(21)
vip2_mult_anca_src9	Video Input 2 Port A Ancillary Data Channel 9	149	OTHER (8)	vip2_anc_a(21)
vip2_mult_anca_src10	Video Input 2 Port A Ancillary Data Channel 10	150	OTHER (8)	vip2_anc_a(21)
vip2_mult_anca_src11	Video Input 2 Port A Ancillary Data Channel 11	151	OTHER (8)	vip2_anc_a(21)
vip2_mult_anca_src12	Video Input 2 Port A Ancillary Data Channel 12	152	OTHER (8)	vip2_anc_a(21)
vip2_mult_anca_src13	Video Input 2 Port A Ancillary Data Channel 13	153	OTHER (8)	vip2_anc_a(21)

Table 9-30. VPDMA Channels Assignment (continued)

Channel	Description	Channel Number	Data Type	Client
vip2_mult_anca_src14	Video Input 2 Port A Ancillary Data Channel 14	154	OTHER (8)	vip2_anc_a(21)
vip2_mult_anca_src15	Video Input 2 Port A Ancillary Data Channel 15	155	OTHER (8)	vip2_anc_a(21)
vip2_mult_ancb_src0	Video Input 2 Port B Ancillary Data Channel 0	156	OTHER (8)	vip2_anc_b(21)
vip2_mult_ancb_src1	Video Input 2 Port B Ancillary Data Channel 1	157	OTHER (8)	vip2_anc_b(21)
vip2_mult_ancb_src2	Video Input 2 Port B Ancillary Data Channel 2	158	OTHER (8)	vip2_anc_b(21)
vip2_mult_ancb_src3	Video Input 2 Port B Ancillary Data Channel 3	159	OTHER (8)	vip2_anc_b(21)
vip2_mult_ancb_src4	Video Input 2 Port B Ancillary Data Channel 4	160	OTHER (8)	vip2_anc_b(21)
vip2_mult_ancb_src5	Video Input 2 Port B Ancillary Data Channel 5	161	OTHER (8)	vip2_anc_b(21)
vip2_mult_ancb_src6	Video Input 2 Port B Ancillary Data Channel 6	162	OTHER (8)	vip2_anc_b(21)
vip2_mult_ancb_src7	Video Input 2 Port B Ancillary Data Channel 7	163	OTHER (8)	vip2_anc_b(21)
vip2_mult_ancb_src8	Video Input 2 Port B Ancillary Data Channel 8	164	OTHER (8)	vip2_anc_b(21)
vip2_mult_ancb_src9	Video Input 2 Port B Ancillary Data Channel 9	165	OTHER (8)	vip2_anc_b(21)
vip2_mult_ancb_src10	Video Input 2 Port B Ancillary Data Channel 10	166	OTHER (8)	vip2_anc_b(21)
vip2_mult_ancb_src11	Video Input 2 Port B Ancillary Data Channel 11	167	OTHER (8)	vip2_anc_b(21)
vip2_mult_ancb_src12	Video Input 2 Port B Ancillary Data Channel 12	168	OTHER (8)	vip2_anc_b(21)
vip2_mult_ancb_src13	Video Input 2 Port B Ancillary Data Channel 13	169	OTHER (8)	vip2_anc_b(21)
vip2_mult_ancb_src14	Video Input 2 Port B Ancillary Data Channel 14	170	OTHER (8)	vip2_anc_b(21)
vip2_mult_ancb_src15	Video Input 2 Port B Ancillary Data Channel 15	171	OTHER (8)	vip2_anc_b(21)
vip2_porta_luma	Video Input 2 Port A 420 Data Luma	172	YUV (0x1, 0x2, 0x7)	vip2_up_y (20)
vip2_porta_chroma	Video Input 2 Port A 420 Data Chroma	173	YUV (0x5, 0x6, 0x7)	vip2_up_uv(20)
vip2_portb_luma	Video Input 2 Port B 420 Data Luma	174	YUV (0x1, 0x2, 0x7)	vip2_lo_y (21)
vip2_portb_chroma	Video Input 2 Port B 420 Data Chroma	175	YUV (0x5, 0x6, 0x7)	vip2_lo_uv (21)
vip2_porta_rgb	Video Input 2 Port A RGB Data	176	RGB (0x0 - 0x8)	vip2_up_y(20)
vip2_portb_rgb	Video Input 2 Port B RGB Data	177	RGB (0x0 - 0x8)	vip2_lo_y (21)

9.4.8.5 VPDMA MFLAG Mechanism

The device L3_MAIN interconnect accepts MFLAG signals from certain initiators that can influence the internal L3_MAIN arbitration mechanisms. As a result, a higher priority is given to the data traffic initiated by these initiators. The VIP VPDMA can directly drive such MFLAG signals dynamically. The MFLAG generation for VIP VPDMA is enabled by default, and there is no register control over it.

The VPDMA arbitrates between multiple DMA sources within the VIP based on FIFO levels of DMA channels connected to VPDMA. Priority escalation mechanism implemented within VIP subsystem is based on overflow threshold and FIFO margin.

The following is a summary of priority and MFLAG levels provided by the VIP:

- High priority (MFLAG = 3) when FIFO margin is below 25%
- Medium priority (MFLAG = 1) when FIFO margin is between 25% and 50%
- Low priority (MFLAG = 0) when FIFO margin is above 50%

Additionally, the VIP subsystem also generates MReqPriority based upon a programmed descriptor configuration. The MReqPriority configuration influences the arbitration mechanism in the Memory Subsystem only and has no influence on the arbitration that takes place within L3_MAIN interconnect. For more information see [Section 9.4.8.7.1.4, Data Packet Descriptor Word 3](#).

9.4.8.6 VPDMA Interrupts

The VPDMA has 4 interrupt group(s). Each group has an interrupt for all the client interrupts, an interrupt for every 32 channels, a interrupt for each list complete, an interrupt for each list notify and an interrupt for all of the descriptor interrupts. Each of these groups can be individually masked so that only the interrupts specified will trigger the higher level interrupt.

Each interrupt source can be individually masked independently for each separate interrupt group. A status register bit exists for each interrupt source for each interrupt group, that is set whenever the interrupt event occurs even when if the interrupt is masked. The status register bit will remain set until cleared by software by writing a one to the status bit.

[Table 9-31](#) shows all interrupt events from VPDMA that go to VIP top level. The interrupt events are mapped to two interrupt lines, INT0 and INT1, that go to VIP top level.

Table 9-31. VPDMA Interrupt Events

Interrupt	Event Flag Registers	Event Mask Registers	Description
vpdma_int_channel_group0	VIP_INT0_CHANNEL0_INT_STAT VIP_INT1_CHANNEL0_INT_STAT	VIP_INT0_CHANNEL0_INT_MASK VIP_INT1_CHANNEL0_INT_MASK	An unmasked channel interrupt for interrupt group 0 in channel register 0 or 1 has fired.
vpdma_int_channel_group1	VIP_INT0_CHANNEL1_INT_STAT VIP_INT1_CHANNEL1_INT_STAT	VIP_INT0_CHANNEL1_INT_MASK VIP_INT1_CHANNEL1_INT_MASK	An unmasked channel interrupt for interrupt group 1 in channel register 0 or 1 has fired.
vpdma_int_channel_group2	VIP_INT0_CHANNEL2_INT_STAT VIP_INT1_CHANNEL2_INT_STAT	VIP_INT0_CHANNEL2_INT_MASK VIP_INT1_CHANNEL2_INT_MASK	An unmasked channel interrupt for interrupt group 2 in channel register 0 or 1 has fired.
vpdma_int_channel_group3	VIP_INT0_CHANNEL3_INT_STAT VIP_INT1_CHANNEL3_INT_STAT	VIP_INT0_CHANNEL3_INT_MASK VIP_INT1_CHANNEL3_INT_MASK	An unmasked channel interrupt for interrupt group 3 in channel register 0 or 1 has fired.
vpdma_int_channel_group4	VIP_INT0_CHANNEL4_INT_STAT VIP_INT1_CHANNEL4_INT_STAT	VIP_INT0_CHANNEL4_INT_MASK VIP_INT1_CHANNEL4_INT_MASK	An unmasked channel interrupt for interrupt group 4 in channel register 0 or 1 has fired.
vpdma_int_channel_group5	VIP_INT0_CHANNEL5_INT_STAT VIP_INT1_CHANNEL5_INT_STAT	VIP_INT0_CHANNEL5_INT_MASK VIP_INT1_CHANNEL5_INT_MASK	An unmasked channel interrupt for interrupt group 5 in channel register 0 or 1 has fired.
vpdma_int_list0_complete			List 0 has completed
vpdma_int_list0_notify			The data transfer in list 0 with the Notify Field set in the descriptor has completed
vpdma_int_list1_complete			List 1 has completed

Table 9-31. VPDMA Interrupt Events (continued)

Interrupt	Event Flag Registers	Event Mask Registers	Description
vpdma_int_list1_notify			The data transfer in list 1 with the Notify Field set in the descriptor has completed
vpdma_int_list2_complete			List 2 has completed
vpdma_int_list2_notify			The data transfer in list 2 with the Notify Field set in the descriptor has completed
vpdma_int_list3_complete			List 3 has completed
vpdma_int_list3_notify			The data transfer in list 3 with the Notify Field set in the descriptor has completed
vpdma_int_list4_complete	VIP_INT0_LIST0_INT_STAT VIP_INT1_LIST0_INT_STAT	VIP_INT0_LIST0_INT_MASK VIP_INT1_LIST0_INT_MASK	List 4 has completed
vpdma_int_list4_notify			The data transfer in list 4 with the Notify Field set in the descriptor has completed
vpdma_int_list5_complete			List 5 has completed
vpdma_int_list5_notify			The data transfer in list 5 with the Notify Field set in the descriptor has completed
vpdma_int_list6_complete			List 6 has completed
vpdma_int_list6_notify			The data transfer in list 6 with the Notify Field set in the descriptor has completed
vpdma_int_list7_complete			List 7 has completed
vpdma_int_list7_notify			The data transfer in list 7 with the Notify Field set in the descriptor has completed
vpdma_int_client	VIP_INT0_CLIENT0_INT_STAT VIP_INT0_CLIENT1_INT_STAT VIP_INT1_CLIENT0_INT_STAT VIP_INT1_CLIENT1_INT_STAT	VIP_INT0_CLIENT0_INT_MASK VIP_INT0_CLIENT1_INT_MASK VIP_INT1_CLIENT0_INT_MASK VIP_INT1_CLIENT1_INT_MASK	Client Interrupt
vpdma_int_descriptor	VIP_INT0_LIST0_INT_STAT VIP_INT1_LIST0_INT_STAT	VIP_INT0_LIST0_INT_STAT VIP_INT1_LIST0_INT_STAT	Descriptor Interrupt

In [Table 9-31](#) above, the “channel_group”, “client” and “descriptor” interrupts are actually a set of additional interrupts. When software receives an interrupt from a “channel_group,” “client,” or “descriptor” it must read the appropriate register within the VPDMA (refer to [Table 9-32](#) to determine what the actual interrupt was).

Table 9-32. VIP Interrupt Sources

Interrupt	Interrupt Group	Description
channel_vip1_mult_anca_src0	channel_group2	The last write DMA transaction has completed for channel vip1_mult_anca_src0. All data from the channel has been sent and received by the external memory. If a new channel has not been setup for the client vip1_anc_a then the client will be fully empty at this point.
channel_vip1_mult_anca_src1	channel_group2	The last write DMA transaction has completed for channel vip1_mult_anca_src1. All data from the channel has been sent and received by the external memory. If a new channel has not been setup for the client vip1_anc_a then the client will be fully empty at this point.
channel_vip1_mult_anca_src10	channel_group2	The last write DMA transaction has completed for channel vip1_mult_anca_src10. All data from the channel has been sent and received by the external memory. If a new channel has not been setup for the client vip1_anc_a then the client will be fully empty at this point.
channel_vip1_mult_anca_src11	channel_group2	The last write DMA transaction has completed for channel vip1_mult_anca_src11. All data from the channel has been sent and received by the external memory. If a new channel has not been setup for the client vip1_anc_a then the client will be fully empty at this point.
channel_vip1_mult_anca_src12	channel_group2	The last write DMA transaction has completed for channel vip1_mult_anca_src12. All data from the channel has been sent and received by the external memory. If a new channel has not been setup for the client vip1_anc_a then the client will be fully empty at this point.
channel_vip1_mult_anca_src13	channel_group2	The last write DMA transaction has completed for channel vip1_mult_anca_src13. All data from the channel has been sent and received by the external memory. If a new channel has not been setup for the client vip1_anc_a then the client will be fully empty at this point.
channel_vip1_mult_anca_src14	channel_group2	The last write DMA transaction has completed for channel vip1_mult_anca_src14. All data from the channel has been sent and received by the external memory. If a new channel has not been setup for the client vip1_anc_a then the client will be fully empty at this point.
channel_vip1_mult_anca_src15	channel_group2	The last write DMA transaction has completed for channel vip1_mult_anca_src15. All data from the channel has been sent and received by the external memory. If a new channel has not been setup for the client vip1_anc_a then the client will be fully empty at this point.
channel_vip1_mult_anca_src2	channel_group2	The last write DMA transaction has completed for channel vip1_mult_anca_src2. All data from the channel has been sent and received by the external memory. If a new channel has not been setup for the client vip1_anc_a then the client will be fully empty at this point.
channel_vip1_mult_anca_src3	channel_group2	The last write DMA transaction has completed for channel vip1_mult_anca_src3. All data from the channel has been sent and received by the external memory. If a new channel has not been setup for the client vip1_anc_a then the client will be fully empty at this point.
channel_vip1_mult_anca_src4	channel_group2	The last write DMA transaction has completed for channel vip1_mult_anca_src4. All data from the channel has been sent and received by the external memory. If a new channel has not been setup for the client vip1_anc_a then the client will be fully empty at this point.
channel_vip1_mult_anca_src5	channel_group2	The last write DMA transaction has completed for channel vip1_mult_anca_src5. All data from the channel has been sent and received by the external memory. If a new channel has not been setup for the client vip1_anc_a then the client will be fully empty at this point.

Table 9-32. VIP Interrupt Sources (continued)

Interrupt	Interrupt Group	Description
channel_vip1_mult_anca_src6	channel_group2	The last write DMA transaction has completed for channel vip1_mult_anca_src6. All data from the channel has been sent and received by the external memory. If a new channel has not been setup for the client vip1_anc_a then the client will be fully empty at this point.
channel_vip1_mult_anca_src7	channel_group2	The last write DMA transaction has completed for channel vip1_mult_anca_src7. All data from the channel has been sent and received by the external memory. If a new channel has not been setup for the client vip1_anc_a then the client will be fully empty at this point.
channel_vip1_mult_anca_src8	channel_group2	The last write DMA transaction has completed for channel vip1_mult_anca_src8. All data from the channel has been sent and received by the external memory. If a new channel has not been setup for the client vip1_anc_a then the client will be fully empty at this point.
channel_vip1_mult_anca_src9	channel_group2	The last write DMA transaction has completed for channel vip1_mult_anca_src9. All data from the channel has been sent and received by the external memory. If a new channel has not been setup for the client vip1_anc_a then the client will be fully empty at this point.
channel_vip1_mult_ancb_src0	channel_group2	The last write DMA transaction has completed for channel vip1_mult_ancb_src0. All data from the channel has been sent and received by the external memory. If a new channel has not been setup for the client vip1_anc_b then the client will be fully empty at this point.
channel_vip1_mult_ancb_src1	channel_group2	The last write DMA transaction has completed for channel vip1_mult_ancb_src1. All data from the channel has been sent and received by the external memory. If a new channel has not been setup for the client vip1_anc_b then the client will be fully empty at this point.
channel_vip1_mult_ancb_src10	channel_group3	The last write DMA transaction has completed for channel vip1_mult_ancb_src10. All data from the channel has been sent and received by the external memory. If a new channel has not been setup for the client vip1_anc_b then the client will be fully empty at this point.
channel_vip1_mult_ancb_src11	channel_group3	The last write DMA transaction has completed for channel vip1_mult_ancb_src11. All data from the channel has been sent and received by the external memory. If a new channel has not been setup for the client vip1_anc_b then the client will be fully empty at this point.
channel_vip1_mult_ancb_src12	channel_group3	The last write DMA transaction has completed for channel vip1_mult_ancb_src12. All data from the channel has been sent and received by the external memory. If a new channel has not been setup for the client vip1_anc_b then the client will be fully empty at this point.
channel_vip1_mult_ancb_src13	channel_group3	The last write DMA transaction has completed for channel vip1_mult_ancb_src13. All data from the channel has been sent and received by the external memory. If a new channel has not been setup for the client vip1_anc_b then the client will be fully empty at this point.
channel_vip1_mult_ancb_src14	channel_group3	The last write DMA transaction has completed for channel vip1_mult_ancb_src14. All data from the channel has been sent and received by the external memory. If a new channel has not been setup for the client vip1_anc_b then the client will be fully empty at this point.
channel_vip1_mult_ancb_src15	channel_group3	The last write DMA transaction has completed for channel vip1_mult_ancb_src15. All data from the channel has been sent and received by the external memory. If a new channel has not been setup for the client vip1_anc_b then the client will be fully empty at this point.

Table 9-32. VIP Interrupt Sources (continued)

Interrupt	Interrupt Group	Description
channel_vip1_mult_ancb_src2	channel_group2	The last write DMA transaction has completed for channel vip1_mult_ancb_src2. All data from the channel has been sent and received by the external memory. If a new channel has not been setup for the client vip1_anc_b then the client will be fully empty at this point.
channel_vip1_mult_ancb_src3	channel_group2	The last write DMA transaction has completed for channel vip1_mult_ancb_src3. All data from the channel has been sent and received by the external memory. If a new channel has not been setup for the client vip1_anc_b then the client will be fully empty at this point.
channel_vip1_mult_ancb_src4	channel_group2	The last write DMA transaction has completed for channel vip1_mult_ancb_src4. All data from the channel has been sent and received by the external memory. If a new channel has not been setup for the client vip1_anc_b then the client will be fully empty at this point.
channel_vip1_mult_ancb_src5	channel_group2	The last write DMA transaction has completed for channel vip1_mult_ancb_src5. All data from the channel has been sent and received by the external memory. If a new channel has not been setup for the client vip1_anc_b then the client will be fully empty at this point.
channel_vip1_mult_ancb_src6	channel_group2	The last write DMA transaction has completed for channel vip1_mult_ancb_src6. All data from the channel has been sent and received by the external memory. If a new channel has not been setup for the client vip1_anc_b then the client will be fully empty at this point.
channel_vip1_mult_ancb_src7	channel_group2	The last write DMA transaction has completed for channel vip1_mult_ancb_src7. All data from the channel has been sent and received by the external memory. If a new channel has not been setup for the client vip1_anc_b then the client will be fully empty at this point.
channel_vip1_mult_ancb_src8	channel_group2	The last write DMA transaction has completed for channel vip1_mult_ancb_src8. All data from the channel has been sent and received by the external memory. If a new channel has not been setup for the client vip1_anc_b then the client will be fully empty at this point.
channel_vip1_mult_ancb_src9	channel_group2	The last write DMA transaction has completed for channel vip1_mult_ancb_src9. All data from the channel has been sent and received by the external memory. If a new channel has not been setup for the client vip1_anc_b then the client will be fully empty at this point.
channel_vip1_mult_porta_src0	channel_group1	The last write DMA transaction has completed for channel vip1_mult_porta_src0. All data from the channel has been sent and received by the external memory. If a new channel has not been setup for the client vip1_lo_y then the client will be fully empty at this point.
channel_vip1_mult_porta_src1	channel_group1	The last write DMA transaction has completed for channel vip1_mult_porta_src1. All data from the channel has been sent and received by the external memory. If a new channel has not been setup for the client vip1_lo_y then the client will be fully empty at this point.
channel_vip1_mult_porta_src10	channel_group1	The last write DMA transaction has completed for channel vip1_mult_porta_src10. All data from the channel has been sent and received by the external memory. If a new channel has not been setup for the client vip1_lo_y then the client will be fully empty at this point.
channel_vip1_mult_porta_src11	channel_group1	The last write DMA transaction has completed for channel vip1_mult_porta_src11. All data from the channel has been sent and received by the external memory. If a new channel has not been setup for the client vip1_lo_y then the client will be fully empty at this point.

Table 9-32. VIP Interrupt Sources (continued)

Interrupt	Interrupt Group	Description
channel_vip1_mult_porta_src12	channel_group1	The last write DMA transaction has completed for channel vip1_mult_porta_src12. All data from the channel has been sent and received by the external memory. If a new channel has not been setup for the client vip1_lo_y then the client will be fully empty at this point.
channel_vip1_mult_porta_src13	channel_group1	The last write DMA transaction has completed for channel vip1_mult_porta_src13. All data from the channel has been sent and received by the external memory. If a new channel has not been setup for the client vip1_lo_y then the client will be fully empty at this point.
channel_vip1_mult_porta_src14	channel_group1	The last write DMA transaction has completed for channel vip1_mult_porta_src14. All data from the channel has been sent and received by the external memory. If a new channel has not been setup for the client vip1_lo_y then the client will be fully empty at this point.
channel_vip1_mult_porta_src15	channel_group1	The last write DMA transaction has completed for channel vip1_mult_porta_src15. All data from the channel has been sent and received by the external memory. If a new channel has not been setup for the client vip1_lo_y then the client will be fully empty at this point.
channel_vip1_mult_porta_src2	channel_group1	The last write DMA transaction has completed for channel vip1_mult_porta_src2. All data from the channel has been sent and received by the external memory. If a new channel has not been setup for the client vip1_lo_y then the client will be fully empty at this point.
channel_vip1_mult_porta_src3	channel_group1	The last write DMA transaction has completed for channel vip1_mult_porta_src3. All data from the channel has been sent and received by the external memory. If a new channel has not been setup for the client vip1_lo_y then the client will be fully empty at this point.
channel_vip1_mult_porta_src4	channel_group1	The last write DMA transaction has completed for channel vip1_mult_porta_src4. All data from the channel has been sent and received by the external memory. If a new channel has not been setup for the client vip1_lo_y then the client will be fully empty at this point.
channel_vip1_mult_porta_src5	channel_group1	The last write DMA transaction has completed for channel vip1_mult_porta_src5. All data from the channel has been sent and received by the external memory. If a new channel has not been setup for the client vip1_lo_y then the client will be fully empty at this point.
channel_vip1_mult_porta_src6	channel_group1	The last write DMA transaction has completed for channel vip1_mult_porta_src6. All data from the channel has been sent and received by the external memory. If a new channel has not been setup for the client vip1_lo_y then the client will be fully empty at this point.
channel_vip1_mult_porta_src7	channel_group1	The last write DMA transaction has completed for channel vip1_mult_porta_src7. All data from the channel has been sent and received by the external memory. If a new channel has not been setup for the client vip1_lo_y then the client will be fully empty at this point.
channel_vip1_mult_porta_src8	channel_group1	The last write DMA transaction has completed for channel vip1_mult_porta_src8. All data from the channel has been sent and received by the external memory. If a new channel has not been setup for the client vip1_lo_y then the client will be fully empty at this point.
channel_vip1_mult_porta_src9	channel_group1	The last write DMA transaction has completed for channel vip1_mult_porta_src9. All data from the channel has been sent and received by the external memory. If a new channel has not been setup for the client vip1_lo_y then the client will be fully empty at this point.

Table 9-32. VIP Interrupt Sources (continued)

Interrupt	Interrupt Group	Description
channel_vip1_mult_portb_src0	channel_group1	The last write DMA transaction has completed for channel vip1_mult_portb_src0. All data from the channel has been sent and received by the external memory. If a new channel has not been setup for the client vip1_lo_uv then the client will be fully empty at this point.
channel_vip1_mult_portb_src1	channel_group1	The last write DMA transaction has completed for channel vip1_mult_portb_src1. All data from the channel has been sent and received by the external memory. If a new channel has not been setup for the client vip1_lo_uv then the client will be fully empty at this point.
channel_vip1_mult_portb_src10	channel_group2	The last write DMA transaction has completed for channel vip1_mult_portb_src10. All data from the channel has been sent and received by the external memory. If a new channel has not been setup for the client vip1_lo_uv then the client will be fully empty at this point.
channel_vip1_mult_portb_src11	channel_group2	The last write DMA transaction has completed for channel vip1_mult_portb_src11. All data from the channel has been sent and received by the external memory. If a new channel has not been setup for the client vip1_lo_uv then the client will be fully empty at this point.
channel_vip1_mult_portb_src12	channel_group2	The last write DMA transaction has completed for channel vip1_mult_portb_src12. All data from the channel has been sent and received by the external memory. If a new channel has not been setup for the client vip1_lo_uv then the client will be fully empty at this point.
channel_vip1_mult_portb_src13	channel_group2	The last write DMA transaction has completed for channel vip1_mult_portb_src13. All data from the channel has been sent and received by the external memory. If a new channel has not been setup for the client vip1_lo_uv then the client will be fully empty at this point.
channel_vip1_mult_portb_src14	channel_group2	The last write DMA transaction has completed for channel vip1_mult_portb_src14. All data from the channel has been sent and received by the external memory. If a new channel has not been setup for the client vip1_lo_uv then the client will be fully empty at this point.
channel_vip1_mult_portb_src15	channel_group2	The last write DMA transaction has completed for channel vip1_mult_portb_src15. All data from the channel has been sent and received by the external memory. If a new channel has not been setup for the client vip1_lo_uv then the client will be fully empty at this point.
channel_vip1_mult_portb_src2	channel_group1	The last write DMA transaction has completed for channel vip1_mult_portb_src2. All data from the channel has been sent and received by the external memory. If a new channel has not been setup for the client vip1_lo_uv then the client will be fully empty at this point.
channel_vip1_mult_portb_src3	channel_group1	The last write DMA transaction has completed for channel vip1_mult_portb_src3. All data from the channel has been sent and received by the external memory. If a new channel has not been setup for the client vip1_lo_uv then the client will be fully empty at this point.
channel_vip1_mult_portb_src4	channel_group1	The last write DMA transaction has completed for channel vip1_mult_portb_src4. All data from the channel has been sent and received by the external memory. If a new channel has not been setup for the client vip1_lo_uv then the client will be fully empty at this point.
channel_vip1_mult_portb_src5	channel_group1	The last write DMA transaction has completed for channel vip1_mult_portb_src5. All data from the channel has been sent and received by the external memory. If a new channel has not been setup for the client vip1_lo_uv then the client will be fully empty at this point.

Table 9-32. VIP Interrupt Sources (continued)

Interrupt	Interrupt Group	Description
channel_vip1_mult_portb_src6	channel_group1	The last write DMA transaction has completed for channel vip1_mult_portb_src6. All data from the channel has been sent and received by the external memory. If a new channel has not been setup for the client vip1_lo_uv then the client will be fully empty at this point.
channel_vip1_mult_portb_src7	channel_group1	The last write DMA transaction has completed for channel vip1_mult_portb_src7. All data from the channel has been sent and received by the external memory. If a new channel has not been setup for the client vip1_lo_uv then the client will be fully empty at this point.
channel_vip1_mult_portb_src8	channel_group1	The last write DMA transaction has completed for channel vip1_mult_portb_src8. All data from the channel has been sent and received by the external memory. If a new channel has not been setup for the client vip1_lo_uv then the client will be fully empty at this point.
channel_vip1_mult_portb_src9	channel_group1	The last write DMA transaction has completed for channel vip1_mult_portb_src9. All data from the channel has been sent and received by the external memory. If a new channel has not been setup for the client vip1_lo_uv then the client will be fully empty at this point.
channel_vip1_porta_chroma	channel_group3	The last write DMA transaction has completed for channel vip1_porta_chroma. All data from the channel has been sent and received by the external memory. If a new channel has not been setup for the client then the client will be fully empty at this point.
channel_vip1_porta_luma	channel_group3	The last write DMA transaction has completed for channel vip1_porta_luma. All data from the channel has been sent and received by the external memory. If a new channel has not been setup for the client then the client will be fully empty at this point.
channel_vip1_porta_rgb	channel_group3	The last write DMA transaction has completed for channel vip1_porta_rgb. All data from the channel has been sent and received by the external memory. If a new channel has not been setup for the client vip1_up_y then the client will be fully empty at this point.
channel_vip1_portb_chroma	channel_group3	The last write DMA transaction has completed for channel vip1_portb_chroma. All data from the channel has been sent and received by the external memory. If a new channel has not been setup for the client then the client will be fully empty at this point.
channel_vip1_portb_luma	channel_group3	The last write DMA transaction has completed for channel vip1_portb_luma. All data from the channel has been sent and received by the external memory. If a new channel has not been setup for the client then the client will be fully empty at this point.
channel_vip1_portb_rgb	channel_group3	The last write DMA transaction has completed for channel vip1_portb_rgb. All data from the channel has been sent and received by the external memory. If a new channel has not been setup for the client vip1_lo_y then the client will be fully empty at this point.
channel_vip2_mult_anc_a_src0	channel_group4	The last write DMA transaction has completed for channel vip2_mult_anc_a_src0. All data from the channel has been sent and received by the external memory. If a new channel has not been setup for the client vip2_anc_a then the client will be fully empty at this point.
channel_vip2_mult_anc_a_src1	channel_group4	The last write DMA transaction has completed for channel vip2_mult_anc_a_src1. All data from the channel has been sent and received by the external memory. If a new channel has not been setup for the client vip2_anc_a then the client will be fully empty at this point.

Table 9-32. VIP Interrupt Sources (continued)

Interrupt	Interrupt Group	Description
channel_vip2_mult_anca_src10	channel_group4	The last write DMA transaction has completed for channel vip2_mult_anca_src10. All data from the channel has been sent and received by the external memory. If a new channel has not been setup for the client vip2_anc_a then the client will be fully empty at this point.
channel_vip2_mult_anca_src11	channel_group4	The last write DMA transaction has completed for channel vip2_mult_anca_src11. All data from the channel has been sent and received by the external memory. If a new channel has not been setup for the client vip2_anc_a then the client will be fully empty at this point.
channel_vip2_mult_anca_src12	channel_group4	The last write DMA transaction has completed for channel vip2_mult_anca_src12. All data from the channel has been sent and received by the external memory. If a new channel has not been setup for the client vip2_anc_a then the client will be fully empty at this point.
channel_vip2_mult_anca_src13	channel_group4	The last write DMA transaction has completed for channel vip2_mult_anca_src13. All data from the channel has been sent and received by the external memory. If a new channel has not been setup for the client vip2_anc_a then the client will be fully empty at this point.
channel_vip2_mult_anca_src14	channel_group4	The last write DMA transaction has completed for channel vip2_mult_anca_src14. All data from the channel has been sent and received by the external memory. If a new channel has not been setup for the client vip2_anc_a then the client will be fully empty at this point.
channel_vip2_mult_anca_src15	channel_group4	The last write DMA transaction has completed for channel vip2_mult_anca_src15. All data from the channel has been sent and received by the external memory. If a new channel has not been setup for the client vip2_anc_a then the client will be fully empty at this point.
channel_vip2_mult_anca_src2	channel_group4	The last write DMA transaction has completed for channel vip2_mult_anca_src2. All data from the channel has been sent and received by the external memory. If a new channel has not been setup for the client vip2_anc_a then the client will be fully empty at this point.
channel_vip2_mult_anca_src3	channel_group4	The last write DMA transaction has completed for channel vip2_mult_anca_src3. All data from the channel has been sent and received by the external memory. If a new channel has not been setup for the client vip2_anc_a then the client will be fully empty at this point.
channel_vip2_mult_anca_src4	channel_group4	The last write DMA transaction has completed for channel vip2_mult_anca_src4. All data from the channel has been sent and received by the external memory. If a new channel has not been setup for the client vip2_anc_a then the client will be fully empty at this point.
channel_vip2_mult_anca_src5	channel_group4	The last write DMA transaction has completed for channel vip2_mult_anca_src5. All data from the channel has been sent and received by the external memory. If a new channel has not been setup for the client vip2_anc_a then the client will be fully empty at this point.
channel_vip2_mult_anca_src6	channel_group4	The last write DMA transaction has completed for channel vip2_mult_anca_src6. All data from the channel has been sent and received by the external memory. If a new channel has not been setup for the client vip2_anc_a then the client will be fully empty at this point.
channel_vip2_mult_anca_src7	channel_group4	The last write DMA transaction has completed for channel vip2_mult_anca_src7. All data from the channel has been sent and received by the external memory. If a new channel has not been setup for the client vip2_anc_a then the client will be fully empty at this point.

Table 9-32. VIP Interrupt Sources (continued)

Interrupt	Interrupt Group	Description
channel_vip2_mult_anca_src8	channel_group4	The last write DMA transaction has completed for channel vip2_mult_anca_src8. All data from the channel has been sent and received by the external memory. If a new channel has not been setup for the client vip2_anc_a then the client will be fully empty at this point.
channel_vip2_mult_anca_src9	channel_group4	The last write DMA transaction has completed for channel vip2_mult_anca_src9. All data from the channel has been sent and received by the external memory. If a new channel has not been setup for the client vip2_anc_a then the client will be fully empty at this point.
channel_vip2_mult_ancb_src0	channel_group4	The last write DMA transaction has completed for channel vip2_mult_ancb_src0. All data from the channel has been sent and received by the external memory. If a new channel has not been setup for the client vip2_anc_b then the client will be fully empty at this point.
channel_vip2_mult_ancb_src1	channel_group4	The last write DMA transaction has completed for channel vip2_mult_ancb_src1. All data from the channel has been sent and received by the external memory. If a new channel has not been setup for the client vip2_anc_b then the client will be fully empty at this point.
channel_vip2_mult_ancb_src10	channel_group5	The last write DMA transaction has completed for channel vip2_mult_ancb_src10. All data from the channel has been sent and received by the external memory. If a new channel has not been setup for the client vip2_anc_b then the client will be fully empty at this point.
channel_vip2_mult_ancb_src11	channel_group5	The last write DMA transaction has completed for channel vip2_mult_ancb_src11. All data from the channel has been sent and received by the external memory. If a new channel has not been setup for the client vip2_anc_b then the client will be fully empty at this point.
channel_vip2_mult_ancb_src12	channel_group5	The last write DMA transaction has completed for channel vip2_mult_ancb_src12. All data from the channel has been sent and received by the external memory. If a new channel has not been setup for the client vip2_anc_b then the client will be fully empty at this point.
channel_vip2_mult_ancb_src13	channel_group5	The last write DMA transaction has completed for channel vip2_mult_ancb_src13. All data from the channel has been sent and received by the external memory. If a new channel has not been setup for the client vip2_anc_b then the client will be fully empty at this point.
channel_vip2_mult_ancb_src14	channel_group5	The last write DMA transaction has completed for channel vip2_mult_ancb_src14. All data from the channel has been sent and received by the external memory. If a new channel has not been setup for the client vip2_anc_b then the client will be fully empty at this point.
channel_vip2_mult_ancb_src15	channel_group5	The last write DMA transaction has completed for channel vip2_mult_ancb_src15. All data from the channel has been sent and received by the external memory. If a new channel has not been setup for the client vip2_anc_b then the client will be fully empty at this point.
channel_vip2_mult_ancb_src2	channel_group4	The last write DMA transaction has completed for channel vip2_mult_ancb_src2. All data from the channel has been sent and received by the external memory. If a new channel has not been setup for the client vip2_anc_b then the client will be fully empty at this point.
channel_vip2_mult_ancb_src3	channel_group4	The last write DMA transaction has completed for channel vip2_mult_ancb_src3. All data from the channel has been sent and received by the external memory. If a new channel has not been setup for the client vip2_anc_b then the client will be fully empty at this point.

Table 9-32. VIP Interrupt Sources (continued)

Interrupt	Interrupt Group	Description
channel_vip2_mult_ancb_src4	channel_group5	The last write DMA transaction has completed for channel vip2_mult_ancb_src4. All data from the channel has been sent and received by the external memory. If a new channel has not been setup for the client vip2_anc_b then the client will be fully empty at this point.
channel_vip2_mult_ancb_src5	channel_group5	The last write DMA transaction has completed for channel vip2_mult_ancb_src5. All data from the channel has been sent and received by the external memory. If a new channel has not been setup for the client vip2_anc_b then the client will be fully empty at this point.
channel_vip2_mult_ancb_src6	channel_group5	The last write DMA transaction has completed for channel vip2_mult_ancb_src6. All data from the channel has been sent and received by the external memory. If a new channel has not been setup for the client vip2_anc_b then the client will be fully empty at this point.
channel_vip2_mult_ancb_src7	channel_group5	The last write DMA transaction has completed for channel vip2_mult_ancb_src7. All data from the channel has been sent and received by the external memory. If a new channel has not been setup for the client vip2_anc_b then the client will be fully empty at this point.
channel_vip2_mult_ancb_src8	channel_group5	The last write DMA transaction has completed for channel vip2_mult_ancb_src8. All data from the channel has been sent and received by the external memory. If a new channel has not been setup for the client vip2_anc_b then the client will be fully empty at this point.
channel_vip2_mult_ancb_src9	channel_group5	The last write DMA transaction has completed for channel vip2_mult_ancb_src9. All data from the channel has been sent and received by the external memory. If a new channel has not been setup for the client vip2_anc_b then the client will be fully empty at this point.
channel_vip2_mult_porta_src0	channel_group3	The last write DMA transaction has completed for channel vip2_mult_porta_src0. All data from the channel has been sent and received by the external memory. If a new channel has not been setup for the client vip2_lo_y then the client will be fully empty at this point.
channel_vip2_mult_porta_src1	channel_group3	The last write DMA transaction has completed for channel vip2_mult_porta_src1. All data from the channel has been sent and received by the external memory. If a new channel has not been setup for the client vip2_lo_y then the client will be fully empty at this point.
channel_vip2_mult_porta_src10	channel_group3	The last write DMA transaction has completed for channel vip2_mult_porta_src10. All data from the channel has been sent and received by the external memory. If a new channel has not been setup for the client vip2_lo_y then the client will be fully empty at this point.
channel_vip2_mult_porta_src11	channel_group3	The last write DMA transaction has completed for channel vip2_mult_porta_src11. All data from the channel has been sent and received by the external memory. If a new channel has not been setup for the client vip2_lo_y then the client will be fully empty at this point.
channel_vip2_mult_porta_src12	channel_group3	The last write DMA transaction has completed for channel vip2_mult_porta_src12. All data from the channel has been sent and received by the external memory. If a new channel has not been setup for the client vip2_lo_y then the client will be fully empty at this point.
channel_vip2_mult_porta_src13	channel_group3	The last write DMA transaction has completed for channel vip2_mult_porta_src13. All data from the channel has been sent and received by the external memory. If a new channel has not been setup for the client vip2_lo_y then the client will be fully empty at this point.

Table 9-32. VIP Interrupt Sources (continued)

Interrupt	Interrupt Group	Description
channel_vip2_mult_porta_src14	channel_group3	The last write DMA transaction has completed for channel vip2_mult_porta_src14. All data from the channel has been sent and received by the external memory. If a new channel has not been setup for the client vip2_lo_y then the client will be fully empty at this point.
channel_vip2_mult_porta_src15	channel_group3	The last write DMA transaction has completed for channel vip2_mult_porta_src15. All data from the channel has been sent and received by the external memory. If a new channel has not been setup for the client vip2_lo_y then the client will be fully empty at this point.
channel_vip2_mult_porta_src2	channel_group3	The last write DMA transaction has completed for channel vip2_mult_porta_src2. All data from the channel has been sent and received by the external memory. If a new channel has not been setup for the client vip2_lo_y then the client will be fully empty at this point.
channel_vip2_mult_porta_src3	channel_group3	The last write DMA transaction has completed for channel vip2_mult_porta_src3. All data from the channel has been sent and received by the external memory. If a new channel has not been setup for the client vip2_lo_y then the client will be fully empty at this point.
channel_vip2_mult_porta_src4	channel_group3	The last write DMA transaction has completed for channel vip2_mult_porta_src4. All data from the channel has been sent and received by the external memory. If a new channel has not been setup for the client vip2_lo_y then the client will be fully empty at this point.
channel_vip2_mult_porta_src5	channel_group3	The last write DMA transaction has completed for channel vip2_mult_porta_src5. All data from the channel has been sent and received by the external memory. If a new channel has not been setup for the client vip2_lo_y then the client will be fully empty at this point.
channel_vip2_mult_porta_src6	channel_group3	The last write DMA transaction has completed for channel vip2_mult_porta_src6. All data from the channel has been sent and received by the external memory. If a new channel has not been setup for the client vip2_lo_y then the client will be fully empty at this point.
channel_vip2_mult_porta_src7	channel_group3	The last write DMA transaction has completed for channel vip2_mult_porta_src7. All data from the channel has been sent and received by the external memory. If a new channel has not been setup for the client vip2_lo_y then the client will be fully empty at this point.
channel_vip2_mult_porta_src8	channel_group3	The last write DMA transaction has completed for channel vip2_mult_porta_src8. All data from the channel has been sent and received by the external memory. If a new channel has not been setup for the client vip2_lo_y then the client will be fully empty at this point.
channel_vip2_mult_porta_src9	channel_group3	The last write DMA transaction has completed for channel vip2_mult_porta_src9. All data from the channel has been sent and received by the external memory. If a new channel has not been setup for the client vip2_lo_y then the client will be fully empty at this point.
channel_vip2_mult_portb_src0	channel_group3	The last write DMA transaction has completed for channel vip2_mult_portb_src0. All data from the channel has been sent and received by the external memory. If a new channel has not been setup for the client vip2_lo_uv then the client will be fully empty at this point.
channel_vip2_mult_portb_src1	channel_group3	The last write DMA transaction has completed for channel vip2_mult_portb_src1. All data from the channel has been sent and received by the external memory. If a new channel has not been setup for the client vip2_lo_uv then the client will be fully empty at this point.

Table 9-32. VIP Interrupt Sources (continued)

Interrupt	Interrupt Group	Description
channel_vip2_mult_portb_src10	channel_group4	The last write DMA transaction has completed for channel vip2_mult_portb_src10. All data from the channel has been sent and received by the external memory. If a new channel has not been setup for the client vip2_lo_uv then the client will be fully empty at this point.
channel_vip2_mult_portb_src11	channel_group4	The last write DMA transaction has completed for channel vip2_mult_portb_src11. All data from the channel has been sent and received by the external memory. If a new channel has not been setup for the client vip2_lo_uv then the client will be fully empty at this point.
channel_vip2_mult_portb_src12	channel_group4	The last write DMA transaction has completed for channel vip2_mult_portb_src12. All data from the channel has been sent and received by the external memory. If a new channel has not been setup for the client vip2_lo_uv then the client will be fully empty at this point.
channel_vip2_mult_portb_src13	channel_group4	The last write DMA transaction has completed for channel vip2_mult_portb_src13. All data from the channel has been sent and received by the external memory. If a new channel has not been setup for the client vip2_lo_uv then the client will be fully empty at this point.
channel_vip2_mult_portb_src14	channel_group4	The last write DMA transaction has completed for channel vip2_mult_portb_src14. All data from the channel has been sent and received by the external memory. If a new channel has not been setup for the client vip2_lo_uv then the client will be fully empty at this point.
channel_vip2_mult_portb_src15	channel_group4	The last write DMA transaction has completed for channel vip2_mult_portb_src15. All data from the channel has been sent and received by the external memory. If a new channel has not been setup for the client vip2_lo_uv then the client will be fully empty at this point.
channel_vip2_mult_portb_src2	channel_group3	The last write DMA transaction has completed for channel vip2_mult_portb_src2. All data from the channel has been sent and received by the external memory. If a new channel has not been setup for the client vip2_lo_uv then the client will be fully empty at this point.
channel_vip2_mult_portb_src3	channel_group3	The last write DMA transaction has completed for channel vip2_mult_portb_src3. All data from the channel has been sent and received by the external memory. If a new channel has not been setup for the client vip2_lo_uv then the client will be fully empty at this point.
channel_vip2_mult_portb_src4	channel_group4	The last write DMA transaction has completed for channel vip2_mult_portb_src4. All data from the channel has been sent and received by the external memory. If a new channel has not been setup for the client vip2_lo_uv then the client will be fully empty at this point.
channel_vip2_mult_portb_src5	channel_group4	The last write DMA transaction has completed for channel vip2_mult_portb_src5. All data from the channel has been sent and received by the external memory. If a new channel has not been setup for the client vip2_lo_uv then the client will be fully empty at this point.
channel_vip2_mult_portb_src6	channel_group4	The last write DMA transaction has completed for channel vip2_mult_portb_src6. All data from the channel has been sent and received by the external memory. If a new channel has not been setup for the client vip2_lo_uv then the client will be fully empty at this point.
channel_vip2_mult_portb_src7	channel_group4	The last write DMA transaction has completed for channel vip2_mult_portb_src7. All data from the channel has been sent and received by the external memory. If a new channel has not been setup for the client vip2_lo_uv then the client will be fully empty at this point.

Table 9-32. VIP Interrupt Sources (continued)

Interrupt	Interrupt Group	Description
channel_vip2_mult_portb_src8	channel_group4	The last write DMA transaction has completed for channel vip2_mult_portb_src8. All data from the channel has been sent and received by the external memory. If a new channel has not been setup for the client vip2_lo_uv then the client will be fully empty at this point.
channel_vip2_mult_portb_src9	channel_group4	The last write DMA transaction has completed for channel vip2_mult_portb_src9. All data from the channel has been sent and received by the external memory. If a new channel has not been setup for the client vip2_lo_uv then the client will be fully empty at this point.
channel_vip2_porta_chroma	channel_group5	The last write DMA transaction has completed for channel vip2_porta_chroma. All data from the channel has been sent and received by the external memory. If a new channel has not been setup for the client then the client will be fully empty at this point.
channel_vip2_porta_luma	channel_group5	The last write DMA transaction has completed for channel vip2_porta_luma. All data from the channel has been sent and received by the external memory. If a new channel has not been setup for the client then the client will be fully empty at this point.
channel_vip2_porta_rgb	channel_group5	The last write DMA transaction has completed for channel vip2_porta_rgb. All data from the channel has been sent and received by the external memory. If a new channel has not been setup for the client vip2_up_y then the client will be fully empty at this point.
channel_vip2_portb_chroma	channel_group5	The last write DMA transaction has completed for channel vip2_portb_chroma. All data from the channel has been sent and received by the external memory. If a new channel has not been setup for the client then the client will be fully empty at this point.
channel_vip2_portb_luma	channel_group5	The last write DMA transaction has completed for channel vip2_portb_luma. All data from the channel has been sent and received by the external memory. If a new channel has not been setup for the client then the client will be fully empty at this point.
channel_vip2_portb_rgb	channel_group5	The last write DMA transaction has completed for channel vip2_portb_rgb. All data from the channel has been sent and received by the external memory. If a new channel has not been setup for the client vip2_lo_y then the client will be fully empty at this point.
client_vip1_anc_a	client	The client interface vip1_anc_a has reached its current configured interrupt event as specified by the last received control descriptor for this client. If no control descriptor has been configured this will default to having received the End of Frame signal from the transmitting module.
client_vip1_anc_b	client	The client interface vip1_anc_b has reached its current configured interrupt event as specified by the last received control descriptor for this client. If no control descriptor has been configured this will default to having received the End of Frame signal from the transmitting module.
client_vip1_lo_uv	client	The client interface vip1_lo_uv has reached its current configured interrupt event as specified by the last received control descriptor for this client. If no control descriptor has been configured this will default to having received the End of Frame signal from the transmitting module.
client_vip1_lo_y	client	The client interface vip1_lo_y has reached its current configured interrupt event as specified by the last received control descriptor for this client. If no control descriptor has been configured this will default to having received the End of Frame signal from the transmitting module.

Table 9-32. VIP Interrupt Sources (continued)

Interrupt	Interrupt Group	Description
client_vip1_up_uv	client	The client interface vip1_up_uv has reached its current configured interrupt event as specified by the last received control descriptor for this client. If no control descriptor has been configured this will default to having received the End of Frame signal from the transmitting module.
client_vip1_up_y	client	The client interface vip1_up_y has reached its current configured interrupt event as specified by the last received control descriptor for this client. If no control descriptor has been configured this will default to having received the End of Frame signal from the transmitting module.
client_vip2_anc_a	client	The client interface vip2_anc_a has reached its current configured interrupt event as specified by the last received control descriptor for this client. If no control descriptor has been configured this will default to having received the End of Frame signal from the transmitting module.
client_vip2_anc_b	client	The client interface vip2_anc_b has reached its current configured interrupt event as specified by the last received control descriptor for this client. If no control descriptor has been configured this will default to having received the End of Frame signal from the transmitting module.
client_vip2_lo_uv	client	The client interface vip2_lo_uv has reached its current configured interrupt event as specified by the last received control descriptor for this client. If no control descriptor has been configured this will default to having received the End of Frame signal from the transmitting module.
client_vip2_lo_y	client	The client interface vip2_lo_y has reached its current configured interrupt event as specified by the last received control descriptor for this client. If no control descriptor has been configured this will default to having received the End of Frame signal from the transmitting module.
client_vip2_up_uv	client	The client interface vip2_up_uv has reached its current configured interrupt event as specified by the last received control descriptor for this client. If no control descriptor has been configured this will default to having received the End of Frame signal from the transmitting module.
client_vip2_up_y	client	The client interface vip2_up_y has reached its current configured interrupt event as specified by the last received control descriptor for this client. If no control descriptor has been configured this will default to having received the End of Frame signal from the transmitting module.
client_vpi_ctl	client	The client interface vpi_ctl has reached its current configured interrupt event as specified by the last received control descriptor for this client. If no control descriptor has been configured this will default to having sent the End of Frame signal to the receiving module.
control_descriptor_int0	descriptor	A Send Interrupt Control Descriptor has been received by the list manager with a source value of 0.
control_descriptor_int1	descriptor	A Send Interrupt Control Descriptor has been received by the list manager with a source value of 1.
control_descriptor_int10	descriptor	A Send Interrupt Control Descriptor has been received by the list manager with a source value of 10.
control_descriptor_int11	descriptor	A Send Interrupt Control Descriptor has been received by the list manager with a source value of 11.
control_descriptor_int12	descriptor	A Send Interrupt Control Descriptor has been received by the list manager with a source value of 12.
control_descriptor_int13	descriptor	A Send Interrupt Control Descriptor has been received by the list manager with a source value of 13.
control_descriptor_int14	descriptor	A Send Interrupt Control Descriptor has been received by the list manager with a source value of 14.
control_descriptor_int15	descriptor	A Send Interrupt Control Descriptor has been received by the list manager with a source value of 15.

Table 9-32. VIP Interrupt Sources (continued)

Interrupt	Interrupt Group	Description
control_descriptor_int2	descriptor	A Send Interrupt Control Descriptor has been received by the list manager with a source value of 2.
control_descriptor_int3	descriptor	A Send Interrupt Control Descriptor has been received by the list manager with a source value of 3.
control_descriptor_int4	descriptor	A Send Interrupt Control Descriptor has been received by the list manager with a source value of 4.
control_descriptor_int5	descriptor	A Send Interrupt Control Descriptor has been received by the list manager with a source value of 5.
control_descriptor_int6	descriptor	A Send Interrupt Control Descriptor has been received by the list manager with a source value of 6.
control_descriptor_int7	descriptor	A Send Interrupt Control Descriptor has been received by the list manager with a source value of 7.
control_descriptor_int8	descriptor	A Send Interrupt Control Descriptor has been received by the list manager with a source value of 8.
control_descriptor_int9	descriptor	A Send Interrupt Control Descriptor has been received by the list manager with a source value of 9.
list0_complete	list0_complete	List 0 has completed
list0_notify	list0_notify	The data transfer in list 0 with the Notify Field set in the descriptor has completed
list1_complete	list1_complete	List 1 has completed
list1_notify	list1_notify	The data transfer in list 1 with the Notify Field set in the descriptor has completed
list2_complete	list2_complete	List 2 has completed
list2_notify	list2_notify	The data transfer in list 2 with the Notify Field set in the descriptor has completed
list3_complete	list3_complete	List 3 has completed
list3_notify	list3_notify	The data transfer in list 3 with the Notify Field set in the descriptor has completed
list4_complete	list4_complete	List 4 has completed
list4_notify	list4_notify	The data transfer in list 4 with the Notify Field set in the descriptor has completed
list5_complete	list5_complete	List 5 has completed
list5_notify	list5_notify	The data transfer in list 5 with the Notify Field set in the descriptor has completed
list6_complete	list6_complete	List 6 has completed
list6_notify	list6_notify	The data transfer in list 6 with the Notify Field set in the descriptor has completed
list7_complete	list7_complete	List 7 has completed
list7_notify	list7_notify	The data transfer in list 7 with the Notify Field set in the descriptor has completed

9.4.8.7 VPDMA Descriptors

The VPDMA needs to be programmed through descriptors (a pre-defined structure of eight or four 32-bit words depending on type of descriptors) other than VPDMA Memory Mapped Registers (MMR). Descriptors are of three types:

- i. **Data Transfer Descriptors** - A memory structure used to describe a desired memory transaction to or from a client.
- ii. **Control Descriptors** - A memory structure used to perform a control operation inside the DMA controller
- iii. **Configuration Descriptors** - A memory structure used to described a setup that should be applied to an processing modules like MMR write, scalar coefficient write etc.

9.4.8.7.1 Data Transfer Descriptors

In order to set up data transfers from the VPDMA, a data transfer descriptor is added into a list. The fields used for an Inbound and Outbound descriptor vary slightly. An outbound transfer can have two different outbound transfers. The two transfers are the main data transfer and a write of an Inbound Descriptor. The created inbound descriptor is formatted so it can be read back in directly to the next channel specified in the original descriptor.

Figure 9-95. Inbound Data Transfer Descriptor Format

	31:24			23:16				15:8			7:0		
Word 0	Data Type	Notify	Field	1D	Even Line Skip	RSV	Odd Line Skip	Line Stride					
Word 1	Line Length						Transfer Height						
Word 2	Start Address									RSV	RSV		
Word 3	Packet Type	Mode	Dir	Channel				Reserved	Pri	Next Channel			
Word 4	Frame Width						Frame Height						
Word 5	Horizontal Start						Vertical Start						
Word 6	Client Specific Attributes												
Word 7	Client Specific Attributes												

vip-072

Figure 9-96. Outbound Data Transfer Descriptor Format

	31	30	29	28	27	26	25	24	23	22	21	20	19	18	17	16	15	14	13	12	11	10	9	8	7	6	5	4	3	2	1	0
Word 0	Data Type			Notify	Field	1D	Reserved	Even Line Skip	Reserved	Odd Line Skip	Line Stride																					
Word 1	Reserved																															
Word 2	Start Address																															
Word 3	Packet Type	Mode	Dir	Channel				NoReject	Reserved	Pri	Next Channel																					
Word 4	Descriptor Write Address																								Reserved	write descriptor	Reserved					
Word 5	Reserved																								Max Width	Reserved	Max Height					
Word 6	Reserved																															
Word 7	Reserved																															

The general data transfer Descriptor formats can be seen in the above figures. The descriptor consists of 8×32 bit words. A Data Transfer Descriptor will be removed from the list when the resource specified by the Channel field is free. If the Channel is not free when the list reaches a data transfer descriptor then the list will stall until the current transfer on the channel has completed.

9.4.8.7.1.1 Data Packet Descriptor Word 0 (Data)
Table 9-33. Data Packet Descriptor Word 0 Field Descriptions

Bit	Field	Value	Description
31:26	Data Type		Miscellaneous Channel Sets the pixel size in bits plus 1
			RGB Channel
		0	RGB16-565
		1h	ARGB-1555
		2h	ARGB-4444
		3h	RGBA-5551
		4h	RGBA-4444
		5h	ARGB24-6666
		6h	RGB24-888
		7h	ARGB32-8888
		8h	RGBA24-6666
		9h	RGBA32-8888
		10h	BGR16-565
		11h	ABGR-1555
		12h	ABGR-4444
		13h	BGRA-5551
		14h	BGRA-4444
		15h	ABGR24-6666
		16h	BGR24-888
		17h	ABGR32-8888
		18h	BGRA24-6666
		19h	BGRA32-8888
			YUV Channel
		0	Y 4:4:4
		1	Y 4:2:2
		2	Y 4:2:0
		4	C 4:4:4
		5	C 4:2:2
		6	C 4:2:0
		7	CY 4:2:2
		8	YCbC 4:4:4
		14h	Cb 4:4:4
15h	Cb 4:2:2		
16h	Cb 4:2:0		
17h	CbY 4:2:2		
27h	YC 4:2:2		
37h	YCb 4:2:2		
25	Notify	0-1	Send List Notification Interrupt upon last transfer of this channel
24	Field	0-1	Field Value
23	1D	0	The transfer is one dimensional. The transfer and frame sizes are combined to make a single 32 bit transfer size. For writes this value is passed to the generated descriptor. This feature is not supported by all clients. Only clients that support the feature will recognize this bit. Note: 1D mode is not supported by VIP modules

Table 9-33. Data Packet Descriptor Word 0 Field Descriptions (continued)

Bit	Field	Value	Description
22:20	Even Line Skip		Field Value
		0	+1 line
		1h	+2 lines
		2h-7h	Reserved
19	Reserved		Reserved for future use
18:16	Odd Line Skip		Field Value
		0	+1 line
		1h	+2 lines
		2h-7h	Reserved
15:0	Line Stride	0-FFFFh	Address stride between lines in bytes

9.4.8.7.1.1.1 Data Type

Bits 31-26 indicate the type of data that is to be transferred. This value is used to compute the number of bytes per pixel so that transactions may be made for the appropriate amount of data. The types of data are dependent on the type of channel. The VPDMA descriptor data types RGB or YUV are defined associated with the VPDMA channel assignment. This helps the engine to distinguish between the overlapping values of the descriptor data types for RGB and YUV data.

- For the Miscellaneous channel, the Data Type selects the size in bits of the data. The range is from 0 to 63 to represent the sizes from 1 to 64 bits.
- For a YUV channel, the Data Type determines, if the data channel is interleaved or color space separate. If color spaced separate, it is still assumed that the two chroma pixels are interleaved.

CAUTION

VPDMA defines the component ordering for its RGB data types in the opposite direction of what commonly used image identifiers expect. To avoid color component swapping in the display and/or in the video/image data written out to the memory, the proper Data Type settings for both RGB and YUV data types must be made. The following paragraphs provide more details on how to set Data Type correctly, in order to match the data stored or expected in the memory.

Setting RGB Data Types

The commonly used RGB format identifiers require the color components to be stored in a little-endian style, where the left most component is the LSB component.

- For an ARGB data type, the A component is the LSB location, as shown in [Table 9-34](#) and [Table 9-35](#);
- For a BGRA data type, the B component would be in the LSB location;

Table 9-34. Common ARGB in Memory (Byte Order)

Addr (LSB)	Addr + 1	Addr + 2	Addr + 3 (MSB)
A	R	G	B

Table 9-35. Common ARGB in 32-bit Memory/CPU Register

Bit 31	Bit 23	Bit 15	Bit 7
B	G	R	A

VPDMA specifies its component ordering in the big-endian style, which requires the data to be stored in the reversed order. Example with ARGB data type is shown in [Table 9-36](#) and [Table 9-37](#). The VPDMA ordering for ARGB data type matches the common BGRA data format.

Table 9-36. VPDMA ARGB in Memory (Byte Order)

Addr (LSB)	Addr + 1	Addr + 2	Addr + 3 (MSB)
B	G	R	A

Table 9-37. VPDMA ARGB in 32-bit Memory/CPU Register

Bit 31	Bit 23	Bit 15	Bit 7
A	R	G	B

In order color components to be mapped correctly and to avoid swapping, the reversal must be taken into consideration when configuring the Data Type in the VPDMA transfer descriptor.

[Table 9-38](#) shows the proper settings required for RGB data types for both storage schemes.

Table 9-38. VPDMA Descriptor RGB Data Type Mapping

Source/Destination Image		VPDMA Data Type Mapping Value	
RGB Component order	Common Image Format Names	Column A Source data stored in the VPDMA defined order	Column B Source data stored in the opposite of VPDMA defined order
RGB	RGB16-565	0x0	0x10
	ARGB-1555	0x1	0x13
	ARGB-4444	0x2	0x14
	RGBA-5551	0x3	0x11
	RGBA-4444	0x4	0x12
	ARGB24-6666	0x5	0x18
	RGB24-888	0x6	0x16
	ARGB32-8888	0x7	0x19
	RGBA24-6666	0x8	0x15
	RGBA32-8888	0x9	0x17
BGR	BGR16-565	0x10	0x0
	ABGR-1555	0x11	0x3
	ABGR-4444	0x12	0x4
	BGRA-5551	0x13	0x1
	BGRA-4444	0x14	0x2
	ABGR24-6666	0x15	0x8
	BGR24-888	0x16	0x6
	ABGR32-8888	0x17	0x7
	BGRA24-6666	0x18	0x5
	BGRA32-8888	0x19	0x9

In [Table 9-38](#), if the application uses the same data type definition as the VPDMA (that is, RGB24 refers to the B in the LSB), the data types in Column A should be used. But, if the application expects the common data type component order for RGB data type names, the VPDMA data types in Column B should be used.

For example:

- To display an ARGB32-8888 source image data with A in the LSB, the data type in the descriptor should be set to 0x19. But, to display an ARGB32-888 source image data with B in the LSB, the data type in the descriptor should be set to 0x7.
- To capture and write out a RGB24-888 image in the memory with R in the LSB, the data type in the

descriptor should be set to 0x16 (this case assumes the VIP VIN d[23:0] data input is mapped to RGB bus with B component in the LSB).

Setting YUV Data Types

There is no component order reversal for YUV data types. The VPDMA uses generic data type names to specify the memory storage format and the application simply needs to follow the VPDMA defined ordering.

[Table 9-39](#) shows how common YUV data types map to the VPDMA YUV data types in order to clarify the YUV data type configuration.

Table 9-39. VPDMA Descriptor YUV Data Type Mapping

Source YUV Image Types			VPDMA Data Type Mapping (Value)		
Chroma Sub-sample	Common YUV Image Format Type Names	Memory Packed Order [MSB - LSB]	Luma/Chroma Interleaved Channel	Luma-only Channel	Chroma-only Channel
444	YUV	V U Y	YC 4:4:4 (0x8)		
	UVY	Y V U	Cb 4:4:4 (0x14)		
422	NV16 (YUV422SP_UV)	V U		Y 4:2:2 (0x1)	C 4:2:2 (0x5)
	NV16 (YUV422SP_VU)	U V		Y 4:2:2 (0x1)	Cb 4:2:2 (0x15)
	YUV2/YUYV/V422 (YUV422I_YUYV)	V Y U Y	YC 4:2:2 (0x7)		
	YUV422I_YVYU	U Y V Y	CbY 4:2:2 (0x17)		
	Y422/UYYV (YUV422I_UYYV)	Y V Y U	YC 4:2:2 (0x27)		
	YUV422I_VYUY	Y U Y V	YCb 4:2:2 (0x37)		
420	NV12 (YUV420SP_UV)	V U		Y 4:2:0 (0x2) YC 4:2:2 (0x7) (see ⁽¹⁾)	C 4:2:0 (0x6) YC 4:2:2 (0x7) (see ⁽¹⁾)
	NV21 (YUV420SP_VU)	U V		Y 4:2:0 (0x2) YC 4:2:2 (0x7) (see ⁽¹⁾)	Cb 4:2:0 (0x16) YC 4:2:2 (0x7) (see ⁽¹⁾)

⁽¹⁾ If 422 source data is used, unused component data fetched (either Luma or Chroma) will be discarded.

For further details on the data formats, refer to [Section 9.4.8.9, VPDMA Data Formats](#).

9.4.8.7.1.1.2 Notify

The Notify bit is used in conjunction with the Notify interrupts and when the channel has completed the DMA transfer the Notify Interrupt for the list that contains the descriptor will fire. The last Notify bit set for a specific list will be used so only a single Notify should be set in a list.

9.4.8.7.1.1.3 Field

The Field bit is the field value of the data that will be passed down to the clients. If the data is interlaced, then this value should be cleared to 0.

9.4.8.7.1.1.4 Even Line Skip

The Even Line skip is used with Line Stride to generate the next line address on an even line. All frames start on line 0. This value allows for the DMA controller to skip lines for interlaced data in a progressive frame buffer.

9.4.8.7.1.1.5 Odd Line Skip

The Odd Line skip is used with Line Stride to generate the next line address on an odd line. All frames start on line 0, so this will apply starting with the second line. This value allows for the DMA controller to skip lines for interlaced data in a progressive frame buffer.

9.4.8.7.1.1.6 Line Stride

Bits 15:0 are the stride between lines in bytes at the external address. This value is added or subtracted based upon an adjustment using the current skip value. Operation of the external address pointer shall load the Source Address upon start of the transfer, then at the end of each line increment or decrement by the value computed using the Line Stride and Skip value for the line. The line stride must be aligned to an L3 data bus width. The lower bits of the stride will always be treated as zero to force the alignment.

9.4.8.7.1.2 Data Packet Descriptor Word 1

Table 9-40. Data Packet Descriptor Word 1 Field Description

Bits	Name	Description
31:16	Line Length	Line Length in Pixels
15:0	Transfer Height	Number of rows in transfer.

9.4.8.7.1.2.1 Line Length

Bits 31-16 are the line length in pixels of the current channel. This is ignored for the outbound transfer as the client will provide the line length with the end of line signal on the client interface. The maximum supported line length is currently 4096.

9.4.8.7.1.2.2 Transfer Height

Bits 15-0 are the number of lines to be transferred in the current channel. This is ignored for outbound transfers as the client will provide the line length with the end of frame signal on the client interface. The maximum supported transfer size is currently 2048.

9.4.8.7.1.3 Data Packet Descriptor Word 2

Table 9-41. Data Packet Descriptor Word 2 Field Descriptions

Bit	Field	Value	Description
31:0	Start Address		32-bit data source address [31:0] If Mode is TILED, then TILER specific ADDRESS Map is used: Bits 31-29: 0 0-degree view 1h 180-degree view + mirroring 2h 0-degree view + mirroring 3h 180-degree view 4h 270-degree view + mirroring 5h 270-degree view 6h 90-degree view 7h 90-degree view + mirroring Bits 28-27: 0 8-bit container 1h 16-bit container 2h 32-bit container 3h Page Mode If Mode is NORMAL, then bits 31-26 are the upper bits of the address.

9.4.8.7.1.3.1 Start Address

This is the byte aligned address for the first data transfer. The address on the OCP bus will always be word aligned.

9.4.8.7.1.4 Data Packet Descriptor Word 3

Table 9-42. Data Packet Descriptor Word 3 Field Descriptions

Bits	Name	Description
31:27	Packet Type	Host Packet Descriptor Type = 0xa
26	Mode	0= Normal, 1=TILED
25	Direction	Inbound = 0, Outbound = 1
24:16	Channel	Channel for which this descriptor describes
15	Reserved	Reserved for future use
11:9	Priority	Only Bit 9 and Bit 11 are used to set the priority. Bit 10 is ignored. Highest = 0, Lowest = 3 By default, hardware assigns priority = 3. This priority level is used in the arbitration between the masters (for DDR access). See Section 9.4.8.7.1.4.5, Priority , for more details.
8:0	Next Channel	Next Channel to execute on a line or the channel to use in the generated write descriptor.

9.4.8.7.1.4.1 Packet Type

Bits 31:27 are a unique code which indicates that this Descriptor is a VPDMA descriptor.

9.4.8.7.1.4.2 Mode

Bit 26 is used to indicate if the transfer is to regular memory space or to Tiled memory space. The VPDMA will use this to determine if it does standard raster based addressing or if it assumes that the data is stored in TILER format. If data is stored in TILER format then the buffer is turned into 2 or 4 line buffers depending on the container type. For shared clients that use the memory, such as the ancillary data and the VIP port, only one can be active, if the mode field is set. Only clients that support Tiling will properly pack the data for tiling on the output interface. This must only be set for channels going to clients that support the TILING feature in the client configuration.

9.4.8.7.1.4.3 Direction

Bit 25 is used to indicate the direction of transfer. This bit indicates that the data flow is from an external source to an internal buffer (inbound) or data transfers from an internal buffer to an external location (outbound).

9.4.8.7.1.4.4 Channel

Bits 24:16 are the Channels which is supported by the descriptor. This is the identification of the specific Channel which is controlled by the contents of the descriptor. The channel assignments can be found in the channel table.

9.4.8.7.1.4.5 Priority

Bits 11:9 are set to indicate priority of the transfer, these are directly mapped to the OCP reqinfo bits.

9.4.8.7.1.4.6 Next Channel

Bits 8:0 give the next channel to use to create a composite frame. The next channel must be to a free channel. The last channel of a row should point back to the initial channel which must be a channel tied directly to a client. The Descriptor for the Next Channel must be of the same type as the current descriptor.

9.4.8.7.1.5 Data Packet Descriptor Word 4

9.4.8.7.1.5.1 Inbound data

Table 9-43. Data Packet Descriptor Word 4 Inbound Data Field Descriptions

Bits	Name	Description
31:16	Frame Width	Width of the client frame.
15:0	Frame Height	Height of the client frame

9.4.8.7.1.5.1.1 Frame Width

Bits 31:16 indicate the width in pixels of the frame. This is the width of the entire frame and not just the width of the data represented by the current channel unless this channel fills the entire frame. This allows for the VPDMA to present a larger frame of data to the client while only fetching the required data. The currently supported maximum width is 4096.

9.4.8.7.1.5.1.2 Frame Height

Bits 15:0 indicate the height in pixels of the entire frame. This is the height of the entire frame and not just the height of the data represented by the current channel unless this channel fills the entire frame. This allows for the VPDMA to present a larger frame of data to the client while only fetching the required data. The currently supported maximum height is 2048.

9.4.8.7.1.5.2 Outbound data

Table 9-44. Data Packet Descriptor Word 4 Outbound Data Field Descriptions

Bits	Name	Description
31:5	Descriptor Write Address	The 32 byte aligned location to write an inbound descriptor
2	Write Descriptor	If set to 1, a descriptor will be generated when the client completes a frame.
1	Drop Data	If set to 1, the data will not be written out. Also, if this is set, the write descriptor bit must be set. This allows for descriptors to only be written out so that software can determine the size of the required buffer before data is written out.
0	Use Descriptor Register	If set to 1, the CURRENT_DESCRIPTOR register will be used for the write address location. If set to 0, the Descriptor Write Address field in this word will be used for the Descriptor Write Address.

9.4.8.7.1.5.2.1 Descriptor Write Address

Bits 31:5 set the 32 byte address to write the generated descriptor. This address is only used if the Write Descriptor bit is set to 1 and the Use Descriptor Register bit is set to 0. If this case is met when the channel is complete a descriptor that meets the inbound descriptor format will be written to the location specified by this field. This allows for software to have a specific channel write its descriptor to a specific address no matter what order the channel completes compared to other outbound channels.

9.4.8.7.1.5.2.2 Write Descriptor

Bit 2 determines if a descriptor should be written out when the client is completed. If this bit is set the descriptor will be written. The format of the descriptor will be of an Inbound Data Transfer descriptor with the LINE LENGTH and TRANSFER HEIGHT fields determined by the counters in the clients. This means that the direction bit will be the opposite of the inbound descriptor. The FRAME WIDTH and FRAME HEIGHT values will match the LINE LENGTH and TRANSFER HEIGHT fields. The CHANNEL and NEXT CHANNEL fields will match the NEXT CHANNEL field of the original descriptor. The FIELD bit will match the source field captured by the client. The NOTIFY bit will always be 0. All other fields will match the original outbound descriptor. If the Outbound descriptor MODE is set to TILED data then the descriptor address used will be in TILED data space and software must ensure that the address is in page mode for the address of the descriptor.

9.4.8.7.1.5.2.3 Drop Data

Bit 1 determines if the data should be written out or not. In some cases software might only want to write the descriptor out to determine the size of the buffer that will be required to store incoming data. By setting this bit, no data will be written out. If this bit is set then the Write Descriptor bit MUST be set. Bit 0 determines where the descriptor should be written.

9.4.8.7.1.6 Data Packet Descriptor Word 5

9.4.8.7.1.6.1 Outbound data

Width and Height are set in the following register bit-fields:

- For Max_Size1: [VIP_MAX_SIZE1](#)[31:16] MAX_WIDTH and [VIP_MAX_SIZE1](#)[15:0] MAX_HEIGHT registers
- For Max_Size2: [VIP_MAX_SIZE2](#)[31:16] MAX_WIDTH and [VIP_MAX_SIZE2](#)[15:0] MAX_HEIGHT registers
- For Max_Size3: [VIP_MAX_SIZE3](#)[31:16] MAX_WIDTH and [VIP_MAX_SIZE3](#)[15:0] MAX_HEIGHT registers

Table 9-45. Data Packet Descriptor Word 5 Outbound Data Field Descriptions

Bits	Name	Description
6:4	Max Width	The maximum allowable pixels per line. 0: Unlimited Line Size 1: Use Max_Size1 Max Width field 2: Use Max_Size2 Max Width field 3: Use Max_Size3 Max Width field 4: 352 pixels 5: 768 pixels 6: 1280 pixels 7: 1920 pixels Others: Reserved
2:0	Max Height	The maximum allowable lines per frame. 0: Unlimited Frame Size 1: Use Max_Size1 Max Height field 2: Use Max_Size2 Max Height field 3: Use Max_Size3 Max Height field 4: 288 lines 5: 576 lines 6: 720 lines 7: 1080 lines Others: Reserved

9.4.8.7.1.6.1.1 Max Width

Bits 6:4 are encoded to set the maximum transferred line size. If the field is not set to unlimited if the client sending data into the VPDMA exceeds the maximum allowed pixels the data will continue to be received from the client but will not be sent to external memory until an end of line is received from the client sending data. The outbound descriptor if created will still have the transmitted size of the last line of the frame which will match the max width. If the frame does not exceed the max width then the actual transmitted size will be placed in the descriptor. Tiled clients such as the noise filter should always set this to 0. If Max Width is 0 and the line size is larger than 4096 pixels then the address counters will overflow and the data at the start of the line will be overwritten.

9.4.8.7.1.6.1.2 Max Height

Bits 2:0 are encoded to set the maximum transferred frame size. If the field is not set to unlimited if the client sending data into the VPDMA exceeds the maximum allowed lines the data will continue to be received from the client but will not be sent to external memory until an end of frame is received from the client sending data. The outbound descriptor if created will still have the transmitted number of lines received which would match the max height. If the frame does not exceed the max height then the actual transmitted size will be placed in the descriptor. Tiled clients such as the noise filter should always set this to 0.

9.4.8.7.2 Configuration Descriptor

The Configuration Descriptor is used in a List to setup a client configuration. The configuration descriptor consists of a header and a payload portion. The payload can either be part of the list that the descriptor is contained in or it can be at a separate location. The VPDMA will pass the payload of the configuration descriptor down to the client over the VPI Control port interface or through the MMR configuration port depending on the destination field. A Configuration Descriptor to any single destination except Destination 0 must be on a single list. Configuration Descriptors to different destinations may be on different lists..

The Configuration Descriptor Header is 4 × 32 bit words. A configuration descriptor is not consumed until the destination specified has received the entire configuration payload. Therefore the list is expected to stall while the configuration takes place. This ensures that all descriptors after a configuration descriptor in the list will occur after the desired configuration.

9.4.8.7.2.1 Configuration Descriptor Header Word0

Table 9-46. Configuration Descriptor Header Word0 Field Descriptions

Bits	Name	Description
31:0	Address Offset of the Destination	This is the address offset location in the destination that the block of data in the payload should be written. This field is only used if the descriptor Class is a block type. Otherwise this field is reserved.

9.4.8.7.2.2 Configuration Descriptor Header Word1

Table 9-47. Configuration Descriptor Header Word1 Field Descriptions

Bits	Name	Description
15:0	Number of Data Words	Length of First Data Packet for Class 1(block).

9.4.8.7.2.2.1 Number of Data Words

Bits 15:0 indicate the length of the first data block if the class is 1 as specified in Configuration Descriptor Header Word3. If the class is not 1 then this field should be set to 0.

9.4.8.7.2.3 Configuration Descriptor Header Word2

Table 9-48. Configuration Descriptor Header Word2 Field Descriptions

Bits	Name	Description
31:0	Payload Location	Pointer to the data payload

9.4.8.7.2.3.1 Payload Location

Bits 31:0 contain the pointer to the data payload if the command packet is an indirect type. This value along with the Payload Length will be combined to issue a DMA transaction that must complete before the List Manager can finish processing this descriptor. The list will be made inactive pending this DMA completion. This address should be on a 16 byte boundary so the lower 4 bits should always be 0.

9.4.8.7.2.4 Configuration Descriptor Header Word3

Table 9-49. Configuration Descriptor Header Word3 Field Descriptions

Bits	Name	Description
31:27	Packet Type	Host Packet Descriptor Type = 0xb
26	Direct	Direct Command = 1 Indirect Command = 0
25:24	Class	0 = Address, Data Set 1 = Block 2,3 Reserved for Future Use
23:16	Destination	Destination of the configuration payload
15:0	Payload Length	Length of Payload in Words.

9.4.8.7.2.4.1 Packet Type

Bits 31:27, this field indicates the type of descriptor and should be set 0xB for configuration descriptor.

9.4.8.7.2.4.2 Direct

Bit 26, this field indicates that the descriptor is a direct command or indirect command. A direct command means that the payload is contiguous with the descriptor and will be pulled in by the list manager descriptor control as it processes the list. A direct payload must end on or before a 256 byte boundary in the list. An indirect command is when the Address is located in Word2 is a pointer to the data payload. A DMA transaction will be scheduled to bring the payload into the List Manager to allow for the payload to be sent to the destination.

9.4.8.7.2.4.3 Class

Bits 25:24, this field indicates the type of payload is associated with command descriptor, and thus how to handle the payload.

A 0 indicates that the payload consists of blocks of data with each block having an address and length. The first word after a sub-block contains the next address and length in bytes. This allows for writing to multiple configuration regions in a client. The Configuration Descriptor word1 is the first address and length pair. All addresses used must be larger than the previous address for all destinations except for the MMR destination. If a sub block length is not evenly divisible into 16 then zeroes should be padded in the payload so that the Next Client Address and Length field start on a 16 byte boundary.

9.4.8.7.2.4.3.1 Address Data Block Format

Table 9-50. Address Data Block Format Field Descriptions

Bits	Name	Description
31-0		Next Client Address
31-0		Configuration for Next Client Address
31-0		Configuration for Next Client Address + 4
31-0		Configuration for Next Client Address + 8
31-0		Configuration for Next Client Address + 12
31-0		Configuration for Next Client Address + 16
31-0		Next Client Address 2
15-0		Sub Block Length

A 1 indicates the payload is simply block data. The data is contiguous and starts at the offset of the destination as specified in word1.

9.4.8.7.2.4.4 Destination

The Destination field is used to determine where the configuration payload should be sent. The values for the destination field can be seen in the table below.

Table 9-51. Destination Field Description

Destination Value	Actual Destination	Description
0	mmr_client	Write to MMR registers to setup other modules
7	VIP Slice 0	VIP Slice 0 Scaler Coefficient Tables
8	VIP Slice 1	VIP Slice 1 Scaler Coefficient Tables

9.4.8.7.2.4.5 Descriptor Length

Bits 15:0, this field indicates the size of the payload in words for the command. This is 128 bit words. The maximum number of words is 1023 words in a single payload

9.4.8.7.3 Control Descriptor

9.4.8.7.3.1 Generic Control Descriptor Format

A control descriptor is the mechanism that is used in a list to give commands to the List Manager. These descriptors are not considered consumed until the List Manager has done the instruction required by the descriptor. All control descriptors have a common Header located at Word 3 but the remaining words are based on the specific control descriptor.

9.4.8.7.3.2 Control Descriptor Header Description

Table 9-52. Control Descriptor Header Description

Bits	Name	Description
31:27	Packet Type	Host Packet Descriptor Type = 0xc
26:25	Reserved	Reserved
24:16	Source	Specifies the source used for the control event.
15:4	Reserved	Reserved for future use
3:0	Control	The type of control descriptor that should be run by the List Manager

9.4.8.7.3.2.1 Packet Type

This field indicates a VPDMA control descriptor.

9.4.8.7.3.2.2 Source

The source is combined with the control field to determine what the control descriptor should use as the source for its synchronization event.

9.4.8.7.3.2.3 Control

The Control field defines the specific function of the descriptor. [Table 9-53](#) lists the different control descriptors.

9.4.8.7.3.3 Control Descriptor Types

Table 9-53. Control Descriptor Types Summary

Control Descriptor	Control Field Value	Description
Sync on Client	0	Wait for the client attached to the channel specified to reach a certain event before proceeding.
Sync on List	1h	Wait for another list(s) to reach its Sync on List Descriptor
Sync on External Event	2h	Wait for a Register write to the LIST_STAT_SYNC bit specified or for an external event.
Sync on Channel	4h	Wait for the channel specified to complete
Change Client Interrupt	5h	Change the interrupt event for a client interrupt but do not wait for the event to occur.
Send Interrupt	6h	Generate an interrupt event on one of the Control Descriptor Interrupts
Reload List	7h	Reload the list from the location and size specified.
Abort Channel	8h	Abort the transfer in the channel specified.

9.4.8.7.3.3.1 Sync on Client

A Sync on Client Control descriptor uses the source field to select a channel to modify the attached clients interrupt generation event. For a client that supports multiple channels then only an event on the portion of the client that supports that client will cause the interrupt to be generation. After configuring the interrupt generation event the list will then stall until that event has occurred.

Table 9-54. Sync on Client Field Descriptions (Word - 1)

Bits	Name	Description
31:16	PIXEL_COUNT	Specify the pixel position on a line specified by LINE_COUNT where a pixel based event would occur.
15:0	LINE_COUNT	Specify the line where a line based event would trigger

Table 9-55. Sync on Client Field Descriptions (Word - 3)

Bits	Name	Description
31:27	Packet Type	Host Packet Descriptor Type = Ch
26:24	Reserved	Reserved
23:16	Source	Specifies the source used for the control event.
15:4	Reserved	Reserved for future use
3:0	Control	Control type = 0

9.4.8.7.3.3.2 Sync on List

The Sync on List Control descriptor is a mechanism to ensure that multiple lists have all reached a common point. The Sync on List descriptor uses the Source field as a mask for each list that should be synchronized which must include the list where the control descriptor resides. Once all lists specified in the source field have reached their Sync on List descriptor all lists will resume with the lowest list number resuming first. All Sync on List Control descriptors in each of the lists must have the same source field so that all lists will synchronize upon reaching that point.

If it is desired to synchronize list 0 and list 1 then the source field would be 0x3. If it is desired to synchronize list 1, list 3, and list 4 then the source field would be 0x1a. Word 0, Word 1 and Word 2 are reserved.

Table 9-56. Sync on List Field Descriptions (Word - 3)

Bits	Name	Description
31:27	Packet Type	Host Packet Descriptor Type = Ch
26:24	Reserved	Reserved
23:16	Source	Specifies the source used for the control event.
15:4	Reserved	Reserved for future use
3:0	Control	Control type = 1h

9.4.8.7.3.3.3 Sync on External Event

A Sync on External Event descriptor ensures an external event has occurred before proceeding. The external event can be a write to a bit of the LIST_STAT_SYNC register or other external events that are determined at VPDMA elaboration to have occurred. This descriptor can be used to allow for external software to control progression of the list. The descriptor can also be used to select external signals that are brought into the VPDMA. The current implementation just synchronize on the LIST_STAT_SYNC bit for the list number that called the descriptor.

Table 9-57. Sync on External Event Field Descriptions (Word - 3)

Bits	Name	Description
31:27	Packet Type	Host Packet Descriptor Type = Ch
26:4	Reserved	Reserved
3:0	Control	Control type = 2h

9.4.8.7.3.3.4 Sync on Channel

A Sync on Channel descriptor stalls the list until the channel specified is free. If the channel is already free then the descriptor will not cause the list to stall. Word 0, Word 1 and Word 2 are reserved.

Table 9-58. Sync on Channel Field Descriptions (Word - 3)

Bits	Name	Description
31:27	Packet Type	Host Packet Descriptor Type = Ch
26:24	Reserved	Reserved
23:16	Source	Specifies the source used for the control event.
15:4	Reserved	Reserved for future use
3:0	Control	Control type = 4h

9.4.8.7.3.3.5 Sync on LM Timer

A Sync on LM Timer descriptor sets a value from the current timer position to wait. The LM timer is a free running counter at the LM processing clock. The Timer Value in the descriptor is added to the value of the timer at the time the descriptor is received and the list will stall for this many cycles before it becomes active again.

9.4.8.7.3.3.6 Change Client Interrupt

A Change Channel Interrupt Source descriptor uses the source field to select a channel to modify the attached clients interrupt generation event. The list will not stall on this descriptor. The format of the fields is identical to the Sync on Client Descriptor. Word 0 is reserved.

Table 9-59. Change Client Interrupt Field Descriptions (Word - 1)

Bits	Name	Description
31:16	PIXEL_COUNT	Specify the pixel position on a line specified by LINE_COUNT where a pixel based event would occur.
15:0	LINE_COUNT	Specify the line where a line based event would trigger.

Table 9-60. Change Client Interrupt Field Descriptions (Word - 2)

Bits	Name	Description
31:4	Reserved	Reserved
3:0	Event	Specify the event which should trigger the client interrupt.

Table 9-61. Change Client Interrupt Field Descriptions (Word - 3)

Bits	Name	Description
31:27	Packet Type	Host Packet Descriptor Type = Ch
26:24	Reserved	Reserved

Table 9-61. Change Client Interrupt Field Descriptions (Word - 3) (continued)

Bits	Name	Description
23:16	Source	Specifies the source used for the control event.
15:4	Reserved	Reserved for future use
3:0	Control	Control type = 5h

9.4.8.7.3.3.7 Send Interrupt

A Send Interrupt descriptor will cause the VPDMA to generate an interrupt on the list manager controlled interrupts as specified by the Source Field. The list will not stall on this descriptor. For example, if source is 0 then control_descriptor_int0 will fire. If source is 12, then control_descriptor_int12 will fire. For more information of VPDMA interrupt events, see [Section 9.4.8.6, VPDMA Interrupts](#).

Table 9-62. Send Interrupt Field Descriptions (Word - 3)

Bits	Name	Description
31:27	Packet Type	Host Packet Descriptor Type = Ch
26:24	Reserved	Reserved
23:16	Source	Specifies the source used for the control event.
15:4	Reserved	Reserved for future use
3:0	Control	Control type = 6h

9.4.8.7.3.3.8 Reload List

A Reload List descriptor causes ending descriptors after this descriptor in the original list to be dropped and a new list at the location and of the size specified in the descriptor. This descriptor can be used to allow for linked lists in the VPDMA as the list will continue from this point and fetch the list specified and it does not have to be continuous with the current list.

Table 9-63. Reload List Field Descriptions (Word - 0)

Bits	Name	Description
31:0	LIST_ADDRESS	31 most-significant Bits of the memory address where the descriptors to be loaded are stored. Address must be 16 byte aligned.

Table 9-64. Reload List Field Descriptions (Word - 1)

Bits	Name	Description
31:16	Reserved	Reserved
15:0	LIST_SIZE	Size of the list to load

Table 9-65. Reload List Field Descriptions (Word - 3)

Bits	Name	Description
31:27	Packet Type	Host Packet Descriptor Type = Ch
26:4	Reserved	Reserved
3:0	Control	Control type = 7h

9.4.8.7.3.3.9 Abort Channel

An Abort Channel descriptor is used to clear a channel. This clears the channel from issuing any more requests. Any outstanding requests for that channel will complete as originally scheduled. All data inside the client will be flushed. For Tiled Clients such as the noise filter it is required to issue two consecutive abort channel descriptors to ensure the channel is aborted for both the current tile and next tile. Word 0, Word 1 and Word 2 are reserved.

Table 9-66. Abort Channel Field Descriptions (Word - 3)

Bit	Name	Description
31:27	Packet Type	Host Packet Descriptor type = 0xC
26:24	Reserved	Reserved
23:16	Source	VPDMA Channel Number whose transfers are to be aborted
15:4	Reserved	Reserved
3:0	Control	Control type = 9h

9.4.8.8 VPDMA Configuration

The following section describes the different ways of configuring VPDMA for data transfers.

9.4.8.8.1 Regular List

A regular list executes each descriptor in order until the end of the list is reached. When the end of the list is reached an interrupt is sent and the list can be reused by software. A regular list can contain any descriptor types. Software creates the list at some location in external memory. After completing writing the list software then writes the location of the list to the [VIP_LIST_ADDR\[31:0\]](#) [VIP_LIST_ADDR](#) register and then writes the [VIP_LIST_ATTR](#) register. If the NUMBER in the [VIP_LIST_ATTR\[26:24\]](#) LIST_NUM is not an active list then the List will be loaded and begin to execute the next time the List Manager gets to IDLE after processing previous loaded lists. If the NUMBER in the [VIP_LIST_ATTR\[26:24\]](#) LIST_NUM is busy then the [VIP_LIST_ADDR](#) and [VIP_LIST_ATTR](#) registers will be locked until the active list specified by NUMBER completes.

The different ports inside VPDMA requires different list setup, as explained in the following sections.

9.4.8.8.2 Video Input Ports

The Video Input Ports can be used in multiple ways. Depending on how the input ports are configured will determine how the lists to manage them need to be setup. The ways in which the ports can work are multiplexed data stream, single YUV color separate stream, dual YUV interleaved or single RGB stream. Each port also has an ancillary data port that can run either multiplexed or single data stream and shares the buffering with the main data stream. For all cases the descriptor must be loaded into the client before the vertical sync is received on the VIP port or the entire frame will be dropped. As with all write clients the VIP channels can be shadowed so the next frame/field descriptor can be loaded while the previous frame is running without stalling the list.

9.4.8.8.2.1 Multiplexed Data Streams

In the case of a multiplexed data stream input the channels that should be used are [VIP\(X\)_MULT_PORT\(Y\)_SRC\(Z\)](#). Where X is the specific VIP slice of the instance that wants to be used and port Y is the port A or port B that is receiving the data. Finally Z is the channel number. For Split line mux mode the LSB of the channel will determine, if the line is a split line or a complete line. This is required so that the data streams do not get mixed when a channel ends without completing a line. In this mode the data will always be sent out as 422 Interleaved data to the destination specified in the descriptor.

9.4.8.8.2.2 Single YUV Color Separate

If the port is configured to be used as sending out color separated YUV data then the channels that must be used are VIPX_PORTY_LUMA and VIPX_PORTY_CHROMA for the luma and chroma components respectively. The data type can be either 420 or 422 color separate in this case.

9.4.8.8.2.3 Dual YUV Interleaved

If the port is configured to be used to send out 422 interleaved data from a non-multiplexed source then the channels that must be used are VIPX_PORTY_LUMA or VIPX_PORTY_CHROMA depending on if the data stream is connected to the luma or chroma port. The data type must be 422 interleaved in this case.

9.4.8.9 VPDMA Data Formats

Each of the channels has a type of data that it can support based upon the client that it services. Also for each channel, the data type will assume that data is packed in memory a certain way and will be prevented to the client in the same manner to the client no matter what the format of the data in memory.

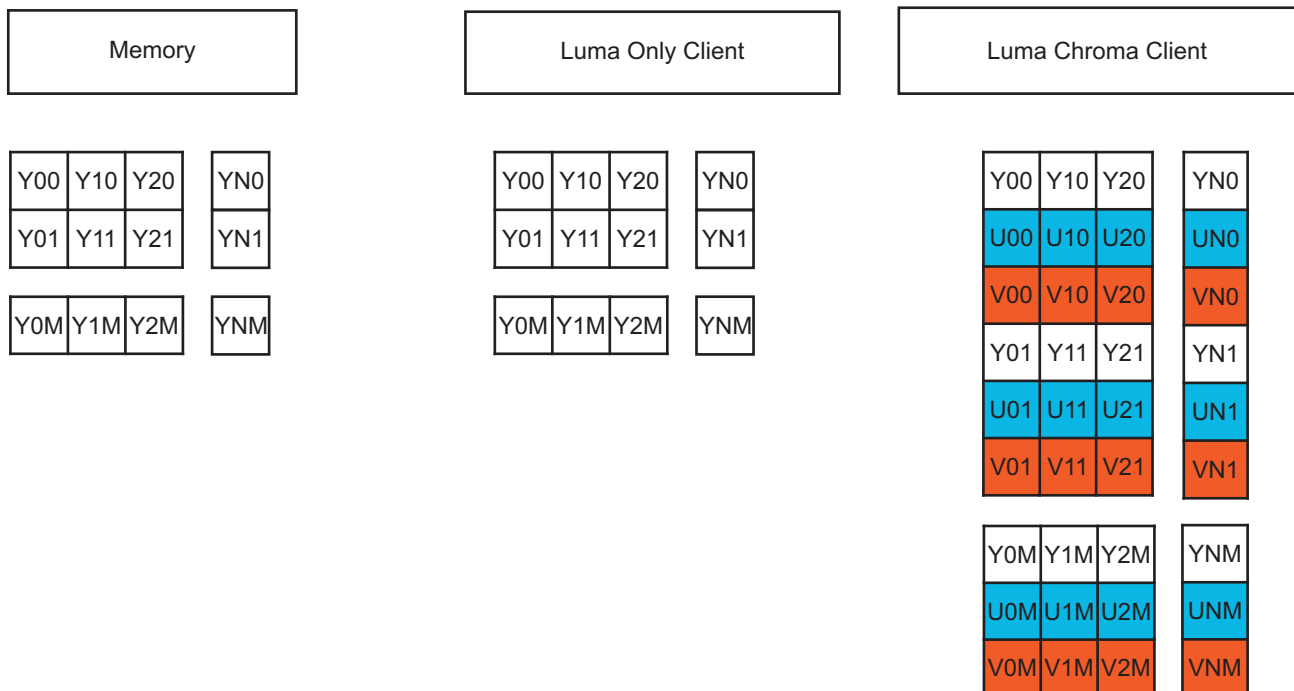
9.4.8.9.1 YUV Data Formats

The YUV formatted channels expect video data that is in YUV color space. The YUV data can be type is for YUV data and it can support both interleaved data where Luma and Chroma are in the same data buffer or it can support co-planar data where the Luma and Chroma are in separate data buffers. The YUV channel also can be given a position to give a different start position for the client instead of the default upper left hand corner of the frame. The storage format for YUV data depends on the data type field. The data type must be set to a data type that the channel can support. All the clients that data are provided too will either accept Luma Only, Chroma Only or Luma and Chroma in a parallel data bus.

9.4.8.9.1.1 Y 4:4:4 (Data Type 0)

The Y 4:4:4 data type is used for a co-planar 4:4:4 data. In this mode the data is assumed to be a single byte with each pixel is packed in a line. If a 2D transfer of the data is used the VPDMA will assume this data type is stored in an 8 bit container. This data block should have the width and height set to the desired frame size expected by the receiving client.

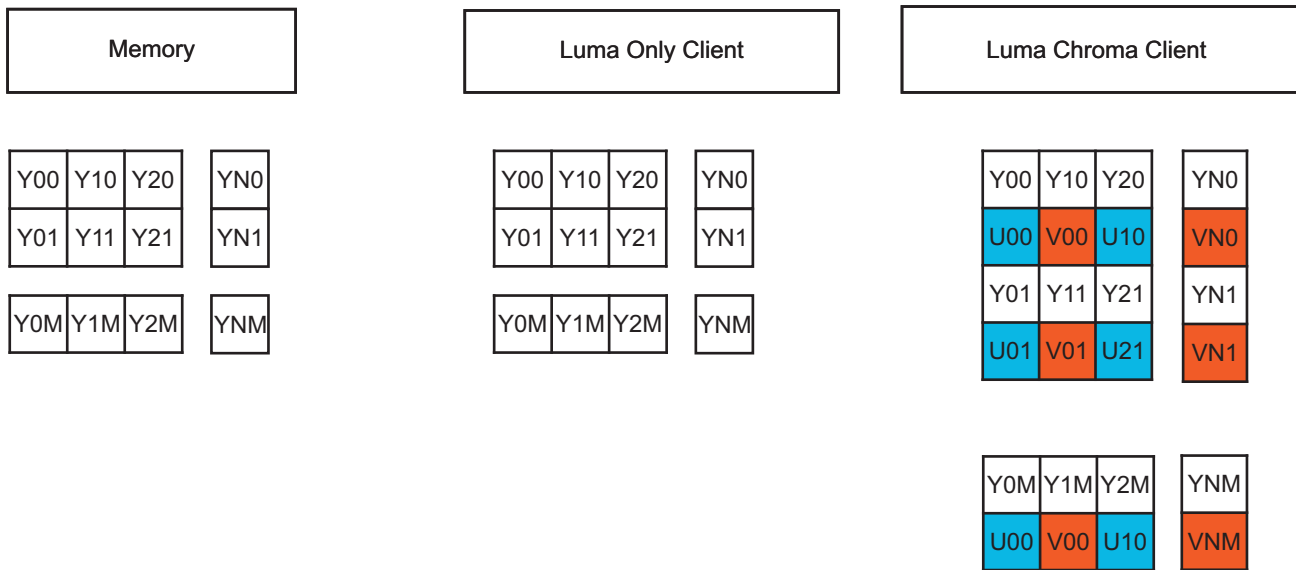
Figure 9-97. Y 4:4:4 (Data Type 0)



9.4.8.9.1.2 Y 4:2:2 (Data Type 1)

The Y 4:2:2 data type is used for a co-planar 4:2:2 data. In this mode the data is assumed to be a single byte with each pixel is packed in a line. If a 2D transfer of the data is used the VPDMA will assume this data type is stored in an 8 bit container. This data block should have the width and the height of the desired frame sent by the VPDMA to the receive client.

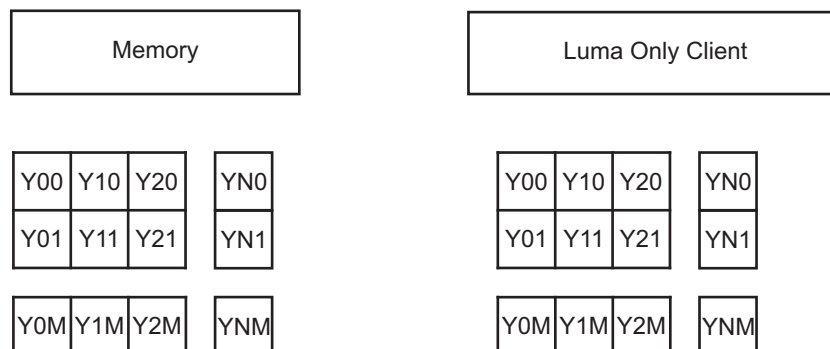
Figure 9-98. Y 4:2:2 (Data Type 1)



9.4.8.9.1.3 Y 4:2:0 (Data Type 2)

The Y 4:2:0 data type is used for a co-planar 4:2:0 data type. In this mode the data is assumed to be a single byte with each pixel is packed in a line. If a 2D transfer of the data is used the VPDMA will assume this data type is stored in an 8 bit container. This data block should have the width and the height of the expected frame for the client.

Figure 9-99. Y 4:2:0 (Data Type 2)



9.4.8.9.1.4 C 4:4:4 (Data Type 4)

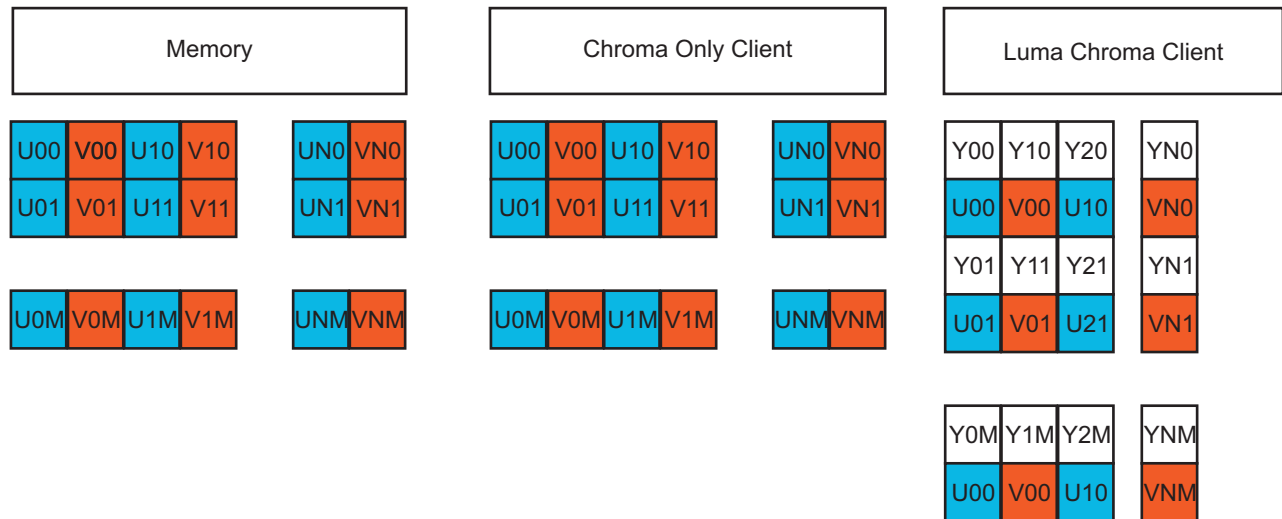
The C 4:4:4 data type is used for a co-planar 4:4:4 data. It is expected to be packed Cb in the lower byte and Cr in the upper byte in 16 bit words for each pixel. If a 2D transfer of the data is used the VPDMA will assume this data type is stored in an 16 bit container. This data block should have the width and height of the expected client frame.

Figure 9-100. C 4:4:4 (Data Type 4)



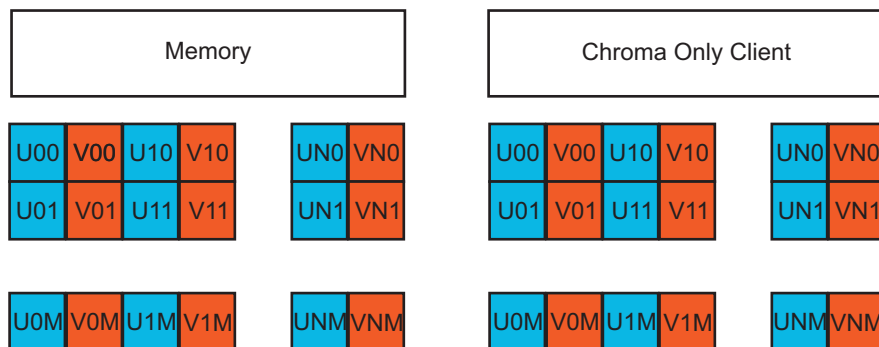
9.4.8.9.1.5 C 4:2:2 (Data Type 5)

The C 4:2:2 data type is used for co-planar 4:2:2 data. It is expected to be packed Cb in the lower byte and Cr in the upper byte in 16 bit words for each pixel. If a 2D transfer of the data is used the VPDMA will assume this data type is stored in an 16 bit container. This data block should have the width and the height of the expected client frame.

Figure 9-101. C 4:2:2 (Data Type 5)


9.4.8.9.1.6 C 4:2:0 (Data Type 6)

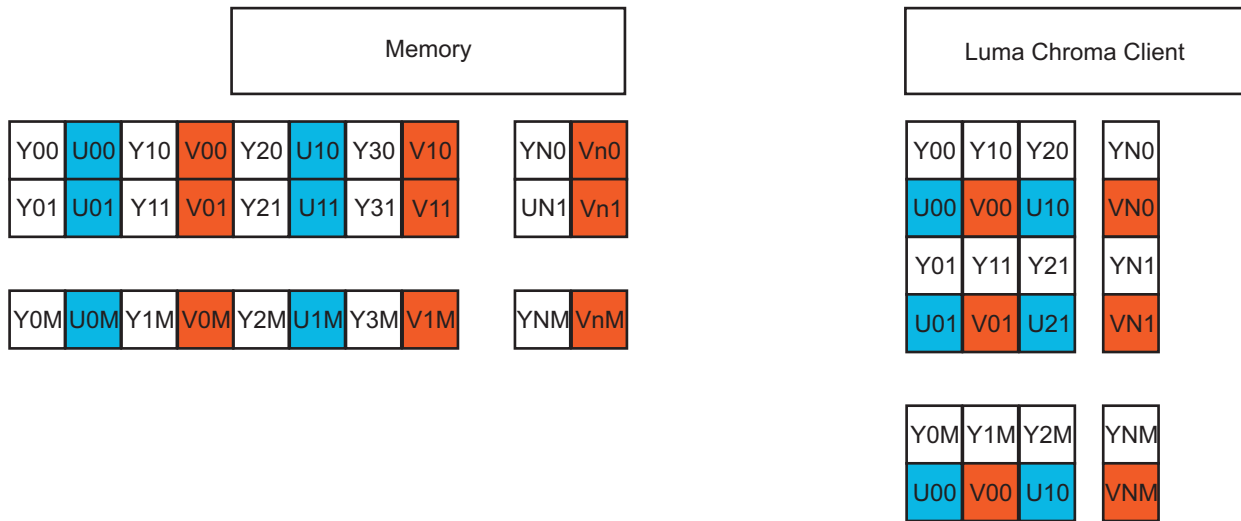
The C 4:2:0 data type is used for a co-planar 4:2:0 data. It is expected to be packed Cb in the lower byte and Cr in the upper byte in 16 bit words for each pixel. If a 2D transfer of the data is used the VPDMA will assume this data type is stored in a 16 bit container. This data block should have the width and half the height of the expected clients frame.

Figure 9-102. C 4:2:0 (Data Type 6)


9.4.8.9.1.7 YC 4:2:2 (Data Type 7)

The YC 4:2:2 data type is used for interleaved 4:2:2 data. It is expected to be packed with Y0 in the lowest byte followed by Cb followed by Y1 finally Cr in the upper most byte. The transfer counts each YC pair in a 16 bit word as a pixel but the number of pixels should be even. If a 2D transfer of the data is used the VPDMA will assume this data type is stored in an 32 bit container. The data block width and height should be set the same as the expected client.

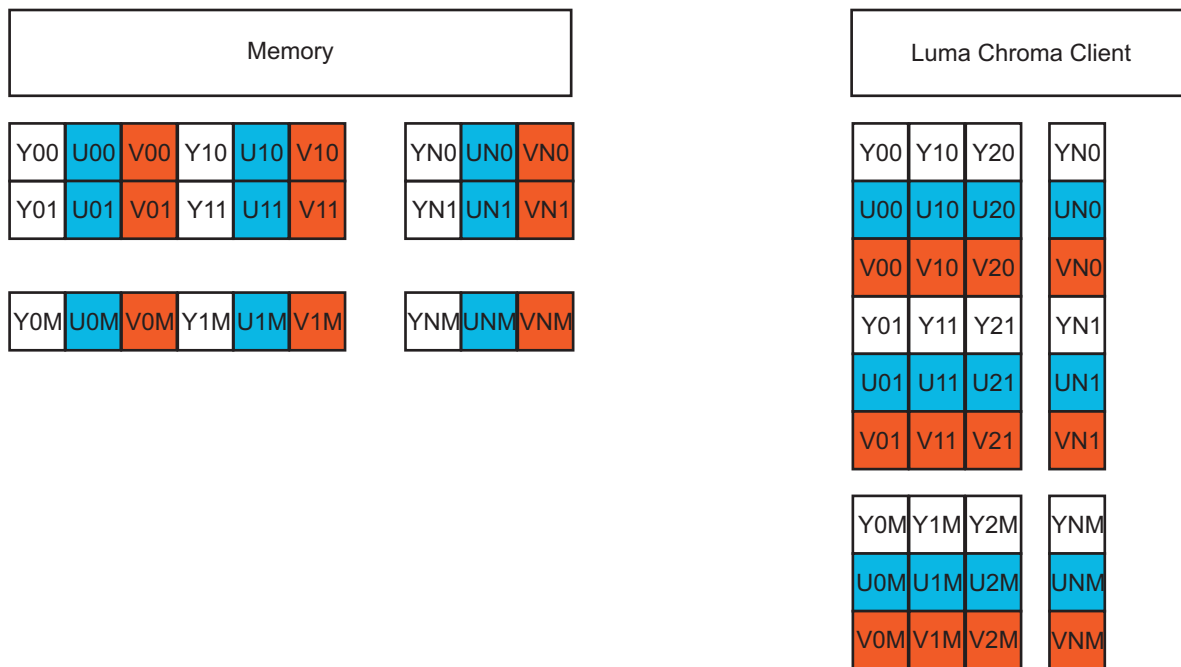
Figure 9-103. YC 4:2:2 (Data Type 7)



9.4.8.9.1.8 YC 4:4:4 (Data Type 8)

The YC 4:4:4 data type is used for interleaved 4:4:4 data. It is expected to be packed with Y0 in the lowest byte followed by Cb followed by Cr. The transfer counts each YCbCr triplet in a 24 bit word as a pixel. A 2D transfer of the data is NOT supported in the VPDMA. The data block width and height should be set to the number of pixels and lines that are expected by the client.

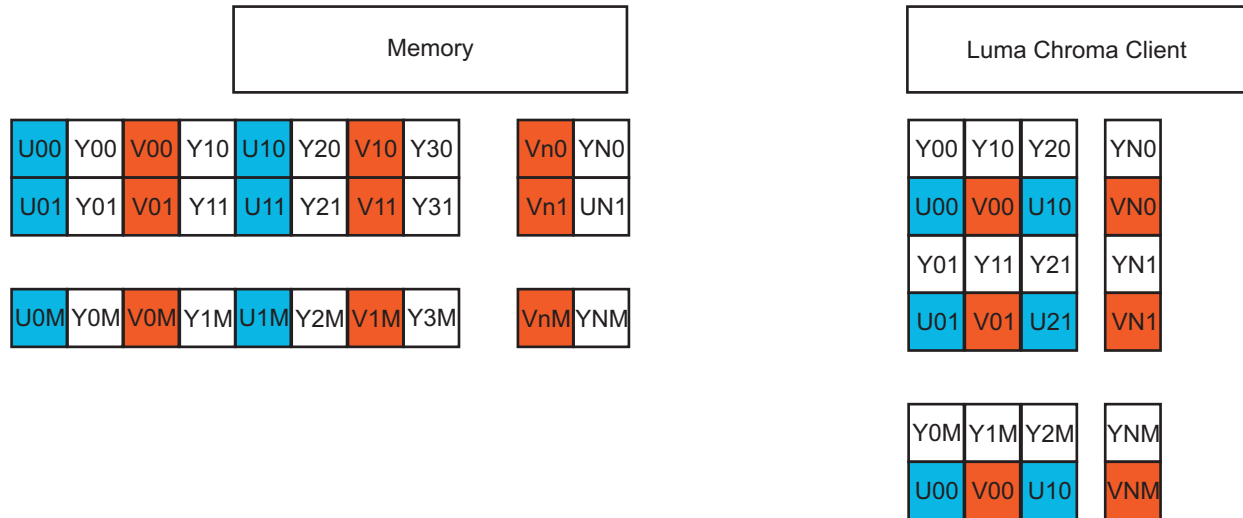
Figure 9-104. YC 4:4:4 (Data Type 8)



9.4.8.9.1.9 CY 4:2:2 (Data Type 23)

The CY 4:2:2 data type is used for interleaved 4:2:2 data. It is expected to be packed with Cb in the lowest byte followed by Y0 followed by Cr finally Y1 in the upper most byte. The transfer counts each YC pair in a 16 bit word as a pixel but the number of pixels should be even. If a 2D transfer of the data is used the VPDMA will assume this data type is stored in an 32 bit container. The data block width and height should be set the same as the expected client.

Figure 9-105. CY 4:2:2 (Data Type 23h)



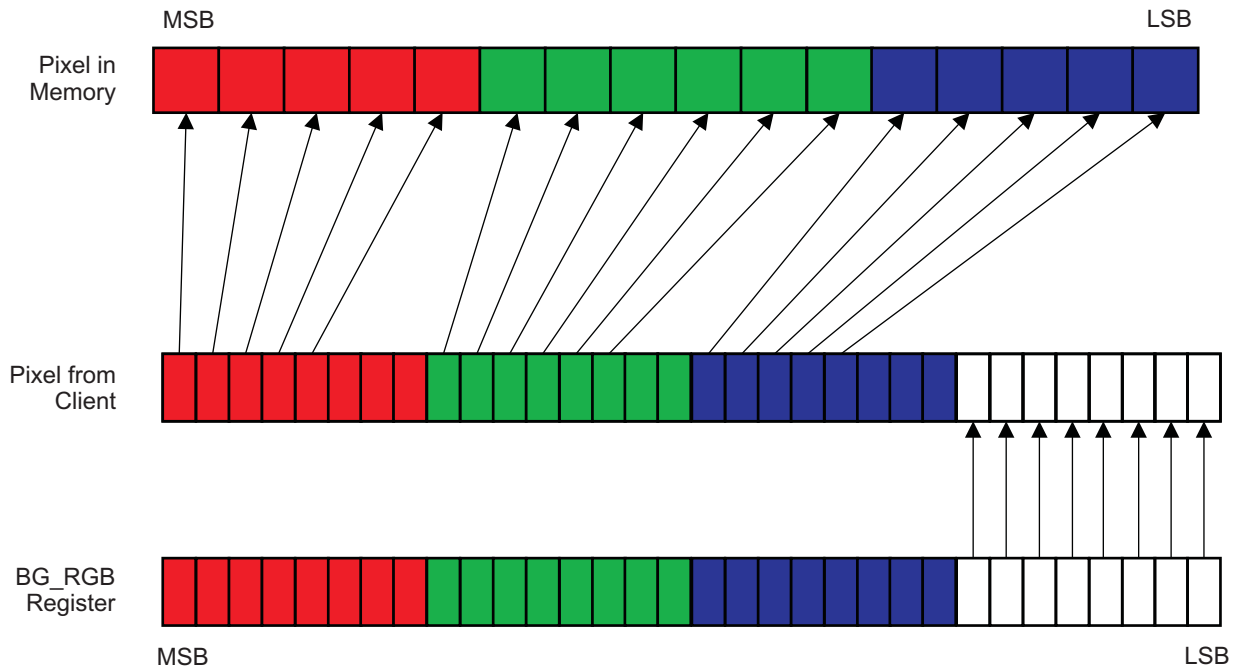
9.4.8.9.2 RGB Data Formats

The RGB channel type is used to provide data for a client that expects to transmit RGB data. In all modes the client is always RGBA 8888 data. The lower bits, if not provided by the data stream, are a replication of the lower bit of the data. For outbound data the input is assumed to be RGB 888 and the Alpha value is taken from the Background Color register to make a full ARGB 8888. The lower bits are dropped from this data, if a data type specifies less than the full 8 bits per color. The client has individual data buses for each component so they have no order dependency in the data bus.

9.4.8.9.2.1 RGB16-565 (Data Type 0)

In RGB16-565 mode, each pixel is a single RGB pixel with 16 bits of data for each pixel. The 16 bits of data uses the lower 5 bits for blue data, the middle 6 bits for green data and the upper 5 bits for red data.

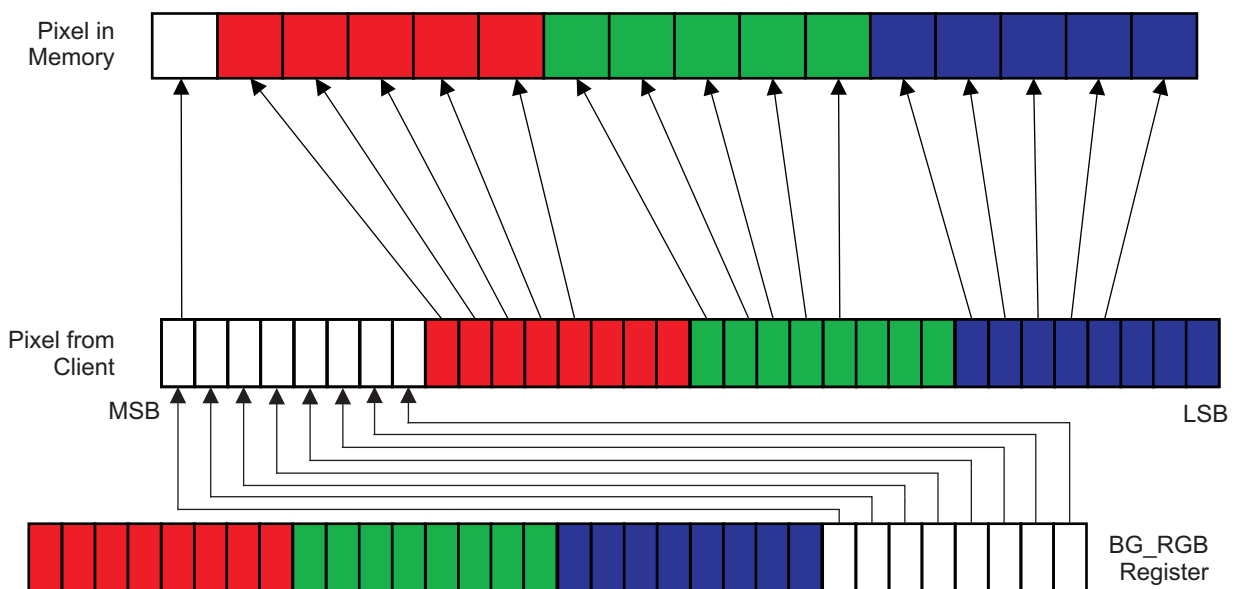
Figure 9-106. RGB16-565 (Data Type 0)



9.4.8.9.2.2 ARGB-1555 (Data Type 1)

In ARGB-1555 mode, each pixel is a single ARGB pixel with 16 bits of data for each pixel. The 16 bits of data uses the lower 5 bits for blue data, the next 5 bits for green data the next 5 bits for red data and the upper most bit for the blend value to use 0 or 0xFF.

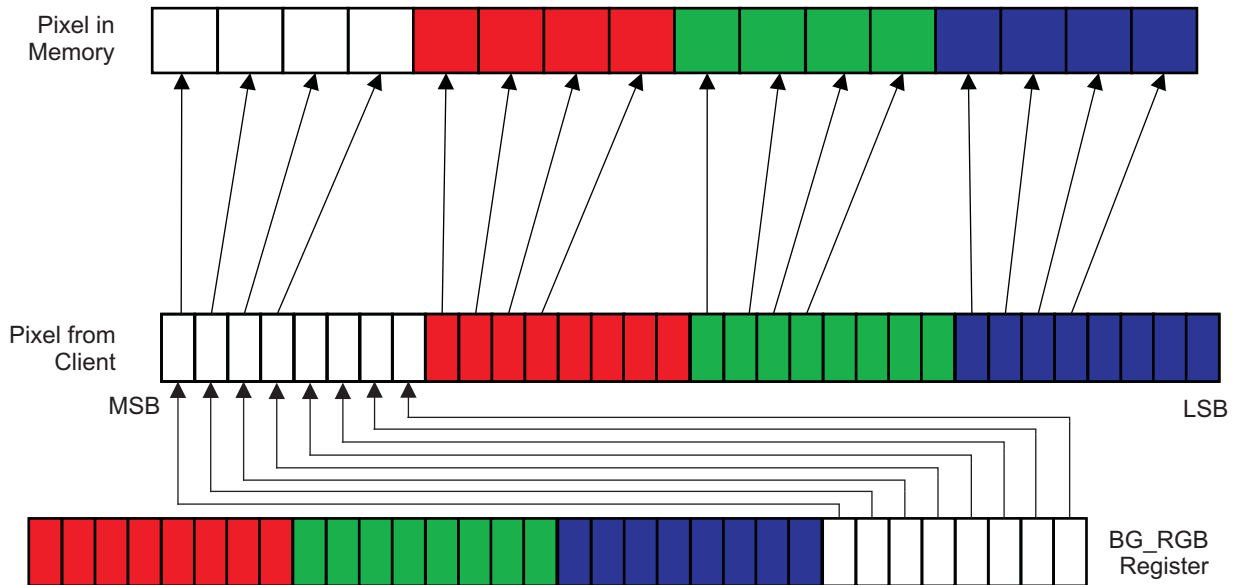
Figure 9-107. ARGB-1555 (Data Type 1)



9.4.8.9.2.3 ARGB-4444 (Data Type 2)

In ARGB16-4444 mode, each pixel is a single RGBA pixel with 16 bits of data for each pixel. The 16 bits of data uses the lowest 4 bits for blue data, the next 4 bits for green data, the next 4 bits for red data and the upper most 4 bits for the blend value.

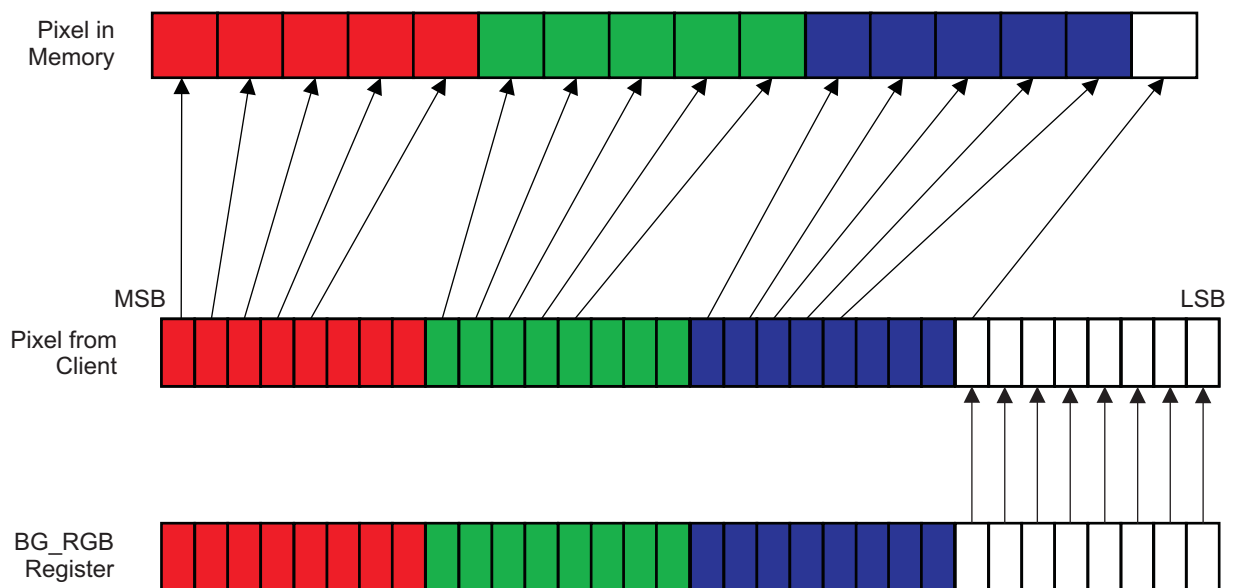
Figure 9-108. ARGB-4444 (Data Type 2)



9.4.8.9.2.4 RGBA-5551 (Data Type 3)

In RGBA-5551 mode, each pixel is a single ARGB pixel with 16 bits of data for each pixel. The 16 bits of data uses the lowest most bit for the blend value to use 0 or 0xff the next 5 bits for blue data, the next 5 bits for green data, the next 5 bits for red data.

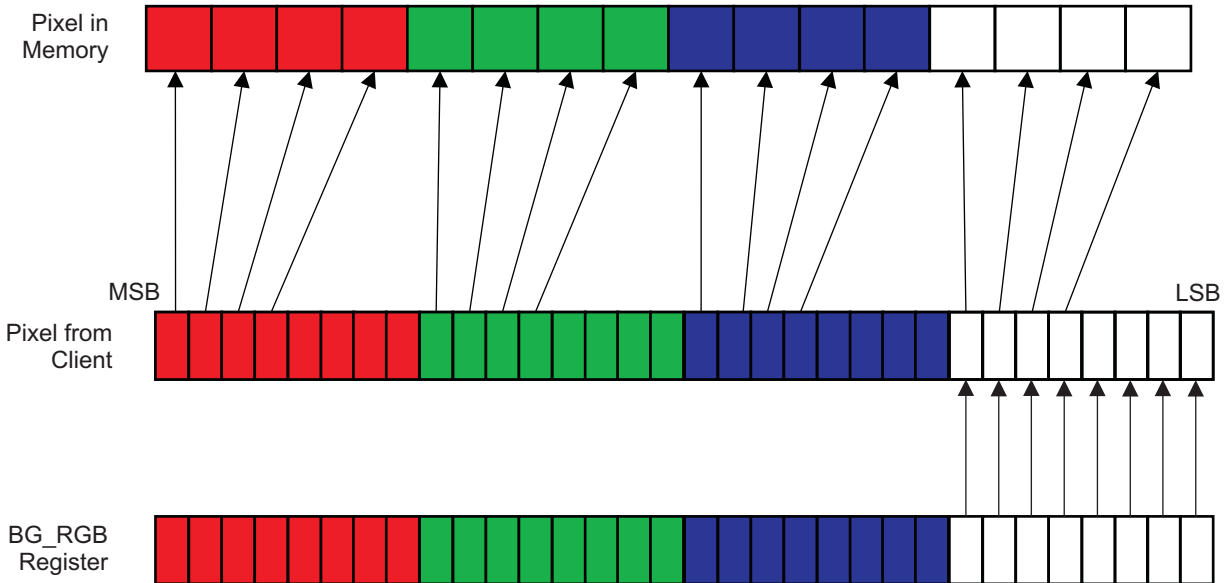
Figure 9-109. RGBA-5551 (Data Type 3)



9.4.8.9.2.5 RGBA-4444 (Data Type 4)

In RGBA-4444 mode, each pixel is a single RGBA pixel with 16 bits of data for each pixel. The 16 bits of data uses the lowest 4 bits for the blend value, the next 4 bits for blue data, the next 4 bits for green data and the upper most 4 bits for red data.

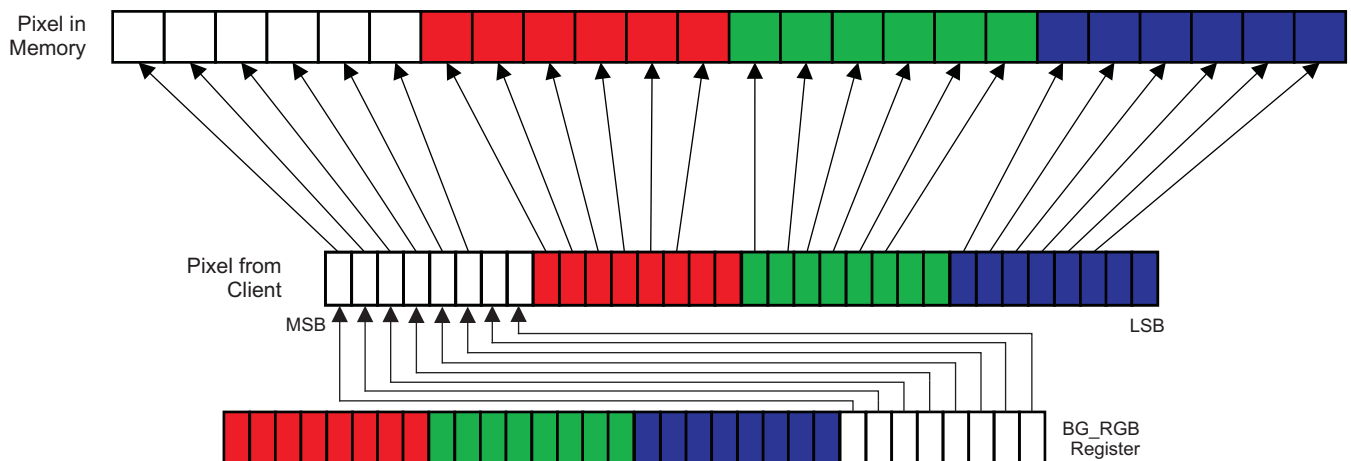
Figure 9-110. RGBA-4444 (Data Type 4)



9.4.8.9.2.6 ARGB24-6666 (Data Type 5)

In ARGB24-6666 mode, each pixel is a single ARGB pixel with 24 bits of data for each pixel. The 24 bits of data uses the lowest 6 bits for the blend value, the next 6 bits for blue data, the next 6 bits for green data and the upper most 6 bits for red data.

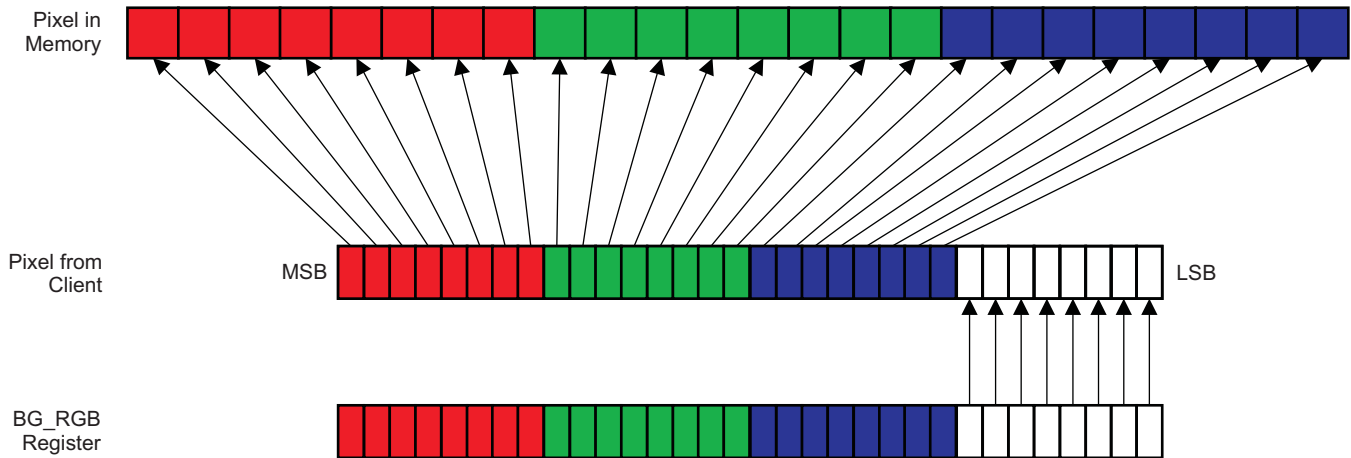
Figure 9-111. ARGB24-6666 (Data Type 5)



9.4.8.9.2.7 RGB24-888 (Data Type 6)

In RGB24-888 mode, each pixel is a single RGB pixel with 24 bits of data for each pixel. The 24 bits of data uses the lowest 8 bits for blue data, the next 8 bits for green data and the upper most 8 bits for red data it uses the BG_RGB Blend value for the Blend value.

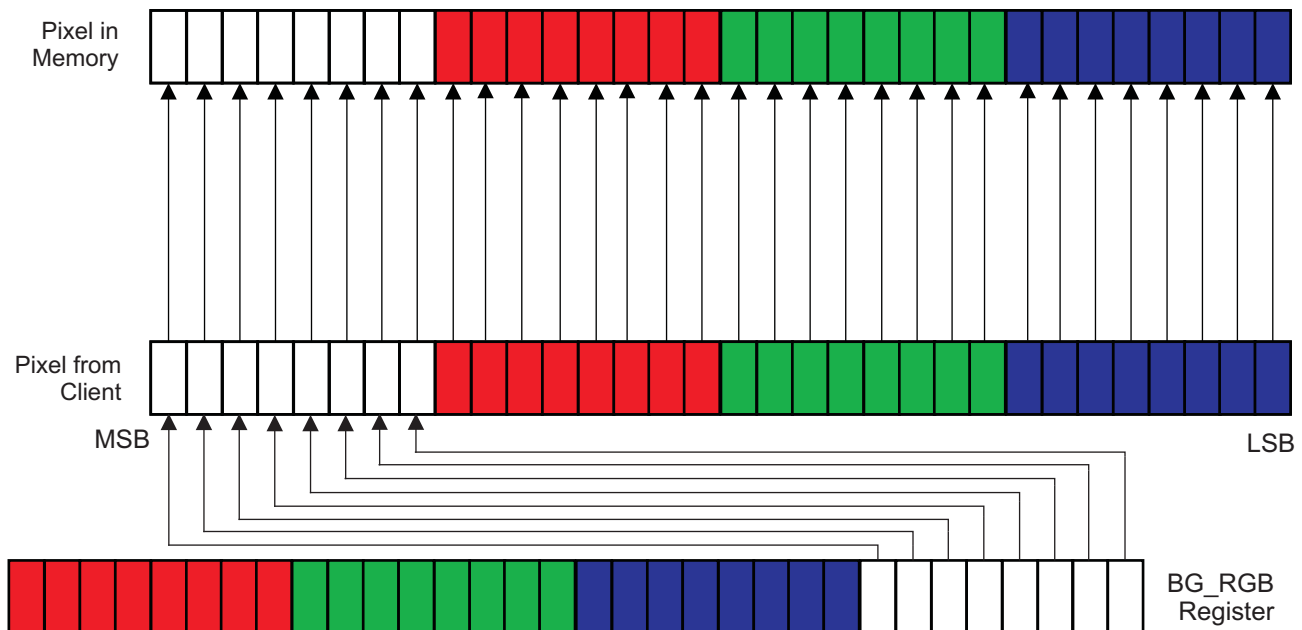
Figure 9-112. RGB24-888 (Data Type 6)



9.4.8.9.2.8 ARGB32-8888 (Data Type 7)

In ARGB32-8888 mode, each pixel is a single ARGB pixel with 32 bits of data for each pixel. The 32 bits of data uses the lowest 8 bits for blue data, the next 8 bits for green data and the next 8 bits for red data it uses the upper most bits for the blend value.

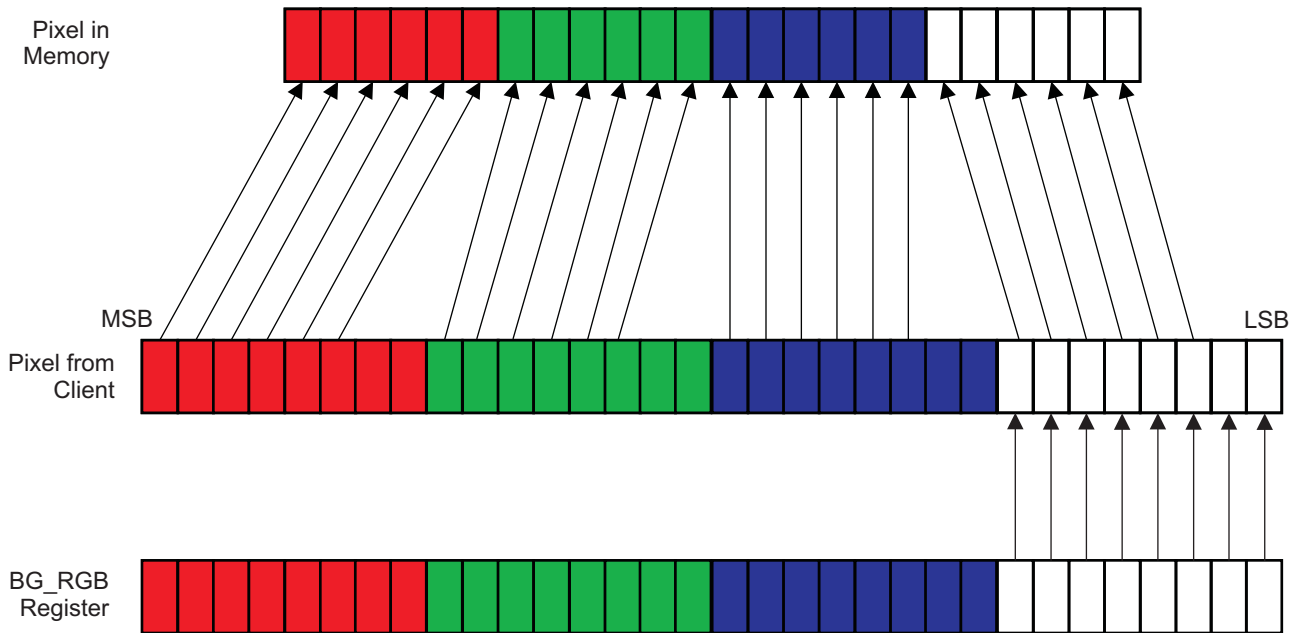
Figure 9-113. ARGB32-8888 (Data Type 7)



9.4.8.9.2.9 RGBA24-6666 (Data Type 8)

In RGBA24-6666 mode, each pixel is a single RGBA pixel with 24 bits of data for each pixel. The 24 bits of data uses the lowest 6 bits for the blend value, the next 6 bits for blue data, the next 6 bits for green data and the upper 6 bits for red data.

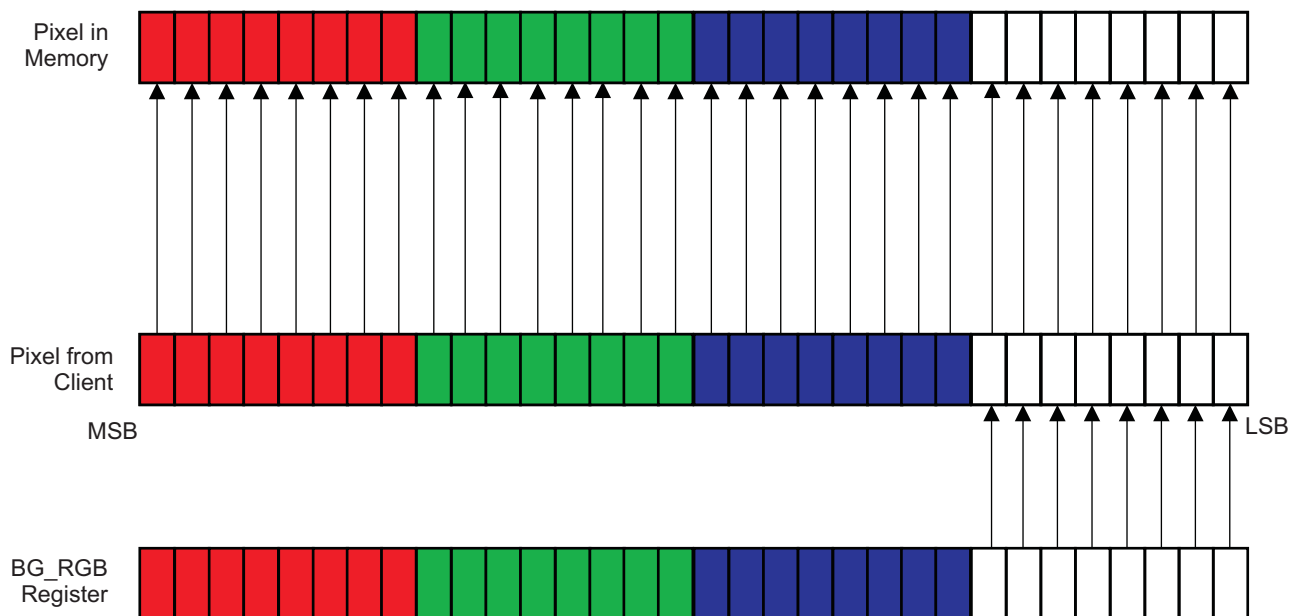
Figure 9-114. RGBA24-6666 (Data Type 8)



9.4.8.9.2.10 RGBA32-8888 (Data Type 9)

In RGBA32-8888 mode, each pixel is a single ARGB pixel with 32 bits of data for each pixel. The 32 bits of data uses the lowest 8 bits for the blend value the next 8 bits for blue data, the next 8 bits for green data and the upper most 8 bits for red data.

Figure 9-115. RGBA32-8888 (Data Type 9)



9.4.8.9.3 Miscellaneous Data Type

The Miscellaneous channel type is for any data type that is not a normal video type. The Miscellaneous channel type makes no assumptions on data type and just passes the data to the client and supports a single buffer for the client. The size of the miscellaneous data type is always determined by the Data Type field of the descriptor which specifies the number of bits in the descriptor.

A memory structure used to describe a desired memory transaction to or from a client. The descriptor at a minimum gives an address location for the memory portion of the transfer, the channel to use for this transaction and the size of the transaction. The data descriptor can also contain attributes to be passed down to the client or be linked to another data descriptor to form a larger frame from many smaller frames.

9.5 VIP Register Manual

9.5.1 VIP Instance Summary

Table 9-67. VIP Instance Summary

Module Name	Module Base Address	Size
VIP1_top_level	0x4897 0000	276 Bytes
VIP1_Slice0_parser	0x4897 5500	216 Bytes
VIP1_Slice0_csc	0x4897 5700	24 Bytes
VIP1_Slice0_sc	0x4897 5800	128 Bytes
VIP1_Slice1_parser	0x4897 5A00	216 Bytes
VIP1_Slice1_csc	0x4897 5C00	24 Bytes
VIP1_Slice1_sc	0x4897 5D00	128 Bytes
VIP1_VPDMA	0x4897 D000	1016 Bytes

9.5.2 VIP Top Level Registers

9.5.2.1 VIP Top Level Register Summary

Table 9-68. VIP Top Level Registers Mapping Summary

Register Name	Type	Register Width (Bits)	Address Offset	VIP1_top_level Base Address
VIP_CLKC_PID	RW	32	0x0000 0000	0x4897 0000
VIP_SYSCONFIG	RW	32	0x0000 0010	0x4897 0010
VIP_INTC_INTR0_STATUS_RAW0	RW	32	0x0000 0020	0x4897 0020
VIP_INTC_INTR0_STATUS_RAW1	RW	32	0x0000 0024	0x4897 0024
VIP_INTC_INTR0_STATUS_ENA0	RW	32	0x0000 0028	0x4897 0028
VIP_INTC_INTR0_STATUS_ENA1	RW	32	0x0000 002C	0x4897 002C
VIP_INTC_INTR0_ENA_SET0	RW	32	0x0000 0030	0x4897 0030
VIP_INTC_INTR0_ENA_SET1	RW	32	0x0000 0034	0x4897 0034
VIP_INTC_INTR0_ENA_CLR0	RW	32	0x0000 0038	0x4897 0038
VIP_INTC_INTR0_ENA_CLR1	RW	32	0x0000 003C	0x4897 003C
VIP_INTC_INTR1_STATUS_RAW0	RW	32	0x0000 0040	0x4897 0040
VIP_INTC_INTR1_STATUS_RAW1	RW	32	0x0000 0044	0x4897 0044
VIP_INTC_INTR1_STATUS_ENA0	RW	32	0x0000 0048	0x4897 0048
VIP_INTC_INTR1_STATUS_ENA1	RW	32	0x0000 004C	0x4897 004C
VIP_INTC_INTR1_ENA_SET0	RW	32	0x0000 0050	0x4897 0050
VIP_INTC_INTR1_ENA_SET1	RW	32	0x0000 0054	0x4897 0054
VIP_INTC_INTR1_ENA_CLR0	RW	32	0x0000 0058	0x4897 0058
VIP_INTC_INTR1_ENA_CLR1	RW	32	0x0000 005C	0x4897 005C

Table 9-68. VIP Top Level Registers Mapping Summary (continued)

Register Name	Type	Register Width (Bits)	Address Offset	VIP1_top_level Base Address
VIP_INTC_EOI	RW	32	0x0000 00A0	0x4897 00A0
VIP_CLKC_CLKEN	RW	32	0x0000 0100	0x4897 0100
VIP_CLKC_RST	RW	32	0x0000 0104	0x4897 0104
VIP_CLKC_DPS	RW	32	0x0000 0108	0x4897 0108
VIP_CLKC_VIP0DPS	RW	32	0x0000 010C	0x4897 010C
VIP_CLKC_VIP1DPS	RW	32	0x0000 0110	0x4897 0110

9.5.2.2 VIP Top Level Register Description

Table 9-69. VIP_CLKC_PID

Address Offset	0x0000 0000	Instance	VIP1_top_level
Physical Address	0x4897 0000		
Description	This register follows the format described in PDR3.5		
Type	R		

31	30	29	28	27	26	25	24	23	22	21	20	19	18	17	16	15	14	13	12	11	10	9	8	7	6	5	4	3	2	1	0
SCHEME	RESERVED	FUNC														RTL				MAJOR		CUSTOM	MINOR								

Bits	Field Name	Description	Type	Reset
31:30	SCHEME	The scheme of the register used. This indicates the PDR3.5 Method	R	0x0
29:28	RESERVED		R	0x0
27:16	FUNC	The function of the module being used	R	0x0
15:11	RTL	RTL Release Version The PDR release number of this IP	R	0x0
10:8	MAJOR	ajor Release Number	R	0x0
7:6	CUSTOM	Custom IP	R	0x0
5:0	MINOR	inor Release Number	R	0x0

Table 9-70. Register Call Summary for Register VIP_CLKC_PID

VIP Register Manual

- [VIP Top Level Register Summary: \[1\]](#)

Table 9-71. VIP_SYSCONFIG

Address Offset	0x0000 0010	Instance	VIP1_top_level
Physical Address	0x4897 0010		
Description	VIP_SYSCONFIG		
Type	RW		

31	30	29	28	27	26	25	24	23	22	21	20	19	18	17	16	15	14	13	12	11	10	9	8	7	6	5	4	3	2	1	0
RESERVED																								STANDBYMODE	IDLEMODE	RESERVED					

Bits	Field Name	Description	Type	Reset
31:6	RESERVED		R	0x0
5:4	STANDBYMODE	Configuration of the local initiator state management mode. By definition, initiator may generate read/write transaction as long as it is out of STANDBY state 0x0: Force-standby mode: local initiator is unconditionally placed in standby state. Backup mode, for debug only 0x1: No-standby mode: local initiator is unconditionally placed out of standby state. Backup mode, for debug only 0x2: Same behavior as bit-field value of 0x1. 0x3: Reserved	RW	0x2
3:2	IDLEMODE	Configuration of the local target state management mode. By definition, target can handle read/write transaction as long as it is out of IDLE state 0x0 : Force-idle mode: local target's idle state follows (acknowledges) the system's idle requests unconditionally, i.e. regardless of the IP module's internal requirements. Backup mode, for debug only 0x1 : No-idle mode: local target never enters idle state. Backup mode, for debug only 0x2 : Smart-idle mode: local target's idle state eventually follows (acknowledges) the system's idle requests, depending on the IP module's internal requirements. IP module shall not generate (IRQ- or DMA-request-related) wakeup events 0x3 : Smart-idle wakeup-capable mode: local target's idle state eventually follows (acknowledges) the system's idle requests, depending on the IP module's internal requirements. IP module may generate (IRQ- or DMA-request-related) wakeup events when in idle state. Mode is only relevant if the appropriate IP module 'swakeup' output(s) is (are) implemented	RW	0x2
1:0	RESERVED		R	0x0

Table 9-72. Register Call Summary for Register VIP_SYSCONFIG

VIP Functional Description

- [VIP Idle Mode: \[0\]](#)
- [VIP StandBy Mode: \[1\]](#)

VIP Register Manual

- [VIP Top Level Register Summary: \[3\]](#)
- [VIP Top Level Register Description: \[5\]](#)

Table 9-73. VIP_INTC_INTR0_STATUS_RAW0

Address Offset	0x0000 0020		
Physical Address	0x4897 0020	Instance	VIP1_top_level
Description	INTC_INTR0 Interrupt Status Raw/Set Register 0. This register contains the raw interrupt status as defined in HLO.8		
Type	RW		

31	30	29	28	27	26	25	24	23	22	21	20	19	18	17	16	15	14	13	12	11	10	9	8	7	6	5	4	3	2	1	0	
RESERVED								VIP2_PARSER_INT_RAW		VIP1_PARSER_INT_RAW		RESERVED				VPDMA_INT0_DESCRIPTOR_RAW	VPDMA_INT0_LIST7_NOTIFY_RAW	VPDMA_INT0_LIST7_COMPLETE_RAW	VPDMA_INT0_LIST6_NOTIFY_RAW	VPDMA_INT0_LIST6_COMPLETE_RAW	VPDMA_INT0_LIST5_NOTIFY_RAW	VPDMA_INT0_LIST5_COMPLETE_RAW	VPDMA_INT0_LIST4_NOTIFY_RAW	VPDMA_INT0_LIST4_COMPLETE_RAW	VPDMA_INT0_LIST3_NOTIFY_RAW	VPDMA_INT0_LIST3_COMPLETE_RAW	VPDMA_INT0_LIST2_NOTIFY_RAW	VPDMA_INT0_LIST2_COMPLETE_RAW	VPDMA_INT0_LIST1_NOTIFY_RAW	VPDMA_INT0_LIST1_COMPLETE_RAW	VPDMA_INT0_LIST0_NOTIFY_RAW	VPDMA_INT0_LIST0_COMPLETE_RAW

Bits	Field Name	Description	Type	Reset
31:22	RESERVED		R	0x0
21	VIP2_PARSER_INT_RAW	VIP2 Parser Interrupt Status Read indicates raw status 0 = inactive 1 = active Writing 1 will set status Writing 0 has no effect	RW	0x0
20	VIP1_PARSER_INT_RAW	VIP1 Parser Interrupt Status Read indicates raw status 0 = inactive 1 = active Writing 1 will set status Writing 0 has no effect	RW	0x0
19:17	RESERVED		R	0x0
16	VPDMA_INT0_DESCRIPTOR_RAW	VPDMA INT0 Descriptor Status Read indicates raw status 0 = inactive 1 = active Writing 1 will set status Writing 0 has no effect	RW	0x0
15	VPDMA_INT0_LIST7_NOTIFY_RAW	VPDMA INT0 List7 Complete Status Read indicates raw status 0 = inactive 1 = active Writing 1 will set status Writing 0 has no effect	RW	0x0
14	VPDMA_INT0_LIST7_COMPLETE_RAW	VPDMA INT0 List7 Complete Status Read indicates raw status 0 = inactive 1 = active Writing 1 will set status Writing 0 has no effect	RW	0x0
13	VPDMA_INT0_LIST6_NOTIFY_RAW	VPDMA INT0 List6 Complete Status Read indicates raw status 0 = inactive 1 = active Writing 1 will set status Writing 0 has no effect	RW	0x0
12	VPDMA_INT0_LIST6_COMPLETE_RAW	VPDMA INT0 List6 Complete Status Read indicates raw status 0 = inactive 1 = active Writing 1 will set status Writing 0 has no effect	RW	0x0
11	VPDMA_INT0_LIST5_NOTIFY_RAW	VPDMA INT0 List5 Complete Status Read indicates raw status 0 = inactive 1 = active Writing 1 will set status Writing 0 has no effect	RW	0x0
10	VPDMA_INT0_LIST5_COMPLETE_RAW	VPDMA INT0 List5 Complete Status Read indicates raw status 0 = inactive 1 = active Writing 1 will set status Writing 0 has no effect	RW	0x0
9	VPDMA_INT0_LIST4_NOTIFY_RAW	VPDMA INT0 List4 Complete Status Read indicates raw status 0 = inactive 1 = active Writing 1 will set status Writing 0 has no effect	RW	0x0
8	VPDMA_INT0_LIST4_COMPLETE_RAW	VPDMA INT0 List4 Complete Status Read indicates raw status 0 = inactive 1 = active Writing 1 will set status Writing 0 has no effect	RW	0x0
7	VPDMA_INT0_LIST3_NOTIFY_RAW	VPDMA INT0 List3 Complete Status Read indicates raw status 0 = inactive 1 = active Writing 1 will set status Writing 0 has no effect	RW	0x0
6	VPDMA_INT0_LIST3_COMPLETE_RAW	VPDMA INT0 List3 Complete Status Read indicates raw status 0 = inactive 1 = active Writing 1 will set status Writing 0 has no effect	RW	0x0
5	VPDMA_INT0_LIST2_NOTIFY_RAW	VPDMA INT0 List2 Complete Status Read indicates raw status 0 = inactive 1 = active Writing 1 will set status Writing 0 has no effect	RW	0x0

Bits	Field Name	Description	Type	Reset
4	VPDMA_INT0_LIST2_COMPLETE_RAW	VPDMA INT0 List2 Complete Status Read indicates raw status 0 = inactive 1 = active Writing 1 will set status Writing 0 has no effect	RW	0x0
3	VPDMA_INT0_LIST1_NOTIFY_RAW	VPDMA INT0 List1 Complete Status Read indicates raw status 0 = inactive 1 = active Writing 1 will set status Writing 0 has no effect	RW	0x0
2	VPDMA_INT0_LIST1_COMPLETE_RAW	VPDMA INT0 List1 Complete Status Read indicates raw status 0 = inactive 1 = active Writing 1 will set status Writing 0 has no effect	RW	0x0
1	VPDMA_INT0_LIST0_NOTIFY_RAW	VPDMA INT0 List0 Notify Status Read indicates raw status 0 = inactive 1 = active Writing 1 will set status Writing 0 has no effect	RW	0x0
0	VPDMA_INT0_LIST0_COMPLETE_RAW	VPDMA INT0 List0 Complete Status Read indicates raw status 0 = inactive 1 = active Writing 1 will set status Writing 0 has no effect	RW	0x0

Table 9-74. Register Call Summary for Register VIP_INTC_INTR0_STATUS_RAW0

VIP Register Manual

- [VIP Top Level Register Summary: \[1\]](#)

Table 9-75. VIP_INTC_INTR0_STATUS_RAW1

Address Offset	0x0000 0024	Instance	VIP1_top_level
Physical Address	0x4897 0024		
Description	INTC_INTR0 Interrupt Status Raw/Set Register 1. This register contains the raw interrupt status as defined in HL0.8		
Type	RW		

31	30	29	28	27	26	25	24	23	22	21	20	19	18	17	16	15	14	13	12	11	10	9	8	7	6	5	4	3	2	1	0								
RESERVED								VIP2_CHR_DS_2_UV_ERR_INT_RAW				VIP2_CHR_DS_1_UV_ERR_INT_RAW				VIP1_CHR_DS_2_UV_ERR_INT_RAW				VIP1_CHR_DS_1_UV_ERR_INT_RAW				RESERVED								VPDMA_INT0_CLIENT_RAW	RESERVED	VPDMA_INT0_CHANNEL_GROUP5_RAW	VPDMA_INT0_CHANNEL_GROUP4_RAW	VPDMA_INT0_CHANNEL_GROUP3_RAW	VPDMA_INT0_CHANNEL_GROUP2_RAW	VPDMA_INT0_CHANNEL_GROUP1_RAW	VPDMA_INT0_CHANNEL_GROUP0_RAW

Bits	Field Name	Description	Type	Reset
31:26	RESERVED		R	0x0
25	VIP2_CHR_DS_2_UV_ERR_INT_RAW	VIP2 Chroma Downsampler 2 UV Error Interrupt Status Read indicates raw status 0 = inactive 1 = active Writing 1 will set status Writing 0 has no effect	RW	0x0
24	VIP2_CHR_DS_1_UV_ERR_INT_RAW	VIP2 Chroma Downsampler 1 UV Error Interrupt Status Read indicates raw status 0 = inactive 1 = active Writing 1 will set status Writing 0 has no effect	RW	0x0
23	VIP1_CHR_DS_2_UV_ERR_INT_RAW	VIP1 Chroma Downsampler 2 UV Error Interrupt Status Read indicates raw status 0 = inactive 1 = active Writing 1 will set status Writing 0 has no effect	RW	0x0

Bits	Field Name	Description	Type	Reset
22	VIP1_CHR_DS_1_UV_ERR_INT_RAW	VIP1 Chroma Downsampler 1 UV Error Interrupt Status Read indicates raw status 0 = inactive 1 = active Writing 1 will set status Writing 0 has no effect	RW	0x0
21:8	RESERVED		R	0x0
7	VPDMA_INT0_CLIENT_RAW	VPDMA INT0 Client Status Read indicates raw status 0 = inactive 1 = active Writing 1 will set status Writing 0 has no effect	RW	0x0
6	RESERVED		R	0x0
5	VPDMA_INT0_CHANNEL_GROUP5_RAW	VPDMA INT0 Channel Group5 Status Read indicates raw status 0 = inactive 1 = active Writing 1 will set status Writing 0 has no effect	RW	0x0
4	VPDMA_INT0_CHANNEL_GROUP4_RAW	VPDMA INT0 Channel Group4 Status Read indicates raw status 0 = inactive 1 = active Writing 1 will set status Writing 0 has no effect	RW	0x0
3	VPDMA_INT0_CHANNEL_GROUP3_RAW	VPDMA INT0 Channel Group3 Status Read indicates raw status 0 = inactive 1 = active Writing 1 will set status Writing 0 has no effect	RW	0x0
2	VPDMA_INT0_CHANNEL_GROUP2_RAW	VPDMA INT0 Channel Group2 Status Read indicates raw status 0 = inactive 1 = active Writing 1 will set status Writing 0 has no effect	RW	0x0
1	VPDMA_INT0_CHANNEL_GROUP1_RAW	VPDMA INT0 Channel Group1 Status Read indicates raw status 0 = inactive 1 = active Writing 1 will set status Writing 0 has no effect	RW	0x0
0	VPDMA_INT0_CHANNEL_GROUP0_RAW	VPDMA INT0 Channel Group0 Status Read indicates raw status 0 = inactive 1 = active Writing 1 will set status Writing 0 has no effect	RW	0x0

Table 9-76. Register Call Summary for Register VIP_INTC_INTR0_STATUS_RAW1

VIP Register Manual

- [VIP Top Level Register Summary: \[1\]](#)

Table 9-77. VIP_INTC_INTR0_STATUS_ENA0

Address Offset	0x0000 0028	Instance	VIP1_top_level
Physical Address	0x4897 0028		
Description	INTC_INTR0 Interrupt Status Enabled/Clear Register 0. This register contains the enabled interrupt status as defined in HL0.8		
Type	RW		

31	30	29	28	27	26	25	24	23	22	21	20	19	18	17	16	15	14	13	12	11	10	9	8	7	6	5	4	3	2	1	0	
RESERVED								VIP2_PARSER_INT_ENA		VIP1_PARSER_INT_ENA		RESERVED				VPDMA_INT0_DESCRIPTOR_ENA	VPDMA_INT0_LIST7_NOTIFY_ENA	VPDMA_INT0_LIST7_COMPLETE_ENA	VPDMA_INT0_LIST6_NOTIFY_ENA	VPDMA_INT0_LIST6_COMPLETE_ENA	VPDMA_INT0_LIST5_NOTIFY_ENA	VPDMA_INT0_LIST5_COMPLETE_ENA	VPDMA_INT0_LIST4_NOTIFY_ENA	VPDMA_INT0_LIST4_COMPLETE_ENA	VPDMA_INT0_LIST3_NOTIFY_ENA	VPDMA_INT0_LIST3_COMPLETE_ENA	VPDMA_INT0_LIST2_NOTIFY_ENA	VPDMA_INT0_LIST2_COMPLETE_ENA	VPDMA_INT0_LIST1_NOTIFY_ENA	VPDMA_INT0_LIST1_COMPLETE_ENA	VPDMA_INT0_LIST0_NOTIFY_ENA	VPDMA_INT0_LIST0_COMPLETE_ENA

Bits	Field Name	Description	Type	Reset
31:22	RESERVED		R	0x0
21	VIP2_PARSER_INT_ENA	VIP2 Parser Enabled Interrupt Status Read indicates enabled status 0 = inactive 1 = active Writing 1 will clear interrupt Writing 0 has no effect	RW	0x0
20	VIP1_PARSER_INT_ENA	VIP1 Parser Enabled Interrupt Status Read indicates enabled status 0 = inactive 1 = active Writing 1 will clear interrupt Writing 0 has no effect	RW	0x0
19:17	RESERVED		R	0x0
16	VPDMA_INT0_DESCRIPTOR_ENA	VPDMA INT0 Descriptor Enabled Status Read indicates interrupt enable 0 = disabled 1 = enabled Writing 1 will set interrupt enabled Writing 0 has no effect	RW	0x0
15	VPDMA_INT0_LIST7_NOTIFY_ENA	VPDMA INT0 List7 Notify Enabled Status Read indicates interrupt enable 0 = disabled 1 = enabled Writing 1 will set interrupt enabled Writing 0 has no effect	RW	0x0
14	VPDMA_INT0_LIST7_COMPLETE_ENA	VPDMA INT0 List7 Complete Enabled Status Read indicates interrupt enable 0 = disabled 1 = enabled Writing 1 will set interrupt enabled Writing 0 has no effect	RW	0x0
13	VPDMA_INT0_LIST6_NOTIFY_ENA	VPDMA INT0 List6 Notify Enabled Status Read indicates interrupt enable 0 = disabled 1 = enabled Writing 1 will set interrupt enabled Writing 0 has no effect	RW	0x0
12	VPDMA_INT0_LIST6_COMPLETE_ENA	VPDMA INT0 List6 Complete Enabled Status Read indicates interrupt enable 0 = disabled 1 = enabled Writing 1 will set interrupt enabled Writing 0 has no effect	RW	0x0
11	VPDMA_INT0_LIST5_NOTIFY_ENA	VPDMA INT0 List5 Notify Enabled Status Read indicates interrupt enable 0 = disabled 1 = enabled Writing 1 will set interrupt enabled Writing 0 has no effect	RW	0x0
10	VPDMA_INT0_LIST5_COMPLETE_ENA	VPDMA INT0 List5 Complete Enabled Status Read indicates interrupt enable 0 = disabled 1 = enabled Writing 1 will set interrupt enabled Writing 0 has no effect	RW	0x0
9	VPDMA_INT0_LIST4_NOTIFY_ENA	VPDMA INT0 List4 Notify Enabled Status Read indicates interrupt enable 0 = disabled 1 = enabled Writing 1 will set interrupt enabled Writing 0 has no effect	RW	0x0
8	VPDMA_INT0_LIST4_COMPLETE_ENA	VPDMA INT0 List4 Complete Enabled Status Read indicates interrupt enable 0 = disabled 1 = enabled Writing 1 will set interrupt enabled Writing 0 has no effect	RW	0x0
7	VPDMA_INT0_LIST3_NOTIFY_ENA	VPDMA INT0 List3 Notify Enabled Status Read indicates interrupt enable 0 = disabled 1 = enabled Writing 1 will set interrupt enabled Writing 0 has no effect	RW	0x0
6	VPDMA_INT0_LIST3_COMPLETE_ENA	VPDMA INT0 List3 Complete Enabled Status Read indicates interrupt enable 0 = disabled 1 = enabled Writing 1 will set interrupt enabled Writing 0 has no effect	RW	0x0
5	VPDMA_INT0_LIST2_NOTIFY_ENA	VPDMA INT0 List2 Notify Enabled Status Read indicates interrupt enable 0 = disabled 1 = enabled Writing 1 will set interrupt enabled Writing 0 has no effect	RW	0x0
4	VPDMA_INT0_LIST2_COMPLETE_ENA	VPDMA INT0 List2 Complete Enabled Status Read indicates interrupt enable 0 = disabled 1 = enabled Writing 1 will set interrupt enabled Writing 0 has no effect	RW	0x0
3	VPDMA_INT0_LIST1_NOTIFY_ENA	VPDMA INT0 List1 Notify Enabled Status Read indicates interrupt enable 0 = disabled 1 = enabled Writing 1 will set interrupt enabled Writing 0 has no effect	RW	0x0
2	VPDMA_INT0_LIST1_COMPLETE_ENA	VPDMA INT0 List1 Complete Enabled Status Read indicates interrupt enable 0 = disabled 1 = enabled Writing 1 will set interrupt enabled Writing 0 has no effect	RW	0x0
1	VPDMA_INT0_LIST0_NOTIFY_ENA	VPDMA INT0 List0 Notify Enabled Status Read indicates interrupt enable 0 = disabled 1 = enabled Writing 1 will set interrupt enabled Writing 0 has no effect	RW	0x0
0	VPDMA_INT0_LIST0_COMPLETE_ENA	VPDMA INT0 List0 Complete Enabled Status Read indicates interrupt enable 0 = disabled 1 = enabled Writing 1 will set interrupt enabled Writing 0 has no effect	RW	0x0

Table 9-78. Register Call Summary for Register VIP_INTC_INTR0_STATUS_ENA0

VIP Register Manual

- [VIP Top Level Register Summary: \[1\]](#)

Table 9-79. VIP_INTC_INTR0_STATUS_ENA1

Address Offset	0x0000 002C	Instance	VIP1_top_level
Physical Address	0x4897 002C		
Description	INTC_INTR0 Interrupt Status Enabled/Clear Register 1. This register contains the enabled interrupt status as defined in HL0.8		
Type	RW		

31	30	29	28	27	26	25	24	23	22	21	20	19	18	17	16	15	14	13	12	11	10	9	8	7	6	5	4	3	2	1	0
RESERVED								RESERVED								VPDMA_INT0_CLIENT_ENA	RESERVED	VPDMA_INT0_CHANNEL_GROUP5_ENA	VPDMA_INT0_CHANNEL_GROUP4_ENA	VPDMA_INT0_CHANNEL_GROUP3_ENA	VPDMA_INT0_CHANNEL_GROUP2_ENA	VPDMA_INT0_CHANNEL_GROUP1_ENA	VPDMA_INT0_CHANNEL_GROUP0_ENA								

Bits	Field Name	Description	Type	Reset
31:26	RESERVED		R	0x0
25	VIP2_CHR_DS_2_UV_ERR_INT_ENA	VIP2 Chroma Downsampler 2 UV Error Enabled Interrupt Status Read indicates enabled status 0 = inactive 1 = active Writing 1 will clear interrupt Writing 0 has no effect	RW	0x0
24	VIP2_CHR_DS_1_UV_ERR_INT_ENA	VIP2 Chroma Downsampler 1 UV Error Enabled Interrupt Status Read indicates enabled status 0 = inactive 1 = active Writing 1 will clear interrupt Writing 0 has no effect	RW	0x0
23	VIP1_CHR_DS_2_UV_ERR_INT_ENA	VIP1 Chroma Downsampler 2 UV Error Enabled Interrupt Status Read indicates enabled status 0 = inactive 1 = active Writing 1 will clear interrupt Writing 0 has no effect	RW	0x0
22	VIP1_CHR_DS_1_UV_ERR_INT_ENA	VIP1 Chroma Downsampler 1 UV Error Enabled Interrupt Status Read indicates enabled status 0 = inactive 1 = active Writing 1 will clear interrupt Writing 0 has no effect	RW	0x0
21:8	RESERVED		R	0x0
7	VPDMA_INT0_CLIENT_ENA	VPDMA INT0 Client Enabled Status Read indicates raw status 0 = inactive 1 = active Writing 1 will set status Writing 0 has no effect	RW	0x0
6	RESERVED		R	0x0
5	VPDMA_INT0_CHANNEL_GROUP5_ENA	VPDMA INT0 Channel Group5 Enabled Status Read indicates raw status 0 = inactive 1 = active Writing 1 will set status Writing 0 has no effect	RW	0x0
4	VPDMA_INT0_CHANNEL_GROUP4_ENA	VPDMA INT0 Channel Group4 Enabled Status Read indicates raw status 0 = inactive 1 = active Writing 1 will set status Writing 0 has no effect	RW	0x0
3	VPDMA_INT0_CHANNEL_GROUP3_ENA	VPDMA INT0 Channel Group3 Enabled Status Read indicates raw status 0 = inactive 1 = active Writing 1 will set status Writing 0 has no effect	RW	0x0

Bits	Field Name	Description	Type	Reset
2	VPDMA_INT0_CHANNEL_GROUP2_ENA	VPDMA INT0 Channel Group3 Enabled Status Read indicates raw status 0 = inactive 1 = active Writing 1 will set status Writing 0 has no effect	RW	0x0
1	VPDMA_INT0_CHANNEL_GROUP1_ENA	VPDMA INT0 Channel Group1 Enabled Status Read indicates raw status 0 = inactive 1 = active Writing 1 will set status Writing 0 has no effect	RW	0x0
0	VPDMA_INT0_CHANNEL_GROUP0_ENA	VPDMA INT0 Channel Group0 Enabled Status Read indicates raw status 0 = inactive 1 = active Writing 1 will set status Writing 0 has no effect	RW	0x0

Table 9-80. Register Call Summary for Register VIP_INTC_INTR0_STATUS_ENA1

VIP Register Manual

- [VIP Top Level Register Summary: \[1\]](#)

Table 9-81. VIP_INTC_INTR0_ENA_SET0

Address Offset	0x0000 0030	Instance	VIP1_top_level
Physical Address	0x4897 0030		
Description	INTC_INTR0 Interrupt Enable/Set Register 0. This register contains the interrupt enable status/set as defined in HL0.8		
Type	RW		

31	30	29	28	27	26	25	24	23	22	21	20	19	18	17	16	15	14	13	12	11	10	9	8	7	6	5	4	3	2	1	0	
RESERVED								VIP2_PARSER_INT_ENA_SET		VIP1_PARSER_INT_ENA_SET		RESERVED				VPDMA_INT0_DESCRIPTOR_ENA_SET	VPDMA_INT0_LIST7_NOTIFY_ENA_SET	VPDMA_INT0_LIST7_COMPLETE_ENA_SET	VPDMA_INT0_LIST6_NOTIFY_ENA_SET	VPDMA_INT0_LIST6_COMPLETE_ENA_SET	VPDMA_INT0_LIST5_NOTIFY_ENA_SET	VPDMA_INT0_LIST5_COMPLETE_ENA_SET	VPDMA_INT0_LIST4_NOTIFY_ENA_SET	VPDMA_INT0_LIST4_COMPLETE_ENA_SET	VPDMA_INT0_LIST3_NOTIFY_ENA_SET	VPDMA_INT0_LIST3_COMPLETE_ENA_SET	VPDMA_INT0_LIST2_NOTIFY_ENA_SET	VPDMA_INT0_LIST2_COMPLETE_ENA_SET	VPDMA_INT0_LIST1_NOTIFY_ENA_SET	VPDMA_INT0_LIST1_COMPLETE_ENA_SET	VPDMA_INT0_LIST0_NOTIFY_ENA_SET	VPDMA_INT0_LIST0_COMPLETE_ENA_SET

Bits	Field Name	Description	Type	Reset
31:22	RESERVED		R	0x0
21	VIP2_PARSER_INT_ENA_SET	VIP2 Parser Enable/Set Read indicates interrupt enable 0 = disabled 1 = enabled Writing 1 will set interrupt enabled Writing 0 has no effect	RW	0x0
20	VIP1_PARSER_INT_ENA_SET	VIP1 Parser Enable/Set Read indicates interrupt enable 0 = disabled 1 = enabled Writing 1 will set interrupt enabled Writing 0 has no effect	RW	0x0
19:17	RESERVED		R	0x0
16	VPDMA_INT0_DESCRIPTOR_ENA_SET	VPDMA INT0 Descriptor Enable/Set Read indicates interrupt enable 0 = disabled 1 = enabled Writing 1 will set interrupt enabled Writing 0 has no effect	RW	0x0
15	VPDMA_INT0_LIST7_NOTIFY_ENA_SET	VPDMA INT0 List7 Notify Enable/Set Read indicates interrupt enable 0 = disabled 1 = enabled Writing 1 will set interrupt enabled Writing 0 has no effect	RW	0x0

Bits	Field Name	Description	Type	Reset
14	VPDMA_INT0_LIST7_COMPLETE_ENA_SET	VPDMA INT0 List7 Complete Enable/Set Read indicates interrupt enable 0 = disabled 1 = enabled Writing 1 will set interrupt enabled Writing 0 has no effect	RW	0x0
13	VPDMA_INT0_LIST6_NOTIFY_ENA_SET	VPDMA INT0 List6 Notify Enable/Set Read indicates interrupt enable 0 = disabled 1 = enabled Writing 1 will set interrupt enabled Writing 0 has no effect	RW	0x0
12	VPDMA_INT0_LIST6_COMPLETE_ENA_SET	VPDMA INT0 List6 Complete Enable/Set Read indicates interrupt enable 0 = disabled 1 = enabled Writing 1 will set interrupt enabled Writing 0 has no effect	RW	0x0
11	VPDMA_INT0_LIST5_NOTIFY_ENA_SET	VPDMA INT0 List5 Notify Enable/Set Read indicates interrupt enable 0 = disabled 1 = enabled Writing 1 will set interrupt enabled Writing 0 has no effect	RW	0x0
10	VPDMA_INT0_LIST5_COMPLETE_ENA_SET	VPDMA INT0 List5 Complete Enable/Set Read indicates interrupt enable 0 = disabled 1 = enabled Writing 1 will set interrupt enabled Writing 0 has no effect	RW	0x0
9	VPDMA_INT0_LIST4_NOTIFY_ENA_SET	VPDMA INT0 List4 Notify Enable/Set Read indicates interrupt enable 0 = disabled 1 = enabled Writing 1 will set interrupt enabled Writing 0 has no effect	RW	0x0
8	VPDMA_INT0_LIST4_COMPLETE_ENA_SET	VPDMA INT0 List4 Complete Enable/Set Read indicates interrupt enable 0 = disabled 1 = enabled Writing 1 will set interrupt enabled Writing 0 has no effect	RW	0x0
7	VPDMA_INT0_LIST3_NOTIFY_ENA_SET	VPDMA INT0 List3 Notify Enable/Set Read indicates interrupt enable 0 = disabled 1 = enabled Writing 1 will set interrupt enabled Writing 0 has no effect	RW	0x0
6	VPDMA_INT0_LIST3_COMPLETE_ENA_SET	VPDMA INT0 List3 Complete Enable/Set Read indicates interrupt enable 0 = disabled 1 = enabled Writing 1 will set interrupt enabled Writing 0 has no effect	RW	0x0
5	VPDMA_INT0_LIST2_NOTIFY_ENA_SET	VPDMA INT0 List2 Notify Enable/Set Read indicates interrupt enable 0 = disabled 1 = enabled Writing 1 will set interrupt enabled Writing 0 has no effect	RW	0x0
4	VPDMA_INT0_LIST2_COMPLETE_ENA_SET	VPDMA INT0 List2 Complete Enable/Set Read indicates interrupt enable 0 = disabled 1 = enabled Writing 1 will set interrupt enabled Writing 0 has no effect	RW	0x0
3	VPDMA_INT0_LIST1_NOTIFY_ENA_SET	VPDMA INT0 List1 Notify Enable/Set Read indicates interrupt enable 0 = disabled 1 = enabled Writing 1 will set interrupt enabled Writing 0 has no effect	RW	0x0
2	VPDMA_INT0_LIST1_COMPLETE_ENA_SET	VPDMA INT0 List1 Complete Enable/Set Read indicates interrupt enable 0 = disabled 1 = enabled Writing 1 will set interrupt enabled Writing 0 has no effect	RW	0x0
1	VPDMA_INT0_LIST0_NOTIFY_ENA_SET	VPDMA INT0 List0 Notify Enable/Set Read indicates interrupt enable 0 = disabled 1 = enabled Writing 1 will set interrupt enabled Writing 0 has no effect	RW	0x0
0	VPDMA_INT0_LIST0_COMPLETE_ENA_SET	VPDMA INT0 List0 Complete Enable/Set Read indicates interrupt enable 0 = disabled 1 = enabled Writing 1 will set interrupt enabled Writing 0 has no effect	RW	0x0

Table 9-82. Register Call Summary for Register VIP_INTC_INTR0_ENA_SET0

VIP Register Manual

- [VIP Top Level Register Summary: \[1\]](#)

Table 9-83. VIP_INTC_INTR0_ENA_SET1

Address Offset	0x0000 0034	Instance	VIP1_top_level
Physical Address	0x4897 0034		
Description	INTC_INTR0 Interrupt Enable/Set Register 1. This register contains the interrupt enable status/set as defined in HL0.8		
Type	RW		

31	30	29	28	27	26	25	24	23	22	21	20	19	18	17	16	15	14	13	12	11	10	9	8	7	6	5	4	3	2	1	0
RESERVED								RESERVED								VPDMA_INT0_CLIENT_ENA_SET VPDMA_INT0_CHANNEL_GROUP6_ENA_SET VPDMA_INT0_CHANNEL_GROUP5_ENA_SET VPDMA_INT0_CHANNEL_GROUP4_ENA_SET VPDMA_INT0_CHANNEL_GROUP3_ENA_SET VPDMA_INT0_CHANNEL_GROUP2_ENA_SET VPDMA_INT0_CHANNEL_GROUP1_ENA_SET VPDMA_INT0_CHANNEL_GROUP0_ENA_SET															
				VIP2_CHR_DS_2_UV_ERR_INT_ENA_SET				VIP2_CHR_DS_1_UV_ERR_INT_ENA_SET				VIP1_CHR_DS_2_UV_ERR_INT_ENA_SET				VIP1_CHR_DS_1_UV_ERR_INT_ENA_SET															

Bits	Field Name	Description	Type	Reset
31:26	RESERVED		R	0x0
25	VIP2_CHR_DS_2_UV_ERR_INT_ENA_SET	VIP2 Chroma Downsampler 2 UV Error Enable/Set Read indicates interrupt enable 0 = disabled 1 = enabled Writing 1 will set interrupt enabled Writing 0 has no effect	RW	0x0
24	VIP2_CHR_DS_1_UV_ERR_INT_ENA_SET	VIP2 Chroma Downsampler 1 UV Error Enable/Set Read indicates interrupt enable 0 = disabled 1 = enabled Writing 1 will set interrupt enabled Writing 0 has no effect	RW	0x0
23	VIP1_CHR_DS_2_UV_ERR_INT_ENA_SET	VIP1 Chroma Downsampler 2 UV Error Enable/Set Read indicates interrupt enable 0 = disabled 1 = enabled Writing 1 will set interrupt enabled Writing 0 has no effect	RW	0x0
22	VIP1_CHR_DS_1_UV_ERR_INT_ENA_SET	VIP1 Chroma Downsampler 1 UV Error Enable/Set Read indicates interrupt enable 0 = disabled 1 = enabled Writing 1 will set interrupt enabled Writing 0 has no effect	RW	0x0
21:8	RESERVED		R	0x0
7	VPDMA_INT0_CLIENT_ENA_SET	VPDMA INT0 Client Enable/Set Read indicates interrupt enable 0 = disabled 1 = enabled Writing 1 will set interrupt enabled Writing 0 has no effect	RW	0x0
6	VPDMA_INT0_CHANNEL_GROUP6_ENA_SET	VPDMA INT0 Channel Group6 Enable/Set Read indicates interrupt enable 0 = disabled 1 = enabled Writing 1 will set interrupt enabled Writing 0 has no effect	RW	0x0

Bits	Field Name	Description	Type	Reset
5	VPDMA_INT0_CHANNEL_GROUP5_ENA_SET	VPDMA INT0 Channel Group5 Enable/Set Read indicates interrupt enable 0 = disabled 1 = enabled Writing 1 will set interrupt enabled Writing 0 has no effect	RW	0x0
4	VPDMA_INT0_CHANNEL_GROUP4_ENA_SET	VPDMA INT0 Channel Group4 Enable/Set Read indicates interrupt enable 0 = disabled 1 = enabled Writing 1 will set interrupt enabled Writing 0 has no effect	RW	0x0
3	VPDMA_INT0_CHANNEL_GROUP3_ENA_SET	VPDMA INT0 Channel Group3 Enable/Set Read indicates interrupt enable 0 = disabled 1 = enabled Writing 1 will set interrupt enabled Writing 0 has no effect	RW	0x0
2	VPDMA_INT0_CHANNEL_GROUP2_ENA_SET	VPDMA INT0 Channel Group2 Enable/Set Read indicates interrupt enable 0 = disabled 1 = enabled Writing 1 will set interrupt enabled Writing 0 has no effect	RW	0x0
1	VPDMA_INT0_CHANNEL_GROUP1_ENA_SET	VPDMA INT0 Channel Group1 Enable/Set Read indicates interrupt enable 0 = disabled 1 = enabled Writing 1 will set interrupt enabled Writing 0 has no effect	RW	0x0
0	VPDMA_INT0_CHANNEL_GROUP0_ENA_SET	VPDMA INT0 Channel Group0 Enable/Set Read indicates interrupt enable 0 = disabled 1 = enabled Writing 1 will set interrupt enabled Writing 0 has no effect	RW	0x0

Table 9-84. Register Call Summary for Register VIP_INTC_INTR0_ENA_SET1

VIP Register Manual

- [VIP Top Level Register Summary: \[1\]](#)

Table 9-85. VIP_INTC_INTR0_ENA_CLR0

Address Offset	0x0000 0038	Instance	VIP1_top_level
Physical Address	0x4897 0038		
Description	INTC_INTR0 Interrupt Enable/Clear Register 0. This register contains the interrupt enable status/clear as defined in HL0.8		
Type	RW		

31	30	29	28	27	26	25	24	23	22	21	20	19	18	17	16	15	14	13	12	11	10	9	8	7	6	5	4	3	2	1	0	
RESERVED								VIP2_PARSER_INT_ENA_CLR		VIP1_PARSER_INT_ENA_CLR		RESERVED				VPDMA_INT0_DESCRIPTOR_ENA_CLR	VPDMA_INT0_LIST7_NOTIFY_ENA_CLR	VPDMA_INT0_LIST7_COMPLETE_ENA_CLR	VPDMA_INT0_LIST6_NOTIFY_ENA_CLR	VPDMA_INT0_LIST6_COMPLETE_ENA_CLR	VPDMA_INT0_LIST5_NOTIFY_ENA_CLR	VPDMA_INT0_LIST5_COMPLETE_ENA_CLR	VPDMA_INT0_LIST4_NOTIFY_ENA_CLR	VPDMA_INT0_LIST4_COMPLETE_ENA_CLR	VPDMA_INT0_LIST3_NOTIFY_ENA_CLR	VPDMA_INT0_LIST3_COMPLETE_ENA_CLR	VPDMA_INT0_LIST2_NOTIFY_ENA_CLR	VPDMA_INT0_LIST2_COMPLETE_ENA_CLR	VPDMA_INT0_LIST1_NOTIFY_ENA_CLR	VPDMA_INT0_LIST1_COMPLETE_ENA_CLR	VPDMA_INT0_LIST0_NOTIFY_ENA_CLR	VPDMA_INT0_LIST0_COMPLETE_ENA_CLR

Bits	Field Name	Description	Type	Reset
31:22	RESERVED		R	0x0
21	VIP2_PARSER_INT_ENA_CLR	VIP2 Parser Enable/Clear Read indicates interrupt enable 0 = disabled 1 = enabled Writing 1 will clear interrupt enabled Writing 0 has no effect	RW	0x0
20	VIP1_PARSER_INT_ENA_CLR	VIP1 Parser Enable/Clear Read indicates interrupt enable 0 = disabled 1 = enabled Writing 1 will clear interrupt enabled Writing 0 has no effect	RW	0x0
19:17	RESERVED		R	0x0
16	VPDMA_INT0_DESCRIPTOR_ENA_CLR	VPDMA INT0 Descriptor Enable/Clear Read indicates interrupt enable 0 = disabled 1 = enabled Writing 1 will clear interrupt enabled Writing 0 has no effect	RW	0x0
15	VPDMA_INT0_LIST7_NOTIFY_ENA_CLR	VPDMA INT0 List7 Notify Enable/Clear Read indicates interrupt enable 0 = disabled 1 = enabled Writing 1 will clear interrupt enabled Writing 0 has no effect	RW	0x0
14	VPDMA_INT0_LIST7_COMPLETE_ENA_CLR	VPDMA INT0 List7 Complete Enable/Clear Read indicates interrupt enable 0 = disabled 1 = enabled Writing 1 will clear interrupt enabled Writing 0 has no effect	RW	0x0
13	VPDMA_INT0_LIST6_NOTIFY_ENA_CLR	VPDMA INT0 List6 Notify Enable/Clear Read indicates interrupt enable 0 = disabled 1 = enabled Writing 1 will clear interrupt enabled Writing 0 has no effect	RW	0x0
12	VPDMA_INT0_LIST6_COMPLETE_ENA_CLR	VPDMA INT0 List6 Complete Enable/Clear Read indicates interrupt enable 0 = disabled 1 = enabled Writing 1 will clear interrupt enabled Writing 0 has no effect	RW	0x0
11	VPDMA_INT0_LIST5_NOTIFY_ENA_CLR	VPDMA INT0 List5 Notify Enable/Clear Read indicates interrupt enable 0 = disabled 1 = enabled Writing 1 will clear interrupt enabled Writing 0 has no effect	RW	0x0
10	VPDMA_INT0_LIST5_COMPLETE_ENA_CLR	VPDMA INT0 List5 Complete Enable/Clear Read indicates interrupt enable 0 = disabled 1 = enabled Writing 1 will clear interrupt enabled Writing 0 has no effect	RW	0x0
9	VPDMA_INT0_LIST4_NOTIFY_ENA_CLR	VPDMA INT0 List4 Notify Enable/Clear Read indicates interrupt enable 0 = disabled 1 = enabled Writing 1 will clear interrupt enabled Writing 0 has no effect	RW	0x0
8	VPDMA_INT0_LIST4_COMPLETE_ENA_CLR	VPDMA INT0 List4 Complete Enable/Clear Read indicates interrupt enable 0 = disabled 1 = enabled Writing 1 will clear interrupt enabled Writing 0 has no effect	RW	0x0
7	VPDMA_INT0_LIST3_NOTIFY_ENA_CLR	VPDMA INT0 List3 Notify Enable/Clear Read indicates interrupt enable 0 = disabled 1 = enabled Writing 1 will clear interrupt enabled Writing 0 has no effect	RW	0x0
6	VPDMA_INT0_LIST3_COMPLETE_ENA_CLR	VPDMA INT0 List3 Complete Enable/Clear Read indicates interrupt enable 0 = disabled 1 = enabled Writing 1 will clear interrupt enabled Writing 0 has no effect	RW	0x0
5	VPDMA_INT0_LIST2_NOTIFY_ENA_CLR	VPDMA INT0 List2 Notify Enable/Clear Read indicates interrupt enable 0 = disabled 1 = enabled Writing 1 will clear interrupt enabled Writing 0 has no effect	RW	0x0
4	VPDMA_INT0_LIST2_COMPLETE_ENA_CLR	VPDMA INT0 List2 Complete Enable/Clear Read indicates interrupt enable 0 = disabled 1 = enabled Writing 1 will clear interrupt enabled Writing 0 has no effect	RW	0x0
3	VPDMA_INT0_LIST1_NOTIFY_ENA_CLR	VPDMA INT0 List1 Notify Enable/Clear Read indicates interrupt enable 0 = disabled 1 = enabled Writing 1 will clear interrupt enabled Writing 0 has no effect	RW	0x0

Bits	Field Name	Description	Type	Reset
2	VPDMA_INT0_LIST1_COMPLETE_ENA_CLR	VPDMA INT0 List1 Complete Enable/Clear Read indicates interrupt enable 0 = disabled 1 = enabled Writing 1 will clear interrupt enabled Writing 0 has no effect	RW	0x0
1	VPDMA_INT0_LIST0_NOTIFY_ENA_CLR	VPDMA INT0 List0 Notify Enable/Clear Read indicates interrupt enable 0 = disabled 1 = enabled Writing 1 will clear interrupt enabled Writing 0 has no effect	RW	0x0
0	VPDMA_INT0_LIST0_COMPLETE_ENA_CLR	VPDMA INT0 List0 Complete Enable/Clear Read indicates interrupt enable 0 = disabled 1 = enabled Writing 1 will clear interrupt enabled Writing 0 has no effect	RW	0x0

Table 9-86. Register Call Summary for Register VIP_INTC_INTR0_ENA_CLR0

VIP Register Manual

- [VIP Top Level Register Summary: \[1\]](#)

Table 9-87. VIP_INTC_INTR0_ENA_CLR1

Address Offset	0x0000 003C	Instance	VIP1_top_level
Physical Address	0x4897 003C		
Description	INTC_INTR0 Interrupt Enable/Clear Register 1. This register contains the interrupt enable status/clear as defined in HL0.8		
Type	RW		

31	30	29	28	27	26	25	24	23	22	21	20	19	18	17	16	15	14	13	12	11	10	9	8	7	6	5	4	3	2	1	0
RESERVED								RESERVED								VPDMA_INT0_CLIENT_ENA_CLR VPDMA_INT0_CHANNEL_GROUP6_ENA_CLR VPDMA_INT0_CHANNEL_GROUP5_ENA_CLR VPDMA_INT0_CHANNEL_GROUP4_ENA_CLR VPDMA_INT0_CHANNEL_GROUP3_ENA_CLR VPDMA_INT0_CHANNEL_GROUP2_ENA_CLR VPDMA_INT0_CHANNEL_GROUP1_ENA_CLR VPDMA_INT0_CHANNEL_GROUP0_ENA_CLR															
VIP2_CHR_DS_2_UV_ERR_INT_ENA_CLR								VIP2_CHR_DS_1_UV_ERR_INT_ENA_CLR								VIP1_CHR_DS_2_UV_ERR_INT_ENA_CLR								VIP1_CHR_DS_1_UV_ERR_INT_ENA_CLR							

Bits	Field Name	Description	Type	Reset
31:26	RESERVED		R	0x0
25	VIP2_CHR_DS_2_UV_ERR_INT_ENA_CLR	VIP2 Chroma Downsampler 2 UV Error Enable/Clear Read indicates interrupt enable 0 = disabled 1 = enabled Writing 1 will clear interrupt enabled Writing 0 has no effect	RW	0x0
24	VIP2_CHR_DS_1_UV_ERR_INT_ENA_CLR	VIP2 Chroma Downsampler 1 UV Error Enable/Clear Read indicates interrupt enable 0 = disabled 1 = enabled Writing 1 will clear interrupt enabled Writing 0 has no effect	RW	0x0
23	VIP1_CHR_DS_2_UV_ERR_INT_ENA_CLR	VIP1 Chroma Downsampler 2 UV Error Enable/Clear Read indicates interrupt enable 0 = disabled 1 = enabled Writing 1 will clear interrupt enabled Writing 0 has no effect	RW	0x0

Bits	Field Name	Description	Type	Reset
22	VIP1_CHR_DS_1_UV_ERR_INT_ENA_CLR	VIP1 Chroma Downsampler 1 UV Error Enable/Clear Read indicates interrupt enable 0 = disabled 1 = enabled Writing 1 will clear interrupt enabled Writing 0 has no effect	RW	0x0
21:8	RESERVED		R	0x0
7	VPDMA_INT0_CLIENT_ENA_CLR	VPDMA INT0 Client Enable/Clear Read indicates interrupt enable 0 = disabled 1 = enabled Writing 1 will clear interrupt enabled Writing 0 has no effect	RW	0x0
6	VPDMA_INT0_CHANNEL_GROUP6_ENA_CLR	VPDMA INT0 Channel Group6 Enable/Clear Read indicates interrupt enable 0 = disabled 1 = enabled Writing 1 will clear interrupt enabled Writing 0 has no effect	RW	0x0
5	VPDMA_INT0_CHANNEL_GROUP5_ENA_CLR	VPDMA INT0 Channel Group5 Enable/Clear Read indicates interrupt enable 0 = disabled 1 = enabled Writing 1 will clear interrupt enabled Writing 0 has no effect	RW	0x0
4	VPDMA_INT0_CHANNEL_GROUP4_ENA_CLR	VPDMA INT0 Channel Group4 Enable/Clear Read indicates interrupt enable 0 = disabled 1 = enabled Writing 1 will clear interrupt enabled Writing 0 has no effect	RW	0x0
3	VPDMA_INT0_CHANNEL_GROUP3_ENA_CLR	VPDMA INT0 Channel Group3 Enable/Clear Read indicates interrupt enable 0 = disabled 1 = enabled Writing 1 will clear interrupt enabled Writing 0 has no effect	RW	0x0
2	VPDMA_INT0_CHANNEL_GROUP2_ENA_CLR	VPDMA INT0 Channel Group2 Enable/Clear Read indicates interrupt enable 0 = disabled 1 = enabled Writing 1 will clear interrupt enabled Writing 0 has no effect	RW	0x0
1	VPDMA_INT0_CHANNEL_GROUP1_ENA_CLR	VPDMA INT0 Channel Group1 Enable/Clear Read indicates interrupt enable 0 = disabled 1 = enabled Writing 1 will clear interrupt enabled Writing 0 has no effect	RW	0x0
0	VPDMA_INT0_CHANNEL_GROUP0_ENA_CLR	VPDMA INT0 Channel Group0 Enable/Clear Read indicates interrupt enable 0 = disabled 1 = enabled Writing 1 will clear interrupt enabled Writing 0 has no effect	RW	0x0

Table 9-88. Register Call Summary for Register VIP_INTC_INTR0_ENA_CLR1

VIP Register Manual

- [VIP Top Level Register Summary: \[1\]](#)

Table 9-89. VIP_INTC_INTR1_STATUS_RAW0

Address Offset	0x0000 0040	Instance	VIP1_top_level
Physical Address	0x4897 0040		
Description	INTC intr1 Interrupt Status Raw/Set Register 0. This register contains the raw interrupt status as defined in HL0.8		
Type	RW		

31	30	29	28	27	26	25	24	23	22	21	20	19	18	17	16	15	14	13	12	11	10	9	8	7	6	5	4	3	2	1	0	
RESERVED								VIP2_PARSER_INT_RAW		VIP1_PARSER_INT_RAW		RESERVED				VPDMA_INT1_DESCRIPTOR_RAW	VPDMA_INT1_LIST7_NOTIFY_RAW	VPDMA_INT1_LIST7_COMPLETE_RAW	VPDMA_INT1_LIST6_NOTIFY_RAW	VPDMA_INT1_LIST6_COMPLETE_RAW	VPDMA_INT1_LIST5_NOTIFY_RAW	VPDMA_INT1_LIST5_COMPLETE_RAW	VPDMA_INT1_LIST4_NOTIFY_RAW	VPDMA_INT1_LIST4_COMPLETE_RAW	VPDMA_INT1_LIST3_NOTIFY_RAW	VPDMA_INT1_LIST3_COMPLETE_RAW	VPDMA_INT1_LIST2_NOTIFY_RAW	VPDMA_INT1_LIST2_COMPLETE_RAW	VPDMA_INT1_LIST1_NOTIFY_RAW	VPDMA_INT1_LIST1_COMPLETE_RAW	VPDMA_INT1_LIST0_NOTIFY_RAW	VPDMA_INT1_LIST0_COMPLETE_RAW

Bits	Field Name	Description	Type	Reset
31:22	RESERVED		R	0x0
21	VIP2_PARSER_INT_RAW	VIP2 Parser Interrupt Status Read indicates raw status 0 = inactive 1 = active Writing 1 will set status Writing 0 has no effect	RW	0x0
20	VIP1_PARSER_INT_RAW	VIP1 Parser Interrupt Status Read indicates raw status 0 = inactive 1 = active Writing 1 will set status Writing 0 has no effect	RW	0x0
19:17	RESERVED		R	0x0
16	VPDMA_INT1_DESCRIPTOR_RAW	VPDMA INT1 Descriptor Status Read indicates raw status 0 = inactive 1 = active Writing 1 will set status Writing 0 has no effect	RW	0x0
15	VPDMA_INT1_LIST7_NOTIFY_RAW	VPDMA INT1 List7 Complete Status Read indicates raw status 0 = inactive 1 = active Writing 1 will set status Writing 0 has no effect	RW	0x0
14	VPDMA_INT1_LIST7_COMPLETE_RAW	VPDMA INT1 List7 Complete Status Read indicates raw status 0 = inactive 1 = active Writing 1 will set status Writing 0 has no effect	RW	0x0
13	VPDMA_INT1_LIST6_NOTIFY_RAW	VPDMA INT1 List6 Complete Status Read indicates raw status 0 = inactive 1 = active Writing 1 will set status Writing 0 has no effect	RW	0x0
12	VPDMA_INT1_LIST6_COMPLETE_RAW	VPDMA INT1 List6 Complete Status Read indicates raw status 0 = inactive 1 = active Writing 1 will set status Writing 0 has no effect	RW	0x0
11	VPDMA_INT1_LIST5_NOTIFY_RAW	VPDMA INT1 List5 Complete Status Read indicates raw status 0 = inactive 1 = active Writing 1 will set status Writing 0 has no effect	RW	0x0
10	VPDMA_INT1_LIST5_COMPLETE_RAW	VPDMA INT1 List5 Complete Status Read indicates raw status 0 = inactive 1 = active Writing 1 will set status Writing 0 has no effect	RW	0x0
9	VPDMA_INT1_LIST4_NOTIFY_RAW	VPDMA INT1 List4 Complete Status Read indicates raw status 0 = inactive 1 = active Writing 1 will set status Writing 0 has no effect	RW	0x0
8	VPDMA_INT1_LIST4_COMPLETE_RAW	VPDMA INT1 List4 Complete Status Read indicates raw status 0 = inactive 1 = active Writing 1 will set status Writing 0 has no effect	RW	0x0
7	VPDMA_INT1_LIST3_NOTIFY_RAW	VPDMA INT1 List3 Complete Status Read indicates raw status 0 = inactive 1 = active Writing 1 will set status Writing 0 has no effect	RW	0x0
6	VPDMA_INT1_LIST3_COMPLETE_RAW	VPDMA INT1 List3 Complete Status Read indicates raw status 0 = inactive 1 = active Writing 1 will set status Writing 0 has no effect	RW	0x0
5	VPDMA_INT1_LIST2_NOTIFY_RAW	VPDMA INT1 List2 Complete Status Read indicates raw status 0 = inactive 1 = active Writing 1 will set status Writing 0 has no effect	RW	0x0

Bits	Field Name	Description	Type	Reset
4	VPDMA_INT1_LIST2_COMPLETE_RAW	VPDMA INT1 List2 Complete Status Read indicates raw status 0 = inactive 1 = active Writing 1 will set status Writing 0 has no effect	RW	0x0
3	VPDMA_INT1_LIST1_NOTIFY_RAW	VPDMA INT1 List1 Complete Status Read indicates raw status 0 = inactive 1 = active Writing 1 will set status Writing 0 has no effect	RW	0x0
2	VPDMA_INT1_LIST1_COMPLETE_RAW	VPDMA INT1 List1 Complete Status Read indicates raw status 0 = inactive 1 = active Writing 1 will set status Writing 0 has no effect	RW	0x0
1	VPDMA_INT1_LIST0_NOTIFY_RAW	VPDMA INT1 List0 Notify Status Read indicates raw status 0 = inactive 1 = active Writing 1 will set status Writing 0 has no effect	RW	0x0
0	VPDMA_INT1_LIST0_COMPLETE_RAW	VPDMA INT1 List0 Complete Status Read indicates raw status 0 = inactive 1 = active Writing 1 will set status Writing 0 has no effect	RW	0x0

Table 9-90. Register Call Summary for Register VIP_INTC_INTR1_STATUS_RAW0

VIP Register Manual

- [VIP Top Level Register Summary: \[1\]](#)

Table 9-91. VIP_INTC_INTR1_STATUS_RAW1

Address Offset	0x0000 0044	Instance	VIP1_top_level
Physical Address	0x4897 0044		
Description	INTC intr1 Interrupt Status Raw/Set Register 1. This register contains the raw interrupt status as defined in HL0.8		
Type	RW		

31	30	29	28	27	26	25	24	23	22	21	20	19	18	17	16	15	14	13	12	11	10	9	8	7	6	5	4	3	2	1	0
RESERVED								RESERVED								VPDMA_INT1_CLIENT_RAW	RESERVED	VPDMA_INT1_CHANNEL_GROUP5_RAW	VPDMA_INT1_CHANNEL_GROUP4_RAW	VPDMA_INT1_CHANNEL_GROUP3_RAW	VPDMA_INT1_CHANNEL_GROUP2_RAW	VPDMA_INT1_CHANNEL_GROUP1_RAW	VPDMA_INT1_CHANNEL_GROUP0_RAW								

Bits	Field Name	Description	Type	Reset
31:26	RESERVED		R	0x0
25	VIP2_CHR_DS_2_UV_ERR_INT_RAW	VIP2 Chroma Downsampler 2 UV Error Interrupt Status Read indicates raw status 0 = inactive 1 = active Writing 1 will set status Writing 0 has no effect	RW	0x0
24	VIP2_CHR_DS_1_UV_ERR_INT_RAW	VIP2 Chroma Downsampler 1 UV Error Interrupt Status Read indicates raw status 0 = inactive 1 = active Writing 1 will set status Writing 0 has no effect	RW	0x0
23	VIP1_CHR_DS_2_UV_ERR_INT_RAW	VIP1 Chroma Downsampler 2 UV Error Interrupt Status Read indicates raw status 0 = inactive 1 = active Writing 1 will set status Writing 0 has no effect	RW	0x0

Bits	Field Name	Description	Type	Reset
22	VIP1_CHR_DS_1_UV_ERR_INT_RAW	VIP1 Chroma Downsampler 1 UV Error Interrupt Status Read indicates raw status 0 = inactive 1 = active Writing 1 will set status Writing 0 has no effect	RW	0x0
21:8	RESERVED		R	0x0
7	VPDMA_INT1_CLIENT_RAW	VPDMA INT1 Client Status Read indicates raw status 0 = inactive 1 = active Writing 1 will set status Writing 0 has no effect	RW	0x0
6	RESERVED		R	0x0
5	VPDMA_INT1_CHANNEL_GROUP5_RAW	VPDMA INT1 Channel Group5 Status Read indicates raw status 0 = inactive 1 = active Writing 1 will set status Writing 0 has no effect	RW	0x0
4	VPDMA_INT1_CHANNEL_GROUP4_RAW	VPDMA INT1 Channel Group4 Status Read indicates raw status 0 = inactive 1 = active Writing 1 will set status Writing 0 has no effect	RW	0x0
3	VPDMA_INT1_CHANNEL_GROUP3_RAW	VPDMA INT1 Channel Group3 Status Read indicates raw status 0 = inactive 1 = active Writing 1 will set status Writing 0 has no effect	RW	0x0
2	VPDMA_INT1_CHANNEL_GROUP2_RAW	VPDMA INT1 Channel Group2 Status Read indicates raw status 0 = inactive 1 = active Writing 1 will set status Writing 0 has no effect	RW	0x0
1	VPDMA_INT1_CHANNEL_GROUP1_RAW	VPDMA INT1 Channel Group1 Status Read indicates raw status 0 = inactive 1 = active Writing 1 will set status Writing 0 has no effect	RW	0x0
0	VPDMA_INT1_CHANNEL_GROUP0_RAW	VPDMA INT1 Channel Group0 Status Read indicates raw status 0 = inactive 1 = active Writing 1 will set status Writing 0 has no effect	RW	0x0

Table 9-92. Register Call Summary for Register VIP_INTC_INTR1_STATUS_RAW1

VIP Register Manual

- [VIP Top Level Register Summary: \[1\]](#)

Table 9-93. VIP_INTC_INTR1_STATUS_ENA0

Address Offset	0x0000 0048	Instance	VIP1_top_level
Physical Address	0x4897 0048		
Description	INTC intr1 Interrupt Status Enabled/Clear Register 0. This register contains the enabled interrupt status as defined in HL0.8		
Type	RW		

31	30	29	28	27	26	25	24	23	22	21	20	19	18	17	16	15	14	13	12	11	10	9	8	7	6	5	4	3	2	1	0	
RESERVED								VIP2_PARSER_INT_ENA		VIP1_PARSER_INT_ENA		RESERVED				VPDMA_INT1_DESCRIPTOR_ENA	VPDMA_INT1_LIST7_NOTIFY_ENA	VPDMA_INT1_LIST7_COMPLETE_ENA	VPDMA_INT1_LIST6_NOTIFY_ENA	VPDMA_INT1_LIST6_COMPLETE_ENA	VPDMA_INT1_LIST5_NOTIFY_ENA	VPDMA_INT1_LIST5_COMPLETE_ENA	VPDMA_INT1_LIST4_NOTIFY_ENA	VPDMA_INT1_LIST4_COMPLETE_ENA	VPDMA_INT1_LIST3_NOTIFY_ENA	VPDMA_INT1_LIST3_COMPLETE_ENA	VPDMA_INT1_LIST2_NOTIFY_ENA	VPDMA_INT1_LIST2_COMPLETE_ENA	VPDMA_INT1_LIST1_NOTIFY_ENA	VPDMA_INT1_LIST1_COMPLETE_ENA	VPDMA_INT1_LIST0_NOTIFY_ENA	VPDMA_INT1_LIST0_COMPLETE_ENA

Bits	Field Name	Description	Type	Reset
31:22	RESERVED		R	0x0
21	VIP2_PARSER_INT_ENA	VIP2 Parser Enabled Interrupt Status Read indicates enabled status 0 = inactive 1 = active Writing 1 will clear interrupt Writing 0 has no effect	RW	0x0
20	VIP1_PARSER_INT_ENA	VIP1 Parser Enabled Interrupt Status Read indicates enabled status 0 = inactive 1 = active Writing 1 will clear interrupt Writing 0 has no effect	RW	0x0
19:17	RESERVED		R	0x0
16	VPDMA_INT1_DESCRIPTOR_ENA	VPDMA INT1 Descriptor Enabled Status Read indicates interrupt enable 0 = disabled 1 = enabled Writing 1 will set interrupt enabled Writing 0 has no effect	RW	0x0
15	VPDMA_INT1_LIST7_NOTIFY_ENA	VPDMA INT1 List7 Notify Enabled Status Read indicates interrupt enable 0 = disabled 1 = enabled Writing 1 will set interrupt enabled Writing 0 has no effect	RW	0x0
14	VPDMA_INT1_LIST7_COMPLETE_ENA	VPDMA INT1 List7 Complete Enabled Status Read indicates interrupt enable 0 = disabled 1 = enabled Writing 1 will set interrupt enabled Writing 0 has no effect	RW	0x0
13	VPDMA_INT1_LIST6_NOTIFY_ENA	VPDMA INT1 List6 Notify Enabled Status Read indicates interrupt enable 0 = disabled 1 = enabled Writing 1 will set interrupt enabled Writing 0 has no effect	RW	0x0
12	VPDMA_INT1_LIST6_COMPLETE_ENA	VPDMA INT1 List6 Complete Enabled Status Read indicates interrupt enable 0 = disabled 1 = enabled Writing 1 will set interrupt enabled Writing 0 has no effect	RW	0x0
11	VPDMA_INT1_LIST5_NOTIFY_ENA	VPDMA INT1 List5 Notify Enabled Status Read indicates interrupt enable 0 = disabled 1 = enabled Writing 1 will set interrupt enabled Writing 0 has no effect	RW	0x0
10	VPDMA_INT1_LIST5_COMPLETE_ENA	VPDMA INT1 List5 Complete Enabled Status Read indicates interrupt enable 0 = disabled 1 = enabled Writing 1 will set interrupt enabled Writing 0 has no effect	RW	0x0
9	VPDMA_INT1_LIST4_NOTIFY_ENA	VPDMA INT1 List4 Notify Enabled Status Read indicates interrupt enable 0 = disabled 1 = enabled Writing 1 will set interrupt enabled Writing 0 has no effect	RW	0x0
8	VPDMA_INT1_LIST4_COMPLETE_ENA	VPDMA INT1 List4 Complete Enabled Status Read indicates interrupt enable 0 = disabled 1 = enabled Writing 1 will set interrupt enabled Writing 0 has no effect	RW	0x0
7	VPDMA_INT1_LIST3_NOTIFY_ENA	VPDMA INT1 List3 Notify Enabled Status Read indicates interrupt enable 0 = disabled 1 = enabled Writing 1 will set interrupt enabled Writing 0 has no effect	RW	0x0
6	VPDMA_INT1_LIST3_COMPLETE_ENA	VPDMA INT1 List3 Complete Enabled Status Read indicates interrupt enable 0 = disabled 1 = enabled Writing 1 will set interrupt enabled Writing 0 has no effect	RW	0x0
5	VPDMA_INT1_LIST2_NOTIFY_ENA	VPDMA INT1 List2 Notify Enabled Status Read indicates interrupt enable 0 = disabled 1 = enabled Writing 1 will set interrupt enabled Writing 0 has no effect	RW	0x0
4	VPDMA_INT1_LIST2_COMPLETE_ENA	VPDMA INT1 List2 Complete Enabled Status Read indicates interrupt enable 0 = disabled 1 = enabled Writing 1 will set interrupt enabled Writing 0 has no effect	RW	0x0
3	VPDMA_INT1_LIST1_NOTIFY_ENA	VPDMA INT1 List1 Notify Enabled Status Read indicates interrupt enable 0 = disabled 1 = enabled Writing 1 will set interrupt enabled Writing 0 has no effect	RW	0x0
2	VPDMA_INT1_LIST1_COMPLETE_ENA	VPDMA INT1 List1 Complete Enabled Status Read indicates interrupt enable 0 = disabled 1 = enabled Writing 1 will set interrupt enabled Writing 0 has no effect	RW	0x0
1	VPDMA_INT1_LIST0_NOTIFY_ENA	VPDMA INT1 List0 Notify Enabled Status Read indicates interrupt enable 0 = disabled 1 = enabled Writing 1 will set interrupt enabled Writing 0 has no effect	RW	0x0
0	VPDMA_INT1_LIST0_COMPLETE_ENA	VPDMA INT1 List0 Complete Enabled Status Read indicates interrupt enable 0 = disabled 1 = enabled Writing 1 will set interrupt enabled Writing 0 has no effect	RW	0x0

Table 9-94. Register Call Summary for Register VIP_INTC_INTR1_STATUS_ENA0

VIP Register Manual

- [VIP Top Level Register Summary: \[1\]](#)

Table 9-95. VIP_INTC_INTR1_STATUS_ENA1

Address Offset	0x0000 004C	Instance	VIP1_top_level
Physical Address	0x4897 004C		
Description	INTC intr1 Interrupt Status Enabled/Clear Register 1. This register contains the enabled interrupt status as defined in HL0.8		
Type	RW		

31	30	29	28	27	26	25	24	23	22	21	20	19	18	17	16	15	14	13	12	11	10	9	8	7	6	5	4	3	2	1	0
RESERVED								RESERVED								VPDMA_INT1_CLIENT_ENA	RESERVED	VPDMA_INT1_CHANNEL_GROUP5_ENA	VPDMA_INT1_CHANNEL_GROUP4_ENA	VPDMA_INT1_CHANNEL_GROUP3_ENA	VPDMA_INT1_CHANNEL_GROUP2_ENA	VPDMA_INT1_CHANNEL_GROUP1_ENA	VPDMA_INT1_CHANNEL_GROUP0_ENA								

Bits	Field Name	Description	Type	Reset
31:26	RESERVED		R	0x0
25	VIP2_CHR_DS_2_UV_ERR_INT_ENA	VIP2 Chroma Downsampler 2 UV Error Enabled Interrupt Status Read indicates enabled status 0 = inactive 1 = active Writing 1 will clear interrupt Writing 0 has no effect	RW	0x0
24	VIP2_CHR_DS_1_UV_ERR_INT_ENA	VIP2 Chroma Downsampler 1 UV Error Enabled Interrupt Status Read indicates enabled status 0 = inactive 1 = active Writing 1 will clear interrupt Writing 0 has no effect	RW	0x0
23	VIP1_CHR_DS_2_UV_ERR_INT_ENA	VIP1 Chroma Downsampler 2 UV Error Enabled Interrupt Status Read indicates enabled status 0 = inactive 1 = active Writing 1 will clear interrupt Writing 0 has no effect	RW	0x0
22	VIP1_CHR_DS_1_UV_ERR_INT_ENA	VIP1 Chroma Downsampler 1 UV Error Enabled Interrupt Status Read indicates enabled status 0 = inactive 1 = active Writing 1 will clear interrupt Writing 0 has no effect	RW	0x0
21:8	RESERVED		R	0x0
7	VPDMA_INT1_CLIENT_ENA	VPDMA INT1 Client Enabled Status Read indicates raw status 0 = inactive 1 = active Writing 1 will set status Writing 0 has no effect	RW	0x0
6	RESERVED		R	0x0
5	VPDMA_INT1_CHANNEL_GROUP5_ENA	VPDMA INT1 Channel Group5 Enabled Status Read indicates raw status 0 = inactive 1 = active Writing 1 will set status Writing 0 has no effect	RW	0x0
4	VPDMA_INT1_CHANNEL_GROUP4_ENA	VPDMA INT1 Channel Group4 Enabled Status Read indicates raw status 0 = inactive 1 = active Writing 1 will set status Writing 0 has no effect	RW	0x0
3	VPDMA_INT1_CHANNEL_GROUP3_ENA	VPDMA INT1 Channel Group3 Enabled Status Read indicates raw status 0 = inactive 1 = active Writing 1 will set status Writing 0 has no effect	RW	0x0

Bits	Field Name	Description	Type	Reset
2	VPDMA_INT1_CHANNEL_GROUP2_ENA	VPDMA INT1 Channel Group3 Enabled Status Read indicates raw status 0 = inactive 1 = active Writing 1 will set status Writing 0 has no effect	RW	0x0
1	VPDMA_INT1_CHANNEL_GROUP1_ENA	VPDMA INT1 Channel Group1 Enabled Status Read indicates raw status 0 = inactive 1 = active Writing 1 will set status Writing 0 has no effect	RW	0x0
0	VPDMA_INT1_CHANNEL_GROUP0_ENA	VPDMA INT1 Channel Group0 Enabled Status Read indicates raw status 0 = inactive 1 = active Writing 1 will set status Writing 0 has no effect	RW	0x0

Table 9-96. Register Call Summary for Register VIP_INTC_INTR1_STATUS_ENA1

VIP Register Manual

- [VIP Top Level Register Summary: \[1\]](#)

Table 9-97. VIP_INTC_INTR1_ENA_SET0

Address Offset	0x0000 0050	Instance	VIP1_top_level
Physical Address	0x4897 0050		
Description	INTC intr1 Interrupt Enable/Set Register 0. This register contains the interrupt enable status/set as defined in HL0.8		
Type	RW		

31	30	29	28	27	26	25	24	23	22	21	20	19	18	17	16	15	14	13	12	11	10	9	8	7	6	5	4	3	2	1	0	
RESERVED								VIP2_PARSER_INT_ENA_SET		VIP1_PARSER_INT_ENA_SET		RESERVED				VPDMA_INT1_DESCRIPTOR_ENA_SET	VPDMA_INT1_LIST7_NOTIFY_ENA_SET	VPDMA_INT1_LIST7_COMPLETE_ENA_SET	VPDMA_INT1_LIST6_NOTIFY_ENA_SET	VPDMA_INT1_LIST6_COMPLETE_ENA_SET	VPDMA_INT1_LIST5_NOTIFY_ENA_SET	VPDMA_INT1_LIST5_COMPLETE_ENA_SET	VPDMA_INT1_LIST4_NOTIFY_ENA_SET	VPDMA_INT1_LIST4_COMPLETE_ENA_SET	VPDMA_INT1_LIST3_NOTIFY_ENA_SET	VPDMA_INT1_LIST3_COMPLETE_ENA_SET	VPDMA_INT1_LIST2_NOTIFY_ENA_SET	VPDMA_INT1_LIST2_COMPLETE_ENA_SET	VPDMA_INT1_LIST1_NOTIFY_ENA_SET	VPDMA_INT1_LIST1_COMPLETE_ENA_SET	VPDMA_INT1_LIST0_NOTIFY_ENA_SET	VPDMA_INT1_LIST0_COMPLETE_ENA_SET

Bits	Field Name	Description	Type	Reset
31:22	RESERVED		R	0x0
21	VIP2_PARSER_INT_ENA_SET	VIP2 Parser Enable/Set Read indicates interrupt enable 0 = disabled 1 = enabled Writing 1 will set interrupt enabled Writing 0 has no effect	RW	0x0
20	VIP1_PARSER_INT_ENA_SET	VIP1 Parser Enable/Set Read indicates interrupt enable 0 = disabled 1 = enabled Writing 1 will set interrupt enabled Writing 0 has no effect	RW	0x0
19:17	RESERVED		R	0x0
16	VPDMA_INT1_DESCRIPTOR_ENA_SET	VPDMA INT1 Descriptor Enable/Set Read indicates interrupt enable 0 = disabled 1 = enabled Writing 1 will set interrupt enabled Writing 0 has no effect	RW	0x0
15	VPDMA_INT1_LIST7_NOTIFY_ENA_SET	VPDMA INT1 List7 Notify Enable/Set Read indicates interrupt enable 0 = disabled 1 = enabled Writing 1 will set interrupt enabled Writing 0 has no effect	RW	0x0

Bits	Field Name	Description	Type	Reset
14	VPDMA_INT1_LIST7_COMPLETE_ENA_SET	VPDMA INT1 List7 Complete Enable/Set Read indicates interrupt enable 0 = disabled 1 = enabled Writing 1 will set interrupt enabled Writing 0 has no effect	RW	0x0
13	VPDMA_INT1_LIST6_NOTIFY_ENA_SET	VPDMA INT1 List6 Notify Enable/Set Read indicates interrupt enable 0 = disabled 1 = enabled Writing 1 will set interrupt enabled Writing 0 has no effect	RW	0x0
12	VPDMA_INT1_LIST6_COMPLETE_ENA_SET	VPDMA INT1 List6 Complete Enable/Set Read indicates interrupt enable 0 = disabled 1 = enabled Writing 1 will set interrupt enabled Writing 0 has no effect	RW	0x0
11	VPDMA_INT1_LIST5_NOTIFY_ENA_SET	VPDMA INT1 List5 Notify Enable/Set Read indicates interrupt enable 0 = disabled 1 = enabled Writing 1 will set interrupt enabled Writing 0 has no effect	RW	0x0
10	VPDMA_INT1_LIST5_COMPLETE_ENA_SET	VPDMA INT1 List5 Complete Enable/Set Read indicates interrupt enable 0 = disabled 1 = enabled Writing 1 will set interrupt enabled Writing 0 has no effect	RW	0x0
9	VPDMA_INT1_LIST4_NOTIFY_ENA_SET	VPDMA INT1 List4 Notify Enable/Set Read indicates interrupt enable 0 = disabled 1 = enabled Writing 1 will set interrupt enabled Writing 0 has no effect	RW	0x0
8	VPDMA_INT1_LIST4_COMPLETE_ENA_SET	VPDMA INT1 List4 Complete Enable/Set Read indicates interrupt enable 0 = disabled 1 = enabled Writing 1 will set interrupt enabled Writing 0 has no effect	RW	0x0
7	VPDMA_INT1_LIST3_NOTIFY_ENA_SET	VPDMA INT1 List3 Notify Enable/Set Read indicates interrupt enable 0 = disabled 1 = enabled Writing 1 will set interrupt enabled Writing 0 has no effect	RW	0x0
6	VPDMA_INT1_LIST3_COMPLETE_ENA_SET	VPDMA INT1 List3 Complete Enable/Set Read indicates interrupt enable 0 = disabled 1 = enabled Writing 1 will set interrupt enabled Writing 0 has no effect	RW	0x0
5	VPDMA_INT1_LIST2_NOTIFY_ENA_SET	VPDMA INT1 List2 Notify Enable/Set Read indicates interrupt enable 0 = disabled 1 = enabled Writing 1 will set interrupt enabled Writing 0 has no effect	RW	0x0
4	VPDMA_INT1_LIST2_COMPLETE_ENA_SET	VPDMA INT1 List2 Complete Enable/Set Read indicates interrupt enable 0 = disabled 1 = enabled Writing 1 will set interrupt enabled Writing 0 has no effect	RW	0x0
3	VPDMA_INT1_LIST1_NOTIFY_ENA_SET	VPDMA INT1 List1 Notify Enable/Set Read indicates interrupt enable 0 = disabled 1 = enabled Writing 1 will set interrupt enabled Writing 0 has no effect	RW	0x0
2	VPDMA_INT1_LIST1_COMPLETE_ENA_SET	VPDMA INT1 List1 Complete Enable/Set Read indicates interrupt enable 0 = disabled 1 = enabled Writing 1 will set interrupt enabled Writing 0 has no effect	RW	0x0
1	VPDMA_INT1_LIST0_NOTIFY_ENA_SET	VPDMA INT1 List0 Notify Enable/Set Read indicates interrupt enable 0 = disabled 1 = enabled Writing 1 will set interrupt enabled Writing 0 has no effect	RW	0x0
0	VPDMA_INT1_LIST0_COMPLETE_ENA_SET	VPDMA INT1 List0 Complete Enable/Set Read indicates interrupt enable 0 = disabled 1 = enabled Writing 1 will set interrupt enabled Writing 0 has no effect	RW	0x0

Table 9-98. Register Call Summary for Register VIP_INTC_INTR1_ENA_SET0

VIP Register Manual

- [VIP Top Level Register Summary: \[1\]](#)

Table 9-99. VIP_INTC_INTR1_ENA_SET1

Address Offset	0x0000 0054	Instance	VIP1_top_level
Physical Address	0x4897 0054		
Description	INTC intr1 Interrupt Enable/Set Register 1. This register contains the interrupt enable status/set as defined in HL0.8		
Type	RW		

31	30	29	28	27	26	25	24	23	22	21	20	19	18	17	16	15	14	13	12	11	10	9	8	7	6	5	4	3	2	1	0
RESERVED								RESERVED								VPDMA_INT1_CLIENT_ENA_SET VPDMA_INT1_CHANNEL_GROUP6_ENA_SET VPDMA_INT1_CHANNEL_GROUP5_ENA_SET VPDMA_INT1_CHANNEL_GROUP4_ENA_SET VPDMA_INT1_CHANNEL_GROUP3_ENA_SET VPDMA_INT1_CHANNEL_GROUP2_ENA_SET VPDMA_INT1_CHANNEL_GROUP1_ENA_SET VPDMA_INT1_CHANNEL_GROUP0_ENA_SET															
				VIP2_CHR_DS_2_UV_ERR_INT_ENA_SET				VIP2_CHR_DS_1_UV_ERR_INT_ENA_SET				VIP1_CHR_DS_2_UV_ERR_INT_ENA_SET				VIP1_CHR_DS_1_UV_ERR_INT_ENA_SET															

Bits	Field Name	Description	Type	Reset
31:26	RESERVED		R	0x0
25	VIP2_CHR_DS_2_UV_ERR_INT_ENA_SET	VIP2 Chroma Downsampler 2 UV Error Enable/Set Read indicates interrupt enable 0 = disabled 1 = enabled Writing 1 will set interrupt enabled Writing 0 has no effect	RW	0x0
24	VIP2_CHR_DS_1_UV_ERR_INT_ENA_SET	VIP2 Chroma Downsampler 1 UV Error Enable/Set Read indicates interrupt enable 0 = disabled 1 = enabled Writing 1 will set interrupt enabled Writing 0 has no effect	RW	0x0
23	VIP1_CHR_DS_2_UV_ERR_INT_ENA_SET	VIP1 Chroma Downsampler 2 UV Error Enable/Set Read indicates interrupt enable 0 = disabled 1 = enabled Writing 1 will set interrupt enabled Writing 0 has no effect	RW	0x0
22	VIP1_CHR_DS_1_UV_ERR_INT_ENA_SET	VIP1 Chroma Downsampler 1 UV Error Enable/Set Read indicates interrupt enable 0 = disabled 1 = enabled Writing 1 will set interrupt enabled Writing 0 has no effect	RW	0x0
21:8	RESERVED		R	0x0
7	VPDMA_INT1_CLIENT_ENA_SET	VPDMA INT1 Client Enable/Set Read indicates interrupt enable 0 = disabled 1 = enabled Writing 1 will set interrupt enabled Writing 0 has no effect	RW	0x0
6	VPDMA_INT1_CHANNEL_GROUP6_ENA_SET	VPDMA INT1 Channel Group6 Enable/Set Read indicates interrupt enable 0 = disabled 1 = enabled Writing 1 will set interrupt enabled Writing 0 has no effect	RW	0x0

Bits	Field Name	Description	Type	Reset
5	VPDMA_INT1_CHANNEL_GROUP5_ENA_SET	VPDMA INT1 Channel Group5 Enable/Set Read indicates interrupt enable 0 = disabled 1 = enabled Writing 1 will set interrupt enabled Writing 0 has no effect	RW	0x0
4	VPDMA_INT1_CHANNEL_GROUP4_ENA_SET	VPDMA INT1 Channel Group4 Enable/Set Read indicates interrupt enable 0 = disabled 1 = enabled Writing 1 will set interrupt enabled Writing 0 has no effect	RW	0x0
3	VPDMA_INT1_CHANNEL_GROUP3_ENA_SET	VPDMA INT1 Channel Group3 Enable/Set Read indicates interrupt enable 0 = disabled 1 = enabled Writing 1 will set interrupt enabled Writing 0 has no effect	RW	0x0
2	VPDMA_INT1_CHANNEL_GROUP2_ENA_SET	VPDMA INT1 Channel Group2 Enable/Set Read indicates interrupt enable 0 = disabled 1 = enabled Writing 1 will set interrupt enabled Writing 0 has no effect	RW	0x0
1	VPDMA_INT1_CHANNEL_GROUP1_ENA_SET	VPDMA INT1 Channel Group1 Enable/Set Read indicates interrupt enable 0 = disabled 1 = enabled Writing 1 will set interrupt enabled Writing 0 has no effect	RW	0x0
0	VPDMA_INT1_CHANNEL_GROUP0_ENA_SET	VPDMA INT1 Channel Group0 Enable/Set Read indicates interrupt enable 0 = disabled 1 = enabled Writing 1 will set interrupt enabled Writing 0 has no effect	RW	0x0

Table 9-100. Register Call Summary for Register VIP_INTC_INTR1_ENA_SET1

VIP Register Manual

- [VIP Top Level Register Summary: \[1\]](#)

Table 9-101. VIP_INTC_INTR1_ENA_CLR0

Address Offset	0x0000 0058	Instance	VIP1_top_level
Physical Address	0x4897 0058		
Description	INTC intr1 Interrupt Enable/Clear Register 0. This register contains the interrupt enable status/clear as defined in HL0.8		
Type	RW		

31	30	29	28	27	26	25	24	23	22	21	20	19	18	17	16	15	14	13	12	11	10	9	8	7	6	5	4	3	2	1	0	
RESERVED								VIP2_PARSER_INT_ENA_CLR		VIP1_PARSER_INT_ENA_CLR		RESERVED				VPDMA_INT1_DESCRIPTOR_ENA_CLR	VPDMA_INT1_LIST7_NOTIFY_ENA_CLR	VPDMA_INT1_LIST7_COMPLETE_ENA_CLR	VPDMA_INT1_LIST6_NOTIFY_ENA_CLR	VPDMA_INT1_LIST6_COMPLETE_ENA_CLR	VPDMA_INT1_LIST5_NOTIFY_ENA_CLR	VPDMA_INT1_LIST5_COMPLETE_ENA_CLR	VPDMA_INT1_LIST4_NOTIFY_ENA_CLR	VPDMA_INT1_LIST4_COMPLETE_ENA_CLR	VPDMA_INT1_LIST3_NOTIFY_ENA_CLR	VPDMA_INT1_LIST3_COMPLETE_ENA_CLR	VPDMA_INT1_LIST2_NOTIFY_ENA_CLR	VPDMA_INT1_LIST2_COMPLETE_ENA_CLR	VPDMA_INT1_LIST1_NOTIFY_ENA_CLR	VPDMA_INT1_LIST1_COMPLETE_ENA_CLR	VPDMA_INT1_LIST0_NOTIFY_ENA_CLR	VPDMA_INT1_LIST0_COMPLETE_ENA_CLR

Bits	Field Name	Description	Type	Reset
31:22	RESERVED		R	0x0
21	VIP2_PARSER_INT_ENA_CLR	VIP2 Parser Enable/Clear Read indicates interrupt enable 0 = disabled 1 = enabled Writing 1 will clear interrupt enabled Writing 0 has no effect	RW	0x0
20	VIP1_PARSER_INT_ENA_CLR	VIP1 Parser Enable/Clear Read indicates interrupt enable 0 = disabled 1 = enabled Writing 1 will clear interrupt enabled Writing 0 has no effect	RW	0x0
19:17	RESERVED		R	0x0
16	VPDMA_INT1_DESCRIPTOR_ENA_CLR	VPDMA INT1 Descriptor Enable/Clear Read indicates interrupt enable 0 = disabled 1 = enabled Writing 1 will clear interrupt enabled Writing 0 has no effect	RW	0x0
15	VPDMA_INT1_LIST7_NOTIFY_ENA_CLR	VPDMA INT1 List7 Notify Enable/Clear Read indicates interrupt enable 0 = disabled 1 = enabled Writing 1 will clear interrupt enabled Writing 0 has no effect	RW	0x0
14	VPDMA_INT1_LIST7_COMPLETE_ENA_CLR	VPDMA INT1 List7 Complete Enable/Clear Read indicates interrupt enable 0 = disabled 1 = enabled Writing 1 will clear interrupt enabled Writing 0 has no effect	RW	0x0
13	VPDMA_INT1_LIST6_NOTIFY_ENA_CLR	VPDMA INT1 List6 Notify Enable/Clear Read indicates interrupt enable 0 = disabled 1 = enabled Writing 1 will clear interrupt enabled Writing 0 has no effect	RW	0x0
12	VPDMA_INT1_LIST6_COMPLETE_ENA_CLR	VPDMA INT1 List6 Complete Enable/Clear Read indicates interrupt enable 0 = disabled 1 = enabled Writing 1 will clear interrupt enabled Writing 0 has no effect	RW	0x0
11	VPDMA_INT1_LIST5_NOTIFY_ENA_CLR	VPDMA INT1 List5 Notify Enable/Clear Read indicates interrupt enable 0 = disabled 1 = enabled Writing 1 will clear interrupt enabled Writing 0 has no effect	RW	0x0
10	VPDMA_INT1_LIST5_COMPLETE_ENA_CLR	VPDMA INT1 List5 Complete Enable/Clear Read indicates interrupt enable 0 = disabled 1 = enabled Writing 1 will clear interrupt enabled Writing 0 has no effect	RW	0x0
9	VPDMA_INT1_LIST4_NOTIFY_ENA_CLR	VPDMA INT1 List4 Notify Enable/Clear Read indicates interrupt enable 0 = disabled 1 = enabled Writing 1 will clear interrupt enabled Writing 0 has no effect	RW	0x0
8	VPDMA_INT1_LIST4_COMPLETE_ENA_CLR	VPDMA INT1 List4 Complete Enable/Clear Read indicates interrupt enable 0 = disabled 1 = enabled Writing 1 will clear interrupt enabled Writing 0 has no effect	RW	0x0
7	VPDMA_INT1_LIST3_NOTIFY_ENA_CLR	VPDMA INT1 List3 Notify Enable/Clear Read indicates interrupt enable 0 = disabled 1 = enabled Writing 1 will clear interrupt enabled Writing 0 has no effect	RW	0x0
6	VPDMA_INT1_LIST3_COMPLETE_ENA_CLR	VPDMA INT1 List3 Complete Enable/Clear Read indicates interrupt enable 0 = disabled 1 = enabled Writing 1 will clear interrupt enabled Writing 0 has no effect	RW	0x0
5	VPDMA_INT1_LIST2_NOTIFY_ENA_CLR	VPDMA INT1 List2 Notify Enable/Clear Read indicates interrupt enable 0 = disabled 1 = enabled Writing 1 will clear interrupt enabled Writing 0 has no effect	RW	0x0
4	VPDMA_INT1_LIST2_COMPLETE_ENA_CLR	VPDMA INT1 List2 Complete Enable/Clear Read indicates interrupt enable 0 = disabled 1 = enabled Writing 1 will clear interrupt enabled Writing 0 has no effect	RW	0x0

Bits	Field Name	Description	Type	Reset
3	VPDMA_INT1_LIST1_NOTIFY_ENA_CLR	VPDMA INT1 List1 Notify Enable/Clear Read indicates interrupt enable 0 = disabled 1 = enabled Writing 1 will clear interrupt enabled Writing 0 has no effect	RW	0x0
2	VPDMA_INT1_LIST1_COMPLETE_ENA_CLR	VPDMA INT1 List1 Complete Enable/Clear Read indicates interrupt enable 0 = disabled 1 = enabled Writing 1 will clear interrupt enabled Writing 0 has no effect	RW	0x0
1	VPDMA_INT1_LIST0_NOTIFY_ENA_CLR	VPDMA INT1 List0 Notify Enable/Clear Read indicates interrupt enable 0 = disabled 1 = enabled Writing 1 will clear interrupt enabled Writing 0 has no effect	RW	0x0
0	VPDMA_INT1_LIST0_COMPLETE_ENA_CLR	VPDMA INT1 List0 Complete Enable/Clear Read indicates interrupt enable 0 = disabled 1 = enabled Writing 1 will clear interrupt enabled Writing 0 has no effect	RW	0x0

Table 9-102. Register Call Summary for Register VIP_INTC_INTR1_ENA_CLR0

VIP Register Manual

- [VIP Top Level Register Summary: \[1\]](#)

Table 9-103. VIP_INTC_INTR1_ENA_CLR1

Address Offset	0x0000 005C	Instance	VIP1_top_level
Physical Address	0x4897 005C		
Description	INTC intr1 Interrupt Enable/Clear Register 1. This register contains the interrupt enable status/clear as defined in HL0.8		
Type	RW		

31	30	29	28	27	26	25	24	23	22	21	20	19	18	17	16	15	14	13	12	11	10	9	8	7	6	5	4	3	2	1	0
RESERVED								RESERVED								RESERVED								VPDMA_INT1_CLIENT_ENA_CLR	VPDMA_INT1_CHANNEL_GROUP6_ENA_CLR	VPDMA_INT1_CHANNEL_GROUP5_ENA_CLR	VPDMA_INT1_CHANNEL_GROUP4_ENA_CLR	VPDMA_INT1_CHANNEL_GROUP3_ENA_CLR	VPDMA_INT1_CHANNEL_GROUP2_ENA_CLR	VPDMA_INT1_CHANNEL_GROUP1_ENA_CLR	VPDMA_INT1_CHANNEL_GROUP0_ENA_CLR

Bits	Field Name	Description	Type	Reset
31:26	RESERVED		R	0x0
25	VIP2_CHR_DS_2_UV_ERR_INT_ENA_CLR	VIP2 Chroma Downsampler 2 UV Error Enable/Clear Read indicates interrupt enable 0 = disabled 1 = enabled Writing 1 will clear interrupt enabled Writing 0 has no effect	RW	0x0
24	VIP2_CHR_DS_1_UV_ERR_INT_ENA_CLR	VIP2 Chroma Downsampler 1 UV Error Enable/Clear Read indicates interrupt enable 0 = disabled 1 = enabled Writing 1 will clear interrupt enabled Writing 0 has no effect	RW	0x0

Bits	Field Name	Description	Type	Reset
23	VIP1_CHR_DS_2_UV_ERR_INT_ENA_CLR	VIP1 Chroma Downsampler 2 UV Error Enable/Clear Read indicates interrupt enable 0 = disabled 1 = enabled Writing 1 will clear interrupt enabled Writing 0 has no effect	RW	0x0
22	VIP1_CHR_DS_1_UV_ERR_INT_ENA_CLR	VIP1 Chroma Downsampler 1 UV Error Enable/Clear Read indicates interrupt enable 0 = disabled 1 = enabled Writing 1 will clear interrupt enabled Writing 0 has no effect	RW	0x0
21:8	RESERVED		R	0x0
7	VPDMA_INT1_CLIENT_ENA_CLR	VPDMA INT1 Client Enable/Clear Read indicates interrupt enable 0 = disabled 1 = enabled Writing 1 will clear interrupt enabled Writing 0 has no effect	RW	0x0
6	VPDMA_INT1_CHANNEL_GROUP6_ENA_CLR	VPDMA INT1 Channel Group6 Enable/Clear Read indicates interrupt enable 0 = disabled 1 = enabled Writing 1 will clear interrupt enabled Writing 0 has no effect	RW	0x0
5	VPDMA_INT1_CHANNEL_GROUP5_ENA_CLR	VPDMA INT1 Channel Group5 Enable/Clear Read indicates interrupt enable 0 = disabled 1 = enabled Writing 1 will clear interrupt enabled Writing 0 has no effect	RW	0x0
4	VPDMA_INT1_CHANNEL_GROUP4_ENA_CLR	VPDMA INT1 Channel Group4 Enable/Clear Read indicates interrupt enable 0 = disabled 1 = enabled Writing 1 will clear interrupt enabled Writing 0 has no effect	RW	0x0
3	VPDMA_INT1_CHANNEL_GROUP3_ENA_CLR	VPDMA INT1 Channel Group3 Enable/Clear Read indicates interrupt enable 0 = disabled 1 = enabled Writing 1 will clear interrupt enabled Writing 0 has no effect	RW	0x0
2	VPDMA_INT1_CHANNEL_GROUP2_ENA_CLR	VPDMA INT1 Channel Group2 Enable/Clear Read indicates interrupt enable 0 = disabled 1 = enabled Writing 1 will clear interrupt enabled Writing 0 has no effect	RW	0x0
1	VPDMA_INT1_CHANNEL_GROUP1_ENA_CLR	VPDMA INT1 Channel Group1 Enable/Clear Read indicates interrupt enable 0 = disabled 1 = enabled Writing 1 will clear interrupt enabled Writing 0 has no effect	RW	0x0
0	VPDMA_INT1_CHANNEL_GROUP0_ENA_CLR	VPDMA INT1 Channel Group0 Enable/Clear Read indicates interrupt enable 0 = disabled 1 = enabled Writing 1 will clear interrupt enabled Writing 0 has no effect	RW	0x0

Table 9-104. Register Call Summary for Register VIP_INTC_INTR1_ENA_CLR1

VIP Register Manual

- [VIP Top Level Register Summary: \[1\]](#)

Table 9-105. VIP_INTC_EOI

Address Offset	0x0000 00A0	Instance	VIP1_top_level
Physical Address	0x4897 00A0		
Description	INTC EOI Register. This register contains the EOI vector register contents as defined by HL0.8		
Type	RW		

31	30	29	28	27	26	25	24	23	22	21	20	19	18	17	16	15	14	13	12	11	10	9	8	7	6	5	4	3	2	1	0
EOI_VECTOR																															

Bits	Field Name	Description	Type	Reset
31:0	EOI_VECTOR	Number associated with the ipgenericirq for intr output. There are 4 interrupt outputs Write 0x0 : Write to intr0 IP Generic Write 0x1 : Write to intr1 IP Generic Write 0x2 : Write to intr2 IP Generic Write 0x3 : Write to intr3 IP Generic Any other write value is ignored.	RW	0x0

Table 9-106. Register Call Summary for Register VIP_INTC_EOI

VIP Register Manual

- [VIP Top Level Register Summary: \[1\]](#)

Table 9-107. VIP_CLKC_CLKEN

Address Offset	0x0000 0100	Instance	VIP1_top_level
Physical Address	0x4897 0100		
Description	CLKC Module Clock Enable Register. This register contains clock enables for the processing paths in the VIP module.		
Type	RW		

31	30	29	28	27	26	25	24	23	22	21	20	19	18	17	16	15	14	13	12	11	10	9	8	7	6	5	4	3	2	1	0
RESERVED														VIP2_DP_EN	VIP1_DP_EN	RESERVED														VPDMA_EN	

Bits	Field Name	Description	Type	Reset
31:18	RESERVED		R	0x0
17	VIP2_DP_EN	VIP Slice1 Data Path Clock Enable, 1 = Clock Enabled, 0 = Clock Disabled	RW	0x0
16	VIP1_DP_EN	VIP Slice0 Data Path Clock Enable, 1 = Clock Enabled, 0 = Clock Disabled	RW	0x0
15:1	RESERVED		R	0x0
0	VPDMA_EN	VPDMA Clock Enable, 1 = Clock Enabled, 0 = Clock Disabled	RW	0x0

Table 9-108. Register Call Summary for Register VIP_CLKC_CLKEN

VIP Functional Description

- [VIP Clocks: \[0\]\[1\]\[2\]](#)

VIP Register Manual

- [VIP Top Level Register Summary: \[4\]](#)

Table 9-109. VIP_CLKC_RST

Address Offset	0x0000 0104	Instance	VIP1_top_level
Physical Address	0x4897 0104		
Description	CLKC Module Reset Register. This register contains resets for the processing paths in the VIP module.		
Type	RW		

31	30	29	28	27	26	25	24	23	22	21	20	19	18	17	16	15	14	13	12	11	10	9	8	7	6	5	4	3	2	1	0
MAIN_RST	RESERVED							S1_CHR_DS_1_RST	S0_CHR_DS_1_RST	S1_CHR_DS_0_RST	S0_CHR_DS_0_RST	RESERVED	S1_SC_RST	S0_SC_RST	S1_CSC_RST	S0_CSC_RST	S1_PARSER_RST	S0_PARSER_RST	VIP2_DP_RST	VIP1_DP_RST	RESERVED										VPDMA_RST

Bits	Field Name	Description	Type	Reset
31	MAIN_RST	Reset for all modules in VIP Main Data Path	RW	0x0
30:29	RESERVED	Reserved	R	0x0
28	S1_CHR_DS_1_RST	VIP Slice1 CHRDS1 reset	RW	0x0
27	S0_CHR_DS_1_RST	VIP Slice0 CHRDS1 reset	RW	0x0
26	S1_CHR_DS_0_RST	VIP Slice1 CHRDS0 reset	RW	0x0
25	S0_CHR_DS_0_RST	VIP Slice0 CHRDS0 reset	RW	0x0
24	RESERVED	Reserved	RW	0x0
23	S1_SC_RST	VIP Slice1 SC reset	RW	0x0
22	S0_SC_RST	VIP Slice0 SC reset	RW	0x0
21	S1_CSC_RST	VIP Slice1 CSC reset	RW	0x0
20	S0_CSC_RST	VIP Slice0 CSC reset	RW	0x0
19	S1_PARSER_RST	VIP Slice1 parser reset	RW	0x0
18	S0_PARSER_RST	VIP Slice0 parser reset	RW	0x0
17	VIP2_DP_RST	VIP Slice1 Data Path Reset	RW	0x0
16	VIP1_DP_RST	VIP Slice0 Data Path Reset	RW	0x0
15:1	RESERVED	Reserved	R	0x0000
0	VPDMA_RST	VPDMA Reset	RW	0x0

Table 9-110. Register Call Summary for Register VIP_CLKC_RST

VIP Functional Description

- [VIP Software Reset: \[0\]\[1\]\[2\]\[3\]](#)
- [VIP Overflow Detection and Recovery: \[4\]\[5\]](#)

VIP Register Manual

- [VIP Top Level Register Summary: \[7\]](#)

Table 9-111. VIP_CLKC_DPS

Address Offset	0x0000 0108	Instance	VIP1_top_level
Physical Address	0x4897 0108		
Description	CLKC Main Data Path Select Register. This register selects the various data paths within main portion (non-VIP) of the subsystem		
Type	RW		

31	30	29	28	27	26	25	24	23	22	21	20	19	18	17	16	15	14	13	12	11	10	9	8	7	6	5	4	3	2	1	0
MAIN_RST	RESERVED													VIP2_DP_RST	VIP1_DP_RST	RESERVED										VPDMA_RST					

Bits	Field Name	Description	Type	Reset
31	MAIN_RST	Reset for all modules in DSS Main Data Path	RW	0x0
30:18	RESERVED		R	0x0
17	VIP2_DP_RST	Video Input Port 2 Data Path Reset	RW	0x0
16	VIP1_DP_RST	Video Input Port 1 Data Path Reset	RW	0x0
15:1	RESERVED		R	0x0
0	VPDMA_RST	VPDMA Reset	RW	0x0

Table 9-112. Register Call Summary for Register VIP_CLKC_DPS

VIP Register Manual

- [VIP Top Level Register Summary: \[1\]](#)

Table 9-113. VIP_CLKC_VIP0DPS

Address Offset	0x0000 010C	Instance	VIP1_top_level
Physical Address	0x4897 010C		
Description	CLKC Video Input Port 1 Data Path Select Register. This register selects the various data paths within the Video Input Port portion of the subsystem		
Type	RW		

31	30	29	28	27	26	25	24	23	22	21	20	19	18	17	16	15	14	13	12	11	10	9	8	7	6	5	4	3	2	1	0				
VIP1_DATAPATH_SELECT				VIP1_TESTPORT_A_SELECT		VIP1_TESTPORT_B_SELECT		RESERVED								VIP1_CHR_DS_2_BYPASS		VIP1_CHR_DS_1_BYPASS		VIP1_MULTI_CHANNEL_SELECT		VIP1_CHR_DS_2_SRC_SELECT		VIP1_CHR_DS_1_SRC_SELECT		VIP1_RGB_OUT_HI_SELECT		VIP1_RGB_OUT_LO_SELECT		VIP1_RGB_SRC_SELECT		VIP1_SC_SRC_SELECT		VIP1_CSC_SRC_SELECT	

Bits	Field Name	Description	Type	Reset
31:28	VIP1_DATAPATH_SELECT	VIP1 Datapath Register Field Enable 0000 : All fields written 0001 : Only vip1_csc_src_select written 0010 : Only vip1_sc_src_select written 0011 : Only vip1_rgb_src_select written 0100 : Only vip1_rgb_out_lo_select written 0101 : Only vip1_rgb_out_hi_select written 0110 : Only vip1_chr_ds_1_src_select written 0111 : Only vip1_chr_ds_2_src_select written 1000 : Only vip1_multi_channel_select written 1001 : Only vip1_chr_ds_1_bypass written 1010 : Only vip1_chr_ds_2_bypass written 1011 : Reserved 1100 : Reserved 1101 : Reserved 1110 : Reserved 1111 : Reserved	RW	0x0
27	VIP1_TESTPORT_A_SELECT	0 : Normal mode 1: Test Mode	RW	0x0
26	VIP1_TESTPORT_B_SELECT	0 : Normal mode 1: Test Mode	RW	0x0
25:18	RESERVED		R	0x0
17	VIP1_CHR_DS_2_BYPASS	Video Input Port 1 Chroma Downsampler 2 Bypass 0 : VIP Chroma Downsampler 1 selected 1 : VIP Chroma Downsampler 1 Bypassed Chroma Downsampler Bypassed means the output format from the VIP will be 422 data. Selected means the output format will be 420	RW	0x0

Bits	Field Name	Description	Type	Reset
16	VIP1_CHR_DS_1_BYPASS	Video Input Port 1 Chroma Downsampler 1 Bypass 0 : VIP Chroma Downsampler 1 selected 1 : VIP Chroma Downsampler 1 Bypassed Chroma Downsampler Bypassed means the output format from the VIP will be 422 data. Selected means the output format will be 420	RW	0x0
15	VIP1_MULTI_CHANNEL_SELECT	Video Input Port 1 Multi Channel Select 0 : VIP_PARSER A and B channels operate in single channel mode 1 : VIP_PARSER A and B channels directly drive VPDMA (multi-channel case) Multi-Channel means that the A and B sources are from multiple channels and used in a multiplexed stream mode. The VIP Parser extracts the channel ID from each source and outputs this information to VPDMA, and thus to memory. When operating in a multiplexed stream mode, this bit must be set to 1 to enable the channel information to be passed to memory. If this is not set, the channel number (or source number) will be 0 for all streams. If vip1_rgb_out_select = 1, then VIP_PARSER A port is connected to VPDMA	RW	0x0
14:12	VIP1_CHR_DS_2_SRC_SELECT	Video Input Port 1 Chroma Downsampler 2 Source Select 0 : Path Disabled (no input to CHR_DS) 1 : Source from Scaler (SC_M) 2 : Source from Color Space Converter (CSC) 3 : Source from VIP_PARSER A port 4 : Source from VIP_PARSER B port 5 : Source from Transcode (422) 6 : Reserved 7 : Reserved	RW	0x0
11:9	VIP1_CHR_DS_1_SRC_SELECT	Video Input Port 1 Chroma Downsampler 1 Source Select 000 : Path Disabled (no input to CHR_DS) 001 : Source from Scaler (SC_M) 010 : Source from Color Space Converter (CSC) 011 : Source from VIP_PARSER A port 100 : Source from VIP_PARSER B port 101 : Source from Transcode (422) 110 : Reserved 111 : Reserved	RW	0x0
8	VIP1_RGB_OUT_HI_SELECT	Video Input Port 1 HI RGB Output Select 0 : Output Type is 420/422 1 : Output Type is RGB	RW	0x0
7	VIP1_RGB_OUT_LO_SELECT	Video Input Port 1 LO RGB Output Select 0 : Output Type is 420/422 1 : Output Type is RGB	RW	0x0
6	VIP1_RGB_SRC_SELECT	Video Input Port 1 RGB Output Path Select 0 : Source from Compositor RGB input 1 : Source from CSC	RW	0x0
5:3	VIP1_SC_SRC_SELECT	Video Input Port 1 SC_M Source Select 000 : Path Disabled 001 : Source from Color Space Converter (CSC) 010 : Source from VIP_PARSER A port 011 : Source from VIP_PARSER B port 100 : Source from Transcode (422) 101 : Reserved 110 : Reserved 111 : Reserved	RW	0x0
2:0	VIP1_CSC_SRC_SELECT	Video Input Port 1 CSC Source Select 000 : Path Disabled 001 : Source from VIP_PARSER A (422) port 010 : Source from VIP_PARSER B port 011 : Source from Transcode (422) 100 : Source from VIP_PARSER A (RGB) port 101 : Source from Compositor (RGB) 110 : Reserved 111 : Reserved	RW	0x0

Table 9-114. Register Call Summary for Register VIP_CLKC_VIP0DPS

VIP Functional Description

- [VIP Slice Processing Path Overview: \[0\]\[1\]\[2\]\[3\]\[4\]\[5\]\[6\]\[7\]\[8\]\[9\]\[10\]](#)
- [VIP Slice Processing Path Multiplexers: \[11\]\[12\]](#)

Table 9-114. Register Call Summary for Register VIP_CLKC_VIP0DPS (continued)

VIP Register Manual

- [VIP Top Level Register Summary: \[14\]](#)

Table 9-115. VIP_CLKC_VIP1DPS

Address Offset	0x0000 0110	Instance	VIP1_top_level
Physical Address	0x4897 0110		
Description	CLKC Video Input Port 2 Data Path Select Register. This register selects the various data paths within the Video Input Port portion of the subsystem		
Type	RW		

31	30	29	28	27	26	25	24	23	22	21	20	19	18	17	16	15	14	13	12	11	10	9	8	7	6	5	4	3	2	1	0				
VIP2_DATAPATH_SELECT				VIP2_TESTPORT_A_SELECT		VIP2_TESTPORT_B_SELECT		RESERVED								VIP2_CHR_DS_2_BYPASS		VIP2_CHR_DS_1_BYPASS		VIP2_MULTI_CHANNEL_SELECT		VIP2_CHR_DS_2_SRC_SELECT		VIP2_CHR_DS_1_SRC_SELECT		VIP2_RGB_OUT_HI_SELECT		VIP2_RGB_OUT_LO_SELECT		VIP2_RGB_SRC_SELECT		VIP2_SC_SRC_SELECT		VIP2_CSC_SRC_SELECT	

Bits	Field Name	Description	Type	Reset
31:28	VIP2_DATAPATH_SELECT	VIP2 Datapath Register Field Enable 0000 : All fields written 0001 : Only vip2_csc_src_select written 0010 : Only vip2_sc_src_select written 0011 : Only vip2_rgb_src_select written 0100 : Only vip2_rgb_out_lo_select written 0101 : Only vip2_rgb_out_hi_select written 0110 : Only vip2_chr_ds_1_src_select written 0111 : Only vip2_chr_ds_2_src_select written 1000 : Only vip2_multi_channel_select written 1001 : Only vip2_chr_ds_1_bypass written 1010 : Only vip2_chr_ds_2_bypass written 1011 : Reserved 1100 : Reserved 1101 : Reserved 1110 : Reserved 1111 : Reserved	RW	0x0
27	VIP2_TESTPORT_A_SELECT	0 : Normal mode 1: Test Mode	RW	0x0
26	VIP2_TESTPORT_B_SELECT	0 : Normal mode 1: Test Mode	RW	0x0
25:18	RESERVED		R	0x0
17	VIP2_CHR_DS_2_BYPASS	Video Input Port 2 Chroma Downsampler 2 Bypass 0 : VIP Chroma Downsampler 1 selected 1 : VIP Chroma Downsampler 1 Bypassed Chroma Downsampler Bypassed means the output format from the VIP will be 422 data. Selected means the output format will be 420	RW	0x0
16	VIP2_CHR_DS_1_BYPASS	Video Input Port 2 Chroma Downsampler 1 Bypass 0 : VIP Chroma Downsampler 1 selected 1 : VIP Chroma Downsampler 1 Bypassed Chroma Downsampler Bypassed means the output format from the VIP will be 422 data. Selected means the output format will be 420	RW	0x0

Bits	Field Name	Description	Type	Reset
15	VIP2_MULTI_CHANNEL_SELECT	Video Input Port 2 Multi Channel Select 0 : VIP_PARSER A and B channels operate in single channel mode 1 : VIP_PARSER A and B channels directly drive VPDMA (multi-channel case) Multi-Channel means that the A and B sources are from multiple channels and used in a multiplexed stream mode. The VIP Parser extracts the channel ID from each source and outputs this information to VPDMA, and thus to memory. When operating in a multiplexed stream mode, this bit must be set to 1 to enable the channel information to be passed to memory. If this is not set, the channel number (or source number) will be 0 for all streams. If vip2_rgb_out_select = 1, then VIP_PARSER A port is connected to VPDMA	RW	0x0
14:12	VIP2_CHR_DS_2_SRC_SELECT	Video Input Port 2 Chroma Downsampler 2 Source Select 0 : Path Disabled (no input to CHR_DS) 1 : Source from Scaler (SC_M) 2 : Source from Color Space Converter (CSC) 3 : Source from VIP_PARSER A port 4 : Source from VIP_PARSER B port 5 : Source from Transcode (422) 6 : Reserved 7 : Reserved	RW	0x0
11:9	VIP2_CHR_DS_1_SRC_SELECT	Video Input Port 2 Chroma Downsampler 1 Source Select 000 : Path Disabled (no input to CHR_DS) 001 : Source from Scaler (SC_M) 010 : Source from Color Space Converter (CSC) 011 : Source from VIP_PARSER A port 100 : Source from VIP_PARSER B port 101 : Source from Transcode (422) 110 : Reserved 111 : Reserved	RW	0x0
8	VIP2_RGB_OUT_HI_SELECT	Video Input Port 2 HI RGB Output Select 0 : Output Type is 420/422 1 : Output Type is RGB	RW	0x0
7	VIP2_RGB_OUT_LO_SELECT	Video Input Port 2 LO RGB Output Select 0 : Output Type is 420/422 1 : Output Type is RGB	RW	0x0
6	VIP2_RGB_SRC_SELECT	Video Input Port 2 RGB Output Path Select 0 : Source from Compositor RGB input 1 : Source from CSC	RW	0x0
5:3	VIP2_SC_SRC_SELECT	Video Input Port 2 SC_M Source Select 000 : Path Disabled 001 : Source from Color Space Converter (CSC) 010 : Source from VIP_PARSER A port 011 : Source from VIP_PARSER B port 100 : Source from Transcode (422) 101 : Reserved 110 : Reserved 111 : Reserved	RW	0x0
2:0	VIP2_CSC_SRC_SELECT	Video Input Port 2 CSC Source Select 000 : Path Disabled 001 : Source from VIP_PARSER A (422) port 010 : Source from VIP_PARSER B port 011 : Source from Transcode (422) 100 : Source from VIP_PARSER A (RGB) port 101 : Source from Compositor (RGB) 110 : Reserved 111 : Reserved	RW	0x0

Table 9-116. Register Call Summary for Register VIP_CLKC_VIP1DPS

VIP Functional Description

- [VIP Slice Processing Path Overview: \[0\]\[1\]\[2\]\[3\]\[4\]\[5\]\[6\]\[7\]\[8\]\[9\]\[10\]](#)
- [VIP Slice Processing Path Multiplexers: \[11\]\[12\]](#)

VIP Register Manual

- [VIP Top Level Register Summary: \[14\]](#)

9.5.3 VIP Parser Registers

9.5.3.1 VIP Parser Register Summary

Table 9-117. VIP Parser Registers Mapping Summary

Register Name	Type	Register Width (Bits)	Address Offset	VIP1_Slice0_parser Base Address	VIP1_Slice1_parser Base Address
VIP_MAIN	RW	32	0x0000 0000	0x4897 5500	0x4897 5A00
VIP_PORT_A	RW	32	0x0000 0004	0x4897 5504	0x4897 5A04

Table 9-117. VIP Parser Registers Mapping Summary (continued)

Register Name	Type	Register Width (Bits)	Address Offset	VIP1_Slice0_parser Base Address	VIP1_Slice1_parser Base Address
VIP_XTRA_PORT_A	RW	32	0x0000 0008	0x4897 5508	0x4897 5A08
VIP_PORT_B	RW	32	0x0000 000C	0x4897 550C	0x4897 5A0C
VIP_XTRA_PORT_B	RW	32	0x0000 0010	0x4897 5510	0x4897 5A10
VIP_FIQ_MASK	RW	32	0x0000 0014	0x4897 5514	0x4897 5A14
VIP_FIQ_CLEAR	RW	32	0x0000 0018	0x4897 5518	0x4897 5A18
VIP_FIQ_STATUS	R	32	0x0000 001C	0x4897 551C	0x4897 5A1C
VIP_OUTPUT_PORT_A_SRC_FID	R	32	0x0000 0020	0x4897 5520	0x4897 5A20
VIP_OUTPUT_PORT_A_ENC_FID	R	32	0x0000 0024	0x4897 5524	0x4897 5A24
VIP_OUTPUT_PORT_B_SRC_FID	R	32	0x0000 0028	0x4897 5528	0x4897 5A28
VIP_OUTPUT_PORT_B_ENC_FID	R	32	0x0000 002C	0x4897 552C	0x4897 5A2C
VIP_OUTPUT_PORT_A_SRC0_SIZE	R	32	0x0000 0030	0x4897 5530	0x4897 5A30
VIP_OUTPUT_PORT_A_SRC1_SIZE	R	32	0x0000 0034	0x4897 5534	0x4897 5A34
VIP_OUTPUT_PORT_A_SRC2_SIZE	R	32	0x0000 0038	0x4897 5538	0x4897 5A38
VIP_OUTPUT_PORT_A_SRC3_SIZE	R	32	0x0000 003C	0x4897 553C	0x4897 5A3C
VIP_OUTPUT_PORT_A_SRC4_SIZE	R	32	0x0000 0040	0x4897 5540	0x4897 5A40
VIP_OUTPUT_PORT_A_SRC5_SIZE	R	32	0x0000 0044	0x4897 5544	0x4897 5A44
VIP_OUTPUT_PORT_A_SRC6_SIZE	R	32	0x0000 0048	0x4897 5548	0x4897 5A48
VIP_OUTPUT_PORT_A_SRC7_SIZE	R	32	0x0000 004C	0x4897 554C	0x4897 5A4C
VIP_OUTPUT_PORT_A_SRC8_SIZE	R	32	0x0000 0050	0x4897 5550	0x4897 5A50
VIP_OUTPUT_PORT_A_SRC9_SIZE	R	32	0x0000 0054	0x4897 5554	0x4897 5A54
VIP_OUTPUT_PORT_A_SRC10_SIZE	R	32	0x0000 0058	0x4897 5558	0x4897 5A58
VIP_OUTPUT_PORT_A_SRC11_SIZE	R	32	0x0000 005C	0x4897 555C	0x4897 5A5C
VIP_OUTPUT_PORT_A_SRC12_SIZE	R	32	0x0000 0060	0x4897 5560	0x4897 5A60
VIP_OUTPUT_PORT_A_SRC13_SIZE	R	32	0x0000 0064	0x4897 5564	0x4897 5A64
VIP_OUTPUT_PORT_A_SRC14_SIZE	R	32	0x0000 0068	0x4897 5568	0x4897 5A68
VIP_OUTPUT_PORT_A_SRC15_SIZE	R	32	0x0000 006C	0x4897 556C	0x4897 5A6C
VIP_OUTPUT_PORT_B_SRC0_SIZE	R	32	0x0000 0070	0x4897 5570	0x4897 5A70
VIP_OUTPUT_PORT_B_SRC1_SIZE	R	32	0x0000 0074	0x4897 5574	0x4897 5A74
VIP_OUTPUT_PORT_B_SRC2_SIZE	R	32	0x0000 0078	0x4897 5578	0x4897 5A78

Table 9-117. VIP Parser Registers Mapping Summary (continued)

Register Name	Type	Register Width (Bits)	Address Offset	VIP1_Slice0_parser Base Address	VIP1_Slice1_parser Base Address
VIP_OUTPUT_PORT_B_SRC3_SIZE	R	32	0x0000 007C	0x4897 557C	0x4897 5A7C
VIP_OUTPUT_PORT_B_SRC4_SIZE	R	32	0x0000 0080	0x4897 5580	0x4897 5A80
VIP_OUTPUT_PORT_B_SRC5_SIZE	R	32	0x0000 0084	0x4897 5584	0x4897 5A84
VIP_OUTPUT_PORT_B_SRC6_SIZE	R	32	0x0000 0088	0x4897 5588	0x4897 5A88
VIP_OUTPUT_PORT_B_SRC7_SIZE	R	32	0x0000 008C	0x4897 558C	0x4897 5A8C
VIP_OUTPUT_PORT_B_SRC8_SIZE	R	32	0x0000 0090	0x4897 5590	0x4897 5A90
VIP_OUTPUT_PORT_B_SRC9_SIZE	R	32	0x0000 0094	0x4897 5594	0x4897 5A94
VIP_OUTPUT_PORT_B_SRC10_SIZE	R	32	0x0000 0098	0x4897 5598	0x4897 5A98
VIP_OUTPUT_PORT_B_SRC11_SIZE	R	32	0x0000 009C	0x4897 559C	0x4897 5A9C
VIP_OUTPUT_PORT_B_SRC12_SIZE	R	32	0x0000 00A0	0x4897 55A0	0x4897 5AA0
VIP_OUTPUT_PORT_B_SRC13_SIZE	R	32	0x0000 00A4	0x4897 55A4	0x4897 5AA4
VIP_OUTPUT_PORT_B_SRC14_SIZE	R	32	0x0000 00A8	0x4897 55A8	0x4897 5AA8
VIP_OUTPUT_PORT_B_SRC15_SIZE	R	32	0x0000 00AC	0x4897 55AC	0x4897 5AAC
VIP_PORT_A_VDE_VEC	R	32	0x0000 00B0	0x4897 55B0	0x4897 5AB0
VIP_PORT_B_VDE_VEC	R	32	0x0000 00B4	0x4897 55B4	0x4897 5AB4
VIP_ANC_CROP_HORIZONTAL_PORT_A	RW	32	0x0000 00B8	0x4897 55B8	0x4897 5AB8
VIP_ANC_CROP_VERTICAL_PORT_A	RW	32	0x0000 00BC	0x4897 55BC	0x4897 5ABC
VIP_CROP_HORIZONTAL_PORT_A	RW	32	0x0000 00C0	0x4897 55C0	0x4897 5AC0
VIP_CROP_VERTICAL_PORT_A	RW	32	0x0000 00C4	0x4897 55C4	0x4897 5AC4
VIP_ANC_CROP_HORIZONTAL_PORT_B	RW	32	0x0000 00C8	0x4897 55C8	0x4897 5AC8
VIP_ANC_CROP_VERTICAL_PORT_B	RW	32	0x0000 00CC	0x4897 55CC	0x4897 5ACC
VIP_CROP_HORIZONTAL_PORT_B	RW	32	0x0000 00D0	0x4897 55D0	0x4897 5AD0
VIP_CROP_VERTICAL_PORT_B	RW	32	0x0000 00D4	0x4897 55D4	0x4897 5AD4
VIP_XTRA6_PORT_A	RW	32	0x0000 00D8	0x4897 55D8	0x4897 5AD8
VIP_XTRA7_PORT_B	RW	32	0x0000 00DC	0x4897 55DC	0x4897 5ADC
VIP_XTRA8_PORT_A	RW	32	0x0000 00E0	0x4897 55E0	0x4897 5AE0
VIP_XTRA9_PORT_B	RW	32	0x0000 00E4	0x4897 55E4	0x4897 5AE4

9.5.3.2 VIP Parser Register Description

Table 9-118. VIP_MAIN

Address Offset	0x0000 0000	Instance	VIP1_Slice0_parser VIP1_Slice1_parser
Physical Address	0x4897 5500 0x4897 5A00		
Description	Main Configuration for VIP Parser		
Type	RW		

31	30	29	28	27	26	25	24	23	22	21	20	19	18	17	16	15	14	13	12	11	10	9	8	7	6	5	4	3	2	1	0
RESERVED																								CLIP_ACTIVE	CLIP_BLNK	RESERVED	DATA_INTERFACE_MODE				

Bits	Field Name	Description	Type	Reset
31:6	RESERVED		R	0x0
5	CLIP_ACTIVE	Discrete Sync Only; 0 = Do not clip active pixels; 1 = Clip Active Pixels as follows: 0xFF -> 0xFE, 0x00 -> 0x01	RW	0x0
4	CLIP_BLNK	Discrete Sync Only; 0 = Do not clip Blanking Data; 1 = Clip Blanking Data as follows: 0xFF -> 0xFE, 0x00 -> 0x01	RW	0x0
3:2	RESERVED		R	0x0
1:0	DATA_INTERFACE_MODE	00 = 24b Port A data interface. 01 = 16b Port A data interface. 10 = 8b Port A data interfaces. 11 = Undefined. Port B is always an 8b data interface.	RW	0x0

Table 9-119. Register Call Summary for Register VIP_MAIN

VIP Environment	<ul style="list-style-type: none"> VIP Environment: [2][3]
VIP Functional Description	<ul style="list-style-type: none"> VIP Slice Processing Path Overview: Input Data Interface: Clipping: [9]
VIP Register Manual	<ul style="list-style-type: none"> VIP Parser Register Summary: [11]

Table 9-120. VIP_PORT_A

Address Offset	0x0000 0004	Instance	VIP1_Slice0_parser VIP1_Slice1_parser
Physical Address	0x4897 5504 0x4897 5A04		
Description	Configuration for Input Port A		
Type	RW		

31	30	29	28	27	26	25	24	23	22	21	20	19	18	17	16	15	14	13	12	11	10	9	8	7	6	5	4	3	2	1	0	
ANALYZER_FVH_ERR_CORRECTION_ENABLE		ANALYZER_2X4X_SRCNUM_POS		FID_SKEW_POSTCOUNT				SW_RESET	DISCRETE_BASIC_MODE				FID_SKEW_PRECOUNT				USE_ACTVID_HSYNC_N	FID_DETECT_MODE	ACTVID_POLARITY	VSYNC_POLARITY	HSYNC_POLARITY	PIXCLK_EDGE_POLARITY	FID_POLARITY	ENABLE	CLR_ASYNC_FIFO_RD	CLR_ASYNC_FIFO_WR	CTRL_CHAN_SEL		SYNC_TYPE			

Bits	Field Name	Description	Type	Reset
31	ANALYZER_FVH_ERR_CORRECTION_ENABLE	Embedded Sync Only 0 = Ignore the protection bits in the XV (fvh) codeword header. This setting is typically desired. 1 = Use the protection bits in an attempt to do error correction for the fvh control bits.	RW	0x0
30	ANALYZER_2X4X_SRCNUM_POS	Embedded Sync Only 0 = For 2x/4x mux mode, srcnum is in the least significant nibble of the XV/fvh codeword (srcnum replaces the protection bits) 1 = For 2x/4x mux mode, srcnum is in the least significant nibble of a horizontal blanking pixel value	RW	0x0
29:24	FID_SKEW_POSTCOUNT	Discrete Sync Only post count value when using vsync skew in FID determination	RW	0x0
23	SW_RESET	0 = Normal 1 = Reset Port A logic. Must be set to ?0? again by the software for the module to function.	RW	0x0
22	DISCRETE_BASIC_MODE	This register is valid for Discrete Sync mode only. 0 = Normal Discrete Mode. Hsync Style Capture operates as follows: - Captures line starting from HSYNC inactive to active condition. - VSYNC determined by sync window. - FID can be determined by VSYNC skew or captured from pin at first pixel in first line. ACTVID style capture works as follows: - Captures line during contiguous ACTVID envelope. - VSYNC is captured at the first pixel in each line. - FID is captured on first pixel of ACTVID window. 1 = Basic Discrete Mode. When using hsync with Hsync Style Capture operates as follows: - The last line of active video ends on the pixel clock cycle where VSYNC transitions from inactive to active. - FID pin value is captured on this cycle and is used for the next field. - FID detection by VSYNC skew is not allowed. ACTVID style capture works as follows: - VSYNC is expected to transition from inactive to active between ACTVID window. - This VSYNC transition allows the next line in an ACTVID envelope to be sent to a new VPDMA buffer. - FID value is determined by the FID pin value on the cycle where VSYNC transitions from inactive to active. In basic discrete mode, there is no Vertical Ancillary Data. Therefore, VPDMA descriptors should not use Ancillary Data channels.	RW	0x0
21:16	FID_SKEW_PRECOUNT	Discrete Sync Only pre count value when using vsync skew in FID determination	RW	0x0
15	USE_ACTVID_HSYNC_N	Discrete Sync Only 0 = Use HSYNC style line capture 1 = Use ACTVID style line capture	RW	0x0
14	FID_DETECT_MODE	Discrete Sync Only 0 = Take FID from pin 1 = FID is determined by VSYNC skew	RW	0x0

Bits	Field Name	Description	Type	Reset
13	ACTVID_POLARITY	Discrete Sync Only 0 = ACTVID is active low 1 = ACTVID is active high	RW	0x0
12	VSYNC_POLARITY	Discrete Sync Only 0 = VSYNC is active low 1 = VSYNC is active high	RW	0x0
11	HSYNC_POLARITY	Discrete Sync Only 0 = HSYNC is active low 1 = HSYNC is active high	RW	0x0
10	PIXCLK_EDGE_POLARITY	0 = Rising Edge is active PIXCLK edge 1 = Falling Edge is active PIXCLK edge	RW	0x0
9	FID_POLARITY	0 = Keep FID as found 1 = Invert Determined Value of FID	RW	0x0
8	ENABLE	0 = Disable Port 1 = Enable Port	RW	0x0
7	CLR_ASYNC_FIFO_RD	0 = Normal 1 = Clear Async FIFO Read Logic	RW	0x0
6	CLR_ASYNC_FIFO_WR	0 = Normal 1 = Clear Async FIFO Write Logic	RW	0x0
5:4	CTRL_CHAN_SEL	Embedded Sync Only In 8b mode.. there is only one channel on data[7:0]. In 16b mode.. there are two channels. The Luma Channel is on data[15:8]. The Chroma Channel is on data[7:0]. In 24b mode.. there are three channels. The R channel is on data[23:16].. the G channel is on [15:8]. and the B channel is on data[7:0]. 00 = Use data[7:0] to extract control codes. 01 = Use data[15:8] to extract control codes. 10 = Use data[23:16] to extract control codes. 11 = Undefined In 16b and 24b modes.. this register is also used to select the channel from which Ancillary Data is extracted. The Ancillary Data channel must be the same as the control code channel. For 8b mode.. the anc_chan_sel_8b register is used to select the Luma or Chroma channel from which Ancillary Data is taken.	RW	0x0
3:0	SYNC_TYPE	0000 = embedded sync single 4:2:2 YUV stream 0001 = embedded sync 2x multiplexed 4:2:2 YUV stream 0010 = embedded sync 4x multiplexed 4:2:2 YUV stream 0011 = embedded sync line multiplexed 4:2:2 YUV stream 0100 = discrete sync single 4:2:2 YUV stream 0101 = embedded sync single RGB stream or single 444 YUV stream 0110 = reserved 0111 = reserved 1000 = reserved 1001 = reserved 1010 = discrete sync single 24b RGB stream	RW	0x0

Table 9-121. Register Call Summary for Register VIP_PORT_A
VIP Functional Description

- [Input Data Interface: \[0\]\[1\]\[2\]\[3\]\[4\]](#)
- [Interrupts: \[5\]](#)
- [Disable Handling: \[6\]](#)
- [Discrete Sync Signals: \[7\]\[8\]](#)
- [VIP Overflow Detection and Recovery: \[9\]\[10\]\[11\]\[12\]\[13\]\[14\]\[15\]\[16\]](#)

VIP Register Manual

- [VIP Parser Register Summary: \[18\]](#)

Table 9-122. VIP_XTRA_PORT_A

Address Offset	0x0000 0008		
Physical Address	0x4897 5508 0x4897 5A08	Instance	VIP1_Slice0_parser VIP1_Slice1_parser
Description	ore Configuration for Input Port A		
Type	RW		

31	30	29	28	27	26	25	24	23	22	21	20	19	18	17	16	15	14	13	12	11	10	9	8	7	6	5	4	3	2	1	0
RESERVED				REPACK_SEL				SRC0_NUMPIX								RESERVED		ANC_CHAN_SEL_8B		RESERVED		SRC0_NUMLINES									

Bits	Field Name	Description	Type	Reset
31	RESERVED		R	0x0
30:28	REPACK_SEL	000 = Straight Through 001 = Cross Swap 010 = Left Center Swap 011 = Center Right Swap 100 = Right Rotate 101 = Left Rotate 110 = RAW16 to RGB565 Mapping 111 = RAW12 Swap	RW	0x0
27:16	SRC0_NUMPIX	Number of expected pixels on Source Number 0. The Port_a_src0_size interrupt will trigger if a line is encountered that differs from this pixelcount.	RW	0x0
15	RESERVED		R	0x0
14:13	ANC_CHAN_SEL_8B	In 8b mode, Vertically Ancillary Data typically resides in the Luma sites. This bit allows vertical ancillary data to be extracted from the chroma sites instead. 00 = Extract 8b Mode Vertical Ancillary Data from Luma Sites 01 = Extract 8b Mode Vertical Ancillary Data from Chroma Sites 10, 11 = Extract every single sample of vertical ancillary data. The output line is twice as wide as the other modes. For 16b and 24b inputs, ctrl_chan_sel is used to select which channel is used as a source for vertical ancillary data.	RW	0x0
12	RESERVED		R	0x0
11:0	SRC0_NUMLINES	Number of expected lines on Source Number 0. The Port_a_src0_size interrupt will trigger if a field/frame is encountered that differs from this linecount.	RW	0x0

Table 9-123. Register Call Summary for Register VIP_XTRA_PORT_A

VIP Functional Description

- [Repacker: \[0\]\[1\]](#)
- [Ancillary and Active Video Cropping: \[2\]](#)
- [Picture Size Interrupt: \[3\]\[4\]](#)

VIP Register Manual

- [VIP Parser Register Summary: \[6\]](#)

Table 9-124. VIP_PORT_B

Address Offset	0x0000 000C	Instance	VIP1_Slice0_parser VIP1_Slice1_parser
Physical Address	0x4897 550C 0x4897 5A0C		
Description	Configuration for Input Port B		
Type	RW		

31	30	29	28	27	26	25	24	23	22	21	20	19	18	17	16	15	14	13	12	11	10	9	8	7	6	5	4	3	2	1	0
ANALYZER_FVH_ERR_CORRECTION_ENABLE		ANALYZER_2X4X_SRCNUM_POS		FID_SKEW_POSTCOUNT				SW_RESET	DISCRETE_BASIC_MODE				FID_SKEW_PRECOUNT				USE_ACTVID_HSYNC_N	FID_DETECT_MODE	ACTVID_POLARITY	VSYNC_POLARITY	HSYNC_POLARITY	PIXCLK_EDGE_POLARITY	FID_POLARITY	ENABLE	CLR_ASYNC_FIFO_RD	CLR_ASYNC_FIFO_WR	CTRL_CHAN_SEL		SYNC_TYPE		

Bits	Field Name	Description	Type	Reset
31	ANALYZER_FVH_ERR_CORRECTION_ENABLE	Embedded Sync Only 0 = Ignore the protection bits in the XV (fvh) codeword header. This setting is typically desired. 1 = Use the protection bits in an attempt to do error correction for the fvh control bits.	RW	0x0
30	ANALYZER_2X4X_SRCNUM_POS	Embedded Sync Only 0 = For 2x/4x mux mode, srcnum is in the least significant nibble of the XV/fvh codeword (srcnum replaces the protection bits) 1 = For 2x/4x mux mode, srcnum is in the least significant nibble of a horizontal blanking pixel value	RW	0x0
29:24	FID_SKEW_POSTCOUNT	Discrete Sync Only post count value when using vsync skew in FID determination	RW	0x0
23	SW_RESET	0 = Normal 1 = Reset Port B logic. Must be set to ?0? again by the software for the module to function.	RW	0x0
22	DISCRETE_BASIC_MODE	This register is valid for Discrete Sync mode only. 0 = Normal Discrete Mode. Hsync Style Capture operates as follows: - Captures line starting from HSYNC inactive to active condition. - VSYNC determined by sync window. - FID can be determined by VSYNC skew or captured from pin at first pixel in first line. ACTVID style capture works as follows: - Captures line during contiguous ACTVID envelope. - VSYNC is captured at the first pixel in each line. - FID is captured on first pixel of ACTVID window. 1 = Basic Discrete Mode. When using hsync with Hsync Style Capture operates as follows: - The last line of active video ends on the pixel clock cycle where VSYNC transitions from inactive to active. - FID pin value is captured on this cycle and is used for the next field. - FID detection by VSYNC skew is not allowed. ACTVID style capture works as follows: - VSYNC is expected to transition from inactive to active between ACTVID window. - This VSYNC transition allows the next line in an ACTVID envelope to be sent to a new VPDMA buffer. - FID value is determined by the FID pin value on the cycle where VSYNC transitions from inactive to active. In basic discrete mode, there is no Vertical Ancillary Data. Therefore, VPDMA descriptors should not use Ancillary Data channels.	RW	0x0
21:16	FID_SKEW_PRECOUNT	Discrete Sync Only pre count value when using vsync skew in FID determination	RW	0x0
15	USE_ACTVID_HSYNC_N	Discrete Sync Only 0 = Use HSYNC style line capture 1 = Use ACTVID style line capture	RW	0x0
14	FID_DETECT_MODE	Discrete Sync Only 0 = Take FID from pin 1 = FID is determined by VSYNC skew	RW	0x0

Bits	Field Name	Description	Type	Reset
13	ACTVID_POLARITY	Discrete Sync Only 0 = ACTVID is active low 1 = ACTVID is active high	RW	0x0
12	VSYNC_POLARITY	Discrete Sync Only 0 = VSYNC is active low 1 = VSYNC is active high	RW	0x0
11	HSYNC_POLARITY	Discrete Sync Only 0 = HSYNC is active low 1 = HSYNC is active high	RW	0x0
10	PIXCLK_EDGE_POLARITY	0 = Rising Edge is active PIXCLK edge 1 = Falling Edge is active PIXCLK edge	RW	0x0
9	FID_POLARITY	0 = Keep FID as found 1 = Invert Determined Value of FID	RW	0x0
8	ENABLE	0 = Disable 1 = Enable	RW	0x0
7	CLR_ASYNC_FIFO_RD	0 = Normal 1 = Clear Async FIFO Read Logic	RW	0x0
6	CLR_ASYNC_FIFO_WR	0 = Normal 1 = Clear Async FIFO Write Logic	RW	0x0
5:4	CTRL_CHAN_SEL	PORT B supports on 8b mode. Always write 0 to this field. The anc_chan_sel_8b register is used to select the Luma or Chroma channel from which Ancillary Data is taken.	RW	0x0
3:0	SYNC_TYPE	0000 = embedded sync single YUV stream 0001 = embedded sync 2x multiplexed YUV stream 0010 = embedded sync 4x multiplexed YUV stream 0011 = embedded sync line multiplexed YUV stream 0100 = discrete sync single YUV stream 0101 = embedded sync single RGB stream 0110 = reserved 0111 = reserved 1000 = reserved 1001 = reserved 1010 = discrete sync single 24b RGB stream	RW	0x0

Table 9-125. Register Call Summary for Register VIP_PORT_B

VIP Functional Description

- [Input Data Interface: \[0\]\[1\]\[2\]\[3\]\[4\]](#)
- [Interrupts: \[5\]](#)
- [Disable Handling: \[6\]](#)
- [Discrete Sync Signals: \[7\]\[8\]](#)

VIP Register Manual

- [VIP Parser Register Summary: \[10\]](#)

Table 9-126. VIP_XTRA_PORT_B

Address Offset	0x0000 0010	Instance	VIP1_Slice0_parser VIP1_Slice1_parser
Physical Address	0x4897 5510 0x4897 5A10		
Description	ore Configuration for Input Port B		
Type	RW		

31	30	29	28	27	26	25	24	23	22	21	20	19	18	17	16	15	14	13	12	11	10	9	8	7	6	5	4	3	2	1	0
RESERVED								SRC0_NUMPIX								RESERVED	ANC_CHAN_SEL_8B	RESERVED	SRC0_NUMLINES												

Bits	Field Name	Description	Type	Reset
31:28	RESERVED		R	0x0
27:16	SRC0_NUMPIX	Number of expected pixels on Source Number 0. The Port_b_src0_size interrupt will trigger if a line is encountered that differs from this pixelcount.	RW	0x0
15	RESERVED		R	0x0
14:13	ANC_CHAN_SEL_8B	In 8b mode, Vertically Ancillary Data typically resides in the Luma sites. This bit allows vertical ancillary data to be extracted from the chroma sites instead. 00 = Extract 8b Mode Vertical Ancillary Data from Luma Sites 01 = Extract 8b Mode Vertical Ancillary Data from Chroma Sites 10, 11 = Extract every single sample of vertical ancillary data. The output line is twice as wide as the other modes. For 16b and 24b inputs, ctrl_chan_sel is used to select which channel is used as a source for vertical ancillary data.	RW	0x0
12	RESERVED		R	0x0
11:0	SRC0_NUMLINES	Number of expected lines on Source Number 0. The Port_b_src0_size interrupt will trigger if a field/frame is encountered that differs from this linecount.	RW	0x0

Table 9-127. Register Call Summary for Register VIP_XTRA_PORT_B

VIP Functional Description

- [Picture Size Interrupt: \[0\]\[1\]](#)

VIP Register Manual

- [VIP Parser Register Summary: \[3\]](#)

Table 9-128. VIP_FIQ_MASK

Address Offset	0x0000 0014	Instance	VIP1_Slice0_parser VIP1_Slice1_parser
Physical Address	0x4897 5514 0x4897 5A14		
Description	ask Bits for ARM FIQs		
Type	RW		

31	30	29	28	27	26	25	24	23	22	21	20	19	18	17	16	15	14	13	12	11	10	9	8	7	6	5	4	3	2	1	0		
RESERVED								PORT_B_CFG_DISABLE_COMPLETE_MASK	PORT_A_CFG_DISABLE_COMPLETE_MASK	PORT_B_ANC_PROTOCOL_VIOLATION_MASK	PORT_B_YUV_PROTOCOL_VIOLATION_MASK	PORT_A_ANC_PROTOCOL_VIOLATION_MASK	PORT_A_YUV_PROTOCOL_VIOLATION_MASK	PORT_B_SRC0_SIZE	PORT_A_SRC0_SIZE	PORT_B_DISCONN	PORT_B_CONN	PORT_A_DISCONN	PORT_A_CONN	OUTPUT_FIFO_PRTB_ANC_OF	RESERVED	OUTPUT_FIFO_PRTB_YUV_OF	OUTPUT_FIFO_PRTA_ANC_OF	RESERVED	OUTPUT_FIFO_PRTA_YUV_OF	ASYNC_FIFO_PRTB_OF	ASYNC_FIFO_PRTA_OF	PRTB_VDET_MASK	PRTA_VDET_MASK				

Bits	Field Name	Description	Type	Reset
31:22	RESERVED		R	0x0
21	PORT_B_CFG_DISABLE_COMPLETE_MASK	Port B Cfg Disable Complete Mask	RW	0x0
20	PORT_A_CFG_DISABLE_COMPLETE_MASK	Port A Cfg Disable Complete Mask	RW	0x0
19	PORT_B_ANC_PROTOCOL_VIOLATION_MASK	Port B ANC VPI Protocol Violation Mask	RW	0x0
18	PORT_B_YUV_PROTOCOL_VIOLATION_MASK	Port B YUV VPI Protocol Violation Mask	RW	0x0
17	PORT_A_ANC_PROTOCOL_VIOLATION_MASK	Port A ANC VPI Protocol Violation Mask	RW	0x0
16	PORT_A_YUV_PROTOCOL_VIOLATION_MASK	Port A YUV VPI Protocol Violation Mask	RW	0x0
15	PORT_B_SRC0_SIZE	Video size detected on Port B does not match size programmed in xtra_port_b register	RW	0x0
14	PORT_A_SRC0_SIZE	Video size detected on Port A does not match size programmed in xtra_port_a register	RW	0x0
13	PORT_B_DISCONN	Port B Link Disconnect Srcnum 0 Mask	RW	0x0
12	PORT_B_CONN	Port B Link Connect Srcnum 0 Mask	RW	0x0
11	PORT_A_DISCONN	Port A Link Disconnect Srcnum 0 Mask	RW	0x0
10	PORT_A_CONN	Port A Link Connect Srcnum 0 Mask	RW	0x0
9	OUTPUT_FIFO_PRTB_ANC_OF	Output FIFO Port B Ancillary Overflow Mask	RW	0x0
8	RESERVED		R	0x0
7	OUTPUT_FIFO_PRTB_YUV_OF	Output FIFO Port B Luma Overflow Mask	RW	0x0
6	OUTPUT_FIFO_PRTA_ANC_OF	Output FIFO Port A Ancillary Overflow Mask	RW	0x0
5	RESERVED		R	0x0
4	OUTPUT_FIFO_PRTA_YUV_OF	Output FIFO Port A Luma Overflow Mask	RW	0x0
3	ASYNC_FIFO_PRTB_OF	Port B Async FIFO Overflow FIQ Mask	RW	0x0
2	ASYNC_FIFO_PRTA_OF	Port A Async FIFO Overflow FIQ Mask	RW	0x0
1	PRTB_VDET_MASK	Port B Video Detect FIQ Mask	RW	0x0
0	PRTA_VDET_MASK	Port A Video Detect FIQ Mask	RW	0x0

Table 9-129. Register Call Summary for Register VIP_FIQ_MASK

VIP Functional Description

- [Interrupts: \[0\]\[1\]\[2\]\[3\]\[4\]\[5\]\[6\]\[7\]\[8\]\[9\]\[10\]\[11\]\[12\]\[13\]\[15\]\[16\]\[18\]\[19\]\[20\]\[21\]\[22\]](#)

VIP Register Manual

- [VIP Parser Register Summary: \[24\]](#)

Table 9-130. VIP_FIQ_CLEAR

Address Offset	0x0000 0018	Instance	VIP1_Slice0_parser VIP1_Slice1_parser
Physical Address	0x4897 5518 0x4897 5A18		
Description	Clears bits in the FIQ Status		
Type	RW		

31	30	29	28	27	26	25	24	23	22	21	20	19	18	17	16	15	14	13	12	11	10	9	8	7	6	5	4	3	2	1	0			
RESERVED								PORT_A_YUV_PROTOCOL_VIOLATION_CLR	PORT_A_ANC_PROTOCOL_VIOLATION_CLR	PORT_B_YUV_PROTOCOL_VIOLATION_CLR	PORT_B_ANC_PROTOCOL_VIOLATION_CLR	PORT_A_CFG_DISABLE_COMPLETE_CLR	PORT_B_CFG_DISABLE_COMPLETE_CLR	PORT_B_SRC0_SIZE_CLR	PORT_A_SRC0_SIZE_CLR	PORT_B_DISCONN_CLR	PORT_B_CONN_CLR	PORT_A_DISCONN_CLR	PORT_A_CONN_CLR	OUTPUT_FIFO_PRTB_ANC_CLR	RESERVED	OUTPUT_FIFO_PRTB_YUV_CLR	OUTPUT_FIFO_PRTA_ANC_CLR	RESERVED	OUTPUT_FIFO_PRTA_YUV_CLR	ASYNC_FIFO_PRTB_CLR	ASYNC_FIFO_PRTA_CLR	PRTB_VDET_CLR	PRTA_VDET_CLR					

Bits	Field Name	Description	Type	Reset
31:22	RESERVED		R	0x0
21	PORT_A_YUV_PROTOCOL_VIOLATION_CLR	Write 1 followed by 0 to Clear Port B Cfg Disable Complete FIQ	RW	0x0
20	PORT_A_ANC_PROTOCOL_VIOLATION_CLR	Write 1 followed by 0 to Clear Port A Cfg Disable Complete FIQ	RW	0x0
19	PORT_B_YUV_PROTOCOL_VIOLATION_CLR	Write 1 followed by 0 to Clear Port B ANC VPI Protocol Violation FIQ	RW	0x0
18	PORT_B_ANC_PROTOCOL_VIOLATION_CLR	Write 1 followed by 0 to Clear Port B YUV VPI Protocol Violation FIQ	RW	0x0
17	PORT_A_CFG_DISABLE_COMPLETE_CLR	Write 1 followed by 0 to Clear Port A ANC VPI Protocol Violation FIQ	RW	0x0
16	PORT_B_CFG_DISABLE_COMPLETE_CLR	Write 1 followed by 0 to Clear Port A YUV VPI Protocol Violation FIQ	RW	0x0
15	PORT_B_SRC0_SIZE_CLR	Write 1 followed by 0 to Clear Port B Src0 Size FIQ	RW	0x0
14	PORT_A_SRC0_SIZE_CLR	Write 1 followed by 0 to Clear Port A Src0 Size FIQ	RW	0x0
13	PORT_B_DISCONN_CLR	Write 1 followed by 0 to Clear Port B Link Disconnect FIQ	RW	0x0
12	PORT_B_CONN_CLR	Write 1 followed by 0 to Clear Port B Link Connect FIQ	RW	0x0
11	PORT_A_DISCONN_CLR	Write 1 followed by 0 to Clear Port A Link Disconnect FIQ	RW	0x0
10	PORT_A_CONN_CLR	Write 1 followed by 0 to Clear Port A Link Connect FIQ	RW	0x0
9	OUTPUT_FIFO_PRTB_ANC_CLR	Write 1 followed by 0 to Clear Output FIFO Port B Ancillary Overflow FIQ	RW	0x0
8	RESERVED		R	0x0
7	OUTPUT_FIFO_PRTB_YUV_CLR	Write 1 followed by 0 to Clear Output FIFO Port B Luma Overflow FIQ	RW	0x0
6	OUTPUT_FIFO_PRTA_ANC_CLR	Write 1 followed by 0 to Clear Output FIFO Port A Ancillary Overflow FIQ	RW	0x0
5	RESERVED		R	0x0
4	OUTPUT_FIFO_PRTA_YUV_CLR	Write 1 followed by 0 to Clear Output FIFO Port A Luma Overflow FIQ	RW	0x0
3	ASYNC_FIFO_PRTB_CLR	Write 1 followed by 0 to Clear Async FIFO Port B Overflow FIQ	RW	0x0
2	ASYNC_FIFO_PRTA_CLR	Write 1 followed by 0 to Clear Async FIFO Port A Overflow FIQ	RW	0x0

Bits	Field Name	Description	Type	Reset
1	PRTB_VDET_CLR	Write 1 followed by 0 to Clear Video Detect FIQ for Port B	RW	0x0
0	PRTA_VDET_CLR	Write 1 followed by 0 to Clear Video Detect FIQ for Port A	RW	0x0

Table 9-131. Register Call Summary for Register VIP_FIQ_CLEAR

VIP Functional Description

- [Interrupts: \[0\]](#)

VIP Register Manual

- [VIP Parser Register Summary: \[2\]](#)

Table 9-132. VIP_FIQ_STATUS

Address Offset	0x0000 001C	Instance	VIP1_Slice0_parser VIP1_Slice1_parser
Physical Address	0x4897 551C 0x4897 5A1C		
Description	FIQ Status values		
Type	R		

31	30	29	28	27	26	25	24	23	22	21	20	19	18	17	16	15	14	13	12	11	10	9	8	7	6	5	4	3	2	1	0
RESERVED								PORT_B_CFG_DISABLE_COMPLETE_CLR	PORT_A_CFG_DISABLE_COMPLETE	PORT_B_ANC_PROTOCOL_VIOLATION	PORT_B_YUV_PROTOCOL_VIOLATION	PORT_A_ANC_PROTOCOL_VIOLATION	PORT_A_YUV_PROTOCOL_VIOLATION	PORT_B_SRC0_SIZE_STATUS	PORT_A_SRC0_SIZE_STATUS	PORT_B_DISCONN_STATUS	PORT_B_CONN_STATUS	PORT_A_DISCONN_STATUS	PORT_A_CONN_STATUS	OUTPUT_FIFO_PRTB_ANC_STATUS	OUTPUT_FIFO_PRTB_CHROMA_STATUS	OUTPUT_FIFO_PRTB_LUMA_STATUS	OUTPUT_FIFO_PRTA_ANC_STATUS	OUTPUT_FIFO_PRTA_CHROMA_STATUS	OUTPUT_FIFO_PRTA_LUMA_STATUS	ASYNC_FIFO_PRTB_STATUS	ASYNC_FIFO_PRTA_STATUS	PRTB_VDET_STATUS	PRTA_VDET_STATUS		

Bits	Field Name	Description	Type	Reset
31:22	RESERVED		R	0x0
21	PORT_B_CFG_DISABLE_COMPLETE_CLR	Port B Cfg Disable Complete FIQ	R	0x0
20	PORT_A_CFG_DISABLE_COMPLETE	Port A Cfg Disable Complete FIQ	R	0x0
19	PORT_B_ANC_PROTOCOL_VIOLATION	Port B ANC VPI Protocol Violation FIQ	R	0x0
18	PORT_B_YUV_PROTOCOL_VIOLATION	Port B YUV VPI Protocol Violation FIQ	R	0x0
17	PORT_A_ANC_PROTOCOL_VIOLATION	Port A ANC VPI Protocol Violation FIQ	R	0x0
16	PORT_A_YUV_PROTOCOL_VIOLATION	Port A YUV VPI Protocol Violation FIQ	R	0x0
15	PORT_B_SRC0_SIZE_STATUS	Port B Source 0 Size FIQ	R	0x0
14	PORT_A_SRC0_SIZE_STATUS	Port A Source 0 Size FIQ	R	0x0
13	PORT_B_DISCONN_STATUS	Port B Disconnect FIQ	R	0x0
12	PORT_B_CONN_STATUS	Port B Connect FIQ	R	0x0
11	PORT_A_DISCONN_STATUS	Port A Disconnect FIQ	R	0x0
10	PORT_A_CONN_STATUS	Port A Connect FIQ	R	0x0
9	OUTPUT_FIFO_PRTB_ANC_STATUS	Output FIFO Port B Ancillary Overflow Status	R	0x0
8	OUTPUT_FIFO_PRTB_CHROMA_STATUS	Output FIFO Port B Chroma Overflow Status	R	0x0

Bits	Field Name	Description	Type	Reset
7	OUTPUT_FIFO_PRTB_LUMA_STATUS	Output FIFO Port B Luma Overflow Status	R	0x0
6	OUTPUT_FIFO_PRTA Ancillary_STATUS	Output FIFO Port A Ancillary Overflow Status	R	0x0
5	OUTPUT_FIFO_PRTA_CHROMA_STATUS	Output FIFO Port A Chroma Overflow Status	R	0x0
4	OUTPUT_FIFO_PRTA_LUMA_STATUS	Output FIFO Port A Luma Overflow Status	R	0x0
3	ASYNC_FIFO_PRTB_STATUS	Async FIFO Port B Overflow Status	R	0x0
2	ASYNC_FIFO_PRTA_STATUS	Async FIFO Port A Overflow Status	R	0x0
1	PRTB_VDET_STATUS	VDET Status for Port B	R	0x0
0	PRTA_VDET_STATUS	VDET Status for Port A	R	0x0

Table 9-133. Register Call Summary for Register VIP_FIQ_STATUS

VIP Functional Description

- [Interrupts: \[0\]\[1\]\[2\]\[3\]\[4\]\[5\]\[6\]\[7\]\[8\]\[9\]\[10\]\[11\]\[12\]\[13\]\[15\]\[16\]\[18\]\[19\]\[20\]\[21\]\[22\]](#)
- [VIP Overflow Detection and Recovery: \[23\]](#)

VIP Register Manual

- [VIP Parser Register Summary: \[25\]](#)

Table 9-134. VIP_OUTPUT_PORT_A_SRC_FID

Address Offset	0x0000 0020	Instance	VIP1_Slice0_parser VIP1_Slice1_parser
Physical Address	0x4897 5520 0x4897 5A20		
Description	Current and Previous Output Port A Source FID values		
Type	R		

31	30	29	28	27	26	25	24	23	22	21	20	19	18	17	16	15	14	13	12	11	10	9	8	7	6	5	4	3	2	1	0
PRTA_SRC15_CURR_SOURCE_FID	PRTA_SRC15_PREV_SOURCE_FID	PRTA_SRC14_CURR_SOURCE_FID	PRTA_SRC14_PREV_SOURCE_FID	PRTA_SRC13_CURR_SOURCE_FID	PRTA_SRC13_PREV_SOURCE_FID	PRTA_SRC12_CURR_SOURCE_FID	PRTA_SRC12_PREV_SOURCE_FID	PRTA_SRC11_CURR_SOURCE_FID	PRTA_SRC11_PREV_SOURCE_FID	PRTA_SRC10_CURR_SOURCE_FID	PRTA_SRC10_PREV_SOURCE_FID	PRTA_SRC9_CURR_SOURCE_FID	PRTA_SRC9_PREV_SOURCE_FID	PRTA_SRC8_CURR_SOURCE_FID	PRTA_SRC8_PREV_SOURCE_FID	PRTA_SRC7_CURR_SOURCE_FID	PRTA_SRC7_PREV_SOURCE_FID	PRTA_SRC6_CURR_SOURCE_FID	PRTA_SRC6_PREV_SOURCE_FID	PRTA_SRC5_CURR_SOURCE_FID	PRTA_SRC5_PREV_SOURCE_FID	PRTA_SRC4_CURR_SOURCE_FID	PRTA_SRC4_PREV_SOURCE_FID	PRTA_SRC3_CURR_SOURCE_FID	PRTA_SRC3_PREV_SOURCE_FID	PRTA_SRC2_CURR_SOURCE_FID	PRTA_SRC2_PREV_SOURCE_FID	PRTA_SRC1_CURR_SOURCE_FID	PRTA_SRC1_PREV_SOURCE_FID	PRTA_SRC0_CURR_SOURCE_FID	PRTA_SRC0_PREV_SOURCE_FID

Bits	Field Name	Description	Type	Reset
31	PRTA_SRC15_CURR_SOURCE_FID	For Source ID 15 from Port A. Source Field ID for Current Field	R	0x0
30	PRTA_SRC15_PREV_SOURCE_FID	For Source ID 15 from Port A. Source Field ID for Previous Field	R	0x0
29	PRTA_SRC14_CURR_SOURCE_FID	For Source ID 14 from Port A. Source Field ID for Current Field	R	0x0
28	PRTA_SRC14_PREV_SOURCE_FID	For Source ID 14 from Port A. Source Field ID for Previous Field	R	0x0
27	PRTA_SRC13_CURR_SOURCE_FID	For Source ID 13 from Port A. Source Field ID for Current Field	R	0x0
26	PRTA_SRC13_PREV_SOURCE_FID	For Source ID 13 from Port A. Source Field ID for Previous Field	R	0x0
25	PRTA_SRC12_CURR_SOURCE_FID	For Source ID 12 from Port A. Source Field ID for Current Field	R	0x0

Bits	Field Name	Description	Type	Reset
24	PRTA_SRC12_PREV_SOURCE_FID	For Source ID 12 from Port A. Source Field ID for Previous Field	R	0x0
23	PRTA_SRC11_CURR_SOURCE_FID	For Source ID 11 from Port A. Source Field ID for Current Field	R	0x0
22	PRTA_SRC11_PREV_SOURCE_FID	For Source ID 11 from Port A. Source Field ID for Previous Field	R	0x0
21	PRTA_SRC10_CURR_SOURCE_FID	For Source ID 10 from Port A. Source Field ID for Current Field	R	0x0
20	PRTA_SRC10_PREV_SOURCE_FID	For Source ID 10 from Port A. Source Field ID for Previous Field	R	0x0
19	PRTA_SRC9_CURR_SOURCE_FID	For Source ID 9 from Port A. Source Field ID for Current Field	R	0x0
18	PRTA_SRC9_PREV_SOURCE_FID	For Source ID 9 from Port A. Source Field ID for Previous Field	R	0x0
17	PRTA_SRC8_CURR_SOURCE_FID	For Source ID 8 from Port A. Source Field ID for Current Field	R	0x0
16	PRTA_SRC8_PREV_SOURCE_FID	For Source ID 8 from Port A. Source Field ID for Previous Field	R	0x0
15	PRTA_SRC7_CURR_SOURCE_FID	For Source ID 7 from Port A. Source Field ID for Current Field	R	0x0
14	PRTA_SRC7_PREV_SOURCE_FID	For Source ID 7 from Port A. Source Field ID for Previous Field	R	0x0
13	PRTA_SRC6_CURR_SOURCE_FID	For Source ID 6 from Port A. Source Field ID for Current Field	R	0x0
12	PRTA_SRC6_PREV_SOURCE_FID	For Source ID 6 from Port A. Source Field ID for Previous Field	R	0x0
11	PRTA_SRC5_CURR_SOURCE_FID	For Source ID 5 from Port A. Source Field ID for Current Field	R	0x0
10	PRTA_SRC5_PREV_SOURCE_FID	For Source ID 5 from Port A. Source Field ID for Previous Field	R	0x0
9	PRTA_SRC4_CURR_SOURCE_FID	For Source ID 4 from Port A. Source Field ID for Current Field	R	0x0
8	PRTA_SRC4_PREV_SOURCE_FID	For Source ID 4 from Port A. Source Field ID for Previous Field	R	0x0
7	PRTA_SRC3_CURR_SOURCE_FID	For Source ID 3 from Port A. Source Field ID for Current Field	R	0x0
6	PRTA_SRC3_PREV_SOURCE_FID	For Source ID 3 from Port A. Source Field ID for Previous Field	R	0x0
5	PRTA_SRC2_CURR_SOURCE_FID	For Source ID 2 from Port A. Source Field ID for Current Field	R	0x0
4	PRTA_SRC2_PREV_SOURCE_FID	For Source ID 2 from Port A. Source Field ID for Previous Field	R	0x0
3	PRTA_SRC1_CURR_SOURCE_FID	For Source ID 1 from Port A. Source Field ID for Current Field	R	0x0
2	PRTA_SRC1_PREV_SOURCE_FID	For Source ID 1 from Port A. Source Field ID for Previous Field	R	0x0
1	PRTA_SRC0_CURR_SOURCE_FID	For Source ID 0 from Port A. Source Field ID for Current Field	R	0x0
0	PRTA_SRC0_PREV_SOURCE_FID	For Source ID 0 from Port A. Source Field ID for Previous Field	R	0x0

Table 9-135. Register Call Summary for Register VIP_OUTPUT_PORT_A_SRC_FID

VIP Functional Description

- [Source Multiplexing: \[0\]](#)

VIP Register Manual

- [VIP Parser Register Summary: \[2\]](#)

Table 9-136. VIP_OUTPUT_PORT_A_ENC_FID

Address Offset	0x0000 0024	Instance	VIP1_Slice0_parser VIP1_Slice1_parser
Physical Address	0x4897 5524 0x4897 5A24		
Description	Current and Previous Output Port A Encoder FID values		
Type	R		

31	30	29	28	27	26	25	24	23	22	21	20	19	18	17	16	15	14	13	12	11	10	9	8	7	6	5	4	3	2	1	0
PRTA_SRC15_CURR_ENC_FID	PRTA_SRC15_PREV_ENC_FID	PRTA_SRC14_CURR_ENC_FID	PRTA_SRC14_PREV_ENC_FID	PRTA_SRC13_CURR_ENC_FID	PRTA_SRC13_PREV_ENC_FID	PRTA_SRC12_CURR_ENC_FID	PRTA_SRC12_PREV_ENC_FID	PRTA_SRC11_CURR_ENC_FID	PRTA_SRC11_PREV_ENC_FID	PRTA_SRC10_CURR_ENC_FID	PRTA_SRC10_PREV_ENC_FID	PRTA_SRC9_CURR_ENC_FID	PRTA_SRC9_PREV_ENC_FID	PRTA_SRC8_CURR_ENC_FID	PRTA_SRC8_PREV_ENC_FID	PRTA_SRC7_CURR_ENC_FID	PRTA_SRC7_PREV_ENC_FID	PRTA_SRC6_CURR_ENC_FID	PRTA_SRC6_PREV_ENC_FID	PRTA_SRC5_CURR_ENC_FID	PRTA_SRC5_PREV_ENC_FID	PRTA_SRC4_CURR_ENC_FID	PRTA_SRC4_PREV_ENC_FID	PRTA_SRC3_CURR_ENC_FID	PRTA_SRC3_PREV_ENC_FID	PRTA_SRC2_CURR_ENC_FID	PRTA_SRC2_PREV_ENC_FID	PRTA_SRC1_CURR_ENC_FID	PRTA_SRC1_PREV_ENC_FID	PRTA_SRC0_CURR_ENC_FID	PRTA_SRC0_PREV_ENC_FID

Bits	Field Name	Description	Type	Reset
31	PRTA_SRC15_CURR_ENC_FID	For Source ID 15 from Port A. Encoder Field ID for Current Field	R	0x0
30	PRTA_SRC15_PREV_ENC_FID	For Source ID 15 from Port A. Encoder Field ID for Previous Field	R	0x0
29	PRTA_SRC14_CURR_ENC_FID	For Source ID 14 from Port A. Encoder Field ID for Current Field	R	0x0
28	PRTA_SRC14_PREV_ENC_FID	For Source ID 14 from Port A. Encoder Field ID for Previous Field	R	0x0
27	PRTA_SRC13_CURR_ENC_FID	For Source ID 13 from Port A. Encoder Field ID for Current Field	R	0x0
26	PRTA_SRC13_PREV_ENC_FID	For Source ID 13 from Port A. Encoder Field ID for Previous Field	R	0x0
25	PRTA_SRC12_CURR_ENC_FID	For Source ID 12 from Port A. Encoder Field ID for Current Field	R	0x0
24	PRTA_SRC12_PREV_ENC_FID	For Source ID 12 from Port A. Encoder Field ID for Previous Field	R	0x0
23	PRTA_SRC11_CURR_ENC_FID	For Source ID 11 from Port A. Encoder Field ID for Current Field	R	0x0
22	PRTA_SRC11_PREV_ENC_FID	For Source ID 11 from Port A. Encoder Field ID for Previous Field	R	0x0
21	PRTA_SRC10_CURR_ENC_FID	For Source ID 10 from Port A. Encoder Field ID for Current Field	R	0x0
20	PRTA_SRC10_PREV_ENC_FID	For Source ID 10 from Port A. Encoder Field ID for Previous Field	R	0x0
19	PRTA_SRC9_CURR_ENC_FID	For Source ID 9 from Port A. Encoder Field ID for Current Field	R	0x0
18	PRTA_SRC9_PREV_ENC_FID	For Source ID 9 from Port A. Encoder Field ID for Previous Field	R	0x0
17	PRTA_SRC8_CURR_ENC_FID	For Source ID 8 from Port A. Encoder Field ID for Current Field	R	0x0
16	PRTA_SRC8_PREV_ENC_FID	For Source ID 8 from Port A. Encoder Field ID for Previous Field	R	0x0
15	PRTA_SRC7_CURR_ENC_FID	For Source ID 7 from Port A. Encoder Field ID for Current Field	R	0x0
14	PRTA_SRC7_PREV_ENC_FID	For Source ID 7 from Port A. Encoder Field ID for Previous Field	R	0x0

Bits	Field Name	Description	Type	Reset
13	PRTA_SRC6_CURR_ENC_FID	For Source ID 6 from Port A. Encoder Field ID for Current Field	R	0x0
12	PRTA_SRC6_PREV_ENC_FID	For Source ID 6 from Port A. Encoder Field ID for Previous Field	R	0x0
11	PRTA_SRC5_CURR_ENC_FID	For Source ID 5 from Port A. Encoder Field ID for Current Field	R	0x0
10	PRTA_SRC5_PREV_ENC_FID	For Source ID 5 from Port A. Encoder Field ID for Previous Field	R	0x0
9	PRTA_SRC4_CURR_ENC_FID	For Source ID 4 from Port A. Encoder Field ID for Current Field	R	0x0
8	PRTA_SRC4_PREV_ENC_FID	For Source ID 4 from Port A. Encoder Field ID for Previous Field	R	0x0
7	PRTA_SRC3_CURR_ENC_FID	For Source ID 3 from Port A. Encoder Field ID for Current Field	R	0x0
6	PRTA_SRC3_PREV_ENC_FID	For Source ID 3 from Port A. Encoder Field ID for Previous Field	R	0x0
5	PRTA_SRC2_CURR_ENC_FID	For Source ID 2 from Port A. Encoder Field ID for Current Field	R	0x0
4	PRTA_SRC2_PREV_ENC_FID	For Source ID 2 from Port A. Encoder Field ID for Previous Field	R	0x0
3	PRTA_SRC1_CURR_ENC_FID	For Source ID 1 from Port A. Encoder Field ID for Current Field	R	0x0
2	PRTA_SRC1_PREV_ENC_FID	For Source ID 1 from Port A. Encoder Field ID for Previous Field	R	0x0
1	PRTA_SRC0_CURR_ENC_FID	For Source ID 0 from Port A. Encoder Field ID for Current Field	R	0x0
0	PRTA_SRC0_PREV_ENC_FID	For Source ID 0 from Port A. Encoder Field ID for Previous Field	R	0x0

Table 9-137. Register Call Summary for Register VIP_OUTPUT_PORT_A_ENC_FID

VIP Register Manual

- [VIP Parser Register Summary: \[1\]](#)

Table 9-138. VIP_OUTPUT_PORT_B_SRC_FID

Address Offset	0x0000 0028	Instance	VIP1_Slice0_parser VIP1_Slice1_parser
Physical Address	0x4897 5528 0x4897 5A28		
Description	Current and Previous Output Port B Source FID values		
Type	R		

31	30	29	28	27	26	25	24	23	22	21	20	19	18	17	16	15	14	13	12	11	10	9	8	7	6	5	4	3	2	1	0
PRTB_SRC15_CURR_SOURCE_FID	PRTB_SRC15_PREV_SOURCE_FID	PRTB_SRC14_CURR_SOURCE_FID	PRTB_SRC14_PREV_SOURCE_FID	PRTB_SRC13_CURR_SOURCE_FID	PRTB_SRC13_PREV_SOURCE_FID	PRTB_SRC12_CURR_SOURCE_FID	PRTB_SRC12_PREV_SOURCE_FID	PRTB_SRC11_CURR_SOURCE_FID	PRTB_SRC11_PREV_SOURCE_FID	PRTB_SRC10_CURR_SOURCE_FID	PRTB_SRC10_PREV_SOURCE_FID	PRTB_SRC9_CURR_SOURCE_FID	PRTB_SRC9_PREV_SOURCE_FID	PRTB_SRC8_CURR_SOURCE_FID	PRTB_SRC8_PREV_SOURCE_FID	PRTB_SRC7_CURR_SOURCE_FID	PRTB_SRC7_PREV_SOURCE_FID	PRTB_SRC6_CURR_SOURCE_FID	PRTB_SRC6_PREV_SOURCE_FID	PRTB_SRC5_CURR_SOURCE_FID	PRTB_SRC5_PREV_SOURCE_FID	PRTB_SRC4_CURR_SOURCE_FID	PRTB_SRC4_PREV_SOURCE_FID	PRTB_SRC3_CURR_SOURCE_FID	PRTB_SRC3_PREV_SOURCE_FID	PRTB_SRC2_CURR_SOURCE_FID	PRTB_SRC2_PREV_SOURCE_FID	PRTB_SRC1_CURR_SOURCE_FID	PRTB_SRC1_PREV_SOURCE_FID	PRTB_SRC0_CURR_SOURCE_FID	PRTB_SRC0_PREV_SOURCE_FID

Bits	Field Name	Description	Type	Reset
31	PRTB_SRC15_CURR_SOURCE_FID	For Source ID 15 from Port B. Source Field ID for Current Field	R	0x0
30	PRTB_SRC15_PREV_SOURCE_FID	For Source ID 15 from Port B. Source Field ID for Previous Field	R	0x0
29	PRTB_SRC14_CURR_SOURCE_FID	For Source ID 14 from Port B. Source Field ID for Current Field	R	0x0
28	PRTB_SRC14_PREV_SOURCE_FID	For Source ID 14 from Port B. Source Field ID for Previous Field	R	0x0
27	PRTB_SRC13_CURR_SOURCE_FID	For Source ID 13 from Port B. Source Field ID for Current Field	R	0x0
26	PRTB_SRC13_PREV_SOURCE_FID	For Source ID 13 from Port B. Source Field ID for Previous Field	R	0x0
25	PRTB_SRC12_CURR_SOURCE_FID	For Source ID 12 from Port B. Source Field ID for Current Field	R	0x0
24	PRTB_SRC12_PREV_SOURCE_FID	For Source ID 12 from Port B. Source Field ID for Previous Field	R	0x0
23	PRTB_SRC11_CURR_SOURCE_FID	For Source ID 11 from Port B. Source Field ID for Current Field	R	0x0
22	PRTB_SRC11_PREV_SOURCE_FID	For Source ID 11. from Port B Source Field ID for Previous Field	R	0x0
21	PRTB_SRC10_CURR_SOURCE_FID	For Source ID 10 from Port B. Source Field ID for Current Field	R	0x0
20	PRTB_SRC10_PREV_SOURCE_FID	For Source ID 10 from Port B. Source Field ID for Previous Field	R	0x0
19	PRTB_SRC9_CURR_SOURCE_FID	For Source ID 9 from Port B. Source Field ID for Current Field	R	0x0
18	PRTB_SRC9_PREV_SOURCE_FID	For Source ID 9 from Port B. Source Field ID for Previous Field	R	0x0
17	PRTB_SRC8_CURR_SOURCE_FID	For Source ID 8 from Port B. Source Field ID for Current Field	R	0x0
16	PRTB_SRC8_PREV_SOURCE_FID	For Source ID 8 from Port B. Source Field ID for Previous Field	R	0x0
15	PRTB_SRC7_CURR_SOURCE_FID	For Source ID 7 from Port B. Source Field ID for Current Field	R	0x0
14	PRTB_SRC7_PREV_SOURCE_FID	For Source ID 7 from Port B. Source Field ID for Previous Field	R	0x0
13	PRTB_SRC6_CURR_SOURCE_FID	For Source ID 6 from Port B. Source Field ID for Current Field	R	0x0
12	PRTB_SRC6_PREV_SOURCE_FID	For Source ID 6 from Port B. Source Field ID for Previous Field	R	0x0
11	PRTB_SRC5_CURR_SOURCE_FID	For Source ID 5 from Port B. Source Field ID for Current Field	R	0x0
10	PRTB_SRC5_PREV_SOURCE_FID	For Source ID 5 from Port B. Source Field ID for Previous Field	R	0x0
9	PRTB_SRC4_CURR_SOURCE_FID	For Source ID 4 from Port B. Source Field ID for Current Field	R	0x0
8	PRTB_SRC4_PREV_SOURCE_FID	For Source ID 4 from Port B. Source Field ID for Previous Field	R	0x0
7	PRTB_SRC3_CURR_SOURCE_FID	For Source ID 3 from Port B. Source Field ID for Current Field	R	0x0
6	PRTB_SRC3_PREV_SOURCE_FID	For Source ID 3 from Port B. Source Field ID for Previous Field	R	0x0
5	PRTB_SRC2_CURR_SOURCE_FID	For Source ID 2 from Port B. Source Field ID for Current Field	R	0x0
4	PRTB_SRC2_PREV_SOURCE_FID	For Source ID 2 from Port B. Source Field ID for Previous Field	R	0x0
3	PRTB_SRC1_CURR_SOURCE_FID	For Source ID 1 from Port B. Source Field ID for Current Field	R	0x0

Bits	Field Name	Description	Type	Reset
2	PRTB_SRC1_PREV_SOURCE_FID	For Source ID 1 from Port B. Source Field ID for Previous Field	R	0x0
1	PRTB_SRC0_CURR_SOURCE_FID	For Source ID 0 from Port B. Source Field ID for Current Field	R	0x0
0	PRTB_SRC0_PREV_SOURCE_FID	For Source ID 0 from Port B. Source Field ID for Previous Field	R	0x0

Table 9-139. Register Call Summary for Register VIP_OUTPUT_PORT_B_SRC_FID

VIP Functional Description

- [Source Multiplexing: \[0\]](#)

VIP Register Manual

- [VIP Parser Register Summary: \[2\]](#)

Table 9-140. VIP_OUTPUT_PORT_B_ENC_FID

Address Offset	0x0000 002C	Instance	VIP1_Slice0_parser VIP1_Slice1_parser
Physical Address	0x4897 552C 0x4897 5A2C		
Description	Current and Previous Output Port B Encoder FID values		
Type	R		

31	30	29	28	27	26	25	24	23	22	21	20	19	18	17	16	15	14	13	12	11	10	9	8	7	6	5	4	3	2	1	0
PRTB_SRC15_CURR_ENC_FID	PRTB_SRC15_PREV_ENC_FID	PRTB_SRC14_CURR_ENC_FID	PRTB_SRC14_PREV_ENC_FID	PRTB_SRC13_CURR_ENC_FID	PRTB_SRC13_PREV_ENC_FID	PRTB_SRC12_CURR_ENC_FID	PRTB_SRC12_PREV_ENC_FID	PRTB_SRC11_CURR_ENC_FID	PRTB_SRC11_PREV_ENC_FID	PRTB_SRC10_CURR_ENC_FID	PRTB_SRC10_PREV_ENC_FID	PRTB_SRC9_CURR_ENC_FID	PRTB_SRC9_PREV_ENC_FID	PRTB_SRC8_CURR_ENC_FID	PRTB_SRC8_PREV_ENC_FID	PRTB_SRC7_CURR_ENC_FID	PRTB_SRC7_PREV_ENC_FID	PRTB_SRC6_CURR_ENC_FID	PRTB_SRC6_PREV_ENC_FID	PRTB_SRC5_CURR_ENC_FID	PRTB_SRC5_PREV_ENC_FID	PRTB_SRC4_CURR_ENC_FID	PRTB_SRC4_PREV_ENC_FID	PRTB_SRC3_CURR_ENC_FID	PRTB_SRC3_PREV_ENC_FID	PRTB_SRC2_CURR_ENC_FID	PRTB_SRC2_PREV_ENC_FID	PRTB_SRC1_CURR_ENC_FID	PRTB_SRC1_PREV_ENC_FID	PRTB_SRC0_CURR_ENC_FID	PRTB_SRC0_PREV_ENC_FID

Bits	Field Name	Description	Type	Reset
31	PRTB_SRC15_CURR_ENC_FID	For Source ID 15 from Port B. Encoder Field ID for Current Field	R	0x0
30	PRTB_SRC15_PREV_ENC_FID	For Source ID 15 from Port B. Encoder Field ID for Previous Field	R	0x0
29	PRTB_SRC14_CURR_ENC_FID	For Source ID 14 from Port B. Encoder Field ID for Current Field	R	0x0
28	PRTB_SRC14_PREV_ENC_FID	For Source ID 14 from Port B. Encoder Field ID for Previous Field	R	0x0
27	PRTB_SRC13_CURR_ENC_FID	For Source ID 13 from Port B. Encoder Field ID for Current Field	R	0x0
26	PRTB_SRC13_PREV_ENC_FID	For Source ID 13 from Port B. Encoder Field ID for Previous Field	R	0x0
25	PRTB_SRC12_CURR_ENC_FID	For Source ID 12 from Port B. Encoder Field ID for Current Field	R	0x0
24	PRTB_SRC12_PREV_ENC_FID	For Source ID 12 from Port B. Encoder Field ID for Previous Field	R	0x0
23	PRTB_SRC11_CURR_ENC_FID	For Source ID 11 from Port B. Encoder Field ID for Current Field	R	0x0
22	PRTB_SRC11_PREV_ENC_FID	For Source ID 11 from Port B. Encoder Field ID for Previous Field	R	0x0

Bits	Field Name	Description	Type	Reset
21	PRTB_SRC10_CURR_ENC_FID	For Source ID 10 from Port B. Encoder Field ID for Current Field	R	0x0
20	PRTB_SRC10_PREV_ENC_FID	For Source ID 10 from Port B. Encoder Field ID for Previous Field	R	0x0
19	PRTB_SRC9_CURR_ENC_FID	For Source ID 9 from Port B. Encoder Field ID for Current Field	R	0x0
18	PRTB_SRC9_PREV_ENC_FID	For Source ID 9 from Port B. Encoder Field ID for Previous Field	R	0x0
17	PRTB_SRC8_CURR_ENC_FID	For Source ID 8 from Port B. Encoder Field ID for Current Field	R	0x0
16	PRTB_SRC8_PREV_ENC_FID	For Source ID 8 from Port B. Encoder Field ID for Previous Field	R	0x0
15	PRTB_SRC7_CURR_ENC_FID	For Source ID 7 from Port B. Encoder Field ID for Current Field	R	0x0
14	PRTB_SRC7_PREV_ENC_FID	For Source ID 7 from Port B. Encoder Field ID for Previous Field	R	0x0
13	PRTB_SRC6_CURR_ENC_FID	For Source ID 6 from Port B. Encoder Field ID for Current Field	R	0x0
12	PRTB_SRC6_PREV_ENC_FID	For Source ID 6 from Port B. Encoder Field ID for Previous Field	R	0x0
11	PRTB_SRC5_CURR_ENC_FID	For Source ID 5 from Port B. Encoder Field ID for Current Field	R	0x0
10	PRTB_SRC5_PREV_ENC_FID	For Source ID 5 from Port B. Encoder Field ID for Previous Field	R	0x0
9	PRTB_SRC4_CURR_ENC_FID	For Source ID 4 from Port B. Encoder Field ID for Current Field	R	0x0
8	PRTB_SRC4_PREV_ENC_FID	For Source ID 4 from Port B. Encoder Field ID for Previous Field	R	0x0
7	PRTB_SRC3_CURR_ENC_FID	For Source ID 3 from Port B. Encoder Field ID for Current Field	R	0x0
6	PRTB_SRC3_PREV_ENC_FID	For Source ID 3 from Port B. Encoder Field ID for Previous Field	R	0x0
5	PRTB_SRC2_CURR_ENC_FID	For Source ID 2 from Port B. Encoder Field ID for Current Field	R	0x0
4	PRTB_SRC2_PREV_ENC_FID	For Source ID 2 from Port B. Encoder Field ID for Previous Field	R	0x0
3	PRTB_SRC1_CURR_ENC_FID	For Source ID 1 from Port B. Encoder Field ID for Current Field	R	0x0
2	PRTB_SRC1_PREV_ENC_FID	For Source ID 1 from Port B. Encoder Field ID for Previous Field	R	0x0
1	PRTB_SRC0_CURR_ENC_FID	For Source ID 0 from Port B. Encoder Field ID for Current Field	R	0x0
0	PRTB_SRC0_PREV_ENC_FID	For Source ID 0 from Port B. Encoder Field ID for Previous Field	R	0x0

Table 9-141. Register Call Summary for Register VIP_OUTPUT_PORT_B_ENC_FID

VIP Register Manual

- [VIP Parser Register Summary: \[1\]](#)

Table 9-142. VIP_OUTPUT_PORT_A_SRC0_SIZE

Address Offset	0x0000 0030	Instance	VIP1_Slice0_parser VIP1_Slice1_parser
Physical Address	0x4897 5530 0x4897 5A30		
Description	Width and Height for Source 0		
Type	R		

31	30	29	28	27	26	25	24	23	22	21	20	19	18	17	16	15	14	13	12	11	10	9	8	7	6	5	4	3	2	1	0
RESERVED								PRTA_SRC0_WIDTH								RESERVED								PRTA_SRC0_HEIGHT							

Bits	Field Name	Description	Type	Reset
31:27	RESERVED		R	0x0
26:16	PRTA_SRC0_WIDTH	On Port A. Width of Source ID 0	R	0x0
15:11	RESERVED		R	0x0
10:0	PRTA_SRC0_HEIGHT	On Port A. Height of Source ID 0	R	0x0

Table 9-143. Register Call Summary for Register VIP_OUTPUT_PORT_A_SRC0_SIZE

VIP Functional Description

- [Source Multiplexing: \[0\]](#)

VIP Register Manual

- [VIP Parser Register Summary: \[2\]](#)

Table 9-144. VIP_OUTPUT_PORT_A_SRC1_SIZE

Address Offset	0x0000 0034	Instance	VIP1_Slice0_parser VIP1_Slice1_parser
Physical Address	0x4897 5534 0x4897 5A34		
Description	Width and Height for Source 1		
Type	R		

31	30	29	28	27	26	25	24	23	22	21	20	19	18	17	16	15	14	13	12	11	10	9	8	7	6	5	4	3	2	1	0
RESERVED								PRTA_SRC1_WIDTH								RESERVED								PRTA_SRC1_HEIGHT							

Bits	Field Name	Description	Type	Reset
31:27	RESERVED		R	0x0
26:16	PRTA_SRC1_WIDTH	On Port A. Width of Source ID 1	R	0x0
15:11	RESERVED		R	0x0
10:0	PRTA_SRC1_HEIGHT	On Port A. Height of Source ID 1	R	0x0

Table 9-145. Register Call Summary for Register VIP_OUTPUT_PORT_A_SRC1_SIZE

VIP Register Manual

- [VIP Parser Register Summary: \[1\]](#)

Table 9-146. VIP_OUTPUT_PORT_A_SRC2_SIZE

Address Offset	0x0000 0038	Instance	VIP1_Slice0_parser VIP1_Slice1_parser
Physical Address	0x4897 5538 0x4897 5A38		
Description	Width and Height for Source 2		
Type	R		

31	30	29	28	27	26	25	24	23	22	21	20	19	18	17	16	15	14	13	12	11	10	9	8	7	6	5	4	3	2	1	0
RESERVED								PRTA_SRC2_WIDTH								RESERVED								PRTA_SRC2_HEIGHT							

Bits	Field Name	Description	Type	Reset
31:27	RESERVED		R	0x0
26:16	PRTA_SRC2_WIDTH	On Port A. Width of Source ID 2	R	0x0
15:11	RESERVED		R	0x0
10:0	PRTA_SRC2_HEIGHT	On Port A. Height of Source ID 2	R	0x0

Table 9-147. Register Call Summary for Register VIP_OUTPUT_PORT_A_SRC2_SIZE

VIP Register Manual

- [VIP Parser Register Summary: \[1\]](#)

Table 9-148. VIP_OUTPUT_PORT_A_SRC3_SIZE

Address Offset	0x0000 003C	Instance	VIP1_Slice0_parser VIP1_Slice1_parser
Physical Address	0x4897 553C 0x4897 5A3C		
Description	Width and Height for Source 3		
Type	R		

31	30	29	28	27	26	25	24	23	22	21	20	19	18	17	16	15	14	13	12	11	10	9	8	7	6	5	4	3	2	1	0
RESERVED								PRTA_SRC3_WIDTH								RESERVED				PRTA_SRC3_HEIGHT											

Bits	Field Name	Description	Type	Reset
31:27	RESERVED		R	0x0
26:16	PRTA_SRC3_WIDTH	On Port A. Width of Source ID 3	R	0x0
15:11	RESERVED		R	0x0
10:0	PRTA_SRC3_HEIGHT	On Port A. Height of Source ID 3	R	0x0

Table 9-149. Register Call Summary for Register VIP_OUTPUT_PORT_A_SRC3_SIZE

VIP Register Manual

- [VIP Parser Register Summary: \[1\]](#)

Table 9-150. VIP_OUTPUT_PORT_A_SRC4_SIZE

Address Offset	0x0000 0040	Instance	VIP1_Slice0_parser VIP1_Slice1_parser
Physical Address	0x4897 5540 0x4897 5A40		
Description	Width and Height for Source 4		
Type	R		

31	30	29	28	27	26	25	24	23	22	21	20	19	18	17	16	15	14	13	12	11	10	9	8	7	6	5	4	3	2	1	0
RESERVED								PRTA_SRC4_WIDTH								RESERVED				PRTA_SRC4_HEIGHT											

Bits	Field Name	Description	Type	Reset
31:27	RESERVED		R	0x0
26:16	PRTA_SRC4_WIDTH	On Port A. Width of Source ID 4	R	0x0
15:11	RESERVED		R	0x0
10:0	PRTA_SRC4_HEIGHT	On Port A. Height of Source ID 4	R	0x0

Table 9-151. Register Call Summary for Register VIP_OUTPUT_PORT_A_SRC4_SIZE

VIP Register Manual

- [VIP Parser Register Summary: \[1\]](#)

Table 9-152. VIP_OUTPUT_PORT_A_SRC5_SIZE

Address Offset	0x0000 0044	Instance	VIP1_Slice0_parser VIP1_Slice1_parser
Physical Address	0x4897 5544 0x4897 5A44		
Description	Width and Height for Source 5		
Type	R		

31	30	29	28	27	26	25	24	23	22	21	20	19	18	17	16	15	14	13	12	11	10	9	8	7	6	5	4	3	2	1	0
RESERVED								PRTA_SRC5_WIDTH								RESERVED				PRTA_SRC5_HEIGHT											

Bits	Field Name	Description	Type	Reset
31:27	RESERVED		R	0x0
26:16	PRTA_SRC5_WIDTH	On Port A. Width of Source ID 5	R	0x0
15:11	RESERVED		R	0x0
10:0	PRTA_SRC5_HEIGHT	On Port A. Height of Source ID 5	R	0x0

Table 9-153. Register Call Summary for Register VIP_OUTPUT_PORT_A_SRC5_SIZE

VIP Register Manual

- [VIP Parser Register Summary: \[1\]](#)

Table 9-154. VIP_OUTPUT_PORT_A_SRC6_SIZE

Address Offset	0x0000 0048	Instance	VIP1_Slice0_parser VIP1_Slice1_parser
Physical Address	0x4897 5548 0x4897 5A48		
Description	Width and Height for Source 6		
Type	R		

31	30	29	28	27	26	25	24	23	22	21	20	19	18	17	16	15	14	13	12	11	10	9	8	7	6	5	4	3	2	1	0
RESERVED								PRTA_SRC6_WIDTH								RESERVED				PRTA_SRC6_HEIGHT											

Bits	Field Name	Description	Type	Reset
31:27	RESERVED		R	0x0
26:16	PRTA_SRC6_WIDTH	On Port A. Width of Source ID 6	R	0x0
15:11	RESERVED		R	0x0
10:0	PRTA_SRC6_HEIGHT	On Port A. Height of Source ID 6	R	0x0

Table 9-155. Register Call Summary for Register VIP_OUTPUT_PORT_A_SRC6_SIZE

VIP Register Manual

- [VIP Parser Register Summary: \[1\]](#)

Table 9-156. VIP_OUTPUT_PORT_A_SRC7_SIZE

Address Offset	0x0000 004C	Instance	VIP1_Slice0_parser VIP1_Slice1_parser
Physical Address	0x4897 554C 0x4897 5A4C		
Description	Width and Height for Source 7		
Type	R		

31	30	29	28	27	26	25	24	23	22	21	20	19	18	17	16	15	14	13	12	11	10	9	8	7	6	5	4	3	2	1	0
RESERVED								PRTA_SRC7_WIDTH								RESERVED				PRTA_SRC7_HEIGHT											

Bits	Field Name	Description	Type	Reset
31:27	RESERVED		R	0x0
26:16	PRTA_SRC7_WIDTH	On Port A. Width of Source ID 7	R	0x0
15:11	RESERVED		R	0x0
10:0	PRTA_SRC7_HEIGHT	On Port A. Height of Source ID 7	R	0x0

Table 9-157. Register Call Summary for Register VIP_OUTPUT_PORT_A_SRC7_SIZE

VIP Register Manual

- [VIP Parser Register Summary: \[1\]](#)

Table 9-158. VIP_OUTPUT_PORT_A_SRC8_SIZE

Address Offset	0x0000 0050	Instance	VIP1_Slice0_parser VIP1_Slice1_parser
Physical Address	0x4897 5550 0x4897 5A50		
Description	Width and Height for Source 8		
Type	R		

31	30	29	28	27	26	25	24	23	22	21	20	19	18	17	16	15	14	13	12	11	10	9	8	7	6	5	4	3	2	1	0
RESERVED								PRTA_SRC8_WIDTH								RESERVED				PRTA_SRC8_HEIGHT											

Bits	Field Name	Description	Type	Reset
31:27	RESERVED		R	0x0
26:16	PRTA_SRC8_WIDTH	On Port A. Width of Source ID 8	R	0x0
15:11	RESERVED		R	0x0
10:0	PRTA_SRC8_HEIGHT	On Port A. Height of Source ID 8	R	0x0

Table 9-159. Register Call Summary for Register VIP_OUTPUT_PORT_A_SRC8_SIZE

VIP Register Manual

- [VIP Parser Register Summary: \[1\]](#)

Table 9-160. VIP_OUTPUT_PORT_A_SRC9_SIZE

Address Offset	0x0000 0054	Instance	VIP1_Slice0_parser VIP1_Slice1_parser
Physical Address	0x4897 5554 0x4897 5A54		
Description	Width and Height for Source 9		
Type	R		

31	30	29	28	27	26	25	24	23	22	21	20	19	18	17	16	15	14	13	12	11	10	9	8	7	6	5	4	3	2	1	0
RESERVED								PRTA_SRC9_WIDTH								RESERVED								PRTA_SRC9_HEIGHT							

Bits	Field Name	Description	Type	Reset
31:27	RESERVED		R	0x0
26:16	PRTA_SRC9_WIDTH	On Port A. Width of Source ID 9	R	0x0
15:11	RESERVED		R	0x0
10:0	PRTA_SRC9_HEIGHT	On Port A. Height of Source ID 9	R	0x0

Table 9-161. Register Call Summary for Register VIP_OUTPUT_PORT_A_SRC9_SIZE

VIP Register Manual

- [VIP Parser Register Summary: \[1\]](#)

Table 9-162. VIP_OUTPUT_PORT_A_SRC10_SIZE

Address Offset	0x0000 0058	Instance	VIP1_Slice0_parser VIP1_Slice1_parser
Physical Address	0x4897 5558 0x4897 5A58		
Description	Width and Height for Source 10		
Type	R		

31	30	29	28	27	26	25	24	23	22	21	20	19	18	17	16	15	14	13	12	11	10	9	8	7	6	5	4	3	2	1	0
RESERVED								PRTA_SRC10_WIDTH								RESERVED								PRTA_SRC10_HEIGHT							

Bits	Field Name	Description	Type	Reset
31:27	RESERVED		R	0x0
26:16	PRTA_SRC10_WIDTH	On Port A. Width of Source ID 10	R	0x0
15:11	RESERVED		R	0x0
10:0	PRTA_SRC10_HEIGHT	On Port A. Height of Source ID 10	R	0x0

Table 9-163. Register Call Summary for Register VIP_OUTPUT_PORT_A_SRC10_SIZE

VIP Register Manual

- [VIP Parser Register Summary: \[1\]](#)

Table 9-164. VIP_OUTPUT_PORT_A_SRC11_SIZE

Address Offset	0x0000 005C	Instance	VIP1_Slice0_parser VIP1_Slice1_parser
Physical Address	0x4897 555C 0x4897 5A5C		
Description	Width and Height for Source 11		
Type	R		

31	30	29	28	27	26	25	24	23	22	21	20	19	18	17	16	15	14	13	12	11	10	9	8	7	6	5	4	3	2	1	0
RESERVED								PRTA_SRC11_WIDTH								RESERVED								PRTA_SRC11_HEIGHT							

Bits	Field Name	Description	Type	Reset
31:27	RESERVED		R	0x0
26:16	PRTA_SRC11_WIDTH	On Port A. Width of Source ID 11	R	0x0
15:11	RESERVED		R	0x0

Bits	Field Name	Description	Type	Reset
10:0	PRTA_SRC11_HEIGHT	On Port A. Height of Source ID 11	R	0x0

Table 9-165. Register Call Summary for Register VIP_OUTPUT_PORT_A_SRC11_SIZE

VIP Register Manual

- [VIP Parser Register Summary: \[1\]](#)

Table 9-166. VIP_OUTPUT_PORT_A_SRC12_SIZE

Address Offset	0x0000 0060	Instance	VIP1_Slice0_parser VIP1_Slice1_parser
Physical Address	0x4897 5560 0x4897 5A60		
Description	Width and Height for Source 12		
Type	R		

31	30	29	28	27	26	25	24	23	22	21	20	19	18	17	16	15	14	13	12	11	10	9	8	7	6	5	4	3	2	1	0
RESERVED								PRTA_SRC12_WIDTH								RESERVED				PRTA_SRC12_HEIGHT											

Bits	Field Name	Description	Type	Reset
31:27	RESERVED		R	0x0
26:16	PRTA_SRC12_WIDTH	On Port A. Width of Source ID 12	R	0x0
15:11	RESERVED		R	0x0
10:0	PRTA_SRC12_HEIGHT	On Port A. Height of Source ID 12	R	0x0

Table 9-167. Register Call Summary for Register VIP_OUTPUT_PORT_A_SRC12_SIZE

VIP Register Manual

- [VIP Parser Register Summary: \[1\]](#)

Table 9-168. VIP_OUTPUT_PORT_A_SRC13_SIZE

Address Offset	0x0000 0064	Instance	VIP1_Slice0_parser VIP1_Slice1_parser
Physical Address	0x4897 5564 0x4897 5A64		
Description	Width and Height for Source 13		
Type	R		

31	30	29	28	27	26	25	24	23	22	21	20	19	18	17	16	15	14	13	12	11	10	9	8	7	6	5	4	3	2	1	0
RESERVED								PRTA_SRC13_WIDTH								RESERVED				PRTA_SRC13_HEIGHT											

Bits	Field Name	Description	Type	Reset
31:27	RESERVED		R	0x0
26:16	PRTA_SRC13_WIDTH	On Port A. Width of Source ID 13	R	0x0
15:11	RESERVED		R	0x0
10:0	PRTA_SRC13_HEIGHT	On Port A. Height of Source ID 13	R	0x0

Table 9-169. Register Call Summary for Register VIP_OUTPUT_PORT_A_SRC13_SIZE

VIP Register Manual

- [VIP Parser Register Summary: \[1\]](#)

Table 9-170. VIP_OUTPUT_PORT_A_SRC14_SIZE

Address Offset	0x0000 0068	Instance	VIP1_Slice0_parser VIP1_Slice1_parser
Physical Address	0x4897 5568 0x4897 5A68		
Description	Width and Height for Source 14		
Type	R		

31	30	29	28	27	26	25	24	23	22	21	20	19	18	17	16	15	14	13	12	11	10	9	8	7	6	5	4	3	2	1	0
RESERVED								PRTA_SRC14_WIDTH								RESERVED								PRTA_SRC14_HEIGHT							

Bits	Field Name	Description	Type	Reset
31:27	RESERVED		R	0x0
26:16	PRTA_SRC14_WIDTH	On Port A. Width of Source ID 14	R	0x0
15:11	RESERVED		R	0x0
10:0	PRTA_SRC14_HEIGHT	On Port A. Height of Source ID 14	R	0x0

Table 9-171. Register Call Summary for Register VIP_OUTPUT_PORT_A_SRC14_SIZE

VIP Register Manual

- [VIP Parser Register Summary: \[1\]](#)

Table 9-172. VIP_OUTPUT_PORT_A_SRC15_SIZE

Address Offset	0x0000 006C	Instance	VIP1_Slice0_parser VIP1_Slice1_parser
Physical Address	0x4897 556C 0x4897 5A6C		
Description	Width and Height for Source 15		
Type	R		

31	30	29	28	27	26	25	24	23	22	21	20	19	18	17	16	15	14	13	12	11	10	9	8	7	6	5	4	3	2	1	0
RESERVED								PRTA_SRC15_WIDTH								RESERVED								PRTA_SRC15_HEIGHT							

Bits	Field Name	Description	Type	Reset
31:27	RESERVED		R	0x0
26:16	PRTA_SRC15_WIDTH	On Port A. Width of Source ID 15	R	0x0
15:11	RESERVED		R	0x0
10:0	PRTA_SRC15_HEIGHT	On Port A. Height of Source ID 15	R	0x0

Table 9-173. Register Call Summary for Register VIP_OUTPUT_PORT_A_SRC15_SIZE

VIP Functional Description

- [Source Multiplexing: \[0\]](#)

VIP Register Manual

- [VIP Parser Register Summary: \[2\]](#)

Table 9-174. VIP_OUTPUT_PORT_B_SRC0_SIZE

Address Offset	0x0000 0070	Instance	VIP1_Slice0_parser VIP1_Slice1_parser
Physical Address	0x4897 5570 0x4897 5A70		
Description	Width and Height for Source 0		
Type	R		

31	30	29	28	27	26	25	24	23	22	21	20	19	18	17	16	15	14	13	12	11	10	9	8	7	6	5	4	3	2	1	0
RESERVED								PRTB_SRC0_WIDTH								RESERVED								PRTB_SRC0_HEIGHT							

Bits	Field Name	Description	Type	Reset
31:27	RESERVED		R	0x0
26:16	PRTB_SRC0_WIDTH	On Port B. Width of Source ID 0	R	0x0
15:11	RESERVED		R	0x0
10:0	PRTB_SRC0_HEIGHT	On Port B. Height of Source ID 0	R	0x0

Table 9-175. Register Call Summary for Register VIP_OUTPUT_PORT_B_SRC0_SIZE

VIP Functional Description

- [Source Multiplexing: \[0\]](#)

VIP Register Manual

- [VIP Parser Register Summary: \[2\]](#)

Table 9-176. VIP_OUTPUT_PORT_B_SRC1_SIZE

Address Offset	0x0000 0074	Instance	VIP1_Slice0_parser VIP1_Slice1_parser
Physical Address	0x4897 5574 0x4897 5A74		
Description	Width and Height for Source 1		
Type	R		

31	30	29	28	27	26	25	24	23	22	21	20	19	18	17	16	15	14	13	12	11	10	9	8	7	6	5	4	3	2	1	0
RESERVED								PRTB_SRC1_WIDTH								RESERVED								PRTB_SRC1_HEIGHT							

Bits	Field Name	Description	Type	Reset
31:27	RESERVED		R	0x0
26:16	PRTB_SRC1_WIDTH	On Port B. Width of Source ID 1	R	0x0
15:11	RESERVED		R	0x0
10:0	PRTB_SRC1_HEIGHT	On Port B. Height of Source ID 1	R	0x0

Table 9-177. Register Call Summary for Register VIP_OUTPUT_PORT_B_SRC1_SIZE

VIP Register Manual

- [VIP Parser Register Summary: \[1\]](#)

Table 9-178. VIP_OUTPUT_PORT_B_SRC2_SIZE

Address Offset	0x0000 0078	Instance	VIP1_Slice0_parser VIP1_Slice1_parser
Physical Address	0x4897 5578 0x4897 5A78		
Description	Width and Height for Source 2		
Type	R		

31	30	29	28	27	26	25	24	23	22	21	20	19	18	17	16	15	14	13	12	11	10	9	8	7	6	5	4	3	2	1	0
RESERVED								PRTB_SRC2_WIDTH								RESERVED								PRTB_SRC2_HEIGHT							

Bits	Field Name	Description	Type	Reset
31:27	RESERVED		R	0x0
26:16	PRTB_SRC2_WIDTH	On Port B. Width of Source ID 2	R	0x0
15:11	RESERVED		R	0x0
10:0	PRTB_SRC2_HEIGHT	On Port B. Height of Source ID 2	R	0x0

Table 9-179. Register Call Summary for Register VIP_OUTPUT_PORT_B_SRC2_SIZE

VIP Register Manual

- [VIP Parser Register Summary: \[1\]](#)

Table 9-180. VIP_OUTPUT_PORT_B_SRC3_SIZE

Address Offset	0x0000 007C	Instance	VIP1_Slice0_parser VIP1_Slice1_parser
Physical Address	0x4897 557C 0x4897 5A7C		
Description	Width and Height for Source 3		
Type	R		

31	30	29	28	27	26	25	24	23	22	21	20	19	18	17	16	15	14	13	12	11	10	9	8	7	6	5	4	3	2	1	0
RESERVED								PRTB_SRC3_WIDTH								RESERVED								PRTB_SRC3_HEIGHT							

Bits	Field Name	Description	Type	Reset
31:27	RESERVED		R	0x0
26:16	PRTB_SRC3_WIDTH	On Port B. Width of Source ID 3	R	0x0
15:11	RESERVED		R	0x0
10:0	PRTB_SRC3_HEIGHT	On Port B. Height of Source ID 3	R	0x0

Table 9-181. Register Call Summary for Register VIP_OUTPUT_PORT_B_SRC3_SIZE

VIP Register Manual

- [VIP Parser Register Summary: \[1\]](#)

Table 9-182. VIP_OUTPUT_PORT_B_SRC4_SIZE

Address Offset	0x0000 0080	Instance	VIP1_Slice0_parser VIP1_Slice1_parser
Physical Address	0x4897 5580 0x4897 5A80		
Description	Width and Height for Source 4		
Type	R		

31	30	29	28	27	26	25	24	23	22	21	20	19	18	17	16	15	14	13	12	11	10	9	8	7	6	5	4	3	2	1	0
RESERVED								PRTB_SRC4_WIDTH								RESERVED								PRTB_SRC4_HEIGHT							

Bits	Field Name	Description	Type	Reset
31:27	RESERVED		R	0x0
26:16	PRTB_SRC4_WIDTH	On Port B. Width of Source ID 4	R	0x0
15:11	RESERVED		R	0x0
10:0	PRTB_SRC4_HEIGHT	On Port B. Height of Source ID 4	R	0x0

Table 9-183. Register Call Summary for Register VIP_OUTPUT_PORT_B_SRC4_SIZE

VIP Register Manual

- [VIP Parser Register Summary: \[1\]](#)

Table 9-184. VIP_OUTPUT_PORT_B_SRC5_SIZE

Address Offset	0x0000 0084	Instance	VIP1_Slice0_parser VIP1_Slice1_parser
Physical Address	0x4897 5584 0x4897 5A84		
Description	Width and Height for Source 5		
Type	R		

31	30	29	28	27	26	25	24	23	22	21	20	19	18	17	16	15	14	13	12	11	10	9	8	7	6	5	4	3	2	1	0
RESERVED								PRTB_SRC5_WIDTH								RESERVED				PRTB_SRC5_HEIGHT											

Bits	Field Name	Description	Type	Reset
31:27	RESERVED		R	0x0
26:16	PRTB_SRC5_WIDTH	On Port B. Width of Source ID 5	R	0x0
15:11	RESERVED		R	0x0
10:0	PRTB_SRC5_HEIGHT	On Port B. Height of Source ID 5	R	0x0

Table 9-185. Register Call Summary for Register VIP_OUTPUT_PORT_B_SRC5_SIZE

VIP Register Manual

- [VIP Parser Register Summary: \[1\]](#)

Table 9-186. VIP_OUTPUT_PORT_B_SRC6_SIZE

Address Offset	0x0000 0088	Instance	VIP1_Slice0_parser VIP1_Slice1_parser
Physical Address	0x4897 5588 0x4897 5A88		
Description	Width and Height for Source 6		
Type	R		

31	30	29	28	27	26	25	24	23	22	21	20	19	18	17	16	15	14	13	12	11	10	9	8	7	6	5	4	3	2	1	0
RESERVED								PRTB_SRC6_WIDTH								RESERVED				PRTB_SRC6_HEIGHT											

Bits	Field Name	Description	Type	Reset
31:27	RESERVED		R	0x0
26:16	PRTB_SRC6_WIDTH	On Port B. Width of Source ID 6	R	0x0
15:11	RESERVED		R	0x0
10:0	PRTB_SRC6_HEIGHT	On Port B. Height of Source ID 6	R	0x0

Table 9-187. Register Call Summary for Register VIP_OUTPUT_PORT_B_SRC6_SIZE

VIP Register Manual

- [VIP Parser Register Summary: \[1\]](#)

Table 9-188. VIP_OUTPUT_PORT_B_SRC7_SIZE

Address Offset	0x0000 008C	Instance	VIP1_Slice0_parser VIP1_Slice1_parser
Physical Address	0x4897 558C 0x4897 5A8C		
Description	Width and Height for Source 7		
Type	R		

31	30	29	28	27	26	25	24	23	22	21	20	19	18	17	16	15	14	13	12	11	10	9	8	7	6	5	4	3	2	1	0
RESERVED								PRTB_SRC7_WIDTH								RESERVED								PRTB_SRC7_HEIGHT							

Bits	Field Name	Description	Type	Reset
31:27	RESERVED		R	0x0
26:16	PRTB_SRC7_WIDTH	On Port B. Width of Source ID 7	R	0x0
15:11	RESERVED		R	0x0
10:0	PRTB_SRC7_HEIGHT	On Port B. Height of Source ID 7	R	0x0

Table 9-189. Register Call Summary for Register VIP_OUTPUT_PORT_B_SRC7_SIZE

VIP Register Manual

- [VIP Parser Register Summary: \[1\]](#)

Table 9-190. VIP_OUTPUT_PORT_B_SRC8_SIZE

Address Offset	0x0000 0090	Instance	VIP1_Slice0_parser VIP1_Slice1_parser
Physical Address	0x4897 5590 0x4897 5A90		
Description	Width and Height for Source 8		
Type	R		

31	30	29	28	27	26	25	24	23	22	21	20	19	18	17	16	15	14	13	12	11	10	9	8	7	6	5	4	3	2	1	0
RESERVED								PRTB_SRC8_WIDTH								RESERVED								PRTB_SRC8_HEIGHT							

Bits	Field Name	Description	Type	Reset
31:27	RESERVED		R	0x0
26:16	PRTB_SRC8_WIDTH	On Port B. Width of Source ID 8	R	0x0
15:11	RESERVED		R	0x0
10:0	PRTB_SRC8_HEIGHT	On Port B. Height of Source ID 8	R	0x0

Table 9-191. Register Call Summary for Register VIP_OUTPUT_PORT_B_SRC8_SIZE

VIP Register Manual

- [VIP Parser Register Summary: \[1\]](#)

Table 9-192. VIP_OUTPUT_PORT_B_SRC9_SIZE

Address Offset	0x0000 0094	Instance	VIP1_Slice0_parser VIP1_Slice1_parser
Physical Address	0x4897 5594 0x4897 5A94		
Description	Width and Height for Source 9		
Type	R		

31	30	29	28	27	26	25	24	23	22	21	20	19	18	17	16	15	14	13	12	11	10	9	8	7	6	5	4	3	2	1	0
RESERVED								PRTB_SRC9_WIDTH								RESERVED								PRTB_SRC9_HEIGHT							

Bits	Field Name	Description	Type	Reset
31:27	RESERVED		R	0x0
26:16	PRTB_SRC9_WIDTH	On Port B. Width of Source ID 9	R	0x0
15:11	RESERVED		R	0x0
10:0	PRTB_SRC9_HEIGHT	On Port B. Height of Source ID 9	R	0x0

Table 9-193. Register Call Summary for Register VIP_OUTPUT_PORT_B_SRC9_SIZE

VIP Register Manual

- [VIP Parser Register Summary: \[1\]](#)

Table 9-194. VIP_OUTPUT_PORT_B_SRC10_SIZE

Address Offset	0x0000 0098	Instance	VIP1_Slice0_parser VIP1_Slice1_parser
Physical Address	0x4897 5598 0x4897 5A98		
Description	Width and Height for Source 10		
Type	R		

31	30	29	28	27	26	25	24	23	22	21	20	19	18	17	16	15	14	13	12	11	10	9	8	7	6	5	4	3	2	1	0
RESERVED								PRTB_SRC10_WIDTH								RESERVED								PRTB_SRC10_HEIGHT							

Bits	Field Name	Description	Type	Reset
31:27	RESERVED		R	0x0
26:16	PRTB_SRC10_WIDTH	On Port B. Width of Source ID 10	R	0x0
15:11	RESERVED		R	0x0
10:0	PRTB_SRC10_HEIGHT	On Port B. Height of Source ID 10	R	0x0

Table 9-195. Register Call Summary for Register VIP_OUTPUT_PORT_B_SRC10_SIZE

VIP Register Manual

- [VIP Parser Register Summary: \[1\]](#)

Table 9-196. VIP_OUTPUT_PORT_B_SRC11_SIZE

Address Offset	0x0000 009C	Instance	VIP1_Slice0_parser VIP1_Slice1_parser
Physical Address	0x4897 559C 0x4897 5A9C		
Description	Width and Height for Source 11		
Type	R		

31	30	29	28	27	26	25	24	23	22	21	20	19	18	17	16	15	14	13	12	11	10	9	8	7	6	5	4	3	2	1	0
RESERVED								PRTB_SRC11_WIDTH								RESERVED								PRTB_SRC11_HEIGHT							

Bits	Field Name	Description	Type	Reset
31:27	RESERVED		R	0x0
26:16	PRTB_SRC11_WIDTH	On Port B. Width of Source ID 11	R	0x0
15:11	RESERVED		R	0x0

Bits	Field Name	Description	Type	Reset
10:0	PRTB_SRC11_HEIGHT	On Port B. Height of Source ID 11	R	0x0

Table 9-197. Register Call Summary for Register VIP_OUTPUT_PORT_B_SRC11_SIZE

VIP Register Manual

- [VIP Parser Register Summary: \[1\]](#)

Table 9-198. VIP_OUTPUT_PORT_B_SRC12_SIZE

Address Offset	0x0000 00A0	Instance	VIP1_Slice0_parser VIP1_Slice1_parser
Physical Address	0x4897 55A0 0x4897 5AA0		
Description	Width and Height for Source 12		
Type	R		

31	30	29	28	27	26	25	24	23	22	21	20	19	18	17	16	15	14	13	12	11	10	9	8	7	6	5	4	3	2	1	0
RESERVED								PRTB_SRC12_WIDTH								RESERVED								PRTB_SRC12_HEIGHT							

Bits	Field Name	Description	Type	Reset
31:27	RESERVED		R	0x0
26:16	PRTB_SRC12_WIDTH	On Port B. Width of Source ID 12	R	0x0
15:11	RESERVED		R	0x0
10:0	PRTB_SRC12_HEIGHT	On Port B. Height of Source ID 12	R	0x0

Table 9-199. Register Call Summary for Register VIP_OUTPUT_PORT_B_SRC12_SIZE

VIP Register Manual

- [VIP Parser Register Summary: \[1\]](#)

Table 9-200. VIP_OUTPUT_PORT_B_SRC13_SIZE

Address Offset	0x0000 00A4	Instance	VIP1_Slice0_parser VIP1_Slice1_parser
Physical Address	0x4897 55A4 0x4897 5AA4		
Description	Width and Height for Source 13		
Type	R		

31	30	29	28	27	26	25	24	23	22	21	20	19	18	17	16	15	14	13	12	11	10	9	8	7	6	5	4	3	2	1	0
RESERVED								PRTB_SRC13_WIDTH								RESERVED								PRTB_SRC13_HEIGHT							

Bits	Field Name	Description	Type	Reset
31:27	RESERVED		R	0x0
26:16	PRTB_SRC13_WIDTH	On Port B. Width of Source ID 13	R	0x0
15:11	RESERVED		R	0x0
10:0	PRTB_SRC13_HEIGHT	On Port B. Height of Source ID 13	R	0x0

Table 9-201. Register Call Summary for Register VIP_OUTPUT_PORT_B_SRC13_SIZE

VIP Register Manual

- [VIP Parser Register Summary: \[1\]](#)

Table 9-202. VIP_OUTPUT_PORT_B_SRC14_SIZE

Address Offset	0x0000 00A8	Instance	VIP1_Slice0_parser VIP1_Slice1_parser
Physical Address	0x4897 55A8 0x4897 5AA8		
Description	Width and Height for Source 14		
Type	R		

31	30	29	28	27	26	25	24	23	22	21	20	19	18	17	16	15	14	13	12	11	10	9	8	7	6	5	4	3	2	1	0
RESERVED								PRTB_SRC14_WIDTH								RESERVED				PRTB_SRC14_HEIGHT											

Bits	Field Name	Description	Type	Reset
31:27	RESERVED		R	0x0
26:16	PRTB_SRC14_WIDTH	On Port B. Width of Source ID 14	R	0x0
15:11	RESERVED		R	0x0
10:0	PRTB_SRC14_HEIGHT	On Port B. Height of Source ID 14	R	0x0

Table 9-203. Register Call Summary for Register VIP_OUTPUT_PORT_B_SRC14_SIZE

VIP Register Manual

- [VIP Parser Register Summary: \[1\]](#)

Table 9-204. VIP_OUTPUT_PORT_B_SRC15_SIZE

Address Offset	0x0000 00AC	Instance	VIP1_Slice0_parser VIP1_Slice1_parser
Physical Address	0x4897 55AC 0x4897 5AAC		
Description	Width and Height for Source 15		
Type	R		

31	30	29	28	27	26	25	24	23	22	21	20	19	18	17	16	15	14	13	12	11	10	9	8	7	6	5	4	3	2	1	0
RESERVED								PRTB_SRC15_WIDTH								RESERVED				PRTB_SRC15_HEIGHT											

Bits	Field Name	Description	Type	Reset
31:27	RESERVED		R	0x0
26:16	PRTB_SRC15_WIDTH	On Port B. Width of Source ID 15	R	0x0
15:11	RESERVED		R	0x0
10:0	PRTB_SRC15_HEIGHT	On Port B. Height of Source ID 15	R	0x0

Table 9-205. Register Call Summary for Register VIP_OUTPUT_PORT_B_SRC15_SIZE

VIP Functional Description

- [Source Multiplexing: \[0\]](#)

VIP Register Manual

- [VIP Parser Register Summary: \[2\]](#)

Table 9-206. VIP_PORT_A_VDET_VEC

Address Offset	0x0000 00B0	Instance	VIP1_Slice0_parser VIP1_Slice1_parser
Physical Address	0x4897 55B0 0x4897 5AB0		
Description	Each bit represents the VDET bit setting for Line Mux Mode		
Type	R		

31	30	29	28	27	26	25	24	23	22	21	20	19	18	17	16	15	14	13	12	11	10	9	8	7	6	5	4	3	2	1	0
PRTA_VDET_VEC																															

Bits	Field Name	Description	Type	Reset
31:0	PRTA_VDET_VEC	For Embedded Sync Only In Line Mux Mode. each bit represents the vdet value on Port A for the corresponding source id. This vector is meaningless for 1x/2x/4x mux modes.	R	0x0

Table 9-207. Register Call Summary for Register VIP_PORT_A_VDET_VEC

VIP Functional Description

- [VDET Interrupt: \[0\]](#)

VIP Register Manual

- [VIP Parser Register Summary: \[2\]](#)

Table 9-208. VIP_PORT_B_VDET_VEC

Address Offset	0x0000 00B4	Instance	VIP1_Slice0_parser VIP1_Slice1_parser
Physical Address	0x4897 55B4 0x4897 5AB4		
Description	Each bit represents the VDET bit setting for Line Mux Mode		
Type	R		

31	30	29	28	27	26	25	24	23	22	21	20	19	18	17	16	15	14	13	12	11	10	9	8	7	6	5	4	3	2	1	0
PRTB_VDET_VEC																															

Bits	Field Name	Description	Type	Reset
31:0	PRTB_VDET_VEC	For Embedded Sync Only In Line Mux Mode. each bit represents the vdet value on Port B for the corresponding source id. This vector is meaningless for 1x/2x/4x mux modes.	R	0x0

Table 9-209. Register Call Summary for Register VIP_PORT_B_VDET_VEC

VIP Functional Description

- [VDET Interrupt: \[0\]](#)

VIP Register Manual

- [VIP Parser Register Summary: \[2\]](#)

Table 9-210. VIP_ANC_CROP_HORZ_PORT_A

Address Offset	0x0000 00B8	Instance	VIP1_Slice0_parser VIP1_Slice1_parser
Physical Address	0x4897 55B8 0x4897 5AB8		
Description	Ancillary Cropping Configuration for Input Port A		
Type	RW		

31	30	29	28	27	26	25	24	23	22	21	20	19	18	17	16	15	14	13	12	11	10	9	8	7	6	5	4	3	2	1	0
ANC_TARGET_SRCNUM								ANC_USE_NUMPIX								ANC_BYPASS_N	RESERVED				ANC_SKIP_NUMPIX										

Bits	Field Name	Description	Type	Reset
31:28	ANC_TARGET_SRCNUM	The cropping module can work on only one srcnum. specified in this field. for each dss_vip_parser output port (Ancillary data).	RW	0x0
27:16	ANC_USE_NUMPIX	When cropping, the number of pixels to keep after the skip_numpix value. skip_numpix + use_numpix must be smaller than the original line width.	RW	0x0
15	ANC_BYPASS_N	0 = Bypass cropping module 1 = Cropping module enabled	RW	0x0
14:12	RESERVED		R	0x0
11:0	ANC_SKIP_NUMPIX	The number of pixels to crop from the beginning of each line.	RW	0x0

Table 9-211. Register Call Summary for Register VIP Anc_Crop_Horz_Port_A

VIP Functional Description

- [Ancillary and Active Video Cropping: \[0\]\[1\]\[2\]\[3\]](#)

VIP Register Manual

- [VIP Parser Register Summary: \[5\]](#)

Table 9-212. VIP Anc_Crop_Vert_Port_A

Address Offset	0x0000 00BC	Instance	VIP1_Slice0_parser VIP1_Slice1_parser
Physical Address	0x4897 55BC 0x4897 5ABC		
Description	Ancillary Cropping Configuration for Input Port A		
Type	RW		

31	30	29	28	27	26	25	24	23	22	21	20	19	18	17	16	15	14	13	12	11	10	9	8	7	6	5	4	3	2	1	0
RESERVED								ANC_USE_NUMLINES								RESERVED				ANC_SKIP_NUMLINES											

Bits	Field Name	Description	Type	Reset
31:28	RESERVED		R	0x0
27:16	ANC_USE_NUMLINES	When cropping, the number of lines to keep after the skip_numlines value. Use_numlines + skip_numlines must be smaller than the total number of lines in the srcnum's ancillary data region.	RW	0x0
15:12	RESERVED		R	0x0
11:0	ANC_SKIP_NUMLINES	The number of lines to crop from the top of the vertical ancillary data region.	RW	0x0

Table 9-213. Register Call Summary for Register VIP_ANC_CROP_VERT_PORT_A

VIP Functional Description

- [Ancillary and Active Video Cropping: \[0\]\[1\]](#)

VIP Register Manual

- [VIP Parser Register Summary: \[3\]](#)

Table 9-214. VIP_CROP_HORZ_PORT_A

Address Offset	0x0000 00C0	Instance	VIP1_Slice0_parser VIP1_Slice1_parser
Physical Address	0x4897 55C0 0x4897 5AC0		
Description	Active Video Cropping Configuration for Input Port A		
Type	RW		

31	30	29	28	27	26	25	24	23	22	21	20	19	18	17	16	15	14	13	12	11	10	9	8	7	6	5	4	3	2	1	0
ACT_TARGET_SRCNUM				ACT_USE_NUMPIX												ACT_BYPASS_N	RESERVED				ACT_SKIP_NUMPIX										

Bits	Field Name	Description	Type	Reset
31:28	ACT_TARGET_SRCNUM	The cropping module can work on only one srcnum. specified in this field. for each dss_vip_parser output port (Active video).	RW	0x0
27:16	ACT_USE_NUMPIX	When cropping, the number of pixels to keep after the skip_numpix value. skip_numpix + use_numpix must be smaller than the original line width.	RW	0x0
15	ACT_BYPASS_N	0 = Bypass cropping module 1 = Cropping module enabled	RW	0x0
14:12	RESERVED		R	0x0
11:0	ACT_SKIP_NUMPIX	The number of pixels to crop from the beginning of each line.	RW	0x0

Table 9-215. Register Call Summary for Register VIP_CROP_HORZ_PORT_A

VIP Functional Description

- [Ancillary and Active Video Cropping: \[0\]\[1\]\[2\]\[3\]](#)

VIP Register Manual

- [VIP Parser Register Summary: \[5\]](#)

Table 9-216. VIP_CROP_VERT_PORT_A

Address Offset	0x0000 00C4	Instance	VIP1_Slice0_parser VIP1_Slice1_parser
Physical Address	0x4897 55C4 0x4897 5AC4		
Description	Active Video Cropping Configuration for Input Port A		
Type	RW		

31	30	29	28	27	26	25	24	23	22	21	20	19	18	17	16	15	14	13	12	11	10	9	8	7	6	5	4	3	2	1	0
RESERVED								ACT_USE_NUMLINES								RESERVED								ACT_SKIP_NUMLINES							

Bits	Field Name	Description	Type	Reset
31:28	RESERVED		R	0x0
27:16	ACT_USE_NUMLINES	When cropping, the number of lines to keep after the skip_numlines value. Use_numlines + skip_numlines must be smaller than the total number of lines in the srcnum's active video region.	RW	0x0
15:12	RESERVED		R	0x0
11:0	ACT_SKIP_NUMLINES	The number of lines to crop from the top of the vertical active video region.	RW	0x0

Table 9-217. Register Call Summary for Register VIP_CROP_VERT_PORT_A

VIP Functional Description

- [Ancillary and Active Video Cropping: \[0\]\[1\]](#)

VIP Register Manual

- [VIP Parser Register Summary: \[3\]](#)

Table 9-218. VIP_ANC_VIP_CROP_HORZ_PORT_B

Address Offset	0x0000 00C8	Instance	VIP1_Slice0_parser VIP1_Slice1_parser
Physical Address	0x4897 55C8 0x4897 5AC8		
Description	Ancillary Cropping Configuration for Input Port B		
Type	RW		

31	30	29	28	27	26	25	24	23	22	21	20	19	18	17	16	15	14	13	12	11	10	9	8	7	6	5	4	3	2	1	0
ANC_TARGET_SRCNUM								ANC_USE_NUMPIX								ANC_BYPASS_N	RESERVED	ANC_SKIP_NUMPIX													

Bits	Field Name	Description	Type	Reset
31:28	ANC_TARGET_SRCNUM	The cropping module can work on only one srcnum. specified in this field. for each dss_vip_parser output port (Ancillary data).	RW	0x0
27:16	ANC_USE_NUMPIX	When cropping, the number of pixels to keep after the skip_numpix value. skip_numpix + use_numpix must be smaller than the original line width.	RW	0x0
15	ANC_BYPASS_N	0 = Bypass cropping module 1 = Cropping module enabled	RW	0x0
14:12	RESERVED		R	0x0
11:0	ANC_SKIP_NUMPIX	The number of pixels to crop from the beginning of each line.	RW	0x0

Table 9-219. Register Call Summary for Register VIP_ANC_VIP_CROP_HORZ_PORT_B

VIP Register Manual

- [VIP Parser Register Summary: \[1\]](#)

Table 9-220. VIP_ANC_VIP_CROP_VERT_PORT_B

Address Offset	0x0000 00CC	Instance	VIP1_Slice0_parser VIP1_Slice1_parser
Physical Address	0x4897 55CC 0x4897 5ACC		
Description	Ancillary Cropping Configuration for Input Port B		
Type	RW		

31	30	29	28	27	26	25	24	23	22	21	20	19	18	17	16	15	14	13	12	11	10	9	8	7	6	5	4	3	2	1	0
RESERVED								ANC_USE_NUMLINES								RESERVED				ANC_SKIP_NUMLINES											

Bits	Field Name	Description	Type	Reset
31:28	RESERVED		R	0x0
27:16	ANC_USE_NUMLINES	When cropping, the number of lines to keep after the skip_numlines value. Use_numlines + skip_numlines must be smaller than the total number of lines in the srcnums active video region.	RW	0x0
15:12	RESERVED		R	0x0
11:0	ANC_SKIP_NUMLINES	The number of lines to crop from the top of the vertical ancillary data region.	RW	0x0

Table 9-221. Register Call Summary for Register VIP_ANC_VIP_CROP_VERT_PORT_B

VIP Register Manual

- [VIP Parser Register Summary: \[1\]](#)

Table 9-222. VIP_CROP_HORZ_PORT_B

Address Offset	0x0000 00D0	Instance	VIP1_Slice0_parser VIP1_Slice1_parser
Physical Address	0x4897 55D0 0x4897 5AD0		
Description	Active Video Cropping Configuration for Input Port B		
Type	RW		

31	30	29	28	27	26	25	24	23	22	21	20	19	18	17	16	15	14	13	12	11	10	9	8	7	6	5	4	3	2	1	0
ACT_TARGET_SRCNUM								ACT_USE_NUMPIX								ACT_BYPASS_N	RESERVED				ACT_SKIP_NUMPIX										

Bits	Field Name	Description	Type	Reset
31:28	ACT_TARGET_SRCNUM	The cropping module can work on only one srcnum. specified in this field. for each dss_vip_parser output port (Active video).	RW	0x0
27:16	ACT_USE_NUMPIX	When cropping, the number of pixels to keep after the skip_numpix value. skip_numpix + use_numpix must be smaller than the original line width.	RW	0x0
15	ACT_BYPASS_N	0 = Bypass cropping module 1 = Cropping module enabled	RW	0x0
14:12	RESERVED		R	0x0

Bits	Field Name	Description	Type	Reset
11:0	ACT_SKIP_NUMPIX	The number of pixels to crop from the beginning of each line.	RW	0x0

Table 9-223. Register Call Summary for Register VIP_CROP_HORZ_PORT_B

VIP Register Manual

- [VIP Parser Register Summary: \[1\]](#)

Table 9-224. VIP_CROP_VERT_PORT_B

Address Offset	0x0000 00D4	Instance	VIP1_Slice0_parser VIP1_Slice1_parser
Physical Address	0x4897 55D4 0x4897 5AD4		
Description	Active Video Cropping Configuration for Input Port B		
Type	RW		

31	30	29	28	27	26	25	24	23	22	21	20	19	18	17	16	15	14	13	12	11	10	9	8	7	6	5	4	3	2	1	0
RESERVED								ACT_USE_NUMLINES								RESERVED								ACT_SKIP_NUMLINES							

Bits	Field Name	Description	Type	Reset
31:28	RESERVED		R	0x0
27:16	ACT_USE_NUMLINES	When cropping, the number of lines to keep after the skip_numlines value. Use_numlines + skip_numlines must be smaller than the total number of lines in the srcnum's active video region.	RW	0x0
15:12	RESERVED		R	0x0
11:0	ACT_SKIP_NUMLINES	The number of lines to crop from the top of the vertical active video region.	RW	0x0

Table 9-225. Register Call Summary for Register VIP_CROP_VERT_PORT_B

VIP Register Manual

- [VIP Parser Register Summary: \[1\]](#)

Table 9-226. VIP_XTRA6_PORT_A

Address Offset	0x0000 00D8	Instance	VIP1_Slice0_parser VIP1_Slice1_parser
Physical Address	0x4897 55D8 0x4897 5AD8		
Description	Cfg Disable Active Srcnum Vector Input for Port A		
Type	RW		

31	30	29	28	27	26	25	24	23	22	21	20	19	18	17	16	15	14	13	12	11	10	9	8	7	6	5	4	3	2	1	0
YUV_SRCNUM_STOP_IMMEDIATELY																ANC_SRCNUM_STOP_IMMEDIATELY															

Bits	Field Name	Description	Type	Reset
31:16	YUV_SRCNUM_STOP_IMMEDIATELY	For the Active Video Port to the VPDMA, logic exists to ensure that a complete frame is sent out to the VPDMA following <code>cfg_enable</code> transitioning inactive for that port. Each bit in this vector represents a <code>srcnum</code> (remapped <code>srcnum</code> for T1 line mux mode) going to the VPDMA. For example, bit 0 is <code>srcnum 0</code> , bit 1 is <code>srcnum 1</code> , etc. A <code>?0?</code> in a bit position means that the hardware will wait for that <code>srcnum</code> , if it is in the middle of a frame, to continue until the end of the frame before stopping. A <code>?1?</code> in a bit position means that it is ok for a <code>srcnum</code> to stop in the middle of a frame. For example, suppose a source is removed and the input will never complete sending a frame. If the bit position representing that <code>srcnum</code> is set to <code>?0?</code> , the port will never disable.	RW	0x0
15:0	ANC_SRCNUM_STOP_IMMEDIATELY	For the Ancillary Data Port to the VPDMA, logic exists to ensure that a complete frame is sent out to the VPDMA following <code>cfg_enable</code> transitioning inactive for that port. Each bit in this vector represents a <code>srcnum</code> (remapped <code>srcnum</code> for T1 line mux mode) going to the VPDMA. For example, bit 0 is <code>srcnum 0</code> , bit 1 is <code>srcnum 1</code> , etc. A <code>?0?</code> in a bit position means that the hardware will wait for that <code>srcnum</code> , if it is in the middle of a frame, to continue until the end of the frame before stopping. A <code>?1?</code> in a bit position means that it is ok for a <code>srcnum</code> to stop in the middle of a frame. For example, suppose a source is removed and the input will never complete sending a frame. If the bit position representing that <code>srcnum</code> is set to <code>?0?</code> , the port will never disable.	RW	0x0

Table 9-227. Register Call Summary for Register VIP_XTRA6_PORT_A

VIP Functional Description

- [VIP Overflow Detection and Recovery: \[0\]\[1\]\[2\]\[3\]](#)

VIP Register Manual

- [VIP Parser Register Summary: \[5\]](#)

Table 9-228. VIP_XTRA7_PORT_B

Address Offset	0x0000 00DC	Instance	VIP1_Slice0_parser VIP1_Slice1_parser
Physical Address	0x4897 55DC 0x4897 5ADC		
Description	Cfg Disable Active Srcnum Vector Input for Port B		
Type	RW		

31	30	29	28	27	26	25	24	23	22	21	20	19	18	17	16	15	14	13	12	11	10	9	8	7	6	5	4	3	2	1	0
YUV_SRCNUM_STOP_IMMEDIATELY																ANC_SRCNUM_STOP_IMMEDIATELY															

Bits	Field Name	Description	Type	Reset
31:16	YUV_SRCNUM_STOP_IMMEDIATELY	For the Active Video Port to the VPDMA, logic exists to ensure that a complete frame is sent out to the VPDMA following <code>cfg_enable</code> transitioning inactive for that port. Each bit in this vector represents a <code>srcnum</code> (remapped <code>srcnum</code> for T1 line mux mode) going to the VPDMA. For example, bit 0 is <code>srcnum 0</code> , bit 1 is <code>srcnum 1</code> , etc. A <code>?0?</code> in a bit position means that the hardware will wait for that <code>srcnum</code> , if it is in the middle of a frame, to continue until the end of the frame before stopping. A <code>?1?</code> in a bit position means that it is ok for a <code>srcnum</code> to stop in the middle of a frame. For example, suppose a source is removed and the input will never complete sending a frame. If the bit position representing that <code>srcnum</code> is set to <code>?0?</code> , the port will never disable.	RW	0x0

Bits	Field Name	Description	Type	Reset
15:0	ANC_SRCNUM_STOP_IMMEDIATELY	For the Ancillary Data Port to the VPDMA, logic exists to ensure that a complete frame is sent out to the VPDMA following <code>cfg_enable</code> transitioning inactive for that port. Each bit in this vector represents a <code>srcnum</code> (remapped <code>srcnum</code> for T1 line mux mode) going to the VPDMA. For example, bit 0 is <code>srcnum 0</code> , bit 1 is <code>srcnum 1</code> , etc. A <code>?0?</code> in a bit position means that the hardware will wait for that <code>srcnum</code> , if it is in the middle of a frame, to continue until the end of the frame before stopping. A <code>?1?</code> in a bit position means that it is ok for a <code>srcnum</code> to stop in the middle of a frame. For example, suppose a source is removed and the input will never complete sending a frame. If the bit position representing that <code>srcnum</code> is set to <code>?0?</code> , the port will never disable.	RW	0x0

Table 9-229. Register Call Summary for Register VIP_XTRA7_PORT_B

VIP Register Manual

- [VIP Parser Register Summary: \[1\]](#)

Table 9-230. VIP_XTRA8_PORT_A

Address Offset	0x0000 00E0	Instance	VIP1_Slice0_parser VIP1_Slice1_parser
Physical Address	0x4897 55E0 0x4897 5AE0		
Description	Reserved Register for Port A		
Type	RW		

31	30	29	28	27	26	25	24	23	22	21	20	19	18	17	16	15	14	13	12	11	10	9	8	7	6	5	4	3	2	1	0
RESERVED																															

Bits	Field Name	Description	Type	Reset
31:0	RESERVED	ust be 0x0 at all times.	RW	0x0

Table 9-231. Register Call Summary for Register VIP_XTRA8_PORT_A

VIP Register Manual

- [VIP Parser Register Summary: \[1\]](#)

Table 9-232. VIP_XTRA9_PORT_B

Address Offset	0x0000 00E4	Instance	VIP1_Slice0_parser VIP1_Slice1_parser
Physical Address	0x4897 55E4 0x4897 5AE4		
Description	Reserved Register for Port B		
Type	RW		

31	30	29	28	27	26	25	24	23	22	21	20	19	18	17	16	15	14	13	12	11	10	9	8	7	6	5	4	3	2	1	0
RESERVED																															

Bits	Field Name	Description	Type	Reset
31:0	RESERVED	ust be 0x0 at all times.	RW	0x0

Table 9-233. Register Call Summary for Register VIP_XTRA9_PORT_B

VIP Register Manual

- [VIP Parser Register Summary: \[1\]](#)

9.5.4 VIP CSC Registers

9.5.4.1 VIP CSC Register Summary

Table 9-234. VIP CSC Registers Mapping Summary 1

Register Name	Type	Register Width (Bits)	Address Offset	VIP1_Slice0_csc Base Address	VIP1_Slice1_csc Base Address
VIP_CSC00	RW	32	0x0000 0000	0x4897 5700	0x4897 5C00
VIP_CSC01	RW	32	0x0000 0004	0x4897 5704	0x4897 5C04
VIP_CSC02	RW	32	0x0000 0008	0x4897 5708	0x4897 5C08
VIP_CSC03	RW	32	0x0000 000C	0x4897 570C	0x4897 5C0C
VIP_CSC04	RW	32	0x0000 0010	0x4897 5710	0x4897 5C10
VIP_CSC05	RW	32	0x0000 0014	0x4897 5714	0x4897 5C14

9.5.4.2 VIP CSC Register Description

Table 9-235. VIP_CSC00

Address Offset	0x0000 0000	Instance	VIP1_Slice0_csc
Physical Address	0x4897 5700 0x4897 5C00		VIP1_Slice1_csc
Description			
Type	RW		

31	30	29	28	27	26	25	24	23	22	21	20	19	18	17	16	15	14	13	12	11	10	9	8	7	6	5	4	3	2	1	0
RESERVED								B0								RESERVED								A0							

Bits	Field Name	Description	Type	Reset
31:29	RESERVED		RW	0x0
28:16	B0	Coefficients of color space converter. This coefficient is a real number in the range of 4. The MSB is sign bit. (Same format conversion as A0)	RW	0x0
15:13	RESERVED		RW	0x0
12:0	A0	Coefficients of color space converter. This coefficient is a real number in the range of 4. The MSB is sign bit. Rules for converting a real number coefficient to a 12-bit hex number for this register: - If the real number is positive, then simply multiply it by 1024, and convert the integer part to hex format. For example, 0.673 X 1024 = 689.152, then 0x2B1 should fill in to this register - If the real number is negative, then multiply it by 1024, and convert it to 2's compliment format in 12-bit. For example, if a coefficient is -1.893, by *1024 to this number, it becomes -1938. The 2'S compliment format of -1938 is 0x186E (in 13-bit width). Then 0x186E should be the number assigned to this register.	RW	0x0

Table 9-236. Register Call Summary for Register VIP_CSC00

VIP Functional Description	<ul style="list-style-type: none"> • CSC Functional Description: [0][1][2][3][4][5][6][7][8][9]
VIP Register Manual	<ul style="list-style-type: none"> • VIP CSC Register Summary: [10]

Table 9-237. VIP_CSC01

Address Offset	0x0000 0004	Instance	VIP1_Slice0_csc VIP1_Slice1_csc
Physical Address	0x4897 5704 0x4897 5C04		
Description			
Type	RW		

31	30	29	28	27	26	25	24	23	22	21	20	19	18	17	16	15	14	13	12	11	10	9	8	7	6	5	4	3	2	1	0
RESERVED								A1								RESERVED								C0							

Bits	Field Name	Description	Type	Reset
31:29	RESERVED		RW	0x0
28:16	A1	Coefficients of color space converter. This coefficient is a real number in the range of 4. The MSB is sign bit. (Same format conversion as A0)	RW	0x0
15:13	RESERVED		RW	0x0
12:0	C0	Coefficients of color space converter. This coefficient is a real number in the range of 4. The MSB is sign bit. (Same format conversion as A0)	RW	0x0

Table 9-238. Register Call Summary for Register VIP_CSC01

VIP Functional Description	<ul style="list-style-type: none"> • CSC Functional Description: [0][1][2][3][4][5][6][7][8][9]
VIP Register Manual	<ul style="list-style-type: none"> • VIP CSC Register Summary: [10]

Table 9-239. VIP_CSC02

Address Offset	0x0000 0008	Instance	VIP1_Slice0_csc VIP1_Slice1_csc
Physical Address	0x4897 5708 0x4897 5C08		
Description			
Type	RW		

31	30	29	28	27	26	25	24	23	22	21	20	19	18	17	16	15	14	13	12	11	10	9	8	7	6	5	4	3	2	1	0
RESERVED								C1								RESERVED								B1							

Bits	Field Name	Description	Type	Reset
31:29	RESERVED		RW	0x0
28:16	C1	Coefficients of color space converter. This coefficient is a real number in the range of 4. The MSB is sign bit. (Same format conversion as A0)	RW	0x0
15:13	RESERVED		RW	0x0
12:0	B1	Coefficients of color space converter. This coefficient is a real number in the range of 4. The MSB is sign bit. (Same format conversion as A0)	RW	0x0

Table 9-240. Register Call Summary for Register VIP_CSC02

VIP Functional Description

- [CSC Functional Description: \[0\]\[1\]\[2\]\[3\]\[4\]\[5\]\[6\]\[7\]\[8\]\[9\]](#)

VIP Register Manual

- [VIP CSC Register Summary: \[10\]](#)

Table 9-241. VIP_CSC03

Address Offset	0x0000 000C	Instance	VIP1_Slice0_csc VIP1_Slice1_csc
Physical Address	0x4897 570C 0x4897 5C0C		
Description			
Type	RW		

31	30	29	28	27	26	25	24	23	22	21	20	19	18	17	16	15	14	13	12	11	10	9	8	7	6	5	4	3	2	1	0
RESERVED								B2								RESERVED								A2							

Bits	Field Name	Description	Type	Reset
31:29	RESERVED		RW	0x0
28:16	B2	Coefficients of color space converter. This coefficient is a real number in the range of 4. The MSB is sign bit. (Same format conversion as A0)	RW	0x0
15:13	RESERVED		RW	0x0
12:0	A2	Coefficients of color space converter. This coefficient is a real number in the range of 4. The MSB is sign bit. (Same format conversion as A0)	RW	0x0

Table 9-242. Register Call Summary for Register VIP_CSC03

VIP Functional Description

- [CSC Functional Description: \[0\]\[1\]\[2\]\[3\]\[4\]\[5\]\[6\]\[7\]\[8\]\[9\]](#)

VIP Register Manual

- [VIP CSC Register Summary: \[10\]](#)

Table 9-243. VIP_CSC04

Address Offset	0x0000 0010	Instance	VIP1_Slice0_csc VIP1_Slice1_csc
Physical Address	0x4897 5710 0x4897 5C10		
Description			
Type	RW		

31	30	29	28	27	26	25	24	23	22	21	20	19	18	17	16	15	14	13	12	11	10	9	8	7	6	5	4	3	2	1	0
RESERVED								D0								RESERVED		C2													

Bits	Field Name	Description	Type	Reset
31:28	RESERVED		RW	0x0
27:16	D0	Coefficients of color space converter. This coefficient is an integer number in the range of 2048. It is in 12-bit wide 2's compliment format. The MSB is sign bit. For example, if this coefficient is 749, then 0x2ED (hex format) should be assigned to this register. Another example, if this coefficient is -1021, then 0xC03 should be assigned to this register.	RW	0x0
15:13	RESERVED		RW	0x0
12:0	C2	Coefficients of color space converter. This coefficient is a real number in the range of 4. The MSB is sign bit. (Same format conversion as A0)	RW	0x0

Table 9-244. Register Call Summary for Register VIP_CSC04

VIP Functional Description

- [CSC Functional Description: \[0\]\[1\]\[2\]\[3\]\[4\]\[5\]\[6\]\[7\]\[8\]\[9\]](#)

VIP Register Manual

- [VIP CSC Register Summary: \[10\]](#)

Table 9-245. VIP_CSC05

Address Offset	0x0000 0014	Instance	VIP1_Slice0_csc VIP1_Slice1_csc
Physical Address	0x4897 5714 0x4897 5C14		
Description			
Type	RW		

31	30	29	28	27	26	25	24	23	22	21	20	19	18	17	16	15	14	13	12	11	10	9	8	7	6	5	4	3	2	1	0
RESERVED		BYPASS		D2								RESERVED				D1															

Bits	Field Name	Description	Type	Reset
31:29	RESERVED		RW	0x0
28	BYPASS	Full CSC bypass mode	RW	0x0
27:16	D2	Coefficients of color space converter. This coefficient is an integer number in the range of 2048. It is in 12-bit wide 2's compliment format. The MSB is sign bit. (Same format conversion as D0)	RW	0x0
15:12	RESERVED		RW	0x0
11:0	D1	Coefficients of color space converter. This coefficient is an integer number in the range of 2048. It is in 12-bit wide 2's compliment format. The MSB is sign bit. (Same format conversion as D0)	RW	0x0

Table 9-246. Register Call Summary for Register VIP_CSC05

VIP Functional Description
<ul style="list-style-type: none"> • CSC Functional Description: [0][1][2][3][4][5][6][7][8][9] • CSC Bypass Mode: [10]
VIP Register Manual
<ul style="list-style-type: none"> • VIP CSC Register Summary: [11]

9.5.5 VIP SC registers

9.5.5.1 VIP SC Register Summary

Table 9-247. VIP SC Registers Mapping Summary 1

Register Name	Type	Register Width (Bits)	Address Offset	VIP1_Slice0_sc Base Address	VIP1_Slice1_sc Base Address
VIP_CFG_SC0	RW	32	0x0000 0000	0x4897 5800	0x4897 5D00
VIP_CFG_SC1	RW	32	0x0000 0004	0x4897 5804	0x4897 5D04
VIP_CFG_SC2	RW	32	0x0000 0008	0x4897 5808	0x4897 5D08
VIP_CFG_SC3	RW	32	0x0000 000C	0x4897 580C	0x4897 5D0C
VIP_CFG_SC4	RW	32	0x0000 0010	0x4897 5810	0x4897 5D10
VIP_CFG_SC5	RW	32	0x0000 0014	0x4897 5814	0x4897 5D14
VIP_CFG_SC6	RW	32	0x0000 0018	0x4897 5818	0x4897 5D18
RESERVED	R	32	0x0000 001C	0x4897 581C	0x4897 5D1C
VIP_CFG_SC8	RW	32	0x0000 0020	0x4897 5820	0x4897 5D20
VIP_CFG_SC9	RW	32	0x0000 0024	0x4897 5824	0x4897 5D24
VIP_CFG_SC10	RW	32	0x0000 0028	0x4897 5828	0x4897 5D28
VIP_CFG_SC11	RW	32	0x0000 002C	0x4897 582C	0x4897 5D2C
VIP_CFG_SC12	RW	32	0x0000 0030	0x4897 5830	0x4897 5D30
VIP_CFG_SC13	RW	32	0x0000 0034	0x4897 5834	0x4897 5D34
RESERVED	R	32	0x0000 0038	0x4897 5838	0x4897 5D38
RESERVED	R	32	0x0000 003C	0x4897 583C	0x4897 5D3C
RESERVED	R	32	0x0000 0040	0x4897 5840	0x4897 5D40
RESERVED	R	32	0x0000 0044	0x4897 5844	0x4897 5D44
VIP_CFG_SC18	RW	32	0x0000 0048	0x4897 5848	0x4897 5D48
VIP_CFG_SC19	RW	32	0x0000 004C	0x4897 584C	0x4897 5D4C
VIP_CFG_SC20	RW	32	0x0000 0050	0x4897 5850	0x4897 5D50
VIP_CFG_SC21	RW	32	0x0000 0054	0x4897 5854	0x4897 5D54
VIP_CFG_SC22	RW	32	0x0000 0058	0x4897 5858	0x4897 5D58
RESERVED	R	32	0x0000 005C	0x4897 585C	0x4897 5D5C
VIP_CFG_SC24	RW	32	0x0000 0060	0x4897 5860	0x4897 5D60
VIP_CFG_SC25	RW	32	0x0000 0064	0x4897 5864	0x4897 5D64
RESERVED	R	32	0x0000 0068	0x4897 5868	0x4897 5D68
RESERVED	R	32	0x0000 006C	0x4897 586C	0x4897 5D6C
RESERVED	R	32	0x0000 0070	0x4897 5870	0x4897 5D70
RESERVED	R	32	0x0000 0074	0x4897 5874	0x4897 5D74
RESERVED	R	32	0x0000 0078	0x4897 5878	0x4897 5D78
RESERVED	R	32	0x0000 007C	0x4897 587C	0x4897 5D7C

9.5.5.2 VIP SC Register Description

Table 9-248. VIP_CFG_SC0

Address Offset	0x0000 0000	Instance	VIP1_Slice0_sc VIP1_Slice1_sc
Physical Address	0x4897 5800 0x4897 5D00		
Description			
Type	RW		

31	30	29	28	27	26	25	24	23	22	21	20	19	18	17	16	15	14	13	12	11	10	9	8	7	6	5	4	3	2	1	0	
RESERVED																CFG_FID_SELFGEN	CFG_TRIM	CFG_Y_PK_EN	RESERVED			CFG_INTERLACE_I	CFG_HP_BYPASS	CFG_DCM_4X	CFG_DCM_2X	CFG_AUTO_HS	CFG_ENABLE_LEV	CFG_USE_RAV	CFG_INVF_FID	CFG_SC_BYPASS	CFG_LINEAR	CFG_INTERLACE_O

Bits	Field Name	Description	Type	Reset
31:17	RESERVED		R	0x0
16	CFG_FID_SELFGEN	FID self generate enable. When input is progressive and this bit is set, the SC generates self-toggling (top/bottom) output FID when performing interlacing.	RW	0x0
15	CFG_TRIM	Trimming enable. When 1, the input image whose size is specified by orgW and orgH registers is trimmed to the size with srcW and srcH from the offset specified by ofW and offH. 0: disable trimming 1: enable trimming	RW	0x0
14	CFG_Y_PK_EN	This parameter is used by peaking block. 0: disable luma peaking 1: enable luma peaking	RW	0x0
13:11	RESERVED		R	0x0
10	CFG_INTERLACE_I	This parameter is used by both horizontal and vertical scaling 0: the input video format is progressive 1: the input video format is interlace	RW	0x0
9	CFG_HP_BYPASS	This parameter is used by horizontal scaling. If cfg_auto_hs is 0, horizontal polyphase filter is always enabled. In this case, this register is DON'T CARE. If cfg_auto_hs is 1, 0: The polyphase scaler is always used regardless of the scaling ratio. 1: The polyphase scaler is bypassed only when (tar_w == src_w) or (tar_w == src_w/2) or (tar_w == src_w/4)	RW	0x0
8	CFG_DCM_4X	This parameter is used by horizontal scaling. 0: the 4X decimation filter is disabled 1: the 4X decimation filter is enabled Note: (1) Either 2X or 4X can be enabled, but they cannot be enabled simultaneously. (2) This register is only set to 1 when it makes sense to do so. Typically, it is used when (horizontal scale ratio 0.25). (3) This register is DON'T CARE when cfg_auto_hs = 1.	RW	0x0
7	CFG_DCM_2X	This parameter is used by horizontal scaling. 0: the 2X decimation filter is disabled 1: the 2X decimation filter is enabled Note: (1) Either 2X or 4X can be enabled, but they cannot be enabled simultaneously. (2) This register is only set to 1 when it makes sense to do so. Typically, it is used when (0.25 horizontal scale ratio 0.5). (3) This register is DON'T CARE when cfg_auto_hs = 1.	RW	0x0

Bits	Field Name	Description	Type	Reset
6	CFG_AUTO_HS	This parameter is used by horizontal scaling. 0: the cfg_dcm_2x and cfg_dcm_4x bits will enable appropriate decimation filters 1: HW will decide whether up-scaling or down-scaling is required based on horizontal scaling ratio (SR). SR 0.5 : horizontal polyphase filter is enabled, all decimation filters are disabled SR = 0.5 : dcm_2x is enabled, horizontal polyphase filter is enabled or disabled based on cfg_hp_bypass 0.5 SR 0.25 : dcm_2x and horizontal polyphase filter both are enabled SR = 0.25 : dcm_4x is enabled, horizontal polyphase filter is enabled or disabled based on cfg_hp_bypass 0.25 SR 0.125 : dcm_4x and horizontal polyphase filter are both enabled SR = 0.125 : Functionally supported, but not recommended in auto mode for image quality concerns	RW	0x0
5	CFG_ENABLE_EV	This parameter is used by the edge-detection block. 0: The output of edge-detection block will be force to ?0? 1: The calculation results of edge-detection block will be output normally	RW	0x0
4	CFG_USE_RAV	This parameter is used by vertical scaling. 0: Poly-phase filter will be used for the vertical scaling 1: Running average filter will be used for the vertical scaling (down scaling only)	RW	0x0
3	CFG_INV_T_FID	This parameter is used by vertical scaling. 0: Progressive input 1: Interlaced input Must be set to 1 when CFG_INTERFACE_I = 1.	RW	0x0
2	CFG_SC_BYPASS	This parameter is a general purpose. 0: Scaling module will engaged 1: Scaling module will be bypassed	RW	0x0
1	CFG_LINEAR	This parameter is used by horizontal scaling. 0: Anamorphic scaling 1: Linear scaling	RW	0x0
0	CFG_INTERLACE_O	This parameter is used by vertical scaling. 0: The output format of SC is progressive 1: The output format of SC is interlace	RW	0x0

Table 9-249. Register Call Summary for Register VIP_CFG_SC0

VIP Functional Description

- [SC Functional Description: \[0\]\[1\]\[2\]\[3\]\[4\]\[5\]\[6\]\[7\]\[8\]\[9\]\[10\]\[11\]\[12\]\[13\]](#)
- [SC Code: \[14\]\[15\]\[16\]\[17\]\[18\]\[19\]\[20\]\[21\]\[22\]](#)

VIP Register Manual

- [VIP SC Register Summary: \[23\]](#)

Table 9-250. VIP_CFG_SC1

Address Offset	0x0000 0004	Instance	VIP1_Slice0_sc VIP1_Slice1_sc
Physical Address	0x4897 5804 0x4897 5D04		
Description			
Type	RW		

31	30	29	28	27	26	25	24	23	22	21	20	19	18	17	16	15	14	13	12	11	10	9	8	7	6	5	4	3	2	1	0
RESERVED								CFG_ROW_ACC_INC																							

Bits	Field Name	Description	Type	Reset
31:27	RESERVED		R	0x0
26:0	CFG_ROW_ACC_INC	This parameter is used by vertical scaling. It defines the increment of the row accumulator in vertical poly-phase filter. It can be calculated by following formula: row_acc_inc = round(2^16 *(src_h)/(tar_h)) In case of interlaced input, srcH is input field height In case of interlaced output, tarH is output field height.	RW	0x0

Table 9-251. Register Call Summary for Register VIP_CFG_SC1

VIP Functional Description
<ul style="list-style-type: none"> • SC Functional Description: [0] • SC Code:
VIP Register Manual
<ul style="list-style-type: none"> • VIP SC Register Summary: [7]

Table 9-252. VIP_CFG_SC2

Address Offset	0x0000 0008	Instance	VIP1_Slice0_sc VIP1_Slice1_sc
Physical Address	0x4897 5808 0x4897 5D08		
Description			
Type	RW		

31	30	29	28	27	26	25	24	23	22	21	20	19	18	17	16	15	14	13	12	11	10	9	8	7	6	5	4	3	2	1	0
RESERVED								CFG_ROW_ACC_OFFSET																							

Bits	Field Name	Description	Type	Reset
31:28	RESERVED		R	0x0
27:0	CFG_ROW_ACC_OFFSET	This parameter is used by vertical scaling. It defines the vertical offset during vertical scaling. In progressive mode: this offset will be applied to a frame. In interlace mode: this offset will be applied to the top field.	RW	0x0

Table 9-253. Register Call Summary for Register VIP_CFG_SC2

VIP Functional Description
<ul style="list-style-type: none"> • SC Functional Description: [0] • SC Code:
VIP Register Manual
<ul style="list-style-type: none"> • VIP SC Register Summary: [2]

Table 9-254. VIP_CFG_SC3

Address Offset	0x0000 000C	Instance	VIP1_Slice0_sc VIP1_Slice1_sc
Physical Address	0x4897 580C 0x4897 5D0C		
Description			
Type	RW		

31	30	29	28	27	26	25	24	23	22	21	20	19	18	17	16	15	14	13	12	11	10	9	8	7	6	5	4	3	2	1	0
RESERVED								CFG_ROW_ACC_OFFSET_B																							

Bits	Field Name	Description	Type	Reset
31:28	RESERVED		R	0x0
27:0	CFG_ROW_ACC_OFFSET_B	This parameter is used by vertical scaling. It defines the vertical offset during vertical scaling. In progressive mode: this parameter will not be used. In interlace mode: this offset will be applied to the bottom field.	RW	0x0

Table 9-255. Register Call Summary for Register VIP_CFG_SC3

VIP Functional Description

- [SC Functional Description: \[0\]](#)

VIP Register Manual

- [VIP SC Register Summary: \[1\]](#)

Table 9-256. VIP_CFG_SC4

Address Offset	0x0000 0010	Instance	VIP1_Slice0_sc VIP1_Slice1_sc
Physical Address	0x4897 5810 0x4897 5D10		
Description			
Type	RW		

31	30	29	28	27	26	25	24	23	22	21	20	19	18	17	16	15	14	13	12	11	10	9	8	7	6	5	4	3	2	1	0
RESERVED	CFG_NLIN_ACC_INIT_U			RESERVED	CFG_LIN_ACC_INC_U			RESERVED	CFG_TAR_W							RESERVED	CFG_TAR_H														

Bits	Field Name	Description	Type	Reset
31	RESERVED		R	0x0
30:28	CFG_NLIN_ACC_INIT_U	This parameter is used by horizontal scaling. The 3 MSBbits of 'nlin_acc_init' that is defined in CFG_SC10	RW	0x0
27	RESERVED		R	0x0
26:24	CFG_LIN_ACC_INC_U	This parameter is used by horizontal scaling. The 3 MSBbits of 'lin_acc_inc' that is defined in CFG_SC9	RW	0x0
23	RESERVED		R	0x0
22:12	CFG_TAR_W	This parameter is a general purpose. Scaled target picture width. unit is pixel. This parameter defines the final output picture size	RW	0x0
11	RESERVED		R	0x0
10:0	CFG_TAR_H	This parameter is a general purpose. Scaled target picture height.. unit is line... This parameter defines the final output picture size. For the interlace output.. it should be the number of lines per field.	RW	0x0

Table 9-257. Register Call Summary for Register VIP_CFG_SC4

VIP Functional Description

- [SC Functional Description: \[0\]\[1\]\[2\]\[3\]\[4\]\[5\]\[6\]](#)

VIP Register Manual

- [VIP SC Register Summary: \[7\]](#)

Table 9-258. VIP_CFG_SC5

Address Offset	0x0000 0014	Instance	VIP1_Slice0_sc VIP1_Slice1_sc
Physical Address	0x4897 5814 0x4897 5D14		
Description			

Table 9-258. VIP_CFG_SC5 (continued)

Type		RW																													
31	30	29	28	27	26	25	24	23	22	21	20	19	18	17	16	15	14	13	12	11	10	9	8	7	6	5	4	3	2	1	0
RESERVED				CFG_NLIN_ACC_INC_U			RESERVED	CFG_SRC_W										RESERVED	CFG_SRC_H												

Bits	Field Name	Description	Type	Reset
31:27	RESERVED		R	0x0
26:24	CFG_NLIN_ACC_INC_U	This parameter is used by horizontal scaling. The 3 MSBbits of ?nlin_acc_inc? that is defined in CFG_SC11	RW	0x0
23	RESERVED		R	0x0
22:12	CFG_SRC_W	This parameter is a general purpose. This parameter defines the width of the source image	RW	0x0
11	RESERVED		R	0x0
10:0	CFG_SRC_H	This parameter is a general purpose. This parameter defines the height of the source image. For the interlace input.. it should be the number of lines per field.	RW	0x0

Table 9-259. Register Call Summary for Register VIP_CFG_SC5

VIP Functional Description

- [SC Functional Description: \[0\]\[1\]\[2\]\[3\]\[4\]](#)

VIP Register Manual

- [VIP SC Register Summary: \[5\]](#)

Table 9-260. VIP_CFG_SC6

Address Offset	0x0000 0018	Instance	VIP1_Slice0_sc VIP1_Slice1_sc
Physical Address	0x4897 5818 0x4897 5D18		
Description			
Type	RW		

31	30	29	28	27	26	25	24	23	22	21	20	19	18	17	16	15	14	13	12	11	10	9	8	7	6	5	4	3	2	1	0
RESERVED								CFG_ROW_ACC_INIT_RAV_B								CFG_ROW_ACC_INIT_RAV															

Bits	Field Name	Description	Type	Reset
31:20	RESERVED		R	0x0
19:10	CFG_ROW_ACC_INIT_RAV_B	This parameter is used by vertical scaling. it is used only when the input is interlace format. In vertical down scaling.. the running average filter is applied. This parameter sets the initialization value of the row accumulator in running average filter (for bottom field of interlace format)	RW	0x0

Bits	Field Name	Description	Type	Reset
9:0	CFG_ROW_ACC_INIT_RAV	This parameter is used by vertical scaling. In vertical down scaling.. the running average filter is applied. This parameter sets the initialization value of the row accumulator in running average filter (for progressive format or top field of interlace format)	RW	0x0

Table 9-261. Register Call Summary for Register VIP_CFG_SC6

VIP Functional Description

- [SC Functional Description: \[0\]\[1\]\[2\]\[3\]](#)

VIP Register Manual

- [VIP SC Register Summary: \[4\]](#)

Table 9-262. VIP_CFG_SC8

Address Offset	0x0000 0020	Instance	VIP1_Slice0_sc VIP1_Slice1_sc
Physical Address	0x4897 5820 0x4897 5D20		
Description			
Type	RW		

31	30	29	28	27	26	25	24	23	22	21	20	19	18	17	16	15	14	13	12	11	10	9	8	7	6	5	4	3	2	1	0
RESERVED								CFG_NLIN_RIGHT								RESERVED	CFG_NLIN_LEFT														

Bits	Field Name	Description	Type	Reset
31:23	RESERVED		R	0x0
22:12	CFG_NLIN_RIGHT	This parameter is used by horizontal scaling. In anamorphic mode. this parameter defines the width of the strip on right-hand side. In other words. it defines the location of the last pixel where the linear scaling is ended. The unit is the 'pixel location' in an active video line. This parameter will not be used in linear scaling	RW	0x0
11	RESERVED		R	0x0
10:0	CFG_NLIN_LEFT	This parameter is used by horizontal scaling. In anamorphic mode. this parameter defines the width of the strip on left-hand side. In other words. it defines the location of the last pixel in the left-sidenonlinear strip. The unit is the 'pixel location' in an active video line. This parameter will not be used in linear scaling	RW	0x0

Table 9-263. Register Call Summary for Register VIP_CFG_SC8

VIP Functional Description

- [SC Functional Description: \[0\]\[1\]](#)

VIP Register Manual

- [VIP SC Register Summary: \[2\]](#)

Table 9-264. VIP_CFG_SC9

Address Offset	0x0000 0024	Instance	VIP1_Slice0_sc VIP1_Slice1_sc
Physical Address	0x4897 5824 0x4897 5D24		
Description			

Table 9-264. VIP_CFG_SC9 (continued)

Type		RW																													
31	30	29	28	27	26	25	24	23	22	21	20	19	18	17	16	15	14	13	12	11	10	9	8	7	6	5	4	3	2	1	0
CFG_LIN_ACC_INC																															
Bits	Field Name	Description	Type	Reset																											
31:0	CFG_LIN_ACC_INC	This parameter is used by horizontal scaling. It defines the increment of the linear accumulator. If SR = 0.5 then $lin_acc_inc = round(2^{24} * (srcWi - 1) / (tarWi - 1))$ else if $0.25 \leq SR < 0.5$ $lin_acc_inc = round(2^{24} * (srcWi/2 - 1) / (tarWi - 1))$ else if $SR < 0.25$ $lin_acc_inc = round(2^{24} * (srcWi/4 - 1) / (tarWi - 1))$ where srcWi and tarWi are the inner source width and the inner target width respectively.	RW	0x0																											

Table 9-265. Register Call Summary for Register VIP_CFG_SC9

VIP Functional Description

- [SC Functional Description: \[0\]\[1\]](#)

VIP Register Manual

- [VIP SC Register Summary: \[2\]](#)

Table 9-266. VIP_CFG_SC10

Address Offset	0x0000 0028	Instance	VIP1_Slice0_sc VIP1_Slice1_sc
Physical Address	0x4897 5828 0x4897 5D28		
Description			
Type	RW		

31	30	29	28	27	26	25	24	23	22	21	20	19	18	17	16	15	14	13	12	11	10	9	8	7	6	5	4	3	2	1	0
CFG_NLIN_ACC_INIT																															
Bits	Field Name	Description	Type	Reset																											
31:0	CFG_NLIN_ACC_INIT	This parameter is used by horizontal scaling. It is used by nonlinear scaling only. It defines the initialization value of the nonlinear accumulator. $nlin_acc_init = K * (1 - 2^d)$ Here the definitions of K and d are the same as in CFG_SC11	RW	0x0																											

Table 9-267. Register Call Summary for Register VIP_CFG_SC10

VIP Register Manual

- [VIP SC Register Summary: \[0\]](#)

Table 9-268. VIP_CFG_SC11

Address Offset	0x0000 002C	Instance	VIP1_Slice0_sc VIP1_Slice1_sc
Physical Address	0x4897 582C 0x4897 5D2C		
Description			
Type	RW		

31	30	29	28	27	26	25	24	23	22	21	20	19	18	17	16	15	14	13	12	11	10	9	8	7	6	5	4	3	2	1	0
CFG_NLIN_ACC_INC																															

Bits	Field Name	Description	Type	Reset
31:0	CFG_NLIN_ACC_INC	This parameter is used by horizontal scaling. It is used by nonlinear scaling only. It defines the increment of the nonlinear accumulator. if upscaling then $d = 0$ if $Ltar \neq 0$ then $K = \text{round}[2^{24} * Lsrc / (Ltar * Ltar)]$ where $Lsrc = (srcW - srcWi) / 2$ else $K = 0$ else if downscaling $d = (tarW - 1) / 2$ if $Ltar \neq 0$ then $K = \text{round}[2^{24} * Lsrc / (Ltar * (Ltar - 2d))]$ where $Lsrc = (srcW - srcWi) / (2n)$ and $n = 1, 2$ or 4 else $K = 0$ $nlin_acc_inc = 2 * K$ (negative for downscaling)	RW	0x0

Table 9-269. Register Call Summary for Register VIP_CFG_SC11

VIP Register Manual

- [VIP SC Register Summary: \[0\]](#)

Table 9-270. VIP_CFG_SC12

Address Offset	0x0000 0030	Instance	VIP1_Slice0_sc VIP1_Slice1_sc
Physical Address	0x4897 5830 0x4897 5D30		
Description			
Type	RW		

31	30	29	28	27	26	25	24	23	22	21	20	19	18	17	16	15	14	13	12	11	10	9	8	7	6	5	4	3	2	1	0
RESERVED								CFG_COL_ACC_OFFSET																							

Bits	Field Name	Description	Type	Reset
31:25	RESERVED		R	0x0
24:0	CFG_COL_ACC_OFFSET	This parameter is used in horizontal scaling. It defines the luma accumulator's offset. Normally this parameter can be set as 0 if no horizontal offset is involved. In some applications.. such as Pan and Scan.. a corresponding offset value should be set. The format is 1.24.	RW	0x0

Table 9-271. Register Call Summary for Register VIP_CFG_SC12

VIP Functional Description

- [SC Code: \[0\]](#)

VIP Register Manual

- [VIP SC Register Summary: \[1\]](#)

Table 9-272. VIP_CFG_SC13

Address Offset	0x0000 0034	Instance	VIP1_Slice0_sc VIP1_Slice1_sc
Physical Address	0x4897 5834 0x4897 5D34		
Description			
Type	RW		

31	30	29	28	27	26	25	24	23	22	21	20	19	18	17	16	15	14	13	12	11	10	9	8	7	6	5	4	3	2	1	0
RESERVED												CFG_SC_FACTOR_RAV																			

Bits	Field Name	Description	Type	Reset
31:10	RESERVED		R	0x0
9:0	CFG_SC_FACTOR_RAV	This parameter is used by vertical scaling. Vertical scaling factor: It is defined as following: $1024 * tarH / srcH$. It is used for downscaling by the running average filter	RW	0x0

Table 9-273. Register Call Summary for Register VIP_CFG_SC13

VIP Functional Description

- [SC Functional Description: \[0\]\[1\]\[2\]](#)
- [SC Code: \[3\]\[4\]](#)

VIP Register Manual

- [VIP SC Register Summary: \[5\]](#)

Table 9-274. VIP_CFG_SC18

Address Offset	0x0000 0048	Instance	VIP1_Slice0_sc VIP1_Slice1_sc
Physical Address	0x4897 5848 0x4897 5D48		
Description			
Type	RW		

31	30	29	28	27	26	25	24	23	22	21	20	19	18	17	16	15	14	13	12	11	10	9	8	7	6	5	4	3	2	1	0
RESERVED																CFG_HS_FACTOR															

Bits	Field Name	Description	Type	Reset
31:10	RESERVED		R	0x0
9:0	CFG_HS_FACTOR	This parameter is used by horizontal scaling. Horizontal-scaling-factor = $tarWi / srcWi$. Numerical format: 6.4 (6 bit integer and 4 bit fraction)	RW	0x0

Table 9-275. Register Call Summary for Register VIP_CFG_SC18

VIP Functional Description

- [SC Code: \[0\]](#)

VIP Register Manual

- [VIP SC Register Summary: \[1\]](#)

Table 9-276. VIP_CFG_SC19

Address Offset	0x0000 004C	Instance	VIP1_Slice0_sc VIP1_Slice1_sc
Physical Address	0x4897 584C 0x4897 5D4C		
Description			
Type	RW		

31	30	29	28	27	26	25	24	23	22	21	20	19	18	17	16	15	14	13	12	11	10	9	8	7	6	5	4	3	2	1	0
CFG_HPF_COEF3								CFG_HPF_COEF2								CFG_HPF_COEF1								CFG_HPF_COEF0							

Bits	Field Name	Description	Type	Reset
31:24	CFG_HPF_COEF3	This parameter is used by the peaking block. Defines the coefficient 3 of the HPF used in the peaking filter. Signed. Decimal point is defined by hpf_norm_shift.	RW	0x0
23:16	CFG_HPF_COEF2	This parameter is used by the peaking block. Defines the coefficient 2 of the HPF used in the peaking filter. Signed. Decimal point is defined by hpf_norm_shift.	RW	0x0
15:8	CFG_HPF_COEF1	This parameter is used by the peaking block. Defines the coefficient 1 of the HPF used in the peaking filter. Signed. Decimal point is defined by hpf_norm_shift.	RW	0x0
7:0	CFG_HPF_COEF0	This parameter is used by the peaking block. Defines the coefficient 0 of the HPF used in the peaking filter. Signed. Decimal point is defined by hpf_norm_shift.	RW	0x0

Table 9-277. Register Call Summary for Register VIP_CFG_SC19

VIP Functional Description

- [SC Functional Description: \[0\]\[1\]](#)
- [SC Code: \[2\]](#)

VIP Register Manual

- [VIP SC Register Summary: \[3\]](#)

Table 9-278. VIP_CFG_SC20

Address Offset	0x0000 0050	Instance	VIP1_Slice0_sc VIP1_Slice1_sc
Physical Address	0x4897 5850 0x4897 5D50		
Description			
Type	RW		

31	30	29	28	27	26	25	24	23	22	21	20	19	18	17	16	15	14	13	12	11	10	9	8	7	6	5	4	3	2	1	0	
RESERVED				CFG_NL_LIMIT								RESERVED	CFG_HPF_NORM_SHIFT				CFG_HPF_COEF5								CFG_HPF_COEF4							

Bits	Field Name	Description	Type	Reset
31:29	RESERVED		R	0x0
28:20	CFG_NL_LIMIT	This parameter is used by the peaking block. The maximum of clipping.	RW	0x0
19	RESERVED		R	0x0
18:16	CFG_HPF_NORM_SHIFT	This parameter is used by the peaking block. Defines the decimal point of the hpf coefficient.	RW	0x0
15:8	CFG_HPF_COEF5	This parameter is used by the peaking block. Defines the coefficient 5 of the HPF used in the peaking filter. Signed. Decimal point is defined by hpf_norm_shift.	RW	0x0
7:0	CFG_HPF_COEF4	This parameter is used by the peaking block. Defines the coefficient 4 of the HPF used in the peaking filter. Signed. Decimal point is defined by hpf_norm_shift.	RW	0x0

Table 9-279. Register Call Summary for Register VIP_CFG_SC20

VIP Functional Description
<ul style="list-style-type: none"> • SC Functional Description: [0][1][2] • SC Code: [3]
VIP Register Manual
<ul style="list-style-type: none"> • VIP SC Register Summary: [4]

Table 9-280. VIP_CFG_SC21

Address Offset	0x0000 0054	Instance	VIP1_Slice0_sc VIP1_Slice1_sc
Physical Address	0x4897 5854 0x4897 5D54		
Description			
Type	RW		

31	30	29	28	27	26	25	24	23	22	21	20	19	18	17	16	15	14	13	12	11	10	9	8	7	6	5	4	3	2	1	0
RESERVED								CFG_NL_LO_SLOPE								RESERVED				CFG_NL_LO_THR											

Bits	Field Name	Description	Type	Reset
31:24	RESERVED		R	0x0
23:16	CFG_NL_LO_SLOPE	This parameter is used by the peaking block. Slope of the nonlinear peaking function. The format is fixed point 4.4.	RW	0x0
15:9	RESERVED		R	0x0
8:0	CFG_NL_LO_THR	This parameter is used by the peaking block. Threshold for the nonlinear peaking function. Must be 0	RW	0x0

Table 9-281. Register Call Summary for Register VIP_CFG_SC21

VIP Functional Description
<ul style="list-style-type: none"> • SC Functional Description: [0][1] • SC Code: [2]
VIP Register Manual
<ul style="list-style-type: none"> • VIP SC Register Summary: [3]

Table 9-282. VIP_CFG_SC22

Address Offset	0x0000 0058	Instance	VIP1_Slice0_sc VIP1_Slice1_sc
Physical Address	0x4897 5858 0x4897 5D58		
Description			
Type	RW		

31	30	29	28	27	26	25	24	23	22	21	20	19	18	17	16	15	14	13	12	11	10	9	8	7	6	5	4	3	2	1	0
RESERVED												CFG_NL_HI_SLOPE_SHIFT				RESERVED				CFG_NL_HI_THR											

Bits	Field Name	Description	Type	Reset
31:19	RESERVED		R	0x0
18:16	CFG_NL_HI_SLOPE_SHIFT	This parameter is used by the peaking block. Slope of the nonlinear peaking function. The gain is $2^{(nl_hi_slope_shift-3)}$.	RW	0x0
15:9	RESERVED		R	0x0
8:0	CFG_NL_HI_THR	This parameter is used by the peaking block. Threshold for the nonlinear peaking function. Must be <code>nl_hi_thr</code> .	RW	0x0

Table 9-283. Register Call Summary for Register VIP_CFG_SC22

VIP Functional Description

- [SC Functional Description: \[0\]\[1\]\[2\]](#)
- [SC Code: \[3\]](#)

VIP Register Manual

- [VIP SC Register Summary: \[4\]](#)

Table 9-284. VIP_CFG_SC24

Address Offset	0x0000 0060	Instance	VIP1_Slice0_sc VIP1_Slice1_sc
Physical Address	0x4897 5860 0x4897 5D60		
Description			
Type	RW		

31	30	29	28	27	26	25	24	23	22	21	20	19	18	17	16	15	14	13	12	11	10	9	8	7	6	5	4	3	2	1	0
RESERVED								CFG_ORG_W								RESERVED								CFG_ORG_H							

Bits	Field Name	Description	Type	Reset
31:27	RESERVED		R	0x0
26:16	CFG_ORG_W	This parameter is used by the trimmer. Horizontal offset from the left of the original input image.	RW	0x0
15:11	RESERVED		R	0x0
10:0	CFG_ORG_H	This parameter is used by the trimmer. Vertical offset from the top of the original input image.	RW	0x0

Table 9-285. Register Call Summary for Register VIP_CFG_SC24

VIP Functional Description

- [SC Functional Description: \[0\]\[1\]](#)

VIP Register Manual

- [VIP SC Register Summary: \[2\]](#)

Table 9-286. VIP_CFG_SC25

Address Offset	0x0000 0064	Instance	VIP1_Slice0_sc VIP1_Slice1_sc
Physical Address	0x4897 5864 0x4897 5D64		
Description			
Type	RW		

31	30	29	28	27	26	25	24	23	22	21	20	19	18	17	16	15	14	13	12	11	10	9	8	7	6	5	4	3	2	1	0
RESERVED								CFG_OFF_W								RESERVED								CFG_OFF_H							

Bits	Field Name	Description	Type	Reset
31:27	RESERVED		R	0x0
26:16	CFG_OFF_W	This parameter is used by the trimmer. Horizontal offset from the left of the original input image.	RW	0x0
15:11	RESERVED		R	0x0
10:0	CFG_OFF_H	This parameter is used by the trimmer. Vertical offset from the top of the original input image.	RW	0x0

Table 9-287. Register Call Summary for Register VIP_CFG_SC25

VIP Functional Description

- [SC Functional Description: \[0\]\[1\]](#)

VIP Register Manual

- [VIP SC Register Summary: \[2\]](#)

9.5.6 VIP VPDMA Registers

NOTE: The functionality of the following sets of registers is not supported by VIP VPDMA in this family of devices:

- All VIP_INT2_* registers
- All VIP_INT3_* registers

The following channels are not used by VIP VPDMA in this family of devices. All register bit-fields corresponding to these channels should be kept at their reset value.

- HQ_*
- GRPX_*
- SCALER_OUT
- SCALER_LUMA
- SCALER_CHROMA
- NF_*
- TRANSCODE1_*
- TRANSCODE2_*
- AUX_IN
- PIP_FRAME
- POST_COMP_WR
- VBI_SD_VENC

The following clients are not used by VIP VPDMA in this family of devices. All register bit-fields corresponding to these clients should be kept at their reset value.

- DEI_HQ_*
 - TRANS1_LUMA
 - TRANS1_CHROMA
 - TRANS2_LUMA
 - TRANS2_CHROMA
 - HDMI_WRBK
 - VBI_SDVENC
 - NF_420_UV_OUT
 - NF_420_Y_OUT
 - NF_420_UV_IN
 - NF_420_Y_IN
 - NF_422_IN
 - GRPX1_ST
 - GRPX2_ST
 - GRPX3_ST
 - GRPX1_DATA
 - GRPX2_DATA
 - GRPX3_DATA
 - PIP_WRBK
 - SC_IN_*
 - SC_OUT
 - COMP_WRBK
-

9.5.6.1 VIP VPDMA Register Summary

Table 9-288. VIP VPDMA Registers Mapping Summary

Register Name	Type	Register Width (Bits)	Address Offset	VIP1_VPDMA Base Address
VIP_PID	R	32	0x0000 0000	0x4897 D000
VIP_LIST_ADDR	RW	32	0x0000 0004	0x4897 D004
VIP_LIST_ATTR	RW	32	0x0000 0008	0x4897 D008
VIP_LIST_STAT_SYNC	RW	32	0x0000 000C	0x4897 D00C
VIP_BG_RGB	RW	32	0x0000 0018	0x4897 D018
VIP_BG_YUV	RW	32	0x0000 001C	0x4897 D01C
VIP_VPDMA_SETUP	RW	32	0x0000 0030	0x4897 D030
VIP_MAX_SIZE1	RW	32	0x0000 0034	0x4897 D034
VIP_MAX_SIZE2	RW	32	0x0000 0038	0x4897 D038
VIP_MAX_SIZE3	RW	32	0x0000 003C	0x4897 D03C
VIP_INT0_CHANNEL0_I NT_STAT	RW	32	0x0000 0040	0x4897 D040
VIP_INT0_CHANNEL0_I NT_MASK	RW	32	0x0000 0044	0x4897 D044
VIP_INT0_CHANNEL1_I NT_STAT	RW	32	0x0000 0048	0x4897 D048
VIP_INT0_CHANNEL1_I NT_MASK	RW	32	0x0000 004C	0x4897 D04C
VIP_INT0_CHANNEL2_I NT_STAT	RW	32	0x0000 0050	0x4897 D050
VIP_INT0_CHANNEL2_I NT_MASK	RW	32	0x0000 0054	0x4897 D054
VIP_INT0_CHANNEL3_I NT_STAT	RW	32	0x0000 0058	0x4897 D058
VIP_INT0_CHANNEL3_I NT_MASK	RW	32	0x0000 005C	0x4897 D05C
VIP_INT0_CHANNEL4_I NT_STAT	RW	32	0x0000 0060	0x4897 D060
VIP_INT0_CHANNEL4_I NT_MASK	RW	32	0x0000 0064	0x4897 D064
VIP_INT0_CHANNEL5_I NT_STAT	RW	32	0x0000 0068	0x4897 D068
VIP_INT0_CHANNEL5_I NT_MASK	RW	32	0x0000 006C	0x4897 D06C
VIP_INT0_CLIENT0_IN T_STAT	RW	32	0x0000 0078	0x4897 D078
VIP_INT0_CLIENT0_IN T_MASK	RW	32	0x0000 007C	0x4897 D07C
VIP_INT0_CLIENT1_IN T_STAT	RW	32	0x0000 0080	0x4897 D080
VIP_INT0_CLIENT1_IN T_MASK	RW	32	0x0000 0084	0x4897 D084
VIP_INT0_LIST0_INT_S TAT	RW	32	0x0000 0088	0x4897 D088
VIP_INT0_LIST0_INT_ MASK	RW	32	0x0000 008C	0x4897 D08C
VIP_INT1_CHANNEL0_I NT_STAT	RW	32	0x0000 0090	0x4897 D090
VIP_INT1_CHANNEL0_I NT_MASK	RW	32	0x0000 0094	0x4897 D094
VIP_INT1_CHANNEL1_I NT_STAT	RW	32	0x0000 0098	0x4897 D098

Table 9-288. VIP VPDMA Registers Mapping Summary (continued)

Register Name	Type	Register Width (Bits)	Address Offset	VIP1_VPDMA Base Address
VIP_INT1_CHANNEL1_I NT_MASK	RW	32	0x0000 009C	0x4897 D09C
VIP_INT1_CHANNEL2_I NT_STAT	RW	32	0x0000 00A0	0x4897 D0A0
VIP_INT1_CHANNEL2_I NT_MASK	RW	32	0x0000 00A4	0x4897 D0A4
VIP_INT1_CHANNEL3_I NT_STAT	RW	32	0x0000 00A8	0x4897 D0A8
VIP_INT1_CHANNEL3_I NT_MASK	RW	32	0x0000 00AC	0x4897 D0AC
VIP_INT1_CHANNEL4_I NT_STAT	RW	32	0x0000 00B0	0x4897 D0B0
VIP_INT1_CHANNEL4_I NT_MASK	RW	32	0x0000 00B4	0x4897 D0B4
VIP_INT1_CHANNEL5_I NT_STAT	RW	32	0x0000 00B8	0x4897 D0B8
VIP_INT1_CHANNEL5_I NT_MASK	RW	32	0x0000 00BC	0x4897 D0BC
VIP_INT1_CLIENT0_IN T_STAT	RW	32	0x0000 00C8	0x4897 D0C8
VIP_INT1_CLIENT0_IN T_MASK	RW	32	0x0000 00CC	0x4897 D0CC
VIP_INT1_CLIENT1_IN T_STAT	RW	32	0x0000 00D0	0x4897 D0D0
VIP_INT1_CLIENT1_IN T_MASK	RW	32	0x0000 00D4	0x4897 D0D4
VIP_INT1_LIST0_INT_S TAT	RW	32	0x0000 00D8	0x4897 D0D8
VIP_INT1_LIST0_INT_ MASK	RW	32	0x0000 00DC	0x4897 D0DC
VIP_INT2_CHANNEL0_I NT_STAT	RW	32	0x0000 00E0	0x4897 D0E0
VIP_INT2_CHANNEL0_I NT_MASK	RW	32	0x0000 00E4	0x4897 D0E4
VIP_INT2_CHANNEL1_I NT_STAT	RW	32	0x0000 00E8	0x4897 D0E8
VIP_INT2_CHANNEL1_I NT_MASK	RW	32	0x0000 00EC	0x4897 D0EC
VIP_INT2_CHANNEL2_I NT_STAT	RW	32	0x0000 00F0	0x4897 D0F0
VIP_INT2_CHANNEL2_I NT_MASK	RW	32	0x0000 00F4	0x4897 D0F4
VIP_INT2_CHANNEL3_I NT_STAT	RW	32	0x0000 00F8	0x4897 D0F8
VIP_INT2_CHANNEL3_I NT_MASK	RW	32	0x0000 00FC	0x4897 D0FC
VIP_INT2_CHANNEL4_I NT_STAT	RW	32	0x0000 0100	0x4897 D100
VIP_INT2_CHANNEL4_I NT_MASK	RW	32	0x0000 0104	0x4897 D104
VIP_INT2_CHANNEL5_I NT_STAT	RW	32	0x0000 0108	0x4897 D108
VIP_INT2_CHANNEL5_I NT_MASK	RW	32	0x0000 010C	0x4897 D10C

Table 9-288. VIP VPDMA Registers Mapping Summary (continued)

Register Name	Type	Register Width (Bits)	Address Offset	VIP1_VPDMA Base Address
VIP_INT2_CLIENT0_IN T_STAT	RW	32	0x0000 0118	0x4897 D118
VIP_INT2_CLIENT0_IN T_MASK	RW	32	0x0000 011C	0x4897 D11C
VIP_INT2_LIST0_INT_S TAT	RW	32	0x0000 0128	0x4897 D128
VIP_INT2_LIST0_INT_ MASK	RW	32	0x0000 012C	0x4897 D12C
VIP_INT3_CHANNEL0_I NT_STAT	RW	32	0x0000 0130	0x4897 D130
VIP_INT3_CHANNEL0_I NT_MASK	RW	32	0x0000 0134	0x4897 D134
VIP_INT3_CHANNEL1_I NT_STAT	RW	32	0x0000 0138	0x4897 D138
VIP_INT3_CHANNEL1_I NT_MASK	RW	32	0x0000 013C	0x4897 D13C
VIP_INT3_CHANNEL2_I NT_STAT	RW	32	0x0000 0140	0x4897 D140
VIP_INT3_CHANNEL2_I NT_MASK	RW	32	0x0000 0144	0x4897 D144
VIP_INT3_CHANNEL3_I NT_STAT	RW	32	0x0000 0148	0x4897 D148
VIP_INT3_CHANNEL3_I NT_MASK	RW	32	0x0000 014C	0x4897 D14C
VIP_INT3_CHANNEL4_I NT_STAT	RW	32	0x0000 0150	0x4897 D150
VIP_INT3_CHANNEL4_I NT_MASK	RW	32	0x0000 0154	0x4897 D154
VIP_INT3_CHANNEL5_I NT_STAT	RW	32	0x0000 0158	0x4897 D158
VIP_INT3_CHANNEL5_I NT_MASK	RW	32	0x0000 015C	0x4897 D15C
VIP_INT3_CLIENT0_IN T_STAT	RW	32	0x0000 0168	0x4897 D168
VIP_INT3_CLIENT0_IN T_MASK	RW	32	0x0000 016C	0x4897 D16C
VIP_INT3_LIST0_INT_S TAT	RW	32	0x0000 0178	0x4897 D178
VIP_INT3_LIST0_INT_ MASK	RW	32	0x0000 017C	0x4897 D17C
VIP_PERF_MON0	RW	32	0x0000 0200	0x4897 D200
VIP_PERF_MON1	RW	32	0x0000 0204	0x4897 D204
VIP_PERF_MON2	RW	32	0x0000 0208	0x4897 D208
VIP_PERF_MON3	RW	32	0x0000 020C	0x4897 D20C
VIP_PERF_MON4	RW	32	0x0000 0210	0x4897 D210
VIP_PERF_MON5	RW	32	0x0000 0214	0x4897 D214
VIP_PERF_MON6	RW	32	0x0000 0218	0x4897 D218
VIP_PERF_MON7	RW	32	0x0000 021C	0x4897 D21C
VIP_PERF_MON8	RW	32	0x0000 0220	0x4897 D220
VIP_PERF_MON9	RW	32	0x0000 0224	0x4897 D224
VIP_PERF_MON10	RW	32	0x0000 0228	0x4897 D228
VIP_PERF_MON11	RW	32	0x0000 022C	0x4897 D22C
VIP_PERF_MON12	RW	32	0x0000 0230	0x4897 D230

Table 9-288. VIP VPDMA Registers Mapping Summary (continued)

Register Name	Type	Register Width (Bits)	Address Offset	VIP1_VPDMA Base Address
VIP_PERF_MON13	RW	32	0x0000 0234	0x4897 D234
VIP_PERF_MON14	RW	32	0x0000 0238	0x4897 D238
VIP_PERF_MON15	RW	32	0x0000 023C	0x4897 D23C
VIP_PERF_MON16	RW	32	0x0000 0240	0x4897 D240
VIP_PERF_MON17	RW	32	0x0000 0244	0x4897 D244
VIP_PERF_MON18	RW	32	0x0000 0248	0x4897 D248
VIP_PERF_MON19	RW	32	0x0000 024C	0x4897 D24C
VIP_PERF_MON20	RW	32	0x0000 0250	0x4897 D250
VIP_PERF_MON21	RW	32	0x0000 0254	0x4897 D254
VIP_PERF_MON22	RW	32	0x0000 0258	0x4897 D258
VIP_PERF_MON23	RW	32	0x0000 025C	0x4897 D25C
VIP_PERF_MON24	RW	32	0x0000 0260	0x4897 D260
VIP_PERF_MON25	RW	32	0x0000 0264	0x4897 D264
VIP_PERF_MON26	RW	32	0x0000 0268	0x4897 D268
VIP_PERF_MON27	RW	32	0x0000 026C	0x4897 D26C
VIP_PERF_MON28	RW	32	0x0000 0270	0x4897 D270
VIP_PERF_MON29	RW	32	0x0000 0274	0x4897 D274
VIP_PERF_MON30	RW	32	0x0000 0278	0x4897 D278
VIP_PERF_MON31	RW	32	0x0000 027C	0x4897 D27C
VIP_PERF_MON32	RW	32	0x0000 0280	0x4897 D280
VIP_PERF_MON33	RW	32	0x0000 0284	0x4897 D284
VIP_PERF_MON34	RW	32	0x0000 0288	0x4897 D288
VIP_PERF_MON35	RW	32	0x0000 028C	0x4897 D28C
VIP_PERF_MON36	RW	32	0x0000 0290	0x4897 D290
VIP_PERF_MON37	RW	32	0x0000 0294	0x4897 D294
VIP_PERF_MON38	RW	32	0x0000 0298	0x4897 D298
VIP_PERF_MON39	RW	32	0x0000 029C	0x4897 D29C
VIP_PERF_MON40	RW	32	0x0000 02A0	0x4897 D2A0
VIP_PERF_MON41	RW	32	0x0000 02A4	0x4897 D2A4
VIP_PERF_MON42	RW	32	0x0000 02A8	0x4897 D2A8
VIP_PERF_MON43	RW	32	0x0000 02AC	0x4897 D2AC
VIP_PERF_MON44	RW	32	0x0000 02B0	0x4897 D2B0
VIP_PERF_MON45	RW	32	0x0000 02B4	0x4897 D2B4
VIP_PERF_MON46	RW	32	0x0000 02B8	0x4897 D2B8
VIP_PERF_MON47	RW	32	0x0000 02BC	0x4897 D2BC
VIP_PERF_MON48	RW	32	0x0000 02C0	0x4897 D2C0
VIP_PERF_MON49	RW	32	0x0000 02C4	0x4897 D2C4
VIP_PERF_MON50	RW	32	0x0000 02C8	0x4897 D2C8
VIP_PERF_MON51	RW	32	0x0000 02CC	0x4897 D2CC
VIP_PERF_MON52	RW	32	0x0000 02D0	0x4897 D2D0
VIP_PERF_MON53	RW	32	0x0000 02D4	0x4897 D2D4
VIP_PERF_MON54	RW	32	0x0000 02D8	0x4897 D2D8
VIP_PERF_MON55	RW	32	0x0000 02DC	0x4897 D2DC
VIP_PERF_MON56	RW	32	0x0000 02E0	0x4897 D2E0
VIP_PERF_MON57	RW	32	0x0000 02E4	0x4897 D2E4
VIP_PERF_MON58	RW	32	0x0000 02E8	0x4897 D2E8
VIP_PERF_MON59	RW	32	0x0000 02EC	0x4897 D2EC

Table 9-288. VIP VPDMA Registers Mapping Summary (continued)

Register Name	Type	Register Width (Bits)	Address Offset	VIP1_VPDMA Base Address
VIP_PERF_MON60	RW	32	0x0000 02F0	0x4897 D2F0
VIP_PERF_MON61	RW	32	0x0000 02F4	0x4897 D2F4
VIPO_LO_Y_CSTAT	RW	32	0x0000 0388	0x4897 D388
VIPO_LO_UV_CSTAT	RW	32	0x0000 038C	0x4897 D38C
VIPO_UP_Y_CSTAT	RW	32	0x0000 0390	0x4897 D390
VIPO_UP_UV_CSTAT	RW	32	0x0000 0394	0x4897 D394
VIP1_LO_Y_CSTAT	RW	32	0x0000 0398	0x4897 D398
VIP1_LO_UV_CSTAT	RW	32	0x0000 039C	0x4897 D39C
VIP1_UP_Y_CSTAT	RW	32	0x0000 03A0	0x4897 D3A0
VIP1_UP_UV_CSTAT	RW	32	0x0000 03A4	0x4897 D3A4
VPI_CTL_CSTAT	RW	32	0x0000 03D0	0x4897 D3D0
VIPO_ANC_A_CSTAT	RW	32	0x0000 03E8	0x4897 D3E8
VIPO_ANC_B_CSTAT	RW	32	0x0000 03EC	0x4897 D3EC
VIP1_ANC_A_CSTAT	RW	32	0x0000 03F0	0x4897 D3F0
VIP1_ANC_B_CSTAT	RW	32	0x0000 03F4	0x4897 D3F4

9.5.6.2 VIP VPDMA Register Description

Table 9-289. VIP_PID

Address Offset	0x0000 0000	Instance	VIP1_VPDMA
Physical Address	0x4897 D000		
Description	PID VIP VPDMA register		
Type	R		

31	30	29	28	27	26	25	24	23	22	21	20	19	18	17	16	15	14	13	12	11	10	9	8	7	6	5	4	3	2	1	0
PID																															

Bits	Field Name	Description	Type	Reset
31:0	PID	PID of VPDMA module	R	0x0

Table 9-290. Register Call Summary for Register VIP_PID

VIP Register Manual

- [VIP VPDMA Register Summary: \[1\]](#)

Table 9-291. VIP_LIST_ADDR

Address Offset	0x0000 0004	Instance	VIP1_VPDMA
Physical Address	0x4897 D004		
Description	The location of a new list to begin processing.		
Type	RW		

31	30	29	28	27	26	25	24	23	22	21	20	19	18	17	16	15	14	13	12	11	10	9	8	7	6	5	4	3	2	1	0
----	----	----	----	----	----	----	----	----	----	----	----	----	----	----	----	----	----	----	----	----	----	---	---	---	---	---	---	---	---	---	---

Bits	Field Name	Description	Type	Reset
31:0	VIP_LIST_ADDR	Location of a new list of descriptors. This register must be written with the VPDMA Configuration Location after reset.	RW	0x0

Table 9-292. Register Call Summary for Register VIP_LIST_ADDR

VIP Functional Description

- [VPDMA Introduction](#):
- [VPDMA Basic Definitions](#): [1][2]
- [VPDMA Configuration](#): [3][4][5]

VIP Register Manual

- [VIP VPDMA Register Summary](#): [7]
- [VIP VPDMA Register Description](#): [9][10][11][12]

Table 9-293. VIP_LIST_ATTR

Address Offset	0x0000 0008	Instance	VIP1_VPDMA
Physical Address	0x4897 D008		
Description	The attributes of a new list. This register should always be written after VIP_LIST_ADDR .		
Type	RW		

31	30	29	28	27	26	25	24	23	22	21	20	19	18	17	16	15	14	13	12	11	10	9	8	7	6	5	4	3	2	1	0
RESERVED				LIST_NUM				RESERVED		STOP	RDY	LIST_TYPE				LIST_SIZE															

Bits	Field Name	Description	Type	Reset
31:27	RESERVED		R	0x0
26:24	LIST_NUM	The list number that should be assigned to the list located at VIP_LIST_ADDR . If the list is still active this will block all future list writes until the list is available.	RW	0x0
23:21	RESERVED		R	0x0
20	STOP	This bit is written with the LIST_NUMBER field to stop a self-modifying list. When this bit is written a one the list specified by the LIST_NUMBER is sent a stop signal and will finish the current frame of transfers and then free the list resources.	RW	0x0
19	RDY	This bit is low when a new list cannot be written to the VIP_LIST_ADDR register. The reasons this bit would be low are at initial startup if the LIST_MANAGER State Machine image has not completed loading. It also would be low if the last write to the VIP_LIST_ATTR attempted to start a list that is currently active. When this bit is low any writes to the list address register will cause access to not be accepted until this bit has set by the previous list having completed.	R	0x0
18:16	LIST_TYPE	The type of list that has been generated.\n0: Normal List\n1: Self-Modifying List\n2: List Doorbell\nOthers Reserved for future use	RW	0x0
15:0	LIST_SIZE	Number of 128 bit word in the new list of descriptors. Writes to this register will activate the list in the list stack of the list manager and begin transfer of the list into VPDMA. This size can not be 0.	RW	0x0

Table 9-294. Register Call Summary for Register VIP_LIST_ATTR

VIP Functional Description

- [VPDMA Introduction](#):
- [VPDMA Basic Definitions](#): [2][3]
- [VPDMA Configuration](#): [4][5][6][7]

VIP Register Manual

- [VIP VPDMA Register Summary](#): [9]
- [VIP VPDMA Register Description](#): [11]

Table 9-295. VIP_LIST_STAT_SYNC

Address Offset	0x0000 000C	Instance	VIP1_VPDMA
Physical Address	0x4897 D00C		
Description	The register is used for processor to List Manager synchronization and status registers for the list.		
Type	RW		

31	30	29	28	27	26	25	24	23	22	21	20	19	18	17	16	15	14	13	12	11	10	9	8	7	6	5	4	3	2	1	0
RESERVED								LIST7_BUSY	LIST6_BUSY	LIST5_BUSY	LIST4_BUSY	LIST3_BUSY	LIST2_BUSY	LIST1_BUSY	LIST0_BUSY	RESERVED								SYNC_LISTS7	SYNC_LISTS6	SYNC_LISTS5	SYNC_LISTS4	SYNC_LISTS3	SYNC_LISTS2	SYNC_LISTS1	SYNC_LISTS0

Bits	Field Name	Description	Type	Reset
31:24	RESERVED		R	0x0
23	LIST7_BUSY	The list 7 is currently running. Any attempt to load a new list to list 7 will result in the LM_ADDR and LM_ATTR registers to be locked until the list is complete and this value goes to 0.	R	0x0
22	LIST6_BUSY	The list 6 is currently running. Any attempt to load a new list to list 6 will result in the LM_ADDR and LM_ATTR registers to be locked until the list is complete and this value goes to 0.	R	0x0
21	LIST5_BUSY	The list 5 is currently running. Any attempt to load a new list to list 5 will result in the LM_ADDR and LM_ATTR registers to be locked until the list is complete and this value goes to 0.	R	0x0
20	LIST4_BUSY	The list 4 is currently running. Any attempt to load a new list to list 4 will result in the LM_ADDR and LM_ATTR registers to be locked until the list is complete and this value goes to 0.	R	0x0
19	LIST3_BUSY	The list 3 is currently running. Any attempt to load a new list to list 3 will result in the LM_ADDR and LM_ATTR registers to be locked until the list is complete and this value goes to 0.	R	0x0
18	LIST2_BUSY	The list 2 is currently running. Any attempt to load a new list to list 2 will result in the LM_ADDR and LM_ATTR registers to be locked until the list is complete and this value goes to 0.	R	0x0
17	LIST1_BUSY	The list 1 is currently running. Any attempt to load a new list to list 1 will result in the LM_ADDR and LM_ATTR registers to be locked until the list is complete and this value goes to 0.	R	0x0
16	LIST0_BUSY	The list 0 is currently running. Any attempt to load a new list to list 0 will result in the LM_ADDR and LM_ATTR registers to be locked until the list is complete and this value goes to 0.	R	0x0
15:8	RESERVED	Reserved	R	0x0

Bits	Field Name	Description	Type	Reset
7	SYNC_LISTS7	Writing a 1 to this field causes a sync event to fire that clears a Control Descriptor in List 7 waiting on it.	RW	0x0
6	SYNC_LISTS6	Writing a 1 to this field causes a sync event to fire that clears a Control Descriptor in List 6 waiting on it.	RW	0x0
5	SYNC_LISTS5	Writing a 1 to this field causes a sync event to fire that clears a Control Descriptor in List 5 waiting on it.	RW	0x0
4	SYNC_LISTS4	Writing a 1 to this field causes a sync event to fire that clears a Control Descriptor in List 4 waiting on it.	RW	0x0
3	SYNC_LISTS3	Writing a 1 to this field causes a sync event to fire that clears a Control Descriptor in List 3 waiting on it.	RW	0x0
2	SYNC_LISTS2	Writing a 1 to this field causes a sync event to fire that clears a Control Descriptor in List 2 waiting on it.	RW	0x0
1	SYNC_LISTS1	Writing a 1 to this field causes a sync event to fire that clears a Control Descriptor in List 1 waiting on it.	RW	0x0
0	SYNC_LISTS0	Writing a 1 to this field causes a sync event to fire that clears a Control Descriptor in List 0 waiting on it.	RW	0x0

Table 9-296. Register Call Summary for Register VIP_LIST_STAT_SYNC

VIP Register Manual

- [VIP VPDMA Register Summary: \[1\]](#)

Table 9-297. VIP_BG_RGB

Address Offset	0x0000 0018	Instance	VIP1_VPDMA
Physical Address	0x4897 D018		
Description	The registers used to set the background color for RGB		
Type	RW		

31	30	29	28	27	26	25	24	23	22	21	20	19	18	17	16	15	14	13	12	11	10	9	8	7	6	5	4	3	2	1	0
RED								GREEN								BLUE								BLEND							

Bits	Field Name	Description	Type	Reset
31:24	RED	The red value to give on an RGB data port for a blank pixel when using virtual video buffering	RW	0x0
23:16	GREEN	The green value to give on an RGB data port for a blank pixel when using virtual video buffering	RW	0x0
15:8	BLUE	The blue value to give on an RGB data port for a blank pixel when using virtual video buffering	RW	0x0
7:0	BLEND	The blend value to give on an RGB data port for a blank pixel when using virtual video buffering	RW	0x0

Table 9-298. Register Call Summary for Register VIP_BG_RGB

VIP Register Manual

- [VIP VPDMA Register Summary: \[1\]](#)

Table 9-299. VIP_BG_YUV

Address Offset	0x0000 001C	Instance	VIP1_VPDMA
Physical Address	0x4897 D01C		
Description	The registers used to set the background color for YUV		
Type	RW		

31	30	29	28	27	26	25	24	23	22	21	20	19	18	17	16	15	14	13	12	11	10	9	8	7	6	5	4	3	2	1	0
RESERVED								Y								CR								CB							

Bits	Field Name	Description	Type	Reset
31:24	RESERVED	Reserved	R	0x0
23:16	Y	The Y value to give on a YUV data port for a blank pixel when using virtual video buffering	RW	0x0
15:8	CR	The Cr value to give on a YUV data port for a blank pixel when using virtual video buffering	RW	0x0
7:0	CB	The Cb value to give on a YUV data port for a blank pixel when using virtual video buffering	RW	0x0

Table 9-300. Register Call Summary for Register VIP_BG_YUV

VIP Register Manual

- [VIP VPDMA Register Summary: \[1\]](#)

Table 9-301. VIP_VPDMA_SETUP

Address Offset	0x0000 0030	Instance	VIP1_VPDMA
Physical Address	0x4897 D030		
Description	Configures global parameters that are shared by all clients.		
Type	RW		

31	30	29	28	27	26	25	24	23	22	21	20	19	18	17	16	15	14	13	12	11	10	9	8	7	6	5	4	3	2	1	0
RESERVED																															SEC_BASE_CH

Bits	Field Name	Description	Type	Reset
31:1	RESERVED		R	0x0
0	SEC_BASE_CH	Use Secondary Channels for Mosaic mode	RW	0x0

Table 9-302. Register Call Summary for Register VIP_VPDMA_SETUP

VIP Register Manual

- [VIP VPDMA Register Summary: \[1\]](#)

Table 9-303. VIP_MAX_SIZE1

Address Offset	0x0000 0034	Instance	VIP1_VPDMA
Physical Address	0x4897 D034		
Description	Configures maximum width and maximum height global parameters that are shared by all clients to allow for configurable max width and max height when setting is 1 in write descriptor.		
Type	RW		

31	30	29	28	27	26	25	24	23	22	21	20	19	18	17	16	15	14	13	12	11	10	9	8	7	6	5	4	3	2	1	0
MAX_WIDTH																MAX_HEIGHT															

Bits	Field Name	Description	Type	Reset
31:16	MAX_WIDTH	The maximum width to use for setting of max_width 1 in a write descriptor. The value is the number of pixels + 1 so if 1024 pixels are required then set the value to 1023.	RW	0x0
15:0	MAX_HEIGHT	The maximum height to use for setting of max_height 1 in a write descriptor. The value is the number of lines + 1 so if 1024 lines are required then set the value to 1023.	RW	0x0

Table 9-304. Register Call Summary for Register VIP_MAX_SIZE1

VIP Functional Description

- [VPDMA Descriptors: \[0\]\[1\]](#)

VIP Register Manual

- [VIP VPDMA Register Summary: \[3\]](#)

Table 9-305. VIP_MAX_SIZE2

Address Offset	0x0000 0038	Instance	VIP1_VPDMA
Physical Address	0x4897 D038		
Description	Configures maximum width and maximum height global parameters that are shared by all clients to allow for configurable max width and max height when setting is 2 in write descriptor.		
Type	RW		

31	30	29	28	27	26	25	24	23	22	21	20	19	18	17	16	15	14	13	12	11	10	9	8	7	6	5	4	3	2	1	0
MAX_WIDTH																MAX_HEIGHT															

Bits	Field Name	Description	Type	Reset
31:16	MAX_WIDTH	The maximum width to use for setting of max_width 2 in a write descriptor. The value is the number of pixels + 1 so if 1024 pixels are required then set the value to 1023.	RW	0x0
15:0	MAX_HEIGHT	The maximum height to use for setting of max_height 2 in a write descriptor. The value is the number of lines + 1 so if 1024 lines are required then set the value to 1023.	RW	0x0

Table 9-306. Register Call Summary for Register VIP_MAX_SIZE2

VIP Functional Description

- [VPDMA Descriptors: \[0\]\[1\]](#)

VIP Register Manual

- [VIP VPDMA Register Summary: \[3\]](#)

Table 9-307. VIP_MAX_SIZE3

Address Offset	0x0000 003C	Instance	VIP1_VPDMA
Physical Address	0x4897 D03C		
Description	Configures maximum width and maximum height global parameters that are shared by all clients to allow for configurable max width and max height when setting is 3 in write descriptor.		
Type	RW		

31	30	29	28	27	26	25	24	23	22	21	20	19	18	17	16	15	14	13	12	11	10	9	8	7	6	5	4	3	2	1	0
MAX_WIDTH																MAX_HEIGHT															

Bits	Field Name	Description	Type	Reset
31:16	MAX_WIDTH	The maximum width to use for setting of max_width 3 in a write descriptor. The value is the number of pixels + 1 so if 1024 pixels are required then set the value to 1023.	RW	0x0
15:0	MAX_HEIGHT	The maximum height to use for setting of max_height 3 in a write descriptor. The value is the number of lines + 1 so if 1024 lines are required then set the value to 1023.	RW	0x0

Table 9-308. Register Call Summary for Register VIP_MAX_SIZE3

VIP Functional Description

- [VPDMA Descriptors: \[0\]\[1\]](#)

VIP Register Manual

- [VIP VPDMA Register Summary: \[3\]](#)

Table 9-309. VIP_INT0_CHANNEL0_INT_STAT

Address Offset	0x0000 0040	Instance	VIP1_VPDMA
Physical Address	0x4897 D040		
Description	This register gives the information of the interrupts that have triggered since last cleared by the process that is servicing vpdma_int0.		
Type	RW		

31	30	29	28	27	26	25	24	23	22	21	20	19	18	17	16	15	14	13	12	11	10	9	8	7	6	5	4	3	2	1	0	
INT_STAT_GRPX3	INT_STAT_GRPX2	INT_STAT_GRPX1	INT_STAT_SCALER_OUT	RESERVED								INT_STAT_SCALER_CHROMA	INT_STAT_SCALER_LUMA	INT_STAT_HQ_SCALER	RESERVED	INT_STAT_HQ_MV_OUT	RESERVED	INT_STAT_HQ_MV	RESERVED								INT_STAT_HQ_VID3_CHROMA	INT_STAT_HQ_VID3_LUMA	INT_STAT_HQ_VID2_CHROMA	INT_STAT_HQ_VID2_LUMA	INT_STAT_HQ_VID1_CHROMA	INT_STAT_HQ_VID1_LUMA

Bits	Field Name	Description	Type	Reset
31	INT_STAT_GRPX3	The last read DMA transaction has occurred for channel grpx3 and the channel is free to be updated for the next transfer. This will fire before the destination has received the data as it will have just been stored in the internal buffer. The client grpx3_data will now accept a new descriptor from the List Manager. This event will cause a one to be set in this register until cleared by software. Write a 1 to this field to clear the value.	RW	0x0
30	INT_STAT_GRPX2	The last read DMA transaction has occurred for channel grpx2 and the channel is free to be updated for the next transfer. This will fire before the destination has received the data as it will have just been stored in the internal buffer. The client grpx2_data will now accept a new descriptor from the List Manager. This event will cause a one to be set in this register until cleared by software. Write a 1 to this field to clear the value.	RW	0x0
29	INT_STAT_GRPX1	The last read DMA transaction has occurred for channel grpx1 and the channel is free to be updated for the next transfer. This will fire before the destination has received the data as it will have just been stored in the internal buffer. The client grpx1_data will now accept a new descriptor from the List Manager. This event will cause a one to be set in this register until cleared by software. Write a 1 to this field to clear the value.	RW	0x0

Bits	Field Name	Description	Type	Reset
28	INT_STAT_SCALER_OUT	The last write DMA transaction has completed for channel scaler_out. All data from the channel has been sent and received by the external memory. If a new channel has not been setup for the client sc_out then the client will be fully empty at this point. This event will cause a one to be set in this register until cleared by software. Write a 1 to this field to clear the value	RW	0x0
27:20	RESERVED	Reserved	R	0x00
19	INT_STAT_SCALER_CHROMA	The last write DMA transaction has completed for channel scaler_chroma. All data from the channel has been sent and received by the external memory. If a new channel has not been setup for the client then the client will be fully empty at this point. This event will cause a one to be set in this register until cleared by software. Write a 1 to this field to clear the value.	RW	0x0
18	INT_STAT_SCALER_LUMA	The last write DMA transaction has completed for channel scaler_luma. All data from the channel has been sent and received by the external memory. If a new channel has not been setup for the client then the client will be fully empty at this point. This event will cause a one to be set in this register until cleared by software. Write a 1 to this field to clear the value.	RW	0x0
17	INT_STAT_HQ_SCALER	The last write DMA transaction has completed for channel hq_scaler. All data from the channel has been sent and received by the external memory. If a new channel has not been setup for the client dei_sc_out then the client will be fully empty at this point. This event will cause a one to be set in this register until cleared by software. Write a 1 to this field to clear the value.	RW	0x0
16	RESERVED	Reserved	R	0x0
15	INT_STAT_HQ_MV_OUT	The last write DMA transaction has completed for channel hq_mv_out. All data from the channel has been sent and received by the external memory. If a new channel has not been setup for the client dei_hq_mv_out then the client will be fully empty at this point. This event will cause a one to be set in this register until cleared by software. Write a 1 to this field to clear the value.	RW	0x0
14:13	RESERVED	Reserved	R	0x0
12	INT_STAT_HQ_MV	The last read DMA transaction has occurred for channel hq_mv and the channel is free to be updated for the next transfer. This will fire before the destination has received the data as it will have just been stored in the internal buffer. The client dei_hq_mv_in will now accept a new descriptor from the List Manager. This event will cause a one to be set in this register until cleared by software. Write a 1 to this field to clear the value.	RW	0x0
11:6	RESERVED	Reserved	R	0x00
5	INT_STAT_HQ_VID3_CHROMA	The last write DMA transaction has completed for channel hq_vid3_chroma. All data from the channel has been sent and received by the external memory. If a new channel has not been setup for the client then the client will be fully empty at this point. This event will cause a one to be set in this register until cleared by software. Write a 1 to this field to clear the value.	RW	0x0
4	INT_STAT_HQ_VID3_LUMA	The last write DMA transaction has completed for channel hq_vid3_luma. All data from the channel has been sent and received by the external memory. If a new channel has not been setup for the client then the client will be fully empty at this point. This event will cause a one to be set in this register until cleared by software. Write a 1 to this field to clear the value.	RW	0x0

Bits	Field Name	Description	Type	Reset
3	INT_STAT_HQ_VID2_CHROMA	The last write DMA transaction has completed for channel hq_vid2_chroma. All data from the channel has been sent and received by the external memory. If a new channel has not been setup for the client then the client will be fully empty at this point. This event will cause a one to be set in this register until cleared by software. Write a 1 to this field to clear the value.	RW	0x0
2	INT_STAT_HQ_VID2_LUMA	The last write DMA transaction has completed for channel hq_vid2_luma. All data from the channel has been sent and received by the external memory. If a new channel has not been setup for the client then the client will be fully empty at this point. This event will cause a one to be set in this register until cleared by software. Write a 1 to this field to clear the value.	RW	0x0
1	INT_STAT_HQ_VID1_CHROMA	The last write DMA transaction has completed for channel hq_vid1_chroma. All data from the channel has been sent and received by the external memory. If a new channel has not been setup for the client then the client will be fully empty at this point. This event will cause a one to be set in this register until cleared by software. Write a 1 to this field to clear the value.	RW	0x0
0	INT_STAT_HQ_VID1_LUMA	The last write DMA transaction has completed for channel hq_vid1_luma. All data from the channel has been sent and received by the external memory. If a new channel has not been setup for the client then the client will be fully empty at this point. This event will cause a one to be set in this register until cleared by software. Write a 1 to this field to clear the value.	RW	0x0

Table 9-310. Register Call Summary for Register VIP_INT0_CHANNEL0_INT_STAT

VIP Functional Description

- [VPDMA Interrupts: \[0\]](#)

VIP Register Manual

- [VIP VPDMA Register Summary: \[2\]](#)

Table 9-311. VIP_INT0_CHANNEL0_INT_MASK

Address Offset	0x0000 0044	Instance	VIP1_VPDMA
Physical Address	0x4897 D044		
Description	The register gives the information of the interrupts that should be masked and not generate an interrupt for vpdma_int0.		
Type	RW		

31	30	29	28	27	26	25	24	23	22	21	20	19	18	17	16	15	14	13	12	11	10	9	8	7	6	5	4	3	2	1	0	
INT_MASK_GRPX3	INT_MASK_GRPX2	INT_MASK_GRPX1	INT_MASK_SCALER_OUT	RESERVED				INT_MASK_SCALER_CHROMA	INT_MASK_SCALER_LUMA	INT_MASK_HQ_SCALER	RESERVED	INT_MASK_HQ_MV_OUT	RESERVED	INT_MASK_HQ_MV	RESERVED				INT_MASK_HQ_VID3_CHROMA	INT_MASK_HQ_VID3_LUMA	INT_MASK_HQ_VID2_CHROMA	INT_MASK_HQ_VID2_LUMA	INT_MASK_HQ_VID1_CHROMA	INT_MASK_HQ_VID1_LUMA								

Bits	Field Name	Description	Type	Reset
31	INT_MASK_GRPX3	The interrupt for Graphics 2 Data should generate an interrupt on interrupt vpdma_int0. Write a 1 for the interrupt event to trigger the interrupt signal.	RW	0x0
30	INT_MASK_GRPX2	The interrupt for Graphics 1 Data should generate an interrupt on interrupt vpdma_int0. Write a 1 for the interrupt event to trigger the interrupt signal.	RW	0x0
29	INT_MASK_GRPX1	The interrupt for Graphics 0 Data should generate an interrupt on interrupt vpdma_int0. Write a 1 for the interrupt event to trigger the interrupt signal.	RW	0x0
28	INT_MASK_SCALER_OUT	The interrupt for Low Cost DEI Scaler Write to Memory should generate an interrupt on interrupt vpdma_int0. Write a 1 for the interrupt event to trigger the interrupt signal.	RW	0x0
27:20	RESERVED	Reserved	R	0x00
19	INT_MASK_SCALER_CHROMA	The interrupt for should generate an interrupt on interrupt vpdma_int0. Write a 1 for the interrupt event to trigger the interrupt signal.	RW	0x0
18	INT_MASK_SCALER_LUMA	The interrupt for should generate an interrupt on interrupt vpdma_int0. Write a 1 for the interrupt event to trigger the interrupt signal.	RW	0x0
17	INT_MASK_HQ_SCALER	The interrupt for High Quality DEI Scaler Write to Memory should generate an interrupt on interrupt vpdma_int0. Write a 1 for the interrupt event to trigger the interrupt signal.	RW	0x0
16	RESERVED	Reserved	R	0x0
15	INT_MASK_HQ_MV_OUT	The interrupt for Low Cost DEI Motion Vector Write should generate an interrupt on interrupt vpdma_int0. Write a 1 for the interrupt event to trigger the interrupt signal.	RW	0x0
14:13	RESERVED	Reserved	R	0x0
12	INT_MASK_HQ_MV	The interrupt for Low Cost DEI Motion Vector should generate an interrupt on interrupt vpdma_int0. Write a 1 for the interrupt event to trigger the interrupt signal.	RW	0x0
11:6	RESERVED	Reserved	R	0x00
5	INT_MASK_HQ_VID3_CHROMA	The interrupt for should generate an interrupt on interrupt vpdma_int0. Write a 1 for the interrupt event to trigger the interrupt signal.	RW	0x0
4	INT_MASK_HQ_VID3_LUMA	The interrupt for should generate an interrupt on interrupt vpdma_int0. Write a 1 for the interrupt event to trigger the interrupt signal.	RW	0x0
3	INT_MASK_HQ_VID2_CHROMA	The interrupt for should generate an interrupt on interrupt vpdma_int0. Write a 1 for the interrupt event to trigger the interrupt signal.	RW	0x0
2	INT_MASK_HQ_VID2_LUMA	The interrupt for should generate an interrupt on interrupt vpdma_int0. Write a 1 for the interrupt event to trigger the interrupt signal.	RW	0x0
1	INT_MASK_HQ_VID1_CHROMA	The interrupt for should generate an interrupt on interrupt vpdma_int0. Write a 1 for the interrupt event to trigger the interrupt signal.	RW	0x0
0	INT_MASK_HQ_VID1_LUMA	The interrupt for should generate an interrupt on interrupt vpdma_int0. Write a 1 for the interrupt event to trigger the interrupt signal.	RW	0x0

Table 9-312. Register Call Summary for Register VIP_INT0_CHANNEL0_INT_MASK

VIP Functional Description

- [VPDMA Interrupts: \[0\]](#)

VIP Register Manual

- [VIP VPDMA Register Summary: \[2\]](#)

Table 9-313. VIP_INT0_CHANNEL1_INT_STAT

Address Offset	0x0000 0048	Instance	VIP1_VPDMA
Physical Address	0x4897 D048		
Description	This register gives the information of the interrupts that have triggered since last cleared by the process that is servicing vpdma_int0.		
Type	RW		

31	30	29	28	27	26	25	24	23	22	21	20	19	18	17	16	15	14	13	12	11	10	9	8	7	6	5	4	3	2	1	0					
INT_STAT_VIP1_MULT_PORTB_SRC9	INT_STAT_VIP1_MULT_PORTB_SRC8	INT_STAT_VIP1_MULT_PORTB_SRC7	INT_STAT_VIP1_MULT_PORTB_SRC6	INT_STAT_VIP1_MULT_PORTB_SRC5	INT_STAT_VIP1_MULT_PORTB_SRC4	INT_STAT_VIP1_MULT_PORTB_SRC3	INT_STAT_VIP1_MULT_PORTB_SRC2	INT_STAT_VIP1_MULT_PORTB_SRC1	INT_STAT_VIP1_MULT_PORTB_SRC0	INT_STAT_VIP1_MULT_PORTA_SRC15	INT_STAT_VIP1_MULT_PORTA_SRC14	INT_STAT_VIP1_MULT_PORTA_SRC13	INT_STAT_VIP1_MULT_PORTA_SRC12	INT_STAT_VIP1_MULT_PORTA_SRC11	INT_STAT_VIP1_MULT_PORTA_SRC10	INT_STAT_VIP1_MULT_PORTA_SRC9	INT_STAT_VIP1_MULT_PORTA_SRC8	INT_STAT_VIP1_MULT_PORTA_SRC7	INT_STAT_VIP1_MULT_PORTA_SRC6	INT_STAT_VIP1_MULT_PORTA_SRC5	INT_STAT_VIP1_MULT_PORTA_SRC4	INT_STAT_VIP1_MULT_PORTA_SRC3	INT_STAT_VIP1_MULT_PORTA_SRC2	INT_STAT_VIP1_MULT_PORTA_SRC1	INT_STAT_VIP1_MULT_PORTA_SRC0	RESERVED										

Bits	Field Name	Description	Type	Reset
31	INT_STAT_VIP1_MULT_PORTB_SRC9	The last write DMA transaction has completed for channel vip1_mult_portb_src9. All data from the channel has been sent and received by the external memory. If a new channel has not been setup for the client vip1_lo_uv then the client will be fully empty at this point. This event will cause a one to be set in this register until cleared by software. Write a 1 to this field to clear the value.	RW	0x0
30	INT_STAT_VIP1_MULT_PORTB_SRC8	The last write DMA transaction has completed for channel vip1_mult_portb_src8. All data from the channel has been sent and received by the external memory. If a new channel has not been setup for the client vip1_lo_uv then the client will be fully empty at this point. This event will cause a one to be set in this register until cleared by software. Write a 1 to this field to clear the value.	RW	0x0
29	INT_STAT_VIP1_MULT_PORTB_SRC7	The last write DMA transaction has completed for channel vip1_mult_portb_src7. All data from the channel has been sent and received by the external memory. If a new channel has not been setup for the client vip1_lo_uv then the client will be fully empty at this point. This event will cause a one to be set in this register until cleared by software. Write a 1 to this field to clear the value.	RW	0x0
28	INT_STAT_VIP1_MULT_PORTB_SRC6	The last write DMA transaction has completed for channel vip1_mult_portb_src6. All data from the channel has been sent and received by the external memory. If a new channel has not been setup for the client vip1_lo_uv then the client will be fully empty at this point. This event will cause a one to be set in this register until cleared by software. Write a 1 to this field to clear the value.	RW	0x0
27	INT_STAT_VIP1_MULT_PORTB_SRC5	The last write DMA transaction has completed for channel vip1_mult_portb_src5. All data from the channel has been sent and received by the external memory. If a new channel has not been setup for the client vip1_lo_uv then the client will be fully empty at this point. This event will cause a one to be set in this register until cleared by software. Write a 1 to this field to clear the value.	RW	0x0

Bits	Field Name	Description	Type	Reset
26	INT_STAT_VIP1_MULT_PORTB_SRC4	The last write DMA transaction has completed for channel vip1_mult_portb_src4. All data from the channel has been sent and received by the external memory. If a new channel has not been setup for the client vip1_lo_uv then the client will be fully empty at this point. This event will cause a one to be set in this register until cleared by software. Write a 1 to this field to clear the value.	RW	0x0
25	INT_STAT_VIP1_MULT_PORTB_SRC3	The last write DMA transaction has completed for channel vip1_mult_portb_src3. All data from the channel has been sent and received by the external memory. If a new channel has not been setup for the client vip1_lo_uv then the client will be fully empty at this point. This event will cause a one to be set in this register until cleared by software. Write a 1 to this field to clear the value.	RW	0x0
24	INT_STAT_VIP1_MULT_PORTB_SRC2	The last write DMA transaction has completed for channel vip1_mult_portb_src2. All data from the channel has been sent and received by the external memory. If a new channel has not been setup for the client vip1_lo_uv then the client will be fully empty at this point. This event will cause a one to be set in this register until cleared by software. Write a 1 to this field to clear the value.	RW	0x0
23	INT_STAT_VIP1_MULT_PORTB_SRC1	The last write DMA transaction has completed for channel vip1_mult_portb_src1. All data from the channel has been sent and received by the external memory. If a new channel has not been setup for the client vip1_lo_uv then the client will be fully empty at this point. This event will cause a one to be set in this register until cleared by software. Write a 1 to this field to clear the value.	RW	0x0
22	INT_STAT_VIP1_MULT_PORTB_SRC0	The last write DMA transaction has completed for channel vip1_mult_portb_src0. All data from the channel has been sent and received by the external memory. If a new channel has not been setup for the client vip1_lo_uv then the client will be fully empty at this point. This event will cause a one to be set in this register until cleared by software. Write a 1 to this field to clear the value.	RW	0x0
21	INT_STAT_VIP1_MULT_PORTA_SRC15	The last write DMA transaction has completed for channel vip1_mult_porta_src15. All data from the channel has been sent and received by the external memory. If a new channel has not been setup for the client vip1_lo_y then the client will be fully empty at this point. This event will cause a one to be set in this register until cleared by software. Write a 1 to this field to clear the value.	RW	0x0
20	INT_STAT_VIP1_MULT_PORTA_SRC14	The last write DMA transaction has completed for channel vip1_mult_porta_src14. All data from the channel has been sent and received by the external memory. If a new channel has not been setup for the client vip1_lo_y then the client will be fully empty at this point. This event will cause a one to be set in this register until cleared by software. Write a 1 to this field to clear the value.	RW	0x0
19	INT_STAT_VIP1_MULT_PORTA_SRC13	The last write DMA transaction has completed for channel vip1_mult_porta_src13. All data from the channel has been sent and received by the external memory. If a new channel has not been setup for the client vip1_lo_y then the client will be fully empty at this point. This event will cause a one to be set in this register until cleared by software. Write a 1 to this field to clear the value.	RW	0x0
18	INT_STAT_VIP1_MULT_PORTA_SRC12	The last write DMA transaction has completed for channel vip1_mult_porta_src12. All data from the channel has been sent and received by the external memory. If a new channel has not been setup for the client vip1_lo_y then the client will be fully empty at this point. This event will cause a one to be set in this register until cleared by software. Write a 1 to this field to clear the value.	RW	0x0

Bits	Field Name	Description	Type	Reset
17	INT_STAT_VIP1_MULT_PORTA_SRC11	The last write DMA transaction has completed for channel vip1_mult_porta_src11. All data from the channel has been sent and received by the external memory. If a new channel has not been setup for the client vip1_lo_y then the client will be fully empty at this point. This event will cause a one to be set in this register until cleared by software. Write a 1 to this field to clear the value.	RW	0x0
16	INT_STAT_VIP1_MULT_PORTA_SRC10	The last write DMA transaction has completed for channel vip1_mult_porta_src10. All data from the channel has been sent and received by the external memory. If a new channel has not been setup for the client vip1_lo_y then the client will be fully empty at this point. This event will cause a one to be set in this register until cleared by software. Write a 1 to this field to clear the value.	RW	0x0
15	INT_STAT_VIP1_MULT_PORTA_SRC9	The last write DMA transaction has completed for channel vip1_mult_porta_src9. All data from the channel has been sent and received by the external memory. If a new channel has not been setup for the client vip1_lo_y then the client will be fully empty at this point. This event will cause a one to be set in this register until cleared by software. Write a 1 to this field to clear the value.	RW	0x0
14	INT_STAT_VIP1_MULT_PORTA_SRC8	The last write DMA transaction has completed for channel vip1_mult_porta_src8. All data from the channel has been sent and received by the external memory. If a new channel has not been setup for the client vip1_lo_y then the client will be fully empty at this point. This event will cause a one to be set in this register until cleared by software. Write a 1 to this field to clear the value.	RW	0x0
13	INT_STAT_VIP1_MULT_PORTA_SRC7	The last write DMA transaction has completed for channel vip1_mult_porta_src7. All data from the channel has been sent and received by the external memory. If a new channel has not been setup for the client vip1_lo_y then the client will be fully empty at this point. This event will cause a one to be set in this register until cleared by software. Write a 1 to this field to clear the value.	RW	0x0
12	INT_STAT_VIP1_MULT_PORTA_SRC6	The last write DMA transaction has completed for channel vip1_mult_porta_src6. All data from the channel has been sent and received by the external memory. If a new channel has not been setup for the client vip1_lo_y then the client will be fully empty at this point. This event will cause a one to be set in this register until cleared by software. Write a 1 to this field to clear the value.	RW	0x0
11	INT_STAT_VIP1_MULT_PORTA_SRC5	The last write DMA transaction has completed for channel vip1_mult_porta_src5. All data from the channel has been sent and received by the external memory. If a new channel has not been setup for the client vip1_lo_y then the client will be fully empty at this point. This event will cause a one to be set in this register until cleared by software. Write a 1 to this field to clear the value.	RW	0x0
10	INT_STAT_VIP1_MULT_PORTA_SRC4	The last write DMA transaction has completed for channel vip1_mult_porta_src4. All data from the channel has been sent and received by the external memory. If a new channel has not been setup for the client vip1_lo_y then the client will be fully empty at this point. This event will cause a one to be set in this register until cleared by software. Write a 1 to this field to clear the value.	RW	0x0
9	INT_STAT_VIP1_MULT_PORTA_SRC3	The last write DMA transaction has completed for channel vip1_mult_porta_src3. All data from the channel has been sent and received by the external memory. If a new channel has not been setup for the client vip1_lo_y then the client will be fully empty at this point. This event will cause a one to be set in this register until cleared by software. Write a 1 to this field to clear the value.	RW	0x0

Bits	Field Name	Description	Type	Reset
8	INT_STAT_VIP1_MULT_PORTA_SRC2	The last write DMA transaction has completed for channel vip1_mult_porta_src2. All data from the channel has been sent and received by the external memory. If a new channel has not been setup for the client vip1_lo_y then the client will be fully empty at this point. This event will cause a one to be set in this register until cleared by software. Write a 1 to this field to clear the value.	RW	0x0
7	INT_STAT_VIP1_MULT_PORTA_SRC1	The last write DMA transaction has completed for channel vip1_mult_porta_src1. All data from the channel has been sent and received by the external memory. If a new channel has not been setup for the client vip1_lo_y then the client will be fully empty at this point. This event will cause a one to be set in this register until cleared by software. Write a 1 to this field to clear the value.	RW	0x0
6	INT_STAT_VIP1_MULT_PORTA_SRC0	The last write DMA transaction has completed for channel vip1_mult_porta_src0. All data from the channel has been sent and received by the external memory. If a new channel has not been setup for the client vip1_lo_y then the client will be fully empty at this point. This event will cause a one to be set in this register until cleared by software. Write a 1 to this field to clear the value.	RW	0x0
5:0	RESERVED	Reserved	R	0x00

Table 9-314. Register Call Summary for Register VIP_INT0_CHANNEL1_INT_STAT

VIP Functional Description

- [VPDMA Interrupts: \[0\]](#)

VIP Register Manual

- [VIP VPDMA Register Summary: \[2\]](#)

Table 9-315. VIP_INT0_CHANNEL1_INT_MASK

Address Offset	0x0000 004C	Instance	VIP1_VPDMA
Physical Address	0x4897 D04C		
Description	The register gives the information of the interrupts that should be masked and not generate an interrupt for vpdma_int0.		
Type	RW		

31	30	29	28	27	26	25	24	23	22	21	20	19	18	17	16	15	14	13	12	11	10	9	8	7	6	5	4	3	2	1	0				
INT_MASK_VIP1_MULT_PORTB_SRC9	INT_MASK_VIP1_MULT_PORTB_SRC8	INT_MASK_VIP1_MULT_PORTB_SRC7	INT_MASK_VIP1_MULT_PORTB_SRC6	INT_MASK_VIP1_MULT_PORTB_SRC5	INT_MASK_VIP1_MULT_PORTB_SRC4	INT_MASK_VIP1_MULT_PORTB_SRC3	INT_MASK_VIP1_MULT_PORTB_SRC2	INT_MASK_VIP1_MULT_PORTB_SRC1	INT_MASK_VIP1_MULT_PORTB_SRC0	INT_MASK_VIP1_MULT_PORTA_SRC15	INT_MASK_VIP1_MULT_PORTA_SRC14	INT_MASK_VIP1_MULT_PORTA_SRC13	INT_MASK_VIP1_MULT_PORTA_SRC12	INT_MASK_VIP1_MULT_PORTA_SRC11	INT_MASK_VIP1_MULT_PORTA_SRC10	INT_MASK_VIP1_MULT_PORTA_SRC9	INT_MASK_VIP1_MULT_PORTA_SRC8	INT_MASK_VIP1_MULT_PORTA_SRC7	INT_MASK_VIP1_MULT_PORTA_SRC6	INT_MASK_VIP1_MULT_PORTA_SRC5	INT_MASK_VIP1_MULT_PORTA_SRC4	INT_MASK_VIP1_MULT_PORTA_SRC3	INT_MASK_VIP1_MULT_PORTA_SRC2	INT_MASK_VIP1_MULT_PORTA_SRC1	INT_MASK_VIP1_MULT_PORTA_SRC0	RESERVED									

Bits	Field Name	Description	Type	Reset
31	INT_MASK_VIP1_MULT_PORTB_SRC9	The interrupt for Video Input 1 Port B Channel 9 should generate an interrupt on interrupt vpdma_int0. Write a 1 for the interrupt event to trigger the interrupt signal.	RW	0x0
30	INT_MASK_VIP1_MULT_PORTB_SRC8	The interrupt for Video Input 1 Port B Channel 8 should generate an interrupt on interrupt vpdma_int0. Write a 1 for the interrupt event to trigger the interrupt signal.	RW	0x0
29	INT_MASK_VIP1_MULT_PORTB_SRC7	The interrupt for Video Input 1 Port B Channel 7 should generate an interrupt on interrupt vpdma_int0. Write a 1 for the interrupt event to trigger the interrupt signal.	RW	0x0
28	INT_MASK_VIP1_MULT_PORTB_SRC6	The interrupt for Video Input 1 Port B Channel 6 should generate an interrupt on interrupt vpdma_int0. Write a 1 for the interrupt event to trigger the interrupt signal.	RW	0x0
27	INT_MASK_VIP1_MULT_PORTB_SRC5	The interrupt for Video Input 1 Port B Channel 5 should generate an interrupt on interrupt vpdma_int0. Write a 1 for the interrupt event to trigger the interrupt signal.	RW	0x0
26	INT_MASK_VIP1_MULT_PORTB_SRC4	The interrupt for Video Input 1 Port B Channel 4 should generate an interrupt on interrupt vpdma_int0. Write a 1 for the interrupt event to trigger the interrupt signal.	RW	0x0
25	INT_MASK_VIP1_MULT_PORTB_SRC3	The interrupt for Video Input 1 Port B Channel 3 should generate an interrupt on interrupt vpdma_int0. Write a 1 for the interrupt event to trigger the interrupt signal.	RW	0x0
24	INT_MASK_VIP1_MULT_PORTB_SRC2	The interrupt for Video Input 1 Port B Channel 2 should generate an interrupt on interrupt vpdma_int0. Write a 1 for the interrupt event to trigger the interrupt signal.	RW	0x0
23	INT_MASK_VIP1_MULT_PORTB_SRC1	The interrupt for Video Input 1 Port B Channel 1 should generate an interrupt on interrupt vpdma_int0. Write a 1 for the interrupt event to trigger the interrupt signal.	RW	0x0
22	INT_MASK_VIP1_MULT_PORTB_SRC0	The interrupt for Video Input 1 Port B Channel 0 should generate an interrupt on interrupt vpdma_int0. Write a 1 for the interrupt event to trigger the interrupt signal.	RW	0x0
21	INT_MASK_VIP1_MULT_PORTA_SRC15	The interrupt for Video Input 1 Port A Channel 15 should generate an interrupt on interrupt vpdma_int0. Write a 1 for the interrupt event to trigger the interrupt signal.	RW	0x0
20	INT_MASK_VIP1_MULT_PORTA_SRC14	The interrupt for Video Input 1 Port A Channel 14 should generate an interrupt on interrupt vpdma_int0. Write a 1 for the interrupt event to trigger the interrupt signal.	RW	0x0
19	INT_MASK_VIP1_MULT_PORTA_SRC13	The interrupt for Video Input 1 Port A Channel 13 should generate an interrupt on interrupt vpdma_int0. Write a 1 for the interrupt event to trigger the interrupt signal.	RW	0x0
18	INT_MASK_VIP1_MULT_PORTA_SRC12	The interrupt for Video Input 1 Port A Channel 12 should generate an interrupt on interrupt vpdma_int0. Write a 1 for the interrupt event to trigger the interrupt signal.	RW	0x0
17	INT_MASK_VIP1_MULT_PORTA_SRC11	The interrupt for Video Input 1 Port A Channel 11 should generate an interrupt on interrupt vpdma_int0. Write a 1 for the interrupt event to trigger the interrupt signal.	RW	0x0
16	INT_MASK_VIP1_MULT_PORTA_SRC10	The interrupt for Video Input 1 Port A Channel 10 should generate an interrupt on interrupt vpdma_int0. Write a 1 for the interrupt event to trigger the interrupt signal.	RW	0x0
15	INT_MASK_VIP1_MULT_PORTA_SRC9	The interrupt for Video Input 1 Port A Channel 9 should generate an interrupt on interrupt vpdma_int0. Write a 1 for the interrupt event to trigger the interrupt signal.	RW	0x0
14	INT_MASK_VIP1_MULT_PORTA_SRC8	The interrupt for Video Input 1 Port A Channel 8 should generate an interrupt on interrupt vpdma_int0. Write a 1 for the interrupt event to trigger the interrupt signal.	RW	0x0
13	INT_MASK_VIP1_MULT_PORTA_SRC7	The interrupt for Video Input 1 Port A Channel 7 should generate an interrupt on interrupt vpdma_int0. Write a 1 for the interrupt event to trigger the interrupt signal.	RW	0x0
12	INT_MASK_VIP1_MULT_PORTA_SRC6	The interrupt for Video Input 1 Port A Channel 6 should generate an interrupt on interrupt vpdma_int0. Write a 1 for the interrupt event to trigger the interrupt signal.	RW	0x0

Bits	Field Name	Description	Type	Reset
11	INT_MASK_VIP1_MULT_PORTA_SRC5	The interrupt for Video Input 1 Port A Channel 5 should generate an interrupt on interrupt vpdma_int0. Write a 1 for the interrupt event to trigger the interrupt signal.	RW	0x0
10	INT_MASK_VIP1_MULT_PORTA_SRC4	The interrupt for Video Input 1 Port A Channel 4 should generate an interrupt on interrupt vpdma_int0. Write a 1 for the interrupt event to trigger the interrupt signal.	RW	0x0
9	INT_MASK_VIP1_MULT_PORTA_SRC3	The interrupt for Video Input 1 Port A Channel 3 should generate an interrupt on interrupt vpdma_int0. Write a 1 for the interrupt event to trigger the interrupt signal.	RW	0x0
8	INT_MASK_VIP1_MULT_PORTA_SRC2	The interrupt for Video Input 1 Port A Channel 2 should generate an interrupt on interrupt vpdma_int0. Write a 1 for the interrupt event to trigger the interrupt signal.	RW	0x0
7	INT_MASK_VIP1_MULT_PORTA_SRC1	The interrupt for Video Input 1 Port A Channel 1 should generate an interrupt on interrupt vpdma_int0. Write a 1 for the interrupt event to trigger the interrupt signal.	RW	0x0
6	INT_MASK_VIP1_MULT_PORTA_SRC0	The interrupt for Video Input 1 Port A Channel 0 should generate an interrupt on interrupt vpdma_int0. Write a 1 for the interrupt event to trigger the interrupt signal.	RW	0x0
5:0	RESERVED	Reserved	R	0x00

Table 9-316. Register Call Summary for Register VIP_INT0_CHANNEL1_INT_MASK

VIP Functional Description

- [VPDMA Interrupts: \[0\]](#)

VIP Register Manual

- [VIP VPDMA Register Summary: \[2\]](#)

Table 9-317. VIP_INT0_CHANNEL2_INT_STAT

Address Offset	0x0000 0050	Instance	VIP1_VPDMA
Physical Address	0x4897 D050		
Description	This register gives the information of the interrupts that have triggered since last cleared by the process that is servicing vpdma_int0.		
Type	RW		

31	30	29	28	27	26	25	24	23	22	21	20	19	18	17	16	15	14	13	12	11	10	9	8	7	6	5	4	3	2	1	0
INT_STAT_VIP1_MULT_ANCB_SRC9	INT_STAT_VIP1_MULT_ANCB_SRC8	INT_STAT_VIP1_MULT_ANCB_SRC7	INT_STAT_VIP1_MULT_ANCB_SRC6	INT_STAT_VIP1_MULT_ANCB_SRC5	INT_STAT_VIP1_MULT_ANCB_SRC4	INT_STAT_VIP1_MULT_ANCB_SRC3	INT_STAT_VIP1_MULT_ANCB_SRC2	INT_STAT_VIP1_MULT_ANCB_SRC1	INT_STAT_VIP1_MULT_ANCB_SRC0	INT_STAT_VIP1_MULT_ANCA_SRC15	INT_STAT_VIP1_MULT_ANCA_SRC14	INT_STAT_VIP1_MULT_ANCA_SRC13	INT_STAT_VIP1_MULT_ANCA_SRC12	INT_STAT_VIP1_MULT_ANCA_SRC11	INT_STAT_VIP1_MULT_ANCA_SRC10	INT_STAT_VIP1_MULT_ANCA_SRC9	INT_STAT_VIP1_MULT_ANCA_SRC8	INT_STAT_VIP1_MULT_ANCA_SRC7	INT_STAT_VIP1_MULT_ANCA_SRC6	INT_STAT_VIP1_MULT_ANCA_SRC5	INT_STAT_VIP1_MULT_ANCA_SRC4	INT_STAT_VIP1_MULT_ANCA_SRC3	INT_STAT_VIP1_MULT_ANCA_SRC2	INT_STAT_VIP1_MULT_ANCA_SRC1	INT_STAT_VIP1_MULT_ANCA_SRC0	INT_STAT_VIP1_MULT_PORTB_SRC15	INT_STAT_VIP1_MULT_PORTB_SRC14	INT_STAT_VIP1_MULT_PORTB_SRC13	INT_STAT_VIP1_MULT_PORTB_SRC12	INT_STAT_VIP1_MULT_PORTB_SRC11	INT_STAT_VIP1_MULT_PORTB_SRC10

Bits	Field Name	Description	Type	Reset
31	INT_STAT_VIP1_MULT_ANCB_SRC9	The last write DMA transaction has completed for channel vip1_mult_ancb_src9. All data from the channel has been sent and received by the external memory. If a new channel has not been setup for the client vip1_anc_b then the client will be fully empty at this point. This event will cause a one to be set in this register until cleared by software. Write a 1 to this field to clear the value.	RW	0x0
30	INT_STAT_VIP1_MULT_ANCB_SRC8	The last write DMA transaction has completed for channel vip1_mult_ancb_src8. All data from the channel has been sent and received by the external memory. If a new channel has not been setup for the client vip1_anc_b then the client will be fully empty at this point. This event will cause a one to be set in this register until cleared by software. Write a 1 to this field to clear the value.	RW	0x0
29	INT_STAT_VIP1_MULT_ANCB_SRC7	The last write DMA transaction has completed for channel vip1_mult_ancb_src7. All data from the channel has been sent and received by the external memory. If a new channel has not been setup for the client vip1_anc_b then the client will be fully empty at this point. This event will cause a one to be set in this register until cleared by software. Write a 1 to this field to clear the value.	RW	0x0
28	INT_STAT_VIP1_MULT_ANCB_SRC6	The last write DMA transaction has completed for channel vip1_mult_ancb_src6. All data from the channel has been sent and received by the external memory. If a new channel has not been setup for the client vip1_anc_b then the client will be fully empty at this point. This event will cause a one to be set in this register until cleared by software. Write a 1 to this field to clear the value.	RW	0x0
27	INT_STAT_VIP1_MULT_ANCB_SRC5	The last write DMA transaction has completed for channel vip1_mult_ancb_src5. All data from the channel has been sent and received by the external memory. If a new channel has not been setup for the client vip1_anc_b then the client will be fully empty at this point. This event will cause a one to be set in this register until cleared by software. Write a 1 to this field to clear the value.	RW	0x0
26	INT_STAT_VIP1_MULT_ANCB_SRC4	The last write DMA transaction has completed for channel vip1_mult_ancb_src4. All data from the channel has been sent and received by the external memory. If a new channel has not been setup for the client vip1_anc_b then the client will be fully empty at this point. This event will cause a one to be set in this register until cleared by software. Write a 1 to this field to clear the value.	RW	0x0
25	INT_STAT_VIP1_MULT_ANCB_SRC3	The last write DMA transaction has completed for channel vip1_mult_ancb_src3. All data from the channel has been sent and received by the external memory. If a new channel has not been setup for the client vip1_anc_b then the client will be fully empty at this point. This event will cause a one to be set in this register until cleared by software. Write a 1 to this field to clear the value.	RW	0x0
24	INT_STAT_VIP1_MULT_ANCB_SRC2	The last write DMA transaction has completed for channel vip1_mult_ancb_src2. All data from the channel has been sent and received by the external memory. If a new channel has not been setup for the client vip1_anc_b then the client will be fully empty at this point. This event will cause a one to be set in this register until cleared by software. Write a 1 to this field to clear the value.	RW	0x0
23	INT_STAT_VIP1_MULT_ANCB_SRC1	The last write DMA transaction has completed for channel vip1_mult_ancb_src1. All data from the channel has been sent and received by the external memory. If a new channel has not been setup for the client vip1_anc_b then the client will be fully empty at this point. This event will cause a one to be set in this register until cleared by software. Write a 1 to this field to clear the value.	RW	0x0

Bits	Field Name	Description	Type	Reset
22	INT_STAT_VIP1_MULT_ANCB_SRC0	The last write DMA transaction has completed for channel vip1_mult_ancb_src0. All data from the channel has been sent and received by the external memory. If a new channel has not been setup for the client vip1_anc_b then the client will be fully empty at this point. This event will cause a one to be set in this register until cleared by software. Write a 1 to this field to clear the value.	RW	0x0
21	INT_STAT_VIP1_MULT_ANCA_SRC15	The last write DMA transaction has completed for channel vip1_mult_anca_src15. All data from the channel has been sent and received by the external memory. If a new channel has not been setup for the client vip1_anc_a then the client will be fully empty at this point. This event will cause a one to be set in this register until cleared by software. Write a 1 to this field to clear the value.	RW	0x0
20	INT_STAT_VIP1_MULT_ANCA_SRC14	The last write DMA transaction has completed for channel vip1_mult_anca_src14. All data from the channel has been sent and received by the external memory. If a new channel has not been setup for the client vip1_anc_a then the client will be fully empty at this point. This event will cause a one to be set in this register until cleared by software. Write a 1 to this field to clear the value.	RW	0x0
19	INT_STAT_VIP1_MULT_ANCA_SRC13	The last write DMA transaction has completed for channel vip1_mult_anca_src13. All data from the channel has been sent and received by the external memory. If a new channel has not been setup for the client vip1_anc_a then the client will be fully empty at this point. This event will cause a one to be set in this register until cleared by software. Write a 1 to this field to clear the value.	RW	0x0
18	INT_STAT_VIP1_MULT_ANCA_SRC12	The last write DMA transaction has completed for channel vip1_mult_anca_src12. All data from the channel has been sent and received by the external memory. If a new channel has not been setup for the client vip1_anc_a then the client will be fully empty at this point. This event will cause a one to be set in this register until cleared by software. Write a 1 to this field to clear the value.	RW	0x0
17	INT_STAT_VIP1_MULT_ANCA_SRC11	The last write DMA transaction has completed for channel vip1_mult_anca_src11. All data from the channel has been sent and received by the external memory. If a new channel has not been setup for the client vip1_anc_a then the client will be fully empty at this point. This event will cause a one to be set in this register until cleared by software. Write a 1 to this field to clear the value.	RW	0x0
16	INT_STAT_VIP1_MULT_ANCA_SRC10	The last write DMA transaction has completed for channel vip1_mult_anca_src10. All data from the channel has been sent and received by the external memory. If a new channel has not been setup for the client vip1_anc_a then the client will be fully empty at this point. This event will cause a one to be set in this register until cleared by software. Write a 1 to this field to clear the value.	RW	0x0
15	INT_STAT_VIP1_MULT_ANCA_SRC9	The last write DMA transaction has completed for channel vip1_mult_anca_src9. All data from the channel has been sent and received by the external memory. If a new channel has not been setup for the client vip1_anc_a then the client will be fully empty at this point. This event will cause a one to be set in this register until cleared by software. Write a 1 to this field to clear the value.	RW	0x0
14	INT_STAT_VIP1_MULT_ANCA_SRC8	The last write DMA transaction has completed for channel vip1_mult_anca_src8. All data from the channel has been sent and received by the external memory. If a new channel has not been setup for the client vip1_anc_a then the client will be fully empty at this point. This event will cause a one to be set in this register until cleared by software. Write a 1 to this field to clear the value.	RW	0x0

Bits	Field Name	Description	Type	Reset
13	INT_STAT_VIP1_MULT_ANCA_SRC7	The last write DMA transaction has completed for channel vip1_mult_anca_src7. All data from the channel has been sent and received by the external memory. If a new channel has not been setup for the client vip1_anc_a then the client will be fully empty at this point. This event will cause a one to be set in this register until cleared by software. Write a 1 to this field to clear the value.	RW	0x0
12	INT_STAT_VIP1_MULT_ANCA_SRC6	The last write DMA transaction has completed for channel vip1_mult_anca_src6. All data from the channel has been sent and received by the external memory. If a new channel has not been setup for the client vip1_anc_a then the client will be fully empty at this point. This event will cause a one to be set in this register until cleared by software. Write a 1 to this field to clear the value.	RW	0x0
11	INT_STAT_VIP1_MULT_ANCA_SRC5	The last write DMA transaction has completed for channel vip1_mult_anca_src5. All data from the channel has been sent and received by the external memory. If a new channel has not been setup for the client vip1_anc_a then the client will be fully empty at this point. This event will cause a one to be set in this register until cleared by software. Write a 1 to this field to clear the value.	RW	0x0
10	INT_STAT_VIP1_MULT_ANCA_SRC4	The last write DMA transaction has completed for channel vip1_mult_anca_src4. All data from the channel has been sent and received by the external memory. If a new channel has not been setup for the client vip1_anc_a then the client will be fully empty at this point. This event will cause a one to be set in this register until cleared by software. Write a 1 to this field to clear the value.	RW	0x0
9	INT_STAT_VIP1_MULT_ANCA_SRC3	The last write DMA transaction has completed for channel vip1_mult_anca_src3. All data from the channel has been sent and received by the external memory. If a new channel has not been setup for the client vip1_anc_a then the client will be fully empty at this point. This event will cause a one to be set in this register until cleared by software. Write a 1 to this field to clear the value.	RW	0x0
8	INT_STAT_VIP1_MULT_ANCA_SRC2	The last write DMA transaction has completed for channel vip1_mult_anca_src2. All data from the channel has been sent and received by the external memory. If a new channel has not been setup for the client vip1_anc_a then the client will be fully empty at this point. This event will cause a one to be set in this register until cleared by software. Write a 1 to this field to clear the value.	RW	0x0
7	INT_STAT_VIP1_MULT_ANCA_SRC1	The last write DMA transaction has completed for channel vip1_mult_anca_src1. All data from the channel has been sent and received by the external memory. If a new channel has not been setup for the client vip1_anc_a then the client will be fully empty at this point. This event will cause a one to be set in this register until cleared by software. Write a 1 to this field to clear the value.	RW	0x0
6	INT_STAT_VIP1_MULT_ANCA_SRC0	The last write DMA transaction has completed for channel vip1_mult_anca_src0. All data from the channel has been sent and received by the external memory. If a new channel has not been setup for the client vip1_anc_a then the client will be fully empty at this point. This event will cause a one to be set in this register until cleared by software. Write a 1 to this field to clear the value.	RW	0x0
5	INT_STAT_VIP1_MULT_PORTB_SRC15	The last write DMA transaction has completed for channel vip1_mult_portb_src15. All data from the channel has been sent and received by the external memory. If a new channel has not been setup for the client vip1_lo_uv then the client will be fully empty at this point. This event will cause a one to be set in this register until cleared by software. Write a 1 to this field to clear the value.	RW	0x0

Bits	Field Name	Description	Type	Reset
4	INT_STAT_VIP1_MULT_PORTB_SRC14	The last write DMA transaction has completed for channel vip1_mult_portb_src14. All data from the channel has been sent and received by the external memory. If a new channel has not been setup for the client vip1_lo_uv then the client will be fully empty at this point. This event will cause a one to be set in this register until cleared by software. Write a 1 to this field to clear the value.	RW	0x0
3	INT_STAT_VIP1_MULT_PORTB_SRC13	The last write DMA transaction has completed for channel vip1_mult_portb_src13. All data from the channel has been sent and received by the external memory. If a new channel has not been setup for the client vip1_lo_uv then the client will be fully empty at this point. This event will cause a one to be set in this register until cleared by software. Write a 1 to this field to clear the value.	RW	0x0
2	INT_STAT_VIP1_MULT_PORTB_SRC12	The last write DMA transaction has completed for channel vip1_mult_portb_src12. All data from the channel has been sent and received by the external memory. If a new channel has not been setup for the client vip1_lo_uv then the client will be fully empty at this point. This event will cause a one to be set in this register until cleared by software. Write a 1 to this field to clear the value.	RW	0x0
1	INT_STAT_VIP1_MULT_PORTB_SRC11	The last write DMA transaction has completed for channel vip1_mult_portb_src11. All data from the channel has been sent and received by the external memory. If a new channel has not been setup for the client vip1_lo_uv then the client will be fully empty at this point. This event will cause a one to be set in this register until cleared by software. Write a 1 to this field to clear the value.	RW	0x0
0	INT_STAT_VIP1_MULT_PORTB_SRC10	The last write DMA transaction has completed for channel vip1_mult_portb_src10. All data from the channel has been sent and received by the external memory. If a new channel has not been setup for the client vip1_lo_uv then the client will be fully empty at this point. This event will cause a one to be set in this register until cleared by software. Write a 1 to this field to clear the value.	RW	0x0

Table 9-318. Register Call Summary for Register VIP_INT0_CHANNEL2_INT_STAT

VIP Functional Description

- [VPDMA Interrupts: \[0\]](#)

VIP Register Manual

- [VIP VPDMA Register Summary: \[2\]](#)

Table 9-319. VIP_INT0_CHANNEL2_INT_MASK

Address Offset	0x0000 0054	Instance	VIP1_VPDMA
Physical Address	0x4897 D054		
Description	The register gives the information of the interrupts that should be masked and not generate an interrupt for vpdma_int0.		
Type	RW		

31	30	29	28	27	26	25	24	23	22	21	20	19	18	17	16	15	14	13	12	11	10	9	8	7	6	5	4	3	2	1	0
INT_MASK_VIP1_MULT_ANCB_SRC9	INT_MASK_VIP1_MULT_ANCB_SRC8	INT_MASK_VIP1_MULT_ANCB_SRC7	INT_MASK_VIP1_MULT_ANCB_SRC6	INT_MASK_VIP1_MULT_ANCB_SRC5	INT_MASK_VIP1_MULT_ANCB_SRC4	INT_MASK_VIP1_MULT_ANCB_SRC3	INT_MASK_VIP1_MULT_ANCB_SRC2	INT_MASK_VIP1_MULT_ANCB_SRC1	INT_MASK_VIP1_MULT_ANCB_SRC0	INT_MASK_VIP1_MULT_ANCA_SRC15	INT_MASK_VIP1_MULT_ANCA_SRC14	INT_MASK_VIP1_MULT_ANCA_SRC13	INT_MASK_VIP1_MULT_ANCA_SRC12	INT_MASK_VIP1_MULT_ANCA_SRC11	INT_MASK_VIP1_MULT_ANCA_SRC10	INT_MASK_VIP1_MULT_ANCA_SRC9	INT_MASK_VIP1_MULT_ANCA_SRC8	INT_MASK_VIP1_MULT_ANCA_SRC7	INT_MASK_VIP1_MULT_ANCA_SRC6	INT_MASK_VIP1_MULT_ANCA_SRC5	INT_MASK_VIP1_MULT_ANCA_SRC4	INT_MASK_VIP1_MULT_ANCA_SRC3	INT_MASK_VIP1_MULT_ANCA_SRC2	INT_MASK_VIP1_MULT_ANCA_SRC1	INT_MASK_VIP1_MULT_ANCA_SRC0	INT_MASK_VIP1_MULT_PORTB_SRC15	INT_MASK_VIP1_MULT_PORTB_SRC14	INT_MASK_VIP1_MULT_PORTB_SRC13	INT_MASK_VIP1_MULT_PORTB_SRC12	INT_MASK_VIP1_MULT_PORTB_SRC11	INT_MASK_VIP1_MULT_PORTB_SRC10

Bits	Field Name	Description	Type	Reset
31	INT_MASK_VIP1_MULT_ANCB_SRC9	The interrupt for Video Input 1 Port B Ancillary Data Channel 9 should generate an interrupt on interrupt <code>vpdma_int0</code> . Write a 1 for the interrupt event to trigger the interrupt signal.	RW	0x0
30	INT_MASK_VIP1_MULT_ANCB_SRC8	The interrupt for Video Input 1 Port B Ancillary Data Channel 8 should generate an interrupt on interrupt <code>vpdma_int0</code> . Write a 1 for the interrupt event to trigger the interrupt signal.	RW	0x0
29	INT_MASK_VIP1_MULT_ANCB_SRC7	The interrupt for Video Input 1 Port B Ancillary Data Channel 7 should generate an interrupt on interrupt <code>vpdma_int0</code> . Write a 1 for the interrupt event to trigger the interrupt signal.	RW	0x0
28	INT_MASK_VIP1_MULT_ANCB_SRC6	The interrupt for Video Input 1 Port B Ancillary Data Channel 6 should generate an interrupt on interrupt <code>vpdma_int0</code> . Write a 1 for the interrupt event to trigger the interrupt signal.	RW	0x0
27	INT_MASK_VIP1_MULT_ANCB_SRC5	The interrupt for Video Input 1 Port B Ancillary Data Channel 5 should generate an interrupt on interrupt <code>vpdma_int0</code> . Write a 1 for the interrupt event to trigger the interrupt signal.	RW	0x0
26	INT_MASK_VIP1_MULT_ANCB_SRC4	The interrupt for Video Input 1 Port B Ancillary Data Channel 4 should generate an interrupt on interrupt <code>vpdma_int0</code> . Write a 1 for the interrupt event to trigger the interrupt signal.	RW	0x0
25	INT_MASK_VIP1_MULT_ANCB_SRC3	The interrupt for Video Input 1 Port B Ancillary Data Channel 3 should generate an interrupt on interrupt <code>vpdma_int0</code> . Write a 1 for the interrupt event to trigger the interrupt signal.	RW	0x0
24	INT_MASK_VIP1_MULT_ANCB_SRC2	The interrupt for Video Input 1 Port B Ancillary Data Channel 2 should generate an interrupt on interrupt <code>vpdma_int0</code> . Write a 1 for the interrupt event to trigger the interrupt signal.	RW	0x0
23	INT_MASK_VIP1_MULT_ANCB_SRC1	The interrupt for Video Input 1 Port B Ancillary Data Channel 1 should generate an interrupt on interrupt <code>vpdma_int0</code> . Write a 1 for the interrupt event to trigger the interrupt signal.	RW	0x0
22	INT_MASK_VIP1_MULT_ANCB_SRC0	The interrupt for Video Input 1 Port B Ancillary Data Channel 0 should generate an interrupt on interrupt <code>vpdma_int0</code> . Write a 1 for the interrupt event to trigger the interrupt signal.	RW	0x0
21	INT_MASK_VIP1_MULT_ANCA_SRC15	The interrupt for Video Input 1 Port A Ancillary Data Channel 15 should generate an interrupt on interrupt <code>vpdma_int0</code> . Write a 1 for the interrupt event to trigger the interrupt signal.	RW	0x0

Bits	Field Name	Description	Type	Reset
20	INT_MASK_VIP1_MULT_ANCA_SRC14	The interrupt for Video Input 1 Port A Ancillary Data Channel 14 should generate an interrupt on interrupt vpdma_int0. Write a 1 for the interrupt event to trigger the interrupt signal.	RW	0x0
19	INT_MASK_VIP1_MULT_ANCA_SRC13	The interrupt for Video Input 1 Port A Ancillary Data Channel 13 should generate an interrupt on interrupt vpdma_int0. Write a 1 for the interrupt event to trigger the interrupt signal.	RW	0x0
18	INT_MASK_VIP1_MULT_ANCA_SRC12	The interrupt for Video Input 1 Port A Ancillary Data Channel 12 should generate an interrupt on interrupt vpdma_int0. Write a 1 for the interrupt event to trigger the interrupt signal.	RW	0x0
17	INT_MASK_VIP1_MULT_ANCA_SRC11	The interrupt for Video Input 1 Port A Ancillary Data Channel 11 should generate an interrupt on interrupt vpdma_int0. Write a 1 for the interrupt event to trigger the interrupt signal.	RW	0x0
16	INT_MASK_VIP1_MULT_ANCA_SRC10	The interrupt for Video Input 1 Port A Ancillary Data Channel 10 should generate an interrupt on interrupt vpdma_int0. Write a 1 for the interrupt event to trigger the interrupt signal.	RW	0x0
15	INT_MASK_VIP1_MULT_ANCA_SRC9	The interrupt for Video Input 1 Port A Ancillary Data Channel 9 should generate an interrupt on interrupt vpdma_int0. Write a 1 for the interrupt event to trigger the interrupt signal.	RW	0x0
14	INT_MASK_VIP1_MULT_ANCA_SRC8	The interrupt for Video Input 1 Port A Ancillary Data Channel 8 should generate an interrupt on interrupt vpdma_int0. Write a 1 for the interrupt event to trigger the interrupt signal.	RW	0x0
13	INT_MASK_VIP1_MULT_ANCA_SRC7	The interrupt for Video Input 1 Port A Ancillary Data Channel 7 should generate an interrupt on interrupt vpdma_int0. Write a 1 for the interrupt event to trigger the interrupt signal.	RW	0x0
12	INT_MASK_VIP1_MULT_ANCA_SRC6	The interrupt for Video Input 1 Port A Ancillary Data Channel 6 should generate an interrupt on interrupt vpdma_int0. Write a 1 for the interrupt event to trigger the interrupt signal.	RW	0x0
11	INT_MASK_VIP1_MULT_ANCA_SRC5	The interrupt for Video Input 1 Port A Ancillary Data Channel 5 should generate an interrupt on interrupt vpdma_int0. Write a 1 for the interrupt event to trigger the interrupt signal.	RW	0x0
10	INT_MASK_VIP1_MULT_ANCA_SRC4	The interrupt for Video Input 1 Port A Ancillary Data Channel 4 should generate an interrupt on interrupt vpdma_int0. Write a 1 for the interrupt event to trigger the interrupt signal.	RW	0x0
9	INT_MASK_VIP1_MULT_ANCA_SRC3	The interrupt for Video Input 1 Port A Ancillary Data Channel 3 should generate an interrupt on interrupt vpdma_int0. Write a 1 for the interrupt event to trigger the interrupt signal.	RW	0x0
8	INT_MASK_VIP1_MULT_ANCA_SRC2	The interrupt for Video Input 1 Port A Ancillary Data Channel 2 should generate an interrupt on interrupt vpdma_int0. Write a 1 for the interrupt event to trigger the interrupt signal.	RW	0x0
7	INT_MASK_VIP1_MULT_ANCA_SRC1	The interrupt for Video Input 1 Port A Ancillary Data Channel 1 should generate an interrupt on interrupt vpdma_int0. Write a 1 for the interrupt event to trigger the interrupt signal.	RW	0x0
6	INT_MASK_VIP1_MULT_ANCA_SRC0	The interrupt for Video Input 1 Port A Ancillary Data Channel 0 should generate an interrupt on interrupt vpdma_int0. Write a 1 for the interrupt event to trigger the interrupt signal.	RW	0x0
5	INT_MASK_VIP1_MULT_PORTB_SRC15	The interrupt for Video Input 1 Port B Channel 15 should generate an interrupt on interrupt vpdma_int0. Write a 1 for the interrupt event to trigger the interrupt signal.	RW	0x0

Bits	Field Name	Description	Type	Reset
4	INT_MASK_VIP1_MULT_PORTB_SRC14	The interrupt for Video Input 1 Port B Channel 14 should generate an interrupt on interrupt vpdma_int0. Write a 1 for the interrupt event to trigger the interrupt signal.	RW	0x0
3	INT_MASK_VIP1_MULT_PORTB_SRC13	The interrupt for Video Input 1 Port B Channel 13 should generate an interrupt on interrupt vpdma_int0. Write a 1 for the interrupt event to trigger the interrupt signal.	RW	0x0
2	INT_MASK_VIP1_MULT_PORTB_SRC12	The interrupt for Video Input 1 Port B Channel 12 should generate an interrupt on interrupt vpdma_int0. Write a 1 for the interrupt event to trigger the interrupt signal.	RW	0x0
1	INT_MASK_VIP1_MULT_PORTB_SRC11	The interrupt for Video Input 1 Port B Channel 11 should generate an interrupt on interrupt vpdma_int0. Write a 1 for the interrupt event to trigger the interrupt signal.	RW	0x0
0	INT_MASK_VIP1_MULT_PORTB_SRC10	The interrupt for Video Input 1 Port B Channel 10 should generate an interrupt on interrupt vpdma_int0. Write a 1 for the interrupt event to trigger the interrupt signal.	RW	0x0

Table 9-320. Register Call Summary for Register VIP_INT0_CHANNEL2_INT_MASK

VIP Functional Description

- [VPDMA Interrupts: \[0\]](#)

VIP Register Manual

- [VIP VPDMA Register Summary: \[2\]](#)

Table 9-321. VIP_INT0_CHANNEL3_INT_STAT

Address Offset	0x0000 0058	Instance	VIP1_VPDMA
Physical Address	0x4897 D058		
Description	This register gives the information of the interrupts that have triggered since last cleared by the process that is servicing vpdma_int0.		
Type	RW		

31	30	29	28	27	26	25	24	23	22	21	20	19	18	17	16	15	14	13	12	11	10	9	8	7	6	5	4	3	2	1	0
INT_STAT_VIP2_MULT_PORTB_SRC3	INT_STAT_VIP2_MULT_PORTB_SRC2	INT_STAT_VIP2_MULT_PORTB_SRC1	INT_STAT_VIP2_MULT_PORTB_SRC0	INT_STAT_VIP2_MULT_PORTA_SRC15	INT_STAT_VIP2_MULT_PORTA_SRC14	INT_STAT_VIP2_MULT_PORTA_SRC13	INT_STAT_VIP2_MULT_PORTA_SRC12	INT_STAT_VIP2_MULT_PORTA_SRC11	INT_STAT_VIP2_MULT_PORTA_SRC10	INT_STAT_VIP2_MULT_PORTA_SRC9	INT_STAT_VIP2_MULT_PORTA_SRC8	INT_STAT_VIP2_MULT_PORTA_SRC7	INT_STAT_VIP2_MULT_PORTA_SRC6	INT_STAT_VIP2_MULT_PORTA_SRC5	INT_STAT_VIP2_MULT_PORTA_SRC4	INT_STAT_VIP2_MULT_PORTA_SRC3	INT_STAT_VIP2_MULT_PORTA_SRC2	INT_STAT_VIP2_MULT_PORTA_SRC1	INT_STAT_VIP2_MULT_PORTA_SRC0	INT_STAT_VIP1_PORTB_RGB	INT_STAT_VIP1_PORTA_RGB	INT_STAT_VIP1_PORTB_CHROMA	INT_STAT_VIP1_PORTB_LUMA	INT_STAT_VIP1_PORTA_CHROMA	INT_STAT_VIP1_PORTA_LUMA	INT_STAT_VIP1_MULT_ANCB_SRC15	INT_STAT_VIP1_MULT_ANCB_SRC14	INT_STAT_VIP1_MULT_ANCB_SRC13	INT_STAT_VIP1_MULT_ANCB_SRC12	INT_STAT_VIP1_MULT_ANCB_SRC11	INT_STAT_VIP1_MULT_ANCB_SRC10

Bits	Field Name	Description	Type	Reset
31	INT_STAT_VIP2_MULT_PORTB_SRC3	The last write DMA transaction has completed for channel vip2_mult_portb_src3. All data from the channel has been sent and received by the external memory. If a new channel has not been setup for the client vip2_lo_uv then the client will be fully empty at this point. This event will cause a one to be set in this register until cleared by software. Write a 1 to this field to clear the value.	RW	0x0

Bits	Field Name	Description	Type	Reset
30	INT_STAT_VIP2_MULT_PORTB_SRC2	The last write DMA transaction has completed for channel vip2_mult_portb_src2. All data from the channel has been sent and received by the external memory. If a new channel has not been setup for the client vip2_lo_uv then the client will be fully empty at this point. This event will cause a one to be set in this register until cleared by software. Write a 1 to this field to clear the value.	RW	0x0
29	INT_STAT_VIP2_MULT_PORTB_SRC1	The last write DMA transaction has completed for channel vip2_mult_portb_src1. All data from the channel has been sent and received by the external memory. If a new channel has not been setup for the client vip2_lo_uv then the client will be fully empty at this point. This event will cause a one to be set in this register until cleared by software. Write a 1 to this field to clear the value.	RW	0x0
28	INT_STAT_VIP2_MULT_PORTB_SRC0	The last write DMA transaction has completed for channel vip2_mult_portb_src0. All data from the channel has been sent and received by the external memory. If a new channel has not been setup for the client vip2_lo_uv then the client will be fully empty at this point. This event will cause a one to be set in this register until cleared by software. Write a 1 to this field to clear the value.	RW	0x0
27	INT_STAT_VIP2_MULT_PORTA_SRC15	The last write DMA transaction has completed for channel vip2_mult_porta_src15. All data from the channel has been sent and received by the external memory. If a new channel has not been setup for the client vip2_lo_y then the client will be fully empty at this point. This event will cause a one to be set in this register until cleared by software. Write a 1 to this field to clear the value.	RW	0x0
26	INT_STAT_VIP2_MULT_PORTA_SRC14	The last write DMA transaction has completed for channel vip2_mult_porta_src14. All data from the channel has been sent and received by the external memory. If a new channel has not been setup for the client vip2_lo_y then the client will be fully empty at this point. This event will cause a one to be set in this register until cleared by software. Write a 1 to this field to clear the value.	RW	0x0
25	INT_STAT_VIP2_MULT_PORTA_SRC13	The last write DMA transaction has completed for channel vip2_mult_porta_src13. All data from the channel has been sent and received by the external memory. If a new channel has not been setup for the client vip2_lo_y then the client will be fully empty at this point. This event will cause a one to be set in this register until cleared by software. Write a 1 to this field to clear the value.	RW	0x0
24	INT_STAT_VIP2_MULT_PORTA_SRC12	The last write DMA transaction has completed for channel vip2_mult_porta_src12. All data from the channel has been sent and received by the external memory. If a new channel has not been setup for the client vip2_lo_y then the client will be fully empty at this point. This event will cause a one to be set in this register until cleared by software. Write a 1 to this field to clear the value.	RW	0x0
23	INT_STAT_VIP2_MULT_PORTA_SRC11	The last write DMA transaction has completed for channel vip2_mult_porta_src11. All data from the channel has been sent and received by the external memory. If a new channel has not been setup for the client vip2_lo_y then the client will be fully empty at this point. This event will cause a one to be set in this register until cleared by software. Write a 1 to this field to clear the value.	RW	0x0
22	INT_STAT_VIP2_MULT_PORTA_SRC10	The last write DMA transaction has completed for channel vip2_mult_porta_src10. All data from the channel has been sent and received by the external memory. If a new channel has not been setup for the client vip2_lo_y then the client will be fully empty at this point. This event will cause a one to be set in this register until cleared by software. Write a 1 to this field to clear the value.	RW	0x0

Bits	Field Name	Description	Type	Reset
21	INT_STAT_VIP2_MULT_PORTA_SRC9	The last write DMA transaction has completed for channel vip2_mult_porta_src9. All data from the channel has been sent and received by the external memory. If a new channel has not been setup for the client vip2_lo_y then the client will be fully empty at this point. This event will cause a one to be set in this register until cleared by software. Write a 1 to this field to clear the value.	RW	0x0
20	INT_STAT_VIP2_MULT_PORTA_SRC8	The last write DMA transaction has completed for channel vip2_mult_porta_src8. All data from the channel has been sent and received by the external memory. If a new channel has not been setup for the client vip2_lo_y then the client will be fully empty at this point. This event will cause a one to be set in this register until cleared by software. Write a 1 to this field to clear the value.	RW	0x0
19	INT_STAT_VIP2_MULT_PORTA_SRC7	The last write DMA transaction has completed for channel vip2_mult_porta_src7. All data from the channel has been sent and received by the external memory. If a new channel has not been setup for the client vip2_lo_y then the client will be fully empty at this point. This event will cause a one to be set in this register until cleared by software. Write a 1 to this field to clear the value.	RW	0x0
18	INT_STAT_VIP2_MULT_PORTA_SRC6	The last write DMA transaction has completed for channel vip2_mult_porta_src6. All data from the channel has been sent and received by the external memory. If a new channel has not been setup for the client vip2_lo_y then the client will be fully empty at this point. This event will cause a one to be set in this register until cleared by software. Write a 1 to this field to clear the value.	RW	0x0
17	INT_STAT_VIP2_MULT_PORTA_SRC5	The last write DMA transaction has completed for channel vip2_mult_porta_src5. All data from the channel has been sent and received by the external memory. If a new channel has not been setup for the client vip2_lo_y then the client will be fully empty at this point. This event will cause a one to be set in this register until cleared by software. Write a 1 to this field to clear the value.	RW	0x0
16	INT_STAT_VIP2_MULT_PORTA_SRC4	The last write DMA transaction has completed for channel vip2_mult_porta_src4. All data from the channel has been sent and received by the external memory. If a new channel has not been setup for the client vip2_lo_y then the client will be fully empty at this point. This event will cause a one to be set in this register until cleared by software. Write a 1 to this field to clear the value.	RW	0x0
15	INT_STAT_VIP2_MULT_PORTA_SRC3	The last write DMA transaction has completed for channel vip2_mult_porta_src3. All data from the channel has been sent and received by the external memory. If a new channel has not been setup for the client vip2_lo_y then the client will be fully empty at this point. This event will cause a one to be set in this register until cleared by software. Write a 1 to this field to clear the value.	RW	0x0
14	INT_STAT_VIP2_MULT_PORTA_SRC2	The last write DMA transaction has completed for channel vip2_mult_porta_src2. All data from the channel has been sent and received by the external memory. If a new channel has not been setup for the client vip2_lo_y then the client will be fully empty at this point. This event will cause a one to be set in this register until cleared by software. Write a 1 to this field to clear the value.	RW	0x0
13	INT_STAT_VIP2_MULT_PORTA_SRC1	The last write DMA transaction has completed for channel vip2_mult_porta_src1. All data from the channel has been sent and received by the external memory. If a new channel has not been setup for the client vip2_lo_y then the client will be fully empty at this point. This event will cause a one to be set in this register until cleared by software. Write a 1 to this field to clear the value.	RW	0x0

Bits	Field Name	Description	Type	Reset
12	INT_STAT_VIP2_MULT_PORTA_SRC0	The last write DMA transaction has completed for channel vip2_mult_porta_src0. All data from the channel has been sent and received by the external memory. If a new channel has not been setup for the client vip2_lo_y then the client will be fully empty at this point. This event will cause a one to be set in this register until cleared by software. Write a 1 to this field to clear the value.	RW	0x0
11	INT_STAT_VIP1_PORTB_RGB	The last write DMA transaction has completed for channel vip1_portb_rgb. All data from the channel has been sent and received by the external memory. If a new channel has not been setup for the client vip1_lo_y then the client will be fully empty at this point. This event will cause a one to be set in this register until cleared by software. Write a 1 to this field to clear the value.	RW	0x0
10	INT_STAT_VIP1_PORTA_RGB	The last write DMA transaction has completed for channel vip1_porta_rgb. All data from the channel has been sent and received by the external memory. If a new channel has not been setup for the client vip1_up_y then the client will be fully empty at this point. This event will cause a one to be set in this register until cleared by software. Write a 1 to this field to clear the value.	RW	0x0
9	INT_STAT_VIP1_PORTB_CHROMA	The last write DMA transaction has completed for channel vip1_portb_chroma. All data from the channel has been sent and received by the external memory. If a new channel has not been setup for the client then the client will be fully empty at this point. This event will cause a one to be set in this register until cleared by software. Write a 1 to this field to clear the value.	RW	0x0
8	INT_STAT_VIP1_PORTB_LUMA	The last write DMA transaction has completed for channel vip1_portb_luma. All data from the channel has been sent and received by the external memory. If a new channel has not been setup for the client then the client will be fully empty at this point. This event will cause a one to be set in this register until cleared by software. Write a 1 to this field to clear the value.	RW	0x0
7	INT_STAT_VIP1_PORTA_CHROMA	The last write DMA transaction has completed for channel vip1_porta_chroma. All data from the channel has been sent and received by the external memory. If a new channel has not been setup for the client then the client will be fully empty at this point. This event will cause a one to be set in this register until cleared by software. Write a 1 to this field to clear the value.	RW	0x0
6	INT_STAT_VIP1_PORTA_LUMA	The last write DMA transaction has completed for channel vip1_porta_luma. All data from the channel has been sent and received by the external memory. If a new channel has not been setup for the client then the client will be fully empty at this point. This event will cause a one to be set in this register until cleared by software. Write a 1 to this field to clear the value.	RW	0x0
5	INT_STAT_VIP1_MULT_ANCB_SRC15	The last write DMA transaction has completed for channel vip1_mult_ancb_src15. All data from the channel has been sent and received by the external memory. If a new channel has not been setup for the client vip1_anc_b then the client will be fully empty at this point. This event will cause a one to be set in this register until cleared by software. Write a 1 to this field to clear the value.	RW	0x0
4	INT_STAT_VIP1_MULT_ANCB_SRC14	The last write DMA transaction has completed for channel vip1_mult_ancb_src14. All data from the channel has been sent and received by the external memory. If a new channel has not been setup for the client vip1_anc_b then the client will be fully empty at this point. This event will cause a one to be set in this register until cleared by software. Write a 1 to this field to clear the value.	RW	0x0

Bits	Field Name	Description	Type	Reset
3	INT_STAT_VIP1_MULT_ANCB_SRC13	The last write DMA transaction has completed for channel vip1_mult_ancb_src13. All data from the channel has been sent and received by the external memory. If a new channel has not been setup for the client vip1_anc_b then the client will be fully empty at this point. This event will cause a one to be set in this register until cleared by software. Write a 1 to this field to clear the value.	RW	0x0
2	INT_STAT_VIP1_MULT_ANCB_SRC12	The last write DMA transaction has completed for channel vip1_mult_ancb_src12. All data from the channel has been sent and received by the external memory. If a new channel has not been setup for the client vip1_anc_b then the client will be fully empty at this point. This event will cause a one to be set in this register until cleared by software. Write a 1 to this field to clear the value.	RW	0x0
1	INT_STAT_VIP1_MULT_ANCB_SRC11	The last write DMA transaction has completed for channel vip1_mult_ancb_src11. All data from the channel has been sent and received by the external memory. If a new channel has not been setup for the client vip1_anc_b then the client will be fully empty at this point. This event will cause a one to be set in this register until cleared by software. Write a 1 to this field to clear the value.	RW	0x0
0	INT_STAT_VIP1_MULT_ANCB_SRC10	The last write DMA transaction has completed for channel vip1_mult_ancb_src10. All data from the channel has been sent and received by the external memory. If a new channel has not been setup for the client vip1_anc_b then the client will be fully empty at this point. This event will cause a one to be set in this register until cleared by software. Write a 1 to this field to clear the value.	RW	0x0

Table 9-322. Register Call Summary for Register VIP_INT0_CHANNEL3_INT_STAT

VIP Functional Description

- [VPDMA Interrupts: \[0\]](#)

VIP Register Manual

- [VIP VPDMA Register Summary: \[2\]](#)

Table 9-323. VIP_INT0_CHANNEL3_INT_MASK

Address Offset	0x0000 005C	Instance	VIP1_VPDMA
Physical Address	0x4897 D05C		
Description	The register gives the information of the interrupts that should be masked and not generate an interrupt for vpdma_int0.		
Type	RW		

31	30	29	28	27	26	25	24	23	22	21	20	19	18	17	16	15	14	13	12	11	10	9	8	7	6	5	4	3	2	1	0
INT_MASK_VIP2_MULT_PORTB_SRC3	INT_MASK_VIP2_MULT_PORTB_SRC2	INT_MASK_VIP2_MULT_PORTB_SRC1	INT_MASK_VIP2_MULT_PORTB_SRC0	INT_MASK_VIP2_MULT_PORTA_SRC15	INT_MASK_VIP2_MULT_PORTA_SRC14	INT_MASK_VIP2_MULT_PORTA_SRC13	INT_MASK_VIP2_MULT_PORTA_SRC12	INT_MASK_VIP2_MULT_PORTA_SRC11	INT_MASK_VIP2_MULT_PORTA_SRC10	INT_MASK_VIP2_MULT_PORTA_SRC9	INT_MASK_VIP2_MULT_PORTA_SRC8	INT_MASK_VIP2_MULT_PORTA_SRC7	INT_MASK_VIP2_MULT_PORTA_SRC6	INT_MASK_VIP2_MULT_PORTA_SRC5	INT_MASK_VIP2_MULT_PORTA_SRC4	INT_MASK_VIP2_MULT_PORTA_SRC3	INT_MASK_VIP2_MULT_PORTA_SRC2	INT_MASK_VIP2_MULT_PORTA_SRC1	INT_MASK_VIP2_MULT_PORTA_SRC0	INT_MASK_VIP1_PORTB_RGB	INT_MASK_VIP1_PORTA_RGB	INT_MASK_VIP1_PORTB_CHROMA	INT_MASK_VIP1_PORTB_LUMA	INT_MASK_VIP1_PORTA_CHROMA	INT_MASK_VIP1_PORTA_LUMA	INT_MASK_VIP1_MULT_ANCB_SRC15	INT_MASK_VIP1_MULT_ANCB_SRC14	INT_MASK_VIP1_MULT_ANCB_SRC13	INT_MASK_VIP1_MULT_ANCB_SRC12	INT_MASK_VIP1_MULT_ANCB_SRC11	INT_MASK_VIP1_MULT_ANCB_SRC10

Bits	Field Name	Description	Type	Reset
31	INT_MASK_VIP2_MULT_PORTB_SRC3	The interrupt for Video Input 2 Port B Channel 3 should generate an interrupt on interrupt vpdma_int0. Write a 1 for the interrupt event to trigger the interrupt signal.	RW	0x0
30	INT_MASK_VIP2_MULT_PORTB_SRC2	The interrupt for Video Input 2 Port B Channel 2 should generate an interrupt on interrupt vpdma_int0. Write a 1 for the interrupt event to trigger the interrupt signal.	RW	0x0
29	INT_MASK_VIP2_MULT_PORTB_SRC1	The interrupt for Video Input 2 Port B Channel 1 should generate an interrupt on interrupt vpdma_int0. Write a 1 for the interrupt event to trigger the interrupt signal.	RW	0x0
28	INT_MASK_VIP2_MULT_PORTB_SRC0	The interrupt for Video Input 2 Port B Channel 0 should generate an interrupt on interrupt vpdma_int0. Write a 1 for the interrupt event to trigger the interrupt signal.	RW	0x0
27	INT_MASK_VIP2_MULT_PORTA_SRC15	The interrupt for Video Input 2 Port A Channel 15 should generate an interrupt on interrupt vpdma_int0. Write a 1 for the interrupt event to trigger the interrupt signal.	RW	0x0
26	INT_MASK_VIP2_MULT_PORTA_SRC14	The interrupt for Video Input 2 Port A Channel 14 should generate an interrupt on interrupt vpdma_int0. Write a 1 for the interrupt event to trigger the interrupt signal.	RW	0x0
25	INT_MASK_VIP2_MULT_PORTA_SRC13	The interrupt for Video Input 2 Port A Channel 13 should generate an interrupt on interrupt vpdma_int0. Write a 1 for the interrupt event to trigger the interrupt signal.	RW	0x0
24	INT_MASK_VIP2_MULT_PORTA_SRC12	The interrupt for Video Input 2 Port A Channel 12 should generate an interrupt on interrupt vpdma_int0. Write a 1 for the interrupt event to trigger the interrupt signal.	RW	0x0
23	INT_MASK_VIP2_MULT_PORTA_SRC11	The interrupt for Video Input 2 Port A Channel 11 should generate an interrupt on interrupt vpdma_int0. Write a 1 for the interrupt event to trigger the interrupt signal.	RW	0x0
22	INT_MASK_VIP2_MULT_PORTA_SRC10	The interrupt for Video Input 2 Port A Channel 10 should generate an interrupt on interrupt vpdma_int0. Write a 1 for the interrupt event to trigger the interrupt signal.	RW	0x0
21	INT_MASK_VIP2_MULT_PORTA_SRC9	The interrupt for Video Input 2 Port A Channel 9 should generate an interrupt on interrupt vpdma_int0. Write a 1 for the interrupt event to trigger the interrupt signal.	RW	0x0
20	INT_MASK_VIP2_MULT_PORTA_SRC8	The interrupt for Video Input 2 Port A Channel 8 should generate an interrupt on interrupt vpdma_int0. Write a 1 for the interrupt event to trigger the interrupt signal.	RW	0x0
19	INT_MASK_VIP2_MULT_PORTA_SRC7	The interrupt for Video Input 2 Port A Channel 7 should generate an interrupt on interrupt vpdma_int0. Write a 1 for the interrupt event to trigger the interrupt signal.	RW	0x0
18	INT_MASK_VIP2_MULT_PORTA_SRC6	The interrupt for Video Input 2 Port A Channel 6 should generate an interrupt on interrupt vpdma_int0. Write a 1 for the interrupt event to trigger the interrupt signal.	RW	0x0
17	INT_MASK_VIP2_MULT_PORTA_SRC5	The interrupt for Video Input 2 Port A Channel 5 should generate an interrupt on interrupt vpdma_int0. Write a 1 for the interrupt event to trigger the interrupt signal.	RW	0x0
16	INT_MASK_VIP2_MULT_PORTA_SRC4	The interrupt for Video Input 2 Port A Channel 4 should generate an interrupt on interrupt vpdma_int0. Write a 1 for the interrupt event to trigger the interrupt signal.	RW	0x0
15	INT_MASK_VIP2_MULT_PORTA_SRC3	The interrupt for Video Input 2 Port A Channel 3 should generate an interrupt on interrupt vpdma_int0. Write a 1 for the interrupt event to trigger the interrupt signal.	RW	0x0
14	INT_MASK_VIP2_MULT_PORTA_SRC2	The interrupt for Video Input 2 Port A Channel 2 should generate an interrupt on interrupt vpdma_int0. Write a 1 for the interrupt event to trigger the interrupt signal.	RW	0x0
13	INT_MASK_VIP2_MULT_PORTA_SRC1	The interrupt for Video Input 2 Port A Channel 1 should generate an interrupt on interrupt vpdma_int0. Write a 1 for the interrupt event to trigger the interrupt signal.	RW	0x0
12	INT_MASK_VIP2_MULT_PORTA_SRC0	The interrupt for Video Input 2 Port A Channel 0 should generate an interrupt on interrupt vpdma_int0. Write a 1 for the interrupt event to trigger the interrupt signal.	RW	0x0

Bits	Field Name	Description	Type	Reset
11	INT_MASK_VIP1_PORTB_RGB	The interrupt for Video Input 1 Port B RGB Data should generate an interrupt on interrupt vpdma_int0. Write a 1 for the interrupt event to trigger the interrupt signal.	RW	0x0
10	INT_MASK_VIP1_PORTA_RGB	The interrupt for Video Input 1 Port A RGB Data should generate an interrupt on interrupt vpdma_int0. Write a 1 for the interrupt event to trigger the interrupt signal.	RW	0x0
9	INT_MASK_VIP1_PORTB_CHROMA	The interrupt for should generate an interrupt on interrupt vpdma_int0. Write a 1 for the interrupt event to trigger the interrupt signal.	RW	0x0
8	INT_MASK_VIP1_PORTB_LUMA	The interrupt for should generate an interrupt on interrupt vpdma_int0. Write a 1 for the interrupt event to trigger the interrupt signal.	RW	0x0
7	INT_MASK_VIP1_PORTA_CHROMA	The interrupt for should generate an interrupt on interrupt vpdma_int0. Write a 1 for the interrupt event to trigger the interrupt signal.	RW	0x0
6	INT_MASK_VIP1_PORTA_LUMA	The interrupt for should generate an interrupt on interrupt vpdma_int0. Write a 1 for the interrupt event to trigger the interrupt signal.	RW	0x0
5	INT_MASK_VIP1_MULT_ANCB_SRC15	The interrupt for Video Input 1 Port B Ancillary Data Channel 15 should generate an interrupt on interrupt vpdma_int0. Write a 1 for the interrupt event to trigger the interrupt signal.	RW	0x0
4	INT_MASK_VIP1_MULT_ANCB_SRC14	The interrupt for Video Input 1 Port B Ancillary Data Channel 14 should generate an interrupt on interrupt vpdma_int0. Write a 1 for the interrupt event to trigger the interrupt signal.	RW	0x0
3	INT_MASK_VIP1_MULT_ANCB_SRC13	The interrupt for Video Input 1 Port B Ancillary Data Channel 13 should generate an interrupt on interrupt vpdma_int0. Write a 1 for the interrupt event to trigger the interrupt signal.	RW	0x0
2	INT_MASK_VIP1_MULT_ANCB_SRC12	The interrupt for Video Input 1 Port B Ancillary Data Channel 12 should generate an interrupt on interrupt vpdma_int0. Write a 1 for the interrupt event to trigger the interrupt signal.	RW	0x0
1	INT_MASK_VIP1_MULT_ANCB_SRC11	The interrupt for Video Input 1 Port B Ancillary Data Channel 11 should generate an interrupt on interrupt vpdma_int0. Write a 1 for the interrupt event to trigger the interrupt signal.	RW	0x0
0	INT_MASK_VIP1_MULT_ANCB_SRC10	The interrupt for Video Input 1 Port B Ancillary Data Channel 10 should generate an interrupt on interrupt vpdma_int0. Write a 1 for the interrupt event to trigger the interrupt signal.	RW	0x0

Table 9-324. Register Call Summary for Register VIP_INT0_CHANNEL3_INT_MASK

VIP Functional Description

- [VPDMA Interrupts: \[0\]](#)

VIP Register Manual

- [VIP VPDMA Register Summary: \[2\]](#)

Table 9-325. VIP_INT0_CHANNEL4_INT_STAT

Address Offset	0x0000 0060	Instance	VIP1_VPDMA
Physical Address	0x4897 D060		
Description	This register gives the information of the interrupts that have triggered since last cleared by the process that is servicing vpdma_int0.		
Type	RW		

31	30	29	28	27	26	25	24	23	22	21	20	19	18	17	16	15	14	13	12	11	10	9	8	7	6	5	4	3	2	1	0
INT_STAT_VIP2_MULT_ANCB_SRC3	INT_STAT_VIP2_MULT_ANCB_SRC2	INT_STAT_VIP2_MULT_ANCB_SRC1	INT_STAT_VIP2_MULT_ANCB_SRC0	INT_STAT_VIP2_MULT_ANCA_SRC15	INT_STAT_VIP2_MULT_ANCA_SRC14	INT_STAT_VIP2_MULT_ANCA_SRC13	INT_STAT_VIP2_MULT_ANCA_SRC12	INT_STAT_VIP2_MULT_ANCA_SRC11	INT_STAT_VIP2_MULT_ANCA_SRC10	INT_STAT_VIP2_MULT_ANCA_SRC9	INT_STAT_VIP2_MULT_ANCA_SRC8	INT_STAT_VIP2_MULT_ANCA_SRC7	INT_STAT_VIP2_MULT_ANCA_SRC6	INT_STAT_VIP2_MULT_ANCA_SRC5	INT_STAT_VIP2_MULT_ANCA_SRC4	INT_STAT_VIP2_MULT_ANCA_SRC3	INT_STAT_VIP2_MULT_ANCA_SRC2	INT_STAT_VIP2_MULT_ANCA_SRC1	INT_STAT_VIP2_MULT_ANCA_SRC0	INT_STAT_VIP2_MULT_PORTB_SRC15	INT_STAT_VIP2_MULT_PORTB_SRC14	INT_STAT_VIP2_MULT_PORTB_SRC13	INT_STAT_VIP2_MULT_PORTB_SRC12	INT_STAT_VIP2_MULT_PORTB_SRC11	INT_STAT_VIP2_MULT_PORTB_SRC10	INT_STAT_VIP2_MULT_PORTB_SRC9	INT_STAT_VIP2_MULT_PORTB_SRC8	INT_STAT_VIP2_MULT_PORTB_SRC7	INT_STAT_VIP2_MULT_PORTB_SRC6	INT_STAT_VIP2_MULT_PORTB_SRC5	INT_STAT_VIP2_MULT_PORTB_SRC4

Bits	Field Name	Description	Type	Reset
31	INT_STAT_VIP2_MULT_ANCB_SRC3	The last write DMA transaction has completed for channel vip2_mult_ancb_src3. All data from the channel has been sent and received by the external memory. If a new channel has not been setup for the client vip2_anc_b then the client will be fully empty at this point. This event will cause a one to be set in this register until cleared by software. Write a 1 to this field to clear the value.	RW	0x0
30	INT_STAT_VIP2_MULT_ANCB_SRC2	The last write DMA transaction has completed for channel vip2_mult_ancb_src2. All data from the channel has been sent and received by the external memory. If a new channel has not been setup for the client vip2_anc_b then the client will be fully empty at this point. This event will cause a one to be set in this register until cleared by software. Write a 1 to this field to clear the value.	RW	0x0
29	INT_STAT_VIP2_MULT_ANCB_SRC1	The last write DMA transaction has completed for channel vip2_mult_ancb_src1. All data from the channel has been sent and received by the external memory. If a new channel has not been setup for the client vip2_anc_b then the client will be fully empty at this point. This event will cause a one to be set in this register until cleared by software. Write a 1 to this field to clear the value.	RW	0x0
28	INT_STAT_VIP2_MULT_ANCB_SRC0	The last write DMA transaction has completed for channel vip2_mult_ancb_src0. All data from the channel has been sent and received by the external memory. If a new channel has not been setup for the client vip2_anc_b then the client will be fully empty at this point. This event will cause a one to be set in this register until cleared by software. Write a 1 to this field to clear the value.	RW	0x0
27	INT_STAT_VIP2_MULT_ANCA_SRC15	The last write DMA transaction has completed for channel vip2_mult_anca_src15. All data from the channel has been sent and received by the external memory. If a new channel has not been setup for the client vip2_anc_a then the client will be fully empty at this point. This event will cause a one to be set in this register until cleared by software. Write a 1 to this field to clear the value.	RW	0x0
26	INT_STAT_VIP2_MULT_ANCA_SRC14	The last write DMA transaction has completed for channel vip2_mult_anca_src14. All data from the channel has been sent and received by the external memory. If a new channel has not been setup for the client vip2_anc_a then the client will be fully empty at this point. This event will cause a one to be set in this register until cleared by software. Write a 1 to this field to clear the value.	RW	0x0
25	INT_STAT_VIP2_MULT_ANCA_SRC13	The last write DMA transaction has completed for channel vip2_mult_anca_src13. All data from the channel has been sent and received by the external memory. If a new channel has not been setup for the client vip2_anc_a then the client will be fully empty at this point. This event will cause a one to be set in this register until cleared by software. Write a 1 to this field to clear the value.	RW	0x0

Bits	Field Name	Description	Type	Reset
24	INT_STAT_VIP2_MULT_ANCA_SRC12	The last write DMA transaction has completed for channel vip2_mult_anca_src12. All data from the channel has been sent and received by the external memory. If a new channel has not been setup for the client vip2_anc_a then the client will be fully empty at this point. This event will cause a one to be set in this register until cleared by software. Write a 1 to this field to clear the value.	RW	0x0
23	INT_STAT_VIP2_MULT_ANCA_SRC11	The last write DMA transaction has completed for channel vip2_mult_anca_src11. All data from the channel has been sent and received by the external memory. If a new channel has not been setup for the client vip2_anc_a then the client will be fully empty at this point. This event will cause a one to be set in this register until cleared by software. Write a 1 to this field to clear the value.	RW	0x0
22	INT_STAT_VIP2_MULT_ANCA_SRC10	The last write DMA transaction has completed for channel vip2_mult_anca_src10. All data from the channel has been sent and received by the external memory. If a new channel has not been setup for the client vip2_anc_a then the client will be fully empty at this point. This event will cause a one to be set in this register until cleared by software. Write a 1 to this field to clear the value.	RW	0x0
21	INT_STAT_VIP2_MULT_ANCA_SRC9	The last write DMA transaction has completed for channel vip2_mult_anca_src9. All data from the channel has been sent and received by the external memory. If a new channel has not been setup for the client vip2_anc_a then the client will be fully empty at this point. This event will cause a one to be set in this register until cleared by software. Write a 1 to this field to clear the value.	RW	0x0
20	INT_STAT_VIP2_MULT_ANCA_SRC8	The last write DMA transaction has completed for channel vip2_mult_anca_src8. All data from the channel has been sent and received by the external memory. If a new channel has not been setup for the client vip2_anc_a then the client will be fully empty at this point. This event will cause a one to be set in this register until cleared by software. Write a 1 to this field to clear the value.	RW	0x0
19	INT_STAT_VIP2_MULT_ANCA_SRC7	The last write DMA transaction has completed for channel vip2_mult_anca_src7. All data from the channel has been sent and received by the external memory. If a new channel has not been setup for the client vip2_anc_a then the client will be fully empty at this point. This event will cause a one to be set in this register until cleared by software. Write a 1 to this field to clear the value.	RW	0x0
18	INT_STAT_VIP2_MULT_ANCA_SRC6	The last write DMA transaction has completed for channel vip2_mult_anca_src6. All data from the channel has been sent and received by the external memory. If a new channel has not been setup for the client vip2_anc_a then the client will be fully empty at this point. This event will cause a one to be set in this register until cleared by software. Write a 1 to this field to clear the value.	RW	0x0
17	INT_STAT_VIP2_MULT_ANCA_SRC5	The last write DMA transaction has completed for channel vip2_mult_anca_src5. All data from the channel has been sent and received by the external memory. If a new channel has not been setup for the client vip2_anc_a then the client will be fully empty at this point. This event will cause a one to be set in this register until cleared by software. Write a 1 to this field to clear the value.	RW	0x0
16	INT_STAT_VIP2_MULT_ANCA_SRC4	The last write DMA transaction has completed for channel vip2_mult_anca_src4. All data from the channel has been sent and received by the external memory. If a new channel has not been setup for the client vip2_anc_a then the client will be fully empty at this point. This event will cause a one to be set in this register until cleared by software. Write a 1 to this field to clear the value.	RW	0x0

Bits	Field Name	Description	Type	Reset
15	INT_STAT_VIP2_MULT_ANCA_SRC3	The last write DMA transaction has completed for channel vip2_mult_anca_src3. All data from the channel has been sent and received by the external memory. If a new channel has not been setup for the client vip2_anc_a then the client will be fully empty at this point. This event will cause a one to be set in this register until cleared by software. Write a 1 to this field to clear the value.	RW	0x0
14	INT_STAT_VIP2_MULT_ANCA_SRC2	The last write DMA transaction has completed for channel vip2_mult_anca_src2. All data from the channel has been sent and received by the external memory. If a new channel has not been setup for the client vip2_anc_a then the client will be fully empty at this point. This event will cause a one to be set in this register until cleared by software. Write a 1 to this field to clear the value.	RW	0x0
13	INT_STAT_VIP2_MULT_ANCA_SRC1	The last write DMA transaction has completed for channel vip2_mult_anca_src1. All data from the channel has been sent and received by the external memory. If a new channel has not been setup for the client vip2_anc_a then the client will be fully empty at this point. This event will cause a one to be set in this register until cleared by software. Write a 1 to this field to clear the value.	RW	0x0
12	INT_STAT_VIP2_MULT_ANCA_SRC0	The last write DMA transaction has completed for channel vip2_mult_anca_src0. All data from the channel has been sent and received by the external memory. If a new channel has not been setup for the client vip2_anc_a then the client will be fully empty at this point. This event will cause a one to be set in this register until cleared by software. Write a 1 to this field to clear the value.	RW	0x0
11	INT_STAT_VIP2_MULT_PORTB_SRC15	The last write DMA transaction has completed for channel vip2_mult_portb_src15. All data from the channel has been sent and received by the external memory. If a new channel has not been setup for the client vip2_lo_uv then the client will be fully empty at this point. This event will cause a one to be set in this register until cleared by software. Write a 1 to this field to clear the value.	RW	0x0
10	INT_STAT_VIP2_MULT_PORTB_SRC14	The last write DMA transaction has completed for channel vip2_mult_portb_src14. All data from the channel has been sent and received by the external memory. If a new channel has not been setup for the client vip2_lo_uv then the client will be fully empty at this point. This event will cause a one to be set in this register until cleared by software. Write a 1 to this field to clear the value.	RW	0x0
9	INT_STAT_VIP2_MULT_PORTB_SRC13	The last write DMA transaction has completed for channel vip2_mult_portb_src13. All data from the channel has been sent and received by the external memory. If a new channel has not been setup for the client vip2_lo_uv then the client will be fully empty at this point. This event will cause a one to be set in this register until cleared by software. Write a 1 to this field to clear the value.	RW	0x0
8	INT_STAT_VIP2_MULT_PORTB_SRC12	The last write DMA transaction has completed for channel vip2_mult_portb_src12. All data from the channel has been sent and received by the external memory. If a new channel has not been setup for the client vip2_lo_uv then the client will be fully empty at this point. This event will cause a one to be set in this register until cleared by software. Write a 1 to this field to clear the value.	RW	0x0
7	INT_STAT_VIP2_MULT_PORTB_SRC11	The last write DMA transaction has completed for channel vip2_mult_portb_src11. All data from the channel has been sent and received by the external memory. If a new channel has not been setup for the client vip2_lo_uv then the client will be fully empty at this point. This event will cause a one to be set in this register until cleared by software. Write a 1 to this field to clear the value.	RW	0x0

Bits	Field Name	Description	Type	Reset
6	INT_STAT_VIP2_MULT_PORTB_SRC10	The last write DMA transaction has completed for channel vip2_mult_portb_src10. All data from the channel has been sent and received by the external memory. If a new channel has not been setup for the client vip2_lo_uv then the client will be fully empty at this point. This event will cause a one to be set in this register until cleared by software. Write a 1 to this field to clear the value.	RW	0x0
5	INT_STAT_VIP2_MULT_PORTB_SRC9	The last write DMA transaction has completed for channel vip2_mult_portb_src9. All data from the channel has been sent and received by the external memory. If a new channel has not been setup for the client vip2_lo_uv then the client will be fully empty at this point. This event will cause a one to be set in this register until cleared by software. Write a 1 to this field to clear the value.	RW	0x0
4	INT_STAT_VIP2_MULT_PORTB_SRC8	The last write DMA transaction has completed for channel vip2_mult_portb_src8. All data from the channel has been sent and received by the external memory. If a new channel has not been setup for the client vip2_lo_uv then the client will be fully empty at this point. This event will cause a one to be set in this register until cleared by software. Write a 1 to this field to clear the value.	RW	0x0
3	INT_STAT_VIP2_MULT_PORTB_SRC7	The last write DMA transaction has completed for channel vip2_mult_portb_src7. All data from the channel has been sent and received by the external memory. If a new channel has not been setup for the client vip2_lo_uv then the client will be fully empty at this point. This event will cause a one to be set in this register until cleared by software. Write a 1 to this field to clear the value.	RW	0x0
2	INT_STAT_VIP2_MULT_PORTB_SRC6	The last write DMA transaction has completed for channel vip2_mult_portb_src6. All data from the channel has been sent and received by the external memory. If a new channel has not been setup for the client vip2_lo_uv then the client will be fully empty at this point. This event will cause a one to be set in this register until cleared by software. Write a 1 to this field to clear the value.	RW	0x0
1	INT_STAT_VIP2_MULT_PORTB_SRC5	The last write DMA transaction has completed for channel vip2_mult_portb_src5. All data from the channel has been sent and received by the external memory. If a new channel has not been setup for the client vip2_lo_uv then the client will be fully empty at this point. This event will cause a one to be set in this register until cleared by software. Write a 1 to this field to clear the value.	RW	0x0
0	INT_STAT_VIP2_MULT_PORTB_SRC4	The last write DMA transaction has completed for channel vip2_mult_portb_src4. All data from the channel has been sent and received by the external memory. If a new channel has not been setup for the client vip2_lo_uv then the client will be fully empty at this point. This event will cause a one to be set in this register until cleared by software. Write a 1 to this field to clear the value.	RW	0x0

Table 9-326. Register Call Summary for Register VIP_INT0_CHANNEL4_INT_STAT

VIP Functional Description

- [VPDMA Interrupts: \[0\]](#)

VIP Register Manual

- [VIP VPDMA Register Summary: \[2\]](#)

Table 9-327. VIP_INT0_CHANNEL4_INT_MASK

Address Offset	0x0000 0064	Instance	VIP1_VPDMA
Physical Address	0x4897 D064		
Description	The register gives the information of the interrupts that should be masked and not generate an interrupt for vpdma_int0.		
Type	RW		

31	30	29	28	27	26	25	24	23	22	21	20	19	18	17	16	15	14	13	12	11	10	9	8	7	6	5	4	3	2	1	0
INT_MASK_VIP2_MULT_ANCB_SRC3	INT_MASK_VIP2_MULT_ANCB_SRC2	INT_MASK_VIP2_MULT_ANCB_SRC1	INT_MASK_VIP2_MULT_ANCB_SRC0	INT_MASK_VIP2_MULT_ANCA_SRC15	INT_MASK_VIP2_MULT_ANCA_SRC14	INT_MASK_VIP2_MULT_ANCA_SRC13	INT_MASK_VIP2_MULT_ANCA_SRC12	INT_MASK_VIP2_MULT_ANCA_SRC11	INT_MASK_VIP2_MULT_ANCA_SRC10	INT_MASK_VIP2_MULT_ANCA_SRC9	INT_MASK_VIP2_MULT_ANCA_SRC8	INT_MASK_VIP2_MULT_ANCA_SRC7	INT_MASK_VIP2_MULT_ANCA_SRC6	INT_MASK_VIP2_MULT_ANCA_SRC5	INT_MASK_VIP2_MULT_ANCA_SRC4	INT_MASK_VIP2_MULT_ANCA_SRC3	INT_MASK_VIP2_MULT_ANCA_SRC2	INT_MASK_VIP2_MULT_ANCA_SRC1	INT_MASK_VIP2_MULT_ANCA_SRC0	INT_MASK_VIP2_MULT_PORTB_SRC15	INT_MASK_VIP2_MULT_PORTB_SRC14	INT_MASK_VIP2_MULT_PORTB_SRC13	INT_MASK_VIP2_MULT_PORTB_SRC12	INT_MASK_VIP2_MULT_PORTB_SRC11	INT_MASK_VIP2_MULT_PORTB_SRC10	INT_MASK_VIP2_MULT_PORTB_SRC9	INT_MASK_VIP2_MULT_PORTB_SRC8	INT_MASK_VIP2_MULT_PORTB_SRC7	INT_MASK_VIP2_MULT_PORTB_SRC6	INT_MASK_VIP2_MULT_PORTB_SRC5	INT_MASK_VIP2_MULT_PORTB_SRC4

Bits	Field Name	Description	Type	Reset
31	INT_MASK_VIP2_MULT_ANCB_SRC3	The interrupt for Video Input 2 Port B Ancillary Data Channel 3 should generate an interrupt on interrupt vpdma_int0. Write a 1 for the interrupt event to trigger the interrupt signal.	RW	0x0
30	INT_MASK_VIP2_MULT_ANCB_SRC2	The interrupt for Video Input 2 Port B Ancillary Data Channel 2 should generate an interrupt on interrupt vpdma_int0. Write a 1 for the interrupt event to trigger the interrupt signal.	RW	0x0
29	INT_MASK_VIP2_MULT_ANCB_SRC1	The interrupt for Video Input 2 Port B Ancillary Data Channel 1 should generate an interrupt on interrupt vpdma_int0. Write a 1 for the interrupt event to trigger the interrupt signal.	RW	0x0
28	INT_MASK_VIP2_MULT_ANCB_SRC0	The interrupt for Video Input 2 Port B Ancillary Data Channel 0 should generate an interrupt on interrupt vpdma_int0. Write a 1 for the interrupt event to trigger the interrupt signal.	RW	0x0
27	INT_MASK_VIP2_MULT_ANCA_SRC15	The interrupt for Video Input 2 Port A Ancillary Data Channel 15 should generate an interrupt on interrupt vpdma_int0. Write a 1 for the interrupt event to trigger the interrupt signal.	RW	0x0
26	INT_MASK_VIP2_MULT_ANCA_SRC14	The interrupt for Video Input 2 Port A Ancillary Data Channel 14 should generate an interrupt on interrupt vpdma_int0. Write a 1 for the interrupt event to trigger the interrupt signal.	RW	0x0
25	INT_MASK_VIP2_MULT_ANCA_SRC13	The interrupt for Video Input 2 Port A Ancillary Data Channel 13 should generate an interrupt on interrupt vpdma_int0. Write a 1 for the interrupt event to trigger the interrupt signal.	RW	0x0
24	INT_MASK_VIP2_MULT_ANCA_SRC12	The interrupt for Video Input 2 Port A Ancillary Data Channel 12 should generate an interrupt on interrupt vpdma_int0. Write a 1 for the interrupt event to trigger the interrupt signal.	RW	0x0
23	INT_MASK_VIP2_MULT_ANCA_SRC11	The interrupt for Video Input 2 Port A Ancillary Data Channel 11 should generate an interrupt on interrupt vpdma_int0. Write a 1 for the interrupt event to trigger the interrupt signal.	RW	0x0
22	INT_MASK_VIP2_MULT_ANCA_SRC10	The interrupt for Video Input 2 Port A Ancillary Data Channel 10 should generate an interrupt on interrupt vpdma_int0. Write a 1 for the interrupt event to trigger the interrupt signal.	RW	0x0
21	INT_MASK_VIP2_MULT_ANCA_SRC9	The interrupt for Video Input 2 Port A Ancillary Data Channel 9 should generate an interrupt on interrupt vpdma_int0. Write a 1 for the interrupt event to trigger the interrupt signal.	RW	0x0

Bits	Field Name	Description	Type	Reset
20	INT_MASK_VIP2_MULT_ANCA_SRC8	The interrupt for Video Input 2 Port A Ancillary Data Channel 8 should generate an interrupt on interrupt vpdma_int0. Write a 1 for the interrupt event to trigger the interrupt signal.	RW	0x0
19	INT_MASK_VIP2_MULT_ANCA_SRC7	The interrupt for Video Input 2 Port A Ancillary Data Channel 7 should generate an interrupt on interrupt vpdma_int0. Write a 1 for the interrupt event to trigger the interrupt signal.	RW	0x0
18	INT_MASK_VIP2_MULT_ANCA_SRC6	The interrupt for Video Input 2 Port A Ancillary Data Channel 6 should generate an interrupt on interrupt vpdma_int0. Write a 1 for the interrupt event to trigger the interrupt signal.	RW	0x0
17	INT_MASK_VIP2_MULT_ANCA_SRC5	The interrupt for Video Input 2 Port A Ancillary Data Channel 5 should generate an interrupt on interrupt vpdma_int0. Write a 1 for the interrupt event to trigger the interrupt signal.	RW	0x0
16	INT_MASK_VIP2_MULT_ANCA_SRC4	The interrupt for Video Input 2 Port A Ancillary Data Channel 4 should generate an interrupt on interrupt vpdma_int0. Write a 1 for the interrupt event to trigger the interrupt signal.	RW	0x0
15	INT_MASK_VIP2_MULT_ANCA_SRC3	The interrupt for Video Input 2 Port A Ancillary Data Channel 3 should generate an interrupt on interrupt vpdma_int0. Write a 1 for the interrupt event to trigger the interrupt signal.	RW	0x0
14	INT_MASK_VIP2_MULT_ANCA_SRC2	The interrupt for Video Input 2 Port A Ancillary Data Channel 2 should generate an interrupt on interrupt vpdma_int0. Write a 1 for the interrupt event to trigger the interrupt signal.	RW	0x0
13	INT_MASK_VIP2_MULT_ANCA_SRC1	The interrupt for Video Input 2 Port A Ancillary Data Channel 1 should generate an interrupt on interrupt vpdma_int0. Write a 1 for the interrupt event to trigger the interrupt signal.	RW	0x0
12	INT_MASK_VIP2_MULT_ANCA_SRC0	The interrupt for Video Input 2 Port A Ancillary Data Channel 0 should generate an interrupt on interrupt vpdma_int0. Write a 1 for the interrupt event to trigger the interrupt signal.	RW	0x0
11	INT_MASK_VIP2_MULT_PORTB_SRC15	The interrupt for Video Input 2 Port B Channel 15 should generate an interrupt on interrupt vpdma_int0. Write a 1 for the interrupt event to trigger the interrupt signal.	RW	0x0
10	INT_MASK_VIP2_MULT_PORTB_SRC14	The interrupt for Video Input 2 Port B Channel 14 should generate an interrupt on interrupt vpdma_int0. Write a 1 for the interrupt event to trigger the interrupt signal.	RW	0x0
9	INT_MASK_VIP2_MULT_PORTB_SRC13	The interrupt for Video Input 2 Port B Channel 13 should generate an interrupt on interrupt vpdma_int0. Write a 1 for the interrupt event to trigger the interrupt signal.	RW	0x0
8	INT_MASK_VIP2_MULT_PORTB_SRC12	The interrupt for Video Input 2 Port B Channel 12 should generate an interrupt on interrupt vpdma_int0. Write a 1 for the interrupt event to trigger the interrupt signal.	RW	0x0
7	INT_MASK_VIP2_MULT_PORTB_SRC11	The interrupt for Video Input 2 Port B Channel 11 should generate an interrupt on interrupt vpdma_int0. Write a 1 for the interrupt event to trigger the interrupt signal.	RW	0x0
6	INT_MASK_VIP2_MULT_PORTB_SRC10	The interrupt for Video Input 2 Port B Channel 10 should generate an interrupt on interrupt vpdma_int0. Write a 1 for the interrupt event to trigger the interrupt signal.	RW	0x0
5	INT_MASK_VIP2_MULT_PORTB_SRC9	The interrupt for Video Input 2 Port B Channel 9 should generate an interrupt on interrupt vpdma_int0. Write a 1 for the interrupt event to trigger the interrupt signal.	RW	0x0
4	INT_MASK_VIP2_MULT_PORTB_SRC8	The interrupt for Video Input 2 Port B Channel 8 should generate an interrupt on interrupt vpdma_int0. Write a 1 for the interrupt event to trigger the interrupt signal.	RW	0x0
3	INT_MASK_VIP2_MULT_PORTB_SRC7	The interrupt for Video Input 2 Port B Channel 7 should generate an interrupt on interrupt vpdma_int0. Write a 1 for the interrupt event to trigger the interrupt signal.	RW	0x0

Bits	Field Name	Description	Type	Reset
2	INT_MASK_VIP2_MULT_PORTB_SRC6	The interrupt for Video Input 2 Port B Channel 6 should generate an interrupt on interrupt vpdma_int0. Write a 1 for the interrupt event to trigger the interrupt signal.	RW	0x0
1	INT_MASK_VIP2_MULT_PORTB_SRC5	The interrupt for Video Input 2 Port B Channel 5 should generate an interrupt on interrupt vpdma_int0. Write a 1 for the interrupt event to trigger the interrupt signal.	RW	0x0
0	INT_MASK_VIP2_MULT_PORTB_SRC4	The interrupt for Video Input 2 Port B Channel 4 should generate an interrupt on interrupt vpdma_int0. Write a 1 for the interrupt event to trigger the interrupt signal.	RW	0x0

Table 9-328. Register Call Summary for Register VIP_INT0_CHANNEL4_INT_MASK

VIP Functional Description

- [VPDMA Interrupts: \[0\]](#)

VIP Register Manual

- [VIP VPDMA Register Summary: \[2\]](#)

Table 9-329. VIP_INT0_CHANNEL5_INT_STAT

Address Offset	0x0000 0068	Instance	VIP1_VPDMA
Physical Address	0x4897 D068		
Description	This register gives the information of the interrupts that have triggered since last cleared by the process that is servicing vpdma_int0.		
Type	RW		

31	30	29	28	27	26	25	24	23	22	21	20	19	18	17	16	15	14	13	12	11	10	9	8	7	6	5	4	3	2	1	0
INT_STAT_TRANSCODE2_CHROMA	INT_STAT_TRANSCODE2_LUMA	INT_STAT_TRANSCODE1_CHROMA	INT_STAT_TRANSCODE1_LUMA	INT_STAT_AUX_IN	INT_STAT_PIP_FRAME	INT_STAT_POST_COMP_WR	INT_STAT_VBI_SD_VENC	RESERVED	INT_STAT_NF_LAST_CHROMA	INT_STAT_NF_LAST_LUMA	INT_STAT_NF_WRITE_CHROMA	INT_STAT_NF_WRITE_LUMA	INT_STAT_OTHER	INT_STAT_VIP2_PORTB_RGB	INT_STAT_VIP2_PORTA_RGB	INT_STAT_VIP2_PORTB_CHROMA	INT_STAT_VIP2_PORTB_LUMA	INT_STAT_VIP2_PORTA_CHROMA	INT_STAT_VIP2_PORTA_LUMA	INT_STAT_VIP2_MULT_ANCB_SRC15	INT_STAT_VIP2_MULT_ANCB_SRC14	INT_STAT_VIP2_MULT_ANCB_SRC13	INT_STAT_VIP2_MULT_ANCB_SRC12	INT_STAT_VIP2_MULT_ANCB_SRC11	INT_STAT_VIP2_MULT_ANCB_SRC10	INT_STAT_VIP2_MULT_ANCB_SRC9	INT_STAT_VIP2_MULT_ANCB_SRC8	INT_STAT_VIP2_MULT_ANCB_SRC7	INT_STAT_VIP2_MULT_ANCB_SRC6	INT_STAT_VIP2_MULT_ANCB_SRC5	INT_STAT_VIP2_MULT_ANCB_SRC4

Bits	Field Name	Description	Type	Reset
31	INT_STAT_TRANSCODE2_CHROMA	The last write DMA transaction has completed for channel transcode2_chroma. All data from the channel has been sent and received by the external memory. If a new channel has not been setup for the client then the client will be fully empty at this point. This event will cause a one to be set in this register until cleared by software. Write a 1 to this field to clear the value.	RW	0x0
30	INT_STAT_TRANSCODE2_LUMA	The last write DMA transaction has completed for channel transcode2_luma. All data from the channel has been sent and received by the external memory. If a new channel has not been setup for the client then the client will be fully empty at this point. This event will cause a one to be set in this register until cleared by software. Write a 1 to this field to clear the value.	RW	0x0

Bits	Field Name	Description	Type	Reset
29	INT_STAT_TRANSCODE1_CHROMA	The last write DMA transaction has completed for channel transcode1_luma. All data from the channel has been sent and received by the external memory. If a new channel has not been setup for the client then the client will be fully empty at this point. This event will cause a one to be set in this register until cleared by software. Write a 1 to this field to clear the value.	RW	0x0
28	INT_STAT_TRANSCODE1_LUMA	The last write DMA transaction has completed for channel transcode1_luma. All data from the channel has been sent and received by the external memory. If a new channel has not been setup for the client then the client will be fully empty at this point. This event will cause a one to be set in this register until cleared by software. Write a 1 to this field to clear the value.	RW	0x0
27	INT_STAT_AUX_IN	The last read DMA transaction has occurred for channel aux_in and the channel is free to be updated for the next transfer. This will fire before the destination has received the data as it will have just been stored in the internal buffer. The client comp_wrbk will now accept a new descriptor from the List Manager. This event will cause a one to be set in this register until cleared by software. Write a 1 to this field to clear the value.	RW	0x0
26	INT_STAT_PIP_FRAME	The last read DMA transaction has occurred for channel pip_frame and the channel is free to be updated for the next transfer. This will fire before the destination has received the data as it will have just been stored in the internal buffer. The client pip_wrbk will now accept a new descriptor from the List Manager. This event will cause a one to be set in this register until cleared by software. Write a 1 to this field to clear the value.	RW	0x0
25	INT_STAT_POST_COMP_WR	The last write DMA transaction has completed for channel post_comp_wr. All data from the channel has been sent and received by the external memory. If a new channel has not been setup for the client hdmi_wrbk_out then the client will be fully empty at this point. This event will cause a one to be set in this register until cleared by software. Write a 1 to this field to clear the value.	RW	0x0
24	INT_STAT_VBI_SD_VENC	The last read DMA transaction has occurred for channel vbi_sd_venc and the channel is free to be updated for the next transfer. This will fire before the destination has received the data as it will have just been stored in the internal buffer. The client vbi_sdvenc will now accept a new descriptor from the List Manager. This event will cause a one to be set in this register until cleared by software. Write a 1 to this field to clear the value.	RW	0x0
23	RESERVED	Reserved	R	0x0
22	INT_STAT_NF_LAST_CHROMA	The last write DMA transaction has completed for channel nf_last_chroma. All data from the channel has been sent and received by the external memory. If a new channel has not been setup for the client then the client will be fully empty at this point. This event will cause a one to be set in this register until cleared by software. Write a 1 to this field to clear the value.	RW	0x0
21	INT_STAT_NF_LAST_LUMA	The last write DMA transaction has completed for channel nf_last_luma. All data from the channel has been sent and received by the external memory. If a new channel has not been setup for the client then the client will be fully empty at this point. This event will cause a one to be set in this register until cleared by software. Write a 1 to this field to clear the value.	RW	0x0
20	INT_STAT_NF_WRITE_CHROMA	The last write DMA transaction has completed for channel nf_write_chroma. All data from the channel has been sent and received by the external memory. If a new channel has not been setup for the client then the client will be fully empty at this point. This event will cause a one to be set in this register until cleared by software. Write a 1 to this field to clear the value.	RW	0x0

Bits	Field Name	Description	Type	Reset
19	INT_STAT_NF_WRITE_LUMA	The last write DMA transaction has completed for channel <code>nf_write_luma</code> . All data from the channel has been sent and received by the external memory. If a new channel has not been setup for the client then the client will be fully empty at this point. This event will cause a one to be set in this register until cleared by software. Write a 1 to this field to clear the value.	RW	0x0
18	INT_STAT_OTHER	This event will cause a one to be set in this register until cleared by software. Write a 1 to this field to clear the value.	RW	0x0
17	INT_STAT_VIP2_PORTB_RGB	The last write DMA transaction has completed for channel <code>vip2_portb_rgb</code> . All data from the channel has been sent and received by the external memory. If a new channel has not been setup for the client <code>vip2_lo_y</code> then the client will be fully empty at this point. This event will cause a one to be set in this register until cleared by software. Write a 1 to this field to clear the value.	RW	0x0
16	INT_STAT_VIP2_PORTA_RGB	The last write DMA transaction has completed for channel <code>vip2_porta_rgb</code> . All data from the channel has been sent and received by the external memory. If a new channel has not been setup for the client <code>vip2_up_y</code> then the client will be fully empty at this point. This event will cause a one to be set in this register until cleared by software. Write a 1 to this field to clear the value.	RW	0x0
15	INT_STAT_VIP2_PORTB_CHROMA	The last write DMA transaction has completed for channel <code>vip2_portb_chroma</code> . All data from the channel has been sent and received by the external memory. If a new channel has not been setup for the client then the client will be fully empty at this point. This event will cause a one to be set in this register until cleared by software. Write a 1 to this field to clear the value.	RW	0x0
14	INT_STAT_VIP2_PORTB_LUMA	The last write DMA transaction has completed for channel <code>vip2_portb_luma</code> . All data from the channel has been sent and received by the external memory. If a new channel has not been setup for the client then the client will be fully empty at this point. This event will cause a one to be set in this register until cleared by software. Write a 1 to this field to clear the value.	RW	0x0
13	INT_STAT_VIP2_PORTA_CHROMA	The last write DMA transaction has completed for channel <code>vip2_porta_chroma</code> . All data from the channel has been sent and received by the external memory. If a new channel has not been setup for the client then the client will be fully empty at this point. This event will cause a one to be set in this register until cleared by software. Write a 1 to this field to clear the value.	RW	0x0
12	INT_STAT_VIP2_PORTA_LUMA	The last write DMA transaction has completed for channel <code>vip2_porta_luma</code> . All data from the channel has been sent and received by the external memory. If a new channel has not been setup for the client then the client will be fully empty at this point. This event will cause a one to be set in this register until cleared by software. Write a 1 to this field to clear the value.	RW	0x0
11	INT_STAT_VIP2_MULT_ANCB_SRC15	The last write DMA transaction has completed for channel <code>vip2_mult_ancb_src15</code> . All data from the channel has been sent and received by the external memory. If a new channel has not been setup for the client <code>vip2_anc_b</code> then the client will be fully empty at this point. This event will cause a one to be set in this register until cleared by software. Write a 1 to this field to clear the value.	RW	0x0
10	INT_STAT_VIP2_MULT_ANCB_SRC14	The last write DMA transaction has completed for channel <code>vip2_mult_ancb_src14</code> . All data from the channel has been sent and received by the external memory. If a new channel has not been setup for the client <code>vip2_anc_b</code> then the client will be fully empty at this point. This event will cause a one to be set in this register until cleared by software. Write a 1 to this field to clear the value.	RW	0x0

Bits	Field Name	Description	Type	Reset
9	INT_STAT_VIP2_MULT_ANCB_SRC13	The last write DMA transaction has completed for channel vip2_mult_ancb_src13. All data from the channel has been sent and received by the external memory. If a new channel has not been setup for the client vip2_anc_b then the client will be fully empty at this point. This event will cause a one to be set in this register until cleared by software. Write a 1 to this field to clear the value.	RW	0x0
8	INT_STAT_VIP2_MULT_ANCB_SRC12	The last write DMA transaction has completed for channel vip2_mult_ancb_src12. All data from the channel has been sent and received by the external memory. If a new channel has not been setup for the client vip2_anc_b then the client will be fully empty at this point. This event will cause a one to be set in this register until cleared by software. Write a 1 to this field to clear the value.	RW	0x0
7	INT_STAT_VIP2_MULT_ANCB_SRC11	The last write DMA transaction has completed for channel vip2_mult_ancb_src11. All data from the channel has been sent and received by the external memory. If a new channel has not been setup for the client vip2_anc_b then the client will be fully empty at this point. This event will cause a one to be set in this register until cleared by software. Write a 1 to this field to clear the value.	RW	0x0
6	INT_STAT_VIP2_MULT_ANCB_SRC10	The last write DMA transaction has completed for channel vip2_mult_ancb_src10. All data from the channel has been sent and received by the external memory. If a new channel has not been setup for the client vip2_anc_b then the client will be fully empty at this point. This event will cause a one to be set in this register until cleared by software. Write a 1 to this field to clear the value.	RW	0x0
5	INT_STAT_VIP2_MULT_ANCB_SRC9	The last write DMA transaction has completed for channel vip2_mult_ancb_src9. All data from the channel has been sent and received by the external memory. If a new channel has not been setup for the client vip2_anc_b then the client will be fully empty at this point. This event will cause a one to be set in this register until cleared by software. Write a 1 to this field to clear the value.	RW	0x0
4	INT_STAT_VIP2_MULT_ANCB_SRC8	The last write DMA transaction has completed for channel vip2_mult_ancb_src8. All data from the channel has been sent and received by the external memory. If a new channel has not been setup for the client vip2_anc_b then the client will be fully empty at this point. This event will cause a one to be set in this register until cleared by software. Write a 1 to this field to clear the value.	RW	0x0
3	INT_STAT_VIP2_MULT_ANCB_SRC7	The last write DMA transaction has completed for channel vip2_mult_ancb_src7. All data from the channel has been sent and received by the external memory. If a new channel has not been setup for the client vip2_anc_b then the client will be fully empty at this point. This event will cause a one to be set in this register until cleared by software. Write a 1 to this field to clear the value.	RW	0x0
2	INT_STAT_VIP2_MULT_ANCB_SRC6	The last write DMA transaction has completed for channel vip2_mult_ancb_src6. All data from the channel has been sent and received by the external memory. If a new channel has not been setup for the client vip2_anc_b then the client will be fully empty at this point. This event will cause a one to be set in this register until cleared by software. Write a 1 to this field to clear the value.	RW	0x0
1	INT_STAT_VIP2_MULT_ANCB_SRC5	The last write DMA transaction has completed for channel vip2_mult_ancb_src5. All data from the channel has been sent and received by the external memory. If a new channel has not been setup for the client vip2_anc_b then the client will be fully empty at this point. This event will cause a one to be set in this register until cleared by software. Write a 1 to this field to clear the value.	RW	0x0

Bits	Field Name	Description	Type	Reset
0	INT_STAT_VIP2_MULT_ANCB_SRC4	The last write DMA transaction has completed for channel vip2_mult_ancb_src4. All data from the channel has been sent and received by the external memory. If a new channel has not been setup for the client vip2_anc_b then the client will be fully empty at this point. This event will cause a one to be set in this register until cleared by software. Write a 1 to this field to clear the value.	RW	0x0

Table 9-330. Register Call Summary for Register VIP_INT0_CHANNEL5_INT_STAT

VIP Functional Description

- [VPDMA Interrupts: \[0\]](#)

VIP Register Manual

- [VIP VPDMA Register Summary: \[2\]](#)

Table 9-331. VIP_INT0_CHANNEL5_INT_MASK

Address Offset	0x0000 006C	Instance	VIP1_VPDMA
Physical Address	0x4897 D06C		
Description	The register gives the information of the interrupts that should be masked and not generate an interrupt for vpdma_int0.		
Type	RW		

31	30	29	28	27	26	25	24	23	22	21	20	19	18	17	16	15	14	13	12	11	10	9	8	7	6	5	4	3	2	1	0
INT_MASK_TRANSCODE2_CHROMA	INT_MASK_TRANSCODE2_LUMA	INT_MASK_TRANSCODE1_CHROMA	INT_MASK_TRANSCODE1_LUMA	INT_MASK_AUX_IN	INT_MASK_PIP_FRAME	INT_MASK_POST_COMP_WR	INT_MASK_VBI_SD_VENC	RESERVED	INT_MASK_NF_LAST_CHROMA	INT_MASK_NF_LAST_LUMA	INT_MASK_NF_WRITE_CHROMA	INT_MASK_NF_WRITE_LUMA	INT_MASK_OTHER	INT_MASK_VIP2_PORTB_RGB	INT_MASK_VIP2_PORTA_RGB	INT_MASK_VIP2_PORTB_CHROMA	INT_MASK_VIP2_PORTB_LUMA	INT_MASK_VIP2_PORTA_CHROMA	INT_MASK_VIP2_PORTA_LUMA	INT_MASK_VIP2_MULT_ANCB_SRC15	INT_MASK_VIP2_MULT_ANCB_SRC14	INT_MASK_VIP2_MULT_ANCB_SRC13	INT_MASK_VIP2_MULT_ANCB_SRC12	INT_MASK_VIP2_MULT_ANCB_SRC11	INT_MASK_VIP2_MULT_ANCB_SRC10	INT_MASK_VIP2_MULT_ANCB_SRC9	INT_MASK_VIP2_MULT_ANCB_SRC8	INT_MASK_VIP2_MULT_ANCB_SRC7	INT_MASK_VIP2_MULT_ANCB_SRC6	INT_MASK_VIP2_MULT_ANCB_SRC5	INT_MASK_VIP2_MULT_ANCB_SRC4

Bits	Field Name	Description	Type	Reset
31	INT_MASK_TRANSCODE2_CHROMA	The interrupt for should generate an interrupt on interrupt vpdma_int0. Write a 1 for the interrupt event to trigger the interrupt signal.	RW	0x0
30	INT_MASK_TRANSCODE2_LUMA	The interrupt for should generate an interrupt on interrupt vpdma_int0. Write a 1 for the interrupt event to trigger the interrupt signal.	RW	0x0
29	INT_MASK_TRANSCODE1_CHROMA	The interrupt for should generate an interrupt on interrupt vpdma_int0. Write a 1 for the interrupt event to trigger the interrupt signal.	RW	0x0
28	INT_MASK_TRANSCODE1_LUMA	The interrupt for should generate an interrupt on interrupt vpdma_int0. Write a 1 for the interrupt event to trigger the interrupt signal.	RW	0x0
27	INT_MASK_AUX_IN	The interrupt for Auxiliary Data for the Compositor Frame From Memory should generate an interrupt on interrupt vpdma_int0. Write a 1 for the interrupt event to trigger the interrupt signal.	RW	0x0

Bits	Field Name	Description	Type	Reset
26	INT_MASK_PIP_FRAME	The interrupt for PIP Data for the Composer Frame From Memory should generate an interrupt on interrupt vpdma_int0. Write a 1 for the interrupt event to trigger the interrupt signal.	RW	0x0
25	INT_MASK_POST_COMP_WR	The interrupt for Post Composer Writeback to Memory should generate an interrupt on interrupt vpdma_int0. Write a 1 for the interrupt event to trigger the interrupt signal.	RW	0x0
24	INT_MASK_VBI_SD_VENC	The interrupt for SD Video Encoder VBI Data should generate an interrupt on interrupt vpdma_int0. Write a 1 for the interrupt event to trigger the interrupt signal.	RW	0x0
23	RESERVED	Reserved	R	0x0
22	INT_MASK_NF_LAST_CHROMA	The interrupt for should generate an interrupt on interrupt vpdma_int0. Write a 1 for the interrupt event to trigger the interrupt signal.	RW	0x0
21	INT_MASK_NF_LAST_LUMA	The interrupt for should generate an interrupt on interrupt vpdma_int0. Write a 1 for the interrupt event to trigger the interrupt signal.	RW	0x0
20	INT_MASK_NF_WRITE_CHROMA	The interrupt for should generate an interrupt on interrupt vpdma_int0. Write a 1 for the interrupt event to trigger the interrupt signal.	RW	0x0
19	INT_MASK_NF_WRITE_LUMA	The interrupt for should generate an interrupt on interrupt vpdma_int0. Write a 1 for the interrupt event to trigger the interrupt signal.	RW	0x0
18	INT_MASK_OTHER	The interrupt for should generate an interrupt on interrupt vpdma_int0. Write a 1 for the interrupt event to trigger the interrupt signal.	RW	0x0
17	INT_MASK_VIP2_PORTB_RGB	The interrupt for Video Input 2 Port B RGB Data should generate an interrupt on interrupt vpdma_int0. Write a 1 for the interrupt event to trigger the interrupt signal.	RW	0x0
16	INT_MASK_VIP2_PORTA_RGB	The interrupt for Video Input 2 Port A RGB Data should generate an interrupt on interrupt vpdma_int0. Write a 1 for the interrupt event to trigger the interrupt signal.	RW	0x0
15	INT_MASK_VIP2_PORTB_CHROMA	The interrupt for should generate an interrupt on interrupt vpdma_int0. Write a 1 for the interrupt event to trigger the interrupt signal.	RW	0x0
14	INT_MASK_VIP2_PORTB_LUMA	The interrupt for should generate an interrupt on interrupt vpdma_int0. Write a 1 for the interrupt event to trigger the interrupt signal.	RW	0x0
13	INT_MASK_VIP2_PORTA_CHROMA	The interrupt for should generate an interrupt on interrupt vpdma_int0. Write a 1 for the interrupt event to trigger the interrupt signal.	RW	0x0
12	INT_MASK_VIP2_PORTA_LUMA	The interrupt for should generate an interrupt on interrupt vpdma_int0. Write a 1 for the interrupt event to trigger the interrupt signal.	RW	0x0
11	INT_MASK_VIP2_MULT_ANCB_SRC15	The interrupt for Video Input 2 Port B Ancillary Data Channel 15 should generate an interrupt on interrupt vpdma_int0. Write a 1 for the interrupt event to trigger the interrupt signal.	RW	0x0
10	INT_MASK_VIP2_MULT_ANCB_SRC14	The interrupt for Video Input 2 Port B Ancillary Data Channel 14 should generate an interrupt on interrupt vpdma_int0. Write a 1 for the interrupt event to trigger the interrupt signal.	RW	0x0
9	INT_MASK_VIP2_MULT_ANCB_SRC13	The interrupt for Video Input 2 Port B Ancillary Data Channel 13 should generate an interrupt on interrupt vpdma_int0. Write a 1 for the interrupt event to trigger the interrupt signal.	RW	0x0
8	INT_MASK_VIP2_MULT_ANCB_SRC12	The interrupt for Video Input 2 Port B Ancillary Data Channel 12 should generate an interrupt on interrupt vpdma_int0. Write a 1 for the interrupt event to trigger the interrupt signal.	RW	0x0

Bits	Field Name	Description	Type	Reset
7	INT_MASK_VIP2_MULT_ANCB_SRC11	The interrupt for Video Input 2 Port B Ancillary Data Channel 11 should generate an interrupt on interrupt vpdma_int0. Write a 1 for the interrupt event to trigger the interrupt signal.	RW	0x0
6	INT_MASK_VIP2_MULT_ANCB_SRC10	The interrupt for Video Input 2 Port B Ancillary Data Channel 10 should generate an interrupt on interrupt vpdma_int0. Write a 1 for the interrupt event to trigger the interrupt signal.	RW	0x0
5	INT_MASK_VIP2_MULT_ANCB_SRC9	The interrupt for Video Input 2 Port B Ancillary Data Channel 9 should generate an interrupt on interrupt vpdma_int0. Write a 1 for the interrupt event to trigger the interrupt signal.	RW	0x0
4	INT_MASK_VIP2_MULT_ANCB_SRC8	The interrupt for Video Input 2 Port B Ancillary Data Channel 8 should generate an interrupt on interrupt vpdma_int0. Write a 1 for the interrupt event to trigger the interrupt signal.	RW	0x0
3	INT_MASK_VIP2_MULT_ANCB_SRC7	The interrupt for Video Input 2 Port B Ancillary Data Channel 7 should generate an interrupt on interrupt vpdma_int0. Write a 1 for the interrupt event to trigger the interrupt signal.	RW	0x0
2	INT_MASK_VIP2_MULT_ANCB_SRC6	The interrupt for Video Input 2 Port B Ancillary Data Channel 6 should generate an interrupt on interrupt vpdma_int0. Write a 1 for the interrupt event to trigger the interrupt signal.	RW	0x0
1	INT_MASK_VIP2_MULT_ANCB_SRC5	The interrupt for Video Input 2 Port B Ancillary Data Channel 5 should generate an interrupt on interrupt vpdma_int0. Write a 1 for the interrupt event to trigger the interrupt signal.	RW	0x0
0	INT_MASK_VIP2_MULT_ANCB_SRC4	The interrupt for Video Input 2 Port B Ancillary Data Channel 4 should generate an interrupt on interrupt vpdma_int0. Write a 1 for the interrupt event to trigger the interrupt signal.	RW	0x0

Table 9-332. Register Call Summary for Register VIP_INT0_CHANNEL5_INT_MASK

VIP Functional Description

- [VPDMA Interrupts: \[0\]](#)

VIP Register Manual

- [VIP VPDMA Register Summary: \[2\]](#)

Table 9-333. VIP_INT0_CLIENT0_INT_STAT

Address Offset	0x0000 0078	Instance	VIP1_VPDMA
Physical Address	0x4897 D078		
Description	This register gives the information of the interrupts that have triggered since last cleared by the process that is servicing vpdma_int0.		
Type	RW		

31	30	29	28	27	26	25	24	23	22	21	20	19	18	17	16	15	14	13	12	11	10	9	8	7	6	5	4	3	2	1	0
INT_STAT_GRPX1_DATA	INT_STAT_COMP_WRBK	INT_STAT_SC_OUT	RESERVED						INT_STAT_SC_IN_LUMA	INT_STAT_SC_IN_CHROMA	INT_STAT_PIP_WRBK	INT_STAT_DEI_SC_OUT	RESERVED	INT_STAT_DEI_HQ_MV_OUT	RESERVED	INT_STAT_DEI_HQ_MV_IN	RESERVED						INT_STAT_DEI_HQ_3_CHROMA	INT_STAT_DEI_HQ_3_LUMA	INT_STAT_DEI_HQ_2_CHROMA	INT_STAT_DEI_HQ_2_LUMA	INT_STAT_DEI_HQ_1_LUMA	INT_STAT_DEI_HQ_1_CHROMA			

Bits	Field Name	Description	Type	Reset
31	INT_STAT_GRPX1_DATA	The client interface grp_x1_data has reached its current configured interrupt event as specified by the last received control descriptor for this client. If no control descriptor has been configured this will default to having sent the End of Frame signal to the receiving module. This event will cause a one to be set in this register until cleared by software. Write a 1 to this field to clear the value.	RW	0x0
30	INT_STAT_COMP_WRBK	The client interface comp_wrk has reached its current configured interrupt event as specified by the last received control descriptor for this client. If no control descriptor has been configured this will default to having sent the End of Frame signal to the receiving module. This event will cause a one to be set in this register until cleared by software. Write a 1 to this field to clear the value.	RW	0x0
29	INT_STAT_SC_OUT	The client interface sc_out has reached its current configured interrupt event as specified by the last received control descriptor for this client. If no control descriptor has been configured this will default to having received the End of Frame signal from the transmitting module. This event will cause a one to be set in this register until cleared by software. Write a 1 to this field to clear the value.	RW	0x0
28:21	RESERVED	Reserved	R	0x00
20	INT_STAT_SC_IN_LUMA	The client interface sc_in_luma has reached its current configured interrupt event as specified by the last received control descriptor for this client. If no control descriptor has been configured this will default to having sent the End of Frame signal to the receiving module. This event will cause a one to be set in this register until cleared by software. Write a 1 to this field to clear the value.	RW	0x0
19	INT_STAT_SC_IN_CHROMA	The client interface sc_in_chroma has reached its current configured interrupt event as specified by the last received control descriptor for this client. If no control descriptor has been configured this will default to having sent the End of Frame signal to the receiving module. This event will cause a one to be set in this register until cleared by software. Write a 1 to this field to clear the value.	RW	0x0
18	INT_STAT_PIP_WRBK	The client interface pip_wrk has reached its current configured interrupt event as specified by the last received control descriptor for this client. If no control descriptor has been configured this will default to having sent the End of Frame signal to the receiving module. This event will cause a one to be set in this register until cleared by software. Write a 1 to this field to clear the value.	RW	0x0

Bits	Field Name	Description	Type	Reset
17	INT_STAT_DEI_SC_OUT	The client interface dei_sc_out has reached its current configured interrupt event as specified by the last received control descriptor for this client. If no control descriptor has been configured this will default to having received the End of Frame signal from the transmitting module. This event will cause a one to be set in this register until cleared by software. Write a 1 to this field to clear the value.	RW	0x0
16	RESERVED	Reserved	R	0x0
15	INT_STAT_DEI_HQ_MV_OUT	The client interface dei_hq_mv_out has reached its current configured interrupt event as specified by the last received control descriptor for this client. If no control descriptor has been configured this will default to having received the End of Frame signal from the transmitting module. This event will cause a one to be set in this register until cleared by software. Write a 1 to this field to clear the value.	RW	0x0
14:13	RESERVED	Reserved	R	0x0
12	INT_STAT_DEI_HQ_MV_IN	The client interface dei_hq_mv_in has reached its current configured interrupt event as specified by the last received control descriptor for this client. If no control descriptor has been configured this will default to having sent the End of Frame signal to the receiving module. This event will cause a one to be set in this register until cleared by software. Write a 1 to this field to clear the value.	RW	0x0
11:6	RESERVED	Reserved	R	0x00
5	INT_STAT_DEI_HQ_3_CHROMA	The client interface dei_hq_3_chroma has reached its current configured interrupt event as specified by the last received control descriptor for this client. If no control descriptor has been configured this will default to having sent the End of Frame signal to the receiving module. This event will cause a one to be set in this register until cleared by software. Write a 1 to this field to clear the value.	RW	0x0
4	INT_STAT_DEI_HQ_3_LUMA	The client interface dei_hq_3_luma has reached its current configured interrupt event as specified by the last received control descriptor for this client. If no control descriptor has been configured this will default to having sent the End of Frame signal to the receiving module. This event will cause a one to be set in this register until cleared by software. Write a 1 to this field to clear the value.	RW	0x0
3	INT_STAT_DEI_HQ_2_CHROMA	The client interface dei_hq_2_chroma has reached its current configured interrupt event as specified by the last received control descriptor for this client. If no control descriptor has been configured this will default to having sent the End of Frame signal to the receiving module. This event will cause a one to be set in this register until cleared by software. Write a 1 to this field to clear the value.	RW	0x0
2	INT_STAT_DEI_HQ_2_LUMA	The client interface dei_hq_2_luma has reached its current configured interrupt event as specified by the last received control descriptor for this client. If no control descriptor has been configured this will default to having sent the End of Frame signal to the receiving module. This event will cause a one to be set in this register until cleared by software. Write a 1 to this field to clear the value.	RW	0x0
1	INT_STAT_DEI_HQ_1_LUMA	The client interface dei_hq_1_luma has reached its current configured interrupt event as specified by the last received control descriptor for this client. If no control descriptor has been configured this will default to having sent the End of Frame signal to the receiving module. This event will cause a one to be set in this register until cleared by software. Write a 1 to this field to clear the value.	RW	0x0

Bits	Field Name	Description	Type	Reset
0	INT_STAT_DEI_HQ_1_CHROMA	The client interface dei_hq_1_chroma has reached its current configured interrupt event as specified by the last received control descriptor for this client. If no control descriptor has been configured this will default to having sent the End of Frame signal to the receiving module. This event will cause a one to be set in this register until cleared by software. Write a 1 to this field to clear the value.	RW	0x0

Table 9-334. Register Call Summary for Register VIP_INT0_CLIENT0_INT_STAT

VIP Functional Description

- [VPDMA Interrupts: \[0\]](#)

VIP Register Manual

- [VIP VPDMA Register Summary: \[2\]](#)

Table 9-335. VIP_INT0_CLIENT0_INT_MASK

Address Offset	0x0000 007C	Instance	VIP1_VPDMA
Physical Address	0x4897 D07C		
Description	The register gives the information of the interrupts that should be masked and not generate an interrupt for vpdma_int0.		
Type	RW		

31	30	29	28	27	26	25	24	23	22	21	20	19	18	17	16	15	14	13	12	11	10	9	8	7	6	5	4	3	2	1	0
INT_MASK_GRPX1_DATA	INT_MASK_COMP_WRBK	INT_MASK_SC_OUT	RESERVED						INT_MASK_SC_IN_LUMA	INT_MASK_SC_IN_CHROMA	INT_MASK_PIP_WRBK	INT_MASK_DEI_SC_OUT	RESERVED	INT_MASK_DEI_HQ_MV_OUT	RESERVED	INT_MASK_DEI_HQ_MV_IN	RESERVED						INT_MASK_DEI_HQ_3_CHROMA	INT_MASK_DEI_HQ_3_LUMA	INT_MASK_DEI_HQ_2_CHROMA	INT_MASK_DEI_HQ_2_LUMA	INT_MASK_DEI_HQ_1_LUMA	INT_MASK_DEI_HQ_1_CHROMA			

Bits	Field Name	Description	Type	Reset
31	INT_MASK_GRPX1_DATA	The interrupt for should generate an interrupt on interrupt vpdma_int0. Write a 1 for the interrupt event to trigger the interrupt signal.	RW	0x0
30	INT_MASK_COMP_WRBK	The interrupt for should generate an interrupt on interrupt vpdma_int0. Write a 1 for the interrupt event to trigger the interrupt signal.	RW	0x0
29	INT_MASK_SC_OUT	The interrupt for should generate an interrupt on interrupt vpdma_int0. Write a 1 for the interrupt event to trigger the interrupt signal.	RW	0x0
28:21	RESERVED	Reserved	R	0x00
20	INT_MASK_SC_IN_LUMA	The interrupt for should generate an interrupt on interrupt vpdma_int0. Write a 1 for the interrupt event to trigger the interrupt signal.	RW	0x0
19	INT_MASK_SC_IN_CHROMA	The interrupt for should generate an interrupt on interrupt vpdma_int0. Write a 1 for the interrupt event to trigger the interrupt signal.	RW	0x0
18	INT_MASK_PIP_WRBK	The interrupt for should generate an interrupt on interrupt vpdma_int0. Write a 1 for the interrupt event to trigger the interrupt signal.	RW	0x0

Bits	Field Name	Description	Type	Reset
17	INT_MASK_DEI_SC_OUT	The interrupt for should generate an interrupt on interrupt vpdma_int0. Write a 1 for the interrupt event to trigger the interrupt signal.	RW	0x0
16	RESERVED	Reserved	R	0x0
15	INT_MASK_DEI_HQ_MV_OUT	The interrupt for should generate an interrupt on interrupt vpdma_int0. Write a 1 for the interrupt event to trigger the interrupt signal.	RW	0x0
14:13	RESERVED	Reserved	R	0x0
12	INT_MASK_DEI_HQ_MV_IN	The interrupt for should generate an interrupt on interrupt vpdma_int0. Write a 1 for the interrupt event to trigger the interrupt signal.	RW	0x0
11:6	RESERVED	Reserved	R	0x00
5	INT_MASK_DEI_HQ_3_CHROMA	The interrupt for should generate an interrupt on interrupt vpdma_int0. Write a 1 for the interrupt event to trigger the interrupt signal.	RW	0x0
4	INT_MASK_DEI_HQ_3_LUMA	The interrupt for should generate an interrupt on interrupt vpdma_int0. Write a 1 for the interrupt event to trigger the interrupt signal.	RW	0x0
3	INT_MASK_DEI_HQ_2_CHROMA	The interrupt for should generate an interrupt on interrupt vpdma_int0. Write a 1 for the interrupt event to trigger the interrupt signal.	RW	0x0
2	INT_MASK_DEI_HQ_2_LUMA	The interrupt for should generate an interrupt on interrupt vpdma_int0. Write a 1 for the interrupt event to trigger the interrupt signal.	RW	0x0
1	INT_MASK_DEI_HQ_1_LUMA	The interrupt for should generate an interrupt on interrupt vpdma_int0. Write a 1 for the interrupt event to trigger the interrupt signal.	RW	0x0
0	INT_MASK_DEI_HQ_1_CHROMA	The interrupt for should generate an interrupt on interrupt vpdma_int0. Write a 1 for the interrupt event to trigger the interrupt signal.	RW	0x0

Table 9-336. Register Call Summary for Register VIP_INT0_CLIENT0_INT_MASK

VIP Functional Description

- [VPDMA Interrupts: \[0\]](#)

VIP Register Manual

- [VIP VPDMA Register Summary: \[2\]](#)

Table 9-337. VIP_INT0_CLIENT1_INT_STAT

Address Offset	0x0000 0080	Instance	VIP1_VPDMA
Physical Address	0x4897 D080		
Description	This register gives the information of the interrupts that have triggered since last cleared by the process that is servicing vpdma_int0.		
Type	RW		

31	30	29	28	27	26	25	24	23	22	21	20	19	18	17	16	15	14	13	12	11	10	9	8	7	6	5	4	3	2	1	0
RESERVED	RESERVED	INT_STAT_VIP2_ANC_B	INT_STAT_VIP2_ANC_A	INT_STAT_VIP1_ANC_B	INT_STAT_VIP1_ANC_A	INT_STAT_TRANS2_LUMA	INT_STAT_TRANS2_CHROMA	INT_STAT_TRANS1_LUMA	INT_STAT_TRANS1_CHROMA	INT_STAT_HDMI_WRBK_OUT	INT_STAT_VPI_CTL	INT_STAT_VBI_SDVENC	RESERVED	INT_STAT_NF_420_UV_OUT	INT_STAT_NF_420_Y_OUT	INT_STAT_NF_420_UV_IN	INT_STAT_NF_420_Y_IN	INT_STAT_NF_422_IN	INT_STAT_GRPX3_ST	INT_STAT_GRPX2_ST	INT_STAT_GRPX1_ST	INT_STAT_VIP2_UP_UV	INT_STAT_VIP2_UP_Y	INT_STAT_VIP2_LO_UV	INT_STAT_VIP2_LO_Y	INT_STAT_VIP1_UP_UV	INT_STAT_VIP1_UP_Y	INT_STAT_VIP1_LO_UV	INT_STAT_VIP1_LO_Y	INT_STAT_GRPX3_DATA	INT_STAT_GRPX2_DATA

Bits	Field Name	Description	Type	Reset
31	RESERVED	Reserved	R	0
30	RESERVED	Reserved	R	0
29	INT_STAT_VIP2_ANC_B	The client interface vip2_anc_b has reached its current configured interrupt event as specified by the last received control descriptor for this client. If no control descriptor has been configured this will default to having received the End of Frame signal from the transmitting module. This event will cause a one to be set in this register until cleared by software. Write a 1 to this field to clear the value.	RW W0toClr	0
28	INT_STAT_VIP2_ANC_A	The client interface vip2_anc_a has reached its current configured interrupt event as specified by the last received control descriptor for this client. If no control descriptor has been configured this will default to having received the End of Frame signal from the transmitting module. This event will cause a one to be set in this register until cleared by software. Write a 1 to this field to clear the value.	RW W0toClr	0
27	INT_STAT_VIP1_ANC_B	The client interface vip1_anc_b has reached its current configured interrupt event as specified by the last received control descriptor for this client. If no control descriptor has been configured this will default to having received the End of Frame signal from the transmitting module. This event will cause a one to be set in this register until cleared by software. Write a 1 to this field to clear the value.	RW W0toClr	0
26	INT_STAT_VIP1_ANC_A	The client interface vip1_anc_a has reached its current configured interrupt event as specified by the last received control descriptor for this client. If no control descriptor has been configured this will default to having received the End of Frame signal from the transmitting module. This event will cause a one to be set in this register until cleared by software. Write a 1 to this field to clear the value.	RW W0toClr	0
25	INT_STAT_TRANS2_LUMA	The client interface trans2_luma has reached its current configured interrupt event as specified by the last received control descriptor for this client. If no control descriptor has been configured this will default to having sent the End of Frame signal to the receiving module. This event will cause a one to be set in this register until cleared by software. Write a 1 to this field to clear the value.	RW W0toClr	0
24	INT_STAT_TRANS2_CHROMA	The client interface trans2_chroma has reached its current configured interrupt event as specified by the last received control descriptor for this client. If no control descriptor has been configured this will default to having sent the End of Frame signal to the receiving module. This event will cause a one to be set in this register until cleared by software. Write a 1 to this field to clear the value.	RW W0toClr	0
23	INT_STAT_TRANS1_LUMA	The client interface trans1_luma has reached its current configured interrupt event as specified by the last received control descriptor for this client. If no control descriptor has been configured this will default to having sent the End of Frame signal to the receiving module. This event will cause a one to be set in this register until cleared by software. Write a 1 to this field to clear the value.	RW W0toClr	0
22	INT_STAT_TRANS1_CHROMA	The client interface trans1_chroma has reached its current configured interrupt event as specified by the last received control descriptor for this client. If no control descriptor has been configured this will default to having sent the End of Frame signal to the receiving module. This event will cause a one to be set in this register until cleared by software. Write a 1 to this field to clear the value.	RW W0toClr	0

Bits	Field Name	Description	Type	Reset
21	INT_STAT_HDMI_WRBK_OUT	The client interface hdmi_wrbk_out has reached its current configured interrupt event as specified by the last received control descriptor for this client. If no control descriptor has been configured this will default to having received the End of Frame signal from the transmitting module. This event will cause a one to be set in this register until cleared by software. Write a 1 to this field to clear the value.	RW W0toClr	0
20	INT_STAT_VPI_CTL	The client interface vpi_ctl has reached its current configured interrupt event as specified by the last received control descriptor for this client. If no control descriptor has been configured this will default to having sent the End of Frame signal to the receiving module. This event will cause a one to be set in this register until cleared by software. Write a 1 to this field to clear the value.	RW W0toClr	0
19	INT_STAT_VBI_SDVENC	The client interface vbi_sdvenc has reached its current configured interrupt event as specified by the last received control descriptor for this client. If no control descriptor has been configured this will default to having sent the End of Frame signal to the receiving module. This event will cause a one to be set in this register until cleared by software. Write a 1 to this field to clear the value.	RW W0toClr	0
18	RESERVED	Reserved	R	0
17	INT_STAT_NF_420_UV_OUT	The client interface nf_420_uv_out has reached its current configured interrupt event as specified by the last received control descriptor for this client. If no control descriptor has been configured this will default to having received the End of Frame signal from the transmitting module. This event will cause a one to be set in this register until cleared by software. Write a 1 to this field to clear the value.	RW W0toClr	0
16	INT_STAT_NF_420_Y_OUT	The client interface nf_420_y_out has reached its current configured interrupt event as specified by the last received control descriptor for this client. If no control descriptor has been configured this will default to having received the End of Frame signal from the transmitting module. This event will cause a one to be set in this register until cleared by software. Write a 1 to this field to clear the value.	RW W0toClr	0
15	INT_STAT_NF_420_UV_IN	The client interface nf_420_uv_in has reached its current configured interrupt event as specified by the last received control descriptor for this client. If no control descriptor has been configured this will default to having sent the End of Frame signal to the receiving module. This event will cause a one to be set in this register until cleared by software. Write a 1 to this field to clear the value.	RW W0toClr	0
14	INT_STAT_NF_420_Y_IN	The client interface nf_420_y_in has reached its current configured interrupt event as specified by the last received control descriptor for this client. If no control descriptor has been configured this will default to having sent the End of Frame signal to the receiving module. This event will cause a one to be set in this register until cleared by software. Write a 1 to this field to clear the value.	RW W0toClr	0
13	INT_STAT_NF_422_IN	The client interface nf_422_in has reached its current configured interrupt event as specified by the last received control descriptor for this client. If no control descriptor has been configured this will default to having sent the End of Frame signal to the receiving module. This event will cause a one to be set in this register until cleared by software. Write a 1 to this field to clear the value.	RW W0toClr	0

Bits	Field Name	Description	Type	Reset
12	INT_STAT_GRPX3_ST	The client interface grpx3_st has reached its current configured interrupt event as specified by the last received control descriptor for this client. If no control descriptor has been configured this will default to having sent the End of Frame signal to the receiving module. This event will cause a one to be set in this register until cleared by software. Write a 1 to this field to clear the value.	RW W0toClr	0
11	INT_STAT_GRPX2_ST	The client interface grpx2_st has reached its current configured interrupt event as specified by the last received control descriptor for this client. If no control descriptor has been configured this will default to having sent the End of Frame signal to the receiving module. This event will cause a one to be set in this register until cleared by software. Write a 1 to this field to clear the value.	RW W0toClr	0
10	INT_STAT_GRPX1_ST	The client interface grpx1_st has reached its current configured interrupt event as specified by the last received control descriptor for this client. If no control descriptor has been configured this will default to having sent the End of Frame signal to the receiving module. This event will cause a one to be set in this register until cleared by software. Write a 1 to this field to clear the value.	RW W0toClr	0
9	INT_STAT_VIP2_UP_UV	The client interface vip2_up_uv has reached its current configured interrupt event as specified by the last received control descriptor for this client. If no control descriptor has been configured this will default to having received the End of Frame signal from the transmitting module. This event will cause a one to be set in this register until cleared by software. Write a 1 to this field to clear the value.	RW W0toClr	0
8	INT_STAT_VIP2_UP_Y	The client interface vip2_up_y has reached its current configured interrupt event as specified by the last received control descriptor for this client. If no control descriptor has been configured this will default to having received the End of Frame signal from the transmitting module. This event will cause a one to be set in this register until cleared by software. Write a 1 to this field to clear the value.	RW W0toClr	0
7	INT_STAT_VIP2_LO_UV	The client interface vip2_lo_uv has reached its current configured interrupt event as specified by the last received control descriptor for this client. If no control descriptor has been configured this will default to having received the End of Frame signal from the transmitting module. This event will cause a one to be set in this register until cleared by software. Write a 1 to this field to clear the value.	RW W0toClr	0
6	INT_STAT_VIP2_LO_Y	The client interface vip2_lo_y has reached its current configured interrupt event as specified by the last received control descriptor for this client. If no control descriptor has been configured this will default to having received the End of Frame signal from the transmitting module. This event will cause a one to be set in this register until cleared by software. Write a 1 to this field to clear the value.	RW W0toClr	0
5	INT_STAT_VIP1_UP_UV	The client interface vip1_up_uv has reached its current configured interrupt event as specified by the last received control descriptor for this client. If no control descriptor has been configured this will default to having received the End of Frame signal from the transmitting module. This event will cause a one to be set in this register until cleared by software. Write a 1 to this field to clear the value.	RW W0toClr	0

Bits	Field Name	Description	Type	Reset
4	INT_STAT_VIP1_UP_Y	The client interface vip1_up_y has reached its current configured interrupt event as specified by the last received control descriptor for this client. If no control descriptor has been configured this will default to having received the End of Frame signal from the transmitting module. This event will cause a one to be set in this register until cleared by software. Write a 1 to this field to clear the value.	RW W0toClr	0
3	INT_STAT_VIP1_LO_UV	The client interface vip1_lo_uv has reached its current configured interrupt event as specified by the last received control descriptor for this client. If no control descriptor has been configured this will default to having received the End of Frame signal from the transmitting module. This event will cause a one to be set in this register until cleared by software. Write a 1 to this field to clear the value.	RW W0toClr	0
2	INT_STAT_VIP1_LO_Y	The client interface vip1_lo_y has reached its current configured interrupt event as specified by the last received control descriptor for this client. If no control descriptor has been configured this will default to having received the End of Frame signal from the transmitting module. This event will cause a one to be set in this register until cleared by software. Write a 1 to this field to clear the value.	RW W0toClr	0
1	INT_STAT_GRPX3_DATA	The client interface grp3_data has reached its current configured interrupt event as specified by the last received control descriptor for this client. If no control descriptor has been configured this will default to having sent the End of Frame signal to the receiving module. This event will cause a one to be set in this register until cleared by software. Write a 1 to this field to clear the value.	RW W0toClr	0
0	INT_STAT_GRPX2_DATA	The client interface grp2_data has reached its current configured interrupt event as specified by the last received control descriptor for this client. If no control descriptor has been configured this will default to having sent the End of Frame signal to the receiving module. This event will cause a one to be set in this register until cleared by software. Write a 1 to this field to clear the value.	RW W0toClr	0

Table 9-338. Register Call Summary for Register VIP_INT0_CLIENT1_INT_STAT

VIP Functional Description

- [VPDMA Interrupts: \[0\]](#)

VIP Register Manual

- [VIP VPDMA Register Summary: \[2\]](#)

Table 9-339. VIP_INT0_CLIENT1_INT_MASK

Address Offset	0x0000 0084	Instance	VIP1_VPDMA
Physical Address	0x4897 D084		
Description	The register gives the information of the interrupts that should be masked and not generate an interrupt for vpdma_int0.		
Type	RW		

31	30	29	28	27	26	25	24	23	22	21	20	19	18	17	16	15	14	13	12	11	10	9	8	7	6	5	4	3	2	1	0
RESERVED	RESERVED	INT_MASK_VIP2 Anc_B	INT_MASK_VIP2 Anc_A	INT_MASK_VIP1 Anc_B	INT_MASK_VIP1 Anc_A	INT_MASK_TRANS2_LUMA	INT_MASK_TRANS2_CHROMA	INT_MASK_TRANS1_LUMA	INT_MASK_TRANS1_CHROMA	INT_MASK_HDMI_WRBK_OUT	INT_MASK_VPI_CTL	INT_MASK_VBI_SDVENC	RESERVED	INT_MASK_NF_420_UV_OUT	INT_MASK_NF_420_Y_OUT	INT_MASK_NF_420_UV_IN	INT_MASK_NF_420_Y_IN	INT_MASK_NF_422_IN	INT_MASK_GRPX3_ST	INT_MASK_GRPX2_ST	INT_MASK_GRPX1_ST	INT_MASK_VIP2_UP_UV	INT_MASK_VIP2_UP_Y	INT_MASK_VIP2_LO_UV	INT_MASK_VIP2_LO_Y	INT_MASK_VIP1_UP_UV	INT_MASK_VIP1_UP_Y	INT_MASK_VIP1_LO_UV	INT_MASK_VIP1_LO_Y	INT_MASK_GRPX3_DATA	INT_MASK_GRPX2_DATA

Bits	Field Name	Description	Type	Reset
31	RESERVED	Reserved	R	0
30	RESERVED	Reserved	R	0
29	INT_MASK_VIP2 Anc_B	The interrupt for should generate an interrupt on interrupt vpdma_int0. Write a 1 for the interrupt event to trigger the interrupt signal.	RW	0
28	INT_MASK_VIP2 Anc_A	The interrupt for should generate an interrupt on interrupt vpdma_int0. Write a 1 for the interrupt event to trigger the interrupt signal.	RW	0
27	INT_MASK_VIP1 Anc_B	The interrupt for should generate an interrupt on interrupt vpdma_int0. Write a 1 for the interrupt event to trigger the interrupt signal.	RW	0
26	INT_MASK_VIP1 Anc_A	The interrupt for should generate an interrupt on interrupt vpdma_int0. Write a 1 for the interrupt event to trigger the interrupt signal.	RW	0
25	INT_MASK_TRANS2_LUMA	The interrupt for should generate an interrupt on interrupt vpdma_int0. Write a 1 for the interrupt event to trigger the interrupt signal.	RW	0
24	INT_MASK_TRANS2_CHROMA	The interrupt for should generate an interrupt on interrupt vpdma_int0. Write a 1 for the interrupt event to trigger the interrupt signal.	RW	0
23	INT_MASK_TRANS1_LUMA	The interrupt for should generate an interrupt on interrupt vpdma_int0. Write a 1 for the interrupt event to trigger the interrupt signal.	RW	0
22	INT_MASK_TRANS1_CHROMA	The interrupt for should generate an interrupt on interrupt vpdma_int0. Write a 1 for the interrupt event to trigger the interrupt signal.	RW	0
21	INT_MASK_HDMI_WRBK_OUT	The interrupt for should generate an interrupt on interrupt vpdma_int0. Write a 1 for the interrupt event to trigger the interrupt signal.	RW	0
20	INT_MASK_VPI_CTL	The interrupt for should generate an interrupt on interrupt vpdma_int0. Write a 1 for the interrupt event to trigger the interrupt signal.	RW	0
19	INT_MASK_VBI_SDVENC	The interrupt for should generate an interrupt on interrupt vpdma_int0. Write a 1 for the interrupt event to trigger the interrupt signal.	RW	0
18	RESERVED	Reserved	R	0
17	INT_MASK_NF_420_UV_OUT	The interrupt for should generate an interrupt on interrupt vpdma_int0. Write a 1 for the interrupt event to trigger the interrupt signal.	RW	0
16	INT_MASK_NF_420_Y_OUT	The interrupt for should generate an interrupt on interrupt vpdma_int0. Write a 1 for the interrupt event to trigger the interrupt signal.	RW	0
15	INT_MASK_NF_420_UV_IN	The interrupt for should generate an interrupt on interrupt vpdma_int0. Write a 1 for the interrupt event to trigger the interrupt signal.	RW	0

Bits	Field Name	Description	Type	Reset
14	INT_MASK_NF_420_Y_IN	The interrupt for should generate an interrupt on interrupt vpdma_int0. Write a 1 for the interrupt event to trigger the interrupt signal.	RW	0
13	INT_MASK_NF_422_IN	The interrupt for should generate an interrupt on interrupt vpdma_int0. Write a 1 for the interrupt event to trigger the interrupt signal.	RW	0
12	INT_MASK_GRPX3_ST	The interrupt for should generate an interrupt on interrupt vpdma_int0. Write a 1 for the interrupt event to trigger the interrupt signal.	RW	0
11	INT_MASK_GRPX2_ST	The interrupt for should generate an interrupt on interrupt vpdma_int0. Write a 1 for the interrupt event to trigger the interrupt signal.	RW	0
10	INT_MASK_GRPX1_ST	The interrupt for should generate an interrupt on interrupt vpdma_int0. Write a 1 for the interrupt event to trigger the interrupt signal.	RW	0
9	INT_MASK_VIP2_UP_UV	The interrupt for should generate an interrupt on interrupt vpdma_int0. Write a 1 for the interrupt event to trigger the interrupt signal.	RW	0
8	INT_MASK_VIP2_UP_Y	The interrupt for should generate an interrupt on interrupt vpdma_int0. Write a 1 for the interrupt event to trigger the interrupt signal.	RW	0
7	INT_MASK_VIP2_LO_UV	The interrupt for should generate an interrupt on interrupt vpdma_int0. Write a 1 for the interrupt event to trigger the interrupt signal.	RW	0
6	INT_MASK_VIP2_LO_Y	The interrupt for should generate an interrupt on interrupt vpdma_int0. Write a 1 for the interrupt event to trigger the interrupt signal.	RW	0
5	INT_MASK_VIP1_UP_UV	The interrupt for should generate an interrupt on interrupt vpdma_int0. Write a 1 for the interrupt event to trigger the interrupt signal.	RW	0
4	INT_MASK_VIP1_UP_Y	The interrupt for should generate an interrupt on interrupt vpdma_int0. Write a 1 for the interrupt event to trigger the interrupt signal.	RW	0
3	INT_MASK_VIP1_LO_UV	The interrupt for should generate an interrupt on interrupt vpdma_int0. Write a 1 for the interrupt event to trigger the interrupt signal.	RW	0
2	INT_MASK_VIP1_LO_Y	The interrupt for should generate an interrupt on interrupt vpdma_int0. Write a 1 for the interrupt event to trigger the interrupt signal.	RW	0
1	INT_MASK_GRPX3_DATA	The interrupt for should generate an interrupt on interrupt vpdma_int0. Write a 1 for the interrupt event to trigger the interrupt signal.	RW	0
0	INT_MASK_GRPX2_DATA	The interrupt for should generate an interrupt on interrupt vpdma_int0. Write a 1 for the interrupt event to trigger the interrupt signal.	RW	0

Table 9-340. Register Call Summary for Register VIP_INT0_CLIENT1_INT_MASK

VIP Functional Description

- [VPDMA Interrupts: \[0\]](#)

VIP Register Manual

- [VIP VPDMA Register Summary: \[2\]](#)

Table 9-341. VIP_INT0_LIST0_INT_STAT

Address Offset	0x0000 0088	Instance	VIP1_VPDMA
Physical Address	0x4897 D088		
Description	This register gives the information of the interrupts that have triggered since last cleared by the process that is servicing vpdma_int0.		
Type	RW		

31	30	29	28	27	26	25	24	23	22	21	20	19	18	17	16	15	14	13	12	11	10	9	8	7	6	5	4	3	2	1	0
INT_STAT_CONTROL_DESCRIPTOR_INT15	INT_STAT_CONTROL_DESCRIPTOR_INT14	INT_STAT_CONTROL_DESCRIPTOR_INT13	INT_STAT_CONTROL_DESCRIPTOR_INT12	INT_STAT_CONTROL_DESCRIPTOR_INT11	INT_STAT_CONTROL_DESCRIPTOR_INT10	INT_STAT_CONTROL_DESCRIPTOR_INT9	INT_STAT_CONTROL_DESCRIPTOR_INT8	INT_STAT_CONTROL_DESCRIPTOR_INT7	INT_STAT_CONTROL_DESCRIPTOR_INT6	INT_STAT_CONTROL_DESCRIPTOR_INT5	INT_STAT_CONTROL_DESCRIPTOR_INT4	INT_STAT_CONTROL_DESCRIPTOR_INT3	INT_STAT_CONTROL_DESCRIPTOR_INT2	INT_STAT_CONTROL_DESCRIPTOR_INT1	INT_STAT_CONTROL_DESCRIPTOR_INT0	INT_STAT_LIST7_NOTIFY	INT_STAT_LIST7_COMPLETE	INT_STAT_LIST6_NOTIFY	INT_STAT_LIST6_COMPLETE	INT_STAT_LIST5_NOTIFY	INT_STAT_LIST5_COMPLETE	INT_STAT_LIST4_NOTIFY	INT_STAT_LIST4_COMPLETE	INT_STAT_LIST3_NOTIFY	INT_STAT_LIST3_COMPLETE	INT_STAT_LIST2_NOTIFY	INT_STAT_LIST2_COMPLETE	INT_STAT_LIST1_NOTIFY	INT_STAT_LIST1_COMPLETE	INT_STAT_LIST0_NOTIFY	INT_STAT_LIST0_COMPLETE

Bits	Field Name	Description	Type	Reset
31	INT_STAT_CONTROL_DESCRIPTOR_INT15	A Send Interrupt Control Descriptor has been received by the list manager with a source value of 15. This event will cause a one to be set in this register until cleared by software. Write a 1 to this field to clear the value.	RW	0x0
30	INT_STAT_CONTROL_DESCRIPTOR_INT14	A Send Interrupt Control Descriptor has been received by the list manager with a source value of 14. This event will cause a one to be set in this register until cleared by software. Write a 1 to this field to clear the value.	RW	0x0
29	INT_STAT_CONTROL_DESCRIPTOR_INT13	A Send Interrupt Control Descriptor has been received by the list manager with a source value of 13. This event will cause a one to be set in this register until cleared by software. Write a 1 to this field to clear the value.	RW	0x0
28	INT_STAT_CONTROL_DESCRIPTOR_INT12	A Send Interrupt Control Descriptor has been received by the list manager with a source value of 12. This event will cause a one to be set in this register until cleared by software. Write a 1 to this field to clear the value.	RW	0x0
27	INT_STAT_CONTROL_DESCRIPTOR_INT11	A Send Interrupt Control Descriptor has been received by the list manager with a source value of 11. This event will cause a one to be set in this register until cleared by software. Write a 1 to this field to clear the value.	RW	0x0
26	INT_STAT_CONTROL_DESCRIPTOR_INT10	A Send Interrupt Control Descriptor has been received by the list manager with a source value of 10. This event will cause a one to be set in this register until cleared by software. Write a 1 to this field to clear the value.	RW	0x0
25	INT_STAT_CONTROL_DESCRIPTOR_INT9	A Send Interrupt Control Descriptor has been received by the list manager with a source value of 9. This event will cause a one to be set in this register until cleared by software. Write a 1 to this field to clear the value.	RW	0x0
24	INT_STAT_CONTROL_DESCRIPTOR_INT8	A Send Interrupt Control Descriptor has been received by the list manager with a source value of 8. This event will cause a one to be set in this register until cleared by software. Write a 1 to this field to clear the value.	RW	0x0
23	INT_STAT_CONTROL_DESCRIPTOR_INT7	A Send Interrupt Control Descriptor has been received by the list manager with a source value of 7. This event will cause a one to be set in this register until cleared by software. Write a 1 to this field to clear the value.	RW	0x0

Bits	Field Name	Description	Type	Reset
22	INT_STAT_CONTROL_DESCRIPTOR_INT6	A Send Interrupt Control Descriptor has been received by the list manager with a source value of 6. This event will cause a one to be set in this register until cleared by software. Write a 1 to this field to clear the value.	RW	0x0
21	INT_STAT_CONTROL_DESCRIPTOR_INT5	A Send Interrupt Control Descriptor has been received by the list manager with a source value of 5. This event will cause a one to be set in this register until cleared by software. Write a 1 to this field to clear the value.	RW	0x0
20	INT_STAT_CONTROL_DESCRIPTOR_INT4	A Send Interrupt Control Descriptor has been received by the list manager with a source value of 4. This event will cause a one to be set in this register until cleared by software. Write a 1 to this field to clear the value.	RW	0x0
19	INT_STAT_CONTROL_DESCRIPTOR_INT3	A Send Interrupt Control Descriptor has been received by the list manager with a source value of 3. This event will cause a one to be set in this register until cleared by software. Write a 1 to this field to clear the value.	RW	0x0
18	INT_STAT_CONTROL_DESCRIPTOR_INT2	A Send Interrupt Control Descriptor has been received by the list manager with a source value of 2. This event will cause a one to be set in this register until cleared by software. Write a 1 to this field to clear the value.	RW	0x0
17	INT_STAT_CONTROL_DESCRIPTOR_INT1	A Send Interrupt Control Descriptor has been received by the list manager with a source value of 1. This event will cause a one to be set in this register until cleared by software. Write a 1 to this field to clear the value.	RW	0x0
16	INT_STAT_CONTROL_DESCRIPTOR_INT0	A Send Interrupt Control Descriptor has been received by the list manager with a source value of 0. This event will cause a one to be set in this register until cleared by software. Write a 1 to this field to clear the value.	RW	0x0
15	INT_STAT_LIST7_NOTIFY	A channel set by List 7 has completed and the Notify bit had been set in the descriptor for that channel. This event will cause a one to be set in this register until cleared by software. Write a 1 to this field to clear the value.	RW	0x0
14	INT_STAT_LIST7_COMPLETE	List 7 has completed and a new list can be loaded. This event will cause a one to be set in this register until cleared by software. Write a 1 to this field to clear the value.	RW	0x0
13	INT_STAT_LIST6_NOTIFY	A channel set by List 6 has completed and the Notify bit had been set in the descriptor for that channel. This event will cause a one to be set in this register until cleared by software. Write a 1 to this field to clear the value.	RW	0x0
12	INT_STAT_LIST6_COMPLETE	List 6 has completed and a new list can be loaded. This event will cause a one to be set in this register until cleared by software. Write a 1 to this field to clear the value.	RW	0x0
11	INT_STAT_LIST5_NOTIFY	A channel set by List 5 has completed and the Notify bit had been set in the descriptor for that channel. This event will cause a one to be set in this register until cleared by software. Write a 1 to this field to clear the value.	RW	0x0
10	INT_STAT_LIST5_COMPLETE	List 5 has completed and a new list can be loaded. This event will cause a one to be set in this register until cleared by software. Write a 1 to this field to clear the value.	RW	0x0

Bits	Field Name	Description	Type	Reset
9	INT_STAT_LIST4_NOTIFY	A channel set by List 4 has completed and the Notify bit had been set in the descriptor for that channel. This event will cause a one to be set in this register until cleared by software. Write a 1 to this field to clear the value.	RW	0x0
8	INT_STAT_LIST4_COMPLETE	List 4 has completed and a new list can be loaded. This event will cause a one to be set in this register until cleared by software. Write a 1 to this field to clear the value.	RW	0x0
7	INT_STAT_LIST3_NOTIFY	A channel set by List 3 has completed and the Notify bit had been set in the descriptor for that channel. This event will cause a one to be set in this register until cleared by software. Write a 1 to this field to clear the value.	RW	0x0
6	INT_STAT_LIST3_COMPLETE	List 3 has completed and a new list can be loaded. This event will cause a one to be set in this register until cleared by software. Write a 1 to this field to clear the value.	RW	0x0
5	INT_STAT_LIST2_NOTIFY	A channel set by List 2 has completed and the Notify bit had been set in the descriptor for that channel. This event will cause a one to be set in this register until cleared by software. Write a 1 to this field to clear the value.	RW	0x0
4	INT_STAT_LIST2_COMPLETE	List 2 has completed and a new list can be loaded. This event will cause a one to be set in this register until cleared by software. Write a 1 to this field to clear the value.	RW	0x0
3	INT_STAT_LIST1_NOTIFY	A channel set by List 1 has completed and the Notify bit had been set in the descriptor for that channel. This event will cause a one to be set in this register until cleared by software. Write a 1 to this field to clear the value.	RW	0x0
2	INT_STAT_LIST1_COMPLETE	List 1 has completed and a new list can be loaded. This event will cause a one to be set in this register until cleared by software. Write a 1 to this field to clear the value.	RW	0x0
1	INT_STAT_LIST0_NOTIFY	A channel set by List 0 has completed and the Notify bit had been set in the descriptor for that channel. This event will cause a one to be set in this register until cleared by software. Write a 1 to this field to clear the value.	RW	0x0
0	INT_STAT_LIST0_COMPLETE	List 0 has completed and a new list can be loaded. This event will cause a one to be set in this register until cleared by software. Write a 1 to this field to clear the value.	RW	0x0

Table 9-342. Register Call Summary for Register VIP_INT0_LIST0_INT_STAT

VIP Functional Description

- [VPDMA Interrupts: \[0\]\[1\]\[2\]](#)

VIP Register Manual

- [VIP VPDMA Register Summary: \[4\]](#)

Table 9-343. VIP_INT0_LIST0_INT_MASK

Address Offset	0x0000 008C	Instance	VIP1_VPDMA
Physical Address	0x4897 D08C		
Description	The register gives the information of the interrupts that should be masked and not generate an interrupt for vpdma_int0.		
Type	RW		

31	30	29	28	27	26	25	24	23	22	21	20	19	18	17	16	15	14	13	12	11	10	9	8	7	6	5	4	3	2	1	0
INT_MASK_CONTROL_DESCRIPTOR_INT15	INT_MASK_CONTROL_DESCRIPTOR_INT14	INT_MASK_CONTROL_DESCRIPTOR_INT13	INT_MASK_CONTROL_DESCRIPTOR_INT12	INT_MASK_CONTROL_DESCRIPTOR_INT11	INT_MASK_CONTROL_DESCRIPTOR_INT10	INT_MASK_CONTROL_DESCRIPTOR_INT9	INT_MASK_CONTROL_DESCRIPTOR_INT8	INT_MASK_CONTROL_DESCRIPTOR_INT7	INT_MASK_CONTROL_DESCRIPTOR_INT6	INT_MASK_CONTROL_DESCRIPTOR_INT5	INT_MASK_CONTROL_DESCRIPTOR_INT4	INT_MASK_CONTROL_DESCRIPTOR_INT3	INT_MASK_CONTROL_DESCRIPTOR_INT2	INT_MASK_CONTROL_DESCRIPTOR_INT1	INT_MASK_CONTROL_DESCRIPTOR_INT0	INT_MASK_LIST7_NOTIFY	INT_MASK_LIST7_COMPLETE	INT_MASK_LIST6_NOTIFY	INT_MASK_LIST6_COMPLETE	INT_MASK_LIST5_NOTIFY	INT_MASK_LIST5_COMPLETE	INT_MASK_LIST4_NOTIFY	INT_MASK_LIST4_COMPLETE	INT_MASK_LIST3_NOTIFY	INT_MASK_LIST3_COMPLETE	INT_MASK_LIST2_NOTIFY	INT_MASK_LIST2_COMPLETE	INT_MASK_LIST1_NOTIFY	INT_MASK_LIST1_COMPLETE	INT_MASK_LIST0_NOTIFY	INT_MASK_LIST0_COMPLETE

Bits	Field Name	Description	Type	Reset
31	INT_MASK_CONTROL_DESCRIPTOR_INT15	The interrupt for should generate an interrupt on interrupt vpdma_int0. Write a 1 for the interrupt event to trigger the interrupt signal.	RW	0x0
30	INT_MASK_CONTROL_DESCRIPTOR_INT14	The interrupt for should generate an interrupt on interrupt vpdma_int0. Write a 1 for the interrupt event to trigger the interrupt signal.	RW	0x0
29	INT_MASK_CONTROL_DESCRIPTOR_INT13	The interrupt for should generate an interrupt on interrupt vpdma_int0. Write a 1 for the interrupt event to trigger the interrupt signal.	RW	0x0
28	INT_MASK_CONTROL_DESCRIPTOR_INT12	The interrupt for should generate an interrupt on interrupt vpdma_int0. Write a 1 for the interrupt event to trigger the interrupt signal.	RW	0x0
27	INT_MASK_CONTROL_DESCRIPTOR_INT11	The interrupt for should generate an interrupt on interrupt vpdma_int0. Write a 1 for the interrupt event to trigger the interrupt signal.	RW	0x0
26	INT_MASK_CONTROL_DESCRIPTOR_INT10	The interrupt for should generate an interrupt on interrupt vpdma_int0. Write a 1 for the interrupt event to trigger the interrupt signal.	RW	0x0
25	INT_MASK_CONTROL_DESCRIPTOR_INT9	The interrupt for should generate an interrupt on interrupt vpdma_int0. Write a 1 for the interrupt event to trigger the interrupt signal.	RW	0x0
24	INT_MASK_CONTROL_DESCRIPTOR_INT8	The interrupt for should generate an interrupt on interrupt vpdma_int0. Write a 1 for the interrupt event to trigger the interrupt signal.	RW	0x0
23	INT_MASK_CONTROL_DESCRIPTOR_INT7	The interrupt for should generate an interrupt on interrupt vpdma_int0. Write a 1 for the interrupt event to trigger the interrupt signal.	RW	0x0
22	INT_MASK_CONTROL_DESCRIPTOR_INT6	The interrupt for should generate an interrupt on interrupt vpdma_int0. Write a 1 for the interrupt event to trigger the interrupt signal.	RW	0x0
21	INT_MASK_CONTROL_DESCRIPTOR_INT5	The interrupt for should generate an interrupt on interrupt vpdma_int0. Write a 1 for the interrupt event to trigger the interrupt signal.	RW	0x0

Bits	Field Name	Description	Type	Reset
20	INT_MASK_CONTROL_DESCRIPTOR_INT4	The interrupt for should generate an interrupt on interrupt vpdma_int0. Write a 1 for the interrupt event to trigger the interrupt signal.	RW	0x0
19	INT_MASK_CONTROL_DESCRIPTOR_INT3	The interrupt for should generate an interrupt on interrupt vpdma_int0. Write a 1 for the interrupt event to trigger the interrupt signal.	RW	0x0
18	INT_MASK_CONTROL_DESCRIPTOR_INT2	The interrupt for should generate an interrupt on interrupt vpdma_int0. Write a 1 for the interrupt event to trigger the interrupt signal.	RW	0x0
17	INT_MASK_CONTROL_DESCRIPTOR_INT1	The interrupt for should generate an interrupt on interrupt vpdma_int0. Write a 1 for the interrupt event to trigger the interrupt signal.	RW	0x0
16	INT_MASK_CONTROL_DESCRIPTOR_INT0	The interrupt for should generate an interrupt on interrupt vpdma_int0. Write a 1 for the interrupt event to trigger the interrupt signal.	RW	0x0
15	INT_MASK_LIST7_NOTIFY	The interrupt for should generate an interrupt on interrupt vpdma_int0. Write a 1 for the interrupt event to trigger the interrupt signal.	RW	0x0
14	INT_MASK_LIST7_COMPLETE	The interrupt for should generate an interrupt on interrupt vpdma_int0. Write a 1 for the interrupt event to trigger the interrupt signal.	RW	0x0
13	INT_MASK_LIST6_NOTIFY	The interrupt for should generate an interrupt on interrupt vpdma_int0. Write a 1 for the interrupt event to trigger the interrupt signal.	RW	0x0
12	INT_MASK_LIST6_COMPLETE	The interrupt for should generate an interrupt on interrupt vpdma_int0. Write a 1 for the interrupt event to trigger the interrupt signal.	RW	0x0
11	INT_MASK_LIST5_NOTIFY	The interrupt for should generate an interrupt on interrupt vpdma_int0. Write a 1 for the interrupt event to trigger the interrupt signal.	RW	0x0
10	INT_MASK_LIST5_COMPLETE	The interrupt for should generate an interrupt on interrupt vpdma_int0. Write a 1 for the interrupt event to trigger the interrupt signal.	RW	0x0
9	INT_MASK_LIST4_NOTIFY	The interrupt for should generate an interrupt on interrupt vpdma_int0. Write a 1 for the interrupt event to trigger the interrupt signal.	RW	0x0
8	INT_MASK_LIST4_COMPLETE	The interrupt for should generate an interrupt on interrupt vpdma_int0. Write a 1 for the interrupt event to trigger the interrupt signal.	RW	0x0
7	INT_MASK_LIST3_NOTIFY	The interrupt for should generate an interrupt on interrupt vpdma_int0. Write a 1 for the interrupt event to trigger the interrupt signal.	RW	0x0
6	INT_MASK_LIST3_COMPLETE	The interrupt for should generate an interrupt on interrupt vpdma_int0. Write a 1 for the interrupt event to trigger the interrupt signal.	RW	0x0
5	INT_MASK_LIST2_NOTIFY	The interrupt for should generate an interrupt on interrupt vpdma_int0. Write a 1 for the interrupt event to trigger the interrupt signal.	RW	0x0
4	INT_MASK_LIST2_COMPLETE	The interrupt for should generate an interrupt on interrupt vpdma_int0. Write a 1 for the interrupt event to trigger the interrupt signal.	RW	0x0
3	INT_MASK_LIST1_NOTIFY	The interrupt for should generate an interrupt on interrupt vpdma_int0. Write a 1 for the interrupt event to trigger the interrupt signal.	RW	0x0
2	INT_MASK_LIST1_COMPLETE	The interrupt for should generate an interrupt on interrupt vpdma_int0. Write a 1 for the interrupt event to trigger the interrupt signal.	RW	0x0
1	INT_MASK_LIST0_NOTIFY	The interrupt for should generate an interrupt on interrupt vpdma_int0. Write a 1 for the interrupt event to trigger the interrupt signal.	RW	0x0

Bits	Field Name	Description	Type	Reset
0	INT_MASK_LIST0_COMPLETE	The interrupt for should generate an interrupt on interrupt vpdma_int0. Write a 1 for the interrupt event to trigger the interrupt signal.	RW	0x0

Table 9-344. Register Call Summary for Register VIP_INT0_LIST0_INT_MASK

VIP Functional Description

- [VPDMA Interrupts: \[0\]](#)

VIP Register Manual

- [VIP VPDMA Register Summary: \[2\]](#)

Table 9-345. VIP_INT1_CHANNEL0_INT_STAT

Address Offset	0x0000 0090	Instance	VIP1_VPDMA
Physical Address	0x4897 D090		
Description	This register gives the information of the interrupts that have triggered since last cleared by the process that is servicing vpdma_int1.		
Type	RW		

31	30	29	28	27	26	25	24	23	22	21	20	19	18	17	16	15	14	13	12	11	10	9	8	7	6	5	4	3	2	1	0	
INT_STAT_GRPX3	INT_STAT_GRPX2	INT_STAT_GRPX1	INT_STAT_SCALER_OUT	RESERVED								INT_STAT_SCALER_CHROMA	INT_STAT_SCALER_LUMA	INT_STAT_HQ_SCALER	RESERVED	INT_STAT_HQ_MV_OUT	RESERVED	INT_STAT_HQ_MV	RESERVED								INT_STAT_HQ_VID3_CHROMA	INT_STAT_HQ_VID3_LUMA	INT_STAT_HQ_VID2_CHROMA	INT_STAT_HQ_VID2_LUMA	INT_STAT_HQ_VID1_CHROMA	INT_STAT_HQ_VID1_LUMA

Bits	Field Name	Description	Type	Reset
31	INT_STAT_GRPX3	The last write DMA transaction has completed for channel scaler_out. All data from the channel has been sent and received by the external memory. If a new channel has not been setup for the client sc_out then the client will be fully empty at this point. This event will cause a one to be set in this register until cleared by software. Write a 1 to this field to clear the value.	RW	0x0
30	INT_STAT_GRPX2	The last write DMA transaction has completed for channel scaler_out. All data from the channel has been sent and received by the external memory. If a new channel has not been setup for the client sc_out then the client will be fully empty at this point. This event will cause a one to be set in this register until cleared by software. Write a 1 to this field to clear the value.	RW	0x0
29	INT_STAT_GRPX1	The last write DMA transaction has completed for channel scaler_out. All data from the channel has been sent and received by the external memory. If a new channel has not been setup for the client sc_out then the client will be fully empty at this point. This event will cause a one to be set in this register until cleared by software. Write a 1 to this field to clear the value.	RW	0x0

Bits	Field Name	Description	Type	Reset
28	INT_STAT_SCALER_OUT	The last write DMA transaction has completed for channel scaler_out. All data from the channel has been sent and received by the external memory. If a new channel has not been setup for the client sc_out then the client will be fully empty at this point. This event will cause a one to be set in this register until cleared by software. Write a 1 to this field to clear the value.	RW	0x0
27:20	RESERVED	Reserved	R	0x00
19	INT_STAT_SCALER_CHROMA	The last write DMA transaction has completed for channel scaler_luma. All data from the channel has been sent and received by the external memory. If a new channel has not been setup for the client then the client will be fully empty at this point. This event will cause a one to be set in this register until cleared by software. Write a 1 to this field to clear the value.	RW	0x0
18	INT_STAT_SCALER_LUMA	The last write DMA transaction has completed for channel scaler_luma. All data from the channel has been sent and received by the external memory. If a new channel has not been setup for the client then the client will be fully empty at this point. This event will cause a one to be set in this register until cleared by software. Write a 1 to this field to clear the value.	RW	0x0
17	INT_STAT_HQ_SCALER	The last write DMA transaction has completed for channel hq_scaler. All data from the channel has been sent and received by the external memory. If a new channel has not been setup for the client dei_sc_out then the client will be fully empty at this point. This event will cause a one to be set in this register until cleared by software. Write a 1 to this field to clear the value.	RW	0x0
16	RESERVED	Reserved	R	0x0
15	INT_STAT_HQ_MV_OUT	The last write DMA transaction has completed for channel hq_mv_out. All data from the channel has been sent and received by the external memory. If a new channel has not been setup for the client dei_hq_mv_out then the client will be fully empty at this point. This event will cause a one to be set in this register until cleared by software. Write a 1 to this field to clear the value.	RW	0x0
14:13	RESERVED	Reserved	R	0x0
12	INT_STAT_HQ_MV	The last read DMA transaction has occurred for channel hq_mv and the channel is free to be updated for the next transfer. This will fire before the destination has received the data as it will have just been stored in the internal buffer. The client dei_hq_mv_in will now accept a new descriptor from the List Manager. This event will cause a one to be set in this register until cleared by software. Write a 1 to this field to clear the value.	RW	0x0
11:6	RESERVED	Reserved	R	0x00
5	INT_STAT_HQ_VID3_CHROMA	The last write DMA transaction has completed for channel hq_vid3_chroma. All data from the channel has been sent and received by the external memory. If a new channel has not been setup for the client then the client will be fully empty at this point. This event will cause a one to be set in this register until cleared by software. Write a 1 to this field to clear the value.	RW	0x0
4	INT_STAT_HQ_VID3_LUMA	The last write DMA transaction has completed for channel hq_vid3_luma. All data from the channel has been sent and received by the external memory. If a new channel has not been setup for the client then the client will be fully empty at this point. This event will cause a one to be set in this register until cleared by software. Write a 1 to this field to clear the value.	RW	0x0

Bits	Field Name	Description	Type	Reset
3	INT_STAT_HQ_VID2_CHROMA	The last write DMA transaction has completed for channel hq_vid2_chroma. All data from the channel has been sent and received by the external memory. If a new channel has not been setup for the client then the client will be fully empty at this point. This event will cause a one to be set in this register until cleared by software. Write a 1 to this field to clear the value.	RW	0x0
2	INT_STAT_HQ_VID2_LUMA	The last write DMA transaction has completed for channel hq_vid2_luma. All data from the channel has been sent and received by the external memory. If a new channel has not been setup for the client then the client will be fully empty at this point. This event will cause a one to be set in this register until cleared by software. Write a 1 to this field to clear the value.	RW	0x0
1	INT_STAT_HQ_VID1_CHROMA	The last write DMA transaction has completed for channel hq_vid1_chroma. All data from the channel has been sent and received by the external memory. If a new channel has not been setup for the client then the client will be fully empty at this point. This event will cause a one to be set in this register until cleared by software. Write a 1 to this field to clear the value.	RW	0x0
0	INT_STAT_HQ_VID1_LUMA	The last write DMA transaction has completed for channel hq_vid1_luma. All data from the channel has been sent and received by the external memory. If a new channel has not been setup for the client then the client will be fully empty at this point. This event will cause a one to be set in this register until cleared by software. Write a 1 to this field to clear the value.	RW	0x0

Table 9-346. Register Call Summary for Register VIP_INT1_CHANNEL0_INT_STAT

VIP Functional Description

- [VPDMA Interrupts: \[0\]](#)

VIP Register Manual

- [VIP VPDMA Register Summary: \[2\]](#)

Table 9-347. VIP_INT1_CHANNEL0_INT_MASK

Address Offset	0x0000 0094	Instance	VIP1_VPDMA
Physical Address	0x4897 D094		
Description	The register gives the information of the interrupts that should be masked and not generate an interrupt for vpdma_int1.		
Type	RW		

31	30	29	28	27	26	25	24	23	22	21	20	19	18	17	16	15	14	13	12	11	10	9	8	7	6	5	4	3	2	1	0	
INT_MASK_GRPX3	INT_MASK_GRPX2	INT_MASK_GRPX1	INT_MASK_SCALER_OUT	RESERVED								INT_MASK_SCALER_CHROMA	INT_MASK_SCALER_LUMA	INT_MASK_HQ_SCALER	RESERVED	INT_MASK_HQ_MV_OUT	RESERVED	INT_MASK_HQ_MV	RESERVED								INT_MASK_HQ_VID3_CHROMA	INT_MASK_HQ_VID3_LUMA	INT_MASK_HQ_VID2_CHROMA	INT_MASK_HQ_VID2_LUMA	INT_MASK_HQ_VID1_CHROMA	INT_MASK_HQ_VID1_LUMA

Bits	Field Name	Description	Type	Reset
31	INT_MASK_GRPX3	The interrupt for Graphics 2 Data should generate an interrupt on interrupt vpdma_int1. Write a 1 for the interrupt event to trigger the interrupt signal.	RW	0x0
30	INT_MASK_GRPX2	The interrupt for Graphics 1 Data should generate an interrupt on interrupt vpdma_int1. Write a 1 for the interrupt event to trigger the interrupt signal.	RW	0x0
29	INT_MASK_GRPX1	The interrupt for Graphics 0 Data should generate an interrupt on interrupt vpdma_int1. Write a 1 for the interrupt event to trigger the interrupt signal.	RW	0x0
28	INT_MASK_SCALER_OUT	The interrupt for Low Cost DEI Scaler Write to Memory should generate an interrupt on interrupt vpdma_int1. Write a 1 for the interrupt event to trigger the interrupt signal.	RW	0x0
27:20	RESERVED	Reserved	R	0x00
19	INT_MASK_SCALER_CHROMA	The interrupt for should generate an interrupt on interrupt vpdma_int1. Write a 1 for the interrupt event to trigger the interrupt signal.	RW	0x0
18	INT_MASK_SCALER_LUMA	The interrupt for should generate an interrupt on interrupt vpdma_int1. Write a 1 for the interrupt event to trigger the interrupt signal.	RW	0x0
17	INT_MASK_HQ_SCALER	The interrupt for High Quality DEI Scaler Write to Memory should generate an interrupt on interrupt vpdma_int1. Write a 1 for the interrupt event to trigger the interrupt signal.	RW	0x0
16	RESERVED	Reserved	R	0x0
15	INT_MASK_HQ_MV_OUT	The interrupt for Low Cost DEI Motion Vector Write should generate an interrupt on interrupt vpdma_int1. Write a 1 for the interrupt event to trigger the interrupt signal.	RW	0x0
14:13	RESERVED	Reserved	R	0x0
12	INT_MASK_HQ_MV	The interrupt for Low Cost DEI Motion Vector should generate an interrupt on interrupt vpdma_int1. Write a 1 for the interrupt event to trigger the interrupt signal.	RW	0x0
11:6	RESERVED	Reserved	R	0x00
5	INT_MASK_HQ_VID3_CHROMA	The interrupt for should generate an interrupt on interrupt vpdma_int1. Write a 1 for the interrupt event to trigger the interrupt signal.	RW	0x0
4	INT_MASK_HQ_VID3_LUMA	The interrupt for should generate an interrupt on interrupt vpdma_int1. Write a 1 for the interrupt event to trigger the interrupt signal.	RW	0x0
3	INT_MASK_HQ_VID2_CHROMA	The interrupt for should generate an interrupt on interrupt vpdma_int1. Write a 1 for the interrupt event to trigger the interrupt signal.	RW	0x0
2	INT_MASK_HQ_VID2_LUMA	The interrupt for should generate an interrupt on interrupt vpdma_int1. Write a 1 for the interrupt event to trigger the interrupt signal.	RW	0x0
1	INT_MASK_HQ_VID1_CHROMA	The interrupt for should generate an interrupt on interrupt vpdma_int1. Write a 1 for the interrupt event to trigger the interrupt signal.	RW	0x0
0	INT_MASK_HQ_VID1_LUMA	The interrupt for should generate an interrupt on interrupt vpdma_int1. Write a 1 for the interrupt event to trigger the interrupt signal.	RW	0x0

Table 9-348. Register Call Summary for Register VIP_INT1_CHANNEL0_INT_MASK

VIP Functional Description

- [VPDMA Interrupts: \[0\]](#)

VIP Register Manual

- [VIP VPDMA Register Summary: \[2\]](#)

Table 9-349. VIP_INT1_CHANNEL1_INT_STAT

Address Offset	0x0000 0098	Instance	VIP1_VPDMA
Physical Address	0x4897 D098		
Description	This register gives the information of the interrupts that have triggered since last cleared by the process that is servicing vpdma_int1.		
Type	RW		

31	30	29	28	27	26	25	24	23	22	21	20	19	18	17	16	15	14	13	12	11	10	9	8	7	6	5	4	3	2	1	0				
INT_STAT_VIP1_MULT_PORTB_SRC9	INT_STAT_VIP1_MULT_PORTB_SRC8	INT_STAT_VIP1_MULT_PORTB_SRC7	INT_STAT_VIP1_MULT_PORTB_SRC6	INT_STAT_VIP1_MULT_PORTB_SRC5	INT_STAT_VIP1_MULT_PORTB_SRC4	INT_STAT_VIP1_MULT_PORTB_SRC3	INT_STAT_VIP1_MULT_PORTB_SRC2	INT_STAT_VIP1_MULT_PORTB_SRC1	INT_STAT_VIP1_MULT_PORTB_SRC0	INT_STAT_VIP1_MULT_PORTA_SRC15	INT_STAT_VIP1_MULT_PORTA_SRC14	INT_STAT_VIP1_MULT_PORTA_SRC13	INT_STAT_VIP1_MULT_PORTA_SRC12	INT_STAT_VIP1_MULT_PORTA_SRC11	INT_STAT_VIP1_MULT_PORTA_SRC10	INT_STAT_VIP1_MULT_PORTA_SRC9	INT_STAT_VIP1_MULT_PORTA_SRC8	INT_STAT_VIP1_MULT_PORTA_SRC7	INT_STAT_VIP1_MULT_PORTA_SRC6	INT_STAT_VIP1_MULT_PORTA_SRC5	INT_STAT_VIP1_MULT_PORTA_SRC4	INT_STAT_VIP1_MULT_PORTA_SRC3	INT_STAT_VIP1_MULT_PORTA_SRC2	INT_STAT_VIP1_MULT_PORTA_SRC1	INT_STAT_VIP1_MULT_PORTA_SRC0	RESERVED									

Bits	Field Name	Description	Type	Reset
31	INT_STAT_VIP1_MULT_PORTB_SRC9	The last write DMA transaction has completed for channel vip1_mult_portb_src9. All data from the channel has been sent and received by the external memory. If a new channel has not been setup for the client vip1_lo_uv then the client will be fully empty at this point. This event will cause a one to be set in this register until cleared by software. Write a 1 to this field to clear the value.	RW	0x0
30	INT_STAT_VIP1_MULT_PORTB_SRC8	The last write DMA transaction has completed for channel vip1_mult_portb_src8. All data from the channel has been sent and received by the external memory. If a new channel has not been setup for the client vip1_lo_uv then the client will be fully empty at this point. This event will cause a one to be set in this register until cleared by software. Write a 1 to this field to clear the value.	RW	0x0
29	INT_STAT_VIP1_MULT_PORTB_SRC7	The last write DMA transaction has completed for channel vip1_mult_portb_src7. All data from the channel has been sent and received by the external memory. If a new channel has not been setup for the client vip1_lo_uv then the client will be fully empty at this point. This event will cause a one to be set in this register until cleared by software. Write a 1 to this field to clear the value.	RW	0x0
28	INT_STAT_VIP1_MULT_PORTB_SRC6	The last write DMA transaction has completed for channel vip1_mult_portb_src6. All data from the channel has been sent and received by the external memory. If a new channel has not been setup for the client vip1_lo_uv then the client will be fully empty at this point. This event will cause a one to be set in this register until cleared by software. Write a 1 to this field to clear the value.	RW	0x0
27	INT_STAT_VIP1_MULT_PORTB_SRC5	The last write DMA transaction has completed for channel vip1_mult_portb_src5. All data from the channel has been sent and received by the external memory. If a new channel has not been setup for the client vip1_lo_uv then the client will be fully empty at this point. This event will cause a one to be set in this register until cleared by software. Write a 1 to this field to clear the value.	RW	0x0

Bits	Field Name	Description	Type	Reset
26	INT_STAT_VIP1_MULT_PORTB_SRC4	The last write DMA transaction has completed for channel vip1_mult_portb_src4. All data from the channel has been sent and received by the external memory. If a new channel has not been setup for the client vip1_lo_uv then the client will be fully empty at this point. This event will cause a one to be set in this register until cleared by software. Write a 1 to this field to clear the value.	RW	0x0
25	INT_STAT_VIP1_MULT_PORTB_SRC3	The last write DMA transaction has completed for channel vip1_mult_portb_src3. All data from the channel has been sent and received by the external memory. If a new channel has not been setup for the client vip1_lo_uv then the client will be fully empty at this point. This event will cause a one to be set in this register until cleared by software. Write a 1 to this field to clear the value.	RW	0x0
24	INT_STAT_VIP1_MULT_PORTB_SRC2	The last write DMA transaction has completed for channel vip1_mult_portb_src2. All data from the channel has been sent and received by the external memory. If a new channel has not been setup for the client vip1_lo_uv then the client will be fully empty at this point. This event will cause a one to be set in this register until cleared by software. Write a 1 to this field to clear the value.	RW	0x0
23	INT_STAT_VIP1_MULT_PORTB_SRC1	The last write DMA transaction has completed for channel vip1_mult_portb_src1. All data from the channel has been sent and received by the external memory. If a new channel has not been setup for the client vip1_lo_uv then the client will be fully empty at this point. This event will cause a one to be set in this register until cleared by software. Write a 1 to this field to clear the value.	RW	0x0
22	INT_STAT_VIP1_MULT_PORTB_SRC0	The last write DMA transaction has completed for channel vip1_mult_portb_src0. All data from the channel has been sent and received by the external memory. If a new channel has not been setup for the client vip1_lo_uv then the client will be fully empty at this point. This event will cause a one to be set in this register until cleared by software. Write a 1 to this field to clear the value.	RW	0x0
21	INT_STAT_VIP1_MULT_PORTA_SRC15	The last write DMA transaction has completed for channel vip1_mult_porta_src15. All data from the channel has been sent and received by the external memory. If a new channel has not been setup for the client vip1_lo_y then the client will be fully empty at this point. This event will cause a one to be set in this register until cleared by software. Write a 1 to this field to clear the value.	RW	0x0
20	INT_STAT_VIP1_MULT_PORTA_SRC14	The last write DMA transaction has completed for channel vip1_mult_porta_src14. All data from the channel has been sent and received by the external memory. If a new channel has not been setup for the client vip1_lo_y then the client will be fully empty at this point. This event will cause a one to be set in this register until cleared by software. Write a 1 to this field to clear the value.	RW	0x0
19	INT_STAT_VIP1_MULT_PORTA_SRC13	The last write DMA transaction has completed for channel vip1_mult_porta_src13. All data from the channel has been sent and received by the external memory. If a new channel has not been setup for the client vip1_lo_y then the client will be fully empty at this point. This event will cause a one to be set in this register until cleared by software. Write a 1 to this field to clear the value.	RW	0x0
18	INT_STAT_VIP1_MULT_PORTA_SRC12	The last write DMA transaction has completed for channel vip1_mult_porta_src12. All data from the channel has been sent and received by the external memory. If a new channel has not been setup for the client vip1_lo_y then the client will be fully empty at this point. This event will cause a one to be set in this register until cleared by software. Write a 1 to this field to clear the value.	RW	0x0

Bits	Field Name	Description	Type	Reset
17	INT_STAT_VIP1_MULT_PORTA_SRC11	The last write DMA transaction has completed for channel vip1_mult_porta_src11. All data from the channel has been sent and received by the external memory. If a new channel has not been setup for the client vip1_lo_y then the client will be fully empty at this point. This event will cause a one to be set in this register until cleared by software. Write a 1 to this field to clear the value.	RW	0x0
16	INT_STAT_VIP1_MULT_PORTA_SRC10	The last write DMA transaction has completed for channel vip1_mult_porta_src10. All data from the channel has been sent and received by the external memory. If a new channel has not been setup for the client vip1_lo_y then the client will be fully empty at this point. This event will cause a one to be set in this register until cleared by software. Write a 1 to this field to clear the value.	RW	0x0
15	INT_STAT_VIP1_MULT_PORTA_SRC9	The last write DMA transaction has completed for channel vip1_mult_porta_src9. All data from the channel has been sent and received by the external memory. If a new channel has not been setup for the client vip1_lo_y then the client will be fully empty at this point. This event will cause a one to be set in this register until cleared by software. Write a 1 to this field to clear the value.	RW	0x0
14	INT_STAT_VIP1_MULT_PORTA_SRC8	The last write DMA transaction has completed for channel vip1_mult_porta_src8. All data from the channel has been sent and received by the external memory. If a new channel has not been setup for the client vip1_lo_y then the client will be fully empty at this point. This event will cause a one to be set in this register until cleared by software. Write a 1 to this field to clear the value.	RW	0x0
13	INT_STAT_VIP1_MULT_PORTA_SRC7	The last write DMA transaction has completed for channel vip1_mult_porta_src7. All data from the channel has been sent and received by the external memory. If a new channel has not been setup for the client vip1_lo_y then the client will be fully empty at this point. This event will cause a one to be set in this register until cleared by software. Write a 1 to this field to clear the value.	RW	0x0
12	INT_STAT_VIP1_MULT_PORTA_SRC6	The last write DMA transaction has completed for channel vip1_mult_porta_src6. All data from the channel has been sent and received by the external memory. If a new channel has not been setup for the client vip1_lo_y then the client will be fully empty at this point. This event will cause a one to be set in this register until cleared by software. Write a 1 to this field to clear the value.	RW	0x0
11	INT_STAT_VIP1_MULT_PORTA_SRC5	The last write DMA transaction has completed for channel vip1_mult_porta_src5. All data from the channel has been sent and received by the external memory. If a new channel has not been setup for the client vip1_lo_y then the client will be fully empty at this point. This event will cause a one to be set in this register until cleared by software. Write a 1 to this field to clear the value.	RW	0x0
10	INT_STAT_VIP1_MULT_PORTA_SRC4	The last write DMA transaction has completed for channel vip1_mult_porta_src4. All data from the channel has been sent and received by the external memory. If a new channel has not been setup for the client vip1_lo_y then the client will be fully empty at this point. This event will cause a one to be set in this register until cleared by software. Write a 1 to this field to clear the value.	RW	0x0
9	INT_STAT_VIP1_MULT_PORTA_SRC3	The last write DMA transaction has completed for channel vip1_mult_porta_src3. All data from the channel has been sent and received by the external memory. If a new channel has not been setup for the client vip1_lo_y then the client will be fully empty at this point. This event will cause a one to be set in this register until cleared by software. Write a 1 to this field to clear the value.	RW	0x0

Bits	Field Name	Description	Type	Reset
8	INT_STAT_VIP1_MULT_PORTA_SRC2	The last write DMA transaction has completed for channel vip1_mult_porta_src2. All data from the channel has been sent and received by the external memory. If a new channel has not been setup for the client vip1_lo_y then the client will be fully empty at this point. This event will cause a one to be set in this register until cleared by software. Write a 1 to this field to clear the value.	RW	0x0
7	INT_STAT_VIP1_MULT_PORTA_SRC1	The last write DMA transaction has completed for channel vip1_mult_porta_src1. All data from the channel has been sent and received by the external memory. If a new channel has not been setup for the client vip1_lo_y then the client will be fully empty at this point. This event will cause a one to be set in this register until cleared by software. Write a 1 to this field to clear the value.	RW	0x0
6	INT_STAT_VIP1_MULT_PORTA_SRC0	The last write DMA transaction has completed for channel vip1_mult_porta_src0. All data from the channel has been sent and received by the external memory. If a new channel has not been setup for the client vip1_lo_y then the client will be fully empty at this point. This event will cause a one to be set in this register until cleared by software. Write a 1 to this field to clear the value.	RW	0x0
5:0	RESERVED	Reserved	R	0x00

Table 9-350. Register Call Summary for Register VIP_INT1_CHANNEL1_INT_STAT

VIP Functional Description

- [VPDMA Interrupts: \[0\]](#)

VIP Register Manual

- [VIP VPDMA Register Summary: \[2\]](#)

Table 9-351. VIP_INT1_CHANNEL1_INT_MASK

Address Offset	0x0000 009C	Instance	VIP1_VPDMA
Physical Address	0x4897 D09C		
Description	The register gives the information of the interrupts that should be masked and not generate an interrupt for vpdma_int1.		
Type	RW		

31	30	29	28	27	26	25	24	23	22	21	20	19	18	17	16	15	14	13	12	11	10	9	8	7	6	5	4	3	2	1	0
INT_MASK_VIP1_MULT_PORTB_SRC9	INT_MASK_VIP1_MULT_PORTB_SRC8	INT_MASK_VIP1_MULT_PORTB_SRC7	INT_MASK_VIP1_MULT_PORTB_SRC6	INT_MASK_VIP1_MULT_PORTB_SRC5	INT_MASK_VIP1_MULT_PORTB_SRC4	INT_MASK_VIP1_MULT_PORTB_SRC3	INT_MASK_VIP1_MULT_PORTB_SRC2	INT_MASK_VIP1_MULT_PORTB_SRC1	INT_MASK_VIP1_MULT_PORTB_SRC0	INT_MASK_VIP1_MULT_PORTA_SRC15	INT_MASK_VIP1_MULT_PORTA_SRC14	INT_MASK_VIP1_MULT_PORTA_SRC13	INT_MASK_VIP1_MULT_PORTA_SRC12	INT_MASK_VIP1_MULT_PORTA_SRC11	INT_MASK_VIP1_MULT_PORTA_SRC10	INT_MASK_VIP1_MULT_PORTA_SRC9	INT_MASK_VIP1_MULT_PORTA_SRC8	INT_MASK_VIP1_MULT_PORTA_SRC7	INT_MASK_VIP1_MULT_PORTA_SRC6	INT_MASK_VIP1_MULT_PORTA_SRC5	INT_MASK_VIP1_MULT_PORTA_SRC4	INT_MASK_VIP1_MULT_PORTA_SRC3	INT_MASK_VIP1_MULT_PORTA_SRC2	INT_MASK_VIP1_MULT_PORTA_SRC1	INT_MASK_VIP1_MULT_PORTA_SRC0	RESERVED					

Bits	Field Name	Description	Type	Reset
31	INT_MASK_VIP1_MULT_PORTB_SRC9	The interrupt for Video Input 1 Port B Channel 9 should generate an interrupt on interrupt vpdma_int1. Write a 1 for the interrupt event to trigger the interrupt signal.	RW	0x0
30	INT_MASK_VIP1_MULT_PORTB_SRC8	The interrupt for Video Input 1 Port B Channel 8 should generate an interrupt on interrupt vpdma_int1. Write a 1 for the interrupt event to trigger the interrupt signal.	RW	0x0
29	INT_MASK_VIP1_MULT_PORTB_SRC7	The interrupt for Video Input 1 Port B Channel 7 should generate an interrupt on interrupt vpdma_int1. Write a 1 for the interrupt event to trigger the interrupt signal.	RW	0x0
28	INT_MASK_VIP1_MULT_PORTB_SRC6	The interrupt for Video Input 1 Port B Channel 6 should generate an interrupt on interrupt vpdma_int1. Write a 1 for the interrupt event to trigger the interrupt signal.	RW	0x0
27	INT_MASK_VIP1_MULT_PORTB_SRC5	The interrupt for Video Input 1 Port B Channel 5 should generate an interrupt on interrupt vpdma_int1. Write a 1 for the interrupt event to trigger the interrupt signal.	RW	0x0
26	INT_MASK_VIP1_MULT_PORTB_SRC4	The interrupt for Video Input 1 Port B Channel 4 should generate an interrupt on interrupt vpdma_int1. Write a 1 for the interrupt event to trigger the interrupt signal.	RW	0x0
25	INT_MASK_VIP1_MULT_PORTB_SRC3	The interrupt for Video Input 1 Port B Channel 3 should generate an interrupt on interrupt vpdma_int1. Write a 1 for the interrupt event to trigger the interrupt signal.	RW	0x0
24	INT_MASK_VIP1_MULT_PORTB_SRC2	The interrupt for Video Input 1 Port B Channel 2 should generate an interrupt on interrupt vpdma_int1. Write a 1 for the interrupt event to trigger the interrupt signal.	RW	0x0
23	INT_MASK_VIP1_MULT_PORTB_SRC1	The interrupt for Video Input 1 Port B Channel 1 should generate an interrupt on interrupt vpdma_int1. Write a 1 for the interrupt event to trigger the interrupt signal.	RW	0x0
22	INT_MASK_VIP1_MULT_PORTB_SRC0	The interrupt for Video Input 1 Port B Channel 0 should generate an interrupt on interrupt vpdma_int1. Write a 1 for the interrupt event to trigger the interrupt signal.	RW	0x0
21	INT_MASK_VIP1_MULT_PORTA_SRC15	The interrupt for Video Input 1 Port A Channel 15 should generate an interrupt on interrupt vpdma_int1. Write a 1 for the interrupt event to trigger the interrupt signal.	RW	0x0
20	INT_MASK_VIP1_MULT_PORTA_SRC14	The interrupt for Video Input 1 Port A Channel 14 should generate an interrupt on interrupt vpdma_int1. Write a 1 for the interrupt event to trigger the interrupt signal.	RW	0x0
19	INT_MASK_VIP1_MULT_PORTA_SRC13	The interrupt for Video Input 1 Port A Channel 13 should generate an interrupt on interrupt vpdma_int1. Write a 1 for the interrupt event to trigger the interrupt signal.	RW	0x0
18	INT_MASK_VIP1_MULT_PORTA_SRC12	The interrupt for Video Input 1 Port A Channel 12 should generate an interrupt on interrupt vpdma_int1. Write a 1 for the interrupt event to trigger the interrupt signal.	RW	0x0
17	INT_MASK_VIP1_MULT_PORTA_SRC11	The interrupt for Video Input 1 Port A Channel 11 should generate an interrupt on interrupt vpdma_int1. Write a 1 for the interrupt event to trigger the interrupt signal.	RW	0x0
16	INT_MASK_VIP1_MULT_PORTA_SRC10	The interrupt for Video Input 1 Port A Channel 10 should generate an interrupt on interrupt vpdma_int1. Write a 1 for the interrupt event to trigger the interrupt signal.	RW	0x0
15	INT_MASK_VIP1_MULT_PORTA_SRC9	The interrupt for Video Input 1 Port A Channel 9 should generate an interrupt on interrupt vpdma_int1. Write a 1 for the interrupt event to trigger the interrupt signal.	RW	0x0
14	INT_MASK_VIP1_MULT_PORTA_SRC8	The interrupt for Video Input 1 Port A Channel 8 should generate an interrupt on interrupt vpdma_int1. Write a 1 for the interrupt event to trigger the interrupt signal.	RW	0x0
13	INT_MASK_VIP1_MULT_PORTA_SRC7	The interrupt for Video Input 1 Port A Channel 7 should generate an interrupt on interrupt vpdma_int1. Write a 1 for the interrupt event to trigger the interrupt signal.	RW	0x0
12	INT_MASK_VIP1_MULT_PORTA_SRC6	The interrupt for Video Input 1 Port A Channel 6 should generate an interrupt on interrupt vpdma_int1. Write a 1 for the interrupt event to trigger the interrupt signal.	RW	0x0

Bits	Field Name	Description	Type	Reset
11	INT_MASK_VIP1_MULT_PORTA_SRC5	The interrupt for Video Input 1 Port A Channel 5 should generate an interrupt on interrupt vpdma_int1. Write a 1 for the interrupt event to trigger the interrupt signal.	RW	0x0
10	INT_MASK_VIP1_MULT_PORTA_SRC4	The interrupt for Video Input 1 Port A Channel 4 should generate an interrupt on interrupt vpdma_int1. Write a 1 for the interrupt event to trigger the interrupt signal.	RW	0x0
9	INT_MASK_VIP1_MULT_PORTA_SRC3	The interrupt for Video Input 1 Port A Channel 3 should generate an interrupt on interrupt vpdma_int1. Write a 1 for the interrupt event to trigger the interrupt signal.	RW	0x0
8	INT_MASK_VIP1_MULT_PORTA_SRC2	The interrupt for Video Input 1 Port A Channel 2 should generate an interrupt on interrupt vpdma_int1. Write a 1 for the interrupt event to trigger the interrupt signal.	RW	0x0
7	INT_MASK_VIP1_MULT_PORTA_SRC1	The interrupt for Video Input 1 Port A Channel 1 should generate an interrupt on interrupt vpdma_int1. Write a 1 for the interrupt event to trigger the interrupt signal.	RW	0x0
6	INT_MASK_VIP1_MULT_PORTA_SRC0	The interrupt for Video Input 1 Port A Channel 0 should generate an interrupt on interrupt vpdma_int1. Write a 1 for the interrupt event to trigger the interrupt signal.	RW	0x0
5:0	RESERVED	Reserved	R	0x00

Table 9-352. Register Call Summary for Register VIP_INT1_CHANNEL1_INT_MASK

VIP Functional Description

- [VPDMA Interrupts: \[0\]](#)

VIP Register Manual

- [VIP VPDMA Register Summary: \[2\]](#)

Table 9-353. VIP_INT1_CHANNEL2_INT_STAT

Address Offset	0x0000 00A0	Instance	VIP1_VPDMA
Physical Address	0x4897 D0A0		
Description	This register gives the information of the interrupts that have triggered since last cleared by the process that is servicing vpdma_int1.		
Type	RW		

31	30	29	28	27	26	25	24	23	22	21	20	19	18	17	16	15	14	13	12	11	10	9	8	7	6	5	4	3	2	1	0
INT_STAT_VIP1_MULT_ANCB_SRC9	INT_STAT_VIP1_MULT_ANCB_SRC8	INT_STAT_VIP1_MULT_ANCB_SRC7	INT_STAT_VIP1_MULT_ANCB_SRC6	INT_STAT_VIP1_MULT_ANCB_SRC5	INT_STAT_VIP1_MULT_ANCB_SRC4	INT_STAT_VIP1_MULT_ANCB_SRC3	INT_STAT_VIP1_MULT_ANCB_SRC2	INT_STAT_VIP1_MULT_ANCB_SRC1	INT_STAT_VIP1_MULT_ANCB_SRC0	INT_STAT_VIP1_MULT_ANCA_SRC15	INT_STAT_VIP1_MULT_ANCA_SRC14	INT_STAT_VIP1_MULT_ANCA_SRC13	INT_STAT_VIP1_MULT_ANCA_SRC12	INT_STAT_VIP1_MULT_ANCA_SRC11	INT_STAT_VIP1_MULT_ANCA_SRC10	INT_STAT_VIP1_MULT_ANCA_SRC9	INT_STAT_VIP1_MULT_ANCA_SRC8	INT_STAT_VIP1_MULT_ANCA_SRC7	INT_STAT_VIP1_MULT_ANCA_SRC6	INT_STAT_VIP1_MULT_ANCA_SRC5	INT_STAT_VIP1_MULT_ANCA_SRC4	INT_STAT_VIP1_MULT_ANCA_SRC3	INT_STAT_VIP1_MULT_ANCA_SRC2	INT_STAT_VIP1_MULT_ANCA_SRC1	INT_STAT_VIP1_MULT_ANCA_SRC0	INT_STAT_VIP1_MULT_PORTB_SRC15	INT_STAT_VIP1_MULT_PORTB_SRC14	INT_STAT_VIP1_MULT_PORTB_SRC13	INT_STAT_VIP1_MULT_PORTB_SRC12	INT_STAT_VIP1_MULT_PORTB_SRC11	INT_STAT_VIP1_MULT_PORTB_SRC10

Bits	Field Name	Description	Type	Reset
31	INT_STAT_VIP1_MULT_ANCB_SRC9	The last write DMA transaction has completed for channel vip1_mult_ancb_src9. All data from the channel has been sent and received by the external memory. If a new channel has not been setup for the client vip1_anc_b then the client will be fully empty at this point. This event will cause a one to be set in this register until cleared by software. Write a 1 to this field to clear the value.	RW	0x0
30	INT_STAT_VIP1_MULT_ANCB_SRC8	The last write DMA transaction has completed for channel vip1_mult_ancb_src8. All data from the channel has been sent and received by the external memory. If a new channel has not been setup for the client vip1_anc_b then the client will be fully empty at this point. This event will cause a one to be set in this register until cleared by software. Write a 1 to this field to clear the value.	RW	0x0
29	INT_STAT_VIP1_MULT_ANCB_SRC7	The last write DMA transaction has completed for channel vip1_mult_ancb_src7. All data from the channel has been sent and received by the external memory. If a new channel has not been setup for the client vip1_anc_b then the client will be fully empty at this point. This event will cause a one to be set in this register until cleared by software. Write a 1 to this field to clear the value.	RW	0x0
28	INT_STAT_VIP1_MULT_ANCB_SRC6	The last write DMA transaction has completed for channel vip1_mult_ancb_src6. All data from the channel has been sent and received by the external memory. If a new channel has not been setup for the client vip1_anc_b then the client will be fully empty at this point. This event will cause a one to be set in this register until cleared by software. Write a 1 to this field to clear the value.	RW	0x0
27	INT_STAT_VIP1_MULT_ANCB_SRC5	The last write DMA transaction has completed for channel vip1_mult_ancb_src5. All data from the channel has been sent and received by the external memory. If a new channel has not been setup for the client vip1_anc_b then the client will be fully empty at this point. This event will cause a one to be set in this register until cleared by software. Write a 1 to this field to clear the value.	RW	0x0
26	INT_STAT_VIP1_MULT_ANCB_SRC4	The last write DMA transaction has completed for channel vip1_mult_ancb_src4. All data from the channel has been sent and received by the external memory. If a new channel has not been setup for the client vip1_anc_b then the client will be fully empty at this point. This event will cause a one to be set in this register until cleared by software. Write a 1 to this field to clear the value.	RW	0x0
25	INT_STAT_VIP1_MULT_ANCB_SRC3	The last write DMA transaction has completed for channel vip1_mult_ancb_src3. All data from the channel has been sent and received by the external memory. If a new channel has not been setup for the client vip1_anc_b then the client will be fully empty at this point. This event will cause a one to be set in this register until cleared by software. Write a 1 to this field to clear the value.	RW	0x0
24	INT_STAT_VIP1_MULT_ANCB_SRC2	The last write DMA transaction has completed for channel vip1_mult_ancb_src2. All data from the channel has been sent and received by the external memory. If a new channel has not been setup for the client vip1_anc_b then the client will be fully empty at this point. This event will cause a one to be set in this register until cleared by software. Write a 1 to this field to clear the value.	RW	0x0
23	INT_STAT_VIP1_MULT_ANCB_SRC1	The last write DMA transaction has completed for channel vip1_mult_ancb_src1. All data from the channel has been sent and received by the external memory. If a new channel has not been setup for the client vip1_anc_b then the client will be fully empty at this point. This event will cause a one to be set in this register until cleared by software. Write a 1 to this field to clear the value.	RW	0x0

Bits	Field Name	Description	Type	Reset
22	INT_STAT_VIP1_MULT_ANCB_SRC0	The last write DMA transaction has completed for channel vip1_mult_ancb_src0. All data from the channel has been sent and received by the external memory. If a new channel has not been setup for the client vip1_anc_b then the client will be fully empty at this point. This event will cause a one to be set in this register until cleared by software. Write a 1 to this field to clear the value.	RW	0x0
21	INT_STAT_VIP1_MULT_ANCA_SRC15	The last write DMA transaction has completed for channel vip1_mult_anca_src15. All data from the channel has been sent and received by the external memory. If a new channel has not been setup for the client vip1_anc_a then the client will be fully empty at this point. This event will cause a one to be set in this register until cleared by software. Write a 1 to this field to clear the value.	RW	0x0
20	INT_STAT_VIP1_MULT_ANCA_SRC14	The last write DMA transaction has completed for channel vip1_mult_anca_src14. All data from the channel has been sent and received by the external memory. If a new channel has not been setup for the client vip1_anc_a then the client will be fully empty at this point. This event will cause a one to be set in this register until cleared by software. Write a 1 to this field to clear the value.	RW	0x0
19	INT_STAT_VIP1_MULT_ANCA_SRC13	The last write DMA transaction has completed for channel vip1_mult_anca_src13. All data from the channel has been sent and received by the external memory. If a new channel has not been setup for the client vip1_anc_a then the client will be fully empty at this point. This event will cause a one to be set in this register until cleared by software. Write a 1 to this field to clear the value.	RW	0x0
18	INT_STAT_VIP1_MULT_ANCA_SRC12	The last write DMA transaction has completed for channel vip1_mult_anca_src12. All data from the channel has been sent and received by the external memory. If a new channel has not been setup for the client vip1_anc_a then the client will be fully empty at this point. This event will cause a one to be set in this register until cleared by software. Write a 1 to this field to clear the value.	RW	0x0
17	INT_STAT_VIP1_MULT_ANCA_SRC11	The last write DMA transaction has completed for channel vip1_mult_anca_src11. All data from the channel has been sent and received by the external memory. If a new channel has not been setup for the client vip1_anc_a then the client will be fully empty at this point. This event will cause a one to be set in this register until cleared by software. Write a 1 to this field to clear the value.	RW	0x0
16	INT_STAT_VIP1_MULT_ANCA_SRC10	The last write DMA transaction has completed for channel vip1_mult_anca_src10. All data from the channel has been sent and received by the external memory. If a new channel has not been setup for the client vip1_anc_a then the client will be fully empty at this point. This event will cause a one to be set in this register until cleared by software. Write a 1 to this field to clear the value.	RW	0x0
15	INT_STAT_VIP1_MULT_ANCA_SRC9	The last write DMA transaction has completed for channel vip1_mult_anca_src9. All data from the channel has been sent and received by the external memory. If a new channel has not been setup for the client vip1_anc_a then the client will be fully empty at this point. This event will cause a one to be set in this register until cleared by software. Write a 1 to this field to clear the value.	RW	0x0
14	INT_STAT_VIP1_MULT_ANCA_SRC8	The last write DMA transaction has completed for channel vip1_mult_anca_src8. All data from the channel has been sent and received by the external memory. If a new channel has not been setup for the client vip1_anc_a then the client will be fully empty at this point. This event will cause a one to be set in this register until cleared by software. Write a 1 to this field to clear the value.	RW	0x0

Bits	Field Name	Description	Type	Reset
13	INT_STAT_VIP1_MULT_ANCA_SRC7	The last write DMA transaction has completed for channel vip1_mult_anca_src7. All data from the channel has been sent and received by the external memory. If a new channel has not been setup for the client vip1_anc_a then the client will be fully empty at this point. This event will cause a one to be set in this register until cleared by software. Write a 1 to this field to clear the value.	RW	0x0
12	INT_STAT_VIP1_MULT_ANCA_SRC6	The last write DMA transaction has completed for channel vip1_mult_anca_src6. All data from the channel has been sent and received by the external memory. If a new channel has not been setup for the client vip1_anc_a then the client will be fully empty at this point. This event will cause a one to be set in this register until cleared by software. Write a 1 to this field to clear the value.	RW	0x0
11	INT_STAT_VIP1_MULT_ANCA_SRC5	The last write DMA transaction has completed for channel vip1_mult_anca_src5. All data from the channel has been sent and received by the external memory. If a new channel has not been setup for the client vip1_anc_a then the client will be fully empty at this point. This event will cause a one to be set in this register until cleared by software. Write a 1 to this field to clear the value.	RW	0x0
10	INT_STAT_VIP1_MULT_ANCA_SRC4	The last write DMA transaction has completed for channel vip1_mult_anca_src4. All data from the channel has been sent and received by the external memory. If a new channel has not been setup for the client vip1_anc_a then the client will be fully empty at this point. This event will cause a one to be set in this register until cleared by software. Write a 1 to this field to clear the value.	RW	0x0
9	INT_STAT_VIP1_MULT_ANCA_SRC3	The last write DMA transaction has completed for channel vip1_mult_anca_src3. All data from the channel has been sent and received by the external memory. If a new channel has not been setup for the client vip1_anc_a then the client will be fully empty at this point. This event will cause a one to be set in this register until cleared by software. Write a 1 to this field to clear the value.	RW	0x0
8	INT_STAT_VIP1_MULT_ANCA_SRC2	The last write DMA transaction has completed for channel vip1_mult_anca_src2. All data from the channel has been sent and received by the external memory. If a new channel has not been setup for the client vip1_anc_a then the client will be fully empty at this point. This event will cause a one to be set in this register until cleared by software. Write a 1 to this field to clear the value.	RW	0x0
7	INT_STAT_VIP1_MULT_ANCA_SRC1	The last write DMA transaction has completed for channel vip1_mult_anca_src1. All data from the channel has been sent and received by the external memory. If a new channel has not been setup for the client vip1_anc_a then the client will be fully empty at this point. This event will cause a one to be set in this register until cleared by software. Write a 1 to this field to clear the value.	RW	0x0
6	INT_STAT_VIP1_MULT_ANCA_SRC0	The last write DMA transaction has completed for channel vip1_mult_anca_src0. All data from the channel has been sent and received by the external memory. If a new channel has not been setup for the client vip1_anc_a then the client will be fully empty at this point. This event will cause a one to be set in this register until cleared by software. Write a 1 to this field to clear the value.	RW	0x0
5	INT_STAT_VIP1_MULT_PORTB_SRC15	The last write DMA transaction has completed for channel vip1_mult_portb_src15. All data from the channel has been sent and received by the external memory. If a new channel has not been setup for the client vip1_lo_uv then the client will be fully empty at this point. This event will cause a one to be set in this register until cleared by software. Write a 1 to this field to clear the value.	RW	0x0

Bits	Field Name	Description	Type	Reset
4	INT_STAT_VIP1_MULT_PORTB_SRC14	The last write DMA transaction has completed for channel vip1_mult_portb_src14. All data from the channel has been sent and received by the external memory. If a new channel has not been setup for the client vip1_lo_uv then the client will be fully empty at this point. This event will cause a one to be set in this register until cleared by software. Write a 1 to this field to clear the value.	RW	0x0
3	INT_STAT_VIP1_MULT_PORTB_SRC13	The last write DMA transaction has completed for channel vip1_mult_portb_src13. All data from the channel has been sent and received by the external memory. If a new channel has not been setup for the client vip1_lo_uv then the client will be fully empty at this point. This event will cause a one to be set in this register until cleared by software. Write a 1 to this field to clear the value.	RW	0x0
2	INT_STAT_VIP1_MULT_PORTB_SRC12	The last write DMA transaction has completed for channel vip1_mult_portb_src12. All data from the channel has been sent and received by the external memory. If a new channel has not been setup for the client vip1_lo_uv then the client will be fully empty at this point. This event will cause a one to be set in this register until cleared by software. Write a 1 to this field to clear the value.	RW	0x0
1	INT_STAT_VIP1_MULT_PORTB_SRC11	The last write DMA transaction has completed for channel vip1_mult_portb_src11. All data from the channel has been sent and received by the external memory. If a new channel has not been setup for the client vip1_lo_uv then the client will be fully empty at this point. This event will cause a one to be set in this register until cleared by software. Write a 1 to this field to clear the value.	RW	0x0
0	INT_STAT_VIP1_MULT_PORTB_SRC10	The last write DMA transaction has completed for channel vip1_mult_portb_src10. All data from the channel has been sent and received by the external memory. If a new channel has not been setup for the client vip1_lo_uv then the client will be fully empty at this point. This event will cause a one to be set in this register until cleared by software. Write a 1 to this field to clear the value.	RW	0x0

Table 9-354. Register Call Summary for Register VIP_INT1_CHANNEL2_INT_STAT

VIP Functional Description

- [VPDMA Interrupts: \[0\]](#)

VIP Register Manual

- [VIP VPDMA Register Summary: \[2\]](#)

Table 9-355. VIP_INT1_CHANNEL2_INT_MASK

Address Offset	0x0000 00A4	Instance	VIP1_VPDMA
Physical Address	0x4897 D0A4		
Description	The register gives the information of the interrupts that should be masked and not generate an interrupt for vpdma_int1.		
Type	RW		

31	30	29	28	27	26	25	24	23	22	21	20	19	18	17	16	15	14	13	12	11	10	9	8	7	6	5	4	3	2	1	0
INT_MASK_VIP1_MULT_ANCB_SRC9	INT_MASK_VIP1_MULT_ANCB_SRC8	INT_MASK_VIP1_MULT_ANCB_SRC7	INT_MASK_VIP1_MULT_ANCB_SRC6	INT_MASK_VIP1_MULT_ANCB_SRC5	INT_MASK_VIP1_MULT_ANCB_SRC4	INT_MASK_VIP1_MULT_ANCB_SRC3	INT_MASK_VIP1_MULT_ANCB_SRC2	INT_MASK_VIP1_MULT_ANCB_SRC1	INT_MASK_VIP1_MULT_ANCB_SRC0	INT_MASK_VIP1_MULT_ANCA_SRC15	INT_MASK_VIP1_MULT_ANCA_SRC14	INT_MASK_VIP1_MULT_ANCA_SRC13	INT_MASK_VIP1_MULT_ANCA_SRC12	INT_MASK_VIP1_MULT_ANCA_SRC11	INT_MASK_VIP1_MULT_ANCA_SRC10	INT_MASK_VIP1_MULT_ANCA_SRC9	INT_MASK_VIP1_MULT_ANCA_SRC8	INT_MASK_VIP1_MULT_ANCA_SRC7	INT_MASK_VIP1_MULT_ANCA_SRC6	INT_MASK_VIP1_MULT_ANCA_SRC5	INT_MASK_VIP1_MULT_ANCA_SRC4	INT_MASK_VIP1_MULT_ANCA_SRC3	INT_MASK_VIP1_MULT_ANCA_SRC2	INT_MASK_VIP1_MULT_ANCA_SRC1	INT_MASK_VIP1_MULT_ANCA_SRC0	INT_MASK_VIP1_MULT_PORTB_SRC15	INT_MASK_VIP1_MULT_PORTB_SRC14	INT_MASK_VIP1_MULT_PORTB_SRC13	INT_MASK_VIP1_MULT_PORTB_SRC12	INT_MASK_VIP1_MULT_PORTB_SRC11	INT_MASK_VIP1_MULT_PORTB_SRC10

Bits	Field Name	Description	Type	Reset
31	INT_MASK_VIP1_MULT_ANCB_SRC9	The interrupt for Video Input 1 Port B Ancillary Data Channel 9 should generate an interrupt on interrupt <code>vpdma_int1</code> . Write a 1 for the interrupt event to trigger the interrupt signal.	RW	0x0
30	INT_MASK_VIP1_MULT_ANCB_SRC8	The interrupt for Video Input 1 Port B Ancillary Data Channel 8 should generate an interrupt on interrupt <code>vpdma_int1</code> . Write a 1 for the interrupt event to trigger the interrupt signal.	RW	0x0
29	INT_MASK_VIP1_MULT_ANCB_SRC7	The interrupt for Video Input 1 Port B Ancillary Data Channel 7 should generate an interrupt on interrupt <code>vpdma_int1</code> . Write a 1 for the interrupt event to trigger the interrupt signal.	RW	0x0
28	INT_MASK_VIP1_MULT_ANCB_SRC6	The interrupt for Video Input 1 Port B Ancillary Data Channel 6 should generate an interrupt on interrupt <code>vpdma_int1</code> . Write a 1 for the interrupt event to trigger the interrupt signal.	RW	0x0
27	INT_MASK_VIP1_MULT_ANCB_SRC5	The interrupt for Video Input 1 Port B Ancillary Data Channel 5 should generate an interrupt on interrupt <code>vpdma_int1</code> . Write a 1 for the interrupt event to trigger the interrupt signal.	RW	0x0
26	INT_MASK_VIP1_MULT_ANCB_SRC4	The interrupt for Video Input 1 Port B Ancillary Data Channel 4 should generate an interrupt on interrupt <code>vpdma_int1</code> . Write a 1 for the interrupt event to trigger the interrupt signal.	RW	0x0
25	INT_MASK_VIP1_MULT_ANCB_SRC3	The interrupt for Video Input 1 Port B Ancillary Data Channel 3 should generate an interrupt on interrupt <code>vpdma_int1</code> . Write a 1 for the interrupt event to trigger the interrupt signal.	RW	0x0
24	INT_MASK_VIP1_MULT_ANCB_SRC2	The interrupt for Video Input 1 Port B Ancillary Data Channel 2 should generate an interrupt on interrupt <code>vpdma_int1</code> . Write a 1 for the interrupt event to trigger the interrupt signal.	RW	0x0
23	INT_MASK_VIP1_MULT_ANCB_SRC1	The interrupt for Video Input 1 Port B Ancillary Data Channel 1 should generate an interrupt on interrupt <code>vpdma_int1</code> . Write a 1 for the interrupt event to trigger the interrupt signal.	RW	0x0
22	INT_MASK_VIP1_MULT_ANCB_SRC0	The interrupt for Video Input 1 Port B Ancillary Data Channel 0 should generate an interrupt on interrupt <code>vpdma_int1</code> . Write a 1 for the interrupt event to trigger the interrupt signal.	RW	0x0
21	INT_MASK_VIP1_MULT_ANCA_SRC15	The interrupt for Video Input 1 Port A Ancillary Data Channel 15 should generate an interrupt on interrupt <code>vpdma_int1</code> . Write a 1 for the interrupt event to trigger the interrupt signal.	RW	0x0

Bits	Field Name	Description	Type	Reset
20	INT_MASK_VIP1_MULT_ANCA_SRC14	The interrupt for Video Input 1 Port A Ancillary Data Channel 14 should generate an interrupt on interrupt vpdma_int1. Write a 1 for the interrupt event to trigger the interrupt signal.	RW	0x0
19	INT_MASK_VIP1_MULT_ANCA_SRC13	The interrupt for Video Input 1 Port A Ancillary Data Channel 13 should generate an interrupt on interrupt vpdma_int1. Write a 1 for the interrupt event to trigger the interrupt signal.	RW	0x0
18	INT_MASK_VIP1_MULT_ANCA_SRC12	The interrupt for Video Input 1 Port A Ancillary Data Channel 12 should generate an interrupt on interrupt vpdma_int1. Write a 1 for the interrupt event to trigger the interrupt signal.	RW	0x0
17	INT_MASK_VIP1_MULT_ANCA_SRC11	The interrupt for Video Input 1 Port A Ancillary Data Channel 11 should generate an interrupt on interrupt vpdma_int1. Write a 1 for the interrupt event to trigger the interrupt signal.	RW	0x0
16	INT_MASK_VIP1_MULT_ANCA_SRC10	The interrupt for Video Input 1 Port A Ancillary Data Channel 10 should generate an interrupt on interrupt vpdma_int1. Write a 1 for the interrupt event to trigger the interrupt signal.	RW	0x0
15	INT_MASK_VIP1_MULT_ANCA_SRC9	The interrupt for Video Input 1 Port A Ancillary Data Channel 9 should generate an interrupt on interrupt vpdma_int1. Write a 1 for the interrupt event to trigger the interrupt signal.	RW	0x0
14	INT_MASK_VIP1_MULT_ANCA_SRC8	The interrupt for Video Input 1 Port A Ancillary Data Channel 8 should generate an interrupt on interrupt vpdma_int1. Write a 1 for the interrupt event to trigger the interrupt signal.	RW	0x0
13	INT_MASK_VIP1_MULT_ANCA_SRC7	The interrupt for Video Input 1 Port A Ancillary Data Channel 7 should generate an interrupt on interrupt vpdma_int1. Write a 1 for the interrupt event to trigger the interrupt signal.	RW	0x0
12	INT_MASK_VIP1_MULT_ANCA_SRC6	The interrupt for Video Input 1 Port A Ancillary Data Channel 6 should generate an interrupt on interrupt vpdma_int1. Write a 1 for the interrupt event to trigger the interrupt signal.	RW	0x0
11	INT_MASK_VIP1_MULT_ANCA_SRC5	The interrupt for Video Input 1 Port A Ancillary Data Channel 5 should generate an interrupt on interrupt vpdma_int1. Write a 1 for the interrupt event to trigger the interrupt signal.	RW	0x0
10	INT_MASK_VIP1_MULT_ANCA_SRC4	The interrupt for Video Input 1 Port A Ancillary Data Channel 4 should generate an interrupt on interrupt vpdma_int1. Write a 1 for the interrupt event to trigger the interrupt signal.	RW	0x0
9	INT_MASK_VIP1_MULT_ANCA_SRC3	The interrupt for Video Input 1 Port A Ancillary Data Channel 3 should generate an interrupt on interrupt vpdma_int1. Write a 1 for the interrupt event to trigger the interrupt signal.	RW	0x0
8	INT_MASK_VIP1_MULT_ANCA_SRC2	The interrupt for Video Input 1 Port A Ancillary Data Channel 2 should generate an interrupt on interrupt vpdma_int1. Write a 1 for the interrupt event to trigger the interrupt signal.	RW	0x0
7	INT_MASK_VIP1_MULT_ANCA_SRC1	The interrupt for Video Input 1 Port A Ancillary Data Channel 1 should generate an interrupt on interrupt vpdma_int1. Write a 1 for the interrupt event to trigger the interrupt signal.	RW	0x0
6	INT_MASK_VIP1_MULT_ANCA_SRC0	The interrupt for Video Input 1 Port A Ancillary Data Channel 0 should generate an interrupt on interrupt vpdma_int1. Write a 1 for the interrupt event to trigger the interrupt signal.	RW	0x0
5	INT_MASK_VIP1_MULT_PORTB_SRC15	The interrupt for Video Input 1 Port B Channel 15 should generate an interrupt on interrupt vpdma_int1. Write a 1 for the interrupt event to trigger the interrupt signal.	RW	0x0

Bits	Field Name	Description	Type	Reset
4	INT_MASK_VIP1_MULT_PORTB_SRC14	The interrupt for Video Input 1 Port B Channel 14 should generate an interrupt on interrupt vpdma_int1. Write a 1 for the interrupt event to trigger the interrupt signal.	RW	0x0
3	INT_MASK_VIP1_MULT_PORTB_SRC13	The interrupt for Video Input 1 Port B Channel 13 should generate an interrupt on interrupt vpdma_int1. Write a 1 for the interrupt event to trigger the interrupt signal.	RW	0x0
2	INT_MASK_VIP1_MULT_PORTB_SRC12	The interrupt for Video Input 1 Port B Channel 12 should generate an interrupt on interrupt vpdma_int1. Write a 1 for the interrupt event to trigger the interrupt signal.	RW	0x0
1	INT_MASK_VIP1_MULT_PORTB_SRC11	The interrupt for Video Input 1 Port B Channel 11 should generate an interrupt on interrupt vpdma_int1. Write a 1 for the interrupt event to trigger the interrupt signal.	RW	0x0
0	INT_MASK_VIP1_MULT_PORTB_SRC10	The interrupt for Video Input 1 Port B Channel 10 should generate an interrupt on interrupt vpdma_int1. Write a 1 for the interrupt event to trigger the interrupt signal.	RW	0x0

Table 9-356. Register Call Summary for Register VIP_INT1_CHANNEL2_INT_MASK

VIP Functional Description

- [VPDMA Interrupts: \[0\]](#)

VIP Register Manual

- [VIP VPDMA Register Summary: \[2\]](#)

Table 9-357. VIP_INT1_CHANNEL3_INT_STAT

Address Offset	0x0000 00A8	Instance	VIP1_VPDMA
Physical Address	0x4897 D0A8		
Description	This register gives the information of the interrupts that have triggered since last cleared by the process that is servicing vpdma_int1.		
Type	RW		

31	30	29	28	27	26	25	24	23	22	21	20	19	18	17	16	15	14	13	12	11	10	9	8	7	6	5	4	3	2	1	0
INT_STAT_VIP2_MULT_PORTB_SRC3	INT_STAT_VIP2_MULT_PORTB_SRC2	INT_STAT_VIP2_MULT_PORTB_SRC1	INT_STAT_VIP2_MULT_PORTB_SRC0	INT_STAT_VIP2_MULT_PORTA_SRC15	INT_STAT_VIP2_MULT_PORTA_SRC14	INT_STAT_VIP2_MULT_PORTA_SRC13	INT_STAT_VIP2_MULT_PORTA_SRC12	INT_STAT_VIP2_MULT_PORTA_SRC11	INT_STAT_VIP2_MULT_PORTA_SRC10	INT_STAT_VIP2_MULT_PORTA_SRC9	INT_STAT_VIP2_MULT_PORTA_SRC8	INT_STAT_VIP2_MULT_PORTA_SRC7	INT_STAT_VIP2_MULT_PORTA_SRC6	INT_STAT_VIP2_MULT_PORTA_SRC5	INT_STAT_VIP2_MULT_PORTA_SRC4	INT_STAT_VIP2_MULT_PORTA_SRC3	INT_STAT_VIP2_MULT_PORTA_SRC2	INT_STAT_VIP2_MULT_PORTA_SRC1	INT_STAT_VIP2_MULT_PORTA_SRC0	INT_STAT_VIP1_PORTB_RGB	INT_STAT_VIP1_PORTA_RGB	INT_STAT_VIP1_PORTB_CHROMA	INT_STAT_VIP1_PORTB_LUMA	INT_STAT_VIP1_PORTA_CHROMA	INT_STAT_VIP1_PORTA_LUMA	INT_STAT_VIP1_MULT_ANCB_SRC15	INT_STAT_VIP1_MULT_ANCB_SRC14	INT_STAT_VIP1_MULT_ANCB_SRC13	INT_STAT_VIP1_MULT_ANCB_SRC12	INT_STAT_VIP1_MULT_ANCB_SRC11	INT_STAT_VIP1_MULT_ANCB_SRC10

Bits	Field Name	Description	Type	Reset
31	INT_STAT_VIP2_MULT_PORTB_SRC3	The last write DMA transaction has completed for channel vip2_mult_portb_src3. All data from the channel has been sent and received by the external memory. If a new channel has not been setup for the client vip2_lo_uv then the client will be fully empty at this point. This event will cause a one to be set in this register until cleared by software. Write a 1 to this field to clear the value.	RW	0x0

Bits	Field Name	Description	Type	Reset
30	INT_STAT_VIP2_MULT_PORTB_SRC2	The last write DMA transaction has completed for channel vip2_mult_portb_src2. All data from the channel has been sent and received by the external memory. If a new channel has not been setup for the client vip2_lo_uv then the client will be fully empty at this point. This event will cause a one to be set in this register until cleared by software. Write a 1 to this field to clear the value.	RW	0x0
29	INT_STAT_VIP2_MULT_PORTB_SRC1	The last write DMA transaction has completed for channel vip2_mult_portb_src1. All data from the channel has been sent and received by the external memory. If a new channel has not been setup for the client vip2_lo_uv then the client will be fully empty at this point. This event will cause a one to be set in this register until cleared by software. Write a 1 to this field to clear the value.	RW	0x0
28	INT_STAT_VIP2_MULT_PORTB_SRC0	The last write DMA transaction has completed for channel vip2_mult_portb_src0. All data from the channel has been sent and received by the external memory. If a new channel has not been setup for the client vip2_lo_uv then the client will be fully empty at this point. This event will cause a one to be set in this register until cleared by software. Write a 1 to this field to clear the value.	RW	0x0
27	INT_STAT_VIP2_MULT_PORTA_SRC15	The last write DMA transaction has completed for channel vip2_mult_porta_src15. All data from the channel has been sent and received by the external memory. If a new channel has not been setup for the client vip2_lo_y then the client will be fully empty at this point. This event will cause a one to be set in this register until cleared by software. Write a 1 to this field to clear the value.	RW	0x0
26	INT_STAT_VIP2_MULT_PORTA_SRC14	The last write DMA transaction has completed for channel vip2_mult_porta_src14. All data from the channel has been sent and received by the external memory. If a new channel has not been setup for the client vip2_lo_y then the client will be fully empty at this point. This event will cause a one to be set in this register until cleared by software. Write a 1 to this field to clear the value.	RW	0x0
25	INT_STAT_VIP2_MULT_PORTA_SRC13	The last write DMA transaction has completed for channel vip2_mult_porta_src13. All data from the channel has been sent and received by the external memory. If a new channel has not been setup for the client vip2_lo_y then the client will be fully empty at this point. This event will cause a one to be set in this register until cleared by software. Write a 1 to this field to clear the value.	RW	0x0
24	INT_STAT_VIP2_MULT_PORTA_SRC12	The last write DMA transaction has completed for channel vip2_mult_porta_src12. All data from the channel has been sent and received by the external memory. If a new channel has not been setup for the client vip2_lo_y then the client will be fully empty at this point. This event will cause a one to be set in this register until cleared by software. Write a 1 to this field to clear the value.	RW	0x0
23	INT_STAT_VIP2_MULT_PORTA_SRC11	The last write DMA transaction has completed for channel vip2_mult_porta_src11. All data from the channel has been sent and received by the external memory. If a new channel has not been setup for the client vip2_lo_y then the client will be fully empty at this point. This event will cause a one to be set in this register until cleared by software. Write a 1 to this field to clear the value.	RW	0x0
22	INT_STAT_VIP2_MULT_PORTA_SRC10	The last write DMA transaction has completed for channel vip2_mult_porta_src10. All data from the channel has been sent and received by the external memory. If a new channel has not been setup for the client vip2_lo_y then the client will be fully empty at this point. This event will cause a one to be set in this register until cleared by software. Write a 1 to this field to clear the value.	RW	0x0

Bits	Field Name	Description	Type	Reset
21	INT_STAT_VIP2_MULT_PORTA_SRC9	The last write DMA transaction has completed for channel vip2_mult_porta_src9. All data from the channel has been sent and received by the external memory. If a new channel has not been setup for the client vip2_lo_y then the client will be fully empty at this point. This event will cause a one to be set in this register until cleared by software. Write a 1 to this field to clear the value.	RW	0x0
20	INT_STAT_VIP2_MULT_PORTA_SRC8	The last write DMA transaction has completed for channel vip2_mult_porta_src8. All data from the channel has been sent and received by the external memory. If a new channel has not been setup for the client vip2_lo_y then the client will be fully empty at this point. This event will cause a one to be set in this register until cleared by software. Write a 1 to this field to clear the value.	RW	0x0
19	INT_STAT_VIP2_MULT_PORTA_SRC7	The last write DMA transaction has completed for channel vip2_mult_porta_src7. All data from the channel has been sent and received by the external memory. If a new channel has not been setup for the client vip2_lo_y then the client will be fully empty at this point. This event will cause a one to be set in this register until cleared by software. Write a 1 to this field to clear the value.	RW	0x0
18	INT_STAT_VIP2_MULT_PORTA_SRC6	The last write DMA transaction has completed for channel vip2_mult_porta_src6. All data from the channel has been sent and received by the external memory. If a new channel has not been setup for the client vip2_lo_y then the client will be fully empty at this point. This event will cause a one to be set in this register until cleared by software. Write a 1 to this field to clear the value.	RW	0x0
17	INT_STAT_VIP2_MULT_PORTA_SRC5	The last write DMA transaction has completed for channel vip2_mult_porta_src5. All data from the channel has been sent and received by the external memory. If a new channel has not been setup for the client vip2_lo_y then the client will be fully empty at this point. This event will cause a one to be set in this register until cleared by software. Write a 1 to this field to clear the value.	RW	0x0
16	INT_STAT_VIP2_MULT_PORTA_SRC4	The last write DMA transaction has completed for channel vip2_mult_porta_src4. All data from the channel has been sent and received by the external memory. If a new channel has not been setup for the client vip2_lo_y then the client will be fully empty at this point. This event will cause a one to be set in this register until cleared by software. Write a 1 to this field to clear the value.	RW	0x0
15	INT_STAT_VIP2_MULT_PORTA_SRC3	The last write DMA transaction has completed for channel vip2_mult_porta_src3. All data from the channel has been sent and received by the external memory. If a new channel has not been setup for the client vip2_lo_y then the client will be fully empty at this point. This event will cause a one to be set in this register until cleared by software. Write a 1 to this field to clear the value.	RW	0x0
14	INT_STAT_VIP2_MULT_PORTA_SRC2	The last write DMA transaction has completed for channel vip2_mult_porta_src2. All data from the channel has been sent and received by the external memory. If a new channel has not been setup for the client vip2_lo_y then the client will be fully empty at this point. This event will cause a one to be set in this register until cleared by software. Write a 1 to this field to clear the value.	RW	0x0
13	INT_STAT_VIP2_MULT_PORTA_SRC1	The last write DMA transaction has completed for channel vip2_mult_porta_src1. All data from the channel has been sent and received by the external memory. If a new channel has not been setup for the client vip2_lo_y then the client will be fully empty at this point. This event will cause a one to be set in this register until cleared by software. Write a 1 to this field to clear the value.	RW	0x0

Bits	Field Name	Description	Type	Reset
12	INT_STAT_VIP2_MULT_PORTA_SRC0	The last write DMA transaction has completed for channel vip2_mult_porta_src0. All data from the channel has been sent and received by the external memory. If a new channel has not been setup for the client vip2_lo_y then the client will be fully empty at this point. This event will cause a one to be set in this register until cleared by software. Write a 1 to this field to clear the value.	RW	0x0
11	INT_STAT_VIP1_PORTB_RGB	The last write DMA transaction has completed for channel vip1_portb_rgb. All data from the channel has been sent and received by the external memory. If a new channel has not been setup for the client vip1_lo_y then the client will be fully empty at this point. This event will cause a one to be set in this register until cleared by software. Write a 1 to this field to clear the value.	RW	0x0
10	INT_STAT_VIP1_PORTA_RGB	The last write DMA transaction has completed for channel vip1_porta_rgb. All data from the channel has been sent and received by the external memory. If a new channel has not been setup for the client vip1_up_y then the client will be fully empty at this point. This event will cause a one to be set in this register until cleared by software. Write a 1 to this field to clear the value.	RW	0x0
9	INT_STAT_VIP1_PORTB_CHROMA	The last write DMA transaction has completed for channel vip1_portb_chroma. All data from the channel has been sent and received by the external memory. If a new channel has not been setup for the client then the client will be fully empty at this point. This event will cause a one to be set in this register until cleared by software. Write a 1 to this field to clear the value.	RW	0x0
8	INT_STAT_VIP1_PORTB_LUMA	The last write DMA transaction has completed for channel vip1_portb_luma. All data from the channel has been sent and received by the external memory. If a new channel has not been setup for the client then the client will be fully empty at this point. This event will cause a one to be set in this register until cleared by software. Write a 1 to this field to clear the value.	RW	0x0
7	INT_STAT_VIP1_PORTA_CHROMA	The last write DMA transaction has completed for channel vip1_porta_chroma. All data from the channel has been sent and received by the external memory. If a new channel has not been setup for the client then the client will be fully empty at this point. This event will cause a one to be set in this register until cleared by software. Write a 1 to this field to clear the value.	RW	0x0
6	INT_STAT_VIP1_PORTA_LUMA	The last write DMA transaction has completed for channel vip1_porta_luma. All data from the channel has been sent and received by the external memory. If a new channel has not been setup for the client then the client will be fully empty at this point. This event will cause a one to be set in this register until cleared by software. Write a 1 to this field to clear the value.	RW	0x0
5	INT_STAT_VIP1_MULT_ANCB_SRC15	The last write DMA transaction has completed for channel vip1_mult_ancb_src15. All data from the channel has been sent and received by the external memory. If a new channel has not been setup for the client vip1_anc_b then the client will be fully empty at this point. This event will cause a one to be set in this register until cleared by software. Write a 1 to this field to clear the value.	RW	0x0
4	INT_STAT_VIP1_MULT_ANCB_SRC14	The last write DMA transaction has completed for channel vip1_mult_ancb_src14. All data from the channel has been sent and received by the external memory. If a new channel has not been setup for the client vip1_anc_b then the client will be fully empty at this point. This event will cause a one to be set in this register until cleared by software. Write a 1 to this field to clear the value.	RW	0x0

Bits	Field Name	Description	Type	Reset
3	INT_STAT_VIP1_MULT_ANCB_SRC13	The last write DMA transaction has completed for channel vip1_mult_ancb_src13. All data from the channel has been sent and received by the external memory. If a new channel has not been setup for the client vip1_anc_b then the client will be fully empty at this point. This event will cause a one to be set in this register until cleared by software. Write a 1 to this field to clear the value.	RW	0x0
2	INT_STAT_VIP1_MULT_ANCB_SRC12	The last write DMA transaction has completed for channel vip1_mult_ancb_src12. All data from the channel has been sent and received by the external memory. If a new channel has not been setup for the client vip1_anc_b then the client will be fully empty at this point. This event will cause a one to be set in this register until cleared by software. Write a 1 to this field to clear the value.	RW	0x0
1	INT_STAT_VIP1_MULT_ANCB_SRC11	The last write DMA transaction has completed for channel vip1_mult_ancb_src11. All data from the channel has been sent and received by the external memory. If a new channel has not been setup for the client vip1_anc_b then the client will be fully empty at this point. This event will cause a one to be set in this register until cleared by software. Write a 1 to this field to clear the value.	RW	0x0
0	INT_STAT_VIP1_MULT_ANCB_SRC10	The last write DMA transaction has completed for channel vip1_mult_ancb_src10. All data from the channel has been sent and received by the external memory. If a new channel has not been setup for the client vip1_anc_b then the client will be fully empty at this point. This event will cause a one to be set in this register until cleared by software. Write a 1 to this field to clear the value.	RW	0x0

Table 9-358. Register Call Summary for Register VIP_INT1_CHANNEL3_INT_STAT

VIP Functional Description

- [VPDMA Interrupts: \[0\]](#)

VIP Register Manual

- [VIP VPDMA Register Summary: \[2\]](#)

Table 9-359. VIP_INT1_CHANNEL3_INT_MASK

Address Offset	0x0000 00AC	Instance	VIP1_VPDMA
Physical Address	0x4897 D0AC		
Description	The register gives the information of the interrupts that should be masked and not generate an interrupt for vpdma_int1.		
Type	RW		

31	30	29	28	27	26	25	24	23	22	21	20	19	18	17	16	15	14	13	12	11	10	9	8	7	6	5	4	3	2	1	0
INT_MASK_VIP2_MULT_PORTB_SRC3	INT_MASK_VIP2_MULT_PORTB_SRC2	INT_MASK_VIP2_MULT_PORTB_SRC1	INT_MASK_VIP2_MULT_PORTB_SRC0	INT_MASK_VIP2_MULT_PORTA_SRC15	INT_MASK_VIP2_MULT_PORTA_SRC14	INT_MASK_VIP2_MULT_PORTA_SRC13	INT_MASK_VIP2_MULT_PORTA_SRC12	INT_MASK_VIP2_MULT_PORTA_SRC11	INT_MASK_VIP2_MULT_PORTA_SRC10	INT_MASK_VIP2_MULT_PORTA_SRC9	INT_MASK_VIP2_MULT_PORTA_SRC8	INT_MASK_VIP2_MULT_PORTA_SRC7	INT_MASK_VIP2_MULT_PORTA_SRC6	INT_MASK_VIP2_MULT_PORTA_SRC5	INT_MASK_VIP2_MULT_PORTA_SRC4	INT_MASK_VIP2_MULT_PORTA_SRC3	INT_MASK_VIP2_MULT_PORTA_SRC2	INT_MASK_VIP2_MULT_PORTA_SRC1	INT_MASK_VIP2_MULT_PORTA_SRC0	INT_MASK_VIP1_PORTB_RGB	INT_MASK_VIP1_PORTA_RGB	INT_MASK_VIP1_PORTB_CHROMA	INT_MASK_VIP1_PORTB_LUMA	INT_MASK_VIP1_PORTA_CHROMA	INT_MASK_VIP1_PORTA_LUMA	INT_MASK_VIP1_MULT_ANCB_SRC15	INT_MASK_VIP1_MULT_ANCB_SRC14	INT_MASK_VIP1_MULT_ANCB_SRC13	INT_MASK_VIP1_MULT_ANCB_SRC12	INT_MASK_VIP1_MULT_ANCB_SRC11	INT_MASK_VIP1_MULT_ANCB_SRC10

Bits	Field Name	Description	Type	Reset
31	INT_MASK_VIP2_MULT_PORTB_SRC3	The interrupt for Video Input 2 Port B Channel 3 should generate an interrupt on interrupt vpdma_int1. Write a 1 for the interrupt event to trigger the interrupt signal.	RW	0x0
30	INT_MASK_VIP2_MULT_PORTB_SRC2	The interrupt for Video Input 2 Port B Channel 2 should generate an interrupt on interrupt vpdma_int1. Write a 1 for the interrupt event to trigger the interrupt signal.	RW	0x0
29	INT_MASK_VIP2_MULT_PORTB_SRC1	The interrupt for Video Input 2 Port B Channel 1 should generate an interrupt on interrupt vpdma_int1. Write a 1 for the interrupt event to trigger the interrupt signal.	RW	0x0
28	INT_MASK_VIP2_MULT_PORTB_SRC0	The interrupt for Video Input 2 Port B Channel 0 should generate an interrupt on interrupt vpdma_int1. Write a 1 for the interrupt event to trigger the interrupt signal.	RW	0x0
27	INT_MASK_VIP2_MULT_PORTA_SRC15	The interrupt for Video Input 2 Port A Channel 15 should generate an interrupt on interrupt vpdma_int1. Write a 1 for the interrupt event to trigger the interrupt signal.	RW	0x0
26	INT_MASK_VIP2_MULT_PORTA_SRC14	The interrupt for Video Input 2 Port A Channel 14 should generate an interrupt on interrupt vpdma_int1. Write a 1 for the interrupt event to trigger the interrupt signal.	RW	0x0
25	INT_MASK_VIP2_MULT_PORTA_SRC13	The interrupt for Video Input 2 Port A Channel 13 should generate an interrupt on interrupt vpdma_int1. Write a 1 for the interrupt event to trigger the interrupt signal.	RW	0x0
24	INT_MASK_VIP2_MULT_PORTA_SRC12	The interrupt for Video Input 2 Port A Channel 12 should generate an interrupt on interrupt vpdma_int1. Write a 1 for the interrupt event to trigger the interrupt signal.	RW	0x0
23	INT_MASK_VIP2_MULT_PORTA_SRC11	The interrupt for Video Input 2 Port A Channel 11 should generate an interrupt on interrupt vpdma_int1. Write a 1 for the interrupt event to trigger the interrupt signal.	RW	0x0
22	INT_MASK_VIP2_MULT_PORTA_SRC10	The interrupt for Video Input 2 Port A Channel 10 should generate an interrupt on interrupt vpdma_int1. Write a 1 for the interrupt event to trigger the interrupt signal.	RW	0x0
21	INT_MASK_VIP2_MULT_PORTA_SRC9	The interrupt for Video Input 2 Port A Channel 9 should generate an interrupt on interrupt vpdma_int1. Write a 1 for the interrupt event to trigger the interrupt signal.	RW	0x0
20	INT_MASK_VIP2_MULT_PORTA_SRC8	The interrupt for Video Input 2 Port A Channel 8 should generate an interrupt on interrupt vpdma_int1. Write a 1 for the interrupt event to trigger the interrupt signal.	RW	0x0
19	INT_MASK_VIP2_MULT_PORTA_SRC7	The interrupt for Video Input 2 Port A Channel 7 should generate an interrupt on interrupt vpdma_int1. Write a 1 for the interrupt event to trigger the interrupt signal.	RW	0x0
18	INT_MASK_VIP2_MULT_PORTA_SRC6	The interrupt for Video Input 2 Port A Channel 6 should generate an interrupt on interrupt vpdma_int1. Write a 1 for the interrupt event to trigger the interrupt signal.	RW	0x0
17	INT_MASK_VIP2_MULT_PORTA_SRC5	The interrupt for Video Input 2 Port A Channel 5 should generate an interrupt on interrupt vpdma_int1. Write a 1 for the interrupt event to trigger the interrupt signal.	RW	0x0
16	INT_MASK_VIP2_MULT_PORTA_SRC4	The interrupt for Video Input 2 Port A Channel 4 should generate an interrupt on interrupt vpdma_int1. Write a 1 for the interrupt event to trigger the interrupt signal.	RW	0x0
15	INT_MASK_VIP2_MULT_PORTA_SRC3	The interrupt for Video Input 2 Port A Channel 3 should generate an interrupt on interrupt vpdma_int1. Write a 1 for the interrupt event to trigger the interrupt signal.	RW	0x0
14	INT_MASK_VIP2_MULT_PORTA_SRC2	The interrupt for Video Input 2 Port A Channel 2 should generate an interrupt on interrupt vpdma_int1. Write a 1 for the interrupt event to trigger the interrupt signal.	RW	0x0
13	INT_MASK_VIP2_MULT_PORTA_SRC1	The interrupt for Video Input 2 Port A Channel 1 should generate an interrupt on interrupt vpdma_int1. Write a 1 for the interrupt event to trigger the interrupt signal.	RW	0x0
12	INT_MASK_VIP2_MULT_PORTA_SRC0	The interrupt for Video Input 2 Port A Channel 0 should generate an interrupt on interrupt vpdma_int1. Write a 1 for the interrupt event to trigger the interrupt signal.	RW	0x0

Bits	Field Name	Description	Type	Reset
11	INT_MASK_VIP1_PORTB_RGB	The interrupt for Video Input 1 Port B RGB Data should generate an interrupt on interrupt vpdma_int1. Write a 1 for the interrupt event to trigger the interrupt signal.	RW	0x0
10	INT_MASK_VIP1_PORTA_RGB	The interrupt for Video Input 1 Port A RGB Data should generate an interrupt on interrupt vpdma_int1. Write a 1 for the interrupt event to trigger the interrupt signal.	RW	0x0
9	INT_MASK_VIP1_PORTB_CHROMA	The interrupt for should generate an interrupt on interrupt vpdma_int1. Write a 1 for the interrupt event to trigger the interrupt signal.	RW	0x0
8	INT_MASK_VIP1_PORTB_LUMA	The interrupt for should generate an interrupt on interrupt vpdma_int1. Write a 1 for the interrupt event to trigger the interrupt signal.	RW	0x0
7	INT_MASK_VIP1_PORTA_CHROMA	The interrupt for should generate an interrupt on interrupt vpdma_int1. Write a 1 for the interrupt event to trigger the interrupt signal.	RW	0x0
6	INT_MASK_VIP1_PORTA_LUMA	The interrupt for should generate an interrupt on interrupt vpdma_int1. Write a 1 for the interrupt event to trigger the interrupt signal.	RW	0x0
5	INT_MASK_VIP1_MULT_ANCB_SRC15	The interrupt for Video Input 1 Port B Ancillary Data Channel 15 should generate an interrupt on interrupt vpdma_int1. Write a 1 for the interrupt event to trigger the interrupt signal.	RW	0x0
4	INT_MASK_VIP1_MULT_ANCB_SRC14	The interrupt for Video Input 1 Port B Ancillary Data Channel 14 should generate an interrupt on interrupt vpdma_int1. Write a 1 for the interrupt event to trigger the interrupt signal.	RW	0x0
3	INT_MASK_VIP1_MULT_ANCB_SRC13	The interrupt for Video Input 1 Port B Ancillary Data Channel 13 should generate an interrupt on interrupt vpdma_int1. Write a 1 for the interrupt event to trigger the interrupt signal.	RW	0x0
2	INT_MASK_VIP1_MULT_ANCB_SRC12	The interrupt for Video Input 1 Port B Ancillary Data Channel 12 should generate an interrupt on interrupt vpdma_int1. Write a 1 for the interrupt event to trigger the interrupt signal.	RW	0x0
1	INT_MASK_VIP1_MULT_ANCB_SRC11	The interrupt for Video Input 1 Port B Ancillary Data Channel 11 should generate an interrupt on interrupt vpdma_int1. Write a 1 for the interrupt event to trigger the interrupt signal.	RW	0x0
0	INT_MASK_VIP1_MULT_ANCB_SRC10	The interrupt for Video Input 1 Port B Ancillary Data Channel 10 should generate an interrupt on interrupt vpdma_int1. Write a 1 for the interrupt event to trigger the interrupt signal.	RW	0x0

Table 9-360. Register Call Summary for Register VIP_INT1_CHANNEL3_INT_MASK

VIP Functional Description

- [VPDMA Interrupts: \[0\]](#)

VIP Register Manual

- [VIP VPDMA Register Summary: \[2\]](#)

Table 9-361. VIP_INT1_CHANNEL4_INT_STAT

Address Offset	0x0000 00B0	Instance	VIP1_VPDMA
Physical Address	0x4897 D0B0		
Description	This register gives the information of the interrupts that have triggered since last cleared by the process that is servicing vpdma_int1.		
Type	RW		

31	30	29	28	27	26	25	24	23	22	21	20	19	18	17	16	15	14	13	12	11	10	9	8	7	6	5	4	3	2	1	0
INT_STAT_VIP2_MULT_ANCB_SRC3	INT_STAT_VIP2_MULT_ANCB_SRC2	INT_STAT_VIP2_MULT_ANCB_SRC1	INT_STAT_VIP2_MULT_ANCB_SRC0	INT_STAT_VIP2_MULT_ANCA_SRC15	INT_STAT_VIP2_MULT_ANCA_SRC14	INT_STAT_VIP2_MULT_ANCA_SRC13	INT_STAT_VIP2_MULT_ANCA_SRC12	INT_STAT_VIP2_MULT_ANCA_SRC11	INT_STAT_VIP2_MULT_ANCA_SRC10	INT_STAT_VIP2_MULT_ANCA_SRC9	INT_STAT_VIP2_MULT_ANCA_SRC8	INT_STAT_VIP2_MULT_ANCA_SRC7	INT_STAT_VIP2_MULT_ANCA_SRC6	INT_STAT_VIP2_MULT_ANCA_SRC5	INT_STAT_VIP2_MULT_ANCA_SRC4	INT_STAT_VIP2_MULT_ANCA_SRC3	INT_STAT_VIP2_MULT_ANCA_SRC2	INT_STAT_VIP2_MULT_ANCA_SRC1	INT_STAT_VIP2_MULT_ANCA_SRC0	INT_STAT_VIP2_MULT_PORTB_SRC15	INT_STAT_VIP2_MULT_PORTB_SRC14	INT_STAT_VIP2_MULT_PORTB_SRC13	INT_STAT_VIP2_MULT_PORTB_SRC12	INT_STAT_VIP2_MULT_PORTB_SRC11	INT_STAT_VIP2_MULT_PORTB_SRC10	INT_STAT_VIP2_MULT_PORTB_SRC9	INT_STAT_VIP2_MULT_PORTB_SRC8	INT_STAT_VIP2_MULT_PORTB_SRC7	INT_STAT_VIP2_MULT_PORTB_SRC6	INT_STAT_VIP2_MULT_PORTB_SRC5	INT_STAT_VIP2_MULT_PORTB_SRC4

Bits	Field Name	Description	Type	Reset
31	INT_STAT_VIP2_MULT_ANCB_SRC3	The last write DMA transaction has completed for channel vip2_mult_ancb_src3. All data from the channel has been sent and received by the external memory. If a new channel has not been setup for the client vip2_anc_b then the client will be fully empty at this point. This event will cause a one to be set in this register until cleared by software. Write a 1 to this field to clear the value.	RW	0x0
30	INT_STAT_VIP2_MULT_ANCB_SRC2	The last write DMA transaction has completed for channel vip2_mult_ancb_src2. All data from the channel has been sent and received by the external memory. If a new channel has not been setup for the client vip2_anc_b then the client will be fully empty at this point. This event will cause a one to be set in this register until cleared by software. Write a 1 to this field to clear the value.	RW	0x0
29	INT_STAT_VIP2_MULT_ANCB_SRC1	The last write DMA transaction has completed for channel vip2_mult_ancb_src1. All data from the channel has been sent and received by the external memory. If a new channel has not been setup for the client vip2_anc_b then the client will be fully empty at this point. This event will cause a one to be set in this register until cleared by software. Write a 1 to this field to clear the value.	RW	0x0
28	INT_STAT_VIP2_MULT_ANCB_SRC0	The last write DMA transaction has completed for channel vip2_mult_ancb_src0. All data from the channel has been sent and received by the external memory. If a new channel has not been setup for the client vip2_anc_b then the client will be fully empty at this point. This event will cause a one to be set in this register until cleared by software. Write a 1 to this field to clear the value.	RW	0x0
27	INT_STAT_VIP2_MULT_ANCA_SRC15	The last write DMA transaction has completed for channel vip2_mult_anca_src15. All data from the channel has been sent and received by the external memory. If a new channel has not been setup for the client vip2_anc_a then the client will be fully empty at this point. This event will cause a one to be set in this register until cleared by software. Write a 1 to this field to clear the value.	RW	0x0
26	INT_STAT_VIP2_MULT_ANCA_SRC14	The last write DMA transaction has completed for channel vip2_mult_anca_src14. All data from the channel has been sent and received by the external memory. If a new channel has not been setup for the client vip2_anc_a then the client will be fully empty at this point. This event will cause a one to be set in this register until cleared by software. Write a 1 to this field to clear the value.	RW	0x0
25	INT_STAT_VIP2_MULT_ANCA_SRC13	The last write DMA transaction has completed for channel vip2_mult_anca_src13. All data from the channel has been sent and received by the external memory. If a new channel has not been setup for the client vip2_anc_a then the client will be fully empty at this point. This event will cause a one to be set in this register until cleared by software. Write a 1 to this field to clear the value.	RW	0x0

Bits	Field Name	Description	Type	Reset
24	INT_STAT_VIP2_MULT_ANCA_SRC12	The last write DMA transaction has completed for channel vip2_mult_anca_src12. All data from the channel has been sent and received by the external memory. If a new channel has not been setup for the client vip2_anc_a then the client will be fully empty at this point. This event will cause a one to be set in this register until cleared by software. Write a 1 to this field to clear the value.	RW	0x0
23	INT_STAT_VIP2_MULT_ANCA_SRC11	The last write DMA transaction has completed for channel vip2_mult_anca_src11. All data from the channel has been sent and received by the external memory. If a new channel has not been setup for the client vip2_anc_a then the client will be fully empty at this point. This event will cause a one to be set in this register until cleared by software. Write a 1 to this field to clear the value.	RW	0x0
22	INT_STAT_VIP2_MULT_ANCA_SRC10	The last write DMA transaction has completed for channel vip2_mult_anca_src10. All data from the channel has been sent and received by the external memory. If a new channel has not been setup for the client vip2_anc_a then the client will be fully empty at this point. This event will cause a one to be set in this register until cleared by software. Write a 1 to this field to clear the value.	RW	0x0
21	INT_STAT_VIP2_MULT_ANCA_SRC9	The last write DMA transaction has completed for channel vip2_mult_anca_src9. All data from the channel has been sent and received by the external memory. If a new channel has not been setup for the client vip2_anc_a then the client will be fully empty at this point. This event will cause a one to be set in this register until cleared by software. Write a 1 to this field to clear the value.	RW	0x0
20	INT_STAT_VIP2_MULT_ANCA_SRC8	The last write DMA transaction has completed for channel vip2_mult_anca_src8. All data from the channel has been sent and received by the external memory. If a new channel has not been setup for the client vip2_anc_a then the client will be fully empty at this point. This event will cause a one to be set in this register until cleared by software. Write a 1 to this field to clear the value.	RW	0x0
19	INT_STAT_VIP2_MULT_ANCA_SRC7	The last write DMA transaction has completed for channel vip2_mult_anca_src7. All data from the channel has been sent and received by the external memory. If a new channel has not been setup for the client vip2_anc_a then the client will be fully empty at this point. This event will cause a one to be set in this register until cleared by software. Write a 1 to this field to clear the value.	RW	0x0
18	INT_STAT_VIP2_MULT_ANCA_SRC6	The last write DMA transaction has completed for channel vip2_mult_anca_src6. All data from the channel has been sent and received by the external memory. If a new channel has not been setup for the client vip2_anc_a then the client will be fully empty at this point. This event will cause a one to be set in this register until cleared by software. Write a 1 to this field to clear the value.	RW	0x0
17	INT_STAT_VIP2_MULT_ANCA_SRC5	The last write DMA transaction has completed for channel vip2_mult_anca_src5. All data from the channel has been sent and received by the external memory. If a new channel has not been setup for the client vip2_anc_a then the client will be fully empty at this point. This event will cause a one to be set in this register until cleared by software. Write a 1 to this field to clear the value.	RW	0x0
16	INT_STAT_VIP2_MULT_ANCA_SRC4	The last write DMA transaction has completed for channel vip2_mult_anca_src4. All data from the channel has been sent and received by the external memory. If a new channel has not been setup for the client vip2_anc_a then the client will be fully empty at this point. This event will cause a one to be set in this register until cleared by software. Write a 1 to this field to clear the value.	RW	0x0

Bits	Field Name	Description	Type	Reset
15	INT_STAT_VIP2_MULT_ANCA_SRC3	The last write DMA transaction has completed for channel vip2_mult_anca_src3. All data from the channel has been sent and received by the external memory. If a new channel has not been setup for the client vip2_anc_a then the client will be fully empty at this point. This event will cause a one to be set in this register until cleared by software. Write a 1 to this field to clear the value.	RW	0x0
14	INT_STAT_VIP2_MULT_ANCA_SRC2	The last write DMA transaction has completed for channel vip2_mult_anca_src2. All data from the channel has been sent and received by the external memory. If a new channel has not been setup for the client vip2_anc_a then the client will be fully empty at this point. This event will cause a one to be set in this register until cleared by software. Write a 1 to this field to clear the value.	RW	0x0
13	INT_STAT_VIP2_MULT_ANCA_SRC1	The last write DMA transaction has completed for channel vip2_mult_anca_src1. All data from the channel has been sent and received by the external memory. If a new channel has not been setup for the client vip2_anc_a then the client will be fully empty at this point. This event will cause a one to be set in this register until cleared by software. Write a 1 to this field to clear the value.	RW	0x0
12	INT_STAT_VIP2_MULT_ANCA_SRC0	The last write DMA transaction has completed for channel vip2_mult_anca_src0. All data from the channel has been sent and received by the external memory. If a new channel has not been setup for the client vip2_anc_a then the client will be fully empty at this point. This event will cause a one to be set in this register until cleared by software. Write a 1 to this field to clear the value.	RW	0x0
11	INT_STAT_VIP2_MULT_PORTB_SRC15	The last write DMA transaction has completed for channel vip2_mult_portb_src15. All data from the channel has been sent and received by the external memory. If a new channel has not been setup for the client vip2_lo_uv then the client will be fully empty at this point. This event will cause a one to be set in this register until cleared by software. Write a 1 to this field to clear the value.	RW	0x0
10	INT_STAT_VIP2_MULT_PORTB_SRC14	The last write DMA transaction has completed for channel vip2_mult_portb_src14. All data from the channel has been sent and received by the external memory. If a new channel has not been setup for the client vip2_lo_uv then the client will be fully empty at this point. This event will cause a one to be set in this register until cleared by software. Write a 1 to this field to clear the value.	RW	0x0
9	INT_STAT_VIP2_MULT_PORTB_SRC13	The last write DMA transaction has completed for channel vip2_mult_portb_src13. All data from the channel has been sent and received by the external memory. If a new channel has not been setup for the client vip2_lo_uv then the client will be fully empty at this point. This event will cause a one to be set in this register until cleared by software. Write a 1 to this field to clear the value.	RW	0x0
8	INT_STAT_VIP2_MULT_PORTB_SRC12	The last write DMA transaction has completed for channel vip2_mult_portb_src12. All data from the channel has been sent and received by the external memory. If a new channel has not been setup for the client vip2_lo_uv then the client will be fully empty at this point. This event will cause a one to be set in this register until cleared by software. Write a 1 to this field to clear the value.	RW	0x0
7	INT_STAT_VIP2_MULT_PORTB_SRC11	The last write DMA transaction has completed for channel vip2_mult_portb_src11. All data from the channel has been sent and received by the external memory. If a new channel has not been setup for the client vip2_lo_uv then the client will be fully empty at this point. This event will cause a one to be set in this register until cleared by software. Write a 1 to this field to clear the value.	RW	0x0

Bits	Field Name	Description	Type	Reset
6	INT_STAT_VIP2_MULT_PORTB_SRC10	The last write DMA transaction has completed for channel vip2_mult_portb_src10. All data from the channel has been sent and received by the external memory. If a new channel has not been setup for the client vip2_lo_uv then the client will be fully empty at this point. This event will cause a one to be set in this register until cleared by software. Write a 1 to this field to clear the value.	RW	0x0
5	INT_STAT_VIP2_MULT_PORTB_SRC9	The last write DMA transaction has completed for channel vip2_mult_portb_src9. All data from the channel has been sent and received by the external memory. If a new channel has not been setup for the client vip2_lo_uv then the client will be fully empty at this point. This event will cause a one to be set in this register until cleared by software. Write a 1 to this field to clear the value.	RW	0x0
4	INT_STAT_VIP2_MULT_PORTB_SRC8	The last write DMA transaction has completed for channel vip2_mult_portb_src8. All data from the channel has been sent and received by the external memory. If a new channel has not been setup for the client vip2_lo_uv then the client will be fully empty at this point. This event will cause a one to be set in this register until cleared by software. Write a 1 to this field to clear the value.	RW	0x0
3	INT_STAT_VIP2_MULT_PORTB_SRC7	The last write DMA transaction has completed for channel vip2_mult_portb_src7. All data from the channel has been sent and received by the external memory. If a new channel has not been setup for the client vip2_lo_uv then the client will be fully empty at this point. This event will cause a one to be set in this register until cleared by software. Write a 1 to this field to clear the value.	RW	0x0
2	INT_STAT_VIP2_MULT_PORTB_SRC6	The last write DMA transaction has completed for channel vip2_mult_portb_src6. All data from the channel has been sent and received by the external memory. If a new channel has not been setup for the client vip2_lo_uv then the client will be fully empty at this point. This event will cause a one to be set in this register until cleared by software. Write a 1 to this field to clear the value.	RW	0x0
1	INT_STAT_VIP2_MULT_PORTB_SRC5	The last write DMA transaction has completed for channel vip2_mult_portb_src5. All data from the channel has been sent and received by the external memory. If a new channel has not been setup for the client vip2_lo_uv then the client will be fully empty at this point. This event will cause a one to be set in this register until cleared by software. Write a 1 to this field to clear the value.	RW	0x0
0	INT_STAT_VIP2_MULT_PORTB_SRC4	The last write DMA transaction has completed for channel vip2_mult_portb_src4. All data from the channel has been sent and received by the external memory. If a new channel has not been setup for the client vip2_lo_uv then the client will be fully empty at this point. This event will cause a one to be set in this register until cleared by software. Write a 1 to this field to clear the value.	RW	0x0

Table 9-362. Register Call Summary for Register VIP_INT1_CHANNEL4_INT_STAT

VIP Functional Description

- [VPDMA Interrupts: \[0\]](#)

VIP Register Manual

- [VIP VPDMA Register Summary: \[2\]](#)

Table 9-363. VIP_INT1_CHANNEL4_INT_MASK

Address Offset	0x0000 00B4	Instance	VIP1_VPDMA
Physical Address	0x4897 D0B4		
Description	The register gives the information of the interrupts that should be masked and not generate an interrupt for vpdma_int1.		
Type	RW		

31	30	29	28	27	26	25	24	23	22	21	20	19	18	17	16	15	14	13	12	11	10	9	8	7	6	5	4	3	2	1	0
INT_MASK_VIP2_MULT_ANCB_SRC3	INT_MASK_VIP2_MULT_ANCB_SRC2	INT_MASK_VIP2_MULT_ANCB_SRC1	INT_MASK_VIP2_MULT_ANCB_SRC0	INT_MASK_VIP2_MULT_ANCA_SRC15	INT_MASK_VIP2_MULT_ANCA_SRC14	INT_MASK_VIP2_MULT_ANCA_SRC13	INT_MASK_VIP2_MULT_ANCA_SRC12	INT_MASK_VIP2_MULT_ANCA_SRC11	INT_MASK_VIP2_MULT_ANCA_SRC10	INT_MASK_VIP2_MULT_ANCA_SRC9	INT_MASK_VIP2_MULT_ANCA_SRC8	INT_MASK_VIP2_MULT_ANCA_SRC7	INT_MASK_VIP2_MULT_ANCA_SRC6	INT_MASK_VIP2_MULT_ANCA_SRC5	INT_MASK_VIP2_MULT_ANCA_SRC4	INT_MASK_VIP2_MULT_ANCA_SRC3	INT_MASK_VIP2_MULT_ANCA_SRC2	INT_MASK_VIP2_MULT_ANCA_SRC1	INT_MASK_VIP2_MULT_ANCA_SRC0	INT_MASK_VIP2_MULT_PORTB_SRC15	INT_MASK_VIP2_MULT_PORTB_SRC14	INT_MASK_VIP2_MULT_PORTB_SRC13	INT_MASK_VIP2_MULT_PORTB_SRC12	INT_MASK_VIP2_MULT_PORTB_SRC11	INT_MASK_VIP2_MULT_PORTB_SRC10	INT_MASK_VIP2_MULT_PORTB_SRC9	INT_MASK_VIP2_MULT_PORTB_SRC8	INT_MASK_VIP2_MULT_PORTB_SRC7	INT_MASK_VIP2_MULT_PORTB_SRC6	INT_MASK_VIP2_MULT_PORTB_SRC5	INT_MASK_VIP2_MULT_PORTB_SRC4

Bits	Field Name	Description	Type	Reset
31	INT_MASK_VIP2_MULT_ANCB_SRC3	The interrupt for Video Input 2 Port B Ancillary Data Channel 3 should generate an interrupt on interrupt <code>vpdma_int1</code> . Write a 1 for the interrupt event to trigger the interrupt signal.	RW	0x0
30	INT_MASK_VIP2_MULT_ANCB_SRC2	The interrupt for Video Input 2 Port B Ancillary Data Channel 2 should generate an interrupt on interrupt <code>vpdma_int1</code> . Write a 1 for the interrupt event to trigger the interrupt signal.	RW	0x0
29	INT_MASK_VIP2_MULT_ANCB_SRC1	The interrupt for Video Input 2 Port B Ancillary Data Channel 1 should generate an interrupt on interrupt <code>vpdma_int1</code> . Write a 1 for the interrupt event to trigger the interrupt signal.	RW	0x0
28	INT_MASK_VIP2_MULT_ANCB_SRC0	The interrupt for Video Input 2 Port B Ancillary Data Channel 0 should generate an interrupt on interrupt <code>vpdma_int1</code> . Write a 1 for the interrupt event to trigger the interrupt signal.	RW	0x0
27	INT_MASK_VIP2_MULT_ANCA_SRC15	The interrupt for Video Input 2 Port A Ancillary Data Channel 15 should generate an interrupt on interrupt <code>vpdma_int1</code> . Write a 1 for the interrupt event to trigger the interrupt signal.	RW	0x0
26	INT_MASK_VIP2_MULT_ANCA_SRC14	The interrupt for Video Input 2 Port A Ancillary Data Channel 14 should generate an interrupt on interrupt <code>vpdma_int1</code> . Write a 1 for the interrupt event to trigger the interrupt signal.	RW	0x0
25	INT_MASK_VIP2_MULT_ANCA_SRC13	The interrupt for Video Input 2 Port A Ancillary Data Channel 13 should generate an interrupt on interrupt <code>vpdma_int1</code> . Write a 1 for the interrupt event to trigger the interrupt signal.	RW	0x0
24	INT_MASK_VIP2_MULT_ANCA_SRC12	The interrupt for Video Input 2 Port A Ancillary Data Channel 12 should generate an interrupt on interrupt <code>vpdma_int1</code> . Write a 1 for the interrupt event to trigger the interrupt signal.	RW	0x0
23	INT_MASK_VIP2_MULT_ANCA_SRC11	The interrupt for Video Input 2 Port A Ancillary Data Channel 11 should generate an interrupt on interrupt <code>vpdma_int1</code> . Write a 1 for the interrupt event to trigger the interrupt signal.	RW	0x0
22	INT_MASK_VIP2_MULT_ANCA_SRC10	The interrupt for Video Input 2 Port A Ancillary Data Channel 10 should generate an interrupt on interrupt <code>vpdma_int1</code> . Write a 1 for the interrupt event to trigger the interrupt signal.	RW	0x0
21	INT_MASK_VIP2_MULT_ANCA_SRC9	The interrupt for Video Input 2 Port A Ancillary Data Channel 9 should generate an interrupt on interrupt <code>vpdma_int1</code> . Write a 1 for the interrupt event to trigger the interrupt signal.	RW	0x0

Bits	Field Name	Description	Type	Reset
20	INT_MASK_VIP2_MULT_ANCA_SRC8	The interrupt for Video Input 2 Port A Ancillary Data Channel 8 should generate an interrupt on interrupt vpdma_int1. Write a 1 for the interrupt event to trigger the interrupt signal.	RW	0x0
19	INT_MASK_VIP2_MULT_ANCA_SRC7	The interrupt for Video Input 2 Port A Ancillary Data Channel 7 should generate an interrupt on interrupt vpdma_int1. Write a 1 for the interrupt event to trigger the interrupt signal.	RW	0x0
18	INT_MASK_VIP2_MULT_ANCA_SRC6	The interrupt for Video Input 2 Port A Ancillary Data Channel 6 should generate an interrupt on interrupt vpdma_int1. Write a 1 for the interrupt event to trigger the interrupt signal.	RW	0x0
17	INT_MASK_VIP2_MULT_ANCA_SRC5	The interrupt for Video Input 2 Port A Ancillary Data Channel 5 should generate an interrupt on interrupt vpdma_int1. Write a 1 for the interrupt event to trigger the interrupt signal.	RW	0x0
16	INT_MASK_VIP2_MULT_ANCA_SRC4	The interrupt for Video Input 2 Port A Ancillary Data Channel 4 should generate an interrupt on interrupt vpdma_int1. Write a 1 for the interrupt event to trigger the interrupt signal.	RW	0x0
15	INT_MASK_VIP2_MULT_ANCA_SRC3	The interrupt for Video Input 2 Port A Ancillary Data Channel 3 should generate an interrupt on interrupt vpdma_int1. Write a 1 for the interrupt event to trigger the interrupt signal.	RW	0x0
14	INT_MASK_VIP2_MULT_ANCA_SRC2	The interrupt for Video Input 2 Port A Ancillary Data Channel 2 should generate an interrupt on interrupt vpdma_int1. Write a 1 for the interrupt event to trigger the interrupt signal.	RW	0x0
13	INT_MASK_VIP2_MULT_ANCA_SRC1	The interrupt for Video Input 2 Port A Ancillary Data Channel 1 should generate an interrupt on interrupt vpdma_int1. Write a 1 for the interrupt event to trigger the interrupt signal.	RW	0x0
12	INT_MASK_VIP2_MULT_ANCA_SRC0	The interrupt for Video Input 2 Port A Ancillary Data Channel 0 should generate an interrupt on interrupt vpdma_int1. Write a 1 for the interrupt event to trigger the interrupt signal.	RW	0x0
11	INT_MASK_VIP2_MULT_PORTB_SRC15	The interrupt for Video Input 2 Port B Channel 15 should generate an interrupt on interrupt vpdma_int1. Write a 1 for the interrupt event to trigger the interrupt signal.	RW	0x0
10	INT_MASK_VIP2_MULT_PORTB_SRC14	The interrupt for Video Input 2 Port B Channel 14 should generate an interrupt on interrupt vpdma_int1. Write a 1 for the interrupt event to trigger the interrupt signal.	RW	0x0
9	INT_MASK_VIP2_MULT_PORTB_SRC13	The interrupt for Video Input 2 Port B Channel 13 should generate an interrupt on interrupt vpdma_int1. Write a 1 for the interrupt event to trigger the interrupt signal.	RW	0x0
8	INT_MASK_VIP2_MULT_PORTB_SRC12	The interrupt for Video Input 2 Port B Channel 12 should generate an interrupt on interrupt vpdma_int1. Write a 1 for the interrupt event to trigger the interrupt signal.	RW	0x0
7	INT_MASK_VIP2_MULT_PORTB_SRC11	The interrupt for Video Input 2 Port B Channel 11 should generate an interrupt on interrupt vpdma_int1. Write a 1 for the interrupt event to trigger the interrupt signal.	RW	0x0
6	INT_MASK_VIP2_MULT_PORTB_SRC10	The interrupt for Video Input 2 Port B Channel 10 should generate an interrupt on interrupt vpdma_int1. Write a 1 for the interrupt event to trigger the interrupt signal.	RW	0x0
5	INT_MASK_VIP2_MULT_PORTB_SRC9	The interrupt for Video Input 2 Port B Channel 9 should generate an interrupt on interrupt vpdma_int1. Write a 1 for the interrupt event to trigger the interrupt signal.	RW	0x0
4	INT_MASK_VIP2_MULT_PORTB_SRC8	The interrupt for Video Input 2 Port B Channel 8 should generate an interrupt on interrupt vpdma_int1. Write a 1 for the interrupt event to trigger the interrupt signal.	RW	0x0
3	INT_MASK_VIP2_MULT_PORTB_SRC7	The interrupt for Video Input 2 Port B Channel 7 should generate an interrupt on interrupt vpdma_int1. Write a 1 for the interrupt event to trigger the interrupt signal.	RW	0x0

Bits	Field Name	Description	Type	Reset
2	INT_MASK_VIP2_MULT_PORTB_SRC6	The interrupt for Video Input 2 Port B Channel 6 should generate an interrupt on interrupt vpdma_int1. Write a 1 for the interrupt event to trigger the interrupt signal.	RW	0x0
1	INT_MASK_VIP2_MULT_PORTB_SRC5	The interrupt for Video Input 2 Port B Channel 5 should generate an interrupt on interrupt vpdma_int1. Write a 1 for the interrupt event to trigger the interrupt signal.	RW	0x0
0	INT_MASK_VIP2_MULT_PORTB_SRC4	The interrupt for Video Input 2 Port B Channel 4 should generate an interrupt on interrupt vpdma_int1. Write a 1 for the interrupt event to trigger the interrupt signal.	RW	0x0

Table 9-364. Register Call Summary for Register VIP_INT1_CHANNEL4_INT_MASK

VIP Functional Description

- [VPDMA Interrupts: \[0\]](#)

VIP Register Manual

- [VIP VPDMA Register Summary: \[2\]](#)

Table 9-365. VIP_INT1_CHANNEL5_INT_STAT

Address Offset	0x0000 00B8	Instance	VIP1_VPDMA
Physical Address	0x4897 D0B8		
Description	This register gives the information of the interrupts that have triggered since last cleared by the process that is servicing vpdma_int1.		
Type	RW		

31	30	29	28	27	26	25	24	23	22	21	20	19	18	17	16	15	14	13	12	11	10	9	8	7	6	5	4	3	2	1	0
INT_STAT_TRANSCODE2_CHROMA	INT_STAT_TRANSCODE2_LUMA	INT_STAT_TRANSCODE1_CHROMA	INT_STAT_TRANSCODE1_LUMA	INT_STAT_AUX_IN	INT_STAT_PIPE_FRAME	INT_STAT_POST_COMP_WR	INT_STAT_VBI_SD_VENC	RESERVED	INT_STAT_NF_LAST_CHROMA	INT_STAT_NF_LAST_LUMA	INT_STAT_NF_WRITE_CHROMA	INT_STAT_NF_WRITE_LUMA	INT_STAT_OTHER	INT_STAT_VIP2_PORTB_RGB	INT_STAT_VIP2_PORTA_RGB	INT_STAT_VIP2_PORTB_CHROMA	INT_STAT_VIP2_PORTB_LUMA	INT_STAT_VIP2_PORTA_CHROMA	INT_STAT_VIP2_PORTA_LUMA	INT_STAT_VIP2_MULT_ANCB_SRC15	INT_STAT_VIP2_MULT_ANCB_SRC14	INT_STAT_VIP2_MULT_ANCB_SRC13	INT_STAT_VIP2_MULT_ANCB_SRC12	INT_STAT_VIP2_MULT_ANCB_SRC11	INT_STAT_VIP2_MULT_ANCB_SRC10	INT_STAT_VIP2_MULT_ANCB_SRC9	INT_STAT_VIP2_MULT_ANCB_SRC8	INT_STAT_VIP2_MULT_ANCB_SRC7	INT_STAT_VIP2_MULT_ANCB_SRC6	INT_STAT_VIP2_MULT_ANCB_SRC5	INT_STAT_VIP2_MULT_ANCB_SRC4

Bits	Field Name	Description	Type	Reset
31	INT_STAT_TRANSCODE2_CHROMA	The last write DMA transaction has completed for channel transcode2_chroma. All data from the channel has been sent and received by the external memory. If a new channel has not been setup for the client then the client will be fully empty at this point. This event will cause a one to be set in this register until cleared by software. Write a 1 to this field to clear the value.	RW	0x0
30	INT_STAT_TRANSCODE2_LUMA	The last write DMA transaction has completed for channel transcode2_luma. All data from the channel has been sent and received by the external memory. If a new channel has not been setup for the client then the client will be fully empty at this point. This event will cause a one to be set in this register until cleared by software. Write a 1 to this field to clear the value.	RW	0x0

Bits	Field Name	Description	Type	Reset
29	INT_STAT_TRANSCODE1_CHROMA	The last write DMA transaction has completed for channel transcode1_chroma. All data from the channel has been sent and received by the external memory. If a new channel has not been setup for the client then the client will be fully empty at this point. This event will cause a one to be set in this register until cleared by software. Write a 1 to this field to clear the value.	RW	0x0
28	INT_STAT_TRANSCODE1_LUMA	The last write DMA transaction has completed for channel transcode1_luma. All data from the channel has been sent and received by the external memory. If a new channel has not been setup for the client then the client will be fully empty at this point. This event will cause a one to be set in this register until cleared by software. Write a 1 to this field to clear the value.	RW	0x0
27	INT_STAT_AUX_IN	The last read DMA transaction has occurred for channel aux_in and the channel is free to be updated for the next transfer. This will fire before the destination has received the data as it will have just been stored in the internal buffer. The client comp_wrkb will now accept a new descriptor from the List Manager. This event will cause a one to be set in this register until cleared by software. Write a 1 to this field to clear the value.	RW	0x0
26	INT_STAT_PIP_FRAME	The last read DMA transaction has occurred for channel pip_frame and the channel is free to be updated for the next transfer. This will fire before the destination has received the data as it will have just been stored in the internal buffer. The client pip_wrkb will now accept a new descriptor from the List Manager. This event will cause a one to be set in this register until cleared by software. Write a 1 to this field to clear the value.	RW	0x0
25	INT_STAT_POST_COMP_WR	The last write DMA transaction has completed for channel post_comp_wr. All data from the channel has been sent and received by the external memory. If a new channel has not been setup for the client hdmi_wrkb_out then the client will be fully empty at this point. This event will cause a one to be set in this register until cleared by software. Write a 1 to this field to clear the value.	RW	0x0
24	INT_STAT_VBI_SD_VENC	The last read DMA transaction has occurred for channel vbi_sd_venc and the channel is free to be updated for the next transfer. This will fire before the destination has received the data as it will have just been stored in the internal buffer. The client vbi_sdvenc will now accept a new descriptor from the List Manager. This event will cause a one to be set in this register until cleared by software. Write a 1 to this field to clear the value.	RW	0x0
23	RESERVED	Reserved	R	0x0
22	INT_STAT_NF_LAST_CHROMA	The last write DMA transaction has completed for channel nf_last_chroma. All data from the channel has been sent and received by the external memory. If a new channel has not been setup for the client then the client will be fully empty at this point. This event will cause a one to be set in this register until cleared by software. Write a 1 to this field to clear the value.	RW	0x0
21	INT_STAT_NF_LAST_LUMA	The last write DMA transaction has completed for channel nf_last_luma. All data from the channel has been sent and received by the external memory. If a new channel has not been setup for the client then the client will be fully empty at this point. This event will cause a one to be set in this register until cleared by software. Write a 1 to this field to clear the value.	RW	0x0
20	INT_STAT_NF_WRITE_CHROMA	The last write DMA transaction has completed for channel nf_write_chroma. All data from the channel has been sent and received by the external memory. If a new channel has not been setup for the client then the client will be fully empty at this point. This event will cause a one to be set in this register until cleared by software. Write a 1 to this field to clear the value.	RW	0x0

Bits	Field Name	Description	Type	Reset
19	INT_STAT_NF_WRITE_LUMA	The last write DMA transaction has completed for channel <code>nf_write_luma</code> . All data from the channel has been sent and received by the external memory. If a new channel has not been setup for the client then the client will be fully empty at this point. This event will cause a one to be set in this register until cleared by software. Write a 1 to this field to clear the value.	RW	0x0
18	INT_STAT_OTHER	This event will cause a one to be set in this register until cleared by software. Write a 1 to this field to clear the value.	RW	0x0
17	INT_STAT_VIP2_PORTB_RGB	The last write DMA transaction has completed for channel <code>vip2_portb_rgb</code> . All data from the channel has been sent and received by the external memory. If a new channel has not been setup for the client <code>vip2_lo_y</code> then the client will be fully empty at this point. This event will cause a one to be set in this register until cleared by software. Write a 1 to this field to clear the value.	RW	0x0
16	INT_STAT_VIP2_PORTA_RGB	The last write DMA transaction has completed for channel <code>vip2_porta_rgb</code> . All data from the channel has been sent and received by the external memory. If a new channel has not been setup for the client <code>vip2_up_y</code> then the client will be fully empty at this point. This event will cause a one to be set in this register until cleared by software. Write a 1 to this field to clear the value.	RW	0x0
15	INT_STAT_VIP2_PORTB_CHROMA	The last write DMA transaction has completed for channel <code>vip2_portb_chroma</code> . All data from the channel has been sent and received by the external memory. If a new channel has not been setup for the client then the client will be fully empty at this point. This event will cause a one to be set in this register until cleared by software. Write a 1 to this field to clear the value.	RW	0x0
14	INT_STAT_VIP2_PORTB_LUMA	The last write DMA transaction has completed for channel <code>vip2_portb_luma</code> . All data from the channel has been sent and received by the external memory. If a new channel has not been setup for the client then the client will be fully empty at this point. This event will cause a one to be set in this register until cleared by software. Write a 1 to this field to clear the value.	RW	0x0
13	INT_STAT_VIP2_PORTA_CHROMA	The last write DMA transaction has completed for channel <code>vip2_porta_chroma</code> . All data from the channel has been sent and received by the external memory. If a new channel has not been setup for the client then the client will be fully empty at this point. This event will cause a one to be set in this register until cleared by software. Write a 1 to this field to clear the value.	RW	0x0
12	INT_STAT_VIP2_PORTA_LUMA	The last write DMA transaction has completed for channel <code>vip2_porta_luma</code> . All data from the channel has been sent and received by the external memory. If a new channel has not been setup for the client then the client will be fully empty at this point. This event will cause a one to be set in this register until cleared by software. Write a 1 to this field to clear the value.	RW	0x0
11	INT_STAT_VIP2_MULT_ANCB_SRC15	The last write DMA transaction has completed for channel <code>vip2_mult_ancb_src15</code> . All data from the channel has been sent and received by the external memory. If a new channel has not been setup for the client <code>vip2_anc_b</code> then the client will be fully empty at this point. This event will cause a one to be set in this register until cleared by software. Write a 1 to this field to clear the value.	RW	0x0
10	INT_STAT_VIP2_MULT_ANCB_SRC14	The last write DMA transaction has completed for channel <code>vip2_mult_ancb_src14</code> . All data from the channel has been sent and received by the external memory. If a new channel has not been setup for the client <code>vip2_anc_b</code> then the client will be fully empty at this point. This event will cause a one to be set in this register until cleared by software. Write a 1 to this field to clear the value.	RW	0x0

Bits	Field Name	Description	Type	Reset
9	INT_STAT_VIP2_MULT_ANCB_SRC13	The last write DMA transaction has completed for channel vip2_mult_ancb_src13. All data from the channel has been sent and received by the external memory. If a new channel has not been setup for the client vip2_anc_b then the client will be fully empty at this point. This event will cause a one to be set in this register until cleared by software. Write a 1 to this field to clear the value.	RW	0x0
8	INT_STAT_VIP2_MULT_ANCB_SRC12	The last write DMA transaction has completed for channel vip2_mult_ancb_src12. All data from the channel has been sent and received by the external memory. If a new channel has not been setup for the client vip2_anc_b then the client will be fully empty at this point. This event will cause a one to be set in this register until cleared by software. Write a 1 to this field to clear the value.	RW	0x0
7	INT_STAT_VIP2_MULT_ANCB_SRC11	The last write DMA transaction has completed for channel vip2_mult_ancb_src11. All data from the channel has been sent and received by the external memory. If a new channel has not been setup for the client vip2_anc_b then the client will be fully empty at this point. This event will cause a one to be set in this register until cleared by software. Write a 1 to this field to clear the value.	RW	0x0
6	INT_STAT_VIP2_MULT_ANCB_SRC10	The last write DMA transaction has completed for channel vip2_mult_ancb_src10. All data from the channel has been sent and received by the external memory. If a new channel has not been setup for the client vip2_anc_b then the client will be fully empty at this point. This event will cause a one to be set in this register until cleared by software. Write a 1 to this field to clear the value.	RW	0x0
5	INT_STAT_VIP2_MULT_ANCB_SRC9	The last write DMA transaction has completed for channel vip2_mult_ancb_src9. All data from the channel has been sent and received by the external memory. If a new channel has not been setup for the client vip2_anc_b then the client will be fully empty at this point. This event will cause a one to be set in this register until cleared by software. Write a 1 to this field to clear the value.	RW	0x0
4	INT_STAT_VIP2_MULT_ANCB_SRC8	The last write DMA transaction has completed for channel vip2_mult_ancb_src8. All data from the channel has been sent and received by the external memory. If a new channel has not been setup for the client vip2_anc_b then the client will be fully empty at this point. This event will cause a one to be set in this register until cleared by software. Write a 1 to this field to clear the value.	RW	0x0
3	INT_STAT_VIP2_MULT_ANCB_SRC7	The last write DMA transaction has completed for channel vip2_mult_ancb_src7. All data from the channel has been sent and received by the external memory. If a new channel has not been setup for the client vip2_anc_b then the client will be fully empty at this point. This event will cause a one to be set in this register until cleared by software. Write a 1 to this field to clear the value.	RW	0x0
2	INT_STAT_VIP2_MULT_ANCB_SRC6	The last write DMA transaction has completed for channel vip2_mult_ancb_src6. All data from the channel has been sent and received by the external memory. If a new channel has not been setup for the client vip2_anc_b then the client will be fully empty at this point. This event will cause a one to be set in this register until cleared by software. Write a 1 to this field to clear the value.	RW	0x0
1	INT_STAT_VIP2_MULT_ANCB_SRC5	The last write DMA transaction has completed for channel vip2_mult_ancb_src5. All data from the channel has been sent and received by the external memory. If a new channel has not been setup for the client vip2_anc_b then the client will be fully empty at this point. This event will cause a one to be set in this register until cleared by software. Write a 1 to this field to clear the value.	RW	0x0

Bits	Field Name	Description	Type	Reset
0	INT_STAT_VIP2_MULT_ANCB_SRC4	The last write DMA transaction has completed for channel vip2_mult_ancb_src4. All data from the channel has been sent and received by the external memory. If a new channel has not been setup for the client vip2_anc_b then the client will be fully empty at this point. This event will cause a one to be set in this register until cleared by software. Write a 1 to this field to clear the value.	RW	0x0

Table 9-366. Register Call Summary for Register VIP_INT1_CHANNEL5_INT_STAT

VIP Functional Description

- [VPDMA Interrupts: \[0\]](#)

VIP Register Manual

- [VIP VPDMA Register Summary: \[2\]](#)

Table 9-367. VIP_INT1_CHANNEL5_INT_MASK

Address Offset	0x0000 00BC	Instance	VIP1_VPDMA
Physical Address	0x4897 D0BC		
Description	The register gives the information of the interrupts that should be masked and not generate an interrupt for vpdma_int1.		
Type	RW		

31	30	29	28	27	26	25	24	23	22	21	20	19	18	17	16	15	14	13	12	11	10	9	8	7	6	5	4	3	2	1	0
INT_MASK_TRANSCODE2_CHROMA	INT_MASK_TRANSCODE2_LUMA	INT_MASK_TRANSCODE1_CHROMA	INT_MASK_TRANSCODE1_LUMA	INT_MASK_AUX_IN	INT_MASK_PIP_FRAME	INT_MASK_POST_COMP_WR	INT_MASK_VBI_SD_VENC	RESERVED	INT_MASK_NF_LAST_CHROMA	INT_MASK_NF_LAST_LUMA	INT_MASK_NF_WRITE_CHROMA	INT_MASK_NF_WRITE_LUMA	INT_MASK_OTHER	INT_MASK_VIP2_PORTB_RGB	INT_MASK_VIP2_PORTA_RGB	INT_MASK_VIP2_PORTB_CHROMA	INT_MASK_VIP2_PORTB_LUMA	INT_MASK_VIP2_PORTA_CHROMA	INT_MASK_VIP2_PORTA_LUMA	INT_MASK_VIP2_MULT_ANCB_SRC15	INT_MASK_VIP2_MULT_ANCB_SRC14	INT_MASK_VIP2_MULT_ANCB_SRC13	INT_MASK_VIP2_MULT_ANCB_SRC12	INT_MASK_VIP2_MULT_ANCB_SRC11	INT_MASK_VIP2_MULT_ANCB_SRC10	INT_MASK_VIP2_MULT_ANCB_SRC9	INT_MASK_VIP2_MULT_ANCB_SRC8	INT_MASK_VIP2_MULT_ANCB_SRC7	INT_MASK_VIP2_MULT_ANCB_SRC6	INT_MASK_VIP2_MULT_ANCB_SRC5	INT_MASK_VIP2_MULT_ANCB_SRC4

Bits	Field Name	Description	Type	Reset
31	INT_MASK_TRANSCODE2_CHROMA	The interrupt for should generate an interrupt on interrupt vpdma_int1. Write a 1 for the interrupt event to trigger the interrupt signal.	RW	0x0
30	INT_MASK_TRANSCODE2_LUMA	The interrupt for should generate an interrupt on interrupt vpdma_int1. Write a 1 for the interrupt event to trigger the interrupt signal.	RW	0x0
29	INT_MASK_TRANSCODE1_CHROMA	The interrupt for should generate an interrupt on interrupt vpdma_int1. Write a 1 for the interrupt event to trigger the interrupt signal.	RW	0x0
28	INT_MASK_TRANSCODE1_LUMA	The interrupt for should generate an interrupt on interrupt vpdma_int1. Write a 1 for the interrupt event to trigger the interrupt signal.	RW	0x0
27	INT_MASK_AUX_IN	The interrupt for Auxiliary Data for the Compositor Frame From Memory should generate an interrupt on interrupt vpdma_int1. Write a 1 for the interrupt event to trigger the interrupt signal.	RW	0x0

Bits	Field Name	Description	Type	Reset
26	INT_MASK_PIP_FRAME	The interrupt for PIP Data for the Composer Frame From Memory should generate an interrupt on interrupt vpdma_int1. Write a 1 for the interrupt event to trigger the interrupt signal.	RW	0x0
25	INT_MASK_POST_COMP_WR	The interrupt for Post Composer Writeback to Memory should generate an interrupt on interrupt vpdma_int1. Write a 1 for the interrupt event to trigger the interrupt signal.	RW	0x0
24	INT_MASK_VBI_SD_VENC	The interrupt for SD Video Encoder VBI Data should generate an interrupt on interrupt vpdma_int1. Write a 1 for the interrupt event to trigger the interrupt signal.	RW	0x0
23	RESERVED	Reserved	R	0x0
22	INT_MASK_NF_LAST_CHROMA	The interrupt for should generate an interrupt on interrupt vpdma_int1. Write a 1 for the interrupt event to trigger the interrupt signal.	RW	0x0
21	INT_MASK_NF_LAST_LUMA	The interrupt for should generate an interrupt on interrupt vpdma_int1. Write a 1 for the interrupt event to trigger the interrupt signal.	RW	0x0
20	INT_MASK_NF_WRITE_CHROMA	The interrupt for should generate an interrupt on interrupt vpdma_int1. Write a 1 for the interrupt event to trigger the interrupt signal.	RW	0x0
19	INT_MASK_NF_WRITE_LUMA	The interrupt for should generate an interrupt on interrupt vpdma_int1. Write a 1 for the interrupt event to trigger the interrupt signal.	RW	0x0
18	INT_MASK_OTHER	The interrupt for should generate an interrupt on interrupt vpdma_int1. Write a 1 for the interrupt event to trigger the interrupt signal.	RW	0x0
17	INT_MASK_VIP2_PORTB_RGB	The interrupt for Video Input 2 Port B RGB Data should generate an interrupt on interrupt vpdma_int1. Write a 1 for the interrupt event to trigger the interrupt signal.	RW	0x0
16	INT_MASK_VIP2_PORTA_RGB	The interrupt for Video Input 2 Port A RGB Data should generate an interrupt on interrupt vpdma_int1. Write a 1 for the interrupt event to trigger the interrupt signal.	RW	0x0
15	INT_MASK_VIP2_PORTB_CHROMA	The interrupt for should generate an interrupt on interrupt vpdma_int1. Write a 1 for the interrupt event to trigger the interrupt signal.	RW	0x0
14	INT_MASK_VIP2_PORTB_LUMA	The interrupt for should generate an interrupt on interrupt vpdma_int1. Write a 1 for the interrupt event to trigger the interrupt signal.	RW	0x0
13	INT_MASK_VIP2_PORTA_CHROMA	The interrupt for should generate an interrupt on interrupt vpdma_int1. Write a 1 for the interrupt event to trigger the interrupt signal.	RW	0x0
12	INT_MASK_VIP2_PORTA_LUMA	The interrupt for should generate an interrupt on interrupt vpdma_int1. Write a 1 for the interrupt event to trigger the interrupt signal.	RW	0x0
11	INT_MASK_VIP2_MULT_ANCB_SRC15	The interrupt for Video Input 2 Port B Ancillary Data Channel 15 should generate an interrupt on interrupt vpdma_int1. Write a 1 for the interrupt event to trigger the interrupt signal.	RW	0x0
10	INT_MASK_VIP2_MULT_ANCB_SRC14	The interrupt for Video Input 2 Port B Ancillary Data Channel 14 should generate an interrupt on interrupt vpdma_int1. Write a 1 for the interrupt event to trigger the interrupt signal.	RW	0x0
9	INT_MASK_VIP2_MULT_ANCB_SRC13	The interrupt for Video Input 2 Port B Ancillary Data Channel 13 should generate an interrupt on interrupt vpdma_int1. Write a 1 for the interrupt event to trigger the interrupt signal.	RW	0x0
8	INT_MASK_VIP2_MULT_ANCB_SRC12	The interrupt for Video Input 2 Port B Ancillary Data Channel 12 should generate an interrupt on interrupt vpdma_int1. Write a 1 for the interrupt event to trigger the interrupt signal.	RW	0x0

Bits	Field Name	Description	Type	Reset
7	INT_MASK_VIP2_MULT_ANCB_SRC11	The interrupt for Video Input 2 Port B Ancillary Data Channel 11 should generate an interrupt on interrupt vpdma_int1. Write a 1 for the interrupt event to trigger the interrupt signal.	RW	0x0
6	INT_MASK_VIP2_MULT_ANCB_SRC10	The interrupt for Video Input 2 Port B Ancillary Data Channel 10 should generate an interrupt on interrupt vpdma_int1. Write a 1 for the interrupt event to trigger the interrupt signal.	RW	0x0
5	INT_MASK_VIP2_MULT_ANCB_SRC9	The interrupt for Video Input 2 Port B Ancillary Data Channel 9 should generate an interrupt on interrupt vpdma_int1. Write a 1 for the interrupt event to trigger the interrupt signal.	RW	0x0
4	INT_MASK_VIP2_MULT_ANCB_SRC8	The interrupt for Video Input 2 Port B Ancillary Data Channel 8 should generate an interrupt on interrupt vpdma_int1. Write a 1 for the interrupt event to trigger the interrupt signal.	RW	0x0
3	INT_MASK_VIP2_MULT_ANCB_SRC7	The interrupt for Video Input 2 Port B Ancillary Data Channel 7 should generate an interrupt on interrupt vpdma_int1. Write a 1 for the interrupt event to trigger the interrupt signal.	RW	0x0
2	INT_MASK_VIP2_MULT_ANCB_SRC6	The interrupt for Video Input 2 Port B Ancillary Data Channel 6 should generate an interrupt on interrupt vpdma_int1. Write a 1 for the interrupt event to trigger the interrupt signal.	RW	0x0
1	INT_MASK_VIP2_MULT_ANCB_SRC5	The interrupt for Video Input 2 Port B Ancillary Data Channel 5 should generate an interrupt on interrupt vpdma_int1. Write a 1 for the interrupt event to trigger the interrupt signal.	RW	0x0
0	INT_MASK_VIP2_MULT_ANCB_SRC4	The interrupt for Video Input 2 Port B Ancillary Data Channel 4 should generate an interrupt on interrupt vpdma_int1. Write a 1 for the interrupt event to trigger the interrupt signal.	RW	0x0

Table 9-368. Register Call Summary for Register VIP_INT1_CHANNEL5_INT_MASK

VIP Functional Description

- [VPDMA Interrupts: \[0\]](#)

VIP Register Manual

- [VIP VPDMA Register Summary: \[2\]](#)

Table 9-369. VIP_INT1_CLIENT0_INT_STAT

Address Offset	0x0000 00C8	Instance	VIP1_VPDMA
Physical Address	0x4897 D0C8		
Description	This register gives the information of the interrupts that have triggered since last cleared by the process that is servicing vpdma_int1.		
Type	RW		

31	30	29	28	27	26	25	24	23	22	21	20	19	18	17	16	15	14	13	12	11	10	9	8	7	6	5	4	3	2	1	0
INT_MASK_TRANSCODE2_CHROMA	INT_MASK_TRANSCODE2_LUMA	INT_MASK_TRANSCODE1_CHROMA	INT_MASK_TRANSCODE1_LUMA	INT_MASK_AUX_IN	INT_MASK_PIP_FRAME	INT_MASK_POST_COMP_WR	INT_MASK_VBI_SD_VENC	RESERVED	INT_MASK_NF_LAST_CHROMA	INT_MASK_NF_LAST_LUMA	INT_MASK_NF_WRITE_CHROMA	INT_MASK_NF_WRITE_LUMA	INT_MASK_NF_READ	INT_MASK_VIP2_PORTB_RGB	INT_MASK_VIP2_PORTA_RGB	INT_STAT_DEI_HQ_MV_OUT	RESERVED		INT_STAT_DEI_HQ_MV_IN							INT_STAT_DEI_HQ_3_CHROMA	INT_STAT_DEI_HQ_3_LUMA	INT_STAT_DEI_HQ_2_CHROMA	INT_STAT_DEI_HQ_2_LUMA	INT_STAT_DEI_HQ_1_LUMA	INT_STAT_DEI_HQ_1_CHROMA

Bits	Field Name	Description	Type	Reset
31	INT_MASK_TRANSCODE2_CHROMA	The interrupt for should generate an interrupt on interrupt vpdma_int1. Write a 1 for the interrupt event to trigger the interrupt signal.	RW	0x0
30	INT_MASK_TRANSCODE2_LUMA	The interrupt for should generate an interrupt on interrupt vpdma_int1. Write a 1 for the interrupt event to trigger the interrupt signal.	RW	0x0
29	INT_MASK_TRANSCODE1_CHROMA	The interrupt for should generate an interrupt on interrupt vpdma_int1. Write a 1 for the interrupt event to trigger the interrupt signal.	RW	0x0
28	INT_MASK_TRANSCODE1_LUMA	The interrupt for should generate an interrupt on interrupt vpdma_int1. Write a 1 for the interrupt event to trigger the interrupt signal.	RW	0x0
27	INT_MASK_AUX_IN	The interrupt for Auxiliary Data for the Compositor Frame From Memory should generate an interrupt on interrupt vpdma_int1. Write a 1 for the interrupt event to trigger the interrupt signal.	RW	0x0
26	INT_MASK_PIP_FRAME	The interrupt for PIP Data for the Compositor Frame From Memory should generate an interrupt on interrupt vpdma_int1. Write a 1 for the interrupt event to trigger the interrupt signal.	RW	0x0
25	INT_MASK_POST_COMP_WR	The interrupt for Post Compositor Writeback to Memory should generate an interrupt on interrupt vpdma_int1. Write a 1 for the interrupt event to trigger the interrupt signal.	RW	0x0
24	INT_MASK_VBI_SD_VENC	The interrupt for SD Video Encoder VBI Data should generate an interrupt on interrupt vpdma_int1. Write a 1 for the interrupt event to trigger the interrupt signal.	RW	0x0
23	RESERVED	Reserved	R	0x0
22	INT_MASK_NF_LAST_CHROMA	The interrupt for should generate an interrupt on interrupt vpdma_int1. Write a 1 for the interrupt event to trigger the interrupt signal.	RW	0x0
21	INT_MASK_NF_LAST_LUMA	The interrupt for should generate an interrupt on interrupt vpdma_int1. Write a 1 for the interrupt event to trigger the interrupt signal.	RW	0x0
20	INT_MASK_NF_WRITE_CHROMA	The interrupt for should generate an interrupt on interrupt vpdma_int1. Write a 1 for the interrupt event to trigger the interrupt signal.	RW	0x0
19	INT_MASK_NF_WRITE_LUMA	The interrupt for should generate an interrupt on interrupt vpdma_int1. Write a 1 for the interrupt event to trigger the interrupt signal.	RW	0x0
18	INT_MASK_NF_READ	The interrupt for Noise Filter Input Data 422 Interleaved should generate an interrupt on interrupt vpdma_int1. Write a 1 for the interrupt event to trigger the interrupt signal.	RW	0x0

Bits	Field Name	Description	Type	Reset
17	INT_MASK_VIP2_PORTB_RGB	The interrupt for Video Input 2 Port B RGB Data should generate an interrupt on interrupt vpdma_int1. Write a 1 for the interrupt event to trigger the interrupt signal.	RW	0x0
16	INT_MASK_VIP2_PORTA_RGB	The interrupt for Video Input 2 Port A RGB Data should generate an interrupt on interrupt vpdma_int1. Write a 1 for the interrupt event to trigger the interrupt signal.	RW	0x0
15	INT_STAT_DEI_HQ_MV_OUT	The client interface dei_hq_mv_out has reached its current configured interrupt event as specified by the last received control descriptor for this client. If no control descriptor has been configured this will default to having received the End of Frame signal from the transmitting module. This event will cause a one to be set in this register until cleared by software. Write a 1 to this field to clear the value.	RW	0x0
14:13	RESERVED	Reserved	R	0x0
12	INT_STAT_DEI_HQ_MV_IN	The client interface dei_hq_mv_in has reached its current configured interrupt event as specified by the last received control descriptor for this client. If no control descriptor has been configured this will default to having sent the End of Frame signal to the receiving module. This event will cause a one to be set in this register until cleared by software. Write a 1 to this field to clear the value.	RW	0x0
11:6	RESERVED	Reserved	R	0x00
5	INT_STAT_DEI_HQ_3_CHROMA	The client interface dei_hq_3_chroma has reached its current configured interrupt event as specified by the last received control descriptor for this client. If no control descriptor has been configured this will default to having sent the End of Frame signal to the receiving module. This event will cause a one to be set in this register until cleared by software. Write a 1 to this field to clear the value.	RW	0x0
4	INT_STAT_DEI_HQ_3_LUMA	The client interface dei_hq_3_luma has reached its current configured interrupt event as specified by the last received control descriptor for this client. If no control descriptor has been configured this will default to having sent the End of Frame signal to the receiving module. This event will cause a one to be set in this register until cleared by software. Write a 1 to this field to clear the value.	RW	0x0
3	INT_STAT_DEI_HQ_2_CHROMA	The client interface dei_hq_2_chroma has reached its current configured interrupt event as specified by the last received control descriptor for this client. If no control descriptor has been configured this will default to having sent the End of Frame signal to the receiving module. This event will cause a one to be set in this register until cleared by software. Write a 1 to this field to clear the value.	RW	0x0
2	INT_STAT_DEI_HQ_2_LUMA	The client interface dei_hq_2_luma has reached its current configured interrupt event as specified by the last received control descriptor for this client. If no control descriptor has been configured this will default to having sent the End of Frame signal to the receiving module. This event will cause a one to be set in this register until cleared by software. Write a 1 to this field to clear the value.	RW	0x0
1	INT_STAT_DEI_HQ_1_LUMA	The client interface dei_hq_1_luma has reached its current configured interrupt event as specified by the last received control descriptor for this client. If no control descriptor has been configured this will default to having sent the End of Frame signal to the receiving module. This event will cause a one to be set in this register until cleared by software. Write a 1 to this field to clear the value.	RW	0x0

Bits	Field Name	Description	Type	Reset
0	INT_STAT_DEI_HQ_1_CHROMA	The client interface dei_hq_1_chroma has reached its current configured interrupt event as specified by the last received control descriptor for this client. If no control descriptor has been configured this will default to having sent the End of Frame signal to the receiving module. This event will cause a one to be set in this register until cleared by software. Write a 1 to this field to clear the value.	RW	0x0

Table 9-370. Register Call Summary for Register VIP_INT1_CLIENT0_INT_STAT

VIP Functional Description

- [VPDMA Interrupts: \[0\]](#)

VIP Register Manual

- [VIP VPDMA Register Summary: \[2\]](#)

Table 9-371. VIP_INT1_CLIENT0_INT_MASK

Address Offset	0x0000 00CC	Instance	VIP1_VPDMA
Physical Address	0x4897 D0CC		
Description	The register gives the information of the interrupts that should be masked and not generate an interrupt for vpdma_int1.		
Type	RW		

31	30	29	28	27	26	25	24	23	22	21	20	19	18	17	16	15	14	13	12	11	10	9	8	7	6	5	4	3	2	1	0
INT_MASK_GRPX1_DATA	INT_MASK_COMP_WRBK	INT_MASK_SC_OUT	RESERVED						INT_MASK_SC_IN_LUMA	INT_MASK_SC_IN_CHROMA	INT_MASK_PIP_WRBK	INT_MASK_DEI_SC_OUT	RESERVED	INT_MASK_DEI_HQ_MV_OUT	RESERVED	INT_MASK_DEI_HQ_MV_IN	RESERVED						INT_MASK_DEI_HQ_3_CHROMA	INT_MASK_DEI_HQ_3_LUMA	INT_MASK_DEI_HQ_2_CHROMA	INT_MASK_DEI_HQ_2_LUMA	INT_MASK_DEI_HQ_1_LUMA	INT_MASK_DEI_HQ_1_CHROMA			

Bits	Field Name	Description	Type	Reset
31	INT_MASK_GRPX1_DATA	The interrupt for should generate an interrupt on interrupt vpdma_int1. Write a 1 for the interrupt event to trigger the interrupt signal.	RW	0x0
30	INT_MASK_COMP_WRBK	The interrupt for should generate an interrupt on interrupt vpdma_int1. Write a 1 for the interrupt event to trigger the interrupt signal.	RW	0x0
29	INT_MASK_SC_OUT	The interrupt for should generate an interrupt on interrupt vpdma_int1. Write a 1 for the interrupt event to trigger the interrupt signal.	RW	0x0
28:21	RESERVED	Reserved	R	0x00
20	INT_MASK_SC_IN_LUMA	The interrupt for should generate an interrupt on interrupt vpdma_int1. Write a 1 for the interrupt event to trigger the interrupt signal.	RW	0x0
19	INT_MASK_SC_IN_CHROMA	The interrupt for should generate an interrupt on interrupt vpdma_int1. Write a 1 for the interrupt event to trigger the interrupt signal.	RW	0x0
18	INT_MASK_PIP_WRBK	The interrupt for should generate an interrupt on interrupt vpdma_int1. Write a 1 for the interrupt event to trigger the interrupt signal.	RW	0x0

Bits	Field Name	Description	Type	Reset
17	INT_MASK_DEI_SC_OUT	The interrupt for should generate an interrupt on interrupt vpdma_int1. Write a 1 for the interrupt event to trigger the interrupt signal.	RW	0x0
16	RESERVED	Reserved	R	0x0
15	INT_MASK_DEI_HQ_MV_OUT	The interrupt for should generate an interrupt on interrupt vpdma_int1. Write a 1 for the interrupt event to trigger the interrupt signal.	RW	0x0
14:13	RESERVED	Reserved	R	0x0
12	INT_MASK_DEI_HQ_MV_IN	The interrupt for should generate an interrupt on interrupt vpdma_int1. Write a 1 for the interrupt event to trigger the interrupt signal.	RW	0x0
11:6	RESERVED	Reserved	R	0x00
5	INT_MASK_DEI_HQ_3_CHROMA	The interrupt for should generate an interrupt on interrupt vpdma_int1. Write a 1 for the interrupt event to trigger the interrupt signal.	RW	0x0
4	INT_MASK_DEI_HQ_3_LUMA	The interrupt for should generate an interrupt on interrupt vpdma_int1. Write a 1 for the interrupt event to trigger the interrupt signal.	RW	0x0
3	INT_MASK_DEI_HQ_2_CHROMA	The interrupt for should generate an interrupt on interrupt vpdma_int1. Write a 1 for the interrupt event to trigger the interrupt signal.	RW	0x0
2	INT_MASK_DEI_HQ_2_LUMA	The interrupt for should generate an interrupt on interrupt vpdma_int1. Write a 1 for the interrupt event to trigger the interrupt signal.	RW	0x0
1	INT_MASK_DEI_HQ_1_LUMA	The interrupt for should generate an interrupt on interrupt vpdma_int1. Write a 1 for the interrupt event to trigger the interrupt signal.	RW	0x0
0	INT_MASK_DEI_HQ_1_CHROMA	The interrupt for should generate an interrupt on interrupt vpdma_int1. Write a 1 for the interrupt event to trigger the interrupt signal.	RW	0x0

Table 9-372. Register Call Summary for Register VIP_INT1_CLIENT0_INT_MASK

VIP Functional Description

- [VPDMA Interrupts: \[0\]](#)

VIP Register Manual

- [VIP VPDMA Register Summary: \[2\]](#)

Table 9-373. VIP_INT1_CLIENT1_INT_STAT

Address Offset	0x0000 00D0	Instance	VIP1_VPDMA
Physical Address	0x4897 D0D0		
Description	This register gives the information of the interrupts that have triggered since last cleared by the process that is servicing vpdma_int1.		
Type	RW		

31	30	29	28	27	26	25	24	23	22	21	20	19	18	17	16	15	14	13	12	11	10	9	8	7	6	5	4	3	2	1	0
RESERVED	RESERVED	INT_STAT_VIP2_ANC_B	INT_STAT_VIP2_ANC_A	INT_STAT_VIP1_ANC_B	INT_STAT_VIP1_ANC_A	INT_STAT_TRANS2_LUMA	INT_STAT_TRANS2_CHROMA	INT_STAT_TRANS1_LUMA	INT_STAT_TRANS1_CHROMA	INT_STAT_HDMI_WRBK_OUT	INT_STAT_VPI_CTL	INT_STAT_VBI_SDVENC	RESERVED	INT_STAT_NF_420_UV_OUT	INT_STAT_NF_420_Y_OUT	INT_STAT_NF_420_UV_IN	INT_STAT_NF_420_Y_IN	INT_STAT_NF_422_IN	INT_STAT_GRPX3_ST	INT_STAT_GRPX2_ST	INT_STAT_GRPX1_ST	INT_STAT_VIP2_UP_UV	INT_STAT_VIP2_UP_Y	INT_STAT_VIP2_LO_UV	INT_STAT_VIP2_LO_Y	INT_STAT_VIP1_UP_UV	INT_STAT_VIP1_UP_Y	INT_STAT_VIP1_LO_UV	INT_STAT_VIP1_LO_Y	INT_STAT_GRPX3_DATA	INT_STAT_GRPX2_DATA

Bits	Field Name	Description	Type	Reset
31	RESERVED	Reserved	R	0
30	RESERVED	Reserved	R	0
29	INT_STAT_VIP2_ANC_B	The client interface vip2_anc_b has reached its current configured interrupt event as specified by the last received control descriptor for this client. If no control descriptor has been configured this will default to having received the End of Frame signal from the transmitting module. This event will cause a one to be set in this register until cleared by software. Write a 1 to this field to clear the value.	RW W0toClr	0
28	INT_STAT_VIP2_ANC_A	The client interface vip2_anc_a has reached its current configured interrupt event as specified by the last received control descriptor for this client. If no control descriptor has been configured this will default to having received the End of Frame signal from the transmitting module. This event will cause a one to be set in this register until cleared by software. Write a 1 to this field to clear the value.	RW W0toClr	0
27	INT_STAT_VIP1_ANC_B	The client interface vip1_anc_b has reached its current configured interrupt event as specified by the last received control descriptor for this client. If no control descriptor has been configured this will default to having received the End of Frame signal from the transmitting module. This event will cause a one to be set in this register until cleared by software. Write a 1 to this field to clear the value.	RW W0toClr	0
26	INT_STAT_VIP1_ANC_A	The client interface vip1_anc_a has reached its current configured interrupt event as specified by the last received control descriptor for this client. If no control descriptor has been configured this will default to having received the End of Frame signal from the transmitting module. This event will cause a one to be set in this register until cleared by software. Write a 1 to this field to clear the value.	RW W0toClr	0
25	INT_STAT_TRANS2_LUMA	The client interface trans2_luma has reached its current configured interrupt event as specified by the last received control descriptor for this client. If no control descriptor has been configured this will default to having sent the End of Frame signal to the receiving module. This event will cause a one to be set in this register until cleared by software. Write a 1 to this field to clear the value.	RW W0toClr	0
24	INT_STAT_TRANS2_CHROMA	The client interface trans2_chroma has reached its current configured interrupt event as specified by the last received control descriptor for this client. If no control descriptor has been configured this will default to having sent the End of Frame signal to the receiving module. This event will cause a one to be set in this register until cleared by software. Write a 1 to this field to clear the value.	RW W0toClr	0
23	INT_STAT_TRANS1_LUMA	The client interface trans1_luma has reached its current configured interrupt event as specified by the last received control descriptor for this client. If no control descriptor has been configured this will default to having sent the End of Frame signal to the receiving module. This event will cause a one to be set in this register until cleared by software. Write a 1 to this field to clear the value.	RW W0toClr	0
22	INT_STAT_TRANS1_CHROMA	The client interface trans1_chroma has reached its current configured interrupt event as specified by the last received control descriptor for this client. If no control descriptor has been configured this will default to having sent the End of Frame signal to the receiving module. This event will cause a one to be set in this register until cleared by software. Write a 1 to this field to clear the value.	RW W0toClr	0

Bits	Field Name	Description	Type	Reset
21	INT_STAT_HDMI_WRBK_OUT	The client interface hdmi_wrbk_out has reached its current configured interrupt event as specified by the last received control descriptor for this client. If no control descriptor has been configured this will default to having received the End of Frame signal from the transmitting module. This event will cause a one to be set in this register until cleared by software. Write a 1 to this field to clear the value.	RW W0toClr	0
20	INT_STAT_VPI_CTL	The client interface vpi_ctl has reached its current configured interrupt event as specified by the last received control descriptor for this client. If no control descriptor has been configured this will default to having sent the End of Frame signal to the receiving module. This event will cause a one to be set in this register until cleared by software. Write a 1 to this field to clear the value.	RW W0toClr	0
19	INT_STAT_VBI_SDVENC	The client interface vbi_sdvenc has reached its current configured interrupt event as specified by the last received control descriptor for this client. If no control descriptor has been configured this will default to having sent the End of Frame signal to the receiving module. This event will cause a one to be set in this register until cleared by software. Write a 1 to this field to clear the value.	RW W0toClr	0
18	RESERVED	Reserved	R	0
17	INT_STAT_NF_420_UV_OUT	The client interface nf_420_uv_out has reached its current configured interrupt event as specified by the last received control descriptor for this client. If no control descriptor has been configured this will default to having received the End of Frame signal from the transmitting module. This event will cause a one to be set in this register until cleared by software. Write a 1 to this field to clear the value.	RW W0toClr	0
16	INT_STAT_NF_420_Y_OUT	The client interface nf_420_y_out has reached its current configured interrupt event as specified by the last received control descriptor for this client. If no control descriptor has been configured this will default to having received the End of Frame signal from the transmitting module. This event will cause a one to be set in this register until cleared by software. Write a 1 to this field to clear the value.	RW W0toClr	0
15	INT_STAT_NF_420_UV_IN	The client interface nf_420_uv_in has reached its current configured interrupt event as specified by the last received control descriptor for this client. If no control descriptor has been configured this will default to having sent the End of Frame signal to the receiving module. This event will cause a one to be set in this register until cleared by software. Write a 1 to this field to clear the value.	RW W0toClr	0
14	INT_STAT_NF_420_Y_IN	The client interface nf_420_y_in has reached its current configured interrupt event as specified by the last received control descriptor for this client. If no control descriptor has been configured this will default to having sent the End of Frame signal to the receiving module. This event will cause a one to be set in this register until cleared by software. Write a 1 to this field to clear the value.	RW W0toClr	0
13	INT_STAT_NF_422_IN	The client interface nf_422_in has reached its current configured interrupt event as specified by the last received control descriptor for this client. If no control descriptor has been configured this will default to having sent the End of Frame signal to the receiving module. This event will cause a one to be set in this register until cleared by software. Write a 1 to this field to clear the value.	RW W0toClr	0

Bits	Field Name	Description	Type	Reset
12	INT_STAT_GRPX3_ST	The client interface grpx3_st has reached its current configured interrupt event as specified by the last received control descriptor for this client. If no control descriptor has been configured this will default to having sent the End of Frame signal to the receiving module. This event will cause a one to be set in this register until cleared by software. Write a 1 to this field to clear the value.	RW W0toClr	0
11	INT_STAT_GRPX2_ST	The client interface grpx2_st has reached its current configured interrupt event as specified by the last received control descriptor for this client. If no control descriptor has been configured this will default to having sent the End of Frame signal to the receiving module. This event will cause a one to be set in this register until cleared by software. Write a 1 to this field to clear the value.	RW W0toClr	0
10	INT_STAT_GRPX1_ST	The client interface grpx1_st has reached its current configured interrupt event as specified by the last received control descriptor for this client. If no control descriptor has been configured this will default to having sent the End of Frame signal to the receiving module. This event will cause a one to be set in this register until cleared by software. Write a 1 to this field to clear the value.	RW W0toClr	0
9	INT_STAT_VIP2_UP_UV	The client interface vip2_up_uv has reached its current configured interrupt event as specified by the last received control descriptor for this client. If no control descriptor has been configured this will default to having received the End of Frame signal from the transmitting module. This event will cause a one to be set in this register until cleared by software. Write a 1 to this field to clear the value.	RW W0toClr	0
8	INT_STAT_VIP2_UP_Y	The client interface vip2_up_y has reached its current configured interrupt event as specified by the last received control descriptor for this client. If no control descriptor has been configured this will default to having received the End of Frame signal from the transmitting module. This event will cause a one to be set in this register until cleared by software. Write a 1 to this field to clear the value.	RW W0toClr	0
7	INT_STAT_VIP2_LO_UV	The client interface vip2_lo_uv has reached its current configured interrupt event as specified by the last received control descriptor for this client. If no control descriptor has been configured this will default to having received the End of Frame signal from the transmitting module. This event will cause a one to be set in this register until cleared by software. Write a 1 to this field to clear the value.	RW W0toClr	0
6	INT_STAT_VIP2_LO_Y	The client interface vip2_lo_y has reached its current configured interrupt event as specified by the last received control descriptor for this client. If no control descriptor has been configured this will default to having received the End of Frame signal from the transmitting module. This event will cause a one to be set in this register until cleared by software. Write a 1 to this field to clear the value.	RW W0toClr	0
5	INT_STAT_VIP1_UP_UV	The client interface vip1_up_uv has reached its current configured interrupt event as specified by the last received control descriptor for this client. If no control descriptor has been configured this will default to having received the End of Frame signal from the transmitting module. This event will cause a one to be set in this register until cleared by software. Write a 1 to this field to clear the value.	RW W0toClr	0

Bits	Field Name	Description	Type	Reset
4	INT_STAT_VIP1_UP_Y	The client interface vip1_up_y has reached its current configured interrupt event as specified by the last received control descriptor for this client. If no control descriptor has been configured this will default to having received the End of Frame signal from the transmitting module. This event will cause a one to be set in this register until cleared by software. Write a 1 to this field to clear the value.	RW W0toClr	0
3	INT_STAT_VIP1_LO_UV	The client interface vip1_lo_uv has reached its current configured interrupt event as specified by the last received control descriptor for this client. If no control descriptor has been configured this will default to having received the End of Frame signal from the transmitting module. This event will cause a one to be set in this register until cleared by software. Write a 1 to this field to clear the value.	RW W0toClr	0
2	INT_STAT_VIP1_LO_Y	The client interface vip1_lo_y has reached its current configured interrupt event as specified by the last received control descriptor for this client. If no control descriptor has been configured this will default to having received the End of Frame signal from the transmitting module. This event will cause a one to be set in this register until cleared by software. Write a 1 to this field to clear the value.	RW W0toClr	0
1	INT_STAT_GRPX3_DATA	The client interface grpx3_data has reached its current configured interrupt event as specified by the last received control descriptor for this client. If no control descriptor has been configured this will default to having sent the End of Frame signal to the receiving module. This event will cause a one to be set in this register until cleared by software. Write a 1 to this field to clear the value.	RW W0toClr	0
0	INT_STAT_GRPX2_DATA	The client interface grpx2_data has reached its current configured interrupt event as specified by the last received control descriptor for this client. If no control descriptor has been configured this will default to having sent the End of Frame signal to the receiving module. This event will cause a one to be set in this register until cleared by software. Write a 1 to this field to clear the value.	RW W0toClr	0

Table 9-374. Register Call Summary for Register VIP_INT1_CLIENT1_INT_STAT

VIP Functional Description

- [VPDMA Interrupts: \[0\]](#)

VIP Register Manual

- [VIP VPDMA Register Summary: \[2\]](#)

Table 9-375. VIP_INT1_CLIENT1_INT_MASK

Address Offset	0x0000 00D4	Instance	VIP1_VPDMA
Physical Address	0x4897 D0D4		
Description	The register gives the information of the interrupts that should be masked and not generate an interrupt for vpdma_int1.		
Type	RW		

31	30	29	28	27	26	25	24	23	22	21	20	19	18	17	16	15	14	13	12	11	10	9	8	7	6	5	4	3	2	1	0
RESERVED	RESERVED	INT_MASK_VIP2_ANC_B	INT_MASK_VIP2_ANC_A	INT_MASK_VIP1_ANC_B	INT_MASK_VIP1_ANC_A	INT_MASK_TRANS2_LUMA	INT_MASK_TRANS2_CHROMA	INT_MASK_TRANS1_LUMA	INT_MASK_TRANS1_CHROMA	INT_MASK_HDMI_WRBK_OUT	INT_MASK_VPI_CTL	INT_MASK_VBI_SDVENC	RESERVED	INT_MASK_NF_420_UV_OUT	INT_MASK_NF_420_Y_OUT	INT_MASK_NF_420_UV_IN	INT_MASK_NF_420_Y_IN	INT_MASK_NF_422_IN	INT_MASK_GRPX3_ST	INT_MASK_GRPX2_ST	INT_MASK_GRPX1_ST	INT_MASK_VIP2_UP_UV	INT_MASK_VIP2_UP_Y	INT_MASK_VIP2_LO_UV	INT_MASK_VIP2_LO_Y	INT_MASK_VIP1_UP_UV	INT_MASK_VIP1_UP_Y	INT_MASK_VIP1_LO_UV	INT_MASK_VIP1_LO_Y	INT_MASK_GRPX3_DATA	INT_MASK_GRPX2_DATA

Bits	Field Name	Description	Type	Reset
31	RESERVED	Reserved	R	0
30	RESERVED	Reserved	R	0
29	INT_MASK_VIP2_ANC_B	The interrupt for should generate an interrupt on interrupt vpdma_int1. Write a 1 for the interrupt event to trigger the interrupt signal.	RW	0
28	INT_MASK_VIP2_ANC_A	The interrupt for should generate an interrupt on interrupt vpdma_int1. Write a 1 for the interrupt event to trigger the interrupt signal.	RW	0
27	INT_MASK_VIP1_ANC_B	The interrupt for should generate an interrupt on interrupt vpdma_int1. Write a 1 for the interrupt event to trigger the interrupt signal.	RW	0
26	INT_MASK_VIP1_ANC_A	The interrupt for should generate an interrupt on interrupt vpdma_int1. Write a 1 for the interrupt event to trigger the interrupt signal.	RW	0
25	INT_MASK_TRANS2_LUMA	The interrupt for should generate an interrupt on interrupt vpdma_int1. Write a 1 for the interrupt event to trigger the interrupt signal.	RW	0
24	INT_MASK_TRANS2_CHROMA	The interrupt for should generate an interrupt on interrupt vpdma_int1. Write a 1 for the interrupt event to trigger the interrupt signal.	RW	0
23	INT_MASK_TRANS1_LUMA	The interrupt for should generate an interrupt on interrupt vpdma_int1. Write a 1 for the interrupt event to trigger the interrupt signal.	RW	0
22	INT_MASK_TRANS1_CHROMA	The interrupt for should generate an interrupt on interrupt vpdma_int1. Write a 1 for the interrupt event to trigger the interrupt signal.	RW	0
21	INT_MASK_HDMI_WRBK_OUT	The interrupt for should generate an interrupt on interrupt vpdma_int1. Write a 1 for the interrupt event to trigger the interrupt signal.	RW	0
20	INT_MASK_VPI_CTL	The interrupt for should generate an interrupt on interrupt vpdma_int1. Write a 1 for the interrupt event to trigger the interrupt signal.	RW	0
19	INT_MASK_VBI_SDVENC	The interrupt for should generate an interrupt on interrupt vpdma_int1. Write a 1 for the interrupt event to trigger the interrupt signal.	RW	0
18	RESERVED	Reserved	R	0
17	INT_MASK_NF_420_UV_OUT	The interrupt for should generate an interrupt on interrupt vpdma_int1. Write a 1 for the interrupt event to trigger the interrupt signal.	RW	0
16	INT_MASK_NF_420_Y_OUT	The interrupt for should generate an interrupt on interrupt vpdma_int1. Write a 1 for the interrupt event to trigger the interrupt signal.	RW	0
15	INT_MASK_NF_420_UV_IN	The interrupt for should generate an interrupt on interrupt vpdma_int1. Write a 1 for the interrupt event to trigger the interrupt signal.	RW	0

Bits	Field Name	Description	Type	Reset
14	INT_MASK_NF_420_Y_IN	The interrupt for should generate an interrupt on interrupt vpdma_int1. Write a 1 for the interrupt event to trigger the interrupt signal.	RW	0
13	INT_MASK_NF_422_IN	The interrupt for should generate an interrupt on interrupt vpdma_int1. Write a 1 for the interrupt event to trigger the interrupt signal.	RW	0
12	INT_MASK_GRPX3_ST	The interrupt for should generate an interrupt on interrupt vpdma_int1. Write a 1 for the interrupt event to trigger the interrupt signal.	RW	0
11	INT_MASK_GRPX2_ST	The interrupt for should generate an interrupt on interrupt vpdma_int1. Write a 1 for the interrupt event to trigger the interrupt signal.	RW	0
10	INT_MASK_GRPX1_ST	The interrupt for should generate an interrupt on interrupt vpdma_int1. Write a 1 for the interrupt event to trigger the interrupt signal.	RW	0
9	INT_MASK_VIP2_UP_UV	The interrupt for should generate an interrupt on interrupt vpdma_int1. Write a 1 for the interrupt event to trigger the interrupt signal.	RW	0
8	INT_MASK_VIP2_UP_Y	The interrupt for should generate an interrupt on interrupt vpdma_int1. Write a 1 for the interrupt event to trigger the interrupt signal.	RW	0
7	INT_MASK_VIP2_LO_UV	The interrupt for should generate an interrupt on interrupt vpdma_int1. Write a 1 for the interrupt event to trigger the interrupt signal.	RW	0
6	INT_MASK_VIP2_LO_Y	The interrupt for should generate an interrupt on interrupt vpdma_int1. Write a 1 for the interrupt event to trigger the interrupt signal.	RW	0
5	INT_MASK_VIP1_UP_UV	The interrupt for should generate an interrupt on interrupt vpdma_int1. Write a 1 for the interrupt event to trigger the interrupt signal.	RW	0
4	INT_MASK_VIP1_UP_Y	The interrupt for should generate an interrupt on interrupt vpdma_int1. Write a 1 for the interrupt event to trigger the interrupt signal.	RW	0
3	INT_MASK_VIP1_LO_UV	The interrupt for should generate an interrupt on interrupt vpdma_int1. Write a 1 for the interrupt event to trigger the interrupt signal.	RW	0
2	INT_MASK_VIP1_LO_Y	The interrupt for should generate an interrupt on interrupt vpdma_int1. Write a 1 for the interrupt event to trigger the interrupt signal.	RW	0
1	INT_MASK_GRPX3_DATA	The interrupt for should generate an interrupt on interrupt vpdma_int1. Write a 1 for the interrupt event to trigger the interrupt signal.	RW	0
0	INT_MASK_GRPX2_DATA	The interrupt for should generate an interrupt on interrupt vpdma_int1. Write a 1 for the interrupt event to trigger the interrupt signal.	RW	0

Table 9-376. Register Call Summary for Register VIP_INT1_CLIENT1_INT_MASK

VIP Functional Description

- [VPDMA Interrupts: \[0\]](#)

VIP Register Manual

- [VIP VPDMA Register Summary: \[2\]](#)

Table 9-377. VIP_INT1_LIST0_INT_STAT

Address Offset	0x0000 00D8	Instance	VIP1_VPDMA
Physical Address	0x4897 D0D8		
Description	This register gives the information of the interrupts that have triggered since last cleared by the process that is servicing vpdma_int1.		
Type	RW		

31	30	29	28	27	26	25	24	23	22	21	20	19	18	17	16	15	14	13	12	11	10	9	8	7	6	5	4	3	2	1	0
INT_STAT_CONTROL_DESCRIPTOR_INT15	INT_STAT_CONTROL_DESCRIPTOR_INT14	INT_STAT_CONTROL_DESCRIPTOR_INT13	INT_STAT_CONTROL_DESCRIPTOR_INT12	INT_STAT_CONTROL_DESCRIPTOR_INT11	INT_STAT_CONTROL_DESCRIPTOR_INT10	INT_STAT_CONTROL_DESCRIPTOR_INT9	INT_STAT_CONTROL_DESCRIPTOR_INT8	INT_STAT_CONTROL_DESCRIPTOR_INT7	INT_STAT_CONTROL_DESCRIPTOR_INT6	INT_STAT_CONTROL_DESCRIPTOR_INT5	INT_STAT_CONTROL_DESCRIPTOR_INT4	INT_STAT_CONTROL_DESCRIPTOR_INT3	INT_STAT_CONTROL_DESCRIPTOR_INT2	INT_STAT_CONTROL_DESCRIPTOR_INT1	INT_STAT_CONTROL_DESCRIPTOR_INT0	INT_STAT_LIST7_NOTIFY	INT_STAT_LIST7_COMPLETE	INT_STAT_LIST6_NOTIFY	INT_STAT_LIST6_COMPLETE	INT_STAT_LIST5_NOTIFY	INT_STAT_LIST5_COMPLETE	INT_STAT_LIST4_NOTIFY	INT_STAT_LIST4_COMPLETE	INT_STAT_LIST3_NOTIFY	INT_STAT_LIST3_COMPLETE	INT_STAT_LIST2_NOTIFY	INT_STAT_LIST2_COMPLETE	INT_STAT_LIST1_NOTIFY	INT_STAT_LIST1_COMPLETE	INT_STAT_LIST0_NOTIFY	INT_STAT_LIST0_COMPLETE

Bits	Field Name	Description	Type	Reset
31	INT_STAT_CONTROL_DESCRIPTOR_INT15	A Send Interrupt Control Descriptor has been received by the list manager with a source value of 15. This event will cause a one to be set in this register until cleared by software. Write a 1 to this field to clear the value.	RW	0x0
30	INT_STAT_CONTROL_DESCRIPTOR_INT14	A Send Interrupt Control Descriptor has been received by the list manager with a source value of 14. This event will cause a one to be set in this register until cleared by software. Write a 1 to this field to clear the value.	RW	0x0
29	INT_STAT_CONTROL_DESCRIPTOR_INT13	A Send Interrupt Control Descriptor has been received by the list manager with a source value of 13. This event will cause a one to be set in this register until cleared by software. Write a 1 to this field to clear the value.	RW	0x0
28	INT_STAT_CONTROL_DESCRIPTOR_INT12	A Send Interrupt Control Descriptor has been received by the list manager with a source value of 12. This event will cause a one to be set in this register until cleared by software. Write a 1 to this field to clear the value.	RW	0x0
27	INT_STAT_CONTROL_DESCRIPTOR_INT11	A Send Interrupt Control Descriptor has been received by the list manager with a source value of 11. This event will cause a one to be set in this register until cleared by software. Write a 1 to this field to clear the value.	RW	0x0
26	INT_STAT_CONTROL_DESCRIPTOR_INT10	A Send Interrupt Control Descriptor has been received by the list manager with a source value of 10. This event will cause a one to be set in this register until cleared by software. Write a 1 to this field to clear the value.	RW	0x0
25	INT_STAT_CONTROL_DESCRIPTOR_INT9	A Send Interrupt Control Descriptor has been received by the list manager with a source value of 9. This event will cause a one to be set in this register until cleared by software. Write a 1 to this field to clear the value.	RW	0x0
24	INT_STAT_CONTROL_DESCRIPTOR_INT8	A Send Interrupt Control Descriptor has been received by the list manager with a source value of 8. This event will cause a one to be set in this register until cleared by software. Write a 1 to this field to clear the value.	RW	0x0
23	INT_STAT_CONTROL_DESCRIPTOR_INT7	A Send Interrupt Control Descriptor has been received by the list manager with a source value of 7. This event will cause a one to be set in this register until cleared by software. Write a 1 to this field to clear the value.	RW	0x0

Bits	Field Name	Description	Type	Reset
22	INT_STAT_CONTROL_DESCRIPTOR_INT6	A Send Interrupt Control Descriptor has been received by the list manager with a source value of 6. This event will cause a one to be set in this register until cleared by software. Write a 1 to this field to clear the value.	RW	0x0
21	INT_STAT_CONTROL_DESCRIPTOR_INT5	A Send Interrupt Control Descriptor has been received by the list manager with a source value of 5. This event will cause a one to be set in this register until cleared by software. Write a 1 to this field to clear the value.	RW	0x0
20	INT_STAT_CONTROL_DESCRIPTOR_INT4	A Send Interrupt Control Descriptor has been received by the list manager with a source value of 4. This event will cause a one to be set in this register until cleared by software. Write a 1 to this field to clear the value.	RW	0x0
19	INT_STAT_CONTROL_DESCRIPTOR_INT3	A Send Interrupt Control Descriptor has been received by the list manager with a source value of 3. This event will cause a one to be set in this register until cleared by software. Write a 1 to this field to clear the value.	RW	0x0
18	INT_STAT_CONTROL_DESCRIPTOR_INT2	A Send Interrupt Control Descriptor has been received by the list manager with a source value of 2. This event will cause a one to be set in this register until cleared by software. Write a 1 to this field to clear the value.	RW	0x0
17	INT_STAT_CONTROL_DESCRIPTOR_INT1	A Send Interrupt Control Descriptor has been received by the list manager with a source value of 1. This event will cause a one to be set in this register until cleared by software. Write a 1 to this field to clear the value.	RW	0x0
16	INT_STAT_CONTROL_DESCRIPTOR_INT0	A Send Interrupt Control Descriptor has been received by the list manager with a source value of 0. This event will cause a one to be set in this register until cleared by software. Write a 1 to this field to clear the value.	RW	0x0
15	INT_STAT_LIST7_NOTIFY	A channel set by List 7 has completed and the Notify bit had been set in the descriptor for that channel. This event will cause a one to be set in this register until cleared by software. Write a 1 to this field to clear the value.	RW	0x0
14	INT_STAT_LIST7_COMPLETE	List 7 has completed and a new list can be loaded. This event will cause a one to be set in this register until cleared by software. Write a 1 to this field to clear the value.	RW	0x0
13	INT_STAT_LIST6_NOTIFY	A channel set by List 6 has completed and the Notify bit had been set in the descriptor for that channel. This event will cause a one to be set in this register until cleared by software. Write a 1 to this field to clear the value.	RW	0x0
12	INT_STAT_LIST6_COMPLETE	List 6 has completed and a new list can be loaded. This event will cause a one to be set in this register until cleared by software. Write a 1 to this field to clear the value.	RW	0x0
11	INT_STAT_LIST5_NOTIFY	A channel set by List 5 has completed and the Notify bit had been set in the descriptor for that channel. This event will cause a one to be set in this register until cleared by software. Write a 1 to this field to clear the value.	RW	0x0
10	INT_STAT_LIST5_COMPLETE	List 5 has completed and a new list can be loaded. This event will cause a one to be set in this register until cleared by software. Write a 1 to this field to clear the value.	RW	0x0

Bits	Field Name	Description	Type	Reset
9	INT_STAT_LIST4_NOTIFY	A channel set by List 4 has completed and the Notify bit had been set in the descriptor for that channel. This event will cause a one to be set in this register until cleared by software. Write a 1 to this field to clear the value.	RW	0x0
8	INT_STAT_LIST4_COMPLETE	List 4 has completed and a new list can be loaded. This event will cause a one to be set in this register until cleared by software. Write a 1 to this field to clear the value.	RW	0x0
7	INT_STAT_LIST3_NOTIFY	A channel set by List 3 has completed and the Notify bit had been set in the descriptor for that channel. This event will cause a one to be set in this register until cleared by software. Write a 1 to this field to clear the value.	RW	0x0
6	INT_STAT_LIST3_COMPLETE	List 3 has completed and a new list can be loaded. This event will cause a one to be set in this register until cleared by software. Write a 1 to this field to clear the value.	RW	0x0
5	INT_STAT_LIST2_NOTIFY	A channel set by List 2 has completed and the Notify bit had been set in the descriptor for that channel. This event will cause a one to be set in this register until cleared by software. Write a 1 to this field to clear the value.	RW	0x0
4	INT_STAT_LIST2_COMPLETE	List 2 has completed and a new list can be loaded. This event will cause a one to be set in this register until cleared by software. Write a 1 to this field to clear the value.	RW	0x0
3	INT_STAT_LIST1_NOTIFY	A channel set by List 1 has completed and the Notify bit had been set in the descriptor for that channel. This event will cause a one to be set in this register until cleared by software. Write a 1 to this field to clear the value.	RW	0x0
2	INT_STAT_LIST1_COMPLETE	List 1 has completed and a new list can be loaded. This event will cause a one to be set in this register until cleared by software. Write a 1 to this field to clear the value.	RW	0x0
1	INT_STAT_LIST0_NOTIFY	A channel set by List 0 has completed and the Notify bit had been set in the descriptor for that channel. This event will cause a one to be set in this register until cleared by software. Write a 1 to this field to clear the value.	RW	0x0
0	INT_STAT_LIST0_COMPLETE	List 0 has completed and a new list can be loaded. This event will cause a one to be set in this register until cleared by software. Write a 1 to this field to clear the value.	RW	0x0

Table 9-378. Register Call Summary for Register VIP_INT1_LIST0_INT_STAT

VIP Functional Description

- [VPDMA Interrupts: \[0\]\[1\]\[2\]](#)

VIP Register Manual

- [VIP VPDMA Register Summary: \[4\]](#)

Table 9-379. VIP_INT1_LIST0_INT_MASK

Address Offset	0x0000 00DC	Instance	VIP1_VPDMA
Physical Address	0x4897 D0DC		
Description	The register gives the information of the interrupts that should be masked and not generate an interrupt for vpdma_int1.		
Type	RW		

31	30	29	28	27	26	25	24	23	22	21	20	19	18	17	16	15	14	13	12	11	10	9	8	7	6	5	4	3	2	1	0
INT_MASK_CONTROL_DESCRIPTOR_INT15	INT_MASK_CONTROL_DESCRIPTOR_INT14	INT_MASK_CONTROL_DESCRIPTOR_INT13	INT_MASK_CONTROL_DESCRIPTOR_INT12	INT_MASK_CONTROL_DESCRIPTOR_INT11	INT_MASK_CONTROL_DESCRIPTOR_INT10	INT_MASK_CONTROL_DESCRIPTOR_INT9	INT_MASK_CONTROL_DESCRIPTOR_INT8	INT_MASK_CONTROL_DESCRIPTOR_INT7	INT_MASK_CONTROL_DESCRIPTOR_INT6	INT_MASK_CONTROL_DESCRIPTOR_INT5	INT_MASK_CONTROL_DESCRIPTOR_INT4	INT_MASK_CONTROL_DESCRIPTOR_INT3	INT_MASK_CONTROL_DESCRIPTOR_INT2	INT_MASK_CONTROL_DESCRIPTOR_INT1	INT_MASK_CONTROL_DESCRIPTOR_INT0	INT_MASK_LIST7_NOTIFY	INT_MASK_LIST7_COMPLETE	INT_MASK_LIST6_NOTIFY	INT_MASK_LIST6_COMPLETE	INT_MASK_LIST5_NOTIFY	INT_MASK_LIST5_COMPLETE	INT_MASK_LIST4_NOTIFY	INT_MASK_LIST4_COMPLETE	INT_MASK_LIST3_NOTIFY	INT_MASK_LIST3_COMPLETE	INT_MASK_LIST2_NOTIFY	INT_MASK_LIST2_COMPLETE	INT_MASK_LIST1_NOTIFY	INT_MASK_LIST1_COMPLETE	INT_MASK_LIST0_NOTIFY	INT_MASK_LIST0_COMPLETE

Bits	Field Name	Description	Type	Reset
31	INT_MASK_CONTROL_DESCRIPTOR_INT15	The interrupt for should generate an interrupt on interrupt vpdma_int1. Write a 1 for the interrupt event to trigger the interrupt signal.	RW	0x0
30	INT_MASK_CONTROL_DESCRIPTOR_INT14	The interrupt for should generate an interrupt on interrupt vpdma_int1. Write a 1 for the interrupt event to trigger the interrupt signal.	RW	0x0
29	INT_MASK_CONTROL_DESCRIPTOR_INT13	The interrupt for should generate an interrupt on interrupt vpdma_int1. Write a 1 for the interrupt event to trigger the interrupt signal.	RW	0x0
28	INT_MASK_CONTROL_DESCRIPTOR_INT12	The interrupt for should generate an interrupt on interrupt vpdma_int1. Write a 1 for the interrupt event to trigger the interrupt signal.	RW	0x0
27	INT_MASK_CONTROL_DESCRIPTOR_INT11	The interrupt for should generate an interrupt on interrupt vpdma_int1. Write a 1 for the interrupt event to trigger the interrupt signal.	RW	0x0
26	INT_MASK_CONTROL_DESCRIPTOR_INT10	The interrupt for should generate an interrupt on interrupt vpdma_int1. Write a 1 for the interrupt event to trigger the interrupt signal.	RW	0x0
25	INT_MASK_CONTROL_DESCRIPTOR_INT9	The interrupt for should generate an interrupt on interrupt vpdma_int1. Write a 1 for the interrupt event to trigger the interrupt signal.	RW	0x0
24	INT_MASK_CONTROL_DESCRIPTOR_INT8	The interrupt for should generate an interrupt on interrupt vpdma_int1. Write a 1 for the interrupt event to trigger the interrupt signal.	RW	0x0
23	INT_MASK_CONTROL_DESCRIPTOR_INT7	The interrupt for should generate an interrupt on interrupt vpdma_int1. Write a 1 for the interrupt event to trigger the interrupt signal.	RW	0x0
22	INT_MASK_CONTROL_DESCRIPTOR_INT6	The interrupt for should generate an interrupt on interrupt vpdma_int1. Write a 1 for the interrupt event to trigger the interrupt signal.	RW	0x0
21	INT_MASK_CONTROL_DESCRIPTOR_INT5	The interrupt for should generate an interrupt on interrupt vpdma_int1. Write a 1 for the interrupt event to trigger the interrupt signal.	RW	0x0

Bits	Field Name	Description	Type	Reset
20	INT_MASK_CONTROL_DESCRIPTOR_INT4	The interrupt for should generate an interrupt on interrupt vpdma_int1. Write a 1 for the interrupt event to trigger the interrupt signal.	RW	0x0
19	INT_MASK_CONTROL_DESCRIPTOR_INT3	The interrupt for should generate an interrupt on interrupt vpdma_int1. Write a 1 for the interrupt event to trigger the interrupt signal.	RW	0x0
18	INT_MASK_CONTROL_DESCRIPTOR_INT2	The interrupt for should generate an interrupt on interrupt vpdma_int1. Write a 1 for the interrupt event to trigger the interrupt signal.	RW	0x0
17	INT_MASK_CONTROL_DESCRIPTOR_INT1	The interrupt for should generate an interrupt on interrupt vpdma_int1. Write a 1 for the interrupt event to trigger the interrupt signal.	RW	0x0
16	INT_MASK_CONTROL_DESCRIPTOR_INT0	The interrupt for should generate an interrupt on interrupt vpdma_int1. Write a 1 for the interrupt event to trigger the interrupt signal.	RW	0x0
15	INT_MASK_LIST7_NOTIFY	The interrupt for should generate an interrupt on interrupt vpdma_int1. Write a 1 for the interrupt event to trigger the interrupt signal.	RW	0x0
14	INT_MASK_LIST7_COMPLETE	The interrupt for should generate an interrupt on interrupt vpdma_int1. Write a 1 for the interrupt event to trigger the interrupt signal.	RW	0x0
13	INT_MASK_LIST6_NOTIFY	The interrupt for should generate an interrupt on interrupt vpdma_int1. Write a 1 for the interrupt event to trigger the interrupt signal.	RW	0x0
12	INT_MASK_LIST6_COMPLETE	The interrupt for should generate an interrupt on interrupt vpdma_int1. Write a 1 for the interrupt event to trigger the interrupt signal.	RW	0x0
11	INT_MASK_LIST5_NOTIFY	The interrupt for should generate an interrupt on interrupt vpdma_int1. Write a 1 for the interrupt event to trigger the interrupt signal.	RW	0x0
10	INT_MASK_LIST5_COMPLETE	The interrupt for should generate an interrupt on interrupt vpdma_int1. Write a 1 for the interrupt event to trigger the interrupt signal.	RW	0x0
9	INT_MASK_LIST4_NOTIFY	The interrupt for should generate an interrupt on interrupt vpdma_int1. Write a 1 for the interrupt event to trigger the interrupt signal.	RW	0x0
8	INT_MASK_LIST4_COMPLETE	The interrupt for should generate an interrupt on interrupt vpdma_int1. Write a 1 for the interrupt event to trigger the interrupt signal.	RW	0x0
7	INT_MASK_LIST3_NOTIFY	The interrupt for should generate an interrupt on interrupt vpdma_int1. Write a 1 for the interrupt event to trigger the interrupt signal.	RW	0x0
6	INT_MASK_LIST3_COMPLETE	The interrupt for should generate an interrupt on interrupt vpdma_int1. Write a 1 for the interrupt event to trigger the interrupt signal.	RW	0x0
5	INT_MASK_LIST2_NOTIFY	The interrupt for should generate an interrupt on interrupt vpdma_int1. Write a 1 for the interrupt event to trigger the interrupt signal.	RW	0x0
4	INT_MASK_LIST2_COMPLETE	The interrupt for should generate an interrupt on interrupt vpdma_int1. Write a 1 for the interrupt event to trigger the interrupt signal.	RW	0x0
3	INT_MASK_LIST1_NOTIFY	The interrupt for should generate an interrupt on interrupt vpdma_int1. Write a 1 for the interrupt event to trigger the interrupt signal.	RW	0x0
2	INT_MASK_LIST1_COMPLETE	The interrupt for should generate an interrupt on interrupt vpdma_int1. Write a 1 for the interrupt event to trigger the interrupt signal.	RW	0x0
1	INT_MASK_LIST0_NOTIFY	The interrupt for should generate an interrupt on interrupt vpdma_int1. Write a 1 for the interrupt event to trigger the interrupt signal.	RW	0x0

Bits	Field Name	Description	Type	Reset
0	INT_MASK_LIST0_COMPLETE	The interrupt for should generate an interrupt on interrupt vpdma_int1. Write a 1 for the interrupt event to trigger the interrupt signal.	RW	0x0

Table 9-380. Register Call Summary for Register VIP_INT1_LIST0_INT_MASK

VIP Functional Description

- [VPDMA Interrupts: \[0\]](#)

VIP Register Manual

- [VIP VPDMA Register Summary: \[2\]](#)

Table 9-381. VIP_PERF_MON0

Address Offset	0x0000 0200	Instance	VIP1_VPDMA
Physical Address	0x4897 D200		
Description	The register can be used to capture timing differences between events in the VPDMA\		
Type	RW		

31	30	29	28	27	26	25	24	23	22	21	20	19	18	17	16	15	14	13	12	11	10	9	8	7	6	5	4	3	2	1	0
CAPTURE_MODE	STOP_CLIENT	RESERVED	STOP_COUNT	RESERVED	START_CLIENT	RESERVED	START_COUNT	CURR_COUNT																							

Bits	Field Name	Description	Type	Reset
31:30	CAPTURE_MODE	Sets how the counter should be updated. Updating this value will also clear the current counter stored value. 0: Running Average 1: Minimum Value 2: Maximum Value 3: Last Value	RW	0x0
29:28	STOP_CLIENT	Sets the client whose event stops the performance monitor counter. 0: 1: vip2_anc_b 2: 3:	RW	0x0
27	RESERVED		R	0x0
26:24	STOP_COUNT	Sets the value that stops the performance monitor counter. 0: command request 1: command accept 2: data request 3: data rcvd 4: data empty 5: data full 6: frame start 7: frame end	RW	0x0
23:22	RESERVED		R	0x0
21:20	START_CLIENT	Sets the client whose event starts the performance monitor counter. 0: 1: vip2_anc_b 2: 3:	RW	0x0
19	RESERVED		R	0x0
18:16	START_COUNT	Sets the value that starts the performance monitor counter. 0: command request 1: command accept 2: data request 3: data rcvd 4: data empty 5: data full 6: frame start 7: frame end	RW	0x0
15:0	CURR_COUNT	The current value of the performance monitor counter	R	0x0

Table 9-382. Register Call Summary for Register VIP_PERF_MON0

VIP Register Manual

- [VIP VPDMA Register Summary: \[1\]](#)

Table 9-383. VIP_PERF_MON1

Address Offset	0x0000 0204	Instance	VIP1_VPDMA
Physical Address	0x4897 D204		
Description	The register can be used to capture timing differences between events in the VPDMA\		
Type	RW		

31	30	29	28	27	26	25	24	23	22	21	20	19	18	17	16	15	14	13	12	11	10	9	8	7	6	5	4	3	2	1	0
CAPTURE_MODE				STOP_CLIENT		RESERVED		STOP_COUNT		RESERVED		START_CLIENT		RESERVED		START_COUNT		CURR_COUNT													

Bits	Field Name	Description	Type	Reset
31:30	CAPTURE_MODE	Sets how the counter should be updated. Updating this value will also clear the current counter stored value. 0: Running Average 1: Minimum Value 2: Maximum Value 3: Last Value	RW	0x0
29:28	STOP_CLIENT	Sets the client whose event stops the performance monitor counter. 0: 1: 2: 3:	RW	0x0
27	RESERVED		R	0x0
26:24	STOP_COUNT	Sets the value that stops the performance monitor counter. 0: command request 1: command accept 2: data request 3: data rcvd 4: data empty 5: data full 6: frame start 7: frame end	RW	0x0
23:22	RESERVED		R	0x0
21:20	START_CLIENT	Sets the client whose event starts the performance monitor counter. 0: 1: 2: 3:	RW	0x0
19	RESERVED		R	0x0
18:16	START_COUNT	Sets the value that starts the performance monitor counter. 0: command request 1: command accept 2: data request 3: data rcvd 4: data empty 5: data full 6: frame start 7: frame end	RW	0x0
15:0	CURR_COUNT	The current value of the performance monitor counter	R	0x0

Table 9-384. Register Call Summary for Register VIP_PERF_MON1

VIP Register Manual

- [VIP VPDMA Register Summary: \[1\]](#)

Table 9-385. VIP_PERF_MON2

Address Offset	0x0000 0208	Instance	VIP1_VPDMA
Physical Address	0x4897 D208		
Description	The register can be used to capture timing differences between events in the VPDMA\		
Type	RW		

31	30	29	28	27	26	25	24	23	22	21	20	19	18	17	16	15	14	13	12	11	10	9	8	7	6	5	4	3	2	1	0
CAPTURE_MODE				STOP_CLIENT		RESERVED		STOP_COUNT		RESERVED		START_CLIENT		RESERVED		START_COUNT		CURR_COUNT													

Bits	Field Name	Description	Type	Reset
31:30	CAPTURE_MODE	Sets how the counter should be updated. Updating this value will also clear the current counter stored value. 0: Running Average 1: Minimum Value 2: Maximum Value 3: Last Value	RW	0x0
29:28	STOP_CLIENT	Sets the client whose event stops the performance monitor counter. 0: 1: 2: 3:	RW	0x0
27	RESERVED		R	0x0
26:24	STOP_COUNT	Sets the value that stops the performance monitor counter. 0: command request 1: command accept 2: data request 3: data rcvd 4: data empty 5: data full 6: frame start 7: frame end	RW	0x0
23:22	RESERVED		R	0x0
21:20	START_CLIENT	Sets the client whose event starts the performance monitor counter. 0: 1: 2: 3:	RW	0x0
19	RESERVED		R	0x0
18:16	START_COUNT	Sets the value that starts the performance monitor counter. 0: command request 1: command accept 2: data request 3: data rcvd 4: data empty 5: data full 6: frame start 7: frame end	RW	0x0
15:0	CURR_COUNT	The current value of the performance monitor counter	R	0x0

Table 9-386. Register Call Summary for Register VIP_PERF_MON2

VIP Register Manual

- [VIP VPDMA Register Summary: \[1\]](#)

Table 9-387. VIP_PERF_MON3

Address Offset	0x0000 020C	Instance	VIP1_VPDMA
Physical Address	0x4897 D20C		
Description	The register can be used to capture timing differences between events in the VPDMA\		
Type	RW		

31	30	29	28	27	26	25	24	23	22	21	20	19	18	17	16	15	14	13	12	11	10	9	8	7	6	5	4	3	2	1	0
CAPTURE_MODE				STOP_CLIENT		RESERVED		STOP_COUNT		RESERVED		START_CLIENT		RESERVED		START_COUNT		CURR_COUNT													

Bits	Field Name	Description	Type	Reset
31:30	CAPTURE_MODE	Sets how the counter should be updated. Updating this value will also clear the current counter stored value. 0: Running Average 1: Minimum Value 2: Maximum Value 3: Last Value	RW	0x0

Bits	Field Name	Description	Type	Reset
29:28	STOP_CLIENT	Sets the client whose event stops the performance monitor counter. 0: 1: 2: 3:	RW	0x0
27	RESERVED		R	0x0
26:24	STOP_COUNT	Sets the value that stops the performance monitor counter. 0: command request 1: command accept 2: data request 3: data rcvd 4: data empty 5: data full 6: frame start 7: frame end	RW	0x0
23:22	RESERVED		R	0x0
21:20	START_CLIENT	Sets the client whose event starts the performance monitor counter. 0: 1: 2: 3:	RW	0x0
19	RESERVED		R	0x0
18:16	START_COUNT	Sets the value that starts the performance monitor counter. 0: command request 1: command accept 2: data request 3: data rcvd 4: data empty 5: data full 6: frame start 7: frame end	RW	0x0
15:0	CURR_COUNT	The current value of the performance monitor counter	R	0x0

Table 9-388. Register Call Summary for Register VIP_PERF_MON3

VIP Register Manual

- [VIP VPDMA Register Summary: \[1\]](#)

Table 9-389. VIP_PERF_MON4

Address Offset	0x0000 0210	Instance	VIP1_VPDMA
Physical Address	0x4897 D210		
Description	The register can be used to capture timing differences between events in the VPDMA\		
Type	RW		

31	30	29	28	27	26	25	24	23	22	21	20	19	18	17	16	15	14	13	12	11	10	9	8	7	6	5	4	3	2	1	0
CAPTURE_MODE		STOP_CLIENT		RESERVED		STOP_COUNT		RESERVED		START_CLIENT		RESERVED		START_COUNT		CURR_COUNT															

Bits	Field Name	Description	Type	Reset
31:30	CAPTURE_MODE	Sets how the counter should be updated. Updating this value will also clear the current counter stored value. 0: Running Average 1: Minimum Value 2: Maximum Value 3: Last Value	RW	0x0
29:28	STOP_CLIENT	Sets the client whose event stops the performance monitor counter. 0: 1: 2: 3:	RW	0x0
27	RESERVED		R	0x0
26:24	STOP_COUNT	Sets the value that stops the performance monitor counter. 0: command request 1: command accept 2: data request 3: data rcvd 4: data empty 5: data full 6: frame start 7: frame end	RW	0x0
23:22	RESERVED		R	0x0
21:20	START_CLIENT	Sets the client whose event starts the performance monitor counter. 0: 1: 2: 3:	RW	0x0
19	RESERVED		R	0x0

Bits	Field Name	Description	Type	Reset
18:16	START_COUNT	Sets the value that starts the performance monitor counter. 0: command request 1: command accept 2: data request 3: data rcvd 4: data empty 5: data full 6: frame start 7: frame end	RW	0x0
15:0	CURR_COUNT	The current value of the performance monitor counter	R	0x0

Table 9-390. Register Call Summary for Register VIP_PERF_MON4

VIP Register Manual

- [VIP VPDMA Register Summary: \[1\]](#)

Table 9-391. VIP_PERF_MON5

Address Offset	0x0000 0214	Instance	VIP1_VPDMA
Physical Address	0x4897 D214		
Description	The register can be used to capture timing differences between events in the VPDMA\n		
Type	RW		

31	30	29	28	27	26	25	24	23	22	21	20	19	18	17	16	15	14	13	12	11	10	9	8	7	6	5	4	3	2	1	0
CAPTURE_MODE		STOP_CLIENT		RESERVED		STOP_COUNT		RESERVED		START_CLIENT		RESERVED		START_COUNT		CURR_COUNT															

Bits	Field Name	Description	Type	Reset
31:30	CAPTURE_MODE	Sets how the counter should be updated. Updating this value will also clear the current counter stored value. 0: Running Average 1: Minimum Value 2: Maximum Value 3: Last Value	RW	0x0
29:28	STOP_CLIENT	Sets the client whose event stops the performance monitor counter. 0: 1: 2: 3:	RW	0x0
27	RESERVED		R	0x0
26:24	STOP_COUNT	Sets the value that stops the performance monitor counter. 0: command request 1: command accept 2: data request 3: data rcvd 4: data empty 5: data full 6: frame start 7: frame end	RW	0x0
23:22	RESERVED		R	0x0
21:20	START_CLIENT	Sets the client whose event starts the performance monitor counter. 0: 1: 2: 3:	RW	0x0
19	RESERVED		R	0x0
18:16	START_COUNT	Sets the value that starts the performance monitor counter. 0: command request 1: command accept 2: data request 3: data rcvd 4: data empty 5: data full 6: frame start 7: frame end	RW	0x0
15:0	CURR_COUNT	The current value of the performance monitor counter	R	0x0

Table 9-392. Register Call Summary for Register VIP_PERF_MON5

VIP Register Manual

- [VIP VPDMA Register Summary: \[1\]](#)

Table 9-393. VIP_PERF_MON6

Address Offset	0x0000 0218	Instance	VIP1_VPDMA
Physical Address	0x4897 D218		
Description	The register can be used to capture timing differences between events in the VPDMA\		
Type	RW		

31	30	29	28	27	26	25	24	23	22	21	20	19	18	17	16	15	14	13	12	11	10	9	8	7	6	5	4	3	2	1	0
CAPTURE_MODE				STOP_CLIENT		RESERVED		STOP_COUNT		RESERVED		START_CLIENT		RESERVED		START_COUNT		CURR_COUNT													

Bits	Field Name	Description	Type	Reset
31:30	CAPTURE_MODE	Sets how the counter should be updated. Updating this value will also clear the current counter stored value. 0: Running Average 1: Minimum Value 2: Maximum Value 3: Last Value	RW	0x0
29:28	STOP_CLIENT	Sets the client whose event stops the performance monitor counter. 0: 1: 2: 3:	RW	0x0
27	RESERVED		R	0x0
26:24	STOP_COUNT	Sets the value that stops the performance monitor counter. 0: command request 1: command accept 2: data request 3: data rcvd 4: data empty 5: data full 6: frame start 7: frame end	RW	0x0
23:22	RESERVED		R	0x0
21:20	START_CLIENT	Sets the client whose event starts the performance monitor counter. 0: 1: 2: 3:	RW	0x0
19	RESERVED		R	0x0
18:16	START_COUNT	Sets the value that starts the performance monitor counter. 0: command request 1: command accept 2: data request 3: data rcvd 4: data empty 5: data full 6: frame start 7: frame end	RW	0x0
15:0	CURR_COUNT	The current value of the performance monitor counter	R	0x0

Table 9-394. Register Call Summary for Register VIP_PERF_MON6

VIP Register Manual

- [VIP VPDMA Register Summary: \[1\]](#)

Table 9-395. VIP_PERF_MON7

Address Offset	0x0000 021C	Instance	VIP1_VPDMA
Physical Address	0x4897 D21C		
Description	The register can be used to capture timing differences between events in the VPDMA\		
Type	RW		

31	30	29	28	27	26	25	24	23	22	21	20	19	18	17	16	15	14	13	12	11	10	9	8	7	6	5	4	3	2	1	0
CAPTURE_MODE		STOP_CLIENT		RESERVED	STOP_COUNT		RESERVED	START_CLIENT		RESERVED	START_COUNT		CURR_COUNT																		

Bits	Field Name	Description	Type	Reset
31:30	CAPTURE_MODE	Sets how the counter should be updated. Updating this value will also clear the current counter stored value. 0: Running Average 1: Minimum Value 2: Maximum Value 3: Last Value	RW	0x0
29:28	STOP_CLIENT	Sets the client whose event stops the performance monitor counter. 0: 1: 2: 3:	RW	0x0
27	RESERVED		R	0x0
26:24	STOP_COUNT	Sets the value that stops the performance monitor counter. 0: command request 1: command accept 2: data request 3: data rcvd 4: data empty 5: data full 6: frame start 7: frame end	RW	0x0
23:22	RESERVED		R	0x0
21:20	START_CLIENT	Sets the client whose event starts the performance monitor counter. 0: 1: 2: 3:	RW	0x0
19	RESERVED		R	0x0
18:16	START_COUNT	Sets the value that starts the performance monitor counter. 0: command request 1: command accept 2: data request 3: data rcvd 4: data empty 5: data full 6: frame start 7: frame end	RW	0x0
15:0	CURR_COUNT	The current value of the performance monitor counter	R	0x0

Table 9-396. Register Call Summary for Register VIP_PERF_MON7

VIP Register Manual

- [VIP VPDMA Register Summary: \[1\]](#)

Table 9-397. VIP_PERF_MON8

Address Offset	0x0000 0220	Instance	VIP1_VPDMA
Physical Address	0x4897 D220		
Description	The register can be used to capture timing differences between events in the VPDMA\		
Type	RW		

31	30	29	28	27	26	25	24	23	22	21	20	19	18	17	16	15	14	13	12	11	10	9	8	7	6	5	4	3	2	1	0
CAPTURE_MODE		STOP_CLIENT		RESERVED	STOP_COUNT		RESERVED	START_CLIENT		RESERVED	START_COUNT		CURR_COUNT																		

Bits	Field Name	Description	Type	Reset
31:30	CAPTURE_MODE	Sets how the counter should be updated. Updating this value will also clear the current counter stored value. 0: Running Average 1: Minimum Value 2: Maximum Value 3: Last Value	RW	0x0

Bits	Field Name	Description	Type	Reset
29:28	STOP_CLIENT	Sets the client whose event stops the performance monitor counter. 0: 1: 2: 3:	RW	0x0
27	RESERVED		R	0x0
26:24	STOP_COUNT	Sets the value that stops the performance monitor counter. 0: command request 1: command accept 2: data request 3: data rcvd 4: data empty 5: data full 6: frame start 7: frame end	RW	0x0
23:22	RESERVED		R	0x0
21:20	START_CLIENT	Sets the client whose event starts the performance monitor counter. 0: 1: 2: 3:	RW	0x0
19	RESERVED		R	0x0
18:16	START_COUNT	Sets the value that starts the performance monitor counter. 0: command request 1: command accept 2: data request 3: data rcvd 4: data empty 5: data full 6: frame start 7: frame end	RW	0x0
15:0	CURR_COUNT	The current value of the performance monitor counter	R	0x0

Table 9-398. Register Call Summary for Register VIP_PERF_MON8

VIP Register Manual

- [VIP VPDMA Register Summary: \[1\]](#)

Table 9-399. VIP_PERF_MON9

Address Offset	0x0000 0224	Instance	VIP1_VPDMA
Physical Address	0x4897 D224		
Description	The register can be used to capture timing differences between events in the VPDMA\		
Type	RW		

31	30	29	28	27	26	25	24	23	22	21	20	19	18	17	16	15	14	13	12	11	10	9	8	7	6	5	4	3	2	1	0
CAPTURE_MODE		STOP_CLIENT		RESERVED		STOP_COUNT		RESERVED		START_CLIENT		RESERVED		START_COUNT		CURR_COUNT															

Bits	Field Name	Description	Type	Reset
31:30	CAPTURE_MODE	Sets how the counter should be updated. Updating this value will also clear the current counter stored value. 0: Running Average 1: Minimum Value 2: Maximum Value 3: Last Value	RW	0x0
29:28	STOP_CLIENT	Sets the client whose event stops the performance monitor counter. 0: 1: 2: 3:	RW	0x0
27	RESERVED		R	0x0
26:24	STOP_COUNT	Sets the value that stops the performance monitor counter. 0: command request 1: command accept 2: data request 3: data rcvd 4: data empty 5: data full 6: frame start 7: frame end	RW	0x0
23:22	RESERVED		R	0x0
21:20	START_CLIENT	Sets the client whose event starts the performance monitor counter. 0: 1: 2: 3:	RW	0x0
19	RESERVED		R	0x0

Bits	Field Name	Description	Type	Reset
18:16	START_COUNT	Sets the value that starts the performance monitor counter. 0: command request 1: command accept 2: data request 3: data rcvd 4: data empty 5: data full 6: frame start 7: frame end	RW	0x0
15:0	CURR_COUNT	The current value of the performance monitor counter	R	0x0

Table 9-400. Register Call Summary for Register VIP_PERF_MON9

VIP Register Manual

- [VIP VPDMA Register Summary: \[1\]](#)

Table 9-401. VIP_PERF_MON10

Address Offset	0x0000 0228	Instance	VIP1_VPDMA
Physical Address	0x4897 D228		
Description	The register can be used to capture timing differences between events in the VPDMA\n		
Type	RW		

31	30	29	28	27	26	25	24	23	22	21	20	19	18	17	16	15	14	13	12	11	10	9	8	7	6	5	4	3	2	1	0
CAPTURE_MODE		STOP_CLIENT		RESERVED		STOP_COUNT		RESERVED		START_CLIENT		RESERVED		START_COUNT		CURR_COUNT															

Bits	Field Name	Description	Type	Reset
31:30	CAPTURE_MODE	Sets how the counter should be updated. Updating this value will also clear the current counter stored value. 0: Running Average 1: Minimum Value 2: Maximum Value 3: Last Value	RW	0x0
29:28	STOP_CLIENT	Sets the client whose event stops the performance monitor counter. 0: 1: 2: 3:	RW	0x0
27	RESERVED		R	0x0
26:24	STOP_COUNT	Sets the value that stops the performance monitor counter. 0: command request 1: command accept 2: data request 3: data rcvd 4: data empty 5: data full 6: frame start 7: frame end	RW	0x0
23:22	RESERVED		R	0x0
21:20	START_CLIENT	Sets the client whose event starts the performance monitor counter. 0: 1: 2: 3:	RW	0x0
19	RESERVED		R	0x0
18:16	START_COUNT	Sets the value that starts the performance monitor counter. 0: command request 1: command accept 2: data request 3: data rcvd 4: data empty 5: data full 6: frame start 7: frame end	RW	0x0
15:0	CURR_COUNT	The current value of the performance monitor counter	R	0x0

Table 9-402. Register Call Summary for Register VIP_PERF_MON10

VIP Register Manual

- [VIP VPDMA Register Summary: \[1\]](#)

Table 9-403. VIP_PERF_MON11

Address Offset	0x0000 022C	Instance	VIP1_VPDMA
Physical Address	0x4897 D22C		
Description	The register can be used to capture timing differences between events in the VPDMA\		
Type	RW		

31	30	29	28	27	26	25	24	23	22	21	20	19	18	17	16	15	14	13	12	11	10	9	8	7	6	5	4	3	2	1	0
CAPTURE_MODE				STOP_CLIENT		RESERVED		STOP_COUNT		RESERVED		START_CLIENT		RESERVED		START_COUNT		CURR_COUNT													

Bits	Field Name	Description	Type	Reset
31:30	CAPTURE_MODE	Sets how the counter should be updated. Updating this value will also clear the current counter stored value. 0: Running Average 1: Minimum Value 2: Maximum Value 3: Last Value	RW	0x0
29:28	STOP_CLIENT	Sets the client whose event stops the performance monitor counter. 0: 1: 2: 3:	RW	0x0
27	RESERVED		R	0x0
26:24	STOP_COUNT	Sets the value that stops the performance monitor counter. 0: command request 1: command accept 2: data request 3: data rcvd 4: data empty 5: data full 6: frame start 7: frame end	RW	0x0
23:22	RESERVED		R	0x0
21:20	START_CLIENT	Sets the client whose event starts the performance monitor counter. 0: 1: 2: 3:	RW	0x0
19	RESERVED		R	0x0
18:16	START_COUNT	Sets the value that starts the performance monitor counter. 0: command request 1: command accept 2: data request 3: data rcvd 4: data empty 5: data full 6: frame start 7: frame end	RW	0x0
15:0	CURR_COUNT	The current value of the performance monitor counter	R	0x0

Table 9-404. Register Call Summary for Register VIP_PERF_MON11

VIP Register Manual

- [VIP VPDMA Register Summary: \[1\]](#)

Table 9-405. VIP_PERF_MON12

Address Offset	0x0000 0230	Instance	VIP1_VPDMA
Physical Address	0x4897 D230		
Description	The register can be used to capture timing differences between events in the VPDMA\		
Type	RW		

31	30	29	28	27	26	25	24	23	22	21	20	19	18	17	16	15	14	13	12	11	10	9	8	7	6	5	4	3	2	1	0																
CAPTURE_MODE				STOP_CLIENT				RESERVED				STOP_COUNT				RESERVED				START_CLIENT				RESERVED				START_COUNT				CURR_COUNT															

Bits	Field Name	Description	Type	Reset
31:30	CAPTURE_MODE	Sets how the counter should be updated. Updating this value will also clear the current counter stored value. 0: Running Average 1: Minimum Value 2: Maximum Value 3: Last Value	RW	0x0
29:28	STOP_CLIENT	Sets the client whose event stops the performance monitor counter. 0: 1: 2: 3:	RW	0x0
27	RESERVED		R	0x0
26:24	STOP_COUNT	Sets the value that stops the performance monitor counter. 0: command request 1: command accept 2: data request 3: data rcvd 4: data empty 5: data full 6: frame start 7: frame end	RW	0x0
23:22	RESERVED		R	0x0
21:20	START_CLIENT	Sets the client whose event starts the performance monitor counter. 0: 1: 2: 3:	RW	0x0
19	RESERVED		R	0x0
18:16	START_COUNT	Sets the value that starts the performance monitor counter. 0: command request 1: command accept 2: data request 3: data rcvd 4: data empty 5: data full 6: frame start 7: frame end	RW	0x0
15:0	CURR_COUNT	The current value of the performance monitor counter	R	0x0

Table 9-406. Register Call Summary for Register VIP_PERF_MON12

VIP Register Manual

- [VIP VPDMA Register Summary: \[1\]](#)

Table 9-407. VIP_PERF_MON13

Address Offset	0x0000 0234	Instance	VIP1_VPDMA
Physical Address	0x4897 D234		
Description	The register can be used to capture timing differences between events in the VPDMA\		
Type	RW		

31	30	29	28	27	26	25	24	23	22	21	20	19	18	17	16	15	14	13	12	11	10	9	8	7	6	5	4	3	2	1	0																
CAPTURE_MODE				STOP_CLIENT				RESERVED				STOP_COUNT				RESERVED				START_CLIENT				RESERVED				START_COUNT				CURR_COUNT															

Bits	Field Name	Description	Type	Reset
31:30	CAPTURE_MODE	Sets how the counter should be updated. Updating this value will also clear the current counter stored value. 0: Running Average 1: Minimum Value 2: Maximum Value 3: Last Value	RW	0x0

Bits	Field Name	Description	Type	Reset
29:28	STOP_CLIENT	Sets the client whose event stops the performance monitor counter. 0: 1: 2: 3:	RW	0x0
27	RESERVED		R	0x0
26:24	STOP_COUNT	Sets the value that stops the performance monitor counter. 0: command request 1: command accept 2: data request 3: data rcvd 4: data empty 5: data full 6: frame start 7: frame end	RW	0x0
23:22	RESERVED		R	0x0
21:20	START_CLIENT	Sets the client whose event starts the performance monitor counter. 0: 1: 2: 3:	RW	0x0
19	RESERVED		R	0x0
18:16	START_COUNT	Sets the value that starts the performance monitor counter. 0: command request 1: command accept 2: data request 3: data rcvd 4: data empty 5: data full 6: frame start 7: frame end	RW	0x0
15:0	CURR_COUNT	The current value of the performance monitor counter	R	0x0

Table 9-408. Register Call Summary for Register VIP_PERF_MON13

VIP Register Manual

- [VIP VPDMA Register Summary: \[1\]](#)

Table 9-409. VIP_PERF_MON14

Address Offset	0x0000 0238	Instance	VIP1_VPDMA
Physical Address	0x4897 D238		
Description	The register can be used to capture timing differences between events in the VPDMA\		
Type	RW		

31	30	29	28	27	26	25	24	23	22	21	20	19	18	17	16	15	14	13	12	11	10	9	8	7	6	5	4	3	2	1	0
CAPTURE_MODE		STOP_CLIENT		RESERVED		STOP_COUNT		RESERVED		START_CLIENT		RESERVED		START_COUNT		CURR_COUNT															

Bits	Field Name	Description	Type	Reset
31:30	CAPTURE_MODE	Sets how the counter should be updated. Updating this value will also clear the current counter stored value. 0: Running Average 1: Minimum Value 2: Maximum Value 3: Last Value	RW	0x0
29:28	STOP_CLIENT	Sets the client whose event stops the performance monitor counter. 0: 1: 2: 3:	RW	0x0
27	RESERVED		R	0x0
26:24	STOP_COUNT	Sets the value that stops the performance monitor counter. 0: command request 1: command accept 2: data request 3: data rcvd 4: data empty 5: data full 6: frame start 7: frame end	RW	0x0
23:22	RESERVED		R	0x0
21:20	START_CLIENT	Sets the client whose event starts the performance monitor counter. 0: 1: 2: 3:	RW	0x0
19	RESERVED		R	0x0

Bits	Field Name	Description	Type	Reset
18:16	START_COUNT	Sets the value that starts the performance monitor counter. 0: command request 1: command accept 2: data request 3: data rcvd 4: data empty 5: data full 6: frame start 7: frame end	RW	0x0
15:0	CURR_COUNT	The current value of the performance monitor counter	R	0x0

Table 9-410. Register Call Summary for Register VIP_PERF_MON14

VIP Register Manual

- [VIP VPDMA Register Summary: \[1\]](#)

Table 9-411. VIP_PERF_MON15

Address Offset	0x0000 023C	Instance	VIP1_VPDMA
Physical Address	0x4897 D23C		
Description	The register can be used to capture timing differences between events in the VPDMA\n		
Type	RW		

31	30	29	28	27	26	25	24	23	22	21	20	19	18	17	16	15	14	13	12	11	10	9	8	7	6	5	4	3	2	1	0
CAPTURE_MODE		STOP_CLIENT		RESERVED		STOP_COUNT		RESERVED		START_CLIENT		RESERVED		START_COUNT		CURR_COUNT															

Bits	Field Name	Description	Type	Reset
31:30	CAPTURE_MODE	Sets how the counter should be updated. Updating this value will also clear the current counter stored value. 0: Running Average 1: Minimum Value 2: Maximum Value 3: Last Value	RW	0x0
29:28	STOP_CLIENT	Sets the client whose event stops the performance monitor counter. 0: 1: 2: 3:	RW	0x0
27	RESERVED		R	0x0
26:24	STOP_COUNT	Sets the value that stops the performance monitor counter. 0: command request 1: command accept 2: data request 3: data rcvd 4: data empty 5: data full 6: frame start 7: frame end	RW	0x0
23:22	RESERVED		R	0x0
21:20	START_CLIENT	Sets the client whose event starts the performance monitor counter. 0: 1: 2: 3:	RW	0x0
19	RESERVED		R	0x0
18:16	START_COUNT	Sets the value that starts the performance monitor counter. 0: command request 1: command accept 2: data request 3: data rcvd 4: data empty 5: data full 6: frame start 7: frame end	RW	0x0
15:0	CURR_COUNT	The current value of the performance monitor counter	R	0x0

Table 9-412. Register Call Summary for Register VIP_PERF_MON15

VIP Register Manual

- [VIP VPDMA Register Summary: \[1\]](#)

Table 9-413. VIP_PERF_MON16

Address Offset	0x0000 0240	Instance	VIP1_VPDMA
Physical Address	0x4897 D240		
Description	The register can be used to capture timing differences between events in the VPDMA\		
Type	RW		

31	30	29	28	27	26	25	24	23	22	21	20	19	18	17	16	15	14	13	12	11	10	9	8	7	6	5	4	3	2	1	0
CAPTURE_MODE				STOP_CLIENT		RESERVED		STOP_COUNT		RESERVED		START_CLIENT		RESERVED		START_COUNT		CURR_COUNT													

Bits	Field Name	Description	Type	Reset
31:30	CAPTURE_MODE	Sets how the counter should be updated. Updating this value will also clear the current counter stored value. 0: Running Average 1: Minimum Value 2: Maximum Value 3: Last Value	RW	0x0
29:28	STOP_CLIENT	Sets the client whose event stops the performance monitor counter. 0: 1: 2: 3:	RW	0x0
27	RESERVED		R	0x0
26:24	STOP_COUNT	Sets the value that stops the performance monitor counter. 0: command request 1: command accept 2: data request 3: data rcvd 4: data empty 5: data full 6: frame start 7: frame end	RW	0x0
23:22	RESERVED		R	0x0
21:20	START_CLIENT	Sets the client whose event starts the performance monitor counter. 0: 1: 2: 3:	RW	0x0
19	RESERVED		R	0x0
18:16	START_COUNT	Sets the value that starts the performance monitor counter. 0: command request 1: command accept 2: data request 3: data rcvd 4: data empty 5: data full 6: frame start 7: frame end	RW	0x0
15:0	CURR_COUNT	The current value of the performance monitor counter	R	0x0

Table 9-414. Register Call Summary for Register VIP_PERF_MON16

VIP Register Manual

- [VIP VPDMA Register Summary: \[1\]](#)

Table 9-415. VIP_PERF_MON17

Address Offset	0x0000 0244	Instance	VIP1_VPDMA
Physical Address	0x4897 D244		
Description	The register can be used to capture timing differences between events in the VPDMA\		
Type	RW		

31	30	29	28	27	26	25	24	23	22	21	20	19	18	17	16	15	14	13	12	11	10	9	8	7	6	5	4	3	2	1	0
CAPTURE_MODE		STOP_CLIENT		RESERVED	STOP_COUNT		RESERVED	START_CLIENT		RESERVED	START_COUNT		CURR_COUNT																		

Bits	Field Name	Description	Type	Reset
31:30	CAPTURE_MODE	Sets how the counter should be updated. Updating this value will also clear the current counter stored value. 0: Running Average 1: Minimum Value 2: Maximum Value 3: Last Value	RW	0x0
29:28	STOP_CLIENT	Sets the client whose event stops the performance monitor counter. 0: 1: 2: 3:	RW	0x0
27	RESERVED		R	0x0
26:24	STOP_COUNT	Sets the value that stops the performance monitor counter. 0: command request 1: command accept 2: data request 3: data rcvd 4: data empty 5: data full 6: frame start 7: frame end	RW	0x0
23:22	RESERVED		R	0x0
21:20	START_CLIENT	Sets the client whose event starts the performance monitor counter. 0: 1: 2: 3:	RW	0x0
19	RESERVED		R	0x0
18:16	START_COUNT	Sets the value that starts the performance monitor counter. 0: command request 1: command accept 2: data request 3: data rcvd 4: data empty 5: data full 6: frame start 7: frame end	RW	0x0
15:0	CURR_COUNT	The current value of the performance monitor counter	R	0x0

Table 9-416. Register Call Summary for Register VIP_PERF_MON17

VIP Register Manual

- [VIP VPDMA Register Summary: \[1\]](#)

Table 9-417. VIP_PERF_MON18

Address Offset	0x0000 0248	Instance	VIP1_VPDMA
Physical Address	0x4897 D248		
Description	The register can be used to capture timing differences between events in the VPDMA\		
Type	RW		

31	30	29	28	27	26	25	24	23	22	21	20	19	18	17	16	15	14	13	12	11	10	9	8	7	6	5	4	3	2	1	0
CAPTURE_MODE		STOP_CLIENT		RESERVED	STOP_COUNT		RESERVED	START_CLIENT		RESERVED	START_COUNT		CURR_COUNT																		

Bits	Field Name	Description	Type	Reset
31:30	CAPTURE_MODE	Sets how the counter should be updated. Updating this value will also clear the current counter stored value. 0: Running Average 1: Minimum Value 2: Maximum Value 3: Last Value	RW	0x0

Bits	Field Name	Description	Type	Reset
29:28	STOP_CLIENT	Sets the client whose event stops the performance monitor counter. 0: 1: 2: 3:	RW	0x0
27	RESERVED		R	0x0
26:24	STOP_COUNT	Sets the value that stops the performance monitor counter. 0: command request 1: command accept 2: data request 3: data rcvd 4: data empty 5: data full 6: frame start 7: frame end	RW	0x0
23:22	RESERVED		R	0x0
21:20	START_CLIENT	Sets the client whose event starts the performance monitor counter. 0: 1: 2: 3:	RW	0x0
19	RESERVED		R	0x0
18:16	START_COUNT	Sets the value that starts the performance monitor counter. 0: command request 1: command accept 2: data request 3: data rcvd 4: data empty 5: data full 6: frame start 7: frame end	RW	0x0
15:0	CURR_COUNT	The current value of the performance monitor counter	R	0x0

Table 9-418. Register Call Summary for Register VIP_PERF_MON18

VIP Register Manual

- [VIP VPDMA Register Summary: \[1\]](#)

Table 9-419. VIP_PERF_MON19

Address Offset	0x0000 024C	Instance	VIP1_VPDMA
Physical Address	0x4897 D24C		
Description	The register can be used to capture timing differences between events in the VPDMA\		
Type	RW		

31	30	29	28	27	26	25	24	23	22	21	20	19	18	17	16	15	14	13	12	11	10	9	8	7	6	5	4	3	2	1	0
CAPTURE_MODE		STOP_CLIENT		RESERVED		STOP_COUNT		RESERVED		START_CLIENT		RESERVED		START_COUNT		CURR_COUNT															

Bits	Field Name	Description	Type	Reset
31:30	CAPTURE_MODE	Sets how the counter should be updated. Updating this value will also clear the current counter stored value. 0: Running Average 1: Minimum Value 2: Maximum Value 3: Last Value	RW	0x0
29:28	STOP_CLIENT	Sets the client whose event stops the performance monitor counter. 0: 1: 2: 3:	RW	0x0
27	RESERVED		R	0x0
26:24	STOP_COUNT	Sets the value that stops the performance monitor counter. 0: command request 1: command accept 2: data request 3: data rcvd 4: data empty 5: data full 6: frame start 7: frame end	RW	0x0
23:22	RESERVED		R	0x0
21:20	START_CLIENT	Sets the client whose event starts the performance monitor counter. 0: 1: 2: 3:	RW	0x0
19	RESERVED		R	0x0

Bits	Field Name	Description	Type	Reset
18:16	START_COUNT	Sets the value that starts the performance monitor counter. 0: command request 1: command accept 2: data request 3: data rcvd 4: data empty 5: data full 6: frame start 7: frame end	RW	0x0
15:0	CURR_COUNT	The current value of the performance monitor counter	R	0x0

Table 9-420. Register Call Summary for Register VIP_PERF_MON19

VIP Register Manual

- [VIP VPDMA Register Summary: \[1\]](#)

Table 9-421. VIP_PERF_MON20

Address Offset	0x0000 0250	Instance	VIP1_VPDMA
Physical Address	0x4897 D250		
Description	The register can be used to capture timing differences between events in the VPDMA\n		
Type	RW		

31	30	29	28	27	26	25	24	23	22	21	20	19	18	17	16	15	14	13	12	11	10	9	8	7	6	5	4	3	2	1	0
CAPTURE_MODE		STOP_CLIENT		RESERVED		STOP_COUNT		RESERVED		START_CLIENT		RESERVED		START_COUNT		CURR_COUNT															

Bits	Field Name	Description	Type	Reset
31:30	CAPTURE_MODE	Sets how the counter should be updated. Updating this value will also clear the current counter stored value. 0: Running Average 1: Minimum Value 2: Maximum Value 3: Last Value	RW	0x0
29:28	STOP_CLIENT	Sets the client whose event stops the performance monitor counter. 0: 1: 2: 3:	RW	0x0
27	RESERVED		R	0x0
26:24	STOP_COUNT	Sets the value that stops the performance monitor counter. 0: command request 1: command accept 2: data request 3: data rcvd 4: data empty 5: data full 6: frame start 7: frame end	RW	0x0
23:22	RESERVED		R	0x0
21:20	START_CLIENT	Sets the client whose event starts the performance monitor counter. 0: 1: 2: 3:	RW	0x0
19	RESERVED		R	0x0
18:16	START_COUNT	Sets the value that starts the performance monitor counter. 0: command request 1: command accept 2: data request 3: data rcvd 4: data empty 5: data full 6: frame start 7: frame end	RW	0x0
15:0	CURR_COUNT	The current value of the performance monitor counter	R	0x0

Table 9-422. Register Call Summary for Register VIP_PERF_MON20

VIP Register Manual

- [VIP VPDMA Register Summary: \[1\]](#)

Table 9-423. VIP_PERF_MON21

Address Offset	0x0000 0254	Instance	VIP1_VPDMA
Physical Address	0x4897 D254		
Description	The register can be used to capture timing differences between events in the VPDMA\		
Type	RW		

31	30	29	28	27	26	25	24	23	22	21	20	19	18	17	16	15	14	13	12	11	10	9	8	7	6	5	4	3	2	1	0
CAPTURE_MODE				STOP_CLIENT		RESERVED		STOP_COUNT		RESERVED		START_CLIENT		RESERVED		START_COUNT		CURR_COUNT													

Bits	Field Name	Description	Type	Reset
31:30	CAPTURE_MODE	Sets how the counter should be updated. Updating this value will also clear the current counter stored value. 0: Running Average 1: Minimum Value 2: Maximum Value 3: Last Value	RW	0x0
29:28	STOP_CLIENT	Sets the client whose event stops the performance monitor counter. 0: 1: 2: 3:	RW	0x0
27	RESERVED		R	0x0
26:24	STOP_COUNT	Sets the value that stops the performance monitor counter. 0: command request 1: command accept 2: data request 3: data rcvd 4: data empty 5: data full 6: frame start 7: frame end	RW	0x0
23:22	RESERVED		R	0x0
21:20	START_CLIENT	Sets the client whose event starts the performance monitor counter. 0: 1: 2: 3:	RW	0x0
19	RESERVED		R	0x0
18:16	START_COUNT	Sets the value that starts the performance monitor counter. 0: command request 1: command accept 2: data request 3: data rcvd 4: data empty 5: data full 6: frame start 7: frame end	RW	0x0
15:0	CURR_COUNT	The current value of the performance monitor counter	R	0x0

Table 9-424. Register Call Summary for Register VIP_PERF_MON21

VIP Register Manual

- [VIP VPDMA Register Summary: \[1\]](#)

Table 9-425. VIP_PERF_MON22

Address Offset	0x0000 0258	Instance	VIP1_VPDMA
Physical Address	0x4897 D258		
Description	The register can be used to capture timing differences between events in the VPDMA\		
Type	RW		

31	30	29	28	27	26	25	24	23	22	21	20	19	18	17	16	15	14	13	12	11	10	9	8	7	6	5	4	3	2	1	0
CAPTURE_MODE		STOP_CLIENT		RESERVED	STOP_COUNT		RESERVED	START_CLIENT		RESERVED	START_COUNT		CURR_COUNT																		

Bits	Field Name	Description	Type	Reset
31:30	CAPTURE_MODE	Sets how the counter should be updated. Updating this value will also clear the current counter stored value. 0: Running Average 1: Minimum Value 2: Maximum Value 3: Last Value	RW	0x0
29:28	STOP_CLIENT	Sets the client whose event stops the performance monitor counter. 0: 1: 2: 3:	RW	0x0
27	RESERVED		R	0x0
26:24	STOP_COUNT	Sets the value that stops the performance monitor counter. 0: command request 1: command accept 2: data request 3: data rcvd 4: data empty 5: data full 6: frame start 7: frame end	RW	0x0
23:22	RESERVED		R	0x0
21:20	START_CLIENT	Sets the client whose event starts the performance monitor counter. 0: 1: 2: 3:	RW	0x0
19	RESERVED		R	0x0
18:16	START_COUNT	Sets the value that starts the performance monitor counter. 0: command request 1: command accept 2: data request 3: data rcvd 4: data empty 5: data full 6: frame start 7: frame end	RW	0x0
15:0	CURR_COUNT	The current value of the performance monitor counter	R	0x0

Table 9-426. Register Call Summary for Register VIP_PERF_MON22

VIP Register Manual

- [VIP VPDMA Register Summary: \[1\]](#)

Table 9-427. VIP_PERF_MON23

Address Offset	0x0000 025C	Instance	VIP1_VPDMA
Physical Address	0x4897 D25C		
Description	The register can be used to capture timing differences between events in the VPDMA\		
Type	RW		

31	30	29	28	27	26	25	24	23	22	21	20	19	18	17	16	15	14	13	12	11	10	9	8	7	6	5	4	3	2	1	0
CAPTURE_MODE		STOP_CLIENT		RESERVED	STOP_COUNT		RESERVED	START_CLIENT		RESERVED	START_COUNT		CURR_COUNT																		

Bits	Field Name	Description	Type	Reset
31:30	CAPTURE_MODE	Sets how the counter should be updated. Updating this value will also clear the current counter stored value. 0: Running Average 1: Minimum Value 2: Maximum Value 3: Last Value	RW	0x0

Bits	Field Name	Description	Type	Reset
29:28	STOP_CLIENT	Sets the client whose event stops the performance monitor counter. 0: 1: 2: 3:	RW	0x0
27	RESERVED		R	0x0
26:24	STOP_COUNT	Sets the value that stops the performance monitor counter. 0: command request 1: command accept 2: data request 3: data rcvd 4: data empty 5: data full 6: frame start 7: frame end	RW	0x0
23:22	RESERVED		R	0x0
21:20	START_CLIENT	Sets the client whose event starts the performance monitor counter. 0: 1: 2: 3:	RW	0x0
19	RESERVED		R	0x0
18:16	START_COUNT	Sets the value that starts the performance monitor counter. 0: command request 1: command accept 2: data request 3: data rcvd 4: data empty 5: data full 6: frame start 7: frame end	RW	0x0
15:0	CURR_COUNT	The current value of the performance monitor counter	R	0x0

Table 9-428. Register Call Summary for Register VIP_PERF_MON23

VIP Register Manual

- [VIP VPDMA Register Summary: \[1\]](#)

Table 9-429. VIP_PERF_MON24

Address Offset	0x0000 0260	Instance	VIP1_VPDMA
Physical Address	0x4897 D260		
Description	The register can be used to capture timing differences between events in the VPDMA\		
Type	RW		

31	30	29	28	27	26	25	24	23	22	21	20	19	18	17	16	15	14	13	12	11	10	9	8	7	6	5	4	3	2	1	0
CAPTURE_MODE		STOP_CLIENT		RESERVED		STOP_COUNT		RESERVED		START_CLIENT		RESERVED		START_COUNT		CURR_COUNT															

Bits	Field Name	Description	Type	Reset
31:30	CAPTURE_MODE	Sets how the counter should be updated. Updating this value will also clear the current counter stored value. 0: Running Average 1: Minimum Value 2: Maximum Value 3: Last Value	RW	0x0
29:28	STOP_CLIENT	Sets the client whose event stops the performance monitor counter. 0: 1: 2: 3:	RW	0x0
27	RESERVED		R	0x0
26:24	STOP_COUNT	Sets the value that stops the performance monitor counter. 0: command request 1: command accept 2: data request 3: data rcvd 4: data empty 5: data full 6: frame start 7: frame end	RW	0x0
23:22	RESERVED		R	0x0
21:20	START_CLIENT	Sets the client whose event starts the performance monitor counter. 0: 1: 2: 3:	RW	0x0
19	RESERVED		R	0x0

Bits	Field Name	Description	Type	Reset
18:16	START_COUNT	Sets the value that starts the performance monitor counter. 0: command request 1: command accept 2: data request 3: data rcvd 4: data empty 5: data full 6: frame start 7: frame end	RW	0x0
15:0	CURR_COUNT	The current value of the performance monitor counter	R	0x0

Table 9-430. Register Call Summary for Register VIP_PERF_MON24

VIP Register Manual

- [VIP VPDMA Register Summary: \[1\]](#)

Table 9-431. VIP_PERF_MON25

Address Offset	0x0000 0264	Instance	VIP1_VPDMA
Physical Address	0x4897 D264		
Description	The register can be used to capture timing differences between events in the VPDMA\n		
Type	RW		

31	30	29	28	27	26	25	24	23	22	21	20	19	18	17	16	15	14	13	12	11	10	9	8	7	6	5	4	3	2	1	0
CAPTURE_MODE		STOP_CLIENT		RESERVED		STOP_COUNT		RESERVED		START_CLIENT		RESERVED		START_COUNT		CURR_COUNT															

Bits	Field Name	Description	Type	Reset
31:30	CAPTURE_MODE	Sets how the counter should be updated. Updating this value will also clear the current counter stored value. 0: Running Average 1: Minimum Value 2: Maximum Value 3: Last Value	RW	0x0
29:28	STOP_CLIENT	Sets the client whose event stops the performance monitor counter. 0: 1: 2: 3:	RW	0x0
27	RESERVED		R	0x0
26:24	STOP_COUNT	Sets the value that stops the performance monitor counter. 0: command request 1: command accept 2: data request 3: data rcvd 4: data empty 5: data full 6: frame start 7: frame end	RW	0x0
23:22	RESERVED		R	0x0
21:20	START_CLIENT	Sets the client whose event starts the performance monitor counter. 0: 1: 2: 3:	RW	0x0
19	RESERVED		R	0x0
18:16	START_COUNT	Sets the value that starts the performance monitor counter. 0: command request 1: command accept 2: data request 3: data rcvd 4: data empty 5: data full 6: frame start 7: frame end	RW	0x0
15:0	CURR_COUNT	The current value of the performance monitor counter	R	0x0

Table 9-432. Register Call Summary for Register VIP_PERF_MON25

VIP Register Manual

- [VIP VPDMA Register Summary: \[1\]](#)

Table 9-433. VIP_PERF_MON26

Address Offset	0x0000 0268	Instance	VIP1_VPDMA
Physical Address	0x4897 D268		
Description	The register can be used to capture timing differences between events in the VPDMA\		
Type	RW		

31	30	29	28	27	26	25	24	23	22	21	20	19	18	17	16	15	14	13	12	11	10	9	8	7	6	5	4	3	2	1	0
CAPTURE_MODE				STOP_CLIENT		RESERVED		STOP_COUNT		RESERVED		START_CLIENT		RESERVED		START_COUNT		CURR_COUNT													

Bits	Field Name	Description	Type	Reset
31:30	CAPTURE_MODE	Sets how the counter should be updated. Updating this value will also clear the current counter stored value. 0: Running Average 1: Minimum Value 2: Maximum Value 3: Last Value	RW	0x0
29:28	STOP_CLIENT	Sets the client whose event stops the performance monitor counter. 0: 1: 2: 3:	RW	0x0
27	RESERVED		R	0x0
26:24	STOP_COUNT	Sets the value that stops the performance monitor counter. 0: command request 1: command accept 2: data request 3: data rcvd 4: data empty 5: data full 6: frame start 7: frame end	RW	0x0
23:22	RESERVED		R	0x0
21:20	START_CLIENT	Sets the client whose event starts the performance monitor counter. 0: 1: 2: 3:	RW	0x0
19	RESERVED		R	0x0
18:16	START_COUNT	Sets the value that starts the performance monitor counter. 0: command request 1: command accept 2: data request 3: data rcvd 4: data empty 5: data full 6: frame start 7: frame end	RW	0x0
15:0	CURR_COUNT	The current value of the performance monitor counter	R	0x0

Table 9-434. Register Call Summary for Register VIP_PERF_MON26

VIP Register Manual

- [VIP VPDMA Register Summary: \[1\]](#)

Table 9-435. VIP_PERF_MON27

Address Offset	0x0000 026C	Instance	VIP1_VPDMA
Physical Address	0x4897 D26C		
Description	The register can be used to capture timing differences between events in the VPDMA\		
Type	RW		

31	30	29	28	27	26	25	24	23	22	21	20	19	18	17	16	15	14	13	12	11	10	9	8	7	6	5	4	3	2	1	0
CAPTURE_MODE		STOP_CLIENT		RESERVED	STOP_COUNT		RESERVED	START_CLIENT		RESERVED	START_COUNT		CURR_COUNT																		

Bits	Field Name	Description	Type	Reset
31:30	CAPTURE_MODE	Sets how the counter should be updated. Updating this value will also clear the current counter stored value. 0: Running Average 1: Minimum Value 2: Maximum Value 3: Last Value	RW	0x0
29:28	STOP_CLIENT	Sets the client whose event stops the performance monitor counter. 0: 1: 2: 3:	RW	0x0
27	RESERVED		R	0x0
26:24	STOP_COUNT	Sets the value that stops the performance monitor counter. 0: command request 1: command accept 2: data request 3: data rcvd 4: data empty 5: data full 6: frame start 7: frame end	RW	0x0
23:22	RESERVED		R	0x0
21:20	START_CLIENT	Sets the client whose event starts the performance monitor counter. 0: 1: 2: 3:	RW	0x0
19	RESERVED		R	0x0
18:16	START_COUNT	Sets the value that starts the performance monitor counter. 0: command request 1: command accept 2: data request 3: data rcvd 4: data empty 5: data full 6: frame start 7: frame end	RW	0x0
15:0	CURR_COUNT	The current value of the performance monitor counter	R	0x0

Table 9-436. Register Call Summary for Register VIP_PERF_MON27

VIP Register Manual

- [VIP VPDMA Register Summary: \[1\]](#)

Table 9-437. VIP_PERF_MON28

Address Offset	0x0000 0270	Instance	VIP1_VPDMA
Physical Address	0x4897 D270		
Description	The register can be used to capture timing differences between events in the VPDMA\		
Type	RW		

31	30	29	28	27	26	25	24	23	22	21	20	19	18	17	16	15	14	13	12	11	10	9	8	7	6	5	4	3	2	1	0
CAPTURE_MODE		STOP_CLIENT		RESERVED	STOP_COUNT		RESERVED	START_CLIENT		RESERVED	START_COUNT		CURR_COUNT																		

Bits	Field Name	Description	Type	Reset
31:30	CAPTURE_MODE	Sets how the counter should be updated. Updating this value will also clear the current counter stored value. 0: Running Average 1: Minimum Value 2: Maximum Value 3: Last Value	RW	0x0

Bits	Field Name	Description	Type	Reset
29:28	STOP_CLIENT	Sets the client whose event stops the performance monitor counter. 0: 1: 2: 3:	RW	0x0
27	RESERVED		R	0x0
26:24	STOP_COUNT	Sets the value that stops the performance monitor counter. 0: command request 1: command accept 2: data request 3: data rcvd 4: data empty 5: data full 6: frame start 7: frame end	RW	0x0
23:22	RESERVED		R	0x0
21:20	START_CLIENT	Sets the client whose event starts the performance monitor counter. 0: 1: 2: 3:	RW	0x0
19	RESERVED		R	0x0
18:16	START_COUNT	Sets the value that starts the performance monitor counter. 0: command request 1: command accept 2: data request 3: data rcvd 4: data empty 5: data full 6: frame start 7: frame end	RW	0x0
15:0	CURR_COUNT	The current value of the performance monitor counter	R	0x0

Table 9-438. Register Call Summary for Register VIP_PERF_MON28

VIP Register Manual

- [VIP VPDMA Register Summary: \[1\]](#)

Table 9-439. VIP_PERF_MON29

Address Offset	0x0000 0274	Instance	VIP1_VPDMA
Physical Address	0x4897 D274		
Description	The register can be used to capture timing differences between events in the VPDMA\		
Type	RW		

31	30	29	28	27	26	25	24	23	22	21	20	19	18	17	16	15	14	13	12	11	10	9	8	7	6	5	4	3	2	1	0
CAPTURE_MODE		STOP_CLIENT		RESERVED		STOP_COUNT		RESERVED		START_CLIENT		RESERVED		START_COUNT		CURR_COUNT															

Bits	Field Name	Description	Type	Reset
31:30	CAPTURE_MODE	Sets how the counter should be updated. Updating this value will also clear the current counter stored value. 0: Running Average 1: Minimum Value 2: Maximum Value 3: Last Value	RW	0x0
29:28	STOP_CLIENT	Sets the client whose event stops the performance monitor counter. 0: 1: 2: 3:	RW	0x0
27	RESERVED		R	0x0
26:24	STOP_COUNT	Sets the value that stops the performance monitor counter. 0: command request 1: command accept 2: data request 3: data rcvd 4: data empty 5: data full 6: frame start 7: frame end	RW	0x0
23:22	RESERVED		R	0x0
21:20	START_CLIENT	Sets the client whose event starts the performance monitor counter. 0: 1: 2: 3:	RW	0x0
19	RESERVED		R	0x0

Bits	Field Name	Description	Type	Reset
18:16	START_COUNT	Sets the value that starts the performance monitor counter. 0: command request 1: command accept 2: data request 3: data rcvd 4: data empty 5: data full 6: frame start 7: frame end	RW	0x0
15:0	CURR_COUNT	The current value of the performance monitor counter	R	0x0

Table 9-440. Register Call Summary for Register VIP_PERF_MON29

VIP Register Manual

- [VIP VPDMA Register Summary: \[1\]](#)

Table 9-441. VIP_PERF_MON30

Address Offset	0x0000 0278	Instance	VIP1_VPDMA
Physical Address	0x4897 D278		
Description	The register can be used to capture timing differences between events in the VPDMA\n		
Type	RW		

31	30	29	28	27	26	25	24	23	22	21	20	19	18	17	16	15	14	13	12	11	10	9	8	7	6	5	4	3	2	1	0
CAPTURE_MODE		STOP_CLIENT		RESERVED		STOP_COUNT		RESERVED		START_CLIENT		RESERVED		START_COUNT		CURR_COUNT															

Bits	Field Name	Description	Type	Reset
31:30	CAPTURE_MODE	Sets how the counter should be updated. Updating this value will also clear the current counter stored value. 0: Running Average 1: Minimum Value 2: Maximum Value 3: Last Value	RW	0x0
29:28	STOP_CLIENT	Sets the client whose event stops the performance monitor counter. 0: 1: 2: 3:	RW	0x0
27	RESERVED		R	0x0
26:24	STOP_COUNT	Sets the value that stops the performance monitor counter. 0: command request 1: command accept 2: data request 3: data rcvd 4: data empty 5: data full 6: frame start 7: frame end	RW	0x0
23:22	RESERVED		R	0x0
21:20	START_CLIENT	Sets the client whose event starts the performance monitor counter. 0: 1: 2: 3:	RW	0x0
19	RESERVED		R	0x0
18:16	START_COUNT	Sets the value that starts the performance monitor counter. 0: command request 1: command accept 2: data request 3: data rcvd 4: data empty 5: data full 6: frame start 7: frame end	RW	0x0
15:0	CURR_COUNT	The current value of the performance monitor counter	R	0x0

Table 9-442. Register Call Summary for Register VIP_PERF_MON30

VIP Register Manual

- [VIP VPDMA Register Summary: \[1\]](#)

Table 9-443. VIP_PERF_MON31

Address Offset	0x0000 027C	Instance	VIP1_VPDMA
Physical Address	0x4897 D27C		
Description	The register can be used to capture timing differences between events in the VPDMA\		
Type	RW		

31	30	29	28	27	26	25	24	23	22	21	20	19	18	17	16	15	14	13	12	11	10	9	8	7	6	5	4	3	2	1	0
CAPTURE_MODE	STOP_CLIENT	RESERVED	STOP_COUNT	RESERVED	START_CLIENT	RESERVED	START_COUNT	CURR_COUNT																							

Bits	Field Name	Description	Type	Reset
31:30	CAPTURE_MODE	Sets how the counter should be updated. Updating this value will also clear the current counter stored value. 0: Running Average 1: Minimum Value 2: Maximum Value 3: Last Value	RW	0x0
29:28	STOP_CLIENT	Sets the client whose event stops the performance monitor counter. 0: 1: 2: 3:	RW	0x0
27	RESERVED		R	0x0
26:24	STOP_COUNT	Sets the value that stops the performance monitor counter. 0: command request 1: command accept 2: data request 3: data rcvd 4: data empty 5: data full 6: frame start 7: frame end	RW	0x0
23:22	RESERVED		R	0x0
21:20	START_CLIENT	Sets the client whose event starts the performance monitor counter. 0: 1: 2: 3:	RW	0x0
19	RESERVED		R	0x0
18:16	START_COUNT	Sets the value that starts the performance monitor counter. 0: command request 1: command accept 2: data request 3: data rcvd 4: data empty 5: data full 6: frame start 7: frame end	RW	0x0
15:0	CURR_COUNT	The current value of the performance monitor counter	R	0x0

Table 9-444. Register Call Summary for Register VIP_PERF_MON31

VIP Register Manual

- [VIP VPDMA Register Summary: \[1\]](#)

Table 9-445. VIP_PERF_MON32

Address Offset	0x0000 0280	Instance	VIP1_VPDMA
Physical Address	0x4897 D280		
Description	The register can be used to capture timing differences between events in the VPDMA\		
Type	RW		

31	30	29	28	27	26	25	24	23	22	21	20	19	18	17	16	15	14	13	12	11	10	9	8	7	6	5	4	3	2	1	0
CAPTURE_MODE		STOP_CLIENT		RESERVED	STOP_COUNT		RESERVED	START_CLIENT		RESERVED	START_COUNT		CURR_COUNT																		

Bits	Field Name	Description	Type	Reset
31:30	CAPTURE_MODE	Sets how the counter should be updated. Updating this value will also clear the current counter stored value. 0: Running Average 1: Minimum Value 2: Maximum Value 3: Last Value	RW	0x0
29:28	STOP_CLIENT	Sets the client whose event stops the performance monitor counter. 0: 1: 2: 3: vip1_lo_y	RW	0x0
27	RESERVED		R	0x0
26:24	STOP_COUNT	Sets the value that stops the performance monitor counter. 0: command request 1: command accept 2: data request 3: data rcvd 4: data empty 5: data full 6: frame start 7: frame end	RW	0x0
23:22	RESERVED		R	0x0
21:20	START_CLIENT	Sets the client whose event starts the performance monitor counter. 0: 1: 2: 3: vip1_lo_y	RW	0x0
19	RESERVED		R	0x0
18:16	START_COUNT	Sets the value that starts the performance monitor counter. 0: command request 1: command accept 2: data request 3: data rcvd 4: data empty 5: data full 6: frame start 7: frame end	RW	0x0
15:0	CURR_COUNT	The current value of the performance monitor counter	R	0x0

Table 9-446. Register Call Summary for Register VIP_PERF_MON32

VIP Register Manual

- [VIP VPDMA Register Summary: \[1\]](#)

Table 9-447. VIP_PERF_MON33

Address Offset	0x0000 0284	Instance	VIP1_VPDMA
Physical Address	0x4897 D284		
Description	The register can be used to capture timing differences between events in the VPDMA\		
Type	RW		

31	30	29	28	27	26	25	24	23	22	21	20	19	18	17	16	15	14	13	12	11	10	9	8	7	6	5	4	3	2	1	0
CAPTURE_MODE		STOP_CLIENT		RESERVED	STOP_COUNT		RESERVED	START_CLIENT		RESERVED	START_COUNT		CURR_COUNT																		

Bits	Field Name	Description	Type	Reset
31:30	CAPTURE_MODE	Sets how the counter should be updated. Updating this value will also clear the current counter stored value. 0: Running Average 1: Minimum Value 2: Maximum Value 3: Last Value	RW	0x0

Bits	Field Name	Description	Type	Reset
29:28	STOP_CLIENT	Sets the client whose event stops the performance monitor counter. 0: 1: 2: vip1_lo_y 3: vip1_lo_uv	RW	0x0
27	RESERVED		R	0x0
26:24	STOP_COUNT	Sets the value that stops the performance monitor counter. 0: command request 1: command accept 2: data request 3: data rcvd 4: data empty 5: data full 6: frame start 7: frame end	RW	0x0
23:22	RESERVED		R	0x0
21:20	START_CLIENT	Sets the client whose event starts the performance monitor counter. 0: 1: 2: vip1_lo_y 3: vip1_lo_uv	RW	0x0
19	RESERVED		R	0x0
18:16	START_COUNT	Sets the value that starts the performance monitor counter. 0: command request 1: command accept 2: data request 3: data rcvd 4: data empty 5: data full 6: frame start 7: frame end	RW	0x0
15:0	CURR_COUNT	The current value of the performance monitor counter	R	0x0

Table 9-448. Register Call Summary for Register VIP_PERF_MON33

VIP Register Manual

- [VIP VPDMA Register Summary: \[1\]](#)

Table 9-449. VIP_PERF_MON34

Address Offset	0x0000 0288	Instance	VIP1_VPDMA
Physical Address	0x4897 D288		
Description	The register can be used to capture timing differences between events in the VPDMA\		
Type	RW		

31	30	29	28	27	26	25	24	23	22	21	20	19	18	17	16	15	14	13	12	11	10	9	8	7	6	5	4	3	2	1	0
CAPTURE_MODE	STOP_CLIENT	RESERVED	STOP_COUNT	RESERVED	START_CLIENT	RESERVED	START_COUNT	CURR_COUNT																							

Bits	Field Name	Description	Type	Reset
31:30	CAPTURE_MODE	Sets how the counter should be updated. Updating this value will also clear the current counter stored value. 0: Running Average 1: Minimum Value 2: Maximum Value 3: Last Value	RW	0x0
29:28	STOP_CLIENT	Sets the client whose event stops the performance monitor counter. 0: vip1_lo_y 1: 2: vip1_lo_uv 3: vip1_up_y	RW	0x0
27	RESERVED		R	0x0
26:24	STOP_COUNT	Sets the value that stops the performance monitor counter. 0: command request 1: command accept 2: data request 3: data rcvd 4: data empty 5: data full 6: frame start 7: frame end	RW	0x0
23:22	RESERVED		R	0x0
21:20	START_CLIENT	Sets the client whose event starts the performance monitor counter. 0: vip1_lo_y 1: 2: vip1_lo_uv 3: vip1_up_y	RW	0x0
19	RESERVED		R	0x0

Bits	Field Name	Description	Type	Reset
18:16	START_COUNT	Sets the value that starts the performance monitor counter. 0: command request 1: command accept 2: data request 3: data rcvd 4: data empty 5: data full 6: frame start 7: frame end	RW	0x0
15:0	CURR_COUNT	The current value of the performance monitor counter	R	0x0

Table 9-450. Register Call Summary for Register VIP_PERF_MON34

VIP Register Manual

- [VIP VPDMA Register Summary: \[1\]](#)

Table 9-451. VIP_PERF_MON35

Address Offset	0x0000 028C	Instance	VIP1_VPDMA
Physical Address	0x4897 D28C		
Description	The register can be used to capture timing differences between events in the VPDMA\n		
Type	RW		

31	30	29	28	27	26	25	24	23	22	21	20	19	18	17	16	15	14	13	12	11	10	9	8	7	6	5	4	3	2	1	0
CAPTURE_MODE		STOP_CLIENT		RESERVED		STOP_COUNT		RESERVED		START_CLIENT		RESERVED		START_COUNT		CURR_COUNT															

Bits	Field Name	Description	Type	Reset
31:30	CAPTURE_MODE	Sets how the counter should be updated. Updating this value will also clear the current counter stored value. 0: Running Average 1: Minimum Value 2: Maximum Value 3: Last Value	RW	0x0
29:28	STOP_CLIENT	Sets the client whose event stops the performance monitor counter. 0: vip1_lo_uv 1: vip1_lo_y 2: vip1_up_y 3: vip1_up_uv	RW	0x0
27	RESERVED		R	0x0
26:24	STOP_COUNT	Sets the value that stops the performance monitor counter. 0: command request 1: command accept 2: data request 3: data rcvd 4: data empty 5: data full 6: frame start 7: frame end	RW	0x0
23:22	RESERVED		R	0x0
21:20	START_CLIENT	Sets the client whose event starts the performance monitor counter. 0: vip1_lo_uv 1: vip1_lo_y 2: vip1_up_y 3: vip1_up_uv	RW	0x0
19	RESERVED		R	0x0
18:16	START_COUNT	Sets the value that starts the performance monitor counter. 0: command request 1: command accept 2: data request 3: data rcvd 4: data empty 5: data full 6: frame start 7: frame end	RW	0x0
15:0	CURR_COUNT	The current value of the performance monitor counter	R	0x0

Table 9-452. Register Call Summary for Register VIP_PERF_MON35

VIP Register Manual

- [VIP VPDMA Register Summary: \[1\]](#)

Table 9-453. VIP_PERF_MON36

Address Offset	0x0000 0290	Instance	VIP1_VPDMA
Physical Address	0x4897 D290		
Description	The register can be used to capture timing differences between events in the VPDMA\		
Type	RW		

31	30	29	28	27	26	25	24	23	22	21	20	19	18	17	16	15	14	13	12	11	10	9	8	7	6	5	4	3	2	1	0
CAPTURE_MODE	STOP_CLIENT	RESERVED	STOP_COUNT	RESERVED	START_CLIENT	RESERVED	START_COUNT	CURR_COUNT																							

Bits	Field Name	Description	Type	Reset
31:30	CAPTURE_MODE	Sets how the counter should be updated. Updating this value will also clear the current counter stored value. 0: Running Average 1: Minimum Value 2: Maximum Value 3: Last Value	RW	0x0
29:28	STOP_CLIENT	Sets the client whose event stops the performance monitor counter. 0: vip1_up_y 1: vip1_lo_uv 2: vip1_up_uv 3: vip2_lo_y	RW	0x0
27	RESERVED		R	0x0
26:24	STOP_COUNT	Sets the value that stops the performance monitor counter. 0: command request 1: command accept 2: data request 3: data rcvd 4: data empty 5: data full 6: frame start 7: frame end	RW	0x0
23:22	RESERVED		R	0x0
21:20	START_CLIENT	Sets the client whose event starts the performance monitor counter. 0: vip1_up_y 1: vip1_lo_uv 2: vip1_up_uv 3: vip2_lo_y	RW	0x0
19	RESERVED		R	0x0
18:16	START_COUNT	Sets the value that starts the performance monitor counter. 0: command request 1: command accept 2: data request 3: data rcvd 4: data empty 5: data full 6: frame start 7: frame end	RW	0x0
15:0	CURR_COUNT	The current value of the performance monitor counter	R	0x0

Table 9-454. Register Call Summary for Register VIP_PERF_MON36

VIP Register Manual

- [VIP VPDMA Register Summary: \[1\]](#)

Table 9-455. VIP_PERF_MON37

Address Offset	0x0000 0294	Instance	VIP1_VPDMA
Physical Address	0x4897 D294		
Description	The register can be used to capture timing differences between events in the VPDMA\		
Type	RW		

31	30	29	28	27	26	25	24	23	22	21	20	19	18	17	16	15	14	13	12	11	10	9	8	7	6	5	4	3	2	1	0
CAPTURE_MODE		STOP_CLIENT		RESERVED	STOP_COUNT		RESERVED	START_CLIENT		RESERVED	START_COUNT		CURR_COUNT																		

Bits	Field Name	Description	Type	Reset
31:30	CAPTURE_MODE	Sets how the counter should be updated. Updating this value will also clear the current counter stored value. 0: Running Average 1: Minimum Value 2: Maximum Value 3: Last Value	RW	0x0
29:28	STOP_CLIENT	Sets the client whose event stops the performance monitor counter. 0: vip1_up_uv 1: vip1_up_y 2: vip2_lo_y 3: vip2_lo_uv	RW	0x0
27	RESERVED		R	0x0
26:24	STOP_COUNT		RW	0x0
23:22	RESERVED	Sets the value that stops the performance monitor counter. 0: command request 1: command accept 2: data request 3: data rcvd 4: data empty 5: data full 6: frame start 7: frame end	R	0x0
21:20	START_CLIENT	Sets the client whose event starts the performance monitor counter. 0: vip1_up_uv 1: vip1_up_y 2: vip2_lo_y 3: vip2_lo_uv	RW	0x0
19	RESERVED		R	0x0
18:16	START_COUNT	Sets the value that starts the performance monitor counter. 0: command request 1: command accept 2: data request 3: data rcvd 4: data empty 5: data full 6: frame start 7: frame end	RW	0x0
15:0	CURR_COUNT	The current value of the performance monitor counter	R	0x0

Table 9-456. Register Call Summary for Register VIP_PERF_MON37

VIP Register Manual

- [VIP VPDMA Register Summary: \[1\]](#)

Table 9-457. VIP_PERF_MON38

Address Offset	0x0000 0298	Instance	VIP1_VPDMA
Physical Address	0x4897 D298		
Description	The register can be used to capture timing differences between events in the VPDMA\		
Type	RW		

31	30	29	28	27	26	25	24	23	22	21	20	19	18	17	16	15	14	13	12	11	10	9	8	7	6	5	4	3	2	1	0
CAPTURE_MODE		STOP_CLIENT		RESERVED	STOP_COUNT		RESERVED	START_CLIENT		RESERVED	START_COUNT		CURR_COUNT																		

Bits	Field Name	Description	Type	Reset
31:30	CAPTURE_MODE	Sets how the counter should be updated. Updating this value will also clear the current counter stored value. 0: Running Average 1: Minimum Value 2: Maximum Value 3: Last Value	RW	0x0
29:28	STOP_CLIENT	Sets the client whose event stops the performance monitor counter. 0: vip2_lo_y 1: vip1_up_uv 2: vip2_lo_uv 3: vip2_up_y	RW	0x0
27	RESERVED		R	0x0
26:24	STOP_COUNT	Sets the value that stops the performance monitor counter. 0: command request 1: command accept 2: data request 3: data rcvd 4: data empty 5: data full 6: frame start 7: frame end	RW	0x0
23:22	RESERVED		R	0x0
21:20	START_CLIENT	Sets the client whose event starts the performance monitor counter. 0: vip2_lo_y 1: vip1_up_uv 2: vip2_lo_uv 3: vip2_up_y	RW	0x0
19	RESERVED		R	0x0
18:16	START_COUNT	Sets the value that starts the performance monitor counter. 0: command request 1: command accept 2: data request 3: data rcvd 4: data empty 5: data full 6: frame start 7: frame end	RW	0x0
15:0	CURR_COUNT	The current value of the performance monitor counter	R	0x0

Table 9-458. Register Call Summary for Register VIP_PERF_MON38

VIP Register Manual

- [VIP VPDMA Register Summary: \[1\]](#)

Table 9-459. VIP_PERF_MON39

Address Offset	0x0000 029C	Instance	VIP1_VPDMA
Physical Address	0x4897 D29C		
Description	The register can be used to capture timing differences between events in the VPDMA\\n		
Type	RW		

31	30	29	28	27	26	25	24	23	22	21	20	19	18	17	16	15	14	13	12	11	10	9	8	7	6	5	4	3	2	1	0
CAPTURE_MODE		STOP_CLIENT		RESERVED		STOP_COUNT		RESERVED		START_CLIENT		RESERVED		START_COUNT		CURR_COUNT															

Bits	Field Name	Description	Type	Reset
31:30	CAPTURE_MODE	Sets how the counter should be updated. Updating this value will also clear the current counter stored value. 0: Running Average 1: Minimum Value 2: Maximum Value 3: Last Value	RW	0x0
29:28	STOP_CLIENT	Sets the client whose event stops the performance monitor counter. 0: vip2_lo_uv 1: vip2_lo_y 2: vip2_up_y 3: vip2_up_uv	RW	0x0
27	RESERVED		R	0x0
26:24	STOP_COUNT	Sets the value that stops the performance monitor counter. 0: command request 1: command accept 2: data request 3: data rcvd 4: data empty 5: data full 6: frame start 7: frame end	RW	0x0
23:22	RESERVED		R	0x0

Bits	Field Name	Description	Type	Reset
21:20	START_CLIENT	Sets the client whose event starts the performance monitor counter. 0: vip2_lo_uv 1: vip2_lo_y 2: vip2_up_y 3: vip2_up_uv	RW	0x0
19	RESERVED		R	0x0
18:16	START_COUNT	Sets the value that starts the performance monitor counter. 0: command request 1: command accept 2: data request 3: data rcvd 4: data empty 5: data full 6: frame start 7: frame end	RW	0x0
15:0	CURR_COUNT	The current value of the performance monitor counter	R	0x0

Table 9-460. Register Call Summary for Register VIP_PERF_MON39

VIP Register Manual

- [VIP VPDMA Register Summary: \[1\]](#)

Table 9-461. VIP_PERF_MON40

Address Offset	0x0000 02A0	Instance	VIP1_VPDMA
Physical Address	0x4897 D2A0		
Description	The register can be used to capture timing differences between events in the VPDMA\		
Type	RW		

31	30	29	28	27	26	25	24	23	22	21	20	19	18	17	16	15	14	13	12	11	10	9	8	7	6	5	4	3	2	1	0
CAPTURE_MODE		STOP_CLIENT		RESERVED		STOP_COUNT		RESERVED		START_CLIENT		RESERVED		START_COUNT		CURR_COUNT															

Bits	Field Name	Description	Type	Reset
31:30	CAPTURE_MODE	Sets how the counter should be updated. Updating this value will also clear the current counter stored value. 0: Running Average 1: Minimum Value 2: Maximum Value 3: Last Value	RW	0x0
29:28	STOP_CLIENT	Sets the client whose event stops the performance monitor counter. 0: vip2_up_y 1: vip2_lo_uv 2: vip2_up_uv 3:	RW	0x0
27	RESERVED		R	0x0
26:24	STOP_COUNT	Sets the value that stops the performance monitor counter. 0: command request 1: command accept 2: data request 3: data rcvd 4: data empty 5: data full 6: frame start 7: frame end	RW	0x0
23:22	RESERVED		R	0x0
21:20	START_CLIENT	Sets the client whose event starts the performance monitor counter. 0: vip2_up_y 1: vip2_lo_uv 2: vip2_up_uv 3:	RW	0x0
19	RESERVED		R	0x0
18:16	START_COUNT	Sets the value that starts the performance monitor counter. 0: command request 1: command accept 2: data request 3: data rcvd 4: data empty 5: data full 6: frame start 7: frame end	RW	0x0
15:0	CURR_COUNT	The current value of the performance monitor counter	R	0x0

Table 9-462. Register Call Summary for Register VIP_PERF_MON40

VIP Register Manual

- [VIP VPDMA Register Summary: \[1\]](#)

Table 9-463. VIP_PERF_MON41

Address Offset	0x0000 02A4	Instance	VIP1_VPDMA
Physical Address	0x4897 D2A4		
Description	The register can be used to capture timing differences between events in the VPDMA\\n		
Type	RW		

31	30	29	28	27	26	25	24	23	22	21	20	19	18	17	16	15	14	13	12	11	10	9	8	7	6	5	4	3	2	1	0
CAPTURE_MODE				STOP_CLIENT		RESERVED		STOP_COUNT		RESERVED		START_CLIENT		RESERVED		START_COUNT		CURR_COUNT													

Bits	Field Name	Description	Type	Reset
31:30	CAPTURE_MODE	Sets how the counter should be updated. Updating this value will also clear the current counter stored value. 0: Running Average 1: Minimum Value 2: Maximum Value 3: Last Value	RW	0x0
29:28	STOP_CLIENT	Sets the client whose event stops the performance monitor counter. 0: vip2_up_uv 1: vip2_up_y 2: 3:	RW	0x0
27	RESERVED		R	0x0
26:24	STOP_COUNT	Sets the value that stops the performance monitor counter. 0: command request 1: command accept 2: data request 3: data rcvd 4: data empty 5: data full 6: frame start 7: frame end	RW	0x0
23:22	RESERVED		R	0x0
21:20	START_CLIENT	Sets the client whose event starts the performance monitor counter. 0: vip2_up_uv 1: vip2_up_y 2: 3:	RW	0x0
19	RESERVED		R	0x0
18:16	START_COUNT	Sets the value that starts the performance monitor counter. 0: command request 1: command accept 2: data request 3: data rcvd 4: data empty 5: data full 6: frame start 7: frame end	RW	0x0
15:0	CURR_COUNT	The current value of the performance monitor counter	R	0x0

Table 9-464. Register Call Summary for Register VIP_PERF_MON41

VIP Register Manual

- [VIP VPDMA Register Summary: \[1\]](#)

Table 9-465. VIP_PERF_MON42

Address Offset	0x0000 02A8	Instance	VIP1_VPDMA
Physical Address	0x4897 D2A8		
Description	The register can be used to capture timing differences between events in the VPDMA\\n		
Type	RW		

31	30	29	28	27	26	25	24	23	22	21	20	19	18	17	16	15	14	13	12	11	10	9	8	7	6	5	4	3	2	1	0																
CAPTURE_MODE				STOP_CLIENT				RESERVED				STOP_COUNT				RESERVED				START_CLIENT				RESERVED				START_COUNT				CURR_COUNT															

Bits	Field Name	Description	Type	Reset
31:30	CAPTURE_MODE	Sets how the counter should be updated. Updating this value will also clear the current counter stored value. 0: Running Average 1: Minimum Value 2: Maximum Value 3: Last Value	RW	0x0
29:28	STOP_CLIENT	Sets the client whose event stops the performance monitor counter. 0: 1: vip2_up_uv 2: 3:	RW	0x0
27	RESERVED		R	0x0
26:24	STOP_COUNT	Sets the value that stops the performance monitor counter. 0: command request 1: command accept 2: data request 3: data rcvd 4: data empty 5: data full 6: frame start 7: frame end	RW	0x0
23:22	RESERVED		R	0x0
21:20	START_CLIENT	Sets the client whose event starts the performance monitor counter. 0: 1: vip2_up_uv 2: 3:	RW	0x0
19	RESERVED		R	0x0
18:16	START_COUNT	Sets the value that starts the performance monitor counter. 0: command request 1: command accept 2: data request 3: data rcvd 4: data empty 5: data full 6: frame start 7: frame end	RW	0x0
15:0	CURR_COUNT	The current value of the performance monitor counter	R	0x0

Table 9-466. Register Call Summary for Register VIP_PERF_MON42

VIP Register Manual

- [VIP VPDMA Register Summary: \[1\]](#)

Table 9-467. VIP_PERF_MON43

Address Offset	0x0000 02AC	Instance	VIP1_VPDMA
Physical Address	0x4897 D2AC		
Description	The register can be used to capture timing differences between events in the VPDMA\		
Type	RW		

31	30	29	28	27	26	25	24	23	22	21	20	19	18	17	16	15	14	13	12	11	10	9	8	7	6	5	4	3	2	1	0																
CAPTURE_MODE				STOP_CLIENT				RESERVED				STOP_COUNT				RESERVED				START_CLIENT				RESERVED				START_COUNT				CURR_COUNT															

Bits	Field Name	Description	Type	Reset
31:30	CAPTURE_MODE	Sets how the counter should be updated. Updating this value will also clear the current counter stored value. 0: Running Average 1: Minimum Value 2: Maximum Value 3: Last Value	RW	0x0

Bits	Field Name	Description	Type	Reset
29:28	STOP_CLIENT	Sets the client whose event stops the performance monitor counter. 0: 1: 2: 3:	RW	0x0
27	RESERVED		R	0x0
26:24	STOP_COUNT	Sets the value that stops the performance monitor counter. 0: command request 1: command accept 2: data request 3: data rcvd 4: data empty 5: data full 6: frame start 7: frame end	RW	0x0
23:22	RESERVED		R	0x0
21:20	START_CLIENT	Sets the client whose event starts the performance monitor counter. 0: 1: 2: 3:	RW	0x0
19	RESERVED		R	0x0
18:16	START_COUNT	Sets the value that starts the performance monitor counter. 0: command request 1: command accept 2: data request 3: data rcvd 4: data empty 5: data full 6: frame start 7: frame end	RW	0x0
15:0	CURR_COUNT	The current value of the performance monitor counter	R	0x0

Table 9-468. Register Call Summary for Register VIP_PERF_MON43

VIP Register Manual

- [VIP VPDMA Register Summary: \[1\]](#)

Table 9-469. VIP_PERF_MON44

Address Offset	0x0000 02B0	Instance	VIP1_VPDMA
Physical Address	0x4897 D2B0		
Description	The register can be used to capture timing differences between events in the VPDMA\		
Type	RW		

31	30	29	28	27	26	25	24	23	22	21	20	19	18	17	16	15	14	13	12	11	10	9	8	7	6	5	4	3	2	1	0
CAPTURE_MODE		STOP_CLIENT		RESERVED		STOP_COUNT		RESERVED		START_CLIENT		RESERVED		START_COUNT		CURR_COUNT															

Bits	Field Name	Description	Type	Reset
31:30	CAPTURE_MODE	Sets how the counter should be updated. Updating this value will also clear the current counter stored value. 0: Running Average 1: Minimum Value 2: Maximum Value 3: Last Value	RW	0x0
29:28	STOP_CLIENT	Sets the client whose event stops the performance monitor counter. 0: 1: 2: 3:	RW	0x0
27	RESERVED		R	0x0
26:24	STOP_COUNT	Sets the value that stops the performance monitor counter. 0: command request 1: command accept 2: data request 3: data rcvd 4: data empty 5: data full 6: frame start 7: frame end	RW	0x0
23:22	RESERVED		R	0x0
21:20	START_CLIENT	Sets the client whose event starts the performance monitor counter. 0: 1: 2: 3:	RW	0x0
19	RESERVED		R	0x0

Bits	Field Name	Description	Type	Reset
18:16	START_COUNT	Sets the value that starts the performance monitor counter. 0: command request 1: command accept 2: data request 3: data rcvd 4: data empty 5: data full 6: frame start 7: frame end	RW	0x0
15:0	CURR_COUNT	The current value of the performance monitor counter	R	0x0

Table 9-470. Register Call Summary for Register VIP_PERF_MON44

VIP Register Manual

- [VIP VPDMA Register Summary: \[1\]](#)

Table 9-471. VIP_PERF_MON45

Address Offset	0x0000 02B4	Instance	VIP1_VPDMA
Physical Address	0x4897 D2B4		
Description	The register can be used to capture timing differences between events in the VPDMA\n		
Type	RW		

31	30	29	28	27	26	25	24	23	22	21	20	19	18	17	16	15	14	13	12	11	10	9	8	7	6	5	4	3	2	1	0
CAPTURE_MODE		STOP_CLIENT		RESERVED		STOP_COUNT		RESERVED		START_CLIENT		RESERVED		START_COUNT		CURR_COUNT															

Bits	Field Name	Description	Type	Reset
31:30	CAPTURE_MODE	Sets how the counter should be updated. Updating this value will also clear the current counter stored value. 0: Running Average 1: Minimum Value 2: Maximum Value 3: Last Value	RW	0x0
29:28	STOP_CLIENT	Sets the client whose event stops the performance monitor counter. 0: 1: 2: 3:	RW	0x0
27	RESERVED		R	0x0
26:24	STOP_COUNT	Sets the value that stops the performance monitor counter. 0: command request 1: command accept 2: data request 3: data rcvd 4: data empty 5: data full 6: frame start 7: frame end	RW	0x0
23:22	RESERVED		R	0x0
21:20	START_CLIENT	Sets the client whose event starts the performance monitor counter. 0: 1: 2: 3:	RW	0x0
19	RESERVED		R	0x0
18:16	START_COUNT	Sets the value that starts the performance monitor counter. 0: command request 1: command accept 2: data request 3: data rcvd 4: data empty 5: data full 6: frame start 7: frame end	RW	0x0
15:0	CURR_COUNT	The current value of the performance monitor counter	R	0x0

Table 9-472. Register Call Summary for Register VIP_PERF_MON45

VIP Register Manual

- [VIP VPDMA Register Summary: \[1\]](#)

Table 9-473. VIP_PERF_MON46

Address Offset	0x0000 02B8	Instance	VIP1_VPDMA
Physical Address	0x4897 D2B8		
Description	The register can be used to capture timing differences between events in the VPDMA\		
Type	RW		

31	30	29	28	27	26	25	24	23	22	21	20	19	18	17	16	15	14	13	12	11	10	9	8	7	6	5	4	3	2	1	0
CAPTURE_MODE				STOP_CLIENT		RESERVED		STOP_COUNT		RESERVED		START_CLIENT		RESERVED		START_COUNT		CURR_COUNT													

Bits	Field Name	Description	Type	Reset
31:30	CAPTURE_MODE	Sets how the counter should be updated. Updating this value will also clear the current counter stored value. 0: Running Average 1: Minimum Value 2: Maximum Value 3: Last Value	RW	0x0
29:28	STOP_CLIENT	Sets the client whose event stops the performance monitor counter. 0: 1: 2: 3:	RW	0x0
27	RESERVED		R	0x0
26:24	STOP_COUNT	Sets the value that stops the performance monitor counter. 0: command request 1: command accept 2: data request 3: data rcvd 4: data empty 5: data full 6: frame start 7: frame end	RW	0x0
23:22	RESERVED		R	0x0
21:20	START_CLIENT	Sets the client whose event starts the performance monitor counter. 0: 1: 2: 3:	RW	0x0
19	RESERVED		R	0x0
18:16	START_COUNT	Sets the value that starts the performance monitor counter. 0: command request 1: command accept 2: data request 3: data rcvd 4: data empty 5: data full 6: frame start 7: frame end	RW	0x0
15:0	CURR_COUNT	The current value of the performance monitor counter	R	0x0

Table 9-474. Register Call Summary for Register VIP_PERF_MON46

VIP Register Manual

- [VIP VPDMA Register Summary: \[1\]](#)

Table 9-475. VIP_PERF_MON47

Address Offset	0x0000 02BC	Instance	VIP1_VPDMA
Physical Address	0x4897 D2BC		
Description	The register can be used to capture timing differences between events in the VPDMA\		
Type	RW		

31	30	29	28	27	26	25	24	23	22	21	20	19	18	17	16	15	14	13	12	11	10	9	8	7	6	5	4	3	2	1	0
CAPTURE_MODE		STOP_CLIENT		RESERVED	STOP_COUNT		RESERVED	START_CLIENT		RESERVED	START_COUNT		CURR_COUNT																		

Bits	Field Name	Description	Type	Reset
31:30	CAPTURE_MODE	Sets how the counter should be updated. Updating this value will also clear the current counter stored value. 0: Running Average 1: Minimum Value 2: Maximum Value 3: Last Value	RW	0x0
29:28	STOP_CLIENT	Sets the client whose event stops the performance monitor counter. 0: 1: 2: 3:	RW	0x0
27	RESERVED		R	0x0
26:24	STOP_COUNT	Sets the value that stops the performance monitor counter. 0: command request 1: command accept 2: data request 3: data rcvd 4: data empty 5: data full 6: frame start 7: frame end	RW	0x0
23:22	RESERVED		R	0x0
21:20	START_CLIENT	Sets the client whose event starts the performance monitor counter. 0: 1: 2: 3:	RW	0x0
19	RESERVED		R	0x0
18:16	START_COUNT	Sets the value that starts the performance monitor counter. 0: command request 1: command accept 2: data request 3: data rcvd 4: data empty 5: data full 6: frame start 7: frame end	RW	0x0
15:0	CURR_COUNT	The current value of the performance monitor counter	R	0x0

Table 9-476. Register Call Summary for Register VIP_PERF_MON47

VIP Register Manual

- [VIP VPDMA Register Summary: \[1\]](#)

Table 9-477. VIP_PERF_MON48

Address Offset	0x0000 02C0	Instance	VIP1_VPDMA
Physical Address	0x4897 D2C0		
Description	The register can be used to capture timing differences between events in the VPDMA\		
Type	RW		

31	30	29	28	27	26	25	24	23	22	21	20	19	18	17	16	15	14	13	12	11	10	9	8	7	6	5	4	3	2	1	0
CAPTURE_MODE		STOP_CLIENT		RESERVED	STOP_COUNT		RESERVED	START_CLIENT		RESERVED	START_COUNT		CURR_COUNT																		

Bits	Field Name	Description	Type	Reset
31:30	CAPTURE_MODE	Sets how the counter should be updated. Updating this value will also clear the current counter stored value. 0: Running Average 1: Minimum Value 2: Maximum Value 3: Last Value	RW	0x0

Bits	Field Name	Description	Type	Reset
29:28	STOP_CLIENT	Sets the client whose event stops the performance monitor counter. 0: 1: 2: 3:	RW	0x0
27	RESERVED		R	0x0
26:24	STOP_COUNT	Sets the value that stops the performance monitor counter. 0: command request 1: command accept 2: data request 3: data rcvd 4: data empty 5: data full 6: frame start 7: frame end	RW	0x0
23:22	RESERVED		R	0x0
21:20	START_CLIENT	Sets the client whose event starts the performance monitor counter. 0: 1: 2: 3:	RW	0x0
19	RESERVED		R	0x0
18:16	START_COUNT	Sets the value that starts the performance monitor counter. 0: command request 1: command accept 2: data request 3: data rcvd 4: data empty 5: data full 6: frame start 7: frame end	RW	0x0
15:0	CURR_COUNT	The current value of the performance monitor counter	R	0x0

Table 9-478. Register Call Summary for Register VIP_PERF_MON48

VIP Register Manual

- [VIP VPDMA Register Summary: \[1\]](#)

Table 9-479. VIP_PERF_MON49

Address Offset	0x0000 02C4	Instance	VIP1_VPDMA
Physical Address	0x4897 D2C4		
Description	The register can be used to capture timing differences between events in the VPDMA\		
Type	RW		

31	30	29	28	27	26	25	24	23	22	21	20	19	18	17	16	15	14	13	12	11	10	9	8	7	6	5	4	3	2	1	0
CAPTURE_MODE	STOP_CLIENT	RESERVED	STOP_COUNT	RESERVED	START_CLIENT	RESERVED	START_COUNT	CURR_COUNT																							

Bits	Field Name	Description	Type	Reset
31:30	CAPTURE_MODE	Sets how the counter should be updated. Updating this value will also clear the current counter stored value. 0: Running Average 1: Minimum Value 2: Maximum Value 3: Last Value	RW	0x0
29:28	STOP_CLIENT	Sets the client whose event stops the performance monitor counter. 0: 1: 2: 3:	RW	0x0
27	RESERVED		R	0x0
26:24	STOP_COUNT	Sets the value that stops the performance monitor counter. 0: command request 1: command accept 2: data request 3: data rcvd 4: data empty 5: data full 6: frame start 7: frame end	RW	0x0
23:22	RESERVED		R	0x0
21:20	START_CLIENT	Sets the client whose event starts the performance monitor counter. 0: 1: 2: 3:	RW	0x0
19	RESERVED		R	0x0

Bits	Field Name	Description	Type	Reset
18:16	START_COUNT	Sets the value that starts the performance monitor counter. 0: command request 1: command accept 2: data request 3: data rcvd 4: data empty 5: data full 6: frame start 7: frame end	RW	0x0
15:0	CURR_COUNT	The current value of the performance monitor counter	R	0x0

Table 9-480. Register Call Summary for Register VIP_PERF_MON49

VIP Register Manual

- [VIP VPDMA Register Summary: \[1\]](#)

Table 9-481. VIP_PERF_MON50

Address Offset	0x0000 02C8	Instance	VIP1_VPDMA
Physical Address	0x4897 D2C8		
Description	The register can be used to capture timing differences between events in the VPDMA\n		
Type	RW		

31	30	29	28	27	26	25	24	23	22	21	20	19	18	17	16	15	14	13	12	11	10	9	8	7	6	5	4	3	2	1	0
CAPTURE_MODE		STOP_CLIENT		RESERVED		STOP_COUNT		RESERVED		START_CLIENT		RESERVED		START_COUNT		CURR_COUNT															

Bits	Field Name	Description	Type	Reset
31:30	CAPTURE_MODE	Sets how the counter should be updated. Updating this value will also clear the current counter stored value. 0: Running Average 1: Minimum Value 2: Maximum Value 3: Last Value	RW	0x0
29:28	STOP_CLIENT	Sets the client whose event stops the performance monitor counter. 0: 1: 2: 3: vpi_ctl	RW	0x0
27	RESERVED		R	0x0
26:24	STOP_COUNT	Sets the value that stops the performance monitor counter. 0: command request 1: command accept 2: data request 3: data rcvd 4: data empty 5: data full 6: frame start 7: frame end	RW	0x0
23:22	RESERVED		R	0x0
21:20	START_CLIENT	Sets the client whose event starts the performance monitor counter. 0: 1: 2: 3: vpi_ctl	RW	0x0
19	RESERVED		R	0x0
18:16	START_COUNT	Sets the value that starts the performance monitor counter. 0: command request 1: command accept 2: data request 3: data rcvd 4: data empty 5: data full 6: frame start 7: frame end	RW	0x0
15:0	CURR_COUNT	The current value of the performance monitor counter	R	0x0

Table 9-482. Register Call Summary for Register VIP_PERF_MON50

VIP Register Manual

- [VIP VPDMA Register Summary: \[1\]](#)

Table 9-483. VIP_PERF_MON51

Address Offset	0x0000 02CC	Instance	VIP1_VPDMA
Physical Address	0x4897 D2CC		
Description	The register can be used to capture timing differences between events in the VPDMA\		
Type	RW		

31	30	29	28	27	26	25	24	23	22	21	20	19	18	17	16	15	14	13	12	11	10	9	8	7	6	5	4	3	2	1	0
CAPTURE_MODE				STOP_CLIENT		RESERVED		STOP_COUNT		RESERVED		START_CLIENT		RESERVED		START_COUNT		CURR_COUNT													

Bits	Field Name	Description	Type	Reset
31:30	CAPTURE_MODE	Sets how the counter should be updated. Updating this value will also clear the current counter stored value. 0: Running Average 1: Minimum Value 2: Maximum Value 3: Last Value	RW	0x0
29:28	STOP_CLIENT	Sets the client whose event stops the performance monitor counter. 0: 1: 2: vpi_ctl 3:	RW	0x0
27	RESERVED		R	0x0
26:24	STOP_COUNT	Sets the value that stops the performance monitor counter. 0: command request 1: command accept 2: data request 3: data rcvd 4: data empty 5: data full 6: frame start 7: frame end	RW	0x0
23:22	RESERVED		R	0x0
21:20	START_CLIENT	Sets the client whose event starts the performance monitor counter. 0: 1: 2: vpi_ctl 3:	RW	0x0
19	RESERVED		R	0x0
18:16	START_COUNT	Sets the value that starts the performance monitor counter. 0: command request 1: command accept 2: data request 3: data rcvd 4: data empty 5: data full 6: frame start 7: frame end	RW	0x0
15:0	CURR_COUNT	The current value of the performance monitor counter	R	0x0

Table 9-484. Register Call Summary for Register VIP_PERF_MON51

VIP Register Manual

- [VIP VPDMA Register Summary: \[1\]](#)

Table 9-485. VIP_PERF_MON52

Address Offset	0x0000 02D0	Instance	VIP1_VPDMA
Physical Address	0x4897 D2D0		
Description	The register can be used to capture timing differences between events in the VPDMA\		
Type	RW		

31	30	29	28	27	26	25	24	23	22	21	20	19	18	17	16	15	14	13	12	11	10	9	8	7	6	5	4	3	2	1	0
CAPTURE_MODE		STOP_CLIENT		RESERVED	STOP_COUNT		RESERVED	START_CLIENT		RESERVED	START_COUNT		CURR_COUNT																		

Bits	Field Name	Description	Type	Reset
31:30	CAPTURE_MODE	Sets how the counter should be updated. Updating this value will also clear the current counter stored value. 0: Running Average 1: Minimum Value 2: Maximum Value 3: Last Value	RW	0x0
29:28	STOP_CLIENT	Sets the client whose event stops the performance monitor counter. 0: vpi_ctl 1: 2: 3:	RW	0x0
27	RESERVED		R	0x0
26:24	STOP_COUNT	Sets the value that stops the performance monitor counter. 0: command request 1: command accept 2: data request 3: data rcvd 4: data empty 5: data full 6: frame start 7: frame end	RW	0x0
23:22	RESERVED		R	0x0
21:20	START_CLIENT	Sets the client whose event starts the performance monitor counter. 0: vpi_ctl 1: 2: 3:	RW	0x0
19	RESERVED		R	0x0
18:16	START_COUNT	Sets the value that starts the performance monitor counter. 0: command request 1: command accept 2: data request 3: data rcvd 4: data empty 5: data full 6: frame start 7: frame end	RW	0x0
15:0	CURR_COUNT	The current value of the performance monitor counter	R	0x0

Table 9-486. Register Call Summary for Register VIP_PERF_MON52

VIP Register Manual

- [VIP VPDMA Register Summary: \[1\]](#)

Table 9-487. VIP_PERF_MON53

Address Offset	0x0000 02D4	Instance	VIP1_VPDMA
Physical Address	0x4897 D2D4		
Description	The register can be used to capture timing differences between events in the VPDMA\		
Type	RW		

31	30	29	28	27	26	25	24	23	22	21	20	19	18	17	16	15	14	13	12	11	10	9	8	7	6	5	4	3	2	1	0
CAPTURE_MODE		STOP_CLIENT		RESERVED	STOP_COUNT		RESERVED	START_CLIENT		RESERVED	START_COUNT		CURR_COUNT																		

Bits	Field Name	Description	Type	Reset
31:30	CAPTURE_MODE	Sets how the counter should be updated. Updating this value will also clear the current counter stored value. 0: Running Average 1: Minimum Value 2: Maximum Value 3: Last Value	RW	0x0

Bits	Field Name	Description	Type	Reset
29:28	STOP_CLIENT	Sets the client whose event stops the performance monitor counter. 0: 1: vpi_ctl 2: 3:	RW	0x0
27	RESERVED		R	0x0
26:24	STOP_COUNT	Sets the value that stops the performance monitor counter. 0: command request 1: command accept 2: data request 3: data rcvd 4: data empty 5: data full 6: frame start 7: frame end	RW	0x0
23:22	RESERVED		R	0x0
21:20	START_CLIENT	Sets the client whose event starts the performance monitor counter. 0: 1: vpi_ctl 2: 3:	RW	0x0
19	RESERVED		R	0x0
18:16	START_COUNT	Sets the value that starts the performance monitor counter. 0: command request 1: command accept 2: data request 3: data rcvd 4: data empty 5: data full 6: frame start 7: frame end	RW	0x0
15:0	CURR_COUNT	The current value of the performance monitor counter	R	0x0

Table 9-488. Register Call Summary for Register VIP_PERF_MON53

VIP Register Manual

- [VIP VPDMA Register Summary: \[1\]](#)

Table 9-489. VIP_PERF_MON54

Address Offset	0x0000 02D8	Instance	VIP1_VPDMA
Physical Address	0x4897 D2D8		
Description	The register can be used to capture timing differences between events in the VPDMA\		
Type	RW		

31	30	29	28	27	26	25	24	23	22	21	20	19	18	17	16	15	14	13	12	11	10	9	8	7	6	5	4	3	2	1	0
CAPTURE_MODE		STOP_CLIENT		RESERVED		STOP_COUNT		RESERVED		START_CLIENT		RESERVED		START_COUNT		CURR_COUNT															

Bits	Field Name	Description	Type	Reset
31:30	CAPTURE_MODE	Sets how the counter should be updated. Updating this value will also clear the current counter stored value. 0: Running Average 1: Minimum Value 2: Maximum Value 3: Last Value	RW	0x0
29:28	STOP_CLIENT	Sets the client whose event stops the performance monitor counter. 0: 1: 2: 3:	RW	0x0
27	RESERVED		R	0x0
26:24	STOP_COUNT	Sets the value that stops the performance monitor counter. 0: command request 1: command accept 2: data request 3: data rcvd 4: data empty 5: data full 6: frame start 7: frame end	RW	0x0
23:22	RESERVED		R	0x0
21:20	START_CLIENT	Sets the client whose event starts the performance monitor counter. 0: 1: 2: 3:	RW	0x0
19	RESERVED		R	0x0

Bits	Field Name	Description	Type	Reset
18:16	START_COUNT	Sets the value that starts the performance monitor counter. 0: command request 1: command accept 2: data request 3: data rcvd 4: data empty 5: data full 6: frame start 7: frame end	RW	0x0
15:0	CURR_COUNT	The current value of the performance monitor counter	R	0x0

Table 9-490. Register Call Summary for Register VIP_PERF_MON54

VIP Register Manual

- [VIP VPDMA Register Summary: \[1\]](#)

Table 9-491. VIP_PERF_MON55

Address Offset	0x0000 02DC	Instance	VIP1_VPDMA
Physical Address	0x4897 D2DC		
Description	The register can be used to capture timing differences between events in the VPDMA\n		
Type	RW		

31	30	29	28	27	26	25	24	23	22	21	20	19	18	17	16	15	14	13	12	11	10	9	8	7	6	5	4	3	2	1	0
CAPTURE_MODE		STOP_CLIENT		RESERVED		STOP_COUNT		RESERVED		START_CLIENT		RESERVED		START_COUNT		CURR_COUNT															

Bits	Field Name	Description	Type	Reset
31:30	CAPTURE_MODE	Sets how the counter should be updated. Updating this value will also clear the current counter stored value. 0: Running Average 1: Minimum Value 2: Maximum Value 3: Last Value	RW	0x0
29:28	STOP_CLIENT	Sets the client whose event stops the performance monitor counter. 0: 1: 2: 3:	RW	0x0
27	RESERVED		R	0x0
26:24	STOP_COUNT	Sets the value that stops the performance monitor counter. 0: command request 1: command accept 2: data request 3: data rcvd 4: data empty 5: data full 6: frame start 7: frame end	RW	0x0
23:22	RESERVED		R	0x0
21:20	START_CLIENT	Sets the client whose event starts the performance monitor counter. 0: 1: 2: 3:	RW	0x0
19	RESERVED		R	0x0
18:16	START_COUNT	Sets the value that starts the performance monitor counter. 0: command request 1: command accept 2: data request 3: data rcvd 4: data empty 5: data full 6: frame start 7: frame end	RW	0x0
15:0	CURR_COUNT	The current value of the performance monitor counter	R	0x0

Table 9-492. Register Call Summary for Register VIP_PERF_MON55

VIP Register Manual

- [VIP VPDMA Register Summary: \[1\]](#)

Table 9-493. VIP_PERF_MON56

Address Offset	0x0000 02E0	Instance	VIP1_VPDMA
Physical Address	0x4897 D2E0		
Description	The register can be used to capture timing differences between events in the VPDMA\		
Type	RW		

31	30	29	28	27	26	25	24	23	22	21	20	19	18	17	16	15	14	13	12	11	10	9	8	7	6	5	4	3	2	1	0
CAPTURE_MODE	STOP_CLIENT	RESERVED	STOP_COUNT	RESERVED	START_CLIENT	RESERVED	START_COUNT	CURR_COUNT																							

Bits	Field Name	Description	Type	Reset
31:30	CAPTURE_MODE	Sets how the counter should be updated. Updating this value will also clear the current counter stored value. 0: Running Average 1: Minimum Value 2: Maximum Value 3: Last Value	RW	0x0
29:28	STOP_CLIENT		RW	0x0
27	RESERVED	Sets the client whose event stops the performance monitor counter. 0: 1: 2: 3: vip1_anc_a	R	0x0
26:24	STOP_COUNT		RW	0x0
23:22	RESERVED	Sets the value that stops the performance monitor counter. 0: command request 1: command accept 2: data request 3: data rcvd 4: data empty 5: data full 6: frame start 7: frame end	R	0x0
21:20	START_CLIENT		RW	0x0
19	RESERVED	Sets the client whose event starts the performance monitor counter. 0: 1: 2: 3: vip1_anc_a	R	0x0
18:16	START_COUNT	Sets the value that starts the performance monitor counter. 0: command request 1: command accept 2: data request 3: data rcvd 4: data empty 5: data full 6: frame start 7: frame end	RW	0x0
15:0	CURR_COUNT	The current value of the performance monitor counter	R	0x0

Table 9-494. Register Call Summary for Register VIP_PERF_MON56

VIP Register Manual

- [VIP VPDMA Register Summary: \[1\]](#)

Table 9-495. VIP_PERF_MON57

Address Offset	0x0000 02E4	Instance	VIP1_VPDMA
Physical Address	0x4897 D2E4		
Description	The register can be used to capture timing differences between events in the VPDMA\		
Type	RW		

31	30	29	28	27	26	25	24	23	22	21	20	19	18	17	16	15	14	13	12	11	10	9	8	7	6	5	4	3	2	1	0
CAPTURE_MODE		STOP_CLIENT		RESERVED	STOP_COUNT		RESERVED	START_CLIENT		RESERVED	START_COUNT		CURR_COUNT																		

Bits	Field Name	Description	Type	Reset
31:30	CAPTURE_MODE	Sets how the counter should be updated. Updating this value will also clear the current counter stored value. 0: Running Average 1: Minimum Value 2: Maximum Value 3: Last Value	RW	0x0
29:28	STOP_CLIENT	Sets the client whose event stops the performance monitor counter. 0: 1: 2: vip1_anc_a 3: vip1_anc_b	RW	0x0
27	RESERVED		R	0x0
26:24	STOP_COUNT	Sets the value that stops the performance monitor counter. 0: command request 1: command accept 2: data request 3: data rcvd 4: data empty 5: data full 6: frame start 7: frame end	RW	0x0
23:22	RESERVED		R	0x0
21:20	START_CLIENT	Sets the client whose event starts the performance monitor counter. 0: 1: 2: vip1_anc_a 3: vip1_anc_b	RW	0x0
19	RESERVED		R	0x0
18:16	START_COUNT	Sets the value that starts the performance monitor counter. 0: command request 1: command accept 2: data request 3: data rcvd 4: data empty 5: data full 6: frame start 7: frame end	RW	0x0
15:0	CURR_COUNT	The current value of the performance monitor counter	R	0x0

Table 9-496. Register Call Summary for Register VIP_PERF_MON57

VIP Register Manual

- [VIP VPDMA Register Summary: \[1\]](#)

Table 9-497. VIP_PERF_MON58

Address Offset	0x0000 02E8	Instance	VIP1_VPDMA
Physical Address	0x4897 D2E8		
Description	The register can be used to capture timing differences between events in the VPDMA\		
Type	RW		

31	30	29	28	27	26	25	24	23	22	21	20	19	18	17	16	15	14	13	12	11	10	9	8	7	6	5	4	3	2	1	0
CAPTURE_MODE		STOP_CLIENT		RESERVED	STOP_COUNT		RESERVED	START_CLIENT		RESERVED	START_COUNT		CURR_COUNT																		

Bits	Field Name	Description	Type	Reset
31:30	CAPTURE_MODE	Sets how the counter should be updated. Updating this value will also clear the current counter stored value. 0: Running Average 1: Minimum Value 2: Maximum Value 3: Last Value	RW	0x0

Bits	Field Name	Description	Type	Reset
29:28	STOP_CLIENT	Sets the client whose event stops the performance monitor counter. 0: vip1_anc_a 1: 2: vip1_anc_b 3: vip2_anc_a	RW	0x0
27	RESERVED		R	0x0
26:24	STOP_COUNT	Sets the value that stops the performance monitor counter. 0: command request 1: command accept 2: data request 3: data rcvd 4: data empty 5: data full 6: frame start 7: frame end	RW	0x0
23:22	RESERVED		R	0x0
21:20	START_CLIENT	Sets the client whose event starts the performance monitor counter. 0: vip1_anc_a 1: 2: vip1_anc_b 3: vip2_anc_a	RW	0x0
19	RESERVED		R	0x0
18:16	START_COUNT	Sets the value that starts the performance monitor counter. 0: command request 1: command accept 2: data request 3: data rcvd 4: data empty 5: data full 6: frame start 7: frame end	RW	0x0
15:0	CURR_COUNT	The current value of the performance monitor counter	R	0x0

Table 9-498. Register Call Summary for Register VIP_PERF_MON58

VIP Register Manual

- [VIP VPDMA Register Summary: \[1\]](#)

Table 9-499. VIP_PERF_MON59

Address Offset	0x0000 02EC	Instance	VIP1_VPDMA
Physical Address	0x4897 D2EC		
Description	The register can be used to capture timing differences between events in the VPDMA\		
Type	RW		

31	30	29	28	27	26	25	24	23	22	21	20	19	18	17	16	15	14	13	12	11	10	9	8	7	6	5	4	3	2	1	0
CAPTURE_MODE		STOP_CLIENT		RESERVED		STOP_COUNT		RESERVED		START_CLIENT		RESERVED		START_COUNT		CURR_COUNT															

Bits	Field Name	Description	Type	Reset
31:30	CAPTURE_MODE	Sets how the counter should be updated. Updating this value will also clear the current counter stored value. 0: Running Average 1: Minimum Value 2: Maximum Value 3: Last Value	RW	0x0
29:28	STOP_CLIENT	Sets the client whose event stops the performance monitor counter. 0: vip1_anc_b 1: vip1_anc_a 2: vip2_anc_a 3: vip2_anc_b	RW	0x0
27	RESERVED		R	0x0
26:24	STOP_COUNT	Sets the value that stops the performance monitor counter. 0: command request 1: command accept 2: data request 3: data rcvd 4: data empty 5: data full 6: frame start 7: frame end	RW	0x0
23:22	RESERVED		R	0x0
21:20	START_CLIENT	Sets the client whose event starts the performance monitor counter. 0: vip1_anc_b 1: vip1_anc_a 2: vip2_anc_a 3: vip2_anc_b	RW	0x0

Bits	Field Name	Description	Type	Reset
19	RESERVED		R	0x0
18:16	START_COUNT	Sets the value that starts the performance monitor counter. 0: command request 1: command accept 2: data request 3: data rcvd 4: data empty 5: data full 6: frame start 7: frame end	RW	0x0
15:0	CURR_COUNT	The current value of the performance monitor counter	R	0x0

Table 9-500. Register Call Summary for Register VIP_PERF_MON59

VIP Register Manual

- [VIP VPDMA Register Summary: \[1\]](#)

Table 9-501. VIP_PERF_MON60

Address Offset	0x0000 02F0	Instance	VIP1_VPDMA
Physical Address	0x4897 D2F0		
Description	The register can be used to capture timing differences between events in the VPDMA\n		
Type	RW		

31	30	29	28	27	26	25	24	23	22	21	20	19	18	17	16	15	14	13	12	11	10	9	8	7	6	5	4	3	2	1	0
CAPTURE_MODE		STOP_CLIENT		RESERVED		STOP_COUNT		RESERVED		START_CLIENT		RESERVED		START_COUNT		CURR_COUNT															

Bits	Field Name	Description	Type	Reset
31:30	CAPTURE_MODE	Sets how the counter should be updated. Updating this value will also clear the current counter stored value. 0: Running Average 1: Minimum Value 2: Maximum Value 3: Last Value	RW	0x0
29:28	STOP_CLIENT	Sets the client whose event stops the performance monitor counter. 0: vip2_anc_a 1: vip1_anc_b 2: vip2_anc_b 3:	RW	0x0
27	RESERVED		R	0x0
26:24	STOP_COUNT	Sets the value that stops the performance monitor counter. 0: command request 1: command accept 2: data request 3: data rcvd 4: data empty 5: data full 6: frame start 7: frame end	RW	0x0
23:22	RESERVED		R	0x0
21:20	START_CLIENT	Sets the client whose event starts the performance monitor counter. 0: vip2_anc_a 1: vip1_anc_b 2: vip2_anc_b 3:	RW	0x0
19	RESERVED		R	0x0
18:16	START_COUNT	Sets the value that starts the performance monitor counter. 0: command request 1: command accept 2: data request 3: data rcvd 4: data empty 5: data full 6: frame start 7: frame end	RW	0x0
15:0	CURR_COUNT	The current value of the performance monitor counter	R	0x0

Table 9-502. Register Call Summary for Register VIP_PERF_MON60

VIP Register Manual

- [VIP VPDMA Register Summary: \[1\]](#)

Table 9-503. VIP_PERF_MON61

Address Offset	0x0000 02F4	Instance	VIP1_VPDMA
Physical Address	0x4897 D2F4		
Description	The register can be used to capture timing differences between events in the VPDMA.\n		
Type	RW		

31	30	29	28	27	26	25	24	23	22	21	20	19	18	17	16	15	14	13	12	11	10	9	8	7	6	5	4	3	2	1	0
CAPTURE_MODE				STOP_CLIENT		RESERVED		STOP_COUNT		RESERVED		START_CLIENT		RESERVED		START_COUNT		CURR_COUNT													

Bits	Field Name	Description	Type	Reset
31:30	CAPTURE_MODE	Sets how the counter should be updated. Updating this value will also clear the current counter stored value. 0: Running Average 1: Minimum Value 2: Maximum Value 3: Last Value	RW	0x0
29:28	STOP_CLIENT	Sets the client whose event stops the performance monitor counter. 0: vip2_anc_b 1: vip2_anc_a 2: 3:	RW	0x0
27	RESERVED		R	0x0
26:24	STOP_COUNT	Sets the value that stops the performance monitor counter. 0: command request 1: command accept 2: data request 3: data rcvd 4: data empty 5: data full 6: frame start 7: frame end	RW	0x0
23:22	RESERVED		R	0x0
21:20	START_CLIENT	Sets the client whose event starts the performance monitor counter. 0: vip2_anc_b 1: vip2_anc_a 2: 3:	RW	0x0
19	RESERVED		R	0x0
18:16	START_COUNT	Sets the value that starts the performance monitor counter. 0: command request 1: command accept 2: data request 3: data rcvd 4: data empty 5: data full 6: frame start 7: frame end	RW	0x0
15:0	CURR_COUNT	The current value of the performance monitor counter	R	0x0

Table 9-504. Register Call Summary for Register VIP_PERF_MON61

VIP Register Manual

- [VIP VPDMA Register Summary: \[1\]](#)

Table 9-505. VIP0_LO_Y_CSTAT

Address Offset	0x0000 0388	Instance	VIP1_VPDMA
Physical Address	0x4897 D388		
Description	The register holds status information and control for the client.\n		
Type	RW		

31	30	29	28	27	26	25	24	23	22	21	20	19	18	17	16	15	14	13	12	11	10	9	8	7	6	5	4	3	2	1	0
REQ_DELAY								REQ_RATE								BUSY	DMA_ACTIVE	FRAME_START	RESERVED												

Bits	Field Name	Description	Type	Reset
31:24	REQ_DELAY	The minimum number of clock cycles between requests being issued. This value is multiplied by 32 to get the actual number of cycles..This value is only accurate for the current frame. The internal counters used to calculate the rate are reset when a new frame begins and the first request of a frame will go as soon as possible.	RW	0x0
23:16	REQ_RATE	The number of clock cycles between the last two requests issued. This value is multiplied by 32 to get the actual number of cycles.This value is only accurate for the current frame. The internal counters used to calculate the rate are reset when a new frame begins.	R	0x0
15	BUSY	Signals if the client is currently active. This bit is set as soon as we the channel is received by the client from the list manager and is cleared when the channel is cleared from the shared memory.	R	0x0
14	DMA_ACTIVE	Signals if the client is currently actively sending DMA requests	R	0x0
13:10	FRAME_START	The source of the start frame event for the client.\n0 : Change in value of hdmi_field_id\n1 : Change in value of dvo2_field_id\n2 : Change in value of hdcomp_field_id\n3 : Change in value of sd_field_id\n4 : Use List Manager Internal Field0\n5 : Use List Manager Internal Field1\n6 : Use List Manager Internal Field2\n7 : Start on channel active	RW	0x0
9:0	RESERVED		R	0x0

Table 9-506. Register Call Summary for Register VIP0_LO_Y_CSTAT

VIP Functional Description

- [VPDMA Basic Definitions:](#)

VIP Register Manual

- [VIP VPDMA Register Summary: \[2\]](#)

Table 9-507. VIP0_LO_UV_CSTAT

Address Offset	0x0000 038C	Instance	VIP1_VPDMA
Physical Address	0x4897 D38C		
Description	The register holds status information and control for the client.\n		
Type	RW		

31	30	29	28	27	26	25	24	23	22	21	20	19	18	17	16	15	14	13	12	11	10	9	8	7	6	5	4	3	2	1	0
REQ_DELAY								REQ_RATE								BUSY	DMA_ACTIVE	FRAME_START	RESERVED												

Bits	Field Name	Description	Type	Reset
31:24	REQ_DELAY	The minimum number of clock cycles between requests being issued. This value is multiplied by 32 to get the actual number of cycles..This value is only accurate for the current frame. The internal counters used to calculate the rate are reset when a new frame begins and the first request of a frame will go as soon as possible.	RW	0x0
23:16	REQ_RATE	The number of clock cycles between the last two requests issued. This value is multiplied by 32 to get the actual number of cycles.This value is only accurate for the current frame. The internal counters used to calculate the rate are reset when a new frame begins.	R	0x0

Bits	Field Name	Description	Type	Reset
15	BUSY	Signals if the client is currently active. This bit is set as soon as we the channel is received by the client from the list manager and is cleared when the channel is cleared from the shared memory.	R	0x0
14	DMA_ACTIVE	Signals if the client is currently actively sending DMA requests	R	0x0
13:10	FRAME_START	The source of the start frame event for the client.\n0 : Change in value of hdmi_field_id\n1 : Change in value of dvo2_field_id\n2 : Change in value of hdcomp_field_id\n3 : Change in value of sd_field_id\n4 : Use List Manager Internal Field0\n5 : Use List Manager Internal Field1\n6 : Use List Manager Internal Field2\n7 : Start on channel active	RW	0x0
9:0	RESERVED		R	0x0

Table 9-508. Register Call Summary for Register VIP0_LO_UV_CSTAT

VIP Functional Description

- [VPDMA Basic Definitions:](#)

VIP Register Manual

- [VIP VPDMA Register Summary: \[2\]](#)

Table 9-509. VIP0_UP_Y_CSTAT

Address Offset	0x0000 0390	Instance	VIP1_VPDMA
Physical Address	0x4897 D390		
Description	The register holds status information and control for the client.\n		
Type	RW		

31	30	29	28	27	26	25	24	23	22	21	20	19	18	17	16	15	14	13	12	11	10	9	8	7	6	5	4	3	2	1	0
REQ_DELAY								REQ_RATE								BUSY	DMA_ACTIVE	FRAME_START	RESERVED												

Bits	Field Name	Description	Type	Reset
31:24	REQ_DELAY	The minimum number of clock cycles between requests being issued. This value is multiplied by 32 to get the actual number of cycles..This value is only accurate for the current frame. The internal counters used to calculate the rate are reset when a new frame begins and the first request of a frame will go as soon as possible.	RW	0x0
23:16	REQ_RATE	The number of clock cycles between the last two requests issued. This value is multiplied by 32 to get the actual number of cycles.This value is only accurate for the current frame. The internal counters used to calculate the rate are reset when a new frame begins.	R	0x0
15	BUSY	Signals if the client is currently active. This bit is set as soon as we the channel is received by the client from the list manager and is cleared when the channel is cleared from the shared memory.	R	0x0
14	DMA_ACTIVE	Signals if the client is currently actively sending DMA requests	R	0x0

Bits	Field Name	Description	Type	Reset
13:10	FRAME_START	The source of the start frame event for the client.\n0 : Change in value of hdmi_field_id\n1 : Change in value of dvo2_field_id\n2 : Change in value of hdcomp_field_id\n3 : Change in value of sd_field_id\n4 : Use List Manager Internal Field0\n5 : Use List Manager Internal Field1\n6 : Use List Manager Internal Field2\n7 : Start on channel active	RW	0x0
9:0	RESERVED		R	0x0

Table 9-510. Register Call Summary for Register VIP0_UP_Y_CSTAT

VIP Functional Description

- [VPDMA Basic Definitions:](#)

VIP Register Manual

- [VIP VPDMA Register Summary: \[2\]](#)

Table 9-511. VIP0_UP_UV_CSTAT

Address Offset	0x0000 0394	Instance	VIP1_VPDMA
Physical Address	0x4897 D394		
Description	The register holds status information and control for the client.\n		
Type	RW		

31	30	29	28	27	26	25	24	23	22	21	20	19	18	17	16	15	14	13	12	11	10	9	8	7	6	5	4	3	2	1	0
REQ_DELAY								REQ_RATE								BUSY	DMA_ACTIVE	FRAME_START	RESERVED												

Bits	Field Name	Description	Type	Reset
31:24	REQ_DELAY	The minimum number of clock cycles between requests being issued. This value is multiplied by 32 to get the actual number of cycles..This value is only accurate for the current frame. The internal counters used to calculate the rate are reset when a new frame begins and the first request of a frame will go as soon as possible.	RW	0x0
23:16	REQ_RATE	The number of clock cycles between the last two requests issued. This value is multiplied by 32 to get the actual number of cycles.This value is only accurate for the current frame. The internal counters used to calculate the rate are reset when a new frame begins.	R	0x0
15	BUSY	Signals if the client is currently active. This bit is set as soon as we the channel is received by the client from the list manager and is cleared when the channel is cleared from the shared memory.	R	0x0
14	DMA_ACTIVE	Signals if the client is currently actively sending DMA requests	R	0x0
13:10	FRAME_START	The source of the start frame event for the client.\n0 : Change in value of hdmi_field_id\n1 : Change in value of dvo2_field_id\n2 : Change in value of hdcomp_field_id\n3 : Change in value of sd_field_id\n4 : Use List Manager Internal Field0\n5 : Use List Manager Internal Field1\n6 : Use List Manager Internal Field2\n7 : Start on channel active	RW	0x0
9:0	RESERVED		R	0x0

Table 9-512. Register Call Summary for Register VIP0_UP_UV_CSTAT

 VIP Functional Description

- [VPDMA Basic Definitions:](#)

 VIP Register Manual

- [VIP VPDMA Register Summary: \[2\]](#)

Table 9-513. VIP1_LO_Y_CSTAT

Address Offset	0x0000 0398	Instance	VIP1_VPDMA
Physical Address	0x4897 D398		
Description	The register holds status information and control for the client.\n		
Type	RW		

31	30	29	28	27	26	25	24	23	22	21	20	19	18	17	16	15	14	13	12	11	10	9	8	7	6	5	4	3	2	1	0
REQ_DELAY								REQ_RATE								BUSY	DMA_ACTIVE	FRAME_START	RESERVED												

Bits	Field Name	Description	Type	Reset
31:24	REQ_DELAY	The minimum number of clock cycles between requests being issued. This value is multiplied by 32 to get the actual number of cycles..This value is only accurate for the current frame. The internal counters used to calculate the rate are reset when a new frame begins and the first request of a frame will go as soon as possible.	RW	0x0
23:16	REQ_RATE	The number of clock cycles between the last two requests issued. This value is multiplied by 32 to get the actual number of cycles.This value is only accurate for the current frame. The internal counters used to calculate the rate are reset when a new frame begins.	R	0x0
15	BUSY	Signals if the client is currently active. This bit is set as soon as we the channel is received by the client from the list manager and is cleared when the channel is cleared from the shared memory.	R	0x0
14	DMA_ACTIVE	Signals if the client is currently actively sending DMA requests	R	0x0
13:10	FRAME_START	The source of the start frame event for the client.\n0 : Change in value of hdmi_field_id\n1 : Change in value of dvo2_field_id\n2 : Change in value of hdcomp_field_id\n3 : Change in value of sd_field_id\n4 : Use List Manager Internal Field0\n5 : Use List Manager Internal Field1\n6 : Use List Manager Internal Field2\n7 : Start on channel active	RW	0x0
9:0	RESERVED		R	0x0

Table 9-514. Register Call Summary for Register VIP1_LO_Y_CSTAT

 VIP Functional Description

- [VPDMA Basic Definitions:](#)

 VIP Register Manual

- [VIP VPDMA Register Summary: \[2\]](#)

Table 9-515. VIP1_LO_UV_CSTAT

Address Offset	0x0000 039C	Instance	VIP1_VPDMA
Physical Address	0x4897 D39C		
Description	The register holds status information and control for the client.\n		
Type	RW		

31	30	29	28	27	26	25	24	23	22	21	20	19	18	17	16	15	14	13	12	11	10	9	8	7	6	5	4	3	2	1	0
REQ_DELAY								REQ_RATE								BUSY	DMA_ACTIVE	FRAME_START	RESERVED												

Bits	Field Name	Description	Type	Reset
31:24	REQ_DELAY	The minimum number of clock cycles between requests being issued. This value is multiplied by 32 to get the actual number of cycles..This value is only accurate for the current frame. The internal counters used to calculate the rate are reset when a new frame begins and the first request of a frame will go as soon as possible.	RW	0x0
23:16	REQ_RATE	The number of clock cycles between the last two requests issued. This value is multiplied by 32 to get the actual number of cycles.This value is only accurate for the current frame. The internal counters used to calculate the rate are reset when a new frame begins.	R	0x0
15	BUSY	Signals if the client is currently active. This bit is set as soon as we the channel is received by the client from the list manager and is cleared when the channel is cleared from the shared memory.	R	0x0
14	DMA_ACTIVE	Signals if the client is currently actively sending DMA requests	R	0x0
13:10	FRAME_START	The source of the start frame event for the client.\n0 : Change in value of hdmi_field_id\n1 : Change in value of dvo2_field_id\n2 : Change in value of hdcomp_field_id\n3 : Change in value of sd_field_id\n4 : Use List Manager Internal Field0\n5 : Use List Manager Internal Field1\n6 : Use List Manager Internal Field2\n7 : Start on channel active	RW	0x0
9:0	RESERVED		R	0x0

Table 9-516. Register Call Summary for Register VIP1_LO_UV_CSTAT

VIP Functional Description

- [VPDMA Basic Definitions:](#)

VIP Register Manual

- [VIP VPDMA Register Summary: \[2\]](#)

Table 9-517. VIP1_UP_Y_CSTAT

Address Offset	0x0000 03A0	Instance	VIP1_VPDMA
Physical Address	0x4897 D3A0		
Description	The register holds status information and control for the client.\n		
Type	RW		

31	30	29	28	27	26	25	24	23	22	21	20	19	18	17	16	15	14	13	12	11	10	9	8	7	6	5	4	3	2	1	0
REQ_DELAY								REQ_RATE								BUSY	DMA_ACTIVE	FRAME_START	RESERVED												

Bits	Field Name	Description	Type	Reset
31:24	REQ_DELAY	The minimum number of clock cycles between requests being issued. This value is multiplied by 32 to get the actual number of cycles. This value is only accurate for the current frame. The internal counters used to calculate the rate are reset when a new frame begins and the first request of a frame will go as soon as possible.	RW	0x0
23:16	REQ_RATE	The number of clock cycles between the last two requests issued. This value is multiplied by 32 to get the actual number of cycles. This value is only accurate for the current frame. The internal counters used to calculate the rate are reset when a new frame begins.	R	0x0
15	BUSY	Signals if the client is currently active. This bit is set as soon as we the channel is received by the client from the list manager and is cleared when the channel is cleared from the shared memory.	R	0x0
14	DMA_ACTIVE	Signals if the client is currently actively sending DMA requests	R	0x0
13:10	FRAME_START	The source of the start frame event for the client.\n0 : Change in value of hdmi_field_id\n1 : Change in value of dvo2_field_id\n2 : Change in value of hdcomp_field_id\n3 : Change in value of sd_field_id\n4 : Use List Manager Internal Field0\n5 : Use List Manager Internal Field1\n6 : Use List Manager Internal Field2\n7 : Start on channel active	RW	0x0
9:0	RESERVED		R	0x0

Table 9-518. Register Call Summary for Register VIP1_UP_Y_CSTAT

VIP Functional Description

- [VPDMA Basic Definitions:](#)

VIP Register Manual

- [VIP VPDMA Register Summary: \[2\]](#)

Table 9-519. VIP1_UP_UV_CSTAT

Address Offset	0x0000 03A4	Instance	VIP1_VPDMA
Physical Address	0x4897 D3A4		
Description	The register holds status information and control for the client.\n		
Type	RW		

31	30	29	28	27	26	25	24	23	22	21	20	19	18	17	16	15	14	13	12	11	10	9	8	7	6	5	4	3	2	1	0
REQ_DELAY								REQ_RATE								BUSY	DMA_ACTIVE	FRAME_START	RESERVED												

Bits	Field Name	Description	Type	Reset
31:24	REQ_DELAY	The minimum number of clock cycles between requests being issued. This value is multiplied by 32 to get the actual number of cycles..This value is only accurate for the current frame. The internal counters used to calculate the rate are reset when a new frame begins and the first request of a frame will go as soon as possible.	RW	0x0
23:16	REQ_RATE	The number of clock cycles between the last two requests issued. This value is multiplied by 32 to get the actual number of cycles.This value is only accurate for the current frame. The internal counters used to calculate the rate are reset when a new frame begins.	R	0x0
15	BUSY	Signals if the client is currently active. This bit is set as soon as we the channel is received by the client from the list manager and is cleared when the channel is cleared from the shared memory.	R	0x0
14	DMA_ACTIVE	Signals if the client is currently actively sending DMA requests	R	0x0
13:10	FRAME_START	The source of the start frame event for the client.\n0 : Change in value of hdmi_field_id\n1 : Change in value of dvo2_field_id\n2 : Change in value of hdcomp_field_id\n3 : Change in value of sd_field_id\n4 : Use List Manager Internal Field0\n5 : Use List Manager Internal Field1\n6 : Use List Manager Internal Field2\n7 : Start on channel active	RW	0x0
9:0	RESERVED		R	0x0

Table 9-520. Register Call Summary for Register VIP1_UP_UV_CSTAT

VIP Functional Description

- [VPDMA Basic Definitions:](#)

VIP Register Manual

- [VIP VPDMA Register Summary: \[2\]](#)

Table 9-521. VPI_CTL_CSTAT

Address Offset	0x0000 03D0	Instance	VIP1_VPDMA
Physical Address	0x4897 D3D0		
Description	The register holds status information and control for the client.\n		
Type	RW		

31	30	29	28	27	26	25	24	23	22	21	20	19	18	17	16	15	14	13	12	11	10	9	8	7	6	5	4	3	2	1	0
REQ_DELAY								REQ_RATE								BUSY	DMA_ACTIVE	FRAME_START	RESERVED												

Bits	Field Name	Description	Type	Reset
31:24	REQ_DELAY	The minimum number of clock cycles between requests being issued. This value is multiplied by 32 to get the actual number of cycles..This value is only accurate for the current frame. The internal counters used to calculate the rate are reset when a new frame begins and the first request of a frame will go as soon as possible.	RW	0x0
23:16	REQ_RATE	The number of clock cycles between the last two requests issued. This value is multiplied by 32 to get the actual number of cycles.This value is only accurate for the current frame. The internal counters used to calculate the rate are reset when a new frame begins.	R	0x0

Bits	Field Name	Description	Type	Reset
15	BUSY	Signals if the client is currently active. This bit is set as soon as we the channel is received by the client from the list manager and is cleared when the channel is cleared from the shared memory.	R	0x0
14	DMA_ACTIVE	Signals if the client is currently actively sending DMA requests	R	0x0
13:10	FRAME_START	The source of the start frame event for the client.\n0 : Change in value of hdmi_field_id\n1 : Change in value of dvo2_field_id\n2 : Change in value of hdcomp_field_id\n3 : Change in value of sd_field_id\n4 : Use List Manager Internal Field0\n5 : Use List Manager Internal Field1\n6 : Use List Manager Internal Field2\n7 : Start on channel active	RW	0x0
9:0	RESERVED		R	0x0

Table 9-522. Register Call Summary for Register VPI_CTL_CSTAT

VIP Functional Description

- [VPDMA Basic Definitions:](#)

VIP Register Manual

- [VIP VPDMA Register Summary: \[2\]](#)

Table 9-523. VIP0 Anc_A_CSTAT

Address Offset	0x0000 03E8	Instance	VIP1_VPDMA
Physical Address	0x4897 D3E8		
Description	The register holds status information and control for the client.\n		
Type	RW		

31	30	29	28	27	26	25	24	23	22	21	20	19	18	17	16	15	14	13	12	11	10	9	8	7	6	5	4	3	2	1	0
REQ_DELAY								REQ_RATE								BUSY	DMA_ACTIVE	FRAME_START	RESERVED												

Bits	Field Name	Description	Type	Reset
31:24	REQ_DELAY	The minimum number of clock cycles between requests being issued. This value is multiplied by 32 to get the actual number of cycles..This value is only accurate for the current frame. The internal counters used to calculate the rate are reset when a new frame begins and the first request of a frame will go as soon as possible.	RW	0x0
23:16	REQ_RATE	The number of clock cycles between the last two requests issued. This value is multiplied by 32 to get the actual number of cycles.This value is only accurate for the current frame. The internal counters used to calculate the rate are reset when a new frame begins.	R	0x0
15	BUSY	Signals if the client is currently active. This bit is set as soon as we the channel is received by the client from the list manager and is cleared when the channel is cleared from the shared memory.	R	0x0
14	DMA_ACTIVE	Signals if the client is currently actively sending DMA requests	R	0x0

Bits	Field Name	Description	Type	Reset
13:10	FRAME_START	The source of the start frame event for the client.\n0 : Change in value of hdmi_field_id\n1 : Change in value of dvo2_field_id\n2 : Change in value of hdcomp_field_id\n3 : Change in value of sd_field_id\n4 : Use List Manager Internal Field0\n5 : Use List Manager Internal Field1\n6 : Use List Manager Internal Field2\n7 : Start on channel active	RW	0x0
9:0	RESERVED		R	0x0

Table 9-524. Register Call Summary for Register VIP0_ANC_A_CSTAT

VIP Functional Description

- [VPDMA Basic Definitions:](#)

VIP Register Manual

- [VIP VPDMA Register Summary: \[2\]](#)

Table 9-525. VIP0_ANC_B_CSTAT

Address Offset	0x0000 03EC	Instance	VIP1_VPDMA
Physical Address	0x4897 D3EC		
Description	The register holds status information and control for the client.\n		
Type	RW		

31	30	29	28	27	26	25	24	23	22	21	20	19	18	17	16	15	14	13	12	11	10	9	8	7	6	5	4	3	2	1	0
REQ_DELAY								REQ_RATE								BUSY	DMA_ACTIVE	FRAME_START	RESERVED												

Bits	Field Name	Description	Type	Reset
31:24	REQ_DELAY	The minimum number of clock cycles between requests being issued. This value is multiplied by 32 to get the actual number of cycles..This value is only accurate for the current frame. The internal counters used to calculate the rate are reset when a new frame begins and the first request of a frame will go as soon as possible.	RW	0x0
23:16	REQ_RATE	The number of clock cycles between the last two requests issued. This value is multiplied by 32 to get the actual number of cycles.This value is only accurate for the current frame. The internal counters used to calculate the rate are reset when a new frame begins.	R	0x0
15	BUSY	Signals if the client is currently active. This bit is set as soon as we the channel is received by the client from the list manager and is cleared when the channel is cleared from the shared memory.	R	0x0
14	DMA_ACTIVE	Signals if the client is currently actively sending DMA requests	R	0x0
13:10	FRAME_START	The source of the start frame event for the client.\n0 : Change in value of hdmi_field_id\n1 : Change in value of dvo2_field_id\n2 : Change in value of hdcomp_field_id\n3 : Change in value of sd_field_id\n4 : Use List Manager Internal Field0\n5 : Use List Manager Internal Field1\n6 : Use List Manager Internal Field2\n7 : Start on channel active	RW	0x0
9:0	RESERVED		R	0x0

Table 9-526. Register Call Summary for Register VIP0 Anc B CSTAT

 VIP Functional Description

- [VPDMA Basic Definitions:](#)

 VIP Register Manual

- [VIP VPDMA Register Summary: \[2\]](#)

Table 9-527. VIP1 Anc A CSTAT

Address Offset	0x0000 03F0	Instance	VIP1_VPDMA
Physical Address	0x4897 D3F0		
Description	The register holds status information and control for the client.\n		
Type	RW		

31	30	29	28	27	26	25	24	23	22	21	20	19	18	17	16	15	14	13	12	11	10	9	8	7	6	5	4	3	2	1	0
REQ_DELAY								REQ_RATE								BUSY	DMA_ACTIVE	FRAME_START	RESERVED												

Bits	Field Name	Description	Type	Reset
31:24	REQ_DELAY	The minimum number of clock cycles between requests being issued. This value is multiplied by 32 to get the actual number of cycles..This value is only accurate for the current frame. The internal counters used to calculate the rate are reset when a new frame begins and the first request of a frame will go as soon as possible.	RW	0x0
23:16	REQ_RATE	The number of clock cycles between the last two requests issued. This value is multiplied by 32 to get the actual number of cycles.This value is only accurate for the current frame. The internal counters used to calculate the rate are reset when a new frame begins.	R	0x0
15	BUSY	Signals if the client is currently active. This bit is set as soon as we the channel is received by the client from the list manager and is cleared when the channel is cleared from the shared memory.	R	0x0
14	DMA_ACTIVE	Signals if the client is currently actively sending DMA requests	R	0x0
13:10	FRAME_START	The source of the start frame event for the client.\n0 : Change in value of hdmi_field_id\n1 : Change in value of dvo2_field_id\n2 : Change in value of hdcomp_field_id\n3 : Change in value of sd_field_id\n4 : Use List Manager Internal Field0\n5 : Use List Manager Internal Field1\n6 : Use List Manager Internal Field2\n7 : Start on channel active	RW	0x0
9:0	RESERVED		R	0x0

Table 9-528. Register Call Summary for Register VIP1 Anc A CSTAT

 VIP Functional Description

- [VPDMA Basic Definitions:](#)

 VIP Register Manual

- [VIP VPDMA Register Summary: \[2\]](#)

Table 9-529. VIP1_ANC_B_CSTAT

Address Offset	0x0000 03F4	Instance	VIP1_VPDMA
Physical Address	0x4897 D3F4		
Description	The register holds status information and control for the client.\n		
Type	RW		

31	30	29	28	27	26	25	24	23	22	21	20	19	18	17	16	15	14	13	12	11	10	9	8	7	6	5	4	3	2	1	0
REQ_DELAY								REQ_RATE								BUSY	DMA_ACTIVE	FRAME_START	RESERVED												

Bits	Field Name	Description	Type	Reset
31:24	REQ_DELAY	The minimum number of clock cycles between requests being issued. This value is multiplied by 32 to get the actual number of cycles. This value is only accurate for the current frame. The internal counters used to calculate the rate are reset when a new frame begins and the first request of a frame will go as soon as possible.	RW	0x0
23:16	REQ_RATE	The number of clock cycles between the last two requests issued. This value is multiplied by 32 to get the actual number of cycles. This value is only accurate for the current frame. The internal counters used to calculate the rate are reset when a new frame begins.	R	0x0
15	BUSY	Signals if the client is currently active. This bit is set as soon as we the channel is received by the client from the list manager and is cleared when the channel is cleared from the shared memory.	R	0x0
14	DMA_ACTIVE	Signals if the client is currently actively sending DMA requests	R	0x0
13:10	FRAME_START	The source of the start frame event for the client.\n0 : Change in value of hdmi_field_id\n1 : Change in value of dvo2_field_id\n2 : Change in value of hdcomp_field_id\n3 : Change in value of sd_field_id\n4 : Use List Manager Internal Field0\n5 : Use List Manager Internal Field1\n6 : Use List Manager Internal Field2\n7 : Start on channel active	RW	0x0
9:0	RESERVED		R	0x0

Table 9-530. Register Call Summary for Register VIP1_ANC_B_CSTAT

VIP Functional Description

- [VPDMA Basic Definitions:](#)

VIP Register Manual

- [VIP VPDMA Register Summary: \[2\]](#)

Video Processing Engine

This chapter describes the video processing engine (VPE) for the device.

Topic	Page
10.1 VPE Overview	2311
10.2 VPE Integration.....	2312
10.3 VPE Functional Description	2314
10.4 VPE Register Manual	2412

10.1 VPE Overview

VPE Features:

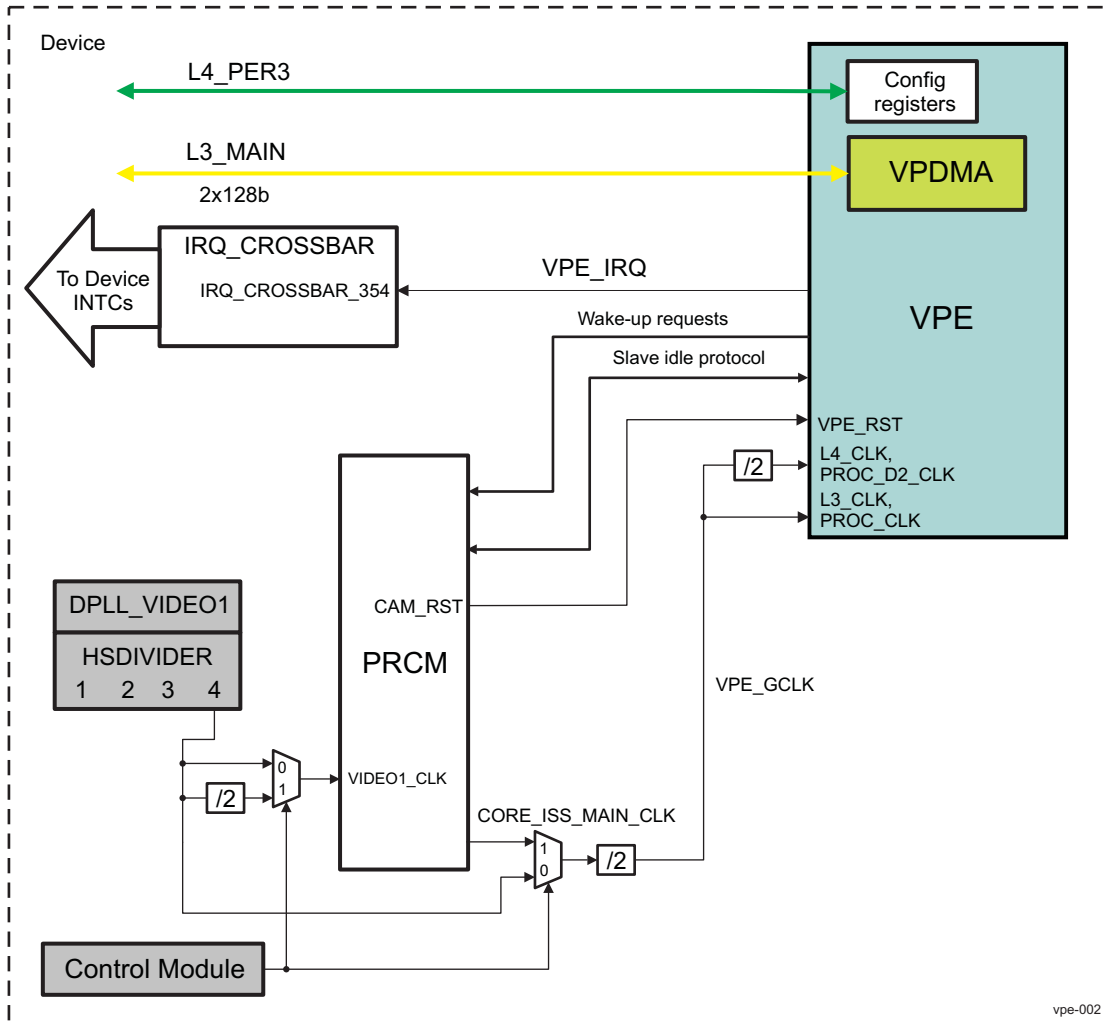
- Supports memory to memory operations only.
- VPE consist of a single memory to memory path which can perform the following operations:
 - Read of raster or tiled YUV420 coplanar, YUV422 coplanar or YUV422 interleaved video
 - Deinterlacing of the input video using a 4 field motion based algorithm
 - Scaling of the input video up to 1080p (1920x1080) resolution
 - Write of the resulting video in YUV420 coplanar (raster or tiled), YUV422 coplanar (raster or tiled), YUV422 interleaved (raster or tiled), YUV444 single plane (raster only) or RGB888 (raster only)
 - Deinterlacing up to two 1080i video sources.
 - The single data path performs operations in the following order
 - Chroma Upsampling from 420 to 422 (if needed)
 - Deinterlacing of 422 video from interlaced to progressive (if needed)
 - Scaling of 422 video after deinterlace
 - Conversion of 422 video to 420, 444 or RGB (if needed)
 - VC-1 Range Mapping and Range Reduction support on input video before Chroma Upsampling (if needed)
- Chroma Upsampling Features
 - 4 line Catmull-Rom based implementation
 - Programmable coefficients for interlaced or progressive conversion. Separate coefficients can be provided for top and bottom fields
- Deinterlacer Features
 - 8-bit, YCbCr 4:2:2
 - Motion-adaptive deinterlacing (MDT)
 - Motion detection is based on Luma only
 - 4-field data is used
 - Motion values adaptive to the frequency of luma texture
 - Edge-Directed Interpolation (EDI)
 - Edge detection using luma pixels in a 2x7 window
 - Seven edge vectors: -1.5, -1, -0.5, 0, 0.5, 1, 1.5
 - Edge-directed chroma interpolation
 - Soft-switch between edge directed interpolation and vertical interpolation depending on the confidence factor
 - Film Mode Detection (FMD)
 - 3-2 pull down detection
 - 2-2 pull down detection
 - Hysteresis controls how fast FMD can enter/exit film mode (software function)
 - Bad Edit Detection (BED)
 - Progressive Input
 - For Progressive Input, the module passes input to output. No internal processing is performed. This is essentially a bypass mode
 - Interlace Bypass
 - For Interlace Input, the module can pass the inputs data directly to the outputs in a bypass configuration. No internal processing is performed
- Scaler Features
 - Vertical and horizontal up/down scaling
 - Polyphase filter upscaling

- Running average vertical down scaling for memory optimization
- Decimation and polyphase filtering for horizontal scaling
- Non-linear scaling for stretched/compressed left and right sides
- Input image trimmer for pan/scan support
- Pre-scaling peaking filter for enhanced sharpness
- Scale field as frame
- Interlacing of scaled output
- Full 1080p input and output support
- YCbCr422 input and output
- Minimum horizontal scaling ratio = 1/8x
- Maximum horizontal scaling ratio – limited by output line buffer (2014 pixels)
- Scaling filter Coefficient memory download
- Chroma Downsampler Features
 - Simple two-line averager capable of converting from YUV422 to YUV420 space
- 422 to 444 Features
 - Catmull-Rom based filter
 - 4 pixel, fixed coefficient
- Color Space Converter Features
 - Fully programmable 3x3 matrix multiplier with offset control

10.2 VPE Integration

This section describes the integration of the module in the device, including information about clocks, resets, and hardware requests. [Figure 10-1](#) summarizes the integration of the module in the device.

Figure 10-1. VPE Integration



NOTE: Alternative clocking to the VPE module is provided from DPLL_VIDEO1. For more information about configuring DPLL_VIDEO1, see [Section 11.1.2.1, Display Subsystem Clocks](#). Source clock selection is done with CTRL_CORE_SMA_SW_1[8] VPE_CLK_DIV_BY_2_EN register from the Control Module. For more information, see [Chapter 18, Control Module](#).

Table 10-1 and Table 10-2 list the integration attributes and clock and resets, respectively.

Table 10-1. VPE Integration Attributes

Module Instance	Attributes	
	Power Domain	Interconnect
VPE	PD_VPE	L4_PER3 for configuration L3_MAIN for data (through VPDMA module)

Table 10-2. VPE Clocks and Resets

Clocks				
Module Instance	Destination Signal Name	Source Signal Name	Source	Description
VPE	L3_CLK PROC_CLK	VPE_GCLK	PRCM	L3_CLK is the clock used to drive and receive data over the bus to L3_MAIN. The VPDMA uses this clock to send and receive external data and transfer this data to internal processing. PROC_CLK is the clock used to drive data processing within the VPE subsystem.
	L4_CLK PROC_D2_CLK	VPE_GCLK/2	PRCM	L4_CLK is the interface clock for Memory Mapped Registers (MMR) configuration bus PROC_D2_CLK is an additional clock used by the DEI within the DEI Subsystem. Inputs and outputs of the DEI operate on PROC_CLK, but internally, the data paths within the DEI operate on this clock.
Resets				
Module Instance	Destination Signal Name	Source Signal Name	Source	Description
VPE	VPE_RST	VPE_RST	PRCM	VPE Reset

Table 10-3. VPE Hardware Requests

Interrupt Requests				
Module Instance	Source Signal Name	Destination IRQ_CROSSBAR Input	Default Mapping	Description
VPE	VPE_IRQ	IRQ_CROSSBAR_354	N/A	VPE interrupt requests. These IRQ source signals are not mapped by default to any device INTC.

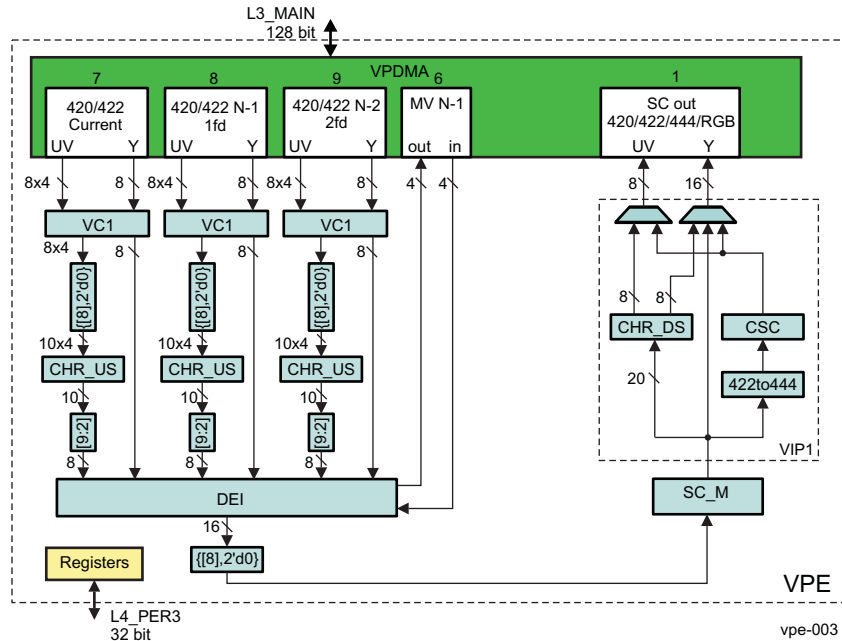
NOTE: The “Default Mapping” column in [Table 10-3 VPE Hardware Requests](#) shows the default mapping of module IRQ source signals. These module IRQ source signals can also be mapped to other lines of each device Interrupt controller through the IRQ_CROSSBAR module, respectively.
For more information about the IRQ_CROSSBAR module, see [Section 18.4.6.4, IRQ_CROSSBAR Module Functional Description](#), in [Chapter 18, Control Module](#).
For more information about the device interrupt controllers, see [Chapter 17, Interrupt Controllers](#).

10.3 VPE Functional Description

10.3.1 VPE Block Diagram

[Figure 10-2](#) shows the internal structure of the VPE module in the device.

Figure 10-2. VPE Block Diagram



10.3.2 VPE VC1 Range Mapping/Range Reduction

VC1 range mapping and range reduction is implemented prior to the Chroma Upsampler (CHR_US) in the Primary Input Paths of the module.

Range Mapping is performed by setting VPE_CLKC_RANGE_MAP[6] RANGE_MAP_PRIM_ON bit to '1'. The output for every component is calculated by the following formulas:

$$Y[n] = (((Y[n] - 128) * (RANGE_MAPY_PRIM + 9) + 4) \gg 3) + 128$$

$$Cb[n] = (((Cb[n] - 128) * (RANGE_MAPUV_PRIM + 9) + 4) \gg 3) + 128$$

$$Cr[n] = (((Cr[n] - 128) * (RANGE_MAPUV_PRIM + 9) + 4) \gg 3) + 128$$

In the above, VPE_CLKC_RANGE_MAP[2:0] RANGE_MAPY_PRIM and VPE_CLKC_RANGE_MAP[5:3] RANGE_MAPUV_PRIM are defined as in the register descriptions for each instantiation of this function.

Range Reduction is performed based by setting VPE_CLKC_RANGE_MAP[28] RANGE_REDUCTION_PRIM_ON bit to '1'. The output for the color components is calculated by the following formulas:

$$Y[n] = (Y[n] - 128) * 2 + 128$$

$$Cb[n] = (Cb[n] - 128) * 2 + 128$$

$$Cr[n] = (Cr[n] - 128) * 2 + 128$$

NOTE: The block performs Range Mapping first, and the output of Range Mapping drives Range Reduction. Although Range Mapping and Range Reduction are supposed to be mutually exclusive, the implementation allows both to be done simultaneous.

10.3.3 VPE Deinterlacer (DEI)

10.3.3.1 Functional Description

Figure 10-3 illustrates the block-diagram of motion-adaptive Deinterlacer. The general concept behind motion adaptive deinterlacing is that spatial filtering works very well for images with motion, while temporal filtering works very well for static images. So, the intuitive way is to combine them together. Motion detection is used to switch or fade between the use of spatial deinterlacing and temporal deinterlacing, as shown in the following formula:

$$\hat{y}(j, i, n) = \alpha y_{\text{spat}}(j, i, n) + (1 - \alpha) y_{\text{temp}}(j, i, n)$$

where $y_{\text{spat}}(j, i, n)$ is the spatial interpolation output, $y_{\text{temp}}(j, i, n)$ is temporal interpolation output, α is the motion detection output ranging from 0 to 1, $\hat{y}(j, i, n)$ is the final output from deinterlacer, and j, i, n are the vertical, horizontal, and temporal indexes, respectively. From the previous formula, the final output is controlled by the motion detector output, α . The higher the motion, the higher value of α , and the output favors spatial interpolation. If the motion is absent or very low, the temporal interpolation has higher weight.

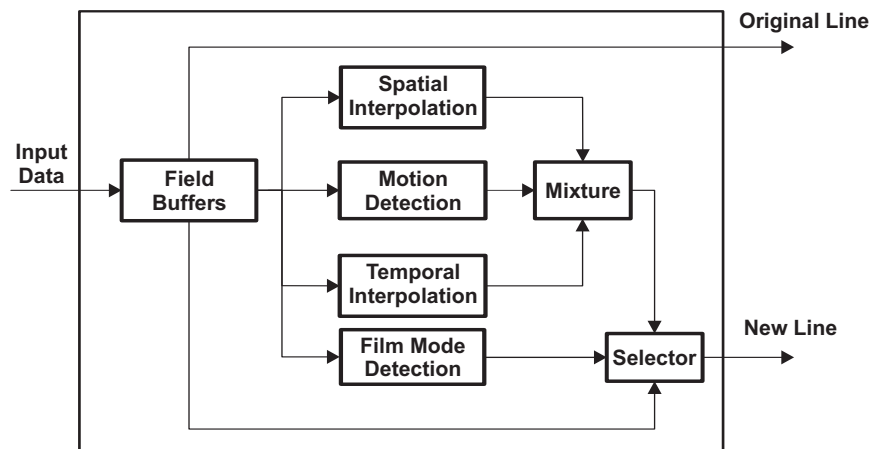
Temporal interpolation can be disabled by programmable control registers. In that case we have:

$$\hat{y}(j, i, n) = y_{\text{spat}}(j, i, n)$$

Chroma interpolation is handled in the same manner as luma with regards to the above equations. There is a separate control for disabling temporal interpolation for chroma, such that luma can perform the full mixture, and chroma can only be spatial. If luma temporal interpolation is disabled, chroma temporal interpolation is also disabled.

Figure 10-3 provides a simple description of how a motion-adaptive deinterlacer operates. The actual interpolation used is edge directed interpolation. Edge directed interpolation is only performed spatially prior to the output mixing.

Figure 10-3. Block Diagram of Motion-Adaptive Deinterlacer



The Deinterlacer consists of:

- MMR Configuration Register Block
 - - Used to program configuration items for the Deinterlacer
- VPDMA Interface Block
 - Used to read source video/motion data from VPDMA
 - Used to write generated motion data to VPDMA
- Motion Detection (MDT) Block
 - Examines 3 fields of input video data (luma only) and calculates a 4 bit motion vector to drive the Edge Directed Interpolation Block

- Edge Directed Interpolation (EDI) Block
 - Performs the motion based edge directed interpolation on Luma and Chroma inputs to generate the missing line in the interlaced source
- Film Mode Detection (FMD) Block
 - Field Difference : Accumulated difference between the spatial interpolated frame and the adjacent input field of opposite field ID
 - Frame Difference : Accumulated difference between two fields with the same field ID
 - Combing Artifacts : Accumulated sum-of-difference between two adjacent fields
- Output Multiplexor (MUX) Block
- Line Buffer Block

10.3.3.2 Bypass Mode

The DEI can be operated in bypass mode and deinterlacer mode.

In the bypass mode, input luma and chroma are buffered and sent to the stage after DEI without processing. To bypass the DEI module registers `VPE_DEI_REGO[31]` `PROGRESSIVE_BYPASS` or `VPE_DEI_REGO[29]` `INTERLACE_BYPASS` must be set to '1' for progressive and interlaced source input respectively.

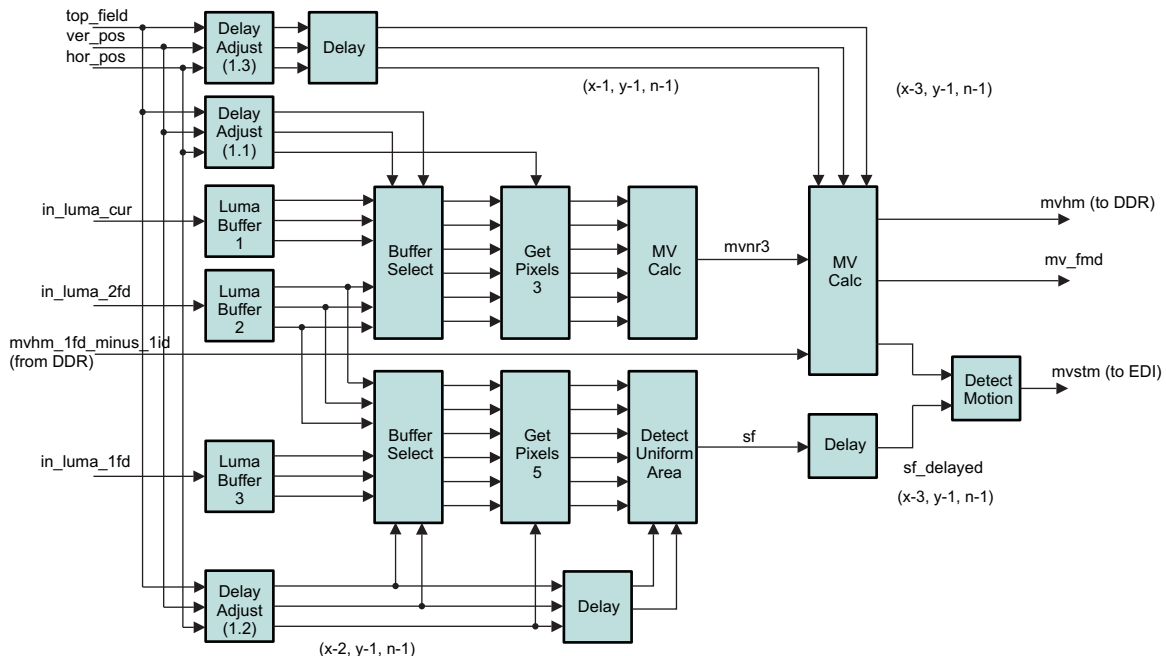
10.3.3.2.1 VPDMA Interface

The VPDMA interface handles transactions between the internal core of the design and the VPI interface protocol, which is used for both external module input and motion vector output. All input data is pixel aligned, but has different request and ready signals. Motion Output is not pixel aligned with input.

10.3.3.2.2 MDT

A block diagram representing the Motion Detection (MDT) Block is shown on [Figure 10-4](#).

Figure 10-4. Motion Detection (MDT) Block Diagram



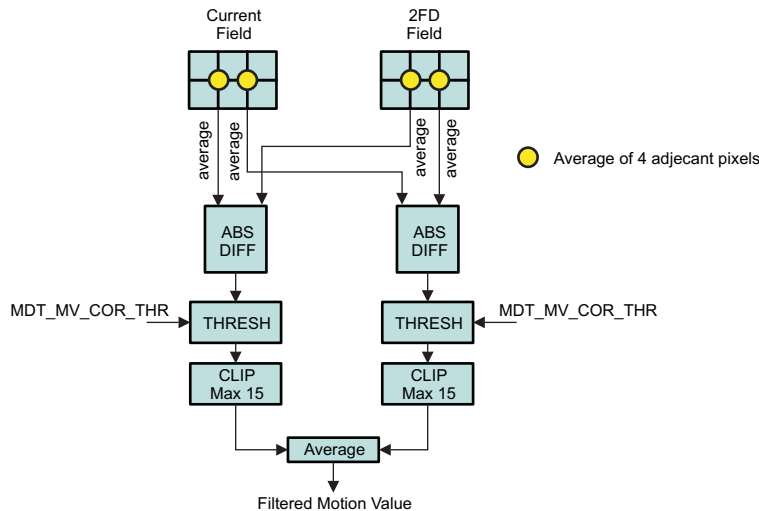
The Motion Detection block takes as input 3 adjacent fields of Luma data, motion data calculated from the previous 3 fields, and the current X, Y and field ID indicators and generates motion vector outputs which drive the Edge Directed Interpolation (EDI), Film Mode (FMD) and output motion values to DDR

There are two parallel paths - Motion Vector Calculation and Uniform Area Detection.

The Motion Vector Calculation path generates the FMD motion vector and the DDR output motion vector. The combination of the Motion Vector and Uniform Area Detection is used to calculate the EDI motion vector value.

The Motion Vector Calculation Path operates using a sliding 3 pixel wide by 2 pixel tall window over 2 adjacent fields of the same field ID polarity (2 top fields or 2 bottom fields). The first stage is to calculate the filtered motion value (MV Calc). The below diagram shows the dataflow for calculating the Filtered Motion Value from MV Calc:

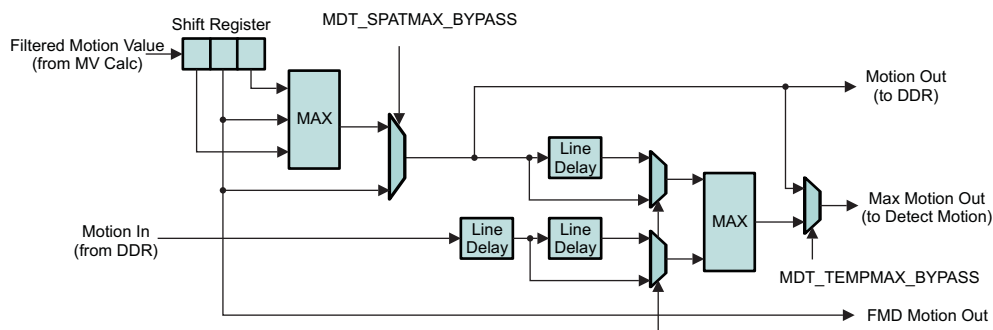
Figure 10-5. Motion Detection (MDT) MV Calc Data Path



The Filtered Motion Value is then operated on by the Max Filter operation, which performs a maximum operation between the last 3 filtered motion values and the last frame's motion value. The process is to calculate the maximum value of the last 3 filter motion values, and this value is written to DDR to be read back in on the next frame. The maximum value is taken between the previous frame's maximum value as read back from DDR, and the maximum value between the current last 3 motion values, and this is passed to the Detect Motion block which will drive the EDI module.

The Film Mode motion value output is just the output from the MV Calc data path. The following diagram shows the data path. Please note the line buffers, which are used to adjust for different polarity of fields (2 motion value fields are of opposite polarity, meaning a 1 line difference in one or the other field):

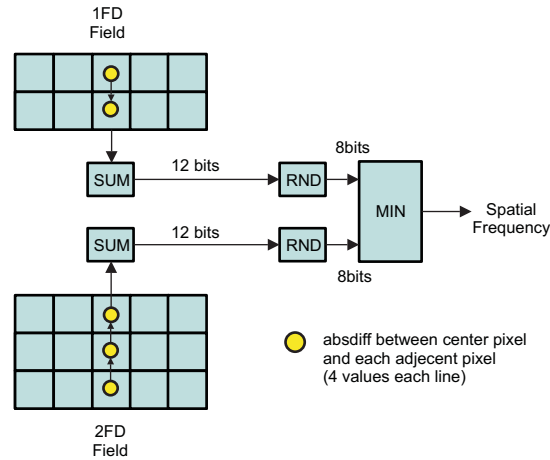
Figure 10-6. Motion Detection (MDT) Max Filter Data Path



vpe-004

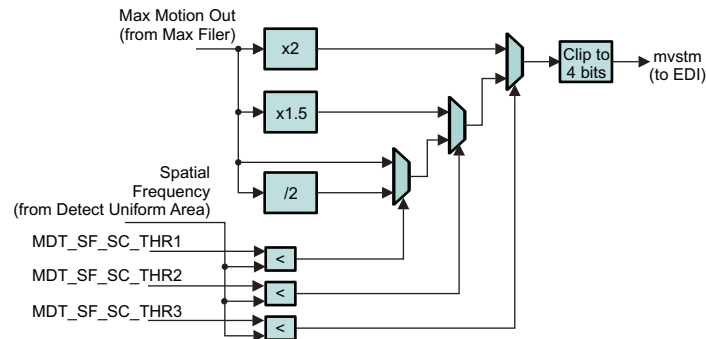
The Uniform Area Detection Path operates using a sliding 5 pixel wide by 3 pixel tall window over 2 adjacent fields of opposite field ID polarity (1 field delay and 2 field delay) to calculate a spatial frequency component. The following diagram shows how this component is calculated within each pixel window:

Figure 10-7. Motion Detection (MDT) Uniform Area Data Path



The spatial frequency output is used to scale the motion vector generated by the Maximum Filter operation based on thresholding against the MMR values `VPE_DEI_REG2[7:0] MDT_SF_SC_THR1`, `VPE_DEI_REG2[15:8] MDT_SF_SC_THR2` and `VPE_DEI_REG2[23:16] MDT_SF_SC_THR3`. The following diagram (in the Detect Motion block) performs this thresholding to generate the final motion vector output to the EDI module:

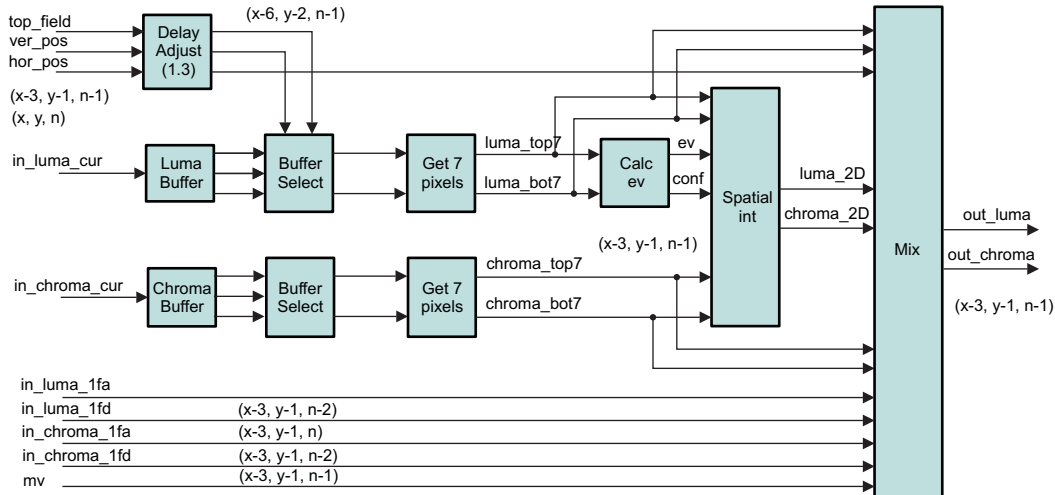
Figure 10-8. Motion Detection (MDT) Detect Motion Data Path



10.3.3.2.3 EDI

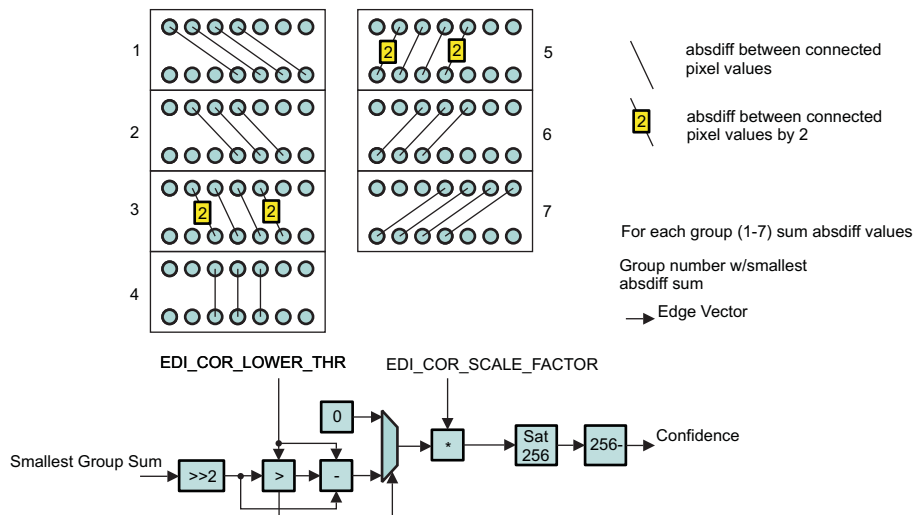
A block diagram representing the Edge Directed Interpolation (EDI) Block is shown on [Figure 10-9](#)

Figure 10-9. Edge Directed Interpolation (EDI) Block Diagram



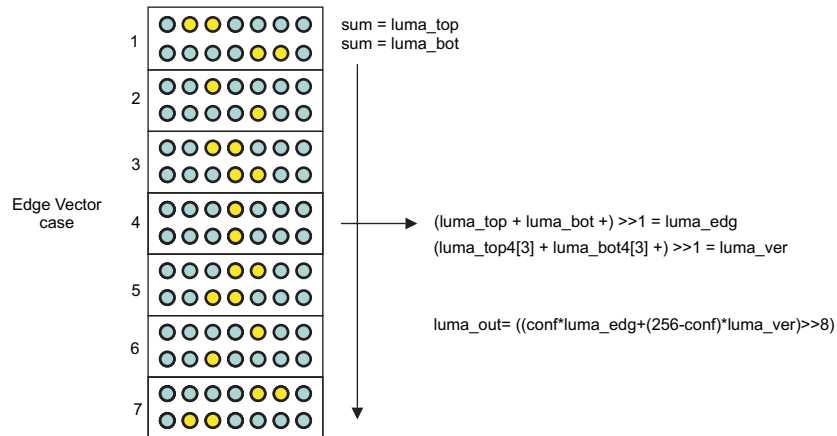
The Edge Directed Interpolation module operates on a 7x2 window (7 pixels wide, 2 in height) in both Luma and Chroma. Luma data is used to calculate an edge vector and edge vector confidence. Correlation scaling factor is set with `VPE_DEI_REG3[31:24] EDI_COR_SCALE_FACTOR` register. A diagram showing this calculation follows (Calc ev):

Figure 10-10. Edge Directed Interpolation Edge Vector Calculation



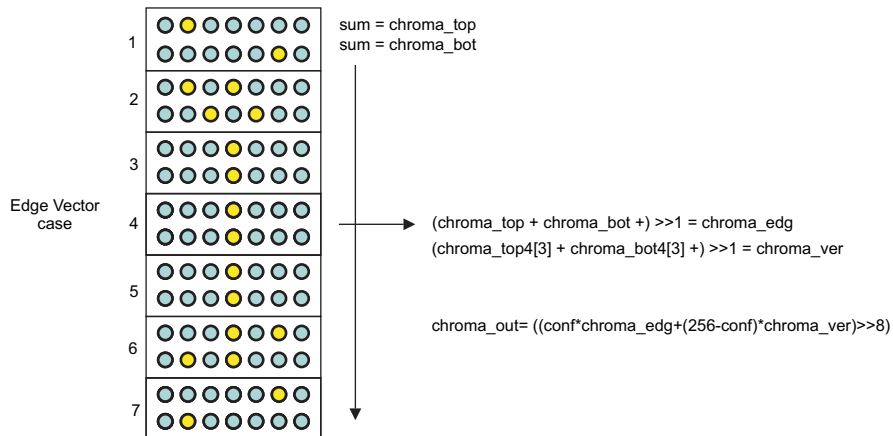
The edge vector and edge vector confidence are passed to the Spatial Interpolation module, which performs edge directed spatial interpolation. Following is a diagram showing how Luma is interpolated:

Figure 10-11. Edge Directed Interpolation Luma Interpolation Calculation



The following diagram shows how Chroma is interpolated:

Figure 10-12. Edge Directed Interpolation Chroma Interpolation Calculation



Each of the cases shown above is on the 7x2 input pixel window for Luma and Chroma, based on the edge vector that was calculated. Each output equation (luma_out and chroma_out) is a combination of a straight vertical interpolation (luma/chroma_ver) and edge directed interpolation (luma/chroma_edge) using the Confidence factor output from the Edge Vector Calculation module. In the case of chroma interpolation, if the register [VPE_DEI_REG3\[1:0\] EDI_INP_MODE = "11"](#), the chroma_out calculated for spatial interpolation is forced to the the vertical chroma output.

The Mix module does that actual mixing of spatial and temporal interpolation to produce the final result. 4 different interpolation modes are supported: Line double, Field double, 3D interpolation and 2D interpolation.

- Line double averages the top and bottom pixel to produce the interpolated pixel. Setting of MDT mode has no effect on output pictures.
- Field double averages the previous and next frame pixel to produce the interpolated pixel. In other words, if the current field is a top field, the interpolated bottom field picture is created by averaging pixels from bottom field pictures before and after the current field
- 2D interpolation uses the Edge Directed interpolation result only as the interpolated pixel
- 3D interpolation uses the EDI LUT table values with the MDT motion vector as an index to blend between the 2D result and the value from the previous field temporally.

NOTE: 3D processing is enabled with [VPE_DEI_REG3\[2\] EDI_ENABLE_3D](#) register

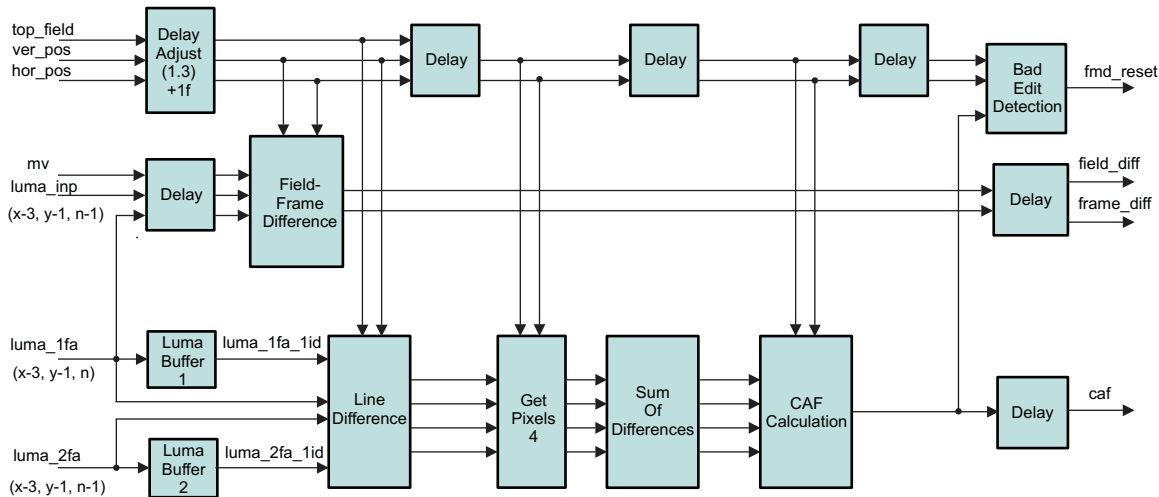
The EDI Lut value selected based on the motion value will perform a blend between temporal and edge directed spatial interpolation using the equation:

$$\hat{y}(j, i, n) = \alpha y_{\text{spat}}(j, i, n) + (1 - \alpha) y_{\text{temp}}(j, i, n)$$

10.3.3.2.4 FMD

The following shows the block diagram of the Film Mode Detection (FMD) module:

Figure 10-13. Film Mode Detection (FMD) Block Diagram

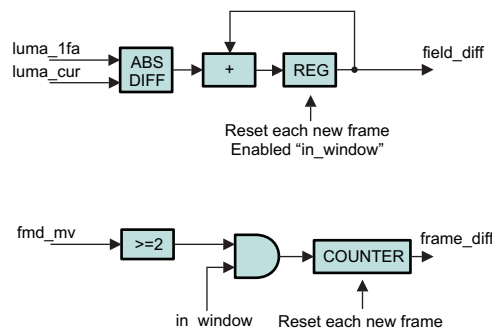


Film Mode Detection calculates four parameters which are used in conjunction with software to determine if the source of the video is film (3:2 or 2:2 sequences). This block is not part of the main data path, but calculates statistics based on the main data path for each frame generated, then interrupts the processor to read the information and then set to '1' the [VPE_DEI_REG10\[1\]](#) FMD_LOCK (lock to film mode) and [VPE_DEI_REG10\[2\]](#) FMD_JAM_DIR (direction of field jam) registers, to set the design to film mode operation.

All of the calculations are performed within a window defined by [VPE_DEI_REG8\[10:0\]](#) FMD_WINDOW_MINX, [VPE_DEI_REG8\[26:16\]](#) FMD_WINDOW_MAXX, [VPE_DEI_REG9\[10:0\]](#) FMD_WINDOW_MINY, [VPE_DEI_REG9\[26:16\]](#) FMD_WINDOW_MAXY. All calculations are reset on each new input frame.

Field difference is calculated as the absolute difference (absdiff) between the current Luma input and the previous field Luma input. Value can be read on [VPE_DEI_REG13\[27:0\]](#) FMD_FIELD_DIFF register. Frame difference is calculated using the motion input from the MDT. Value can be read on [VPE_DEI_REG14\[19:0\]](#) FMD_FRAME_DIFF register. [Figure 10-14](#) is showing how these are calculated is shown below:

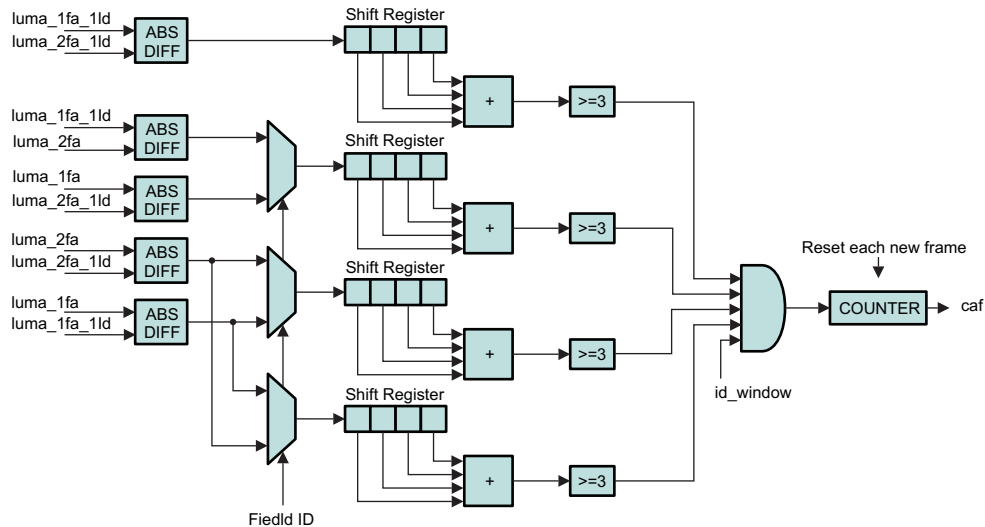
Figure 10-14. Film Mode Detection (FMD) Frame/Field Difference Calculation



NOTE: Value of FMD_WINDOW_MAXX must be less than WIDTH and value of FMD_WINDOW_MAXY must be less than 1/2 HEIGHT.

Combing Artifacts value is calculated as shown in Figure 10-15. Value can be read on VPE_DEI_REG12[20:0] FMD_CAF register.

Figure 10-15. Film Mode Detection (FMD) Combing Artifacts Calculation



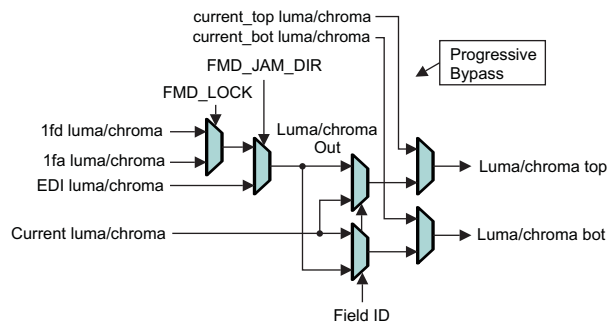
FMD_RESET is set to tell software when the Film Mode Detection should be unlocked back to normal operation. The logic controlling this is based on the caf output, and is set based on caf being above a threshold set by VPE_DEI_REG11[19:0] FMD_CAF_THR and where within the window the current x/y position is. If the position is over 3/4 in height, and $caf > FMD_CAF_THR$ OR if over 1/2 in height and $caf > 3/4 * FMD_CAF_THR$ OR if over 1/4 in height and $caf > 1/4 * FMD_CAF_THR$, then VPE_DEI_REG12[24] FMD_RESET must be set (it will clear at the start of the next field input).

The Film Mode Interrupt (fmd_int) will be generated at the end of the window defined for FMD operation and tells software to read the above parameters. When the interrupt fires, the above parameters are latched into the DEI Control Interface (MMR) so they can be read.

10.3.3.2.5 MUX

The MUX block generates the proper outputs based whether the design is in standard Deinterlacer modes (interpolated inputs from the EDI), Film Mode Deinterlacer mode (direct inputs) or progressive bypass mode. The following diagram shows this data path:

Figure 10-16. Film Mode Detection (FMD) Combing Artifacts Data Path

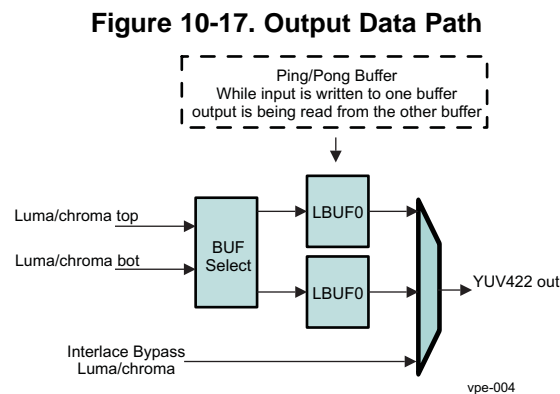


When in Film Mode (VPE_DEI_REG10[1] FMD_LOCK = '1'), the output of the DEI depends only on the input field sequences. Depending on the Jam Direction, either the previous or next field data is output. If not in Film Mode, the interpolated result from the EDI is output.

Because the DEI produces the missing line in an interlaced frame, what this part of the data path is selecting is the “interpolated” line. The other line output is the current line. Together, the interpolated line and the current line form the actual output of the main part of the DEI data path. Depending on if the current field is a top field or bottom field (as selected by Field ID), the output “top” of the MUX is either the current or interpolated lines, and the output “bot” is the opposite.

10.3.3.2.6 LINE BUFFER

The Line Buffer takes two lines of data (top line and bottom line) and serializes this into a single stream. The following diagram shows this data path:



The sequencing is such that LBUF0 is being written while LBUF1 is being read. When LBUF0 has been completely written, it will try to write to LBUF1 next. If on the output side LBUF1 has not been completely read, then the data path will stall waiting for the output to finish reading LBUF1 and switch to reading LBUF0 (and visa versa)

10.3.4 VPE Scaler (SC)

This section is used for driver development for the highly optimized video resizers, SC (scalers), in the VPE module.

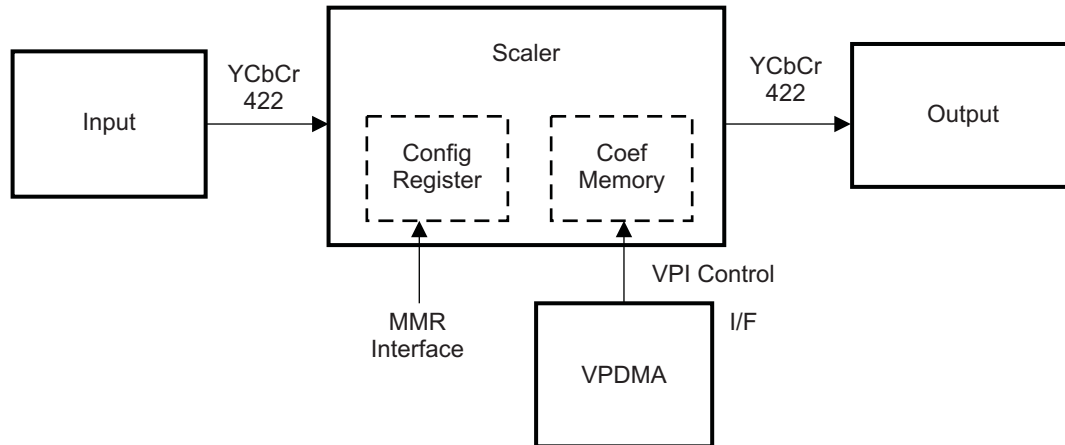
10.3.4.1 SC Features

- Independent vertical and horizontal up and down scaling
- Running average vertical down scaling for memory optimization
- Decimation and polyphase filtering for horizontal scaling
- Non-linear scaling for stretched/compressed left and right sides
- Input image trimmer for pan/scan support
- Pre-scaling peaking filter for enhanced sharpness
- Scale field as frame
- Interlacing of scaled output
- Full 1080p input and output support
- YCbCr422 input and output
- Maximum horizontal scaling ratio only limited by output line buffer (2047 pixels)
- Scaling filter Coefficient memory download via VPI (Video Port Interface) Control interface

10.3.4.2 SC Functional Description

Scaler takes in a 10-bit YCbCr 422 video frame from an upstream module, performs vertical/horizontal scaling and outputs a YCbCr422 scaled image to a next downstream module. All configurations are done via the MMR interface except for the scaler coefficient memory configuration that is done via the common VPI control interface bus by VPDMA. [Figure 10-18](#) shows the high-level block diagram of the scaler module.

Figure 10-18. High Level Block Diagram

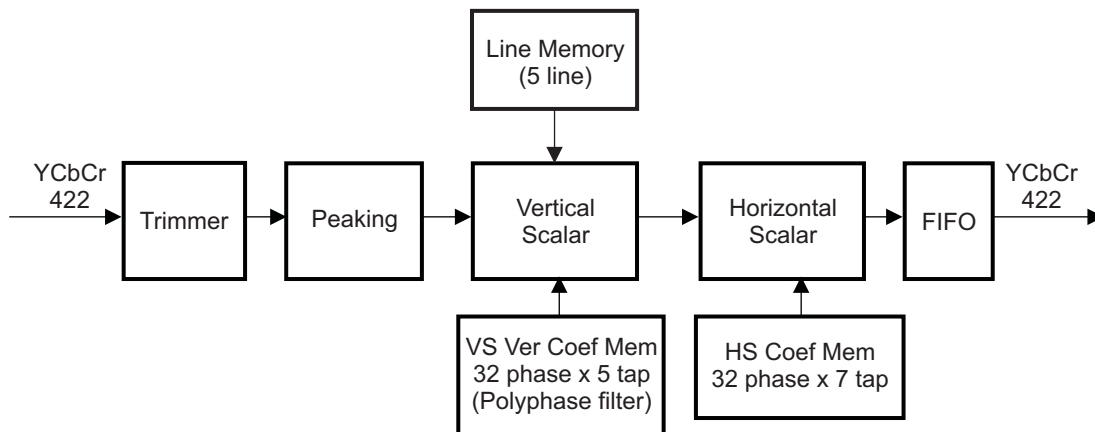


The SC is used in the video path and in all other video write-back data paths in the VPE module.

Scaling is performed in following three steps:

1. Trimming and Pre-peaking filtering
2. Vertical Scaling (Polyphase/Running Average Filter)
3. Horizontal polyphase scaling

Figure 10-19. SC Block Diagram



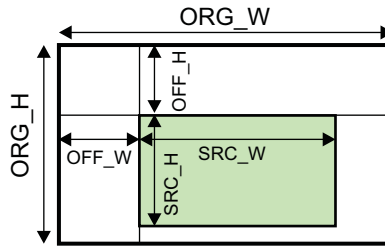
10.3.4.2.1 Trimmer

The trimmer can be programmed to re-define a new source image within the input video frame sent from an upstream module before it is sent to the scaling sub-modules. This feature enables small area zoom out, source pan/scan, or removal of unwanted area in the video (such as black box / curtains / noisy line-21 video) without modifying the VPDMA parameters.

Horizontal and vertical offset is set through [VPE_CFG_SC25\[26:16\] CFG_OFF_W](#) and [VPE_CFG_SC25\[10:0\] CFG_OFF_H](#) registers.

Width and height are set through [VPE_CFG_SC24\[26:16\] CFG_ORG_W](#) and [VPE_CFG_SC24\[10:0\] CFG_ORG_H](#) registers.

Figure 10-20. Input Image Trimming



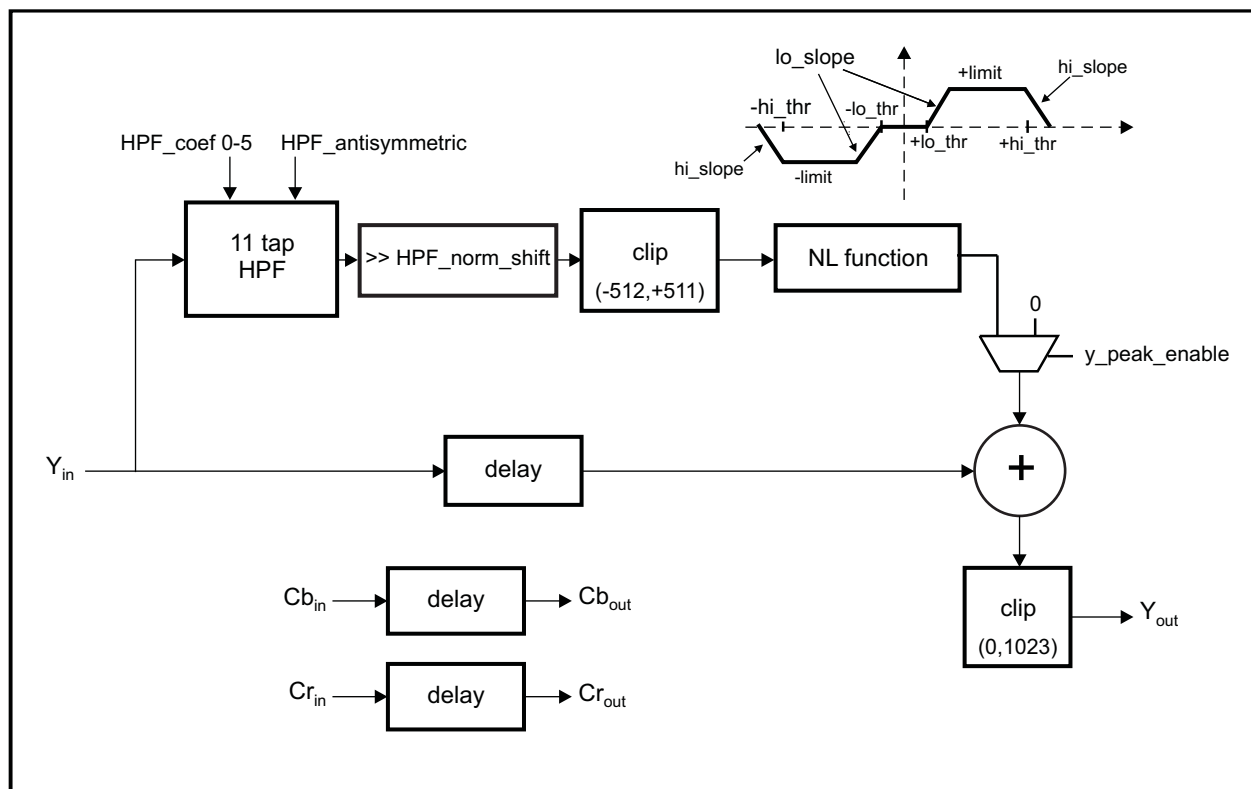
NOTE: Width and height of the source image are global parameters and are set with [VPE_CFG_SC5\[22:12\]](#) CFG_SRC_W and [VPE_CFG_SC5\[10:0\]](#) CFG_SRC_H registers.

It is required that the input image frame ($CFG_SRC_W \times CFG_SRC_H$) to be at least 32×32 (after trimming, if the trimming is enabled) to properly fill the input filter stage pipelines.

10.3.4.2.2 Peaking

The peaking block increases the amplitude of high frequency luminance information in horizontal direction to increase the sharpness of a video image before it is scaled. As shown in [Figure 10-21](#), the high-frequency luminance is increased using an 11-tap High-Pass filter with adjustable gain. The non-linear coring function removes low-level noise and the modified luminance is then added to the original luminance signal. The implementation details are shown in [Figure 10-21](#).

Figure 10-21. Filter Implementation and Parameter Description



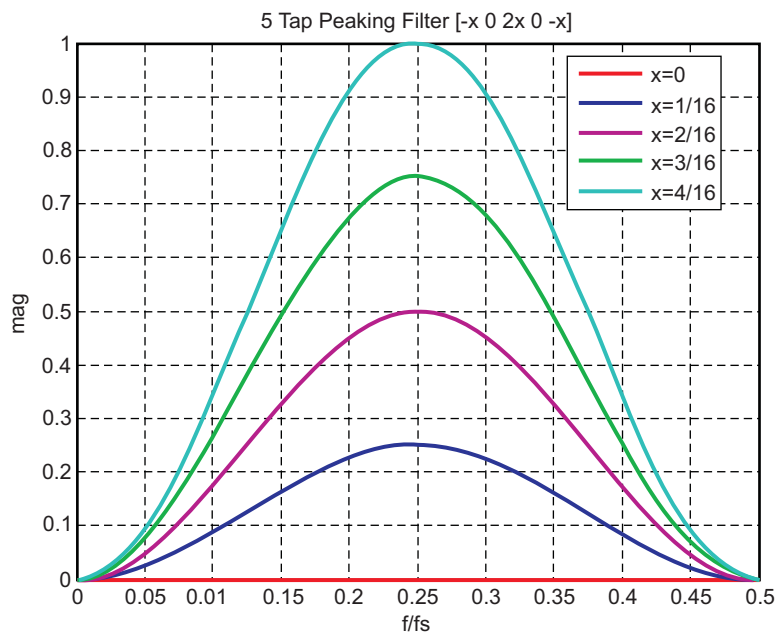
vip-057

Table 10-4. Parameter Description

Parameter	Description	Bits	Default
VPE_CFG_SC19[7:0] CFG_HPF_COEF0 to VPE_CFG_SC20[15:8] CFG_HPF_COEF5	FIR coefficients	8	[0 0 0-4 0 8]
VPE_CFG_SC20[18:16] CFG_HPF_NORM_SHIFT	Right shift	3	4
VPE_CFG_SC21[8:0] CFG_NL_LO_THR	Coring threshold	9	16
VPE_CFG_SC22[8:0] CFG_NL_HI_THR	High threshold	9	400
VPE_CFG_SC21[23:16] CFG_NL_LO_SLOPE	Lo slope = - CFG_NL_LO_SLOPE/16	8	16
VPE_CFG_SC22[18:16] CFG_NL_HI_SLOPE_SHIFT	Hi slope = $2^{(CFG_NL_HI_SLOPE_SHIFT-3)}$	3	4
VPE_CFG_SC20[28:20] CFG_NL_LIMIT	Clipping limit	9	200
VPE_CFG_SC0[14] CFG_Y_PK_EN	Control	1	0

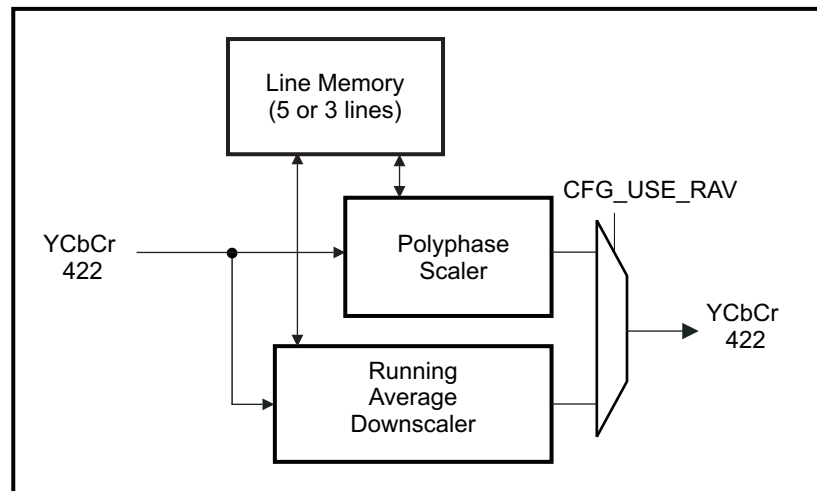
Parameters for the Peaking filters are defined in VPE_CFG_SC19 through VPE_CFG_SC22 registers. The frequency responses of the peaking-filter with different sets of coefficients are shown in Figure 10-22. If the source of the input video is NTSC or PAL format, the peaking filter can be configured to reject the color subcarrier frequency.

Figure 10-22. Peaking Filter at fs/4



10.3.4.2.3 Vertical Scaler

The vertical scaler has a polyphase (32-phase x 5-tap) filter and a running average filter as shown in Figure 10-23. While the polyphase filter can be used for any up-scaling and preferably downscaling to 3/16 scale factor, the running average filter is used only for downscaling to a 1/2 or less size. Selection between these two scalers is based on the user setting of VPE_CFG_SC0[4] CFG_USE_RAV parameter (CFG_USE_RAV= '0' for poliphase filter, and CFG_USE_RAV= '1' for running average filter), according to the user preference of the tradeoff between sharpness preserving and introduced artifacts.

Figure 10-23. Vertical Scaler Block Diagram


10.3.4.2.3.1 Running Average Filter

When a poly-phase filter is used, usually it has to have many taps in order to achieve acceptable quality for very small downscaling ratio, which requires the use of many line buffers. In VPE, there is a weighted Running Average filter for downscaling when the scaling factor is small (for example, when the scaling ratio is less than 0.5). This highly optimized design requires only one line buffer for luma and one for chroma, which still achieving acceptable quality. The output of the running average filter is based on weighted average of pixels in the current and previous rows in vertical direction. Initializations of accumulators affect the weights.

10.3.4.2.3.2 Vertical Scaler Configuration Parameters

Table 10-5. Vertical Scaler Configuration Parameters

Parameter	Typical Value	Controls	Description
VPE_CFG_SC0[10] CFG_INTERLACE_I		Frame or Field	0 = progressive, 1 = interlace
VPE_CFG_SC0[0] CFG_INTERLACE_O			0 = progressive 1 = interlace
VPE_CFG_SC0[3] CFG_INV_T_FID			Invert field ID input
VPE_CFG_SC0[4] CFG_USE_RAV		Scaler Mode	0 = use polyphase scaler 1 = use running average scaler
VPE_CFG_SC1[26:0] CFG_ROW_ACC_INC		Bilinear & Polyphase Scalers	For progressive in/progressive out: $\text{round}(2^{16} \cdot (\text{srcH} - 1) / (\text{tarH} - 1))$ For progressive_in/interlace_out: $\text{round}(2^{16} \cdot 2 \cdot (\text{srcH} - 1) / (2 \cdot \text{tarH} - 1))$ For interlace_in/progressive_out: $\text{round}(2^{16} \cdot (2 \cdot \text{srcH} - 1) / (2 \cdot (\text{tarH} - 1)))$ For interlace_in/interlace_out: $\text{round}(2^{16} \cdot (2 \cdot \text{srcH} - 1) / (2 \cdot \text{tarH} - 1))$ For interlace in/out, srcH/tarH are number of field lines as specified in VPE_CFG_SC4/VPE_CFG_SC5 descriptions.
VPE_CFG_SC2[27:0] CFG_ROW_ACC_OFFSET	0		Initial row accumulator value for progressive frame and top field
VPE_CFG_SC3[27:0] CFG_ROW_ACC_OFFSET_B	0		Initial row accumulator value for bottom field
VPE_CFG_SC13[27:24] CFG_DELTA_CHROMA_THR	4	Bilinear Scaler	Range for chroma soft switch based on pixel differences (max limit = 8)

Table 10-5. Vertical Scaler Configuration Parameters (continued)

Parameter	Typical Value	Controls	Description
VPE_CFG_SC13[21:12] CFG_CHROMA_INTP_THR	64		Threshold used in chroma soft switch based on pixel differences
VPE_CFG_SC13[9:0] CFG_SC_FACTOR_RAV		Running Average Scaler	Scale factor = round(1024 × tarH/srcH)
VPE_CFG_SC6[9:0] CFG_ROW_ACC_INIT_RAV			Initial row accumulator value for progressive frame and top field
VPE_CFG_SC6[19:10] CFG_ROW_ACC_INIT_RAV_B			Initial row accumulator value for bottom field

NOTE: Bi-linear scaler is not present in this device

10.3.4.2.4 Horizontal Scaler

The Horizontal scaler is implemented using a 32-phase × 7-tap polyphase filter preceded by two sets of 1/2x decimators. The general configuration of the Horizontal scaler is performed as follows:

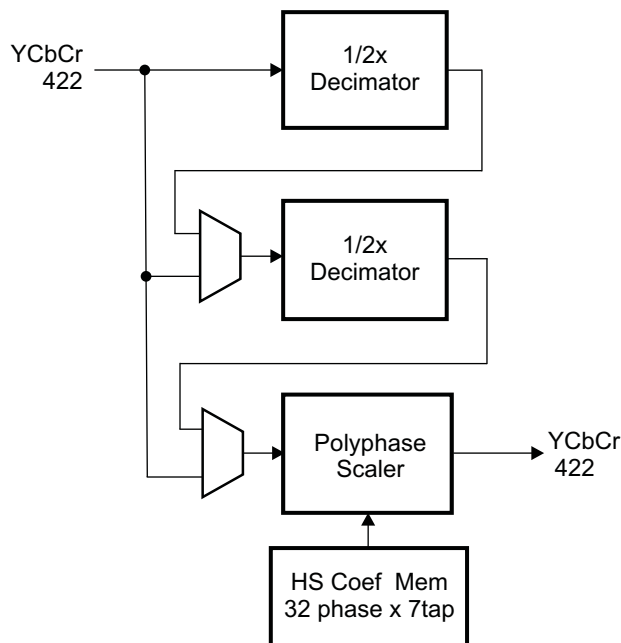
- For up scaling, the input video is interpolated using the polyphase scaler.
- For downscaling, it is recommended that input video is decimated by 2 until the modified scale factor falls between 1/2 and 1. Then, a polyphase filter is configured with coefficients selected based on the mod_scale_factor calculated as shown below from one of nine different sets of coefficients: (8,9,10,11,12,13,14,15,16)/16.

```

if (scale_factor >= 1/2) {
    mux=0; mod_scale_factor=scale_factor;
} else if (scale_factor >= 1/4) {
    mux=1; mod_scale_factor=2*scale_factor;
} else {
    mux=2; mod_scale_factor=4*scale_factor;
}

```

Figure 10-24. Horizontal Scaler Block Diagram



In auto mode (CFG_AUTO_HS = '1'), scaler will operate as per above recommendation. In addition to this, for (CFG_AUTO_HS = '1'), polyphase filtering will be bypassed when (scale_factor = '1') or (scale_factor = 1/2) or (scale_factor == 1/4). If CFG_AUTO_HS = '0' is used, user must provide proper values for dcm_2x, dcm_4x, proper values for all inputs to polyphase filter in the registers as well as appropriate coefficient sets. There is no constraint on polyphase filtering in terms of scaling ratio. However, there are constraints on input and output image width for scaler. Frame dimensions are limited from 64x64 to 2047x2047.

10.3.4.2.4.1 Half Decimation Filter

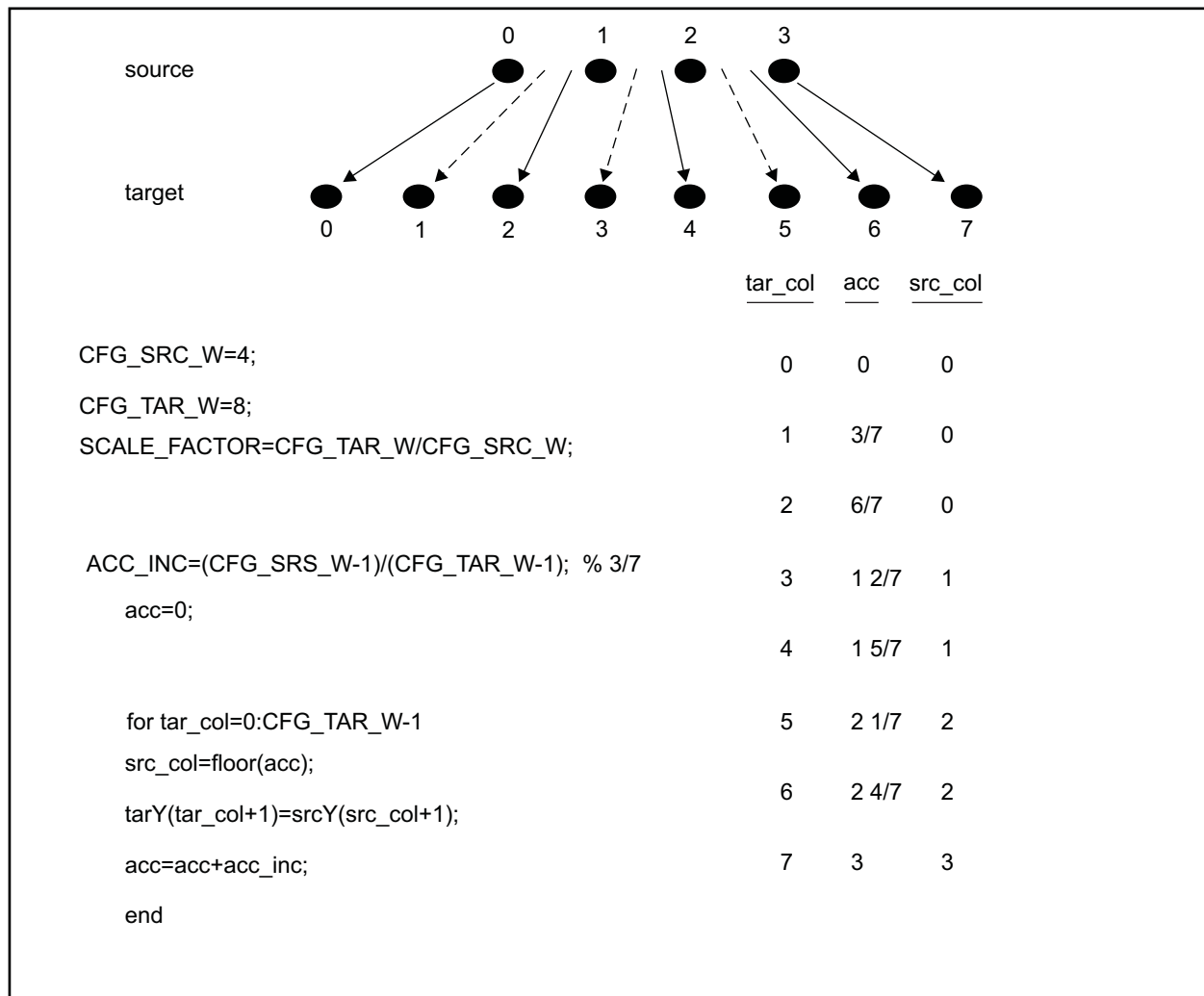
The half-decimation filter is an 11-tap filter with following coefficients: (14, 0, -29, 0, 79, 128, 79, 0, -29, 0, 14). For processing left and right edge pixels, the first and last data are repeated to pre-fill and extend the filter data pipeline respectively. These coefficients are hard-coded into scaler design and user cannot modify these.

10.3.4.2.4.2 Polyphase Filter

The horizontal scaling is done by stepping across the target row and interpolating target pixels based on source pixels. Accumulator points to the source pixel that corresponds to the target pixel.

Figure 10-25 shows an up-scaling example.

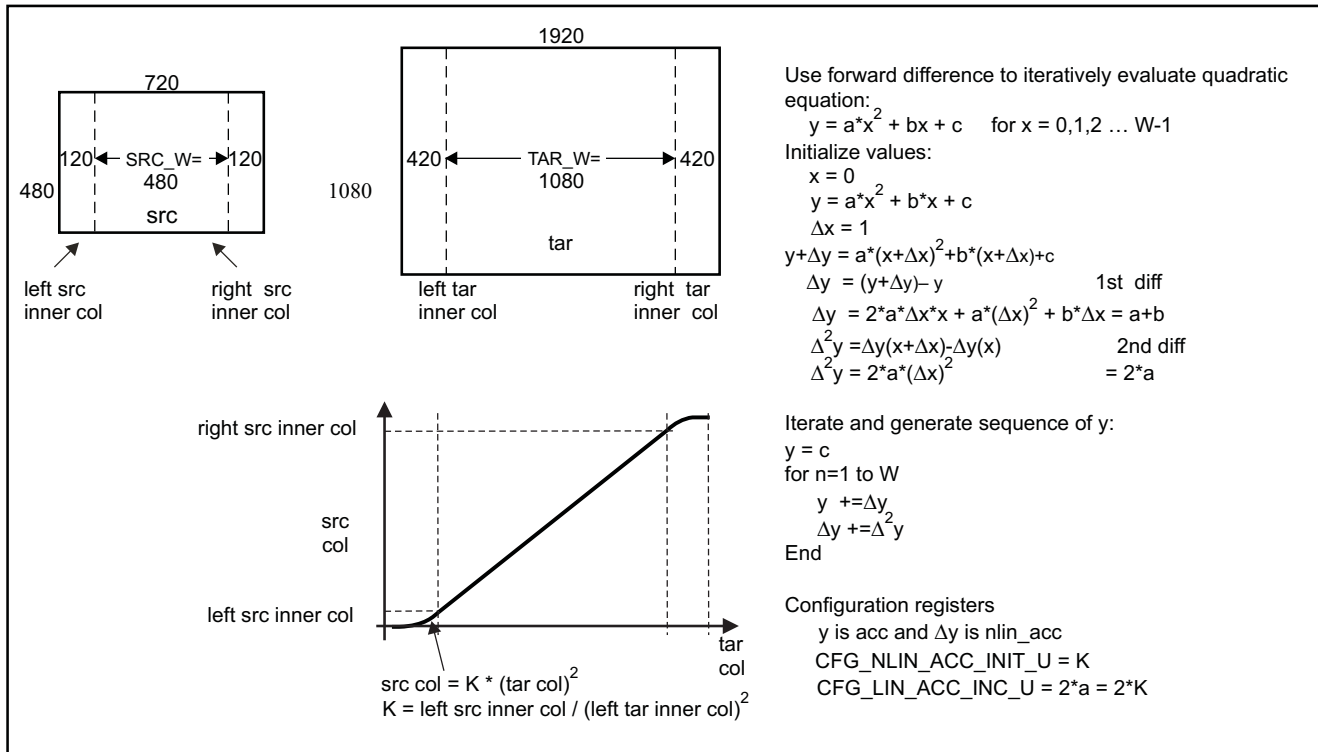
Figure 10-25. Polyphase Filtering Example



10.3.4.2.4.3 Nonlinear Horizontal Scaling

The horizontal scaler supports non-linear scaling to maintain the same aspect ratio for inner picture while stretching picture edges to fill the required resolution when capturing a 4 x 3 picture and fetching it as a 16 x 9 to memory. Non-linear scaling parameters are set with VPE_CFG_SC4[30:28] CFG_NLIN_ACC_INIT_U and VPE_CFG_SC4[26:24] CFG_LIN_ACC_INC_U registers. When setting up a non-linear scaling application, the inner picture is defined as the center square portion of the image with width and height equal to the height of the source image. Remaining side regions are then scaled non-linearly. Figure 10-26 shows a non-linear scaling case.

Figure 10-26. Non-linear Scaling Example



10.3.4.2.4.4 Horizontal Scaler Configuration Registers

Table 10-6. Register Group 1

Parameter	Controls	Description			
VPE_CFG_SC4 [10:0] CFG_TAR_H	Image Dimension	Source Width			
VPE_CFG_SC4 [22:12] CFG_TAR_W		Target Width			
VPE_CFG_SC0 [1] CFG_LINEAR	Scaler Mode	If (linear == 1) SRC_Wi = SRC_W and TAR_Wi = TAR_W Else SRC_W= SRC_H and TAR_W = TAR_H			
VPE_CFG_SC0 [2] CFG_SC_BYPASS		0 = enable scaler, 1 = bypass scaler			
VPE_CFG_SC0 [6] CFG_AUTO_HS		CFG_AUTO_HS	CFG_DCM_2X	CFG_DCM_4X	Definition
		0	0	0	Polyphase scaling
VPE_CFG_SC0 [7] CFG_DCM_2X		0	0	1	Horizontal decimation by 4 and polyphase scaling
		0	1	0	Horizontal decimation by 2 and polyphase scaling
VPE_CFG_SC0 [8] CFG_DCM_4X	1	-	-	Automatic (selection of decimation filter is automatic)	

Table 10-7. Register Group 2

Scale Factor	Decimation Usage	Control Register Bit
< 1/4	Decimation by 4	VPE_CFG_SC0 [8] CFG_DCM_4X (set to 1 to enable decimation; disabled by default)
== 1/4	Decimation by 4	
1/4 < and < 1/2	Decimation by 2	VPE_CFG_SC0 [7] CFG_DCM_2X (set to 1 to enable decimation; disabled by default)
== 1/2	Decimation by 2	
1/2 < and < 1	Bypassed	VPE_CFG_SC0 [7] CFG_DCM_2X and CFG_DCM_4X (set to 0 to disable decimation; default value)
1	Bypassed	
> 1	Bypassed	

Table 10-8. Register Group 3

Parameter	Controls	Description
VPE_CFG_SC9[26:24] CFG_LIN_ACC_INC	Polyphase Scaler	if upscaling then $CFG_LIN_ACC_INC = \text{round}(2^{24} * (\text{srcWi}-1) / (\text{tarWi}-1))$ elseif downscaling $CFG_LIN_ACC_INC = \text{round}(2^{24} * (\text{srcWi}/n-1) / (\text{tarWi}-1))$ where $n=2$ or 4
VPE_CFG_SC8[10:0] CFG_NLIN_LEFT		if $\text{linear}==1$ $CFG_NLIN_LEFT = 0$ else $CFG_NLIN_LEFT = (\text{tarW} - \text{tarWi})/2$
VPE_CFG_SC8[22:12] CFG_NLIN_RIGHT		if $\text{linear}==1$ $CFG_NLIN_RIGHT = \text{tarW}-1$ else $CFG_NLIN_RIGHT = \text{Ltar} + \text{tarWi} - 1$
VPE_CFG_SC5[26:24] CFG_NLIN_ACC_INC_U		if $\text{tarW}/\text{srcW} \geq 1$ then $d = 0$ if $\text{Ltar} \neq 0$ $K = \text{round}[2^{24} * \text{Lsrc} / (\text{Ltar} * \text{Ltar})]$ where $\text{Lsrc} = (\text{srcW}-\text{srcWi})/2$ else $K = 0$ else $d = (\text{tarW}-1)/2$ if $\text{Ltar} \neq 0$ $K = \text{round}[2^{24} * \text{Lsrc} / (\text{Ltar} * (\text{Ltar}-2d))]$ where $\text{Lsrc} = (\text{srcW}-\text{srcWi}) / (2n)$ and $n=1,2$ or 4 else $K = 0$ $CFG_LIN_ACC_INC = 2 * K$ (negative for downscaling)
VPE_CFG_SC4[30:28] CFG_NLIN_ACC_INIT_U		$CFG_LIN_ACC_INC = K * (1-2^d)$

NOTE: Source width and height variables for the polyphase filter are internally set with trimmer and decimation filter adjusted values.

10.3.4.2.5 Basic Configurations

Table 10-9 shows how the scaler should be configured based on the scale factor and the input/output mode.

Table 10-9. Scaler Configuration

Interlace		Mode ⁽¹⁾	VPE_CFG_SC5 [10:0] CFG_SRC_H mod_srcH	VPE_CFG_SC4 [10:0] CFG_TAR_H mod_tarH	Scale Factor
In	Out				
0	0	p->p	CFG_SRC_H	CFG_TAR_H	CFG_TAR_H/CFG_SRC_H
0	1	p->i	CFG_SRC_H	CFG_TAR_H/2	CFG_TAR_H/CFG_SRC_H
1	0	i->p	CFG_SRC_H/2	CFG_TAR_H	CFG_TAR_H/(CFG_SRC_H/2)
1	1	i->i	CFG_SRC_H/2	CFG_TAR_H/2	(CFG_TAR_H/2)/(CFG_SRC_H/2)

⁽¹⁾ p = progressive; i = interlaced

Table 10-10 shows how the vertical scaler should be configured based on the scale factor and the input/output mode.

Table 10-10. Vertical Scaler Configuration

Interlace		Mode ⁽¹⁾	VPE_CFG_SC9[26:24] CFG_ROW_ACC_INC/ 216	VPE_CFG_SC6[9:0] CFG_ROW_ACC_INIT_RAV/216	VPE_CFG_SC6[19:10] CFG_ROW_ACC_INIT_RAV_B/216
In	Out		Top	Bot	
0	0	p->p	$(\text{CFG_SRC_H}-1) / (\text{CFG_TAR_H}-1)$	0	0
0	1	p->i	$2 * (\text{CFG_SRC_H}-1) / (\text{CFG_TAR_H}-1)$	0	$(\text{CFG_SRC_H}-1) / (\text{CFG_TAR_H}-1)$
1	0	i->p	$1/2 * (\text{CFG_SRC_H}-1) / (\text{CFG_TAR_H}-1)$	0	-0.5

⁽¹⁾ p = progressive; i = interlaced

Table 10-10. Vertical Scaler Configuration (continued)

1	1	i->i	$(CFG_SRC_H-1)/(CFG_TAR_H-1)$	0	$[(CFG_SRC_H-1)/(CFG_TAR_H-1)-1]/2$
---	---	------	-----------------------------------	---	---

10.3.4.2.6 Coefficient Memory

10.3.4.2.6.1 Overview

The scaler requires initialization of eight coefficient SRAMs prior to processing a video frame. These coefficients are stored in the external DDR memories and downloaded by the VPDMA. The VPDMA writes the coefficient data through the VPI Control Interface bus.

The eight coefficient SRAMs are:

- HS horizontal polyphase scaler, Luma and Chroma (7tap)
- VS vertical polyphase scaler, Luma and Chroma (5tap or 3tap)

10.3.4.2.6.2 Physical Coefficient SRAM Layout

Each of the six legacy coefficient SRAMs is 32 phases × 91 bits. A single coefficient value is 13 bits. Therefore, one word of the SRAM contains 7 coefficient values as shown in [Figure 10-27](#), and 224 coefficient values are stored in each SRAM.

Figure 10-27. SRAM Layout for 7tap Coefficient

Phase 0	C6	C5	C4	C3	C2	C1	C0
Phase 31	C223	C222	C221	C220	C219	C218	C217

The two vertical polyphase SRAMs are 32 phases × 65 bits. A single coefficient is 13 bits. Therefore, one word of SRAM contains 5 coefficient values as shown in [Figure 10-28](#).

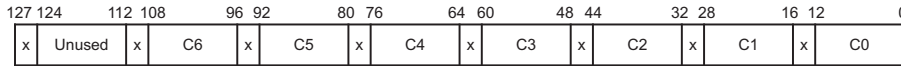
Figure 10-28. SRAM Layout for 5tap Coefficient

Phase 0	C4	C3	C2	C1	C0
Phase 31	C221	C220	C219	C218	C217

10.3.4.2.6.3 Scaler Coefficients Packing on 128-bit VPI Control I/F

A coefficient value is 13 bits wide and takes a single half word. Thus, one VPI Control write carries one phase's worth of coefficients. The last half-word in a quad-word is not used for 7tap coefficients.

Figure 10-29. VPI Control I/F Coef Data Format (7tap)



The Vertical Polyphase scaler coefficients have only five or three values per phase, so the last three (or five) entries are unused. The Vertical Polyphase coefficient packing is shown in Figure 10-30 and Figure 10-31.

Figure 10-30. VPI Control I/F Coef Data Format (5tap)

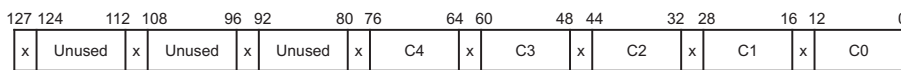
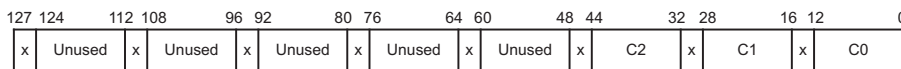


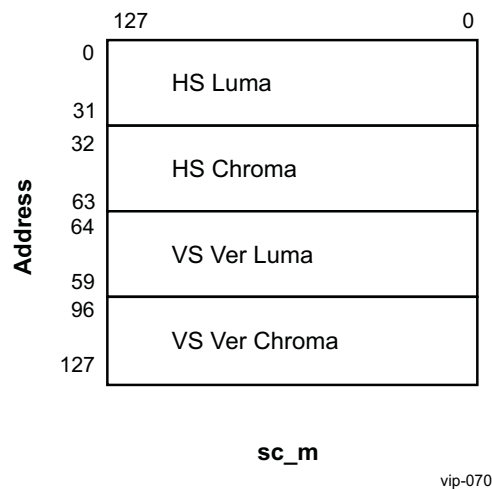
Figure 10-31. VPI Control I/F Coef Data Format (3tap)



10.3.4.2.6.4 VPI Control I/F Memory Map for Scaler Coefficients

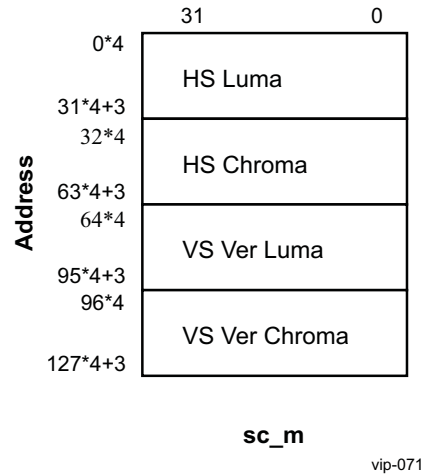
The memory map of the VPI Control I/F for the Scaler coefficients is shown in Figure 10-32. All coefficients can be filled up by a single VPI Control write command. The update address feature of VPI Control I/F enables individual access to a certain location of memories.

Figure 10-32. VPI Control I/F Memory Map (Write)



The module supports the VPI Control Read to read back the contents in the coefficient memories for debug purpose. Figure 10-33 shows the memory map of the VPI Control Read. As the VPI Control Read has only 32 bit data bus, it requires the word addressing while the write does the quad-word addressing.

Figure 10-33. VPI Control I/F Memory Map (Read)



10.3.4.2.6.5 VPI Control Interface

VPDMA is used to configure the coefficient memories of scaler through VPI control interface. Since the coefficient memories are not shadowed (unlike the memory mapped registers), VPI control write access needs to be done only during the gap between video frame processing times. If a write request is made while the Scaler is active, the access will be held off by the hardware until the last data of the currently processed frame is sent out. Care must be given to the order of the DMA descriptors so that blocking of VPI control bus does not occur.

10.3.4.2.6.6 Coefficient Table Selection Guide

The scaler filter coefficient tables are pre-generated using a MATLAB® program for various scaling factor ranges. [Table 10-11](#) provides a general selection guide table for coefficient data files.

The mentioned .dat files are available in [Section 10.3.4.4](#).

Table 10-11. Coefficient Data Files

Scaler	Scale Factor	Coeff table
HS Polyphase Filter	All upscaling	Section 10.3.4.4.1.1, ppfcoef_scael_eq_1_32_phases_flip.dat
	½ or ¼ down scaling	Section 10.3.4.4.1.1, ppfcoef_scale_eq_1_32_phases_flip.dat
	> 15/16	Section 10.3.4.4.1.9, ppfcoef_scale_eq_15div16_32_phases_flip.dat
	> 14/16	Section 10.3.4.4.1.8, ppfcoef_scale_eq_14div16_32_phases_flip.dat
	> 13/16	Section 10.3.4.4.1.7, ppfcoef_scale_eq_13div16_32_phases_flip.dat
	> 12/16	Section 10.3.4.4.1.6, ppfcoef_scale_eq_12div16_32_phases_flip.dat
	> 11/16	Section 10.3.4.4.1.5, ppfcoef_scale_eq_11div16_32_phases_flip.dat
	> 10/16	Section 10.3.4.4.1.4, ppfcoef_scale_eq_10div16_32_phases_flip.dat
	> 9/16	Section 10.3.4.4.1.3, ppfcoef_scale_eq_9div16_32_phases_flip.dat
> 8/16	Section 10.3.4.4.1.2, ppfcoef_scale_eq_8div16_32_phases_flip.dat⁽¹⁾	

⁽¹⁾ HS Scaler has two sets of ½ decimator to perform downscaling ratios below ½ and ¼.

Table 10-11. Coefficient Data Files (continued)

Scaler	Scale Factor	Coeff table
VS Polyphase Filter	Upscaling	Section 10.3.4.4.2.1 , <i>ppfcoef_scale_eq_1_32_phases_ver_5tap_flip.dat</i>
	> 15/16	Section 10.3.4.4.2.6.8 , <i>ppfcoef_scale_eq_15div16_32_phases_ver_5tap_flip.dat</i>
	> 14/16	Section 10.3.4.4.2.6.7 , <i>ppfcoef_scale_eq_14div16_32_phases_ver_5tap_flip.dat</i>
	> 13/16	Section 10.3.4.4.2.6.6 , <i>ppfcoef_scale_eq_13div16_32_phases_ver_5tap_flip.dat</i>
	> 12/16	Section 10.3.4.4.2.6.5 , <i>ppfcoef_scale_eq_12div16_32_phases_ver_5tap_flip.dat</i>
	> 11/16	Section 10.3.4.4.2.6.4 , <i>ppfcoef_scale_eq_11div16_32_phases_ver_5tap_flip.dat</i>
	> 10/16	Section 10.3.4.4.2.6.3 , <i>ppfcoef_scale_eq_10div16_32_phases_ver_5tap_flip.dat</i>
	> 9/16	Section 10.3.4.4.2.6.2 , <i>ppfcoef_scale_eq_9div16_32_phases_ver_5tap_flip.dat</i>
	> 8/16	Section 10.3.4.4.2.6.1 , <i>ppfcoef_scale_eq_8div16_32_phases_ver_5tap_flip.dat</i>
	else	For down-scaling <8/16, RAV filter is recommended. In this case, coefficients for vertical scaling need to be loaded.

10.3.4.3 SC Code

10.3.4.3.1 Generate Coefficient Memory Image

The following Perl script is used to generate a coefficient memory image for a given set of scaling factors.

```
#!/usr/local/bin/perl

$dir="coef/";           # directory which contains the coef files
$config_file="sc_config1.cfg"; # configuration file name
$spl_file="sc_config_supl.cfg"; # supplemental configuration file name
$config_file=$ARGV[0];  # configuration file name
$spl_file=$ARGV[1];    # supplemental configuration file name
$dir=$ARGV[2];         # directory which contains the coef files

$coef_width=13; # coef bit width
$coef_ntap=7;   # coef tap
$coef_nphase=32; # coef phase
$coef_norm=11; # coef norm

#-----
# read config file to get srcH/tarH/interlace_i/interlace_o
#-----
open(INFILE, "<$config_file") or die "### ERROR: Cannot open $config_file";
while(<INFILE>){
    if (m/([0-9]+) +\\\/ +srcW/) {
        $srcW = $1;
    } elsif (m/([0-9]+) +\\\/ +srcH/) {
        $srcH = $1;
    } elsif (m/([0-9]+) +\\\/ +tarW/) {
        $tarW = $1;
    } elsif (m/([0-9]+) +\\\/ +tarH/) {
        $tarH = $1;
    } elsif (m/([0-9]+) +\\\/ +interlace_in/) {
        $interlace_i = $1;
    } elsif (m/([0-9]+) +\\\/ +interlace_out/) {
        $interlace_o = $1;
    }
}
```

```

    }
}
close(INFILE);

#-----
# read supplemental config file to get srcWi/tarWi from
#-----
open(INFILE,"<$spl_file") or die "### ERROR: Cannot open $spl_file";
while(<INFILE>){
    if (m/([0-9]+) +\\\/ +srcWi/) {
        $srcWi = $1;
    } elsif (m/([0-9]+) +\\\/ +tarWi/) {
        $tarWi = $1;
    } elsif (m/([0-9]+) +\\\/ +profile/) {
        $profile = $1; # 0:HIGH,1:MEDIUM,2:LOW
    }
}
close(INFILE);
#-----
# determine coef file based on the width/height
#-----
#VS
#$vsc_file0 = "mod_ppfcoef_scale_eq_1_32_phases_flip.dat";
#$vsc_file0 = "ppfcoef_scale_eq_1_32_phases_flip_PPF3_peak5_gain_eq_1_25.dat";
#VS VER
$mod_tarH = ($interlace_i == 0 && $interlace_o == 1)   $tarH<<1 : $tarH; if ($profile==2) {
    # LOW profile
    if ($mod_tarH >= $srcH) {
        $vsc_ver_file0 = "ppfcoef_scale_eq_1_32_phases_ver_3tap_flip.dat";
    } else {
        if ($mod_tarH >=($srcH>>1)) {
            $n = int(16.0*$mod_tarH/$srcH);
            $vsc_ver_file0 = sprintf("ppfcoef_scale_eq_%ddiv16_32_phases_ver_3tap_flip.dat",$n);
        } else {
            $n = 0;
            $vsc_ver_file0 = "ppfcoef_scale_eq_1_32_phases_ver_3tap_flip.dat";
        }
    }
} else {
    if ($mod_tarH >= $srcH) {
        $vsc_ver_file0 = "ppfcoef_scale_eq_1_32_phases_ver_5tap_flip.dat";
    } else {
        $n = int(16.0*$mod_tarH/$srcH);
        $vsc_ver_file0 = sprintf("ppfcoef_scale_eq_%ddiv16_32_phases_ver_5tap_flip.dat",$n);
    }
}

# HS
if ($tarWi >= $srcWi) {
    $hsc_file0 = "ppfcoef_scale_eq_1_32_phases_flip.dat";
} elsif ( ($tarWi == ($srcWi>>1)) || ($tarWi == ($srcWi>>2)) ) {
    $hsc_file0 = "ppfcoef_scale_eq_1_32_phases_flip.dat";
} else {
    if ($tarWi > ($srcWi>>1)) {
        $n = int(16.0*$tarWi/$srcWi);
    } elsif ($tarWi > ($srcWi>>2)) {
        $n = int(16.0*$tarWi/($srcWi>>1));
    } elsif ($tarWi >=($srcWi>>3)) {
        $n = int(16.0*$tarWi/($srcWi>>2));
    } else {
        $n = 0;
    }
    $hsc_file0 = sprintf("ppfcoef_scale_eq_%ddiv16_32_phases_flip.dat",$n);
}
#-----
# write out the coef hex file

```

```

#-----
&write_coef($hsc_file0);
&write_coef($hsc_file0);
&write_coef($vsc_ver_file0);
&write_coef($vsc_ver_file0);
&write_coef($vsc_file0);
&write_coef($vsc_file0);
sub write_coef {

    my ($filename) = @_ ;

    open(INFILE, "<$dir/$filename") or die "### ERROR: Cannot open $dir/$filename";

    $line=<INFILE>;
    @val=split(' ', $line);
    $ntap=$val[0];
    $nphase=$val[1];
    $norm=$val[2];
    for ($p=0;$p<$nphase;$p++) {
        $line=<INFILE>;@val=split(' ', $line);
        for($i=0;$i<$ntap;$i++) {
            if ($val[$i]<0) {
                $val[$i]+=(1<<$coef_width);
            }
        }
        undef(@coef);
        unshift(@coef, sprintf("%04x", $val[0]));
        unshift(@coef, sprintf("%04x", $val[1]));
        unshift(@coef, sprintf("%04x", $val[2]));
        unshift(@coef, sprintf("%04x", $val[3]));
        unshift(@coef, sprintf("%04x", $val[4]));
        unshift(@coef, sprintf("%04x", $val[5]));
        unshift(@coef, sprintf("%04x", $val[6]));
        unshift(@coef, sprintf("%04x", 0));
        $coef=join(" ", @coef);
        print "$coef\n";
    }

    close(INFILE);
}

```

10.3.4.3.2 Scaler Configuration Calculation

The following C-code shows how configuration parameters are calculated:

```

// =====
// Required Input Parameter
// =====
// srcW, srcH, tarW, tarH, srcWi, tarWi
// input/output scan modes
// Note: srcH and tarH refer to number of lines in the frame even for interlace in/out
// scaling. Based on scaling scan mode input/output scan mode option,
// heights are adjusted during internal calculations see mod_srcH and mod_tarH.

pixel_scale_factor=4; // 10 bit pixel
hor_pixel_offset =0.0

// =====
// Peaking Filter Configuration
// =====
// -----
// HPF Coef
// -----
y_peak_enable = 0;

```

```

peak_select=0; // 0=peak at fs/4  1=NTSC  2=PAL
switch(peak_select) {
case 0: { // peak at fs/4 and gain = 1
        HPF_coef0      =  0;
        HPF_coef1      =  0;
        HPF_coef2      =  0;
        HPF_coef3      = -4;
        HPF_coef4      =  0;
        HPF_coef5      =  8; // mid tap
        HPF_norm_shift  =  4;
        break;
}
case 1: { // NTSC: peak at 0.133*fs and gain=1
        HPF_coef0      = -2;
        HPF_coef1      = -8;
        HPF_coef2      = -8;
        HPF_coef3      = -2;
        HPF_coef4      = 12;
        HPF_coef5      = 16; // mid tap
        HPF_norm_shift  =  6;
        break;
}
case 2: { // PAL: peak at 0.163*fs and gain=1
        HPF_coef0      =  2;
        HPF_coef1      = -4;
        HPF_coef2      = -11;
        HPF_coef3      = -7;
        HPF_coef4      =  9;
        HPF_coef5      = 22; // mid tap
        HPF_norm_shift  =  6;
        break;
}
}
}

// -----
// NonLinear Coring Function typical values
// -----
NL_coring_thr      = 16;
NL_limit           = 200;
NL_lo_slope        = 16;
NL_hi_thr          = 400;
NL_hi_slope_shift  =  4;

// =====
// Edge Detection Configuration
// =====
// edge detection
confidence_default = 0; // 0  =use 5 tap polyphase filter for SC with ev_enable =0

min_Gy_thr         = 64; // 64
min_Gy_thr_range   =  3; // 3 power of 2
gradient_thr       = 200; // 200
gradient_thr_range =  6; // 6 power of 2

ev_thr = int(4.0*3.111+0.5); // edge vector soft switch threshold (3.2)

// =====
// vertical scaler configuration
// =====
// -----
// vertical scaler typical parameters
// -----
invert_field_ID    =  0; // invert field ID input

```

```

    delta_ev_thr           = 1; // edge vector soft switch range
    ver_pixel_offset       = 0.0;
    uv_intp_thr           = pixel_scale_factor*16;
    delta_y_thr           = 4; // luma soft switch range
    delta_uv_thr          = 4; // chroma soft switch range
//
//
// -----
// Vertical Scaler Mode Determination
// -----
//
// interlace
//   in   out   mode mod_srcH mod_tarH       scale
// -----
//   0    0   p->p   srcH      tarH         tarH/srcH
//   0    1   p->i   srcH      tarH>>1      tarH/srcH
//   1    0   i->p   srcH>>1   tarH         tarH/(srcH/2)
//   1    1   i->i   srcH>>1   tarH>>1   (tarH/2)/(srcH/2)

if (interlace_in) mod_srcH=srcH>>1; // interlace
else               mod_srcH=srcH;   // progressive
if (interlace_out) mod_tarH=tarH>>1; // interlace
else               mod_tarH=tarH;   // progressive

// determine vertical scaler
if ((interlace_in==0)&&(interlace_out==1)) {
    if (tarH>((1+srcH)>>1)) use_rav = 0; // 1=use RAV scaler 0=use polyphase scaler
    else                  use_rav = 1;
} else {
    if (mod_tarH>((1+mod_srcH)>>1)) use_rav = 0; // 1=use RAV scaler 0=use polyphase scaler
    else                          use_rav = 1;
}

// -----
// RAV or Polyphase parameters
// -----
if (use_rav) { // downscale
    // -----
    // --- RAV ---
    // -----
    if (use_internal_defaults) enable_edge_detection = 0;

    if ((interlace_in==0)&&(interlace_out==1)) scale = double(tarH)/double(srcH);
    else                                       scale = double(mod_tarH)/double(mod_srcH);
    sc_factor_rav = int(1024.0*scale+0.5);
// Peter's method
    delta      = (1.0/scale-1.0)/2.0;
    int_part   = floor(delta);
    frac_part  = delta-int_part;

    row_acc_init_rav = int(1024*(scale+(1.0-
scale)/2.0)+0.5); // top field
    row_acc_init_b_rav = int(1024*(scale+(1.0-2.0*frac_part)*(1.0-
(1.0+2.0*int_part)*scale)/2.0)+0.5); // bottom field

    row_acc_inc      = 0; // polyphase scaler
    row_acc_offset   = 0; // polyphase scaler
    row_acc_offset_b = 0; // polyphase scaler

} else { // upscale using polyphase scaler
    // -----
    // --- PPF ---
    // -----
    if (use_internal_defaults) enable_edge_detection = 1;

```

```

sc_factor_rav      = 0;
delta_rav          = 0;
row_acc_init_rav   = 0;
row_acc_init_b_rav = 0;

// upscaler
// interlace
// in out mode      row acc inc      top      bottom
// -----
// 0 0 p->p      (srcH-1)/(tarH-1) 0      0
// 0 1 p->i      2*(srcH-1)/(tarH-1) 0      (srcH-1)/(tarH-1)
// 1 0 i->p      1/2*(srcH-1)/(tarH-1) 0      -0.5
// 1 1 i->i      (srcH-1)/(tarH-1) 0      [(srcH-1)/(tarH-1)-1]/2

row_acc_offset = int(65536.0*ver_pixel_offset +0.5); // progressive or top field
if (interlace_in) {
if (interlace_out) {
row_acc_inc = int(65536.0*double(srcH-1)/double(tarH-1)+0.5);
row_acc_offset_b = (int(65536.0/2.0*(double(srcH-1)/(double(tarH-1))-
1.0)+0.5))+row_acc_offset;
} else { // progressive out
row_acc_inc = int(65536.0*double(srcH-1)/(2.0*double(tarH-1))+0.5);
if ((-0.5+row_acc_offset)<0.0) round_factor=-0.5;
else round_factor= 0.5;
row_acc_offset_b = int(65536.0*(-0.5)+round_factor)+row_acc_offset;
}
} else { // progressive in
if (interlace_out) {
row_acc_inc = int(65536.0*2.0*double(srcH-1)/double(tarH-1)+0.5);
row_acc_offset_b = int(65536.0*double(srcH-1)/double(tarH-1)+0.5)+row_acc_offset;
} else { // progressive out
row_acc_inc = int(65536.0*double(srcH-1)/double(tarH-1)+0.5);
row_acc_offset_b = row_acc_offset;
}
}
}
}
// =====
// Horizontal Scaler configuration
// =====
// horizontal scaler mode determination
// -----
auto_hs = 1;
dcm_2x = 0;
dcm_4x = 0;
hp_bypass = 0;
if (srcWi==srcW) linear = 1;
else linear = 0;

// hor scaler parameters
if (tarW>srcW) { // upscale
mod_srcW = srcW;
mod_srcWi = srcWi;
} else if (tarW<=(srcW>>2)) { // downscale by <=1/4
mod_srcW = srcW>>2;
mod_srcWi = srcWi>>2;
} else if (tarW<=(srcW>>1)) { // downscale by <=1/2
mod_srcW = srcW>>1;
mod_srcWi = srcWi>>1;
} else { // downscale by <=1
mod_srcW = srcW;
mod_srcWi = srcWi;
}

// Not used any more:

```

```

// hs_factor      = int(16.0*double(tarWi)/double(mod_srcWi)+0.5); // hor scale factor (6.4)

// -----
// Horizontal PolyPhase Settings  --
// -----
lin_acc_inc      = int(16777216.0*double(mod_srcWi-1)/double(tarWi-1)+0.5);
col_acc_offset   = int(16777216.0*hor_pixel_offset +0.5);
nlin_left        = (tarW-tarWi)>>1;
nlin_right       = nlin_left+tarWi-1;
if (linear) {
    nlin_acc_inc  = 0;
    nlin_acc_init = 0;
} else {
    // -----
    // Non-linear scaling configuration
    // -----
    nlin_left_src = (mod_srcW-mod_srcWi)>>1;

    if (tarWi>=srcWi) { // upscale
        d          = 0.0;
        round_factor = 0.5;
    } else { // downscale
        d          = (double(tarW)-1.0)/2.0;
        round_factor = -0.5;
    }

    K          = 16777216.0*double(nlin_left_src)/(double(nlin_left)*double(nlin_left-
2.0*d));
    nlin_acc_inc = int(2.0*K+round_factor);
    nlin_acc_init = int(K*(1.0-2.0*d)+0.5);
}
nlin_left_tar  = nlin_left;
nlin_right_tar = nlin_right;

// =====
// Bypass Determination
// =====
// bypass
if ((srcW==tarW)&&(srcWi==tarWi)&&(mod_srcH==mod_tarH)) sc_bypass = 1;
else sc_bypass = 0;
//
}

```

10.3.4.3.3 Typical Configuration Values

The following is the list of all scaler register fields that are set to constant values, representing typical settings:

- VPE_CFG_SC0[3] CFG_INV_T_FID = 0 (Field ID will be used without inversion)
- VPE_CFG_SC0[5] CFG_ENABLE_EV = 1 (Field ID will be used without inversion)
- VPE_CFG_SC0[6] CFG_AUTO_HS = 1 (The hardware will automatically decide, if current operation is up or down scaling. In down-scaling, it will also decide, if 2X or 4X decimation filter is needed)
- VPE_CFG_SC0[7] CFG_DCM_2X = 0 (The 2X decimation filter is disabled)
- VPE_CFG_SC0[8] CFG_DCM_4X = 0 (The 4X decimation filter is disabled)
- VPE_CFG_SC0[11] CFG_ENABLE_SIN2_VER_INTP = 1 (Modified bilinear interpolation is used)
- VPE_CFG_SC0[14] CFG_Y_PK_EN = 0 (Luma peaking is disabled)
- VPE_CFG_SC0[15] CFG_TRIM= 1 (Trimming is enabled)
- VPE_CFG_SC12[24:0] CFG_COL_ACC_OFFSET = 0 (No horizontal offset is involved)
- VPE_CFG_SC13[21:12] CFG_CHROMA_INTP_THR = 64 (If the difference is less than this threshold, the interpolation of chroma should be done along edge direction. Otherwise, the interpolation of chroma should be done vertically)
- VPE_CFG_SC13[27:24] CFG_DELTA_CHROMA_THR = 4 (max limit=8)

VPE_CFG_SC18[24:16] CFG_CONF_DEFAULT = 0x100 (Defines confidence factor when edge detection is disabled (VPE_CFG_SC0[5] CFG_ENABLE_EV bit = 0))

VPE_CFG_SC19 = 0xFC000000

VPE_CFG_SC20 = 0x0C840800

VPE_CFG_SC21 = 0x00100010

VPE_CFG_SC22 = 0x00040190

10.3.4.4 SC Coefficient Data Files

10.3.4.4.1 HS Polyphase Filter Coefficients

10.3.4.4.1.1 ppfcoef_scale_eq_1_32_phases_flip.dat

```

7 32 11
31 -112 210 1790 210 -112 31
28 -98 159 1787 264 -126 34
25 -84 111 1779 320 -140 37
22 -71 65 1767 379 -154 40
19 -58 23 1750 439 -168 43
16 -45 -17 1728 502 -181 45
14 -33 -53 1701 565 -193 47
11 -22 -86 1670 631 -205 49
9 -11 -116 1635 696 -216 51
7 -1 -142 1594 763 -225 52
5 8 -166 1551 830 -233 53
3 16 -186 1504 898 -240 53
2 23 -204 1455 965 -245 52
1 30 -218 1401 1031 -248 51
0 35 -230 1345 1097 -249 50
-1 40 -238 1286 1162 -248 47
44 -244 1224 1224 -244 44 0
47 -248 1162 1286 -238 40 -1
50 -249 1097 1345 -230 35 0
51 -248 1031 1401 -218 30 1
52 -245 965 1455 -204 23 2
53 -240 898 1504 -186 16 3
53 -233 830 1551 -166 8 5
52 -225 763 1594 -142 -1 7
51 -216 696 1635 -116 -11 9
49 -205 631 1670 -86 -22 11
47 -193 565 1701 -53 -33 14
45 -181 502 1728 -17 -45 16
43 -168 439 1750 23 -58 19
40 -154 379 1767 65 -71 22
37 -140 320 1779 111 -84 25
34 -126 264 1787 159 -98 28

```

10.3.4.4.1.2 ppfcoef_scale_eq_8div16_32_phases_flip.dat

```

7 32 11
-28 61 542 898 542 61 -28
-27 52 523 899 560 70 -29
-26 44 505 898 578 79 -30
-25 37 487 895 595 89 -30
-24 30 468 892 613 100 -31
-22 23 450 887 630 111 -31
-21 17 432 883 647 122 -32
-20 11 414 877 664 134 -32
-19 6 396 871 680 146 -32
-18 1 378 864 695 159 -31
-16 -4 360 856 711 172 -31
-15 -8 343 847 726 185 -30
-14 -12 325 838 740 200 -29

```


-13	-15	308	828	754	214	-28
-12	-18	292	816	768	229	-27
-10	-21	275	805	780	244	-25
-23	258	789	789	258	-23	0
-25	244	780	805	275	-21	-10
-27	229	768	816	292	-18	-12
-28	214	754	828	308	-15	-13
-29	200	740	838	325	-12	-14
-30	185	726	847	343	-8	-15
-31	172	711	856	360	-4	-16
-31	159	695	864	378	1	-18
-32	146	680	871	396	6	-19
-32	134	664	877	414	11	-20
-32	122	647	883	432	17	-21
-31	111	630	887	450	23	-22
-31	100	613	892	468	30	-24
-30	89	595	895	487	37	-25
-30	79	578	898	505	44	-26
-29	70	560	899	523	52	-27

10.3.4.4.1.3 *ppfcoef_scale_eq_9div16_32_phases_flip.dat*

7	32	11				
-33	8	547	1004	547	8	-33
-31	0	525	1003	570	16	-35
-29	-7	503	1001	592	25	-37
-27	-13	481	998	614	34	-39
-26	-19	459	995	636	44	-41
-24	-25	437	990	658	55	-43
-22	-29	414	983	679	67	-44
-20	-34	393	976	700	79	-46
-18	-38	371	968	721	91	-47
-17	-41	350	959	742	104	-49
-15	-44	330	948	761	118	-50
-13	-46	309	936	780	133	-51
-12	-48	289	924	799	148	-52
-11	-50	270	911	817	163	-52
-9	-51	250	897	833	180	-52
-8	-52	232	882	850	196	-52
-52	213	863	863	213	-52	0
-52	196	850	882	232	-52	-8
-52	180	833	897	250	-51	-9
-52	163	817	911	270	-50	-11
-52	148	799	924	289	-48	-12
-51	133	780	936	309	-46	-13
-50	118	761	948	330	-44	-15
-49	104	742	959	350	-41	-17
-47	91	721	968	371	-38	-18
-46	79	700	976	393	-34	-20
-44	67	679	983	414	-29	-22
-43	55	658	990	437	-25	-24
-41	44	636	995	459	-19	-26
-39	34	614	998	481	-13	-27
-37	25	592	1001	503	-7	-29
-35	16	570	1003	525	0	-31

10.3.4.4.1.4 *ppfcoef_scale_eq_10div16_32_phases_flip.dat*

7	32	11				
-30	-46	542	1116	542	-46	-30
-28	-52	515	1115	570	-39	-33
-25	-57	488	1113	597	-32	-36
-23	-62	462	1109	624	-24	-38
-20	-65	435	1104	650	-15	-41
-18	-69	409	1097	678	-5	-44
-16	-71	383	1089	704	6	-47

-14	-74	358	1081	730	17	-50
-12	-75	333	1070	756	29	-53
-11	-76	309	1058	782	42	-56
-9	-77	285	1045	806	56	-58
-8	-77	262	1030	831	71	-61
-6	-77	239	1015	855	86	-64
-5	-76	218	997	877	103	-66
-4	-75	196	980	899	120	-68
-3	-74	176	961	920	138	-70
-72	156	940	940	156	-72	0
-70	138	920	961	176	-74	-3
-68	120	899	980	196	-75	-4
-66	103	877	997	218	-76	-5
-64	86	855	1015	239	-77	-6
-61	71	831	1030	262	-77	-8
-58	56	806	1045	285	-77	-9
-56	42	782	1058	309	-76	-11
-53	29	756	1070	333	-75	-12
-50	17	730	1081	358	-74	-14
-47	6	704	1089	383	-71	-16
-44	-5	678	1097	409	-69	-18
-41	-15	650	1104	435	-65	-20
-38	-24	624	1109	462	-62	-23
-36	-32	597	1113	488	-57	-25
-33	-39	570	1115	515	-52	-28

10.3.4.4.1.5 ppfcoef_scale_eq_11div16_32_phases_flip.dat

7	32	11				
-19	-94	522	1230	522	-94	-19
-17	-98	490	1230	555	-90	-22
-14	-100	458	1227	587	-85	-25
-12	-102	427	1223	620	-79	-29
-10	-103	397	1217	652	-73	-32
-8	-104	367	1209	685	-65	-36
-6	-104	337	1199	717	-56	-39
-4	-103	309	1187	749	-47	-43
-3	-102	281	1174	781	-36	-47
-1	-100	253	1159	812	-24	-51
0	-98	227	1142	843	-11	-55
1	-96	201	1124	874	3	-59
1	-93	177	1105	903	18	-63
2	-90	153	1084	932	34	-67
2	-87	131	1062	961	51	-72
3	-83	109	1038	987	69	-75
-79	89	1014	1014	89	-79	0
-75	69	987	1038	109	-83	3
-72	51	961	1062	131	-87	2
-67	34	932	1084	153	-90	2
-63	18	903	1105	177	-93	1
-59	3	874	1124	201	-96	1
-55	-11	843	1142	227	-98	0
-51	-24	812	1159	253	-100	-1
-47	-36	781	1174	281	-102	-3
-43	-47	749	1187	309	-103	-4
-39	-56	717	1199	337	-104	-6
-36	-65	685	1209	367	-104	-8
-32	-73	652	1217	397	-103	-10
-29	-79	620	1223	427	-102	-12
-25	-85	587	1227	458	-100	-14
-22	-90	555	1230	490	-98	-17

10.3.4.4.1.6 ppfcoef_scale_eq_12div16_32_phases_flip.dat

7	32	11				
-3	-132	486	1346	486	-132	-3

```

-1 -132 449 1345 524 -131 -6
 1 -131 413 1342 562 -130 -9
 3 -130 378 1336 600 -127 -12
 4 -128 343 1328 639 -123 -15
 5 -125 309 1319 677 -119 -18
 6 -122 277 1306 716 -113 -22
 7 -118 245 1292 754 -106 -26
 8 -114 214 1276 793 -98 -31
 8 -109 185 1257 831 -89 -35
 9 -105 156 1237 869 -78 -40
 9 -100 130 1214 906 -66 -45
 9 -94 104 1190 942 -53 -50
 9 -89 79 1165 978 -38 -56
 8 -83 56 1138 1012 -22 -61
 8 -78 35 1108 1046 -4 -67
-72 15 1081 1081 15 -72 0
-67 -4 1046 1108 35 -78 8
-61 -22 1012 1138 56 -83 8
-56 -38 978 1165 79 -89 9
-50 -53 942 1190 104 -94 9
-45 -66 906 1214 130 -100 9
-40 -78 869 1237 156 -105 9
-35 -89 831 1257 185 -109 8
-31 -98 793 1276 214 -114 8
-26 -106 754 1292 245 -118 7
-22 -113 716 1306 277 -122 6
-18 -119 677 1319 309 -125 5
-15 -123 639 1328 343 -128 4
-12 -127 600 1336 378 -130 3
-9 -130 562 1342 413 -131 1
-6 -131 524 1345 449 -132 -1

```

10.3.4.4.1.7 *ppfcoef_scale_eq_13div16_32_phases_flip.dat*

```

7 32 11
14 -154 435 1458 435 -154 14
15 -150 393 1458 477 -157 12
16 -146 353 1454 521 -160 10
16 -141 314 1447 565 -161 8
17 -135 276 1436 609 -161 6
17 -129 239 1425 654 -161 3
17 -123 204 1410 699 -159 0
16 -116 170 1393 745 -156 -4
16 -109 137 1373 790 -151 -8
16 -102 107 1350 835 -146 -12
15 -94 77 1325 879 -138 -16
14 -87 50 1298 924 -130 -21
13 -80 24 1269 968 -119 -27
12 -72 0 1238 1010 -107 -33
11 -65 -22 1204 1053 -94 -39
10 -58 -43 1169 1093 -78 -45
-52 -62 1138 1138 -62 -52 0
-45 -78 1093 1169 -43 -58 10
-39 -94 1053 1204 -22 -65 11
-33 -107 1010 1238 0 -72 12
-27 -119 968 1269 24 -80 13
-21 -130 924 1298 50 -87 14
-16 -138 879 1325 77 -94 15
-12 -146 835 1350 107 -102 16
-8 -151 790 1373 137 -109 16
-4 -156 745 1393 170 -116 16
0 -159 699 1410 204 -123 17
3 -161 654 1425 239 -129 17
6 -161 609 1436 276 -135 17
8 -161 565 1447 314 -141 16
10 -160 521 1454 353 -146 16

```

12 -157 477 1458 393 -150 15

10.3.4.4.1.8 ppfcoef_scale_eq_14div16_32_phases_flip.dat

```

7 32 11
27 -158 370 1570 370 -158 27
27 -150 324 1568 417 -165 27
26 -142 281 1563 465 -172 27
25 -133 238 1555 515 -178 26
24 -124 198 1543 565 -183 25
23 -115 159 1527 616 -186 24
22 -106 122 1510 667 -189 22
21 -97 87 1489 719 -191 20
19 -87 54 1464 772 -191 17
18 -78 23 1437 824 -190 14
16 -69 -6 1407 876 -187 11
15 -60 -32 1373 927 -182 7
13 -52 -57 1339 979 -176 2
12 -44 -79 1300 1030 -168 -3
11 -36 -99 1261 1079 -159 -9
9 -28 -117 1218 1128 -147 -15
-21 -134 1179 1179 -134 -21 0
-15 -147 1128 1218 -117 -28 9
-9 -159 1079 1261 -99 -36 11
-3 -168 1030 1300 -79 -44 12
2 -176 979 1339 -57 -52 13
7 -182 927 1373 -32 -60 15
11 -187 876 1407 -6 -69 16
14 -190 824 1437 23 -78 18
17 -191 772 1464 54 -87 19
20 -191 719 1489 87 -97 21
22 -189 667 1510 122 -106 22
24 -186 616 1527 159 -115 23
25 -183 565 1543 198 -124 24
26 -178 515 1555 238 -133 25
27 -172 465 1563 281 -142 26
27 -165 417 1568 324 -150 27

```

10.3.4.4.1.9 ppfcoef_scale_eq_15div16_32_phases_flip.dat

```

7 32 11
33 -143 294 1680 294 -143 33
31 -132 246 1678 345 -155 35
30 -121 199 1671 398 -165 36
27 -109 154 1661 452 -175 38
25 -97 112 1647 508 -185 38
23 -86 72 1629 564 -193 39
21 -75 35 1607 622 -201 39
19 -64 0 1580 681 -207 39
17 -53 -32 1551 740 -213 38
15 -43 -61 1518 799 -217 37
13 -33 -88 1481 859 -219 35
11 -24 -113 1442 919 -220 33
9 -15 -134 1399 978 -219 30
8 -7 -153 1354 1036 -217 27
6 0 -170 1307 1094 -212 23
5 7 -184 1257 1150 -205 18
13 -196 1207 1207 -196 13 0
18 -205 1150 1257 -184 7 5
23 -212 1094 1307 -170 0 6
27 -217 1036 1354 -153 -7 8
30 -219 978 1399 -134 -15 9
33 -220 919 1442 -113 -24 11
35 -219 859 1481 -88 -33 13
37 -217 799 1518 -61 -43 15
38 -213 740 1551 -32 -53 17

```

39	-207	681	1580	0	-64	19
39	-201	622	1607	35	-75	21
39	-193	564	1629	72	-86	23
38	-185	508	1647	112	-97	25
38	-175	452	1661	154	-109	27
36	-165	398	1671	199	-121	30
35	-155	345	1678	246	-132	31

10.3.4.4.2 VS Polyphase Filter Coefficients

10.3.4.4.2.1 *ppfcoef_scale_eq_1_32_phases_ver_5tap_flip.dat*

```

5 32 11
-47 177 1788 177 -47
-40 133 1785 225 -55
-33 91 1778 276 -64
-27 53 1765 330 -73
-21 18 1747 386 -82
-15 -13 1722 445 -91
-11 -41 1693 507 -100
-7 -66 1660 570 -109
-3 -88 1622 635 -118
0 -107 1579 703 -127
2 -122 1532 771 -135
4 -135 1482 839 -142
5 -145 1428 909 -149
6 -153 1371 978 -154
7 -158 1310 1047 -158
7 -161 1247 1116 -161
-162 1186 1186 -162 0
-161 1116 1247 -161 7
-158 1047 1310 -158 7
-154 978 1371 -153 6
-149 909 1428 -145 5
-142 839 1482 -135 4
-135 771 1532 -122 2
-127 703 1579 -107 0
-118 635 1622 -88 -3
-109 570 1660 -66 -7
-100 507 1693 -41 -11
-91 445 1722 -13 -15
-82 386 1747 18 -21
-73 330 1765 53 -27
-64 276 1778 91 -33
-55 225 1785 133 -40

```

10.3.4.4.2.2 *ppfcoef_scale_eq_3_32_phases_flip.dat*

```

5, 32, 11,
130, 515, 758, 515, 130,
121, 503, 757, 528, 139,
113, 490, 756, 541, 148,
105, 477, 755, 553, 158,
97, 464, 753, 566, 168,
90, 451, 751, 578, 178,
83, 437, 749, 590, 189,
76, 424, 746, 602, 200,
69, 411, 743, 614, 211,
63, 398, 739, 626, 222,
57, 386, 734, 637, 234,
52, 373, 729, 648, 246,
46, 360, 725, 659, 258,
41, 347, 719, 670, 271,
37, 335, 713, 680, 283,
32, 322, 707, 690, 297,
314, 710, 710, 314, 0,

```

```

297, 690, 707, 322, 32,
283, 680, 713, 335, 37,
271, 670, 719, 347, 41,
258, 659, 725, 360, 46,
246, 648, 729, 373, 52,
234, 637, 734, 386, 57,
222, 626, 739, 398, 63,
211, 614, 743, 411, 69,
200, 602, 746, 424, 76,
189, 590, 749, 437, 83,
178, 578, 751, 451, 90,
168, 566, 753, 464, 97,
158, 553, 755, 477, 105,
148, 541, 756, 490, 113,
139, 528, 757, 503, 121};

```

10.3.4.4.2.3 ppfcoef_scale_eq_4_32_phases_flip.dat

```

5, 32, 11,
116, 515, 786, 515, 116,
107, 502, 785, 530, 124,
99, 488, 784, 544, 133,
92, 473, 783, 557, 143,
85, 459, 781, 571, 152,
78, 445, 778, 585, 162,
71, 431, 775, 598, 173,
65, 417, 772, 611, 183,
59, 403, 767, 624, 195,
53, 389, 763, 637, 206,
48, 375, 758, 649, 218,
43, 362, 752, 661, 230,
38, 348, 747, 673, 242,
34, 334, 740, 685, 255,
30, 321, 733, 696, 268,
26, 308, 726, 707, 281,
298, 726, 726, 298, 0,
281, 707, 726, 308, 26,
268, 696, 733, 321, 30,
255, 685, 740, 334, 34,
242, 673, 747, 348, 38,
230, 661, 752, 362, 43,
218, 649, 758, 375, 48,
206, 637, 763, 389, 53,
195, 624, 767, 403, 59,
183, 611, 772, 417, 65,
173, 598, 775, 431, 71,
162, 585, 778, 445, 78,
152, 571, 781, 459, 85,
143, 557, 783, 473, 92,
133, 544, 784, 488, 99,
124, 530, 785, 502, 107};

```

10.3.4.4.2.4 ppfcoef_scale_eq_5_32_phases_flip.dat

```

5, 32, 11,
98, 515, 822, 515, 98,
90, 500, 821, 531, 106,
83, 484, 820, 547, 114,
75, 469, 819, 562, 123,
69, 453, 816, 577, 133,
63, 438, 813, 592, 142,
57, 422, 809, 607, 153,
51, 407, 805, 622, 163,
46, 391, 801, 636, 174,
41, 376, 795, 650, 186,
37, 361, 789, 664, 197,

```

```

32, 347, 782, 678, 209,
28, 332, 775, 691, 222,
25, 317, 767, 704, 235,
22, 303, 759, 716, 248,
18, 289, 750, 729, 262,
278, 746, 746, 278, 0,
262, 729, 750, 289, 18,
248, 716, 759, 303, 22,
235, 704, 767, 317, 25,
222, 691, 775, 332, 28,
209, 678, 782, 347, 32,
197, 664, 789, 361, 37,
186, 650, 795, 376, 41,
174, 636, 801, 391, 46,
163, 622, 805, 407, 51,
153, 607, 809, 422, 57,
142, 592, 813, 438, 63,
133, 577, 816, 453, 69,
123, 562, 819, 469, 75,
114, 547, 820, 484, 83,
106, 531, 821, 500, 90};

```

10.3.4.4.2.5 *ppfcoef_scale_eq_6_32_phases_flip.dat*

```

5, 32, 11,
77, 513, 868, 513, 77,
70, 496, 867, 531, 84,
63, 479, 866, 548, 92,
57, 461, 864, 566, 100,
51, 444, 861, 583, 109,
46, 427, 857, 600, 118,
41, 409, 853, 617, 128,
36, 393, 847, 633, 139,
32, 376, 841, 650, 149,
28, 359, 835, 666, 160,
24, 343, 827, 682, 172,
21, 327, 819, 697, 184,
18, 311, 810, 712, 197,
15, 296, 800, 727, 210,
13, 281, 790, 741, 223,
11, 266, 779, 755, 237,
253, 771, 771, 253, 0,
237, 755, 779, 266, 11,
223, 741, 790, 281, 13,
210, 727, 800, 296, 15,
197, 712, 810, 311, 18,
184, 697, 819, 327, 21,
172, 682, 827, 343, 24,
160, 666, 835, 359, 28,
149, 650, 841, 376, 32,
139, 633, 847, 393, 36,
128, 617, 853, 409, 41,
118, 600, 857, 427, 46,
109, 583, 861, 444, 51,
100, 566, 864, 461, 57,
92, 548, 866, 479, 63,
84, 531, 867, 496, 70};

```

10.3.4.4.2.6 *ppfcoef_scale_eq_7_32_phases_flip.dat*

```

5, 32, 11,
53, 510, 922, 510, 53,
47, 490, 922, 529, 60,
41, 470, 921, 549, 67,
36, 451, 918, 569, 74,
32, 431, 915, 588, 82,

```

```

27, 412, 910, 608, 91,
23, 393, 905, 627, 100,
20, 374, 898, 646, 110,
17, 356, 890, 665, 120,
14, 337, 882, 684, 131,
11, 320, 873, 702, 142,
9, 302, 863, 720, 154,
7, 285, 852, 737, 167,
6, 269, 840, 753, 180,
4, 253, 827, 770, 194,
3, 237, 815, 785, 208,
223, 801, 801, 223, 0,
208, 785, 815, 237, 3,
194, 770, 827, 253, 4,
180, 753, 840, 269, 6,
167, 737, 852, 285, 7,
154, 720, 863, 302, 9,
142, 702, 873, 320, 11,
131, 684, 882, 337, 14,
120, 665, 890, 356, 17,
110, 646, 898, 374, 20,
100, 627, 905, 393, 23,
91, 608, 910, 412, 27,
82, 588, 915, 431, 32,
74, 569, 918, 451, 36,
67, 549, 921, 470, 41,
60, 529, 922, 490, 47};

```

10.3.4.4.2.6.1 ppfcoef_scale_eq_8div16_32_phases_ver_5tap_flip.dat

```

5 32 11
28 502 988 502 28
24 479 987 524 34
19 457 985 547 40
15 435 982 570 46
12 413 978 592 53
9 392 972 614 61
6 371 965 637 69
4 350 957 659 78
2 330 948 680 88
0 310 938 702 98
-1 291 926 723 109
-2 272 914 744 120
-3 254 900 764 133
-3 237 886 783 145
-4 220 871 802 159
-4 204 855 820 173
188 836 836 188 0
173 820 855 204 -4
159 802 871 220 -4
145 783 886 237 -3
133 764 900 254 -3
120 744 914 272 -2
109 723 926 291 -1
98 702 938 310 0
88 680 948 330 2
78 659 957 350 4
69 637 965 371 6
61 614 972 392 9
53 592 978 413 12
46 570 982 435 15
40 547 985 457 19
34 524 987 479 24

```


10.3.4.4.2.6.2 ppfcoef_scale_eq_9div16_32_phases_ver_5tap_flip.dat

```

5  32 11
   3  489 1064  489   3
   0  464 1062  515   7
  -3  439 1060  540  12
  -5  414 1056  566  17
  -7  390 1050  592  23
  -9  366 1044  618  29
 -10  343 1035  644  36
 -11  320 1025  670  44
 -12  298 1014  695  53
 -12  277 1001  720  62
 -12  256  987  745  72
 -12  236  972  769  83
 -12  217  956  792  95
 -11  199  938  815 107
 -10  181  920  837 120
 -10  165  900  859 134
 148  876  876  148   0
 134  859  900  165 -10
 120  837  920  181 -10
 107  815  938  199 -11
  95  792  956  217 -12
  83  769  972  236 -12
  72  745  987  256 -12
  62  720 1001  277 -12
  53  695 1014  298 -12
  44  670 1025  320 -11
  36  644 1035  343 -10
  29  618 1044  366  -9
  23  592 1050  390  -7
  17  566 1056  414  -5
  12  540 1060  439  -3
   7  515 1062  464   0

```

10.3.4.4.2.6.3 ppfcoef_scale_eq_10div16_32_phases_ver_5tap_flip.dat

```

5  32 11
 -20  470 1148  470 -20
 -22  442 1147  499 -18
 -23  413 1144  529 -15
 -24  386 1139  558 -11
 -24  359 1132  588  -7
 -24  333 1124  618  -3
 -24  308 1113  648   3
 -23  283 1101  678   9
 -23  260 1088  707  16
 -22  237 1072  737  24
 -21  215 1056  765  33
 -19  194 1037  793  43
 -18  174 1017  822  53
 -16  156  995  848  65
 -15  138  973  875  77
 -13  121  949  900  91
 105  919  919  105   0
  91  900  949  121 -13
  77  875  973  138 -15
  65  848  995  156 -16
  53  822 1017  174 -18
  43  793 1037  194 -19
  33  765 1056  215 -21
  24  737 1072  237 -22
  16  707 1088  260 -23
   9  678 1101  283 -23
   3  648 1113  308 -24
  -3  618 1124  333 -24

```

```

-7  588 1132 359 -24
-11 558 1139 386 -24
-15 529 1144 413 -23
-18 499 1147 442 -22

```

10.3.4.4.2.6.4 ppfcoef_scale_eq_11div16_32_phases_ver_5tap_flip.dat

```

5  32 11
-40 444 1240 444 -40
-40 412 1240 476 -40
-40 381 1236 510 -39
-39 350 1231 544 -38
-37 321 1223 577 -36
-36 293 1212 612 -33
-34 265 1200 646 -29
-32 239 1185 681 -25
-30 214 1169 715 -20
-28 190 1150 750 -14
-26 167 1130 783 -6
-23 146 1107 816 2
-21 126 1083 849 11
-19 107 1057 882 21
-17 90 1030 913 32
-15 73 1002 943 45
58 966 966 58 0
45 943 1002 73 -15
32 913 1030 90 -17
21 882 1057 107 -19
11 849 1083 126 -21
2 816 1107 146 -23
-6 783 1130 167 -26
-14 750 1150 190 -28
-20 715 1169 214 -30
-25 681 1185 239 -32
-29 646 1200 265 -34
-33 612 1212 293 -36
-36 577 1223 321 -37
-38 544 1231 350 -39
-39 510 1236 381 -40
-40 476 1240 412 -40

```

10.3.4.4.2.6.5 ppfcoef_scale_eq_12div16_32_phases_ver_5tap_flip.dat

```

5  32 11
-56 409 1342 409 -56
-54 373 1342 445 -58
-51 339 1337 482 -59
-49 306 1330 521 -60
-46 274 1321 559 -60
-43 244 1308 598 -59
-40 215 1293 638 -58
-36 187 1275 678 -56
-33 161 1255 718 -53
-30 137 1233 757 -49
-27 114 1208 797 -44
-24 93 1182 836 -39
-21 73 1152 875 -31
-18 55 1122 912 -23
-16 38 1090 950 -14
-14 23 1056 986 -3
9 1015 1015 9 0
-3 986 1056 23 -14
-14 950 1090 38 -16
-23 912 1122 55 -18
-31 875 1152 73 -21
-39 836 1182 93 -24

```

-44	797	1208	114	-27
-49	757	1233	137	-30
-53	718	1255	161	-33
-56	678	1275	187	-36
-58	638	1293	215	-40
-59	598	1308	244	-43
-60	559	1321	274	-46
-60	521	1330	306	-49
-59	482	1337	339	-51
-58	445	1342	373	-54

10.3.4.4.2.6.6 *ppfcoef_scale_eq_13div16_32_phases_ver_5tap_flip.dat*

5	32	11		
-65	364	1450	364	-65
-61	326	1448	404	-69
-57	289	1443	445	-72
-53	253	1435	488	-75
-48	220	1423	531	-78
-44	188	1408	576	-80
-40	158	1390	621	-81
-36	130	1370	666	-82
-32	103	1346	713	-82
-28	79	1320	758	-81
-24	56	1290	805	-79
-21	36	1259	850	-76
-18	17	1224	896	-71
-15	0	1188	940	-65
-12	-15	1149	984	-58
-10	-28	1109	1027	-50
-40	1064	1064	-40	0
-50	1027	1109	-28	-10
-58	984	1149	-15	-12
-65	940	1188	0	-15
-71	896	1224	17	-18
-76	850	1259	36	-21
-79	805	1290	56	-24
-81	758	1320	79	-28
-82	713	1346	103	-32
-82	666	1370	130	-36
-81	621	1390	158	-40
-80	576	1408	188	-44
-78	531	1423	220	-48
-75	488	1435	253	-53
-72	445	1443	289	-57
-69	404	1448	326	-61

10.3.4.4.2.6.7 *ppfcoef_scale_eq_14div16_32_phases_ver_5tap_flip.dat*

5	32	11		
-67	310	1562	310	-67
-61	269	1559	353	-72
-55	230	1553	398	-78
-50	193	1543	445	-83
-44	158	1529	493	-88
-39	125	1512	543	-93
-34	94	1491	594	-97
-30	66	1468	645	-101
-25	41	1439	697	-104
-22	17	1408	751	-106
-18	-4	1373	804	-107
-15	-23	1336	857	-107
-12	-40	1296	910	-106
-9	-55	1253	962	-103
-7	-67	1208	1013	-99
-5	-78	1161	1064	-94

```

-86 1110 1110 -86 0
-94 1064 1161 -78 -5
-99 1013 1208 -67 -7
-103 962 1253 -55 -9
-106 910 1296 -40 -12
-107 857 1336 -23 -15
-107 804 1373 -4 -18
-106 751 1408 17 -22
-104 697 1439 41 -25
-101 645 1468 66 -30
-97 594 1491 94 -34
-93 543 1512 125 -39
-88 493 1529 158 -44
-83 445 1543 193 -50
-78 398 1553 230 -55
-72 353 1559 269 -61

```

10.3.4.4.2.6.8 ppcoef_scale_eq_15div16_32_phases_ver_5tap_flip.dat

```

5 32 11
-61 248 1674 248 -61
-54 204 1673 293 -68
-47 163 1665 342 -75
-41 125 1654 392 -82
-35 90 1638 445 -90
-29 57 1618 499 -97
-24 27 1593 556 -104
-20 0 1565 613 -110
-16 -24 1532 672 -116
-12 -46 1495 732 -121
-9 -65 1455 793 -126
-6 -81 1411 854 -130
-4 -95 1364 915 -132
-2 -107 1315 975 -133
0 -116 1262 1035 -133
1 -123 1208 1094 -132
-128 1152 1152 -128 0
-132 1094 1208 -123 1
-133 1035 1262 -116 0
-133 975 1315 -107 -2
-132 915 1364 -95 -4
-130 854 1411 -81 -6
-126 793 1455 -65 -9
-121 732 1495 -46 -12
-116 672 1532 -24 -16
-110 613 1565 0 -20
-104 556 1593 27 -24
-97 499 1618 57 -29
-90 445 1638 90 -35
-82 392 1654 125 -41
-75 342 1665 163 -47
-68 293 1673 204 -54

```

10.3.4.4.2.6.9 ppcoef_scale_1x_ver_5tap.dat

```

5 32 11
0 0 2048 0 0
-40 133 1785 225 -55
-33 91 1778 276 -64
-27 53 1765 330 -73
-21 18 1747 386 -82
-15 -13 1722 445 -91
-11 -41 1693 507 -100
-7 -66 1660 570 -109
-3 -88 1622 635 -118
0 -107 1579 703 -127

```

```

2 -122 1532 771 -135
4 -135 1482 839 -142
5 -145 1428 909 -149
6 -153 1371 978 -154
7 -158 1310 1047 -158
7 -161 1247 1116 -161
162 1186 1186 -162 0
161 1116 1247 -161 7
158 1047 1310 -158 7
154 978 1371 -153 6
149 909 1428 -145 5
142 839 1482 -135 4
135 771 1532 -122 2
127 703 1579 -107 0
118 635 1622 -88 -3
109 570 1660 -66 -7
100 507 1693 -41 -11
-91 445 1722 -13 -15
-82 386 1747 18 -21
-73 330 1765 53 -27
-64 276 1778 91 -33
-55 225 1785 133 -40

```

10.3.4.4.3 VS (Bilinear Filter Coefficients)

10.3.4.4.3.1 *ppfcoef_scale_eq_1_32_phases_flip_PPF3_peak5_gain_eq_1_25.dat*

This is not applicable for this device

```

7 32 11
-11 -106 190 1902 190 -106 -11
-9 -105 153 1897 230 -105 -13
-8 -105 121 1887 274 -105 -16
-6 -104 91 1869 320 -104 -18
-5 -102 65 1843 370 -102 -21
-4 -101 42 1812 424 -101 -24
-3 -99 20 1776 480 -99 -27
-2 -96 3 1730 539 -96 -30
-1 -93 -12 1679 602 -93 -34
-1 -90 -26 1627 665 -90 -37
0 -87 -37 1568 732 -87 -41
0 -84 -46 1506 801 -84 -45
0 -80 -54 1439 871 -80 -48
0 -76 -60 1371 941 -76 -52
1 -72 -65 1299 1013 -72 -56
1 -68 -69 1227 1085 -68 -60
-64 -64 1152 1152 -64 -64 0
-60 -68 1085 1227 -69 -68 1
-56 -72 1013 1299 -65 -72 1
-52 -76 941 1371 -60 -76 0
-48 -80 871 1439 -54 -80 0
-45 -84 801 1506 -46 -84 0
-41 -87 732 1568 -37 -87 0
-37 -90 665 1627 -26 -90 -1
-34 -93 602 1679 -12 -93 -1
-30 -96 539 1730 3 -96 -2
-27 -99 480 1776 20 -99 -3
-24 -101 424 1812 42 -101 -4
-21 -102 370 1843 65 -102 -5
-18 -104 320 1869 91 -104 -6
-16 -105 274 1887 121 -105 -8
-13 -105 230 1897 153 -105 -9

```

10.3.5 VPE Color Space Converter (CSC)

The color space converter (CSC) module is used to convert video data from one color space to another with nine programmable integer multipliers.

10.3.5.1 CSC Features

- All parameters are programmable
- Each parameter is configurable in signed 13-bits
- Support for Bypass Mode

10.3.5.2 CSC Functional Description

The conversion between the different color spaces requires addition and multiplication operations on color and intensity components. The mathematical expression of the conversion can be written as:

$$\begin{aligned} Y &= A0 * R + B0 * G + C0 * B + D0 \\ Cb &= A1 * R + B1 * G + C1 * B + D1 \\ Cr &= A2 * R + B2 * G + C2 * B + D2 \end{aligned}$$

Color space coefficients are set through the following registers:

- For luma component:
 - VPE_CSC00[12:0] A0
 - VPE_CSC00[28:16] B0
 - VPE_CSC01[28:16] C0
 - VPE_CSC04[27:16] D0
- For Cb component:
 - VPE_CSC01[28:16] A1
 - VPE_CSC02[12:0] B1
 - VPE_CSC02[27:16] C1
 - VPE_CSC05[11:0] D1
- For Cr component :
 - VPE_CSC03[12:0] A2
 - VPE_CSC03[27:16] B2
 - VPE_CSC04[12:0] C2
 - VPE_CSC05[27:16] D2

Using YUV to RGB conversion as an example: YUV represents one color space and RGB represents another color space. The conversion can be written in the matrix format shown in [Figure 10-34](#).

Figure 10-34. Matrix Format

$$\begin{bmatrix} Y \\ Cb \\ Cr \end{bmatrix} = \begin{bmatrix} A0 & B0 & C0 \\ A1 & B1 & C1 \\ A2 & B2 & C2 \end{bmatrix} \begin{bmatrix} R \\ G \\ B \end{bmatrix} + \begin{bmatrix} D0 \\ D1 \\ D2 \end{bmatrix}$$

Since HDTV and SDTV have different conversion requirements, both conversions of RGB-to-YCbCr and YCbCr-to-RGB are described. The details of derivations of these matrixes will be given in the following subsections.

10.3.5.2.1 HDTV Application

10.3.5.2.1.1 HDTV Application with Video Data Range

The two equations presented in this section are for the HDTV application. The chromaticity parameters are defined by ITU-R709 standard.

The input video data for these equations should be within the range that is defined for video application.

In an 8-bit system:

- Rd, Gd, Bd, and Yd will be in the range [16-235]
- Cb and Cr will be the range [16-240]
- D = 1

In a 10-bit system:

- Rd, Gd, Bd, and Yd will be in the range [64-940]
- Cb and Cr will be in the range [64-960]
- D = 4

Conversion from RGB to YCbCr:

Figure 10-35. Conversion from RGB to YCbCr

$$\begin{bmatrix} Yd \\ Cb \\ Cr \end{bmatrix} = \begin{bmatrix} 0.2126 & 0.7152 & 0.0722 \\ -0.1172 & -0.3942 & 0.5114 \\ 0.5114 & -0.4646 & -0.0468 \end{bmatrix} \begin{bmatrix} Rd \\ Gd \\ Bd \end{bmatrix} + \begin{bmatrix} 0 \\ 128 \\ 128 \end{bmatrix} D$$

Conversion from YCbCr to RGB:

Figure 10-36. Conversion from YCbCr to RGB

$$\begin{bmatrix} Rd \\ Gd \\ Bd \end{bmatrix} = \begin{bmatrix} 1 & 0 & 1.5396 \\ 1 & -0.1831 & -0.4577 \\ 1 & 1.8142 & 0 \end{bmatrix} \begin{bmatrix} Yd \\ Cb \\ Cr \end{bmatrix} + \begin{bmatrix} -197 \\ 82 \\ -232 \end{bmatrix} D$$

10.3.5.2.1.2 HDTV Application with Graphics Data Range

The two equations presented in this section are for the HDTV application with graphics range data input. The main application is for computer graphics display. The chromaticity parameters are defined by ITU-R709 standard.

The input data ranges for these equations are as follows.

In an 8-bit system:

- Rd, Gd, Bd, Yd, Cb and Cr will be the range [0-255]
- D = 1

In a 10-bit system:

- Rd, Gd, Bd, Yd, Cb and Cr will be in the range [0-1023]
- D = 4

Conversion from RGB to YCbCr:

Figure 10-37. Conversion from RGB to YCbCr

$$\begin{bmatrix} Yd \\ Cb \\ Cr \end{bmatrix} = \begin{bmatrix} 0.1826 & 0.6142 & 0.0620 \\ -0.1006 & -0.3385 & 0.4392 \\ 0.4392 & -0.3990 & -0.0402 \end{bmatrix} \begin{bmatrix} Rd \\ Gd \\ Bd \end{bmatrix} + \begin{bmatrix} 16 \\ 128 \\ 128 \end{bmatrix} D$$

Conversion from YCbCr to RGB:

Figure 10-38. Conversion from YCbCr to RGB

$$\begin{bmatrix} Rd \\ Gd \\ Bd \end{bmatrix} = \begin{bmatrix} 1.1644 & -0.0003 & 1.7927 \\ 1.1644 & -0.2132 & -0.5329 \\ 1.1642 & 2.1125 & -0.0001 \end{bmatrix} \begin{bmatrix} Yd \\ Cb \\ Cr \end{bmatrix} + \begin{bmatrix} -248 \\ 77 \\ -289 \end{bmatrix} D$$

10.3.5.2.1.3 Quantized Coefficients for Color Space Converter in HDTV

This section quantizes all the coefficients of color space conversion based on a 10-bit system for HDTV application. These coefficients can be input to the registers of programmable color space converter. Refer to register section for the corresponding register setting.

Table 10-12. Quantized Coefficients of HDTV Application with Video Data Range

Conversion from RGB to YCbCr					Conversion from YCbCr to RGB		
Coefficient Names	Registers	Real Number Format	Quantized Format	Hex Format	Real Number Format	Quantized Format	Hex Format
A0(13-bit)	VPE_CSC00[12:0] A0	0.2126	218	0x00DA	1	1024	0x0400
B0(13-bit)	VPE_CSC00[28:16] B0	0.7152	732	0x02DC	0	0	0x0000
C0(13-bit)	VPE_CSC01[28:16] C0	0.0722	74	0x004A	1.5396	1577	0x0629
A1(13-bit)	VPE_CSC01[28:16] A1	-0.1172	-120	0x1F88	1	1024	0x0400
B1(13-bit)	VPE_CSC02[12:0] B1	-0.3942	-404	0x1E6C	-0.1831	-187	0x1F45
C1(13-bit)	VPE_CSC02[27:16] C1	0.5114	524	0x020C	-0.4577	-469	0x1E2B
A2(13-bit)	VPE_CSC03[12:0] A2	0.5114	524	0x020C	1	1024	0x0400
B2(13-bit)	VPE_CSC03[27:16] B2	-0.4646	-476	0x1E24	1.8142	1858	0x0742
C2(13-bit)	VPE_CSC04[12:0] C2	-0.0468	-48	0x1FD0	0	0	0x0000
D0(12-bit)	VPE_CSC04[27:16] D0	0	0	0x000	-197	-788	0xCEC
D1(12-bit)	VPE_CSC05[11:0] D1	128	512	0x200	82	328	0x148
D2(12-bit)	VPE_CSC05[27:16] D2	128	512	0x200	-232	-928	0xC60

Table 10-13. Quantized Coefficients of HDTV Application with Graphics Data Range

Conversion from RGB to YCbCr					Conversion from YCbCr to RGB		
Coefficient Names	Registers	Real Number Format	Quantized Format	Hex Format	Real Number Format	Quantized Format	Hex Format
A0(13-bit)	VPE_CSC00[12:0] A0	0.1826	187	0x00B B	1.1644	1192	0x04A8
B0(13-bit)	VPE_CSC00[28:16] B0	0.6142	629	0x0275	-0.0003	0	0x0000

Table 10-13. Quantized Coefficients of HDTV Application with Graphics Data Range (continued)

Conversion from RGB to YCbCr					Conversion from YCbCr to RGB		
Coefficient Names	Registers	Real Number Format	Quantized Format	Hex Format	Real Number Format	Quantized Format	Hex Format
C0(13-bit)	VPE_CSC01[28:16] C0	0.062	63	0x003F	1.7927	1836	0x072C
A1(13-bit)	VPE_CSC01[28:16] A1	-0.1006	-103	0x1F99	1.1644	1192	0x04A8
B1(13-bit)	VPE_CSC02[12:0] B1	-0.3385	-347	0x1EA5	-0.2132	-218	0x1F26
C1(13-bit)	VPE_CSC02[27:16] C1	0.4392	450	0x01C2	-0.5329	-546	0x1DDE
A2(13-bit)	VPE_CSC03[12:0] A2	0.4392	450	0x01C2	1.1642	1192	0x04A8
B2(13-bit)	VPE_CSC03[27:16] B2	-0.399	-409	0x1E67	2.1125	2163	0x0873
C2(13-bit)	VPE_CSC04[12:0] C2	-0.0402	-41	0x1FD7	-0.0001	0	0x0000
D0(12-bit)	VPE_CSC04[27:16] D0	16	64	0x040	-248	-992	0xC20
D1(12-bit)	VPE_CSC05[11:0] D1	128	512	0x200	77	308	0x134
D2(12-bit)	VPE_CSC05[27:16] D2	128	512	0x200	-289	-1156	0xB7C

10.3.5.2.2 SDTV Application

10.3.5.2.2.1 SDTV Application with Video Data Range

The two equations presented in this section are for the SDTV application. The chromaticity parameters are defined by ITU-R601 standard.

The input video data for these equations should be within the range that is defined for video application.

In an 8-bit system:

- Rd, Gd, Bd, and Yd will be in the range [16-235]
- Cb and Cr will be the range [16-240]
- D = 1

In a 10-bit system:

- Rd, Gd, Bd, and Yd will be in the range [64-940]
- Cb and Cr will be in the range [64-960]
- D = 4

Conversion from RGB to YCbCr:

Figure 10-39. Conversion from RGB to YCbCr

$$\begin{bmatrix} Yd \\ Cb \\ Cr \end{bmatrix} = \begin{bmatrix} 0.299 & 0.587 & 0.114 \\ -0.172 & -0.339 & 0.511 \\ 0.511 & -0.428 & -0.083 \end{bmatrix} \begin{bmatrix} Rd \\ Gd \\ Bd \end{bmatrix} + \begin{bmatrix} 0 \\ 128 \\ 128 \end{bmatrix} D$$

Conversion from YCbCr to RGB:

Figure 10-40. Conversion from YCbCr to RGB

$$\begin{bmatrix} R_d \\ G_d \\ B_d \end{bmatrix} = \begin{bmatrix} 1 & -0.0003 & 1.3717 \\ 1 & -0.3365 & -0.6984 \\ 1 & 1.7336 & -0.0016 \end{bmatrix} \begin{bmatrix} Y_d \\ C_b \\ C_r \end{bmatrix} + \begin{bmatrix} -176 \\ 132 \\ -222 \end{bmatrix} D$$

10.3.5.2.2.2 SDTV Application with Graphics Data Range

The two equations presented in this section are for the SDTV application with graphics range data input. The main application is for computer graphics display. The chromaticity parameters are defined by ITU-R601 standard.

The input data ranges for these equations are as following.

In an 8-bit system:

- R_d , G_d , B_d , Y_d , C_b and C_r will be the range [0-255]
- $D = 1$

In a 10-bit system:

- R_d , G_d , B_d , Y_d , C_b and C_r will be in the range [0-1023]
- $D = 4$

Conversion from RGB to YCbCr:

Figure 10-41. Conversion from RGB to YCbCr

$$\begin{bmatrix} Y_d \\ C_b \\ C_r \end{bmatrix} = \begin{bmatrix} 0.257 & 0.504 & 0.098 \\ -0.148 & -0.291 & 0.439 \\ 0.439 & -0.368 & -0.071 \end{bmatrix} \begin{bmatrix} R_d \\ G_d \\ B_d \end{bmatrix} + \begin{bmatrix} 16 \\ 128 \\ 128 \end{bmatrix} D$$

Conversion from YCbCr to RGB:

Figure 10-42. Conversion from YCbCr to RGB

$$\begin{bmatrix} R_d \\ G_d \\ B_d \end{bmatrix} = \begin{bmatrix} 1.1641 & -0.0018 & 1.5958 \\ 1.1641 & -0.3914 & -0.8135 \\ 1.1641 & 2.0178 & -0.0012 \end{bmatrix} \begin{bmatrix} Y_d \\ C_b \\ C_r \end{bmatrix} + \begin{bmatrix} -223 \\ 136 \\ -277 \end{bmatrix} D$$

10.3.5.2.2.3 Quantized Coefficients for Color Space Converter in SDTV

This section quantizes all the coefficients of color space conversion based on a 10-bit system for SDTV application. These coefficients can be input to the registers of programmable color space converter. Refer to register section for the corresponding register setting.

Table 10-14. Quantized Coefficients of SDTV Application with Video Data Range

Conversion from RGB to YCbCr					Conversion from YCbCr to RGB		
Coefficient Names	Registers	Real Number Format	Quantized Format	Hex Format	Real Number Format	Quantized Format	Hex Format
A0(13-bit)	VPE_CSC00[12:0] A0	0.299	306	0x0132	1	1024	0x0400

Table 10-14. Quantized Coefficients of SDTV Application with Video Data Range (continued)

Conversion from RGB to YCbCr					Conversion from YCbCr to RGB		
Coefficient Names	Registers	Real Number Format	Quantized Format	Hex Format	Real Number Format	Quantized Format	Hex Format
B0(13-bit)	VPE_CSC00[28:16] B0	0.587	601	0x0259	-0.0003	0	0x0000
C0(13-bit)	VPE_CSC01[28:16] C0	0.114	117	0x0075	1.3717	1405	0x057D
A1(13-bit)	VPE_CSC01[28:16] A1	-0.172	-176	0x1F50	1	1024	0x0400
B1(13-bit)	VPE_CSC02[12:0] B1	-0.339	-347	0x1EA5	-0.3365	-345	0x1EA7
C1(13-bit)	VPE_CSC02[27:16] C1	0.511	523	0x020B	-0.6984	-715	0x1D35
A2(13-bit)	VPE_CSC03[12:0] A2	0.511	523	0x020B	1	1024	0x0400
B2(13-bit)	VPE_CSC03[27:16] B2	-0.428	-438	0x1E4A	1.7336	1775	0x06EF
C2(13-bit)	VPE_CSC04[12:0] C2	-0.083	-85	0x1FAB	-0.0016	-2	0x1FFE
D0(12-bit)	VPE_CSC04[27:16] D0	0	0	0x000	-176	-704	0xD40
D1(12-bit)	VPE_CSC05[11:0] D1	128	512	0x200	132	528	0x210
D2(12-bit)	VPE_CSC05[27:16] D2	128	512	0x200	-222	-888	0xC88

Table 10-15. Quantized Coefficients of SDTV Application with Graphics Data Range

Conversion from RGB to YCbCr					Conversion from YCbCr to RGB		
Coefficient Names	Registers	Real Number Format	Quantized Format	Hex Format	Real Number Format	Quantized Format	Hex Format
A0(13-bit)	VPE_CSC00[12:0] A0	0.257	263	0x0107	1.1641	1192	0x04A8
B0(13-bit)	VPE_CSC00[28:16] B0	0.504	516	0x0204	-0.0018	-2	0x1FFE
C0(13-bit)	VPE_CSC01[28:16] C0	0.098	100	0x0064	1.5958	1634	0x0662
A1(13-bit)	VPE_CSC01[28:16] A1	-0.148	-152	0x1F68	1.1641	1192	0x04A8
B1(13-bit)	VPE_CSC02[12:0] B1	-0.291	-298	0x1ED6	-0.3914	-401	0x1E6F
C1(13-bit)	VPE_CSC02[27:16] C1	0.439	450	0x01C2	-0.8135	-833	0x1CBF
A2(13-bit)	VPE_CSC03[12:0] A2	0.439	450	0x01C2	1.1641	1192	0x04A8
B2(13-bit)	VPE_CSC03[27:16] B2	-0.368	-377	0x1E87	2.0178	2066	0x0812
C2(13-bit)	VPE_CSC04[12:0] C2	-0.071	-73	0x1FB7	-0.0012	-1	0x1FFF
D0(12-bit)	VPE_CSC04[27:16] D0	16	64	0x040	-223	-892	0xC84
D1(12-bit)	VPE_CSC05[11:0] D1	128	512	0x200	136	544	0x220
D2(12-bit)	VPE_CSC05[27:16] D2	128	512	0x200	-277	-1108	0xBAC

10.3.5.3 CSC Bypass Mode

CSC module can be bypassed by setting `VPE_CSC05[28]` BYPASS bit-field to 1.

10.3.6 VPE Chroma Up-Sampler (CHR_US)

The chroma up-sampler (CHR_US) module is used to convert from YCbCr 4:2:0 data format input to YCbCr 4:2:2 format output.

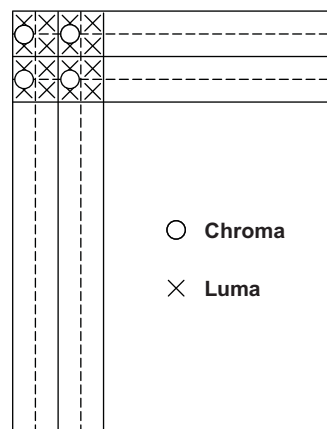
10.3.6.1 Features

- Supports both interlaced and progressive inputs
- 4-tap interpolation filtering
- Filter coefficients are all programmable
- Four sets of coefficients (each set has four coefficients) corresponding to anchor pixels and interpolated pixels of top field and bottom field
- For progressive inputs, the coefficients corresponding to top and bottom field must be identical
- Each coefficient is 14 bit (4.10 format)
- Default filter coefficients are based on Catmull-Rom algorithm
- Capable of removing the half pel vertical offset so all chroma samples are on-grid. This step ensures that the output does not suffer from any kind of rainbow effect due to chroma-upsampling.
- Provides a 10-bit interface in both directions: 10-bit input and 10-bit output
- Support bypass mode for 4:2:2 input

10.3.6.2 Functional Description

The YUV420 input to Chroma Upsampler module must be in the format shown in [Figure 10-43](#), in which the chroma sample lies in the left column of a 2x2 pixel block with half pel vertical shift.

Figure 10-43. 4:2:0 YCrCb Color Space with Chroma Left-aligned



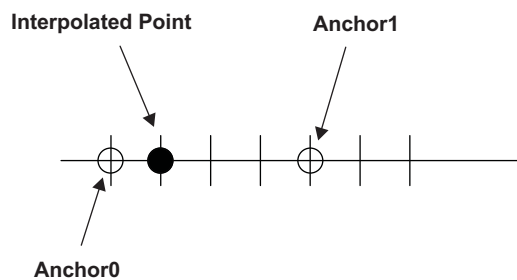
The upsampling is performed by an interpolation filter which uses Catmull-Rom algorithm. The Catmull-Rom Filter is based on four anchor pixels representing a four tap filter. The general 4-tap filter Catmull-Rom filter is defined in [Figure 10-44](#).

Figure 10-44. 4:2:0 YCrCb Color Space with Chroma Left-aligned

$$[1 \ x \ x^2 \ x^3] * \begin{bmatrix} 0 & 1 & 0 & 0 \\ -a & 0 & a & 0 \\ 2a & -3+a & 3-2a & -a \\ -a & 2-a & -(2-a) & a \end{bmatrix}$$

In the previous figure, x is the distance to the interpolated point between the two anchor points. In [Figure 10-45](#), the example shows the desired interpolated point to be 1/4 of the distance between Anchor0 and Anchor1. Thus, $x = 1/4$.

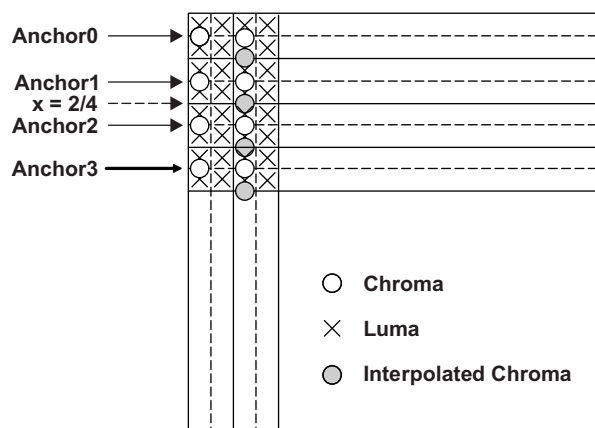
Figure 10-45. 4:2:0 YCrCb Color Space with Chroma Left-aligned



The variable 'a' determines the characteristics of the filter. $a = 1/2$ is generally used because the filter will produce an interpolated output that is an exact match to a linear input curve. In the literature, some people have noted that $a=0.75$ or $a=1.0$ may be more pleasing to the eye. In the implementation, the filter coefficients are programmable through MMR.

For the interpolated pixel, the variable x defines the positional offset relative to anchor pixel1. [Figure 10-46](#) shows four anchor pixels with Anchor0 being near the top of the image and Anchor3 near the bottom. x is relative to Anchor1. Positive values of x goes down towards Anchor3. Negative x values imply a direction towards Anchor0. For example, if we want to interpolate a pixel midway between Anchor1 and Anchor2, x would be $2/4=1/2$. There are four half pels between Anchor1 and Anchor2. Midway is two pels, so $x=2/4$.

Figure 10-46. Anchor Pixels



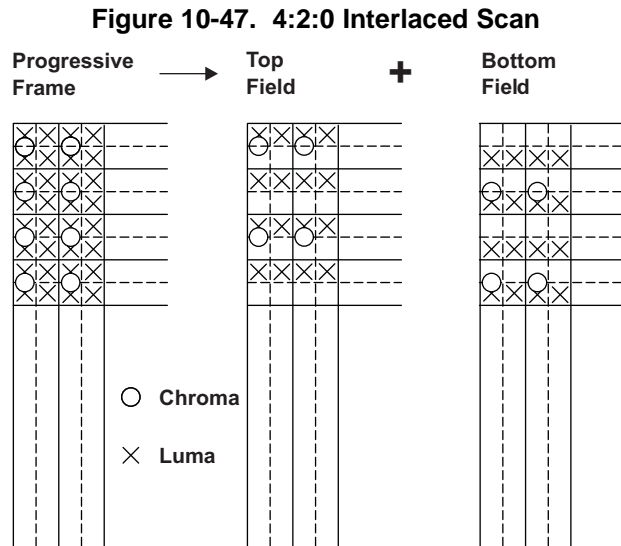
In the implementation, we need to interpolate the anchor pixel to get it on-grid. Then, we also need to interpolate a completely new pixel for YPrPb 4:2:2.

For a progressive input, $x = -1/4$ for getting the anchor pixel on-grid. $x = 1/4$ for generating the new pixel.

Lines are scanned from the top of the picture to the bottom.

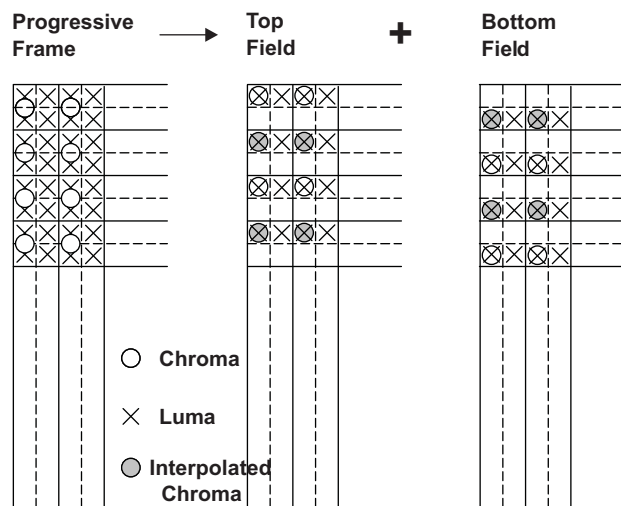
10.3.6.3 For Interlaced YUV420 Input Data

Figure 10-47 shows how 4:2:0 video is split into top and bottom fields in interlaced format. Chroma is attached to alternating Luma lines in the top and bottom fields such that color is equally spread out between the top field and the bottom field. This 4:2:0 interlaced chroma representation is shown in the following figure.



In each interlaced field, the chroma anchor points are separated by 4 pixel lines, or 8 half pels. The 4:2:2 chroma interpolated color space representation of interlaced pictures is shown in Figure 10-48.

Figure 10-48. Ideal 4:2:2 Chroma Upsampling for Interlaced Scan



Following interpolation, the chroma samples lie on a 4:2:2 grid.

Anchor pixels for the top field have been sited up by half a pel ($x = -1/8$). The new interpolated pixel is sited 3 half pels ($x=3/8$) down. Samples from the top field are distinct from samples in the bottom field.

For the bottom field, anchor pixels are sited 3 half pels up ($x = -3/8$). The new interpolated pixel is sited 1 half pel down ($x=1/8$).

The chroma upsampling filter accepts different coefficients for the top field and the bottom field. In the case of progressive input, the coefficients for the top field and bottom field must be the same.

It should be noted that a different implementation could have been chosen to use the same coefficients for the top and bottom fields. Instead of pushing pixels from the top to bottom of a picture, it can be shown that pushing the bottom field through the upsampling filter from the bottom to the top of the picture permits using the same values for x as in the top field case.

10.3.6.4 Edge Effects

Several methods with increasing levels of difficulty resulting in increasing quality can be employed to deal with chroma pixels near the edges. In this module, the edge pixels can be mathematically approximated using the same filter as the rest of the picture. Edge pixels are duplicated going into the filter.

10.3.6.5 Modes of Operation (VPDMA)

In both primary (PRI) and auxiliary (AUX) paths, the mode in which the VPDMA needs to be operated depends whether the chroma upsampler and de-interlacers are enabled or not. Table 1-12 shows the modes of operation.

Table 10-16. VPDMA Modes of Operation

Mode A	Mode B
Input data is 4:2:0	Input data is 4:2:2

These modes need to be set in the following register bit-fields of particular instances being used:

[VPE_REG0\[17:16\] CFG_MODE](#)

LINE_MODE bitfield in VPDMA registers of format RD_LB_CLIENT_CTL_STATUS need to be configured as follows:

Mode A corresponds to MMR value 0

Mode B corresponds to MMR value 1

The following are the VPDMA client related bit-fields that need to be configured:

[VPE_PRI_CHROMA_CSTAT\[9:8\] LINE_MODE](#)

[VPE_PRI_FLD1_CHROMA_CSTAT\[9:8\] LINE_MODE](#)

[VPE_PRI_FLD2_CHROMA_CSTAT\[9:8\] LINE_MODE](#)

-
- NOTE:**
1. For VPDMA luma clients, Mode B should always be used.
 2. For VPDMA chroma clients, Mode A is used for 420 data and Mode B is used for 422 data.
-

10.3.6.6 Coefficient Configuration

The filter coefficients are left-aligned 14-bit binary values in signed Q4.10 format. The decimal point is between bits 9 and 10 using the convention of the least significant bit being at position zero. The most significant bit, 13, is the sign bit.

In the register map, the most significant nibble of the coefficient is the sign and the integer portion of the value. The next 10 bits represent the fractional portion of the coefficient value.

Chroma upsampling requires two sets of coefficients. Each coefficient set is comprised of four 14-bit Q4.10 values. One set is used for the top field of an interlaced picture, and the other set is used for the bottom field of an interlaced picture. For a progressive picture, both sets must be identical.

The coefficients and settings should be used for the following video source types:

4:2:2 input (progressive or interlaced input)

VPDMA line mode = 1

[VPE_REG0\[17:16\] CFG_MODE](#) = 0x1 (mode B)

CHR_US coefficients are not used in this mode, so values are "don't care"

4:2:0 input (interlaced input):

VPDMA line mode = 0

VPE_REG0[17:16] CFG_MODE = 0x0 (mode A)

VPE_REG0[31:18] ANCHOR_FID0_C0 = 0x51

VPE_REG0[15:2] ANCHOR_FID0_C1 = 0x3d5

VPE_REG1[31:18] ANCHOR_FID0_C2 = 0x3fe3

VPE_REG1[15:2] ANCHOR_FID0_C3 = 0x3ff7

VPE_REG2[31:18] INTERP_FID0_C0 = 0x3fb5

VPE_REG2[15:2] INTERP_FID0_C1 = 0x2e9

VPE_REG3[31:18] INTERP_FID0_C2 = 0x18f

VPE_REG3[15:2] INTERP_FID0_C3 = 0x3fd3

VPE_REG4[31:18] ANCHOR_FID1_C0 = 0x16b

VPE_REG4[15:2] ANCHOR_FID1_C1 = 0x247

VPE_REG5[31:18] ANCHOR_FID1_C2 = 0xb1

VPE_REG5[15:2] ANCHOR_FID1_C3 = 0x3f9d

VPE_REG6[31:18] INTERP_FID1_C0 = 0x3fcf

VPE_REG6[15:2] INTERP_FID1_C1 = 0x3db

VPE_REG7[31:18] INTERP_FID1_C2 = 0x5d

VPE_REG7[15:2] INTERP_FID1_C3 = 0x3ff9

4:2:0 input (progressive input):

VPDMA line mode = 0

VPE_REG0[17:16] CFG_MODE = 0x0 (mode A)

VPE_REG0[31:18] ANCHOR_FID0_C0 = 0x00C8

VPE_REG0[15:2] ANCHOR_FID0_C1 = 0x0348

VPE_REG1[31:18] ANCHOR_FID0_C2 = 0x0018

VPE_REG1[15:2] ANCHOR_FID0_C3 = 0x3fd8

VPE_REG2[31:18] INTERP_FID0_C0 = 0x3fb8

VPE_REG2[15:2] INTERP_FID0_C1 = 0x0378

VPE_REG3[31:18] INTERP_FID0_C2 = 0x00e8

VPE_REG3[15:2] INTERP_FID0_C3 = 0x3fe8

VPE_REG4 to VPE_REG7 are not used so their values are "don't care".

10.3.7 VPE Chroma Down-Sampler (CHR_DS)

When the picture input is 4:2:2, the chroma must be downsampled to 4:2:0 before it is stored into DRAM for later compression by the imaging subsystem. The downsampling is performed by an averaging filter.

An array with chroma samples must be used- $C_{IN}[i]$ with range from 0 to N-1. ($C_{IN}[0]$ is the topmost chroma sample and $C_{IN}[N-1]$ is bottom chroma sample) .

The output array C_{OUT} (ranging from 0 to N/2 - 1) is calculated by the following formula:

$$C_{OUT}[i] = \text{CLIP}[(C_{IN}[2i] + C_{IN}[2i+1]) / 2] \text{CLIP}[x] \quad (x = 0 \text{ to } 255).$$

This filter performs simple averaging of two input lines into one output line.

10.3.8 VPE YUV422 to YUV444 Conversion

As shown on [Figure 10-2](#), prior the CSC the video format needs to be converted from YUV422 to YUV444 format. This conversion only applies to the Chroma samples in the color space, and is implemented using a 4-tap Catmull-Rom algorithm using the following equations:

$$C_{OUT}[2*i] = C_{IN}[i] \quad C_{OUT}[2*i+1] = \text{CLIP} (9/16*C_{IN}[i] + 9/16*C_{IN}[i+1] - 1/16*C_{IN}[i-1] - 1/16*C_{IN}[i+2] + 1)$$

NOTE: Edge effects are treated by repeating the first and last pixel per line.

10.3.9 VPE Video Port Direct Memory Access (VPDMA)

10.3.9.1 VPDMA Introduction

The VPDMA primary function is to move data between external memory and internal processing modules that source or sink data. VPDMA is capable buffering this data and then delivering the data as demanded to the modules as programmed. The modules that source or sink data are referred to as clients. A channel is setup inside the VPDMA to connect a specific memory buffer to a specific client. The VPDMA centralizes the DMA control functions and buffering required to allow all the clients to minimize the effect of long latency times. The VPDMA also supports a descriptor based mode where lists of descriptors can be setup to configure all the channels as they become available.

Additionally, in a third-party configuration, the VPDMA is capable of performing DMA transfers as requested by the pulsing of an event strobe. The VPDMA is capable of generation of an address which may reach any location in the range for which it is configured. It is capable of moving this data either to or from a Shared Buffer and ultimately to or from a Client Buffer. For the two type of Client Buffers that are used to drive data into a subsystem (Streaming Buffer and Random Access Buffer) data is either pushed into the buffer or pulled out of the buffer dependent upon the direction of the data transfer. For third-party DMA operations the data is transferred into a Client buffer, and then transferred out of the Client Buffer to the transfer destination. These transfers are triggered by an Event pulse to each of the Client Buffers which are Routing Buffer types.

10.3.9.2 VPDMA Basic Definitions

10.3.9.2.1 Client

The modules that source or sink data are referred to as clients. The clients of the VPDMA are the physical between the processing modules (VPE) and external memory. A channel is the mechanism inside the VPDMA that connects a specific memory buffer or transfer to a specific client.

10.3.9.2.2 Channel

The VPDMA requires a channel to be setup for each group of transfers. All the channels are described through a Data Transfer Descriptor that has a common format. The client that the channel is mapped to interprets the information in the descriptor to perform the requested data transfer.

Each of the channels has a type of data that it can support based upon the client that it services. The VPDMA supports four types of channels:

- **YUV Channel** - Clients taking data YUV data
- **RGB Channel** - Clients taking RGB data
- **Miscellaneous Channel** - The Miscellaneous channel type is for any data type that is not a normal video type. The Miscellaneous channel type makes no assumptions on data type and just passes the data to the client and supports a single buffer for the client.
- **Free Channel** - Used in video compositions. The Free channel data type is always ignored as it uses the same data type of the descriptor that first calls the free channel.

10.3.9.2.3 List

A list is a group of descriptors that makes up a set of DMA transfers that need to be completed. The VPDMA supports two types of lists: a Regular List and a Self-Modifying List.

- The **Regular List** is a single list that the VPDMA will execute each descriptor once and initiate an interrupt when the list has completed. A regular list can contain any kind of descriptor without limitation and be of any size.

The VPDMA Controller works on lists of descriptors. In this mode the processor writes the lists of descriptors in the order it wants them executed. It then writes the location of the list to the [VPE_LIST_ADDR](#) register, followed by writing the size (bit LIST_SIZE) and type (bit LIST_TYPE) of the list, and list number (bit LIST_NUM) to the LIST_ATTR register. The List Manager module then schedules a DMA transfer to pull in the portion of the list that it can store in internal VPDMA memory. The List Manager will sequentially process the active list of descriptors until either the descriptor requires the use of a client that is currently active, or if it is waiting for the next portion of the list to be transferred from a DMA request. If there is no active list to process the list manager will go into an IDLE mode waiting for any client that is blocking a list or a list DMA transfer to complete.

All the DMA transfers are controlled by List Manager module inside VPDMA. List Manager needs to be loaded with FIRMWARE, before any DMA transfer from memory, after the VPDMA reset. The first MMR write to [VPE_LIST_ADDR](#) register after VPDMA reset should be the address of the memory buffer(128-bit aligned, that is, last four bits of the buffer address should be zero) where the firmware is stored. List Manager then schedules a DMA transaction to fetch the firmware and sets the list_attr.rdy bit after the firmware loading is complete.

10.3.9.2.4 Data Formats Supported

Following list summarizes the data formats supported in the VPDMA. For more information see [Section 10.3.9.8, VPDMA Data Formats](#).

- RGB Data Types:
 - RGB16-565
 - ARGB-1555
 - ARGB-4444
 - RGBA-5551
 - RGBA-4444
 - ARGB24-6666
 - RGB24-888
 - ARGB32-8888
 - RGBA24-6666
 - RGBA32-8888
- YUV Data Types:
 - Y 4:4:4
 - Y 4:2:2
 - Y 4:2:0
 - C 4:4:4
 - C 4:2:2
 - C 4:2:0
 - CY 4:2:2
 - YCbC 4:4:4
 - YC 4:2:2

NOTE: VPDMA supports swapping formats (RGB/BGR and Cb/Cr)

10.3.9.3 VPDMA Client Buffering and Functionality

Table 10-17 lists for each client:

- The channels used, amount of buffering allocated for it, and the shared buffer used for its memory
- The line sizes it handles for tiled and non-tiled memory spaces, as well as any additional features it supports

Table 10-17. VPDMA Client Buffering and Functionality

Client	Channel(s)	Tiled Memory Max Line Size	Non-Tiled Memory Max Line Size	Additional Features
dei_hq_1_chroma	hq_vid1_chroma	1920 (color separate) 960 (interleaved)	1920 (color separate) 960 (interleaved)	Virtual Video Buffer with line buffer limitations TILED
dei_hq_1_luma	hq_vid1_luma	1920 (color separate) 960 (interleaved)	4096	Virtual Video Buffer TILED
dei_hq_2_luma	hq_vid2_luma	1920 (color separate) 960 (interleaved)	4096	Virtual Video Buffer TILED
dei_hq_2_chroma	hq_vid2_chroma	1920 (color separate) 960 (interleaved)	1920 (color separate) 960 (interleaved)	Virtual Video Buffer with line buffer limitations TILED
dei_hq_3_luma	hq_3_luma	1920 (color separate) 960 (interleaved)	4096	Virtual Video Buffer TILED
dei_hq_3_chroma	hq_3_chroma	1920 (color separate) 960 (interleaved)	1920 (color separate) 960 (interleaved)	Virtual Video Buffer with line buffer limitations TILED
dei_hq_mv_in	hq_mv_in	Tiled Data Not Supported	4096	
dei_hq_mv_out	hq_mv_out	Tiled Data Not Supported	4096	
vip1_up_y	vip1_porta_luma vip1_porta_rgb	1920 (color separate) 960 (interleaved)	4096	TILED
vip1_up_uv	vip1_porta_chroma	1920 (color separate) 960 (interleaved)	4096	TILED

10.3.9.4 VPDMA Channels Assignment

Table 10-18 lists all of the channels in VPDMA and its base attributes. The Data Type column states what type of data YUV, RGB or OTHER the channel handles and in parentheses are the legal data type values that can be entered into a data transfer descriptor. The Client field states the name of the Client and in parentheses it states the reference number in Figure 10-2, VPE Block Diagram.

Table 10-18. VPDMA Channels Assignment

Channel	Description	Channel Number	Data Type	Client
hq_vid1_luma	High Quality DEI Video 420 Luma Data/ 422 Interleaved Data	0	YUV (0x1,0x2,0x7 If data type 0x7 is used half the data fetched will be thrown out.)	dei_hq_1_luma (7)
hq_vid1_chroma	High Quality DEI Video 420 Chroma Data	1	YUV (0x5,0x6,0x7 If data type 0x7 is used half the data fetched will be thrown out.)	dei_hq_1_chroma (7)
hq_vid2_luma	Low Cost DEI Field Minus 1420 Luma Data	2	YUV (0x1,0x2,0x7 If data type 0x7 is used half the data fetched will be thrown out.)	dei_hq_2_luma (8)
hq_vid2_chroma	Low Cost DEI Field Minus 1 420 Chroma Data	3	YUV (0x5,0x6,0x7 If data type 0x7 is used half the data fetched will be thrown out.)	dei_hq_2_chroma (8)

Table 10-18. VPDMA Channels Assignment (continued)

Channel	Description	Channel Number	Data Type	Client
hq_vid3_luma	Low Cost DEI Field Minus 2 420 Luma Data	4	YUV (0x1,0x2,0x7 If data type 0x7 is used half the data fetched will be thrown out.)	dei_hq_3_luma (9)
hq_vid3_chroma	Low Cost DEI Field Minus 2 420 Chroma Data	5	YUV (0x5,0x6,0x7 If data type 0x7 is used half the data fetched will be thrown out.)	dei_hq_3_chroma (9)
hq_mv	Low Cost DEI Motion Vector	12	OTHER (4)	dei_hq_mv_in (6)
hq_mv_out	Low Cost DEI Motion Vector Write	15	OTHER (4)	dei_hq_mv_out (6)
vip1_porta_luma	Video Input 1 Port A 420 Data Luma	102	YUV (0x1, 0x2,0x7)	vip1_up_y (1)
vip1_porta_chroma	Video Input 1 Port A 420 Data Chroma	103	YUV (0x5,0x6,0x7)	vip1_up_uv (1)
vip1_porta_rgb	Video Input 1 Port A RGB Data	106	RGB (0x0-0x8)	vip1_up_y (1)

10.3.9.5 VPDMA Interrupts

The VPDMA has 4 interrupt group(s). Each group has an interrupt for all the client interrupts, an interrupt for every 32 channels, a interrupt for each list complete, an interrupt for each list notify and an interrupt for for all of the descriptor interrupts. Each of these groups can be individually masked so that only the interrupts specified will trigger the higher level interrupt.

Each interrupt source can be individually masked independently for each separate interrupt group. A status register bit exists for each interrupt source for for each interrupt group, that is set whenever the interrupt event occurs even when if the interrupt is masked. The status register bit will remain set until cleared by software by writing a one to the status bit.

Table 10-19 shows all interrupt events from the VPDMA that go to VPE top level. The interrupt events are mapped to one interrupt line, INT0, that go to VPE top level.

Table 10-19. VPDMA Interrupt Events

Interrupt	Event Flag Registers	Event Mask Registers	Description
vpdma_int_channel_group0	VPE_INT0_CHANNEL0_INT_STAT	VPE_INT0_CHANNEL0_INT_MASK	An unmasked channel interrupt for interrupt group 0 in channel register 0 has fired.
vpdma_int_channel_group1	VPE_INT0_CHANNEL1_INT_STAT	VPE_INT0_CHANNEL1_INT_MASK	An unmasked channel interrupt for interrupt group 1 in channel register 0 has fired.
vpdma_int_channel_group2	VPE_INT0_CHANNEL2_INT_STAT	VPE_INT0_CHANNEL2_INT_MASK	An unmasked channel interrupt for interrupt group 2 in channel register 0 has fired.
vpdma_int_channel_group3	VPE_INT0_CHANNEL3_INT_STAT	VPE_INT0_CHANNEL3_INT_MASK	An unmasked channel interrupt for interrupt group 3 in channel register 0 has fired.
vpdma_int_channel_group4	VPE_INT0_CHANNEL4_INT_STAT	VPE_INT0_CHANNEL4_INT_MASK	An unmasked channel interrupt for interrupt group 4 in channel register 0 has fired.

Table 10-19. VPDMA Interrupt Events (continued)

Interrupt	Event Flag Registers	Event Mask Registers	Description		
vpdma_int_channel_group5	VPE_INT0_CHANNEL5_INT_STAT	VPE_INT0_CHANNEL5_INT_MASK	An unmasked channel interrupt for interrupt group 5 in channel register 0 has fired.		
vpdma_int_list0_complete vpdma_int_list0_notify	VPE_INT0_LIST0_INT_STAT	VPE_INT0_LIST0_INT_MASK	List 0 has completed The data transfer in list 0 with the Notify Field set in the descriptor has completed		
vpdma_int_list1_complete vpdma_int_list1_notify			List 1 has completed The data transfer in list 1 with the Notify Field set in the descriptor has completed		
vpdma_int_list2_complete vpdma_int_list2_notify			List 2 has completed The data transfer in list 2 with the Notify Field set in the descriptor has completed		
vpdma_int_list3_complete vpdma_int_list3_notify			List 3 has completed The data transfer in list 3 with the Notify Field set in the descriptor has completed		
vpdma_int_list4_complete vpdma_int_list4_notify			List 4 has completed The data transfer in list 4 with the Notify Field set in the descriptor has completed		
vpdma_int_list5_complete vpdma_int_list5_notify			List 5 has completed The data transfer in list 5 with the Notify Field set in the descriptor has completed		
vpdma_int_list6_complete vpdma_int_list6_notify			List 6 has completed The data transfer in list 6 with the Notify Field set in the descriptor has completed		
vpdma_int_list7_complete vpdma_int_list7_notify			List 7 has completed The data transfer in list 7 with the Notify Field set in the descriptor has completed		
vpdma_int_client			VPE_INT0_CLIENT0_INT_STAT VPE_INT0_CLIENT1_INT_STAT	VPE_INT0_CLIENT0_INT_MASK VPE_INT0_CLIENT1_INT_MASK	Client Interrupt
vpdma_int_descriptor			VPE_INT0_LIST0_INT_STAT	VPE_INT0_LIST0_INT_STAT	Descriptor Interrupt

In [Table 10-19](#) above, the “channel_group”, “client” and “descriptor” interrupts are actually a set of additional interrupts. When software receives an interrupt from a “channel_group,” “client,” or “descriptor” it must read the appropriate register within the VPDMA (refer to [Table 10-20](#) to determine what the actual interrupt was).

Table 10-20. VPE Interrupt Sources

Interrupt	Interrupt Group	Description
channel_hq_mv	channel_group0	The last read DMA transaction has occurred for channel hq_mv and the channel is free to be updated for the next transfer. This will fire before the destination has received the data as it will have just been stored in the internal buffer. The client dei_hq_mv_in will now accept a new descriptor from the List Manager.
channel_hq_mv_out	channel_group0	The last read DMA transaction has occurred for channel hq_mv and the channel is free to be updated for the next transfer. This will fire before the destination has received the data as it will have just been stored in the internal buffer. The client dei_hq_mv_in will now accept a new descriptor from the List Manager.
channel_hq_vid1_chroma	channel_group0	The last write DMA transaction has completed for channel hq_vid1_chroma. All data from the channel has been sent and received by the external memory. If a new channel has not been setup for the client then the client will be fully empty at this point.
channel_hq_vid1_luma	channel_group0	The last write DMA transaction has completed for channel hq_vid1_luma. All data from the channel has been sent and received by the external memory. If a new channel has not been setup for the client then the client will be fully empty at this point.
channel_hq_vid2_chroma	channel_group0	The last write DMA transaction has completed for channel hq_vid2_chroma. All data from the channel has been sent and received by the external memory. If a new channel has not been setup for the client then the client will be fully empty at this point.
channel_hq_vid2_luma	channel_group0	The last write DMA transaction has completed for channel hq_vid2_luma. All data from the channel has been sent and received by the external memory. If a new channel has not been setup for the client then the client will be fully empty at this point.
channel_hq_vid3_chroma	channel_group0	The last write DMA transaction has completed for channel hq_vid3_chroma. All data from the channel has been sent and received by the external memory. If a new channel has not been setup for the client then the client will be fully empty at this point.
channel_hq_vid3_luma	channel_group0	The last write DMA transaction has completed for channel hq_vid3_luma. All data from the channel has been sent and received by the external memory. If a new channel has not been setup for the client then the client will be fully empty at this point.
channel_vip1_porta_chroma	channel_group3	The last write DMA transaction has completed for channel vip1_porta_chroma. All data from the channel has been sent and received by the external memory. If a new channel has not been setup for the client then the client will be fully empty at this point.
channel_vip1_porta_luma	channel_group3	The last write DMA transaction has completed for channel vip1_porta_luma. All data from the channel has been sent and received by the external memory. If a new channel has not been setup for the client then the client will be fully empty at this point.
channel_vip1_porta_rgb	channel_group3	The last write DMA transaction has completed for channel vip1_porta_rgb. All data from the channel has been sent and received by the external memory. If a new channel has not been setup for the client vip1_up_y then the client will be fully empty at this point.

Table 10-20. VPE Interrupt Sources (continued)

Interrupt	Interrupt Group	Description
client_dei_hq_1_chroma	client	The client interface dei_hq_1_chroma has reached its current configured interrupt event as specified by the last received control descriptor for this client. If no control descriptor has been configured this will default to having sent the End of Frame signal to the receiving module.
client_dei_hq_1_luma	client	The client interface dei_hq_1_luma has reached its current configured interrupt event as specified by the last received control descriptor for this client. If no control descriptor has been configured this will default to having sent the End of Frame signal to the receiving module.
client_dei_hq_2_chroma	client	The client interface dei_hq_2_chroma has reached its current configured interrupt event as specified by the last received control descriptor for this client. If no control descriptor has been configured this will default to having sent the End of Frame signal to the receiving module.
client_dei_hq_2_luma	client	The client interface dei_hq_2_luma has reached its current configured interrupt event as specified by the last received control descriptor for this client. If no control descriptor has been configured this will default to having sent the End of Frame signal to the receiving module.
client_dei_hq_3_chroma	client	The client interface dei_hq_2_luma has reached its current configured interrupt event as specified by the last received control descriptor for this client. If no control descriptor has been configured this will default to having sent the End of Frame signal to the receiving module.
client_dei_hq_3_luma	client	The client interface dei_hq_3_luma has reached its current configured interrupt event as specified by the last received control descriptor for this client. If no control descriptor has been configured this will default to having sent the End of Frame signal to the receiving module.
client_dei_hq_mv_in	client	The client interface dei_hq_mv_in has reached its current configured interrupt event as specified by the last received control descriptor for this client. If no control descriptor has been configured this will default to having sent the End of Frame signal to the receiving module.
client_dei_hq_mv_out	client	The client interface dei_hq_mv_out has reached its current configured interrupt event as specified by the last received control descriptor for this client. If no control descriptor has been configured this will default to having received the End of Frame signal from the transmitting module.
client_vip1_up_uv	client	The client interface vip1_up_uv has reached its current configured interrupt event as specified by the last received control descriptor for this client. If no control descriptor has been configured this will default to having received the End of Frame signal from the transmitting module.
client_vip1_up_y	client	The client interface vip1_up_y has reached its current configured interrupt event as specified by the last received control descriptor for this client. If no control descriptor has been configured this will default to having received the End of Frame signal from the transmitting module.
client_vpi_ctl	client	The client interface vpi_ctl has reached its current configured interrupt event as specified by the last received control descriptor for this client. If no control descriptor has been configured this will default to having sent the End of Frame signal to the receiving module.
control_descriptor_int0	descriptor	A Send Interrupt Control Descriptor has been received by the list manager with a source value of 0.
control_descriptor_int1	descriptor	A Send Interrupt Control Descriptor has been received by the list manager with a source value of 1.
control_descriptor_int10	descriptor	A Send Interrupt Control Descriptor has been received by the list manager with a source value of 10.
control_descriptor_int11	descriptor	A Send Interrupt Control Descriptor has been received by the list manager with a source value of 11.

Table 10-20. VPE Interrupt Sources (continued)

Interrupt	Interrupt Group	Description
control_descriptor_int12	descriptor	A Send Interrupt Control Descriptor has been received by the list manager with a source value of 12.
control_descriptor_int13	descriptor	A Send Interrupt Control Descriptor has been received by the list manager with a source value of 13.
control_descriptor_int14	descriptor	A Send Interrupt Control Descriptor has been received by the list manager with a source value of 14.
control_descriptor_int15	descriptor	A Send Interrupt Control Descriptor has been received by the list manager with a source value of 15.
control_descriptor_int2	descriptor	A Send Interrupt Control Descriptor has been received by the list manager with a source value of 2.
control_descriptor_int3	descriptor	A Send Interrupt Control Descriptor has been received by the list manager with a source value of 3.
control_descriptor_int4	descriptor	A Send Interrupt Control Descriptor has been received by the list manager with a source value of 4.
control_descriptor_int5	descriptor	A Send Interrupt Control Descriptor has been received by the list manager with a source value of 5.
control_descriptor_int6	descriptor	A Send Interrupt Control Descriptor has been received by the list manager with a source value of 6.
control_descriptor_int7	descriptor	A Send Interrupt Control Descriptor has been received by the list manager with a source value of 7.
control_descriptor_int8	descriptor	A Send Interrupt Control Descriptor has been received by the list manager with a source value of 8.
control_descriptor_int9	descriptor	A Send Interrupt Control Descriptor has been received by the list manager with a source value of 9.
list0_complete	list0_complete	List 0 has completed and a new list can be loaded.
list0_notify	list0_notify	A channel set by List 0 has completed and the Notify bit had been set in the descriptor for that channel.
list1_complete	list1_complete	List 1 has completed and a new list can be loaded.
list1_notify	list1_notify	A channel set by List 1 has completed and the Notify bit had been set in the descriptor for that channel.
list2_complete	list2_complete	List 2 has completed and a new list can be loaded.
list2_notify	list2_notify	A channel set by List 2 has completed and the Notify bit had been set in the descriptor for that channel.
list3_complete	list3_complete	List 3 has completed and a new list can be loaded.
list3_notify	list3_notify	A channel set by List 3 has completed and the Notify bit had been set in the descriptor for that channel.
list4_complete	list4_complete	List 4 has completed and a new list can be loaded.
list4_notify	list4_notify	A channel set by List 4 has completed and the Notify bit had been set in the descriptor for that channel.
list5_complete	list5_complete	List 5 has completed and a new list can be loaded.
list5_notify	list5_notify	A channel set by List 5 has completed and the Notify bit had been set in the descriptor for that channel.
list6_complete	list6_complete	List 6 has completed and a new list can be loaded.
list6_notify	list6_notify	A channel set by List 6 has completed and the Notify bit had been set in the descriptor for that channel.
list7_complete	list7_complete	List 7 has completed and a new list can be loaded.
list7_notify	list7_notify	A channel set by List 7 has completed and the Notify bit had been set in the descriptor for that channel.
other		Any channel that is not assigned to a specific client has completed.

10.3.9.6 VPDMA Descriptors

The VPDMA needs to be programmed through descriptors (a pre-defined structure of eight or four 32-bit words depending on type of descriptors) other than VPDMA Memory Mapped Registers (MMR). Descriptors are of three types:

- i. **Data Transfer Descriptors** - A memory structure used to describe a desired memory transaction to or from a client.
- ii. **Control Descriptors** - A memory structure used to perform a control operation inside the DMA controller
- iii. **Configuration Descriptors** - A memory structure used to described a setup that should be applied to an processing modules like MMR write, scalar coefficient write etc.

10.3.9.6.1 Data Transfer Descriptors

In order to set up data transfers from the VPDMA, a data transfer descriptor is added into a list. The fields used for an Inbound and Outbound descriptor vary slightly. An outbound transfer can have two different outbound transfers. The two transfers are the main data transfer and a write of an Inbound Descriptor. The created inbound descriptor is formatted so it can be read back in directly to the next channel specified in the original descriptor.

Figure 10-49. Inbound Data Transfer Descriptor Format

	31:24			23:16				15:8		7:0	
Word 0	Data Type	Notify	Field	1D	Even Line Skip	RSV	Odd Line Skip	Line Stride			
Word 1	Line Length						Transfer Height				
Word 2	Start Address								RSV	RSV	
Word 3	Packet	Mode	Dr	Channel			Reserved	Pri	Next Channel		
Word 4	Frame Width						Frame Height				
Word 5	Horizontal Start						Vertical Start				
Word 6	Client Specific Attributes										
Word 7	Client Specific Attributes										

vpe-072

Figure 10-50. Outbound Data Transfer Descriptor Format

	31	30	29	28	27	26	25	24	23	22	21	20	19	18	17	16	15	14	13	12	11	10	9	8	7	6	5	4	3	2	1	0
Word 0	Data Type						Notify	Field	1D	Reserved	Even Line Skip	Reserved	Odd Line Skip	Line Stride																		
Word 1	Reserved																															
Word 2	Start Address																															
Word 3	Packet Type				Mode	Dir	Channel						NoReject	Reserved	Pri	Next Channel																
Word 4	Descriptor Write Address																								Reserved	write descriptor	Drop Data	Descriptor Reg				
Word 5	Reserved																								Max Width	Reserved	Max Height					
Word 6	Client Specific Attributes																															
Word 7	Client Specific Attributes																															

The general data transfer Descriptor formats can be seen in the above figures. The descriptor consists of 8 × 32bit words. A Data Transfer Descriptor will be removed from the list when the resource specified by the Channel field is free. If the Channel is not free when the list reaches a data transfer descriptor then the list will stall until the current transfer on the channel has completed.

10.3.9.6.1.1 Data Packet Descriptor Word 0 (Data)

Table 10-21. Data Packet Descriptor Word 0 Field Descriptions

Bit	Field	Value	Description
31:26	Data Type		Miscellaneous Channel Sets the pixel size in bits plus 1
			RGB Channel
		0	RGB16-565
		1h	ARGB-1555
		2h	ARGB-4444
		3h	RGBA-5551
		4h	RGBA-4444
		5h	ARGB24-6666
		6h	RGB24-888
		7h	ARGB32-8888
		8h	RGBA24-6666
		9h	RGBA32-8888
		10h	BGR16-565
		11h	ABGR-1555
		12h	ABGR-4444
		13h	BGRA-5551
		14h	BGRA-4444
		15h	ABGR24-6666
		16h	BGR24-888
		17h	ABGR32-8888
		18h	BGRA24-6666
		19h	BGRA32-8888
			YUV Channel
		0	Y 4:4:4
		1	Y 4:2:2
		2	Y 4:2:0
		4	C 4:4:4
		5	C 4:2:2
		6	C 4:2:0
		7	CY 4:2:2
		8	YCbC 4:4:4
		14h	Cb 4:4:4
		15h	Cb 4:2:2
16h	Cb 4:2:0		
17h	CbY 4:2:2		
27h	YC 4:2:2		
37h	YCb 4:2:2		
25	Notify	0-1	Send List Notification Interrupt upon last transfer of this channel
24	Field	0-1	Field Value
23	1D	0-1	The transfer is one dimensional. The transfer and frame sizes are combined to make a single 32 bit transfer size. For writes this value is passed to the generated descriptor. This feature is not supported by all clients. Only clients that support the feature will recognize this bit.

Table 10-21. Data Packet Descriptor Word 0 Field Descriptions (continued)

Bit	Field	Value	Description
22:20	Even Line Skip	0	Field Value +1 line
		1h	+2 lines
		2h-7h	Reserved
19	Reserved		Reserved for future use
18:16	Odd Line Skip	0	Field Value +1 line
		1h	+2 lines
		2h-7h	Reserved
15:0	Line Stride	0-FFFFh	Address stride between lines in bytes

10.3.9.6.1.1.1 Data Type

Bits 31-26 indicate the type of data that is to be transferred. This value is used to compute the number of bytes per pixel so that transactions may be made for the appropriate amount of data. The types of data are dependent on the type of channel. The VPDMA descriptor data types RGB or YUV are defined associated with the VPDMA channel assignment. This helps the engine to distinguish between the overlapping values of the descriptor data types for RGB and YUV data.

- For the Miscellaneous channel, the Data Type selects the size in bits of the data. The range is from 0 to 63 to represent the sizes from 1 to 64 bits.
- For a YUV channel, the Data Type determines, if the data channel is interleaved or color space separate. If color spaced separate, it is still assumed that the two chroma pixels are interleaved.

CAUTION

VPDMA defines the component ordering for its RGB data types in the opposite direction of what commonly used image identifiers expect. To avoid color component swapping in the display and/or in the video/image data written out to the memory, the proper Data Type settings for both RGB and YUV data types must be made. The following paragraphs provide more details on how to set Data Type correctly, in order to match the data stored or expected in the memory.

Setting RGB Data Types

The commonly used RGB format identifiers require the color components to be stored in a little-endian style, where the left most component is the LSB component.

- For an ARGB data type, the A component is the LSB location, as shown in [Table 10-22](#) and [Table 10-23](#);
- For a BGRA data type, the B component would be in the LSB location;

Table 10-22. Common ARGB in Memory (Byte Order)

Addr (LSB)	Addr + 1	Addr + 2	Addr + 3 (MSB)
A	R	G	B

Table 10-23. Common ARGB in 32-bit Memory/CPU Register

Bit 31	Bit 23	Bit 15	Bit 7
B	G	R	A

VPDMA specifies its component ordering in the big-endian style, which requires the data to be stored in the reversed order. Example with ARGB data type is shown in [Table 10-24](#) and [Table 10-25](#). The VPDMA ordering for ARGB data type matches the common BGRA data format.

Table 10-24. VPDMA ARGB in Memory (Byte Order)

Addr (LSB)	Addr + 1	Addr + 2	Addr + 3 (MSB)
B	G	R	A

Table 10-25. VPDMA ARGB in 32-bit Memory/CPU Register

Bit 31	Bit 23	Bit 15	Bit 7
A	R	G	B

In order color components to be mapped correctly and to avoid swapping, the reversal must be taken into consideration when configuring the Data Type in the VPDMA transfer descriptor.

[Table 10-26](#) shows the proper settings required for RGB data types for both storage schemes.

Table 10-26. VPDMA Descriptor RGB Data Type Mapping

Destination Image		VPDMA Data Type Mapping Value	
RGB Component order	Common Image Format Names	Column A Data stored in the VPDMA defined order	Column B Data stored in the opposite of VPDMA defined order
RGB	RGB16-565	0x0	0x10
	ARGB-1555	0x1	0x13
	ARGB-4444	0x2	0x14
	RGBA-5551	0x3	0x11
	RGBA-4444	0x4	0x12
	ARGB24-6666	0x5	0x18
	RGB24-888	0x6	0x16
	ARGB32-8888	0x7	0x19
	RGBA24-6666	0x8	0x15
	RGBA32-8888	0x9	0x17
BGR	BGR16-565	0x10	0x0
	ABGR-1555	0x11	0x3
	ABGR-4444	0x12	0x4
	BGRA-5551	0x13	0x1
	BGRA-4444	0x14	0x2
	ABGR24-6666	0x15	0x8
	BGR24-888	0x16	0x6
	ABGR32-8888	0x17	0x7
	BGRA24-6666	0x18	0x5
	BGRA32-8888	0x19	0x9

In [Table 10-26](#), if the application uses the same data type definition as the VPDMA (that is, RGB24 refers to the B in the LSB), the data types in Column A should be used. But, if the application expects the common data type component order for RGB data type names, the VPDMA data types in Column B should be used.

For example:

- To display an ARGB32-8888 source image data with A in the LSB, the data type in the descriptor should be set to 0x19. But, to display an ARGB32-888 source image data with B in the LSB, the data type in the descriptor should be set to 0x7.

Setting YUV Data Types

There is no component order reversal for YUV data types. The VPDMA uses generic data type names to specify the memory storage format and the application simply needs to follow the VPDMA defined ordering.

Table 10-27 shows how common YUV data types map to the VPDMA YUV data types in order to clarify the YUV data type configuration.

Table 10-27. VPDMA Descriptor YUV Data Type Mapping

Source YUV Image Types			VPDMA Data Type Mapping (Value)		
Chroma Sub-sample	Common YUV Image Format Type Names	Memory Packed Order [MSB - LSB]	Luma/Chroma Interleaved Channel	Luma-only Channel	Chroma-only Channel
444	YUV	V U Y	YC 4:4:4 (0x8)		
	UYV	Y V U	Cb 4:4:4 (0x14)		
422	NV16 (YUV422SP_UV)	V U		Y 4:2:2 (0x1)	C 4:2:2 (0x5)
	NV16 (YUV422SP_VU)	U V		Y 4:2:2 (0x1)	Cb 4:2:2 (0x15)
	YUV2/YUYV/V422 (YUV422I_YUYV)	V Y U Y	YC 4:2:2 (0x7)		
	YUV422I_YVYU	U Y V Y	CbY 4:2:2 (0x17)		
	Y422/UYYV (YUV422I_UYYV)	Y V Y U	YC 4:2:2 (0x27)		
	YUV422I_VYUY	Y U Y V	YCb 4:2:2 (0x37)		
420	NV12 (YUV420SP_UV)	V U		Y 4:2:0 (0x2) YC 4:2:2 (0x7) (see ⁽¹⁾)	C 4:2:0 (0x6) YC 4:2:2 (0x7) (see ⁽¹⁾)
	NV21 (YUV420SP_VU)	U V		Y 4:2:0 (0x2) YC 4:2:2 (0x7) (see ⁽¹⁾)	Cb 4:2:0 (0x16) YC 4:2:2 (0x7) (see ⁽¹⁾)

⁽¹⁾ If 422 source data is used, unused component data fetched (either Luma or Chroma) will be discarded.

For further details on the data formats, refer to [Section 10.3.9.8, VPDMA Data Formats](#).

10.3.9.6.1.1.2 Notify

The Notify bit is used in conjunction with the Notify interrupts and when the channel has completed the DMA transfer the Notify Interrupt for the list that contains the descriptor will fire. The last Notify bit set for a specific list will be used so only a single Notify should be set in a list.

10.3.9.6.1.1.3 Field

The Field bit is the field value of the data that will be passed down to the clients. If the data is interlaced, then this value should be cleared to 0.

10.3.9.6.1.1.4 1D

This bit is set if a large one dimensional frame needs to be send to the client. In this case the stride is ignored and for the write the stride the generated descriptor will always be 0. If this bit is set then the transfer length and transfer height and frame width and frame height fields are combined to form one 32 bit field with the upper 8 bits reserved and the lower 24 bits being the size of the frame in pixels.

10.3.9.6.1.1.5 Even Line Skip

The Even Line skip is used with Line Stride to generate the next line address on an even line. All frames start on line 0. This value allows for the DMA controller to skip lines for interlaced data in a progressive frame buffer.

10.3.9.6.1.1.6 Odd Line Skip

The Odd Line skip is used with Line Stride to generate the next line address on an odd line. All frames start on line 0, so this will apply starting with the second line. This value allows for the DMA controller to skip lines for interlaced data in a progressive frame buffer.

10.3.9.6.1.1.7 Line Stride

Bits 15:0 are the stride between lines in bytes at the external address. This value is added or subtracted based upon an adjustment using the current skip value. Operation of the external address pointer shall load the Source Address upon start of the transfer, then at the end of each line increment or decrement by the value computed using the Line Stride and Skip value for the line. The line stride must be aligned to an L3 data bus width. The lower bits of the stride will always be treated as zero to force the alignment.

10.3.9.6.1.2 Data Packet Descriptor Word 1

Table 10-28. Data Packet Descriptor Word 1 Field Description

Bits	Name	Description
31:16	Line Length	Line Length in Pixels
15:0	Transfer Height	Number of rows in transfer.

10.3.9.6.1.2.1 Line Length

Bits 31-16 are the line length in pixels of the current channel. This is ignored for the outbound transfer as the client will provide the line length with the end of line signal on the client interface. The maximum supported line length is currently 4096.

10.3.9.6.1.2.2 Transfer Height

Bits 15-0 are the number of lines to be transferred in the current channel. This is ignored for outbound transfers as the client will provide the line length with the end of frame signal on the client interface. The maximum supported transfer size is currently 2048.

10.3.9.6.1.3 Data Packet Descriptor Word 2

Table 10-29. Data Packet Descriptor Word 2 Field Descriptions

Bit	Field	Value	Description
31:0	Start Address		32-bit data source address [31:0] If Mode is TILED, then TILER specific ADDRESS Map is used: Bits 31-29: 0 0-degree view 1h 180-degree view + mirroring 2h 0-degree view + mirroring 3h 180-degree view 4h 270-degree view + mirroring 5h 270-degree view 6h 90-degree view 7h 90-degree view + mirroring Bits 28-27: 0 8-bit container 1h 16-bit container 2h 32-bit container 3h Page Mode If Mode is NORMAL, then bits 31-26 are the upper bits of the address.

10.3.9.6.1.3.1 Start Address

This is the byte aligned address for the first data transfer. The address on the OCP bus will always be word aligned.

10.3.9.6.1.4 Data Packet Descriptor Word 3

Table 10-30. Data Packet Descriptor Word 3 Field Descriptions

Bits	Name	Description
31:27	Packet Type	Host Packet Descriptor Type = 0xa
26	Mode	0= Normal, 1=TILED
25	Direction	Inbound = 0, Outbound = 1
24:16	Channel	Channel for which this descriptor describes
15	Reserved	Reserved for future use
11:9	Priority	Only Bit 9 and Bit 11 are used to set the priority. Bit 10 is ignored. Highest = 0, Lowest = 3 By default, hardware assigns priority = 3. This priority level is used in the arbitration between the masters (for DDR access). See Section 10.3.9.6.1.4.5, Priority , for more details.
8:0	Next Channel	Next Channel to execute on a line or the channel to use in the generated write descriptor.

10.3.9.6.1.4.1 Packet Type

Bits 31:27 are a unique code which indicates that this Descriptor is a VPDMA descriptor.

10.3.9.6.1.4.2 Mode

Bit 26 is used to indicate if the transfer is to regular memory space or to Tiled memory space. The VPDMA will use this to determine if it does standard raster based addressing or if it assumes that the data is stored in TILER format. If data is stored in TILER format then the buffer is turned into 2 or 4 line buffers depending on the container type. For shared clients that use the memory, such as the ancillary data and the VIP port, only one can be active, if the mode field is set. Only clients that support Tiling will properly pack the data for tiling on the output interface. This must only be set for channels going to clients that support the TILING feature in the client configuration.

10.3.9.6.1.4.3 Direction

Bit 25 is used to indicate the direction of transfer. This bit indicates that the data flow is from an external source to an internal buffer (inbound) or data transfers form an internal buffer to an external location (outbound).

10.3.9.6.1.4.4 Channel

Bits 24:16 are the Channels which is supported by the descriptor. This is the identification of the specific Channel which is controlled by the contents of the descriptor. The channel assignments can be found in the channel table.

10.3.9.6.1.4.5 Priority

Bits 11:9 are set to indicate priority of the transfer, these are directly mapped to the OCP reqinfo bits.

10.3.9.6.1.4.6 Next Channel

Bits 8:0 give the next channel to use to create a composite frame. The next channel must be to a free channel. The last channel of a row should point back to the initial channel which must be a channel tied directly to a client. The Descriptor for the Next Channel must be of the same type as the current descriptor.

10.3.9.6.1.5 Data Packet Descriptor Word 4

10.3.9.6.1.5.1 Inbound data

Table 10-31. Data Packet Descriptor Word 4 Inbound Data Field Descriptions

Bits	Name	Description
31:16	Frame Width	Width of the client frame.
15:0	Frame Height	Height of the client frame

10.3.9.6.1.5.1.1 Frame Width

Bits 31:16 indicate the width in pixels of the frame. This is the width of the entire frame and not just the width of the data represented by the current channel unless this channel fills the entire frame. This allows for the VPDMA to present a larger frame of data to the client while only fetching the required data. The currently supported maximum width is 4096.

10.3.9.6.1.5.1.2 Frame Height

Bits 15:0 indicate the height in pixels of the entire frame. This is the height of the entire frame and not just the height of the data represented by the current channel unless this channel fills the entire frame. This allows for the VPDMA to present a larger frame of data to the client while only fetching the required data. The currently supported maximum height is 2048.

10.3.9.6.1.5.2 Outbound data

Table 10-32. Data Packet Descriptor Word 4 Outbound Data Field Descriptions

Bits	Name	Description
31:5	Descriptor Write Address	The 32 byte aligned location to write an inbound descriptor
2	Write Descriptor	If set to 1, a descriptor will be generated when the client completes a frame.
1	Drop Data	If set to 1, the data will not be written out. Also, if this is set, the write descriptor bit must be set. This allows for descriptors to only be written out so that software can determine the size of the required buffer before data is written out.
0	Use Descriptor Register	If set to 1, the CURRENT_DESCRIPTOR register will be used for the write address location. If set to 0, the Descriptor Write Address field in this word will be used for the Descriptor Write Address.

10.3.9.6.1.5.2.1 Descriptor Write Address

Bits 31:5 set the 32 byte address to write the generated descriptor. This address is only used if the Write Descriptor bit is set to 1 and the Use Descriptor Register bit is set to 0. If this case is met when the channel is complete a descriptor that meets the inbound descriptor format will be written to the location specified by this field. This allows for software to have a specific channel write its descriptor to a specific address no matter what order the channel completes compared to other outbound channels.

10.3.9.6.1.5.2.2 Write Descriptor

Bit 2 determines if a descriptor should be written out when the client is completed. If this bit is set the descriptor will be written. The format of the descriptor will be of an Inbound Data Transfer descriptor with the LINE LENGTH and TRANSFER HEIGHT fields determined by the counters in the clients. This means that the direction bit will be the opposite of the inbound descriptor. The FRAME WIDTH and FRAME HEIGHT values will match the LINE LENGTH and TRANSFER HEIGHT fields. The CHANNEL and NEXT CHANNEL fields will match the NEXT CHANNEL field of the original descriptor. The FIELD bit will match the source field captured by the client. The NOTIFY bit will always be 0. All other fields will match the original outbound descriptor. If the Outbound descriptor MODE is set to TILED data then the descriptor address used will be in TILED data space and software must ensure that the address is in page mode for the address of the descriptor.

10.3.9.6.1.5.2.3 Drop Data

Bit 1 determines if the data should be written out or not. In some cases software might only want to write the descriptor out to determine the size of the buffer that will be required to store incoming data. By setting this bit, no data will be written out. If this bit is set then the Write Descriptor bit MUST be set. Bit 0 determines where the descriptor should be written. If it is desired that all the descriptors are written in order to a set queue then this bit should be set and the CURRENT_DESCRIPTOR, DESCRIPTOR_TOP and DESCRIPTOR_BOTTOM registers are used to define the location of the descriptor queue that will be written.

10.3.9.6.1.5.2.4 Use Descriptor Register

Bit 0 determines where the descriptor should be written. If it is desired that all the descriptors are written in order to a set queue then this bit should be set and the CURRENT_DESCRIPTOR, DESCRIPTOR_TOP and DESCRIPTOR_BOTTOM registers are used to define the location of the descriptor queue that will be written.

10.3.9.6.1.6 Data Packet Descriptor Word 5

10.3.9.6.1.6.1 Outbound data

Table 10-33. Data Packet Descriptor Word 5 Outbound Data Field Descriptions

Bits	Name	Description
6:4	Max Width	The maximum allowable pixels per line. 0: Unlimited Line Size 1: Use VPE_MAX_SIZE1 Max Width field 2: Use VPE_MAX_SIZE2 Max Width field 3: Use VPE_MAX_SIZE3 Max Width field 4: 352 pixels 5: 768 pixels 6: 1280 pixels 7: 1920 pixels Others: Reserved
2:0	Max Height	The maximum allowable lines per frame. 0: Unlimited Frame Size 1: Use VPE_MAX_SIZE1 Max Height field 2: Use VPE_MAX_SIZE2 Max Height field 3: Use VPE_MAX_SIZE3 Max Height field 4: 288 lines 5: 576 lines 6: 720 lines 7: 1080 lines Others: Reserved

NOTE: Width and Height are set in the following register bit-fields:

- For [VPE_MAX_SIZE1](#): [VPE_MAX_SIZE1](#)[31:16] MAX_WIDTH and [VPE_MAX_SIZE1](#)[15:0] MAX_HEIGHT
- For [VPE_MAX_SIZE2](#): [VPE_MAX_SIZE2](#)[31:16] MAX_WIDTH and [VPE_MAX_SIZE2](#)[15:0] MAX_HEIGHT registers
- For [VPE_MAX_SIZE3](#): [VPE_MAX_SIZE3](#)[31:16] MAX_WIDTH and [VPE_MAX_SIZE3](#)[15:0] MAX_HEIGHT

10.3.9.6.1.6.1.1 Max Width

Bits 6:4 are encoded to set the maximum transferred line size. If the field is not set to unlimited if the client sending data into the VPDMA exceeds the maximum allowed pixels the data will continue to be received from the client but will not be sent to external memory until an end of line is received from the client sending data. The outbound descriptor if created will still have the transmitted size of the last line of the frame which will match the max width. If the frame does not exceed the max width then the actual transmitted size will be placed in the descriptor. Tiled clients such as the noise filter should always set this to 0. If Max Width is 0 and the line size is larger then 4096 pixels then the address counters will overflow and the data at the start of the line will be overwritten.

10.3.9.6.1.6.1.2 Max Height

Bits 2:0 are encoded to set the maximum transferred frame size. If the field is not set to unlimited if the client sending data into the VPDMA exceeds the maximum allowed lines the data will continue to be received from the client but will not be sent to external memory until an end of frame is received from the client sending data. The outbound descriptor if created will still have the transmitted number of lines received which would match the max height. If the frame does not exceed the max height then the actual transmitted size will be placed in the descriptor. Tiled clients such as the noise filter should always set this to 0.

10.3.9.6.1.7 Data Packet Descriptor Word 6/7 (Data)

The words 4/5 give a 64 bit of configuration that can be passed specifically to the module that supports it. This is passed directly down to the module through a VPI Control port. Please see the section on the specific clients for the format of this data.

10.3.9.6.2 Configuration Descriptor

The Configuration Descriptor is used in a List to setup a client configuration. The configuration descriptor consists of a header and a payload portion. The payload can either be part of the list that the descriptor is contained in or it can be at a separate location. The VPDMA will pass the payload of the configuration descriptor down to the client over the VPI Control port interface or through the MMR configuration port depending on the destination field. A Configuration Descriptor to any single destination except Destination 0 must be on a single list. Configuration Descriptors to different destinations may be on different lists..

The Configuration Descriptor Header is 4 × 32 bit words. A configuration descriptor is not consumed until the destination specified has received the entire configuration payload. Therefore the list is expected to stall while the configuration takes place. This ensures that all descriptors after a configuration descriptor in the list will occur after the desired configuration.

10.3.9.6.2.1 Configuration Descriptor Header Word0

Table 10-34. Configuration Descriptor Header Word0 Field Descriptions

Bits	Name	Description
31:0	Address Offset of the Destination	This is the address offset location in the destination that the block of data in the payload should be written. This field is only used if the descriptor Class is a block type. Otherwise this field is reserved.

10.3.9.6.2.2 Configuration Descriptor Header Word1

Table 10-35. Configuration Descriptor Header Word1 Field Descriptions

Bits	Name	Description
15:0	Number of Data Words	Length of First Data Packet for Class 1(block).

10.3.9.6.2.2.1 Number of Data Words

Bits 15:0 indicate the length of the first data block if the class is 1 as specified in Configuration Descriptor Header Word3. If the class is not 1 then this field should be set to 0.

10.3.9.6.2.3 Configuration Descriptor Header Word2

Table 10-36. Configuration Descriptor Header Word2 Field Descriptions

Bits	Name	Description
31:0	Payload Location	Pointer to the data payload

10.3.9.6.2.3.1 Payload Location

Bits 31:0 contain the pointer to the data payload if the command packet is an indirect type. This value along with the Payload Length will be combined to issue a DMA transaction that must complete before the List Manager can finish processing this descriptor. The list will be made inactive pending this DMA completion. This address should be on a 16 byte boundary so the lower 4 bits should always be 0.

10.3.9.6.2.4 Configuration Descriptor Header Word3

Table 10-37. Configuration Descriptor Header Word3 Field Descriptions

Bits	Name	Description
31:27	Packet Type	Host Packet Descriptor Type = 0xb
26	Direct	Direct Command = 1 Indirect Command = 0
25:24	Class	0 = Address, Data Set 1 = Block 2,3 Reserved for Future Use
23:16	Destination	Destination of the configuration payload
15:0	Payload Length	Length of Payload in Words.

10.3.9.6.2.4.1 Packet Type

Bits 31:27, this field indicates the type of descriptor and should be set 0xB for configuration descriptor.

10.3.9.6.2.4.2 Direct

Bit 26, this field indicates that the descriptor is a direct command or indirect command. A direct command means that the payload is contiguous with the descriptor and will be pulled in by the list manager descriptor control as it processes the list. A direct payload must end on or before a 256 byte boundary in the list. An indirect command is when the Address is located in Word2 is a pointer to the data payload. A DMA transaction will be scheduled to bring the payload into the List Manager to allow for the payload to be sent to the destination.

10.3.9.6.2.4.3 Class

Bits 25:24, this field indicates the type of payload is associated with command descriptor, and thus how to handle the payload.

A 0 indicates that the payload consists of blocks of data with each block having an address and length. The first word after a sub-block contains the next address and length in bytes. This allows for writing to multiple configuration regions in a client. The Configuration Descriptor word1 is the first address and length pair. All addresses used must be larger than the previous address for all destinations except for the MMR destination. If a sub block length is not evenly divisible into 16 then zeroes should be padded in the payload so that the Next Client Address and Length field start on a 16 byte boundary.

10.3.9.6.2.4.3.1 Address Data Block Format

Table 10-38. Address Data Block Format Field Descriptions

Bits	Name	Description
31-0		Next Client Address
31-0		Configuration for Next Client Address
31-0		Configuration for Next Client Address + 4
31-0		Configuration for Next Client Address + 8
31-0		Configuration for Next Client Address + 12
31-0		Configuration for Next Client Address + 16
31-0		Next Client Address 2
15-0		Sub Block Length

A 1 indicates the payload is simply block data. The data is contiguous and starts at the offset of the destination as specified in word1.

10.3.9.6.2.4.4 Destination

The Destination field is used to determine where the configuration payload should be sent. The values for the destination field can be seen in the table below.

Table 10-39. Destination Field Description

Destination Value	Actual Destination	Description
0	mmr_client	Write to MMR registers to setup other modules
4	VPE Scaler	VPE Scaler Coefficient Tables

10.3.9.6.2.4.5 Descriptor Length

Bits 15:0, this field indicates the size of the payload in words for the command. This is 128 bit words. The maximum number of words is 1023 words in a single payload

10.3.9.6.3 Control Descriptor

10.3.9.6.3.1 Generic Control Descriptor Format

A control descriptor is the mechanism that is used in a list to give commands to the List Manager. These descriptors are not considered consumed until the List Manager has done the instruction required by the descriptor. All control descriptors have a common Header located at Word 3 but the remaining words are based on the specific control descriptor.

10.3.9.6.3.2 Control Descriptor Header Description

Table 10-40. Control Descriptor Header Description

Bits	Name	Description
31:27	Packet Type	Host Packet Descriptor Type = 0xc
26:25	Reserved	Reserved
24:16	Source	Specifies the source used for the control event.
15:4	Reserved	Reserved for future use
3:0	Control	The type of control descriptor that should be run by the List Manager

10.3.9.6.3.2.1 Packet Type

This field indicates a VPDMA control descriptor.

10.3.9.6.3.2.2 Source

The source is combined with the control field to determine what the control descriptor should use as the source for its synchronization event.

10.3.9.6.3.2.3 Control

The Control field defines the specific function of the descriptor. [Table 10-41](#) lists the different control descriptors.

10.3.9.6.3.3 Control Descriptor Types

Table 10-41. Control Descriptor Types Summary

Control Descriptor	Control Field Value	Description
Sync on Client	0	Wait for the client attached to the channel specified to reach a certain event before proceeding.
Sync on List	1h	Wait for another list(s) to reach its Sync on List Descriptor
Sync on External Event	2h	Wait for a Register write to the VPE_LIST_STAT_SYNC bit specified or for an external event.
Sync on Channel	4h	Wait for the channel specified to complete
Change Client Interrupt	5h	Change the interrupt event for a client interrupt but do not wait for the event to occur.
Send Interrupt	6h	Generate an interrupt event on one of the Control Descriptor Interrupts
Reload List	7h	Reload the list from the location and size specified.
Abort Channel	8h	Abort the transfer in the channel specified.

10.3.9.6.3.3.1 Sync on Client

A Sync on Client Control descriptor uses the source field to select a channel to modify the attached clients interrupt generation event. For a client that supports multiple channels then only an event on the portion of the client that supports that client will cause the interrupt to be generation. After configuring the interrupt generation event the list will then stall until that event has occurred.

Table 10-42. Sync on Client Field Descriptions (Word - 1)

Bits	Name	Description
31:16	PIXEL_COUNT	Specify the pixel position on a line specified by LINE_COUNT where a pixel based event would occur.
15:0	LINE_COUNT	Specify the line where a line based event would trigger

Table 10-43. Sync on Client Field Descriptions (Word - 3)

Bits	Name	Description
31:27	Packet Type	Host Packet Descriptor Type = Ch
26:24	Reserved	Reserved

Table 10-43. Sync on Client Field Descriptions (Word - 3) (continued)

Bits	Name	Description
23:16	Source	Specifies the source used for the control event.
15:4	Reserved	Reserved for future use
3:0	Control	Control type = 0

10.3.9.6.3.3.2 Sync on List

The Sync on List Control descriptor is a mechanism to ensure that multiple lists have all reached a common point. The Sync on List descriptor uses the Source field as a mask for each list that should be synchronized which must include the list where the control descriptor resides. Once all lists specified in the source field have reached their Sync on List descriptor all lists will resume with the lowest list number resuming first. All Sync on List Control descriptors in each of the lists must have the same source field so that all lists will synchronize upon reaching that point.

If it is desired to synchronize list 0 and list 1 then the source field would be 0x3. If it is desired to synchronize list 1, list 3, and list 4 then the source field would be 0x1a. Word 0, Word 1 and Word 2 are reserved.

Table 10-44. Sync on List Field Descriptions (Word - 3)

Bits	Name	Description
31:27	Packet Type	Host Packet Descriptor Type = Ch
26:24	Reserved	Reserved
23:16	Source	Specifies the source used for the control event.
15:4	Reserved	Reserved for future use
3:0	Control	Control type = 1h

10.3.9.6.3.3.3 Sync on External Event

A Sync on External Event descriptor ensures an external event has occurred before proceeding. The external event can be a write to a bit of the [VPE_LIST_STAT_SYNC](#) register or other external events that are determined at VPDMA elaboration to have occurred. This descriptor can be used to allow for external software to control progression of the list. The descriptor can also be used to select external signals that are brought into the VPDMA. The current implementation just synchronize on the [VPE_LIST_STAT_SYNC](#) bit for the list number that called the descriptor.

Table 10-45. Sync on External Event Field Descriptions (Word - 3)

Bits	Name	Description
31:27	Packet Type	Host Packet Descriptor Type = Ch
26:4	Reserved	Reserved
3:0	Control	Control type = 2h

10.3.9.6.3.3.4 Sync on Channel

A Sync on Channel descriptor stalls the list until the channel specified is free. If the channel is already free then the descriptor will not cause the list to stall. Word 0, Word 1 and Word 2 are reserved.

Table 10-46. Sync on Channel Field Descriptions (Word - 3)

Bits	Name	Description
31:27	Packet Type	Host Packet Descriptor Type = Ch
26:24	Reserved	Reserved

Table 10-46. Sync on Channel Field Descriptions (Word - 3) (continued)

Bits	Name	Description
23:16	Source	Specifies the source used for the control event.
15:4	Reserved	Reserved for future use
3:0	Control	Control type = 4h

10.3.9.6.3.3.5 Sync on LM Timer

A Sync on LM Timer descriptor sets a value from the current timer position to wait. The LM timer is a free running counter at the LM processing clock. The Timer Value in the descriptor is added to the value of the timer at the time the descriptor is received and the list will stall for this many cycles before it becomes active again.

10.3.9.6.3.3.6 Change Client Interrupt

A Change Channel Interrupt Source descriptor uses the source field to select a channel to modify the attached clients interrupt generation event. The list will not stall on this descriptor. The format of the fields is identical to the Sync on Client Descriptor. Word 0 is reserved.

Table 10-47. Change Client Interrupt Field Descriptions (Word - 1)

Bits	Name	Description
31:16	PIXEL_COUNT	Specify the pixel position on a line specified by LINE_COUNT where a pixel based event would occur.
15:0	LINE_COUNT	Specify the line where a line based event would trigger.

Table 10-48. Change Client Interrupt Field Descriptions (Word - 2)

Bits	Name	Description
31:4	Reserved	Reserved
3:0	Event	Specify the event which should trigger the client interrupt.

Table 10-49. Change Client Interrupt Field Descriptions (Word - 3)

Bits	Name	Description
31:27	Packet Type	Host Packet Descriptor Type = Ch
26:24	Reserved	Reserved
23:16	Source	Specifies the source used for the control event.
15:4	Reserved	Reserved for future use
3:0	Control	Control type = 5h

10.3.9.6.3.3.7 Send Interrupt

A Send Interrupt descriptor will cause the VPDMA to generate an interrupt on the list manager controlled interrupts as specified by the Source Field. The list will not stall on this descriptor. For example, if source is 0 then control_descriptor_int0 will fire. If source is 12, then control_descriptor_int12 will fire. For more information of VPDMA interrupt events, see [Section 10.3.9.5, VPDMA Interrupts](#).

Table 10-50. Send Interrupt Field Descriptions (Word - 3)

Bits	Name	Description
31:27	Packet Type	Host Packet Descriptor Type = Ch
26:24	Reserved	Reserved
23:16	Source	Specifies the source used for the control event.
15:4	Reserved	Reserved for future use
3:0	Control	Control type = 6h

10.3.9.6.3.3.8 Reload List

A Reload List descriptor causes ending descriptors after this descriptor in the original list to be dropped and a new list at the location and of the size specified in the descriptor. This descriptor can be used to allow for linked lists in the VPDMA as the list will continue from this point and fetch the list specified and it does not have to be continuous with the current list.

Table 10-51. Reload List Field Descriptions (Word - 0)

Bits	Name	Description
31:0	LIST_ADDRESS	31 most-significant Bits of the memory address where the descriptors to be loaded are stored. Address must be 16 byte aligned.

Table 10-52. Reload List Field Descriptions (Word - 1)

Bits	Name	Description
31:16	Reserved	Reserved
15:0	LIST_SIZE	Size of the list to load

Table 10-53. Reload List Field Descriptions (Word - 3)

Bits	Name	Description
31:27	Packet Type	Host Packet Descriptor Type = Ch
26:4	Reserved	Reserved
3:0	Control	Control type = 7h

10.3.9.6.3.3.9 Abort Channel

An Abort Channel descriptor is used to clear a channel. This clears the channel from issuing any more requests. Any outstanding requests for that channel will complete as originally scheduled. All data inside the client will be flushed. For Tiled Clients such as the noise filter it is required to issue two consecutive abort channel descriptors to ensure the channel is aborted for both the current tile and next tile. Word 0, Word 1 and Word 2 are reserved.

Table 10-54. Abort Channel Field Descriptions (Word - 3)

Bit	Name	Description
31:27	Packet Type	Host Packet Descriptor type = 0xC
26:24	Reserved	Reserved
23:16	Source	VPDMA Channel Number whose transfers are to be aborted
15:4	Reserved	Reserved
3:0	Control	Control type = 9h

10.3.9.7 VPDMA Configuration

The following section describes the different ways of configuring VPDMA for data transfers.

10.3.9.7.1 Regular List

A regular list executes each descriptor in order until the end of the list is reached. When the end of the list is reached an interrupt is sent and the list can be reused by software. A regular list can contain any descriptor types. Software creates the list at some location in external memory. After completing writing the list software then writes the location of the list to the [VPE_LIST_ADDR\[31:0\]](#) [VPE_LIST_ADDR](#) register and then writes the LIST_ATTR register. If the NUMBER in the [VPE_LIST_ATTR\[26:24\]](#) LIST_NUM is not an active list then the List will be loaded and begin to execute the next time the List Manager gets to IDLE after processing previous loaded lists. If the NUMBER in the [VPE_LIST_ATTR\[26:24\]](#) LIST_NUM is busy then the [VPE_LIST_ADDR\[31:0\]](#) LIST_ADDR and [VPE_LIST_ATTR](#) registers will be locked until the active list specified by NUMBER completes.

The different ports inside VPDMA requires different list setup, as explained in the following sections.

10.3.9.7.2 Video Input Ports

The Video Input Ports can be used in multiple ways. Depending on how the input ports are configured will determine how the lists to manage them need to be setup. The ways in which the ports can work are multiplexed data stream, single YUV color separate stream, dual YUV interleaved or single RGB stream. Each port also has an ancillary data port that can run either multiplexed or single data stream and shares the buffering with the main data stream. For all cases the descriptor must be loaded into the client before the vertical sync is received on the VIP port or the entire frame will be dropped. As with all write clients the VIP channels can be shadowed so the next frame/field descriptor can be loaded while the previous frame is running without stalling the list.

10.3.9.7.2.1 Single YUV Color Separate

If the port is configured to be used as sending out color separated YUV data then the channels that must be used are VIP1_PORTA_LUMA and VIP1_PORTA_CHROMA for the luma and chroma components respectively. The data type can be either 420 or 422 color separate in this case.

10.3.9.7.2.2 Dual YUV Interleaved

If the port is configured to be used to send out 422 interleaved data from a non-multiplexed source then the channels that must be used are VIP1_PORTA_LUMA or VIP1_PORTA_CHROMA depending on if the data stream is connected to the luma or chroma port. The data type must be 422 interleaved in this case.

10.3.9.7.2.3 Single RGB Stream

If the port is configured to be used to send out RGB stream then the channel VIP1_PORTA_RGB must be used. The incoming data is then assumed to be RGB 888 data and this is combined with the Background Color Alpha register field to make ARGB8888 data that will then be sent out based on the data type. If the data type uses less than the full 8 bits the lower bits are dropped and just the upper bits are sent to get the correct data format.

10.3.9.8 VPDMA Data Formats

Each of the channels has a type of data that it can support based upon the client that it services. Also for each channel, the data type will assume that data is packed in memory a certain way and will be prevented to the client in the same manner to the client no matter what the format of the data in memory.

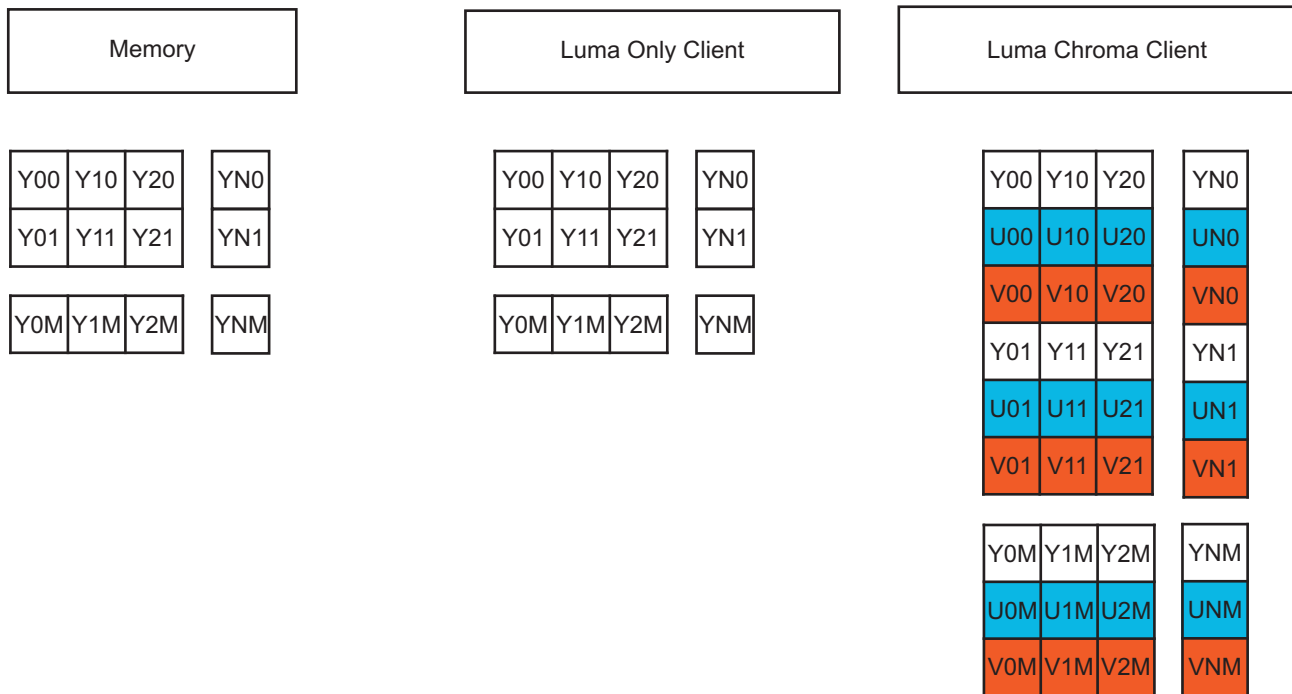
10.3.9.8.1 YUV Data Formats

The YUV formatted channels expect video data that is in YUV color space. The YUV data can be type is for YUV data and it can support both interleaved data where Luma and Chroma are in the same data buffer or it can support co-planar data where the Luma and Chroma are in separate data buffers. The YUV channel also can be given a position to give a different start position for the client instead of the default upper left hand corner of the frame. The storage format for YUV data depends on the data type field. The data type must be set to a data type that the channel can support. All the clients that data are provided too will either accept Luma Only, Chroma Only or Luma and Chroma in a parallel data bus.

10.3.9.8.1.1 Y 4:4:4 (Data Type 0)

The Y 4:4:4 data type is used for a co-planar 4:4:4 data. In this mode the data is assumed to be a single byte with each pixel is packed in a line. If a 2D transfer of the data is used the VPDMA will assume this data type is stored in an 8 bit container. This data block should have the width and height set to the desired frame size expected by the receiving client.

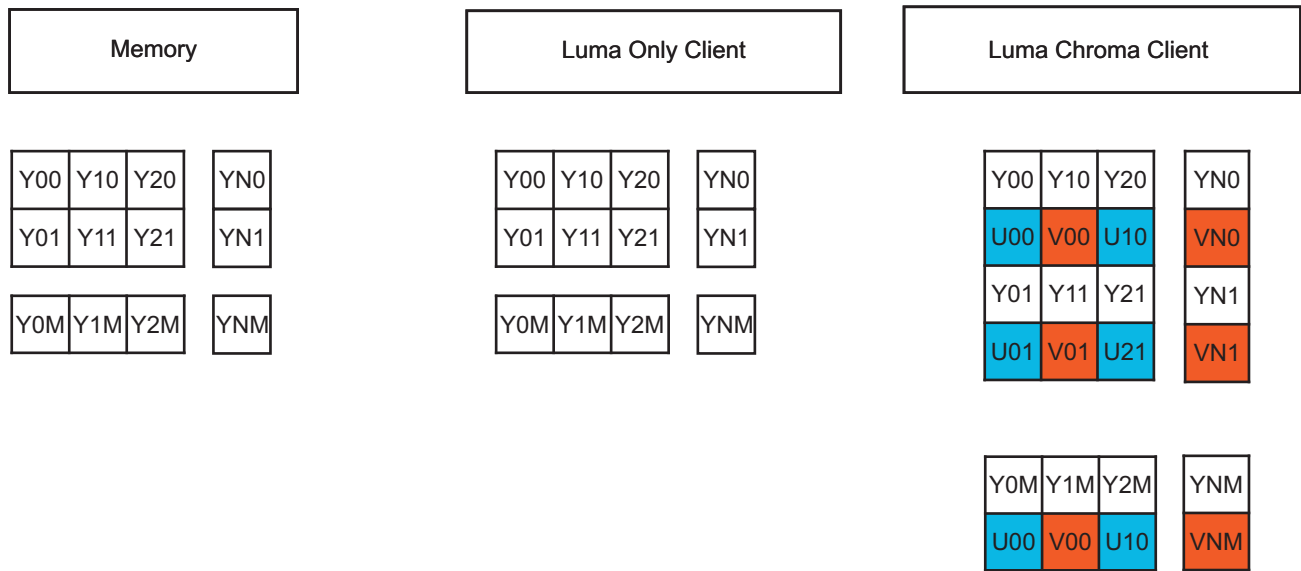
Figure 10-51. Y 4:4:4 (Data Type 0)



10.3.9.8.1.2 Y 4:2:2 (Data Type 1)

The Y 4:2:2 data type is used for a co-planar 4:2:2 data. In this mode the data is assumed to be a single byte with each pixel is packed in a line. If a 2D transfer of the data is used the VPDMA will assume this data type is stored in an 8 bit container. This data block should have the width and the height of the desired frame sent by the VPDMA to the receive client.

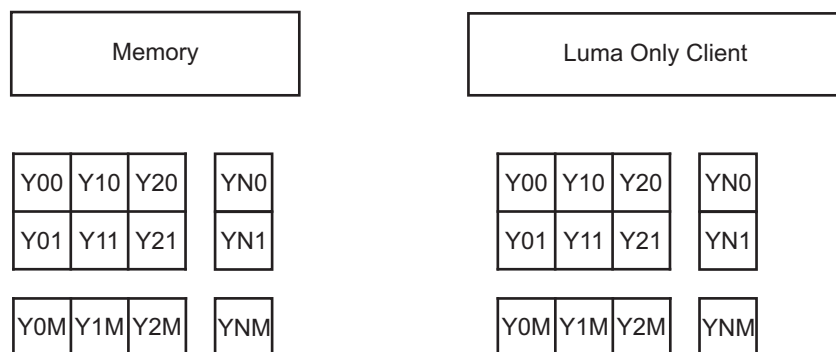
Figure 10-52. Y 4:2:2 (Data Type 1)



10.3.9.8.1.3 Y 4:2:0 (Data Type 2)

The Y 4:2:0 data type is used for a co-planar 4:2:0 data type. In this mode the data is assumed to be a single byte with each pixel is packed in a line. If a 2D transfer of the data is used the VPDMA will assume this data type is stored in an 8 bit container. This data block should have the width and the height of the expected frame for the client.

Figure 10-53. Y 4:2:0 (Data Type 2)



10.3.9.8.1.4 C 4:4:4 (Data Type 4)

The C 4:4:4 data type is used for a co-planar 4:4:4 data. It is expected to be packed Cb in the lower byte and Cr in the upper byte in 16 bit words for each pixel. If a 2D transfer of the data is used the VPDMA will assume this data type is stored in an 16 bit container. This data block should have the width and height of the expected client frame.

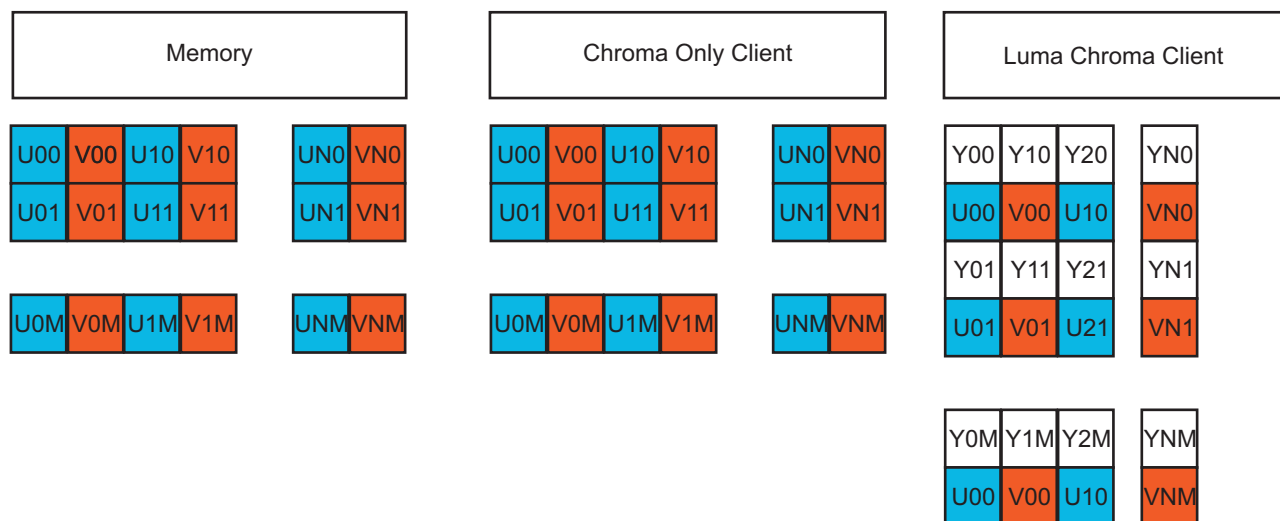
Figure 10-54. C 4:4:4 (Data Type 4)



10.3.9.8.1.5 C 4:2:2 (Data Type 5)

The C 4:2:2 data type is used for co-planar 4:2:2 data. It is expected to be packed Cb in the lower byte and Cr in the upper byte in 16 bit words for each pixel. If a 2D transfer of the data is used the VPDMA will assume this data type is stored in an 16 bit container. This data block should have the width and the height of the expected client frame.

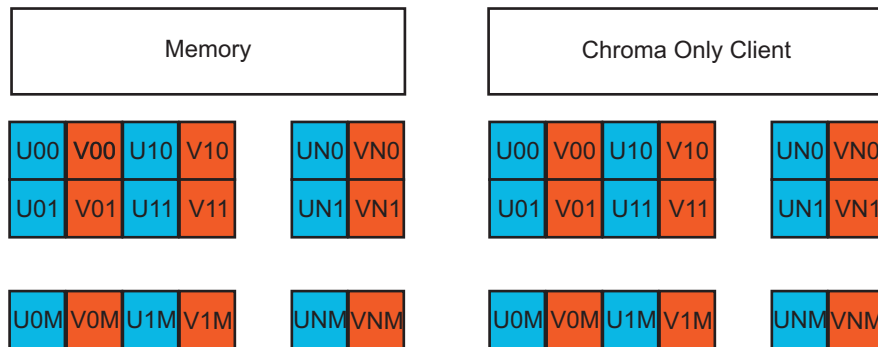
Figure 10-55. C 4:2:2 (Data Type 5)



10.3.9.8.1.6 C 4:2:0 (Data Type 6)

The C 4:2:0 data type is used for a co-planar 4:2:0 data. It is expected to be packed Cb in the lower byte and Cr in the upper byte in 16 bit words for each pixel. If a 2D transfer of the data is used the VPDMA will assume this data type is stored in a 16 bit container. This data block should have the width and half the height of the expected clients frame.

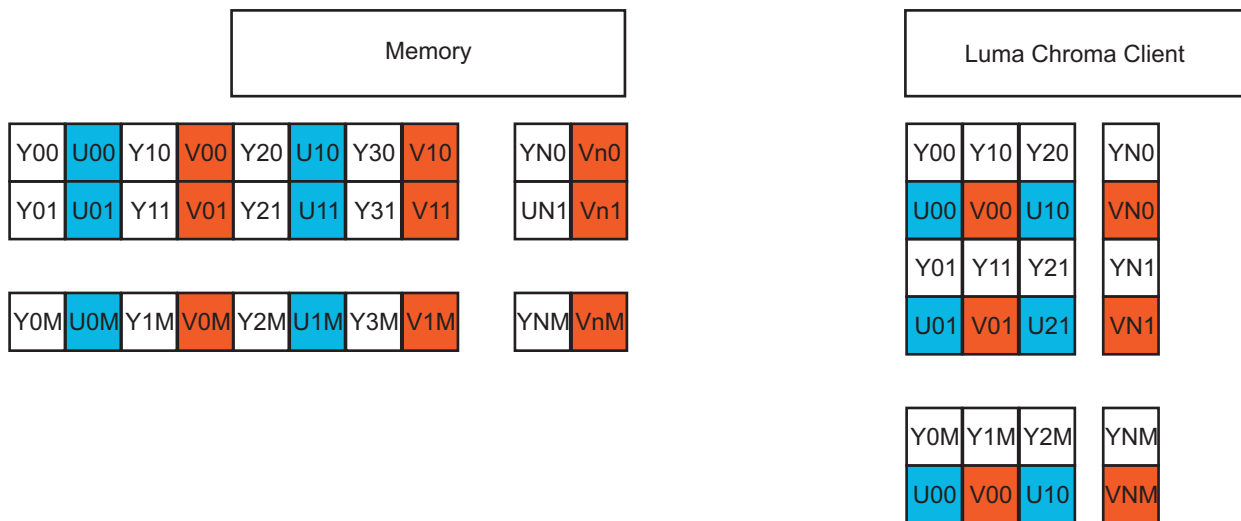
Figure 10-56. C 4:2:0 (Data Type 6)



10.3.9.8.1.7 YC 4:2:2 (Data Type 7)

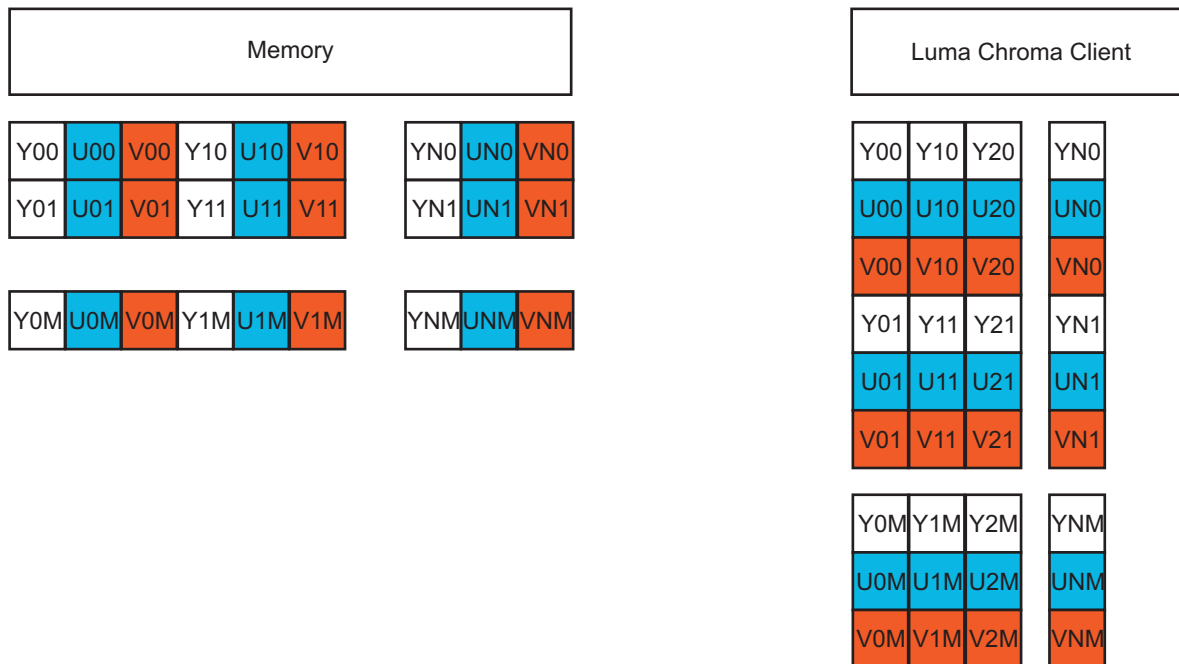
The YC 4:2:2 data type is used for interleaved 4:2:2 data. It is expected to be packed with Y0 in the lowest byte followed by Cb followed by Y1 finally Cr in the upper most byte. The transfer counts each YC pair in a 16 bit word as a pixel but the number of pixels should be even. If a 2D transfer of the data is used the VPDMA will assume this data type is stored in an 32 bit container. The data block width and height should be set the same as the expected client.

Figure 10-57. YC 4:2:2 (Data Type 7)



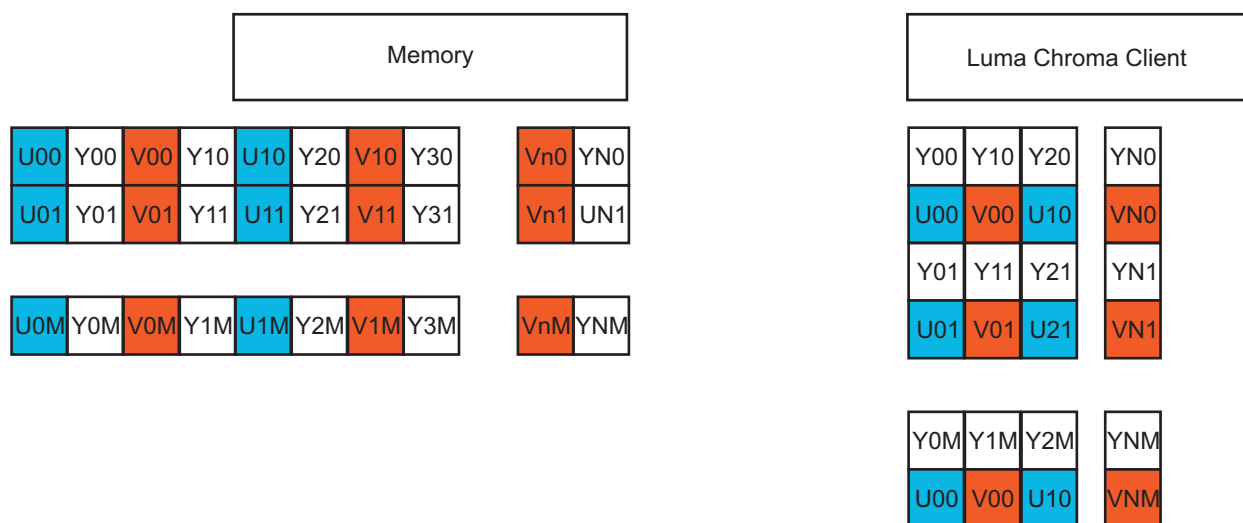
10.3.9.8.1.8 YC 4:4:4 (Data Type 8)

The YC 4:4:4 data type is used for interleaved 4:4:4 data. It is expected to be packed with Y0 in the lowest byte followed by Cb followed by Cr. The transfer counts each YCbCr triplet in a 24 bit word as a pixel. A 2D transfer of the data is NOT supported in the VPDMA. The data block width and height should be set to the number of pixels and lines that are expected by the client.

Figure 10-58. YC 4:4:4 (Data Type 8)


10.3.9.8.1.9 CY 4:2:2 (Data Type 23)

The CY 4:2:2 data type is used for interleaved 4:2:2 data. It is expected to be packed with Cb in the lowest byte followed by Y0 followed by Cr finally Y1 in the upper most byte. The transfer counts each YC pair in a 16 bit word as a pixel but the number of pixels should be even. If a 2D transfer of the data is used the VPDMA will assume this data type is stored in an 32 bit container. The data block width and height should be set the same as the expected client.

Figure 10-59. CY 4:2:2 (Data Type 23h)


10.3.9.8.2 RGB Data Formats

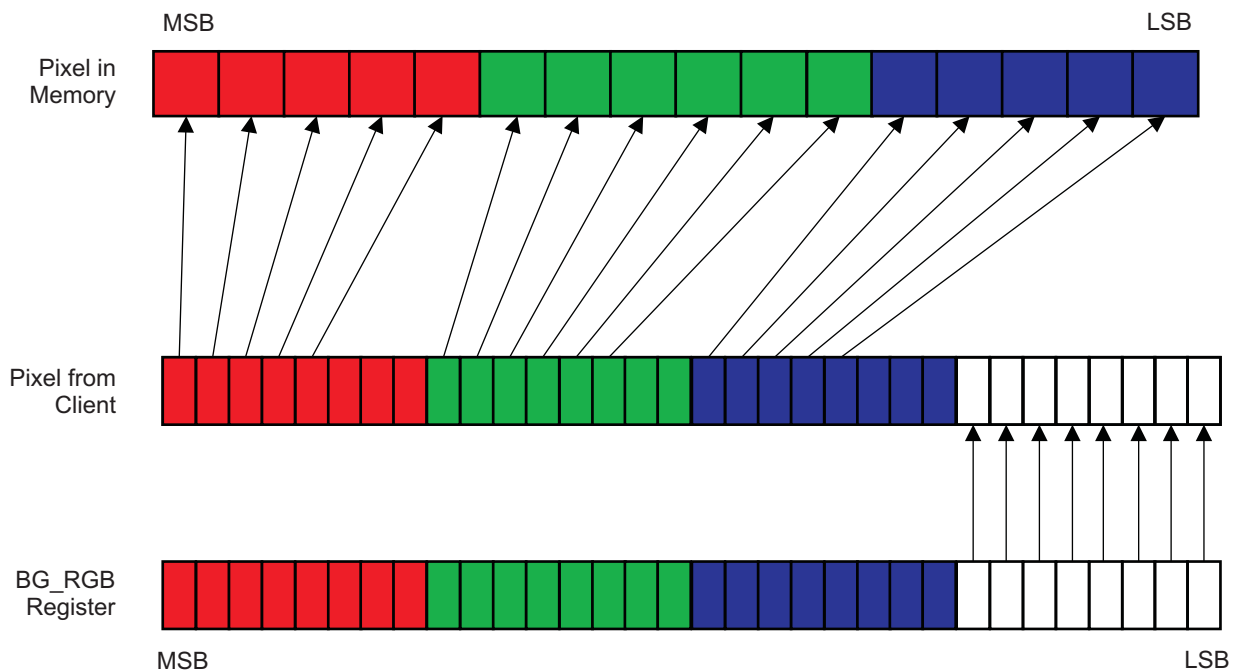
The RGB channel type is used to provide data for a client that expects to transmit RGB data. In all modes the client is always RGBA 8888 data. The lower bits, if not provided by the data stream, are a replication of the lower bit of the data. For outbound data the input is assumed to be RGB 888 and the Alpha value is taken from the Background Color register to make a full ARGB 8888. The lower bits are dropped from this data, if a data type specifies less than the full 8 bits per color. The client has individual data buses for each component so they have no order dependency in the data bus.

10.3.9.8.2.1 Input Data Formats

10.3.9.8.2.1.1 RGB16-565 (Data Type 0)

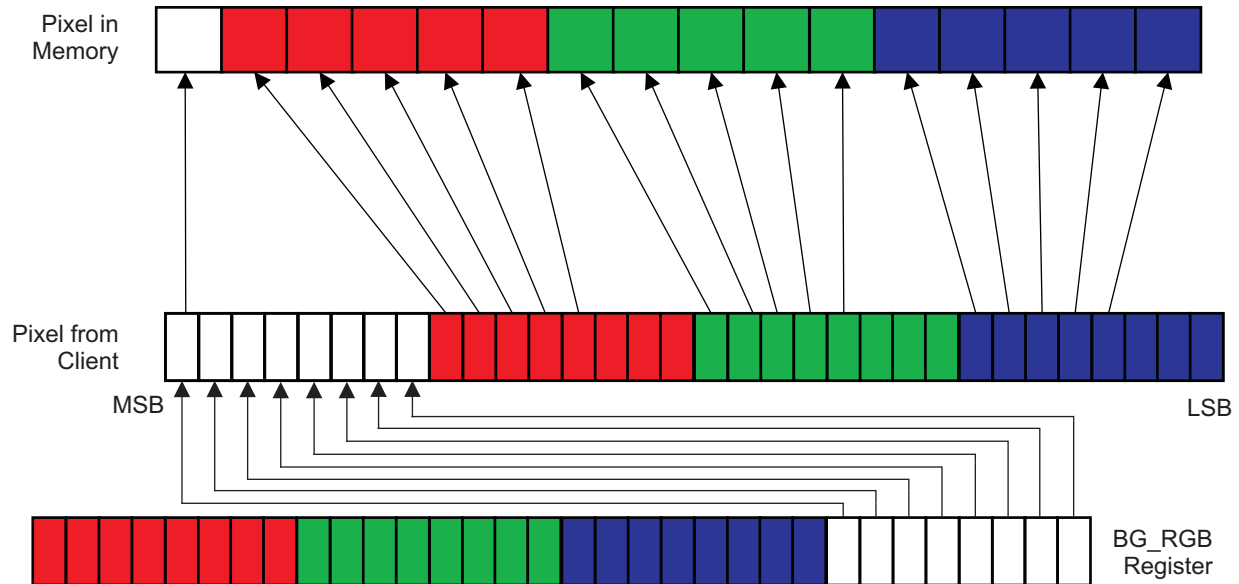
In RGB16-565 mode, each pixel is a single RGB pixel with 16 bits of data for each pixel. The 16 bits of data uses the lower 5 bits for blue data, the middle 6 bits for green data and the upper 5 bits for red data.

Figure 10-60. RGB16-565 (Data Type 0)



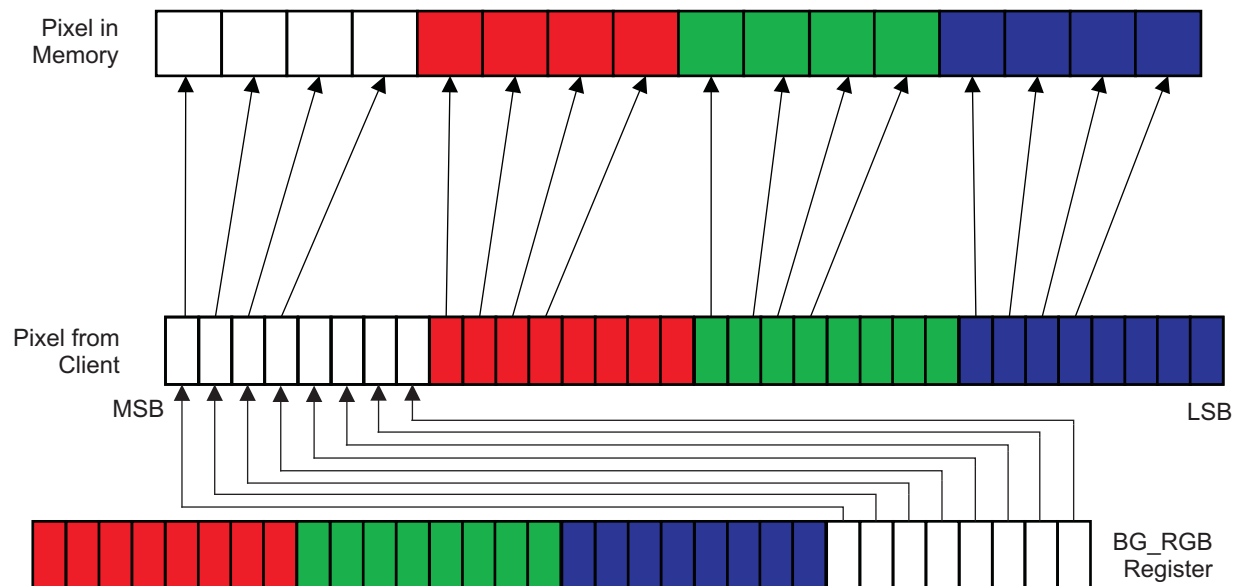
10.3.9.8.2.1.2 ARGB-1555 (Data Type 1)

In ARGB-1555 mode, each pixel is a single ARGB pixel with 16 bits of data for each pixel. The 16 bits of data uses the lower 5 bits for blue data, the next 5 bits for green data the next 5 bits for red data and the upper most bit for the blend value to use 0 or 0xFF.

Figure 10-61. ARGB-1555 (Data Type 1)


10.3.9.8.2.1.3 ARGB-4444 (Data Type 2)

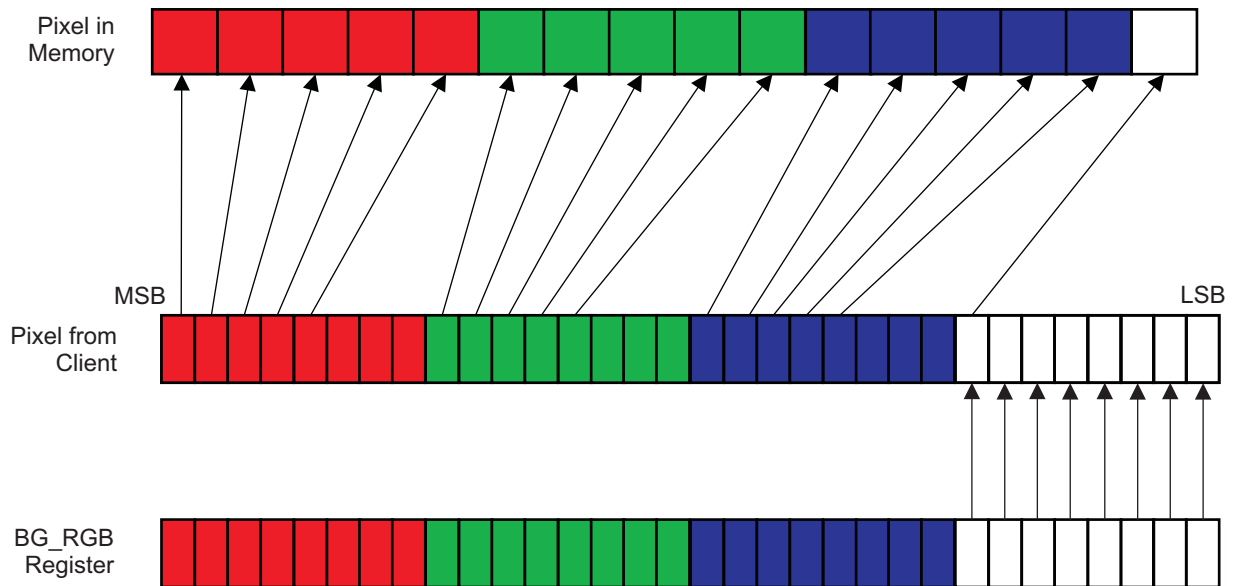
In ARGB16-4444 mode, each pixel is a single RGBA pixel with 16 bits of data for each pixel. The 16 bits of data uses the lowest 4 bits for blue data, the next 4 bits for green data the next 4 bits for red data and the upper most 4 bits for the blend value.

Figure 10-62. ARGB-4444 (Data Type 2)


10.3.9.8.2.1.4 RGBA-5551 (Data Type 3)

In RGBA-5551 mode, each pixel is a single ARGB pixel with 16 bits of data for each pixel. The 16 bits of data uses the lowest most bit for the blend value to use 0 or 0xff the next 5 bits for blue data, the next 5 bits for green data the next 5 bits for red data.

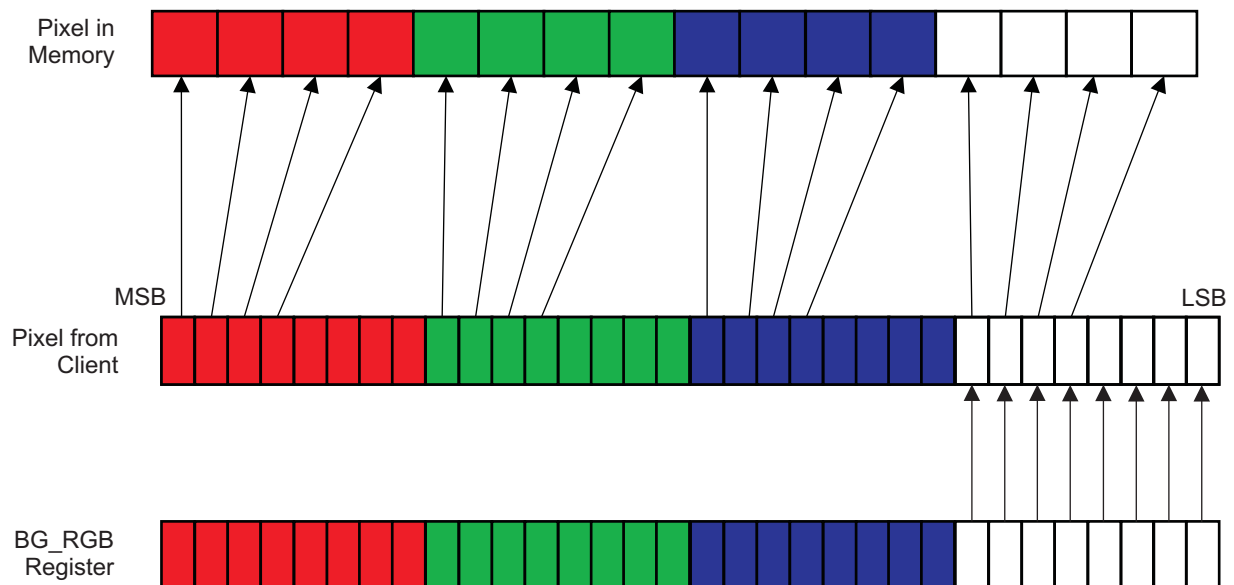
Figure 10-63. RGBA-5551 (Data Type 3)



10.3.9.8.2.1.5 RGBA-4444 (Data Type 4)

In RGBA-4444 mode, each pixel is a single RGBA pixel with 16 bits of data for each pixel. The 16 bits of data uses the lowest 4 bits for the blend value, the next 4 bits for blue data, the next 4 bits for green data and the upper most 4 bits for red data.

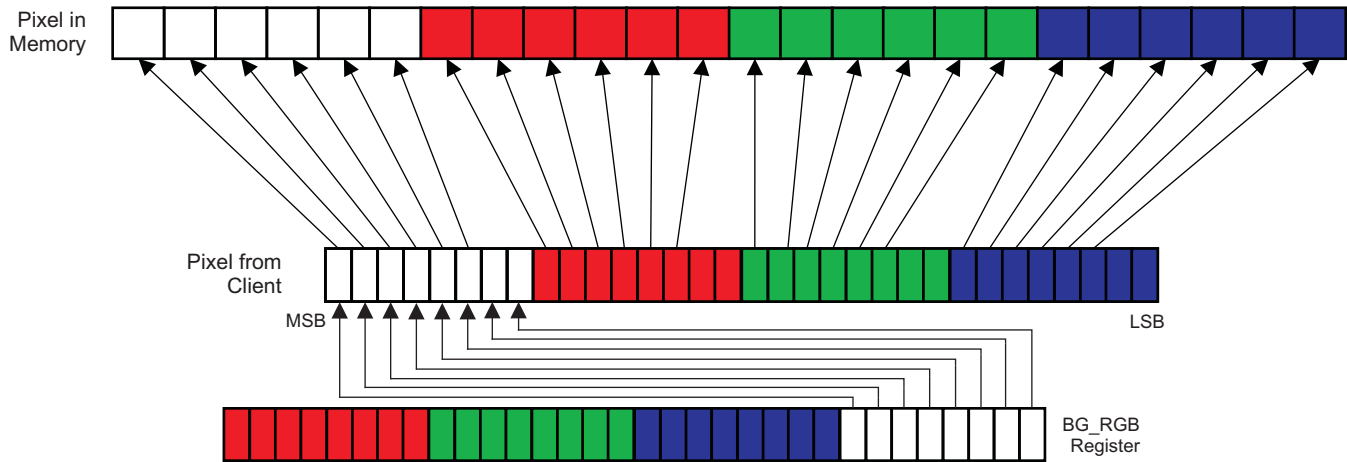
Figure 10-64. RGBA-4444 (Data Type 4)



10.3.9.8.2.1.6 ARGB24-6666 (Data Type 5)

In ARGB24-6666 mode, each pixel is a single ARGB pixel with 24 bits of data for each pixel. The 24 bits of data uses the lowest 6 bits for the blend value, the next 6 bits for blue data, the next 6 bits for green data and the upper most 6 bits for red data.

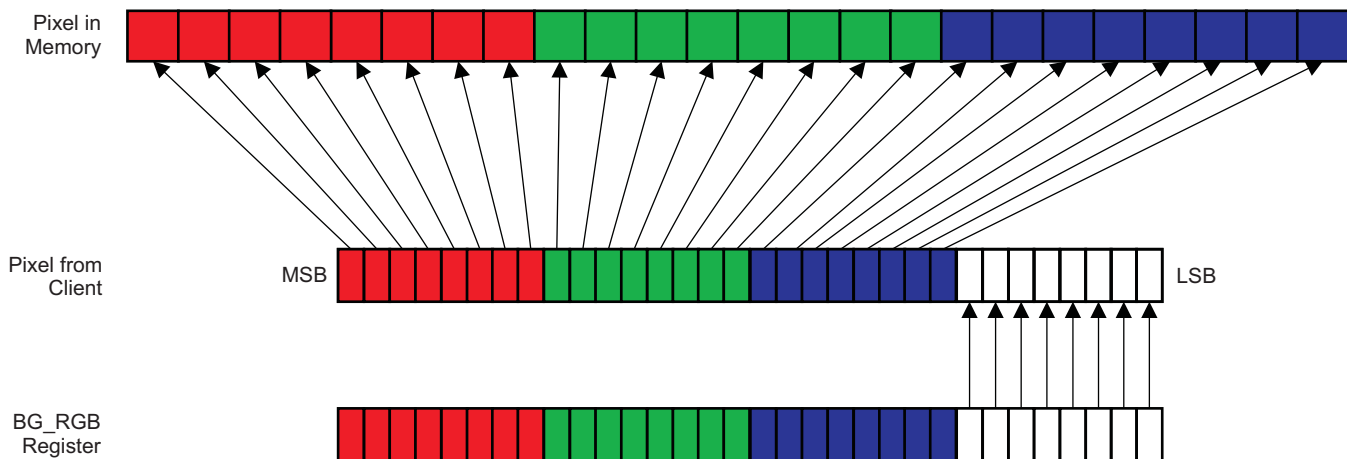
Figure 10-65. ARGB24-6666 (Data Type 5)



10.3.9.8.2.1.7 RGB24-888 (Data Type 6)

In RGB24-888 mode, each pixel is a single RGB pixel with 24 bits of data for each pixel. The 24 bits of data uses the lowest 8 bits for blue data, the next 8 bits for green data and the upper most 8 bits for red data it uses the `VPE_BG_RGB` Blend value for the Blend value.

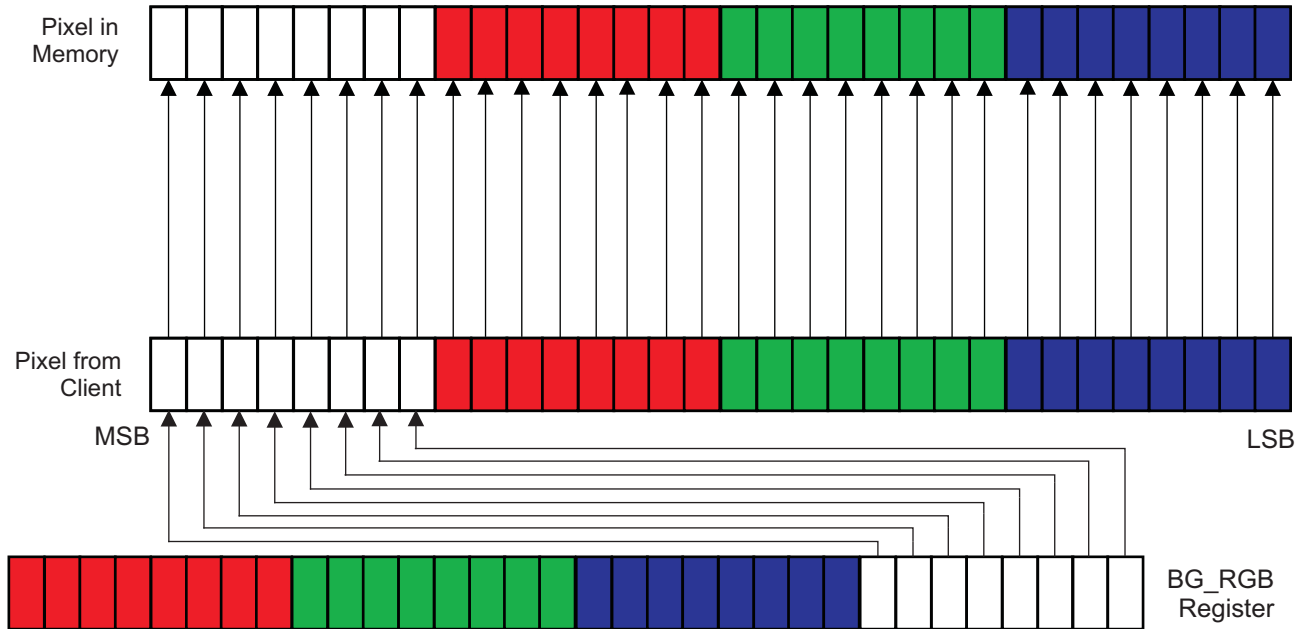
Figure 10-66. RGB24-888 (Data Type 6)



10.3.9.8.2.1.8 ARGB32-8888 (Data Type 7)

In ARGB32-8888 mode, each pixel is a single ARGB pixel with 32 bits of data for each pixel. The 32 bits of data uses the lowest 8 bits for blue data, the next 8 bits for green data and the next 8 bits for red data it uses the upper most bits for the blend value.

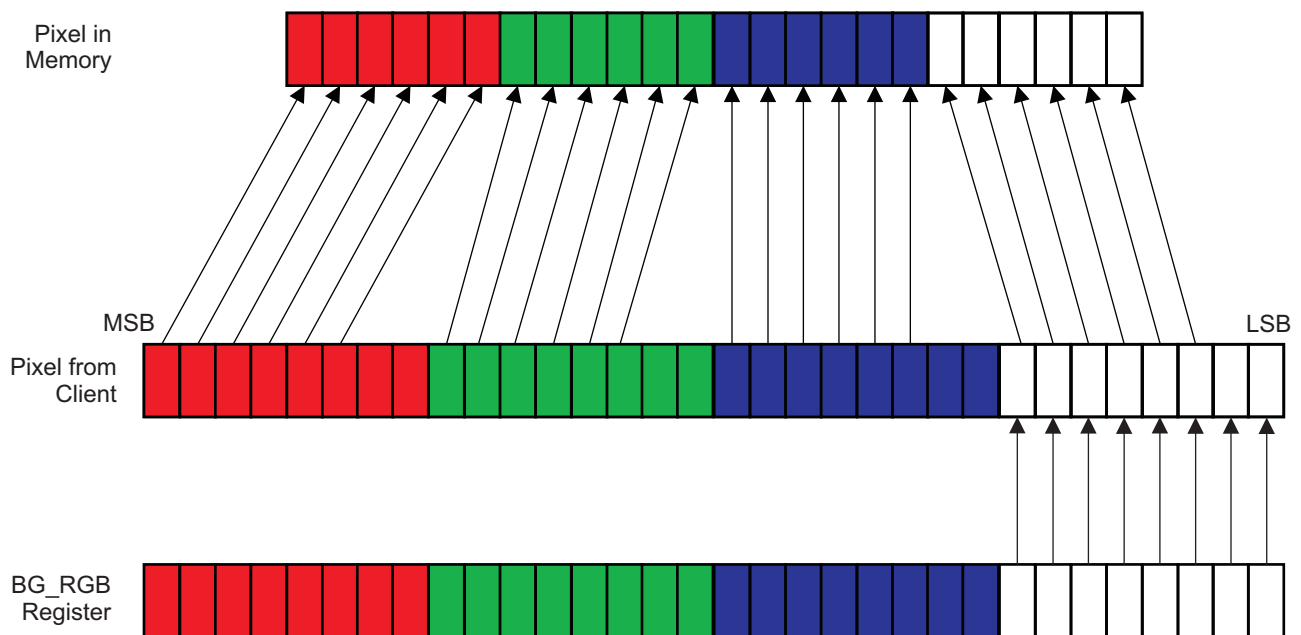
Figure 10-67. ARGB32-8888 (Data Type 7)



10.3.9.8.2.1.9 RGBA24-6666 (Data Type 8)

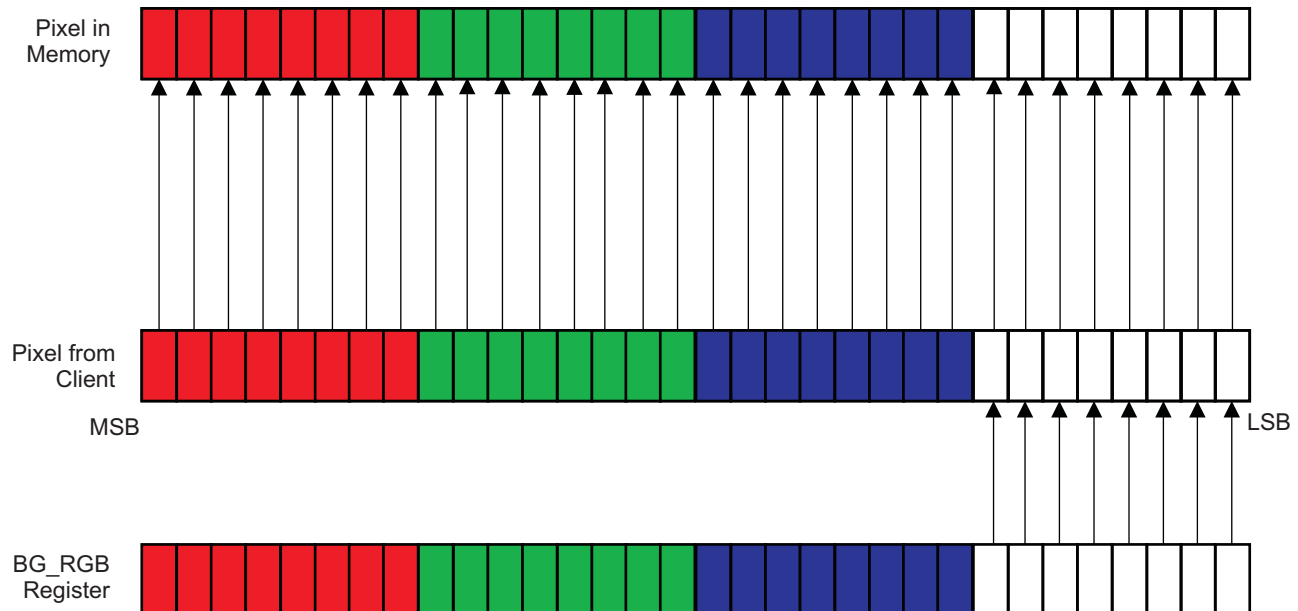
In RGBA24-6666 mode, each pixel is a single RGBA pixel with 24 bits of data for each pixel. The 24 bits of data uses the lowest 6 bits for the blend value, the next 6 bits for blue data, the next 6 bits for green data and the upper 6 bits for red data.

Figure 10-68. RGBA24-6666 (Data Type 8)



10.3.9.8.2.1.10 RGBA32-8888 (Data Type 9)

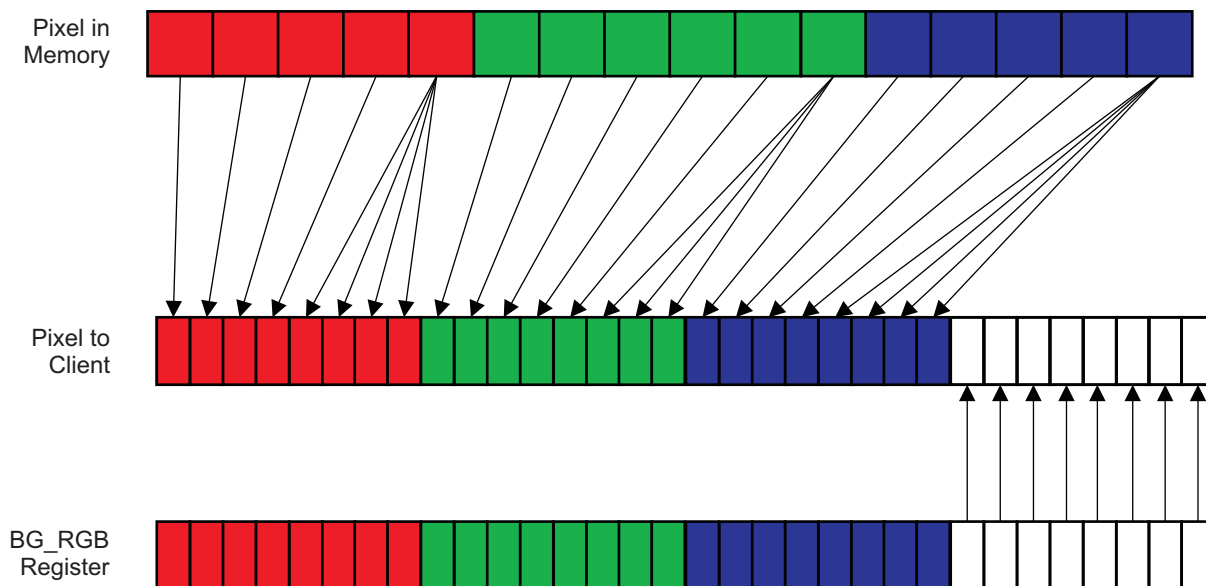
In RGBA32-8888 mode, each pixel is a single ARGB pixel with 32 bits of data for each pixel. The 32 bits of data uses the lowest 8 bits for the blend value the next 8 bits for blue data, the next 8 bits for green data and the upper most 8 bits for red data.

Figure 10-69. RGBA32-8888 (Data Type 9)


10.3.9.8.2.2 Output Data Formats

10.3.9.8.2.2.1 RGB16-565 (Data Type 0)

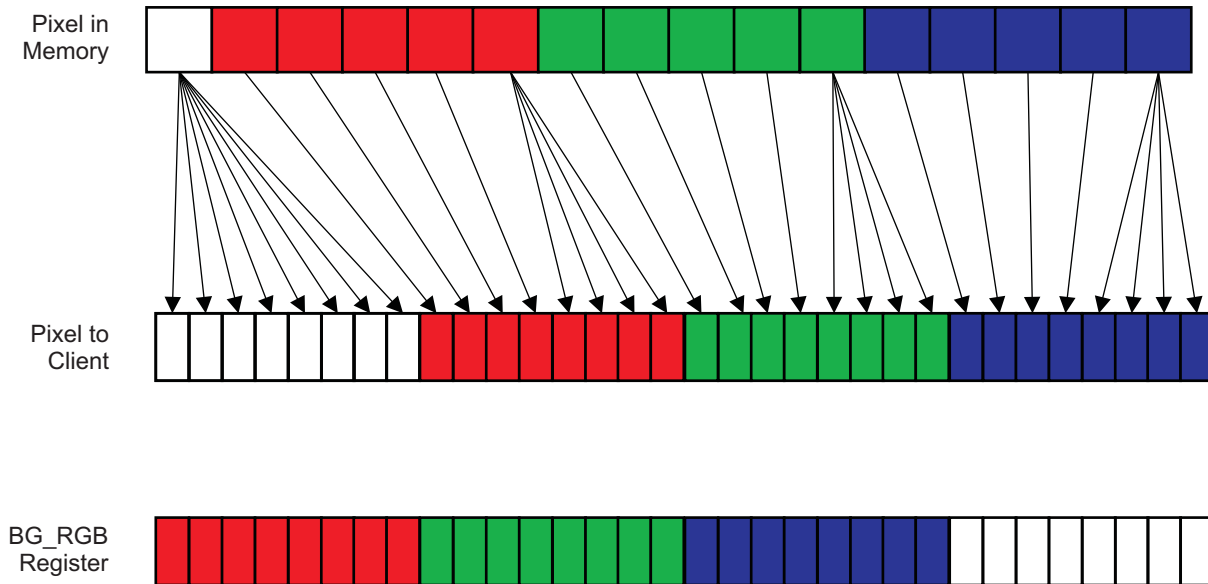
In RGB16-565 mode, each pixel is a single RGB pixel with 16 bits of data for each pixel. The 16 bits of data uses the lower 5 bits for blue data, the middle 6 bits for green data and the upper 5 bits for red data.

Figure 10-70. RGB16-565 (Data Type 0)


10.3.9.8.2.2.2 ARGB-1555 (Data Type 1)

In ARGB-1555 mode, each pixel is a single ARGB pixel with 16 bits of data for each pixel. The 16 bits of data uses the lower 5 bits for blue data, the next 5 bits for green data the next 5 bits for red data and the upper most bit for the blend value to use 0 or 0xFF.

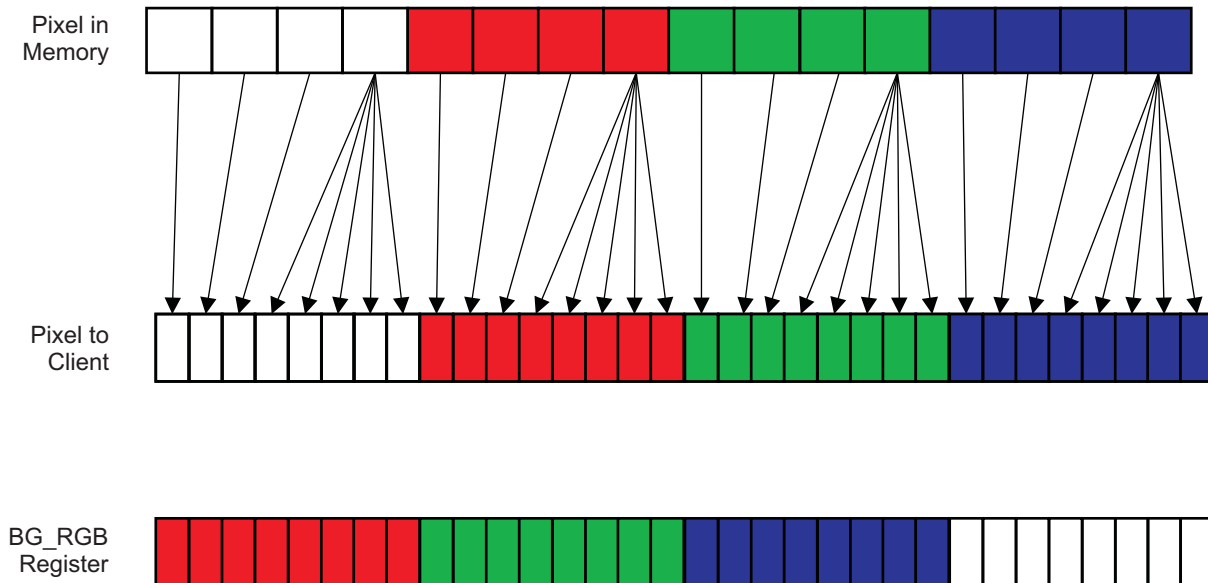
Figure 10-71. ARGB-1555 (Data Type 1)



10.3.9.8.2.2.3 ARGB-4444 (Data Type 2)

In ARGB16-4444 mode, each pixel is a single RGBA pixel with 16 bits of data for each pixel. The 16 bits of data uses the lowest 4 bits for blue data, the next 4 bits for green data the next 4 bits for red data and the upper most 4 bits for the blend value.

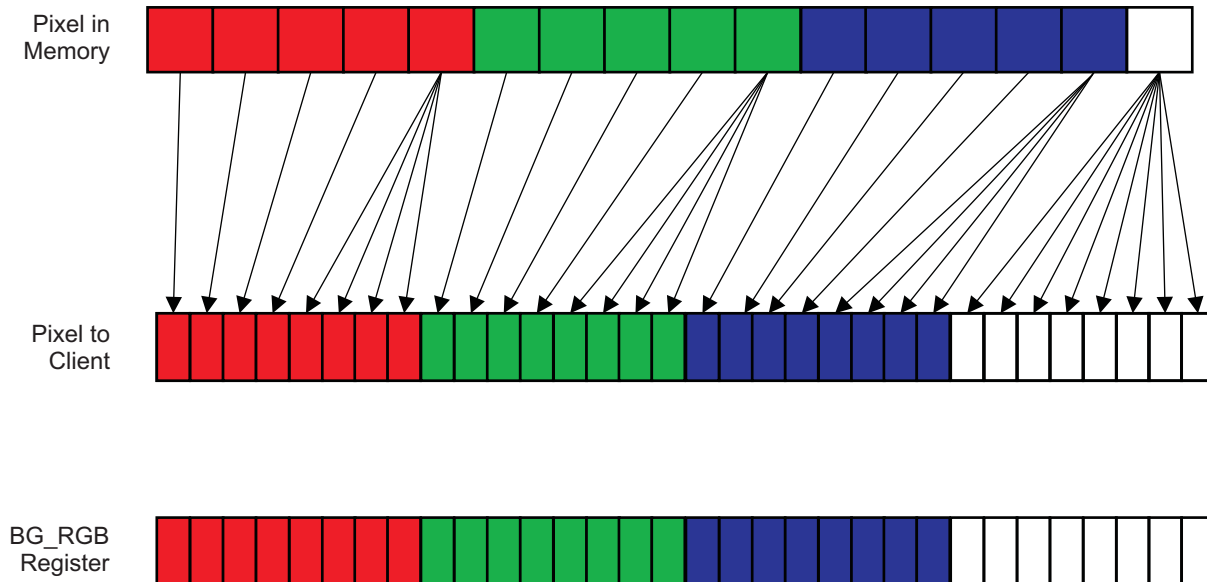
Figure 10-72. ARGB-4444 (Data Type 2)



10.3.9.8.2.2.4 RGBA-5551 (Data Type 3)

In RGBA-5551 mode, each pixel is a single ARGB pixel with 16 bits of data for each pixel. The 16 bits of data uses the lowest most bit for the blend value to use 0 or 0xff the next 5 bits for blue data, the next 5 bits for green data the next 5 bits for red data.

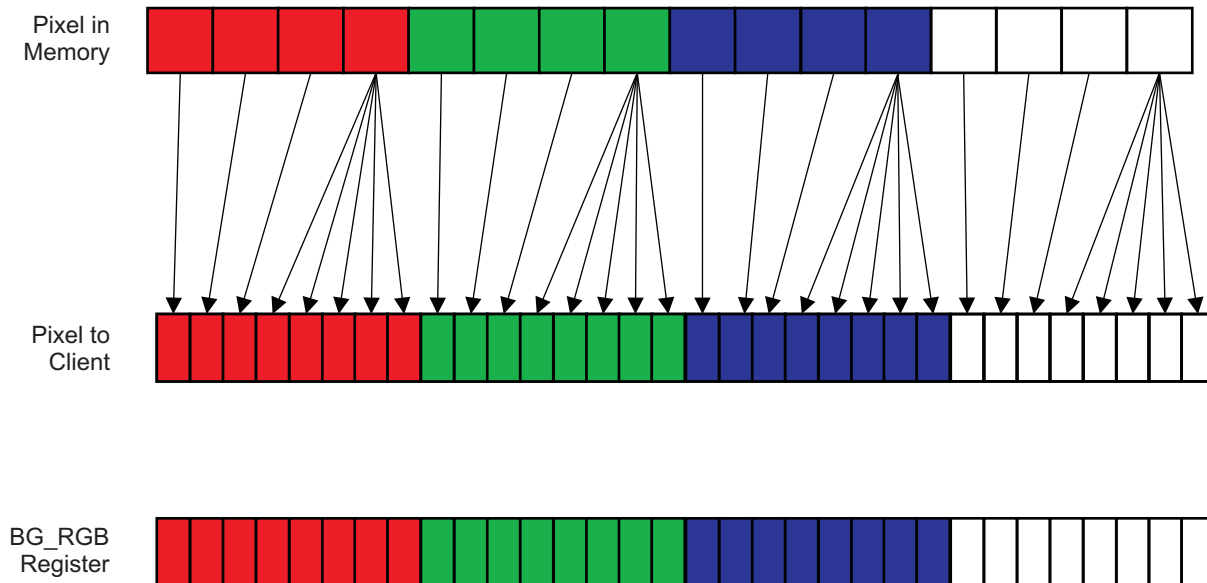
Figure 10-73. RGBA-5551 (Data Type 3)



10.3.9.8.2.2.5 **RGBA-4444 (Data Type 4)**

In RGBA-4444 mode, each pixel is a single RGBA pixel with 16 bits of data for each pixel. The 16 bits of data uses the lowest 4 bits for the blend value, the next 4 bits for blue data, the next 4 bits for green data and the upper most 4 bits for red data.

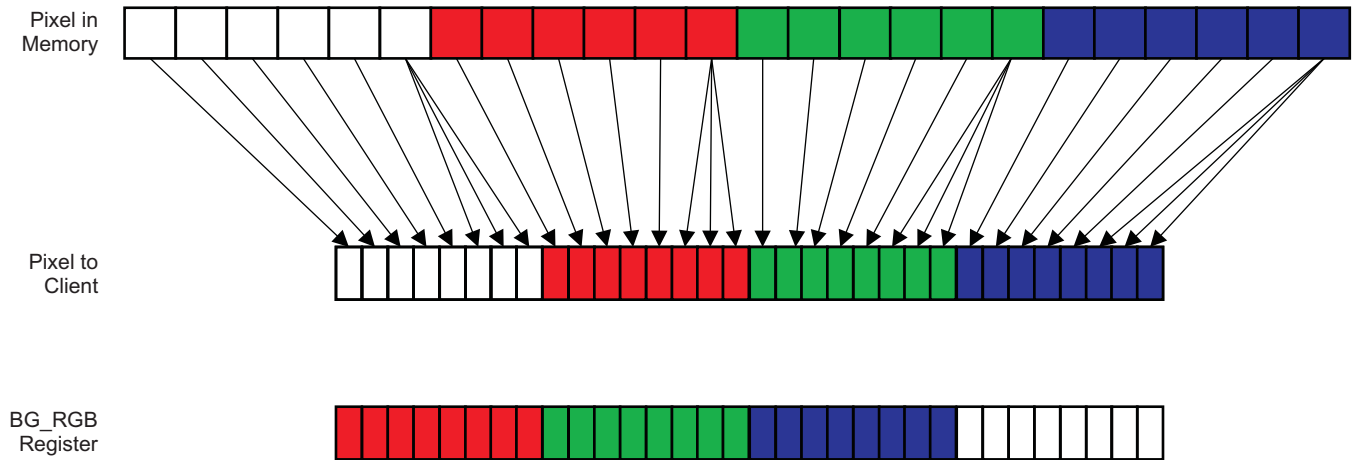
Figure 10-74. RGBA-4444 (Data Type 4)



10.3.9.8.2.2.6 **ARGB24-6666 (Data Type 5)**

In ARGB24-6666 mode, each pixel is a single ARGB pixel with 24 bits of data for each pixel. The 24 bits of data uses the lowest 6 bits for the blend value, the next 6 bits for blue data, the next 6 bits for green data and the upper most 6 bits for red data.

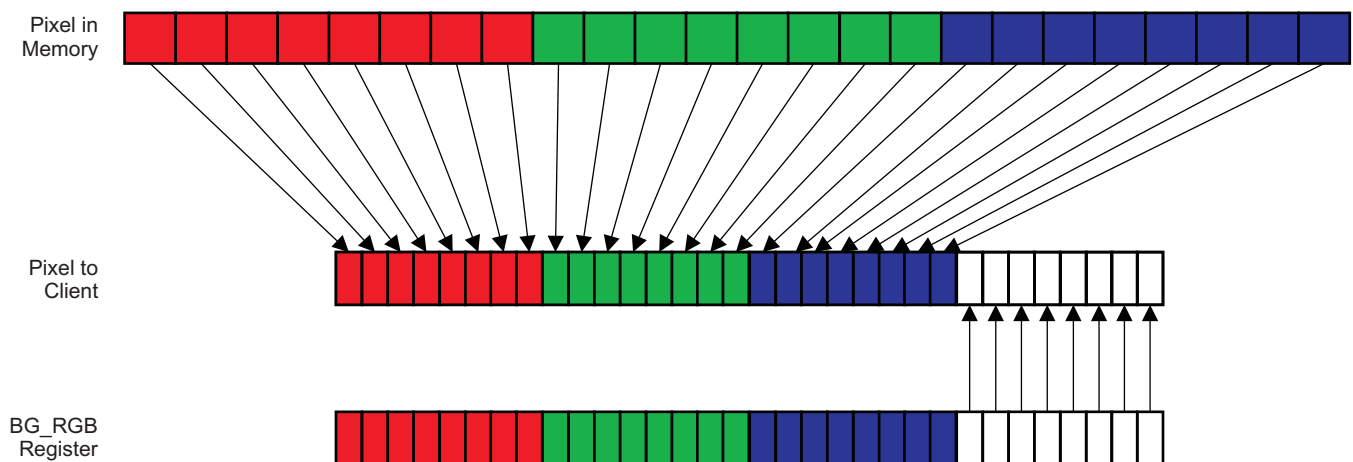
Figure 10-75. ARGB24-6666 (Data Type 5)



10.3.9.8.2.2.7 RGB24-888 (Data Type 6)

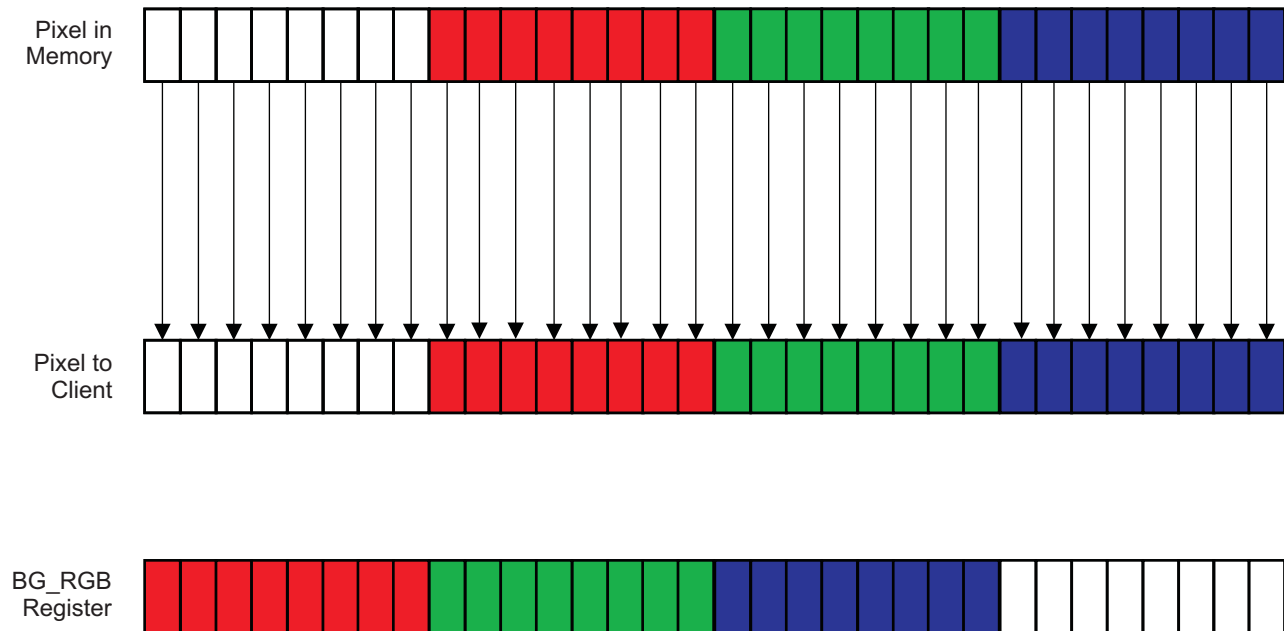
In RGB24-888 mode, each pixel is a single RGB pixel with 24 bits of data for each pixel. The 24 bits of data uses the lowest 8 bits for blue data, the next 8 bits for green data and the upper most 8 bits for red data it uses the `VPE_BG_RGB` Blend value for the Blend value.

Figure 10-76. RGB24-888 (Data Type 6)



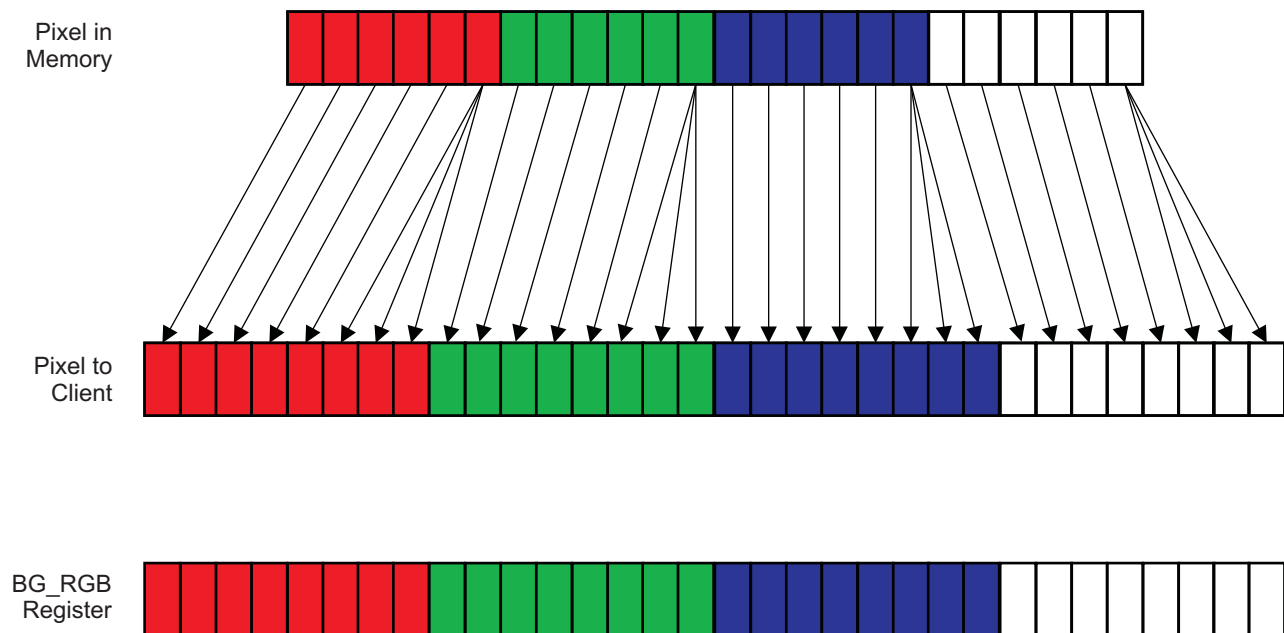
10.3.9.8.2.2.8 ARGB32-8888 (Data Type 7)

In ARGB32-8888 mode, each pixel is a single ARGB pixel with 32 bits of data for each pixel. The 32 bits of data uses the lowest 8 bits for blue data, the next 8 bits for green data and the next 8 bits for red data it uses the upper most bits for the blend value.

Figure 10-77. ARGB32-8888 (Data Type 7)


10.3.9.8.2.2.9 RGBA24-6666 (Data Type 8)

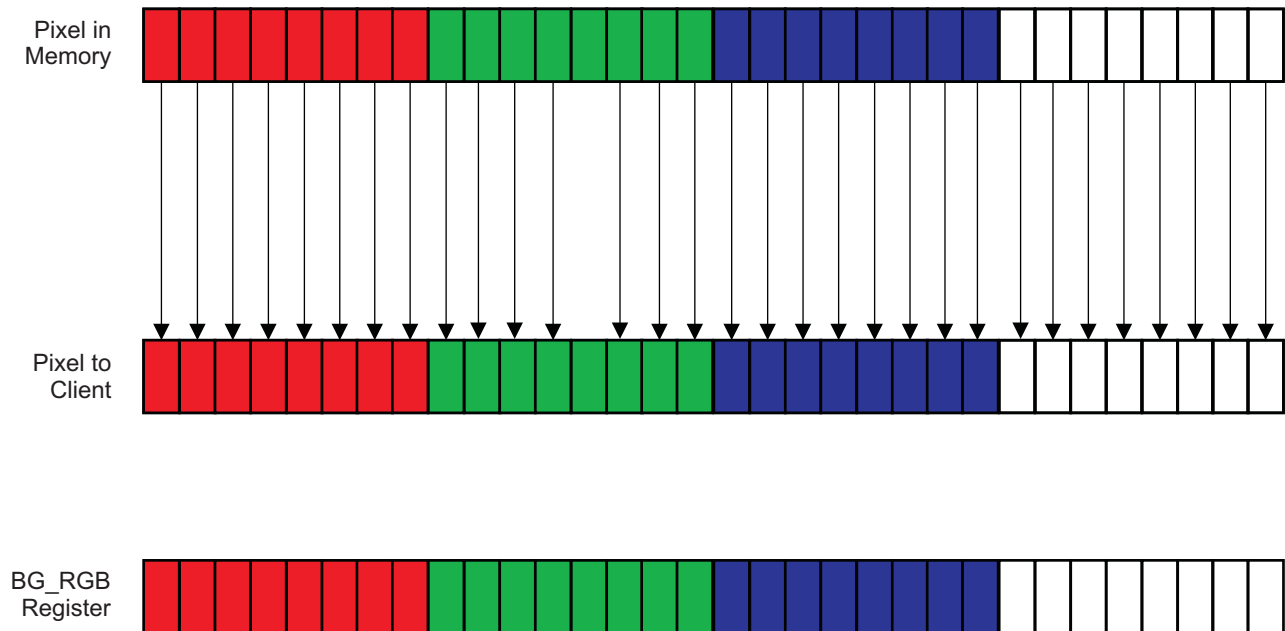
In RGBA24-6666 mode, each pixel is a single RGBA pixel with 24 bits of data for each pixel. The 24 bits of data uses the lowest 6 bits for the blend value, the next 6 bits for blue data, the next 6 bits for green data and the upper 6 bits for red data.

Figure 10-78. RGBA24-6666 (Data Type 8)


10.3.9.8.2.2.10 RGBA32-8888 (Data Type 9)

In RGBA32-8888 mode, each pixel is a single ARGB pixel with 32 bits of data for each pixel. The 32 bits of data uses the lowest 8 bits for the blend value the next 8 bits for blue data, the next 8 bits for green data and the upper most 8 bits for red data.

Figure 10-79. RGBA32-8888 (Data Type 9)



10.3.9.8.3 Miscellaneous Data Type

The Miscellaneous channel type is for any data type that is not a normal video type. The Miscellaneous channel type makes no assumptions on data type and just passes the data to the client and supports a single buffer for the client. The size of the miscellaneous data type is always determined by the Data Type field of the descriptor which specifies the number of bits in the descriptor.

A memory structure used to describe a desired memory transaction to or from a client. The descriptor at a minimum gives an address location for the memory portion of the transfer, the channel to use for this transaction and the size of the transaction. The data descriptor can also contain attributes to be passed down to the client or be linked to another data descriptor to form a larger frame from many smaller frames.

10.3.10 VPE Software Reset

Software reset in the VPE module can be done by setting the `VPE_CLKC_RST[1]` PRIM_DP_RST and `VPE_CLKC_RST[0]` VPDMA_RST for VPE VPDMA to 0x1. Software must ensure that the software reset completes before performing operations within the VPE module.

10.3.11 VPE Power and Clocks Management

The VPE modules support the MStandby/Wait and IdleReq/SidleAck protocols as defined in [Chapter 3, Power, Reset, and Clock Management](#).

Power Management within the VPE module can be accomplished in several ways:

- L4 MConnect/SConnect can disable the internal L4 clock network
- L3 MConnect/Sconnect can disable the internal L3 clock network

These items are accomplished using the standard slave idle (for L4) and master standby (for L3) protocols. When these modules are instructed to disable clocks for the internal L3 or L4 (MMR) clock domains, the internal clock networks will be shut down. This shut down applies to the clock signals - L3_CLK and L4_CLK.

10.3.11.1 VPE Clocks

The VPE internal clock domains can only be shut down by writing the appropriate register bit within the Clock Enable register - [VPE_CLKC_CLKEN](#)[1] PRIM_DP_EN and [VPE_CLKC_CLKEN](#)[0] VPDMA_EN for the VPDMA engine

10.3.11.2 VPE Idle Mode

The VPE supports no-idle mode, force-idle mode, and smart-idle mode. The mode can be selected by programming the appropriate value in the [VPE_SYSCONFIG](#)[3:2] IDLEMODE bit field.

Configuration of the local target state management mode. By definition, target can handle read/write transaction as long as it is out of IDLE state.

- Force-idle mode: local target's idle state follows (acknowledges) the system's idle requests unconditionally, i.e. regardless of the IP module's internal requirements.
- No-idle mode: local target never enters idle state.
- Smart-idle mode: local target's idle state eventually follows (acknowledges) the system's idle requests, depending on the IP module's internal requirements. IP module shall not generate (IRQ- or DMA related requests) wakeup events

10.3.11.3 VPE StandBy Mode

The VPE supports no-standby mode, force-standby mode, and a single smart-standby mode. The mode is set in the [VPE_SYSCONFIG](#)[5:4] STANDBYMODE bit field.

Configuration of the local initiator state management mode:

- Force-standby mode: local initiator is unconditionally placed in standby state.
- No-standby mode: local initiator is unconditionally placed out of standby state.

10.4 VPE Register Manual

10.4.1 VPE Instance Summary

Table 10-55. VPE Instance Summary

Module Name	Module Base Address	Size
VPE_TOP_LEVEL	0x489D 0000	288 Bytes
VPE_CHR_US_INST_0	0x489D 0300	36 Bytes
VPE_CHR_US_INST_1	0x489D 0400	36 Bytes
VPE_CHR_US_INST_2	0x489D 0500	36 Bytes
VPE_DEI	0x489D 0600	60 Bytes
VPE_SC	0x489D 0700	128 Bytes
VPE_CSC	0x489D 5700	24 Bytes
VPE_VPDMA	0x489D D000	980 Bytes

10.4.2 VPE_CSC Registers

10.4.2.1 VPE_CSC Register Summary

Table 10-56. VPE_CSC Registers Mapping Summary

Register Name	Type	Register Width (Bits)	Address Offset	VPE_CSC Base Address
VPE_CSC00	RW	32	0x0000 0000	0x489D 5700
VPE_CSC01	RW	32	0x0000 0004	0x489D 5704

Table 10-56. VPE_CSC Registers Mapping Summary (continued)

Register Name	Type	Register Width (Bits)	Address Offset	VPE_CSC Base Address
VPE_CSC02	RW	32	0x0000 0008	0x489D 5708
VPE_CSC03	RW	32	0x0000 000C	0x489D 570C
VPE_CSC04	RW	32	0x0000 0010	0x489D 5710
VPE_CSC05	RW	32	0x0000 0014	0x489D 5714

10.4.2.2 VPE_CSC Register Description

Table 10-57. VPE_CSC00

Address Offset	0x0000 0000	Instance	VPE_CSC
Physical Address	0x489D 5700		
Description			
Type	RW		

31	30	29	28	27	26	25	24	23	22	21	20	19	18	17	16	15	14	13	12	11	10	9	8	7	6	5	4	3	2	1	0
RESERVED								B0								RESERVED								A0							

Bits	Field Name	Description	Type	Reset
31:29	RESERVED		R	0x0
28:16	B0	Coefficients of color space converter. This coefficient is a real number in the range of -4. to +4 represent in Q3.10 format. The MSB is sign bit. (Same format conversion as A0 in VPE_CSC00)	RW	0x0
15:13	RESERVED		R	0x0
12:0	A0	Its is represented as Q3.10 number. So the value ranges from -4 to +4. To convert a decimal number, multiply the number by 1024 and write it in the register in hex format. For example, to program 0.673, 0x2B1 should be written in the register. (int)(0.673 X 1024) = (int)689.152 = 689 = 0x2B1. If the real number is negative, then multiply it by 1024, and convert it to 2's compliment format in 12-bit. For example, if a coefficient is - 1.893, 0x186E needs to be written in the register. (int)(-1.893*1024)= -1938 = 0x186E (2'S compliment format of -1938 in 13-bit width)	RW	0x0

Table 10-58. Register Call Summary for Register VPE_CSC00

VPE Functional Description

- [CSC Functional Description: \[0\]\[1\]\[2\]\[3\]\[4\]\[5\]\[6\]\[7\]\[8\]\[9\]](#)

VPE Register Manual

- [VPE_CSC Register Summary: \[10\]](#)
- [VPE_CSC Register Description: \[11\]\[12\]\[13\]\[14\]\[15\]\[16\]\[17\]\[18\]](#)

Table 10-59. VPE_CSC01

Address Offset	0x0000 0004	Instance	VPE_CSC
Physical Address	0x489D 5704		
Description			

Table 10-59. VPE_CSC01 (continued)

Type		RW																													
31	30	29	28	27	26	25	24	23	22	21	20	19	18	17	16	15	14	13	12	11	10	9	8	7	6	5	4	3	2	1	0
RESERVED				A1												RESERVED				C0											

Bits	Field Name	Description	Type	Reset
31:29	RESERVED		R	0x0
28:16	A1	Coefficients of color space converter. This coefficient is a real number in the range of -4. to +4 represent in Q3.10 format. The MSB is sign bit. (Same format conversion as A0 in VPE_CSC00)	RW	0x0
15:13	RESERVED		R	0x0
12:0	C0	Coefficients of color space converter. This coefficient is a real number in the range of -4. to +4 represent in Q3.10 format. The MSB is sign bit. (Same format conversion as A0 in VPE_CSC00)	RW	0x0

Table 10-60. Register Call Summary for Register VPE_CSC01

VPE Functional Description

- [CSC Functional Description: \[0\]\[1\]\[2\]\[3\]\[4\]\[5\]\[6\]\[7\]\[8\]\[9\]](#)

VPE Register Manual

- [VPE_CSC Register Summary: \[10\]](#)

Table 10-61. VPE_CSC02

Address Offset	0x0000 0008	Instance	VPE_CSC
Physical Address	0x489D 5708		
Description			
Type	RW		

31	30	29	28	27	26	25	24	23	22	21	20	19	18	17	16	15	14	13	12	11	10	9	8	7	6	5	4	3	2	1	0
RESERVED				C1												RESERVED				B1											

Bits	Field Name	Description	Type	Reset
31:29	RESERVED		R	0x0
28:16	C1	Coefficients of color space converter. This coefficient is a real number in the range of -4. to +4 represent in Q3.10 format. The MSB is sign bit. (Same format conversion as A0 in VPE_CSC00)	RW	0x0
15:13	RESERVED		R	0x0
12:0	B1	Coefficients of color space converter. This coefficient is a real number in the range of -4. to +4 represent in Q3.10 format. The MSB is sign bit. (Same format conversion as A0 in VPE_CSC00)	RW	0x0

Table 10-62. Register Call Summary for Register VPE_CSC02

VPE Functional Description

- [CSC Functional Description: \[0\]\[1\]\[2\]\[3\]\[4\]\[5\]\[6\]\[7\]\[8\]\[9\]](#)

VPE Register Manual

- [VPE_CSC Register Summary: \[10\]](#)

Table 10-63. VPE_CSC03

Address Offset	0x0000 000C	Instance	VPE_CSC
Physical Address	0x489D 570C		
Description			
Type	RW		

31	30	29	28	27	26	25	24	23	22	21	20	19	18	17	16	15	14	13	12	11	10	9	8	7	6	5	4	3	2	1	0
RESERVED								B2								RESERVED								A2							

Bits	Field Name	Description	Type	Reset
31:29	RESERVED		R	0x0
28:16	B2	Coefficients of color space converter. This coefficient is a real number in the range of -4. to +4 represent in Q3.10 format. The MSB is sign bit. (Same format conversion as A0 in VPE_CSC00)	RW	0x0
15:13	RESERVED		R	0x0
12:0	A2	Coefficients of color space converter. This coefficient is a real number in the range of -4. to +4 represent in Q3.10 format. The MSB is sign bit. (Same format conversion as A0 in VPE_CSC00)	RW	0x0

Table 10-64. Register Call Summary for Register VPE_CSC03

VPE Functional Description

- [CSC Functional Description: \[0\]\[1\]\[2\]\[3\]\[4\]\[5\]\[6\]\[7\]\[8\]\[9\]](#)

VPE Register Manual

- [VPE_CSC Register Summary: \[10\]](#)

Table 10-65. VPE_CSC04

Address Offset	0x0000 0010	Instance	VPE_CSC
Physical Address	0x489D 5710		
Description			
Type	RW		

31	30	29	28	27	26	25	24	23	22	21	20	19	18	17	16	15	14	13	12	11	10	9	8	7	6	5	4	3	2	1	0
RESERVED								D0								RESERVED								C2							

Bits	Field Name	Description	Type	Reset
31:28	RESERVED		R	0x0
27:16	D0	Coefficients of color space converter. This coefficient is an integer number in the range of 2048. It is in 12-bit wide 2's compliment format. The MSB is sign bit. For example, if this coefficient is 749, then 0x2ED (hex format) should be assigned to this register. Another example, if this coefficient is -1021, then 0xC03 should be assigned to this register.	RW	0x0
15:13	RESERVED		R	0x0
12:0	C2	Coefficients of color space converter. This coefficient is a real number in the range of -4. to +4 represent in Q3.10 format. The MSB is sign bit. (Same format conversion as A0 in VPE_CSC00)	RW	0x0

Table 10-66. Register Call Summary for Register VPE_CSC04

VPE Functional Description

- [CSC Functional Description: \[0\]\[1\]\[2\]\[3\]\[4\]\[5\]\[6\]\[7\]\[8\]\[9\]](#)

VPE Register Manual

- [VPE_CSC Register Summary: \[10\]](#)
- [VPE_CSC Register Description: \[11\]\[12\]](#)

Table 10-67. VPE_CSC05

Address Offset	0x0000 0014	Instance	VPE_CSC
Physical Address	0x489D 5714		
Description			
Type	RW		

31	30	29	28	27	26	25	24	23	22	21	20	19	18	17	16	15	14	13	12	11	10	9	8	7	6	5	4	3	2	1	0
RESERVED				BYPASS													RESERVED														
					D2																D1										

Bits	Field Name	Description	Type	Reset
31:29	RESERVED		R	0x0
28	BYPASS	Full CSC bypass mode	RW	0x0
27:16	D2	Coefficients of color space converter. This coefficient is an integer number in the range of -2048 to 2048. It is in 12-bit wide 2's compliment format. The MSB is sign bit. (Same format conversion as D0 in VPE_CSC04)	RW	0x0
15:12	RESERVED		R	0x0
11:0	D1	Coefficients of color space converter. This coefficient is an integer number in the range of -2048 to 2048. It is in 12-bit wide 2's compliment format. The MSB is sign bit. (Same format conversion as D0 in VPE_CSC04)	RW	0x0

Table 10-68. Register Call Summary for Register VPE_CSC05

VPE Functional Description

- [CSC Functional Description: \[0\]\[1\]\[2\]\[3\]\[4\]\[5\]\[6\]\[7\]\[8\]\[9\]](#)
- [CSC Bypass Mode: \[10\]](#)

VPE Register Manual

- [VPE_CSC Register Summary: \[11\]](#)

10.4.3 VPE_SC Registers

10.4.3.1 VPE_SC Register Summary

Table 10-69. VPE_SC Registers Mapping Summary

Register Name	Type	Register Width (Bits)	Address Offset	VPE_SC Base Address
VPE_CFG_SC0	RW	32	0x0000 0000	0x489D 0700
VPE_CFG_SC1	RW	32	0x0000 0004	0x489D 0704
VPE_CFG_SC2	RW	32	0x0000 0008	0x489D 0708
VPE_CFG_SC3	RW	32	0x0000 000C	0x489D 070C
VPE_CFG_SC4	RW	32	0x0000 0010	0x489D 0710
VPE_CFG_SC5	RW	32	0x0000 0014	0x489D 0714
VPE_CFG_SC6	RW	32	0x0000 0018	0x489D 0718
RESERVED	R	32	0x0000 001C	0x489D 071C
VPE_CFG_SC8	RW	32	0x0000 0020	0x489D 0720
VPE_CFG_SC9	RW	32	0x0000 0024	0x489D 0724
VPE_CFG_SC10	RW	32	0x0000 0028	0x489D 0728
VPE_CFG_SC11	RW	32	0x0000 002C	0x489D 072C
VPE_CFG_SC12	RW	32	0x0000 0030	0x489D 0730
VPE_CFG_SC13	RW	32	0x0000 0034	0x489D 0734
RESERVED	R	32	0x0000 0038	0x489D 0738
RESERVED	R	32	0x0000 003C	0x489D 073C
RESERVED	R	32	0x0000 0040	0x489D 0740
RESERVED	R	32	0x0000 0044	0x489D 0744
VPE_CFG_SC18	RW	32	0x0000 0048	0x489D 0748
VPE_CFG_SC19	RW	32	0x0000 004C	0x489D 074C
VPE_CFG_SC20	RW	32	0x0000 0050	0x489D 0750
VPE_CFG_SC21	RW	32	0x0000 0054	0x489D 0754
VPE_CFG_SC22	RW	32	0x0000 0058	0x489D 0758
RESERVED	R	32	0x0000 005C	0x489D 075C
VPE_CFG_SC24	RW	32	0x0000 0060	0x489D 0760
VPE_CFG_SC25	RW	32	0x0000 0064	0x489D 0764
RESERVED	R	32	0x0000 0068	0x489D 0768
RESERVED	R	32	0x0000 006C	0x489D 076C
RESERVED	R	32	0x0000 0070	0x489D 0770
RESERVED	R	32	0x0000 0074	0x489D 0774
RESERVED	R	32	0x0000 0078	0x489D 0778
RESERVED	R	32	0x0000 007C	0x489D 077C

10.4.3.2 VPE_SC Register Description

Table 10-70. VPE_CFG_SC0

Address Offset	0x0000 0000	Instance	VPE_SC
Physical Address	0x489D 0700		
Description			
Type	RW		

31	30	29	28	27	26	25	24	23	22	21	20	19	18	17	16	15	14	13	12	11	10	9	8	7	6	5	4	3	2	1	0
RESERVED																CFG_FID_SELFGEN	CFG_TRIM	CFG_Y_PK_EN	RESERVED	RESERVED	CFG_INTERLACE_I	CFG_HP_BYPASS	CFG_DCM_4X	CFG_DCM_2X	CFG_AUTO_HS	RESERVED	CFG_USE_RAV	CFG_INV_T_FID	CFG_SC_BYPASS	CFG_LINEAR	CFG_INTERLACE_O

Bits	Field Name	Description	Type	Reset
31:17	RESERVED		R	0x0
16	CFG_FID_SELFGEN	FID self generate enable. When input is progressive and this bit is set, the SC generates self-toggling (top/bottom) output FID when performing interlacing.	RW	0x0
15	CFG_TRIM	Trimming enable. When 1, the input image whose size is specified by orgW and orgH registers is trimmed to the size with srcW and srcH from the offset specified by offW and offH. 0x0 : Disable trimming 0x1 : Enable trimming	RW	0x0
14	CFG_Y_PK_EN	This parameter is used by peaking block. 0: disable luma peaking 1: enable luma peaking	RW	0x0
13:12	RESERVED		R	0x0
11	RESERVED		R	0x0
10	CFG_INTERLACE_I	This parameter is used by horizontal and vertical scaling. 0x0 : The input video format is progressive 0x1 : The input video format is interlace	RW	0x0
9	CFG_HP_BYPASS	This parameter is used by horizontal scaling. If cfg_auto_hs is 0, horizontal polyphase filter is always enabled. In this case, this register is DON'T CARE. If cfg_auto_hs is 1, then: 0x0: The polyphase scaler is always used regardless of the scaling ratio. 0x1: The polyphase scaler is bypassed only when (tar_w == src_w) or (tar_w == src_w/2) or (tar_w == src_w/4)	RW	0x0
8	CFG_DCM_4X	This parameter is used by horizontal scaling. 0: the 4X decimation filter is disabled 1: the 4X decimation filter is enabled Note: (1) Either 2X or 4X can be enabled, but they cannot be enabled simultaneously. (2) This register is only set to 1 when it makes sense to do so. Typically, it is used when (horizontal scale ratio < 0.25). (3) This register is DON'T CARE when cfg_auto_hs = 1	RW	0x0
7	CFG_DCM_2X	This parameter is used by horizontal scaling. 0: the 2X decimation filter is disabled 1: the 2X decimation filter is enabled Note: (1) Either 2X or 4X can be enabled, but they cannot be enabled simultaneously. (2) This register is only set to 1 when it makes sense to do so. Typically, it is used when (0.25 < horizontal scale ratio < 0.5). (3) This register is DON'T CARE when cfg_auto_hs = 1.	RW	0x0

Bits	Field Name	Description	Type	Reset
6	CFG_AUTO_HS	This parameter is used by horizontal scaling. 0x0 : the cfg_dcm_2x and cfg_dcm_4x bits will enable appropriate decimation filters 0x1 : HW will decide whether up-scaling or down-scaling is required based on horizontal scaling ratio (SR). SR > 0.5 : horizontal polyphase filter is enabled, all decimation filters are disabled SR = 0.5 : dcm_2x is enabled, horizontal polyphase filter is enabled or disabled based on cfg_hp_bypass 0.5 > SR > 0.25 : dcm_2x and horizontal polyphase filter both are enabled SR = 0.25 : dcm_4x is enabled, horizontal polyphase filter is enabled or disabled based on cfg_hp_bypass 0.25 > SR > 0.125 : dcm_4x and horizontal polyphase filter are both enabled SR <= 0.125 : Functionally supported, but not recommended in auto mode for image quality concerns	RW	0x0
5	RESERVED		R	0x0
4	CFG_USE_RAV	This parameter is used by vertical scaling. 0x0 : Poly-phase filter will be used for the vertical scaling 0x1 : Running average filter will be used for the vertical scaling (down scaling only)	RW	0x0
3	CFG_INV_T_FID	This parameter is used by vertical scaling. 0x0 : Progressive input 0x1 : Interlaced input Must be set to 1 when CFG_INTERFACE_I = 1.	RW	0x0
2	CFG_SC_BYPASS	This parameter is general purpose. 0x0 : Scaling module will be engaged 0x1 : Scaling module will be bypassed	RW	0x0
1	CFG_LINEAR	This parameter is used by horizontal scaling. 0x0 : Anamorphic scaling 0x1 : Linear scaling	RW	0x0
0	CFG_INTERLACE_O	This parameter is used by vertical scaling. 0x0 : The output format of SC is progressive (default); 0x1 : The output format of SC is interlace	RW	0x0

Table 10-71. Register Call Summary for Register VPE_CFG_SC0

VPE Functional Description

- [SC Functional Description: \[0\]\[1\]\[2\]\[3\]\[4\]\[5\]\[6\]\[7\]\[8\]\[9\]\[10\]\[11\]\[12\]\[13\]](#)
- [SC Code: \[14\]\[15\]\[16\]\[17\]\[18\]\[19\]\[20\]\[21\]\[22\]](#)

VPE Register Manual

- [VPE_SC Register Summary: \[23\]](#)

Table 10-72. VPE_CFG_SC1

Address Offset	0x0000 0004	Instance	VPE_SC
Physical Address	0x489D 0704		
Description			
Type	RW		

31	30	29	28	27	26	25	24	23	22	21	20	19	18	17	16	15	14	13	12	11	10	9	8	7	6	5	4	3	2	1	0
RESERVED								CFG_ROW_ACC_INC																							

Bits	Field Name	Description	Type	Reset
31:27	RESERVED		R	0x0
26:0	CFG_ROW_ACC_INC	<p>This parameter is used by vertical scaling. It defines the increment of the row accumulator in vertical poly-phase filter. It can be calculated by following formulas:</p> <p>For progressive in/progressive out $row_acc_inc = round(2^{16} * (src_h - 1) / (tar_h - 1))$</p> <p>For progressive_in/interlace_out $row_acc_inc = round(2^{16} * 2 * (src_h - 1) / (2 * tar_h - 1))$</p> <p>For interlace_in/progressive_out $row_acc_inc = round(2^{16} * (2 * src_h - 1) / (2 * (tar_h - 1)))$</p> <p>For interlace_in/interlace_out $row_acc_inc = round(2^{16} * (2 * src_h - 1) / (2 * tar_h - 1))$</p> <p>In case of interlaced input, srcH is input field height (number of field lines), as specified in VPE_CFG_SC5. In case of interlaced output, tarH is output field height (number of field lines), as specified in VPE_CFG_SC4.</p>	RW	0x0

Table 10-73. Register Call Summary for Register VPE_CFG_SC1

VPE Functional Description

- [SC Functional Description: \[0\]](#)

VPE Register Manual

- [VPE_SC Register Summary: \[1\]](#)

Table 10-74. VPE_CFG_SC2

Address Offset	0x0000 0008	Instance	VPE_SC
Physical Address	0x489D 0708		
Description			
Type	RW		

31	30	29	28	27	26	25	24	23	22	21	20	19	18	17	16	15	14	13	12	11	10	9	8	7	6	5	4	3	2	1	0
RESERVED								CFG_ROW_ACC_OFFSET																							

Bits	Field Name	Description	Type	Reset
31:28	RESERVED		R	0x0
27:0	CFG_ROW_ACC_OFFSET	<p>This parameter is used by vertical scaling. It defines the vertical offset during vertical scaling. In progressive mode: this offset will be applied to a frame. In interlace mode: this offset will be applied to the top field.</p>	RW	0x0

Table 10-75. Register Call Summary for Register VPE_CFG_SC2

VPE Functional Description

- [SC Functional Description: \[0\]](#)

VPE Register Manual

- [VPE_SC Register Summary: \[1\]](#)

Table 10-76. VPE_CFG_SC3

Address Offset	0x0000 000C	Instance	VPE_SC
Physical Address	0x489D 070C		
Description			
Type	RW		

31	30	29	28	27	26	25	24	23	22	21	20	19	18	17	16	15	14	13	12	11	10	9	8	7	6	5	4	3	2	1	0
RESERVED								CFG_ROW_ACC_OFFSET_B																							

Bits	Field Name	Description	Type	Reset
31:28	RESERVED		R	0x0
27:0	CFG_ROW_ACC_OFFSET_B	This parameter is used by vertical scaling. It defines the vertical offset during vertical scaling. In progressive mode: this parameter will not be used. In interlace mode: this offset will be applied to the bottom field.	RW	0x0

Table 10-77. Register Call Summary for Register VPE_CFG_SC3

VPE Functional Description

- [SC Functional Description: \[0\]](#)

VPE Register Manual

- [VPE_SC Register Summary: \[1\]](#)

Table 10-78. VPE_CFG_SC4

Address Offset	0x0000 0010	Instance	VPE_SC
Physical Address	0x489D 0710		
Description			
Type	RW		

31	30	29	28	27	26	25	24	23	22	21	20	19	18	17	16	15	14	13	12	11	10	9	8	7	6	5	4	3	2	1	0
RESERVED	CFG_NLIN_ACC_INIT_U	RESERVED	CFG_LIN_ACC_INC_U	RESERVED	CFG_TAR_W										RESERVED	CFG_TAR_H															

Bits	Field Name	Description	Type	Reset
31	RESERVED		R	0x0
30:28	CFG_NLIN_ACC_INIT_U	This parameter is used by horizontal scaling. The 3 MSBbits of 'nlin_acc_init' that is defined in CFG_SC10	RW	0x0
27	RESERVED		RW	0x0
26:24	CFG_LIN_ACC_INC_U	This parameter is used by horizontal scaling. The 3 MSBbits of 'lin_acc_inc' that is defined in CFG_SC9	RW	0x0
23	RESERVED		RW	0x0
22:12	CFG_TAR_W	This parameter is a general purpose. Scaled target picture width. unit is pixel. This parameter defines the final output picture size	RW	0x0
11	RESERVED		RW	0x0
10:0	CFG_TAR_H	This parameter is a general purpose. Scaled target picture height (unit is line). This parameter defines the final output picture size. For the interlace output, it should be the number of lines per field.	RW	0x0

Table 10-79. Register Call Summary for Register VPE_CFG_SC4

VPE Functional Description
<ul style="list-style-type: none"> • SC Functional Description: [0][1][2][3][4][5][6]
VPE Register Manual
<ul style="list-style-type: none"> • VPE_SC Register Summary: [7] • VPE_SC Register Description: [8]

Table 10-80. VPE_CFG_SC5

Address Offset	0x0000 0014	Instance	VPE_SC
Physical Address	0x489D 0714		
Description			
Type	RW		

31	30	29	28	27	26	25	24	23	22	21	20	19	18	17	16	15	14	13	12	11	10	9	8	7	6	5	4	3	2	1	0
RESERVED								CFG_NLIN_ACC_INC_U			RESERVED	CFG_SRC_W										RESERVED	CFG_SRC_H								

Bits	Field Name	Description	Type	Reset
31:27	RESERVED		R	0x0
26:24	CFG_NLIN_ACC_INC_U	This parameter is used by horizontal scaling. The 3 MSBbits of 'nlin_acc_inc' that is defined in CFG_SC11	RW	0x0
23	RESERVED		RW	0x0
22:12	CFG_SRC_W	This parameter is a general purpose. This parameter defines the width of the source image	RW	0x0
11	RESERVED		RW	0x0
10:0	CFG_SRC_H	This parameter is a general purpose. This parameter defines the height of the source image. For the interlace input, it should be the number of lines per field.	RW	0x0

Table 10-81. Register Call Summary for Register VPE_CFG_SC5

VPE Functional Description
<ul style="list-style-type: none"> • SC Functional Description: [0][1][2][3][4]
VPE Register Manual
<ul style="list-style-type: none"> • VPE_SC Register Summary: [5] • VPE_SC Register Description: [6]

Table 10-82. VPE_CFG_SC6

Address Offset	0x0000 0018	Instance	VPE_SC
Physical Address	0x489D 0718		
Description			
Type	RW		

31	30	29	28	27	26	25	24	23	22	21	20	19	18	17	16	15	14	13	12	11	10	9	8	7	6	5	4	3	2	1	0
RESERVED								CFG_ROW_ACC_INIT_RAV_B								CFG_ROW_ACC_INIT_RAV															

Bits	Field Name	Description	Type	Reset
31:20	RESERVED		R	0x0
19:10	CFG_ROW_ACC_INIT_RAV_B	This parameter is used by vertical scaling. it is used only when the input is interlace format. In vertical down scaling.. the running average filter is applied. This parameter sets the initialization value of the row accumulator in running average filter (for bottom field of interlace format)	RW	0x0
9:0	CFG_ROW_ACC_INIT_RAV	This parameter is used by vertical scaling. In vertical down scaling.. the running average filter is applied. This parameter sets the initialization value of the row accumulator in running average filter (for progressive format or top field of interlace format)	RW	0x0

Table 10-83. Register Call Summary for Register VPE_CFG_SC6

VPE Functional Description

- [SC Functional Description: \[0\]\[1\]\[2\]\[3\]](#)

VPE Register Manual

- [VPE_SC Register Summary: \[4\]](#)

Table 10-84. VPE_CFG_SC8

Address Offset	0x0000 0020	Instance	VPE_SC
Physical Address	0x489D 0720		
Description			
Type	RW		

31	30	29	28	27	26	25	24	23	22	21	20	19	18	17	16	15	14	13	12	11	10	9	8	7	6	5	4	3	2	1	0
RESERVED								CFG_NLIN_RIGHT								RESERVED	CFG_NLIN_LEFT														

Bits	Field Name	Description	Type	Reset
31:23	RESERVED		R	0x0
22:12	CFG_NLIN_RIGHT	This parameter is used by horizontal scaling. In anamorphic mode. this parameter defines the width of the strip on right-hand side. In other words. it defines the location of the last pixel where the linear scaling is ended. The unit is the 'pixel location' in an active video line. This parameter will not be used in linear scaling	RW	0x0
11	RESERVED		RW	0x0
10:0	CFG_NLIN_LEFT	This parameter is used by horizontal scaling. In anamorphic mode. this parameter defines the width of the strip on left-hand side. In other words. it defines the location of the last pixel in the left-sidenonlinear strip. The unit is the 'pixel location' in an active video line. This parameter will not be used in linear scaling	RW	0x0

Table 10-85. Register Call Summary for Register VPE_CFG_SC8

VPE Functional Description

- [SC Functional Description: \[0\]\[1\]](#)

VPE Register Manual

- [VPE_SC Register Summary: \[2\]](#)

Table 10-86. VPE_CFG_SC9

Address Offset	0x0000 0024	Instance	VPE_SC
Physical Address	0x489D 0724		
Description			
Type	RW		

31	30	29	28	27	26	25	24	23	22	21	20	19	18	17	16	15	14	13	12	11	10	9	8	7	6	5	4	3	2	1	0
CFG_LIN_ACC_INC																															

Bits	Field Name	Description	Type	Reset
31:0	CFG_LIN_ACC_INC	<p>This parameter is used by horizontal scaling. It defines the increment of the linear accumulator.</p> <p>if SR > 0.5, then</p> <ul style="list-style-type: none"> • $lin_acc_inc = round(2^{24} * (srcWi - 1) / (tarWi - 1))$ else if $0.25 < SR \leq 0.5$ • $lin_acc_inc = round(2^{24} * (srcWi/2 - 1) / (tarWi - 1))$ else if $SR \leq 0.25$ • $lin_acc_inc = round(2^{24} * (srcWi/4 - 1) / (tarWi - 1))$ <p>where srcWi and tarWi are the inner source width and the inner target width respectively.</p>	RW	0x0

Table 10-87. Register Call Summary for Register VPE_CFG_SC9

VPE Functional Description

- [SC Functional Description: \[0\]\[1\]](#)

VPE Register Manual

- [VPE_SC Register Summary: \[2\]](#)

Table 10-88. VPE_CFG_SC10

Address Offset	0x0000 0028	Instance	VPE_SC
Physical Address	0x489D 0728		
Description			
Type	RW		

31	30	29	28	27	26	25	24	23	22	21	20	19	18	17	16	15	14	13	12	11	10	9	8	7	6	5	4	3	2	1	0
CFG_NLIN_ACC_INIT																															

Bits	Field Name	Description	Type	Reset
31:0	CFG_NLIN_ACC_INIT	<p>This parameter is used by horizontal scaling. It is used by nonlinear scaling only. It defines the initialization value of the nonlinear accumulator. $nlin_acc_init = K * (1 - 2^d)$ Here the definitions of K and d are the same as in CFG_SC11</p>	RW	0x0

Table 10-89. Register Call Summary for Register VPE_CFG_SC10

VPE Register Manual

- [VPE_SC Register Summary: \[0\]](#)

Table 10-90. VPE_CFG_SC11

Address Offset	0x0000 002C	Instance	VPE_SC
Physical Address	0x489D 072C		
Description			
Type	RW		

31	30	29	28	27	26	25	24	23	22	21	20	19	18	17	16	15	14	13	12	11	10	9	8	7	6	5	4	3	2	1	0
CFG_NLIN_ACC_INC																															

Bits	Field Name	Description	Type	Reset
31:0	CFG_NLIN_ACC_INC	This parameter is used by horizontal scaling. It is used by nonlinear scaling only. It defines the increment of the nonlinear accumulator. if upscaling then d = 0 if Ltar !=0 then K = round[$2^{24} * Lsrc / (Ltar * Ltar)$] where Lsrc= (srcW-srcWi)/2 else K = 0 elseif downscaling d = (tarW-1)/2 if Ltar!=0 then K = round[$2^{24} * Lsrc / (Ltar * (Ltar-2d))$] where Lsrc= (srcW-srcWi)/(2n) and n=1..2 or 4 else K = 0 nlin_acc_inc = 2*K (negative for downscaling)	RW	0x0

Table 10-91. Register Call Summary for Register VPE_CFG_SC11

VPE Register Manual

- [VPE_SC Register Summary: \[0\]](#)

Table 10-92. VPE_CFG_SC12

Address Offset	0x0000 0030	Instance	VPE_SC
Physical Address	0x489D 0730		
Description			
Type	RW		

31	30	29	28	27	26	25	24	23	22	21	20	19	18	17	16	15	14	13	12	11	10	9	8	7	6	5	4	3	2	1	0
RESERVED								CFG_COL_ACC_OFFSET																							

Bits	Field Name	Description	Type	Reset
31:25	RESERVED		R	0x0
24:0	CFG_COL_ACC_OFFSET	This parameter is used in horizontal scaling. It defines the luma accumulator's offset. Normally this parameter can be set as 0 if no horizontal offset is involved. In some applications, such as Pan and Scan. A corresponding offset value should be set. The format is 1.24.	RW	0x0

Table 10-93. Register Call Summary for Register VPE_CFG_SC12

VPE Functional Description

- [SC Code: \[0\]](#)

VPE Register Manual

- [VPE_SC Register Summary: \[1\]](#)

Table 10-94. VPE_CFG_SC13

Address Offset	0x0000 0034	Instance	VPE_SC
Physical Address	0x489D 0734		
Description			
Type	RW		

31	30	29	28	27	26	25	24	23	22	21	20	19	18	17	16	15	14	13	12	11	10	9	8	7	6	5	4	3	2	1	0
RESERVED														CFG_SC_FACTOR_RAV																	

Bits	Field Name	Description	Type	Reset
31:10	RESERVED		R	0x0
9:0	CFG_SC_FACTOR_RAV	This parameter is used by vertical scaling. Vertical scaling factor: It is defined as following: $1024 * \text{tarH} / \text{srcH}$. It is used for downscaling by the running average filter	RW	0x0

Table 10-95. Register Call Summary for Register VPE_CFG_SC13

VPE Functional Description

- [SC Functional Description: \[0\]\[1\]\[2\]](#)
- [SC Code: \[3\]\[4\]](#)

VPE Register Manual

- [VPE_SC Register Summary: \[5\]](#)

Table 10-96. VPE_CFG_SC18

Address Offset	0x0000 0048	Instance	VPE_SC
Physical Address	0x489D 0748		
Description			
Type	RW		

31	30	29	28	27	26	25	24	23	22	21	20	19	18	17	16	15	14	13	12	11	10	9	8	7	6	5	4	3	2	1	0
RESERVED														CFG_HS_FACTOR																	

Bits	Field Name	Description	Type	Reset
31:10	RESERVED		R	0x0
9:0	CFG_HS_FACTOR	This parameter is used by horizontal scaling. Horizontal-scaling-factor = $\text{tarWi} / \text{srcWi}$. Numerical format: 6.4 (6 bit integer and 4 bit fraction)	RW	0x0

Table 10-97. Register Call Summary for Register VPE_CFG_SC18

VPE Functional Description

- [SC Code: \[0\]](#)

VPE Register Manual

- [VPE_SC Register Summary: \[1\]](#)

Table 10-98. VPE_CFG_SC19

Address Offset	0x0000 004C	Instance	VPE_SC
Physical Address	0x489D 074C		
Description			
Type	RW		

31	30	29	28	27	26	25	24	23	22	21	20	19	18	17	16	15	14	13	12	11	10	9	8	7	6	5	4	3	2	1	0
CFG_HPF_COEF3								CFG_HPF_COEF2								CFG_HPF_COEF1								CFG_HPF_COEF0							

Bits	Field Name	Description	Type	Reset
31:24	CFG_HPF_COEF3	This parameter is used by the peaking block. Defines the coefficient 3 of the HPF used in the peaking filter. Signed. Decimal point is defined by hpf_norm_shift.	RW	0x0
23:16	CFG_HPF_COEF2	This parameter is used by the peaking block. Defines the coefficient 2 of the HPF used in the peaking filter. Signed. Decimal point is defined by hpf_norm_shift.	RW	0x0
15:8	CFG_HPF_COEF1	This parameter is used by the peaking block. Defines the coefficient 1 of the HPF used in the peaking filter. Signed. Decimal point is defined by hpf_norm_shift.	RW	0x0
7:0	CFG_HPF_COEF0	This parameter is used by the peaking block. Defines the coefficient 0 of the HPF used in the peaking filter. Signed. Decimal point is defined by hpf_norm_shift.	RW	0x0

Table 10-99. Register Call Summary for Register VPE_CFG_SC19

VPE Functional Description

- [SC Functional Description: \[0\]\[1\]](#)
- [SC Code: \[2\]](#)

VPE Register Manual

- [VPE_SC Register Summary: \[3\]](#)

Table 10-100. VPE_CFG_SC20

Address Offset	0x0000 0050	Instance	VPE_SC
Physical Address	0x489D 0750		
Description			
Type	RW		

31	30	29	28	27	26	25	24	23	22	21	20	19	18	17	16	15	14	13	12	11	10	9	8	7	6	5	4	3	2	1	0		
RESERVED								CFG_NL_LIMIT								RESERVED	CFG_HPF_NORM_SHIFT	CFG_HPF_COEF5								CFG_HPF_COEF4							

Bits	Field Name	Description	Type	Reset
31:29	RESERVED		R	0x0
28:20	CFG_NL_LIMIT	This parameter is used by the peaking block. The maximum of clipping.	RW	0x0
19	RESERVED		R	0x0

Bits	Field Name	Description	Type	Reset
18:16	CFG_HPF_NORM_SHIFT	This parameter is used by the peaking block. Defines the decimal point of the hpf coefficient.	RW	0x0
15:8	CFG_HPF_COEF5	This parameter is used by the peaking block. Defines the coefficient 5 of the HPF used in the peaking filter. Signed. Decimal point is defined by hpf_norm_shift.	RW	0x0
7:0	CFG_HPF_COEF4	This parameter is used by the peaking block. Defines the coefficient 4 of the HPF used in the peaking filter. Signed. Decimal point is defined by hpf_norm_shift.	RW	0x0

Table 10-101. Register Call Summary for Register VPE_CFG_SC20

VPE Functional Description

- [SC Functional Description: \[0\]\[1\]\[2\]](#)
- [SC Code: \[3\]](#)

VPE Register Manual

- [VPE_SC Register Summary: \[4\]](#)

Table 10-102. VPE_CFG_SC21

Address Offset	0x0000 0054	Instance	VPE_SC
Physical Address	0x489D 0754		
Description			
Type	RW		

31	30	29	28	27	26	25	24	23	22	21	20	19	18	17	16	15	14	13	12	11	10	9	8	7	6	5	4	3	2	1	0
RESERVED								CFG_NL_LO_SLOPE								RESERVED				CFG_NL_LO_THR											

Bits	Field Name	Description	Type	Reset
31:24	RESERVED		R	0x0
23:16	CFG_NL_LO_SLOPE	This parameter is used by the peaking block. Slope of the nonlinear peaking function. The format is fixed point 4.4.	RW	0x0
15:9	RESERVED		R	0x0
8:0	CFG_NL_LO_THR	This parameter is used by the peaking block. Threshold for the nonlinear peaking function. Must be 0	RW	0x0

Table 10-103. Register Call Summary for Register VPE_CFG_SC21

VPE Functional Description

- [SC Functional Description: \[0\]\[1\]](#)
- [SC Code: \[2\]](#)

VPE Register Manual

- [VPE_SC Register Summary: \[3\]](#)

Table 10-104. VPE_CFG_SC22

Address Offset	0x0000 0058	Instance	VPE_SC
Physical Address	0x489D 0758		
Description			
Type	RW		

31	30	29	28	27	26	25	24	23	22	21	20	19	18	17	16	15	14	13	12	11	10	9	8	7	6	5	4	3	2	1	0
RESERVED								CFG_NL_HI_SLOPE_SHIFT				RESERVED								CFG_NL_HI_THR											

Bits	Field Name	Description	Type	Reset
31:19	RESERVED		R	0x0
18:16	CFG_NL_HI_SLOPE_SHIFT	This parameter is used by the peaking block. Slope of the nonlinear peaking function. The gain is $2^{(nl_hi_slope_shift-3)}$.	RW	0x0
15:9	RESERVED		R	0x0
8:0	CFG_NL_HI_THR	This parameter is used by the peaking block. Threshold for the nonlinear peaking function. Must be <code>nl_hi_thr</code> .	RW	0x0

Table 10-105. Register Call Summary for Register VPE_CFG_SC22

VPE Functional Description

- [SC Functional Description: \[0\]\[1\]\[2\]](#)
- [SC Code: \[3\]](#)

VPE Register Manual

- [VPE_SC Register Summary: \[4\]](#)

Table 10-106. VPE_CFG_SC24

Address Offset	0x0000 0060	Instance	VPE_SC
Physical Address	0x489D 0760		
Description			
Type	RW		

31	30	29	28	27	26	25	24	23	22	21	20	19	18	17	16	15	14	13	12	11	10	9	8	7	6	5	4	3	2	1	0
RESERVED								CFG_ORG_W								RESERVED								CFG_ORG_H							

Bits	Field Name	Description	Type	Reset
31:27	RESERVED		R	0x0
26:16	CFG_ORG_W	This parameter is used by the trimmer. Horizontal offset from the left of the original input image.	RW	0x0
15:11	RESERVED		R	0x0
10:0	CFG_ORG_H	This parameter is used by the trimmer. Vertical offset from the top of the original input image.	RW	0x0

Table 10-107. Register Call Summary for Register VPE_CFG_SC24

VPE Functional Description

- [SC Functional Description: \[0\]\[1\]](#)

VPE Register Manual

- [VPE_SC Register Summary: \[2\]](#)

Table 10-108. VPE_CFG_SC25

Address Offset	0x0000 0064	Instance	VPE_SC
Physical Address	0x489D 0764		
Description			
Type	RW		

31	30	29	28	27	26	25	24	23	22	21	20	19	18	17	16	15	14	13	12	11	10	9	8	7	6	5	4	3	2	1	0
RESERVED								CFG_OFF_W								RESERVED				CFG_OFF_H											

Bits	Field Name	Description	Type	Reset
31:27	RESERVED		R	0x0
26:16	CFG_OFF_W	This parameter is used by the trimmer. Horizontal offset from the left of the original input image.	RW	0x0
15:11	RESERVED		R	0x0
10:0	CFG_OFF_H	This parameter is used by the trimmer. Vertical offset from the top of the original input image.	RW	0x0

Table 10-109. Register Call Summary for Register VPE_CFG_SC25

VPE Functional Description

- [SC Functional Description: \[0\]\[1\]](#)

VPE Register Manual

- [VPE_SC Register Summary: \[2\]](#)

10.4.4 VPE_CHR_US Registers

10.4.4.1 VPE_CHR_US Register Summary

Table 10-110. VPE_CHR_US Registers Mapping Summary

Register Name	Type	Register Width (Bits)	Address Offset	VPE_CHR_US_I NST_0 Base Address	VPE_CHR_US_I NST_1 Base Address	VPE_CHR_US_I NST_2 Base Address
VPE_PID	RW	32	0x0000 0000	0x489D 0300	0x489D 0400	0x489D 0500
VPE_REG0	RW	32	0x0000 0004	0x489D 0304	0x489D 0404	0x489D 0504
VPE_REG1	RW	32	0x0000 0008	0x489D 0308	0x489D 0408	0x489D 0508
VPE_REG2	RW	32	0x0000 000C	0x489D 030C	0x489D 040C	0x489D 050C
VPE_REG3	RW	32	0x0000 0010	0x489D 0310	0x489D 0410	0x489D 0510
VPE_REG4	RW	32	0x0000 0014	0x489D 0314	0x489D 0414	0x489D 0514
VPE_REG5	RW	32	0x0000 0018	0x489D 0318	0x489D 0418	0x489D 0518
VPE_REG6	RW	32	0x0000 001C	0x489D 031C	0x489D 041C	0x489D 051C
VPE_REG7	RW	32	0x0000 0020	0x489D 0320	0x489D 0420	0x489D 0520

10.4.4.2 VPE_CHR_US Register Description

Table 10-111. VPE_PID

Address Offset	0x0000 0000	Instance	VPE_CHR_US_INST_0
Physical Address	0x489D 0300 0x489D 0400 0x489D 0500		VPE_CHR_US_INST_1 VPE_CHR_US_INST_2
Description			

Table 10-111. VPE_PID (continued)

Type	R																															
31	30	29	28	27	26	25	24	23	22	21	20	19	18	17	16	15	14	13	12	11	10	9	8	7	6	5	4	3	2	1	0	
PID																																
Bits	Field Name	Description	Type	Reset																												
31:0	PID		R	0x0																												

Table 10-112. Register Call Summary for Register VPE_PID

VPE Register Manual

- [VPE_CHR_US Register Summary: \[0\]](#)

Table 10-113. VPE_REG0

Address Offset	0x0000 0004		
Physical Address	0x489D 0304 0x489D 0404 0x489D 0504	Instance	VPE_CHR_US_INST_0 VPE_CHR_US_INST_1 VPE_CHR_US_INST_2
Description			
Type	RW		

31	30	29	28	27	26	25	24	23	22	21	20	19	18	17	16	15	14	13	12	11	10	9	8	7	6	5	4	3	2	1	0
ANCHOR_FID0_C0											CFG_MODE	ANCHOR_FID0_C1											RESERVED								

Bits	Field Name	Description	Type	Reset
31:18	ANCHOR_FID0_C0	C0 coefficient for Anchor Pixel. Use when field_id = 0	RW	0x0
17:16	CFG_MODE	0x0 : Mode A 0x1 : Mode B	RW	0x0
15:2	ANCHOR_FID0_C1	C1 coefficient for Anchor Pixel. Use when field_id = 0	RW	0x0
1:0	RESERVED		RW	0x0

Table 10-114. Register Call Summary for Register VPE_REG0

VPE Functional Description

- [Modes of Operation \(VPDMA\): \[0\]](#)
- [Coefficient Configuration: \[1\]\[2\]\[3\]\[4\]\[5\]\[6\]\[7\]](#)

VPE Register Manual

- [VPE_CHR_US Register Summary: \[8\]](#)

Table 10-115. VPE_REG1

Address Offset	0x0000 0008		
Physical Address	0x489D 0308 0x489D 0408 0x489D 0508	Instance	VPE_CHR_US_INST_0 VPE_CHR_US_INST_1 VPE_CHR_US_INST_2
Description			
Type	RW		

31	30	29	28	27	26	25	24	23	22	21	20	19	18	17	16	15	14	13	12	11	10	9	8	7	6	5	4	3	2	1	0
ANCHOR_FID0_C2														RESERVED		ANCHOR_FID0_C3														RESERVED	

Bits	Field Name	Description	Type	Reset
31:18	ANCHOR_FID0_C2	C2 coefficient for Anchor Pixel. Use when field_id = 0	RW	0x0
17:16	RESERVED		RW	0x0
15:2	ANCHOR_FID0_C3	C3 coefficient for Anchor Pixel. Use when field_id = 0	RW	0x0
1:0	RESERVED		RW	0x0

Table 10-116. Register Call Summary for Register VPE_REG1

VPE Functional Description

- [Coefficient Configuration: \[0\]\[1\]\[2\]\[3\]](#)

VPE Register Manual

- [VPE_CHR_US Register Summary: \[4\]](#)

Table 10-117. VPE_REG2

Address Offset	0x0000 000C	Instance	VPE_CHR_US_INST_0
Physical Address	0x489D 030C 0x489D 040C 0x489D 050C		VPE_CHR_US_INST_1 VPE_CHR_US_INST_2
Description			
Type	RW		

31	30	29	28	27	26	25	24	23	22	21	20	19	18	17	16	15	14	13	12	11	10	9	8	7	6	5	4	3	2	1	0
INTERP_FID0_C0														RESERVED		INTERP_FID0_C1														RESERVED	

Bits	Field Name	Description	Type	Reset
31:18	INTERP_FID0_C0	C0 coefficient for Interpolated Pixel. Use when field_id = 0	RW	0x0
17:16	RESERVED		RW	0x0
15:2	INTERP_FID0_C1	C1 coefficient for Interpolated Pixel. Use when field_id = 0	RW	0x0
1:0	RESERVED		RW	0x0

Table 10-118. Register Call Summary for Register VPE_REG2

VPE Functional Description

- [Coefficient Configuration: \[0\]\[1\]\[2\]\[3\]](#)

VPE Register Manual

- [VPE_CHR_US Register Summary: \[4\]](#)

Table 10-119. VPE_REG3

Address Offset	0x0000 0010	Instance	VPE_CHR_US_INST_0
Physical Address	0x489D 0310 0x489D 0410 0x489D 0510		VPE_CHR_US_INST_1 VPE_CHR_US_INST_2
Description			
Type	RW		

31	30	29	28	27	26	25	24	23	22	21	20	19	18	17	16	15	14	13	12	11	10	9	8	7	6	5	4	3	2	1	0
INTERP_FID0_C2														RESERVED		INTERP_FID0_C3														RESERVED	

Bits	Field Name	Description	Type	Reset
31:18	INTERP_FID0_C2	C2 coefficient for Interpolated Pixel. Use when field_id = 0	RW	0x0
17:16	RESERVED		RW	0x0
15:2	INTERP_FID0_C3	C3 coefficient for Interpolated Pixel. Use when field_id = 0	RW	0x0
1:0	RESERVED		RW	0x0

Table 10-120. Register Call Summary for Register VPE_REG3

VPE Functional Description

- [Coefficient Configuration: \[0\]\[1\]\[2\]\[3\]](#)

VPE Register Manual

- [VPE_CHR_US Register Summary: \[4\]](#)

Table 10-121. VPE_REG4

Address Offset	0x0000 0014	Instance	VPE_CHR_US_INST_0
Physical Address	0x489D 0314 0x489D 0414 0x489D 0514		VPE_CHR_US_INST_1 VPE_CHR_US_INST_2
Description			
Type	RW		

31	30	29	28	27	26	25	24	23	22	21	20	19	18	17	16	15	14	13	12	11	10	9	8	7	6	5	4	3	2	1	0
ANCHOR_FID1_C0														RESERVED		ANCHOR_FID1_C1														RESERVED	

Bits	Field Name	Description	Type	Reset
31:18	ANCHOR_FID1_C0	C0 coefficient for Anchor Pixel. Use when field_id = 1	RW	0x0
17:16	RESERVED		R	0x0
15:2	ANCHOR_FID1_C1	C1 coefficient for Anchor Pixel. Use when field_id = 1	RW	0x0
1:0	RESERVED		R	0x0

Table 10-122. Register Call Summary for Register VPE_REG4

VPE Functional Description	<ul style="list-style-type: none"> • Coefficient Configuration: [0][1][2]
VPE Register Manual	<ul style="list-style-type: none"> • VPE_CHR_US Register Summary: [3]

Table 10-123. VPE_REG5

Address Offset	0x0000 0018	Instance	VPE_CHR_US_INST_0
Physical Address	0x489D 0318 0x489D 0418 0x489D 0518		VPE_CHR_US_INST_1 VPE_CHR_US_INST_2
Description			
Type	RW		

31	30	29	28	27	26	25	24	23	22	21	20	19	18	17	16	15	14	13	12	11	10	9	8	7	6	5	4	3	2	1	0
ANCHOR_FID1_C2														RESERVED		ANCHOR_FID1_C3														RESERVED	

Bits	Field Name	Description	Type	Reset
31:18	ANCHOR_FID1_C2	C2 coefficient for Anchor Pixel. Use when field_id = 1	RW	0x0
17:16	RESERVED		R	0x0
15:2	ANCHOR_FID1_C3	C3 coefficient for Anchor Pixel. Use when field_id = 1	RW	0x0
1:0	RESERVED		R	0x0

Table 10-124. Register Call Summary for Register VPE_REG5

VPE Functional Description	<ul style="list-style-type: none"> • Coefficient Configuration: [0][1]
VPE Register Manual	<ul style="list-style-type: none"> • VPE_CHR_US Register Summary: [2]

Table 10-125. VPE_REG6

Address Offset	0x0000 001C	Instance	VPE_CHR_US_INST_0
Physical Address	0x489D 031C 0x489D 041C 0x489D 051C		VPE_CHR_US_INST_1 VPE_CHR_US_INST_2
Description			
Type	RW		

31	30	29	28	27	26	25	24	23	22	21	20	19	18	17	16	15	14	13	12	11	10	9	8	7	6	5	4	3	2	1	0
INTERP_FID1_C0														RESERVED		INTERP_FID1_C1														RESERVED	

Bits	Field Name	Description	Type	Reset
31:18	INTERP_FID1_C0	C0 coefficient for Interpolated Pixel. Use when field_id = 1	RW	0x0
17:16	RESERVED		R	0x0
15:2	INTERP_FID1_C1	C1 coefficient for Interpolated Pixel. Use when field_id = 1	RW	0x0
1:0	RESERVED		R	0x0

Table 10-126. Register Call Summary for Register VPE_REG6

VPE Functional Description

- [Coefficient Configuration: \[0\]\[1\]](#)

VPE Register Manual

- [VPE_CHR_US Register Summary: \[2\]](#)

Table 10-127. VPE_REG7

Address Offset	0x0000 0020	Instance	VPE_CHR_US_INST_0 VPE_CHR_US_INST_1 VPE_CHR_US_INST_2
Physical Address	0x489D 0320 0x489D 0420 0x489D 0520		
Description			
Type	RW		

31	30	29	28	27	26	25	24	23	22	21	20	19	18	17	16	15	14	13	12	11	10	9	8	7	6	5	4	3	2	1	0
INTERP_FID1_C2												RESERVED		INTERP_FID1_C3												RESERVED					

Bits	Field Name	Description	Type	Reset
31:18	INTERP_FID1_C2	C2 coefficient for Interpolated Pixel. Use when field_id = 1	RW	0x0
17:16	RESERVED		R	0x0
15:2	INTERP_FID1_C3	C3 coefficient for Interpolated Pixel. Use when field_id = 1	RW	0x0
1:0	RESERVED		R	0x0

Table 10-128. Register Call Summary for Register VPE_REG7

VPE Functional Description

- [Coefficient Configuration: \[0\]\[1\]\[2\]](#)

VPE Register Manual

- [VPE_CHR_US Register Summary: \[3\]](#)

10.4.5 VPE_DEI Registers

10.4.5.1 VPE_DEI Register Summary

Table 10-129. VPE_DEI Registers Mapping Summary

Register Name	Type	Register Width (Bits)	Address Offset	VPE_DEI Base Address
VPE_DEI_REG0	RW	32	0x0000 0000	0x489D 0600

Table 10-129. VPE_DEI Registers Mapping Summary (continued)

Register Name	Type	Register Width (Bits)	Address Offset	VPE_DEI Base Address
VPE_DEI_REG1	RW	32	0x0000 0004	0x489D 0604
VPE_DEI_REG2	RW	32	0x0000 0008	0x489D 0608
VPE_DEI_REG3	RW	32	0x0000 000C	0x489D 060C
VPE_DEI_REG4	RW	32	0x0000 0010	0x489D 0610
VPE_DEI_REG5	RW	32	0x0000 0014	0x489D 0614
VPE_DEI_REG6	RW	32	0x0000 0018	0x489D 0618
VPE_DEI_REG7	RW	32	0x0000 001C	0x489D 061C
VPE_DEI_REG8	RW	32	0x0000 0020	0x489D 0620
VPE_DEI_REG9	RW	32	0x0000 0024	0x489D 0624
VPE_DEI_REG10	RW	32	0x0000 0028	0x489D 0628
VPE_DEI_REG11	RW	32	0x0000 002C	0x489D 062C
VPE_DEI_REG12	R	32	0x0000 0030	0x489D 0630
VPE_DEI_REG13	R	32	0x0000 0034	0x489D 0634
VPE_DEI_REG14	R	32	0x0000 0038	0x489D 0638

10.4.5.2 VPE_DEI Register Description

Table 10-130. VPE_DEI_REG0

Address Offset	0x0000 0000	Instance	VPE_DEI
Physical Address	0x489D 0600		
Description			
Type	RW		

31	30	29	28	27	26	25	24	23	22	21	20	19	18	17	16	15	14	13	12	11	10	9	8	7	6	5	4	3	2	1	0
PROGRESSIVE_BYPASS	FIELD_FLUSH	INTERLACE_BYPASS	RESERVED	HEIGHT												RESERVED					WIDTH										

Bits	Field Name	Description	Type	Reset
31	PROGRESSIVE_BYPASS	Progressive Mode 0x0 : Normal Deinterlace Mode 0x1 : Progressive source	RW	0x0
30	FIELD_FLUSH	Field Flush Mode 0x0 : Normal Operation 0x1 : Flush Internal Pipe for Current output Frame	RW	0x0
29	INTERLACE_BYPASS	Interlace Bypass Mode 0x0 : Normal Deinterlace Mode 0x1 : Pass Interlace Content directly to output	RW	0x0
28:27	RESERVED	Always read as 0	R	0x0
26:16	HEIGHT	Frame Height	RW	0x0

Bits	Field Name	Description	Type	Reset
15:11	RESERVED	Always read as 0	R	0x0
10:0	WIDTH	Frame Width	RW	0x0

Table 10-131. Register Call Summary for Register VPE_DEI_REG0

VPE Functional Description

- [Bypass Mode: \[0\]\[1\]](#)

VPE Register Manual

- [VPE_DEI Register Summary: \[2\]](#)

Table 10-132. VPE_DEI_REG1

Address Offset	0x0000 0004	Instance	VPE_DEI
Physical Address	0x489D 0604		
Description			
Type	RW		

31	30	29	28	27	26	25	24	23	22	21	20	19	18	17	16	15	14	13	12	11	10	9	8	7	6	5	4	3	2	1	0
RESERVED																MDT_SPATMAX_BYPASS		MDT_TEMPMAX_BYPASS													

Bits	Field Name	Description	Type	Reset
31:2	RESERVED		R	0x0
1	MDT_SPATMAX_BYPASS	Spatial Maximum Filtering Bypass for motion values used in EDI 0x0 : Enable 0x1 : Bypass	RW	0x0
0	MDT_TEMPMAX_BYPASS	Spatio-temporal Maximum Filtering Bypass for motion valued used in EDI 0x0 : Enable 0x1 : Bypass	RW	0x0

Table 10-133. Register Call Summary for Register VPE_DEI_REG1

VPE Register Manual

- [VPE_DEI Register Summary: \[0\]](#)

Table 10-134. VPE_DEI_REG2

Address Offset	0x0000 0008	Instance	VPE_DEI
Physical Address	0x489D 0608		
Description			
Type	RW		

31	30	29	28	27	26	25	24	23	22	21	20	19	18	17	16	15	14	13	12	11	10	9	8	7	6	5	4	3	2	1	0
MDT_MVSTMAX_COR_THR				MDT_MV_COR_THR				MDT_SF_SC_THR3								MDT_SF_SC_THR2								MDT_SF_SC_THR1							

Bits	Field Name	Description	Type	Reset
31:28	MDT_MVSTMAX_COR_THR	This is used for increasing noise robustness. Increasing this threshold leads to more robustness to noise, but with the potential of introducing ghosting effect. Note that this threshold is used for motion values for EDI only, and it is in addition mdt_mv_cor_thr.	RW	0x0
27:24	MDT_MV_COR_THR	This threshold is for the coring for motion value, mv. MDT will become more noise robust if this value increases. But the picture may be washed out if this value is set to high. This threshold can be interpreted as the noise threshold for calculating motion values for all blocks.	RW	0x0
23:16	MDT_SF_SC_THR3	Spatial frequency threshold 3	RW	0x0
15:8	MDT_SF_SC_THR2	Spatial frequency threshold 2	RW	0x0
7:0	MDT_SF_SC_THR1	Spatial frequency threshold It is used for adaptive scaling of motion values according to how busy the texture is. If the texture is flat, motion values need to be scaled up to reflect the sensitivity of motion values with respect to the detection error. Increasing the thresholds will make the motion value scaling more sensitive to the frequency of the texture. Note: 0 = mdt_sf_sc_thr1 = mdt_sf_sc_thr2 = mdt_sf_sc_thr3	RW	0x0

Table 10-135. Register Call Summary for Register VPE_DEI_REG2

VPE Functional Description

- [Bypass Mode: \[0\]\[1\]\[2\]](#)

VPE Register Manual

- [VPE_DEI Register Summary: \[3\]](#)

Table 10-136. VPE_DEI_REG3

Address Offset	0x0000 000C	Instance	VPE_DEI
Physical Address	0x489D 060C		
Description			
Type	RW		

31	30	29	28	27	26	25	24	23	22	21	20	19	18	17	16	15	14	13	12	11	10	9	8	7	6	5	4	3	2	1	0
EDI_COR_SCALE_FACTOR								EDI_DIR_COR_LOWER_THR								EDI_CHROMA3D_COR_THR								RESERVED				EDI_CHROMA_3D_ENABLE	EDI_ENABLE_3D	EDI_INP_MODE	

Bits	Field Name	Description	Type	Reset
31:24	EDI_COR_SCALE_FACTOR	Scaling factor for correlation along detected edge	RW	0x0
23:16	EDI_DIR_COR_LOWER_THR	Lower threshold used for correlation along detected edge	RW	0x0
15:8	EDI_CHROMA3D_COR_THR	Correlation threshold used in 3D processing for chroma. Because the motion values used for chroma 3D processing are based on luma only. Extra protection is needed. Temporal interpolation is only performed for chroma, when there is strong spatial or temporal correlation for the chroma pixel being processed. When the pixel difference is less than this threshold, it is assumed that there exists strong correlation between these two pixels. Thus, increasing this value leads to more chroma pixels being processed in 3D	RW	0x0
7:4	RESERVED		R	0x0
3	EDI_CHROMA_3D_ENABLE	3D Chroma Enable 0x0 : Disable 3D processing for chroma 0x1 : Enable 3D processing (temporal interpolation)	RW	0x0
2	EDI_ENABLE_3D	3D Enable 0x0 : Disable 3D processing 0x1 : Enable 3D processing (temporal interpolation)	RW	0x0
1:0	EDI_INP_MODE	Interpolation mode. Note that mode 00 and 01 are used for debug purpose 0x0 : line average 0x1 : field average 0x2 : edge-directed interpolation for luma only 0x3 : edge-directed interpolation for both luma and chroma	RW	0x0

Table 10-137. Register Call Summary for Register VPE_DEI_REG3

VPE Functional Description

- [Bypass Mode: \[0\]\[1\]\[2\]](#)

VPE Register Manual

- [VPE_DEI Register Summary: \[3\]](#)

Table 10-138. VPE_DEI_REG4

Address Offset	0x0000 0010	Instance	VPE_DEI
Physical Address	0x489D 0610		
Description			
Type	RW		

31	30	29	28	27	26	25	24	23	22	21	20	19	18	17	16	15	14	13	12	11	10	9	8	7	6	5	4	3	2	1	0
RESERVED								RESERVED								RESERVED								RESERVED							

Bits	Field Name	Description	Type	Reset
31:29	RESERVED		R	0x0
28:24	EDI_LUT3	EDI Lookup Table 3	RW	0x0
23:21	RESERVED	Always read as 0	R	0x0
20:16	EDI_LUT2	EDI Lookup Table 2	RW	0x0
15:13	RESERVED	Always read as 0	R	0x0

Bits	Field Name	Description	Type	Reset
12:8	EDI_LUT1	EDI Lookup Table 1	RW	0x0
7:5	RESERVED	Always read as 0	R	0x0
4:0	EDI_LUT0	EDI Lookup Table 0	RW	0x0

Table 10-139. Register Call Summary for Register VPE_DEI_REG4

VPE Register Manual

- [VPE_DEI Register Summary: \[0\]](#)

Table 10-140. VPE_DEI_REG5

Address Offset	0x0000 0014	Instance	VPE_DEI
Physical Address	0x489D 0614		
Description			
Type	RW		

31	30	29	28	27	26	25	24	23	22	21	20	19	18	17	16	15	14	13	12	11	10	9	8	7	6	5	4	3	2	1	0
RESERVED								RESERVED								RESERVED								RESERVED							

Bits	Field Name	Description	Type	Reset
31:29	RESERVED		R	0x0
28:24	EDI_LUT7	EDI Lookup Table 7	RW	0x0
23:21	RESERVED	Always read as 0	R	0x0
20:16	EDI_LUT6	EDI Lookup Table 6	RW	0x0
15:13	RESERVED	Always read as 0	R	0x0
12:8	EDI_LUT5	EDI Lookup Table 5	RW	0x0
7:5	RESERVED	Always read as 0	R	0x0
4:0	EDI_LUT4	EDI Lookup Table 4	RW	0x0

Table 10-141. Register Call Summary for Register VPE_DEI_REG5

VPE Register Manual

- [VPE_DEI Register Summary: \[0\]](#)

Table 10-142. VPE_DEI_REG6

Address Offset	0x0000 0018	Instance	VPE_DEI
Physical Address	0x489D 0618		
Description			
Type	RW		

31	30	29	28	27	26	25	24	23	22	21	20	19	18	17	16	15	14	13	12	11	10	9	8	7	6	5	4	3	2	1	0
RESERVED								RESERVED								RESERVED								RESERVED							

Bits	Field Name	Description	Type	Reset
31:29	RESERVED		R	0x0
28:24	EDI_LUT11	EDI Lookup Table 11	RW	0x0
23:21	RESERVED	Always read as 0	R	0x0
20:16	EDI_LUT10	EDI Lookup Table 10	RW	0x0
15:13	RESERVED	Always read as 0	R	0x0
12:8	EDI_LUT9	EDI Lookup Table 9	RW	0x0
7:5	RESERVED	Always read as 0	R	0x0
4:0	EDI_LUT8	EDI Lookup Table 8	RW	0x0

Table 10-143. Register Call Summary for Register VPE_DEI_REG6

VPE Register Manual

- [VPE_DEI Register Summary: \[0\]](#)

Table 10-144. VPE_DEI_REG7

Address Offset	0x0000 001C	Instance	VPE_DEI
Physical Address	0x489D 061C		
Description			
Type	RW		

31	30	29	28	27	26	25	24	23	22	21	20	19	18	17	16	15	14	13	12	11	10	9	8	7	6	5	4	3	2	1	0
RESERVED	EDI_LUT15							RESERVED	EDI_LUT14							RESERVED	EDI_LUT13							RESERVED	EDI_LUT12						

Bits	Field Name	Description	Type	Reset
31:29	RESERVED		R	0x0
28:24	EDI_LUT15	EDI Lookup Table 15	RW	0x0
23:21	RESERVED	Always read as 0	R	0x0
20:16	EDI_LUT14	EDI Lookup Table 14	RW	0x0
15:13	RESERVED	Always read as 0	R	0x0
12:8	EDI_LUT13	EDI Lookup Table 13	RW	0x0
7:5	RESERVED	Always read as 0	R	0x0
4:0	EDI_LUT12	EDI Lookup Table 12	RW	0x0

Table 10-145. Register Call Summary for Register VPE_DEI_REG7

VPE Register Manual

- [VPE_DEI Register Summary: \[0\]](#)

Table 10-146. VPE_DEI_REG8

Address Offset	0x0000 0020	Instance	VPE_DEI
Physical Address	0x489D 0620		
Description			
Type	RW		

31	30	29	28	27	26	25	24	23	22	21	20	19	18	17	16	15	14	13	12	11	10	9	8	7	6	5	4	3	2	1	0
FMD_WINDOW_ENABLE				RESERVED				FMD_WINDOW_MAXX								RESERVED				FMD_WINDOW_MINX											

Bits	Field Name	Description	Type	Reset
31	FMD_WINDOW_ENABLE	Enable FMD operation window	RW	0x0
30:27	RESERVED		R	0x0
26:16	FMD_WINDOW_MAXX	Right boundary of FMD operation window Must be less than width	RW	0x0
15:11	RESERVED		R	0x0
10:0	FMD_WINDOW_MINX	Left boundary of FMD operation window	RW	0x0

Table 10-147. Register Call Summary for Register VPE_DEI_REG8

VPE Functional Description

- [Bypass Mode: \[0\]\[1\]](#)

VPE Register Manual

- [VPE_DEI Register Summary: \[2\]](#)

Table 10-148. VPE_DEI_REG9

Address Offset	0x0000 0024	Instance	VPE_DEI
Physical Address	0x489D 0624		
Description			
Type	RW		

31	30	29	28	27	26	25	24	23	22	21	20	19	18	17	16	15	14	13	12	11	10	9	8	7	6	5	4	3	2	1	0
RESERVED				FMD_WINDOW_MAXY								RESERVED				FMD_WINDOW_MINY															

Bits	Field Name	Description	Type	Reset
31:27	RESERVED		R	0x0
26:16	FMD_WINDOW_MAXY	Bottom boundary of FMD operation window Must be less than height/2	RW	0x0
15:11	RESERVED		R	0x0
10:0	FMD_WINDOW_MINY	Top boundary of FMD operation window	RW	0x0

Table 10-149. Register Call Summary for Register VPE_DEI_REG9

VPE Functional Description

- [Bypass Mode: \[0\]\[1\]](#)

VPE Register Manual

- [VPE_DEI Register Summary: \[2\]](#)

Table 10-150. VPE_DEI_REG10

Address Offset	0x0000 0028	Instance	VPE_DEI
Physical Address	0x489D 0628		
Description			
Type	RW		

31	30	29	28	27	26	25	24	23	22	21	20	19	18	17	16	15	14	13	12	11	10	9	8	7	6	5	4	3	2	1	0
FMD_CAF_LINE_THR								FMD_CAF_FIELD_THR								RESERVED								FMD_BED_ENABLE	FMD_JAM_DIR	FMD_LOCK	FMD_ENABLE				

Bits	Field Name	Description	Type	Reset
31:24	FMD_CAF_LINE_THR	CAF threshold used for the pixels from two lines in one field This is the threshold used for combing artifacts detection. The difference of two consecutive lines from the same field (so there is one line in between if two fields are merged into one progressive frame) is compared with this threshold. Decreasing this threshold leads to be more conservative in detecting CAF. Both fmd_caf_field_thr and fmd_caf_line_thr are close the values that two pixels differed by this value is observable.	RW	0x0
23:16	FMD_CAF_FIELD_THR	CAF threshold used for the pixels from two fields This is the threshold used for combing artifacts detection. The difference of two consecutive lines (when merging two fields into one progressive frame) is used to compare with this threshold. Increasing this threshold leads to be more conservative in detecting CAF.	RW	0x0
15:4	RESERVED		R	0x0
3	FMD_BED_ENABLE	Film Mode Bad Edit Detection 0x0 : Disable 0x1 : Enable	RW	0x0
2	FMD_JAM_DIR	Film Mode Field Jamming Direction 0x0 : Current field jammed with previous field 0x1 : Current field jammed with next field	RW	0x0
1	FMD_LOCK	Film Mode Field Jamming Direction 0x0 : Current field jammed with previous field 0x1 : Current field jammed with next field	RW	0x0
0	FMD_ENABLE	Enable film mode processing 0x0 : Disable 0x1 : Enable	RW	0x0

Table 10-151. Register Call Summary for Register VPE_DEI_REG10

VPE Functional Description

- [Bypass Mode: \[0\]\[1\]\[2\]](#)

VPE Register Manual

- [VPE_DEI Register Summary: \[3\]](#)

Table 10-152. VPE_DEI_REG11

Address Offset	0x0000 002C	Instance	VPE_DEI
Physical Address	0x489D 062C		
Description			
Type	RW		

31	30	29	28	27	26	25	24	23	22	21	20	19	18	17	16	15	14	13	12	11	10	9	8	7	6	5	4	3	2	1	0
RESERVED								FMD_CAF_THR																							

Bits	Field Name	Description	Type	Reset
31:20	RESERVED		R	0x0
19:0	FMD_CAF_THR	CAF threshold used for leaving film mode: If the combing artifacts is greater than this threshold, CAF is detected and thus the state machine will be forced to leave the film mode. If the user prefers to be more conservative in using film mode, decrease this threshold.	RW	0x0

Table 10-153. Register Call Summary for Register VPE_DEI_REG11

VPE Functional Description

- [Bypass Mode: \[0\]](#)

VPE Register Manual

- [VPE_DEI Register Summary: \[1\]](#)

Table 10-154. VPE_DEI_REG12

Address Offset	0x0000 0030	Instance	VPE_DEI
Physical Address	0x489D 0630		
Description			
Type	RW		

31	30	29	28	27	26	25	24	23	22	21	20	19	18	17	16	15	14	13	12	11	10	9	8	7	6	5	4	3	2	1	0
RESERVED								FMD_RESET	RESERVED			FMD_CAF																			

Bits	Field Name	Description	Type	Reset
31:25	RESERVED		R	0x0
24	FMD_RESET	When "1", the film mode detection module needs to be reset by the software. This bit needs to be checked at each occurrence of the film mode detection interrupt	R	0x0
23:21	RESERVED		R	0x0
20:0	FMD_CAF	Detected combing artifacts	R	0x0

Table 10-155. Register Call Summary for Register VPE_DEI_REG12

VPE Functional Description

- [Bypass Mode: \[0\]\[1\]](#)

VPE Register Manual

- [VPE_DEI Register Summary: \[2\]](#)

Table 10-156. VPE_DEI_REG13

Address Offset	0x0000 0034	Instance	VPE_DEI
Physical Address	0x489D 0634		
Description			
Type	R		

31	30	29	28	27	26	25	24	23	22	21	20	19	18	17	16	15	14	13	12	11	10	9	8	7	6	5	4	3	2	1	0
RESERVED								FMD_FIELD_DIFF																							

Bits	Field Name	Description	Type	Reset
31:28	RESERVED		R	0x0
27:0	FMD_FIELD_DIFF	Field difference (difference between two neighboring fields, one top and one bottom)	R	0x0

Table 10-157. Register Call Summary for Register VPE_DEI_REG13

VPE Functional Description

- [Bypass Mode: \[0\]](#)

VPE Register Manual

- [VPE_DEI Register Summary: \[1\]](#)

Table 10-158. VPE_DEI_REG14

Address Offset	0x0000 0038	Instance	VPE_DEI
Physical Address	0x489D 0638		
Description			
Type	R		

31	30	29	28	27	26	25	24	23	22	21	20	19	18	17	16	15	14	13	12	11	10	9	8	7	6	5	4	3	2	1	0
RESERVED												FMD_FRAME_DIFF																			

Bits	Field Name	Description	Type	Reset
31:20	RESERVED		R	0x0
19:0	FMD_FRAME_DIFF	Frame difference (difference between two top or two bottom fields)	R	0x0

Table 10-159. Register Call Summary for Register VPE_DEI_REG14

VPE Functional Description

- [Bypass Mode: \[0\]](#)

VPE Register Manual

- [VPE_DEI Register Summary: \[1\]](#)

10.4.6 VPE_VPDMA Registers

NOTE: The functionality of the following sets of registers is not supported by VPE VPDMA in this family of devices:

- All VPE_INT1_* registers
- All VPE_INT2_* registers
- All VPE_INT3_* registers

The following channels are not used by VPE VPDMA in this family of devices. All register bit-fields corresponding to these channels should be kept at their reset value.

- VIP1_*, except for the following:
 - VIP1_PORTA_RGB
 - VIP1_PORTA_LUMA
 - VIP1_PORTA_CHROMA
 - VIP2_*
 - GRPX_*
 - SCALER_OUT
 - SCALER_LUMA
 - SCALER_CHROMA
 - NF_*
 - TRANSCODE1_*
 - TRANSCODE2_*
 - AUX_IN
 - PIP_FRAME
 - POST_COMP_WR
 - VBI_SD_VENC
-

NOTE: The following clients are not used by VPE VPDMA in this family of devices. All register bit-fields corresponding to these clients should be kept at their reset value.

- VIP1_*, except for the following:
 - VIP1_UP_UV
 - VIP1_UP_Y
- VIP2_*
- TRANS1_LUMA
- TRANS1_CHROMA
- TRANS2_LUMA
- TRANS2_CHROMA
- HDMI_WRBK
- VBI_SDVENC
- NF_420_UV_OUT
- NF_420_Y_OUT
- NF_420_UV_IN
- NF_420_Y_IN
- NF_422_IN
- GRPX1_ST
- GRPX2_ST
- GRPX3_ST
- GRPX1_DATA
- GRPX2_DATA
- GRPX3_DATA
- PIP_WRBK
- SC_IN_*
- SC_OUT
- COMP_WRBK

10.4.6.1 VPE_VPDMA Register Summary

Table 10-160. VPE_VPDMA Registers Mapping Summary

Register Name	Type	Register Width (Bits)	Address Offset	VPE_VPDMA Base Address
VPE_VPDMA_PID	R	32	0x0000 0000	0x489D D000
VPE_LIST_ADDR	RW	32	0x0000 0004	0x489D D004
VPE_LIST_ATTR	RW	32	0x0000 0008	0x489D D008
VPE_LIST_STAT_SYNC	RW	32	0x0000 000C	0x489D D00C
VPE_BG_RGB	RW	32	0x0000 0018	0x489D D018
VPE_BG_YUV	RW	32	0x0000 001C	0x489D D01C
VPE_VPDMA_SETUP	RW	32	0x0000 0030	0x489D D030
VPE_MAX_SIZE1	RW	32	0x0000 0034	0x489D D034
VPE_MAX_SIZE2	RW	32	0x0000 0038	0x489D D038
VPE_MAX_SIZE3	RW	32	0x0000 003C	0x489D D03C
VPE_INT0_CHANNEL0_INT_STAT	RW	32	0x0000 0040	0x489D D040
VPE_INT0_CHANNEL0_INT_MASK	RW	32	0x0000 0044	0x489D D044
VPE_INT0_CHANNEL1_INT_STAT	RW	32	0x0000 0048	0x489D D048

Table 10-160. VPE_VPDMA Registers Mapping Summary (continued)

Register Name	Type	Register Width (Bits)	Address Offset	VPE_VPDMA Base Address
VPE_INT0_CHANNEL1_INT_MASK	RW	32	0x0000 004C	0x489D D04C
VPE_INT0_CHANNEL2_INT_STAT	RW	32	0x0000 0050	0x489D D050
VPE_INT0_CHANNEL2_INT_MASK	RW	32	0x0000 0054	0x489D D054
VPE_INT0_CHANNEL3_INT_STAT	RW	32	0x0000 0058	0x489D D058
VPE_INT0_CHANNEL3_INT_MASK	RW	32	0x0000 005C	0x489D D05C
VPE_INT0_CHANNEL4_INT_STAT	RW	32	0x0000 0060	0x489D D060
VPE_INT0_CHANNEL4_INT_MASK	RW	32	0x0000 0064	0x489D D064
VPE_INT0_CHANNEL5_INT_STAT	RW	32	0x0000 0068	0x489D D068
VPE_INT0_CHANNEL5_INT_MASK	RW	32	0x0000 006C	0x489D D06C
VPE_INT0_CLIENT0_INT_STAT	RW	32	0x0000 0078	0x489D D078
VPE_INT0_CLIENT0_INT_MASK	RW	32	0x0000 007C	0x489D D07C
VPE_INT0_CLIENT1_INT_STAT	RW	32	0x0000 0080	0x489D D080
VPE_INT0_CLIENT1_INT_MASK	RW	32	0x0000 0084	0x489D D084
VPE_INT0_LIST0_INT_STAT	RW	32	0x0000 0088	0x489D D088
VPE_INT0_LIST0_INT_MASK	RW	32	0x0000 008C	0x489D D08C
VPE_INT1_CHANNEL0_INT_STAT	RW	32	0x0000 0090	0x489D D090
VPE_INT1_CHANNEL0_INT_MASK	RW	32	0x0000 0094	0x489D D094
VPE_INT1_CHANNEL1_INT_STAT	RW	32	0x0000 0098	0x489D D098
VPE_INT1_CHANNEL1_INT_MASK	RW	32	0x0000 009C	0x489D D09C
VPE_INT1_CHANNEL2_INT_STAT	RW	32	0x0000 00A0	0x489D D0A0
VPE_INT1_CHANNEL2_INT_MASK	RW	32	0x0000 00A4	0x489D D0A4
VPE_INT1_CHANNEL3_INT_STAT	RW	32	0x0000 00A8	0x489D D0A8
VPE_INT1_CHANNEL3_INT_MASK	RW	32	0x0000 00AC	0x489D D0AC
VPE_INT1_CHANNEL4_INT_STAT	RW	32	0x0000 00B0	0x489D D0B0
VPE_INT1_CHANNEL4_INT_MASK	RW	32	0x0000 00B4	0x489D D0B4
VPE_INT1_CHANNEL5_INT_STAT	RW	32	0x0000 00B8	0x489D D0B8
VPE_INT1_CHANNEL5_INT_MASK	RW	32	0x0000 00BC	0x489D D0BC
VPE_INT1_CLIENT0_INT_STAT	RW	32	0x0000 00C8	0x489D D0C8
VPE_INT1_CLIENT0_INT_MASK	RW	32	0x0000 00CC	0x489D D0CC
VPE_INT1_LIST0_INT_STAT	RW	32	0x0000 00D8	0x489D D0D8
VPE_INT1_LIST0_INT_MASK	RW	32	0x0000 00DC	0x489D D0DC
VPE_INT2_CHANNEL0_INT_STAT	RW	32	0x0000 00E0	0x489D D0E0
VPE_INT2_CHANNEL0_INT_MASK	RW	32	0x0000 00E4	0x489D D0E4
VPE_INT2_CHANNEL1_INT_STAT	RW	32	0x0000 00E8	0x489D D0E8
VPE_INT2_CHANNEL1_INT_MASK	RW	32	0x0000 00EC	0x489D D0EC
VPE_INT2_CHANNEL2_INT_STAT	RW	32	0x0000 00F0	0x489D D0F0
VPE_INT2_CHANNEL2_INT_MASK	RW	32	0x0000 00F4	0x489D D0F4
VPE_INT2_CHANNEL3_INT_STAT	RW	32	0x0000 00F8	0x489D D0F8
VPE_INT2_CHANNEL3_INT_MASK	RW	32	0x0000 00FC	0x489D D0FC
VPE_INT2_CHANNEL4_INT_STAT	RW	32	0x0000 0100	0x489D D100
VPE_INT2_CHANNEL4_INT_MASK	RW	32	0x0000 0104	0x489D D104
VPE_INT2_CHANNEL5_INT_STAT	RW	32	0x0000 0108	0x489D D108
VPE_INT2_CHANNEL5_INT_MASK	RW	32	0x0000 010C	0x489D D10C
VPE_INT2_CLIENT0_INT_STAT	RW	32	0x0000 0118	0x489D D118
VPE_INT2_CLIENT0_INT_MASK	RW	32	0x0000 011C	0x489D D11C
VPE_INT2_LIST0_INT_STAT	RW	32	0x0000 0128	0x489D D128

Table 10-160. VPE_VPDMA Registers Mapping Summary (continued)

Register Name	Type	Register Width (Bits)	Address Offset	VPE_VPDMA Base Address
VPE_INT2_LIST0_INT_MASK	RW	32	0x0000 012C	0x489D D12C
VPE_INT3_CHANNEL0_INT_STAT	RW	32	0x0000 0130	0x489D D130
VPE_INT3_CHANNEL0_INT_MASK	RW	32	0x0000 0134	0x489D D134
VPE_INT3_CHANNEL1_INT_STAT	RW	32	0x0000 0138	0x489D D138
VPE_INT3_CHANNEL1_INT_MASK	RW	32	0x0000 013C	0x489D D13C
VPE_INT3_CHANNEL2_INT_STAT	RW	32	0x0000 0140	0x489D D140
VPE_INT3_CHANNEL2_INT_MASK	RW	32	0x0000 0144	0x489D D144
VPE_INT3_CHANNEL3_INT_STAT	RW	32	0x0000 0148	0x489D D148
VPE_INT3_CHANNEL3_INT_MASK	RW	32	0x0000 014C	0x489D D14C
VPE_INT3_CHANNEL4_INT_STAT	RW	32	0x0000 0150	0x489D D150
VPE_INT3_CHANNEL4_INT_MASK	RW	32	0x0000 0154	0x489D D154
VPE_INT3_CHANNEL5_INT_STAT	RW	32	0x0000 0158	0x489D D158
VPE_INT3_CHANNEL5_INT_MASK	RW	32	0x0000 015C	0x489D D15C
VPE_INT3_CLIENT0_INT_STAT	RW	32	0x0000 0168	0x489D D168
VPE_INT3_CLIENT0_INT_MASK	RW	32	0x0000 016C	0x489D D16C
VPE_INT3_LIST0_INT_STAT	RW	32	0x0000 0178	0x489D D178
VPE_INT3_LIST0_INT_MASK	RW	32	0x0000 017C	0x489D D17C
VPE_PERF_MON0	RW	32	0x0000 0200	0x489D D200
VPE_PERF_MON1	RW	32	0x0000 0204	0x489D D204
VPE_PERF_MON2	RW	32	0x0000 0208	0x489D D208
VPE_PERF_MON3	RW	32	0x0000 020C	0x489D D20C
VPE_PERF_MON4	RW	32	0x0000 0210	0x489D D210
VPE_PERF_MON5	RW	32	0x0000 0214	0x489D D214
VPE_PERF_MON6	RW	32	0x0000 0218	0x489D D218
VPE_PERF_MON7	RW	32	0x0000 021C	0x489D D21C
VPE_PERF_MON8	RW	32	0x0000 0220	0x489D D220
VPE_PERF_MON9	RW	32	0x0000 0224	0x489D D224
VPE_PERF_MON10	RW	32	0x0000 0228	0x489D D228
VPE_PERF_MON11	RW	32	0x0000 022C	0x489D D22C
VPE_PERF_MON12	RW	32	0x0000 0230	0x489D D230
VPE_PERF_MON13	RW	32	0x0000 0234	0x489D D234
VPE_PERF_MON14	RW	32	0x0000 0238	0x489D D238
VPE_PERF_MON15	RW	32	0x0000 023C	0x489D D23C
VPE_PERF_MON16	RW	32	0x0000 0240	0x489D D240
VPE_PERF_MON17	RW	32	0x0000 0244	0x489D D244
VPE_PERF_MON18	RW	32	0x0000 0248	0x489D D248
VPE_PERF_MON19	RW	32	0x0000 024C	0x489D D24C
VPE_PERF_MON20	RW	32	0x0000 0250	0x489D D250
VPE_PERF_MON21	RW	32	0x0000 0254	0x489D D254
VPE_PERF_MON22	RW	32	0x0000 0258	0x489D D258
VPE_PERF_MON23	RW	32	0x0000 025C	0x489D D25C
VPE_PERF_MON24	RW	32	0x0000 0260	0x489D D260
VPE_PERF_MON25	RW	32	0x0000 0264	0x489D D264
VPE_PERF_MON26	RW	32	0x0000 0268	0x489D D268
VPE_PERF_MON27	RW	32	0x0000 026C	0x489D D26C
VPE_PERF_MON28	RW	32	0x0000 0270	0x489D D270

Table 10-160. VPE_VPDMA Registers Mapping Summary (continued)

Register Name	Type	Register Width (Bits)	Address Offset	VPE_VPDMA Base Address
VPE_PERF_MON29	RW	32	0x0000 0274	0x489D D274
VPE_PERF_MON30	RW	32	0x0000 0278	0x489D D278
VPE_PERF_MON31	RW	32	0x0000 027C	0x489D D27C
VPE_PERF_MON32	RW	32	0x0000 0280	0x489D D280
VPE_PERF_MON33	RW	32	0x0000 0284	0x489D D284
VPE_PERF_MON34	RW	32	0x0000 0288	0x489D D288
VPE_PERF_MON35	RW	32	0x0000 028C	0x489D D28C
VPE_PERF_MON36	RW	32	0x0000 0290	0x489D D290
VPE_PERF_MON37	RW	32	0x0000 0294	0x489D D294
VPE_PERF_MON38	RW	32	0x0000 0298	0x489D D298
VPE_PERF_MON39	RW	32	0x0000 029C	0x489D D29C
VPE_PERF_MON40	RW	32	0x0000 02A0	0x489D D2A0
VPE_PERF_MON41	RW	32	0x0000 02A4	0x489D D2A4
VPE_PERF_MON42	RW	32	0x0000 02A8	0x489D D2A8
VPE_PERF_MON43	RW	32	0x0000 02AC	0x489D D2AC
VPE_PERF_MON44	RW	32	0x0000 02B0	0x489D D2B0
VPE_PERF_MON45	RW	32	0x0000 02B4	0x489D D2B4
VPE_PERF_MON46	RW	32	0x0000 02B8	0x489D D2B8
VPE_PERF_MON47	RW	32	0x0000 02BC	0x489D D2BC
VPE_PERF_MON48	RW	32	0x0000 02C0	0x489D D2C0
VPE_PERF_MON49	RW	32	0x0000 02C4	0x489D D2C4
VPE_PERF_MON50	RW	32	0x0000 02C8	0x489D D2C8
VPE_PERF_MON51	RW	32	0x0000 02CC	0x489D D2CC
VPE_PERF_MON52	RW	32	0x0000 02D0	0x489D D2D0
VPE_PRI_CHROMA_CSTAT	RW	32	0x0000 0300	0x489D D300
VPE_PRI_LUMA_CSTAT	RW	32	0x0000 0304	0x489D D304
VPE_PRI_FLD1_LUMA_CSTAT	RW	32	0x0000 0308	0x489D D308
VPE_PRI_FLD1_CHROMA_CSTAT	RW	32	0x0000 030C	0x489D D30C
VPE_PRI_FLD2_LUMA_CSTAT	RW	32	0x0000 0310	0x489D D310
VPE_PRI_FLD2_CHROMA_CSTAT	RW	32	0x0000 0314	0x489D D314
VPE_PRI_MV0_CSTAT	RW	32	0x0000 0330	0x489D D330
VPE_PRI_MV_OUT_CSTAT	RW	32	0x0000 033C	0x489D D33C
VPE_VIP0_UP_Y_CSTAT	RW	32	0x0000 0390	0x489D D390
VPE_VIP0_UP_UV_CSTAT	RW	32	0x0000 0394	0x489D D394
VPE_VPI_CTL_CSTAT	RW	32	0x0000 03D0	0x489D D3D0

10.4.6.2 VPE_VPDMA Register Description

Table 10-161. VPE_VPDMA_PID

Address Offset	0x0000 0000	Instance	VPE_VPDMA
Physical Address	0x489D D000		
Description	This register follows the format described in PDR3.5		
Type	R		

31	30	29	28	27	26	25	24	23	22	21	20	19	18	17	16	15	14	13	12	11	10	9	8	7	6	5	4	3	2	1	0
SCHEME		FUNC															RTL					MAJOR			VPDMA_LOAD_COMPLETE	VPDMA_ACCESS_TYPE	MINOR				

Bits	Field Name	Description	Type	Reset
31:30	SCHEME	The scheme of the register used. Currently this is PDR 3.5 Scheme	R	0x0
29:16	FUNC	The function of the module being used. The value is for vpe0_vayu_vpdma.	R	0x0
15:11	RTL	RTL Release Version The PDR release number of this IP. After Bootup this value becomes the firmware Revision ID	R	0x0
10:8	MAJOR	Major Release Number	R	0x0
7	VPDMA_LOAD_COMPLETE	This bit will be 1 when the VPDMA state machines image and data image have successfully been fetched and loaded.	R	0x0
6	VPDMA_ACCESS_TYPE	After bootup this bit states how DMA transaction are setup by lists or through register access. 0x0 : Lists 0x1 : Register Access	R	0x0
5:0	MINOR	Minor Release Number	R	0x0

Table 10-162. Register Call Summary for Register VPE_VPDMA_PID

VPE Register Manual

- [VPE_VPDMA Register Summary: \[0\]](#)

Table 10-163. VPE_LIST_ADDR

Address Offset	0x0000 0004	Instance	VPE_VPDMA
Physical Address	0x489D D004		
Description	The location of a new list to begin processing.		
Type	RW		

31	30	29	28	27	26	25	24	23	22	21	20	19	18	17	16	15	14	13	12	11	10	9	8	7	6	5	4	3	2	1	0
LIST_ADDR																															

Bits	Field Name	Description	Type	Reset
31:0	LIST_ADDR	Location of a new list of descriptors. This register must be written with the VPDMA Configuration Location after reset.	RW	0x0

Table 10-164. Register Call Summary for Register VPE_LIST_ADDR

VPE Functional Description

- [VPDMA Introduction:](#)
- [VPDMA Basic Definitions: \[1\]\[2\]](#)
- [VPDMA Configuration: \[3\]\[4\]\[5\]](#)

Table 10-164. Register Call Summary for Register VPE_LIST_ADDR (continued)

VPE Register Manual

- [VPE_VPDMA Register Summary: \[6\]](#)
- [VPE_VPDMA Register Description: \[7\]](#)

Table 10-165. VPE_LIST_ATTR

Address Offset	0x0000 0008	Instance	VPE_VPDMA
Physical Address	0x489D D008		
Description	The attributes of a new list. This register should always be written after list_addr.		
Type	RW		

31	30	29	28	27	26	25	24	23	22	21	20	19	18	17	16	15	14	13	12	11	10	9	8	7	6	5	4	3	2	1	0
RESERVED				LIST_NUM			RESERVED	STOP	RDY	LIST_TYPE			LIST_SIZE																		

Bits	Field Name	Description	Type	Reset
31:27	RESERVED		R	0x0
26:24	LIST_NUM	The list number that should be assigned to the list located at LIST_ADDR. If the list is still active this will block all future list writes until the list is available.	RW	0x0
23:21	RESERVED		R	0x0
20	STOP	This bit is written with the LIST_NUMBER field to stop a self-modifying list. When this bit is written a one the list specified by the LIST_NUMBER is sent a stop signal and will finish the current frame of transfers and then free the list resources.	RW	0x0
19	RDY	This bit is low when a new list cannot be written to the VPE_LIST_ADDR register. The reasons this bit would be low are at initial startup if the LIST_MANAGER State Machine image has not completed loading. It also would be low if the last write to the LIST_ATTR attempted to start a list that is currently active. When this bit is low any writes to the list address register will cause access to not be accepted until this bit has set by the previous list having completed.	R	0x0
18:16	LIST_TYPE	The type of list that has been generated. 0x0 : Normal List 0x1 : Self-Modifying List 0x2 : List Doorbell Others Reserved for future use	RW	0x0
15:0	LIST_SIZE	Number of 128 bit word in the new list of descriptors. Writes to this register will activate the list in the list stack of the list manager and begin transfer of the list into VPDMA. This size can not be 0.	RW	0x0

Table 10-166. Register Call Summary for Register VPE_LIST_ATTR

VPE Functional Description

- [VPDMA Configuration: \[0\]\[1\]\[2\]](#)

VPE Register Manual

- [VPE_VPDMA Register Summary: \[3\]](#)

Table 10-167. VPE_LIST_STAT_SYNC

Address Offset	0x0000 000C	Instance	VPE_VPDMA
Physical Address	0x489D D00C		
Description	The register is used for processor to List Manager synchronization and status registers for the list.		
Type	RW		

31	30	29	28	27	26	25	24	23	22	21	20	19	18	17	16	15	14	13	12	11	10	9	8	7	6	5	4	3	2	1	0
RESERVED								LIST7_BUSY	LIST6_BUSY	LIST5_BUSY	LIST4_BUSY	LIST3_BUSY	LIST2_BUSY	LIST1_BUSY	LIST0_BUSY	RESERVED								SYNC_LISTS7	SYNC_LISTS6	SYNC_LISTS5	SYNC_LISTS4	SYNC_LISTS3	SYNC_LISTS2	SYNC_LISTS1	SYNC_LISTS0

Bits	Field Name	Description	Type	Reset
31:24	RESERVED		R	0x0
23	LIST7_BUSY	The list 7 is currently running. Any attempt to load a new list to list 7 will result in the LM_ADDR and LM_ATTR registers to be locked until the list is complete and this value goes to 0.	R	0x0
22	LIST6_BUSY	The list 6 is currently running. Any attempt to load a new list to list 6 will result in the LM_ADDR and LM_ATTR registers to be locked until the list is complete and this value goes to 0.	R	0x0
21	LIST5_BUSY	The list 5 is currently running. Any attempt to load a new list to list 5 will result in the LM_ADDR and LM_ATTR registers to be locked until the list is complete and this value goes to 0.	R	0x0
20	LIST4_BUSY	The list 4 is currently running. Any attempt to load a new list to list 4 will result in the LM_ADDR and LM_ATTR registers to be locked until the list is complete and this value goes to 0.	R	0x0
19	LIST3_BUSY	The list 3 is currently running. Any attempt to load a new list to list 3 will result in the LM_ADDR and LM_ATTR registers to be locked until the list is complete and this value goes to 0.	R	0x0
18	LIST2_BUSY	The list 2 is currently running. Any attempt to load a new list to list 2 will result in the LM_ADDR and LM_ATTR registers to be locked until the list is complete and this value goes to 0.	R	0x0
17	LIST1_BUSY	The list 1 is currently running. Any attempt to load a new list to list 1 will result in the LM_ADDR and LM_ATTR registers to be locked until the list is complete and this value goes to 0.	R	0x0
16	LIST0_BUSY	The list 0 is currently running. Any attempt to load a new list to list 0 will result in the LM_ADDR and LM_ATTR registers to be locked until the list is complete and this value goes to 0.	R	0x0
15:8	RESERVED		R	0x0
7	SYNC_LISTS7	Writing a 1 to this field causes a sync event to fire that clears a Control Descriptor in List 7 waiting on it.	RW	0x0
6	SYNC_LISTS6	Writing a 1 to this field causes a sync event to fire that clears a Control Descriptor in List 6 waiting on it.	RW	0x0
5	SYNC_LISTS5	Writing a 1 to this field causes a sync event to fire that clears a Control Descriptor in List 5 waiting on it.	RW	0x0
4	SYNC_LISTS4	Writing a 1 to this field causes a sync event to fire that clears a Control Descriptor in List 4 waiting on it.	RW	0x0
3	SYNC_LISTS3	Writing a 1 to this field causes a sync event to fire that clears a Control Descriptor in List 3 waiting on it.	RW	0x0

Bits	Field Name	Description	Type	Reset
2	SYNC_LISTS2	Writing a 1 to this field causes a sync event to fire that clears a Control Descriptor in List 2 waiting on it.	RW	0x0
1	SYNC_LISTS1	Writing a 1 to this field causes a sync event to fire that clears a Control Descriptor in List 1 waiting on it.	RW	0x0
0	SYNC_LISTS0	Writing a 1 to this field causes a sync event to fire that clears a Control Descriptor in List 0 waiting on it.	RW	0x0

Table 10-168. Register Call Summary for Register VPE_LIST_STAT_SYNC

VPE Functional Description

- [VPDMA Descriptors: \[0\]\[1\]\[2\]](#)

VPE Register Manual

- [VPE_VPDMA Register Summary: \[3\]](#)

Table 10-169. VPE_BG_RGB

Address Offset	0x0000 0018	Instance	VPE_VPDMA
Physical Address	0x489D D018		
Description	The registers used to set the background color for RGB		
Type	RW		

31	30	29	28	27	26	25	24	23	22	21	20	19	18	17	16	15	14	13	12	11	10	9	8	7	6	5	4	3	2	1	0
RED								GREEN								BLUE								BLEND							

Bits	Field Name	Description	Type	Reset
31:24	RED	The red value to give on an RGB data port for a blank pixel when using virtual video buffering	RW	0x0
23:16	GREEN	The green value to give on an RGB data port for a blank pixel when using virtual video buffering	RW	0x0
15:8	BLUE	The blue value to give on an RGB data port for a blank pixel when using virtual video buffering	RW	0x0
7:0	BLEND	The blend value to give on an RGB data port for a blank pixel when using virtual video buffering	RW	0x0

Table 10-170. Register Call Summary for Register VPE_BG_RGB

VPE Functional Description

- [VPDMA Configuration:](#)
- [VPDMA Data Formats: \[3\]\[4\]](#)

VPE Register Manual

- [VPE_VPDMA Register Summary: \[5\]](#)

Table 10-171. VPE_BG_YUV

Address Offset	0x0000 001C	Instance	VPE_VPDMA
Physical Address	0x489D D01C		
Description	The registers used to set the background color for YUV		
Type	RW		

31	30	29	28	27	26	25	24	23	22	21	20	19	18	17	16	15	14	13	12	11	10	9	8	7	6	5	4	3	2	1	0
RESERVED								Y								CR								CB							

Bits	Field Name	Description	Type	Reset
31:24	RESERVED		R	0x0
23:16	Y	The Y value to give on a YUV data port for a blank pixel when using virtual video buffering	RW	0x0
15:8	CR	The Cr value to give on a YUV data port for a blank pixel when using virtual video buffering	RW	0x0
7:0	CB	The Cb value to give on a YUV data port for a blank pixel when using virtual video buffering	RW	0x0

Table 10-172. Register Call Summary for Register VPE_BG_YUV

VPE Functional Description

- [VPDMA Configuration](#):

VPE Register Manual

- [VPE_VPDMA Register Summary](#): [5]

Table 10-173. VPE_VPDMA_SETUP

Address Offset	0x0000 0030	Instance	VPE_VPDMA
Physical Address	0x489D D030		
Description	Configures global parameters that are shared by all clients.		
Type	RW		

31	30	29	28	27	26	25	24	23	22	21	20	19	18	17	16	15	14	13	12	11	10	9	8	7	6	5	4	3	2	1	0
RESERVED																															
SEC_BASE_CH																															

Bits	Field Name	Description	Type	Reset
31:1	RESERVED		R	0x0
0	SEC_BASE_CH	Use Secondary Channels for Mosaic mode	RW	0x0

Table 10-174. Register Call Summary for Register VPE_VPDMA_SETUP

VPE Functional Description

- [VPDMA Configuration](#):

VPE Register Manual

- [VPE_VPDMA Register Summary](#): [2]

Table 10-175. VPE_MAX_SIZE1

Address Offset	0x0000 0034	Instance	VPE_VPDMA
Physical Address	0x489D D034		
Description	Configures maximum width and maximum height global parameters that are shared by all clients to allow for configurable max width and max height when setting is 1 in write descriptor.		
Type	RW		

31	30	29	28	27	26	25	24	23	22	21	20	19	18	17	16	15	14	13	12	11	10	9	8	7	6	5	4	3	2	1	0
MAX_WIDTH																MAX_HEIGHT															

Bits	Field Name	Description	Type	Reset
31:16	MAX_WIDTH	The maximum width to use for setting of max_width 1 in a write descriptor. The value is the number of pixels + 1 so if 1024 pixels are required then set the value to 1023.	RW	0x0
15:0	MAX_HEIGHT	The maximum height to use for setting of max_height 1 in a write descriptor. The value is the number of lines + 1 so if 1024 lines are required then set the value to 1023.	RW	0x0

Table 10-176. Register Call Summary for Register VPE_MAX_SIZE1

VPE Functional Description

- [VPDMA Descriptors: \[0\]\[1\]\[2\]\[3\]\[4\]](#)

VPE Register Manual

- [VPE_VPDMA Register Summary: \[5\]](#)

Table 10-177. VPE_MAX_SIZE2

Address Offset	0x0000 0038	Instance	VPE_VPDMA
Physical Address	0x489D D038		
Description	Configures maximum width and maximum height global parameters that are shared by all clients to allow for configurable max width and max height when setting is 2 in write descriptor.		
Type	RW		

31	30	29	28	27	26	25	24	23	22	21	20	19	18	17	16	15	14	13	12	11	10	9	8	7	6	5	4	3	2	1	0
MAX_WIDTH																MAX_HEIGHT															

Bits	Field Name	Description	Type	Reset
31:16	MAX_WIDTH	The maximum width to use for setting of max_width 2 in a write descriptor. The value is the number of pixels + 1 so if 1024 pixels are required then set the value to 1023.	RW	0x0
15:0	MAX_HEIGHT	The maximum height to use for setting of max_height 2 in a write descriptor. The value is the number of lines + 1 so if 1024 lines are required then set the value to 1023.	RW	0x0

Table 10-178. Register Call Summary for Register VPE_MAX_SIZE2

VPE Functional Description

- [VPDMA Descriptors: \[0\]\[1\]\[2\]\[3\]\[4\]](#)

VPE Register Manual

- [VPE_VPDMA Register Summary: \[5\]](#)

Table 10-179. VPE_MAX_SIZE3

Address Offset	0x0000 003C	Instance	VPE_VPDMA
Physical Address	0x489D D03C		
Description	Configures maximum width and maximum height global parameters that are shared by all clients to allow for configurable max width and max height when setting is 3 in write descriptor.		
Type	RW		

31	30	29	28	27	26	25	24	23	22	21	20	19	18	17	16	15	14	13	12	11	10	9	8	7	6	5	4	3	2	1	0
MAX_WIDTH																MAX_HEIGHT															

Bits	Field Name	Description	Type	Reset
31:16	MAX_WIDTH	The maximum width to use for setting of max_width 3 in a write descriptor. The value is the number of pixels + 1 so if 1024 pixels are required then set the value to 1023.	RW	0x0
15:0	MAX_HEIGHT	The maximum height to use for setting of max_height 3 in a write descriptor. The value is the number of lines + 1 so if 1024 lines are required then set the value to 1023.	RW	0x0

Table 10-180. Register Call Summary for Register VPE_MAX_SIZE3

VPE Functional Description

- [VPDMA Descriptors: \[0\]\[1\]\[2\]\[3\]\[4\]](#)

VPE Register Manual

- [VPE_VPDMA Register Summary: \[5\]](#)

Table 10-181. VPE_INT0_CHANNEL0_INT_STAT

Address Offset	0x0000 0040	Instance	VPE_VPDMA
Physical Address	0x489D D040		
Description	This register gives the information of the interrupts that have triggered since last cleared by the process that is servicing vpdma_int0.		
Type	RW		

31	30	29	28	27	26	25	24	23	22	21	20	19	18	17	16	15	14	13	12	11	10	9	8	7	6	5	4	3	2	1	0	
INT_STAT_GRPX3	INT_STAT_GRPX2	INT_STAT_GRPX1	INT_STAT_SCALER_OUT	RESERVED								INT_STAT_SCALER_CHROMA	INT_STAT_SCALER_LUMA	INT_STAT_HQ_SCALER	RESERVED	INT_STAT_HQ_MV_OUT	RESERVED	INT_STAT_HQ_MV	RESERVED								INT_STAT_HQ_VID3_CHROMA	INT_STAT_HQ_VID3_LUMA	INT_STAT_HQ_VID2_CHROMA	INT_STAT_HQ_VID2_LUMA	INT_STAT_HQ_VID1_CHROMA	INT_STAT_HQ_VID1_LUMA

Bits	Field Name	Description	Type	Reset
31	INT_STAT_GRPX3	The last read DMA transaction has occurred for channel grpx3 and the channel is free to be updated for the next transfer. This will fire before the destination has received the data as it will have just been stored in the internal buffer. The client grpx3_data will now accept a new descriptor from the List Manager. This event will cause a one to be set in this register until cleared by software. Write a 1 to this field to clear the value.	RW	0x0
30	INT_STAT_GRPX2	The last read DMA transaction has occurred for channel grpx2 and the channel is free to be updated for the next transfer. This will fire before the destination has received the data as it will have just been stored in the internal buffer. The client grpx2_data will now accept a new descriptor from the List Manager. This event will cause a one to be set in this register until cleared by software. Write a 1 to this field to clear the value.	RW	0x0
29	INT_STAT_GRPX1	The last read DMA transaction has occurred for channel grpx1 and the channel is free to be updated for the next transfer. This will fire before the destination has received the data as it will have just been stored in the internal buffer. The client grpx1_data will now accept a new descriptor from the List Manager. This event will cause a one to be set in this register until cleared by software. Write a 1 to this field to clear the value.	RW	0x0

Bits	Field Name	Description	Type	Reset
28	INT_STAT_SCALER_OUT	The last write DMA transaction has completed for channel scaler_out. All data from the channel has been sent and received by the external memory. If a new channel has not been setup for the client sc_out then the client will be fully empty at this point. This event will cause a one to be set in this register until cleared by software. Write a 1 to this field to clear the value	RW	0x0
27:20	RESERVED	Reserved	R	0x00
19	INT_STAT_SCALER_CHROMA	The last write DMA transaction has completed for channel scaler_chroma. All data from the channel has been sent and received by the external memory. If a new channel has not been setup for the client then the client will be fully empty at this point. This event will cause a one to be set in this register until cleared by software. Write a 1 to this field to clear the value.	RW	0x0
18	INT_STAT_SCALER_LUMA	The last write DMA transaction has completed for channel scaler_luma. All data from the channel has been sent and received by the external memory. If a new channel has not been setup for the client then the client will be fully empty at this point. This event will cause a one to be set in this register until cleared by software. Write a 1 to this field to clear the value.	RW	0x0
17	INT_STAT_HQ_SCALER	The last write DMA transaction has completed for channel hq_scaler. All data from the channel has been sent and received by the external memory. If a new channel has not been setup for the client dei_sc_out then the client will be fully empty at this point. This event will cause a one to be set in this register until cleared by software. Write a 1 to this field to clear the value.	RW	0x0
16	RESERVED	Reserved	R	0x0
15	INT_STAT_HQ_MV_OUT	The last write DMA transaction has completed for channel hq_mv_out. All data from the channel has been sent and received by the external memory. If a new channel has not been setup for the client dei_hq_mv_out then the client will be fully empty at this point. This event will cause a one to be set in this register until cleared by software. Write a 1 to this field to clear the value.	RW	0x0
14:13	RESERVED	Reserved	R	0x0
12	INT_STAT_HQ_MV	The last read DMA transaction has occurred for channel hq_mv and the channel is free to be updated for the next transfer. This will fire before the destination has received the data as it will have just been stored in the internal buffer. The client dei_hq_mv_in will now accept a new descriptor from the List Manager. This event will cause a one to be set in this register until cleared by software. Write a 1 to this field to clear the value.	RW	0x0
11:6	RESERVED	Reserved	R	0x00
5	INT_STAT_HQ_VID3_CHROMA	The last write DMA transaction has completed for channel hq_vid3_chroma. All data from the channel has been sent and received by the external memory. If a new channel has not been setup for the client then the client will be fully empty at this point. This event will cause a one to be set in this register until cleared by software. Write a 1 to this field to clear the value.	RW	0x0
4	INT_STAT_HQ_VID3_LUMA	The last write DMA transaction has completed for channel hq_vid3_luma. All data from the channel has been sent and received by the external memory. If a new channel has not been setup for the client then the client will be fully empty at this point. This event will cause a one to be set in this register until cleared by software. Write a 1 to this field to clear the value.	RW	0x0

Bits	Field Name	Description	Type	Reset
3	INT_STAT_HQ_VID2_CHROMA	The last write DMA transaction has completed for channel hq_vid2_chroma. All data from the channel has been sent and received by the external memory. If a new channel has not been setup for the client then the client will be fully empty at this point. This event will cause a one to be set in this register until cleared by software. Write a 1 to this field to clear the value.	RW	0x0
2	INT_STAT_HQ_VID2_LUMA	The last write DMA transaction has completed for channel hq_vid2_luma. All data from the channel has been sent and received by the external memory. If a new channel has not been setup for the client then the client will be fully empty at this point. This event will cause a one to be set in this register until cleared by software. Write a 1 to this field to clear the value.	RW	0x0
1	INT_STAT_HQ_VID1_CHROMA	The last write DMA transaction has completed for channel hq_vid1_chroma. All data from the channel has been sent and received by the external memory. If a new channel has not been setup for the client then the client will be fully empty at this point. This event will cause a one to be set in this register until cleared by software. Write a 1 to this field to clear the value.	RW	0x0
0	INT_STAT_HQ_VID1_LUMA	The last write DMA transaction has completed for channel hq_vid1_luma. All data from the channel has been sent and received by the external memory. If a new channel has not been setup for the client then the client will be fully empty at this point. This event will cause a one to be set in this register until cleared by software. Write a 1 to this field to clear the value.	RW	0x0

Table 10-182. Register Call Summary for Register VPE_INT0_CHANNEL0_INT_STAT

VPE Functional Description

- [VPDMA Interrupts: \[0\]](#)

VPE Register Manual

- [VPE_VPDMA Register Summary: \[1\]](#)

Table 10-183. VPE_INT0_CHANNEL0_INT_MASK

Address Offset	0x0000 0044	Instance	VPE_VPDMA
Physical Address	0x489D D044		
Description	The register gives the information of the interrupts that should be masked and not generate an interrupt for vpdma_int0.		
Type	RW		

31	30	29	28	27	26	25	24	23	22	21	20	19	18	17	16	15	14	13	12	11	10	9	8	7	6	5	4	3	2	1	0
INT_MASK_GRPX3	INT_MASK_GRPX2	INT_MASK_GRPX1	INT_MASK_SCALER_OUT	RESERVED				INT_MASK_SCALER_CHROMA	INT_MASK_SCALER_LUMA	INT_MASK_HQ_SCALER	RESERVED	INT_MASK_HQ_MV_OUT	RESERVED	INT_MASK_HQ_MV	RESERVED				INT_MASK_HQ_VID3_CHROMA	INT_MASK_HQ_VID3_LUMA	INT_MASK_HQ_VID2_CHROMA	INT_MASK_HQ_VID2_LUMA	INT_MASK_HQ_VID1_CHROMA	INT_MASK_HQ_VID1_LUMA							

Bits	Field Name	Description	Type	Reset
31	INT_MASK_GRPX3	The interrupt for Graphics 2 Data should generate an interrupt on interrupt vpdma_int0. Write a 1 for the interrupt event to trigger the interrupt signal.	RW	0x0
30	INT_MASK_GRPX2	The interrupt for Graphics 1 Data should generate an interrupt on interrupt vpdma_int0. Write a 1 for the interrupt event to trigger the interrupt signal.	RW	0x0
29	INT_MASK_GRPX1	The interrupt for Graphics 0 Data should generate an interrupt on interrupt vpdma_int0. Write a 1 for the interrupt event to trigger the interrupt signal.	RW	0x0
28	INT_MASK_SCALER_OUT	The interrupt for Low Cost DEI Scaler Write to Memory should generate an interrupt on interrupt vpdma_int0. Write a 1 for the interrupt event to trigger the interrupt signal.	RW	0x0
27:20	RESERVED	Reserved	R	0x00
19	INT_MASK_SCALER_CHROMA	The interrupt for should generate an interrupt on interrupt vpdma_int0. Write a 1 for the interrupt event to trigger the interrupt signal.	RW	0x0
18	INT_MASK_SCALER_LUMA	The interrupt for should generate an interrupt on interrupt vpdma_int0. Write a 1 for the interrupt event to trigger the interrupt signal.	RW	0x0
17	INT_MASK_HQ_SCALER	The interrupt for High Quality DEI Scaler Write to Memory should generate an interrupt on interrupt vpdma_int0. Write a 1 for the interrupt event to trigger the interrupt signal.	RW	0x0
16	RESERVED	Reserved	R	0x0
15	INT_MASK_HQ_MV_OUT	The interrupt for Low Cost DEI Motion Vector Write should generate an interrupt on interrupt vpdma_int0. Write a 1 for the interrupt event to trigger the interrupt signal.	RW	0x0
14:13	RESERVED	Reserved	R	0x0
12	INT_MASK_HQ_MV	The interrupt for Low Cost DEI Motion Vector should generate an interrupt on interrupt vpdma_int0. Write a 1 for the interrupt event to trigger the interrupt signal.	RW	0x0
11:6	RESERVED	Reserved	R	0x00
5	INT_MASK_HQ_VID3_CHROMA	The interrupt for should generate an interrupt on interrupt vpdma_int0. Write a 1 for the interrupt event to trigger the interrupt signal.	RW	0x0
4	INT_MASK_HQ_VID3_LUMA	The interrupt for should generate an interrupt on interrupt vpdma_int0. Write a 1 for the interrupt event to trigger the interrupt signal.	RW	0x0
3	INT_MASK_HQ_VID2_CHROMA	The interrupt for should generate an interrupt on interrupt vpdma_int0. Write a 1 for the interrupt event to trigger the interrupt signal.	RW	0x0
2	INT_MASK_HQ_VID2_LUMA	The interrupt for should generate an interrupt on interrupt vpdma_int0. Write a 1 for the interrupt event to trigger the interrupt signal.	RW	0x0
1	INT_MASK_HQ_VID1_CHROMA	The interrupt for should generate an interrupt on interrupt vpdma_int0. Write a 1 for the interrupt event to trigger the interrupt signal.	RW	0x0
0	INT_MASK_HQ_VID1_LUMA	The interrupt for should generate an interrupt on interrupt vpdma_int0. Write a 1 for the interrupt event to trigger the interrupt signal.	RW	0x0

Table 10-184. Register Call Summary for Register VPE_INT0_CHANNEL0_INT_MASK

VPE Functional Description

- [VPDMA Interrupts: \[0\]](#)

VPE Register Manual

- [VPE_VPDMA Register Summary: \[1\]](#)

Table 10-185. VPE_INT0_CHANNEL1_INT_STAT

Address Offset	0x0000 0048	Instance	VPE_VPDMA
Physical Address	0x489D D048		
Description	This register gives the information of the interrupts that have triggered since last cleared by the process that is servicing vpdma_int0.		
Type	RW		

31	30	29	28	27	26	25	24	23	22	21	20	19	18	17	16	15	14	13	12	11	10	9	8	7	6	5	4	3	2	1	0					
INT_STAT_VIP1_MULT_PORTB_SRC9	INT_STAT_VIP1_MULT_PORTB_SRC8	INT_STAT_VIP1_MULT_PORTB_SRC7	INT_STAT_VIP1_MULT_PORTB_SRC6	INT_STAT_VIP1_MULT_PORTB_SRC5	INT_STAT_VIP1_MULT_PORTB_SRC4	INT_STAT_VIP1_MULT_PORTB_SRC3	INT_STAT_VIP1_MULT_PORTB_SRC2	INT_STAT_VIP1_MULT_PORTB_SRC1	INT_STAT_VIP1_MULT_PORTB_SRC0	INT_STAT_VIP1_MULT_PORTA_SRC15	INT_STAT_VIP1_MULT_PORTA_SRC14	INT_STAT_VIP1_MULT_PORTA_SRC13	INT_STAT_VIP1_MULT_PORTA_SRC12	INT_STAT_VIP1_MULT_PORTA_SRC11	INT_STAT_VIP1_MULT_PORTA_SRC10	INT_STAT_VIP1_MULT_PORTA_SRC9	INT_STAT_VIP1_MULT_PORTA_SRC8	INT_STAT_VIP1_MULT_PORTA_SRC7	INT_STAT_VIP1_MULT_PORTA_SRC6	INT_STAT_VIP1_MULT_PORTA_SRC5	INT_STAT_VIP1_MULT_PORTA_SRC4	INT_STAT_VIP1_MULT_PORTA_SRC3	INT_STAT_VIP1_MULT_PORTA_SRC2	INT_STAT_VIP1_MULT_PORTA_SRC1	INT_STAT_VIP1_MULT_PORTA_SRC0	RESERVED										

Bits	Field Name	Description	Type	Reset
31	INT_STAT_VIP1_MULT_PORTB_SRC9	The last write DMA transaction has completed for channel vip1_mult_portb_src9. All data from the channel has been sent and received by the external memory. If a new channel has not been setup for the client vip1_lo_uv then the client will be fully empty at this point. This event will cause a one to be set in this register until cleared by software. Write a 1 to this field to clear the value.	RW	0x0
30	INT_STAT_VIP1_MULT_PORTB_SRC8	The last write DMA transaction has completed for channel vip1_mult_portb_src8. All data from the channel has been sent and received by the external memory. If a new channel has not been setup for the client vip1_lo_uv then the client will be fully empty at this point. This event will cause a one to be set in this register until cleared by software. Write a 1 to this field to clear the value.	RW	0x0
29	INT_STAT_VIP1_MULT_PORTB_SRC7	The last write DMA transaction has completed for channel vip1_mult_portb_src7. All data from the channel has been sent and received by the external memory. If a new channel has not been setup for the client vip1_lo_uv then the client will be fully empty at this point. This event will cause a one to be set in this register until cleared by software. Write a 1 to this field to clear the value.	RW	0x0
28	INT_STAT_VIP1_MULT_PORTB_SRC6	The last write DMA transaction has completed for channel vip1_mult_portb_src6. All data from the channel has been sent and received by the external memory. If a new channel has not been setup for the client vip1_lo_uv then the client will be fully empty at this point. This event will cause a one to be set in this register until cleared by software. Write a 1 to this field to clear the value.	RW	0x0

Bits	Field Name	Description	Type	Reset
27	INT_STAT_VIP1_MULT_PORTB_SRC5	The last write DMA transaction has completed for channel vip1_mult_portb_src5. All data from the channel has been sent and received by the external memory. If a new channel has not been setup for the client vip1_lo_uv then the client will be fully empty at this point. This event will cause a one to be set in this register until cleared by software. Write a 1 to this field to clear the value.	RW	0x0
26	INT_STAT_VIP1_MULT_PORTB_SRC4	The last write DMA transaction has completed for channel vip1_mult_portb_src4. All data from the channel has been sent and received by the external memory. If a new channel has not been setup for the client vip1_lo_uv then the client will be fully empty at this point. This event will cause a one to be set in this register until cleared by software. Write a 1 to this field to clear the value.	RW	0x0
25	INT_STAT_VIP1_MULT_PORTB_SRC3	The last write DMA transaction has completed for channel vip1_mult_portb_src3. All data from the channel has been sent and received by the external memory. If a new channel has not been setup for the client vip1_lo_uv then the client will be fully empty at this point. This event will cause a one to be set in this register until cleared by software. Write a 1 to this field to clear the value.	RW	0x0
24	INT_STAT_VIP1_MULT_PORTB_SRC2	The last write DMA transaction has completed for channel vip1_mult_portb_src2. All data from the channel has been sent and received by the external memory. If a new channel has not been setup for the client vip1_lo_uv then the client will be fully empty at this point. This event will cause a one to be set in this register until cleared by software. Write a 1 to this field to clear the value.	RW	0x0
23	INT_STAT_VIP1_MULT_PORTB_SRC1	The last write DMA transaction has completed for channel vip1_mult_portb_src1. All data from the channel has been sent and received by the external memory. If a new channel has not been setup for the client vip1_lo_uv then the client will be fully empty at this point. This event will cause a one to be set in this register until cleared by software. Write a 1 to this field to clear the value.	RW	0x0
22	INT_STAT_VIP1_MULT_PORTB_SRC0	The last write DMA transaction has completed for channel vip1_mult_portb_src0. All data from the channel has been sent and received by the external memory. If a new channel has not been setup for the client vip1_lo_uv then the client will be fully empty at this point. This event will cause a one to be set in this register until cleared by software. Write a 1 to this field to clear the value.	RW	0x0
21	INT_STAT_VIP1_MULT_PORTA_SRC15	The last write DMA transaction has completed for channel vip1_mult_porta_src15. All data from the channel has been sent and received by the external memory. If a new channel has not been setup for the client vip1_lo_y then the client will be fully empty at this point. This event will cause a one to be set in this register until cleared by software. Write a 1 to this field to clear the value.	RW	0x0
20	INT_STAT_VIP1_MULT_PORTA_SRC14	The last write DMA transaction has completed for channel vip1_mult_porta_src14. All data from the channel has been sent and received by the external memory. If a new channel has not been setup for the client vip1_lo_y then the client will be fully empty at this point. This event will cause a one to be set in this register until cleared by software. Write a 1 to this field to clear the value.	RW	0x0

Bits	Field Name	Description	Type	Reset
19	INT_STAT_VIP1_MULT_PORTA_SRC13	The last write DMA transaction has completed for channel vip1_mult_porta_src13. All data from the channel has been sent and received by the external memory. If a new channel has not been setup for the client vip1_lo_y then the client will be fully empty at this point. This event will cause a one to be set in this register until cleared by software. Write a 1 to this field to clear the value.	RW	0x0
18	INT_STAT_VIP1_MULT_PORTA_SRC12	The last write DMA transaction has completed for channel vip1_mult_porta_src12. All data from the channel has been sent and received by the external memory. If a new channel has not been setup for the client vip1_lo_y then the client will be fully empty at this point. This event will cause a one to be set in this register until cleared by software. Write a 1 to this field to clear the value.	RW	0x0
17	INT_STAT_VIP1_MULT_PORTA_SRC11	The last write DMA transaction has completed for channel vip1_mult_porta_src11. All data from the channel has been sent and received by the external memory. If a new channel has not been setup for the client vip1_lo_y then the client will be fully empty at this point. This event will cause a one to be set in this register until cleared by software. Write a 1 to this field to clear the value.	RW	0x0
16	INT_STAT_VIP1_MULT_PORTA_SRC10	The last write DMA transaction has completed for channel vip1_mult_porta_src10. All data from the channel has been sent and received by the external memory. If a new channel has not been setup for the client vip1_lo_y then the client will be fully empty at this point. This event will cause a one to be set in this register until cleared by software. Write a 1 to this field to clear the value.	RW	0x0
15	INT_STAT_VIP1_MULT_PORTA_SRC9	The last write DMA transaction has completed for channel vip1_mult_porta_src9. All data from the channel has been sent and received by the external memory. If a new channel has not been setup for the client vip1_lo_y then the client will be fully empty at this point. This event will cause a one to be set in this register until cleared by software. Write a 1 to this field to clear the value.	RW	0x0
14	INT_STAT_VIP1_MULT_PORTA_SRC8	The last write DMA transaction has completed for channel vip1_mult_porta_src8. All data from the channel has been sent and received by the external memory. If a new channel has not been setup for the client vip1_lo_y then the client will be fully empty at this point. This event will cause a one to be set in this register until cleared by software. Write a 1 to this field to clear the value.	RW	0x0
13	INT_STAT_VIP1_MULT_PORTA_SRC7	The last write DMA transaction has completed for channel vip1_mult_porta_src7. All data from the channel has been sent and received by the external memory. If a new channel has not been setup for the client vip1_lo_y then the client will be fully empty at this point. This event will cause a one to be set in this register until cleared by software. Write a 1 to this field to clear the value.	RW	0x0
12	INT_STAT_VIP1_MULT_PORTA_SRC6	The last write DMA transaction has completed for channel vip1_mult_porta_src6. All data from the channel has been sent and received by the external memory. If a new channel has not been setup for the client vip1_lo_y then the client will be fully empty at this point. This event will cause a one to be set in this register until cleared by software. Write a 1 to this field to clear the value.	RW	0x0

Bits	Field Name	Description	Type	Reset
11	INT_STAT_VIP1_MULT_PORTA_SRC5	The last write DMA transaction has completed for channel vip1_mult_porta_src5. All data from the channel has been sent and received by the external memory. If a new channel has not been setup for the client vip1_lo_y then the client will be fully empty at this point. This event will cause a one to be set in this register until cleared by software. Write a 1 to this field to clear the value.	RW	0x0
10	INT_STAT_VIP1_MULT_PORTA_SRC4	The last write DMA transaction has completed for channel vip1_mult_porta_src4. All data from the channel has been sent and received by the external memory. If a new channel has not been setup for the client vip1_lo_y then the client will be fully empty at this point. This event will cause a one to be set in this register until cleared by software. Write a 1 to this field to clear the value.	RW	0x0
9	INT_STAT_VIP1_MULT_PORTA_SRC3	The last write DMA transaction has completed for channel vip1_mult_porta_src3. All data from the channel has been sent and received by the external memory. If a new channel has not been setup for the client vip1_lo_y then the client will be fully empty at this point. This event will cause a one to be set in this register until cleared by software. Write a 1 to this field to clear the value.	RW	0x0
8	INT_STAT_VIP1_MULT_PORTA_SRC2	The last write DMA transaction has completed for channel vip1_mult_porta_src2. All data from the channel has been sent and received by the external memory. If a new channel has not been setup for the client vip1_lo_y then the client will be fully empty at this point. This event will cause a one to be set in this register until cleared by software. Write a 1 to this field to clear the value.	RW	0x0
7	INT_STAT_VIP1_MULT_PORTA_SRC1	The last write DMA transaction has completed for channel vip1_mult_porta_src1. All data from the channel has been sent and received by the external memory. If a new channel has not been setup for the client vip1_lo_y then the client will be fully empty at this point. This event will cause a one to be set in this register until cleared by software. Write a 1 to this field to clear the value.	RW	0x0
6	INT_STAT_VIP1_MULT_PORTA_SRC0	The last write DMA transaction has completed for channel vip1_mult_porta_src0. All data from the channel has been sent and received by the external memory. If a new channel has not been setup for the client vip1_lo_y then the client will be fully empty at this point. This event will cause a one to be set in this register until cleared by software. Write a 1 to this field to clear the value.	RW	0x0
5:0	RESERVED	Reserved	R	0x00

Table 10-186. Register Call Summary for Register VPE_INT0_CHANNEL1_INT_STAT

VPE Functional Description

- [VPDMA Interrupts: \[0\]](#)

VPE Register Manual

- [VPE_VPDMA Register Summary: \[1\]](#)

Table 10-187. VPE_INT0_CHANNEL1_INT_MASK

Address Offset	0x0000 004C	Instance	VPE_VPDMA
Physical Address	0x489D D04C		
Description	The register gives the information of the interrupts that should be masked and not generate an interrupt for vpdma_int0.		
Type	RW		

31	30	29	28	27	26	25	24	23	22	21	20	19	18	17	16	15	14	13	12	11	10	9	8	7	6	5	4	3	2	1	0				
INT_MASK_VIP1_MULT_PORTB_SRC9	INT_MASK_VIP1_MULT_PORTB_SRC8	INT_MASK_VIP1_MULT_PORTB_SRC7	INT_MASK_VIP1_MULT_PORTB_SRC6	INT_MASK_VIP1_MULT_PORTB_SRC5	INT_MASK_VIP1_MULT_PORTB_SRC4	INT_MASK_VIP1_MULT_PORTB_SRC3	INT_MASK_VIP1_MULT_PORTB_SRC2	INT_MASK_VIP1_MULT_PORTB_SRC1	INT_MASK_VIP1_MULT_PORTB_SRC0	INT_MASK_VIP1_MULT_PORTA_SRC15	INT_MASK_VIP1_MULT_PORTA_SRC14	INT_MASK_VIP1_MULT_PORTA_SRC13	INT_MASK_VIP1_MULT_PORTA_SRC12	INT_MASK_VIP1_MULT_PORTA_SRC11	INT_MASK_VIP1_MULT_PORTA_SRC10	INT_MASK_VIP1_MULT_PORTA_SRC9	INT_MASK_VIP1_MULT_PORTA_SRC8	INT_MASK_VIP1_MULT_PORTA_SRC7	INT_MASK_VIP1_MULT_PORTA_SRC6	INT_MASK_VIP1_MULT_PORTA_SRC5	INT_MASK_VIP1_MULT_PORTA_SRC4	INT_MASK_VIP1_MULT_PORTA_SRC3	INT_MASK_VIP1_MULT_PORTA_SRC2	INT_MASK_VIP1_MULT_PORTA_SRC1	INT_MASK_VIP1_MULT_PORTA_SRC0	RESERVED									

Bits	Field Name	Description	Type	Reset
31	INT_MASK_VIP1_MULT_PORTB_SRC9	The interrupt for Video Input 1 Port B Channel 9 should generate an interrupt on interrupt vpdma_int0. Write a 1 for the interrupt event to trigger the interrupt signal.	RW	0x0
30	INT_MASK_VIP1_MULT_PORTB_SRC8	The interrupt for Video Input 1 Port B Channel 8 should generate an interrupt on interrupt vpdma_int0. Write a 1 for the interrupt event to trigger the interrupt signal.	RW	0x0
29	INT_MASK_VIP1_MULT_PORTB_SRC7	The interrupt for Video Input 1 Port B Channel 7 should generate an interrupt on interrupt vpdma_int0. Write a 1 for the interrupt event to trigger the interrupt signal.	RW	0x0
28	INT_MASK_VIP1_MULT_PORTB_SRC6	The interrupt for Video Input 1 Port B Channel 6 should generate an interrupt on interrupt vpdma_int0. Write a 1 for the interrupt event to trigger the interrupt signal.	RW	0x0
27	INT_MASK_VIP1_MULT_PORTB_SRC5	The interrupt for Video Input 1 Port B Channel 5 should generate an interrupt on interrupt vpdma_int0. Write a 1 for the interrupt event to trigger the interrupt signal.	RW	0x0
26	INT_MASK_VIP1_MULT_PORTB_SRC4	The interrupt for Video Input 1 Port B Channel 4 should generate an interrupt on interrupt vpdma_int0. Write a 1 for the interrupt event to trigger the interrupt signal.	RW	0x0
25	INT_MASK_VIP1_MULT_PORTB_SRC3	The interrupt for Video Input 1 Port B Channel 3 should generate an interrupt on interrupt vpdma_int0. Write a 1 for the interrupt event to trigger the interrupt signal.	RW	0x0
24	INT_MASK_VIP1_MULT_PORTB_SRC2	The interrupt for Video Input 1 Port B Channel 2 should generate an interrupt on interrupt vpdma_int0. Write a 1 for the interrupt event to trigger the interrupt signal.	RW	0x0
23	INT_MASK_VIP1_MULT_PORTB_SRC1	The interrupt for Video Input 1 Port B Channel 1 should generate an interrupt on interrupt vpdma_int0. Write a 1 for the interrupt event to trigger the interrupt signal.	RW	0x0
22	INT_MASK_VIP1_MULT_PORTB_SRC0	The interrupt for Video Input 1 Port B Channel 0 should generate an interrupt on interrupt vpdma_int0. Write a 1 for the interrupt event to trigger the interrupt signal.	RW	0x0
21	INT_MASK_VIP1_MULT_PORTA_SRC15	The interrupt for Video Input 1 Port A Channel 15 should generate an interrupt on interrupt vpdma_int0. Write a 1 for the interrupt event to trigger the interrupt signal.	RW	0x0

Bits	Field Name	Description	Type	Reset
20	INT_MASK_VIP1_MULT_PORTA_SRC14	The interrupt for Video Input 1 Port A Channel 14 should generate an interrupt on interrupt vpdma_int0. Write a 1 for the interrupt event to trigger the interrupt signal.	RW	0x0
19	INT_MASK_VIP1_MULT_PORTA_SRC13	The interrupt for Video Input 1 Port A Channel 13 should generate an interrupt on interrupt vpdma_int0. Write a 1 for the interrupt event to trigger the interrupt signal.	RW	0x0
18	INT_MASK_VIP1_MULT_PORTA_SRC12	The interrupt for Video Input 1 Port A Channel 12 should generate an interrupt on interrupt vpdma_int0. Write a 1 for the interrupt event to trigger the interrupt signal.	RW	0x0
17	INT_MASK_VIP1_MULT_PORTA_SRC11	The interrupt for Video Input 1 Port A Channel 11 should generate an interrupt on interrupt vpdma_int0. Write a 1 for the interrupt event to trigger the interrupt signal.	RW	0x0
16	INT_MASK_VIP1_MULT_PORTA_SRC10	The interrupt for Video Input 1 Port A Channel 10 should generate an interrupt on interrupt vpdma_int0. Write a 1 for the interrupt event to trigger the interrupt signal.	RW	0x0
15	INT_MASK_VIP1_MULT_PORTA_SRC9	The interrupt for Video Input 1 Port A Channel 9 should generate an interrupt on interrupt vpdma_int0. Write a 1 for the interrupt event to trigger the interrupt signal.	RW	0x0
14	INT_MASK_VIP1_MULT_PORTA_SRC8	The interrupt for Video Input 1 Port A Channel 8 should generate an interrupt on interrupt vpdma_int0. Write a 1 for the interrupt event to trigger the interrupt signal.	RW	0x0
13	INT_MASK_VIP1_MULT_PORTA_SRC7	The interrupt for Video Input 1 Port A Channel 7 should generate an interrupt on interrupt vpdma_int0. Write a 1 for the interrupt event to trigger the interrupt signal.	RW	0x0
12	INT_MASK_VIP1_MULT_PORTA_SRC6	The interrupt for Video Input 1 Port A Channel 6 should generate an interrupt on interrupt vpdma_int0. Write a 1 for the interrupt event to trigger the interrupt signal.	RW	0x0
11	INT_MASK_VIP1_MULT_PORTA_SRC5	The interrupt for Video Input 1 Port A Channel 5 should generate an interrupt on interrupt vpdma_int0. Write a 1 for the interrupt event to trigger the interrupt signal.	RW	0x0
10	INT_MASK_VIP1_MULT_PORTA_SRC4	The interrupt for Video Input 1 Port A Channel 4 should generate an interrupt on interrupt vpdma_int0. Write a 1 for the interrupt event to trigger the interrupt signal.	RW	0x0
9	INT_MASK_VIP1_MULT_PORTA_SRC3	The interrupt for Video Input 1 Port A Channel 3 should generate an interrupt on interrupt vpdma_int0. Write a 1 for the interrupt event to trigger the interrupt signal.	RW	0x0
8	INT_MASK_VIP1_MULT_PORTA_SRC2	The interrupt for Video Input 1 Port A Channel 2 should generate an interrupt on interrupt vpdma_int0. Write a 1 for the interrupt event to trigger the interrupt signal.	RW	0x0
7	INT_MASK_VIP1_MULT_PORTA_SRC1	The interrupt for Video Input 1 Port A Channel 1 should generate an interrupt on interrupt vpdma_int0. Write a 1 for the interrupt event to trigger the interrupt signal.	RW	0x0
6	INT_MASK_VIP1_MULT_PORTA_SRC0	The interrupt for Video Input 1 Port A Channel 0 should generate an interrupt on interrupt vpdma_int0. Write a 1 for the interrupt event to trigger the interrupt signal.	RW	0x0
5:0	RESERVED	Reserved	R	0x00

Table 10-188. Register Call Summary for Register VPE_INT0_CHANNEL1_INT_MASK

VPE Functional Description

- [VPDMA Interrupts: \[0\]](#)

VPE Register Manual

- [VPE_VPDMA Register Summary: \[1\]](#)

Table 10-189. VPE_INT0_CHANNEL2_INT_STAT

Address Offset	0x0000 0050	Instance	VPE_VPDMA
Physical Address	0x489D D050		
Description	This register gives the information of the interrupts that have triggered since last cleared by the process that is servicing vpdma_int0.		
Type	RW		

31	30	29	28	27	26	25	24	23	22	21	20	19	18	17	16	15	14	13	12	11	10	9	8	7	6	5	4	3	2	1	0
INT_STAT_VIP1_MULT_ANCB_SRC9	INT_STAT_VIP1_MULT_ANCB_SRC8	INT_STAT_VIP1_MULT_ANCB_SRC7	INT_STAT_VIP1_MULT_ANCB_SRC6	INT_STAT_VIP1_MULT_ANCB_SRC5	INT_STAT_VIP1_MULT_ANCB_SRC4	INT_STAT_VIP1_MULT_ANCB_SRC3	INT_STAT_VIP1_MULT_ANCB_SRC2	INT_STAT_VIP1_MULT_ANCB_SRC1	INT_STAT_VIP1_MULT_ANCB_SRC0	INT_STAT_VIP1_MULT_ANCA_SRC15	INT_STAT_VIP1_MULT_ANCA_SRC14	INT_STAT_VIP1_MULT_ANCA_SRC13	INT_STAT_VIP1_MULT_ANCA_SRC12	INT_STAT_VIP1_MULT_ANCA_SRC11	INT_STAT_VIP1_MULT_ANCA_SRC10	INT_STAT_VIP1_MULT_ANCA_SRC9	INT_STAT_VIP1_MULT_ANCA_SRC8	INT_STAT_VIP1_MULT_ANCA_SRC7	INT_STAT_VIP1_MULT_ANCA_SRC6	INT_STAT_VIP1_MULT_ANCA_SRC5	INT_STAT_VIP1_MULT_ANCA_SRC4	INT_STAT_VIP1_MULT_ANCA_SRC3	INT_STAT_VIP1_MULT_ANCA_SRC2	INT_STAT_VIP1_MULT_ANCA_SRC1	INT_STAT_VIP1_MULT_ANCA_SRC0	INT_STAT_VIP1_MULT_PORTB_SRC15	INT_STAT_VIP1_MULT_PORTB_SRC14	INT_STAT_VIP1_MULT_PORTB_SRC13	INT_STAT_VIP1_MULT_PORTB_SRC12	INT_STAT_VIP1_MULT_PORTB_SRC11	INT_STAT_VIP1_MULT_PORTB_SRC10

Bits	Field Name	Description	Type	Reset
31	INT_STAT_VIP1_MULT_ANCB_SRC9	The last write DMA transaction has completed for channel vip1_mult_ancb_src9. All data from the channel has been sent and received by the external memory. If a new channel has not been setup for the client vip1_anc_b then the client will be fully empty at this point. This event will cause a one to be set in this register until cleared by software. Write a 1 to this field to clear the value.	RW	0x0
30	INT_STAT_VIP1_MULT_ANCB_SRC8	The last write DMA transaction has completed for channel vip1_mult_ancb_src8. All data from the channel has been sent and received by the external memory. If a new channel has not been setup for the client vip1_anc_b then the client will be fully empty at this point. This event will cause a one to be set in this register until cleared by software. Write a 1 to this field to clear the value.	RW	0x0
29	INT_STAT_VIP1_MULT_ANCB_SRC7	The last write DMA transaction has completed for channel vip1_mult_ancb_src7. All data from the channel has been sent and received by the external memory. If a new channel has not been setup for the client vip1_anc_b then the client will be fully empty at this point. This event will cause a one to be set in this register until cleared by software. Write a 1 to this field to clear the value.	RW	0x0

Bits	Field Name	Description	Type	Reset
28	INT_STAT_VIP1_MULT_ANCB_SRC6	The last write DMA transaction has completed for channel vip1_mult_ancb_src6. All data from the channel has been sent and received by the external memory. If a new channel has not been setup for the client vip1_anc_b then the client will be fully empty at this point. This event will cause a one to be set in this register until cleared by software. Write a 1 to this field to clear the value.	RW	0x0
27	INT_STAT_VIP1_MULT_ANCB_SRC5	The last write DMA transaction has completed for channel vip1_mult_ancb_src5. All data from the channel has been sent and received by the external memory. If a new channel has not been setup for the client vip1_anc_b then the client will be fully empty at this point. This event will cause a one to be set in this register until cleared by software. Write a 1 to this field to clear the value.	RW	0x0
26	INT_STAT_VIP1_MULT_ANCB_SRC4	The last write DMA transaction has completed for channel vip1_mult_ancb_src4. All data from the channel has been sent and received by the external memory. If a new channel has not been setup for the client vip1_anc_b then the client will be fully empty at this point. This event will cause a one to be set in this register until cleared by software. Write a 1 to this field to clear the value.	RW	0x0
25	INT_STAT_VIP1_MULT_ANCB_SRC3	The last write DMA transaction has completed for channel vip1_mult_ancb_src3. All data from the channel has been sent and received by the external memory. If a new channel has not been setup for the client vip1_anc_b then the client will be fully empty at this point. This event will cause a one to be set in this register until cleared by software. Write a 1 to this field to clear the value.	RW	0x0
24	INT_STAT_VIP1_MULT_ANCB_SRC2	The last write DMA transaction has completed for channel vip1_mult_ancb_src2. All data from the channel has been sent and received by the external memory. If a new channel has not been setup for the client vip1_anc_b then the client will be fully empty at this point. This event will cause a one to be set in this register until cleared by software. Write a 1 to this field to clear the value.	RW	0x0
23	INT_STAT_VIP1_MULT_ANCB_SRC1	The last write DMA transaction has completed for channel vip1_mult_ancb_src1. All data from the channel has been sent and received by the external memory. If a new channel has not been setup for the client vip1_anc_b then the client will be fully empty at this point. This event will cause a one to be set in this register until cleared by software. Write a 1 to this field to clear the value.	RW	0x0
22	INT_STAT_VIP1_MULT_ANCB_SRC0	The last write DMA transaction has completed for channel vip1_mult_ancb_src0. All data from the channel has been sent and received by the external memory. If a new channel has not been setup for the client vip1_anc_b then the client will be fully empty at this point. This event will cause a one to be set in this register until cleared by software. Write a 1 to this field to clear the value.	RW	0x0
21	INT_STAT_VIP1_MULT_ANCA_SRC15	The last write DMA transaction has completed for channel vip1_mult_anca_src15. All data from the channel has been sent and received by the external memory. If a new channel has not been setup for the client vip1_anc_a then the client will be fully empty at this point. This event will cause a one to be set in this register until cleared by software. Write a 1 to this field to clear the value.	RW	0x0

Bits	Field Name	Description	Type	Reset
20	INT_STAT_VIP1_MULT_ANCA_SRC14	The last write DMA transaction has completed for channel vip1_mult_anca_src14. All data from the channel has been sent and received by the external memory. If a new channel has not been setup for the client vip1_anc_a then the client will be fully empty at this point. This event will cause a one to be set in this register until cleared by software. Write a 1 to this field to clear the value.	RW	0x0
19	INT_STAT_VIP1_MULT_ANCA_SRC13	The last write DMA transaction has completed for channel vip1_mult_anca_src13. All data from the channel has been sent and received by the external memory. If a new channel has not been setup for the client vip1_anc_a then the client will be fully empty at this point. This event will cause a one to be set in this register until cleared by software. Write a 1 to this field to clear the value.	RW	0x0
18	INT_STAT_VIP1_MULT_ANCA_SRC12	The last write DMA transaction has completed for channel vip1_mult_anca_src12. All data from the channel has been sent and received by the external memory. If a new channel has not been setup for the client vip1_anc_a then the client will be fully empty at this point. This event will cause a one to be set in this register until cleared by software. Write a 1 to this field to clear the value.	RW	0x0
17	INT_STAT_VIP1_MULT_ANCA_SRC11	The last write DMA transaction has completed for channel vip1_mult_anca_src11. All data from the channel has been sent and received by the external memory. If a new channel has not been setup for the client vip1_anc_a then the client will be fully empty at this point. This event will cause a one to be set in this register until cleared by software. Write a 1 to this field to clear the value.	RW	0x0
16	INT_STAT_VIP1_MULT_ANCA_SRC10	The last write DMA transaction has completed for channel vip1_mult_anca_src10. All data from the channel has been sent and received by the external memory. If a new channel has not been setup for the client vip1_anc_a then the client will be fully empty at this point. This event will cause a one to be set in this register until cleared by software. Write a 1 to this field to clear the value.	RW	0x0
15	INT_STAT_VIP1_MULT_ANCA_SRC9	The last write DMA transaction has completed for channel vip1_mult_anca_src9. All data from the channel has been sent and received by the external memory. If a new channel has not been setup for the client vip1_anc_a then the client will be fully empty at this point. This event will cause a one to be set in this register until cleared by software. Write a 1 to this field to clear the value.	RW	0x0
14	INT_STAT_VIP1_MULT_ANCA_SRC8	The last write DMA transaction has completed for channel vip1_mult_anca_src8. All data from the channel has been sent and received by the external memory. If a new channel has not been setup for the client vip1_anc_a then the client will be fully empty at this point. This event will cause a one to be set in this register until cleared by software. Write a 1 to this field to clear the value.	RW	0x0
13	INT_STAT_VIP1_MULT_ANCA_SRC7	The last write DMA transaction has completed for channel vip1_mult_anca_src7. All data from the channel has been sent and received by the external memory. If a new channel has not been setup for the client vip1_anc_a then the client will be fully empty at this point. This event will cause a one to be set in this register until cleared by software. Write a 1 to this field to clear the value.	RW	0x0

Bits	Field Name	Description	Type	Reset
12	INT_STAT_VIP1_MULT_ANCA_SRC6	The last write DMA transaction has completed for channel vip1_mult_anca_src6. All data from the channel has been sent and received by the external memory. If a new channel has not been setup for the client vip1_anc_a then the client will be fully empty at this point. This event will cause a one to be set in this register until cleared by software. Write a 1 to this field to clear the value.	RW	0x0
11	INT_STAT_VIP1_MULT_ANCA_SRC5	The last write DMA transaction has completed for channel vip1_mult_anca_src5. All data from the channel has been sent and received by the external memory. If a new channel has not been setup for the client vip1_anc_a then the client will be fully empty at this point. This event will cause a one to be set in this register until cleared by software. Write a 1 to this field to clear the value.	RW	0x0
10	INT_STAT_VIP1_MULT_ANCA_SRC4	The last write DMA transaction has completed for channel vip1_mult_anca_src4. All data from the channel has been sent and received by the external memory. If a new channel has not been setup for the client vip1_anc_a then the client will be fully empty at this point. This event will cause a one to be set in this register until cleared by software. Write a 1 to this field to clear the value.	RW	0x0
9	INT_STAT_VIP1_MULT_ANCA_SRC3	The last write DMA transaction has completed for channel vip1_mult_anca_src3. All data from the channel has been sent and received by the external memory. If a new channel has not been setup for the client vip1_anc_a then the client will be fully empty at this point. This event will cause a one to be set in this register until cleared by software. Write a 1 to this field to clear the value.	RW	0x0
8	INT_STAT_VIP1_MULT_ANCA_SRC2	The last write DMA transaction has completed for channel vip1_mult_anca_src2. All data from the channel has been sent and received by the external memory. If a new channel has not been setup for the client vip1_anc_a then the client will be fully empty at this point. This event will cause a one to be set in this register until cleared by software. Write a 1 to this field to clear the value.	RW	0x0
7	INT_STAT_VIP1_MULT_ANCA_SRC1	The last write DMA transaction has completed for channel vip1_mult_anca_src1. All data from the channel has been sent and received by the external memory. If a new channel has not been setup for the client vip1_anc_a then the client will be fully empty at this point. This event will cause a one to be set in this register until cleared by software. Write a 1 to this field to clear the value.	RW	0x0
6	INT_STAT_VIP1_MULT_ANCA_SRC0	The last write DMA transaction has completed for channel vip1_mult_anca_src0. All data from the channel has been sent and received by the external memory. If a new channel has not been setup for the client vip1_anc_a then the client will be fully empty at this point. This event will cause a one to be set in this register until cleared by software. Write a 1 to this field to clear the value.	RW	0x0
5	INT_STAT_VIP1_MULT_PORTB_SRC15	The last write DMA transaction has completed for channel vip1_mult_portb_src15. All data from the channel has been sent and received by the external memory. If a new channel has not been setup for the client vip1_lo_uv then the client will be fully empty at this point. This event will cause a one to be set in this register until cleared by software. Write a 1 to this field to clear the value.	RW	0x0

Bits	Field Name	Description	Type	Reset
4	INT_STAT_VIP1_MULT_PORTB_SRC14	The last write DMA transaction has completed for channel vip1_mult_portb_src14. All data from the channel has been sent and received by the external memory. If a new channel has not been setup for the client vip1_lo_uv then the client will be fully empty at this point. This event will cause a one to be set in this register until cleared by software. Write a 1 to this field to clear the value.	RW	0x0
3	INT_STAT_VIP1_MULT_PORTB_SRC13	The last write DMA transaction has completed for channel vip1_mult_portb_src13. All data from the channel has been sent and received by the external memory. If a new channel has not been setup for the client vip1_lo_uv then the client will be fully empty at this point. This event will cause a one to be set in this register until cleared by software. Write a 1 to this field to clear the value.	RW	0x0
2	INT_STAT_VIP1_MULT_PORTB_SRC12	The last write DMA transaction has completed for channel vip1_mult_portb_src12. All data from the channel has been sent and received by the external memory. If a new channel has not been setup for the client vip1_lo_uv then the client will be fully empty at this point. This event will cause a one to be set in this register until cleared by software. Write a 1 to this field to clear the value.	RW	0x0
1	INT_STAT_VIP1_MULT_PORTB_SRC11	The last write DMA transaction has completed for channel vip1_mult_portb_src11. All data from the channel has been sent and received by the external memory. If a new channel has not been setup for the client vip1_lo_uv then the client will be fully empty at this point. This event will cause a one to be set in this register until cleared by software. Write a 1 to this field to clear the value.	RW	0x0
0	INT_STAT_VIP1_MULT_PORTB_SRC10	The last write DMA transaction has completed for channel vip1_mult_portb_src10. All data from the channel has been sent and received by the external memory. If a new channel has not been setup for the client vip1_lo_uv then the client will be fully empty at this point. This event will cause a one to be set in this register until cleared by software. Write a 1 to this field to clear the value.	RW	0x0

Table 10-190. Register Call Summary for Register VPE_INT0_CHANNEL2_INT_STAT

VPE Functional Description

- [VPDMA Interrupts: \[0\]](#)

VPE Register Manual

- [VPE_VPDMA Register Summary: \[1\]](#)

Table 10-191. VPE_INT0_CHANNEL2_INT_MASK

Address Offset	0x0000 0054	Instance	VPE_VPDMA
Physical Address	0x489D D054		
Description	The register gives the information of the interrupts that should be masked and not generate an interrupt for vpdma_int0.		
Type	RW		

31	30	29	28	27	26	25	24	23	22	21	20	19	18	17	16	15	14	13	12	11	10	9	8	7	6	5	4	3	2	1	0
INT_MASK_VIP1_MULT_ANCB_SRC9	INT_MASK_VIP1_MULT_ANCB_SRC8	INT_MASK_VIP1_MULT_ANCB_SRC7	INT_MASK_VIP1_MULT_ANCB_SRC6	INT_MASK_VIP1_MULT_ANCB_SRC5	INT_MASK_VIP1_MULT_ANCB_SRC4	INT_MASK_VIP1_MULT_ANCB_SRC3	INT_MASK_VIP1_MULT_ANCB_SRC2	INT_MASK_VIP1_MULT_ANCB_SRC1	INT_MASK_VIP1_MULT_ANCB_SRC0	INT_MASK_VIP1_MULT_ANCA_SRC15	INT_MASK_VIP1_MULT_ANCA_SRC14	INT_MASK_VIP1_MULT_ANCA_SRC13	INT_MASK_VIP1_MULT_ANCA_SRC12	INT_MASK_VIP1_MULT_ANCA_SRC11	INT_MASK_VIP1_MULT_ANCA_SRC10	INT_MASK_VIP1_MULT_ANCA_SRC9	INT_MASK_VIP1_MULT_ANCA_SRC8	INT_MASK_VIP1_MULT_ANCA_SRC7	INT_MASK_VIP1_MULT_ANCA_SRC6	INT_MASK_VIP1_MULT_ANCA_SRC5	INT_MASK_VIP1_MULT_ANCA_SRC4	INT_MASK_VIP1_MULT_ANCA_SRC3	INT_MASK_VIP1_MULT_ANCA_SRC2	INT_MASK_VIP1_MULT_ANCA_SRC1	INT_MASK_VIP1_MULT_ANCA_SRC0	INT_MASK_VIP1_MULT_PORTB_SRC15	INT_MASK_VIP1_MULT_PORTB_SRC14	INT_MASK_VIP1_MULT_PORTB_SRC13	INT_MASK_VIP1_MULT_PORTB_SRC12	INT_MASK_VIP1_MULT_PORTB_SRC11	INT_MASK_VIP1_MULT_PORTB_SRC10

Bits	Field Name	Description	Type	Reset
31	INT_MASK_VIP1_MULT_ANCB_SRC9	The interrupt for Video Input 1 Port B Ancillary Data Channel 9 should generate an interrupt on interrupt vpdma_int0. Write a 1 for the interrupt event to trigger the interrupt signal.	RW	0x0
30	INT_MASK_VIP1_MULT_ANCB_SRC8	The interrupt for Video Input 1 Port B Ancillary Data Channel 8 should generate an interrupt on interrupt vpdma_int0. Write a 1 for the interrupt event to trigger the interrupt signal.	RW	0x0
29	INT_MASK_VIP1_MULT_ANCB_SRC7	The interrupt for Video Input 1 Port B Ancillary Data Channel 7 should generate an interrupt on interrupt vpdma_int0. Write a 1 for the interrupt event to trigger the interrupt signal.	RW	0x0
28	INT_MASK_VIP1_MULT_ANCB_SRC6	The interrupt for Video Input 1 Port B Ancillary Data Channel 6 should generate an interrupt on interrupt vpdma_int0. Write a 1 for the interrupt event to trigger the interrupt signal.	RW	0x0
27	INT_MASK_VIP1_MULT_ANCB_SRC5	The interrupt for Video Input 1 Port B Ancillary Data Channel 5 should generate an interrupt on interrupt vpdma_int0. Write a 1 for the interrupt event to trigger the interrupt signal.	RW	0x0
26	INT_MASK_VIP1_MULT_ANCB_SRC4	The interrupt for Video Input 1 Port B Ancillary Data Channel 4 should generate an interrupt on interrupt vpdma_int0. Write a 1 for the interrupt event to trigger the interrupt signal.	RW	0x0
25	INT_MASK_VIP1_MULT_ANCB_SRC3	The interrupt for Video Input 1 Port B Ancillary Data Channel 3 should generate an interrupt on interrupt vpdma_int0. Write a 1 for the interrupt event to trigger the interrupt signal.	RW	0x0
24	INT_MASK_VIP1_MULT_ANCB_SRC2	The interrupt for Video Input 1 Port B Ancillary Data Channel 2 should generate an interrupt on interrupt vpdma_int0. Write a 1 for the interrupt event to trigger the interrupt signal.	RW	0x0
23	INT_MASK_VIP1_MULT_ANCB_SRC1	The interrupt for Video Input 1 Port B Ancillary Data Channel 1 should generate an interrupt on interrupt vpdma_int0. Write a 1 for the interrupt event to trigger the interrupt signal.	RW	0x0
22	INT_MASK_VIP1_MULT_ANCB_SRC0	The interrupt for Video Input 1 Port B Ancillary Data Channel 0 should generate an interrupt on interrupt vpdma_int0. Write a 1 for the interrupt event to trigger the interrupt signal.	RW	0x0
21	INT_MASK_VIP1_MULT_ANCA_SRC15	The interrupt for Video Input 1 Port A Ancillary Data Channel 15 should generate an interrupt on interrupt vpdma_int0. Write a 1 for the interrupt event to trigger the interrupt signal.	RW	0x0

Bits	Field Name	Description	Type	Reset
20	INT_MASK_VIP1_MULT_ANCA_SRC14	The interrupt for Video Input 1 Port A Ancillary Data Channel 14 should generate an interrupt on interrupt vpdma_int0. Write a 1 for the interrupt event to trigger the interrupt signal.	RW	0x0
19	INT_MASK_VIP1_MULT_ANCA_SRC13	The interrupt for Video Input 1 Port A Ancillary Data Channel 13 should generate an interrupt on interrupt vpdma_int0. Write a 1 for the interrupt event to trigger the interrupt signal.	RW	0x0
18	INT_MASK_VIP1_MULT_ANCA_SRC12	The interrupt for Video Input 1 Port A Ancillary Data Channel 12 should generate an interrupt on interrupt vpdma_int0. Write a 1 for the interrupt event to trigger the interrupt signal.	RW	0x0
17	INT_MASK_VIP1_MULT_ANCA_SRC11	The interrupt for Video Input 1 Port A Ancillary Data Channel 11 should generate an interrupt on interrupt vpdma_int0. Write a 1 for the interrupt event to trigger the interrupt signal.	RW	0x0
16	INT_MASK_VIP1_MULT_ANCA_SRC10	The interrupt for Video Input 1 Port A Ancillary Data Channel 10 should generate an interrupt on interrupt vpdma_int0. Write a 1 for the interrupt event to trigger the interrupt signal.	RW	0x0
15	INT_MASK_VIP1_MULT_ANCA_SRC9	The interrupt for Video Input 1 Port A Ancillary Data Channel 9 should generate an interrupt on interrupt vpdma_int0. Write a 1 for the interrupt event to trigger the interrupt signal.	RW	0x0
14	INT_MASK_VIP1_MULT_ANCA_SRC8	The interrupt for Video Input 1 Port A Ancillary Data Channel 8 should generate an interrupt on interrupt vpdma_int0. Write a 1 for the interrupt event to trigger the interrupt signal.	RW	0x0
13	INT_MASK_VIP1_MULT_ANCA_SRC7	The interrupt for Video Input 1 Port A Ancillary Data Channel 7 should generate an interrupt on interrupt vpdma_int0. Write a 1 for the interrupt event to trigger the interrupt signal.	RW	0x0
12	INT_MASK_VIP1_MULT_ANCA_SRC6	The interrupt for Video Input 1 Port A Ancillary Data Channel 6 should generate an interrupt on interrupt vpdma_int0. Write a 1 for the interrupt event to trigger the interrupt signal.	RW	0x0
11	INT_MASK_VIP1_MULT_ANCA_SRC5	The interrupt for Video Input 1 Port A Ancillary Data Channel 5 should generate an interrupt on interrupt vpdma_int0. Write a 1 for the interrupt event to trigger the interrupt signal.	RW	0x0
10	INT_MASK_VIP1_MULT_ANCA_SRC4	The interrupt for Video Input 1 Port A Ancillary Data Channel 4 should generate an interrupt on interrupt vpdma_int0. Write a 1 for the interrupt event to trigger the interrupt signal.	RW	0x0
9	INT_MASK_VIP1_MULT_ANCA_SRC3	The interrupt for Video Input 1 Port A Ancillary Data Channel 3 should generate an interrupt on interrupt vpdma_int0. Write a 1 for the interrupt event to trigger the interrupt signal.	RW	0x0
8	INT_MASK_VIP1_MULT_ANCA_SRC2	The interrupt for Video Input 1 Port A Ancillary Data Channel 2 should generate an interrupt on interrupt vpdma_int0. Write a 1 for the interrupt event to trigger the interrupt signal.	RW	0x0
7	INT_MASK_VIP1_MULT_ANCA_SRC1	The interrupt for Video Input 1 Port A Ancillary Data Channel 1 should generate an interrupt on interrupt vpdma_int0. Write a 1 for the interrupt event to trigger the interrupt signal.	RW	0x0
6	INT_MASK_VIP1_MULT_ANCA_SRC0	The interrupt for Video Input 1 Port A Ancillary Data Channel 0 should generate an interrupt on interrupt vpdma_int0. Write a 1 for the interrupt event to trigger the interrupt signal.	RW	0x0
5	INT_MASK_VIP1_MULT_PORTB_SRC15	The interrupt for Video Input 1 Port B Channel 15 should generate an interrupt on interrupt vpdma_int0. Write a 1 for the interrupt event to trigger the interrupt signal.	RW	0x0

Bits	Field Name	Description	Type	Reset
4	INT_MASK_VIP1_MULT_PORTB_SRC14	The interrupt for Video Input 1 Port B Channel 14 should generate an interrupt on interrupt vpdma_int0. Write a 1 for the interrupt event to trigger the interrupt signal.	RW	0x0
3	INT_MASK_VIP1_MULT_PORTB_SRC13	The interrupt for Video Input 1 Port B Channel 13 should generate an interrupt on interrupt vpdma_int0. Write a 1 for the interrupt event to trigger the interrupt signal.	RW	0x0
2	INT_MASK_VIP1_MULT_PORTB_SRC12	The interrupt for Video Input 1 Port B Channel 12 should generate an interrupt on interrupt vpdma_int0. Write a 1 for the interrupt event to trigger the interrupt signal.	RW	0x0
1	INT_MASK_VIP1_MULT_PORTB_SRC11	The interrupt for Video Input 1 Port B Channel 11 should generate an interrupt on interrupt vpdma_int0. Write a 1 for the interrupt event to trigger the interrupt signal.	RW	0x0
0	INT_MASK_VIP1_MULT_PORTB_SRC10	The interrupt for Video Input 1 Port B Channel 10 should generate an interrupt on interrupt vpdma_int0. Write a 1 for the interrupt event to trigger the interrupt signal.	RW	0x0

Table 10-192. Register Call Summary for Register VPE_INT0_CHANNEL2_INT_MASK

VPE Functional Description

- [VPDMA Interrupts: \[0\]](#)

VPE Register Manual

- [VPE_VPDMA Register Summary: \[1\]](#)

Table 10-193. VPE_INT0_CHANNEL3_INT_STAT

Address Offset	0x0000 0058	Instance	VPE_VPDMA
Physical Address	0x489D D058		
Description	This register gives the information of the interrupts that have triggered since last cleared by the process that is servicing vpdma_int0.		
Type	RW		

31	30	29	28	27	26	25	24	23	22	21	20	19	18	17	16	15	14	13	12	11	10	9	8	7	6	5	4	3	2	1	0
INT_STAT_VIP2_MULT_PORTB_SRC3	INT_STAT_VIP2_MULT_PORTB_SRC2	INT_STAT_VIP2_MULT_PORTB_SRC1	INT_STAT_VIP2_MULT_PORTB_SRC0	INT_STAT_VIP2_MULT_PORTA_SRC15	INT_STAT_VIP2_MULT_PORTA_SRC14	INT_STAT_VIP2_MULT_PORTA_SRC13	INT_STAT_VIP2_MULT_PORTA_SRC12	INT_STAT_VIP2_MULT_PORTA_SRC11	INT_STAT_VIP2_MULT_PORTA_SRC10	INT_STAT_VIP2_MULT_PORTA_SRC9	INT_STAT_VIP2_MULT_PORTA_SRC8	INT_STAT_VIP2_MULT_PORTA_SRC7	INT_STAT_VIP2_MULT_PORTA_SRC6	INT_STAT_VIP2_MULT_PORTA_SRC5	INT_STAT_VIP2_MULT_PORTA_SRC4	INT_STAT_VIP2_MULT_PORTA_SRC3	INT_STAT_VIP2_MULT_PORTA_SRC2	INT_STAT_VIP2_MULT_PORTA_SRC1	INT_STAT_VIP2_MULT_PORTA_SRC0	INT_STAT_VIP1_PORTB_RGB	INT_STAT_VIP1_PORTA_RGB	INT_STAT_VIP1_PORTB_CHROMA	INT_STAT_VIP1_PORTB_LUMA	INT_STAT_VIP1_PORTA_CHROMA	INT_STAT_VIP1_PORTA_LUMA	INT_STAT_VIP1_MULT_ANCB_SRC15	INT_STAT_VIP1_MULT_ANCB_SRC14	INT_STAT_VIP1_MULT_ANCB_SRC13	INT_STAT_VIP1_MULT_ANCB_SRC12	INT_STAT_VIP1_MULT_ANCB_SRC11	INT_STAT_VIP1_MULT_ANCB_SRC10

Bits	Field Name	Description	Type	Reset
31	INT_STAT_VIP2_MULT_PORTB_SRC3	The last write DMA transaction has completed for channel vip2_mult_portb_src3. All data from the channel has been sent and received by the external memory. If a new channel has not been setup for the client vip2_lo_uv then the client will be fully empty at this point. This event will cause a one to be set in this register until cleared by software. Write a 1 to this field to clear the value.	RW	0x0
30	INT_STAT_VIP2_MULT_PORTB_SRC2	The last write DMA transaction has completed for channel vip2_mult_portb_src2. All data from the channel has been sent and received by the external memory. If a new channel has not been setup for the client vip2_lo_uv then the client will be fully empty at this point. This event will cause a one to be set in this register until cleared by software. Write a 1 to this field to clear the value.	RW	0x0
29	INT_STAT_VIP2_MULT_PORTB_SRC1	The last write DMA transaction has completed for channel vip2_mult_portb_src1. All data from the channel has been sent and received by the external memory. If a new channel has not been setup for the client vip2_lo_uv then the client will be fully empty at this point. This event will cause a one to be set in this register until cleared by software. Write a 1 to this field to clear the value.	RW	0x0
28	INT_STAT_VIP2_MULT_PORTB_SRC0	The last write DMA transaction has completed for channel vip2_mult_portb_src0. All data from the channel has been sent and received by the external memory. If a new channel has not been setup for the client vip2_lo_uv then the client will be fully empty at this point. This event will cause a one to be set in this register until cleared by software. Write a 1 to this field to clear the value.	RW	0x0
27	INT_STAT_VIP2_MULT_PORTA_SRC15	The last write DMA transaction has completed for channel vip2_mult_porta_src15. All data from the channel has been sent and received by the external memory. If a new channel has not been setup for the client vip2_lo_y then the client will be fully empty at this point. This event will cause a one to be set in this register until cleared by software. Write a 1 to this field to clear the value.	RW	0x0
26	INT_STAT_VIP2_MULT_PORTA_SRC14	The last write DMA transaction has completed for channel vip2_mult_porta_src14. All data from the channel has been sent and received by the external memory. If a new channel has not been setup for the client vip2_lo_y then the client will be fully empty at this point. This event will cause a one to be set in this register until cleared by software. Write a 1 to this field to clear the value.	RW	0x0
25	INT_STAT_VIP2_MULT_PORTA_SRC13	The last write DMA transaction has completed for channel vip2_mult_porta_src13. All data from the channel has been sent and received by the external memory. If a new channel has not been setup for the client vip2_lo_y then the client will be fully empty at this point. This event will cause a one to be set in this register until cleared by software. Write a 1 to this field to clear the value.	RW	0x0
24	INT_STAT_VIP2_MULT_PORTA_SRC12	The last write DMA transaction has completed for channel vip2_mult_porta_src12. All data from the channel has been sent and received by the external memory. If a new channel has not been setup for the client vip2_lo_y then the client will be fully empty at this point. This event will cause a one to be set in this register until cleared by software. Write a 1 to this field to clear the value.	RW	0x0

Bits	Field Name	Description	Type	Reset
23	INT_STAT_VIP2_MULT_PORTA_SRC11	The last write DMA transaction has completed for channel vip2_mult_porta_src11. All data from the channel has been sent and received by the external memory. If a new channel has not been setup for the client vip2_lo_y then the client will be fully empty at this point. This event will cause a one to be set in this register until cleared by software. Write a 1 to this field to clear the value.	RW	0x0
22	INT_STAT_VIP2_MULT_PORTA_SRC10	The last write DMA transaction has completed for channel vip2_mult_porta_src10. All data from the channel has been sent and received by the external memory. If a new channel has not been setup for the client vip2_lo_y then the client will be fully empty at this point. This event will cause a one to be set in this register until cleared by software. Write a 1 to this field to clear the value.	RW	0x0
21	INT_STAT_VIP2_MULT_PORTA_SRC9	The last write DMA transaction has completed for channel vip2_mult_porta_src9. All data from the channel has been sent and received by the external memory. If a new channel has not been setup for the client vip2_lo_y then the client will be fully empty at this point. This event will cause a one to be set in this register until cleared by software. Write a 1 to this field to clear the value.	RW	0x0
20	INT_STAT_VIP2_MULT_PORTA_SRC8	The last write DMA transaction has completed for channel vip2_mult_porta_src8. All data from the channel has been sent and received by the external memory. If a new channel has not been setup for the client vip2_lo_y then the client will be fully empty at this point. This event will cause a one to be set in this register until cleared by software. Write a 1 to this field to clear the value.	RW	0x0
19	INT_STAT_VIP2_MULT_PORTA_SRC7	The last write DMA transaction has completed for channel vip2_mult_porta_src7. All data from the channel has been sent and received by the external memory. If a new channel has not been setup for the client vip2_lo_y then the client will be fully empty at this point. This event will cause a one to be set in this register until cleared by software. Write a 1 to this field to clear the value.	RW	0x0
18	INT_STAT_VIP2_MULT_PORTA_SRC6	The last write DMA transaction has completed for channel vip2_mult_porta_src6. All data from the channel has been sent and received by the external memory. If a new channel has not been setup for the client vip2_lo_y then the client will be fully empty at this point. This event will cause a one to be set in this register until cleared by software. Write a 1 to this field to clear the value.	RW	0x0
17	INT_STAT_VIP2_MULT_PORTA_SRC5	The last write DMA transaction has completed for channel vip2_mult_porta_src5. All data from the channel has been sent and received by the external memory. If a new channel has not been setup for the client vip2_lo_y then the client will be fully empty at this point. This event will cause a one to be set in this register until cleared by software. Write a 1 to this field to clear the value.	RW	0x0
16	INT_STAT_VIP2_MULT_PORTA_SRC4	The last write DMA transaction has completed for channel vip2_mult_porta_src4. All data from the channel has been sent and received by the external memory. If a new channel has not been setup for the client vip2_lo_y then the client will be fully empty at this point. This event will cause a one to be set in this register until cleared by software. Write a 1 to this field to clear the value.	RW	0x0

Bits	Field Name	Description	Type	Reset
15	INT_STAT_VIP2_MULT_PORTA_SRC3	The last write DMA transaction has completed for channel vip2_mult_porta_src3. All data from the channel has been sent and received by the external memory. If a new channel has not been setup for the client vip2_lo_y then the client will be fully empty at this point. This event will cause a one to be set in this register until cleared by software. Write a 1 to this field to clear the value.	RW	0x0
14	INT_STAT_VIP2_MULT_PORTA_SRC2	The last write DMA transaction has completed for channel vip2_mult_porta_src2. All data from the channel has been sent and received by the external memory. If a new channel has not been setup for the client vip2_lo_y then the client will be fully empty at this point. This event will cause a one to be set in this register until cleared by software. Write a 1 to this field to clear the value.	RW	0x0
13	INT_STAT_VIP2_MULT_PORTA_SRC1	The last write DMA transaction has completed for channel vip2_mult_porta_src1. All data from the channel has been sent and received by the external memory. If a new channel has not been setup for the client vip2_lo_y then the client will be fully empty at this point. This event will cause a one to be set in this register until cleared by software. Write a 1 to this field to clear the value.	RW	0x0
12	INT_STAT_VIP2_MULT_PORTA_SRC0	The last write DMA transaction has completed for channel vip2_mult_porta_src0. All data from the channel has been sent and received by the external memory. If a new channel has not been setup for the client vip2_lo_y then the client will be fully empty at this point. This event will cause a one to be set in this register until cleared by software. Write a 1 to this field to clear the value.	RW	0x0
11	INT_STAT_VIP1_PORTB_RGB	The last write DMA transaction has completed for channel vip1_portb_rgb. All data from the channel has been sent and received by the external memory. If a new channel has not been setup for the client vip1_lo_y then the client will be fully empty at this point. This event will cause a one to be set in this register until cleared by software. Write a 1 to this field to clear the value.	RW	0x0
10	INT_STAT_VIP1_PORTA_RGB	The last write DMA transaction has completed for channel vip1_porta_rgb. All data from the channel has been sent and received by the external memory. If a new channel has not been setup for the client vip1_up_y then the client will be fully empty at this point. This event will cause a one to be set in this register until cleared by software. Write a 1 to this field to clear the value.	RW	0x0
9	INT_STAT_VIP1_PORTB_CHROMA	The last write DMA transaction has completed for channel vip1_portb_chroma. All data from the channel has been sent and received by the external memory. If a new channel has not been setup for the client then the client will be fully empty at this point. This event will cause a one to be set in this register until cleared by software. Write a 1 to this field to clear the value.	RW	0x0
8	INT_STAT_VIP1_PORTB_LUMA	The last write DMA transaction has completed for channel vip1_portb_luma. All data from the channel has been sent and received by the external memory. If a new channel has not been setup for the client then the client will be fully empty at this point. This event will cause a one to be set in this register until cleared by software. Write a 1 to this field to clear the value.	RW	0x0

Bits	Field Name	Description	Type	Reset
7	INT_STAT_VIP1_PORTA_CHROMA	The last write DMA transaction has completed for channel vip1_porta_chroma. All data from the channel has been sent and received by the external memory. If a new channel has not been setup for the client then the client will be fully empty at this point. This event will cause a one to be set in this register until cleared by software. Write a 1 to this field to clear the value.	RW	0x0
6	INT_STAT_VIP1_PORTA_LUMA	The last write DMA transaction has completed for channel vip1_porta_luma. All data from the channel has been sent and received by the external memory. If a new channel has not been setup for the client then the client will be fully empty at this point. This event will cause a one to be set in this register until cleared by software. Write a 1 to this field to clear the value.	RW	0x0
5	INT_STAT_VIP1_MULT_ANCB_SRC15	The last write DMA transaction has completed for channel vip1_mult_ancb_src15. All data from the channel has been sent and received by the external memory. If a new channel has not been setup for the client vip1_anc_b then the client will be fully empty at this point. This event will cause a one to be set in this register until cleared by software. Write a 1 to this field to clear the value.	RW	0x0
4	INT_STAT_VIP1_MULT_ANCB_SRC14	The last write DMA transaction has completed for channel vip1_mult_ancb_src14. All data from the channel has been sent and received by the external memory. If a new channel has not been setup for the client vip1_anc_b then the client will be fully empty at this point. This event will cause a one to be set in this register until cleared by software. Write a 1 to this field to clear the value.	RW	0x0
3	INT_STAT_VIP1_MULT_ANCB_SRC13	The last write DMA transaction has completed for channel vip1_mult_ancb_src13. All data from the channel has been sent and received by the external memory. If a new channel has not been setup for the client vip1_anc_b then the client will be fully empty at this point. This event will cause a one to be set in this register until cleared by software. Write a 1 to this field to clear the value.	RW	0x0
2	INT_STAT_VIP1_MULT_ANCB_SRC12	The last write DMA transaction has completed for channel vip1_mult_ancb_src12. All data from the channel has been sent and received by the external memory. If a new channel has not been setup for the client vip1_anc_b then the client will be fully empty at this point. This event will cause a one to be set in this register until cleared by software. Write a 1 to this field to clear the value.	RW	0x0
1	INT_STAT_VIP1_MULT_ANCB_SRC11	The last write DMA transaction has completed for channel vip1_mult_ancb_src11. All data from the channel has been sent and received by the external memory. If a new channel has not been setup for the client vip1_anc_b then the client will be fully empty at this point. This event will cause a one to be set in this register until cleared by software. Write a 1 to this field to clear the value.	RW	0x0
0	INT_STAT_VIP1_MULT_ANCB_SRC10	The last write DMA transaction has completed for channel vip1_mult_ancb_src10. All data from the channel has been sent and received by the external memory. If a new channel has not been setup for the client vip1_anc_b then the client will be fully empty at this point. This event will cause a one to be set in this register until cleared by software. Write a 1 to this field to clear the value.	RW	0x0

Table 10-194. Register Call Summary for Register VPE_INT0_CHANNEL3_INT_STAT

VPE Functional Description

- [VPDMA Interrupts: \[0\]](#)

VPE Register Manual

- [VPE_VPDMA Register Summary: \[1\]](#)

Table 10-195. VPE_INT0_CHANNEL3_INT_MASK

Address Offset	0x0000 005C	Instance	VPE_VPDMA
Physical Address	0x489D D05C		
Description	The register gives the information of the interrupts that should be masked and not generate an interrupt for vpdma_int0.		
Type	RW		

31	30	29	28	27	26	25	24	23	22	21	20	19	18	17	16	15	14	13	12	11	10	9	8	7	6	5	4	3	2	1	0
INT_MASK_VIP2_MULT_PORTB_SRC3	INT_MASK_VIP2_MULT_PORTB_SRC2	INT_MASK_VIP2_MULT_PORTB_SRC1	INT_MASK_VIP2_MULT_PORTB_SRC0	INT_MASK_VIP2_MULT_PORTA_SRC15	INT_MASK_VIP2_MULT_PORTA_SRC14	INT_MASK_VIP2_MULT_PORTA_SRC13	INT_MASK_VIP2_MULT_PORTA_SRC12	INT_MASK_VIP2_MULT_PORTA_SRC11	INT_MASK_VIP2_MULT_PORTA_SRC10	INT_MASK_VIP2_MULT_PORTA_SRC9	INT_MASK_VIP2_MULT_PORTA_SRC8	INT_MASK_VIP2_MULT_PORTA_SRC7	INT_MASK_VIP2_MULT_PORTA_SRC6	INT_MASK_VIP2_MULT_PORTA_SRC5	INT_MASK_VIP2_MULT_PORTA_SRC4	INT_MASK_VIP2_MULT_PORTA_SRC3	INT_MASK_VIP2_MULT_PORTA_SRC2	INT_MASK_VIP2_MULT_PORTA_SRC1	INT_MASK_VIP2_MULT_PORTA_SRC0	INT_MASK_VIP1_PORTB_RGB	INT_MASK_VIP1_PORTA_RGB	INT_MASK_VIP1_PORTB_CHROMA	INT_MASK_VIP1_PORTA_CHROMA	INT_MASK_VIP1_PORTA_LUMA	INT_MASK_VIP1_MULT_ANCB_SRC15	INT_MASK_VIP1_MULT_ANCB_SRC14	INT_MASK_VIP1_MULT_ANCB_SRC13	INT_MASK_VIP1_MULT_ANCB_SRC12	INT_MASK_VIP1_MULT_ANCB_SRC11	INT_MASK_VIP1_MULT_ANCB_SRC10	

Bits	Field Name	Description	Type	Reset
31	INT_MASK_VIP2_MULT_PORTB_SRC3	The interrupt for Video Input 2 Port B Channel 3 should generate an interrupt on interrupt vpdma_int0. Write a 1 for the interrupt event to trigger the interrupt signal.	RW	0x0
30	INT_MASK_VIP2_MULT_PORTB_SRC2	The interrupt for Video Input 2 Port B Channel 2 should generate an interrupt on interrupt vpdma_int0. Write a 1 for the interrupt event to trigger the interrupt signal.	RW	0x0
29	INT_MASK_VIP2_MULT_PORTB_SRC1	The interrupt for Video Input 2 Port B Channel 1 should generate an interrupt on interrupt vpdma_int0. Write a 1 for the interrupt event to trigger the interrupt signal.	RW	0x0
28	INT_MASK_VIP2_MULT_PORTB_SRC0	The interrupt for Video Input 2 Port B Channel 0 should generate an interrupt on interrupt vpdma_int0. Write a 1 for the interrupt event to trigger the interrupt signal.	RW	0x0
27	INT_MASK_VIP2_MULT_PORTA_SRC15	The interrupt for Video Input 2 Port A Channel 15 should generate an interrupt on interrupt vpdma_int0. Write a 1 for the interrupt event to trigger the interrupt signal.	RW	0x0
26	INT_MASK_VIP2_MULT_PORTA_SRC14	The interrupt for Video Input 2 Port A Channel 14 should generate an interrupt on interrupt vpdma_int0. Write a 1 for the interrupt event to trigger the interrupt signal.	RW	0x0
25	INT_MASK_VIP2_MULT_PORTA_SRC13	The interrupt for Video Input 2 Port A Channel 13 should generate an interrupt on interrupt vpdma_int0. Write a 1 for the interrupt event to trigger the interrupt signal.	RW	0x0

Bits	Field Name	Description	Type	Reset
24	INT_MASK_VIP2_MULT_PORTA_SRC12	The interrupt for Video Input 2 Port A Channel 12 should generate an interrupt on interrupt vpdma_int0. Write a 1 for the interrupt event to trigger the interrupt signal.	RW	0x0
23	INT_MASK_VIP2_MULT_PORTA_SRC11	The interrupt for Video Input 2 Port A Channel 11 should generate an interrupt on interrupt vpdma_int0. Write a 1 for the interrupt event to trigger the interrupt signal.	RW	0x0
22	INT_MASK_VIP2_MULT_PORTA_SRC10	The interrupt for Video Input 2 Port A Channel 10 should generate an interrupt on interrupt vpdma_int0. Write a 1 for the interrupt event to trigger the interrupt signal.	RW	0x0
21	INT_MASK_VIP2_MULT_PORTA_SRC9	The interrupt for Video Input 2 Port A Channel 9 should generate an interrupt on interrupt vpdma_int0. Write a 1 for the interrupt event to trigger the interrupt signal.	RW	0x0
20	INT_MASK_VIP2_MULT_PORTA_SRC8	The interrupt for Video Input 2 Port A Channel 8 should generate an interrupt on interrupt vpdma_int0. Write a 1 for the interrupt event to trigger the interrupt signal.	RW	0x0
19	INT_MASK_VIP2_MULT_PORTA_SRC7	The interrupt for Video Input 2 Port A Channel 7 should generate an interrupt on interrupt vpdma_int0. Write a 1 for the interrupt event to trigger the interrupt signal.	RW	0x0
18	INT_MASK_VIP2_MULT_PORTA_SRC6	The interrupt for Video Input 2 Port A Channel 6 should generate an interrupt on interrupt vpdma_int0. Write a 1 for the interrupt event to trigger the interrupt signal.	RW	0x0
17	INT_MASK_VIP2_MULT_PORTA_SRC5	The interrupt for Video Input 2 Port A Channel 5 should generate an interrupt on interrupt vpdma_int0. Write a 1 for the interrupt event to trigger the interrupt signal.	RW	0x0
16	INT_MASK_VIP2_MULT_PORTA_SRC4	The interrupt for Video Input 2 Port A Channel 4 should generate an interrupt on interrupt vpdma_int0. Write a 1 for the interrupt event to trigger the interrupt signal.	RW	0x0
15	INT_MASK_VIP2_MULT_PORTA_SRC3	The interrupt for Video Input 2 Port A Channel 3 should generate an interrupt on interrupt vpdma_int0. Write a 1 for the interrupt event to trigger the interrupt signal.	RW	0x0
14	INT_MASK_VIP2_MULT_PORTA_SRC2	The interrupt for Video Input 2 Port A Channel 2 should generate an interrupt on interrupt vpdma_int0. Write a 1 for the interrupt event to trigger the interrupt signal.	RW	0x0
13	INT_MASK_VIP2_MULT_PORTA_SRC1	The interrupt for Video Input 2 Port A Channel 1 should generate an interrupt on interrupt vpdma_int0. Write a 1 for the interrupt event to trigger the interrupt signal.	RW	0x0
12	INT_MASK_VIP2_MULT_PORTA_SRC0	The interrupt for Video Input 2 Port A Channel 0 should generate an interrupt on interrupt vpdma_int0. Write a 1 for the interrupt event to trigger the interrupt signal.	RW	0x0
11	INT_MASK_VIP1_PORTB_RGB	The interrupt for Video Input 1 Port B RGB Data should generate an interrupt on interrupt vpdma_int0. Write a 1 for the interrupt event to trigger the interrupt signal.	RW	0x0
10	INT_MASK_VIP1_PORTA_RGB	The interrupt for Video Input 1 Port A RGB Data should generate an interrupt on interrupt vpdma_int0. Write a 1 for the interrupt event to trigger the interrupt signal.	RW	0x0
9	INT_MASK_VIP1_PORTB_CHROMA	The interrupt for should generate an interrupt on interrupt vpdma_int0. Write a 1 for the interrupt event to trigger the interrupt signal.	RW	0x0

Bits	Field Name	Description	Type	Reset
8	INT_MASK_VIP1_PORTB_LUMA	The interrupt for should generate an interrupt on interrupt vpdma_int0. Write a 1 for the interrupt event to trigger the interrupt signal.	RW	0x0
7	INT_MASK_VIP1_PORTA_CHROMA	The interrupt for should generate an interrupt on interrupt vpdma_int0. Write a 1 for the interrupt event to trigger the interrupt signal.	RW	0x0
6	INT_MASK_VIP1_PORTA_LUMA	The interrupt for should generate an interrupt on interrupt vpdma_int0. Write a 1 for the interrupt event to trigger the interrupt signal.	RW	0x0
5	INT_MASK_VIP1_MULT_ANCB_SRC15	The interrupt for Video Input 1 Port B Ancillary Data Channel 15 should generate an interrupt on interrupt vpdma_int0. Write a 1 for the interrupt event to trigger the interrupt signal.	RW	0x0
4	INT_MASK_VIP1_MULT_ANCB_SRC14	The interrupt for Video Input 1 Port B Ancillary Data Channel 14 should generate an interrupt on interrupt vpdma_int0. Write a 1 for the interrupt event to trigger the interrupt signal.	RW	0x0
3	INT_MASK_VIP1_MULT_ANCB_SRC13	The interrupt for Video Input 1 Port B Ancillary Data Channel 13 should generate an interrupt on interrupt vpdma_int0. Write a 1 for the interrupt event to trigger the interrupt signal.	RW	0x0
2	INT_MASK_VIP1_MULT_ANCB_SRC12	The interrupt for Video Input 1 Port B Ancillary Data Channel 12 should generate an interrupt on interrupt vpdma_int0. Write a 1 for the interrupt event to trigger the interrupt signal.	RW	0x0
1	INT_MASK_VIP1_MULT_ANCB_SRC11	The interrupt for Video Input 1 Port B Ancillary Data Channel 11 should generate an interrupt on interrupt vpdma_int0. Write a 1 for the interrupt event to trigger the interrupt signal.	RW	0x0
0	INT_MASK_VIP1_MULT_ANCB_SRC10	The interrupt for Video Input 1 Port B Ancillary Data Channel 10 should generate an interrupt on interrupt vpdma_int0. Write a 1 for the interrupt event to trigger the interrupt signal.	RW	0x0

Table 10-196. Register Call Summary for Register VPE_INT0_CHANNEL3_INT_MASK

VPE Functional Description

- [VPDMA Interrupts: \[0\]](#)

VPE Register Manual

- [VPE_VPDMA Register Summary: \[1\]](#)

Table 10-197. VPE_INT0_CHANNEL4_INT_STAT

Address Offset	0x0000 0060	Instance	VPE_VPDMA
Physical Address	0x489D D060		
Description	This register gives the information of the interrupts that have triggered since last cleared by the process that is servicing vpdma_int0.		
Type	RW		

31	30	29	28	27	26	25	24	23	22	21	20	19	18	17	16	15	14	13	12	11	10	9	8	7	6	5	4	3	2	1	0
INT_STAT_VIP2_MULT_ANCB_SRC3	INT_STAT_VIP2_MULT_ANCB_SRC2	INT_STAT_VIP2_MULT_ANCB_SRC1	INT_STAT_VIP2_MULT_ANCB_SRC0	INT_STAT_VIP2_MULT_ANCA_SRC15	INT_STAT_VIP2_MULT_ANCA_SRC14	INT_STAT_VIP2_MULT_ANCA_SRC13	INT_STAT_VIP2_MULT_ANCA_SRC12	INT_STAT_VIP2_MULT_ANCA_SRC11	INT_STAT_VIP2_MULT_ANCA_SRC10	INT_STAT_VIP2_MULT_ANCA_SRC9	INT_STAT_VIP2_MULT_ANCA_SRC8	INT_STAT_VIP2_MULT_ANCA_SRC7	INT_STAT_VIP2_MULT_ANCA_SRC6	INT_STAT_VIP2_MULT_ANCA_SRC5	INT_STAT_VIP2_MULT_ANCA_SRC4	INT_STAT_VIP2_MULT_ANCA_SRC3	INT_STAT_VIP2_MULT_ANCA_SRC2	INT_STAT_VIP2_MULT_ANCA_SRC1	INT_STAT_VIP2_MULT_ANCA_SRC0	INT_STAT_VIP2_MULT_PORTB_SRC15	INT_STAT_VIP2_MULT_PORTB_SRC14	INT_STAT_VIP2_MULT_PORTB_SRC13	INT_STAT_VIP2_MULT_PORTB_SRC12	INT_STAT_VIP2_MULT_PORTB_SRC11	INT_STAT_VIP2_MULT_PORTB_SRC10	INT_STAT_VIP2_MULT_PORTB_SRC9	INT_STAT_VIP2_MULT_PORTB_SRC8	INT_STAT_VIP2_MULT_PORTB_SRC7	INT_STAT_VIP2_MULT_PORTB_SRC6	INT_STAT_VIP2_MULT_PORTB_SRC5	INT_STAT_VIP2_MULT_PORTB_SRC4

Bits	Field Name	Description	Type	Reset
31	INT_STAT_VIP2_MULT_ANCB_SRC3	The last write DMA transaction has completed for channel vip2_mult_ancb_src3. All data from the channel has been sent and received by the external memory. If a new channel has not been setup for the client vip2_anc_b then the client will be fully empty at this point. This event will cause a one to be set in this register until cleared by software. Write a 1 to this field to clear the value.	RW	0x0
30	INT_STAT_VIP2_MULT_ANCB_SRC2	The last write DMA transaction has completed for channel vip2_mult_ancb_src2. All data from the channel has been sent and received by the external memory. If a new channel has not been setup for the client vip2_anc_b then the client will be fully empty at this point. This event will cause a one to be set in this register until cleared by software. Write a 1 to this field to clear the value.	RW	0x0
29	INT_STAT_VIP2_MULT_ANCB_SRC1	The last write DMA transaction has completed for channel vip2_mult_ancb_src1. All data from the channel has been sent and received by the external memory. If a new channel has not been setup for the client vip2_anc_b then the client will be fully empty at this point. This event will cause a one to be set in this register until cleared by software. Write a 1 to this field to clear the value.	RW	0x0
28	INT_STAT_VIP2_MULT_ANCB_SRC0	The last write DMA transaction has completed for channel vip2_mult_ancb_src0. All data from the channel has been sent and received by the external memory. If a new channel has not been setup for the client vip2_anc_b then the client will be fully empty at this point. This event will cause a one to be set in this register until cleared by software. Write a 1 to this field to clear the value.	RW	0x0
27	INT_STAT_VIP2_MULT_ANCA_SRC15	The last write DMA transaction has completed for channel vip2_mult_anca_src15. All data from the channel has been sent and received by the external memory. If a new channel has not been setup for the client vip2_anc_a then the client will be fully empty at this point. This event will cause a one to be set in this register until cleared by software. Write a 1 to this field to clear the value.	RW	0x0
26	INT_STAT_VIP2_MULT_ANCA_SRC14	The last write DMA transaction has completed for channel vip2_mult_anca_src14. All data from the channel has been sent and received by the external memory. If a new channel has not been setup for the client vip2_anc_a then the client will be fully empty at this point. This event will cause a one to be set in this register until cleared by software. Write a 1 to this field to clear the value.	RW	0x0

Bits	Field Name	Description	Type	Reset
25	INT_STAT_VIP2_MULT_ANCA_SRC13	The last write DMA transaction has completed for channel vip2_mult_anca_src13. All data from the channel has been sent and received by the external memory. If a new channel has not been setup for the client vip2_anc_a then the client will be fully empty at this point. This event will cause a one to be set in this register until cleared by software. Write a 1 to this field to clear the value.	RW	0x0
24	INT_STAT_VIP2_MULT_ANCA_SRC12	The last write DMA transaction has completed for channel vip2_mult_anca_src12. All data from the channel has been sent and received by the external memory. If a new channel has not been setup for the client vip2_anc_a then the client will be fully empty at this point. This event will cause a one to be set in this register until cleared by software. Write a 1 to this field to clear the value.	RW	0x0
23	INT_STAT_VIP2_MULT_ANCA_SRC11	The last write DMA transaction has completed for channel vip2_mult_anca_src11. All data from the channel has been sent and received by the external memory. If a new channel has not been setup for the client vip2_anc_a then the client will be fully empty at this point. This event will cause a one to be set in this register until cleared by software. Write a 1 to this field to clear the value.	RW	0x0
22	INT_STAT_VIP2_MULT_ANCA_SRC10	The last write DMA transaction has completed for channel vip2_mult_anca_src10. All data from the channel has been sent and received by the external memory. If a new channel has not been setup for the client vip2_anc_a then the client will be fully empty at this point. This event will cause a one to be set in this register until cleared by software. Write a 1 to this field to clear the value.	RW	0x0
21	INT_STAT_VIP2_MULT_ANCA_SRC9	The last write DMA transaction has completed for channel vip2_mult_anca_src9. All data from the channel has been sent and received by the external memory. If a new channel has not been setup for the client vip2_anc_a then the client will be fully empty at this point. This event will cause a one to be set in this register until cleared by software. Write a 1 to this field to clear the value.	RW	0x0
20	INT_STAT_VIP2_MULT_ANCA_SRC8	The last write DMA transaction has completed for channel vip2_mult_anca_src8. All data from the channel has been sent and received by the external memory. If a new channel has not been setup for the client vip2_anc_a then the client will be fully empty at this point. This event will cause a one to be set in this register until cleared by software. Write a 1 to this field to clear the value.	RW	0x0
19	INT_STAT_VIP2_MULT_ANCA_SRC7	The last write DMA transaction has completed for channel vip2_mult_anca_src7. All data from the channel has been sent and received by the external memory. If a new channel has not been setup for the client vip2_anc_a then the client will be fully empty at this point. This event will cause a one to be set in this register until cleared by software. Write a 1 to this field to clear the value.	RW	0x0
18	INT_STAT_VIP2_MULT_ANCA_SRC6	The last write DMA transaction has completed for channel vip2_mult_anca_src6. All data from the channel has been sent and received by the external memory. If a new channel has not been setup for the client vip2_anc_a then the client will be fully empty at this point. This event will cause a one to be set in this register until cleared by software. Write a 1 to this field to clear the value.	RW	0x0

Bits	Field Name	Description	Type	Reset
17	INT_STAT_VIP2_MULT_ANCA_SRC5	The last write DMA transaction has completed for channel vip2_mult_anca_src5. All data from the channel has been sent and received by the external memory. If a new channel has not been setup for the client vip2_anc_a then the client will be fully empty at this point. This event will cause a one to be set in this register until cleared by software. Write a 1 to this field to clear the value.	RW	0x0
16	INT_STAT_VIP2_MULT_ANCA_SRC4	The last write DMA transaction has completed for channel vip2_mult_anca_src4. All data from the channel has been sent and received by the external memory. If a new channel has not been setup for the client vip2_anc_a then the client will be fully empty at this point. This event will cause a one to be set in this register until cleared by software. Write a 1 to this field to clear the value.	RW	0x0
15	INT_STAT_VIP2_MULT_ANCA_SRC3	The last write DMA transaction has completed for channel vip2_mult_anca_src3. All data from the channel has been sent and received by the external memory. If a new channel has not been setup for the client vip2_anc_a then the client will be fully empty at this point. This event will cause a one to be set in this register until cleared by software. Write a 1 to this field to clear the value.	RW	0x0
14	INT_STAT_VIP2_MULT_ANCA_SRC2	The last write DMA transaction has completed for channel vip2_mult_anca_src2. All data from the channel has been sent and received by the external memory. If a new channel has not been setup for the client vip2_anc_a then the client will be fully empty at this point. This event will cause a one to be set in this register until cleared by software. Write a 1 to this field to clear the value.	RW	0x0
13	INT_STAT_VIP2_MULT_ANCA_SRC1	The last write DMA transaction has completed for channel vip2_mult_anca_src1. All data from the channel has been sent and received by the external memory. If a new channel has not been setup for the client vip2_anc_a then the client will be fully empty at this point. This event will cause a one to be set in this register until cleared by software. Write a 1 to this field to clear the value.	RW	0x0
12	INT_STAT_VIP2_MULT_ANCA_SRC0	The last write DMA transaction has completed for channel vip2_mult_anca_src0. All data from the channel has been sent and received by the external memory. If a new channel has not been setup for the client vip2_anc_a then the client will be fully empty at this point. This event will cause a one to be set in this register until cleared by software. Write a 1 to this field to clear the value.	RW	0x0
11	INT_STAT_VIP2_MULT_PORTB_SRC15	The last write DMA transaction has completed for channel vip2_mult_portb_src15. All data from the channel has been sent and received by the external memory. If a new channel has not been setup for the client vip2_lo_uv then the client will be fully empty at this point. This event will cause a one to be set in this register until cleared by software. Write a 1 to this field to clear the value.	RW	0x0
10	INT_STAT_VIP2_MULT_PORTB_SRC14	The last write DMA transaction has completed for channel vip2_mult_portb_src14. All data from the channel has been sent and received by the external memory. If a new channel has not been setup for the client vip2_lo_uv then the client will be fully empty at this point. This event will cause a one to be set in this register until cleared by software. Write a 1 to this field to clear the value.	RW	0x0

Bits	Field Name	Description	Type	Reset
9	INT_STAT_VIP2_MULT_PORTB_SRC13	The last write DMA transaction has completed for channel vip2_mult_portb_src13. All data from the channel has been sent and received by the external memory. If a new channel has not been setup for the client vip2_lo_uv then the client will be fully empty at this point. This event will cause a one to be set in this register until cleared by software. Write a 1 to this field to clear the value.	RW	0x0
8	INT_STAT_VIP2_MULT_PORTB_SRC12	The last write DMA transaction has completed for channel vip2_mult_portb_src12. All data from the channel has been sent and received by the external memory. If a new channel has not been setup for the client vip2_lo_uv then the client will be fully empty at this point. This event will cause a one to be set in this register until cleared by software. Write a 1 to this field to clear the value.	RW	0x0
7	INT_STAT_VIP2_MULT_PORTB_SRC11	The last write DMA transaction has completed for channel vip2_mult_portb_src11. All data from the channel has been sent and received by the external memory. If a new channel has not been setup for the client vip2_lo_uv then the client will be fully empty at this point. This event will cause a one to be set in this register until cleared by software. Write a 1 to this field to clear the value.	RW	0x0
6	INT_STAT_VIP2_MULT_PORTB_SRC10	The last write DMA transaction has completed for channel vip2_mult_portb_src10. All data from the channel has been sent and received by the external memory. If a new channel has not been setup for the client vip2_lo_uv then the client will be fully empty at this point. This event will cause a one to be set in this register until cleared by software. Write a 1 to this field to clear the value.	RW	0x0
5	INT_STAT_VIP2_MULT_PORTB_SRC9	The last write DMA transaction has completed for channel vip2_mult_portb_src9. All data from the channel has been sent and received by the external memory. If a new channel has not been setup for the client vip2_lo_uv then the client will be fully empty at this point. This event will cause a one to be set in this register until cleared by software. Write a 1 to this field to clear the value.	RW	0x0
4	INT_STAT_VIP2_MULT_PORTB_SRC8	The last write DMA transaction has completed for channel vip2_mult_portb_src8. All data from the channel has been sent and received by the external memory. If a new channel has not been setup for the client vip2_lo_uv then the client will be fully empty at this point. This event will cause a one to be set in this register until cleared by software. Write a 1 to this field to clear the value.	RW	0x0
3	INT_STAT_VIP2_MULT_PORTB_SRC7	The last write DMA transaction has completed for channel vip2_mult_portb_src7. All data from the channel has been sent and received by the external memory. If a new channel has not been setup for the client vip2_lo_uv then the client will be fully empty at this point. This event will cause a one to be set in this register until cleared by software. Write a 1 to this field to clear the value.	RW	0x0
2	INT_STAT_VIP2_MULT_PORTB_SRC6	The last write DMA transaction has completed for channel vip2_mult_portb_src6. All data from the channel has been sent and received by the external memory. If a new channel has not been setup for the client vip2_lo_uv then the client will be fully empty at this point. This event will cause a one to be set in this register until cleared by software. Write a 1 to this field to clear the value.	RW	0x0

Bits	Field Name	Description	Type	Reset
1	INT_STAT_VIP2_MULT_PORTB_SRC5	The last write DMA transaction has completed for channel vip2_mult_portb_src5. All data from the channel has been sent and received by the external memory. If a new channel has not been setup for the client vip2_lo_uv then the client will be fully empty at this point. This event will cause a one to be set in this register until cleared by software. Write a 1 to this field to clear the value.	RW	0x0
0	INT_STAT_VIP2_MULT_PORTB_SRC4	The last write DMA transaction has completed for channel vip2_mult_portb_src4. All data from the channel has been sent and received by the external memory. If a new channel has not been setup for the client vip2_lo_uv then the client will be fully empty at this point. This event will cause a one to be set in this register until cleared by software. Write a 1 to this field to clear the value.	RW	0x0

Table 10-198. Register Call Summary for Register VPE_INT0_CHANNEL4_INT_STAT

VPE Functional Description

- [VPDMA Interrupts: \[0\]](#)

VPE Register Manual

- [VPE_VPDMA Register Summary: \[1\]](#)

Table 10-199. VPE_INT0_CHANNEL4_INT_MASK

Address Offset	0x0000 0064	Instance	VPE_VPDMA
Physical Address	0x489D D064		
Description	The register gives the information of the interrupts that should be masked and not generate an interrupt for vpdma_int0.		
Type	RW		

31	30	29	28	27	26	25	24	23	22	21	20	19	18	17	16	15	14	13	12	11	10	9	8	7	6	5	4	3	2	1	0
INT_MASK_VIP2_MULT_ANCB_SRC3	INT_MASK_VIP2_MULT_ANCB_SRC2	INT_MASK_VIP2_MULT_ANCB_SRC1	INT_MASK_VIP2_MULT_ANCB_SRC0	INT_MASK_VIP2_MULT_ANCA_SRC15	INT_MASK_VIP2_MULT_ANCA_SRC14	INT_MASK_VIP2_MULT_ANCA_SRC13	INT_MASK_VIP2_MULT_ANCA_SRC12	INT_MASK_VIP2_MULT_ANCA_SRC11	INT_MASK_VIP2_MULT_ANCA_SRC10	INT_MASK_VIP2_MULT_ANCA_SRC9	INT_MASK_VIP2_MULT_ANCA_SRC8	INT_MASK_VIP2_MULT_ANCA_SRC7	INT_MASK_VIP2_MULT_ANCA_SRC6	INT_MASK_VIP2_MULT_ANCA_SRC5	INT_MASK_VIP2_MULT_ANCA_SRC4	INT_MASK_VIP2_MULT_ANCA_SRC3	INT_MASK_VIP2_MULT_ANCA_SRC2	INT_MASK_VIP2_MULT_ANCA_SRC1	INT_MASK_VIP2_MULT_ANCA_SRC0	INT_MASK_VIP2_MULT_PORTB_SRC15	INT_MASK_VIP2_MULT_PORTB_SRC14	INT_MASK_VIP2_MULT_PORTB_SRC13	INT_MASK_VIP2_MULT_PORTB_SRC12	INT_MASK_VIP2_MULT_PORTB_SRC11	INT_MASK_VIP2_MULT_PORTB_SRC10	INT_MASK_VIP2_MULT_PORTB_SRC9	INT_MASK_VIP2_MULT_PORTB_SRC8	INT_MASK_VIP2_MULT_PORTB_SRC7	INT_MASK_VIP2_MULT_PORTB_SRC6	INT_MASK_VIP2_MULT_PORTB_SRC5	INT_MASK_VIP2_MULT_PORTB_SRC4

Bits	Field Name	Description	Type	Reset
31	INT_MASK_VIP2_MULT_ANCB_SRC3	The interrupt for Video Input 2 Port B Ancillary Data Channel 3 should generate an interrupt on interrupt vpdma_int0. Write a 1 for the interrupt event to trigger the interrupt signal.	RW	0x0
30	INT_MASK_VIP2_MULT_ANCB_SRC2	The interrupt for Video Input 2 Port B Ancillary Data Channel 2 should generate an interrupt on interrupt vpdma_int0. Write a 1 for the interrupt event to trigger the interrupt signal.	RW	0x0

Bits	Field Name	Description	Type	Reset
29	INT_MASK_VIP2_MULT_ANCB_SRC1	The interrupt for Video Input 2 Port B Ancillary Data Channel 1 should generate an interrupt on interrupt vpdma_int0. Write a 1 for the interrupt event to trigger the interrupt signal.	RW	0x0
28	INT_MASK_VIP2_MULT_ANCB_SRC0	The interrupt for Video Input 2 Port B Ancillary Data Channel 0 should generate an interrupt on interrupt vpdma_int0. Write a 1 for the interrupt event to trigger the interrupt signal.	RW	0x0
27	INT_MASK_VIP2_MULT_ANCA_SRC15	The interrupt for Video Input 2 Port A Ancillary Data Channel 15 should generate an interrupt on interrupt vpdma_int0. Write a 1 for the interrupt event to trigger the interrupt signal.	RW	0x0
26	INT_MASK_VIP2_MULT_ANCA_SRC14	The interrupt for Video Input 2 Port A Ancillary Data Channel 14 should generate an interrupt on interrupt vpdma_int0. Write a 1 for the interrupt event to trigger the interrupt signal.	RW	0x0
25	INT_MASK_VIP2_MULT_ANCA_SRC13	The interrupt for Video Input 2 Port A Ancillary Data Channel 13 should generate an interrupt on interrupt vpdma_int0. Write a 1 for the interrupt event to trigger the interrupt signal.	RW	0x0
24	INT_MASK_VIP2_MULT_ANCA_SRC12	The interrupt for Video Input 2 Port A Ancillary Data Channel 12 should generate an interrupt on interrupt vpdma_int0. Write a 1 for the interrupt event to trigger the interrupt signal.	RW	0x0
23	INT_MASK_VIP2_MULT_ANCA_SRC11	The interrupt for Video Input 2 Port A Ancillary Data Channel 11 should generate an interrupt on interrupt vpdma_int0. Write a 1 for the interrupt event to trigger the interrupt signal.	RW	0x0
22	INT_MASK_VIP2_MULT_ANCA_SRC10	The interrupt for Video Input 2 Port A Ancillary Data Channel 10 should generate an interrupt on interrupt vpdma_int0. Write a 1 for the interrupt event to trigger the interrupt signal.	RW	0x0
21	INT_MASK_VIP2_MULT_ANCA_SRC9	The interrupt for Video Input 2 Port A Ancillary Data Channel 9 should generate an interrupt on interrupt vpdma_int0. Write a 1 for the interrupt event to trigger the interrupt signal.	RW	0x0
20	INT_MASK_VIP2_MULT_ANCA_SRC8	The interrupt for Video Input 2 Port A Ancillary Data Channel 8 should generate an interrupt on interrupt vpdma_int0. Write a 1 for the interrupt event to trigger the interrupt signal.	RW	0x0
19	INT_MASK_VIP2_MULT_ANCA_SRC7	The interrupt for Video Input 2 Port A Ancillary Data Channel 7 should generate an interrupt on interrupt vpdma_int0. Write a 1 for the interrupt event to trigger the interrupt signal.	RW	0x0
18	INT_MASK_VIP2_MULT_ANCA_SRC6	The interrupt for Video Input 2 Port A Ancillary Data Channel 6 should generate an interrupt on interrupt vpdma_int0. Write a 1 for the interrupt event to trigger the interrupt signal.	RW	0x0
17	INT_MASK_VIP2_MULT_ANCA_SRC5	The interrupt for Video Input 2 Port A Ancillary Data Channel 5 should generate an interrupt on interrupt vpdma_int0. Write a 1 for the interrupt event to trigger the interrupt signal.	RW	0x0
16	INT_MASK_VIP2_MULT_ANCA_SRC4	The interrupt for Video Input 2 Port A Ancillary Data Channel 4 should generate an interrupt on interrupt vpdma_int0. Write a 1 for the interrupt event to trigger the interrupt signal.	RW	0x0
15	INT_MASK_VIP2_MULT_ANCA_SRC3	The interrupt for Video Input 2 Port A Ancillary Data Channel 3 should generate an interrupt on interrupt vpdma_int0. Write a 1 for the interrupt event to trigger the interrupt signal.	RW	0x0
14	INT_MASK_VIP2_MULT_ANCA_SRC2	The interrupt for Video Input 2 Port A Ancillary Data Channel 2 should generate an interrupt on interrupt vpdma_int0. Write a 1 for the interrupt event to trigger the interrupt signal.	RW	0x0

Bits	Field Name	Description	Type	Reset
13	INT_MASK_VIP2_MULT_ANCA_SRC1	The interrupt for Video Input 2 Port A Ancillary Data Channel 1 should generate an interrupt on interrupt vpdma_int0. Write a 1 for the interrupt event to trigger the interrupt signal.	RW	0x0
12	INT_MASK_VIP2_MULT_ANCA_SRC0	The interrupt for Video Input 2 Port A Ancillary Data Channel 0 should generate an interrupt on interrupt vpdma_int0. Write a 1 for the interrupt event to trigger the interrupt signal.	RW	0x0
11	INT_MASK_VIP2_MULT_PORTB_SRC15	The interrupt for Video Input 2 Port B Channel 15 should generate an interrupt on interrupt vpdma_int0. Write a 1 for the interrupt event to trigger the interrupt signal.	RW	0x0
10	INT_MASK_VIP2_MULT_PORTB_SRC14	The interrupt for Video Input 2 Port B Channel 14 should generate an interrupt on interrupt vpdma_int0. Write a 1 for the interrupt event to trigger the interrupt signal.	RW	0x0
9	INT_MASK_VIP2_MULT_PORTB_SRC13	The interrupt for Video Input 2 Port B Channel 13 should generate an interrupt on interrupt vpdma_int0. Write a 1 for the interrupt event to trigger the interrupt signal.	RW	0x0
8	INT_MASK_VIP2_MULT_PORTB_SRC12	The interrupt for Video Input 2 Port B Channel 12 should generate an interrupt on interrupt vpdma_int0. Write a 1 for the interrupt event to trigger the interrupt signal.	RW	0x0
7	INT_MASK_VIP2_MULT_PORTB_SRC11	The interrupt for Video Input 2 Port B Channel 11 should generate an interrupt on interrupt vpdma_int0. Write a 1 for the interrupt event to trigger the interrupt signal.	RW	0x0
6	INT_MASK_VIP2_MULT_PORTB_SRC10	The interrupt for Video Input 2 Port B Channel 10 should generate an interrupt on interrupt vpdma_int0. Write a 1 for the interrupt event to trigger the interrupt signal.	RW	0x0
5	INT_MASK_VIP2_MULT_PORTB_SRC9	The interrupt for Video Input 2 Port B Channel 9 should generate an interrupt on interrupt vpdma_int0. Write a 1 for the interrupt event to trigger the interrupt signal.	RW	0x0
4	INT_MASK_VIP2_MULT_PORTB_SRC8	The interrupt for Video Input 2 Port B Channel 8 should generate an interrupt on interrupt vpdma_int0. Write a 1 for the interrupt event to trigger the interrupt signal.	RW	0x0
3	INT_MASK_VIP2_MULT_PORTB_SRC7	The interrupt for Video Input 2 Port B Channel 7 should generate an interrupt on interrupt vpdma_int0. Write a 1 for the interrupt event to trigger the interrupt signal.	RW	0x0
2	INT_MASK_VIP2_MULT_PORTB_SRC6	The interrupt for Video Input 2 Port B Channel 6 should generate an interrupt on interrupt vpdma_int0. Write a 1 for the interrupt event to trigger the interrupt signal.	RW	0x0
1	INT_MASK_VIP2_MULT_PORTB_SRC5	The interrupt for Video Input 2 Port B Channel 5 should generate an interrupt on interrupt vpdma_int0. Write a 1 for the interrupt event to trigger the interrupt signal.	RW	0x0
0	INT_MASK_VIP2_MULT_PORTB_SRC4	The interrupt for Video Input 2 Port B Channel 4 should generate an interrupt on interrupt vpdma_int0. Write a 1 for the interrupt event to trigger the interrupt signal.	RW	0x0

Table 10-200. Register Call Summary for Register VPE_INT0_CHANNEL4_INT_MASK

VPE Functional Description

- [VPDMA Interrupts: \[0\]](#)

VPE Register Manual

- [VPE_VPDMA Register Summary: \[1\]](#)

Table 10-201. VPE_INT0_CHANNEL5_INT_STAT

Address Offset	0x0000 0068	Instance	VPE_VPDMA
Physical Address	0x489D D068		
Description	This register gives the information of the interrupts that have triggered since last cleared by the process that is servicing vpdma_int0.		
Type	RW		

31	30	29	28	27	26	25	24	23	22	21	20	19	18	17	16	15	14	13	12	11	10	9	8	7	6	5	4	3	2	1	0
INT_STAT_TRANSCODE2_CHROMA	INT_STAT_TRANSCODE2_LUMA	INT_STAT_TRANSCODE1_CHROMA	INT_STAT_TRANSCODE1_LUMA	INT_STAT_AUX_IN	INT_STAT_PIP_FRAME	INT_STAT_POST_COMP_WR	INT_STAT_VBI_SD_VENC	RESERVED	INT_STAT_NF_LAST_CHROMA	INT_STAT_NF_LAST_LUMA	INT_STAT_NF_WRITE_CHROMA	INT_STAT_NF_WRITE_LUMA	INT_STAT_OTHER	INT_STAT_VIP2_PORTB_RGB	INT_STAT_VIP2_PORTA_RGB	INT_STAT_VIP2_PORTB_CHROMA	INT_STAT_VIP2_PORTB_LUMA	INT_STAT_VIP2_PORTA_CHROMA	INT_STAT_VIP2_PORTA_LUMA	INT_STAT_VIP2_MULT_ANCB_SRC15	INT_STAT_VIP2_MULT_ANCB_SRC14	INT_STAT_VIP2_MULT_ANCB_SRC13	INT_STAT_VIP2_MULT_ANCB_SRC12	INT_STAT_VIP2_MULT_ANCB_SRC11	INT_STAT_VIP2_MULT_ANCB_SRC10	INT_STAT_VIP2_MULT_ANCB_SRC9	INT_STAT_VIP2_MULT_ANCB_SRC8	INT_STAT_VIP2_MULT_ANCB_SRC7	INT_STAT_VIP2_MULT_ANCB_SRC6	INT_STAT_VIP2_MULT_ANCB_SRC5	INT_STAT_VIP2_MULT_ANCB_SRC4

Bits	Field Name	Description	Type	Reset
31	INT_STAT_TRANSCODE2_CHROMA	The last write DMA transaction has completed for channel transcode2_chroma. All data from the channel has been sent and received by the external memory. If a new channel has not been setup for the client then the client will be fully empty at this point. This event will cause a one to be set in this register until cleared by software. Write a 1 to this field to clear the value.	RW	0x0
30	INT_STAT_TRANSCODE2_LUMA	The last write DMA transaction has completed for channel transcode2_luma. All data from the channel has been sent and received by the external memory. If a new channel has not been setup for the client then the client will be fully empty at this point. This event will cause a one to be set in this register until cleared by software. Write a 1 to this field to clear the value.	RW	0x0
29	INT_STAT_TRANSCODE1_CHROMA	The last write DMA transaction has completed for channel transcode1_chroma. All data from the channel has been sent and received by the external memory. If a new channel has not been setup for the client then the client will be fully empty at this point. This event will cause a one to be set in this register until cleared by software. Write a 1 to this field to clear the value.	RW	0x0
28	INT_STAT_TRANSCODE1_LUMA	The last write DMA transaction has completed for channel transcode1_luma. All data from the channel has been sent and received by the external memory. If a new channel has not been setup for the client then the client will be fully empty at this point. This event will cause a one to be set in this register until cleared by software. Write a 1 to this field to clear the value.	RW	0x0

Bits	Field Name	Description	Type	Reset
27	INT_STAT_AUX_IN	The last read DMA transaction has occurred for channel aux_in and the channel is free to be updated for the next transfer. This will fire before the destination has received the data as it will have just been stored in the internal buffer. The client comp_wrbk will now accept a new descriptor from the List Manager. This event will cause a one to be set in this register until cleared by software. Write a 1 to this field to clear the value.	RW	0x0
26	INT_STAT_PIP_FRAME	The last read DMA transaction has occurred for channel pip_frame and the channel is free to be updated for the next transfer. This will fire before the destination has received the data as it will have just been stored in the internal buffer. The client pip_wrbk will now accept a new descriptor from the List Manager. This event will cause a one to be set in this register until cleared by software. Write a 1 to this field to clear the value.	RW	0x0
25	INT_STAT_POST_COMP_WR	The last write DMA transaction has completed for channel post_comp_wr. All data from the channel has been sent and received by the external memory. If a new channel has not been setup for the client hdmi_wrbk_out then the client will be fully empty at this point. This event will cause a one to be set in this register until cleared by software. Write a 1 to this field to clear the value.	RW	0x0
24	INT_STAT_VBI_SD_VENC	The last read DMA transaction has occurred for channel vbi_sd_venc and the channel is free to be updated for the next transfer. This will fire before the destination has received the data as it will have just been stored in the internal buffer. The client vbi_sd_venc will now accept a new descriptor from the List Manager. This event will cause a one to be set in this register until cleared by software. Write a 1 to this field to clear the value.	RW	0x0
23	RESERVED	Reserved	R	0x0
22	INT_STAT_NF_LAST_CHROMA	The last write DMA transaction has completed for channel nf_last_chroma. All data from the channel has been sent and received by the external memory. If a new channel has not been setup for the client then the client will be fully empty at this point. This event will cause a one to be set in this register until cleared by software. Write a 1 to this field to clear the value.	RW	0x0
21	INT_STAT_NF_LAST_LUMA	The last write DMA transaction has completed for channel nf_last_luma. All data from the channel has been sent and received by the external memory. If a new channel has not been setup for the client then the client will be fully empty at this point. This event will cause a one to be set in this register until cleared by software. Write a 1 to this field to clear the value.	RW	0x0
20	INT_STAT_NF_WRITE_CHROMA	The last write DMA transaction has completed for channel nf_write_chroma. All data from the channel has been sent and received by the external memory. If a new channel has not been setup for the client then the client will be fully empty at this point. This event will cause a one to be set in this register until cleared by software. Write a 1 to this field to clear the value.	RW	0x0
19	INT_STAT_NF_WRITE_LUMA	The last write DMA transaction has completed for channel nf_write_luma. All data from the channel has been sent and received by the external memory. If a new channel has not been setup for the client then the client will be fully empty at this point. This event will cause a one to be set in this register until cleared by software. Write a 1 to this field to clear the value.	RW	0x0

Bits	Field Name	Description	Type	Reset
18	INT_STAT_OTHER	This event will cause a one to be set in this register until cleared by software. Write a 1 to this field to clear the value.	RW	0x0
17	INT_STAT_VIP2_PORTB_RGB	The last write DMA transaction has completed for channel vip2_portb_rgb. All data from the channel has been sent and received by the external memory. If a new channel has not been setup for the client vip2_lo_y then the client will be fully empty at this point. This event will cause a one to be set in this register until cleared by software. Write a 1 to this field to clear the value.	RW	0x0
16	INT_STAT_VIP2_PORTA_RGB	The last write DMA transaction has completed for channel vip2_porta_rgb. All data from the channel has been sent and received by the external memory. If a new channel has not been setup for the client vip2_up_y then the client will be fully empty at this point. This event will cause a one to be set in this register until cleared by software. Write a 1 to this field to clear the value.	RW	0x0
15	INT_STAT_VIP2_PORTB_CHROMA	The last write DMA transaction has completed for channel vip2_portb_chroma. All data from the channel has been sent and received by the external memory. If a new channel has not been setup for the client then the client will be fully empty at this point. This event will cause a one to be set in this register until cleared by software. Write a 1 to this field to clear the value.	RW	0x0
14	INT_STAT_VIP2_PORTB_LUMA	The last write DMA transaction has completed for channel vip2_portb_luma. All data from the channel has been sent and received by the external memory. If a new channel has not been setup for the client then the client will be fully empty at this point. This event will cause a one to be set in this register until cleared by software. Write a 1 to this field to clear the value.	RW	0x0
13	INT_STAT_VIP2_PORTA_CHROMA	The last write DMA transaction has completed for channel vip2_porta_chroma. All data from the channel has been sent and received by the external memory. If a new channel has not been setup for the client then the client will be fully empty at this point. This event will cause a one to be set in this register until cleared by software. Write a 1 to this field to clear the value.	RW	0x0
12	INT_STAT_VIP2_PORTA_LUMA	The last write DMA transaction has completed for channel vip2_porta_luma. All data from the channel has been sent and received by the external memory. If a new channel has not been setup for the client then the client will be fully empty at this point. This event will cause a one to be set in this register until cleared by software. Write a 1 to this field to clear the value.	RW	0x0
11	INT_STAT_VIP2_MULT_ANCB_SRC15	The last write DMA transaction has completed for channel vip2_mult_ancb_src15. All data from the channel has been sent and received by the external memory. If a new channel has not been setup for the client vip2_anc_b then the client will be fully empty at this point. This event will cause a one to be set in this register until cleared by software. Write a 1 to this field to clear the value.	RW	0x0
10	INT_STAT_VIP2_MULT_ANCB_SRC14	The last write DMA transaction has completed for channel vip2_mult_ancb_src14. All data from the channel has been sent and received by the external memory. If a new channel has not been setup for the client vip2_anc_b then the client will be fully empty at this point. This event will cause a one to be set in this register until cleared by software. Write a 1 to this field to clear the value.	RW	0x0

Bits	Field Name	Description	Type	Reset
9	INT_STAT_VIP2_MULT_ANCB_SRC13	The last write DMA transaction has completed for channel vip2_mult_ancb_src13. All data from the channel has been sent and received by the external memory. If a new channel has not been setup for the client vip2_anc_b then the client will be fully empty at this point. This event will cause a one to be set in this register until cleared by software. Write a 1 to this field to clear the value.	RW	0x0
8	INT_STAT_VIP2_MULT_ANCB_SRC12	The last write DMA transaction has completed for channel vip2_mult_ancb_src12. All data from the channel has been sent and received by the external memory. If a new channel has not been setup for the client vip2_anc_b then the client will be fully empty at this point. This event will cause a one to be set in this register until cleared by software. Write a 1 to this field to clear the value.	RW	0x0
7	INT_STAT_VIP2_MULT_ANCB_SRC11	The last write DMA transaction has completed for channel vip2_mult_ancb_src11. All data from the channel has been sent and received by the external memory. If a new channel has not been setup for the client vip2_anc_b then the client will be fully empty at this point. This event will cause a one to be set in this register until cleared by software. Write a 1 to this field to clear the value.	RW	0x0
6	INT_STAT_VIP2_MULT_ANCB_SRC10	The last write DMA transaction has completed for channel vip2_mult_ancb_src10. All data from the channel has been sent and received by the external memory. If a new channel has not been setup for the client vip2_anc_b then the client will be fully empty at this point. This event will cause a one to be set in this register until cleared by software. Write a 1 to this field to clear the value.	RW	0x0
5	INT_STAT_VIP2_MULT_ANCB_SRC9	The last write DMA transaction has completed for channel vip2_mult_ancb_src9. All data from the channel has been sent and received by the external memory. If a new channel has not been setup for the client vip2_anc_b then the client will be fully empty at this point. This event will cause a one to be set in this register until cleared by software. Write a 1 to this field to clear the value.	RW	0x0
4	INT_STAT_VIP2_MULT_ANCB_SRC8	The last write DMA transaction has completed for channel vip2_mult_ancb_src8. All data from the channel has been sent and received by the external memory. If a new channel has not been setup for the client vip2_anc_b then the client will be fully empty at this point. This event will cause a one to be set in this register until cleared by software. Write a 1 to this field to clear the value.	RW	0x0
3	INT_STAT_VIP2_MULT_ANCB_SRC7	The last write DMA transaction has completed for channel vip2_mult_ancb_src7. All data from the channel has been sent and received by the external memory. If a new channel has not been setup for the client vip2_anc_b then the client will be fully empty at this point. This event will cause a one to be set in this register until cleared by software. Write a 1 to this field to clear the value.	RW	0x0
2	INT_STAT_VIP2_MULT_ANCB_SRC6	The last write DMA transaction has completed for channel vip2_mult_ancb_src6. All data from the channel has been sent and received by the external memory. If a new channel has not been setup for the client vip2_anc_b then the client will be fully empty at this point. This event will cause a one to be set in this register until cleared by software. Write a 1 to this field to clear the value.	RW	0x0

Bits	Field Name	Description	Type	Reset
1	INT_STAT_VIP2_MULT_ANCB_SRC5	The last write DMA transaction has completed for channel vip2_mult_ancb_src5. All data from the channel has been sent and received by the external memory. If a new channel has not been setup for the client vip2_anc_b then the client will be fully empty at this point. This event will cause a one to be set in this register until cleared by software. Write a 1 to this field to clear the value.	RW	0x0
0	INT_STAT_VIP2_MULT_ANCB_SRC4	The last write DMA transaction has completed for channel vip2_mult_ancb_src4. All data from the channel has been sent and received by the external memory. If a new channel has not been setup for the client vip2_anc_b then the client will be fully empty at this point. This event will cause a one to be set in this register until cleared by software. Write a 1 to this field to clear the value.	RW	0x0

Table 10-202. Register Call Summary for Register VPE_INT0_CHANNEL5_INT_STAT

VPE Functional Description

- [VPDMA Interrupts: \[0\]](#)

VPE Register Manual

- [VPE_VPDMA Register Summary: \[1\]](#)

Table 10-203. VPE_INT0_CHANNEL5_INT_MASK

Address Offset	0x0000 006C	Instance	VPE_VPDMA
Physical Address	0x489D D06C		
Description	The register gives the information of the interrupts that should be masked and not generate an interrupt for vpdma_int0.		
Type	RW		

31	30	29	28	27	26	25	24	23	22	21	20	19	18	17	16	15	14	13	12	11	10	9	8	7	6	5	4	3	2	1	0
INT_MASK_TRANSCODE2_CHROMA	INT_MASK_TRANSCODE2_LUMA	INT_MASK_TRANSCODE1_CHROMA	INT_MASK_TRANSCODE1_LUMA	INT_MASK_AUX_IN	INT_MASK_PIPE_FRAME	INT_MASK_POST_COMP_WR	INT_MASK_VBI_SD_VENC	RESERVED	INT_MASK_NF_LAST_CHROMA	INT_MASK_NF_LAST_LUMA	INT_MASK_NF_WRITE_CHROMA	INT_MASK_NF_WRITE_LUMA	INT_MASK_OTHER	INT_MASK_VIP2_PORTB_RGB	INT_MASK_VIP2_PORTA_RGB	INT_MASK_VIP2_PORTB_CHROMA	INT_MASK_VIP2_PORTB_LUMA	INT_MASK_VIP2_PORTA_CHROMA	INT_MASK_VIP2_PORTA_LUMA	INT_MASK_VIP2_MULT_ANCB_SRC15	INT_MASK_VIP2_MULT_ANCB_SRC14	INT_MASK_VIP2_MULT_ANCB_SRC13	INT_MASK_VIP2_MULT_ANCB_SRC12	INT_MASK_VIP2_MULT_ANCB_SRC11	INT_MASK_VIP2_MULT_ANCB_SRC10	INT_MASK_VIP2_MULT_ANCB_SRC9	INT_MASK_VIP2_MULT_ANCB_SRC8	INT_MASK_VIP2_MULT_ANCB_SRC7	INT_MASK_VIP2_MULT_ANCB_SRC6	INT_MASK_VIP2_MULT_ANCB_SRC5	INT_MASK_VIP2_MULT_ANCB_SRC4

Bits	Field Name	Description	Type	Reset
31	INT_MASK_TRANSCODE2_CHROMA	The interrupt for should generate an interrupt on interrupt vpdma_int0. Write a 1 for the interrupt event to trigger the interrupt signal.	RW	0x0
30	INT_MASK_TRANSCODE2_LUMA	The interrupt for should generate an interrupt on interrupt vpdma_int0. Write a 1 for the interrupt event to trigger the interrupt signal.	RW	0x0
29	INT_MASK_TRANSCODE1_CHROMA	The interrupt for should generate an interrupt on interrupt vpdma_int0. Write a 1 for the interrupt event to trigger the interrupt signal.	RW	0x0

Bits	Field Name	Description	Type	Reset
28	INT_MASK_TRANSCODE1_LUMA	The interrupt for should generate an interrupt on interrupt vpdma_int0. Write a 1 for the interrupt event to trigger the interrupt signal.	RW	0x0
27	INT_MASK_AUX_IN	The interrupt for Auxilary Data for the Compositor Frame From Memory should generate an interrupt on interrupt vpdma_int0. Write a 1 for the interrupt event to trigger the interrupt signal.	RW	0x0
26	INT_MASK_PIP_FRAME	The interrupt for PIP Data for the Compositor Frame From Memory should generate an interrupt on interrupt vpdma_int0. Write a 1 for the interrupt event to trigger the interrupt signal.	RW	0x0
25	INT_MASK_POST_COMP_WR	The interrupt for Post Compositor Writeback to Memory should generate an interrupt on interrupt vpdma_int0. Write a 1 for the interrupt event to trigger the interrupt signal.	RW	0x0
24	INT_MASK_VBI_SD_VENC	The interrupt for SD Video Encoder VBI Data should generate an interrupt on interrupt vpdma_int0. Write a 1 for the interrupt event to trigger the interrupt signal.	RW	0x0
23	RESERVED	Reserved	R	0x0
22	INT_MASK_NF_LAST_CHROMA	The interrupt for should generate an interrupt on interrupt vpdma_int0. Write a 1 for the interrupt event to trigger the interrupt signal.	RW	0x0
21	INT_MASK_NF_LAST_LUMA	The interrupt for should generate an interrupt on interrupt vpdma_int0. Write a 1 for the interrupt event to trigger the interrupt signal.	RW	0x0
20	INT_MASK_NF_WRITE_CHROMA	The interrupt for should generate an interrupt on interrupt vpdma_int0. Write a 1 for the interrupt event to trigger the interrupt signal.	RW	0x0
19	INT_MASK_NF_WRITE_LUMA	The interrupt for should generate an interrupt on interrupt vpdma_int0. Write a 1 for the interrupt event to trigger the interrupt signal.	RW	0x0
18	INT_MASK_OTHER	The interrupt for should generate an interrupt on interrupt vpdma_int0. Write a 1 for the interrupt event to trigger the interrupt signal.	RW	0x0
17	INT_MASK_VIP2_PORTB_RGB	The interrupt for Video Input 2 Port B RGB Data should generate an interrupt on interrupt vpdma_int0. Write a 1 for the interrupt event to trigger the interrupt signal.	RW	0x0
16	INT_MASK_VIP2_PORTA_RGB	The interrupt for Video Input 2 Port A RGB Data should generate an interrupt on interrupt vpdma_int0. Write a 1 for the interrupt event to trigger the interrupt signal.	RW	0x0
15	INT_MASK_VIP2_PORTB_CHROMA	The interrupt for should generate an interrupt on interrupt vpdma_int0. Write a 1 for the interrupt event to trigger the interrupt signal.	RW	0x0
14	INT_MASK_VIP2_PORTB_LUMA	The interrupt for should generate an interrupt on interrupt vpdma_int0. Write a 1 for the interrupt event to trigger the interrupt signal.	RW	0x0
13	INT_MASK_VIP2_PORTA_CHROMA	The interrupt for should generate an interrupt on interrupt vpdma_int0. Write a 1 for the interrupt event to trigger the interrupt signal.	RW	0x0
12	INT_MASK_VIP2_PORTA_LUMA	The interrupt for should generate an interrupt on interrupt vpdma_int0. Write a 1 for the interrupt event to trigger the interrupt signal.	RW	0x0
11	INT_MASK_VIP2_MULT_ANCB_SRC15	The interrupt for Video Input 2 Port B Ancillary Data Channel 15 should generate an interrupt on interrupt vpdma_int0. Write a 1 for the interrupt event to trigger the interrupt signal.	RW	0x0
10	INT_MASK_VIP2_MULT_ANCB_SRC14	The interrupt for Video Input 2 Port B Ancillary Data Channel 14 should generate an interrupt on interrupt vpdma_int0. Write a 1 for the interrupt event to trigger the interrupt signal.	RW	0x0

Bits	Field Name	Description	Type	Reset
9	INT_MASK_VIP2_MULT_ANCB_SRC13	The interrupt for Video Input 2 Port B Ancillary Data Channel 13 should generate an interrupt on interrupt vpdma_int0. Write a 1 for the interrupt event to trigger the interrupt signal.	RW	0x0
8	INT_MASK_VIP2_MULT_ANCB_SRC12	The interrupt for Video Input 2 Port B Ancillary Data Channel 12 should generate an interrupt on interrupt vpdma_int0. Write a 1 for the interrupt event to trigger the interrupt signal.	RW	0x0
7	INT_MASK_VIP2_MULT_ANCB_SRC11	The interrupt for Video Input 2 Port B Ancillary Data Channel 11 should generate an interrupt on interrupt vpdma_int0. Write a 1 for the interrupt event to trigger the interrupt signal.	RW	0x0
6	INT_MASK_VIP2_MULT_ANCB_SRC10	The interrupt for Video Input 2 Port B Ancillary Data Channel 10 should generate an interrupt on interrupt vpdma_int0. Write a 1 for the interrupt event to trigger the interrupt signal.	RW	0x0
5	INT_MASK_VIP2_MULT_ANCB_SRC9	The interrupt for Video Input 2 Port B Ancillary Data Channel 9 should generate an interrupt on interrupt vpdma_int0. Write a 1 for the interrupt event to trigger the interrupt signal.	RW	0x0
4	INT_MASK_VIP2_MULT_ANCB_SRC8	The interrupt for Video Input 2 Port B Ancillary Data Channel 8 should generate an interrupt on interrupt vpdma_int0. Write a 1 for the interrupt event to trigger the interrupt signal.	RW	0x0
3	INT_MASK_VIP2_MULT_ANCB_SRC7	The interrupt for Video Input 2 Port B Ancillary Data Channel 7 should generate an interrupt on interrupt vpdma_int0. Write a 1 for the interrupt event to trigger the interrupt signal.	RW	0x0
2	INT_MASK_VIP2_MULT_ANCB_SRC6	The interrupt for Video Input 2 Port B Ancillary Data Channel 6 should generate an interrupt on interrupt vpdma_int0. Write a 1 for the interrupt event to trigger the interrupt signal.	RW	0x0
1	INT_MASK_VIP2_MULT_ANCB_SRC5	The interrupt for Video Input 2 Port B Ancillary Data Channel 5 should generate an interrupt on interrupt vpdma_int0. Write a 1 for the interrupt event to trigger the interrupt signal.	RW	0x0
0	INT_MASK_VIP2_MULT_ANCB_SRC4	The interrupt for Video Input 2 Port B Ancillary Data Channel 4 should generate an interrupt on interrupt vpdma_int0. Write a 1 for the interrupt event to trigger the interrupt signal.	RW	0x0

Table 10-204. Register Call Summary for Register VPE_INT0_CHANNEL5_INT_MASK

VPE Functional Description

- [VPDMA Interrupts: \[0\]](#)

VPE Register Manual

- [VPE_VPDMA Register Summary: \[1\]](#)

Table 10-205. VPE_INT0_CLIENT0_INT_STAT

Address Offset	0x0000 0078	Instance	VPE_VPDMA
Physical Address	0x489D D078		
Description	This register gives the information of the interrupts that have triggered since last cleared by the process that is servicing vpdma_int0.		
Type	RW		

31	30	29	28	27	26	25	24	23	22	21	20	19	18	17	16	15	14	13	12	11	10	9	8	7	6	5	4	3	2	1	0
INT_STAT_GRPX1_DATA	INT_STAT_COMP_WRBK	INT_STAT_SC_OUT	RESERVED						INT_STAT_SC_IN_LUMA	INT_STAT_SC_IN_CHROMA	INT_STAT_PIP_WRBK	INT_STAT_DEI_SC_OUT	RESERVED	INT_STAT_DEI_HQ_MV_OUT	RESERVED	INT_STAT_DEI_HQ_MV_IN	RESERVED						INT_STAT_DEI_HQ_3_CHROMA	INT_STAT_DEI_HQ_3_LUMA	INT_STAT_DEI_HQ_2_CHROMA	INT_STAT_DEI_HQ_2_LUMA	INT_STAT_DEI_HQ_1_LUMA	INT_STAT_DEI_HQ_1_CHROMA			

Bits	Field Name	Description	Type	Reset
31	INT_STAT_GRPX1_DATA	The client interface grpX1_data has reached its current configured interrupt event as specified by the last received control descriptor for this client. If no control descriptor has been configured this will default to having sent the End of Frame signal to the receiving module. This event will cause a one to be set in this register until cleared by software. Write a 1 to this field to clear the value.	RW	0x0
30	INT_STAT_COMP_WRBK	The client interface comp_wrbk has reached its current configured interrupt event as specified by the last received control descriptor for this client. If no control descriptor has been configured this will default to having sent the End of Frame signal to the receiving module. This event will cause a one to be set in this register until cleared by software. Write a 1 to this field to clear the value.	RW	0x0
29	INT_STAT_SC_OUT	The client interface sc_out has reached its current configured interrupt event as specified by the last received control descriptor for this client. If no control descriptor has been configured this will default to having received the End of Frame signal from the transmitting module. This event will cause a one to be set in this register until cleared by software. Write a 1 to this field to clear the value.	RW	0x0
28:21	RESERVED	Reserved	R	0x00
20	INT_STAT_SC_IN_LUMA	The client interface sc_in_luma has reached its current configured interrupt event as specified by the last received control descriptor for this client. If no control descriptor has been configured this will default to having sent the End of Frame signal to the receiving module. This event will cause a one to be set in this register until cleared by software. Write a 1 to this field to clear the value.	RW	0x0
19	INT_STAT_SC_IN_CHROMA	The client interface sc_in_chroma has reached its current configured interrupt event as specified by the last received control descriptor for this client. If no control descriptor has been configured this will default to having sent the End of Frame signal to the receiving module. This event will cause a one to be set in this register until cleared by software. Write a 1 to this field to clear the value.	RW	0x0
18	INT_STAT_PIP_WRBK	The client interface pip_wrbk has reached its current configured interrupt event as specified by the last received control descriptor for this client. If no control descriptor has been configured this will default to having sent the End of Frame signal to the receiving module. This event will cause a one to be set in this register until cleared by software. Write a 1 to this field to clear the value.	RW	0x0

Bits	Field Name	Description	Type	Reset
17	INT_STAT_DEI_SC_OUT	The client interface dei_sc_out has reached its current configured interrupt event as specified by the last received control descriptor for this client. If no control descriptor has been configured this will default to having received the End of Frame signal from the transmitting module. This event will cause a one to be set in this register until cleared by software. Write a 1 to this field to clear the value.	RW	0x0
16	RESERVED	Reserved	R	0x0
15	INT_STAT_DEI_HQ_MV_OUT	The client interface dei_hq_mv_out has reached its current configured interrupt event as specified by the last received control descriptor for this client. If no control descriptor has been configured this will default to having received the End of Frame signal from the transmitting module. This event will cause a one to be set in this register until cleared by software. Write a 1 to this field to clear the value.	RW	0x0
14:13	RESERVED	Reserved	R	0x0
12	INT_STAT_DEI_HQ_MV_IN	The client interface dei_hq_mv_in has reached its current configured interrupt event as specified by the last received control descriptor for this client. If no control descriptor has been configured this will default to having sent the End of Frame signal to the receiving module. This event will cause a one to be set in this register until cleared by software. Write a 1 to this field to clear the value.	RW	0x0
11:6	RESERVED	Reserved	R	0x00
5	INT_STAT_DEI_HQ_3_CHROMA	The client interface dei_hq_3_chroma has reached its current configured interrupt event as specified by the last received control descriptor for this client. If no control descriptor has been configured this will default to having sent the End of Frame signal to the receiving module. This event will cause a one to be set in this register until cleared by software. Write a 1 to this field to clear the value.	RW	0x0
4	INT_STAT_DEI_HQ_3_LUMA	The client interface dei_hq_3_luma has reached its current configured interrupt event as specified by the last received control descriptor for this client. If no control descriptor has been configured this will default to having sent the End of Frame signal to the receiving module. This event will cause a one to be set in this register until cleared by software. Write a 1 to this field to clear the value.	RW	0x0
3	INT_STAT_DEI_HQ_2_CHROMA	The client interface dei_hq_2_chroma has reached its current configured interrupt event as specified by the last received control descriptor for this client. If no control descriptor has been configured this will default to having sent the End of Frame signal to the receiving module. This event will cause a one to be set in this register until cleared by software. Write a 1 to this field to clear the value.	RW	0x0
2	INT_STAT_DEI_HQ_2_LUMA	The client interface dei_hq_2_luma has reached its current configured interrupt event as specified by the last received control descriptor for this client. If no control descriptor has been configured this will default to having sent the End of Frame signal to the receiving module. This event will cause a one to be set in this register until cleared by software. Write a 1 to this field to clear the value.	RW	0x0
1	INT_STAT_DEI_HQ_1_LUMA	The client interface dei_hq_1_luma has reached its current configured interrupt event as specified by the last received control descriptor for this client. If no control descriptor has been configured this will default to having sent the End of Frame signal to the receiving module. This event will cause a one to be set in this register until cleared by software. Write a 1 to this field to clear the value.	RW	0x0

Bits	Field Name	Description	Type	Reset
0	INT_STAT_DEI_HQ_1_CHROMA	The client interface dei_hq_1_chroma has reached its current configured interrupt event as specified by the last received control descriptor for this client. If no control descriptor has been configured this will default to having sent the End of Frame signal to the receiving module. This event will cause a one to be set in this register until cleared by software. Write a 1 to this field to clear the value.	RW	0x0

Table 10-206. Register Call Summary for Register VPE_INT0_CLIENT0_INT_STAT

VPE Functional Description

- [VPDMA Interrupts: \[0\]](#)

VPE Register Manual

- [VPE_VPDMA Register Summary: \[1\]](#)

Table 10-207. VPE_INT0_CLIENT0_INT_MASK

Address Offset	0x0000 007C	Instance	VPE_VPDMA
Physical Address	0x489D D07C		
Description	The register gives the information of the interrupts that should be masked and not generate an interrupt for vpdma_int0.		
Type	RW		

31	30	29	28	27	26	25	24	23	22	21	20	19	18	17	16	15	14	13	12	11	10	9	8	7	6	5	4	3	2	1	0
INT_MASK_GRPX1_DATA	INT_MASK_COMP_WRBK	INT_MASK_SC_OUT	RESERVED						INT_MASK_SC_IN_LUMA	INT_MASK_SC_IN_CHROMA	INT_MASK_PIP_WRBK	INT_MASK_DEI_SC_OUT	RESERVED	INT_MASK_DEI_HQ_MV_OUT	RESERVED	INT_MASK_DEI_HQ_MV_IN	RESERVED						INT_MASK_DEI_HQ_3_CHROMA	INT_MASK_DEI_HQ_3_LUMA	INT_MASK_DEI_HQ_2_CHROMA	INT_MASK_DEI_HQ_2_LUMA	INT_MASK_DEI_HQ_1_LUMA	INT_MASK_DEI_HQ_1_CHROMA			

Bits	Field Name	Description	Type	Reset
31	INT_MASK_GRPX1_DATA	The interrupt for should generate an interrupt on interrupt vpdma_int0. Write a 1 for the interrupt event to trigger the interrupt signal.	RW	0x0
30	INT_MASK_COMP_WRBK	The interrupt for should generate an interrupt on interrupt vpdma_int0. Write a 1 for the interrupt event to trigger the interrupt signal.	RW	0x0
29	INT_MASK_SC_OUT	The interrupt for should generate an interrupt on interrupt vpdma_int0. Write a 1 for the interrupt event to trigger the interrupt signal.	RW	0x0
28:21	RESERVED	Reserved	R	0x00
20	INT_MASK_SC_IN_LUMA	The interrupt for should generate an interrupt on interrupt vpdma_int0. Write a 1 for the interrupt event to trigger the interrupt signal.	RW	0x0
19	INT_MASK_SC_IN_CHROMA	The interrupt for should generate an interrupt on interrupt vpdma_int0. Write a 1 for the interrupt event to trigger the interrupt signal.	RW	0x0
18	INT_MASK_PIP_WRBK	The interrupt for should generate an interrupt on interrupt vpdma_int0. Write a 1 for the interrupt event to trigger the interrupt signal.	RW	0x0

Bits	Field Name	Description	Type	Reset
17	INT_MASK_DEI_SC_OUT	The interrupt for should generate an interrupt on interrupt vpdma_int0. Write a 1 for the interrupt event to trigger the interrupt signal.	RW	0x0
16	RESERVED	Reserved	R	0x0
15	INT_MASK_DEI_HQ_MV_OUT	The interrupt for should generate an interrupt on interrupt vpdma_int0. Write a 1 for the interrupt event to trigger the interrupt signal.	RW	0x0
14:13	RESERVED	Reserved	R	0x0
12	INT_MASK_DEI_HQ_MV_IN	The interrupt for should generate an interrupt on interrupt vpdma_int0. Write a 1 for the interrupt event to trigger the interrupt signal.	RW	0x0
11:6	RESERVED	Reserved	R	0x00
5	INT_MASK_DEI_HQ_3_CHROMA	The interrupt for should generate an interrupt on interrupt vpdma_int0. Write a 1 for the interrupt event to trigger the interrupt signal.	RW	0x0
4	INT_MASK_DEI_HQ_3_LUMA	The interrupt for should generate an interrupt on interrupt vpdma_int0. Write a 1 for the interrupt event to trigger the interrupt signal.	RW	0x0
3	INT_MASK_DEI_HQ_2_CHROMA	The interrupt for should generate an interrupt on interrupt vpdma_int0. Write a 1 for the interrupt event to trigger the interrupt signal.	RW	0x0
2	INT_MASK_DEI_HQ_2_LUMA	The interrupt for should generate an interrupt on interrupt vpdma_int0. Write a 1 for the interrupt event to trigger the interrupt signal.	RW	0x0
1	INT_MASK_DEI_HQ_1_LUMA	The interrupt for should generate an interrupt on interrupt vpdma_int0. Write a 1 for the interrupt event to trigger the interrupt signal.	RW	0x0
0	INT_MASK_DEI_HQ_1_CHROMA	The interrupt for should generate an interrupt on interrupt vpdma_int0. Write a 1 for the interrupt event to trigger the interrupt signal.	RW	0x0

Table 10-208. Register Call Summary for Register VPE_INT0_CLIENT0_INT_MASK

VPE Functional Description

- [VPDMA Interrupts: \[0\]](#)

VPE Register Manual

- [VPE_VPDMA Register Summary: \[1\]](#)

Table 10-209. VPE_INT0_CLIENT1_INT_STAT

Address Offset	0x0000 0080	Instance	VPE_VPDMA
Physical Address	0x489D D080		
Description	This register gives the information of the interrupts that have triggered since last cleared by the process that is servicing vpdma_int0.		
Type	RW		

31	30	29	28	27	26	25	24	23	22	21	20	19	18	17	16	15	14	13	12	11	10	9	8	7	6	5	4	3	2	1	0
RESERVED	RESERVED	INT_STAT_VIP2_ANC_B	INT_STAT_VIP2_ANC_A	INT_STAT_VIP1_ANC_B	INT_STAT_VIP1_ANC_A	INT_STAT_TRANS2_LUMA	INT_STAT_TRANS2_CHROMA	INT_STAT_TRANS1_LUMA	INT_STAT_TRANS1_CHROMA	INT_STAT_HDMI_WRBK_OUT	INT_STAT_VPI_CTL	INT_STAT_VBI_SDVENC	RESERVED	INT_STAT_NF_420_UV_OUT	INT_STAT_NF_420_Y_OUT	INT_STAT_NF_420_UV_IN	INT_STAT_NF_420_Y_IN	INT_STAT_NF_422_IN	INT_STAT_GRPX3_ST	INT_STAT_GRPX2_ST	INT_STAT_GRPX1_ST	INT_STAT_VIP2_UP_UV	INT_STAT_VIP2_UP_Y	INT_STAT_VIP2_LO_UV	INT_STAT_VIP2_LO_Y	INT_STAT_VIP1_UP_UV	INT_STAT_VIP1_UP_Y	INT_STAT_VIP1_LO_UV	INT_STAT_VIP1_LO_Y	INT_STAT_GRPX3_DATA	INT_STAT_GRPX2_DATA

Bits	Field Name	Description	Type	Reset
31	RESERVED	Reserved	R	0
30	RESERVED	Reserved	R	0
29	INT_STAT_VIP2_ANC_B	The client interface vip2_anc_b has reached its current configured interrupt event as specified by the last received control descriptor for this client. If no control descriptor has been configured this will default to having received the End of Frame signal from the transmitting module. This event will cause a one to be set in this register until cleared by software. Write a 1 to this field to clear the value.	RW W0toClr	0
28	INT_STAT_VIP2_ANC_A	The client interface vip2_anc_a has reached its current configured interrupt event as specified by the last received control descriptor for this client. If no control descriptor has been configured this will default to having received the End of Frame signal from the transmitting module. This event will cause a one to be set in this register until cleared by software. Write a 1 to this field to clear the value.	RW W0toClr	0
27	INT_STAT_VIP1_ANC_B	The client interface vip1_anc_b has reached its current configured interrupt event as specified by the last received control descriptor for this client. If no control descriptor has been configured this will default to having received the End of Frame signal from the transmitting module. This event will cause a one to be set in this register until cleared by software. Write a 1 to this field to clear the value.	RW W0toClr	0
26	INT_STAT_VIP1_ANC_A	The client interface vip1_anc_a has reached its current configured interrupt event as specified by the last received control descriptor for this client. If no control descriptor has been configured this will default to having received the End of Frame signal from the transmitting module. This event will cause a one to be set in this register until cleared by software. Write a 1 to this field to clear the value.	RW W0toClr	0
25	INT_STAT_TRANS2_LUMA	The client interface trans2_luma has reached its current configured interrupt event as specified by the last received control descriptor for this client. If no control descriptor has been configured this will default to having sent the End of Frame signal to the receiving module. This event will cause a one to be set in this register until cleared by software. Write a 1 to this field to clear the value.	RW W0toClr	0
24	INT_STAT_TRANS2_CHROMA	The client interface trans2_chroma has reached its current configured interrupt event as specified by the last received control descriptor for this client. If no control descriptor has been configured this will default to having sent the End of Frame signal to the receiving module. This event will cause a one to be set in this register until cleared by software. Write a 1 to this field to clear the value.	RW W0toClr	0
23	INT_STAT_TRANS1_LUMA	The client interface trans1_luma has reached its current configured interrupt event as specified by the last received control descriptor for this client. If no control descriptor has been configured this will default to having sent the End of Frame signal to the receiving module. This event will cause a one to be set in this register until cleared by software. Write a 1 to this field to clear the value.	RW W0toClr	0
22	INT_STAT_TRANS1_CHROMA	The client interface trans1_chroma has reached its current configured interrupt event as specified by the last received control descriptor for this client. If no control descriptor has been configured this will default to having sent the End of Frame signal to the receiving module. This event will cause a one to be set in this register until cleared by software. Write a 1 to this field to clear the value.	RW W0toClr	0

Bits	Field Name	Description	Type	Reset
21	INT_STAT_HDMI_WRBK_OUT	The client interface hdmi_wrbk_out has reached its current configured interrupt event as specified by the last received control descriptor for this client. If no control descriptor has been configured this will default to having received the End of Frame signal from the transmitting module. This event will cause a one to be set in this register until cleared by software. Write a 1 to this field to clear the value.	RW W0toClr	0
20	INT_STAT_VPI_CTL	The client interface vpi_ctl has reached its current configured interrupt event as specified by the last received control descriptor for this client. If no control descriptor has been configured this will default to having sent the End of Frame signal to the receiving module. This event will cause a one to be set in this register until cleared by software. Write a 1 to this field to clear the value.	RW W0toClr	0
19	INT_STAT_VBI_SDVENC	The client interface vbi_sdvenc has reached its current configured interrupt event as specified by the last received control descriptor for this client. If no control descriptor has been configured this will default to having sent the End of Frame signal to the receiving module. This event will cause a one to be set in this register until cleared by software. Write a 1 to this field to clear the value.	RW W0toClr	0
18	RESERVED	Reserved	R	0
17	INT_STAT_NF_420_UV_OUT	The client interface nf_420_uv_out has reached its current configured interrupt event as specified by the last received control descriptor for this client. If no control descriptor has been configured this will default to having received the End of Frame signal from the transmitting module. This event will cause a one to be set in this register until cleared by software. Write a 1 to this field to clear the value.	RW W0toClr	0
16	INT_STAT_NF_420_Y_OUT	The client interface nf_420_y_out has reached its current configured interrupt event as specified by the last received control descriptor for this client. If no control descriptor has been configured this will default to having received the End of Frame signal from the transmitting module. This event will cause a one to be set in this register until cleared by software. Write a 1 to this field to clear the value.	RW W0toClr	0
15	INT_STAT_NF_420_UV_IN	The client interface nf_420_uv_in has reached its current configured interrupt event as specified by the last received control descriptor for this client. If no control descriptor has been configured this will default to having sent the End of Frame signal to the receiving module. This event will cause a one to be set in this register until cleared by software. Write a 1 to this field to clear the value.	RW W0toClr	0
14	INT_STAT_NF_420_Y_IN	The client interface nf_420_y_in has reached its current configured interrupt event as specified by the last received control descriptor for this client. If no control descriptor has been configured this will default to having sent the End of Frame signal to the receiving module. This event will cause a one to be set in this register until cleared by software. Write a 1 to this field to clear the value.	RW W0toClr	0
13	INT_STAT_NF_422_IN	The client interface nf_422_in has reached its current configured interrupt event as specified by the last received control descriptor for this client. If no control descriptor has been configured this will default to having sent the End of Frame signal to the receiving module. This event will cause a one to be set in this register until cleared by software. Write a 1 to this field to clear the value.	RW W0toClr	0

Bits	Field Name	Description	Type	Reset
12	INT_STAT_GRPX3_ST	The client interface grpx3_st has reached its current configured interrupt event as specified by the last received control descriptor for this client. If no control descriptor has been configured this will default to having sent the End of Frame signal to the receiving module. This event will cause a one to be set in this register until cleared by software. Write a 1 to this field to clear the value.	RW W0toClr	0
11	INT_STAT_GRPX2_ST	The client interface grpx2_st has reached its current configured interrupt event as specified by the last received control descriptor for this client. If no control descriptor has been configured this will default to having sent the End of Frame signal to the receiving module. This event will cause a one to be set in this register until cleared by software. Write a 1 to this field to clear the value.	RW W0toClr	0
10	INT_STAT_GRPX1_ST	The client interface grpx1_st has reached its current configured interrupt event as specified by the last received control descriptor for this client. If no control descriptor has been configured this will default to having sent the End of Frame signal to the receiving module. This event will cause a one to be set in this register until cleared by software. Write a 1 to this field to clear the value.	RW W0toClr	0
9	INT_STAT_VIP2_UP_UV	The client interface vip2_up_uv has reached its current configured interrupt event as specified by the last received control descriptor for this client. If no control descriptor has been configured this will default to having received the End of Frame signal from the transmitting module. This event will cause a one to be set in this register until cleared by software. Write a 1 to this field to clear the value.	RW W0toClr	0
8	INT_STAT_VIP2_UP_Y	The client interface vip2_up_y has reached its current configured interrupt event as specified by the last received control descriptor for this client. If no control descriptor has been configured this will default to having received the End of Frame signal from the transmitting module. This event will cause a one to be set in this register until cleared by software. Write a 1 to this field to clear the value.	RW W0toClr	0
7	INT_STAT_VIP2_LO_UV	The client interface vip2_lo_uv has reached its current configured interrupt event as specified by the last received control descriptor for this client. If no control descriptor has been configured this will default to having received the End of Frame signal from the transmitting module. This event will cause a one to be set in this register until cleared by software. Write a 1 to this field to clear the value.	RW W0toClr	0
6	INT_STAT_VIP2_LO_Y	The client interface vip2_lo_y has reached its current configured interrupt event as specified by the last received control descriptor for this client. If no control descriptor has been configured this will default to having received the End of Frame signal from the transmitting module. This event will cause a one to be set in this register until cleared by software. Write a 1 to this field to clear the value.	RW W0toClr	0
5	INT_STAT_VIP1_UP_UV	The client interface vip1_up_uv has reached its current configured interrupt event as specified by the last received control descriptor for this client. If no control descriptor has been configured this will default to having received the End of Frame signal from the transmitting module. This event will cause a one to be set in this register until cleared by software. Write a 1 to this field to clear the value.	RW W0toClr	0

Bits	Field Name	Description	Type	Reset
4	INT_STAT_VIP1_UP_Y	The client interface vip1_up_y has reached its current configured interrupt event as specified by the last received control descriptor for this client. If no control descriptor has been configured this will default to having received the End of Frame signal from the transmitting module. This event will cause a one to be set in this register until cleared by software. Write a 1 to this field to clear the value.	RW W0toClr	0
3	INT_STAT_VIP1_LO_UV	The client interface vip1_lo_uv has reached its current configured interrupt event as specified by the last received control descriptor for this client. If no control descriptor has been configured this will default to having received the End of Frame signal from the transmitting module. This event will cause a one to be set in this register until cleared by software. Write a 1 to this field to clear the value.	RW W0toClr	0
2	INT_STAT_VIP1_LO_Y	The client interface vip1_lo_y has reached its current configured interrupt event as specified by the last received control descriptor for this client. If no control descriptor has been configured this will default to having received the End of Frame signal from the transmitting module. This event will cause a one to be set in this register until cleared by software. Write a 1 to this field to clear the value.	RW W0toClr	0
1	INT_STAT_GRPX3_DATA	The client interface grpx3_data has reached its current configured interrupt event as specified by the last received control descriptor for this client. If no control descriptor has been configured this will default to having sent the End of Frame signal to the receiving module. This event will cause a one to be set in this register until cleared by software. Write a 1 to this field to clear the value.	RW W0toClr	0
0	INT_STAT_GRPX2_DATA	The client interface grpx2_data has reached its current configured interrupt event as specified by the last received control descriptor for this client. If no control descriptor has been configured this will default to having sent the End of Frame signal to the receiving module. This event will cause a one to be set in this register until cleared by software. Write a 1 to this field to clear the value.	RW W0toClr	0

Table 10-210. Register Call Summary for Register VPE_INT0_CLIENT1_INT_STAT

VPE Functional Description

- [VPDMA Interrupts: \[0\]](#)

VPE Register Manual

- [VPE_VPDMA Register Summary: \[1\]](#)

Table 10-211. VPE_INT0_CLIENT1_INT_MASK

Address Offset	0x0000 0084	Instance	VPE_VPDMA
Physical Address	0x489D D084		
Description	The register gives the information of the interrupts that should be masked and not generate an interrupt for vpdma_int0.		
Type	RW		

31	30	29	28	27	26	25	24	23	22	21	20	19	18	17	16	15	14	13	12	11	10	9	8	7	6	5	4	3	2	1	0
RESERVED	RESERVED	INT_MASK_VIP2 Anc_B	INT_MASK_VIP2 Anc_A	INT_MASK_VIP1 Anc_B	INT_MASK_VIP1 Anc_A	INT_MASK_TRANS2_LUMA	INT_MASK_TRANS2_CHROMA	INT_MASK_TRANS1_LUMA	INT_MASK_TRANS1_CHROMA	INT_MASK_HDMI_WRBK_OUT	INT_MASK_VPI_CTL	INT_MASK_VBI_SDVENC	RESERVED	INT_MASK_NF_420_UV_OUT	INT_MASK_NF_420_Y_OUT	INT_MASK_NF_420_UV_IN	INT_MASK_NF_420_Y_IN	INT_MASK_NF_422_IN	INT_MASK_GRPX3_ST	INT_MASK_GRPX2_ST	INT_MASK_GRPX1_ST	INT_MASK_VIP2_UP_UV	INT_MASK_VIP2_UP_Y	INT_MASK_VIP2_LO_UV	INT_MASK_VIP2_LO_Y	INT_MASK_VIP1_UP_UV	INT_MASK_VIP1_UP_Y	INT_MASK_VIP1_LO_UV	INT_MASK_VIP1_LO_Y	INT_MASK_GRPX3_DATA	INT_MASK_GRPX2_DATA

Bits	Field Name	Description	Type	Reset
31	RESERVED	Reserved	R	0
30	RESERVED	Reserved	R	0
29	INT_MASK_VIP2 Anc_B	The interrupt for should generate an interrupt on interrupt vpdma_int0. Write a 1 for the interrupt event to trigger the interrupt signal.	RW	0
28	INT_MASK_VIP2 Anc_A	The interrupt for should generate an interrupt on interrupt vpdma_int0. Write a 1 for the interrupt event to trigger the interrupt signal.	RW	0
27	INT_MASK_VIP1 Anc_B	The interrupt for should generate an interrupt on interrupt vpdma_int0. Write a 1 for the interrupt event to trigger the interrupt signal.	RW	0
26	INT_MASK_VIP1 Anc_A	The interrupt for should generate an interrupt on interrupt vpdma_int0. Write a 1 for the interrupt event to trigger the interrupt signal.	RW	0
25	INT_MASK_TRANS2_LUMA	The interrupt for should generate an interrupt on interrupt vpdma_int0. Write a 1 for the interrupt event to trigger the interrupt signal.	RW	0
24	INT_MASK_TRANS2_CHROMA	The interrupt for should generate an interrupt on interrupt vpdma_int0. Write a 1 for the interrupt event to trigger the interrupt signal.	RW	0
23	INT_MASK_TRANS1_LUMA	The interrupt for should generate an interrupt on interrupt vpdma_int0. Write a 1 for the interrupt event to trigger the interrupt signal.	RW	0
22	INT_MASK_TRANS1_CHROMA	The interrupt for should generate an interrupt on interrupt vpdma_int0. Write a 1 for the interrupt event to trigger the interrupt signal.	RW	0
21	INT_MASK_HDMI_WRBK_OUT	The interrupt for should generate an interrupt on interrupt vpdma_int0. Write a 1 for the interrupt event to trigger the interrupt signal.	RW	0
20	INT_MASK_VPI_CTL	The interrupt for should generate an interrupt on interrupt vpdma_int0. Write a 1 for the interrupt event to trigger the interrupt signal.	RW	0
19	INT_MASK_VBI_SDVENC	The interrupt for should generate an interrupt on interrupt vpdma_int0. Write a 1 for the interrupt event to trigger the interrupt signal.	RW	0
18	RESERVED	Reserved	R	0
17	INT_MASK_NF_420_UV_OUT	The interrupt for should generate an interrupt on interrupt vpdma_int0. Write a 1 for the interrupt event to trigger the interrupt signal.	RW	0
16	INT_MASK_NF_420_Y_OUT	The interrupt for should generate an interrupt on interrupt vpdma_int0. Write a 1 for the interrupt event to trigger the interrupt signal.	RW	0
15	INT_MASK_NF_420_UV_IN	The interrupt for should generate an interrupt on interrupt vpdma_int0. Write a 1 for the interrupt event to trigger the interrupt signal.	RW	0

Bits	Field Name	Description	Type	Reset
14	INT_MASK_NF_420_Y_IN	The interrupt for should generate an interrupt on interrupt vpdma_int0. Write a 1 for the interrupt event to trigger the interrupt signal.	RW	0
13	INT_MASK_NF_422_IN	The interrupt for should generate an interrupt on interrupt vpdma_int0. Write a 1 for the interrupt event to trigger the interrupt signal.	RW	0
12	INT_MASK_GRPX3_ST	The interrupt for should generate an interrupt on interrupt vpdma_int0. Write a 1 for the interrupt event to trigger the interrupt signal.	RW	0
11	INT_MASK_GRPX2_ST	The interrupt for should generate an interrupt on interrupt vpdma_int0. Write a 1 for the interrupt event to trigger the interrupt signal.	RW	0
10	INT_MASK_GRPX1_ST	The interrupt for should generate an interrupt on interrupt vpdma_int0. Write a 1 for the interrupt event to trigger the interrupt signal.	RW	0
9	INT_MASK_VIP2_UP_UV	The interrupt for should generate an interrupt on interrupt vpdma_int0. Write a 1 for the interrupt event to trigger the interrupt signal.	RW	0
8	INT_MASK_VIP2_UP_Y	The interrupt for should generate an interrupt on interrupt vpdma_int0. Write a 1 for the interrupt event to trigger the interrupt signal.	RW	0
7	INT_MASK_VIP2_LO_UV	The interrupt for should generate an interrupt on interrupt vpdma_int0. Write a 1 for the interrupt event to trigger the interrupt signal.	RW	0
6	INT_MASK_VIP2_LO_Y	The interrupt for should generate an interrupt on interrupt vpdma_int0. Write a 1 for the interrupt event to trigger the interrupt signal.	RW	0
5	INT_MASK_VIP1_UP_UV	The interrupt for should generate an interrupt on interrupt vpdma_int0. Write a 1 for the interrupt event to trigger the interrupt signal.	RW	0
4	INT_MASK_VIP1_UP_Y	The interrupt for should generate an interrupt on interrupt vpdma_int0. Write a 1 for the interrupt event to trigger the interrupt signal.	RW	0
3	INT_MASK_VIP1_LO_UV	The interrupt for should generate an interrupt on interrupt vpdma_int0. Write a 1 for the interrupt event to trigger the interrupt signal.	RW	0
2	INT_MASK_VIP1_LO_Y	The interrupt for should generate an interrupt on interrupt vpdma_int0. Write a 1 for the interrupt event to trigger the interrupt signal.	RW	0
1	INT_MASK_GRPX3_DATA	The interrupt for should generate an interrupt on interrupt vpdma_int0. Write a 1 for the interrupt event to trigger the interrupt signal.	RW	0
0	INT_MASK_GRPX2_DATA	The interrupt for should generate an interrupt on interrupt vpdma_int0. Write a 1 for the interrupt event to trigger the interrupt signal.	RW	0

Table 10-212. Register Call Summary for Register VPE_INT0_CLIENT1_INT_MASK

VPE Functional Description

- [VPDMA Interrupts: \[0\]](#)

VPE Register Manual

- [VPE_VPDMA Register Summary: \[1\]](#)

Table 10-213. VPE_INT0_LIST0_INT_STAT

Address Offset	0x0000 0088	Instance	VPE_VPDMA
Physical Address	0x489D D088		
Description	This register gives the information of the interrupts that have triggered since last cleared by the process that is servicing vpdma_int0.		
Type	RW		

31	30	29	28	27	26	25	24	23	22	21	20	19	18	17	16	15	14	13	12	11	10	9	8	7	6	5	4	3	2	1	0
INT_STAT_CONTROL_DESCRIPTOR_INT15	INT_STAT_CONTROL_DESCRIPTOR_INT14	INT_STAT_CONTROL_DESCRIPTOR_INT13	INT_STAT_CONTROL_DESCRIPTOR_INT12	INT_STAT_CONTROL_DESCRIPTOR_INT11	INT_STAT_CONTROL_DESCRIPTOR_INT10	INT_STAT_CONTROL_DESCRIPTOR_INT9	INT_STAT_CONTROL_DESCRIPTOR_INT8	INT_STAT_CONTROL_DESCRIPTOR_INT7	INT_STAT_CONTROL_DESCRIPTOR_INT6	INT_STAT_CONTROL_DESCRIPTOR_INT5	INT_STAT_CONTROL_DESCRIPTOR_INT4	INT_STAT_CONTROL_DESCRIPTOR_INT3	INT_STAT_CONTROL_DESCRIPTOR_INT2	INT_STAT_CONTROL_DESCRIPTOR_INT1	INT_STAT_CONTROL_DESCRIPTOR_INT0	INT_STAT_LIST7_NOTIFY	INT_STAT_LIST7_COMPLETE	INT_STAT_LIST6_NOTIFY	INT_STAT_LIST6_COMPLETE	INT_STAT_LIST5_NOTIFY	INT_STAT_LIST5_COMPLETE	INT_STAT_LIST4_NOTIFY	INT_STAT_LIST4_COMPLETE	INT_STAT_LIST3_NOTIFY	INT_STAT_LIST3_COMPLETE	INT_STAT_LIST2_NOTIFY	INT_STAT_LIST2_COMPLETE	INT_STAT_LIST1_NOTIFY	INT_STAT_LIST1_COMPLETE	INT_STAT_LIST0_NOTIFY	INT_STAT_LIST0_COMPLETE

Bits	Field Name	Description	Type	Reset
31	INT_STAT_CONTROL_DESCRIPTOR_INT15	A Send Interrupt Control Descriptor has been received by the list manager with a source value of 15. This event will cause a one to be set in this register until cleared by software. Write a 1 to this field to clear the value.	RW	0x0
30	INT_STAT_CONTROL_DESCRIPTOR_INT14	A Send Interrupt Control Descriptor has been received by the list manager with a source value of 14. This event will cause a one to be set in this register until cleared by software. Write a 1 to this field to clear the value.	RW	0x0
29	INT_STAT_CONTROL_DESCRIPTOR_INT13	A Send Interrupt Control Descriptor has been received by the list manager with a source value of 13. This event will cause a one to be set in this register until cleared by software. Write a 1 to this field to clear the value.	RW	0x0
28	INT_STAT_CONTROL_DESCRIPTOR_INT12	A Send Interrupt Control Descriptor has been received by the list manager with a source value of 12. This event will cause a one to be set in this register until cleared by software. Write a 1 to this field to clear the value.	RW	0x0
27	INT_STAT_CONTROL_DESCRIPTOR_INT11	A Send Interrupt Control Descriptor has been received by the list manager with a source value of 11. This event will cause a one to be set in this register until cleared by software. Write a 1 to this field to clear the value.	RW	0x0
26	INT_STAT_CONTROL_DESCRIPTOR_INT10	A Send Interrupt Control Descriptor has been received by the list manager with a source value of 10. This event will cause a one to be set in this register until cleared by software. Write a 1 to this field to clear the value.	RW	0x0
25	INT_STAT_CONTROL_DESCRIPTOR_INT9	A Send Interrupt Control Descriptor has been received by the list manager with a source value of 9. This event will cause a one to be set in this register until cleared by software. Write a 1 to this field to clear the value.	RW	0x0
24	INT_STAT_CONTROL_DESCRIPTOR_INT8	A Send Interrupt Control Descriptor has been received by the list manager with a source value of 8. This event will cause a one to be set in this register until cleared by software. Write a 1 to this field to clear the value.	RW	0x0
23	INT_STAT_CONTROL_DESCRIPTOR_INT7	A Send Interrupt Control Descriptor has been received by the list manager with a source value of 7. This event will cause a one to be set in this register until cleared by software. Write a 1 to this field to clear the value.	RW	0x0

Bits	Field Name	Description	Type	Reset
22	INT_STAT_CONTROL_DESCRIPTOR_INT6	A Send Interrupt Control Descriptor has been received by the list manager with a source value of 6. This event will cause a one to be set in this register until cleared by software. Write a 1 to this field to clear the value.	RW	0x0
21	INT_STAT_CONTROL_DESCRIPTOR_INT5	A Send Interrupt Control Descriptor has been received by the list manager with a source value of 5. This event will cause a one to be set in this register until cleared by software. Write a 1 to this field to clear the value.	RW	0x0
20	INT_STAT_CONTROL_DESCRIPTOR_INT4	A Send Interrupt Control Descriptor has been received by the list manager with a source value of 4. This event will cause a one to be set in this register until cleared by software. Write a 1 to this field to clear the value.	RW	0x0
19	INT_STAT_CONTROL_DESCRIPTOR_INT3	A Send Interrupt Control Descriptor has been received by the list manager with a source value of 3. This event will cause a one to be set in this register until cleared by software. Write a 1 to this field to clear the value.	RW	0x0
18	INT_STAT_CONTROL_DESCRIPTOR_INT2	A Send Interrupt Control Descriptor has been received by the list manager with a source value of 2. This event will cause a one to be set in this register until cleared by software. Write a 1 to this field to clear the value.	RW	0x0
17	INT_STAT_CONTROL_DESCRIPTOR_INT1	A Send Interrupt Control Descriptor has been received by the list manager with a source value of 1. This event will cause a one to be set in this register until cleared by software. Write a 1 to this field to clear the value.	RW	0x0
16	INT_STAT_CONTROL_DESCRIPTOR_INT0	A Send Interrupt Control Descriptor has been received by the list manager with a source value of 0. This event will cause a one to be set in this register until cleared by software. Write a 1 to this field to clear the value.	RW	0x0
15	INT_STAT_LIST7_NOTIFY	A channel set by List 7 has completed and the Notify bit had been set in the descriptor for that channel. This event will cause a one to be set in this register until cleared by software. Write a 1 to this field to clear the value.	RW	0x0
14	INT_STAT_LIST7_COMPLETE	List 7 has completed and a new list can be loaded. This event will cause a one to be set in this register until cleared by software. Write a 1 to this field to clear the value.	RW	0x0
13	INT_STAT_LIST6_NOTIFY	A channel set by List 6 has completed and the Notify bit had been set in the descriptor for that channel. This event will cause a one to be set in this register until cleared by software. Write a 1 to this field to clear the value.	RW	0x0
12	INT_STAT_LIST6_COMPLETE	List 6 has completed and a new list can be loaded. This event will cause a one to be set in this register until cleared by software. Write a 1 to this field to clear the value.	RW	0x0
11	INT_STAT_LIST5_NOTIFY	A channel set by List 5 has completed and the Notify bit had been set in the descriptor for that channel. This event will cause a one to be set in this register until cleared by software. Write a 1 to this field to clear the value.	RW	0x0
10	INT_STAT_LIST5_COMPLETE	List 5 has completed and a new list can be loaded. This event will cause a one to be set in this register until cleared by software. Write a 1 to this field to clear the value.	RW	0x0

Bits	Field Name	Description	Type	Reset
9	INT_STAT_LIST4_NOTIFY	A channel set by List 4 has completed and the Notify bit had been set in the descriptor for that channel. This event will cause a one to be set in this register until cleared by software. Write a 1 to this field to clear the value.	RW	0x0
8	INT_STAT_LIST4_COMPLETE	List 4 has completed and a new list can be loaded. This event will cause a one to be set in this register until cleared by software. Write a 1 to this field to clear the value.	RW	0x0
7	INT_STAT_LIST3_NOTIFY	A channel set by List 3 has completed and the Notify bit had been set in the descriptor for that channel. This event will cause a one to be set in this register until cleared by software. Write a 1 to this field to clear the value.	RW	0x0
6	INT_STAT_LIST3_COMPLETE	List 3 has completed and a new list can be loaded. This event will cause a one to be set in this register until cleared by software. Write a 1 to this field to clear the value.	RW	0x0
5	INT_STAT_LIST2_NOTIFY	A channel set by List 2 has completed and the Notify bit had been set in the descriptor for that channel. This event will cause a one to be set in this register until cleared by software. Write a 1 to this field to clear the value.	RW	0x0
4	INT_STAT_LIST2_COMPLETE	List 2 has completed and a new list can be loaded. This event will cause a one to be set in this register until cleared by software. Write a 1 to this field to clear the value.	RW	0x0
3	INT_STAT_LIST1_NOTIFY	A channel set by List 1 has completed and the Notify bit had been set in the descriptor for that channel. This event will cause a one to be set in this register until cleared by software. Write a 1 to this field to clear the value.	RW	0x0
2	INT_STAT_LIST1_COMPLETE	List 1 has completed and a new list can be loaded. This event will cause a one to be set in this register until cleared by software. Write a 1 to this field to clear the value.	RW	0x0
1	INT_STAT_LIST0_NOTIFY	A channel set by List 0 has completed and the Notify bit had been set in the descriptor for that channel. This event will cause a one to be set in this register until cleared by software. Write a 1 to this field to clear the value.	RW	0x0
0	INT_STAT_LIST0_COMPLETE	List 0 has completed and a new list can be loaded. This event will cause a one to be set in this register until cleared by software. Write a 1 to this field to clear the value.	RW	0x0

Table 10-214. Register Call Summary for Register VPE_INT0_LIST0_INT_STAT

VPE Functional Description

- [VPDMA Interrupts: \[0\]\[1\]\[2\]](#)

VPE Register Manual

- [VPE_VPDMA Register Summary: \[3\]](#)

Table 10-215. VPE_INT0_LIST0_INT_MASK

Address Offset	0x0000 008C	Instance	VPE_VPDMA
Physical Address	0x489D D08C		
Description	The register gives the information of the interrupts that should be masked and not generate an interrupt for vpdma_int0.		
Type	RW		

31	30	29	28	27	26	25	24	23	22	21	20	19	18	17	16	15	14	13	12	11	10	9	8	7	6	5	4	3	2	1	0
INT_MASK_CONTROL_DESCRIPTOR_INT15	INT_MASK_CONTROL_DESCRIPTOR_INT14	INT_MASK_CONTROL_DESCRIPTOR_INT13	INT_MASK_CONTROL_DESCRIPTOR_INT12	INT_MASK_CONTROL_DESCRIPTOR_INT11	INT_MASK_CONTROL_DESCRIPTOR_INT10	INT_MASK_CONTROL_DESCRIPTOR_INT9	INT_MASK_CONTROL_DESCRIPTOR_INT8	INT_MASK_CONTROL_DESCRIPTOR_INT7	INT_MASK_CONTROL_DESCRIPTOR_INT6	INT_MASK_CONTROL_DESCRIPTOR_INT5	INT_MASK_CONTROL_DESCRIPTOR_INT4	INT_MASK_CONTROL_DESCRIPTOR_INT3	INT_MASK_CONTROL_DESCRIPTOR_INT2	INT_MASK_CONTROL_DESCRIPTOR_INT1	INT_MASK_CONTROL_DESCRIPTOR_INT0	INT_MASK_LIST7_NOTIFY	INT_MASK_LIST7_COMPLETE	INT_MASK_LIST6_NOTIFY	INT_MASK_LIST6_COMPLETE	INT_MASK_LIST5_NOTIFY	INT_MASK_LIST5_COMPLETE	INT_MASK_LIST4_NOTIFY	INT_MASK_LIST4_COMPLETE	INT_MASK_LIST3_NOTIFY	INT_MASK_LIST3_COMPLETE	INT_MASK_LIST2_NOTIFY	INT_MASK_LIST2_COMPLETE	INT_MASK_LIST1_NOTIFY	INT_MASK_LIST1_COMPLETE	INT_MASK_LIST0_NOTIFY	INT_MASK_LIST0_COMPLETE

Bits	Field Name	Description	Type	Reset
31	INT_MASK_CONTROL_DESCRIPTOR_INT15	The interrupt for should generate an interrupt on interrupt vpdma_int0. Write a 1 for the interrupt event to trigger the interrupt signal.	RW	0x0
30	INT_MASK_CONTROL_DESCRIPTOR_INT14	The interrupt for should generate an interrupt on interrupt vpdma_int0. Write a 1 for the interrupt event to trigger the interrupt signal.	RW	0x0
29	INT_MASK_CONTROL_DESCRIPTOR_INT13	The interrupt for should generate an interrupt on interrupt vpdma_int0. Write a 1 for the interrupt event to trigger the interrupt signal.	RW	0x0
28	INT_MASK_CONTROL_DESCRIPTOR_INT12	The interrupt for should generate an interrupt on interrupt vpdma_int0. Write a 1 for the interrupt event to trigger the interrupt signal.	RW	0x0
27	INT_MASK_CONTROL_DESCRIPTOR_INT11	The interrupt for should generate an interrupt on interrupt vpdma_int0. Write a 1 for the interrupt event to trigger the interrupt signal.	RW	0x0
26	INT_MASK_CONTROL_DESCRIPTOR_INT10	The interrupt for should generate an interrupt on interrupt vpdma_int0. Write a 1 for the interrupt event to trigger the interrupt signal.	RW	0x0
25	INT_MASK_CONTROL_DESCRIPTOR_INT9	The interrupt for should generate an interrupt on interrupt vpdma_int0. Write a 1 for the interrupt event to trigger the interrupt signal.	RW	0x0
24	INT_MASK_CONTROL_DESCRIPTOR_INT8	The interrupt for should generate an interrupt on interrupt vpdma_int0. Write a 1 for the interrupt event to trigger the interrupt signal.	RW	0x0
23	INT_MASK_CONTROL_DESCRIPTOR_INT7	The interrupt for should generate an interrupt on interrupt vpdma_int0. Write a 1 for the interrupt event to trigger the interrupt signal.	RW	0x0
22	INT_MASK_CONTROL_DESCRIPTOR_INT6	The interrupt for should generate an interrupt on interrupt vpdma_int0. Write a 1 for the interrupt event to trigger the interrupt signal.	RW	0x0
21	INT_MASK_CONTROL_DESCRIPTOR_INT5	The interrupt for should generate an interrupt on interrupt vpdma_int0. Write a 1 for the interrupt event to trigger the interrupt signal.	RW	0x0
20	INT_MASK_CONTROL_DESCRIPTOR_INT4	The interrupt for should generate an interrupt on interrupt vpdma_int0. Write a 1 for the interrupt event to trigger the interrupt signal.	RW	0x0
19	INT_MASK_CONTROL_DESCRIPTOR_INT3	The interrupt for should generate an interrupt on interrupt vpdma_int0. Write a 1 for the interrupt event to trigger the interrupt signal.	RW	0x0
18	INT_MASK_CONTROL_DESCRIPTOR_INT2	The interrupt for should generate an interrupt on interrupt vpdma_int0. Write a 1 for the interrupt event to trigger the interrupt signal.	RW	0x0

Bits	Field Name	Description	Type	Reset
17	INT_MASK_CONTROL_DESCRIPTOR_INT1	The interrupt for should generate an interrupt on interrupt vpdma_int0. Write a 1 for the interrupt event to trigger the interrupt signal.	RW	0x0
16	INT_MASK_CONTROL_DESCRIPTOR_INT0	The interrupt for should generate an interrupt on interrupt vpdma_int0. Write a 1 for the interrupt event to trigger the interrupt signal.	RW	0x0
15	INT_MASK_LIST7_NOTIFY	The interrupt for should generate an interrupt on interrupt vpdma_int0. Write a 1 for the interrupt event to trigger the interrupt signal.	RW	0x0
14	INT_MASK_LIST7_COMPLETE	The interrupt for should generate an interrupt on interrupt vpdma_int0. Write a 1 for the interrupt event to trigger the interrupt signal.	RW	0x0
13	INT_MASK_LIST6_NOTIFY	The interrupt for should generate an interrupt on interrupt vpdma_int0. Write a 1 for the interrupt event to trigger the interrupt signal.	RW	0x0
12	INT_MASK_LIST6_COMPLETE	The interrupt for should generate an interrupt on interrupt vpdma_int0. Write a 1 for the interrupt event to trigger the interrupt signal.	RW	0x0
11	INT_MASK_LIST5_NOTIFY	The interrupt for should generate an interrupt on interrupt vpdma_int0. Write a 1 for the interrupt event to trigger the interrupt signal.	RW	0x0
10	INT_MASK_LIST5_COMPLETE	The interrupt for should generate an interrupt on interrupt vpdma_int0. Write a 1 for the interrupt event to trigger the interrupt signal.	RW	0x0
9	INT_MASK_LIST4_NOTIFY	The interrupt for should generate an interrupt on interrupt vpdma_int0. Write a 1 for the interrupt event to trigger the interrupt signal.	RW	0x0
8	INT_MASK_LIST4_COMPLETE	The interrupt for should generate an interrupt on interrupt vpdma_int0. Write a 1 for the interrupt event to trigger the interrupt signal.	RW	0x0
7	INT_MASK_LIST3_NOTIFY	The interrupt for should generate an interrupt on interrupt vpdma_int0. Write a 1 for the interrupt event to trigger the interrupt signal.	RW	0x0
6	INT_MASK_LIST3_COMPLETE	The interrupt for should generate an interrupt on interrupt vpdma_int0. Write a 1 for the interrupt event to trigger the interrupt signal.	RW	0x0
5	INT_MASK_LIST2_NOTIFY	The interrupt for should generate an interrupt on interrupt vpdma_int0. Write a 1 for the interrupt event to trigger the interrupt signal.	RW	0x0
4	INT_MASK_LIST2_COMPLETE	The interrupt for should generate an interrupt on interrupt vpdma_int0. Write a 1 for the interrupt event to trigger the interrupt signal.	RW	0x0
3	INT_MASK_LIST1_NOTIFY	The interrupt for should generate an interrupt on interrupt vpdma_int0. Write a 1 for the interrupt event to trigger the interrupt signal.	RW	0x0
2	INT_MASK_LIST1_COMPLETE	The interrupt for should generate an interrupt on interrupt vpdma_int0. Write a 1 for the interrupt event to trigger the interrupt signal.	RW	0x0
1	INT_MASK_LIST0_NOTIFY	The interrupt for should generate an interrupt on interrupt vpdma_int0. Write a 1 for the interrupt event to trigger the interrupt signal.	RW	0x0
0	INT_MASK_LIST0_COMPLETE	The interrupt for should generate an interrupt on interrupt vpdma_int0. Write a 1 for the interrupt event to trigger the interrupt signal.	RW	0x0

Table 10-216. Register Call Summary for Register VPE_INT0_LIST0_INT_MASK

VPE Functional Description

- [VPDMA Interrupts: \[0\]](#)

VPE Register Manual

- [VPE_VPDMA Register Summary: \[1\]](#)

Table 10-217. VPE_PERF_MON0

Address Offset	0x0000 0200	Instance	VPE_VPDMA
Physical Address	0x489D D200		
Description	The register can be used to capture timing differences between events in the VPDMA		
Type	RW		

31	30	29	28	27	26	25	24	23	22	21	20	19	18	17	16	15	14	13	12	11	10	9	8	7	6	5	4	3	2	1	0
CAPTURE_MODE				RESERVED		STOP_COUNT		RESERVED		START_CLIENT		RESERVED		START_COUNT		CURR_COUNT															

Bits	Field Name	Description	Type	Reset
31:30	CAPTURE_MODE	Sets how the counter should be updated. Updating this value will also clear the current counter stored value. 0x0 : Running Average 0x1 : Minimum Value 0x2: Maximum Value 0x3: Last Value	RW	0x0
29:28	STOP_CLIENT	Sets the client whose event stops the performance monitor counter. 0x0 : dei_hq_1_chroma 0x1 : vpi_ctl 0x2: dei_hq_1_luma 0x3: dei_hq_2_luma	RW	0x0
27	RESERVED		R	0x0
26:24	STOP_COUNT	Sets the value that stops the performance monitor counter. 0x0 : command request 0x1 : command accept 0x2: data request 0x3: data rcvd 0x4: data empty 0x5: data full 0x6: frame start 0x7: frame end	RW	0x0
23:22	RESERVED		R	0x0
21:20	START_CLIENT	Sets the client whose event starts the performance monitor counter. 0x0 : dei_hq_1_chroma 0x1 : vpi_ctl 0x2: dei_hq_1_luma 0x3: dei_hq_2_luma	RW	0x0
19	RESERVED		R	0x0

Bits	Field Name	Description	Type	Reset
18:16	START_COUNT	Sets the value that starts the performance monitor counter. 0x0 : command request 0x1 : command accept 0x2: data request 0x3: data rcvd 0x4: data empty 0x5: data full 0x6: frame start 0x7: frame end	RW	0x0
15:0	CURR_COUNT	The current value of the performance monitor counter	R	0x0

Table 10-218. Register Call Summary for Register VPE_PERF_MON0

VPE Register Manual

- [VPE_VPDMA Register Summary: \[0\]](#)

Table 10-219. VPE_PERF_MON1

Address Offset	0x0000 0204	Instance	VPE_VPDMA
Physical Address	0x489D D204		
Description	The register can be used to capture timing differences between events in the VPDMA		
Type	RW		

31	30	29	28	27	26	25	24	23	22	21	20	19	18	17	16	15	14	13	12	11	10	9	8	7	6	5	4	3	2	1	0
CAPTURE_MODE		STOP_CLIENT		RESERVED		STOP_COUNT		RESERVED		START_CLIENT		RESERVED		START_COUNT		CURR_COUNT															

Bits	Field Name	Description	Type	Reset
31:30	CAPTURE_MODE	Sets how the counter should be updated. Updating this value will also clear the current counter stored value. 0x0 : Running Average 0x1 : Minimum Value 0x2: Maximum Value 0x3: Last Value	RW	0x0
29:28	STOP_CLIENT	Sets the client whose event stops the performance monitor counter. 0x0 : dei_hq_1_luma 0x1 : dei_hq_1_chroma 0x2: dei_hq_2_luma 0x3: dei_hq_2_chroma	RW	0x0
27	RESERVED		R	0x0

Bits	Field Name	Description	Type	Reset
26:24	STOP_COUNT	Sets the value that stops the performance monitor counter. 0x0 : command request 0x1 : command accept 0x2: data request 0x3: data rcvd 0x4: data empty 0x5: data full 0x6: frame start 0x7: frame end	RW	0x0
23:22	RESERVED		R	0x0
21:20	START_CLIENT	Sets the client whose event starts the performance monitor counter. 0x0 : dei_hq_1_luma 0x1 : dei_hq_1_chroma 0x2: dei_hq_2_luma 0x3: dei_hq_2_chroma	RW	0x0
19	RESERVED		R	0x0
18:16	START_COUNT	Sets the value that starts the performance monitor counter. 0x0 : command request 0x1 : command accept 0x2: data request 0x3: data rcvd 0x4: data empty 0x5: data full 0x6: frame start 0x7: frame end	RW	0x0
15:0	CURR_COUNT	The current value of the performance monitor counter	R	0x0

Table 10-220. Register Call Summary for Register VPE_PERF_MON1

VPE Register Manual

- [VPE_VPDMA Register Summary: \[0\]](#)

Table 10-221. VPE_PERF_MON2

Address Offset	0x0000 0208	Instance	VPE_VPDMA
Physical Address	0x489D D208		
Description	The register can be used to capture timing differences between events in the VPDMA		
Type	RW		

31	30	29	28	27	26	25	24	23	22	21	20	19	18	17	16	15	14	13	12	11	10	9	8	7	6	5	4	3	2	1	0
CAPTURE_MODE		STOP_CLIENT		RESERVED		STOP_COUNT		RESERVED		START_CLIENT		RESERVED		START_COUNT		CURR_COUNT															

Bits	Field Name	Description	Type	Reset
31:30	CAPTURE_MODE	Sets how the counter should be updated. Updating this value will also clear the current counter stored value. 0x0 : Running Average 0x1 : Minimum Value 0x2: Maximum Value 0x3: Last Value	RW	0x0
29:28	STOP_CLIENT	Sets the client whose event stops the performance monitor counter. 0x0 : dei_hq_2_luma 0x1 : dei_hq_1_luma 0x2: dei_hq_2_chroma 0x3: dei_hq_3_luma	RW	0x0
27	RESERVED		R	0x0
26:24	STOP_COUNT	Sets the value that stops the performance monitor counter. 0x0 : command request 0x1 : command accept 0x2: data request 0x3: data rcvd 0x4: data empty 0x5: data full 0x6: frame start 0x7: frame end	RW	0x0
23:22	RESERVED		R	0x0
21:20	START_CLIENT	Sets the client whose event starts the performance monitor counter. 0x0 : dei_hq_2_luma 0x1 : dei_hq_1_luma 0x2: dei_hq_2_chroma 0x3: dei_hq_3_luma	RW	0x0
19	RESERVED		R	0x0
18:16	START_COUNT	Sets the value that starts the performance monitor counter. 0x0 : command request 0x1 : command accept 0x2: data request 0x3: data rcvd 0x4: data empty 0x5: data full 0x6: frame start 0x7: frame end	RW	0x0
15:0	CURR_COUNT	The current value of the performance monitor counter	R	0x0

Table 10-222. Register Call Summary for Register VPE_PERF_MON2

VPE Register Manual

- [VPE_VPDMA Register Summary: \[0\]](#)

Table 10-223. VPE_PERF_MON3

Address Offset	0x0000 020C	Instance	VPE_VPDMA
Physical Address	0x489D D20C		
Description	The register can be used to capture timing differences between events in the VPDMA		
Type	RW		

31	30	29	28	27	26	25	24	23	22	21	20	19	18	17	16	15	14	13	12	11	10	9	8	7	6	5	4	3	2	1	0							
CAPTURE_MODE				STOP_CLIENT				RESERVED	STOP_COUNT				RESERVED	START_CLIENT				RESERVED	START_COUNT				CURR_COUNT															

Bits	Field Name	Description	Type	Reset
31:30	CAPTURE_MODE	Sets how the counter should be updated. Updating this value will also clear the current counter stored value. 0x0 : Running Average 0x1 : Minimum Value 0x2: Maximum Value 0x3: Last Value	RW	0x0
29:28	STOP_CLIENT	Sets the client whose event stops the performance monitor counter. 0x0 : dei_hq_2_luma 0x1 : dei_hq_1_luma 0x2: dei_hq_2_chroma 0x3: dei_hq_3_luma	RW	0x0
27	RESERVED		R	0x0
26:24	STOP_COUNT	Sets the value that stops the performance monitor counter. 0x0 : command request 0x1 : command accept 0x2: data request 0x3: data rcvd 0x4: data empty 0x5: data full 0x6: frame start 0x7: frame end	RW	0x0
23:22	RESERVED		R	0x0
21:20	START_CLIENT	Sets the client whose event starts the performance monitor counter. 0x0 : dei_hq_2_luma 0x1 : dei_hq_1_luma 0x2: dei_hq_2_chroma 0x3: dei_hq_3_luma	RW	0x0
19	RESERVED		R	0x0

Bits	Field Name	Description	Type	Reset
18:16	START_COUNT	Sets the value that starts the performance monitor counter. 0x0 : command request 0x1 : command accept 0x2: data request 0x3: data rcvd 0x4: data empty 0x5: data full 0x6: frame start 0x7: frame end	RW	0x0
15:0	CURR_COUNT	The current value of the performance monitor counter	R	0x0

Table 10-224. Register Call Summary for Register VPE_PERF_MON3

VPE Register Manual

- [VPE_VPDMA Register Summary: \[0\]](#)

Table 10-225. VPE_PERF_MON4

Address Offset	0x0000 0210	Instance	VPE_VPDMA
Physical Address	0x489D D210		
Description	The register can be used to capture timing differences between events in the VPDMA		
Type	RW		

31	30	29	28	27	26	25	24	23	22	21	20	19	18	17	16	15	14	13	12	11	10	9	8	7	6	5	4	3	2	1	0
CAPTURE_MODE		STOP_CLIENT		RESERVED		STOP_COUNT		RESERVED		START_CLIENT		RESERVED		START_COUNT		CURR_COUNT															

Bits	Field Name	Description	Type	Reset
31:30	CAPTURE_MODE	Sets how the counter should be updated. Updating this value will also clear the current counter stored value. 0x0 : Running Average 0x1 : Minimum Value 0x2: Maximum Value 0x3: Last Value	RW	0x0
29:28	STOP_CLIENT	Sets the client whose event stops the performance monitor counter. 0x0 : dei_hq_3_luma 0x1 : dei_hq_2_chroma 0x 2: dei_hq_3_chroma 0x3:	RW	0x0
27	RESERVED		R	0x0

Bits	Field Name	Description	Type	Reset
26:24	STOP_COUNT	Sets the value that stops the performance monitor counter. 0x0 : command request 0x1 : command accept 0x2: data request 0x3: data rcvd 0x4: data empty 0x5: data full 0x6: frame start 0x7: frame end	RW	0x0
23:22	RESERVED		R	0x0
21:20	START_CLIENT	Sets the client whose event starts the performance monitor counter. 0x0 : dei_hq_3_luma 0x1 : dei_hq_2_chroma 0x 2: dei_hq_3_chroma 0x3:	RW	0x0
19	RESERVED		R	0x0
18:16	START_COUNT	Sets the value that starts the performance monitor counter. 0x0 : command request 0x1 : command accept 0x2: data request 0x3: data rcvd 0x4: data empty 0x5: data full 0x6: frame start 0x7: frame end	RW	0x0
15:0	CURR_COUNT	The current value of the performance monitor counter	R	0x0

Table 10-226. Register Call Summary for Register VPE_PERF_MON4

VPE Register Manual

- [VPE_VPDMA Register Summary: \[0\]](#)

Table 10-227. VPE_PERF_MON5

Address Offset	0x0000 0214	Instance	VPE_VPDMA
Physical Address	0x489D D214		
Description	The register can be used to capture timing differences between events in the VPDMA		
Type	RW		

31	30	29	28	27	26	25	24	23	22	21	20	19	18	17	16	15	14	13	12	11	10	9	8	7	6	5	4	3	2	1	0
CAPTURE_MODE		STOP_CLIENT		RESERVED		STOP_COUNT		RESERVED		START_CLIENT		RESERVED		START_COUNT		CURR_COUNT															

Bits	Field Name	Description	Type	Reset
31:30	CAPTURE_MODE	Sets how the counter should be updated. Updating this value will also clear the current counter stored value. 0x0 : Running Average 0x1 : Minimum Value 0x2: Maximum Value 0x3: Last Value	RW	0x0
29:28	STOP_CLIENT	Sets the client whose event stops the performance monitor counter. 0x0 : dei_hq_3_luma 0x1 : dei_hq_2_chroma 0x 2: dei_hq_3_chroma 0x3:	RW	0x0
27	RESERVED		R	0x0
26:24	STOP_COUNT	Sets the value that stops the performance monitor counter. 0x0 : command request 0x1 : command accept 0x2: data request 0x3: data rcvd 0x4: data empty 0x5: data full 0x6: frame start 0x7: frame end	RW	0x0
23:22	RESERVED		R	0x0
21:20	START_CLIENT	Sets the client whose event starts the performance monitor counter. 0x0 : dei_hq_3_luma 0x1 : dei_hq_2_chroma 0x 2: dei_hq_3_chroma 0x3:	RW	0x0
19	RESERVED		R	0x0
18:16	START_COUNT	Sets the value that starts the performance monitor counter. 0x0 : command request 0x1 : command accept 0x2: data request 0x3: data rcvd 0x4: data empty 0x5: data full 0x6: frame start 0x7: frame end	RW	0x0
15:0	CURR_COUNT	The current value of the performance monitor counter	R	0x0

Table 10-228. Register Call Summary for Register VPE_PERF_MON5

VPE Register Manual

- [VPE_VPDMA Register Summary: \[0\]](#)

Table 10-229. VPE_PERF_MON6

Address Offset	0x0000 0218	Instance	VPE_VPDMA
Physical Address	0x489D D218		
Description	The register can be used to capture timing differences between events in the VPDMA		
Type	RW		

31	30	29	28	27	26	25	24	23	22	21	20	19	18	17	16	15	14	13	12	11	10	9	8	7	6	5	4	3	2	1	0
CAPTURE_MODE				STOP_CLIENT		RESERVED		STOP_COUNT		RESERVED		START_CLIENT		RESERVED		START_COUNT		CURR_COUNT													

Bits	Field Name	Description	Type	Reset
31:30	CAPTURE_MODE	Sets how the counter should be updated. Updating this value will also clear the current counter stored value. 0x0 : Running Average 0x1 : Minimum Value 0x2: Maximum Value 0x3: Last Value	RW	0x0
29:28	STOP_CLIENT	Sets the client whose event stops the performance monitor counter. 0x0 : 0x1 : dei_hq_3_chroma 0x2: 0x3:	RW	0x0
27	RESERVED		R	0x0
26:24	STOP_COUNT	Sets the value that stops the performance monitor counter. 0x0 : command request 0x1 : command accept 0x2: data request 0x3: data rcvd 0x4: data empty 0x5: data full 0x6: frame start 0x7: frame end	RW	0x0
23:22	RESERVED		R	0x0
21:20	START_CLIENT	Sets the client whose event starts the performance monitor counter. 0x0 : dei_hq_3_chroma 0x1 : dei_hq_3_chroma 0x2: 0x3:	RW	0x0
19	RESERVED		R	0x0

Bits	Field Name	Description	Type	Reset
18:16	START_COUNT	Sets the value that starts the performance monitor counter. 0x0 : command request 0x1 : command accept 0x2: data request 0x3: data rcvd 0x4: data empty 0x5: data full 0x6: frame start 0x7: frame end	RW	0x0
15:0	CURR_COUNT	The current value of the performance monitor counter	R	0x0

Table 10-230. Register Call Summary for Register VPE_PERF_MON6

VPE Register Manual

- [VPE_VPDMA Register Summary: \[0\]](#)

Table 10-231. VPE_PERF_MON7

Address Offset	0x0000 021C	Instance	VPE_VPDMA
Physical Address	0x489D D21C		
Description	The register can be used to capture timing differences between events in the VPDMA		
Type	RW		

31	30	29	28	27	26	25	24	23	22	21	20	19	18	17	16	15	14	13	12	11	10	9	8	7	6	5	4	3	2	1	0
CAPTURE_MODE		STOP_CLIENT		RESERVED		STOP_COUNT		RESERVED		START_CLIENT		RESERVED		START_COUNT		CURR_COUNT															

Bits	Field Name	Description	Type	Reset
31:30	CAPTURE_MODE	Sets how the counter should be updated. Updating this value will also clear the current counter stored value. 0x0 : Running Average 0x1 : Minimum Value 0x2: Maximum Value 0x3: Last Value	RW	0x0
29:28	STOP_CLIENT	Sets the client whose event stops the performance monitor counter. 0x0 : 0x1 : 0x2: 0x3:	RW	0x0
27	RESERVED		R	0x0

Bits	Field Name	Description	Type	Reset
26:24	STOP_COUNT	Sets the value that stops the performance monitor counter. 0x0 : command request 0x1 : command accept 0x2: data request 0x3: data rcvd 0x4: data empty 0x5: data full 0x6: frame start 0x7: frame end	RW	0x0
23:22	RESERVED		R	0x0
21:20	START_CLIENT	Sets the client whose event starts the performance monitor counter. 0x0 : 0x1 : 0x2: 0x3:	RW	0x0
19	RESERVED		R	0x0
18:16	START_COUNT	Sets the value that starts the performance monitor counter. 0x0 : command request 0x1 : command accept 0x2: data request 0x3: data rcvd 0x4: data empty 0x5: data full 0x6: frame start 0x7: frame end	RW	0x0
15:0	CURR_COUNT	The current value of the performance monitor counter	R	0x0

Table 10-232. Register Call Summary for Register VPE_PERF_MON7

VPE Register Manual

- [VPE_VPDMA Register Summary: \[0\]](#)

Table 10-233. VPE_PERF_MON8

Address Offset	0x0000 0220	Instance	VPE_VPDMA
Physical Address	0x489D D220		
Description	The register can be used to capture timing differences between events in the VPDMA		
Type	RW		

31	30	29	28	27	26	25	24	23	22	21	20	19	18	17	16	15	14	13	12	11	10	9	8	7	6	5	4	3	2	1	0
CAPTURE_MODE		STOP_CLIENT		RESERVED		STOP_COUNT		RESERVED		START_CLIENT		RESERVED		START_COUNT		CURR_COUNT															

Bits	Field Name	Description	Type	Reset
31:30	CAPTURE_MODE	Sets how the counter should be updated. Updating this value will also clear the current counter stored value. 0x0 : Running Average 0x1 : Minimum Value 0x2: Maximum Value 0x3: Last Value	RW	0x0
29:28	STOP_CLIENT	Sets the client whose event stops the performance monitor counter. 0x0 : 0x1 : 0x2: 0x3:	RW	0x0
27	RESERVED		R	0x0
26:24	STOP_COUNT	Sets the value that stops the performance monitor counter. 0x0 : command request 0x1 : command accept 0x2: data request 0x3: data rcvd 0x4: data empty 0x5: data full 0x6: frame start 0x7: frame end	RW	0x0
23:22	RESERVED		R	0x0
21:20	START_CLIENT	Sets the client whose event starts the performance monitor counter. 0x0 : 0x1 : 0x2: 0x3:	RW	0x0
19	RESERVED		R	0x0
18:16	START_COUNT	Sets the value that starts the performance monitor counter. 0x0 : command request 0x1 : command accept 0x2: data request 0x3: data rcvd 0x4: data empty 0x5: data full 0x6: frame start 0x7: frame end	RW	0x0
15:0	CURR_COUNT	The current value of the performance monitor counter	R	0x0

Table 10-234. Register Call Summary for Register VPE_PERF_MON8

VPE Register Manual

- [VPE_VPDMA Register Summary: \[0\]](#)

Table 10-235. VPE_PERF_MON9

Address Offset	0x0000 0224	Instance	VPE_VPDMA
Physical Address	0x489D D224		
Description	The register can be used to capture timing differences between events in the VPDMA		
Type	RW		

31	30	29	28	27	26	25	24	23	22	21	20	19	18	17	16	15	14	13	12	11	10	9	8	7	6	5	4	3	2	1	0
CAPTURE_MODE				STOP_CLIENT		RESERVED		STOP_COUNT		RESERVED		START_CLIENT		RESERVED		START_COUNT		CURR_COUNT													

Bits	Field Name	Description	Type	Reset
31:30	CAPTURE_MODE	Sets how the counter should be updated. Updating this value will also clear the current counter stored value. 0x0 : Running Average 0x1 : Minimum Value 0x2: Maximum Value 0x3: Last Value	RW	0x0
29:28	STOP_CLIENT	Sets the client whose event stops the performance monitor counter. 0x0 : 0x1 : 0x2: 0x3:	RW	0x0
27	RESERVED		R	0x0
26:24	STOP_COUNT	Sets the value that stops the performance monitor counter. 0x0 : command request 0x1 : command accept 0x2: data request 0x3: data rcvd 0x4: data empty 0x5: data full 0x6: frame start 0x7: frame end	RW	0x0
23:22	RESERVED		R	0x0
21:20	START_CLIENT	Sets the client whose event starts the performance monitor counter. 0x0 : 0x1 : 0x2: 0x3:	RW	0x0
19	RESERVED		R	0x0

Bits	Field Name	Description	Type	Reset
18:16	START_COUNT	Sets the value that starts the performance monitor counter. 0x0 : command request 0x1 : command accept 0x2: data request 0x3: data rcvd 0x4: data empty 0x5: data full 0x6: frame start 0x7: frame end	RW	0x0
15:0	CURR_COUNT	The current value of the performance monitor counter	R	0x0

Table 10-236. Register Call Summary for Register VPE_PERF_MON9

VPE Register Manual

- [VPE_VPDMA Register Summary: \[0\]](#)

Table 10-237. VPE_PERF_MON10

Address Offset	0x0000 0228	Instance	VPE_VPDMA
Physical Address	0x489D D228		
Description	The register can be used to capture timing differences between events in the VPDMA		
Type	RW		

31	30	29	28	27	26	25	24	23	22	21	20	19	18	17	16	15	14	13	12	11	10	9	8	7	6	5	4	3	2	1	0
CAPTURE_MODE		STOP_CLIENT		RESERVED		STOP_COUNT		RESERVED		START_CLIENT		RESERVED		START_COUNT		CURR_COUNT															

Bits	Field Name	Description	Type	Reset
31:30	CAPTURE_MODE	Sets how the counter should be updated. Updating this value will also clear the current counter stored value. 0x0 : Running Average 0x1 : Minimum Value 0x2: Maximum Value 0x3: Last Value	RW	0x0
29:28	STOP_CLIENT	Sets the client whose event stops the performance monitor counter. 0x0 : 0x1 : 0x2: 0x3: dei_hq_mv_in	RW	0x0
27	RESERVED		R	0x0

Bits	Field Name	Description	Type	Reset
26:24	STOP_COUNT	Sets the value that stops the performance monitor counter. 0: command request 1: command accept 2: data request 3: data rcvd 4: data empty 5: data full 6: frame start 7: frame end	RW	0x0
23:22	RESERVED		R	0x0
21:20	START_CLIENT	Sets the client whose event starts the performance monitor counter. 0x0 : 0x1 : 0x2: 0x3: dei_hq_mv_in	RW	0x0
19	RESERVED		R	0x0
18:16	START_COUNT	Sets the value that starts the performance monitor counter. 0x0 : command request 0x1 : command accept 0x2: data request 0x3: data rcvd 0x4: data empty 0x5: data full 0x6: frame start 0x7: frame end	RW	0x0
15:0	CURR_COUNT	The current value of the performance monitor counter	R	0x0

Table 10-238. Register Call Summary for Register VPE_PERF_MON10

VPE Register Manual

- [VPE_VPDMA Register Summary: \[0\]](#)

Table 10-239. VPE_PERF_MON11

Address Offset	0x0000 022C	Instance	VPE_VPDMA
Physical Address	0x489D D22C		
Description	The register can be used to capture timing differences between events in the VPDMA		
Type	RW		

31	30	29	28	27	26	25	24	23	22	21	20	19	18	17	16	15	14	13	12	11	10	9	8	7	6	5	4	3	2	1	0
CAPTURE_MODE		STOP_CLIENT		RESERVED		STOP_COUNT		RESERVED		START_CLIENT		RESERVED		START_COUNT		CURR_COUNT															

Bits	Field Name	Description	Type	Reset
31:30	CAPTURE_MODE	Sets how the counter should be updated. Updating this value will also clear the current counter stored value. 0x0 : Running Average 0x1 : Minimum Value 0x2: Maximum Value 0x3: Last Value	RW	0x0
29:28	STOP_CLIENT	Sets the client whose event stops the performance monitor counter. 0x0 : 0x1 : 0x2: dei_hq_mv_in 0x3:	RW	0x0
27	RESERVED		R	0x0
26:24	STOP_COUNT	Sets the value that stops the performance monitor counter. 0: command request 1: command accept 2: data request 3: data rcvd 4: data empty 5: data full 6: frame start 7: frame end	RW	0x0
23:22	RESERVED		R	0x0
21:20	START_CLIENT	Sets the client whose event starts the performance monitor counter. 0x0 : 0x1 : 0x2: dei_hq_mv_in 0x3:	RW	0x0
19	RESERVED		R	0x0
18:16	START_COUNT	Sets the value that starts the performance monitor counter. 0x0 : command request 0x1 : command accept 0x2: data request 0x3: data rcvd 0x4: data empty 0x5: data full 0x6: frame start 0x7: frame end	RW	0x0
15:0	CURR_COUNT	The current value of the performance monitor counter	R	0x0

Table 10-240. Register Call Summary for Register VPE_PERF_MON11

VPE Register Manual

- [VPE_VPDMA Register Summary: \[0\]](#)

Table 10-241. VPE_PERF_MON12

Address Offset	0x0000 0230	Instance	VPE_VPDMA
Physical Address	0x489D D230		
Description	The register can be used to capture timing differences between events in the VPDMA		
Type	RW		

31	30	29	28	27	26	25	24	23	22	21	20	19	18	17	16	15	14	13	12	11	10	9	8	7	6	5	4	3	2	1	0
CAPTURE_MODE				RESERVED		STOP_COUNT		RESERVED		START_CLIENT		RESERVED		START_COUNT		CURR_COUNT															

Bits	Field Name	Description	Type	Reset
31:30	CAPTURE_MODE	Sets how the counter should be updated. Updating this value will also clear the current counter stored value. 0x0 : Running Average 0x1 : Minimum Value 0x2: Maximum Value 0x3: Last Value	RW	0x0
29:28	STOP_CLIENT	Sets the client whose event stops the performance monitor counter. 0x0 : dei_hq_mv_in 0x1 : 0x2: 0x3:	RW	0x0
27	RESERVED		R	0x0
26:24	STOP_COUNT	Sets the value that stops the performance monitor counter. 0: command request 1: command accept 2: data request 3: data rcvd 4: data empty 5: data full 6: frame start 7: frame end	RW	0x0
23:22	RESERVED		R	0x0
21:20	START_CLIENT	Sets the client whose event starts the performance monitor counter. 0x0 : dei_hq_mv_in 0x1 : 0x2: 0x3:	RW	0x0
19	RESERVED		R	0x0

Bits	Field Name	Description	Type	Reset
18:16	START_COUNT	Sets the value that starts the performance monitor counter. 0x0 : command request 0x1 : command accept 0x2: data request 0x3: data rcvd 0x4: data empty 0x5: data full 0x6: frame start 0x7: frame end	RW	0x0
15:0	CURR_COUNT	The current value of the performance monitor counter	R	0x0

Table 10-242. Register Call Summary for Register VPE_PERF_MON12

VPE Register Manual

- [VPE_VPDMA Register Summary: \[0\]](#)

Table 10-243. VPE_PERF_MON13

Address Offset	0x0000 0234	Instance	VPE_VPDMA
Physical Address	0x489D D234		
Description	The register can be used to capture timing differences between events in the VPDMA		
Type	RW		

31	30	29	28	27	26	25	24	23	22	21	20	19	18	17	16	15	14	13	12	11	10	9	8	7	6	5	4	3	2	1	0
CAPTURE_MODE		STOP_CLIENT		RESERVED		STOP_COUNT		RESERVED		START_CLIENT		RESERVED		START_COUNT		CURR_COUNT															

Bits	Field Name	Description	Type	Reset
31:30	CAPTURE_MODE	Sets how the counter should be updated. Updating this value will also clear the current counter stored value. 0x0 : Running Average 0x1 : Minimum Value 0x2: Maximum Value 0x3: Last Value	RW	0x0
29:28	STOP_CLIENT	Sets the client whose event stops the performance monitor counter. 0x0 : 0x1 : dei_hq_mv_in 0x2: 0x3:dei_hq_mv_out	RW	0x0
27	RESERVED		R	0x0

Bits	Field Name	Description	Type	Reset
26:24	STOP_COUNT	Sets the value that stops the performance monitor counter. 0: command request 1: command accept 2: data request 3: data rcvd 4: data empty 5: data full 6: frame start 7: frame end	RW	0x0
23:22	RESERVED		R	0x0
21:20	START_CLIENT	Sets the client whose event starts the performance monitor counter. 0x0 : 0x1 : dei_hq_mv_in 0x2: 0x3:dei_hq_mv_out	RW	0x0
19	RESERVED		R	0x0
18:16	START_COUNT	Sets the value that starts the performance monitor counter. 0x0 : command request 0x1 : command accept 0x2: data request 0x3: data rcvd 0x4: data empty 0x5: data full 0x6: frame start 0x7: frame end	RW	0x0
15:0	CURR_COUNT	The current value of the performance monitor counter	R	0x0

Table 10-244. Register Call Summary for Register VPE_PERF_MON13

VPE Register Manual

- [VPE_VPDMA Register Summary: \[0\]](#)

Table 10-245. VPE_PERF_MON14

Address Offset	0x0000 0238	Instance	VPE_VPDMA
Physical Address	0x489D D238		
Description	The register can be used to capture timing differences between events in the VPDMA		
Type	RW		

31	30	29	28	27	26	25	24	23	22	21	20	19	18	17	16	15	14	13	12	11	10	9	8	7	6	5	4	3	2	1	0
CAPTURE_MODE		STOP_CLIENT		RESERVED		STOP_COUNT		RESERVED		START_CLIENT		RESERVED		START_COUNT		CURR_COUNT															

Bits	Field Name	Description	Type	Reset
31:30	CAPTURE_MODE	Sets how the counter should be updated. Updating this value will also clear the current counter stored value. 0x0 : Running Average 0x1 : Minimum Value 0x2: Maximum Value 0x3: Last Value	RW	0x0
29:28	STOP_CLIENT	Sets the client whose event stops the performance monitor counter. 0x0 : 0x1 : 0x2: dei_hq_mv_out 0x3:	RW	0x0
27	RESERVED		R	0x0
26:24	STOP_COUNT	Sets the value that stops the performance monitor counter. 0: command request 1: command accept 2: data request 3: data rcvd 4: data empty 5: data full 6: frame start 7: frame end	RW	0x0
23:22	RESERVED		R	0x0
21:20	START_CLIENT	Sets the client whose event starts the performance monitor counter. 0x0 : 0x1 : 0x2: dei_hq_mv_out 0x3:	RW	0x0
19	RESERVED		R	0x0
18:16	START_COUNT	Sets the value that starts the performance monitor counter. 0x0 : command request 0x1 : command accept 0x2: data request 0x3: data rcvd 0x4: data empty 0x5: data full 0x6: frame start 0x7: frame end	RW	0x0
15:0	CURR_COUNT	The current value of the performance monitor counter	R	0x0

Table 10-246. Register Call Summary for Register VPE_PERF_MON14

VPE Register Manual

- [VPE_VPDMA Register Summary: \[0\]](#)

Table 10-247. VPE_PERF_MON15

Address Offset	0x0000 023C	Instance	VPE_VPDMA
Physical Address	0x489D D23C		
Description	The register can be used to capture timing differences between events in the VPDMA		
Type	RW		

31	30	29	28	27	26	25	24	23	22	21	20	19	18	17	16	15	14	13	12	11	10	9	8	7	6	5	4	3	2	1	0							
CAPTURE_MODE				STOP_CLIENT				RESERVED	STOP_COUNT				RESERVED	START_CLIENT				RESERVED	START_COUNT				CURR_COUNT															

Bits	Field Name	Description	Type	Reset
31:30	CAPTURE_MODE	Sets how the counter should be updated. Updating this value will also clear the current counter stored value. 0x0 : Running Average 0x1 : Minimum Value 0x2: Maximum Value 0x3: Last Value	RW	0x0
29:28	STOP_CLIENT	Sets the client whose event stops the performance monitor counter. 0x0 : dei_hq_mv_out 0x1 : 0x2: 0x3:	RW	0x0
27	RESERVED		R	0x0
26:24	STOP_COUNT	Sets the value that stops the performance monitor counter. 0: command request 1: command accept 2: data request 3: data rcvd 4: data empty 5: data full 6: frame start 7: frame end	RW	0x0
23:22	RESERVED		R	0x0
21:20	START_CLIENT	Sets the client whose event starts the performance monitor counter. 0x0 : dei_hq_mv_out 0x1 : 0x2: 0x3:	RW	0x0
19	RESERVED		R	0x0

Bits	Field Name	Description	Type	Reset
18:16	START_COUNT	Sets the value that starts the performance monitor counter. 0x0 : command request 0x1 : command accept 0x2: data request 0x3: data rcvd 0x4: data empty 0x5: data full 0x6: frame start 0x7: frame end	RW	0x0
15:0	CURR_COUNT	The current value of the performance monitor counter	R	0x0

Table 10-248. Register Call Summary for Register VPE_PERF_MON15

VPE Register Manual

- [VPE_VPDMA Register Summary: \[0\]](#)

Table 10-249. VPE_PERF_MON16

Address Offset	0x0000 0240	Instance	VPE_VPDMA
Physical Address	0x489D D240		
Description	The register can be used to capture timing differences between events in the VPDMA		
Type	RW		

31	30	29	28	27	26	25	24	23	22	21	20	19	18	17	16	15	14	13	12	11	10	9	8	7	6	5	4	3	2	1	0
CAPTURE_MODE		STOP_CLIENT		RESERVED		STOP_COUNT		RESERVED		START_CLIENT		RESERVED		START_COUNT		CURR_COUNT															

Bits	Field Name	Description	Type	Reset
31:30	CAPTURE_MODE	Sets how the counter should be updated. Updating this value will also clear the current counter stored value. 0x0 : Running Average 0x1 : Minimum Value 0x2: Maximum Value 0x3: Last Value	RW	0x0
29:28	STOP_CLIENT	Sets the client whose event stops the performance monitor counter. 0x0 : 0x1 : dei_hq_mv_out 0x2: 0x3:	RW	0x0
27	RESERVED		R	0x0

Bits	Field Name	Description	Type	Reset
26:24	STOP_COUNT	Sets the value that stops the performance monitor counter. 0: command request 1: command accept 2: data request 3: data rcvd 4: data empty 5: data full 6: frame start 7: frame end	RW	0x0
23:22	RESERVED		R	0x0
21:20	START_CLIENT	Sets the client whose event starts the performance monitor counter. 0x0 : 0x1 : dei_hq_mv_out 0x2: 0x3:	RW	0x0
19	RESERVED		R	0x0
18:16	START_COUNT	Sets the value that starts the performance monitor counter. 0x0 : command request 0x1 : command accept 0x2: data request 0x3: data rcvd 0x4: data empty 0x5: data full 0x6: frame start 0x7: frame end	RW	0x0
15:0	CURR_COUNT	The current value of the performance monitor counter	R	0x0

Table 10-250. Register Call Summary for Register VPE_PERF_MON16

VPE Register Manual

- [VPE_VPDMA Register Summary: \[0\]](#)

Table 10-251. VPE_PERF_MON17

Address Offset	0x0000 0244	Instance	VPE_VPDMA
Physical Address	0x489D D244		
Description	The register can be used to capture timing differences between events in the VPDMA		
Type	RW		

31	30	29	28	27	26	25	24	23	22	21	20	19	18	17	16	15	14	13	12	11	10	9	8	7	6	5	4	3	2	1	0
CAPTURE_MODE		STOP_CLIENT		RESERVED		STOP_COUNT		RESERVED		START_CLIENT		RESERVED		START_COUNT		CURR_COUNT															

Bits	Field Name	Description	Type	Reset
31:30	CAPTURE_MODE	Sets how the counter should be updated. Updating this value will also clear the current counter stored value. 0x0 : Running Average 0x1 : Minimum Value 0x2: Maximum Value 0x3: Last Value	RW	0x0
29:28	STOP_CLIENT	Sets the client whose event stops the performance monitor counter. 0x0 : 0x1 : 0x2: 0x3:	RW	0x0
27	RESERVED		R	0x0
26:24	STOP_COUNT	Sets the value that stops the performance monitor counter. 0: command request 1: command accept 2: data request 3: data rcvd 4: data empty 5: data full 6: frame start 7: frame end	RW	0x0
23:22	RESERVED		R	0x0
21:20	START_CLIENT	Sets the client whose event starts the performance monitor counter. 0x0 : 0x1 : 0x2: 0x3:	RW	0x0
19	RESERVED		R	0x0
18:16	START_COUNT	Sets the value that starts the performance monitor counter. 0x0 : command request 0x1 : command accept 0x2: data request 0x3: data rcvd 0x4: data empty 0x5: data full 0x6: frame start 0x7: frame end	RW	0x0
15:0	CURR_COUNT	The current value of the performance monitor counter	R	0x0

Table 10-252. Register Call Summary for Register VPE_PERF_MON17

VPE Register Manual

- [VPE_VPDMA Register Summary: \[0\]](#)

Table 10-253. VPE_PERF_MON18

Address Offset	0x0000 0248	Instance	VPE_VPDMA
Physical Address	0x489D D248		
Description	The register can be used to capture timing differences between events in the VPDMA		
Type	RW		

31	30	29	28	27	26	25	24	23	22	21	20	19	18	17	16	15	14	13	12	11	10	9	8	7	6	5	4	3	2	1	0							
CAPTURE_MODE				STOP_CLIENT				RESERVED	STOP_COUNT				RESERVED	START_CLIENT				RESERVED	START_COUNT				CURR_COUNT															

Bits	Field Name	Description	Type	Reset
31:30	CAPTURE_MODE	Sets how the counter should be updated. Updating this value will also clear the current counter stored value. 0x0 : Running Average 0x1 : Minimum Value 0x2: Maximum Value 0x3: Last Value	RW	0x0
29:28	STOP_CLIENT	Sets the client whose event stops the performance monitor counter. 0x0 : 0x1 : 0x2: 0x3:	RW	0x0
27	RESERVED		R	0x0
26:24	STOP_COUNT	Sets the value that stops the performance monitor counter. 0: command request 1: command accept 2: data request 3: data rcvd 4: data empty 5: data full 6: frame start 7: frame end	RW	0x0
23:22	RESERVED		R	0x0
21:20	START_CLIENT	Sets the client whose event starts the performance monitor counter. 0x0 : 0x1 : 0x2: 0x3:	RW	0x0
19	RESERVED		R	0x0

Bits	Field Name	Description	Type	Reset
18:16	START_COUNT	Sets the value that starts the performance monitor counter. 0x0 : command request 0x1 : command accept 0x2: data request 0x3: data rcvd 0x4: data empty 0x5: data full 0x6: frame start 0x7: frame end	RW	0x0
15:0	CURR_COUNT	The current value of the performance monitor counter	R	0x0

Table 10-254. Register Call Summary for Register VPE_PERF_MON18

VPE Register Manual

- [VPE_VPDMA Register Summary: \[0\]](#)

Table 10-255. VPE_PERF_MON19

Address Offset	0x0000 024C	Instance	VPE_VPDMA
Physical Address	0x489D D24C		
Description	The register can be used to capture timing differences between events in the VPDMA		
Type	RW		

31	30	29	28	27	26	25	24	23	22	21	20	19	18	17	16	15	14	13	12	11	10	9	8	7	6	5	4	3	2	1	0
CAPTURE_MODE		STOP_CLIENT		RESERVED		STOP_COUNT		RESERVED		START_CLIENT		RESERVED		START_COUNT		CURR_COUNT															

Bits	Field Name	Description	Type	Reset
31:30	CAPTURE_MODE	Sets how the counter should be updated. Updating this value will also clear the current counter stored value. 0x0 : Running Average 0x1 : Minimum Value 0x2: Maximum Value 0x3: Last Value	RW	0x0
29:28	STOP_CLIENT	Sets the client whose event stops the performance monitor counter. 0x0 : 0x1 : 0x2: 0x3:	RW	0x0
27	RESERVED		R	0x0

Bits	Field Name	Description	Type	Reset
26:24	STOP_COUNT	Sets the value that stops the performance monitor counter. 0: command request 1: command accept 2: data request 3: data rcvd 4: data empty 5: data full 6: frame start 7: frame end	RW	0x0
23:22	RESERVED		R	0x0
21:20	START_CLIENT	Sets the client whose event starts the performance monitor counter. 0x0 : 0x1 : 0x2: 0x3:	RW	0x0
19	RESERVED		R	0x0
18:16	START_COUNT	Sets the value that starts the performance monitor counter. 0x0 : command request 0x1 : command accept 0x2: data request 0x3: data rcvd 0x4: data empty 0x5: data full 0x6: frame start 0x7: frame end	RW	0x0
15:0	CURR_COUNT	The current value of the performance monitor counter	R	0x0

Table 10-256. Register Call Summary for Register VPE_PERF_MON19

VPE Register Manual

- [VPE_VPDMA Register Summary: \[0\]](#)

Table 10-257. VPE_PERF_MON20

Address Offset	0x0000 0250	Instance	VPE_VPDMA
Physical Address	0x489D D250		
Description	The register can be used to capture timing differences between events in the VPDMA		
Type	RW		

31	30	29	28	27	26	25	24	23	22	21	20	19	18	17	16	15	14	13	12	11	10	9	8	7	6	5	4	3	2	1	0
CAPTURE_MODE		STOP_CLIENT		RESERVED		STOP_COUNT		RESERVED		START_CLIENT		RESERVED		START_COUNT		CURR_COUNT															

Bits	Field Name	Description	Type	Reset
31:30	CAPTURE_MODE	Sets how the counter should be updated. Updating this value will also clear the current counter stored value. 0x0 : Running Average 0x1 : Minimum Value 0x2: Maximum Value 0x3: Last Value	RW	0x0
29:28	STOP_CLIENT	Sets the client whose event stops the performance monitor counter. 0x0 : 0x1 : 0x2: 0x3:	RW	0x0
27	RESERVED		R	0x0
26:24	STOP_COUNT	Sets the value that stops the performance monitor counter. 0: command request 1: command accept 2: data request 3: data rcvd 4: data empty 5: data full 6: frame start 7: frame end	RW	0x0
23:22	RESERVED		R	0x0
21:20	START_CLIENT	Sets the client whose event starts the performance monitor counter. 0x0 : 0x1 : 0x2: 0x3:	RW	0x0
19	RESERVED		R	0x0
18:16	START_COUNT	Sets the value that starts the performance monitor counter. 0x0 : command request 0x1 : command accept 0x2: data request 0x3: data rcvd 0x4: data empty 0x5: data full 0x6: frame start 0x7: frame end	RW	0x0
15:0	CURR_COUNT	The current value of the performance monitor counter	R	0x0

Table 10-258. Register Call Summary for Register VPE_PERF_MON20

VPE Register Manual

- [VPE_VPDMA Register Summary: \[0\]](#)

Table 10-259. VPE_PERF_MON21

Address Offset	0x0000 0254	Instance	VPE_VPDMA
Physical Address	0x489D D254		
Description	The register can be used to capture timing differences between events in the VPDMA		
Type	RW		

31	30	29	28	27	26	25	24	23	22	21	20	19	18	17	16	15	14	13	12	11	10	9	8	7	6	5	4	3	2	1	0
CAPTURE_MODE				RESERVED		STOP_COUNT				RESERVED		START_CLIENT		RESERVED		START_COUNT				CURR_COUNT											

Bits	Field Name	Description	Type	Reset
31:30	CAPTURE_MODE	Sets how the counter should be updated. Updating this value will also clear the current counter stored value. 0x0 : Running Average 0x1 : Minimum Value 0x2: Maximum Value 0x3: Last Value	RW	0x0
29:28	STOP_CLIENT	Sets the client whose event stops the performance monitor counter. 0x0 : 0x1 : 0x2: 0x3:	RW	0x0
27	RESERVED		R	0x0
26:24	STOP_COUNT	Sets the value that stops the performance monitor counter. 0: command request 1: command accept 2: data request 3: data rcvd 4: data empty 5: data full 6: frame start 7: frame end	RW	0x0
23:22	RESERVED		R	0x0
21:20	START_CLIENT	Sets the client whose event starts the performance monitor counter. 0x0 : 0x1 : 0x2: 0x3:	RW	0x0
19	RESERVED		R	0x0

Bits	Field Name	Description	Type	Reset
18:16	START_COUNT	Sets the value that starts the performance monitor counter. 0x0 : command request 0x1 : command accept 0x2: data request 0x3: data rcvd 0x4: data empty 0x5: data full 0x6: frame start 0x7: frame end	RW	0x0
15:0	CURR_COUNT	The current value of the performance monitor counter	R	0x0

Table 10-260. Register Call Summary for Register VPE_PERF_MON21

VPE Register Manual

- [VPE_VPDMA Register Summary: \[0\]](#)

Table 10-261. VPE_PERF_MON22

Address Offset	0x0000 0258	Instance	VPE_VPDMA
Physical Address	0x489D D258		
Description	The register can be used to capture timing differences between events in the VPDMA		
Type	RW		

31	30	29	28	27	26	25	24	23	22	21	20	19	18	17	16	15	14	13	12	11	10	9	8	7	6	5	4	3	2	1	0
CAPTURE_MODE		STOP_CLIENT		RESERVED		STOP_COUNT		RESERVED		START_CLIENT		RESERVED		START_COUNT		CURR_COUNT															

Bits	Field Name	Description	Type	Reset
31:30	CAPTURE_MODE	Sets how the counter should be updated. Updating this value will also clear the current counter stored value. 0x0 : Running Average 0x1 : Minimum Value 0x2: Maximum Value 0x3: Last Value	RW	0x0
29:28	STOP_CLIENT	Sets the client whose event stops the performance monitor counter. 0x0 : 0x1 : 0x2: 0x3:	RW	0x0
27	RESERVED		R	0x0

Bits	Field Name	Description	Type	Reset
26:24	STOP_COUNT	Sets the value that stops the performance monitor counter. 0: command request 1: command accept 2: data request 3: data rcvd 4: data empty 5: data full 6: frame start 7: frame end	RW	0x0
23:22	RESERVED		R	0x0
21:20	START_CLIENT	Sets the client whose event starts the performance monitor counter. 0x0 : 0x1 : 0x2: 0x3:	RW	0x0
19	RESERVED		R	0x0
18:16	START_COUNT	Sets the value that starts the performance monitor counter. 0x0 : command request 0x1 : command accept 0x2: data request 0x3: data rcvd 0x4: data empty 0x5: data full 0x6: frame start 0x7: frame end	RW	0x0
15:0	CURR_COUNT	The current value of the performance monitor counter	R	0x0

Table 10-262. Register Call Summary for Register VPE_PERF_MON22

VPE Register Manual

- [VPE_VPDMA Register Summary: \[0\]](#)

Table 10-263. VPE_PERF_MON23

Address Offset	0x0000 025C	Instance	VPE_VPDMA
Physical Address	0x489D D25C		
Description	The register can be used to capture timing differences between events in the VPDMA		
Type	RW		

31	30	29	28	27	26	25	24	23	22	21	20	19	18	17	16	15	14	13	12	11	10	9	8	7	6	5	4	3	2	1	0
CAPTURE_MODE		STOP_CLIENT	RESERVED		STOP_COUNT			RESERVED		START_CLIENT	RESERVED		START_COUNT			CURR_COUNT															

Bits	Field Name	Description	Type	Reset
31:30	CAPTURE_MODE	Sets how the counter should be updated. Updating this value will also clear the current counter stored value. 0x0 : Running Average 0x1 : Minimum Value 0x2: Maximum Value 0x3: Last Value	RW	0x0
29:28	STOP_CLIENT	Sets the client whose event stops the performance monitor counter. 0x0 : 0x1 : 0x2: 0x3:	RW	0x0
27	RESERVED		R	0x0
26:24	STOP_COUNT	Sets the value that stops the performance monitor counter. 0: command request 1: command accept 2: data request 3: data rcvd 4: data empty 5: data full 6: frame start 7: frame end	RW	0x0
23:22	RESERVED		R	0x0
21:20	START_CLIENT	Sets the client whose event starts the performance monitor counter. 0x0 : 0x1 : 0x2: 0x3:	RW	0x0
19	RESERVED		R	0x0
18:16	START_COUNT	Sets the value that starts the performance monitor counter. 0x0 : command request 0x1 : command accept 0x2: data request 0x3: data rcvd 0x4: data empty 0x5: data full 0x6: frame start 0x7: frame end	RW	0x0
15:0	CURR_COUNT	The current value of the performance monitor counter	R	0x0

Table 10-264. Register Call Summary for Register VPE_PERF_MON23

VPE Register Manual

- [VPE_VPDMA Register Summary: \[0\]](#)

Table 10-265. VPE_PERF_MON24

Address Offset	0x0000 0260	Instance	VPE_VPDMA
Physical Address	0x489D D260		
Description	The register can be used to capture timing differences between events in the VPDMA		
Type	RW		

31	30	29	28	27	26	25	24	23	22	21	20	19	18	17	16	15	14	13	12	11	10	9	8	7	6	5	4	3	2	1	0
CAPTURE_MODE				RESERVED		STOP_COUNT		RESERVED		START_CLIENT		RESERVED		START_COUNT		CURR_COUNT															

Bits	Field Name	Description	Type	Reset
31:30	CAPTURE_MODE	Sets how the counter should be updated. Updating this value will also clear the current counter stored value. 0x0 : Running Average 0x1 : Minimum Value 0x2: Maximum Value 0x3: Last Value	RW	0x0
29:28	STOP_CLIENT	Sets the client whose event stops the performance monitor counter. 0x0 : 0x1 : 0x2: 0x3:	RW	0x0
27	RESERVED		R	0x0
26:24	STOP_COUNT	Sets the value that stops the performance monitor counter. 0: command request 1: command accept 2: data request 3: data rcvd 4: data empty 5: data full 6: frame start 7: frame end	RW	0x0
23:22	RESERVED		R	0x0
21:20	START_CLIENT	Sets the client whose event starts the performance monitor counter. 0x0 : 0x1 : 0x2: 0x3:	RW	0x0
19	RESERVED		R	0x0

Bits	Field Name	Description	Type	Reset
18:16	START_COUNT	Sets the value that starts the performance monitor counter. 0x0 : command request 0x1 : command accept 0x2: data request 0x3: data rcvd 0x4: data empty 0x5: data full 0x6: frame start 0x7: frame end	RW	0x0
15:0	CURR_COUNT	The current value of the performance monitor counter	R	0x0

Table 10-266. Register Call Summary for Register VPE_PERF_MON24

VPE Register Manual

- [VPE_VPDMA Register Summary: \[0\]](#)

Table 10-267. VPE_PERF_MON25

Address Offset	0x0000 0264	Instance	VPE_VPDMA
Physical Address	0x489D D264		
Description	The register can be used to capture timing differences between events in the VPDMA		
Type	RW		

31	30	29	28	27	26	25	24	23	22	21	20	19	18	17	16	15	14	13	12	11	10	9	8	7	6	5	4	3	2	1	0
CAPTURE_MODE		STOP_CLIENT		RESERVED		STOP_COUNT		RESERVED		START_CLIENT		RESERVED		START_COUNT		CURR_COUNT															

Bits	Field Name	Description	Type	Reset
31:30	CAPTURE_MODE	Sets how the counter should be updated. Updating this value will also clear the current counter stored value. 0x0 : Running Average 0x1 : Minimum Value 0x2: Maximum Value 0x3: Last Value	RW	0x0
29:28	STOP_CLIENT	Sets the client whose event stops the performance monitor counter. 0x0 : 0x1 : 0x2: 0x3:	RW	0x0
27	RESERVED		R	0x0

Bits	Field Name	Description	Type	Reset
26:24	STOP_COUNT	Sets the value that stops the performance monitor counter. 0: command request 1: command accept 2: data request 3: data rcvd 4: data empty 5: data full 6: frame start 7: frame end	RW	0x0
23:22	RESERVED		R	0x0
21:20	START_CLIENT	Sets the client whose event starts the performance monitor counter. 0x0 : 0x1 : 0x2: 0x3:	RW	0x0
19	RESERVED		R	0x0
18:16	START_COUNT	Sets the value that starts the performance monitor counter. 0x0 : command request 0x1 : command accept 0x2: data request 0x3: data rcvd 0x4: data empty 0x5: data full 0x6: frame start 0x7: frame end	RW	0x0
15:0	CURR_COUNT	The current value of the performance monitor counter	R	0x0

Table 10-268. Register Call Summary for Register VPE_PERF_MON25

VPE Register Manual

- [VPE_VPDMA Register Summary: \[0\]](#)

Table 10-269. VPE_PERF_MON26

Address Offset	0x0000 0268	Instance	VPE_VPDMA
Physical Address	0x489D D268		
Description	The register can be used to capture timing differences between events in the VPDMA		
Type	RW		

31	30	29	28	27	26	25	24	23	22	21	20	19	18	17	16	15	14	13	12	11	10	9	8	7	6	5	4	3	2	1	0
CAPTURE_MODE		STOP_CLIENT		RESERVED		STOP_COUNT		RESERVED		START_CLIENT		RESERVED		START_COUNT		CURR_COUNT															

Bits	Field Name	Description	Type	Reset
31:30	CAPTURE_MODE	Sets how the counter should be updated. Updating this value will also clear the current counter stored value. 0x0 : Running Average 0x1 : Minimum Value 0x2: Maximum Value 0x3: Last Value	RW	0x0
29:28	STOP_CLIENT	Sets the client whose event stops the performance monitor counter. 0x0 : 0x1 : 0x2: 0x3:	RW	0x0
27	RESERVED		R	0x0
26:24	STOP_COUNT	Sets the value that stops the performance monitor counter. 0: command request 1: command accept 2: data request 3: data rcvd 4: data empty 5: data full 6: frame start 7: frame end	RW	0x0
23:22	RESERVED		R	0x0
21:20	START_CLIENT	Sets the client whose event starts the performance monitor counter. 0x0 : 0x1 : 0x2: 0x3:	RW	0x0
19	RESERVED		R	0x0
18:16	START_COUNT	Sets the value that starts the performance monitor counter. 0x0 : command request 0x1 : command accept 0x2: data request 0x3: data rcvd 0x4: data empty 0x5: data full 0x6: frame start 0x7: frame end	RW	0x0
15:0	CURR_COUNT	The current value of the performance monitor counter	R	0x0

Table 10-270. Register Call Summary for Register VPE_PERF_MON26

VPE Register Manual

- [VPE_VPDMA Register Summary: \[0\]](#)

Table 10-271. VPE_PERF_MON27

Address Offset	0x0000 026C	Instance	VPE_VPDMA
Physical Address	0x489D D26C		
Description	The register can be used to capture timing differences between events in the VPDMA		
Type	RW		

31	30	29	28	27	26	25	24	23	22	21	20	19	18	17	16	15	14	13	12	11	10	9	8	7	6	5	4	3	2	1	0
CAPTURE_MODE				STOP_CLIENT		RESERVED		STOP_COUNT		RESERVED		START_CLIENT		RESERVED		START_COUNT		CURR_COUNT													

Bits	Field Name	Description	Type	Reset
31:30	CAPTURE_MODE	Sets how the counter should be updated. Updating this value will also clear the current counter stored value. 0x0 : Running Average 0x1 : Minimum Value 0x2: Maximum Value 0x3: Last Value	RW	0x0
29:28	STOP_CLIENT	Sets the client whose event stops the performance monitor counter. 0x0 : 0x1 : 0x2: 0x3:	RW	0x0
27	RESERVED		R	0x0
26:24	STOP_COUNT	Sets the value that stops the performance monitor counter. 0: command request 1: command accept 2: data request 3: data rcvd 4: data empty 5: data full 6: frame start 7: frame end	RW	0x0
23:22	RESERVED		R	0x0
21:20	START_CLIENT	Sets the client whose event starts the performance monitor counter. 0x0 : 0x1 : 0x2: 0x3:	RW	0x0
19	RESERVED		R	0x0

Bits	Field Name	Description	Type	Reset
18:16	START_COUNT	Sets the value that starts the performance monitor counter. 0x0 : command request 0x1 : command accept 0x2: data request 0x3: data rcvd 0x4: data empty 0x5: data full 0x6: frame start 0x7: frame end	RW	0x0
15:0	CURR_COUNT	The current value of the performance monitor counter	R	0x0

Table 10-272. Register Call Summary for Register VPE_PERF_MON27

VPE Register Manual

- [VPE_VPDMA Register Summary: \[0\]](#)

Table 10-273. VPE_PERF_MON28

Address Offset	0x0000 0270	Instance	VPE_VPDMA
Physical Address	0x489D D270		
Description	The register can be used to capture timing differences between events in the VPDMA		
Type	RW		

31	30	29	28	27	26	25	24	23	22	21	20	19	18	17	16	15	14	13	12	11	10	9	8	7	6	5	4	3	2	1	0
CAPTURE_MODE		STOP_CLIENT		RESERVED		STOP_COUNT		RESERVED		START_CLIENT		RESERVED		START_COUNT		CURR_COUNT															

Bits	Field Name	Description	Type	Reset
31:30	CAPTURE_MODE	Sets how the counter should be updated. Updating this value will also clear the current counter stored value. 0x0 : Running Average 0x1 : Minimum Value 0x2: Maximum Value 0x3: Last Value	RW	0x0
29:28	STOP_CLIENT	Sets the client whose event stops the performance monitor counter. 0x0 : 0x1 : 0x2: 0x3:	RW	0x0
27	RESERVED		R	0x0

Bits	Field Name	Description	Type	Reset
26:24	STOP_COUNT	Sets the value that stops the performance monitor counter. 0: command request 1: command accept 2: data request 3: data rcvd 4: data empty 5: data full 6: frame start 7: frame end	RW	0x0
23:22	RESERVED		R	0x0
21:20	START_CLIENT	Sets the client whose event starts the performance monitor counter. 0x0 : 0x1 : 0x2: 0x3:	RW	0x0
19	RESERVED		R	0x0
18:16	START_COUNT	Sets the value that starts the performance monitor counter. 0x0 : command request 0x1 : command accept 0x2: data request 0x3: data rcvd 0x4: data empty 0x5: data full 0x6: frame start 0x7: frame end	RW	0x0
15:0	CURR_COUNT	The current value of the performance monitor counter	R	0x0

Table 10-274. Register Call Summary for Register VPE_PERF_MON28

VPE Register Manual

- [VPE_VPDMA Register Summary: \[0\]](#)

Table 10-275. VPE_PERF_MON29

Address Offset	0x0000 0274	Instance	VPE_VPDMA
Physical Address	0x489D D274		
Description	The register can be used to capture timing differences between events in the VPDMA		
Type	RW		

31	30	29	28	27	26	25	24	23	22	21	20	19	18	17	16	15	14	13	12	11	10	9	8	7	6	5	4	3	2	1	0
CAPTURE_MODE		STOP_CLIENT		RESERVED		STOP_COUNT		RESERVED		START_CLIENT		RESERVED		START_COUNT		CURR_COUNT															

Bits	Field Name	Description	Type	Reset
31:30	CAPTURE_MODE	Sets how the counter should be updated. Updating this value will also clear the current counter stored value. 0x0 : Running Average 0x1 : Minimum Value 0x2: Maximum Value 0x3: Last Value	RW	0x0
29:28	STOP_CLIENT	Sets the client whose event stops the performance monitor counter. 0x0 : 0x1 : 0x2: 0x3:	RW	0x0
27	RESERVED		R	0x0
26:24	STOP_COUNT	Sets the value that stops the performance monitor counter. 0: command request 1: command accept 2: data request 3: data rcvd 4: data empty 5: data full 6: frame start 7: frame end	RW	0x0
23:22	RESERVED		R	0x0
21:20	START_CLIENT	Sets the client whose event starts the performance monitor counter. 0x0 : 0x1 : 0x2: 0x3:	RW	0x0
19	RESERVED		R	0x0
18:16	START_COUNT	Sets the value that starts the performance monitor counter. 0x0 : command request 0x1 : command accept 0x2: data request 0x3: data rcvd 0x4: data empty 0x5: data full 0x6: frame start 0x7: frame end	RW	0x0
15:0	CURR_COUNT	The current value of the performance monitor counter	R	0x0

Table 10-276. Register Call Summary for Register VPE_PERF_MON29

VPE Register Manual

- [VPE_VPDMA Register Summary: \[0\]](#)

Table 10-277. VPE_PERF_MON30

Address Offset	0x0000 0278	Instance	VPE_VPDMA
Physical Address	0x489D D278		
Description	The register can be used to capture timing differences between events in the VPDMA		
Type	RW		

31	30	29	28	27	26	25	24	23	22	21	20	19	18	17	16	15	14	13	12	11	10	9	8	7	6	5	4	3	2	1	0																
CAPTURE_MODE				STOP_CLIENT				RESERVED				STOP_COUNT				RESERVED				START_CLIENT				RESERVED				START_COUNT				CURR_COUNT															

Bits	Field Name	Description	Type	Reset
31:30	CAPTURE_MODE	Sets how the counter should be updated. Updating this value will also clear the current counter stored value. 0x0 : Running Average 0x1 : Minimum Value 0x2: Maximum Value 0x3: Last Value	RW	0x0
29:28	STOP_CLIENT	Sets the client whose event stops the performance monitor counter. 0x0 : 0x1 : 0x2: 0x3:	RW	0x0
27	RESERVED		R	0x0
26:24	STOP_COUNT	Sets the value that stops the performance monitor counter. 0: command request 1: command accept 2: data request 3: data rcvd 4: data empty 5: data full 6: frame start 7: frame end	RW	0x0
23:22	RESERVED		R	0x0
21:20	START_CLIENT	Sets the client whose event starts the performance monitor counter. 0x0 : 0x1 : 0x2: 0x3:	RW	0x0
19	RESERVED		R	0x0

Bits	Field Name	Description	Type	Reset
18:16	START_COUNT	Sets the value that starts the performance monitor counter. 0x0 : command request 0x1 : command accept 0x2: data request 0x3: data rcvd 0x4: data empty 0x5: data full 0x6: frame start 0x7: frame end	RW	0x0
15:0	CURR_COUNT	The current value of the performance monitor counter	R	0x0

Table 10-278. Register Call Summary for Register VPE_PERF_MON30

VPE Register Manual

- [VPE_VPDMA Register Summary: \[0\]](#)

Table 10-279. VPE_PERF_MON31

Address Offset	0x0000 027C	Instance	VPE_VPDMA
Physical Address	0x489D D27C		
Description	The register can be used to capture timing differences between events in the VPDMA		
Type	RW		

31	30	29	28	27	26	25	24	23	22	21	20	19	18	17	16	15	14	13	12	11	10	9	8	7	6	5	4	3	2	1	0
CAPTURE_MODE		STOP_CLIENT		RESERVED		STOP_COUNT		RESERVED		START_CLIENT		RESERVED		START_COUNT		CURR_COUNT															

Bits	Field Name	Description	Type	Reset
31:30	CAPTURE_MODE	Sets how the counter should be updated. Updating this value will also clear the current counter stored value. 0x0 : Running Average 0x1 : Minimum Value 0x2: Maximum Value 0x3: Last Value	RW	0x0
29:28	STOP_CLIENT	Sets the client whose event stops the performance monitor counter. 0x0 : 0x1 : 0x2: 0x3:	RW	0x0
27	RESERVED		R	0x0

Bits	Field Name	Description	Type	Reset
26:24	STOP_COUNT	Sets the value that stops the performance monitor counter. 0: command request 1: command accept 2: data request 3: data rcvd 4: data empty 5: data full 6: frame start 7: frame end	RW	0x0
23:22	RESERVED		R	0x0
21:20	START_CLIENT	Sets the client whose event starts the performance monitor counter. 0x0 : 0x1 : 0x2: 0x3:	RW	0x0
19	RESERVED		R	0x0
18:16	START_COUNT	Sets the value that starts the performance monitor counter. 0x0 : command request 0x1 : command accept 0x2: data request 0x3: data rcvd 0x4: data empty 0x5: data full 0x6: frame start 0x7: frame end	RW	0x0
15:0	CURR_COUNT	The current value of the performance monitor counter	R	0x0

Table 10-280. Register Call Summary for Register VPE_PERF_MON31

VPE Register Manual

- [VPE_VPDMA Register Summary: \[0\]](#)

Table 10-281. VPE_PERF_MON32

Address Offset	0x0000 0280	Instance	VPE_VPDMA
Physical Address	0x489D D280		
Description	The register can be used to capture timing differences between events in the VPDMA		
Type	RW		

31	30	29	28	27	26	25	24	23	22	21	20	19	18	17	16	15	14	13	12	11	10	9	8	7	6	5	4	3	2	1	0
CAPTURE_MODE		STOP_CLIENT	RESERVED		STOP_COUNT			RESERVED		START_CLIENT	RESERVED		START_COUNT			CURR_COUNT															

Bits	Field Name	Description	Type	Reset
31:30	CAPTURE_MODE	Sets how the counter should be updated. Updating this value will also clear the current counter stored value. 0x0 : Running Average 0x1 : Minimum Value 0x2: Maximum Value 0x3: Last Value	RW	0x0
29:28	STOP_CLIENT	Sets the client whose event stops the performance monitor counter. 0x0 : 0x1 : 0x2: 0x3:	RW	0x0
27	RESERVED		R	0x0
26:24	STOP_COUNT	Sets the value that stops the performance monitor counter. 0: command request 1: command accept 2: data request 3: data rcvd 4: data empty 5: data full 6: frame start 7: frame end	RW	0x0
23:22	RESERVED		R	0x0
21:20	START_CLIENT	Sets the client whose event starts the performance monitor counter. 0x0 : 0x1 : 0x2: 0x3:	RW	0x0
19	RESERVED		R	0x0
18:16	START_COUNT	Sets the value that starts the performance monitor counter. 0x0 : command request 0x1 : command accept 0x2: data request 0x3: data rcvd 0x4: data empty 0x5: data full 0x6: frame start 0x7: frame end	RW	0x0
15:0	CURR_COUNT	The current value of the performance monitor counter	R	0x0

Table 10-282. Register Call Summary for Register VPE_PERF_MON32

VPE Register Manual

- [VPE_VPDMA Register Summary: \[0\]](#)

Table 10-283. VPE_PERF_MON33

Address Offset	0x0000 0284	Instance	VPE_VPDMA
Physical Address	0x489D D284		
Description	The register can be used to capture timing differences between events in the VPDMA		
Type	RW		

31	30	29	28	27	26	25	24	23	22	21	20	19	18	17	16	15	14	13	12	11	10	9	8	7	6	5	4	3	2	1	0
CAPTURE_MODE				RESERVED	STOP_COUNT				RESERVED	START_CLIENT	RESERVED	START_COUNT				CURR_COUNT															

Bits	Field Name	Description	Type	Reset
31:30	CAPTURE_MODE	Sets how the counter should be updated. Updating this value will also clear the current counter stored value. 0x0 : Running Average 0x1 : Minimum Value 0x2: Maximum Value 0x3: Last Value	RW	0x0
29:28	STOP_CLIENT	Sets the client whose event stops the performance monitor counter. 0x0 : 0x1 : 0x2: 0x3:	RW	0x0
27	RESERVED		R	0x0
26:24	STOP_COUNT	Sets the value that stops the performance monitor counter. 0: command request 1: command accept 2: data request 3: data rcvd 4: data empty 5: data full 6: frame start 7: frame end	RW	0x0
23:22	RESERVED		R	0x0
21:20	START_CLIENT	Sets the client whose event starts the performance monitor counter. 0x0 : 0x1 : 0x2: 0x3:	RW	0x0
19	RESERVED		R	0x0

Bits	Field Name	Description	Type	Reset
18:16	START_COUNT	Sets the value that starts the performance monitor counter. 0x0 : command request 0x1 : command accept 0x2: data request 0x3: data rcvd 0x4: data empty 0x5: data full 0x6: frame start 0x7: frame end	RW	0x0
15:0	CURR_COUNT	The current value of the performance monitor counter	R	0x0

Table 10-284. Register Call Summary for Register VPE_PERF_MON33

VPE Register Manual

- [VPE_VPDMA Register Summary: \[0\]](#)

Table 10-285. VPE_PERF_MON34

Address Offset	0x0000 0288	Instance	VPE_VPDMA
Physical Address	0x489D D288		
Description	The register can be used to capture timing differences between events in the VPDMA		
Type	RW		

31	30	29	28	27	26	25	24	23	22	21	20	19	18	17	16	15	14	13	12	11	10	9	8	7	6	5	4	3	2	1	0
CAPTURE_MODE		STOP_CLIENT		RESERVED		STOP_COUNT		RESERVED		START_CLIENT		RESERVED		START_COUNT		CURR_COUNT															

Bits	Field Name	Description	Type	Reset
31:30	CAPTURE_MODE	Sets how the counter should be updated. Updating this value will also clear the current counter stored value. 0x0 : Running Average 0x1 : Minimum Value 0x2: Maximum Value 0x3: Last Value	RW	0x0
29:28	STOP_CLIENT	Sets the client whose event stops the performance monitor counter. 0x0 : 0x1 : 0x2: 0x3: vip1_up_y	RW	0x0
27	RESERVED		R	0x0

Bits	Field Name	Description	Type	Reset
26:24	STOP_COUNT	Sets the value that stops the performance monitor counter. 0: command request 1: command accept 2: data request 3: data rcvd 4: data empty 5: data full 6: frame start 7: frame end	RW	0x0
23:22	RESERVED		R	0x0
21:20	START_CLIENT	Sets the client whose event starts the performance monitor counter. 0x0 : 0x1 : 0x2: 0x3: vip1_up_y	RW	0x0
19	RESERVED		R	0x0
18:16	START_COUNT	Sets the value that starts the performance monitor counter. 0x0 : command request 0x1 : command accept 0x2: data request 0x3: data rcvd 0x4: data empty 0x5: data full 0x6: frame start 0x7: frame end	RW	0x0
15:0	CURR_COUNT	The current value of the performance monitor counter	R	0x0

Table 10-286. Register Call Summary for Register VPE_PERF_MON34

VPE Register Manual

- [VPE_VPDMA Register Summary: \[0\]](#)

Table 10-287. VPE_PERF_MON35

Address Offset	0x0000 028C	Instance	VPE_VPDMA
Physical Address	0x489D D28C		
Description	The register can be used to capture timing differences between events in the VPDMA		
Type	RW		

31	30	29	28	27	26	25	24	23	22	21	20	19	18	17	16	15	14	13	12	11	10	9	8	7	6	5	4	3	2	1	0
CAPTURE_MODE		STOP_CLIENT		RESERVED		STOP_COUNT		RESERVED		START_CLIENT		RESERVED		START_COUNT		CURR_COUNT															

Bits	Field Name	Description	Type	Reset
31:30	CAPTURE_MODE	Sets how the counter should be updated. Updating this value will also clear the current counter stored value. 0x0 : Running Average 0x1 : Minimum Value 0x2: Maximum Value 0x3: Last Value	RW	0x0
29:28	STOP_CLIENT	Sets the client whose event stops the performance monitor counter. 0x0 : 0x1 : 0x2: vip1_up_y 0x3: vip1_up_uv	RW	0x0
27	RESERVED		R	0x0
26:24	STOP_COUNT	Sets the value that stops the performance monitor counter. 0: command request 1: command accept 2: data request 3: data rcvd 4: data empty 5: data full 6: frame start 7: frame end	RW	0x0
23:22	RESERVED		R	0x0
21:20	START_CLIENT	Sets the client whose event starts the performance monitor counter. 0x0 : 0x1 : 0x2: vip1_up_y 0x3: vip1_up_uv	RW	0x0
19	RESERVED		R	0x0
18:16	START_COUNT	Sets the value that starts the performance monitor counter. 0: command request 1: command accept 2: data request 3: data rcvd 4: data empty 5: data full 6: frame start 7: frame end	RW	0x0
15:0	CURR_COUNT	The current value of the performance monitor counter	R	0x0

Table 10-288. Register Call Summary for Register VPE_PERF_MON35

VPE Register Manual

- [VPE_VPDMA Register Summary: \[0\]](#)

Table 10-289. VPE_PERF_MON36

Address Offset	0x0000 0290	Instance	VPE_VPDMA
Physical Address	0x489D D290		
Description	The register can be used to capture timing differences between events in the VPDMA		
Type	RW		

31	30	29	28	27	26	25	24	23	22	21	20	19	18	17	16	15	14	13	12	11	10	9	8	7	6	5	4	3	2	1	0
CAPTURE_MODE				RESERVED	STOP_COUNT				RESERVED	START_CLIENT	RESERVED	START_COUNT				CURR_COUNT															

Bits	Field Name	Description	Type	Reset
31:30	CAPTURE_MODE	Sets how the counter should be updated. Updating this value will also clear the current counter stored value. 0x0 : Running Average 0x1 : Minimum Value 0x2: Maximum Value 0x3: Last Value	RW	0x0
29:28	STOP_CLIENT	Sets the client whose event stops the performance monitor counter. 0x0 : vip1_up_uv 0x1 : vip1_up_y 0x2: 0x3:	RW	0x0
27	RESERVED		R	0x0
26:24	STOP_COUNT	Sets the value that stops the performance monitor counter. 0: command request 1: command accept 2: data request 3: data rcvd 4: data empty 5: data full 6: frame start 7: frame end	RW	0x0
23:22	RESERVED		R	0x0
21:20	START_CLIENT	Sets the client whose event starts the performance monitor counter. 0x0 : vip1_up_uv 0x1 : vip1_up_y 0x2: 0x3:	RW	0x0
19	RESERVED		R	0x0

Bits	Field Name	Description	Type	Reset
18:16	START_COUNT	Sets the value that starts the performance monitor counter. 0: command request 1: command accept 2: data request 3: data rcvd 4: data empty 5: data full 6: frame start 7: frame end	RW	0x0
15:0	CURR_COUNT	The current value of the performance monitor counter	R	0x0

Table 10-290. Register Call Summary for Register VPE_PERF_MON36

VPE Register Manual

- [VPE_VPDMA Register Summary: \[0\]](#)

Table 10-291. VPE_PERF_MON37

Address Offset	0x0000 0294	Instance	VPE_VPDMA
Physical Address	0x489D D294		
Description	The register can be used to capture timing differences between events in the VPDMA		
Type	RW		

31	30	29	28	27	26	25	24	23	22	21	20	19	18	17	16	15	14	13	12	11	10	9	8	7	6	5	4	3	2	1	0
CAPTURE_MODE		STOP_CLIENT		RESERVED		STOP_COUNT		RESERVED		START_CLIENT		RESERVED		START_COUNT		CURR_COUNT															

Bits	Field Name	Description	Type	Reset
31:30	CAPTURE_MODE	Sets how the counter should be updated. Updating this value will also clear the current counter stored value. 0x0 : Running Average 0x1 : Minimum Value 0x2: Maximum Value 0x3: Last Value	RW	0x0
29:28	STOP_CLIENT	Sets the client whose event stops the performance monitor counter. 0x0 : vip1_up_uv 0x1 : vip1_up_y 0x2: 0x3:	RW	0x0
27	RESERVED		R	0x0

Bits	Field Name	Description	Type	Reset
26:24	STOP_COUNT	Sets the value that stops the performance monitor counter. 0: command request 1: command accept 2: data request 3: data rcvd 4: data empty 5: data full 6: frame start 7: frame end	RW	0x0
23:22	RESERVED		R	0x0
21:20	START_CLIENT	Sets the client whose event starts the performance monitor counter. 0x0 : vip1_up_uv 0x1 : vip1_up_y 0x2: 0x3:	RW	0x0
19	RESERVED		R	0x0
18:16	START_COUNT	Sets the value that starts the performance monitor counter. 0: command request 1: command accept 2: data request 3: data rcvd 4: data empty 5: data full 6: frame start 7: frame end	RW	0x0
15:0	CURR_COUNT	The current value of the performance monitor counter	R	0x0

Table 10-292. Register Call Summary for Register VPE_PERF_MON37

VPE Register Manual

- [VPE_VPDMA Register Summary: \[0\]](#)

Table 10-293. VPE_PERF_MON38

Address Offset	0x0000 0298	Instance	VPE_VPDMA
Physical Address	0x489D D298		
Description	The register can be used to capture timing differences between events in the VPDMA		
Type	RW		

31	30	29	28	27	26	25	24	23	22	21	20	19	18	17	16	15	14	13	12	11	10	9	8	7	6	5	4	3	2	1	0
CAPTURE_MODE		STOP_CLIENT		RESERVED		STOP_COUNT		RESERVED		START_CLIENT		RESERVED		START_COUNT		CURR_COUNT															

Bits	Field Name	Description	Type	Reset
31:30	CAPTURE_MODE	Sets how the counter should be updated. Updating this value will also clear the current counter stored value. 0x0 : Running Average 0x1 : Minimum Value 0x2: Maximum Value 0x3: Last Value	RW	0x0
29:28	STOP_CLIENT	Sets the client whose event stops the performance monitor counter. 0x0 : vip1_up_uv 0x1 : vip1_up_y 0x2: 0x3:	RW	0x0
27	RESERVED		R	0x0
26:24	STOP_COUNT	Sets the value that stops the performance monitor counter. 0: command request 1: command accept 2: data request 3: data rcvd 4: data empty 5: data full 6: frame start 7: frame end	RW	0x0
23:22	RESERVED		R	0x0
21:20	START_CLIENT	Sets the client whose event starts the performance monitor counter. 0x0 : vip1_up_uv 0x1 : vip1_up_y 0x2: 0x3:	RW	0x0
19	RESERVED		R	0x0
18:16	START_COUNT	Sets the value that starts the performance monitor counter. 0: command request 1: command accept 2: data request 3: data rcvd 4: data empty 5: data full 6: frame start 7: frame end	RW	0x0
15:0	CURR_COUNT	The current value of the performance monitor counter	R	0x0

Table 10-294. Register Call Summary for Register VPE_PERF_MON38

VPE Register Manual

- [VPE_VPDMA Register Summary: \[0\]](#)

Table 10-295. VPE_PERF_MON39

Address Offset	0x0000 029C	Instance	VPE_VPDMA
Physical Address	0x489D D29C		
Description	The register can be used to capture timing differences between events in the VPDMA		
Type	RW		

31	30	29	28	27	26	25	24	23	22	21	20	19	18	17	16	15	14	13	12	11	10	9	8	7	6	5	4	3	2	1	0							
CAPTURE_MODE				STOP_CLIENT				RESERVED	STOP_COUNT				RESERVED	START_CLIENT				RESERVED	START_COUNT				CURR_COUNT															

Bits	Field Name	Description	Type	Reset
31:30	CAPTURE_MODE	Sets how the counter should be updated. Updating this value will also clear the current counter stored value. 0: Running Average 1: Minimum Value 2: Maximum Value 3: Last Value 0: Running Average 1: Minimum Value 2: Maximum Value 3: Last Value	RW	0x0
29:28	STOP_CLIENT	Sets the client whose event stops the performance monitor counter.	RW	0x0
27	RESERVED		R	0x0
26:24	STOP_COUNT	Sets the value that stops the performance monitor counter. 0: command request 1: command accept 2: data request 3: data rcvd 4: data empty 5: data full 6: frame start 7: frame end	RW	0x0
23:22	RESERVED		R	0x0
21:20	START_CLIENT	Sets the client whose event starts the performance monitor counter.	RW	0x0
19	RESERVED		R	0x0
18:16	START_COUNT	Sets the value that starts the performance monitor counter. 0: command request 1: command accept 2: data request 3: data rcvd 4: data empty 5: data full 6: frame start 7: frame end	RW	0x0
15:0	CURR_COUNT	The current value of the performance monitor counter	R	0x0

Table 10-296. Register Call Summary for Register VPE_PERF_MON39

VPE Register Manual

- [VPE_VPDMA Register Summary: \[0\]](#)

Table 10-297. VPE_PERF_MON40

Address Offset	0x0000 02A0	Instance	VPE_VPDMA
Physical Address	0x489D D2A0		
Description	The register can be used to capture timing differences between events in the VPDMA		
Type	RW		

31	30	29	28	27	26	25	24	23	22	21	20	19	18	17	16	15	14	13	12	11	10	9	8	7	6	5	4	3	2	1	0
CAPTURE_MODE				RESERVED	STOP_COUNT				RESERVED	START_CLIENT	RESERVED	START_COUNT				CURR_COUNT															

Bits	Field Name	Description	Type	Reset
31:30	CAPTURE_MODE	Sets how the counter should be updated. Updating this value will also clear the current counter stored value. 0: Running Average 1: Minimum Value 2: Maximum Value 3: Last Value 0: Running Average 1: Minimum Value 2: Maximum Value 3: Last Value	RW	0x0
29:28	STOP_CLIENT	Sets the client whose event stops the performance monitor counter.	RW	0x0
27	RESERVED		R	0x0
26:24	STOP_COUNT	Sets the value that stops the performance monitor counter. 0: command request 1: command accept 2: data request 3: data rcvd 4: data empty 5: data full 6: frame start 7: frame end	RW	0x0
23:22	RESERVED		R	0x0
21:20	START_CLIENT	Sets the client whose event starts the performance monitor counter.	RW	0x0
19	RESERVED		R	0x0

Bits	Field Name	Description	Type	Reset
18:16	START_COUNT	Sets the value that starts the performance monitor counter. 0: command request 1: command accept 2: data request 3: data rcvd 4: data empty 5: data full 6: frame start 7: frame end	RW	0x0
15:0	CURR_COUNT	The current value of the performance monitor counter	R	0x0

Table 10-298. Register Call Summary for Register VPE_PERF_MON40

VPE Register Manual

- [VPE_VPDMA Register Summary: \[0\]](#)

Table 10-299. VPE_PERF_MON41

Address Offset	0x0000 02A4	Instance	VPE_VPDMA
Physical Address	0x489D D2A4		
Description	The register can be used to capture timing differences between events in the VPDMA		
Type	RW		

31	30	29	28	27	26	25	24	23	22	21	20	19	18	17	16	15	14	13	12	11	10	9	8	7	6	5	4	3	2	1	0
CAPTURE_MODE	STOP_CLIENT	RESERVED	STOP_COUNT	RESERVED	START_CLIENT	RESERVED	START_COUNT	CURR_COUNT																							

Bits	Field Name	Description	Type	Reset
31:30	CAPTURE_MODE	Sets how the counter should be updated. Updating this value will also clear the current counter stored value. 0: Running Average 1: Minimum Value 2: Maximum Value 3: Last Value 0: Running Average 1: Minimum Value 2: Maximum Value 3: Last Value	RW	0x0
29:28	STOP_CLIENT	Sets the client whose event stops the performance monitor counter.	RW	0x0
27	RESERVED		R	0x0

Bits	Field Name	Description	Type	Reset
26:24	STOP_COUNT	Sets the value that stops the performance monitor counter. 0: command request 1: command accept 2: data request 3: data rcvd 4: data empty 5: data full 6: frame start 7: frame end	RW	0x0
23:22	RESERVED		R	0x0
21:20	START_CLIENT	Sets the client whose event starts the performance monitor counter.	RW	0x0
19	RESERVED		R	0x0
18:16	START_COUNT	Sets the value that starts the performance monitor counter. 0: command request 1: command accept 2: data request 3: data rcvd 4: data empty 5: data full 6: frame start 7: frame end	RW	0x0
15:0	CURR_COUNT	The current value of the performance monitor counter	R	0x0

Table 10-300. Register Call Summary for Register VPE_PERF_MON41

VPE Register Manual

- [VPE_VPDMA Register Summary: \[0\]](#)

Table 10-301. VPE_PERF_MON42

Address Offset	0x0000 02A8	Instance	VPE_VPDMA
Physical Address	0x489D D2A8		
Description	The register can be used to capture timing differences between events in the VPDMA		
Type	RW		

31	30	29	28	27	26	25	24	23	22	21	20	19	18	17	16	15	14	13	12	11	10	9	8	7	6	5	4	3	2	1	0
CAPTURE_MODE		STOP_CLIENT		RESERVED		STOP_COUNT		RESERVED		START_CLIENT		RESERVED		START_COUNT		CURR_COUNT															

Bits	Field Name	Description	Type	Reset
31:30	CAPTURE_MODE	Sets how the counter should be updated. Updating this value will also clear the current counter stored value. 0: Running Average 1: Minimum Value 2: Maximum Value 3: Last Value 0: Running Average 1: Minimum Value 2: Maximum Value 3: Last Value	RW	0x0
29:28	STOP_CLIENT	Sets the client whose event stops the performance monitor counter.	RW	0x0
27	RESERVED		R	0x0
26:24	STOP_COUNT	Sets the value that stops the performance monitor counter. 0: command request 1: command accept 2: data request 3: data rcvd 4: data empty 5: data full 6: frame start 7: frame end	RW	0x0
23:22	RESERVED		R	0x0
21:20	START_CLIENT	Sets the client whose event starts the performance monitor counter.	RW	0x0
19	RESERVED		R	0x0
18:16	START_COUNT	Sets the value that starts the performance monitor counter. 0: command request 1: command accept 2: data request 3: data rcvd 4: data empty 5: data full 6: frame start 7: frame end	RW	0x0
15:0	CURR_COUNT	The current value of the performance monitor counter	R	0x0

Table 10-302. Register Call Summary for Register VPE_PERF_MON42

VPE Register Manual

- [VPE_VPDMA Register Summary: \[0\]](#)

Table 10-303. VPE_PERF_MON43

Address Offset	0x0000 02AC	Instance	VPE_VPDMA
Physical Address	0x489D D2AC		
Description	The register can be used to capture timing differences between events in the VPDMA		
Type	RW		

31	30	29	28	27	26	25	24	23	22	21	20	19	18	17	16	15	14	13	12	11	10	9	8	7	6	5	4	3	2	1	0
CAPTURE_MODE		STOP_CLIENT		RESERVED	STOP_COUNT		RESERVED	START_CLIENT		RESERVED	START_COUNT		CURR_COUNT																		

Bits	Field Name	Description	Type	Reset
31:30	CAPTURE_MODE	Sets how the counter should be updated. Updating this value will also clear the current counter stored value. 0: Running Average 1: Minimum Value 2: Maximum Value 3: Last Value 0: Running Average 1: Minimum Value 2: Maximum Value 3: Last Value	RW	0x0
29:28	STOP_CLIENT	Sets the client whose event stops the performance monitor counter.	RW	0x0
27	RESERVED		R	0x0
26:24	STOP_COUNT	Sets the value that stops the performance monitor counter. 0: command request 1: command accept 2: data request 3: data rcvd 4: data empty 5: data full 6: frame start 7: frame end	RW	0x0
23:22	RESERVED		R	0x0
21:20	START_CLIENT	Sets the client whose event starts the performance monitor counter.	RW	0x0
19	RESERVED		R	0x0
18:16	START_COUNT	Sets the value that starts the performance monitor counter. 0: command request 1: command accept 2: data request 3: data rcvd 4: data empty 5: data full 6: frame start 7: frame end	RW	0x0
15:0	CURR_COUNT	The current value of the performance monitor counter	R	0x0

Table 10-304. Register Call Summary for Register VPE_PERF_MON43

VPE Register Manual

- [VPE_VPDMA Register Summary: \[0\]](#)

Table 10-305. VPE_PERF_MON44

Address Offset	0x0000 02B0	Instance	VPE_VPDMA
Physical Address	0x489D D2B0		
Description	The register can be used to capture timing differences between events in the VPDMA		
Type	RW		

31	30	29	28	27	26	25	24	23	22	21	20	19	18	17	16	15	14	13	12	11	10	9	8	7	6	5	4	3	2	1	0							
CAPTURE_MODE				STOP_CLIENT				RESERVED	STOP_COUNT				RESERVED	START_CLIENT				RESERVED	START_COUNT				CURR_COUNT															

Bits	Field Name	Description	Type	Reset
31:30	CAPTURE_MODE	Sets how the counter should be updated. Updating this value will also clear the current counter stored value. 0: Running Average 1: Minimum Value 2: Maximum Value 3: Last Value 0: Running Average 1: Minimum Value 2: Maximum Value 3: Last Value	RW	0x0
29:28	STOP_CLIENT	Sets the client whose event stops the performance monitor counter.	RW	0x0
27	RESERVED		R	0x0
26:24	STOP_COUNT	Sets the value that stops the performance monitor counter. 0: command request 1: command accept 2: data request 3: data rcvd 4: data empty 5: data full 6: frame start 7: frame end	RW	0x0
23:22	RESERVED		R	0x0
21:20	START_CLIENT	Sets the client whose event starts the performance monitor counter.	RW	0x0
19	RESERVED		R	0x0
18:16	START_COUNT	Sets the value that starts the performance monitor counter. 0: command request 1: command accept 2: data request 3: data rcvd 4: data empty 5: data full 6: frame start 7: frame end	RW	0x0
15:0	CURR_COUNT	The current value of the performance monitor counter	R	0x0

Table 10-306. Register Call Summary for Register VPE_PERF_MON44

VPE Register Manual

- [VPE_VPDMA Register Summary: \[0\]](#)

Table 10-307. VPE_PERF_MON45

Address Offset	0x0000 02B4	Instance	VPE_VPDMA
Physical Address	0x489D D2B4		
Description	The register can be used to capture timing differences between events in the VPDMA		
Type	RW		

31	30	29	28	27	26	25	24	23	22	21	20	19	18	17	16	15	14	13	12	11	10	9	8	7	6	5	4	3	2	1	0	
CAPTURE_MODE				RESERVED	STOP_COUNT				RESERVED	START_CLIENT			RESERVED	START_COUNT			CURR_COUNT															

Bits	Field Name	Description	Type	Reset
31:30	CAPTURE_MODE	Sets how the counter should be updated. Updating this value will also clear the current counter stored value. 0: Running Average 1: Minimum Value 2: Maximum Value 3: Last Value 0: Running Average 1: Minimum Value 2: Maximum Value 3: Last Value	RW	0x0
29:28	STOP_CLIENT	Sets the client whose event stops the performance monitor counter.	RW	0x0
27	RESERVED		R	0x0
26:24	STOP_COUNT	Sets the value that stops the performance monitor counter. 0: command request 1: command accept 2: data request 3: data rcvd 4: data empty 5: data full 6: frame start 7: frame end	RW	0x0
23:22	RESERVED		R	0x0
21:20	START_CLIENT	Sets the client whose event starts the performance monitor counter.	RW	0x0
19	RESERVED		R	0x0

Bits	Field Name	Description	Type	Reset
18:16	START_COUNT	Sets the value that starts the performance monitor counter. 0: command request 1: command accept 2: data request 3: data rcvd 4: data empty 5: data full 6: frame start 7: frame end	RW	0x0
15:0	CURR_COUNT	The current value of the performance monitor counter	R	0x0

Table 10-308. Register Call Summary for Register VPE_PERF_MON45

VPE Register Manual

- [VPE_VPDMA Register Summary: \[0\]](#)

Table 10-309. VPE_PERF_MON46

Address Offset	0x0000 02B8	Instance	VPE_VPDMA
Physical Address	0x489D D2B8		
Description	The register can be used to capture timing differences between events in the VPDMA		
Type	RW		

31	30	29	28	27	26	25	24	23	22	21	20	19	18	17	16	15	14	13	12	11	10	9	8	7	6	5	4	3	2	1	0
CAPTURE_MODE		STOP_CLIENT		RESERVED		STOP_COUNT		RESERVED		START_CLIENT		RESERVED		START_COUNT		CURR_COUNT															

Bits	Field Name	Description	Type	Reset
31:30	CAPTURE_MODE	Sets how the counter should be updated. Updating this value will also clear the current counter stored value. 0: Running Average 1: Minimum Value 2: Maximum Value 3: Last Value 0: Running Average 1: Minimum Value 2: Maximum Value 3: Last Value	RW	0x0
29:28	STOP_CLIENT	Sets the client whose event stops the performance monitor counter.	RW	0x0
27	RESERVED		R	0x0

Bits	Field Name	Description	Type	Reset
26:24	STOP_COUNT	Sets the value that stops the performance monitor counter. 0: command request 1: command accept 2: data request 3: data rcvd 4: data empty 5: data full 6: frame start 7: frame end	RW	0x0
23:22	RESERVED		R	0x0
21:20	START_CLIENT	Sets the client whose event starts the performance monitor counter.	RW	0x0
19	RESERVED		R	0x0
18:16	START_COUNT	Sets the value that starts the performance monitor counter. 0: command request 1: command accept 2: data request 3: data rcvd 4: data empty 5: data full 6: frame start 7: frame end	RW	0x0
15:0	CURR_COUNT	The current value of the performance monitor counter	R	0x0

Table 10-310. Register Call Summary for Register VPE_PERF_MON46

VPE Register Manual

- [VPE_VPDMA Register Summary: \[0\]](#)

Table 10-311. VPE_PERF_MON47

Address Offset	0x0000 02BC	Instance	VPE_VPDMA
Physical Address	0x489D D2BC		
Description	The register can be used to capture timing differences between events in the VPDMA		
Type	RW		

31	30	29	28	27	26	25	24	23	22	21	20	19	18	17	16	15	14	13	12	11	10	9	8	7	6	5	4	3	2	1	0
CAPTURE_MODE		STOP_CLIENT		RESERVED		STOP_COUNT		RESERVED		START_CLIENT		RESERVED		START_COUNT		CURR_COUNT															

Bits	Field Name	Description	Type	Reset
31:30	CAPTURE_MODE	Sets how the counter should be updated. Updating this value will also clear the current counter stored value. 0: Running Average 1: Minimum Value 2: Maximum Value 3: Last Value 0: Running Average 1: Minimum Value 2: Maximum Value 3: Last Value	RW	0x0
29:28	STOP_CLIENT	Sets the client whose event stops the performance monitor counter.	RW	0x0
27	RESERVED		R	0x0
26:24	STOP_COUNT	Sets the value that stops the performance monitor counter. 0: command request 1: command accept 2: data request 3: data rcvd 4: data empty 5: data full 6: frame start 7: frame end	RW	0x0
23:22	RESERVED		R	0x0
21:20	START_CLIENT	Sets the client whose event starts the performance monitor counter.	RW	0x0
19	RESERVED		R	0x0
18:16	START_COUNT	Sets the value that starts the performance monitor counter. 0: command request 1: command accept 2: data request 3: data rcvd 4: data empty 5: data full 6: frame start 7: frame end	RW	0x0
15:0	CURR_COUNT	The current value of the performance monitor counter	R	0x0

Table 10-312. Register Call Summary for Register VPE_PERF_MON47

VPE Register Manual

- [VPE_VPDMA Register Summary: \[0\]](#)

Table 10-313. VPE_PERF_MON48

Address Offset	0x0000 02C0	Instance	VPE_VPDMA
Physical Address	0x489D D2C0		
Description	The register can be used to capture timing differences between events in the VPDMA		
Type	RW		

31	30	29	28	27	26	25	24	23	22	21	20	19	18	17	16	15	14	13	12	11	10	9	8	7	6	5	4	3	2	1	0
CAPTURE_MODE		STOP_CLIENT		RESERVED	STOP_COUNT		RESERVED	START_CLIENT		RESERVED	START_COUNT		CURR_COUNT																		

Bits	Field Name	Description	Type	Reset
31:30	CAPTURE_MODE	Sets how the counter should be updated. Updating this value will also clear the current counter stored value. 0: Running Average 1: Minimum Value 2: Maximum Value 3: Last Value 0: Running Average 1: Minimum Value 2: Maximum Value 3: Last Value	RW	0x0
29:28	STOP_CLIENT	Sets the client whose event stops the performance monitor counter.	RW	0x0
27	RESERVED		R	0x0
26:24	STOP_COUNT	Sets the value that stops the performance monitor counter. 0: command request 1: command accept 2: data request 3: data rcvd 4: data empty 5: data full 6: frame start 7: frame end	RW	0x0
23:22	RESERVED		R	0x0
21:20	START_CLIENT	Sets the client whose event starts the performance monitor counter.	RW	0x0
19	RESERVED		R	0x0
18:16	START_COUNT	Sets the value that starts the performance monitor counter. 0: command request 1: command accept 2: data request 3: data rcvd 4: data empty 5: data full 6: frame start 7: frame end	RW	0x0
15:0	CURR_COUNT	The current value of the performance monitor counter	R	0x0

Table 10-314. Register Call Summary for Register VPE_PERF_MON48

VPE Register Manual

- [VPE_VPDMA Register Summary: \[0\]](#)

Table 10-315. VPE_PERF_MON49

Address Offset	0x0000 02C4	Instance	VPE_VPDMA
Physical Address	0x489D D2C4		
Description	The register can be used to capture timing differences between events in the VPDMA		
Type	RW		

31	30	29	28	27	26	25	24	23	22	21	20	19	18	17	16	15	14	13	12	11	10	9	8	7	6	5	4	3	2	1	0							
CAPTURE_MODE				STOP_CLIENT				RESERVED	STOP_COUNT				RESERVED	START_CLIENT				RESERVED	START_COUNT				CURR_COUNT															

Bits	Field Name	Description	Type	Reset
31:30	CAPTURE_MODE	Sets how the counter should be updated. Updating this value will also clear the current counter stored value. 0: Running Average 1: Minimum Value 2: Maximum Value 3: Last Value 0: Running Average 1: Minimum Value 2: Maximum Value 3: Last Value	RW	0x0
29:28	STOP_CLIENT	Sets the client whose event stops the performance monitor counter.	RW	0x0
27	RESERVED		R	0x0
26:24	STOP_COUNT	Sets the value that stops the performance monitor counter. 0: command request 1: command accept 2: data request 3: data rcvd 4: data empty 5: data full 6: frame start 7: frame end	RW	0x0
23:22	RESERVED		R	0x0
21:20	START_CLIENT	Sets the client whose event starts the performance monitor counter.	RW	0x0
19	RESERVED		R	0x0
18:16	START_COUNT	Sets the value that starts the performance monitor counter. 0: command request 1: command accept 2: data request 3: data rcvd 4: data empty 5: data full 6: frame start 7: frame end	RW	0x0
15:0	CURR_COUNT	The current value of the performance monitor counter	R	0x0

Table 10-316. Register Call Summary for Register VPE_PERF_MON49

VPE Register Manual

- [VPE_VPDMA Register Summary: \[0\]](#)

Table 10-317. VPE_PERF_MON50

Address Offset	0x0000 02C8	Instance	VPE_VPDMA
Physical Address	0x489D D2C8		
Description	The register can be used to capture timing differences between events in the VPDMA		
Type	RW		

31	30	29	28	27	26	25	24	23	22	21	20	19	18	17	16	15	14	13	12	11	10	9	8	7	6	5	4	3	2	1	0
CAPTURE_MODE				RESERVED	STOP_COUNT				RESERVED	START_CLIENT			RESERVED	START_COUNT			CURR_COUNT														

Bits	Field Name	Description	Type	Reset
31:30	CAPTURE_MODE	Sets how the counter should be updated. Updating this value will also clear the current counter stored value. 0: Running Average 1: Minimum Value 2: Maximum Value 3: Last Value	RW	0x0
29:28	STOP_CLIENT	Sets the client whose event stops the performance monitor counter. 0:vpi_ctl 1:vpi_ctl 2:vpi_ctl 3:vpi_ctl	RW	0x0
27	RESERVED		R	0x0
26:24	STOP_COUNT	Sets the value that stops the performance monitor counter. 0: command request 1: command accept 2: data request 3: data rcvd 4: data empty 5: data full 6: frame start 7: frame end	RW	0x0
23:22	RESERVED		R	0x0
21:20	START_CLIENT	Sets the client whose event starts the performance monitor counter. 0:vpi_ctl 1:vpi_ctl 2:vpi_ctl 3:vpi_ctl	RW	0x0
19	RESERVED		R	0x0

Bits	Field Name	Description	Type	Reset
18:16	START_COUNT	Sets the value that starts the performance monitor counter. 0: command request 1: command accept 2: data request 3: data rcvd 4: data empty 5: data full 6: frame start 7: frame end	RW	0x0
15:0	CURR_COUNT	The current value of the performance monitor counter	R	0x0

Table 10-318. Register Call Summary for Register VPE_PERF_MON50

VPE Register Manual

- [VPE_VPDMA Register Summary: \[0\]](#)

Table 10-319. VPE_PERF_MON51

Address Offset	0x0000 02CC	Instance	VPE_VPDMA
Physical Address	0x489D D2CC		
Description	The register can be used to capture timing differences between events in the VPDMA		
Type	RW		

31	30	29	28	27	26	25	24	23	22	21	20	19	18	17	16	15	14	13	12	11	10	9	8	7	6	5	4	3	2	1	0
CAPTURE_MODE	STOP_CLIENT	RESERVED	STOP_COUNT	RESERVED	START_CLIENT	RESERVED	START_COUNT	CURR_COUNT																							

Bits	Field Name	Description	Type	Reset
31:30	CAPTURE_MODE	Sets how the counter should be updated. Updating this value will also clear the current counter stored value. 0: Running Average 1: Minimum Value 2: Maximum Value 3: Last Value	RW	0x0
29:28	STOP_CLIENT	Sets the client whose event stops the performance monitor counter. 0: vpi_ctl 1: dei_hq_1_chroma 2: dei_hq_1_chroma 3: dei_hq_1_luma	RW	0x0
27	RESERVED		R	0x0

Bits	Field Name	Description	Type	Reset
26:24	STOP_COUNT	Sets the value that stops the performance monitor counter. 0: command request 1: command accept 2: data request 3: data rcvd 4: data empty 5: data full 6: frame start 7: frame end	RW	0x0
23:22	RESERVED		R	0x0
21:20	START_CLIENT	Sets the client whose event starts the performance monitor counter. 0: vpi_ctl 1: dei_hq_1_chroma 2: dei_hq_1_chroma 3: dei_hq_1_luma	RW	0x0
19	RESERVED		R	0x0
18:16	START_COUNT	Sets the value that starts the performance monitor counter. 0: command request 1: command accept 2: data request 3: data rcvd 4: data empty 5: data full 6: frame start 7: frame end	RW	0x0
15:0	CURR_COUNT	The current value of the performance monitor counter	R	0x0

Table 10-320. Register Call Summary for Register VPE_PERF_MON51

VPE Register Manual

- [VPE_VPDMA Register Summary: \[0\]](#)

Table 10-321. VPE_PERF_MON52

Address Offset	0x0000 02D0	Instance	VPE_VPDMA
Physical Address	0x489D D2D0		
Description	The register can be used to capture timing differences between events in the VPDMA		
Type	RW		

31	30	29	28	27	26	25	24	23	22	21	20	19	18	17	16	15	14	13	12	11	10	9	8	7	6	5	4	3	2	1	0
CAPTURE_MODE		STOP_CLIENT		RESERVED		STOP_COUNT		RESERVED		START_CLIENT		RESERVED		START_COUNT		CURR_COUNT															

Bits	Field Name	Description	Type	Reset
31:30	CAPTURE_MODE	Sets how the counter should be updated. Updating this value will also clear the current counter stored value. 0: Running Average 1: Minimum Value 2: Maximum Value 3: Last Value	RW	0x0
29:28	STOP_CLIENT	Sets the client whose event stops the performance monitor counter. 0: vpi_ctl 1: dei_hq_1_chroma 2: dei_hq_1_chroma 3: dei_hq_1_luma	RW	0x0
27	RESERVED		R	0x0
26:24	STOP_COUNT	Sets the value that stops the performance monitor counter. 0: command request 1: command accept 2: data request 3: data rcvd 4: data empty 5: data full 6: frame start 7: frame end	RW	0x0
23:22	RESERVED		R	0x0
21:20	START_CLIENT	Sets the client whose event starts the performance monitor counter. 0: vpi_ctl 1: dei_hq_1_chroma 2: dei_hq_1_chroma 3: dei_hq_1_luma	RW	0x0
19	RESERVED		R	0x0
18:16	START_COUNT	Sets the value that starts the performance monitor counter. 0: command request 1: command accept 2: data request 3: data rcvd 4: data empty 5: data full 6: frame start 7: frame end	RW	0x0
15:0	CURR_COUNT	The current value of the performance monitor counter	R	0x0

Table 10-322. Register Call Summary for Register VPE_PERF_MON52

VPE Register Manual

- [VPE_VPDMA Register Summary: \[0\]](#)

Table 10-323. VPE_PRI_CHROMA_CSTAT

Address Offset	0x0000 0300	Instance	VPE_VPDMA
Physical Address	0x489D D300		
Description	The register holds status information and control for the client.		
Type	RW		

31	30	29	28	27	26	25	24	23	22	21	20	19	18	17	16	15	14	13	12	11	10	9	8	7	6	5	4	3	2	1	0
REQ_DELAY								REQ_RATE								BUSY	DMA_ACTIVE	FRAME_START	LINE_MODE	RESERVED											

Bits	Field Name	Description	Type	Reset
31:24	REQ_DELAY	The minimum number of clock cycles between requests being issued. This value is multiplied by 32 to get the actual number of cycles..This value is only accurate for the current frame. The internal counters used to calculate the rate are reset when a new frame begins and the first request of a frame will go as soon as possible.	RW	0x0
23:16	REQ_RATE	The number of clock cycles between the last two requests issued. This value is multiplied by 32 to get the actual number of cycles.This value is only accurate for the current frame. The internal counters used to calculate the rate are reset when a new frame begins.	R	0x0
15	BUSY	Signals if the client is currently active. This bit is set as soon as we the channel is received by the client from the list manager and is cleared when the channel is cleared from the shared memory.	R	0x0
14	DMA_ACTIVE	Signals if the client is currently actively sending DMA requests	R	0x0
13:10	FRAME_START	The source of the start frame event for the client. 0 : Change in value of hdmi_field_id 1 : Change in value of dvo2_field_id 2 : Change in value of hdcomp_field_id 3 : Change in value of sd_field_id 4 : Use List Manager Internal Field0 5 : Use List Manager Internal Field1 6 : Use List Manager Internal Field2 7 : Start on channel active	RW	0x0
9:8	LINE_MODE	Selects the output mode of the line buffer. 0: repeat lines twice each output data line gets 2 times the number of frame lines. 1: each line once with Line Buffer Disabled, so no mirroring. Each line gets frame lines with identical data. 2: Each line seen once Mirroring is enabled so the top lines get the top lines repeated at the top of the frame and the bottom lines have the bottom lines repeated. Each line of data gets frame lines + number of buffered lines. 3: each line once only on one line. Each data line gets number of frame lines divided by number of buffered lines.	RW	0x0
7:0	RESERVED		R	0x0

Table 10-324. Register Call Summary for Register VPE_PRI_CHROMA_CSTAT

VPE Functional Description

- [Modes of Operation \(VPDMA\): \[0\]](#)
- [VPDMA Basic Definitions:](#)

VPE Register Manual

- [VPE_VPDMA Register Summary: \[2\]](#)

Table 10-325. VPE_PRI_LUMA_CSTAT

Address Offset	0x0000 0304	Instance	VPE_VPDMA
Physical Address	0x489D D304		
Description	The register holds status information and control for the client.		
Type	RW		

31	30	29	28	27	26	25	24	23	22	21	20	19	18	17	16	15	14	13	12	11	10	9	8	7	6	5	4	3	2	1	0
REQ_DELAY								REQ_RATE								BUSY	DMA_ACTIVE	FRAME_START	RESERVED												

Bits	Field Name	Description	Type	Reset
31:24	REQ_DELAY	The minimum number of clock cycles between requests being issued. This value is multiplied by 32 to get the actual number of cycles. This value is only accurate for the current frame. The internal counters used to calculate the rate are reset when a new frame begins and the first request of a frame will go as soon as possible.	RW	0x0
23:16	REQ_RATE	The number of clock cycles between the last two requests issued. This value is multiplied by 32 to get the actual number of cycles. This value is only accurate for the current frame. The internal counters used to calculate the rate are reset when a new frame begins.	R	0x0
15	BUSY	Signals if the client is currently active. This bit is set as soon as we the channel is received by the client from the list manager and is cleared when the channel is cleared from the shared memory.	R	0x0
14	DMA_ACTIVE	Signals if the client is currently actively sending DMA requests	R	0x0
13:10	FRAME_START	The source of the start frame event for the client. 0 : Change in value of hdmi_field_id 1 : Change in value of dvo2_field_id 2 : Change in value of hdcomp_field_id 3 : Change in value of sd_field_id 4 : Use List Manager Internal Field0 5 : Use List Manager Internal Field1 6 : Use List Manager Internal Field2 7 : Start on channel active	RW	0x0
9:0	RESERVED		R	0x0

Table 10-326. Register Call Summary for Register VPE_PRI_LUMA_CSTAT

VPE Functional Description

- [VPDMA Basic Definitions:](#)

VPE Register Manual

- [VPE_VPDMA Register Summary: \[1\]](#)

Table 10-327. VPE_PRI_FLD1_LUMA_CSTAT

Address Offset	0x0000 0308	Instance	VPE_VPDMA
Physical Address	0x489D D308		
Description	The register holds status information and control for the client.		
Type	RW		

31	30	29	28	27	26	25	24	23	22	21	20	19	18	17	16	15	14	13	12	11	10	9	8	7	6	5	4	3	2	1	0
REQ_DELAY								REQ_RATE								BUSY	DMA_ACTIVE	FRAME_START	RESERVED												

Bits	Field Name	Description	Type	Reset
31:24	REQ_DELAY	The minimum number of clock cycles between requests being issued. This value is multiplied by 32 to get the actual number of cycles..This value is only accurate for the current frame. The internal counters used to calculate the rate are reset when a new frame begins and the first request of a frame will go as soon as possible.	RW	0x0
23:16	REQ_RATE	The number of clock cycles between the last two requests issued. This value is multiplied by 32 to get the actual number of cycles.This value is only accurate for the current frame. The internal counters used to calculate the rate are reset when a new frame begins.	R	0x0
15	BUSY	Signals if the client is currently active. This bit is set as soon as we the channel is received by the client from the list manager and is cleared when the channel is cleared from the shared memory.	R	0x0
14	DMA_ACTIVE	Signals if the client is currently actively sending DMA requests	R	0x0
13:10	FRAME_START	The source of the start frame event for the client. 0 : Change in value of hdmi_field_id 1 : Change in value of dvo2_field_id 2 : Change in value of hdcomp_field_id 3 : Change in value of sd_field_id 4 : Use List Manager Internal Field0 5 : Use List Manager Internal Field1 6 : Use List Manager Internal Field2 7 : Start on channel active	RW	0x0
9:0	RESERVED		R	0x0

Table 10-328. Register Call Summary for Register VPE_PRI_FLD1_LUMA_CSTAT

VPE Functional Description

- [VPDMA Basic Definitions:](#)

VPE Register Manual

- [VPE_VPDMA Register Summary: \[1\]](#)

Table 10-329. VPE_PRI_FLD1_CHROMA_CSTAT

Address Offset	0x0000 030C	Instance	VPE_VPDMA
Physical Address	0x489D D30C		
Description	The register holds status information and control for the client.		
Type	RW		

31	30	29	28	27	26	25	24	23	22	21	20	19	18	17	16	15	14	13	12	11	10	9	8	7	6	5	4	3	2	1	0		
REQ_DELAY								REQ_RATE								BUSY	DMA_ACTIVE	FRAME_START				LINE_MODE				3: each line once only on one line. Each data line gets number of frame lines divided by number of buffered lines.							

Bits	Field Name	Description	Type	Reset
31:24	REQ_DELAY	The minimum number of clock cycles between requests being issued. This value is multiplied by 32 to get the actual number of cycles..This value is only accurate for the current frame. The internal counters used to calculate the rate are reset when a new frame begins and the first request of a frame will go as soon as possible.	RW	0x0

Bits	Field Name	Description	Type	Reset
23:16	REQ_RATE	The number of clock cycles between the last two requests issued. This value is multiplied by 32 to get the actual number of cycles. This value is only accurate for the current frame. The internal counters used to calculate the rate are reset when a new frame begins.	R	0x0
15	BUSY	Signals if the client is currently active. This bit is set as soon as we the channel is received by the client from the list manager and is cleared when the channel is cleared from the shared memory.	R	0x0
14	DMA_ACTIVE	Signals if the client is currently actively sending DMA requests	R	0x0
13:10	FRAME_START	The source of the start frame event for the client. 0 : Change in value of hdmi_field_id 1 : Change in value of dvo2_field_id 2 : Change in value of hdcomp_field_id 3 : Change in value of sd_field_id 4 : Use List Manager Internal Field0 5 : Use List Manager Internal Field1 6 : Use List Manager Internal Field2 7 : Start on channel active	RW	0x0
9:8	LINE_MODE	Selects the output mode of the line buffer. 0: repeat lines twice each output data line gets 2 times the number of frame lines. 1: each line once with Line Buffer Disabled, so no mirroring. Each line gets frame lines with identical data. 2: Each line seen once Mirroring is enabled so the top lines get the top lines repeated at the top of the frame and the bottom lines have the bottom lines repeated. Each line of data gets frame lines + number of buffered lines. 3: each line once only on one line. Each data line gets number of frame lines divided by number of buffered lines.	RW	0x0
7:0	3: each line once only on one line. Each data line gets number of frame lines divided by number of buffered lines.		R	0x0

Table 10-330. Register Call Summary for Register VPE_PRI_FLD1_CHROMA_CSTAT

VPE Functional Description

- [Modes of Operation \(VPDMA\): \[0\]](#)
- [VPDMA Basic Definitions:](#)

VPE Register Manual

- [VPE_VPDMA Register Summary: \[2\]](#)

Table 10-331. VPE_PRI_FLD2_LUMA_CSTAT

Address Offset	0x0000 0310	Instance	VPE_VPDMA
Physical Address	0x489D D310		
Description	The register holds status information and control for the client.		
Type	RW		

31	30	29	28	27	26	25	24	23	22	21	20	19	18	17	16	15	14	13	12	11	10	9	8	7	6	5	4	3	2	1	0
REQ_DELAY								REQ_RATE								BUSY	DMA_ACTIVE	FRAME_START	RESERVED												

Bits	Field Name	Description	Type	Reset
31:24	REQ_DELAY	The minimum number of clock cycles between requests being issued. This value is multiplied by 32 to get the actual number of cycles. This value is only accurate for the current frame. The internal counters used to calculate the rate are reset when a new frame begins and the first request of a frame will go as soon as possible.	RW	0x0
23:16	REQ_RATE	The number of clock cycles between the last two requests issued. This value is multiplied by 32 to get the actual number of cycles. This value is only accurate for the current frame. The internal counters used to calculate the rate are reset when a new frame begins.	R	0x0
15	BUSY	Signals if the client is currently active. This bit is set as soon as we the channel is received by the client from the list manager and is cleared when the channel is cleared from the shared memory.	R	0x0
14	DMA_ACTIVE	Signals if the client is currently actively sending DMA requests	R	0x0
13:10	FRAME_START	The source of the start frame event for the client. 0 : Change in value of hdmi_field_id 1 : Change in value of dvo2_field_id 2 : Change in value of hdcomp_field_id 3 : Change in value of sd_field_id 4 : Use List Manager Internal Field0 5 : Use List Manager Internal Field1 6 : Use List Manager Internal Field2 7 : Start on channel active	RW	0x0
9:0	RESERVED		R	0x0

Table 10-332. Register Call Summary for Register VPE_PRI_FLD2_LUMA_CSTAT

VPE Functional Description

- [VPDMA Basic Definitions:](#)

VPE Register Manual

- [VPE_VPDMA Register Summary: \[1\]](#)

Table 10-333. VPE_PRI_FLD2_CHROMA_CSTAT

Address Offset	0x0000 0314	Instance	VPE_VPDMA
Physical Address	0x489D D314		
Description	The register holds status information and control for the client.		
Type	RW		

31	30	29	28	27	26	25	24	23	22	21	20	19	18	17	16	15	14	13	12	11	10	9	8	7	6	5	4	3	2	1	0
REQ_DELAY								REQ_RATE								BUSY	DMA_ACTIVE	FRAME_START	LINE_MODE	RESERVED											

Bits	Field Name	Description	Type	Reset
31:24	REQ_DELAY	The minimum number of clock cycles between requests being issued. This value is multiplied by 32 to get the actual number of cycles. This value is only accurate for the current frame. The internal counters used to calculate the rate are reset when a new frame begins and the first request of a frame will go as soon as possible.	RW	0x0
23:16	REQ_RATE	The number of clock cycles between the last two requests issued. This value is multiplied by 32 to get the actual number of cycles. This value is only accurate for the current frame. The internal counters used to calculate the rate are reset when a new frame begins.	R	0x0
15	BUSY	Signals if the client is currently active. This bit is set as soon as we the channel is received by the client from the list manager and is cleared when the channel is cleared from the shared memory.	R	0x0
14	DMA_ACTIVE	Signals if the client is currently actively sending DMA requests	R	0x0
13:10	FRAME_START	The source of the start frame event for the client. 0 : Change in value of hdmi_field_id 1 : Change in value of dvo2_field_id 2 : Change in value of hdcomp_field_id 3 : Change in value of sd_field_id 4 : Use List Manager Internal Field0 5 : Use List Manager Internal Field1 6 : Use List Manager Internal Field2 7 : Start on channel active	RW	0x0
9:8	LINE_MODE	Selects the output mode of the line buffer. 0: repeat lines twice each output data line gets 2 times the number of frame lines. 1: each line once with Line Buffer Disabled, so no mirroring. Each line gets frame lines with identical data. 2: Each line seen once Mirroring is enabled so the top lines get the top lines repeated at the top of the frame and the bottom lines have the bottom lines repeated. Each line of data gets frame lines + number of buffered lines. 3: each line once only on one line. Each data line gets number of frame lines divided by number of buffered lines.	RW	0x0
7:0	RESERVED		R	0x0

Table 10-334. Register Call Summary for Register VPE_PRI_FLD2_CHROMA_CSTAT

VPE Functional Description

- [Modes of Operation \(VPDMA\): \[0\]](#)
- [VPDMA Basic Definitions:](#)

VPE Register Manual

- [VPE_VPDMA Register Summary: \[2\]](#)

Table 10-335. VPE_PRI_MV0_CSTAT

Address Offset	0x0000 0330	Instance	VPE_VPDMA
Physical Address	0x489D D330		
Description	The register holds status information and control for the client.		
Type	RW		

31	30	29	28	27	26	25	24	23	22	21	20	19	18	17	16	15	14	13	12	11	10	9	8	7	6	5	4	3	2	1	0
REQ_DELAY								REQ_RATE								BUSY	DMA_ACTIVE	FRAME_START	RESERVED												

Bits	Field Name	Description	Type	Reset
31:24	REQ_DELAY	The minimum number of clock cycles between requests being issued. This value is multiplied by 32 to get the actual number of cycles..This value is only accurate for the current frame. The internal counters used to calculate the rate are reset when a new frame begins and the first request of a frame will go as soon as possible.	RW	0x0
23:16	REQ_RATE	The number of clock cycles between the last two requests issued. This value is multiplied by 32 to get the actual number of cycles.This value is only accurate for the current frame. The internal counters used to calculate the rate are reset when a new frame begins.	R	0x0
15	BUSY	Signals if the client is currently active. This bit is set as soon as we the channel is received by the client from the list manager and is cleared when the channel is cleared from the shared memory.	R	0x0
14	DMA_ACTIVE	Signals if the client is currently actively sending DMA requests	R	0x0
13:10	FRAME_START	The source of the start frame event for the client. 0 : Change in value of hdmi_field_id 1 : Change in value of dvo2_field_id 2 : Change in value of hdcomp_field_id 3 : Change in value of sd_field_id 4 : Use List Manager Internal Field0 5 : Use List Manager Internal Field1 6 : Use List Manager Internal Field2 7 : Start on channel active	RW	0x0
9:0	RESERVED		R	0x0

Table 10-336. Register Call Summary for Register VPE_PRI_MV0_CSTAT

VPE Functional Description

- [VPDMA Basic Definitions:](#)

VPE Register Manual

- [VPE_VPDMA Register Summary: \[1\]](#)

Table 10-337. VPE_PRI_MV_OUT_CSTAT

Address Offset	0x0000 033C	Instance	VPE_VPDMA
Physical Address	0x489D D33C		
Description	The register holds status information and control for the client.		
Type	RW		

31	30	29	28	27	26	25	24	23	22	21	20	19	18	17	16	15	14	13	12	11	10	9	8	7	6	5	4	3	2	1	0
REQ_DELAY								REQ_RATE								BUSY	DMA_ACTIVE	FRAME_START	RESERVED												

Bits	Field Name	Description	Type	Reset
31:24	REQ_DELAY	The minimum number of clock cycles between requests being issued. This value is multiplied by 32 to get the actual number of cycles. This value is only accurate for the current frame. The internal counters used to calculate the rate are reset when a new frame begins and the first request of a frame will go as soon as possible.	RW	0x0
23:16	REQ_RATE	The number of clock cycles between the last two requests issued. This value is multiplied by 32 to get the actual number of cycles. This value is only accurate for the current frame. The internal counters used to calculate the rate are reset when a new frame begins.	R	0x0
15	BUSY	Signals if the client is currently active. This bit is set as soon as we the channel is received by the client from the list manager and is cleared when the channel is cleared from the shared memory.	R	0x0
14	DMA_ACTIVE	Signals if the client is currently actively sending DMA requests	R	0x0
13:10	FRAME_START	The source of the start frame event for the client. 0 : Change in value of hdmi_field_id 1 : Change in value of dvo2_field_id 2 : Change in value of hdcomp_field_id 3 : Change in value of sd_field_id 4 : Use List Manager Internal Field0 5 : Use List Manager Internal Field1 6 : Use List Manager Internal Field2 7 : Start on channel active	RW	0x0
9:0	RESERVED		R	0x0

Table 10-338. Register Call Summary for Register VPE_PRI_MV_OUT_CSTAT

VPE Functional Description

- [VPDMA Basic Definitions:](#)

VPE Register Manual

- [VPE_VPDMA Register Summary: \[1\]](#)

Table 10-339. VPE_VIP0_UP_Y_CSTAT

Address Offset	0x0000 0390	Instance	VPE_VPDMA
Physical Address	0x489D D390		
Description	The register holds status information and control for the client.		
Type	RW		

31	30	29	28	27	26	25	24	23	22	21	20	19	18	17	16	15	14	13	12	11	10	9	8	7	6	5	4	3	2	1	0
REQ_DELAY								REQ_RATE								BUSY	DMA_ACTIVE	FRAME_START	RESERVED												

Bits	Field Name	Description	Type	Reset
31:24	REQ_DELAY	The minimum number of clock cycles between requests being issued. This value is multiplied by 32 to get the actual number of cycles. This value is only accurate for the current frame. The internal counters used to calculate the rate are reset when a new frame begins and the first request of a frame will go as soon as possible.	RW	0x0
23:16	REQ_RATE	The number of clock cycles between the last two requests issued. This value is multiplied by 32 to get the actual number of cycles. This value is only accurate for the current frame. The internal counters used to calculate the rate are reset when a new frame begins.	R	0x0
15	BUSY	Signals if the client is currently active. This bit is set as soon as we the channel is received by the client from the list manager and is cleared when the channel is cleared from the shared memory.	R	0x0
14	DMA_ACTIVE	Signals if the client is currently actively sending DMA requests	R	0x0
13:10	FRAME_START	The source of the start frame event for the client 0 : Change in value of hdmi_field_id 1 : Change in value of dvo2_field_id 2 : Change in value of hdcomp_field_id 3 : Change in value of sd_field_id 4 : Use List Manager Internal Field0 5 : Use List Manager Internal Field1 6 : Use List Manager Internal Field2 7 : Start on channel active	RW	0x0
9:0	RESERVED		R	0x0

Table 10-340. Register Call Summary for Register VPE_VIP0_UP_Y_CSTAT

VPE Functional Description

- [VPDMA Basic Definitions:](#)

VPE Register Manual

- [VPE_VPDMA Register Summary: \[1\]](#)

Table 10-341. VPE_VIP0_UP_UV_CSTAT

Address Offset	0x0000 0394	Instance	VPE_VPDMA
Physical Address	0x489D D394		
Description	The register holds status information and control for the client.		
Type	RW		

31	30	29	28	27	26	25	24	23	22	21	20	19	18	17	16	15	14	13	12	11	10	9	8	7	6	5	4	3	2	1	0
REQ_DELAY								REQ_RATE								BUSY	DMA_ACTIVE	FRAME_START	RESERVED												

Bits	Field Name	Description	Type	Reset
31:24	REQ_DELAY	The minimum number of clock cycles between requests being issued. This value is multiplied by 32 to get the actual number of cycles. This value is only accurate for the current frame. The internal counters used to calculate the rate are reset when a new frame begins and the first request of a frame will go as soon as possible.	RW	0x0
23:16	REQ_RATE	The number of clock cycles between the last two requests issued. This value is multiplied by 32 to get the actual number of cycles. This value is only accurate for the current frame. The internal counters used to calculate the rate are reset when a new frame begins.	R	0x0
15	BUSY	Signals if the client is currently active. This bit is set as soon as we the channel is received by the client from the list manager and is cleared when the channel is cleared from the shared memory.	R	0x0
14	DMA_ACTIVE	Signals if the client is currently actively sending DMA requests	R	0x0
13:10	FRAME_START	The source of the start frame event for the client. 0 : Change in value of hdmi_field_id 1 : Change in value of dvo2_field_id 2 : Change in value of hdcomp_field_id 3 : Change in value of sd_field_id 4 : Use List Manager Internal Field0 5 : Use List Manager Internal Field1 6 : Use List Manager Internal Field2 7 : Start on channel active	RW	0x0
9:0	RESERVED		R	0x0

Table 10-342. Register Call Summary for Register VPE_VIP0_UP_UV_CSTAT

VPE Functional Description

- [VPDMA Basic Definitions:](#)

VPE Register Manual

- [VPE_VPDMA Register Summary: \[1\]](#)

Table 10-343. VPE_VPI_CTL_CSTAT

Address Offset	0x0000 03D0	Instance	VPE_VPDMA
Physical Address	0x489D D3D0		
Description	The register holds status information and control for the client.		
Type	RW		

31	30	29	28	27	26	25	24	23	22	21	20	19	18	17	16	15	14	13	12	11	10	9	8	7	6	5	4	3	2	1	0
REQ_DELAY								REQ_RATE								BUSY	DMA_ACTIVE	FRAME_START	RESERVED												

Bits	Field Name	Description	Type	Reset
31:24	REQ_DELAY	The minimum number of clock cycles between requests being issued. This value is multiplied by 32 to get the actual number of cycles. This value is only accurate for the current frame. The internal counters used to calculate the rate are reset when a new frame begins and the first request of a frame will go as soon as possible.	RW	0x0
23:16	REQ_RATE	The number of clock cycles between the last two requests issued. This value is multiplied by 32 to get the actual number of cycles. This value is only accurate for the current frame. The internal counters used to calculate the rate are reset when a new frame begins.	R	0x0
15	BUSY	Signals if the client is currently active. This bit is set as soon as we the channel is received by the client from the list manager and is cleared when the channel is cleared from the shared memory.	R	0x0
14	DMA_ACTIVE	Signals if the client is currently actively sending DMA requests	R	0x0
13:10	FRAME_START	The source of the start frame event for the client. 0 : Change in value of hdmi_field_id 1 : Change in value of dvo2_field_id 2 : Change in value of hdcomp_field_id 3 : Change in value of sd_field_id 4 : Use List Manager Internal Field0 5 : Use List Manager Internal Field1 6 : Use List Manager Internal Field2 7 : Start on channel active	RW	0x0
9:0	RESERVED		R	0x0

Table 10-344. Register Call Summary for Register VPE_VPI_CTL_CSTAT

VPE Functional Description

- [VPDMA Basic Definitions:](#)

VPE Register Manual

- [VPE_VPDMA Register Summary: \[2\]](#)

10.4.7 VPE_TOP_LEVEL Registers

10.4.7.1 VPE_TOP_LEVEL Register Summary

Table 10-345. VPE Registers Mapping Summary

Register Name	Type	Register Width (Bits)	Address Offset	VPE_TOP_LEVEL Base Address
VPE_CLKC_PID	RW	32	0x0000 0000	0x489D 0000
VPE_SYSCONFIG	RW	32	0x0000 0010	0x489D 0010
VPE_INTC_INTR0_STATUS_RAW0	RW	32	0x0000 0020	0x489D 0020
VPE_INTC_INTR0_STATUS_RAW1	RW	32	0x0000 0024	0x489D 0024

Table 10-345. VPE Registers Mapping Summary (continued)

Register Name	Type	Register Width (Bits)	Address Offset	VPE_TOP_LEVEL Base Address
VPE_INTC_INTR0_STATUS_ENA0	RW	32	0x0000 0028	0x489D 0028
VPE_INTC_INTR0_STATUS_ENA1	RW	32	0x0000 002C	0x489D 002C
VPE_INTC_INTR0_ENA_SET0	RW	32	0x0000 0030	0x489D 0030
VPE_INTC_INTR0_ENA_SET1	RW	32	0x0000 0034	0x489D 0034
VPE_INTC_INTR0_ENA_CLR0	RW	32	0x0000 0038	0x489D 0038
VPE_INTC_INTR0_ENA_CLR1	RW	32	0x0000 003C	0x489D 003C
VPE_INTC_EOI	RW	32	0x0000 00A0	0x489D 00A0
VPE_CLKC_CLKEN	RW	32	0x0000 0100	0x489D 0100
VPE_CLKC_RST	RW	32	0x0000 0104	0x489D 0104
VPE_CLKC_DPS	RW	32	0x0000 010C	0x489D 010C
VPE_RANGE_MAP	RW	32	0x0000 011C	0x489D 011C

10.4.7.2 VPE_TOP_LEVEL Register Description

Table 10-346. VPE_CLKC_PID

Address Offset	0x0000 0000	Instance	VPE_TOP_LEVEL
Physical Address	0x489D 0000		
Description			
Type	R		

31	30	29	28	27	26	25	24	23	22	21	20	19	18	17	16	15	14	13	12	11	10	9	8	7	6	5	4	3	2	1	0
PID																															

Bits	Field Name	Description	Type	Reset
31:0	PID		R	0x0

Table 10-347. Register Call Summary for Register VPE_CLKC_PID

VPE Register Manual

- [VPE_TOP_LEVEL Register Summary: \[0\]](#)

Table 10-348. VPE_SYSCONFIG

Address Offset	0x0000 0010	Instance	VPE_TOP_LEVEL
Physical Address	0x489D 0010		
Description			
Type	RW		

31	30	29	28	27	26	25	24	23	22	21	20	19	18	17	16	15	14	13	12	11	10	9	8	7	6	5	4	3	2	1	0
RESERVED																							STANDBYMODE	IDLEMODE	RESERVED						

Bits	Field Name	Description	Type	Reset
31:6	RESERVED		R	0x0
5:4	STANDBYMODE	Configuration of the local initiator state management mode. By definition, initiator may generate read/write transaction as long as it is out of STANDBY state 0x0: Force-standby mode: local initiator is unconditionally placed in standby state. Backup mode, for debug only 0x1: No-standby mode: local initiator is unconditionally placed out of standby state. Backup mode, for debug only 0x2: Same behavior as bit-field value of 0x1. 0x3: Reserved	RW	0x2
3:2	IDLEMODE	Configuration of the local target state management mode. By definition, target can handle read/write transaction as long as it is out of IDLE state 0x0: Force-idle mode: local target's idle state follows (acknowledges) the system's idle requests unconditionally, i.e. regardless of the IP module's internal requirements. Backup mode, for debug only 0x1: No-idle mode: local target never enters idle state. Backup mode, for debug only 0x2: Smart-idle mode: local target's idle state eventually follows (acknowledges) the system's idle requests, depending on the IP module's internal requirements. IP module shall not generate (IRQ- or DMA-request-related) wakeup events 0x3: Smart-idle wakeup-capable mode: local target's idle state eventually follows (acknowledges) the system's idle requests, depending on the IP module's internal requirements. IP module may generate (IRQ- or DMA-request-related) wakeup events when in idle state. Mode is only relevant if the appropriate IP module "swakeup" output(s) is (are) implemented	RW	0x2
1:0	RESERVED		R	0x0

Table 10-349. Register Call Summary for Register VPE_SYSCONFIG

VPE Functional Description

- [VPE Idle Mode: \[0\]](#)
- [VPE StandBy Mode: \[1\]](#)

VPE Register Manual

- [VPE_TOP_LEVEL Register Summary: \[2\]](#)

Table 10-350. VPE_INTC_INTR0_STATUS_RAW0

Address Offset	0x0000 0020	Instance	VPE_TOP_LEVEL
Physical Address	0x489D 0020		
Description			
Type	RW		

31	30	29	28	27	26	25	24	23	22	21	20	19	18	17	16	15	14	13	12	11	10	9	8	7	6	5	4	3	2	1	0
RESERVED								DEI_FMD_INT_RAW	RESERVED	VPDMA_INT0_DESCRIPTOR_RAW	VPDMA_INT0_LIST7_NOTIFY_RAW	VPDMA_INT0_LIST7_COMPLETE_RAW	VPDMA_INT0_LIST6_NOTIFY_RAW	VPDMA_INT0_LIST6_COMPLETE_RAW	VPDMA_INT0_LIST5_NOTIFY_RAW	VPDMA_INT0_LIST5_COMPLETE_RAW	VPDMA_INT0_LIST4_NOTIFY_RAW	VPDMA_INT0_LIST4_COMPLETE_RAW	VPDMA_INT0_LIST3_NOTIFY_RAW	VPDMA_INT0_LIST3_COMPLETE_RAW	VPDMA_INT0_LIST2_NOTIFY_RAW	VPDMA_INT0_LIST2_COMPLETE_RAW	VPDMA_INT0_LIST1_NOTIFY_RAW	VPDMA_INT0_LIST1_COMPLETE_RAW	VPDMA_INT0_LIST0_NOTIFY_RAW	VPDMA_INT0_LIST0_COMPLETE_RAW					

Bits	Field Name	Description	Type	Reset
31:19	RESERVED		R	0x0
18	DEI_FMD_INT_RAW	DEI Film Mode Interrupt Status Read indicates raw status 0 = inactive 1 = active Writing 1 will set status Writing 0 has no effect	RW	0x0
17	RESERVED		RW	0x0
16	VPDMA_INT0_DESCRIPTOR_RAW	VPDMA INT0 Descriptor Status Read indicates raw status 0 = inactive 1 = active Writing 1 will set status Writing 0 has no effect	RW	0x0
15	VPDMA_INT0_LIST7_NOTIFY_RAW	VPDMA INT0 List7 Complete Status Read indicates raw status 0 = inactive 1 = active Writing 1 will set status Writing 0 has no effect	RW	0x0
14	VPDMA_INT0_LIST7_COMPLETE_RAW	VPDMA INT0 List7 Complete Status Read indicates raw status 0 = inactive 1 = active Writing 1 will set status Writing 0 has no effect	RW	0x0
13	VPDMA_INT0_LIST6_NOTIFY_RAW	VPDMA INT0 List6 Complete Status Read indicates raw status 0 = inactive 1 = active Writing 1 will set status Writing 0 has no effect	RW	0x0
12	VPDMA_INT0_LIST6_COMPLETE_RAW	VPDMA INT0 List6 Complete Status Read indicates raw status 0 = inactive 1 = active Writing 1 will set status Writing 0 has no effect	RW	0x0
11	VPDMA_INT0_LIST5_NOTIFY_RAW	VPDMA INT0 List5 Complete Status Read indicates raw status 0 = inactive 1 = active Writing 1 will set status Writing 0 has no effect	RW	0x0
10	VPDMA_INT0_LIST5_COMPLETE_RAW	VPDMA INT0 List5 Complete Status Read indicates raw status 0 = inactive 1 = active Writing 1 will set status Writing 0 has no effect	RW	0x0
9	VPDMA_INT0_LIST4_NOTIFY_RAW	VPDMA INT0 List4 Complete Status Read indicates raw status 0 = inactive 1 = active Writing 1 will set status Writing 0 has no effect	RW	0x0
8	VPDMA_INT0_LIST4_COMPLETE_RAW	VPDMA INT0 List4 Complete Status Read indicates raw status 0 = inactive 1 = active Writing 1 will set status Writing 0 has no effect	RW	0x0
7	VPDMA_INT0_LIST3_NOTIFY_RAW	VPDMA INT0 List3 Complete Status Read indicates raw status 0 = inactive 1 = active Writing 1 will set status Writing 0 has no effect	RW	0x0
6	VPDMA_INT0_LIST3_COMPLETE_RAW	VPDMA INT0 List3 Complete Status Read indicates raw status 0 = inactive 1 = active Writing 1 will set status Writing 0 has no effect	RW	0x0
5	VPDMA_INT0_LIST2_NOTIFY_RAW	VPDMA INT0 List2 Complete Status Read indicates raw status 0 = inactive 1 = active Writing 1 will set status Writing 0 has no effect	RW	0x0
4	VPDMA_INT0_LIST2_COMPLETE_RAW	VPDMA INT0 List2 Complete Status Read indicates raw status 0 = inactive 1 = active Writing 1 will set status Writing 0 has no effect	RW	0x0

Bits	Field Name	Description	Type	Reset
3	VPDMA_INT0_LIST1_NOTIFY_RAW	VPDMA INT0 List1 Complete Status Read indicates raw status 0 = inactive 1 = active Writing 1 will set status Writing 0 has no effect	RW	0x0
2	VPDMA_INT0_LIST1_COMPLETE_RAW	VPDMA INT0 List1 Complete Status Read indicates raw status 0 = inactive 1 = active Writing 1 will set status Writing 0 has no effect	RW	0x0
1	VPDMA_INT0_LIST0_NOTIFY_RAW	VPDMA INT0 List0 Notify Status Read indicates raw status 0 = inactive 1 = active Writing 1 will set status Writing 0 has no effect	RW	0x0
0	VPDMA_INT0_LIST0_COMPLETE_RAW	VPDMA INT0 List0 Complete Status Read indicates raw status 0 = inactive 1 = active Writing 1 will set status Writing 0 has no effect	RW	0x0

Table 10-351. Register Call Summary for Register VPE_INTC_INTR0_STATUS_RAW0

VPE Register Manual

- [VPE_TOP_LEVEL Register Summary: \[0\]](#)

Table 10-352. VPE_INTC_INTR0_STATUS_RAW1

Address Offset	0x0000 0024	Instance	VPE_TOP_LEVEL
Physical Address	0x489D 0024		
Description			
Type	RW		

31	30	29	28	27	26	25	24	23	22	21	20	19	18	17	16	15	14	13	12	11	10	9	8	7	6	5	4	3	2	1	0		
RESERVED								VIP1_CHR_DS_1_UV_ERR_INT_RAW	RESERVED								DEI_ERROR_INT_RAW	RESERVED								VPDMA_INT0_CLIENT_RAW	RESERVED	VPDMA_INT0_CHANNEL_GROUP5_RAW	VPDMA_INT0_CHANNEL_GROUP4_RAW	VPDMA_INT0_CHANNEL_GROUP3_RAW	VPDMA_INT0_CHANNEL_GROUP2_RAW	VPDMA_INT0_CHANNEL_GROUP1_RAW	VPDMA_INT0_CHANNEL_GROUP0_RAW

Bits	Field Name	Description	Type	Reset
31:23	RESERVED		R	0x0
22	VIP1_CHR_DS_1_UV_ERR_INT_RAW	VIP1 Chroma Downsampler 1 UV Error Interrupt Status Read indicates raw status 0 = inactive 1 = active Writing 1 will set status Writing 0 has no effect	RW	0x0
21:17	RESERVED		RW	0x0
16	DEI_ERROR_INT_RAW	DEI Error Interrupt Status Read indicates raw status 0 = inactive 1 = active Writing 1 will set status Writing 0 has no effect	RW	0x0
15:8	RESERVED		R	0x0
7	VPDMA_INT0_CLIENT_RAW	VPDMA INT0 Client Status Read indicates raw status 0 = inactive 1 = active Writing 1 will set status Writing 0 has no effect	RW	0x0
6	RESERVED		RW	0x0

Bits	Field Name	Description	Type	Reset
5	VPDMA_INT0_CHANNEL_GROUP5_RAW	VPDMA INT0 Channel Group5 Status Read indicates raw status 0 = inactive 1 = active Writing 1 will set status Writing 0 has no effect	RW	0x0
4	VPDMA_INT0_CHANNEL_GROUP4_RAW	VPDMA INT0 Channel Group4 Status Read indicates raw status 0 = inactive 1 = active Writing 1 will set status Writing 0 has no effect	RW	0x0
3	VPDMA_INT0_CHANNEL_GROUP3_RAW	VPDMA INT0 Channel Group3 Status Read indicates raw status 0 = inactive 1 = active Writing 1 will set status Writing 0 has no effect	RW	0x0
2	VPDMA_INT0_CHANNEL_GROUP2_RAW	VPDMA INT0 Channel Group2 Status Read indicates raw status 0 = inactive 1 = active Writing 1 will set status Writing 0 has no effect	RW	0x0
1	VPDMA_INT0_CHANNEL_GROUP1_RAW	VPDMA INT0 Channel Group1 Status Read indicates raw status 0 = inactive 1 = active Writing 1 will set status Writing 0 has no effect	RW	0x0
0	VPDMA_INT0_CHANNEL_GROUP0_RAW	VPDMA INT0 Channel Group0 Status Read indicates raw status 0 = inactive 1 = active Writing 1 will set status Writing 0 has no effect	RW	0x0

Table 10-353. Register Call Summary for Register VPE_INTC_INTR0_STATUS_RAW1

VPE Register Manual

- [VPE_TOP_LEVEL Register Summary: \[0\]](#)

Table 10-354. VPE_INTC_INTR0_STATUS_ENA0

Address Offset	0x0000 0028	Instance	VPE_TOP_LEVEL
Physical Address	0x489D 0028		
Description			
Type	RW		

31	30	29	28	27	26	25	24	23	22	21	20	19	18	17	16	15	14	13	12	11	10	9	8	7	6	5	4	3	2	1	0	
RESERVED																																
																DEI_FMD_INT_ENA																
																RESERVED																
																VPDMA_INT0_DESCRIPTOR_ENA																
																VPDMA_INT0_LIST7_NOTIFY_ENA																
																VPDMA_INT0_LIST7_COMPLETE_ENA																
																VPDMA_INT0_LIST6_NOTIFY_ENA																
																VPDMA_INT0_LIST6_COMPLETE_ENA																
																VPDMA_INT0_LIST5_NOTIFY_ENA																
																VPDMA_INT0_LIST5_COMPLETE_ENA																
																VPDMA_INT0_LIST4_NOTIFY_ENA																
																VPDMA_INT0_LIST4_COMPLETE_ENA																
																VPDMA_INT0_LIST3_NOTIFY_ENA																
																VPDMA_INT0_LIST3_COMPLETE_ENA																
																VPDMA_INT0_LIST2_NOTIFY_ENA																
																VPDMA_INT0_LIST2_COMPLETE_ENA																
																VPDMA_INT0_LIST1_NOTIFY_ENA																
																VPDMA_INT0_LIST1_COMPLETE_ENA																
																VPDMA_INT0_LIST0_NOTIFY_ENA																
																VPDMA_INT0_LIST0_COMPLETE_ENA																

Bits	Field Name	Description	Type	Reset
31:19	RESERVED		R	0x0
18	DEI_FMD_INT_ENA	DEI Film Mode Enabled Status Read indicates interrupt enable 0 = disabled 1 = enabled Writing 1 will set interrupt enabled Writing 0 has no effect	RW	0x0
17	RESERVED		R	0x0
16	VPDMA_INT0_DESCRIPTOR_ENA	VPDMA INT0 Descriptor Enabled Status Read indicates interrupt enable 0 = disabled 1 = enabled Writing 1 will set interrupt enabled Writing 0 has no effect	RW	0x0

Bits	Field Name	Description	Type	Reset
15	VPDMA_INT0_LIST7_NOTIFY_ENA	VPDMA INT0 List7 Notify Enabled Status Read indicates interrupt enable 0 = disabled 1 = enabled Writing 1 will set interrupt enabled Writing 0 has no effect	RW	0x0
14	VPDMA_INT0_LIST7_COMPLETE_ENA	VPDMA INT0 List7 Complete Enabled Status Read indicates interrupt enable 0 = disabled 1 = enabled Writing 1 will set interrupt enabled Writing 0 has no effect	RW	0x0
13	VPDMA_INT0_LIST6_NOTIFY_ENA	VPDMA INT0 List6 Notify Enabled Status Read indicates interrupt enable 0 = disabled 1 = enabled Writing 1 will set interrupt enabled Writing 0 has no effect	RW	0x0
12	VPDMA_INT0_LIST6_COMPLETE_ENA	VPDMA INT0 List6 Complete Enabled Status Read indicates interrupt enable 0 = disabled 1 = enabled Writing 1 will set interrupt enabled Writing 0 has no effect	RW	0x0
11	VPDMA_INT0_LIST5_NOTIFY_ENA	VPDMA INT0 List5 Notify Enabled Status Read indicates interrupt enable 0 = disabled 1 = enabled Writing 1 will set interrupt enabled Writing 0 has no effect	RW	0x0
10	VPDMA_INT0_LIST5_COMPLETE_ENA	VPDMA INT0 List5 Complete Enabled Status Read indicates interrupt enable 0 = disabled 1 = enabled Writing 1 will set interrupt enabled Writing 0 has no effect	RW	0x0
9	VPDMA_INT0_LIST4_NOTIFY_ENA	VPDMA INT0 List4 Notify Enabled Status Read indicates interrupt enable 0 = disabled 1 = enabled Writing 1 will set interrupt enabled Writing 0 has no effect	RW	0x0
8	VPDMA_INT0_LIST4_COMPLETE_ENA	VPDMA INT0 List4 Complete Enabled Status Read indicates interrupt enable 0 = disabled 1 = enabled Writing 1 will set interrupt enabled Writing 0 has no effect	RW	0x0
7	VPDMA_INT0_LIST3_NOTIFY_ENA	VPDMA INT0 List3 Notify Enabled Status Read indicates interrupt enable 0 = disabled 1 = enabled Writing 1 will set interrupt enabled Writing 0 has no effect	RW	0x0
6	VPDMA_INT0_LIST3_COMPLETE_ENA	VPDMA INT0 List3 Complete Enabled Status Read indicates interrupt enable 0 = disabled 1 = enabled Writing 1 will set interrupt enabled Writing 0 has no effect	RW	0x0
5	VPDMA_INT0_LIST2_NOTIFY_ENA	VPDMA INT0 List2 Notify Enabled Status Read indicates interrupt enable 0 = disabled 1 = enabled Writing 1 will set interrupt enabled Writing 0 has no effect	RW	0x0
4	VPDMA_INT0_LIST2_COMPLETE_ENA	VPDMA INT0 List2 Complete Enabled Status Read indicates interrupt enable 0 = disabled 1 = enabled Writing 1 will set interrupt enabled Writing 0 has no effect	RW	0x0
3	VPDMA_INT0_LIST1_NOTIFY_ENA	VPDMA INT0 List1 Notify Enabled Status Read indicates interrupt enable 0 = disabled 1 = enabled Writing 1 will set interrupt enabled Writing 0 has no effect	RW	0x0
2	VPDMA_INT0_LIST1_COMPLETE_ENA	VPDMA INT0 List1 Complete Enabled Status Read indicates interrupt enable 0 = disabled 1 = enabled Writing 1 will set interrupt enabled Writing 0 has no effect	RW	0x0
1	VPDMA_INT0_LIST0_NOTIFY_ENA	VPDMA INT0 List0 Notify Enabled Status Read indicates interrupt enable 0 = disabled 1 = enabled Writing 1 will set interrupt enabled Writing 0 has no effect	RW	0x0
0	VPDMA_INT0_LIST0_COMPLETE_ENA	VPDMA INT0 List0 Complete Enabled Status Read indicates interrupt enable 0 = disabled 1 = enabled Writing 1 will set interrupt enabled Writing 0 has no effect	RW	0x0

Table 10-355. Register Call Summary for Register VPE_INTC_INTR0_STATUS_ENA0

VPE Register Manual

- [VPE_TOP_LEVEL Register Summary: \[0\]](#)

Table 10-356. VPE_INTC_INTR0_STATUS_ENA1

Address Offset	0x0000 002C	Instance	VPE_TOP_LEVEL
Physical Address	0x489D 002C		
Description			
Type	RW		

31	30	29	28	27	26	25	24	23	22	21	20	19	18	17	16	15	14	13	12	11	10	9	8	7	6	5	4	3	2	1	0
RESERVED								VIP1_CHR_DS_1_UV_ERR_INT_ENA	RESERVED				DEI_ERROR_INT_ENA	RESERVED				VPDMA_INT0_CLIENT_ENA	RESERVED	VPDMA_INT0_CHANNEL_GROUP5_ENA	VPDMA_INT0_CHANNEL_GROUP4_ENA	VPDMA_INT0_CHANNEL_GROUP3_ENA	VPDMA_INT0_CHANNEL_GROUP2_ENA	VPDMA_INT0_CHANNEL_GROUP1_ENA	VPDMA_INT0_CHANNEL_GROUP0_ENA						

Bits	Field Name	Description	Type	Reset
31:23	RESERVED		R	0x0
22	VIP1_CHR_DS_1_UV_ERR_INT_ENA	VIP1 Chroma Downsampler 1 UV Error Enabled Interrupt Status Read indicates enabled status 0 = inactive 1 = active Writing 1 will clear interrupt Writing 0 has no effect	RW	0x0
21:17	RESERVED		RW	0x0
16	DEI_ERROR_INT_ENA	DEI Error Enabled Interrupt Status Read indicates enabled status 0 = inactive 1 = active Writing 1 will clear interrupt Writing 0 has no effect	RW	0x0
15:8	RESERVED		RW	0x0
7	VPDMA_INT0_CLIENT_ENA	VPDMA INT0 Client Enabled Status Read indicates raw status 0 = inactive 1 = active Writing 1 will set status Writing 0 has no effect	RW	0x0
6	RESERVED		RW	0x0
5	VPDMA_INT0_CHANNEL_GROUP5_ENA	VPDMA INT0 Channel Group5 Enabled Status Read indicates raw status 0 = inactive 1 = active Writing 1 will set status Writing 0 has no effect	RW	0x0
4	VPDMA_INT0_CHANNEL_GROUP4_ENA	VPDMA INT0 Channel Group4 Enabled Status Read indicates raw status 0 = inactive 1 = active Writing 1 will set status Writing 0 has no effect	RW	0x0
3	VPDMA_INT0_CHANNEL_GROUP3_ENA	VPDMA INT0 Channel Group3 Enabled Status Read indicates raw status 0 = inactive 1 = active Writing 1 will set status Writing 0 has no effect	RW	0x0
2	VPDMA_INT0_CHANNEL_GROUP2_ENA	VPDMA INT0 Channel Group3 Enabled Status Read indicates raw status 0 = inactive 1 = active Writing 1 will set status Writing 0 has no effect	RW	0x0
1	VPDMA_INT0_CHANNEL_GROUP1_ENA	VPDMA INT0 Channel Group1 Enabled Status Read indicates raw status 0 = inactive 1 = active Writing 1 will set status Writing 0 has no effect	RW	0x0

Bits	Field Name	Description	Type	Reset
0	VPDMA_INT0_CHANNEL_GROUP0_ENA	VPDMA INT0 Channel Group0 Enabled Status Read indicates raw status 0 = inactive 1 = active Writing 1 will set status Writing 0 has no effect	RW	0x0

Table 10-357. Register Call Summary for Register VPE_INTC_INTR0_STATUS_ENA1

VPE Register Manual

- [VPE_TOP_LEVEL Register Summary: \[0\]](#)

Table 10-358. VPE_INTC_INTR0_ENA_SET0

Address Offset	0x0000 0030	Instance	VPE_TOP_LEVEL
Physical Address	0x489D 0030		
Description			
Type	RW		

31	30	29	28	27	26	25	24	23	22	21	20	19	18	17	16	15	14	13	12	11	10	9	8	7	6	5	4	3	2	1	0	
RESERVED								DEI_FMD_INT_ENA_SET	RESERVED	VPDMA_INT0_DESCRIPTOR_ENA_SET	VPDMA_INT0_LIST7_NOTIFY_ENA_SET	VPDMA_INT0_LIST7_COMPLETE_ENA_SET	VPDMA_INT0_LIST6_NOTIFY_ENA_SET	VPDMA_INT0_LIST6_COMPLETE_ENA_SET	VPDMA_INT0_LIST5_NOTIFY_ENA_SET	VPDMA_INT0_LIST5_COMPLETE_ENA_SET	VPDMA_INT0_LIST4_NOTIFY_ENA_SET	VPDMA_INT0_LIST4_COMPLETE_ENA_SET	VPDMA_INT0_LIST3_NOTIFY_ENA_SET	VPDMA_INT0_LIST3_COMPLETE_ENA_SET	VPDMA_INT0_LIST2_NOTIFY_ENA_SET	VPDMA_INT0_LIST2_COMPLETE_ENA_SET	VPDMA_INT0_LIST1_NOTIFY_ENA_SET	VPDMA_INT0_LIST1_COMPLETE_ENA_SET	VPDMA_INT0_LIST0_NOTIFY_ENA_SET	VPDMA_INT0_LIST0_COMPLETE_ENA_SET						

Bits	Field Name	Description	Type	Reset
31:19	RESERVED		R	0x0
18	DEI_FMD_INT_ENA_SET	DEI Film Mode Enable/Set Read indicates interrupt enable 0 = disabled 1 = enabled Writing 1 will set interrupt enabled Writing 0 has no effect	RW	0x0
17	RESERVED		R	0x0
16	VPDMA_INT0_DESCRIPTOR_ENA_SET	VPDMA INT0 Descriptor Enable/Set Read indicates interrupt enable 0 = disabled 1 = enabled Writing 1 will set interrupt enabled Writing 0 has no effect	RW	0x0
15	VPDMA_INT0_LIST7_NOTIFY_ENA_SET	VPDMA INT0 List7 Notify Enable/Set Read indicates interrupt enable 0 = disabled 1 = enabled Writing 1 will set interrupt enabled Writing 0 has no effect	RW	0x0
14	VPDMA_INT0_LIST7_COMPLETE_ENA_SET	VPDMA INT0 List7 Complete Enable/Set Read indicates interrupt enable 0 = disabled 1 = enabled Writing 1 will set interrupt enabled Writing 0 has no effect	RW	0x0
13	VPDMA_INT0_LIST6_NOTIFY_ENA_SET	VPDMA INT0 List6 Notify Enable/Set Read indicates interrupt enable 0 = disabled 1 = enabled Writing 1 will set interrupt enabled Writing 0 has no effect	RW	0x0

Bits	Field Name	Description	Type	Reset
12	VPDMA_INT0_LIST6_COMPLETE_ENA_SET	VPDMA INT0 List6 Complete Enable/Set Read indicates interrupt enable 0 = disabled 1 = enabled Writing 1 will set interrupt enabled Writing 0 has no effect	RW	0x0
11	VPDMA_INT0_LIST5_NOTIFY_ENA_SET	VPDMA INT0 List5 Notify Enable/Set Read indicates interrupt enable 0 = disabled 1 = enabled Writing 1 will set interrupt enabled Writing 0 has no effect	RW	0x0
10	VPDMA_INT0_LIST5_COMPLETE_ENA_SET	VPDMA INT0 List5 Complete Enable/Set Read indicates interrupt enable 0 = disabled 1 = enabled Writing 1 will set interrupt enabled Writing 0 has no effect	RW	0x0
9	VPDMA_INT0_LIST4_NOTIFY_ENA_SET	VPDMA INT0 List4 Notify Enable/Set Read indicates interrupt enable 0 = disabled 1 = enabled Writing 1 will set interrupt enabled Writing 0 has no effect	RW	0x0
8	VPDMA_INT0_LIST4_COMPLETE_ENA_SET	VPDMA INT0 List4 Complete Enable/Set Read indicates interrupt enable 0 = disabled 1 = enabled Writing 1 will set interrupt enabled Writing 0 has no effect	RW	0x0
7	VPDMA_INT0_LIST3_NOTIFY_ENA_SET	VPDMA INT0 List3 Notify Enable/Set Read indicates interrupt enable 0 = disabled 1 = enabled Writing 1 will set interrupt enabled Writing 0 has no effect	RW	0x0
6	VPDMA_INT0_LIST3_COMPLETE_ENA_SET	VPDMA INT0 List3 Complete Enable/Set Read indicates interrupt enable 0 = disabled 1 = enabled Writing 1 will set interrupt enabled Writing 0 has no effect	RW	0x0
5	VPDMA_INT0_LIST2_NOTIFY_ENA_SET	VPDMA INT0 List2 Notify Enable/Set Read indicates interrupt enable 0 = disabled 1 = enabled Writing 1 will set interrupt enabled Writing 0 has no effect	RW	0x0
4	VPDMA_INT0_LIST2_COMPLETE_ENA_SET	VPDMA INT0 List2 Complete Enable/Set Read indicates interrupt enable 0 = disabled 1 = enabled Writing 1 will set interrupt enabled Writing 0 has no effect	RW	0x0
3	VPDMA_INT0_LIST1_NOTIFY_ENA_SET	VPDMA INT0 List1 Notify Enable/Set Read indicates interrupt enable 0 = disabled 1 = enabled Writing 1 will set interrupt enabled Writing 0 has no effect	RW	0x0
2	VPDMA_INT0_LIST1_COMPLETE_ENA_SET	VPDMA INT0 List1 Complete Enable/Set Read indicates interrupt enable 0 = disabled 1 = enabled Writing 1 will set interrupt enabled Writing 0 has no effect	RW	0x0
1	VPDMA_INT0_LIST0_NOTIFY_ENA_SET	VPDMA INT0 List0 Notify Enable/Set Read indicates interrupt enable 0 = disabled 1 = enabled Writing 1 will set interrupt enabled Writing 0 has no effect	RW	0x0
0	VPDMA_INT0_LIST0_COMPLETE_ENA_SET	VPDMA INT0 List0 Complete Enable/Set Read indicates interrupt enable 0 = disabled 1 = enabled Writing 1 will set interrupt enabled Writing 0 has no effect	RW	0x0

Table 10-359. Register Call Summary for Register VPE_INTC_INTR0_ENA_SET0

VPE Register Manual

- [VPE_TOP_LEVEL Register Summary: \[0\]](#)

Table 10-360. VPE_INTC_INTR0_ENA_SET1

Address Offset	0x0000 0034	Instance	VPE_TOP_LEVEL
Physical Address	0x489D 0034		
Description			
Type	RW		

31	30	29	28	27	26	25	24	23	22	21	20	19	18	17	16	15	14	13	12	11	10	9	8	7	6	5	4	3	2	1	0		
RESERVED								VIP1_CHR_DS_1_UV_ERR_INT_ENA_SET	RESERVED								DEI_ERROR_INT_ENA_SET	RESERVED								VPDMA_INT0_CLIENT_ENA_SET	RESERVED	VPDMA_INT0_CHANNEL_GROUP5_ENA_SET	VPDMA_INT0_CHANNEL_GROUP4_ENA_SET	VPDMA_INT0_CHANNEL_GROUP3_ENA_SET	VPDMA_INT0_CHANNEL_GROUP2_ENA_SET	VPDMA_INT0_CHANNEL_GROUP1_ENA_SET	VPDMA_INT0_CHANNEL_GROUP0_ENA_SET

Bits	Field Name	Description	Type	Reset
31:23	RESERVED		R	0x0
22	VIP1_CHR_DS_1_UV_ERR_INT_ENA_SET	VIP1 Chroma Downsampler 1 UV Error Enable/Set Read indicates interrupt enable 0 = disabled 1 = enabled Writing 1 will set interrupt enabled Writing 0 has no effect	RW	0x0
21:17	RESERVED		R	0x0
16	DEI_ERROR_INT_ENA_SET	DEI Error Enable/Set Read indicates interrupt enable 0 = disabled 1 = enabled Writing 1 will set interrupt enabled Writing 0 has no effect	RW	0x0
15:8	RESERVED		RW	0x0
7	VPDMA_INT0_CLIENT_ENA_SET	VPDMA INT0 Client Enable/Set Read indicates interrupt enable 0 = disabled 1 = enabled Writing 1 will set interrupt enabled Writing 0 has no effect	RW	0x0
6	RESERVED		R	0x0
5	VPDMA_INT0_CHANNEL_GROUP5_ENA_SET	VPDMA INT0 Channel Group5 Enable/Set Read indicates interrupt enable 0 = disabled 1 = enabled Writing 1 will set interrupt enabled Writing 0 has no effect	RW	0x0
4	VPDMA_INT0_CHANNEL_GROUP4_ENA_SET	VPDMA INT0 Channel Group4 Enable/Set Read indicates interrupt enable 0 = disabled 1 = enabled Writing 1 will set interrupt enabled Writing 0 has no effect	RW	0x0
3	VPDMA_INT0_CHANNEL_GROUP3_ENA_SET	VPDMA INT0 Channel Group3 Enable/Set Read indicates interrupt enable 0 = disabled 1 = enabled Writing 1 will set interrupt enabled Writing 0 has no effect	RW	0x0
2	VPDMA_INT0_CHANNEL_GROUP2_ENA_SET	VPDMA INT0 Channel Group2 Enable/Set Read indicates interrupt enable 0 = disabled 1 = enabled Writing 1 will set interrupt enabled Writing 0 has no effect	RW	0x0
1	VPDMA_INT0_CHANNEL_GROUP1_ENA_SET	VPDMA INT0 Channel Group1 Enable/Set Read indicates interrupt enable 0 = disabled 1 = enabled Writing 1 will set interrupt enabled Writing 0 has no effect	RW	0x0

Bits	Field Name	Description	Type	Reset
0	VPDMA_INT0_CHANNEL_GROUP0_ENA_SET	VPDMA INT0 Channel Group0 Enable/Set Read indicates interrupt enable 0 = disabled 1 = enabled Writing 1 will set interrupt enabled Writing 0 has no effect	RW	0x0

Table 10-361. Register Call Summary for Register VPE_INTC_INTR0_ENA_SET1

VPE Register Manual

- [VPE_TOP_LEVEL Register Summary: \[0\]](#)

Table 10-362. VPE_INTC_INTR0_ENA_CLR0

Address Offset	0x0000 0038	Instance	VPE_TOP_LEVEL
Physical Address	0x489D 0038		
Description			
Type	RW		

31	30	29	28	27	26	25	24	23	22	21	20	19	18	17	16	15	14	13	12	11	10	9	8	7	6	5	4	3	2	1	0																								
RESERVED																		DEI_FMD_INT_ENA_CLR		RESERVED		VPDMA_INT0_DESCRIPTOR_ENA_CLR		VPDMA_INT0_LIST7_NOTIFY_ENA_CLR		VPDMA_INT0_LIST7_COMPLETE_ENA_CLR		VPDMA_INT0_LIST6_NOTIFY_ENA_CLR		VPDMA_INT0_LIST6_COMPLETE_ENA_CLR		VPDMA_INT0_LIST5_NOTIFY_ENA_CLR		VPDMA_INT0_LIST5_COMPLETE_ENA_CLR		VPDMA_INT0_LIST4_NOTIFY_ENA_CLR		VPDMA_INT0_LIST4_COMPLETE_ENA_CLR		VPDMA_INT0_LIST3_NOTIFY_ENA_CLR		VPDMA_INT0_LIST3_COMPLETE_ENA_CLR		VPDMA_INT0_LIST2_NOTIFY_ENA_CLR		VPDMA_INT0_LIST2_COMPLETE_ENA_CLR		VPDMA_INT0_LIST1_NOTIFY_ENA_CLR		VPDMA_INT0_LIST1_COMPLETE_ENA_CLR		VPDMA_INT0_LIST0_NOTIFY_ENA_CLR		VPDMA_INT0_LIST0_COMPLETE_ENA_CLR	

Bits	Field Name	Description	Type	Reset
31:19	RESERVED		R	0x0
18	DEI_FMD_INT_ENA_CLR	DEI Film Mode Enable/Clear Read indicates interrupt enable 0 = disabled 1 = enabled Writing 1 will clear interrupt enabled Writing 0 has no effect	RW	0x0
17	RESERVED		R	0x0
16	VPDMA_INT0_DESCRIPTOR_ENA_CLR	VPDMA INT0 Descriptor Enable/Clear Read indicates interrupt enable 0 = disabled 1 = enabled Writing 1 will clear interrupt enabled Writing 0 has no effect	RW	0x0
15	VPDMA_INT0_LIST7_NOTIFY_ENA_CLR	VPDMA INT0 List7 Notify Enable/Clear Read indicates interrupt enable 0 = disabled 1 = enabled Writing 1 will clear interrupt enabled Writing 0 has no effect	RW	0x0
14	VPDMA_INT0_LIST7_COMPLETE_ENA_CLR	VPDMA INT0 List7 Complete Enable/Clear Read indicates interrupt enable 0 = disabled 1 = enabled Writing 1 will clear interrupt enabled Writing 0 has no effect	RW	0x0
13	VPDMA_INT0_LIST6_NOTIFY_ENA_CLR	VPDMA INT0 List6 Notify Enable/Clear Read indicates interrupt enable 0 = disabled 1 = enabled Writing 1 will clear interrupt enabled Writing 0 has no effect	RW	0x0

Bits	Field Name	Description	Type	Reset
12	VPDMA_INT0_LIST6_COMPLETE_ENA_CLR	VPDMA INT0 List6 Complete Enable/Clear Read indicates interrupt enable 0 = disabled 1 = enabled Writing 1 will clear interrupt enabled Writing 0 has no effect	RW	0x0
11	VPDMA_INT0_LIST5_NOTIFY_ENA_CLR	VPDMA INT0 List5 Notify Enable/Clear Read indicates interrupt enable 0 = disabled 1 = enabled Writing 1 will clear interrupt enabled Writing 0 has no effect	RW	0x0
10	VPDMA_INT0_LIST5_COMPLETE_ENA_CLR	VPDMA INT0 List5 Complete Enable/Clear Read indicates interrupt enable 0 = disabled 1 = enabled Writing 1 will clear interrupt enabled Writing 0 has no effect	RW	0x0
9	VPDMA_INT0_LIST4_NOTIFY_ENA_CLR	VPDMA INT0 List4 Notify Enable/Clear Read indicates interrupt enable 0 = disabled 1 = enabled Writing 1 will clear interrupt enabled Writing 0 has no effect	RW	0x0
8	VPDMA_INT0_LIST4_COMPLETE_ENA_CLR	VPDMA INT0 List4 Complete Enable/Clear Read indicates interrupt enable 0 = disabled 1 = enabled Writing 1 will clear interrupt enabled Writing 0 has no effect	RW	0x0
7	VPDMA_INT0_LIST3_NOTIFY_ENA_CLR	VPDMA INT0 List3 Notify Enable/Clear Read indicates interrupt enable 0 = disabled 1 = enabled Writing 1 will clear interrupt enabled Writing 0 has no effect	RW	0x0
6	VPDMA_INT0_LIST3_COMPLETE_ENA_CLR	VPDMA INT0 List3 Complete Enable/Clear Read indicates interrupt enable 0 = disabled 1 = enabled Writing 1 will clear interrupt enabled Writing 0 has no effect	RW	0x0
5	VPDMA_INT0_LIST2_NOTIFY_ENA_CLR	VPDMA INT0 List2 Notify Enable/Clear Read indicates interrupt enable 0 = disabled 1 = enabled Writing 1 will clear interrupt enabled Writing 0 has no effect	RW	0x0
4	VPDMA_INT0_LIST2_COMPLETE_ENA_CLR	VPDMA INT0 List2 Complete Enable/Clear Read indicates interrupt enable 0 = disabled 1 = enabled Writing 1 will clear interrupt enabled Writing 0 has no effect	RW	0x0
3	VPDMA_INT0_LIST1_NOTIFY_ENA_CLR	VPDMA INT0 List1 Notify Enable/Clear Read indicates interrupt enable 0 = disabled 1 = enabled Writing 1 will clear interrupt enabled Writing 0 has no effect	RW	0x0
2	VPDMA_INT0_LIST1_COMPLETE_ENA_CLR	VPDMA INT0 List1 Complete Enable/Clear Read indicates interrupt enable 0 = disabled 1 = enabled Writing 1 will clear interrupt enabled Writing 0 has no effect	RW	0x0
1	VPDMA_INT0_LIST0_NOTIFY_ENA_CLR	VPDMA INT0 List0 Notify Enable/Clear Read indicates interrupt enable 0 = disabled 1 = enabled Writing 1 will clear interrupt enabled Writing 0 has no effect	RW	0x0
0	VPDMA_INT0_LIST0_COMPLETE_ENA_CLR	VPDMA INT0 List0 Complete Enable/Clear Read indicates interrupt enable 0 = disabled 1 = enabled Writing 1 will clear interrupt enabled Writing 0 has no effect	RW	0x0

Table 10-363. Register Call Summary for Register VPE_INTC_INTR0_ENA_CLR0

VPE Register Manual

- [VPE_TOP_LEVEL Register Summary: \[0\]](#)

Table 10-364. VPE_INT0_INTR0_ENA_CLR1

Address Offset	0x0000 003C	Instance	VPE_TOP_LEVEL
Physical Address	0x489D 003C		
Description			
Type	RW		

31	30	29	28	27	26	25	24	23	22	21	20	19	18	17	16	15	14	13	12	11	10	9	8	7	6	5	4	3	2	1	0		
RESERVED								VIP1_CHR_DS_1_UV_ERR_INT_ENA_CLR	RESERVED								DEI_ERROR_INT_ENA_CLR	RESERVED								VPDMA_INT0_CLIENT_ENA_CLR	RESERVED	VPDMA_INT0_CHANNEL_GROUP5_ENA_CLR	VPDMA_INT0_CHANNEL_GROUP4_ENA_CLR	VPDMA_INT0_CHANNEL_GROUP3_ENA_CLR	VPDMA_INT0_CHANNEL_GROUP2_ENA_CLR	VPDMA_INT0_CHANNEL_GROUP1_ENA_CLR	VPDMA_INT0_CHANNEL_GROUP0_ENA_CLR

Bits	Field Name	Description	Type	Reset
31:23	RESERVED		R	0x0
22	VIP1_CHR_DS_1_UV_ERR_INT_ENA_CLR	VIP1 Chroma Downsampler 1 UV Error Enable/Clear Read indicates interrupt enable 0 = disabled 1 = enabled Writing 1 will clear interrupt enabled Writing 0 has no effect	RW	0x0
21:17	RESERVED		R	0x0
16	DEI_ERROR_INT_ENA_CLR	DEI Error Enable/Clear Read indicates interrupt enable 0 = disabled 1 = enabled Writing 1 will clear interrupt enabled Writing 0 has no effect	RW	0x0
15:8	RESERVED		RW	0x0
7	VPDMA_INT0_CLIENT_ENA_CLR	VPDMA INT0 Client Enable/Clear Read indicates interrupt enable 0 = disabled 1 = enabled Writing 1 will clear interrupt enabled Writing 0 has no effect	RW	0x0
6	RESERVED		R	0x0
5	VPDMA_INT0_CHANNEL_GROUP5_ENA_CLR	VPDMA INT0 Channel Group5 Enable/Clear Read indicates interrupt enable 0 = disabled 1 = enabled Writing 1 will clear interrupt enabled Writing 0 has no effect	RW	0x0
4	VPDMA_INT0_CHANNEL_GROUP4_ENA_CLR	VPDMA INT0 Channel Group4 Enable/Clear Read indicates interrupt enable 0 = disabled 1 = enabled Writing 1 will clear interrupt enabled Writing 0 has no effect	RW	0x0
3	VPDMA_INT0_CHANNEL_GROUP3_ENA_CLR	VPDMA INT0 Channel Group3 Enable/Clear Read indicates interrupt enable 0 = disabled 1 = enabled Writing 1 will clear interrupt enabled Writing 0 has no effect	RW	0x0
2	VPDMA_INT0_CHANNEL_GROUP2_ENA_CLR	VPDMA INT0 Channel Group2 Enable/Clear Read indicates interrupt enable 0 = disabled 1 = enabled Writing 1 will clear interrupt enabled Writing 0 has no effect	RW	0x0
1	VPDMA_INT0_CHANNEL_GROUP1_ENA_CLR	VPDMA INT0 Channel Group1 Enable/Clear Read indicates interrupt enable 0 = disabled 1 = enabled Writing 1 will clear interrupt enabled Writing 0 has no effect	RW	0x0

Bits	Field Name	Description	Type	Reset
0	VPDMA_INT0_CHANNEL_GROUP0_ENA_CLR	VPDMA INT0 Channel Group0 Enable/Clear Read indicates interrupt enable 0 = disabled 1 = enabled Writing 1 will clear interrupt enabled Writing 0 has no effect	RW	0x0

Table 10-365. Register Call Summary for Register VPE_INTC_INTR0_ENA_CLR1

VPE Register Manual

- [VPE_TOP_LEVEL Register Summary: \[0\]](#)

Table 10-366. VPE_INTC_EOI

Address Offset	0x0000 00A0	Instance	VPE_TOP_LEVEL
Physical Address	0x489D 00A0		
Description	INTC EOI Register. This register contains the EOI vector register contents as defined by HL0.8		
Type	RW		

31	30	29	28	27	26	25	24	23	22	21	20	19	18	17	16	15	14	13	12	11	10	9	8	7	6	5	4	3	2	1	0
EOI_VECTOR																															

Bits	Field Name	Description	Type	Reset
31:0	EOI_VECTOR	Number associated with the ipgenericirq for intr output. There are 4 interrupt outputs: 0x0 : Write to intr0 IP Generic 0x1 : Write to intr1 IP Generic 0x2 : Write to intr2 IP Generic 0x3 : Write to intr3 IP Generic Any other write value is ignored.	RW	0x0

Table 10-367. Register Call Summary for Register VPE_INTC_EOI

VPE Register Manual

- [VPE_TOP_LEVEL Register Summary: \[0\]](#)

Table 10-368. VPE_CLKC_CLKEN

Address Offset	0x0000 0100	Instance	VPE_TOP_LEVEL
Physical Address	0x489D 0100		
Description			
Type	RW		

31	30	29	28	27	26	25	24	23	22	21	20	19	18	17	16	15	14	13	12	11	10	9	8	7	6	5	4	3	2	1	0
RESERVED																														PRIM_DP_EN	VPDMA_EN

Bits	Field Name	Description	Type	Reset
31:2	RESERVED		R	0x0
1	PRIM_DP_EN	Primary Video Data Path Clock Enable 0x0 : Clock Disabled 0x1 : Clock Enabled	RW	0x0
0	VPDMA_EN	VPDMA Clock Enable 0x0 : Clock Disabled 0x1 : Clock Enabled	RW	0x0

Table 10-369. Register Call Summary for Register VPE_CLKC_CLKEN

VPE Functional Description

- [VPE Clocks: \[0\]\[1\]](#)

VPE Register Manual

- [VPE_TOP_LEVEL Register Summary: \[2\]](#)

Table 10-370. VPE_CLKC_RST

Address Offset	0x0000 0104	Instance	VPE_TOP_LEVEL
Physical Address	0x489D 0104		
Description			
Type	RW		

31	30	29	28	27	26	25	24	23	22	21	20	19	18	17	16	15	14	13	12	11	10	9	8	7	6	5	4	3	2	1	0
MAIN_RST	RESERVED																										PRIM_DP_RST	VPDMA_RST			

Bits	Field Name	Description	Type	Reset
31	MAIN_RST	Reset for entire data path in VPE0	RW	0x0
30:2	RESERVED		R	0x0
1	PRIM_DP_RST	Primary Video Data Path Reset	RW	0x0
0	VPDMA_RST	VPDMA Reset	RW	0x0

Table 10-371. Register Call Summary for Register VPE_CLKC_RST

VPE Functional Description

- [VPE Software Reset: \[0\]\[1\]](#)

VPE Register Manual

- [VPE_TOP_LEVEL Register Summary: \[2\]](#)

Table 10-372. VPE_CLKC_DPS

Address Offset	0x0000 010C	Instance	VPE_TOP_LEVEL
Physical Address	0x489D 010C		
Description			
Type	RW		

31	30	29	28	27	26	25	24	23	22	21	20	19	18	17	16	15	14	13	12	11	10	9	8	7	6	5	4	3	2	1	0
RESERVED													COLOR_SEPARATE_422	CHR_DS_BYPASS	RESERVED				CHR_DS_SRC_SELECT	RGB_OUT_SELECT	RESERVED				CSC_SRC_SELECT						

Bits	Field Name	Description	Type	Reset
31:19	RESERVED		R	0x0
18	COLOR_SEPARATE_422	422 Color Separate Select 0x0 : 422 output will be 16 bit interleaved (YCbCr) 0x1 : 422 output will be 8 bit coplanar (Y, CbCr) This bit controls whether 422 output will be color separate or interleaved. This bit only applies IF chr_ds_bypass is 1 (means 422 output, not 420) and rgb_out_select is 0 (means 422 output, not RGB or 444). 420 is always coplanar, so this only applies if the output type is 422.	RW	0x0
17	RESERVED		R	0x0
16	CHR_DS_BYPASS	Chroma Downsampler Bypass 0x0 : Chroma Downsampler selected 0x1 : Chroma Downsampler Bypassed Chroma Downsampler Bypassed means the output format from VPE0 will be 422 data. Selected means the output format will be 420. This bit is only applicable if rgb_out_select is 0. It is a don't care if rgb_out_select is 1.	RW	0x0
15:12	RESERVED		R	0x0
11:9	CHR_DS_SRC_SELECT	Chroma Downsampler Source Select 000 : Path Disabled (no input to CHR_DS) 001 : Reserved (Path Disabled) 010 : Reserved (Path Disabled) 011 : Reserved (Path Disabled) 100 : Reserved (Path Disabled) 101 : Source from DEI Scaler (422) 110 : Reserved (Path Disabled) 111 : Reserved (Path Disabled)	RW	0x0
8	RGB_OUT_SELECT	RGB Output Select 0x0 : Output Type is 420/422 0x1 : Output Type is RGB/444	RW	0x0
7:3	RESERVED		R	0x0
2:0	CSC_SRC_SELECT	CSC Source Select: 000 : Path Disabled 001 : Reserved (Path Disabled) 010 : Reserved (Path Disabled) 011 : Source from DEI Scaler (422) 100 : Reserved (Path Disabled) 101 : Reserved (Path Disabled) 110 : Reserved (Path Disabled) 111 : Reserved (Path Disabled)	RW	0x0

Table 10-373. Register Call Summary for Register VPE_CLKC_DPS

VPE Register Manual

- [VPE_TOP_LEVEL Register Summary: \[0\]](#)

Table 10-374. VPE_RANGE_MAP

Address Offset	0x0000 011C	Instance	VPE_TOP_LEVEL
Physical Address	0x489D 011C		
Description			
Type	RW		

31	30	29	28	27	26	25	24	23	22	21	20	19	18	17	16	15	14	13	12	11	10	9	8	7	6	5	4	3	2	1	0
RESERVED				RANGE_REDUCTION_PRIM_ON	RESERVED												RANGE_MAP_PRIM_ON	RANGE_MAPUV_PRIM			RANGE_MAPY_PRIM										

Bits	Field Name	Description	Type	Reset
31:29	RESERVED		R	0x0
28	RANGE_REDUCTION_PRIM_ON	Range Reduction ON for Primary input	RW	0x0
27:7	RESERVED		R	0x0
6	RANGE_MAP_PRIM_ON	Range Mapping ON for Primary input	RW	0x0
5:3	RANGE_MAPUV_PRIM	Range Map UV for Primary input	RW	0x0
2:0	RANGE_MAPY_PRIM	Range Map Y for Primary input	RW	0x0

Table 10-375. Register Call Summary for Register VPE_RANGE_MAP

VPE Register Manual

- [VPE_TOP_LEVEL Register Summary: \[0\]](#)

Display Subsystem

This chapter describes the display subsystem for the device.

NOTE: This chapter describes a module (subsystem) in the superset device. The availability is device part number dependent. Refer to device Data Manual, for more information.

NOTE: All the Display and HDMI features described in this chapter may not be supported in software. For example, 3D-frame packing is not supported. Refer to the software development kit (SDK) for which Display and HDMI features are supported.

Topic	Page
11.1 Display Subsystem Overview	2610
11.2 Display Controller	2665
11.3 High-Definition Multimedia Interface	2947

11.1 Display Subsystem Overview

The Display Subsystem (DSS) provides the logic to display a video frame from the system memory frame buffer on a liquid-crystal display (LCD) panel or TV set.

The display subsystem can display different pictures simultaneously by using three LCD outputs (LCD1, LCD2, and LCD3), in addition to a TV output.

All three LCD outputs are available on three parallel interfaces (DPI1, DPI2, and DPI3), providing support for MIPI DPI 2.0, or BT-656 or BT-1120.

NOTE: LCD1 / DPI1 (VOUT1) is not supported on the AM570x family of devices.

The TV output is available on one of the following interfaces

- High-Definition Multimedia Interface (HDMI)
- DPI1 parallel interface

The modules integrated in the display subsystem are:

- Display controller (DISPC):
 - One direct memory access (DMA) engine
 - One graphics pipeline (GFX), three video (VID) pipelines, and one write-back (WB) pipeline
 - Three LCD outputs and one TV output, each with a dedicated overlay manager
- HDMI protocol engine:
 - HDMI 1.4a support up to 1080p@60Hz (including 3D frame-packing support)
 - 36-bit RGB color
 - HDCP 1.4 key protection
 - Deep color mode support (10-bit/12-bit for 148.5-MHz pixel clock)

The necessary video phase-locked loops (PLLs) with their corresponding control modules, and the physical layer (PHY) for HDMI are outside the display subsystem. The video PLLs allow independent display outputs at different frequencies. The supported PLLs and PHY are:

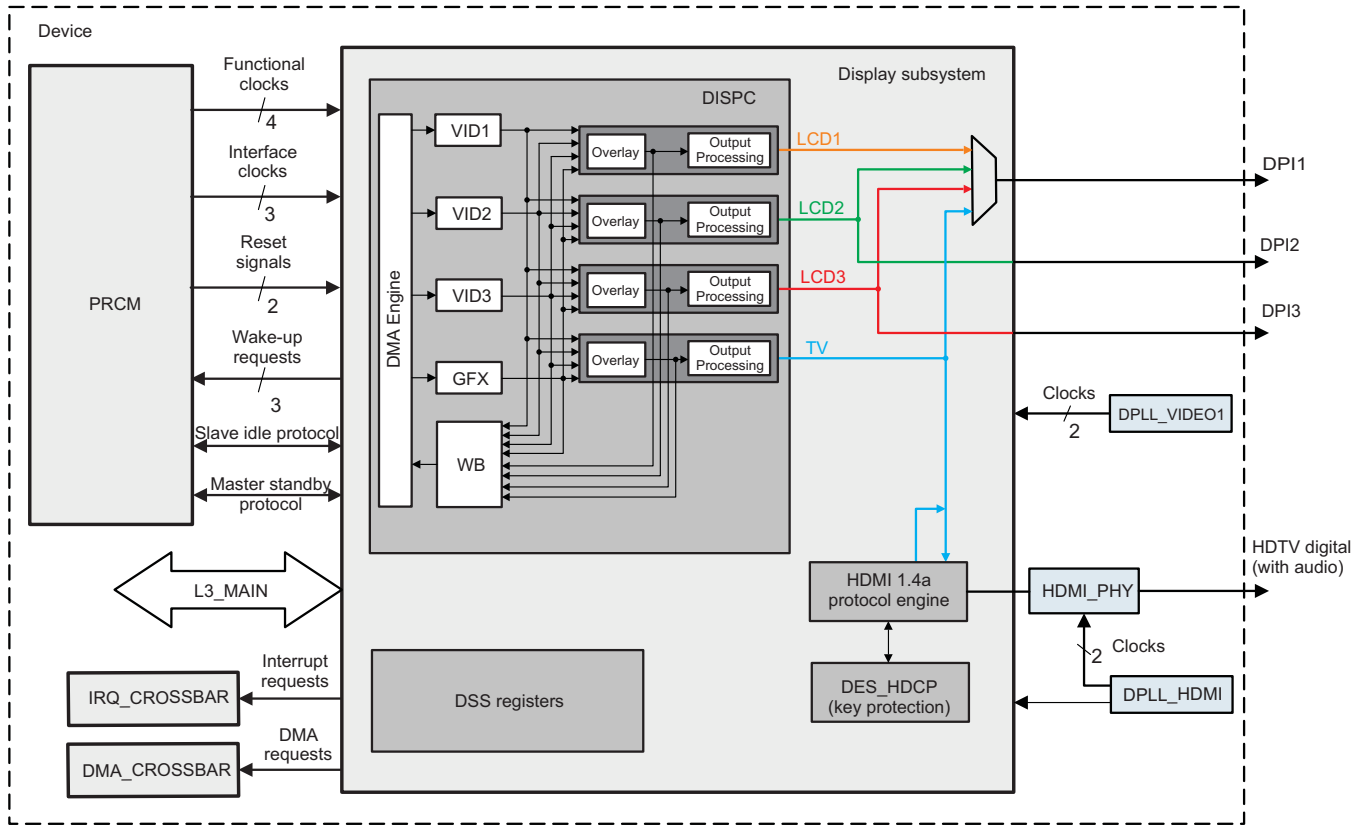
- DPLL_HDMI / HDMI_PHY
- DPLL_VIDEO1

To ensure efficient bandwidth, the display subsystem integrates a connection between the device L3_MAIN interconnect and the DISPC to exchange data with synchronous dynamic random access memory (SDRAM) using the DISPC DMA engine. The same connection is also used for configuration.

NOTE: All the Display and HDMI features described in this chapter may not be supported in software. For example, 3D-frame packing is not supported. Refer to the software development kit (SDK) for which Display and HDMI features are supported.

Figure 11-1 is a high-level diagram of the display subsystem.

Figure 11-1. Display Subsystem Overview



dss-001

NOTE: LCD1 / DPI1 (VOUT1) is not supported on the AM570x family of devices.

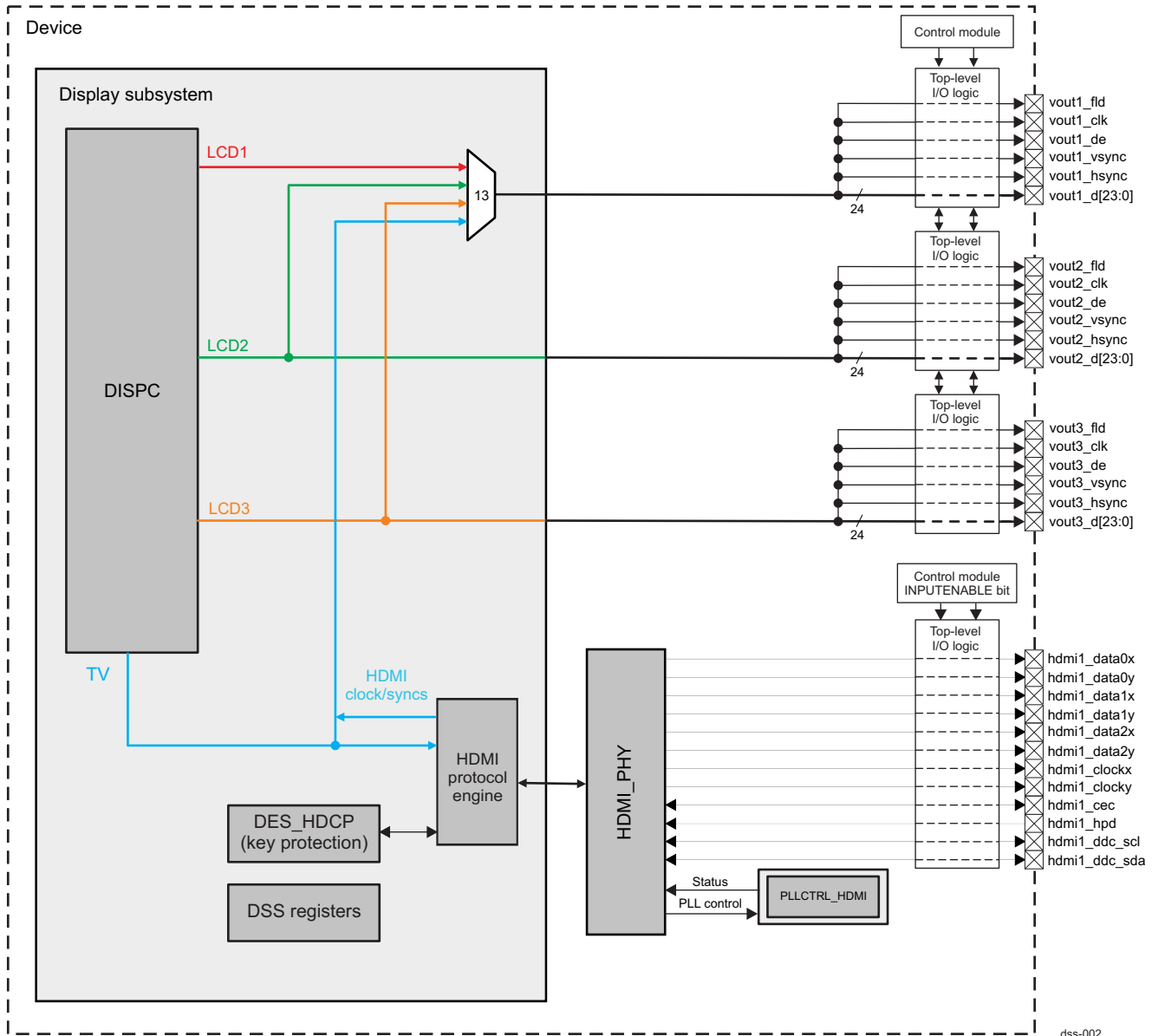
11.1.1 Display Subsystem Environment

This section describes the various outputs handled by the display subsystem:

- LCD support
- TV display support

Figure 11-2 is a diagram of the display subsystem environment.

Figure 11-2. Display Subsystem Environment



dss-002

NOTE: The path from a module pin to device pad(s) is defined at the device I/O logic level. The I/O logic maps the module signals to the different pads of the device and is programmable in the control module registers and dedicated IP registers. For more information, see [Section 18.4.6.1.1 Pad Configuration Registers](#) in [Chapter 18, Control Module](#).

NOTE: LCD1 / DPI1 (VOUT1) is not supported on the AM570x family of devices.

11.1.1.1 Display Subsystem LCD Support

LCD panels can be connected to the display subsystem of the device using DPI1, DPI2, and/or DPI3 parallel interfaces.

11.1.1.1 Display Subsystem LCD with Parallel Interfaces

Using parallel output mode, the module on the display subsystem processing path is DISPC.

In synchronous parallel interface, the required data and control signals are provided directly to external MIPI DPI 2.0, or BT-656 or BT-1120 compatible parallel panels.

The DISPC is connected to the system memory through the device L3_MAIN interconnect and uses its own DMA engine (with embedded FIFO) to read data from the system memory. For more details, see [Section 11.2.1, Display Controller](#).

All three DISPC LCD outputs are available for DSS DPI1 output, with selection done through the [DSS_CTRL\[17:16\] PARALLEL_SEL](#) bit field (multiplexer 13 in [Figure 11-2](#)). DSS DPI2 and DPI3 outputs are hardwired to DISPC LCD2 and LCD3 outputs.

[Table 11-1](#) to [Table 11-3](#) lists the outgoing display subsystem signals on the device boundary pads.

Table 11-1. Display Subsystem DPI1 Interface Signals Mapping

Signal Names at Device Pads (See Figure 11-2)	DSS_CTRL[17:16] PARALLEL_SEL = 1, 2, or 3 DISPC LCDx Channel Out (pixel data, clock, syncs) (where x = 1, 2, or 3)
vout1_fid	DISPC_LCDx_FID
vout1_clk	DISPC_LCDx_PCLK
vout1_de	DISPC_LCDx_DE
vout1_vsync	DISPC_LCDx_VSYNC
vout1_hsync	DISPC_LCDx_HSYNC
vout1_d[23:0]	DISPC_LCDx_DATA[23:0]

NOTE: By default, [DSS_CTRL\[17:16\] PARALLEL_SEL](#) = 0x0, and DISPC TV data and HDMI clk/sync signals are output on DPI1 interface pins. Software must program the [PARALLEL_SEL](#) bit-field to value other than 0x0, in order DISPC LCD data and clk/sync signals to be output on DPI1 interface pins.

NOTE: LCD1 / DPI1 (VOUT1) is not supported on the AM570x family of devices.

Table 11-2. Display Subsystem DPI2 Interface Signals Mapping

Signal Names at Device Pads (See Figure 11-2)	DISPC LCD2 Channel Out (pixel data, clock, syncs)
vout2_fid	DISPC_LCD2_FID
vout2_clk	DISPC_LCD2_PCLK
vout2_de	DISPC_LCD2_DE
vout2_vsync	DISPC_LCD2_VSYNC
vout2_hsync	DISPC_LCD2_HSYNC
vout2_d[23:0]	DISPC_LCD2_DATA[23:0]

Table 11-3. Display Subsystem DPI3 Interface Signals Mapping

Signal Names at Device Pads (See Figure 11-2)	DISPC LCD3 Channel Out (pixel data, clock, syncs)
vout3_fid	DISPC_LCD3_FID
vout3_clk	DISPC_LCD3_PCLK
vout3_de	DISPC_LCD3_DE
vout3_vsync	DISPC_LCD3_VSYNC
vout3_hsync	DISPC_LCD3_HSYNC

Table 11-3. Display Subsystem DPI3 Interface Signals Mapping (continued)

Signal Names at Device Pads (See Figure 11-2)	DISPC LCD3 Channel Out (pixel data, clock, syncs)
vout3_d[23:0]	DISPC_LCD3_DATA[23:0]

For more details on LCD output pixel data formats for the parallel interface, see [Section 11.2 DISPC Environment](#), in *Display Controller*.

11.1.1.2 Display Subsystem TV Display Support

When TV data flow is needed from the display subsystem, the DPI1 output or HDMI output can be used.

11.1.1.2.1 Display Subsystem TV With Parallel Interfaces

In synchronous parallel interface configuration, the required data is provided by the DISPC TV output, and control signals are provided by the HDMI module. Then they are merged and provided to the DPI1 output.

This configuration option is available and can be selected through the [DSS_CTRL\[17:16\] PARALLEL_SEL](#) bit field (multiplexer 13 in [Figure 11-4](#)).

[Table 11-4](#) lists the outgoing display subsystem signals on the device boundary pads.

Table 11-4. Display Subsystem TV Parallel Interface Signals Mapping

Signal Names at Device Pads (See Figure 11-2)	DSS_CTRL[17:16] PARALLEL_SEL = 0 DISPC TV Channel Out (pixel data) HDMI (pixel clock, syncs)
vout1_fid	HDMI_M_FID
vout1_clk	DSS_HDMI_PCLK
vout1_de	HDMI_M_DE
vout1_vsync	HDMI_M_VS
vout1_hsync	HDMI_M_HS
vout1_d[23:0]	DISPC_TV_DATA[29:0]

NOTE: LCD1 / DPI1 (VOUT1) is not supported on the AM570x family of devices.

For more details on TV output pixel data formats for the parallel interface, see [Section 11.2.2 DISPC Environment](#), in [Section 11.2.1 Display Controller](#).

11.1.1.2.2 Display Subsystem TV With Serial Interfaces

In serial interface configuration, the HDMI module is used. The DISPC, HDMI, DES_HDCP, and the associated HDMI PHY module are used in the data path. The HDMI module converts the RGB video into standard high-definition digital video format. The HDMI module has a dedicated PLL, which can multiply the pixel clock by an appropriate factor. The data is transmitted on three differential data pairs and an additional clock pair.

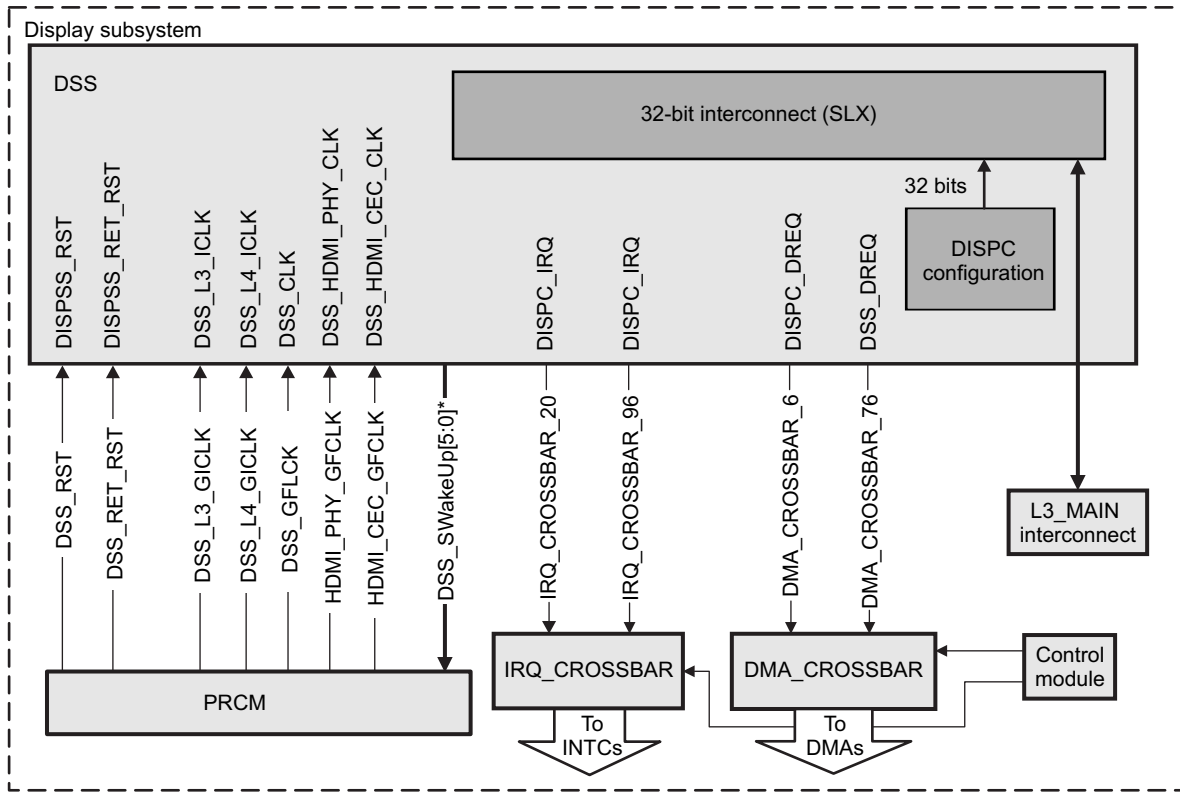
For more details, see [Section 11.3](#), in *High-Definition Multimedia Interface*.

11.1.2 Display Subsystem Integration

This section describes the integration of the display subsystem module in the device, including information about clocks, resets, and hardware requests.

[Figure 11-3](#) shows the integration of the display subsystem in the device.

Figure 11-3. Display Subsystem Integration



* Generic names, refer to appropriate subsection for details dss-003

Table 11-5. Display Subsystem Hardware Requests

Interrupt Requests				
Module Instance	Source Signal Name	Destination IRQ_CROSSBAR Input	Default Mapping	Description
DISPC	DISPC_IRQ	IRQ_CROSSBAR_20	MPU_IRQ_25 DSP1_IRQ_58 PRUSS1_IRQ_51 PRUSS2_IRQ_51 IPU1_IRQ_26 IPU2_IRQ_26	DISPC interrupt requests.
HDMI	HDMI_IRQ	IRQ_CROSSBAR_96	MPU_IRQ_101 IPU1_IRQ_26 IPU2_IRQ_26	HDMI interrupt requests.
DMA Requests				
Module Instance	Source Signal Name	Destination DMA_CROSSBAR Input	Default Mapping	Description
DISPC	DISPC_DREQ	DMA_CROSSBAR_6	DMA_EDMA_DREQ_5 DMA_SYSTEM_DREQ_5	The line trigger signal to synchronize a memory-to-memory logical channel in the DMA is generated by the DISPC IP.
HDMI	DSS_DREQ	DMA_CROSSBAR_76	DMA_SYSTEM_DREQ_75	Display subsystem HDMI audio DMA request

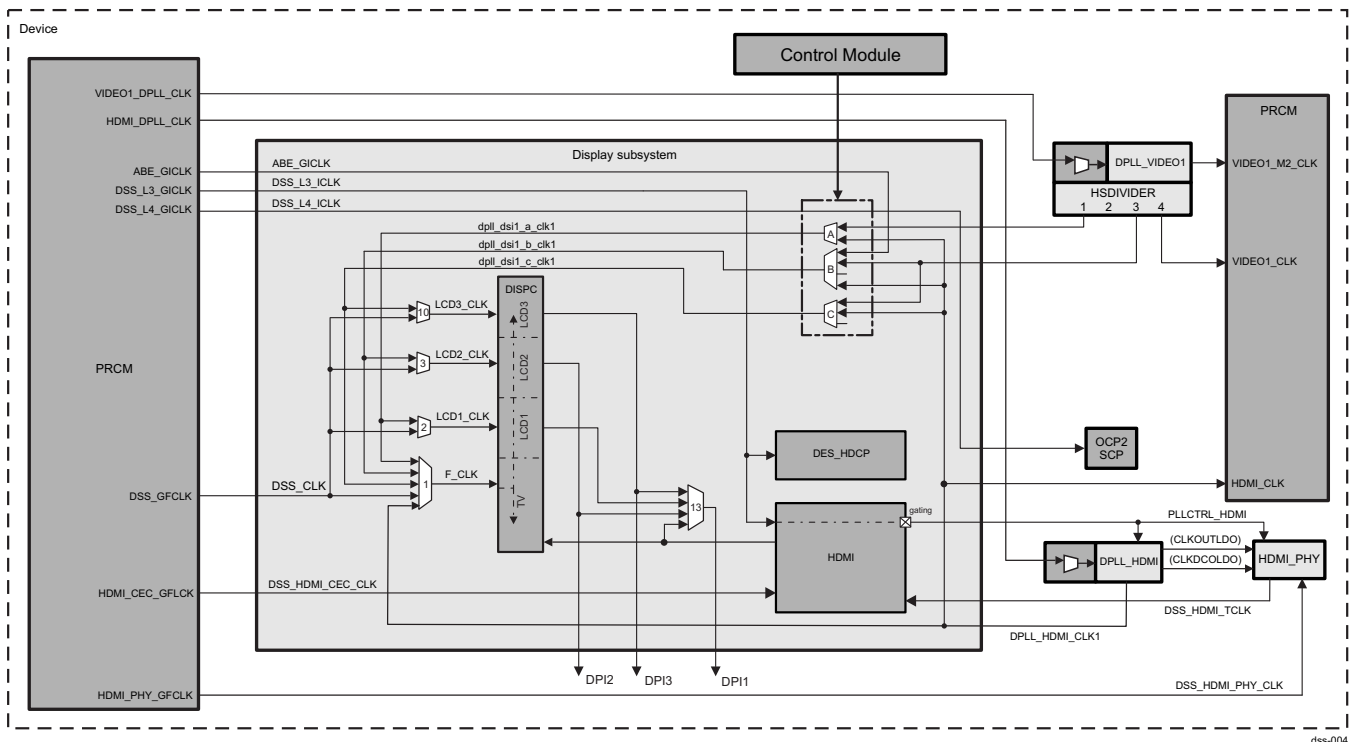
NOTE: The “Default Mapping” column in [Table 11-5 Display Subsystem Hardware Requests](#) shows the default mapping of module IRQ and DREQ source signals. These module IRQ and DREQ source signals can also be mapped to other lines of each device Interrupt or DMA controller through the IRQ_CROSSBAR and DMA_CROSSBAR modules, respectively. For more information about the IRQ_CROSSBAR module, see [Section 18.4.6.4, IRQ_CROSSBAR Module Functional Description](#), in [Chapter 18, Control Module](#). For more information about the DMA_CROSSBAR module, see [Section 18.4.6.5, DMA_CROSSBAR Module Functional Description](#), in [Chapter 18, Control Module](#). For more information about the device interrupt controllers, see [Chapter 17, Interrupt Controllers](#). For more information about the device DMA_SYSTEM module, see [Section 16.1, System DMA](#). For more information about the device EDMA module, see [Section 16.2, Enhanced DMA](#).

11.1.2.1 Display Subsystem Clocks

The power, reset, and clock management (PRCM) module provides clock signals to the display subsystem.

[Figure 11-4](#) shows the details of the display subsystem clock tree.

Figure 11-4. Display Subsystem Clock Tree



NOTE: LCD1 / DPI1 (VOUT1) is not supported on the AM570x family of devices.

[Table 11-6](#) lists the main DSS clocks and their sources.

Table 11-6. Display Subsystem Clocks

Clocks				
Module Instance	Destination Signal Name	Source Signal Name	Source	Description
DSS	DPLL_VIDEO1 input	VIDEO1_DPLL_CLK	PRCM module	Functional clock
	DPLL_HDMI input	HDMI_DPLL_CLK	PRCM module	Functional clock
	DSS_L3_ICLK	DSS_L3_GICLK	PRCM module	Interface clock
	DSS_L4_ICLK	DSS_L3_GICLK	PRCM module	Interface clock
	-	ABE_GICLK	PRCM, DPLL_ABE	Functional clock
	DSS_CLK	DSS_GFCLK	PRCM module	Main display subsystem functional clock
	HDMI_CEC_GFCLK	DSS_HDMI_CEC_CLK	PRCM module	HDMI core CEC engine clock
	HDMI_PHY_GFCLK	DSS_HDMI_PHY_CLK	PRCM module	HDMI_PHY clock

- The clock source for the L3 interface clock is DSS_L3_ICLK. All clocks can be gated at PRCM level. See [Section 3.1.1.1.2, Module-Level Clock Management](#), in [Chapter 3, Power, Reset and Clock Management](#).
- The clock sources for the display subsystem modules are listed in [Table 11-7](#).

Table 11-7. Display Subsystem Modules Clock Sources

Destination	Source Signal Name	Source	Multiplexer Number in Figure 11-4	DSS_CTRL Register Bit-field
DISPC functional clock (F_CLK)	DSS_CLK	PRCM	1	[9:7] F_CLK_SWITCH
	DPLL_DS11_A_CLK1	DPLL_VIDEO1, DPLL_HDMI		
	DPLL_DS11_B_CLK1	DPLL_VIDEO1, DPLL_HDMI, DPLL_ABE		
	DPLL_DS11_C_CLK1	DPLL_VIDEO1, DPLL_HDMI		
	DPLL_HDMI_CLK1	DPLL_HDMI		
DISPC LCD1 functional clock (LCD1_CLK)	DSS_CLK	PRCM	2	[0] LCD1_CLK_SWITCH
	DPLL_DS11_A_CLK1	DPLL_VIDEO1, DPLL_HDMI		
DISPC LCD2 functional clock (LCD2_CLK)	DSS_CLK	PRCM	3	[12] LCD2_CLK_SWITCH
	DPLL_DS11_B_CLK1	DPLL_VIDEO1, DPLL_HDMI, DPLL_ABE		
DISPC LCD3 functional clock (LCD3_CLK)	DSS_CLK	PRCM	10	[19] LCD3_CLK_SWITCH
	DPLL_DS11_C_CLK1	DPLL_VIDEO1, DPLL_HDMI		
DISPC TV functional clock	DPLL_HDMI_CLK1	DPLL_HDMI	N/A	N/A
DISPC TV pixel clock (TV_CLK)	DSS_HDMI_PCLK	HDMI	N/A	N/A
DISPC internal functional clock (DISPC_CLK after divider of F_CLK)	F_CLK	DSS	N/A	N/A
DPI1 functional/pixel clock	DSS_DISPC_LCD1_PCLK	DISPC	13	[17:16] PARALLEL_SEL
	DSS_DISPC_LCD2_PCLK	DISPC		
	DSS_DISPC_LCD3_PCLK	DISPC		
	DSS_HDMI_PCLK	HDMI		
DPI2 functional/pixel clock	DSS_DISPC_LCD2_PCLK	DISPC	N/A	N/A
DPI3 functional/pixel clock	DSS_DISPC_LCD3_PCLK	DISPC	N/A	N/A
HDMI timing clock (DSS_HDMI_TCLK)	N/A	HDMI_PHY	N/A	N/A

NOTE:

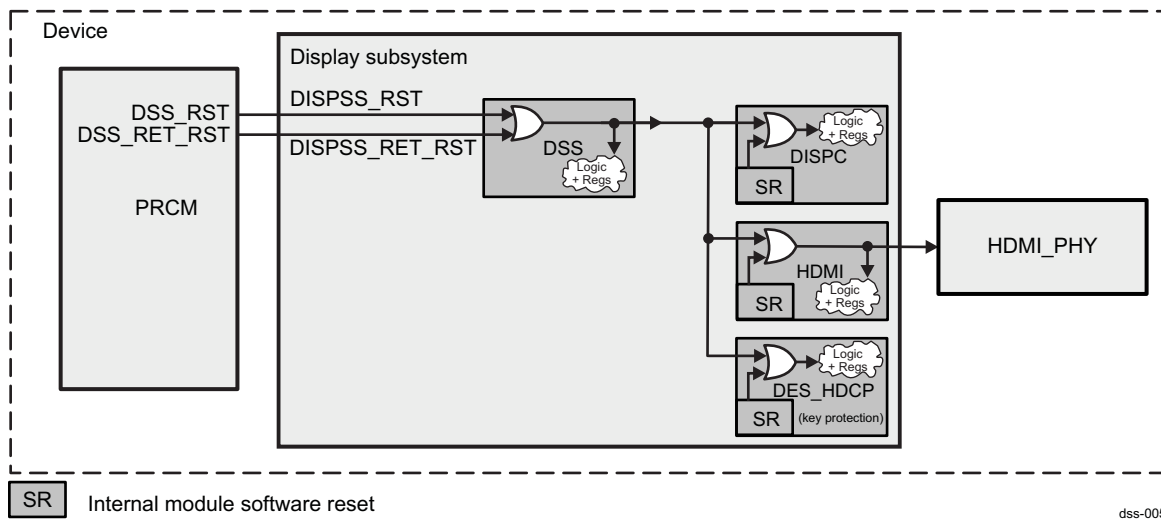
- In [Figure 11-4](#), clkout1, clkout3, and clkout4 of DPLL_VIDEO1 correspond to M4, M6, and M7 outputs of the associated HS divider module (HSDIVIDER). For more information on the configuration of DPLL_VIDEO clocks, see [Section 11.1.3.3, DPLL_VIDEO Functional Description](#).
- For synchronization purpose, the clkout4 (M7) output of each HSDIVIDER is used to source McASP module and peripheral timers. For more information, see [Chapter 22, Timers](#), and [Section 24.6, Multichannel Audio Serial Ports](#).
- Multiplexers A, B, and C in [Figure 11-4](#) are controlled by [4:3] DSI1_A_CLK1_SELECTION, [6:5] DSI1_B_CLK1_SELECTION, and [8:7] DSI1_C_CLK1_SELECTION bit-fields, respectively, of DSS_PLL_CONTROL register in the device Control Module. For more information, see [Chapter 18, Control Module](#).

11.1.2.2 Display Subsystem Resets

The PRCM module provides two reset signals to the display subsystem.

[Figure 11-5](#) shows the details of the reset tree for the display subsystem.

Figure 11-5. Display Subsystem Reset Scheme



[Table 11-8](#) lists the resets for the display subsystem.

Table 11-8. Display Subsystem Resets

Module Instance	Destination Signal Name	Resets		
		Source Signal Name	Source	Description
DSS	DISPSS_RET_RST	DSS_RET_RST	PRCM module	Retention reset
	DISPSS_RST	DSS_RST	PRCM module	Nonretention reset

The display subsystem receives its DISPSS_RST reset signal (the reset signal of the display subsystem power domain) from the PRCM module. The DISPSS_RET_RST is used only for the DES_HDCP key protection module and HDMI.

11.1.2.3 Display Subsystem Power Management

The display subsystem modules are in the display subsystem power domain.

[Table 11-9](#) lists the power domains in the display subsystem.

Table 11-9. Display Subsystem Power Domains

Module Instance	Attributes
	Power Domain
Display subsystem	PD_DSS
DISPC	For more details, see Section 11.2.1 DISPC Overview , in <i>Display Controller</i> .
HDMI	For more details, see Section 11.3.1 HDMI Overview , in <i>High-Definition Multimedia Interface</i> .

11.1.2.3.1 Display Subsystem Standby Mode

As part of the system-wide power-management scheme, the display subsystem supports the MStandby/MWait and SIdleReq/SIdleAck protocols:

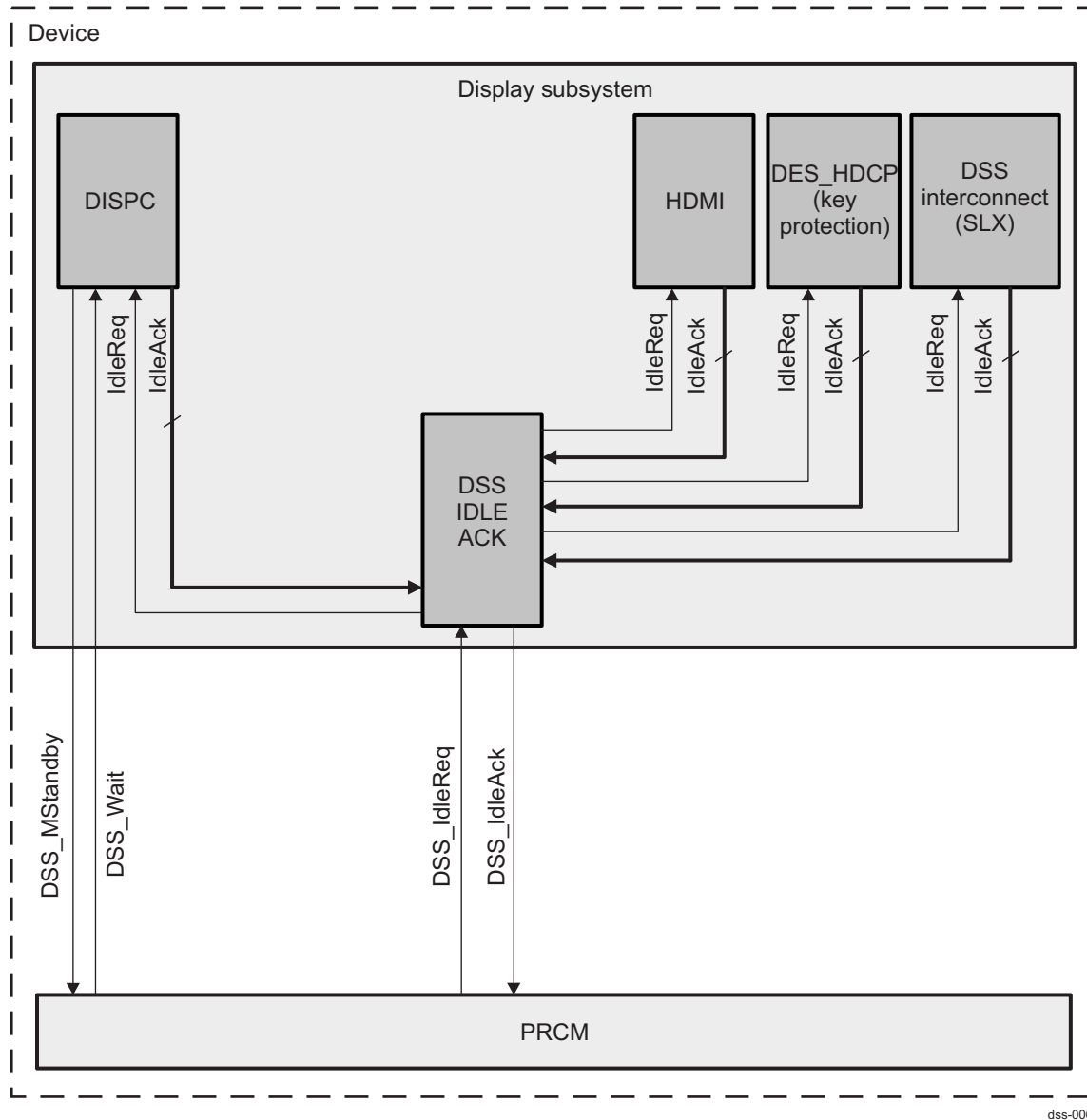
- MStandby/MWait
 - DISPC
- SIdleReq/SIdleAck
 - DISPC
 - HDMI
 - DES_HDCP (key protection)
 - DSS interconnect

The PRCM module asserts the MWait and received MStandby directly from DISPC. When the display subsystem initiates a standby procedure, it also initiates a master standby/wait protocols with the PRCM module that lets the PRCM module cut the display subsystem clocks. For information about the conditions that allow the subsystem to exit standby mode, see [Section 11.2.1 DISPC Overview](#), in *Display Controller*.

The PRCM also asserts the SIdleReq. Then, it is split at the display subsystem level and send to the appropriate modules. Consequently, all SIdleAck are merged into one and sent back to PRCM.

[Figure 11-6](#) shows the generation of SIdleAck/MStandby in the display subsystem.

Figure 11-6. Display Subsystem SIdleAck/MStandby Generation



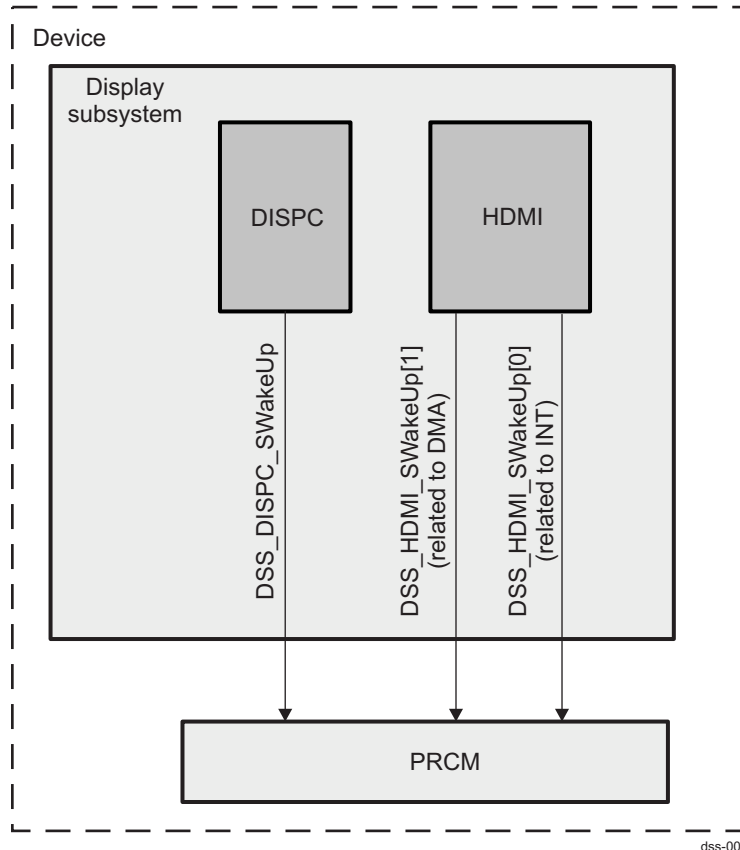
dss-006

11.1.2.3.2 Display Subsystem Wake-Up Mode

The DISPC and HDMI modules support the wake-up protocol. DSS_HDMI_SWakeUp is associated with HDMI_IRQ, which is generated by the HDMI module. For the events that generate an Swakeup and the description and configuration of the registers, see the DISPC and HDMI TRM chapters.

Figure 11-7 shows wake-up generation in the display subsystem.

Figure 11-7. Display Subsystem Wake-Up Generation



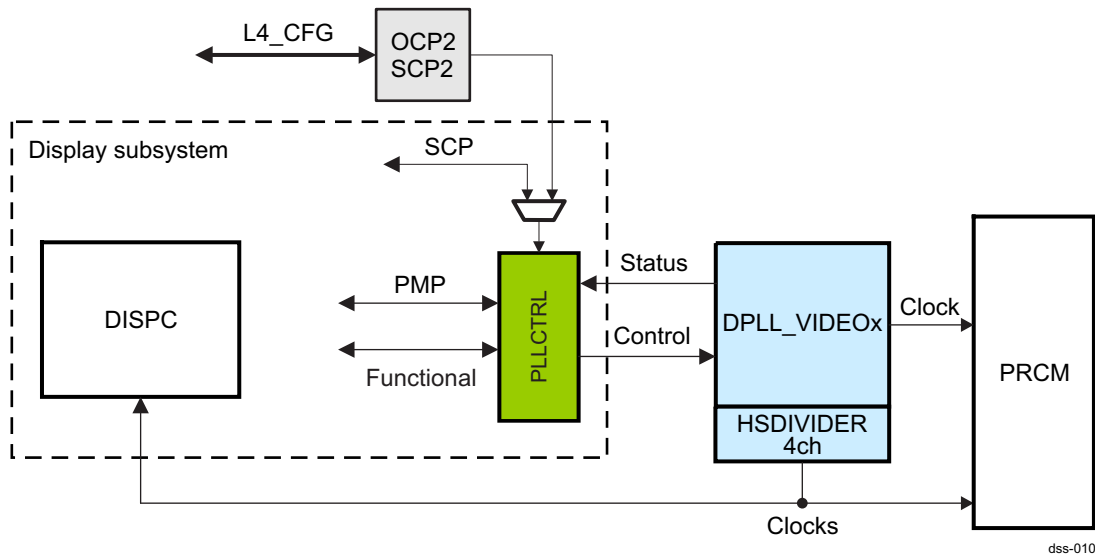
dss-007

11.1.3 Display Subsystem DPLL Controllers Functional Description

11.1.3.1 DPLL Controllers Overview

Two PLL controller modules are part of the display subsystem. They use the SCP and power-management port (PMP) as the primary interfaces. The SCP interface sets the configuration of the digital phase-locked loop (DPLL) and HSDIVIDER modules, primarily the various counter values. The PMP controls the power state of the DPLL and HSDIVIDER modules. [Figure 11-8](#) is an overview of a single DPLL_VIDEO controller module in the display subsystem. For more information on DPLL_HDMI control, see [Section 11.1.3.4, DPLL_HDMI](#).

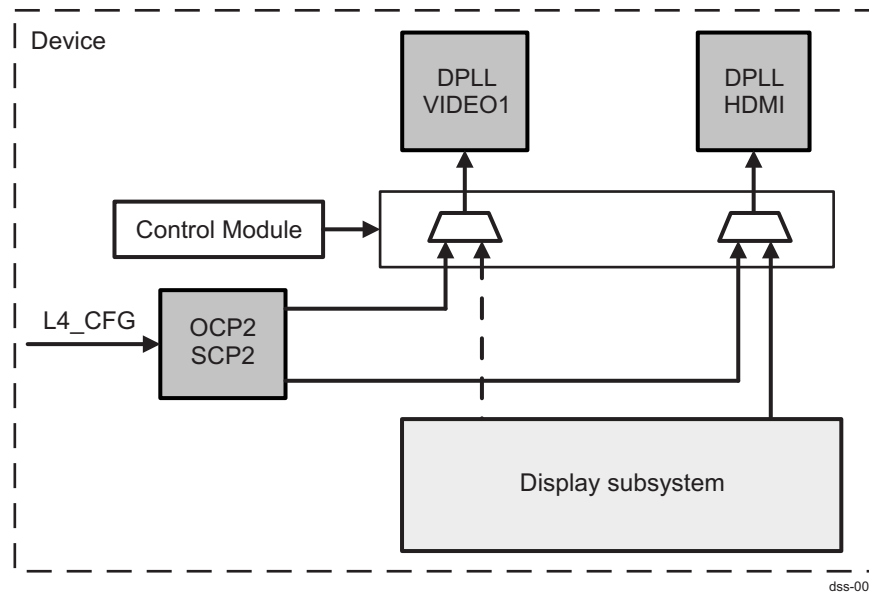
Figure 11-8. PLL Controller Overview



11.1.3.2 OCP2SCP2 Functional Description

In case DSS module is not used, DPLL_VIDEO1 and DPLL_HDMI can be still used to source other modules in the device. The OCP2SCP2 module, which serves as a L4_CFG interconnect adapter, lets user software configure the PLLCTRL for DPLL_VIDEO1 and DPLL_HDMI registers over the L4_CFG port. Figure 11-9 is an overview of the OCP2SCP2 bridge interface.

Figure 11-9. OCP2SCP2 Overview



NOTE: Selection of how DPLLs are controlled is done through registers `DSS_PLL_CONTROL[0]`, `PLL_VIDEO1_DSS_CONTROL_DISABLE` and `DSS_PLL_CONTROL[2]`, `PLL_HDMI_DSS_CONTROL_DISABLE` of the device Control Module. For more information, see [Chapter 18, Control Module](#).

11.1.3.2.1 OCP2SCP2 Reset

11.1.3.2.1.1 Hardware Reset

The module receives an asynchronous hardware reset (L3INIT_RST) upon power-on reset (POR) at its active low PIRSTNA input. For more information on the hardware reset source, see [Section 3.5.5, Reset Domains](#), in [Chapter 3, Power, Reset, and Clock Management](#).

11.1.3.2.1.2 Software Reset

Setting the [OCP2SCP_SYSCONFIG\[1\] SOFTRESET](#) bit to 1 triggers a software reset on the OCP2SCP2 interconnect adapter. The [OCP2SCP_SYSSTATUS\[0\] RESETDONE](#) bit is used by software to monitor the status of reset completion. Hardware keeps this bit at 0 while the reset is being executed. A RESETDONE bit transition from 0 to 1 indicates the OCP2SCP2 reset is complete.

11.1.3.2.2 OCP2SCP2 Power Management

The OCP2SCP2 features idle acknowledgement protocol with the PRCM.

11.1.3.2.2.1 Idle Mode

The smart-idle mode supported by OCP2SCP2 is not wakeup capable, meaning that software should explicitly take care to wake the OCP2SCP2, setting the [OCP2SCP_SYSCONFIG\[4:3\] IDLEMODE](#) bit field to 0x1 (no-idle), once it has previously gone to an idle mode. For more information, see [Section 3.1.1.1.4, Module-Level Clock Management](#), in [Chapter 3, Power, Reset, and Clock Management](#).

NOTE: Software must get the OCP2SCP2 module out of IDLE state by setting the [OCP2SCP_SYSCONFIG\[4:3\] IDLEMODE](#) bit field to 0x1, once smart-idle mode has been selected ([OCP2SCP_SYSCONFIG\[4:3\] IDLEMODE](#) = 0x2).

11.1.3.2.2.2 Clock Gating

OCP2SCP2 module has a local support for an automatic clock gating based on L4_CFG interconnect activity. This feature is enabled by setting the [OCP2SCP2\[0\] AUTOIDLE](#) bit to 0x1, otherwise the module interface clock is free running. For more information, see [Section 3.6.4.1.4, Clock Domain-Level Clock Management](#), in [Chapter 3, Power, Reset, and Clock Management](#).

11.1.3.2.3 OCP2SCP2 Timing Registers

The timing configuration register sets various parameters controlling the timing constraints of the OCP2SCP2 module. The division ratio between the L4_CFG interconnect clock - L3INIT_L4_GICLK and the serial configuration port output clock is set through the [OCP2SCP_TIMING\[9:7\] DIVISIONRATIO](#) bit field, with a valid range of 0x1 to 0x7. The [OCP2SCP_TIMING\[6:4\] SYNC1](#) timing information is programmable in the range 0 to 7 clock cycles, and shows the acceptable delay between the enable and command availability on SCP. The value of [OCP2SCP_TIMING\[3:0\] SYNC2](#) is also programmable in the range 1 to 15 clock cycles, measured from the moment the command is available on SCP until data is accessible.

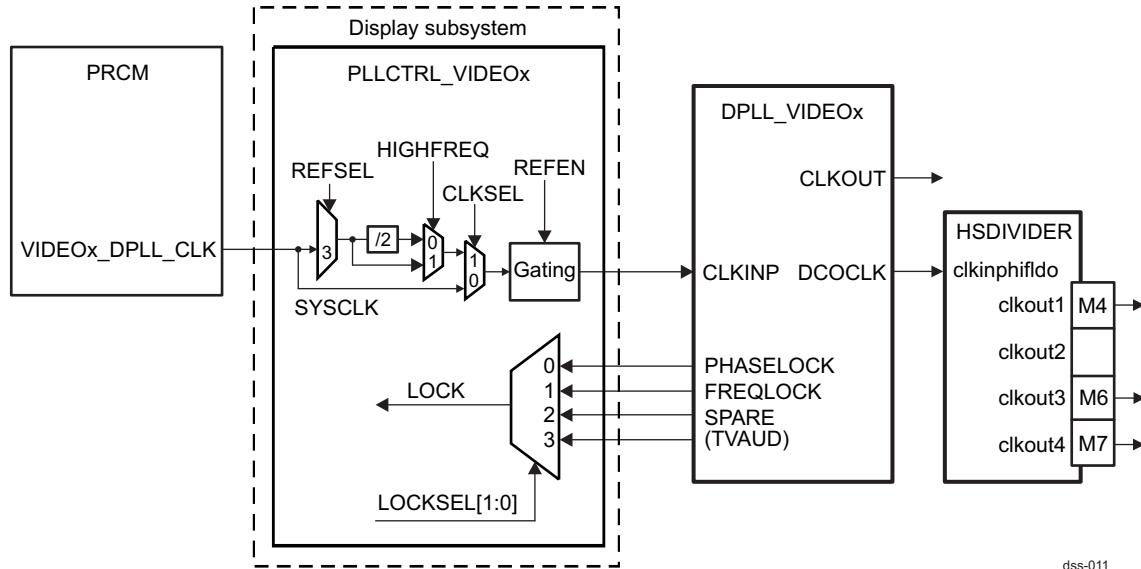
11.1.3.3 DPLL_VIDEO Functional Description

11.1.3.3.1 DPLL_VIDEO Controller Architecture

VIDEO1 PLL use type-A instances of the DPLL modules. For information regarding DPLL types, see [Chapter 3, PRCM](#).

[Figure 11-10](#) shows the internal reference diagram of a single VIDEO PLL.

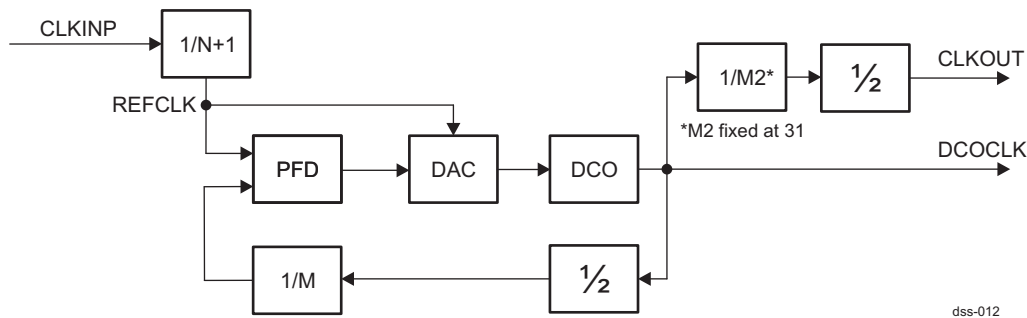
Figure 11-10. VIDEO PLL Reference Diagram



Reference clock control is enabled with [PLL_CONFIGURATION2](#)[13] PLL_REFEN bit.

Figure 11-11 is a simplified block diagram of the DPLL_VIDEO instance used for pixel clock generation.

Figure 11-11. DPLL_VIDEO Functional Block Diagram



The input clock CLKINP goes to a pre-divider $N + 1$. The entire loop runs on the REFCLK clock after this pre-divider. The value of $N + 1$ is controlled through the [PLL_CONFIGURATION1](#)[8:1] PLL_REGN bit field. The CLKINP range is 0.032MHz to 52MHz. The REFCLK range is 0.15MHz to 52MHz.

The output clock DCOCLK is synthesized by a digitally controlled oscillator (the DCO block) that automatically detects the frequency range. The DCOCLK frequency can be given with $DCOCLK = CLKINP \times 2 \times M / (N + 1)$. For that purpose the feedback multiplier M must be configured through the [PLL_CONFIGURATION1](#)[20:9] PLL_REGM bit field.

The CLKOUT frequency can be given with $CLKOUT = DCOCLK / (M2 \times 2) = DCOCLK / 62$. The $M2$ divider value is hardcoded in HW at 31 (0x1F).

11.1.3.3.2 DPLL_VIDEO Operations

The PLL configuration signals operate according to [Table 11-10](#), which indicates the operation when the PLLs are not locked.

Table 11-10. VIDEO PLL Operation Modes When Not Locked

PLL Operation Mode	Stop Mode Low Power ⁽¹⁾	Stop Mode Fast Relock ⁽¹⁾	Idle Bypass
Mode Description	Output clocks stopped Lowest power standby	Output clocks stopped Fastest start-up time	Selects when PLL and HSDIVIDER bypass clocks are used
PLL_CONFIGURATION2[0] PLL_IDLE	0	0	1
PLL_CONFIGURATION2[6] PLL_LOWCURRSTBY	1	0	1

⁽¹⁾ This mode must be used for better performance.

When locked, the PLL output frequency (DCOCLK) is: Input frequency $\times 2 \times M / (N + 1)$, where:

- M multiplier is programmed in the [PLL_CONFIGURATION1\[20:9\]](#) PLL_REGM bit field.
- N divider is programmed in the [PLL_CONFIGURATION1\[8:1\]](#) PLL_REGN bit field.

NOTE: When the PLL_REGM bit field is set to 1, the PLL enters a MN-Bypass mode. The DCOCLK clock output goes low and remains low until the PLL exits MN-Bypass mode (by changing the PLL_REGM bit field to a value other than 0 or 1).

11.1.3.3.3 DPLL_VIDEO Error Handling

The PLL lock and recalibration signals can be monitored to detect the loss of lock or the requirement to recalibrate (caused by a large temperature change since the last lock request):

- The [PLL_STATUS\[1\]](#) PLL_LOCK status bit gives the VIDEOx PLL lock state.
- The [PLL_STATUS\[2\]](#) PLL_RECAL status bit informs whether the PLL must be uncalibrated.

11.1.3.3.4 DPLL_VIDEO Software Reset

The VIDEO PLL control module does not have its own software reset. It is reset by the global DSS_RST signal at PRCM module level. See [Section 11.1.2.2, Display Subsystem Resets](#). Nevertheless, software users can monitor the reset status of the VIDEO PLL control module by reading the [PLL_STATUS\[0\]](#) PLLCTRL_RESET_DONE status bits.

11.1.3.3.5 DPLL_VIDEO Power Management

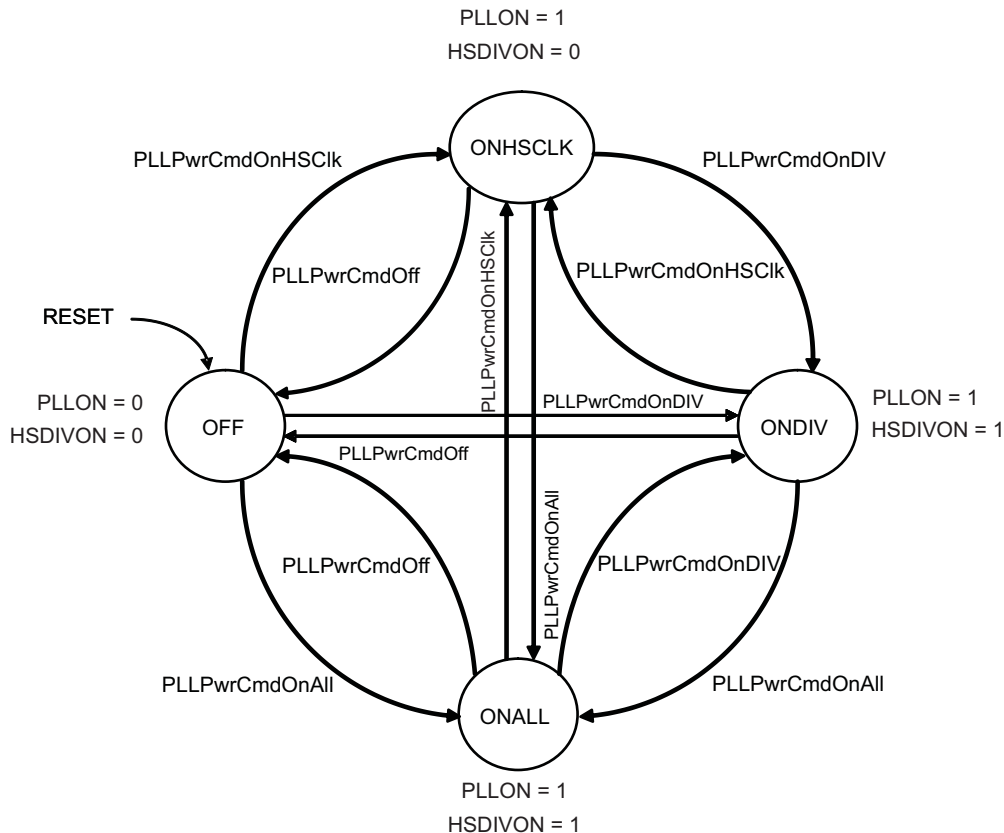
PLLCTRL manages only the LDO power of the DPLL and HSDIVIDER; this is done by overriding the SYSRESET signals. All other power-management signals are integrated with the display subsystem power management.

The PMP is used to manage the LDO power of the VIDEO digital phase-locked loop (DPLL) through the PLLCTRL module.

[Figure 11-12](#) shows the power states, which can be controlled through [DSI_CLK_CTRL\[31:30\]](#) PLL_PWR_CMD bit field.

The PLLCTRL power status can be read through the [DSI_CLK_CTRL \[29:28\]](#) PLL_PWR_STATUS bit field.

- OFF power state: PLLCTRL is powered down. Internal clock is off.
- ONHCLK: Power command received
- ONDIV: Clock dividers set.
- ONALL: PLLCTRL is in active state.

Figure 11-12. VIDEO PLL Power State Diagram


dss-014

11.1.3.3.6 DPLL_VIDEO HSDIVIDER Loading Operation

In manual mode (`PLL_CONTROL[0] PLL_AUTOMODE = 0`), it is possible to update the configuration values of HSDIVIDER without starting the DPLL locking sequence. Once all the configuration values have been programmed into the registers, the `PLL_GO[1] HSDIVLOAD` bit must be set. The `TENABLEDIV` output is driven high for six SCP clock periods while the `TINITZ` and `TENABLE` signals remain unchanged. The `HSDIVLOAD` bit is cleared at the end of the sequence.

The `SCPBUSY` signal is high during the sequence until the `HSDIVLOAD` bit is cleared, thus indicating that there is pending activity in the `SCPClk` domain. `SCPClk` must be kept running while this signal is asserted.

The HSDIVIDER sequence and the GO sequence cannot be performed at the same time. If one of the two sequences is running and the trigger bit of the other sequence is set, `PLLCTRL` finishes the first sequence and then immediately starts the other sequence.

11.1.3.3.7 DPLL_VIDEO Clock Sequence

The VIDEO PLL generates `DCOCLK` clock to a dedicated HSDIVIDER, which outputs three clocks (`clkout1`, `clkout3`, `clkout4`). If these three clocks are not used, the HSDIVIDER functions are not required.

In addition, a `CLKOUT` clock is also generated. It is output directly, and does not go through HSDIVIDER.

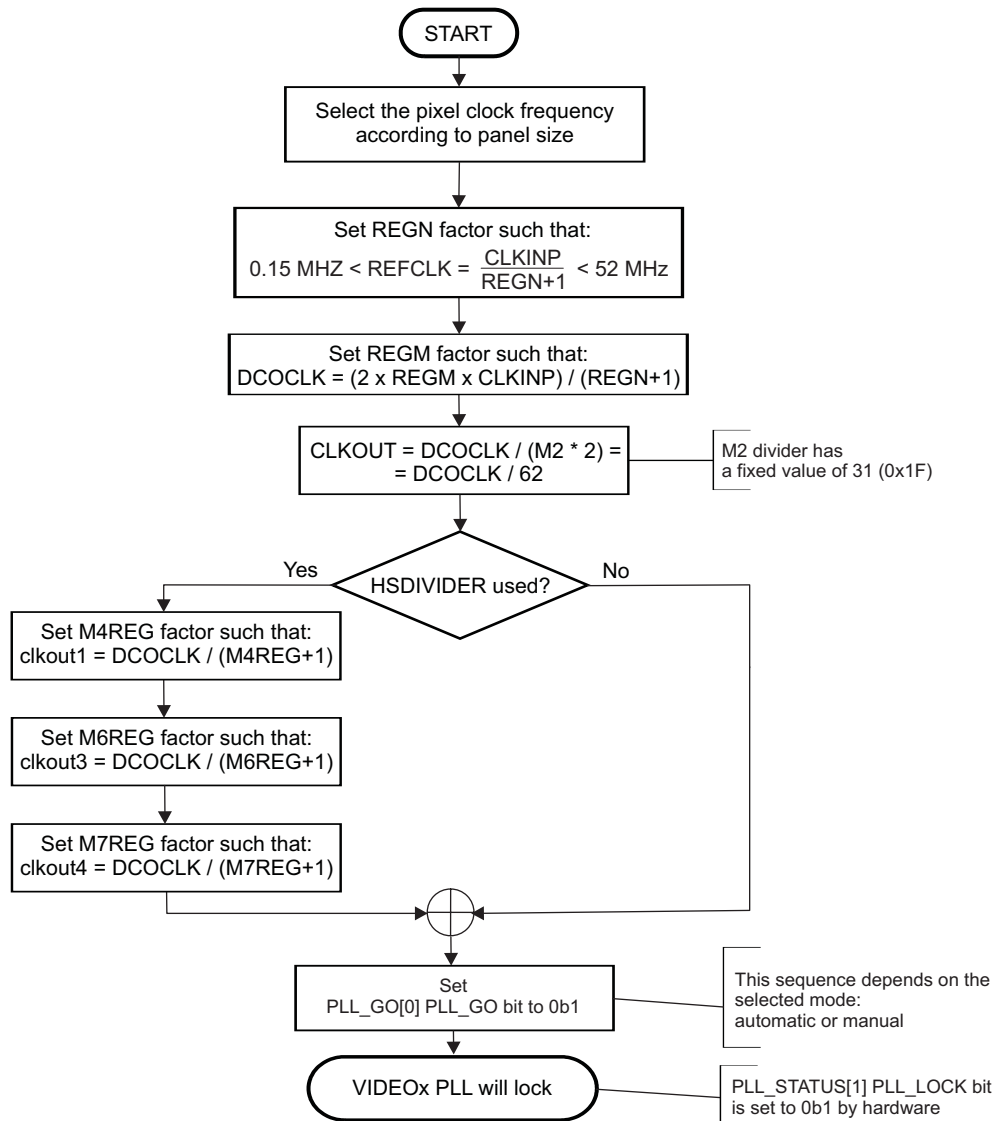
The following must be considered for [Figure 11-13](#):

- REGM factor is programmed by the `PLL_CONFIGURATION1[20:9] PLL_REGM` bit field. It is used to tune `DCOCLK` clock.
- REGN factor is programmed by the `PLL_CONFIGURATION1[8:1] PLL_REGN` bit field. It is used to tune `DCOCLK` clock.
- M4REG factor is programmed by the `PLL_CONFIGURATION1[25:21] M4_CLOCK_DIV` bit field, and applies to `clkout1` of the DPLL_VIDEO HSDIVIDER.

- M6REG factor is programmed by the [PLL_CONFIGURATION3\[4:0\]](#) M6_CLOCK_DIV bit field, and applies to clkout3 of the DPLL_VIDEO HSDIVIDER.
- M7REG factor is programmed by the [PLL_CONFIGURATION3\[9:5\]](#) M7_CLOCK_DIV bit field, and applies to clkout4 of the DPLL_VIDEO HSDIVIDER.
- M2 divider is hardcoded in HW at 31 (0x1F), and applies to CLKOUT.

Figure 11-13 shows the programming sequence.

Figure 11-13. VIDEO PLL Programming Sequence



dss-015

NOTE:

- Most of the VIDEO PLL programming values are available for software flexibility, but it is not recommended to update the values in normal use. For the recommended VIDEO PLL values, see [Section 11.1.3.3.9, VIDEO PLL Recommended Values](#).

11.1.3.3.8 DPLL_VIDEO Go Sequence

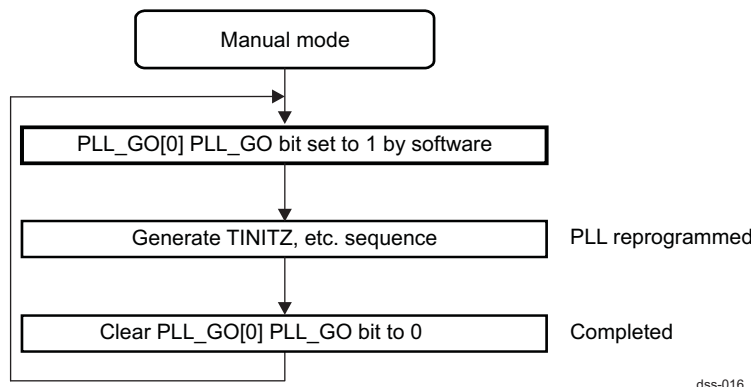
In manual mode (the [PLL_CONTROL\[0\]](#) PLL_AUTOMODE bit is set to 0), the DPLL requires a sequence on TINITZ, TENABLE, and TENABLEDIV to update the configuration values and start the locking sequence.

When all the configuration values are programmed into the registers, the GO bit must be set. The appropriate sequence is then sent on the TINITZ, TENABLE, and TENABLEDIV pins, respecting the timing requirements of the DPLL. The [PLL_GO\[0\]](#) PLL_GO bit is cleared to 0 at the end of the sequence.

The TENABLEDIV signal is shared with the HSDIVIDER module so that it is programmed at the same time. In this mode, software must deassert CLKINEN by setting the [PLL_CONFIGURATION2\[14\]](#) PHY_CLKINEN bit to 0 and assert HSDIVBYPASS correctly by setting the [PLL_CONFIGURATION2\[20\]](#) HSDIVBYPASS bit to 1 to prevent uncontrolled frequencies affecting the display subsystem or the other modules using DPLL_VIDEO during PLL locking. In manual mode, the shadow register is updated anyway so that valid values are present when later selecting automatic mode.

[Figure 11-14](#) shows the VIDEO PLL Go flow chart in manual mode (the [PLL_CONTROL\[0\]](#) PLL_AUTOMODE bit is set to 0).

Figure 11-14. VIDEO PLL Go Sequence (Manual Mode)

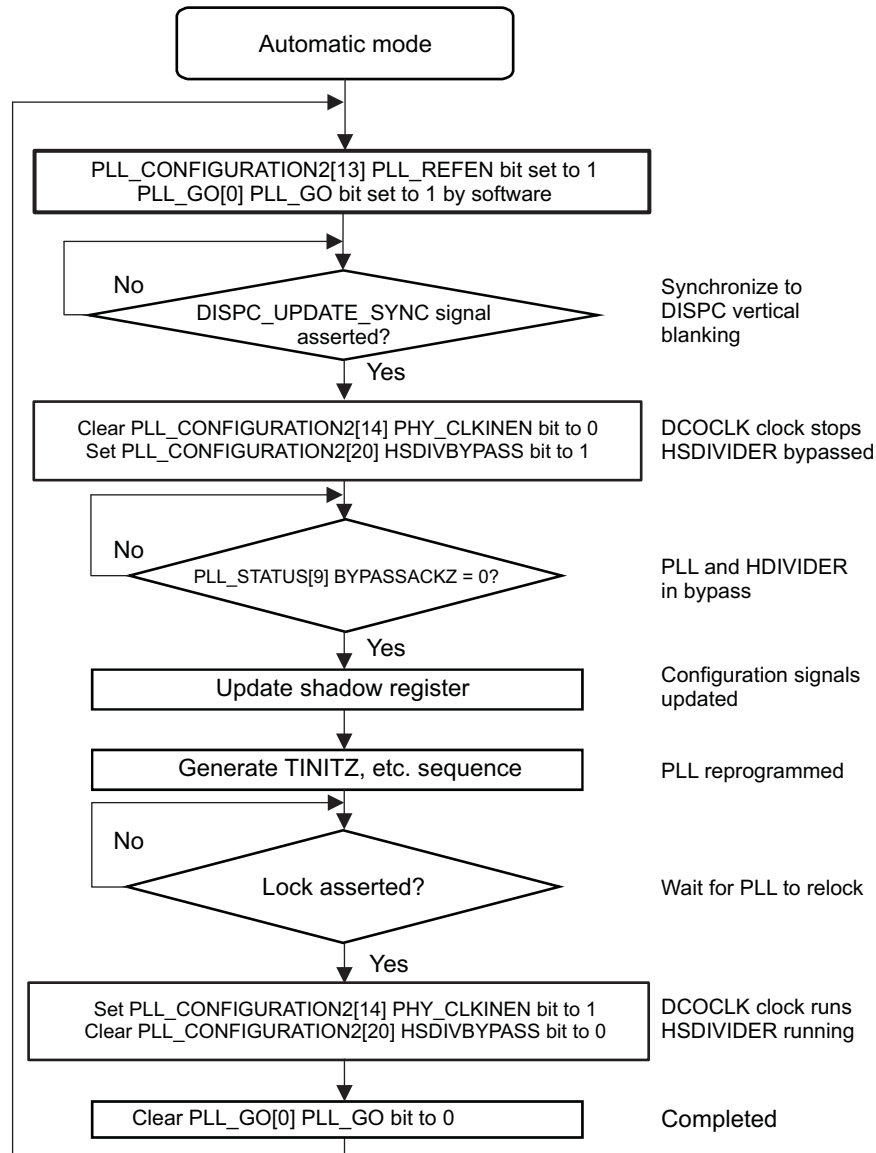


NOTE: All thick-outlined blocks show operations performed by software. Other blocks show operations performed by hardware.

In automatic mode (the [PLL_CONTROL\[0\]](#) PLL_AUTOMODE bit is set to 1), the TINITZ, TENABLE, and TENABLEDIV sequence and the update of the PLL configuration from the [PLL_CONFIGURATION2](#) register are deferred until the time of the front porch time signal sent by the DISPC module. This is intended to simplify the software to implement a configuration change (such as a frequency change to support a different link bandwidth). In this mode, CLKINEN, HSDIVBYPASS, and REFEN are automatically controlled and the register value is overridden.

[Figure 11-15](#) shows the VIDEO PLL Go flow chart in automatic mode (the [PLL_CONTROL\[0\]](#) PLL_AUTOMODE bit is set to 1).

Figure 11-15. VIDEO PLL Go Sequence (Automatic Mode)



dss-017

NOTE: All thick-outlined blocks show operations performed by software. Other blocks show operations performed by hardware.

11.1.3.3.9 DPLL_VIDEO Recommended Values

Table 11-11 shows the recommended values for PLL configuration.

Table 11-11. DPLL_VIDEO Recommended Programming Values

Field Name	Value	Description
PLL_CONTROL[4] HSDIV_SYSRESET	0	Allow power FSM to control
PLL_CONTROL[3] PLL_SYSRESET	0	Allow power FSM to control
PLL_GO[0] PLL_GO	1→0	Write 1 when PLL is to be (re)locked with new parameters. This bit is cleared by hardware when the PLL request completes.
PLL_CONFIGURATION2[20] HSDIVBYPASS	0	PLL controls HSDIVIDER bypass

Table 11-11. DPLL_VIDEO Recommended Programming Values (continued)

Field Name	Value	Description
PLL_CONFIGURATION2[16] M4_CLOCK_EN or PLL_CONFIGURATION2[23] M6_CLOCK_EN or PLL_CONFIGURATION2[25] M7_CLOCK_EN	1	If PLL/HSDIVIDER is used as the clock source
PLL_CONFIGURATION2[14] PHY_CLKINEN	1	Enable DCOCLK clock
PLL_CONFIGURATION2[13] PLL_REFEN	1	Enable PLL reference
PLL_CONFIGURATION2[10:9] PLL_LOCKSEL	0x0	Phase lock criteria to lock the PLL
PLL_CONFIGURATION2[8] PLL_DRIFTGUARDEN	0x0	The RECAL status/interrupt must be used to decide when to perform a PLL uncalibration. No automatic uncalibration is performed.
PLL_CONFIGURATION2[6] PLL_LOWCURRSTDBY	0/1	Set to 0 for fast PLL unlock, but higher standby current. Set to 1 for leakage level standby current, but longer unlock time.
PLL_CONFIGURATION2[5] PLL_PLLLPMODE	0	Normal operation. For smaller display sizes, it may be possible to set to 1.
PLL_CONFIGURATION2[0] PLL_IDLE	0	PLL active

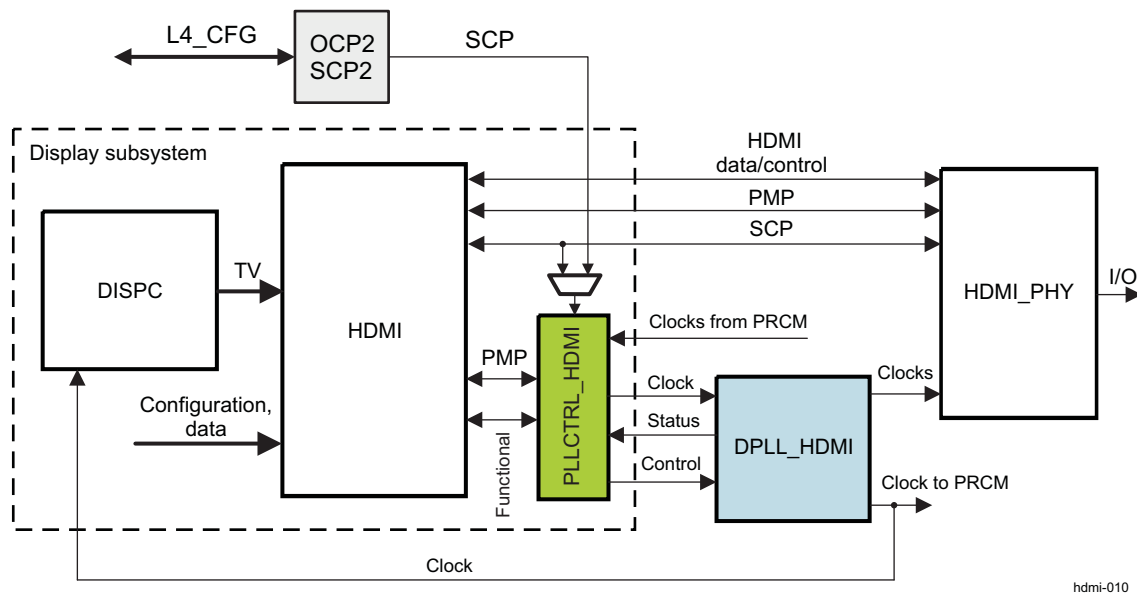
11.1.3.4 DPLL_HDMI Functional Description

11.1.3.4.1 DPLL_HDMI and PLLCTRL_HDMI Overview

The DPLL_HDMI control module (PLLCTRL_HDMI) uses the SCP and PMP as the primary interfaces to the HDMI module. The SCP interface is used to set the configuration of the digital phase-locked loop (DPLL) module, primarily the various counter values. The PMP is used to control the power state of the DPLL_HDMI module.

Figure 11-16 shows an overview of the PLLCTRL_HDMI and DPLL_HDMI modules in the display subsystem.

Figure 11-16. DPLL_HDMI and PLLCTRL_HDMI Overview



NOTE: The PLLCTRL_HDMI module does not have an interface to L3_MAIN interconnect. The programmable features are managed by registers mapped into the HDMI_WP module.

11.1.3.4.2 DPLL_HDMI and PLLCTRL_HDMI Architecture

The DPLL_HDMI uses instance of the DPLL module of type B. For information regarding DPLL types, see [Chapter 3, PRCM](#).

Figure 11-17 shows the internal reference diagram of the DPLL_HDMI and PLLCTRL_HDMI interconnection in the device.

Figure 11-17. DPLL_HDMI and PLLCTRL_HDMI Reference Diagram

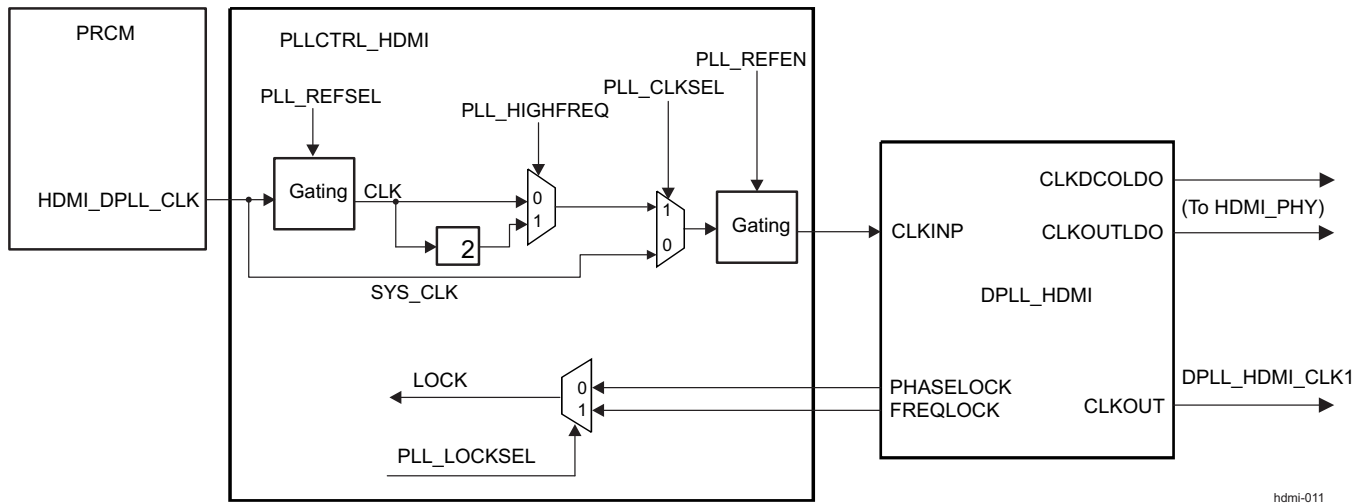
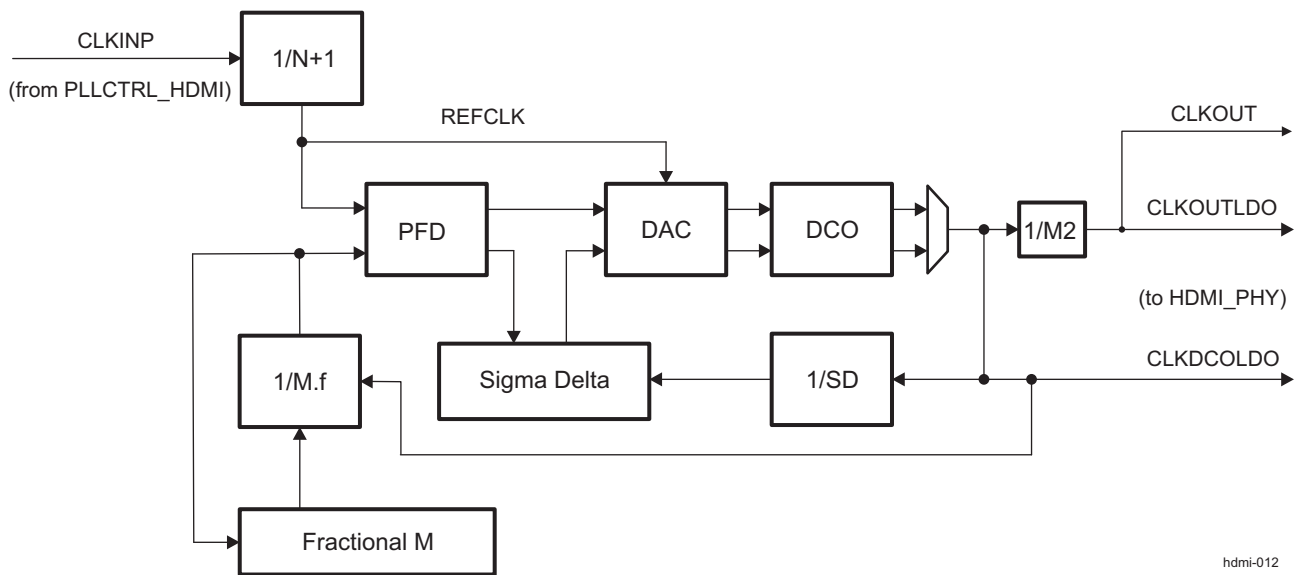


Figure 11-18 shows a simplified block diagram of the DPLL instance used for the DPLL_HDMI.

Figure 11-18. DPLL_HDMI Functional Block Diagram



The DPLL input clock CLKINP goes to a predivider $N + 1$. The entire loop runs on the REFCLK clock after this predivider. The value of $N + 1$ is controlled through the [PLLCTRL_HDMI_CONFIGURATION1\[8:1\]](#) PLL_REGN bit field. The CLKINP range is 0.62 to 60MHz. The REFCLK range is 0.62 to 2.5MHz.

The output clock CLKDCOLDO is synthesized by a digitally controlled oscillator (DCO block). The CLKDCOLDO frequency can be given with $CLKDCOLDO = CLKINP \times M/(N + 1)$. For this purpose, the feedback multiplier M must be configured through the [PLLCTRL_HDMI_CONFIGURATION1\[20:9\]](#) PLL_REGM bit field. The frequency range of the DCO must be selected via the [PLLCTRL_HDMI_CONFIGURATION2\[3:1\]](#) PLL_SELFREQDCO register bit-field depending on the CLKDCOLDO frequency.

The DPLL module supports fractional synthesis. That is, the frequency multiplication factor M can be programmed as fractional. This is done through the use of a sigma-delta feedback divider (M). A fractional value (REGM.f) of 18 bits is supported, thereby enabling control for better accuracy. Programming the fractional value is done by setting the [PLLCTRL_HDMI_CONFIGURATION4\[17:0\]](#) PLL_REGM_F bit field. Fractional synthesis is not supported for $M > 4093$. For integer only division the PLL_REGM_F bit-field must be set to 0x00000.

The programming of the sigma-delta feedback divider is mandatory to get the optimal jitter performance. The value is determined by $PLL_SD = \text{ceiling}((M/(N + 1)) \times CLKINP/250)$, and can be programmed into the [PLLCTRL_HDMI_CONFIGURATION3\[17:10\]](#) PLL_SD register bit-field.

11.1.3.4.3 DPLL_HDMI Operations

NOTE: The DPLL_HDMI must be configured before any transfer on the HDMI link. The HDMI module is fully operational only when the DPLL_HDMI runs and provides the TMDS clock.

The DPLL_HDMI configuration signals operate according to [Table 11-12](#), which indicates the operation when the DPLL is not locked.

Table 11-12. DPLL_HDMI Operation Modes When Not Locked

DPLL_HDMI Operation Mode	Idle Bypass
Mode Description	Selects when DPLL_HDMI Bypass Clocks Are Used
PLLCTRL_HDMI_CONFIGURATION2[0] PLL_IDLE	1

When locked, the DPLL_HDMI output frequency is:

- For CLKOUT output: $[(M+M.f)/(N+1)] \times CLKINP \times [1/M2]$
- For CLKOUTLDO output: $[(M+M.f)/(N+1)] \times CLKINP \times [1/M2]$
- For CLKDCOLDO output: $[(M+M.f)/(N+1)] \times CLKINP$

CLKINP is the input frequency in MHz. The divider and multiplier values in the above formulas can be set through the following registers:

- M frequency multiplier is programmed in the [PLLCTRL_HDMI_CONFIGURATION1\[20:9\]](#) PLL_REGM bit field.
- Fractional M (if fractional M divider is required by the use case) is programmed in the [PLLCTRL_HDMI_CONFIGURATION4\[17:0\]](#) PLL_REGM_F bit field
- N divider is programmed in the [PLLCTRL_HDMI_CONFIGURATION1\[8:1\]](#) PLL_REGN bit field.
- M2 divider is programmed in the [PLLCTRL_HDMI_CONFIGURATION4\[24:18\]](#) PLL_REGM2 bit field.
- SD divider is programmed in the [PLLCTRL_HDMI_CONFIGURATION3\[17:10\]](#) PLL_SD bit field.

NOTE: When the PLL_REGM bit field is set to 1, the DPLL enters a MN-Bypass mode. This is a low-power mode, where the DPLL gates its internal clocks and powers down the analog blocks. The CLKDCOLDO and CLKOUTLDO clock outputs go low and remain like that until the DPLL exits MN-Bypass mode (by changing the PLL_REGM bit-field to a value other than 0 or 1).

NOTE: The DPLL_HDMI must be configured before any data transfer to HDMI_PHY.

11.1.3.4.4 DPLL_HDMI Register Access

The configuration registers are accessed through the HDMI module register spaces using the SCP interface. This includes all the configuration signals and returning status signals.

CAUTION

All writes must be 32-bit operations because the SCP interface always transfers 32 bits; 16- or 8-bit operations can lead to unpredictable errors.

11.1.3.4.5 DPLL_HDMI Error Handling

The DPLL_HDMI lock and recalibration signals can be monitored to detect the loss of lock or the requirement to recalibrate (caused by a large temperature change since the last lock request):

- The [PLLCTRL_HDMI_STATUS\[1\]](#) PLL_LOCK bit gives the DPLL_HDMI lock state.
- The [PLLCTRL_HDMI_STATUS\[2\]](#) PLL_RECAL bit informs whether the PLL must be recalibrated.

These signals can also generate interrupts at the HDMI module level.

The PLL reference loss status signal can also be monitored:

- The [PLLCTRL_HDMI_STATUS\[3\]](#) PLL_LOSSREF bit informs whether the DPLL_HDMI has lost the reference clock.

11.1.3.4.6 DPLL_HDMI Software Reset

The PLLCTRL_HDMI module does not have its own software reset. It is reset by the HDMI module. Nevertheless, the reset status of the PLLCTRL_HDMI module can be monitored by reading the [PLLCTRL_HDMI_STATUS\[0\]](#) PLLCTRL_RESET_DONE bit.

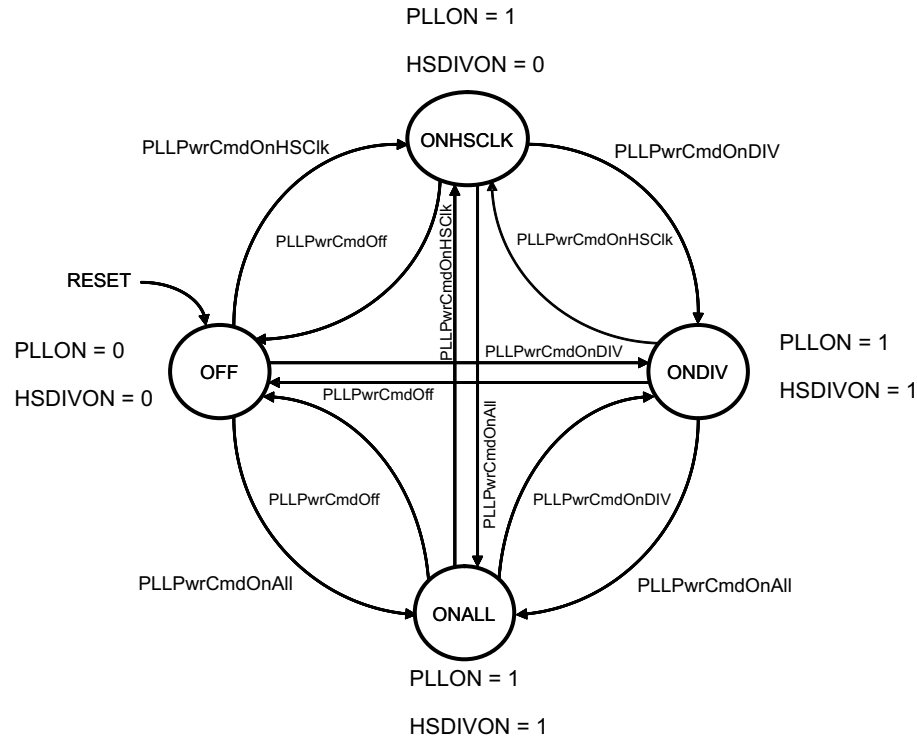
11.1.3.4.7 DPLL_HDMI Power Management

The PLLCTRL_HDMI manages only the LDO power of the DPLL_HDMI. This is done by overriding the SYSRESET signal. All other power-management signals are integrated with the display subsystem power management.

The PMP is used to manage the LDO power of the HDMI_DPLL through the PLLCTRL_HDMI module.

[Figure 11-19](#) shows the power states, which can be controlled through [HDMI_WP_PWR_CTRL\[3:2\]](#) PLL_PWR_CMD bit field.

The PLLCTRL_HDMI power status can be read through the [HDMI_WP_PWR_CTRL\[1:0\]](#) PLL_PWR_STATUS bit field.

Figure 11-19. PLLCTRL_HDMI Power State Diagram


hdmi-048

- OFF power state: PLLCTRL_HDMI is powered down. Internal clock is off.
- ONHCLK: Power command received
- ONDIV: Clock dividers set.
- ONALL: PLLCTRL_HDMI is in active state.

11.1.3.4.8 DPLL_HDMI Lock Sequence

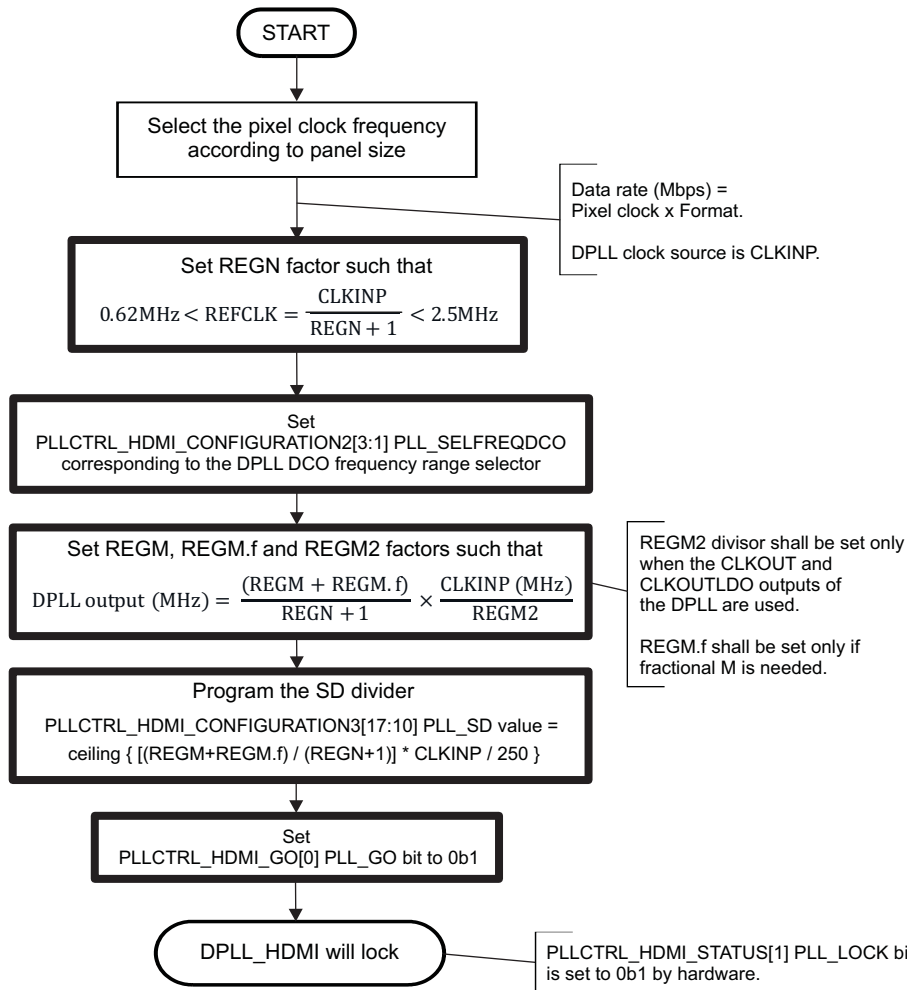
The DPLL_HDMI generates the clocks to the HDMI_PHY module and the DPLL_HDMI_CLK1 clock used by the DISPC and various system modules.

The DPLL_HDMI factors must be calculated based on the required input and output frequencies, keeping the DPLL_HDMI internal reference frequency in the appropriate range:

- REGM factor is programmed in the [PLLCTRL_HDMI_CONFIGURATION1](#)[20:9] PLL_REGM bit field.
- REGM.f factor (if fractional M divider is required by the use case) is programmed in the [PLLCTRL_HDMI_CONFIGURATION4](#)[17:0] PLL_REGM_F bit field.
- REGN factor is programmed in the [PLLCTRL_HDMI_CONFIGURATION1](#)[8:1] PLL_REGN bit field.
- REGM2 factor is programmed in the [PLLCTRL_HDMI_CONFIGURATION4](#)[24:18] PLL_REGM2 bit field.
- SD divider is programmed in the [PLLCTRL_HDMI_CONFIGURATION3](#)[17:10] PLL_SD bit field.

Figure 11-20 shows the programming sequence.

Figure 11-20. DPLL_HDMI Programming Sequence



hdmi-014

NOTE: All thick-outlined blocks show operations performed by software. Other blocks show operations performed by hardware.

Table 11-13 summarizes the registers for the DPLL_HDMI programming sequence.

Table 11-13. DPLL_HDMI Register Call Summary for HDMI PLL Programming Sequence

Register Name	Register Name	Register Name	Register Name	Register Name
PLLCTRL_HDMI_CONFIGURATION2	PLLCTRL_HDMI_GO	PLLCTRL_HDMI_STATUS	PLLCTRL_HDMI_CONFIGURATION3	PLLCTRL_HDMI_CONFIGURATION4

NOTE: The following should be considered for the programming sequence in [Figure 11-20](#):

- The equation for the DPLL output applies to both CLKDCOLDO and CLKOUTLDO outputs of the DPLL_HDMI. The REGM2 divisor value must be considered only in case the CLKOUTLDO frequency needs to be calculated. Programming of REGM.f is needed only if fractional M divider is required by the use case.
- The DPLL_HDMI_CLK1 clock is sourced from the CLKDCOLDO output of the DPLL_HDMI:
 - The DPLL_HDMI_CLK1 frequency must be a multiple of the PCLK frequency (for proper settings of the PCD and LCD factors in the DISPC).
 - The DPLL_HDMI_CLK1 frequency must be lower than 186 MHz.
- The [PLLCTRL_HDMI_CONFIGURATION2\[3:1\]](#) PLL_SELFREQDCO register bit field should be programmed depending on the value of CLKDCOLDO = CLKINP × M/(N + 1). See [Section 11.1.3.4.3, DPLL_HDMI Operations](#).
- Programming of other DPLL_HDMI parameters is available for software flexibility, but it is not recommended to update their values in normal use. For the recommended DPLL_HDMI values, see [Section 11.1.3.4.10, DPLL_HDMI Recommended Values](#).

11.1.3.4.9 DPLL_HDMI Go Sequence

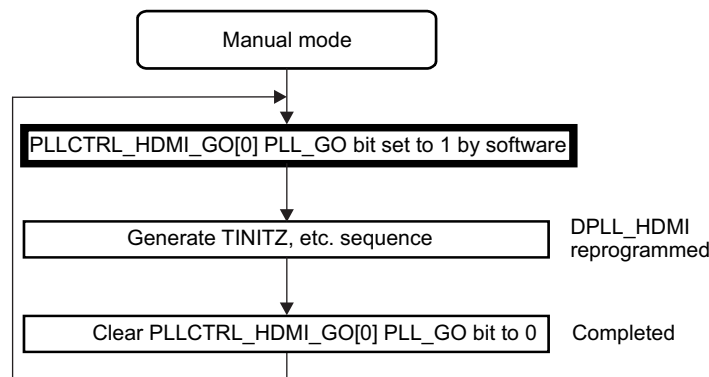
The DPLL_HDMI controller works in manual mode. In this mode the DPLL_HDMI requires a sequence on TINITZ, TENABLE, and TENABLEDIV to update the configuration values and start the locking sequence.

When all the configuration values are programmed into the registers, the GO bit must be set. The appropriate sequence is then sent on the TINITZ, TENABLE, and TENABLEDIV pins, respecting the timing requirements of the DPLL_HDMI. The [PLLCTRL_HDMI_GO\[0\]](#) PLL_GO bit is cleared to 0 at the end of the sequence.

In this mode, software must deassert CLKINEN by resetting the [PLLCTRL_HDMI_CONFIGURATION2\[14\]](#) PHY_CLKINEN bit to 0 to prevent uncontrolled frequencies affecting HDMI_PHY and the display subsystem during DPLL_HDMI locking.

[Figure 11-21](#) shows the PLLCTRL HDMI GO flow chart in manual mode.

Figure 11-21. DPLL_HDMI GO Sequence (Manual Mode)



hdmi-015

NOTE: All thick-outlined blocks show operations performed by software. Other blocks show operations performed by hardware.

11.1.3.4.10 DPLL_HDMI Recommended Values

[Table 11-14](#) lists the main DPLL_HDMI and PLLCTRL_HDMI recommended values.

Table 11-14. DPLL_HDMI Recommended Programming Values

Field Name	Value	Description
PLLCTRL_HDMI_GO [0] PLL_GO	1 - 0	Write 1 when DPLL_HDMI is to be (re)locked with new parameters. This bit is cleared to 0 by hardware when the DPLL_HDMI request completes.
PLLCTRL_HDMI_CONFIGURATION1 [20:9] PLL_REGM	See ⁽¹⁾	DPLL_HDMI feedback clock divider.
PLLCTRL_HDMI_CONFIGURATION4 [17:0] PLL_REGM_F	See ⁽¹⁾	Fractional part of the DPLL_HDMI feedback clock divider. Must be kept at 0, if integer divider only will be used.
PLLCTRL_HDMI_CONFIGURATION1 [8:1] PLL_REGN	See ⁽¹⁾	DPLL_HDMI reference clock divider.
PLLCTRL_HDMI_CONFIGURATION2 [15] BYPASSEN	0	When this bit is 0, the CLKOUT clock depends on the DPLL_HDMI configuration (DPLL locked). For small displays, it may be possible to use the functional clock, in which case this bit must be set to 1. When 1, the internal DPLL_HDMI configuration path is bypassed, and CLKINP is sent on the CLKOUT output.
PLLCTRL_HDMI_CONFIGURATION2 [14] PHY_CLKINEN	1	Enable DPLL_HDMI clock output to HDMI_PHY.
PLLCTRL_HDMI_CONFIGURATION2 [13] PLL_REFEN	1	Enable the DPLL_HDMI reference clock.
PLLCTRL_HDMI_CONFIGURATION2 [10:9] PLL_LOCKSEL	0x0	Phase-lock criteria to lock the DPLL_HDMI.
PLLCTRL_HDMI_CONFIGURATION2 [8] PLL_DRIFTGUARDEN	0	The RECAL status/interrupt must be used to decide when to perform a DPLL_HDMI uncalibration. No automatic uncalibration is performed.
PLLCTRL_HDMI_CONFIGURATION2 [3:1] PLL_SELFREQDCO	See ⁽¹⁾	Must be programmed based on the DPLL_HDMI lock frequency.
PLLCTRL_HDMI_CONFIGURATION2 [0] PLL_IDLE	0	DPLL_HDMI active.
PLLCTRL_HDMI_CONFIGURATION3 [17:10] PLL_SD	See ⁽¹⁾	$\text{Sigma-delta divider} = \text{ceiling} \left\{ \frac{[\text{PLL_REGM} / (\text{PLL_REGN} + 1)] * \text{CLKINP}(\text{MHz})}{250} \right\}$

⁽¹⁾ The value of the bit field must be set according to the desired clock frequency.

11.1.4 Display Subsystem Programming Guide

This section provides recommended steps for initializing the DSS module.

Table 11-15. DSS Initialization Sequence

Step	Register / Bit Field / Chapter	Value
Enable DSS clock domain		
Configure DPLL_PER and associated HS12 divider, according to the desired DSS_GFCLK frequency	Refer to Chapter 3 , section <i>DPLL_PER Description</i>	-
Enable DES_HDCP clock	Set CTRL_CORE_CONTROL_IO_2[0] DSS_DESHDCP_CLKEN register bit; Refer to Section 18.5 , <i>Control Module Register Manual</i>	0x1
Set SW wake-up transition for DSS clock domain	Set CM_DSS_CLKSTCTRL[1:0] CLKTRCTRL register bitfield; Refer to Section 3.12 , <i>PRCM Register Manual</i>	0x2
Enable (ungate) DSS_GFCLK clock	Set CM_DSS_DSS_CLKCTRL[8] OPTFCLKEN_DSSCLK register bit; Refer to Section 3.12 , <i>PRCM Register Manual</i>	0x1
Enable DSS clocks	Set CM_DSS_DSS_CLKCTRL[1:0] MODULEMODE register bitfield; Refer to Section 3.12 , <i>PRCM Register Manual</i>	0x2
Wait for DSS idle status (functional or in idle mode)	Read CM_DSS_DSS_CLKCTRL[17:16] IDLEST register bit-field; Refer to Section 3.12 , <i>PRCM Register Manual</i>	0x0 or 0x2
Make DSS DPLLs accessible via DSS address space		
Make VIDEO1 and HDMI DPLLs accessible via DSS	Clear the following bits in CTRL_CORE_DSS_PLL_CONTROL register: [2] PLL_HDMI_DSS_CONTROL_DISABLE bit; [0] PLL_VIDEO1_DSS_CONTROL_DISABLE bit; Refer to Section 18.5 , <i>Control Module Register Manual</i>	0x0
Enable DSS internal SCP interface		
Enable DSS internal SCP interface for VIDEO1 register configuration	Set DSI_CLK_CTRL [14] CIO_CLK_ICG register bit	0x1
Configure DSS internal SCP interface for HDMI DPLL register configuration	Set HDMI_WP_CLK [10:8] SCP_PWR_DIV register bit-field	0x-
Configure DSS DPLLs		
Enable (ungate) VIDEO1 and HDMI DPLLs source clocks	Set the following bits in CM_DSS_DSS_CLKCTRL register: [12] OPTFCLKEN_VIDEO1_CLK bit; [10] OPTFCLKEN_HDMI_CLK bit; Refer to Section 3.12 , <i>PRCM Register Manual</i>	0x1
Proceed with VIDEO1 and HDMI DPLLs configuration	Refer to Section 11.1.3 , <i>Display Subsystem DPLL Controllers Functional Description</i>	-

11.1.5 Display Subsystem Register Manual

11.1.5.1 Display Subsystem Instance Summary

Table 11-16. Display Subsystem Instance Summary

Module Name	L3_MAIN Base Address	L4_CFG Base Address	Size
DSS	0x5800 0000	N/A	1 KiB
OC2SCP2	N/A	0x4A0A 0000	16 KiB
DSI1_A	0x5800 4000	N/A	32 bit
DPLL_VIDEO1	0x5800 4300	0x4A0A 4000	32 bytes
HDMI_WP	0x5804 0000	N/A	256K bytes
DPLL_HDMI	0x5804 0200	0x4A0A 6000	1 KiB

11.1.5.2 Display Subsystem Registers

11.1.5.2.1 Display Subsystem Registers Mapping Summary

Table 11-17 summarizes the display subsystem register mapping.

Table 11-17. DSS Registers Mapping Summary

Register Name	Type	Register Width (Bits)	Address Offset	L3_MAIN Physical Address
DSS_REVISION	R	32	0x0000 0000	0x5800 0000
RESERVED	R	32	0x0000 0010	0x5800 0010
DSS_SYSSTATUS	R	32	0x0000 0014	0x5800 0014
DSS_CTRL	RW	32	0x0000 0040	0x5800 0040
DSS_STATUS	R	32	0x0000 005C	0x5800 005C

11.1.5.2.2 Display Subsystem Register Description

Table 11-18. DSS_REVISION

Address Offset	0x0000 0000	Instance	DSS_MAIN_L3
Physical Address	0x5800 0000		
Description	This register contains the DSS revision number.		
Type	R		

31	30	29	28	27	26	25	24	23	22	21	20	19	18	17	16	15	14	13	12	11	10	9	8	7	6	5	4	3	2	1	0
REVISION																															

Bits	Field Name	Description	Type	Reset
31:0	REVISION	IP revision	R	See ⁽¹⁾

⁽¹⁾ TI internal data

Table 11-19. Register Call Summary for Register DSS_REVISION

Display Subsystem Overview

- [Display Subsystem Registers Mapping Summary: \[0\]](#)

Table 11-20. DSS_SYSSTATUS

Address Offset	0x0000 0014	Instance	DSS_MAIN_L3
Physical Address	0x5800 0014		
Description	This register provides status information about the module.		
Type	R		

31	30	29	28	27	26	25	24	23	22	21	20	19	18	17	16	15	14	13	12	11	10	9	8	7	6	5	4	3	2	1	0
RESERVED																RESERVED												RESETDONE			

Bits	Field Name	Description	Type	Reset
31:1	RESERVED	Reserved	R	0x0000 0000
0	RESETDONE	Internal reset monitoring Read 0x0: Internal module reset is ongoing. Read 0x1: Reset complete	R	0x1

Table 11-21. Register Call Summary for Register DSS_SYSSTATUS

Display Subsystem Overview

- [Display Subsystem Registers Mapping Summary: \[0\]](#)

Table 11-22. DSS_CTRL

Address Offset	0x0000 0040	Instance	DSS_MAIN_L3
Physical Address	0x5800 0040		
Description	This register contains the DSS control bits. LCD1 / DPI1 (VOUT1) is not supported on the AM570x family of devices.		
Type	RW		

31	30	29	28	27	26	25	24	23	22	21	20	19	18	17	16	15	14	13	12	11	10	9	8	7	6	5	4	3	2	1	0
RESERVED																LCD3_CLK_SWITCH	RESERVED	PARALLEL_SEL	RESERVED	LCD2_CLK_SWITCH	RESERVED	F_CLK_SWITCH	RESERVED	LCD1_CLK_SWITCH							

Bits	Field Name	Description	Type	Reset
31:20	RESERVED	Reserved	R	0x000
19	LCD3_CLK_SWITCH	DSS_CLK/DPLL_DSI1_C_CLK1 clock switch (multiplexer 10) Selects the clock source for the DISPC LCD3_CLK clock 0x0: DSS_CLK selected (from PRCM) 0x1: DPLL_DSI1_C_CLK1 selected	RW	0x0
18	RESERVED	Reserved	R	0x0

Bits	Field Name	Description	Type	Reset
17:16	PARALLEL_SEL	Selection between LCD1, LCD2, LCD3 and TV channel out on the parallel output (multiplexer 13) 0x0: Select HDMI channel output. 0x1: Select LCD1 channel output. 0x3: Select LCD3 channel output. 0x2: Select LCD2 channel output.	RW	0x0
15:13	RESERVED	Reserved	R	0x0
12	LCD2_CLK_SWITCH	DSS_CLK clock switch (multiplexer 3) Selects the clock source for the DISPC LCD2_CLK clock 0x0: DSS_CLK selected (from PRCM) 0x1: DPLL_DSI1_B_CLK1 selected	RW	0x0
11:10	RESERVED	Reserved	RW	0x0
9:7	F_CLK_SWITCH	Selects the clock source for the DISPC functional clock F_CLK 0x0: DSS_CLK selected (from PRCM) 0x1: DPLL_DSI1_A_CLK1 0x2: DPLL_DSI1_B_CLK1 0x3: DPLL_HDMI_CLK1 selected (from DPLL_HDMI) 0x4: DPLL_DSI1_C_CLK1	RW	0x0
6:1	RESERVED	Reserved	R	0x00
0	LCD1_CLK_SWITCH	DSS_CLK/DPLL_DSI1_A_CLK1 clock switch (multiplexer 2) Selects the clock source for the DISPC LCD1_CLK clock 0x0: DSS_CLK selected (from PRCM) 0x1: DPLL_DSI1_A_CLK1 selected (from VIDEO1 PLL)	RW	0x0

Table 11-23. Register Call Summary for Register DSS_CTRL

Display Subsystem Overview

- [Display Subsystem LCD with Parallel Interfaces: \[0\]\[1\]\[2\]](#)
- [Display Subsystem TV With Parallel Interfaces: \[3\]\[4\]](#)
- [Display Subsystem Clocks: \[5\]](#)
- [Display Subsystem Registers Mapping Summary: \[6\]](#)

Table 11-24. DSS_STATUS

Address Offset	0x0000 005C
Physical Address	0x5800 005C
Description	This register contains the DSS status. LCD1 / DPI1 (VOUT1) is not supported on the AM570x family of devices.
Type	R

31	30	29	28	27	26	25	24	23	22	21	20	19	18	17	16	15	14	13	12	11	10	9	8	7	6	5	4	3	2	1	0
RESERVED								LCD3_CLK_STATUS		RESERVED				F_CLK_STATUS				RESERVED		LCD2_CLK_STATUS		RESERVED								LCD1_CLK_STATUS	

Bits	Field Name	Description	Type	Reset
31:26	RESERVED	Reserved	R	0x00
25:24	LCD3_CLK_STATUS	<p>LCD3_CLK clock selection status (multiplexer 10) indicates which clock is used by the glitch free mux selecting the source of LCD3_CLK.</p> <p>It is required to have the current clock and the new selected clock being running in order to be able to switch. Both clocks are used at the same time while the switch is on going.</p> <p>Read 0x2: DPLL_DS11_C_CLK1 is used by DISPC as LCD3_CLK clock</p> <p>Read 0x1: DSS_CLK is used as LCD3_CLK</p> <p>Read 0x0: LCD3_CLK clock switch is on-going</p>	R	0x1
23:20	RESERVED	Reserved	R	0x4
19:15	F_CLK_STATUS	<p>F_CLK clock selection status (multiplexer 1) indicates which clock is used by the glitch free mux selecting the source of F_CLK.</p> <p>It is required to have the current clock and the new selected clock being running in order to be able to switch. Both clocks are used at the same time while the switch is on going.</p> <p>Read 0x4: DPLL_DS11_B_CLK1 is used by DISPC as F_CLK clock</p> <p>Read 0x2: DPLL_DS11_A_CLK1 is used by DISPC as F_CLK clock</p> <p>Read 0x0: DSS_CLK clock switch is on-going</p> <p>Read 0x1: DSS_CLK is used by DISPC as F_CLK clock</p> <p>Read 0x8: DPLL_HDMI_CLK1 is used by DISPC as F_CLK clock</p> <p>Read 0x10: DPLL_DS11_C_CLK1 is used by DISPC as F_CLK clock</p>	R	0x01
14:13	RESERVED	Reserved	R	0x0
12:11	LCD2_CLK_STATUS	<p>LCD2_CLK clock selection status (multiplexer 3) indicates which clock is used by the glitch free mux selecting the source of LCD2_CLK.</p> <p>It is required to have the current clock and the new selected clock being running in order to be able to switch. Both clocks are used at the same time while the switch is on going.</p> <p>Read 0x2: DPLL_DS11_B_CLK1 is used by DISPC as LCD2_CLK clock</p> <p>Read 0x1: DSS_CLK is used as LCD2_CLK</p> <p>Read 0x0: LCD2_CLK clock switch is on-going</p>	R	0x1
10:2	RESERVED	Reserved	R	0xA0
1:0	LCD1_CLK_STATUS	<p>LCD1_CLK clock selection status (multiplexer 2) indicates which clock is used by the glitch free mux selecting the source of LCD1_CLK.</p> <p>It is required to have the current clock and the new selected clock being running in order to be able to switch. Both clocks are used at the same time while the switch is on going.</p> <p>Read 0x2: DPLL_DS11_A_CLK1 is used by DISPC as LCD1_CLK clock</p> <p>Read 0x1: DSS_CLK is used as LCD1_CLK</p> <p>Read 0x0: LCD1_CLK clock switch is on-going</p>	R	0x1

Table 11-25. Register Call Summary for Register DSS_STATUS

Display Subsystem Overview

- [Display Subsystem Registers Mapping Summary: \[0\]](#)

11.1.5.3 OCP2SCP2 registers

11.1.5.3.1 OCP2SCP2 Register Summary

Table 11-26. OCP2SCP2 Registers Mapping Summary

Register Name	Type	Register Width (Bits)	Address Offset	OCP2SCP2 L4_CFG Physical Address
OCP2SCP_REVISION	R	32	0x0000 0000	0x4A0A 0000
OCP2SCP_SYSCONFIG	RW	32	0x0000 0010	0x4A0A 0010
OCP2SCP_SYSSTATUS	R	32	0x0000 0014	0x4A0A 0014
OCP2SCP_TIMING	RW	32	0x0000 0018	0x4A0A 0018

11.1.5.3.2 OCP2SCP Register Description

Table 11-27. OCP2SCP_REVISION

Address Offset	0x0000 0000	Instance	OCP2SCP2_CFG_L4
Physical Address	0x4A0A 0000		
Description	IP Revision Identifier (X.Y.R)		
Type	R		

31	30	29	28	27	26	25	24	23	22	21	20	19	18	17	16	15	14	13	12	11	10	9	8	7	6	5	4	3	2	1	0
REVISION																															

Bits	Field Name	Description	Type	Reset
31:0	REVISION	IP revision	R	See ⁽¹⁾

⁽¹⁾ TI internal data

Table 11-28. Register Call Summary for Register OCP2SCP_REVISION

Display Subsystem Overview

- [OCP2SCP2 Register Summary: \[0\]](#)

Table 11-29. OCP2SCP_SYSCONFIG

Address Offset	0x0000 0010	Instance	OCP2SCP2_CFG_L4
Physical Address	0x4A0A 0010		
Description	SYSTEM CONFIGURATION REGISTER		
Type	RW		

31	30	29	28	27	26	25	24	23	22	21	20	19	18	17	16	15	14	13	12	11	10	9	8	7	6	5	4	3	2	1	0
RESERVED																												IDLEMODE	RESERVED	SOFTRESET	AUTOIDLE

Bits	Field Name	Description	Type	Reset
31:5	RESERVED	Reserved	R	0x000 0000
4:3	IDLEMODE	00 Force Idle. An idle request is acknowledged unconditionally. 01 No Idle. An idle request is never acknowledged. 10 Smart Idle. The acknowledgement to an idle request is given based on the internal activity (see 4.1.2). 11 Smart Idle Wakeup. 0x0: An idle request is acknowledged unconditionally. 0x1: An idle request is never acknowledged. Read 0x3: Reserved combination 0x2: The acknowledgement to an idle request is given based on the internal activity (see 4.1.2).	RW	0x2
2	RESERVED	Reserved.	R	0
1	SOFTRESET	Software Reset. Set this bit to 1 to trigger a module reset. The bit is automatically reset by the hardware. During reads, it always returns 0. 0x0: Normal Mode 0x1: The module is reset.	RW	0
0	AUTOIDLE	OCP clock gating control. 0x0: Internal Interface OCP clock is free-running 0x1: Automatic internal OCP clock gating, based on the OCP interface activity	RW	1

Table 11-30. Register Call Summary for Register OCP2SCP_SYSCONFIG

Display Subsystem Overview

- [OCP2SCP2 Reset: \[0\]](#)
- [OCP2SCP2 Power Management: \[1\]\[2\]\[3\]](#)
- [OCP2SCP2 Register Summary: \[4\]](#)

Table 11-31. OCP2SCP_SYSSTATUS

Address Offset	0x0000 0014	Instance	OCP2SCP2_CFG_L4
Physical Address	0x4A0A 0014		
Description	System Status register.		
Type	R		

31	30	29	28	27	26	25	24	23	22	21	20	19	18	17	16	15	14	13	12	11	10	9	8	7	6	5	4	3	2	1	0
RESERVED																															RESETDONE

Bits	Field Name	Description	Type	Reset
31:1	RESERVED	Reserved	R	0x0000 0000
0	RESETDONE	Read 0x1: Reset completed Read 0x0: Internal Reset is on-going	R	1

Table 11-32. Register Call Summary for Register OCP2SCP_SYSSTATUS

Display Subsystem Overview

- [OCP2SCP2 Reset: \[0\]](#)
- [OCP2SCP2 Register Summary: \[1\]](#)

Table 11-33. OCP2SCP_TIMING

Address Offset	0x0000 0018	Instance	OCP2SCP2_CFG_L4
Physical Address	0x4A0A 0018		
Description	Timing constraints for the OCP2SCP module.		
Type	RW		

31	30	29	28	27	26	25	24	23	22	21	20	19	18	17	16	15	14	13	12	11	10	9	8	7	6	5	4	3	2	1	0
RESERVED																DIVISIONRATIO		SYNC1			SYNC2										

Bits	Field Name	Description	Type	Reset
31:10	RESERVED	Reserved.	R	0x00 0000
9:7	DIVISIONRATIO ⁽¹⁾	Division Ratio of the SCP clock in relation to OCP input clock.	RW	0x0
6:4	SYNC1	Number of SCPclock cycles defining SYNC1	RW	0x0
3:0	SYNC2	Number of SCPclock cycles defining SYNC2	RW	0x1

⁽¹⁾ When value "000" is programmed for the SCP clock division ratio, and the transaction to be made is a valid transaction on the SCP interface, the DIVISIONRATIO value is set internally to 0x7 (to avoid a block on the OCP interface).

Table 11-34. Register Call Summary for Register OCP2SCP_TIMING

Display Subsystem Overview

- [OCP2SCP2 Timing Registers: \[1\]\[2\]\[3\]](#)
- [OCP2SCP2 Register Summary: \[4\]](#)

11.1.5.4 DPLL_VIDEO Registers

11.1.5.4.1 DPLL_VIDEO Register Summary

Table 11-35. DPLL_VIDEO1 Registers Mapping Summary

Register Name	Type	Register Width (Bits)	Address Offset	DPLL_VIDEO1 L3_MAIN Physical Address	DPLL_VIDEO1 L4_CFG Physical Address
PLL_CONTROL	RW	32	0x0000 0000	0x5800 4300	0x4A0A 4000
PLL_STATUS	R	32	0x0000 0004	0x5800 4304	0x4A0A 4004
PLL_GO	RW	32	0x0000 0008	0x5800 4308	0x4A0A 4008
PLL_CONFIGURATION1	RW	32	0x0000 000C	0x5800 430C	0x4A0A 400C
PLL_CONFIGURATION2	RW	32	0x0000 0010	0x5800 4310	0x4A0A 4010
PLL_CONFIGURATION3	RW	32	0x0000 0014	0x5800 4314	0x4A0A 4014
PLL_SSC_CONFIGURATION1	RW	32	0x0000 0018	0x5800 4318	0x4A0A 4018
PLL_SSC_CONFIGURATION2	RW	32	0x0000 001C	0x5800 431C	0x4A0A 401C
PLL_CONFIGURATION4	RW	32	0x0000 0020	0x5800 4320	0x4A0A 4020

11.1.5.4.2 DPLL_VIDEO Register Description
Table 11-36. PLL_CONTROL

Address Offset	0x0000 0000	Instance	DPLL_VIDEO1_MAIN_L3 DPLL_VIDEO1_CFG_L4
Physical Address	0x5800 4300 0x4A0A 4000		
Description	This register controls the PLL reset/power and modes		
Type	RW		

31	30	29	28	27	26	25	24	23	22	21	20	19	18	17	16	15	14	13	12	11	10	9	8	7	6	5	4	3	2	1	0
RESERVED																HSDIV_SYSRESET		PLL_SYSRESET		PLL_HALTMODE		PLL_GATEMODE		PLL_AUTOMODE							

Bits	Field Name	Description	Type	Reset
31:5	RESERVED	Reads as zero.	R	0x0000000
4	HSDIV_SYSRESET	Force HSDIVIDER SYSRESETN. Reserved when DBGSSV is 1. 0x0: HSDIVIDER SYSRESET forced active 0x1: HSDIVIDER SYSRESET controlled by power FSM	RW	1
3	PLL_SYSRESET	Force DPLL SYSRESETN. Reserved when DBGSSV is 1. 0x0: PLL SYSRESET forced active 0x1: PLL SYSRESET controlled by power FSM	RW	1
2	PLL_HALTMODE	Allow PLL to be halted if no activity. Reserved when PLLCTRL_AUTO is 0. 0x0: PLL will not be halted 0x1: PLL will be halted based on activity	RW	0
1	PLL_GATEMODE	Allow PLL clock gating for power saving. Reserved when PLLCTRL_AUTO is 0. 0x0: PHY clock on 0x1: Reserved	RW	0
0	PLL_AUTOMODE	Automatic update mode. If this bit is set then the configuration updates will be synchronized to DISPCUpdateSync. If this bit is clear configuration updates will be done immediately. Reserved when PLLCTRL_AUTO is 0. 0x0: Manual mode 0x1: Automatic mode	RW	0

Table 11-37. Register Call Summary for Register PLL_CONTROL

Display Subsystem Overview

- [OCP2SCP2 Functional Description: \[0\]\[1\]](#)
- [DPLL_VIDEO HSDIVIDER Loading Operation: \[2\]](#)
- [DPLL_VIDEO Go Sequence: \[3\]\[4\]\[5\]\[6\]](#)
- [DPLL_VIDEO Recommended Values: \[7\]\[8\]](#)
- [DPLL_VIDEO Register Summary: \[9\]](#)

Table 11-38. PLL_STATUS

Address Offset	0x0000 0004	Instance	DPLL_VIDEO1_MAIN_L3 DPLL_VIDEO1_CFG_L4
Physical Address	0x5800 4304 0x4A0A 4004		
Description	This register contains the status information		
Type	R		

31	30	29	28	27	26	25	24	23	22	21	20	19	18	17	16	15	14	13	12	11	10	9	8	7	6	5	4	3	2	1	0
RESERVED																PLL_TICOPWDN	PLL_LDOPWDN	BYPASSACKZ	SSC_EN_ACK	M7_CLOCK_ACK	M6_CLOCK_ACK	BYPASSACKZ_MERGED	RESERVED	M4_CLOCK_ACK	PLL_BYPASS	PLL_HIGHJITTER	RESERVED	PLL_LOSSREF	PLL_RECAL	PLL_LOCK	PLLCTRL_RESET_DONE

Bits	Field Name	Description	Type	Reset
31:17	RESERVED	Reads as zero.	R	0x0000
16	PLL_TICOPWDN	PLL TICOPWDN status. Read 0x1: Internal oscillator power down Read 0x0: Internal oscillator power up	R	0
15	PLL_LDOPWDN	PLL LDOPWDN status. Read 0x1: PLL's internal LDO is power down Read 0x0: PLL's internal LDO is power up	R	0
14:13	BYPASSACKZ	State of bypass mode on PHY and HSDIVIDER. The status is shown separately for each source. Read 0x1: PLL outputs are still being used by the PHY or HSDIVIDER. Read 0x0: PHY or HSDIVIDER has switched to using the bypass clocks.	R	0x0
12	SSC_EN_ACK	Spread Spectrum Clocking acknowledge Read 0x1: Spread Spectrum Clocking active Read 0x0: Spread Spectrum Clocking inactive Note: SSC feature is not supported.	R	0
11	M7_CLOCK_ACK	Acknowledge for enable of sub-system clock Verify the status before selecting this source in the sub-system clock mux Read 0x0: M7 clock inactive Read 0x1: M7 clock active	R	0x0
10	M6_CLOCK_ACK	Acknowledge for enable of sub-system clock Verify the status before selecting this source in the sub-system clock mux Read 0x1: M6 clock active Read 0x0: M6 clock inactive	R	0
9	BYPASSACKZ_MERGED	Merged state of bypass mode on PHY and HSDIVIDER Read 0x1: PLL outputs are still being used by the PHY or HSDIVIDER Read 0x0: PHY and HSDIVIDER have switched to using the bypass clocks.	R	0
8	RESERVED	Reads as zero.	R	0x0000

Bits	Field Name	Description	Type	Reset
7	M4_CLOCK_ACK	Acknowledge for enable of sub-system clock Verify the status before selecting this source in the sub-system clock mux Read 0x1: M4 clock active Read 0x0: M4 clock inactive	R	0
6	PLL_BYPASS	PLL Bypass status Read 0x1: PLL bypass Read 0x0: PLL not bypassing	R	0
5	PLL_HIGHJITTER	PLL High Jitter status Read 0x1: PLL in high jitter condition: Phase error > 24% Read 0x0: PLL in normal jitter condition	R	0
4	RESERVED	Read returns zero.	R	0
3	PLL_LOSSREF	PLL Reference Loss status Read 0x1: Reference input inactive Read 0x0: Reference input active	R	0
2	PLL_RECAL	PLL re-calibration status If this bit is active, the PLL needs to be re-calibrated Read 0x1: Recalibration is required Read 0x0: Recalibration is not required	R	0
1	PLL_LOCK	PLL Lock status See the programming guide for the use of this bit Read 0x1: PLL is locked Read 0x0: PLL is not locked	R	0
0	PLLCTRL_RESET_DONE	PLLCTRL reset done status Read 0x1: Reset has completed Read 0x0: Reset is in progress	R	0

Table 11-39. Register Call Summary for Register PLL_STATUS

Display Subsystem Overview

- [DPLL_VIDEO Controller Architecture:](#)
- [DPLL_VIDEO Error Handling: \[1\]\[2\]](#)
- [DPLL_VIDEO Software Reset: \[3\]](#)
- [DPLL_VIDEO Register Summary: \[4\]](#)

Table 11-40. PLL_GO

Address Offset	0x0000 0008	Instance	DPLL_VIDEO1_MAIN_L3 DPLL_VIDEO1_CFG_L4																												
Physical Address	0x5800 4308 0x4A0A 4008																														
Description	This register contains the GO bit																														
Type	RW																														
31	30	29	28	27	26	25	24	23	22	21	20	19	18	17	16	15	14	13	12	11	10	9	8	7	6	5	4	3	2	1	0
RESERVED																HSDIVLOAD															

Bits	Field Name	Description	Type	Reset
31:2	RESERVED	Reserved. Write only zero for future compatibility. Reads return zero.	R	0x0000 0000
1	HSDIVLOAD	In manual mode start HSDIVIDER update sequence.	RW	0x0
0	PLL_GO	Request (re-)locking sequence of the PLL. If the AutoMode bit is set, then this will be deferred until DISPCUpdate Sync goes active 0x0: No pending action 0x1: Request PLL (re-)locking/locking pending	RW	0x0

Table 11-41. Register Call Summary for Register PLL_GO

Display Subsystem Overview

- [DPLL_VIDEO HSDIVIDER Loading Operation: \[0\]](#)
- [DPLL_VIDEO Go Sequence: \[1\]\[2\]](#)
- [DPLL_VIDEO Recommended Values: \[3\]\[4\]](#)
- [DPLL_HDMI Go Sequence: \[5\]](#)
- [DPLL_HDMI Recommended Values: \[6\]](#)
- [DPLL_VIDEO Register Summary: \[7\]](#)
- [DPLL_VIDEO Register Description: \[9\]](#)
- [DPLL_HDMI Register Register Description: \[10\]](#)

Table 11-42. PLL_CONFIGURATION1

Address Offset	0x0000 000C	Instance	DPLL_VIDEO1_MAIN_L3 DPLL_VIDEO1_CFG_L4
Physical Address	0x5800 430C 0x4A0A 400C		
Description	This register contains the latched PLL and HSDIVIDER configuration bits		
Type	RW		

31	30	29	28	27	26	25	24	23	22	21	20	19	18	17	16	15	14	13	12	11	10	9	8	7	6	5	4	3	2	1	0
RESERVED	RESERVED					M4_CLOCK_DIV				PLL_REGM								PLL_REGN					RESERVED								

Bits	Field Name	Description	Type	Reset
31	RESERVED	Read returns zero.	R	0
30:26	RESERVED	Reserved	R	0x0000
25:21	M4_CLOCK_DIV	Divider value for clock source M4REG Divider value = M4_CLOCK_DIV + 1	RW	0x00
20:9	PLL_REGM	M Divider for PLL. Valid values range is from 1 to 2047. Values 2048 and above are reserved and must not be used. When the PLL_REGM bit field is set to 1, the PLL enters a MN-Bypass mode. The DCOCLK clock output goes low and remains low until the PLL exits MN-Bypass mode (by changing the PLL_REGM bit field to a value other than 0 or 1).	RW	0x000
8:1	PLL_REGN	N Divider for PLL (Reference). Divider value = PLL_REGN+1. Valid values range is from 0 to 127. Values 128 and above are reserved and must not be used.	RW	0x00
0	RESERVED	Read returns zero.	R	0

Table 11-43. Register Call Summary for Register PLL_CONFIGURATION1

Display Subsystem Overview

- [DPLL_VIDEO Controller Architecture: \[0\]\[1\]](#)
- [DPLL_VIDEO Operations: \[2\]\[3\]](#)
- [DPLL_VIDEO Clock Sequence: \[4\]\[5\]\[6\]](#)
- [DPLL_VIDEO Register Summary: \[7\]](#)

Table 11-44. PLL_CONFIGURATION2

Address Offset	0x0000 0010	
Physical Address	0x5800 4310 0x4A0A 4010	Instance DPLL_VIDEO1_MAIN_L3 DPLL_VIDEO1_CFG_L4
Description	This register contains the unlatched PLL and HSDIVIDER configuration bits These bits are "shadowed" when automatic mode is selected	
Type	RW	

31	30	29	28	27	26	25	24	23	22	21	20	19	18	17	16	15	14	13	12	11	10	9	8	7	6	5	4	3	2	1	0
RESERVED							M7_CLOCK_EN	RESERVED	M6_CLOCK_EN	REFSEL	HSDIVBYPASS	RESERVED	RESERVED	RESERVED	M4_CLOCK_EN	BYPASSEN	PHY_CLKINEN	PLL_REFEN	PLL_HIGHFREQ	PLL_CLKSEL	PLL_LOCKSEL	PLL_DRIFTGUARDEN	RESERVED	PLL_LOWCURRSTBY	PLL_PILLPMODE	RESERVED	RESERVED	RESERVED	RESERVED	PLL_IDLE	

Bits	Field Name	Description	Type	Reset
31:26	RESERVED	Read as zero.	R	0x00
25	M7_CLOCK_EN	Enable for M7 clock source 0x0: M7 clock divider is disabled 0x1: M7 clock divider is enabled	RW	0x0
24	RESERVED	Read returns zero.	R	0
23	M6_CLOCK_EN	Enable for M6 clock source 0x0: M6 clock divider is disabled 0x1: M6 clock divider is enabled	RW	0
22:21	REFSEL	Selects the reference clock with optional divide by 2 0x0: Reserved 0x1: Reserved 0x3: Select SYSCLK reference 0x2: Reserved	RW	0x0
20	HSDIVBYPASS	Forces HSDIVIDER to bypass mode 0x0: HSDIVIDER in normal operation. Bypass controlled by PLL. 0x1: HSDIVIDER forced to bypass mode.	RW	0
19	RESERVED	Read returns zero.	R	0
18	RESERVED	Read returns zero.	R	0
17	RESERVED	Read returns zero	R	0
16	M4_CLOCK_EN	Enable for M4 clock source 0x0: Sub-system clock divider is disabled 0x1: Sub-system clock divider is enabled	RW	0

Bits	Field Name	Description	Type	Reset
15	BYPASSEN	Selects sub-system functional clock as PHY clock source 0x0: PLL controls the PHY clock source: PLL DCO if PLL is locked Sub-system functional clock if not locked 0x1: Force sub-system functional clock to be used as the PHY clock source	RW	0
14	PHY_CLKINEN	PHY clock control 0x0: PHY clock is disabled 0x1: PHY clock is enabled	RW	0
13	PLL_REFEN	PLL reference clock control 0x0: PLL reference clock disabled 0x1: PLL reference clock enabled	RW	1
12	PLL_HIGHFREQ	Enables a division of pixel clock by 2 before input to the PLL Required for pixel clock frequencies above 32 MHz (21 MHz if N = 0) 0x0: Pixel clock is not divided 0x1: Pixel clock is divided by 2	RW	0
11	PLL_CLKSEL	Reference clock selection 0x0: Selects SYSCLK as PLL reference clock 0x1: Selects Pixel Clock (PCLK) as PLL reference clock	RW	0
10:9	PLL_LOCKSEL	Selects the lock criteria for the PLL 0x0: Phase Lock 0x1: Frequency Lock 0x2: Spare	RW	0x0
8	PLL_DRIFTGUARDEN	PLL DRIFTGUARDEN 0x0: Only RECAL flag is asserted in case of temperature drift. The programmer should take appropriate action. 0x1: Temperature drift will initiate automatic recalibration. RECAL flag will be asserted while this is taking place.	RW	0
7	RESERVED		R	0
6	PLL_LOWCURRSTBY	PLL LOW CURRENT STANDBY 0x0: LOWCURRSTBY is not selected 0x1: LOWCURRSTBY is selected	RW	0
5	PLL_PLLLPMODE	Select the power / performance of the PLL 0x0: Full performance, minimized jitter 0x1: Reduced power, increased jitter	RW	0
4	RESERVED	Reads as zero.	R	0
3:1	RESERVED	Reserved	R	0
0	PLL_IDLE	PLL IDLE: 0x0: IDLE is not selected 0x1: IDLE is selected	RW	0

Table 11-45. Register Call Summary for Register PLL_CONFIGURATION2

Display Subsystem Overview

- [DPLL_VIDEO Controller Architecture: \[0\]](#)
- [DPLL_VIDEO Operations: \[1\]\[2\]](#)
- [DPLL_VIDEO Go Sequence: \[3\]\[4\]\[5\]](#)
- [DPLL_VIDEO Recommended Values: \[6\]\[7\]\[8\]\[9\]\[10\]\[11\]\[12\]\[13\]\[14\]\[15\]\[16\]](#)
- [DPLL_VIDEO Register Summary: \[17\]](#)

Table 11-46. PLL_CONFIGURATION3

Address Offset	0x0000 0014		
Physical Address	0x5800 4314 0x4A0A 4014	Instance	DPLL_VIDEO1_MAIN_L3 DPLL_VIDEO1_CFG_L4
Description	HSDIVIDER configuration bits for the M5 and M6 dividers		
Type	RW		

31	30	29	28	27	26	25	24	23	22	21	20	19	18	17	16	15	14	13	12	11	10	9	8	7	6	5	4	3	2	1	0
RESERVED																M7_CLOCK_DIV				M6_CLOCK_DIV											

Bits	Field Name	Description	Type	Reset
31:10	RESERVED	Reserved	R	0x0000
9:5	M7_CLOCK_DIV	Divider value for M7 divider. Divider value = M7_CLOCK_DIV + 1	RW	0x00
4:0	M6_CLOCK_DIV	Divider value for M6 divider. Divider value = M6_CLOCK_DIV + 1	RW	0x00

Table 11-47. Register Call Summary for Register PLL_CONFIGURATION3

Display Subsystem Overview

- [DPLL_VIDEO Clock Sequence: \[0\]\[1\]](#)
- [DPLL_VIDEO Register Summary: \[2\]](#)

Table 11-48. PLL_SSC_CONFIGURATION1

Address Offset	0x0000 0018		
Physical Address	0x5800 4318 0x4A0A 4018	Instance	DPLL_VIDEO1_MAIN_L3 DPLL_VIDEO1_CFG_L4
Description	Configuration for PLL Spread Spectrum Clocking modulation. Note: SSC feature is not supported.		
Type	RW		

31	30	29	28	27	26	25	24	23	22	21	20	19	18	17	16	15	14	13	12	11	10	9	8	7	6	5	4	3	2	1	0
RESERVED																DOWNSPREAD	RESERVED	EN_SSC													

Bits	Field Name	Description	Type	Reset
31:3	RESERVED	RESERVED	R	0x0000 0000
2	DOWNSPREAD	Forces the clock spreading only in the down spectrum. 0x0: Clock spreading not forced. 0x1: Spectrum spreading only in down direction.	RW	0
1	RESERVED	Reserved. Reads return 0.	R	0
0	EN_SSC	Spread Spectrum Clocking enable 0x0: Spread Spectrum Clocking disabled 0x1: Spread Spectrum Clocking enabled	RW	0

Table 11-49. Register Call Summary for Register PLL_SSC_CONFIGURATION1

Display Subsystem Overview

- [DPLL_VIDEO Controller Architecture:](#)
- [DPLL_VIDEO Register Summary: \[3\]](#)

Table 11-50. PLL_SSC_CONFIGURATION2

Address Offset	0x0000 001C		
Physical Address	0x5800 431C 0x4A0A 401C	Instance	DPLL_VIDEO1_MAIN_L3 DPLL_VIDEO1_CFG_L4
Description	Configuration for PLL Spread Spectrum Clocking modulation. Note: SSC feature is not supported.		
Type	RW		

31	30	29	28	27	26	25	24	23	22	21	20	19	18	17	16	15	14	13	12	11	10	9	8	7	6	5	4	3	2	1	0
RESERVED	DELTAM2	MODFREQDIVIDER										DELTAM																			

Bits	Field Name	Description	Type	Reset
31	RESERVED	Reads as zero	R	0x0
30	DELTAM2	MSB of DeltaM control bus.	RW	0x0
29:20	MODFREQDIVIDER	Modulation Frequency Divider (ModFreqDivider) control for SSC. The ModFreqDivider is split into Mantissa and 2^{Exponent} (ModFreqDivider = ModFreqDividerMantissa * $2^{\text{ModFreqDividerExponent}}$). - Bits [29:23] define the Mantissa. - Bits [22:20] define the Exponent.	RW	0x000
19:0	DELTAM	DeltaM control for SSC. Split into integer and fractional parts. - Bits [19:18] define the integer part. - Bits [17:0] define the fractional part.	RW	0x00000

Table 11-51. Register Call Summary for Register PLL_SSC_CONFIGURATION2

Display Subsystem Overview

- [DPLL_VIDEO Controller Architecture:](#)
- [DPLL_VIDEO Register Summary: \[3\]](#)

Table 11-52. PLL_CONFIGURATION4

Address Offset	0x0000 0020		
Physical Address	0x5800 4320 0x4A0A 4020	Instance	DPLL_VIDEO1_MAIN_L3 DPLL_VIDEO1_CFG_L4
Description	Allows setting the fractional M divider and M2 divider for PLL.		
Type	RW		

31	30	29	28	27	26	25	24	23	22	21	20	19	18	17	16	15	14	13	12	11	10	9	8	7	6	5	4	3	2	1	0
RESERVED								PLL_REGM2								PLL_REGM_F															

Bits	Field Name	Description	Type	Reset
31:25	RESERVED	Reads as zero	R	0x0
24:18	PLL_REGM2	M2 divider to configure PLL REGM2. NOTE: In this device, M2 divider is hardcoded in HW at 31 (0x1F).	RW	0x1
17:0	PLL_REGM_F	Fractional part of M divider. NOTE: The feature is not supported in this device.	RW	0x0

Table 11-53. Register Call Summary for Register PLL_CONFIGURATION4

- Display Subsystem Overview
- [DPLL_VIDEO Register Summary: \[0\]](#)

11.1.5.5 DPLL_HDMI Registers

11.1.5.5.1 DPLL_HDMI Registers Mapping Summary

Table 11-54. DPLL_HDMI Registers Mapping Summary

Register Name	Type	Register Width (Bits)	Address Offset	DPLL_HDMI L3_MAIN Physical Address	DPLL_HDMI L4_CFG Physical Address
PLLCTRL_HDMI_CONTROL	RW	32	0x0000 0000	0x5804 0200	0x4A0A 6000
PLLCTRL_HDMI_STATUS	R	32	0x0000 0004	0x5804 0204	0x4A0A 6004
PLLCTRL_HDMI_GO	RW	32	0x0000 0008	0x5804 0208	0x4A0A 6008
PLLCTRL_HDMI_CONFIGURATION1	RW	32	0x0000 000C	0x5804 020C	0x4A0A 600C
PLLCTRL_HDMI_CONFIGURATION2	RW	32	0x0000 0010	0x5804 0210	0x4A0A 6010
PLLCTRL_HDMI_CONFIGURATION3	RW	32	0x0000 0014	0x5804 0214	0x4A0A 6014
PLLCTRL_HDMI_SSC_CONFIGURATION1⁽¹⁾	RW	32	0x0000 0018	0x5804 0218	0x4A0A 6018
PLLCTRL_HDMI_SSC_CONFIGURATION2⁽¹⁾	RW	32	0x0000 001C	0x5804 021C	0x4A0A 601C
PLLCTRL_HDMI_CONFIGURATION4	RW	32	0x0000 0020	0x5804 0220	0x4A0A 6020

⁽¹⁾ SSC feature is not supported.

11.1.5.5.2 DPLL_HDMI Register Description

Table 11-55. PLLCTRL_HDMI_CONTROL

Address Offset	0x0000 0000	Instance	DPLL_HDMI_MAIN_L3 DPLL_HDMI_CFG_L4
Physical Address	0x5804 0200 0x4A0A 6000		
Description	This register controls the PLL reset/power and modes		
Type	RW		

31	30	29	28	27	26	25	24	23	22	21	20	19	18	17	16	15	14	13	12	11	10	9	8	7	6	5	4	3	2	1	0
RESERVED																HSDIV_SYSRESETN		PLL_SYSRESETN		RESERVED											

Bits	Field Name	Description	Type	Reset
31:5	RESERVED	Reads as zero.	R	0x0
4	HSDIV_SYSRESETN	Force HSDIVIDER SYSRESETN. 0x0: HSDIVIDER SYSRESET forced active 0x1: HSDIVIDER SYSRESET controlled by power FSM	RW	0x1
3	PLL_SYSRESETN	Force SYSRESETN. 0x0: DPLL_HDMI SYSRESET forced active 0x1: DPLL_HDMI SYSRESET controlled by power FSM	RW	0x1
2:0	RESERVED	Reserved	R	0x0

Table 11-56. Register Call Summary for Register PLLCTRL_HDMI_CONTROL

Display Subsystem Overview

- [DPLL_HDMI Registers Mapping Summary: \[0\]](#)

Table 11-57. PLLCTRL_HDMI_STATUS

Address Offset	0x0000 0004	Instance	DPLL_HDMI_MAIN_L3 DPLL_HDMI_CFG_L4
Physical Address	0x5804 0204 0x4A0A 6004		
Description	This register contains the status information		
Type	R		

31	30	29	28	27	26	25	24	23	22	21	20	19	18	17	16	15	14	13	12	11	10	9	8	7	6	5	4	3	2	1	0
RESERVED																SSC_EN_ACK	RESERVED	BYPASSACKZ_MERGED	RESERVED	PLL_BYPASS	PLL_HIGHJITTER	RESERVED	PLL_LOSSREF	PLL_RECAL	PLL_LOCK	PLLCTRL_RESET_DONE					

Bits	Field Name	Description	Type	Reset
31:13	RESERVED	Reads as zero.	R	0x0
12	SSC_EN_ACK	Spread Spectrum Clocking acknowledge 0x0: Spread Spectrum Clocking inactive 0x1: Spread Spectrum Clocking active Note: SSC feature is not supported	R	0x0
11:10	RESERVED	Read returns zero.	R	0x0
9	BYPASSACKZ_MERGED	Merged state of bypass mode on HDMI_PHY 0x0: HDMI_PHY has switched to using the bypass clocks. 0x1: DPLL_HDMI outputs are still being used by the HDMI_PHY	R	0x0
8:7	RESERVED	Read returns zero.	R	0x0
6	PLL_BYPASS	DPLL_HDMI Bypass status 0x0: DPLL_HDMI not bypassing 0x1: DPLL_HDMI bypass	R	0x0
5	PLL_HIGHJITTER	DPLL_HDMI High Jitter status 0x0: DPLL_HDMI in normal jitter condition 0x1: DPLL_HDMI in high jitter condition: Phase error 24%	R	0x0
4	RESERVED	Read returns zero.	R	0x0
3	PLL_LOSSREF	DPLL_HDMI Reference Loss status 0x0: Reference input active 0x1: Reference input inactive	R	0x0
2	PLL_RECAL	DPLL_HDMI re-calibration status If this bit is active, the DPLL_HDMI needs to be re-calibrated 0x0: Recalibration is not required 0x1: Recalibration is required	R	0x0

Bits	Field Name	Description	Type	Reset
1	PLL_LOCK	DPLL_HDMI Lock status See the programming guide for the use of this bit 0x0: DPLL_HDMI is not locked 0x1: DPLL_HDMI is locked	R	0x0
0	PLLCTRL_RESET_DONE	DPLL_HDMI reset done status 0x0: Reset is in progress 0x1: Reset has completed	R	0x0

Table 11-58. Register Call Summary for Register PLLCTRL_HDMI_STATUS

Display Subsystem Overview

- [DPLL_HDMI Controller Architecture](#):
- [DPLL_HDMI Error Handling](#): [1][2][3]
- [DPLL_HDMI Software Reset](#): [4]
- [DPLL_HDMI Clock Sequence](#): [5]
- [DPLL_HDMI Registers Mapping Summary](#): [6]

Table 11-59. PLLCTRL_HDMI_GO

Address Offset	0x0000 0008	Instance	DPLL_HDMI_MAIN_L3 DPLL_HDMI_CFG_L4
Physical Address	0x5804 0208 0x4A0A 6008		
Description	This register contains the GO bit		
Type	RW		

31	30	29	28	27	26	25	24	23	22	21	20	19	18	17	16	15	14	13	12	11	10	9	8	7	6	5	4	3	2	1	0
RESERVED																															

Bits	Field Name	Description	Type	Reset
31:1	RESERVED	Reserved. Write only zero for future compatibility. Reads return zero.	R	0x0
0	PLL_GO	Request (re-)locking sequence of the DPLL_HDMI. If the AutoMode bit is set, then this will be deferred until DISPC Update Sync goes active 0x0: No pending action 0x1: Request DPLL_HDMI (re-)locking/locking pending	RW	0x0

Table 11-60. Register Call Summary for Register PLLCTRL_HDMI_GO

Display Subsystem Overview

- [DPLL_HDMI Clock Sequence](#): [0]
- [DPLL_HDMI Go Sequence](#): [1]
- [DPLL_HDMI Recommended Values](#): [2]
- [DPLL_HDMI Registers Mapping Summary](#): [3]

Table 11-61. PLLCTRL_HDMI_CONFIGURATION1

Address Offset	0x0000 000C		
Physical Address	0x5804 020C 0x4A0A 600C	Instance	DPLL_HDMI_MAIN_L3 DPLL_HDMI_CFG_L4
Description	This register contains the latched PLL and HSDIVDER configuration bits		
Type	RW		

31	30	29	28	27	26	25	24	23	22	21	20	19	18	17	16	15	14	13	12	11	10	9	8	7	6	5	4	3	2	1	0
RESERVED								PLL_REGM								PLL_REGN								RESERVED							

Bits	Field Name	Description	Type	Reset
31:21	RESERVED	Reserved.	R	0x0
20:9	PLL_REGM	M Divider for DPLL_HDMI.	RW	0x0
8:1	PLL_REGN	N Divider for DPLL_HDMI (Reference). Divider value = PLL_REGN+1.	RW	0x0
0	RESERVED	Reserved.	R	0x0

Table 11-62. Register Call Summary for Register PLLCTRL_HDMI_CONFIGURATION1

Display Subsystem Overview

- [DPLL_HDMI Controller Architecture: \[0\]\[1\]](#)
- [PLLCTRL HDMI Operations: \[2\]\[3\]](#)
- [DPLL_HDMI Clock Sequence: \[4\]\[5\]](#)
- [DPLL_HDMI Recommended Values: \[6\]\[7\]](#)
- [DPLL_HDMI Registers Mapping Summary: \[8\]](#)

Table 11-63. PLLCTRL_HDMI_CONFIGURATION2

Address Offset	0x0000 0010		
Physical Address	0x5804 0210 0x4A0A 6010	Instance	DPLL_HDMI_MAIN_L3 DPLL_HDMI_CFG_L4
Description	This register contains the unlatched PLL and HSDIVDER configuration bits These bits are 'shadowed' when automatic mode is selected		
Type	RW		

31	30	29	28	27	26	25	24	23	22	21	20	19	18	17	16	15	14	13	12	11	10	9	8	7	6	5	4	3	2	1	0
RESERVED								REFSEL	HSDIVBYPASS	RESERVED				BYPASSEN	PHY_CLKINEN	PLL_REFEN	PLL_HIGHFREQ	PLL_CLKSEL	PLL_LOCKSEL	PLL_DRIFTGUARDEN	RESERVED	PLL_LOWCURRSTBY	PLL_PLLPMODE	RESERVED	PLL_SELFREQDCO	PLL_IDLE					

Bits	Field Name	Description	Type	Reset
31:23	RESERVED	Reserved.	R	0x0
22:21	REFSEL	Selects the reference clock with optional divide by 2 0x0: Select PCLK reference 0x1: Select REF1 reference 0x3: Select SYSCLK reference 0x2: Select REF2 Reference	RW	0x0
20	HSDIVBYPASS	Forces HSDIVIDER to bypass mode 0x0: HSDIVIDER in normal operation. Bypass controlled by DPLL_HDMI 0x1: HSDIVIDER forced to bypass mode.	RW	0x0
19:16	RESERVED	Reserved.	R	0x0
15	BYPASSEN	Selects sub-system functional clock as PHY clock source 0x0: DPLL_HDMI controls the PHY clock source: PLL DCO if DPLL_HDMI is locked Sub-system functional clock if not locked 0x1: Force sub-system functional clock to be used as the PHY clock source	RW	0x0
14	PHY_CLKINEN	PHY clock control 0x0: PHY clock is disabled 0x1: PHY clock is enabled	RW	0x0
13	PLL_REFEN	DPLL_HDMI reference clock control 0x0: DPLL_HDMI reference clock disabled 0x1: DPLL_HDMI reference clock enabled	RW	0x1
12	PLL_HIGHFREQ	Enables a division of pixel clock by 2 before input to the DPLL_HDMI Required for pixel clock frequencies above 32 MHz (21 MHz if N = 0) 0x0: Pixel clock is not divided 0x1: Pixel clock is divided by 2	RW	0x0
11	PLL_CLKSEL	Reference clock selection 0x0: Selects SYSCLK as DPLL_HDMI reference clock 0x1: Selects Pixel Clock (PCLK) as DPLL_HDMI reference clock	RW	0x0
10:9	PLL_LOCKSEL	Selects the lock criteria for the DPLL_HDMI 0x0: Phase Lock 0x1: Frequency Lock 0x2: Spare	RW	0x0
8	PLL_DRIFTGUARDEN	DPLL_HDMI DRIFTGUARDEN 0x0: Only RECAL flag is asserted in case of temperature drift. The programmer should take appropriate action. 0x1: Temperature drift will initiate automatic recalibration. RECAL flag will be asserted while this is taking place.	RW	0x0
7	RESERVED	Reserved.	R	0x0
6	PLL_LOWCURRSTBY	DPLL_HDMI LOW CURRENT STANDBY 0x0: LOWCURRSTBY is not selected 0x1: LOWCURRSTBY is selected	RW	0x0
5	PLL_PLLLPMODE	Select the power / performance of the DPLL_HDMI 0x0: Full performance, minimised jitter 0x1: Reduced power, increased jitter	RW	0x0
4	RESERVED	Reads as zero.	R	0x0

Bits	Field Name	Description	Type	Reset
3:1	PLL_SELFREQDCO	DCO frequency range selector for DPLL_HDMI 0x2: Set if DCO frequency is between 750MHz and 1500MHz 0x4: Set if DCO frequency is between 1250MHz and 2500MHz Others: Reserved	RW	0x4
0	PLL_IDLE	DPLL_HDMI IDLE: 0x0: IDLE is not selected 0x1: IDLE is selected	RW	0x0

Table 11-64. Register Call Summary for Register PLLCTRL_HDMI_CONFIGURATION2

Display Subsystem Overview

- [PLLCTRL HDMI Operations: \[0\]](#)
- [DPLL_HDMI Clock Sequence: \[1\]\[2\]](#)
- [DPLL_HDMI Go Sequence: \[3\]](#)
- [DPLL_HDMI Recommended Values: \[4\]\[5\]\[6\]\[7\]\[8\]\[9\]\[10\]](#)
- [DPLL_HDMI Registers Mapping Summary: \[11\]](#)

Table 11-65. PLLCTRL_HDMI_CONFIGURATION3

Address Offset	0x0000 0014	Instance	DPLL_HDMI_MAIN_L3 DPLL_HDMI_CFG_L4
Physical Address	0x5804 0214 0x4A0A 6014		
Description	HSDIVIDER configuration bits for the M5 and M6 dividers		
Type	RW		

31	30	29	28	27	26	25	24	23	22	21	20	19	18	17	16	15	14	13	12	11	10	9	8	7	6	5	4	3	2	1	0
RESERVED								PLL_SD								RESERVED															

Bits	Field Name	Description	Type	Reset
31:18	RESERVED	Reserved.	R	0x0
17:10	PLL_SD	Sigma delta divider setting for DPLL_HDMI based on the DPLL_HDMI lock configuration.	RW	0x0
9:0	RESERVED	Reserved.	R	0x0

Table 11-66. Register Call Summary for Register PLLCTRL_HDMI_CONFIGURATION3

Display Subsystem Overview

- [PLLCTRL HDMI Operations: \[0\]](#)
- [DPLL_HDMI Clock Sequence: \[1\]\[2\]](#)
- [DPLL_HDMI Recommended Values: \[3\]](#)
- [DPLL_HDMI Registers Mapping Summary: \[4\]](#)

Table 11-67. PLLCTRL_HDMI_SSC_CONFIGURATION1

Address Offset	0x0000 0018	Instance	DPLL_HDMI_MAIN_L3 DPLL_HDMI_CFG_L4
Physical Address	0x5804 0218 0x4A0A 6018		
Description	Configuration for PLL Spread Spectrum Clocking modulation. Note: SSC feature is not supported.		
Type	RW		

31	30	29	28	27	26	25	24	23	22	21	20	19	18	17	16	15	14	13	12	11	10	9	8	7	6	5	4	3	2	1	0
RESERVED																DOWNSPREAD		RESERVED		EN_SSC											

Bits	Field Name	Description	Type	Reset
31:3	RESERVED	Reserved.	R	0x0
2	DOWNSPREAD	Forces the clock spreading only in the down spectrum. 0x0: Clock spreading not forced. 0x1: Spectrum spreading only in down direction.	RW	0x0
1	RESERVED	Reserved.	R	0x0
0	EN_SSC	Spread Spectrum Clocking enable 0x0: Spread Spectrum Clocking disabled 0x1: Spread Spectrum Clocking enabled	RW	0x0

Table 11-68. Register Call Summary for Register PLLCTRL_HDMI_SSC_CONFIGURATION1

Display Subsystem Overview

- [DPLL_HDMI Controller Architecture:](#)
- [DPLL_HDMI Registers Mapping Summary:](#) [3]

Table 11-69. PLLCTRL_HDMI_SSC_CONFIGURATION2

Address Offset	0x0000 001C	Instance	DPLL_HDMI_MAIN_L3 DPLL_HDMI_CFG_L4
Physical Address	0x5804 021C 0x4A0A 601C		
Description	Note: SSC feature is not supported.		
Type	RW		

31	30	29	28	27	26	25	24	23	22	21	20	19	18	17	16	15	14	13	12	11	10	9	8	7	6	5	4	3	2	1	0
RESERVED		DELTAM2		MODFREQDIVIDER								DELTAM																			

Bits	Field Name	Description	Type	Reset
31	RESERVED	Reads as zero	R	0x0
30	DELTAM2	MSB of DeltaM control bus.	RW	0x0
29:20	MODFREQDIVIDER	Modulation Frequency Divider (ModFreqDivider) control for dithering. The ModFreqDivider is split into Mantissa and 2^{Exponent} (ModFreqDivider = ModFreqDividerMantissa * $2^{\text{ModFreqDividerExponent}}$). Bits [29:23] define the Mantissa Bits [22:20] define the Exponent	RW	0x0
19:0	DELTAM	DeltaM control for dithering. Split into integer and fractional part. Bits [19:18] define the integer part Bits [17:0] define the fractional part	RW	0x0

Table 11-70. Register Call Summary for Register PLLCTRL_HDMI_SSC_CONFIGURATION2

Display Subsystem Overview

- [DPLL_HDMI Controller Architecture:](#)
- [DPLL_HDMI Registers Mapping Summary: \[2\]](#)

Table 11-71. PLLCTRL_HDMI_CONFIGURATION4

Address Offset	0x0000 0020	
Physical Address	0x5804 0220 0x4A0A 6020	Instance DPLL_HDMI_MAIN_L3 DPLL_HDMI_CFG_L4
Description	Allows setting the fractional M divider and M2 divider for PLL.	
Type	RW	

31	30	29	28	27	26	25	24	23	22	21	20	19	18	17	16	15	14	13	12	11	10	9	8	7	6	5	4	3	2	1	0
RESERVED								PLL_REGM2								PLL_REGM_F															

Bits	Field Name	Description	Type	Reset
31:25	RESERVED	Reads as zero.	R	0x0
24:18	PLL_REGM2	M2 divider to configure DPLL_HDMI M2 divider factor.	RW	0x1
17:0	PLL_REGM_F	Fractional part of M divider.	RW	0x0

Table 11-72. Register Call Summary for Register PLLCTRL_HDMI_CONFIGURATION4

Display Subsystem Overview

- [DPLL_HDMI Controller Architecture: \[0\]](#)
- [PLLCTRL HDMI Operations: \[1\]](#)
- [DPLL_HDMI Clock Sequence: \[2\]](#)
- [DPLL_HDMI Registers Mapping Summary: \[3\]](#)

11.1.5.6 HDMI_WP Registers

11.1.5.6.1 HDMI_WP Registers Mapping Summary

Table 11-73 summarizes the mapping of the HDMI WP registers.

Table 11-73. HDMI_WP Registers Mapping Summary

Register Name	Type	Register Width (Bits)	Address Offset	HDMI_WP L3_MAIN Physical Address
RESERVED	R	32	0x0000 0000	0x5804 0000

Table 11-73. HDMI_WP Registers Mapping Summary (continued)

Register Name	Type	Register Width (Bits)	Address Offset	HDMI_WP L3_MAIN Physical Address
RESERVED	R	32	0x0000 0010	0x5804 0010
RESERVED	R	32	0x0000 0020	0x5804 0020
RESERVED	R	32	0x0000 0024	0x5804 0024
RESERVED	R	32	0x0000 0028	0x5804 0028
RESERVED	R	32	0x0000 002C	0x5804 002C
RESERVED	R	32	0x0000 0030	0x5804 0030
RESERVED	R	32	0x0000 0034	0x5804 0034
HDMI_WP_PWR_CTRL	RW	32	0x0000 0040	0x5804 0040
RESERVED	R	32	0x0000 0044	0x5804 0044
RESERVED	R	32	0x0000 0050	0x5804 0050
RESERVED	R	32	0x0000 0060	0x5804 0060
RESERVED	R	32	0x0000 0068	0x5804 0068
RESERVED	R	32	0x0000 006C	0x5804 006C
HDMI_WP_CLK	RW	32	0x0000 0070	0x5804 0070
RESERVED	R	32	0x0000 0080	0x5804 0080
RESERVED	R	32	0x0000 0084	0x5804 0084
RESERVED	R	32	0x0000 0088	0x5804 0088
RESERVED	R	32	0x0000 008C	0x5804 008C
RESERVED	R	32	0x0000 0080	0x5804 0080
RESERVED	R	32	0x0000 0090	0x5804 0090
RESERVED	R	32	0x0000 0094	0x5804 0094

11.1.5.6.2 HDMI_WP Register Description

Table 11-74. HDMI_WP_PWR_CTRL

Address Offset	0x0000 0040	Instance	HDMI_WP_MAIN_L3
Physical Address	0x5804 0040		
Description	Power control		
Type	RW		

31	30	29	28	27	26	25	24	23	22	21	20	19	18	17	16	15	14	13	12	11	10	9	8	7	6	5	4	3	2	1	0
RESERVED																RESERVED				PLL_PWR_CMD	PLL_PWR_STATUS										

Bits	Field Name	Description	Type	Reset
31:8	RESERVED	Reserved.	R	0x0
7:4	RESERVED	Reserved.	R	0x0
3:2	PLL_PWR_CMD	Command for power control of the HDMI PLL Control module 0x0: Command to change to OFF state (PLL_PWR_CMD_OFF signal) 0x1: Command to change to ON state for PLL (DCOCLK is power down) (PLL_PWR_CMD_ON_HS_CLK signal) 0x3: Command to change to ON state for PLL (no DCOCLKLDO/CLKDCOLDO clock output to the HDMI-PHY) (PLL_PWR_CMD_ON_DIV signal) 0x2: Command to change to ON state for PLL (PLL_PWR_CMD_ON_ALL signal)	RW	0x0
1:0	PLL_PWR_STATUS	Status of the power control of the HDMI PLL Control module 0x0: HDMI PLL Control module in OFF state 0x1: HDMI PLL Control module in ON state for PLL 0x3: HDMI PLL Control module in ON state for PLL (no clock output to the HDMI-PHY) 0x2: HDMI PLL Control module in ON state for PLL	R	0x0

Table 11-75. Register Call Summary for Register HDMI_WP_PWR_CTRL

Display Subsystem Overview

- [DPLL_HDMI Power Management: \[0\]\[1\]](#)
- [HDMI_WP Registers Mapping Summary: \[2\]](#)

Table 11-76. HDMI_WP_CLK

Address Offset	0x0000 0070	Instance	HDMI_WP_MAIN_L3
Physical Address	0x5804 0070		
Description	Configuration of clocks		
Type	RW		

31	30	29	28	27	26	25	24	23	22	21	20	19	18	17	16	15	14	13	12	11	10	9	8	7	6	5	4	3	2	1	0
RESERVED																SCP_PWR_DIV		RESERVED													

Bits	Field Name	Description	Type	Reset
31:11	RESERVED		R	0x00 0000
10:8	SCP_PWR_DIV	Defines the divisor value to be used for the generation of the SCP_PWR clock (up to 66.5MHz) from the input interface clock (up to 266MHz). 0x0 means gated 0x1 means free-running The valid values are from 0 to 7. In case of interface access to register through SCP interface, if the SCP_PWR clock is gated, the HW automatically generates the clock by using a divisor of 7 and updates the bit-field with the value 7. It is then software responsibility to change the value at any time in order to improve SCP latency when accessing the registers in the HDMI_PHY and PLLCTRL_HDMI by reducing the value.	RW	0x0

Bits	Field Name	Description	Type	Reset
7:0	RESERVED		R	0x0

Table 11-77. Register Call Summary for Register HDMI_WP_CLK

Display Subsystem Overview

- [Display Subsystem Programming Guide: \[0\]](#)
- [HDMI_WP Registers Mapping Summary: \[1\]](#)

11.1.5.7 DSI Registers

NOTE: This family of devices does not support DSI functionality, but the registers documented in this section are required for the configuration of DPLL_VIDEO1 (via DSI1_A registers).

11.1.5.7.1 DSI Register Summary

Table 11-78. DSI1_A Registers Mapping Summary

Register Name	Type	Register Width (Bits)	Address Offset	DSI1_A L3_MAIN Physical Address
DSI_CLK_CTRL	RW	32	0x0000 0054	0x5800 4054

11.1.5.7.2 DSI Register Description

Table 11-79. DSI_CLK_CTRL

Address Offset	0x0000 0054	Instance	DSI1_A_MAIN_L3
Physical Address	0x5800 4054		
Description	CLOCK CONTROL This register controls the CLOCK GENERATION. The register can be modified only when IF_EN is reset.		
Type	RW		

31	30	29	28	27	26	25	24	23	22	21	20	19	18	17	16	15	14	13	12	11	10	9	8	7	6	5	4	3	2	1	0	
PLL_PWR_CMD		PLL_PWR_STATUS		RESERVED												CIO_CLK_ICG	RESERVED															

Bits	Field Name	Description	Type	Reset
31:30	PLL_PWR_CMD	Command for power control of the DSI PLL Control Module 0x0: Command to change to OFF state 0x1: Command to change to ON state for PLL only (HSDIVISER is OFF) 0x2: Command to change to ON state for both PLL and HSDIVISER 0x3: Command to change to ON state for both PLL and HSDIVISER (no clock output to the DSI PHY)	RW	0x0

Bits	Field Name	Description	Type	Reset
29:28	PLL_PWR_STATUS	Status of the power control of the DSI PLL Control module Read 0x0: DSI PLL Control module in OFF state Read 0x1: DSI PLL Control module in ON state for PLL only (HSDIVISER is OFF) Read 0x2: DSI PLL Control module in ON state for both PLL and HSDIVISER Read 0x3: DSI PLL Control module in ON state for both PLL and HSDIVISER (no clock output to the DSI PHY)	R	0x0
27:15	RESERVED	Reserved	R	0x0000
14	CIO_CLK_ICG	Gates SCPClk clock provided to DSI-PHY and PLL-CTRL module. 0x0: Disabled. SCPClk is not generated. It remains at 0. 0x1: Enabled. SCPClk is generated (OCP_CLK/4)	RW	0
13:0	RESERVED	Reserved	R	0x0001

Table 11-80. Register Call Summary for Register DSI_CLK_CTRL

Display Subsystem Overview

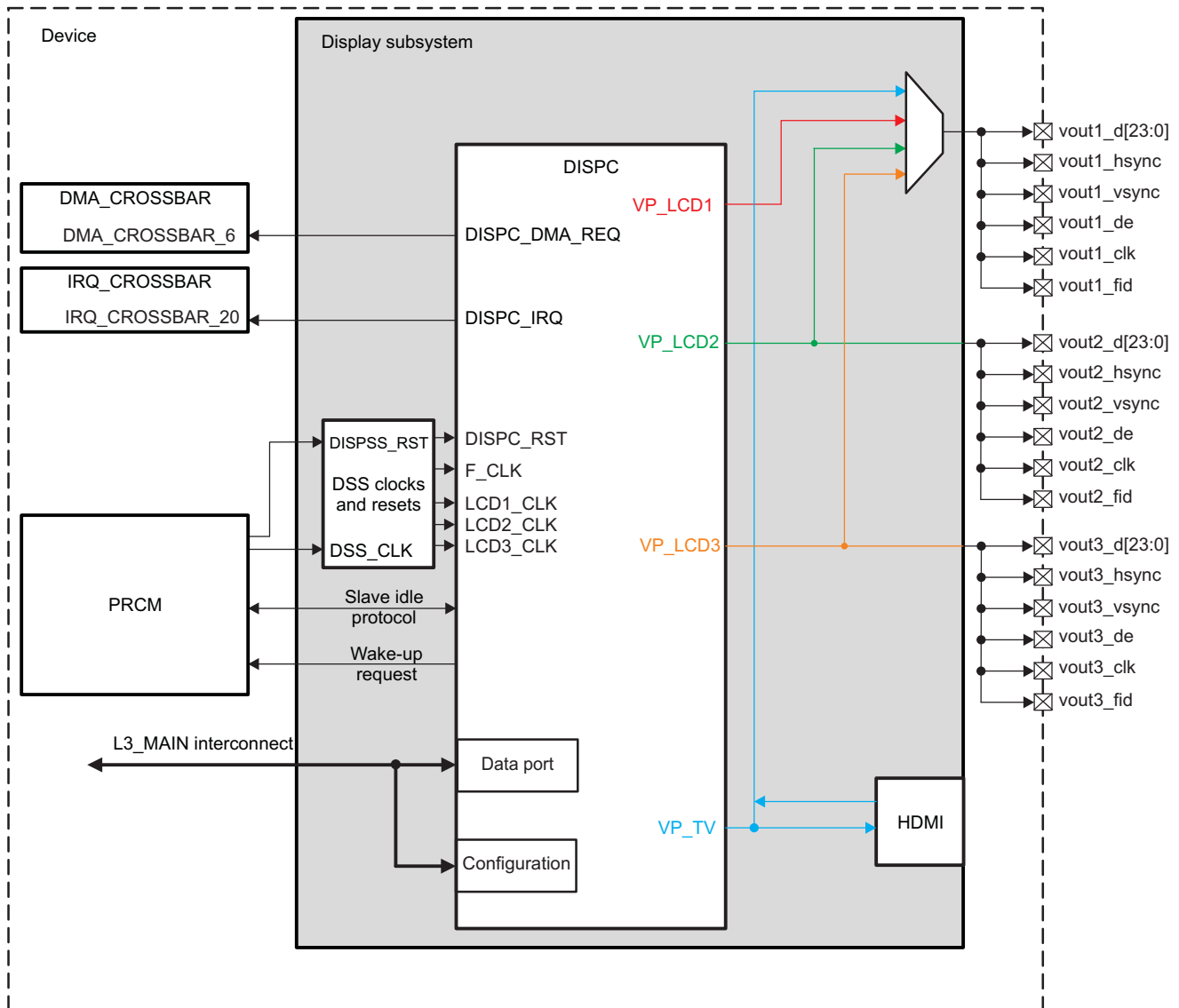
- [DPLL_VIDEO Power Management: \[0\]\[1\]](#)
- [Display Subsystem Programming Guide: \[2\]](#)
- [DSI Register Summary: \[3\]](#)

•

11.2 Display Controller

11.2.1 DISPC Overview

[Figure 11-22](#) shows a block diagram of the display controller (DISPC) within the display subsystem.

Figure 11-22. DISPC Overview


disp-064

NOTE: LCD1 / DPI1 (VOUT1) is not supported on the AM570x family of devices.

The DISPC includes the following main features:

- Five pipelines for processing:
 - One Graphics (GFX):
 - Pixel formats: ARGB16-4444, xRGB12-4444, RGBA16-4444, RGBx12-4444, RGB16-565, ARGB16-1555, xRGB16-1555, ARGB32-8888, RGBA32-8888, xRGB32-8888, RGBx32-8888, xRGB24-8888, RGBx24-8888, BGRA32-8888, RGB24-888 (packed), where x means that the corresponding bits in the container are not used
 - Premultiplied ARGB and RGBA formats
 - Selection of the color depth expansion from ARGB16-4444, RGBA16-4444, and ARGB16-1555 to ARGB32-8888, and from xRGB12-4444, RGBx12-4444, and xRGB16-1555 to xRGB32-8888 (replication of the most significant bits [MSBs] or adding 0s)
 - Support for antiflicker on RGB pixel formats using 3-tap filter

- Three Video pipelines (VID1, VID2, and VID3):
 - Pixel formats: ARGB16-4444, xRGB12-4444, RGBx12-4444, RGBA12-3333, RGBA16-4444, RGB16-565, ARGB16-1555, xRGB16-1555, ARGB32-8888, RGBA32-8888, xRGB32-8888, RGBx32-8888, RGB24-888, BGRA32-8888, YUV4:2:2-UYVY, YUV4:2:2-YUV2, YUV4:2:0-NV12, and YUV4:2:0-NV21 (where x means that the corresponding bits in the container are not used)
 - Premultiplied ARGB and RGBA formats
 - Selection of the color depth expansion from ARGB16-4444, RGBA16-4444, and ARGB16-1555 to ARGB32-8888, and from xRGB12-4444, RGBx12-4444, and xRGB16-1555 to xRGB32-8888 (replication of the MSBs or adding 0s)
 - Programmable poly-phase filter:
 - Independent horizontal and vertical resampling: Upsampling (up to x8) and downsampling (down to 1/4)
 - Maximum input width of 1920 pixels
 - No limitation on the input height
 - Supported input formats are ARGB32-8888, YUV4:2:2-UYVY, YUV4:2:2-YUV2, YUV4:2:0-NV12, and YUV4:2:0-NV21
 - Alpha blending factor is rescaled like the R, G, and B color components.
 - Programmable color space conversion from YUV4:2:2 (YUV4:4:4, YUV4:2:0 after Chroma upsampling through the scaler) into ARGB32-8888. Images in YUV4:2:2 format with 90- or 270-degree rotation are preprocessed to YUV4:4:4 before the scaler, by duplicating the missing Chroma.
 - Programmable VC-1 range mapping
- One write-back (WB) pipeline: Allows the use of the hardware processing available inside the DISPC, such as color space conversion, rescaling, and compositing to perform memory-to-memory transfer with data processing or capturing a displayed frame
 - Programmable color space conversion RGB24 into YUV4:4:4 or to YUV4:2:2-UYVY, YUV4:2:2-YUV2, YUV4:2:0-NV12, or YUV4:2:0-NV21 using programmable poly-phase filter
 - Programmable color space conversion RGB24 into YUV4:2:2-UYVY, YUV4:2:2-YUV2, YUV4:2:0-NV12, or YUV4:2:0-NV21
 - Selection of the color depth reduction from RGB24 to RGB16
 - Programmable poly-phase filter:
 - Independent horizontal and vertical resampling: Upsampling (up to x8) and downsampling (down to 1/4)
 - Maximum input width of 1920 pixels
 - No limitation on the input height
 - Supported input formats are ARGB32-8888, YUV4:2:2-UYVY, YUV4:2:2-YUV2, YUV4:2:0-NV12, and YUV4:2:0-NV21
 - Alpha blending factor is rescaled like the R, G, and B color components.
 - Selection of the source of the data:
 - Overlay output:
 - Primary LCD output
 - Secondary LCD output
 - Third LCD output
 - TV output
 - Pipelines:
 - Graphic
 - Video 1
 - Video 2
 - Video 3

- Three LCD outputs: primary (LCD1), secondary (LCD2), and tertiary (LCD3):
 - Input pixel format: ARGB32-8888
 - Output pixel format: RGB24-888 and YUV4:2:2 (YUV4:2:2 only available when BT mode output is enabled)
 - Overlay of graphic and video for one to four pipelines
 - Source and destination transparency color key
 - Global and pixel alpha blending (up to 8-bit blending factor)
 - Z-order programmable (full flexibility)
 - Displays supported:
 - Active matrix color: 12-, 16-, 18-, and 24-bit panel interface support (replicated or dithered encoded pixel values)
 - Independent programmable timing generators for LCD1, LCD2, and LCD3 to support:

Using DPI1 interface	SXGA VESA timing @ 60 fps, 1080i/720p @ 60 fps CEA-861-D, UXGA @ 60 fps
Using DPI2 interface	SXGA VESA timing @ 60 fps, 1080i/720p @ 60 fps CEA-861-D, UXGA @ 60 fps
Using DPI3 interface	SXGA VESA timing @ 60 fps, 1080i/720p @ 60 fps CEA-861-D, UXGA @ 60 fps

NOTE: LCD1 / DPI1 (VOUT1) is not supported on the AM570x family of devices.

- Configurable LCD output mode: progressive or interlace mode
- Multiple-cycle output format on 8-, 9-, 12-, and 16-bit interface time division multiplexing (TDM)
- One TV output:
 - Input pixel format: ARGB40-10.10.10.10
 - Output pixel format: ARGB40-10.10.10.10
 - Overlay of graphic and video for one to four pipelines
 - Source and destination transparency color key
 - Global and pixel alpha blending (up to 10-bit blending factor)
 - Z-order programmable (full flexibility)
 - Slave mode support (no master mode support) with synchronization signals provided by HDMI TX:
 - HSYNC (horizontal synchronization signal)
 - VSYNC (vertical synchronization signal)
 - RE (data request signal)
 - FID (field ID: even and odd field information)
 - RGB30-10.10.10 data bus output for connection to HDMI TX and extended to 36 by duplication of the MSBs
 - HD-1080p, HD-1080i, HD-720p, SD-480p, SD-576p, SD-576i, and SD-480i using HDMI
 - HDMI deep color mode support, 30-bit data output to HDMI encoder
 - Pixel duplication capability (from one pixel clock cycle up to eight cycles)
- Panel support with MIPI DPI protocol:
 - 12-, 16-, 18-, and 24-bit active matrix panel interface support (replicated or dithered encoded pixel values)
- Common:
 - Rotation 0, 90, 180, and 270 degrees using DMM-TILER
 - Synchronized buffer update
 - Hardware cursor (using the graphics pipeline or one of the video pipelines)

- Independent gamma curve support on LCDs outputs and TV output
- Multiple-buffer support
- Mirroring/flip-flop support (using DMM-TILER)
- Programmable color phase rotation (CPR)
- Alpha blending support:
 - Embedded pixel factor (ARGB and RGBA)
 - Global alpha
- DMA (internal to the DISPC):
 - Support for accessing tiled structure through the TILER inside the dynamic memory management (DMM)
 - Support for accessing nontiled structure through the TILER or directly
 - Support for rotation, flip-flop, and mirroring through the TILER inside the DMM
 - Support for memory fragmentation through the TILER inside the DMM
 - Integrated shared buffers between DMA engine and pipelines
 - Programmable buffer thresholds
 - Bandwidth limiter on write request (insertion on idle cycles between requests)
- Advanced:
 - Mode outputting data on display only from the DMA buffer (self-refresh using the DMA FIFO)
 - DMA buffer hand-check in stall mode
 - Arbitration between high and low priority (GFX, VID1, VID2, VID3, and WB pipelines)
- Power modes:
 - Low-power saving modes
 - Support on-the-fly dynamic voltage and frequency scaling (DVFS)
 - Merge capability of the DMA buffers to support greater OFF period on the L3_MAIN interconnect
 - All buffers associated to a single pipeline
 - Reallocation of the buffers of the nonactive pipelines to the active pipelines

11.2.2 DISPC Environment

The DISPC provides the required control signals to interface directly to an external parallel panel for the MIPI DPI protocol.

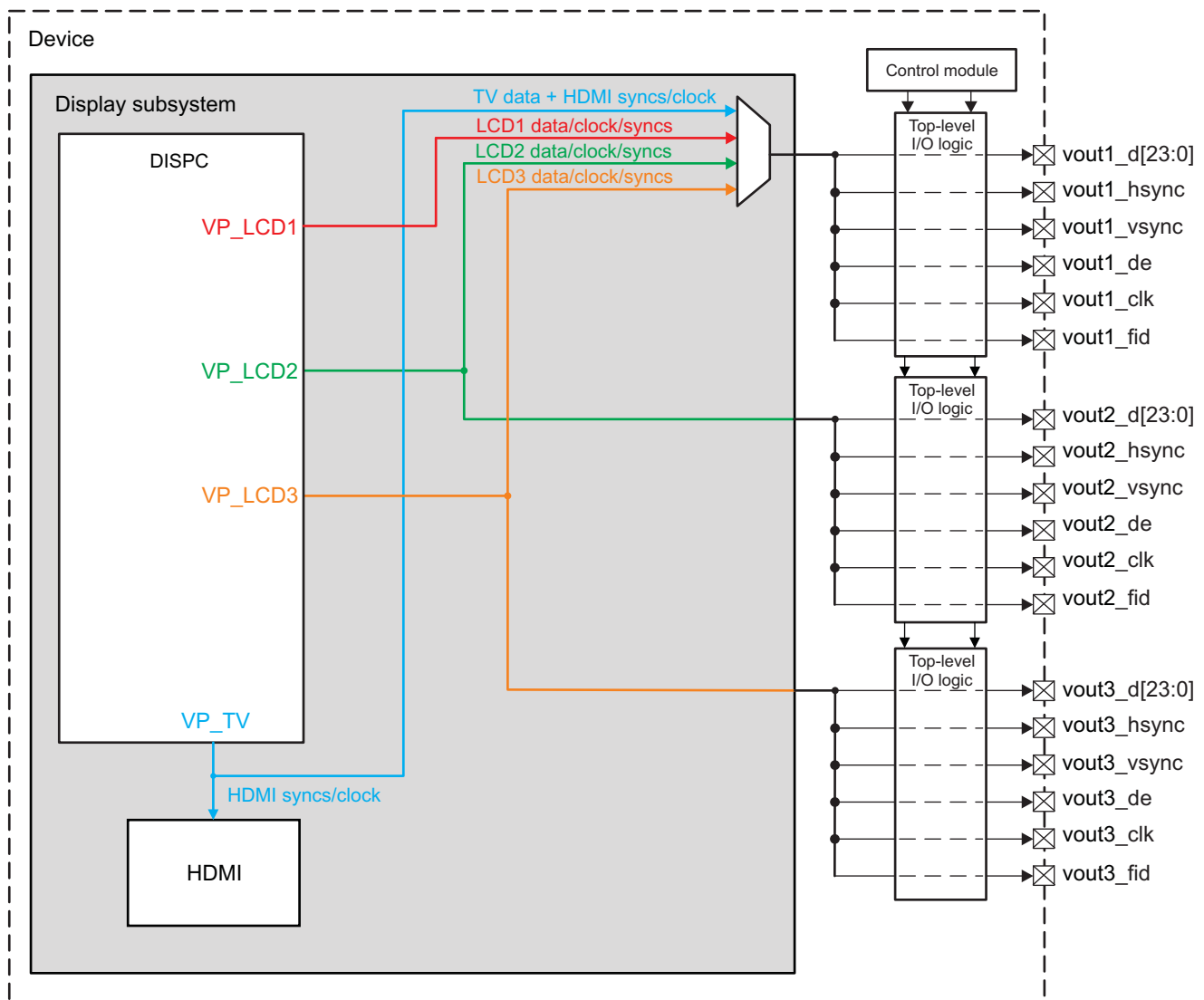
Figure 11-23 shows the LCD support parallel interface.

NOTE: Parallel interface is available through the LCD1, LCD2, LCD3, and TV outputs of the DISPC.

The LCD data and control signals are multiplexed with the TV output data, and control signals are provided by the HDMI module.

The selection can be done at the top level of the display subsystem. For further details and signal mapping, see Section 11.1.1, *Display Subsystem Environment*.

Figure 11-23. DISPC LCD Support Parallel Interface



dispc-083

NOTE: The path from a module pin to device pad (or pads) is defined at the device I/O logic level. The I/O logic maps the module signals to the different pads of the device and is programmable in the control module registers and dedicated IP registers. For more information, see [Section 18.4.6.1.1](#), Pad Configuration Registers, in [Chapter 18 Control Module](#).

NOTE: LCD1 / DPI1 (VOUT1) is not supported on the AM570x family of devices.

[Table 11-81](#) describes the interface signals to/from the LCD panel in bypass mode.

Table 11-81. DISPC Parallel Interface Signals

Signal Name ⁽¹⁾	Type ⁽²⁾	Description
voutX_d[23:0]	O	Pixel data
voutX_clk	O	Pixel clock
voutX_vsync	O	Vertical synchronization. The LCD frame clock (vsync) toggles after all the lines in a frame are transmitted to the LCD panel and a programmable number of line clock cycles has elapsed at the beginning and end of each frame.
voutX_hsync	O	Horizontal synchronization. The LCD line clock (hsync) toggles after all pixels in a line are transmitted to the LCD panel and a programmable number of pixel clock wait-states has elapsed at the beginning and end of each line.
voutX_de	O	In active matrix technology, the DE signal acts as an output-enable signal to indicate when data must be latched using the pixel clock.
voutX_fid	O	The FID signal indicates the field identifier for the LCD output field: <ul style="list-style-type: none"> • 0 means even. • 1 means odd.

⁽¹⁾ X = 1, 2, or 3, indicates the corresponding parallel video output (VOUT1, VOUT2, or VOUT3)

⁽²⁾ I = Input, O = Output, I/O = Input/Output

11.2.2.1 DISPC LCD Output and Data Format for the Parallel Interface

This section describes the pixel data bus and shows timing diagrams of transactions and synchronizations.

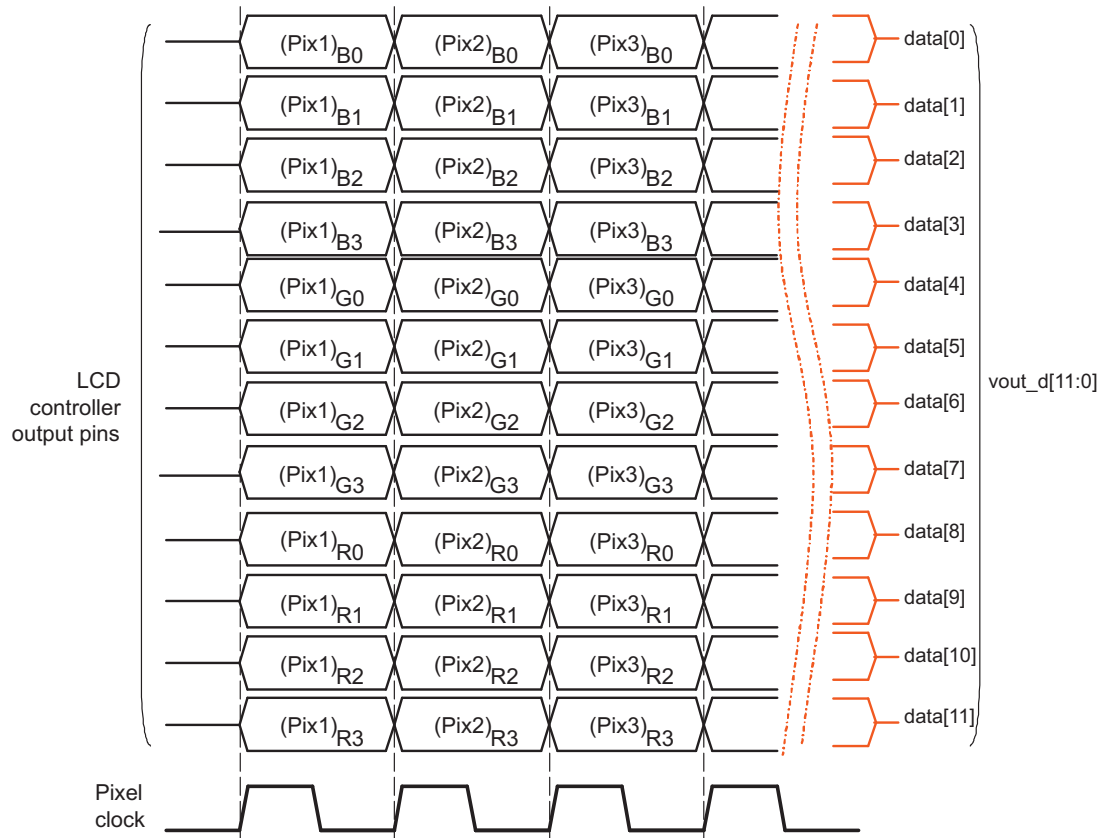
[Figure 11-24](#) through [Figure 11-27](#) show the pixel data bus, depending on the use of 12-, 16-, 18-, or 24-pixel data output pins.

In the Active matrix display type, one pixel per pixel clock is displayed.

Active matrix displays bypass the STN dithering logic block and the output FIFO. Each line represents one pixel.

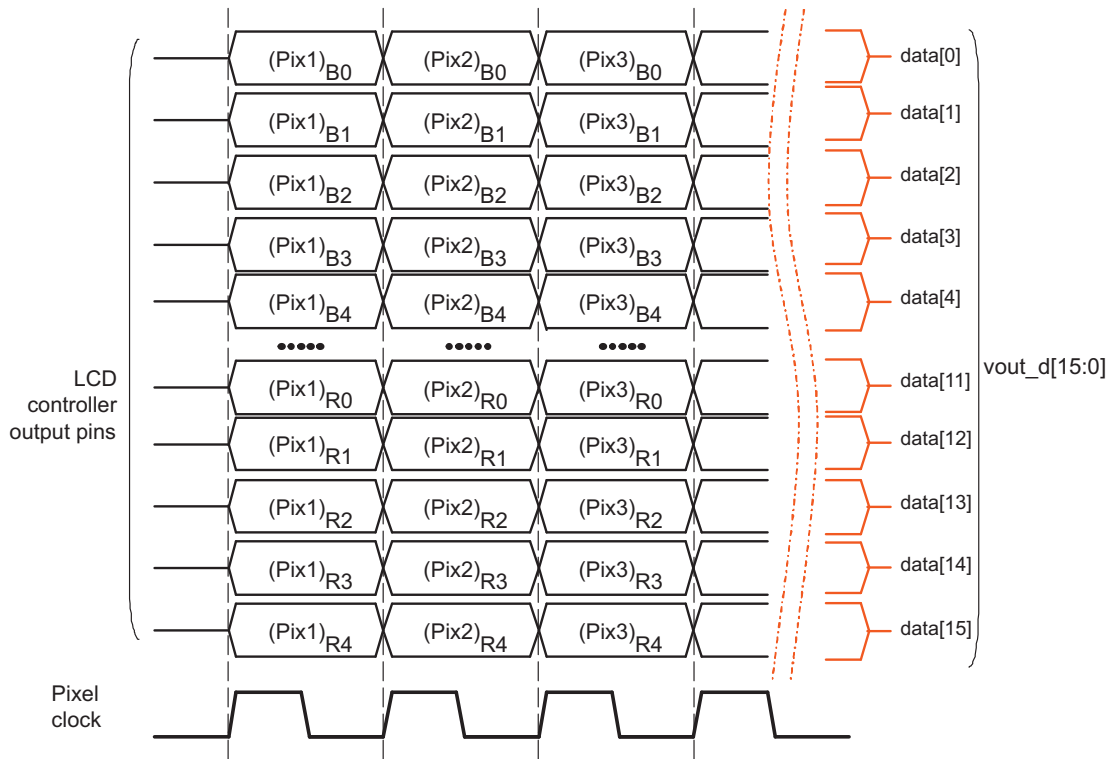
[Figure 11-24](#) through [Figure 11-27](#) show 12-, 16-, 18-, and 24-bit active matrix displays, respectively.

Figure 11-24. DISPC LCD Pixel Data Color12 Active Matrix



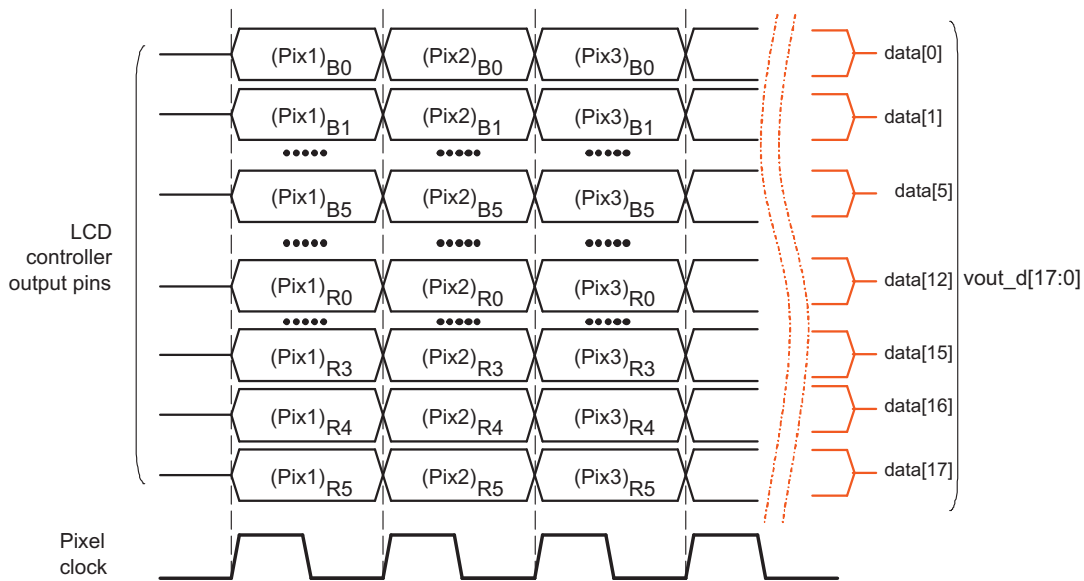
dispc-050

Figure 11-25. DISPC LCD Pixel Data Color16 Active Matrix

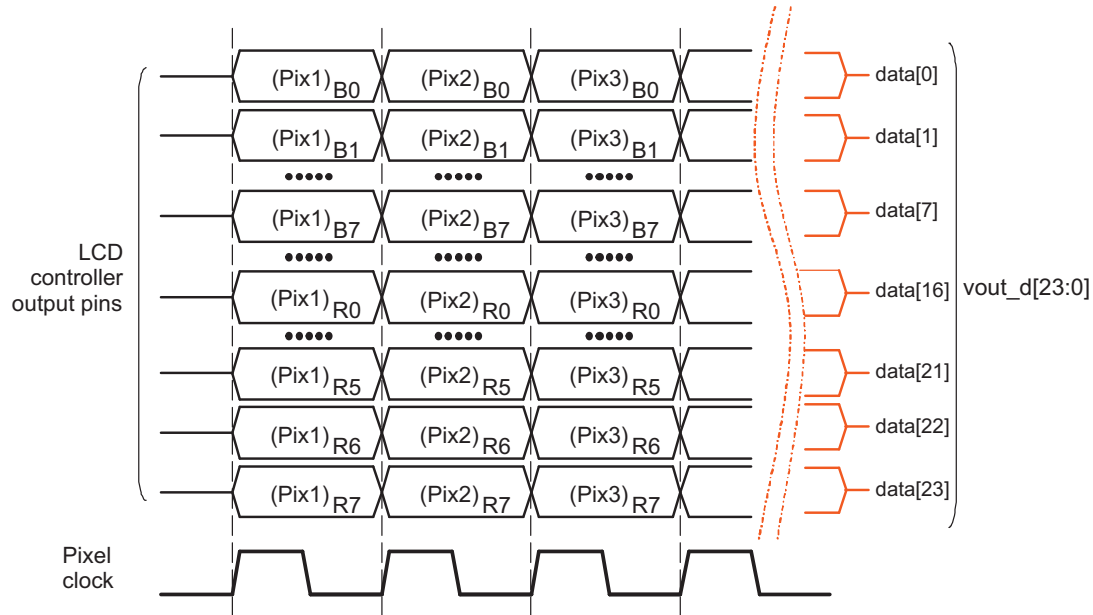


dispc-051

Figure 11-26. DISPC LCD Pixel Data Color18 Active Matrix



dispc-052

Figure 11-27. DISPC LCD Pixel Data Color24 Active Matrix


dispc-053

Table 11-82 summarizes the mapping of RGB color components to DSS output data signals, with corresponding settings of DISPC_CONTROLo[9:8] TFTDATALINES register bit-field.

Table 11-82. DSS Output Data Signals to RGB Color Components Mapping

Color Assignment	12-bit Output Mode	16-bit Output Mode	18-bit Output Mode	24-bit Output Mode
	TFTDATALINES=00b	TFTDATALINES=01b	TFTDATALINES=10b	TFTDATALINES=11b
Red 7 (MS bit)	-	-	-	voutX_d23 ⁽¹⁾
Red 6	-	-	-	voutX_d22
Red 5	-	-	voutX_d17	voutX_d21
Red 4	-	voutX_d15	voutX_d16	voutX_d20
Red 3	voutX_d11	voutX_d14	voutX_d15	voutX_d19
Red 2	voutX_d10	voutX_d13	voutX_d14	voutX_d18
Red 1	voutX_d9	voutX_d12	voutX_d13	voutX_d17
Red 0	voutX_d8	voutX_d11	voutX_d12	voutX_d16
Green 7	-	-	-	voutX_d15
Green 6	-	-	-	voutX_d14
Green 5	-	voutX_d10	voutX_d11	voutX_d13
Green 4	-	voutX_d9	voutX_d10	voutX_d12
Green 3	voutX_d7	voutX_d8	voutX_d9	voutX_d11
Green 2	voutX_d6	voutX_d7	voutX_d8	voutX_d10
Green 1	voutX_d5	voutX_d6	voutX_d7	voutX_d9
Green 0	voutX_d4	voutX_d5	voutX_d6	voutX_d8
Blue 7	-	-	-	voutX_d7
Blue 6	-	-	-	voutX_d6
Blue 5	-	-	voutX_d5	voutX_d5
Blue 4	-	voutX_d4	voutX_d4	voutX_d4
Blue 3	voutX_d3	voutX_d3	voutX_d3	voutX_d3
Blue 2	voutX_d2	voutX_d2	voutX_d2	voutX_d2
Blue 1	voutX_d1	voutX_d1	voutX_d1	voutX_d1

⁽¹⁾ X = 1, 2, or 3, indicates the corresponding VOUT output (VOUT1, VOUT2, or VOUT3)

Table 11-82. DSS Output Data Signals to RGB Color Components Mapping (continued)

Color Assignment	12-bit Output Mode	16-bit Output Mode	18-bit Output Mode	24-bit Output Mode
Blue 0 (LS bit)	voutX_d0	voutX_d0	voutX_d0	voutX_d0

NOTE: LCD1 / DPI1 (VOUT1) is not supported on the AM570x family of devices.

11.2.2.2 DISPC Transaction Timing Diagrams

Figure 11-28 through Figure 11-31 show timing diagrams of synchronization signals and pixel clocks for active matrix panels. The DISPC directly drives these signals, which are related to the programmable fields listed in Table 11-83.

Table 11-83. DISPC Programmable Fields in Bypass Mode

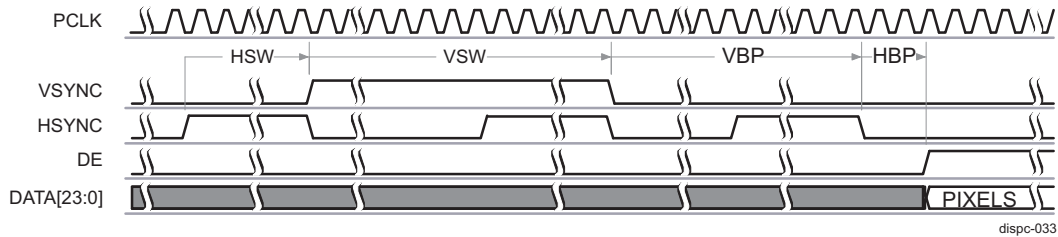
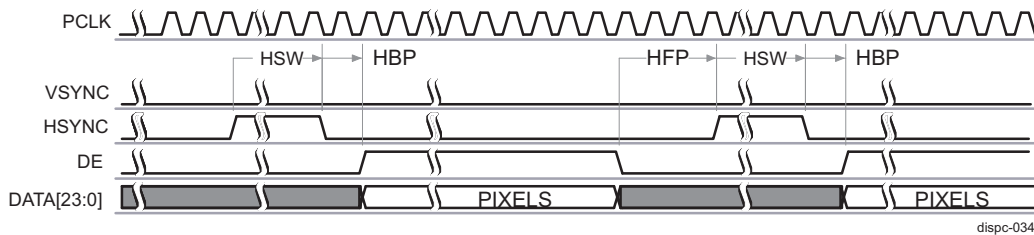
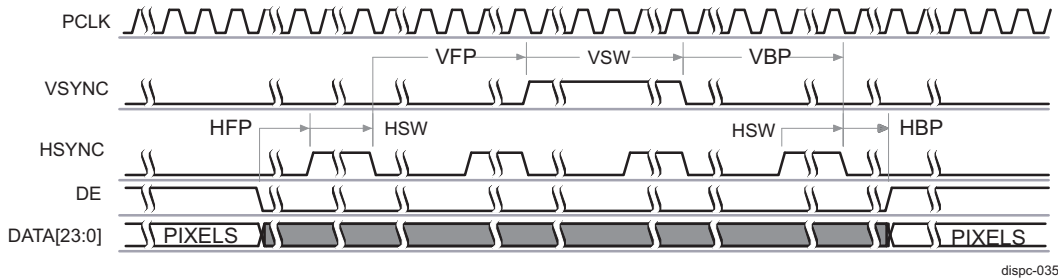
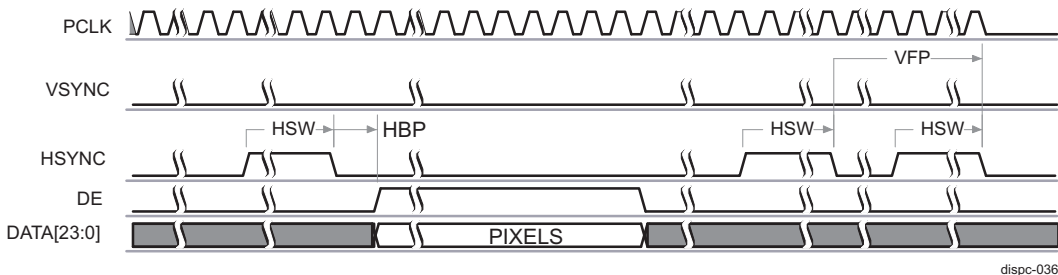
Name	Register	Description
PPL	DISPC_SIZE_LCD0[11:0] PPL value + 1	Pixels per line
LPP	DISPC_SIZE_LCD0[27:16] LPP value + 1	Lines per panel
HBP	DISPC_TIMING_Ho[31:20] HBP value + 1	Horizontal back porch
HFP	DISPC_TIMING_Ho[19:8] HFP value + 1	Horizontal front porch
HSW	DISPC_TIMING_Ho[7:0] HSW value + 1	Horizontal synchronization pulse width
VBP	DISPC_TIMING_Vo[31:20] VBP value	Vertical back porch
VFP	DISPC_TIMING_Vo[19:8] VFP value	Vertical front porch
VSW	DISPC_TIMING_Vo[7:0] VSW value + 1	Vertical synchronization pulse width
ONOFF ⁽¹⁾	DISPC_POL_FREQo[17] ONOFF	DISPC_HSYNC and DISPC_VSYNC pixel clock control
RF ⁽²⁾	DISPC_POL_FREQo[16] RF	DISPC_HSYNC and DISPC_VSYNC pixel clock edge control
IEO	DISPC_POL_FREQo[15] IEO	Invert DISPC_ACBIAS
IPC ⁽³⁾	DISPC_POL_FREQo[14] IPC	Invert DISPC_PCLK
IHS	DISPC_POL_FREQo[13] IHS	Invert DISPC_HSYNC
IVS	DISPC_POL_FREQo[12] IVS	Invert DISPC_VSYNC

⁽¹⁾ DISPC_POL_FREQo[17] ONOFF and Control Module register CTRL_CORE_SMA_SW_1[] DSS_CHx_ON_OFF must match (x = 0,1,2).

⁽²⁾ DISPC_POL_FREQo[16] RF and Control Module register CTRL_CORE_SMA_SW_1[] DSS_CHx_RF must match (x = 0,1,2).

⁽³⁾ DISPC_POL_FREQo[14] IPC and Control Module register CTRL_CORE_SMA_SW_1[] DSS_CHx_IPC must match (x = 0,1,2).

- Active matrix timing configuration 1:
 - DISPC_POL_FREQo[17] ONOFF = 0 and CTRL_CORE_SMA_SW_1[] DSS_CHx_ON_OFF = 0
 - DISPC_POL_FREQo[16] RF = 0 and CTRL_CORE_SMA_SW_1[] DSS_CHx_RF = 0
The HSYNC and VSYNC signals are driven on the opposite edge of PCLK from the pixel data.
 - DISPC_POL_FREQo[15] IEO = 0
The DE signal is active high.
 - DISPC_POL_FREQo[14] IPC = 0 and CTRL_CORE_SMA_SW_1[] DSS_CHx_IPC = 0
The pixel data are driven on the rising edge of PCLK.
 - DISPC_POL_FREQo[13] IHS = 0
The HSYNC signal is active high.
 - DISPC_POL_FREQo[12] IVS = 0
The VSYNC signal is active high.

Figure 11-28. DISPC Active Matrix Timing Diagram of Configuration 1 (Start of Frame)

Figure 11-29. DISPC Active Matrix Timing Diagram of Configuration 1 (Between Lines)

Figure 11-30. DISPC Active Matrix Timing Diagram of Configuration 1 (Between Frames)

Figure 11-31. DISPC Active Matrix Timing Diagram of Configuration 1 (End of Frame)


- Active matrix timing configuration 2:
 - DISPC_POL_FREQo[17] ONOFF = 1 and CTRL_CORE_SMA_SW_1[DSS_CHx_ON_OFF] = 1
 - DISPC_POL_FREQo[16] RF = 1 and CTRL_CORE_SMA_SW_1[DSS_CHx_RF] = 1
The HSYNC and VSYNC signals are driven on the rising edge of PCLK.
 - DISPC_POL_FREQo[15] IEO = 1
The DE signal is active low.
 - DISPC_POL_FREQo[14] IPC = 1 and CTRL_CORE_SMA_SW_1[DSS_CHx_IPC] = 1
The pixel data is driven on the falling edge of PCLK.
 - DISPC_POL_FREQo[13] IHS = 1
The HSYNC signal is active low.
 - DISPC_POL_FREQo[12] IVS = 1

The VSYNC signal is active low.

Figure 11-32. DISPC Active Matrix Timing Diagram of Configuration 2 (Start of Frame)

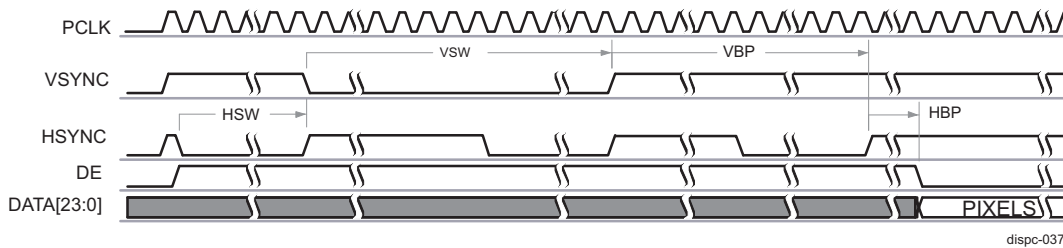


Figure 11-33. DISPC Active Matrix Timing Diagram of Configuration 2 (Between Lines)

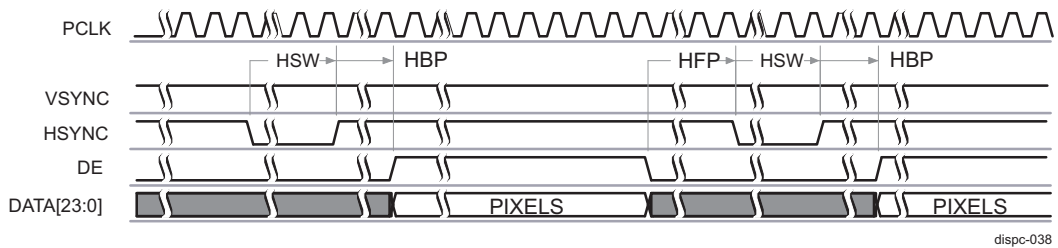


Figure 11-34. DISPC Active Matrix Timing Diagram of Configuration 2 (Between Frames)

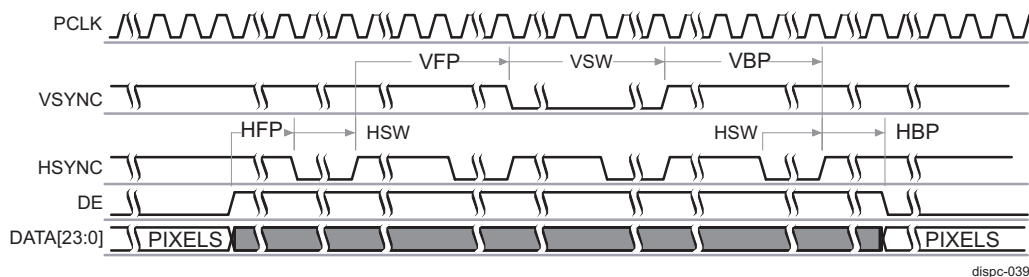
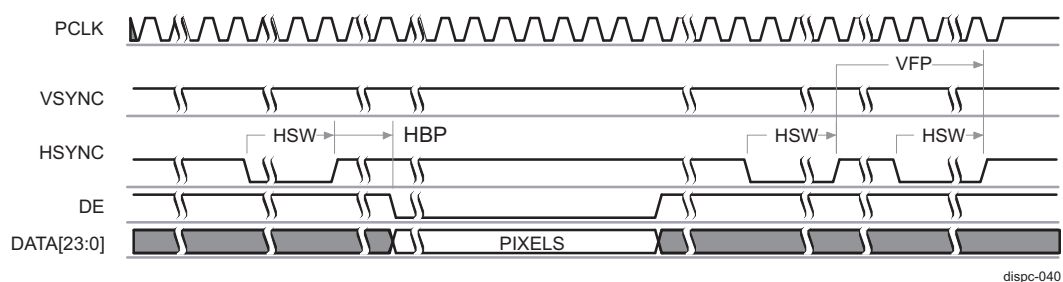


Figure 11-35. DISPC Active Matrix Timing Diagram of Configuration 2 (End of Frame)



- Active matrix timing configuration 3:
 - DISPC_POL_FREQo[17] ONOFF = 1 and CTRL_CORE_SMA_SW_1[DSS_CHx_ON_OFF] = 1
 - DISPC_POL_FREQo[16] RF = 1 and CTRL_CORE_SMA_SW_1[DSS_CHx_RF] = 1
The HSYNC and VSYNC signals are driven on the rising edge of PCLK.
 - DISPC_POL_FREQo[15] IEO = 0
The DE signal is active high.
 - DISPC_POL_FREQo[14] IPC = 0 and CTRL_CORE_SMA_SW_1[DSS_CHx_IPC] = 0
The pixel data are driven on the rising edge of PCLK.
 - DISPC_POL_FREQo[13] IHS = 0
The HSYNC signal is active high.

- DISPC_POL_FREQo[12] IVS = 0
The VSYNC signal is active high.

Figure 11-36. DISPC Active Matrix Timing Diagram of Configuration 3 (Start of Frame)

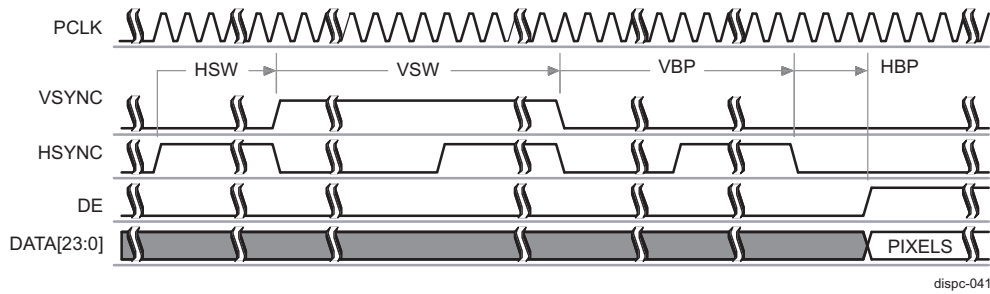


Figure 11-37. DISPC Active Matrix Timing Diagram of Configuration 3 (Between Lines)

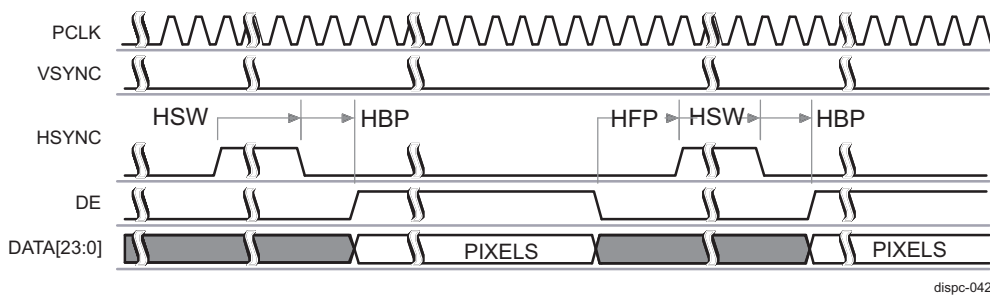


Figure 11-38. DISPC Active Matrix Timing Diagram of Configuration 3 (Between Frames)

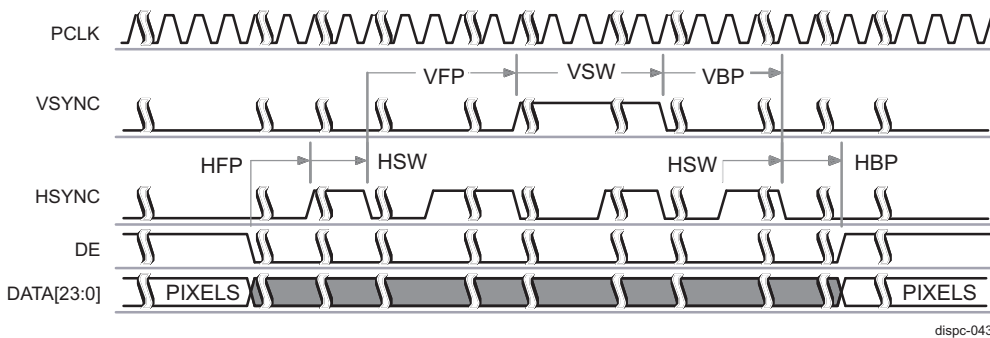
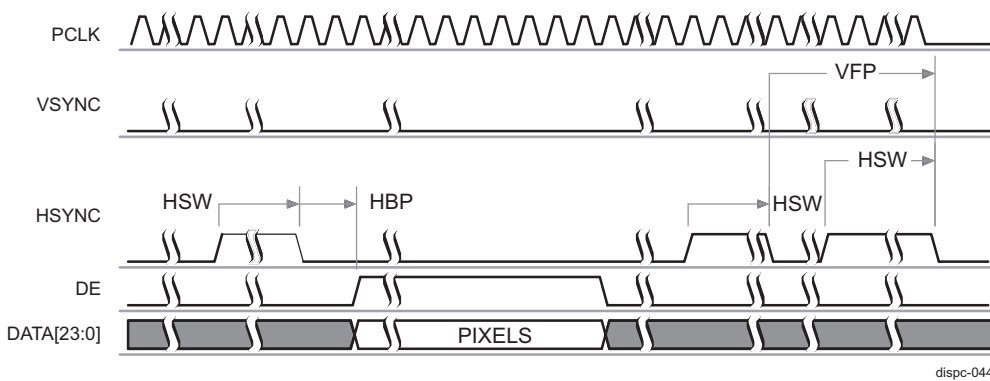


Figure 11-39. DISPC Active Matrix Timing Diagram of Configuration 3 (End of Frame)



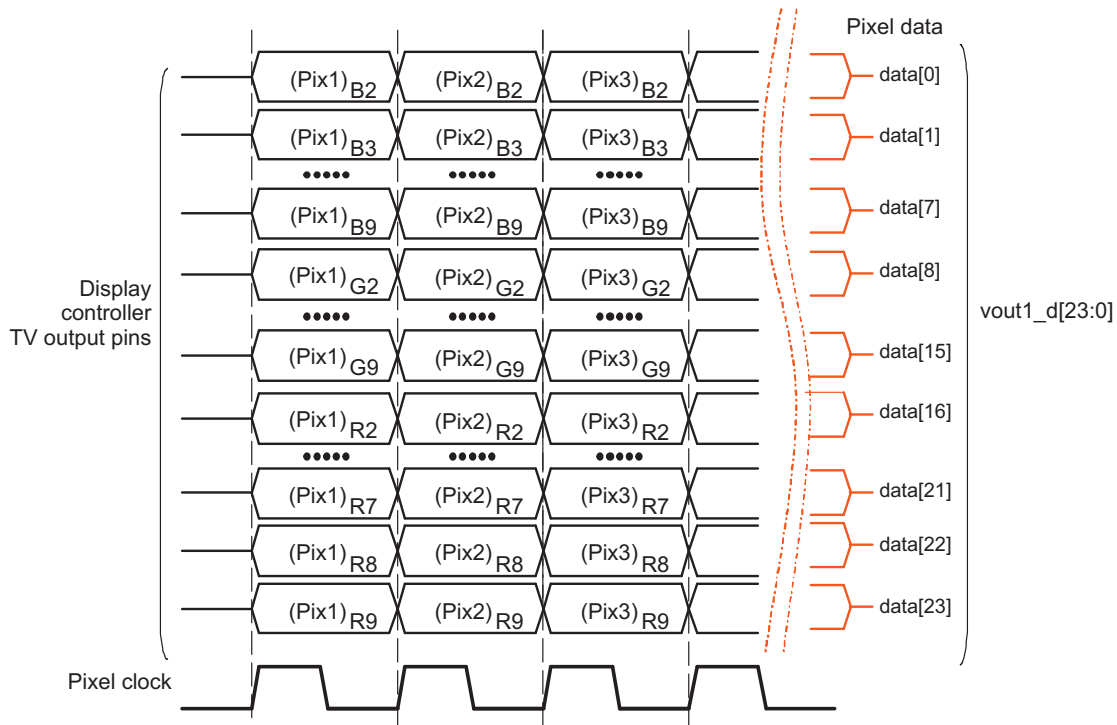
11.2.2.3 DISPC TV Output and Data Format for the Parallel Interface

This section describes the TV output pixel data bus for the parallel interface.

The TV pixel data interface is a 30-bit RGB interface. Only the MSB part of each color component is connected to the display subsystem boundary: R[9:2], G[9:2], B[9:2]. The output of the data is synchronized to the data request signal (HDMI_M_DE) from the HDMI encoder.

Figure 11-40 shows the format of the TV output pixel data.

Figure 11-40. DISPC TV Output Pixel Data



dispc-093

NOTE: LCD1 / DPI1 (VOUT1) is not supported on the AM570x family of devices.

11.2.3 DISPC Integration

This section describes the DISPC integration in the device (see Figure 11-41). For complete details about clocks and resets, see Section 11.1, *Display Subsystem Overview*.

Figure 11-41. DISPC Integration

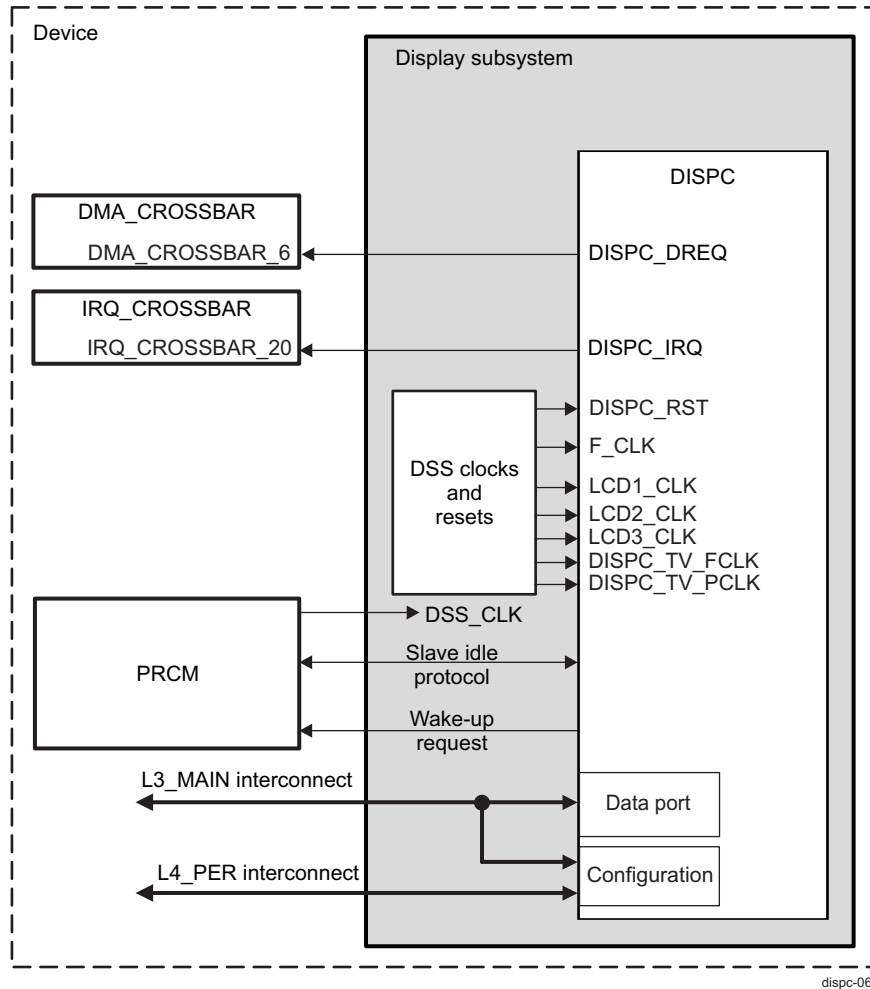


Table 11-84 and Table 11-85 list the integration attributes and clock and resets, respectively.

Table 11-84. DISPC Integration Attributes

Module Instance	Attributes	
	Power Domain	Interconnect
DISPC	PD_DSS	L3_MAIN for data transfer and configuration

Table 11-85. DISPC Clocks and Resets

Clocks				
Module Instance	Destination Signal Name	Source Signal Name	Source	Description
DISPC	F_CLK	DSS_CLK DPLL_DSI1_A_CLK1 DPLL_DSI1_B_CLK1 DPLL_DSI1_C_CLK1 DPLL_HDMI_CLK1	PRCM DPLL_VIDEO1 DPLL_HDMI	Functional clock for the DISPC logic. For the multiplexing description, see Section 11.1.2.1, Display Subsystem Clocks .
	LCD1_CLK	DSS_CLK DPLL_DSI1_A_CLK1	DPLL_VIDEO1 DPLL_HDMI	Clock used to generate the divided pixel clock for the primary LCD interface. For the multiplexing description, see Section 11.1.2.1, Display Subsystem Clocks .
	LCD2_CLK	DSS_CLK DPLL_DSI1_B_CLK1	PRCM DPLL_VIDEO1 DPLL_HDMI	Clock used to generate the divided pixel clock for the secondary LCD interface. For the multiplexing description, see Section 11.1.2.1, Display Subsystem Clocks .
	LCD3_CLK	DSS_CLK DPLL_DSI1_C_CLK1	DPLL_VIDEO1 DPLL_HDMI	Clock used to generate the divided pixel clock for the third LCD interface. For the multiplexing description, see Section 11.1.2.1, Display Subsystem Clocks .
	DISPC_TV_FCLK	F_CLK DPLL_HDMI_CLK1	DSS DPLL_HDMI	TV functional clock (this is either the F_CLK or a clock driven from the DPLL_HDMI). For the multiplexing description, see Section 11.1.2.1, Display Subsystem Clocks .
	DISPC_TV_CLK	DSS_HDMI_PCLK	HDMI	Pixel clock provided by the HDMI module. For the multiplexing description, see Section 11.1.2.1, Display Subsystem Clocks .
Resets				
Module Instance	Destination Signal Name	Source Signal Name	Source	Description
DISPC	DISPC_RST	DSS_RST	PRCM	Hardware reset is coming from the PRCM module or through a software reset performed at the DSS level. For the tree reset description, see Section 11.1.2, Display Subsystem Integration . NOTE: The DSS_RST signal is provided to the entire display subsystem. When inside the display subsystem boundaries, it is named DISPSS_RST, which on its end is provided to the DISPC and is named DISPC_RST.

Table 11-86. DISPC Hardware Requests

Interrupt Requests				
Module Instance	Source Signal Name	Destination IRQ_CROSSBAR Input	Default Mapping	Description
DISPC	DISPC_IRQ	IRQ_CROSSBAR_20	MPU_IRQ_25 DSP1_IRQ_58 IPU1_IRQ_26 IPU2_IRQ_26	DISPC interrupt requests.
DMA Requests				
Module Instance	Source Signal Name	Destination DMA_CROSSBAR Input	Default Mapping	Description
DISPC	DISPC_DREQ	DMA_CROSSBAR_6	DMA_EDMA_DREQ_5 DMA_SYSTEM_DREQ_5	The line trigger signal to synchronize a memory-to-memory logical channel in the device DMA is generated by the DISPC IP.

NOTE: The “Default Mapping” column in [Table 11-86 DISPC Hardware Requests](#) shows the default mapping of module IRQ and DREQ source signals. These module IRQ and DREQ source signals can also be mapped to other lines of each device Interrupt or DMA controller through the IRQ_CROSSBAR and DMA_CROSSBAR modules, respectively.

For more information about the IRQ_CROSSBAR module, see [Section 18.4.6.4, IRQ_CROSSBAR Module Functional Description](#), in [Chapter 18, Control Module](#).

For more information about the DMA_CROSSBAR module, see [Section 18.4.6.5, DMA_CROSSBAR Module Functional Description](#), in [Chapter 18, Control Module](#).

For more information about the device interrupt controllers, see [Chapter 17, Interrupt Controllers](#).

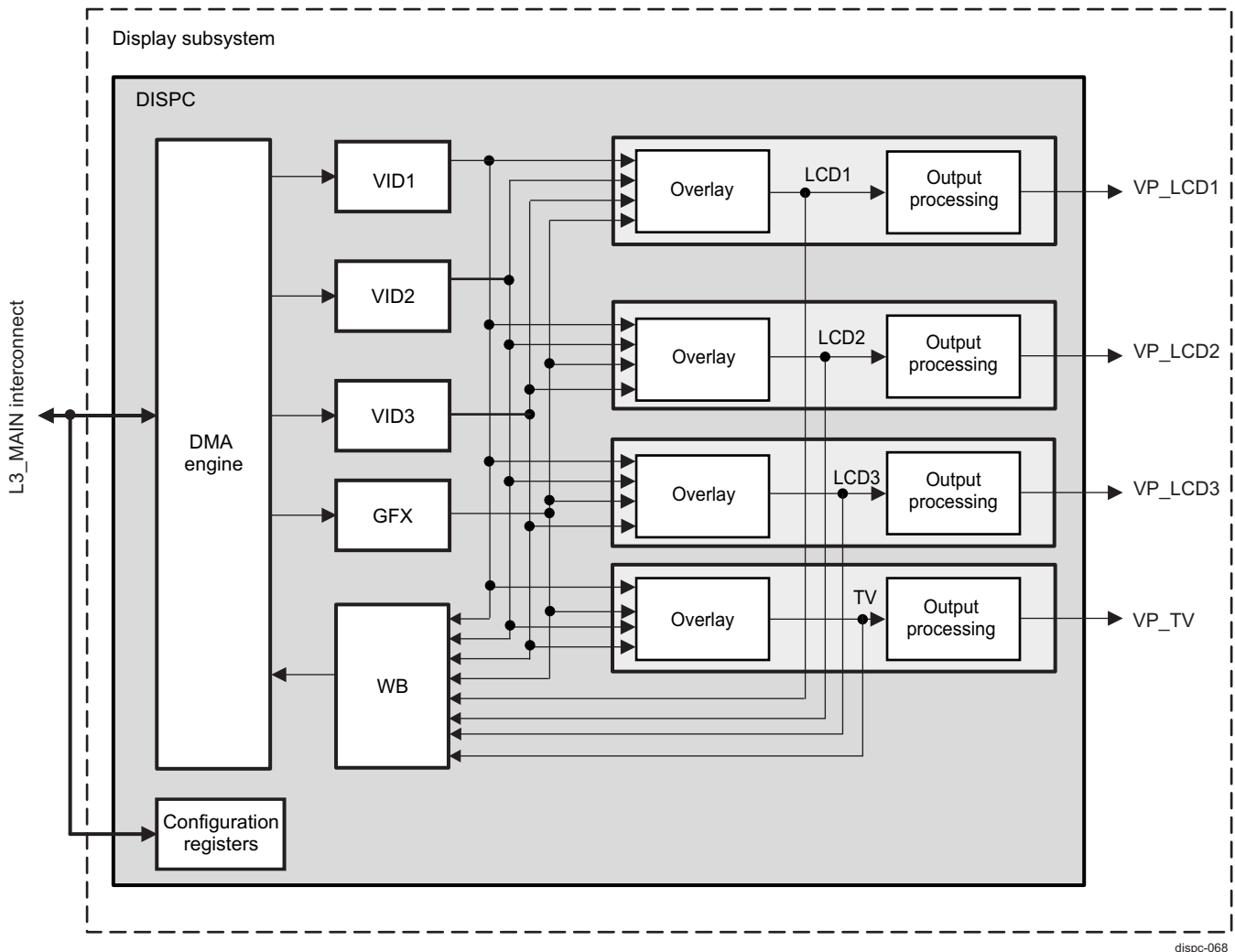
For more information about the device DMA_SYSTEM module, see [Section 16.1, System DMA](#).

For more information about the device EDMA module, see [Section 16.2, Enhanced DMA](#).

11.2.4 DISPC Functional Description

The DISPC can read and display the encoded pixel data stored in memory (see [Figure 11-42](#)).

Figure 11-42. DISPC Architecture Overview



NOTE: LCD1 / DPI1 (VOUT1) is not supported on the AM570x family of devices.

The DISPC can read and display the encoded pixel data stored in memory and write the output of one of the overlays or one of the pipelines into system memory.

Several processes can be configured to manage the graphics pipeline (replication, antiflicker) and video pipelines (VC-1, color space conversion, scaling, overlay, transparency, and so forth).

The data coming out of a pipeline is sent to one of the four outputs, depending on the user configuration. An overlay manager manages inputs of multiple pipelines. User timing configurations for LCD and TV are available.

The DISPC allows the capturing of one output of the pipeline or overlay manager to redirect it into the WB pipeline. It allows the use of the hardware processing available inside the DISPC, such as color space conversion, rescaling, and compositing, and so forth to perform memory-to-memory transfer with data processing.

11.2.4.1 DISPC Clock Configuration

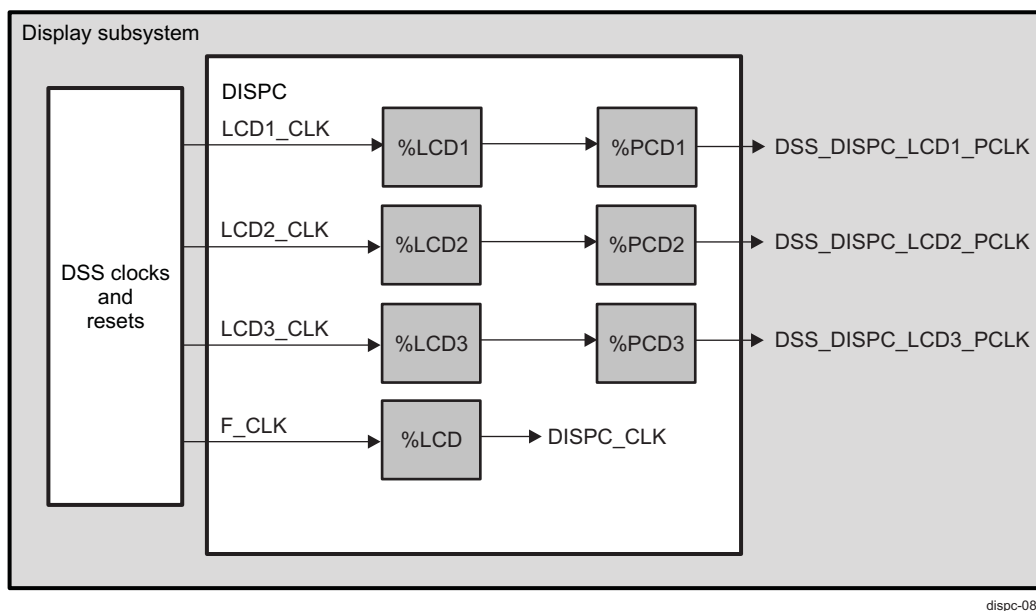
The PCLK frequency for each LCD output is derived from a dedicated input clock: LCD1_CLK, LCD2_CLK, or LCD3_CLK for the three LCD outputs, respectively. Each input clock is divided by the values of the DISPC_DIVISORo[23:16] LCD bit field and then the DISPC_DIVISORo[7:0] PCD bit field independently for each LCD pixel clock (see Figure 11-43). DSS_DISPC_LCD1_PCLK, DSS_DISPC_LCD2_PCLK, and DSS_DISPC_LCD3_PCLK are independent:

- $DSS_DISPC_LCD1_PCLK = (LCD1_CLK / LCD1) / PCD1$
- $DSS_DISPC_LCD2_PCLK = (LCD2_CLK / LCD2) / PCD2$
- $DSS_DISPC_LCD3_PCLK = (LCD3_CLK / LCD3) / PCD3$

The functional clock of the DISPC is derived from F_CLK by an independent divisor. The dividing value is set in the DISPC_DIVISORo[23:16] LCD bit field.

For backward compatibility, the divisor value LCD can be set to the value of LCD1. To enable this functionality, the DISPC_DIVISOR[0] ENABLE bit must be set to 1.

Figure 11-43. DISPC Clock Tree Overview



dispc-088

11.2.4.2 DISPC Software Reset

To perform a software reset on the DISPC, set the DISPC_SYSCONFIG[1] SOFTRESET bit to 0x1. The DISPC_SYSSTATUS[0] RESETDONE bit indicates that the software reset is complete when its value is 0x1. When the software reset completes, the DISPC_SYSCONFIG[1] SOFTRESET bit is automatically reset. Software must ensure that the software reset completes before performing DISPC operations.

11.2.4.3 DISPC Power Management

The DISPC supports the MStandby/Wait, IdleReq/SIdleAck, and wake-up protocols as defined in [Chapter 3, Power, Reset, and Clock Management](#).

11.2.4.3.1 DISPC Idle Mode

The DISPC supports no-idle mode, force-idle mode, and smart-idle mode. The mode can be selected by programming the appropriate value in the `DISPC_SYSCONFIG[4:3]` SIDLEMODE bit field.

Condition of assertion of the SIdleAck signal:

- In no-idle mode: SIdleAck is never asserted.
- In force-idle mode: SIdleAck is asserted unconditionally with a 1-configuration port interface clock cycle delay with respect to an IdleReq assertion.

NOTE: The proper use of force-idle mode assumes that no interrupt needs to be generated.

- In smart-idle mode: SIdleAck is asserted when at least the following conditions are satisfied:
 - No interrupt is pending.
 - The DISPC no longer uses the interface clock for the slave port.

Once SIdleAck is asserted, the DISPC interface lock used by the slave port can be shut down at any time.

The conditions of deassertion of the SIdleAck signal are:

- In force-idle mode: SIdleAck is deasserted with a 1-configuration port interface clock cycle delay with respect to an IdleReq deassertion.
- In smart-idle mode: SIdleAck is deasserted with a 1-configuration port interface clock cycle delay with respect to an IdleReq deassertion.

Once SIdleAck is released, the DISPC is fully operational and a DMA request can be processed normally.

11.2.4.3.2 DISPC StandBy Mode

The DISPC supports no-standby mode, force-standby mode, and a single smart-standby mode. The mode is set in the `DISPC_SYSCONFIG[13:12]` MIDLEMODE bit field. The functional clock is always active if the module is enabled. The L3_MAIN clock can be shut down at any time independently of the status of MStandby.

The conditions of assertion of the MStandby signal are:

- In no-standby mode: MStandby is never asserted.
- In force-standby mode: MStandby is asserted when the module is disabled.
- In smart-standby: In the case of one of the following conditions:
 - The GFX pipeline is disabled or enabled and the data fetch is complete for the GFX window, or the GFX pipeline is enabled but the data fetch did not complete and data in the DMA buffer is greater than the high threshold value.
 - The VID1 pipeline is disabled or enabled and the data fetch is complete for the VID1 window, or the VID1 pipeline is enabled but the data fetch did not complete and data in the DMA buffer is greater than the high threshold value.
 - The VID2 pipeline is disabled or enabled and the data fetch is complete for the VID2 window, or the VID2 pipeline is enabled but the data fetch did not complete and data in the DMA buffer is greater than the high threshold value.
 - The VID3 pipeline is disabled or enabled and the data fetch is complete for the VID3 window, or the VID3 pipeline is enabled but the data fetch did not complete and data in the DMA buffer is greater than the high threshold value.
 - The WB pipeline is disabled or enabled and the data store to memory is complete for the WB picture, or the WB pipeline is enabled but the data storage did not complete and data in the DMA buffer is lower than the low threshold value.

The MStandby signal asserts whenever all five events have occurred or the DISPC is disabled. While MStandby is asserted, the DISPC does not generate any transaction on the L3_MAIN master port.

The conditions of deassertion of the MStandby signal are:

- In force-standby mode: MStandby is deasserted only when the DISPC is enabled.
- In smart-standby mode: In the case of one of the following conditions:
 - The GFX pipeline is enabled but the data fetch did not complete for the GFX window, and the data in the DMA buffer is less than the low threshold value.
 - The VID1 pipeline is enabled but the data fetch did not complete for the VID1 window, and the data in the DMA buffer is less than the low threshold value.
 - The VID2 pipeline is enabled but the data fetch did not complete for the VID2 window, and the data in the DMA buffer is less than the low threshold value.
 - The VID3 pipeline is enabled but the data fetch did not complete for the VID3 window, and the data in the DMA buffer is less than the low threshold value.
 - The WB pipeline is enabled but the data store did not complete for the WB picture, and the data in the DMA buffer more than the high threshold value.

Detection of the deassertion conditions assumes that the interface clocks are active.

11.2.4.3.3 DISPC Wakeup

The DISPC supports wake-up signaling. The mode can be selected by programming the appropriate value in the [DISPC_SYSCONFIG\[2\]](#) ENAWAKEUP bit. Because the SWakeup signal is asynchronous, it does not require the interface clock.

The conditions of assertion of the SWakeup signal are:

- The GFX pipeline is enabled but the data fetch did not complete for the GFX window, and the data in the DMA buffer is less than the low threshold value.
- The VID1 pipeline is enabled but the data fetch did not complete for the VID1 window, and the data in the DMA buffer is less than the low threshold value.
- The VID2 pipeline is enabled but the data fetch did not complete for the VID2 window, and the data in the DMA buffer is less than the low threshold value.
- The VID3 pipeline is enabled but the data fetch did not complete for the VID3 window, and the data in the DMA buffer is less than the low threshold value.
- The WB pipeline is enabled and the data in the DMA buffer is more than the high threshold value.
- The last pixel displayed into the LCD1 panel if it is not the last frame
- The last pixel displayed into the LCD2 panel if it is not the last frame
- The last pixel displayed into the LCD3 panel if it is not the last frame
- The last pixel displayed into the TV panel if it is not the last frame

The SWakeup signal is asserted whenever any one of these nine events occurs and IdleAck is asserted.

When one of the active pipelines reaches the low threshold and must refill its DMA buffer for the current frame, all other pipelines refill their own DMA buffer even if their low threshold has not been reached. The [DISPC_CONFIG1\[17\]](#) BUFFERFILLING bit is used to increase the probability that the time increases, where there is no access to the L3_MAIN interconnect.

The condition of deassertion of the SWakeup signal is:

- Immediately after deassertion of IdleReq

11.2.4.4 DISPC Interrupt Requests

The interrupt line, DISPC_DREQ, indicates when one or more events are detected by the hardware. Each event is independently maskable by setting the [DISPC_IRQENABLE](#) register.

To check when a particular interrupt event occurs and to reset a particular event, the **DISPC_IRQSTATUS** register must be accessed. This register regroups the status of internal events in the module that generate an interrupt (read 0: no interrupt occurred; read 1: interrupt occurred; write 1: status bit reset). For more information about checking and clearing interrupt events, see [Section 11.1.5, Display Subsystem Register Manual](#).

[Table 11-87](#) describes the interrupts generated for the DISPC.

Table 11-87. DISPC Interrupts

Interrupt Name	Description
FLIPIIMMEDIATEDONE_IRQ	Flip immediate done: Occurs when the DMA engine has acknowledged the immediate BA change, and software can write the new BA0.
FRAMEDONE1_IRQ	Frame done for LCD1 output: Active frame related to the LCD1 is complete and LCD1 output of the DISPC is disabled.
FRAMEDONE2_IRQ	Framedone for LCD2 output: Active frame related to the LCD2 is complete and LCD2 output of the DISPC is disabled.
FRAMEDONE3_IRQ	Frame done for LCD3 output: Active frame related to the LCD3 is complete and LCD3 output of the DISPC is disabled.
FRAMEDONETV_IRQ	Frame done for TV output: Active frame related to the TV output is complete and TV output of the DISPC is disabled.
FRAMEDONEWB_IRQ	Frame done for WB output: Active frame related to the WB is complete. First, it is used when the WB channel is connected to one of the pipelines to determine when the memory-to-memory transfer through DISPC is completed. Second, it is used when the WB channel is connected to one of the overlay output in nonreal-time mode to determine when the memory-to-memory transfer with overlay processing is completed.
VSYNC1_IRQ	VSYNC for primary LCD output: VSYNC interrupt for the primary LCD has occurred at the end of the frame.
VSYNC2_IRQ	VSYNC for secondary LCD output: VSYNC interrupt for the secondary LCD has occurred at the end of the frame.
VSYNC3_IRQ	VSYNC for third LCD output: VSYNC interrupt for the third LCD has occurred at the end of the frame.
EVSYNC_EVEN_IRQ	VSYNC for even field: EVSYNC_EVEN interrupt has occurred at the end of the frame (EVSYNC received and the field polarity is even) (HDMI)
EVSYNC_ODD_IRQ	VSYNC for odd field: EVSYNC_ODD interrupt has occurred at the end of the frame (EVSYNC received and the field polarity is odd) (HDMI)
ACBIASCOUNTSTATUS1_IRQ	AC bias count status for LCD1 output: AC bias transition counter has decremented to 0.
ACBIASCOUNTSTATUS2_IRQ	AC bias count status for LCD2 output: AC bias transition counter has decremented to 0.
ACBIASCOUNTSTATUS3_IRQ	AC bias count status for LCD3 output: AC bias transition counter has decremented to 0.
PROGRAMMEDLINENUMBER_IRQ	Programmed line number: The primary LCD has reached the user programmed line number.
VID1ENDWINDOW_IRQ	End of the VID1 window: The DMA engine has fetched all the data from memory for the VID1 for the current frame.
VID2ENDWINDOW_IRQ	End of the VID2 window: The DMA engine has fetched all the data from memory for the VID2 for the current frame.
VID3ENDWINDOW_IRQ	End of the VID3 window: The DMA engine has fetched all the data from memory for the VID3 for the current frame.
GFXENDWINDOW_IRQ	End of the graphics window: The DMA engine has fetched all the data from memory for the graphics for the current frame.
VID1BUFFERUNDERFLOW_IRQ	VID1 DMA buffer underflow: The input VID1 DMA buffer goes underflow.
VID2BUFFERUNDERFLOW_IRQ	VID2 DMA buffer underflow: The input VID2 DMA buffer goes underflow.

Table 11-87. DISPC Interrupts (continued)

Interrupt Name	Description
VID3BUFFERUNDERFLOW_IRQ	VID3 DMA buffer underflow: The input VID3 DMA buffer goes underflow.
WBBUFFEROVERFLOW_IRQ	WB DMA buffer overflow: The output WB DMA buffer goes overflow. It cannot occur when WB channel is used in memory-to-memory transfer mode but only in capture mode. In capture mode the timings are defined by the timer associated with the output. In memory-to-memory mode, there is timing constraint.
GFXBUFFERUNDERFLOW_IRQ	GFX DMA buffer underflow: The input graphics DMA buffer goes underflow.
PALETTEGAMMALOADING_IRQ	Gamma table loading: Gamma table in the graphics pipeline has been loaded using the DISPC DMA engine.
WBUNCOMPLETEERROR_IRQ	The write-back buffer has been flushed before being fully drained. In WB capture mode, if the new frame starts before the WB DMA buffers are fully drained (onto external memory), then the contents of the WB DMA buffers are lost (implying last few pixels/lines are corrupted in the captured frame in memory). This interrupt is an indication of that, and will trigger every frame.
OCPERROR_IRQ	OCP error: L3_MAIN interconnect has sent SResp = ERR
SYNCLOST1_IRQ	Synchronization lost on LCD1 output: Occurs when VSYNC width/front or back porches are not wide enough to load the pipelines with data (LCD output).
SYNCLOST2_IRQ	Synchronization lost on LCD2 output: Occurs when VSYNC width/front or back porches are not wide enough to load the pipelines with data (LCD output).
SYNCLOST3_IRQ	Synchronization lost on LCD3 output: Occurs when VSYNC width/front or back porches are not wide enough to load the pipelines with data (LCD output).
SYNCLOSTTV_IRQ	Synchronization lost on TV output: Occurs when porches are not wide enough to load the pipelines with data (TV output connected to the HDMI).
WAKEUP_IRQ	Wakeup: Occurs when the SWakeUp signal is asserted.

11.2.4.5 DISPC DMA Requests

The DMA synchronization line, DISPC_DREQ, is connected to the device DMA controllers (see [Table 11-86, DMA Requests](#)). This DMA request is not a classical one, but rather a synchronization signal between the DISPC and device DMA. The device DMA is informed that a programmable number of lines are output to the LCD and that a system memory can be updated. This request is related to the interrupt event PROGRAMMEDLINENUMBER_IRQ described in [Table 11-87](#). This allows the device DMA channel to be synchronized with the internal DMA controller in the display subsystem.

In other words, it allows synchronizing a memory-to-memory frame buffer update based on the scan line of the frame buffer in system memory (SDRAM or SRAM) by the DISPC. The DISPC_DREQ request is generated at a programmable line number defined in the `DISPC_LINE_NUMBER[11:0] LINENUMBER` bit field. This process allows an application to use a single frame buffer and to update it after a certain number of lines are read by the DISPC.

11.2.4.6 DISPC DMA Engine

The DMA engine:

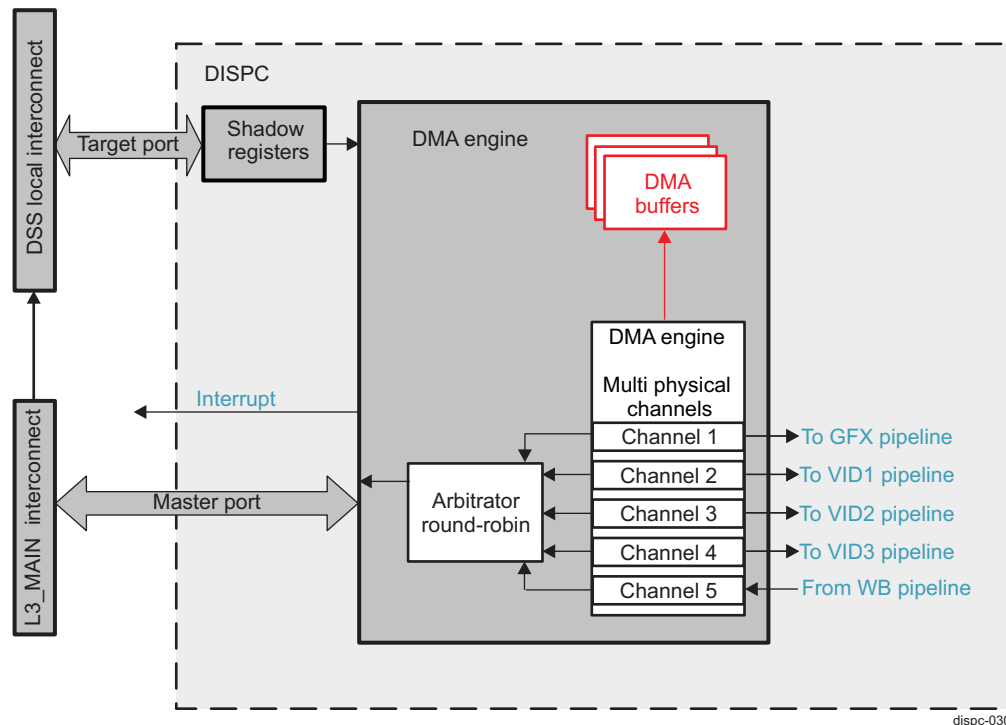
- Supplies data (encoded pixel data and gamma curve) from memories to the GFX, VID1, VID2, and VID3 pipelines through the interconnect based on the configuration of the DISPC and pipeline setting.
- Stores encoded pixel data from GFX/VID pipelines or overlays to memories through the WB pipeline and interconnect based on the configuration of the DISPC and WB pipeline setting.

Each pipeline has a dedicated buffer and a channel with independent settings. Table 11-88 lists the default size and allocation of the DMA buffer. Each DMA buffer is divided into two spaces, top and bottom. Depending on the application, a DMA buffer space can be associated to a pipeline or merged with other spaces. The total number of spaces for each pipeline is from 0 (pipeline inactive) to the number of pipelines \times 2 (in that case, all the DMA buffers are associated to a single pipeline). The sum of the number of spaces allocated for each pipeline must not be greater than the maximum number of available spaces. The correct number of spaces must be allocated to ensure no underflow. The spaces allocated to each pipeline must be greater than or equal to the minimum number of spaces required to support the throughput and system latency. The space assignments are done in the `DISPC_GLOBAL_BUFFER` register.

Table 11-88. DISPC DMA Buffer Size

Pipelines	DMA Buffer Size
GFX	2 lines \times 640 \times 128 bits
VID1	2 lines \times 1024 \times 128 bits
VID2	2 lines \times 1024 \times 128 bits
VID3	2 lines \times 1024 \times 128 bits
WB	2 lines \times 1024 \times 128 bits

Figure 11-44 is an overview of the DMA engine.

Figure 11-44. DISPC DMA Engine Overview


11.2.4.6.1 DISPC Addressing and Bursts

For each line to be fetched/stored, the DMA engine:

- Calculates the pixel address
- Aligns the address
- Defines the burst structure:
 - Type of burst (1D- or 2D-burst structure)
 - Length of the burst

The DMA engine generates scan addresses to read and write data to and from system memory. The base address defines the start address of the first pixel, and then the address is incremented based on the number of pixels per line, offset between two consecutive lines and number of lines. The byte address of each pixel in the frame buffer in the system memory is determined by:

$$\text{Pixel address} = \text{Base address} + x \times \text{bpp} + (y \times ((\text{width} \times \text{bpp}) + \text{increment}))$$

where:

- Base address corresponds to the base address (for YUV–NV12 or YUV4:2:0–NV21 format) defined by:
 - DISPC_GFX_BA_0[31:0] BA bit field
 - DISPC_GFX_BA_1[31:0] BA bit field
 - DISPC_VIDp_BA_0[31:0] BA bit field
 - DISPC_VIDp_BA_1[31:0] BA bit field
 - DISPC_VIDp_BA_UV_0[31:0] BA bit field
 - DISPC_VIDp_BA_UV_1[31:0] BA bit field
- bpp corresponds to the number of bits per pixel defined by the [DISPC_GFX_ATTRIBUTES\[4:1\] FORMAT](#) bit field or the [DISPC_VIDp_ATTRIBUTES\[4:1\] FORMAT](#) bit field.
- width corresponds to the number of pixels per line defined by the [DISPC_GFX_SIZE\[10:0\] SIZEX + 1](#) bit field or [DISPC_VIDp_SIZE\[10:0\] SIZEX + 1](#) bit field.
- increment corresponds to the number of bytes to skip between two contiguous lines defined by the [DISPC_GFX_ROW_INC\[31:0\] ROWINC – 1](#) bit field or the [DISPC_VIDp_ROW_INC\[31:0\] ROWINC – 1](#) bit field.
- x corresponds to the pixel position on the x-axis.
- y corresponds to the pixel position on the y-axis.

NOTE: For YUV format, the pixel values are defined in two buffers (Y and UV). The base address of the Y buffers is defined in the [DISPC_VIDp_BA_j\[31:0\]](#) BA bit field. The base address of the UV buffers is defined in the [DISPC_VIDp_BA_UV_j\[31:0\]](#) BA bit field.

Table 11-89 summarizes the register settings for a simple access of a picture in the system memory.

Table 11-89. DISPC Register Settings for Accessing Image in Internal Memory

Registers	Value
DISPC_GFX_BA_j/DISPC_VIDp_BA_j/DISPC_WB_BA_j	PBA, the physical base address of image in the memory
DISPC_VIDp_BA_UV_j/DISPC_WB_BA_UV_j	PBA, the physical base address of UV buffers image in the memory
DISPC_GFX_PIXEL_INC/DISPC_VIDp_PIXEL_INC/DISPC_WB_PIXEL_INC	1 or other in pixel incremental value
DISPC_GFX_ROW_INC/DISPC_VIDp_ROW_INC/DISPC_WB_ROW_INC ⁽¹⁾	1 or other in row incremental value

⁽¹⁾ The [DISPC_WB_ROW_INC](#) register can be used only in 2D mode (using the Tiler). In order to use the [DISPC_WB_ROW_INC](#) register, the [DISPC_WB_ATTRIBUTES\[8\] BURSTTYPE](#) bit must be set to 1.

An interconnect request (128 bits) corresponds to one or several pixels, depending on the bits per pixel. Therefore, the DMA engine determines the appropriate burst sequence to optimize the fetching/storing of each new line. The DMA engine must prevent a single burst from crossing two lines. The DMA engine supports bursts of 2 × 128 bits, 4 × 128 bits, and 8 × 128 bits. The default burst size at reset time is 8 × 128 bits. The maximum burst size can be configured for each pipeline by setting the [DISPC_GFX_ATTRIBUTES\[7:6\] BURSTSIZE](#) or [DISPC_VIDp_ATTRIBUTES\[15:14\] BURSTSIZE](#) bit field. Because the burst size must be aligned to the burst boundary, in case of misalignment, the DMA engine may issue one request and/or smaller burst requests. Two types of burst are present which can be configured from the [DISPC_GFX_ATTRIBUTES\[29\] BURSTTYPE](#) or [DISPC_VIDp_ATTRIBUTES\[29\] BURSTTYPE](#) bit. Also, a force function is present configured from the [DISPC_GFX_ATTRIBUTES\[16\] FORCE1DTILEDMODE](#) or [DISPC_VIDp_ATTRIBUTES\[20\] FORCE1DTILEDMODE](#) or [DISPC_WB_ATTRIBUTES\[20\] FORCE1DTILEDMODE](#) bit for the following burst types:

- 1-D burst is used if the fetch/storage is linear in memory through the TILER. There is no rotation of the

frame buffer. The frame buffer is not tiled.

- 2-D burst is used if the frame buffer is tiled.

Even if the DISPC_VIDp_ROW_INC register does not equal 1, the user can select 2-D burst. 2-D burst is used when the DISPC is configured to read one field of a frame by accessing only the even and odd lines.

NOTE: The burst size is initialized once at configuration and can be changed when the DISPC is disabled.

11.2.4.6.2 DISPC Immediate Base Address Flip Mechanism

The Flip Immediate mechanism is used to change of the fly the content of the frame buffer which is currently being displayed. The mechanism allows multiple changes (flips) of the base address (BA) during a frame. The mechanism is available for all pipelines (VID1, VID2, VID3, and GFX). Changes to the BA can be applied during the same line, or during different lines.

The following considerations must be considered:

- Data fetching from a new immediate BA is aligned with the data fetch mechanism of the DISPC DMA engine itself, and not with HSYNC or any other DISPC timing signal. After new VSYNC frame pulse, new BA is taken by hardware, as soon as the first set of lines is sent to internal pipeline of the DMA engine.
 - If multiple new BAs are written during the same line (before DMA engine acknowledges the first BA change), then programming steps 1 and 2 must be applied for each new BA (see the programming sequence in this section). The DMA takes only the last BA provided within the current line scan.
 - If multiple new BAs are written during different lines within the current frame, then programming steps 1 and 2 must be applied for each new BA (see the programming sequence in this section). The DMA takes the new BA each time it is updated.
- Immediate BA change cannot be achieved synchronously for two or more pipelines.
- Immediate BA change is possible only for BA0; it is not possible for BA1. Interlaced mode using BA0 and BA1 is not supported.
- Immediate BA change is supported only in RGB color space.

The Flip Immediate mechanism programming sequence follows:

1. Software writes the new immediate BA to the `DISPC_GFX_BA_j` register (where j=0) for the GFX pipeline, or to the `DISPC_VID1_BA_j` / `DISPC_VID2_BA_j` / `DISPC_VID3_BA_j` register (where j=0) for the required VID pipeline.
2. Software sets to 0x1 the corresponding EN bit for the required pipeline in the `DISPC_BA0_FLIPIMMEDIATE_EN` register.
3. The DISPC DMA engine, after completing its current line (or set of lines) fetch, takes the new immediate BA.
4. Hardware resets the EN bit in `DISPC_BA0_FLIPIMMEDIATE_EN` register and asserts a flip immediate IRQ. The IRQ can be enabled through the `DISPC_IRQENABLE[31]` FLIPIMMEDIATEDONE_EN bit. The status of the event is available in the `DISPC_IRQSTATUS[31]` FLIPIMMEDIATEDONE_IRQ bit.

11.2.4.6.3 DISPC DMA Buffers

11.2.4.6.3.1 DISPC READ DMA Buffers (GFX and VID Pipelines)

When the vertical front porch (VFP) period starts after the last horizontal front porch (HFP) of the last line or the external VSYNC is received, the DMA buffers are flushed according to the selected output associated with the pipeline. The DMA engine restarts fetching data from the memory through the L3_MAIN interconnect. Enabling or disabling the DISPC flushes the DMA buffers (except the WB DMA buffers).

Programmable high and low thresholds, independent for each DMA buffer, are used by the DMA engine to start and stop requesting data to the L3_MAIN interconnect.

- When low threshold (set in the `DISPC_GFX_BUF_THRESHOLD[15:0]` BUFLOWTHRESHOLD or

DISPC_VIDp_BUF_THRESHOLD[15:0] BUFLOWTHRESHOLD bit field) is reached, the DMA engine starts a request on the L3_MAIN interconnect to fill the DMA buffer.

- When high threshold (set in the [DISPC_GFX_BUF_THRESHOLD\[31:16\]](#) BUFHIGHTHRESHOLD or [DISPC_VIDp_BUF_THRESHOLD\[31:16\]](#) BUFHIGHTHRESHOLD bit field) is reached, the DMA engine stops requesting encoded pixels.

To avoid underflow at the beginning of a frame and have sufficient encoded pixel data to start some processing, a preloading of the DMA buffer is configurable between a fixed value of bytes or the high threshold value. The preload ensures a minimum number of pixels present in the buffer. When the preload value is reached, the associated channel must start pulling pixels out of the DMA buffer. To enable the preload based on the value entered in the [DISPC_GFX_PRELOAD\[11:0\]](#) PRELOAD or [DISPC_VIDp_PRELOAD\[11:0\]](#) PRELOAD bit field, the [DISPC_GFX_ATTRIBUTES\[11\]](#) BUFPRELOAD bit, or the [DISPC_VIDp_ATTRIBUTES\[19\]](#) BUFPRELOAD bit must be set to 0x0.

NOTE: When self-refresh mode is selected, meaning the data in the DMA buffers are used for multiple frames, and at the end of each frame, the DMA buffers are not flushed.

11.2.4.6.3.2 DISPC WRITE DMA Buffer (WB Pipeline)

Two modes are supported by the WB channel, selectable through the [DISPC_WB_ATTRIBUTES\[19\]](#) WRITEBACKMODE bit:

- Capture mode, WRITEBACKMODE bit set to 0: One of the overlay outputs going to LCD or TV outputs is captured and at the same time the data are sent on the output. The WB timings are controlled by the LCD or TV timings. The output of a VID/GFX pipeline is not sent to the write back, when the WB pipeline is connected to an overlay used in capture mode.
- Memory-to-memory mode, WRITEBACKMODE bit set to 1: One of the overlay outputs or one of the pipelines is captured to perform a memory-to-memory transfer, with some processing by the DISPC (rescaling, overlaying, color space conversion, etc.).

In capture mode: The WB DMA buffers are flushed when the VFP period starts after the HFP following the last line, or when the external VSYNC is received, depending on which output (LCD/TV) the WB pipeline is capturing data, if the programmed value in [DISPC_WB_ATTRIBUTES2\[7:0\]](#) WBDELAYCOUNT bit field is set to 0. If the programmed value in [DISPC_WB_ATTRIBUTES2\[7:0\]](#) WBDELAYCOUNT bit field is set to N (1:255), the write buffers DMA are flushed N lines later. The DMA engine starts storing data to memory through the L3_MAIN-based interconnect as soon as enough data is available for the programmed burst size. When enabling/disabling the DISPC, the DMA buffers are flushed. The programmable thresholds low and high are used by the DMA engine to start and stop sending data to the L3_MAIN interconnect.

NOTE: If the [DISPC_WB_ATTRIBUTES2\[7:0\]](#) WBDELAYCOUNT bit field is set to 0, the WB is reinitialized at the end of the last line of a frame at the beginning of the VFP signal. To let the WB complete the data write to the external memory, the highest possible value compatible with the vertical blanking period must be set.

NOTE: In WB capture mode, if a new frame starts before the WB DMA buffers contents are fully written onto external memory, then the contents of the WB DMA buffers are lost (implying last few pixels/lines are corrupted in the captured frame in memory). The [DISPC_IRQSTATUS\[26\]](#) WBUNCOMPLETEERROR_IRQ interrupt bit indicates this situation and triggers every frame. The WBUNCOMPLETEERROR interrupt can be enabled through the [DISPC_IRQENABLE\[26\]](#) WBUNCOMPLETEERROR_EN register bit.

Software can avoid this by delaying the flush of WB DMA buffers through proper programming of the [DISPC_WB_ATTRIBUTES2\[7:0\]](#) WBDELAYCOUNT bit field.

In memory-to-memory mode: The WB pipeline is not synchronized to any internal or external timing generator. The WB pipeline stores the output of one of the overlay outputs or one of the pipelines. When enabling or disabling the DISPC, the DMA buffers are flushed. The programmable thresholds low and high are used by the DMA engine to start and stop sending data to the L3_MAIN interconnect.

Programmable high and low thresholds are used by the DMA engine to start and stop sending data to the L3_MAIN interconnect.

- When high threshold (set in the [DISPC_WB_BUF_THRESHOLD](#)[31:16] BUFHIGHTHRESHOLD bit field) is reached, the DMA engine starts sending data on the L3_MAIN interconnect to empty buffer.
- When low threshold (set in the [DISPC_WB_BUF_THRESHOLD](#)[15:0] BUFLOWTHRESHOLD bit field) is reached, the DMA engine stops sending encoded pixels.

At the end of the frame, to completely drain the DMA buffer, some smaller bursts (even single requests) must be issued. To limit the number of interconnect requests from the DISPC, a number of IDLE cycles between requests can be inserted. IDLE cycles can be inserted only when WB is used in memory-to-memory mode. It is ignored when WB is in capture mode.

The number of IDLE cycles between requests can be activated and determined by:

- Setting the [DISPC_WB_ATTRIBUTES](#)[27] IDLESIZE bit to 0x0 (default value) and entering the number of idles between requests in the [DISPC_WB_ATTRIBUTES](#)[31:28] IDLENUMBER bit field. Idle numbers vary from 0 to 15.
- Setting the [DISPC_WB_ATTRIBUTES](#)[27] IDLESIZE bit to 0x1, which considers the size of the burst (the [DISPC_WB_ATTRIBUTES](#)[15:14] BURSTSIZE bit field) to determine the number of IDLE cycles.
 - If BURSTSIZE = 0x0, then the number of IDLE cycles equals IDLENUMBER (0 to 15).
 - If BURSTSIZE = 0x1, then the number of IDLE cycles equals IDLENUMBER × 4 (0 to 60).
 - If BURSTSIZE = 0x2, then the number of IDLE cycles equals IDLENUMBER × 8 (0 to 120).

11.2.4.6.4 DISPC MFLAG Mechanism and Arbitration

The MFLAG mechanism allows a dynamic increase of the priority of DISPC real-time traffic, when required, based on the fullness of the DISPC DMA read and write buffers.

The mechanism is implemented for all DMA buffers (GFX, VID1, VID2, VID3 and WB). Only high-priority pipelines can contribute to the MFLAG mechanism.

Programmable buffer thresholds (hysteresis) for each pipeline are used to indicate when the local MFLAG signal for each pipeline is generated. All local MFLAG signals are ORed to generate a single DSS MFLAG out band signal, which is provided to the L3 interconnect for granting OCP requests. The out band DSS MFLAG signal is asynchronous to any ongoing OCP transaction.

The threshold for each pipeline corresponds to the fullness of the associated DMA buffer, and is defined by two threshold parameters:

- HT_MFLAG: High threshold.
 - For read access from the GFX, VID1, VID2, and VID3 pipelines, when the corresponding pipeline buffer reaches the programmed value, the associated local MFLAG signal goes low (deasserted).
 - For write access from the WB pipeline, when the corresponding pipeline buffer reaches the programmed value, the associated local MFLAG signal goes high (asserted).
 - This threshold can be programmed in the following bit fields:
 - For the GFX pipeline in the [DISPC_GFX_MFLAG_THRESHOLD](#)[31:16] HT_MFLAG bit field
 - For the VID1 pipeline in the [DISPC_VID1_MFLAG_THRESHOLD](#)[31:16] HT_MFLAG bit field
 - For the VID2 pipeline in the [DISPC_VID2_MFLAG_THRESHOLD](#)[31:16] HT_MFLAG bit field
 - For the VID3 pipeline in the [DISPC_VID3_MFLAG_THRESHOLD](#)[31:16] HT_MFLAG bit field
 - For the WB pipeline in the [DISPC_WB_MFLAG_THRESHOLD](#)[31:16] HT_MFLAG bit field
- LT_MFLAG: Low threshold.
 - For read access from the GFX, VID1, VID2, and VID3 pipelines, when the corresponding pipeline buffer reaches the programmed value, the associated local MFLAG signal goes high (asserted).
 - For write access from the WB pipeline, when the corresponding pipeline buffer reaches the

programmed value, the associated local MFLAG signal goes low (deasserted).

- This threshold can be programmed in the following bit fields:
 - For the GFX pipeline in the [DISPC_GFX_MFLAG_THRESHOLD\[15:0\]](#) LT_MFLAG bit field
 - For the VID1 pipeline in the [DISPC_VID1_MFLAG_THRESHOLD\[15:0\]](#) LT_MFLAG bit field
 - For the VID2 pipeline in the [DISPC_VID2_MFLAG_THRESHOLD\[15:0\]](#) LT_MFLAG bit field
 - For the VID3 pipeline in the [DISPC_WB_MFLAG_THRESHOLD\[15:0\]](#) LT_MFLAG bit field
 - For the WB pipeline in the [DISPC_WB_MFLAG_THRESHOLD \[15:0\]](#) LT_MFLAG bit field

By default, the MFLAG mechanism is disabled ([DISPC_GLOBAL_MFLAG_ATTRIBUTE\[1:0\]](#) MFLAG_CTRL bit field = 0x0), and the DSS MFLAG out band signal is low (deasserted). The arbitration scheme for the DISPC pipelines is the same as described in [Section 11.2.4.6.7, DISPC Arbitration](#). That is, round-robin either between high-priority pipelines, or between normal-priority pipelines (if all pipelines are of normal priority).

When the [DISPC_GLOBAL_MFLAG_ATTRIBUTE\[1:0\]](#) MFLAG_CTRL bit field is set to 0x2, the MFLAG mechanism is enabled, and the DSS MFLAG out band signal is dynamically set to 0 or 1, depending on DMA buffers fullness and programmed threshold levels, as explained previously in this section. In this case, the arbitration scheme for DISPC pipelines is round-robin between those high-priority pipelines, which have asserted local MFLAG signals. If there are no high-priority pipelines with asserted local MFLAG signals, then the arbitration scheme is the same as described in [Section 11.2.4.6.7, DISPC Arbitration](#).

The [DISPC_GLOBAL_MFLAG_ATTRIBUTE\[2\]](#) MFLAG_START bit defines additional rules for the MFLAG mechanism:

- If the MFLAG_START bit is set to 0x0 (default value), then in the beginning of the frame when the DMA buffer is empty, the local MFLAG signal of each pipeline is kept at 0 until PRELOAD is reached (for more information on preloading, see [Section 11.2.4.6.3.1, DISPC READ DMA Buffers \(GFX and VID Pipelines\)](#)). Then, based on the setting of the [DISPC_GLOBAL_MFLAG_ATTRIBUTE\[1:0\]](#) MFLAG_CTRL bit field, the MFLAG signal is generated and internal logic is arbitrating between pipeline requests.
- If the MFLAG_START bit is set to 0x1, then even in the beginning of the frame when the DMA buffer is empty, the [DISPC_GLOBAL_MFLAG_ATTRIBUTE\[1:0\]](#) MFLAG_CTRL bit field defines the generation of the MFLAG signal for each pipeline.

11.2.4.6.5 DISPC Predecimation

The predecimation process consists of downscaling an image by fetching only the necessary pixels in the memory. Vertical and horizontal predecimation are possible:

- Vertical predecimation: The picture stored in memory can be predecimated vertically by skipping lines. Burst mode is used to fetch the data when skipping lines. Only the lines that will be used by the DISPC are fetched from memory; the other lines are skipped. The DMA engine sends requests only for the useful lines using 1-D or 2-D burst, depending on the setting. The base address indicates the first valid pixel to fetch from memory. The number of lines to skip is set in the [DISPC_GFX_ROW_INC\[31:0\]](#) ROWINC or [DISPC_VIDp_ROW_INC\[31:0\]](#) ROWINC bit field.

NOTE: When 2-D burst mode is used, the access to data in memory is performed through the TILER module of DMM (for more details, see [Section 15.1.2, TILER Overview](#), in [Section 15.1, Memory Subsystem](#)), and as a result a maximum of one line can be skipped.

- Horizontal predecimation: When fetching data from memory, it is possible to skip 1 of 2 pixel data containers, up to 1 of 16 pixel data containers, by setting the [DISPC_GFX_PIXEL_INC\[7:0\]](#) PIXELINC or [DISPC_VIDp_PIXEL_INC\[7:0\]](#) PIXELINC bit field to the number of pixel data containers to skip (n), multiplied by the size of a pixel data container (in bytes), + 1. See the following note for more details.

NOTE: The restriction to horizontal predecimation is that there is at least one useful pixel per 128-bit request. In that case, the DMA engine uses burst mode instead of singles to optimize the requests in terms of latency and SDRAM efficiency.

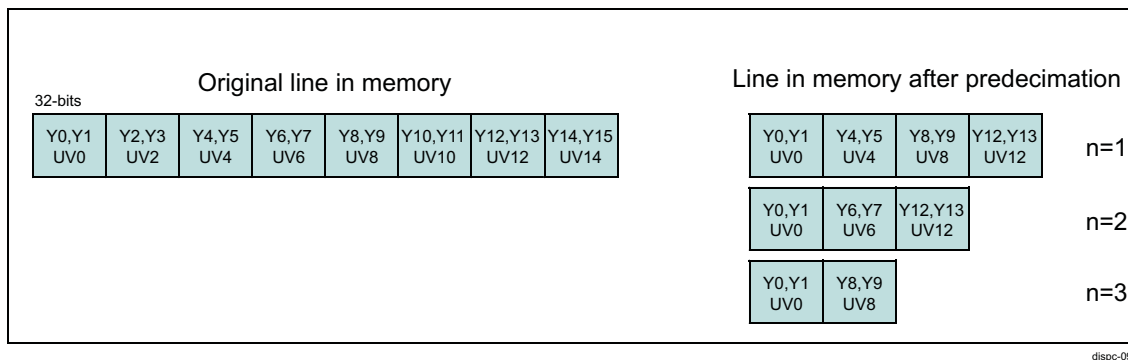
For RGB and YUV4:2:0 data formats, each pixel data container in memory holds 1 pixel. Thus, when configuring the PIXELINC bit field, the value of n equals the number of pixels to skip:

- For RGB format, one pixel data container = 32 bits = 1 pixel
- For YUV format:
 - One Y pixel data container = 8 bits = 1 pixel
 - One UV pixel data container = 16 bits = 1 pixel

For YUV4:2:2 format, each 32-bit pixel data container holds the Luma components for 2 pixels, and the Chrominance component of 1 pixel (see Figure 11-45). Therefore, for the valid values of the PIXELINC bit field in the case of the following YUV4:2:2 format, caution must be taken because n equals the number of pixel data containers to skip, not the number of pixels:

- For n = 1, PIXELINC = 5
- For n = 2, PIXELINC = 9
- For n = 3, PIXELINC = 13
- For n = 4, PIXELINC = 17, etc.

Figure 11-45. YUV4:2:2 Predecimation



dispc-094

11.2.4.6.6 DISPC Progressive-to-Interlaced Format Conversion

The DMA engine can be used to perform YUV4:2:0 NV12 and YUV4:2:0 NV21 progressive-to-interlaced data conversion with 0-degree orientation. Such conversion performed in the DSS consists of separating each progressive frame into two fields containing odd and even lines. This section provides generic approach details.

Two possible configurations are available, depending on the setting of the DISPC_VIDp_ATTRIBUTES[22] DOUBLESTRIDE bit, which defines the stride of each pixel value buffer for the YUV format. The following must be considered for both configurations:

- The DISPC_VIDn_BA_j[31:29] BA and DISPC_VIDn_BA_UV_j[31:29] BA bit fields, and the DISPC_VIDn_ATTRIBUTES[13:12] ROTATION bit field must be set to 0x0 to indicate 0-degree orientation.
- The DISPC_VIDn_BA_j[31:29] BA and DISPC_VIDn_BA_UV_j[31:29] BA bit fields must be set to 0x3, and the DISPC_VIDn_ATTRIBUTES[13:12] ROTATION bit field must be set to 0x2 to indicate 180-degree orientation.

Configuration 1 – YUV4:2:0 progressive to interlaced conversion

The DISPC_VIDp_ATTRIBUTES[22] DOUBLESTRIDE bit is set to 0x1. The CbCr container is twice the size of the Y container. All Luma and Chroma lines for even and odd fields are fetched from memory. The scaler unit of the respective pipeline can be used to downscale by 2 (through filtering) the fetched data to create the interlaced output. For more information about the scaler configuration, see [Section 11.2.4.10.4, Scaler Unit](#).

Configuration 2 – YUV4:2:0 progressive to YUV4:2:2 interlaced conversion

The DISPC_VIDp_ATTRIBUTES[22] DOUBLESTRIDE bit is set to 0x0. The CbCr container is the same size as the Y container. The DISPC_VIDn_ROW_INC register for the respective pipeline must be configured so that only the Y data is vertically predecimated by 2 (for more information, see [Section 11.2.4.6.5, Predecimation](#)). The CbCr data must not be predecimated. As a result, only the even Luma lines for the even field and the odd Luma lines for the odd field are fetched from memory. To create the interlaced output, all the Chroma lines are fetched from memory.

11.2.4.6.7 DISPC Arbitration

The requests (reads or writes) sent to the L3_MAIN interconnect are pipelined and arbitrated in a round-robin scheme. The default arbitration scheme must be modified by setting the priority attribute of each pipeline as defined in the following bits:

- DISPC_GFX_ATTRIBUTES[14] ARBITRATION
- DISPC_VIDp_ATTRIBUTES[14] ARBITRATION
- DISPC_WB_ATTRIBUTES[14] ARBITRATION

By default, all pipelines have the same priority (normal), which means all pipeline requests are treated in a round-robin order manner. If one or more pipelines require a higher number of requests going to the L3_MAIN interconnect, its priority can be moved up to high priority. In this case, the high-priority pipeline is granted access before any pipeline in normal priority. If more than one active pipeline is in high priority, the behavior is the same as all active pipelines in normal priority. Normal active pipelines are not treated until all high active pipelines are finished. The ARBITRATION bit cannot be modified during the entire frame.

This functionality balances the bandwidth of the pipeline depending on its constraint. It can be used to give higher priority to the pipelines with real-time constraints versus non-real-time pipelines. For example, pipelines associated with the LCD output in stall mode must have lower priority than pipelines associated with TV output.

11.2.4.6.8 DISPC DMA Power Modes

11.2.4.6.8.1 DISPC DMA Low-Power Mode

Each DMA buffer is divided into two spaces. Each space can be associated with the pipeline or merged with other DMA buffers. The total number of DMA buffers for each pipeline is from 0 (pipeline inactive) to the number of pipelines × 2 (in that case all the DMA buffers are associated with a single pipeline). The sum of the number of DMA buffers allocated for each pipeline must not be greater than the maximum available. The correct number of DMA buffers must be allocated to ensure no underflow. The number of DMA buffers allocated to each pipeline must be greater than or equal to the minimum required to support the throughput and the system latency.

NOTE: When the number of buffers is changed, the thresholds must be reprogrammed to reflect the new configuration of the DMA buffer.

11.2.4.6.8.2 DISPC DMA Ultralow-Power Mode

In low-power mode, the L3_MAIN interconnect is used to fill up the DMA buffers to store all the data required to display a full frame. The L3_MAIN interconnect is not used to fetch new pixels for the following frames. The data in the DMA buffer are reused to display on the screen.

The setting of the mode is independent for each pipeline. One pipeline may have all the frame pixels in its DMA buffer and the other pipelines may have to refill their respective DMA buffers along the display scan because the frame buffer is too big to be stored in the DMA buffer.

The DMA buffers can be merged to optimize the L3_MAIN interconnect off time. Merging the DMA buffers into a single buffer can be used at the same time to improve ultralow-power mode (see [Section 11.2.4.6.8.1, Low-Power Mode](#)).

During the time in which the frames are fetched in the internal DMA buffer, MStandby must be asserted if the `DISPC_SYSCONFIG[13:12] MIDDLEMODE` bit field is set to 0x2 (smart-standby mode).

Two ultralow-power modes can be entered manually or automatically:

- Self-refresh mode: Starting self-refresh mode is done manually by setting the `DISPC_GFX_ATTRIBUTES[15] SELFREFRESH` or `DISPC_VIDp_ATTRIBUTES[15] SELFREFRESH` bit to 0x1 after capturing a frame in the DMA buffers. Self-refresh mode is stopped by setting the SELFREFRESH bit to 0x0.
- Automatic self-refresh mode: By setting the `DISPC_GFX_ATTRIBUTES[17] SELFREFRESHAUTO` or `DISPC_VIDp_ATTRIBUTES[17] SELFREFRESHAUTO` bit to 0x1, the transition from off to on self-refresh mode is done by hardware after capturing the first frame. The hardware reflects the status of the self-refresh mode by setting the SELFREFRESH bit to 0x1, which means that the data are read inside the DMA buffer without accessing the interconnect and system memory during the frame. Setting the SELFREFRESH bit to 0x0 updates the DMA buffer.

NOTE: The WB pipeline does not support ultralow-power mode.

11.2.4.7 DISPC Rotation and Mirroring

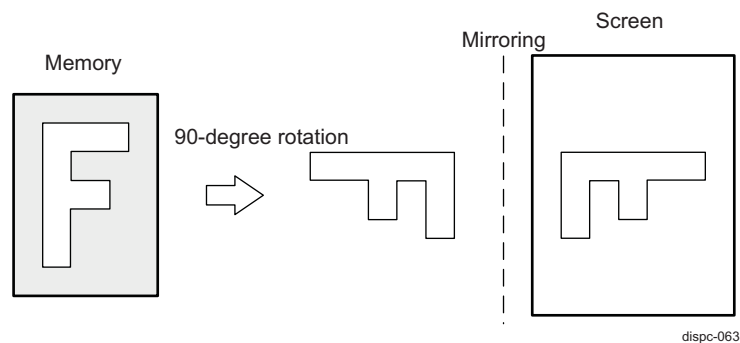
The DISPC provides flexible mechanisms for efficient implementation of rotation using the DISPC, its DMA engine, and the rotation engine of the TILER. The rotation is handled only through the TILER, which supplies the encoded pixels to the DISPC.

NOTE: No rotation or mirroring is supported when accessing the SDRAM directly.

The TILER supports:

- Rotation: 0-, 90-, 180-, and 270-degree views
- Mirroring
- Any combination of rotation and mirroring (for example, Rot-90 + mirroring)

Figure 11-46. DISPC 90-Degree Rotation With Mirroring



When accessing YUV4:2:2 data, each 32-bit value loaded into the DMA buffer can represent either:

- Two consecutive pixels on the same line (for instance, 0- to 180-degree rotation)
- Two pixels adjacent vertically (for instance, 90- to 270-degree rotation)

The reading from the DMA buffer supports the extraction of the two pixels, regardless of the rotation. When the pixels are not consecutive on the same line (90- to 270-degree rotation), the chrominance sample of the first pixel of each 32-bit value is duplicated for the second pixel in the same 32-bit value.

The rotation flag DISPC_VIDn_ATTRIBUTES[13:12] ROTATION and DISPC_VIDn_ATTRIBUTES[4:1] FORMAT bit fields define the processing to extract the pixels from YUV4:2:2 32-bit values. Software must ensure that the settings of the ROTATION and FORMAT bit fields are coherent with the rotation and mirroring defined through the address format in the TILER-specific address map. For more information, see [Section 15.2, Dynamic Memory Manager](#), in [Section 15.1, Memory Subsystem](#).

NOTE: For YUV4:2:0 NV12, 2D tiled memory access cases, the DISPC_VIDn_ATTRIBUTES[13:12] ROTATION bit field should be set properly to match with the intended rotation of the use case.

[Table 11-90](#) describes the register settings of the DISPC when accessing, rotating, and mirroring an image using the TILER. A physical base address (PBA) for each rotation is determined and set as the buffer address (BA). The row incremental is determined and set in ROW_INC. The value of the pixel increment, PIXEL_INC, is set to 0x1 (contiguous pixels).

Table 11-90. DISPC Register Settings for Rotation Using TILER

Rotation	Registers	Rotation With and Without Mirroring
0 degree	DISPC_GFX_BA_j/DISPC_VIDp_BA_j/DISPC_WB_BA_j DISPC_GFX_PIXEL_INC/DISPC_VIDp_PIXEL_INC/DISPC_WB_PIXEL_INC DISPC_GFX_ROW_INC/DISPC_VIDp_ROW_INC/DISPC_WB_ROW_INC	PBA0 1 to 16 ROW0
90 degrees	DISPC_GFX_BA_j/DISPC_VIDp_BA_j/DISPC_WB_BA_j DISPC_GFX_PIXEL_INC/ DISPC_VIDp_PIXEL_INC/DISPC_WB_PIXEL_INC DISPC_GFX_ROW_INC/ DISPC_VIDp_ROW_INC/DISPC_WB_ROW_INC	PBA90 1 to 16 ROW90
180 degrees	DISPC_GFX_BA_j/DISPC_VIDp_BA_j/DISPC_WB_BA_j DISPC_GFX_PIXEL_INC/DISPC_VIDp_PIXEL_INC/DISPC_WB_PIXEL_INC DISPC_GFX_ROW_INC/ DISPC_VIDp_ROW_INC/DISPC_WB_ROW_INC	PBA180 1 to 16 ROW180
270 degrees	DISPC_GFX_BA_j/DISPC_VIDp_BA_j/DISPC_WB_BA_j DISPC_GFX_PIXEL_INC/DISPC_VIDp_PIXEL_INC/DISPC_WB_PIXEL_INC DISPC_GFX_ROW_INC/ DISPC_VIDp_ROW_INC/DISPC_WB_ROW_INC	PBA270 1 to 16 ROW270

NOTE: For YUV format, in addition to the DISPC_VIDp_BA_j register used for the Y component, the DISPC_VIDp_BA_UV_j register must be set to define the base address of the UV frame buffer in memory.

The DISPC_WB_ROW_INC register can be used only in 2D mode (using the Tiler). In order to use the DISPC_WB_ROW_INC register, the DISPC_WB_ATTRIBUTES[8] BURSTTYPE bit must be set to 1.

The PBA rotation is determined by:

- PBA0 = PBA | (mode << 27) | (orientation << 29) | (1<<32)
- PBA90 = PBA | (mode << 27) | (orientation << 29) | (1<<32)
- PBA180 = PBA | (mode << 27) | (orientation << 29) | (1<<32)
- PBA270 = PBA | (mode << 27) | (orientation << 29) | (1<<32)

Where PBA is the physical base address of the image in the memory.

The ROW rotation is determined by:

- If 8 bits per pixel:
 - ROW0 = 16384: Width of the video picture in memory (in bytes) + 1

- ROW90 = 8192: Width of the video picture in memory (in bytes) + 1
- ROW180 = 16384: Width of the video picture in memory (in bytes) + 1
- ROW270 = 8192: Width of the video picture in memory (in bytes) + 1
- If 16 bits per pixel:
 - ROW0 = 32768: Width of the video picture in memory (in bytes) + 1
 - ROW90 = 8192: Width of the video picture in memory (in bytes) + 1
 - ROW180 = 32768: Width of the video picture in memory (in bytes) + 1
 - ROW270 = 8192: Width of the video picture in memory (in bytes) + 1
- If 32 bits per pixel:
 - ROW0 = 32768: Width of the video picture in memory (in bytes) + 1
 - ROW90 = 16384: Width of the video picture in memory (in bytes) + 1
 - ROW180 = 32768: Width of the video picture in memory (in bytes) + 1
 - ROW270 = 16384: Width of the video picture in memory (in bytes) + 1

Table 11-91 and Table 11-92 list the DISPC rotation mode and rotation orientation definitions, respectively.

Table 11-91. DISPC Rotation Mode Definition

	8-Bit Tiled	16-Bit Tiled	32-Bit Tiled	Page Tiled
Mode	0	1	2	3

Table 11-92. DISPC Rotation Orientation Definition

Type of Orientation	Value
0-degree view	0x0
180-degree view with mirroring	0x1
0-degree view with mirroring	0x2
180-degree view	0x3
270-degree view with mirroring	0x4
270-degree view	0x5
90-degree view	0x6
90-degree view with mirroring	0x7

NOTE: For YUV4:2:0 progressive pixel format, because the value of the DISPC_VIDp_ROW_INC register is defined for the Y buffer, the DISPC_VIDp_ATTRIBUTES[22] DOUBLESTRIDE bit must be set to 1 when rotating the picture by 0 and 180 degrees, and must be reset to 0 when rotating the picture by 90 and 270 degrees.

For YUV4:2:0 interlaced pixel format, because the value of the DISPC_VIDp_ROW_INC register is defined for the Y buffer, the DISPC_VIDp_ATTRIBUTES[22] DOUBLESTRIDE bit must be set to 1 when rotating the picture by 0 and 180 degrees. Rotations of 90 and 270 degrees are not supported with this pixel format.

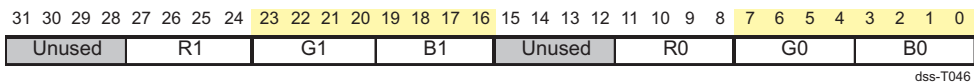
11.2.4.8 DISPC Memory Format

The graphic and video pipelines support various types of memory formats. Table 11-93 lists all supported formats for each pipeline.

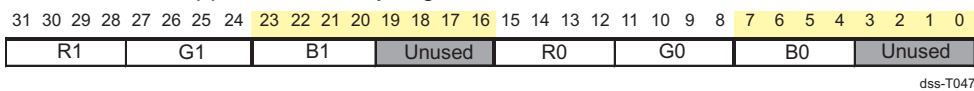
Table 11-93. DISPC Memory Formats Supported

Formats	GFX	VID1	VID2	VID3	WB
xRGB12-4444	X	X	X	X	X
RGBx12-4444	X	X	X	X	X
ARGB16-4444	X	X	X	X	X
RGBA16-4444	X	X	X	X	X
RGB16-565	X	X	X	X	X
xRGB16-1555	X	X	X	X	X
ARGB16-1555	X	X	X	X	X
xRGB24-8888	X	X	X	X	X
RGBx24-8888	X	X	X	X	
RGB24-888	X	X	X	X	X
ARGB32-8888	X	X	X	X	X
RGBA32-8888	X	X	X	X	X
BGRA32-8888	X	X	X	X	X
UYUV4:2:2		X	X	X	X
YUV2 4:2:2		X	X	X	X
YUV4:2:0 – NV12		X	X	X	X
YUV4:2:0 – NV21		X	X	X	X

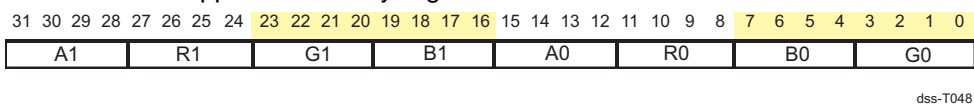
- xRGB12-4444 bpp data memory organization



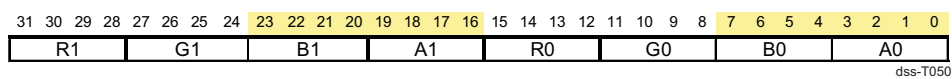
- RGBx12-4444 bpp data memory organization



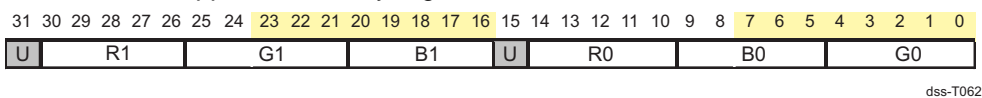
- ARGB16-4444 bpp data memory organization



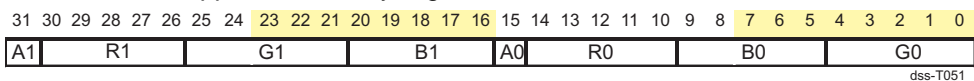
- RGBA16-4444 bpp data memory organization



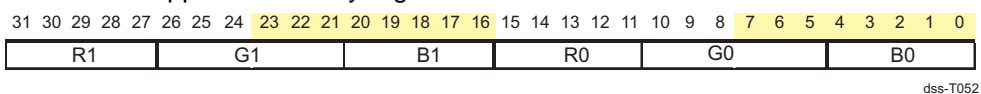
- xRGB16-1555 bpp data memory organization



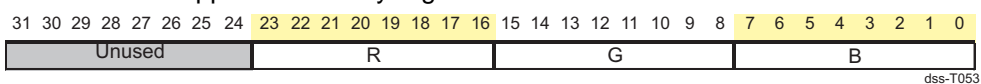
- ARGB16-1555 bpp data memory organization



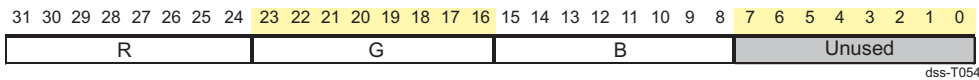
- RGB16-565 bpp data memory organization



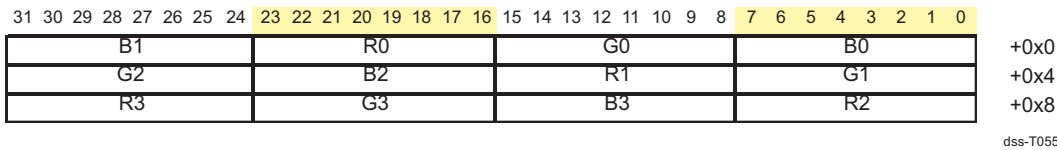
- xRGB24-8888 bpp data memory organization



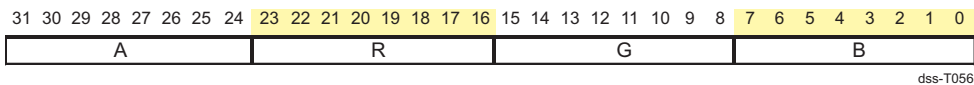
- RGBx24-8888 bpp data memory organization



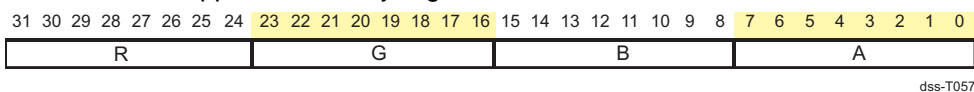
- RGB24-888 bpp packed data memory organization



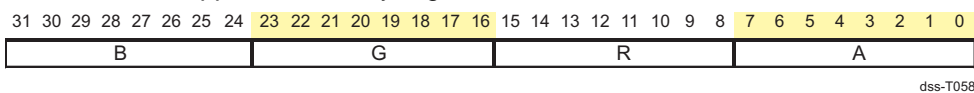
- ARGB32-8888 bpp data memory organization



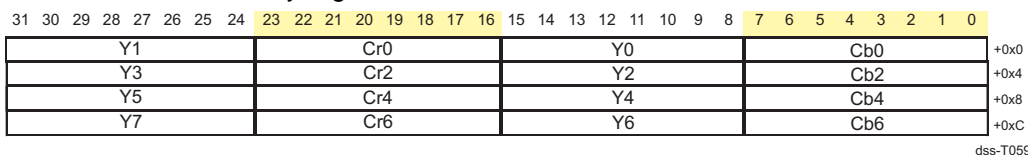
- RGBA32-8888 bpp data memory organization



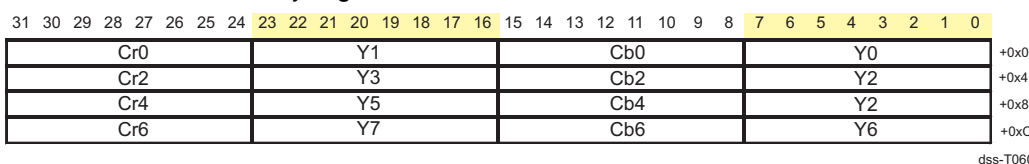
- BGRA32-8888 bpp data memory organization



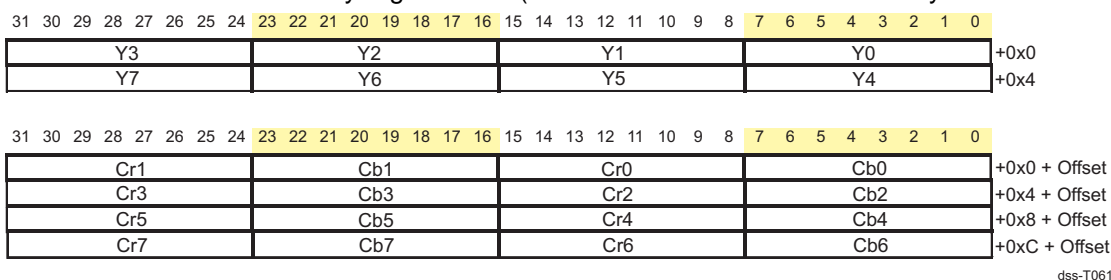
- UYVY4:2:2 data memory organization



- YUV2 4:2:2 data memory organization



- YUV4:2:0-NV12 data memory organization (same for YUV4:2:0-NV12 with only UV in reverse order)



11.2.4.9 DISPC Graphics Pipeline

The graphics pipeline input port is connected to the GFX FIFO, and to the four overlay managers or WB pipeline at its output. The pixel output is directed to an LCD, TV, or WB path by setting the [DISPC_GFX_ATTRIBUTES\[8\]](#) CHANNELOUT bit and the [DISPC_GFX_ATTRIBUTES\[31:30\]](#) CHANNELOUT2 bit field. [Table 11-109](#) lists the bit field settings to orient a pipeline to an LCD, TV, or WB output. The default value directs the GFX pipeline to LCD1. The GFX pipeline can be enabled by setting the [DISPC_GFX_ATTRIBUTES\[0\]](#) ENABLE bit to 0x1.

- NOTE:** It is not possible to change the direction of the GFX pipeline on the fly. If the graphics pipeline must be connected to an overlay manager different from the one to which it is currently connected, then the following steps must be performed:
1. Disable the GFX pipeline by setting the `DISPC_GFX_ATTRIBUTES[0]` ENABLE bit to 0x0.
 2. Direct the GFX pipeline to the new overlay manager by modifying the `DISPC_GFX_ATTRIBUTES[8]` CHANNELOUT and `[31:30]` CHANNELOUT2 bits.
 3. Disable the DISPC output which corresponds with the overlay manager to which the GFX pipeline will be connected next. This is done by setting the in the following bits to 0x0 for the listed outputs:
 - The `DISPC_CONTROL1[0]` LCDENABLE bit for LCD1 output
 - The `DISPC_CONTROL2[0]` LCDENABLE bit for LCD2 output
 - The `DISPC_CONTROL3[0]` LCDENABLE bit for LCD3 output
 - The `DISPC_CONTROL1[1]` TVENABLE bit for TV output
 4. Enable the GFX pipeline by setting the `DISPC_GFX_ATTRIBUTES[0]` ENABLE bit to 0x1.
 5. Enable the DISPC output that corresponds with the overlay manager to which the GFX pipeline will be connected. This is done by setting the following bits to 0x1 for the listed outputs:
 - The `DISPC_CONTROL1[0]` LCDENABLE bit for LCD1 output
 - The `DISPC_CONTROL2[0]` LCDENABLE bit for LCD2 output
 - The `DISPC_CONTROL3[0]` LCDENABLE bit for LCD3 output
 - The `DISPC_CONTROL1[1]` TVENABLE bit for TV output

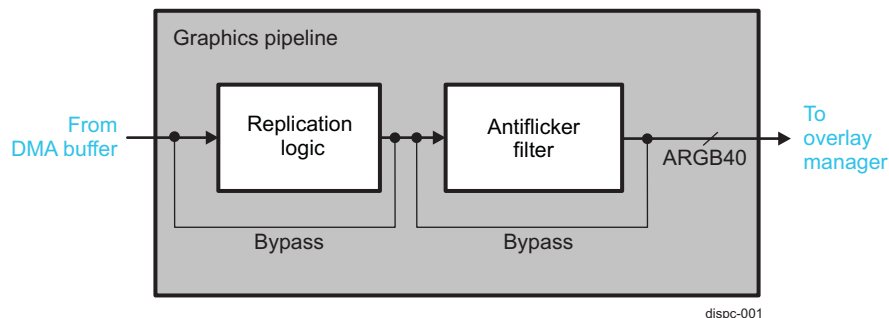
The pipeline consists of a programmable replication logic and an antiflicker filter. The replication logic is used to convert the RGB pixel formats into an ARGB40-based format. The antiflicker filter processes the graphics data in RGB format to remove some of the vertical flicker.

NOTE: The GFX pipeline does not include a scaler.

Table 11-93 lists the input formats supported by the graphics pipeline.

Figure 11-47 shows the graphics pipeline.

Figure 11-47. DISPC Graphics Pipeline



11.2.4.9.1 DISPC Replication Logic

The replication logic increases the color depth of the graphics-encoded pixels (from true color RGB 12, and 16 to 40 bpp).

- When the replication logic is enabled by setting the `DISPC_GFX_ATTRIBUTES[5]` REPLICATIONENABLE bit to 0x1, the MSBs are copied to the missing LSB. Table 11-94 describes the remapping of the RGB pixels into ARGB 40-bit values.

Table 11-94. DISPC Replication Enabled: RGB Pixel Formats Remapping Into ARGB40-10.10.10.10

Format	A[9:0]	R[9:0]	G[9:0]	B[9:0]
	MSB LSB	MSB LSB	MSB LSB	MSB LSB
xRGB12-4444	1111111111	R[3:0]R[3:0]R[3:2]	G[3:0]G[3:0]G[3:2]	B[3:0]B[3:0]B[3:2]
RGBx12-4444	1111111111	R[3:0]R[3:0]R[3:2]	G[3:0]G[3:0]G[3:2]	B[3:0]B[3:0]B[3:2]
RGB16-565	1111111111	R[4:0]R[4:0]	G[5:0]G[5:2]	B[4:0]B[4:0]
xRGB16-1555	1111111111	R[4:0]R[4:0]	G[4:0]G[4:0]	B[4:0]B[4:0]
ARGB16-1555	AAAAAAAAAA	R[4:0]R[4:0]	G[4:0]G[4:0]	B[4:0]B[4:0]
ARGB16-4444	A[3:0]A[3:0]A[3:2]	R[3:0]R[3:0]R[3:2]	G[3:0]G[3:0]G[3:2]	B[3:0]B[3:0]B[3:2]
RGBA16-4444	A[3:0]A[3:0]A[3:2]	R[3:0]R[3:0]R[3:2]	G[3:0]G[3:0]G[3:2]	B[3:0]B[3:0]B[3:2]

- When the replication logic is disabled by setting the [DISPC_GFX_ATTRIBUTES\[5\]](#) REPLICATIONENABLE bit to 0x0, the encoded pixel values are shifted to the MSB boundary of the 24-bit format. The missing bit values are filled with 0s. [Table 11-95](#) describes the remapping of the RGB pixels into ARGB 40-bit values.

Table 11-95. DISPC Replication Disabled: RGB Pixel Formats Remapping Into ARGB40-10.10.10.10

Format	A[7:0]	R[7:0]	G[7:0]	B[7:0]
	MSB LSB	MSB LSB	MSB LSB	MSB LSB
xRGB12-4444	1111111111	R[3:0]000000	G[3:0]000000	B[3:0]000000
RGBx12-4444	1111111111	R[3:0]000000	G[3:0]000000	B[3:0]000000
RGB16-565	1111111111	R[4:0]000000	G[5:0]0000	B[4:0]000000
xRGB16-1555	1111111111	R[4:0]000000	G[4:0]000000	B[4:0]000000
ARGB16-1555	AAAAAAAAAA	R[4:0]000000	G[4:0]000000	B[4:0]000000
ARGB16-4444	A[3:0]A[3:0]A[3:2]	R[3:0]000000	G[3:0]000000	B[3:0]000000
RGBA16-4444	A[3:0]A[3:0]A[3:2]	R[3:0]000000	G[3:0]000000	B[3:0]000000

11.2.4.9.2 DISPC Antiflicker Filter

The antiflicker filter processes the graphics data to remove some of the vertical flicker. It is based on a 3-tap FIR filter with fixed coefficients. For each pixel to be output from the graphics pipeline, the pixel above and below the current line must be read from the DMA graphics FIFO. Therefore, three lines of pixels must be stored in the DMA graphics FIFO.

The antiflickering equations for A, R, G, and B components are:

$$A_{out}(x,y) = 0.25 \times A_{in}(x,y - 1) + 0.5 \times A_{in}(x,y) + 0.25 \times A_{in}(x,y + 1)$$

$$R_{out}(x,y) = 0.25 \times R_{in}(x,y - 1) + 0.5 \times R_{in}(x,y) + 0.25 \times R_{in}(x,y + 1)$$

$$G_{out}(x,y) = 0.25 \times G_{in}(x,y - 1) + 0.5 \times G_{in}(x,y) + 0.25 \times G_{in}(x,y + 1)$$

$$B_{out}(x,y) = 0.25 \times B_{in}(x,y - 1) + 0.5 \times B_{in}(x,y) + 0.25 \times B_{in}(x,y + 1)$$

For the first line of processing, because there is no pixel above, the value (x,y) is duplicated.

$$Out(x,y) = 0.25 \times In(x,y) + 0.5 \times In(x,y) + 0.25 \times In(x,y + 1)$$

For the last line of processing, because there is no pixel below, the value (x,y) is duplicated.

$$Out(x,y) = 0.25 \times In(x,y-1) + 0.5 \times In(x,y) + 0.25 \times In(x,y)$$

NOTE: Antiflicker filtering is supported only in RGB formats.

Antiflickering is not supported for pictures with fewer than two lines. In this case, the user must disable the antiflickering processing.

By default, the antiflicker filtering is disabled. It can be enabled by setting the [DISPC_GFX_ATTRIBUTES\[24\]](#) ANTIFLICKER bit to 0x1.

11.2.4.10 DISPC Video Pipelines

Three identical video pipelines are available, VID1, VID2, and VID3. Each video pipeline is connected to its video FIFO controller for the input port and to the four overlay managers, LCD1, LCD2, LCD3, and TV or WB pipeline. The pixel output is directed to the LCD, TV, or WB path by setting the DISPC_VIDp_ATTRIBUTES[16] CHANNELOUT bit and the DISPC_VIDp_ATTRIBUTES[31:30] CHANNELOUT2 bit field. [Table 11-109](#) summarizes the bit field settings to orient a pipeline to LCD, TV, or WB output. The default value directs all video pipelines to LCD1.

NOTE: It is not possible to change the direction of the video pipelines on the fly. If a video pipeline needs to be connected to a different overlay manager than what it is currently connected, then the following steps need to be performed:

1. Disable the VIDp pipeline by setting the DISPC_VIDp_ATTRIBUTES[0] ENABLE bit to 0x0.
2. Direct the VIDp pipeline to the new overlay manager by modifying the [16] CHANNELOUT bit and the [31:30] CHANNELOUT2 bit in the DISPC_VIDp_ATTRIBUTES register.
3. Disable the DISPC output that corresponds with the overlay manager to which the VIDp pipeline will be connected next. This is done by setting the following bits to 0x0 for the listed outputs:
 - The DISPC_CONTROL1[0] LCDENABLE bit for LCD1 output
 - The DISPC_CONTROL2[0] LCDENABLE bit for LCD2 output
 - The DISPC_CONTROL3[0] LCDENABLE bit for LCD3 output
 - The DISPC_CONTROL1[1] TVENABLE bit for TV output
4. Enable the VIDp pipeline by writing 0x1 to the DISPC_VIDp_ATTRIBUTES [0] ENABLE bit.
5. Enable the DISPC output that corresponds with the overlay manager to which the VIDp pipeline will be connected next. This is done by setting the following bits to 0x1 for the listed outputs:
 - The DISPC_CONTROL1[0] LCDENABLE bit for LCD1
 - The DISPC_CONTROL2[0] LCDENABLE bit for LCD2 output
 - The DISPC_CONTROL3[0] LCDENABLE bit for LCD3 output
 - The DISPC_CONTROL1[1] TVENABLE bit for TV output

A video pipeline consists of a scaler unit, color space conversion (CSC) unit, VC-1 range mapping unit, and some programmable replication logic. The order of the video pipeline unit can be configured in two manners (see [Figure 11-48](#) and [Figure 11-49](#)):

- Configuration 1 (YUVCHROMARESAMPLING = 0): VC-1 range mapping unit followed by a CSC unit and then a scaler unit. The configuration is used to support RGB, ARGB, and RGBA formats and YUV4:2:2 in backward mode for both data types. Each block can be independently bypassed.
- Configuration 2 (YUVCHROMARESAMPLING = 1): VC-1 range mapping unit followed by a scaler unit and then a CSC unit. The configuration is used to support RGB, ARGB, and RGBA formats and YUV4:2:2, YUV420-NV12, and YUV420-NV21 formats, taking advantage of the scaler to resample the chrominance using five taps horizontally and three or five taps vertically. Each block can be independently bypassed.

The DISPC_VIDn_ATTRIBUTES2[8] YUVCHROMARESAMPLING bit controls the order of the scaler unit in the video pipeline:

- When the YUVCHROMARESAMPLING bit is set to 0x0, the video pipeline is in configuration 1, and the scaler comes after the CSC unit. In case of YUV input data in 4:2:2 format, the chrominance resampling (4:2:2 to 4:4:4 format) is done by averaging the chrominance adjacent samples for only 0 degrees (zero rotation), because other rotation (90/180/270 degrees) is not supported in this mode. For more information about the supported chrominance resampling methods, see [Section 11.2.4.10.3.1, Chrominance Resampling](#).
- When the YUVCHROMARESAMPLING bit is set to 0x1, the video pipeline is in configuration 2, and the scaler comes before the CSC unit.
 - In case of YUV4:2:2 input data with 90-/270-degree rotation, the data is preprocessed by

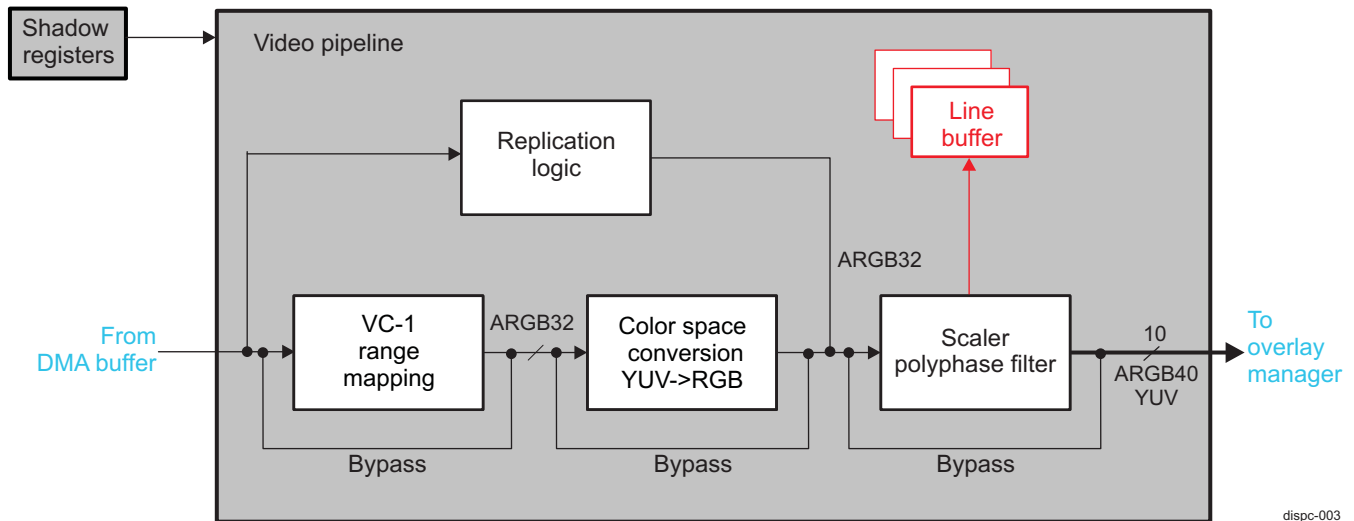
duplicating the missing chrominance samples.

- In case of YUV4:2:2 input data with 0-/180-degree rotation, the Chroma upsampling is performed in the scaler unit.

Table 11-93 lists the input formats supported by the video pipelines.

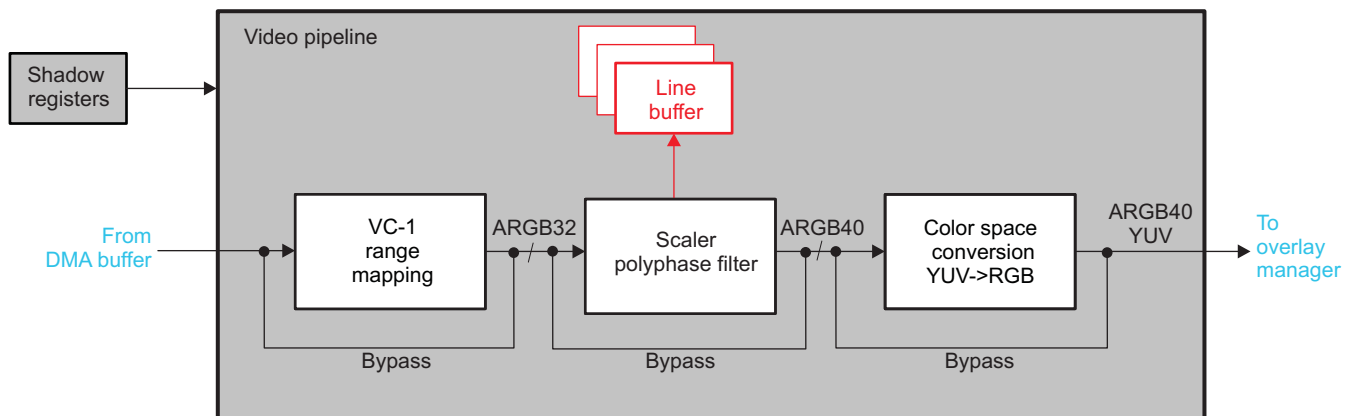
The video pipeline is enabled by setting the DISPC_VIDp_ATTRIBUTES[0] ENABLE bit to 0x1.

Figure 11-48. DISPC Configuration 1: Video Pipeline



dispc-003

Figure 11-49. DISPC Configuration 2: Video Pipeline



dispc-004

11.2.4.10.1 DISPC Replication Logic

The replication logic increases the color depth of the video-encoded pixels (from true color RGB 12, and 16 to 32 bpp) available only in configuration 1.

The expansion from 8- to 10-bit color component is done by the following units:

- The CSC unit, when the scaler is after the CSC module and when the vertical scaler is disabled
- The vertical scaler, when the scaler is after the CSC unit and enabled
- The replication bit module, when the CSC unit and scaler are disabled
- When the replication logic is enabled by setting the DISPC_VIDp_ATTRIBUTES[10] REPLICATIONENABLE bit to 0x1, the MSBs are copied to the missing LSBs. Table 11-96 describes the remapping of the RGB pixels into ARGB 32-bit values.

Table 11-96. DISPC Replication Enabled: RGB Pixel Formats Remapping Into ARGB32-8888

Formats	A[7:0]	R[7:0]	G[7:0]	B[7:0]
	MSB LSB	MSB LSB	MSB LSB	MSB LSB
xRGB12-4444	11111111	R[3:0]R[3:0]	G[3:0]G[3:0]	B[3:0]B[3:0]
RGBx12-4444	11111111	R[3:0]R[3:0]	G[3:0]G[3:0]	B[3:0]B[3:0]
RGB16-565	11111111	R[4:0]R[4:2]	G[5:0]G[5:4]	B[4:0]B[4:2]
xRGB16-1555	11111111	R[4:0]R[4:2]	G[4:0]G[4:2]	B[4:0]B[4:2]
ARGB16-1555	AAAAAAAA	R[4:0]R[4:2]	G[4:0]G[4:2]	B[4:0]B[4:2]
ARGB16-4444	A[3:0]A[3:0]	R[3:0]R[3:0]	G[3:0]G[3:0]	B[3:0]B[3:0]
RGBA16-4444	A[3:0]A[3:0]	R[3:0]R[3:0]	G[3:0]G[3:0]	B[3:0]B[3:0]

- When the replication logic is disabled by setting the DISPC_VIDp_ATTRIBUTES[10] REPLICATIONENABLE bit to 0x0, the encoded pixel values are shifted to the MSB boundary of the 24-bit format. The missing bit values are filled with 0s. [Table 11-97](#) describes the remapping of the RGB pixels into ARGB 32-bit values.

Table 11-97. DISPC Replication Disabled: RGB Pixel Formats Remapping Into ARGB32-8888

Formats	A[7:0]	R[7:0]	G[7:0]	B[7:0]
	MSB LSB	MSB LSB	MSB LSB	MSB LSB
xRGB12-4444	11111111	R[3:0]0000	G[3:0]0000	B[3:0]0000
RGBx12-4444	11111111	R[3:0]0000	G[3:0]0000	B[3:0]0000
RGB16-565	11111111	R[4:0]000	G[5:0]00	B[4:0]000
xRGB16-1555	11111111	R[4:0]000	G[4:0]000	B[4:0]000
ARGB16-1555	AAAAAAAA	R[4:0]000	G[4:0]000	B[4:0]000
ARGB16-4444	A[3:0]A[3:0]	R[3:0]0000	G[3:0]0000	B[3:0]0000
RGBA16-4444	A[3:0]A[3:0]	R[3:0]0000	G[3:0]0000	B[3:0]0000

11.2.4.10.2 DISPC VC-1 Range Mapping Unit

The VC-1 range mapping unit is used when the video frame picture is decoded using a VC-1 codec by the video accelerator. It remaps the Y, Cb, and Cr components. The unit is used primarily for YUV4:2:0-NV12 and YUV4:2:0-NV21 pixel formats but also can be applied to YUV4:2:2 pixel formats (YUV2 and UYVY).

The VC-1 range mapping unit is enabled by setting the DISPC_VIDp_ATTRIBUTES2[0] VC1ENABLE bit to 0x1. The DISPC_VIDp_ATTRIBUTES2[3:1] VC1_RANGE_Y and DISPC_VIDp_ATTRIBUTES2[6:4] VC1_RANGE_CBCR bit fields are two 3-bit values programmed by the user and are independent for each video pipeline. The module is governed by the equations:

$$Y_{out} = \text{CLIP}(((Y_{int} - 128) \times (\text{VC1_RANGE_Y} + 9) + 4) / 8) + 128)$$

$$C_b = \text{CLIP}(((C_b - 128) \times (\text{VC1_RANGE_CBCR} + 9) + 4) / 8) + 128)$$

$$C_r = \text{CLIP}(((C_r - 128) \times (\text{VC1_RANGE_CBCR} + 9) + 4) / 8) + 128)$$

NOTE: The input and output pixel values are unsigned (Y, Cr, and Cb).

The function CLIP () clips to 0 or 255 when minimum or maximum, respectively, are reached; otherwise, the resulting output remains identical.

11.2.4.10.3 DISPC CSC Unit YUV to RGB

The CSC unit converts the video-encoded pixel values from YUV4:4:4 format into RGB24 or RGB30 format. The output format depends on the video pipeline configuration selected:

- Configuration 1: RGB24 output format, with 8-bit value per component: red, green, and blue

- Configuration 2: RGB30 output format, with 10-bit value per component: red, green, and blue

In case of YUV4:2:0 or YUV4:2:2 formats, a chrominance resampling to YUV4:4:4 is required before converting the YUV into RGB values (see [Section 11.2.4.10.3.1, Chrominance Resampling](#)). YUV4:2:2 or YUV4:2:0 to YUV4:4:4 chrominance resampling is a preprocessing to the color space conversion.

Figure 11-50 through Figure 11-53 show the 3 × 3 11-bit coefficients used to convert from YUV4:4:4 into RGB24. The coefficients are set according to the standard used to encode the pixel data in YUV color space. Table 11-98 summarizes the coefficients with their respective bit fields.

Table 11-98. DISPC Color Space Conversion YUV to RGB Bit Field Setting

Coefficients	Bit Field Registers
R _Y	DISPC_VIDp_CONV_COEF0[10:0] RY
R _{Cr}	DISPC_VIDp_CONV_COEF0[26:16] RCR
R _{Cb}	DISPC_VIDp_CONV_COEF1[10:0] RCB
G _Y	DISPC_VIDp_CONV_COEF1[26:16] GY
G _{Cr}	DISPC_VIDp_CONV_COEF2[10:0] GCR
G _{Cb}	DISPC_VIDp_CONV_COEF2[26:16] GCB
B _Y	DISPC_VIDp_CONV_COEF3[10:0] BY
B _{Cr}	DISPC_VIDp_CONV_COEF3[26:16] BCR
B _{Cb}	DISPC_VIDp_CONV_COEF4[10:0] BCB

- For configuration 1 with an RGB24 output:

If the active range for the luminance samples (Y) is [235:16] and [240:16] for the chrominance samples (Cb and Cr), the range selection is done by setting the DISPC_VIDp_ATTRIBUTES[11] FULLRANGE bit to 0x0. The values of R, G, and B output components are clipped to the range [255:0].

NOTE: The scaling and CSC clipping is set by the same bit, DISPC_VIDp_ATTRIBUTES[11] FULLRANGE.

Figure 11-50. DISPC YCbCr to RGB Registers (FULLRANGE = 0), 8-Bit Outputs

$$\begin{bmatrix} R_{OUT} \\ G_{OUT} \\ B_{OUT} \end{bmatrix} = \frac{1}{256} * \begin{bmatrix} R_Y & R_{Cr} & R_{Cb} \\ G_Y & G_{Cr} & G_{Cb} \\ B_Y & B_{Cr} & B_{Cb} \end{bmatrix} * \begin{bmatrix} Y_{IN} - 16 \\ Cr_{IN} - 128 \\ Cb_{IN} - 128 \end{bmatrix}$$

dispc-005

If the active range for the luminance samples (Y) and chrominance samples (Cb and Cr) is [255:0], the range selection is done by setting the DISPC_VIDp_ATTRIBUTES[11] FULLRANGE bit to 0x1. The values of R, G, and B output components are clipped to the range [255:0].

Figure 11-51. DISPC YCbCr to RGB Registers (FULLRANGE = 1), 8-Bit Outputs

$$\begin{bmatrix} R_{OUT} \\ G_{OUT} \\ B_{OUT} \end{bmatrix} = \frac{1}{256} * \begin{bmatrix} R_Y & R_{Cr} & R_{Cb} \\ G_Y & G_{Cr} & G_{Cb} \\ B_Y & B_{Cr} & B_{Cb} \end{bmatrix} * \begin{bmatrix} Y_{IN} \\ Cr_{IN} - 128 \\ Cb_{IN} - 128 \end{bmatrix}$$

dispc-006

- For configuration 2 with an RGB30 output:

If the active range for the luminance samples (Y) is [940:64] and [960:64] for the chrominance samples (Cb and Cr), the range selection is done by setting the DISPC_VIDp_ATTRIBUTES[11] FULLRANGE bit to 0x0. The values of R, G, and B output components are clipped to the range [1023:0].

NOTE: The scaling and CSC clipping is set by the same bit, DISPC_VIDp_ATTRIBUTES[11] FULLRANGE.

Figure 11-52. DISPC YCbCr to RGB Registers (FULLRANGE = 0), 10-Bit Outputs

$$\begin{bmatrix} R_{OUT} \\ G_{OUT} \\ B_{OUT} \end{bmatrix} = \frac{1}{256} * \begin{bmatrix} R_Y & R_{Cr} & R_{Cb} \\ G_Y & G_{Cr} & G_{Cb} \\ B_Y & B_{Cr} & B_{Cb} \end{bmatrix} * \begin{bmatrix} Y_{IN} - 64 \\ Cr_{IN} - 512 \\ Cb_{IN} - 512 \end{bmatrix}$$

dispc-074

If the active range for the luminance samples (Y) and chrominance samples (Cb and Cr) is [1023:0], the range selection is done by setting the DISPC_VIDp_ATTRIBUTES[11] FULLRANGE bit to 0x1. The values of R, G, and B output components are clipped to the range [1023:0].

Figure 11-53. DISPC YCbCr to RGB Registers (FULLRANGE = 1), 10-Bit Outputs

$$\begin{bmatrix} R_{OUT} \\ G_{OUT} \\ B_{OUT} \end{bmatrix} = \frac{1}{256} * \begin{bmatrix} R_Y & R_{Cr} & R_{Cb} \\ G_Y & G_{Cr} & G_{Cb} \\ B_Y & B_{Cr} & B_{Cb} \end{bmatrix} * \begin{bmatrix} Y_{IN} \\ Cr_{IN} - 512 \\ Cb_{IN} - 512 \end{bmatrix}$$

dispc-075

11.2.4.10.3.1 DISPC Chrominance Resampling

Two methods are supported to resample chrominance:

- Averaging of the chrominance is done by software, followed by hardware conversion when the video pipeline is in configuration 1.
- Filtering of the chrominance using the scaler unit (chrominance resampling and rescaling can be combined to support native rescaling of YUV format) when the video pipeline is in configuration 2.

To convert the YUV4:2:2 encoded pixel values into YUV4:4:4 format, the averaging of the chrominance technique can be used as shown in Figure 11-54. The missing chrominance samples (Cb and Cr) are interpolated using the average values of the two closest values on the same line (,) or are repeated from the second pixel in the same 32-bit container (see Figure 11-55). For the last pixel, the chrominance samples are duplicated using the values from the previous pixel; otherwise, the chrominance samples are averaged using the two adjacent values. Figure 11-56 shows the flow of the pixel.

Figure 11-54. DISPC Averaging of the Chrominance Formula

$$Cb_n(YCbCr\ 444) = \frac{Cb_{n-1}(YCbCr\ 422) + Cb_{n+1}(YCbCr\ 422)}{2} \text{ (n odd)}$$

$$Cr_n(YCbCr\ 444) = \frac{Cr_{n-1}(YCbCr\ 422) + Cr_{n+1}(YCbCr\ 422)}{2} \text{ (n odd)}$$

dispc-010

Figure 11-55. DISPC Averaging of the Chrominance Representation

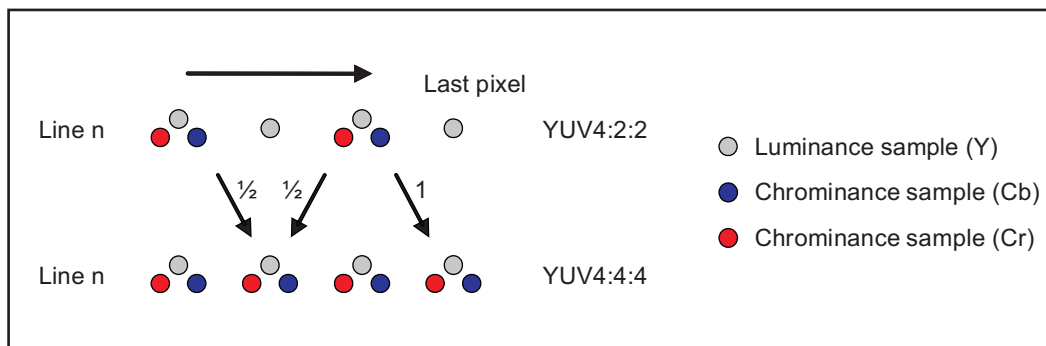
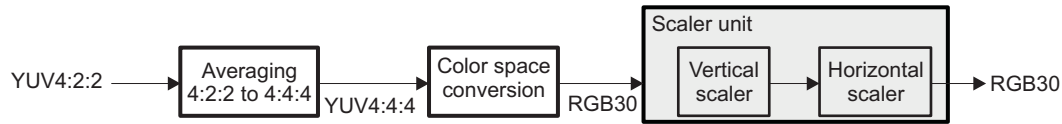
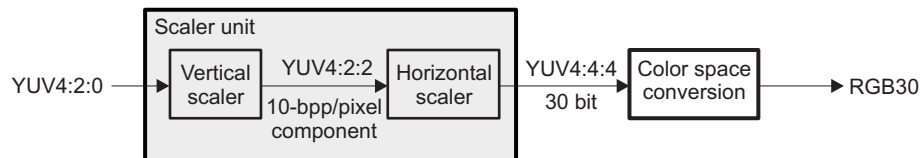


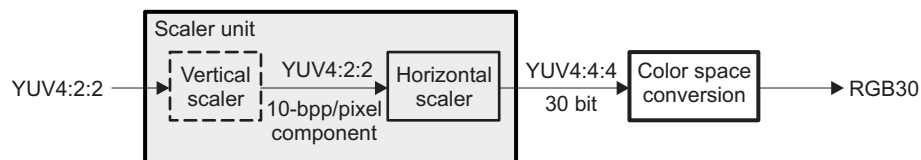
Figure 11-56. DISPC YUV4:2:2 to RGB30 Using Averaging of the Chrominance


disp-007

The scaler unit can be used to resample the chrominance of YUV4:2:0 and YUV4:2:2, as shown in [Figure 11-57](#) and [Figure 11-58](#), respectively. The settings of the scaler unit to perform chrominance resampling are described in [Section 11.2.4.10.4, DISPC Scaler Unit](#).

Figure 11-57. DISPC YUV4:2:0 to RGB30 Using Scaler Unit for Resampling Chrominance


disp-008

Figure 11-58. DISPC YUV4:2:2 to RGB30 Using Scaler Unit for Resampling Chrominance


disp-009

NOTE: If rotation must be supported, YUV4:2:2 and YUV4:2:0 (0-/180-degree rotation) chrominance resampling is done as shown in [Figure 11-58](#) and [Figure 11-57](#), respectively. For YUV4:2:2 (90-/270-degree rotation) data are preprocessed to present YUV4:4:4 on the scaler input (duplication of the missing chroma), as shown in [Figure 11-56](#).

11.2.4.10.4 DISPC Scaler Unit

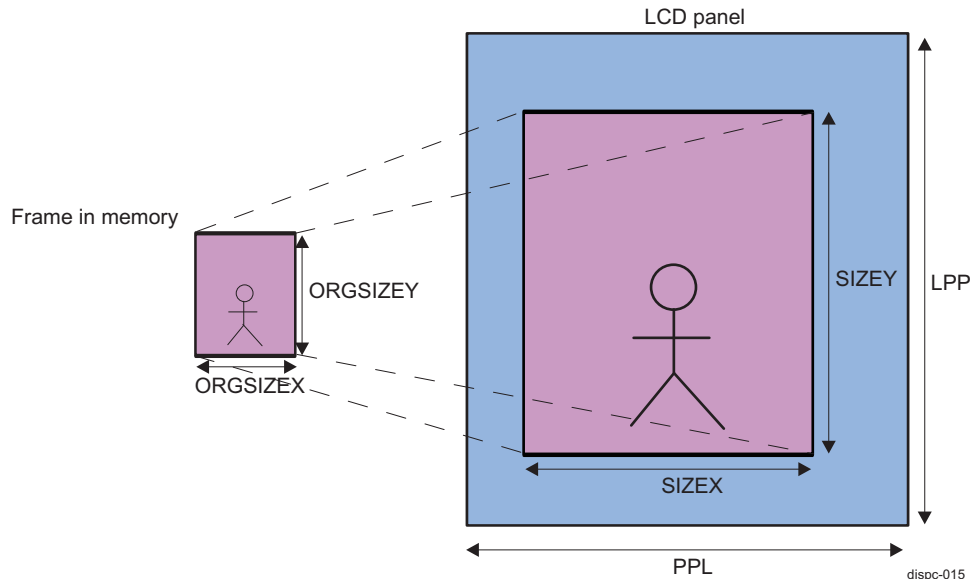
All video formats are supported, including formats with alpha blending. Alpha blending is scaled with the same parameters as RGB color components. For the YUV formats, Y and Cb/Cr are processed independently. The filter is based on a finite impulse response (FIR) filter. The filtering can be used for different processing:

- Upsampling of the picture
- Downsampling of the picture
- Antiflicker reduction
- Spatial de-interlacing using bob algorithm
- Chrominance resampling in case of YUV data formats

NOTE: The user must ensure that the resizing frame displays in the LCD/screen boundaries.

[Figure 11-59](#) shows an example of video upsampling.

Figure 11-59. DISPC Video Upsampling



The upsampling and downsampling filter is a polyphase filter with five taps and eight phases for the horizontal filter, and a programmable number of taps (three or five) and eight phases for vertical filter. The input buffer has five input memory lines. The following limitations must be considered:

- The upsampling ratio is up to x8.
- The downsampling ratio using 3-tap configuration is down to x0.5 for RGB format.
- The downsampling ratio using 5-tap configuration is down to x0.25 for RGB format.
- If the input format is changed from YUV4:2:2 to YUV4:2:0 (WB pipeline), the downsampling ratio is further reduced:
 - Using 5-tap configuration, the ratio is down to x0.5 for RGB format.
 - Using 3-tap configuration, no downscaling is available.

For vertical upsampling and downsampling in a 3-tap configuration, the equations are:

For RGB formats	For YUV formats
$A_{out}(n) = (\sum_{i=-1}^{i=1} C_{vi}(\Phi) * A_{in}(n+i)) \gg 5$	$Y_{out}(n) = (\sum_{i=-1}^{i=1} C_{vi}(\Phi_y) * Y_{in}(n+i)) \gg 5$
$R_{out}(n) = (\sum_{i=-1}^{i=1} C_{vi}(\Phi) * R_{in}(n+i)) \gg 5$	$Cr_{out}(n) = (\sum_{i=-1}^{i=1} C_{vci}(\Phi_c) * Cb_{in}(n+i)) \gg 5$
$G_{out}(n) = (\sum_{i=-1}^{i=1} C_{vi}(\Phi) * G_{in}(n+i)) \gg 5$	$Cb_{out}(n) = (\sum_{i=-1}^{i=1} C_{vci}(\Phi_c) * Cr_{in}(n+i)) \gg 5$
$B_{out}(n) = (\sum_{i=-1}^{i=1} C_{vi}(\Phi) * B_{in}(n+i)) \gg 5$	

dispc-013

(1)

For vertical upsampling and downsampling in a 5-tap configuration, the equations are:

For RGB formats	For YUV formats
$A_{out}(n) = (\sum_{i=-2}^{i=2} C_{vi}(\Phi) * A_{in}(n+i)) \gg 5$	$Y_{out}(n) = (\sum_{i=-2}^{i=2} C_{vi}(\Phi_y) * Y_{in}(n+i)) \gg 5$
$R_{out}(n) = (\sum_{i=-2}^{i=2} C_{vi}(\Phi) * R_{in}(n+i)) \gg 5$	$Cb_{out}(n) = (\sum_{i=-2}^{i=2} C_{vci}(\Phi_c) * Cb_{in}(n+i)) \gg 5$
$G_{out}(n) = (\sum_{i=-2}^{i=2} C_{vi}(\Phi) * G_{in}(n+i)) \gg 5$	$Cr_{out}(n) = (\sum_{i=-2}^{i=2} C_{vci}(\Phi_c) * Cr_{in}(n+i)) \gg 5$
$B_{out}(n) = (\sum_{i=-2}^{i=2} C_{vi}(\Phi) * B_{in}(n+i)) \gg 5$	

dispc-012

(2)

For horizontal upsampling and downsampling in a 5-tap configuration, the equations are:

<p style="text-align: center;">For RGB formats</p> $A_{out}(n) = \left(\sum_{i=-2}^{i=2} C_{hi}(\Phi) * A_{in}(n+i) \right) \gg 7$ $R_{out}(n) = \left(\sum_{i=-2}^{i=2} C_{hi}(\Phi) * R_{in}(n+i) \right) \gg 7$ $G_{out}(n) = \left(\sum_{i=-2}^{i=2} C_{hi}(\Phi) * G_{in}(n+i) \right) \gg 7$ $B_{out}(n) = \left(\sum_{i=-2}^{i=2} C_{hi}(\Phi) * B_{in}(n+i) \right) \gg 7$	<p style="text-align: center;">For YUV formats</p> $Y_{out}(n) = \left(\sum_{i=-2}^{i=2} C_{hi}(\Phi) * Y_{in}(n+i) \right) \gg 7$ $Cb_{out}(n) = \left(\sum_{i=-2}^{i=2} C_{hcl}(\Phi_c) * Cb_{in}(n+i) \right) \gg 7$ $Cr_{out}(n) = \left(\sum_{i=-2}^{i=2} C_{hcl}(\Phi_c) * Cr_{in}(n+i) \right) \gg 7$
--	---

dispc-014

(3)

NOTE: The pixel (n + 1) is the previous pixel with respect to pixel (n). The line (n + 1) is the previous line with respect to line (n).

The coefficients Ci() depend on the phase between input and output pixels.

NOTE: The coefficients are different for Y and Cr, Cb filtering because the calculations are independent due to the chrominance resampling for YUV4:2:2 and YUV4:2:0.

First, the vertical filter is applied to the encoded input pixel data, and then the horizontal filter is applied on the resulting pixel values to generate the output pixel values. The vertical input of the filter consists of five lines of 2048 x 32 bits for both 3-tap and 5-tap configurations (see [Table 11-99](#)).

Table 11-99. DISPC Line Buffer Width for Scaler Unit

Vertical Taps	Maximum Input Width (Pixels)
3, 5	2048 x 32 bits

At the beginning of frame scaling processing, the first line is duplicated to fill the first two lines in 3-tap configuration and the first three lines in 5-tap configuration.

At the end of frame scaling processing, the last line is duplicated if the scaling logic requires loading more lines and the last line has been reached.

The programmable coefficients of the polyphase filters are signed 8-bit values (except for the central coefficient, which is unsigned). The video scalers have an 8-bit input and a 10-bit output. The vertical scaling changes the 8-bit input into a 10-bit clipped output and the horizontal scaling takes the 10-bit input.

[Figure 11-60](#) and [Figure 11-61](#) show the scaler macro-architecture for the component A, R, G, B, and Y. [Figure 11-62](#) and [Figure 11-63](#) show the scaler macro-architecture for component Cr and Cb.

The scaling output can be clipped to an output range of [1023:0] or [960:64] by configuring the DISPC_VIDp_ATTRIBUTES[11] FULLRANGE bit.

NOTE: The scaling and CSC clipping is set by the same bit, DISPC_VIDp_ATTRIBUTES[11] FULLRANGE.

Figure 11-60. DISPC Macro-Architecture of the Horizontal Scaling for A, R, G, B, and Y Components (5-tap Restriction)

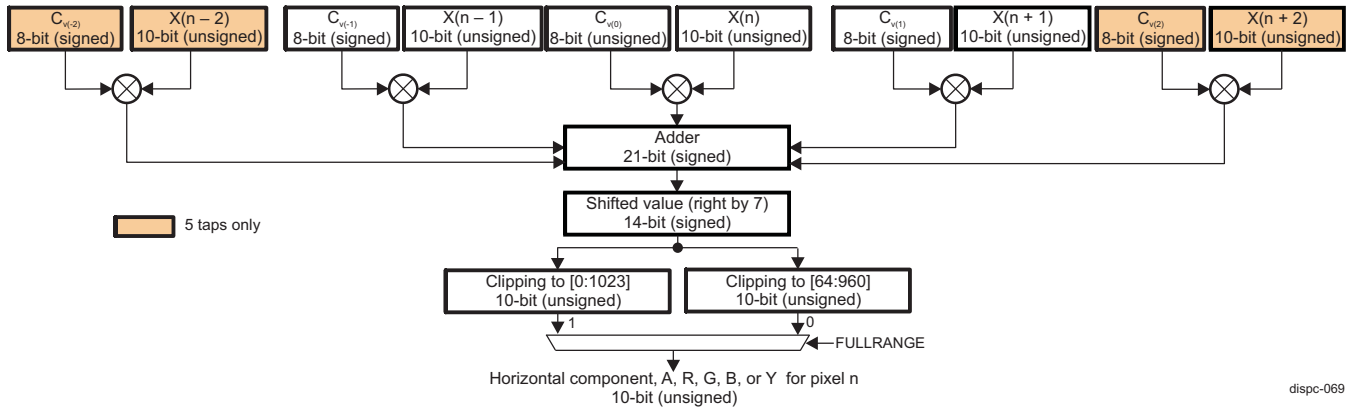


Figure 11-61. DISPC Macro-Architecture of the Vertical Scaling for A, R, G, B, and Y Components (5 and 3 taps)

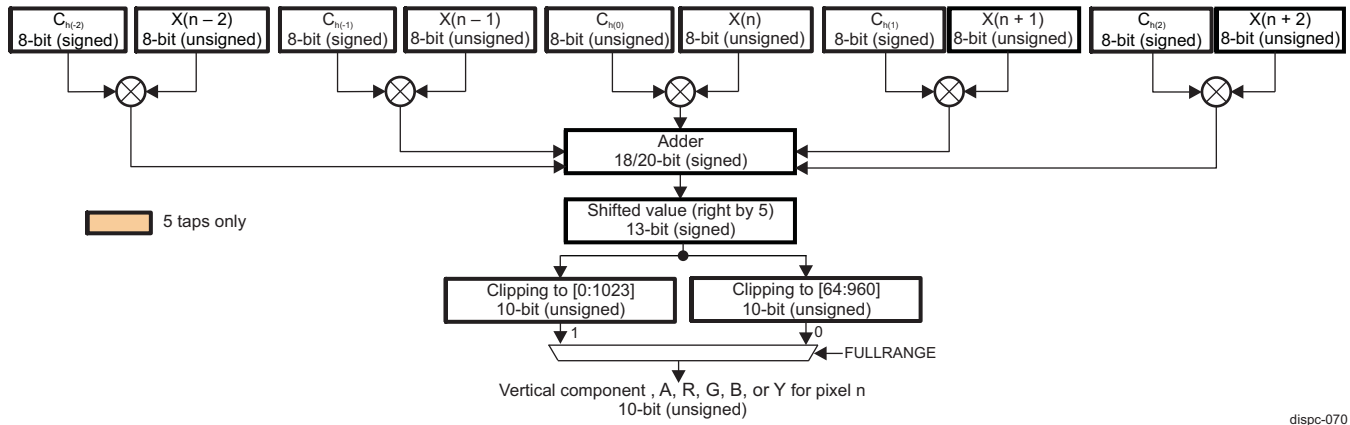


Figure 11-62. DISPC Macro-Architecture of the Horizontal Scaling for Cr and Cb Components (5-tap Restriction)

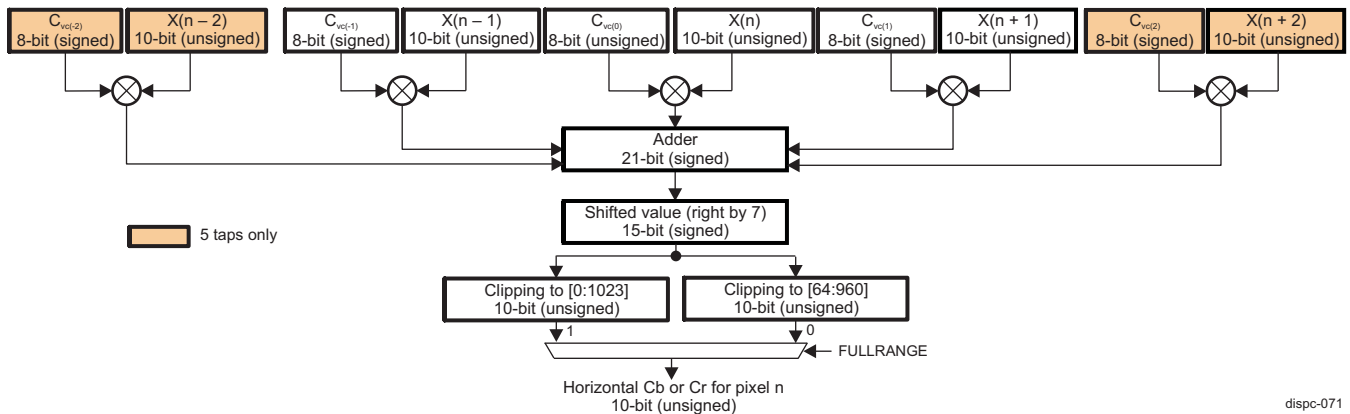


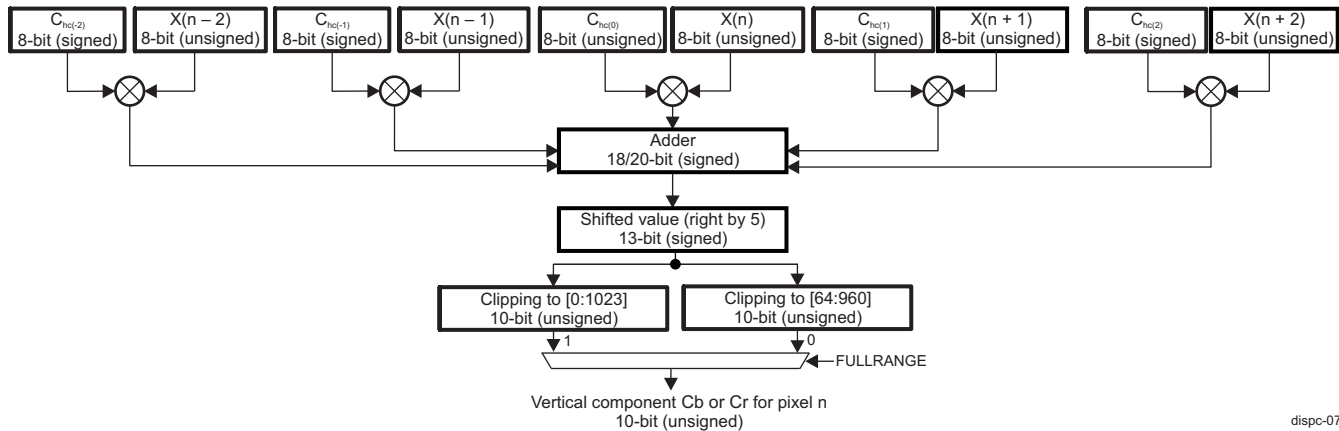
Figure 11-63. DISPC Macro-Architecture of the Vertical Scaling for Cr and Cb Components (5 and 3 taps)


Table 11-100 and Table 11-101 list the bit fields in the function to set for each coefficient.

Table 11-100. DISPC Register Bit Field Associated to Coefficient for ARGB and Y Configuration in VIDp Scaler

Taps	Coefficient	3 Taps	5 Taps	Registers
		Bit Field	Bit Field	
Vertical	$C_v(-2)$		FIRVC22	DISPC_VIDp_FIR_COE_F_V_i
	$C_v(-1)$	FIRVC2	FIRVC2	DISPC_VIDp_FIR_COE_F_HV_i
	$C_v(0)$	FIRVC1	FIRVC1	DISPC_VIDp_FIR_COE_F_HV_i
	$C_v(1)$	FIRVC0	FIRVC0	DISPC_VIDp_FIR_COE_F_HV_i
	$C_v(2)$		FIRVC00	DISPC_VIDp_FIR_COE_F_V_i
Horizontal	$C_h(-2)$		FIRHC4	DISPC_VIDp_FIR_COE_F_HV_i
	$C_h(-1)$		FIRHC3	DISPC_VIDp_FIR_COE_F_H_i
	$C_h(0)$	N/A	FIRHC2	DISPC_VIDp_FIR_COE_F_H_i
	$C_h(1)$		FIRHC1	DISPC_VIDp_FIR_COE_F_H_i
	$C_h(2)$		FIRHC0	DISPC_VIDp_FIR_COE_F_H_i

Table 11-101. DISPC Register Bit Field Associated to Coefficient for Cb and Cr Configuration in VIDp Scaler

Taps	Coefficient	3 Taps	5 Taps	Registers
		Bit Field	Bit Field	
Vertical	Cvc(-2)		FIRVC22	DISPC_VIDp_FIR_COE F_V2_i
	Cvc(-1)	FIRVC2	FIRVC2	DISPC_VIDp_FIR_COE F_HV2_i
	Cvc(0)	FIRVC1	FIRVC1	DISPC_VIDp_FIR_COE F_HV2_i
	Cvc(1)	FIRVC0	FIRVC0	DISPC_VIDp_FIR_COE F_HV2_i
	Cvc(2)		FIRVC00	DISPC_VIDp_FIR_COE F_V2_i
Horizontal	Chc(-2)		FIRHC4	DISPC_VIDp_FIR_COE F_HV2_i
	Chc(-1)		FIRHC3	DISPC_VIDp_FIR_COE F_H2_i
	Chc(0)	N/A	FIRHC2	DISPC_VIDp_FIR_COE F_H2_i
	Chc(1)		FIRHC1	DISPC_VIDp_FIR_COE F_H2_i
	Chc(2)		FIRHC0	DISPC_VIDp_FIR_COE F_H2_i

The VID scaler unit vertical or/and horizontal sampling is defined by setting/resetting the DISPC_VIDp_ATTRIBUTES[6:5] RESIZEENABLE bit field.

A set of configurations must be valid before enabling the video upsampling and downsampling block.

The following fields define the configuration of the video upsampling downsampling block for VIDp:

- Vertical upsampling and downsampling increments the value of the DISPC_VIDp_FIR[28:16] FIRVINC bit field. The unsigned integer value range is [4096:1]. Software calculates the value using the following equation:

$$FIRVINC = 1024 * \left(\frac{SIZEY}{MEMSIZEY} \right)$$

dispc-066

(4)

NOTE:

- If the value of the DISPC_VIDp_FIR[28:16] FIRVINC bit field is greater than 4096, it is clipped to 4096.
 - If the DISPC_VIDp_SIZE[27:16] SIZEY bit field equals 0x1, SIZEY is replaced by 0x2 in the previous equation.
 - The values of the DISPC_VIDp_PICTURE_SIZE[27:16] MEMSIZEY and DISPC_VIDp_SIZE[27:16] SIZEY bit fields must be programmed with the value desired minus 1.
- Horizontal upsampling and downsampling increments the value of the DISPC_VIDp_FIR[12:0] FIRHINC bit field. The unsigned integer value range is [4096:1]. Software calculates the value using the following equation:

$$FIRHINC = 1024 * \left(\frac{SIZEX}{MEMSIZEX} \right)$$

dispc-067

(5)

NOTE:

- If the value of the DISPC_VIDp_FIR[12:0] FIRHINC bit field is greater than 4096, it is clipped to 4096.
 - If the DISPC_VIDp_SIZE[10:0] SIZEX bit field equals 1, SIZEX is replaced by 2 in the previous equation.
 - The values of the DISPC_VIDp_PICTURE_SIZE[10:0] MEMSIZEX and DISPC_VIDp_SIZE[10:0] SIZEX bit fields must be programmed with the value desired minus 1.
-
- Vertical up/downsampling accumulator value DISPC_VIDp_ACCU_j[26:16] VERTICALACCU bit field: The signed integer value range is [−1024:1023]. The accumulator value indicates on which phase the vertical filtering starts. The register DISPC_VIDp_ACCU_0 is used for progressive output and for interlace output; the DISPC_VIDp_ACCU_0 and DISPC_VIDp_ACCU_1 registers are used. Similarly, DISPC_VIDp_ACCU2_0 and DISPC_VIDp_ACCU2_1 are used in progressive or interlace output to set the accumulator value of the Cb and Cr components when scaling YUV format.
 - Vertical upsampling and downsampling line buffer configuration DISPC_VIDp_ATTRIBUTES[21] VERTICALTAPS bit: The default value at reset time is 0x0 (3-tap configuration is used). If the bit field is reset, the 3-tap configuration is used.
 - Horizontal upsampling and downsampling accumulator value DISPC_VIDp_ACCU_j[10:0] HORIZONTALACCU bit field: The signed integer value range is [−1024:1023]. The accumulator value indicates on which phase the horizontal filtering starts. The register DISPC_VIDp_ACCU_0 is used for progressive output and for interlace output; the DISPC_VIDp_ACCU_0 and DISPC_VIDp_ACCU_1 registers are used. Similarly, DISPC_VIDp_ACCU2_0 and DISPC_VIDp_ACCU2_1 are used in progressive or interlace output to set the accumulator value of the Cb and Cr components when scaling YUV format.

Table 11-102 lists the DISPC vertical and horizontal accumulator values and phases.

Table 11-102. DISPC Vertical and Horizontal Accumulator Phase

Accumulator Value	Phases f
0	0
128 or −896	1
256 or −768	2
384 or −640	3
512 or −512	4
640 or −384	5
768 or −256	6
896 or −128	7

- Vertical upsampling and downsampling coefficients:
 - The 3-tap vertical upsampling and downsampling coefficients are defined in the DISPC_VIDp_FIR_COEF_HV_i registers. There are 8 registers for the 8 phases with 3 coefficients for each, or a total of 24 programmable coefficients for the vertical upsampling and downsampling block. Each register contains two 8-bit signed coefficients and one 8-bit unsigned coefficient (the central one).
 - The 5-tap vertical upsampling and downsampling coefficients: Two extra-tap vertical upsampling and downsampling coefficients are defined in the DISPC_VIDp_FIR_COEF_V_i registers. There are 8 registers for the 8 phases with 2 coefficients for each of them, so a total of 16 programmable coefficients for the vertical upsampling downsampling block are used in addition to the 3-tap registers previously defined.

Four YUV vertical upsampling and downsampling coefficients are set in DISPC_VIDp_FIR_COEF_HV2_i and DISPC_VIDp_FIR_COEF_V2_i registers. Table 11-100 and Table 11-101 summarize all coefficients and their respective registers.
- Horizontal upsampling and downsampling coefficients:

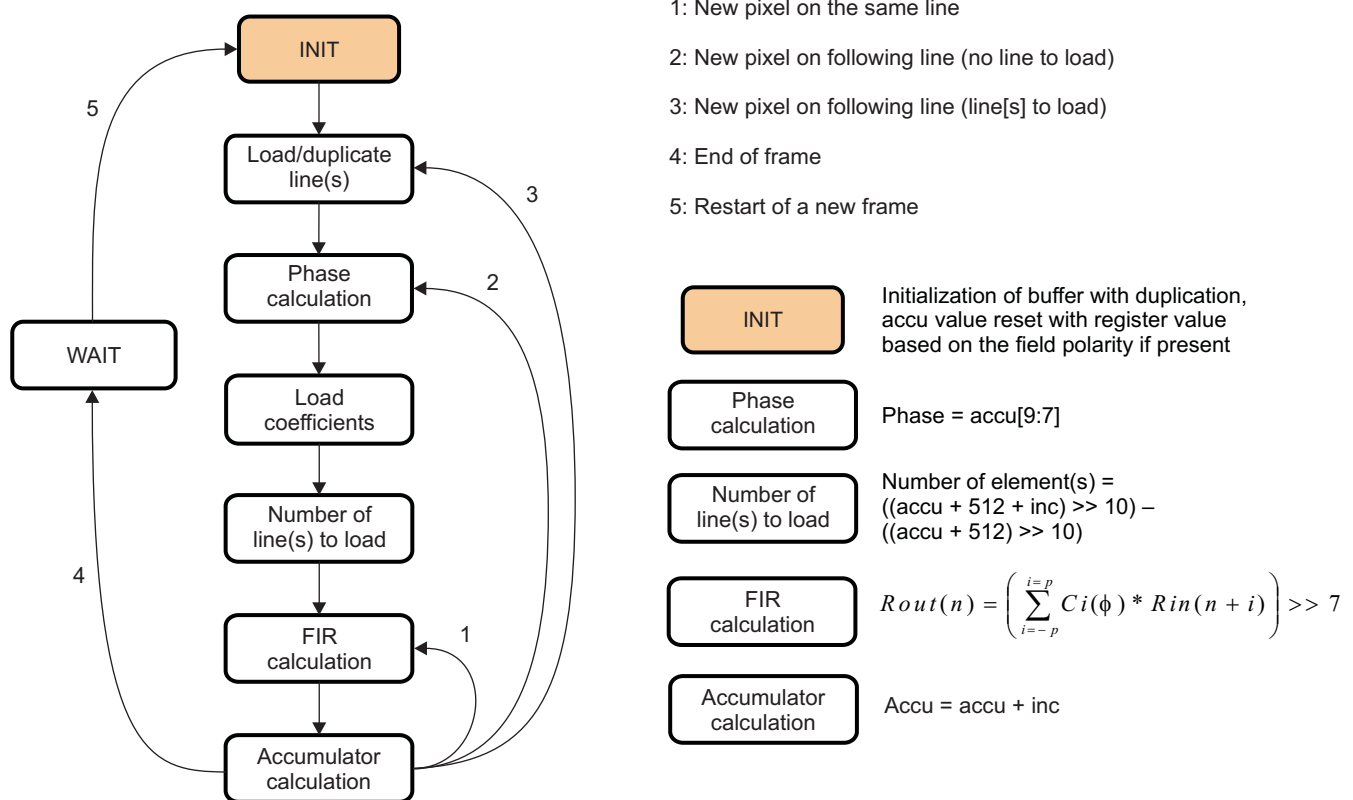
- The DISPC_VIDp_FIR_COEF_H_i and DISPC_VIDp_FIR_COEF_HV_i registers define the 5-tap horizontal up/downsampling coefficients. Each DISPC_VIDp_FIR_COEF_H_i register contains three 8-bit signed coefficients and one 8-bit unsigned coefficient (the central one). Each DISPC_VIDp_FIR_COEF_HV_i register contains one 8-bit signed coefficient. A total of 40 programmable coefficients for the horizontal upsampling and downsampling block are used.

Four YUV horizontal upsampling and downsampling coefficients are set in the DISPC_VIDp_FIR_COEF_HV2_i and DISPC_VIDp_FIR_COEF_H2_i registers. Table 11-100 and Table 11-101 summarize all coefficients and their respective registers.

11.2.4.10.4.1 DISPC Scaling Algorithms

Figure 11-64 and Figure 11-65 show details of the vertical and horizontal upsampling and downsampling finite state-machines (FSMs), respectively.

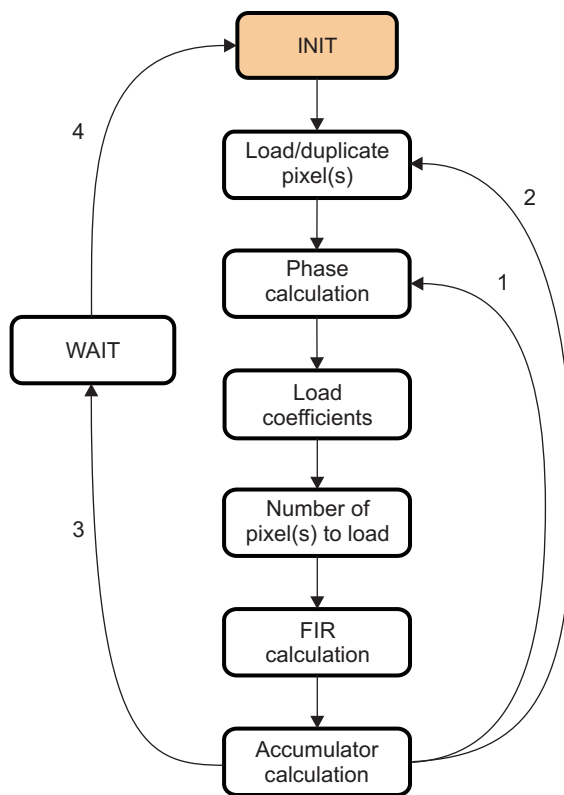
Figure 11-64. DISPC Vertical Upsampling and Downsampling Algorithm



dispc-086

Figure 11-65 shows the horizontal up/downsampling FSM.

Figure 11-65. DISPC Horizontal Up/Downsampling Algorithm



- 1: New pixel (no pixel to load)
- 2: New pixel (pixel(s) to load)
- 3: End of line
- 4: Restart of a line

- INIT** Initialization of buffer with duplication, accu value reset with register value based on the field polarity if present
- Phase calculation** Phase = accu[9:7]
- Number of line(s) to load** Number of element(s) = ((accu + 512 + inc) >> 10) - ((accu + 512) >> 10)
- FIR calculation** $R_{out}(n) = \left(\sum_{i=-p}^{i=p} C_i(\phi) * R_{in}(n+i) \right) >> 7$
- Accumulator calculation** Accu = accu + inc

dispc-087

11.2.4.10.4.2 DISPC Scaling limitations

Table 11-103 lists the minimum ratio between the pixel clock frequency (DSS_DISPC_LCDn_PCLK) and the functional clock (F_CLK) in the input pixel format when using the scaler unit. DSS_DISPC_LCDn_PCLK and F_CLK are asynchronous. For each LCD output, a dedicated LCD clock is programmable with the LCD and PCD divisor values in DISPC_DIVISORo[23:16][7:0].

NOTE: The F_CLK is derived from DSS_FCLK through the LCD divisor.

NOTE: The downscaling ratio is not an integer, it is the ratio F_CLK / DSS_DISPC_LCDn_PCLK, meaning if the ratio is 2.7, then the downscaling ratio is 2.7 and not 2.

Table 11-103. DISPC Pixel Clock Frequency Limitations (Any Pixel Format) – Active Matrix Display

F_CLK/DSS_DISPC_LCDn_PCLK Minimum Ratio	Horizontal Resampling				
	Off	Up	1:1–1:2	1:2–1:3	1:3–1:4
	2 or 1 ⁽¹⁾	2 or 1 ⁽¹⁾	2	3	4

⁽¹⁾ The minimum ratio can be 1 if the data are output on the rising edge of the PCLK (DISPC_POL_FREQo.IPC = 0 and CTRL_CORE_SMA_SW_1[DSS_CHx_IPC]); otherwise, the minimum ratio must be 2.

11.2.4.11 DISPC Write-Back Pipeline

The write-back pipeline is used to store in the system memory the capture of the overlay output or the output of one of the pipelines. The WB pipeline consists of a CSC unit, a scaler unit, and an RGB truncation logic. Because the overlay works on ARGB32-8888 format and the video accelerator works on YUV format, the color space conversion from RGB to YUV is used to directly output to memory the format that can be encoded with no extra processing.

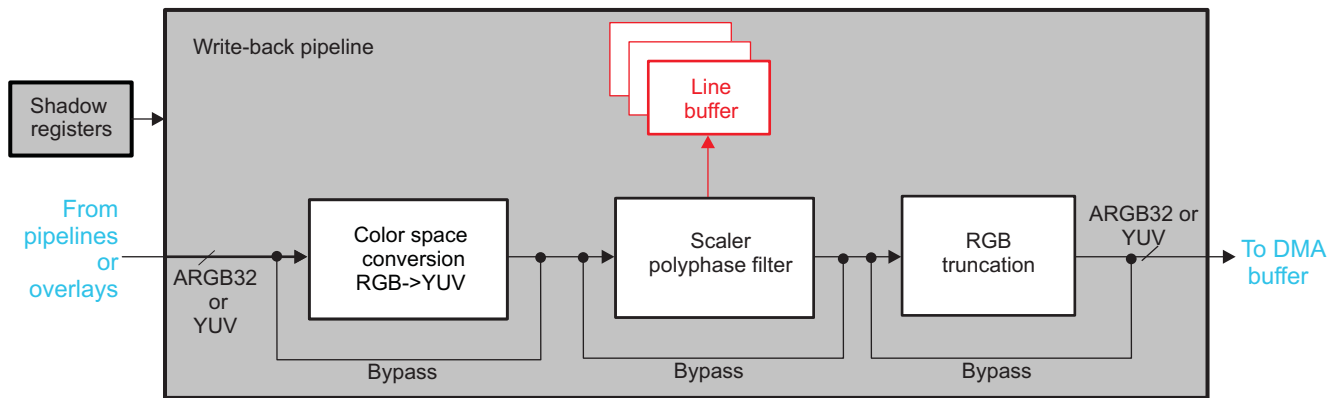
The write-back pipeline is connected to all the pipeline outputs (GFX, VD1, VID2, and VID3 pipelines) and to the output of the three overlay managers (LCD1, LCD2, LCD3, and TV). The input is selected by setting the `DISPC_WB_ATTRIBUTES[18:16] CHANNELIN` bit field, and the capture frame rate is set in the `DISPC_WB_ATTRIBUTES[26:24] CAPTUREMODE` bit field.

Because the output format of the TV overlay manager is ARGB40, the graphics pipeline output is ARGB40, the video pipeline outputs are YUV4:2:2, YUV4:2:0, or ARGB40, and the write-back input is ARGB32, the write-back input does not consider the 2 LSBs of each ARGB component.

The write-back pipeline is enabled by setting the `DISPC_WB_ATTRIBUTES[0] ENABLE` bit to 0x1.

Figure 11-66 shows the graphics pipeline.

Figure 11-66. DISPC Write-Back Pipeline



dispc-016

11.2.4.11.1 DISPC Write-Back CSC Unit RGB to YUV

The RGB-to-YUV CSC unit converts the encoded pixel values from RGB24 into YUV4:4:4 format. For YUV4:2:0 or YUV4:2:2 formats, a chrominance sub-sampling is required after converting the RGB into YUV values. Because of the subsampling, the following limitations must be considered:

- When converting RGB into YUV4:2:0 NV12 format:
 - Maximum horizontal downscale = x0.5
 - Maximum vertical downscale = x0.5
- When converting RGB into YUV4:2:2 format:
 - Maximum horizontal downscale = x0.5
 - Maximum vertical downscale = x0.25

Figure 11-67 and Figure 11-68 show the 3 × 3 11-bit coefficients used to convert from RGB24 into YUV4:4:4. The user sets the coefficients according to the standard used to encode the pixel data in YUV color space. Table 11-104 lists the coefficients with their respective bit fields.

Table 11-104. DISPC CSC RGB to YUV Bit Field Setting

Coefficients	Bit Fields
Y _R	DISPC_WB_CONV_COEF0[10:0] YR
Y _G	DISPC_WB_CONV_COEF0[26:16] YG
Y _B	DISPC_WB_CONV_COEF1[10:0] YB

Table 11-104. DISPC CSC RGB to YUV Bit Field Setting (continued)

Coefficients	Bit Fields
Cr _R	DISPC_WB_CONV_COEF1[26:16] CRR
Cr _G	DISPC_WB_CONV_COEF2[10:0] CRG
Cr _B	DISPC_WB_CONV_COEF2[26:16] CRB
Cb _R	DISPC_WB_CONV_COEF3[10:0] CBR
Cb _G	DISPC_WB_CONV_COEF3[26:16] CBG
Cb _B	DISPC_WB_CONV_COEF4[10:0] CBB

If the active range for the luminance samples (Y) is [16:235] and [16:240] for the chrominance samples (Cb and Cr), the values of Y, Cb, and Cr output components are clipped to the range [0:255]. The range selection is done by setting the [DISPC_WB_ATTRIBUTES\[11\] FULLRANGE](#) bit to 0x0.

Figure 11-67. DISPC RGB to YCbCr (FULLRANGE = 0)

$$\begin{bmatrix} Y_{OUT} \\ Cb_{OUT} \\ Cr_{OUT} \end{bmatrix} = \frac{1}{256} * \begin{bmatrix} Y_R & Y_G & Y_B \\ Cb_R & Cb_G & Cb_B \\ Cr_R & Cr_G & Cr_B \end{bmatrix} * \begin{bmatrix} R_{IN} \\ B_{IN} \end{bmatrix} + \begin{bmatrix} 16 \\ 128 \end{bmatrix}$$

dispc-017

If the active range for the luminance samples (Y) and or the chrominance samples (Cb and Cr) is [0:255], the values of Y, Cb, and Cr output components are clipped to the range [0:255]. The range selection is done by setting the [DISPC_WB_ATTRIBUTES\[11\] FULLRANGE](#) bit to 0x1.

Figure 11-68. DISPC RGB to YCbCr (FULLRANGE = 1)

$$\begin{bmatrix} Y_{OUT} \\ Cb_{OUT} \\ Cr_{OUT} \end{bmatrix} = \frac{1}{256} * \begin{bmatrix} Y_R & Y_G & Y_B \\ Cb_R & Cb_G & Cb_B \\ Cr_R & Cr_G & Cr_B \end{bmatrix} * \begin{bmatrix} R_{IN} \\ B_{IN} \end{bmatrix} + \begin{bmatrix} 0 \\ 128 \end{bmatrix}$$

dispc-018

11.2.4.11.2 DISPC Write-Back Scaler Unit

The functional aspect of the write-back pipeline scaler unit is identical to the video pipeline scaler unit (see [Section 11.2.4.10.4, DISPC Scaler Unit](#)), except in the output width when scaling ARGB components. The resulting output format is ARGB32 instead of ARGB40. In addition, the scaling limitations described in [Section 11.2.4.10.4.2](#) are relevant only to the video pipelines scaler units. In write-back memory-to-memory mode there are no limitations on the F_CLK/DSS_DISPC_LCDn_PCLK ratio for horizontal resampling.

The programmable coefficients of the polyphase filters are signed 8-bit values (except for the central coefficient, which is unsigned). The write-back scaler component has an 8-bit input and an 8-bit output.

[Figure 11-69](#) and [Figure 11-70](#) show the scaler macro-architecture for the component A, R, G, B, and Y. [Figure 11-71](#) and [Figure 11-72](#) show the scaler macro-architecture for component Cr and Cb.

The scaling output can be clipped to an output range of [0:255] or [16:240] by configuring the [DISPC_WB_ATTRIBUTES\[11\] FULLRANGE](#) bit.

Figure 11-69. DISPC Macro-Architecture of the Vertical Scaling for A, R, G, B, and Y Components

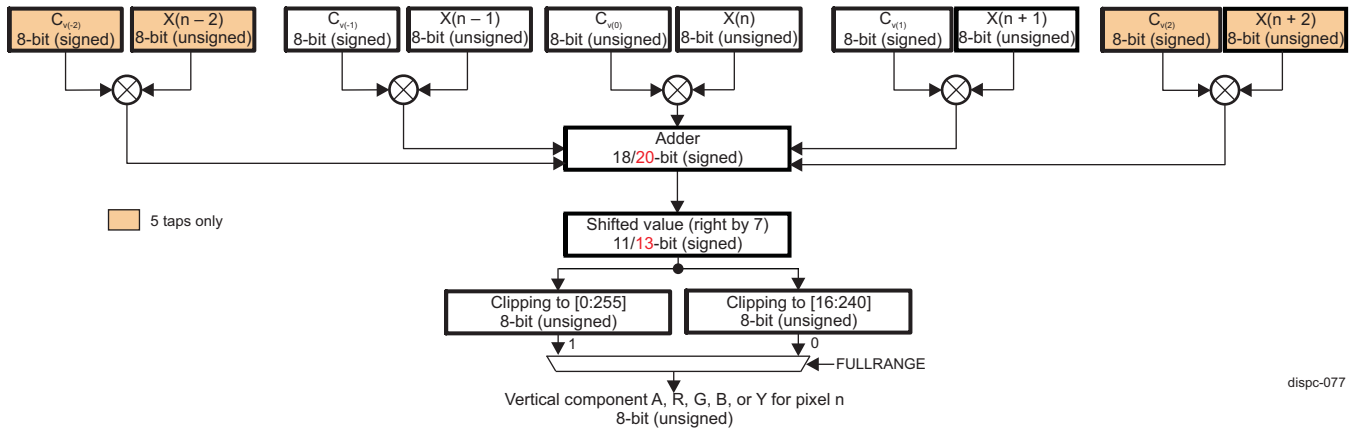


Figure 11-70. DISPC Macro-Architecture of the Horizontal Scaling for A, R, G, B, and Y Components

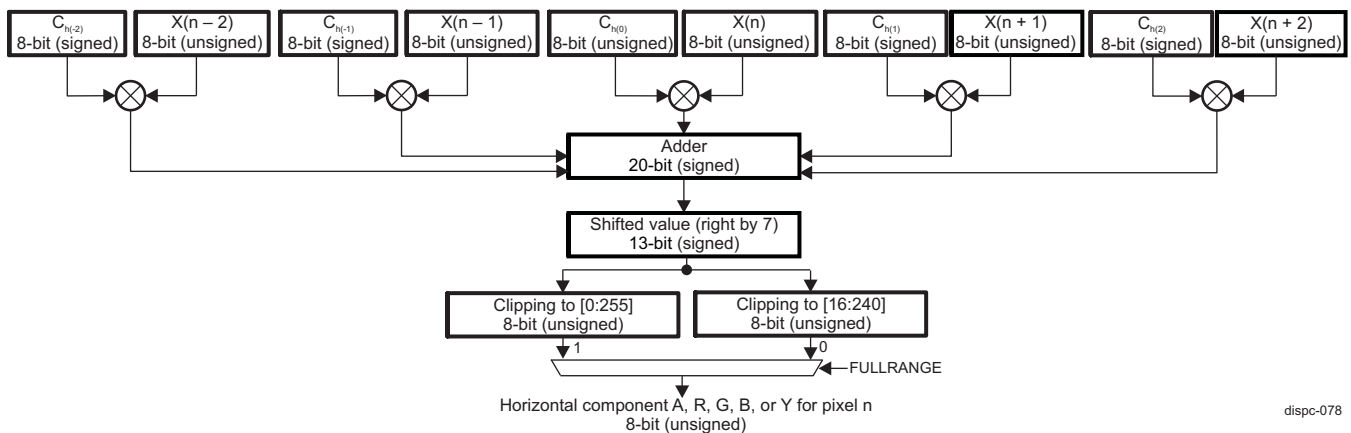


Figure 11-71. DISPC Macro-Architecture of the Vertical Scaling for Cr and Cb Components

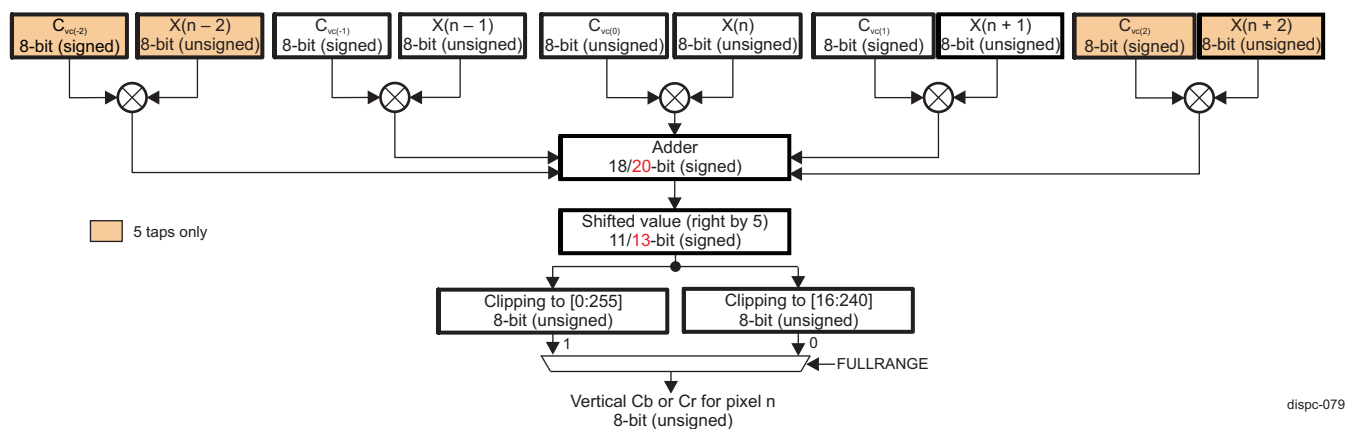
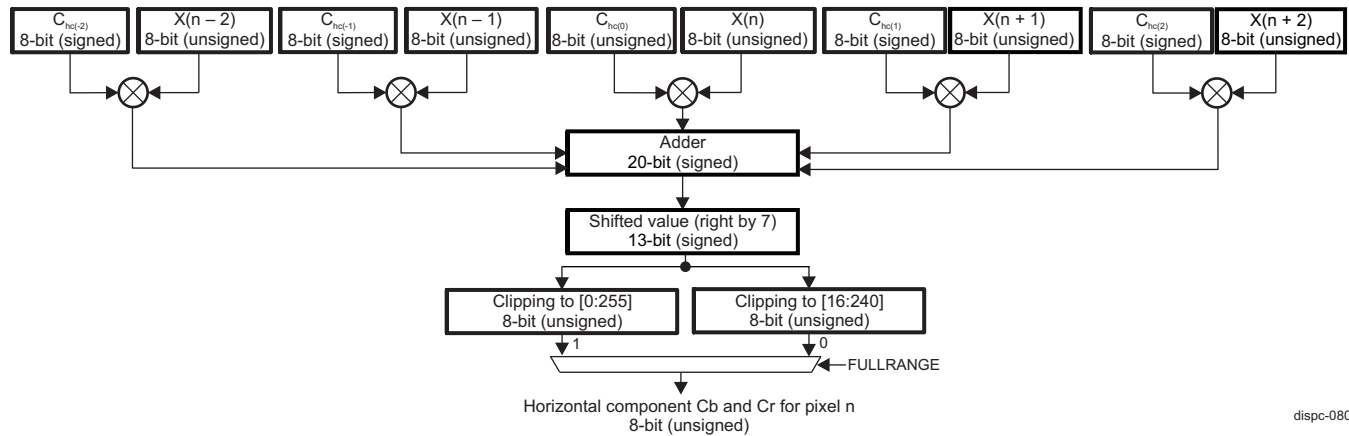


Figure 11-72. DISPC Macro-Architecture of the Horizontal Scaling for Cr and Cb Components



dispc-080

Table 11-105 and Table 11-106 list all the bit fields in the function to set each coefficient.

Table 11-105. DISPC Register Bit Field Associated With Coefficient for ARGB and Y Configuration in WB Scaler

Taps	Coefficient	3 Taps	5 Taps	Registers
		Bit Field	Bit Field	
Vertical	$C_v(-2)$		FIRVC22	DISPC_WB_FIR_COEF_V_i
	$C_v(-1)$	FIRVC2	FIRVC2	DISPC_WB_FIR_COEF_HV_i
	$C_v(0)$	FIRVC1	FIRVC1	DISPC_WB_FIR_COEF_HV_i
	$C_v(1)$	FIRVC0	FIRVC0	DISPC_WB_FIR_COEF_HV_i
	$C_v(2)$		FIRVC00	DISPC_WB_FIR_COEF_V_i
Horizontal	$C_h(-2)$		FIRHC4	DISPC_WB_FIR_COEF_HV_i
	$C_h(-1)$		FIRHC3	DISPC_WB_FIR_COEF_H_i
	$C_h(0)$	N/A	FIRHC2	DISPC_WB_FIR_COEF_H_i
	$C_h(1)$		FIRHC1	DISPC_WB_FIR_COEF_H_i
	$C_h(2)$		FIRHC0	DISPC_WB_FIR_COEF_H_i

Table 11-106. DISPC Register Bit Field Associated With Coefficient for Cb and Cr Configuration in WB Scaler

Taps	Coefficient	3 Taps	5 Taps	Registers
		Bit Field	Bit Field	
Vertical	Cvc(-2)		FIRVC22	DISPC_WB_FIR_COEF_V2_i
	Cvc(-1)	FIRVC2	FIRVC2	DISPC_WB_FIR_COEF_HV2_i
	Cvc(0)	FIRVC1	FIRVC1	DISPC_WB_FIR_COEF_HV2_i
	Cvc(1)	FIRVC0	FIRVC0	DISPC_WB_FIR_COEF_HV2_i
	Cvc(2)		FIRVC00	DISPC_WB_FIR_COEF_V2_i
Horizontal	Chc(-2)		FIRHC4	DISPC_WB_FIR_COEF_HV2_i
	Chc(-1)		FIRHC3	DISPC_WB_FIR_COEF_H2_i
	Chc(0)	N/A	FIRHC2	DISPC_WB_FIR_COEF_H2_i
	Chc(1)		FIRHC1	DISPC_WB_FIR_COEF_H2_i
	Chc(2)		FIRHC0	DISPC_WB_FIR_COEF_H2_i

The WB scaler unit vertical or/and horizontal sampling is defined by setting/resetting the [DISPC_WB_ATTRIBUTES\[6:5\] RESIZEENABLE](#) bit field.

A set of configuration must be valid before enabling the video up/downsampling block.

The following fields define the configuration of the video up/downsampling block for WB:

- Vertical up/downsampling increments the value of the [DISPC_WB_FIR\[28:16\] FIRVINC](#) bit field. The unsigned integer value range is [1:4096]. Software calculates the value using the following equation:

$$FIRVINC = 1024 * \left(\frac{SIZEY}{MEMSIZEY} \right)$$

dispc-066

(6)

NOTE:

- If the value of the [DISPC_WB_FIR\[28:16\] FIRVINC](#) bit field is greater than 4096, it is clipped to 4096.
 - If the [DISPC_WB_SIZE\[27:16\] SIZEY](#) bit field equals 0x1, SIZEY is replaced by 0x2 in the previous equation.
 - The values of the [DISPC_WB_PICTURE_SIZE\[27:16\] MEMSIZEY](#) and [DISPC_WB_SIZE\[27:16\] SIZEY](#) bit fields must be programmed with the value desired minus 1.
- Horizontal up/downsampling increments the value of the [DISPC_WB_FIR\[12:0\] FIRHINC](#) bit field: The unsigned integer value range is [1:4096]. Software calculates the value using the following equation:

$$FIRHINC = 1024 * \left(\frac{SIZEX}{MEMSIZEX} \right)$$

dispc-067

(7)

NOTE:

- If the value of the `DISPC_WB_FIR[12:0]` FIRHINC bit field is greater than 4096, it is clipped to 4096.
 - If the `DISPC_WB_SIZE[10:0]` SIZEX bit field equals 1, the `DISPC_WB_SIZE[10:0]` SIZEX bit field is replaced by 2 in the previous equation.
 - The value of the `DISPC_WB_PICTURE_SIZE[10:0]` MEMSIZEX and `DISPC_WB_SIZE[10:0]` SIZEX bit fields must be programmed with the value desired minus 1.
-
- Vertical up/downsampling accumulator value `DISPC_WB_ACCU_j[26:16]` VERTICALACCU bit field: The signed integer value range is $[-1024:1023]$. The accumulator value indicates on which phase the vertical filtering starts. The register `DISPC_WB_ACCU_0` is used for progressive output and for interlace output the `DISPC_WB_ACCU_0` and `DISPC_WB_ACCU_1` registers are used. Similarly, `DISPC_WB_ACCU2_0` and `DISPC_WB_ACCU2_1` are used in progressive or interlace output to set the accumulator value of the Cb and Cr components when scaling YUV format.
 - Vertical up/downsampling line buffer configuration `DISPC_WB_ATTRIBUTES[21]` VERTICALTAPS bit: The default value at reset time is 0x0 (3-tap configuration is used). If the bit field is reset, the 3-tap configuration is used.
 - Horizontal up/downsampling accumulator value `DISPC_WB_ACCU_j[10:0]` HORIZONTALACCU bit field: The signed integer value range is $[-1024:1023]$. The accumulator value indicates on which phase the horizontal filtering starts. The register `DISPC_WB_ACCU_0` is used for progressive output and for interlace output the `DISPC_WB_ACCU_0` and `DISPC_WB_ACCU_1` registers are used. Similarly, `DISPC_WB_ACCU2_0` and `DISPC_WB_ACCU2_1` are used in progressive or interlace output to set the accumulator value of Cb and Cr components when scaling YUV format.

Table 11-107 lists the DISPC vertical and horizontal accumulator values and phases.

Table 11-107. DISPC Vertical/Horizontal Accumulator Phase

Accumulator Value	Phases f
0	0
128 or -896	1
256 or -768	2
384 or -640	3
512 or -512	4
640 or -384	5
768 or -256	6
896 or -128	7

- Vertical up/downsampling coefficients:
 - The 3-tap vertical up/downsampling coefficients are defined in the `DISPC_WB_FIR_COEF_HV_i` registers. There are 8 registers for the 8 phases with 3 coefficients for each, or a total of 24 programmable coefficients for the vertical up/downsampling block. Each register contains two 8-bit signed coefficients and one 8-bit unsigned coefficient (the central one).
 - The 5-tap vertical up/downsampling coefficients: Two extra-tap vertical up/downsampling coefficients are defined in the `DISPC_WB_FIR_COEF_V_i` registers. There are 8 registers for the 8 phases with 2 coefficients for each of them, so a total of 16 programmable coefficients for the vertical up/downsampling block are used in addition to the 3-tap registers previously defined.

Four YUV vertical up/downsampling coefficients are set in the `DISPC_WB_FIR_COEF_HV2_i` and `DISPC_WB_FIR_COEF_V2_i` registers. Table 11-105 and Table 11-106 summarize all coefficients and their respective registers.
- Horizontal up/downsampling coefficients:
 - The `DISPC_WB_FIR_COEF_H_i` and `DISPC_WB_FIR_COEF_HV_i` registers define the 5-tap horizontal up/downsampling coefficients. Each `DISPC_WB_FIR_COEF_H_i` register contains three 8-bit signed coefficients and one 8-bit unsigned coefficient (the central one). Each

[DISPC_WB_FIR_COEF_HV_i](#) register contains one 8-bit signed coefficient. A total of 40 programmable coefficients for the horizontal up/downsampling block are used.

Four YUV horizontal up/downsampling coefficients are set in the [DISPC_WB_FIR_COEF_HV2_i](#) and [DISPC_WB_FIR_COEF_H2_i](#) registers. [Table 11-105](#) and [Table 11-106](#) summarize all coefficients and their respective registers.

11.2.4.11.3 DISPC Write-Back RGB Truncation Logic

Truncation logic is used to convert a pixel from ARGB 32-bit format into a lower color depth: 12- or 16-bit format based. Setting the [DISPC_WB_ATTRIBUTES\[10\]](#) TRUNCATIONENABLE bit to 0x1 enables the truncation to the pixel format defined by the [DISPC_WB_ATTRIBUTES\[4:1\]](#) FORMAT bit field. The truncation is done by removing the necessary LSB of each component to match the output format. [Table 11-108](#) describes the truncation done on each component of the pixel.

Table 11-108. DISPC Truncation Logic

Output Formats	A[7:0]	R[7:0]	G[7:0]	B[7:0]
	MSB LSB	MSB LSB	MSB LSB	MSB LSB
xRGB12-4444	Ignored	R[7:4]	G[7:4]	B[7:4]
RGBx12-4444	Ignored	R[7:4]	G[7:4]	B[7:4]
RGB16-565	Ignored	R[7:3]	G[7:2]	B[7:3]
xRGB16-1555	Ignored	R[7:3]	G[7:3]	B[7:3]
ARGB16-4444	A[7:4]	R[7:4]	G[7:4]	B[7:4]
RGBA16-4444	A[7:4]	R[7:4]	G[7:4]	B[7:4]
ARGB16-1555	A[7]	R[7:3]	G[7:3]	B[7:3]

NOTE: If there is no alpha field in the pixel format description, 0s or 1s must fill the container. 0s must be used for transparent and 1s for opaque. For example, in xRGB12 pixel format, the upper 4 bits are set to 0s because the RGB value is only 12 bits inside a 16-bit container.

11.2.4.12 DISPC Hardware Cursor

The video layer or graphics layer can be used to display the hardware cursor. The encoded pixel data for the cursor image are in one of the following formats if the source transparency color key is used:

- xRGB12-4444
- ARGB16-4444
- RGBx12-4444
- RGBA16-4444
- ARGB16-1555
- RGB16-565
- RGB24-888
- xRGB24-88888
- RGBA32-8888
- BGRA32-8888
- ARGB32-8888

Otherwise, any pixel format can be used for the cursor image, considering the limitation in terms of pixels supported by the pipeline used to display the cursor image. To display a nonrectangle cursor, the transparency color key or alpha blending (pixel alpha blending) can be used (see [Section 11.2.4.13.1.3, DISPC Transparency Color Keys](#)). Global alpha blending can be used in addition to the transparency source color key to create a fading effect when the cursor (with a nonrectangle shape) appears and disappears on the screen. The image of the cursor can be stored entirely inside the DMA buffer to use the self-refresh mode (see [Section 11.2.4.6.8.2, DISPC DMA Ultralow-Power Mode](#)). In that case, the image is loaded once and then displayed without accessing the system memory for loading the image for each frame. This saves bandwidth on interconnect and memory.

11.2.4.13 DISPC LCD Outputs

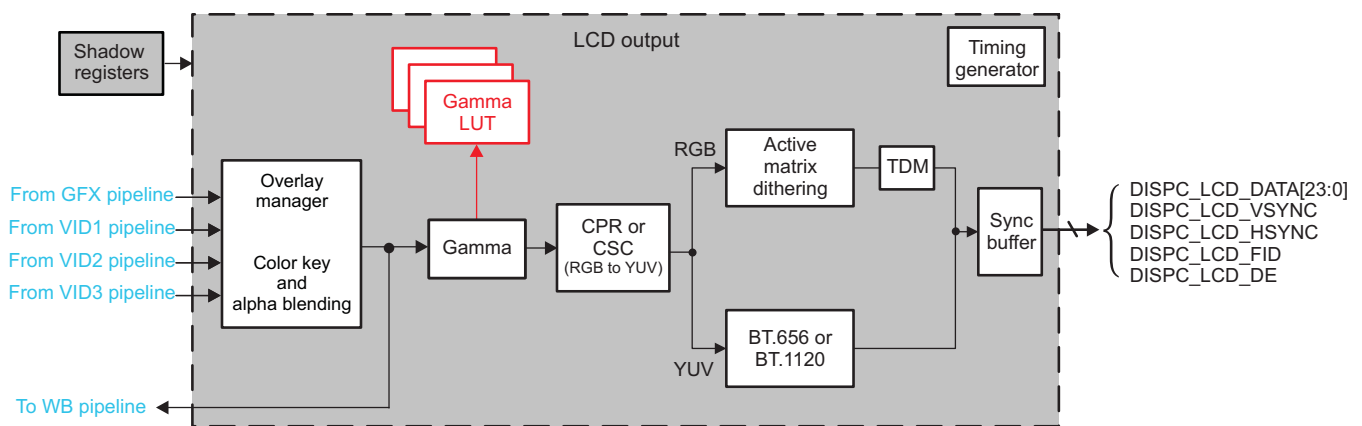
The LCD1, LCD2, LCD3 output paths consist of several processing blocks (see [Figure 11-73](#)):

- Overlay manager
- Gamma correction unit
- Color phase rotation (CPR) block, also used for RGB-to-YUV color space conversion (CSC)
- Active matrix dithering with TDM
- BT.656
- BT.1120
- Synchronization buffer
- Timing generator

The display subsystem supports active matrix technologie (monochrome and color modes):

- Active matrix displays: the configuration of colors depends on the color depth:
 - 24 bpp supports 16,777,216 colors.
 - 18 bpp supports 262,144 colors.
 - 16 bpp supports 65,536 colors.
 - 12 bpp supports 4096 colors.

Figure 11-73. DISPC LCD Output Architecture



dispc-028

NOTE: In BT.656 mode only bits 9 through 0 are used from DISPC_LCD_DATA[23:0] data bus.

11.2.4.13.1 DISPC Overlay Manager

The overlay mechanism consists of displaying more than one layer (GFX, VID1, VID2, and VID3 layers) using:

- A priority rule based on a Z-order: Application can set the ordering layer of the frames.
- Transparency color keys: Destination and source transparency color keys can be set.

- Alpha blending values: Using the A component of a pixel or a blending set by the user for a layer, a level of transparency can be determined.

Each pipeline (GFX, VID1, VID2, and VID3) is assigned to a single overlay and, as a consequence, to a single display controller output, LCD1, LCD2, LCD3, TV, or WB pipeline. An overlay manager can be connected to all four pipelines outputs simultaneously. The pipeline output is directed using the [DISPC_GFX_ATTRIBUTES\[8\]](#) CHANNELOUT bit and the [DISPC_VIDp_ATTRIBUTES\[31:30\]](#) CHANNELOUT2 bit field. [Table 11-109](#) summarizes the bit field settings to direct a pipeline to an LCD/TV or WB output. The default value directs all pipelines to LCD1.

Table 11-109. DISPC Pipeline Connection to LCD, TV, or WB Output

Overlay Manager/Output	DISPC_GFX_ATTRIBUTES/DISPC_VIDp_ATTRIBUTES	
	CHANNELOUT Bit	CHANNELOUT2 Bit Field
LCD1	0x0	0x0
LCD2	0x0	0x1
LCD3	0x0	0x2
WB	0x0	0x3
TV	0x1	0x0 (See the following note)

NOTE: When CHANNELOUT = 0x1, the settings CHANNELOUT2 = 0x0, 0x1, 0x2, and 0x3 are reserved.

The output of each LCD overlay manager is connected to CPR block through the gamma table unit in the case of gamma correction.

NOTE: When the pixel format is ARGB or RGBA, the color key match logic uses only the RGB value defined by ARGB or RGBA. The alpha blending factor is ignored.

11.2.4.13.1.1 DISPC Priority Rule

The overlay manager is configured using the Z-order parameter. The Z-order value defined for each pipeline indicates the visibility order to the window on the screen. If the Z-order value of window A is lower than the Z-order to layer B, layer A is displayed below layer B. The transparency color keys and the alpha blending factors are then used to blend the layers together (see [Section 11.2.4.13.1.2, DISPC ALPHA Blender](#), and [Section 11.2.4.13.1.3, DISPC Transparency Color Keys](#)). The Z-order is enabled by setting the [DISPC_GFX_ATTRIBUTES\[25\]](#) ZORDERENABLE bit or the [DISPC_VIDp_ATTRIBUTES\[25\]](#) ZORDERENABLE bit to 0x1 and by defining the Z-order in the [DISPC_GFX_ATTRIBUTES\[27:26\]](#) and [DISPC_VIDp_ATTRIBUTES\[27:26\]](#) ZORDER bit fields. [Table 11-110](#) summarizes the register settings to enable and set the Z-order of a pipeline. [Table 11-110](#) shows the default Z-order values when LCDALPHABLENDERENABLE and ZORDERENABLE are disabled.

Table 11-110. DISPC Z-Order Register Settings and Default Configuration

Pipeline	LCDALPHA BLENDERENABLE ⁽¹⁾	ZORDERENABLE	ZORDER	Resulting Z-Order Number
GFX	0	0	Don't care	0
	0	1	ZORDER	ZORDER
	1	Don't care	Don't care	3
VID1	0	0	Don't care	1
	0	1	ZORDER	ZORDER
	1	Don't care	Don't care	0

⁽¹⁾ Applies only to LCD1

Table 11-110. DISPC Z-Order Register Settings and Default Configuration (continued)

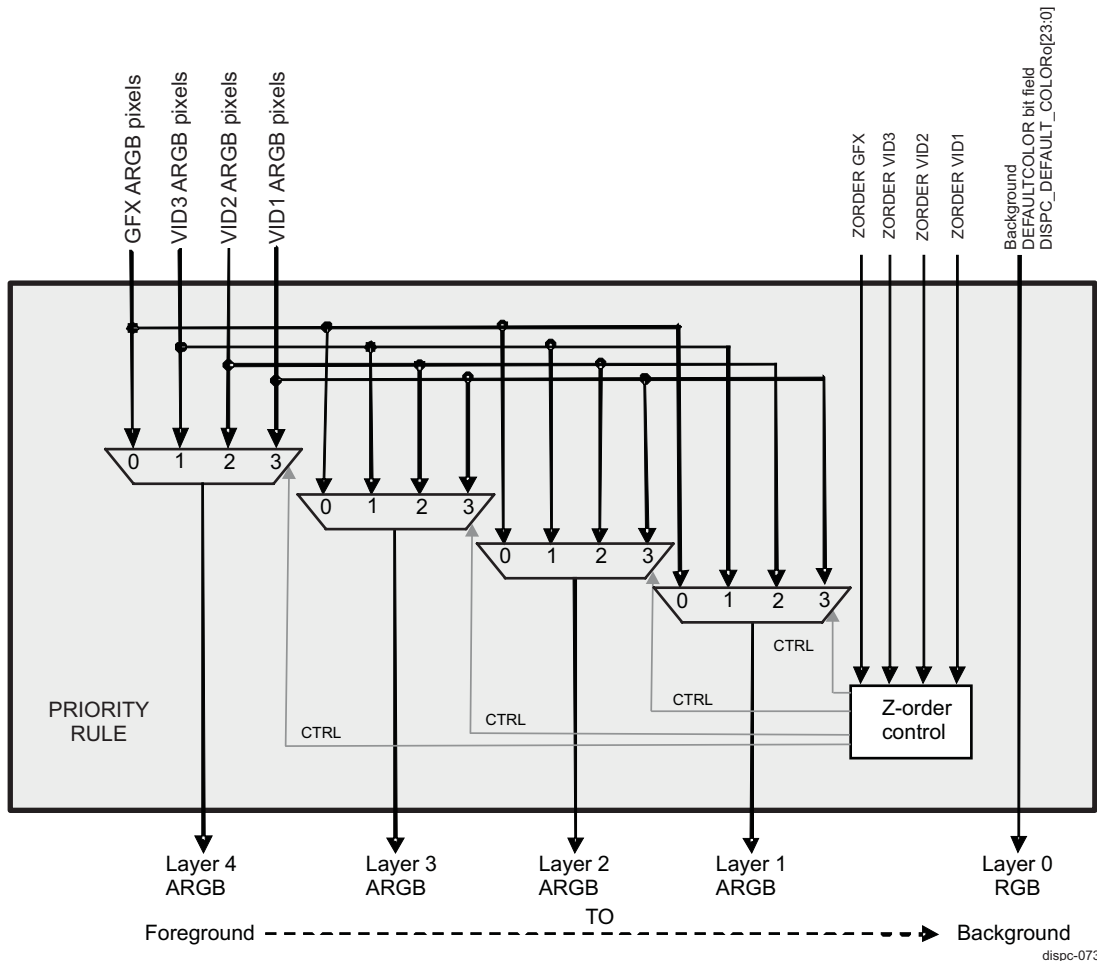
Pipeline	LCDALPHA BLENDERENABLE ⁽¹⁾	ZORDERENABLE	ZORDER	Resulting Z-Order Number
VID2	0	0	Don't care	2
	0	1	ZORDER	ZORDER
	1	Don't care	Don't care	1
VID3	0	0	Don't care	3
	0	1	ZORDER	ZORDER
	1	Don't care	Don't care	2

Figure 11-74 shows the architecture of the priority rule.

NOTE:

- If ZORDERENABLE = 1, each Z-order must be different for each active pipeline. It is not possible to use the same value for more than one pipeline.
- Two modes are maintained for backward compatibility with legacy devices:
 - LCDALPHABLENDERENABLE = 0 and ZORDERENABLE = 0 equivalent to the normal mode overlay settings
 - LCDALPHABLENDERENABLE = 1 equivalent to the alpha mode overlay settings

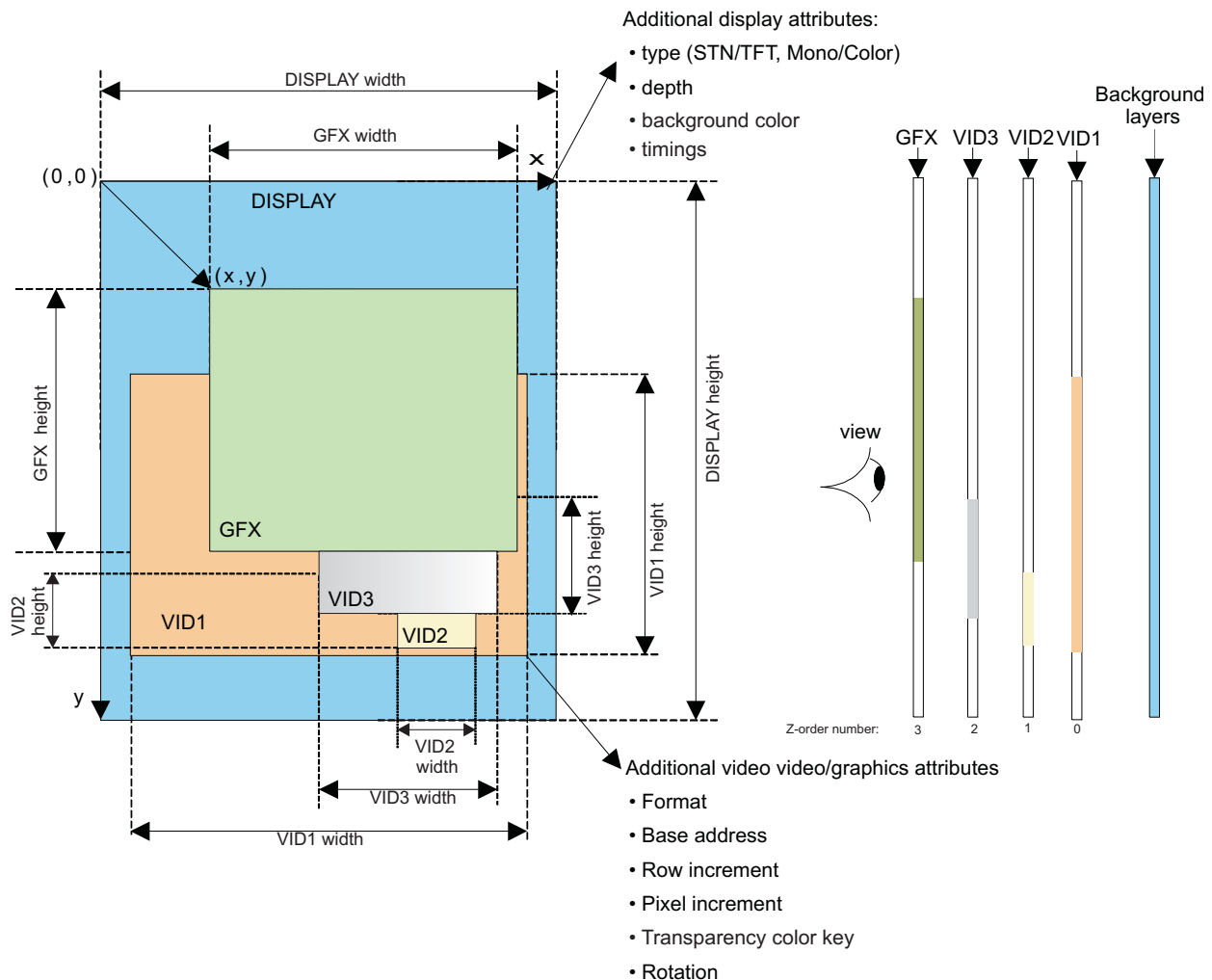
Figure 11-74. DISPC Priority Rule Architecture



The height and width of each enabled layer (pipeline) must be defined in the SIZEY and SIZEX bit fields [DISPC_GFX_SIZE\[27:16\]\[10:0\]](#) / [DISPC_VIDp_SIZE\[27:16\]\[10:0\]](#), and its x and y positions defined in the POSX and POSY bit fields [DISPC_GFX_POSITION\[26:16\]\[10:0\]](#) / [DISPC_VIDp_POSITION\[26:16\]\[10:0\]](#). If there are no graphics or video-encoded pixels at a specific position, the programmable, solid background color appears. The solid background color is set in the [DISPC_DEFAULT_COLORo\[23:0\]](#) DEFAULTCOLOR bit field. [Figure 11-75](#) is an example of priority rule.

The Z-order reordering block must always map the pipelines to the blender logic in the same order—from background to foreground.

Figure 11-75. DISPC Example of Priority Rule: From Lower to Higher VID1, VID2, VID3, GFX



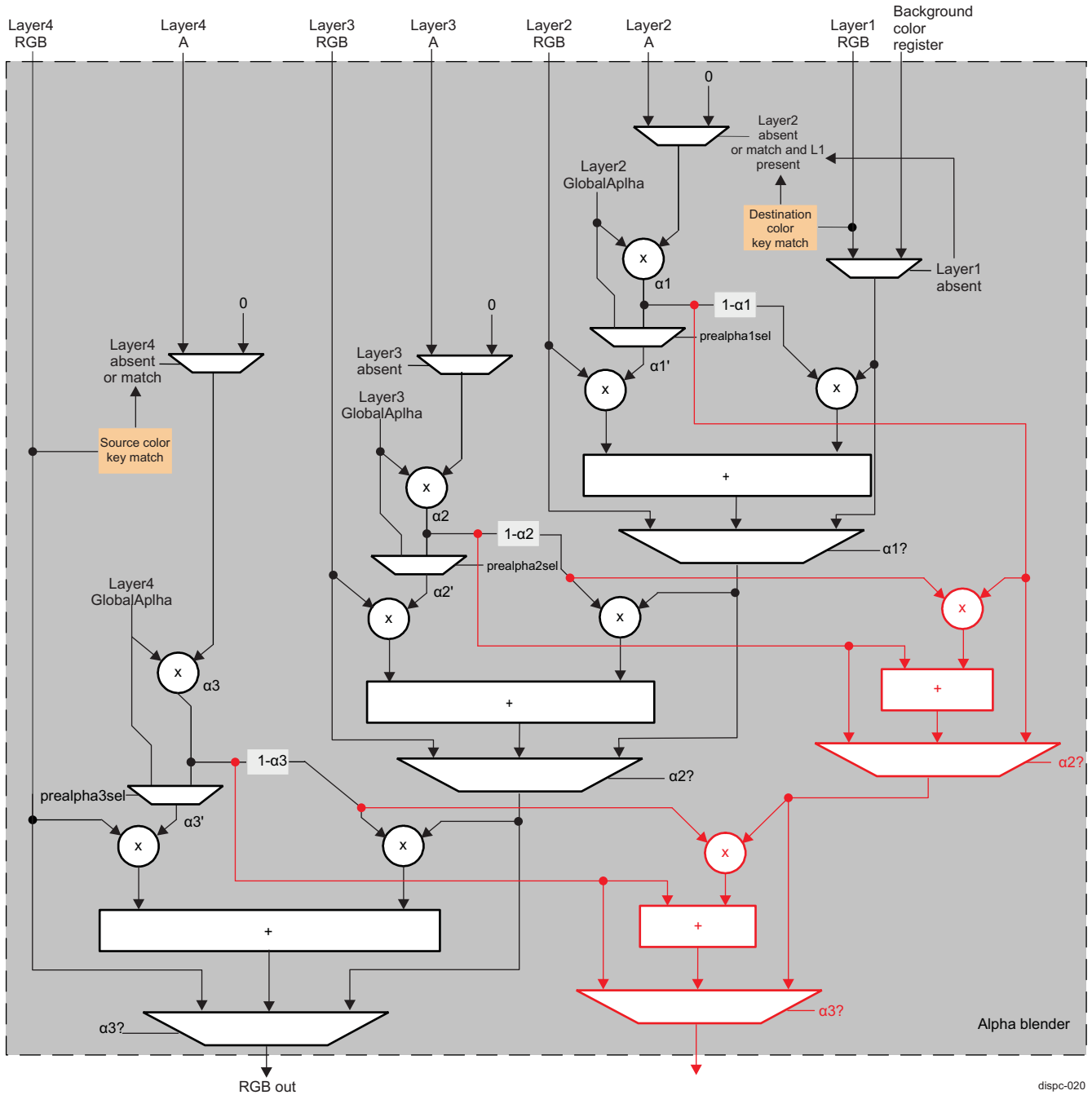
dispc-019

The DISPC is capable of outputting simultaneously two graphic/video windows in frame packing mode. Framepacking mode is enabled from [DISPC_GFX_ATTRIBUTES\[10\]](#) FRAMEPACKINGMODE / [DISPC_VIDp_ATTRIBUTES\[8\]](#) FRAMEPACKINGMODE. The position of the second graphic/video windows is defined in [DISPC_GFX_POSITION2](#) / [DISPC_VIDp_POSITION2](#) registers. The size is again defined in SIZEY and SIZEX bit fields of [DISPC_GFX_SIZE\[27:16\]\[10:0\]](#) / [DISPC_VIDp_SIZE\[27:16\]\[10:0\]](#) registers.

11.2.4.13.1.2 DISPC Alpha Blender

[Figure 11-76](#) shows the alpha blending processing in detail.

Figure 11-76. DISPC Alpha Blending Architecture With Premultiplied Alpha Support



dispc-020

CAUTION

The Z order of the Source Transparency Layer must have the value 3 (0x3: Z-order 3: layer above all the other layers).

NOTE: 1-alpha operator corresponds to the basic 1s-complement operation.

The alpha blending value is defined by:

- The component value A when using an ARGB or RGBA pixel format.

- For ARGB-1555, the alpha blending is defined using a 1-bit value. It is converted into an 8-bit value by duplicating the 1-bit value (see [Table 11-111](#)).
- For ARGB-4444, the alpha blending is defined using a 4-bit value. It is converted into an 8-bit value by duplicating the 4-bit value (see [Table 11-111](#)).
- If the pixel format contains no alpha blending value, the pixel alpha value is considered to be 0xFF and if alpha is equal to 0xFF, there is no multiplication.
- For YUV formats, there is no alpha blending factor associated with each pixel value. Only the global alpha blending factor associated with the window displaying the YUV format is used.
- The global alpha blending value set in the individual bit fields of the [DISPC_GLOBAL_ALPHA](#) register for LCD:
 - VID3GLOBALALPHA
 - VID2GLOBALALPHA
 - VID1GLOBALALPHA
 - GFXGLOBALALPHA
- A total alpha blending value can be used when a combination of the pixel alpha blending value A and a global alpha blending is present. The resulting alpha value is determined as: Alpha = (Pixel Alpha × Global Alpha) / 256.

[Table 11-111](#) lists the percentage of alpha blending in the function of the alpha blending value on 8 bits.

Table 11-111. DISPC Alpha Blending – ARGB

Alpha Blending 1-Bit Value	Alpha Blending 4-Bit Value	Alpha Blending 8-Bit Value (Converted Value or Resulting Alpha)	Percent Blending
0x0	0x0	0x00	100 (transparent)
N/A	0x1	0x11	93.33
N/A	0x2	0x22	86.6
N/A
N/A	0xE	0xEE	6.6
0x1	0xF	0xFF	0 (opaque)

Premultiplied Alpha

The image ARGB may have its RGB component already premultiplied with the alpha (ARGB) where:

- $R = A * R$
- $G = A * G$
- $B = A * B$

In that case, the processing is as follows:

- Color component of premultiplied layers are multiplied with the Global Alpha, if Global Alpha is not equal to 0.
- Color component of the composed underlying layers are multiplied with $(1-A) \times$ Global Alpha.

The additional premultiplied alpha option is associated with the pipelines GFX, VID1, VID2, and VID3. The option is accessible through the [28] PREMULIPLYALPHA bit for the respective pipeline register:

- [DISPC_GFX_ATTRIBUTES](#)
- [DISPC_VID1_ATTRIBUTES](#)
- [DISPC_VID2_ATTRIBUTES](#)
- [DISPC_VID3_ATTRIBUTES](#)

The following settings are available:

- PREMULIPLYALPHA bit = 0: Source is not premultiplied with alpha. Full blending is done in the DISPC.
- PREMULIPLYALPHA bit = 1: Source is premultiplied with alpha. Partial blending is done.

NOTE: The *prealpha* controls in [Figure 11-76](#), correspond to the PREMULIPLYALPHA of the pipelines mapped on the respective layers.

The logic marked in red in [Figure 11-76](#) corresponds to the alpha value, computed when the write-back channel copies back to memory the premultiplied color component: $A(\text{destination}) = A(\text{source}) + (1-A(\text{source})) \times A(\text{destination})$

When the `DISPC_WB_ATTRIBUTES[7]` ALPHAENABLE bit is cleared, or when the overlay channel is not selected for WB, the computation of the A(destination) is disabled. The default value for `DISPC_WB_ATTRIBUTES[7]` ALPHAENABLE bit is 0x0. When the WB is configured to copy back one of the output channels (output of overlay), the following configurations are available:

- The ALPHAENABLE bit is set to 0x1: The WB pipe copies back to memory the premultiplied alpha calculated through the overlay.
- The ALPHAENABLE bit is set to 0x0: The alpha value is not written back.

NOTE: The `DISPC_WB_ATTRIBUTES[7]` ALPHAENABLE bit is effective only when one of the output channels is written back, otherwise it is ignored.

11.2.4.13.1.3 DISPC Transparency Color Keys

The two transparency color keys are the source transparency color key and the destination transparency color key. The transparency color key can be used only with RGB formats (ARGB, RGB, RGBA, xRGB, and RGBx). In this case the A information is ignored for the comparison between the pixel value and the color key value. It is possible to use YUV formats with some care because the comparison is between the input pixel value of the overlay manager from pipeline (GFX or one of the VID pipelines depending on the Z-order) and the color key value. The YUV data is converted to RGB format. If the original format is YUV, the user must consider the color space conversion processing to define the RGB color key value used for the comparison.

The transparency color key is enabled by setting the following bits to 0x1:

- `DISPC_CONFIG1[10]` TCKLCDENABLE (for LCD1)
- `DISPC_CONFIG2[10]` TCKLCDENABLE (for LCD2)
- `DISPC_CONFIG3[10]` TCKLCDENABLE (for LCD3)
- `DISPC_CONFIG1[12]` TCKTVENABLE (for TV)

The transparency color key is determined in the following bit fields.

- `DISPC_TRANS_COLOR0[23:0]` TRANSCOLORKEY (for LCD1)
- `DISPC_TRANS_COLOR2[23:0]` TRANSCOLORKEY (for LCD2)
- `DISPC_TRANS_COLOR3[23:0]` TRANSCOLORKEY (for LCD3)
- `DISPC_TRANS_COLOR1[23:0]` TRANSCOLORKEY (for TV)

NOTE: The video source transparency color key and graphics destination transparency color key cannot be active at the same time.

- Video source transparency color key

The value of the video source transparency color key defines the encoded pixel data considered as a transparent pixel. The encoded pixel values with the source color key value are not visible, and the encoded pixel values of the under layers or solid background color are visible (the pixel alpha blending value of layer 4 is forced to 0x00, fully transparent).

The scaler can be enabled as a preprocessor in the VID pipeline, but it is necessary to consider the pixel scaling preprocessing in order to define the color key value to be used after the rescaling for the comparison between the input pixel value to the overlay manager and the color key value.

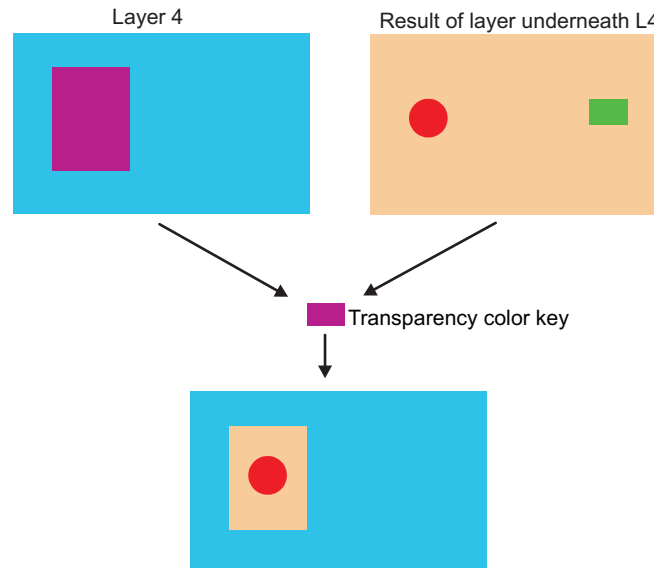
The source transparency color key mode is selected by setting the following bits to 0x1:

- `DISPC_CONFIG1[11]` TCKLCDSELECTION (for LCD1)

- DISPC_CONFIG2[11] TCKLCDSELECTION (for LCD2)
- DISPC_CONFIG3[11] TCKLCDSELECTION (for LCD3)
- DISPC_CONFIG1[13] TCKTVENABLE (for TV)

Figure 11-77 shows an example of source color key. The pixels with the transparency color key are not displayed; instead, pixels of the resulting layer underneath are shown.

Figure 11-77. DISPC Source Transparency Color Key Example



dispc-021

- Graphics destination transparency color key value

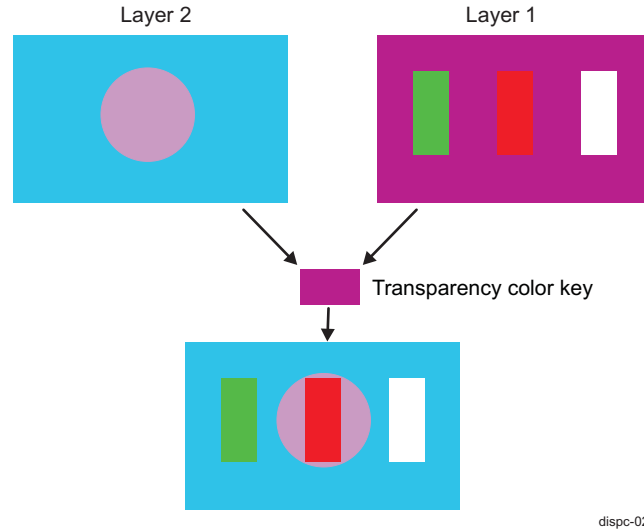
The graphics destination transparency color key value defines the encoded pixels in layer 1, which are not displayed. Other layer 1 pixels (nonequal to destination transparency color key) are displayed over layer 2. The encoded pixel values with the destination color key value are pixels not visible on the screen because pixels at the same position in layer 2 are visible; otherwise, encoded pixels are visible above layer 2. The destination transparency color key applies only if layer 1 overlaps layer 2 (see the Z-order section for details on layer position depending on the Z-order parameter in [Section 11.2.4.13.1.1, Priority Rule](#)); otherwise, the destination transparency color key is ignored.

The scaler can be enabled as a preprocessor in the VID pipeline. It is necessary, however, to consider the pixel scaling preprocessing in order to define the color key value to be used after rescaling for the comparison between the input pixel value to the overlay manager and the color key value.

The destination transparency color key mode is selected by setting the following bits to 0x0:

- DISPC_CONFIG1[11] TCKLCDSELECTION (for LCD1)
- DISPC_CONFIG2[11] TCKLCDSELECTION (for LCD2)
- DISPC_CONFIG3[11] TCKLCDSELECTION (for LCD3)
- DISPC_CONFIG1[13] TCKTVSELECTION (for TV)

Figure 11-78 shows an example of the destination color key. The pixels, equal to the transparency color key, are not displayed and are replaced by layer 2 pixels. All other layer 1 pixels, different from the transparency color key, are displayed over layer 2.

Figure 11-78. DISPC Destination Transparency Color Key Example


11.2.4.13.1.4 DISPC Overlay Optimization

The overlay optimization consists in fetching only the required pixels (that is, pixels that contribute to the final picture to be displayed [LCD1, LCD2, LCD3, or TV]). The decision to fetch the pixel from memory is based on the information available in the registers and on the following rules:

- The layer is enabled.
- The global alpha blending factor for the layer is different than 0x00.
- The current layer is behind a nonopaque layer (global alpha blending factor is different than 0xFF for the layer in the preceding).

The result of the overlay optimization is a reduction of the bandwidth by fetching only the mandatory pixels. The overlay mechanism is independent for each overlay: LCD1, LCD2, LCD3, and TV. Because each layer (GFX, VID1, VID2, and VID3) can be associated to only one overlay at a time, it is possible to optimize the fetch of the pixels for each layer based on the overlay information. The overlay optimization must be run on the DMA engine time window and not on the display time window. The pixels are fetched by the DMA engine before the display processing.

The overlay optimization is enabled by setting the following bits to 0x1:

- [DISPC_CONTROL1](#)[12] OVERLAYOPTIMIZATION (for LCD1)
- [DISPC_CONTROL2](#)[12] OVERLAYOPTIMIZATION (for LCD2)
- [DISPC_CONTROL3](#)[12] OVERLAYOPTIMIZATION (for LCD3)
- [DISPC_CONTROL2](#)[13] TVOVERLAYOPTIMIZATION (for TV)

NOTE:

- The pixel alpha blending factor in case of ARGB and RGBA formats cannot be used to take advantage of the pixel fully transparent (alpha blending factor equals 0x00).
 - By default, the overlay optimization is disabled (OVERLAYOPTIMIZATION bits = 0x0 for all DISPC outputs), and all the data for all the enabled pipelines are fetched from memory regardless of the overlay or alpha blending configuration.
-

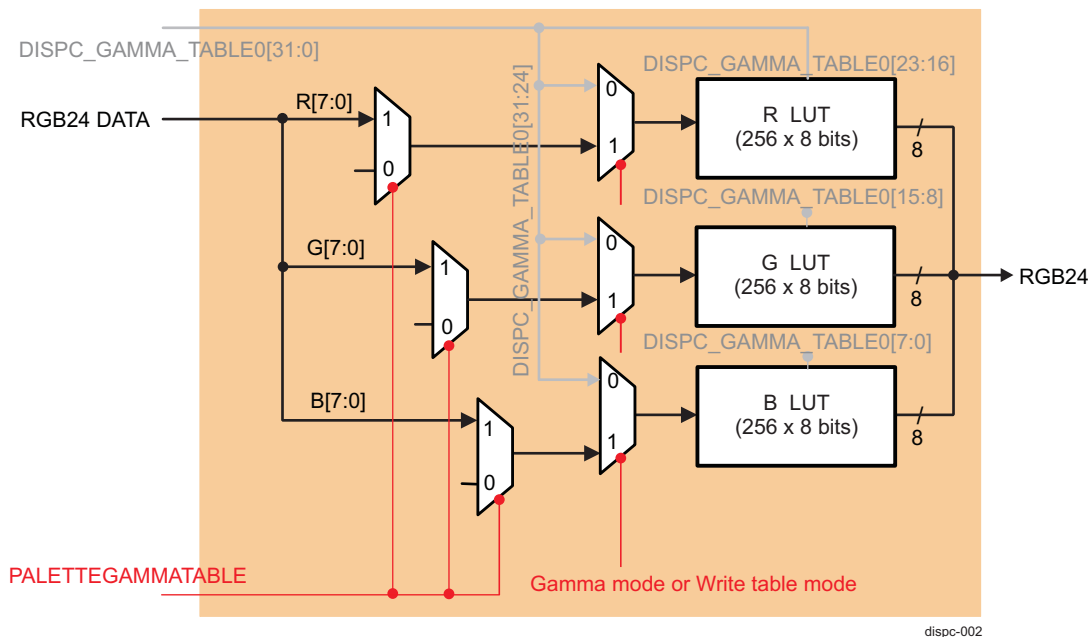
11.2.4.13.2 DISPC Gamma Correction Unit

Each LCD output supports a look up table to perform gamma correction on the display output.

[Figure 11-79](#) shows the internal architecture of the gamma table for LCD1 output.

The gamma table is split into three memories of 256 × 8-bit entries and indexed by the R/G/B component data.

Figure 11-79. DISPC LCD1 Gamma Correction Architecture



When performing gamma correction, the selected encoded pixel values based on the color keys by the overlay manager from the video or graphics paths are sent to the gamma curve table. Each component of encoded pixel value is used as a pointer to index 1 out of 256 × 24-bit gamma curve entries in the table. Each 8-bit component is replaced with the 8-bit table value corresponding to R, G, or B component. The table is loaded by software. It is possible to load only part of the table. For each access to the table, the 24-bit value is associated with index in the table by concatenating the 24-bit value (LSB of 32-bit access) and the 8-bit index value (MSB of the 32-bit access).

The sequence to load the gamma table is:

1. SW writes (only writes are supported) 32-bit gamma correction values using single access, or burst access in streaming mode, into DISPC_GAMMA_TABLE0 register (for LCD1 output). The LSB 24 bits [23:0] are used for the value, and the MSB 8 bits [31:24] are used for the index into the table.
2. Loop to Step 1, if there is a new access to the gamma table register. The SW can access other registers between two accesses to the gamma table register.

SW needs to ensure that there is no visible effect when modifying the table, since it is not under HW control.

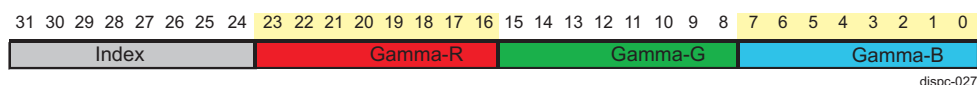
For LCD1 output the usage of the gamma table is activated by setting DISPC_CONFIG1[3] PALETTEGAMMATABLE register bit to 0x1.

For LCD2 and LCD3 outputs, the associated gamma tables are enabled by setting DISPC_CONFIG1[9] GAMATABLEENABLE register bit to 0x1.

- For LCD2 output the gamma values are loaded into DISPC_GAMMA_TABLE1 register
- For LCD3 output the gamma values are loaded into DISPC_GAMMA_TABLE3 register

Figure 11-80 describes the format of one of the gamma curve values in the memory.

Figure 11-80. DISPC Data Memory Organization for Gamma Mode in LCD Output



11.2.4.13.3 DISPC Color Phase Rotation Unit

The CPR unit can be used to correct the LCD output colorimetry in case of nonpure white backlight.

The CPR is enabled by setting the DISPC_CONFIG0[15] CPR bit to 0x1. The coefficients are programmed in the following registers:

- Red 10-bit signed coefficients in DISPC_CPRo_COEF_R
- Green 10-bit signed coefficients in DISPC_CPRo_COEF_G
- Blue 10-bit signed coefficients in DISPC_CPRo_COEF_B

The CPR can be selected for active matrix panel. The logic is integrated after the LCD overlay manager and the gamma correction, and before the spatial/temporal dithering. The CPR can be selected to correct the nonpure white backlight of the LCD module by using a programmable matrix to convert the 24-bit RGB pixel value into a new 24-bit RGB pixel value. The matrix is programmed through a set of nine 10-bit signed coefficients. The output of the calculation is clipped to [0:255]. The CPR is processed by the equation shown in [Figure 11-81](#). [Table 11-112](#) lists all coefficients with their respective bit field registers for settings.

Figure 11-81. DISPC CPR Matrix

$$\begin{bmatrix} R_{out} \\ G_{out} \\ B_{out} \end{bmatrix} = \begin{bmatrix} R_r & R_g & R_b \\ G_r & G_g & G_b \\ B_r & B_g & B_b \end{bmatrix} * \begin{bmatrix} R_{in} \\ G_{in} \\ B_{in} \end{bmatrix}$$

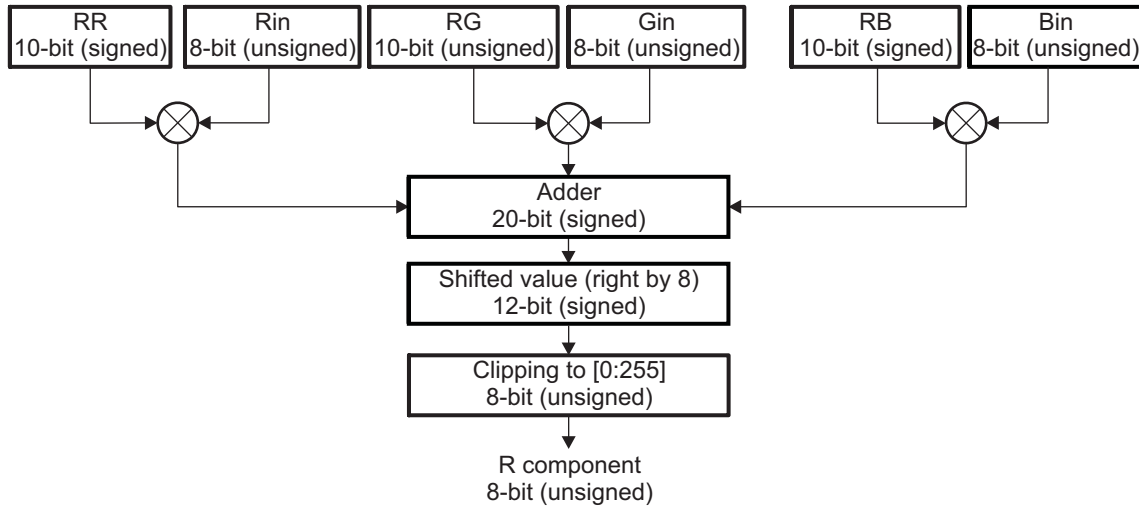
dispc-023

Table 11-112. DISPC CPR or RGB to YUV Coefficients With Associated Bit Fields

Registers	Bit Field	Color Phase Rotation	RGB to YUV
DISPC_CPRo_COEF_R	RR	Rr	Yr
	RG	Rg	Yg
	RB	Rb	Yb
DISPC_CPRo_COEF_G	GR	Gr	Cbr
	GG	Gg	Cbg
	GB	Gb	Cbb
DISPC_CPRo_COEF_B	BR	Br	Crr
	BG	Bg	Crg
	BB	Bb	Crb

Figure 11-82 shows the CPR macro-architecture.

Figure 11-82. DISPC CPR Macro-Architecture



dispc-024

NOTE: CPR is kept as 8 bit output. For the optional 10 bit BT.656-4 format, zero is simply added as 2 LSBs.

11.2.4.13.4 DISPC Color Space Conversion

The Color Phase Rotation block can be used to perform color space conversion. Table 11-112 lists the associated coefficients with their respective register bit-fields. The Color Space Conversion logic uses the CPR registers for the coefficients. The Color Space Conversion processing is enabled by setting the DISPC_CONFIG0[24] COLORCONVENABLE register bit to 0x1.

The color space conversion on the LCD output can be selected in order to convert from 24-bit RGB to YUV444. The matrix is programmed through a set of nine 10-bit signed coefficients. The result is clipped to [16:235] for the luminance and [16:240] for the chrominance, when full-range equals zero (DISPC_CONFIG0[25] FULLRANGE = 0).

Figure 11-83. DISPC RGB to YUV Registers (FullRange=0)

$$\begin{bmatrix} Y \\ Cr \\ Cb \end{bmatrix} = \frac{1}{256} * \begin{bmatrix} YR & YG & YB \\ CrR & CrG & CrB \\ CbR & CbG & CbB \end{bmatrix} * \begin{bmatrix} R \\ G \\ B \end{bmatrix} + \begin{bmatrix} 0 \\ 128 \\ 128 \end{bmatrix}$$

dispc-098

If the programmed active range for the luminance samples (Y) and chrominance samples (Cb and Cr) is [0:255], the values Y, Cb, and Cr are clipped to the range [0:255]. The following equation gives the 11-bit coefficients of the RGB to YUV color space conversion, for full-range (DISPC_CONFIG0[25] FULLRANGE = 1)

Figure 11-84. DISPC RGB to YUV Registers (FullRange=1)

$$\begin{bmatrix} Y \\ Cr \\ Cb \end{bmatrix} = \frac{1}{256} * \begin{bmatrix} YR & YG & YB \\ CrR & CrG & CrB \\ CbR & CbG & CbB \end{bmatrix} * \begin{bmatrix} R \\ G \\ B \end{bmatrix} + \begin{bmatrix} 0 \\ 128 \\ 128 \end{bmatrix}$$

dispc-098

In order to provide YUV422 data to the BT-656 or BT-1120 blocks, the YUV444 format is converted to YUV422 by sub-sampling the chrominance values. The hardware does this by averaging two-by-two the chrominance samples. The conversion from YUV444 to YUV422 is performed when the color space conversion is enabled. Thus, the output of the CPR unit is always YUV422 after color space conversion.

11.2.4.13.5 DISPC BT.656 and BT.1120 Modes

The LCD outputs (LCD1, LCD2 and LCD3) can be configured in BT.656 or BT.1120 mode. The following standards are not supported in BT.656 mode:

- BT.470 (Support for conventional Analog TV Systems)
- BT.803 (The avoidance of interference generated by digital television studio equipment)
- BT.1364 (Format of ancillary data signals carried in digital component studio interfaces)

Unsupported formats when BT.1120 mode is used:

- BT.1364 (Support for Ancillary Data during blanking period)

BT.656/BT.1120 modes use embedded EAV/SAV syncs.

CAUTION

DISPC supports maximum 256 bytes of horizontal blanking when the LCD outputs are configured in BT modes (bitfield HSW of [DISPC_TIMING_H1/2/3](#) registers is 8 bits wide). This is not compliant with BT.656 and BT.1120 standards, both of which require higher blanking periods. If more than 256 bytes of horizontal blanking are required by the application, then the RGB mode must be used for the LCD outputs.

[Figure 11-85](#) shows signal mapping on DISPC_LCD_DATA[23:0] data bus. Bits 9 to 0 are used in BT.656 mode (10-bit).

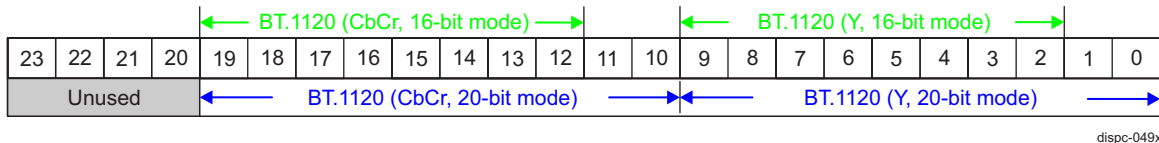
Figure 11-85. DISPC Signal Mapping in BT.656 Mode

23	22	21	20	19	18	17	16	15	14	13	12	11	10	9	8	7	6	5	4	3	2	1	0
Unused														BT.656									

NOTE: For compatibility with existing 8-bit interfaces, the two LSB are ignored, and only bits [9:2] are used.

[Figure 11-86](#) shows signal mapping on DISPC_LCD_DATA[23:0] data bus for BT.1120 mode. Bits [19:10] (CbCr) and [9:0] (Y) are used in 20-bit mode. Bits [19:12] (CbCr) and [9:2] (Y) are used in 16-bit mode (YCbCr 4:2:2).

Figure 11-86. DISPC Signal Mapping in BT.1120 Mode



dispc-049x

NOTE: The LCD outputs support both interlace and progressive content in BT.656/BT.1120 modes.

In progressive mode the maximum resolution will be limited, as it requires two clock cycles to send out one pixel.

11.2.4.13.5.1 Blanking

During the transmission of the video signal, the portion of the stream in-between active video data segments is known as the horizontal blanking interval.

Strictly speaking this entire region is the blanking interval, but this interval also includes the EAV and SAV codes. The remaining bytes of information in a digital blanking interval are filled with values corresponding to the blanking levels of the Cb, Y and Cr signals respectively, and in accordance with the standard multiplex sequence for the stream (CbYCrY..). The blanking levels are as follows:

- Cb = 80h
- Y = 10h
- Cr = 80h.

The sequence in the BLANKING region of the data stream is therefore: 80h, 10h, 80h, 10h.....80h, 10h

For more details on setting the blanking timing values for BT.1120 and/or BT.656 mode, see [Section 11.2.4.13.8, DISPC Timing Generator and Panel Settings](#).

11.2.4.13.5.2 EAV and SAV

The End of Active Video(EAV) and Start of Active Video (SAV) parts of the stream are timing codes. Their function can be summarized as follows:

- EAV – marks the end of the active video data within the current line and therefore also the start of the subsequent line.
- SAV – heralds the start of the active video data within the current line.

These codes are embedded within the BT.656 video data stream, thereby eliminating the need for additional timing signals (HSYNC, VSYNC) to be included as part of the interface.

Both EAV and SAV codes are comprised of a sequence of four bytes (FFh – 00h – 00h - XY). The first three bytes in the sequence constitute a fixed preamble. The fourth byte, contains information about the field being transmitted (Field 1 or Field 2 in an interlaced video signal), the state of field blanking (Vertical) and the state of line blanking (Horizontal). The bit assignment for this byte of the code is shown in [Figure 11-87](#), with the function of each bit described in [Table 11-113](#).

Figure 11-87. Bit-assignment for the fourth byte of EAV/SAV codes

MSB						LSB	
1	F	V	H	P3	P2	P1	P0

Table 11-113. Bit function

Bit	Symbol	Function
7	1	Always set to '1'.
6	F	Field bit. 0 – Field 1 1 – Field 2
5	V	Vertical Blanking Status bit. This bit goes High during a vertical field blanking interval, otherwise it remains Low.
4	H	Horizontal Blanking Status bit. 0 – byte is part of SAV code (i.e. stream is entering an active video data region for the current line) 1 – byte is part of EAV code (i.e. stream has entered a horizontal blanking interval - start of a new line)
3	P3	Protection bit 3
2	P2	Protection bit 2
1	P1	Protection bit 1
0	P0	Protection bit 0

The protection bits allow for detection and correction of 1-bit errors and the detection of 2-bit errors. The status of P3, P2, P1 and P0 depend on the states of bits F, V and H. This dependency is shown in [Table 11-114](#).

Table 11-114. Status of protection bits as F, V and H vary

F	V	H	P3	P2	P1	P0
0	0	0	0	0	0	0
0	0	1	1	1	0	1
0	1	0	1	0	1	1
0	1	1	0	1	1	0
1	0	0	0	1	1	1
1	0	1	1	0	1	0
1	1	0	1	1	0	0
1	1	1	0	0	0	1

Enabling BT.656 or BT.1120 format is done by setting:

- [DISPC_CONFIG1\[20\]](#) BT656ENABLE or [DISPC_CONFIG1\[21\]](#)BT1120ENABLE registers for LCD1 output
- [DISPC_CONFIG2\[20\]](#) BT656ENABLE or [DISPC_CONFIG2\[21\]](#)BT1120ENABLE registers for LCD2 output
- [DISPC_CONFIG3\[20\]](#) BT656ENABLE or [DISPC_CONFIG3\[21\]](#)BT1120ENABLE registers for LCD3 output

NOTE: It is not possible to enable BT.656 and BT.1120 mode simultaneously on the same LCD output

11.2.4.13.6 DISPC Active Matrix

Depending on the color depth, the active matrix output:

- 24 bpp supports 16,777,216 colors.
- 18 bpp supports 262,144 colors.
- 16 bpp supports 65,536 colors.
- 12 bpp supports 4096 colors.

When in active matrix path configuration, after setting the [DISPC_CONTROLo\[3\]](#) STNTFT bit to 0x1, two submodules must be configured:

- Spatial/temporal dithering
- Multiple cycle output format (TDM)

11.2.4.13.6.1 DISPC Spatial/Temporal Dithering

When the active matrix path is used, the spatial/temporal dithering logic can be selected to enhance the quality of the active matrix outputs. The encoded pixel values are used by spatial/temporal dithering logic to display the data in a lower color depth on the LCD panel. The dithering logic is integrated after the CPR and before the TDM. The spatial/temporal dithering algorithm is based on the (x,y) pixel position and frame rate control. The dithering logic can process the pixels over one frame, two frames, or four frames. The number of frames is selected by setting the DISPC_CONTROLo[31:30]

SPATIALTEMPORALDITHERINGFRAMES bit field. In the case of a single frame, only spatial processing is applied, and in multiple frames, spatial and temporal processing are applied to the pixels. The spatial/temporal dithering logic is enabled by setting the DISPC_CONTROLo[7] STDITHERENABLE bit to 0x1.

NOTE: When the spatial/temporal dithering logic is disabled (see also [Table 11-115](#)):

- If the interface data bus is smaller than the pixel format size, then the MSBs of the pixel color components are output on the interface data bus.
- If the interface data bus is larger than the pixel format size, then by programming the pixel components replication active/inactive, the MSB is replicated to the LSB of the interface data bus (when replication is enabled), or the LSB is filled with 0s (when replication is disabled). The pixel components replication is performed in the associated pipeline, as described in [Section 11.2.4.9.1](#) and [Section 11.2.4.10.1](#), *DISPC Replication Logic*.

Table 11-115. DISPC LCD Data Output (Spatial/Temporal Dithering Disabled)

Pixel Format	RGB12 ⁽¹⁾				RGB16 ⁽¹⁾				RGB24 ⁽¹⁾			
	12-bit	16-bit	18-bit	24-bit	12-bit	16-bit	18-bit	24-bit	12-bit	16-bit	18-bit	24-bit
Display Panel Interface ⁽²⁾												
voutX_d23				R3				R4				R7
voutX_d22				R2				R3				R6
voutX_d21				R1				R2				R5
voutX_d20				R0				R1				R4
voutX_d19				R3/0				R0				R3
voutX_d18				R2/0				R4/0				R2
voutX_d17			R3	R1/0			R4	R3/0			R7	R1
voutX_d16			R2	R0/0			R3	R2/0			R6	R0
voutX_d15		R3	R1	G3		R4	R2	G5		R7	R5	G7
voutX_d14		R2	R0	G2		R3	R1	G4		R6	R4	G6
voutX_d13		R1	R3/0	G1		R2	R0	G3		R5	R3	G5
voutX_d12		R0	R2/0	G0		R1	R4/0	G2		R4	R2	G4
voutX_d11	R3	R3/0	G3	G3/0	R4	R0	G5	G1	R7	R3	G7	G3
voutX_d10	R2	G3	G2	G2/0	R3	G5	G4	G0	R6	G7	G6	G2
voutX_d9	R1	G2	G1	G1/0	R2	G4	G3	G5/0	R5	G6	G5	G1
voutX_d8	R0	G1	G0	G0/0	R1	G3	G2	G4/0	R4	G5	G4	G0
voutX_d7	G3	G0	G3/0	B3	G5	G2	G1	B4	G7	G4	G3	B7
voutX_d6	G2	G3/0	G2/0	B2	G4	G1	G0	B3	G6	G3	G2	B6
voutX_d5	G1	G2/0	B3	B1	G3	G0	B4	B2	G5	G2	B7	B5
voutX_d4	G0	B3	B2	B0	G2	B4	B3	B1	G4	B7	B6	B4
voutX_d3	B3	B2	B1	B3/0	B4	B3	B2	B0	B7	B6	B5	B3

⁽¹⁾ Rx/0, Gx/0, and Bx/0 indicate, if the MSB is replicated to the LSB, or the LSB is filled with 0s.

⁽²⁾ X = 1, 2, or 3 indicates the corresponding parallel video output (VOUT1, VOUT2, or VOUT3)

Table 11-115. DISPC LCD Data Output (Spatial/Temporal Dithering Disabled) (continued)

Pixel Format	RGB12 ⁽¹⁾				RGB16 ⁽¹⁾				RGB24 ⁽¹⁾			
	B2	B1	B0	B2/0	B3	B2	B1	B4/0	B6	B5	B4	B2
voutX_d2	B2	B1	B0	B2/0	B3	B2	B1	B4/0	B6	B5	B4	B2
voutX_d1	B1	B0	B3/0	B1/0	B2	B1	B0	B3/0	B5	B4	B3	B1
voutX_d0	B0	B3/0	B2/0	B0/0	B1	B0	B4/0	B2/0	B4	B3	B2	B0

NOTE: LCD1 / DPI1 (VOUT1) is not supported on the AM570x family of devices.

11.2.4.13.6.2 DISPC Multiple Cycle Output Format (TDM)

When the TDM is enabled (DISPC_CONTROLo[20] TDMENABLE = 1), after the active matrix display processing, the pixels are formatted on one or multiple cycles (a maximum of three cycles). The number of bits for each cycle is set in the DISPC_DATAo_CYCLE1 register for the first cycle, the DISPC_DATAo_CYCLE2 register for the second cycle, and the DISPC_DATAo_CYCLE3 register for the third cycle. The interface data bus width can be 8, 9, 12, or 16 bits. The configuration of the data bus is done in the DISPC_CONTROLo[22:21] TDMPARALLELMODE bit field.

When the TDM is disabled (DISPC_CONTROLo[20] TDMENABLE = 0), the DISPC outputs the pixels using the conventional formats: active matrix display monochrome/color. In this case, the configuration of the data bus width is done through the DISPC_CONTROLo[9:8] TFTDATALINES bit field.

Figure 11-88 through Figure 11-91 show various examples of TDM settings in the function of pixel data formats and the interface data bus width.

Figure 11-88. DISPC 8-Bit Interface Settings

	24-bpp		
	1st cycle	2nd cycle	3rd cycle
Data[7]	R0[7]	G0[7]	B0[7]
Data[6]	R0[6]	G0[6]	B0[6]
Data[5]	R0[5]	G0[5]	B0[5]
Data[4]	R0[4]	G0[4]	B0[4]
Data[3]	R0[3]	G0[3]	B0[3]
Data[2]	R0[2]	G0[2]	B0[2]
Data[1]	R0[1]	G0[1]	B0[1]
Data[0]	R0[0]	G0[0]	B0[0]

DISPC_CONTROL0.TDMCYCLEFORMAT = 0x2
DISPC_DATA0_CYCLE1 = 0x00000008
DISPC_DATA0_CYCLE2 = 0x00000008
DISPC_DATA0_CYCLE3 = 0x00000008

	18-bpp		
	1st cycle	2nd cycle	3rd cycle
Data[7]	R0[5]	G0[3]	x
Data[6]	R0[4]	G0[2]	x
Data[5]	R0[3]	G0[1]	x
Data[4]	R0[2]	G0[0]	x
Data[3]	R0[1]	B0[5]	x
Data[2]	R0[0]	B0[4]	x
Data[1]	G0[5]	B0[3]	B0[1]
Data[0]	G0[4]	B0[2]	B0[0]

DISPC_CONTROL0.TDMCycleFormat = 0x2
DISPC_DATA0_CYCLE1 = 0x00000008
DISPC_DATA0_CYCLE2 = 0x00000008
DISPC_DATA0_CYCLE3 = 0x00000002

	16-bpp	
	1st cycle	2nd cycle
Data[7]	R0[4]	G0[2]
Data[6]	R0[3]	G0[1]
Data[5]	R0[2]	G0[0]
Data[4]	R0[1]	B0[4]
Data[3]	R0[0]	B0[3]
Data[2]	G0[5]	B0[2]
Data[1]	G0[4]	B0[1]
Data[0]	G0[3]	B0[0]

DISPC_CONTROL0.TDMCYCLEFORMAT = 0x1
DISPC_DATA0_CYCLE1 = 0x00000008
DISPC_DATA0_CYCLE2 = 0x00000008

	12-bpp	
	1st cycle	2nd cycle
Data[7]	R0[3]	x
Data[6]	R0[2]	x
Data[5]	R0[1]	x
Data[4]	R0[0]	x
Data[3]	G0[3]	B0[3]
Data[2]	G0[2]	B0[2]
Data[1]	G0[1]	B0[1]
Data[0]	G0[0]	B0[0]

DISPC_CONTROL0.TDMCYCLEFORMAT = 0x1
DISPC_DATA0_CYCLE1 = 0x00000008
DISPC_DATA0_CYCLE2 = 0x00000004

dispc-057

Figure 11-89. DISPC 9-Bit Interface Settings

	24-bpp		
	1st cycle	2nd cycle	3rd cycle
Data[8]	R0[7]	G0[6]	x
Data[7]	R0[6]	G0[5]	x
Data[6]	R0[5]	G0[4]	x
Data[5]	R0[4]	G0[3]	B0[5]
Data[4]	R0[3]	G0[2]	B0[4]
Data[3]	R0[2]	G0[1]	B0[3]
Data[2]	R0[1]	G0[0]	B0[2]
Data[1]	R0[0]	B0[7]	B0[1]
Data[0]	G0[7]	B0[6]	B0[0]

DISPC_CONTROLo.TDMCycleFormat = 0x2
 DISPC_DATAo_CYCLE1 = 0x00000009
 DISPC_DATAo_CYCLE2 = 0x00000009
 DISPC_DATAo_CYCLE3 = 0x00000006

	18-bpp	
	1st cycle	2nd cycle
Data[8]	R0[5]	G0[2]
Data[7]	R0[4]	G0[1]
Data[6]	R0[3]	G0[0]
Data[5]	R0[2]	B0[5]
Data[4]	R0[1]	B0[4]
Data[3]	R0[0]	B0[3]
Data[2]	G0[5]	B0[2]
Data[1]	G0[4]	B0[1]
Data[0]	G0[3]	B0[0]

DISPC_CONTROLo.TDMCYCLEFORMAT = 0x1
 DISPC_DATAo_CYCLE1 = 0x00000009
 DISPC_DATAo_CYCLE2 = 0x00000009

	16-bpp	
	1st cycle	2nd cycle
Data[8]	R0[4]	x
Data[7]	R0[3]	x
Data[6]	R0[2]	G0[1]
Data[5]	R0[1]	G0[0]
Data[4]	R0[0]	B0[4]
Data[3]	G0[5]	B0[3]
Data[2]	G0[4]	B0[2]
Data[1]	G0[3]	B0[1]
Data[0]	G0[2]	B0[0]

DISPC_CONTROLo.TDMCYCLEFORMAT = 0x1
 DISPC_DATAo_CYCLE1 = 0x00000009
 DISPC_DATAo_CYCLE2 = 0x00000007

	12-bpp	
	1st cycle	2nd cycle
Data[8]	R0[3]	x
Data[7]	R0[2]	x
Data[6]	R0[1]	x
Data[5]	R0[0]	x
Data[4]	G0[3]	x
Data[3]	G0[2]	x
Data[2]	G0[1]	B0[2]
Data[1]	G0[0]	B0[1]
Data[0]	B0[3]	B0[0]

DISPC_CONTROLo.TDMCYCLEFORMAT = 0x1
 DISPC_DATAo_CYCLE1 = 0x00000009
 DISPC_DATAo_CYCLE2 = 0x00000003

disp-058

Figure 11-90. DISPC 12-Bit Interface Settings

	24-bpp	
	1st cycle	2nd cycle
Data[11]	R0[7]	G0[3]
Data[10]	R0[6]	G0[2]
Data[9]	R0[5]	G0[1]
Data[8]	R0[4]	G0[0]
Data[7]	R0[3]	B0[7]
Data[6]	R0[2]	B0[6]
Data[5]	R0[1]	B0[5]
Data[4]	R0[0]	B0[4]
Data[3]	G0[7]	B0[3]
Data[2]	G0[6]	B0[2]
Data[1]	G0[5]	B0[1]
Data[0]	G0[4]	B0[0]

DISPC_CONTROL0.TDMCYCLEFORMAT = 0x1
DISPC_DATA0_CYCLE1 = 0x0000000C
DISPC_DATA0_CYCLE2 = 0x0000000C

	18-bpp		
	1st cycle	2nd cycle	3rd cycle
Data[11]	R0[5]	B0[5]	G1[5]
Data[10]	R0[4]	B0[4]	G1[4]
Data[9]	R0[3]	B0[3]	G1[3]
Data[8]	R0[2]	B0[2]	G1[2]
Data[7]	R0[1]	B0[1]	G1[1]
Data[6]	R0[0]	B0[0]	G1[0]
Data[5]	G0[5]	R1[5]	B1[5]
Data[4]	G0[4]	R1[4]	B1[4]
Data[3]	G0[3]	R1[3]	B1[3]
Data[2]	G0[2]	R1[2]	B1[2]
Data[1]	G0[1]	R1[1]	B1[1]
Data[0]	G0[0]	R1[0]	B1[0]

DISPC_CONTROL0.TDMCYCLEFORMAT = 0x3
DISPC_DATA0_CYCLE1 = 0x0000000C
DISPC_DATA0_CYCLE2 = 0x00060606
DISPC_DATA0_CYCLE3 = 0x000C0000

	16-bpp	
	1st cycle	2nd cycle
Data[11]	R0[4]	x
Data[10]	R0[3]	x
Data[9]	R0[2]	x
Data[8]	R0[1]	x
Data[7]	R0[0]	x
Data[6]	G0[5]	x
Data[5]	G0[4]	x
Data[4]	G0[3]	x
Data[3]	G0[2]	B0[3]
Data[2]	G0[1]	B0[2]
Data[1]	G0[0]	B0[1]
Data[0]	B0[4]	B0[0]

DISPC_CONTROL0.TDMCYCLEFORMAT = 0x1
DISPC_DATA0_CYCLE1 = 0x0000000C
DISPC_DATA0_CYCLE2 = 0x00000004

	12-bpp
	1st cycle
Data[11]	R0[3]
Data[10]	R0[2]
Data[9]	R0[1]
Data[8]	R0[0]
Data[7]	G0[3]
Data[6]	G0[2]
Data[5]	G0[1]
Data[4]	G0[0]
Data[3]	B0[3]
Data[2]	B0[2]
Data[1]	B0[1]
Data[0]	B0[0]

DISPC_CONTROL0.TDMCYCLEFORMAT = 0x0
DISPC_DATA0_CYCLE1 = 0x0000000C

dispc-059

Figure 11-91. DISPC 16-Bit Interface Settings

	24-bpp		
	1st cycle	2nd cycle	3rd cycle
Data[15]	R0[7]	B0[7]	G1[7]
Data[14]	R0[6]	B0[6]	G1[6]
Data[13]	R0[5]	B0[5]	G1[5]
Data[12]	R0[4]	B0[4]	G1[4]
Data[11]	R0[3]	B0[3]	G1[3]
Data[10]	R0[2]	B0[2]	G1[2]
Data[9]	R0[1]	B0[1]	G1[1]
Data[8]	R0[0]	B0[0]	G1[0]
Data[7]	G0[7]	R1[7]	B1[7]
Data[6]	G0[6]	R1[6]	B1[6]
Data[5]	G0[5]	R1[5]	B1[5]
Data[4]	G0[4]	R1[4]	B1[4]
Data[3]	G0[3]	R1[3]	B1[3]
Data[2]	G0[2]	R1[2]	B1[2]
Data[1]	G0[1]	R1[1]	B1[1]
Data[0]	G0[0]	R1[0]	B1[0]

```
DISPC_CONTROL0.TDMCYCLEFORMAT = 0x3
DISPC_DATA0_CYCLE1 = 0x00000010
DISPC_DATA0_CYCLE2 = 0x00080808
DISPC_DATA0_CYCLE3 = 0x00100000
```

	18-bpp	
	1st cycle	2nd cycle
Data[15]	R0[5]	x
Data[14]	R0[4]	x
Data[13]	R0[3]	x
Data[12]	R0[2]	x
Data[11]	R0[1]	x
Data[10]	R0[0]	x
Data[9]	G0[5]	x
Data[8]	G0[4]	x
Data[7]	G0[3]	X
Data[6]	G0[2]	x
Data[5]	G0[1]	x
Data[4]	G0[0]	x
Data[3]	B0[5]	x
Data[2]	B0[4]	x
Data[1]	B0[3]	B0[1]
Data[0]	B0[2]	B0[0]

```
DISPC_CONTROL0.TDMCYCLEFORMAT = 0x1
DISPC_DATA0_CYCLE1 = 0x00000010
DISPC_DATA0_CYCLE2 = 0x00000002
```

	16-bpp
	1st cycle
Data[15]	R0[4]
Data[14]	R0[3]
Data[13]	R0[2]
Data[12]	R0[1]
Data[11]	R0[0]
Data[10]	G0[5]
Data[9]	G0[4]
Data[8]	G0[3]
Data[7]	G0[2]
Data[6]	G0[1]
Data[5]	G0[0]
Data[4]	B0[4]
Data[3]	B0[3]
Data[2]	B0[2]
Data[1]	B0[1]
Data[0]	B0[0]

```
DISPC_CONTROL0.TDMCYCLEFORMAT = 0x0
DISPC_DATA0_CYCLE1 = 0x00000010
```

	12-bpp
	1st cycle
Data[15]	x
Data[14]	x
Data[13]	x
Data[12]	x
Data[11]	R0[3]
Data[10]	R0[2]
Data[9]	R0[1]
Data[8]	R0[0]
Data[7]	G0[3]
Data[6]	G0[2]
Data[5]	G0[1]
Data[4]	G0[0]
Data[3]	B0[3]
Data[2]	B0[2]
Data[1]	B0[1]
Data[0]	B0[0]

```
DISPC_CONTROL0.TDMCYCLEFORMAT = 0x0
DISPC_DATA0_CYCLE1 = 0x0000000C
```

dispc-060

11.2.4.13.7 DISPC Synchronized Buffer Update

A synchronization mismatch between the frame buffer and the display refreshes, named tearing effect, can lead to images that appear to be stretched on the screen. To avoid it, a synchronization mechanism is used between the DISPC and the process that updates the buffer. An interrupt is generated when the display reaches a predefined line number. The PROGRAMMEDLINENUMBER_IRQ interrupt ([DISPC_IRQSTATUS](#) and [DISPC_IRQENABLE](#)) is a level signal and stays active during the programmed line of the display.

11.2.4.13.8 DISPC Timing Generator and Panel Settings

When Active Matrix Display is used the following registers must be set:

The size of and panel is defined by:

- Number of lines, DISPC_SIZE_LCD0[27:16] LPP bit field, with a value from 1 to 4096
- Number of pixels per line, DISPC_SIZE_LCD0[11:0]PPL bit field, with a value from 1 to 4096

Standard HSYNC/VSYNC timing generation are programmable for each LCD outputs independently:

- Horizontal front porch is set in the DISPC_TIMING_Ho[19:8] HFP bit field.
- Horizontal back porch is set in the DISPC_TIMING_Ho[31:20] HBP bit field.
- Horizontal synchronization pulse width is set in the DISPC_TIMING_Ho[7:0] HSW bit field.
- Vertical front porch is set in the DISPC_TIMING_Vo[19:8] VFP bit field.
- Vertical back porch is set in the DISPC_TIMING_Vo[31:20] VBP bit field.
- Vertical synchronization pulse width is set in the DISPC_TIMING_Vo[7:0] VSW bit field.

When the output is in BT.1120 or BT.656 mode, the following timing constant are mapped onto the DISPC_TIMING_Ho and DISPC_TIMING_Vo registers:

- Progressive mode:
 - Horizontal blanking is set in the DISPC_TIMING_Ho[7:0] HSW bit field
 - Vertical frame blanking No 1 is set in the DISPC_TIMING_Vo[19:8] VFPbit field.
 - Vertical frame blanking No 2 is set in the DISPC_TIMING_Vo[31:20] VBPbit field.
 - Number of lines is set in the [DISPC_SIZE_LCD1\[27:16\]](#) LPP bit field
 - Number of pixels per line is set in the [DISPC_SIZE_LCD1\[11:0\]](#) PPL bit field.
- Interlaced mode:
 - Horizontal blanking is set in the DISPC_TIMING_Ho[7:0] HSW bit field.
 - Vertical field blanking No 1 for Even Field is set in the DISPC_TIMING_Ho[19:8] HFP bit field.
 - Vertical field blanking No 2 for Even Field is set in the DISPC_TIMING_Ho[31:20] HBP bit field.
 - Vertical field blanking No 1 for Odd Field is set in the DISPC_TIMING_Vo[19:8] VFP bit field.
 - Vertical field blanking No 2 for Odd Field is set in the DISPC_TIMING_Vo[31:20] VBP bit field.
 - Number of lines per field (even) is set in the [DISPC_SIZE_LCD1\[27:16\]](#) LPP bit field.
 - Delta number of odd field compared to even field (in a single line) is set in the [DISPC_SIZE_LCD1\[15:14\]](#) DELTA bit field.
 - Number of pixels per line is set in the [DISPC_SIZE_LCD1\[11:0\]](#) PPL bit field.

Horizontal/vertical synchronization and ACBIAS signals polarity are programmable by setting the DISPC_POL_FREQo[12] IVS, DISPC_POL_FREQo[13] IHS, and DISPC_POL_FREQo[15] IEO bits. These signals can be gated by setting the DISPC_CONFIGo[7] VSYNCGATED and DISPC_CONFIGo[6] HSYNCGATED bits.

The latch of data can be driven on the rising or falling edge of the pixel clock by setting the IPC bit of DISPC_POL_FREQo[14] IPC and CTRL_CORE_SMA_SW_1[] DSS_CHx_IPC (the values must mach) registers. The drive of the SYNC and VSYNC signals in the function of the pixel clock is done by setting the DISPC_POL_FREQo[16] RF and CTRL_CORE_SMA_SW_1[] DSS_CHx_RF bit.

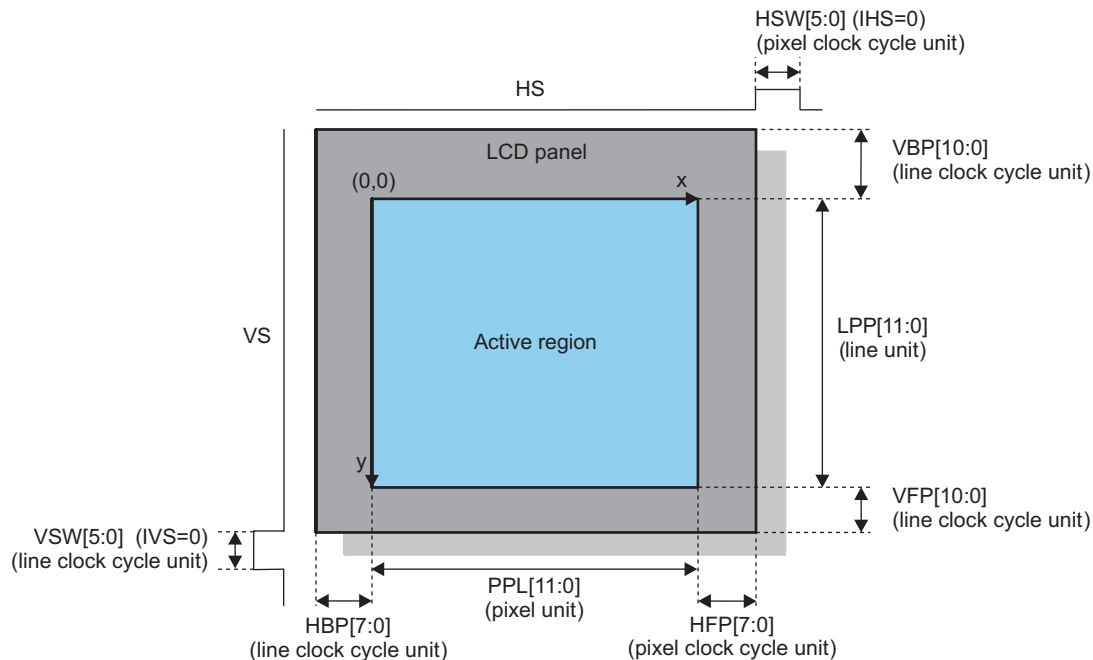
[Table 11-116](#) describes the programming rules for LCD timing.

Table 11-116. DISPC Programming Rules

	No Downsampling	Downsampling H or V	Downsampling H + V
$(HBP + HSW + HFP) \times PCD$	>8	>10	>20

Figure 11-92 shows the timing values description in the case of an active matrix display.

Figure 11-92. DISPC Timing Values (Active Matrix Display)



dispc-031

The 8-bit pixel clock divider (the `DISPC_DIVISOR0[7:0]` PCD bit field) selects the pixel clock frequency. This bit field generates a range of pixel clock frequencies from LC/2 to LC/256, where LC is the logic clock from the divided functional clock of the DISPC by the `DISPC_DIVISOR23:16` LCD bit field.

The pixel clock is defined by the following equation:

$$\text{Pixel Clock} = (\text{FunctionalClock}/\text{LCD}[7:0])/\text{PCD}[7:0]$$

The pixel clock can be gated by setting the `DISPC_CONFIG0[5]` `PIXELCLOCKGATED` bit to 0x1.

The LCD output can be configured in progressive output or interlace output. The selection is done by writing into the `DISPC_CONFIG0[22]` `OUTPUTMODEENABLE` bit. The reset value is 0x0, which means progressive mode. When progressive mode is selected, the FID signal associated to the LCD output is driven low (INACTIVE state). The selection can be changed only if the corresponding LCD output is disabled. The configuration is independent for each LCD output.

When in interlaced mode, the `DISPC_CONFIG0[23]` `FIDFIRST` bit indicates which field is output first:

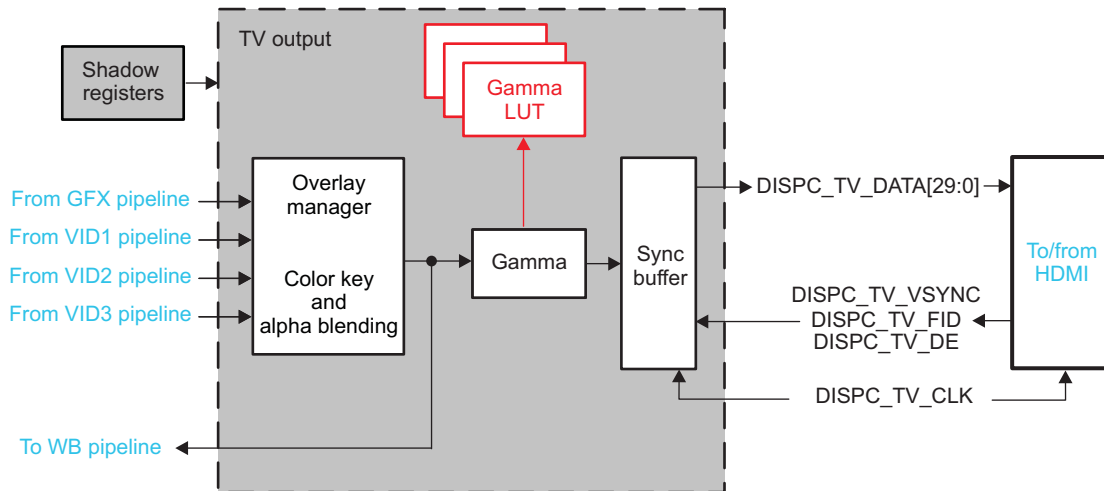
- 0x0: Even field first (FID = 0)
- 0x1: Odd field first (FID = 1)

11.2.4.14 DISPC TV Output

The TV output paths consist of several processing blocks (see Figure 11-93):

- Overlay manager
- Gamma correction unit
- Synchronization buffer

Figure 11-93. DISPC TV Output Architecture



dispc-029

The TV output is connected to the HDMI. In analog output or HDMI, the DISPC TV output receives an external clock, DISPC_TV_CLK, and based on the VSYNC generated by the HDMI, hold time, vertical offset, and horizontal offset, outputs the pixels synchronously. The size of the field/frame to output defines the number of pixels to output on each line and the number of lines for each field/frame.

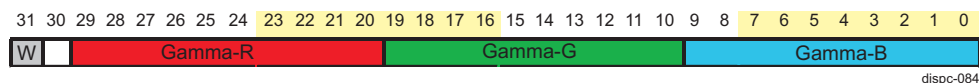
11.2.4.14.1 DISPC Overlay Manager

The overlay mechanism is identical in LCD1, LCD2, and LCD3 (see Section 11.2.4.13.1, *Overlay Manager*).

11.2.4.14.2 DISPC Gamma Correction Unit

The gamma correction unit works as described in Section 11.2.4.13.2, *Gamma Correction Unit*. The only difference is in the input pixel format RGB30. Each component of encoded pixel value is used as a pointer to index 1 out of 1024 × 30-bit gamma curve entries in the table. Each 10-bit component is replaced with the 10-bit table value corresponding to R, G, or B component. The table is loaded by software, through the DISPC_GAMMA_TABLE2 register, and enabled via DISPC_CONFIG1[9] GAMATABLEENABLE register bit. It is possible to load only part of the table. For each write access to the table, the 30-bit gamma value is associated with bit [31] INDEX to indicate that a new table is defined. Setting bit [31] INDEX to 0x1 for the first time, resets the internal index counter. All the following accesses are considered to be for incremented index addressing in the table (bit [31] INDEX is set to 0 for each subsequent access). Figure 11-94 shows the format of one of the gamma curve values in the memory.

Figure 11-94. DISPC Data Memory Organization for Gamma Mode in TV Output



dispc-084

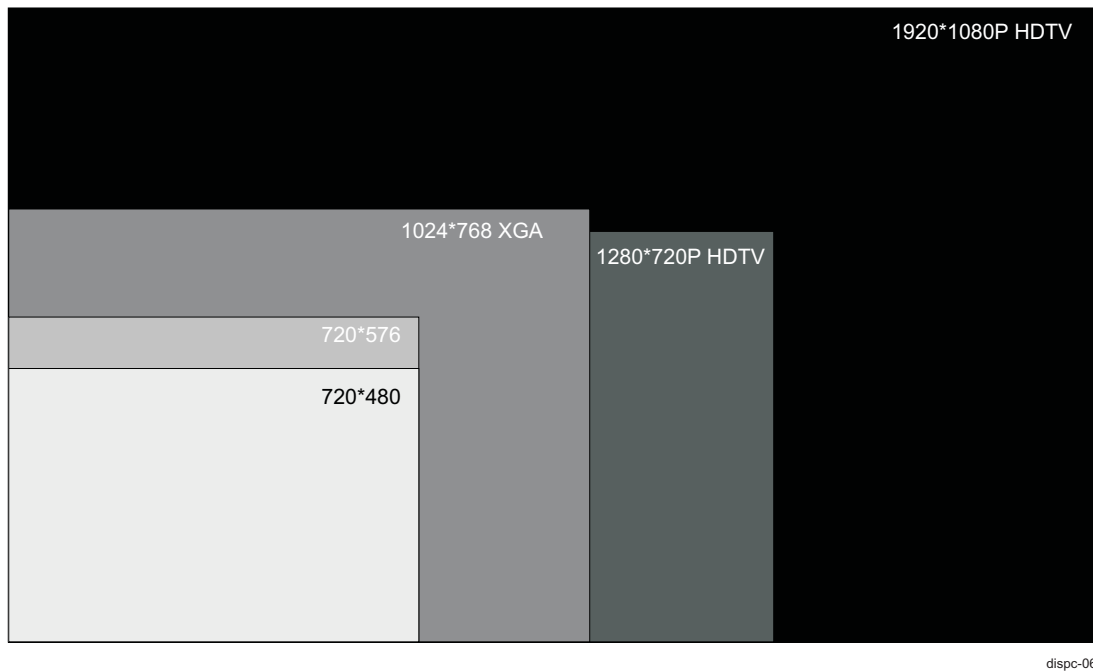
11.2.4.14.3 DISPC Synchronized Buffer Update

The synchronized buffer update is identical in LCD1, LCD2, and LCD3 (see Section 11.2.4.13.7, *Synchronized Buffer Update*).

11.2.4.14.4 DISPC Timing and TV Format Settings

Figure 11-95 shows the TV formats supported.

Figure 11-95. DISPC Example Timing TV Formats



The size of a TV output format is defined by:

- Number of lines, [DISPC_SIZE_TV\[27:16\]](#) LPP bit field, with a value from 1 to 4096
- Number of pixels per line, [DISPC_SIZE_TV\[11:0\]](#) PPL bit field, with a value from 1 to 4096
- Delta size between odd/even field, [DISPC_SIZE_TV\[15:14\]](#) DELTA_LPP bit field. This bit field controls only the output channel and not the size of the data field fetched from the frame buffer in memory.

The hold time of the pixels on the data bus is determined in clock cycles by the [DISPC_CONTROL1\[19:17\]](#) HT bit field. The default value at reset time is 0x0 (one cycle).

- When connected to the HDMI encoder, [Table 11-117](#) indicates the [DISPC_SIZE_TV](#) (PPL and LPP) value for each HD standard.

Table 11-117. DISPC PPL and LLP Value for HD Standard

Standards		Active Pixels/Line	Active Lines	Digital Clock	DISPC_SIZE_TV
HDTV	720p	1280	720	74.25/74.125 MHz (60/59.99..frames/s)	0x02CF 04FF
	1080i	1920	540	74.25/74.125 MHz (60/59.99..frames/s)	0x021B 07FF
	1080p	1920	1080	148.5/148.25 MHz (60/59.99..frames/s)	0x0437 07FF
	720p 3D (frame packing)	1280	1470	148.5/148.35/148.5 MHz (60/59.94/50 frames/s)	0x05BD 04FF
	1080p 3D (frame packing)	1920	2205	148.5/148.35 MHz (24/23.98 frames/s)	0x089C 07FF
	1080p 3D (side-by-side half)	1920	1080	148.5 MHz (60 frames/s)	0x0437 07FF

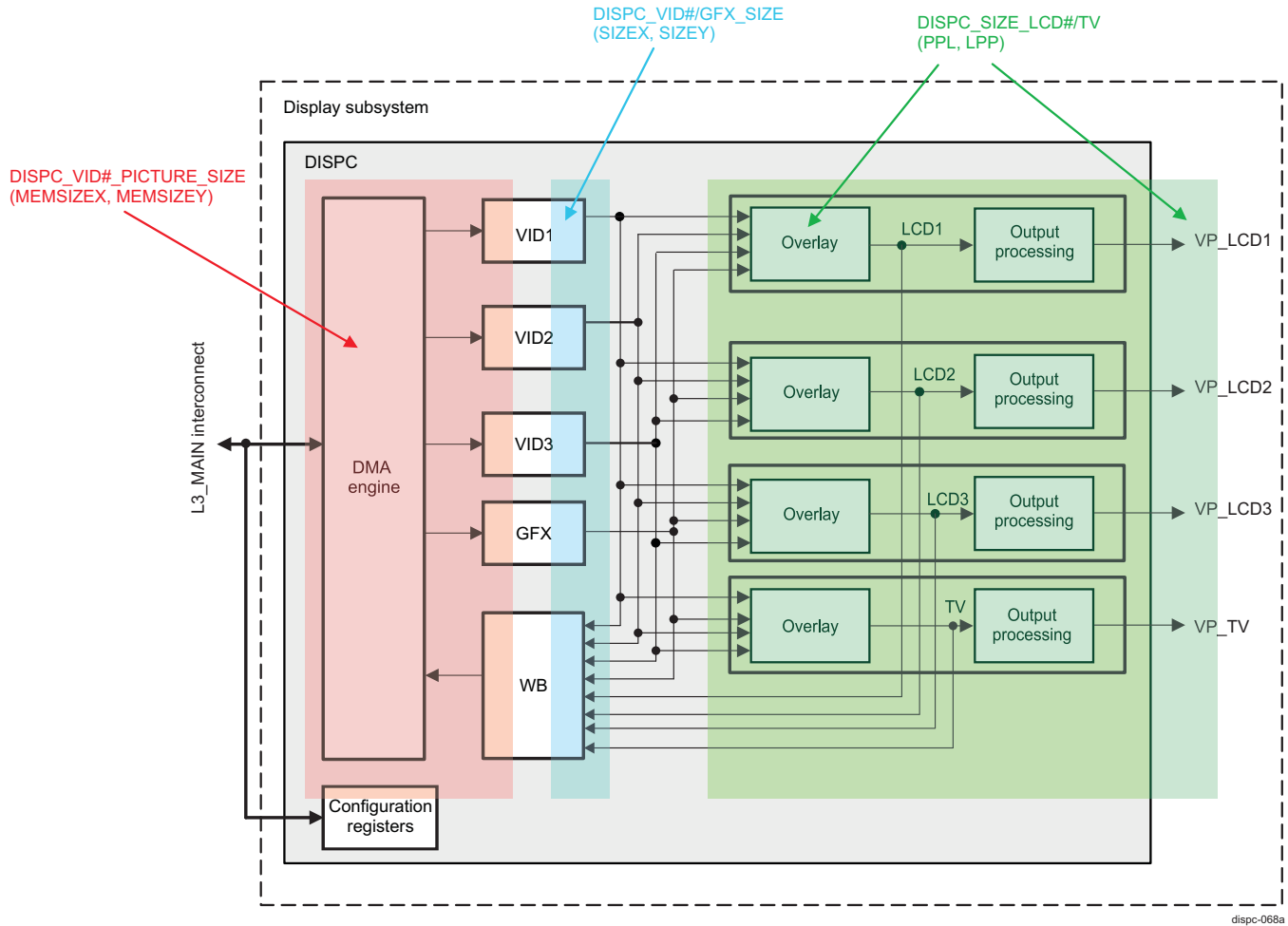
-
- NOTE:** When configuring the DISPC for outputting any supported 3D frame-packing format, the following generic details must be considered:
- As defined by the *HDMI v1.4a Specification*, Section 8.2.3.2, 3D frame-packing is a video format structure composed of two stereoscopic pictures: left and right.
 - The stereoscopic pictures can be processed through the three video pipelines (VID1, VID2, or VID3). For more information about the configuration of video pipelines, see [Section 11.2.4.10, Video Pipelines](#).
 - The 3D frame is generated by setting the TV overlay manager to combine the outputs of the selected video pipelines that hold the pictures. One video pipeline (VID1 or VID3) must carry the top field of the 3D frame (left stereoscopic picture), and the other video (VID2) pipeline must always carry the bottom field of the frame (right stereoscopic picture). The top and bottom fields are separated by an active space area. For more information, see the *HDMI v1.4a Specification*, Section 8.2.3.2.
 - The pipeline carrying each field (top and bottom) of the 3D frame must have its height and width parameters defined in the [27:16] SIZEY and [10:0] SIZEX bit fields of the DISPC_VIDp_SIZE register, and its Y and X positions defined in the [26:16] POSY and [10:0] POSX bit fields of the DISPC_VIDp_POSITION register. The active space area of the 3D frame can be encoded by setting the solid background color for the TV output (the DISPC_DEFAULT_COLOR1[23:0] DEFAULTCOLOR bit field). For more information about the overlay mechanism, see [Section 11.2.4.14.1, DISPC Overlay Manager](#).
-

11.2.4.15 DISPC Frame Width Considerations

DISPC provides three sets of configuration registers to control the maximum frame size in different stages of its internal pipelines (see [Figure 11-96, DISPC Frame Width Control](#)):

- DISPC_VID#_PICTURE_SIZE registers: MEMSIZEX and MEMSIZEY bit-fields define the number of pixels and lines to fetch from memory (via DISPC DMA engine).
- DISPC_GFX/VID#_SIZE registers: SIZEX and SIZEY bit-fields define the size of the output frame from each processing pipeline to LCD/TV overlay manager for blending.
- DISPC_SIZE_TV/LCD# registers: LPP and PPL bit-fields define the final display panel output resolution.

Figure 11-96. DISPC Frame Width Control



The MEMSIZEX and SIZEX bit-fields are 11-bit, meaning the maximum horizontal frame size allowed is 2048 pixels. This parameter determines the maximum source frame (including the input to the scalers) that can be displayed.

The MEMSIZEY and SIZEY bit-fields are 12-bit, meaning the maximum vertical size allowed is 4096 lines.

The LPP and PPL bit-fields are also 12-bit, which means that starting at the LCD/TV overlay manager and including the output to the display panel, the frame size can be up to 4096x4096 as long as the pixel clock constraints are met.

Implication: The output to display panel can be as large as 4096 x 4096 (4K x 4K), although the actual size of the output frame would be smaller due to the maximum pixel clock limitation. However, the maximum source frame that can be read from memory by a single GFX/VID pipeline can be 2048 x 4096 (2K x 4K) only. Therefore, to display a source frame with width > 2048 pixels, two layers must be used and corresponding pipeline outputs must be merged in the overlay manager before being sent out to the display panel.

Refer to device Data Manual for details on the maximum supported pixel clock (VOUTx_CLK) or HDMI supported frame rates.

11.2.4.16 DISPC Extended 3D Support

The DISPC supports several formats to support 3D displays. The following three sections provide further details.

11.2.4.16.1 DISPC Extended 3D Support - Line Alternative Format

Line alternative format is defined by the HDMI Specification 1.4a. In general the functionality is:

- Lines from the left and the right frames are interleaved alternatively on the screen to produce a 3D image.
- Required also to support interleaving column-wise to support all possible screen orientations.

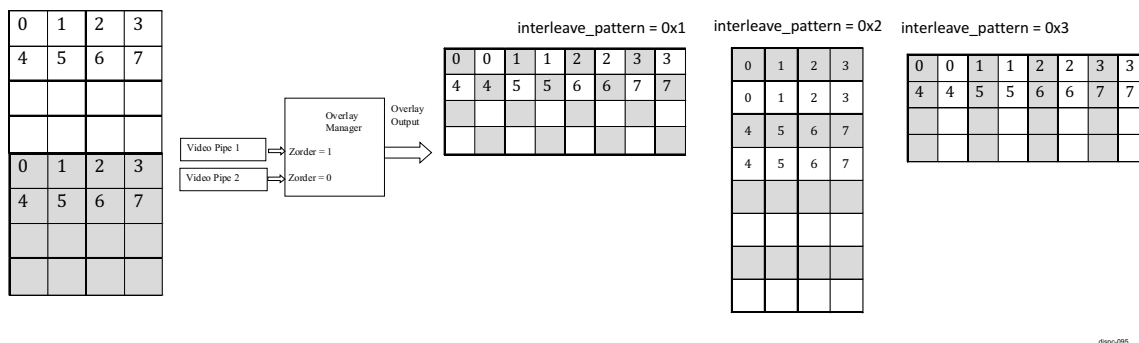
The functionality is done in the overlay manager:

- The layers are grouped into two categories based on the z-order: Odd z-order may blend together and will interleave with even z-order pipes, which may blend together.
- Two types of interleaves are possible, line-based interleaving and pixel-based interleaving to support landscape and portrait screen orientations.

The configuration is done from the DISPC_CONFIG1[29:28] TVINTERLEAVE for the TV output, DISPC_CONFIG1[27:26] PLCDINTERLEAVE for the primary LCD, DISPC_CONFIG2[27:26] SLCDINTERLEAVE for the secondary LCD, and DISPC_CONFIG3[27:26] TLCDINTERLEAVE for the third LCD. The following values apply for the these bitfields:

- 0x0: If zero then no interleaving happens in the overlay manager.
- 0x1: Checkerboard pattern:
 - All even pixels on even lines have a contribution from even z-order pipes.
 - All odd pixels on even lines have a contribution from odd z-order pipes.
 - All even pixels on odd lines have a contribution from odd z-order pipes.
 - All odd pixels on odd lines have a contribution from even z-order pipes.
- 0x2: All even lines (all pixels) have a contribution from even z-order pipes. All odd lines (all pixels) have a contribution from the odd z-order pipes.
- 0x3: All even pixels (for all lines) have a contribution from even z-order pipes. All odd pixels (for all lines) have a contribution from the odd z-order pipes.

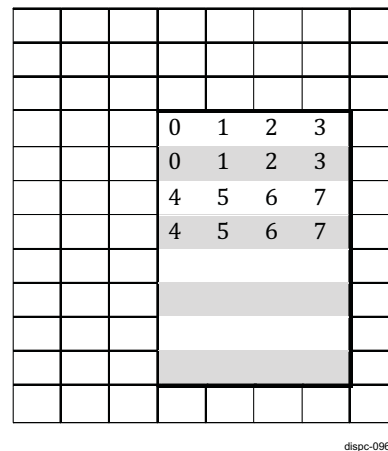
Figure 11-97. DISPC Illustration of 3D Interleaving



Moreover, from Figure 11-97 above, if interleave_pattern is programmed as 0x2, in this case the entire screen composited by the overlay manager (PPL x LPP) gets sub-divided into odd and even lines. It is possible for a 3D window created using the two pipes to have a non-zero position (that is, POSX and POSY not equal to zero).

In such cases depending on the oddness or evenness of the POSY setting, the first line in the window may come from Video Pipe 1 or Video Pipe 2.

For instance, if the POSX = 3, POSY = 3 (set in DISPC_GFX_POSITION, DISPC_VID1_POSITION, DISPC_VID2_POSITION, DISPC_VID3_POSITION registers), then the final composited screen with PPL = 8, LPP = 12 may look like below:

Figure 11-98. DISPC Illustration of a Non-zero Position of 3D Window


NOTE: In this case the first line comes from the odd z-order pipeline, that is Video Pipe 1.

The following limitations apply to the 3D Line alternative format:

- Software must ensure that the left/right frames are of same size.
- Software must ensure that in case of line interleaving the SIZEY is not greater than LPP/2.
- Software must ensure that in case of pixel interleaving the SIZEX is not greater than PPL/2.
- Software must program POSX and POSY for both left and right frame to be the same.
- Color-keying is not available for 3D formats.
- Since each overlay manager can support 4k x 4k frames, max resolution of each left/right frame will be restricted to 2k x 2k.

11.2.4.16.2 DISPC Extended 3D Support - Frame Packing Format Format

In this mode the pipe fetches two windows (of SIZEX x SIZEY) during a complete panel frame (PPL x LPP). The mode is enabled from [DISPC_GFX_ATTRIBUTES\[10\] FRAMEPACKINGMODE](#) and [DISPC_VID1_ATTRIBUTES\[8\]](#), [DISPC_VID2_ATTRIBUTES\[8\]](#), [DISPC_VID3_ATTRIBUTES\[8\]](#) [FRAMEPACKINGMODE](#)

The position for the first window is set in [DISPC_GFX_POSITION](#), [DISPC_VID1_POSITION](#), [DISPC_VID2_POSITION](#), [DISPC_VID3_POSITION](#), while the position for the second window is set in [DISPC_GFX_POSITION2](#), [DISPC_VID1_POSITION2](#), [DISPC_VID2_POSITION2](#), [DISPC_VID3_POSITION2](#)

When it is detected that a pipe has finished sending the programmed number of lines to the overlay or Write-back pipe, a reset is generated for the pipe as well as the DMA channel associated with the pipe. At the same instant, the base address configuration for the DMA channel is changed from the BA0 to the BA1.

Due to the reset the pipe and DMA starts fetching the data from BA1. At the end of the processing of BA1 data, the DMA channel and the pipe become idle and clock gated.

The overlay manager composes the final frame to be sent to the panel and uses the (POSX, POSY) coordinates for the first window and (POSX2, POSY2) for the second window.

The following limitations apply to the 3D Frame Packing format:

- Only frame packing for progressive mode is supported. Frame packing of interlaced formats is not supported.
- End-of-window interrupts will be generated twice per outgoing-frame.
- Flip Immediate will not work as expected.
- It is software responsibility to calculate and program the (POSX2, POSY2) as per the active space

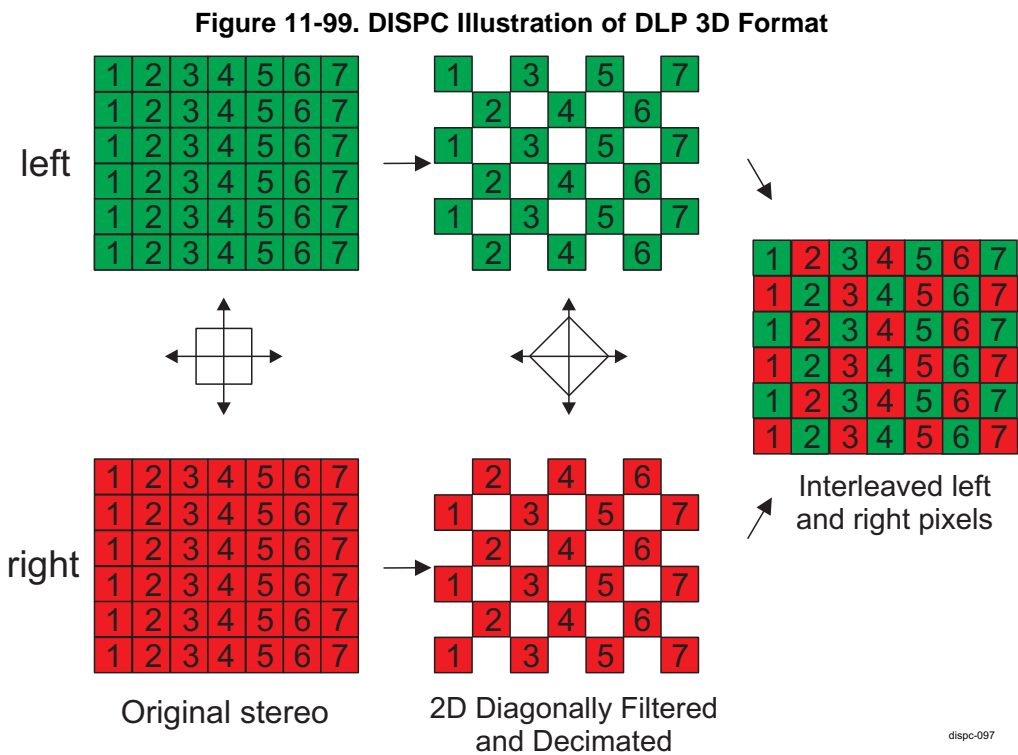
required by the panel.

11.2.4.16.3 DISPC Extended 3D Support - DLP 3D Format

The DLP 3D format sub-samples the left and right frames across the diagonal before interleaving the frames in a checker-board fashion.

The sub-sampling required on the left and the right frame is complementary. This sampling pattern is also defined in the HDMI 3D Specification 1.4a as two Quincunx matrices. The format is configured from `DISPC_GFX_ATTRIBUTES[20:18] SUBSAMPLINGPATTERN`, `DISPC_VID1_ATTRIBUTES2[11:9]`, `DISPC_VID2_ATTRIBUTES2[11:9]`, `DISPC_VID3_ATTRIBUTES2[11:9] SUBSAMPLINGPATTERN` with the following possible configuration values:

- 0x0: All pixels from the pipes are used. No sub-sampling.
- 0x1: Quincunx Matrix Odd-position sub-sampling is used.
- 0x2: Quincunx Matrix Even-position sub-sampling is used.
- 0x3 to 0x7: Reserved



The following limitations apply to the DLP 3D Format :

- Even z-order pipes can have only sub-sampling = 0x1.
- Odd z-order pipes can only have sub-sampling = 0x2.

11.2.4.17 DISPC Shadow Registers

Some DISPC registers are termed *shadow registers*. A shadow register change has no direct effect on the configuration of the DISPC. The registers are shadow registers let software change the values of the registers at any time. When all the registers for a given configuration are into the registers, software must set 1 bit only to validate the configuration. When hardware reaches the end of the current frame and sees that the bit field has been set by software, the new configuration is now the configuration used by the hardware.

NOTE: As a general rule, all shadow registers are updated with the value of their shadows when:

- The interface is enabled.
- The GO bit field of the pipeline, with which the register is associated, is set and the output sync is active.

The bits enabling the hardware to use the new configuration are:

- **DISPC_CONTROL1**[5] GOLCD bit for all the registers associated to the LCD1 output, and for all registers of WB and DMA, if the LCD1 channel is captured. The update of the registers of the WB and DMA is further delayed by the **DISPC_WB_ATTRIBUTES2**[7:0] WBDELAYCOUNTER bit field or done when the next frame is captured (the **DISPC_WB_ATTRIBUTES**[26:24] CAPTUREMODE bit field must be different from 0). The update of the registers occurs at the VFP start period.
- **DISPC_CONTROL1**[6] GOTV bit for all the registers associated to the TV output, and for all registers of WB and DMA, if the TV channel is captured. The update of the registers of the WB and DMA is further delayed by the **DISPC_WB_ATTRIBUTES2**[7:0] WBDELAYCOUNTER bit field or done when the next frame is captured (the **DISPC_WB_ATTRIBUTES**[26:24] CAPTUREMODE bit field must be different from 0). The update of the registers occurs at the external EVSYNC.
- **DISPC_CONTROL2**[5] GOLCD bit for all the registers associated to the LCD2 output, and for all registers of WB and DMA, if the LCD2 channel is captured. The update of the registers of the WB and DMA is further delayed by the **DISPC_WB_ATTRIBUTES2**[7:0] WBDELAYCOUNTER bit field or done when the next frame is captured (the **DISPC_WB_ATTRIBUTES**[26:24] CAPTUREMODE bit field must be different from 0). The update of the registers occurs at the VFP start period.
- **DISPC_CONTROL3**[5] GOLCD bit for all the registers associated to the LCD3 output, and for all registers of WB and DMA, if the LCD3 channel is captured. The update of the registers of the WB and DMA is further delayed by the **DISPC_WB_ATTRIBUTES2**[7:0] WBDELAYCOUNTER bit field or done when the next frame is captured (the **DISPC_WB_ATTRIBUTES**[26:24] CAPTUREMODE bit field must be different from 0). The update of the registers occurs at the VFP start period.
- **DISPC_WB_ATTRIBUTES**[0] ENABLE bit for all the registers associated to the WB, if the transfer memory-to-memory is not associated with a channel out.
- The **DISPC_CONTROL2**[6] GOWB bit and the [5] GOLCD and [6] GOTV bits in the **DISPC_CONTROL1/DISPC_CONTROL2** registers, combined with the synchronization event of the channel output selected for write back. This applies to all registers associated with the selected channel out and further delayed by the setting in the **DISPC_WB_ATTRIBUTES2**[7:0] WBDELAYCOUNT bit field, for all registers of the write back and DMA. The GOWB bit is required to be set only in WB capture mode; it is not required when WB memory-to-memory mode is used.

NOTE: Before setting the GOLCD, GOTV, or GOWB bits, the user must ensure that the bits are cleared. The hardware resets the bits when the update completes.

Table 11-118 lists the shadow registers. Registers that do not have a mark in any column are not shadowed.

Table 11-118. DISPC Shadow Registers

Shadow Register Name	Updated on VFP Start Period (LCD1 Pipeline)	Updated on VFP Start Period (LCD2 Pipeline)	Updated on VFP Start Period (LCD3 Pipeline)	Updated on External VSYNC (TV Pipeline)	Updated on END of Frame (WB Pipeline)
DISPC_REVISION					
DISPC_SYSCONFIG					
DISPC_SYSSTATUS					
DISPC_IRQSTATUS					
DISPC_IRQENABLE					
DISPC_CONTROL1	x			x	
DISPC_CONFIG1	x	x	x	x	x
DISPC_DEFAULT_COLOR0	x				

Table 11-118. DISPC Shadow Registers (continued)

Shadow Register Name	Updated on VFP Start Period (LCD1 Pipeline)	Updated on VFP Start Period (LCD2 Pipeline)	Updated on VFP Start Period (LCD3 Pipeline)	Updated on External VSYNC (TV Pipeline)	Updated on END of Frame (WB Pipeline)
DISPC_DEFAULT_COLOR1				x	
DISPC_TRANS_COLOR0	x				
DISPC_TRANS_COLOR1				x	
DISPC_LINE_STATUS					
DISPC_LINE_NUMBER	x				
DISPC_TIMING_H1	x				
DISPC_TIMING_V1	x				
DISPC_POL_FREQ1	x				
DISPC_DIVISOR1	x				
DISPC_GLOBAL_ALPHA	x	x	x	x	x
DISPC_SIZE_TV				x	
DISPC_SIZE_LCD1	x				
DISPC_GFX_BA _j ⁽¹⁾	x	x	x	x	x
DISPC_GFX_POSITION	x	x	x	x	x
DISPC_GFX_SIZE	x	x	x	x	x
DISPC_GFX_ATTRIBUTES	x	x	x	x	x
DISPC_GFX_BUF_THRESHO LD	x	x	x	x	x
DISPC_GFX_BUF_SIZE_STA TUS					
DISPC_GFX_ROW_INC	x	x	x	x	x
DISPC_GFX_PIXEL_INC	x	x	x	x	x
DISPC_GFX_TABLE_BA	x	x	x	x	x
DISPC_VID1_BA _j ⁽¹⁾	x	x	x	x	x
DISPC_VID1_POSITION	x	x	x	x	x
DISPC_VID1_SIZE	x	x	x	x	x
DISPC_VID1_ATTRIBUTES	x	x	x	x	x
DISPC_VID1_BUF_THRESHO LD	x	x	x	x	x
DISPC_VID1_BUF_SIZE_STA TUS					
DISPC_VID1_ROW_INC	x	x	x	x	x
DISPC_VID1_PIXEL_INC	x	x	x	x	x
DISPC_VID1_FIR	x	x	x	x	x
DISPC_VID1_PICTURE_SIZE	x	x	x	x	x
DISPC_VID1_ACCU _j ⁽¹⁾	x	x	x	x	x
DISPC_VID1_FIR_COEF_H _i ⁽²⁾	x	x	x	x	x
DISPC_VID1_FIR_COEF_HV _i ⁽²⁾	x	x	x	x	x
DISPC_VID1_CONV_COEF0	x	x	x	x	x
DISPC_VID1_CONV_COEF1	x	x	x	x	x
DISPC_VID1_CONV_COEF2	x	x	x	x	x
DISPC_VID1_CONV_COEF3	x	x	x	x	x
DISPC_VID1_CONV_COEF4	x	x	x	x	x

⁽¹⁾ j = 0 to 1⁽²⁾ i = 0 to 7

Table 11-118. DISPC Shadow Registers (continued)

Shadow Register Name	Updated on VFP Start Period (LCD1 Pipeline)	Updated on VFP Start Period (LCD2 Pipeline)	Updated on VFP Start Period (LCD3 Pipeline)	Updated on External VSYNC (TV Pipeline)	Updated on END of Frame (WB Pipeline)
DISPC_VID2_BA_j ⁽¹⁾	X	X	X	X	X
DISPC_VID2_POSITION	X	X	X	X	X
DISPC_VID2_SIZE	X	X	X	X	X
DISPC_VID2_ATTRIBUTES	X	X	X	X	X
DISPC_VID2_BUF_THRESHO LD	X	X	X	X	X
DISPC_VID2_BUF_SIZE_STA TUS					
DISPC_VID2_ROW_INC	X	X	X	X	X
DISPC_VID2_PIXEL_INC	X	X	X	X	X
DISPC_VID2_FIR	X	X	X	X	X
DISPC_VID2_PICTURE_SIZE	X	X	X	X	X
DISPC_VID2_ACCU_j ⁽¹⁾	X	X	X	X	X
DISPC_VID2_FIR_COEF_H_i ⁽²⁾	X	X	X	X	X
DISPC_VID2_FIR_COEF_HV_i ⁽²⁾	X	X	X	X	X
DISPC_VID2_CONV_COEF0	X	X	X	X	X
DISPC_VID2_CONV_COEF1	X	X	X	X	X
DISPC_VID2_CONV_COEF2	X	X	X	X	X
DISPC_VID2_CONV_COEF3	X	X	X	X	X
DISPC_VID2_CONV_COEF4	X	X	X	X	X
DISPC_DATA1_CYCLE1	X				
DISPC_DATA1_CYCLE2	X				
DISPC_DATA1_CYCLE3	X				
DISPC_VID1_FIR_COEF_V_i ⁽²⁾	X	X	X	X	X
DISPC_VID2_FIR_COEF_V_i ⁽²⁾	X	X	X	X	X
DISPC_CPR1_COEF_R	X				
DISPC_CPR1_COEF_G	X				
DISPC_CPR1_COEF_B	X				
DISPC_GFX_PRELOAD	X	X	X	X	X
DISPC_VID1_PRELOAD	X	X	X	X	X
DISPC_VID2_PRELOAD	X	X	X	X	X
DISPC_CONTROL2		X		X	X
DISPC_VID3_ACCU_j ⁽²⁾	X	X	X	X	X
DISPC_VID3_BA_j ⁽²⁾	X	X	X	X	X
DISPC_VID3_FIR_COEF_H_i ⁽²⁾	X	X	X	X	X
DISPC_VID3_FIR_COEF_HV_i ⁽²⁾	X	X	X	X	X
DISPC_VID3_FIR_COEF_V_i ⁽²⁾	X	X	X	X	X
DISPC_VID3_ATTRIBUTES	X	X	X	X	X
DISPC_VID3_CONV_COEF0	X	X	X	X	X
DISPC_VID3_CONV_COEF1	X	X	X	X	X

Table 11-118. DISPC Shadow Registers (continued)

Shadow Register Name	Updated on VFP Start Period (LCD1 Pipeline)	Updated on VFP Start Period (LCD2 Pipeline)	Updated on VFP Start Period (LCD3 Pipeline)	Updated on External VSYNC (TV Pipeline)	Updated on END of Frame (WB Pipeline)
DISPC_VID3_CONV_COEF2	x	x	x	x	x
DISPC_VID3_CONV_COEF3	x	x	x	x	x
DISPC_VID3_CONV_COEF4	x	x	x	x	x
DISPC_VID3_BUF_SIZE_STATUS					
DISPC_VID3_BUF_THRESHOLD	x	x	x	x	x
DISPC_VID3_FIR	x	x	x	x	x
DISPC_VID3_PICTURE_SIZE	x	x	x	x	x
DISPC_VID3_PIXEL_INC	x	x	x	x	x
DISPC_VID3_POSITION	x	x	x	x	x
DISPC_VID3_PRELOAD	x	x	x	x	x
DISPC_VID3_ROW_INC	x	x	x	x	x
DISPC_VID3_SIZE	x	x	x	x	x
DISPC_DEFAULT_COLOR2		x			
DISPC_TRANS_COLOR2		x			
DISPC_CPR2_COEF_B		x			
DISPC_CPR2_COEF_G		x			
DISPC_CPR2_COEF_R		x			
DISPC_DATA2_CYCLE1		x			
DISPC_DATA2_CYCLE2		x			
DISPC_DATA2_CYCLE3		x			
DISPC_SIZE_LCD2		x			
DISPC_TIMING_H2		x			
DISPC_TIMING_V2		x			
DISPC_POL_FREQ2		x			
DISPC_DIVISOR2		x			
DISPC_WB_ACCU_j ⁽¹⁾	x	x	x	x	x
DISPC_WB_BA_j ⁽¹⁾	x	x	x	x	x
DISPC_WB_FIR_COEF_H_j ⁽²⁾	x	x	x	x	x
DISPC_WB_FIR_COEF_HV_j ⁽²⁾	x	x	x	x	x
DISPC_WB_FIR_COEF_V_j ⁽²⁾	x	x	x	x	x
DISPC_WB_ATTRIBUTES	x	x	x	x	x
DISPC_WB_CONV_COEF0	x	x	x	x	x
DISPC_WB_CONV_COEF1	x	x	x	x	x
DISPC_WB_CONV_COEF2	x	x	x	x	x
DISPC_WB_CONV_COEF3	x	x	x	x	x
DISPC_WB_CONV_COEF4	x	x	x	x	x
DISPC_WB_BUF_SIZE_STATUS	x	x	x	x	x
DISPC_WB_BUF_THRESHOLD	x	x	x	x	x
DISPC_WB_FIR	x	x	x	x	x
DISPC_WB_PICTURE_SIZE	x	x	x	x	x

Table 11-118. DISPC Shadow Registers (continued)

Shadow Register Name	Updated on VFP Start Period (LCD1 Pipeline)	Updated on VFP Start Period (LCD2 Pipeline)	Updated on VFP Start Period (LCD3 Pipeline)	Updated on External VSYNC (TV Pipeline)	Updated on END of Frame (WB Pipeline)
DISPC_WB_PIXEL_INC	X	X	X	X	X
DISPC_WB_ROW_INC	X	X	X	X	X
DISPC_WB_SIZE	X	X	X	X	X
DISPC_VID1_BA_UV_j ⁽¹⁾	X	X	X	X	X
DISPC_VID2_BA_UV_j ⁽¹⁾	X	X	X	X	X
DISPC_VID3_BA_UV_j ⁽¹⁾	X	X	X	X	X
DISPC_WB_BA_UV_j ⁽¹⁾	X	X	X	X	X
DISPC_CONFIG2	X	X	X	X	X
DISPC_VID1_ATTRIBUTES2	X	X	X	X	X
DISPC_VID2_ATTRIBUTES2	X	X	X	X	X
DISPC_VID3_ATTRIBUTES2	X	X	X	X	X
DISPC_GAMMA_TABLE0					
DISPC_GAMMA_TABLE1					
DISPC_GAMMA_TABLE2					
DISPC_VID1_FIR2	X	X	X	X	X
DISPC_VID1_ACCU2_j ⁽¹⁾	X	X	X	X	X
DISPC_VID1_FIR_COEF_H2_j ⁽²⁾	X	X	X	X	X
DISPC_VID1_FIR_COEF_HV2_j ⁽²⁾	X	X	X	X	X
DISPC_VID1_FIR_COEF_V2_j ⁽²⁾	X	X	X	X	X
DISPC_VID2_FIR2	X	X	X	X	X
DISPC_VID2_ACCU2_j ⁽¹⁾	X	X	X	X	X
DISPC_VID2_FIR_COEF_H2_j ⁽²⁾	X	X	X	X	X
DISPC_VID2_FIR_COEF_HV2_j ⁽²⁾	X	X	X	X	X
DISPC_VID2_FIR_COEF_V2_j ⁽²⁾	X	X	X	X	X
DISPC_VID3_FIR2	X	X	X	X	X
DISPC_VID3_ACCU2_j ⁽¹⁾	X	X	X	X	X
DISPC_VID3_FIR_COEF_H2_j ⁽²⁾	X	X	X	X	X
DISPC_VID3_FIR_COEF_HV2_j ⁽²⁾	X	X	X	X	X
DISPC_VID3_FIR_COEF_V2_j ⁽²⁾	X	X	X	X	X
DISPC_WB_FIR2	X	X	X	X	X
DISPC_WB_ACCU2_j ⁽¹⁾	X	X	X	X	X
DISPC_WB_FIR_COEF_H2_j ⁽²⁾	X	X	X	X	X
DISPC_WB_FIR_COEF_HV2_j ⁽²⁾	X	X	X	X	X
DISPC_WB_FIR_COEF_V2_j ⁽²⁾	X	X	X	X	X
DISPC_GLOBAL_BUFFER					
DISPC_DIVISOR					

Table 11-118. DISPC Shadow Registers (continued)

Shadow Register Name	Updated on VFP Start Period (LCD1 Pipeline)	Updated on VFP Start Period (LCD2 Pipeline)	Updated on VFP Start Period (LCD3 Pipeline)	Updated on External VSYNC (TV Pipeline)	Updated on END of Frame (WB Pipeline)
DISPC_WB_ATTRIBUTES2	x	x	x	x	x
DISPC_DEFAULT_COLOR3			x		
DISPC_TRANS_COLOR3			x		
DISPC_CPR3_COEF_B			x		
DISPC_CPR3_COEF_G			x		
DISPC_CPR3_COEF_R			x		
DISPC_DATA3_CYCLE1			x		
DISPC_DATA3_CYCLE2			x		
DISPC_DATA3_CYCLE3			x		
DISPC_SIZE_LCD3			x		
DISPC_DIVISOR3			x		
DISPC_POL_FREQ3			x		
DISPC_TIMING_H3			x		
DISPC_TIMING_V3			x		
DISPC_CONTROL3			x		
DISPC_CONFIG3			x		
DISPC_GAMMA_TABLE3			x		
DISPC_BA0_FLIPIMMEDIATE_EN					
DISPC_GLOBAL_MFLAG_AT TRIBUTE					
DISPC_GFX_MFLAG_THRES HOLD	x	x	x	x	x
DISPC_VID1_MFLAG_THRES HOLD	x	x	x	x	x
DISPC_VID2_MFLAG_THRES HOLD	x	x	x	x	x
DISPC_VID3_MFLAG_THRES HOLD	x	x	x	x	x
DISPC_WB_MFLAG_THRES HOLD	x	x	x	x	x
DISPC_GFX_POSITION2	x	x	x	x	x
DISPC_VID1_POSITION2	x	x	x	x	x
DISPC_VID2_POSITION2	x	x	x	x	x
DISPC_VID3_POSITION2	x	x	x	x	x

11.2.5 DISPC Programming Guide

11.2.5.1 DISPC Low-Level Programming Models

This section describes the low-level hardware programming sequences for the configuration and use of the module.

11.2.5.1.1 DISPC Global Initialization

11.2.5.1.1.1 DISPC Surrounding Modules Global Initialization

This section identifies the requirements for initializing the surrounding modules when the DISPC module is to be used for the first time after a device reset. This initialization of surrounding modules is based on the integration and environment of the DISPC. For more information, see [Section 11.1.2, DISPC Integration](#), and [Section 11.1.1, DISPC Environment](#).

Table 11-119. DISPC Global Initialization of Surrounding Modules

Surrounding Modules	Comments
PRCM	Module interface and functional clocks must be enabled. See Section 3.1.1.1.2, Module-Level Clock Management , in Chapter 3, Power, Reset, and Clock Management .
Control module	Module-specific pad muxing and configuration must be set in the control module. See Section 18.4.6.1.1, Pad Configuration Registers , in Chapter 18, Control Module .
Device INTCs	Device INTCs must be configured to enable the interrupt request generation. For more information see Chapter 17, Interrupt Controllers .
Interconnect	For more information about interconnect configuration, see Section 14.2, L3 Interconnect .
DMA_CROSSBAR	DMA_CROSSBAR configuration must be done to allow module DREQs to be mapped to certain device DMA line. For more information see Section 18.4.6.5, DMA_CROSSBAR Module Functional Description , in Chapter 18, Control Module .
IRQ_CROSSBAR	IRQ_CROSSBAR configuration must be done to allow module IRQs to be mapped to certain device INTC line. For more information see Section 18.4.6.4, IRQ_CROSSBAR Module Functional Description , in Chapter 18, Control Module .

11.2.5.1.2 DISPC Operational Modes Configuration

[Table 11-120](#) lists the steps to configure the operational modes in the DISPC.

Table 11-120. DISPC Configuration

Step	Register/Bit Field/Programming Model
For a GFX pipeline configuration	
Configure the GFX DMA channel.	See Table 11-121 .
Configure the GFX pipeline.	See Table 11-124 .
Configure the LCD or TV output.	For LCD output, see Table 11-141 . For TV output, see Table 11-150 .
For a Video pipeline configuration	
Configure the video DMA channel.	See Table 11-122 .
Configure the video pipeline.	See Table 11-128 .
Configure the LCD or TV output.	For LCD output, see Table 11-141 . For TV output, see Table 11-150 .
For a WB pipeline configuration	
Configure the WB DMA channel.	See Table 11-123 .
Configure the WB pipeline.	For video pipelines, see Table 11-136 .

11.2.5.1.2.1 DISPC DMA Configuration

11.2.5.1.2.1.1 DISPC Main Sequence – DISPC DMA Channel Configuration

This procedure describes the parameters of the GFX, video, and WB DMA channel parameters (see [Table 11-121](#) through [Table 11-123](#), respectively).

Table 11-121. DISPC Configure the GFX DMA Channel

Step	Register/Bit Field/Programming Model	Value
Set the base address for RGB pixel format according to memory access type, rotation, mirroring (see Section 11.2.4.6, DISPC DMA Engine).	DISPC_GFX_BA_j[31:0] BA	0x—
Set the rotation flag.	DISPC_GFX_ATTRIBUTES[13:12] ROTATION	0x—
Set the number of bytes to increment at the end of the row.	DISPC_GFX_ROW_INC[31:0] ROWINC	0x—
Set the number of bytes to increment between two pixels.	DISPC_GFX_PIXEL_INC[7:0] PIXELINC	0x—
Determine the FIFO preload mode.	DISPC_GFX_ATTRIBUTES[11] BUFPRELOAD	0x—
Set the preload value.	DISPC_GFX_PRELOAD[11:0] PRELOAD	0x—
Determine the burst type.	DISPC_GFX_ATTRIBUTES[29] BURSTTYPE	0x—
Set the burst size.	DISPC_GFX_ATTRIBUTES[7:6] BURSTSIZE	0x—
Set the high level of DMA FIFO threshold.	DISPC_GFX_BUF_THRESHOLD[31:16] BUFHIGHTRESHOLD	0x—
Set the low level of DMA FIFO threshold.	DISPC_GFX_BUF_THRESHOLD[15:0] BUFLOWTRESHOLD	0x—
Enable self-refresh.	DISPC_GFX_ATTRIBUTES[24] SELFREFRESH	0x—
Select priority over the other pipeline.	DISPC_GFX_ATTRIBUTES[23] ARBITRATION	0x—

Table 11-122. DISPC Configure the Video DMA Channel

Step	Register/Bit Field/Programming Model	Value
Set the base address for RGB pixel format or Y component format according to memory access type, rotation, mirroring (see Section 11.2.4.6, DISPC DMA Engine).	DISPC_VIDp_BA_j[31:0] BA	0x—
Set the base address for Cb and Cr components according to memory access type, rotation, mirroring (see Section 11.2.4.6, DISPC DMA Engine) ⁽¹⁾ .	DISPC_VIDp_BA_UV_j[31:0] BA	0x—
Set the rotation flag.	DISPC_VIDp_ATTRIBUTES[13:12] ROTATION	0x—
Set the number of bytes to increment at the end of the row.	DISPC_VIDp_ROW_INC[31:0] ROWINC	0x—
Set the number of bytes to increment between two pixels.	DISPC_VIDp_PIXEL_INC[7:0] PIXELINC	0x—
Set the X original image size.	DISPC_VIDp_PICTURE_SIZE[10:0] MEMSIZE_X	0x—
Set the Y original image size.	DISPC_VIDp_PICTURE_SIZE[27:16] MEMSIZE_Y	0x—
Determine the FIFO preload mode.	DISPC_VIDp_ATTRIBUTES[19] BUFPRELOAD	0x—
Set the preload value.	DISPC_VIDp_PRELOAD[11:0] PRELOAD	0x—
Determine the burst type.	DISPC_VIDp_ATTRIBUTES[29] BURSTTYPE	0x—
Set the burst size.	DISPC_VIDp_ATTRIBUTES[15:14] BURSTSIZE	0x—
Set the high level of DMA FIFO threshold.	DISPC_VIDp_BUF_THRESHOLD[31:16] BUFHIGHTRESHOLD	0x—
Set the low level of DMA FIFO threshold.	DISPC_VIDp_BUF_THRESHOLD[15:0] BUFLOWTRESHOLD	0x—
Enable self-refresh.	DISPC_VIDp_ATTRIBUTES[24] SELFREFRESH	0x—

⁽¹⁾ Applicable only for YUV pixel format

Table 11-122. DISPC Configure the Video DMA Channel (continued)

Step	Register/Bit Field/Programming Model	Value
Select priority over the other pipeline.	DISPC_VIDp_ATTRIBUTES[23] ARBITRATION	0x–

Table 11-123. DISPC Configure the WB DMA Channel

Step	Register/Bit Field/Programming Model	Value
Set the base address for RGB pixel format or Y component format according to memory access type, rotation, mirroring (see Section 11.2.4.6 , <i>DISPC DMA Engine</i>).	DISPC_WB_BA_j[31:0] BA	0x—
Set the base address for Cb and Cr components according to memory access type, rotation, mirroring (see Section 11.2.4.6 , <i>DISPC DMA Engine</i>) ⁽¹⁾ .	DISPC_WB_BA_UV_j[31:0] BA	0x—
Set the stride of CbCr component ⁽²⁾ .	DISPC_WB_ATTRIBUTES[22] DOUBLESTRIDE	0x–
Set the rotation flag.	DISPC_WB_ATTRIBUTES[13:12] ROTATION	0x–
Set the number of bytes to increment at the end of the row.	DISPC_WB_ROW_INC[31:0] ROWINC ⁽³⁾	0x–
Set the number of bytes to increment between two pixels.	DISPC_WB_PIXEL_INC[7:0] PIXELINC	0x–
Set the X final image size in system memory.	DISPC_WB_PICTURE_SIZE[10:0] ORGSIZE_X	0x–
Set the Y final image size in system memory.	DISPC_WB_PICTURE_SIZE[27:16] ORGSIZE_Y	0x–
Set the burst size.	DISPC_WB_ATTRIBUTES[15:14] BURSTSIZE	0x–
Set the high level of DMA FIFO threshold.	DISPC_WB_BUF_THRESHOLD[31:16] BUFHIGHTRESHOLD	0x–
Set the low level of DMA FIFO threshold.	DISPC_WB_BUF_THRESHOLD[15:0] BUFLOWTRESHOLD	0x–
Select priority over the other pipeline.	DISPC_WB_ATTRIBUTES[23] ARBITRATION	0x–

⁽¹⁾ Applicable only for YUV pixel format

⁽²⁾ Applicable only for YUV pixel format.

⁽³⁾ The [DISPC_WB_ROW_INC](#) register can be used only in 2D mode (using the Tiler). In order to use the [DISPC_WB_ROW_INC](#) register, the [DISPC_WB_ATTRIBUTES\[8\] BURSTTYPE](#) bit must be set to 1.

11.2.5.1.2.2 DISPC GFX Pipeline Configuration

11.2.5.1.2.2.1 DISPC Main Sequence – Configure the GFX Pipeline

This procedure details the steps for a GFX pipeline configuration (see [Table 11-124](#)).

Table 11-124. DISPC Configure the GFX Pipeline

Step	Register/Bit Field/Programming Model	Value
Configure the GFX window.	See Table 11-125 .	
Configure the GFX pipeline processing.	See Table 11-126 .	
Configure the GFX pipeline layer output.	See Table 11-127 .	
Validate the GFX configuration according to outputs associated to the pipeline.	DISPC_CONTROL1 [5] GOLCD	
	DISPC_CONTROL2 [5] GOLCD	
	DISPC_CONTROL2 [6] GOWB	
	DISPC_CONTROL1 [6] GOTV	
Enable the GFX pipeline.	DISPC_GFX_ATTRIBUTES [0] ENABLE	0x1

11.2.5.1.2.2.2 DISPC Subsequence – Configure the GFX Window

This subsequence describes the parameters of the image to be displayed on the LCD panel (see [Table 11-125](#)).

Table 11-125. DISPC Configure the GFX Window

Step	Register/Bit Field/Programming Model	Value
Select the format of image.	DISPC_GFX_ATTRIBUTES [4:1] FORMAT	0x–
Set the X size of image to be displayed onto LCD panel.	DISPC_GFX_SIZE [10:0] SIZEX	0x–
Set the Y size of image to be displayed onto LCD panel.	DISPC_GFX_SIZE [27:16] SIZEY	0x–
Set the X position of image in respect to LCD panel.	DISPC_GFX_POSITION [10:0] POSX	0x–
Set the Y position of image in respect to LCD panel.	DISPC_GFX_POSITION [26:16] POSY	0x–

11.2.5.1.2.2.3 DISPC Subsequence – Configure the GFX Pipeline Processing

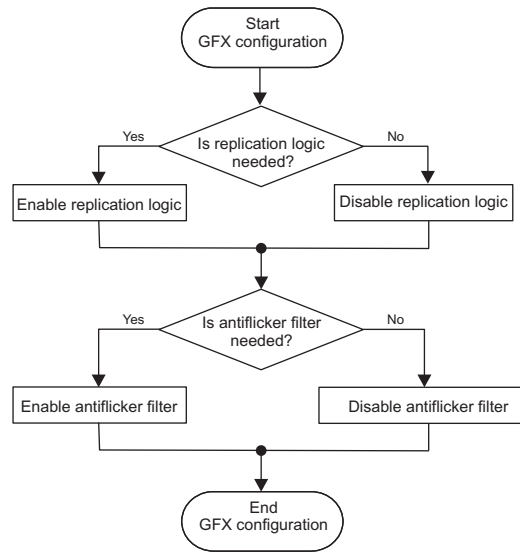
This subsequence describes the steps to configure the GFX pipeline processing in the DISPC (see [Table 11-126](#)).

Table 11-126. DISPC Configure the GFX Pipeline Processing

Step	Register/Bit Field/Programming Model	Value
Enable replication logic.	DISPC_GFX_ATTRIBUTES [5] REPLICATIONENABLE	0x1
Enable antiflicker filter.	DISPC_GFX_ATTRIBUTES [24] ANTIFLICKER	0x1

Figure 11-100 shows the configuration of the DISPC graphics pipeline processing.

Figure 11-100. DISPC GFX Pipeline Processing Configuration



dispc-091

11.2.5.1.2.2.4 DISPC Subsequence – Configure the GFX Pipeline Layer Output

This subsequence describes the video layer settings available at the pipeline level necessary when using the overlay manager (see Table 11-127).

Table 11-127. DISPC Configure the GFX Pipeline Layer Output

Step	Register/Bit Field/Programming Model	Value
Set the LCD/TV output.	DISPC_GFX_ATTRIBUTES[8] CHANNELOUT	0x–
If DISPC_GFX_ATTRIBUTES[8] = 0, set the LCD output.	DISPC_GFX_ATTRIBUTES[31:30] CHANNELOUT2	0x–
Set the Z-order priority of the layer for overlay manager.	DISPC_GFX_ATTRIBUTES[27:26] ZORDER	0x–
Enable the video pipeline Z-order.	DISPC_GFX_ATTRIBUTES[25] ZORDERENABLE	0x–
Set the Global Alpha value for the alpha blender unit.	DISPC_GLOBAL_ALPHA[7:0] GFXGLOBALALPHA	0x–

11.2.5.1.2.3 DISPC Video Pipeline Configuration

11.2.5.1.2.3.1 DISPC Main Sequence – Configure the Video Pipeline

This sequence describes the steps to configure the video pipeline (see Table 11-128).

Table 11-128. DISPC Configure the Video Pipeline

Step	Register/Bit Field/Programming Model	Value
Configure the video window.	See Table 11-129.	
Configure the video pipeline processing.	See Table 11-130.	
Configure the video pipeline layer output.	See Table 11-135.	
Validate the video configuration according to outputs associated to the pipeline.	DISPC_CONTROL1[5] GOLCD	
	DISPC_CONTROL2[5] GOLCD	
	DISPC_CONTROL2[6] GOWB	
	DISPC_CONTROL1[6] GOTV	

Table 11-128. DISPC Configure the Video Pipeline (continued)

Step	Register/Bit Field/Programming Model	Value
Enable video pipeline.	DISPC_VIDp_ATTRIBUTES[0] ENABLE	0x1

11.2.5.1.2.3.2 DISPC Subsequence – Configure the Video Window

This subsequence describes the parameters of the image to be displayed on the LCD panel (see [Table 11-129](#)).

Table 11-129. DISPC Configure the Video Window

Step	Register/Bit Field/Programming Model	Value
Select the format of image.	DISPC_VIDp_ATTRIBUTES[4:1] FORMAT	0x–
Set the X size of image to be displayed onto LCD panel.	DISPC_VIDp_SIZE[10:0] SIZEX	0x–
Set the Y size of image to be displayed onto LCD panel.	DISPC_VIDp_SIZE[27:16] SIZEY	0x–
Set the X position of image in respect to LCD panel.	DISPC_VIDp_POSITION[10:0] POSX	0x–
Set the Y position of image in respect to LCD panel.	DISPC_VIDp_POSITION[26:16] POSY	0x–

11.2.5.1.2.3.3 DISPC Subsequence – Configure the Video Pipeline Processing

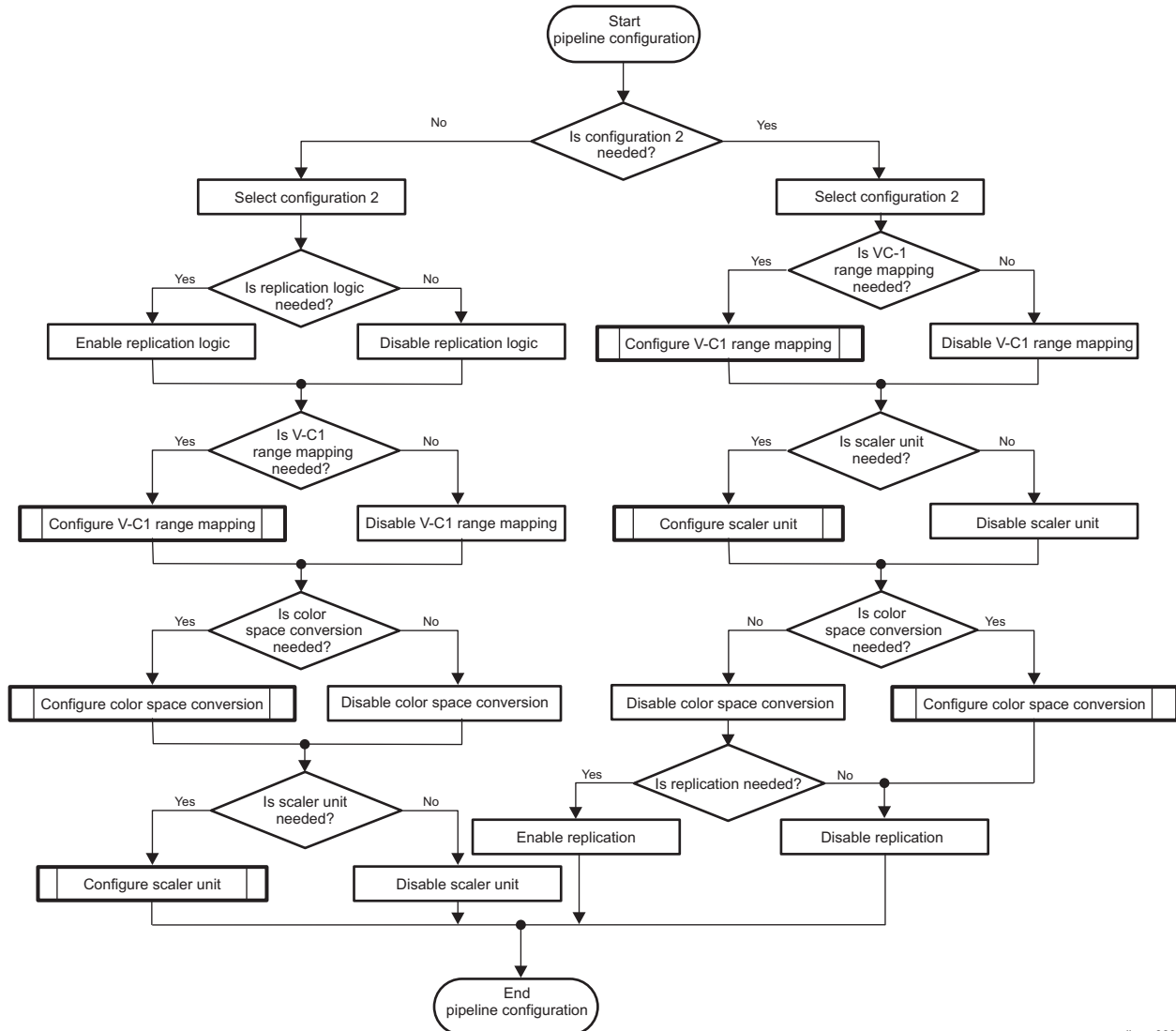
This subsequence describes the steps to configure video pipeline processing (see [Table 11-130](#) and [Figure 11-101](#)).

Table 11-130. DISPC Configure the Video Pipeline Processing

Step	Register/Bit Field/Programming Model	Value
Select the video pipeline configuration 1 or 2.	DISPC_VIDp_ATTRIBUTES2[8] YUVCHROMARESAMPLING	0x–
Enable/disable replication logic ⁽¹⁾ .	DISPC_VIDp_ATTRIBUTES[10] REPLICATIONENABLE	0x1
Configure the VC-1 range mapping ⁽¹⁾ .	See Section 11.2.5.1.2.3.4 .	
Configure the video color space conversion ⁽¹⁾ .	See Section 11.2.5.1.2.3.5 .	
Configure the video scaler unit ⁽¹⁾ .	See Section 11.2.5.1.2.3.6 .	

- ⁽¹⁾ This module configuration can be optional depending on:
- The video mode configuration selected. See [Figure 11-101](#).
 - The video format and application needs

Figure 11-101. DISPC Video Pipeline Processing Configuration



dispc-089

11.2.5.1.2.3.4 DISPC Subsequence – Configure the VC-1 Range Mapping

This subsequence describes the steps to configure the VC-1 range mapping (see [Table 11-131](#)).

Table 11-131. DISPC Configure the VC-1 Range Mapping

Step	Register/Bit Field/Programming Model	Value
Set the Y component VC-1 range mapping.	DISPC_VIDp_ATTRIBUTES2[3:1] VC1_RANGE_Y	0x–
Set the Cb and Cr component VC-1 range mapping.	DISPC_VIDp_ATTRIBUTES2[6:4] VC1_RANGE_CBCR	0x–
Enable VC-1 range mapping.	DISPC_VIDp_ATTRIBUTES2[0] VC1ENABLE	0x1

11.2.5.1.2.3.5 DISPC Subsequence – Configure the Video Color Space Conversion

This subsequence describes the steps to configure the video color space conversion (see [Table 11-132](#)).

Table 11-132. DISPC Configure the Video Color Space Conversion

Step	Register/Bit Field/Programming Model	Value
Select the range of the color space conversion.	DISPC_VIDp_ATTRIBUTES[11] FULLRANGE	0x–
Set the RCr and RY coefficients.	DISPC_VIDp_CONV_COEF0[26:16][10:0] RCR, RY	0x–
Set the GY and RCB coefficients.	DISPC_VIDp_CONV_COEF1[26:16][10:0] GY, RCB	0x–
Set the GCb and GCr coefficients.	DISPC_VIDp_CONV_COEF2[26:16][10:0] GCB, GCr	0x–
Set the BCr and BY coefficients.	DISPC_VIDp_CONV_COEF3[26:16][10:0] BCR, BY	0x–
Set the BCb coefficient.	DISPC_VIDp_CONV_COEF4[10:0] BCB	0x–
Enable color space conversion.	DISPC_VIDp_ATTRIBUTES[9] COLORCONVENABLE	0x1

11.2.5.1.2.3.6 DISPC Subsequence – Configure the Video Scaler Unit

This subsequence configures the video scaler unit. [Table 11-133](#) is applicable for RGB pixel format. [Table 11-133](#) and [Table 11-134](#) are applicable for YUV pixel format.

Table 11-133. DISPC Configure the Video Scaler Unit for RGB Pixel Formats or Y Component

Step	Register/Bit Field/Programming Model	Value
Configure horizontal scaling		
Set the horizontal resizing ratio.	DISPC_VIDp_FIR[12:0] FIRHINC	0x–
Set the horizontal FIR coefficients.	DISPC_VIDp_FIR_COEF_H_i[31:24][23:16][15:8] [7:0] FIRHC3, FIRHC2, FIRHC1, FIRHC0	0x–
	DISPC_VIDp_FIR_COEF_HV_i[7:0] FIRHC4	0x–
Set the horizontal accumulators value.	DISPC_VIDp_ACCU_j[10:0] HORIZONTALACCU	0x–
Configure vertical scaling		
Select number of vertical taps.	DISPC_VIDp_ATTRIBUTES[21] VERTICALTAPS	0x–
Set the vertical resizing ratio.	DISPC_VIDp_FIR[28:16] FIRVINC	0x–
Set the vertical FIR coefficients for RGB pixel format or Y component.	DISPC_VIDp_FIR_COEF_HV_i[31:24][23:16][15:8] FIRVC2, FIRVC1, FIRVC0	0x–
	Only for 5-taps vertical: DISPC_VIDp_FIR_COEF_V_i[15:8][7:0] FIRVC22, FIRVC00	0x–
Set the vertical accumulators value for RGB pixel format or Y component.	DISPC_VIDp_ACCU_j[26:16] VERTICALACCU	0x–
Enable horizontal and vertical scaler unit.	DISPC_VIDp_ATTRIBUTES[6:5] RESIZEENABLE	0x–

Table 11-134. DISPC Configure the Video Scaler Unit for Cb and Cr Components

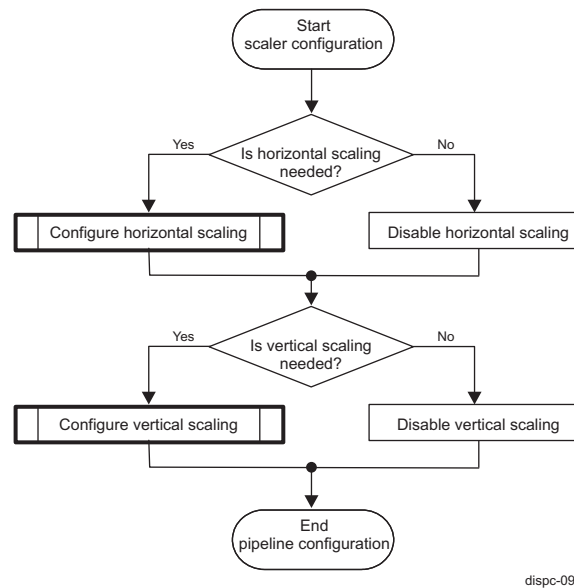
Step	Register/Bit Field/Programming Model	Value
Configure horizontal scaling		
Set the horizontal resizing ratio for Cb and Cr components.	DISPC_VIDp_FIR2[12:0] FIRHINC	0x–
Set the horizontal FIR coefficients for Cb and Cr components.	DISPC_VIDp_FIR_COEF_H2_i[31:24][23:16][15:8] [7:0] FIRHC3, FIRHC2, FIRHC1, FIRHC0	0x–
	DISPC_VIDp_FIR_COEF_HV2_i[7:0] FIRHC4	0x–
Set the horizontal accumulators value for Cb and Cr components.	DISPC_VIDp_ACCU2_j[10:0] HORIZONTALACCU	0x–
Configure vertical scaling		
Set the vertical resizing ratio for Cb and Cr components.	DISPC_VIDp_FIR2[28:16] FIRVINC	0x–
Set the vertical FIR coefficients for Cb and Cr components.	DISPC_VIDp_FIR_COEF_HV2_i[31:24][23:16][15:8] FIRVC2, FIRVC1, FIRVC0	0x–
	Only for 5-taps vertical: DISPC_VIDp_FIR_COEF_V2_i[15:8][7:0] FIRVC22, FIRVC00	0x–

Table 11-134. DISPC Configure the Video Scaler Unit for Cb and Cr Components (continued)

Step	Register/Bit Field/Programming Model	Value
Set the vertical accumulators value for Cb and Cr components.	DISPC_VIDp_ACCU2_[26:16] VERTICALACCU	0x-

Figure 11-102 shows the programming flow of the DISPC scaler unit.

Figure 11-102. DISPC Scaler Unit Programming Flow



11.2.5.1.2.3.7 DISPC Subsequence – Configure the Video Pipeline Layer Output

This subsequence describes the video layer settings available at the pipeline level necessary when using the overlay manager (see Table 11-135).

Table 11-135. DISPC Configure the Video Pipeline Layer Output

Step	Register/Bit Field/Programming Model	Value
Set the LCD/TV output.	DISPC_VIDp_ATTRIBUTES[16] CHANNELOUT	0x-
If DISPC_VIDp_ATTRIBUTES[16] = 0, set the LCD output.	DISPC_VIDp_ATTRIBUTES[31:30] CHANNELOUT2	0x-
Set the Z-order priority of the layer for overlay manager.	DISPC_VIDp_ATTRIBUTES[27:26] ZORDER	0x-
Enable the video pipeline Z-order.	DISPC_VIDp_ATTRIBUTES[25] ZORDERENABLE	0x-
Set the Global Alpha value for the alpha blender unit.	DISPC_GLOBAL_ALPHA[31:24][23:16][15:8] VID3GLOBALALPHA, VID2GLOBALALPHA, VID1GLOBALALPHA	0x-

11.2.5.1.2.4 DISPC WB Pipeline Configuration

11.2.5.1.2.4.1 DISPC Main Sequence – Configure the WB Pipeline

This procedure describes the steps to configure the WB pipeline (see Table 11-136).

Table 11-136. DISPC Configure the WB Pipeline

Step	Register/Bit Field/Programming Model	Value
Configure the capture window.	See Table 11-137 .	
Configure the WB scaler unit.	See Table 11-138 .	
Enable truncation logic to match pixel size defined in the format of image DISPC_WB_ATTRIBUTES [4:1] FORMAT.	DISPC_WB_ATTRIBUTES [10] TRUNCATIONENABLE	0x–
If DISPC_WB_ATTRIBUTES [10] !=, configure the WB color space conversion unit.	See Table 11-140 .	
Validate the configuration according to the registers modification.	DISPC_CONTROL2 [6] GOWB	
Enable WB pipeline.	DISPC_WB_ATTRIBUTES [0] ENABLE	0x1

11.2.5.1.2.4.2 DISPC Subsequence – Configure the Capture Window

This subsequence describes the parameters of the image to be captured in the system memory (see [Table 11-137](#)).

Table 11-137. DISPC Configure the Capture Window

Step	Register/Bit Field/Programming Model	Value
Set the input source.	DISPC_WB_ATTRIBUTES [18:16] CHANNELIN	0x–
Select the format of image.	DISPC_WB_ATTRIBUTES [4:1] FORMAT	0x–
Set the X size of image to be captured.	DISPC_WB_SIZE [10:0] SIZEX	0x–
Set the Y size of image to be captured.	DISPC_WB_SIZE [10:0] SIZEY	0x–

11.2.5.1.2.4.3 DISPC Subsequence – Configure the WB Scaler Unit

This subsequence configures the scaler unit. [Table 11-138](#) is applicable for RGB pixel format. [Table 11-138](#) and [Table 11-139](#) are applicable for YUV pixel format.

Table 11-138. DISPC Configure the WB Scaler Unit for RGB Pixel Formats or Y Component

Step	Register/Bit Field/Programming Model	Value
Configure horizontal scaling		
Set the horizontal resizing ratio.	DISPC_WB_FIR [12:0] FIRHINC	0x–
Set the horizontal FIR coefficients.	DISPC_WB_FIR_COEF_H_j [31:24][23:16][15:8][7:0] FIRHC3, FIRHC2, FIRHC1, FIRHC0	0x–
	DISPC_WB_FIR_COEF_HV_j [7:0] FIRHC4	0x–
Set the horizontal accumulators value.	DISPC_WB_ACCU_j [10:0] HORIZONTALACCU	0x–
Configure vertical scaling		
Select number of vertical taps.	DISPC_WB_ATTRIBUTES [21] VERTICALTAPS	0x–
Set the vertical resizing ratio.	DISPC_WB_FIR [28:16] FIRVINC	0x–
Set the vertical FIR coefficients for RGB pixel format or Y component.	DISPC_WB_FIR_COEF_HV_j [31:24][23:16][15:8] FIRVC2, FIRVC1, FIRVC0	0x–
	Only for 5-taps vertical: DISPC_WB_FIR_COEF_V_j [15:8][7:0] FIRVC22, FIRVC00	0x–
Set the vertical accumulators value for RGB pixel format or Y component.	DISPC_WB_ACCU_j [26:16] VERTICALACCU	0x–
Enable horizontal and vertical scaler unit.	DISPC_WB_ATTRIBUTES [6:5] RESIZEENABLE	0x–

Table 11-139. DISPC Configure the WB Scaler Unit for Cb and Cr Components

Step	Register/Bit Field/Programming Model	Value
Configure horizontal scaling		
Set the horizontal resizing ratio for Cb and Cr components.	DISPC_WB_FIR2[12:0] FIRHINC	0x–
Set the horizontal FIR coefficients for Cb and Cr components.	DISPC_WB_FIR_COEF_H2_j[31:24][23:16][15:8][7:0] FIRHC3, FIRHC2, FIRHC1, FIRHC0	0x–
	DISPC_WB_FIR_COEF_HV2_j[7:0] FIRHC4	0x–
Set the horizontal accumulators value for Cb and Cr components.	DISPC_WB_ACCU2_j[10:0] HORIZONTALACCU	0x–
Configure vertical scaling		
Set the vertical resizing ratio for Cb and Cr components.	DISPC_WB_FIR2[28:16] FIRVINC	0x–
Set the vertical FIR coefficients for Cb and Cr components.	DISPC_WB_FIR_COEF_HV2_j[31:24][23:16][15:8] FIRVC2, FIRVC1, FIRVC0	0x–
	Only for 5-taps vertical: DISPC_WB_FIR_COEF_V2_j[15:8][7:0] FIRVC22, FIRVC00	0x–
Set the vertical accumulators value for Cb and Cr components.	DISPC_WB_ACCU2_j[26:16] VERTICALACCU	0x–

11.2.5.1.2.4.4 DISPC Subsequence – Configure the WB Color Space Conversion Unit

This subsequence describes the steps to configure the WB color space conversion unit (see [Table 11-140](#)).

Table 11-140. DISPC Configure the WB Color Space Conversion Unit

Step	Register/Bit Field/Programming Model	Value
Select the range of the color space conversion.	DISPC_WB_ATTRIBUTES[11] FULLRANGE	0x–
Set the RCr and RY coefficients.	DISPC_WB_CONV_COEF0[26:16][10:0] YG, YR	0x–
Set the GY and RCb coefficients	DISPC_WB_CONV_COEF1[26:16][10:0] CRR, YB	0x–
Set the GCb and GCr coefficients.	DISPC_WB_CONV_COEF2[26:16][10:0] CRB, CRG	0x–
Set the BCr and BY coefficients.	DISPC_WB_CONV_COEF3[26:16][10:0] CBG, CBR	0x–
Set the BCb coefficient.	DISPC_WB_CONV_COEF4[10:0] CBB	0x–
Enable color space conversion.	DISPC_WB_ATTRIBUTES[9] COLORCONVENABLE	0x1

11.2.5.1.2.5 DISPC LCD Output Configuration

11.2.5.1.2.5.1 DISPC Main Sequence – Configure the LCD Output

This procedure details the LCD output configuration (see [Table 11-141](#)).

Table 11-141. DISPC Configure the LCD Output

Step	Register/Bit Field/Programming Model
Configure the LCD overlay manager.	See Table 11-142 .
Configure the gamma table for gamma correction.	See Section 11.2.5.1.2.5.3 .
Configure the CPR.	See Table 11-146 .
Configure the LCD panel timings and parameters.	See Table 11-147 .
Configure BT.656 or BT.1120 mode.	See Table 11-148 .
Validate the LCD output configuration according.	DISPC_CONTROL1[5] GOLCD
	DISPC_CONTROL2[5] GOLCD
Enable LCD output.	DISPC_CONTROL1[0] LCDENABLE

Table 11-141. DISPC Configure the LCD Output (continued)

Step	Register/Bit Field/Programming Model
	DISPC_CONTROL2 [0] LCDENABLE

11.2.5.1.2.5.2 DISPC Subsequence – Configure the Overlay Manager

This subsequence describes the overlay manager settings and transparency color key configuration (see [Table 11-142](#)).

Table 11-142. DISPC Configure the LCD Overlay Manager

Step	Register/Bit Field/Programming Model	Value
Set the LCD panel background color.	DISPC_DEFAULT_COLOR [23:0] DEFAULTCOLOR	0x–
Enable/disable overlay optimization.	DISPC_CONTROL [12] OVERLAYOPTIMIZATION	0x–
Enable the alpha blender.	DISPC_CONFIG1 [18] LCDALPHABLENDERENABLE	0x1
Configure the transparency color key		
Set source or destination transparency color key mode.	DISPC_CONFIG [11] TCKLCDSELECTION	0x–
Set the transparency color value.	DISPC_TRANS_COLOR [23:0] TRANSCOLORKEY	0x–
Enable transparency color key mode.	DISPC_CONFIG [10] TCKLCDENABLE	0x–

11.2.5.1.2.5.3 DISPC Subsequence – Configure the Gamma Table for Gamma Correction

This subsequence describes the settings for configuring the gamma correction for LCD1, LCD2, and LCD3 (see [Table 11-143](#) through [Table 11-145](#), respectively).

NOTE: Software must ensure there is no visible effect when modifying the table because it is not under hardware control. The synchronization done using the DMA engine inside the DISPC to load the table when it is not used to display the picture on the screen is not present for this mode.

Table 11-143. DISPC Configure the Gamma Table for LCD1

Step	Register/Bit Field/Programming Model	Value
Initialize all entries for the gamma table by setting the table index and the RGB values associated to this index.	DISPC_GAMMA_TABLE0 [31:24][23:16][15:8][7:0], INDEX, VALUE_R, VALUE_G, VALUE_B	0x–
Enable the gamma table.	DISPC_CONFIG1 [3] PALETTEGAMMABLE	0x1
Select the load mode of the gamma look-up table.	DISPC_CONFIG1 [2:1] LOADMODE	0x–

Table 11-144. DISPC Configure the Gamma Table for LCD2

Step	Register/Bit Field/Programming Model	Value
Enable Gamma table for LCD2 and TV.	DISPC_CONFIG1 [9] GAMATABLEENABLE	0x1
Initialize all entries for the gamma table by setting the table index and the RGB values associated to this index.	DISPC_GAMMA_TABLE2 [31:24][23:16][15:8][7:0], INDEX, VALUE_R, VALUE_G, VALUE_B	0x–

Table 11-145. DISPC Configure the Gamma Table for LCD3

Step	Register/Bit Field/Programming Model	Value
Enable Gamma table for LCD3 and TV.	DISPC_CONFIG3[9] GAMATABLEENABLE	0x1
Initialize all entries for the gamma table by setting the table index and the RGB values associated to this index.	DISPC_GAMMA_TABLE3[31:24][23:16][15:8][7:0], INDEX, VALUE_R, VALUE_G, VALUE_B	0x–

11.2.5.1.2.5.4 DISPC Subsequence – Configure the Color Phase Rotation

Table 11-146 describes the settings for the CPR unit (see Table 11-146).

Table 11-146. DISPC Configure the Color Phase Rotation

Step	Register/Bit Field/Programming Model	Value
For Color Phase Rotation Processing		
Set the Red coefficients.	DISPC_CPRo_COEF_R [31:22][20:11][9:0] RR, RG, RB	0x–
Set the Green coefficients	DISPC_CPRo_COEF_G [31:22][20:11][9:0] GR, GG, GB	0x–
Set the Blue coefficients.	DISPC_CPRo_COEF_B [31:22][20:11][9:0] BR, BG, BB	0x–
Disable the CPR unit in RGB to YUV conversion.	DISPC_CONFIGo[24] COLORCONVENABLE	0x0
Enable the CPR unit.	DISPC_CONFIGo[15] CPR	0x1
For Color Space Conversion Processing		
Set the Y coefficients.	DISPC_CPRo_COEF_R [31:22][20:11][9:0] RR, RG, RB	0x–
Set the Cb coefficients.	DISPC_CPRo_COEF_G [31:22][20:11][9:0] GR, GG, GB	0x–
Set the Cr coefficients.	DISPC_CPRo_COEF_B [31:22][20:11][9:0] BR, BG, BB	0x–
Set the CSC range.	DISPC_CONFIGo[25] FULLRANGE	0x–
Enable the CPR unit in RGB to YUV conversion.	DISPC_CONFIGo[24] COLORCONVENABLE	0x1
Disable the CPR unit.	DISPC_CONFIGo[15] CPR	0x0

11.2.5.1.2.5.5 DISPC Subsequence – Configure the LCD Panel Timings and Parameters

This subsequence describes the setting for horizontal and vertical synchronization and signal polarity (see Table 11-147).

Table 11-147. DISPC Configure the LCD Panel Timings and Parameters

Step	Register/Bit Field/Programming Model	Value
Configure spatial/temporal dithering		
Select spatial/temporal number of frames.	DISPC_CONTROLo[31:30] SPATIALTEMPORALDITHERINGFRAMES	0x–
Enable spatial/temporal dithering.	DISPC_CONTROLo[7] STDITHERENABLE	0x–
Configure AC-bias		
Configure the VSYNC, HSYNC and AC bias polarity.	DISPC_POL_FREQo	0x–
Configure the gating of AC bias polarity.	DISPC_CONFIGo[8] ACBIASGATED	0x–
Configure the AC bias polarity.	DISPC_POL_FREQo[15] IEO	0x–
Set the AC bias frequency.	DISPC_POL_FREQo[7:0] ACB	0x–
Set the number of AC bias transitions per interrupt.	DISPC_POL_FREQo[11:8] ACBI	0x–
Configure the pixel clock		
Set the DISPC logic clock divisor.	DISPC_DIVISORo[23:16] LCD	0x–
Set the pixel clock divisor.	DISPC_DIVISORo[7:0] PCD	0x–
Configure the gating of pixel clock.	DISPC_CONFIGo[5] PIXELCLOCKGATED	0x–
Configure the data		

Table 11-147. DISPC Configure the LCD Panel Timings and Parameters (continued)

Step	Register/Bit Field/Programming Model	Value
Set the pixel clock edge to drive data output.	DISPC_POL_FREQo[14] IPC and CTRL_CORE_SMA_SW_1[DSS_CHx_IPC ⁽¹⁾	0x-
Configure the gating of data output.	DISPC_CONFIGo[4] PIXELDATAGATED	0x-
Set the data output mode.	DISPC_CONFIGo[22] OUTPUTMODEENABLE	0x-
Configure the panel parameters		
Set the vertical TV size.	DISPC_SIZE_LCDo[27:16] LPP	0x-
Set the horizontal TV size.	DISPC_SIZE_LCDo[11:0] PPL	0x-
Set the panel type.	DISPC_CONTROLo[3] STNTFT	0x-
Configure the refresh rate and horizontal and vertical parameters		
Set the vertical synchronization timing.	DISPC_TIMING_Vo[31:20][19:8][7:0], VBP, VFP, VSW	0x-
Configure the VSYNC polarity.	DISPC_POL_FREQo[12] IVS	0x-
Configure the gating of VSYNC.	DISPC_CONFIGo[7] VSYNCGATED	0x-
Set the horizontal synchronization timing.	DISPC_TIMING_Ho[31:20][19:8][7:0], HBP, HFP, HSW	0x-
Configure the HSYNC polarity.	DISPC_POL_FREQo[13] IHS	0x-
Configure the gating of HSYNC.	DISPC_CONFIGo[6] HSYNCGATED	0x-
Set the opposition of HSYNC and VSYNC driving.	DISPC_POL_FREQo[17] ONOFF and CTRL_CORE_SMA_SW_1[DSS_CHx_ON_OFF ⁽¹⁾	0x-
If DISPC_POL_FREQo[17] = 1, set the pixel clock edge to drive HSYNC and VSYNC.	DISPC_POL_FREQo[16] RF and CTRL_CORE_SMA_SW_1[DSS_CHx_RF ⁽¹⁾	0x-
Set the alignment of HSYNC and VSYNC.	DISPC_POL_FREQo[18] ALIGN	0x-

⁽¹⁾ The values of the DISPC and Control Module registers must mach

11.2.5.1.2.5.6 DISPC Subsequence – Configure BT.656 or BT.1120 Mode

CAUTION

DISPC supports maximum 256 bytes of horizontal blanking when the LCD outputs are configured in BT modes (bitfield HSW of [DISPC_TIMING_H1/2/3](#) registers is 8 bits wide). This is not compliant with BT.656 and BT.1120 standards, both of which require higher blanking periods. If more than 256 bytes of horizontal blanking are required by the application, then the RGB mode must be used for the LCD outputs.

[Table 11-148](#) lists the steps to configure BT.656 or BT.1120.

Table 11-148. DISPC Configure BT.656 or BT.1120 Mode

Step	Register/Bit Field/Programming Model	Value
Enable BT.656 mode ⁽¹⁾	DISPC_CONFIGo[20] BT656ENABLE	0x1
Enable BT.1120 mode ⁽¹⁾	DISPC_CONFIGo[21] BT1120ENABLE	0x1
Configure the blanking values	See Table 11-149	-
Configure the color phase rotation block	See Table 11-146	-
Disable STALL mode	DISPC_CONTROLo[11] STALLMODE	0x0
Disable TDM	DISPC_CONTROLo[20] TDMENABLE	0x0

⁽¹⁾ It is not possible to enable BT.656 and BT.1120 modes simultaneously on one LCD output.

[Table 11-149](#) lists the blankng values for BT.656 and BT.1120.

Table 11-149. DISPC Configure BT.656 or BT.1120 Blanking Values

Step	Register/Bit Field/Programming Model	Value
For Progressive Mode		
Select progressive mode	DISPC_CONFIG0[22] OUTPUTMODEENABLE	0x0
Set Horizontal blanking	DISPC_TIMING_Ho[7:0] HSW	0x-
Set Vertical frame blanking No 1	DISPC_TIMING_Vo[19:8] VFP	0x-
Set Vertical frame blanking No 2	DISPC_TIMING_Vo[31:20] VBP	0x-
Set Number of lines	DISPC_SIZE_LCD1[27:16] LPP	0x-
Set Number of pixels per line	DISPC_SIZE_LCD1[11:0] PPL	0x-
For Interlaced Mode		
Select interlaced mode	DISPC_CONFIG0[22] OUTPUTMODEENABLE	0x1
Set Horizontal blanking	DISPC_TIMING_Ho[7:0] HSW	0x-
Set Vertical field blanking No 1 for Even Field	DISPC_TIMING_Ho[19:8] HFP	0x-
Set Vertical field blanking No 2 for Even Field	DISPC_TIMING_Ho[31:20] HBP	0x-
Set Vertical field blanking No 1 for Odd Field	DISPC_TIMING_Vo[19:8] VFP	0x-
Set Vertical field blanking No 2 for Odd Field	DISPC_TIMING_Vo[31:20] VBP	0x-
Set Number of lines per field (even)	DISPC_SIZE_LCD1[27:16] LPP	0x-
Set Delta number of odd field compared to even field (in a single line)	DISPC_SIZE_LCD1[15:14] DELTA	0x-
Set Number of pixels per line	DISPC_SIZE_LCD1[11:0] PPL	0x-

11.2.5.1.2.6 DISPC TV Output Configuration

11.2.5.1.2.6.1 DISPC Main Sequence – Configure the TV Output

This procedure describes the TV output configuration (see [Table 11-150](#)).

Table 11-150. DISPC Configure the TV Output

Step	Register/Bit Field/Programming Model
Configure the TV overlay manager.	See Table 11-151 .
Configure the gamma table for gamma correction.	See Table 11-152 .
Configure the TV panel timings and parameters.	See Table 11-153 .
Validate the TV output configuration accordingly.	DISPC_CONTROL1[6] GOTV
Enable the TV output.	DISPC_CONTROL1[1] TVENABLE

11.2.5.1.2.6.1.1 DISPC Subsequence – Configure the TV Overlay Manager

This subsequence describes the overlay manager settings and transparency color key configuration (see [Table 11-151](#)).

Table 11-151. DISPC Configure the TV Overlay Manager

Step	Register/Bit Field/Programming Model	Value
Set the TV panel background color.	DISPC_DEFAULT_COLOR1[23:0] DEFAULTCOLOR	0x-
Enable/disable overlay optimization.	DISPC_CONTROL2[13] TVOVERLAYOPTIMIZATION	0x-
Enable the alpha blender.	DISPC_CONFIG1[19] TVALPHABLENDERENABLE	0x1
Configure the transparency color key		
Set source or destination transparency color key mode.	DISPC_CONFIG1[13] TCKTVSELECTION	0x-
Set the transparency color value.	DISPC_TRANS_COLOR1[23:0] TRANSCOLORKEY	0x-
Enable transparency color key mode.	DISPC_CONFIG1[10] TCKTVENABLE	0x-

11.2.5.1.2.6.1.2 DISPC Subsequence – Configure the Gamma Table for Gamma Correction

This subsequence describes the steps to configure the gamma table for gamma correction (see [Table 11-152](#)).

NOTE: Software must ensure there is no visible effect when modifying the table because it is not under hardware control. The synchronization done using the DMA engine inside the DISPC to load the table when it is not used for displaying the picture on the screen is not present for this mode.

Table 11-152. DISPC Configure the Gamma Table for TV Output

Step	Register/Bit Field/Programming Model	Value
Enable Gamma table for LCD2 and TV.	DISPC_CONFIG1[9] GAMATABLEENABLE	0x1
Initialize all entries for the gamma table by setting the table index and the RGB values. For more information, see Section 11.2.4.14.2, Gamma Correction Unit .	DISPC_GAMMA_TABLE2[31][29:20][19:10][9:0] INDEX, VALUE_R, VALUE_G, VALUE_B	0x–

11.2.5.1.2.6.1.3 DISPC Subsequence – Configure the TV Panel Timings and Parameters

This subsequence describes the settings for horizontal and vertical synchronization and signal polarity (see [Table 11-153](#)).

Table 11-153. DISPC Configure the TV Panel Timings and Parameters

Step	Register/Bit Field/Programming Model	Value
Set the hold time for TV data outputs.	DISPC_CONFIG1[19:17]	0x–
Set the vertical TV size.	DISPC_SIZE_TV[27:16] LPP	See Table 11-117
Set the horizontal TV size.	DISPC_SIZE_TV[11:0] PPL	for HD standards.

11.2.6 DISPC Register Manual

11.2.6.1 DISPC Instance Summary

Table 11-154. DISPC Instance Summary

Module Name	L3_MAIN Base Address	Size
DISPC	0x5800 1000	4 KiB

11.2.6.2 DISPC Logical Register Mapping

Table 11-155. DISPC_VIDp_BA_j Logical Register Mapping

Hardware Register	Description
DISPC_VID1_BA_j	Base address of video pipeline 1
DISPC_VID2_BA_j	Base address of video pipeline 2
DISPC_VID3_BA_j	Base address of video pipeline 3

Table 11-156. DISPC_VIDp_BA_UV_j Logical Register Mapping

Hardware Register	Description
DISPC_VID1_BA_UV_j	Base address of UV components for video pipeline 1
DISPC_VID2_BA_UV_j	Base address of UV components for video pipeline 2

Table 11-156. DISPC_VIDp_BA_UV_j Logical Register Mapping (continued)

Hardware Register	Description
DISPC_VID3_BA_UV_j	Base address of UV components for video pipeline 3

Table 11-157. DISPC_VIDp_POSITION Logical Register Mapping

Hardware Register	Description
DISPC_VID1_POSITION	Position of the video window 1
DISPC_VID2_POSITION	Position of the video window 2
DISPC_VID3_POSITION	Position of the video window 3

Table 11-158. DISPC_VIDp_SIZE Logical Register Mapping

Hardware Register	Description
DISPC_VID1_SIZE	Size of the video window 1
DISPC_VID2_SIZE	Size of the video window 2
DISPC_VID3_SIZE	Size of the video window 3

Table 11-159. DISPC_VIDp_ATTRIBUTES Logical Register Mapping

Hardware Register	Description
DISPC_VID1_ATTRIBUTES	Configuration of the video pipeline 1
DISPC_VID2_ATTRIBUTES	Configuration of the video pipeline 2
DISPC_VID3_ATTRIBUTES	Configuration of the video pipeline 3

Table 11-160. DISPC_VIDp_ATTRIBUTES2 Logical Register Mapping

Hardware Register	Description
DISPC_VID1_ATTRIBUTES2	Configuration of the video pipeline 1
DISPC_VID2_ATTRIBUTES2	Configuration of the video pipeline 2
DISPC_VID3_ATTRIBUTES2	Configuration of the video pipeline 3

Table 11-161. DISPC_VIDp_BUF_THRESHOLD Logical Register Mapping

Hardware Register	Description
DISPC_VID1_BUF_THRESHOLD	Configuration of the buffer for the video pipeline 1
DISPC_VID2_BUF_THRESHOLD	Configuration of the buffer for the video pipeline 2
DISPC_VID3_BUF_THRESHOLD	Configuration of the buffer for the video pipeline 3

Table 11-162. DISPC_VIDp_ROW_INC Logical Register Mapping

Hardware Register	Description
DISPC_VID1_ROW_INC	Configuration of the row increment for the video pipeline 1
DISPC_VID2_ROW_INC	Configuration of the row increment for the video pipeline 2
DISPC_VID3_ROW_INC	Configuration of the row increment for the video pipeline 3

Table 11-163. DISPC_VIDp_PIXEL_INC Logical Register Mapping

Hardware Register	Description
DISPC_VID1_PIXEL_INC	Configuration of the pixel increment for the video pipeline 1
DISPC_VID2_PIXEL_INC	Configuration of the pixel increment for the video pipeline 2

Table 11-163. DISPC_VIDp_PIXEL_INC Logical Register Mapping (continued)

Hardware Register	Description
DISPC_VID3_PIXEL_INC	Configuration of the pixel increment for the video pipeline 3

Table 11-164. DISPC_VIDp_FIR Logical Register Mapping

Hardware Register	Description
DISPC_VID1_FIR	Configuration of the scaler for the video pipeline 1
DISPC_VID2_FIR	Configuration of the scaler for the video pipeline 2
DISPC_VID3_FIR	Configuration of the scaler for the video pipeline 3

Table 11-165. DISPC_VIDp_PICTURE_SIZE Logical Register Mapping

Hardware Register	Description
DISPC_VID1_PICTURE_SIZE	Size of the video window 1 before processing
DISPC_VID2_PICTURE_SIZE	Size of the video window 2 before processing
DISPC_VID3_PICTURE_SIZE	Size of the video window 3 before processing

Table 11-166. DISPC_VIDp_ACCU_j Logical Register Mapping

Hardware Register	Description
DISPC_VID1_ACCU_j	Configuration of the accumulator for the video pipeline 1
DISPC_VID2_ACCU_j	Configuration of the accumulator for the video pipeline 2
DISPC_VID2_ACCU_j	Configuration of the accumulator for the video pipeline 3

Table 11-167. DISPC_VIDp_FIR_COEF_H_i Logical Register Mapping

Hardware Register	Description
DISPC_VID1_FIR_COEF_H_i	Configuration of the horizontal scaling coefficients for the video pipeline 1
DISPC_VID2_FIR_COEF_H_i	Configuration of the horizontal scaling coefficients for the video pipeline 2
DISPC_VID3_FIR_COEF_H_i	Configuration of the horizontal scaling coefficients or the video pipeline 3

Table 11-168. DISPC_VIDp_FIR_COEF_HV_i Logical Register Mapping

Hardware Register	Description
DISPC_VID1_FIR_COEF_HV_i	Configuration of the horizontal scaling coefficients for the video pipeline 1
DISPC_VID2_FIR_COEF_HV_i	Configuration of the horizontal scaling coefficients for the video pipeline 2
DISPC_VID3_FIR_COEF_HV_i	Configuration of the horizontal scaling coefficients for the video pipeline 3

Table 11-169. DISPC_VIDp_FIR_COEF_V_i Logical Register Mapping

Hardware Register	Description
DISPC_VID1_FIR_COEF_V_i	Configuration of the vertical scaling coefficients for the video pipeline 1
DISPC_VID2_FIR_COEF_V_i	Configuration of the vertical scaling coefficients for the video pipeline 2
DISPC_VID3_FIR_COEF_V_i	Configuration of the vertical scaling coefficients for the video pipeline 3

Table 11-170. DISPC_VIDp_FIR_COEF_H2_i Logical Register Mapping

Hardware Register	Description
DISPC_VID1_FIR_COEF_H2_i	Configuration of the horizontal Cb and Cr scaling coefficients for the video pipeline 1
DISPC_VID2_FIR_COEF_H2_i	Configuration of the horizontal Cb and Cr scaling coefficients for the video pipeline 2
DISPC_VID3_FIR_COEF_H2_i	Configuration of the horizontal Cb and Cr scaling coefficients for the video pipeline 3

Table 11-171. DISPC_VIDp_FIR_COEF_HV2_i Logical Register Mapping

Hardware Register	Description
DISPC_VID1_FIR_COEF_HV2_i	Configuration of the horizontal Cb and Cr scaling coefficients for the video pipeline 1
DISPC_VID2_FIR_COEF_HV2_i	Configuration of the horizontal Cb and Cr scaling coefficients for the video pipeline 2
DISPC_VID3_FIR_COEF_HV2_i	Configuration of the horizontal Cb and Cr scaling coefficients for the video pipeline 3

Table 11-172. DISPC_VIDp_FIR_COEF_V2_i Logical Register Mapping

Hardware Register	Description
DISPC_VID1_FIR_COEF_V2_i	Configuration of the vertical Cb and Cr scaling coefficients for the video pipeline 1
DISPC_VID2_FIR_COEF_V2_i	Configuration of the vertical Cb and Cr scaling coefficients for the video pipeline 2
DISPC_VID3_FIR_COEF_V2_i	Configuration of the vertical Cb and Cr scaling coefficients for the video pipeline 3

Table 11-173. DISPC_VIDp_CONV_COEF0 Logical Register Mapping

Hardware Register	Description
DISPC_VID1_CONV_COEF0	Configuration of the Color Space Conversion coefficients for the video pipeline 1
DISPC_VID2_CONV_COEF0	Configuration of the Color Space Conversion coefficient for the video pipeline 2
DISPC_VID3_CONV_COEF0	Configuration of the Color Space Conversion coefficient for the video pipeline 3

Table 11-174. DISPC_VIDp_CONV_COEF1 Logical Register Mapping

Hardware Register	Description
DISPC_VID1_CONV_COEF1	Configuration of the Color Space Conversion coefficients for the video pipeline 1
DISPC_VID2_CONV_COEF1	Configuration of the Color Space Conversion coefficient for the video pipeline 2
DISPC_VID3_CONV_COEF1	Configuration of the Color Space Conversion coefficient for the video pipeline 3

Table 11-175. DISPC_VIDp_CONV_COEF2 Logical Register Mapping

Hardware Register	Description
DISPC_VID1_CONV_COEF2	Configuration of the Color Space Conversion coefficients for the video pipeline 1
DISPC_VID2_CONV_COEF2	Configuration of the Color Space Conversion coefficient for the video pipeline 2

Table 11-175. DISPC_VIDp_CONV_COEF2 Logical Register Mapping (continued)

Hardware Register	Description
DISPC_VID3_CONV_COEF2	Configuration of the Color Space Conversion coefficient for the video pipeline 3

Table 11-176. DISPC_VIDp_CONV_COEF3 Logical Register Mapping

Hardware Register	Description
DISPC_VID1_CONV_COEF3	Configuration of the Color Space Conversion coefficients for the video pipeline 1
DISPC_VID2_CONV_COEF3	Configuration of the Color Space Conversion coefficient for the video pipeline 2
DISPC_VID3_CONV_COEF3	Configuration of the Color Space Conversion coefficient for the video pipeline 3

Table 11-177. DISPC_VIDp_CONV_COEF4 Logical Register Mapping

Hardware Register	Description
DISPC_VID1_CONV_COEF4	Configuration of the Color Space Conversion coefficients for the video pipeline 1
DISPC_VID2_CONV_COEF4	Configuration of the Color Space Conversion coefficient for the video pipeline 2
DISPC_VID3_CONV_COEF4	Configuration of the Color Space Conversion coefficient for the video pipeline 3

Table 11-178. DISPC_CONTROLo Logical Register Mapping

Hardware Register	Description
DISPC_CONTROL1	Configuration control of the LCD1 and TV.
DISPC_CONTROL2	Configuration control of the LCD2.
DISPC_CONTROL3	Configuration control of the LCD3.

Table 11-179. DISPC_CONFIGo Logical Register Mapping

Hardware Register	Description
DISPC_CONFIG1	Configuration of the LCD1 and TV.
DISPC_CONFIG2	Configuration of the LCD2.
DISPC_CONFIG3	Configuration of the LCD3.

Table 11-180. DISPC_DEFAULT_COLORo Logical Register Mapping

Hardware Register	Description
DISPC_DEFAULT_COLOR0	Configuration of the background color for LCD1.
DISPC_DEFAULT_COLOR1	Configuration of the background color for TV.
DISPC_DEFAULT_COLOR2	Configuration of the background color for LCD2.
DISPC_DEFAULT_COLOR3	Configuration of the background color for LCD3.

Table 11-181. DISPC_TRANS_COLORo Logical Register Mapping

Hardware Register	Description
DISPC_TRANS_COLOR0	Configuration of the transparency color key for LCD1.
DISPC_TRANS_COLOR1	Configuration of the transparency color key for TV.
DISPC_TRANS_COLOR2	Configuration of the transparency color key for LCD2.

Table 11-181. DISPC_TRANS_COLORo Logical Register Mapping (continued)

Hardware Register	Description
DISPC_DEFAULT_COLOR3	Configuration of the background color for LCD3.

Table 11-182. DISPC_GAMMA_TABLEo Logical Register Mapping

Hardware Register	Description
DISPC_GAMMA_TABLE0	Configuration of the gamma table for LCD1.
DISPC_GAMMA_TABLE1	Configuration of the gamma table for LCD2.
DISPC_GAMMA_TABLE2	Configuration of the gamma table for TV output.
DISPC_GAMMA_TABLE3	Configuration of the gamma table for LCD3.

Table 11-183. DISPC_TIMING_Ho Logical Register Mapping

Hardware Register	Description
DISPC_TIMING_H1	Configuration of the horizontal timing for LCD1.
DISPC_TIMING_H2	Configuration of the horizontal timing for LCD2.
DISPC_TIMING_H3	Configuration of the horizontal timing for LCD3.

Table 11-184. DISPC_TIMING_Vo Logical Register Mapping

Hardware Register	Description
DISPC_TIMING_V1	Configuration of the vertical timing for LCD1.
DISPC_TIMING_V2	Configuration of the vertical timing for LCD2.
DISPC_TIMING_V3	Configuration of the vertical timing for LCD3.

Table 11-185. DISPC_POL_FREQo Logical Register Mapping

Hardware Register	Description
DISPC_POL_FREQ1	Configuration of the output signals for LCD1.
DISPC_POL_FREQ2	Configuration of the output signals for LCD2.
DISPC_POL_FREQ3	Configuration of the output signals for LCD3.

Table 11-186. DISPC_DIVISORo Logical Register Mapping

Hardware Register	Description
DISPC_DIVISOR1	Configuration of the divisors for LCD1.
DISPC_DIVISOR2	Configuration of the divisors for LCD2.
DISPC_DIVISOR3	Configuration of the divisors for LCD3.

Table 11-187. DISPC_SIZE_LCDo Logical Register Mapping

Hardware Register	Description
DISPC_SIZE_LCD1	Configuration of the divisors for LCD1.
DISPC_SIZE_LCD2	Configuration of the divisors for LCD2.
DISPC_SIZE_LCD3	Configuration of the divisors for LCD3.

Table 11-188. DISPC_SIZE Logical Register Mapping

Hardware Register	Description
DISPC_SIZE_LCD1	Configuration of the LCD size on LCD1.
DISPC_SIZE_LCD2	Configuration of the LCD size on LCD2.
DISPC_SIZE_LCD3	Configuration of the LCD size on LCD3.

Table 11-189. DISPC_DATAo_CYCLE1 Logical Register Mapping

Hardware Register	Description
DISPC_DATA1_CYCLE1	Configuration of the output data format for first cycle on LCD1.
DISPC_DATA2_CYCLE1	Configuration of the output data format for first cycle on LCD2.
DISPC_DATA3_CYCLE1	Configuration of the output data format for first cycle on LCD3.

Table 11-190. DISPC_DATAo_CYCLE2 Logical Register Mapping

Hardware Register	Description
DISPC_DATA1_CYCLE2	Configuration of the output data format for second cycle on LCD1.
DISPC_DATA2_CYCLE2	Configuration of the output data format for second cycle on LCD2.
DISPC_DATA3_CYCLE2	Configuration of the output data format for second cycle on LCD3.

Table 11-191. DISPC_DATAo_CYCLE3 Logical Register Mapping

Hardware Register	Description
DISPC_DATA1_CYCLE3	Configuration of the output data format for third cycle on LCD1.
DISPC_DATA2_CYCLE3	Configuration of the output data format for third cycle on LCD2.
DISPC_DATA3_CYCLE3	Configuration of the output data format for third cycle on LCD3.

Table 11-192. DISPC_CPRo_COEF_R Logical Register Mapping

Hardware Register	Description
DISPC_CPR1_COEF_R	Configuration of the CPR matrix coefficients for the red component on LCD1.
DISPC_CPR2_COEF_R	Configuration of the CPR matrix coefficients for the red component on LCD2.
DISPC_CPR3_COEF_R	Configuration of the CPR matrix coefficients for the red component on LCD3.

Table 11-193. DISPC_CPRo_COEF_G Logical Register Mapping

Hardware Register	Description
DISPC_CPR1_COEF_G	Configuration of the CPR matrix coefficients for the green component on LCD1.
DISPC_CPR2_COEF_G	Configuration of the CPR matrix coefficients for the green component on LCD2.
DISPC_CPR3_COEF_G	Configuration of the CPR matrix coefficients for the green component on LCD3.

Table 11-194. DISPC_CPRo_COEF_B Logical Register Mapping

Hardware Register	Description
DISPC_CPR1_COEF_B	Configuration of the CPR matrix coefficients for the blue component on LCD1.
DISPC_CPR2_COEF_B	Configuration of the CPR matrix coefficients for the blue component on LCD2.
DISPC_CPR3_COEF_B	Configuration of the CPR matrix coefficients for the blue component on LCD3.

11.2.6.3 DISPC Registers

11.2.6.3.1 DISPC Register Summary

Table 11-195. DISPC Registers Mapping Summary

Register Name	Type	Register Width (Bits)	Address Offset	L3_MAIN Physical Address
DISPC_REVISION	R	32	0x0000 0000	0x5800 1000
DISPC_SYSCONFIG	RW	32	0x0000 0010	0x5800 1010
DISPC_SYSSTATUS	R	32	0x0000 0014	0x5800 1014
DISPC_IRQSTATUS	RW	32	0x0000 0018	0x5800 1018
DISPC_IRQENABLE	RW	32	0x0000 001C	0x5800 101C
DISPC_CONTROL1	RW	32	0x0000 0040	0x5800 1040
DISPC_CONFIG1	RW	32	0x0000 0044	0x5800 1044
RESERVED	R	32	0x0000 0048	0x5800 1048
DISPC_DEFAULT_COLOR0	RW	32	0x0000 004C	0x5800 104C
DISPC_DEFAULT_COLOR1	RW	32	0x0000 0050	0x5800 1050
DISPC_TRANS_COLOR0	RW	32	0x0000 0054	0x5800 1054
DISPC_TRANS_COLOR1	RW	32	0x0000 0058	0x5800 1058
DISPC_LINE_STATUS	R	32	0x0000 005C	0x5800 105C
DISPC_LINE_NUMBER	RW	32	0x0000 0060	0x5800 1060
DISPC_TIMING_H1	RW	32	0x0000 0064	0x5800 1064
DISPC_TIMING_V1	RW	32	0x0000 0068	0x5800 1068
DISPC_POL_FREQ1	RW	32	0x0000 006C	0x5800 106C
DISPC_DIVISOR1	RW	32	0x0000 0070	0x5800 1070
DISPC_GLOBAL_ALPHA	RW	32	0x0000 0074	0x5800 1074
DISPC_SIZE_TV	RW	32	0x0000 0078	0x5800 1078
DISPC_SIZE_LCD1	RW	32	0x0000 007C	0x5800 107C
DISPC_GFX_BA_j ⁽¹⁾	RW	32	0x0000 0080 + (0x4 * j)	0x5800 1080 + (0x4 * j)
DISPC_GFX_POSITION	RW	32	0x0000 0088	0x5800 1088
DISPC_GFX_SIZE	RW	32	0x0000 008C	0x5800 108C
DISPC_GFX_ATTRIBUTES	RW	32	0x0000 00A0	0x5800 10A0
DISPC_GFX_BUF_THRESHOLD	RW	32	0x0000 00A4	0x5800 10A4
DISPC_GFX_BUF_SIZE_STATUS	R	32	0x0000 00A8	0x5800 10A8
DISPC_GFX_ROW_INC	RW	32	0x0000 00AC	0x5800 10AC
DISPC_GFX_PIXEL_INC	RW	32	0x0000 00B0	0x5800 10B0
RESERVED	R	32	0x0000 00B4	0x5800 10B4
DISPC_GFX_TABLE_BA	RW	32	0x0000 00B8	0x5800 10B8
DISPC_VID1_BA_j ⁽¹⁾	RW	32	0x0000 00BC + (0x4 * j)	0x5800 10BC + (0x4 * j)

⁽¹⁾ j = 0 to 1

Table 11-195. DISPC Registers Mapping Summary (continued)

Register Name	Type	Register Width (Bits)	Address Offset	L3_MAIN Physical Address
DISPC_VID1_POSITION	RW	32	0x0000 00C4	0x5800 10C4
DISPC_VID1_SIZE	RW	32	0x0000 00C8	0x5800 10C8
DISPC_VID1_ATTRIBUTES	RW	32	0x0000 00CC	0x5800 10CC
DISPC_VID1_BUF_THRESHOLD	RW	32	0x0000 00D0	0x5800 10D0
DISPC_VID1_BUF_SIZE_STATUS	R	32	0x0000 00D4	0x5800 10D4
DISPC_VID1_ROW_INC	RW	32	0x0000 00D8	0x5800 10D8
DISPC_VID1_PIXEL_INC	RW	32	0x0000 00DC	0x5800 10DC
DISPC_VID1_FIR	RW	32	0x0000 00E0	0x5800 10E0
DISPC_VID1_PICTURE_SIZE	RW	32	0x0000 00E4	0x5800 10E4
DISPC_VID1_ACCU_j ⁽¹⁾	RW	32	0x0000 00E8 + (0x4 * j)	0x5800 10E8 + (0x4 * j)
DISPC_VID1_FIR_COEF_H_j ⁽²⁾	RW	32	0x0000 00F0 + (0x8 * i)	0x5800 10F0 + (0x8 * i)
DISPC_VID1_FIR_COEF_HV_j ⁽²⁾	RW	32	0x0000 00F4 + (0x8 * i)	0x5800 10F4 + (0x8 * i)
DISPC_VID1_CONV_COEF0	RW	32	0x0000 0130	0x5800 1130
DISPC_VID1_CONV_COEF1	RW	32	0x0000 0134	0x5800 1134
DISPC_VID1_CONV_COEF2	RW	32	0x0000 0138	0x5800 1138
DISPC_VID1_CONV_COEF3	RW	32	0x0000 013C	0x5800 113C
DISPC_VID1_CONV_COEF4	RW	32	0x0000 0140	0x5800 1140
DISPC_VID2_BA_j ⁽¹⁾	RW	32	0x0000 014C + (0x4 * j)	0x5800 114C + (0x4 * j)
DISPC_VID2_POSITION	RW	32	0x0000 0154	0x5800 1154
DISPC_VID2_SIZE	RW	32	0x0000 0158	0x5800 1158
DISPC_VID2_ATTRIBUTES	RW	32	0x0000 015C	0x5800 115C
DISPC_VID2_BUF_THRESHOLD	RW	32	0x0000 0160	0x5800 1160
DISPC_VID2_BUF_SIZE_STATUS	R	32	0x0000 0164	0x5800 1164
DISPC_VID2_ROW_INC	RW	32	0x0000 0168	0x5800 1168
DISPC_VID2_PIXEL_INC	RW	32	0x0000 016C	0x5800 116C
DISPC_VID2_FIR	RW	32	0x0000 0170	0x5800 1170
DISPC_VID2_PICTURE_SIZE	RW	32	0x0000 0174	0x5800 1174
DISPC_VID2_ACCU_j ⁽¹⁾	RW	32	0x0000 0178 + (0x4 * j)	0x5800 1178 + (0x4 * j)
DISPC_VID2_FIR_COEF_H_j ⁽²⁾	RW	32	0x0000 0180 + (0x8 * i)	0x5800 1180 + (0x8 * i)
DISPC_VID2_FIR_COEF_HV_j ⁽²⁾	RW	32	0x0000 0184 + (0x8 * i)	0x5800 1184 + (0x8 * i)
DISPC_VID2_CONV_COEF0	RW	32	0x0000 01C0	0x5800 11C0
DISPC_VID2_CONV_COEF1	RW	32	0x0000 01C4	0x5800 11C4
DISPC_VID2_CONV_COEF2	RW	32	0x0000 01C8	0x5800 11C8
DISPC_VID2_CONV_COEF3	RW	32	0x0000 01CC	0x5800 11CC
DISPC_VID2_CONV_COEF4	RW	32	0x0000 01D0	0x5800 11D0
DISPC_DATA1_CYCLE1	RW	32	0x0000 01D4	0x5800 11D4
DISPC_DATA1_CYCLE2	RW	32	0x0000 01D8	0x5800 11D8
DISPC_DATA1_CYCLE3	RW	32	0x0000 01DC	0x5800 11DC
DISPC_VID1_FIR_COEF_V_j ⁽²⁾	RW	32	0x0000 01E0 + (0x4 * i)	0x5800 11E0 + (0x4 * i)
DISPC_VID2_FIR_COEF_V_j ⁽²⁾	RW	32	0x0000 0200 + (0x4 * i)	0x5800 1200 + (0x4 * i)
DISPC_CPR1_COEF_R	RW	32	0x0000 0220	0x5800 1220
DISPC_CPR1_COEF_G	RW	32	0x0000 0224	0x5800 1224
DISPC_CPR1_COEF_B	RW	32	0x0000 0228	0x5800 1228
DISPC_GFX_PRELOAD	RW	32	0x0000 022C	0x5800 122C
DISPC_VID1_PRELOAD	RW	32	0x0000 0230	0x5800 1230

⁽²⁾ i = 0 to 7

Table 11-195. DISPC Registers Mapping Summary (continued)

Register Name	Type	Register Width (Bits)	Address Offset	L3_MAIN Physical Address
DISPC_VID2_PRELOAD	RW	32	0x0000 0234	0x5800 1234
DISPC_CONTROL2	RW	32	0x0000 0238	0x5800 1238
DISPC_GFX_POSITION2	RW	32	0x0000 0240	0x5800 1240
DISPC_VID1_POSITION2	RW	32	0x0000 0244	0x5800 1244
DISPC_VID2_POSITION2	RW	32	0x0000 0248	0x5800 1248
DISPC_VID3_POSITION2	RW	32	0x0000 024C	0x5800 124C
DISPC_VID3_ACCU_j ⁽¹⁾	RW	32	0x0000 0300 + (0x4 * j)	0x5800 1300 + (0x4 * j)
DISPC_VID3_BA_j ⁽¹⁾	RW	32	0x0000 0308 + (0x4 * j)	0x5800 1308 + (0x4 * j)
DISPC_VID3_FIR_COEF_H_j ⁽²⁾	RW	32	0x0000 0310 + (0x8 * i)	0x5800 1310 + (0x8 * i)
DISPC_VID3_FIR_COEF_HV_j ⁽²⁾	RW	32	0x0000 0314 + (0x8 * i)	0x5800 1314 + (0x8 * i)
DISPC_VID3_FIR_COEF_V_j ⁽²⁾	RW	32	0x0000 0350 + (0x4 * i)	0x5800 1350 + (0x4 * i)
DISPC_VID3_ATTRIBUTES	RW	32	0x0000 0370	0x5800 1370
DISPC_VID3_CONV_COEF0	RW	32	0x0000 0374	0x5800 1374
DISPC_VID3_CONV_COEF1	RW	32	0x0000 0378	0x5800 1378
DISPC_VID3_CONV_COEF2	RW	32	0x0000 037C	0x5800 137C
DISPC_VID3_CONV_COEF3	RW	32	0x0000 0380	0x5800 1380
DISPC_VID3_CONV_COEF4	RW	32	0x0000 0384	0x5800 1384
DISPC_VID3_BUF_SIZE_STATUS	R	32	0x0000 0388	0x5800 1388
DISPC_VID3_BUF_THRESHOLD	RW	32	0x0000 038C	0x5800 138C
DISPC_VID3_FIR	RW	32	0x0000 0390	0x5800 1390
DISPC_VID3_PICTURE_SIZE	RW	32	0x0000 0394	0x5800 1394
DISPC_VID3_PIXEL_INC	RW	32	0x0000 0398	0x5800 1398
DISPC_VID3_POSITION	RW	32	0x0000 039C	0x5800 139C
DISPC_VID3_PRELOAD	RW	32	0x0000 03A0	0x5800 13A0
DISPC_VID3_ROW_INC	RW	32	0x0000 03A4	0x5800 13A4
DISPC_VID3_SIZE	RW	32	0x0000 03A8	0x5800 13A8
DISPC_DEFAULT_COLOR2	RW	32	0x0000 03AC	0x5800 13AC
DISPC_TRANS_COLOR2	RW	32	0x0000 03B0	0x5800 13B0
DISPC_CPR2_COEF_B	RW	32	0x0000 03B4	0x5800 13B4
DISPC_CPR2_COEF_G	RW	32	0x0000 03B8	0x5800 13B8
DISPC_CPR2_COEF_R	RW	32	0x0000 03BC	0x5800 13BC
DISPC_DATA2_CYCLE1	RW	32	0x0000 03C0	0x5800 13C0
DISPC_DATA2_CYCLE2	RW	32	0x0000 03C4	0x5800 13C4
DISPC_DATA2_CYCLE3	RW	32	0x0000 03C8	0x5800 13C8
DISPC_SIZE_LCD2	RW	32	0x0000 03CC	0x5800 13CC
DISPC_TIMING_H2	RW	32	0x0000 0400	0x5800 1400
DISPC_TIMING_V2	RW	32	0x0000 0404	0x5800 1404
DISPC_POL_FREQ2	RW	32	0x0000 0408	0x5800 1408
DISPC_DIVISOR2	RW	32	0x0000 040C	0x5800 140C
DISPC_WB_ACCU_j ⁽¹⁾	RW	32	0x0000 0500 + (0x4 * j)	0x5800 1500 + (0x4 * j)
DISPC_WB_BA_j ⁽¹⁾	RW	32	0x0000 0508 + (0x4 * j)	0x5800 1508 + (0x4 * j)
DISPC_WB_FIR_COEF_H_j ⁽²⁾	RW	32	0x0000 0510 + (0x8 * i)	0x5800 1510 + (0x8 * i)
DISPC_WB_FIR_COEF_HV_j ⁽²⁾	RW	32	0x0000 0514 + (0x8 * i)	0x5800 1514 + (0x8 * i)
DISPC_WB_FIR_COEF_V_j ⁽²⁾	RW	32	0x0000 0550 + (0x4 * i)	0x5800 1550 + (0x4 * i)
DISPC_WB_ATTRIBUTES	RW	32	0x0000 0570	0x5800 1570
DISPC_WB_CONV_COEF0	RW	32	0x0000 0574	0x5800 1574

Table 11-195. DISPC Registers Mapping Summary (continued)

Register Name	Type	Register Width (Bits)	Address Offset	L3_MAIN Physical Address
DISPC_WB_CONV_COEF1	RW	32	0x0000 0578	0x5800 1578
DISPC_WB_CONV_COEF2	RW	32	0x0000 057C	0x5800 157C
DISPC_WB_CONV_COEF3	RW	32	0x0000 0580	0x5800 1580
DISPC_WB_CONV_COEF4	RW	32	0x0000 0584	0x5800 1584
DISPC_WB_BUF_SIZE_STATUS	R	32	0x0000 0588	0x5800 1588
DISPC_WB_BUF_THRESHOLD	RW	32	0x0000 058C	0x5800 158C
DISPC_WB_FIR	RW	32	0x0000 0590	0x5800 1590
DISPC_WB_PICTURE_SIZE	RW	32	0x0000 0594	0x5800 1594
DISPC_WB_PIXEL_INC	RW	32	0x0000 0598	0x5800 1598
DISPC_WB_ROW_INC	RW	32	0x0000 05A4	0x5800 15A4
DISPC_WB_SIZE	RW	32	0x0000 05A8	0x5800 15A8
DISPC_VID1_BA_UV_j ⁽¹⁾	RW	32	0x0000 0600 + (0x4 * j)	0x5800 1600 + (0x4 * j)
DISPC_VID2_BA_UV_j ⁽¹⁾	RW	32	0x0000 0608 + (0x4 * j)	0x5800 1608 + (0x4 * j)
DISPC_VID3_BA_UV_j ⁽¹⁾	RW	32	0x0000 0610 + (0x4 * j)	0x5800 1610 + (0x4 * j)
DISPC_WB_BA_UV_j ⁽¹⁾	RW	32	0x0000 0618 + (0x4 * j)	0x5800 1618 + (0x4 * j)
DISPC_CONFIG2	RW	32	0x0000 0620	0x5800 1620
DISPC_VID1_ATTRIBUTES2	RW	32	0x0000 0624	0x5800 1624
DISPC_VID2_ATTRIBUTES2	RW	32	0x0000 0628	0x5800 1628
DISPC_VID3_ATTRIBUTES2	RW	32	0x0000 062C	0x5800 162C
DISPC_GAMMA_TABLE0	W	32	0x0000 0630	0x5800 1630
DISPC_GAMMA_TABLE1	W	32	0x0000 0634	0x5800 1634
DISPC_GAMMA_TABLE2	W	32	0x0000 0638	0x5800 1638
DISPC_VID1_FIR2	RW	32	0x0000 063C	0x5800 163C
DISPC_VID1_ACCU2_j ⁽¹⁾	RW	32	0x0000 0640 + (0x4 * j)	0x5800 1640 + (0x4 * j)
DISPC_VID1_FIR_COEF_H2_j ⁽²⁾	RW	32	0x0000 0648 + (0x8 * i)	0x5800 1648 + (0x8 * i)
DISPC_VID1_FIR_COEF_HV2_j ⁽²⁾	RW	32	0x0000 064C + (0x8 * i)	0x5800 164C + (0x8 * i)
DISPC_VID1_FIR_COEF_V2_j ⁽²⁾	RW	32	0x0000 0688 + (0x4 * i)	0x5800 1688 + (0x4 * i)
DISPC_VID2_FIR2	RW	32	0x0000 06A8	0x5800 16A8
DISPC_VID2_ACCU2_j ⁽¹⁾	RW	32	0x0000 06AC + (0x4 * j)	0x5800 16AC + (0x4 * j)
DISPC_VID2_FIR_COEF_H2_j ⁽²⁾	RW	32	0x0000 06B4 + (0x8 * i)	0x5800 16B4 + (0x8 * i)
DISPC_VID2_FIR_COEF_HV2_j ⁽²⁾	RW	32	0x0000 06B8 + (0x8 * i)	0x5800 16B8 + (0x8 * i)
DISPC_VID2_FIR_COEF_V2_j ⁽²⁾	RW	32	0x0000 06F4 + (0x4 * i)	0x5800 16F4 + (0x4 * i)
DISPC_VID3_FIR2	RW	32	0x0000 0724	0x5800 1724
DISPC_VID3_ACCU2_j ⁽¹⁾	RW	32	0x0000 0728 + (0x4 * j)	0x5800 1728 + (0x4 * j)
DISPC_VID3_FIR_COEF_H2_j ⁽²⁾	RW	32	0x0000 0730 + (0x8 * i)	0x5800 1730 + (0x8 * i)
DISPC_VID3_FIR_COEF_HV2_j ⁽²⁾	RW	32	0x0000 0734 + (0x8 * i)	0x5800 1734 + (0x8 * i)
DISPC_VID3_FIR_COEF_V2_j ⁽²⁾	RW	32	0x0000 0770 + (0x4 * i)	0x5800 1770 + (0x4 * i)
DISPC_WB_FIR2	RW	32	0x0000 0790	0x5800 1790
DISPC_WB_ACCU2_j ⁽¹⁾	RW	32	0x0000 0794 + (0x4 * j)	0x5800 1794 + (0x4 * j)
DISPC_WB_FIR_COEF_H2_j ⁽²⁾	RW	32	0x0000 07A0 + (0x8 * i)	0x5800 17A0 + (0x8 * i)
DISPC_WB_FIR_COEF_HV2_j ⁽²⁾	RW	32	0x0000 07A4 + (0x8 * i)	0x5800 17A4 + (0x8 * i)
DISPC_WB_FIR_COEF_V2_j ⁽²⁾	RW	32	0x0000 07E0 + (0x4 * i)	0x5800 17E0 + (0x4 * i)
DISPC_GLOBAL_BUFFER	RW	32	0x0000 0800	0x5800 1800
DISPC_DIVISOR	RW	32	0x0000 0804	0x5800 1804
DISPC_WB_ATTRIBUTES2	RW	32	0x0000 0810	0x5800 1810
DISPC_DEFAULT_COLOR3	RW	32	0x0000 0814	0x5800 1814

Table 11-195. DISPC Registers Mapping Summary (continued)

Register Name	Type	Register Width (Bits)	Address Offset	L3_MAIN Physical Address
DISPC_TRANS_COLOR3	RW	32	0x0000 0818	0x5800 1818
DISPC_CPR3_COEF_B	RW	32	0x0000 081C	0x5800 181C
DISPC_CPR3_COEF_G	RW	32	0x0000 0820	0x5800 1820
DISPC_CPR3_COEF_R	RW	32	0x0000 0824	0x5800 1824
DISPC_DATA3_CYCLE1	RW	32	0x0000 0828	0x5800 1828
DISPC_DATA3_CYCLE2	RW	32	0x0000 082C	0x5800 182C
DISPC_DATA3_CYCLE3	RW	32	0x0000 0830	0x5800 1830
DISPC_SIZE_LCD3	RW	32	0x0000 0834	0x5800 1834
DISPC_DIVISOR3	RW	32	0x0000 0838	0x5800 1838
DISPC_POL_FREQ3	RW	32	0x0000 083C	0x5800 183C
DISPC_TIMING_H3	RW	32	0x0000 0840	0x5800 1840
DISPC_TIMING_V3	RW	32	0x0000 0844	0x5800 1844
DISPC_CONTROL3	RW	32	0x0000 0848	0x5800 1848
DISPC_CONFIG3	RW	32	0x0000 084C	0x5800 184C
DISPC_GAMMA_TABLE3	W	32	0x0000 0850	0x5800 1850
DISPC_BA0_FLIPIMMEDIATE_EN	RW	32	0x0000 0854	0x5800 1854
DISABLE_MSTANDBY_ENHANCEMENT	RW	32	0x0000 0858	0x5800 1858
DISPC_GLOBAL_MFLAG_ATTRIBUTE	RW	32	0x0000 085C	0x5800 185C
DISPC_GFX_MFLAG_THRESHOLD	RW	32	0x0000 0860	0x5800 1860
DISPC_VID1_MFLAG_THRESHOLD	RW	32	0x0000 0864	0x5800 1864
DISPC_VID2_MFLAG_THRESHOLD	RW	32	0x0000 0868	0x5800 1868
DISPC_VID3_MFLAG_THRESHOLD	RW	32	0x0000 086C	0x5800 186C
DISPC_WB_MFLAG_THRESHOLD	RW	32	0x0000 0870	0x5800 1870

11.2.6.3.2 DISPC Register Description

Table 11-196. DISPC_REVISION

Address Offset	0x0000 0000		
Physical Address	0x5800 1000	Instance	DISPC
Description	IP Revision		
Type	R		

31	30	29	28	27	26	25	24	23	22	21	20	19	18	17	16	15	14	13	12	11	10	9	8	7	6	5	4	3	2	1	0
REVISION																															

Bits	Field Name	Description	Type	Reset
31:0	REVISION	IP revision	R	See ⁽¹⁾ .

⁽¹⁾ TI internal data

Table 11-197. Register Call Summary for Register DISPC_REVISION

Display Controller

- [DISPC Shadow Registers: \[0\]](#)
- [DISPC Register Summary: \[1\]](#)

Table 11-198. DISPC_SYSCONFIG

Address Offset	0x0000 0010		
Physical Address	0x5800 1010	Instance	DISPC
Description	This register allows to control various parameters of the OCP interface.		
Type	RW		

31	30	29	28	27	26	25	24	23	22	21	20	19	18	17	16	15	14	13	12	11	10	9	8	7	6	5	4	3	2	1	0
RESERVED																MIDLEMODE	RESERVED	CLOCKACTIVITY	RESERVED	WARMRESET	SIDLEMODE	ENWAKEUP	SOFTRESET	AUTOIDLE							

Bits	Field Name	Description	Type	Reset
31:14	RESERVED	Write 0s for future compatibility. Reads returns 0.	R	0x00000
13:12	MIDLEMODE	Master interface power management, standby/wait control 0x0: Force-standby. MStandby is only asserted when the module is disabled. MStandby is only asserted when the module is disabled. 0x1: No-Standby: MStandby is never asserted. 0x2: Smart-Standby. MStandby is asserted based on the internal activity of the module. 0x3: Reserved	RW	0x0
11:10	RESERVED	Write 0s for future compatibility. Reads returns 0	R	0x0

Bits	Field Name	Description	Type	Reset
9:8	CLOCKACTIVITY	Clocks activity during wake up mode period 0x0: OCP and functional clocks can be switched off. 0x1: Functional clocks can be switched off and OCP clocks are maintained during wake up period. 0x2: OCP clocks can be switched off and Functional clocks are maintained during wake up period. 0x3: OCP and functional clocks are maintained during wake-up period.	RW	0x0
7:6	RESERVED	Write 0s for future compatibility. Reads returns 0	R	0x0
5	WARMRESET	Warm reset. Set this bit to 1 triggers a module warm reset. The bit is automatically reset by the hardware. During reads, it always returns 0. The warm reset keep the configuration registers unchanged. 0x0: Normal mode 0x1: The warm reset is set.	RW	0
4:3	SIDLEMODE	Slave interface power management, Idle req/ack control 0x0: Force-idle. An idle request is acknowledged unconditionally. 0x1: No-idle. An idle request is never acknowledged. 0x2: Smart-idle. Acknowledgment to an idle request is given based on the internal activity of the module. 0x3: Reserved	RW	0x0
2	ENWAKEUP	WakeUp feature control 0x0: Wakeup is disabled. 0x1: Wakeup is enabled.	RW	0
1	SOFTRESET	Software reset. Set this bit to 1 to trigger a module reset. The bit is automatically reset by the hardware. During reads, it always returns 0. 0x0: Normal mode 0x1: The module is reset.	RW	0
0	AUTOIDLE	Internal interface clock gating strategy 0x0: Interface clock is free-running. 0x1: Automatic interface L3_MAIN gating strategy is applied, based on the OCP interface activity. Automatic functional clock gating is also applied to the functional clock based on the module activity (for instance DISPC_<pipe>_ATTRIBUTES.ENABLE).	RW	1

Table 11-199. Register Call Summary for Register DISPC_SYSCONFIG

Display Controller

- [DISPC Software Reset: \[0\]\[1\]](#)
- [DISPC Idle Mode: \[2\]](#)
- [DISPC StandBy Mode: \[3\]](#)
- [DISPC Wakeup: \[4\]](#)
- [DISPC DMA Power Modes: \[5\]](#)
- [DISPC Shadow Registers: \[6\]](#)
- [DISPC Register Summary: \[7\]](#)

Table 11-200. DISPC_SYSSTATUS

Address Offset	0x0000 0014	Instance	DISPC
Physical Address	0x5800 1014		
Description	This register provides status information about the module, excluding the interrupt status information.		
Type	R		

31	30	29	28	27	26	25	24	23	22	21	20	19	18	17	16	15	14	13	12	11	10	9	8	7	6	5	4	3	2	1	0
RESERVED																												RESETDONE			

Bits	Field Name	Description	Type	Reset
31:1	RESERVED	Write 0s for future compatibility. Reads return 0.	R	0x000000
0	RESETDONE	Internal reset monitoring Read 0x0: Internal module reset is on-going. Read 0x1: Reset completed	R	1

Table 11-201. Register Call Summary for Register DISPC_SYSSTATUS

Display Controller

- [DISPC Software Reset: \[0\]](#)
- [DISPC Shadow Registers: \[1\]](#)
- [DISPC Register Summary: \[2\]](#)

Table 11-202. DISPC_IRQSTATUS

Address Offset	0x0000 0018	Instance	DISPC
Physical Address	0x5800 1018		
Description	This register regroups all the status of the module internal events that generate an interrupt. Write 1 to a given bit resets this bit		
Type	RW		

31	30	29	28	27	26	25	24	23	22	21	20	19	18	17	16	15	14	13	12	11	10	9	8	7	6	5	4	3	2	1	0
FLIPIMMEDIATEDONE_IRQ	FRAMEDONE3_IRQ	ACBIASCOUNTSTATUS3_IRQ	VSYNC3_IRQ	SYNCLOST3_IRQ	WBINCOMPLETEERROR_IRQ	WBBUFFEROVERFLOW_IRQ	FRAMEDONETV_IRQ	FRAMEDONEWB_IRQ	FRAMEDONE2_IRQ	ACBIASCOUNTSTATUS2_IRQ	VID3BUFFERUNDERFLOW_IRQ	VID3ENDWINDOW_IRQ	VSYNC2_IRQ	SYNCLOST2_IRQ	WAKEUP_IRQ	SYNCLOSTTV_IRQ	SYNCLOST1_IRQ	VID2ENDWINDOW_IRQ	VID2BUFFERUNDERFLOW_IRQ	VID1ENDWINDOW_IRQ	VID1BUFFERUNDERFLOW_IRQ	OCPELLOW_IRQ	PALETTEGAMMALOADING_IRQ	GFXENDWINDOW_IRQ	GFXBUFFERUNDERFLOW_IRQ	PROGRAMMEDLINENUMBER_IRQ	ACBIASCOUNTSTATUS1_IRQ	EVSYNC_ODD_IRQ	EVSYNC_EVEN_IRQ	VSYNC1_IRQ	FRAMEDONE1_IRQ

Bits	Field Name	Description	Type	Reset
31	FLIPIMMEDIATEDONE_IRQ	<p>Flip Immediate Done. The DMA engine has acknowledged the immediate BA change, and software can write the new BA0.</p> <p>0x0: READS: Event is false. WRITES: Status bit unchanged.</p> <p>0x1: READS: Event is true (pending). WRITES: Status bit is reset.</p>	RW W1toClr	0
30	FRAMEDONE3_IRQ	<p>Frame done for the third LCD. The third LCD output has been disabled by user. All the data have been sent.</p> <p>0x0: READS: Event is false. WRITES: Status bit unchanged.</p> <p>0x1: READS: Event is true (pending). WRITES: Status bit is reset.</p>	RW W1toClr	0
29	ACBIASCOUNT STATUS3_IRQ	<p>AC bias count status for the third LCD</p> <p>0x0: READS: Event is false. WRITES: Status bit unchanged.</p> <p>0x1: READS: Event is true (pending). WRITES: Status bit is reset.</p>	RW W1toClr	0
28	VSYNC3_IRQ	<p>Vertical synchronization for the third LCD</p> <p>0x0: READS: Event is false. WRITES: Status bit unchanged.</p> <p>0x1: READS: Event is true (pending). WRITES: Status bit is reset.</p>	RW W1toClr	0
27	SYNCLOST3_IRQ	<p>Synchronization lost on the third LCD output. The required data are not output at the correct time due to too short blanking periods or stall of at least one pipelines associated with the third LCD output.</p> <p>0x0: READS: Event is false. WRITES: Status bit unchanged.</p> <p>0x1: READS: Event is true (pending). WRITES: Status bit is reset.</p>	RW W1toClr	0
26	WBUNCOMPLETE ERROR_IRQ	<p>Write-back DMA buffer is flushed before it is completely drained.</p> <p>In WB capture mode, if the new frame starts before the WB DMA buffers are fully drained (onto external memory), then the contents of the WB DMA buffers are lost (implying last few pixels/lines are corrupted in the captured frame in memory). This interrupt is an indication of that case and will trigger every frame</p> <p>0x0: READS: Event is false. WRITES: Status bit unchanged</p> <p>0x1: READS: Event is true (Pending) WRITES: Status bit is reset</p>	RW W1toClr	0
25	WBBUFFER OVERFLOW_IRQ	<p>Write-back DMA buffer overflow. The DMA buffer is full.</p> <p>0x0: READS: Event is false. WRITES: Status bit unchanged.</p> <p>0x1: READS: Event is true (pending). WRITES: Status bit is reset.</p>	RW W1toClr	0
24	FRAME DONETV_IRQ	<p>Frame done for the TV. The TV output has been disabled by user. All the data have been sent.</p> <p>0x0: READS: Event is false. WRITES: Status bit unchanged.</p> <p>0x1: READS: Event is true (pending). WRITES: Status bit is reset.</p>	RW W1toClr	0

Bits	Field Name	Description	Type	Reset
23	FRAME DONEWB_IRQ	<p>Frame done for the write-back channel. The write-back channel has output the frame. All the data of the frame have been sent to the memory. There is no pending data inside the DMA engine for the write-back channel to be transferred to memory. It is available only when the write-back pipeline transfers back to memory the output of one of the pipelines. In case of overlay capture, the interrupt is not generated and the user shall use the FrameDone for the corresponding captured output.</p> <p>0x0: READS: Event is false. WRITES: Status bit unchanged.</p> <p>0x1: READS: Event is true (pending). WRITES: Status bit is reset.</p>	RW W1toClr	0
22	FRAME DONE2_IRQ	<p>Frame done for the secondary LCD. The secondary LCD output has been disabled by user. All the data have been sent.</p> <p>0x0: READS: Event is false. WRITES: Status bit unchanged.</p> <p>0x1: READS: Event is true (pending). WRITES: Status bit is reset.</p>	RW W1toClr	0
21	ACBIASCOUNT STATUS2_IRQ	<p>AC bias count status for the secondary LCD</p> <p>0x0: READS: Event is false. WRITES: Status bit unchanged.</p> <p>0x1: READS: Event is true (pending). WRITES: Status bit is reset.</p>	RW W1toClr	0
20	VID3BUFFER UNDERFLOW_IRQ	<p>Video 3 DMA buffer underflow. The DMA buffer is not necessarily empty but required data are not present in the DMA buffer (due to out of order responses)</p> <p>0x0: READS: Event is false. WRITES: Status bit unchanged.</p> <p>0x1: READS: Event is true (pending). WRITES: Status bit is reset.</p>	RW W1toClr	0
19	VID3END WINDOW_IRQ	<p>The end of the video 3 window has been reached. It is detected by the overlay manager when the full video 3 has been displayed.</p> <p>0x0: READS: Event is false. WRITES: Status bit unchanged.</p> <p>0x1: READS: Event is true (pending). WRITES: Status bit is reset.</p>	RW W1toClr	0
18	VSYNC2_IRQ	<p>Vertical synchronization for the secondary LCD</p> <p>0x0: READS: Event is false. WRITES: Status bit unchanged.</p> <p>0x1: READS: Event is true (pending). WRITES: Status bit is reset.</p>	RW W1toClr	0
17	SYNC LOST2_IRQ	<p>Synchronization lost on the secondary LCD output. The required data are not output at the correct time due to too short blanking periods or stall of at least one pipelines associated with the secondary LCD output.</p> <p>0x0: READS: Event is false. WRITES: Status bit unchanged.</p> <p>0x1: READS: Event is true (pending). WRITES: Status bit is reset.</p>	RW W1toClr	0
16	WAKEUP_IRQ	<p>Wakeup</p> <p>0x0: READS: Event is false. WRITES: Status bit unchanged.</p> <p>0x1: READS: Event is true (pending). WRITES: Status bit is reset.</p>	RW W1toClr	0

Bits	Field Name	Description	Type	Reset
15	SYNCLOST TV_IRQ	Synchronization lost on the TV output. The required data are not output at the correct time due to too short blanking periods or stall of at least one pipelines associated with the TV output. 0x0: READS: Event is false. WRITES: Status bit unchanged. 0x1: READS: Event is true (pending). WRITES: Status bit is reset.	RW W1toClr	0
14	SYNC LOST1_IRQ	Synchronization lost on the primary LCD output. The required data are not output at the correct time due to too short blanking periods or stall of at least one pipelines associated with the primary LCD output. 0x0: READS: Event is false. WRITES: Status bit unchanged. 0x1: READS: Event is true (pending). WRITES: Status bit is reset.	RW W1toClr	0
13	VID2END WINDOW_IRQ	The end of the video 2 Window has been reached. It is detected by the overlay manager when the full video 2 has been displayed. 0x0: READS: Event is false. WRITES: Status bit unchanged. 0x1: READS: Event is true (pending). WRITES: Status bit is reset.	RW W1toClr	0
12	VID2BUFFER UNDERFLOW_IRQ	Video 2 DMA buffer underflow. The DMA buffer is not necessarily empty but required data are not present in the DMA buffer (due to out of order responses) 0x0: READS: Event is false. WRITES: Status bit unchanged. 0x1: READS: Event is true (pending). WRITES: Status bit is reset.	RW W1toClr	0
11	VID1END WINDOW_IRQ	The end of the video 1 Window has been reached. It is detected by the overlay manager when the full video 1 has been displayed. 0x0: READS: Event is false. WRITES: Status bit unchanged. 0x1: READS: Event is true (pending). WRITES: Status bit is reset.	RW W1toClr	0
10	VID1BUFFER UNDERFLOW_IRQ	Video 1 DMA buffer underflow. The DMA buffer is not necessarily empty but required data are not present in the DMA buffer (due to out of order responses) 0x0: READS: Event is false. WRITES: Status bit unchanged. 0x1: READS: Event is true (pending). WRITES: Status bit is reset.	RW W1toClr	0
9	OCPERROR_IRQ	OCP error. L3_MAIN Interconnect has sent SResp=ERR. 0x0: READS: Event is false. WRITES: Status bit unchanged. 0x1: READS: Event is true (pending). WRITES: Status bit is reset.	RW W1toClr	0
8	PALETTEGAMMA LOADING_IRQ	Palette Gamma loading status. The palette used as Color Look Up Table (CLUT) for the graphics BITMAP formats (1-, 2-, 4-, or 4-bpp) or as gamma table for the overlay output for the primary LCD output has been loaded successfully. NOTE: CLUT and BITMAP formats are not supported in this family of devices. 0x0: READS: Event is false. WRITES: Status bit unchanged. 0x1: READS: Event is true (pending). WRITES: Status bit is reset.	RW W1toClr	0

Bits	Field Name	Description	Type	Reset
7	GFXEND WINDOW_IRQ	The end of the graphics window has been reached. It is detected by the overlay manager when the full graphics has been displayed. 0x0: READS: Event is false. WRITES: Status bit unchanged. 0x1: READS: Event is true (pending). WRITES: Status bit is reset.	RW W1toClr	0
6	GFXBUFFER UNDERFLOW_IRQ	Graphics DMA buffer underflow. The DMA buffer is not necessarily empty but required data are not present in the DMA buffer (due to out of order responses) 0x0: READS: Event is false. WRITES: Status bit unchanged. 0x1: READS: Event is true (pending). WRITES: Status bit is reset.	RW W1toClr	0
5	PROGRAMMED LINENUMBER_IRQ	Programmed line number. It indicates that the scan of the primary LCD has reached the programmed user line number. 0x0: READS: Event is false. WRITES: Status bit unchanged. 0x1: READS: Event is true (pending). WRITES: Status bit is reset.	RW W1toClr	0
4	ACBIASCOUNT STATUS1_IRQ	AC bias count status for the primary LCD 0x0: READS: Event is false. WRITES: Status bit unchanged. 0x1: READS: Event is true (pending). WRITES: Status bit is reset.	RW W1toClr	0
3	EVSYNC_ ODD_IRQ	VSYNC for odd field from the TV encoder (HDMI) 0x0: READS: Event is false. WRITES: Status bit unchanged. 0x1: READS: Event is true (pending). WRITES: Status bit is reset.	RW W1toClr	0
2	EVSYNC_ EVEN_IRQ	VSYNC for even field from the TV encoder (HDMI) 0x0: READS: Event is false. WRITES: Status bit unchanged. 0x1: READS: Event is true (pending). WRITES: Status bit is reset.	RW W1toClr	0
1	VSYNC1_IRQ	Vertical synchronization for the primary LCD. 0x0: READS: Event is false. WRITES: Status bit unchanged. 0x1: READS: Event is true (pending). WRITES: Status bit is reset.	RW W1toClr	0
0	FRAME DONE1_IRQ	Frame done for the primary LCD. The primary LCD output has been disabled by user. All the data have been sent. 0x0: READS: Event is false. WRITES: Status bit unchanged. 0x1: READS: Event is true (pending). WRITES: Status bit is reset.	RW W1toClr	0

Table 11-203. Register Call Summary for Register DISPC_IRQSTATUS

Display Controller

- [DISPC Interrupt Requests: \[0\]](#)
- [DISPC Immediate Base Address Flip Mechanism: \[1\]](#)
- [DISPC DMA Buffers: \[2\]](#)
- [DISPC Synchronized Buffer Update: \[3\]](#)
- [DISPC Shadow Registers: \[4\]](#)
- [DISPC Register Summary: \[5\]](#)

Table 11-204. DISPC_IRQENABLE

Address Offset	0x0000 001C	Instance	DISPC
Physical Address	0x5800 101C		
Description	This register allows to mask/unmask the module internal sources of interrupt, on an event-by-event basis		
Type	RW		

31	30	29	28	27	26	25	24	23	22	21	20	19	18	17	16	15	14	13	12	11	10	9	8	7	6	5	4	3	2	1	0
FLIPI	FRAMEDONE3	ACBIAS	VSYNC3	SYNCLOST3	WBUNCOM	WBUFFER	FRAMEDON	FRAMEDONE	FRAMEDONE	ACBIAS	VID3BU	VID3EN	VSYNC2	SYNCLOST2	WAKEUP	SYNCLOST	SYNCLOST	VID2EN	VID2BU	ENDVID	VID1BU	OC	PALETTE	GFXEN	GFXBU	PROGRAM	ACBIAS	EVS	EVS	V	FRAMEDONE

Bits	Field Name	Description	Type	Reset
31	FLIPI	Flip Immediate Done. The DMA engine has acknowledged the immediate BA change, and software can write the new BA0. 0x0: FrameDone for the primary LCD output is masked 0x1: FrameDone for the primary LCD output generates an interrupt when it occurs	RW	0
30	FRAMEDONE3	Frame done for the third LCD. The third LCD output has been disabled by user. All the data have been sent. 0x0: Frame Done for the secondary LCD is masked. 0x1: Frame Done for the secondary LCD generates an interrupt when it occurs.	RW	0
29	ACBIAS	AC Bias count status for the third LCD 0x0: ACBiasCountStatus for the secondary LCD output is masked 0x1: ACBiasCountStatus for the secondary LCD output generates an interrupt when it occurs	RW	0
28	VSYNC3	Vertical synchronization for the third LCD 0x0: VSYNC for the secondary LCD output is masked. 0x1: VSYNC for the secondary LCD output generates an interrupt when it occurs.	RW	0
27	SYNC	Synchronization lost on the third LCD output. The required data are not output at the correct time due to too short blanking periods or stall of at least one pipelines associated with the third LCD output. 0x0: Synchronization Lost on the secondary LCD output is masked. 0x1: Synchronization Lost on the secondary LCD output generates an interrupt when it occurs.	RW	0
26	WBUNCOM	The write back buffer has been flushed before been fully drained. Enable. 0x0: Interrupt is masked. 0x1: Interrupt is enabled.	RW	0

Bits	Field Name	Description	Type	Reset
25	WBBUFFER OVERFLOW_EN	Write-back DMA buffer overflow. The DMA buffer is full. 0x0: WBBufferOverflow is masked. 0x1: WBBufferOverflow generates an interrupt when it occurs.	RW	0
24	FRAME DONETV_EN	Frame done for the TV. The TV output has been disabled by user. All the data have been sent. 0x0: Frame Done for the TV output is masked. 0x1: Frame Done for the TV output generates an interrupt when it occurs.	RW	0
23	FRAME DONEWB_EN	Frame done for the write-back channel. The write-back channel has output the frame. All the data have been sent for the frame have been sent to the memory. There is no pending data inside the DMA engine for the write-back channel to be transferred to memory. 0x0: Frame done for the write-back is masked. 0x1: Frame done for the write-back generates an interrupt when it occurs.	RW	0
22	FRAME DONE2_EN	Frame done for the secondary LCD. The secondary LCD output has been disabled by user. All the data have been sent. 0x0: Frame done for the secondary LCD is masked. 0x1: Frame done for the secondary LCD generates an interrupt when it occurs.	RW	0
21	ACBIASCOUNT STATUS2_EN	AC Bias count status for the secondary LCD 0x0: ACBiasCountStatus for the secondary LCD output is masked. 0x1: ACBiasCountStatus for the secondary LCD output generates an interrupt when it occurs.	RW	0
20	VID3BUFFER UNDERFLOW_EN	Video 3 DMA Buffer Underflow. The DMA buffer is not necessary empty but required data are not present in the DMA buffer (due to out of order responses) 0x0: Vid3BufferUnderflow is masked. 0x1: Vid3BufferUnderflow generates an interrupt when it occurs.	RW	0
19	VID3END WINDOW_EN	The end of the video 3 window has been reached. It is detected by the overlay manager when the full video 3 has been displayed. 0x0: Vid3EndWindow is masked. 0x1: Vid3EndWindow generates an interrupt when it occurs.	RW	0
18	VSYNC2_EN	Vertical synchronization for the secondary LCD 0x0: VSYNC for the secondary LCD output is masked. 0x1: VSYNC for the secondary LCD output generates an interrupt when it occurs.	RW	0
17	SYNC LOST2_EN	Synchronization lost on the secondary LCD output. The required data are not output at the correct time due to too short blanking periods or stall of at least one pipelines associated with the secondary LCD output. 0x0: Synchronization Lost on the secondary LCD output is masked. 0x1: Synchronization Lost on the secondary LCD output generates an interrupt when it occurs.	RW	0
16	WAKEUP_EN	Wake up mask 0x0: WakeUp is masked. 0x1: WakeUp generates an interrupt when it occurs.	RW	0

Bits	Field Name	Description	Type	Reset
15	SYNC LOSTTV_EN	<p>Synchronization lost on the TV output. The required data are not output at the correct time due to too short blanking periods or stall of at least one pipelines associated with the TV output.</p> <p>0x0: Synchronization Lost on the TV output is masked.</p> <p>0x1: Synchronization Lost on the TV output generates an interrupt when it occurs.</p>	RW	0
14	SYNC LOST1_EN	<p>Synchronization lost for the primary LCD</p> <p>0x0: SyncLost for the primary LCD output is masked.</p> <p>0x1: SyncLost for the primary LCD output generates an interrupt when it occurs.</p>	RW	0
13	VID2END WINDOW_EN	<p>The end of the video 2 Window has been reached. It is detected by the overlay manager when the full video 2 has been displayed.</p> <p>0x0: Vid2EndWindow is masked.</p> <p>0x1: Vid2EndWindow generates an interrupt when it occurs.</p>	RW	0
12	VID2BUFFER UNDERFLOW_EN	<p>Video 2 DMA buffer underflow. The DMA buffer is not necessary empty but required data are not present in the DMA buffer (due to out of order responses)</p> <p>0x0: Vid2BufferUnderflow is masked.</p> <p>0x1: Vid2BufferUnderflow generates an interrupt when it occurs.</p>	RW	0
11	ENDVID1 WINDOW_EN	<p>The end of the video 1 window has been reached. It is detected by the overlay manager when the full video 1 has been displayed.</p> <p>0x0: EndVid1Window is masked.</p> <p>0x1: EndVid1Window generates an interrupt when it occurs.</p>	RW	0
10	VID1BUFFER UNDERFLOW_EN	<p>Video 1 DMA buffer underflow. The DMA buffer is not necessary empty but required data are not present in the DMA buffer (due to out of order responses)</p> <p>0x0: Vid1bufferunderflow is masked.</p> <p>0x1: Vid1bufferunderflow generates an interrupt when it occurs.</p>	RW	0
9	OCPERROR_EN	<p>OCP Error. L3_MAIN Interconnect has sent SResp=ERR.</p> <p>0x0: OCPErrror is masked.</p> <p>0x1: OCPErrror generates an interrupt when it occurs.</p>	RW	0
8	PALETTE GAMMA_EN	<p>Palette gamma loading mask. The palette used as Color Look Up Table (CLUT) for the graphics BITMAP formats (1-, 2-, 4-, or 4-bpp) or as gamma table for the overlay output for the primary LCD output has been loaded successfully.</p> <p>NOTE: CLUT and BITMAP formats are not supported in this family of devices.</p> <p>0x0: PaletteGamma is masked.</p> <p>0x1: PaletteGamma generates an interrupt when it occurs.</p>	RW	0
7	GFXEND WINDOW_EN	<p>The end of the graphics Window has been reached. It is detected by the overlay manager when the full graphics has been displayed.</p> <p>0x0: GfxEndWindow is masked.</p> <p>0x1: GfxEndWindow generates an interrupt when it occurs.</p>	RW	0

Bits	Field Name	Description	Type	Reset
6	GFXBUFFER UNDERFLOW_EN	Graphics DMA Buffer Underflow. The DMA buffer is not necessarily empty but required data are not present in the DMA buffer (due to out of order responses) 0x0: GfxBufferUnderflow is masked. 0x1: GfxBufferUnderflow generates an interrupt when it occurs.	RW	0
5	PROGRAMMED LINENUMBER_EN	Programmed Line Number. It indicates that the scan of the primary LCD has reached the programmed user line number. 0x0: ProgrammedLineNumber is masked. 0x1: ProgrammedLineNumber generates an interrupt when it occurs.	RW	0
4	ACBIASCOUNT STATUS1_EN	AC Bias count status for the primary LCD 0x0: ACBiascountstatus for the primary LCD output is masked. 0x1: ACBiascountstatus for the primary LCD output generates an interrupt when it occurs.	RW	0
3	EVSYNC_ODD_EN	VSYNC for odd field from the TV encoder (HDMI) 0x0: EVSYNC_ODD for the TV output is masked. 0x1: EVSYNC_ODD for the TV output generates an interrupt when it occurs.	RW	0
2	EVSYNC_EVEN_EN	VSYNC for even field from the TV encoder (HDMI) 0x0: EVSYNC_EVEN for the TV output is masked. 0x1: EVSYNC_EVEN for the TV output generates an interrupt when it occurs.	RW	0
1	VSYNC1_EN	Vertical synchronization for the primary LCD. 0x0: VSYNC for the primary LCD output is masked. 0x1: VSYNC for the primary LCD output generates an interrupt when it occurs.	RW	0
0	FRAMEDONE_EN	Frame done for the primary LCD. The primary LCD output has been disabled by user. All the data have been sent. 0x0: Frame Done for the primary LCD output is masked. 0x1: FrameDone for the primary LCD output generates an interrupt when it occurs.	RW	0

Table 11-205. Register Call Summary for Register DISPC_IRQENABLE

Display Controller

- [DISPC Interrupt Requests: \[0\]](#)
- [DISPC Immediate Base Address Flip Mechanism: \[1\]](#)
- [DISPC DMA Buffers: \[2\]](#)
- [DISPC Synchronized Buffer Update: \[3\]](#)
- [DISPC Shadow Registers: \[4\]](#)
- [DISPC Register Summary: \[5\]](#)

Table 11-206. DISPC_CONTROL1

Address Offset	0x0000 0040	Instance	DISPC
Physical Address	0x5800 1040		
Description	The control register configures the Display Controller module for the primary LCD and TV outputs.		
Type	RW		

31	30	29	28	27	26	25	24	23	22	21	20	19	18	17	16	15	14	13	12	11	10	9	8	7	6	5	4	3	2	1	0														
SPATIALTEMPORALDITHERINGFRAMES								TDMCYCLEFORMAT				TDMPARALLELMODE				GPOUT0				OVERLAYOPTIMIZATION				RESERVED		TFTDATALINES				STDITHERENABLE		GOTV		GOLCD		M8B		STNTFT		MONOCOLOR		TVENABLE		LCDENABLE	

Bits	Field Name	Description	Type	Reset
31:30	SPATIALTEMPORAL DITHERINGFRAMES	Spatial/temporal dithering number of frames for the primary LCD output wr: VFP start period of primary LCD 0x0: Spatial only 0x1: Spatial and temporal over 2 frames 0x2: Spatial and temporal over 4 frames 0x3: Reserved	RW	0x0
29	LCDENABLEPOL	Write 0s for future compatibility. Reads return 0.	R	0
28	LCDENABLESIGNAL	Write 0s for future compatibility. Reads return 0.	R	0
27	PCKFREEENABLE	Write 0s for future compatibility. Reads return 0.	R	0
26:25	TDMUNUSEDBITS	State of unused bits (TDM mode only) for the primary LCD output. wr: VFP start period of primary LCD 0x0: Low level (0) 0x1: High level (1) 0x2: Unchanged from previous state 0x3: Reserved	RW	0x0
24:23	TDMCYCLEFORMAT	Cycle format (TDM mode only) for the primary LCD output WR: VFP start period of primary LCD 0x0: 1 cycle for 1 pixel 0x1: 2 cycles for 1 pixel 0x2: 3 cycles for 1 pixel 0x3: 3 cycles for 2 pixels	RW	0x0
22:21	TDMPARALLELMODE	Output interface width (TDM mode only) for the primary LCD output WR: VFP start period of primary LCD 0x0: 8-bit parallel output interface selected 0x1: 9-bit parallel output interface selected 0x2: 12-bit parallel output interface selected 0x3: 16-bit parallel output interface selected	RW	0x0

Bits	Field Name	Description	Type	Reset
20	TDMENABLE	Enable the multiple cycle format for the primary LCD output. WR: VFP start period of primary LCD 0x0: TDM disabled 0x1: TDM enabled	RW	0
19:17	HT	Hold time for TV output WR: EVSYNC Encoded value (from 1 to 8) to specify the number of external digital clock periods to hold the data (programmed value = value minus 1)	RW	0x0
16	GPOUT1	General purpose output signal WR: immediate 0x0: The GPout1 is reset. 0x1: The GPout1 is set.	RW	0
15	GPOUT0	General Purpose Output Signal WR:immediate 0x0: The GPout0 is reset. 0x1: The GPout0 is set.	RW	0
14	GPIN1	General purpose input signal WR: immediately Read 0x0: The GPin1 has been reset. Read 0x1: The GPin1 has been set.	R	0
13	GPIN0	General purpose input signal WR: immediately Read 0x0: The GPin0 has been reset. Read 0x1: The GPin0 has been set.	R	0
12	OVERLAYOPTIMIZATION	Overlay optimization for the primary LCD output WR: VFP start period of the primary LCD 0x0: All the data for all the enabled pipelines are fetched from memory regardless of the overlay/alpha blending configuration. 0x1: The data not used by the overlay manager because of overlap between layers with no alpha blending between them must not be fetched from memory in order to optimize the bandwidth.	RW	0
11	STALLMODE	STALL mode for the primary LCD output wr: VFP start period of primary LCD 0x0: Normal mode selected 0x1: STALL mode selected. The Display Controller sends the data without considering the VSYNC/HSYNC. The LCD output is disabled at the end of the transfer of the frame. To generate a new frame, the software must re-enable the LCD output.	RW	0
10	RESERVED	Reserved	R	0
9:8	TFTDATALINES	Number of lines of the primary LCD interface WR: VFP start period of primary LCD 0x0: 12-bit output aligned on the LSB of the pixel data interface 0x1: 16-bit output aligned on the LSB of the pixel data interface 0x2: 18-bit output aligned on the LSB of the pixel data interface 0x3: 24-bit output aligned on the LSB of the pixel data interface	RW	0x0
7	STDITHERENABLE	Spatial temporal dithering enable for the primary LCD output WR: VFP start period of primary LCD 0x0: Spatial/temporal dithering logic disabled 0x1: Spatial/temporal dithering logic enabled	RW	0

Bits	Field Name	Description	Type	Reset
6	GOTV	<p>GO command for the TV output. It is used to synchronized the pipelines (graphics and/or video ones) associated with the TV output. WR: immediate</p> <p>0x0: The hardware has finished updating the internal shadow registers of the pipeline(s) associated with the TV output using the user values. The hardware resets the bit when the update is completed.</p> <p>0x1: The user has finished to program the shadow registers of the pipeline(s) associated with the TV output and the hardware can update the internal registers at the external VSYNC.</p>	RW	0
5	GOLCD	<p>GO command for the primary LCD output. It is used to synchronized the pipelines (graphics and/or video ones) associated with the primary LCD output. WR: immediate</p> <p>0x0: The hardware has finished updating the internal shadow registers of the pipeline(s) connected to the LCD output using the user values. The hardware resets the bit when the update is completed.</p> <p>0x1: The user has finished to program the shadow registers of the pipeline(s) associated with the LCD output and the hardware can update the internal registers at the VFP start period</p>	RW	0
4	M8B	<p>Mono 8-bit mode of the primary LCD wr: VFP start period of primary LCD output</p> <p>0x0: Reserved</p> <p>0x1: Reserved</p>	RW	0
3	STNTFT	<p>LCD Display type of the primary LCD WR: VFP start period of primary LCD output</p> <p>0x0: STN display operation enabled. STN dither logic is enabled.</p> <p>0x1: Active or TFT display operation enabled. STN Dither logic and output FIFO bypassed.</p>	RW	0
2	MONOCOLOR	<p>Monochrome/color selection for the primary LCD WR: VFP start period of primary LCD output</p> <p>0x0: Color operation enabled (STN mode only)</p> <p>0x1: Monochrome operation enabled (STN mode only)</p>	RW	0
1	TVENABLE	<p>Enable the TV output wr: immediate effect only occurs at the end of the current frame.</p> <p>0x0: TV output disabled (at the end of the current field if interlace output when the bit is reset)</p> <p>0x1: TV output enabled</p>	RW	0
0	LCDENABLE	<p>Enable the primary LCD outputs wr: immediate Effect only occurs at the end of the current frame</p> <p>0x0: LCD output disabled (at the end of the frame when the bit is reset)</p> <p>0x1: LCD output enabled</p>	RW	0

Table 11-207. Register Call Summary for Register DISPC_CONTROL1

Display Controller

- [DISPC Graphics Pipeline: \[0\]\[1\]\[2\]\[3\]](#)
- [DISPC Video Pipelines: \[4\]\[5\]\[6\]\[7\]](#)
- [DISPC Overlay Manager: \[8\]](#)
- [DISPC Timing and TV Format Settings: \[9\]](#)
- [DISPC Shadow Registers: \[10\]\[11\]\[12\]\[13\]](#)
- [DISPC Operational Modes Configuration: \[14\]\[15\]\[16\]\[17\]\[18\]\[19\]\[20\]\[21\]](#)
- [DISPC Logical Register Mapping: \[22\]](#)
- [DISPC Register Summary: \[23\]](#)

Table 11-208. DISPC_CONFIG1

Address Offset	0x0000 0044	Instance	DISPC
Physical Address	0x5800 1044		
Description	The control register configures the Display Controller module for the primary LCD output and TV output. Shadow register, updated on VFP start period of primary LCD or EVSYNC or when DISPC_CONTROL2.GOWB is set to 1 by software and current WB frame is finished (no more data in the write-back pipeline). The synchronization event is defined based on the output using the pipeline: primary LCD, secondary LCD, third LCD, TV output or write-back to the memory		
Type	RW		

31	30	29	28	27	26	25	24	23	22	21	20	19	18	17	16	15	14	13	12	11	10	9	8	7	6	5	4	3	2	1	0
RESERVED		TVINTERLEAVE	PLCDINTERLEAVE	FULLRANGE	COLORCONVENABLE	FIDFIRST	OUTPUTMODEENABLE	BT1120ENABLE	BT666ENABLE	TVALPHABLENDERENABLE	LCDALPHABLENDERENABLE	BUFFERFILLING	BUFFERHANDCHECK	CPR	BUFFERMERGE	TCKTVSELECTION	TCKTVENABLE	TCKLCDSELECTION	TCKLCDENABLE	GAMATABLEENABLE	ACBIASGATED	VSYNCGATED	HSYNCGATED	PIXELCLOCKGATED	PIXELDATAGATED	PALETTEGAMMATABLE	LOADMODE	PIXELGATED			

Bits	Field Name	Description	Type	Reset
31:30	RESERVED	Write 0s for future compatibility. Reads return 0.	R	0x0
29:28	TVINTERLEAVE	TV Interleave Pattern	RW	0x0
27:26	PLCDINTERLEAVE	pLCD Interleave Pattern	RW	0x0
25	FULLRANGE	Color Space Conversion full range setting. wr: VFP start of primary LCD 0x0: Limited range selected. 0x1: Full range selected.	RW	0
24	COLORCONV ENABLE	Enable the color space conversion. It shall be reset when CPR bit field is set to 0x1. wr: VFP start of primary LCD 0x0: Disable Color Space Conversion RGB to YUV 0x1: Enable Color Space Conversion RGB to YUV	RW	0
23	FIDFIRST	Selects the first field to output in case of interlace mode. In case of progressive mode, the value is not used. wr: VFP start of primary LCD 0x0: First field is even. 0x1: Odd field is first.	RW	0
22	OUTPUTMODE ENABLE	Selects between progressive and interlace mode for the primary LCD output. wr: VFP start of primary LCD 0x0: Progressive mode selected. 0x1: Interlace mode selected.	RW	0

Bits	Field Name	Description	Type	Reset
21	BT1120ENABLE	Selects BT.1120 format on the primary LCD output. It is not possible to enable BT.656 and BT.1120 at the same time on the same LCD output. wr: VFP start of primary LCD 0x0: BT.1120 is disabled 0x1: BT.1120 is enabled.	RW	0
20	BT656ENABLE	Selects BT.656 format on the primary LCD output. It is not possible to enable BT.656 and BT.1120 at the same time on the same LCD output. wr: VFP start of primary LCD 0x0: BT.656 is disabled. 0x1: BT.656 is enabled.	RW	0
19	TVALPHABLENDER ENABLE	Selects the alpha blender overlay manager for the TV output instead of the color key alpha blender (LCD output). The bit field is deprecated. It is present for software backward compatibility only. When it is enabled, the Z-order defined in each ATTRIBUTES registers for only the pipelines associated pipeline connected to the TV output are invalid and replaced by the following: graphics z-order = 3, video3 z-order = 2, video2 z-order =1 and video1 z-order=0 If it disabled, the z-order and z-order enable bit fields defined in each ATTRIBUTES register are used. wr: EVSYNC start of primary LCD 0x0: Alpha blender is disabled. 0x1: The alpha blender is enabled.	RW	0
18	LCDALPHABLENDER ENABLE	Selects the alpha blender overlay manager for the primary LCD output instead of the color key alpha blender (LCD output). The bit field is deprecated. It is present for software backward compatibility only. When it is enabled, the Z-order defined in each ATTRIBUTES registers for only the pipelines associated with the primary LCD output are invalid and replaced by the following: graphics z-order = 3, video3 z-order = 2, video2 z-order =1 and video1 z-order=0 If it disabled, the z-order and z-order enable bit fields defined in each ATTRIBUTES register are used. wr: VFP start of primary LCD 0x0: Alpha blender is disabled. The color key alpha blending is used. 0x1: The alpha blender is enabled.	RW	0
17	BUFFERFILLING	Controls if the DMA buffers are refilled only when the LOW threshold is reached or if all DMA buffers are refilled when at least one of them reaches the LOW threshold. wr: immediate 0x0: Each DMA buffer is refilled when it reaches LOW threshold. 0x1: All DMA buffers are refilled up to high threshold when at least one of them reaches the LOW threshold. (only active DMA buffers shall be considered and when reaching the end of the frame the DMA buffer goes to empty condition so no need to fill it again).	RW	0
16	RESERVED	Write 0s for future compatibility. Reads return 0.	RW	0
15	CPR	Color phase rotation control (primary LCD output). It shall be reset when ColorConvEnable bit field is set to 1 wr: VFP start period of primary LCD output 0x0: Color Phase Rotation Disabled 0x1: Color Phase Rotation Enabled	RW	0

Bits	Field Name	Description	Type	Reset
14	BUFFERMERGE	<p>Buffer merge control wr: EVSYNC or when DISPC_CONTROL2.GOWB is set to 1 by software and current WB frame is finished (no more data in the write-back pipeline). The synchronization event is defined based on the output using the pipeline: primary LCD, secondary LCD, third LCD, TV output or write-back to the memory or VFP. When enabled, the DISPC_GLOBAL_BUFFER register is ignored. This bit must be set to zero when the write back channel is used. When DISPC_CONTROL2.GOWB is used BUFFERMERGE MUST be zero. When DISPC_CONTROL2.GOWB is used BUFFERMERGE MUST be zero.</p> <p>WR: immediate</p> <p>0x0: DMA buffer merge disabled Each DMA buffer is dedicated to one pipeline.</p> <p>0x1: DMA buffer merge enabled All the DMA buffers are merged into a single one to be used by the single active pipeline.</p>	RW	0
13	TCKTV SELECTION	<p>Transparency color key selection (TV output) wr: EVSYNC</p> <p>0x0: Destination transparency color key selected</p> <p>0x1: Source transparency color key selected</p>	RW	0
12	TCKTVENABLE	<p>Transparency color key enabled (TV output) WR: EVSYNC</p> <p>0x0: Disable the transparency color key for the TV output</p> <p>0x1: Enable the transparency color key for the TV output</p>	RW	0
11	TCKLCD SELECTION	<p>Transparency color key selection (primary LCD output) wr: VFP start period of primary LCD output</p> <p>0x0: Destination transparency color key selected</p> <p>0x1: Source transparency color key selected</p>	RW	0
10	TCKLCDENABLE	<p>Transparency color key enabled (primary LCD output) wr: VFP start period of primary LCD output</p> <p>0x0: Disable the transparency color key for the LCD</p> <p>0x1: Enable the transparency color key for the LCD</p>	RW	0
9	GAMATABLE ENABLE	<p>For backward compatibility, an enable bit has been added on the 2 additional gamma tables (secondary display and TV). Gamma table of LCD1 is always enabled.</p> <p>0x0: Gamma table LCD2 and TV are bypassed</p> <p>0x1: Gamma table LCD2 and TV are enabled</p>	RW	0
8	ACBIASGATED	<p>ACBias Gated Enabled (primary LCD output) wr: VFP start period of primary LCD output</p> <p>0x0: AcBias gated disabled</p> <p>0x1: AcBias gated enabled</p>	RW	0
7	VSYNCGATED	<p>VSYNC Gated Enabled (primary LCD output) wr: VFP start period of primary LCD output</p> <p>0x0: VSYNC gated disabled</p> <p>0x1: VSYNC gated enabled</p>	RW	0
6	HSYNCGATED	<p>HSYNC Gated Enabled (primary LCD output) wr: VFP start period of primary LCD output</p> <p>0x0: HSYNC gated disabled</p> <p>0x1: HSYNC gated enabled</p>	RW	0
5	PIXELCLOCK GATED	<p>Pixel Clock Gated Enabled (primary LCD output) wr: VFP start period of primary LCD output</p> <p>0x0: Pixel clock gated disabled</p> <p>0x1: Pixel clock gated enabled</p>	RW	0

Bits	Field Name	Description	Type	Reset
4	PIXELDATAGATED	Pixel data gated enabled (primary LCD output) wr: VFP start period of primary LCD output 0x0: Pixel data gated disabled 0x1: Pixel data gated enabled	RW	0
3	PALETTEGAMMA TABLE	Palette/gamma table selection wr: VFP start period of primary LCD output or VFP start period of secondary LCD output or EVSYNC or when DISPC_CONTROL2.GOWB is set to 1 by software and current WB frame is finished (no more data in the write-back pipeline). The synchronization event is defined based on the output using the graphics pipeline: primary LCD, secondary LCD, third LCD, TV output or write-back to the memory. In case of the table is used as gamma table, it is used for the primary LCD output only. NOTE: CLUT and BITMAP formats are not supported in this family of devices. 0x0: LUT used as palette (only if graphics format is BITMAP1, 2, 4, and 8) 0x1: LUT used as gamma table (only if graphics format is NOT BITMAP1, 2, 4, and 8 or no graphics window present)	RW	0
2:1	LOADMODE	Loading mode for the palette/gamma table wr: VFP start period of primary LCD output or VFP start period of secondary LCD output or EVSYNC or when DISPC_CONTROL2.GOWB is set to 1 by software and current WB frame is finished (no more data in the write-back pipeline). The synchronization event is defined based on the output using the pipeline: primary LCD, secondary LCD, third LCD, TV output or write-back to the memory 0x0: Palette/Gamma Table and data are loaded every frame 0x1: Palette/Gamma Table to be loaded. The user sets the bit when the palette/gamma table has to be loaded. Hardware resets the bit to 0x2 when table has been loaded. (DISPC_GFX_ATTRIBUTES.ENABLE has to be set to 1). 0x2: Frame data only loaded every frame 0x3: Palette/Gamma Table and frame data loaded on first frame then switch to 0x2 (Hardware).	RW	0x0
0	PIXELGATED	Pixel gated enable (only for TFT) (primary LCD output) wr: VFP start period of primary LCD output 0x0: Pixel clock always toggles (only in TFT mode) 0x1: Pixel clock only toggles when there is valid data to display. (only in TFT mode)	RW	0

Table 11-209. Register Call Summary for Register DISPC_CONFIG1

Display Controller

- [DISPC Wakeup: \[0\]](#)
- [DISPC Overlay Manager: \[1\]\[2\]\[3\]\[4\]\[5\]\[6\]](#)
- [DISPC Gamma Correction Unit: \[7\]\[8\]](#)
- [DISPC BT.656 and BT.1120 Modes: \[9\]\[10\]](#)
- [DISPC Gamma Correction Unit: \[11\]](#)
- [DISPC Extended 3D Support - Line Alternative Format: \[12\]\[13\]](#)
- [DISPC Shadow Registers: \[14\]](#)
- [DISPC Operational Modes Configuration: \[17\]\[18\]\[19\]\[20\]\[21\]\[22\]\[23\]\[24\]\[25\]](#)
- [DISPC Logical Register Mapping: \[26\]](#)
- [DISPC Register Summary: \[27\]](#)

Table 11-210. DISPC_DEFAULT_COLOR0

Address Offset	0x0000 004C	
Physical Address	0x5800 104C	Instance DISPC
Description	The control register allows to configure the default solid background color for the primary LCD. Shadow register, updated on VFP start period of the primary LCD	
Type	RW	

31	30	29	28	27	26	25	24	23	22	21	20	19	18	17	16	15	14	13	12	11	10	9	8	7	6	5	4	3	2	1	0
RESERVED								DEFAULTCOLOR																							

Bits	Field Name	Description	Type	Reset
31:24	RESERVED	Write 0s for future compatibility. Reads return 0.	R	0x00
23:0	DEFAULTCOLOR	24-bit RGB color value to specify the default solid color to display when there is no data from the overlays.	RW	0x000000

Table 11-211. Register Call Summary for Register DISPC_DEFAULT_COLOR0

Display Controller

- [DISPC Shadow Registers: \[0\]](#)
- [DISPC Logical Register Mapping: \[1\]](#)
- [DISPC Register Summary: \[2\]](#)

Table 11-212. DISPC_DEFAULT_COLOR1

Address Offset	0x0000 0050	
Physical Address	0x5800 1050	Instance DISPC
Description	The control register allows to configure the default solid background color for the TV output. Shadow register, updated on EVSYNC	
Type	RW	

31	30	29	28	27	26	25	24	23	22	21	20	19	18	17	16	15	14	13	12	11	10	9	8	7	6	5	4	3	2	1	0
RESERVED								DEFAULTCOLOR																							

Bits	Field Name	Description	Type	Reset
31:24	RESERVED	Write 0s for future compatibility. Reads return 0.	R	0x00
23:0	DEFAULTCOLOR	24-bit RGB color value to specify the default solid color to display when there is no data from the overlays.	RW	0x000000

Table 11-213. Register Call Summary for Register DISPC_DEFAULT_COLOR1

Display Controller

- [DISPC Timing and TV Format Settings: \[0\]](#)
- [DISPC Shadow Registers: \[1\]](#)
- [DISPC Operational Modes Configuration: \[2\]](#)
- [DISPC Logical Register Mapping: \[3\]](#)
- [DISPC Register Summary: \[4\]](#)

Table 11-214. DISPC_TRANS_COLOR0

Address Offset	0x0000 0054	
Physical Address	0x5800 1054	Instance DISPC
Description	The register sets the transparency color value for the video/graphics overlays for the primary LCD output. Shadow register, updated on VFP start period of the primary LCD	
Type	RW	

31	30	29	28	27	26	25	24	23	22	21	20	19	18	17	16	15	14	13	12	11	10	9	8	7	6	5	4	3	2	1	0
RESERVED								TRANSCOLORKEY																							

Bits	Field Name	Description	Type	Reset
31:24	RESERVED	Write 0s for future compatibility. Reads return 0.	R	0x00
23:0	TRANSCOLORKEY	Transparency color key value in RGB format [0] BITMAP 1 (CLUT), [23,1] set to 0s [1:0] BITMAP 2 (CLUT), [23,2] set to 0s [3:0] BITMAP 4 (CLUT), [23,4] set to 0s [7:0] BITMAP 8 (CLUT), [23,8] set to 0s [11:0] RGB 12, [23,12] set to 0s [15:0] RGB 16, [23,16] set to 0s [23:0] RGB 24 NOTE: CLUT and BITMAP formats are not supported in this family of devices.	RW	0x000000

Table 11-215. Register Call Summary for Register DISPC_TRANS_COLOR0

Display Controller

- [DISPC Overlay Manager: \[0\]](#)
- [DISPC Shadow Registers: \[1\]](#)
- [DISPC Logical Register Mapping: \[2\]](#)
- [DISPC Register Summary: \[3\]](#)

Table 11-216. DISPC_TRANS_COLOR1

Address Offset	0x0000 0058	
Physical Address	0x5800 1058	Instance DISPC
Description	The register sets the transparency color value for the video/graphics overlays for the TV output. Shadow register, updated on EVSYNC	
Type	RW	

31	30	29	28	27	26	25	24	23	22	21	20	19	18	17	16	15	14	13	12	11	10	9	8	7	6	5	4	3	2	1	0
RESERVED								TRANSCOLORKEY																							

Bits	Field Name	Description	Type	Reset
31:24	RESERVED	Write 0s for future compatibility. Reads return 0.	R	0x00
23:0	TRANSCOLORKEY	Transparency color key value in RGB format [0] BITMAP 1 (CLUT), [23,1] set to 0s [1:0] BITMAP 2 (CLUT), [23,2] set to 0s [3:0] BITMAP 4 (CLUT), [23,4] set to 0s [7:0] BITMAP 8 (CLUT), [23,8] set to 0s [11:0] RGB 12, [23,12] set to 0s [15:0] RGB 16, [23,16] set to 0s [23:0] RGB 24 NOTE: CLUT and BITMAP formats are not supported in this family of devices.	RW	0x000000

Table 11-217. Register Call Summary for Register DISPC_TRANS_COLOR1

Display Controller

- [DISPC Overlay Manager: \[0\]](#)
- [DISPC Shadow Registers: \[1\]](#)
- [DISPC Operational Modes Configuration: \[2\]](#)
- [DISPC Logical Register Mapping: \[3\]](#)
- [DISPC Register Summary: \[4\]](#)

Table 11-218. DISPC_LINE_STATUS

Address Offset	0x0000 005C	
Physical Address	0x5800 105C	Instance DISPC
Description	The control register indicates the current primary LCD panel display line number.	
Type	R	

31	30	29	28	27	26	25	24	23	22	21	20	19	18	17	16	15	14	13	12	11	10	9	8	7	6	5	4	3	2	1	0
RESERVED																LINENUMBER															

Bits	Field Name	Description	Type	Reset
31:12	RESERVED	Write 0s for future compatibility. Reads return 0.	R	0x00000
11:0	LINENUMBER	Current LCD panel line number Current display line number. The first active line has the value 0. During blanking lines the line number is not incremented.	R	0x000

Table 11-219. Register Call Summary for Register DISPC_LINE_STATUS

Display Controller

- [DISPC Shadow Registers: \[0\]](#)
- [DISPC Register Summary: \[1\]](#)

Table 11-220. DISPC_LINE_NUMBER

Address Offset	0x0000 0060	
Physical Address	0x5800 1060	Instance DISPC
Description	The control register indicates the primary LCD panel display line number for the interrupt and the DMA request. Shadow register, updated on VFP start period of primary LCD.	
Type	RW	

31	30	29	28	27	26	25	24	23	22	21	20	19	18	17	16	15	14	13	12	11	10	9	8	7	6	5	4	3	2	1	0
RESERVED																LINENUMBER															

Bits	Field Name	Description	Type	Reset
31:12	RESERVED	Write 0s for future compatibility. Reads return 0.	R	0x00000
11:0	LINENUMBER	LCD panel line number programming LCD line number defines the line on which the programmable interrupt is generated and the DMA request occurs.	RW	0x000

Table 11-221. Register Call Summary for Register DISPC_LINE_NUMBER

Display Controller

- [DISPC DMA Requests: \[0\]](#)
- [DISPC Shadow Registers: \[1\]](#)
- [DISPC Register Summary: \[2\]](#)

Table 11-222. DISPC_TIMING_H1

Address Offset	0x0000 0064	Instance	DISPC
Physical Address	0x5800 1064		
Description	The register configures the timing logic for the HSYNC signal. It is used for the primary LCD output. Shadow register, updated on VFP start period of primary LCD		
Type	RW		

31	30	29	28	27	26	25	24	23	22	21	20	19	18	17	16	15	14	13	12	11	10	9	8	7	6	5	4	3	2	1	0
HBP								HFP								HSW															

Bits	Field Name	Description	Type	Reset
31:20	HBP	Horizontal Back Porch. Encoded value (from 1 to 4096) to specify the number of pixel clock periods to add to the beginning of a line transmission before the first set of pixels is output to the display (program to value minus 1). When in BT mode and interlaced, this field corresponds to the vertical field blanking No 2 for Even Field.	RW	0x000
19:8	HFP	Horizontal front porch. Encoded value (from 1 to 4096) to specify the number of pixel clock periods to add to the end of a line transmission before line clock is asserted (program to value minus 1). When in BT mode and interlaced, this field corresponds to the vertical field blanking No 1 for Even Field.	RW	0x000
7:0	HSW	Horizontal synchronization pulse width. Encoded value (from 1 to 256) to specify the number of pixel clock periods to pulse the line clock at the end of each line (program to value minus 1). When in BT mode, this field corresponds to the horizontal blanking	RW	0x00

Table 11-223. Register Call Summary for Register DISPC_TIMING_H1

Display Controller

- [DISPC BT.656 and BT.1120 Modes: \[0\]](#)
- [DISPC Shadow Registers: \[1\]](#)
- [DISPC Operational Modes Configuration: \[2\]](#)
- [DISPC Logical Register Mapping: \[3\]](#)
- [DISPC Register Summary: \[4\]](#)

Table 11-224. DISPC_TIMING_V1

Address Offset	0x0000 0068	Instance	DISPC
Physical Address	0x5800 1068		
Description	The register configures the timing logic for the VSYNC signal. It is used for the primary LCD output. Shadow register, updated on VFP start period of primary LCD		
Type	RW		

31	30	29	28	27	26	25	24	23	22	21	20	19	18	17	16	15	14	13	12	11	10	9	8	7	6	5	4	3	2	1	0
VBP								VFP								VSW															

Bits	Field Name	Description	Type	Reset
31:20	VBP	Vertical back porch. Encoded value (from 0 to 4095) to specify the number of line clock periods to add to the beginning of a frame.	RW	0x000
19:8	VFP	Vertical front porch. Encoded value (from 0 to 4095) to specify the number of line clock periods to add to the end of each frame.	RW	0x000

Bits	Field Name	Description	Type	Reset
7:0	VSW	Vertical synchronization pulse width. In active mode, encoded value (from 1 to 256) to specify the number of line clock periods (program to value minus 1) to pulse the frame clock (VSYNC) pin at the end of each frame after the end of frame wait (VFP) period elapses. Frame clock uses as VSYNC signal in active mode.	RW	0x00

Table 11-225. Register Call Summary for Register DISPC_TIMING_V1

Display Controller

- [DISPC Shadow Registers: \[0\]](#)
- [DISPC Logical Register Mapping: \[1\]](#)
- [DISPC Register Summary: \[2\]](#)

Table 11-226. DISPC_POL_FREQ1

Address Offset	0x0000 006C	Instance	DISPC
Physical Address	0x5800 106C		
Description	The register configures the signal configuration. It is used for the primary LCD output. Shadow register, updated on VFP start period of primary LCD.		
Type	RW		

31	30	29	28	27	26	25	24	23	22	21	20	19	18	17	16	15	14	13	12	11	10	9	8	7	6	5	4	3	2	1	0
RESERVED													ALIGN	ONOFF	RF	IEO	IPC	IHS	IVS	ACBI					ACB						

Bits	Field Name	Description	Type	Reset
31:19	RESERVED	Write 0s for future compatibility. Reads return 0.	R	0x0000
18	ALIGN	Defines the alignment between HSYNC and VSYNC assertion. 0x0: VSYNC and HSYNC are not aligned 0x1: VSYNC and HSYNC assertions are aligned.	RW	0
17	ONOFF	HSYNC/VSYNC Pixel clock Control On/Off 0x0: HSYNC and VSYNC are driven on opposite edges of pixel clock than pixel data 0x1: HSYNC and VSYNC are driven according to bit 16 Note: Control module register CTRL_CORE_SMA_SW_1[22]DSS_CH0_ON_OFF must be set to match	RW	0
16	RF	Program HSYNC/VSYNC Rise or Fall 0x0: HSYNC and VSYNC are driven on falling edge of pixel clock (if bit 17 set to 1) 0x1: HSYNC and VSYNC are driven on rising edge of pixel clock (if bit 17 set to 1) Note: Control module register CTRL_CORE_SMA_SW_1[16]DSS_CH0_RF must be set to match	RW	0
15	IEO	Invert output enable 0x0: Ac-bias is active high (active display mode) 0x1: Ac-bias is active low (active display mode)	RW	0

Bits	Field Name	Description	Type	Reset
14	IPC	Invert pixel clock 0x0: Data is driven on the LCD data lines on the rising-edge of the pixel clock 0x1: Data is driven on the LCD data lines on the falling-edge of the pixel clock Note: Control module register CTRL_CORE_SMA_SW_1[19]DSS_CH0_IPC must be set to match	RW	0
13	IHS	Invert HSYNC 0x0: Line clock pin is active high and inactive low 0x1: Line clock pin is active low and inactive high	RW	0
12	IVS	Invert VSYNC 0x0: Frame clock pin is active high and inactive low 0x1: Frame clock pin is active low and inactive high	RW	0
11:8	ACBI	AC Bias pin transitions per interrupt Value (from 0 to 15) used to specify the number of AC Bias pin transitions	RW	0x0
7:0	ACB	AC Bias pin frequency value (from 0 to 255) used to specify the number of line clocks to count before transitioning the AC Bias pin. This pin is used to periodically invert the polarity of the power supply to prevent DC charge build-up within the display.	RW	0x00

Table 11-227. Register Call Summary for Register DISPC_POL_FREQ1

Display Controller

- [DISPC Shadow Registers: \[0\]](#)
- [DISPC Logical Register Mapping: \[1\]](#)
- [DISPC Register Summary: \[2\]](#)

Table 11-228. DISPC_DIVISOR1

Address Offset	0x0000 0070	Instance	DISPC
Physical Address	0x5800 1070		
Description	The register configures the divisors. It is used for the primary LCD output Shadow register, updated on VFP start period of primary LCD		
Type	RW		

31	30	29	28	27	26	25	24	23	22	21	20	19	18	17	16	15	14	13	12	11	10	9	8	7	6	5	4	3	2	1	0
RESERVED								LCD								RESERVED								PCD							

Bits	Field Name	Description	Type	Reset
31:24	RESERVED	Write 0s for future compatibility. Reads return 0.	R	0x00
23:16	LCD	Display controller logic clock divisor value (from 1 to 255) to specify the intermediate pixel clock frequency based on the LCD1_CLK. The value 0 is invalid.	RW	0x04
15:8	RESERVED	Write 0s for future compatibility. Reads return 0.	R	0x00
7:0	PCD	Pixel clock divisor value (from 1 to 255) to specify the frequency of the pixel clock based on the LCD1_CLK divided by DISPC_DIVISOR1.LCD value. The values 0 is invalid.	RW	0x01

Table 11-229. Register Call Summary for Register DISPC_DIVISOR1

Display Controller

- [DISPC Shadow Registers: \[0\]](#)
- [DISPC Logical Register Mapping: \[1\]](#)
- [DISPC Register Summary: \[2\]](#)
- [DISPC Register Description: \[3\]\[4\]\[5\]\[6\]](#)

Table 11-230. DISPC_GLOBAL_ALPHA

Address Offset	0x0000 0074	Instance	DISPC
Physical Address	0x5800 1074		
Description	The register defines the global alpha value for the graphics and three video pipelines. Shadow register, updated on VFP start period of primary LCD or VFP start period of the third LCD or EVSYNC or when DISPC_CONTROL2.GOWB is set to 1 by software and current WB frame is finished (no more data in the write-back pipeline). The synchronization event is defined based on the output using the pipeline: primary LCD, secondary LCD, third LCD, TV output or write-back to the memory for each bit field depending on the association of the each pipeline with the primary LCD, secondary LCD or TV output.		
Type	RW		

31	30	29	28	27	26	25	24	23	22	21	20	19	18	17	16	15	14	13	12	11	10	9	8	7	6	5	4	3	2	1	0
VID3GLOBALALPHA								VID2GLOBALALPHA								VID1GLOBALALPHA								GFXGLOBALALPHA							

Bits	Field Name	Description	Type	Reset
31:24	VID3GLOBALALPHA	Global alpha value from 0 to 255. 0 corresponds to fully transparent and 255 to fully opaque.	RW	0xFF
23:16	VID2GLOBALALPHA	Global alpha value from 0 to 255. 0 corresponds to fully transparent and 255 to fully opaque.	RW	0xFF
15:8	VID1GLOBALALPHA	Global alpha value from 0 to 255. 0 corresponds to fully transparent and 255 to fully opaque.	RW	0xFF
7:0	GFXGLOBALALPHA	Global alpha value from 0 to 255. 0 corresponds to fully transparent and 255 to fully opaque.	RW	0xFF

Table 11-231. Register Call Summary for Register DISPC_GLOBAL_ALPHA

Display Controller

- [DISPC Overlay Manager: \[0\]](#)
- [DISPC Shadow Registers: \[1\]](#)
- [DISPC Operational Modes Configuration: \[2\]\[3\]](#)
- [DISPC Register Summary: \[4\]](#)

Table 11-232. DISPC_SIZE_TV

Address Offset	0x0000 0078	Instance	DISPC
Physical Address	0x5800 1078		
Description	The register configures the size of the TV output field (interlace), frame (progressive) (horizontal and vertical). Shadow register, updated on EVSYNC. A delta value is used to indicate if the odd field has same vertical size as the even field or +/- one line.		
Type	RW		

31	30	29	28	27	26	25	24	23	22	21	20	19	18	17	16	15	14	13	12	11	10	9	8	7	6	5	4	3	2	1	0
RESERVED								LPP								DELTA_LPP	RESERVED	PPL													

Bits	Field Name	Description	Type	Reset
31:28	RESERVED	Write 0s for future compatibility. Reads return 0.	R	0x00
27:16	LPP	Lines per panel encoded value (from 1 to 4096) to specify the number of lines per panel.	RW	0x000
15:14	DELTA_LPP	Indicates the delta size value of the odd field compared to the even field 0x0: Same size 0x1: Odd size = Even size +1 0x2: Odd size = Even Size -1	RW	0x0
13:12	RESERVED	Write 0s for future compatibility. Reads return 0.	R	0x0
11:0	PPL	Pixels per line encoded value (from 1 to 4096) to specify the number of pixels contains within each line on the display.	RW	0x000

Table 11-233. Register Call Summary for Register DISPC_SIZE_TV

Display Controller

- [DISPC Timing and TV Format Settings: \[0\]\[1\]\[2\]\[3\]\[4\]](#)
- [DISPC Frame Width Considerations: \[5\]](#)
- [DISPC Shadow Registers: \[6\]](#)
- [DISPC Operational Modes Configuration: \[7\]\[8\]](#)
- [DISPC Register Summary: \[9\]](#)
- [DISPC Register Description: \[10\]](#)

Table 11-234. DISPC_SIZE_LCD1

Address Offset	0x0000 007C	Instance	DISPC
Physical Address	0x5800 107C		
Description	The register configures the panel size (horizontal and vertical). Shadow register, updated on VFP start period of primary LCD. A delta value is used to indicate if the odd field has same vertical size as the even field or +/- one line.		
Type	RW		

31	30	29	28	27	26	25	24	23	22	21	20	19	18	17	16	15	14	13	12	11	10	9	8	7	6	5	4	3	2	1	0
RESERVED				LPP												DELTA_LPP	RESERVED	PPL													

Bits	Field Name	Description	Type	Reset
31:28	RESERVED	Write 0s for future compatibility. Reads return 0.	R	0x00
27:16	LPP	Lines per panel encoded value (from 1 to 4096) to specify the number of lines per panel (program to value minus 1).	RW	0x000
15:14	DELTA_LPP	Indicates the delta size value of the odd field compared to the even field 0x0: Same size 0x1: Odd size = Even size +1 0x2: Odd size = Even Size -1	RW	0x0
13:12	RESERVED	Write 0s for future compatibility. Reads return 0.	R	0x0
11:0	PPL	Pixels per line encoded value (from 1 to 4096) to specify the number of pixels contains within each line on the display (program to value minus 1). In STALL mode, any value is valid. In non STALL mode, only values multiple of 8 pixels are valid.	RW	0x000

Table 11-235. Register Call Summary for Register DISPC_SIZE_LCD1

- Display Controller
- [DISPC Timing Generator and Panel Settings: \[0\]\[1\]\[2\]\[3\]\[4\]](#)
 - [DISPC Shadow Registers: \[5\]](#)
 - [DISPC Operational Modes Configuration: \[6\]\[7\]\[8\]\[9\]\[10\]](#)
 - [DISPC Logical Register Mapping: \[11\]\[12\]](#)
 - [DISPC Register Summary: \[13\]](#)
 - [DISPC Register Description: \[14\]](#)

Table 11-236. DISPC_GFX_BA_j

Address Offset	0x0000 0080 + (0x4 * j)	Index	j = 0 to 1
Physical Address	0x5800 1080 + (0x4 * j)	Instance	DISPC
Description	The register configures the base address of the graphics buffer displayed in the graphics window (0 and 1 :for ping-pong mechanism with external trigger, based on the field polarity, 0 only used when graphics pipeline on the LCD output and 0 and 1 when on the TV output). Shadow register, updated on VFP start period of primary LCD or VFP start period of the secondary LCD or VFP start period of the third LCD or EVSYNC or when DISPC_CONTROL2.GOWB is set to 1 by software and current WB frame is finished (no more data in the write-back pipeline). The synchronization event is defined based on the output using the pipeline: primary LCD, secondary LCD, third LCD, TV output or write-back to the memory		
Type	RW		

31	30	29	28	27	26	25	24	23	22	21	20	19	18	17	16	15	14	13	12	11	10	9	8	7	6	5	4	3	2	1	0
BA																															

Bits	Field Name	Description	Type	Reset
31:0	BA	Graphics base address Base address of the graphics buffer (aligned on pixel size boundary) (in case 1-, 2-, and 4-bpp, byte alignment is required, in case of RGB24 packed format, 4-pixel alignment is required) When the TILER is addressed, the bits: [28:27] = 0x0 for 8-bit tiled [28:27] = 0x1 for 16-bit tiled [28:27] = 0x2 for 32-bit tiled [28:27] = 0x3 for page mode [31:29] = 0x0 for 0-degree view [31:29] = 0x1 for 180-degree view + mirroring [31:29] = 0x2 for 0-degree view + mirroring [31:29] = 0x3 for 180-degree view [31:29] = 0x4 for 270-degree view + mirroring [31:29] = 0x5 for 270-degree view [31:29] = 0x6 for 90-degree view [31:29] = 0x7 for 90-degree view + mirroring Otherwise the bits indicated the corresponding bit address to access the SDRAM.	RW	0x0000 0000

Table 11-237. Register Call Summary for Register DISPC_GFX_BA_j

- Display Controller
- [DISPC Addressing and Bursts: \[0\]](#)
 - [DISPC Immediate Base Address Flip Mechanism: \[1\]](#)
 - [DISPC Rotation and Mirroring: \[2\]\[3\]\[4\]\[5\]](#)
 - [DISPC Shadow Registers: \[6\]](#)
 - [DISPC Operational Modes Configuration: \[7\]](#)
 - [DISPC Register Summary: \[8\]](#)

Table 11-238. DISPC_GFX_POSITION

Address Offset	0x0000 0088	Instance	DISPC
Physical Address	0x5800 1088		
Description	The register configures the position of the graphics window. Shadow register, updated on VFP start period of primary LCD or VFP start period of the secondary LCD or VFP start period of the third LCD or EVSYNC or when DISPC_CONTROL2.GOWB is set to 1 by software and current WB frame is finished (no more data in the write-back pipeline). The synchronization event is defined based on the output using the pipeline: primary LCD, secondary LCD, third LCD, TV output or write-back to the memory		
Type	RW		

31	30	29	28	27	26	25	24	23	22	21	20	19	18	17	16	15	14	13	12	11	10	9	8	7	6	5	4	3	2	1	0
RESERVED								POSY								RESERVED								POSX							

Bits	Field Name	Description	Type	Reset
31:27	RESERVED	Write 0s for future compatibility. Reads return 0.	R	0x00
26:16	POSY	Y position of the graphics window. Encoded value (from 0 to 2047) to specify the Y position of the graphics window on the screen. The line at the top has the Y-position 0.	RW	0x000
15:11	RESERVED	Write 0s for future compatibility. Reads return 0.	R	0x00
10:0	POSX	X position of the graphics window. Encoded value (from 0 to 2047) to specify the X position of the graphics window on the screen. The first pixel on the left of the screen has the X-position 0.	RW	0x000

Table 11-239. Register Call Summary for Register DISPC_GFX_POSITION

Display Controller

- [DISPC Overlay Manager: \[0\]](#)
- [DISPC Extended 3D Support - Line Alternative Format: \[1\]](#)
- [DISPC Extended 3D Support - Frame Packing Format: \[2\]](#)
- [DISPC Shadow Registers: \[3\]](#)
- [DISPC Operational Modes Configuration: \[4\]\[5\]](#)
- [DISPC Register Summary: \[6\]](#)

Table 11-240. DISPC_GFX_SIZE

Address Offset	0x0000 008C	Instance	DISPC
Physical Address	0x5800 108C		
Description	The register configures the size of the graphics window. Shadow register, updated on VFP start period of primary LCD or VFP start period of the secondary LCD or VFP start period of the third LCD or EVSYNC or when DISPC_CONTROL2.GOWB is set to 1 by software and current WB frame is finished (no more data in the write-back pipeline). The synchronization event is defined based on the output using the pipeline: primary LCD, secondary LCD, third LCD, TV output or write-back to the memory		
Type	RW		

31	30	29	28	27	26	25	24	23	22	21	20	19	18	17	16	15	14	13	12	11	10	9	8	7	6	5	4	3	2	1	0
RESERVED								SIZEY								RESERVED								SIZEX							

Bits	Field Name	Description	Type	Reset
31:28	RESERVED	Write 0s for future compatibility. Reads return 0.	R	0x00
27:16	SIZEY	Number of lines of the graphics window. Encoded value (from 1 to 4096) to specify the number of lines of the graphics window (program to value minus 1).	RW	0x000
15:11	RESERVED	Write 0s for future compatibility. Reads return 0.	R	0x00
10:0	SIZEX	Number of pixels of the graphics window. Encoded value (from 1 to 2048) to specify the number of pixels per line of the graphics window (program to value minus 1).	RW	0x000

Table 11-241. Register Call Summary for Register DISPC_GFX_SIZE

Display Controller

- [DISPC Addressing and Bursts: \[0\]](#)
- [DISPC Overlay Manager: \[1\]\[2\]](#)
- [DISPC Shadow Registers: \[3\]](#)
- [DISPC Operational Modes Configuration: \[4\]\[5\]](#)
- [DISPC Register Summary: \[6\]](#)

Table 11-242. DISPC_GFX_ATTRIBUTES

Address Offset	0x0000 00A0
Physical Address	0x5800 10A0
Description	The register configures the graphics attributes. Shadow register, updated on VFP start period of primary LCD or VFP start period of the secondary LCD or VFP start period of the third LCD or EVSYNC or when DISPC_CONTROL2.GOWB is set to 1 by software and current WB frame is finished (no more data in the write-back pipeline). The synchronization event is defined based on the output using the pipeline: primary LCD, secondary LCD, third LCD, TV output or write-back to the memory
Type	RW

31	30	29	28	27	26	25	24	23	22	21	20	19	18	17	16	15	14	13	12	11	10	9	8	7	6	5	4	3	2	1	0
CHANNELOUT2	BURSTTYPE	PREMULTIPLYALPHA	ZORDER	ZORDERENABLE	ANTIFLICKER	RESERVED	RESERVED	SUBSAMPLINGPATTERN	SELFREFRESHAUTO	FORCE1DTILEDMODE	SELFREFRESH	ARBITRATION	ROTATION	BUFPRELOAD	FRAMEPACKINGMODE	NIBBLEMODE	CHANNELOUT	BURSTSIZE	REPLICATIONENABLE	FORMAT	ENABLE										

Bits	Field Name	Description	Type	Reset
31:30	CHANNELOUT2	It is not used if CHANNELOUT is set to TV. Reserved when CHANNELOUT = 1 (should set to zero) wr: immediate 0x0: Primary LCD output selected. 0x1: Secondary LCD output selected. 0x2: Third LCD output selected. 0x3: Write-back output to the memory selected.	RW	0x0
29	BURSTTYPE	The type of burst can be INCR (incremental) or BLCK (2D block). The 2D block is required when the TILER is targeted by the DMA engine. (It does not apply to the palette loading OCP requests using INCR burst only) 0x0: INC burst type is used. 0x1: 2D block burst type is used.	RW	0
28	PREMULTIPLYALPHA	The field configures the DISPC GFX to process incoming data as pre-multiplied alpha data or non pre-multiplied alpha data. Default setting is non pre-multiplied alpha data. 0x0: Non pre-multiplied alpha data color component 0x1: Pre-multiplied alpha data color component	RW	0

Bits	Field Name	Description	Type	Reset
27:26	ZORDER	<p>Z-Order defining the priority of the layer compared to others when overlaying. It is software responsibility to ensure that each layer connected to the same overlay manager has a different z-order value.</p> <p>If bit 25 is set to 0, the ZORDER bit field is ignored and replaced by the value 0.</p> <p>0x0: Z-order 0: layer above solid background color and below layer with higher Z-order values.</p> <p>0x1: Z-order 1: layer above layer with z-order value of 0 and below layers with z-order values of 2 and 3</p> <p>0x3: Z-order 3: layer above all the other layers</p> <p>0x2: Z-order 2: layer above layers with z-order value of 0 and 1 and below layer with z-order value of 3</p>	RW	0x0
25	ZORDERENABLE	<p>Z-order Enable. The bit field ZORDER is only used when the Z-order is enabled.</p> <p>0x0: Z-order disabled. The Z-order of the layer is 0.</p> <p>0x1: Z-order enabled. The Z-order is defined by the bit field ZORDER (bits 26 and 27).</p>	RW	0
24	ANTIFLICKER	<p>Antiflicker filtering using a 3-tap filter with hardcoded coefficients (1/4, 1/2, 1/4)</p> <p>0x0: Antiflicker disabled.</p> <p>0x1: Antiflicker enabled.</p>	RW	0
23:21	RESERVED	<p>Write 0s for future compatibility. Reads return 0.</p>	R	0x0
20:18	SUBSAMPLINGPATTERN	Subsampling pattern setting.	RW	0x0
17	SELFREFRESHAUTO	<p>Automatic self-refresh mode</p> <p>0x0: The transition from Selfrefresh disabled to enabled is controlled by software</p> <p>0x1: The transition from Selfrefresh disabled to enabled is controlled only by hardware</p>	RW	0
16	FORCE1DTILEDMODE	<p>Force TILED regions access to 1D or 2D.</p> <p>0x0: 2D accesses for tiled regions</p> <p>0x1: 1D accesses for tiled regions</p>	RW	0x0
15	SELFREFRESH	<p>Enables the self refresh of the graphics window from its own DMA buffer. This bit should be set only after having set the GO bit of the channel and read back a zero in its field.</p> <p>0x0: The graphics pipeline accesses the interconnect to fetch data from the system memory.</p> <p>0x1: The graphics pipeline does not need anymore to fetch data from memory. Only the graphics DMA buffer is used. It takes effect after the frame has been loaded in the DMA buffer.</p>	RW	0
14	ARBITRATION	<p>Determines the priority of the graphics pipeline. When the graphics pipeline is one of the high priority pipelines. The arbitration wheel gives always the priority first to the high priority pipelines using round-robin between them. When there is only normal priority pipelines sending requests, the round-robin applies between them.</p> <p>0x0: The graphics pipeline is one of the normal priority pipeline.</p> <p>0x1: The graphics pipeline is one of the high priority pipeline.</p>	RW	0

Bits	Field Name	Description	Type	Reset
13:12	ROTATION	Graphics rotation flag 0x0: No rotation 0x1: Rotation by 90 degrees 0x3: Rotation by 270 degrees 0x2: Rotation by 180 degrees	RW	0x0
11	BUFPRELOAD	Graphics preload value 0x0: Hardware prefetches pixels up to the preload value defined in the preload register 0x1: Hardware prefetches pixels up to high threshold value	RW	0
10	FRAMEPACKINGMODE	Frame packing mode control. 0x0: Frame Packing mode is disabled 0x1: Frame Packing mode is enabled	RW	0x0
9	NIBBLEMODE	Graphics nibble mode (only for 1-, 2- and 4 bpp) NOTE: BITMAP formats and associated Nibble Mode are not supported in this family of devices. 0x0: Nibble mode is disabled 0x1: Nibble mode is enabled	RW	0
8	CHANNELOUT	Graphics Channel Out configuration: LCD, WB or TV. wr: immediate 0x0: LCD output or WB to the memory selected. bit fields 31 and 30 defines the output associated (primary, secondary or write-back). 0x1: TV output selected	RW	0
7:6	BURSTSIZE	Graphics DMA burst size 0x0: 2 × 128-bit bursts 0x1: 4 × 128-bit bursts 0x3: Reserved 0x2: 8 × 128-bit bursts	RW	0x2
5	REPLICATIONENABLE	Graphics replication enabled: RGB, ARGB, and RGBA formats are converted into ARGB32-8888 using replication of the MSBs or 0s 0x0: Disable graphics replication logic. The conversion to ARGB32-8888 is done by adding 0s for the LSBs 0x1: Enable graphics replication logic. The conversion to ARGB32-8888 is done by duplicating the MSBs for the LSBs	RW	1

Bits	Field Name	Description	Type	Reset
4:1	FORMAT	Graphics format. It defines the pixel format when fetching the graphics picture into memory. 0x6: RGB16-565 0xA: RGBx12-4444 0x7: ARGB16-1555 0xD: RGBA32-8888 0x8: xRGB24-8888 (32-bit container) 0x9: RGB24-888 (24-bit container) 0xB: RGBA12-4444 0x4: xRGB12-4444 0x5: ARGB16-4444 0xF: xRGB15-1555 0xC: ARGB32-8888 0x3: BGRA32-8888 0xE: RGBx24-8888 (24-bit RGB aligned on MSB of the 32-bit container)	RW	0x0
0	ENABLE	Graphics enable 0x0: Graphics disabled (graphics pipeline inactive and graphics window not present) 0x1: Graphics enabled (graphics pipeline active and graphics window present on the screen)	RW	0

Table 11-243. Register Call Summary for Register DISPC_GFX_ATTRIBUTES

Display Controller

- [DISPC Addressing and Bursts: \[0\]\[1\]\[2\]\[3\]](#)
- [DISPC DMA Buffers: \[4\]](#)
- [DISPC Arbitration: \[5\]](#)
- [DISPC DMA Power Modes: \[6\]\[7\]](#)
- [DISPC Graphics Pipeline: \[8\]\[9\]\[10\]\[11\]\[12\]\[13\]](#)
- [DISPC Replication Logic: \[14\]\[15\]](#)
- [DISPC Antiflicker Filter: \[16\]](#)
- [DISPC Overlay Manager: \[17\]\[18\]\[19\]\[20\]\[21\]\[22\]](#)
- [DISPC Extended 3D Support - Frame Packing Format Format: \[23\]](#)
- [DISPC Extended 3D Support - DLP 3D Format: \[24\]](#)
- [DISPC Shadow Registers: \[25\]](#)
- [DISPC Operational Modes Configuration: \[26\]\[27\]\[28\]\[29\]\[30\]\[31\]\[32\]\[33\]\[34\]\[35\]\[36\]\[37\]\[38\]\[39\]\[40\]](#)
- [DISPC Register Summary: \[41\]](#)
- [DISPC Register Description: \[42\]](#)

Table 11-244. DISPC_GFX_BUF_THRESHOLD

Address Offset	0x0000 00A4	Instance	DISPC
Physical Address	0x5800 10A4		
Description	The register configures the graphics buffer. Shadow register, updated on VFP start period of primary LCD or VFP start period of the secondary LCD or VFP start period of the third LCD or EVSYNC or when DISPC_CONTROL2.GOWB is set to 1 by software and current WB frame is finished (no more data in the write-back pipeline). The synchronization event is defined based on the output using the pipeline: primary LCD, secondary LCD, third LCD, TV output or write-back to the memory		
Type	RW		

31	30	29	28	27	26	25	24	23	22	21	20	19	18	17	16	15	14	13	12	11	10	9	8	7	6	5	4	3	2	1	0
BUFHIGHTHRESHOLD																BUFLOWTHRESHOLD															

Bits	Field Name	Description	Type	Reset
31:16	BUFHIGHTHRESHOLD	DMA buffer high threshold number of 128 bits defining the threshold value	RW	0x04FF
15:0	BUFLOWTHRESHOLD	DMA buffer low threshold number of 128 bits defining the threshold value. The value put in this register must always be greater than zero.	RW	0x04F8

Table 11-245. Register Call Summary for Register DISPC_GFX_BUF_THRESHOLD

Display Controller

- [DISPC DMA Buffers: \[0\]\[1\]](#)
- [DISPC Shadow Registers: \[2\]](#)
- [DISPC Operational Modes Configuration: \[3\]\[4\]](#)
- [DISPC Register Summary: \[5\]](#)

Table 11-246. DISPC_GFX_BUF_SIZE_STATUS

Address Offset	0x0000 00A8	Instance	DISPC
Physical Address	0x5800 10A8		
Description	The register defines the Graphics buffer size		
Type	R		

31	30	29	28	27	26	25	24	23	22	21	20	19	18	17	16	15	14	13	12	11	10	9	8	7	6	5	4	3	2	1	0
RESERVED																BUFSIZE															

Bits	Field Name	Description	Type	Reset
31:16	RESERVED	Write 0s for future compatibility. Reads return 0.	R	0x0000
15:0	BUFSIZE	DMA buffer size in number of 128 bits	R	0x0500

Table 11-247. Register Call Summary for Register DISPC_GFX_BUF_SIZE_STATUS

Display Controller

- [DISPC Shadow Registers: \[0\]](#)
- [DISPC Register Summary: \[1\]](#)

Table 11-248. DISPC_GFX_ROW_INC

Address Offset	0x0000 00AC	Instance	DISPC
Physical Address	0x5800 10AC		
Description	The register configures the number of bytes to increment at the end of the row. Shadow register, updated on VFP start period of primary LCD or VFP start period of the secondary LCD or VFP start period of the third LCD or EVSYNC or when DISPC_CONTROL2.GOWB is set to 1 by software and current WB frame is finished (no more data in the write-back pipeline). The synchronization event is defined based on the output using the pipeline: primary LCD, secondary LCD, third LCD, TV output or write-back to the memory		
Type	RW		

31	30	29	28	27	26	25	24	23	22	21	20	19	18	17	16	15	14	13	12	11	10	9	8	7	6	5	4	3	2	1	0
ROWINC																															

Bits	Field Name	Description	Type	Reset
31:0	ROWINC	Number of bytes to increment at the end of the row Encoded unsigned value to specify the number of bytes to increment at the end of the row in the graphics buffer. The value 0 is invalid. The value 1 means next pixel. The value 1+n*bpp means increment of n pixels. The value 1-(n+1)*bpp means decrement of n pixels.	RW	0x0000 0001

Table 11-249. Register Call Summary for Register DISPC_GFX_ROW_INC

Display Controller

- [DISPC Addressing and Bursts: \[0\]\[1\]](#)
- [DISPC Predecimation: \[2\]](#)
- [DISPC Rotation and Mirroring: \[3\]\[4\]\[5\]\[6\]](#)
- [DISPC Shadow Registers: \[7\]](#)
- [DISPC Operational Modes Configuration: \[8\]](#)
- [DISPC Register Summary: \[9\]](#)

Table 11-250. DISPC_GFX_PIXEL_INC

Address Offset	0x0000 00B0	Instance	DISPC
Physical Address	0x5800 10B0		
Description	The register configures the number of bytes to increment between two pixels. For more information, see Section 11.2.4.6.5, Predecimation . Shadow register, updated on VFP start period of primary LCD or VFP start period of the secondary LCD or VFP start period of the third LCD or EVSYNC or when DISPC_CONTROL2.GOWB is set to 1 by software and current WB frame is finished (no more data in the write-back pipeline). The synchronization event is defined based on the output using the pipeline: primary LCD, secondary LCD, third LCD, TV output or write-back to the memory		
Type	RW		

31	30	29	28	27	26	25	24	23	22	21	20	19	18	17	16	15	14	13	12	11	10	9	8	7	6	5	4	3	2	1	0
RESERVED																PIXELINC															

Bits	Field Name	Description	Type	Reset
31:8	RESERVED	Write 0s for future compatibility. Reads return 0.	R	0x000000
7:0	PIXELINC	Number of bytes to increment between two pixels. Encoded unsigned value (from 1 to 255) to specify the number of bytes between two pixels in the graphics buffer. The value 0 is invalid. The value 1 means next pixel. The value 1+n*bpp means increment of n pixels.	RW	0x01

Table 11-251. Register Call Summary for Register DISPC_GFX_PIXEL_INC

Display Controller

- [DISPC Addressing and Bursts: \[0\]](#)
- [DISPC Predecimation: \[1\]](#)
- [DISPC Rotation and Mirroring: \[2\]\[3\]\[4\]\[5\]](#)
- [DISPC Shadow Registers: \[6\]](#)
- [DISPC Operational Modes Configuration: \[7\]](#)
- [DISPC Register Summary: \[8\]](#)

Table 11-252. DISPC_GFX_TABLE_BA

Address Offset	0x0000 00B8																																																																		
Physical Address	0x5800 10B8	Instance	DISPC																																																																
Description	<p>The register configures the base address of the palette buffer or the gamma table buffer. Shadow register, updated on VFP start period of primary LCD or VFP start period of the secondary LCD or VFP start period of the third LCD or EVSYNC or when DISPC_CONTROL2.GOWB is set to 1 by software and current WB frame is finished (no more data in the write-back pipeline). The synchronization event is defined based on the output using the pipeline: primary LCD, secondary LCD, third LCD, TV output or write-back to the memory.</p> <p>NOTE: CLUT and BITMAP formats, and associated palette buffer, are not supported in this family of devices.</p>																																																																		
Type	RW																																																																		
<table border="1" style="width:100%; text-align:center;"> <tr> <td>31</td><td>30</td><td>29</td><td>28</td><td>27</td><td>26</td><td>25</td><td>24</td> <td>23</td><td>22</td><td>21</td><td>20</td><td>19</td><td>18</td><td>17</td><td>16</td> <td>15</td><td>14</td><td>13</td><td>12</td><td>11</td><td>10</td><td>9</td><td>8</td> <td>7</td><td>6</td><td>5</td><td>4</td><td>3</td><td>2</td><td>1</td><td>0</td> </tr> <tr> <td colspan="32">TABLEBA</td> </tr> </table>				31	30	29	28	27	26	25	24	23	22	21	20	19	18	17	16	15	14	13	12	11	10	9	8	7	6	5	4	3	2	1	0	TABLEBA																															
31	30	29	28	27	26	25	24	23	22	21	20	19	18	17	16	15	14	13	12	11	10	9	8	7	6	5	4	3	2	1	0																																				
TABLEBA																																																																			

Bits	Field Name	Description	Type	Reset
31:0	TABLEBA	Base address of the palette/gamma table buffer (24-bit entries in 32-bit containers, aligned on 32-bit boundary). NOTE: CLUT and BITMAP formats, and associated palette buffer, are not supported in this family of devices.	RW	0x0000 0000

Table 11-253. Register Call Summary for Register DISPC_GFX_TABLE_BA

Display Controller

- [DISPC Shadow Registers: \[0\]](#)
- [DISPC Operational Modes Configuration:](#)
- [DISPC Register Summary: \[2\]](#)

Table 11-254. DISPC_VID1_BA_j

Address Offset	0x0000 00BC + (0x4 * j)			Index	j = 0 to 1																																																																
Physical Address	0x5800 10BC + (0x4 * j)	Instance	DISPC																																																																		
Description	<p>The register configures the base address of the video buffer for the video window 1 (DISPC_VID1_BA_0 and DISPC_VID1_BA_1 for ping-pong mechanism with external trigger, based on the field polarity otherwise only DISPC_VID1_BA_0 is used). Shadow register, updated on VFP start period of primary LCD or VFP start period of the secondary LCD or or VFP start period of the third LCD or EVSYNC or when DISPC_CONTROL2.GOWB is set to 1 by software and current WB frame is finished (no more data in the write-back pipeline). The synchronization event is defined based on the output using the pipeline: primary LCD, secondary LCD, third LCD, TV output or write-back to the memory</p>																																																																				
Type	RW																																																																				
<table border="1" style="width:100%; text-align:center;"> <tr> <td>31</td><td>30</td><td>29</td><td>28</td><td>27</td><td>26</td><td>25</td><td>24</td> <td>23</td><td>22</td><td>21</td><td>20</td><td>19</td><td>18</td><td>17</td><td>16</td> <td>15</td><td>14</td><td>13</td><td>12</td><td>11</td><td>10</td><td>9</td><td>8</td> <td>7</td><td>6</td><td>5</td><td>4</td><td>3</td><td>2</td><td>1</td><td>0</td> </tr> <tr> <td colspan="32">BA</td> </tr> </table>						31	30	29	28	27	26	25	24	23	22	21	20	19	18	17	16	15	14	13	12	11	10	9	8	7	6	5	4	3	2	1	0	BA																															
31	30	29	28	27	26	25	24	23	22	21	20	19	18	17	16	15	14	13	12	11	10	9	8	7	6	5	4	3	2	1	0																																						
BA																																																																					

Bits	Field Name	Description	Type	Reset
31:0	BA	Video base address Base address of the video buffer (aligned on pixel size boundary except in case of RGB24 packed format, 4-pixel alignment is required; in case of YUV4:2:2, 2-pixel alignment is required, and YUV4:2:0, byte alignment is supported)). In case of YUV4:2:0 format, it indicates the base address of the Y buffer. When the TILER is addressed, the bits: [28:27] = 0x0 for 8-bit tiled [28:27] = 0x1 for 16-bit tiled [28:27] = 0x2 for 32-bit tiled [28:27] = 0x3 for page mode [31:29] = 0x0 for 0-degree view [31:29] = 0x1 for 180-degree view + mirroring [31:29] = 0x2 for 0-degree view + mirroring [31:29] = 0x3 for 180-degree view [31:29] = 0x4 for 270-degree view + mirroring [31:29] = 0x5 for 270-degree view [31:29] = 0x6 for 90-degree view [31:29] = 0x7 for 90-degree view + mirroring Otherwise the bits indicated the corresponding bit address to access the SDRAM.	RW	0x0000 0000

Table 11-255. Register Call Summary for Register DISPC_VID1_BA_j

Display Controller

- [DISPC Immediate Base Address Flip Mechanism: \[0\]](#)
- [DISPC Shadow Registers: \[1\]](#)
- [DISPC Logical Register Mapping: \[2\]](#)
- [DISPC Register Summary: \[3\]](#)

Table 11-256. DISPC_VID1_POSITION

Address Offset	0x0000 00C4	Instance	DISPC
Physical Address	0x5800 10C4		
Description	The register configures the position of the video window 1. Shadow register, updated on VFP start period of primary LCD or VFP start period of the secondary LCD or VFP start period of the third LCD or EVSYNC or when DISPC_CONTROL2.GOWB is set to 1 by software and current WB frame is finished (no more data in the write-back pipeline). The synchronization event is defined based on the output using the pipeline: primary LCD, secondary LCD, third LCD, TV output or write-back to the memory		
Type	RW		

31	30	29	28	27	26	25	24	23	22	21	20	19	18	17	16	15	14	13	12	11	10	9	8	7	6	5	4	3	2	1	0
RESERVED								POSY								RESERVED				POSX											

Bits	Field Name	Description	Type	Reset
31:27	RESERVED	Write 0s for future compatibility. Reads return 0.	R	0x00
26:16	POSY	Y position of the video window 1 Encoded value (from 0 to 2047) to specify the Y position of the video window 1 .The line at the top has the Y-position 0.	RW	0x000
15:11	RESERVED	Write 0s for future compatibility. Reads return 0.	R	0x00
10:0	POSX	X position of the video window 1 Encoded value (from 0 to 2047) to specify the X position of the video window 1. The first pixel on the left of the display screen has the X-position 0.	RW	0x000

Table 11-257. Register Call Summary for Register DISPC_VID1_POSITION

Display Controller

- [DISPC Extended 3D Support - Line Alternative Format: \[0\]](#)
- [DISPC Extended 3D Support - Frame Packing Format Format: \[1\]](#)
- [DISPC Shadow Registers: \[2\]](#)
- [DISPC Logical Register Mapping: \[3\]](#)
- [DISPC Register Summary: \[4\]](#)

Table 11-258. DISPC_VID1_SIZE

Address Offset	0x0000 00C8	Instance	DISPC
Physical Address	0x5800 10C8		
Description	The register configures the size of the video window 1. Shadow register, updated on VFP start period of primary LCD or VFP start period of the secondary LCD or VFP start period of the third LCD, or EVSYNC or when DISPC_CONTROL2.GOWB is set to 1 by software and current WB frame is finished (no more data in the write-back pipeline). The synchronization event is defined based on the output using the pipeline: primary LCD, secondary LCD, third LCD, TV output or write-back to the memory		
Type	RW		

31	30	29	28	27	26	25	24	23	22	21	20	19	18	17	16	15	14	13	12	11	10	9	8	7	6	5	4	3	2	1	0
RESERVED								SIZEY								RESERVED				SIZEX											

Bits	Field Name	Description	Type	Reset
31:28	RESERVED	Write 0s for future compatibility. Reads return 0.	R	0x00
27:16	SIZEY	Number of lines of the video 1 Encoded value (from 1 to 4096) to specify the number of lines of the video window 1. Program to value minus 1.	RW	0x000
15:11	RESERVED	Write 0s for future compatibility. Reads return 0.	R	0x00
10:0	SIZEX	Number of pixels of the video window 1 Encoded value (from 1 to 2048) to specify the number of pixels of the video window 1. Program to value minus 1.	RW	0x000

Table 11-259. Register Call Summary for Register DISPC_VID1_SIZE

Display Controller

- [DISPC Shadow Registers: \[0\]](#)
- [DISPC Logical Register Mapping: \[1\]](#)
- [DISPC Register Summary: \[2\]](#)

Table 11-260. DISPC_VID1_ATTRIBUTES

Address Offset	0x0000 00CC	Instance	DISPC
Physical Address	0x5800 10CC		
Description	The register configures the attributes of the video window 1. Shadow register, updated on VFP start period of primary LCD or VFP start period of the secondary LCD or VFP start period of the third LCD or EVSYNC or when DISPC_CONTROL2.GOWB is set to 1 by software and current WB frame is finished (no more data in the write-back pipeline). The synchronization event is defined based on the output using the pipeline: primary LCD, secondary LCD, third LCD, TV output or write-back to the memory		
Type	RW		

31	30	29	28	27	26	25	24	23	22	21	20	19	18	17	16	15	14	13	12	11	10	9	8	7	6	5	4	3	2	1	0
CHANNELOUT2	BURSTTYPE	PREMULTIPHALPHA	ZORDER	ZORDERENABLE	SELFREFRESH	ARBITRATION	DOUBLESTRIDE	VERTICALTAPS	FORCE1DTILEDMODE	BUFPRELOAD	RESERVED	SELFREFRESHAUTO	CHANNELOUT	BURSTSIZE	ROTATION	FULLRANGE	REPLICATIONENABLE	COLORCONVENABLE	FRAMEPACKINGMODE	HRESIZECONF	RESIZEENABLE	FORMAT				ENABLE					

Bits	Field Name	Description	Type	Reset
31:30	CHANNELOUT2	It is not used if CHANNELOUT is set to TV. Reserved when CHANNELOUT = 1 (should be set to zero) wr: immediate 0x0: Primary LCD output selected. 0x1: Secondary LCD output selected. 0x2: Third LCD output selected. 0x3: Write-back output to the memory selected.	RW	0x0
29	BURSTTYPE	The type of burst can be INCR (incremental) or BLCK (2D block). The 2D block is required when the TILER is targeted by the DMA engine. 0x0: INC burst type is used. 0x1: 2D block burst type is used.	RW	0
28	PREMULTIPHYALPHA	The field configures the DISPC VID1 to process incoming data as pre-multiplied alpha data or non pre-multiplied alpha data. Default setting is non pre-multiplied alpha data. 0x0: Non pre-multiplied alpha data color component 0x1: Pre-multiplied alpha data color component	RW	0
27:26	ZORDER	Z-Order defining the priority of the layer compared to others when overlaying. It is software responsibility to ensure that each layer connected to the same overlay manager has a different z-order value. If bit 25 is set to 0, the ZORDER bit field is ignored and replaced by the value 0. 0x0: Z-order 0: layer above solid background color and below layer with higher Z-order values. 0x1: Z-order 1: layer above layer with z-order value of 0 and below layers with z-order values of 2 and 3 0x3: Z-order 3: layer above all the other layers 0x2: Z-order 2: layer above layers with z-order value of 0 and 1 and below layer with z-order value of 3	RW	0x0
25	ZORDERENABLE	Z-order Enable. The bit field ZORDER is only used when the Z-order is enabled. 0x0: Z-order disabled. The Z-order of the layer is 0. 0x1: Z-order enabled. The Z-order is defined by the bit field ZORDER (bits 26 and 27).	RW	0
24	SELFREFRESH	Enables the self refresh of the video window from its own DMA buffer only. 0x0: The video pipeline accesses the interconnect to fetch data from the system memory. 0x1: The video pipeline does not need anymore to fetch data from memory. Only the DMA buffer associated with the video1 is used. It takes effect after the frame has been loaded in the DMA buffer.	RW	0
23	ARBITRATION	Determines the priority of the video pipeline. The video pipeline is one of the high priority pipeline. The arbitration gives always the priority first to the high priority pipelines using round-robin between them. When there is only normal priority pipelines sending requests, the round-robin applies between them. 0x0: The video pipeline is one of the normal priority pipeline. 0x1: The video pipeline is one of the high priority pipeline.	RW	0
22	DOUBLESTRIDE	Determines if the stride for CbCr buffer is the 1x or 2x of the Y buffer stride. It is only used in case of YUV4:2:0. 0x0: The CbCr stride value is equal to the Y stride. 0x1: The CbCr stride value is double to the Y stride.	RW	0

Bits	Field Name	Description	Type	Reset
21	VERTICALTAPS	Video vertical resize tap number. The vertical polyphase filter can be configured in 3-tap or 5-tap configuration. According to the number of taps, the maximum input picture width is double while using 3-tap compared to 5-tap. 0x0: 3 taps are used for the vertical filtering logic. The 2 other taps are not used. The associated bit fields for the 2 other taps coefficients do not need to be initialized. 0x1: 5 taps are used for the vertical filtering logic.	RW	0
20	FORCE1DTILEDMODE	Force TILED regions access to 1D or 2D. 0x0: 2D accesses for tiled regions 0x1: 1D accesses for tiled regions	RW	0
19	BUFPRELOAD	Video Preload Value 0x0: Hardware prefetches pixels up to the preload value defined in the preload register 0x1: Hardware prefetches pixels up to high threshold value	RW	0
18	RESERVED	Write 0s for future compatibility. Reads return 0.	R	0
17	SELFREFRESHAUTO	Automatic self-refresh mode 0x0: The transition from SELFREFRESH disabled to enabled is controlled by SW. 0x1: The transition from SELFREFRESH disabled to enabled is controlled only by hardware.	RW	0
16	CHANNELOUT	Video channel out configuration: LCD, WB or TV. wr: immediate 0x0: LCD output or WB to the memory selected. bit fields 31 and 30 defines the output associated (primary, secondary or write-back). 0x1: TV output selected	RW	0
15:14	BURSTSIZE	Video DMA burst size 0x0: 2x128bit bursts 0x1: 4x128bit bursts 0x3: Reserved 0x2: 8x128bit bursts	RW	0x2
13:12	ROTATION	Video rotation flag 0x0: No rotation 0x1: Rotation by 90 degrees 0x3: Rotation by 270 degrees 0x2: Rotation by 180 degrees	RW	0x0
11	FULLRANGE	Color space conversion full range setting. 0x0: Limited range selected: 16 subtracted from Y before color space conversion 0x1: Full range selected: Y is not modified before the color space conversion	RW	0
10	REPLICATIONENABLE	Replication enable 0x0: Disable Video replication logic 0x1: Enable Video replication logic	RW	1
9	COLORCONVENABLE	Enable the color space conversion. The hardware does not enable/disable the conversion based on the pixel format. The bit field shall be reset when the format is not YUV. 0x0: Disable Color Space Conversion YUV to RGB 0x1: Enable Color Space Conversion YUV to RGB	RW	0

Bits	Field Name	Description	Type	Reset
8	FRAMEPACKINGMODE	Frame packing mode control. 0x0: Frame Packing mode is disabled 0x1: Frame Packing mode is enabled	RW	0
7	HRESIZECONF	Write 0s for future compatibility. Reads return 0.	R	0
6:5	RESIZEENABLE	Video Resize Enable 0x0: Disable both horizontal and vertical resize processing 0x1: Enable the horizontal resize processing 0x3: Enable both horizontal and vertical resize processing 0x2: Enable the vertical resize processing	RW	0x0
4:1	FORMAT	Video Format. It defines the pixel format when fetching the video 1 picture into memory. 0x6: RGB16-565 0x1: RGB12x-4444 0xA: YUV2 4:2:2 co-sited 0x7: ARGB16-1555 0xD: RGBA32-8888 0x0: NV12 4:2:0 2 buffers (Y + UV) 0x2: RGBA12-4444 0x8: xRGB24-8888 (32-bit container) 0x9: RGB24-888 (24-bit container) 0xB: UYVY 4:2:2 co-sited 0x5: ARGB16-4444 0xF: xRGB15-1555 0xC: ARGB32-8888 0x4: xRGB12-4444 0x3: BGRA32-8888 0xE: RGBx24-8888 (24-bit RGB aligned on MSB of the 32-bit container)	RW	0x0
0	ENABLE	Video Enable 0x0: Video disabled (video pipeline inactive and window not present) 0x1: Video enabled (video pipeline active and window present on the screen)	RW	0

Table 11-261. Register Call Summary for Register DISPC_VID1_ATTRIBUTES

Display Controller

- [DISPC Overlay Manager: \[0\]](#)
- [DISPC Extended 3D Support - Frame Packing Format Format: \[1\]](#)
- [DISPC Shadow Registers: \[2\]](#)
- [DISPC Logical Register Mapping: \[3\]](#)
- [DISPC Register Summary: \[4\]](#)
- [DISPC Register Description: \[5\]\[6\]\[7\]](#)

Table 11-262. DISPC_VID1_BUF_THRESHOLD

Address Offset	0x0000 00D0	Instance	DISPC
Physical Address	0x5800 10D0		
Description	The register configures the video buffer associated with the video pipeline 1. Shadow register, updated on VFP start period of primary LCD or VFP start period of the secondary LCD or VFP start period of the third LCD or EVSYNC or when DISPC_CONTROL2.GOWB is set to 1 by software and current WB frame is finished (no more data in the write-back pipeline). The synchronization event is defined based on the output using the pipeline: primary LCD, secondary LCD, third LCD, TV output or write-back to the memory		
Type	RW		

31	30	29	28	27	26	25	24	23	22	21	20	19	18	17	16	15	14	13	12	11	10	9	8	7	6	5	4	3	2	1	0
BUFHIGHTHRESHOLD																BUFLOWTHRESHOLD															

Bits	Field Name	Description	Type	Reset
31:16	BUFHIGHTHRESHOLD	Video DMA buffer high threshold number of 128 bits defining the threshold value	RW	0x07FF
15:0	BUFLOWTHRESHOLD	DMA buffer low threshold number of 128 bits defining the threshold value	RW	0x07F8

Table 11-263. Register Call Summary for Register DISPC_VID1_BUF_THRESHOLD

Display Controller

- [DISPC Shadow Registers: \[0\]](#)
- [DISPC Logical Register Mapping: \[1\]](#)
- [DISPC Register Summary: \[2\]](#)

Table 11-264. DISPC_VID1_BUF_SIZE_STATUS

Address Offset	0x0000 00D4	Instance	DISPC
Physical Address	0x5800 10D4		
Description	The register defines the Video buffer size for the video pipeline 1.		
Type	R		

31	30	29	28	27	26	25	24	23	22	21	20	19	18	17	16	15	14	13	12	11	10	9	8	7	6	5	4	3	2	1	0
RESERVED																BUFSIZE															

Bits	Field Name	Description	Type	Reset
31:16	RESERVED	Write 0s for future compatibility. Reads return 0.	R	0x0000
15:0	BUFSIZE	Video 1 DMA buffer size in number of 128-bits	R	0x0800

Table 11-265. Register Call Summary for Register DISPC_VID1_BUF_SIZE_STATUS

Display Controller

- [DISPC Shadow Registers: \[0\]](#)
- [DISPC Register Summary: \[1\]](#)

Table 11-266. DISPC_VID1_ROW_INC

Address Offset	0x0000 00D8	Instance	DISPC
Physical Address	0x5800 10D8		
Description	The register configures the number of bytes to increment at the end of the row for the buffer associated with the video window 1. Shadow register, updated on VFP start period of primary LCD or VFP start period of the secondary LCD or VFP start period of the third LCD or EVSYNC or when DISPC_CONTROL2.GOWB is set to 1 by software and current WB frame is finished (no more data in the write-back pipeline). The synchronization event is defined based on the output using the pipeline: primary LCD, secondary LCD, third LCD, TV output or write-back to the memory		
Type	RW		

31	30	29	28	27	26	25	24	23	22	21	20	19	18	17	16	15	14	13	12	11	10	9	8	7	6	5	4	3	2	1	0
ROWINC																															

Bits	Field Name	Description	Type	Reset
31:0	ROWINC	Number of bytes to increment at the end of the row Encoded signed value (from $2^{31}1$ to 2^{31}) to specify the number of bytes to increment at the end of the row in the video buffer. The value 0 is invalid. The value 1 means next pixel. The value $1 + n * \text{bpp}$ means increment of n pixels. The value $1 (n + 1) * \text{bpp}$ means decrement of n pixels.	RW	0x0000 0001

Table 11-267. Register Call Summary for Register DISPC_VID1_ROW_INC

Display Controller

- [DISPC Shadow Registers: \[0\]](#)
- [DISPC Logical Register Mapping: \[1\]](#)
- [DISPC Register Summary: \[2\]](#)

Table 11-268. DISPC_VID1_PIXEL_INC

Address Offset	0x0000 00DC	Instance	DISPC
Physical Address	0x5800 10DC		
Description	The register configures the number of bytes to increment between two pixels for the buffer associated with the video window 2. For more information, see Section 11.2.4.6.5, Predecimation . The register is used only when the TILER is not present in the system in order to perform low performance rotation. When the TILER IP is present it is highly recommended to use it for performing the rotation. Shadow register, updated on VFP start period of primary LCD or VFP start period of the secondary LCD or VFP start period of the third LCD or EVSYNC or when DISPC_CONTROL2.GOWB is set to 1 by software and current WB frame is finished (no more data in the write-back pipeline). The synchronization event is defined based on the output using the pipeline: primary LCD, secondary LCD, third LCD, TV output or write-back to the memory		
Type	RW		

31	30	29	28	27	26	25	24	23	22	21	20	19	18	17	16	15	14	13	12	11	10	9	8	7	6	5	4	3	2	1	0
RESERVED																PIXELINC															

Bits	Field Name	Description	Type	Reset
31:8	RESERVED	Write 0s for future compatibility. Reads return 0.	R	0x000000
7:0	PIXELINC	Number of bytes to increment between two pixels. Encoded unsigned value (from 1 to 255) to specify the number of bytes between two pixels in the video buffer. The value 0 is invalid. The value 1 means next pixel. The value $1 + n * \text{bpp}$ means increment of n pixels. For YUV4:2:0, maximum supported value is 128.	RW	0x01

Table 11-269. Register Call Summary for Register DISPC_VID1_PIXEL_INC

Display Controller

- [DISPC Shadow Registers: \[0\]](#)
- [DISPC Logical Register Mapping: \[1\]](#)
- [DISPC Register Summary: \[2\]](#)

Table 11-270. DISPC_VID1_FIR

Address Offset	0x0000 00E0	Instance	DISPC
Physical Address	0x5800 10E0		
Description	The register configures the resize factors for horizontal and vertical up/downsampling of the video window 1. It is used for ARGB and Y setting. Shadow register, updated on VFP start period of primary LCD or VFP start period of the secondary LCD or VFP start period of the third LCD or EVSYNC or when DISPC_CONTROL2.GOWB is set to 1 by software and current WB frame is finished (no more data in the write-back pipeline). The synchronization event is defined based on the output using the pipeline: primary LCD, secondary LCD, third LCD, TV output or write-back to the memory		
Type	RW		

31	30	29	28	27	26	25	24	23	22	21	20	19	18	17	16	15	14	13	12	11	10	9	8	7	6	5	4	3	2	1	0
RESERVED								FIRVINC								RESERVED								FIRHINC							

Bits	Field Name	Description	Type	Reset
31:29	RESERVED	Write 0s for future compatibility. Reads return 0.	R	0x0
28:16	FIRVINC	Vertical increment of the up/downsampling filter. Encoded value (from 1 to 4096). The value 0 is invalid. The values greater than 4096 are invalid.	RW	0x0400
15:13	RESERVED	Write 0s for future compatibility. Reads return 0.	R	0x0
12:0	FIRHINC	Horizontal increment of the up/downsampling filter. Encoded value (from 1 to 4096). The value 0 is invalid. The values greater than 4096 are invalid.	RW	0x0400

Table 11-271. Register Call Summary for Register DISPC_VID1_FIR

Display Controller

- [DISPC Shadow Registers: \[0\]](#)
- [DISPC Logical Register Mapping: \[1\]](#)
- [DISPC Register Summary: \[2\]](#)

Table 11-272. DISPC_VID1_PICTURE_SIZE

Address Offset	0x0000 00E4	Instance	DISPC
Physical Address	0x5800 10E4		
Description	The register configures the size of the video picture associated with the video layer 1 before up/down-scaling. Shadow register, updated on VFP start period of primary LCD or VFP start period of the secondary LCD or VFP start period of the third LCD, EVSYNC or when DISPC_CONTROL2.GOWB is set to 1 by software and current WB frame is finished (no more data in the write-back pipeline). The synchronization event is defined based on the output using the pipeline: primary LCD, secondary LCD, third LCD, TV output or write-back to the memory		
Type	RW		

31	30	29	28	27	26	25	24	23	22	21	20	19	18	17	16	15	14	13	12	11	10	9	8	7	6	5	4	3	2	1	0
RESERVED								MEMSIZEY								RESERVED								MEMSIZEX							

Bits	Field Name	Description	Type	Reset
31:28	RESERVED	Write 0s for future compatibility. Reads return 0.	R	0x0
27:16	MEMSIZEY	Number of lines of the video picture. Encoded value (from 1 to 4096) to specify the number of lines of the video picture in memory (program to value minus 1). When predecimation is set, the value represents the size of the image after predecimation but the max size of the unpredecimated image size in memory is still bounded to 2^{11} .	RW	0x000
15:11	RESERVED	Write 0s for future compatibility. Reads return 0.	R	0x00
10:0	MEMSIZEX	Number of pixels of the video picture Encoded value (from 1 to 2048) to specify the number of pixels of the video picture in memory (program to value minus 1). The size is limited to the size of the line buffer of the vertical sampling block in case the video picture is processed by the vertical filtering unit. (program to value minus 1). When predecimation is set, the value represents the size of the image after predecimation but the max size of the unpredecimated image size in memory is still bounded to 2^{11} .	RW	0x000

Table 11-273. Register Call Summary for Register DISPC_VID1_PICTURE_SIZE

Display Controller

- [DISPC Shadow Registers: \[0\]](#)
- [DISPC Logical Register Mapping: \[1\]](#)
- [DISPC Register Summary: \[2\]](#)

Table 11-274. DISPC_VID1_ACCU_j

Address Offset	0x0000 00E8 + (0x4 * j)	Index	j = 0 to 1
Physical Address	0x5800 10E8 + (0x4 * j)	Instance	DISPC
Description	The register configures the resize accumulator init values for horizontal and vertical up/downsampling of the video window 1 (DISPC_VID1_ACCU_0 and DISPC_VID1_ACCU_1 for ping-pong mechanism with external trigger, based on the field polarity) It is used for ARGB and Y setting. Shadow register, updated on VFP start period of primary LCD or VFP start period of the secondary LCD or VFP start period of the third LCD or EVSYNC or when DISPC_CONTROL2.GOWB is set to 1 by software and current WB frame is finished (no more data in the write-back pipeline). The synchronization event is defined based on the output using the pipeline: primary LCD, secondary LCD, third LCD, TV output or write-back to the memory		
Type	RW		

31	30	29	28	27	26	25	24	23	22	21	20	19	18	17	16	15	14	13	12	11	10	9	8	7	6	5	4	3	2	1	0
RESERVED								VERTICALACCU								RESERVED								HORIZONTALACCU							

Bits	Field Name	Description	Type	Reset
31:27	RESERVED	Write 0s for future compatibility. Reads return 0.	R	0x00
26:16	VERTICALACCU	Vertical initialization accumulator value encoded value (from -1024 to 1023).	RW	0x000
15:11	RESERVED	Write 0s for future compatibility. Reads return 0.	R	0x00
10:0	HORIZONTALACCU	Horizontal initialization accumulator value encoded value (from -1024 to 1023).	RW	0x000

Table 11-275. Register Call Summary for Register DISPC_VID1_ACCU_j

Display Controller

- [DISPC Shadow Registers: \[0\]](#)
- [DISPC Logical Register Mapping: \[1\]](#)
- [DISPC Register Summary: \[2\]](#)

Table 11-276. DISPC_VID1_FIR_COEF_H_i

Address Offset	0x0000 00F0 + (0x8 * i)	Index	i = 0 to 7
Physical Address	0x5800 10F0 + (0x8 * i)	Instance	DISPC
Description	The bank of registers configure the up/down-scaling coefficients for the horizontal resize of the video picture associated with the video window 1 for the phases from 0 to 7. It is used for ARGB and Y setting. Shadow register, updated on VFP start period of primary LCD or VFP start period of the secondary LCD or VFP start period of the third LCD, EVSYNC or when DISPC_CONTROL2.GOWB is set to 1 by software and current WB frame is finished (no more data in the write-back pipeline). The synchronization event is defined based on the output using the pipeline: primary LCD, secondary LCD, third LCD, TV output or write-back to the memory		
Type	RW		

31	30	29	28	27	26	25	24	23	22	21	20	19	18	17	16	15	14	13	12	11	10	9	8	7	6	5	4	3	2	1	0
FIRHC3								FIRHC2								FIRHC1								FIRHC0							

Bits	Field Name	Description	Type	Reset
31:24	FIRHC3	Signed coefficient C3 for the horizontal up/down-scaling with the phase n	RW	0x00
23:16	FIRHC2	Unsigned coefficient C2 for the horizontal up/down-scaling with the phase n	RW	0x00
15:8	FIRHC1	Signed coefficient C1 for the horizontal up/down-scaling with the phase n	RW	0x00
7:0	FIRHC0	Signed coefficient C0 for the horizontal up/down-scaling with the phase n	RW	0x00

Table 11-277. Register Call Summary for Register DISPC_VID1_FIR_COEF_H_i

Display Controller

- [DISPC Shadow Registers: \[0\]](#)
- [DISPC Logical Register Mapping: \[1\]](#)
- [DISPC Register Summary: \[2\]](#)

Table 11-278. DISPC_VID1_FIR_COEF_HV_i

Address Offset	0x0000 00F4 + (0x8 * i)	Index	i = 0 to 7
Physical Address	0x5800 10F4 + (0x8 * i)	Instance	DISPC
Description	The bank of registers configure the down/up/down-scaling coefficients for the vertical and horizontal resize of the video picture associated with the video window 1 for the phases from 0 to 7. It is used for ARGB and Y setting. Shadow register, updated on VFP start period of primary LCD or VFP start period of the secondary LCD or VFP start period of the third LCD or EVSYNC or when DISPC_CONTROL2.GOWB is set to 1 by software and current WB frame is finished (no more data in the write-back pipeline). The synchronization event is defined based on the output using the pipeline: primary LCD, secondary LCD, third LCD, TV output or write-back to the memory		
Type	RW		

31	30	29	28	27	26	25	24	23	22	21	20	19	18	17	16	15	14	13	12	11	10	9	8	7	6	5	4	3	2	1	0
FIRVC2								FIRVC1								FIRVC0								FIRHC4							

Bits	Field Name	Description	Type	Reset
31:24	FIRVC2	Signed coefficient C2 for the vertical up/down-scaling with the phase n	RW	0x00
23:16	FIRVC1	Unsigned coefficient C1 for the vertical up/down-scaling with the phase n	RW	0x00
15:8	FIRVC0	Signed coefficient C0 for the vertical up/down-scaling with the phase n	RW	0x00
7:0	FIRHC4	Signed coefficient C4 for the horizontal up/down-scaling with the phase n	RW	0x00

Table 11-279. Register Call Summary for Register DISPC_VID1_FIR_COEF_HV_i

Display Controller

- [DISPC Shadow Registers: \[0\]](#)
- [DISPC Logical Register Mapping: \[1\]](#)
- [DISPC Register Summary: \[2\]](#)

Table 11-280. DISPC_VID1_CONV_COEF0

Address Offset	0x0000 0130	Instance	DISPC
Physical Address	0x5800 1130		
Description	The register configures the color space conversion matrix coefficients for the video pipeline 1. Shadow register, updated on VFP start period of primary LCD or VFP start period of the secondary LCD or VFP start period of the third LCD or EVSYNC or when DISPC_CONTROL2.GOWB is set to 1 by software and current WB frame is finished (no more data in the write-back pipeline). The synchronization event is defined based on the output using the pipeline: primary LCD, secondary LCD, third LCD, TV output or write-back to the memory		
Type	RW		

31	30	29	28	27	26	25	24	23	22	21	20	19	18	17	16	15	14	13	12	11	10	9	8	7	6	5	4	3	2	1	0
RESERVED								RCR								RESERVED								RY							

Bits	Field Name	Description	Type	Reset
31:27	RESERVED	Write 0s for future compatibility. Reads return 0.	R	0x00
26:16	RCR	RCr coefficient encoded signed value (from –1024 to 1023).	RW	0x000
15:11	RESERVED	Write 0s for future compatibility. Reads return 0.	R	0x00
10:0	RY	RY coefficient encoded signed value (from –1024 to 1023).	RW	0x000

Table 11-281. Register Call Summary for Register DISPC_VID1_CONV_COEF0

Display Controller

- [DISPC Shadow Registers: \[0\]](#)
- [DISPC Logical Register Mapping: \[1\]](#)
- [DISPC Register Summary: \[2\]](#)

Table 11-282. DISPC_VID1_CONV_COEF1

Address Offset	0x0000 0134	Instance	DISPC
Physical Address	0x5800 1134		
Description	The register configures the color space conversion matrix coefficients for the video pipeline 1. Shadow register, updated on VFP start period of primary LCD or VFP start period of the secondary LCD or VFP start period of the third LCD or EVSYNC or when DISPC_CONTROL2.GOWB is set to 1 by software and current WB frame is finished (no more data in the write-back pipeline). The synchronization event is defined based on the output using the pipeline: primary LCD, secondary LCD, third LCD, TV output or write-back to the memory		
Type	RW		

31	30	29	28	27	26	25	24	23	22	21	20	19	18	17	16	15	14	13	12	11	10	9	8	7	6	5	4	3	2	1	0
RESERVED								GY								RESERVED				RCB											

Bits	Field Name	Description	Type	Reset
31:27	RESERVED	Write 0s for future compatibility. Reads return 0.	R	0x00
26:16	GY	GY coefficient encoded signed value (from -1024 to 1023).	RW	0x000
15:11	RESERVED	Write 0s for future compatibility. Reads return 0.	R	0x00
10:0	RCB	RCb coefficient encoded signed value (from -1024 to 1023).	RW	0x000

Table 11-283. Register Call Summary for Register DISPC_VID1_CONV_COEF1

Display Controller

- [DISPC Shadow Registers: \[0\]](#)
- [DISPC Logical Register Mapping: \[1\]](#)
- [DISPC Register Summary: \[2\]](#)

Table 11-284. DISPC_VID1_CONV_COEF2

Address Offset	0x0000 0138	Instance	DISPC
Physical Address	0x5800 1138		
Description	The register configures the color space conversion matrix coefficients for the video pipeline 1. Shadow register, updated on VFP start period of primary LCD or VFP start period of the secondary LCD or VFP start period of the third LCD or EVSYNC or when DISPC_CONTROL2.GOWB is set to 1 by software and current WB frame is finished (no more data in the write-back pipeline). The synchronization event is defined based on the output using the pipeline: primary LCD, secondary LCD, third LCD, TV output or write-back to the memory		
Type	RW		

31	30	29	28	27	26	25	24	23	22	21	20	19	18	17	16	15	14	13	12	11	10	9	8	7	6	5	4	3	2	1	0
RESERVED								GCB								RESERVED								GCR							

Bits	Field Name	Description	Type	Reset
31:27	RESERVED	Write 0s for future compatibility. Reads return 0.	R	0x00
26:16	GCB	GCB coefficient encoded signed value (from –1024 to 1023).	RW	0x000
15:11	RESERVED	Write 0s for future compatibility. Reads return 0.	R	0x00
10:0	GCR	GCR coefficient encoded signed value (from –1024 to 1023).	RW	0x000

Table 11-285. Register Call Summary for Register DISPC_VID1_CONV_COEF2

Display Controller

- [DISPC Shadow Registers: \[0\]](#)
- [DISPC Logical Register Mapping: \[1\]](#)
- [DISPC Register Summary: \[2\]](#)

Table 11-286. DISPC_VID1_CONV_COEF3

Address Offset	0x0000 013C	Instance	DISPC
Physical Address	0x5800 113C		
Description	The register configures the color space conversion matrix coefficients for the video pipeline 1. Shadow register, updated on VFP start period of primary LCD or VFP start period of the secondary LCD or VFP start period of the third LCD or EVSYNC or when DISPC_CONTROL2.GOWB is set to 1 by software and current WB frame is finished (no more data in the write-back pipeline). The synchronization event is defined based on the output using the pipeline: primary LCD, secondary LCD, third LCD, TV output or write-back to the memory		
Type	RW		

31	30	29	28	27	26	25	24	23	22	21	20	19	18	17	16	15	14	13	12	11	10	9	8	7	6	5	4	3	2	1	0
RESERVED								BCR								RESERVED								BY							

Bits	Field Name	Description	Type	Reset
31:27	RESERVED	Write 0s for future compatibility. Reads return 0.	R	0x00
26:16	BCR	BCR coefficient encoded signed value (from –1024 to 1023).	RW	0x000
15:11	RESERVED	Write 0s for future compatibility. Reads return 0.	R	0x00
10:0	BY	BY coefficient encoded signed value (from –1024 to 1023).	RW	0x000

Table 11-287. Register Call Summary for Register DISPC_VID1_CONV_COEF3

Display Controller

- [DISPC Shadow Registers: \[0\]](#)
- [DISPC Logical Register Mapping: \[1\]](#)
- [DISPC Register Summary: \[2\]](#)

Table 11-288. DISPC_VID1_CONV_COEF4

Address Offset	0x0000 0140	Instance	DISPC																																																												
Physical Address	0x5800 1140																																																														
Description	The register configures the color space conversion matrix coefficients for the video pipeline 1. Shadow register, updated on VFP start period of primary LCD or VFP start period of the secondary LCD or VFP start period of the third LCD or EVSYNC or when DISPC_CONTROL2.GOWB is set to 1 by software and current WB frame is finished (no more data in the write-back pipeline). The synchronization event is defined based on the output using the pipeline: primary LCD, secondary LCD, third LCD, TV output or write-back to the memory																																																														
Type	RW																																																														
<table border="1" style="width:100%; border-collapse: collapse;"> <tr> <td style="text-align:center;">31</td><td style="text-align:center;">30</td><td style="text-align:center;">29</td><td style="text-align:center;">28</td><td style="text-align:center;">27</td><td style="text-align:center;">26</td><td style="text-align:center;">25</td><td style="text-align:center;">24</td> <td style="text-align:center;">23</td><td style="text-align:center;">22</td><td style="text-align:center;">21</td><td style="text-align:center;">20</td><td style="text-align:center;">19</td><td style="text-align:center;">18</td><td style="text-align:center;">17</td><td style="text-align:center;">16</td> <td style="text-align:center;">15</td><td style="text-align:center;">14</td><td style="text-align:center;">13</td><td style="text-align:center;">12</td><td style="text-align:center;">11</td><td style="text-align:center;">10</td><td style="text-align:center;">9</td><td style="text-align:center;">8</td> <td style="text-align:center;">7</td><td style="text-align:center;">6</td><td style="text-align:center;">5</td><td style="text-align:center;">4</td><td style="text-align:center;">3</td><td style="text-align:center;">2</td><td style="text-align:center;">1</td><td style="text-align:center;">0</td> </tr> <tr> <td colspan="16" style="text-align:center;">RESERVED</td> <td colspan="12" style="text-align:center;">BCB</td> </tr> </table>				31	30	29	28	27	26	25	24	23	22	21	20	19	18	17	16	15	14	13	12	11	10	9	8	7	6	5	4	3	2	1	0	RESERVED																BCB											
31	30	29	28	27	26	25	24	23	22	21	20	19	18	17	16	15	14	13	12	11	10	9	8	7	6	5	4	3	2	1	0																																
RESERVED																BCB																																															
Bits	Field Name	Description	Type	Reset																																																											
31:11	RESERVED	Write 0s for future compatibility. Reads return 0.	R	0x000000																																																											
10:0	BCB	BCb coefficient encoded signed value (from -1024 to 1023).	RW	0x000																																																											

Table 11-289. Register Call Summary for Register DISPC_VID1_CONV_COEF4

Display Controller

- [DISPC Shadow Registers: \[0\]](#)
- [DISPC Logical Register Mapping: \[1\]](#)
- [DISPC Register Summary: \[2\]](#)

Table 11-290. DISPC_VID2_BA_j

Address Offset	0x0000 014C + (0x4 * j)	Index	j = 0 to 1																																																																
Physical Address	0x5800 114C + (0x4 * j)	Instance	DISPC																																																																
Description	The register configures the base address of the video buffer for the video window 2 (DISPC_VID2_BA_0 and DISPC_VID2_BA_1 for ping-pong mechanism with external trigger, based on the field polarity otherwise only DISPC_VID2_BA_0 is used)). Shadow register, updated on VFP start period of primary LCD or VFP start period of the secondary LCD or VFP start period of the third LCD or EVSYNC or when DISPC_CONTROL2.GOWB is set to 1 by software and current WB frame is finished (no more data in the write-back pipeline). The synchronization event is defined based on the output using the pipeline: primary LCD, secondary LCD, third LCD, TV output or write-back to the memory																																																																		
Type	RW																																																																		
<table border="1" style="width:100%; border-collapse: collapse;"> <tr> <td style="text-align:center;">31</td><td style="text-align:center;">30</td><td style="text-align:center;">29</td><td style="text-align:center;">28</td><td style="text-align:center;">27</td><td style="text-align:center;">26</td><td style="text-align:center;">25</td><td style="text-align:center;">24</td> <td style="text-align:center;">23</td><td style="text-align:center;">22</td><td style="text-align:center;">21</td><td style="text-align:center;">20</td><td style="text-align:center;">19</td><td style="text-align:center;">18</td><td style="text-align:center;">17</td><td style="text-align:center;">16</td> <td style="text-align:center;">15</td><td style="text-align:center;">14</td><td style="text-align:center;">13</td><td style="text-align:center;">12</td><td style="text-align:center;">11</td><td style="text-align:center;">10</td><td style="text-align:center;">9</td><td style="text-align:center;">8</td> <td style="text-align:center;">7</td><td style="text-align:center;">6</td><td style="text-align:center;">5</td><td style="text-align:center;">4</td><td style="text-align:center;">3</td><td style="text-align:center;">2</td><td style="text-align:center;">1</td><td style="text-align:center;">0</td> </tr> <tr> <td colspan="32" style="text-align:center;">BA</td> </tr> </table>				31	30	29	28	27	26	25	24	23	22	21	20	19	18	17	16	15	14	13	12	11	10	9	8	7	6	5	4	3	2	1	0	BA																															
31	30	29	28	27	26	25	24	23	22	21	20	19	18	17	16	15	14	13	12	11	10	9	8	7	6	5	4	3	2	1	0																																				
BA																																																																			

Bits	Field Name	Description	Type	Reset
31:0	BA	Video base address Base address of the video buffer (aligned on pixel size boundary except in case of RGB24 packed format, 4-pixel alignment is required; in case of YUV4:2:2, 2-pixel alignment is required, and YUV4:2:0, byte alignment is supported)). In case of YUV4:2:0 format, it indicates the base address of the Y buffer. When the TILER is addressed, the bits: [28:27] = 0x0 for 8-bit tiled [28:27] = 0x1 for 16-bit tiled [28:27] = 0x2 for 32-bit tiled [28:27] = 0x3 for page mode [31:29] = 0x0 for 0-degree view [31:29] = 0x1 for 180-degree view + mirroring [31:29] = 0x2 for 0-degree view + mirroring [31:29] = 0x3 for 180-degree view [31:29] = 0x4 for 270-degree view + mirroring [31:29] = 0x5 for 270-degree view [31:29] = 0x6 for 90-degree view [31:29] = 0x7 for 90-degree view + mirroring Otherwise the bits indicated the corresponding bit address to access the SDRAM.	RW	0x0000 0000

Table 11-291. Register Call Summary for Register DISPC_VID2_BA_j

Display Controller

- [DISPC Immediate Base Address Flip Mechanism: \[0\]](#)
- [DISPC Shadow Registers: \[1\]](#)
- [DISPC Logical Register Mapping: \[2\]](#)
- [DISPC Register Summary: \[3\]](#)

Table 11-292. DISPC_VID2_POSITION

Address Offset	0x0000 0154	Instance	DISPC
Physical Address	0x5800 1154		
Description	The register configures the position of the video window 2. Shadow register, updated on VFP start period of primary LCD or VFP start period of the secondary LCD or VFP start period of the third LCD or EVSYNC or when DISPC_CONTROL2.GOWB is set to 1 by software and current WB frame is finished (no more data in the write-back pipeline). The synchronization event is defined based on the output using the pipeline: primary LCD, secondary LCD, third LCD, TV output or write-back to the memory		
Type	RW		

31	30	29	28	27	26	25	24	23	22	21	20	19	18	17	16	15	14	13	12	11	10	9	8	7	6	5	4	3	2	1	0
RESERVED								POSY								RESERVED								POSX							

Bits	Field Name	Description	Type	Reset
31:27	RESERVED	Write 0s for future compatibility. Reads return 0.	R	0x00
26:16	POSY	Y position of the video window 2 encoded value (from 0 to 2047) to specify the Y position of the video window 2 .The line at the top has the Y-position 0.	RW	0x000
15:11	RESERVED	Write 0s for future compatibility. Reads return 0.	R	0x00
10:0	POSX	X position of the video window 2 encoded value (from 0 to 2047) to specify the X position of the video window 2. The first pixel on the left of the display screen has the X-position 0.	RW	0x000

Table 11-293. Register Call Summary for Register DISPC_VID2_POSITION

Display Controller

- [DISPC Extended 3D Support - Line Alternative Format: \[0\]](#)
- [DISPC Extended 3D Support - Frame Packing Format Format: \[1\]](#)
- [DISPC Shadow Registers: \[2\]](#)
- [DISPC Logical Register Mapping: \[3\]](#)
- [DISPC Register Summary: \[4\]](#)

Table 11-294. DISPC_VID2_SIZE

Address Offset	0x0000 0158	Instance	DISPC
Physical Address	0x5800 1158		
Description	The register configures the size of the video window 2. Shadow register, updated on VFP start period of primary LCD or VFP start period of the secondary LCD or VFP start period of the third LCD or EVSYNC or when DISPC_CONTROL2.GOWB is set to 1 by software and current WB frame is finished (no more data in the write-back pipeline). The synchronization event is defined based on the output using the pipeline: primary LCD, secondary LCD, third LCD, TV output or write-back to the memory		
Type	RW		

31	30	29	28	27	26	25	24	23	22	21	20	19	18	17	16	15	14	13	12	11	10	9	8	7	6	5	4	3	2	1	0
RESERVED								SIZEY								RESERVED				SIZEX											

Bits	Field Name	Description	Type	Reset
31:28	RESERVED	Write 0s for future compatibility. Reads return 0.	R	0x00
27:16	SIZEY	Number of lines of the video 2 encoded value (from 1 to 4096) to specify the number of lines of the video window 2. Program to value minus 1.	RW	0x000
15:11	RESERVED	Write 0s for future compatibility. Reads return 0.	R	0x00
10:0	SIZEX	Number of pixels of the video window 2 encoded value (from 1 to 2048) to specify the number of pixels of the video window 2. Program to value minus 1.	RW	0x000

Table 11-295. Register Call Summary for Register DISPC_VID2_SIZE

Display Controller

- [DISPC Shadow Registers: \[0\]](#)
- [DISPC Logical Register Mapping: \[1\]](#)
- [DISPC Register Summary: \[2\]](#)

Table 11-296. DISPC_VID2_ATTRIBUTES

Address Offset	0x0000 015C	Instance	DISPC
Physical Address	0x5800 115C		
Description	The register configures the attributes of the video window 2. Shadow register, updated on VFP start period of primary LCD or VFP start period of the secondary LCD or VFP start period of the third LCD or EVSYNC or when DISPC_CONTROL2.GOWB is set to 1 by software and current WB frame is finished (no more data in the write-back pipeline). The synchronization event is defined based on the output using the pipeline: primary LCD, secondary LCD, third LCD, TV output or write-back to the memory		
Type	RW		

31	30	29	28	27	26	25	24	23	22	21	20	19	18	17	16	15	14	13	12	11	10	9	8	7	6	5	4	3	2	1	0
CHANNELOUT2	BURSTTYPE	PREMULTIPLYALPHA	ZORDER	ZORDERENABLE	SELFREFRESH	ARBITRATION	DOUBLESTRIDE	VERTICALTAPS	FORCE1DTILEDMODE	BUFPRELOAD	RESERVED	SELFREFRESHAUTO	CHANNELOUT	BURSTSIZE	ROTATION	FULLRANGE	REPLICATIONENABLE	COLORCONVENABLE	FRAMEPACKINGMODE	HRESIZECONF	RESIZEENABLE	FORMAT				ENABLE					

Bits	Field Name	Description	Type	Reset
31:30	CHANNELOUT2	It is not used if CHANNELOUT is set to TV. Reserved when CHANNELOUT = 1 (must be set to zero) wr: immediate 0x0: Primary LCD output selected. 0x1: Secondary LCD output selected. 0x2: Third LCD output selected. 0x3: Write-back output to the memory selected.	RW	0x0
29	BURSTTYPE	The type of burst can be INCR (incremental) or BLCK (2D block). The 2D block is required when the TILER is targeted by the DMA engine. 0x0: INC burst type is used. 0x1: 2D block burst type is used.	RW	0
28	PREMULTIPLYALPHA	The field configures the DISPC VID2 to process incoming data as pre-multiplied alpha data or non pre-multiplied alpha data. Default setting is non pre-multiplied alpha data. 0x0: Non pre-multiplied alpha data color component 0x1: Pre-multiplied alpha data color component	RW	0
27:26	ZORDER	Z-Order defining the priority of the layer compared to others when overlaying. It is software responsibility to ensure that each layer connected to the same overlay manager has a different z-order value. If bit 25 is set to 0, the ZORDER bit field is ignored and replaced by the value 0. 0x0: Z-order 0: layer above solid background color and below layer with higher Z-order values. 0x1: Z-order 1: layer above layer with z-order value of 0 and below layers with z-order values of 2 and 3 0x3: Z-order 3: layer above all the other layers 0x2: Z-order 2: layer above layers with z-order value of 0 and 1 and below layer with z-order value of 3	RW	0x0
25	ZORDERENABLE	Z-order Enable. The bit field ZORDER is only used when the Z-order is enabled. 0x0: Z-order disabled. The Z-order of the layer is 0. 0x1: Z-order enabled. The Z-order is defined by the bit field ZORDER (bits 26 and 27).	RW	0
24	SELFREFRESH	Enables the self refresh of the video window from its own DMA buffer only. 0x0: The video pipeline accesses the interconnect to fetch data from the system memory. 0x1: The video pipeline does not need anymore to fetch data from memory. Only the DMA buffer associated with the video2 is used. It takes effect after the frame has been loaded in the DMA buffer.	RW	0
23	ARBITRATION	Determines the priority of the video pipeline. The video pipeline is one of the high priority pipeline. The arbitration gives always the priority first to the high priority pipelines using round-robin between them. When there is only normal priority pipelines sending requests, the round-robin applies between them. 0x0: The video pipeline is one of the normal priority pipeline. 0x1: The video pipeline is one of the high priority pipeline.	RW	0
22	DOUBLESTRIDE	Determines if the stride for CbCr buffer is the 1x or 2x of the Y buffer stride. It is only used in case of YUV4:2:0. 0x0: The CbCr stride value is equal to the Y stride. 0x1: The CbCr stride value is double to the Y stride.	RW	0

Bits	Field Name	Description	Type	Reset
21	VERTICALTAPS	Video Vertical Resize Tap Number 0x0: 3 taps are used for the vertical filtering logic. The 2 other taps are not used. The associated bit fields for the 2 other taps coefficients do not need to be initialized. 0x1: 5 taps are used for the vertical filtering logic.	RW	0
20	FORCE1DTILEDMODE	Force TILED regions access to 1D or 2D. 0x0: 2D accesses for tiled regions 0x1: 1D accesses for tiled regions	RW	0
19	BUFPRELOAD	Video Preload Value 0x0: Hardware prefetches pixels up to the preload value defined in the preload register 0x1: Hardware prefetches pixels up to high threshold value	RW	0
18	RESERVED	Write 0s for future compatibility. Reads return 0.	R	0
17	SELFREFRESHAUTO	Automatic self-refresh mode 0x0: The transition from SELFREFRESH disabled to enabled is controlled by SW. 0x1: The transition from SELFREFRESH disabled to enabled is controlled only by hardware.	RW	0
16	CHANNELOUT	Video Channel Out configuration: LCD, WB or TV. wr: immediate 0x0: LCD output or WB to the memory selected. bit fields 31 and 30 defines the output associated (primary, secondary or write-back). 0x1: TV output selected	RW	0
15:14	BURSTSIZE	Video DMA burst size 0x0: 2 x 128-bit bursts 0x1: 4 x 128-bit bursts 0x3: Reserved 0x2: 8 x 128-bit bursts	RW	0x2
13:12	ROTATION	Video Rotation Flag 0x0: No rotation 0x1: Rotation by 90 degrees 0x3: Rotation by 270 degrees 0x2: Rotation by 180 degrees	RW	0x0
11	FULLRANGE	Color space conversion full range setting. 0x0: Limited range selected: 16 subtracted from Y before color space conversion 0x1: Full range selected: Y is not modified before the color space conversion	RW	0
10	REPLICATIONENABLE	Replication Enable 0x0: Disable Video replication logic 0x1: Enable Video replication logic	RW	1
9	COLORCONVENABLE	Enable the color space conversion. The hardware does not enable/disable the conversion based on the pixel format. The bit field shall be reset when the format is not YUV. 0x0: Disable color space conversion YUV to RGB 0x1: Enable color space conversion YUV to RGB	RW	0
8	FRAMEPACKINGMODE	Frame packing mode control. 0x0: Frame Packing mode is disabled 0x1: Frame Packing mode is enabled	RW	0

Bits	Field Name	Description	Type	Reset
7	HRESIZECONF	Write 0s for future compatibility. Reads return 0.	R	0
6:5	RESIZEENABLE	Video Resize Enable 0x0: Disable both horizontal and vertical resize processing 0x1: Enable the horizontal resize processing 0x3: Enable both horizontal and vertical resize processing 0x2: Enable the vertical resize processing	RW	0x0
4:1	FORMAT	Video Format. It defines the pixel format when fetching the video 2 picture into memory. 0x6: RGB16-565 0x1: RGB12x-4444 0xA: YUV2 4:2:2 co-sited 0x7: ARGB16-1555 0xD: RGBA32-8888 0x0: NV12 4:2:0 2 buffers (Y + UV) 0x2: RGBA12-4444 0x8: xRGB24-8888 (32-bit container) 0x9: RGB24-888 (24-bit container) 0xB: UYVY 4:2:2 co-sited 0x5: ARGB16-4444 0xF: xRGB15-1555 0xC: ARGB32-8888 0x4: xRGB12-4444 0x3: BGRA32-8888 0xE: RGBx24-8888 (24-bit RGB aligned on MSB of the 32-bit container)	RW	0x0
0	ENABLE	VidEnable 0x0: Video disabled (video pipeline inactive and window not present) 0x1: Video enabled (video pipeline active and window present on the screen)	RW	0

Table 11-297. Register Call Summary for Register DISPC_VID2_ATTRIBUTES

Display Controller

- [DISPC Overlay Manager: \[0\]](#)
- [DISPC Extended 3D Support - Frame Packing Format Format: \[1\]](#)
- [DISPC Shadow Registers: \[2\]](#)
- [DISPC Logical Register Mapping: \[3\]](#)
- [DISPC Register Summary: \[4\]](#)

Table 11-298. DISPC_VID2_BUF_THRESHOLD

Address Offset	0x0000 0160	Instance	DISPC
Physical Address	0x5800 1160		
Description	The register configures the DMA buffer associated with the video pipeline 2. Shadow register, updated on VFP start period of primary LCD or VFP start period of the secondary LCD or VFP start period of the third LCD or EVSYNC or when DISPC_CONTROL2.GOWB is set to 1 by software and current WB frame is finished (no more data in the write-back pipeline). The synchronization event is defined based on the output using the pipeline: primary LCD, secondary LCD, third LCD, TV output or write-back to the memory		
Type	RW		

31	30	29	28	27	26	25	24	23	22	21	20	19	18	17	16	15	14	13	12	11	10	9	8	7	6	5	4	3	2	1	0
BUFHIGHTHRESHOLD																BUFLOWTHRESHOLD															

Bits	Field Name	Description	Type	Reset
31:16	BUFHIGHTHRESHOLD	DMA buffer high threshold number of 128 bits defining the threshold value	RW	0x07FF
15:0	BUFLOWTHRESHOLD	DMA buffer low threshold number of 128 bits defining the threshold value	RW	0x07F8

Table 11-299. Register Call Summary for Register DISPC_VID2_BUF_THRESHOLD

Display Controller

- [DISPC Shadow Registers: \[0\]](#)
- [DISPC Logical Register Mapping: \[1\]](#)
- [DISPC Register Summary: \[2\]](#)

Table 11-300. DISPC_VID2_BUF_SIZE_STATUS

Address Offset	0x0000 0164	Instance	DISPC
Physical Address	0x5800 1164		
Description	The register defines the DMA buffer size for the video pipeline 2.		
Type	R		

31	30	29	28	27	26	25	24	23	22	21	20	19	18	17	16	15	14	13	12	11	10	9	8	7	6	5	4	3	2	1	0
RESERVED																BUFSIZE															

Bits	Field Name	Description	Type	Reset
31:16	RESERVED	Write 0s for future compatibility. Reads return 0.	R	0x0000
15:0	BUFSIZE	DMA buffer size in number of 128 bits	R	0x0800

Table 11-301. Register Call Summary for Register DISPC_VID2_BUF_SIZE_STATUS

Display Controller

- [DISPC Shadow Registers: \[0\]](#)
- [DISPC Register Summary: \[1\]](#)

Table 11-302. DISPC_VID2_ROW_INC

Address Offset	0x0000 0168	Instance	DISPC
Physical Address	0x5800 1168		
Description	The register configures the number of bytes to increment at the end of the row for the buffer associated with the video window 2. Shadow register, updated on VFP start period of primary LCD or VFP start period of the secondary LCD or VFP start period of the third LCD or EVSYNC or when DISPC_CONTROL2 .GOWB is set to 1 by software and current WB frame is finished (no more data in the write-back pipeline). The synchronization event is defined based on the output using the pipeline: primary LCD, secondary LCD, third LCD, TV output or write-back to the memory		
Type	RW		

31	30	29	28	27	26	25	24	23	22	21	20	19	18	17	16	15	14	13	12	11	10	9	8	7	6	5	4	3	2	1	0
ROWINC																															

Bits	Field Name	Description	Type	Reset
31:0	ROWINC	Number of bytes to increment at the end of the row Encoded signed value (from $2^{31}1$ to 2^{31}) to specify the number of bytes to increment at the end of the row in the video buffer. The value 0 is invalid. The value 1 means next pixel. The value $1 + n * \text{bpp}$ means increment of n pixels. The value $1 (n + 1) * \text{bpp}$ means decrement of n pixels.	RW	0x0000 0001

Table 11-303. Register Call Summary for Register DISPC_VID2_ROW_INC

Display Controller

- [DISPC Shadow Registers: \[0\]](#)
- [DISPC Logical Register Mapping: \[1\]](#)
- [DISPC Register Summary: \[2\]](#)

Table 11-304. DISPC_VID2_PIXEL_INC

Address Offset	0x0000 016C	Instance	DISPC
Physical Address	0x5800 116C		
Description	The register configures the number of bytes to increment between two pixels for the buffer associated with the video window 2. For more information, see Section 11.2.4.6.5, Predecimation .The register is used only when the TILER is not present in the system in order to perform low performance rotation. When the TILER IP is present it is highly recommended to use it for performing the rotation. Shadow register, updated on VFP start period of primary LCD or VFP start period of the secondary LCD or VFP start period of the third LCD or EVSYNC or when DISPC_CONTROL2 .GOWB is set to 1 by software and current WB frame is finished (no more data in the write-back pipeline). The synchronization event is defined based on the output using the pipeline: primary LCD, secondary LCD, third LCD, TV output or write-back to the memory		
Type	RW		

31	30	29	28	27	26	25	24	23	22	21	20	19	18	17	16	15	14	13	12	11	10	9	8	7	6	5	4	3	2	1	0
RESERVED																PIXELINC															

Bits	Field Name	Description	Type	Reset
31:8	RESERVED	Write 0s for future compatibility. Reads return 0.	R	0x000000
7:0	PIXELINC	Number of bytes to increment between two pixels. Encoded unsigned value (from 1 to 255) to specify the number of bytes between2 pixels in the video buffer. The value 0 is invalid. The value 1 means next pixel. The value $1 + n * \text{bpp}$ means increment of n pixels. For YUV4:2:0, maximum supported value is 128.	RW	0x01

Table 11-305. Register Call Summary for Register DISPC_VID2_PIXEL_INC

Display Controller

- [DISPC Shadow Registers: \[0\]](#)
- [DISPC Logical Register Mapping: \[1\]](#)
- [DISPC Register Summary: \[2\]](#)

Table 11-306. DISPC_VID2_FIR

Address Offset	0x0000 0170		
Physical Address	0x5800 1170	Instance	DISPC
Description	The register configures the resize factors for horizontal and vertical up/downsampling of the video window 2. It is used for ARGB and Y setting. Shadow register, updated on VFP start period of primary LCD or VFP start period of the secondary LCD or VFP start period of the third LCD or EVSYNC or when DISPC_CONTROL2.GOWB is set to 1 by software and current WB frame is finished (no more data in the write-back pipeline). The synchronization event is defined based on the output using the pipeline: primary LCD, secondary LCD, third LCD, TV output or write-back to the memory		
Type	RW		

31	30	29	28	27	26	25	24	23	22	21	20	19	18	17	16	15	14	13	12	11	10	9	8	7	6	5	4	3	2	1	0
RESERVED								FIRVINC								RESERVED								FIRHINC							

Bits	Field Name	Description	Type	Reset
31:29	RESERVED	Write 0s for future compatibility. Reads return 0.	R	0x0
28:16	FIRVINC	Vertical increment of the up/downsampling filter Encoded value (from 1 to 4096). The value 0 is invalid. The values greater than 4096 are invalid.	RW	0x0400
15:13	RESERVED	Write 0s for future compatibility. Reads return 0.	R	0x0
12:0	FIRHINC	Horizontal increment of the up/downsampling filter Encoded value (from 1 to 4096). The value 0 is invalid. The values greater than 4096 are invalid.	RW	0x0400

Table 11-307. Register Call Summary for Register DISPC_VID2_FIR

Display Controller

- [DISPC Shadow Registers: \[0\]](#)
- [DISPC Logical Register Mapping: \[1\]](#)
- [DISPC Register Summary: \[2\]](#)

Table 11-308. DISPC_VID2_PICTURE_SIZE

Address Offset	0x0000 0174	Instance	DISPC
Physical Address	0x5800 1174		
Description	The register configures the size of the video picture associated with the video layer 2 before up/down-scaling. Shadow register, updated on VFP start period of primary LCD or VFP start period of the secondary LCD or VFP start period of the third LCD or EVSYNC or when DISPC_CONTROL2.GOWB is set to 1 by software and current WB frame is finished (no more data in the write-back pipeline). The synchronization event is defined based on the output using the pipeline: primary LCD, secondary LCD, third LCD, TV output or write-back to the memory		
Type	RW		

31	30	29	28	27	26	25	24	23	22	21	20	19	18	17	16	15	14	13	12	11	10	9	8	7	6	5	4	3	2	1	0
RESERVED								MEMSIZEY								RESERVED								MEMSIZEX							

Bits	Field Name	Description	Type	Reset
31:28	RESERVED	Write 0s for future compatibility. Reads return 0.	R	0x00
27:16	MEMSIZEY	Number of lines of the video picture Encoded value (from 1 to 4096) to specify the number of lines of the video picture in memory (program to value minus 1). When predecimation is set, the value represents the size of the image after predecimation but the maximum size of the unpredecimated image size in memory is still bounded 2^{11} .	RW	0x000
15:11	RESERVED	Write 0s for future compatibility. Reads return 0.	R	0x00
10:0	MEMSIZEX	Number of pixels of the video picture Encoded value (from 1 to 2048) to specify the number of pixels of the video picture in memory (program to value minus 1). The size is limited to the size of the line buffer of the vertical sampling block in case the video picture is processed by the vertical filtering unit. (program to value minus 1). When predecimation is set, the value represents the size of the image after predecimation but the max size of the unpredecimated image size in memory is still bounded 2^{11} .	RW	0x000

Table 11-309. Register Call Summary for Register DISPC_VID2_PICTURE_SIZE

Display Controller

- [DISPC Shadow Registers: \[0\]](#)
- [DISPC Logical Register Mapping: \[1\]](#)
- [DISPC Register Summary: \[2\]](#)

Table 11-310. DISPC_VID2_ACCU_j

Address Offset	0x0000 0178 + (0x4 * j)	Index	j = 0 to 1
Physical Address	0x5800 1178 + (0x4 * j)	Instance	DISPC
Description	The register configures the resize accumulator init values for horizontal and vertical up/downsampling of the video window 2 (DISPC_VID2_ACCU_0 and DISPC_VID2_ACCU_1 for ping-pong mechanism with external trigger, based on the field polarity). It is used for ARGB and Y setting. Shadow register, updated on VFP start period of primary LCD or VFP start period of the secondary LCD or VFP start period of the third LCD or EVSYNC or when DISPC_CONTROL2.GOWB is set to 1 by software and current WB frame is finished (no more data in the write-back pipeline). The synchronization event is defined based on the output using the pipeline: primary LCD, secondary LCD, third LCD, TV output or write-back to the memory		
Type	RW		

31	30	29	28	27	26	25	24	23	22	21	20	19	18	17	16	15	14	13	12	11	10	9	8	7	6	5	4	3	2	1	0
RESERVED								VERTICALACCU								RESERVED				HORIZONTALACCU											

Bits	Field Name	Description	Type	Reset
31:27	RESERVED	Write 0s for future compatibility. Reads return 0.	R	0x00
26:16	VERTICALACCU	Vertical initialization accumulator value encoded value (from -1024 to 1023).	RW	0x000
15:11	RESERVED	Write 0s for future compatibility. Reads return 0.	R	0x00
10:0	HORIZONTALACCU	Horizontal initialization accumulator value encoded value (from -1024 to 1023).	RW	0x000

Table 11-311. Register Call Summary for Register DISPC_VID2_ACCU_j

Display Controller

- [DISPC Shadow Registers: \[0\]](#)
- [DISPC Logical Register Mapping: \[1\]\[2\]](#)
- [DISPC Register Summary: \[3\]](#)

Table 11-312. DISPC_VID2_FIR_COEF_H_i

Address Offset	0x0000 0180 + (0x8 * i)	Index	i = 0 to 7
Physical Address	0x5800 1180 + (0x8 * i)	Instance	DISPC
Description	The bank of registers configure the up/down-scaling coefficients for the horizontal resize of the video picture associated with the video window 2 for the phases from 0 to 7. It is used for ARGB and Y setting. Shadow register, updated on VFP start period of primary LCD or VFP start period of the secondary LCD or VFP start period of the third LCD or EVSYNC or when DISPC_CONTROL2.GOWB is set to 1 by software and current WB frame is finished (no more data in the write-back pipeline). The synchronization event is defined based on the output using the pipeline: primary LCD, secondary LCD, third LCD, TV output or write-back to the memory		
Type	RW		

31	30	29	28	27	26	25	24	23	22	21	20	19	18	17	16	15	14	13	12	11	10	9	8	7	6	5	4	3	2	1	0
FIRHC3								FIRHC2								FIRHC1				FIRHC0											

Bits	Field Name	Description	Type	Reset
31:24	FIRHC3	Signed coefficient C3 for the horizontal up/down-scaling with the phase n	RW	0x00
23:16	FIRHC2	Unsigned coefficient C2 for the horizontal up/down-scaling with the phase n	RW	0x00
15:8	FIRHC1	Signed coefficient C1 for the horizontal up/down-scaling with the phase n	RW	0x00
7:0	FIRHC0	Signed coefficient C0 for the horizontal up/down-scaling with the phase n	RW	0x00

Table 11-313. Register Call Summary for Register DISPC_VID2_FIR_COEF_H_i

Display Controller

- [DISPC Shadow Registers: \[0\]](#)
- [DISPC Logical Register Mapping: \[1\]](#)
- [DISPC Register Summary: \[2\]](#)

Table 11-314. DISPC_VID2_FIR_COEF_HV_i

Address Offset	0x0000 0184 + (0x8 * i)	Index	i = 0 to 7
Physical Address	0x5800 1184 + (0x8 * i)	Instance	DISPC
Description	The bank of registers configure the down/up/down-scaling coefficients for the vertical and horizontal resize of the video picture associated with the video window 2 for the phases from 0 to 7. It is used for ARGB and Y setting. Shadow register, updated on VFP start period of primary LCD or VFP start period of the secondary LCD or VFP start period of the third LCD or EVSYNC or when DISPC_CONTROL2.GOWB is set to 1 by software and current WB frame is finished (no more data in the write-back pipeline). The synchronization event is defined based on the output using the pipeline: primary LCD, secondary LCD, third LCD, TV output or write-back to the memory		
Type	RW		

31	30	29	28	27	26	25	24	23	22	21	20	19	18	17	16	15	14	13	12	11	10	9	8	7	6	5	4	3	2	1	0
FIRVC2								FIRVC1								FIRVC0								FIRHC4							

Bits	Field Name	Description	Type	Reset
31:24	FIRVC2	Signed coefficient C2 for the vertical up/down-scaling with the phase n	RW	0x00
23:16	FIRVC1	Unsigned coefficient C1 for the vertical up/down-scaling with the phase n	RW	0x00
15:8	FIRVC0	Signed coefficient C0 for the vertical up/down-scaling with the phase n	RW	0x00
7:0	FIRHC4	Signed coefficient C4 for the horizontal up/down-scaling with the phase n	RW	0x00

Table 11-315. Register Call Summary for Register DISPC_VID2_FIR_COEF_HV_i

Display Controller

- [DISPC Shadow Registers: \[0\]](#)
- [DISPC Logical Register Mapping: \[1\]](#)
- [DISPC Register Summary: \[2\]](#)

Table 11-316. DISPC_VID2_CONV_COEF0

Address Offset	0x0000 01C0	Instance	DISPC
Physical Address	0x5800 11C0		
Description	The register configures the color space conversion matrix coefficients for the video pipeline 2. Shadow register, updated on VFP start period of primary LCD or VFP start period of the secondary LCD or VFP start period of the third LCD or EVSYNC or when DISPC_CONTROL2.GOWB is set to 1 by software and current WB frame is finished (no more data in the write-back pipeline). The synchronization event is defined based on the output using the pipeline: primary LCD, secondary LCD, third LCD, TV output or write-back to the memory		
Type	RW		

31	30	29	28	27	26	25	24	23	22	21	20	19	18	17	16	15	14	13	12	11	10	9	8	7	6	5	4	3	2	1	0
RESERVED								RCR								RESERVED								RY							

Bits	Field Name	Description	Type	Reset
31:27	RESERVED	Write 0s for future compatibility. Reads return 0.	R	0x00
26:16	RCR	RCr coefficient encoded signed value (from –1024 to 1023).	RW	0x000
15:11	RESERVED	Write 0s for future compatibility. Reads return 0.	R	0x00
10:0	RY	RY coefficient encoded signed value (from –1024 to 1023).	RW	0x000

Table 11-317. Register Call Summary for Register DISPC_VID2_CONV_COEF0

Display Controller

- [DISPC Shadow Registers: \[0\]](#)
- [DISPC Logical Register Mapping: \[1\]](#)
- [DISPC Register Summary: \[2\]](#)

Table 11-318. DISPC_VID2_CONV_COEF1

Address Offset	0x0000 01C4	Instance	DISPC
Physical Address	0x5800 11C4		
Description	The register configures the color space conversion matrix coefficients for the video pipeline 2. Shadow register, updated on VFP start period of primary LCD or VFP start period of the secondary LCD or VFP start period of the third LCD or EVSYNC or when DISPC_CONTROL2.GOWB is set to 1 by software and current WB frame is finished (no more data in the write-back pipeline). The synchronization event is defined based on the output using the pipeline: primary LCD, secondary LCD, third LCD, TV output or write-back to the memory		
Type	RW		

31	30	29	28	27	26	25	24	23	22	21	20	19	18	17	16	15	14	13	12	11	10	9	8	7	6	5	4	3	2	1	0
RESERVED								GY								RESERVED				RCB											

Bits	Field Name	Description	Type	Reset
31:27	RESERVED	Write 0s for future compatibility. Reads return 0.	R	0x00
26:16	GY	GY coefficient encoded signed value (from –1024 to 1023).	RW	0x000
15:11	RESERVED	Write 0s for future compatibility. Reads return 0.	R	0x00
10:0	RCB	RCb coefficient encoded signed value (from –1024 to 1023).	RW	0x000

Table 11-319. Register Call Summary for Register DISPC_VID2_CONV_COEF1

Display Controller

- [DISPC Shadow Registers: \[0\]](#)
- [DISPC Logical Register Mapping: \[1\]](#)
- [DISPC Register Summary: \[2\]](#)

Table 11-320. DISPC_VID2_CONV_COEF2

Address Offset	0x0000 01C8	Instance	DISPC
Physical Address	0x5800 11C8		
Description	The register configures the color space conversion matrix coefficients for the video pipeline 2. Shadow register, updated on VFP start period of primary LCD or VFP start period of the secondary LCD or VFP start period of the third LCD or EVSYNC or when DISPC_CONTROL2.GOWB is set to 1 by software and current WB frame is finished (no more data in the write-back pipeline). The synchronization event is defined based on the output using the pipeline: primary LCD, secondary LCD, third LCD, TV output or write-back to the memory		
Type	RW		

31	30	29	28	27	26	25	24	23	22	21	20	19	18	17	16	15	14	13	12	11	10	9	8	7	6	5	4	3	2	1	0
RESERVED								GCB								RESERVED								GCR							

Bits	Field Name	Description	Type	Reset
31:27	RESERVED	Write 0s for future compatibility. Reads return 0.	R	0x00
26:16	GCB	GCB coefficient encoded signed value (from –1024 to 1023).	RW	0x000
15:11	RESERVED	Write 0s for future compatibility. Reads return 0.	R	0x00
10:0	GCR	GCR coefficient encoded signed value (from –1024 to 1023).	RW	0x000

Table 11-321. Register Call Summary for Register DISPC_VID2_CONV_COEF2

Display Controller

- [DISPC Shadow Registers: \[0\]](#)
- [DISPC Logical Register Mapping: \[1\]](#)
- [DISPC Register Summary: \[2\]](#)

Table 11-322. DISPC_VID2_CONV_COEF3

Address Offset	0x0000 01CC	Instance	DISPC
Physical Address	0x5800 11CC		
Description	The register configures the color space conversion matrix coefficients for the video pipeline 2. Shadow register, updated on VFP start period of primary LCD or VFP start period of the secondary LCD or VFP start period of the third LCD or EVSYNC or when DISPC_CONTROL2.GOWB is set to 1 by software and current WB frame is finished (no more data in the write-back pipeline). The synchronization event is defined based on the output using the pipeline: primary LCD, secondary LCD, third LCD, TV output or write-back to the memory		
Type	RW		

31	30	29	28	27	26	25	24	23	22	21	20	19	18	17	16	15	14	13	12	11	10	9	8	7	6	5	4	3	2	1	0
RESERVED								BCR								RESERVED								BY							

Bits	Field Name	Description	Type	Reset
31:27	RESERVED	Write 0s for future compatibility. Reads return 0.	R	0x00
26:16	BCR	BCR coefficient encoded signed value (from –1024 to 1023).	RW	0x000
15:11	RESERVED	Write 0s for future compatibility. Reads return 0.	R	0x00
10:0	BY	BY coefficient encoded signed value (from –1024 to 1023).	RW	0x000

Table 11-323. Register Call Summary for Register DISPC_VID2_CONV_COEF3

Display Controller

- [DISPC Shadow Registers: \[0\]](#)
- [DISPC Logical Register Mapping: \[1\]](#)
- [DISPC Register Summary: \[2\]](#)

Table 11-324. DISPC_VID2_CONV_COEF4

Address Offset	0x0000 01D0	
Physical Address	0x5800 11D0	Instance DISPC
Description	The register configures the color space conversion matrix coefficients for the video pipeline 2. Shadow register, updated on VFP start period of primary LCD or VFP start period of the secondary LCD or VFP start period of the third LCD or EVSYNC or when DISPC_CONTROL2.GOWB is set to 1 by software and current WB frame is finished (no more data in the write-back pipeline). The synchronization event is defined based on the output using the pipeline: primary LCD, secondary LCD, third LCD, TV output or write-back to the memory	
Type	RW	

31	30	29	28	27	26	25	24	23	22	21	20	19	18	17	16	15	14	13	12	11	10	9	8	7	6	5	4	3	2	1	0
RESERVED												BCB																			

Bits	Field Name	Description	Type	Reset
31:11	RESERVED	Write 0s for future compatibility. Reads return 0.	R	0x000000
10:0	BCB	BCb coefficient encoded signed value (from -1024 to 1023).	RW	0x000

Table 11-325. Register Call Summary for Register DISPC_VID2_CONV_COEF4

Display Controller

- [DISPC Shadow Registers: \[0\]](#)
- [DISPC Logical Register Mapping: \[1\]](#)
- [DISPC Register Summary: \[2\]](#)

Table 11-326. DISPC_DATA1_CYCLE1

Address Offset	0x0000 01D4	
Physical Address	0x5800 11D4	Instance DISPC
Description	The control register configures the output data format for 1st cycle. Shadow register, updated on VFP start period of primary LCD	
Type	RW	

31	30	29	28	27	26	25	24	23	22	21	20	19	18	17	16	15	14	13	12	11	10	9	8	7	6	5	4	3	2	1	0
RESERVED				BITALIGNMENTPIXEL2				RESERVED				NBBITSPIXEL2				RESERVED				BITALIGNMENTPIXEL1				RESERVED				NBBITSPIXEL1			

Bits	Field Name	Description	Type	Reset
31:28	RESERVED	Write 0s for future compatibility. Reads return 0.	R	0x0
27:24	BITALIGNMENTPIXEL2	Bit alignment. Alignment of the bits from pixel 2 on the output interface.	RW	0x0

Bits	Field Name	Description	Type	Reset
23:21	RESERVED	Write 0s for future compatibility. Reads return 0.	R	0x0
20:16	NBBITSPIXEL2	Number of bits Number of bits from the pixel 2 (value from 0 to 16 bits). The values from 17 to 31 are invalid.	RW	0x00
15:12	RESERVED	Write 0s for future compatibility. Reads return 0.	R	0x0
11:8	BITALIGNMENTPIXEL1	Bit alignment. Alignment of the bits from pixel 1 on the output interface.	RW	0x0
7:5	RESERVED	Write 0s for future compatibility. Reads return 0.	R	0x0
4:0	NBBITSPIXEL1	Number of bits Number of bits from the pixel 1 (value from 0 to 16 bits). The values from 17 to 31 are invalid.	RW	0x00

Table 11-327. Register Call Summary for Register DISPC_DATA1_CYCLE1

Display Controller

- [DISPC Shadow Registers: \[0\]](#)
- [DISPC Logical Register Mapping: \[1\]](#)
- [DISPC Register Summary: \[2\]](#)

Table 11-328. DISPC_DATA1_CYCLE2

Address Offset	0x0000 01D8	Instance	DISPC
Physical Address	0x5800 11D8		
Description	The control register configures the output data format for 2nd cycle. Shadow register, updated on VFP start period of primary LCD		
Type	RW		

31	30	29	28	27	26	25	24	23	22	21	20	19	18	17	16	15	14	13	12	11	10	9	8	7	6	5	4	3	2	1	0
RESERVED								RESERVED				RESERVED				RESERVED				RESERVED											
BITALIGNMENTPIXEL2								NBBITSPIXEL2				BITALIGNMENTPIXEL1				NBBITSPIXEL1															

Bits	Field Name	Description	Type	Reset
31:28	RESERVED	Write 0s for future compatibility Reads return 0.	R	0x0
27:24	BITALIGNMENTPIXEL2	Bit alignment. Alignment of the bits from pixel 2 on the output interface.	RW	0x0
23:21	RESERVED	Write 0s for future compatibility Reads return 0.	R	0x0
20:16	NBBITSPIXEL2	Number of bits Number of bits from the pixel 2 (value from 0 to 16 bits). The values from 17 to 31 are invalid.	RW	0x00
15:12	RESERVED	Write 0s for future compatibility Reads return 0.	R	0x0
11:8	BITALIGNMENTPIXEL1	Bit alignment. Alignment of the bits from pixel 1 on the output interface.	RW	0x0
7:5	RESERVED	Write 0s for future compatibility Reads return 0.	R	0x0
4:0	NBBITSPIXEL1	Number of bits Number of bits from the pixel 1 (value from 0 to 16 bits). The values from 17 to 31 are invalid.	RW	0x00

Table 11-329. Register Call Summary for Register DISPC_DATA1_CYCLE2

Display Controller

- [DISPC Shadow Registers: \[0\]](#)
- [DISPC Logical Register Mapping: \[1\]](#)
- [DISPC Register Summary: \[2\]](#)

Table 11-330. DISPC_DATA1_CYCLE3

Address Offset	0x0000 01DC	Instance	DISPC
Physical Address	0x5800 11DC		
Description	The control register configures the output data format for 3rd cycle. Shadow register, updated on VFP start period of primary LCD		
Type	RW		

31	30	29	28	27	26	25	24	23	22	21	20	19	18	17	16	15	14	13	12	11	10	9	8	7	6	5	4	3	2	1	0
RESERVED								RESERVED				RESERVED				RESERVED				RESERVED											
BITALIGNMENTPIXEL2								NBBITSPIXEL2				BITALIGNMENTPIXEL1				NBBITSPIXEL1															

Bits	Field Name	Description	Type	Reset
31:28	RESERVED	Write 0s for future compatibility Reads return 0.	R	0x0
27:24	BITALIGNMENTPIXEL2	Bit alignment. Alignment of the bits from pixel 2 on the output interface.	RW	0x0
23:21	RESERVED	Write 0s for future compatibility Reads return 0.	R	0x0
20:16	NBBITSPIXEL2	Number of bits Number of bits from the pixel 2 (value from 0 to 16 bits). The values from 17 to 31 are invalid.	RW	0x00
15:12	RESERVED	Write 0s for future compatibility Reads return 0.	R	0x0
11:8	BITALIGNMENTPIXEL1	Bit alignment. Alignment of the bits from pixel 1 on the output interface.	RW	0x0
7:5	RESERVED	Write 0s for future compatibility Reads return 0.	R	0x0
4:0	NBBITSPIXEL1	Number of bits Number of bits from the pixel 1 (value from 0 to 16 bits). The values from 17 to 31 are invalid.	RW	0x00

Table 11-331. Register Call Summary for Register DISPC_DATA1_CYCLE3

Display Controller

- [DISPC Shadow Registers: \[0\]](#)
- [DISPC Logical Register Mapping: \[1\]](#)
- [DISPC Register Summary: \[2\]](#)

Table 11-332. DISPC_VID1_FIR_COEF_V_i

Address Offset	0x0000 01E0 + (0x4 * i)	Index	i = 0 to 7
Physical Address	0x5800 11E0 + (0x4 * i)	Instance	DISPC
Description	The bank of registers configure the down/up/down-scaling coefficients for the vertical resize of the video picture associated with the video window 1 for the phases from 0 to 7. It is used for ARGB and Y setting. Shadow register, updated on VFP start period of primary LCD or VFP start period of the secondary LCD or VFP start period of the third LCD or EVSYNC or when DISPC_CONTROL2.GOWB is set to 1 by software and current WB frame is finished (no more data in the write-back pipeline). The synchronization event is defined based on the output using the pipeline: primary LCD, secondary LCD, third LCD, TV output or write-back to the memory		
Type	RW		

31	30	29	28	27	26	25	24	23	22	21	20	19	18	17	16	15	14	13	12	11	10	9	8	7	6	5	4	3	2	1	0
RESERVED								FIRVC22								FIRVC00															

Bits	Field Name	Description	Type	Reset
31:16	RESERVED	Write 0s for future compatibility. Reads return 0.	R	0x0000
15:8	FIRVC22	Signed coefficient C22 for the vertical up/down-scaling with the phase n	RW	0x00
7:0	FIRVC00	Signed coefficient C00 for the vertical up/down-scaling with the phase n	RW	0x00

Table 11-333. Register Call Summary for Register DISPC_VID1_FIR_COEF_V_i

Display Controller

- [DISPC Shadow Registers: \[0\]](#)
- [DISPC Logical Register Mapping: \[1\]](#)
- [DISPC Register Summary: \[2\]](#)

Table 11-334. DISPC_VID2_FIR_COEF_V_i

Address Offset	0x0000 0200 + (0x4 * i)	Index	i = 0 to 7
Physical Address	0x5800 1200 + (0x4 * i)	Instance	DISPC
Description	The bank of registers configure the down/up/down-scaling coefficients for the vertical resize of the video picture associated with the video window 2 for the phases from 0 to 7. It is used for ARGB and Y setting. Shadow register, updated on VFP start period of primary LCD or VFP start period of the secondary LCD or VFP start period of the third LCD or EVSYNC or when DISPC_CONTROL2.GOWB is set to 1 by software and current WB frame is finished (no more data in the write-back pipeline). The synchronization event is defined based on the output using the pipeline: primary LCD, secondary LCD, third LCD, TV output or write-back to the memory		
Type	RW		

31	30	29	28	27	26	25	24	23	22	21	20	19	18	17	16	15	14	13	12	11	10	9	8	7	6	5	4	3	2	1	0
RESERVED								FIRVC22								FIRVC00															

Bits	Field Name	Description	Type	Reset
31:16	RESERVED	Write 0s for future compatibility. Reads return 0.	R	0x0000
15:8	FIRVC22	Signed coefficient C22 for the vertical up/down-scaling with the phase n	RW	0x00
7:0	FIRVC00	Signed coefficient C00 for the vertical up/down-scaling with the phase n	RW	0x00

Table 11-335. Register Call Summary for Register DISPC_VID2_FIR_COEF_V_i

Display Controller

- [DISPC Shadow Registers: \[0\]](#)
- [DISPC Logical Register Mapping: \[1\]](#)
- [DISPC Register Summary: \[2\]](#)

Table 11-336. DISPC_CPR1_COEF_R

Address Offset	0x0000 0220	Instance	DISPC
Physical Address	0x5800 1220		
Description	The register configures the color phase rotation matrix coefficients for the Red component. It is used for the primary LCD output. Shadow register, updated on VFP start period of primary LCD		
Type	RW		

31	30	29	28	27	26	25	24	23	22	21	20	19	18	17	16	15	14	13	12	11	10	9	8	7	6	5	4	3	2	1	0
RR								RESERVED	RG								RESERVED	RB													

Bits	Field Name	Description	Type	Reset
31:22	RR	RR coefficient encoded signed value (from –512 to 511)	RW	0x000
21	RESERVED	Write 0s for future compatibility. Reads return 0.	R	0
20:11	RG	RG coefficient encoded signed value (from –512 to 511)	RW	0x000
10	RESERVED	Write 0s for future compatibility. Reads return 0.	R	0
9:0	RB	RB coefficient encoded signed value (from –512 to 511)	RW	0x000

Table 11-337. Register Call Summary for Register DISPC_CPR1_COEF_R

Display Controller

- [DISPC Shadow Registers: \[0\]](#)
- [DISPC Logical Register Mapping: \[1\]](#)
- [DISPC Register Summary: \[2\]](#)

Table 11-338. DISPC_CPR1_COEF_G

Address Offset	0x0000 0224	Instance	DISPC
Physical Address	0x5800 1224		
Description	The register configures the color phase rotation matrix coefficients for the Green component. It is used for the primary LCD output. Shadow register, updated on VFP start period of primary LCD		
Type	RW		

31	30	29	28	27	26	25	24	23	22	21	20	19	18	17	16	15	14	13	12	11	10	9	8	7	6	5	4	3	2	1	0
GR								RESERVED	GG								RESERVED	GB													

Bits	Field Name	Description	Type	Reset
31:22	GR	GR coefficient encoded signed value (from –512 to 511)	RW	0x000
21	RESERVED	Write 0s for future compatibility. Reads return 0.	R	0
20:11	GG	GG coefficient encoded signed value (from –512 to 511)	RW	0x000
10	RESERVED	Write 0s for future compatibility. Reads return 0.	R	0
9:0	GB	GB coefficient encoded signed value (from –512 to 511)	RW	0x000

Table 11-339. Register Call Summary for Register DISPC_CPR1_COEF_G

Display Controller

- [DISPC Shadow Registers: \[0\]](#)
- [DISPC Logical Register Mapping: \[1\]](#)
- [DISPC Register Summary: \[2\]](#)

Table 11-340. DISPC_CPR1_COEF_B

Address Offset	0x0000 0228	Instance	DISPC
Physical Address	0x5800 1228		
Description	The register configures the color phase rotation matrix coefficients for the Blue component. It is used for the primary LCD output. Shadow register, updated on VFP start period of primary LCD		
Type	RW		

31	30	29	28	27	26	25	24	23	22	21	20	19	18	17	16	15	14	13	12	11	10	9	8	7	6	5	4	3	2	1	0
BR								RESERVED	BG								RESERVED	BB													

Bits	Field Name	Description	Type	Reset
31:22	BR	BR coefficient encoded signed value (from –512 to 511)	RW	0x000
21	RESERVED	Write 0s for future compatibility. Reads return 0.	R	0
20:11	BG	BG coefficient encoded signed value (from –512 to 511)	RW	0x000
10	RESERVED	Write 0s for future compatibility. Reads return 0.	R	0
9:0	BB	BB coefficient encoded signed value (from –512 to 511)	RW	0x000

Table 11-341. Register Call Summary for Register DISPC_CPR1_COEF_B

Display Controller

- [DISPC Shadow Registers: \[0\]](#)
- [DISPC Logical Register Mapping: \[1\]](#)
- [DISPC Register Summary: \[2\]](#)

Table 11-342. DISPC_GFX_PRELOAD

Address Offset	0x0000 022C	Instance	DISPC
Physical Address	0x5800 122C		
Description	The register configures the graphics DMA buffer Shadow register, updated on VFP start period of primary LCD or VFP start period of the secondary LCD or VFP start period of the third LCD or EVSYNC or when DISPC_CONTROL2.GOWB is set to 1 by software and current WB frame is finished (no more data in the write-back pipeline). The synchronization event is defined based on the output using the pipeline: primary LCD, secondary LCD, third LCD, TV output or write-back to the memory		
Type	RW		

31	30	29	28	27	26	25	24	23	22	21	20	19	18	17	16	15	14	13	12	11	10	9	8	7	6	5	4	3	2	1	0
RESERVED												PRELOAD																			

Bits	Field Name	Description	Type	Reset
31:12	RESERVED	Write 0s for future compatibility. Reads return 0.	R	0x00000
11:0	PRELOAD	DMA buffer preload value number of 128-bit words defining the preload value.	RW	0x100

Table 11-343. Register Call Summary for Register DISPC_GFX_PRELOAD

Display Controller

- [DISPC DMA Buffers: \[0\]](#)
- [DISPC Shadow Registers: \[1\]](#)
- [DISPC Operational Modes Configuration: \[2\]](#)
- [DISPC Register Summary: \[3\]](#)

Table 11-344. DISPC_VID1_PRELOAD

Address Offset	0x0000 0230	
Physical Address	0x5800 1230	Instance DISPC
Description	The register configures the DMA buffer of the video 1 pipeline. Shadow register, updated on VFP start period of primary LCD or VFP start period of the secondary LCD or VFP start period of the third LCD or EVSYNC or when DISPC_CONTROL2.GOWB is set to 1 by software and current WB frame is finished (no more data in the write-back pipeline). The synchronization event is defined based on the output using the pipeline: primary LCD, secondary LCD, third LCD, TV output or write-back to the memory	
Type	RW	

31	30	29	28	27	26	25	24	23	22	21	20	19	18	17	16	15	14	13	12	11	10	9	8	7	6	5	4	3	2	1	0
RESERVED																PRELOAD															

Bits	Field Name	Description	Type	Reset
31:12	RESERVED	Write 0s for future compatibility. Reads return 0.	R	0x00000
11:0	PRELOAD	DMA buffer preload value number of 128-bit words defining the preload value.	RW	0x100

Table 11-345. Register Call Summary for Register DISPC_VID1_PRELOAD

Display Controller

- [DISPC Shadow Registers: \[0\]](#)
- [DISPC Register Summary: \[1\]](#)

Table 11-346. DISPC_VID2_PRELOAD

Address Offset	0x0000 0234	
Physical Address	0x5800 1234	Instance DISPC
Description	The register configures the DMA buffer of the video 2 pipeline. Shadow register, updated on VFP start period of primary LCD or VFP start period of the secondary LCD or VFP start period of the third LCD or EVSYNC or when DISPC_CONTROL2.GOWB is set to 1 by software and current WB frame is finished (no more data in the write-back pipeline). The synchronization event is defined based on the output using the pipeline: primary LCD, secondary LCD, third LCD, TV output or write-back to the memory	
Type	RW	

31	30	29	28	27	26	25	24	23	22	21	20	19	18	17	16	15	14	13	12	11	10	9	8	7	6	5	4	3	2	1	0
RESERVED																PRELOAD															

Bits	Field Name	Description	Type	Reset
31:12	RESERVED	Write 0s for future compatibility. Reads return 0.	R	0x00000
11:0	PRELOAD	DMA buffer preload value Number of 128-bit words defining the preload value.	RW	0x100

Table 11-347. Register Call Summary for Register DISPC_VID2_PRELOAD

Display Controller

- [DISPC Shadow Registers: \[0\]](#)
- [DISPC Register Summary: \[1\]](#)

Table 11-348. DISPC_CONTROL2

Address Offset	0x0000 0238
Physical Address	0x5800 1238
Instance	DISPC
Description	The control register configures the Display Controller module for the secondary LCD output. Shadow registers are updated during the VFP start period of the secondary LCD, EVSYNC, or when DISPC_CONTROL2.GOWB is set to 1 by software and the current WB frame is complete (that is, has no more data in the write-back pipeline).
Type	RW

31	30	29	28	27	26	25	24	23	22	21	20	19	18	17	16	15	14	13	12	11	10	9	8	7	6	5	4	3	2	1	0
SPATIALTEMPORALDITHERINGFRAMES		RESERVED			TDMUNUSEDBITS			TDMCYCLEFORMAT	TDMPARALLELMODE		TDMENABLE	RESERVED					TVOVERLAYOPTIMIZATION	OVERLAYOPTIMIZATION	STALLMODE	RESERVED	TFTDATALINES	STDITHERENABLE	GOWB	GOLCD	M8B	STNIFT	MONOCOLOR	RESERVED	LCDENABLE		

Bits	Field Name	Description	Type	Reset
31:30	SPATIALTEMPORAL DITHERINGFRAMES	Spatial/temporal dithering number of frames for the secondary LCD output wr: VFP start period of secondary LCD output 0x0: Spatial only 0x1: Spatial and temporal over 2 frames 0x2: Spatial and temporal over 4 frames 0x3: Reserved	RW	0x0
29:27	RESERVED	Write 0s for future compatibility. Reads return 0.	R	0x0
26:25	TDMUNUSED BITS	State of unused bits (TDM mode only) for the secondary LCD output wr: VFP start period of secondary LCD output 0x0: Low level (0) 0x1: High level (1) 0x2: Unchanged from previous state 0x3: Reserved	RW	0x0
24:23	TDMCYCLE FORMAT	Cycle format (TDM mode only) for the secondary LCD output wr: VFP start period of secondary LCD output 0x0: 1 cycle for 1 pixel 0x1: 2 cycles for 1 pixel 0x2: 3 cycles for 1 pixel 0x3: 3 cycles for 2 pixels	RW	0x0
22:21	TDMPARALLEL MODE	Output Interface width (TDM mode only) for the secondary LCD output wr: VFP start period of secondary LCD output 0x0: 8-bit parallel output interface selected 0x1: 9-bit parallel output interface selected 0x2: 12-bit parallel output interface selected 0x3: 16-bit parallel output interface selected	RW	0x0

Bits	Field Name	Description	Type	Reset
20	TDMENABLE	Enable the multiple cycle format for the secondary LCD output wr: VFP start period of secondary LCD output 0x0: TDM disabled 0x1: TDM enabled	RW	0
19:14	RESERVED	Write 0s for future compatibility. Reads return 0.	R	0x00
13	TVOVERLAY OPTIMIZATION	Overlay optimization for the TV output wr: VFP or EVSYNC or when DISPC_CONTROL2.GOWB is set to 1 by software and current WB frame is finished (no more data in the write-back pipeline). The synchronization event is defined based on the output using the pipeline: primary LCD, secondary LCD, third LCD, TV output or write-back to the memory 0x0: All the data for all the enabled pipelines are fetched from memory regardless of the overlay/alpha blending configuration. 0x1: The data not used by the overlay manager because of overlap between layers with no alpha blending between them shall not be fetched from memory in order to optimize the bandwidth.	RW	0
12	OVERLAY OPTIMIZATION	Overlay optimization for the secondary LCD output wr: VFP or EVSYNC or when DISPC_CONTROL2.GOWB is set to 1 by software and current WB frame is finished (no more data in the write-back pipeline). The synchronization event is defined based on the output using the pipeline: primary LCD, secondary LCD, third LCD, TV output or write-back to the memory 0x0: All the data for all the enabled pipelines are fetched from memory regardless of the overlay/alpha blending configuration. 0x1: The data not used by the overlay manager because of overlap between layers with no alpha blending between them shall not be fetched from memory in order to optimize the bandwidth.	RW	0
11	STALLMODE	STALL mode for the secondary LCD output wr: VFP start period of secondary LCD output 0x0: Normal mode selected 0x1: STALL mode selected. The Display Controller sends the data without considering the VSYNC/HSYNC. The LCD output is disabled at the end of the transfer of the frame. The S/W has to re-enable the LCD output in order to generate a new frame.	RW	0
10	RESERVED	Write 0s for future compatibility. Reads return 0.	R	0
9:8	TFTDATALINES	Number of lines of the secondary LCD interface wr: VFP start period of secondary LCD output 0x0: 12-bit output aligned on the LSB of the pixel data interface 0x1: 16-bit output aligned on the LSB of the pixel data interface 0x2: 18-bit output aligned on the LSB of the pixel data interface 0x3: 24-bit output aligned on the LSB of the pixel data interface	RW	0x0
7	STDITHER ENABLE	Spatial temporal dithering enable for the secondary LCD output wr: VFP start period of secondary LCD output 0x0: Spatial/Temporal dithering logic disabled 0x1: Spatial/Temporal dithering logic enabled	RW	0

Bits	Field Name	Description	Type	Reset
6	GOWB	<p>GO command for the write-back output. It is used to synchronized the pipelines (graphics and/or video ones) associated with the write-back output to the memory. wr:immediate</p> <p>0x0: The hardware has finished updating the internal shadow registers of the pipeline(s) connected to the write-back pipeline using the user values. The hardware resets the bit when the update is completed.</p> <p>0x1: The user has finished to program the shadow registers of the pipeline(s) associated with the write-back pipeline and the hardware can update the internal registers immediately</p>	RW	0
5	GOLCD	<p>GO command for the secondary LCD output. It is used to synchronized the pipelines (graphics and/or video ones) associated with the secondary LCD output. wr:immediate</p> <p>0x0: The hardware has finished updating the internal shadow registers of the pipeline(s) connected to the LCD output using the user values. The hardware resets the bit when the update is completed.</p> <p>0x1: The user has finished to program the shadow registers of the pipeline(s) associated with the LCD output and the hardware can update the internal registers at the VFP start period</p>	RW	0
4	M8B	<p>Mono 8-bit mode of the secondary LCD wr: VFP start period of secondary LCD output</p> <p>0x0: Reserved</p> <p>0x1: Reserved</p>	RW	0
3	STNTFT	<p>LCD Display type of the secondary LCD wr: VFP start period of secondary LCD output</p> <p>0x0: Reserved</p> <p>0x1: Active or TFT display operation enabled. STN Dither logic and output FIFO bypassed.</p>	RW	0
2	MONOCOLOR	<p>Monochrome/Color selection for the secondary LCD wr: VFP start period of secondary LCD output</p> <p>0x0: Reserved</p> <p>0x1: Reserved</p>	RW	0
1	RESERVED	Write 0s for future compatibility. Reads return 0.	R	0
0	LCDENABLE	<p>Enable the secondary LCD output wr:immediate</p> <p>0x0: LCD output disabled (at the end of the frame when the bit is reset)</p> <p>0x1: LCD output enabled</p>	RW	0

Table 11-349. Register Call Summary for Register DISPC_CONTROL2

Display Controller

- [DISPC Graphics Pipeline: \[0\]\[1\]](#)
- [DISPC Video Pipelines: \[2\]\[3\]](#)
- [DISPC Overlay Manager: \[4\]\[5\]](#)
- [DISPC Shadow Registers: \[6\]\[7\]\[8\]\[9\]](#)
- [DISPC Operational Modes Configuration: \[10\]\[11\]\[12\]\[13\]\[14\]\[15\]\[16\]\[17\]](#)
- [DISPC Logical Register Mapping: \[18\]](#)
- [DISPC Register Summary: \[19\]](#)
- [DISPC Register Description: \[20\]\[21\]\[22\]\[23\]\[24\]\[25\]\[26\]\[27\]\[28\]\[29\]\[30\]\[31\]\[32\]\[33\]\[34\]\[35\]\[36\]\[37\]\[38\]\[39\]\[40\]\[41\]\[42\]\[43\]\[44\]\[45\]\[46\]\[47\]\[48\]\[49\]\[50\]\[51\]\[52\]\[53\]\[54\]\[55\]\[56\]\[57\]\[58\]\[59\]\[60\]\[61\]\[62\]\[63\]\[64\]\[65\]\[66\]\[67\]\[68\]\[69\]\[70\]\[71\]\[72\]\[73\]\[74\]\[75\]\[76\]\[77\]\[78\]\[79\]\[80\]\[81\]\[82\]\[83\]\[84\]\[85\]\[86\]\[87\]\[88\]\[89\]\[90\]\[91\]\[92\]\[93\]\[94\]\[95\]\[96\]\[97\]\[98\]\[99\]\[100\]\[101\]\[102\]\[103\]\[104\]\[105\]\[106\]\[107\]\[108\]\[109\]\[110\]\[111\]\[112\]\[113\]\[114\]\[115\]\[116\]\[117\]\[118\]\[119\]\[120\]\[121\]\[122\]\[123\]\[124\]\[125\]\[126\]\[127\]\[128\]\[129\]\[130\]\[131\]\[132\]\[133\]\[134\]\[135\]\[136\]\[137\]\[138\]\[139\]\[140\]\[141\]\[142\]\[143\]\[144\]\[145\]\[146\]\[147\]\[148\]\[149\]\[150\]\[151\]\[152\]\[153\]\[154\]\[155\]\[156\]\[157\]\[158\]\[159\]\[160\]\[161\]\[162\]\[163\]\[164\]\[165\]\[166\]\[167\]\[168\]\[169\]\[170\]\[171\]\[172\]\[173\]\[174\]\[175\]](#)

Table 11-350. DISPC_GFX_POSITION2

Address Offset	0x0000 0240	Instance	DISPC
Physical Address	0x5800 1240		
Description	The register configures the position of the 2nd graphics window in FramePacking mode. Shadow register, updated on VFP start period of primary LCD or VFP start period of the secondary LCD or VFP start period of the third LCD or EVSYNC or when DISPC_CONTROL2[6] GOWB is set to 1 by software and current WB frame is finished (no more data in the write-back pipeline). The synchronization event is defined based on the output using the pipeline: primary LCD, secondary LCD, third LCD, TV output or write-back to the memory.		
Type	RW		

31	30	29	28	27	26	25	24	23	22	21	20	19	18	17	16	15	14	13	12	11	10	9	8	7	6	5	4	3	2	1	0
RESERVED								POSY								RESERVED								POSX							

Bits	Field Name	Description	Type	Reset
31:27	RESERVED	Write 0's for future compatibility. Reads return 0	R	0x00
26:16	POSY	Y position of the 2nd graphics window. Encoded value (from 0 to 2047) to specify the Y position of the graphics window on the screen. The line at the top has the Y-position 0.	RW	0x000
15:11	RESERVED	Write 0's for future compatibility. Reads return 0	R	0x00
10:0	POSX	X position of the 2nd graphics window. Encoded value (from 0 to 2047) to specify the X position of the graphics window on the screen. The first pixel on the left of the screen has the X-position 0.	RW	0x000

Table 11-351. Register Call Summary for Register DISPC_GFX_POSITION2

Display Controller

- [DISPC Overlay Manager: \[0\]](#)
- [DISPC Extended 3D Support - Frame Packing Format Format: \[1\]](#)
- [DISPC Shadow Registers: \[2\]](#)
- [DISPC Register Summary: \[3\]](#)

Table 11-352. DISPC_VID1_POSITION2

Address Offset	0x0000 0244	Instance	DISPC
Physical Address	0x5800 1244		
Description	The register configures the position of the 2nd video window #1 in FramePacking mode. Shadow register, updated on VFP start period of primary LCD or VFP start period of the secondary LCD or VFP start period of the third LCD or EVSYNC or when DISPC_CONTROL2[6] GOWB is set to 1 by software and current WB frame is finished (no more data in the write-back pipeline). The synchronization event is defined based on the output using the pipeline: primary LCD, secondary LCD, third LCD, TV output or write-back to the memory.		
Type	RW		

31	30	29	28	27	26	25	24	23	22	21	20	19	18	17	16	15	14	13	12	11	10	9	8	7	6	5	4	3	2	1	0
RESERVED								POSY								RESERVED								POSX							

Bits	Field Name	Description	Type	Reset
31:27	RESERVED	Write 0's for future compatibility. Reads return 0	R	0x00
26:16	POSY	Y position of the 2nd video window #1 Encoded value (from 0 to 2047) to specify the Y position of the video window #1 .The line at the top has the Y-position 0.	RW	0x000
15:11	RESERVED	Write 0's for future compatibility. Reads return 0	R	0x00
10:0	POSX	X position of the 2nd video window #1 Encoded value (from 0 to 2047) to specify the X position of the video window #1. The first pixel on the left of the display screen has the X-position 0.	RW	0x000

Table 11-353. Register Call Summary for Register DISPC_VID1_POSITION2

Display Controller

- [DISPC Extended 3D Support - Frame Packing Format Format: \[0\]](#)
- [DISPC Shadow Registers: \[1\]](#)
- [DISPC Register Summary: \[2\]](#)

Table 11-354. DISPC_VID2_POSITION2

Address Offset	0x0000 0248		
Physical Address	0x5800 1248	Instance	DISPC
Description	The register configures the position of the 2nd video window #2 in FramePacking mode. Shadow register, updated on VFP start period of primary LCD or VFP start period of the secondary LCD or VFP start period of the third LCD or EVSYNC or when DISPC_CONTROL2[6] GOWB is set to 1 by software and current WB frame is finished (no more data in the write-back pipeline). The synchronization event is defined based on the output using the pipeline: primary LCD, secondary LCD, third LCD, TV output or write-back to the memory.		
Type	RW		

31	30	29	28	27	26	25	24	23	22	21	20	19	18	17	16	15	14	13	12	11	10	9	8	7	6	5	4	3	2	1	0
RESERVED								POSY								RESERVED				POSX											

Bits	Field Name	Description	Type	Reset
31:27	RESERVED	Write 0's for future compatibility. Reads return 0	R	0x00
26:16	POSY	Y position of the 2nd video window #2 Encoded value (from 0 to 2047) to specify the Y position of the video window #2 .The line at the top has the Y-position 0.	RW	0x000
15:11	RESERVED	Write 0's for future compatibility. Reads return 0	R	0x00
10:0	POSX	X position of the 2nd video window #2 Encoded value (from 0 to 2047) to specify the X position of the video window #2. The first pixel on the left of the display screen has the X-position 0.	RW	0x000

Table 11-355. Register Call Summary for Register DISPC_VID2_POSITION2

Display Controller

- [DISPC Extended 3D Support - Frame Packing Format Format: \[0\]](#)
- [DISPC Shadow Registers: \[1\]](#)
- [DISPC Register Summary: \[2\]](#)

Table 11-356. DISPC_VID3_POSITION2

Address Offset	0x0000 024C	Instance	DISPC
Physical Address	0x5800 124C		
Description	The register configures the position of the 2nd video window #3 in FramePacking mode. Shadow register, updated on VFP start period of primary LCD or VFP start period of the secondary LCD or VFP start period of the third LCD or EVSYNC or when DISPC_CONTROL2[6] GOWB is set to 1 by software and current WB frame is finished (no more data in the write-back pipeline). The synchronization event is defined based on the output using the pipeline: primary LCD, secondary LCD, third LCD, TV output or write-back to the memory.		
Type	RW		

31	30	29	28	27	26	25	24	23	22	21	20	19	18	17	16	15	14	13	12	11	10	9	8	7	6	5	4	3	2	1	0
RESERVED								POSY								RESERVED								POSX							

Bits	Field Name	Description	Type	Reset
31:27	RESERVED	Write 0's for future compatibility. Reads return 0	R	0x00
26:16	POSY	Y position of the 2nd video window #2 Encoded value (from 0 to 2047) to specify the Y position of the video window #2. The line at the top has the Y-position 0.	RW	0x000
15:11	RESERVED	Write 0's for future compatibility. Reads return 0	R	0x00
10:0	POSX	X position of the 2nd video window #2 Encoded value (from 0 to 2047) to specify the X position of the video window #2. The first pixel on the left of the display screen has the X-position 0.	RW	0x000

Table 11-357. Register Call Summary for Register DISPC_VID3_POSITION2

Display Controller

- [DISPC Extended 3D Support - Frame Packing Format Format: \[0\]](#)
- [DISPC Shadow Registers: \[1\]](#)
- [DISPC Register Summary: \[2\]](#)

Table 11-358. DISPC_VID3_ACCU_j

Address Offset	0x0000 0300 + (0x4 * j)	Index	j = 0 to 1
Physical Address	0x5800 1300 + (0x4 * j)	Instance	DISPC
Description	The register configures the resize accumulator init values for horizontal and vertical up/downsampling of the video window 3 (DISPC_VID3_ACCU_0 and DISPC_VID3_ACCU_1 for ping-pong mechanism with external trigger, based on the field polarity). It is used for ARGB and Y setting. Shadow register, updated on VFP start period of primary LCD or VFP start period of the secondary LCD or VFP start period of the third LCD or EVSYNC or when DISPC_CONTROL2.GOWB is set to 1 by software and current WB frame is finished (no more data in the write-back pipeline). The synchronization event is defined based on the output using the pipeline: primary LCD, secondary LCD, third LCD, TV output or write-back to the memory		
Type	RW		

31	30	29	28	27	26	25	24	23	22	21	20	19	18	17	16	15	14	13	12	11	10	9	8	7	6	5	4	3	2	1	0
RESERVED								VERTICALACCU								RESERVED								HORIZONTALACCU							

Bits	Field Name	Description	Type	Reset
31:27	RESERVED	Write 0s for future compatibility. Reads return 0.	R	0x00
26:16	VERTICALACCU	Vertical initialization accu value Encoded value (from -1024 to 1023).	RW	0x000
15:11	RESERVED	Write 0s for future compatibility. Reads return 0.	R	0x00

Bits	Field Name	Description	Type	Reset
10:0	HORIZONTALACCU	Horizontal initialization accu value Encoded value (from -1024 to 1023).	RW	0x000

Table 11-359. Register Call Summary for Register DISPC_VID3_ACCU_j

Display Controller

- [DISPC Shadow Registers: \[0\]](#)
- [DISPC Register Summary: \[1\]](#)

Table 11-360. DISPC_VID3_BA_j

Address Offset	0x0000 0308 + (0x4 * j)	Index	j = 0 to 1
Physical Address	0x5800 1308 + (0x4 * j)	Instance	DISPC
Description	The register configures the base address of the video buffer for the video window 3 (DISPC_VID3_BA_0 and DISPC_VID3_BA_1 for ping-pong mechanism with external trigger, based on the field polarity otherwise only DISPC_VID3_BA_0 is used). Shadow register, updated on VFP start period of primary LCD or VFP start period of the secondary LCD or VFP start period of the third LCD or EVSYNC or when DISPC_CONTROL2.GOWB is set to 1 by software and current WB frame is finished (no more data in the write-back pipeline). The synchronization event is defined based on the output using the pipeline: primary LCD, secondary LCD, third LCD, TV output or write-back to the memory		
Type	RW		

31	30	29	28	27	26	25	24	23	22	21	20	19	18	17	16	15	14	13	12	11	10	9	8	7	6	5	4	3	2	1	0
BA																															

Bits	Field Name	Description	Type	Reset
31:0	BA	Video base address Base address of the video buffer (aligned on pixel size boundary except in case of RGB24 packed format, 4-pixel alignment is required; in case of YUV4:2:2, 2-pixel alignment is required, and YUV4:2:0, byte alignment is supported)). In case of YUV4:2:0 format, it indicates the base address of the Y buffer. When the TILER is addressed, the bits: [28:27] = 0x0 for 8-bit tiled [28:27] = 0x1 for 16-bit tiled [28:27] = 0x2 for 32-bit tiled [28:27] = 0x3 for page mode [31:29] = 0x0 for 0-degree view [31:29] = 0x1 for 180-degree view + mirroring [31:29] = 0x2 for 0-degree view + mirroring [31:29] = 0x3 for 180-degree view [31:29] = 0x4 for 270-degree view + mirroring [31:29] = 0x5 for 270-degree view [31:29] = 0x6 for 90-degree view [31:29] = 0x7 for 90-degree view + mirroring Otherwise the bits indicated the corresponding bit address to access the SDRAM.	RW	0x0000 0000

Table 11-361. Register Call Summary for Register DISPC_VID3_BA_j

Display Controller

- [DISPC Immediate Base Address Flip Mechanism: \[0\]](#)
- [DISPC Shadow Registers: \[1\]](#)
- [DISPC Logical Register Mapping: \[2\]](#)
- [DISPC Register Summary: \[3\]](#)

Table 11-362. DISPC_VID3_FIR_COEF_H_i

Address Offset	0x0000 0310 + (0x8 * i)	Index	i = 0 to 7
Physical Address	0x5800 1310 + (0x8 * i)	Instance	DISPC
Description	The bank of registers configure the up/down-scaling coefficients for the horizontal resize of the video picture associated with the video window 3 for the phases from 0 to 7. It is used for ARGB and Y setting. Shadow register, updated on VFP start period of primary LCD or VFP start period of the secondary LCD or VFP start period of the third LCD or EVSYNC or when DISPC_CONTROL2.GOWB is set to 1 by software and current WB frame is finished (no more data in the write-back pipeline). The synchronization event is defined based on the output using the pipeline: primary LCD, secondary LCD, third LCD, TV output or write-back to the memory		
Type	RW		

31	30	29	28	27	26	25	24	23	22	21	20	19	18	17	16	15	14	13	12	11	10	9	8	7	6	5	4	3	2	1	0
FIRHC3								FIRHC2								FIRHC1								FIRHC0							

Bits	Field Name	Description	Type	Reset
31:24	FIRHC3	Signed coefficient C3 for the horizontal up/down-scaling with the phase n	RW	0x00
23:16	FIRHC2	Unsigned coefficient C2 for the horizontal up/down-scaling with the phase n	RW	0x00
15:8	FIRHC1	Signed coefficient C1 for the horizontal up/down-scaling with the phase n	RW	0x00
7:0	FIRHC0	Signed coefficient C0 for the horizontal up/down-scaling with the phase n	RW	0x00

Table 11-363. Register Call Summary for Register DISPC_VID3_FIR_COEF_H_i

Display Controller

- [DISPC Shadow Registers: \[0\]](#)
- [DISPC Logical Register Mapping: \[1\]](#)
- [DISPC Register Summary: \[2\]](#)

Table 11-364. DISPC_VID3_FIR_COEF_HV_i

Address Offset	0x0000 0314 + (0x8 * i)	Index	i = 0 to 7
Physical Address	0x5800 1314 + (0x8 * i)	Instance	DISPC
Description	The bank of registers configure the down/up/down-scaling coefficients for the vertical and horizontal resize of the video picture associated with the video window 3 for the phases from 0 to 7. It is used for ARGB and Y setting. Shadow register, updated on VFP start period of primary LCD or VFP start period of the secondary LCD or VFP start period of the third LCD or EVSYNC or when DISPC_CONTROL2.GOWB is set to 1 by software and current WB frame is finished (no more data in the write-back pipeline). The synchronization event is defined based on the output using the pipeline: primary LCD, secondary LCD, third LCD, TV output or write-back to the memory		
Type	RW		

31	30	29	28	27	26	25	24	23	22	21	20	19	18	17	16	15	14	13	12	11	10	9	8	7	6	5	4	3	2	1	0
FIRVC2								FIRVC1								FIRVC0								FIRHC4							

Bits	Field Name	Description	Type	Reset
31:24	FIRVC2	Signed coefficient C2 for the vertical up/down-scaling with the phase n	RW	0x00
23:16	FIRVC1	Unsigned coefficient C1 for the vertical up/down-scaling with the phase n	RW	0x00
15:8	FIRVC0	Signed coefficient C0 for the vertical up/down-scaling with the phase n	RW	0x00
7:0	FIRHC4	Signed coefficient C4 for the horizontal up/down-scaling with the phase n	RW	0x00

Table 11-365. Register Call Summary for Register DISPC_VID3_FIR_COEF_HV_i

Display Controller

- [DISPC Shadow Registers: \[0\]](#)
- [DISPC Logical Register Mapping: \[1\]](#)
- [DISPC Register Summary: \[2\]](#)

Table 11-366. DISPC_VID3_FIR_COEF_V_i

Address Offset	0x0000 0350 + (0x4 * i)	Index	i = 0 to 7
Physical Address	0x5800 1350 + (0x4 * i)	Instance	DISPC
Description	The bank of registers configure the down/up/down-scaling coefficients for the vertical resize of the video picture associated with the video window 3 for the phases from 0 to 7. It is used for ARGB and Y setting. Shadow register, updated on VFP start period of primary LCD or VFP start period of the secondary LCD or VFP start period of the third LCD or EVSYNC or when DISPC_CONTROL2.GOWB is set to 1 by software and current WB frame is finished (no more data in the write-back pipeline). The synchronization event is defined based on the output using the pipeline: primary LCD, secondary LCD, third LCD, TV output or write-back to the memory		
Type	RW		

31	30	29	28	27	26	25	24	23	22	21	20	19	18	17	16	15	14	13	12	11	10	9	8	7	6	5	4	3	2	1	0
RESERVED								FIRVC22								FIRVC00															

Bits	Field Name	Description	Type	Reset
31:16	RESERVED	Write 0s for future compatibility. Reads return 0.	R	0x0000
15:8	FIRVC22	Signed coefficient C22 for the vertical up/down-scaling with the phase n	RW	0x00
7:0	FIRVC00	Signed coefficient C00 for the vertical up/down-scaling with the phase n	RW	0x00

Table 11-367. Register Call Summary for Register DISPC_VID3_FIR_COEF_V_i

Display Controller

- [DISPC Shadow Registers: \[0\]](#)
- [DISPC Logical Register Mapping: \[1\]](#)
- [DISPC Register Summary: \[2\]](#)

Table 11-368. DISPC_VID3_ATTRIBUTES

Address Offset	0x0000 0370	Instance	DISPC
Physical Address	0x5800 1370		
Description	The register configures the attributes of the video window 3. Shadow register, updated on VFP start period of primary LCD or VFP start period of the secondary LCD or VFP start period of the third LCD or EVSYNC or when DISPC_CONTROL2.GOWB is set to 1 by software and current WB frame is finished (no more data in the write-back pipeline). The synchronization event is defined based on the output using the pipeline: primary LCD, secondary LCD, third LCD, TV output or write-back to the memory		
Type	RW		

31	30	29	28	27	26	25	24	23	22	21	20	19	18	17	16	15	14	13	12	11	10	9	8	7	6	5	4	3	2	1	0
CHANNELOUT2	BURSTTYPE	PREMULTIPLYALPHA	ZORDER	ZORDERENABLE	SELFREFRESH	ARBITRATION	DOUBLESTRIDE	VERTICALTAPS	FORCEIDTILEDMODE	BUFPRELOAD	RESERVED	SELFREFRESHAUTO	CHANNELOUT	BURSTSIZE	ROTATION	FULLRANGE	REPLICATIONENABLE	COLORCONVENABLE	FRAMEPACKINGMODE	HRESIZECONF	RESIZEENABLE	FORMAT				ENABLE					

Bits	Field Name	Description	Type	Reset
31:30	CHANNELOUT2	It is not used if CHANNELOUT is set to TV. Reserved when CHANNELOUT = 1 (should be set to zero) wr: immediate 0x0: Primary LCD output selected. 0x1: Secondary LCD output selected. 0x2: Third LCD output selected. 0x3: Write-back output to the memory selected.	RW	0x0
29	BURSTTYPE	The type of burst can be INCR (incremental) or BLCK (2D block). The 2D block is required when the TILER is targeted by the DMA engine. 0x0: INC burst type is used. 0x1: 2D block burst type is used.	RW	0
28	PREMULTIPLYALPHA	The field configures the DISPC VID3 to process incoming data as pre-multiplied alpha data or non pre-multiplied alpha data. Default setting is non pre-multiplied alpha data. 0x0: Non pre-multiplied alpha data color component 0x1: Pre-multiplied alpha data color component	RW	0
27:26	ZORDER	Z-Order defining the priority of the layer compared to others when overlaying. It is software responsibility to ensure that each layer connected to the same overlay manager has a different z-order value. If bit 25 is set to 0, the ZORDER bit field is ignored and replaced by the value 0. 0x0: Z-order 0: layer above solid background color and below layer with higher Z-order values. 0x1: Z-order 1: layer above layer with z-order value of 0 and below layers with z-order values of 2 and 3 0x3: Z-order 3: layer above all the other layers 0x2: Z-order 2: layer above layers with z-order value of 0 and 1 and below layer with z-order value of 3	RW	0x0
25	ZORDERENABLE	Z-order Enable. The bit field ZORDER is used only when the Z-order is enabled. 0x0: Z-order disabled. The Z-order of the layer is 0. 0x1: Z-order enabled. The Z-order is defined by the bit field ZORDER (bits 26 and 27).	RW	0
24	SELFREFRESH	Enables the self refresh of the video window from its own DMA buffer only. 0x0: The video pipeline accesses the interconnect to fetch data from the system memory. 0x1: The video pipeline does not need anymore to fetch data from memory. Only the DMA buffer associated with the video3 is used. It takes effect after the frame has been loaded in the DMA buffer.	RW	0
23	ARBITRATION	Determines the priority of the video pipeline. The video pipeline is one of the high priority pipeline. The arbitration gives always the priority first to the high priority pipelines using round-robin between them. When there is only normal priority pipelines sending requests, the round-robin applies between them. 0x0: The video pipeline is one of the normal priority pipeline. 0x1: The video pipeline is one of the high priority pipeline.	RW	0
22	DOUBLESTRIDE	Determines if the stride for CbCr buffer is the 1x or 2x of the Y buffer stride. It is only used in case of YUV4:2:0. 0x0: The CbCr stride value is equal to the Y stride. 0x1: The CbCr stride value is double to the Y stride.	RW	0

Bits	Field Name	Description	Type	Reset
21	VERTICALTAPS	Video vertical resize tap number 0x0: 3 taps are used for the vertical filtering logic. The 2 other taps are not used. The associated bit fields for the 2 other taps coefficients do not need to be initialized. 0x1: 5 taps are used for the vertical filtering logic.	RW	0
20	FORCE1DTILEDMODE	Force TILED regions access to 1D or 2D. 0x0: 2D accesses for tiled regions 0x1: 1D accesses for tiled regions	RW	0
19	BUFPRELOAD	Video Preload Value 0x0: Hardware prefetches pixels up to the preload value defined in the preload register 0x1: Hardware prefetches pixels up to high threshold value	RW	0
18	RESERVED	Write 0s for future compatibility. Reads return 0.	R	0
17	SELFREFRESHAUTO	Automatic self-refresh mode 0x0: The transition from SELFREFRESH disabled to enabled is controlled by SW. 0x1: The transition from SELFREFRESH disabled to enabled is controlled only by hardware.	RW	0
16	CHANNELOUT	Video channel out configuration: LCD, WB or TV. wr: immediate 0x0: LCD output or WB to the memory selected. bit fields 31 and 30 defines the output associated (primary, secondary or write-back). 0x1: TV output selected	RW	0
15:14	BURSTSIZE	Video DMA burst size 0x0: 2 x 128-bit bursts 0x1: 4 x 128-bit bursts 0x3: Reserved 0x2: 8 x 128-bit bursts	RW	0x2
13:12	ROTATION	Video rotation flag 0x0: No rotation 0x1: Rotation by 90 degrees 0x3: Rotation by 270 degrees 0x2: Rotation by 180 degrees	RW	0x0
11	FULLRANGE	Color Space Conversion full range setting. 0x0: Limited range selected: 16 subtracted from Y before color space conversion 0x1: Full range selected: Y is not modified before the color space conversion	RW	0
10	REPLICATIONENABLE	Replication enable 0x0: Disable Video replication logic 0x1: Enable Video replication logic	RW	1
9	COLORCONVENABLE	Enable the color space conversion. The hardware does not enable/disable the conversion based on the pixel format. The bit field shall be reset when the format is not YUV. 0x0: Disable Color Space Conversion YUV to RGB 0x1: Enable Color Space Conversion YUV to RGB	RW	0
8	FRAMEPACKINGMODE	Frame packing mode control. 0x0: Frame Packing mode is disabled 0x1: Frame Packing mode is enabled	RW	0

Bits	Field Name	Description	Type	Reset
7	HRESIZECONF	Write 0s for future compatibility. Reads return 0.	R	0
6:5	RESIZEENABLE	Video resize enable 0x0: Disable both horizontal and vertical resize processing 0x1: Enable the horizontal resize processing 0x3: Enable both horizontal and vertical resize processing 0x2: Enable the vertical resize processing	RW	0x0
4:1	FORMAT	Video format. It defines the pixel format when fetching the video 3 picture into memory. 0x6: RGB16-565 0x1: RGB12x-4444 0xA: YUV2 4:2:2 co-sited 0x7: ARGB16-1555 0xD: RGBA32-8888 0x0: NV12 4:2:0 2 buffers (Y + UV) 0x2: RGBA12-4444 0x8: RGB24-8888 (32-bit container) 0x9: RGB24-888 (24-bit container) 0xB: UYVY 4:2:2 co-sited 0x5: ARGB16-4444 0xF: xRGB15-1555 0xC: ARGB32-8888 0x4: xRGB12-4444 0x3: BGRA32-8888 0xE: RGBx24-8888 (24-bit RGB aligned on MSB of the 32-bit container)	RW	0x0
0	ENABLE	Video Enable 0x0: Video disabled (video pipeline inactive and window not present) 0x1: Video enabled (video pipeline active and window present on the screen)	RW	0

Table 11-369. Register Call Summary for Register DISPC_VID3_ATTRIBUTES

Display Controller

- [DISPC Overlay Manager: \[0\]](#)
- [DISPC Extended 3D Support - Frame Packing Format Format: \[1\]](#)
- [DISPC Shadow Registers: \[2\]](#)
- [DISPC Logical Register Mapping: \[3\]](#)
- [DISPC Register Summary: \[4\]](#)

Table 11-370. DISPC_VID3_CONV_COEF0

Address Offset	0x0000 0374	Instance	DISPC
Physical Address	0x5800 1374		
Description	The register configures the color space conversion matrix coefficients for the video pipeline 3. Shadow register, updated on VFP start period of primary LCD or VFP start period of the secondary LCD or VFP start period of the third LCD or EVSYNC or when DISPC_CONTROL2.GOWB is set to 1 by software and current WB frame is finished (no more data in the write-back pipeline). The synchronization event is defined based on the output using the pipeline: primary LCD, secondary LCD, third LCD, TV output or write-back to the memory		
Type	RW		

31	30	29	28	27	26	25	24	23	22	21	20	19	18	17	16	15	14	13	12	11	10	9	8	7	6	5	4	3	2	1	0
RESERVED								RCR								RESERVED								RY							

Bits	Field Name	Description	Type	Reset
31:27	RESERVED	Write 0s for future compatibility. Reads return 0.	R	0x00
26:16	RCR	RCr coefficient encoded signed value (from –1024 to 1023).	RW	0x000
15:11	RESERVED	Write 0s for future compatibility. Reads return 0.	R	0x00
10:0	RY	RY coefficient encoded signed value (from –1024 to 1023).	RW	0x000

Table 11-371. Register Call Summary for Register DISPC_VID3_CONV_COEF0

Display Controller

- [DISPC Shadow Registers: \[0\]](#)
- [DISPC Logical Register Mapping: \[1\]](#)
- [DISPC Register Summary: \[2\]](#)

Table 11-372. DISPC_VID3_CONV_COEF1

Address Offset	0x0000 0378	Instance	DISPC
Physical Address	0x5800 1378		
Description	The register configures the color space conversion matrix coefficients for the video pipeline 3. Shadow register, updated on VFP start period of primary LCD or VFP start period of the secondary LCD or VFP start period of the third LCD or EVSYNC or when DISPC_CONTROL2.GOWB is set to 1 by software and current WB frame is finished (no more data in the write-back pipeline). The synchronization event is defined based on the output using the pipeline: primary LCD, secondary LCD, third LCD, TV output or write-back to the memory		
Type	RW		

31	30	29	28	27	26	25	24	23	22	21	20	19	18	17	16	15	14	13	12	11	10	9	8	7	6	5	4	3	2	1	0
RESERVED								GY								RESERVED								RCB							

Bits	Field Name	Description	Type	Reset
31:27	RESERVED	Write 0s for future compatibility. Reads return 0.	R	0x00
26:16	GY	GY coefficient encoded signed value (from –1024 to 1023).	RW	0x000
15:11	RESERVED	Write 0s for future compatibility. Reads return 0.	R	0x00
10:0	RCB	RCb coefficient encoded signed value (from –1024 to 1023).	RW	0x000

Table 11-373. Register Call Summary for Register DISPC_VID3_CONV_COEF1

Display Controller

- [DISPC Shadow Registers: \[0\]](#)
- [DISPC Logical Register Mapping: \[1\]](#)
- [DISPC Register Summary: \[2\]](#)

Table 11-374. DISPC_VID3_CONV_COEF2

Address Offset	0x0000 037C	Instance	DISPC
Physical Address	0x5800 137C		
Description	The register configures the color space conversion matrix coefficients for the video pipeline 3. Shadow register, updated on VFP start period of primary LCD or VFP start period of the secondary LCD or VFP start period of the third LCD or EVSYNC or when DISPC_CONTROL2.GOWB is set to 1 by software and current WB frame is finished (no more data in the write-back pipeline). The synchronization event is defined based on the output using the pipeline: primary LCD, secondary LCD, third LCD, TV output or write-back to the memory		
Type	RW		

31	30	29	28	27	26	25	24	23	22	21	20	19	18	17	16	15	14	13	12	11	10	9	8	7	6	5	4	3	2	1	0
RESERVED								GCB								RESERVED								GCR							

Bits	Field Name	Description	Type	Reset
31:27	RESERVED	Write 0s for future compatibility. Reads return 0.	R	0x00
26:16	GCB	GCB coefficient encoded signed value (from –1024 to 1023).	RW	0x000
15:11	RESERVED	Write 0s for future compatibility. Reads return 0.	R	0x00
10:0	GCR	GCR coefficient encoded signed value (from –1024 to 1023).	RW	0x000

Table 11-375. Register Call Summary for Register DISPC_VID3_CONV_COEF2

Display Controller

- [DISPC Shadow Registers: \[0\]](#)
- [DISPC Logical Register Mapping: \[1\]](#)
- [DISPC Register Summary: \[2\]](#)

Table 11-376. DISPC_VID3_CONV_COEF3

Address Offset	0x0000 0380	Instance	DISPC
Physical Address	0x5800 1380		
Description	The register configures the color space conversion matrix coefficients for the video pipeline 3. Shadow register, updated on VFP start period of primary LCD or VFP start period of the secondary LCD or VFP start period of the third LCD or EVSYNC or when DISPC_CONTROL2.GOWB is set to 1 by software and current WB frame is finished (no more data in the write-back pipeline). The synchronization event is defined based on the output using the pipeline: primary LCD, secondary LCD, third LCD, TV output or write-back to the memory		
Type	RW		

31	30	29	28	27	26	25	24	23	22	21	20	19	18	17	16	15	14	13	12	11	10	9	8	7	6	5	4	3	2	1	0
RESERVED								BCR								RESERVED								BY							

Bits	Field Name	Description	Type	Reset
31:27	RESERVED	Write 0s for future compatibility. Reads return 0.	R	0x00
26:16	BCR	BCR coefficient encoded signed value (from –1024 to 1023).	RW	0x000
15:11	RESERVED	Write 0s for future compatibility. Reads return 0.	R	0x00

Bits	Field Name	Description	Type	Reset
10:0	BY	BY coefficient encoded signed value (from –1024 to 1023).	RW	0x000

Table 11-377. Register Call Summary for Register DISPC_VID3_CONV_COEF3

Display Controller

- [DISPC Shadow Registers: \[0\]](#)
- [DISPC Logical Register Mapping: \[1\]](#)
- [DISPC Register Summary: \[2\]](#)

Table 11-378. DISPC_VID3_CONV_COEF4

Address Offset	0x0000 0384	Instance	DISPC
Physical Address	0x5800 1384		
Description	The register configures the color space conversion matrix coefficients for the video pipeline 3. Shadow register, updated on VFP start period of primary LCD or VFP start period of the secondary LCD or VFP start period of the third LCD or EVSYNC or when DISPC_CONTROL2.GOWB is set to 1 by software and current WB frame is finished (no more data in the write-back pipeline). The synchronization event is defined based on the output using the pipeline: primary LCD, secondary LCD, third LCD, TV output or write-back to the memory		
Type	RW		

31	30	29	28	27	26	25	24	23	22	21	20	19	18	17	16	15	14	13	12	11	10	9	8	7	6	5	4	3	2	1	0
RESERVED																BCB															

Bits	Field Name	Description	Type	Reset
31:11	RESERVED	Write 0s for future compatibility. Reads return 0.	R	0x000000
10:0	BCB	BCb coefficient encoded signed value (from –1024 to 1023).	RW	0x000

Table 11-379. Register Call Summary for Register DISPC_VID3_CONV_COEF4

Display Controller

- [DISPC Shadow Registers: \[0\]](#)
- [DISPC Logical Register Mapping: \[1\]](#)
- [DISPC Register Summary: \[2\]](#)

Table 11-380. DISPC_VID3_BUF_SIZE_STATUS

Address Offset	0x0000 0388	Instance	DISPC
Physical Address	0x5800 1388		
Description	The register defines the DMA buffer size for the video pipeline 3.		
Type	R		

31	30	29	28	27	26	25	24	23	22	21	20	19	18	17	16	15	14	13	12	11	10	9	8	7	6	5	4	3	2	1	0
RESERVED																BUFSIZE															

Bits	Field Name	Description	Type	Reset
31:16	RESERVED	Write 0s for future compatibility. Reads return 0.	R	0x0000
15:0	BUFSIZE	DMA buffer Size in number of 128 bits.	R	0x0800

Table 11-381. Register Call Summary for Register DISPC_VID3_BUF_SIZE_STATUS

Display Controller

- [DISPC Shadow Registers: \[0\]](#)
- [DISPC Register Summary: \[1\]](#)

Table 11-382. DISPC_VID3_BUF_THRESHOLD

Address Offset	0x0000 038C	Instance	DISPC
Physical Address	0x5800 138C		
Description	The register configures the DMA buffer associated with the video pipeline 3. Shadow register, updated on VFP start period of primary LCD or VFP start period of the secondary LCD or VFP start period of the third LCD or EVSYNC or when DISPC_CONTROL2.GOWB is set to 1 by software and current WB frame is finished (no more data in the write-back pipeline). The synchronization event is defined based on the output using the pipeline: primary LCD, secondary LCD, third LCD, TV output or write-back to the memory		
Type	RW		

31	30	29	28	27	26	25	24	23	22	21	20	19	18	17	16	15	14	13	12	11	10	9	8	7	6	5	4	3	2	1	0
BUFHIGHTHRESHOLD																BUFLOWTHRESHOLD															

Bits	Field Name	Description	Type	Reset
31:16	BUFHIGHTHRESHOLD	DMA buffer high threshold number of 128 bits defining the threshold value	RW	0x07FF
15:0	BUFLOWTHRESHOLD	DMA buffer low threshold number of 128 bits defining the threshold value	RW	0x07F8

Table 11-383. Register Call Summary for Register DISPC_VID3_BUF_THRESHOLD

Display Controller

- [DISPC Shadow Registers: \[0\]](#)
- [DISPC Logical Register Mapping: \[1\]](#)
- [DISPC Register Summary: \[2\]](#)

Table 11-384. DISPC_VID3_FIR

Address Offset	0x0000 0390	Instance	DISPC
Physical Address	0x5800 1390		
Description	The register configures the resize factors for horizontal and vertical up/downsampling of the video window 3. It is used for ARGB and Y setting. Shadow register, updated on VFP start period of primary LCD or VFP start period of the secondary LCD or VFP start period of the third LCD or EVSYNC or when DISPC_CONTROL2.GOWB is set to 1 by software and current WB frame is finished (no more data in the write-back pipeline). The synchronization event is defined based on the output using the pipeline: primary LCD, secondary LCD, third LCD, TV output or write-back to the memory		
Type	RW		

31	30	29	28	27	26	25	24	23	22	21	20	19	18	17	16	15	14	13	12	11	10	9	8	7	6	5	4	3	2	1	0
RESERVED								FIRVINC								RESERVED								FIRHINC							

Bits	Field Name	Description	Type	Reset
31:29	RESERVED	Write 0s for future compatibility. Reads return 0.	R	0x0
28:16	FIRVINC	Vertical increment of the up/downsampling filter Encoded value (from 1 to 4096). The value 0 is invalid. The values greater than 4096 are invalid.	RW	0x0400

Bits	Field Name	Description	Type	Reset
15:13	RESERVED	Write 0s for future compatibility. Reads return 0.	R	0x0
12:0	FIRHINC	Horizontal increment of the up/downsampling filter Encoded value (from 1 to 4096). The value 0 is invalid. The values greater than 4096 are invalid.	RW	0x0400

Table 11-385. Register Call Summary for Register DISPC_VID3_FIR

Display Controller

- [DISPC Shadow Registers: \[0\]](#)
- [DISPC Logical Register Mapping: \[1\]](#)
- [DISPC Register Summary: \[2\]](#)

Table 11-386. DISPC_VID3_PICTURE_SIZE

Address Offset	0x0000 0394	Instance	DISPC
Physical Address	0x5800 1394		
Description	The register configures the size of the video picture associated with the video layer 3 before up/down-scaling. Shadow register, updated on VFP start period of primary LCD or VFP start period of the secondary LCD or VFP start period of the third LCD or EVSYNC or when DISPC_CONTROL2.GOWB is set to 1 by software and current WB frame is finished (no more data in the write-back pipeline). The synchronization event is defined based on the output using the pipeline: primary LCD, secondary LCD, third LCD, TV output or write-back to the memory		
Type	RW		

31	30	29	28	27	26	25	24	23	22	21	20	19	18	17	16	15	14	13	12	11	10	9	8	7	6	5	4	3	2	1	0
RESERVED								MEMSIZEY								RESERVED				MEMSIZEX											

Bits	Field Name	Description	Type	Reset
31:28	RESERVED	Write 0s for future compatibility. Reads return 0.	R	0x0
27:16	MEMSIZEY	Number of lines of the video picture Encoded value (from 1 to 4096) to specify the number of lines of the video picture in memory (program to value minus 1). When predecimation is set, the value represents the size of the image after predecimation but the max size of the unpredecimated image size in memory is still bounded 2^{11} .	RW	0x000
15:11	RESERVED	Write 0s for future compatibility. Reads return 0.	R	0x00
10:0	MEMSIZEX	Number of pixels of the video picture Encoded value (from 1 to 2048) to specify the number of pixels of the video picture in memory (program to value minus 1). The size is limited to the size of the line buffer of the vertical sampling block in case the video picture is processed by the vertical filtering unit. (program to value minus 1). When predecimation is set, the value represents the size of the image after predecimation but the max size of the unpredecimated image size in memory is still bounded 2^{11} .	RW	0x000

Table 11-387. Register Call Summary for Register DISPC_VID3_PICTURE_SIZE

Display Controller

- [DISPC Shadow Registers: \[0\]](#)
- [DISPC Logical Register Mapping: \[1\]](#)
- [DISPC Register Summary: \[2\]](#)

Table 11-388. DISPC_VID3_PIXEL_INC

Address Offset	0x0000 0398															
Physical Address	0x5800 1398							Instance	DISPC							
Description	The register configures the number of bytes to increment between two pixels for the buffer associated with the video window 3. For more information, see Section 11.2.4.6.5, Predecimation . The register is used only when the TILER is not present in the system in order to perform low performance rotation. When the TILER IP is present it is highly recommended to use it for performing the rotation. Shadow register, updated on VFP start period of primary LCD or VFP start period of the secondary LCD or VFP start period of the third LCD or EVSYNC or when DISPC_CONTROL2.GOWB is set to 1 by software and current WB frame is finished (no more data in the write-back pipeline). The synchronization event is defined based on the output using the pipeline: primary LCD, secondary LCD, third LCD, TV output or write-back to the memory															
Type	RW															

31	30	29	28	27	26	25	24	23	22	21	20	19	18	17	16	15	14	13	12	11	10	9	8	7	6	5	4	3	2	1	0
RESERVED																PIXELINC															

Bits	Field Name	Description	Type	Reset
31:8	RESERVED	Write 0s for future compatibility. Reads return 0.	R	0x000000
7:0	PIXELINC	Number of bytes to increment between two pixels. Encoded unsigned value (from 1 to 255) to specify the number of bytes between two pixels in the video buffer. The value 0 is invalid. The value 1 means next pixel. The value 1 + n * bpp means increment of n pixels. For YUV4:2:0, maximum supported value is 128.	RW	0x01

Table 11-389. Register Call Summary for Register DISPC_VID3_PIXEL_INC

Display Controller

- [DISPC Shadow Registers: \[0\]](#)
- [DISPC Logical Register Mapping: \[1\]](#)
- [DISPC Register Summary: \[2\]](#)

Table 11-390. DISPC_VID3_POSITION

Address Offset	0x0000 039C															
Physical Address	0x5800 139C							Instance	DISPC							
Description	The register configures the position of the video window 3. Shadow register, updated on VFP start period of primary LCD or VFP start period of the secondary LCD or VFP start period of the third LCD or EVSYNC or when DISPC_CONTROL2.GOWB is set to 1 by software and current WB frame is finished (no more data in the write-back pipeline). The synchronization event is defined based on the output using the pipeline: primary LCD, secondary LCD, third LCD, TV output or write-back to the memory															
Type	RW															

31	30	29	28	27	26	25	24	23	22	21	20	19	18	17	16	15	14	13	12	11	10	9	8	7	6	5	4	3	2	1	0
RESERVED								POSY								RESERVED				POSX											

Bits	Field Name	Description	Type	Reset
31:27	RESERVED	Write 0s for future compatibility. Reads return 0.	R	0x00
26:16	POSY	Y position of the video window 2 Encoded value (from 0 to 2047) to specify the Y position of the video window 2. The line at the top has the Y-position 0.	RW	0x000
15:11	RESERVED	Write 0s for future compatibility. Reads return 0.	R	0x00
10:0	POSX	X position of the video window 2 Encoded value (from 0 to 2047) to specify the X position of the video window 2. The first pixel on the left of the display screen has the X-position 0.	RW	0x000

Table 11-391. Register Call Summary for Register DISPC_VID3_POSITION

Display Controller

- [DISPC Extended 3D Support - Line Alternative Format: \[0\]](#)
- [DISPC Extended 3D Support - Frame Packing Format Format: \[1\]](#)
- [DISPC Shadow Registers: \[2\]](#)
- [DISPC Logical Register Mapping: \[3\]](#)
- [DISPC Register Summary: \[4\]](#)

Table 11-392. DISPC_VID3_PRELOAD

Address Offset	0x0000 03A0
Physical Address	0x5800 13A0
Instance	DISPC
Description	The register configures the DMA buffer of the video 3 pipeline. Shadow register, updated on VFP start period of primary LCD or VFP start period of the secondary LCD or VFP start period of the third LCD or EVSYNC or when DISPC_CONTROL2.GOWB is set to 1 by software and current WB frame is finished (no more data in the write-back pipeline). The synchronization event is defined based on the output using the pipeline: primary LCD, secondary LCD, third LCD, TV output or write-back to the memory
Type	RW

31	30	29	28	27	26	25	24	23	22	21	20	19	18	17	16	15	14	13	12	11	10	9	8	7	6	5	4	3	2	1	0
RESERVED																PRELOAD															

Bits	Field Name	Description	Type	Reset
31:12	RESERVED	Write 0s for future compatibility. Reads return 0.	R	0x00000
11:0	PRELOAD	DMA buffer preload value Number of 128-bit words defining the preload value.	RW	0x100

Table 11-393. Register Call Summary for Register DISPC_VID3_PRELOAD

Display Controller

- [DISPC Shadow Registers: \[0\]](#)
- [DISPC Register Summary: \[1\]](#)

Table 11-394. DISPC_VID3_ROW_INC

Address Offset	0x0000 03A4
Physical Address	0x5800 13A4
Instance	DISPC
Description	The register configures the number of bytes to increment at the end of the row for the buffer associated with the video window 3. Shadow register, updated on VFP start period of primary LCD or VFP start period of the secondary LCD or VFP start period of the third LCD or EVSYNC or when DISPC_CONTROL2.GOWB is set to 1 by software and current WB frame is finished (no more data in the write-back pipeline). The synchronization event is defined based on the output using the pipeline: primary LCD, secondary LCD, third LCD, TV output or write-back to the memory
Type	RW

31	30	29	28	27	26	25	24	23	22	21	20	19	18	17	16	15	14	13	12	11	10	9	8	7	6	5	4	3	2	1	0
ROWINC																															

Bits	Field Name	Description	Type	Reset
31:0	ROWINC	Number of bytes to increment at the end of the row Encoded signed value (from 2^{31} to 2^3) to specify the number of bytes to increment at the end of the row in the video buffer. The value 0 is invalid. The value 1 means next pixel. The value $1 + n * \text{bpp}$ means increment of n pixels. The value $1 + (n + 1) * \text{bpp}$ means decrement of n pixels.	RW	0x0000 0001

Table 11-395. Register Call Summary for Register DISPC_VID3_ROW_INC

Display Controller

- [DISPC Shadow Registers: \[0\]](#)
- [DISPC Logical Register Mapping: \[1\]](#)
- [DISPC Register Summary: \[2\]](#)

Table 11-396. DISPC_VID3_SIZE

Address Offset	0x0000 03A8	Instance	DISPC
Physical Address	0x5800 13A8		
Description	The register configures the size of the video window 3. Shadow register, updated on VFP start period of primary LCD or VFP start period of the secondary LCD or VFP start period of the third LCD or EVSYNC or when DISPC_CONTROL2.GOWB is set to 1 by software and current WB frame is finished (no more data in the write-back pipeline). The synchronization event is defined based on the output using the pipeline: primary LCD, secondary LCD, third LCD, TV output or write-back to the memory		
Type	RW		

31	30	29	28	27	26	25	24	23	22	21	20	19	18	17	16	15	14	13	12	11	10	9	8	7	6	5	4	3	2	1	0
RESERVED								SIZEY								RESERVED								SIZEX							

Bits	Field Name	Description	Type	Reset
31:28	RESERVED	Write 0s for future compatibility. Reads return 0.	R	0x0
27:16	SIZEY	Number of lines of the video 3 Encoded value (from 1 to 4096) to specify the number of lines of the video window 3. Program to value minus 1.	RW	0x000
15:11	RESERVED	Write 0s for future compatibility. Reads return 0.	R	0x0
10:0	SIZEX	Number of pixels of the video window 3 Encoded value (from 1 to 2048) to specify the number of pixels of the video window 3. Program to value minus 1.	RW	0x000

Table 11-397. Register Call Summary for Register DISPC_VID3_SIZE

Display Controller

- [DISPC Shadow Registers: \[0\]](#)
- [DISPC Logical Register Mapping: \[1\]](#)
- [DISPC Register Summary: \[2\]](#)

Table 11-398. DISPC_DEFAULT_COLOR2

Address Offset	0x0000 03AC	Instance	DISPC
Physical Address	0x5800 13AC		
Description	The control register allows to configure the default solid background color for the secondary LCD Shadow register, updated on VFP start period of secondary LCD		
Type	RW		

31	30	29	28	27	26	25	24	23	22	21	20	19	18	17	16	15	14	13	12	11	10	9	8	7	6	5	4	3	2	1	0
RESERVED								DEFAULTCOLOR																							

Bits	Field Name	Description	Type	Reset
31:24	RESERVED	Write 0s for future compatibility. Reads return 0.	R	0x00
23:0	DEFAULTCOLOR	24-bit RGB color value to specify the default solid color to display when there is no data from the overlays.	RW	0x000000

Table 11-399. Register Call Summary for Register DISPC_DEFAULT_COLOR2

Display Controller

- [DISPC Shadow Registers: \[0\]](#)
- [DISPC Logical Register Mapping: \[1\]](#)
- [DISPC Register Summary: \[2\]](#)

Table 11-400. DISPC_TRANS_COLOR2

Address Offset	0x0000 03B0	Instance	DISPC
Physical Address	0x5800 13B0		
Description	The register sets the transparency color value for the video/graphics overlays for the secondary LCD output. Shadow register, updated on VFP start period of the secondary LCD		
Type	RW		

31	30	29	28	27	26	25	24	23	22	21	20	19	18	17	16	15	14	13	12	11	10	9	8	7	6	5	4	3	2	1	0
RESERVED								TRANSCOLORKEY																							

Bits	Field Name	Description	Type	Reset
31:24	RESERVED	Write 0s for future compatibility. Reads return 0.	R	0x00
23:0	TRANSCOLORKEY	Transparency Color Key Value in RGB format [0] BITMAP 1 (CLUT), [23,1] set to 0s [1:0] BITMAP 2 (CLUT), [23,2] set to 0s [3:0] BITMAP 4 (CLUT), [23,4] set to 0s [7:0] BITMAP 8 (CLUT), [23,8] set to 0s [11:0] RGB 12, [23,12] set to 0s [15:0] RGB 16, [23,16] set to 0s [23:0] RGB 24 NOTE: CLUT and BITMAP formats are not supported in this family of devices.	RW	0x000000

Table 11-401. Register Call Summary for Register DISPC_TRANS_COLOR2

Display Controller

- [DISPC Overlay Manager: \[0\]](#)
- [DISPC Shadow Registers: \[1\]](#)
- [DISPC Logical Register Mapping: \[2\]](#)
- [DISPC Register Summary: \[3\]](#)

Table 11-402. DISPC_CPR2_COEF_B

Address Offset	0x0000 03B4	Instance	DISPC
Physical Address	0x5800 13B4		
Description	The register configures the color phase rotation matrix coefficients for the Blue component. It is used for the secondary LCD output. Shadow register, updated on VFP start period of secondary LCD		
Type	RW		

31	30	29	28	27	26	25	24	23	22	21	20	19	18	17	16	15	14	13	12	11	10	9	8	7	6	5	4	3	2	1	0
BR								RESERVED	BG						RESERVED	BB															

Bits	Field Name	Description	Type	Reset
31:22	BR	BR coefficient encoded signed value (from -512 to 511).	RW	0x000
21	RESERVED	Write 0s for future compatibility. Reads return 0.	R	0
20:11	BG	BG coefficient encoded signed value (from -512 to 511).	RW	0x000

Bits	Field Name	Description	Type	Reset
10	RESERVED	Write 0s for future compatibility. Reads return 0.	R	0
9:0	BB	BB coefficient encoded signed value (from –512 to 511).	RW	0x000

Table 11-403. Register Call Summary for Register DISPC_CPR2_COEF_B

Display Controller

- [DISPC Shadow Registers: \[0\]](#)
- [DISPC Logical Register Mapping: \[1\]](#)
- [DISPC Register Summary: \[2\]](#)

Table 11-404. DISPC_CPR2_COEF_G

Address Offset	0x0000 03B8	Instance	DISPC
Physical Address	0x5800 13B8		
Description	The register configures the color phase rotation matrix coefficients for the Green component. It is used for the secondary LCD output. Shadow register, updated on VFP start period of secondary LCD		
Type	RW		

31	30	29	28	27	26	25	24	23	22	21	20	19	18	17	16	15	14	13	12	11	10	9	8	7	6	5	4	3	2	1	0
GR								RESERVED	GG								RESERVED	GB													

Bits	Field Name	Description	Type	Reset
31:22	GR	GR coefficient encoded signed value (from –512 to 511).	RW	0x000
21	RESERVED	Write 0s for future compatibility. Reads return 0.	R	0
20:11	GG	GG coefficient encoded signed value (from –512 to 511).	RW	0x000
10	RESERVED	Write 0s for future compatibility. Reads return 0.	R	0
9:0	GB	GB coefficient encoded signed value (from –512 to 511).	RW	0x000

Table 11-405. Register Call Summary for Register DISPC_CPR2_COEF_G

Display Controller

- [DISPC Shadow Registers: \[0\]](#)
- [DISPC Logical Register Mapping: \[1\]](#)
- [DISPC Register Summary: \[2\]](#)

Table 11-406. DISPC_CPR2_COEF_R

Address Offset	0x0000 03BC	Instance	DISPC
Physical Address	0x5800 13BC		
Description	The register configures the color phase rotation matrix coefficients for the Red component. Shadow register, updated on VFP start period of secondary LCD		
Type	RW		

31	30	29	28	27	26	25	24	23	22	21	20	19	18	17	16	15	14	13	12	11	10	9	8	7	6	5	4	3	2	1	0
RR								RESERVED	RG								RESERVED	RB													

Bits	Field Name	Description	Type	Reset
31:22	RR	RR coefficient encoded signed value (from –512 to 511).	RW	0x000
21	RESERVED	Write 0s for future compatibility. Reads return 0.	R	0
20:11	RG	RG coefficient encoded signed value (from –512 to 511).	RW	0x000
10	RESERVED	Write 0s for future compatibility. Reads return 0.	R	0
9:0	RB	RB coefficient encoded signed value (from –512 to 511).	RW	0x000

Table 11-407. Register Call Summary for Register DISPC_CPR2_COEF_R

Display Controller

- [DISPC Shadow Registers: \[0\]](#)
- [DISPC Logical Register Mapping: \[1\]](#)
- [DISPC Register Summary: \[2\]](#)

Table 11-408. DISPC_DATA2_CYCLE1

Address Offset	0x0000 03C0	Instance	DISPC
Physical Address	0x5800 13C0		
Description	The control register configures the output data format for 1st cycle. Shadow register, updated on VFP start period of secondary LCD		
Type	RW		

31	30	29	28	27	26	25	24	23	22	21	20	19	18	17	16	15	14	13	12	11	10	9	8	7	6	5	4	3	2	1	0
RESERVED				BITALIGNMENTPIXEL2				RESERVED				NBBITSPIXEL2				RESERVED				BITALIGNMENTPIXEL1				RESERVED				NBBITSPIXEL1			

Bits	Field Name	Description	Type	Reset
31:28	RESERVED	Write 0s for future compatibility. Reads return 0.	R	0x0
27:24	BITALIGNMENTPIXEL2	Bit alignment. Alignment of the bits from pixel 2 on the output interface	RW	0x0
23:21	RESERVED	Write 0s for future compatibility. Reads return 0.	R	0x0
20:16	NBBITSPIXEL2	Number of bits Number of bits from the pixel 2 (value from 0 to 16 bits). The values from 17 to 31 are invalid.	RW	0x00
15:12	RESERVED	Write 0s for future compatibility. Reads return 0.	R	0x0
11:8	BITALIGNMENTPIXEL1	Bit alignment. Alignment of the bits from pixel 1 on the output interface	RW	0x0
7:5	RESERVED	Write 0s for future compatibility. Reads return 0.	R	0x0
4:0	NBBITSPIXEL1	Number of bits Number of bits from the pixel 1 (value from 0 to 16 bits). The values from 17 to 31 are invalid.	RW	0x00

Table 11-409. Register Call Summary for Register DISPC_DATA2_CYCLE1

Display Controller

- [DISPC Shadow Registers: \[0\]](#)
- [DISPC Logical Register Mapping: \[1\]](#)
- [DISPC Register Summary: \[2\]](#)

Table 11-410. DISPC_DATA2_CYCLE2

Address Offset	0x0000 03C4	Instance	DISPC
Physical Address	0x5800 13C4		
Description	The control register configures the output data format for 2nd cycle. Shadow register, updated on VFP start period of secondary LCD		
Type	RW		

31	30	29	28	27	26	25	24	23	22	21	20	19	18	17	16	15	14	13	12	11	10	9	8	7	6	5	4	3	2	1	0
RESERVED								RESERVED				RESERVED				RESERVED				RESERVED											
BITALIGNMENTPIXEL2								NBBITSPIXEL2				BITALIGNMENTPIXEL1				NBBITSPIXEL1															

Bits	Field Name	Description	Type	Reset
31:28	RESERVED	Write 0s for future compatibility Reads return 0.	R	0x0
27:24	BITALIGNMENTPIXEL2	Bit alignment. Alignment of the bits from pixel 2 on the output interface	RW	0x0
23:21	RESERVED	Write 0s for future compatibility Reads return 0.	R	0x0
20:16	NBBITSPIXEL2	Number of bits Number of bits from the pixel 2 (value from 0 to 16 bits). The values from 17 to 31 are invalid.	RW	0x00
15:12	RESERVED	Write 0s for future compatibility Reads return 0.	R	0x0
11:8	BITALIGNMENTPIXEL1	Bit alignment. Alignment of the bits from pixel 1 on the output interface	RW	0x0
7:5	RESERVED	Write 0s for future compatibility Reads return 0.	R	0x0
4:0	NBBITSPIXEL1	Number of bits Number of bits from the pixel 1 (value from 0 to 16 bits). The values from 17 to 31 are invalid.	RW	0x00

Table 11-411. Register Call Summary for Register DISPC_DATA2_CYCLE2

Display Controller

- [DISPC Shadow Registers: \[0\]](#)
- [DISPC Logical Register Mapping: \[1\]](#)
- [DISPC Register Summary: \[2\]](#)

Table 11-412. DISPC_DATA2_CYCLE3

Address Offset	0x0000 03C8	Instance	DISPC
Physical Address	0x5800 13C8		
Description	The control register configures the output data format for 3rd cycle. Shadow register, updated on VFP start period of secondary LCD		
Type	RW		

31	30	29	28	27	26	25	24	23	22	21	20	19	18	17	16	15	14	13	12	11	10	9	8	7	6	5	4	3	2	1	0
RESERVED								RESERVED				RESERVED				RESERVED															
BITALIGNMENTPIXEL2								NBBITSPIXEL2				BITALIGNMENTPIXEL1				NBBITSPIXEL1															

Bits	Field Name	Description	Type	Reset
31:28	RESERVED	Write 0s for future compatibility Reads return 0.	R	0x0
27:24	BITALIGNMENTPIXEL2	Bit alignment. Alignment of the bits from pixel 2 on the output interface	RW	0x0
23:21	RESERVED	Write 0s for future compatibility Reads return 0.	R	0x0
20:16	NBBITSPIXEL2	Number of bits Number of bits from the pixel 2 (value from 0 to 16 bits). The values from 17 to 31 are invalid.	RW	0x00
15:12	RESERVED	Write 0s for future compatibility Reads return 0.	R	0x0
11:8	BITALIGNMENTPIXEL1	Bit alignment. Alignment of the bits from pixel 1 on the output interface	RW	0x0
7:5	RESERVED	Write 0s for future compatibility Reads return 0.	R	0x0
4:0	NBBITSPIXEL1	Number of bits Number of bits from the pixel 1 (value from 0 to 16 bits). The values from 17 to 31 are invalid.	RW	0x00

Table 11-413. Register Call Summary for Register DISPC_DATA2_CYCLE3

Display Controller

- [DISPC Shadow Registers: \[0\]](#)
- [DISPC Logical Register Mapping: \[1\]](#)
- [DISPC Register Summary: \[2\]](#)

Table 11-414. DISPC_SIZE_LCD2

Address Offset	0x0000 03CC	Instance	DISPC
Physical Address	0x5800 13CC		
Description	The register configures the panel size (horizontal and vertical). It is used for the secondary LCD output. Shadow register, updated on VFP start period of secondary LCD. A delta value is used to indicate if the odd field has same vertical size as the even field or +/- one line.		
Type	RW		

31	30	29	28	27	26	25	24	23	22	21	20	19	18	17	16	15	14	13	12	11	10	9	8	7	6	5	4	3	2	1	0
RESERVED								LPP								DELTA_LPP	RESERVED	PPL													

Bits	Field Name	Description	Type	Reset
31:28	RESERVED	Write 0s for future compatibility. Reads return 0.	R	0x00
27:16	LPP	Lines per panel encoded value (from 1 to 4096) to specify the number of lines per panel (program to value minus 1).	RW	0x000
15:14	DELTA_LPP	Indicates the delta size value of the odd field compared to the even field 0x0: same size 0x1: odd size = even size +1 0x2: Odd size = even size -1	RW	0x0
13:12	RESERVED	Write 0s for future compatibility. Reads return 0.	R	0x0
11:0	PPL	Pixels per line encoded value (from 1 to 4096) to specify the number of pixels contains within each line on the display (program to value minus 1). In STALL mode, any value is valid. In non STALL mode, only values multiple of 8 pixels are valid.	RW	0x000

Table 11-415. Register Call Summary for Register DISPC_SIZE_LCD2

Display Controller

- [DISPC Shadow Registers: \[0\]](#)
- [DISPC Logical Register Mapping: \[1\]\[2\]](#)
- [DISPC Register Summary: \[3\]](#)
- [DISPC Register Description: \[4\]](#)

Table 11-416. DISPC_TIMING_H2

Address Offset	0x0000 0400	Instance	DISPC
Physical Address	0x5800 1400		
Description	The register configures the timing logic for the HSYNC signal. It is used for the secondary LCD output. Shadow register, updated on VFP start period of secondary LCD		
Type	RW		

31	30	29	28	27	26	25	24	23	22	21	20	19	18	17	16	15	14	13	12	11	10	9	8	7	6	5	4	3	2	1	0
HBP								HFP								HSW															

Bits	Field Name	Description	Type	Reset
31:20	HBP	Horizontal back porch. Encoded value (from 1 to 4096) to specify the number of pixel clock periods to add to the beginning of a line transmission before the first set of pixels is output to the display (program to value minus 1).	RW	0x000
19:8	HFP	Horizontal front porch. Encoded value (from 1 to 4096) to specify the number of pixel clock periods to add to the end of a line transmission before line clock is asserted (program to value minus 1).	RW	0x000
7:0	HSW	Horizontal synchronization pulse width. Encoded value (from 1 to 256) to specify the number of pixel clock periods to pulse the line clock at the end of each line (program to value minus 1).	RW	0x00

Table 11-417. Register Call Summary for Register DISPC_TIMING_H2

Display Controller

- [DISPC Shadow Registers: \[0\]](#)
- [DISPC Logical Register Mapping: \[1\]](#)
- [DISPC Register Summary: \[2\]](#)

Table 11-418. DISPC_TIMING_V2

Address Offset	0x0000 0404	Instance	DISPC
Physical Address	0x5800 1404		
Description	The register configures the timing logic for the VSYNC signal. It is used for the secondary LCD output. Shadow register, updated on VFP start period of secondary LCD		
Type	RW		

31	30	29	28	27	26	25	24	23	22	21	20	19	18	17	16	15	14	13	12	11	10	9	8	7	6	5	4	3	2	1	0
VBP								VFP								VSW															

Bits	Field Name	Description	Type	Reset
31:20	VBP	Vertical back porch. Encoded value (from 0 to 4095) to specify the number of line clock periods to add to the beginning of a frame before the first set of pixels is output to the display.	RW	0x000

Bits	Field Name	Description	Type	Reset
19:8	VFP	Vertical front porch. Encoded value (from 0 to 4095) to specify the number of line clock periods to add to the end of each frame.	RW	0x000
7:0	VSW	Vertical synchronization pulse width. In active mode, encoded value (from 1 to 256) to specify the number of line clock periods (program to value minus 1) to pulse the frame clock (VSYNC) pin at the end of each frame after the end of frame wait (VFP) period elapses. Frame clock uses as VSYNC signal in active mode.	RW	0x00

Table 11-419. Register Call Summary for Register DISPC_TIMING_V2

Display Controller

- [DISPC Shadow Registers: \[0\]](#)
- [DISPC Logical Register Mapping: \[1\]](#)
- [DISPC Register Summary: \[2\]](#)

Table 11-420. DISPC_POL_FREQ2

Address Offset	0x0000 0408	Instance	DISPC
Physical Address	0x5800 1408		
Description	The register configures the signal configuration. It is used for the secondary LCD output. Shadow register, updated on VFP start period of secondary LCD		
Type	RW		

31	30	29	28	27	26	25	24	23	22	21	20	19	18	17	16	15	14	13	12	11	10	9	8	7	6	5	4	3	2	1	0
RESERVED													ALIGN	ONOFF	RF	IEO	IPC	IHS	IVS	ACBI				ACB							

Bits	Field Name	Description	Type	Reset
31:19	RESERVED	Write 0s for future compatibility. Reads return 0.	R	0x0000
18	ALIGN	Defines the alignment between HSYNC and VSYNC assertion. 0x0: VSYNC and HSYNC are not aligned. 0x1: VSYNC and HSYNC assertions are aligned.	RW	0
17	ONOFF	HSYNC/VSYNC Pixel clock Control On/Off 0x0: HSYNC and VSYNC are driven on opposite edges of pixel clock than pixel data. 0x1: HSYNC and VSYNC are driven according to bit 16. Note: Control module register CTRL_CORE_SMA_SW_1[23]DSS_CH1_ON_OFF must be set to match	RW	0
16	RF	Program HSYNC/VSYNC Rise or Fall 0x0: HSYNC and VSYNC are driven on falling edge of pixel clock (if bit 17 set to 1). 0x1: HSYNC and VSYNC are driven on rising edge of pixel clock (if bit 17 set to 1). Note: Control module register CTRL_CORE_SMA_SW_1[17]DSS_CH1_RF must be set to match	RW	0
15	IEO	Invert output enable 0x0: Ac-bias is active high (active display mode). 0x1: Ac-bias is active low (active display mode).	RW	0

Bits	Field Name	Description	Type	Reset
14	IPC	Invert pixel clock 0x0: Data is driven on the LCD data lines on the rising-edge of the pixel clock. 0x1: Data is driven on the LCD data lines on the falling-edge of the pixel clock. Note: Control module register CTRL_CORE_SMA_SW_1[20]DSS_CH1_IPC must be set to match	RW	0
13	IHS	Invert HSYNC 0x0: Line clock pin is active high and inactive low. 0x1: Line clock pin is active low and inactive high.	RW	0
12	IVS	Invert VSYNC 0x0: Frame clock pin is active high and inactive low. 0x1: Frame clock pin is active low and inactive high.	RW	0
11:8	ACBI	AC Bias Pin transitions per interrupt Value (from 0 to 15) used to specify the number of AC Bias pin transitions	RW	0x0
7:0	ACB	AC Bias Pin Frequency Value (from 0 to 255) used to specify the number of line clocks to count before transitioning the AC Bias pin. This pin is used to periodically invert the polarity of the power supply to prevent DC charge build-up within the display.	RW	0x00

Table 11-421. Register Call Summary for Register DISPC_POL_FREQ2

Display Controller

- [DISPC Shadow Registers: \[0\]](#)
- [DISPC Logical Register Mapping: \[1\]](#)
- [DISPC Register Summary: \[2\]](#)

Table 11-422. DISPC_DIVISOR2

Address Offset	0x0000 040C	Instance	DISPC
Physical Address	0x5800 140C		
Description	The register configures the divisors. It is used for the secondary LCD output. Shadow register, updated on VFP start period of secondary LCD		
Type	RW		

31	30	29	28	27	26	25	24	23	22	21	20	19	18	17	16	15	14	13	12	11	10	9	8	7	6	5	4	3	2	1	0
RESERVED								LCD								RESERVED								PCD							

Bits	Field Name	Description	Type	Reset
31:24	RESERVED	Write 0s for future compatibility. Reads return 0.	R	0x00
23:16	LCD	Display controller logic clock divisor value (from 1 to 255) to specify the intermediate pixel clock frequency based on the LCD2_CLK. The value 0 is invalid.	RW	0x04
15:8	RESERVED	Write 0s for future compatibility. Reads return 0.	R	0x00
7:0	PCD	Pixel clock divisor value (from 1 to 255) to specify the frequency of the pixel clock based on the LCD2_CLK divided by DISPC_DIVISOR2.LCD value. The value 0 is invalid.	RW	0x01

Table 11-423. Register Call Summary for Register DISPC_DIVISOR2

Display Controller

- [DISPC Shadow Registers: \[0\]](#)
- [DISPC Logical Register Mapping: \[1\]](#)
- [DISPC Register Summary: \[2\]](#)
- [DISPC Register Description: \[3\]\[4\]](#)

Table 11-424. DISPC_WB_ACCU_j

Address Offset	0x0000 0500 + (0x4 * j)	Index	j = 0 to 1
Physical Address	0x5800 1500 + (0x4 * j)	Instance	DISPC
Description	The register configures the resize accumulator init values for horizontal and vertical up/downsampling of the write back pipeline (DISPC_WB_ACCU_0 and DISPC_WB_ACCU_1 for ping-pong mechanism with external trigger, based on the field polarity). It is used for ARGB and Y setting. Shadow register, updated when DISPC_CONTROL2.GOWB is set to 1 by software and current WB frame is finished (no more data in the write-back pipeline), when the WB pipeline is directly connected to one of the pipelines (graphics or video), combined with the synchronization event of the channel overlay output selected as an input to the WB pipeline (that is, VFP start period of primary LCD, or VFP start period of secondary LCD, or VFP start period of the third LCD, or EVSYNC), for all registers associated with the selected channel out and further delayed by the DISPC_WB_ATTRIBUTES2.WBDELAYCOUNT bit-field, for all registers of the Write back and DMA. In WB capture mode, both DISPC_CONTROL2.GOWB and DISPC_CONTROL#.GOLCD/TV corresponding to the selected output channel shall be set. It is not required to set the GOWB bit when WB memory-to-memory mode is used.		
Type	RW		

31	30	29	28	27	26	25	24	23	22	21	20	19	18	17	16	15	14	13	12	11	10	9	8	7	6	5	4	3	2	1	0
RESERVED								VERTICALACCU								RESERVED								HORIZONTALACCU							

Bits	Field Name	Description	Type	Reset
31:27	RESERVED	Write 0s for future compatibility. Reads return 0.	R	0x00
26:16	VERTICALACCU	Vertical initialization accumulator value Encoded value (from -1024 to 1023).	RW	0x000
15:11	RESERVED	Write 0s for future compatibility. Reads return 0.	R	0x00
10:0	HORIZONTALACCU	Horizontal initialization accumulator value encoded value (from -1024 to 1023).	RW	0x000

Table 11-425. Register Call Summary for Register DISPC_WB_ACCU_j

Display Controller

- [DISPC Write-Back Scaler Unit: \[0\]\[1\]](#)
- [DISPC Shadow Registers: \[2\]](#)
- [DISPC Operational Modes Configuration: \[3\]\[4\]](#)
- [DISPC Register Summary: \[5\]](#)

Table 11-426. DISPC_WB_BA_j

Address Offset	0x0000 0508 + (0x4 * j)	Index	j = 0 to 1
Physical Address	0x5800 1508 + (0x4 * j)	Instance	DISPC
Description	<p>The register configures the base address of the WB buffer (DISPC_WB_BA_0 and DISPC_WB_BA_1 for ping-pong mechanism with external trigger, based on the field polarity otherwise only DISPC_WB_BA_0 is used). Shadow register, updated when DISPC_CONTROL2.GOWB is set to 1 by software and current WB frame is finished (no more data in the write-back pipeline), when the WB pipeline is directly connected to one of the pipelines (graphics or video), combined with the synchronization event of the channel overlay output selected as an input to the WB pipeline (that is, VFP start period of primary LCD, or VFP start period of secondary LCD, or VFP start period of the third LCD, or EVSYNC), for all registers associated with the selected channel out and further delayed by the DISPC_WB_ATTRIBUTES2.WBDELAYCOUNT bit-field, for all registers of the Write back and DMA. In WB capture mode, both DISPC_CONTROL2.GOWB and DISPC_CONTROL#.GOLCD/TV corresponding to the selected output channel shall be set. It is not required to set the GOWB bit when WB memory-to-memory mode is used.</p>		
Type	RW		

31	30	29	28	27	26	25	24	23	22	21	20	19	18	17	16	15	14	13	12	11	10	9	8	7	6	5	4	3	2	1	0
BA																															

Bits	Field Name	Description	Type	Reset
31:0	BA	Write-back base address Base address of the WB buffer (aligned on pixel size boundary except in case of RGB24 packed format, 4-pixel alignment is required; in case of YUV4:2:2, 2-pixel alignment is required, and YUV4:2:0, byte alignment is supported)). It case of YUV4:2:0 format, it indicates the base address of the Y buffer. When the TILER is addressed, the bits: [28:27] = 0x0 for 8-bit tiled [28:27] = 0x1 for 16-bit tiled [28:27] = 0x2 for 32-bit tiled [28:27] = 0x3 for page mode [31:29] = 0x0 for 0-degree view [31:29] = 0x1 for 180-degree view + mirroring [31:29] = 0x2 for 0-degree view + mirroring [31:29] = 0x3 for 180-degree view [31:29] = 0x4 for 270-degree view + mirroring [31:29] = 0x5 for 270-degree view [31:29] = 0x6 for 90-degree view [31:29] = 0x7 for 90-degree view + mirroring Otherwise the bits indicated the corresponding bit address to access the SDRAM.	RW	0x0000 0000

Table 11-427. Register Call Summary for Register DISPC_WB_BA_j

Display Controller

- [DISPC Addressing and Bursts: \[0\]](#)
- [DISPC Rotation and Mirroring: \[1\]\[2\]\[3\]\[4\]](#)
- [DISPC Shadow Registers: \[5\]](#)
- [DISPC Operational Modes Configuration: \[6\]](#)
- [DISPC Register Summary: \[7\]](#)

Table 11-428. DISPC_WB_FIR_COEF_H_i

Address Offset	0x0000 0510 + (0x8 * i)	Index	i = 0 to 7
Physical Address	0x5800 1510 + (0x8 * i)	Instance	DISPC
Description	The bank of registers configure the up/down-scaling coefficients for the horizontal resize of the video picture associated with the write back pipeline for the phases from 0 to 7. It is used for ARGB and Y setting. Shadow register, updated when DISPC_CONTROL2.GOWB is set to 1 by software and current WB frame is finished (no more data in the write-back pipeline), when the WB pipeline is directly connected to one of the pipelines (graphics or video), combined with the synchronization event of the channel overlay output selected as an input to the WB pipeline (that is, VFP start period of primary LCD, or VFP start period of secondary LCD, or VFP start period of the third LCD, or EVSYNC), for all registers associated with the selected channel out and further delayed by the DISPC_WB_ATTRIBUTES2.WBDELAYCOUNT bit-field, for all registers of the Write back and DMA. In WB capture mode, both DISPC_CONTROL2.GOWB and DISPC_CONTROL#.GOLCD/TV corresponding to the selected output channel shall be set. It is not required to set the GOWB bit when WB memory-to-memory mode is used.		
Type	RW		

31	30	29	28	27	26	25	24	23	22	21	20	19	18	17	16	15	14	13	12	11	10	9	8	7	6	5	4	3	2	1	0
FIRHC3								FIRHC2								FIRHC1								FIRHC0							

Bits	Field Name	Description	Type	Reset
31:24	FIRHC3	Signed coefficient C3 for the horizontal up/down-scaling with the phase n	RW	0x00
23:16	FIRHC2	Unsigned coefficient C2 for the horizontal up/down-scaling with the phase n	RW	0x00
15:8	FIRHC1	Signed coefficient C1 for the horizontal up/down-scaling with the phase n	RW	0x00
7:0	FIRHC0	Signed coefficient C0 for the horizontal up/down-scaling with the phase n	RW	0x00

Table 11-429. Register Call Summary for Register DISPC_WB_FIR_COEF_H_i

Display Controller

- [DISPC Write-Back Scaler Unit: \[0\]\[1\]\[2\]\[3\]\[4\]\[5\]](#)
- [DISPC Shadow Registers: \[6\]](#)
- [DISPC Operational Modes Configuration: \[7\]](#)
- [DISPC Register Summary: \[8\]](#)

Table 11-430. DISPC_WB_FIR_COEF_HV_i

Address Offset	0x0000 0514 + (0x8 * i)	Index	i = 0 to 7
Physical Address	0x5800 1514 + (0x8 * i)	Instance	DISPC
Description	<p>The bank of registers configure the down/up/down-scaling coefficients for the vertical and horizontal resize of the video picture associated with the write back pipeline for the phases from 0 to 7. It is used for ARGB and Y setting. Shadow register, updated when DISPC_CONTROL2.GOWB is set to 1 by software and current WB frame is finished (no more data in the write-back pipeline), when the WB pipeline is directly connected to one of the pipelines (graphics or video), combined with the synchronization event of the channel overlay output selected as an input to the WB pipeline (that is, VFP start period of primary LCD, or VFP start period of secondary LCD, or VFP start period of the third LCD, or EVSYNC), for all registers associated with the selected channel out and further delayed by the DISPC_WB_ATTRIBUTES2.WBDELAYCOUNT bit-field, for all registers of the Write back and DMA. In WB capture mode, both DISPC_CONTROL2.GOWB and DISPC_CONTROL#.GOLCD/TV corresponding to the selected output channel shall be set. It is not required to set the GOWB bit when WB memory-to-memory mode is used.</p>		
Type	RW		

31	30	29	28	27	26	25	24	23	22	21	20	19	18	17	16	15	14	13	12	11	10	9	8	7	6	5	4	3	2	1	0
FIRVC2								FIRVC1								FIRVC0								FIRHC4							

Bits	Field Name	Description	Type	Reset
31:24	FIRVC2	Signed coefficient C2 for the vertical up/down-scaling with the phase n	RW	0x00
23:16	FIRVC1	Unsigned coefficient C1 for the vertical up/down-scaling with the phase n	RW	0x00
15:8	FIRVC0	Signed coefficient C0 for the vertical up/down-scaling with the phase n	RW	0x00
7:0	FIRHC4	Signed coefficient C4 for the horizontal up/down-scaling with the phase n	RW	0x00

Table 11-431. Register Call Summary for Register DISPC_WB_FIR_COEF_HV_i

Display Controller

- [DISPC Write-Back Scaler Unit: \[0\]\[1\]\[2\]\[3\]\[4\]\[5\]\[6\]](#)
- [DISPC Shadow Registers: \[7\]](#)
- [DISPC Operational Modes Configuration: \[8\]\[9\]](#)
- [DISPC Register Summary: \[10\]](#)

Table 11-432. DISPC_WB_FIR_COEF_V_i

Address Offset	0x0000 0550 + (0x4 * i)	Index	i = 0 to 7
Physical Address	0x5800 1550 + (0x4 * i)	Instance	DISPC
Description	The bank of registers configure the down/up/down-scaling coefficients for the vertical resize of the video picture associated with the write back pipeline for the phases from 0 to 7. It is used for ARGB and Y setting. Shadow register, updated when DISPC_CONTROL2.GOWB is set to 1 by software and current WB frame is finished (no more data in the write-back pipeline), when the WB pipeline is directly connected to one of the pipelines (graphics or video), combined with the synchronization event of the channel overlay output selected as an input to the WB pipeline (that is, VFP start period of primary LCD, or VFP start period of secondary LCD, or VFP start period of the third LCD, or EVSYNC), for all registers associated with the selected channel out and further delayed by the DISPC_WB_ATTRIBUTES2.WBDELAYCOUNT bit-field, for all registers of the Write back and DMA. In WB capture mode, both DISPC_CONTROL2.GOWB and DISPC_CONTROL#.GOLCD/TV corresponding to the selected output channel shall be set. It is not required to set the GOWB bit when WB memory-to-memory mode is used.		
Type	RW		

31	30	29	28	27	26	25	24	23	22	21	20	19	18	17	16	15	14	13	12	11	10	9	8	7	6	5	4	3	2	1	0
RESERVED								FIRVC22								FIRVC00															

Bits	Field Name	Description	Type	Reset
31:16	RESERVED	Write 0s for future compatibility. Reads return 0.	R	0x0000
15:8	FIRVC22	Signed coefficient C22 for the vertical up/down-scaling with the phase n	RW	0x00
7:0	FIRVC00	Signed coefficient C00 for the vertical up/down-scaling with the phase n	RW	0x00

Table 11-433. Register Call Summary for Register DISPC_WB_FIR_COEF_V_i

Display Controller

- [DISPC Write-Back Scaler Unit: \[0\]\[1\]\[2\]](#)
- [DISPC Shadow Registers: \[3\]](#)
- [DISPC Operational Modes Configuration: \[4\]](#)
- [DISPC Register Summary: \[5\]](#)

Table 11-434. DISPC_WB_ATTRIBUTES

Address Offset	0x0000 0570
Physical Address	0x5800 1570
Instance	DISPC
Description	The register configures the attributes of the viwrite back pipeline. Shadow register, updated when DISPC_CONTROL2.GOWB is set to 1 by software and current WB frame is finished (no more data in the write-back pipeline), when the WB pipeline is directly connected to one of the pipelines (graphics or video), combined with the synchronization event of the channel overlay output selected as an input to the WB pipeline (that is, VFP start period of primary LCD, or VFP start period of secondary LCD, or VFP start period of the third LCD, or EVSYNC), for all registers associated with the selected channel out and further delayed by the DISPC_WB_ATTRIBUTES2.WBDELAYCOUNT bit-field, for all registers of the Write back and DMA. In WB capture mode, both DISPC_CONTROL2.GOWB and DISPC_CONTROL#.GOLCD/TV corresponding to the selected output channel shall be set. It is not required to set the GOWB bit when WB memory-to-memory mode is used.
Type	RW

31	30	29	28	27	26	25	24	23	22	21	20	19	18	17	16	15	14	13	12	11	10	9	8	7	6	5	4	3	2	1	0
IDLENUMBER				IDLESIZE	CAPTUREMODE			ARBITRATION	DOUBLESTRIDE	VERTICALTAPS	FORCE1DTILEDMODE	WRITEBACKMODE	CHANNELIN			BURSTSIZE	RESERVED	FULLRANGE	TRUNCATIONENABLE	COLORCONVENABLE	BURSTTYPE	ALPHAENABLE	RESIZEENABLE	FORMAT				ENABLE			

Bits	Field Name	Description	Type	Reset
31:28	IDLENUMBER	Determines the number of idles between requests on the L3_MAIN interconnect. It is only used when the write-back pipeline does data transfer from memory to memory. When the output of an overlay is stored in memory through the write-back pipeline in capture mode, the bit field IDLENUMBER is ignored since a timing generator is used to time the transfer. The number of IDLE cycles is IDLENUMBER (from 0 to 15) if IDLESIZE = 0. The number of IDLE cycles is IDLENUMBERx8 (from 0 to 120) if IDLESIZE = 1 and BURSTSIZE = 2. The number of IDLE cycles is IDLENUMBERx4 (from 0 to 60) if IDLESIZE = 1 and BURSTSIZE = 1. The number of IDLE cycles is IDLENUMBERx2 (from 0 to 30) if IDLESIZE = 1 and BURSTSIZE = 0.	RW	0x0
27	IDLESIZE	Determines if the IDLENUMBER corresponds to a number of bursts or singles. 0x0: The number of idles between requests is defined by IDLENUMBER as number of cycles. 0x1: The number of idles between requests is defined by IDLENUMBER multiplied by burst size as number of cycles.	RW	0

Bits	Field Name	Description	Type	Reset
26:24	CAPTUREMODE	<p>Defines the frame rate capture.</p> <p>0x6: Only one out of six frames is captured. The first one is captured then the second one is skipped and so on.</p> <p>0x1: Only one frame is captured.</p> <p>0x7: Only one out of seven frames is captured. The first one is captured then the second one is skipped and so on.</p> <p>0x0: All frames are captures until the write-back channel is disabled or there is no more data generated by the overlay or the pipeline attached to the write-back channel.</p> <p>0x2: Only one out of two frames is captured. The first one is captured, and then the second one is skipped, and so on.</p> <p>0x4: Only one out of four frames is captured. The first one is captured, and then the second one is skipped, and so on.</p> <p>0x5: Only one out of five frames is captured. The first one is captured, and then the second one is skipped, and so on.</p> <p>0x3: Only one out of three frames is captured. The first one is captured, and then the second one is skipped, and so on.</p>	RW	0x0
23	ARBITRATION	<p>Determines the priority of the write-back pipeline. The write-back pipeline is one of the high priority pipeline. The arbitration gives always the priority first to the high priority pipelines using round-robin between them. When there is only normal priority pipelines sending requests, the round-robin applies between them.</p> <p>0x0: The write-back pipeline is one of the normal priority pipeline.</p> <p>0x1: The write-back pipeline is one of the high priority pipeline.</p>	RW	0
22	DOUBLESTRIDE	<p>Determines if the stride for CbCr buffer is the 1x or 2x of the Y buffer stride. It is only used in case of YUV4:2:0.</p> <p>0x0: The CbCr stride value is equal to the Y stride.</p> <p>0x1: The CbCr stride value is double to the Y stride.</p>	RW	0
21	VERTICALTAPS	<p>Video Vertical Resize Tap Number</p> <p>0x0: 3 taps are used for the vertical filtering logic. The 2 other taps are not used.</p> <p>0x1: 5 taps are used for the vertical filtering logic.</p>	RW	0
20	FORCE1DTILEDMODE	<p>Force TILED regions access to 1D or 2D.</p> <p>0x0: 2D accesses for tiled regions</p> <p>0x1: 1D accesses for tiled regions</p>	RW	0x0
19	WRITEBACKMODE	<p>When connected to the overlay output of a channel the write back can operate as a simple transfer from memory to memory (composition engine) or as a capture channel.</p> <p>0x0: Capture mode (default mode)</p> <p>0x1: Memory-to-memory mode</p>	RW	0x0

Bits	Field Name	Description	Type	Reset
18:16	CHANNELIN	Video Channel In configuration WR: immediate 0x6: Video3 pipeline output 0x1: Secondary LCD output 0x0: Primary LCD overlay output 0x2: TV overlay output 0x4: Video1 pipeline output 0x5: Video2 pipeline output 0x3: Graphics pipeline output 0x7: Third LCD output	RW	0x0
15:14	BURSTSIZE	Write-back DMA Burst Size 0x0: 2 × 128-bit bursts 0x1: 4 × 128-bit bursts 0x3: Reserved 0x2: 8 × 128-bit bursts	RW	0x2
13:12	RESERVED	Reserved	RW	0x0
11	FULLRANGE	Color Space Conversion full range setting. 0x0: Limited range selected: 16 subtracted from Y before color space conversion 0x1: Full range selected: Y is not modified before the color space conversion	RW	0
10	TRUNCATIONENABLE	It applies only when the input format to the write-back pipeline from the overlay or directly from one of the pipelines is ARGB32. If the format is one of the YUV supported formats, the bit field is ignored. 0x0: Disable truncation logic 0x1: Enable truncation logic from ARGB32 to the pixel format defined in the field FORMAT.	RW	0
9	COLORCONVENABLE	Enable the color space conversion. The hardware does not enable/disable the conversion based on the pixel format. The bit field shall be reset when the format is not YUV. 0x0: Disable Color Space Conversion RGB to YUV 0x1: Enable Color Space Conversion RGB to YUV	RW	0
8	BURSTTYPE	The type of burst can be INCR (incremental) or BLCK (2D block). The 2D block is required when the TILER is targeted by the DMA engine. 0x0: INC burst type is used. 0x1: 2D block burst type is used.	RW	0
7	ALPHAENABLE	Premultiplied alpha enable Read 0x1: Enabled Read 0x0: Disabled. This bit also disable the logic present in the associated channel out that compute the alpha component sent to the WB pipe. When the WB is configured to copy back one of the output channels (output of overlay), the following configurations are available: 0x1: The WB pipe copies back to memory the premultiplied alpha calculated through the overlay. 0x0: The alpha value is not written back.	RW	0

Bits	Field Name	Description	Type	Reset
6:5	RESIZEENABLE	Resize Enable 0x0: Disable the resize processing 0x1: Enable the horizontal resize processing 0x3: Enable both horizontal and vertical resize processing 0x2: Enable the vertical resize processing	RW	0x0
4:1	FORMAT	Write-back format. It defines the pixel format when storing the write-back picture into memory. 0x6: RGB16-565 0x1: RGB12x-4444 0xA: YUV2 4:2:2 co-sited 0x7: ARGB16-1555 0xD: RGBA32-8888 0x0: NV12 4:2:0 2 buffers (Y + UV) 0x2: RGBA12-4444 0x8: xRGB24-8888 (32-bit container) 0x9: RGB24-888 (24-bit container) 0xB: UYVY 4:2:2 co-sited 0x5: ARGB16-4444 0xF: xRGB15-1555 0xC: ARGB32-8888 0x4: xRGB12-4444 0x3: BGRA32-8888 0xE: RGBx24-8888 (24-bit RGB aligned on MSB of the 32-bit container)	RW	0x0
0	ENABLE	Write-back enable. wr: immediate 0x0: Write-back disabled 0x1: Write-back enabled	RW	0

Table 11-435. Register Call Summary for Register DISPC_WB_ATTRIBUTES

Display Controller

- [DISPC Addressing and Bursts: \[0\]\[1\]](#)
- [DISPC DMA Buffers: \[2\]\[3\]\[4\]\[5\]\[6\]](#)
- [DISPC Arbitration: \[7\]](#)
- [DISPC Rotation and Mirroring: \[8\]](#)
- [DISPC Write-Back Pipeline: \[9\]\[10\]\[11\]](#)
- [DISPC Write-Back CSC Unit RGB to YUV: \[12\]\[13\]](#)
- [DISPC Write-Back Scaler Unit: \[14\]\[15\]\[16\]](#)
- [DISPC Write-Back RGB Truncation Logic: \[17\]\[18\]](#)
- [DISPC Overlay Manager: \[19\]\[20\]\[21\]](#)
- [DISPC Shadow Registers: \[22\]\[23\]\[24\]\[25\]\[26\]\[27\]](#)
- [DISPC Operational Modes Configuration: \[28\]\[29\]\[30\]\[31\]\[32\]\[33\]\[34\]\[35\]\[36\]\[37\]\[38\]\[39\]\[40\]\[41\]\[42\]](#)
- [DISPC Register Summary: \[43\]](#)
- [DISPC Register Description: \[44\]](#)

Table 11-436. DISPC_WB_CONV_COEF0

Address Offset	0x0000 0574		
Physical Address	0x5800 1574	Instance	DISPC
Description	<p>The register configures the color space conversion matrix coefficients for the write back pipeline (YUV4:4:4 to RGB24). Shadow register, updated when DISPC_CONTROL2.GOWB is set to 1 by software and current WB frame is finished (no more data in the write-back pipeline), when the WB pipeline is directly connected to one of the pipelines (graphics or video), combined with the synchronization event of the channel overlay output selected as an input to the WB pipeline (that is, VFP start period of primary LCD, or VFP start period of secondary LCD, or VFP start period of the third LCD, or EVSYNC), for all registers associated with the selected channel out and further delayed by the DISPC_WB_ATTRIBUTES2.WBDELAYCOUNT bit-field, for all registers of the Write back and DMA. In WB capture mode, both DISPC_CONTROL2.GOWB and DISPC_CONTROL#.GOLCD/TV corresponding to the selected output channel shall be set. It is not required to set the GOWB bit when WB memory-to-memory mode is used.</p>		
Type	RW		

31	30	29	28	27	26	25	24	23	22	21	20	19	18	17	16	15	14	13	12	11	10	9	8	7	6	5	4	3	2	1	0
RESERVED								YG								RESERVED								YR							

Bits	Field Name	Description	Type	Reset
31:27	RESERVED	Write 0s for future compatibility. Reads return 0.	R	0x00
26:16	YG	YG coefficient encoded signed value (from –1024 to 1023).	RW	0x000
15:11	RESERVED	Write 0s for future compatibility. Reads return 0.	R	0x00
10:0	YR	YR coefficient encoded signed value (from –1024 to 1023).	RW	0x000

Table 11-437. Register Call Summary for Register DISPC_WB_CONV_COEF0

Display Controller

- [DISPC Write-Back CSC Unit RGB to YUV: \[0\]\[1\]](#)
- [DISPC Shadow Registers: \[2\]](#)
- [DISPC Operational Modes Configuration: \[3\]](#)
- [DISPC Register Summary: \[4\]](#)

Table 11-438. DISPC_WB_CONV_COEF1

Address Offset	0x0000 0578		
Physical Address	0x5800 1578	Instance	DISPC
Description	<p>The register configures the color space conversion matrix coefficients for the write back pipeline. Shadow register, updated when DISPC_CONTROL2.GOWB is set to 1 by software and current WB frame is finished (no more data in the write-back pipeline), when the WB pipeline is directly connected to one of the pipelines (graphics or video), combined with the synchronization event of the channel overlay output selected as an input to the WB pipeline (that is, VFP start period of primary LCD, or VFP start period of secondary LCD, or VFP start period of the third LCD, or EVSYNC), for all registers associated with the selected channel out and further delayed by the DISPC_WB_ATTRIBUTES2.WBDELAYCOUNT bit-field, for all registers of the Write back and DMA. In WB capture mode, both DISPC_CONTROL2.GOWB and DISPC_CONTROL#.GOLCD/TV corresponding to the selected output channel shall be set. It is not required to set the GOWB bit when WB memory-to-memory mode is used.</p>		
Type	RW		

31	30	29	28	27	26	25	24	23	22	21	20	19	18	17	16	15	14	13	12	11	10	9	8	7	6	5	4	3	2	1	0
RESERVED								CRR								RESERVED								YB							

Bits	Field Name	Description	Type	Reset
31:27	RESERVED	Write 0s for future compatibility. Reads return 0.	R	0x00
26:16	CRR	CrR coefficient encoded signed value (from –1024 to 1023).	RW	0x000
15:11	RESERVED	Write 0s for future compatibility. Reads return 0.	R	0x00
10:0	YB	YB coefficient encoded signed value (from –1024 to 1023).	RW	0x000

Table 11-439. Register Call Summary for Register DISPC_WB_CONV_COEF1

Display Controller

- [DISPC Write-Back CSC Unit RGB to YUV: \[0\]\[1\]](#)
- [DISPC Shadow Registers: \[2\]](#)
- [DISPC Operational Modes Configuration: \[3\]](#)
- [DISPC Register Summary: \[4\]](#)

Table 11-440. DISPC_WB_CONV_COEF2

Address Offset	0x0000 057C		
Physical Address	0x5800 157C	Instance	DISPC
Description	The register configures the color space conversion matrix coefficients for the write back pipeline. Shadow register, updated when DISPC_CONTROL2.GOWB is set to 1 by software and current WB frame is finished (no more data in the write-back pipeline), when the WB pipeline is directly connected to one of the pipelines (graphics or video), combined with the synchronization event of the channel overlay output selected as an input to the WB pipeline (that is, VFP start period of primary LCD, or VFP start period of secondary LCD, or VFP start period of the third LCD, or EVSYNC), for all registers associated with the selected channel out and further delayed by the DISPC_WB_ATTRIBUTES2.WBDELAYCOUNT bit-field, for all registers of the Write back and DMA. In WB capture mode, both DISPC_CONTROL2.GOWB and DISPC_CONTROL#.GOLCD/TV corresponding to the selected output channel shall be set. It is not required to set the GOWB bit when WB memory-to-memory mode is used.		
Type	RW		

31	30	29	28	27	26	25	24	23	22	21	20	19	18	17	16	15	14	13	12	11	10	9	8	7	6	5	4	3	2	1	0
RESERVED								CRB								RESERVED								CRG							

Bits	Field Name	Description	Type	Reset
31:27	RESERVED	Write 0s for future compatibility. Reads return 0.	R	0x00
26:16	CRB	CrB coefficient encoded signed value (from –1024 to 1023).	RW	0x000
15:11	RESERVED	Write 0s for future compatibility. Reads return 0.	R	0x00
10:0	CRG	CrG coefficient encoded signed value (from –1024 to 1023).	RW	0x000

Table 11-441. Register Call Summary for Register DISPC_WB_CONV_COEF2

Display Controller

- [DISPC Write-Back CSC Unit RGB to YUV: \[0\]\[1\]](#)
- [DISPC Shadow Registers: \[2\]](#)
- [DISPC Operational Modes Configuration: \[3\]](#)
- [DISPC Register Summary: \[4\]](#)

Table 11-442. DISPC_WB_CONV_COEF3

Address Offset	0x0000 0580	Instance	DISPC
Physical Address	0x5800 1580		
Description	<p>The register configures the color space conversion matrix coefficients for the write back pipeline. Shadow register, updated when DISPC_CONTROL2.GOWB is set to 1 by software and current WB frame is finished (no more data in the write-back pipeline), when the WB pipeline is directly connected to one of the pipelines (graphics or video), combined with the synchronization event of the channel overlay output selected as an input to the WB pipeline (that is, VFP start period of primary LCD, or VFP start period of secondary LCD, or VFP start period of the third LCD, or EVSYNC), for all registers associated with the selected channel out and further delayed by the DISPC_WB_ATTRIBUTES2.WBDELAYCOUNT bit-field, for all registers of the Write back and DMA. In WB capture mode, both DISPC_CONTROL2.GOWB and DISPC_CONTROL#.GOLCD/TV corresponding to the selected output channel shall be set. It is not required to set the GOWB bit when WB memory-to-memory mode is used.</p>		
Type	RW		

31	30	29	28	27	26	25	24	23	22	21	20	19	18	17	16	15	14	13	12	11	10	9	8	7	6	5	4	3	2	1	0
RESERVED								CBG								RESERVED				CBR											

Bits	Field Name	Description	Type	Reset
31:27	RESERVED	Write 0s for future compatibility. Reads return 0.	R	0x00
26:16	CBG	CbG coefficient encoded signed value (from –1024 to 1023).	RW	0x000
15:11	RESERVED	Write 0s for future compatibility. Reads return 0.	R	0x00
10:0	CBR	CbR coefficient encoded signed value (from –1024 to 1023).	RW	0x000

Table 11-443. Register Call Summary for Register DISPC_WB_CONV_COEF3

Display Controller

- [DISPC Write-Back CSC Unit RGB to YUV: \[0\]\[1\]](#)
- [DISPC Shadow Registers: \[2\]](#)
- [DISPC Operational Modes Configuration: \[3\]](#)
- [DISPC Register Summary: \[4\]](#)

Table 11-444. DISPC_WB_CONV_COEF4

Address Offset	0x0000 0584	Instance	DISPC
Physical Address	0x5800 1584		
Description	<p>The register configures the color space conversion matrix coefficients for the write back pipeline. Shadow register, updated when DISPC_CONTROL2.GOWB is set to 1 by software and current WB frame is finished (no more data in the write-back pipeline), when the WB pipeline is directly connected to one of the pipelines (graphics or video), combined with the synchronization event of the channel overlay output selected as an input to the WB pipeline (that is, VFP start period of primary LCD, or VFP start period of secondary LCD, or VFP start period of the third LCD, or EVSYNC), for all registers associated with the selected channel out and further delayed by the DISPC_WB_ATTRIBUTES2.WBDELAYCOUNT bit-field, for all registers of the Write back and DMA. In WB capture mode, both DISPC_CONTROL2.GOWB and DISPC_CONTROL#.GOLCD/TV corresponding to the selected output channel shall be set. It is not required to set the GOWB bit when WB memory-to-memory mode is used.</p>		
Type	RW		

31	30	29	28	27	26	25	24	23	22	21	20	19	18	17	16	15	14	13	12	11	10	9	8	7	6	5	4	3	2	1	0
RESERVED																CBB															

Bits	Field Name	Description	Type	Reset
31:11	RESERVED	Write 0s for future compatibility. Reads return 0.	R	0x000000
10:0	CBB	CbB coefficient encoded signed value (from –1024 to 1023).	RW	0x000

Table 11-445. Register Call Summary for Register DISPC_WB_CONV_COEF4

Display Controller

- [DISPC Write-Back CSC Unit RGB to YUV: \[0\]](#)
- [DISPC Shadow Registers: \[1\]](#)
- [DISPC Operational Modes Configuration: \[2\]](#)
- [DISPC Register Summary: \[3\]](#)

Table 11-446. DISPC_WB_BUF_SIZE_STATUS

Address Offset	0x0000 0588	Instance	DISPC
Physical Address	0x5800 1588		
Description	The register defines the DMA buffer size for the write back pipeline.		
Type	R		

31	30	29	28	27	26	25	24	23	22	21	20	19	18	17	16	15	14	13	12	11	10	9	8	7	6	5	4	3	2	1	0
RESERVED												BUFSIZE																			

Bits	Field Name	Description	Type	Reset
31:16	RESERVED	Write 0s for future compatibility. Reads return 0.	R	0x0000
15:0	BUFSIZE	DMA buffer Size in number of 128 bits	R	0x0800

Table 11-447. Register Call Summary for Register DISPC_WB_BUF_SIZE_STATUS

Display Controller

- [DISPC Shadow Registers: \[0\]](#)
- [DISPC Register Summary: \[1\]](#)

Table 11-448. DISPC_WB_BUF_THRESHOLD

Address Offset	0x0000 058C	Instance	DISPC
Physical Address	0x5800 158C		
Description	The register configures the DMA buffer associated with the write-back pipeline. Shadow register, updated when DISPC_CONTROL2.GOWB is set to 1 by software and current WB frame is finished (no more data in the write-back pipeline), when the WB pipeline is directly connected to one of the pipelines (graphics or video), combined with the synchronization event of the channel overlay output selected as an input to the WB pipeline (that is, VFP start period of primary LCD, or VFP start period of secondary LCD, or VFP start period of the third LCD, or EVSYNC), for all registers associated with the selected channel out and further delayed by the DISPC_WB_ATTRIBUTES2.WBDELAYCOUNT bit-field, for all registers of the Write back and DMA. In WB capture mode, both DISPC_CONTROL2.GOWB and DISPC_CONTROL#.GOLCD/TV corresponding to the selected output channel shall be set. It is not required to set the GOWB bit when WB memory-to-memory mode is used.		
Type	RW		

31	30	29	28	27	26	25	24	23	22	21	20	19	18	17	16	15	14	13	12	11	10	9	8	7	6	5	4	3	2	1	0
BUFHIGHTHRESHOLD												BUFLOWTHRESHOLD																			

Bits	Field Name	Description	Type	Reset
31:16	BUFHIGHTHRESHOLD	DMA buffer high threshold number of 128 bits defining the threshold value	RW	0x07FF
15:0	BUFLOWTHRESHOLD	DMA buffer low threshold number of 128 bits defining the threshold value	RW	0x07F8

Table 11-449. Register Call Summary for Register DISPC_WB_BUF_THRESHOLD

Display Controller

- [DISPC DMA Buffers: \[0\]\[1\]](#)
- [DISPC Shadow Registers: \[2\]](#)
- [DISPC Operational Modes Configuration: \[3\]\[4\]](#)
- [DISPC Register Summary: \[5\]](#)

Table 11-450. DISPC_WB_FIR

Address Offset	0x0000 0590		
Physical Address	0x5800 1590	Instance	DISPC
Description	<p>The register configures the resize factors for horizontal and vertical up/downsampling of the write back pipeline. It is used for ARGB and Y setting. Shadow register, updated when DISPC_CONTROL2.GOWB is set to 1 by software and current WB frame is finished (no more data in the write-back pipeline), when the WB pipeline is directly connected to one of the pipelines (graphics or video), combined with the synchronization event of the channel overlay output selected as an input to the WB pipeline (that is, VFP start period of primary LCD, or VFP start period of secondary LCD, or VFP start period of the third LCD, or EVSYNC), for all registers associated with the selected channel out and further delayed by the DISPC_WB_ATTRIBUTES2.WBDELAYCOUNT bit-field, for all registers of the Write back and DMA. In WB capture mode, both DISPC_CONTROL2.GOWB and DISPC_CONTROL#.GOLCD/TV corresponding to the selected output channel shall be set. It is not required to set the GOWB bit when WB memory-to-memory mode is used.</p>		
Type	RW		

31	30	29	28	27	26	25	24	23	22	21	20	19	18	17	16	15	14	13	12	11	10	9	8	7	6	5	4	3	2	1	0
RESERVED				FIRVINC												RESERVED				FIRHINC											

Bits	Field Name	Description	Type	Reset
31:29	RESERVED	Write 0s for future compatibility. Reads return 0.	R	0x0
28:16	FIRVINC	Vertical increment of the up/downsampling filter Encoded value (from 1 to 4096). The value 0 is invalid. The values greater than 4096 are invalid.	RW	0x0400
15:13	RESERVED	Write 0s for future compatibility. Reads return 0.	R	0x0
12:0	FIRHINC	Horizontal increment of the up/downsampling filter Encoded value (from 1 to 4096). The value 0 is invalid. The values greater than 4096 are invalid.	RW	0x0400

Table 11-451. Register Call Summary for Register DISPC_WB_FIR

Display Controller

- [DISPC Write-Back Scaler Unit: \[0\]\[1\]\[2\]\[3\]](#)
- [DISPC Shadow Registers: \[4\]](#)
- [DISPC Operational Modes Configuration: \[5\]\[6\]](#)
- [DISPC Register Summary: \[7\]](#)

Table 11-452. DISPC_WB_PICTURE_SIZE

Address Offset	0x0000 0594		
Physical Address	0x5800 1594	Instance	DISPC
Description	The register configures the size of the write-back picture associated with the write back pipeline after up/down-scaling. Shadow register, updated when DISPC_CONTROL2.GOWB is set to 1 by software and current WB frame is finished (no more data in the write-back pipeline), when the WB pipeline is directly connected to one of the pipelines (graphics or video), combined with the synchronization event of the channel overlay output selected as an input to the WB pipeline (that is, VFP start period of primary LCD, or VFP start period of secondary LCD, or VFP start period of the third LCD, or EVSYNC), for all registers associated with the selected channel out and further delayed by the DISPC_WB_ATTRIBUTES2.WBDELAYCOUNT bit-field, for all registers of the Write back and DMA. In WB capture mode, both DISPC_CONTROL2.GOWB and DISPC_CONTROL#.GOLCD/TV corresponding to the selected output channel shall be set. It is not required to set the GOWB bit when WB memory-to-memory mode is used.		
Type	RW		

31	30	29	28	27	26	25	24	23	22	21	20	19	18	17	16	15	14	13	12	11	10	9	8	7	6	5	4	3	2	1	0
RESERVED								MEMSIZEY								RESERVED				MEMSIZEX											

Bits	Field Name	Description	Type	Reset
31:28	RESERVED	Write 0s for future compatibility. Reads return 0.	R	0x00
27:16	MEMSIZEY	Number of lines of the wb picture in memory. Encoded value (from 1 to 4096) to specify the number of lines of the picture in memory (program to value minus 1).	RW	0x000
15:11	RESERVED	Write 0s for future compatibility. Reads return 0.	R	0x00
10:0	MEMSIZEX	Number of pixels of the wb picture in memory. Encoded value (from 1 to 2048) to specify the number of pixels of the picture in memory (program to value minus 1).	RW	0x000

Table 11-453. Register Call Summary for Register DISPC_WB_PICTURE_SIZE

Display Controller

- [DISPC Write-Back Scaler Unit: \[0\]\[1\]](#)
- [DISPC Shadow Registers: \[2\]](#)
- [DISPC Operational Modes Configuration: \[3\]\[4\]](#)
- [DISPC Register Summary: \[5\]](#)

Table 11-454. DISPC_WB_PIXEL_INC

Address Offset	0x0000 0598	Instance	DISPC
Physical Address	0x5800 1598		
Description	<p>The register configures the number of bytes to increment between two pixels for the buffer associated with the write back pipeline. The register is used only when the TILER is not present in the system in order to perform low performance rotation. When the TILER IP is present it is highly recommended to use it for performing the rotation. Shadow register, updated when DISPC_CONTROL2.GOWB is set to 1 by software and current WB frame is finished (no more data in the write-back pipeline), when the WB pipeline is directly connected to one of the pipelines (graphics or video), combined with the synchronization event of the channel overlay output selected as an input to the WB pipeline (that is, VFP start period of primary LCD, or VFP start period of secondary LCD, or VFP start period of the third LCD, or EVSYNC), for all registers associated with the selected channel out and further delayed by the DISPC_WB_ATTRIBUTES2.WBDELAYCOUNT bit-field, for all registers of the Write back and DMA. In WB capture mode, both DISPC_CONTROL2.GOWB and DISPC_CONTROL#.GOLCD/TV corresponding to the selected output channel shall be set. It is not required to set the GOWB bit when WB memory-to-memory mode is used.</p>		
Type	RW		

31	30	29	28	27	26	25	24	23	22	21	20	19	18	17	16	15	14	13	12	11	10	9	8	7	6	5	4	3	2	1	0
RESERVED																PIXELINC															

Bits	Field Name	Description	Type	Reset
31:8	RESERVED	Write 0s for future compatibility. Reads return 0.	R	0x000000
7:0	PIXELINC	Values other than 1 are invalid	RW	0x01

Table 11-455. Register Call Summary for Register DISPC_WB_PIXEL_INC

Display Controller

- [DISPC Addressing and Bursts: \[0\]](#)
- [DISPC Rotation and Mirroring: \[1\]\[2\]\[3\]\[4\]](#)
- [DISPC Shadow Registers: \[5\]](#)
- [DISPC Operational Modes Configuration: \[6\]](#)
- [DISPC Register Summary: \[7\]](#)

Table 11-456. DISPC_WB_ROW_INC

Address Offset	0x0000 05A4	Instance	DISPC
Physical Address	0x5800 15A4		
Description	<p>The register configures the number of bytes to increment at the end of the row for the buffer associated with the vwrite back pipeline. Shadow register, updated when DISPC_CONTROL2.GOWB is set to 1 by software and current WB frame is finished (no more data in the write-back pipeline), when the WB pipeline is directly connected to one of the pipelines (graphics or video), combined with the synchronization event of the channel overlay output selected as an input to the WB pipeline (that is, VFP start period of primary LCD, or VFP start period of secondary LCD, or VFP start period of the third LCD, or EVSYNC), for all registers associated with the selected channel out and further delayed by the DISPC_WB_ATTRIBUTES2.WBDELAYCOUNT bit-field, for all registers of the Write back and DMA. In WB capture mode, both DISPC_CONTROL2.GOWB and DISPC_CONTROL#.GOLCD/TV corresponding to the selected output channel shall be set. It is not required to set the GOWB bit when WB memory-to-memory mode is used.</p> <p>Note: The DISPC_WB_ROW_INC register can be used only in 2D mode (using the Tiler). In order to use the DISPC_WB_ROW_INC register, the DISPC_WB_ATTRIBUTES[8].BURSTTYPE bit must be set to 1.</p>		
Type	RW		

31	30	29	28	27	26	25	24	23	22	21	20	19	18	17	16	15	14	13	12	11	10	9	8	7	6	5	4	3	2	1	0
ROWINC																															

Bits	Field Name	Description	Type	Reset
31:0	ROWINC	Number of bytes to increment at the end of the row Encoded signed value (from $2^{31} - 1$ to 2^{31}) to specify the number of bytes to increment at the end of the row in the video buffer. The value 0 is invalid. The value 1 means next pixel. The value $1 + n * \text{bpp}$ means increment of n pixels. The value $1 - (n + 1) * \text{bpp}$ means decrement of n pixels.	RW	0x0000 0001

Table 11-457. Register Call Summary for Register DISPC_WB_ROW_INC

Display Controller

- [DISPC Addressing and Bursts: \[0\]\[1\]\[2\]](#)
- [DISPC Rotation and Mirroring: \[3\]\[4\]\[5\]\[6\]\[7\]\[8\]](#)
- [DISPC Shadow Registers: \[9\]](#)
- [DISPC Operational Modes Configuration: \[10\]\[11\]\[12\]](#)
- [DISPC Register Summary: \[13\]](#)
- [DISPC Register Description: \[14\]\[15\]](#)

Table 11-458. DISPC_WB_SIZE

Address Offset	0x0000 05A8	Instance	DISPC
Physical Address	0x5800 15A8		
Description	The register configures the size of the output of overlay connected to the write-back pipeline when the overlay output is only used by the write-back pipeline. When the overlay is output on the primary LCD or secondary LCD or TV outputs, the size of the frame is defined in the DISPC_SIZE_LCD1 , DISPC_SIZE_LCD2 , and DISPC_SIZE_TV respectively. Shadow register, updated when DISPC_CONTROL2.GOWB is set to 1 by software and current WB frame is finished (no more data in the write-back pipeline), when the WB pipeline is directly connected to one of the pipelines (graphics or video), combined with the synchronization event of the channel overlay output selected as an input to the WB pipeline (that is, VFP start period of primary LCD, or VFP start period of secondary LCD, or VFP start period of the third LCD, or EVSYNC), for all registers associated with the selected channel out and further delayed by the DISPC_WB_ATTRIBUTES2.WBDELAYCOUNT bit-field, for all registers of the Write back and DMA. In WB capture mode, both DISPC_CONTROL2.GOWB and DISPC_CONTROL#.GOLCD/TV corresponding to the selected output channel shall be set. It is not required to set the GOWB bit when WB memory-to-memory mode is used.		
Type	RW		

31	30	29	28	27	26	25	24	23	22	21	20	19	18	17	16	15	14	13	12	11	10	9	8	7	6	5	4	3	2	1	0
RESERVED								SIZEY								RESERVED				SIZEX											

Bits	Field Name	Description	Type	Reset
31:28	RESERVED	Write 0s for future compatibility. Reads return 0.	R	0x00
27:16	SIZEY	Number of lines of the Write-back picture Encoded value (from 1 to 4096) to specify the number of lines of the write-back picture from overlay or pipeline. Program to value minus 1.	RW	0x000
15:11	RESERVED	Write 0s for future compatibility. Reads return 0.	R	0x00
10:0	SIZEX	Number of pixels of the Write-back picture Encoded value (from 1 to 2048) to specify the number of pixels of the write-back picture from overlay or pipeline. Program to value minus 1.	RW	0x000

Table 11-459. Register Call Summary for Register DISPC_WB_SIZE

Display Controller

- [DISPC Write-Back Scaler Unit: \[0\]\[1\]\[2\]\[3\]\[4\]](#)
- [DISPC Shadow Registers: \[5\]](#)
- [DISPC Operational Modes Configuration: \[6\]\[7\]](#)
- [DISPC Register Summary: \[8\]](#)

Table 11-460. DISPC_VID1_BA_UV_j

Address Offset	0x0000 0600 + (0x4 * j)	Index	j = 0 to 1
Physical Address	0x5800 1600 + (0x4 * j)	Instance	DISPC
Description	The register configures the base address of the UV buffer for the video window 1. (DISPC_VID1_BA_UV_0 and DISPC_VID1_BA_UV_1 for ping-pong mechanism with external trigger, based on the field polarity otherwise only DISPC_VID1_BA_UV_0 is used). Shadow register, updated on VFP start period of primary LCD or VFP start period of the secondary LCD or VFP start period of the third LCD or EVSYNC or when DISPC_CONTROL2.GOWB is set to 1 by software and current WB frame is finished (no more data in the write-back pipeline). The synchronization event is defined based on the output using the pipeline: primary LCD, secondary LCD, third LCD, TV output or write-back to the memory		
Type	RW		

31	30	29	28	27	26	25	24	23	22	21	20	19	18	17	16	15	14	13	12	11	10	9	8	7	6	5	4	3	2	1	0
BA																															

Bits	Field Name	Description	Type	Reset
31:0	BA	Video base address aligned on 16-bit boundary Base address of the UV video buffer used only in case of YUV4:2:0-NV12 When the TILER is addressed, the bits: [28:27] = 0x0 for 8-bit tiled [28:27] = 0x1 for 16-bit tiled [28:27] = 0x2 for 32-bit tiled [28:27] = 0x3 for page mode [31:29] = 0x0 for 0-degree view [31:29] = 0x1 for 180-degree view + mirroring [31:29] = 0x2 for 0-degree view + mirroring [31:29] = 0x3 for 180-degree view [31:29] = 0x4 for 270-degree view + mirroring [31:29] = 0x5 for 270-degree view [31:29] = 0x6 for 90-degree view [31:29] = 0x7 for 90-degree view + mirroring Otherwise the bits indicated the corresponding bit address to access the SDRAM.	RW	0x0000 0000

Table 11-461. Register Call Summary for Register DISPC_VID1_BA_UV_j

Display Controller

- [DISPC Shadow Registers: \[0\]](#)
- [DISPC Logical Register Mapping: \[1\]](#)
- [DISPC Register Summary: \[2\]](#)

Table 11-462. DISPC_VID2_BA_UV_j

Address Offset	0x0000 0608 + (0x4 * j)	Index	j = 0 to 1
Physical Address	0x5800 1608 + (0x4 * j)	Instance	DISPC
Description	The register configures the base address of the UV buffer for the video window 2. (DISPC_VID2_BA_UV_0 and DISPC_VID2_BA_UV_1 for ping-pong mechanism with external trigger, based on the field polarity otherwise only DISPC_VID2_BA_UV_0 is used). Shadow register, updated on VFP start period of primary LCD or VFP start period of the secondary LCD or VFP start period of the third LCD or EVSYNC or when DISPC_CONTROL2.GOWB is set to 1 by software and current WB frame is finished (no more data in the write-back pipeline). The synchronization event is defined based on the output using the pipeline: primary LCD, secondary LCD, third LCD, TV output or write-back to the memory		
Type	RW		

31	30	29	28	27	26	25	24	23	22	21	20	19	18	17	16	15	14	13	12	11	10	9	8	7	6	5	4	3	2	1	0
BA																															

Bits	Field Name	Description	Type	Reset
31:0	BA	Video base address aligned on 16-bit boundary Base address of the UV video buffer used only in case of YUV4:2:0-NV12 When the TILER is addressed, the bits: [28:27] = 0x0 for 8-bit tiled [28:27] = 0x1 for 16-bit tiled [28:27] = 0x2 for 32-bit tiled [28:27] = 0x3 for page mode [31:29] = 0x0 for 0-degree view [31:29] = 0x1 for 180-degree view + mirroring [31:29] = 0x2 for 0-degree view + mirroring [31:29] = 0x3 for 180-degree view [31:29] = 0x4 for 270-degree view + mirroring [31:29] = 0x5 for 270-degree view [31:29] = 0x6 for 90-degree view [31:29] = 0x7 for 90-degree view + mirroring Otherwise the bits indicated the corresponding bit address to access the SDRAM.	RW	0x0000 0000

Table 11-463. Register Call Summary for Register DISPC_VID2_BA_UV_j

Display Controller

- [DISPC Shadow Registers: \[0\]](#)
- [DISPC Logical Register Mapping: \[1\]](#)
- [DISPC Register Summary: \[2\]](#)

Table 11-464. DISPC_VID3_BA_UV_j

Address Offset	0x0000 0610 + (0x4 * j)	Index	j = 0 to 1
Physical Address	0x5800 1610 + (0x4 * j)	Instance	DISPC
Description	The register configures the base address of the UV buffer for the video window 3. (DISPC_VID3_BA_UV_0 and DISPC_VID3_BA_UV_1 for ping-pong mechanism with external trigger, based on the field polarity otherwise only DISPC_VID3_BA_UV_0 is used). Shadow register, updated on VFP start period of primary LCD or VFP start period of the secondary LCD or VFP start period of the third LCD or EVSYNC or when DISPC_CONTROL2.GOWB is set to 1 by software and current WB frame is finished (no more data in the write-back pipeline). The synchronization event is defined based on the output using the pipeline: primary LCD, secondary LCD, third LCD, TV output or write-back to the memory		
Type	RW		

31	30	29	28	27	26	25	24	23	22	21	20	19	18	17	16	15	14	13	12	11	10	9	8	7	6	5	4	3	2	1	0
BA																															

Bits	Field Name	Description	Type	Reset
31:0	BA	Video base address aligned on 16-bit boundary Base address of the UV video buffer used only in case of YUV4:2:0-NV12 When the TILER is addressed, the bits: [28:27] = 0x0 for 8-bit tiled [28:27] = 0x1 for 16-bit tiled [28:27] = 0x2 for 32-bit tiled [28:27] = 0x3 for page mode [31:29] = 0x0 for 0-degree view [31:29] = 0x1 for 180-degree view + mirroring [31:29] = 0x2 for 0-degree view + mirroring [31:29] = 0x3 for 180-degree view [31:29] = 0x4 for 270-degree view + mirroring [31:29] = 0x5 for 270-degree view [31:29] = 0x6 for 90-degree view [31:29] = 0x7 for 90-degree view + mirroring Otherwise the bits indicated the corresponding bit address to access the SDRAM.	RW	0x0000 0000

Table 11-465. Register Call Summary for Register DISPC_VID3_BA_UV_j

Display Controller

- [DISPC Shadow Registers: \[0\]](#)
- [DISPC Logical Register Mapping: \[1\]](#)
- [DISPC Register Summary: \[2\]](#)

Table 11-466. DISPC_WB_BA_UV_j

Address Offset	0x0000 0618 + (0x4 * j)	Index	j = 0 to 1
Physical Address	0x5800 1618 + (0x4 * j)	Instance	DISPC
Description	<p>The register configures the base address of the UV buffer for the write-back pipeline. (DISPC_WB_BA_UV_0 and DISPC_WB_BA_UV_1 for ping-pong mechanism with external trigger, based on the field polarity otherwise only DISPC_WB_BA_UV_0 is used). Shadow register, updated when DISPC_CONTROL2.GOWB is set to 1 by software and current WB frame is finished (no more data in the write-back pipeline), when the WB pipeline is directly connected to one of the pipelines (graphics or video), combined with the synchronization event of the channel overlay output selected as an input to the WB pipeline (that is, VFP start period of primary LCD, or VFP start period of secondary LCD, or VFP start period of the third LCD, or EVSYNC), for all registers associated with the selected channel out and further delayed by the DISPC_WB_ATTRIBUTES2.WBDELAYCOUNT bit-field, for all registers of the Write back and DMA. In WB capture mode, both DISPC_CONTROL2.GOWB and DISPC_CONTROL#.GOLCD/TV corresponding to the selected output channel shall be set. It is not required to set the GOWB bit when WB memory-to-memory mode is used.</p>		
Type	RW		

31	30	29	28	27	26	25	24	23	22	21	20	19	18	17	16	15	14	13	12	11	10	9	8	7	6	5	4	3	2	1	0
BA																															

Bits	Field Name	Description	Type	Reset
31:0	BA	<p>Video base address aligned on 16-bit boundary Base address of the UV video buffer used only in case of YUV4:2:0-NV12 When the TILER is addressed, the bits: [28:27] = 0x0 for 8-bit tiled [28:27] = 0x1 for 16-bit tiled [28:27] = 0x2 for 32-bit tiled [28:27] = 0x3 for page mode [31:29] = 0x0 for 0-degree view [31:29] = 0x1 for 180-degree view + mirroring [31:29] = 0x2 for 0-degree view + mirroring [31:29] = 0x3 for 180-degree view [31:29] = 0x4 for 270-degree view + mirroring [31:29] = 0x5 for 270-degree view [31:29] = 0x6 for 90-degree view [31:29] = 0x7 for 90-degree view + mirroring Otherwise the bits indicated the corresponding bit address to access the SDRAM.</p>	RW	0x0000 0000

Table 11-467. Register Call Summary for Register DISPC_WB_BA_UV_j

Display Controller

- [DISPC Addressing and Bursts: \[0\]](#)
- [DISPC Shadow Registers: \[1\]](#)
- [DISPC Operational Modes Configuration: \[2\]](#)
- [DISPC Register Summary: \[3\]](#)

Table 11-468. DISPC_CONFIG2

Address Offset	0x0000 0620	Instance	DISPC
Physical Address	0x5800 1620		
Description	The control register configures the Display Controller module for the secondary LCD output. Shadow register, updated on VFP start period of secondary LCD or VFP start period of the third LCD or EVSYNC		
Type	RW		

31	30	29	28	27	26	25	24	23	22	21	20	19	18	17	16	15	14	13	12	11	10	9	8	7	6	5	4	3	2	1	0
RESERVED								SLCDINTERLEAVE	FULLRANGE	COLORCONVENABLE	FIDFIRST	OUTPUTMODEENABLE	BT1120ENABLE	BT656ENABLE	RESERVED	BUFFERHANDCHECK	CPR	RESERVED	TCKLCDSELECTION	TCKLCDENABLE	RESERVED	ACBIASGATED	VSYNCGATED	HSYNCGATED	PIXELCLOCKGATED	PIXELDATAGATED	RESERVED	PIXELGATED			

Bits	Field Name	Description	Type	Reset
31:28	RESERVED	Write 0s for future compatibility. Reads return 0.	R	0x0
27:26	SLCDINTERLEAVE	sLCD Interleave Pattern	RW	0x0
25	FULLRANGE	Color space conversion full range setting. 0x0: Limited range selected. 0x1: Full range selected.	RW	0
24	COLORCONVENABLE	Enable the color space conversion. It shall be reset when CPR bit field is set to 0x1. 0x0: Disable color space conversion RGB to YUV 0x1: Enable color space conversion RGB to YUV	RW	0
23	FIDFIRST	Selects the first field to output in case of interlace mode. In case of progressive mode, the value is not used. 0x0: First field is even. 0x1: Odd field is first.	RW	0
22	OUTPUTMODEENABLE	Selects between progressive and interlace mode for the secondary LCD output. 0x0: Progressive mode selected. 0x1: Interlace mode selected.	RW	0
21	BT1120ENABLE	Selects BT.1120 format on the primary LCD output. It is not possible to enable BT.656 and BT.1120 at the same time on the same LCD output. wr: VFP start of primary LCD 0x0: BT.1120 is disabled 0x1: BT.1120 is enabled.	RW	0
20	BT656ENABLE	Selects BT.656 format on the primary LCD output. It is not possible to enable BT.656 and BT.1120 at the same time on the same LCD output. wr: VFP start of primary LCD 0x0: BT.656 is disabled. 0x1: BT.656 is enabled.	RW	0
19:16	RESERVED	Write 0s for future compatibility. Reads return 0.	R	0x00
15	CPR	Color Phase Rotation Control secondary LCD output). It shall be reset when ColorConvEnable bit field is set to 1. wr: VFP start period of secondary LCD output 0x0: Color phase rotation disabled 0x1: Color phase rotation enabled	RW	0
14:12	RESERVED	Write 0s for future compatibility. Reads return 0.	R	0x0

Bits	Field Name	Description	Type	Reset
11	TCKLCD SELECTION	Transparency color key selection (secondary LCD output) wr: VFP start period of secondary LCD output 0x0: Destination transparency color key selected 0x1: Source transparency color key selected	RW	0
10	TCKLCDENABLE	Transparency color key enabled (secondary LCD output) wr: VFP start period of secondary LCD output 0x0: Disable the transparency color key for the LCD 0x1: Enable the transparency color key for the LCD	RW	0
9	RESERVED	Write 0s for future compatibility. Reads return 0.	R	0
8	ACBIASGATED	ACBias gated enabled (secondary LCD output) wr: VFP start period of secondary LCD output 0x0: ACBias gated disabled 0x1: ACBias gated enabled	RW	0
7	VSYNCGATED	VSYNC gated enabled (secondary LCD output) wr: VFP start period of secondary LCD output 0x0: VSYNC gated disabled 0x1: VSYNC gated enabled	RW	0
6	HSYNCGATED	HSYNC gated enabled (secondary LCD output) wr: VFP start period of secondary LCD output 0x0: HSYNC gated disabled 0x1: HSYNC gated enabled	RW	0
5	PIXELCLOCK GATED	Pixel clock gated enabled (secondary LCD output) wr: VFP start period of secondary LCD output 0x0: Pixel clock gated disabled 0x1: Pixel clock gated enabled	RW	0
4	PIXELDATA GATED	Pixel data gated enabled (secondary LCD output) wr: VFP start period of secondary LCD output 0x0: Pixel data gated disabled 0x1: Pixel data gated enabled	RW	0
3:1	RESERVED	Write 0s for future compatibility. Reads return 0.	R	0x0
0	PIXELGATED	Pixel gated enable (only for active matrix) (secondary LCD output) wr: VFP start period of secondary LCD output 0x0: Pixel clock always toggles (only in active matrix mode). 0x1: Pixel clock only toggles when there is valid data to display (only in active matrix mode).	RW	0

Table 11-469. Register Call Summary for Register DISPC_CONFIG2

Display Controller

- [DISPC Overlay Manager: \[0\]\[1\]\[2\]](#)
- [DISPC BT.656 and BT.1120 Modes: \[3\]\[4\]](#)
- [DISPC Extended 3D Support - Line Alternative Format: \[5\]](#)
- [DISPC Shadow Registers: \[6\]](#)
- [DISPC Logical Register Mapping: \[7\]](#)
- [DISPC Register Summary: \[8\]](#)

Table 11-470. DISPC_VID1_ATTRIBUTES2

Address Offset	0x0000 0624
Physical Address	0x5800 1624
Instance	DISPC
Description	The register configures the attributes of the video window 1. Shadow register, updated on VFP start period of primary LCD or VFP start period of the secondary LCD or VFP start period of the third LCD or EVSYNC or when DISPC_CONTROL2.GOWB is set to 1 by software and current WB frame is finished (no more data in the write-back pipeline). The synchronization event is defined based on the output using the pipeline: primary LCD, secondary LCD, third LCD, TV output or write-back to the memory
Type	RW

31	30	29	28	27	26	25	24	23	22	21	20	19	18	17	16	15	14	13	12	11	10	9	8	7	6	5	4	3	2	1	0
RESERVED																SUBSAMPLINGPATTERN		YUVCHROMARESAMPLING		RESERVED		VC1_RANGE_CBCR		VC1_RANGE_Y		VC1ENABLE					

Bits	Field Name	Description	Type	Reset
31:12	RESERVED	Write 0s for future compatibility. Reads return 0.	R	0x00000
11:9	SUBSAMPLINGPATTERN	Subsampling pattern setting.	RW	0x0
8	YUVCHROMARE SAMPLING	The YUV chrominance can be resampled using averaging of the adjacent chrominance samples, without using the polyphase filter for 4:2:2 input or can be calculated using the polyphase filter for 4:2:2/4:2:0. The polyphase filter is mandatory for the 4:2:0 format. This bit controls the order in which the processing is done on the video pipe. 0x0: When input is 4:2:2, the missing chrominance samples are calculated by averaging the adjacent samples if DISPC_VID1_ATTRIBUTES . ROTATION=0 only. Other rotation configurations are not supported. 0x1: For 4:2:2 (or 4:2:0), the missing chrominance samples are calculated by filtering the adjacent samples (5-tap polyphase filter). See Figure 11-49, Configuration 2: Video Pipeline . All rotation configurations are supported.	RW	0
7	RESERVED	Write 0s for future compatibility. Reads return 0.	R	0
6:4	VC1_RANGE_CBCR	Defines the VC-1 range value for the CbCr component from 0 to 7.	RW	0x0
3:1	VC1_RANGE_Y	Defines the VC-1 range value for the Y component from 0 to 7.	RW	0x0
0	VC1ENABLE	Enable/disable the VC-1 range mapping processing. The bit field is ignored if the format is not one of the supported YUV formats. 0x0: VC-1 range mapping disabled 0x1: VC-1 range mapping enabled	RW	0

Table 11-471. Register Call Summary for Register DISPC_VID1_ATTRIBUTES2

- Display Controller
- [DISPC Extended 3D Support - DLP 3D Format: \[0\]](#)
 - [DISPC Shadow Registers: \[1\]](#)
 - [DISPC Logical Register Mapping: \[2\]](#)
 - [DISPC Register Summary: \[3\]](#)

Table 11-472. DISPC_VID2_ATTRIBUTES2

Address Offset	0x0000 0628
Physical Address	0x5800 1628
Instance	DISPC
Description	The register configures the attributes of the video window 2. Shadow register, updated on VFP start period of primary LCD or VFP start period of the secondary LCD or VFP start period of the third LCD or EVSYNC or when DISPC_CONTROL2.GOWB is set to 1 by software and current WB frame is finished (no more data in the write-back pipeline). The synchronization event is defined based on the output using the pipeline: primary LCD, secondary LCD, third LCD, TV output or write-back to the memory
Type	RW

31	30	29	28	27	26	25	24	23	22	21	20	19	18	17	16	15	14	13	12	11	10	9	8	7	6	5	4	3	2	1	0
RESERVED																SUBSAMPLINGPATTERN		YUVCHROMARESAMPLING	RESERVED	VC1_RANGE_CBCR			VC1_RANGE_Y		VC1ENABLE						

Bits	Field Name	Description	Type	Reset
31:12	RESERVED	Write 0s for future compatibility. Reads return 0.	R	0x00000
11:9	SUBSAMPLINGPATTERN	Subsampling pattern setting.	RW	0x0
8	YUVCHROMARE SAMPLING	The YUV chrominance can be resampled using averaging of the adjacent chrominance samples, without using the polyphase filter for 4:2:2 input or can be calculated using the polyphase filter for 4:2:2/4:2:0. The polyphase filter is mandatory for the 4:2:0 format. This bit controls the order in which the processing is done on the video pipe. 0x0: When input is in 4:2:2, the missing chrominance samples are calculated by averaging the adjacent samples if DISPC_VID1_ATTRIBUTES . ROTATION=0 only. Other rotation configurations are not supported. 0x1: For 4:2:2 (or 4:2:0), the missing chrominance samples are calculated by filtering the adjacent samples (5-tap polyphase filter). See Figure 11-49, Configuration 2: Video Pipeline . All rotation configurations are supported.	RW	0
7	RESERVED	Write 0s for future compatibility. Reads return 0.	R	0
6:4	VC1_RANGE_CBCR	Defines the VC-1 range value for the CbCr component from 0 to 7.	RW	0x0
3:1	VC1_RANGE_Y	Defines the VC-1 range value for the Y component from 0 to 7.	RW	0x0
0	VC1ENABLE	Enable/disable the VC-1 range mapping processing. The bit field is ignored if the format is not one of the supported YUV formats. 0x0: VC-1 range mapping disabled 0x1: VC-1 range mapping enabled	RW	0

Table 11-473. Register Call Summary for Register DISPC_VID2_ATTRIBUTES2

Display Controller

- [DISPC Extended 3D Support - DLP 3D Format: \[0\]](#)
- [DISPC Shadow Registers: \[1\]](#)
- [DISPC Logical Register Mapping: \[2\]](#)
- [DISPC Register Summary: \[3\]](#)

Table 11-474. DISPC_VID3_ATTRIBUTES2

Address Offset	0x0000 062C	Instance	DISPC
Physical Address	0x5800 162C		
Description	The register configures the attributes of the video window 3. Shadow register, updated on VFP start period of primary LCD or VFP start period of the secondary LCD or VFP start period of the third LCD or EVSYNC or when DISPC_CONTROL2.GOWB is set to 1 by software and current WB frame is finished (no more data in the write-back pipeline). The synchronization event is defined based on the output using the pipeline: primary LCD, secondary LCD, third LCD, TV output or write-back to the memory		
Type	RW		

31	30	29	28	27	26	25	24	23	22	21	20	19	18	17	16	15	14	13	12	11	10	9	8	7	6	5	4	3	2	1	0
RESERVED																SUBSAMPLINGPATTERN		YUVCHROMARESAMPLING	RESERVED	VC1_RANGE_CBCR			VC1_RANGE_Y			VC1ENABLE					

Bits	Field Name	Description	Type	Reset
31:12	RESERVED	Write 0s for future compatibility. Reads return 0.	R	0x00000
11:9	SUBSAMPLINGPATTERN	Subsampling pattern setting.	RW	0x0
8	YUVCHROMARE SAMPLING	The YUV chrominance can be resampled using averaging of the adjacent chrominance samples, without using the polyphase filter for 4:2:2 input or can be calculated using the polyphase filter for 4:2:2/4:2:0. The polyphase filter is mandatory for the 4:2:0 format. This bit controls the order in which the processing is done on the video pipe. 0x0: When input is in 4:2:2, the missing chrominance samples are calculated by averaging the adjacent samples if DISPC_VID1_ATTRIBUTES . ROTATION=0 only. Other rotation configurations are not supported. 0x1: For 4:2:2 (or 4:2:0), the missing chrominance samples are calculated by filtering the adjacent samples (5-tap polyphase filter). See Figure 11-49, Configuration 2: Video Pipeline . All rotation configurations are supported.	RW	0
7	RESERVED	Write 0s for future compatibility. Reads return 0.	R	0
6:4	VC1_RANGE_CBCR	Defines the VC-1 range value for the CbCr component from 0 to 7.	RW	0x0
3:1	VC1_RANGE_Y	Defines the VC-1 range value for the Y component from 0 to 7.	RW	0x0
0	VC1ENABLE	Enable/disable the VC-1 range mapping processing. The bit field is ignored if the format is not one of the supported YUV formats. 0x0: VC-1 range mapping disabled 0x1: VC-1 range mapping enabled	RW	0

Table 11-475. Register Call Summary for Register DISPC_VID3_ATTRIBUTES2

Display Controller

- [DISPC Extended 3D Support - DLP 3D Format: \[0\]](#)
- [DISPC Shadow Registers: \[1\]](#)
- [DISPC Logical Register Mapping: \[2\]](#)
- [DISPC Register Summary: \[3\]](#)

Table 11-476. DISPC_GAMMA_TABLE0

Address Offset	0x0000 0630	Instance	DISPC
Physical Address	0x5800 1630		
Description	The register configures the look up table used as color look up table for BITMAP formats (1-, 2-, 4, and 8-bpp) on the graphics pipeline or as gamma table on the primary LCD output. NOTE: CLUT and BITMAP formats are not supported in this family of devices.		
Type	W		

31	30	29	28	27	26	25	24	23	22	21	20	19	18	17	16	15	14	13	12	11	10	9	8	7	6	5	4	3	2	1	0
INDEX								VALUE_R								VALUE_G								VALUE_B							

Bits	Field Name	Description	Type	Reset
31:24	INDEX	Defines the location in the table where the bit field VALUE is stored.	W	0x00
23:16	VALUE_R	8-bit value used to defined the value to store at the location in the table defined by the bit field INDEX	W	0x00
15:8	VALUE_G	8-bit value used to defined the value to store at the location in the table defined by the bit field INDEX	W	0x00
7:0	VALUE_B	8-bit value used to defined the value to store at the location in the table defined by the bit field INDEX	W	0x00

Table 11-477. Register Call Summary for Register DISPC_GAMMA_TABLE0

Display Controller

- [DISPC Gamma Correction Unit: \[0\]](#)
- [DISPC Shadow Registers: \[1\]](#)
- [DISPC Operational Modes Configuration: \[3\]](#)
- [DISPC Logical Register Mapping: \[4\]](#)
- [DISPC Register Summary: \[5\]](#)

Table 11-478. DISPC_GAMMA_TABLE1

Address Offset	0x0000 0634	Instance	DISPC
Physical Address	0x5800 1634		
Description	The register configures the gamma table on the secondary LCD output.		
Type	W		

31	30	29	28	27	26	25	24	23	22	21	20	19	18	17	16	15	14	13	12	11	10	9	8	7	6	5	4	3	2	1	0
INDEX								VALUE_R								VALUE_G								VALUE_B							

Bits	Field Name	Description	Type	Reset
31:24	INDEX	Defines the location in the table where the bit field VALUE is stored.	W	0x00
23:16	VALUE_R	8-bit value used to defined the value to store at the location in the table defined by the bit field INDEX	W	0x00
15:8	VALUE_G	8-bit value used to defined the value to store at the location in the table defined by the bit field INDEX	W	0x00
7:0	VALUE_B	8-bit value used to defined the value to store at the location in the table defined by the bit field INDEX	W	0x00

Table 11-479. Register Call Summary for Register DISPC_GAMMA_TABLE1

Display Controller

- [DISPC Gamma Correction Unit: \[0\]](#)
- [DISPC Shadow Registers: \[1\]](#)
- [DISPC Logical Register Mapping: \[2\]](#)
- [DISPC Register Summary: \[3\]](#)

Table 11-480. DISPC_GAMMA_TABLE2

Address Offset	0x0000 0638	Instance	DISPC
Physical Address	0x5800 1638		
Description	The register configures the gamma table on the TV output.		
Type	W		

31	30	29	28	27	26	25	24	23	22	21	20	19	18	17	16	15	14	13	12	11	10	9	8	7	6	5	4	3	2	1	0
INDEX	RESERVED	VALUE_R										VALUE_G										VALUE_B									

Bits	Field Name	Description	Type	Reset
31	INDEX	Setting this bit to 1 resets the internal index counter to zero. Each subsequent access to the register (with the INDEX bit kept at 0) increments the address for the next storage location into the table memory.	W	0
30	RESERVED		W	0
29:20	VALUE_R	10-bit color component value to store in the table	W	0x000
19:10	VALUE_G	10-bit color component value to store in the table	W	0x000
9:0	VALUE_B	10-bit color component value to store in the table	W	0x000

Table 11-481. Register Call Summary for Register DISPC_GAMMA_TABLE2

Display Controller

- [DISPC Gamma Correction Unit: \[0\]](#)
- [DISPC Shadow Registers: \[1\]](#)
- [DISPC Operational Modes Configuration: \[2\]\[3\]](#)
- [DISPC Logical Register Mapping: \[4\]](#)
- [DISPC Register Summary: \[5\]](#)

Table 11-482. DISPC_VID1_FIR2

Address Offset	0x0000 063C	Instance	DISPC
Physical Address	0x5800 163C		
Description	<p>The register configures the resize factors for horizontal and vertical up/downsampling of the video window 1. It is used for Crb and Cr setting. It is used only when the pixel format at the input of the filter is one of the YUV formats. If the pixel format at the input of the filter is ARGB (all ARGB, RGB, RGBA are converted to ARGB32-8888 by the color space conversion before going to the filter is the color space conversion is done before the filter). When the register is not used by the hardware, any value can be used for the bit fields. Shadow register, updated on VFP start period of primary LCD or VFP start period of the secondary LCD or VFP start period of the third LCD or EVSYNC or when DISPC_CONTROL2.GOWB is set to 1 by software and current WB frame is finished (no more data in the write-back pipeline). The synchronization event is defined based on the output using the pipeline: primary LCD, secondary LCD, third LCD, TV output or write-back to the memory</p>		
Type	RW		

31	30	29	28	27	26	25	24	23	22	21	20	19	18	17	16	15	14	13	12	11	10	9	8	7	6	5	4	3	2	1	0
RESERVED								FIRVINC								RESERVED								FIRHINC							

Bits	Field Name	Description	Type	Reset
31:29	RESERVED	Write 0s for future compatibility. Reads return 0.	R	0x0
28:16	FIRVINC	Vertical increment of the up/downsampling filter for Cb and Cr. Encoded value (from 1 to 4096). The value 0 is invalid. The values greater than 4096 are invalid.	RW	0x0400
15:13	RESERVED	Write 0s for future compatibility. Reads return 0.	R	0x0
12:0	FIRHINC	Horizontal increment of the up/downsampling filter for Cb and Cr. Encoded value (from 1 to 4096). The value 0 is invalid. The values greater than 4096 are invalid.	RW	0x0400

Table 11-483. Register Call Summary for Register DISPC_VID1_FIR2

Display Controller

- [DISPC Shadow Registers: \[0\]](#)
- [DISPC Register Summary: \[1\]](#)

Table 11-484. DISPC_VID1_ACCU2_j

Address Offset	0x0000 0640 + (0x4 * j)	Index	j = 0 to 1
Physical Address	0x5800 1640 + (0x4 * j)	Instance	DISPC
Description	<p>The register configures the resize accumulator init values for horizontal and vertical up/downsampling of the video window 1 (DISPC_VID1_ACCU2_0 and DISPC_VID1_ACCU2_1 for ping-pong mechanism with external trigger, based on the field polarity) It is used for Cb and Cr setting. It is used only when the pixel format at the input of the filter is one of the YUV formats. If the pixel format at the input of the filter is ARGB (all ARGB, RGB, RGBA are converted to ARGB32-8888 by the color space conversion before going to the filter is the color space conversion is done before the filter). When the register is not used by the hardware, any value can be used for the bit fields. Shadow register, updated on VFP start period of primary LCD or VFP start period of the secondary LCD or VFP start period of the third LCD or EVSYNC or when DISPC_CONTROL2.GOWB is set to 1 by software and current WB frame is finished (no more data in the write-back pipeline). The synchronization event is defined based on the output using the pipeline: primary LCD, secondary LCD, third LCD, TV output or write-back to the memory</p>		
Type	RW		

31	30	29	28	27	26	25	24	23	22	21	20	19	18	17	16	15	14	13	12	11	10	9	8	7	6	5	4	3	2	1	0
RESERVED								VERTICALACCU								RESERVED								HORIZONTALACCU							

Bits	Field Name	Description	Type	Reset
31:27	RESERVED	Write 0s for future compatibility. Reads return 0.	R	0x00
26:16	VERTICALACCU	Vertical initialization accu value Encoded value (from -1024 to 1023).	RW	0x000
15:11	RESERVED	Write 0s for future compatibility. Reads return 0.	R	0x00
10:0	HORIZONTALACCU	Horizontal initialization accu value Encoded value (from -1024 to 1023).	RW	0x000

Table 11-485. Register Call Summary for Register DISPC_VID1_ACCU2_j

Display Controller

- [DISPC Shadow Registers: \[0\]](#)
- [DISPC Register Summary: \[1\]](#)

Table 11-486. DISPC_VID1_FIR_COEF_H2_i

Address Offset	0x0000 0648 + (0x8 * i)	Index	i = 0 to 7	
Physical Address	0x5800 1648 + (0x8 * i)	Instance	DISPC	
Description	The bank of registers configure the up/down-scaling coefficients for the horizontal resize of the video picture associated with the video window 1 for the phases from 0 to 7. It is used for Crb and Cr setting. It is used only when the pixel format at the input of the filter is one of the YUV formats. If the pixel format at the input of the filter is ARGB (all ARGB, RGB, RGBA are converted to ARGB32-8888 by the color space conversion before going to the filter is the color space conversion is done before the filter). When the register is not used by the hardware, any value can be used for the bit fields. Shadow register, updated on VFP start period of primary LCD or VFP start period of the secondary LCD or VFP start period of the third LCD or EVSYNC or when DISPC_CONTROL2.GOWB is set to 1 by software and current WB frame is finished (no more data in the write-back pipeline). The synchronization event is defined based on the output using the pipeline: primary LCD, secondary LCD, third LCD, TV output or write-back to the memory			
Type	RW			
31 30 29 28 27 26 25 24	23 22 21 20 19 18 17 16	15 14 13 12 11 10 9 8	7 6 5 4 3 2 1 0	
FIRHC3	FIRHC2	FIRHC1	FIRHC0	
Bits	Field Name	Description	Type	Reset
31:24	FIRHC3	Signed coefficient C3 for the horizontal up/down-scaling with the phase n	RW	0x00
23:16	FIRHC2	Unsigned coefficient C2 for the horizontal up/down-scaling with the phase n	RW	0x00
15:8	FIRHC1	Signed coefficient C1 for the horizontal up/down-scaling with the phase n	RW	0x00
7:0	FIRHC0	Signed coefficient C0 for the horizontal up/down-scaling with the phase n	RW	0x00

Table 11-487. Register Call Summary for Register DISPC_VID1_FIR_COEF_H2_i

Display Controller

- [DISPC Shadow Registers: \[0\]](#)
- [DISPC Logical Register Mapping: \[1\]](#)
- [DISPC Register Summary: \[2\]](#)

Table 11-488. DISPC_VID1_FIR_COEF_HV2_i

Address Offset	0x0000 064C + (0x8 * i)	Index	i = 0 to 7
Physical Address	0x5800 164C + (0x8 * i)	Instance	DISPC
Description	The bank of registers configure the down/up/down-scaling coefficients for the vertical and horizontal resize of the video picture associated with the video window 1 for the phases from 0 to 7. It is used for Crb and Cr setting. It is used only when the pixel format at the input of the filter is one of the YUV formats. If the pixel format at the input of the filter is ARGB (all ARGB, RGB, RGBA are converted to ARGB32-8888 by the color space conversion before going to the filter is the color space conversion is done before the filter). When the register is not used by the hardware, any value can be used for the bit fields. Shadow register, updated on VFP start period of primary LCD or VFP start period of the secondary LCD or VFP start period of the third LCD or EVSYNC or when DISPC_CONTROL2.GOWB is set to 1 by software and current WB frame is finished (no more data in the write-back pipeline). The synchronization event is defined based on the output using the pipeline: primary LCD, secondary LCD, third LCD, TV output or write-back to the memory		
Type	RW		

31	30	29	28	27	26	25	24	23	22	21	20	19	18	17	16	15	14	13	12	11	10	9	8	7	6	5	4	3	2	1	0
FIRVC2								FIRVC1								FIRVC0								FIRHC4							

Bits	Field Name	Description	Type	Reset
31:24	FIRVC2	Signed coefficient C2 for the vertical up/down-scaling with the phase n	RW	0x00
23:16	FIRVC1	Unsigned coefficient C1 for the vertical up/down-scaling with the phase n	RW	0x00
15:8	FIRVC0	Signed coefficient C0 for the vertical up/down-scaling with the phase n	RW	0x00
7:0	FIRHC4	Signed coefficient C4 for the horizontal up/down-scaling with the phase n	RW	0x00

Table 11-489. Register Call Summary for Register DISPC_VID1_FIR_COEF_HV2_i

Display Controller

- [DISPC Shadow Registers: \[0\]](#)
- [DISPC Logical Register Mapping: \[1\]](#)
- [DISPC Register Summary: \[2\]](#)

Table 11-490. DISPC_VID1_FIR_COEF_V2_i

Address Offset	0x0000 0688 + (0x4 * i)	Index	i = 0 to 7
Physical Address	0x5800 1688 + (0x4 * i)	Instance	DISPC
Description	The bank of registers configure the down/up/down-scaling coefficients for the vertical resize of the video picture associated with the video window 1 for the phases from 0 to 7. It is used for Crb and Cr setting. It is used only when the pixel format at the input of the filter is one of the YUV formats. If the pixel format at the input of the filter is ARGB (all ARGB, RGB, RGBA are converted to ARGB32-8888 by the color space conversion before going to the filter is the color space conversion is done before the filter). When the register is not used by the hardware, any value can be used for the bit fields. Shadow register, updated on VFP start period of primary LCD or VFP start period of the secondary LCD or VFP start period of the third LCD or EVSYNC or when DISPC_CONTROL2.GOWB is set to 1 by software and current WB frame is finished (no more data in the write-back pipeline). The synchronization event is defined based on the output using the pipeline: primary LCD, secondary LCD, third LCD, TV output or write-back to the memory		
Type	RW		

31	30	29	28	27	26	25	24	23	22	21	20	19	18	17	16	15	14	13	12	11	10	9	8	7	6	5	4	3	2	1	0
RESERVED								FIRVC22								FIRVC00															

Bits	Field Name	Description	Type	Reset
31:16	RESERVED	Write 0s for future compatibility. Reads return 0.	R	0x0000
15:8	FIRVC22	Signed coefficient C22 for the vertical up/down-scaling with the phase n	RW	0x00
7:0	FIRVC00	Signed coefficient C00 for the vertical up/down-scaling with the phase n	RW	0x00

Table 11-491. Register Call Summary for Register DISPC_VID1_FIR_COEF_V2_i

Display Controller

- [DISPC Shadow Registers: \[0\]](#)
- [DISPC Logical Register Mapping: \[1\]](#)
- [DISPC Register Summary: \[2\]](#)

Table 11-492. DISPC_VID2_FIR2

Address Offset	0x0000 06A8	Instance	DISPC
Physical Address	0x5800 16A8		
Description	The register configures the resize factors for horizontal and vertical up/downsampling of the video window 2. It is used for Crb and Cr setting. It is used only when the pixel format at the input of the filter is one of the YUV formats. If the pixel format at the input of the filter is ARGB (all ARGB, RGB, RGBA are converted to ARGB32-8888 by the color space conversion before going to the filter is the color space conversion is done before the filter). When the register is not used by the hardware, any value can be used for the bit fields. Shadow register, updated on VFP start period of primary LCD or VFP start period of the secondary LCD or VFP start period of the third LCD or EVSYNC or when DISPC_CONTROL2.GOWB is set to 1 by software and current WB frame is finished (no more data in the write-back pipeline). The synchronization event is defined based on the output using the pipeline: primary LCD, secondary LCD, third LCD, TV output or write-back to the memory		
Type	RW		

31	30	29	28	27	26	25	24	23	22	21	20	19	18	17	16	15	14	13	12	11	10	9	8	7	6	5	4	3	2	1	0
RESERVED								FIRVINC								RESERVED								FIRHINC							

Bits	Field Name	Description	Type	Reset
31:29	RESERVED	Write 0s for future compatibility. Reads return 0.	R	0x0
28:16	FIRVINC	Vertical increment of the up/downsampling filter for Cb and Cr. Encoded value (from 1 to 4096). The value 0 is invalid. The values greater than 4096 are invalid.	RW	0x0400
15:13	RESERVED	Write 0s for future compatibility. Reads return 0.	R	0x0
12:0	FIRHINC	Horizontal increment of the up/downsampling filter for Cb and Cr. Encoded value (from 1 to 4096). The value 0 is invalid. The values greater than 4096 are invalid.	RW	0x0400

Table 11-493. Register Call Summary for Register DISPC_VID2_FIR2

Display Controller

- [DISPC Shadow Registers: \[0\]](#)
- [DISPC Register Summary: \[1\]](#)

Table 11-494. DISPC_VID2_ACCU2_j

Address Offset	0x0000 06AC + (0x4 * j)	Index	j = 0 to 1
Physical Address	0x5800 16AC + (0x4 * j)	Instance	DISPC
Description	The register configures the resize accumulator init values for horizontal and vertical up/downsampling of the video window 2 (DISPC_VID2_ACCU2_0 and DISPC_VID2_ACCU2_1 for ping-pong mechanism with external trigger, based on the field polarity). It is used for Cb and Cr setting. It is used only when the pixel format at the input of the filter is one of the YUV formats. If the pixel format at the input of the filter is ARGB (all ARGB, RGB, RGBA are converted to ARGB32-8888 by the color space conversion before going to the filter is the color space conversion is done before the filter). When the register is not used by the hardware, any value can be used for the bit fields. Shadow register, updated on VFP start period of primary LCD or VFP start period of the secondary LCD or VFP start period of the third LCD or EVSYNC or when DISPC_CONTROL2.GOWB is set to 1 by software and current WB frame is finished (no more data in the write-back pipeline). The synchronization event is defined based on the output using the pipeline: primary LCD, secondary LCD, third LCD, TV output or write-back to the memory		
Type	RW		

31	30	29	28	27	26	25	24	23	22	21	20	19	18	17	16	15	14	13	12	11	10	9	8	7	6	5	4	3	2	1	0
RESERVED								VERTICALACCU								RESERVED				HORIZONTALACCU											

Bits	Field Name	Description	Type	Reset
31:27	RESERVED	Write 0s for future compatibility. Reads return 0.	R	0x00
26:16	VERTICALACCU	Vertical initialization accu value Encoded value (from -1024 to 1023).	RW	0x000
15:11	RESERVED	Write 0s for future compatibility. Reads return 0.	R	0x00
10:0	HORIZONTALACCU	Horizontal initialization accu value Encoded value (from -1024 to 1023).	RW	0x000

Table 11-495. Register Call Summary for Register DISPC_VID2_ACCU2_j

Display Controller

- [DISPC Shadow Registers: \[0\]](#)
- [DISPC Register Summary: \[1\]](#)

Table 11-496. DISPC_VID2_FIR_COEF_H2_i

Address Offset	0x0000 06B4 + (0x8 * i)	Index	i = 0 to 7
Physical Address	0x5800 16B4 + (0x8 * i)	Instance	DISPC
Description	The bank of registers configure the up/down-scaling coefficients for the horizontal resize of the video picture associated with the video window 2 for the phases from 0 to 7. It is used for Crb and Cr setting. It is used only when the pixel format at the input of the filter is one of the YUV formats. If the pixel format at the input of the filter is ARGB (all ARGB, RGB, RGBA are converted to ARGB32-8888 by the color space conversion before going to the filter is the color space conversion is done before the filter). When the register is not used by the hardware, any value can be used for the bit fields. Shadow register, updated on VFP start period of primary LCD or VFP start period of the secondary LCD or VFP start period of the third LCD or EVSYNC or when DISPC_CONTROL2.GOWB is set to 1 by software and current WB frame is finished (no more data in the write-back pipeline). The synchronization event is defined based on the output using the pipeline: primary LCD, secondary LCD, third LCD, TV output or write-back to the memory		
Type	RW		

31	30	29	28	27	26	25	24	23	22	21	20	19	18	17	16	15	14	13	12	11	10	9	8	7	6	5	4	3	2	1	0
FIRHC3								FIRHC2								FIRHC1				FIRHC0											

Bits	Field Name	Description	Type	Reset
31:24	FIRHC3	Signed coefficient C3 for the horizontal up/down-scaling with the phase n	RW	0x00
23:16	FIRHC2	Unsigned coefficient C2 for the horizontal up/down-scaling with the phase n	RW	0x00

Bits	Field Name	Description	Type	Reset
15:8	FIRHC1	Signed coefficient C1 for the horizontal up/down-scaling with the phase n	RW	0x00
7:0	FIRHC0	Signed coefficient C0 for the horizontal up/down-scaling with the phase n	RW	0x00

Table 11-497. Register Call Summary for Register DISPC_VID2_FIR_COEF_H2_i

Display Controller

- [DISPC Shadow Registers: \[0\]](#)
- [DISPC Logical Register Mapping: \[1\]](#)
- [DISPC Register Summary: \[2\]](#)

Table 11-498. DISPC_VID2_FIR_COEF_HV2_i

Address Offset	0x0000 06B8 + (0x8 * i)	Index	i = 0 to 7
Physical Address	0x5800 16B8 + (0x8 * i)	Instance	DISPC
Description	The bank of registers configure the down/up/down-scaling coefficients for the vertical and horizontal resize of the video picture associated with the video window 2 for the phases from 0 to 7. It is used for Crb and Cr setting. It is used only when the pixel format at the input of the filter is one of the YUV formats. If the pixel format at the input of the filter is ARGB (all ARGB, RGB, RGBA are converted to ARGB32-8888 by the color space conversion before going to the filter is the color space conversion is done before the filter). When the register is not used by the hardware, any value can be used for the bit fields. Shadow register, updated on VFP start period of primary LCD or VFP start period of the secondary LCD or VFP start period of the third LCD or EVSYNC or when DISPC_CONTROL2.GOWB is set to 1 by software and current WB frame is finished (no more data in the write-back pipeline). The synchronization event is defined based on the output using the pipeline: primary LCD, secondary LCD, third LCD, TV output or write-back to the memory		
Type	RW		

31	30	29	28	27	26	25	24	23	22	21	20	19	18	17	16	15	14	13	12	11	10	9	8	7	6	5	4	3	2	1	0
FIRVC2								FIRVC1								FIRVC0								FIRHC4							

Bits	Field Name	Description	Type	Reset
31:24	FIRVC2	Signed coefficient C2 for the vertical up/down-scaling with the phase n	RW	0x00
23:16	FIRVC1	Unsigned coefficient C1 for the vertical up/down-scaling with the phase n	RW	0x00
15:8	FIRVC0	Signed coefficient C0 for the vertical up/down-scaling with the phase n	RW	0x00
7:0	FIRHC4	Signed coefficient C4 for the horizontal up/down-scaling with the phase n	RW	0x00

Table 11-499. Register Call Summary for Register DISPC_VID2_FIR_COEF_HV2_i

Display Controller

- [DISPC Shadow Registers: \[0\]](#)
- [DISPC Logical Register Mapping: \[1\]](#)
- [DISPC Register Summary: \[2\]](#)

Table 11-500. DISPC_VID2_FIR_COEF_V2_i

Address Offset	0x0000 06F4 + (0x4 * i)	Index	i = 0 to 7
Physical Address	0x5800 16F4 + (0x4 * i)	Instance	DISPC
Description	The bank of registers configure the down/up/down-scaling coefficients for the vertical resize of the video picture associated with the video window 2 for the phases from 0 to 7. It is used for Crb and Cr setting. It is used only when the pixel format at the input of the filter is one of the YUV formats. If the pixel format at the input of the filter is ARGB (all ARGB, RGB, RGBA are converted to ARGB32-8888 by the color space conversion before going to the filter is the color space conversion is done before the filter). When the register is not used by the hardware, any value can be used for the bit fields. Shadow register, updated on VFP start period of primary LCD or VFP start period of the secondary LCD or VFP start period of the third LCD or EVSYNC or when DISPC_CONTROL2.GOWB is set to 1 by software and current WB frame is finished (no more data in the write-back pipeline). The synchronization event is defined based on the output using the pipeline: primary LCD, secondary LCD, third LCD, TV output or write-back to the memory		
Type	RW		

31	30	29	28	27	26	25	24	23	22	21	20	19	18	17	16	15	14	13	12	11	10	9	8	7	6	5	4	3	2	1	0
RESERVED								FIRVC22								FIRVC00															

Bits	Field Name	Description	Type	Reset
31:16	RESERVED	Write 0s for future compatibility. Reads return 0.	R	0x0000
15:8	FIRVC22	Signed coefficient C22 for the vertical up/down-scaling with the phase n	RW	0x00
7:0	FIRVC00	Signed coefficient C00 for the vertical up/down-scaling with the phase n	RW	0x00

Table 11-501. Register Call Summary for Register DISPC_VID2_FIR_COEF_V2_i

Display Controller

- [DISPC Shadow Registers: \[0\]](#)
- [DISPC Logical Register Mapping: \[1\]](#)
- [DISPC Register Summary: \[2\]](#)

Table 11-502. DISPC_VID3_FIR2

Address Offset	0x0000 0724	Instance	DISPC
Physical Address	0x5800 1724		
Description	The register configures the resize factors for horizontal and vertical up/downsampling of the video window 3. It is used for Crb and Cr setting. It is used only when the pixel format at the input of the filter is one of the YUV formats. If the pixel format at the input of the filter is ARGB (all ARGB, RGB, RGBA are converted to ARGB32-8888 by the color space conversion before going to the filter is the color space conversion is done before the filter). When the register is not used by the hardware, any value can be used for the bit fields. Shadow register, updated on VFP start period of primary LCD or VFP start period of the secondary LCD or VFP start period of the third LCD or EVSYNC or when DISPC_CONTROL2.GOWB is set to 1 by software and current WB frame is finished (no more data in the write-back pipeline). The synchronization event is defined based on the output using the pipeline: primary LCD, secondary LCD, third LCD, TV output or write-back to the memory		
Type	RW		

31	30	29	28	27	26	25	24	23	22	21	20	19	18	17	16	15	14	13	12	11	10	9	8	7	6	5	4	3	2	1	0
RESERVED				FIRVINC												RESERVED				FIRHINC											

Bits	Field Name	Description	Type	Reset
31:29	RESERVED	Write 0s for future compatibility. Reads return 0.	R	0x0
28:16	FIRVINC	Vertical increment of the up/downsampling filter for Cb and Cr. Encoded value (from 1 to 4096). The value 0 is invalid. The values greater than 4096 are invalid.	RW	0x0400
15:13	RESERVED	Write 0s for future compatibility. Reads return 0.	R	0x0
12:0	FIRHINC	Horizontal increment of the up/downsampling filter for Cb and Cr. Encoded value (from 1 to 4096). The value 0 is invalid. The values greater than 4096 are invalid.	RW	0x0400

Table 11-503. Register Call Summary for Register DISPC_VID3_FIR2

Display Controller

- [DISPC Shadow Registers: \[0\]](#)
- [DISPC Register Summary: \[1\]](#)

Table 11-504. DISPC_VID3_ACCU2_j

Address Offset	0x0000 0728 + (0x4 * j)	Index	j = 0 to 1
Physical Address	0x5800 1728 + (0x4 * j)	Instance	DISPC
Description	The register configures the resize accumulator init values for horizontal and vertical up/downsampling of the video window 3 (DISPC_VID3_ACCU2_0 and DISPC_VID3_ACCU2_1 for ping-pong mechanism with external trigger, based on the field polarity). It is used for Cb and Cr setting. It is used only when the pixel format at the input of the filter is one of the YUV formats. If the pixel format at the input of the filter is ARGB (all ARGB, RGB, RGBA are converted to ARGB32-8888 by the color space conversion before going to the filter is the color space conversion is done before the filter). When the register is not used by the hardware, any value can be used for the bit fields. Shadow register, updated on VFP start period of primary LCD or VFP start period of the secondary LCD or VFP start period of the third LCD or EVSYNC or when DISPC_CONTROL2.GOWB is set to 1 by software and current WB frame is finished (no more data in the write-back pipeline). The synchronization event is defined based on the output using the pipeline: primary LCD, secondary LCD, third LCD, TV output or write-back to the memory		
Type	RW		

31	30	29	28	27	26	25	24	23	22	21	20	19	18	17	16	15	14	13	12	11	10	9	8	7	6	5	4	3	2	1	0
RESERVED								VERTICALACCU								RESERVED								HORIZONTALACCU							

Bits	Field Name	Description	Type	Reset
31:27	RESERVED	Write 0s for future compatibility. Reads return 0.	R	0x00
26:16	VERTICALACCU	Vertical initialization accu value Encoded value (from -1024 to 1023).	RW	0x000
15:11	RESERVED	Write 0s for future compatibility. Reads return 0.	R	0x00
10:0	HORIZONTALACCU	Horizontal initialization accu value Encoded value (from -1024 to 1023).	RW	0x000

Table 11-505. Register Call Summary for Register DISPC_VID3_ACCU2_j

Display Controller

- [DISPC Shadow Registers: \[0\]](#)
- [DISPC Register Summary: \[1\]](#)

Table 11-506. DISPC_VID3_FIR_COEF_H2_i

Address Offset	0x0000 0730 + (0x8 * i)	Index	i = 0 to 7
Physical Address	0x5800 1730 + (0x8 * i)	Instance	DISPC
Description	The bank of registers configure the up/down-scaling coefficients for the horizontal resize of the video picture associated with the video window 3 for the phases from 0 to 7. It is used for Crb and Cr setting. It is used only when the pixel format at the input of the filter is one of the YUV formats. If the pixel format at the input of the filter is ARGB (all ARGB, RGB, RGBA are converted to ARGB32-8888 by the color space conversion before going to the filter is the color space conversion is done before the filter). When the register is not used by the hardware, any value can be used for the bit fields. Shadow register, updated on VFP start period of primary LCD or VFP start period of the secondary LCD or VFP start period of the third LCD or EVSYNC or when DISPC_CONTROL2.GOWB is set to 1 by software and current WB frame is finished (no more data in the write-back pipeline). The synchronization event is defined based on the output using the pipeline: primary LCD, secondary LCD, third LCD, TV output or write-back to the memory		
Type	RW		

31	30	29	28	27	26	25	24	23	22	21	20	19	18	17	16	15	14	13	12	11	10	9	8	7	6	5	4	3	2	1	0
FIRHC3								FIRHC2								FIRHC1								FIRHC0							

Bits	Field Name	Description	Type	Reset
31:24	FIRHC3	Signed coefficient C3 for the horizontal up/down-scaling with the phase n	RW	0x00
23:16	FIRHC2	Unsigned coefficient C2 for the horizontal up/down-scaling with the phase n	RW	0x00
15:8	FIRHC1	Signed coefficient C1 for the horizontal up/down-scaling with the phase n	RW	0x00
7:0	FIRHC0	Signed coefficient C0 for the horizontal up/down-scaling with the phase n	RW	0x00

Table 11-507. Register Call Summary for Register DISPC_VID3_FIR_COEF_H2_i

Display Controller

- [DISPC Shadow Registers: \[0\]](#)
- [DISPC Logical Register Mapping: \[1\]](#)
- [DISPC Register Summary: \[2\]](#)

Table 11-508. DISPC_VID3_FIR_COEF_HV2_i

Address Offset	0x0000 0734 + (0x8 * i)	Index	i = 0 to 7
Physical Address	0x5800 1734 + (0x8 * i)	Instance	DISPC
Description	The bank of registers configure the down/up/down-scaling coefficients for the vertical and horizontal resize of the video picture associated with the video window 3 for the phases from 0 to 7. It is used for Crb and Cr setting. It is used only when the pixel format at the input of the filter is one of the YUV formats. If the pixel format at the input of the filter is ARGB (all ARGB, RGB, RGBA are converted to ARGB32-8888 by the color space conversion before going to the filter is the color space conversion is done before the filter). When the register is not used by the hardware, any value can be used for the bit fields. Shadow register, updated on VFP start period of primary LCD or VFP start period of the secondary LCD or VFP start period of the third LCD or EVSYNC or when DISPC_CONTROL2.GOWB is set to 1 by software and current WB frame is finished (no more data in the write-back pipeline). The synchronization event is defined based on the output using the pipeline: primary LCD, secondary LCD, third LCD, TV output or write-back to the memory		
Type	RW		

31	30	29	28	27	26	25	24	23	22	21	20	19	18	17	16	15	14	13	12	11	10	9	8	7	6	5	4	3	2	1	0
FIRVC2								FIRVC1								FIRVC0								FIRHC4							

Bits	Field Name	Description	Type	Reset
31:24	FIRVC2	Signed coefficient C2 for the vertical up/down-scaling with the phase n	RW	0x00
23:16	FIRVC1	Unsigned coefficient C1 for the vertical up/down-scaling with the phase n	RW	0x00
15:8	FIRVC0	Signed coefficient C0 for the vertical up/down-scaling with the phase n	RW	0x00
7:0	FIRHC4	Signed coefficient C4 for the horizontal up/down-scaling with the phase n	RW	0x00

Table 11-509. Register Call Summary for Register DISPC_VID3_FIR_COEF_HV2_i

Display Controller

- [DISPC Shadow Registers: \[0\]](#)
- [DISPC Logical Register Mapping: \[1\]](#)
- [DISPC Register Summary: \[2\]](#)

Table 11-510. DISPC_VID3_FIR_COEF_V2_i

Address Offset	0x0000 0770 + (0x4 * i)	Index	i = 0 to 7
Physical Address	0x5800 1770 + (0x4 * i)	Instance	DISPC
Description	The bank of registers configure the down/up/down-scaling coefficients for the vertical resize of the video picture associated with the video window 3 for the phases from 0 to 7. It is used for Crb and Cr setting. It is used only when the pixel format at the input of the filter is one of the YUV formats. If the pixel format at the input of the filter is ARGB (all ARGB, RGB, RGBA are converted to ARGB32-8888 by the color space conversion before going to the filter is the color space conversion is done before the filter). When the register is not used by the hardware, any value can be used for the bit fields. Shadow register, updated on VFP start period of primary LCD or VFP start period of the secondary LCD or VFP start period of the third LCD or EVSYNC or when DISPC_CONTROL2.GOWB is set to 1 by software and current WB frame is finished (no more data in the write-back pipeline). The synchronization event is defined based on the output using the pipeline: primary LCD, secondary LCD, third LCD, TV output or write-back to the memory		
Type	RW		

31	30	29	28	27	26	25	24	23	22	21	20	19	18	17	16	15	14	13	12	11	10	9	8	7	6	5	4	3	2	1	0
RESERVED								FIRVC22								FIRVC00															

Bits	Field Name	Description	Type	Reset
31:16	RESERVED	Write 0s for future compatibility. Reads return 0.	R	0x0000
15:8	FIRVC22	Signed coefficient C22 for the vertical up/down-scaling with the phase n	RW	0x00
7:0	FIRVC00	Signed coefficient C00 for the vertical up/down-scaling with the phase n	RW	0x00

Table 11-511. Register Call Summary for Register DISPC_VID3_FIR_COEF_V2_i

Display Controller

- [DISPC Shadow Registers: \[0\]](#)
- [DISPC Logical Register Mapping: \[1\]](#)
- [DISPC Register Summary: \[2\]](#)

Table 11-512. DISPC_WB_FIR2

Address Offset	0x0000 0790		
Physical Address	0x5800 1790	Instance	DISPC
Description	<p>The register configures the resize factors for horizontal and vertical up/downsampling of the write-back pipeline. It is used for Crb and Cr setting. It is used only when the pixel format at the input of the filter is one of the YUV formats. If the pixel format at the input of the filter is ARGB (all ARGB, RGB, RGBA are converted to ARGB32-8888 by the color space conversion before going to the filter is the color space conversion is done before the filter). When the register is not used by the hardware, any value can be used for the bit fields. Shadow register, updated when DISPC_CONTROL2.GOWB is set to 1 by software and current WB frame is finished (no more data in the write-back pipeline), when the WB pipeline is directly connected to one of the pipelines (graphics or video), combined with the synchronization event of the channel overlay output selected as an input to the WB pipeline (that is, VFP start period of primary LCD, or VFP start period of secondary LCD, or VFP start period of the third LCD, or EVSYNC), for all registers associated with the selected channel out and further delayed by the DISPC_WB_ATTRIBUTES2.WBDELAYCOUNT bit-field, for all registers of the Write back and DMA. In WB capture mode, both DISPC_CONTROL2.GOWB and DISPC_CONTROL#.GOLCD/TV corresponding to the selected output channel shall be set. It is not required to set the GOWB bit when WB memory-to-memory mode is used.</p>		
Type	RW		

31	30	29	28	27	26	25	24	23	22	21	20	19	18	17	16	15	14	13	12	11	10	9	8	7	6	5	4	3	2	1	0
RESERVED								FIRVINC								RESERVED								FIRHINC							

Bits	Field Name	Description	Type	Reset
31:29	RESERVED	Write 0s for future compatibility. Reads return 0.	R	0x0
28:16	FIRVINC	Vertical increment of the up/downsampling filter for Cb and Cr. Encoded value (from 1 to 4096). The value 0 is invalid. The values greater than 4096 are invalid.	RW	0x0400
15:13	RESERVED	Write 0s for future compatibility. Reads return 0.	R	0x0
12:0	FIRHINC	Horizontal increment of the up/downsampling filter for Cb and Cr. Encoded value (from 1 to 4096). The value 0 is invalid. The values greater than 4096 are invalid.	RW	0x0400

Table 11-513. Register Call Summary for Register DISPC_WB_FIR2

Display Controller

- [DISPC Shadow Registers: \[0\]](#)
- [DISPC Operational Modes Configuration: \[1\]\[2\]](#)
- [DISPC Register Summary: \[3\]](#)

Table 11-514. DISPC_WB_ACCU2_j

Address Offset	0x0000 0794 + (0x4 * j)	Index	j = 0 to 1
Physical Address	0x5800 1794 + (0x4 * j)	Instance	DISPC
Description	The register configures the resize accumulator init values for horizontal and vertical up/downsampling of the write back pipeline (DISPC_WB_ACCU2_0 and DISPC_WB_ACCU2_1 for ping-pong mechanism with external trigger, based on the field polarity). It is used for Cb and Cr setting. It is used only when the pixel format at the input of the filter is one of the YUV formats. If the pixel format at the input of the filter is ARGB (all ARGB, RGB, RGBA are converted to ARGB32-8888 by the color space conversion before going to the filter is the color space conversion is done before the filter). When the register is not used by the hardware, any value can be used for the bit fields. Shadow register, updated when DISPC_CONTROL2.GOWB is set to 1 by software and current WB frame is finished (no more data in the write-back pipeline), when the WB pipeline is directly connected to one of the pipelines (graphics or video), combined with the synchronization event of the channel overlay output selected as an input to the WB pipeline (that is, VFP start period of primary LCD, or VFP start period of secondary LCD, or VFP start period of the third LCD, or EVSYNC), for all registers associated with the selected channel out and further delayed by the DISPC_WB_ATTRIBUTES2.WBDELAYCOUNT bit-field, for all registers of the Write back and DMA. In WB capture mode, both DISPC_CONTROL2.GOWB and DISPC_CONTROL#.GOLCD/TV corresponding to the selected output channel shall be set. It is not required to set the GOWB bit when WB memory-to-memory mode is used.		
Type	RW		

31	30	29	28	27	26	25	24	23	22	21	20	19	18	17	16	15	14	13	12	11	10	9	8	7	6	5	4	3	2	1	0
RESERVED								VERTICALACCU								RESERVED				HORIZONTALACCU											

Bits	Field Name	Description	Type	Reset
31:27	RESERVED	Write 0s for future compatibility. Reads return 0.	R	0x00
26:16	VERTICALACCU	Vertical initialization accu value Encoded value (from -1024 to 1023).	RW	0x000
15:11	RESERVED	Write 0s for future compatibility. Reads return 0.	R	0x00
10:0	HORIZONTALACCU	Horizontal initialization accu value Encoded value (from -1024 to 1023).	RW	0x000

Table 11-515. Register Call Summary for Register DISPC_WB_ACCU2_j

Display Controller

- [DISPC Shadow Registers: \[0\]](#)
- [DISPC Operational Modes Configuration: \[1\]\[2\]](#)
- [DISPC Register Summary: \[3\]](#)

Table 11-516. DISPC_WB_FIR_COEF_H2_i

Address Offset	0x0000 07A0 + (0x8 * i)	Index	i = 0 to 7
Physical Address	0x5800 17A0 + (0x8 * i)	Instance	DISPC
Description	<p>The bank of registers configure the up/down-scaling coefficients for the horizontal resize of the video picture associated with the write back pipeline for the phases from 0 to 7. It is used for Crb and Cr setting. It is used only when the pixel format at the input of the filter is one of the YUV formats. If the pixel format at the input of the filter is ARGB (all ARGB, RGB, RGBA are converted to ARGB32-8888 by the color space conversion before going to the filter is the color space conversion is done before the filter). When the register is not used by the hardware, any value can be used for the bit fields. Shadow register, updated when DISPC_CONTROL2.GOWB is set to 1 by software and current WB frame is finished (no more data in the write-back pipeline), when the WB pipeline is directly connected to one of the pipelines (graphics or video), combined with the synchronization event of the channel overlay output selected as an input to the WB pipeline (that is, VFP start period of primary LCD, or VFP start period of secondary LCD, or VFP start period of the third LCD, or EVSYNC), for all registers associated with the selected channel out and further delayed by the DISPC_WB_ATTRIBUTES2.WBDELAYCOUNT bit-field, for all registers of the Write back and DMA. In WB capture mode, both DISPC_CONTROL2.GOWB and DISPC_CONTROL#.GOLCD/TV corresponding to the selected output channel shall be set. It is not required to set the GOWB bit when WB memory-to-memory mode is used.</p>		
Type	RW		

31	30	29	28	27	26	25	24	23	22	21	20	19	18	17	16	15	14	13	12	11	10	9	8	7	6	5	4	3	2	1	0
FIRHC3								FIRHC2								FIRHC1								FIRHC0							

Bits	Field Name	Description	Type	Reset
31:24	FIRHC3	Signed coefficient C3 for the horizontal up/down-scaling with the phase n	RW	0x00
23:16	FIRHC2	Unsigned coefficient C2 for the horizontal up/down-scaling with the phase n	RW	0x00
15:8	FIRHC1	Signed coefficient C1 for the horizontal up/down-scaling with the phase n	RW	0x00
7:0	FIRHC0	Signed coefficient C0 for the horizontal up/down-scaling with the phase n	RW	0x00

Table 11-517. Register Call Summary for Register DISPC_WB_FIR_COEF_H2_i

Display Controller

- [DISPC Write-Back Scaler Unit: \[0\]\[1\]\[2\]\[3\]\[4\]](#)
- [DISPC Shadow Registers: \[5\]](#)
- [DISPC Operational Modes Configuration: \[6\]](#)
- [DISPC Register Summary: \[7\]](#)

Table 11-518. DISPC_WB_FIR_COEF_HV2_i

Address Offset	0x0000 07A4 + (0x8 * i)	Index	i = 0 to 7
Physical Address	0x5800 17A4 + (0x8 * i)	Instance	DISPC
Description	<p>The bank of registers configure the down/up/down-scaling coefficients for the vertical and horizontal resize of the video picture associated with the write back pipeline for the phases from 0 to 7. It is used for Crb and Cr setting. It is used only when the pixel format at the input of the filter is one of the YUV formats. If the pixel format at the input of the filter is ARGB (all ARGB, RGB, RGBA are converted to ARGB32-8888 by the color space conversion before going to the filter is the color space conversion is done before the filter). When the register is not used by the hardware, any value can be used for the bit fields. Shadow register, updated when DISPC_CONTROL2.GOWB is set to 1 by software and current WB frame is finished (no more data in the write-back pipeline), when the WB pipeline is directly connected to one of the pipelines (graphics or video), combined with the synchronization event of the channel overlay output selected as an input to the WB pipeline (that is, VFP start period of primary LCD, or VFP start period of secondary LCD, or VFP start period of the third LCD, or EVSYNC), for all registers associated with the selected channel out and further delayed by the DISPC_WB_ATTRIBUTES2.WBDELAYCOUNT bit-field, for all registers of the Write back and DMA. In WB capture mode, both DISPC_CONTROL2.GOWB and DISPC_CONTROL#.GOLCD/TV corresponding to the selected output channel shall be set. It is not required to set the GOWB bit when WB memory-to-memory mode is used.</p>		
Type	RW		

31	30	29	28	27	26	25	24	23	22	21	20	19	18	17	16	15	14	13	12	11	10	9	8	7	6	5	4	3	2	1	0
FIRVC2								FIRVC1								FIRVC0								FIRHC4							

Bits	Field Name	Description	Type	Reset
31:24	FIRVC2	Signed coefficient C2 for the vertical up/down-scaling with the phase n	RW	0x00
23:16	FIRVC1	Unsigned coefficient C1 for the vertical up/down-scaling with the phase n	RW	0x00
15:8	FIRVC0	Signed coefficient C0 for the vertical up/down-scaling with the phase n	RW	0x00
7:0	FIRHC4	Signed coefficient C4 for the horizontal up/down-scaling with the phase n	RW	0x00

Table 11-519. Register Call Summary for Register DISPC_WB_FIR_COEF_HV2_i

Display Controller

- [DISPC Write-Back Scaler Unit: \[0\]\[1\]\[2\]\[3\]\[4\]\[5\]](#)
- [DISPC Shadow Registers: \[6\]](#)
- [DISPC Operational Modes Configuration: \[7\]\[8\]](#)
- [DISPC Register Summary: \[9\]](#)

Table 11-520. DISPC_WB_FIR_COEF_V2_i

Address Offset	0x0000 07E0 + (0x4 * i)	Index	i = 0 to 7
Physical Address	0x5800 17E0 + (0x4 * i)	Instance	DISPC
Description	The bank of registers configure the down/up/down-scaling coefficients for the vertical resize of the video picture associated with the write back pipeline for the phases from 0 to 7. It is used for Crb and Cr setting. It is used only when the pixel format at the input of the filter is one of the YUV formats. If the pixel format at the input of the filter is ARGB (all ARGB, RGB, RGBA are converted to ARGB32-8888 by the color space conversion before going to the filter is the color space conversion is done before the filter). When the register is not used by the hardware, any value can be used for the bit fields. Shadow register, updated when DISPC_CONTROL2.GOWB is set to 1 by software and current WB frame is finished (no more data in the write-back pipeline), when the WB pipeline is directly connected to one of the pipelines (graphics or video), combined with the synchronization event of the channel overlay output selected as an input to the WB pipeline (that is, VFP start period of primary LCD, or VFP start period of secondary LCD, or VFP start period of the third LCD, or EVSYNC), for all registers associated with the selected channel out and further delayed by the DISPC_WB_ATTRIBUTES2.WBDELAYCOUNT bit-field, for all registers of the Write back and DMA. In WB capture mode, both DISPC_CONTROL2.GOWB and DISPC_CONTROL#.GOLCD/TV corresponding to the selected output channel shall be set. It is not required to set the GOWB bit when WB memory-to-memory mode is used.		
Type	RW		

31	30	29	28	27	26	25	24	23	22	21	20	19	18	17	16	15	14	13	12	11	10	9	8	7	6	5	4	3	2	1	0
RESERVED								FIRVC22								FIRVC00															

Bits	Field Name	Description	Type	Reset
31:16	RESERVED	Write 0s for future compatibility. Reads return 0.	R	0x0000
15:8	FIRVC22	Signed coefficient C22 for the vertical up/down-scaling with the phase n	RW	0x00
7:0	FIRVC00	Signed coefficient C00 for the vertical up/down-scaling with the phase n	RW	0x00

Table 11-521. Register Call Summary for Register DISPC_WB_FIR_COEF_V2_i

Display Controller

- [DISPC Write-Back Scaler Unit: \[0\]\[1\]\[2\]](#)
- [DISPC Shadow Registers: \[3\]](#)
- [DISPC Operational Modes Configuration: \[4\]](#)
- [DISPC Register Summary: \[5\]](#)

Table 11-522. DISPC_GLOBAL_BUFFER

Address Offset	0x0000 0800	Instance	DISPC
Physical Address	0x5800 1800		
Description	The register configures the DMA buffers allocations to the pipeline (graphics, video1, video2, video3 and write-back). Both TOP and BOTTOM must be allocated to the same pipeline.		
Type	RW		

31	30	29	28	27	26	25	24	23	22	21	20	19	18	17	16	15	14	13	12	11	10	9	8	7	6	5	4	3	2	1	0																
RESERVED								WB_BUFFER								VID3_BUFFER								VID2_BUFFER								VID1_BUFFER								GFX_BUFFER							

Bits	Field Name	Description	Type	Reset
31:30	RESERVED	Write 0's for future compatibility. Reads return 0	R	0x0
29:24	WB_BUFFER	Write-back DMA buffer allocation to one of the pipelines. By default to write-back pipeline. 0x24: DMA buffer allocated to the write-back pipeline. 0x0: DMA buffer allocated to the graphics pipeline. 0x9: DMA buffer allocated to the video1 pipeline. 0x12: DMA buffer allocated to the video2 pipeline. 0x1B: DMA buffer allocated to the video3 pipeline.	RW	0x24
23:18	VID3_BUFFER	Video3 DMA buffer allocation to one of the pipelines. By default to video3 pipeline. 0x24: DMA buffer allocated to the write-back pipeline. 0x0: DMA buffer allocated to the graphics pipeline. 0x9: DMA buffer allocated to the video1 pipeline. 0x12: DMA buffer allocated to the video2 pipeline. 0x1B: DMA buffer allocated to the video3 pipeline.	RW	0x1B
17:12	VID2_BUFFER	Video2 DMA buffer allocation to one of the pipelines. By default to video2 pipeline. 0x24: DMA buffer allocated to the write-back pipeline. 0x0: DMA buffer allocated to the graphics pipeline. 0x9: DMA buffer allocated to the video1 pipeline. 0x12: DMA buffer allocated to the video2 pipeline. 0x1B: DMA buffer allocated to the video3 pipeline.	RW	0x12
11:6	VID1_BUFFER	Video1 DMA buffer allocation to one of the pipelines. By default to video 1 pipeline. 0x24: DMA buffer allocated to the write-back pipeline. 0x0: DMA buffer allocated to the graphics pipeline. 0x9: DMA buffer allocated to the video1 pipeline. 0x12: DMA buffer allocated to the video2 pipeline. 0x1B: DMA buffer allocated to the video3 pipeline.	RW	0x09
5:0	GFX_BUFFER	Graphics DMA buffer allocation to one of the pipelines. By default to graphics pipeline. 0x24: DMA buffer allocated to the write-back pipeline. 0x0: DMA buffer allocated to the graphics pipeline. 0x9: DMA buffer allocated to the video1 pipeline. 0x12: DMA buffer allocated to the video2 pipeline. 0x1B: DMA buffer allocated to the video3 pipeline.	RW	0x00

Table 11-523. Register Call Summary for Register DISPC_GLOBAL_BUFFER

Display Controller

- [DISPC DMA Engine: \[0\]](#)
- [DISPC Shadow Registers: \[1\]](#)
- [DISPC Register Summary: \[2\]](#)
- [DISPC Register Description: \[3\]](#)

Table 11-524. DISPC_DIVISOR

Address Offset	0x0000 0804	Instance	DISPC
Physical Address	0x5800 1804		
Description	The register configures the divisor value for generating the core functional clock. There is a backward compatibility mode enabled by default in order to use DISPC_DIVISOR1.LCD value instead of DISPC_DIVISOR.LCD bit field for generating the core functional clock.		
Type	RW		

31	30	29	28	27	26	25	24	23	22	21	20	19	18	17	16	15	14	13	12	11	10	9	8	7	6	5	4	3	2	1	0
RESERVED								LCD								RESERVED								ENABLE							

Bits	Field Name	Description	Type	Reset
31:24	RESERVED	Write 0s for future compatibility. Reads return 0.	R	0x00
23:16	LCD	Display Controller Logic Clock Divisor Value (from 1 to 255) to specify the frequency of the Display Controller logic clock based on the function clock. The value 0 is invalid.	RW	0x4
15:1	RESERVED	Write 0s for future compatibility. Reads return 0.	R	0x0000
0	ENABLE	When the bit field is set to 1, the bit field LCD is used to generated the core functional clock from the input clock. When the bit field is set to 0, the value DISPC_DIVISOR1.LCD is used instead. 0x0: DISPC_DIVISOR1.LCD bit field is used 0x1: DISPC_DIVISOR.LCD bit field is used	RW	0

Table 11-525. Register Call Summary for Register DISPC_DIVISOR

Display Controller

- [DISPC Clock Configuration: \[0\]](#)
- [DISPC Timing Generator and Panel Settings: \[1\]\[2\]](#)
- [DISPC Shadow Registers: \[3\]](#)
- [DISPC Register Summary: \[4\]](#)
- [DISPC Register Description: \[5\]\[6\]](#)

Table 11-526. DISPC_WB_ATTRIBUTES2

Address Offset	0x0000 0810		
Physical Address	0x5800 1810	Instance	DISPC
Description	<p>The register set the counter to control the delay to flush the WB pipe after the end of the frame in capture mode.</p> <p>Shadow register, updated when DISPC_CONTROL2.GOWB is set to 1 by software and current WB frame is finished (no more data in the write-back pipeline), when the WB pipeline is directly connected to one of the pipelines (graphics or video), combined with the synchronization event of the channel overlay output selected as an input to the WB pipeline (that is, VFP start period of primary LCD, or VFP start period of secondary LCD, or VFP start period of the third LCD, or EVSYNC), for all registers associated with the selected channel out and further delayed by the DISPC_WB_ATTRIBUTES2.WBDELAYCOUNT bit-field, for all registers of the Write back and DMA. In WB capture mode, both DISPC_CONTROL2.GOWB and DISPC_CONTROL#.GOLCD/TV corresponding to the selected output channel shall be set. It is not required to set the GOWB bit when WB memory-to-memory mode is used.</p>		
Type	RW		

31	30	29	28	27	26	25	24	23	22	21	20	19	18	17	16	15	14	13	12	11	10	9	8	7	6	5	4	3	2	1	0
RESERVED																WBDELAYCOUNT															

Bits	Field Name	Description	Type	Reset
31:8	RESERVED		R	0x000000
7:0	WBDELAYCOUNT	<p>Delays the WB pipe flush after the end of the frame.</p> <p>Delay = n (number of lines), where n = 0:255.</p> <p>If n = 0, the WB is re-initialized just at the end of the last line of a frame at the beginning of the VFP signal.</p> <p>If n = 1:255, the write buffers DMA are flushed n lines later.</p>	RW	0x00

Table 11-527. Register Call Summary for Register DISPC_WB_ATTRIBUTES2

Display Controller

- [DISPC DMA Buffers: \[0\]\[1\]\[2\]\[3\]](#)
- [DISPC Shadow Registers: \[4\]\[5\]\[6\]\[7\]\[8\]\[9\]](#)
- [DISPC Register Summary: \[10\]](#)
- [DISPC Register Description: \[11\]\[12\]\[13\]\[14\]\[15\]\[16\]\[17\]\[18\]\[19\]\[20\]\[21\]\[22\]\[23\]\[24\]\[25\]\[26\]\[27\]\[28\]\[29\]\[30\]\[31\]\[32\]\[33\]\[34\]\[35\]](#)

Table 11-528. DISPC_DEFAULT_COLOR3

Address Offset	0x0000 0814		
Physical Address	0x5800 1814	Instance	DISPC
Description	<p>The control register allows to configure the default solid background color for the third LCD.</p> <p>Shadow register, updated on VFP start period of third LCD</p>		
Type	RW		

31	30	29	28	27	26	25	24	23	22	21	20	19	18	17	16	15	14	13	12	11	10	9	8	7	6	5	4	3	2	1	0
RESERVED								DEFAULTCOLOR																							

Bits	Field Name	Description	Type	Reset
31:24	RESERVED	Write 0s for future compatibility. Reads return 0.	R	0x00
23:0	DEFAULTCOLOR	24-bit RGB color value to specify the default solid color to display when there is no data from the overlays	RW	0x00 0000

Table 11-529. Register Call Summary for Register DISPC_DEFAULT_COLOR3

Display Controller

- [DISPC Shadow Registers: \[0\]](#)
- [DISPC Logical Register Mapping: \[1\]\[2\]](#)
- [DISPC Register Summary: \[3\]](#)

Table 11-530. DISPC_TRANS_COLOR3

Address Offset	0x0000 0818	
Physical Address	0x5800 1818	Instance DISPC
Description	The register sets the transparency color value for the video/graphics overlays for the third LCD output. Shadow register, updated on VFP start period of the third LCD	
Type	RW	

31	30	29	28	27	26	25	24	23	22	21	20	19	18	17	16	15	14	13	12	11	10	9	8	7	6	5	4	3	2	1	0
RESERVED								TRANSCOLORKEY																							

Bits	Field Name	Description	Type	Reset
31:24	RESERVED	Write 0s for future compatibility. Reads return 0.	R	0x00
23:0	TRANSCOLORKEY	Transparency color key value in RGB format [0] BITMAP 1 (CLUT), [23,1] set to 0s [1:0] BITMAP 2 (CLUT), [23,2] set to 0s [3:0] BITMAP 4 (CLUT), [23,4] set to 0s [7:0] BITMAP 8 (CLUT), [23,8] set to 0s [11:0] RGB 12, [23,12] set to 0s [15:0] RGB 16, [23,16] set to 0s [23:0] RGB 24 NOTE: CLUT and BITMAP formats are not supported in this family of devices.	RW	0x00 0000

Table 11-531. Register Call Summary for Register DISPC_TRANS_COLOR3

Display Controller

- [DISPC Overlay Manager: \[0\]](#)
- [DISPC Shadow Registers: \[1\]](#)
- [DISPC Register Summary: \[2\]](#)

Table 11-532. DISPC_CPR3_COEF_B

Address Offset	0x0000 081C	
Physical Address	0x5800 181C	Instance DISPC
Description	The register configures the color phase rotation matrix coefficients for the blue component. It is used for the secondary LCD output. Shadow register, updated on VFP start period of third LCD	
Type	RW	

31	30	29	28	27	26	25	24	23	22	21	20	19	18	17	16	15	14	13	12	11	10	9	8	7	6	5	4	3	2	1	0
BR								RESERVED	BG						RESERVED	BB															

Bits	Field Name	Description	Type	Reset
31:22	BR	BR coefficient Encoded signed value (from –512 to 511)	RW	0x000
21	RESERVED	Write 0s for future compatibility. Reads return 0.	R	0
20:11	BG	BG coefficient Encoded signed value (from –512 to 511)	RW	0x000
10	RESERVED	Write 0s for future compatibility. Reads return 0.	R	0
9:0	BB	BB coefficient Encoded signed value (from –512 to 511)	RW	0x000

Table 11-533. Register Call Summary for Register DISPC_CPR3_COEF_B

Display Controller

- [DISPC Shadow Registers: \[0\]](#)
- [DISPC Logical Register Mapping: \[1\]](#)
- [DISPC Register Summary: \[2\]](#)

Table 11-534. DISPC_CPR3_COEF_G

Address Offset	0x0000 0820	Instance	DISPC
Physical Address	0x5800 1820		
Description	The register configures the color phase rotation matrix coefficients for the green component. It is used for the secondary LCD output. Shadow register, updated on VFP start period of third LCD		
Type	RW		

31	30	29	28	27	26	25	24	23	22	21	20	19	18	17	16	15	14	13	12	11	10	9	8	7	6	5	4	3	2	1	0
GR								RESERVED	GG								RESERVED	GB													

Bits	Field Name	Description	Type	Reset
31:22	GR	GRcoefficient Encoded signed value (from –512 to 511)	RW	0x000
21	RESERVED	Write 0s for future compatibility. Reads return 0.	R	0
20:11	GG	GG coefficient Encoded signed value (from –512 to 511)	RW	0x000
10	RESERVED	Write 0s for future compatibility. Reads return 0.	R	0
9:0	GB	GB coefficient Encoded signed value (from –512 to 511)	RW	0x000

Table 11-535. Register Call Summary for Register DISPC_CPR3_COEF_G

Display Controller

- [DISPC Shadow Registers: \[0\]](#)
- [DISPC Logical Register Mapping: \[1\]](#)
- [DISPC Register Summary: \[2\]](#)

Table 11-536. DISPC_CPR3_COEF_R

Address Offset	0x0000 0824	Instance	DISPC
Physical Address	0x5800 1824		
Description	The register configures the color phase rotation matrix coefficients for the red component. Shadow register, updated on VFP start period of third LCD		
Type	RW		

31	30	29	28	27	26	25	24	23	22	21	20	19	18	17	16	15	14	13	12	11	10	9	8	7	6	5	4	3	2	1	0
RR								RESERVED	RG								RESERVED	RB													

Bits	Field Name	Description	Type	Reset
31:22	RR	RR coefficient Encoded signed value (from –512 to 511)	RW	0x000
21	RESERVED	Write 0s for future compatibility. Reads return 0.	R	0
20:11	RG	RG coefficient Encoded signed value (from –512 to 511)	RW	0x000
10	RESERVED	Write 0s for future compatibility. Reads return 0.	R	0
9:0	RB	RB coefficient Encoded signed value (from –512 to 511)	RW	0x000

Table 11-537. Register Call Summary for Register DISPC_CPR3_COEF_R

Display Controller

- [DISPC Shadow Registers: \[0\]](#)
- [DISPC Logical Register Mapping: \[1\]](#)
- [DISPC Register Summary: \[2\]](#)

Table 11-538. DISPC_DATA3_CYCLE1

Address Offset	0x0000 0828	Instance	DISPC
Physical Address	0x5800 1828		
Description	The control register configures the output data format for the first cycle. Shadow register, updated on VFP start period of third LCD		
Type	RW		

31	30	29	28	27	26	25	24	23	22	21	20	19	18	17	16	15	14	13	12	11	10	9	8	7	6	5	4	3	2	1	0
RESERVED				BITALIGNMENTPIXEL2				RESERVED	NBBITSPIXEL2				RESERVED	BITALIGNMENTPIXEL1				RESERVED	NBBITSPIXEL1												

Bits	Field Name	Description	Type	Reset
31:28	RESERVED	Write 0s for future compatibility. Reads return 0.	R	0x0
27:24	BITALIGNMENTPIXEL2	Bit alignment Alignment of the bits from pixel 2 on the output interface	RW	0x0

Bits	Field Name	Description	Type	Reset
23:21	RESERVED	Write 0s for future compatibility. Reads return 0.	R	0x0
20:16	NBBITSPIXEL2	Number of bits Number of bits from the pixel 2 (value from 0 to 16 bits). The values from 17 to 31 are invalid.	RW	0x00
15:12	RESERVED	Write 0s for future compatibility. Reads return 0.	R	0x0
11:8	BITALIGNMENTPIXEL1	Bit alignment Alignment of the bits from pixel 1 on the output interface	RW	0x0
7:5	RESERVED	Write 0s for future compatibility. Reads return 0.	R	0x0
4:0	NBBITSPIXEL1	Number of bits Number of bits from the pixel 1 (value from 0 to 16 bits). The values from 17 to 31 are invalid.	RW	0x00

Table 11-539. Register Call Summary for Register DISPC_DATA3_CYCLE1

Display Controller

- [DISPC Shadow Registers: \[0\]](#)
- [DISPC Logical Register Mapping: \[1\]](#)
- [DISPC Register Summary: \[2\]](#)

Table 11-540. DISPC_DATA3_CYCLE2

Address Offset	0x0000 082C	Instance	DISPC
Physical Address	0x5800 182C		
Description	The control register configures the output data format for the second cycle. Shadow register, updated on VFP start period of third LCD		
Type	RW		

31	30	29	28	27	26	25	24	23	22	21	20	19	18	17	16	15	14	13	12	11	10	9	8	7	6	5	4	3	2	1	0																																
RESERVED								BITALIGNMENTPIXEL2								RESERVED								NBBITSPIXEL2								RESERVED								BITALIGNMENTPIXEL1								RESERVED								NBBITSPIXEL1							

Bits	Field Name	Description	Type	Reset
31:28	RESERVED	Write 0s for future compatibility. Reads return 0.	R	0x0
27:24	BITALIGNMENTPIXEL2	Bit alignment Alignment of the bits from pixel 2 on the output interface	RW	0x0
23:21	RESERVED	Write 0s for future compatibility. Reads return 0.	R	0x0
20:16	NBBITSPIXEL2	Number of bits Number of bits from the pixel 2 (value from 0 to 16 bits). The values from 17 to 31 are invalid.	RW	0x00
15:12	RESERVED	Write 0s for future compatibility. Reads return 0.	R	0x0
11:8	BITALIGNMENTPIXEL1	Bit alignment Alignment of the bits from pixel 1 on the output interface	RW	0x0
7:5	RESERVED	Write 0s for future compatibility. Reads return 0.	R	0x0

Bits	Field Name	Description	Type	Reset
4:0	NBBITSPIXEL1	Number of bits Number of bits from the pixel 1 (value from 0 to 16 bits). The values from 17 to 31 are invalid.	RW	0x00

Table 11-541. Register Call Summary for Register DISPC_DATA3_CYCLE2

Display Controller

- [DISPC Shadow Registers: \[0\]](#)
- [DISPC Logical Register Mapping: \[1\]](#)
- [DISPC Register Summary: \[2\]](#)

Table 11-542. DISPC_DATA3_CYCLE3

Address Offset	0x0000 0830	Instance	DISPC
Physical Address	0x5800 1830		
Description	The control register configures the output data format for the third cycle. Shadow register, updated on VFP start period of third LCD		
Type	RW		

31	30	29	28	27	26	25	24	23	22	21	20	19	18	17	16	15	14	13	12	11	10	9	8	7	6	5	4	3	2	1	0
RESERVED				BITALIGNMENTPIXEL2				RESERVED				NBBITSPIXEL2				RESERVED				BITALIGNMENTPIXEL1				RESERVED				NBBITSPIXEL1			

Bits	Field Name	Description	Type	Reset
31:28	RESERVED	Write 0s for future compatibility. Reads return 0.	R	0x0
27:24	BITALIGNMENTPIXEL2	Bit alignment Alignment of the bits from pixel 2 on the output interface	RW	0x0
23:21	RESERVED	Write 0s for future compatibility. Reads return 0.	R	0x0
20:16	NBBITSPIXEL2	Number of bits Number of bits from the pixel 2 (value from 0 to 16 bits). The values from 17 to 31 are invalid.	RW	0x00
15:12	RESERVED	Write 0s for future compatibility. Reads return 0.	R	0x0
11:8	BITALIGNMENTPIXEL1	Bit alignment Alignment of the bits from pixel 1 on the output interface	RW	0x0
7:5	RESERVED	Write 0s for future compatibility. Reads return 0.	R	0x0
4:0	NBBITSPIXEL1	Number of bits Number of bits from the pixel 1 (value from 0 to 16 bits). The values from 17 to 31 are invalid.	RW	0x00

Table 11-543. Register Call Summary for Register DISPC_DATA3_CYCLE3

Display Controller

- [DISPC Shadow Registers: \[0\]](#)
- [DISPC Logical Register Mapping: \[1\]](#)
- [DISPC Register Summary: \[2\]](#)

Table 11-544. DISPC_SIZE_LCD3

Address Offset	0x0000 0834	Instance	DISPC
Physical Address	0x5800 1834		
Description	The register configures the panel size (horizontal and vertical). It is used for the third LCD output. Shadow register, updated on VFP start period of the third LCD. A delta value is used to indicate if the odd field is the same vertical size as the even field or \pm one line.		
Type	RW		

31	30	29	28	27	26	25	24	23	22	21	20	19	18	17	16	15	14	13	12	11	10	9	8	7	6	5	4	3	2	1	0
RESERVED				LPP								DELTA_LPP	RESERVED	PPL																	

Bits	Field Name	Description	Type	Reset
31:28	RESERVED		R	0x0
27:16	LPP	Lines per panel Encoded value (from 1 to 4096) to specify the number of lines per panel (program to value minus 1).	RW	0x000
15:14	DELTA_LPP	Indicates the delta size value of the odd field compared to the even field 0x0: Same size 0x1: Odd size = even size +1 0x2: Odd size = even size -1	RW	0x0
13:12	RESERVED		R	0x0
11:0	PPL	Pixels per line Encoded value (from 1 to 4096) to specify the number of pixels contained within each line on the display (program to value minus 1). In STALL mode, any value is valid. In non-STALL mode, only values of multiples of 8 pixels are valid.	RW	0x000

Table 11-545. Register Call Summary for Register DISPC_SIZE_LCD3

Display Controller

- [DISPC Shadow Registers: \[0\]](#)
- [DISPC Logical Register Mapping: \[1\]\[2\]](#)
- [DISPC Register Summary: \[3\]](#)

Table 11-546. DISPC_DIVISOR3

Address Offset	0x0000 0838	Instance	DISPC
Physical Address	0x5800 1838		
Description	The register configures the divisors. It is used for the third LCD output. Shadow register, updated on VFP start period of the third LCD		
Type	RW		

31	30	29	28	27	26	25	24	23	22	21	20	19	18	17	16	15	14	13	12	11	10	9	8	7	6	5	4	3	2	1	0
RESERVED				LCD								RESERVED				PCD															

Bits	Field Name	Description	Type	Reset
31:24	RESERVED	Write 0s for future compatibility. Reads return 0.	R	0x00
23:16	LCD	Display controller logic clock divisor Value (from 1 to 255) to specify the intermediate pixel clock frequency based on LCD2_CLK. The value 0 is invalid.	RW	0x04
15:8	RESERVED	Write 0s for future compatibility. Reads return 0.	R	0x00
7:0	PCD	Pixel clock divisor Value (from 1 to 255) to specify the frequency of the pixel clock based on LCD2_CLK divided by the value of DISPC_DIVISOR2.LCD . The value 0 is invalid.	RW	0x01

Table 11-547. Register Call Summary for Register DISPC_DIVISOR3

Display Controller

- [DISPC Shadow Registers: \[0\]](#)
- [DISPC Logical Register Mapping: \[1\]](#)
- [DISPC Register Summary: \[2\]](#)

Table 11-548. DISPC_POL_FREQ3

Address Offset	0x0000 083C	Instance	DISPC
Physical Address	0x5800 183C		
Description	The register configures the signal configuration. It is used for the third LCD output. Shadow register, updated on VFP start period of the third LCD		
Type	RW		

31	30	29	28	27	26	25	24	23	22	21	20	19	18	17	16	15	14	13	12	11	10	9	8	7	6	5	4	3	2	1	0
RESERVED													ALIGN	ONOFF	RF	IEO	IPC	IHS	IVS	ACBI					ACB						

Bits	Field Name	Description	Type	Reset
31:19	RESERVED	Write 0s for future compatibility. Reads return 0.	R	0x0000
18	ALIGN	Defines the alignment between HSYNC and VSYNC assertion 0x0: VSYNC and HSYNC are not aligned. 0x1: VSYNC and HSYNC assertions are aligned.	RW	0
17	ONOFF	HSYNC/VSYNC pixel clock control on/off 0x0: HSYNC and VSYNC are driven on opposite edges of the pixel clock than pixel data. 0x1: HSYNC and VSYNC are driven according to bit 16. Note: Control module register CTRL_CORE_SMA_SW_1[24] DSS_CH2_ON_OFF must be set to match	RW	0
16	RF	Program HSYNC/VSYNC rise or fall 0x0: HSYNC and VSYNC are driven on the falling edge of the pixel clock (if bit 17 is set to 1). 0x1: HSYNC and VSYNC are driven on the rising edge of the pixel clock (if bit 17 is set to 1). Note: Control module register CTRL_CORE_SMA_SW_1[18] DSS_CH2_RF must be set to match	RW	0

Bits	Field Name	Description	Type	Reset
15	IEO	Invert output enable 0x0: Ac-bias is active high (active display mode). 0x1: Ac-bias is active low (active display mode).	RW	0
14	IPC	Invert pixel clock 0x0: Data is driven on the LCD data lines on the rising edge of the pixel clock. 0x1: Data is driven on the LCD data lines on the falling edge of the pixel clock. Note: Control module register CTRL_CORE_SMA_SW_1[21] DSS_CH2_IPC must be set to match	RW	0
13	IHS	Invert HSYNC 0x0: Line clock pin is active high and inactive low. 0x1: Line clock pin is active low and inactive high.	RW	0
12	IVS	Invert VSYNC 0x0: Frame clock pin is active high and inactive low. 0x1: Frame clock pin is active low and inactive high.	RW	0
11:8	ACBI	AC bias pin transitions per interrupt Value (from 0 to 15) used to specify the number of AC bias pin transitions	RW	0x0
7:0	ACB	AC bias pin frequency Value (from 0 to 255) used to specify the number of line clocks to count before transitioning the AC bias pin. This pin is used to periodically invert the polarity of the power supply to prevent DC charge buildup within the display.	RW	0x00

Table 11-549. Register Call Summary for Register DISPC_POL_FREQ3

Display Controller

- [DISPC Shadow Registers: \[0\]](#)
- [DISPC Logical Register Mapping: \[1\]](#)
- [DISPC Register Summary: \[2\]](#)

Table 11-550. DISPC_TIMING_H3

Address Offset	0x0000 0840																																																									
Physical Address	0x5800 1840	Instance DISPC																																																								
Description	The register configures the timing logic for the HSYNC signal. It is used for the third LCD output. Shadow register, updated on VFP start period of the third LCD																																																									
Type	RW																																																									
<table border="1" style="width:100%; border-collapse: collapse;"> <tr> <td style="text-align: center;">31</td><td style="text-align: center;">30</td><td style="text-align: center;">29</td><td style="text-align: center;">28</td><td style="text-align: center;">27</td><td style="text-align: center;">26</td><td style="text-align: center;">25</td><td style="text-align: center;">24</td> <td style="text-align: center;">23</td><td style="text-align: center;">22</td><td style="text-align: center;">21</td><td style="text-align: center;">20</td><td style="text-align: center;">19</td><td style="text-align: center;">18</td><td style="text-align: center;">17</td><td style="text-align: center;">16</td> <td style="text-align: center;">15</td><td style="text-align: center;">14</td><td style="text-align: center;">13</td><td style="text-align: center;">12</td><td style="text-align: center;">11</td><td style="text-align: center;">10</td><td style="text-align: center;">9</td><td style="text-align: center;">8</td> <td style="text-align: center;">7</td><td style="text-align: center;">6</td><td style="text-align: center;">5</td><td style="text-align: center;">4</td><td style="text-align: center;">3</td><td style="text-align: center;">2</td><td style="text-align: center;">1</td><td style="text-align: center;">0</td> </tr> <tr> <td colspan="8" style="text-align: center;">HBP</td> <td colspan="8" style="text-align: center;">HFP</td> <td colspan="8" style="text-align: center;">HSW</td> </tr> </table>			31	30	29	28	27	26	25	24	23	22	21	20	19	18	17	16	15	14	13	12	11	10	9	8	7	6	5	4	3	2	1	0	HBP								HFP								HSW							
31	30	29	28	27	26	25	24	23	22	21	20	19	18	17	16	15	14	13	12	11	10	9	8	7	6	5	4	3	2	1	0																											
HBP								HFP								HSW																																										
Bits	Field Name	Description	Type	Reset																																																						
31:20	HBP	Horizontal back porch. Encoded value (from 1 to 4096) to specify the number of pixel clock periods to add to the beginning of a line transmission before the first set of pixels is output to the display (program to value minus 1).	RW	0x000																																																						
19:8	HFP	Horizontal front porch. Encoded value (from 1 to 4096) to specify the number of pixel clock periods to add to the end of a line transmission before the line clock is asserted (program to value minus 1).	RW	0x000																																																						

Bits	Field Name	Description	Type	Reset
7:0	HSW	Horizontal synchronization pulse width. Encoded value (from 1 to 256) to specify the number of pixel clock periods to pulse the line clock at the end of each line (program to value minus 1).	RW	0x00

Table 11-551. Register Call Summary for Register DISPC_TIMING_H3

Display Controller

- [DISPC Shadow Registers: \[0\]](#)
- [DISPC Logical Register Mapping: \[1\]](#)
- [DISPC Register Summary: \[2\]](#)

Table 11-552. DISPC_TIMING_V3

Address Offset	0x0000 0844	Instance	DISPC
Physical Address	0x5800 1844		
Description	The register configures the timing logic for the VSYNC signal. It is used for the third LCD output. Shadow register, updated on VFP start period of the third LCD		
Type	RW		

31	30	29	28	27	26	25	24	23	22	21	20	19	18	17	16	15	14	13	12	11	10	9	8	7	6	5	4	3	2	1	0
VBP								VFP								VSW															

Bits	Field Name	Description	Type	Reset
31:20	VBP	Vertical back porch. Encoded value (from 0 to 4095) to specify the number of line clock periods to add to the beginning of a frame before the first set of pixels is output to the display	RW	0x000
19:8	VFP	Vertical front porch. Encoded value (from 0 to 4095) to specify the number of line clock periods to add to the end of each frame	RW	0x000
7:0	VSW	Vertical synchronization pulse width. In active mode, encoded value (from 1 to 256) to specify the number of line clock periods (program to value minus 1) to pulse the frame clock (VSYNC) pin at the end of each frame after the end of frame wait (VFP) period elapses. Frame clock uses as VSYNC signal in active mode.	RW	0x00

Table 11-553. Register Call Summary for Register DISPC_TIMING_V3

Display Controller

- [DISPC Shadow Registers: \[0\]](#)
- [DISPC Logical Register Mapping: \[1\]](#)
- [DISPC Register Summary: \[2\]](#)

Table 11-554. DISPC_CONTROL3

Address Offset	0x0000 0848	Instance	DISPC
Physical Address	0x5800 1848		
Description	The control register configures the display controller module for the third LCD output.		
Type	RW		

31	30	29	28	27	26	25	24	23	22	21	20	19	18	17	16	15	14	13	12	11	10	9	8	7	6	5	4	3	2	1	0										
SPATIALTEMPORALDITHERINGFRAMES		RESERVED		TDMUNUSEDBITS		TDMCYCLEFORMAT		TDMPARALLELMODE		TDMENABLE		RESERVED				RESERVED		OVERLAYOPTIMIZATION		STALLMODE		RESERVED		TFTDATALINES		STDITHERENABLE		RESERVED		GOLCD		M8B		STNFTFT		MONOCOLOR		RESERVED		LCDENABLE	

Bits	Field Name	Description	Type	Reset
31:30	SPATIALTEMPORALDITHERINGFRAMES	Spatial/temporal dithering number of frames for the third LCD output wr: VFP start period of the third LCD output 0x0: Spatial only 0x1: Spatial and temporal over two frames 0x3: Reserved 0x2: Spatial and temporal over four frames	RW	0x0
29:27	RESERVED	Write 0s for future compatibility. Reads return 0.	R	0x0
26:25	TDMUNUSEDBITS	State of unused bits (TDM mode only) for the third LCD output wr: VFP start period of the third LCD output 0x0: Low level (0) 0x1: High level (1) 0x3: Reserved 0x2: Unchanged from previous state	RW	0x0
24:23	TDMCYCLEFORMAT	Cycle format (TDM mode only) for the third LCD output wr: VFP start period of third LCD output 0x0: One cycle for 1 pixel 0x1: Two cycles for 1 pixel 0x3: Three cycles for 2 pixels 0x2: Three cycles for 1 pixel	RW	0x0
22:21	TDMPARALLELMODE	Output interface width (TDM mode only) for the third LCD output wr: VFP start period of the third LCD output 0x0: 8-bit parallel output interface selected 0x1: 9-bit parallel output interface selected 0x3: 16-bit parallel output interface selected 0x2: 12-bit parallel output interface selected	RW	0x0

Bits	Field Name	Description	Type	Reset
20	TDMENABLE	Enable the multiple cycle format for the third LCD output wr: VFP start period of third LCD output 0x0: TDM disabled 0x1: TDM enabled	RW	0
19:14	RESERVED	Write 0s for future compatibility. Reads return 0.	RW	0x00
13	RESERVED	Reserved	R	0
12	OVERLAYOPTIMIZATION	Overlay optimization for the third LCD output wr: VFP or EVSYNC or when DISPC_CONTROL2.GOWB is set to 1 by software and current WB frame is finished (no more data in the write-back pipeline). The synchronization event is defined based on the output using the pipeline: primary LCD, secondary LCD, third LCD, TV output, or write-back to the memory. 0x0: All the data for all the enabled pipelines are fetched from memory regardless of the overlay/alpha blending configuration. 0x1: The data not used by the overlay manager because of overlap between layers with no alpha blending between them must not be fetched from memory to optimize the bandwidth.	RW	0
11	STALLMODE	STALL mode for the third LCD output wr: VFP start period of the third LCD output 0x0: Normal mode selected 0x1: STALL mode selected. The display controller sends the data without considering the VSYNC/HSYNC. The LCD output is disabled at the end of the transfer of the frame. Software must reenale the LCD output to generate a new frame.	RW	0
10	RESERVED	Write 0s for future compatibility. Reads return 0.	R	0
9:8	TFTDATALINES	Number of lines of the third LCD interface wr: VFP start period of the third LCD output 0x0: 12-bit output aligned on the LSB of the pixel data interface 0x1: 16-bit output aligned on the LSB of the pixel data interface 0x3: 24-bit output aligned on the LSB of the pixel data interface 0x2: 18-bit output aligned on the LSB of the pixel data interface	RW	0x0
7	STDITHERENABLE	Spatial temporal dithering enable for the third LCD output wr: VFP start period of the third LCD output 0x0: Spatial/temporal dithering logic disabled 0x1: Spatial/temporal dithering logic enabled	RW	0
6	RESERVED	Reserved	R	0
5	GOLCD	GO command for the third LCD output. It is used to synchronized the pipelines (graphics and/or video) associated with the third LCD output. wr: Immediate 0x0: The hardware has finished updating the internal shadow registers of the pipeline(s) connected to the LCD output using the user values. The hardware resets the bit when the update is complete. 0x1: The user has finished programming the shadow registers of the pipeline(s) associated with the LCD output, and the hardware can update the internal registers at the VFP start period.	RW	0

Bits	Field Name	Description	Type	Reset
4	M8B	Mono 8-bit mode of the third LCD wr: VFP start period of the third LCD output 0x0: Reserved 0x1: Reserved	RW	0
3	STNTFT	LCD Display type of the third LCD wr: VFP start period of the third LCD output 0x0: Reserved 0x1: Active matrix display operation enabled	RW	0
2	MONOCOLOR	Monochrome/color selection for the third LCD wr: VFP start period of the third LCD output 0x0: Reserved 0x1: Reserved	RW	0
1	RESERVED	Write 0s for future compatibility. Reads return 0.	R	0
0	LCDENABLE	Enable the third LCD output wr: Immediate 0x0: LCD output disabled (at the end of the frame when the bit is reset) 0x1: LCD output enabled	RW	0

Table 11-555. Register Call Summary for Register DISPC_CONTROL3

Display Controller

- [DISPC Graphics Pipeline: \[0\]\[1\]](#)
- [DISPC Video Pipelines: \[2\]\[3\]](#)
- [DISPC Overlay Manager: \[4\]](#)
- [DISPC Shadow Registers: \[5\]\[6\]](#)
- [DISPC Logical Register Mapping: \[7\]](#)
- [DISPC Register Summary: \[8\]](#)

Table 11-556. DISPC_CONFIG3

Address Offset	0x0000 084C	Instance	DISPC
Physical Address	0x5800 184C		
Description	The control register configures the display controller module for the third LCD output. Shadow register, updated on VFP start period of the third LCD or EVSYNC		
Type	RW		

31	30	29	28	27	26	25	24	23	22	21	20	19	18	17	16	15	14	13	12	11	10	9	8	7	6	5	4	3	2	1	0
RESERVED				TLCDINTERLEAVE	FULLRANGE	COLORCONVENABLE	FIDFIRST	OUTPUTMODEENABLE	BT1120ENABLE	BT666ENABLE	RESERVED				CPR	RESERVED		TCKLCDSELECTION	TCKLCDENABLE	RESERVED	ACBIASGATED	VSYNCGATED	HSYNCGATED	PIXELCLOCKGATED	PIXELDATAGATED	RESERVED		PIXELGATED			

Bits	Field Name	Description	Type	Reset
31:28	RESERVED	Reserved	R	0x0
27:26	TLCDINTERLEAVE	tLCD interleave Pattern	RW	0x0
25	FULLRANGE	Color space conversion full range setting 0x0: Limited range selected 0x1: Full range selected	RW	0

Bits	Field Name	Description	Type	Reset
24	COLORCONVENABLE	Enable the color space conversion. It must be reset when the CPR bit field is set to 0x1. 0x0: Disable color space conversion RGB to YUV. 0x1: Enable color space conversion RGB to YUV.	RW	0
23	FIDFIRST	Selects the first field to output in case of interlace mode. In case of progressive mode, the value is not used. 0x0: First field is even. 0x1: Odd field is first.	RW	0
22	OUTPUTMODEENABLE	Selects between progressive and interlace mode for the third LCD output 0x0: Progressive mode selected 0x1: Interlace mode selected	RW	0
21	BT1120ENABLE	Selects BT.1120 format on the third LCD output. It is not possible to enable BT.656 and BT.1120 at the same time on the same LCD output. 0x0: BT.1120 is disabled. 0x1: BT.1120 is enabled.	RW	0
20	BT656ENABLE	Selects BT.656 format on the third LCD output. It is not possible to enable BT.656 and BT.1120 at the same time on the same LCD output. 0x0: BT.656 is disabled. 0x1: BT.656 is enabled.	RW	0
19:16	RESERVED	Write 0s for future compatibility. Reads return 0.	R	0x0
15	CPR	Color phase rotation control (third LCD output). It must be reset when the ColorConvEnable bit field is set to 1. wr: VFP start period of the third LCD output 0x0: Color phase rotation disabled 0x1: Color phase rotation enabled	RW	0
14:12	RESERVED	Write 0s for future compatibility. Reads return 0.	R	0x0
11	TCKLCDSELECTION	Transparency color key selection (third LCD output) wr: VFP start period of the third LCD output 0x0: Destination transparency color key selected 0x1: Source transparency color key selected	RW	0
10	TCKLCDENABLE	Transparency color key enabled (third LCD output) wr: VFP start period of the third LCD output 0x0: Disable the transparency color key for the LCD 0x1: Enable the transparency color key for the LCD	RW	0
9	RESERVED	Write 0s for future compatibility. Reads return 0.	R	0
8	ACBIASGATED	ACBias gated enabled (third LCD output) wr: VFP start period of the third LCD output 0x0: ACBias gated disabled 0x1: ACBias gated enabled	RW	0
7	VSYNCGATED	VSYNC gated enabled (third LCD output) wr: VFP start period of the third LCD output 0x0: VSYNC gated disabled 0x1: VSYNC gated enabled	RW	0
6	HSYNCGATED	HSYNC gated enabled (third LCD output) wr: VFP start period of the third LCD output 0x0: HSYNC gated disabled 0x1: HSYNC gated enabled	RW	0

Bits	Field Name	Description	Type	Reset
5	PIXELCLOCKGATED	Pixel clock gated enabled (third LCD output) wr: VFP start period of the third LCD output 0x0: Pixel clock gated disabled 0x1: Pixel clock gated enabled	RW	0
4	PIXELDATAGATED	Pixel data gated enabled (third LCD output) wr: VFP start period of the third LCD output 0x0: Pixel data gated disabled 0x1: Pixel data gated enabled	RW	0
3:1	RESERVED	Write 0s for future compatibility. Reads return 0.	R	0x0
0	PIXELGATED	Pixel gated enable (only for TFT) (third LCD output) wr: VFP start period of the third LCD output 0x0: Pixel clock always toggles (only in TFT mode). 0x1: Pixel clock toggles only when there is valid data to display (only in TFT mode).	RW	0

Table 11-557. Register Call Summary for Register DISPC_CONFIG3

Display Controller

- [DISPC Overlay Manager: \[0\]\[1\]\[2\]](#)
- [DISPC BT.656 and BT.1120 Modes: \[3\]\[4\]](#)
- [DISPC Extended 3D Support - Line Alternative Format: \[5\]](#)
- [DISPC Shadow Registers: \[6\]](#)
- [DISPC Operational Modes Configuration: \[7\]](#)
- [DISPC Logical Register Mapping: \[8\]](#)
- [DISPC Register Summary: \[9\]](#)

Table 11-558. DISPC_GAMMA_TABLE3

Address Offset	0x0000 0850	
Physical Address	0x5800 1850	Instance DISPC
Description	The register configures the gamma table on the third LCD output.	
Type	W	

31	30	29	28	27	26	25	24	23	22	21	20	19	18	17	16	15	14	13	12	11	10	9	8	7	6	5	4	3	2	1	0
INDEX								VALUE_R								VALUE_G								VALUE_B							

Bits	Field Name	Description	Type	Reset
31:24	INDEX	Defines the location in the table where the VALUE bit field is stored.	W	0x00
23:16	VALUE_R	8-bit value used to define the value to store at the location in the table defined by the INDEX bit field	W	0x00
15:8	VALUE_G	8-bit value used to define the value to store at the location in the table defined by the INDEX bit field	W	0x00
7:0	VALUE_B	8-bit value used to define the value to store at the location in the table defined by the INDEX bit field	W	0x00

Table 11-559. Register Call Summary for Register DISPC_GAMMA_TABLE3

Display Controller

- [DISPC Gamma Correction Unit: \[0\]](#)
- [DISPC Shadow Registers: \[1\]](#)
- [DISPC Operational Modes Configuration: \[2\]](#)
- [DISPC Logical Register Mapping: \[3\]](#)
- [DISPC Register Summary: \[4\]](#)

Table 11-560. DISPC_BA0_FLIPIMMEDIATE_EN

Address Offset	0x0000 0854	Instance	DISPC
Physical Address	0x5800 1854		
Description	This register enables the flip immediate.		
Type	RW		

31	30	29	28	27	26	25	24	23	22	21	20	19	18	17	16	15	14	13	12	11	10	9	8	7	6	5	4	3	2	1	0
RESERVED																VID3	VID2	VID1	GFX												

Bits	Field Name	Description	Type	Reset
31:4	RESERVED	Reserved.	R	0x000 0000
3	VID3	Enable flip immediate for video3 pipeline	RW	0x0
2	VID2	Enable flip immediate for video2 pipeline	RW	0x0
1	VID1	Enable flip immediate for video1 pipeline	RW	0x0
0	GFX	Enable flip immediate for gfx pipeline	RW	0x0

Table 11-561. Register Call Summary for Register DISPC_BA0_FLIPIMMEDIATE_EN

Display Controller

- [DISPC Immediate Base Address Flip Mechanism: \[0\]\[1\]](#)
- [DISPC Shadow Registers: \[2\]](#)
- [DISPC Register Summary: \[3\]](#)

Table 11-562. DISABLE_MSTANDBY_ENHANCEMENT

Address Offset	0x0000 0858	Instance	DISPC
Physical Address	0x5800 1858		
Description	This register disables the DISPC DMA Mstandby behavior enhancement.		
Type	RW		

31	30	29	28	27	26	25	24	23	22	21	20	19	18	17	16	15	14	13	12	11	10	9	8	7	6	5	4	3	2	1	0
RESERVED																DISABLE_MSTANDBY_ENHANCEMENT															

Bits	Field Name	Description	Type	Reset
31:1	RESERVED	Reserved.	R	0x0
0	DISABLE_MSTANDBY_ENHANCEMENT	0: DISPC DMA Mstandby behavior enhancement is enabled. 1: Disable DISPC DMA Mstandby behavior enhancement. This is the recommended setting.	RW	0x0

Table 11-563. Register Call Summary for Register DISABLE_MSTANDBY_ENHANCEMENT

Display Controller

- [DISPC Register Summary: \[0\]](#)
- [DISPC Register Description: \[1\]](#)

Table 11-564. DISPC_GLOBAL_MFLAG_ATTRIBUTE

Address Offset	0x0000 085C	Instance	DISPC
Physical Address	0x5800 185C		
Description	Global MFLAG attribute control register.		
Type	RW		

31	30	29	28	27	26	25	24	23	22	21	20	19	18	17	16	15	14	13	12	11	10	9	8	7	6	5	4	3	2	1	0
RESERVED																MFLAG_START		MFLAG_CTRL													

Bits	Field Name	Description	Type	Reset
31:3	RESERVED	Reserved.	R	0x0000 0000
2	MFLAG_START	MFLAG Start 0x0: When the DMA buffer is empty at the beginning of the frame, MFLAG signal of each pipeline is kept at 0 until PRELOAD is reached, then based on MFLAG_CTRL bitfield MFLAG is generated and internal logic is arbitrating between pipeline requests 0x1: Even at the beginning of the frame when the DMA buffer is empty, MFLAG_CTRL bitfield is used to determine how MFLAG signal for each pipeline shall be driven.	RW	0x0
1:0	MFLAG_CTRL	MFLAG control 0x0: MFLAG mechanism is disabled: MFLAG out of band signal is set to 0 0x1: MFLAG mechanism is enabled: MFLAG out of band signal is always set to 1 (force mode for debug) 0x2: MFLAG mechanism is enabled and MFLAG out of band signal is dynamically set and reset depending on MFLAG rules.	RW	0x0

Table 11-565. Register Call Summary for Register DISPC_GLOBAL_MFLAG_ATTRIBUTE

Display Controller

- [DISPC MFLAG Mechanism and Arbitration: \[0\]\[1\]\[2\]\[3\]\[4\]](#)
- [DISPC Shadow Registers: \[5\]](#)
- [DISPC Register Summary: \[6\]](#)

Table 11-566. DISPC_GFX_MFLAG_THRESHOLD

Address Offset	0x0000 0860	Instance	DISPC
Physical Address	0x5800 1860		
Description	MFLAG thresholds for graphics pipeline. Shadow register, updated on VFP start period of primary LCD or VFP start period of the secondary LCD or external VSYNC or when DISPC_CONTROL2.GOWB is set to 1 by software and current WB frame is finished (no more data in the write-back pipeline). The synchronization event is defined based on the output using the pipeline: primary LCD, secondary LCD, TV output or write-back to the memory.		

Table 11-566. DISPC_GFX_MFLAG_THRESHOLD (continued)

Type		RW																													
31	30	29	28	27	26	25	24	23	22	21	20	19	18	17	16	15	14	13	12	11	10	9	8	7	6	5	4	3	2	1	0
HT_MFLAG																LT_MFLAG															

Bits	Field Name	Description	Type	Reset
31:16	HT_MFLAG	High Thresholds (in 128bits) for MFLAG generation: when FIFO fullness reaches HT_MFLAG level, MFLAG is reset to 0	RW	0x0000
15:0	LT_MFLAG	Low Thresholds (in 128bits) for MFLAG generation: when FIFO fullness reaches LT_MFLAG level, MFLAG is set to 1	RW	0x0000

Table 11-567. Register Call Summary for Register DISPC_GFX_MFLAG_THRESHOLD

Display Controller

- [DISPC MFLAG Mechanism and Arbitration: \[0\]\[1\]](#)
- [DISPC Shadow Registers: \[2\]](#)
- [DISPC Register Summary: \[3\]](#)

Table 11-568. DISPC_VID1_MFLAG_THRESHOLD

Address Offset	0x0000 0864																															
Physical Address	0x5800 1864								Instance				DISPC																			
Description	MFLAG thresholds for video1 pipeline. Shadow register, updated on VFP start period of primary LCD or VFP start period of the secondary LCD or external VSYNC or when DISPC_CONTROL2.GOWB is set to 1 by software and current WB frame is finished (no more data in the write-back pipeline). The synchronization event is defined based on the output using the pipeline: primary LCD, secondary LCD, TV output or write-back to the memory.																															
Type	RW																															

31	30	29	28	27	26	25	24	23	22	21	20	19	18	17	16	15	14	13	12	11	10	9	8	7	6	5	4	3	2	1	0
HT_MFLAG																LT_MFLAG															
Bits	Field Name	Description	Type	Reset																											
31:16	HT_MFLAG	High Thresholds (in 128bits) for MFLAG generation: when FIFO fullness reaches HT_MFLAG level, MFLAG is reset to 0	RW	0x0000																											
15:0	LT_MFLAG	Low Thresholds (in 128bits) for MFLAG generation: when FIFO fullness reaches LT_MFLAG level, MFLAG is set to 1	RW	0x0000																											

Table 11-569. Register Call Summary for Register DISPC_VID1_MFLAG_THRESHOLD

Display Controller

- [DISPC MFLAG Mechanism and Arbitration: \[0\]\[1\]](#)
- [DISPC Shadow Registers: \[2\]](#)
- [DISPC Register Summary: \[3\]](#)

Table 11-570. DISPC_VID2_MFLAG_THRESHOLD

Address Offset	0x0000 0868		
Physical Address	0x5800 1868	Instance	DISPC
Description	MFLAG thresholds for video2 pipeline. Shadow register, updated on VFP start period of primary LCD or VFP start period of the secondary LCD or external VSYNC or when DISPC_CONTROL2.GOWB is set to 1 by software and current WB frame is finished (no more data in the write-back pipeline). The synchronization event is defined based on the output using the pipeline: primary LCD, secondary LCD, TV output or write-back to the memory.		
Type	RW		

31	30	29	28	27	26	25	24	23	22	21	20	19	18	17	16	15	14	13	12	11	10	9	8	7	6	5	4	3	2	1	0
HT_MFLAG																LT_MFLAG															

Bits	Field Name	Description	Type	Reset
31:16	HT_MFLAG	High Thresholds (in 128bits) for MFLAG generation: when FIFO fullness reaches HT_MFLAG level, MFLAG is reset to 0	RW	0x0000
15:0	LT_MFLAG	Low Thresholds (in 128bits) for MFLAG generation: when FIFO fullness reaches LT_MFLAG level, MFLAG is set to 1	RW	0x0000

Table 11-571. Register Call Summary for Register DISPC_VID2_MFLAG_THRESHOLD

Display Controller

- [DISPC MFLAG Mechanism and Arbitration: \[0\]\[1\]](#)
- [DISPC Shadow Registers: \[2\]](#)
- [DISPC Register Summary: \[3\]](#)

Table 11-572. DISPC_VID3_MFLAG_THRESHOLD

Address Offset	0x0000 086C		
Physical Address	0x5800 186C	Instance	DISPC
Description	MFLAG thresholds for video3 pipeline. Shadow register, updated on VFP start period of primary LCD or VFP start period of the secondary LCD or external VSYNC or when DISPC_CONTROL2.GOWB is set to 1 by software and current WB frame is finished (no more data in the write-back pipeline). The synchronization event is defined based on the output using the pipeline: primary LCD, secondary LCD, TV output or write-back to the memory.		
Type	RW		

31	30	29	28	27	26	25	24	23	22	21	20	19	18	17	16	15	14	13	12	11	10	9	8	7	6	5	4	3	2	1	0
HT_MFLAG																LT_MFLAG															

Bits	Field Name	Description	Type	Reset
31:16	HT_MFLAG	High Thresholds (in 128bits) for MFLAG generation: when FIFO fullness reaches HT_MFLAG level, MFLAG is reset to 0	RW	0x0000
15:0	LT_MFLAG	Low Thresholds (in 128bits) for MFLAG generation: when FIFO fullness reaches LT_MFLAG level, MFLAG is set to 1	RW	0x0000

Table 11-573. Register Call Summary for Register DISPC_VID3_MFLAG_THRESHOLD

Display Controller

- [DISPC MFLAG Mechanism and Arbitration: \[0\]](#)
- [DISPC Shadow Registers: \[1\]](#)
- [DISPC Register Summary: \[2\]](#)

Table 11-574. DISPC_WB_MFLAG_THRESHOLD

Address Offset	0x0000 0870		
Physical Address	0x5800 1870	Instance	DISPC
Description	MFLAG thresholds for write-back pipeline. Shadow register, updated when DISPC_CONTROL2.GOWB is set to 1 by software and current WB frame is finished (no more data in the write-back pipeline), when the WB pipeline is directly connected to one of the pipelines (graphics or video), combined with the synchronization event of the channel overlay output selected as an input to the WB pipeline (that is, VFP start period of primary LCD, or VFP start period of secondary LCD, or VFP start period of the third LCD, or EVSYNC), for all registers associated with the selected channel out and further delayed by the DISPC_WB_ATTRIBUTES2.WBDELAYCOUNT bit-field, for all registers of the Write back and DMA. In WB capture mode, both DISPC_CONTROL2.GOWB and DISPC_CONTROL#.GOLCD/TV corresponding to the selected output channel shall be set. It is not required to set the GOWB bit when WB memory-to-memory mode is used.		
Type	RW		

31	30	29	28	27	26	25	24	23	22	21	20	19	18	17	16	15	14	13	12	11	10	9	8	7	6	5	4	3	2	1	0
HT_MFLAG																LT_MFLAG															

Bits	Field Name	Description	Type	Reset
31:16	HT_MFLAG	High Thresholds (in 128bits) for MFLAG generation: when FIFO fullness reaches HT_MFLAG level, MFLAG is reset to 0	RW	0x0000
15:0	LT_MFLAG	Low Thresholds (in 128bits) for MFLAG generation: when FIFO fullness reaches LT_MFLAG level, MFLAG is set to 1	RW	0x0000

Table 11-575. Register Call Summary for Register DISPC_WB_MFLAG_THRESHOLD

Display Controller

- [DISPC MFLAG Mechanism and Arbitration: \[0\]\[1\]\[2\]](#)
- [DISPC Shadow Registers: \[3\]](#)
- [DISPC Register Summary: \[4\]](#)

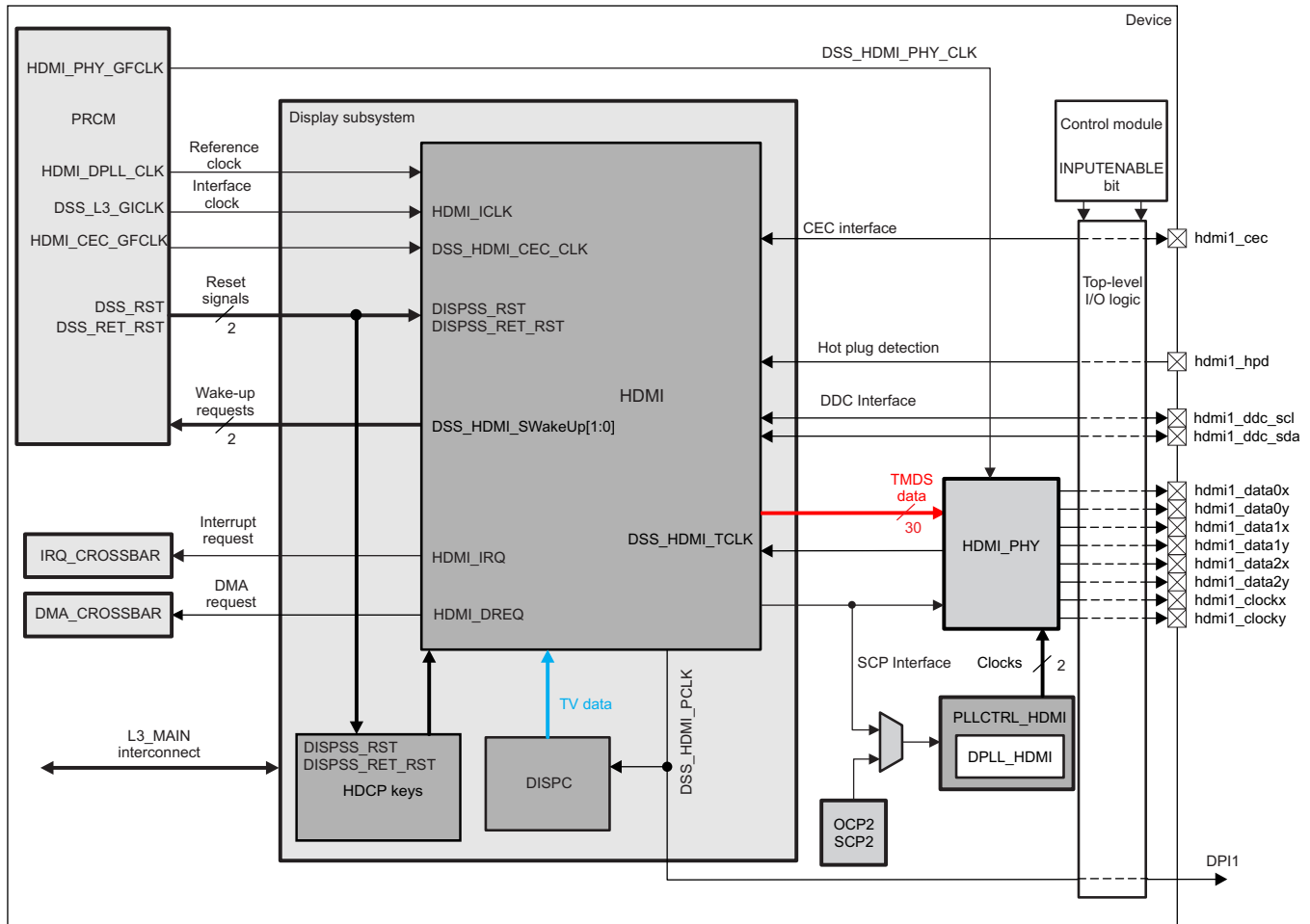
11.3 High-Definition Multimedia Interface

This section introduces the high-definition multimedia interface (HDMI) module and describes its main functions and connections in the device.

NOTE: All the HDMI features described in this chapter may not be supported in software. For example, 3D-frame packing is not supported. Refer to the software development kit (SDK) for which HDMI features are supported.

11.3.1 HDMI Overview

Figure 11-103 shows an overview of the HDMI module.

Figure 11-103. HDMI Overview


hdmi-001

11.3.1.1 HDMI Main Features

The HDMI module provides the following main features:

- HDMI 1.4a, HDCP 1.4, and DVI 1.0 compliant
 - Includes support for the 3D stereoscopic frame-packing formats of the HDMI v1.4a standard (1080p24Hz, 720p50Hz, 720p60Hz + side-by-side half structure: 1080p60Hz)
- EIA/CEA-861-D video format support (See [Table 11-576](#) for more information.)
- VESA® display monitor timing (DMT) video format support(See [Table 11-577](#) for more information.)
- Support for deep-color mode:
 - 10-bit color component deep-color modes up to 1080p @ 60 Hz
 - 12-bit color component deep-color modes up to 720p/1080i @ 60 Hz
 - 16-bit/component color depth is not supported
- Support for x.v.Color (x.v.Color data from memory outputted by HDMI. No processing, pass-through mode only)
- Supports up to 148.5-MHz pixel clock with deep-color modes (10-bit or 12-bit)
- Supports up to 186 MHz pixel clock with no deep-color mode (8-bit)
- Video formats: 24-bit RGB input
 - ❑ 24/30/36-bit RGB/YCbCr 4:4:4 (deep color) output
 - ❑ 16/20/24-bit YCbCr 4:2:2 output

- Uncompressed multichannel (up to eight channels) audio (L-PCM) support.
- Master inter-integrated circuit (I²C™) interface for display data channel (DDC) connection
- Consumer electronic control (CEC) interface
- Integrated transition minimized differential signaling (TMDS®) and TMDS error reduction coding (TERC4) encoders for data island support
- Integrated TMDS physical layer (PHY) (three TMDS differential data lanes + TMDS differential clock lane)
 - Up to 1.86 Gbps per lane at (1080p @ 60 Hz at 10 bits/component)

11.3.1.2 HDMI Video Formats and Timings

11.3.1.2.1 HDMI CEA-861-D Video Formats and Timings

[Table 11-576](#) presents the video timings supported by the HDMI module, according to the CEA-861-D standard:

Table 11-576. HDMI Video Timings (CEA-861-D)

Refresh Rate	Resolution
24 Hz (Low field rate)	1920 x 1080p
50 Hz	1920 x 1080p
	1920 x 1080i
	2880 x 576p
	2880 x 288p
	1440 x 576p
	1440 x 288p
	1280x720p
59.94 Hz	720 x 576p
	1920 x 1080p
	1920 x 1080i
	1280 x 720p
	2880 x 480p
	2880 x 240p
	1440 x 480p
	1440 x 480i
	1440 x 240p
720 x 480p	
60 Hz	640 x 480p
	1920 x 1080p
	1920 x 1080i
	2880 x 480p
	2880 x 240p
	1280 x 720p
	1440 x 480p
	1440 x 480i
	1440 x 240p
	1280 x 720p
720 x 576p	
200 Hz	720 x 480p
	720 x 576p
239 Hz	720 x 480p

Table 11-576. HDMI Video Timings (CEA-861-D) (continued)

Refresh Rate	Resolution
240 Hz	720 x 480p

11.3.1.2.2 VESA DMT Video Formats and Timings

Table 11-577 lists the video timings supported by the HDMI module and based on the VESA DMT standard:

Table 11-577. HDMI Video timings (VESA DMT)

Refresh Rate	Resolution
60 Hz	640 x 480p
	800 x 600p
	848 x 480p
	1024 x 768p
	1280 x 768p
	1280 x 800p
	1280 x 960p
	1280 x 1024p
	1360 x 768p
	1366 x 768p
	1400 x 1050p
	1440 x 900p
	1680 x 1200p
60 Hz (reduced blanking)	1680 x 1050p
	1920 x 1080p
	1280 x 768p
	1280 x 800p
	1400 x 1050p
1440 x 900p	
1680 x 1050p	
1920 x 1200p	

NOTE: Custom resolutions may work, but are not supported by the device. Using non-standard values can lead to noncompliance with the HDMI interface standard.

3D Graphics Accelerator

This chapter is a basic overview and describes the integration of the 3D graphics processing unit (GPU) subsystem in the device.

NOTE: The GPU subsystem is an instantiation by Texas Instruments of the PowerVR® SGX544 core from Imagination Technologies Limited.

This document contains materials that are © Imagination Technologies Limited.

USSE and PowerVR are trademarks or registered trademarks of Imagination Technologies Limited.

NOTE: This chapter describes a module (subsystem) in the superset device. The availability is device part number dependent. Refer to device Data Manual, for more information.

Topic	Page
12.1 GPU Overview	2952
12.2 GPU Integration	2954
12.3 GPU Functional Description	2955
12.4 GPU Register Manual	2957

12.1 GPU Overview

NOTE: For AM570x: This chapter describes a module (subsystem) in the superset device. The availability is device part number dependent. Refer to device Data Manual, for more information.

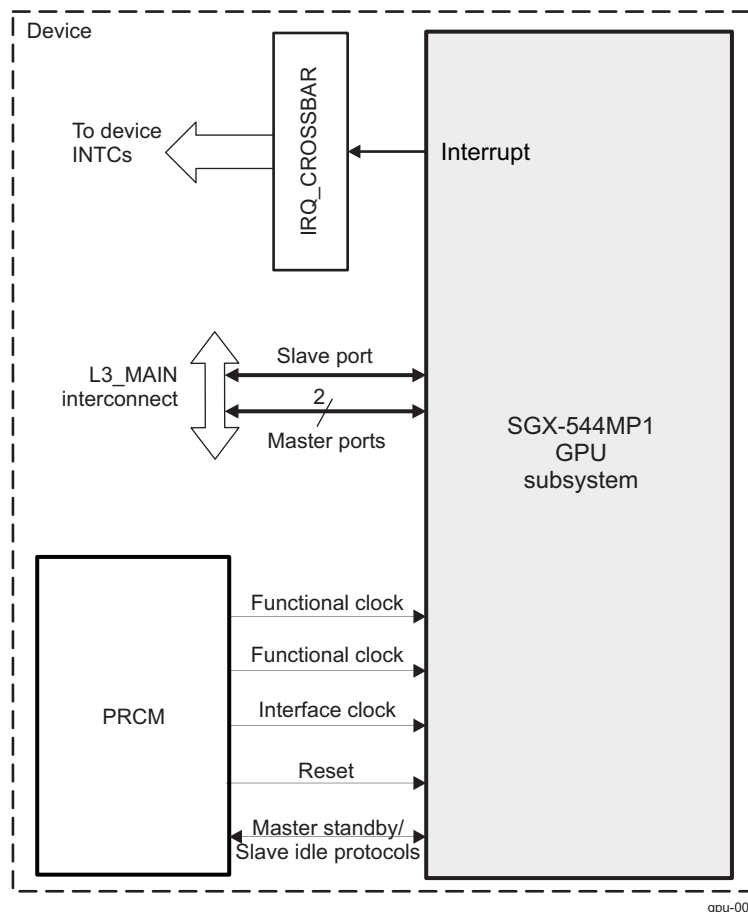
The 3D graphics processing unit (GPU) accelerates 2-dimensional (2D) and 3-dimensional (3D) graphics and compute applications. It is based on the PowerVR® SGX544-MP subsystem from Imagination Technologies Limited.

SGX is a new generation of programmable PowerVR graphics and video processing subsystems. The PowerVR SGX is a scalable architecture which efficiently processes a number of differing multimedia data types concurrently:

- Pixel Data
- Vertex Data
- General Purpose Processing

Figure 12-1 shows the device GPU subsystem.

Figure 12-1. GPU Overview



12.1.1 GPU Features Overview

- API support for industry standards:
 - Direct3D® Feature Level 9.3
- Single-core GPU architecture:
 - 1 x SGX544 core

- System level cache of 64 KiB
- Tile-based deferred rendering architecture:
 - Reduces external bandwidth to SDRAM
- Universal Scalable Shader Engine (USSE™):
 - Multithreaded engine incorporating vertex and pixel shader functionality
 - Automatic load balancing of vertex and pixel processing tasks
- Present and texture load accelerator (PTLA):
 - Enables to move, rotate, twiddle, and scale texture surfaces
 - Supports RGB, ARGB, YUV4:2:2, and YUV4:2:0 surface formats
 - Supports bilinear upscale
 - Supports source color key
- Fully virtualized memory addressing for operating system (OS) in a unified memory architecture:
 - Memory management unit (MMU)
 - Up to 4-GiB virtual address space

The 3D-GPU subsystem generates a single (aggregate) interrupt connected to the device Interrupt Crossbar. This allows for this interrupt to be programmatically mapped to multiple device host interrupt controllers (see [Section 12.2](#)).

12.1.2 Graphics Feature Overview

- Texture support:
 - Cube map
 - Projected textures
 - Non-square textures
- Texture formats:
 - RGBA 8888, 565, 1555, and 1565
 - Monochromatic 8, 16, 16f, 32f, and 32int
 - Dual channel, 8:8, 16:16, and 16f:16f
 - Compressed textures:
 - PVRTC-i 2 bpp
 - PVRTC-i 4 bpp
 - PVRTC-ii 2 bpp
 - PVRTC-ii 4 bpp
 - ETC1
 - DXT 1-5 and BC 4-5
 - Programmable support for YUV formats:
 - Programmable matrix in hardware, coefficients on 12 bits
 - YUV4:2:2, YUV4:2:0, two planes (NV12 or NV21); YUV4:2:0, three planes
- Resolution support:
 - Frame buffer maximum = 4096 × 4096
 - Texture maximum size = 4096 × 4096
- Texture filtering:
 - Bilinear, trilinear
 - Independent minimum and mag control
- Anti-aliasing:
 - 4× multisampling
 - Programmable sample positions

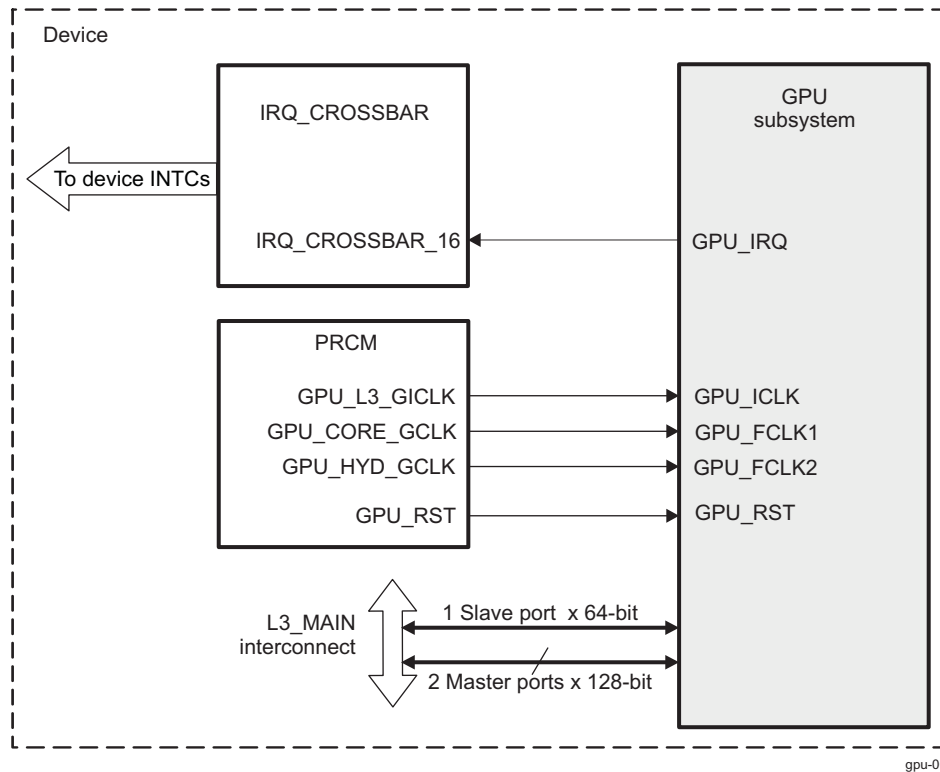
NOTE: TI provides the DXT1-5 and BC4-5 texture compression technology for use only with a Microsoft® Windows® operating system. A separate license is required for the use of this technology (also referred to as S3 texture compression technology) with any other operating system.

12.2 GPU Integration

This section describes the integration of the module in the device, including information about clocks, resets, and hardware requests.

Figure 12-2 shows the GPU integration.

Figure 12-2. GPU Integration



gpu-002

The GPU subsystem is connected to the level 3 (L3_MAIN) interconnect by two 128-bit master and a 64-bit slave interfaces.

Table 12-1 through Table 12-3 summarize the integration of the module in the device.

Table 12-1. GPU Integration Attributes

Module Instance	Attributes	
	Power Domain	Interconnect
GPU	PD_GPU	L3_MAIN

Table 12-2. GPU Clocks and Resets

Clocks				
Module Instance	Destination Signal Name	Source Signal Name	Source	Description
GPU	GPU_ICLK	GPU_L3_GICLK	PRCM	GPU interface clock

Table 12-2. GPU Clocks and Resets (continued)

	GPU_FCLK1	GPU_CORE_GCLK	PRCM	GPU functional clock of the internal graphic cores
	GPU_FCLK2	GPU_HYD_GCLK	PRCM	GPU functional clock of the internal L2-cache controller and memories
Resets				
Module Instance	Destination Signal Name	Source Signal Name	Source	Description
GPU	GPU_RST	GPU_RST	PRCM	GPU non-retention reset signal

Table 12-3. GPU Hardware Requests

Interrupt Requests				
Module Instance	Source Signal Name	Destination IRQ_CROSSBAR Input	Default Mapping	Description
GPU	GPU_IRQ	IRQ_CROSSBAR_16	MPU_IRQ_21 DSP1_IRQ_47	GPU interrupt request mapped to the device Interrupt Crossbar

NOTE: The “Default Mapping” column in [Table 12-3, GPU Hardware Requests](#) shows the default mapping of module IRQ source signals. These IRQ source signals can also be mapped to other lines of each device Interrupt controller through the IRQ_CROSSBAR module. For more information about the IRQ_CROSSBAR module, see [Section 18.4.6.4, IRQ_CROSSBAR Module Functional Description](#), in [Chapter 18, Control Module](#). For more information about the device interrupt controllers, see [Chapter 17, Interrupt Controllers](#).

NOTE: No DMA and no wake-up requests are generated by the GPU subsystem.

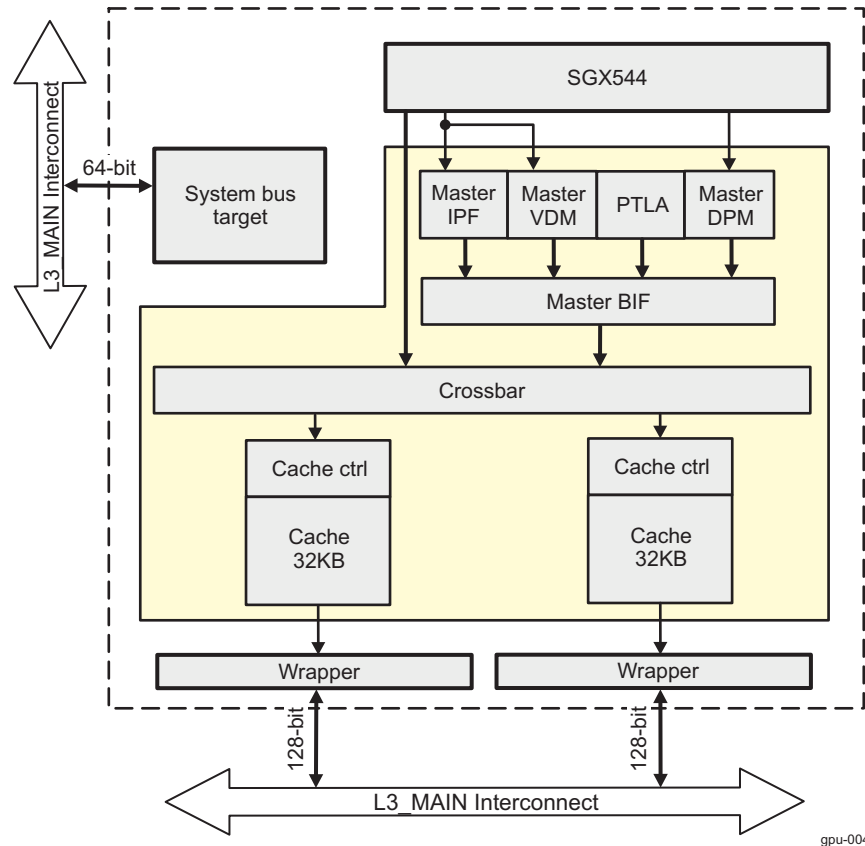
12.3 GPU Functional Description

12.3.1 GPU Block Diagram

The GPU subsystem is based on the PowerVR SGX544-MP1 subsystem. The GPU architecture comprises the following elements:

- SGX544 core
- PTLA
- Cross bar
- System-level cache (SLC)

[Figure 12-3](#) shows the GPU top-level block diagram.

Figure 12-3. GPU Block Diagram


The SGX544-MP1 has 1 × SGX544 core. The crossbar enables SGX544 core to access the SLC. The SLC is a 64-KiB unified multibanked cache with two banks of 32 KiB. The cache line size is 64 bytes. The SGX544 core accesses are interleaved in the different banks.

12.3.2 GPU Clock Configuration

The GPU subsystem operates from three clocks: an interface clock (GPU_ICLK) and two functional clocks (GPU_FCLK1 and GPU_FCLK2). The power, reset, and clock management (PRCM) module generates and distributes the clocks inside the device.

- The GPU_ICLK manages the data transfer on the L3_MAIN master and slave ports.

The GPU_ICLK frequency is selected based on the L3_MAIN interconnect clock frequency of the whole device. For more information about the interface clock, see [Section 3.6.4.11, CD_GPU Clock Domain](#), in the [Chapter 3, Power, Reset, and Clock Management](#).

When no longer required by the GPU subsystem, GPU_ICLK can be disabled by software at the PRCM level. For more information, see [Section 3.7.9, PD_GPU Description](#), in the [Chapter 3, Power, Reset, and Clock Management](#).

NOTE: GPU_ICLK is cut only if the GPU is ready to go into IDLE state.

- GPU_FCLK1 and GPU_FCLK2 are the functional clocks and are used inside the GPU subsystem to generate clock signals to multiple GPU clock domains. The GPU_FCLK1 input supplies clock to the internal graphics core and the GPU_FCLK2 input supplies clock to the shared-cache memories and controllers.

Using the clock source selection and the digital phase-locked loop (DPLL) settings, GPU_FCLK1 and GPU_FCLK2 frequencies can be adjusted.

The GPU_FCLK1 and GPU_FCLK2 clocks are provided by the peripheral DPLL and the core DPLL, as described in [Section 3.6.4.11, CD_GPU Clock Domain](#) in the [Chapter 3, Power, Reset, and Clock](#)

Management. Selection is made at the PRCM level.

When no longer needed by the GPU subsystem, GPU_FCLK1 and GPU_FCLK2 can be cut by software at the PRCM level if the module is ready to enter IDLE state. For more information, see [Section 3.7.9, PD_GPU Description](#) in the [Chapter 3, Power, Reset, and Clock Management](#).

12.3.3 GPU Software Reset

The GPU subsystem has its own reset domain. Global reset of the GPU is performed by activating the GPU_RST signal in the GPU_RST domain.

NOTE: The APIs delivered with the GPU provide a software reset functionally equivalent to a hardware reset.

12.3.4 GPU Power Management

The GPU subsystem has its own power domain (GPU power domain - PD_GPU).

The GPU handles automatic clock gating performed on the multiple internal module clock domains.

In addition, software-controlled clock gating is managed inside the GPU and handled by the related API delivered with the module.

For additional information about the GPU power domain, see [Section 3.7.9, PD_GPU Description](#) in the [Chapter 3, Power, Reset, and Clock Management](#).

12.3.5 GPU Thermal Management

There is a dedicated thermal sensor to monitor operating temperature of the GPU subsystem in the chip. The GPU temperature processing logic is located within the device CTRL_MODULE_CORE and is capable to generate a thermal alert interrupt which can be mapped to all (host) interrupt controllers within the device, via the device IRQ_CROSSBAR. The thermal logic can also generate a thermal shut-down warm reset event to the device PRCM. For further details on the GPU thermal management operation features and register settings, refer to the [Section 18.4.6.2, Thermal Management Related Registers](#) of the [Chapter 18, Control Module](#).

12.3.6 GPU Interrupt Requests

The GPU subsystem can generate one interrupt signal - GPU_IRQ mapped to the IRQ_CROSSBAR_16 input of the device interrupt crossbar.

For more details on programmable configuration of the GPU_IRQ mapping to the different device host interrupt controllers, refer to the [Chapter 18, Control Module](#) and the [Chapter 17, Interrupt Controllers](#).

12.4 GPU Register Manual

CAUTION

All GPU registers are limited to 32-bit data accesses; 8- and 16-bit accesses are not allowed because they can corrupt register content.

12.4.1 GPU Instance Summary

Table 12-4. GPU Instance Summary

Module Name	Base Address	Size
GPU_WRAPPER	0x5600 FE00	512 bytes

The GPU domain's base address is at 0x5600 0000. GPU address space is 32MiB wide.

12.4.2 GPU Registers

12.4.2.1 GPU_WRAPPER Register Summary

Table 12-5. GPU_WRAPPER Registers Mapping Summary

Register Name	Type	Register Width (Bits)	Address Offset	Physical Address
REVISION	R	32	0x0000 0000	0x5600 FE00
HWINFO	R	32	0x0000 0004	0x5600 FE04
SYSCONFIG	RW	32	0x0000 0010	0x5600 FE10
IRQSTATUS_RAW_0	RW	32	0x0000 0024	0x5600 FE24
IRQSTATUS_RAW_1	RW	32	0x0000 0028	0x5600 FE28
IRQSTATUS_RAW_2	RW	32	0x0000 002C	0x5600 FE2C
IRQSTATUS_0	RW	32	0x0000 0030	0x5600 FE30
IRQSTATUS_1	RW	32	0x0000 0034	0x5600 FE34
IRQSTATUS_2	RW	32	0x0000 0038	0x5600 FE38
IRQENABLE_SET_0	RW	32	0x0000 003C	0x5600 FE3C
IRQENABLE_SET_1	RW	32	0x0000 0040	0x5600 FE40
IRQENABLE_SET_2	RW	32	0x0000 0044	0x5600 FE44
IRQENABLE_CLR_0	RW	32	0x0000 0048	0x5600 FE48
IRQENABLE_CLR_1	RW	32	0x0000 004C	0x5600 FE4C
IRQENABLE_CLR_2	RW	32	0x0000 0050	0x5600 FE50
PAGE_CONFIG	RW	32	0x0000 0100	0x5600 FF00
INTERRUPT_EVENT	RW	32	0x0000 0104	0x5600 FF04
DEBUG_CONFIG	RW	32	0x0000 0108	0x5600 FF08
DEBUG_STATUS_0	R	32	0x0000 010C	0x5600 FF0C
DEBUG_STATUS_1	R	32	0x0000 0110	0x5600 FF10

12.4.2.2 GPU_WRAPPER Register Description

Table 12-6. REVISION

Address Offset	0x0000 0000	Instance	GPU_WRAPPER
Physical Address	0x5600 FE00		
Description	Revision register		
Type	RW		

31	30	29	28	27	26	25	24	23	22	21	20	19	18	17	16	15	14	13	12	11	10	9	8	7	6	5	4	3	2	1	0
REVISIONID																															

Bits	Field Name	Description	Type	Reset
31:0	REVISIONID	Revision value	R	See ⁽¹⁾

⁽¹⁾ TI internal data

Table 12-7. Register Call Summary for Register REVISION

GPU Register Manual

- [GPU Register Summary: \[0\]](#)

Table 12-8. HWINFO

Address Offset	0x0000 0004	Instance	GPU_WRAPPER
Physical Address	0x5600 FE04		
Description	Hardware implementation information		
Type	R		

31	30	29	28	27	26	25	24	23	22	21	20	19	18	17	16	15	14	13	12	11	10	9	8	7	6	5	4	3	2	1	0
RESERVED																							MEM_BUS_WIDTH	SYS_BUS_WIDTH							

Bits	Field Name	Description	Type	Reset
31:3	RESERVED		R	0x0000 0000
2	MEM_BUS_WIDTH	Memory bus width Read 0x0: 64 bits Read 0x1: 128 bits	R	1
1:0	SYS_BUS_WIDTH	System bus width Read 0x0: 32 bits Read 0x1: 64 bits Read 0x2: 128 bits Read 0x3: Reserved	R	0x1

Table 12-9. Register Call Summary for Register HWINFO

GPU Register Manual

- [GPU Register Summary: \[0\]](#)

Table 12-10. SYSCONFIG

Address Offset	0x0000 0010	Instance	GPU_WRAPPER
Physical Address	0x5600 FE10		
Description	System configuration register		
Type	RW		

31	30	29	28	27	26	25	24	23	22	21	20	19	18	17	16	15	14	13	12	11	10	9	8	7	6	5	4	3	2	1	0
RESERVED																							STANDBY_MODE	IDLE_MODE	RESERVED						

Bits	Field Name	Description	Type	Reset
31:6	RESERVED		R	0x000 0000
5:4	STANDBY_MODE	Clock standby mode: 0x0: Force-standby 0x1: No-standby 0x2: Smart-standby 0x3: Reserved	RW	0x2

Bits	Field Name	Description	Type	Reset
3:2	IDLE_MODE	Clock idle mode: 0x0: Force-standby 0x1: No-standby 0x2: Smart-standby 0x3: Reserved	RW	0x2
1:0	RESERVED		R	0x0

Table 12-11. Register Call Summary for Register SYSCONFIG

GPU Register Manual

- [GPU Register Summary: \[0\]](#)

Table 12-12. IRQSTATUS_RAW_0

Address Offset	0x0000 0024	Instance	GPU_WRAPPER
Physical Address	0x5600 FE24		
Description	Raw IRQ 0 status		
Type	RW		

31	30	29	28	27	26	25	24	23	22	21	20	19	18	17	16	15	14	13	12	11	10	9	8	7	6	5	4	3	2	1	0	
RESERVED																INIT_MINTERRUPT_RAW																

Bits	Field Name	Description	Type	Reset
31:1	RESERVED		R	0x0000 0000
0	INIT_MINTERRUPT_RAW	Interrupt 0 raw event: Write 0x0: No action Write 0x1: Set event (used for debug) Read 0x0: No event pending Read 0x1: Event pending	RW	0

Table 12-13. Register Call Summary for Register IRQSTATUS_RAW_0

GPU Register Manual

- [GPU Register Summary: \[0\]](#)

Table 12-14. IRQSTATUS_RAW_1

Address Offset	0x0000 0028	Instance	GPU_WRAPPER
Physical Address	0x5600 FE28		
Description	Raw IRQ 1 status. Slave port interrupt.		
Type	RW		

31	30	29	28	27	26	25	24	23	22	21	20	19	18	17	16	15	14	13	12	11	10	9	8	7	6	5	4	3	2	1	0
RESERVED																												TARGET_SINTERRUPT_RAW			

Bits	Field Name	Description	Type	Reset
31:1	RESERVED		R	0x0000 0000
0	TARGET_SINTERRUPT_RAW	Interrupt 1 raw event: Write 0x0: No action Write 0x1: Set event (used for debug) Read 0x0: No event pending Read 0x1: Event pending	RW	0

Table 12-15. Register Call Summary for Register IRQSTATUS_RAW_1

GPU Register Manual

- [GPU Register Summary: \[0\]](#)

Table 12-16. IRQSTATUS_RAW_2

Address Offset	0x0000 002C	Instance	GPU_WRAPPER
Physical Address	0x5600 FE2C		
Description	Raw IRQ 2 status. Core interrupt.		
Type	RW		

31	30	29	28	27	26	25	24	23	22	21	20	19	18	17	16	15	14	13	12	11	10	9	8	7	6	5	4	3	2	1	0
RESERVED																												THALIA_IRQ_RAW			

Bits	Field Name	Description	Type	Reset
31:1	RESERVED		R	0x0000 0000
0	THALIA_IRQ_RAW	Interrupt 0 raw event: Write 0x0: No action Write 0x1: Set event (used for debug) Read 0x0: No event pending Read 0x1: Event pending	RW	0

Table 12-17. Register Call Summary for Register IRQSTATUS_RAW_2

GPU Register Manual

- [GPU Register Summary: \[0\]](#)

Table 12-18. IRQSTATUS_0

Address Offset	0x0000 0030	Instance	GPU_WRAPPER
Physical Address	0x5600 FE30		
Description	Interrupt 0 status event. Master port interrupt.		
Type	RW		

31	30	29	28	27	26	25	24	23	22	21	20	19	18	17	16	15	14	13	12	11	10	9	8	7	6	5	4	3	2	1	0
RESERVED																INIT_MINTERRUPT_STATUS															

Bits	Field Name	Description	Type	Reset
31:1	RESERVED		R	0x0000 0000
0	INIT_MINTERRUPT_STATUS	Interrupt 0 raw event: Write 0x0: No action Write 0x1: Clear event Read 0x0: No event pending Read 0x1: Event pending and interrupt enabled	RW	0

Table 12-19. Register Call Summary for Register IRQSTATUS_0

GPU Register Manual

- [GPU Register Summary: \[0\]](#)

Table 12-20. IRQSTATUS_1

Address Offset	0x0000 0034	Instance	GPU_WRAPPER
Physical Address	0x5600 FE34		
Description	Interrupt 1 - slave port status event		
Type	RW		

31	30	29	28	27	26	25	24	23	22	21	20	19	18	17	16	15	14	13	12	11	10	9	8	7	6	5	4	3	2	1	0
RESERVED																TARGET_SINTERRUPT_STATUS															

Bits	Field Name	Description	Type	Reset
31:1	RESERVED		R	0x0000 0000
0	TARGET_SINTERRUPT_STATUS	Interrupt 0 raw event: Write 0x0: No action Write 0x1: Clear event Read 0x0: No event pending Read 0x1: Event pending and interrupt enabled	RW	0

Table 12-21. Register Call Summary for Register IRQSTATUS_1

GPU Register Manual

- [GPU Register Summary: \[0\]](#)

Table 12-22. IRQSTATUS_2

Address Offset	0x0000 0038	Instance	GPU_WRAPPER
Physical Address	0x5600 FE38		
Description	Interrupt 2 - Core status event		
Type	RW		

31	30	29	28	27	26	25	24	23	22	21	20	19	18	17	16	15	14	13	12	11	10	9	8	7	6	5	4	3	2	1	0
RESERVED																							THALIA_IRQ_STATUS								

Bits	Field Name	Description	Type	Reset
31:1	RESERVED		R	0x0000 0000
0	THALIA_IRQ_STATUS	Interrupt 0 raw event: Write 0x0: No action Write 0x1: Clear event Read 0x0: No event pending Read 0x1: Event pending and interrupt enabled	RW	0

Table 12-23. Register Call Summary for Register IRQSTATUS_2

GPU Register Manual

- [GPU Register Summary: \[0\]](#)

Table 12-24. IRQENABLE_SET_0

Address Offset	0x0000 003C	Instance	GPU_WRAPPER
Physical Address	0x5600 FE3C		
Description	Enable Interrupt 0 - Master port.		
Type	RW		

31	30	29	28	27	26	25	24	23	22	21	20	19	18	17	16	15	14	13	12	11	10	9	8	7	6	5	4	3	2	1	0
RESERVED																												INIT_MINTERRUPT_ENABLE			

Bits	Field Name	Description	Type	Reset
31:1	RESERVED		R	0x0000 0000
0	INIT_MINTERRUPT_ENABLE	To enable interrupt: Write 0x0: No action Write 0x1: Enable interrupt Read 0x0: Interrupt is disabled Read 0x1: Interrupt is enabled	RW	0

Table 12-25. Register Call Summary for Register IRQENABLE_SET_0

GPU Register Manual

- [GPU Register Summary: \[0\]](#)

Table 12-26. IRQENABLE_SET_1

Address Offset	0x0000 0040	Instance	GPU_WRAPPER
Physical Address	0x5600 FE40		
Description	Enable Interrupt 1. Core interrupt.		
Type	RW		

31	30	29	28	27	26	25	24	23	22	21	20	19	18	17	16	15	14	13	12	11	10	9	8	7	6	5	4	3	2	1	0
RESERVED																												TARGET_SINTERRUPT_ENABLE			

Bits	Field Name	Description	Type	Reset
31:1	RESERVED		R	0x0000 0000
0	TARGET_SINTERRUPT_ENABLE	To enable interrupt: Write 0x0: No action Write 0x1: Enable interrupt Read 0x0: Interrupt is disabled Read 0x1: Interrupt is enabled	RW	0

Table 12-27. Register Call Summary for Register IRQENABLE_SET_1

GPU Register Manual

- [GPU Register Summary: \[0\]](#)

Table 12-28. IRQENABLE_SET_2

Address Offset	0x0000 0044	Instance	GPU_WRAPPER
Physical Address	0x5600 FE44		
Description	Enable Interrupt 2. Core interrupt.		
Type	RW		

31	30	29	28	27	26	25	24	23	22	21	20	19	18	17	16	15	14	13	12	11	10	9	8	7	6	5	4	3	2	1	0
RESERVED																											THALIA_IRQ_ENABLE				

Bits	Field Name	Description	Type	Reset
31:1	RESERVED		R	0x0000 0000
0	THALIA_IRQ_ENABLE	To enable interrupt: Write 0x0: No action Write 0x1: Enable interrupt Read 0x0: Interrupt is disabled Read 0x1: Interrupt is enabled	RW	0

Table 12-29. Register Call Summary for Register IRQENABLE_SET_2

GPU Register Manual

- [GPU Register Summary: \[0\]](#)

Table 12-30. IRQENABLE_CLR_0

Address Offset	0x0000 0048	Instance	GPU_WRAPPER
Physical Address	0x5600 FE48		
Description	Disable Interrupt 0 - Master port.		
Type	RW		

31	30	29	28	27	26	25	24	23	22	21	20	19	18	17	16	15	14	13	12	11	10	9	8	7	6	5	4	3	2	1	0
RESERVED																												INIT_MINTERRUPT_DISABLE			

Bits	Field Name	Description	Type	Reset
31:1	RESERVED		R	0x0000 0000
0	INIT_MINTERRUPT_DISABLE	To disable interrupt: Write 0x0: No action Write 0x1: Disable interrupt Read 0x0: Interrupt is disabled Read 0x1: Interrupt is enabled	RW	0

Table 12-31. Register Call Summary for Register IRQENABLE_CLR_0

GPU Register Manual

- [GPU Register Summary: \[0\]](#)

Table 12-32. IRQENABLE_CLR_1

Address Offset	0x0000 004C	Instance	GPU_WRAPPER
Physical Address	0x5600 FE4C		
Description	Disable Interrupt 2 - Core interrupt.		
Type	RW		

31	30	29	28	27	26	25	24	23	22	21	20	19	18	17	16	15	14	13	12	11	10	9	8	7	6	5	4	3	2	1	0
RESERVED																												TARGET_SINTERRUPT_DISABLE			

Bits	Field Name	Description	Type	Reset
31:1	RESERVED		R	0x0000 0000
0	TARGET_SINTERRUPT_DISABLE	To disable interrupt: Write 0x0: No action Write 0x1: Disable interrupt Read 0x0: Interrupt is disabled Read 0x1: Interrupt is enabled	RW	0

Table 12-33. Register Call Summary for Register IRQENABLE_CLR_1

GPU Register Manual

- [GPU Register Summary: \[0\]](#)

Table 12-34. IRQENABLE_CLR_2

Address Offset	0x0000 0050	Instance	GPU_WRAPPER
Physical Address	0x5600 FE50		
Description	Disable Interrupt 2 - Core interrupt.		
Type	RW		

31	30	29	28	27	26	25	24	23	22	21	20	19	18	17	16	15	14	13	12	11	10	9	8	7	6	5	4	3	2	1	0
RESERVED																							THALIA_IRQ_DISABLE								

Bits	Field Name	Description	Type	Reset
31:1	RESERVED		R	0x0000 0000
0	THALIA_IRQ_DISABLE	To disable interrupt: Write 0x0: No action Write 0x1: Disable interrupt Read 0x0: Interrupt is disabled Read 0x1: Interrupt is enabled	RW	0

Table 12-35. Register Call Summary for Register IRQENABLE_CLR_2

GPU Register Manual

- [GPU Register Summary: \[0\]](#)

Table 12-36. PAGE_CONFIG

Address Offset	0x0000 0100	Instance	GPU_WRAPPER
Physical Address	0x5600 FF00		
Description	Configure memory pages.		
Type	RW		

31	30	29	28	27	26	25	24	23	22	21	20	19	18	17	16	15	14	13	12	11	10	9	8	7	6	5	4	3	2	1	0
THALIA_INT_BYPASS	RESERVED																								OCP_PAGE_SIZE	MEM_PAGE_CHECK_EN	MEM_PAGE_SIZE				

Bits	Field Name	Description	Type	Reset
31	THALIA_INT_BYPASS	Bypass OCP IPG interrupt logic 0x0: Do not bypass 0x1 Bypass core interrupt to I/O pin; that is, disregard the interrupt enable setting in the IPG register.	RW	0
30:5	RESERVED		R	0x000 0000
4:3	OCP_PAGE_SIZE	Defines the page size on OCP memory interface: 0x0: 4 KiB 0x1: 2 KiB 0x2: 1 KiB 0x3: 512B	RW	0x2
2	MEM_PAGE_CHECK_EN	To enable page boundary checking: 0x0: Disabled 0x1: Enabled	RW	1
1:0	MEM_PAGE_SIZE	Defines the page size on internal memory interface: 0x0: 4 KiB 0x1: 2 KiB 0x2: 1 KiB 0x3: 512B	RW	0x0

Table 12-37. Register Call Summary for Register PAGE_CONFIG

GPU Register Manual

- [GPU Register Summary: \[0\]](#)

Table 12-38. INTERRUPT_EVENT

Address Offset	0x0000 0104	Instance	GPU_WRAPPER
Physical Address	0x5600 FF04		
Description	Interrupt events		
Type	RW		

31	30	29	28	27	26	25	24	23	22	21	20	19	18	17	16	15	14	13	12	11	10	9	8	7	6	5	4	3	2	1	0
RESERVED								TARGET_INVALID_OCP_CMD	TARGET_CMD_FIFO_FULL	TARGET_RESP_FIFO_FULL	RESERVED				INT_MEM_REQ_FIFO_OVERRUN_1	INIT_READ_TAG_FIFO_OVERRUN_1	INIT_PAGE_CROSS_ERROR_1	INIT_RESP_ERROR_1	INIT_RESP_UNUSED_TAG_1	INIT_RESP_UNEXPECTED_1	RESERVED	INIT_MEM_REQ_FIFO_OVERRUN_0	INIT_READ_TAG_FIFO_OVERRUN_0	INIT_PAGE_CROSS_ERROR_0	INIT_RESP_ERROR_0	INIT_RESP_UNUSED_TAG_0	INIT_RESP_UNEXPECTED_0				

Bits	Field Name	Description	Type	Reset
31:19	RESERVED		R	0x0000
18	TARGET_INVALID_OCP_CMD	Invalid command from OCP: Write 0x0: Clear the event Write 0x1: Set the event and interrupt if enabled (debug only) Read 0x0: No event pending Read 0x1: Event pending	RW	0
17	TARGET_CMD_FIFO_FULL	Command FIFO full: Write 0x0: Clear the event. Write 0x1: Set the event and interrupt if enabled (debug only). Read 0x0: No event pending Read 0x1: Event pending	RW	0
16	TARGET_RESP_FIFO_FULL	Response FIFO full: Write 0x0: Clear the event. Write 0x1: Set the event and interrupt if enabled (debug only). Read 0x0: No event pending Read 0x1: Event pending	RW	0
15:14	RESERVED		R	0x0
13	INT_MEM_REQ_FIFO_OVERRUN_1	Memory request FIFO overrun: Write 0x0: Clear the event. Write 0x1: Set the event and interrupt if enabled (debug only). Read 0x0: No event pending Read 0x1: Event pending	RW	0
12	INIT_READ_TAG_FIFO_OVERRUN_1	Read tag FIFO overrun: Write 0x0: Clear the event. Write 0x1: Set the event and interrupt if enabled (debug only). Read 0x0: No event pending Read 0x1: Event pending	RW	0
11	INIT_PAGE_CROSS_ERROR_1	Memory page had been crossed during a burst: Write 0x0: Clear the event. Write 0x1: Set the event and interrupt if enabled (debug only). Read 0x0: No event pending Read 0x1: Event pending	RW	0

Bits	Field Name	Description	Type	Reset
10	INIT_RESP_ERROR_1	Receiving error response: Write 0x0: Clear the event. Write 0x1: Set the event and interrupt if enabled (debug only). Read 0x0: No event pending Read 0x1: Event pending	RW	0
9	INIT_RESP_UNUSED_TAG_1	Receiving response on an unused OCP TAG: Write 0x0: Clear the event Write 0x1: Set the event and interrupt if enabled (debug only) Read 0x0: No event pending Read 0x1: Event pending	RW	0
8	INIT_RESP_UNEXPECTED_1	Receiving response when not expected: Write 0x0: Clear the event. Write 0x1: Set the event and interrupt if enabled (debug only). Read 0x0: No event pending Read 0x1: Event pending	RW	0
7:6	RESERVED		R	0x0
5	INIT_MEM_REQ_FIFO_OVERR UN_0	Memory request FIFO overrun; Write 0x0: Clear the event. Write 0x1: Set the event and interrupt if enabled (debug only). Read 0x0: No event pending Read 0x1: Event pending	RW	0
4	INIT_READ_TAG_FIFO_OVERR UN_0	Read tag FIFO overrun: Write 0x0: Clear the event. Write 0x1: Set the event and interrupt if enabled (debug only). Read 0x0: No event pending Read 0x1: Event pending	RW	0
3	INIT_PAGE_CROSS_ERROR_0	Memory page had been crossed during a burst. Write 0x0: Clear the event. Write 0x1: Set the event and interrupt if enabled (debug only). Read 0x0: No event pending Read 0x1: Event pending	RW	0
2	INIT_RESP_ERROR_0	Receiving error response: Write 0x0: Clear the event. Write 0x1: Set the event and interrupt if enabled (debug only). Read 0x0: No event pending Read 0x1: Event pending	RW	0
1	INIT_RESP_UNUSED_TAG_0	Receiving response on an unused OCP TAG: Write 0x0: Clear the event. Write 0x1: Set the event and interrupt if enabled (debug only). Read 0x0: No event pending Read 0x1: Event pending	RW	0
0	INIT_RESP_UNEXPECTED_0	Receiving response when not expected: Write 0x0: Clear the event. Write 0x1: Set the event and interrupt if enabled (debug only). Read 0x0: No event pending Read 0x1: Event pending	RW	0

Table 12-39. Register Call Summary for Register INTERRUPT_EVENT

GPU Register Manual

- [GPU Register Summary: \[0\]](#)

Table 12-40. DEBUG_CONFIG

Address Offset	0x0000 0108	Instance	GPU_WRAPPER
Physical Address	0x5600 FF08		
Description	Configuration of debug modes		
Type	RW		

31	30	29	28	27	26	25	24	23	22	21	20	19	18	17	16	15	14	13	12	11	10	9	8	7	6	5	4	3	2	1	0
RESERVED																SELECT_INT_IDLE		FORCE_PASS_DATA		FORCE_INIT_IDLE		FORCE_TARGET_IDLE									

Bits	Field Name	Description	Type	Reset
31:6	RESERVED		R	0x000 0000
5	SELECT_INT_IDLE	To select which idle the disconnect protocol should act on: 0x0: Whole SGX idle 0x1: OCP initiator idle	RW	0
4	FORCE_PASS_DATA	Forces the initiator to pass data independent of disconnect protocol: 0x0: Do not force, normal operation 0x1: Never fence request to OCP	RW	0
3:2	FORCE_INIT_IDLE	Forces initiator idle: 0x0, 0x3: Do not force, normal operation 0x1: Always idle 0x2: Never idle	RW	0x0
1:0	FORCE_TARGET_IDLE	Forces target idle: 0x0, 0x3: Do not force, normal operation 0x1: Always idle 0x2: Never idle	RW	0x0

Table 12-41. Register Call Summary for Register DEBUG_CONFIG

GPU Register Manual

- [GPU Register Summary: \[0\]](#)

Table 12-42. DEBUG_STATUS_0

Address Offset	0x0000 010C	Instance	GPU_WRAPPER
Physical Address	0x5600 FFOC		
Description	Port0 debug status register		
Type	R		

31	30	29	28	27	26	25	24	23	22	21	20	19	18	17	16	15	14	13	12	11	10	9	8	7	6	5	4	3	2	1	0
CMD_DEBUG_STATE	CMD_RESP_DEBUG_STATE	TARGET_IDLE	RESP_FIFO_FULL	CMD_FIFO_FULL	RESP_ERROR			WHICH_TARGET_REGISTER			TARGET_CMD_OUT			INIT_MSTANDBY	INIT_MWAIT	INIT_MDISCREQ		INIT_MDISCACK		INIT_SCONNECT_2	INIT_SCONNECT_1	INIT_SCONNECT_0		INIT_MCONNECT	TARGET_SIDLEACK	TARGET_SDISCACK	TARGET_SIDLEREQ	TARGET_SCONNECT		TARGET_MCONNECT	

Bits	Field Name	Description	Type	Reset
31	CMD_DEBUG_STATE	Target command state-machine: 0x0: IDLE 0x1: Accept command	R	0
30	CMD_RESP_DEBUG_STATE	Target response state-machine: 0x0: Send accept 0x1: Wait accept	R	0
29	TARGET_IDLE	Target idle	R	0
28	RESP_FIFO_FULL	Target response FIFO full	R	0
27	CMD_FIFO_FULL	Target command FIFO full	R	0
26	RESP_ERROR	Respond to OCP with error, which could be caused by either address misalignment or invalid byte enable.	R	0
25:21	WHICH_TARGET_REGISTER	Indicates which OCP target registers to read	R	0x00
20:18	TARGET_CMD_OUT	Command received from OCP: 0x0: CMD_WRSYS 0x1: CMD_RDSYS 0x2: CMD_WR_ERROR 0x3: CMD_RD_ERROR 0x4: CMD_CHK_WRADDR_PAGE (not used) 0x5: CMD_CHK_RDADDR_PAGE (not used) 0x6: CMD_TARGET_REG_WRITE 0x7: CMD_TARGET_REG_READ	R	0x0
17	INIT_MSTANDBY	Status of init_MStandby signal	R	0
16	INIT_MWAIT	Status of init_MWait signal	R	0
15	INIT_MDISCREQ	Request to disconnect from OCP interface	R	0
14:13	INIT_MDISCACK	Disconnect status of the OCP interface: 0x0: FUNCT 0x1: TRANS 0x2: Reserved 0x3: IDLE	R	0x0
12	INIT_SCONNECT_2	Defines whether to wait in M_WAIT state for MConnect FSM: 0x0: Skip M_WAIT state 0x1: Wait in M_WAIT state	R	0
11	INIT_SCONNECT_1	Defines the busy-ness state of the slave: 0x0: Slave is drained 0x1: Slave is loaded	R	0
10	INIT_SCONNECT_0	Disconnect from slave: 0x0: Disconnect request from slave 0x1: Connect request from slave	R	0

Bits	Field Name	Description	Type	Reset
9:8	INIT_MCONNECT	Initiator MConnect state: 0x0: M_OFF 0x1: M_WAIT 0x2: M_DISC 0x3: M_CON	R	0x0
7:6	TARGET_SIDLEACK	Acknowledge the SIdleAck state-machine: 0x0: FUNCT 0x1: SLEEP TRANS 0x2: Reserved 0x3: IDLE	R	0x0
5:4	TARGET_SDISCACK	Acknowledge the SDiscAck state-machine: 0x0: FUNCT 0x1: TRANS 0x2: Reserved 0x3: IDLE	R	0x0
3	TARGET_SIDLREQ	Request the target to go idle: 0 Do not go idle, or go active 1 Go idle	R	0
2	TARGET_SCONNECT	Target SConnect bit 0 state: 0x0: Disconnect interface 0x1: Connect OCP interface	R	0
1:0	TARGET_MCONNECT	Target MConnect state: 0x0: M_OFF 0x1: M_WAIT 0x2: M_DISC 0x3: M_CON	R	0x0

Table 12-43. Register Call Summary for Register DEBUG_STATUS_0

GPU Register Manual

- [GPU Register Summary: \[0\]](#)

Table 12-44. DEBUG_STATUS_1

Address Offset	0x0000 0110	Instance	GPU_WRAPPER
Physical Address	0x5600 FF10		
Description	Port1 debug status register		
Type	R		

31	30	29	28	27	26	25	24	23	22	21	20	19	18	17	16	15	14	13	12	11	10	9	8	7	6	5	4	3	2	1	0
CMD_DEBUG_STATE	CMD_RESP_DEBUG_STATE	TARGET_IDLE	RESP_FIFO_FULL	CMD_FIFO_FULL	RESP_ERROR			WHICH_TARGET_REGISTER			TARGET_CMD_OUT			INIT_MSTANDBY	INIT_MWAIT	INIT_MDISCREQ	INIT_MDISCACK		INIT_SCONNECT_2	INIT_SCONNECT_1	INIT_SCONNECT_0	INIT_MCONNECT		TARGET_SIDLEACK	TARGET_SDISCACK	TARGET_SIDLREQ	TARGET_SCONNECT		TARGET_MCONNECT		

Bits	Field Name	Description	Type	Reset
31	CMD_DEBUG_STATE	Target command state-machine: 0x0: IDLE 0x1: Accept command	R	0
30	CMD_RESP_DEBUG_STATE	Target response state-machine: 0x0: Send accept 0x1: Wait accept	R	0
29	TARGET_IDLE	Target idle	R	0

Bits	Field Name	Description	Type	Reset
28	RESP_FIFO_FULL	Target response FIFO full	R	0
27	CMD_FIFO_FULL	Target command FIFO full	R	0
26	RESP_ERROR	Respond to OCP with error, which could be caused by either address misalignment or invalid byte enable.	R	0
25:21	WHICH_TARGET_REGISTER	Indicates which OCP target registers to read	R	0x00
20:18	TARGET_CMD_OUT	Command received from OCP: 0x0: CMD_WRSYS 0x1: CMD_RDSYS 0x2: CMD_WR_ERROR 0x3: CMD_RD_ERROR 0x4: CMD_CHK_WRADDR_PAGE (not used) 0x5: CMD_CHK_RDADDR_PAGE (not used) 0x6: CMD_TARGET_REG_WRITE 0x7: CMD_TARGET_REG_READ	R	0x0
17	INIT_MSTANDBY	Status of init_MStandby signal	R	0
16	INIT_MWAIT	Status of init_MWait signal	R	0
15	INIT_MDISCREQ	Request to disconnect from OCP interface	R	0
14:13	INIT_MDISACK	Disconnect status of the OCP interface: 0x0: FUNCT 0x1: SLEEP TRANS 0x2: Reserved 0x3: IDLE	R	0x0
12	INIT_SCONNECT_2	Defines whether to wait in M_WAIT state for MConnect FSM: 0x0: Skip M_WAIT state. 0x1: Wait in M_WAIT state.	R	0
11	INIT_SCONNECT_1	Defines the busy-ness state of the slave: 0x0: Slave is drained. 0x1: Slave is loaded.	R	0
10	INIT_SCONNECT_0	Disconnect from slave: 0x0: Disconnect request from slave 0x1: Connect request from slave	R	0
9:8	INIT_MCONNECT	Initiator MConnect state: 0x0: M_OFF 0x1: M_WAIT 0x2: M_DISC 0x3: M_CON	R	0x0
7:6	TARGET_SIDLEACK	Acknowledge the SIdleAck state-machine: 0x0: FUNCT 0x1: SLEEP TRANS 0x2: Reserved 0x3: IDLE	R	0x0
5:4	TARGET_SDISACK	Acknowledge the SDiscAck state-machine: 0x0: FUNCT 0x1: TRANS 0x2: Reserved 0x3: IDLE	R	0x0
3	TARGET_SIDLEREQ	Request the target to go idle: 0x0: Do not go idle, or go active 0x1: Go idle	R	0
2	TARGET_SCONNECT	Target SConnect bit 0 state: 0x0: Disconnect interface 0x1: Connect OCP interface	R	0
1:0	TARGET_MCONNECT	Target MConnect state: 0x0: M_OFF 0x1: M_WAIT 0x2: M_DISC 0x3: M_CON	R	0x0

Table 12-45. Register Call Summary for Register DEBUG_STATUS_1

GPU Register Manual

- [GPU Register Summary: \[0\]](#)

2D Graphics Accelerator

This chapter describes the advanced bit blitter 2-dimensional (2D) graphics accelerator (BB2D) for the device.

NOTE: The BB2D subsystem is an instantiation by Texas Instruments of the GC320™ core from Vivante Corp.

This document contains materials that are © Vivante Corp.

GC320 is a trademark or registered trademark of Vivante Corp.

NOTE: This chapter describes a module (subsystem) in the superset device. The availability is device part number dependent. Refer to device Data Manual, for more information.

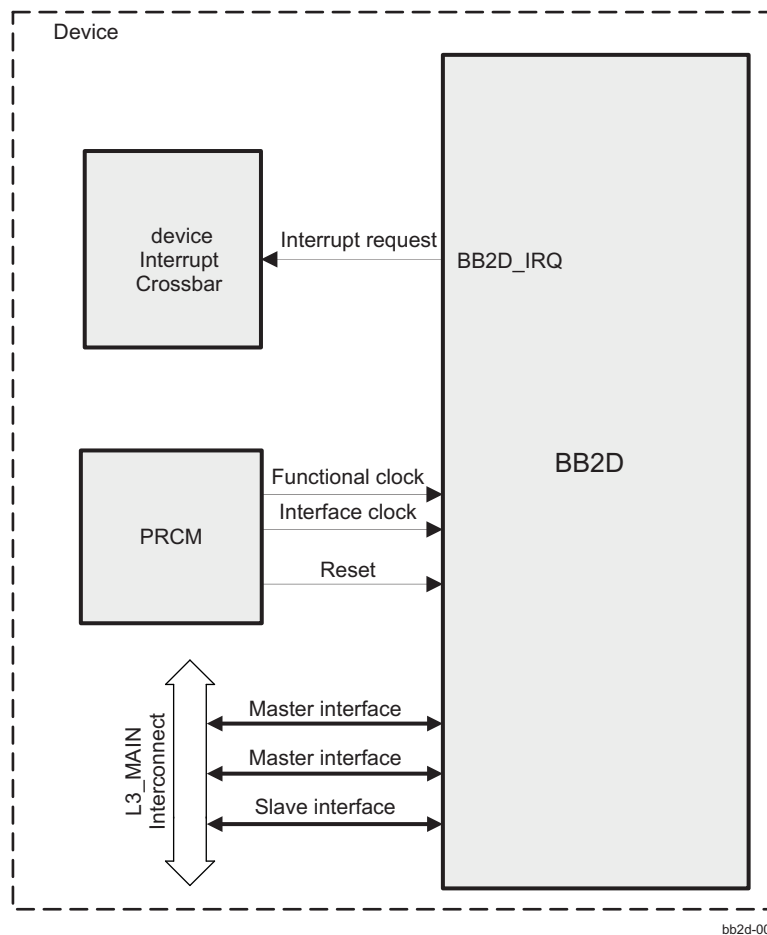
Topic	Page
13.1 BB2D Overview.....	2976
13.2 BB2D Integration	2978
13.3 BB2D Functional Description	2980
13.4 BB2D Register Manual.....	2982

13.1 BB2D Overview

The 2D graphics accelerator subsystem accelerates 2D graphics applications. The 2D graphics accelerator subsystem is based on the GC320 2D GPU core from Vivante Corporation. The hardware acceleration is brought to numerous 2D applications, including on-screen display and touch screen user interfaces, graphical user interfaces (GUIs) and menu displays, flash animation, and gaming.

Figure 13-1 shows the BB2D subsystem.

Figure 13-1. BB2D Overview



bb2d-001

13.1.1 BB2D Key Features Overview

- API support:
 - OpenWF™, DirectFB
 - GDI/DirectDraw™
- **BB2D architecture:**
 - BitBlt and StretchBlt
 - DirectFB hardware acceleration
 - ROP2, ROP3, ROP4 full alpha blending and transparency
 - Clipping rectangle support
 - Alpha blending includes Java® 2 Porter-Duff compositing rules
 - 90-, 180-, 270-degree rotation on every primitive
 - YUV-to-RGB color space conversion
 - Programmable display format conversion with 14 source and 7 destination formats

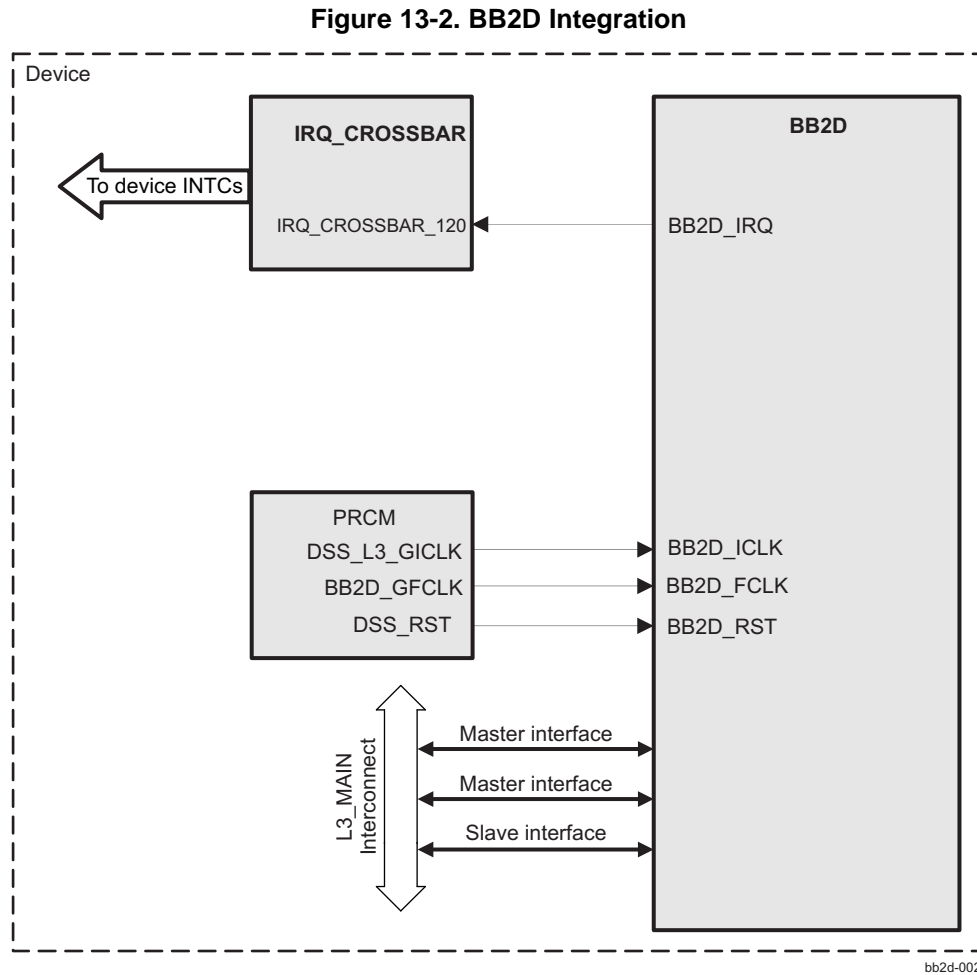
- High-quality 9-tap, 32-phase filter for image and video scaling at 1080p
- Monochrome expansion for text rendering
- 32 K × 32 K coordinate system
- **Hardware acceleration for DirectFB:**
 - High-speed video scaler
 - ROP2/3/4
 - Rectangle filling and drawing
 - Line drawing
 - Simple blitting
 - Stretch blitting
 - Blending with alpha channel (per-pixel alpha)
 - Blending with alpha factor (alpha modulation)
 - Nine source and destination blending functions
 - Porter-Duff rules support
 - Premultiplied alpha support
 - Colorized blitting (color modulation)
 - Source color keying
 - Destination color keying

The device BB2D generates a single (aggregate) interrupt request connected to the device Interrupt Crossbar. This allows for this interrupt to be programmatically mapped to multiple device host interrupt controllers (see [Section 13.2](#)).

13.2 BB2D Integration

This section describes subsystem integration in the device, including information about clocks, resets, and hardware requests.

Figure 13-2 shows BB2D integration.



The BB2D subsystem is connected to the level 3 (L3_MAIN) interconnect by two 128-bit master interfaces and one 32-bit slave interface.

Table 13-1 through Table 13-3 summarize the integration of the subsystem in the device.

Table 13-1. BB2D Integration Attributes

Module Instance	Attributes	
	Power Domain	Interconnect
BB2D	PD_DSS	L3_MAIN

Table 13-2. BB2D Clocks and Resets

Clocks				
Module Instance	Destination Signal Name	Source Signal Name	Source	Description
BB2D	BB2D_ICLK	DSS_L3_GICLK	PRCM	BB2D interfaces clock
	BB2D_FCLK	BB2D_GFCLK	PRCM	BB2D functional clock.
Resets				

Table 13-2. BB2D Clocks and Resets (continued)

Module Instance	Destination Signal Name	Source Signal Name	Source	Description
BB2D	BB2D_RST	DSS_RST	PRCM	BB2D non-retention reset signal

Table 13-3. BB2D Hardware Requests

Interrupt Requests				
Module Instance	Source Signal Name	Destination IRQ_CROSSBAR Input	Default Mapping	Description
BB2D	BB2D_IRQ	IRQ_CROSSBAR_120	MPU_IRQ_125 IPU1_IRQ_65 IPU2_IRQ_65	BB2D interrupt request to the device interrupt crossbar

NOTE: The “**Default Mapping**” column in [Table 13-3, BB2D Hardware Requests](#) shows the default mapping of module IRQ source signals. These IRQ source signals can also be mapped to other lines of each device Interrupt controller through the IRQ_CROSSBAR module. For more information about the IRQ_CROSSBAR module, see [Section 18.4.6.4, IRQ_CROSSBAR Module Functional Description](#), in [Chapter 18, Control Module](#). For more information about the device interrupt controllers, see [Chapter 17, Interrupt Controllers](#).

NOTE: No DMA and no wake-up requests are generated by the BB2D module.

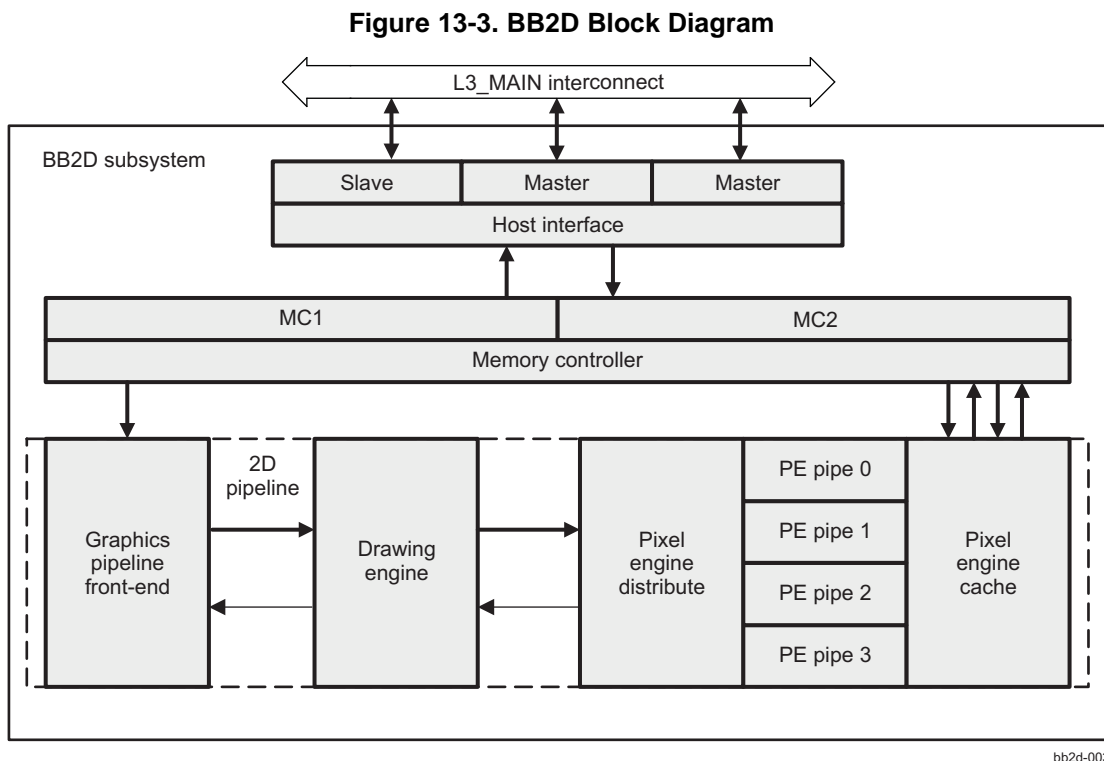
13.3 BB2D Functional Description

13.3.1 BB2D Block Diagram

The BB2D subsystem is based on the following main blocks:

- Host interface: Allows the BB2D core to communicate with external memory and the MPU through the L3_MAIN interconnect. In this block, data crosses clock domain boundaries.
- Memory controller: Internal memory unit that is the block-to-host interface for memory requests
- Graphics pipeline front-end: Inserts high-level primitives and commands into the graphics pipeline.
- 2D drawing and scaling engine: Draws 2D graphics primitives and rasterizes 2D images.
- Pixel engine: manipulates and filters pixels in rendered images. BB2D has four pixel pipes.

Figure 13-3 shows the BB2D top-level block diagram.



13.3.2 BB2D Clock Configuration

The BB2D subsystem operates from two clocks: an interface clock (BB2D_ICLK) and functional clock (BB2D_FCLK). The power, reset, and clock management (PRCM) module generates and distributes the clocks inside the device.

- The BB2D_ICLK interface clock manages the data transfer on the L3_MAIN master and slave ports. The BB2D_ICLK frequency is selected based on the whole device L3_MAIN interconnect clock frequency. For more information on the interface clock, see [Section 3.6.4.13, CD_DSS Clock Domain](#), in the chapter, *Power, Reset and Clock Management*.

When BB2D_ICLK is no longer required by the BB2D subsystem, it can be disabled by software at the PRCM level.

NOTE: BB2D_ICLK is cut only if the BB2D is ready to go into IDLE state.

- The BB2D_FCLK functional clock is used inside the BB2D subsystem to generate clock signals to multiple BB2D clock domains. The BB2D automatically gates clocks to domains, that are not currently in use.

Using the clock source selection and the DPLL settings, the frequency of BB2D_FCLK can be adjusted.

When BB2D_FCLK is no longer needed by the BB2D subsystem, it can be cut by software at the PRCM level, if the module is ready to enter IDLE state.

13.3.3 BB2D Software Reset

The BB2D subsystem is part of the DSS reset domain. A global reset of the BB2D is performed by activating the BB2D_RST signal in the DSS_RST domain.

NOTE: The APIs delivered with the BB2D provide a software reset functionally equivalent to a hardware reset.

13.3.4 BB2D Power Management

The BB2D subsystem is part of the DSS power domain (PD_DSS). For additional information about PD_DSS, see [Section 3.7.11](#), *PD_DSS Description* in the [Chapter 3, Power, Reset, and Clock Management](#).

NOTE: The BB2D handles automatic clock gating performed on the multiple internal clock domains.

When 2D operations are complete, software may set the [GCGPOUTO\[0\]](#) GCHOLD bit to 1 to enter a low-power state. Setting GCHOLD to 1 moves the BB2D operational state into IDLE. Once in IDLE state, the system standby hardware signal (mstandby) is asserted.

13.4 BB2D Register Manual

CAUTION

All BB2D registers are limited to 32-bit data accesses; 8- and 16-bit accesses are not allowed because they can corrupt register content.

13.4.1 BB2D Instance Summary

Table 13-4. BB2D Instance Summary

Module Name	Base Address	Size
BB2D	0x5900 0000	2 KiB

13.4.2 BB2D Registers

13.4.2.1 BB2D Register Summary

Table 13-5. BB2D Registers Mapping Summary

Register Name	Type	Register Width (Bits)	Address Offset	Physical Address
AQHICLOCKCONTROL	RW	32	0x0000 0000	0x5900 0000
AQHIIDLE	R	32	0x0000 0004	0x5900 0004
AQAXICONFIG	RW	32	0x0000 0008	0x5900 0008
AQAXISTATUS	R	32	0x0000 000C	0x5900 000C
AQINTRACKNOWLEDGE	R	32	0x0000 0010	0x5900 0010
AQINTRENBL	RW	32	0x0000 0014	0x5900 0014
AQIDENT	R	32	0x0000 0018	0x5900 0018
GCFEATURES	R	32	0x0000 001C	0x5900 001C
GCCHIPID	R	32	0x0000 0020	0x5900 0020
GCCHIPREV	R	32	0x0000 0024	0x5900 0024
GCCHIPDATE	R	32	0x0000 0028	0x5900 0028
GCCHIPTIME	R	32	0x0000 002C	0x5900 002C
GCCHIPCUSTOMER	R	32	0x0000 0030	0x5900 0030
GCMINORFEATURES0	R	32	0x0000 0034	0x5900 0034
GCRESETMEMCOUNTERS	W	32	0x0000 003C	0x5900 003C
GCTOTALREADS	R	32	0x0000 0040	0x5900 0040
GCTOTALWRITES	R	32	0x0000 0044	0x5900 0044
GCCHIPSPECS	R	32	0x0000 0048	0x5900 0048
GCTOTALWRITEBURSTS	R	32	0x0000 004C	0x5900 004C
GCTOTALWRITEREQS	R	32	0x0000 0050	0x5900 0050
GCTOTALWRITELASTS	R	32	0x0000 0054	0x5900 0054
GCTOTALREADBURSTS	R	32	0x0000 0058	0x5900 0058
GCTOTALREADREQS	R	32	0x0000 005C	0x5900 005C
GCTOTALREADLASTS	R	32	0x0000 0060	0x5900 0060
GCGPOUT0	RW	32	0x0000 0064	0x5900 0064
RESERVED	RW	32	0x0000 0068	0x5900 0068
RESERVED	RW	32	0x0000 006C	0x5900 006C
GCAXICONTROL	RW	32	0x0000 0070	0x5900 0070
GCMINORFEATURES1	R	32	0x0000 0074	0x5900 0074

Table 13-5. BB2D Registers Mapping Summary (continued)

Register Name	Type	Register Width (Bits)	Address Offset	Physical Address
GCTOTALCYCLES	RW	32	0x0000 0078	0x5900 0078
GCTOTALIDLECYCLES	RW	32	0x0000 007C	0x5900 007C
GCCHIPSPECS2	R	32	0x0000 0080	0x5900 0080
GCMINORFEATURES2	R	32	0x0000 0084	0x5900 0084
GCMODULEPOWERCONTROLS	RW	32	0x0000 0100	0x5900 0100
GCMODULEPOWERMODULECONTROL	RW	32	0x0000 0104	0x5900 0104
GCMODULEPOWERMODULESTATUS	R	32	0x0000 0108	0x5900 0108
GCREGMMUSTATUS	R	32	0x0000 0188	0x5900 0188
GCREGMMUCONTROL	W	32	0x0000 018C	0x5900 018C
GCREGMMUEXCEPTION0	RW	32	0x0000 0190	0x5900 0190
GCREGMMUEXCEPTION1	RW	32	0x0000 0194	0x5900 0194
GCREGMMUEXCEPTION2	RW	32	0x0000 0198	0x5900 0198
GCREGMMUEXCEPTION3	RW	32	0x0000 019C	0x5900 019C
AQMEMORYDEBUG	RW	32	0x0000 0414	0x5900 0414
AQREGISTERTIMINGCONTROL	RW	32	0x0000 042C	0x5900 042C
RESERVED	R	32	0x0000 0430	0x5900 0430
GCDISPLAYPRIORITY	RW	32	0x0000 0434	0x5900 0434
GCDBGCYCLECOUNTER	RW	32	0x0000 0438	0x5900 0438
GCOUTSTANDINGREADS0	R	32	0x0000 043C	0x5900 043C
GCOUTSTANDINGREADS1	R	32	0x0000 0440	0x5900 0440
GCOUTSTANDINGWRITES	R	32	0x0000 0444	0x5900 0444
GCDEBUGSIGNALSRA	R	32	0x0000 0448	0x5900 0448
GCDEBUGSIGNALSTX	R	32	0x0000 044C	0x5900 044C
GCDEBUGSIGNALSFE	R	32	0x0000 0450	0x5900 0450
GCDEBUGSIGNALSPE	R	32	0x0000 0454	0x5900 0454
GCDEBUGSIGNALSDE	R	32	0x0000 0458	0x5900 0458
GCDEBUGSIGNALSSH	R	32	0x0000 045C	0x5900 045C
GCDEBUGSIGNALSPA	R	32	0x0000 0460	0x5900 0460
GCDEBUGSIGNALSSE	R	32	0x0000 0464	0x5900 0464
GCDEBUGSIGNALSMC	R	32	0x0000 0468	0x5900 0468
GCDEBUGSIGNALSHI	R	32	0x0000 046C	0x5900 046C
GCDEBUGCONTROL0	RW	32	0x0000 0470	0x5900 0470
GCDEBUGCONTROL1	RW	32	0x0000 0474	0x5900 0474
GCDEBUGCONTROL2	RW	32	0x0000 0478	0x5900 0478
GCDEBUGCONTROL3	RW	32	0x0000 047C	0x5900 047C
GCBUSCONTROL	RW	32	0x0000 0480	0x5900 0480
GCREGENDIANNESS0	RW	32	0x0000 0484	0x5900 0484
GCREGENDIANNESS1	RW	32	0x0000 0488	0x5900 0488
GCREGENDIANNESS2	RW	32	0x0000 048C	0x5900 048C
GCREGDRAWPRIMITIVESTARTTIMESTAMP	R	32	0x0000 0490	0x5900 0490
GCREGDRAWPRIMITIVEENDTIMESTAMP	R	32	0x0000 0494	0x5900 0494
GCREGCONTROL0	RW	32	0x0000 0558	0x5900 0558
AQCMDBUFFERADDR	W	32	0x0000 0654	0x5900 0654
AQCMDBUFFERCTRL	W	32	0x0000 0658	0x5900 0658
AQFESTATUS	R	32	0x0000 065C	0x5900 065C
RESERVED	R	32	0x0000 0660	0x5900 0660

Table 13-5. BB2D Registers Mapping Summary (continued)

Register Name	Type	Register Width (Bits)	Address Offset	Physical Address
AQFEDEBUGCURCMDADR	R	32	0x0000 0664	0x5900 0664
RESERVED	R	32	0x0000 0668	0x5900 0668
RESERVED	R	32	0x0000 066C	0x5900 066C

13.4.2.2 BB2D Register Description

Table 13-6. AQHICLOCKCONTROL

Address Offset	0x0000 0000	Instance	BB2D
Physical Address	0x5900 0000		
Description	Clock control register.		
Type	RW		

31	30	29	28	27	26	25	24	23	22	21	20	19	18	17	16	15	14	13	12	11	10	9	8	7	6	5	4	3	2	1	0		
RESERVED				MULTI_PIPE_USE_SINGLE_AXI				MULTI_PIPE_REG_SELECT				ISOLATE_GPU		IDLE_VG	IDLE2_D	IDLE3_D	RESERVED		SOFT_RESET		DISABLE_DEBUG_REGISTERS		DISABLE_RAM_CLOCK_GATING		FSCALE_CMD_LOAD		FSCALE_VAL				CLK2D_DIS		CLK3D_DIS

Bits	Field Name	Description	Type	Reset
31:28	RESERVED		R	0x0
27:24	MULTI_PIPE_USE_SINGLE_AXI	Force all the transactions to go to one AXI	RW	0x0
23:20	MULTI_PIPE_REG_SELECT	Determines which HI/MC to use while reading registers	RW	0x0
19	ISOLATE_GPU	Isolate GPU bit	RW	0
18	IDLE_VG	VG pipe is idle	R	1
17	IDLE2_D	2D pipe is idle	R	1
16	IDLE3_D	3D pipe is idle	R	1
15:13	RESERVED		R	0x0
12	SOFT_RESET	Soft resets the subsystem	RW	0
11	DISABLE_DEBUG_REGISTERS	Disable debug registers. If this bit is 1, debug registers are clock gated	RW	0
10	DISABLE_RAM_CLOCK_GATING	Disables clock gating for RAMs	RW	0
9	FSCALE_CMD_LOAD		RW	0
8:2	FSCALE_VAL		RW	0x40
1	CLK2D_DIS	Disable 2D clock	RW	0
0	CLK3D_DIS	Disable 3D clock	RW	0

Table 13-7. Register Call Summary for Register AQHICLOCKCONTROL

BB2D Register Manual

- [BB2D Register Summary: \[0\]](#)

Table 13-8. AQHIIDLE

Address Offset	0x0000 0004	Instance	BB2D
Physical Address	0x5900 0004		
Description	Idle status register.		
Type	R		

31	30	29	28	27	26	25	24	23	22	21	20	19	18	17	16	15	14	13	12	11	10	9	8	7	6	5	4	3	2	1	0
AXI_LP	RESERVED														IDLE_TS	IDLE_FP	IDLE_IM	IDLE_VG	IDLE_TX	IDLE_RA	IDLE_SE	IDLE_PA	IDLE_SH	IDLE_PE	IDLE_DE	IDLE_FE					

Bits	Field Name	Description	Type	Reset
31	AXI_LP	AXI is in low power mode	R	0
30:12	RESERVED	Unused bits reserved for future expansion	R	0x7 FFFF
11	IDLE_TS	TS is idle	R	1
10	IDLE_FP	FP is idle	R	1
9	IDLE_IM	IM is idle	R	1
8	IDLE_VG	VG is idle	R	1
7	IDLE_TX	TX is idle	R	1
6	IDLE_RA	RA is idle	R	1
5	IDLE_SE	SE is idle	R	1
4	IDLE_PA	PA is idle	R	1
3	IDLE_SH	SH is idle	R	1
2	IDLE_PE	PE is idle	R	1
1	IDLE_DE	DE is idle	R	1
0	IDLE_FE	FE is idle	R	1

Table 13-9. Register Call Summary for Register AQHIIDLE

BB2D Register Manual

- [BB2D Register Summary: \[0\]](#)

Table 13-10. AQAXICONFIG

Address Offset	0x0000 0008	Instance	BB2D
Physical Address	0x5900 0008		
Description	AXI config		
Type	RW		

31	30	29	28	27	26	25	24	23	22	21	20	19	18	17	16	15	14	13	12	11	10	9	8	7	6	5	4	3	2	1	0
RESERVED														ARCACHE		AWCACHE		ARID		AWID											

Bits	Field Name	Description	Type	Reset
31:16	RESERVED		R	0x0000
15:12	ARCACHE		RW	0x0
11:8	AWCACHE		RW	0x0
7:4	ARID		RW	0x0
3:0	AWID		RW	0x0

Table 13-11. Register Call Summary for Register AQAXICONFIG

BB2D Register Manual

- [BB2D Register Summary: \[0\]](#)

Table 13-12. AQAXISTATUS

Address Offset	0x0000 000C	Instance	BB2D
Physical Address	0x5900 000C		
Description	AXI status		
Type	R		

31	30	29	28	27	26	25	24	23	22	21	20	19	18	17	16	15	14	13	12	11	10	9	8	7	6	5	4	3	2	1	0
RESERVED																		RD_ERR_ID				WR_ERR_ID									
																DET_RD_ERR	DET_WR_ERR														

Bits	Field Name	Description	Type	Reset
31:10	RESERVED		R	0x00 0000
9	DET_RD_ERR		R	0
8	DET_WR_ERR		R	0
7:4	RD_ERR_ID		R	0x0
3:0	WR_ERR_ID		R	0x0

Table 13-13. Register Call Summary for Register AQAXISTATUS

BB2D Register Manual

- [BB2D Register Summary: \[0\]](#)

Table 13-14. AQINTRACKNOWLEDGE

Address Offset	0x0000 0010	Instance	BB2D
Physical Address	0x5900 0010		
Description	Interrupt acknowledge register. Each bit represents a corresponding event being triggered. Reading from this register clears the outstanding interrupt.		
Type	R		

31	30	29	28	27	26	25	24	23	22	21	20	19	18	17	16	15	14	13	12	11	10	9	8	7	6	5	4	3	2	1	0
INTR_VEC																															

Bits	Field Name	Description	Type	Reset
31:0	INTR_VEC		R	0x0000 0000

Table 13-15. Register Call Summary for Register AQINTRACKNOWLEDGE

BB2D Register Manual

- [BB2D Register Summary: \[0\]](#)

Table 13-16. AQINTRENBL

Address Offset	0x0000 0014	Instance	BB2D
Physical Address	0x5900 0014		
Description	Interrupt enable register. Each bit enables a corresponding event.		
Type	RW		

31	30	29	28	27	26	25	24	23	22	21	20	19	18	17	16	15	14	13	12	11	10	9	8	7	6	5	4	3	2	1	0
INTR_ENBL_VEC																															

Bits	Field Name	Description	Type	Reset
31:0	INTR_ENBL_VEC		RW	0x0000 0000

Table 13-17. Register Call Summary for Register AQINTRENBL

BB2D Register Manual

- [BB2D Register Summary: \[0\]](#)

Table 13-18. AQIDENT

Address Offset	0x0000 0018	Instance	BB2D
Physical Address	0x5900 0018		
Description	Identification register.		
Type	R		

31	30	29	28	27	26	25	24	23	22	21	20	19	18	17	16	15	14	13	12	11	10	9	8	7	6	5	4	3	2	1	0
FAMILY								PRODUCT								REVISION				TECHNOLOGY				CUSTOMER							

Bits	Field Name	Description	Type	Reset
31:24	FAMILY	Family value 0x1: GC500 0x2: GC520 0x3: GC530 0x4: GC400 0x5: GC450 0x8: GC600 0x9: GC700 0xA: GC350 0xB: GC380 0xC: GC800 0x10: GC1000 0x14: GC2000	R	0x14
23:16	PRODUCT	Product value	R	0x01
15:12	REVISION	Revision value	R	0x0
11:8	TECHNOLOGY	Technology value	R	0x0
7:0	CUSTOMER	Customer value	R	0x00

Table 13-19. Register Call Summary for Register AQIDENT

BB2D Register Manual

- [BB2D Register Summary: \[0\]](#)

Table 13-20. GCFEATURES

Address Offset	0x0000 001C	Instance	BB2D
Physical Address	0x5900 001C		
Description	Shows which features are enabled in current subsystem implementation. 0 : NONE 1 : AVAILABLE		
Type	R		

31	30	29	28	27	26	25	24	23	22	21	20	19	18	17	16	15	14	13	12	11	10	9	8	7	6	5	4	3	2	1	0
FE20_BIT_INDEX	RS_YUV_TARGET	BYTE_WRITE_3D	FE20	VGTS	PIPE_VG	MEM32_BIT_SUPPORT	YUY2_RENDER_TARGET	HALF_TX_CACHE	HALF_PE_CACHE	YUY2_AVERAGING	NO_SCALER	BYTE_WRITE_2D	BUFFER_INTERLEAVING	NO422_TEXTURE	NO_EZ	MIN_AREA	MODULE_CG	YUV420_TILER	HIGH_DYNAMIC_RANGE	FAST_SCALER	ETC1_TEXTURE_COMPRESSION	PIPE_2D	DC	MSAA	YUV420_FILTER	ZCOMPRESSION	DEBUG_MODE	DXT_TEXTURE_COMPRESSION	PIPE_3D	SPECIAL_ANTI_ALIASING	FAST_CLEAR

Bits	Field Name	Description	Type	Reset
31	FE20_BIT_INDEX	Supports 20 bit index.	R	1
30	RS_YUV_TARGET	Supports resolving into YUV target.	R	1
29	BYTE_WRITE_3D	3D PE has byte write capability.	R	1
28	FE20	FE 2.0 is present.	R	0
27	VGTS	VG tessellator is present.	R	0
26	PIPE_VG	VG pipe is present.	R	0
25	MEM32_BIT_SUPPORT	32 bit memory address support.	R	0
24	YUY2_RENDER_TARGET	YUY2 support in PE and YUY2 to RGB conversion in resolve.	R	0
23	HALF_TX_CACHE	TX cache is half.	R	0
22	HALF_PE_CACHE	PE cache is half.	R	0
21	YUY2_AVERAGING	YUY2 averaging support in resolve.	R	1
20	NO_SCALER	No 2D scaler.	R	0
19	BYTE_WRITE_2D	Supports byte write in 2D.	R	1
18	BUFFER_INTERLEAVING	Supports interleaving depth and color buffers.	R	1
17	NO422_TEXTURE	No 422 texture input format.	R	0
16	NO_EZ	No early-Z.	R	0
15	MIN_AREA	Configured to have minimum area.	R	1
14	MODULE_CG	Second level clock gating is available.	R	1
13	YUV420_TILER	YUV 4:2:0 tiler is available.	R	1
12	HIGH_DYNAMIC_RANGE	Shows if there is HDR support.	R	1
11	FAST_SCALER	Shows if there is HD scaler.	R	1
10	ETC1_TEXTURE_COMPRESSION	ETC1 texture compression.	R	1
9	PIPE_2D	Shows if there is 2D engine.	R	1
8	DC	Shows if there is a display controller.	R	0
7	MSAA	MSAA support.	R	1
6	YUV420_FILTER	YUV 4:2:0 support in filter blit.	R	1
5	ZCOMPRESSION	Depth and color compression.	R	0

Bits	Field Name	Description	Type	Reset
4	DEBUG_MODE	Debug registers.	R	0
3	DXT_TEXTURE_COMPRESSION	DXT texture compression.	R	1
2	PIPE_3D	3D pipe.	R	0
1	SPECIAL_ANTI_ALIASING	Full-screen anti-aliasing.	R	1
0	FAST_CLEAR	Fast clear.	R	0

Table 13-21. Register Call Summary for Register GCFEATURES

BB2D Register Manual

- [BB2D Register Summary: \[0\]](#)

Table 13-22. GCCHIPID

Address Offset	0x0000 0020	Instance	BB2D
Physical Address	0x5900 0020		
Description	Shows the ID for the subsystem in BCD.		
Type	R		

31	30	29	28	27	26	25	24	23	22	21	20	19	18	17	16	15	14	13	12	11	10	9	8	7	6	5	4	3	2	1	0
ID																															

Bits	Field Name	Description	Type	Reset
31:0	ID	Subsystem ID in BCD	R	0x0000 0320

Table 13-23. Register Call Summary for Register GCCHIPID

BB2D Register Manual

- [BB2D Register Summary: \[0\]](#)

Table 13-24. GCCHIPREV

Address Offset	0x0000 0024	Instance	BB2D
Physical Address	0x5900 0024		
Description	Shows the revision for the subsystem in BCD.		
Type	R		

31	30	29	28	27	26	25	24	23	22	21	20	19	18	17	16	15	14	13	12	11	10	9	8	7	6	5	4	3	2	1	0
REV																															

Bits	Field Name	Description	Type	Reset
31:0	REV	Revision in BCD	R	0x0000 5301

Table 13-25. Register Call Summary for Register GCCHIPREV

BB2D Register Manual

- [BB2D Register Summary: \[0\]](#)

Table 13-26. GCCHIPDATE

Address Offset	0x0000 0028		
Physical Address	0x5900 0028	Instance	BB2D
Description	Shows the release date for the subsystem.		
Type	R		

31	30	29	28	27	26	25	24	23	22	21	20	19	18	17	16	15	14	13	12	11	10	9	8	7	6	5	4	3	2	1	0
DATE																															

Bits	Field Name	Description	Type	Reset
31:0	DATE	Release date	R	0x2011 1103

Table 13-27. Register Call Summary for Register GCCHIPDATE

BB2D Register Manual

- [BB2D Register Summary: \[0\]](#)

Table 13-28. GCCHIPTIME

Address Offset	0x0000 002C		
Physical Address	0x5900 002C	Instance	BB2D
Description	Shows the release time for the subsystem.		
Type	R		

31	30	29	28	27	26	25	24	23	22	21	20	19	18	17	16	15	14	13	12	11	10	9	8	7	6	5	4	3	2	1	0
TIME																															

Bits	Field Name	Description	Type	Reset
31:0	TIME	Release time	R	0x0014 0300

Table 13-29. Register Call Summary for Register GCCHIPTIME

BB2D Register Manual

- [BB2D Register Summary: \[0\]](#)

Table 13-30. GCCHIPCUSTOMER

Address Offset	0x0000 0030		
Physical Address	0x5900 0030	Instance	BB2D
Description	Shows the customer and group for the subsystem.		
Type	R		

31	30	29	28	27	26	25	24	23	22	21	20	19	18	17	16	15	14	13	12	11	10	9	8	7	6	5	4	3	2	1	0
COMPANY												GROUP																			

Bits	Field Name	Description	Type	Reset
31:16	COMPANY	Company	R	0x0000
15:0	GROUP	Group	R	0x0000

Table 13-31. Register Call Summary for Register GCCHIPCUSTOMER

BB2D Register Manual

- [BB2D Register Summary: \[0\]](#)

Table 13-32. GCMINORFEATURES0

Address Offset	0x0000 0034	Instance	BB2D
Physical Address	0x5900 0034		
Description	Shows which minor features are enabled in the subsystem. 0 : NONE 1 : AVAILABLE		
Type	R		

31	30	29	28	27	26	25	24	23	22	21	20	19	18	17	16	15	14	13	12	11	10	9	8	7	6	5	4	3	2	1	0
ENHANCE_VR	CORRECT_STENCIL	A8_TARGET_SUPPORT	NEW_TEXTURE	HIERARCHICAL_Z	BYPASS_IN_MSAA	VAA	BUG_FIXES0	SHADER_MSAA_SIDE BAND	MC_20	DEFAULT_REG0	EXTRA_SHADER_INSTRUCTIONS1	SHADER_GETS_W	VG_21	VG_FILTER	EXTRA_SHADER_INSTRUCTIONS0	COMPRESSION_FIFO_FIXED	TS_EXTENDED_COMMANDS	VG_20	SUPER_TILED_32X32	SEPARATE_TILE_STATUS_WHEN_INTERLEAVED	TILE_STATUS_2BITS	RENDER_8K	CORRECT_AUTO_DISABLE	PE20_2D	FAST_CLEAR_FLUSH	SPECIAL_MSAA_LOD	CORRECT_TEXTURE_CONVERTER	TEXTURE8_K	ENDIANNESS_CONFIG	DUAL_RETURN_BUS	FLIP_Y

Bits	Field Name	Description	Type	Reset
31	ENHANCE_VR	Enhance VR and add a mode to walk 16 pixels in 16-bit mode in vertical pass to improve cache hit rate when rotating 90/270.	R	1
30	CORRECT_STENCIL	Correct stencil behavior in depth only.	R	1
29	A8_TARGET_SUPPORT	2D engine supports A8 target.	R	0
28	NEW_TEXTURE	New texture unit is available.	R	0
27	HIERARCHICAL_Z	Hierarchical Z is supported.	R	1
26	BYPASS_IN_MSAA	Shader supports bypass mode when MSAA is enabled.	R	0
25	VAA	VAA is available or not.	R	0
24	BUG_FIXES0		R	1
23	SHADER_MSAA_SIDE BAND	Put the MSAA data into sideband fifo.	R	0
22	MC_20	New style MC with separate paths for color and depth.	R	0
21	DEFAULT_REG0	Unavailable registers will return 0.	R	1
20	EXTRA_SHADER_INSTRUCTION1	Sqrt, sin, cos instructions are available.	R	1
19	SHADER_GETS_W	W is sent to SH from RA.	R	1
18	VG_21	Minor updates to VG pipe (Event generation from VG, TS, PE). Tiled image support.	R	0
17	VG_FILTER	VG filter is available.	R	0
16	EXTRA_SHADER_INSTRUCTION0	Floor, ceil, and sign instructions are available.	R	1

Bits	Field Name	Description	Type	Reset
15	COMPRESSION_FIFO_FIXED	If this bit is not set, the FIFO counter should be set to 50. Else, the default should remain.	R	1
14	TS_EXTENDED_COMMANDS	New commands added to the tessellator.	R	0
13	VG_20	Major updates to VG pipe (TS buffer tiling. State masking.).	R	0
12	SUPER_TILED_32X32	32 x 32 super tile is available.	R	1
11	SEPARATE_TILE_STATUS_WHEN_INTERLEAVED	Use 2 separate tile status buffers in interleaved mode.	R	1
10	TILE_STATUS_2BITS	2 bits are used instead of 4 bits for tile status.	R	1
9	RENDER_8K	Supports 8K render target.	R	1
8	CORRECT_AUTO_DISABLE	Reserved.	R	0
7	PE20_2D	2D PE 2.0 is present.	R	1
6	FAST_CLEAR_FLUSH	Proper flush is done in fast clear cache.	R	1
5	SPECIAL_MSAA_LOD	Special LOD calculation when MSAA is on.	R	1
4	CORRECT_TEXTURE_CONVERTER	Driver hack is not needed.	R	1
3	TEXTURE8_K	Supports 8K x 8K textures.	R	1
2	ENDIANNESS_CONFIG	Configurable endianness support.	R	1
1	DUAL_RETURN_BUS	Dual Return Bus from HI to clients.	R	1
0	FLIP_Y	Y flipping capability is added to resolve.	R	1

Table 13-33. Register Call Summary for Register GCMINORFEATURES0

BB2D Register Manual

- [BB2D Register Summary: \[0\]](#)

Table 13-34. GCRESETMEMCOUNTERS

Address Offset	0x0000 003C	Instance	BB2D
Physical Address	0x5900 003C		
Description	Writing 1 will reset the counters and stop counting. Write 0 to start counting again.		
Type	W		

31	30	29	28	27	26	25	24	23	22	21	20	19	18	17	16	15	14	13	12	11	10	9	8	7	6	5	4	3	2	1	0
RESERVED																	RESERVED											RESET			

Bits	Field Name	Description	Type	Reset
31:1	RESERVED		W	0x649C CF7F
0	RESET	1: reset the counters and stop counting 0: start counting	W	1

Table 13-35. Register Call Summary for Register GCRESETMEMCOUNTERS

BB2D Register Manual

- [BB2D Register Summary: \[0\]](#)

Table 13-36. GCTOTALREADS

Address Offset	0x0000 0040	Instance	BB2D
Physical Address	0x5900 0040		
Description	Total reads in terms of 64 bits.		

Table 13-36. GCTOTALREADS (continued)

Type		R																													
31	30	29	28	27	26	25	24	23	22	21	20	19	18	17	16	15	14	13	12	11	10	9	8	7	6	5	4	3	2	1	0
COUNT																															
Bits	Field Name	Description	Type	Reset																											
31:0	COUNT	Total reads in terms of 64 bits	R	0x0000 0000																											

Table 13-37. Register Call Summary for Register GCTOTALREADS

BB2D Register Manual

- [BB2D Register Summary: \[0\]](#)

Table 13-38. GCTOTALWRITES

Address Offset	0x0000 0044	Instance	BB2D
Physical Address	0x5900 0044		
Description	Total writes in terms of 64 bits.		
Type	R		

31	30	29	28	27	26	25	24	23	22	21	20	19	18	17	16	15	14	13	12	11	10	9	8	7	6	5	4	3	2	1	0
COUNT																															
Bits	Field Name	Description	Type	Reset																											
31:0	COUNT	Total writes in terms of 64 bits	R	0x0000 0000																											

Table 13-39. Register Call Summary for Register GCTOTALWRITES

BB2D Register Manual

- [BB2D Register Summary: \[0\]](#)

Table 13-40. GCCHIPSPECS

Address Offset	0x0000 0048	Instance	BB2D
Physical Address	0x5900 0048		
Description	Specs for the subsystem.		
Type	R		

31	30	29	28	27	26	25	24	23	22	21	20	19	18	17	16	15	14	13	12	11	10	9	8	7	6	5	4	3	2	1	0
VERTEX_OUTPUT_BUFFER_SIZE				NUM_PIXEL_PIPES				NUM_SHADER_CORES				RESERVED				VERTEX_CACHE_SIZE				THREAD_COUNT				TEMP_REGISTERS				STREAMS			

Bits	Field Name	Description	Type	Reset
31:28	VERTEX_OUTPUT_BUFFER_SIZE		R	0x0
27:25	NUM_PIXEL_PIPES		R	0x0
24:20	NUM_SHADER_CORES		R	0x00
19:17	RESERVED		R	0x0
16:12	VERTEX_CACHE_SIZE		R	0x00
11:8	THREAD_COUNT		R	0x0
7:4	TEMP_REGISTERS		R	0x0
3:0	STREAMS		R	0x0

Table 13-41. Register Call Summary for Register GCCHIPSPECS

BB2D Register Manual

- [BB2D Register Summary: \[0\]](#)

Table 13-42. GCTOTALWRITEBURSTS

Address Offset	0x0000 004C	Instance	BB2D
Physical Address	0x5900 004C		
Description	Total write data count in terms of 64 bits.		
Type	R		

31	30	29	28	27	26	25	24	23	22	21	20	19	18	17	16	15	14	13	12	11	10	9	8	7	6	5	4	3	2	1	0
COUNT																															

Bits	Field Name	Description	Type	Reset
31:0	COUNT	Total write data count in terms of 64 bits	R	0x0000 0000

Table 13-43. Register Call Summary for Register GCTOTALWRITEBURSTS

BB2D Register Manual

- [BB2D Register Summary: \[0\]](#)

Table 13-44. GCTOTALWRITEREQS

Address Offset	0x0000 0050	Instance	BB2D
Physical Address	0x5900 0050		
Description	Total write request count.		
Type	R		

31	30	29	28	27	26	25	24	23	22	21	20	19	18	17	16	15	14	13	12	11	10	9	8	7	6	5	4	3	2	1	0
COUNT																															

Bits	Field Name	Description	Type	Reset
31:0	COUNT	Total write request count	R	0x0000 0000

Table 13-45. Register Call Summary for Register GCTOTALWRITEREQS

BB2D Register Manual

- [BB2D Register Summary: \[0\]](#)
- [BB2D Register Description: \[1\]](#)

Table 13-46. GCTOTALWRITELASTS

Address Offset	0x0000 0054	Instance	BB2D
Physical Address	0x5900 0054		
Description	Total WLAST count. This is used to match with GCTOTALWRITEREQS		
Type	R		

31	30	29	28	27	26	25	24	23	22	21	20	19	18	17	16	15	14	13	12	11	10	9	8	7	6	5	4	3	2	1	0
COUNT																															

Bits	Field Name	Description	Type	Reset
31:0	COUNT	Total WLAST count	R	0x0000 0000

Table 13-47. Register Call Summary for Register GCTOTALWRITELASTS

BB2D Register Manual

- [BB2D Register Summary: \[0\]](#)

Table 13-48. GCTOTALREADBURSTS

Address Offset	0x0000 0058	Instance	BB2D
Physical Address	0x5900 0058		
Description	Total read data count in terms of 64 bits.		
Type	R		

31	30	29	28	27	26	25	24	23	22	21	20	19	18	17	16	15	14	13	12	11	10	9	8	7	6	5	4	3	2	1	0
COUNT																															

Bits	Field Name	Description	Type	Reset
31:0	COUNT	Total read data count in terms of 64 bits	R	0x0000 0000

Table 13-49. Register Call Summary for Register GCTOTALREADBURSTS

BB2D Register Manual

- [BB2D Register Summary: \[0\]](#)

Table 13-50. GCTOTALREADREQS

Address Offset	0x0000 005C	Instance	BB2D
Physical Address	0x5900 005C		
Description	Total read request count.		
Type	R		

31	30	29	28	27	26	25	24	23	22	21	20	19	18	17	16	15	14	13	12	11	10	9	8	7	6	5	4	3	2	1	0
COUNT																															

Bits	Field Name	Description	Type	Reset
31:0	COUNT	Total read request count	R	0x0000 0000

Table 13-51. Register Call Summary for Register GCTOTALREADREQS

BB2D Register Manual

- [BB2D Register Summary: \[0\]](#)
- [BB2D Register Description: \[1\]](#)

Table 13-52. GCTOTALREADLASTS

Address Offset	0x0000 0060	Instance	BB2D
Physical Address	0x5900 0060		
Description	Total RLAST count. This is used to match with GCTOTALREADREQS		
Type	R		

31	30	29	28	27	26	25	24	23	22	21	20	19	18	17	16	15	14	13	12	11	10	9	8	7	6	5	4	3	2	1	0
COUNT																															

Bits	Field Name	Description	Type	Reset
31:0	COUNT	Total RLAST count	R	0x0000 0000

Table 13-53. Register Call Summary for Register GCTOTALREADLASTS

BB2D Register Manual

- [BB2D Register Summary: \[0\]](#)

Table 13-54. GCGPOUT0

Address Offset	0x0000 0064	Instance	BB2D
Physical Address	0x5900 0064		
Description	General purpose output register.		
Type	RW		

31	30	29	28	27	26	25	24	23	22	21	20	19	18	17	16	15	14	13	12	11	10	9	8	7	6	5	4	3	2	1	0
RESERVED																															GCHOLD

Bits	Field Name	Description	Type	Reset
31:1	RESERVED	Reserved	RW	0x0000 0000
0	GCHOLD	1 : Low power mode	RW	0

Table 13-55. Register Call Summary for Register GCGPOUT0

BB2D Functional Description

- [BB2D Power Management: \[0\]](#)

BB2D Register Manual

- [BB2D Register Summary: \[1\]](#)

Table 13-56. GCAXICONTROL

Address Offset	0x0000 0070	Instance	BB2D
Physical Address	0x5900 0070		
Description	Special handling on AXI Bus		

Table 13-56. GCAXICONTROL (continued)

Type		RW																													
31	30	29	28	27	26	25	24	23	22	21	20	19	18	17	16	15	14	13	12	11	10	9	8	7	6	5	4	3	2	1	0
RESERVED																															
																															WR_FULL_BURST_MODE
Bits	Field Name	Description		Type	Reset																										
31:1	RESERVED			R	0x0000 0000																										
0	WR_FULL_BURST_MODE	0: NO_BURST_RESET_VALUE 1: BURST_RESET_VALUE		RW	0																										

Table 13-57. Register Call Summary for Register GCAXICONTROL

BB2D Register Manual

- [BB2D Register Summary: \[0\]](#)

Table 13-58. GCMINORFEATURES1

Address Offset	0x0000 0074	Instance	BB2D
Physical Address	0x5900 0074		
Description	Shows which features are enabled in the subsystem. 0 : NONE 1 : AVAILABLE		
Type	R		

31	30	29	28	27	26	25	24	23	22	21	20	19	18	17	16	15	14	13	12	11	10	9	8	7	6	5	4	3	2	1	0
FC_FLUSH_STALL	BUG_FIXES6	WIDE_LINE	MMU	OK_TO_GATE_AXI_CLOCK	RESOLVE_OFFSET	NEGATIVE_LOG_FIX	CORRECT_OVERFLOW_VG	HALTIO	LINEAR_TEXTURE_SUPPORT	NON_POWER_OF_TWO	TEXTURE_HORIZONTAL_ALIGNMENT_SELECT	NEW_FLOATING_POINT_ARITHMETIC	NEW_2D	BUG_FIXES5	DITHER_AND_FILTER_PLUS_ALPHA_2D	CORRECT_MIN_MAX_DEPTH	EXTENDED_PIXEL_FORMAT	TWO_STENCIL_REFERENCE	PIXEL_DITHER	HALF_FLOAT_PIPE	L2_WINDOWING	BUG_FIXES4	AUTO_RESTART_TS	CORRECT_AUTO_DISABLE	BUG_FIXES3	TEXTURE_STRIDE	BUG_FIXES2	BUG_FIXES1	VG_DOUBLE_BUFFER	V2_COMPRESSION	RSUV_SWIZZLE

Bits	Field Name	Description	Type	Reset
31	FC_FLUSH_STALL		R	1
30	BUG_FIXES6		R	1
29	WIDE_LINE		R	1
28	MMU		R	1
27	OK_TO_GATE_AXI_CLOCK		R	1
26	RESOLVE_OFFSET		R	1
25	NEGATIVE_LOG_FIX		R	1
24	CORRECT_OVERFLOW_VG		R	0
23	HALTIO		R	0
22	LINEAR_TEXTURE_SUPPORT		R	0
21	NON_POWER_OF_TWO		R	0
20	TEXTURE_HORIZONTAL_ALIGNMENT_SELECT		R	1
19	NEW_FLOATING_POINT_ARITHMETIC		R	1
18	NEW_2D		R	1
17	BUG_FIXES5		R	1
16	DITHER_AND_FILTER_PLUS_ALPHA_2D	Dither and filter+alpha available.	R	1
15	CORRECT_MIN_MAX_DEPTH	EEZ and HZ are correct.	R	1
14	EXTENDED_PIXEL_FORMAT		R	0
13	TWO_STENCIL_REFERENCE		R	1
12	PIXEL_DITHER		R	1
11	HALF_FLOAT_PIPE		R	0
10	L2_WINDOWING		R	0
9	BUG_FIXES4		R	1
8	AUTO_RESTART_TS		R	0
7	CORRECT_AUTO_DISABLE		R	1
6	BUG_FIXES3		R	1
5	TEXTURE_STRIDE	Texture has stride and memory addressing.	R	0
4	BUG_FIXES2		R	1
3	BUG_FIXES1		R	1
2	VG_DOUBLE_BUFFER	Double buffering support for VG (second TS-->VG semaphore is present).	R	0
1	V2_COMPRESSION	V2 compression.	R	1
0	RSUV_SWIZZLE	Resolve UV swizzle.	R	1

Table 13-59. Register Call Summary for Register GCMINORFEATURES1

BB2D Register Manual

- [BB2D Register Summary: \[0\]](#)

Table 13-60. GCTOTALCYCLES

Address Offset	0x0000 0078	Instance	BB2D
Physical Address	0x5900 0078		
Description	Total cycles. This register is a free running counter. It can be reset by writing 0 to it.		
Type	RW		

31	30	29	28	27	26	25	24	23	22	21	20	19	18	17	16	15	14	13	12	11	10	9	8	7	6	5	4	3	2	1	0
CYCLES																															

Bits	Field Name	Description	Type	Reset
31:0	CYCLES	Total cycles	RW	0x0000 1DE2

Table 13-61. Register Call Summary for Register GCTOTALCYCLES

BB2D Register Manual

- [BB2D Register Summary: \[0\]](#)
- [BB2D Register Description: \[1\]](#)

Table 13-62. GCTOTALIDLECYCLES

Address Offset	0x0000 007C	Instance	BB2D
Physical Address	0x5900 007C		
Description	Total cycles where the GPU is idle. It is reset when GCTOTALCYCLES register is written to. It looks at all the blocks but FE when determining the subsystem is idle.		
Type	RW		

31	30	29	28	27	26	25	24	23	22	21	20	19	18	17	16	15	14	13	12	11	10	9	8	7	6	5	4	3	2	1	0
CYCLES																															

Bits	Field Name	Description	Type	Reset
31:0	CYCLES	Total cycles where the GPU is idle	RW	0x0000 1E08

Table 13-63. Register Call Summary for Register GCTOTALIDLECYCLES

BB2D Register Manual

- [BB2D Register Summary: \[0\]](#)

Table 13-64. GCCHIPSPECS2

Address Offset	0x0000 0080	Instance	BB2D
Physical Address	0x5900 0080		
Description	Specs for the subsystem		
Type	R		

31	30	29	28	27	26	25	24	23	22	21	20	19	18	17	16	15	14	13	12	11	10	9	8	7	6	5	4	3	2	1	0
NUMBER_OF_CONSTANTS																INSTRUCTION_COUNT								BUFFER_SIZE							

Bits	Field Name	Description	Type	Reset
31:16	NUMBER_OF_CONSTANTS		R	0x0000
15:8	INSTRUCTION_COUNT		R	0x00
7:0	BUFFER_SIZE		R	0x00

Table 13-65. Register Call Summary for Register GCCHIPSPECS2

BB2D Register Manual

- [BB2D Register Summary: \[0\]](#)

Table 13-66. GCMINORFEATURES2

Address Offset	0x0000 0084	Instance	BB2D
Physical Address	0x5900 0084		
Description	Shows which features are enabled in the subsystem 0 : NONE 1 : AVAILABLE		
Type	R		

31	30	29	28	27	26	25	24	23	22	21	20	19	18	17	16	15	14	13	12	11	10	9	8	7	6	5	4	3	2	1	0
RESERVED	RESERVED	NO_INDEX_PATTERN	RESERVED	NOT_USED	MIXED_STREAMS	INTERLEAVER	FLUSH_FIXED_2D	YUV_CONVERSION	MULTI_SOURCE_BLT	YUV_STANDARD	TILE_FILLER	THREAD_WALKER_IN_PS	ONE_PASS_2D_FILTER	FULL_DIRECT_FB	TX_FILTER	DYNAMIC_FREQUENCY_SCALING	TX_YUV_ASSEMBLER	RGB888	HALT11	S1S8	END_EVENT	PE_SWIZZLE	CORRECT_AUTO_DISABLE_COUNT_WIDTH	COMPOSITION	RECT_PRIMITIVE	LINEAR_PE	SUPER_TILED_TEXTURE	SEAMLESS_CUBE_MAP	LOGIC_OP	LINE_LOOP	

Bits	Field Name	Description	Type	Reset
31:29	RESERVED		R	0x0
28	NO_INDEX_PATTERN		R	1
27	RESERVED		R	1
26	NOT_USED		R	0
25	MIXED_STREAMS		R	1
24	INTERLEAVER		R	0
23	FLUSH_FIXED_2D		R	1
22	YUV_CONVERSION		R	1
21	MULTI_SOURCE_BLT		R	1
20	YUV_STANDARD		R	1
19	TILE_FILLER		R	1
18	THREAD_WALKER_IN_PS		R	1
17	ONE_PASS_2D_FILTER		R	1
16	FULL_DIRECT_FB		R	1
15	TX_FILTER		R	0
14	DYNAMIC_FREQUENCY_SCALING		R	1
13	TX_YUV_ASSEMBLER		R	0
12	RGB888		R	0
11	HALT11		R	0
10	S1S8		R	0
9	END_EVENT		R	0
8	PE_SWIZZLE		R	0
7	CORRECT_AUTO_DISABLE_COUNT_WIDTH		R	1
6	COMPOSITION		R	0

Bits	Field Name	Description	Type	Reset
5	RECT_PRIMITIVE		R	0
4	LINEAR_PE		R	0
3	SUPER_TILED_TEXTURE		R	0
2	SEAMLESS_CUBE_MAP		R	0
1	LOGIC_OP		R	0
0	LINE_LOOP		R	0

Table 13-67. Register Call Summary for Register GCMINORFEATURES2

BB2D Register Manual

- [BB2D Register Summary: \[0\]](#)

Table 13-68. GCMODULEPOWERCONTROLS

Address Offset	0x0000 0100	Instance	BB2D
Physical Address	0x5900 0100		
Description	Control register for module level power controls.		
Type	RW		

31	30	29	28	27	26	25	24	23	22	21	20	19	18	17	16	15	14	13	12	11	10	9	8	7	6	5	4	3	2	1	0
TURN_OFF_COUNTER																RESERVED								TURN_ON_COUNTER			RESERVED	DISABLE_STARVE_MODULE_CLOCK_GATING	DISABLE_STALL_MODULE_CLOCK_GATING	ENABLE_MODULE_CLOCK_GATING	

Bits	Field Name	Description	Type	Reset
31:16	TURN_OFF_COUNTER	Counter value for clock gating the module if the module is idle for this amount of clock cycles	RW	0x0014
15:8	RESERVED		R	0x00
7:4	TURN_ON_COUNTER	Number of clock cycles to wait after turning on the clock	RW	0x2
3	RESERVED		R	0
2	DISABLE_STARVE_MODULE_CLOCK_GATING	Disables module level clock gating for starve/idle condition	RW	0
1	DISABLE_STALL_MODULE_CLOCK_GATING	Disables module level clock gating for stall condition	RW	0
0	ENABLE_MODULE_CLOCK_GATING	Enables module level clock gating	RW	0

Table 13-69. Register Call Summary for Register GCMODULEPOWERCONTROLS

BB2D Register Manual

- [BB2D Register Summary: \[0\]](#)

Table 13-70. GCMODULEPOWERMODULECONTROL

Address Offset	0x0000 0104	Instance	BB2D
Physical Address	0x5900 0104		
Description	Module level control registers.		
Type	RW		

31	30	29	28	27	26	25	24	23	22	21	20	19	18	17	16	15	14	13	12	11	10	9	8	7	6	5	4	3	2	1	0
RESERVED																DISABLE_MODULE_CLOCK_GATING_TX	DISABLE_MODULE_CLOCK_GATING_RA	DISABLE_MODULE_CLOCK_GATING_SE	DISABLE_MODULE_CLOCK_GATING_PA	DISABLE_MODULE_CLOCK_GATING_SH	DISABLE_MODULE_CLOCK_GATING_PE	DISABLE_MODULE_CLOCK_GATING_DE	DISABLE_MODULE_CLOCK_GATING_FE								

Bits	Field Name	Description	Type	Reset
31:8	RESERVED		R	0x00 0000
7	DISABLE_MODULE_CLOCK_GATING_TX	Disables module level clock gating for starve/idle condition	RW	0
6	DISABLE_MODULE_CLOCK_GATING_RA	Disables module level clock gating for stall condition	RW	0
5	DISABLE_MODULE_CLOCK_GATING_SE	Enables module level clock gating	RW	0
4	DISABLE_MODULE_CLOCK_GATING_PA	Counter value for clock gating the module if the module is idle for this amount of clock cycles	RW	0
3	DISABLE_MODULE_CLOCK_GATING_SH	Number of clock cycles to wait after turning on the clock	RW	0
2	DISABLE_MODULE_CLOCK_GATING_PE	Disables module level clock gating for starve/idle condition	RW	0
1	DISABLE_MODULE_CLOCK_GATING_DE	Disables module level clock gating for stall condition	RW	0
0	DISABLE_MODULE_CLOCK_GATING_FE	Enables module level clock gating	RW	0

Table 13-71. Register Call Summary for Register GCMODULEPOWERMODULECONTROL

BB2D Register Manual

- [BB2D Register Summary: \[0\]](#)

Table 13-72. GCMODULEPOWERMODULESTATUS

Address Offset	0x0000 0108	Instance	BB2D
Physical Address	0x5900 0108		
Description	Module level control status		
Type	R		

31	30	29	28	27	26	25	24	23	22	21	20	19	18	17	16	15	14	13	12	11	10	9	8	7	6	5	4	3	2	1	0
RESERVED																MODULE_CLOCK_GATED_TX	MODULE_CLOCK_GATED_RA	MODULE_CLOCK_GATED_SE	MODULE_CLOCK_GATED_PA	MODULE_CLOCK_GATED_SH	MODULE_CLOCK_GATED_PE	MODULE_CLOCK_GATED_DE	MODULE_CLOCK_GATED_FE								

Bits	Field Name	Description	Type	Reset
31:8	RESERVED		R	0x00 0000
7	MODULE_CLOCK_GATED_TX	Module level clock gating is ON for TX	R	0
6	MODULE_CLOCK_GATED_RA	Module level clock gating is ON for RA	R	0
5	MODULE_CLOCK_GATED_SE	Module level clock gating is ON for SE	R	0
4	MODULE_CLOCK_GATED_PA	Module level clock gating is ON for PA	R	0
3	MODULE_CLOCK_GATED_SH	Module level clock gating is ON for SH	R	0
2	MODULE_CLOCK_GATED_PE	Module level clock gating is ON for PE	R	0
1	MODULE_CLOCK_GATED_DE	Module level clock gating is ON for DE	R	0
0	MODULE_CLOCK_GATED_FE	Module level clock gating is ON for FE	R	0

Table 13-73. Register Call Summary for Register GCMODULEPOWERMODULESTATUS

BB2D Register Manual

- [BB2D Register Summary: \[0\]](#)

Table 13-74. GCREGMMUSTATUS

Address Offset	0x0000 0188	Instance	BB2D
Physical Address	0x5900 0188		
Description	Status register that holds which MMU generated an exception		
Type	R		

31	30	29	28	27	26	25	24	23	22	21	20	19	18	17	16	15	14	13	12	11	10	9	8	7	6	5	4	3	2	1	0
RESERVED																EXCEPTION3	RESERVED	EXCEPTION2	RESERVED	EXCEPTION1	RESERVED	EXCEPTION0									

Bits	Field Name	Description	Type	Reset
31:14	RESERVED	NOT USED	R	0x0 0000
13:12	EXCEPTION3	MMU 3 caused an exception and the GCREGMMUEXCEPTION3 register holds the offending address. 0x1: SLAVE_NOT_PRESENT 0x2: PAGE_NOT_PRESENT 0x3: WRITE_VIOLATION	R	0x0
11:10	RESERVED	NOT USED	R	0x0

Bits	Field Name	Description	Type	Reset
9:8	EXCEPTION2	MMU 2 caused an exception and the GCREGMMUEXCEPTION2 register holds the offending address. 0x1: SLAVE_NOT_PRESENT 0x2: PAGE_NOT_PRESENT 0x3: WRITE_VIOLATION	R	0x0
7:6	RESERVED	NOT USED	R	0x0
5:4	EXCEPTION1	MMU 1 caused an exception and the GCREGMMUEXCEPTION1 register holds the offending address. 0x1: SLAVE_NOT_PRESENT 0x2: PAGE_NOT_PRESENT 0x3: WRITE_VIOLATION	R	0x0
3:2	RESERVED	NOT USED	R	0x0
1:0	EXCEPTION0	MMU 0 caused an exception and the GCREGMMUEXCEPTION0 holds the offending address: 0x1: SLAVE_NOT_PRESENT 0x2: PAGE_NOT_PRESENT 0x3: WRITE_VIOLATION	R	0x0

Table 13-75. Register Call Summary for Register GCREGMMUSTATUS

BB2D Register Manual

- [BB2D Register Summary: \[0\]](#)

Table 13-76. GCREGMMUCONTROL

Address Offset	0x0000 018C	Instance	BB2D
Physical Address	0x5900 018C		
Description	Control register that enables the MMU (one time shot).		
Type	W		

31	30	29	28	27	26	25	24	23	22	21	20	19	18	17	16	15	14	13	12	11	10	9	8	7	6	5	4	3	2	1	0
RESERVED																	ENABLE														
RESERVED																															

Bits	Field Name	Description	Type	Reset
31:1	RESERVED	NOT USED	W	0x0000 0000
0	ENABLE	Enable the MMU. For security reasons, once the MMU is enabled it cannot be disabled until reset.	W	0

Table 13-77. Register Call Summary for Register GCREGMMUCONTROL

BB2D Register Manual

- [BB2D Register Summary: \[0\]](#)

Table 13-78. GCREGMMUEXCEPTION0

Address Offset	0x0000 0190	Instance	BB2D
Physical Address	0x5900 0190		
Description	Holds the original address that generated an exception		
Type	RW		

31	30	29	28	27	26	25	24	23	22	21	20	19	18	17	16	15	14	13	12	11	10	9	8	7	6	5	4	3	2	1	0
ADDRESS																															

Bits	Field Name	Description	Type	Reset
31:0	ADDRESS	The original address that generated an exception	RW	0x0000 0000

Table 13-79. Register Call Summary for Register GCREGMMUEXCEPTION0

BB2D Register Manual

- [BB2D Register Summary: \[0\]](#)
- [BB2D Register Description: \[1\]](#)

Table 13-80. GCREGMMUEXCEPTION1

Address Offset	0x0000 0194		
Physical Address	0x5900 0194	Instance	BB2D
Description	Holds the original address that generated an exception		
Type	RW		

31	30	29	28	27	26	25	24	23	22	21	20	19	18	17	16	15	14	13	12	11	10	9	8	7	6	5	4	3	2	1	0
ADDRESS																															

Bits	Field Name	Description	Type	Reset
31:0	ADDRESS	The original address that generated an exception	RW	0x0000 0000

Table 13-81. Register Call Summary for Register GCREGMMUEXCEPTION1

BB2D Register Manual

- [BB2D Register Summary: \[0\]](#)
- [BB2D Register Description: \[1\]](#)

Table 13-82. GCREGMMUEXCEPTION2

Address Offset	0x0000 0198		
Physical Address	0x5900 0198	Instance	BB2D
Description	Holds the original address that generated an exception		
Type	RW		

31	30	29	28	27	26	25	24	23	22	21	20	19	18	17	16	15	14	13	12	11	10	9	8	7	6	5	4	3	2	1	0
ADDRESS																															

Bits	Field Name	Description	Type	Reset
31:0	ADDRESS	The original address that generated an exception	RW	0x0000 0000

Table 13-83. Register Call Summary for Register GCREGMMUEXCEPTION2

BB2D Register Manual

- [BB2D Register Summary: \[0\]](#)
- [BB2D Register Description: \[1\]](#)

Table 13-84. GCREGMMUEXCEPTION3

Address Offset	0x0000 019C	Instance	BB2D
Physical Address	0x5900 019C		
Description	Holds the original address that generated an exception		
Type	RW		

31	30	29	28	27	26	25	24	23	22	21	20	19	18	17	16	15	14	13	12	11	10	9	8	7	6	5	4	3	2	1	0
ADDRESS																															

Bits	Field Name	Description	Type	Reset
31:0	ADDRESS	The original address that generated an exception	RW	0x0000 0000

Table 13-85. Register Call Summary for Register GCREGMMUEXCEPTION3

BB2D Register Manual

- [BB2D Register Summary: \[0\]](#)
- [BB2D Register Description: \[1\]](#)

Table 13-86. AQMEMORYDEBUG

Address Offset	0x0000 0414	Instance	BB2D
Physical Address	0x5900 0414		
Description			
Type	RW		

31	30	29	28	27	26	25	24	23	22	21	20	19	18	17	16	15	14	13	12	11	10	9	8	7	6	5	4	3	2	1	0
RESERVED	DONT_STALL_WRITES_TO_SAME_ADDRESS	ZCOMP_LIMIT					DISABLE_WRITE_DATA_SPEEDUP	DISABLE_STALL_READS	RESERVED	LIMIT_CONTROL	RESERVED	INTERLEAVE_BUFFER_LOW_LATENCY_MODE	RESERVED	DISABLE_MINI_MMU_CACHE	RESERVED				MAX_OUTSTANDING_READS												

Bits	Field Name	Description	Type	Reset
31	RESERVED	Reserved	R	0
30	DONT_STALL_WRITES_TO_SAME_ADDRESS		RW	0
29:24	ZCOMP_LIMIT		RW	0x3C
23	DISABLE_WRITE_DATA_SPEEDUP		RW	0
22	DISABLE_STALL_READS		RW	0
21:20	RESERVED	Reserved	RW	0

Bits	Field Name	Description	Type	Reset
19	LIMIT_CONTROL	Limit control 0: REQUESTS 1: DATA	RW	0
18	RESERVED	Reserved	R	0
17	INTERLEAVE_BUFFER_LOW_L ATENCY_MODE		RW	0
16:15	RESERVED	Reserved	R	0x0
14	DISABLE_MINI_MMU_CACHE		RW	0
13:8	RESERVED	Reserved	R	0x00
7:0	MAX_OUTSTANDING_READS	Limits the total number of outstanding read requests.	RW	0x00

Table 13-87. Register Call Summary for Register AQMEMORYDEBUG

BB2D Register Manual

- [BB2D Register Summary: \[0\]](#)
- [BB2D Register Description: \[1\]\[2\]](#)

Table 13-88. AQREGISTERTIMINGCONTROL

Address Offset	0x0000 042C	Instance	BB2D
Physical Address	0x5900 042C		
Description			
Type	RW		

31	30	29	28	27	26	25	24	23	22	21	20	19	18	17	16	15	14	13	12	11	10	9	8	7	6	5	4	3	2	1	0
RESERVED								LIGHT_SLEEP	DEEP_SLEEP	POWER_DOWN	FAST_WTC	FAST_RTC	FOR_RF2P								FOR_RF1P										

Bits	Field Name	Description	Type	Reset
31:23	RESERVED	Reserved	RW	0x000
22	LIGHT_SLEEP	Light sleep	RW	0
21	DEEP_SLEEP	Deep sleep	RW	0
20	POWER_DOWN	Powerdown memory	RW	0
19:18	FAST_WTC	WTC for fast RAMs	RW	0x0
17:16	FAST_RTC	RTC for fast RAMs	RW	0x3
15:8	FOR_RF2P		RW	0x00
7:0	FOR_RF1P		RW	0x00

Table 13-89. Register Call Summary for Register AQREGISTERTIMINGCONTROL

BB2D Register Manual

- [BB2D Register Summary: \[0\]](#)

Table 13-90. GCDISPLAYPRIORITY

Address Offset	0x0000 0434	Instance	BB2D
Physical Address	0x5900 0434		
Description	Controls the priority of the display controller requests. This works like a PWM. One register gives the period, and the other gives the ON time. When PWM is ON, display requests are accepted if both display and the other request is valid. If it is OFF, the other request will be accepted. If only one request is valid, it takes the bus regardless of the PWM bit.		
Type	RW		

31	30	29	28	27	26	25	24	23	22	21	20	19	18	17	16	15	14	13	12	11	10	9	8	7	6	5	4	3	2	1	0
RESERVED								HIGH								PERIOD															

Bits	Field Name	Description	Type	Reset
31:16	RESERVED		R	0x0000
15:8	HIGH	'Duty cycle'	RW	0x01
7:0	PERIOD	Period	RW	0x02

Table 13-91. Register Call Summary for Register GCDISPLAYPRIORITY

BB2D Register Manual

- [BB2D Register Summary: \[0\]](#)

Table 13-92. GCDBGCYCLECOUNTER

Address Offset	0x0000 0438	Instance	BB2D
Physical Address	0x5900 0438		
Description	Increments every cycle.		
Type	RW		

31	30	29	28	27	26	25	24	23	22	21	20	19	18	17	16	15	14	13	12	11	10	9	8	7	6	5	4	3	2	1	0
COUNT																															

Bits	Field Name	Description	Type	Reset
31:0	COUNT	Increments every cycle	RW	0x0000 1C5E

Table 13-93. Register Call Summary for Register GCDBGCYCLECOUNTER

BB2D Register Manual

- [BB2D Register Summary: \[0\]](#)

Table 13-94. GCOUTSTANDINGREADS0

Address Offset	0x0000 043C	Instance	BB2D
Physical Address	0x5900 043C		
Description	Number of outstanding reads per client in multiples of 8 bytes.		
Type	R		

31	30	29	28	27	26	25	24	23	22	21	20	19	18	17	16	15	14	13	12	11	10	9	8	7	6	5	4	3	2	1	0
MMU								FE								PEZ								PEC							

Bits	Field Name	Description	Type	Reset
31:24	MMU	Number of outstanding MMU reads in multiples of 8 bytes	R	0x00
23:16	FE	Number of outstanding FE reads in multiples of 8 bytes	R	0x00
15:8	PEZ	Number of outstanding PEZ reads in multiples of 8 bytes	R	0x00
7:0	PEC	Number of outstanding PEC reads in multiples of 8 bytes	R	0x00

Table 13-95. Register Call Summary for Register GCOUTSTANDINGREADS0

BB2D Register Manual

- [BB2D Register Summary: \[0\]](#)

Table 13-96. GCOUTSTANDINGREADS1

Address Offset	0x0000 0440	Instance	BB2D
Physical Address	0x5900 0440		
Description	Number of outstanding reads per client in multiples of 8 bytes.		
Type	R		

31	30	29	28	27	26	25	24	23	22	21	20	19	18	17	16	15	14	13	12	11	10	9	8	7	6	5	4	3	2	1	0
TOTAL								FC								TX								RA							

Bits	Field Name	Description	Type	Reset
31:24	TOTAL	This field keeps the value of total read requests or total requested data (in 64 bits) depending on the value of AQMEMORYDEBUG[19] LIMIT_CONTROL register field.	R	0x00
23:16	FC	Number of outstanding FC reads in multiples of 8 bytes	R	0x00
15:8	TX	Number of outstanding TX reads in multiples of 8 bytes	R	0x00
7:0	RA	Number of outstanding RA reads in multiples of 8 bytes	R	0x00

Table 13-97. Register Call Summary for Register GCOUTSTANDINGREADS1

BB2D Register Manual

- [BB2D Register Summary: \[0\]](#)

Table 13-98. GCOUTSTANDINGWRITES

Address Offset	0x0000 0444	Instance	BB2D
Physical Address	0x5900 0444		
Description	Number of outstanding writes per client.		
Type	R		

31	30	29	28	27	26	25	24	23	22	21	20	19	18	17	16	15	14	13	12	11	10	9	8	7	6	5	4	3	2	1	0
TOTAL								FC								PEZ								PEC							

Bits	Field Name	Description	Type	Reset
31:24	TOTAL	This field keeps the value of total write requests or total requested data (in 64 bits) depending on the value of AQMEMORYDEBUG[19] LIMIT_CONTROL register field.	R	0x00
23:16	FC	Number of outstanding FC writes in multiples of 8 bytes	R	0x00
15:8	PEZ	Number of outstanding PEZ writes in multiples of 8 bytes	R	0x00
7:0	PEC	Number of outstanding PEC writes in multiples of 8 bytes	R	0x00

Table 13-99. Register Call Summary for Register GCOUTSTANDINGWRITES

BB2D Register Manual

- [BB2D Register Summary: \[0\]](#)

Table 13-100. GCDEBUGSIGNALSRA

Address Offset	0x0000 0448	Instance	BB2D
Physical Address	0x5900 0448		
Description	32 bit debug signal from RA.		
Type	R		

31	30	29	28	27	26	25	24	23	22	21	20	19	18	17	16	15	14	13	12	11	10	9	8	7	6	5	4	3	2	1	0
SIGNAL																															

Bits	Field Name	Description	Type	Reset
31:0	SIGNAL	Signals according to GCDEBUGCONTROL1[19:16] RA: 0x0: Valid pixel count. 0x1: Total quad count (after EEZ). 0x2: Valid quad count (after EZ and EEZ). 0x3: Total primitive count. 0x4: Various signals from input stage. See GC320 spec for details. 0x5: Various signals from input stage. See GC320 spec for details. 0x6: Various signals from render pipe. See GC320 spec for details. 0x7: Various signals from render cache. See GC320 spec for details. 0x8: Various signals from raster engine. See GC320 spec for details. 0x9: Cache miss count (in the pipeline). 0xA: Cache miss count (in the prefetcher). 0xB: EEZ culled quads. 0xF: Signature = 0x12344321.	R	0x0000 0000

Table 13-101. Register Call Summary for Register GCDEBUGSIGNALSRA

BB2D Register Manual

- [BB2D Register Summary: \[0\]](#)

Table 13-102. GCDEBUGSIGNALSTX

Address Offset	0x0000 044C	Instance	BB2D
Physical Address	0x5900 044C		
Description	32 bit debug signal from TX.		
Type	R		

31	30	29	28	27	26	25	24	23	22	21	20	19	18	17	16	15	14	13	12	11	10	9	8	7	6	5	4	3	2	1	0
SIGNAL																															

Bits	Field Name	Description	Type	Reset
31:0	SIGNAL	Signals according to GCDEBUGCONTROL1[27:24] TX : 0x0: Total bilinear texture requests. 0x1: Total trilinear texture requests. 0x2: Total discarded texture requests. 0x3: Total texture requests. 0x4: Various signals from input stage. See GC320 spec for details. 0x5: Memory read count. 0x6: Memory read count in 8B. 0x7: Cache miss count (in the pipeline). 0x8: Total hitting texels (in pre-fetcher). 0x9: Total missing texels (in pre-fetcher). 0xF: Signature = 0x12211221.	R	0x0000 0000

Table 13-103. Register Call Summary for Register GCDEBUGSIGNALSTX

BB2D Register Manual

- [BB2D Register Summary: \[0\]](#)

Table 13-104. GCDEBUGSIGNALSFE

Address Offset	0x0000 0450	Instance	BB2D
Physical Address	0x5900 0450		
Description	32 bit debug signal from FE.		
Type	R		

31	30	29	28	27	26	25	24	23	22	21	20	19	18	17	16	15	14	13	12	11	10	9	8	7	6	5	4	3	2	1	0
SIGNAL																															

Bits	Field Name	Description	Type	Reset
31:0	SIGNAL		R	0x0000 0000

Table 13-105. Register Call Summary for Register GCDEBUGSIGNALSFE

BB2D Register Manual

- [BB2D Register Summary: \[0\]](#)

Table 13-106. GCDEBUGSIGNALSPE

Address Offset	0x0000 0454	Instance	BB2D
Physical Address	0x5900 0454		
Description	32 bit debug signal from PE.		
Type	R		

31	30	29	28	27	26	25	24	23	22	21	20	19	18	17	16	15	14	13	12	11	10	9	8	7	6	5	4	3	2	1	0
SIGNAL																															

Bits	Field Name	Description	Type	Reset
31:0	SIGNAL	Signals according to GCDEBUGCONTROLO[19:16] PE: 0x0: pixel count killed by color pipe 0x1: pixel count killed by depth pipe 0x2: pixel count drawn by color pipe 0x3: pixel count drawn by depth pipe 0x4: debug signals for 3d_io, 2d_filter, 2d_fsm 0x5: debug signals for cache2d_cntrl 0x6: debug signals for cache2d_tag_alloc 0x7: debug signals for cache3d_c_cntrl, cache3d_c_tag_alloc 0x8: debug signals for cache3d_z_cntrl, cache3d_z_tag_alloc 0x9: debug signals for pref_2d, pref_3d 0xA : debug signals for cmd_state 0xB: 2d pixel count drawn by 2d pipe 0xF: Signature = 0xBABEF00D.	R	0x0000 0000

Table 13-107. Register Call Summary for Register GCDEBUGSIGNALSPE

BB2D Register Manual

- [BB2D Register Summary: \[0\]](#)

Table 13-108. GCDEBUGSIGNALSDE

Address Offset	0x0000 0458	Instance	BB2D
Physical Address	0x5900 0458		
Description	32 bit debug signal from DE.		
Type	R		

31	30	29	28	27	26	25	24	23	22	21	20	19	18	17	16	15	14	13	12	11	10	9	8	7	6	5	4	3	2	1	0
SIGNAL																															

Bits	Field Name	Description	Type	Reset
31:0	SIGNAL		R	0x0000 0000

Table 13-109. Register Call Summary for Register GCDEBUGSIGNALSDE

BB2D Register Manual

- [BB2D Register Summary: \[0\]](#)

Table 13-110. GCDEBUGSIGNALSSH

Address Offset	0x0000 045C	Instance	BB2D
Physical Address	0x5900 045C		
Description	32 bit debug signal from SH.		
Type	R		

31	30	29	28	27	26	25	24	23	22	21	20	19	18	17	16	15	14	13	12	11	10	9	8	7	6	5	4	3	2	1	0
SIGNAL																															

Bits	Field Name	Description	Type	Reset
31:0	SIGNAL	Signals according to GCDEBUGCONTROL0 [27:24] SH. Please refer to GC320 spec for bit position information for all the signals 0x0 : interface signals for debug 0x1 : Instruction Sequencing and vertex input state machine 0x2 : vertex input/output buffer full/empty. Context PC. Physical page valid 0x3 : vertex/pixel, output attribute counts. Some interface signals 0x4 : Shader cycle count, for determining the shader clock 0x5 : Current pixel XY value 0x6 : Last pixels XY value 0x7 : Total pixel instructions executed 0x8 : Total pixels shaded 0x9 : Total vertex instructions executed 0xA : Total vertices shaded 0xB : Total vertex branch instructions 0xC : Total vertex texture instructions 0xD : Total pixel branch instructions 0xE : Total pixel texture instructions 0xF : Reserved signature 0xDEADBEEF	R	0x0000 0000

Table 13-111. Register Call Summary for Register GCDEBUGSIGNALSSH

BB2D Register Manual

- [BB2D Register Summary: \[0\]](#)

Table 13-112. GCDEBUGSIGNALSPA

Address Offset	0x0000 0460	Instance	BB2D
Physical Address	0x5900 0460		
Description	32 bit debug signal from PA.		
Type	R		

31	30	29	28	27	26	25	24	23	22	21	20	19	18	17	16	15	14	13	12	11	10	9	8	7	6	5	4	3	2	1	0
SIGNAL																															

Bits	Field Name	Description	Type	Reset
31:0	SIGNAL	Signals according to GCDEBUGCONTROL1 [3:0] PA: 0x0: Various signals from input stage. See GC320 spec for details. 0x1: Various signals from input stage. See GC320 spec for details. 0x2: Various signals from input stage. See GC320 spec for details. 0x3: total vertex count 0x4: input primitive count 0x5: output primitive count 0x6: depth clipped primitive count 0x7: trivial rejected primitive count 0x8: culled primitive count 0xF: Signature = 0x0000AAAA	R	0x0000 0000

Table 13-113. Register Call Summary for Register GCDEBUGSIGNALSPA

BB2D Register Manual

- [BB2D Register Summary: \[0\]](#)

Table 13-114. GCDEBUGSIGNALSSE

Address Offset	0x0000 0464	Instance	BB2D
Physical Address	0x5900 0464		
Description	32 bit debug signal from SE.		
Type	R		

31	30	29	28	27	26	25	24	23	22	21	20	19	18	17	16	15	14	13	12	11	10	9	8	7	6	5	4	3	2	1	0
SIGNAL																															

Bits	Field Name	Description	Type	Reset
31:0	SIGNAL	Signals according to GCDEBUGCONTROL1 [11:8] SE: 0x0: culled triangles count. 0x1: culled lines count. 0x2: [31:18] goto signals, [17:8] main state machine state, [7:0] output state machine state. See GC320 spec for details. 0x3: [31:22] unused, [21] early_isTriangle, [20] isTriangle, [19] increment_pc_e0, [18:14] jump_to_signals. See GC320 spec for details. [13:12] max_x_p_e2, [11:10] mid_x_p_e2, [9:8] min_x_p_e2, [7:6] max_y_p_e2, [5:4] mid_y_p_e2. See GC320 spec for details. [3:2] min_y_p_e2, [1:0] min_z_p_e2. See GC320 spec for details. 0x4: area_e2. See GC320 spec for details. 0x5: x0_e2. See GC320 spec for details. 0x6: x1_e2. See GC320 spec for details. 0x7: x2_e2. See GC320 spec for details. 0x8: y0_e2. See GC320 spec for details. 0x9: y1_e2. See GC320 spec for details. 0xA: y2_e2. See GC320 spec for details. 0xB: init_y_e2. See GC320 spec for details. 0xC: init_y_e2. See GC320 spec for details. 0xD: y2_e2. See GC320 spec for details. 0xE: y2_e2. See GC320 spec for details. 0xF: Signature = 0x5E5E5E5E.	R	0x0000 0000

Table 13-115. Register Call Summary for Register GCDEBUGSIGNALSSE

BB2D Register Manual

- [BB2D Register Summary: \[0\]](#)

Table 13-116. GCDEBUGSIGNALSMC

Address Offset	0x0000 0468	Instance	BB2D
Physical Address	0x5900 0468		
Description	32 bit debug signal from MC.		
Type	R		

31	30	29	28	27	26	25	24	23	22	21	20	19	18	17	16	15	14	13	12	11	10	9	8	7	6	5	4	3	2	1	0
SIGNAL																															

Bits	Field Name	Description	Type	Reset
31:0	SIGNAL	Signals according to GCDEBUGCONTROL2[3:0] MC: 0x0: Various signals from FC block. See GC320 spec for details. 0x1: Total read req in terms of 8B from pipeline. 0x2: Total read req in terms of 8B sent out from the subsystem. 0x3: Total write req in terms of 8B from pipeline. 0xF: Signature = 0x12345678.	R	0x0000 0000

Table 13-117. Register Call Summary for Register GCDEBUGSIGNALSMC

BB2D Register Manual

- [BB2D Register Summary: \[0\]](#)

Table 13-118. GCDEBUGSIGNALSHI

Address Offset	0x0000 046C	Instance	BB2D
Physical Address	0x5900 046C		
Description	32 bit debug signal from HI.		
Type	R		

31	30	29	28	27	26	25	24	23	22	21	20	19	18	17	16	15	14	13	12	11	10	9	8	7	6	5	4	3	2	1	0
SIGNAL																															

Bits	Field Name	Description	Type	Reset
31:0	SIGNAL	Signals according to GCDEBUGCONTROL2[11:8] HI: 0x0: Number of cycles AXI read request is stalled. 0x1: Number of cycles AXI write request is stalled. 0x2: Number of cycles AXI write data is stalled. 0xF: Signature = 0xAAAAAAAA	R	0x0000 0000

Table 13-119. Register Call Summary for Register GCDEBUGSIGNALSHI

BB2D Register Manual

- [BB2D Register Summary: \[0\]](#)

Table 13-120. GCDEBUGCONTROL0

Address Offset	0x0000 0470	Instance	BB2D
Physical Address	0x5900 0470		
Description			
Type	RW		

31	30	29	28	27	26	25	24	23	22	21	20	19	18	17	16	15	14	13	12	11	10	9	8	7	6	5	4	3	2	1	0
RESERVED		SH		RESERVED		PE		RESERVED		DE		RESERVED		FE																	

Bits	Field Name	Description	Type	Reset
31:28	RESERVED		R	0x0
27:24	SH	Selects which set of 32 bit data to get from SH. Resets the counters if set to 0xF	RW	0x0
23:20	RESERVED		R	0x0
19:16	PE	Selects which set of 32 bit data to get from PE. Resets the counters if set to 0xF	RW	0x0
15:12	RESERVED		R	0x0

Bits	Field Name	Description	Type	Reset
11:8	DE	Selects which set of 32 bit data to get from DE. Resets the counters if set to 0xF	RW	0x0
7:4	RESERVED		R	0x0
3:0	FE	Selects which set of 32 bit data to get from FE. Resets the counters if set to 0xF	RW	0x0

Table 13-121. Register Call Summary for Register GCDEBUGCONTROL0

BB2D Register Manual

- [BB2D Register Summary: \[0\]](#)
- [BB2D Register Description: \[1\]\[2\]](#)

Table 13-122. GCDEBUGCONTROL1

Address Offset	0x0000 0474	Instance	BB2D
Physical Address	0x5900 0474		
Description			
Type	RW		

31	30	29	28	27	26	25	24	23	22	21	20	19	18	17	16	15	14	13	12	11	10	9	8	7	6	5	4	3	2	1	0
RESERVED				TX				RESERVED				RA				RESERVED				SE				RESERVED				PA			

Bits	Field Name	Description	Type	Reset
31:28	RESERVED		R	0x0
27:24	TX	Selects which set of 32 bit data to get from TX. Resets the counters if set to 0xF	RW	0x0
23:20	RESERVED		R	0x0
19:16	RA	Selects which set of 32 bit data to get from RA. Resets the counters if set to 0xF	RW	0x0
15:12	RESERVED		R	0x0
11:8	SE	Selects which set of 32 bit data to get from SE. Resets the counters if set to 0xF	RW	0x0
7:4	RESERVED		R	0x0
3:0	PA	Selects which set of 32 bit data to get from PA. Resets the counters if set to 0xF	RW	0x0

Table 13-123. Register Call Summary for Register GCDEBUGCONTROL1

BB2D Register Manual

- [BB2D Register Summary: \[0\]](#)
- [BB2D Register Description: \[1\]\[2\]\[3\]\[4\]](#)

Table 13-124. GCDEBUGCONTROL2

Address Offset	0x0000 0478	Instance	BB2D
Physical Address	0x5900 0478		
Description			
Type	RW		

31	30	29	28	27	26	25	24	23	22	21	20	19	18	17	16	15	14	13	12	11	10	9	8	7	6	5	4	3	2	1	0
RESERVED												HI				RESERVED				MC											

Bits	Field Name	Description	Type	Reset
31:12	RESERVED		R	0x0 0000
11:8	HI	Selects which set of 32 bit data to get from HI. Resets the counters if set to 0xF	RW	0x0
7:4	RESERVED		R	0x0
3:0	MC	Selects which set of 32 bit data to get from MC. Resets the counters if set to 0xF	RW	0x0

Table 13-125. Register Call Summary for Register GCDEBUGCONTROL2

BB2D Register Manual

- [BB2D Register Summary: \[0\]](#)
- [BB2D Register Description: \[1\]\[2\]](#)

Table 13-126. GCDEBUGCONTROL3

Address Offset	0x0000 047C	Instance	BB2D
Physical Address	0x5900 047C		
Description			
Type	RW		

31	30	29	28	27	26	25	24	23	22	21	20	19	18	17	16	15	14	13	12	11	10	9	8	7	6	5	4	3	2	1	0
RESERVED																PROBE1				RESERVED				PROBE0							

Bits	Field Name	Description	Type	Reset
31:12	RESERVED		R	0x0 0000
11:8	PROBE1	Selects which module's output will be put in the MSB 32 bits of 64 bit debug signal. 0x0: FE 0x1: DE 0x2: PE 0x3: SH 0x4: PA 0x5: SE 0x6: RA 0x7: TX 0x8: MC	RW	0x0
7:4	RESERVED		R	0x0
3:0	PROBE0	Selects which module's output will be put in the LSB 32 bits of 64 bit debug signal. 0x0: FE 0x1: DE 0x2: PE 0x3: SH 0x4: PA 0x5: SE 0x6: RA 0x7: TX 0x8: MC	RW	0x0

Table 13-127. Register Call Summary for Register GCDEBUGCONTROL3

BB2D Register Manual

- [BB2D Register Summary: \[0\]](#)

Table 13-128. GCBUSCONTROL

Address Offset	0x0000 0480	Instance	BB2D
Physical Address	0x5900 0480		
Description	Shows which features are enabled in the subsystem. 0 : NONE 1 : AVAILABLE		
Type	RW		

31	30	29	28	27	26	25	24	23	22	21	20	19	18	17	16	15	14	13	12	11	10	9	8	7	6	5	4	3	2	1	0
RESERVED																FCC	TX	FC	MMU	RESERVED	FE	RESERVED	PEZ	PEC							

Bits	Field Name	Description	Type	Reset
31:9	RESERVED		R	0x00 0000
8	FCC	Select the return bus for FCC	RW	0
7	TX	Select the return bus for TX	RW	1
6	FC	Select the return bus for FC-Depth	RW	0
5	MMU	Select the return bus for MMU	RW	1
4	RESERVED		R	0
3	FE	Select the return bus for FE	RW	1
2	RESERVED		R	0
1	PEZ	Select the return bus for PEZ	RW	0
0	PEC	Select the return bus for PEC	RW	0

Table 13-129. Register Call Summary for Register GCBUSCONTROL

BB2D Register Manual

- [BB2D Register Summary: \[0\]](#)

Table 13-130. GCREGENDIANNES0

Address Offset	0x0000 0484	Instance	BB2D
Physical Address	0x5900 0484		
Description			
Type	RW		

31	30	29	28	27	26	25	24	23	22	21	20	19	18	17	16	15	14	13	12	11	10	9	8	7	6	5	4	3	2	1	0
WORD_SWAP																															

Bits	Field Name	Description	Type	Reset
31:0	WORD_SWAP	Flip the words of 32 bit data. 0x12345678 becomes 0x56781234	RW	0x0000 0000

Table 13-131. Register Call Summary for Register GCREGENDIANNES0

BB2D Register Manual

- [BB2D Register Summary: \[0\]](#)

Table 13-132. GCREGENDIANNES1

Address Offset	0x0000 0488	Instance	BB2D
Physical Address	0x5900 0488		
Description			
Type	RW		

31	30	29	28	27	26	25	24	23	22	21	20	19	18	17	16	15	14	13	12	11	10	9	8	7	6	5	4	3	2	1	0
BYTE_SWAP																															

Bits	Field Name	Description	Type	Reset
31:0	BYTE_SWAP	Flip the bytes of 16 bit data. 0x12345678 becomes 0x34127856	RW	0x0000 0000

Table 13-133. Register Call Summary for Register GCREGENDIANNES1

BB2D Register Manual

- [BB2D Register Summary: \[0\]](#)

Table 13-134. GCREGENDIANNES2

Address Offset	0x0000 048C	Instance	BB2D
Physical Address	0x5900 048C		
Description			
Type	RW		

31	30	29	28	27	26	25	24	23	22	21	20	19	18	17	16	15	14	13	12	11	10	9	8	7	6	5	4	3	2	1	0
BIT_SWAP																															

Bits	Field Name	Description	Type	Reset
31:0	BIT_SWAP	Flip the bits of 8 bit data. 0x12345678 becomes 0x84C2A6E1	RW	0x0000 0000

Table 13-135. Register Call Summary for Register GCREGENDIANNES2

BB2D Register Manual

- [BB2D Register Summary: \[0\]](#)

Table 13-136. GCREGDRAWPRIMITIVESTARTTIMESTAMP

Address Offset	0x0000 0490	Instance	BB2D
Physical Address	0x5900 0490		
Description			
Type	R		

31	30	29	28	27	26	25	24	23	22	21	20	19	18	17	16	15	14	13	12	11	10	9	8	7	6	5	4	3	2	1	0
START_TIME																															

Bits	Field Name	Description	Type	Reset
31:0	START_TIME	32-bit timestamp when PE received draw_primitive_start command	R	0x0000 0000

Table 13-137. Register Call Summary for Register GCREGDRAWPRIMITIVESTARTTIMESTAMP

BB2D Register Manual

- [BB2D Register Summary: \[0\]](#)

Table 13-138. GCREGDRAWPRIMITIVEENDTIMESTAMP

Address Offset	0x0000 0494	Instance	BB2D
Physical Address	0x5900 0494		
Description			
Type	R		

31	30	29	28	27	26	25	24	23	22	21	20	19	18	17	16	15	14	13	12	11	10	9	8	7	6	5	4	3	2	1	0
END_TIME																															

Bits	Field Name	Description	Type	Reset
31:0	END_TIME	32-bit timestamp when PE received draw_primitive_end command	R	0x0000 0000

Table 13-139. Register Call Summary for Register GCREGDRAWPRIMITIVEENDTIMESTAMP

BB2D Register Manual

- [BB2D Register Summary: \[0\]](#)

Table 13-140. GCREGCONTROL0

Address Offset	0x0000 0558	Instance	BB2D
Physical Address	0x5900 0558		
Description	Composition trigger.		
Type	RW		

31	30	29	28	27	26	25	24	23	22	21	20	19	18	17	16	15	14	13	12	11	10	9	8	7	6	5	4	3	2	1	0
MISC1								OUTSTANDING_READS_PER_CHANNEL								MISC0								ENABLE_UNALIGNED_WRITE_MERGE	ENABLE_WRITE_MERGE	ENABLE_UNALIGNED_MERGE	ENABLE_READ_MERGE				

Bits	Field Name	Description	Type	Reset
31:26	MISC1		RW	0x00
25:16	OUTSTANDING_READS_PER_CHANNEL		RW	0x080
15:4	MISC0		RW	0x000
3	ENABLE_UNALIGNED_WRITE_MERGE		RW	0

Bits	Field Name	Description	Type	Reset
2	ENABLE_WRITE_MERGE		RW	1
1	ENABLE_UNALIGNED_MERGE		RW	0
0	ENABLE_READ_MERGE		RW	1

Table 13-141. Register Call Summary for Register GCREGCONTROL0

BB2D Register Manual

- [BB2D Register Summary: \[0\]](#)

Table 13-142. AQCMDBUFFERADDR

Address Offset	0x0000 0654	Instance	BB2D
Physical Address	0x5900 0654		
Description	Base address for the command buffer. The address must be 64-bit aligned and it is always physical. To use addresses above 0x8000_0000, program AQMemoryFE with the appropriate offset. Also, this register cannot be read. To check the value of the current fetch address use AQFEDEBUGCURCMDADR .		
Type	W		

31	30	29	28	27	26	25	24	23	22	21	20	19	18	17	16	15	14	13	12	11	10	9	8	7	6	5	4	3	2	1	0
ADDRESS																															
TYPE																															

Bits	Field Name	Description	Type	Reset
31	TYPE	0: SYSTEM 1: VIRTUAL_SYSTEM	W	0
30:0	ADDRESS	ADDRESS	W	0x0000 0000

Table 13-143. Register Call Summary for Register AQCMDBUFFERADDR

BB2D Register Manual

- [BB2D Register Summary: \[0\]](#)

Table 13-144. AQCMDBUFFERCTRL

Address Offset	0x0000 0658	Instance	BB2D
Physical Address	0x5900 0658		
Description	Command buffer control		
Type	W		

31	30	29	28	27	26	25	24	23	22	21	20	19	18	17	16	15	14	13	12	11	10	9	8	7	6	5	4	3	2	1	0
RESERVED								ENDIAN_CONTROL	RESERVED	ENABLE	PREFETCH																				

Bits	Field Name	Description	Type	Reset
31:22	RESERVED		W	0x000
21:20	ENDIAN_CONTROL	Endian control 0: NO_SWAP 1: SWAP_WORD 2: SWAP_DWORD	W	0x0
19:17	RESERVED		W	0x0
16	ENABLE	Command buffer 0: DISABLE 1: ENABLE	W	0
15:0	PREFETCH	Number of 64-bit words to fetch from the command buffer.	W	0x0000

Table 13-145. Register Call Summary for Register AQCMBUFFERCTRL

BB2D Register Manual

- [BB2D Register Summary: \[0\]](#)

Table 13-146. AQFESTATUS

Address Offset	0x0000 065C	Instance	BB2D
Physical Address	0x5900 065C		
Description	FE status		
Type	R		

31	30	29	28	27	26	25	24	23	22	21	20	19	18	17	16	15	14	13	12	11	10	9	8	7	6	5	4	3	2	1	0	
RESERVED																COMMAND_DATA																
RESERVED																																

Bits	Field Name	Description	Type	Reset
31:1	RESERVED		R	0x0000 0000
0	COMMAND_DATA	Status of the command parser. 0: Idle 1: Busy	R	0

Table 13-147. Register Call Summary for Register AQFESTATUS

BB2D Register Manual

- [BB2D Register Summary: \[0\]](#)

Table 13-148. AQFEDEBUGCURCMDADR

Address Offset	0x0000 0664	Instance	BB2D
Physical Address	0x5900 0664		
Description	This is the command decoder address. The address is always physical so the MSB should always be 0.		
Type	R		

31	30	29	28	27	26	25	24	23	22	21	20	19	18	17	16	15	14	13	12	11	10	9	8	7	6	5	4	3	2	1	0
CUR_CMD_ADR																RESERVED															

Bits	Field Name	Description	Type	Reset
31:3	CUR_CMD_ADR		R	0x0000 0000
2:0	RESERVED		R	0x0

Table 13-149. Register Call Summary for Register AQFEDEDEBUGCURCMDADR

BB2D Register Manual

- [BB2D Register Summary: \[0\]](#)
- [BB2D Register Description: \[1\]](#)

Interconnect

This chapter describes the device interconnect.

NOTE: The level 3 (L3) interconnect is an instantiation of the NoC interconnect from Arteris, Inc. Arteris is a registered trademark of Arteris, Inc.

This document contains materials that are ©Arteris, Inc., and that constitute proprietary information of Arteris, Inc.

All materials and trademarks are used under license from Arteris, Inc. For additional information, see the Arteris Reference manuals, or contact Arteris, Inc.

NoC is an abbreviation for Network On Chip.

NOTE: The level 4 (L4) interconnects are instantiations of the Sonics3220™ interconnect from Sonics, Inc.

This document contains materials that are ©2003-2010 Sonics, Inc., and that constitute proprietary information of Sonics, Inc.

SonicsLX and Sonics3220, are trademarks or registered trademarks of Sonics, Inc. All such materials and trademarks are used under license from Sonics, Inc. For additional information, see the SonicsLX or Sonics3220 Reference manuals, or contact Sonics, Inc.

SLX is an abbreviation for SonicsLX®.

Topic	Page
14.1 Interconnect Overview	3025
14.2 L3_MAIN Interconnect	3029
14.3 L4 Interconnects	3200

14.1 Interconnect Overview

14.1.1 Terminology

The following terminology is critical to understanding the interconnect:

- **Initiator:** Module able to initiate read and write requests to the chip interconnect (typically: processors, DMA, etc.).
- **Target:** Unlike an initiator, a target module cannot generate read/write requests to the chip interconnect, but it can respond to these requests. However, it may generate interrupts or a DMA request to the system (typically: peripherals, memory controllers).

NOTE: A module can have several separate ports; therefore, a module can be an initiator and a target.

- **Agent:** Each connection of one module to one interconnect is done using an agent, which is an adaptation (sometimes configurable) between the module and the interconnect. A target module is connected by a target agent (TA), and an initiator module is connected by an initiator agent (IA).
- **Interconnect:** The decoding, routing, and arbitration logic that enables the connection between multiple initiator modules and multiple target modules connected on it. Quality of service (QoS) is guaranteed.
- **Register target (RT):** Special TA used to access the interconnect internal configuration registers
- **Data-flow signal:** Any signal that is part of a clearly identified transfer or data flow (typically: command, address, byte enables, etc.). Signal behaviour is defined by the protocol semantics.
- **Sideband signal:** Any signal whose behaviour is not associated to a precise transaction or data flow.
- **Out-of-band error:** Any signal whose behaviour is associated to a device error-reporting scheme, as opposed to in-band errors.

NOTE: Interrupt requests and DMA requests are not routed by the interconnect in the device.

- **Firewall:** A programmable feature integrated in a target agent or L4 interconnect to prevent unauthorized access to or from a module. A firewall can be configured using three criteria:
 - Initiator requesting access
 - Address space access
 - Type of access
- **ConnID:** Any transaction in the system interconnect is tagged by an in-band qualifier ConnID, which uniquely identifies the initiator at a given interconnect point. A ConnID is transmitted in band with the request and is used for firewall and error-logging mechanism.
- **Firewall comparison mechanism:** A comparison made in the firewall between access in-band qualifiers and access permissions that are programmed in the firewall configuration registers. If the comparison is successful, access is allowed; otherwise, access is denied.
- **MCcmd qualifier:** Command bus that indicates the type of transfer requested. [Table 14-1](#) lists the commands encoded. For information specific to L3 Interconnect error logging, see *L3 Firewall Error-Logging Registers*

Table 14-1. MCcmd Qualifier Description

MCcmd[2:0]	Transaction Type
0 0 0	Idle
0 0 1	Write
0 1 0	Read
0 1 1	ReadEx
1 0 0	Read link
1 0 1	Write nonposted
1 1 0	Write conditional

Table 14-1. MCmd Qualifier Description (continued)

MCmd[2:0]	Transaction Type
1 1 1	Write broadcast

- MReqInfo qualifier: Four MReqInfo qualifiers describe the access during the use of the firewall comparison mechanism, as described in [Table 14-2](#).

Table 14-2. MReqInfo Qualifier Description

Qualifiers	Description
MReqType	0: Data access
	1: Opcode fetch
MReqSupervisor	0: User mode
	1: Supervisor mode
MReqDebug	0: Functional access
	1: Debug access
MreqDomain[2:0]	0b000: Domain 0
	0b001: Domain 1
	0b010: Domain 2
	0b011: Domain 3
	0b100: Domain 4
	0b101: Domain 5
	0b110: Domain 6
	0b111: Domain 7

NOTE: MreqDomain is supported only on SR2.1.

- Register that configures the combination of the MReqInfo, allowing access permission to the target module (TM) based on the MReqInfo in-band qualifier values.
- SError: Target that indicates an error condition to the initiator.
- SResp qualifier: Response from the target to the initiator concerning the transaction, as described in [Table 14-3](#).

Table 14-3. SResp Qualifier Description

SResp[1:0]	Description
0 0	No response
0 1	Data valid/accept
1 0	Not used
1 1	Error

- MTagID: Interconnect qualifier generated by the L3_MAIN masters which purpose is to identify whether reordering is allowed or not relative to other transactions. Strong ordering is ensured by using same MTagID values between transactions. Reordering is allowed by using different MTagID values between transactions.
The MTagID values may or may not be changed by the interconnect, but the intended reordering restriction must match what came from the master. In other words, the interconnect allocates dynamically MTagID values in such a way that the intended reordering restrictions from each master are honored.

14.1.2 Architecture Overview

The device memory hierarchy includes four levels:

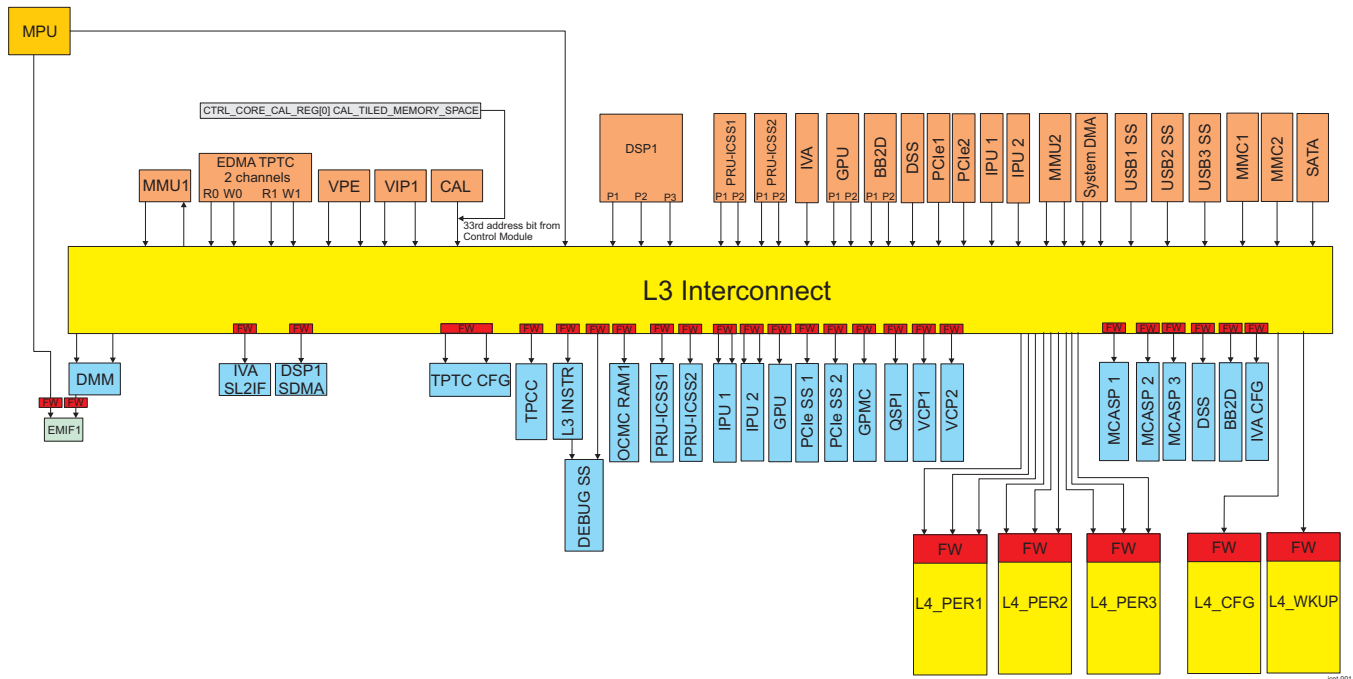
- L1 is internal to the CPUs. It concerns data exchange with the internal Level1 cache memory

subsystem, and it is the closest memory to the microprocessor unit (MPU) core and the IVA core.

- L2 is included in the IPU subsystem and the MPU subsystem.
- The chip-level interconnect consists of one L3 interconnect and five L4 interconnects. It enables communication among the modules and subsystems in the device.

Figure 14-1 shows an overview of the L3 and L4 interconnect architecture.

Figure 14-1. Interconnect Overview



NOTE: ATL, VCP1, VCP2, MLB and USB3 (ULPI) are not supported on the AM571x / AM570x family of devices.

SATA and RTC are not supported on the AM570x family of devices.

Furthermore, for AM570x the supported set of features and peripherals is device part number dependent. Refer to device Data Manual, for more information.

- L3 handles many types of data transfers, especially exchanges with system-on-chip/external memories. L3 transfers data with a maximum width of 128 bits from the initiator to the target. The L3 interconnect is a little-endian platform
- The L4 is composed of the following:
 - L4_CFG: Includes the majority of the firewall configuration interface for level 3 (L3) system modules and peripheral interconnect;
 - L4_PER: Includes the main peripherals that require system direct memory access (sDMA) access. L4_PER has three instances L4_PER1, L4_PER2 and L4_PER3. Each of these three instances has three ports connecting it to L3_MAIN interconnect:
 - L4_PER1_P1, L4_PER1_P2, L4_PER1_P3
 - L4_PER2_P1, L4_PER2_P2, L4_PER2_P3
 - L4_PER3_P1, L4_PER3_P2, L4_PER3_P3.
 Through the L3_MAIN interconnect, different initiators can access each of these L4_PERx_Pi ports. For information regarding which L4_PERx_Pi port each initiator accesses, see .
 - L4_WKUP: Includes peripherals attached to the WKUP power domain.

Modules are connected to the interconnect through an IA for the initiator module and a TA for target modules. Each module/subsystem connection is statically configured to tune the access, depending on the characteristics of the module.

To unauthorize a module or L4 interconnect access, some TAs include configurable firewalls (FWs). A firewall restricts or filters the accesses allowed to an initiator according to different access criteria. The firewalls can usually be configured by software.

The L3 and L4 interconnect default settings are fully functional; they enable all possible functional data paths and a minimal default protection setting.

14.2 L3_MAIN Interconnect

This section describes the L3_MAIN interconnect and its components. With the exception of register points, each component includes functions for the request and response networks.

14.2.1 L3_MAIN Interconnect Overview

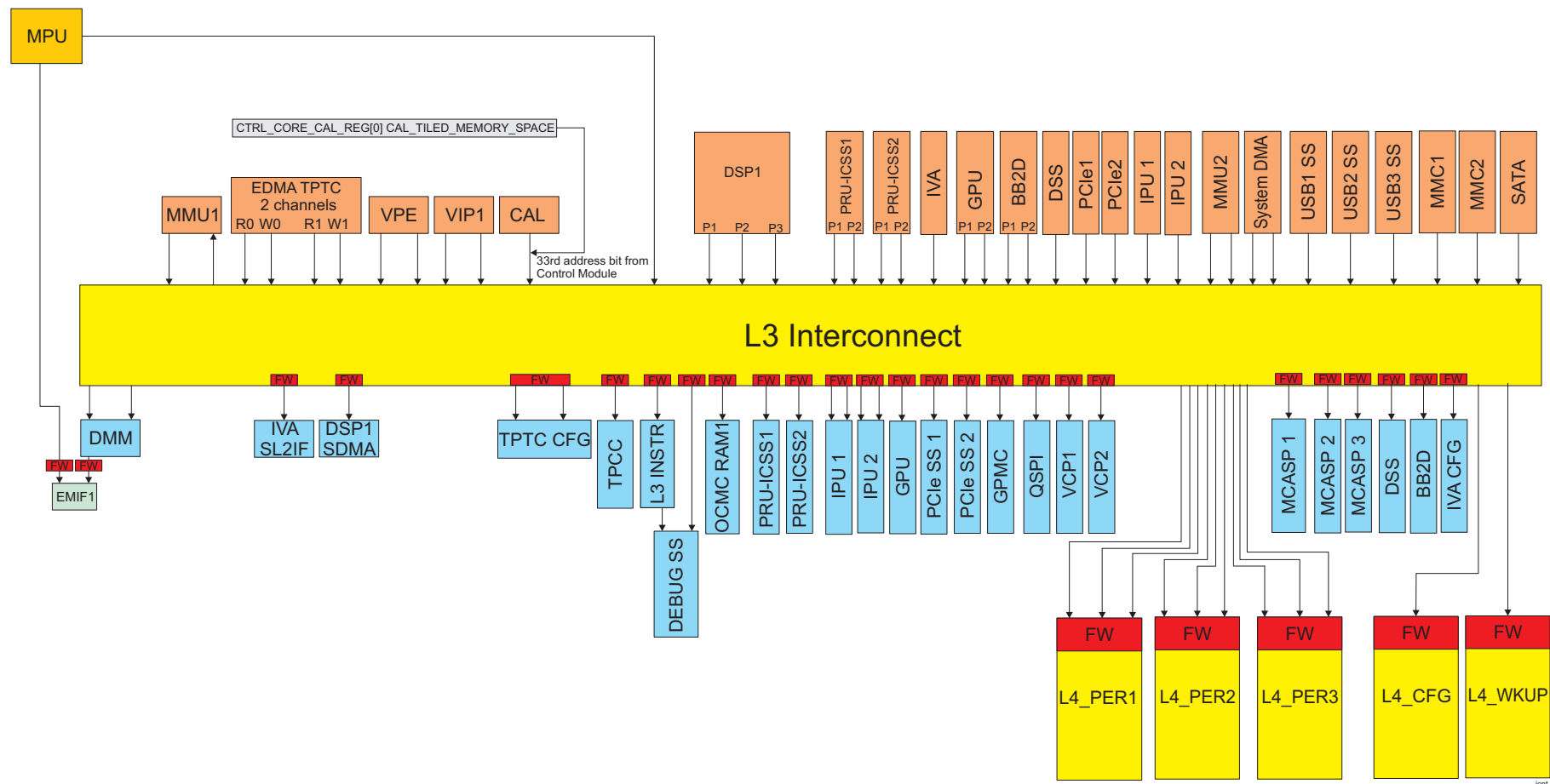
The L3_MAIN interconnect links cores in a flexible topology that couples low power with high performance. Innovative physical structures and advanced protocols ensure bandwidth and latency to individual IP cores, providing dedicated connections between IP cores and logical connections over a shared interconnect.

The main features of the L3_MAIN interconnects are:

- NIUs: Master NIUs for the IAs and slave NIUs for the TAs
- A partially depleted cross-bar exchange network
- A special internal slave NIU for accessing L3_MAIN interconnect configuration registers
- QoS management for real-time hardware operators, while maintaining optimal memory latency for CPU access to memory resources
- True little-endian platform
- Transaction errors tracking and logging registers
- All signaling support for chip-level power-management infrastructure
- One interrupt line signaling transaction error
- One interrupt line for reporting statistical events on the L3_MAIN interconnect

[Figure 14-2](#) shows an overview of the L3 interconnect and the peripherals attached to it.

Figure 14-2. L3_MAIN Interconnect Overview



NOTE: ATL, VCP1, VCP2, MLB and USB3 (ULPI) are not supported on the AM571x / AM570x family of devices.

SATA and RTC are not supported on the AM570x family of devices.

Furthermore, for AM570x the supported set of features and peripherals is device part number dependent. Refer to device Data Manual, for more information.

14.2.2 L3_MAIN Interconnect Integration

Table 14-4 through Table 14-6 summarize the integration of the module in the device.

Table 14-4. L3_MAIN Integration Attributes

Module Instance	Attributes
	Power Domain
L3_MAIN	PD_COREAON

Table 14-5. L3_MAIN Clocks and Resets

Clocks				
Module Instance	Destination Signal Name	Source Signal Name	Source	Description
L3_MAIN	L3_CLK1	L3MAIN1_L3_GICLK	PRCM	Functional and interface clock
	L3_CLK2	L3INSTR_L3_GICLK	PRCM	Functional and interface clock
Resets				
Module Instance	Destination Signal Name	Source Signal Name	Source	Description
L3_MAIN_MAIN	L3_CORE_RET_RST	CORE_PWRON_RET_RST	PRCM	Reset of L3_MAIN interconnect registers
	L3_CORE_RST	CORE_RST	PRCM	Reset of L3_MAIN interconnect

Table 14-6. L3_MAIN Hardware Requests

Interrupts Requests				
Module Instance	Source Signal Name	Destination IRQ_CROSSBAR Input	Default Mapping	Description
L3_MAIN	L3_MAIN_IRQ_DBG_ERR	IRQ_CROSSBAR_4	MPU_IRQ_9	Interrupt indicating debug error occurrence.
			DSP1_IRQ_35	
	L3_MAIN_IRQ_APP_ERR	IRQ_CROSSBAR_5	MPU_IRQ_10 ⁽¹⁾	Interrupt indicating application error occurrence.
		DSP1_IRQ_36		
L3_MAIN_IRQ_STAT_ALARM	L3_MAIN_IRQ_STAT_ALARM	IRQ_CROSSBAR_11	MPU_IRQ_46	Statistic collector alarm interrupt.
			DSP1_IRQ_46	
			DSP2_IRQ_46	

⁽¹⁾ The L3_MAIN_IRQ_APP_ERR interrupt is directly mapped to the MPU_IRQ_10 line bypassing IRQ_CROSSBAR_5. In all other cases IRQ_CROSSBAR_5 is used to map L3_MAIN_IRQ_APP_ERR to the corresponding INTC.

NOTE: The “Default Mapping” column in *L3_MAIN Hardware Requests* shows the default mapping of module IRQ source signals. These IRQ source signals can also be mapped to other lines of each device Interrupt controller through the IRQ_CROSSBAR module. For more information about the IRQ_CROSSBAR module, see [Section 18.4.6.4, IRQ_CROSSBAR Module Functional Description](#), in [Chapter 18, Control Module](#). For more information about the device interrupt controllers, see [Chapter 17, Interrupt Controllers](#).

14.2.3 L3_MAIN Interconnect Functional Description

14.2.3.1 Module Use in L3_MAIN Interconnect

The L3_MAIN interconnect network components have ConnID values for each master NIU or slave NIU. The ID uniquely identifies the master NIU or the slave NIU for an interconnect transfer. The interconnect uses ConnIDs for a number of purposes, including the following:

- Slave NIUs for error logging
- Power disconnect slave NIU for error logging
- Eight FLAGMUXes to mask interrupts
- STATCOLL for configuring and monitoring: The STATCOLL components compute the traffic statistics within a user-defined window and periodically report to the user through the debug interface.
- Bandwidth regulator for configuration

14.2.3.2 Module Distribution

Master NIUs and slave NIUs provide the interface to connect the different modules to their associated interconnect.

[Table 14-7](#) and [Table 14-8](#) list all the modules and subsystems with their associated agents. The agents are listed for each L3_MAIN interconnect domain.

14.2.3.2.1 L3_MAIN Interconnect Agents

Any initiator or target core is connected to the L3_MAIN interconnect through an NIU. NIUs act as entry points to the L3_MAIN interconnect, and also include various programming registers. [Table 14-7](#) lists the supported master NIU ports.

Table 14-7. Master NIUs

Master NIU	Description
MPU_INIT	MPU initiator port. One 64b OCP initiator port, and two 128b ports connected directly to the EMIF, bypassing L3
DSP1_INIT	DSP Initiator port. One 128b MDMA interconnect initiator port (used also for cache requests) One EDMA initiator port per instance
IVA_INIT	Image and video accelerator (IVA) initiator port. One 128b initiator port
GPU_P1_INIT	GPU 128b initiator port 1
GPU_P2_INIT	GPU 128b initiator port 2
BB2D_P1_INIT	2D Graphics Accelerator 128b port 1
BB2D_P2_INIT	BB2D 128b port 2
DSS_INIT	Display SubSystem initiator port. One 128b initiator port
VIP1_INIT	VIP initiator ports. Two 128b initiator ports
CAL_INIT	CAL initiator port. One 128b initiator port
VPE_INIT	Video Processing engine
PCIE1_INIT	PCIe 1 64b initiator port
PCIE2_INIT	PCIe 2 64b initiator port
PRUSS1_P1_INIT	PRU-ICSS1 32b initiator port 1
PRUSS1_P2_INIT	PRU-ICSS1 32b initiator port 2
PRUSS2_P1_INIT	PRU-ICSS2 32b initiator port 1
PRUSS2_P2_INIT	PRU-ICSS2 32b initiator port 2
TPTC1_INIT	EDMA TPTC initiator port. Two 128b initiator ports(one read port and one write port)

Table 14-7. Master NIUs (continued)

Master NIU	Description
TPTC2_INIT	EDMA TPTC initiator port. Two 128b initiator ports(one read port and one write port)
MMU1_INIT	MMU initiator port. One 128b initiator port
MMU2_INIT	MMU initiator port. One 128b initiator port
IPU1_INIT	IPU initiator port. One 64b initiator port
IPU2_INIT	IPU initiator port. One 64b initiator port
SYSTEM_DMA_INIT	System Direct Memory Access engine 32 initiator port (32b initiator read port and 32b initiator write port)
MLBSS_INIT ⁽¹⁾	MLB 32b initiator port
GMAC_SW_INIT	GMAC_SW 32b initiator port
MMC1_INIT	MMC initiator port. One 32b initiator port
MMC2_INIT	MMC2 32b initiator port
SATA_INIT ⁽²⁾	SATA 32b initiator port
IEEE1500_INIT	IEEE1500 32b initiator port
DEBUGSS_INIT	Debug subsystem 32b initiator port

⁽¹⁾ **MLB is not supported on the AM571x / AM570x family of devices.**

⁽²⁾ **SATA is not supported on the AM570x family of devices.**

Table 14-8 lists the supported slave NIU ports.

Table 14-8. Slave NIUs

Slave NIU	Description
DSP1_TARG	DSP1 128b target port
DMM_P1_TARG	Dynamic memory management 128b target port 1
DMM_P2_TARG	Dynamic memory management 128b target port 2
IVA_CONFIG_TARG	Video accelerator subsystem 32b configuration target port
IVA_SL2IF_TARG	Video accelerator subsystem 128b SL target port
L4_CFG_TARG	L4 CFG 32b target port
L4_WKUP_TARG	L4 WKUP 32b target port
TPTC_P1_TARG	EDMA_TPTC 32b target port 1
TPTC_P2_TARG	EDMA_TPTC 32b target port 2
TPCC_TARG	EDMA_TPCC (TPCC) 32b target port
VCP1_TARG ⁽¹⁾	VCP 64b target port 1
VCP2_TARG ⁽¹⁾	VCP 64b target port 2
OCMC_RAM1_TARG	On-chip memory controller 128b target port 1
PCIe1/2_TARG	PCIe1/2 64b target port
GPU_TARG	3D graphics accelerator 64b target port
IPU1_P1_TARG	DUAL Cortex M4 subsystem 64b target port 1
IPU1_P2_TARG	IPU1 64b target port 2
IPU2_P1_TARG	IPU2 64b target port 1
IPU2_P2_TARG	IPU2 64b target port 2
GPMC_TARG	General-purpose memory controller target port
L4_PER1/2/3_TARG	L4 interconnect peripherals 32b initiator port
MCASP1_TARG	McASP1 32b target port
MCASP2_TARG	McASP2 32b target port
MCASP3_TARG	McASP3 32b target port

⁽¹⁾ **VCP1 and VCP2 are not supported on the AM571x / AM570x family of devices.**

Table 14-8. Slave NIUs (continued)

Slave NIU	Description
DSS_TARG	Display subsystem 64b target port
BB2D_TARG	BB2D 32b target port
QSPI_TARG	QSPI 32b target port
MMU1_TARG	Memory management unit (MMU) 128b target port 1
MMU2_TARG	MMU 128b target port 2
PRUSS1_TARG	PRU-ICSS1 32b target port
PRUSS2_TARG	PRU-ICSS2 32b target port
L3_INSTR_TARG	L3 instrumentation 32b target port
DEBUGSS_TARG	Debug subsystem 32b target port

14.2.3.2.2 L3_MAIN Connectivity Matrix

The L3 interconnect is divided into two clock domains L3_CLK1 and L3_CLK2. CLK1 domain is further splitted into two sub groups:

- L3_CLK1_1: Low-power domain
- L3_CLK1_2: Peripherals and multimedia
- L3_CLK2: Instrumentation (debug)

The two clock elements (CLK1 and CLK2) are implemented in a different clock domain.

14.2.3.2.2.1 Clock Domain Mapping of the L3_MAIN Interconnect Modules

Each clock domain (CLK1 and CLK2) has it own host, flag mux, slave NIUs, and bandwidth regulators. [Table 14-9](#) lists the relationships between these domains and these elements.

Table 14-9. L3_MAIN Clock Domains and Elements

Clock Domain	Elements
	HOST_CLK1_1
	L4_WKUP
	VCP1 ⁽¹⁾
	VCP2 ⁽¹⁾
	QSPI
	L4_PER3_P1
	L4_PER3_P2
	L4_PER3_P3
	L4_PER1_P1
	L4_PER1_P2
	L4_PER1_P3
	L4_PER2_P1
	L4_PER2_P2
	L4_PER2_P3
	PRU-ICSS1
	PRU-ICSS2
	McASP1
	McASP2
	McASP3
	GPMC

⁽¹⁾ VCP1 and VCP2 are not supported on the AM571x / AM570x family of devices.

Table 14-9. L3_MAIN Clock Domains and Elements (continued)

Clock Domain	Elements	
L3_CLK1_1	L4_CFG	
	IPU1	
	IPU2	
	DSP1 SDMA	
	DSS	
	IVA SL2IF	
	DMM_P1	
	DMM_P2	
	IVA CFG	
	BB2D	
	MMU1	
	OCMC_RAM1	
	TPCC (EDMA_TPCC)	
	TPTC1 CFG (EDMA_TPTC1)	
	TPTC2 CFG (EDMA_TPTC2)	
	MMU2	
	PCIe 1	
	PCIe 2	
	GPU	
	L3_CLK1_2	HOST_CLK1_2
		FLAGMUX_CLK1_MERGE
		FLAGMUX_CLK1_1
		FLAGMUX_CLK1_2
FLAGMUX_CLK1_TIMEOUT1		
FLAGMUX_CLK1_TIMEOUT2		
DSP1_EDMA_BW_REGULATOR		
VPE_P1_BW_LIMITER		
VPE_P2_BW_LIMITER		
IVA_BW_REGULATOR		
TPTC1_RD_BW_LIMITER		
TPTC1_WR_BW_LIMITER		
TPTC2_RD_BW_LIMITER		
TPTC2_WR_BW_LIMITER		
MMU1_BW_LIMITER		
PCIESS1_BW_REGULATOR		
PCIESS2_BW_REGULATOR		
GPU_P1_BW_REGULATOR		
GPU_P2_BW_REGULATOR		
BB2D_P1_BW_REGULATOR		
BB2D_P2_BW_REGULATOR		
MMU2_BW_REGULATOR		
L3_CLK2_1	HOST_CLK2_1	
	DEBUGSS_CT_TBR_TARG	
	L3_INSTR	
	STATCOLL0	
	STATCOLL1	
	STATCOLL2	

Table 14-9. L3_MAIN Clock Domains and Elements (continued)

Clock Domain	Elements
L3_CLK2	STATCOLL4
	STATCOLL5
	STATCOLL6
	STATCOLL7
	STATCOLL8
	STATCOLL9
	FLAGMUX_CLK2_1
	FLAGMUX_CLK2_TIMEOUT
	FLAGMUX_STATCOLLS

14.2.3.2.3 Master NIU Identification

A master NIU ID (ConnID) is assigned to every module in the device. The ID uniquely identifies the master NIU for an interconnect transfer (see [Table 14-10](#)). The interconnect uses ConnID values for a number of purposes, including:

- Master source identification for the protection mechanism
- Response route generation
- Firewall error logging
- L3_MAIN interconnect error logging

Table 14-10. ConnID Values

8-bit ConnID (hex)	4-bit ConnID (hex)	Master NIU
0	0	MPU
10	1	CS_DAP
20	2	DSP1 MDMA
24	2	DSP1 CFG
28	2	DSP1 DMA
3A	3	IVA
50	5	PRU-ICSS1 PRU0
54	5	PRU-ICSS1 PRU1
58	5	PRU-ICSS2 PRU0
5C	5	PRU-ICSS2 PRU1
60	6	IPU1
64	6	IPU2
68	6	DMA_SYSTEM RD
6A	6	DMA_SYSTEM WR
70	7	TC1_EDMA_WR
72	7	TC1_EDMA_RD
74	7	TC2_EDMA_WR
76	7	TC2_EDMA_RD
80	8	DSS
84	8	MLB ⁽¹⁾
86	8	MMU1
88	8	PCIE1
8C	8	PCIE2
8E	8	MMU2
90	9	VIP1 P1
92	9	VIP1 P2
94	9	CAL
9C	9	VPE P1
9E	9	VPE P2
A0	A	MMC1
A2	A	GPU P1
A4	A	MMC2
A6	A	GPU P2
A8	A	BB2D P1
AA	A	BB2D P2
AC	A	GMAC_SW
B0	B	USB1 (USB 3.0 SS)
B4	B	USB2 (USB2.0 SS)

⁽¹⁾ MLB and USB3 (ULPI) are not supported on the AM571x / AM570x family of devices.

Table 14-10. ConnID Values (continued)

8-bit ConnID (hex)	4-bit ConnID (hex)	Master NIU
B8	B	USB3 (USB2_ULPI_SS1) ⁽¹⁾
CC	C	SATA ⁽²⁾

⁽²⁾ SATA is not supported on the AM570x family of devices.

The 8-bit ConnID values are used by error decoding to distinguish the different initiators, see [Section 14.2.3.8.5, Example for Decoding Standard/Custom Errors Logged in L3_MAIN](#). They are also used by the EMIF controller. The 4-bit ConnID values are used by the firewalls to allow or not an access to a slave NIU, see [Table 14-18](#).

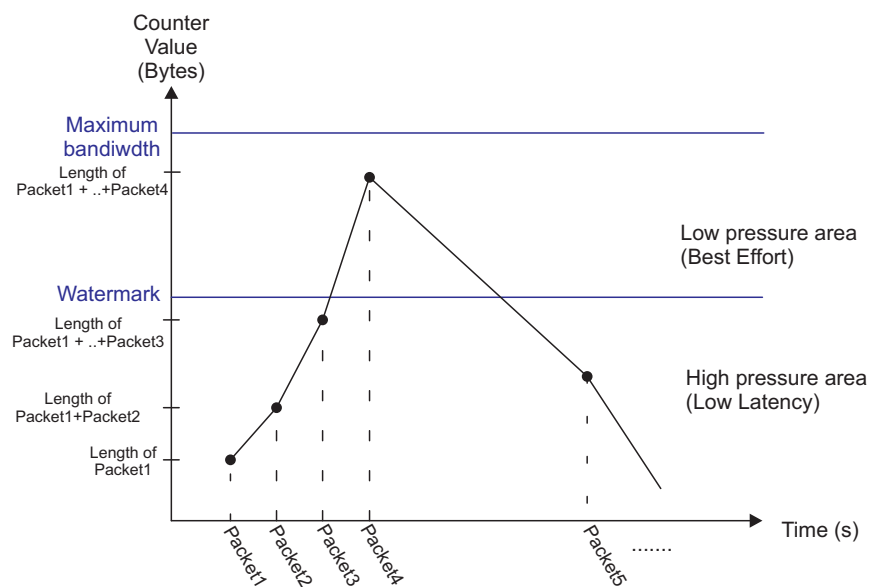
14.2.3.3 Bandwidth Regulators

The bandwidth regulators prevent master NIUs from consuming too much bandwidth of a link, or a slave NIU that is shared between several data flows: packets are then transported at a slower rate. The value of a bandwidth can be programmed in the bandwidth regulator. When the bandwidth is below the programmed value, the pressure bit is set to 1, giving priority to this master. When the bandwidth is above the programmed value, the pressure bit is set to 0 and the concerned master has the same weight as others.

A counter is used to store the sum of data lengths (in bytes) of each packet passing through the bandwidth regulator, and a value equal to the expected bandwidth is subtracted from the counter at each clock cycle. The value of the counter is compared to a programmable threshold (called Watermark), and this comparison determines whether the packet is processed with high pressure for minimum latency or low pressure for best effort processing.

The bandwidth regulator monitors the traffic using open connections between the initiators and the targets. If there is insufficient bandwidth allocated to the connection, the bandwidth regulator can increase the pressure on connections. Generally, the connection is a dataflow between master and slave NIUs. In some cases, the bandwidth regulator is attached to the master and monitors single dataflow to a target (single connection).

Figure 14-4. Bandwidth Regulator Pressure Settings



NOTE: When Counter value falls below Watermark pressure bit is assigned to 1

13-024

When Counter Value (bytes) falls below Watermark, the pressure bit is assigned to 1

The bandwidth regulator effective resolution is set to 8.3125 MBps. The maximum average bandwidth (max watermark value) computed in a moving window is set to up to 4096 bytes of payload. These settings are implemented by hardware.

The following is an example of bandwidth regulator settings:

Suppose the bandwidth regulator is set to run at 200 MHz and the application requires an expected bandwidth of 165.888 MBps (± 5 MBps), computed through a moving window of 5 μ s (1000 cycles). To attribute high pressure on all packet requests, the watermark could be set to the maximum bandwidth needed in the 5- μ s window.

Considering the example, the settings of the bandwidth regulator are:

- [L3_BW_REGULATOR_WATERMARK](#)[11:0] WATERMARK = moving window \times expected bandwidth = 829.44 bytes = 0x33D
- [L3_BW_REGULATOR_BANDWIDTH](#)[15:0] BANDWIDTH = $\text{ceil}(165.888/8.3125) = \text{ceil}(19.956) = 20d = 0x14$

The bandwidth registers regulate the packet flow by applying flow control on the RX port, thus ensuring that the traffic does not exceed the allocated bandwidth. The next packet is sent only when an internal timer expires. The registers in this group are:

- [L3_BW_REGULATOR_WATERMARK](#): Gives the amount of data allowed to exceed the average bandwidth during a short time period
- [L3_BW_REGULATOR_PRESS](#): Describes the pressure applied to outgoing packets
- [L3_BW_REGULATOR_CLEARHISTORY](#): Resets the traffic counter when set to 1. This register is used after an update in the [L3_BW_REGULATOR_BANDWIDTH](#) and [L3_BW_REGULATOR_WATERMARK](#) registers (see [Section 14.2.5.1.7, L3 BW Regulator Register Summary and Description](#)).

Bandwidth regulators are mainly used to give priority to the following masters: DSP1 MDMA, IVA, MMU2, PCIe, DSP1 EDMA, GMAC SW, BB2D.

Priority to: DSP1_CFG, DSS, GPU_P1, GPU_P2, IPU, MMU1 initiator port, MPU initiator port, PCIe1 and PCIe2 initiator ports, TPTC1 and TPTC2 (RD and WR initiator ports), USB initiator ports, MLB, VIP1_P1/P2, CAL initiator ports is given by setting their internal MFlag signal.

14.2.3.4 Bandwidth Limiters

The bandwidth limiter is added to control the bandwidth of GPU, EDMA_TPTC (RD and WR ports) and MMU1. This prevents a large number of RD requests being processed together, thus avoiding a large number of RD responses.

The bandwidth limiter regulates the packet flow in the L3_MAIN interconnect by applying flow control when a user-defined bandwidth limit is reached. The next packet is served only after an internal timer expires, thus ensuring that traffic does not exceed the allocated bandwidth. Bandwidth limiter can be used with a watermark mechanism that allows traffic to temporarily exceeds the peak bandwidth.

The registers in this group are:

- [L3_BW_LIMITER_WATERMARK_0](#): Gives the amount of data allowed to exceed the average bandwidth during a short time period. To set the actual watermark to n bytes, the register must be set to n + 1.
- [L3_BW_LIMITER_CLEARHISTORY](#): Resets the traffic counter when set to 1.
- [L3_BW_LIMITER_BANDWIDTH_FRACTIONAL](#) and [L3_BW_L_BANDWIDTH_INTEGER](#): These two registers are used to set the average payload bandwidth.

Example of setting the Bandwidth Limiters:

[L3_BW_LIMITER_BANDWIDTH_FRACTIONAL](#) must be set to BandwidthConf [4 down to 0] and [L3_BW_LIMITER_BANDWIDTH_INTEGER](#) contains the remaining BandwidthConf bits, shifted to the right. $\text{BandwidthConf} = \text{AverageBandwidth} / \text{EffectiveResolution}$, where EffectiveResolution parameter is set to 8.3125 MHz at design time

AverageBandwidth is a parameter representing the value to which the payload bandwidth must be limited in average; this parameter depends on the use case and is the reason that makes the content of the registers variable. In addition the maximum packet length is 8 cells, that is 32 bytes.

Assuming that the use case requires that in average the payload bandwidth is limited to 200 MB/s, then registers must be set to the following values:

BandwidthConf = 200 MBps / 8.3125 MHz = 38 (0x26)

[L3_BW_LIMITER_BANDWIDTH_FRACTIONAL](#) = LSBs [4 down to 0] of BandwidthConf = 0x6.

[L3_BW_LIMITER_BANDWIDTH_INTEGER](#) = the remaining bits of BandwidthConf shifted to the right = 0x1.

By setting [L3_BW_LIMITER_WATERMARK](#) to 65 ([L3_BW_LIMITER_WATERMARK_0](#) = 0x41), the bandwidth limiter is able to send three packets consecutively during peaks, therefore exceeding the peak traffic with two packets (64 bytes)

14.2.3.5 Flag Muxing

The flag mux generator collects information such as errors and interrupts from slave NIUs and the interconnect firewall. The result signals are then sent to the MPU interrupt controller (INTC) without interfering with the interconnect traffic. Using the [L3_FLAGMUX_MASK](#) registers can prevent the flag mux from seeing certain events.

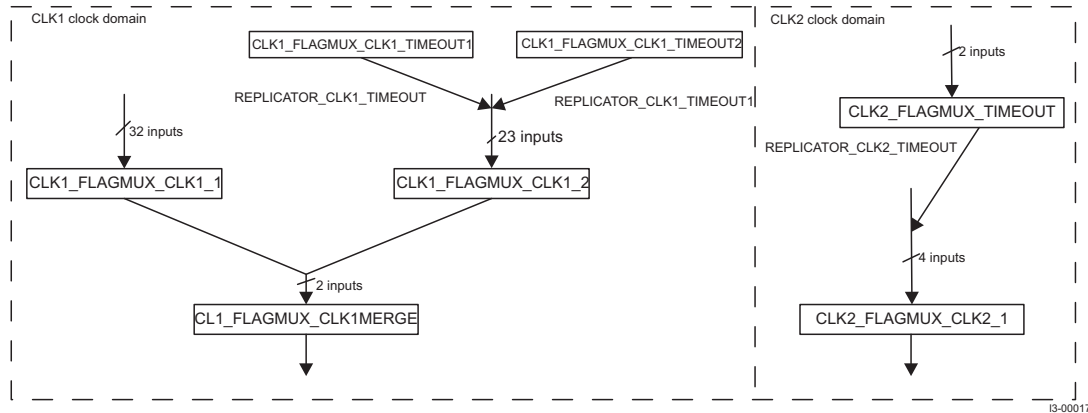
The unit has a standard COREREG register for identification of the attached core type. The [L3_FLAGMUX_STDHOSTHDR_VERSIONREG](#) register identifies the characteristics of the attached core. Use unit-specific registers (MASK bit 0 or bit 1 of the flag inputs, and [L3_FLAGMUX_REGERR](#) bit 0 or bit 1) to read the input errors. Each register is dedicated to reporting the bit corresponding to the register number; for example, [L3_FLAGMUX_REGERR0](#) reports on bit 0, and [L3_FLAGMUX_REGERR1](#) reports on bit 1. Any given [L3_FLAGMUX_REGERR](#) register reports the same bit for all flag source inputs (see [Table 14-173](#)).

There are three flag muxes ([CLK1_FLAGMUX_CLK1_1](#), [CLK1_FLAGMUX_CLK1_2](#) and [CLK2_FLAGMUX_CLK2_1](#)) collecting information from targets in each clock domain in L3_MAIN interconnect ([CLK1_1](#), [CLK1_2](#) and [CLK2_1](#)). Both [CLK1_FLAGMUX_CLK1_1](#) and [CLK1_FLAGMUX_CLK1_2](#) flag muxes are located in the [CLK1_2](#) clock domain (with base address 0x4480 0000).

Also there is a separate mux ([L3_FLAGMUX_CLK1MERGE](#)) that merges the inputs from [CLK1_1](#) and [CLK1_2](#) flag muxes. Its functionality is similar to the functionality of the other [L3_FLAGMUXES](#):

- [L3_FLAGMUX_CLK1MERGE_COREREG](#) and [L3_FLAGMUX_STDHOSTHDR_VERSIONREG](#) registers are used to identify the attached core and its characteristics.
- [L3_FLAGMUX_CLK1MERGE_MASK0](#) is used to mask (enable) application error sources
- [L3_FLAGMUX_CLK1MERGE_REGERR0](#) is used to check which application error sources are active
- [L3_FLAGMUX_CLK1MERGE_MASK1](#) is used to mask debug error sources
- [L3_FLAGMUX_CLK1MERGE_REGERR1](#) is used to check which debug error sources are active

Following is a block diagram of the flag mux organization in L3_MAIN interconnect:

Figure 14-5. Flag Mux Structure


14.2.3.5.1 Flag Mux Time-out

If a target does not respond after a fixed number of clock cycles, an error time-out flag is generated, in case it is enabled. The value of the flag is always 3 if a time-out error is present.

To enable time-out for each target, set the corresponding bit in `L3_FLAGMUX_TIMEOUT_MASK0` register to 1. See [Table 14-11](#).

Table 14-11. L3 Time-out Flag Mapping

	Flag Mux Input	Source	
CLK1_1 Time-out FlagMux (TIMEOUT1)	2	DSP1 SDMA	
	4	DSS	
	9	GPU	
	10	BB2D	
	11	IPU1	
	12	IPU2	
	13	IVA CONFIG	
	14	MMU1	
	15	DMM P1	
	16	DMM P2	
	17	IVA SL2IF	
	18	MMU2	
	19	L4_PER1 P1	
	20	L4_PER1 P2	
	21	L4_PER1 P3	
	22	L4_PER2 P2	
	23	L4_PER2 P1	
	24	L4_PER2 P3	
	25	L4_PER3 P2	
	26	L4_PER3 P1	
	27	L4_PER3 P3	
	28	L4_CFG	
	29	L4_WKUP	
		1	PCIE1
		2	PCIE2
		3	PRU-ICSS1
		5	PRU-ICSS2

Table 14-11. L3 Time-out Flag Mapping (continued)

	Flag Mux Input	Source
CLK1_2 Time-out FlagMux (TIMEOUT2)	6	QSPI
	8	TPCC
	9	TPTC1
	10	TPTC2
	13	MCASP1
	14	MCASP2
	15	MCASP3
	16	OCMC_RAM1
	18	GPMC
	19	VCP1 ⁽¹⁾
20	VCP2 ⁽¹⁾	
CLK2_1 Time-out FlagMux	0	L3_INSTR
	1	DEBUGSS_CT_TBR

⁽¹⁾ VCP1 and VCP2 are not supported on the AM571x / AM570x family of devices.

NOTE: Missing inputs in [Table 14-11](#) are reserved locations. Writing in them has no effect.

For example, to enable all targets in CLK1_1, write 0x3FFF FFFF in [L3_FLAGMUX_TIMEOUT1_MASK0](#); to enable all targets in CLK1_2, write 0x1F FFFF in [L3_FLAGMUX_TIMEOUT2_MASK0](#). To enable only OCMC_RAM1 (target in CLK1_2) write 0x1 0000 in [L3_FLAGMUX_TIMEOUT2_MASK0](#). If an error-timeout occurs, read the registers [L3_FLAGMUX_TIMEOUT1_REGERR0](#) and [L3_FLAGMUX_TIMEOUT2_REGERR0](#) to determine the source of error concerning [Table 14-11](#). CLK2 timeouts are reported through CLK1_FLAGMUX_CLK2_1 status registers ([L3_FLAGMUX_REGERR0](#), [L3_FLAGMUX_REGERR1](#)) and masked through [L3_FLAGMUX_MASK0](#) and [L3_FLAGMUX_MASK1](#) registers.

Similarly, to enable a target in CLK2_1, write the appropriate value (as described in [Table 14-11](#)) in [L3_FLAGMUX_TIMEOUT_MASK0](#).

If an error time-out occurs in CLK2_1, read the [L3_FLAGMUX_TIMEOUT_REGERR0](#) register to determine the source of error concerning [Table 14-11](#).

14.2.3.6 Statistic Collectors Group

Statistic collectors are internal masters that share the same master address as the master NIUs. These components compute the traffic statistics within a defined window and periodically report through the DEBUG interface. The key features of the statistic collector are:

- Nonintrusive monitoring
- Programmable filters and counters
- Collects results at a programmable time interval

Event detectors are programmed through the [L3_STCOL_REQEVT](#) and [L3_STCOL_RSPEVT](#) configuration registers for request and response ports, respectively. The following events can be identified:

- Word transfer
- WAIT cycles
- Flow control
- Payload transfers
- Latency measurements

Performance monitoring is enabled through the [L3_STCOL_EN](#) register. The [L3_STCOL_SOFTEN](#) register enables software to monitor the performance. Event muxes are programmed through the [L3_STCOL_EVTMUX_SELO](#) configuration register, which determines which port will be monitored by a filter configured by the filter registers (see [Section 14.2.5.1.9](#)).

Filters are programmed through the [L3_STCOL_FILTER_i_GLOBALEN](#) configuration register, along with additional selection criteria programmed through the mask/match registers (see [Table 14-237](#)). A filter can be configured to accept or reject:

- Read operations
- Write operations
- Errors
- Addresses

Filter operation is programmed through the [L3_STCOL_OP](#) registers (see [Table 14-237](#)).

There are ten statistic collectors used to monitor the traffic on DRAM (EMIF1 and MA_MPU_P1), MPU, MMU, TPTC, VIP, DSP MDMA/EDMA, IVA, GPU, DSS, IPU, OCMC RAM, PCIe Subsystem, VCP, DSP CFG and GPMC ports. For more detailed descriptions of statistic collectors, see [Section 34.10.6.1](#), [L3 Target Load Monitoring](#), and [Section 34.10.6.2](#), [Master Latency Monitoring](#).

14.2.3.7 L3_MAIN Protection and Firewalls

Device protection relies on L3 firewalls and their configuration.

14.2.3.7.1 L3_MAIN Firewall Reset

The values of L3_MAIN firewall registers on reset are tied in hardware or exported from the control module registers.

Values exported from the control module are intended to give defined rights to the firewalls at reset and thus ensure the content after going out of reset.

The L3_MAIN firewall registers are located in the CORE AON power domain and thus no retention capability is needed. The control module registers are reset by a cold reset only, whereas the L3_MAIN firewall registers are reset by clearing the [REGUPDATE_CONTROL\[1\] FW_LOAD_REQ](#) bit. When the [REGUPDATE_CONTROL\[1\] FW_LOAD_REQ](#) bit comes back automatically to 1, the exported values are loaded.

CAUTION

Before reprogramming the firewall registers and/or before using the [FW_LOAD_REQ](#) mechanism, the request must be asserted by configuring the [REGUPDATE_CONTROL\[0\] BUSY_REQ](#) bit.

To load the exported values at run time:

1. Set the [REGUPDATE_CONTROL\[0\] BUSY_REQ](#) bit to 0x1 to ensure that no transaction can reach the slave NIU (suspend).
2. Clear the [REGUPDATE_CONTROL\[1\] FW_LOAD_REQ](#) bit by writing 0x1 to it.
3. Wait until the [REGUPDATE_CONTROL\[1\] FW_LOAD_REQ](#) bit is reset to 0x1 by hardware.
4. Set the [REGUPDATE_CONTROL\[0\] BUSY_REQ](#) bit to 0x0 to allow transactions to reach the slave NIU (resume).

To reprogram the firewall registers at run time:

1. Write 0x1 to the [REGUPDATE_CONTROL](#) register.
2. Update the firewall registers.
3. Write 0x0 to the [REGUPDATE_CONTROL](#) register.

NOTE: While reprogramming the firewall registers at run time it must be taken into account that the [REGUPDATE_CONTROL](#)[1] FW_LOAD_REQ bit is written as '0' because a value of '1' reloads the firewall default values.

NOTE: At reset, exported values from the control module can modify hardware reset values.

14.2.3.7.1.1 L3_MAIN Firewall – Exported Reset Values

Table 14-12 and Table 14-13 list the exported reset values and mapping, respectively.

Table 14-12. L3_MAIN Firewall Exported Reset Values

MRM_PERMISSION_REGION_LOW_j [15:12]	MRM_PERMISSION_REGION_LOW_j [11:0]
0x0	0xFFF
0xF	0xFFF
0x0	0xFFF
0x2	0xFFF

Table 14-13. L3_MAIN Firewall Exported Values Mapping

CTRL_CORE_L3_HW_FW_EXPORTED_VALUES_CONF_LOCK_1 and CTRL_CORE_L3_HW_FW_EXPORTED_VALUES_CONF_DBG_1 Bits	Slave NIU Firewall
[0]	GPMC
[3]	L3 RAM1
[4]	DSS
[6]	GPU
[7]	IVAHD SL2IF
[8]	IVAHD CONFIG
[11]	EMIF and MA_MPU_NTTP
[12]	DEBUGSS
[13]	CT_TBR
[20]	PCIESS1
[21]	PCIESS2
[22]	IPU1
[23]	IPU2
[24]	VCP1 ⁽¹⁾
[25]	VCP2 ⁽¹⁾
[26]	MCASP1
[27]	MCASP2
[28]	MCASP3
[31]	BB2D

⁽¹⁾ VCP1 and VCP2 are not supported on the AM571x / AM570x family of devices.

Table 14-14. L3_MAIN Firewall Exported Values Mapping

CTRL_CORE_L3_HW_FW_EXPORTED_VALUES_CONF_LOCK_2 and CTRL_CORE_L3_HW_FW_EXPORTED_VALUES_CONF_DBG_2 Bits	Slave NIU Firewall
[0]	DSP1
[6]	PRU-ICSS1
[7]	PRU-ICSS2
[8]	QSPI

Table 14-14. L3_MAIN Firewall Exported Values Mapping (continued)

CTRL_CORE_L3_HW_FW_EXPORTED_VALUES_CONF_LOCK_2 and CTRL_CORE_L3_HW_FW_EXPORTED_VALUES_CONF_DBG_2 Bits	Slave NIU Firewall
[9]	EDMA TC
[10]	EDMA TPCC

For more information, see [Chapter 18, Control Module](#).

14.2.3.7.2 Power Management

As part of the system-wide power-management scheme, the L3_MAIN interconnect goes into IDLE state after receiving a request from the power, reset, and clock management (PRCM) module after all commands are serviced. This function is handled by hardware.

To reduce power consumption, the L3_MAIN interconnect automatically performs internal clock autogating. This is managed by hardware; no software configurations or settings are required.

L3_MAIN supports a partial retention scheme. Retention is performed on the following registers:

- Statistic collectors
- Bandwidth regulators
- Firewalls

This process prevents reconfiguration after a clock domain switches off.

14.2.3.7.3 L3_MAIN Firewall Functionality

The access to the slave NIUs is granted only to master NIUs according to in-band attributes sent in each transaction crossing the L3_MAIN interconnect, such as:

- MCMD: Specifies the type of access (read or write) required by the master NIU
- ConnID: Used to determine the permission of the master NIU
- MReqInfo: Transaction attribute adding information about the access type
- MreqDomain: Specifies the domain an initiator belongs to

[Table 14-15](#) lists the MReqInfo values.

Table 14-15. MReqInfo Values

Qualifier	Access Definition	Access Description
MReqType	00: Processor data access 01: Processor instruction access 10: DMA access 11: Other	Indicates whether the request is for processor instruction fetch, processor data access or DMA access
MReqDebug	0: Functional 1: Debug	When set, indicates that the request has been issued by a master NIU in DEBUG state
MReqSupervisor	0: User 1: Privilege	When set, indicates that the request is qualified with the supervisor attribute. It can be provided by a processor running in supervisor mode or by a module that inherited this attribute from the processor (DMA channel with a supervisor attribute).
MreqDomain	0b000: Domain 0 0b001: Domain 1 0b010: Domain 2 0b011: Domain 3 0b100: Domain 4 0b101: Domain 5 0b110: Domain 6 0b111: Domain 7	MreqDomain allows a set of initiators to be grouped together. Using this domain qualifier, hardware isolation of domains is possible. The MreqDomain value is assigned from the control module via the following registers: <ul style="list-style-type: none"> • CTRL_CORE_MREQDOMAIN_EXP1 • CTRL_CORE_MREQDOMAIN_EXP2 • CTRL_CORE_MREQDOMAIN_EXP3 • CTRL_CORE_MREQDOMAIN_EXP4 • CTRL_CORE_MREQDOMAIN_EXP5 • CTRL_CORE_SMA_SW_4

NOTE: MreqDomain is supported only on SR2.1.

The firewall comparison mechanism enables access to a protected slave NIU only when a correct combination of the MReqInfo in-band parameters is transmitted.

MReqInfo is a combination of a fixed pattern that corresponds to a combination of the parameters MReqDebug, MReqType, MreqDomain, and MReqSupervisor. See [Table 14-16](#).

Table 14-16. L3_MAIN ReqInfo Mapping

ReqInfo Name		MReqDebug	MReqType	MReqSupervisor	MreqDomain
Master NIUs	MPU INIT	x	x	x	
	MMU1 INIT	x		x	x
	TPTC1_RD INIT			x	
	TPTC1_WR INIT			x	
	TPTC2_RD INIT			x	
	TPTC2_WR INIT			x	
	VPE_P1 INIT				x
	VPE_P2 INIT				x
	VIP1_P1 INIT				x
	VIP1_P2 INIT				x
	CAL INIT				
	DSP1 EDMA INIT	x	x	x	x
	DSP1 MDMA INIT	x	x	x	x
	IVA INIT				x
	PRU-ICSS1 PRU0				x
	PRU-ICSS1 PRU1				x
	PRU-ICSS2 PRU0				x
	PRU-ICSS2 PRU1				x
	GPU_P1 INIT				x
	GPU_P2 INIT				x
	BB2D_P1_INIT				x
	BB2D_P2_INIT				x
	DSS INIT				x
	MMU2 INIT	x		x	x
	IPU1 INIT	x	x	x	x
	IPU2 INIT	x	x	x	x
	DMA_SYSTEM_RD		x	x	
	DMA_SYSTEM_WR		x	x	
	USB1 INIT				x
	USB2 INIT				x
	USB3 INIT ⁽¹⁾				x
	PCIe_SS1 INIT				x
	PCIe_SS2 INIT				x
	DSP1_CFG INIT	x	x	x	x
	GMAC SW INIT				x
	MMC1 INIT				x
	MMC2 INIT				x
	SATA INIT ⁽²⁾				x

⁽¹⁾ VCP1, VCP2, MLB and USB3 (ULPI) are not supported on the AM571x / AM570x family of devices.

⁽²⁾ SATA is not supported on the AM570x family of devices.

Table 14-16. L3_MAIN ReqInfo Mapping (continued)

ReqInfo Name	MReqDebug	MReqType	MReqSupervisor	MreqDomain
	MLB INIT ⁽¹⁾			x
	DAP INIT	x		x
Slave NIUs	DMM_P1 TARG	x	x	x
	DMM_P2 TARG	x	x	x
	DSP1 SDMA TARG	x	x	x
	L4_CFG TARG	x		x
	L4_WKUP TARG	x		x
	TPTC1_CFG TARG	x		x
	TPTC2_CFG TARG	x		x
	TPCC TARG	x	x	x
	L3_INSTR TARG	x		
	DEBUGSS TARG	x		
	OCMC_RAM1 TARG			
	GPU TARG			
	IPU1 TARG			
	VCP1 TARG ⁽¹⁾			
	VCP2 TARG ⁽¹⁾			
	IPU2 TARG			
	PCISS1 TARG			
	PCISS2 TARG			
	GPMC TARG			
	L4_PER1_P1 TARG	x		x
	L4_PER1_P2 TARG	x		x
	L4_PER1_P3 TARG	x		x
	L4_PER2_P1 TARG	x		x
	L4_PER2_P2 TARG	x		x
	L4_PER2_P3 TARG	x		x
	L4_PER3_P1 TARG	x		x
	L4_PER3_P2 TARG	x		x
	L4_PER3_P3 TARG	x		x
	QSPI TARG			
	MCASP1 TARG			
	MCASP2 TARG			
	MCASP3 TARG			
	DSS TARG			x
	BB2D TARG			
	IVA_CFG TARG	x		
	MMU1 TARG	x		x
	MMU2 TARG	x		x

14.2.3.7.3.1 Protection Regions

Each slave NIU address space is subdivided into protection regions (maximum of 10). The regions are configurable with a size of 4-KiB granularity. The firewalls can also be multiport while using the description of the same regions for dual access memories or to support interleaving mechanisms on several memories.

Table 14-17 lists the number of protected regions and ports for each slave NIU.

Table 14-17. Slave NIU Firewall and Region Configuration

Domain	Slave NIU	Firewall	Number of Regions	Number of Ports
CLK1	DSP1_SDMA	DSP1_SDMA_FW	1	1
	DSS	DSS_FW	8	1
	GPMC	GPMC_FW	8	1
	GPU	GPU_FW	1	1
	IPU1	IPU1_FW	4	1
	IPU2	IPU2_FW	4	1
	PRU-ICSS1	PRUSS1_FW	1	1
	PRU-ICSS2	PRUSS2_FW	1	1
	IVA_CFG	IVA_CFG_FW	1	1
	IVA_SL2IF	IVA_SL2IF_FW	4	1
	OCMC_RAM1	OCMC_RAM1_FW	16	1
	EMIF1	EMIF_OCP_FW	8	1
	EMIF1	MA_MPU_NTTP_FW	8	1
	PCIESS1	PCIESS1_FW	8	1
	PCIESS2	PCIESS2_FW	8	1
	BB2D	BB2D_FW	1	1
	QSPI	QSPI_FW	1	1
	TPCC	TPCC_FW	1	1
	TPTC	TPTC_FW	2	2
	VCP1 ⁽¹⁾	VCP1_FW	1	1
	VCP2 ⁽¹⁾	VCP2_FW	1	1
	MCASP1	MCASP1_FW	1	1
	MCASP2	MCASP2_FW	1	1
MCASP3	MCASP3_FW	1	1	
CLK2	L3_INSTR	L3_INSTR_FW	2	1
	DEBUGSS_CT_TBR	DEBUGSS_CT_TBR_FW	1	1

⁽¹⁾ VCP1, VCP2, MLB and USB3 (ULPI) are not supported on the AM571x / AM570x family of devices.

Two types of regions are distinguished in a slave NIU firewall:

- Default region: Available in all slave NIUs. The default region covers the entire slave NIU address range. Other firewall-configured regions must reset or overlay the default region, because it always has the lowest priority.
- Normal region: The number of normal regions varies in a slave NIU; they have identical capabilities (see Table 14-17).

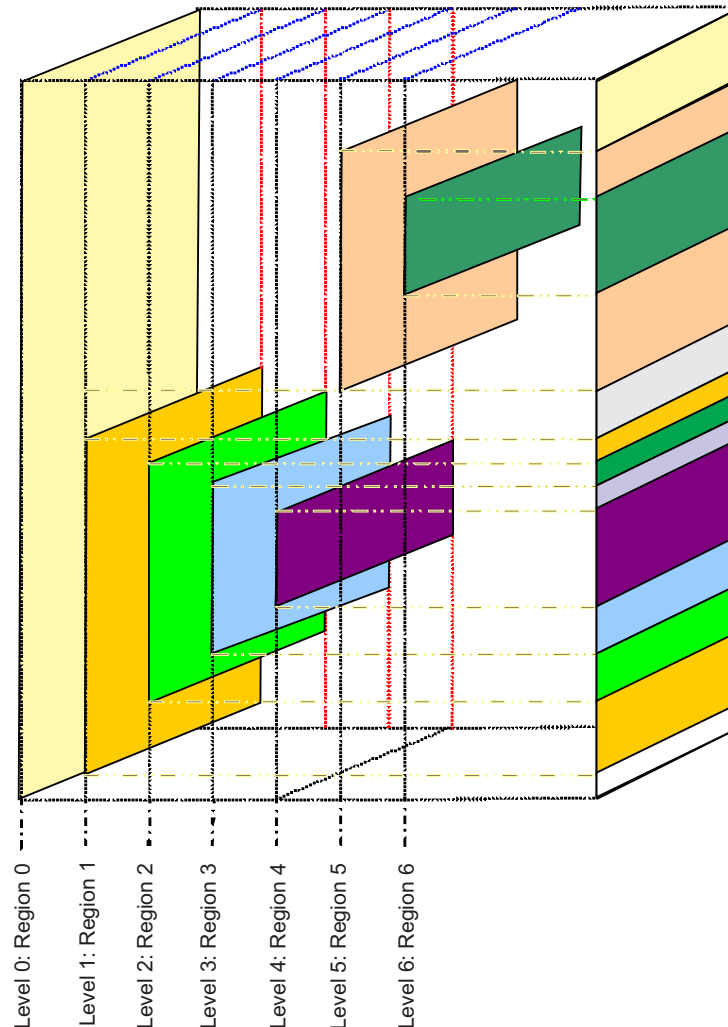
Each region has the following characteristics:

- Start address: Physical slave NIU start address
- End address: Physical slave NIU end address
- Specific access rights (see Section 14.2.3.7.3.3, *Protection Mechanism per Region Examples*)
- Priority level from 0 (lowest) to 10 (highest)

Depending on its priority level, a region can override the settings of another region; the access rights of the region with the highest priority apply. All regions have a fixed (not configurable) priority level that corresponds to their number: Region 1 has priority level 1, region 2 has priority level 2, and so on.

Figure 14-6 shows the priority level with associated regions. This priority level scheme allows multiplying the flexibility and capability of the firewall. Figure 14-6 shows a 7-region firewall setting that creates 16 regions (twice the number of regions created than originally available).

Figure 14-6. L3 Interconnect Region Overlay and Priority Level Overview



I3-003

The address range covered by the regions is defined in the [START_REGION_i](#) and [END_REGION_i](#) registers. The boundary checks are done on a minimum size of 4-KiB pages; thus, bits [11:0] of those 32-bit registers are not checked.

The address space size of the slave NIUs ([bits [31:12]]) depends on the size of the slave NIU to protect (that is, if a memory is only 48KiB, then the size is defined through bits [16:12] of the slave NIU start and end address registers of the firewall region ([START_REGION_i\[16:12\]](#) and [END_REGION_i\[16:12\]](#)).

Most slave NIUs support only one input port (port 0) except:

- The EDMA_TC firewall which has two ports:
 - Port 0 logs errors in the ERROR_LOG_0 register for the traffic to EDMA_TPTC0 module generated by the MPU, DSP1, IPU1/2, DMA_SYSTEM, MLB, PCIESS1, MMU1/2, PRU-ICSS1, PRU-ICSS2 and DAP modules.
 - Port 1 logs errors in the ERROR_LOG_1 register for the traffic to EDMA_TPTC1 module generated

by the MPU, DSP1, IPU1/2, DMA_SYSTEM, MLB, PCIESS1, MMU1/2, PRU-ICSS1, PRU-ICSS2 and DAP modules.

A region can be applied or not to each port independently. To enable and disable the regions:

- For port 0: Set/clear the [END_REGION_i\[0\] END_REGION_i_ENABLE_CORE0](#) bit (for all L3_MAIN firewalls).
- For port 1: Set/clear the [END_REGION_i\[1\] END_REGION_i_ENABLE_CORE1](#) bit (for EDMA_TC firewall).

The EMIF firewall (EMIF_OCP_FW) uses 16 GiB address space and protects both the SDRAM and the EMIF configuration registers. The EMIF firewall allows defining access restrictions per region. This per-region capability is defined by setting to 0x1 the [END_REGION_i\[0\] END_REGION_i_ENABLE_CORE_0](#) bit.

The protection regions for EMIF firewall are configurable with a size of 4-KiB granularity (the same applies to the MA_MPU_NTTP_FW). The address range covered by the regions is defined in the [START_REGION_i](#) and [END_REGION_i](#) registers. Since EMIF firewall sees 16 GiB address space but these two registers have only 32 bits, the [START_REGION_i/END_REGION_i\[31\]](#) bit is mapped to bit [33] of the EMIF address space, that is, bits [31:10] of [START_REGION_i/END_REGION_i](#) are mapped to EMIF Address [33:12]. [START_REGION_i/END_REGION_i \[9:0\]](#) are not checked for the minimum page size of 4KiB.

The start address in the EMIF address space for accessing the EMIF configuration registers is 0x3_0000_0000. If protection of these registers is needed, that address must be right shifted by 2 bits and then the result (0xC000_0000) must be written to the [START_REGION_i](#) register. The [REGUPDATE_CONTROL\[19:16\] FW_ADDR_SPACE_MSB](#) bit field indicates how many bits are shifted in the firewall address space. In case of EMIF_OCP_FW and MA_MPU_NTTP_FW, 2 bits are shifted. If target address space is ≤ 4 GiB then [REGUPDATE_CONTROL\[19:16\] FW_ADDR_SPACE_MSB](#) is 0x0 and the [START_REGION_i/END_REGION_i \[31:12\]](#) bits match target physical address [31:12]. Bits [11:0] are ignored by the firewall. These bits are not involved in the address check. To match address spaces greater than 4 GiB but keep the minimum page size of 4 KiB some of the [START_REGION_i/END_REGION_i \[11:0\]](#) bits must also be configured. In the EMIF case bits [11:10] are also used.

For example, the EMIF1 configuration registers are accessible through system base address 0x4C00_0000. But the EMIF_OCP_FW sees them at start address 0x3_0000_0000. As previously mentioned that address must be shifted before being programmed to the [START_REGION_i](#) register. In this case the programmed value should be 0xC000_0000. This has to be taken into account.

14.2.3.7.3.2 L3_MAIN Firewall Registers Overview

[Table 14-18](#) and [Table 14-19](#) list the L3_MAIN firewall permission-setting registers.

Table 14-18. L3_MAIN Firewall Read/Write Permission-Setting Register

Register Name	Bits	Field Name	4-bit ConnID Value (hex) (see Table 14-10)	Field Modifiability
MRM_PERMISSION_REGION_HIGH_J	31	W	ConnID = F write permission	RW
	30	R	ConnID = F read permission	RW
	29	W	ConnID = E write permission	RW
	28	R	ConnID = E read permission	RW
	27	W	ConnID = D write permission	RW
	26	R	ConnID = D read permission	RW
	25	W	ConnID = C write permission	RW
	24	R	ConnID = C read permission	RW
	23	W	ConnID = B write permission	RW
	22	R	ConnID = B read permission	RW
	21	W	ConnID = A write permission	RW
	20	R	ConnID = A read permission	RW
	19	W	ConnID = 9 write permission	RW
	18	R	ConnID = 9 read permission	RW
	17	W	ConnID = 8 write permission	RW
	16	R	ConnID = 8 read permission	RW
	15	W	ConnID = 7 write permission	RW
	14	R	ConnID = 7 read permission	RW
	13	W	ConnID = 6 write permission	RW
	12	R	ConnID = 6 read permission	RW
	11	W	ConnID = 5 write permission	RW
	10	R	ConnID = 5 read permission	RW
	9	W	ConnID = 4 write permission	RW
	8	R	ConnID = 4 read permission	RW
	7	W	ConnID = 3 write permission	RW
	6	R	ConnID = 3 read permission	RW
	5	W	ConnID = 2 write permission	RW
	4	R	ConnID = 2 read permission	RW
	3	W	ConnID = 1 write permission	RW
	2	R	ConnID = 1 read permission	RW
	1	W	ConnID = 0 write permission	RW
	0	R	ConnID = 0 read permission	RW

Table 14-19. L3_MAIN Firewall Permission-Setting Register

Register name	Type of Permission	Bits	Field Name	Description	Field Modifiability
MRM_PERMISSION_REGION_LOW_j	Reserved	31:16		Reserved	
	Debug	15	DEBUG	PUBLIC PRIVILEGE DOMAIN DEBUG ALLOWED	RW
		14	DEBUG	PUBLIC USER DOMAIN DEBUG ALLOWED	RW
	Reserved	13:12		Reserved	
	Access	11	READ	PUBLIC PRIVILEGE READ ACCESS ALLOWED	RW
		10	WRITE	PUBLIC PRIVILEGE WRITE ACCESS ALLOWED	RW
		9	EXE	PUBLIC PRIVILEGE EXE ACCESS ALLOWED	RW
		8	READ	PUBLIC USER READ ACCESS ALLOWED	RW
		7	WRITE	PUBLIC USER WRITE ACCESS ALLOWED	RW
		6	EXE	PUBLIC USER ECXE ACCESS ALLOWED	RW

14.2.3.7.3.3 Protection Mechanism per Region Examples

The access permission of each region is configurable and defined through the [MRM_PERMISSION_REGION_HIGH_j](#) and [MRM_PERMISSION_REGION_LOW_j](#) registers (see [Section 14.2.3.7.3.2, L3_MAIN Firewall Registers Overview](#)).

Master NIU permissions:

- To give read access to the master NIU with 4-bit ConnID = n(1), set the [MRM_PERMISSION_REGION_HIGH_j\[n x 2\]](#) R bit.
- To give write access to the master NIU with 4-bit ConnID = n(1), set the [MRM_PERMISSION_REGION_HIGH_j\[n x 2 + 1\]](#) W bit.

(1) - n should be first converted from hex to decimal value

Debug permissions:

- To give privilege debug access, set the [MRM_PERMISSION_REGION_LOW_j\[15\]](#) DEBUG bit.
- To give user debug access, set the [MRM_PERMISSION_REGION_LOW_j\[14\]](#) DEBUG bit.

User, read, write, and executable permissions:

- To give privileged read access, set the [MRM_PERMISSION_REGION_LOW_j\[11\]](#) READ bit.
- To give privileged write access, set the [MRM_PERMISSION_REGION_LOW_j\[10\]](#) WRITE bit.
- To give privileged executable access, set the [MRM_PERMISSION_REGION_LOW_j\[9\]](#) EXE bit.
- To give user read access, set the [MRM_PERMISSION_REGION_LOW_j\[8\]](#) READ bit.
- To give user write access, set the [MRM_PERMISSION_REGION_LOW_j\[7\]](#) WRITE bit.
- To give user executable access, set the [MRM_PERMISSION_REGION_LOW_j\[6\]](#) EXE bit.

Example: To provide debug write privilege access to the master NIU with 4-bit ConnID = 0x7, set the following bits:

- [MRM_PERMISSION_REGION_HIGH_j\[15\]](#) W
- [MRM_PERMISSION_REGION_LOW_j\[15\]](#) DEBUG

14.2.3.7.3.4 L3_MAIN Firewall Error Logging

If a protection violation error is detected, the following signals are generated:

- An in-band error (SRESP = ERROR) is generated to the master NIU of the access.

- An out-band error is sent to the control module
- An interrupt is generated to the Cortex-A15 INTC.

The L3_MAIN interconnect does not differentiate errors generated by firewalls from all other supported types of errors.

An in-band error is generated by modules each time an access is not allowed. When an in-band error is sent back into the transaction it is seen as an external prefetch or data abort by the initiator, depending on whether the transaction was an instruction fetch or a data access.

Information about in-band errors is logged into two registers:

- [ERROR_LOG_k](#): Logs the information about the start/end address of the hit region and the qualifiers of the transaction
- LOGICAL_PHYSICAL_ADDRESS_ERRLOG_k[31:12]: Logs the address of the failed access

NOTE: When a multiport firewall is implemented, these registers are duplicated for each port.

Table 14-20 lists the L3_MAIN firewall error-logging registers.

Table 14-20. L3 Firewall Error-Logging Registers

Register Name	Register Field Name	Field Modifiability	Parameter Comments
ERROR_LOG_k (When multiport firewall is implemented the error log register is duplicated for each port.)	RESERVED[31:24]	Read only	Reads return 0s.
	BLK_BURST_VIOLATION[23]	Read/write	Read 0x1: 2D burst not allowed or exceeds allowed size. Write to clear the ERROR_LOG and LOGICAL_PHYSICAL_ADDRESS_ERRLOG registers.
	RESERVED[22]	Read only	Read return 0s.
	REGION_START_ERRLOG[21:17]	Read/write	Read: Wrong access hit this region number. Write to clear the ERROR_LOG and LOGICAL_PHYSICAL_ADDRESS_ERRLOG registers.
	REGION_END_ERRLOG[16:12]	Read/write	Read: Wrong access hit this region number. Write to clear the ERROR_LOG and LOGICAL_PHYSICAL_ADDRESS_ERRLOG registers.
	REQINFO_ERRLOG[11:0]	Read/write	Mapping of the error according to the reqinfo vector: ConnID [3:0] MCMD [0] [6:4] MReqDomain ⁽¹⁾ [3] MReqDebug [1] MReqSupervisor [0] MReqType

⁽¹⁾ MreqDomain is supported only on SR2.1.

L3 firewall errors can be cleared by writing to the [ERROR_LOG_k](#) register in the firewall that recorded the error. Clearing the [ERROR_LOG_k](#) register deasserts the corresponding error if it exists.

The L3 firewall register [ERROR_LOG_k](#) must be cleared before clearing the SEC_ERR_STATUS_FUNC_1/2 and SEC_ERR_STATUS_DEBUG_1/2 registers in the control module.

When a protection violation occurs, an interrupt is sent to the IRQ_CROSSBAR. An in-band error is sent back, and an error is logged in the SEC_ERR_STATUS_FUNC_1/2 and SEC_ERR_STATUS_DEBUG_1/2 registers, depending on the functional mode:

- In application mode:
 - SEC_ERR_STATUS_FUNC_1[1] – L3 RAM protection violation
 - SEC_ERR_STATUS_FUNC_1[2] – GPMC protection violation
 - SEC_ERR_STATUS_FUNC_1[3] – EMIF protection violation

- SEC_ERR_STATUS_FUNC_1[4] – IVA protection violation
- SEC_ERR_STATUS_FUNC_1[5] – IPU protection violation
- SEC_ERR_STATUS_FUNC_1[6] – IVA SL2 protection violation
- SEC_ERR_STATUS_FUNC_1[8] – SYSTEM DMA protection violation
- SEC_ERR_STATUS_FUNC_1[10] – DSPDMA slave NIU protection violation
- SEC_ERR_STATUS_FUNC_1[13] – GPU protection violation
- SEC_ERR_STATUS_FUNC_1[14] – DSS protection violation
- SEC_ERR_STATUS_FUNC_1[16] – L4_PER1 protection violation
- SEC_ERR_STATUS_FUNC_1[17] – L4_CFG protection violation
- SEC_ERR_STATUS_FUNC_1[18] – DEBUG subsystem protection violation
- SEC_ERR_STATUS_FUNC_1[22] – L4_WKUP protection violation
- SEC_ERR_STATUS_FUNC_1[23] - BB2D protection violation
- SEC_ERR_STATUS_FUNC_1[26] – CT_TBR protection violation
- SEC_ERR_STATUS_FUNC_2[0] – DSP1 protection violation
- SEC_ERR_STATUS_FUNC_2[4] – L4_PER2 protection violation
- SEC_ERR_STATUS_FUNC_2[5] – L4_PER3 protection violation
- SEC_ERR_STATUS_FUNC_2[6] - IPU2 protection violation
- SEC_ERR_STATUS_FUNC_2[7] – PCIESS1 protection violation
- SEC_ERR_STATUS_FUNC_2[8] - PCIESS2 protection violation
- SEC_ERR_STATUS_FUNC_2[16] – EDMA_TPTC1 protection violation
- SEC_ERR_STATUS_FUNC_2[17] – EDMA_TPCC protection violation
- SEC_ERR_STATUS_FUNC_2[20] – PRU-ICSS1 protection violation
- SEC_ERR_STATUS_FUNC_2[21] - PRU-ICSS2 protection violation
- SEC_ERR_STATUS_FUNC_2[22] – QSPI protection violation
- SEC_ERR_STATUS_FUNC_2[23] – EDMA_TPTC2 protection violation
- In debug mode:
 - SEC_ERR_STATUS_DEBUG_1[1] – L3 RAM protection violation
 - SEC_ERR_STATUS_DEBUG_1[2] – GPMC protection violation
 - SEC_ERR_STATUS_DEBUG_1[3] – EMIF protection violation
 - SEC_ERR_STATUS_DEBUG_1[4] – IVA protection violation
 - SEC_ERR_STATUS_DEBUG_1[5] – IPU protection violation
 - SEC_ERR_STATUS_DEBUG_1[6] – IVA SL2 protection violation
 - SEC_ERR_STATUS_DEBUG_1[8] - SYSTEM DMA protection violation
 - SEC_ERR_STATUS_DEBUG_1[10] – DSPDMA slave NIU protection violation
 - SEC_ERR_STATUS_DEBUG_1[13] – GPU protection violation
 - SEC_ERR_STATUS_DEBUG_1[14] – DSS protection violation
 - SEC_ERR_STATUS_DEBUG_1[16] – L4_PER1 protection violation
 - SEC_ERR_STATUS_DEBUG_1[17] – L4_CFG protection violation
 - SEC_ERR_STATUS_DEBUG_1[18] – DEBUG subsystem protection violation
 - SEC_ERR_STATUS_DEBUG_1[22] – L4_WKUP protection violation
 - SEC_ERR_STATUS_DEBUG_1[23] - BB2D protection violation
 - SEC_ERR_STATUS_DEBUG_1[26] – CT_TBR protection violation
 - SEC_ERR_STATUS_DEBUG_2[0] – DSP1 protection violation
 - SEC_ERR_STATUS_DEBUG_2[4] – L4_PER2 protection violation
 - SEC_ERR_STATUS_DEBUG_2[5] – L4_PER3 protection violation

- SEC_ERR_STATUS_DEBUG_2[6] - IPU2 protection violation
- SEC_ERR_STATUS_DEBUG_2[7] – PCISS1 protection violation
- SEC_ERR_STATUS_DEBUG_2[8] - PCISS2 protection violation
- SEC_ERR_STATUS_DEBUG_2[16] – EDMA_TPTC1 protection violation
- SEC_ERR_STATUS_DEBUG_2[17] – EDMA_TPCC protection violation
- SEC_ERR_STATUS_DEBUG_2[20] – PRU-ICSS1 protection violation
- SEC_ERR_STATUS_DEBUG_2[21] - PRU-ICSS2 protection violation
- SEC_ERR_STATUS_DEBUG_2[22] – QSPI protection violation
- SEC_ERR_STATUS_DEBUG_2[23] – EDMA_TPTC2 protection violation

For more information, see [Chapter 18, Control Module](#).

14.2.3.7.3.5 L3_MAIN Firewall Default Configuration

[Table 14-21](#) summarizes the configuration of the L3_MAIN firewalls.

Table 14-21. L3_MAIN Firewalls Default Configurations

Device/Region: 0						
Permission Type	Reset Value	Reset Value	Reset Type	Run Time	Firewall Register (where j = 0)	Control Module Register
ACCESS_PERMISSION	All	0xFFFF	Exported	Configurable	MRM_PERMISSION_REGION_LOW_j[11:0]	CTRL_CORE_L3_HW_FW_EXPORTED_VALUES_CONF_LOC K_1[k] CTRL_CORE_L3_HW_FW_EXPORTED_VALUES_CONF_LOC K_2[j]
DEBUG_PERMISSION	All	0xF	Exported	Configurable	MRM_PERMISSION_REGION_LOW_j[15:12]	CTRL_CORE_L3_HW_FW_EXPORTED_VALUES_CONF_LOC K_1[k] CTRL_CORE_L3_HW_FW_EXPORTED_VALUES_CONF_LOC K_2[j]
INITIATOR_PERMISSION	All	0xFFFF FFFFFF	Tied	Configurable	MRM_PERMISSION_REGION_HIGH_j[31:0]	N/A

NOTE: For the values of k and j see [Table 14-22](#), [Table 14-13](#) and [Table 14-14](#).

Table 14-22. Control Module Register – Factorization

Variable Value	Module Name	Regions
k		
[0]	GPMC	8
[3]	OCMC RAM1	16
[4]	DSS	8
[6]	GPU	1
[7]	IVAHD SL2IF	4
[8]	IVAHD CONFIG	1
[11]	EMIF	8
[12]	DEBUGSS	1
[13]	CT_TBR	1
[20]	PCISS1	8
[21]	PCISS2	8
[22]	IPU1	4
[23]	IPU2	4

Table 14-22. Control Module Register – Factorization (continued)

Variable Value	Module Name	Regions
[24]	VCP1 ⁽¹⁾	1
[25]	VCP2 ⁽¹⁾	1
[26]	MCASP1	1
[27]	MCASP2	1
[28]	MCASP3	1
[31]	BB2D	1
j		
[0]	DSP1	1
[6]	PRU-ICSS1	1
[7]	PRU-ICSS2	1
[8]	QSPI	1
[9]	EDMA TC	1
[10]	EDMA TPCC	1

⁽¹⁾ VCP1 and VCP2 are not supported on the AM571x / AM570x family of devices.

14.2.3.8 L3_MAIN Interconnect Error Handling

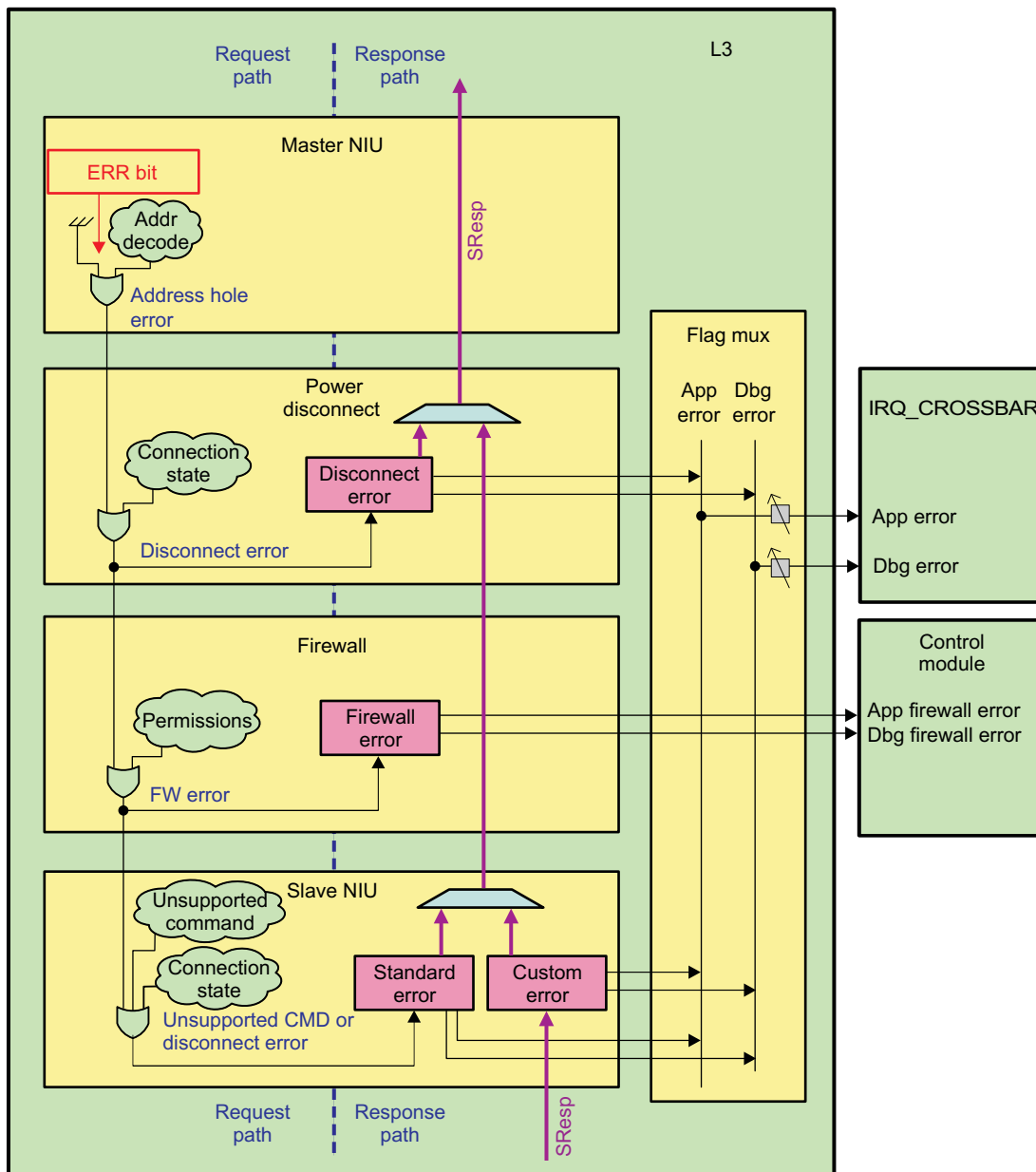
Error logging is enabled in the L3_MAIN interconnect. The three major types of errors are:

- Slave NIU errors
- Firewall errors (see [Section 14.2.3.7.3.4, L3_MAIN Firewall Error Logging](#))
- Flag mux errors

14.2.3.8.1 Global Error-Routing Scheme

[Figure 14-7](#) shows the L3_MAIN global error-routing scheme.

Figure 14-7. L3_MAIN Global Error-Routing Scheme



13-005

14.2.3.8.2 Slave NIU Error Logging

Error logging is implemented only at slave NIUs. Because the interconnect does not support master NIU error logging, an erroneous packet must be created and sent to one of the slave NIUs. The slave NIU that receives an erroneous packet is predictable but can change per master (see Table 14-23).

Table 14-23. L3_MAIN Connectivity and Holes Error Routing

Master	Connectivity and Holes Errors Logged Into Slave NIUs
All initiators except DSP1_CFG	GPMC_TARG
DSP1_CFG	EVE1_TARG

The slave NIU can be configured to report standard errors (errors generated within the interconnect):

- Firewall error: Protection violation; this error indicates that a request was rejected by a firewall and is reported to the control module. For more information, see [Section 14.2.3.7.3.4, L3_MAIN Firewall Error Logging](#).
- Address hole: This error reports an unknown address for a request. The address map is local to each master NIU; therefore, an address hole error is reported each time a master NIU requests an access to a slave NIU to which it is not logically connected, even if this address exists in the global L3_MAIN address map. This error is detected only once per burst.
- Unsupported commands: This error reports that the master NIU sent a command that cannot be processed, because the slave NIU cannot accept it and no conversion to another command is possible. This error is detected only once per burst.
- Report custom errors: Basically, when the slave answer is SResp = ERR
- Report severity level, for standard error and custom errors:
 - None: Error logging for this type of error is disabled.
 - Error: Error is logged for this type of error.
 - Fault: Error is logged and interrupt is generated for this type of error.
- Generate interrupt on 2 bits depending on the MReqDebug qualifier:
 - Application error - FAULT[0]
 - Debug error - FAULT[1]

By default, all slave NIUs are configured with standard and custom error levels set to FAULT. The errors are reported on the two flag muxes (see [Figure 14-7](#)), depending on the access type, application or debug. For more information, see [Section 14.2.3.8.3, Flag Mux Error Logging](#).

The slave NIU power-disconnect component also has error logging enabled, because in this case the slave NIU is in a clock domain that is switched off and therefore cannot catch the error. By nature, this component can generate only standard errors. By default, it is configured with the error level set to FAULT.

Wake up on demand: If an error packet reaches a slave NIU that is set with MDiscBehave = 1 (wake up on demand), then the active signal is asserted and L3 processes the error generation when the slave is awake. Although this is inefficient, it simplifies NIU implementation and should not be a problem because errors are supposed to occur only during software debug.

14.2.3.8.3 Flag Mux Error Logging

All fault signals are sent to a flag mux component. There are four important FLAGMUX registers:

- [L3_FLAGMUX_MASK0](#): Masks application error sources
- [L3_FLAGMUX_MASK1](#): Masks debug error sources
- [L3_FLAGMUX_REGERR0](#): Checks which application error sources are active
- [L3_FLAGMUX_REGERR1](#): Checks which debug error sources are active

The two L3_FLAGMUX_MASK registers mask bit 0 or bit 1 of the flag inputs, and the L3_FLAGMUX_REGERR registers read input errors. Each register is dedicated to reporting the bit corresponding to the register number.

[Table 14-24](#) describes the mapping of the flags to the corresponding sources.

Table 14-24. Interconnect Flag Mapping

	Flag Mux Input	Source
CLK1_1 Flag Mux	1	DMM_P1
	4	DMM_P2
	6	DSP1 SDMA
	10	DSS
	11	GPMC
	12	PCIE SS1

Table 14-24. Interconnect Flag Mapping (continued)

	Flag Mux Input	Source
	13	IVA_CFG
	14	IVA_SL2IF
	15	L4_CFG
	16	L4_WKUP
	17	PCISS2
	19	GPU
	20	IPU1
	21	IPU2
	22	EDMA TPCC
	23	EDMA TC1
	24	EDMA TC2
	25	VCP1 ⁽¹⁾
	26	L4_PER2_P3
	27	L4_PER3_P3
	28	MMU1
	29	PRU-ICSS1
	30	PRU-ICSS2
	31	VCP2 ⁽¹⁾
CLK1_2 Flag Mux	0	HOST_CLK1_1
	1	HOST_CLK1_2
	2	REPLICATOR_CLK1_TIMEOUT
	4	BB2D
	5	REPLICATOR_CLK1_TIMEOUT1
	6	L4_PER1_P3
	7	L4_PER1_P1
	8	L4_PER1_P2
	9	L4_PER2_P1
	10	L4_PER2_P2
	11	L4_PER3_P1
	12	L4_PER3_P2
	13	MCASP1
	14	MCASP2
	15	MCASP3
	16	MMU2
	17	OCMC_RAM1
	21	QSPI
	23	CLK1_TARG_PWR_DISC_CLK2
CLK2_1 Flag Mux	0	L3_INSTR
	1	DEBUGSS_CT_TBR
	2	HOST_CLK2_1
	3	REPLICATOR_CLK2_TIMEOUT

⁽¹⁾ VCP1 and VCP2 are not supported on the AM571x / AM570x family of devices.

NOTE: Missing inputs in [Table 14-24](#) are reserved. Writing inside the reserved spaces has no effect.

14.2.3.8.4 Severity Level of Standard and Custom Errors

The slave NIU registers are important for error logging.

- The [L3_TARG_STDERRLOG_SVRTSTDLVL](#) register shows the severity level for standard errors. According to the severity level, error logging is disabled, enabled with level ERROR, or enabled with level ERROR and flag FAULT.
- The [L3_TARG_STDERRLOG_SVRTCUSTOMLVL](#) register shows the severity level for custom errors.
- The [L3_TARG_STDERRLOG_MAIN](#) register (the main register for error-logging management) shows the validity of the logged information, standard or custom.
- The [L3_TARG_STDERRLOG_HDR](#) register stores packets in case of a standard error.
- The [L3_TARG_STDERRLOG_MSTADDR](#) register returns the MSTADDR field of the logged packet.
- The [L3_TARG_STDERRLOG_SLVADDR](#) register returns the SLVADDR field of the stored packet.
- The [L3_TARG_STDERRLOG_INFO](#) register saves the information field of the logged packet.

14.2.3.8.5 Example for Decoding Standard/Custom Errors Logged in L3_MAIN

Following is a procedure that must be followed for identifying Standard/Custom errors logged in L3_MAIN:

- Read the *_STDERRLOG_MAIN registers ([L3_HOST_STDERRLOG_MAIN](#) & [L3_TARG_STDERRLOG_MAIN](#)):
 - bit[0]STDERRLOG_MAIN_ERRLOGVLD = 0 -> NO ERROR
 - bit[0]STDERRLOG_MAIN_ERRLOGVLD = 1 -> ERROR
 - Error type is visible through:
 - bit[1]STDERRLOG_MAIN_ERRTYPE = 0 -> Standard Error (FW error, Address Hole, Unsupported command, OCP disconnect)
 - bit[1]STDERRLOG_MAIN_ERRTYPE = 1 -> Custom Error
- Standard Error:
 - Read [L3_TARG_STDERRLOG_HDR\[3:0\]](#) STDERRLOG_HDR_OPCODE
 - Read [L3_TARG_STDERRLOG_MSTADDR\[7:0\]](#) STDERRLOG_MSTADDR - > 8-bit NTTP master address used to distinguish the different initiators (see [Table 14-10](#)). That master address is also referred to as ConnID or MConnID.
 - Read [L3_TARG_STDERRLOG_SLVADDR\[4:0\]](#) STDERRLOG_SLVADDR -> NTTP Slave Address of the logged packet
 - Read [L3_TARG_STDERRLOG_INFO\[7:0\]](#)STDERRLOG_INFO -> see , *Terminology* for details.

The procedure for Custom error is the same, but the *_STDERRLOG_CUSTOMINFO_* registers should be read.

14.2.4 L3_MAIN Interconnect Programming Guide

14.2.4.1 L3_MAIN Interconnect Low-Level Programming Models

This section describes the low-level hardware programming sequences for configuring and using the L3_MAIN interconnect module.

14.2.4.1.1 Global Initialization

14.2.4.1.1.1 Global Initialization of Surrounding Modules

This section identifies the requirements for initializing the surrounding modules when the L3_MAIN interconnect module is to be used for the first time after a device reset. The initialization of surrounding modules is based on the integration and environment of the L3_MAIN interconnect. For more information, see [Section 14.2.2, L3_MAIN Interconnect Integration](#) .

Table 14-25. Global Initialization of Surrounding Modules

Surrounding Modules	Comments
PRCM	For information about the configuration of the PRCM module, see Chapter 3, Power, Reset, and Clock Management .
Control module	For information about the configuration of the control module, see Chapter 18, Control Module .
Device INTCs	Device INTCs must be configured to enable the interrupt request generation. For more information see Chapter 17, Interrupt Controllers .
IRQ_CROSSBAR	IRQ_CROSSBAR configuration must be done to allow module IRQs to be mapped to certain device INTC line. For more information see Section 18.4.6.4, IRQ_CROSSBAR Module Functional Description , in Chapter 18, Control Module .

14.2.4.2 Operational Modes Configuration

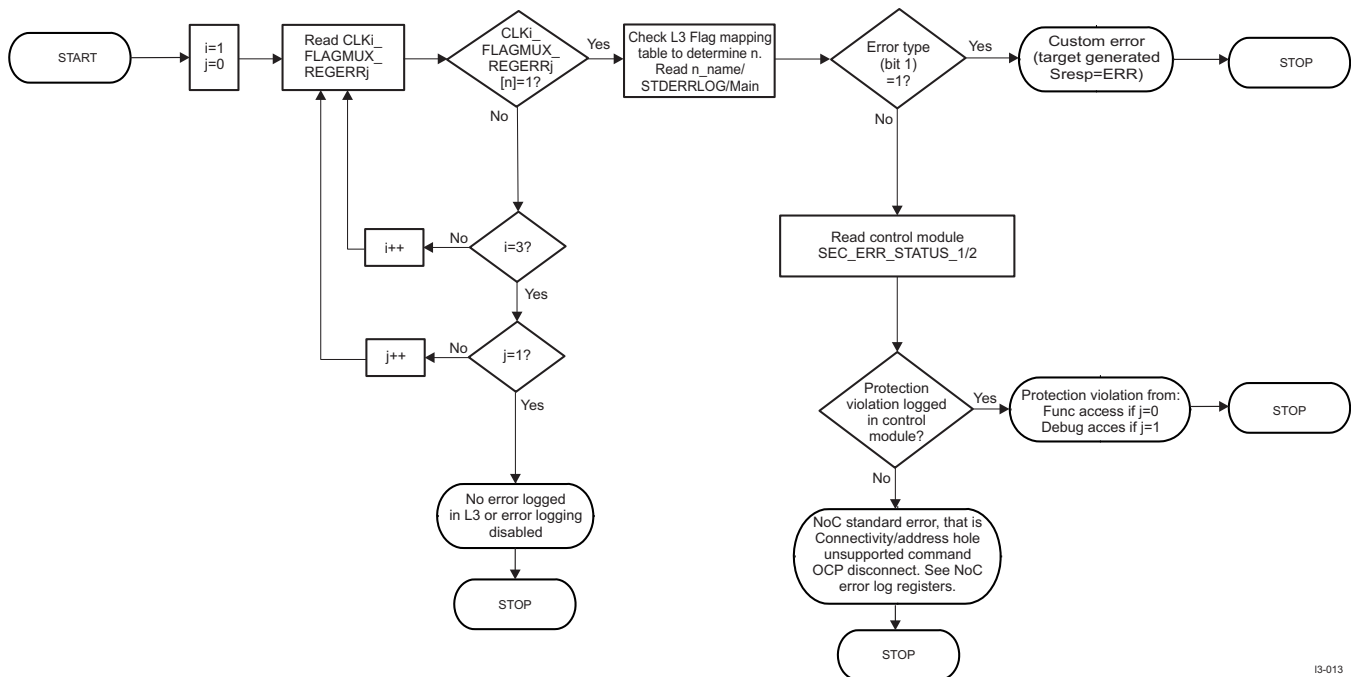
14.2.4.2.1 L3_MAIN Interconnect Error Analysis Mode

14.2.4.2.1.1 Main Sequence: L3_MAIN Interconnect Error Analysis Mode

The information required to analyze an error source is logged in several registers. The number of registers to access depends on the error source.

Figure 14-8 shows the software sequence required in most cases.

Figure 14-8. Typical Error Analysis Sequence



IS-013

NOTE: In case flag is set due to timeout flagmux, the user can check the status in CONTROL_SEC_ERR_STATUS for that timeout flagmux.

Table 14-26 lists the subprocess call summary for error analysis mode in the main sequence.

Table 14-26. Subprocess Call Summary for Main Sequence – Error Analysis Mode

Subprocess	Cross-Reference
L3 interconnect error analysis	See Section 14.2.4.2.1 , <i>L3_MAIN Interconnect Error Analysis Mode</i> .
L3_MAIN interconnect protection violation error identification	See Section 14.2.4.2.1.1.2 , <i>Subsequence: L3_MAIN Interconnect Protection Violation Error Identification</i> .
L3_MAIN interconnect unsupported command/address hole error identification	See Section 14.2.4.2.1.1.3 , <i>Subsequence: L3_MAIN Interconnect Standard Error Identification</i> .
L3_MAIN interconnect reset FLAGMUX and module	See Section 14.2.4.2.1.1.4 , <i>Subsequence: L3_MAIN Interconnect FLAGMUX Configuration</i> .

14.2.4.2.1.1.1 Subsequence: L3_MAIN Custom Error Identification

The procedure listed in [Table 14-27](#) describes custom error identification.

Table 14-27. Custom Error Identification

Step	Register/Bit Field/Programming Model	Value
IF: Is custom error detected?	L3_TARG_STDERRLOG_MAIN [1] STDERRLOG_MAIN_ERRTYPE	=0x1
Read information field of the response packet.	L3_TARG_STDERRLOG_CUSTOMINFO_INFO [7:0] STDERRLOG_CUSTOMINFO_INFO	xxx
Read the address of the initiator that caused error.	L3_TARG_STDERRLOG_CUSTOMINFO_MSTADDR [10:0] STDERRLOG_CUSTOMINFO_MSTADDR	xxx
Read the type of operation (read/write).	L3_TARG_STDERRLOG_CUSTOMINFO_OPCODE [1:0] STDERRLOG_CUSTOMINFO_OPCODE	xxx
ENDIF		

14.2.4.2.1.1.2 Subsequence: L3_MAIN Interconnect Protection Violation Error Identification

The procedure listed in [Table 14-28](#) describes protection violation error identification and where it is logged in the control module registers. Two types of errors are logged: application errors and debug errors.

Table 14-28. L3_MAIN Protection Violation Error Identification

Step	Register/Bit Field/Programming Model	Value
Read the burst violation.	ERROR_LOG_k [23] 2D_BURST_VIOLATION	xxx
Read the initiator ID.	ERROR_LOG_k [3:0] ConnID	xxx
Read the command that caused the error.	ERROR_LOG_k [7] MCMD	xxx
Read the address of the request that caused the error.	ERROR_LOG_k [31:12] SLVOFS_LOGICAL	xxx
IF: Is it an application error?	L3_FLAGMUX_REGERR0 [31:0] REGERROR0	0x0
Read the status bits to see which module firewall has worked.	CONTROL.SEC_ERR_STATUS_FUNC_1[20:0]	xxx
Clear the status bits.	CONTROL.SEC_ERR_STATUS_FUNC_1[20:0]	xxx
Clear the status bit.	L3_TARG_STDERRLOG_MAIN [31] STDERRLOG_MAIN_CLRLOG	0x0
ELSE IF	L3_FLAGMUX_REGERR1 [7:0] REGERROR1	= 0x1
Read the status bits to see the module.	CONTROL.SEC_ERR_STATUS_DEBUG_1[20:0]	xxx
Clear the status bits.	CONTROL.SEC_ERR_STATUS_DEBUG_1[20:0]	xxx
Clear the status bit.	L3_TARG_STDERRLOG_MAIN [31] STDERRLOG_MAIN_CLRLOG	0x0
ENDIF		
Clear the burst violation.	ERROR_LOG_k [23] 2D_BURST_VIOLATION	0x0
Clear the error status.	ERROR_LOG_k [21:17] REGION_START_ERRLOG	0x00

14.2.4.2.1.1.3 Subsequence: L3_MAIN Interconnect Standard Error Identification

The procedure listed in [Table 14-29](#) describes the identification of standard errors inside the L3_MAIN interconnect. The standard errors are: unsupported command, address hole, and disconnect.

Table 14-29. L3_MAIN Standard Error Identification

Step	Register/Bit Field/Programming Model	Value
IF: Is an error detected?	L3_TARG_STDERRLOG_MAIN[18] STDERRLOG_MAIN_ERRCNT	= 0x1
Read the corresponding flag.	L3_FLAGMUX_REGERR0[31:0] REGERROR0	xxx
Read the corresponding flag.	L3_FLAGMUX_REGERR1[31:0] REGERROR1	xxx
Localize the slave NIU that generated the error.	See Table 14-24 .	
ELSE		
Clear the error log.	L3_TARG_STDERRLOG_MAIN[31] STDERRLOG_MAIN_CLRLOG	0x0
Clear the severity error status.	L3_TARG_STDERRLOG_SVRTSTDLVL[1:0] STDERRLOG_SVRTSTDLVL_0	0x2
ENDIF		

14.2.4.2.1.1.4 Subsequence: L3_MAIN Interconnect FLAGMUX Configuration

The procedures listed in [Table 14-30](#) and [Table 14-31](#) give information about the configuration of FLAGMUX masks.

Table 14-30. FLAGMUX Configuration

Step	Register/Bit Field/Programming Model	Value
Set the FLAGMUX masks to mask an event.	L3_FLAGMUX_MASK0[31:0] MASK0 L3_FLAGMUX_MASK1[31:0] MASK1	xxx
Read the REGERR bits to see if an error is recorded.	L3_FLAGMUX_REGERR0[31:0] REGERR0 L3_FLAGMUX_REGERR1[31:0] REGERR1	xxx
Clear the slave NIU error log and the FLAGMUX error.	L3_TARG_STDERRLOG_MAIN[31] STDERRLOG_SVRTSTDLVL_0	0x1

Table 14-31. FLAGMUX Time-out1/2 Configuration (fro CLK1_1 and CLK1_2)

Step	Register/Bit Field/Programming Model	Value
Enable time-out for target.	L3_FLAGMUX_TIMEOUTx_MASK0[24:0] MASK0 ⁽¹⁾	xxx
Read the REGERR bits to see if an error is recorded.	L3_FLAGMUX_TIMEOUTx_REGERR0[24:0] REGERR0 ⁽¹⁾	xxx

⁽¹⁾ x = 1 for CLK1_FLAGMUX_CLK1_1
x = 2 for CLK1_FLAGMUX_CLK1_2
Bit fields are [24:0] for CLK1_FLAGMUX_CLK1_1, [20:0] for CLK1_FLAGMUX_CLK1_2

Table 14-32. FLAGMUX Time-out Configuration (for CLK2_1)

Step	Register/Bit Field/Programming Model	Value
Enable time-out for target.	L3_FLAGMUX_TIMEOUT_MASK0[1:0] MASK0	xxx
Read the REGERR bits to see if an error is recorded.	L3_FLAGMUX_TIMEOUT_REGERR0[1:0] REGERR0	xxx

14.2.5 L3_MAIN Interconnect Register Manual

NOTE: ATL, VCP1, VCP2, MLB and USB3 (ULPI) are not supported on the AM571x / AM570x family of devices.

SATA and RTC are not supported on the AM570x family of devices.

14.2.5.1 L3_MAIN Register Group Summary

The registers in the L3 interconnect are divided into eight groups:

- Firewall registers (see [Table 14-34](#))
- HOST registers (see [Table 14-62](#))
- TARG registers (see [Table 14-98](#))
- FLAGMUX registers (see [Section 14.2.5.1.4](#) thru [Section 14.2.5.1.6](#))
- BW registers (see [Table 14-200](#))
- STATCOLL registers (see [Table 14-237](#))

14.2.5.1.1 L3_MAIN Firewall Registers Summary and Description

Table 14-33. L3_MAIN Firewall Instance Summary

Module Name	Base Address	Size
DEBUGSS_CT_TBR_FW	0x4A22 4000	4KiB
DSP1_SDMA_FW	0x4A17 1000	4KiB
DSS_FW	0x4A21 C000	4KiB
GPMC_FW	0x4A21 0000	4KiB
GPU_FW	0x4A21 4000	4KiB
IPU1_FW	0x4A15 B000	4KiB
IVA_CONFIG_FW	0x4A22 0000	4KiB
IVA_SL2IF_FW	0x4A21 E000	4KiB
L3_INSTR_FW	0x4A22 6000	4KiB
OCMC_RAM1_FW	0x4A21 2000	4KiB
EMIF_OCP_FW	0x4A20 C000	4KiB
MA_MPU_NTTP_FW	0x4A20 A000	4KiB
PCIE1_FW	0x4A16 5000	4KiB
PRUSS1_FW	0x4A17 5000	4KiB
QSPI_FW	0x4A17 9000	4KiB
EDMA_TPCC_FW	0x4A16 1000	4KiB
TPTC_FW	0x4A16 3000	4KiB
IPU2_FW	0x4A21 8000	4KiB
PRUSS2_FW	0x4A17 7000	4KiB
PCIESS2_FW	0x4A15 9000	4KiB
BB2D_FW	0x4A21 A000	4KiB
MCASP1_FW	0x4A16 7000	4KiB
MCASP2_FW	0x4A16 9000	4KiB
MCASP3_FW	0x4A16 B000	4KiB
VCP1_FW	0x4A15 D000	4KiB
VCP2_FW	0x4A15 F000	4KiB

14.2.5.1.1.1 L3_MAIN Firewall Registers Summary

Table 14-34. L3_MAIN Firewall Registers Summary

Register Name	Type	Register Width (Bits)	Address Offset	DEBUGSS_CT_TBR_FW L3_MAIN Physical Address	DSP1_SDMA_FW L3_MAIN Physical Address
ERROR_LOG_k ⁽¹⁾	RW	32	0x000+(0x10*k)	0x4A22 4000 + (0x10*k)	0x4A17 1000 + (0x10*k)
LOGICAL_ADDR_ERRLOG_k ⁽¹⁾	RO	32	0x004+(0x10*k)	0x4A22 4004 + (0x10*k)	0x4A17 1004 + (0x10*k)
REGUPDATE_CONTROL	RW	32	0x040	0x4A22 4040	0x4A17 1040
START_REGION_i	RW	32	0x080+(0x10*i)	-	-
END_REGION_i	RW	32	0x084+(0x10*i)	-	-
MRM_PERMISSION_REGION_HIGH_j ⁽²⁾	RW	32	0x08C+(0x10*j)	0x4A22 408C + (0x10*j)	0x4A17 108C + (0x10*j)
MRM_PERMISSION_REGION_LOW_j ⁽²⁾	RW	32	0x088+(0x10*j)	0x4A22 4088 + (0x10*j)	0x4A17 1088 + (0x10*j)

⁽¹⁾ k = 0 for DEBUGSS_CT_TBR_FW
k = 0 for DSP1_SDMA_FW

⁽²⁾ j = 0 for DEBUGSS_CT_TBR_FW
j = 0 for DSP1_SDMA_FW

Table 14-35. L3_MAIN Firewall Registers Mapping Summary

Register Name	Type	Register Width (Bits)	Address Offset	DSS_FW L3_MAIN Physical Address	GPMC_FW L3_MAIN Physical Address
ERROR_LOG_k ⁽¹⁾	RW	32	0x000+(0x10*k)	0x4A21 C000 + (0x10*k)	0x4A21 0000 + (0x10*k)
LOGICAL_ADDR_ERRLOG_k ⁽¹⁾	RO	32	0x004+(0x10*k)	0x4A21 C004 + (0x10*k)	0x4A21 0004 + (0x10*k)
REGUPDATE_CONTROL	RW	32	0x040	0x4A21 C040	0x4A21 0040
START_REGION_i ⁽²⁾	RW	32	0x080+(0x10*i)	0x4A21 C080 + (0x10*i)	0x4A21 0080 + (0x10*i)
END_REGION_i ⁽²⁾	RW	32	0x084+(0x10*i)	0x4A21 C084 + (0x10*i)	0x4A21 0084 + (0x10*i)
MRM_PERMISSION_REGION_HIGH_j ⁽³⁾	RW	32	0x08C+(0x10*j)	0x4A21 C08C + (0x10*j)	0x4A21 008C + (0x10*j)
MRM_PERMISSION_REGION_LOW_j ⁽³⁾	RW	32	0x088+(0x10*j)	0x4A21 C088 + (0x10*j)	0x4A21 0088 + (0x10*j)

⁽¹⁾ k = 0 for DSS_FW
k = 0 for GPMC_FW

⁽²⁾ i = 1 to 7 for DSS_FW
i = 1 to 7 for GPMC_FW

⁽³⁾ j = 0 to 7 for DSS_FW
j = 0 to 7 for GPMC_FW

Table 14-36. L3_MAIN Firewall Registers Mapping Summary

Register Name	Type	Register Width (Bits)	Address Offset	GPU_FW L3_MAIN Physical Address	IPU1_FW L3_MAIN Physical Address
ERROR_LOG_k ⁽¹⁾	RW	32	0x000+(0x10*k)	0x4A21 4000 + (0x10*k)	0x4A15 B000 + (0x10*k)
LOGICAL_ADDR_ERRLOG_k ⁽¹⁾	RO	32	0x004+(0x10*k)	0x4A21 4004 + (0x10*k)	0x4A15 B004 + (0x10*k)
REGUPDATE_CONTROL	RW	32	0x040	0x4A21 4040	0x4A15 B040

⁽¹⁾ k = 0 for GPU_FW
k = 0 for IPU1_FW

Table 14-36. L3_MAIN Firewall Registers Mapping Summary (continued)

Register Name	Type	Register Width (Bits)	Address Offset	GPU_FW L3_MAIN Physical Address	IPU1_FW L3_MAIN Physical Address
START_REGION_i	RW	32	0x080+(0x10*i)	-	0x4A15 B080 + (0x10*i)
END_REGION_i	RW	32	0x084+(0x10*i)	-	0x4A15 B084 + (0x10*i)
MRM_PERMISSION_REGION_HIGH_j ⁽²⁾	RW	32	0x08C+(0x10*j)	0x4A21 408C + (0x10*j)	0x4A15 B08C + (0x10*j)
MRM_PERMISSION_REGION_LOW_j ⁽²⁾	RW	32	0x088+(0x10*j)	0x4A21 4088 + (0x10*j)	0x4A15 B088 + (0x10*j)

⁽²⁾ j = 0 for GPU_FW
j = 0 to 3 for IPU1_FW

Table 14-37. L3_MAIN Firewall Registers Mapping Summary

Register Name	Type	Register Width (Bits)	Address Offset	IVA_CONFIG_FW L3_MAIN Physical Address	IVA_SL2IF_FW L3_MAIN Physical Address	L3_INSTR_FW L3_MAIN Physical Address
ERROR_LOG_k ⁽¹⁾	RW	32	0x000+(0x10*k)	0x4A22 0000 + (0x10*k)	0x4A21 E000 + (0x10*k)	0x4A22 6000 + (0x10*k)
LOGICAL_ADDR_ERRLOG_k ⁽¹⁾	RO	32	0x004+(0x10*k)	0x4A22 0004 + (0x10*k)	0x4A21 E004 + (0x10*k)	0x4A22 6004 + (0x10*k)
REGUPDATE_CONTROL	RW	32	0x040	0x4A22 0040	0x4A21 E040	0x4A22 6040
START_REGION_i ⁽²⁾	RW	32	0x080+(0x10*i)	-	0x4A21 E080 + (0x10*i)	-
END_REGION_i ⁽²⁾	RW	32	0x084+(0x10*i)	-	0x4A21 E084 + (0x10*i)	-
MRM_PERMISSION_REGION_HIGH_j ⁽³⁾	RW	32	0x08C+(0x10*j)	0x4A22 008C + (0x10*j)	0x4A21 E08C + (0x10*j)	0x4A22 608C + (0x10*j)
MRM_PERMISSION_REGION_LOW_j ⁽³⁾	RW	32	0x088+(0x10*j)	0x4A22 0088 + (0x10*j)	0x4A21 E088 + (0x10*j)	0x4A22 6088 + (0x10*j)

⁽¹⁾ k = 0 for IVA_CONFIG_FW
k = 0 for IVA_SL2IF_FW
k = 0 for L3_INSTR_FW

⁽²⁾ i = 1 to 3 for IVA_SL2IF_FW

⁽³⁾ j = 0 for IVA_CONFIG_FW
j = 0 to 3 for IVA_SL2IF_FW
j = 0 for L3_INSTR_FW

Table 14-38. L3_MAIN Firewall Registers Mapping Summary

Register Name	Type	Register Width (Bits)	Address Offset	OCMC_RAM1_FW L3_MAIN Physical Address
ERROR_LOG_k ⁽¹⁾	RW	32	0x000+(0x10*k)	0x4A21 2000 + (0x10*k)
LOGICAL_ADDR_ERRLOG_k ⁽¹⁾	RO	32	0x004+(0x10*k)	0x4A21 2004 + (0x10*k)
REGUPDATE_CONTROL	RW	32	0x040	0x4A21 2040
START_REGION_i ⁽²⁾	RW	32	0x080+(0x10*i)	0x4A21 2080 + (0x10*i)
END_REGION_i ⁽²⁾	RW	32	0x084+(0x10*i)	0x4A21 2084 + (0x10*i)
MRM_PERMISSION_REGION_HIGH_j ⁽³⁾	RW	32	0x08C+(0x10*j)	0x4A21 208C + (0x10*j)
MRM_PERMISSION_REGION_LOW_j ⁽³⁾	RW	32	0x088+(0x10*j)	0x4A21 2088 + (0x10*j)

⁽¹⁾ k = 0 for OCMC_RAM1_FW

⁽²⁾ i = 1 to 15 for OCMC_RAM1_FW

⁽³⁾ j = 0 to 15 for OCMC_RAM1_FW

Table 14-39. L3_MAIN Firewall Registers Mapping Summary

Register Name	Type	Register Width (Bits)	Address Offset	EMIF_OCP_FW L3_MAIN Physical Address	MA_MPU_NTTP_F W L3_MAIN Physical Address	PCIE1_FW L3_MAIN Physical Address
ERROR_LOG_k ⁽¹⁾	RW	32	0x000+(0x10*k)	0x4A20 C000 + (0x10*k)	0x4A20 A000 + (0x10*k)	0x4A16 5000 + (0x10*k)
LOGICAL_ADDR_ERRLOG_k ⁽¹⁾	RO	32	0x004+(0x10*k)	0x4A20 C004 + (0x10*k)	0x4A20 A004 + (0x10*k)	0x4A16 5004 + (0x10*k)
REGUPDATE_CONTROL	RW	32	0x040	0x4A20 C040	0x4A20 A040	0x4A16 5040
START_REGION_i ⁽²⁾	RW	32	0x080+(0x10*i)	0x4A20 C080 + (0x10*i)	0x4A20 A080 + (0x10*i)	0x4A16 5080 + (0x10*i)
END_REGION_i ⁽²⁾	RW	32	0x084+(0x10*i)	0x4A20 C084 + (0x10*i)	0x4A20 A084 + (0x10*i)	0x4A16 5084 + (0x10*i)
MRM_PERMISSION_REGION_HIGH_j ⁽³⁾	RW	32	0x08C+(0x10*j)	0x4A20 C08C + (0x10*j)	0x4A20 A08C + (0x10*j)	0x4A16 508C + (0x10*j)
MRM_PERMISSION_REGION_LOW_j ⁽³⁾	RW	32	0x088+(0x10*j)	0x4A20 C088 + (0x10*j)	0x4A20 A088 + (0x10*j)	0x4A16 5088 + (0x10*j)

- ⁽¹⁾ k = 0 to 1 for EMIF_OCP_FW
k = 0 to 1 for MA_MPU_NTTP_FW
k = 0 for PCIE1_FW
- ⁽²⁾ i = 1 to 7 for EMIF_OCP_FW
i = 1 to 7 for MA_MPU_NTTP_FW
i = 1 to 7 for PCIE1_FW
- ⁽³⁾ j = 0 to 7 for EMIF_OCP_FW
j = 0 to 7 for MA_MPU_NTTP_FW
j = 0 to 7 for PCIE1_FW

Table 14-40. L3_MAIN Firewall Registers Mapping Summary

Register Name	Type	Register Width (Bits)	Address Offset	PRUSS1_FW L3_MAIN Physical Address	QSPI_FW L3_MAIN Physical Address	EDMA_TPCC_FW L3_MAIN Physical Address
ERROR_LOG_k ⁽¹⁾	RW	32	0x000+(0x10*k)	0x4A17 5000 + (0x10*k)	0x4A17 9000 + (0x10*k)	0x4A16 1000 + (0x10*k)
LOGICAL_ADDR_ERRLOG_k ⁽¹⁾	RO	32	0x004+(0x10*k)	0x4A17 5004 + (0x10*k)	0x4A17 9004 + (0x10*k)	0x4A16 1004 + (0x10*k)
REGUPDATE_CONTROL	RW	32	0x040	0x4A17 5040	0x4A17 9040	0x4A16 1040
START_REGION_i	RW	32	0x080+(0x10*i)	-	-	-
END_REGION_i	RW	32	0x084+(0x10*i)	-	-	-
MRM_PERMISSION_REGION_HIGH_j ⁽²⁾	RW	32	0x08C+(0x10*j)	0x4A17 508C + (0x10*j)	0x4A17 908C + (0x10*j)	0x4A16 108C + (0x10*j)
MRM_PERMISSION_REGION_LOW_j ⁽²⁾	RW	32	0x088+(0x10*j)	0x4A17 5088 + (0x10*j)	0x4A17 9088 + (0x10*j)	0x4A16 1088 + (0x10*j)

- ⁽¹⁾ k = 0 for PRUSS1_FW
k = 0 for QSPI_FW
k = 0 for EDMA_TPCC_FW
- ⁽²⁾ j = 0 for PRUSS1_FW
j = 0 for QSPI_FW
j = 0 for EDMA_TPCC_FW

Table 14-41. L3_MAIN Firewall Registers Mapping Summary

Register Name	Type	Register Width (Bits)	Address Offset	TPTC_FW L3_MAIN Physical Address	VCP1_FW L3_MAIN Physical Address	VCP2_FW L3_MAIN Physical Address
ERROR_LOG_k	RW	32	0x000+(0x10*k)	0x4A16 3000+(0x10*k)	0x4A15 D000+(0x10*k)	0x4A15 F000+(0x10*k)
LOGICAL_ADDR_ERRLOG_k	RO	32	0x004+(0x10*k)	0x4A16 3004+(0x10*k)	0x4A15 D004+(0x10*k)	0x4A15 F004+(0x10*k)

Table 14-41. L3_MAIN Firewall Registers Mapping Summary (continued)

Register Name	Type	Register Width (Bits)	Address Offset	TPTC_FW L3_MAIN Physical Address	VCP1_FW L3_MAIN Physical Address	VCP2_FW L3_MAIN Physical Address
REGUPDATE_CONTROL	RW	32	0x040	0x4A16 3040	0x4A15 D040	0x4A15 F040
START_REGION_i ⁽¹⁾	RW	32	0x080+(0x10*i)	0x4A16 3080+(0x10*i)	-	-
END_REGION_i ⁽¹⁾	RW	32	0x084+(0x10*i)	0x4A16 3084+(0x10*i)	-	-
MRM_PERMISSION_REGION_HIGH_j	RW	32	0x08C+(0x10*j)	0x4A16 308C+(0x10*j)	0x4A15 D08C+(0x10*j)	0x4A15 F08C+(0x10*j)
MRM_PERMISSION_REGION_LOW_j	RW	32	0x088+(0x10*j)	0x4A16 3088+(0x10*j)	0x4A15 D088+(0x10*j)	0x4A15 F088+(0x10*j)

⁽¹⁾ i = 1 for TPTC_FW

Table 14-42. L3_MAIN Firewall Registers Mapping Summary

Register Name	Type	Register Width (Bits)	Address Offset	IPU2_FW L3_MAIN Physical Address	PRUSS2_FW L3_MAIN Physical Address	PCIESS2_FW L3_MAIN Physical Address	BB2D_FW L3_MAIN Physical Address
ERROR_LOG_k ⁽¹⁾	RW	32	0x000+(0x10*k)	0x4A21 8000+(0x10*k)	0x4A17 7000+(0x10*k)	0x4A15 9000+(0x10*k)	0x4A21 A000+(0x10*k)
LOGICAL_ADDR_ERRLOG_k ⁽¹⁾	RO	32	0x004+(0x10*k)	0x4A21 8004+(0x10*k)	0x4A17 7004+(0x10*k)	0x4A15 9004+(0x10*k)	0x4A21 A004+(0x10*k)
REGUPDATE_CONTROL	RW	32	0x040	0x4A21 8040	0x4A17 7040	0x4A15 9040	0x4A21 A040
START_REGION_i ⁽²⁾	RW	32	0x080+(0x10*i)	0x4A21 8080+(0x10*i)	-	0x4A15 9080+(0x10*i)	-
END_REGION_i ⁽²⁾	RW	32	0x084+(0x10*i)	0x4A21 8084+(0x10*i)	-	0x4A15 9084+(0x10*i)	-
MRM_PERMISSION_REGION_HIGH_j ⁽³⁾	RW	32	0x08C+(0x10*j)	0x4A21 808C+(0x10*j)	0x4A17 708C+(0x10*j)	0x4A15 908C+(0x10*i)	0x4A21 A08C+(0x10*j)
MRM_PERMISSION_REGION_LOW_j ⁽³⁾	RW	32	0x088+(0x10*j)	0x4A21 8088+(0x10*j)	0x4A17 7088+(0x10*j)	0x4A15 9088+(0x10*i)	0x4A21 A088+(0x10*j)

⁽¹⁾ k = 0 for IPU2_FW
k = 0 for PRUSS2_FW
k = 0 for PCIESS2_FW
k = 0 for BB2D_FW

⁽²⁾ i = 1 to 3 for IPU2_FW
i = 1 to 7 for PCIESS2_FW

⁽³⁾ j = 0 to 3 for IPU2_FW
j = 0 for PRUSS2_FW
j = 0 to 7 for PCIESS2_FW
j = 0 for BB2D_FW

Table 14-43. L3_MAIN Firewall Registers Mapping Summary

Register Name	Type	Register Width (Bits)	Address Offset	MCASP1_FW L3_MAIN Physical Address	MCASP2_FW L3_MAIN Physical Address	MCASP3_FW L3_MAIN Physical Address
ERROR_LOG_k ⁽¹⁾	RW	32	0x000+(0x10*k)	0x4A16 7000+(0x10*k)	0x4A16 9000+(0x10*k)	0x4A16 B000+(0x10*k)
LOGICAL_ADDR_ERRLOG_k ⁽¹⁾	RO	32	0x004+(0x10*k)	0x4A16 7004+(0x10*k)	0x4A16 9004+(0x10*k)	0x4A16 B004+(0x10*k)
REGUPDATE_CONTROL	RW	32	0x040	0x4A16 7040	0x4A16 9040	0x4A16 B040
START_REGION_i	RW	32	0x080+(0x10*i)	-	-	-

⁽¹⁾ k = 0 for MCASP1_FW
k = 0 for MCASP2_FW
k = 0 for MCASP3_FW

Table 14-43. L3_MAIN Firewall Registers Mapping Summary (continued)

Register Name	Type	Register Width (Bits)	Address Offset	MCASP1_FW L3_MAIN Physical Address	MCASP2_FW L3_MAIN Physical Address	MCASP3_FW L3_MAIN Physical Address
END_REGION_j	RW	32	0x084+(0x10*i)	-	-	-
MRM_PERMISSION_REGION_HIG H_j ⁽²⁾	RW	32	0x08C+(0x10*j)	0x4A16 708C+(0x10*j)	0x4A16 908C+(0x10*j)	0x4A16 B08C+(0x10*j)
MRM_PERMISSION_REGION_LO W_j ⁽²⁾	RW	32	0x088+(0x10*j)	0x4A16 7088+(0x10*j)	0x4A16 9088+(0x10*j)	0x4A16 B088+(0x10*j)

⁽²⁾ j = 0 for MCASP1_FW
j = 0 for MCASP2_FW
j = 0 for MCASP3_FW

14.2.5.1.1.2 L3_MAIN Firewall Registers Description

NOTE: Hardware reset values can be modified by exported values from the control module at reset.

Table 14-44. ERROR_LOG_k

Address Offset	0x0000 0000+(0x10*k)	Index	See Table 14-34 to Table 14-43 .
Physical Address	See Table 14-34 to Table 14-43 .	Instance	See Table 14-34 to Table 14-43 .
Description	Error log register for port k		
Type	RW		

31	30	29	28	27	26	25	24	23	22	21	20	19	18	17	16	15	14	13	12	11	10	9	8	7	6	5	4	3	2	1	0
RESERVED								BLK_BURST_VIOLATION	RESERVED	REGION_START_ERRLOG				REGION_END_ERRLOG				REQINFO_ERRLOG													

Bits	Field Name	Description	Type	Reset
31:24	RESERVED	Reads return 0s.	R	0x00
23	BLK_BURST_VIOLATION	Read 0x1: 2D burst not allowed or exceeding allowed size Write to clear ERROR_LOG_k and LOGICAL_ADDR_ERRLOG_k registers	RW	0
22	RESERVED	Reads return 0s.	R	0
21:17	REGION_START_ERRLOG	Read: Wrong access hit this region number Write to clear ERROR_LOG_k and LOGICAL_ADDR_ERRLOG_k registers	RW	0x00
16:12	REGION_END_ERRLOG	Read: Wrong access hit this region number Write to clear ERROR_LOG_k and LOGICAL_ADDR_ERRLOG_k registers	RW	0x00
11:0	REQINFO_ERRLOG	Read: Error in reqinfo vector mapped as follows: [11: 8] ConnID [3:0] [7] MCMD [0] [6:4] MreqDomain ⁽¹⁾ [3] MReqDebug [2] Reserved [1] MReqSupervisor [0] MReqType Write to clear ERROR_LOG_k and LOGICAL_ADDR_ERRLOG_k registers	RW	0x000

⁽¹⁾ MreqDomain is supported only on SR2.1.

Table 14-45. Register Call Summary for Register ERROR_LOG_k

L3_MAIN Interconnect

- [L3_MAIN Firewall Functionality: \[0\]\[1\]\[2\]\[3\]\[4\]](#)
- [L3_MAIN Interconnect Error Analysis Mode: \[5\]\[6\]\[7\]\[8\]\[9\]\[10\]](#)
- [L3_MAIN Firewall Registers Summary and Description: \[11\]\[12\]\[13\]\[14\]\[15\]\[16\]\[17\]\[18\]\[19\]\[20\]\[21\]\[22\]\[23\]\[24\]](#)

Table 14-46. LOGICAL_ADDR_ERRLOG_k

Address Offset	0x0000 0004+(0x10*k)	Index	See Table 14-34 to Table 14-43.
Physical Address	See Table 14-34 to Table 14-43.	Instance	See Table 14-34 to Table 14-43.
Description	Logical Physical Address Error log register for port k		
Type	RO		

31	30	29	28	27	26	25	24	23	22	21	20	19	18	17	16	15	14	13	12	11	10	9	8	7	6	5	4	3	2	1	0
SLVOFS_LOGICAL																															

Bits	Field Name	Description	Type	Reset
31 ⁽¹⁾ :0	SLVOFS_LOGICAL	Address generated by the Initiator before being translated	R	0x00000

⁽¹⁾ * = Size of the target

Table 14-47. Register Call Summary for Register LOGICAL_ADDR_ERRLOG_k

L3_MAIN Interconnect

- [L3_MAIN Firewall Registers Summary and Description: \[0\]\[1\]\[2\]\[3\]\[4\]\[5\]\[6\]\[7\]\[8\]\[9\]\[10\]\[11\]\[12\]\[13\]](#)

Table 14-48. REGUPDATE_CONTROL

Address Offset	0x0000 0040	Instance	See Table 14-34 to Table 14-43.
Physical Address	See Table 14-34 to Table 14-43.	Instance	See Table 14-34 to Table 14-43.
Description	Register update control register		
Type	RW		

31	30	29	28	27	26	25	24	23	22	21	20	19	18	17	16	15	14	13	12	11	10	9	8	7	6	5	4	3	2	1	0
RESERVED								FW_ADDR_SPACE_MSB	RESERVED								FW_LOAD_REQ	BUSY_REQ													

Bits	Field Name	Description	Type	Reset
31:20	RESERVED	Reads return 0s.	R	0x0000 0000
19:16	FW_ADDR_SPACE_MSB	Address space size	R	0x2
15:2	RESERVED	Reserved	R	0x0000 0000
1	FW_LOAD_REQ	Writing '1' to this bit causes the bit to self-clear and triggers the reload of L3 firewall default values. This bit will subsequently self-set when the reload procedure is complete. Writing '0' has no effect.	RW W1toClr	0x1
0	BUSY_REQ	Busy request 0x0: Allow transactions to reach the slave NIU (resume) 0x1: No transaction can reach the slave NIU (suspend)	RW	0x0

Table 14-49. Register Call Summary for Register REGUPDATE_CONTROL

L3_MAIN Interconnect

- [L3_MAIN Firewall Reset: \[0\]\[1\]\[2\]\[3\]\[4\]\[5\]\[6\]\[7\]\[8\]\[9\]](#)
- [L3_MAIN Firewall Functionality: \[10\]\[11\]](#)
- [L3_MAIN Firewall Registers Summary and Description: \[12\]\[13\]\[14\]\[15\]\[16\]\[17\]\[18\]\[19\]\[20\]\[21\]](#)

Table 14-50. START_REGION_i

Address Offset	0x0000 0080+(0x10*i)	Index	See Table 14-34 to Table 14-43 .
Physical Address	0x4A21 C080 + (0x10*i) 0x4A21 0080 + (0x10*i) 0x4A15 B080 + (0x10*i) 0x4A21 E080 + (0x10*i) 0x4A21 2080 + (0x10*i) 0x4A20 C080 + (0x10*i) 0x4A20 A080 + (0x10*i) 0x4A16 5080 + (0x10*i) 0x4A16 3080+(0x10*i) 0x4A21 8080+(0x10*i) 0x4A15 9080+(0x10*i)	Instance	DSS_FW GPMC_FW IPU1_FW IVA_SL2IF_FW OCMC_RAM1_FW EMIF_OCP_FW MA_MPU_NTTP_FW PCIE1_FW TPTC_FW IPU2_FW PCIESS2_FW
Description	Start physical address of region i		
Type	RW		

31	30	29	28	27	26	25	24	23	22	21	20	19	18	17	16	15	14	13	12	11	10	9	8	7	6	5	4	3	2	1	0
START_REGION																RESERVED															

Bits	Field Name	Description	Type	Reset
31:10	START_REGION	Physical target start address of firewall region i. The size of this bit field depends on target addressable space, the maximum is [31:10]. See Table 14-52 . Each of the LSbits is assumed to be 0. The programmed address is included in the region i boundary.	RW	0x00000
9:0	RESERVED	Reads return 0s.	R	0x0000

Table 14-51. Register Call Summary for Register START_REGION_i

L3_MAIN Interconnect

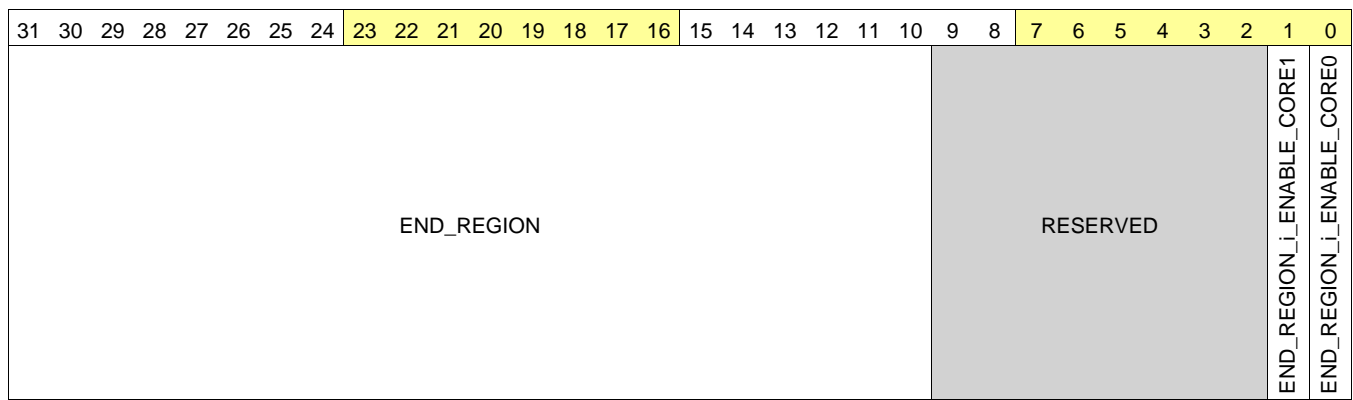
- [L3_MAIN Firewall Functionality: \[0\]\[1\]\[2\]\[3\]\[4\]\[5\]\[6\]\[7\]\[8\]\[9\]](#)
- [L3_MAIN Firewall Registers Summary and Description: \[10\]\[11\]\[12\]\[13\]\[14\]\[15\]\[16\]\[17\]\[18\]\[19\]\[20\]\[21\]\[22\]\[23\]\[24\]\[25\]\[26\]\[27\]\[28\]\[29\]\[30\]](#)

Table 14-52. Size of START_REGION_i[] START_REGION Bit Field

Firewall	Bit Field
DSS_FW	START_REGION_i[22:12] START_REGION
GPMC_FW	START_REGION_i[30:12] START_REGION
IPU1_FW	START_REGION_i[22:12] START_REGION
IVA_SL2IF_FW	START_REGION_i[17:12] START_REGION
OCMC_RAM1_FW	START_REGION_i[18:12] START_REGION
EMIF_OCP_FW	START_REGION_i[31:10] START_REGION
MA_MPU_NTTP_FW	START_REGION_i[31:10] START_REGION
PCIE1_FW	START_REGION_i[27:12] START_REGION
TPTC_FW	START_REGION_i[19:12] START_REGION
IPU2_FW	START_REGION_i[22:12] START_REGION
PCIESS2_FW	START_REGION_i[27:12] START_REGION

Table 14-53. END_REGION_i

Address Offset	0x0000 0084+(0x10*i)	Index	See Table 14-34 to Table 14-43.
Physical Address	0x4A21 C084 + (0x10*i) 0x4A21 0084 + (0x10*i) 0x4A15 B084 + (0x10*i) 0x4A21 E084 + (0x10*i) 0x4A21 2084 + (0x10*i) 0x4A20 C084 + (0x10*i) 0x4A20 A084 + (0x10*i) 0x4A16 5084 + (0x10*i) 0x4A16 3084+(0x10*i) 0x4A21 8084+(0x10*i) 0x4A15 9084+(0x10*i)	Instance	DSS_FW GPMC_FW IPU1_FW IVA_SL2IF_FW OCMC_RAM1_FW EMIF_OCP_FW MA_MPU_NTTP_FW PCIE1_FW TPTC_FW IPU2_FW PCIESS2_FW
Description	End physical address of region i		
Type	RW		



Bits	Field Name	Description	Type	Reset
31:10	END_REGION	Physical target end address of firewall region i. The size of this bit field depends on target addressable space, the maximum is [31:10]. See Table 14-55. Each of the LSbits is assumed to be 1. The programmed address is included in the region i boundary.	RW	0x00000
9:2	RESERVED	Reads return 0s.	R	0x0000
1	END_REGION_i_ENABLE_CORE1	Enable this region for port 1 ⁽¹⁾ .	RW	0x0
0	END_REGION_i_ENABLE_CORE0	Enable this region for port 0.	RW	0x0

⁽¹⁾ Only for multiport firewalls

Table 14-54. Register Call Summary for Register END_REGION_i

L3_MAIN Interconnect

- L3_MAIN Firewall Functionality: [0][1][2][3][4][5][6][7][8][9][10][11][12][13]
- L3_MAIN Firewall Registers Summary and Description: [14][15][16][17][18][19][20][21][22][23][24][25][26][27][28][29][30][31][32][33][34]

Table 14-55. Size of END_REGION_i[] END_REGION Bit Field

Firewall	Bit Field
DSS_FW	END_REGION_i[22:12] END_REGION
GPMC_FW	END_REGION_i[30:12] END_REGION
IPU1_FW	END_REGION_i[22:12] END_REGION
IVA_SL2IF_FW	END_REGION_i[17:12] END_REGION
OCMC_RAM1_FW	END_REGION_i[18:12] END_REGION

Table 14-55. Size of END_REGION_i[] END_REGION Bit Field (continued)

Firewall	Bit Field
EMIF_OCP_FW	END_REGION_i[31:10] END_REGION
MA_MPU_NTTP_FW	END_REGION_i[31:10] END_REGION
PCIE1_FW	END_REGION_i[27:12] END_REGION
TPTC_FW	END_REGION_i[19:12] END_REGION
IPU2_FW	END_REGION_i[22:12] START_REGION
PCISS2_FW	END_REGION_i[27:12] START_REGION

Table 14-56. MRM_PERMISSION_REGION_HIGH_j

Address Offset	0x0000 008C+(0x10*j)	Index	See Table 14-34 to Table 14-43.
Physical Address	See Table 14-34 to Table 14-43.	Instance	See Table 14-34 to Table 14-43.
Description	Region j Permission High		
Type	RW		

31	30	29	28	27	26	25	24	23	22	21	20	19	18	17	16	15	14	13	12	11	10	9	8	7	6	5	4	3	2	1	0
W15	R15	W14	R14	W13	R13	W12	R12	W11	R11	W10	R10	W9	R9	W8	R8	W7	R7	W6	R6	W5	R5	W4	R4	W3	R3	W2	R2	W1	R1	W0	R0

Bits	Field Name	Description	Type	Reset
31	W15	Master NIU ConnID = 115 write permission	RW	0x1
30	R15	Master NIU ConnID = 115 read permission	RW	0x1
29	W14	Master NIU ConnID = 14 write permission	RW	0x1
28	R14	Master NIU ConnID = 14 read permission	RW	0x1
27	W13	Master NIU ConnID = 13 write permission	RW	0x1
26	R13	Master NIU ConnID = 13 read permission	RW	0x1
25	W12	Master NIU ConnID = 12 write permission	RW	0x1
24	R12	Master NIU ConnID = 12 read permission	RW	0x1
23	W11	Master NIU ConnID = 11 write permission	RW	0x1
22	R11	Master NIU ConnID = 11 read permission	RW	0x1
21	W10	Master NIU ConnID = 10 write permission	RW	0x1
20	R10	Master NIU ConnID = 10 read permission	RW	0x1
19	W9	Master NIU ConnID = 9 write permission	RW	0x1
18	R9	Master NIU ConnID = 9 read permission	RW	0x1
17	W8	Master NIU ConnID = 8 write permission	RW	0x1
16	R8	Master NIU ConnID = 8 read permission	RW	0x1
15	W7	Master NIU ConnID = 7 write permission	RW	0x1
14	R7	Master NIU ConnID = 7 read permission	RW	0x1
13	W6	Master NIU ConnID = 6 write permission	RW	0x1
12	R6	Master NIU ConnID = 6 read permission	RW	0x1
11	W5	Master NIU ConnID = 5 write permission	RW	0x1
10	R5	Master NIU ConnID = 5 read permission	RW	0x1
9	W4	Master NIU ConnID = 4 write permission	RW	0x1
8	R4	Master NIU ConnID = 4 read permission	RW	0x1
7	W3	Master NIU ConnID = 3 write permission	RW	0x1
6	R3	Master NIU ConnID = 3 read permission	RW	0x1
5	W2	Master NIU ConnID = 2 write permission	RW	0x1
4	R2	Master NIU ConnID = 2 read permission	RW	0x1
3	W1	Master NIU ConnID = 1 write permission	RW	0x1

Bits	Field Name	Description	Type	Reset
2	R1	Master NIU ConnID = 1 read permission	RW	0x1
1	W0	Master NIU ConnID = 0 write permission	RW	0x1
0	R0	Master NIU ConnID = 0 read permission	RW	0x1

Table 14-57. Register Call Summary for Register MRM_PERMISSION_REGION_HIGH_j

L3_MAIN Interconnect

- [L3_MAIN Firewall Functionality: \[0\]\[1\]\[2\]\[3\]\[4\]\[5\]](#)
- [L3_MAIN Firewall Registers Summary and Description: \[6\]\[7\]\[8\]\[9\]\[10\]\[11\]\[12\]\[13\]\[14\]\[15\]](#)

Table 14-58. MRM_PERMISSION_REGION_LOW_j

Address Offset	0x0000 0088+(0x10*)	Index	See Table 14-34 to Table 14-43 .
Physical Address	See Table 14-34 to Table 14-43 .	Instance	See Table 14-34 to Table 14-43 .
Description	Region j Permission Low		
Type	RW		

31	30	29	28	27	26	25	24	23	22	21	20	19	18	17	16	15	14	13	12	11	10	9	8	7	6	5	4	3	2	1	0
RESERVED																PUB_PRIV_DEBUG	PUB_USR_DEBUG	RESERVED	PUB_PRIV_WRITE	PUB_PRIV_READ	PUB_PRIV_EXE	PUB_USR_READ	PUB_USR_WRITE	PUB_USR_EXE	RESERVED						

Bits	Field Name	Description	Type	Reset
31:16	RESERVED	RESERVED	R	See Table 14-60 .
15	PUB_PRIV_DEBUG	Public Privilege Debug Allowed	RW	See Table 14-60 .
14	PUB_USR_DEBUG	Public User Debug Allowed	RW	See Table 14-60 .
13:12	RESERVED	RESERVED	R	See Table 14-60 .
11	PUB_PRIV_WRITE	Public Privilege Write Allowed	RW	See Table 14-60 .
10	PUB_PRIV_READ	Public Privilege Read Allowed	RW	See Table 14-60 .
9	PUB_PRIV_EXE	Public Privilege Exe Allowed	RW	See Table 14-60 .
8	PUB_USR_READ	Public User Read Access Allowed	RW	See Table 14-60 .
7	PUB_USR_WRITE	Public User Write Access Allowed	RW	See Table 14-60 .
6	PUB_USR_EXE	Public User Exe Access Allowed	RW	See Table 14-60 .
5:0	RESERVED	RESERVED	R	See Table 14-60 .

Table 14-59. Register Call Summary for Register MRM_PERMISSION_REGION_LOW_j

L3_MAIN Interconnect

- [L3_MAIN Firewall Reset: \[0\]\[1\]](#)
- [L3_MAIN Firewall Functionality: \[2\]\[3\]\[4\]\[5\]\[6\]\[7\]\[8\]\[9\]\[10\]\[11\]\[12\]\[13\]\[14\]](#)
- [L3_MAIN Firewall Registers Summary and Description: \[15\]\[16\]\[17\]\[18\]\[19\]\[20\]\[21\]\[22\]\[23\]\[24\]](#)

Table 14-60. Reset Value for MRM_PERMISSION_REGION_LOW_j

Region	Reset Value
Region j = 0 (except EMIF firewall)	0xFFFFF000
Region j = 0 (for EMIF firewall)	0xFFFFFFFF
Region j 0 (for all firewalls)	0xFFFFFFFF

14.2.5.1.2 L3_MAIN Host Register Summary and Description

Table 14-61. HOST Instance Summary

Module Name	Base Address	Size
CLK1_HOST_CLK1_1	0x4400 0000	8MiB
CLK1_HOST_CLK1_2	0x4480 0000	8MiB
CLK2_HOST_CLK2_1	0x4500 0000	8MiB

14.2.5.1.2.1 L3_MAIN HOST Register Summary

Table 14-62. HOST Registers Summary

Register Name	Type	Register Width (Bits)	Address Offset	CLK1_HOST_CLK1_1 L3_MAIN Physical Address	CLK1_HOST_CLK1_2 L3_MAIN Physical Address	CLK2_HOST_CLK2_1 L3_MAIN Physical Address
L3_HOST_STDHOSHTHDR_COREREG	R	32	0x0000 0000	0x4400 0000	0x4480 0000	0x4500 0000
L3_HOST_STDHOSHTHDR_VERSIONREG	R	32	0x0000 0004	0x4400 0004	0x4480 0004	0x4500 0004
L3_HOST_STDHOSHTHDR_MAINCTLREG	R	32	0x0000 0008	0x4400 0008	0x4480 0008	0x4500 0008
L3_HOST_STDERRLOG_SVRTSTDLVL	RW	32	0x0000 0040	0x4400 0040	0x4480 0040	0x4500 0040
L3_HOST_STDERRLOG_SVRTCUSTOMLVL	RW	32	0x0000 0044	0x4400 0044	0x4480 0044	0x4500 0044
L3_HOST_STDERRLOG_MAIN	RW	32	0x0000 0048	0x4400 0048	0x4480 0048	0x4500 0048
L3_HOST_STDERRLOG_HDR	R	32	0x0000 004C	0x4400 004C	0x4480 004C	0x4500 004C
L3_HOST_STDERRLOG_MSTADDR	R	32	0x0000 0050	0x4400 0050	0x4480 0050	0x4500 0050
L3_HOST_STDERRLOG_SLVADDR	R	32	0x0000 0054	0x4400 0054	0x4480 0054	0x4500 0054
L3_HOST_STDERRLOG_INFO	R	32	0x0000 0058	0x4400 0058	0x4480 0058	0x4500 0058
L3_HOST_STDERRLOG_SLVOFSLSB	R	32	0x0000 005C	0x4400 005C	0x4480 005C	0x4500 005C
L3_HOST_STDERRLOG_SLVOFSMSB	R	32	0x0000 0060	0x4400 0060	0x4480 0060	0x4500 0060
L3_HOST_STDERRLOG_CUSTOMINFO_MSTADDR	R	32	0x0000 0064	0x4400 0064	0x4480 0064	0x4500 0064
L3_HOST_STDERRLOG_CUSTOMINFO_INFO	R	32	0x0000 0068	0x4400 0068	0x4480 0068	0x4500 0068
L3_HOST_STDERRLOG_CUSTOMINFO_WRR	R	32	0x0000 006C	0x4400 006C	0x4480 006C	0x4500 006C
L3_HOST_STDERRLOG_CUSTOMINFO_ADDDR	R	32	0x0000 0070	0x4400 0070	0x4480 0070	0x4500 0070
L3_HOST_STDERRLOG_CUSTOMINFO_DECERR	R	32	0x0000 0074	0x4400 0074	0x4480 0074	0x4500 0074

14.2.5.1.2.2 L3_MAIN HOST Register Description
Table 14-63. L3_HOST_STDHOSTHDR_COREREG

Address Offset	See Table 14-62.		
Physical Address	0x4400 0000 0x4480 0000 0x4500 0000	Instance	CLK1_HOST_CLK1_1 CLK1_HOST_CLK1_2 CLK2_HOST_CLK2_1
Description			
Type	R		

31	30	29	28	27	26	25	24	23	22	21	20	19	18	17	16	15	14	13	12	11	10	9	8	7	6	5	4	3	2	1	0
RESERVED								STDHOSTHDR_COREREG_CORECODE								RESERVED								STDHOSTHDR_COREREG_VENDORCODE							

Bits	Field Name	Description	Type	Reset
31:22	RESERVED		R	0x000
21:16	STDHOSTHDR_COREREG_CORECODE	The Core Code field is a constant reporting a vendor-specific core generator code. Type: Constant. Reset value: 0x1A.	R	0x1A
15:1	RESERVED		R	0x0000
0	STDHOSTHDR_COREREG_VENDORCODE	The Vendor Code field is a constant reporting the core generator vendor code. Type: Constant. Reset value: 0x1. Read 0x0: Third-party vendor. Read 0x1:	R	1

Table 14-64. Register Call Summary for Register L3_HOST_STDHOSTHDR_COREREG

L3_MAIN Interconnect

- [L3_MAIN Host Register Summary and Description: \[0\]](#)

Table 14-65. L3_HOST_STDHOSTHDR_VERSIONREG

Address Offset	See Table 14-62 .		
Physical Address	0x4400 0004	Instance	CLK1_HOST_CLK1_1
	0x4480 0004		CLK1_HOST_CLK1_2
	0x4500 0004		CLK2_HOST_CLK2_1
Description			
Type	R		

31	30	29	28	27	26	25	24	23	22	21	20	19	18	17	16	15	14	13	12	11	10	9	8	7	6	5	4	3	2	1	0
STDHOSTHDR_VERSIONREG_REVISIONID								STDHOSTHDR_VERSIONREG_COREPARAMSCHECKSUM																							

Bits	Field Name	Description	Type	Reset
31:24	STDHOSTHDR_VERSIONREG_REVISIONID	The Revision Identifier field is a constant reporting the core generator revision number. Type: Constant. Reset value: 0x0.	R	0x00
23:0	STDHOSTHDR_VERSIONREG_COREPARAMSCHECKSUM	Reserved. Type: Reserved. Reset value: Reserved.	R	0x000000

Table 14-66. Register Call Summary for Register L3_HOST_STDHOSTHDR_VERSIONREG

L3_MAIN Interconnect

- [L3_MAIN Host Register Summary and Description: \[0\]](#)

Table 14-67. L3_HOST_STDHOSHTDR_MAINCTLREG

Address Offset	See Table 14-62 .		
Physical Address	0x4400 0008	Instance	CLK1_HOST_CLK1_1
	0x4480 0008		CLK1_HOST_CLK1_2
	0x4500 0008		CLK2_HOST_CLK2_1
Description			
Type	R		

31	30	29	28	27	26	25	24	23	22	21	20	19	18	17	16	15	14	13	12	11	10	9	8	7	6	5	4	3	2	1	0
RESERVED																STDHOSHTDR_MAINCTLREG_FLT		RESERVED													

Bits	Field Name	Description	Type	Reset
31:3	RESERVED		R	0x0000 0000
2	STDHOSHTDR_MAINCTLREG_FLT	Asserted when a Fault condition is detected: if the unit includes Error Logging, Fault is asserted when the Fault Control register field indicates a Fault, and de-asserted when FltCnt is reset. If no Error Logging is implemented, this bit becomes unit-dependent. In all cases, Flt bit and Flt pin (service network) have the same logical level. Type: Status. Reset value: X.	R	0
1:0	RESERVED		R	0x0

Table 14-68. Register Call Summary for Register L3_HOST_STDHOSHTDR_MAINCTLREG

L3_MAIN Interconnect

- [L3_MAIN Host Register Summary and Description: \[0\]](#)

Table 14-69. L3_HOST_STDERRLOG_SVRTSTDLVL

Address Offset	See Table 14-62 .		
Physical Address	0x4400 0040 0x4480 0040 0x4500 0040	Instance	CLK1_HOST_CLK1_1 CLK1_HOST_CLK1_2 CLK2_HOST_CLK2_1
Description			
Type	RW		

31	30	29	28	27	26	25	24	23	22	21	20	19	18	17	16	15	14	13	12	11	10	9	8	7	6	5	4	3	2	1	0
RESERVED																STDERRLOG_SVRTSTDLVL_0															

Bits	Field Name	Description	Type	Reset
31:2	RESERVED		R	0x0000 0000
1:0	STDERRLOG_SVRTSTDLVL_0	Severity level parameters Type: Control. Reset value: 0x2. 0x0: Error logging is disabled. 0x1: Errors are logged with severity level Error. 0x2: Errors are logged with severity level Fault.	RW	0x2

Table 14-70. Register Call Summary for Register L3_HOST_STDERRLOG_SVRTSTDLVL

L3_MAIN Interconnect

- [L3_MAIN Host Register Summary and Description: \[0\]](#)

Table 14-71. L3_HOST_STDERRLOG_SVRTCUSTOMLVL

Address Offset	See Table 14-62 .		
Physical Address	0x4400 0044 0x4480 0044 0x4500 0044	Instance	CLK1_HOST_CLK1_1 CLK1_HOST_CLK1_2 CLK2_HOST_CLK2_1
Description			
Type	RW		

31	30	29	28	27	26	25	24	23	22	21	20	19	18	17	16	15	14	13	12	11	10	9	8	7	6	5	4	3	2	1	0
RESERVED																STDERRLOG_SVRTCUSTOMLVL_0															

Bits	Field Name	Description	Type	Reset
31:2	RESERVED		R	0x0000 0000
1:0	STDERRLOG_SVRTCUSTOMLVL_0	Severity level parameters Type: Control. Reset value: 0x2. 0x0: Error logging is disabled. 0x1: Errors are logged with severity level Error. 0x2: Errors are logged with severity level Fault.	RW	0x2

Table 14-72. Register Call Summary for Register L3_HOST_STDERRLOG_SVRTCUSTOMLVL

L3_MAIN Interconnect

- [L3_MAIN Host Register Summary and Description: \[0\]](#)

Table 14-73. L3_HOST_STDERRLOG_MAIN

Address Offset	See Table 14-62 .		
Physical Address	0x4400 0048 0x4480 0048 0x4500 0048	Instance	CLK1_HOST_CLK1_1 CLK1_HOST_CLK1_2 CLK2_HOST_CLK2_1
Description			
Type	RW		

31	30	29	28	27	26	25	24	23	22	21	20	19	18	17	16	15	14	13	12	11	10	9	8	7	6	5	4	3	2	1	0
STDERRLOG_MAIN_CLRLOG	RESERVED												STDERRLOG_MAIN_FLTCNT	STDERRLOG_MAIN_ERRCNT	RESERVED												STDERRLOG_MAIN_ERRTYPE	STDERRLOG_MAIN_ERRLOGVLD			

Bits	Field Name	Description	Type	Reset
31	STDERRLOG_MAIN_CLRLOG	Clears "Error Logging Valid" bit when written to 1. Type: Give_AutoCleared. Reset value: 0x0.	RW	0
30:20	RESERVED		R	0x000
19	STDERRLOG_MAIN_FLTCNT	Asserted when at least one error with severity level FAULT is detected. Reset when written to 1. Type: Take. Reset value: 0x0.	RW	0
18	STDERRLOG_MAIN_ERRCNT	Asserted when at least one error with severity level ERROR is detected. Reset when written to 1. Type: Take. Reset value: 0x0.	RW	0
17:2	RESERVED		R	0x0000
1	STDERRLOG_MAIN_ERRTYPE	Indicates logging type. Type: Status. Reset value: X. Read 0x0: Logged Error format is standard (header and necker recorded). Read 0x1: Logged Error format is module dependent. CustomInfo register(s) may be implemented to store additional information.	R	0
0	STDERRLOG_MAIN_ERRLOGVLD	Error Logging Valid. Asserted when logging information is valid(indicates that an error has been logged). Type: Status. Reset value: X.	R	0

Table 14-74. Register Call Summary for Register L3_HOST_STDERRLOG_MAIN

L3_MAIN Interconnect

- [Example for Decoding Standard/Custom Errors Logged in L3_MAIN: \[0\]](#)
- [L3_MAIN Host Register Summary and Description: \[1\]](#)

Table 14-75. L3_HOST_STDERRLOG_HDR

Address Offset	See Table 14-62 .		
Physical Address	0x4400 004C 0x4480 004C 0x4500 004C	Instance	CLK1_HOST_CLK1_1 CLK1_HOST_CLK1_2 CLK2_HOST_CLK2_1
Description			
Type	R		

31	30	29	28	27	26	25	24	23	22	21	20	19	18	17	16	15	14	13	12	11	10	9	8	7	6	5	4	3	2	1	0	
RESERVED				STDERRLOG_HDR_LEN1												RESERVED	STDERRLOG_HDR_STOPOFSWRPSZ				STDERRLOG_HDR_ERR	RESERVED				STDERRLOG_HDR_PRESSURE		RESERVED	STDERRLOG_HDR_OPCODE			

Bits	Field Name	Description	Type	Reset
31:28	RESERVED		R	0x00
27:18	STDERRLOG_HDR_LEN1	This field contains the number of payload cell(s) minus one of the logged packet. Type: Status. Reset value: X.	R	0x00
17:16	RESERVED		R	0x0
15:12	STDERRLOG_HDR_STOPOFSWRPSZ	StopOfs or WrapSize field of the logged packet (meaning depends on Wrp bit of logged opcode). Type: Status. Reset value: X.	R	0x0
11	STDERRLOG_HDR_ERR	Err bit of the logged packet. Type: Status. Reset value: X.	R	0
10:8	RESERVED		R	0x0
7:6	STDERRLOG_HDR_PRESSURE	Pressure field of the logged packet. Type: Status. Reset value: X.	R	0
5:4	RESERVED		R	0x0

Bits	Field Name	Description	Type	Reset
3:0	STDERRLOG_HDR_OPCODE	<p>Opcode of the logged packet. Type: Status. Reset value: X.</p> <p>0x0: Store without acknowledge, incrementing burst, non-atomic request</p> <p>0x1: Store without acknowledge, wrapping burst, non-atomic request</p> <p>0x2: Store with acknowledge, incrementing burst, non-atomic request</p> <p>0x3: Store with acknowledge, wrapping burst, non-atomic request</p> <p>0x4: Load, incrementing burst, non-atomic request</p> <p>0x5: Load, wrapping burst, non-atomic request</p> <p>0x6: Control packet</p> <p>0x7: Flush</p> <p>0x8: Store without acknowledge, incrementing burst, atomic request</p> <p>0x9: Store without acknowledge, wrapping burst, atomic request</p> <p>0xA: Store with acknowledge, incrementing burst, atomic request</p> <p>0xB: Store with acknowledge, wrapping burst, atomic request</p> <p>0xC: Load, incrementing burst, atomic request</p> <p>0xD: Load, wrapping burst, atomic request</p> <p>0xE: Reserved</p> <p>0xF: Reserved</p>	R	0x0

Table 14-76. Register Call Summary for Register L3_HOST_STDERRLOG_HDR

L3_MAIN Interconnect

- [L3_MAIN Host Register Summary and Description: \[0\]](#)

Table 14-77. L3_HOST_STDERRLOG_MSTADDR

Address Offset	See Table 14-62 .																																																																				
Physical Address	0x4400 0050 0x4480 0050 0x4500 0050	Instance	CLK1_HOST_CLK1_1 CLK1_HOST_CLK1_2 CLK2_HOST_CLK2_1																																																																		
Description	R																																																																				
Type	R																																																																				
<table border="1" style="width:100%; text-align:center;"> <tr> <td>31</td><td>30</td><td>29</td><td>28</td><td>27</td><td>26</td><td>25</td><td>24</td><td>23</td><td>22</td><td>21</td><td>20</td><td>19</td><td>18</td><td>17</td><td>16</td><td>15</td><td>14</td><td>13</td><td>12</td><td>11</td><td>10</td><td>9</td><td>8</td><td>7</td><td>6</td><td>5</td><td>4</td><td>3</td><td>2</td><td>1</td><td>0</td> </tr> <tr> <td colspan="16">RESERVED</td> <td colspan="12">STDERRLOG_MSTADDR</td> </tr> </table>										31	30	29	28	27	26	25	24	23	22	21	20	19	18	17	16	15	14	13	12	11	10	9	8	7	6	5	4	3	2	1	0	RESERVED																STDERRLOG_MSTADDR											
31	30	29	28	27	26	25	24	23	22	21	20	19	18	17	16	15	14	13	12	11	10	9	8	7	6	5	4	3	2	1	0																																						
RESERVED																STDERRLOG_MSTADDR																																																					
Bits	Field Name	Description	Type	Reset																																																																	
31:8	RESERVED		R	0x000000																																																																	
7:0	STDERRLOG_MSTADDR	Master Address field of the logged packet. Type: Status. Reset value: X.	R	0x00																																																																	

Table 14-78. Register Call Summary for Register L3_HOST_STDERRLOG_MSTADDR

L3_MAIN Interconnect

- [L3_MAIN Host Register Summary and Description: \[0\]](#)

Table 14-79. L3_HOST_STDERRLOG_SLVADDR

Address Offset	See Table 14-62 .		
Physical Address	0x4400 0054 0x4480 0054 0x4500 0054	Instance	CLK1_HOST_CLK1_1 CLK1_HOST_CLK1_2 CLK2_HOST_CLK2_1
Description			
Type	R		

31	30	29	28	27	26	25	24	23	22	21	20	19	18	17	16	15	14	13	12	11	10	9	8	7	6	5	4	3	2	1	0
RESERVED																STDERRLOG_SLVADDR															

Bits	Field Name	Description	Type	Reset
31:7	RESERVED		R	0x0000000
6:0	STDERRLOG_SLVADDR	Slave Address field of the logged packet. Type: Status. Reset value: X.	R	0x00

Table 14-80. Register Call Summary for Register L3_HOST_STDERRLOG_SLVADDR

L3_MAIN Interconnect

- [L3_MAIN Host Register Summary and Description: \[0\]](#)

Table 14-81. L3_HOST_STDERRLOG_INFO

Address Offset	See Table 14-62 .		
Physical Address	0x4400 0058 0x4480 0058 0x4500 0058	Instance	CLK1_HOST_CLK1_1 CLK1_HOST_CLK1_2 CLK2_HOST_CLK2_1
Description			
Type	R		

31	30	29	28	27	26	25	24	23	22	21	20	19	18	17	16	15	14	13	12	11	10	9	8	7	6	5	4	3	2	1	0
RESERVED																STDERRLOG_INFO															

Bits	Field Name	Description	Type	Reset
31:8	RESERVED		R	0x0000000
7:0	STDERRLOG_INFO	Info field of the logged packet. Type: Status. Reset value: X.	R	0x00

Table 14-82. Register Call Summary for Register L3_HOST_STDERRLOG_INFO

L3_MAIN Interconnect

- [L3_MAIN Host Register Summary and Description: \[0\]](#)

Table 14-83. L3_HOST_STDERRLOG_SLVOFSLSB

Address Offset	See Table 14-62 .		
Physical Address	0x4400 005C 0x4480 005C 0x4500 005C	Instance	CLK1_HOST_CLK1_1 CLK1_HOST_CLK1_2 CLK2_HOST_CLK2_1
Description			
Type	R		

31	30	29	28	27	26	25	24	23	22	21	20	19	18	17	16	15	14	13	12	11	10	9	8	7	6	5	4	3	2	1	0
STDERRLOG_SLVOFSLSB																															

Bits	Field Name	Description	Type	Reset
31:0	STDERRLOG_SLVOFSLSB	LSB of the "slave offset" field, concatenated with "start offset" field of the logged packet. Type: Status. Reset value: X.	R	0x0000 0000

Table 14-84. Register Call Summary for Register L3_HOST_STDERRLOG_SLVOFSLSB

L3_MAIN Interconnect

- [L3_MAIN Host Register Summary and Description: \[0\]](#)

Table 14-85. L3_HOST_STDERRLOG_SLVOFSMSB

Address Offset	See Table 14-62 .		
Physical Address	0x4400 0060 0x4480 0060 0x4500 0060	Instance	CLK1_HOST_CLK1_1 CLK1_HOST_CLK1_2 CLK2_HOST_CLK2_1
Description			
Type	R		

31	30	29	28	27	26	25	24	23	22	21	20	19	18	17	16	15	14	13	12	11	10	9	8	7	6	5	4	3	2	1	0
RESERVED																															
STDERRLOG_SLVOFSMSB																															

Bits	Field Name	Description	Type	Reset
31:1	RESERVED		R	0x0000 0000
0	STDERRLOG_SLVOFSMSB	MSB of the "slave offset" field of the logged packet (according to NTP packet format, this register field may exceed the actual "slave offset" size. Unused bits are stuck at 0, if any). Type: Status. Reset value: X.	R	0

Table 14-86. Register Call Summary for Register L3_HOST_STDERRLOG_SLVOFSMSB

L3_MAIN Interconnect

- [L3_MAIN Host Register Summary and Description: \[0\]](#)

Table 14-87. L3_HOST_STDERRLOG_CUSTOMINFO_MSTADDR

Address Offset	See Table 14-62 .		
Physical Address	0x4400 0064	Instance	CLK1_HOST_CLK1_1
	0x4480 0064		CLK1_HOST_CLK1_2
	0x4500 0064		CLK2_HOST_CLK2_1
Description			
Type	R		

31	30	29	28	27	26	25	24	23	22	21	20	19	18	17	16	15	14	13	12	11	10	9	8	7	6	5	4	3	2	1	0
RESERVED																STDERRLOG_CUSTOMINFO_MSTADDR															

Bits	Field Name	Description	Type	Reset
31:8	RESERVED		R	0x000000
7:0	STDERRLOG_CUSTOMINFO_MSTADDR	Type: Status. Reset value: X.	R	0x00

Table 14-88. Register Call Summary for Register L3_HOST_STDERRLOG_CUSTOMINFO_MSTADDR

L3_MAIN Interconnect

- [L3_MAIN Host Register Summary and Description: \[0\]](#)

Table 14-89. L3_HOST_STDERRLOG_CUSTOMINFO_INFO

Address Offset	See Table 14-62 .		
Physical Address	0x4400 0068 0x4480 0068 0x4500 0068	Instance	CLK1_HOST_CLK1_1 CLK1_HOST_CLK1_2 CLK2_HOST_CLK2_1
Description			
Type	R		

31	30	29	28	27	26	25	24	23	22	21	20	19	18	17	16	15	14	13	12	11	10	9	8	7	6	5	4	3	2	1	0
RESERVED																STDERRLOG_CUSTOMINFO_INFO															

Bits	Field Name	Description	Type	Reset
31:8	RESERVED		R	0x000000
7:0	STDERRLOG_CUSTOMINFO_I NFO	Type: Status. Reset value: X.	R	0x00

Table 14-90. Register Call Summary for Register L3_HOST_STDERRLOG_CUSTOMINFO_INFO

L3_MAIN Interconnect

- [L3_MAIN Host Register Summary and Description: \[0\]](#)

Table 14-91. L3_HOST_STDERRLOG_CUSTOMINFO_WR

Address Offset	See Table 14-62 .		
Physical Address	0x4400 006C 0x4480 006C 0x4500 006C	Instance	CLK1_HOST_CLK1_1 CLK1_HOST_CLK1_2 CLK2_HOST_CLK2_1
Description			
Type	R		

31	30	29	28	27	26	25	24	23	22	21	20	19	18	17	16	15	14	13	12	11	10	9	8	7	6	5	4	3	2	1	0
RESERVED																STDERRLOG_CUSTOMINFO_WR															

Bits	Field Name	Description	Type	Reset
31:1	RESERVED		R	0x0000 0000
0	STDERRLOG_CUSTOMINFO_WR	Type: Status. Reset value: X.	R	0

Table 14-92. Register Call Summary for Register L3_HOST_STDERRLOG_CUSTOMINFO_WR

L3_MAIN Interconnect

- [L3_MAIN Host Register Summary and Description: \[0\]](#)

Table 14-93. L3_HOST_STDERRLOG_CUSTOMINFO_ADDR

Address Offset	See Table 14-62.		
Physical Address	0x4400 0070 0x4480 0070 0x4500 0070	Instance	CLK1_HOST_CLK1_1 CLK1_HOST_CLK1_2 CLK2_HOST_CLK2_1
Description			
Type	R		

31	30	29	28	27	26	25	24	23	22	21	20	19	18	17	16	15	14	13	12	11	10	9	8	7	6	5	4	3	2	1	0
RESERVED								STDERRLOG_CUSTOMINFO_ADDR																							

Bits	Field Name	Description	Type	Reset
31:21	RESERVED		R	0x000
20:0	STDERRLOG_CUSTOMINFO_A_DDR	Type: Status. Reset value: X.	R	0x000000

Table 14-94. Register Call Summary for Register L3_HOST_STDERRLOG_CUSTOMINFO_ADDR

L3_MAIN Interconnect

- [L3_MAIN Host Register Summary and Description: \[0\]](#)

Table 14-95. L3_HOST_STDERRLOG_CUSTOMINFO_DECERR

Address Offset	See Table 14-62.		
Physical Address	0x4400 0074 0x4480 0074 0x4500 0074	Instance	CLK1_HOST_CLK1_1 CLK1_HOST_CLK1_2 CLK2_HOST_CLK2_1
Description			
Type	R		

31	30	29	28	27	26	25	24	23	22	21	20	19	18	17	16	15	14	13	12	11	10	9	8	7	6	5	4	3	2	1	0
RESERVED																															
																															STDERRLOG_CUSTOMINFO_DECERR

Bits	Field Name	Description	Type	Reset
31:1	RESERVED		R	0x0000 0000
0	STDERRLOG_CUSTOMINFO_D ECERR	Type: Status. Reset value: X.	R	0

Table 14-96. Register Call Summary for Register L3_HOST_STDERRLOG_CUSTOMINFO_DECERR

L3_MAIN Interconnect

- [L3_MAIN Host Register Summary and Description: \[0\]](#)

14.2.5.1.3 L3_MAIN TARG Register Summary and Description

NOTE: ATL, VCP1, VCP2, MLB and USB3 (ULPI) are not supported on the AM571x / AM570x family of devices.

SATA and RTC are not supported on the AM570x family of devices.

Table 14-97. L3_MAIN TARG Instance Summary

Module Name	Base Address	Size
GPMC_TARG	0x4400 0100	4KiB
DMM_P1_TARG	0x4400 0200	4KiB
DSP1_SDMA_TARG	0x4400 0300	4KiB
PRUSS2_TARG	0x4400 1500	4KiB
L4_CFG_TARG	0x4400 0500	4KiB
VCP1_TARG	0x4400 0700	4KiB
VCP2_TARG	0x4400 0800	4KiB
BB2D_TARG	0x4400 0900	4KiB
IPU2_TARG	0x4400 1100	4KiB
MCASP1_TARG	0x4400 2F00	4KiB
MCASP2_TARG	0x4400 3000	4KiB
MCASP3_TARG	0x4400 3100	4KiB
PCIE2_TARG	0x4400 3800	4KiB
L4_PER3_P3_TARG	0x4400 0E00	4KiB
OCMC_RAM1_TARG	0x4400 0F00	4KiB
IPU1_TARG	0x4400 1000	4KiB
GPU_TARG	0x4400 1200	4KiB
DMM_P2_TARG	0x4400 1300	4KiB
PRUSS1_TARG	0x4400 1400	4KiB
IVA_CONFIG_TARG	0x4400 1600	4KiB
IVA_SL2IF_TARG	0x4400 1800	4KiB
L4_PER1_P1_TARG	0x4400 1C00	4KiB
L4_WKUP_TARG	0x4400 1D00	4KiB
L4_PER1_P2_TARG	0x4400 1F00	4KiB
TPCC_TARG	0x4400 2000	4KiB
L4_PER1_P3_TARG	0x4400 2100	4KiB
MMU1_TARG	0x4400 2200	4KiB
L4_PER2_P1_TARG	0x4400 2300	4KiB
L4_PER2_P2_TARG	0x4400 2400	4KiB
L4_PER2_P3_TARG	0x4400 2500	4KiB
L4_PER3_P1_TARG	0x4400 2600	4KiB

Table 14-97. L3_MAIN TARG Instance Summary (continued)

Module Name	Base Address	Size
L4_PER3_P2_TARG	0x4400 2700	4KiB
MMU2_TARG	0x4400 2800	4KiB
DSS_TARG	0x4400 2900	4KiB
TPTC2_TARG	0x4400 2B00	4KiB
TPTC1_TARG	0x4400 2E00	4KiB
PCIE1_TARG	0x4400 3700	4KiB
QSPI_TARG	0x4400 3900	4KiB
L3_INSTR	0x4500 0100	4KiB
DEBUGSS_CT_TBR_TARG	0x4500 0300	4KiB

14.2.5.1.3.1 L3_MAIN TARG Register Summary
Table 14-98. L3_MAIN TARG Register Summary

Register Name	Type	Register Width (Bits)	Address Offset	GPMC_TARG L3_MAIN Physical Address	DMM_P1_TARG L3_MAIN Physical Address	DSP1_SDMA_TARG L3_MAIN Physical Address
L3_TARG_STDHOSTHDR_COREREG	R	32	0x0000 0000	0x4400 0100	0x4400 0200	0x4400 0300
L3_TARG_STDHOSTHDR_VERSIONREG	R	32	0x0000 0004	0x4400 0104	0x4400 0204	0x4400 0304
L3_TARG_STDHOSTHDR_MAINCTLREG	RW	32	0x0000 0008	0x4400 0108	0x4400 0208	0x4400 0308
L3_TARG_STDHOSTHDR_NTTPADDR_0	R	32	0x0000 0010	0x4400 0110	0x4400 0210	0x4400 0310
L3_TARG_STDERRLOG_SVRTSTDLVL	RW	32	0x0000 0040	0x4400 0140	0x4400 0240	0x4400 0340
L3_TARG_STDERRLOG_SVRTCUSTOMLVL	RW	32	0x0000 0044	0x4400 0144	0x4400 0244	0x4400 0344
L3_TARG_STDERRLOG_MAIN	RW	32	0x0000 0048	0x4400 0148	0x4400 0248	0x4400 0348
L3_TARG_STDERRLOG_HDR	R	32	0x0000 004C	0x4400 014C	0x4400 024C	0x4400 034C
L3_TARG_STDERRLOG_MSTADDR	R	32	0x0000 0050	0x4400 0150	0x4400 0250	0x4400 0350
L3_TARG_STDERRLOG_SLVADDR	R	32	0x0000 0054	0x4400 0154	0x4400 0254	0x4400 0354
L3_TARG_STDERRLOG_INFO	R	32	0x0000 0058	0x4400 0158	0x4400 0258	0x4400 0358
L3_TARG_STDERRLOG_SLVOFSLSB	R	32	0x0000 005C	0x4400 015C	0x4400 025C	0x4400 035C
L3_TARG_STDERRLOG_SLVOFSMSB	R	32	0x0000 0060	0x4400 0160	0x4400 0260	0x4400 0360
L3_TARG_STDERRLOG_CUSTOMINFO_INFO	R	32	0x0000 0064	0x4400 0164	0x4400 0264	0x4400 0364
L3_TARG_STDERRLOG_CUSTOMINFO_MSTADDR	R	32	0x0000 0068	0x4400 0168	0x4400 0268	0x4400 0368
L3_TARG_STDERRLOG_CUSTOMINFO_OPCODE	R	32	0x0000 006C	0x4400 016C	0x4400 026C	0x4400 036C
L3_TARG_ADDRSPACESIZELOG	RW	32	0x0000 0080	0x4400 0180	0x4400 0280	0x4400 0380

Table 14-99. L3_MAIN TARG Register Summary

Register Name	Type	Register Width (Bits)	Address Offset	L4_CFG_TARG L3_MAIN Physical Address
L3_TARG_STDHOSTHDR_COREREG	R	32	0x0000 0000	0x4400 0500
L3_TARG_STDHOSTHDR_VERSIONREG	R	32	0x0000 0004	0x4400 0504
L3_TARG_STDHOSTHDR_MAINCTLREG	RW	32	0x0000 0008	0x4400 0508
L3_TARG_STDHOSTHDR_NTTPADDR_0	R	32	0x0000 0010	0x4400 0510
L3_TARG_STDERRLOG_SVRTSTDLVL	RW	32	0x0000 0040	0x4400 0540
L3_TARG_STDERRLOG_SVRTCUSTOMLVL	RW	32	0x0000 0044	0x4400 0544
L3_TARG_STDERRLOG_MAIN	RW	32	0x0000 0048	0x4400 0548
L3_TARG_STDERRLOG_HDR	R	32	0x0000 004C	0x4400 054C
L3_TARG_STDERRLOG_MSTADDR	R	32	0x0000 0050	0x4400 0550
L3_TARG_STDERRLOG_SLVADDR	R	32	0x0000 0054	0x4400 0554

Table 14-99. L3_MAIN TARG Register Summary (continued)

Register Name	Type	Register Width (Bits)	Address Offset	L4_CFG_TARG L3_MAIN Physical Address
L3_TARG_STDERRLOG_INFO	R	32	0x0000 0058	0x4400 0558
L3_TARG_STDERRLOG_SLVOFSLSB	R	32	0x0000 005C	0x4400 055C
L3_TARG_STDERRLOG_SLVOFSMSB	R	32	0x0000 0060	0x4400 0560
L3_TARG_STDERRLOG_CUSTOMINFO_INFO	R	32	0x0000 0064	0x4400 0564
L3_TARG_STDERRLOG_CUSTOMINFO_MSTADDR	R	32	0x0000 0068	0x4400 0568
L3_TARG_STDERRLOG_CUSTOMINFO_OPCODE	R	32	0x0000 006C	0x4400 056C
L3_TARG_ADDRSPACESIZELOG	RW	32	0x0000 0080	0x4400 0580

Table 14-100. L3_MAIN TARG Register Summary

Register Name	Type	Register Width (Bits)	Address Offset	VCP1_TARG L3_MAIN Physical Address	VCP2_TARG L3_MAIN Physical Address
L3_TARG_STDHOSTHDR_COREREG	R	32	0x0000 0000	0x4400 0700	0x4400 0800
L3_TARG_STDHOSTHDR_VERSIONREG	R	32	0x0000 0004	0x4400 0704	0x4400 0804
L3_TARG_STDHOSTHDR_MAINCTLREG	RW	32	0x0000 0008	0x4400 0708	0x4400 0808
L3_TARG_STDHOSTHDR_NTTPADDR_0	R	32	0x0000 0010	0x4400 0710	0x4400 0810
L3_TARG_STDERRLOG_SVRTSTDLVL	RW	32	0x0000 0040	0x4400 0740	0x4400 0840
L3_TARG_STDERRLOG_SVRTCUSTOMLVL	RW	32	0x0000 0044	0x4400 0744	0x4400 0844
L3_TARG_STDERRLOG_MAIN	RW	32	0x0000 0048	0x4400 0748	0x4400 0848
L3_TARG_STDERRLOG_HDR	R	32	0x0000 004C	0x4400 074C	0x4400 084C
L3_TARG_STDERRLOG_MSTADDR	R	32	0x0000 0050	0x4400 0750	0x4400 0850
L3_TARG_STDERRLOG_SLVADDR	R	32	0x0000 0054	0x4400 0754	0x4400 0854
L3_TARG_STDERRLOG_INFO	R	32	0x0000 0058	0x4400 0758	0x4400 0858
L3_TARG_STDERRLOG_SLVOFSLSB	R	32	0x0000 005C	0x4400 075C	0x4400 085C
L3_TARG_STDERRLOG_SLVOFSMSB	R	32	0x0000 0060	0x4400 0760	0x4400 0860
L3_TARG_STDERRLOG_CUSTOMINFO_INFO	R	32	0x0000 0064	0x4400 0764	0x4400 0864
L3_TARG_STDERRLOG_CUSTOMINFO_MSTADDR	R	32	0x0000 0068	0x4400 0768	0x4400 0868
L3_TARG_STDERRLOG_CUSTOMINFO_OPCODE	R	32	0x0000 006C	0x4400 076C	0x4400 086C
L3_TARG_ADDRSPACESIZELOG	RW	32	0x0000 0080	0x4400 0780	0x4400 0880

Table 14-101. L3_MAIN TARG Register Summary

Register Name	Type	Register Width (Bits)	Address Offset	BB2D_TARG L3_MAIN Physical Address	IPU2_TARG L3_MAIN Physical Address	PRUSS2_TARG L3_MAIN Physical Address
L3_TARG_STDHOSTHDR_COREREG	R	32	0x0000 0000	0x4400 0900	0x4400 1100	0x4400 1500
L3_TARG_STDHOSTHDR_VERSIONREG	R	32	0x0000 0004	0x4400 0904	0x4400 1104	0x4400 1504
L3_TARG_STDHOSTHDR_MAINCTLREG	RW	32	0x0000 0008	0x4400 0908	0x4400 1108	0x4400 1508
L3_TARG_STDHOSTHDR_NTPADDR_0	R	32	0x0000 0010	0x4400 0910	0x4400 1110	0x4400 1510
L3_TARG_STDERRLOG_SVRTSTDLVL	RW	32	0x0000 0040	0x4400 0940	0x4400 1140	0x4400 1540
L3_TARG_STDERRLOG_SVRTCUSTOMLVL	RW	32	0x0000 0044	0x4400 0944	0x4400 1144	0x4400 1544
L3_TARG_STDERRLOG_MAIN	RW	32	0x0000 0048	0x4400 0948	0x4400 1148	0x4400 1548
L3_TARG_STDERRLOG_HDR	R	32	0x0000 004C	0x4400 094C	0x4400 114C	0x4400 154C
L3_TARG_STDERRLOG_MSTADDR	R	32	0x0000 0050	0x4400 0950	0x4400 1150	0x4400 1550
L3_TARG_STDERRLOG_SLVADDR	R	32	0x0000 0054	0x4400 0954	0x4400 1154	0x4400 1554
L3_TARG_STDERRLOG_INFO	R	32	0x0000 0058	0x4400 0958	0x4400 1158	0x4400 1558
L3_TARG_STDERRLOG_SLVOFSLB	R	32	0x0000 005C	0x4400 095C	0x4400 115C	0x4400 155C
L3_TARG_STDERRLOG_SLVOFSMSB	R	32	0x0000 0060	0x4400 0960	0x4400 1160	0x4400 1560
L3_TARG_STDERRLOG_CUSTOMINFO_INFO	R	32	0x0000 0064	0x4400 0964	0x4400 1164	0x4400 1564
L3_TARG_STDERRLOG_CUSTOMINFO_MSTADDR	R	32	0x0000 0068	0x4400 0968	0x4400 1168	0x4400 1568
L3_TARG_STDERRLOG_CUSTOMINFO_OPCODE	R	32	0x0000 006C	0x4400 096C	0x4400 116C	0x4400 156C
L3_TARG_ADDRSPACESIZELOG	RW	32	0x0000 0080	0x4400 0980	0x4400 1180	0x4400 1580

Table 14-102. L3_MAIN TARG Register Summary

Register Name	Type	Register Width (Bits)	Address Offset	MCASP1_TARG L3_MAIN Physical Address	MCASP2_TARG L3_MAIN Physical Address	MCASP3_TARG L3_MAIN Physical Address	PCIE2_TARG L3_MAIN Physical Address
L3_TARG_STDHOSTHDR_COREREG	R	32	0x0000 0000	0x4400 2F00	0x4400 3000	0x4400 3100	0x4400 3800
L3_TARG_STDHOSTHDR_VERSIONREG	R	32	0x0000 0004	0x4400 2F04	0x4400 3004	0x4400 3104	0x4400 3804
L3_TARG_STDHOSTHDR_MAINCTLREG	RW	32	0x0000 0008	0x4400 2F08	0x4400 3008	0x4400 3108	0x4400 3808
L3_TARG_STDHOSTHDR_NTPADDR_0	R	32	0x0000 0010	0x4400 2F10	0x4400 3010	0x4400 3110	0x4400 3810
L3_TARG_STDERRLOG_SVRTSTDLVL	RW	32	0x0000 0040	0x4400 2F40	0x4400 3040	0x4400 3140	0x4400 3840
L3_TARG_STDERRLOG_SVRTCUSTOMLVL	RW	32	0x0000 0044	0x4400 2F44	0x4400 3044	0x4400 3144	0x4400 3844
L3_TARG_STDERRLOG_MAIN	RW	32	0x0000 0048	0x4400 2F48	0x4400 3048	0x4400 3148	0x4400 3848
L3_TARG_STDERRLOG_HDR	R	32	0x0000 004C	0x4400 2F4C	0x4400 304C	0x4400 314C	0x4400 384C
L3_TARG_STDERRLOG_MSTADDR	R	32	0x0000 0050	0x4400 2F50	0x4400 3050	0x4400 3150	0x4400 3850
L3_TARG_STDERRLOG_SLVADDR	R	32	0x0000 0054	0x4400 2F54	0x4400 3054	0x4400 3154	0x4400 3854

Table 14-102. L3_MAIN TARG Register Summary (continued)

Register Name	Type	Register Width (Bits)	Address Offset	MCASP1_TARG L3_MAIN Physical Address	MCASP2_TARG L3_MAIN Physical Address	MCASP3_TARG L3_MAIN Physical Address	PCIE2_TARG L3_MAIN Physical Address
L3_TARG_STDERRLOG_INFO	R	32	0x0000 0058	0x4400 2F58	0x4400 3058	0x4400 3158	0x4400 3858
L3_TARG_STDERRLOG_SLVOFSLSB	R	32	0x0000 005C	0x4400 2F5C	0x4400 305C	0x4400 315C	0x4400 385C
L3_TARG_STDERRLOG_SLVOFSMSB	R	32	0x0000 0060	0x4400 2F60	0x4400 3060	0x4400 3160	0x4400 3860
L3_TARG_STDERRLOG_CUSTOMINFO_INFO	R	32	0x0000 0064	0x4400 2F64	0x4400 3064	0x4400 3164	0x4400 3864
L3_TARG_STDERRLOG_CUSTOMINFO_MSTADDR	R	32	0x0000 0068	0x4400 2F68	0x4400 3068	0x4400 3168	0x4400 3868
L3_TARG_STDERRLOG_CUSTOMINFO_OPCODE	R	32	0x0000 006C	0x4400 2F6C	0x4400 306C	0x4400 316C	0x4400 386C
L3_TARG_ADDRSPACESIZELOG	RW	32	0x0000 0080	0x4400 2F80	0x4400 3080	0x4400 3180	0x4400 3880

Table 14-103. L3_MAIN TARG Register Summary

Register Name	Type	Register Width (Bits)	Address Offset	L4_PER3_P3_TARG L3_MAIN Physical Address	OCMC_RAM1_TARG L3_MAIN Physical Address	IPU1_TARG L3_MAIN Physical Address
L3_TARG_STDHOSHTHDR_COREREG	R	32	0x0000 0000	0x4400 0E00	0x4400 0F00	0x4400 1000
L3_TARG_STDHOSHTHDR_VERSIONREG	R	32	0x0000 0004	0x4400 0E04	0x4400 0F04	0x4400 1004
L3_TARG_STDHOSHTHDR_MAINCTLREG	RW	32	0x0000 0008	0x4400 0E08	0x4400 0F08	0x4400 1008
L3_TARG_STDHOSHTHDR_NTTPADDR_0	R	32	0x0000 0010	0x4400 0E10	0x4400 0F10	0x4400 1010
L3_TARG_STDERRLOG_SVRTSTDLVL	RW	32	0x0000 0040	0x4400 0E40	0x4400 0F40	0x4400 1040
L3_TARG_STDERRLOG_SVRTCUSTOMLVL	RW	32	0x0000 0044	0x4400 0E44	0x4400 0F44	0x4400 1044
L3_TARG_STDERRLOG_MAIN	RW	32	0x0000 0048	0x4400 0E48	0x4400 0F48	0x4400 1048
L3_TARG_STDERRLOG_HDR	R	32	0x0000 004C	0x4400 0E4C	0x4400 0F4C	0x4400 104C
L3_TARG_STDERRLOG_MSTADDR	R	32	0x0000 0050	0x4400 0E50	0x4400 0F50	0x4400 1050
L3_TARG_STDERRLOG_SLVADDR	R	32	0x0000 0054	0x4400 0E54	0x4400 0F54	0x4400 1054
L3_TARG_STDERRLOG_INFO	R	32	0x0000 0058	0x4400 0E58	0x4400 0F58	0x4400 1058
L3_TARG_STDERRLOG_SLVOFSLSB	R	32	0x0000 005C	0x4400 0E5C	0x4400 0F5C	0x4400 105C
L3_TARG_STDERRLOG_SLVOFSMSB	R	32	0x0000 0060	0x4400 0E60	0x4400 0F60	0x4400 1060
L3_TARG_STDERRLOG_CUSTOMINFO_INFO	R	32	0x0000 0064	0x4400 0E64	0x4400 0F64	0x4400 1064
L3_TARG_STDERRLOG_CUSTOMINFO_MSTADDR	R	32	0x0000 0068	0x4400 0E68	0x4400 0F68	0x4400 1068
L3_TARG_STDERRLOG_CUSTOMINFO_OPCODE	R	32	0x0000 006C	0x4400 0E6C	0x4400 0F6C	0x4400 106C
L3_TARG_ADDRSPACESIZELOG	RW	32	0x0000 0080	0x4400 0E80	0x4400 0F80	0x4400 1080

Table 14-104. L3_MAIN TARG Register Summary

Register Name	Type	Register Width (Bits)	Address Offset	GPU_TARG L3_MAIN Physical Address	DMM_P2_TARG L3_MAIN Physical Address	PRUSS1_TARG L3_MAIN Physical Address
L3_TARG_STDHOSTHDR_COREREG	R	32	0x0000 0000	0x4400 1200	0x4400 1300	0x4400 1400
L3_TARG_STDHOSTHDR_VERSIONREG	R	32	0x0000 0004	0x4400 1204	0x4400 1304	0x4400 1404
L3_TARG_STDHOSTHDR_MAINCTLREG	RW	32	0x0000 0008	0x4400 1208	0x4400 1308	0x4400 1408
L3_TARG_STDHOSTHDR_NTTPADDR_0	R	32	0x0000 0010	0x4400 1210	0x4400 1310	0x4400 1410
L3_TARG_STDERRLOG_SVRTSTDLVL	RW	32	0x0000 0040	0x4400 1240	0x4400 1340	0x4400 1440
L3_TARG_STDERRLOG_SVRTCUSTOMLVL	RW	32	0x0000 0044	0x4400 1244	0x4400 1344	0x4400 1444
L3_TARG_STDERRLOG_MAIN	RW	32	0x0000 0048	0x4400 1248	0x4400 1348	0x4400 1448
L3_TARG_STDERRLOG_HDR	R	32	0x0000 004C	0x4400 124C	0x4400 134C	0x4400 144C
L3_TARG_STDERRLOG_MSTADDR	R	32	0x0000 0050	0x4400 1250	0x4400 1350	0x4400 1450
L3_TARG_STDERRLOG_SLVADDR	R	32	0x0000 0054	0x4400 1254	0x4400 1354	0x4400 1454
L3_TARG_STDERRLOG_INFO	R	32	0x0000 0058	0x4400 1258	0x4400 1358	0x4400 1458
L3_TARG_STDERRLOG_SLVOFSLSB	R	32	0x0000 005C	0x4400 125C	0x4400 135C	0x4400 145C
L3_TARG_STDERRLOG_SLVOFSMSB	R	32	0x0000 0060	0x4400 1260	0x4400 1360	0x4400 1460
L3_TARG_STDERRLOG_CUSTOMINFO_INFO	R	32	0x0000 0064	0x4400 1264	0x4400 1364	0x4400 1464
L3_TARG_STDERRLOG_CUSTOMINFO_MSTADDR	R	32	0x0000 0068	0x4400 1268	0x4400 1368	0x4400 1468
L3_TARG_STDERRLOG_CUSTOMINFO_OPCODE	R	32	0x0000 006C	0x4400 126C	0x4400 136C	0x4400 146C
L3_TARG_ADDRSPACESIZELOG	RW	32	0x0000 0080	0x4400 1280	0x4400 1380	0x4400 1480

Table 14-105. L3_MAIN TARG Register Summary

Register Name	Type	Register Width (Bits)	Address Offset	IVA_CONFIG_TARG L3_MAIN Physical Address	IVA_SL2IF_TARG L3_MAIN Physical Address
L3_TARG_STDHOSTHDR_COREREG	R	32	0x0000 0000	0x4400 1600	0x4400 1800
L3_TARG_STDHOSTHDR_VERSIONREG	R	32	0x0000 0004	0x4400 1604	0x4400 1804
L3_TARG_STDHOSTHDR_MAINCTLREG	RW	32	0x0000 0008	0x4400 1608	0x4400 1808
L3_TARG_STDHOSTHDR_NTTPADDR_0	R	32	0x0000 0010	0x4400 1610	0x4400 1810
L3_TARG_STDERRLOG_SVRTSTDLVL	RW	32	0x0000 0040	0x4400 1640	0x4400 1840
L3_TARG_STDERRLOG_SVRTCUSTOMLVL	RW	32	0x0000 0044	0x4400 1644	0x4400 1844
L3_TARG_STDERRLOG_MAIN	RW	32	0x0000 0048	0x4400 1648	0x4400 1848
L3_TARG_STDERRLOG_HDR	R	32	0x0000 004C	0x4400 164C	0x4400 184C
L3_TARG_STDERRLOG_MSTADDR	R	32	0x0000 0050	0x4400 1650	0x4400 1850
L3_TARG_STDERRLOG_SLVADDR	R	32	0x0000 0054	0x4400 1654	0x4400 1854
L3_TARG_STDERRLOG_INFO	R	32	0x0000 0058	0x4400 1658	0x4400 1858
L3_TARG_STDERRLOG_SLVOFSLSB	R	32	0x0000 005C	0x4400 165C	0x4400 185C

Table 14-105. L3_MAIN TARG Register Summary (continued)

Register Name	Type	Register Width (Bits)	Address Offset	IVA_CONFIG_TARG L3_MAIN Physical Address	IVA_SL2IF_TARG L3_MAIN Physical Address
L3_TARG_STDERRLOG_SLVOFSMSB	R	32	0x0000 0060	0x4400 1660	0x4400 1860
L3_TARG_STDERRLOG_CUSTOMINFO_INFO	R	32	0x0000 0064	0x4400 1664	0x4400 1864
L3_TARG_STDERRLOG_CUSTOMINFO_MSTADDR	R	32	0x0000 0068	0x4400 1668	0x4400 1868
L3_TARG_STDERRLOG_CUSTOMINFO_OPCODE	R	32	0x0000 006C	0x4400 166C	0x4400 186C
L3_TARG_ADDRSPACESIZELOG	RW	32	0x0000 0080	0x4400 1680	0x4400 1880

Table 14-106. L3_MAIN TARG Register Summary

Register Name	Type	Register Width (Bits)	Address Offset	L4_PER1_P1_TARG L3_MAIN Physical Address	L4_WKUP_TARG L3_MAIN Physical Address	L4_PER1_P2_TARG L3_MAIN Physical Address
L3_TARG_STDHOSHTDR_COREREG	R	32	0x0000 0000	0x4400 1C00	0x4400 1D00	0x4400 1F00
L3_TARG_STDHOSHTDR_VERSIONREG	R	32	0x0000 0004	0x4400 1C04	0x4400 1D04	0x4400 1F04
L3_TARG_STDHOSHTDR_MAINCTLREG	RW	32	0x0000 0008	0x4400 1C08	0x4400 1D08	0x4400 1F08
L3_TARG_STDHOSHTDR_NTTPADDR_0	R	32	0x0000 0010	0x4400 1C10	0x4400 1D10	0x4400 1F10
L3_TARG_STDERRLOG_SVRTSTDLVL	RW	32	0x0000 0040	0x4400 1C40	0x4400 1D40	0x4400 1F40
L3_TARG_STDERRLOG_SVRTCUSTOMLVL	RW	32	0x0000 0044	0x4400 1C44	0x4400 1D44	0x4400 1F44
L3_TARG_STDERRLOG_MAIN	RW	32	0x0000 0048	0x4400 1C48	0x4400 1D48	0x4400 1F48
L3_TARG_STDERRLOG_HDR	R	32	0x0000 004C	0x4400 1C4C	0x4400 1D4C	0x4400 1F4C
L3_TARG_STDERRLOG_MSTADDR	R	32	0x0000 0050	0x4400 1C50	0x4400 1D50	0x4400 1F50
L3_TARG_STDERRLOG_SLVADDR	R	32	0x0000 0054	0x4400 1C54	0x4400 1D54	0x4400 1F54
L3_TARG_STDERRLOG_INFO	R	32	0x0000 0058	0x4400 1C58	0x4400 1D58	0x4400 1F58
L3_TARG_STDERRLOG_SLVOFSLSB	R	32	0x0000 005C	0x4400 1C5C	0x4400 1D5C	0x4400 1F5C
L3_TARG_STDERRLOG_SLVOFSMSB	R	32	0x0000 0060	0x4400 1C60	0x4400 1D60	0x4400 1F60
L3_TARG_STDERRLOG_CUSTOMINFO_INFO	R	32	0x0000 0064	0x4400 1C64	0x4400 1D64	0x4400 1F64
L3_TARG_STDERRLOG_CUSTOMINFO_MSTA DDR	R	32	0x0000 0068	0x4400 1C68	0x4400 1D68	0x4400 1F68
L3_TARG_STDERRLOG_CUSTOMINFO_OPCODE	R	32	0x0000 006C	0x4400 1C6C	0x4400 1D6C	0x4400 1F6C
L3_TARG_ADDRSPACESIZELOG	RW	32	0x0000 0080	0x4400 1C80	0x4400 1D80	0x4400 1F80

Table 14-107. L3_MAIN TARG Register Summary

Register Name	Type	Register Width (Bits)	Address Offset	TPCC_TARG L3_MAIN Physical Address	L4_PER1_P3_TARG L3_MAIN Physical Address	MMU1_TARG L3_MAIN Physical Address	L4_PER2_P1_TARG L3_MAIN Physical Address	L4_PER2_P2_TARG L3_MAIN Physical Address	L4_PER2_P3_TARG L3_MAIN Physical Address
L3_TARG_STDHOSTHDR_COREREG	R	32	0x0000 0000	0x4400 2000	0x4400 2100	0x4400 2200	0x4400 2300	0x4400 2400	0x4400 2500
L3_TARG_STDHOSTHDR_VER_SIONREG	R	32	0x0000 0004	0x4400 2004	0x4400 2104	0x4400 2204	0x4400 2304	0x4400 2404	0x4400 2504
L3_TARG_STDHOSTHDR_MAINTCTLRREG	RW	32	0x0000 0008	0x4400 2008	0x4400 2108	0x4400 2208	0x4400 2308	0x4400 2408	0x4400 2508
L3_TARG_STDHOSTHDR_NTT_PADDR_0	R	32	0x0000 0010	0x4400 2010	0x4400 2110	0x4400 2210	0x4400 2310	0x4400 2410	0x4400 2510
L3_TARG_STDERRLOG_SVRTSTDVLV	RW	32	0x0000 0040	0x4400 2040	0x4400 2140	0x4400 2240	0x4400 2340	0x4400 2440	0x4400 2540
L3_TARG_STDERRLOG_SVRTCUSTOMLVL	RW	32	0x0000 0044	0x4400 2044	0x4400 2144	0x4400 2244	0x4400 2344	0x4400 2444	0x4400 2544
L3_TARG_STDERRLOG_MAIN	RW	32	0x0000 0048	0x4400 2048	0x4400 2148	0x4400 2248	0x4400 2348	0x4400 2448	0x4400 2548
L3_TARG_STDERRLOG_HDR	R	32	0x0000 004C	0x4400 204C	0x4400 214C	0x4400 224C	0x4400 234C	0x4400 244C	0x4400 254C
L3_TARG_STDERRLOG_MSTADDR	R	32	0x0000 0050	0x4400 2050	0x4400 2150	0x4400 2250	0x4400 2350	0x4400 2450	0x4400 2550
L3_TARG_STDERRLOG_SLVADDR	R	32	0x0000 0054	0x4400 2054	0x4400 2154	0x4400 2254	0x4400 2354	0x4400 2454	0x4400 2554
L3_TARG_STDERRLOG_INFO	R	32	0x0000 0058	0x4400 2058	0x4400 2158	0x4400 2258	0x4400 2358	0x4400 2458	0x4400 2558
L3_TARG_STDERRLOG_SLVOFSLSB	R	32	0x0000 005C	0x4400 205C	0x4400 215C	0x4400 225C	0x4400 235C	0x4400 245C	0x4400 255C
L3_TARG_STDERRLOG_SLVOFMSB	R	32	0x0000 0060	0x4400 2060	0x4400 2160	0x4400 2260	0x4400 2360	0x4400 2460	0x4400 2560
L3_TARG_STDERRLOG_CUSTOMINFO_INFO	R	32	0x0000 0064	0x4400 2064	0x4400 2164	0x4400 2264	0x4400 2364	0x4400 2464	0x4400 2564
L3_TARG_STDERRLOG_CUSTOMINFO_MSTADDR	R	32	0x0000 0068	0x4400 2068	0x4400 2168	0x4400 2268	0x4400 2368	0x4400 2468	0x4400 2568
L3_TARG_STDERRLOG_CUSTOMINFO_OPCODE	R	32	0x0000 006C	0x4400 206C	0x4400 216C	0x4400 226C	0x4400 236C	0x4400 246C	0x4400 256C
L3_TARG_ADDRSPACESIZELOG	RW	32	0x0000 0080	0x4400 2080	0x4400 2180	0x4400 2280	0x4400 2380	0x4400 2480	0x4400 2580

Table 14-108. L3_MAIN TARG Register Summary

Register Name	Type	Register Width (Bits)	Address Offset	L4_PER3_P1_TARG L3_MAIN Physical Address	L4_PER3_P2_TARG L3_MAIN Physical Address	MMU2_TARG L3_MAIN Physical Address	DSS_TARG L3_MAIN Physical Address	TPTC2_TARG L3_MAIN Physical Address
L3_TARG_STDHOSTHDR_CORE REG	R	32	0x0000 0000	0x4400 2600	0x4400 2700	0x4400 2800	0x4400 2900	0x4400 2B00
L3_TARG_STDHOSTHDR_VERSION REG	R	32	0x0000 0004	0x4400 2604	0x4400 2704	0x4400 2804	0x4400 2904	0x4400 2B04
L3_TARG_STDHOSTHDR_MAIN CTL REG	RW	32	0x0000 0008	0x4400 2608	0x4400 2708	0x4400 2808	0x4400 2908	0x4400 2B08
L3_TARG_STDHOSTHDR_NTTPA DDR_0	R	32	0x0000 0010	0x4400 2610	0x4400 2710	0x4400 2810	0x4400 2910	0x4400 2B10
L3_TARG_STDERRLOG_SVRTST DLVL	RW	32	0x0000 0040	0x4400 2640	0x4400 2740	0x4400 2840	0x4400 2940	0x4400 2B40
L3_TARG_STDERRLOG_SVRTCU STOMLVL	RW	32	0x0000 0044	0x4400 2644	0x4400 2744	0x4400 2844	0x4400 2944	0x4400 2B44
L3_TARG_STDERRLOG_MAIN	RW	32	0x0000 0048	0x4400 2648	0x4400 2748	0x4400 2848	0x4400 2948	0x4400 2B48
L3_TARG_STDERRLOG_HDR	R	32	0x0000 004C	0x4400 264C	0x4400 274C	0x4400 284C	0x4400 294C	0x4400 2B4C
L3_TARG_STDERRLOG_MSTADDR	R	32	0x0000 0050	0x4400 2650	0x4400 2750	0x4400 2850	0x4400 2950	0x4400 2B50
L3_TARG_STDERRLOG_SLVADDR	R	32	0x0000 0054	0x4400 2654	0x4400 2754	0x4400 2854	0x4400 2954	0x4400 2B54
L3_TARG_STDERRLOG_INFO	R	32	0x0000 0058	0x4400 2658	0x4400 2758	0x4400 2858	0x4400 2958	0x4400 2B58
L3_TARG_STDERRLOG_SLVOFS LSB	R	32	0x0000 005C	0x4400 265C	0x4400 275C	0x4400 285C	0x4400 295C	0x4400 2B5C
L3_TARG_STDERRLOG_SLVOFS MSB	R	32	0x0000 0060	0x4400 2660	0x4400 2760	0x4400 2860	0x4400 2960	0x4400 2B60
L3_TARG_STDERRLOG_CUSTO MINFO_INFO	R	32	0x0000 0064	0x4400 2664	0x4400 2764	0x4400 2864	0x4400 2964	0x4400 2B64
L3_TARG_STDERRLOG_CUSTO MINFO_MSTADDR	R	32	0x0000 0068	0x4400 2668	0x4400 2768	0x4400 2868	0x4400 2968	0x4400 2B68
L3_TARG_STDERRLOG_CUSTO MINFO_OPCODE	R	32	0x0000 006C	0x4400 266C	0x4400 276C	0x4400 286C	0x4400 296C	0x4400 2B6C
L3_TARG_ADDRSPACESIZELOG	RW	32	0x0000 0080	0x4400 2680	0x4400 2780	0x4400 2880	0x4400 2980	0x4400 2B80

Table 14-109. L3_MAIN TARG Register Summary

Register Name	Type	Register Width (Bits)	Address Offset	TPTC1_TARG L3_MAIN Physical Address
L3_TARG_STDHOSTHDR_COREREG	R	32	0x0000 0000	0x4400 2E00
L3_TARG_STDHOSTHDR_VERSIONREG	R	32	0x0000 0004	0x4400 2E04
L3_TARG_STDHOSTHDR_MAINCTLREG	RW	32	0x0000 0008	0x4400 2E08

Table 14-109. L3_MAIN TARG Register Summary (continued)

Register Name	Type	Register Width (Bits)	Address Offset	TPTC1_TARG L3_MAIN Physical Address
L3_TARG_STDHOSTHDR_NTTPADDR_0	R	32	0x0000 0010	0x4400 2E10
L3_TARG_STDERRLOG_SVRTSTDLVL	RW	32	0x0000 0040	0x4400 2E40
L3_TARG_STDERRLOG_SVRTCUSTOMLVL	RW	32	0x0000 0044	0x4400 2E44
L3_TARG_STDERRLOG_MAIN	RW	32	0x0000 0048	0x4400 2E48
L3_TARG_STDERRLOG_HDR	R	32	0x0000 004C	0x4400 2E4C
L3_TARG_STDERRLOG_MSTADDR	R	32	0x0000 0050	0x4400 2E50
L3_TARG_STDERRLOG_SLVADDR	R	32	0x0000 0054	0x4400 2E54
L3_TARG_STDERRLOG_INFO	R	32	0x0000 0058	0x4400 2E58
L3_TARG_STDERRLOG_SLVOFSLSB	R	32	0x0000 005C	0x4400 2E5C
L3_TARG_STDERRLOG_SLVOFSMSB	R	32	0x0000 0060	0x4400 2E60
L3_TARG_STDERRLOG_CUSTOMINFO_INFO	R	32	0x0000 0064	0x4400 2E64
L3_TARG_STDERRLOG_CUSTOMINFO_MSTADDR	R	32	0x0000 0068	0x4400 2E68
L3_TARG_STDERRLOG_CUSTOMINFO_OPCODE	R	32	0x0000 006C	0x4400 2E6C
L3_TARG_ADDRSPACESIZELOG	RW	32	0x0000 0080	0x4400 2E80

Table 14-110. L3_MAIN TARG Register Summary

Register Name	Type	Register Width (Bits)	Address Offset	PCIE1_TARG L3_MAIN Physical Address	QSPI_TARG L3_MAIN Physical Address	L3_INSTR_TARG L3_MAIN Physical Address	DEBUGSS_CT_TBR_TARG L3_MAIN Physical Address
L3_TARG_STDHOSTHDR_COREREG	R	32	0x0000 0000	0x4400 3700	0x4400 3900	0x4500 0100	0x4500 0300
L3_TARG_STDHOSTHDR_VERSIONREG	R	32	0x0000 0004	0x4400 3704	0x4400 3904	0x4500 0104	0x4500 0304
L3_TARG_STDHOSTHDR_MAINCTLREG	RW	32	0x0000 0008	0x4400 3708	0x4400 3908	0x4500 0108	0x4500 0308
L3_TARG_STDHOSTHDR_NTTPADDR_0	R	32	0x0000 0010	0x4400 3710	0x4400 3910	0x4500 0110	0x4500 0310
L3_TARG_STDERRLOG_SVRTSTDLVL	RW	32	0x0000 0040	0x4400 3740	0x4400 3940	0x4500 0140	0x4500 0340
L3_TARG_STDERRLOG_SVRTCUSTOMLVL	RW	32	0x0000 0044	0x4400 3744	0x4400 3944	0x4500 0144	0x4500 0344
L3_TARG_STDERRLOG_MAIN	RW	32	0x0000 0048	0x4400 3748	0x4400 3948	0x4500 0148	0x4500 0348
L3_TARG_STDERRLOG_HDR	R	32	0x0000 004C	0x4400 374C	0x4400 394C	0x4500 014C	0x4500 034C
L3_TARG_STDERRLOG_MSTADDR	R	32	0x0000 0050	0x4400 3750	0x4400 3950	0x4500 0150	0x4500 0350
L3_TARG_STDERRLOG_SLVADDR	R	32	0x0000 0054	0x4400 3754	0x4400 3954	0x4500 0154	0x4500 0354
L3_TARG_STDERRLOG_INFO	R	32	0x0000 0058	0x4400 3758	0x4400 3958	0x4500 0158	0x4500 0358
L3_TARG_STDERRLOG_SLVOFSLSB	R	32	0x0000 005C	0x4400 375C	0x4400 395C	0x4500 015C	0x4500 035C
L3_TARG_STDERRLOG_SLVOFSMSB	R	32	0x0000 0060	0x4400 3760	0x4400 3960	0x4500 0160	0x4500 0360

Table 14-110. L3_MAIN TARG Register Summary (continued)

Register Name	Type	Register Width (Bits)	Address Offset	PCIE1_TARG L3_MAIN Physical Address	QSPI_TARG L3_MAIN Physical Address	L3_INSTR_TARG L3_MAIN Physical Address	DEBUGSS_CT_TBR_TARG L3_MAIN Physical Address
L3_TARG_STDERRLOG_CUSTOMINFO_INFO	R	32	0x0000 0064	0x4400 3764	0x4400 3964	0x4500 0164	0x4500 0364
L3_TARG_STDERRLOG_CUSTOMINFO_MSTADDR	R	32	0x0000 0068	0x4400 3768	0x4400 3968	0x4500 0168	0x4500 0368
L3_TARG_STDERRLOG_CUSTOMINFO_OPCODE	R	32	0x0000 006C	0x4400 376C	0x4400 396C	0x4500 016C	0x4500 036C
L3_TARG_ADDRSPACESIZELOG	RW	32	0x0000 0080	0x4400 3780	0x4400 3980	0x4500 0180	0x4500 0380

14.2.5.1.3.2 L3_MAIN TARG Register Description

Table 14-111. L3_TARG_STDHOSTHDR_COREREG

Address Offset	See Table 14-98 .	
Physical Address	See Table 14-98 to Table 14-110	Instance See Table 14-98 to Table 14-110
Description		
Type	R	

31	30	29	28	27	26	25	24	23	22	21	20	19	18	17	16	15	14	13	12	11	10	9	8	7	6	5	4	3	2	1	0
RESERVED								STDHOSTHDR_COREREG_ CORECODE								RESERVED								STDHOSTHDR_COREREG_ VENDORCODE							

Bits	Field Name	Description	Type	Reset
31:22	RESERVED		R	0x000
21:16	STDHOSTHDR_COREREG_ CORECODE	The Core Code field is a constant reporting a vendor-specific core generator code. Type: Constant. Reset value: 0x13.	R	0x13
15:1	RESERVED		R	0x0000
0	STDHOSTHDR_COREREG_ VENDORCODE	The Vendor Code field is a constant reporting the core generator vendor code. Type: Constant. Reset value: 0x1. Read 0x0: Third-party vendor. Read 0x1:	R	1

Table 14-112. Register Call Summary for Register L3_TARG_STDHOSTHDR_COREREG

L3_MAIN Interconnect

- [L3_MAIN TARG Register Summary and Description: \[0\]\[1\]\[2\]\[3\]\[4\]\[5\]\[6\]\[7\]\[8\]\[9\]\[10\]\[11\]\[12\]](#)

Table 14-113. L3_TARG_STDHOSTHDR_VERSIONREG

Address Offset	See Table 14-98 .
Physical Address	See Table 14-98 to Table 14-110 Instance See Table 14-98 to Table 14-110
Description	
Type	R

31	30	29	28	27	26	25	24	23	22	21	20	19	18	17	16	15	14	13	12	11	10	9	8	7	6	5	4	3	2	1	0
STDHOSTHDR_VERSIONREG_REVISIONID								STDHOSTHDR_VERSIONREG_COREPARAMSCHECKSUM																							

Bits	Field Name	Description	Type	Reset
31:24	STDHOSTHDR_VERSIONREG_REVISIONID	The Revision Identifier field is a constant reporting the core generator revision number. Type: Constant. Reset value: 0x0.	R	0x00
23:0	STDHOSTHDR_VERSIONREG_COREPARAMSCHECKSUM	Reserved. Type: Reserved. Reset value: Reserved.	R	0x000000

Table 14-114. Register Call Summary for Register L3_TARG_STDHOSTHDR_VERSIONREG

L3_MAIN Interconnect

- [L3_MAIN TARG Register Summary and Description: \[0\]\[1\]\[2\]\[3\]\[4\]\[5\]\[6\]\[7\]\[8\]\[9\]\[10\]\[11\]\[12\]](#)

Table 14-115. L3_TARG_STDHOSTHDR_MAINCTLREG

Address Offset	See Table 14-98 .
Physical Address	See Table 14-98 to Table 14-110 Instance See Table 14-98 to Table 14-110
Description	
Type	RW

31	30	29	28	27	26	25	24	23	22	21	20	19	18	17	16	15	14	13	12	11	10	9	8	7	6	5	4	3	2	1	0
RESERVED																STDHOSTDR_MAINCTLREG_CM	STDHOSTDR_MAINCTLREG_FLT	RESERVED	STDHOSTDR_MAINCTLREG_EN												

Bits	Field Name	Description	Type	Reset
31:4	RESERVED	Reserved	R	0x0000000
3	STDHOSTHDR_MAINCTLREG_CM	Reserved for internal testing. Must be set to 0. Type: Control. Reset value: 0x0.	R	0
2	STDHOSTHDR_MAINCTLREG_FLT	Asserted when a Fault condition is detected: if the unit includes Error Logging, Flt is asserted when the FltCnt register field indicates a Fault, and deasserted when FltCnt is reset. If no Error Logging is implemented, this bit becomes unit-dependent. In all cases, Flt bit and Flt pin (service network) have the same logical level. Type: Status. Reset value: X.	R	0
1	RESERVED	Reserved	R	0
0	STDHOSTHDR_MAINCTLREG_EN	Sets the global core enable. Note: A disabled master does not generate any NTP requests, and a disabled slave replies with an error packet to any request it receives. Type: Control. Reset value: 0x1.	RW	1

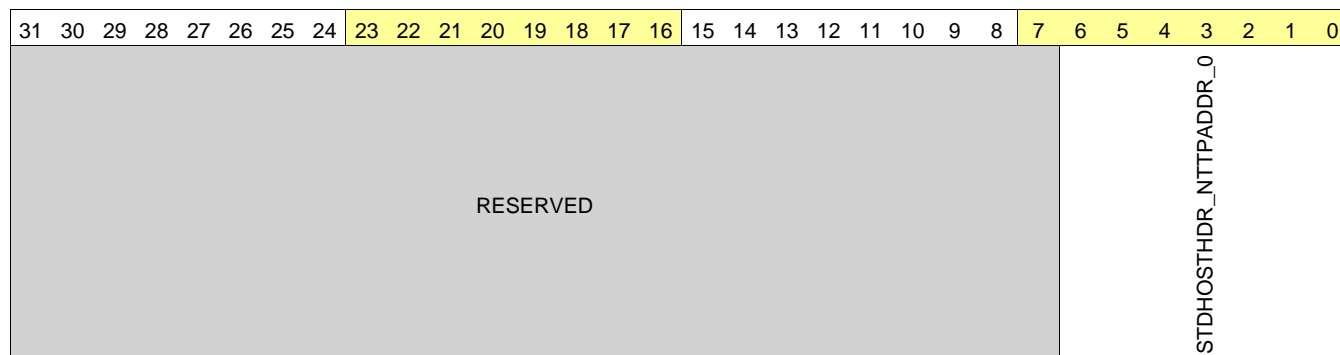
Table 14-116. Register Call Summary for Register L3_TARG_STDHOSTHDR_MAINCTLREG

L3_MAIN Interconnect

- [L3_MAIN TARG Register Summary and Description: \[0\]\[1\]\[2\]\[3\]\[4\]\[5\]\[6\]\[7\]\[8\]\[9\]\[10\]\[11\]\[12\]](#)

Table 14-117. L3_TARG_STDHOSTHDR_NTPADDR_0

Address Offset	See Table 14-98 .
Physical Address	See Table 14-98 to Table 14-110 Instance
Description	See Table 14-98 to Table 14-110
Type	R



Bits	Field Name	Description	Type	Reset
31:7	RESERVED	Reserved	R	0x0000000
6:0	STDHOSTHDR_NTPADDR_0	Shows the Rx port address. Type: Control. Reset value: 0x15.	R	See ⁽¹⁾

⁽¹⁾ GPMC - 0xC; DMM_P1 - 0x2; DSP1_SDMA - 0x4; L4_CFG - 0x14; MCASP1 - 0x1F; L4_PER3_P3 - 0x1; OCMC_RAM1 - 0x24; IPU1 - 0x10; IPU2 - 0x11; BB2D - 0xB; GPU - 0xD; DMM_P2 - 0x3; PRU-ICSS1 - 0x2A, PRU-ICSS2 - 0x2B; IVA_CONFIG - 0x12; IVA_SL2IF - 0x13; L4_PER1_P1 - 0x16; L4_WKUP - 0x1E; L4_PER1_P2 - 0x17; TPCC - 0x30; L4_PER1_P3 - 0x18; MMU1 - 0x22; L4_PER2_P1 - 0x18; L4_PER2_P2 - 0x42; L4_PER2_P3 - 0x1A; L4_PER3_P1 - 0x1B; L4_PER3_P2 - 0x1C; MMU2 - 0x23; DSS - 0x6; TPTC2 - 0x32; TPTC1 - 0x31; PCIE1 - 0x28; PCIE2 - 0x29; QSPI - 0x39; L3_INSTR - 0x19; DEBUGSS - 0x41.

Table 14-118. Register Call Summary for Register L3_TARG_STDHOSTHDR_NTPADDR_0

L3_MAIN Interconnect

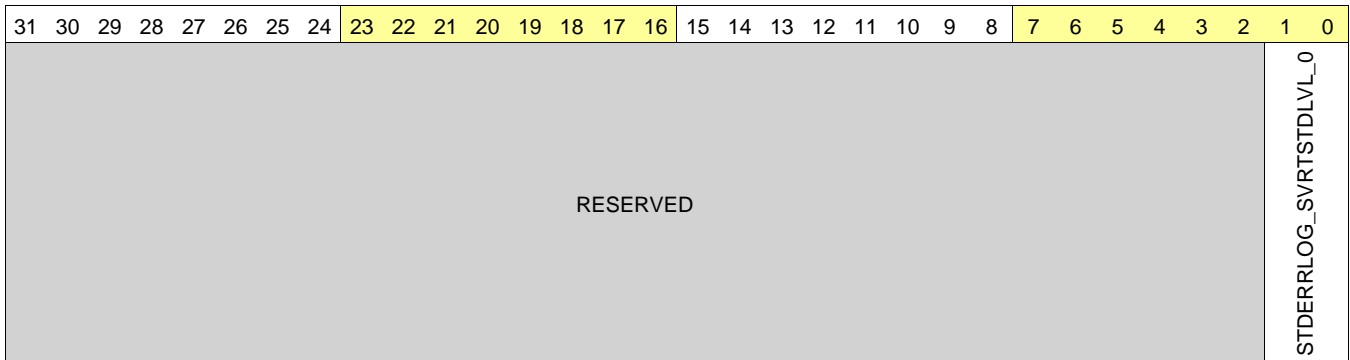
- [L3_MAIN TARG Register Summary and Description: \[0\]\[1\]\[2\]\[3\]\[4\]\[5\]\[6\]\[7\]\[8\]\[9\]\[10\]\[11\]\[12\]](#)

NOTE: ATL, VCP1, VCP2, MLB and USB3 (ULPI) are not supported on the AM571x / AM570x family of devices.

SATA and RTC are not supported on the AM570x family of devices.

Table 14-119. L3_TARG_STDERRLOG_SVRTSTDLVL

Address Offset	See Table 14-98 .		
Physical Address	See Table 14-98 to Table 14-110	Instance	See Table 14-98 to Table 14-110
Description			
Type	RW		



Bits	Field Name	Description	Type	Reset
31:2	RESERVED	Reserved	R	0x0000 0000
1:0	STDERRLOG_SVRTSTDLVL_0	Severity level parameters Type: Control. Reset value: 0x2. 0x0: Error logging is disabled. 0x1: Errors are logged with severity level Error. 0x2: Errors are logged with severity level Fault.	RW	0x2

Table 14-120. Register Call Summary for Register L3_TARG_STDERRLOG_SVRTSTDLVL

L3_MAIN Interconnect

- [Severity Level of Standard and Custom Errors: \[0\]](#)
- [L3_MAIN Interconnect Error Analysis Mode: \[1\]](#)
- [L3_MAIN TARG Register Summary and Description: \[2\]\[3\]\[4\]\[5\]\[6\]\[7\]\[8\]\[9\]\[10\]\[11\]\[12\]\[13\]\[14\]](#)

Table 14-121. L3_TARG_STDERRLOG_SVRTCUSTOMLVL

Address Offset	See Table 14-98 .
Physical Address	See Table 14-98 to Table 14-110 Instance
Description	See Table 14-98 to Table 14-110
Type	RW

31	30	29	28	27	26	25	24	23	22	21	20	19	18	17	16	15	14	13	12	11	10	9	8	7	6	5	4	3	2	1	0
RESERVED																STDERRLOG_SVRTCUSTOMLVL_0															

Bits	Field Name	Description	Type	Reset
31:2	RESERVED	Reserved	R	0x0000 0000
1:0	STDERRLOG_SVRTCUSTOMLVL_0	Severity level parameters Type: Control. Reset value: 0x2. 0x0: Error logging is disabled. 0x1: Errors are logged with severity level Error. 0x2: Errors are logged with severity level Fault.	RW	0x2

Table 14-122. Register Call Summary for Register L3_TARG_STDERRLOG_SVRTCUSTOMLVL

L3_MAIN Interconnect

- [Severity Level of Standard and Custom Errors: \[0\]](#)
- [L3_MAIN TARG Register Summary and Description: \[1\]\[2\]\[3\]\[4\]\[5\]\[6\]\[7\]\[8\]\[9\]\[10\]\[11\]\[12\]\[13\]](#)

Table 14-123. L3_TARG_STDERRLOG_MAIN

Address Offset	See Table 14-98 .
Physical Address	See Table 14-98 to Table 14-110 Instance
Description	See Table 14-98 to Table 14-110
Type	RW

31	30	29	28	27	26	25	24	23	22	21	20	19	18	17	16	15	14	13	12	11	10	9	8	7	6	5	4	3	2	1	0
RESERVED																RESERVED															
STDERRLOG_MAIN_CLRLOG																STDERRLOG_MAIN_ERRLOGVLD															
STDERRLOG_MAIN_FLTCNT																STDERRLOG_MAIN_ERRTYPE															
STDERRLOG_MAIN_ERRCNT																STDERRLOG_MAIN_ERRLOGVLD															

Bits	Field Name	Description	Type	Reset
31	STDERRLOG_MAIN_CLRLOG	Clears "Error Logging Valid" bit when written to 1. Type: Give_AutoCleared. Reset value: 0x0.	RW	0
30:20	RESERVED	Reserved	R	0x000
19	STDERRLOG_MAIN_FLTCNT	Asserted when at least one error with severity level FAULT is detected. Reset when written to 1. Type: Take. Reset value: 0x0.	RW	0
18	STDERRLOG_MAIN_ERRCNT	Asserted when at least one error with severity level ERROR is detected. Reset when written to 1. Type: Take. Reset value: 0x0.	RW	0
17:2	RESERVED	Reserved	R	0x0000
1	STDERRLOG_MAIN_ERRTYPE	Indicates logging type. Type: Status. Reset value: X. Read 0x0: Logged Error format is standard (header and necker recorded). Read 0x1: Logged Error format is module dependent. CustomInfo register(s) may be implemented to store additional information.	R	0
0	STDERRLOG_MAIN_ERRLOGV LD	Error Logging Valid. Asserted when logging information is valid(indicates that an error has been logged). Type: Status. Reset value: X.	R	0

Table 14-124. Register Call Summary for Register L3_TARG_STDERRLOG_MAIN

L3_MAIN Interconnect

- [Severity Level of Standard and Custom Errors: \[0\]](#)
- [Example for Decoding Standard/Custom Errors Logged in L3_MAIN: \[1\]](#)
- [L3_MAIN Interconnect Error Analysis Mode: \[2\]\[3\]\[4\]\[5\]\[6\]\[7\]](#)
- [L3_MAIN TARG Register Summary and Description: \[8\]\[9\]\[10\]\[11\]\[12\]\[13\]\[14\]\[15\]\[16\]\[17\]\[18\]\[19\]\[20\]](#)

Table 14-125. L3_TARG_STDERRLOG_HDR

Address Offset	See Table 14-98 .
Physical Address	See Table 14-98 to Table 14-110 Instance
Description	See Table 14-98 to Table 14-110
Type	R

31	30	29	28	27	26	25	24	23	22	21	20	19	18	17	16	15	14	13	12	11	10	9	8	7	6	5	4	3	2	1	0
RESERVED								STDERRLOG_HDR_LEN1								RESERVED		STDERRLOG_HDR_STOPOFSWRPSZ		STDERRLOG_HDR_ERR		RESERVED		STDERRLOG_HDR_PRESSURE		RESERVED		STDERRLOG_HDR_OPCODE			

Bits	Field Name	Description	Type	Reset
31:28	RESERVED	Reserved	R	0x00
27:18	STDERRLOG_HDR_LEN1	This field contains the number of payload cell(s) minus one of the logged packet. Type: Status. Reset value: X.	R	0x00
17:16	RESERVED	Reserved	R	0x0

Bits	Field Name	Description	Type	Reset
15:12	STDERRLOG_HDR_STOPOFS WRPSZ	StopOfs or WrapSize field of the logged packet (meaning depends on Wrp bit of logged opcode). Type: Status. Reset value: X.	R	0x0
11	STDERRLOG_HDR_ERR	Err bit of the logged packet. Type: Status. Reset value: X.	R	0
10:8	RESERVED	Reserved	R	0x0
7:6	STDERRLOG_HDR_PRESSUR E	Pressure field of the logged packet. Type: Status. Reset value: X.	R	0
5:4	RESERVED	Reserved	R	0x0
3:0	STDERRLOG_HDR_OPCODE	Opcode of the logged packet. Type: Status. Reset value: X. 0x0: Store without acknowledge, incrementing burst, non-atomic request 0x1: Store without acknowledge, wrapping burst, non-atomic request 0x2: Store with acknowledge, incrementing burst, non-atomic request 0x3: Store with acknowledge, wrapping burst, non-atomic request 0x4: Load, incrementing burst, non-atomic request 0x5: Load, wrapping burst, non-atomic request 0x6: Control packet 0x7: Flush 0x8: Store without acknowledge, incrementing burst, atomic request 0x9: Store without acknowledge, wrapping burst, atomic request 0xA: Store with acknowledge, incrementing burst, atomic request 0xB: Store with acknowledge, wrapping burst, atomic request 0xC: Load, incrementing burst, atomic request 0xD: Load, wrapping burst, atomic request 0xE: Reserved 0xF: Reserved	R	0x0

Table 14-126. Register Call Summary for Register L3_TARG_STDERRLOG_HDR

L3_MAIN Interconnect

- [Severity Level of Standard and Custom Errors: \[0\]](#)
- [Example for Decoding Standard/Custom Errors Logged in L3_MAIN: \[1\]](#)
- [L3_MAIN TARG Register Summary and Description: \[2\]\[3\]\[4\]\[5\]\[6\]\[7\]\[8\]\[9\]\[10\]\[11\]\[12\]\[13\]\[14\]](#)

Table 14-127. L3_TARG_STDERRLOG_MSTADDR

Address Offset	See Table 14-98 .	
Physical Address	See Table 14-98 to Table 14-110	Instance See Table 14-98 to Table 14-110
Description		
Type	R	

31	30	29	28	27	26	25	24	23	22	21	20	19	18	17	16	15	14	13	12	11	10	9	8	7	6	5	4	3	2	1	0
RESERVED																STDERRLOG_MSTADDR															

Bits	Field Name	Description	Type	Reset
31:8	RESERVED	Reserved	R	0x000000
7:0	STDERRLOG_MSTADDR	Master Address field of the logged packet. Type: Status. Reset value: X.	R	0x00

Table 14-128. Register Call Summary for Register L3_TARG_STDERRLOG_MSTADDR

L3_MAIN Interconnect

- [Severity Level of Standard and Custom Errors: \[0\]](#)
- [Example for Decoding Standard/Custom Errors Logged in L3_MAIN: \[1\]](#)
- [L3_MAIN TARG Register Summary and Description: \[2\]\[3\]\[4\]\[5\]\[6\]\[7\]\[8\]\[9\]\[10\]\[11\]\[12\]\[13\]\[14\]](#)

Table 14-129. L3_TARG_STDERRLOG_SLVADDR

Address Offset	See Table 14-98 .		
Physical Address	See Table 14-98 to Table 14-110	Instance	See Table 14-98 to Table 14-110
Description			
Type	R		

31	30	29	28	27	26	25	24	23	22	21	20	19	18	17	16	15	14	13	12	11	10	9	8	7	6	5	4	3	2	1	0
RESERVED																STDERRLOG_SLVADDR															

Bits	Field Name	Description	Type	Reset
31:7	RESERVED	Reserved	R	0x0000000
6:0	STDERRLOG_SLVADDR	Slave Address field of the logged packet. Type: Status. Reset value: X.	R	0x00

Table 14-130. Register Call Summary for Register L3_TARG_STDERRLOG_SLVADDR

L3_MAIN Interconnect

- [Severity Level of Standard and Custom Errors: \[0\]](#)
- [Example for Decoding Standard/Custom Errors Logged in L3_MAIN: \[1\]](#)
- [L3_MAIN TARG Register Summary and Description: \[2\]\[3\]\[4\]\[5\]\[6\]\[7\]\[8\]\[9\]\[10\]\[11\]\[12\]\[13\]\[14\]](#)

Table 14-131. L3_TARG_STDERRLOG_INFO

Address Offset	See Table 14-98 .		
Physical Address			Instance
Description			
Type	R		

31	30	29	28	27	26	25	24	23	22	21	20	19	18	17	16	15	14	13	12	11	10	9	8	7	6	5	4	3	2	1	0
RESERVED																STDERRLOG_INFO															

Bits	Field Name	Description	Type	Reset
31:8	RESERVED	Reserved	R	0x0000000
7:0	STDERRLOG_INFO	Info field of the logged packet. Type: Status. Reset value: X.	R	0x00

Table 14-132. Register Call Summary for Register L3_TARG_STDERRLOG_INFO

L3_MAIN Interconnect

- [Severity Level of Standard and Custom Errors: \[0\]](#)
- [Example for Decoding Standard/Custom Errors Logged in L3_MAIN: \[1\]](#)
- [L3_MAIN TARG Register Summary and Description: \[2\]\[3\]\[4\]\[5\]\[6\]\[7\]\[8\]\[9\]\[10\]\[11\]\[12\]\[13\]\[14\]](#)

Table 14-133. L3_TARG_STDERRLOG_SLVOFSLSB

Address Offset	See Table 14-98 .		
Physical Address	See Table 14-98 to Table 14-110	Instance	See Table 14-98 to Table 14-110
Description			
Type	R		

31	30	29	28	27	26	25	24	23	22	21	20	19	18	17	16	15	14	13	12	11	10	9	8	7	6	5	4	3	2	1	0
STDERRLOG_SLVOFSLSB																															

Bits	Field Name	Description	Type	Reset
31:0	STDERRLOG_SLVOFSLSB	LSB of the "slave offset" field, concatenated with "start offset" field of the logged packet. Type: Status. Reset value: X.	R	0x0000 0000

Table 14-134. Register Call Summary for Register L3_TARG_STDERRLOG_SLVOFSLSB

L3_MAIN Interconnect

- [L3_MAIN TARG Register Summary and Description: \[0\]\[1\]\[2\]\[3\]\[4\]\[5\]\[6\]\[7\]\[8\]\[9\]\[10\]\[11\]\[12\]](#)

Table 14-135. L3_TARG_STDERRLOG_SLVOFSMSB

Address Offset	See Table 14-98 .		
Physical Address	See Table 14-98 to Table 14-110	Instance	See Table 14-98 to Table 14-110
Description			
Type	R		

31	30	29	28	27	26	25	24	23	22	21	20	19	18	17	16	15	14	13	12	11	10	9	8	7	6	5	4	3	2	1	0
RESERVED																															
STDERRLOG_SLVOFSMSB																															

Bits	Field Name	Description	Type	Reset
31:1	RESERVED	Reserved	R	0x0000 0000
0	STDERRLOG_SLVOFSMSB	MSB of the "slave offset" field of the logged packet (according to NTP packet format, this register field may exceed the actual "slave offset" size. Unused bits are stuck at 0, if any). Type: Status. Reset value: X.	R	0

Table 14-136. Register Call Summary for Register L3_TARG_STDERRLOG_SLVOFSMSB

L3_MAIN Interconnect

- [L3_MAIN TARG Register Summary and Description: \[0\]\[1\]\[2\]\[3\]\[4\]\[5\]\[6\]\[7\]\[8\]\[9\]\[10\]\[11\]\[12\]](#)

Table 14-137. L3_TARG_STDERRLOG_CUSTOMINFO_INFO

Address Offset	See Table 14-98 .	
Physical Address	See Table 14-98 to Table 14-110	Instance See Table 14-98 to Table 14-110
Description		
Type	R	

31	30	29	28	27	26	25	24	23	22	21	20	19	18	17	16	15	14	13	12	11	10	9	8	7	6	5	4	3	2	1	0
RESERVED																STDERRLOG_CUSTOMINFO_INFO															

Bits	Field Name	Description	Type	Reset
31:8	RESERVED	Reserved	R	0x000000
7:0	STDERRLOG_CUSTOMINFO_INFO	Info field of the response packet. Type: Status. Reset value: X.	R	0x00

Table 14-138. Register Call Summary for Register L3_TARG_STDERRLOG_CUSTOMINFO_INFO

L3_MAIN Interconnect

- [L3_MAIN Interconnect Error Analysis Mode: \[0\]](#)
- [L3_MAIN TARG Register Summary and Description: \[1\]\[2\]\[3\]\[4\]\[5\]\[6\]\[7\]\[8\]\[9\]\[10\]\[11\]\[12\]\[13\]](#)

Table 14-139. L3_TARG_STDERRLOG_CUSTOMINFO_MSTADDR

Address Offset	See Table 14-98 .	
Physical Address	See Table 14-98 to Table 14-110	Instance See Table 14-98 to Table 14-110
Description		
Type	R	

31	30	29	28	27	26	25	24	23	22	21	20	19	18	17	16	15	14	13	12	11	10	9	8	7	6	5	4	3	2	1	0
RESERVED																STDERRLOG_CUSTOMINFO_MSTADDR															

Bits	Field Name	Description	Type	Reset
31:8	RESERVED	Reserved	R	0x000000
7:0	STDERRLOG_CUSTOMINFO_MSTADDR	MstAddr field of the response packet. Type: Status. Reset value: X.	R	0x00

Table 14-140. Register Call Summary for Register L3_TARG_STDERRLOG_CUSTOMINFO_MSTADDR

L3_MAIN Interconnect

- [L3_MAIN Interconnect Error Analysis Mode: \[0\]](#)
- [L3_MAIN TARG Register Summary and Description: \[1\]\[2\]\[3\]\[4\]\[5\]\[6\]\[7\]\[8\]\[9\]\[10\]\[11\]\[12\]\[13\]](#)

Table 14-141. L3_TARG_STDERRLOG_CUSTOMINFO_OPCODE

Address Offset	See Table 14-98 .	Instance	See Table 14-98 to Table 14-110
Physical Address	See Table 14-98 to Table 14-110		
Description			
Type	R		

31	30	29	28	27	26	25	24	23	22	21	20	19	18	17	16	15	14	13	12	11	10	9	8	7	6	5	4	3	2	1	0
RESERVED																STDERRLOG_CUSTOMINFO_OPCODE															

Bits	Field Name	Description	Type	Reset
31:2	RESERVED	Reserved	R	0x0000 0000
1:0	STDERRLOG_CUSTOMINFO_OPCODE	Opcode of the response packet. Type: Status. Reset value: X. 0x0: Logged request is <i>Store without acknowledge</i> . 0x1: Logged request is <i>Store with acknowledge</i> . 0x2: Logged request is <i>Load</i> . 0x3: Reserved	R	0x0

Table 14-142. Register Call Summary for Register L3_TARG_STDERRLOG_CUSTOMINFO_OPCODE

L3_MAIN Interconnect

- [L3_MAIN Interconnect Error Analysis Mode: \[0\]](#)
- [L3_MAIN TARG Register Summary and Description: \[1\]\[2\]\[3\]\[4\]\[5\]\[6\]\[7\]\[8\]\[9\]\[10\]\[11\]\[12\]\[13\]](#)

Table 14-143. L3_TARG_ADDRSPACESIZELOG

Address Offset	See Table 14-98 .
Physical Address	See Table 14-98 to Table 14-110 Instance
Description	See Table 14-98 to Table 14-110
Type	RW

31	30	29	28	27	26	25	24	23	22	21	20	19	18	17	16	15	14	13	12	11	10	9	8	7	6	5	4	3	2	1	0
RESERVED																ADDRSPACESIZELOG															

Bits	Field Name	Description	Type	Reset
31:5	RESERVED	Reserved	R	0x0000000
4:0	ADDRSPACESIZELOG	The address space size is equal to $2^{**}AddrSpaceSizeLog * 4K$ in bytes. Type: Control. Reset value: 0x1F.	RW	0x1F

Table 14-144. Register Call Summary for Register L3_TARG_ADDRSPACESIZELOG

L3_MAIN Interconnect

- [L3_MAIN TARG Register Summary and Description: \[0\]\[1\]\[2\]\[3\]\[4\]\[5\]\[6\]\[7\]\[8\]\[9\]\[10\]\[11\]\[12\]](#)

14.2.5.1.4 L3_MAIN FLAGMUX Registers Summary and Description

Table 14-145. FLAGMUX Instance Summary

Module Name	Base Address	Size
CLK1_FLAGMUX_CLK1_1	0x4480 3500	4KiB
CLK1_FLAGMUX_CLK1_2	0x4480 3600	4KiB
CLK2_FLAGMUX_CLK2_1	0x4500 0200	4KiB

14.2.5.1.4.1 L3_MAIN FLAGMUX Registers Summary

Table 14-146. FLAGMUX Registers Summary

Register Name	Type	Register Width (Bits)	Address Offset	CLK1_FLAGMUX_C LK1_1 L3_MAIN Physical Address	CLK1_FLAGMUX_C LK1_2 L3_MAIN Physical Address	CLK2_FLAGMUX_CL K2_1 L3_MAIN Physical Address
L3_FLAGMUX_STDHOSHDR_CO REREG	R	32	0x0000 0000	0x4480 3500	0x4480 3600	0x4500 0200
L3_FLAGMUX_STDHOSHDR_VE RSIONREG	R	32	0x0000 0004	0x4480 3504	0x4480 3604	0x4500 0204
L3_FLAGMUX_MASK0	RW	32	0x0000 0008	0x4480 3508	0x4480 3608	0x4500 0208
L3_FLAGMUX_REGERR0	R	32	0x0000 000C	0x4480 350C	0x4480 360C	0x4500 020C
L3_FLAGMUX_MASK1	RW	32	0x0000 0010	0x4480 3510	0x4480 3610	0x4500 0210
L3_FLAGMUX_REGERR1	RW	32	0x0000 0014	0x4480 3514	0x4480 3614	0x4500 0214

14.2.5.1.4.2 L3_MAIN FLAGMUX Rebisters Description
Table 14-147. L3_FLAGMUX_STDHOSTHDR_COREREG

Address Offset	See Table 14-146		
Physical Address	0x4480 3500 0x4480 3600 0x4500 0200	Instance	CLK1_FLAGMUX_CLK1_1 CLK1_FLAGMUX_CLK1_2 CLK2_FLAGMUX_CLK2_1
Description			
Type	R		

31	30	29	28	27	26	25	24	23	22	21	20	19	18	17	16	15	14	13	12	11	10	9	8	7	6	5	4	3	2	1	0
RESERVED								STDHOSTHDR_COREREG_CORECODE								RESERVED								STDHOSTHDR_COREREG_VENDORCODE							

Bits	Field Name	Description	Type	Reset
31:22	RESERVED	Reserved	R	0x000
21:16	STDHOSTHDR_COREREG_CORECODE	The Core Code field is a constant reporting a vendor-specific core generator code. Type: Constant. Reset value: 0x37.	R	0x37
15:1	RESERVED	Reserved	R	0x0000
0	STDHOSTHDR_COREREG_VENDORCODE	The Vendor Code field is a constant reporting the core generator vendor code. Type: Constant. Reset value: 0x1. Read 0x0: Third-party vendor. Read 0x1:	R	1

Table 14-148. Register Call Summary for Register L3_FLAGMUX_STDHOSTHDR_COREREG

L3_MAIN Interconnect

- [L3_MAIN FLAGMUX Registers Summary and Description: \[0\]](#)

Table 14-149. L3_FLAGMUX_STDHOSTHDR_VERSIONREG

Address Offset	See Table 14-146		
Physical Address	0x4480 3504 0x4480 3604 0x4500 0204	Instance	CLK1_FLAGMUX_CLK1_1 CLK1_FLAGMUX_CLK1_2 CLK2_FLAGMUX_CLK2_1
Description			
Type	R		

31	30	29	28	27	26	25	24	23	22	21	20	19	18	17	16	15	14	13	12	11	10	9	8	7	6	5	4	3	2	1	0
STDHOSTHDR_VERSIONREG_REVISIONID								STDHOSTHDR_VERSIONREG_COREPARAMSCHECKSUM																							

Bits	Field Name	Description	Type	Reset
31:24	STDHOSTHDR_VERSIONREG_REVISIONID	The Revision Identifier field is a constant reporting the core generator revision number. Type: Constant. Reset value: 0x0.	R	0x00
23:0	STDHOSTHDR_VERSIONREG_COREPARAMSCHECKSUM	Reserved. Type: Reserved. Reset value: Reserved.	R	0x000000

Table 14-150. Register Call Summary for Register L3_FLAGMUX_STDHOSTHDR_VERSIONREG

L3_MAIN Interconnect

- [Flag Muxing: \[0\]\[1\]](#)
- [L3_MAIN FLAGMUX Registers Summary and Description: \[2\]](#)

Table 14-151. L3_FLAGMUX_MASK0

Address Offset	See Table 14-146		
Physical Address	0x4480 3508 0x4480 3608 0x4500 0208	Instance	CLK1_FLAGMUX_CLK1_1 CLK1_FLAGMUX_CLK1_2 CLK2_FLAGMUX_CLK2_1
Description			
Type	RW		

31	30	29	28	27	26	25	24	23	22	21	20	19	18	17	16	15	14	13	12	11	10	9	8	7	6	5	4	3	2	1	0
MASK0																															

Bits	Field Name	Description	Type	Reset
31:0 ⁽¹⁾	MASK0	Mask flag inputs 0 Type: Control.	RW	See ⁽²⁾

⁽¹⁾ For CLK1_1 bit field is [31:0]; for CLK1_2 bit field is [22:0]; for CLK2 bit field is [3:0]

⁽²⁾ Reset is 0xFFFFFFFF for CLK1_1; reset is 0x7FFFFFFF for CLK1_2; for CLK2 reset is 0xF

Table 14-152. Register Call Summary for Register L3_FLAGMUX_MASK0

L3_MAIN Interconnect

- [Flag Mux Time-out: \[0\]](#)
- [Flag Mux Error Logging: \[1\]](#)
- [L3_MAIN Interconnect Error Analysis Mode: \[2\]](#)
- [L3_MAIN FLAGMUX Registers Summary and Description: \[3\]](#)

Table 14-153. L3_FLAGMUX_REGERR0

Address Offset	See Table 14-146																																																																		
Physical Address	0x4480 350C 0x4480 360C 0x4500 020C	Instance	CLK1_FLAGMUX_CLK1_1 CLK1_FLAGMUX_CLK1_2 CLK2_FLAGMUX_CLK2_1																																																																
Description																																																																			
Type	R																																																																		
<table border="1" style="width: 100%; border-collapse: collapse;"> <tr> <td style="width: 5%;">31</td><td style="width: 5%;">30</td><td style="width: 5%;">29</td><td style="width: 5%;">28</td><td style="width: 5%;">27</td><td style="width: 5%;">26</td><td style="width: 5%;">25</td><td style="width: 5%;">24</td> <td style="width: 5%; background-color: #ffffcc;">23</td><td style="width: 5%; background-color: #ffffcc;">22</td><td style="width: 5%; background-color: #ffffcc;">21</td><td style="width: 5%; background-color: #ffffcc;">20</td><td style="width: 5%; background-color: #ffffcc;">19</td><td style="width: 5%; background-color: #ffffcc;">18</td><td style="width: 5%; background-color: #ffffcc;">17</td><td style="width: 5%; background-color: #ffffcc;">16</td> <td style="width: 5%;">15</td><td style="width: 5%;">14</td><td style="width: 5%;">13</td><td style="width: 5%;">12</td><td style="width: 5%;">11</td><td style="width: 5%;">10</td><td style="width: 5%;">9</td><td style="width: 5%;">8</td> <td style="width: 5%; background-color: #ffffcc;">7</td><td style="width: 5%; background-color: #ffffcc;">6</td><td style="width: 5%; background-color: #ffffcc;">5</td><td style="width: 5%; background-color: #ffffcc;">4</td><td style="width: 5%; background-color: #ffffcc;">3</td><td style="width: 5%; background-color: #ffffcc;">2</td><td style="width: 5%; background-color: #ffffcc;">1</td><td style="width: 5%; background-color: #ffffcc;">0</td> </tr> <tr> <td colspan="32" style="text-align: center;">REGERR0</td> </tr> </table>				31	30	29	28	27	26	25	24	23	22	21	20	19	18	17	16	15	14	13	12	11	10	9	8	7	6	5	4	3	2	1	0	REGERR0																															
31	30	29	28	27	26	25	24	23	22	21	20	19	18	17	16	15	14	13	12	11	10	9	8	7	6	5	4	3	2	1	0																																				
REGERR0																																																																			
Bits	Field Name	Description	Type	Reset																																																															
31:0	REGERR0	Flag inputs 0 Type: Status. Reset value: X.	R	0x00000																																																															

Table 14-154. Register Call Summary for Register L3_FLAGMUX_REGERR0

L3_MAIN Interconnect

- [Flag Muxing: \[0\]](#)
- [Flag Mux Time-out: \[1\]](#)
- [Flag Mux Error Logging: \[2\]](#)
- [L3_MAIN Interconnect Error Analysis Mode: \[3\]\[4\]\[5\]](#)
- [L3_MAIN FLAGMUX Registers Summary and Description: \[6\]](#)

Table 14-155. L3_FLAGMUX_MASK1

Address Offset	See Table 14-146																																																																		
Physical Address	0x4480 3510 0x4480 3610 0x4500 0210	Instance	CLK1_FLAGMUX_CLK1_1 CLK1_FLAGMUX_CLK1_2 CLK2_FLAGMUX_CLK2_1																																																																
Description																																																																			
Type	RW																																																																		
<table border="1" style="width: 100%; border-collapse: collapse;"> <tr> <td style="width: 5%;">31</td><td style="width: 5%;">30</td><td style="width: 5%;">29</td><td style="width: 5%;">28</td><td style="width: 5%;">27</td><td style="width: 5%;">26</td><td style="width: 5%;">25</td><td style="width: 5%;">24</td> <td style="width: 5%; background-color: #ffffcc;">23</td><td style="width: 5%; background-color: #ffffcc;">22</td><td style="width: 5%; background-color: #ffffcc;">21</td><td style="width: 5%; background-color: #ffffcc;">20</td><td style="width: 5%; background-color: #ffffcc;">19</td><td style="width: 5%; background-color: #ffffcc;">18</td><td style="width: 5%; background-color: #ffffcc;">17</td><td style="width: 5%; background-color: #ffffcc;">16</td> <td style="width: 5%;">15</td><td style="width: 5%;">14</td><td style="width: 5%;">13</td><td style="width: 5%;">12</td><td style="width: 5%;">11</td><td style="width: 5%;">10</td><td style="width: 5%;">9</td><td style="width: 5%;">8</td> <td style="width: 5%; background-color: #ffffcc;">7</td><td style="width: 5%; background-color: #ffffcc;">6</td><td style="width: 5%; background-color: #ffffcc;">5</td><td style="width: 5%; background-color: #ffffcc;">4</td><td style="width: 5%; background-color: #ffffcc;">3</td><td style="width: 5%; background-color: #ffffcc;">2</td><td style="width: 5%; background-color: #ffffcc;">1</td><td style="width: 5%; background-color: #ffffcc;">0</td> </tr> <tr> <td colspan="32" style="text-align: center;">MASK1</td> </tr> </table>				31	30	29	28	27	26	25	24	23	22	21	20	19	18	17	16	15	14	13	12	11	10	9	8	7	6	5	4	3	2	1	0	MASK1																															
31	30	29	28	27	26	25	24	23	22	21	20	19	18	17	16	15	14	13	12	11	10	9	8	7	6	5	4	3	2	1	0																																				
MASK1																																																																			
Bits	Field Name	Description	Type	Reset																																																															
31:0 ⁽¹⁾	MASK1	Mask flag inputs 1 Type: Control. Reset value: 0x7FFFFFFF.	RW	See ⁽²⁾																																																															

⁽¹⁾ For CLK1_1 bit field is [31:0]; for CLK1_2 bit field is [22:0]; for CLK2 bit field is [3:0]

⁽²⁾ Reset is 0xFFFFFFFF for CLK1_1; reset is 0x7FFFFFFF for CLK1_2; for CLK2 reset is 0xF

Table 14-156. Register Call Summary for Register L3_FLAGMUX_MASK1

L3_MAIN Interconnect

- [Flag Mux Time-out: \[0\]](#)
- [Flag Mux Error Logging: \[1\]](#)
- [L3_MAIN Interconnect Error Analysis Mode: \[2\]](#)
- [L3_MAIN FLAGMUX Registers Summary and Description: \[3\]](#)

Table 14-157. L3_FLAGMUX_REGERR1

Address Offset	See Table 14-146		
Physical Address	0x4480 3514 0x4480 3614 0x4500 0214	Instance	CLK1_FLAGMUX_CLK1_1 CLK1_FLAGMUX_CLK1_2 CLK2_FLAGMUX_CLK2_1
Description			
Type	R		

31	30	29	28	27	26	25	24	23	22	21	20	19	18	17	16	15	14	13	12	11	10	9	8	7	6	5	4	3	2	1	0
REGERR1																															

Bits	Field Name	Description	Type	Reset
31:0	REGERR1	Flag inputs 1 Type: Status. Reset value: X.	R	0x00000

Table 14-158. Register Call Summary for Register L3_FLAGMUX_REGERR1

L3_MAIN Interconnect

- [Flag Muxing: \[0\]](#)
- [Flag Mux Time-out: \[1\]](#)
- [Flag Mux Error Logging: \[2\]](#)
- [L3_MAIN Interconnect Error Analysis Mode: \[3\]\[4\]\[5\]](#)
- [L3_MAIN FLAGMUX Registers Summary and Description: \[6\]](#)

14.2.5.1.5 L3_MAIN FLAGMUX CLK1MERGE Registers Summary and Description

Table 14-159. Instance Summary

Module Name	Base Address	Size
CLK1_FLAGMUX_CLK1MERGE	0x4400 0000	4KiB

14.2.5.1.5.1 L3_MAIN FLAGMUX CLK1MERGE Registers Summary

Table 14-160. FLAGMUX CLK1MERGE Registers Summary

Register Name	Type	Register Width (Bits)	Address Offset	CLK1_FLAGMUX_CLK1MERGE L3_MAIN Physical Address
L3_FLAGMUX_CLK1MERGE_STDHOS THDR_COREREG	R	32	0x0080 0400	0x4480 0400
L3_FLAGMUX_CLK1MERGE_STDHOS THDR_VERSIONREG	R	32	0x0080 0404	0x4480 0404
L3_FLAGMUX_CLK1MERGE_MASK0	RW	32	0x0080 0408	0x4480 0408
L3_FLAGMUX_CLK1MERGE_REGERR 0	R	32	0x0080 040C	0x4480 040C
L3_FLAGMUX_CLK1MERGE_MASK1	RW	32	0x0080 0410	0x4480 0410
L3_FLAGMUX_CLK1MERGE_REGERR 1	R	32	0x0080 0414	0x4480 0414

14.2.5.1.5.2 L3_MAIN FLAGMUX CLK1MERGE Registers Description
Table 14-161. L3_FLAGMUX_CLK1MERGE_STDHOSTHDR_COREREG

Address Offset	See Table 14-160 .		
Physical Address	0x4480 0400	Instance	CLK1_FLAGMUX_CLK1MERGE
Description			
Type	R		

31	30	29	28	27	26	25	24	23	22	21	20	19	18	17	16	15	14	13	12	11	10	9	8	7	6	5	4	3	2	1	0
RESERVED								STDHOSTHDR_COREREG_CORECODE								RESERVED								STDHOSTHDR_COREREG_VENDORCODE							

Bits	Field Name	Description	Type	Reset
31:22	RESERVED	Reserved	R	0x000
21:16	STDHOSTHDR_COREREG_CORECODE	The Core Code field is a constant reporting a vendor-specific core generator code. Type: Constant. Reset value: 0x37.	R	0x37
15:1	RESERVED	Reserved	R	0x0000
0	STDHOSTHDR_COREREG_VENDORCODE	The Vendor Code field is a constant reporting the core generator vendor code. Type: Constant. Reset value: 0x1. Read 0x0: Third-party vendor. Read 0x1:	R	1

Table 14-162. Register Call Summary for Register L3_FLAGMUX_CLK1MERGE_STDHOSTHDR_COREREG

L3_MAIN Interconnect

- [L3_MAIN FLAGMUX CLK1MERGE Registers Summary and Description: \[0\]](#)

Table 14-163. L3_FLAGMUX_CLK1MERGE_STDHOSHTDR_VERSIONREG

Address Offset	See Table 14-160.		
Physical Address	0x4480 0404	Instance	CLK1_FLAGMUX_CLK1MERGE
Description			
Type	R		

31	30	29	28	27	26	25	24	23	22	21	20	19	18	17	16	15	14	13	12	11	10	9	8	7	6	5	4	3	2	1	0
STDHOSHTDR_VERSIONREG_REVISIONID								STDHOSHTDR_VERSIONREG_COREPARAMSCHECKSUM																							

Bits	Field Name	Description	Type	Reset
31:24	STDHOSHTDR_VERSIONREG_REVISIONID	The Revision Identifier field is a constant reporting the core generator revision number. Type: Constant. Reset value: 0x0.	R	0x00
23:0	STDHOSHTDR_VERSIONREG_COREPARAMSCHECKSUM	Reserved. Type: Reserved. Reset value: Reserved.	R	0x000000

Table 14-164. Register Call Summary for Register L3_FLAGMUX_CLK1MERGE_STDHOSHTDR_VERSIONREG

L3_MAIN Interconnect

- [L3_MAIN FLAGMUX CLK1MERGE Registers Summary and Description: \[0\]](#)

Table 14-165. L3_FLAGMUX_CLK1MERGE_MASK0

Address Offset	See Table 14-160.		
Physical Address	0x4480 0408	Instance	CLK1_FLAGMUX_CLK1MERGE
Description			
Type	RW		

31	30	29	28	27	26	25	24	23	22	21	20	19	18	17	16	15	14	13	12	11	10	9	8	7	6	5	4	3	2	1	0
RESERVED																MASK0															

Bits	Field Name	Description	Type	Reset
31:2	RESERVED		R	0x0
1:0	MASK0	Mask flag inputs 0 Type: Control. Reset value: 0x3	RW	0x3

Table 14-166. Register Call Summary for Register L3_FLAGMUX_CLK1MERGE_MASK0

L3_MAIN Interconnect

- [Flag Muxing: \[0\]](#)
- [L3_MAIN FLAGMUX CLK1MERGE Registers Summary and Description: \[1\]](#)

Table 14-167. L3_FLAGMUX_CLK1MERGE_REGERR0

Address Offset	See Table 14-160 .		
Physical Address	0x4480 040C	Instance	CLK1_FLAGMUX_CLK1MERGE
Description			
Type	R		

31	30	29	28	27	26	25	24	23	22	21	20	19	18	17	16	15	14	13	12	11	10	9	8	7	6	5	4	3	2	1	0
RESERVED																REGERR0															

Bits	Field Name	Description	Type	Reset
31:2	RESERVED		R	0x0
1:0	REGERR0	Flag inputs 0 Type: Control. Reset value: X	RW	0x0

Table 14-168. Register Call Summary for Register L3_FLAGMUX_CLK1MERGE_REGERR0

L3_MAIN Interconnect

- [Flag Muxing: \[0\]](#)
- [L3_MAIN FLAGMUX CLK1MERGE Registers Summary and Description: \[1\]](#)

Table 14-169. L3_FLAGMUX_CLK1MERGE_MASK1

Address Offset	See Table 14-160 .		
Physical Address	0x4480 0410	Instance	CLK1_FLAGMUX_CLK1MERGE
Description			
Type	RW		

31	30	29	28	27	26	25	24	23	22	21	20	19	18	17	16	15	14	13	12	11	10	9	8	7	6	5	4	3	2	1	0
RESERVED																MASK1															

Bits	Field Name	Description	Type	Reset
31:2	RESERVED		R	0x0
1:0	MASK1	Mask flag inputs 0 Type: Control. Reset value: 0x3	RW	0x3

Table 14-170. Register Call Summary for Register L3_FLAGMUX_CLK1MERGE_MASK1

L3_MAIN Interconnect

- [Flag Muxing: \[0\]](#)
- [L3_MAIN FLAGMUX CLK1MERGE Registers Summary and Description: \[1\]](#)

Table 14-171. L3_FLAGMUX_CLK1MERGE_REGERR1

Address Offset	See Table 14-160 .		
Physical Address	0x4480 0414	Instance	CLK1_FLAGMUX_CLK1MERGE
Description			
Type	R		

31	30	29	28	27	26	25	24	23	22	21	20	19	18	17	16	15	14	13	12	11	10	9	8	7	6	5	4	3	2	1	0
RESERVED																	REGERR1														

Bits	Field Name	Description	Type	Reset
31:2	RESERVED		R	0x0
1:0	REGERR1	Flag inputs 0 Type: Control. Reset value: X	RW	0x0

Table 14-172. Register Call Summary for Register L3_FLAGMUX_CLK1MERGE_REGERR1

L3_MAIN Interconnect

- [Flag Muxing: \[0\]](#)
- [L3_MAIN FLAGMUX CLK1MERGE Registers Summary and Description: \[1\]](#)

14.2.5.1.6 L3_MAIN FLAGMUX TIMEOUT Registers Summary and Description

Table 14-173. FLAGMUX TIMEOUT Instance Summary

Module Name	Base Address	Size
CLK1_FLAGMUX_CLK1	0x4400 0000	4KiB
CLK2_FLAGMUX_CLK2 ⁽¹⁾	0x4500 0000	4KiB

⁽¹⁾ clk2_flagmux_clk2 refers to CLK2_1 clock domain

14.2.5.1.6.1 L3_MAIN FLAGMUX TIMEOUT Registers Summary

Table 14-174. FLAGMUX Registers Summary

Register Name	Type	Register Width (Bits)	Address Offset	CLK1_FLAGMUX_CLK1 L3_MAIN Physical Address	CLK2_FLAGMUX_CLK 2 L3_MAIN Physical Address
L3_FLAGMUX_TIMEOUT_STDHOSTHDR_COREREG	R	32	0x0000 0400	N/A	0x4500 0400
L3_FLAGMUX_TIMEOUT_STDHOSTHDR_VERSIONREG	R	32	0x0000 0404	N/A	0x4500 0404
L3_FLAGMUX_TIMEOUT_MASK0	RW	32	0x0000 0408	N/A	0x4500 0408
L3_FLAGMUX_TIMEOUT_REGERR0	R	32	0x0000 040C	N/A	0x4500 040C
L3_FLAGMUX_TIMEOUT1_STDHOSTHDR_COREREG	R	32	0x0080 5700	0x4480 5700	N/A
L3_FLAGMUX_TIMEOUT1_STDHOSTHDR_VERSIONREG	R	32	0x0080 5704	0x4480 5704	N/A
L3_FLAGMUX_TIMEOUT1_MASK0	RW	32	0x0080 5708	0x4480 5708	N/A
L3_FLAGMUX_TIMEOUT1_REGERR0	R	32	0x0080 570C	0x4480 570C	N/A
L3_FLAGMUX_TIMEOUT2_STDHOSTHDR_COREREG	R	32	0x0080 5800	0x4480 5800	N/A

Table 14-174. FLAGMUX Registers Summary (continued)

Register Name	Type	Register Width (Bits)	Address Offset	CLK1_FLAGMUX_CLK1 L3_MAIN Physical Address	CLK2_FLAGMUX_CLK2 L3_MAIN Physical Address
L3_FLAGMUX_TIMEOUT2_STDHOSTHDR_VERSIONREG	R	32	0x0080 5804	0x4480 5804	N/A
L3_FLAGMUX_TIMEOUT2_MASK0	RW	32	0x0080 5808	0x4480 5808	N/A
L3_FLAGMUX_TIMEOUT2_REGERR0	R	32	0x0080 580C	0x4480 580C	N/A

14.2.5.1.6.2 L3_MAIN FLAGMUX TIMEOUT Registers Description

Table 14-175. L3_FLAGMUX_TIMEOUT_STDHOSTHDR_COREREG

Address Offset	See Table 14-174 .		
Physical Address	0x4500 0400	Instance	CLK2_FLAGMUX_CLK2
Description			
Type	R		

31	30	29	28	27	26	25	24	23	22	21	20	19	18	17	16	15	14	13	12	11	10	9	8	7	6	5	4	3	2	1	0
RESERVED								STDHOSTHDR_COREREG_CORECODE								RESERVED								STDHOSTHDR_COREREG_VENDORCODE							

Bits	Field Name	Description	Type	Reset
31:22	RESERVED		R	0bxx xxxx xxxx
21:16	STDHOSTHDR_COREREG_CORECODE	The Core Code field is a constant reporting a vendor-specific core generator code. Type: Constant. Reset value: 0x37.	R	0x37
15:1	RESERVED		R	0bxxx xxxx xxxx xxxx
0	STDHOSTHDR_COREREG_VENDORCODE	The Vendor Code field is a constant reporting the core generator vendor code. Type: Constant. Reset value: 0x1. Read 0x1: Read 0x0: Third-party vendor.	R	1

Table 14-176. Register Call Summary for Register L3_FLAGMUX_TIMEOUT_STDHOSTHDR_COREREG

L3_MAIN Interconnect

- [L3_MAIN FLAGMUX TIMEOUT Registers Summary and Description: \[0\]](#)

Table 14-177. L3_FLAGMUX_TIMEOUT_STDHOSTHDR_VERSIONREG

Address Offset	See Table 14-174 .		
Physical Address	0x4500 0404	Instance	CLK2_FLAGMUX_CLK2
Description			
Type	R		

31	30	29	28	27	26	25	24	23	22	21	20	19	18	17	16	15	14	13	12	11	10	9	8	7	6	5	4	3	2	1	0
STDHOSTHDR_VERSIONREG_REVISIONID								STDHOSTHDR_VERSIONREG_COREPARAMSCHECKSUM																							

Bits	Field Name	Description	Type	Reset
31:24	STDHOSTHDR_VERSIONREG_REVISIONID	The Revision Identifier field is a constant reporting the core generator revision number. Type: Constant. Reset value: 0x0.	R	0x00
23:0	STDHOSTHDR_VERSIONREG_COREPARAMSCHECKSUM	Reserved. Type: Reserved. Reset value: Reserved.	R	0x-- ----

Table 14-178. Register Call Summary for Register L3_FLAGMUX_TIMEOUT_STDHOSTHDR_VERSIONREG

L3_MAIN Interconnect

- [L3_MAIN FLAGMUX TIMEOUT Registers Summary and Description: \[0\]](#)

Table 14-179. L3_FLAGMUX_TIMEOUT_MASK0

Address Offset	See Table 14-174 .		
Physical Address	0x4500 0408	Instance	CLK2_FLAGMUX_CLK2
Description			
Type	RW		

31	30	29	28	27	26	25	24	23	22	21	20	19	18	17	16	15	14	13	12	11	10	9	8	7	6	5	4	3	2	1	0
RESERVED																MASK0															

Bits	Field Name	Description	Type	Reset
31:2	RESERVED		R	0bxxx xxxx xxxx xxxx xxxx xxxx xxxx
1:0	MASK0	mask flag inputs 0 Type: Control. Reset value: 0x0.	RW	0x3

Table 14-180. Register Call Summary for Register L3_FLAGMUX_TIMEOUT_MASK0

L3_MAIN Interconnect

- [Flag Mux Time-out: \[0\]\[1\]](#)
- [L3_MAIN Interconnect Error Analysis Mode: \[2\]](#)
- [L3_MAIN FLAGMUX TIMEOUT Registers Summary and Description: \[3\]](#)

Table 14-181. L3_FLAGMUX_TIMEOUT_REGERR0

Address Offset	See Table 14-174 .		
Physical Address	0x4500 040C	Instance	CLK2_FLAGMUX_CLK2
Description			
Type	R		

31	30	29	28	27	26	25	24	23	22	21	20	19	18	17	16	15	14	13	12	11	10	9	8	7	6	5	4	3	2	1	0
RESERVED																REGERR0															

Bits	Field Name	Description	Type	Reset
31:2	RESERVED		R	0bxxx xxxx xxxx xxxx xxxx xxxx xxxx
1:0	REGERR0	flag inputs 0 Type: Status. Reset value: X.	R	0bx xxxx

Table 14-182. Register Call Summary for Register L3_FLAGMUX_TIMEOUT_REGERR0

L3_MAIN Interconnect

- [Flag Mux Time-out: \[0\]](#)
- [L3_MAIN Interconnect Error Analysis Mode: \[1\]](#)
- [L3_MAIN FLAGMUX TIMEOUT Registers Summary and Description: \[2\]](#)

Table 14-183. L3_FLAGMUX_TIMEOUT1_STDHOSTHDR_COREREG

Address Offset	See Table 14-174 .		
Physical Address	0x4480 5700	Instance	CLK1_FLAGMUX_CLK1
Description			
Type	R		

31	30	29	28	27	26	25	24	23	22	21	20	19	18	17	16	15	14	13	12	11	10	9	8	7	6	5	4	3	2	1	0
RESERVED								STDHOSTHDR_COREREG_CORECODE								RESERVED								STDHOSTHDR_COREREG_VENDORCODE							

Bits	Field Name	Description	Type	Reset
31:22	RESERVED		R	0bxx xxxx xxxx
21:16	STDHOSTHDR_COREREG_CO RECODE	The Core Code field is a constant reporting a vendor-specific core generator code. Type: Constant. Reset value: 0x37.	R	0x37
15:1	RESERVED		R	0bxxx xxxx xxxx xxxx
0	STDHOSTHDR_COREREG_VE NDORCODE	The Vendor Code field is a constant reporting the core generator vendor code. Type: Constant. Reset value: 0x1. Read 0x1: Read 0x0: Third-party vendor.	R	1

**Table 14-184. Register Call Summary for Register
L3_FLAGMUX_TIMEOUT1_STDHOSTHDR_COREREG**

L3_MAIN Interconnect

- [L3_MAIN FLAGMUX TIMEOUT Registers Summary and Description: \[0\]](#)

Table 14-185. L3_FLAGMUX_TIMEOUT1_STDHOSTHDR_VERSIONREG

Address Offset	See Table 14-174 .		
Physical Address	0x4480 5704	Instance	CLK1_FLAGMUX_CLK1
Description			
Type	R		

31	30	29	28	27	26	25	24	23	22	21	20	19	18	17	16	15	14	13	12	11	10	9	8	7	6	5	4	3	2	1	0
STDHOSTHDR_VERSIONREG_REVISIONID								STDHOSTHDR_VERSIONREG_COREPARAMSCHECKSUM																							

Bits	Field Name	Description	Type	Reset
31:24	STDHOSTHDR_VERSIONREG_ REVISIONID	The Revision Identifier field is a constant reporting the core generator revision number. Type: Constant. Reset value: 0x0.	R	0x00
23:0	STDHOSTHDR_VERSIONREG_ COREPARAMSCHECKSUM	Reserved. Type: Reserved. Reset value: Reserved.	R	0x-- ----

**Table 14-186. Register Call Summary for Register
L3_FLAGMUX_TIMEOUT1_STDHOSTHDR_VERSIONREG**

L3_MAIN Interconnect

- [L3_MAIN FLAGMUX TIMEOUT Registers Summary and Description: \[0\]](#)

Table 14-187. L3_FLAGMUX_TIMEOUT1_MASK0

Address Offset	See Table 14-174 .		
Physical Address	0x4480 5708	Instance	CLK1_FLAGMUX_CLK1
Description			
Type	RW		

31	30	29	28	27	26	25	24	23	22	21	20	19	18	17	16	15	14	13	12	11	10	9	8	7	6	5	4	3	2	1	0
RESERVED								MASK0																							

Bits	Field Name	Description	Type	Reset
31:30	RESERVED		R	0bxxx xxxx xxxx xxxx xxxx xxxx xxxx
29:0	MASK0	mask flag inputs 0 Type: Control. Reset value: 0x0.	RW	0x3FFFFFFF

Table 14-188. Register Call Summary for Register L3_FLAGMUX_TIMEOUT1_MASK0

L3_MAIN Interconnect

- [Flag Mux Time-out: \[0\]](#)
- [L3_MAIN FLAGMUX TIMEOUT Registers Summary and Description: \[1\]](#)

Table 14-189. L3_FLAGMUX_TIMEOUT1_REGERR0

Address Offset	See Table 14-174 .		
Physical Address	0x4480 570C	Instance	CLK1_FLAGMUX_CLK1
Description			
Type	R		

31	30	29	28	27	26	25	24	23	22	21	20	19	18	17	16	15	14	13	12	11	10	9	8	7	6	5	4	3	2	1	0
RESERVED								REGERR0																							

Bits	Field Name	Description	Type	Reset
31:25	RESERVED		R	0bxxx xxxx xxxx xxxx xxxx xxxx xxxx
24:0	REGERR0	flag inputs 0 Type: Status. Reset value: X.	R	0bx xxxx

Table 14-190. Register Call Summary for Register L3_FLAGMUX_TIMEOUT1_REGERR0

L3_MAIN Interconnect

- [Flag Mux Time-out: \[0\]](#)
- [L3_MAIN FLAGMUX TIMEOUT Registers Summary and Description: \[1\]](#)

Table 14-191. L3_FLAGMUX_TIMEOUT2_STDHOSTHDR_COREREG

Address Offset	See Table 14-174 .		
Physical Address	0x4480 5800	Instance	CLK1_FLAGMUX_CLK1
Description			
Type	R		

31	30	29	28	27	26	25	24	23	22	21	20	19	18	17	16	15	14	13	12	11	10	9	8	7	6	5	4	3	2	1	0	
RESERVED								STDHOSTHDR_COREREG_CORECODE								RESERVED																STDHOSTHDR_COREREG_VENDORCODE

Bits	Field Name	Description	Type	Reset
31:22	RESERVED		R	0bxx xxxx xxxx
21:16	STDHOSTHDR_COREREG_CO RECODE	The Core Code field is a constant reporting a vendor-specific core generator code. Type: Constant. Reset value: 0x37.	R	0x37
15:1	RESERVED		R	0bxxx xxxx xxxx xxxx
0	STDHOSTHDR_COREREG_VE NDORCODE	The Vendor Code field is a constant reporting the core generator vendor code. Type: Constant. Reset value: 0x1. Read 0x1: Read 0x0: Third-party vendor.	R	1

**Table 14-192. Register Call Summary for Register
L3_FLAGMUX_TIMEOUT2_STDHOSTHDR_COREREG**

L3_MAIN Interconnect

- [L3_MAIN FLAGMUX TIMEOUT Registers Summary and Description: \[0\]](#)

Table 14-193. L3_FLAGMUX_TIMEOUT2_STDHOSTHDR_VERSIONREG

Address Offset	See Table 14-174 .	Instance	CLK1_FLAGMUX_CLK1
Physical Address	0x4480 5804		
Description			
Type	R		

31	30	29	28	27	26	25	24	23	22	21	20	19	18	17	16	15	14	13	12	11	10	9	8	7	6	5	4	3	2	1	0
STDHOSTHDR_VERSIONREG_REVISIONID								STDHOSTHDR_VERSIONREG_COREPARAMSCHECKSUM																							

Bits	Field Name	Description	Type	Reset
31:24	STDHOSTHDR_VERSIONREG_REVISIONID	The Revision Identifier field is a constant reporting the core generator revision number. Type: Constant. Reset value: 0x0.	R	0x00
23:0	STDHOSTHDR_VERSIONREG_COREPARAMSCHECKSUM	Reserved. Type: Reserved. Reset value: Reserved.	R	0x-- ----

Table 14-194. Register Call Summary for Register L3_FLAGMUX_TIMEOUT2_STDHOSTHDR_VERSIONREG

L3_MAIN Interconnect

- [L3_MAIN FLAGMUX TIMEOUT Registers Summary and Description: \[0\]](#)

Table 14-195. L3_FLAGMUX_TIMEOUT2_MASK0

Address Offset	See Table 14-174 .		
Physical Address	0x4480 5808	Instance	CLK1_FLAGMUX_CLK1
Description			
Type	RW		

31	30	29	28	27	26	25	24	23	22	21	20	19	18	17	16	15	14	13	12	11	10	9	8	7	6	5	4	3	2	1	0
RESERVED											MASK0																				

Bits	Field Name	Description	Type	Reset
31:21	RESERVED		R	0bxxx xxxx xxxx xxxx xxxx xxxx xxxx
20:0	MASK0	mask flag inputs 0 Type: Control. Reset value: 0x0.	RW	0x1FFFFFFF

Table 14-196. Register Call Summary for Register L3_FLAGMUX_TIMEOUT2_MASK0

L3_MAIN Interconnect

- [Flag Mux Time-out: \[0\]\[1\]](#)
- [L3_MAIN FLAGMUX TIMEOUT Registers Summary and Description: \[2\]](#)

Table 14-197. L3_FLAGMUX_TIMEOUT2_REGERR0

Address Offset	See Table 14-174 .		
Physical Address	0x4480 580C	Instance	CLK1_FLAGMUX_CLK1
Description			
Type	R		

31	30	29	28	27	26	25	24	23	22	21	20	19	18	17	16	15	14	13	12	11	10	9	8	7	6	5	4	3	2	1	0
RESERVED												REGERR0																			

Bits	Field Name	Description	Type	Reset
31:21	RESERVED		R	0bxxx xxxx xxxx xxxx xxxx xxxx xxxx
20:0	REGERR0	flag inputs 0 Type: Status. Reset value: X.	R	0bx xxxx

Table 14-198. Register Call Summary for Register L3_FLAGMUX_TIMEOUT2_REGERR0

L3_MAIN Interconnect

- [Flag Mux Time-out: \[0\]](#)
- [L3_MAIN FLAGMUX TIMEOUT Registers Summary and Description: \[1\]](#)

14.2.5.1.7 L3_MAIN BW Regulator Register Summary and Description

NOTE: ATL, VCP1, VCP2, MLB and USB3 (ULPI) are not supported on the AM571x / AM570x family of devices.

SATA and RTC are not supported on the AM570x family of devices.

Table 14-199. BW_REGULATOR Instance Summary

Module Name	Base Address	Size
CLK1_2_MMU2_BW_REGULATOR	0x4480 3B00	4KiB
CLK1_2_DSP1_EDMA_BW_REGULATOR	0x4480 4B00	4KiB
CLK1_2_DSP1_MDMA_BW_REGULATOR	0x4480 4C00	4KiB
CLK1_2_IVA_BW_REGULATOR	0x4480 5000	4KiB
CLK1_2_GPU_P1_BW_REGULATOR	0x4480 5200	4KiB
CLK1_2_GPU_P2_BW_REGULATOR	0x4480 5300	4KiB
CLK1_2_BB2D_P1_BW_REGULATOR	0x4480 4E00	4KiB
CLK1_2_BB2D_P2_BW_REGULATOR	0x4480 5100	4KiB
CLK1_2_PCIESS2_BW_REGULATOR	0x4480 5400	4KiB
CLK1_2_PCIESS1_BW_REGULATOR	0x4480 5500	4KiB
CLK1_2_GMAC_SW_BW_REGULATOR	0x4480 5600	4KiB

14.2.5.1.7.1 L3_MAIN BW_REGULATOR Register Summary

Table 14-200. BW_REGULATOR Register Summary

Register Name	Type	Register Width (Bits)	Address Offset	CLK1_2_MMU2_BW_REGULATOR L3_MAIN Physical Address
L3_BW_REGULATOR_STDHOSTHDR_COREREG	R	32	0x0000 0000	0x4480 3B00
L3_BW_REGULATOR_STDHOSTHDR_VERSIONREG	R	32	0x0000 0004	0x4480 3B04
L3_BW_REGULATOR_BANDWIDTH	RW	32	0x0000 0008	0x4480 3B08
L3_BW_REGULATOR_WATERMARK	RW	32	0x0000 000C	0x4480 3B0C
L3_BW_REGULATOR_PRESS	R	32	0x0000 0010	0x4480 3B10
L3_BW_REGULATOR_CLEARHISTORY	RW	32	0x0000 0014	0x4480 3B14

Table 14-201. BW_REGULATOR Register Summary

Register Name	Type	Register Width (Bits)	Address Offset	CLK1_2_DSP1_EDMA_BW_REGULATOR L3_MAIN Physical Address	CLK1_2_DSP1_MDMA_BW_REGULATOR L3_MAIN Physical Address
L3_BW_REGULATOR_STDHOSTHDR_COREREG	R	32	0x0000 0000	0x4480 4B00	0x4480 4C00
L3_BW_REGULATOR_STDHOSTHDR_VERSIONREG	R	32	0x0000 0004	0x4480 4B04	0x4480 4C04
L3_BW_REGULATOR_BANDWIDTH	RW	32	0x0000 0008	0x4480 4B08	0x4480 4C08
L3_BW_REGULATOR_WATERMARK	RW	32	0x0000 000C	0x4480 4B0C	0x4480 4C0C
L3_BW_REGULATOR_PRESS	R	32	0x0000 0010	0x4480 4B10	0x4480 4C10
L3_BW_REGULATOR_CLEARHISTORY	RW	32	0x0000 0014	0x4480 4B14	0x4480 4C14

Table 14-202. BW_REGULATOR Register Summary

Register Name	Type	Register Width (Bits)	Address Offset	CLK1_2_IVA_BW_REGULATOR L3_MAIN Physical Address
L3_BW_REGULATOR_STDHOSTHDR_COREREG	R	32	0x0000 0000	0x4480 5000
L3_BW_REGULATOR_STDHOSTHDR_VERSIONREG	R	32	0x0000 0004	0x4480 5004
L3_BW_REGULATOR_BANDWIDTH	RW	32	0x0000 0008	0x4480 5008
L3_BW_REGULATOR_WATERMARK	RW	32	0x0000 000C	0x4480 500C
L3_BW_REGULATOR_PRESS	R	32	0x0000 0010	0x4480 5010
L3_BW_REGULATOR_CLEARHISTORY	RW	32	0x0000 0014	0x4480 5014

Table 14-203. BW_REGULATOR Register Summary

Register Name	Type	Register Width (Bits)	Address Offset	CLK1_2_GPU_P1_BW_REGULATOR L3_MAIN Physical Address	CLK1_2_GPU_P2_BW_REGULATOR L3_MAIN Physical Address
L3_BW_REGULATOR_STDHOSTHDR_COREREG	R	32	0x0000 0000	0x4480 5200	0x4480 5300
L3_BW_REGULATOR_STDHOSTHDR_VERSIONREG	R	32	0x0000 0004	0x4480 5204	0x4480 5304
L3_BW_REGULATOR_BANDWIDTH	RW	32	0x0000 0008	0x4480 5208	0x4480 5308
L3_BW_REGULATOR_WATERMARK	RW	32	0x0000 000C	0x4480 520C	0x4480 530C
L3_BW_REGULATOR_PRESS	R	32	0x0000 0010	0x4480 5210	0x4480 5310

Table 14-203. BW_REGULATOR Register Summary (continued)

Register Name	Type	Register Width (Bits)	Address Offset	CLK1_2_GPU_P1_BW_REGULATOR L3_MAIN Physical Address	CLK1_2_GPU_P2_BW_REGULATOR L3_MAIN Physical Address
L3_BW_REGULATOR_CLEARHISTORY	RW	32	0x0000 0014	0x4480 5214	0x4480 5314

Table 14-204. BW_REGULATOR Register Summary

Register Name	Type	Register Width (Bits)	Address Offset	CLK1_2_BB2D_P1_BW_REGULATOR L3_MAIN Physical Address	CLK1_2_BB2D_P2_BW_REGULATOR L3_MAIN Physical Address	CLK1_2_PCIESS2_BW_REGULATOR L3_MAIN Physical Address
L3_BW_REGULATOR_STDH_OSTHDR_COREREG	R	32	0x0000 0000	0x4480 4E00	0x4480 5100	0x4480 5400
L3_BW_REGULATOR_STDH_OSTHDR_VERSIONREG	R	32	0x0000 0004	0x4480 4E04	0x4480 5104	0x4480 5404
L3_BW_REGULATOR_BANDWIDTH	RW	32	0x0000 0008	0x4480 4E08	0x4480 5108	0x4480 5408
L3_BW_REGULATOR_WATERMARK	RW	32	0x0000 000C	0x4480 4E0C	0x4480 510C	0x4480 540C
L3_BW_REGULATOR_PRESS	R	32	0x0000 0010	0x4480 4E10	0x4480 5110	0x4480 5410
L3_BW_REGULATOR_CLEARHISTORY	RW	32	0x0000 0014	0x4480 4E14	0x4480 5114	0x4480 5414

Table 14-205. BW_REGULATOR Register Summary

Register Name	Type	Register Width (Bits)	Address Offset	CLK1_2_PCIESS1_BW_REGULATOR L3_MAIN Physical Address	CLK1_2_GMAC_SW_BW_REGULATOR L3_MAIN Physical Address
L3_BW_REGULATOR_STDHOSTHDR_COREREG	R	32	0x0000 0000	0x4480 5500	0x4480 5600
L3_BW_REGULATOR_STDHOSTHDR_VERSIONREG	R	32	0x0000 0004	0x4480 5504	0x4480 5604
L3_BW_REGULATOR_BANDWIDTH	RW	32	0x0000 0008	0x4480 5508	0x4480 5608
L3_BW_REGULATOR_WATERMARK	RW	32	0x0000 000C	0x4480 550C	0x4480 560C
L3_BW_REGULATOR_PRESS	R	32	0x0000 0010	0x4480 5510	0x4480 5610
L3_BW_REGULATOR_CLEARHISTORY	RW	32	0x0000 0014	0x4480 5514	0x4480 5614

14.2.5.1.7.2 L3_MAIN BW_REGULATOR Register Description

Table 14-206. L3_BW_REGULATOR_STDHOSTHDR_COREREG

Address Offset	See Table 14-200 to Table 14-205		
Physical Address	0x4480 3B00 0x4480 4B00 0x4480 4C00 0x4480 5000 0x4480 5200 0x4480 5300 0x4480 4E00 0x4480 5100 0x4480 5400 0x4480 5500 0x4480 5600	Instance	CLK1_2_MMU2_BW_REGULATOR CLK1_2_DSP1_EDMA_BW_REGULATOR CLK1_2_DSP1_MDMA_BW_REGULATOR CLK1_2_IVA_BW_REGULATOR CLK1_2_GPU_P1_BW_REGULATOR CLK1_2_GPU_P2_BW_REGULATOR CLK1_2_BB2D_P1_BW_REGULATOR CLK1_2_BB2D_P2_BW_REGULATOR CLK1_2_PCIESS2_BW_REGULATOR CLK1_2_PCIESS1_BW_REGULATOR CLK1_2_GMAC_SW_BW_REGULATOR
Description	R		
Type	R		

31	30	29	28	27	26	25	24	23	22	21	20	19	18	17	16	15	14	13	12	11	10	9	8	7	6	5	4	3	2	1	0
RESERVED								STDHOSTHDR_COREREG_CORECODE								RESERVED								STDHOSTHDR_COREREG_VENDORCODE							

Bits	Field Name	Description	Type	Reset
31:22	RESERVED	Reserved	R	0x000
21:16	STDHOSTHDR_COREREG_CORECODE	The Core Code field is a constant reporting a vendor-specific core generator code. Type: Constant. Reset value: 0x31.	R	0x31
15:1	RESERVED	Reserved	R	0x0000
0	STDHOSTHDR_COREREG_VENDORCODE	The Vendor Code field is a constant reporting the core generator vendor code. Type: Constant. Reset value: 0x1. Read 0x0: Third-party vendor. Read 0x1:	R	1

Table 14-207. Register Call Summary for Register L3_BW_REGULATOR_STDHOSTHDR_COREREG

L3_MAIN Interconnect

- [L3_MAIN BW Regulator Register Summary and Description: \[0\]\[1\]\[2\]\[3\]\[4\]\[5\]](#)

Table 14-208. L3_BW_REGULATOR_STDHOSTHDR_VERSIONREG

Address Offset	See Table 14-200 to Table 14-205		
Physical Address	0x4480 3B04 0x4480 4B04 0x4480 4C04 0x4480 5004 0x4480 5204 0x4480 5304 0x4480 4E04 0x4480 5104 0x4480 5404 0x4480 5504 0x4480 5604	Instance	CLK1_2_MMU2_BW_REGULATOR CLK1_2_DSP1_EDMA_BW_REGULATOR CLK1_2_DSP1_MDMA_BW_REGULATOR CLK1_2_IVA_BW_REGULATOR CLK1_2_GPU_P1_BW_REGULATOR CLK1_2_GPU_P2_BW_REGULATOR CLK1_2_BB2D_P1_BW_REGULATOR CLK1_2_BB2D_P2_BW_REGULATOR CLK1_2_PCIESS2_BW_REGULATOR CLK1_2_PCIESS1_BW_REGULATOR CLK1_2_GMAC_SW_BW_REGULATOR
Description			
Type	R		

31 30 29 28 27 26 25 24	23 22 21 20 19 18 17 16	15 14 13 12 11 10 9 8	7 6 5 4 3 2 1 0
STDHOSTHDR_VERSIONREG_REVISIONID	STDHOSTHDR_VERSIONREG_COREPARAMSCHECKSUM		

Bits	Field Name	Description	Type	Reset
31:24	STDHOSTHDR_VERSIONREG_REVISIONID	The Revision Identifier field is a constant reporting the core generator revision number. Type: Constant. Reset value: 0x0.	R	0x00
23:0	STDHOSTHDR_VERSIONREG_COREPARAMSCHECKSUM	Reserved. Type: Reserved. Reset value: Reserved.	R	0x000000

Table 14-209. Register Call Summary for Register L3_BW_REGULATOR_STDHOSTHDR_VERSIONREG

L3_MAIN Interconnect

- [L3_MAIN BW Regulator Register Summary and Description: \[0\]\[1\]\[2\]\[3\]\[4\]\[5\]](#)

Table 14-210. L3_BW_REGULATOR_BANDWIDTH

Address Offset	See Table 14-200 to Table 14-205																																																														
Physical Address	0x4480 3B08 0x4480 4B08 0x4480 4C08 0x4480 5008 0x4480 5208 0x4480 5308 0x4480 4E08 0x4480 5108 0x4480 5408 0x4480 5508 0x4480 5608	Instance	CLK1_2_MMU2_BW_REGULATOR CLK1_2_DSP1_EDMA_BW_REGULATOR CLK1_2_DSP1_MDMA_BW_REGULATOR CLK1_2_IVA_BW_REGULATOR CLK1_2_GPU_P1_BW_REGULATOR CLK1_2_GPU_P2_BW_REGULATOR CLK1_2_BB2D_P1_BW_REGULATOR CLK1_2_BB2D_P2_BW_REGULATOR CLK1_2_PCIESS2_BW_REGULATOR CLK1_2_PCIESS1_BW_REGULATOR CLK1_2_GMAC_SW_BW_REGULATOR																																																												
Description																																																															
Type	RW																																																														
<table border="1" style="width:100%; border-collapse: collapse;"> <tr> <td style="text-align: center;">31</td><td style="text-align: center;">30</td><td style="text-align: center;">29</td><td style="text-align: center;">28</td><td style="text-align: center;">27</td><td style="text-align: center;">26</td><td style="text-align: center;">25</td><td style="text-align: center;">24</td><td style="text-align: center;">23</td><td style="text-align: center;">22</td><td style="text-align: center;">21</td><td style="text-align: center;">20</td><td style="text-align: center;">19</td><td style="text-align: center;">18</td><td style="text-align: center;">17</td><td style="text-align: center;">16</td><td style="text-align: center;">15</td><td style="text-align: center;">14</td><td style="text-align: center;">13</td><td style="text-align: center;">12</td><td style="text-align: center;">11</td><td style="text-align: center;">10</td><td style="text-align: center;">9</td><td style="text-align: center;">8</td><td style="text-align: center;">7</td><td style="text-align: center;">6</td><td style="text-align: center;">5</td><td style="text-align: center;">4</td><td style="text-align: center;">3</td><td style="text-align: center;">2</td><td style="text-align: center;">1</td><td style="text-align: center;">0</td> </tr> <tr> <td colspan="16" style="text-align: center;">RESERVED</td> <td colspan="12" style="text-align: center;">BANDWIDTH</td> </tr> </table>				31	30	29	28	27	26	25	24	23	22	21	20	19	18	17	16	15	14	13	12	11	10	9	8	7	6	5	4	3	2	1	0	RESERVED																BANDWIDTH											
31	30	29	28	27	26	25	24	23	22	21	20	19	18	17	16	15	14	13	12	11	10	9	8	7	6	5	4	3	2	1	0																																
RESERVED																BANDWIDTH																																															
Bits	Field Name	Description	Type	Reset																																																											
31:16	RESERVED	Reserved	R	0x0000																																																											
15:0	BANDWIDTH	Bandwidth, in bytes per second. Type: Control. Reset value: 0x0.	RW	0x0000																																																											

Table 14-211. Register Call Summary for Register L3_BW_REGULATOR_BANDWIDTH

L3_MAIN Interconnect

- [Bandwidth Regulators: \[0\]\[1\]](#)
- [L3_MAIN BW Regulator Register Summary and Description: \[2\]\[3\]\[4\]\[5\]\[6\]\[7\]](#)

Table 14-212. L3_BW_REGULATOR_WATERMARK

Address Offset	See Table 14-200 to Table 14-205																																																														
Physical Address	0x4480 3B0C 0x4480 4B0C 0x4480 4C0C 0x4480 500C 0x4480 520C 0x4480 530C 0x4480 4E0C 0x4480 510C 0x4480 540C 0x4480 550C 0x4480 560C	Instance	CLK1_2_MMU2_BW_REGULATOR OR CLK1_2_DSP1_EDMA_BW_REGULATOR OR CLK1_2_DSP1_MDMA_BW_REGULATOR OR CLK1_2_IVA_BW_REGULATOR OR CLK1_2_GPU_P1_BW_REGULATOR OR CLK1_2_GPU_P2_BW_REGULATOR OR CLK1_2_BB2D_P1_BW_REGULATOR OR CLK1_2_BB2D_P2_BW_REGULATOR OR CLK1_2_PCIESS2_BW_REGULATOR OR CLK1_2_PCIESS1_BW_REGULATOR OR CLK1_2_GMAC_SW_BW_REGULATOR																																																												
Description																																																															
Type	RW																																																														
<table border="1" style="width:100%; border-collapse: collapse;"> <tr> <td style="width:5%; text-align:center;">31</td><td style="width:5%; text-align:center;">30</td><td style="width:5%; text-align:center;">29</td><td style="width:5%; text-align:center;">28</td><td style="width:5%; text-align:center;">27</td><td style="width:5%; text-align:center;">26</td><td style="width:5%; text-align:center;">25</td><td style="width:5%; text-align:center;">24</td><td style="width:5%; text-align:center;">23</td><td style="width:5%; text-align:center;">22</td><td style="width:5%; text-align:center;">21</td><td style="width:5%; text-align:center;">20</td><td style="width:5%; text-align:center;">19</td><td style="width:5%; text-align:center;">18</td><td style="width:5%; text-align:center;">17</td><td style="width:5%; text-align:center;">16</td><td style="width:5%; text-align:center;">15</td><td style="width:5%; text-align:center;">14</td><td style="width:5%; text-align:center;">13</td><td style="width:5%; text-align:center;">12</td><td style="width:5%; text-align:center;">11</td><td style="width:5%; text-align:center;">10</td><td style="width:5%; text-align:center;">9</td><td style="width:5%; text-align:center;">8</td><td style="width:5%; text-align:center;">7</td><td style="width:5%; text-align:center;">6</td><td style="width:5%; text-align:center;">5</td><td style="width:5%; text-align:center;">4</td><td style="width:5%; text-align:center;">3</td><td style="width:5%; text-align:center;">2</td><td style="width:5%; text-align:center;">1</td><td style="width:5%; text-align:center;">0</td> </tr> <tr> <td colspan="16" style="text-align:center;">RESERVED</td> <td colspan="12" style="text-align:center;">WATERMARK</td> </tr> </table>				31	30	29	28	27	26	25	24	23	22	21	20	19	18	17	16	15	14	13	12	11	10	9	8	7	6	5	4	3	2	1	0	RESERVED																WATERMARK											
31	30	29	28	27	26	25	24	23	22	21	20	19	18	17	16	15	14	13	12	11	10	9	8	7	6	5	4	3	2	1	0																																
RESERVED																WATERMARK																																															
Bits	Field Name	Description	Type	Reset																																																											
31:12	RESERVED	Reserved	R	0x00000																																																											
11:0	WATERMARK	Peak permissible bandwidth, in bytes. Type: Control. Reset value: 0x1.	RW	0x001																																																											

Table 14-213. Register Call Summary for Register L3_BW_REGULATOR_WATERMARK

L3_MAIN Interconnect

- [Bandwidth Regulators: \[0\]\[1\]\[2\]](#)
- [L3_MAIN BW Regulator Register Summary and Description: \[3\]\[4\]\[5\]\[6\]\[7\]\[8\]](#)

Table 14-214. L3_BW_REGULATOR_PRESS

Address Offset	See Table 14-200 to Table 14-205		
Physical Address	0x4480 3B10 0x4480 4B10 0x4480 4C10 0x4480 5010 0x4480 5210 0x4480 5310 0x4480 4E10 0x4480 5110 0x4480 5410 0x4480 5510 0x4480 5610	Instance	CLK1_2_MMU2_BW_REGULATOR OR CLK1_2_DSP1_EDMA_BW_REGULATOR OR CLK1_2_DSP1_MDMA_BW_REGULATOR OR CLK1_2_IVA_BW_REGULATOR OR CLK1_2_GPU_P1_BW_REGULATOR OR CLK1_2_GPU_P2_BW_REGULATOR OR CLK1_2_BB2D_P1_BW_REGULATOR OR CLK1_2_BB2D_P2_BW_REGULATOR OR CLK1_2_PCIESS2_BW_REGULATOR OR CLK1_2_PCIESS1_BW_REGULATOR OR CLK1_2_GMAC_SW_BW_REGULATOR
Description			
Type	R		

31	30	29	28	27	26	25	24	23	22	21	20	19	18	17	16	15	14	13	12	11	10	9	8	7	6	5	4	3	2	1	0
RESERVED																PRESS_LOW		PRESS_HIGH													

Bits	Field Name	Description	Type	Reset
31:4	RESERVED	Reserved	R	0x0000 0000
3:2	PRESS_LOW	Pressure value inserted if the measured bandwidth is over the watermark. The pressure is bar graph encoded. Type: Control. Reset value: 0x0.	R	0
1:0	PRESS_HIGH	Pressure value inserted if the measured bandwidth is under the watermark. The pressure is bar graph encoded. Type: Control. Reset value: 0x1.	R	0x3

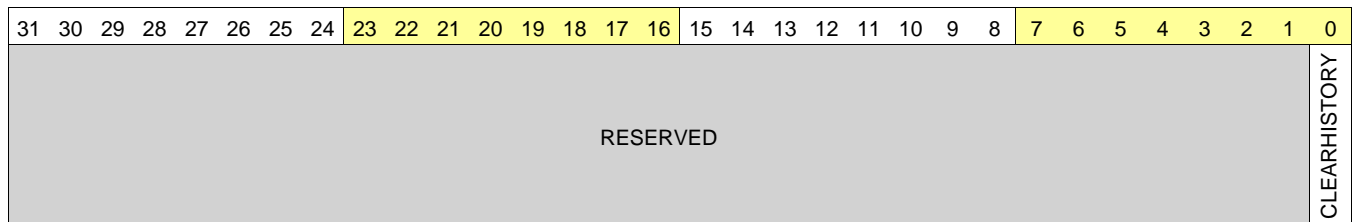
Table 14-215. Register Call Summary for Register L3_BW_REGULATOR_PRESS

L3_MAIN Interconnect

- [Bandwidth Regulators: \[0\]](#)
- [L3_MAIN BW Regulator Register Summary and Description: \[1\]\[2\]\[3\]\[4\]\[5\]\[6\]](#)

Table 14-216. L3_BW_REGULATOR_CLEARHISTORY

Address Offset	See Table 14-200 to Table 14-205		
Physical Address	0x4480 3B14 0x4480 4B14 0x4480 4C14 0x4480 5014 0x4480 5214 0x4480 5314 0x4480 4E14 0x4480 5114 0x4480 5414 0x4480 5514 0x4480 5614	Instance	CLK1_2_MMU2_BW_REGULATOR OR CLK1_2_DSP1_EDMA_BW_REGULATOR OR CLK1_2_DSP1_MDMA_BW_REGULATOR OR CLK1_2_IVA_BW_REGULATOR OR CLK1_2_GPU_P1_BW_REGULATOR OR CLK1_2_GPU_P2_BW_REGULATOR OR CLK1_2_BB2D_P1_BW_REGULATOR OR CLK1_2_BB2D_P2_BW_REGULATOR OR CLK1_2_PCIESS2_BW_REGULATOR OR CLK1_2_PCIESS1_BW_REGULATOR OR CLK1_2_GMAC_SW_BW_REGULATOR
Description			
Type	RW		



Bits	Field Name	Description	Type	Reset
31:1	RESERVED	Reserved	R	0x0000 0000
0	CLEARHISTORY	Write a 1 clear the traffic counter Type: Give_AutoCleared. Reset value: 0x0.	RW	0

Table 14-217. Register Call Summary for Register L3_BW_REGULATOR_CLEARHISTORY

L3_MAIN Interconnect

- [Bandwidth Regulators: \[0\]](#)
- [L3_MAIN BW Regulator Register Summary and Description: \[1\]\[2\]\[3\]\[4\]\[5\]\[6\]](#)

14.2.5.1.8 L3_MAIN Bandwidth Limiter Register Summary and Description

Table 14-218. BW_LIMITER Instance Summary

Module Name	Base Address	Size
CLK1_2_GPU_P1_BW_LIMITER	0x4480 5B00	256B
CLK1_2_GPU_P2_BW_LIMITER	0x4480 5C00	256B
CLK1_2_TPTC1_RD_BW_LIMITER	0x4480 3C00	256B
CLK1_2_TPTC2_RD_BW_LIMITER	0x4480 3D00	256B
CLK1_2_TPTC1_WR_BW_LIMITER	0x4480 3E00	256B
CLK1_2_TPTC2_WR_BW_LIMITER	0x4480 3F00	256B
CLK1_2_VPE_P2_BW_LIMITER	0x4480 4000	256B

Table 14-218. BW_LIMITER Instance Summary (continued)

Module Name	Base Address	Size
CLK1_2_VPE_P1_BW_LIMITER	0x4480 4100	256B
CLK1_2_BB2D_P1_BW_LIMITER	0x4480 5900	256B
CLK1_2_BB2D_P2_BW_LIMITER	0x4480 5A00	256B
CLK1_2_MMU1_BW_LIMITER	0x4480 3A00	256B

14.2.5.1.8.1 L3_MAIN BW Limiter Register Summary
Table 14-219. BW_LIMITER Register Summary

Register Name	Type	Register Width (Bits)	Address offset	CLK1_2_GPU_P1_BW_LIMITER L3_MAIN Physical Address	CLK1_2_GPU_P2_BW_LIMITER L3_MAIN Physical Address	CLK1_2_TPTC1_RD_BW_LIMITER L3_MAIN Physical Address
L3_BW_LIMITER_STDHOST_HDR_COREREG	R	32	0x0000 0000	0x4480 5B00	0x4480 5C00	0x4480 3C00
L3_BW_LIMITER_STDHOST_HDR_VERSIONREG	R	32	0x0000 0004	0x4480 5B04	0x4480 5C04	0x4480 3C04
L3_BW_LIMITER_BANDWIDTH_FRACTIONAL	RW	32	0x0000 0008	0x4480 5B08	0x4480 5C08	0x4480 3C08
L3_BW_LIMITER_BANDWIDTH_INTEGER	RW	32	0x0000 000C	0x4480 5B0C	0x4480 5C0C	0x4480 3C0C
L3_BW_LIMITER_WATERMARK_0	RW	32	0x0000 0010	0x4480 5B10	0x4480 5C10	0x4480 3C10
L3_BW_LIMITER_CLEARHISTORY	RW	32	0x0000 0014	0x4480 5B14	0x4480 5C14	0x4480 3C14

Table 14-220. BW_LIMITER Register Summary

Register Name	Type	Register Width (Bits)	Address offset	CLK1_2_TPTC2_RD_BW_LIMITER L3_MAIN Physical Address	CLK1_2_TPTC1_WR_BW_LIMITER L3_MAIN Physical Address	CLK1_2_TPTC2_WR_BW_LIMITER L3_MAIN Physical Address
L3_BW_LIMITER_STDHOST_HDR_COREREG	R	32	0x0000 0000	0x4480 3D00	0x4480 3E00	0x4480 3F00
L3_BW_LIMITER_STDHOST_HDR_VERSIONREG	R	32	0x0000 0004	0x4480 3D04	0x4480 3E04	0x4480 3F04
L3_BW_LIMITER_BANDWIDTH_FRACTIONAL	RW	32	0x0000 0008	0x4480 3D08	0x4480 3E08	0x4480 3F08
L3_BW_LIMITER_BANDWIDTH_INTEGER	RW	32	0x0000 000C	0x4480 3D0C	0x4480 3E0C	0x4480 3F0C
L3_BW_LIMITER_WATERMARK_0	RW	32	0x0000 0010	0x4480 3D10	0x4480 3E10	0x4480 3F10
L3_BW_LIMITER_CLEARHISTORY	RW	32	0x0000 0014	0x4480 3D14	0x4480 3E14	0x4480 3F14

Table 14-221. BW_LIMITER Register Summary

Register Name	Type	Register Width (Bits)	Address offset	CLK1_2_VPE_P2_BW_LIMITER L3_MAIN Physical Address	CLK1_2_VPE_P1_BW_LIMITER L3_MAIN Physical Address
L3_BW_LIMITER_STDHOST_HDR_COREREG	R	32	0x0000 0000	0x4480 4000	0x4480 4100

Table 14-221. BW_LIMITER Register Summary (continued)

Register Name	Type	Register Width (Bits)	Address offset	CLK1_2_VPE_P2_BW_L LIMITER L3_MAIN Physical Address	CLK1_2_VPE_P1_BW_L LIMITER L3_MAIN Physical Address
L3_BW_LIMITER_STDHOSTHDR_VERSIONREG	R	32	0x0000 0004	0x4480 4004	0x4480 4104
L3_BW_LIMITER_BANDWIDTH_FRACTIONAL	RW	32	0x0000 0008	0x4480 4008	0x4480 4108
L3_BW_LIMITER_BANDWIDTH_INTEGER	RW	32	0x0000 000C	0x4480 400C	0x4480 410C
L3_BW_LIMITER_WATERMARK_0	RW	32	0x0000 0010	0x4480 4010	0x4480 4110
L3_BW_LIMITER_CLEARHISTORY	RW	32	0x0000 0014	0x4480 4014	0x4480 4114

Table 14-222. BW_LIMITER Register Summary

Register Name	Type	Register Width (Bits)	Address offset	CLK1_2_MMU1_BW_LIMITER L3_MAIN Physical Address	CLK1_2_BB2D_P1_BW_LIMITER L3_MAIN Physical Address	CLK1_2_BB2D_P2_BW_LIMITER L3_MAIN Physical Address
L3_BW_LIMITER_STDHOSTHDR_COREREG	R	32	0x0000 0000	0x4480 3A00	0x4480 5900	0x4480 5A00
L3_BW_LIMITER_STDHOSTDR_VERSIONREG	R	32	0x0000 0004	0x4480 3A04	0x4480 5904	0x4480 5A04
L3_BW_LIMITER_BANDWIDTH_FRACTIONAL	RW	32	0x0000 0008	0x4480 3A08	0x4480 5908	0x4480 5A08
L3_BW_LIMITER_BANDWIDTH_INTEGER	RW	32	0x0000 000C	0x4480 3A0C	0x4480 590C	0x4480 5A0C
L3_BW_LIMITER_WATERMARK_0	RW	32	0x0000 0010	0x4480 3A10	0x4480 5910	0x4480 5A10
L3_BW_LIMITER_CLEARHISTORY	RW	32	0x0000 0014	0x4480 3A14	0x4480 5914	0x4480 5A14

14.2.5.1.8.2 L3_MAIN BW Limiter Register Description

Table 14-223. L3_BW_LIMITER_STDHOSTHDR_COREREG

Address Offset	See Table 14-219		
Physical Address	Instance		
0x4480 5B00	CLK1_2_GPU_P1_BW_LIMITER		
0x4480 5C00	R		
0x4480 3C00	CLK1_2_GPU_P2_BW_LIMITER		
0x4480 3D00	R		
0x4480 3E00	CLK1_2_TPTC1_RD_BW_LIMITER		
0x4480 3F00	R		
0x4480 4000	CLK1_2_TPTC2_RD_BW_LIMITER		
0x4480 4100	R		
0x4480 3A00	CLK1_2_TPTC1_WR_BW_LIMITER		
0x4480 5900	R		
0x4480 5A00	CLK1_2_TPTC2_WR_BW_LIMITER		
	R		
	CLK1_2_VPE_P2_BW_LIMITER		
	R		
	CLK1_2_VPE_P1_BW_LIMITER		
	R		
	CLK1_2_MMU1_BW_LIMITER		
	CLK1_2_BB2D_P1_BW_LIMITER		
	R		
	CLK1_2_BB2D_P2_BW_LIMITER		
	R		

Table 14-223. L3_BW_LIMITER_STDHOSTHDR_COREREG (continued)

Description																																																											
Type	R																																																										
<table border="1" style="width: 100%; border-collapse: collapse;"> <tr> <td style="width: 10%;">31</td><td style="width: 10%;">30</td><td style="width: 10%;">29</td><td style="width: 10%;">28</td><td style="width: 10%;">27</td><td style="width: 10%;">26</td><td style="width: 10%;">25</td><td style="width: 10%;">24</td><td style="width: 10%;">23</td><td style="width: 10%;">22</td><td style="width: 10%;">21</td><td style="width: 10%;">20</td><td style="width: 10%;">19</td><td style="width: 10%;">18</td><td style="width: 10%;">17</td><td style="width: 10%;">16</td><td style="width: 10%;">15</td><td style="width: 10%;">14</td><td style="width: 10%;">13</td><td style="width: 10%;">12</td><td style="width: 10%;">11</td><td style="width: 10%;">10</td><td style="width: 10%;">9</td><td style="width: 10%;">8</td><td style="width: 10%;">7</td><td style="width: 10%;">6</td><td style="width: 10%;">5</td><td style="width: 10%;">4</td><td style="width: 10%;">3</td><td style="width: 10%;">2</td><td style="width: 10%;">1</td><td style="width: 10%;">0</td> </tr> <tr> <td colspan="10" style="text-align: center; vertical-align: middle;">RESERVED</td> <td colspan="6" style="text-align: center; vertical-align: middle;">STDHOSTHDR_COREREG_CORECODE</td> <td colspan="10" style="text-align: center; vertical-align: middle;">RESERVED</td> <td style="text-align: center; vertical-align: middle;">STDHOSTHDR_COREREG_VENDORCODE</td> </tr> </table>	31	30	29	28	27	26	25	24	23	22	21	20	19	18	17	16	15	14	13	12	11	10	9	8	7	6	5	4	3	2	1	0	RESERVED										STDHOSTHDR_COREREG_CORECODE						RESERVED										STDHOSTHDR_COREREG_VENDORCODE
31	30	29	28	27	26	25	24	23	22	21	20	19	18	17	16	15	14	13	12	11	10	9	8	7	6	5	4	3	2	1	0																												
RESERVED										STDHOSTHDR_COREREG_CORECODE						RESERVED										STDHOSTHDR_COREREG_VENDORCODE																																	

Bits	Field Name	Description	Type	Reset
31:22	RESERVED		R	0x0
21:16	STDHOSTHDR_COREREG_CORECODE	The Core Code field is a constant reporting a vendor-specific core generator code. Type: Constant. Reset value: 0x2C.	R	0x2C
15:1	RESERVED		R	0x0
0	STDHOSTHDR_COREREG_VENDORCODE	The Vendor Code field is a constant reporting the core generator vendor code. Type: Constant. Reset value: 0x1. Read 0x1: Read 0x0: Third-party vendor.	R	1

Table 14-224. Register Call Summary for Register L3_BW_LIMITER_STDHOSTHDR_COREREG

L3_MAIN Interconnect

- [L3_MAIN Bandwidth Limiter Register Summary and Description: \[0\]\[1\]\[2\]\[3\]](#)

Table 14-225. L3_BW_LIMITER_STDHOSTHDR_VERSIONREG

Address Offset	See Table 14-219	Instance	
Physical Address	0x4480 5B04		CLK1_2_GPU_P1_BW_LIMITER
	0x4480 5C04		CLK1_2_GPU_P2_BW_LIMITER
	0x4480 3C04		CLK1_2_TPTC1_RD_BW_LIMITER
	0x4480 3D04		CLK1_2_TPTC2_RD_BW_LIMITER
	0x4480 3E04		CLK1_2_TPTC1_WR_BW_LIMITER
	0x4480 3F04		CLK1_2_TPTC2_WR_BW_LIMITER
	0x4480 4004		CLK1_2_VPE_P2_BW_LIMITER
	0x4480 4104		CLK1_2_VPE_P1_BW_LIMITER
	0x4480 3A04		CLK1_2_MMU1_BW_LIMITER
	0x4480 5904		CLK1_2_BB2D_P1_BW_LIMITER
	0x4480 5A04		CLK1_2_BB2D_P2_BW_LIMITER
Description			
Type	R		

31	30	29	28	27	26	25	24	23	22	21	20	19	18	17	16	15	14	13	12	11	10	9	8	7	6	5	4	3	2	1	0
STDHOSTHDR_VERSIONREG_REVISIONID								STDHOSTHDR_VERSIONREG_COREPARAMSCHECKSUM																							

Bits	Field Name	Description	Type	Reset
31:24	STDHOSTHDR_VERSIONREG_REVISIONID	The Revision Identifier field is a constant reporting the core generator revision number. Type: Constant. Reset value: 0x0.	R	0x00
23:0	STDHOSTHDR_VERSIONREG_COREPARAMSCHECKSUM	Reserved. Type: Reserved. Reset value: Reserved.	R	0x0

Table 14-226. Register Call Summary for Register L3_BW_LIMITER_STDHOSTHDR_VERSIONREG

L3_MAIN Interconnect

- [L3_MAIN Bandwidth Limiter Register Summary and Description: \[0\]\[1\]\[2\]\[3\]](#)

Table 14-227. L3_BW_LIMITER_BANDWIDTH_FRACTIONAL

Address Offset	See Table 14-219		
Physical Address	0x4480 5B08 0x4480 5C08 0x4480 3C08 0x4480 3D08 0x4480 3E08 0x4480 3F08 0x4480 4008 0x4480 4108 0x4480 3A08 0x4480 5908 0x4480 5A08	Instance	CLK1_2_GPU_P1_BW_LIMITER CLK1_2_GPU_P2_BW_LIMITER CLK1_2_TPTC1_RD_BW_LIMITER CLK1_2_TPTC2_RD_BW_LIMITER CLK1_2_TPTC1_WR_BW_LIMITER CLK1_2_TPTC2_WR_BW_LIMITER CLK1_2_VPE_P2_BW_LIMITER CLK1_2_VPE_P1_BW_LIMITER CLK1_2_MMU1_BW_LIMITER CLK1_2_BB2D_P1_BW_LIMITER CLK1_2_BB2D_P2_BW_LIMITER
Description			
Type	RW		

31	30	29	28	27	26	25	24	23	22	21	20	19	18	17	16	15	14	13	12	11	10	9	8	7	6	5	4	3	2	1	0
RESERVED																BANDWIDTH_FRACTIONAL															

Bits	Field Name	Description	Type	Reset
31:5	RESERVED		R	0x0
4:0	BANDWIDTH_FRACTIONAL	Fractional part of bandwidth in terms of bytes per second Type: Control. Reset value: 0x0.	RW	0x0

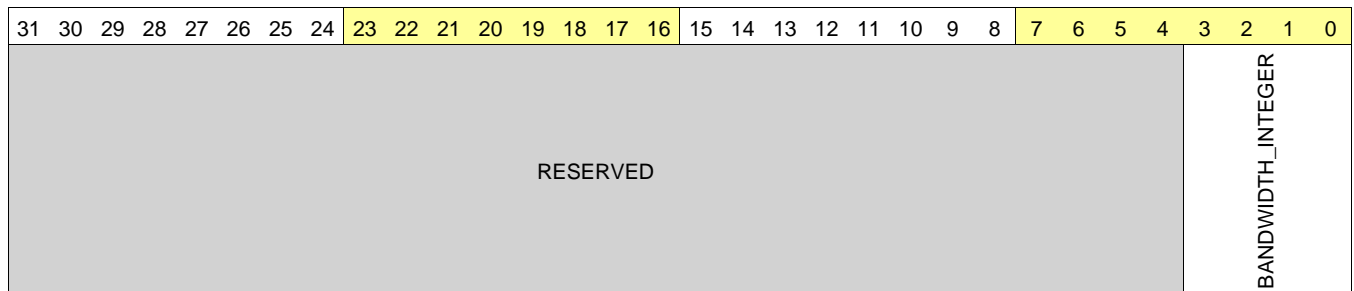
Table 14-228. Register Call Summary for Register L3_BW_LIMITER_BANDWIDTH_FRACTIONAL

L3_MAIN Interconnect

- [Bandwidth Limiters: \[0\]\[1\]\[2\]](#)
- [L3_MAIN Bandwidth Limiter Register Summary and Description: \[3\]\[4\]\[5\]\[6\]](#)

Table 14-229. L3_BW_LIMITER_BANDWIDTH_INTEGER

Address Offset	See Table 14-219		
Physical Address	0x4480 5B0C 0x4480 5C0C 0x4480 3C0C 0x4480 3D0C 0x4480 3E0C 0x4480 3F0C 0x4480 400C 0x4480 410C 0x4480 3A0C 0x4480 590C 0x4480 5A0C	Instance	CLK1_2_GPU_P1_BW_LIMITER CLK1_2_GPU_P2_BW_LIMITER CLK1_2_TPTC1_RD_BW_LIMITER CLK1_2_TPTC2_RD_BW_LIMITER CLK1_2_TPTC1_WR_BW_LIMITER CLK1_2_TPTC2_WR_BW_LIMITER CLK1_2_VPE_P2_BW_LIMITER CLK1_2_VPE_P1_BW_LIMITER CLK1_2_MMU1_BW_LIMITER CLK1_2_BB2D_P1_BW_LIMITER CLK1_2_BB2D_P2_BW_LIMITER
Description			
Type	RW		



Bits	Field Name	Description	Type	Reset
31:4	RESERVED		R	0x0
3:0	BANDWIDTH_INTEGER	Integer part of bandwidth in terms of bytes per second Type: Control. Reset value: 0x0.	RW	0x0

Table 14-230. Register Call Summary for Register L3_BW_LIMITER_BANDWIDTH_INTEGER

L3_MAIN Interconnect

- [Bandwidth Limiters: \[0\]\[1\]](#)
- [L3_MAIN Bandwidth Limiter Register Summary and Description: \[2\]\[3\]\[4\]\[5\]](#)

Table 14-231. L3_BW_LIMITER_WATERMARK_0

Address Offset	See Table 14-219		
Physical Address	0x4480 5B10 0x4480 5C10 0x4480 3C10 0x4480 3D10 0x4480 3E10 0x4480 3F10 0x4480 4010 0x4480 4110 0x4480 3A10 0x4480 5910 0x4480 5A10	Instance	CLK1_2_GPU_P1_BW_LIMITER CLK1_2_GPU_P2_BW_LIMITER CLK1_2_TPTC1_RD_BW_LIMITER CLK1_2_TPTC2_RD_BW_LIMITER CLK1_2_TPTC1_WR_BW_LIMITER CLK1_2_TPTC2_WR_BW_LIMITER CLK1_2_VPE_P2_BW_LIMITER CLK1_2_VPE_P1_BW_LIMITER CLK1_2_MMU1_BW_LIMITER CLK1_2_BB2D_P1_BW_LIMITER CLK1_2_BB2D_P2_BW_LIMITER
Description			
Type	RW		

31	30	29	28	27	26	25	24	23	22	21	20	19	18	17	16	15	14	13	12	11	10	9	8	7	6	5	4	3	2	1	0
RESERVED																WATERMARK_0															

Bits	Field Name	Description	Type	Reset
31:14	RESERVED		R	0x0
13:0	WATERMARK_0	Peak bandwidth allowed Type: Control. Reset value: 0x3FFF.	RW	0x3FFF

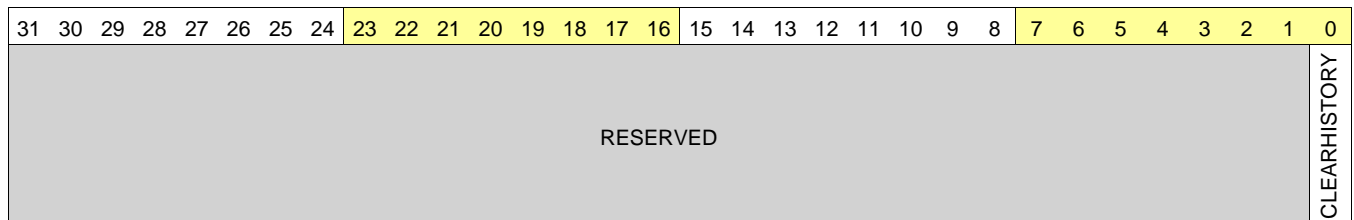
Table 14-232. Register Call Summary for Register L3_BW_LIMITER_WATERMARK_0

L3_MAIN Interconnect

- [Bandwidth Limiters: \[0\]\[1\]](#)
- [L3_MAIN Bandwidth Limiter Register Summary and Description: \[2\]\[3\]\[4\]\[5\]](#)

Table 14-233. L3_BW_LIMITER_CLEARHISTORY

Address Offset	See Table 14-219		
Physical Address	0x4480 5B14	Instance	CLK1_2_GPU_P1_BW_LIMITER
	0x4480 5C14		CLK1_2_GPU_P2_BW_LIMITER
	0x4480 3C14		CLK1_2_TPTC1_RD_BW_LIMITER
	0x4480 3D14		CLK1_2_TPTC2_RD_BW_LIMITER
	0x4480 3E14		CLK1_2_TPTC1_WR_BW_LIMITER
	0x4480 3F14		CLK1_2_TPTC2_WR_BW_LIMITER
	0x4480 4014		CLK1_2_VPE_P2_BW_LIMITER
	0x4480 4114		CLK1_2_VPE_P1_BW_LIMITER
	0x4480 3A14		CLK1_2_MMU1_BW_LIMITER
	0x4480 5914		CLK1_2_BB2D_P1_BW_LIMITER
	0x4480 5A14		CLK1_2_BB2D_P2_BW_LIMITER
Description			
Type	RW		



Bits	Field Name	Description	Type	Reset
31:1	RESERVED		R	0x0
0	CLEARHISTORY	Write a 1 clear the traffic counter Type: Give_AutoCleared. Reset value: 0x0.	RW	0

Table 14-234. Register Call Summary for Register L3_BW_LIMITER_CLEARHISTORY

L3_MAIN Interconnect

- [Bandwidth Limiters: \[0\]](#)
- [L3_MAIN Bandwidth Limiter Register Summary and Description: \[1\]\[2\]\[3\]\[4\]](#)

14.2.5.1.9 L3_MAIN STATCOLL Register Summary and Description

NOTE: ATL, VCP1, VCP2, MLB and USB3 (ULPI) are not supported on the AM571x / AM570x family of devices.

SATA and RTC are not supported on the AM570x family of devices.

Table 14-235. STATCOLL Instance Summary

Module Name	Base Address	Size
CLK2_FLAGMUX_STATCOLL	0x4500 0500	512 bytes
CLK2_STATCOLL0	0x4500 1000	512 bytes
CLK2_STATCOLL1	0x4500 2000	512 bytes

Table 14-235. STATCOLL Instance Summary (continued)

Module Name	Base Address	Size
CLK2_STATCOLL2	0x4500 3000	512 bytes
CLK2_STATCOLL4	0x4500 5000	512 bytes
CLK2_STATCOLL5	0x4500 6000	512 bytes
CLK2_STATCOLL6	0x4500 7000	512 bytes
CLK2_STATCOLL7	0x4500 8000	512 bytes
CLK2_STATCOLL8	0x4500 9000	512 bytes
CLK2_STATCOLL9	0x4500 A000	512 bytes

14.2.5.1.9.1 L3_MAIN STATCOLL Register Summary
Table 14-236. STATCOLL Register Summary

Register Name	Type	Register Width (bits)	Address offset for FLAGMUX	CLK2_FLAGMUX_STATCOLL L3_MAIN Physical Address
L3_STCOL_STDHOSTHD R_COREREG	R	32	0x0100 0500	0x4500 0500
L3_STCOL_STDHOSTHD R_VERSIONREG	R	32	0x0100 0504	0x4500 0504
L3_STCOL_MASK0	RW	32	0x0100 0508	0x4500 0508
L3_STCOL_REGERR0	R	32	0x0100 050C	0x4500 050C

Table 14-237. STATCOLL Register Summary

Register Name	Type	Register Width (Bits)	Address Offset for SDRAM	CLK2_STATCOLL0 L3_MAIN Physical Address	CLK2_STATCOLL1 L3_MAIN Physical Address	CLK2_STATCOLL2 L3_MAIN Physical Address	CLK2_STATCOLL4 L3_MAIN Physical Address
L3_STCOL_STDHOSTHDR_COREREG	R	32	0x0000 0000	0x4500 1 000	0x4500 2000	0x4500 3000	0x4500 5000
L3_STCOL_STDHOSTHDR_VERSIONREG	R	32	0x0000 0004	0x4500 1004	0x4500 2004	0x4500 3004	0x4500 5004
L3_STCOL_EN	RW	32	0x0000 0008	0x4500 1008	0x4500 2008	0x4500 3008	0x4500 5008
L3_STCOL_SOFTEN	RW	32	0x0000 000C	0x4500 100C	0x4500 200C	0x4500 300C	0x4500 500C
L3_STCOL_IGNORESUSPEND	RW	32	0x0000 0010	0x4500 1010	0x4500 2010	0x4500 3010	0x4500 5010
L3_STCOL_TRIGEN	RW	32	0x0000 0014	0x4500 1014	0x4500 2014	0x4500 3014	0x4500 5014
L3_STCOL_REQEVT	RW	32	0x0000 0018	0x4500 1018	0x4500 2018	0x4500 3018	0x4500 5018
L3_STCOL_RSPEVT	RW	32	0x0000 001C	0x4500 101C	0x4500 201C	0x4500 301C	0x4500 501C
L3_STCOL_EVTMUX_SEL0	RW	32	0x0000 0020	0x4500 1020	0x4500 2020	0x4500 3020	0x4500 5020
L3_STCOL_EVTMUX_SEL1	RW	32	0x0000 0024	0x4500 1024	0x4500 2024	0x4500 3024	0x4500 5024
L3_STCOL_EVTMUX_SEL2	RW	32	0x0000 0028	0x4500 1028	0x4500 2028	0x4500 3028	0x4500 5028
L3_STCOL_EVTMUX_SEL3	RW	32	0x0000 002C	0x4500 102C	0x4500 202C	0x4500 302C	0x4500 502C
L3_STCOL_EVTMUX_SEL4	RW	32	0x0000 0030	0x4500 1030	0x4500 2030	N/A	N/A
L3_STCOL_EVTMUX_SEL5	RW	32	0x0000 0034	0x4500 1034	0x4500 2034	N/A	N/A
L3_STCOL_EVTMUX_SEL6	RW	32	0x0000 0038	0x4500 1038	N/A	N/A	N/A
L3_STCOL_EVTMUX_SEL7	RW	32	0x0000 003C	0x4500 103C	N/A	N/A	N/A
L3_STCOL_DUMP_IDENTIFIER	R	32	0x0000 0040	0x4500 1040	0x4500 2040	0x4500 3040	0x4500 5040
L3_STCOL_DUMP_COLLECTTIME	RW	32	0x0000 0044	0x4500 1044	0x4500 2044	0x4500 3044	0x4500 5044
L3_STCOL_DUMP_SLVADDR	R	32	0x0000 0048	0x4500 1048	0x4500 2048	0x4500 3048	0x4500 5048
L3_STCOL_DUMP_MSTADDR	R	32	0x0000 004C	0x4500 104C	0x4500 204C	0x4500 304C	0x4500 504C
L3_STCOL_DUMP_SLVOFS	RW	32	0x0000 0050	0x4500 1050	0x4500 2050	0x4500 3050	0x4500 5050
L3_STCOL_DUMP_MODE	RW	32	0x0000 0054	0x4500 1054	0x4500 2054	0x4500 3054	0x4500 5054
L3_STCOL_DUMP_SEND	RW	32	0x0000 0058	0x4500 1058	0x4500 2058	0x4500 3058	0x4500 5058
L3_STCOL_DUMP_DISABLE	RW	32	0x0000 005C	0x4500 105C	0x4500 205C	0x4500 305C	0x4500 505C
L3_STCOL_DUMP_ALARM_TRIG	RW	32	0x0000 0060	0x4500 1060	0x4500 2060	0x4500 3060	0x4500 5060
L3_STCOL_DUMP_ALARM_MINVAL	RW	32	0x0000 0064	0x4500 1064	0x4500 2064	0x4500 3064	0x4500 5064
L3_STCOL_DUMP_ALARM_MAXVAL	RW	32	0x0000 0068	0x4500 1068	0x4500 2068	0x4500 3068	0x4500 5068
L3_STCOL_DUMP_ALARM_MODE0	RW	32	0x0000 006C	0x4500 106C	0x4500 206C	0x4500 306C	0x4500 506C
L3_STCOL_DUMP_ALARM_MODE1	RW	32	0x0000 0070	0x4500 1070	0x4500 2070	0x4500 3070	0x4500 5070
L3_STCOL_DUMP_ALARM_MODE2	RW	32	0x0000 0074	0x4500 1074	0x4500 2074	0x4500 3074	0x4500 5074
L3_STCOL_DUMP_ALARM_MODE3	RW	32	0x0000 0078	0x4500 1078	0x4500 2078	0x4500 3078	0x4500 5078
L3_STCOL_DUMP_ALARM_MODE4	RW	32	0x0000 007C	0x4500 107C	0x4500 207C	N/A	N/A

Table 14-237. STATCOLL Register Summary (continued)

Register Name	Type	Register Width (Bits)	Address Offset for SDRAM	CLK2_STATCOLL0 L3_MAIN Physical Address	CLK2_STATCOLL1 L3_MAIN Physical Address	CLK2_STATCOLL2 L3_MAIN Physical Address	CLK2_STATCOLL4 L3_MAIN Physical Address
L3_STCOL_DUMP_ALARM_MODE5	RW	32	0x0000 0080	0x4500 1080	0x4500 2080	N/A	N/A
L3_STCOL_DUMP_ALARM_MODE6	RW	32	0x0000 0084	0x4500 1084	N/A	N/A	N/A
L3_STCOL_DUMP_ALARM_MODE7	RW	32	0x0000 0088	0x4500 1088	N/A	N/A	N/A
L3_STCOL_DUMP_CNT0	R	32	0x0000 008C	0x4500 108C	0x4500 208C	0x4500 308C	0x4500 508C
L3_STCOL_DUMP_CNT1	R	32	0x0000 0090	0x4500 1090	0x4500 2090	0x4500 3090	0x4500 5090
L3_STCOL_DUMP_CNT2	R	32	0x0000 0094	0x4500 1094	0x4500 2094	0x4500 3094	0x4500 5094
L3_STCOL_DUMP_CNT3	R	32	0x0000 0098	0x4500 1098	0x4500 2098	0x4500 3098	0x4500 5098
L3_STCOL_DUMP_CNT4	R	32	0x0000 009C	0x4500 109C	0x4500 209C	N/A	N/A
L3_STCOL_DUMP_CNT5	R	32	0x0000 00A0	0x4500 10A0	0x4500 20A0	N/A	N/A
L3_STCOL_DUMP_CNT6	R	32	0x0000 00A4	0x4500 10A4	N/A	N/A	N/A
L3_STCOL_DUMP_CNT7	R	32	0x0000 00A8	0x4500 10A8	N/A	N/A	N/A
L3_STCOL_FILTER_i_GLOBALEN⁽¹⁾	RW	32	0x0000 00AC + (0x158*i)	0x4500 10AC + (0x158*i)	0x4500 20AC + (0x158*i)	0x4500 30AC + (0x158*i)	0x4500 50AC + (0x158*i)
L3_STCOL_FILTER_i_ADDRMIN⁽¹⁾	RW	32	0x0000 00B0 + (0x158*i)	0x4500 10B0 + (0x158*i)	0x4500 20B0 + (0x158*i)	0x4500 30B0 + (0x158*i)	0x4500 50B0 + (0x158*i)
L3_STCOL_FILTER_i_ADDRMAX⁽¹⁾	RW	32	0x0000 00B4 + (0x158*i)	0x4500 10B4 + (0x158*i)	0x4500 20B4 + (0x158*i)	0x4500 30B4 + (0x158*i)	0x4500 50B4 + (0x158*i)
L3_STCOL_FILTER_i_ADDREN⁽¹⁾	RW	32	0x0000 00B8 + (0x158*i)	0x4500 10B8 + (0x158*i)	0x4500 20B8 + (0x158*i)	0x4500 30B8 + (0x158*i)	0x4500 50B8 + (0x158*i)
L3_STCOL_FILTER_i_EN_k⁽¹⁾⁽²⁾	RW	32	0x0000 00BC + (0x158*i) + (0x44*k)	0x4500 10BC + (0x158*i) + (0x44*k)	0x4500 20BC + (0x158*i) + (0x44*k)	0x4500 30BC + (0x158*i) + (0x44*k)	0x4500 50BC + (0x158*i) + (0x44*k)
L3_STCOL_FILTER_i_MASK_m_RD⁽¹⁾⁽³⁾	RW	32	0x0000 00C0 + (0x158*i) + (0x44*m)	0x4500 10C0 + (0x158*i) + (0x44*m)	0x4500 20C0 + (0x158*i) + (0x44*m)	0x4500 30C0 + (0x158*i) + (0x44*m)	0x4500 50C0 + (0x158*i) + (0x44*m)

⁽¹⁾ i = 0 to 7 for CLK2_STATCOLL0
i = 0 to 5 for CLK2_STATCOLL1
i = 0 to 3 for CLK2_STATCOLL2
i = 0 to 3 for CLK2_STATCOLL4

⁽²⁾ k = 0 to 1 for CLK2_STATCOLL0
k = 0 for CLK2_STATCOLL1
k = 0 for CLK2_STATCOLL2
k = 0 for CLK2_STATCOLL4

⁽³⁾ m = 0 to 1 for CLK2_STATCOLL0
m = 0 for CLK2_STATCOLL1
m = 0 for CLK2_STATCOLL2
m = 0 for CLK2_STATCOLL4

Table 14-237. STATCOLL Register Summary (continued)

Register Name	Type	Register Width (Bits)	Address Offset for SDRAM	CLK2_STATCOLL0 L3_MAIN Physical Address	CLK2_STATCOLL1 L3_MAIN Physical Address	CLK2_STATCOLL2 L3_MAIN Physical Address	CLK2_STATCOLL4 L3_MAIN Physical Address
L3_STCOL_FILTER_i_MASK_m_WR ⁽¹⁾⁽³⁾	RW	32	0x0000 00C4 + (0x158*i) + (0x44*m)	0x4500 10C4 + (0x158*i) + (0x44*m)	0x4500 20C4 + (0x158*i) + (0x44*m)	0x4500 30C4 + (0x158*i) + (0x44*m)	0x4500 50C4 + (0x158*i) + (0x44*m)
L3_STCOL_FILTER_i_MASK_m_MSTADDR ⁽¹⁾⁽³⁾	RW	32	0x0000 00C8 + (0x158*i) + (0x44*m)	0x4500 10C8 + (0x158*i) + (0x44*m)	0x4500 20C8 + (0x158*i) + (0x44*m)	0x4500 30C8 + (0x158*i) + (0x44*m)	0x4500 50C8 + (0x158*i) + (0x44*m)
L3_STCOL_FILTER_i_MASK_m_SLVADDR ⁽¹⁾⁽³⁾	RW	32	0x0000 00CC + (0x158*i) + (0x44*m)	N/A	0x4500 20CC + (0x158*i) + (0x44*m)	0x4500 30CC + (0x158*i) + (0x44*m)	0x4500 50CC + (0x158*i) + (0x44*m)
L3_STCOL_FILTER_i_MASK_m_ERR ⁽¹⁾⁽³⁾	RW	32	0x0000 00D0 + (0x158*i) + (0x44*m)	0x4500 10D0 + (0x158*i) + (0x44*m)	0x4500 20D0 + (0x158*i) + (0x44*m)	0x4500 30D0 + (0x158*i) + (0x44*m)	0x4500 50D0 + (0x158*i) + (0x44*m)
L3_STCOL_FILTER_i_MASK_m_USERINFO ⁽¹⁾⁽³⁾	RW	32	0x0000 00D4 + (0x158*i) + (0x44*m)	0x4500 10D4 + (0x158*i) + (0x44*m)	N/A	N/A	N/A
L3_STCOL_FILTER_i_MASK_m_REQUESTINFO ⁽¹⁾⁽³⁾	RW	32	0x0000 00D4 + (0x158*i) + (0x44*m)	N/A	0x4500 20D4 + (0x158*i) + (0x44*m)	0x4500 30D4 + (0x158*i) + (0x44*m)	0x4500 50D4 + (0x158*i) + (0x44*m)
L3_STCOL_FILTER_i_MASK_m_RSPUSEINFO ⁽¹⁾⁽³⁾	RW	32	0x0000 00D8 + (0x158*i) + (0x44*m)	N/A	0x4500 20D8 + (0x158*i) + (0x44*m)	0x4500 30D8 + (0x158*i) + (0x44*m)	0x4500 50D8 + (0x158*i) + (0x44*m)
L3_STCOL_FILTER_i_MATCH_m_RD ⁽¹⁾⁽³⁾	RW	32	0x0000 00E0 + (0x158*i) + (0x44*m)	0x4500 10E0 + (0x158*i) + (0x44*m)	0x4500 20E0 + (0x158*i) + (0x44*m)	0x4500 30E0 + (0x158*i) + (0x44*m)	0x4500 50E0 + (0x158*i) + (0x44*m)
L3_STCOL_FILTER_i_MATCH_m_WR ⁽¹⁾⁽³⁾	RW	32	0x0000 00E4 + (0x158*i) + (0x44*m)	0x4500 10E4 + (0x158*i) + (0x44*m)	0x4500 20E4 + (0x158*i) + (0x44*m)	0x4500 30E4 + (0x158*i) + (0x44*m)	0x4500 50E4 + (0x158*i) + (0x44*m)
L3_STCOL_FILTER_i_MATCH_m_MSTADDR ⁽¹⁾⁽³⁾	RW	32	0x0000 00E8 + (0x158*i) + (0x44*m)	0x4500 10E8 + (0x158*i) + (0x44*m)	0x4500 20E8 + (0x158*i) + (0x44*m)	0x4500 30E8 + (0x158*i) + (0x44*m)	0x4500 50E8 + (0x158*i) + (0x44*m)
L3_STCOL_FILTER_i_MATCH_m_SLVADDR ⁽¹⁾⁽³⁾	RW	32	0x0000 00EC + (0x158*i) + (0x44*m)	N/A	0x4500 20EC + (0x158*i) + (0x44*m)	0x4500 30EC + (0x158*i) + (0x44*m)	0x4500 50EC + (0x158*i) + (0x44*m)
L3_STCOL_FILTER_i_MATCH_m_ERR ⁽¹⁾⁽³⁾	RW	32	0x0000 00F0 + (0x158*i) + (0x44*m)	0x4500 10F0 + (0x158*i) + (0x44*m)	0x4500 20F0 + (0x158*i) + (0x44*m)	0x4500 30F0 + (0x158*i) + (0x44*m)	0x4500 50F0 + (0x158*i) + (0x44*m)
L3_STCOL_FILTER_i_MATCH_m_USERINFO ⁽¹⁾⁽³⁾	RW	32	0x0000 00F4 + (0x158*i) + (0x44*m)	0x4500 10F4 + (0x158*i) + (0x44*m)	N/A	N/A	N/A

Table 14-237. STATCOLL Register Summary (continued)

Register Name	Type	Register Width (Bits)	Address Offset for SDRAM	CLK2_STATCOLL0 L3_MAIN Physical Address	CLK2_STATCOLL1 L3_MAIN Physical Address	CLK2_STATCOLL2 L3_MAIN Physical Address	CLK2_STATCOLL4 L3_MAIN Physical Address
L3_STCOL_FILTER_i_MATCH_m_REQUSERINFO⁽¹⁾⁽³⁾	RW	32	0x0000 00F4 + (0x158*i) + (0x44*m)	N/A	0x4500 20F4 + (0x158*i) + (0x44*m)	0x4500 30F4 + (0x158*i) + (0x44*m)	0x4500 50F4 + (0x158*i) + (0x44*m)
L3_STCOL_FILTER_i_MATCH_m_RSPUSERINFO⁽¹⁾⁽³⁾	RW	32	0x0000 00F8 + (0x158*i) + (0x44*m)	N/A	0x4500 20F8 + (0x158*i) + (0x44*m)	0x4500 30F8 + (0x158*i) + (0x44*m)	0x4500 50F8 + (0x158*i) + (0x44*m)
L3_STCOL_OP_i_THRESHOLD_MINVAL⁽¹⁾	RW	32	0x0000 01F0 + (0x158*i)	0x4500 11F0 + (0x158*i)	0x4500 21F0 + (0x158*i)	0x4500 31F0 + (0x158*i)	0x4500 51F0 + (0x158*i)
L3_STCOL_OP_i_THRESHOLD_MAXVAL⁽¹⁾	RW	32	0x0000 01F4 + (0x158*i)	0x4500 11F4 + (0x158*i)	0x4500 21F4 + (0x158*i)	0x4500 31F4 + (0x158*i)	0x4500 51F4 + (0x158*i)
L3_STCOL_OP_i_EVTINFOSEL⁽¹⁾	RW	32	0x0000 01F8 + (0x158*i)	0x4500 11F8 + (0x158*i)	0x4500 21F8 + (0x158*i)	0x4500 31F8 + (0x158*i)	0x4500 51F8 + (0x158*i)
L3_STCOL_OP_i_SEL⁽¹⁾	RW	32	0x0000 01FC + (0x158*i)	0x4500 11FC + (0x158*i)	0x4500 21FC + (0x158*i)	0x4500 31FC + (0x158*i)	0x4500 51FC + (0x158*i)

Table 14-238. STATCOLL Register Summary

Register Name	Type	Register Width (Bits)	Address Offset for SDRAM	CLK2_STATCOLL5 L3_MAIN Physical Address	CLK2_STATCOLL6 L3_MAIN Physical Address	CLK2_STATCOLL7 L3_MAIN Physical Address	CLK2_STATCOLL8 L3_MAIN Physical Address	CLK2_STATCOLL9 L3_MAIN Physical Address
L3_STCOL_STDHOSTHDR_COREREG	R	32	0x0000 0000	0x4500 6000	0x4500 7000	0x4500 8000	0x4500 9000	0x4500 A000
L3_STCOL_STDHOSTHDR_VERSIONREG	R	32	0x0000 0004	0x4500 6004	0x4500 7004	0x4500 8004	0x4500 9004	0x4500 A004
L3_STCOL_EN	RW	32	0x0000 0008	0x4500 61008	0x4500 7008	0x4500 8008	0x4500 9008	0x4500 A008
L3_STCOL_SOFTEN	RW	32	0x0000 000C	0x4500 600C	0x4500 700C	0x4500 800C	0x4500 900C	0x4500 A00C
L3_STCOL_IGNORESUSPEND	RW	32	0x0000 0010	0x4500 6010	0x4500 7010	0x4500 8010	0x4500 9010	0x4500 A010
L3_STCOL_TRIGEN	RW	32	0x0000 0014	0x4500 6014	0x4500 7014	0x4500 8014	0x4500 9014	0x4500 A014
L3_STCOL_REQEVT	RW	32	0x0000 0018	0x4500 6018	0x4500 7018	0x4500 8018	0x4500 9018	0x4500 A018
L3_STCOL_RSPEVT	RW	32	0x0000 001C	0x4500 601C	0x4500 701C	0x4500 801C	0x4500 901C	0x4500 A01C
L3_STCOL_EVTMUX_SEL0	RW	32	0x0000 0020	0x4500 6020	0x4500 7020	0x4500 8020	0x4500 9020	0x4500 A020
L3_STCOL_EVTMUX_SEL1	RW	32	0x0000 0024	0x4500 6024	0x4500 7024	0x4500 8024	0x4500 9024	0x4500 A024
L3_STCOL_EVTMUX_SEL2	RW	32	0x0000 0028	0x4500 6028	0x4500 7028	0x4500 8028	0x4500 9028	0x4500 A028
L3_STCOL_EVTMUX_SEL3	RW	32	0x0000 002C	0x4500 602C	0x4500 702C	0x4500 802C	0x4500 902C	0x4500 A02C
L3_STCOL_EVTMUX_SEL4	RW	32	0x0000 0030	N/A	N/A	N/A	N/A	N/A
L3_STCOL_EVTMUX_SEL5	RW	32	0x0000 0034	N/A	N/A	N/A	N/A	N/A
L3_STCOL_EVTMUX_SEL6	RW	32	0x0000 0038	N/A	N/A	N/A	N/A	N/A

Table 14-238. STATCOLL Register Summary (continued)

Register Name	Type	Register Width (Bits)	Address Offset for SDRAM	CLK2_STATCOLL5 L3_MAIN Physical Address	CLK2_STATCOLL6 L3_MAIN Physical Address	CLK2_STATCOLL7 L3_MAIN Physical Address	CLK2_STATCOLL8 L3_MAIN Physical Address	CLK2_STATCOLL9 L3_MAIN Physical Address
L3_STCOL_EVTMUX_SEL7	RW	32	0x0000 003C	N/A	N/A	N/A	N/A	N/A
L3_STCOL_DUMP_IDENTIFIER	R	32	0x0000 0040	0x4500 6040	0x4500 7040	0x4500 8040	0x4500 9040	0x4500 A040
L3_STCOL_DUMP_COLLECTTIME	RW	32	0x0000 0044	0x4500 6044	0x4500 7044	0x4500 8044	0x4500 9044	0x4500 A044
L3_STCOL_DUMP_SLVADDR	R	32	0x0000 0048	0x4500 6048	0x4500 7048	0x4500 8048	0x4500 9048	0x4500 A048
L3_STCOL_DUMP_MSTADDR	R	32	0x0000 004C	0x4500 604C	0x4500 704C	0x4500 804C	0x4500 904C	0x4500 A04C
L3_STCOL_DUMP_SLVOFS	RW	32	0x0000 0050	0x4500 6050	0x4500 7050	0x4500 8050	0x4500 9050	0x4500 A050
L3_STCOL_DUMP_MODE	RW	32	0x0000 0054	0x4500 6054	0x4500 7054	0x4500 8054	0x4500 9054	0x4500 A054
L3_STCOL_DUMP_SEND	RW	32	0x0000 0058	0x4500 6058	0x4500 7058	0x4500 8058	0x4500 9058	0x4500 A058
L3_STCOL_DUMP_DISABLE	RW	32	0x0000 005C	0x4500 605C	0x4500 705C	0x4500 805C	0x4500 905C	0x4500 A05C
L3_STCOL_DUMP_ALARM_TRIG	RW	32	0x0000 0060	0x4500 6060	0x4500 7060	0x4500 8060	0x4500 9060	0x4500 A060
L3_STCOL_DUMP_ALARM_MINVAL	RW	32	0x0000 0064	0x4500 6064	0x4500 7064	0x4500 8064	0x4500 9064	0x4500 A064
L3_STCOL_DUMP_ALARM_MAXVAL	RW	32	0x0000 0068	0x4500 6068	0x4500 7068	0x4500 8068	0x4500 9068	0x4500 A068
L3_STCOL_DUMP_ALARM_MODE0	RW	32	0x0000 006C	0x4500 606C	0x4500 706C	0x4500 806C	0x4500 906C	0x4500 A06C
L3_STCOL_DUMP_ALARM_MODE1	RW	32	0x0000 0070	0x4500 6070	0x4500 7070	0x4500 8070	0x4500 9070	0x4500 A070
L3_STCOL_DUMP_ALARM_MODE2	RW	32	0x0000 0074	0x4500 6074	0x4500 7074	0x4500 8074	0x4500 9074	0x4500 A074
L3_STCOL_DUMP_ALARM_MODE3	RW	32	0x0000 0078	0x4500 6078	0x4500 7078	0x4500 8078	0x4500 9078	0x4500 A078
L3_STCOL_DUMP_ALARM_MODE4	RW	32	0x0000 007C	N/A	N/A	N/A	N/A	N/A
L3_STCOL_DUMP_ALARM_MODE5	RW	32	0x0000 0080	N/A	N/A	N/A	N/A	N/A
L3_STCOL_DUMP_ALARM_MODE6	RW	32	0x0000 0084	N/A	N/A	N/A	N/A	N/A
L3_STCOL_DUMP_ALARM_MODE7	RW	32	0x0000 0088	N/A	N/A	N/A	N/A	N/A
L3_STCOL_DUMP_CNT0	R	32	0x0000 008C	0x4500 608C	0x4500 708C	0x4500 808C	0x4500 908C	0x4500 A08C
L3_STCOL_DUMP_CNT1	R	32	0x0000 0090	0x4500 6090	0x4500 7090	0x4500 8090	0x4500 9090	0x4500 A090
L3_STCOL_DUMP_CNT2	R	32	0x0000 0094	0x4500 6094	0x4500 7094	0x4500 8094	0x4500 9094	0x4500 A094
L3_STCOL_DUMP_CNT3	R	32	0x0000 0098	0x4500 6098	0x4500 7098	0x4500 8098	0x4500 9098	0x4500 A098
L3_STCOL_DUMP_CNT4	R	32	0x0000 009C	N/A	N/A	N/A	N/A	N/A
L3_STCOL_DUMP_CNT5	R	32	0x0000 00A0	N/A	N/A	N/A	N/A	N/A
L3_STCOL_DUMP_CNT6	R	32	0x0000 00A4	N/A	N/A	N/A	N/A	N/A
L3_STCOL_DUMP_CNT7	R	32	0x0000 00A8	N/A	N/A	N/A	N/A	N/A

Table 14-238. STATCOLL Register Summary (continued)

Register Name	Type	Register Width (Bits)	Address Offset for SDRAM	CLK2_STATCOLL5 L3_MAIN Physical Address	CLK2_STATCOLL6 L3_MAIN Physical Address	CLK2_STATCOLL7 L3_MAIN Physical Address	CLK2_STATCOLL8 L3_MAIN Physical Address	CLK2_STATCOLL9 L3_MAIN Physical Address
L3_STCOL_FILTER_i_GLOBALEN ⁽¹⁾	RW	32	0x0000 00AC + (0x158*i)	0x4500 60AC + (0x158*i)	0x4500 70AC + (0x158*i)	0x4500 80AC + (0x158*i)	0x4500 90AC + (0x158*i)	0x4500 A0AC + (0x158*i)
L3_STCOL_FILTER_i_ADDRMIN ⁽¹⁾	RW	32	0x0000 00B0 + (0x158*i)	0x4500 60B0 + (0x158*i)	0x4500 70B0 + (0x158*i)	0x4500 80B0 + (0x158*i)	0x4500 90B0 + (0x158*i)	0x4500 A0B0 + (0x158*i)
L3_STCOL_FILTER_i_ADDRMAX ⁽¹⁾	RW	32	0x0000 00B4 + (0x158*i)	0x4500 60B4 + (0x158*i)	0x4500 70B4 + (0x158*i)	0x4500 80B4 + (0x158*i)	0x4500 90B4 + (0x158*i)	0x4500 A0B4 + (0x158*i)
L3_STCOL_FILTER_i_ADDREN ⁽¹⁾	RW	32	0x0000 00B8 + (0x158*i)	0x4500 60B8 + (0x158*i)	0x4500 70B8 + (0x158*i)	0x4500 80B8 + (0x158*i)	0x4500 90B8 + (0x158*i)	0x4500 A0B8 + (0x158*i)
L3_STCOL_FILTER_i_EN_k ⁽¹⁾⁽²⁾	RW	32	0x0000 00BC + (0x158*i) + (0x44*k)	0x4500 60BC + (0x158*i) + (0x44*k)	0x4500 70BC + (0x158*i) + (0x44*k)	0x4500 80BC + (0x158*i) + (0x44*k)	0x4500 90BC + (0x158*i) + (0x44*k)	0x4500 A0BC + (0x158*i) + (0x44*k)
L3_STCOL_FILTER_i_MASK_m_RD ⁽¹⁾⁽³⁾	RW	32	0x0000 00C0 + (0x158*i) + (0x44*m)	0x4500 60C0 + (0x158*i) + (0x44*m)	0x4500 70C0 + (0x158*i) + (0x44*m)	0x4500 80C0 + (0x158*i) + (0x44*m)	0x4500 90C0 + (0x158*i) + (0x44*m)	0x4500 A0C0 + (0x158*i) + (0x44*m)
L3_STCOL_FILTER_i_MASK_m_WR ⁽¹⁾⁽³⁾	RW	32	0x0000 00C4 + (0x158*i) + (0x44*m)	0x4500 60C4 + (0x158*i) + (0x44*m)	0x4500 70C4 + (0x158*i) + (0x44*m)	0x4500 80C4 + (0x158*i) + (0x44*m)	0x4500 90C4 + (0x158*i) + (0x44*m)	0x4500 A0C4 + (0x158*i) + (0x44*m)
L3_STCOL_FILTER_i_MASK_m_MS TADDR ⁽¹⁾⁽³⁾	RW	32	0x0000 00C8 + (0x158*i) + (0x44*m)	0x4500 60C8 + (0x158*i) + (0x44*m)	0x4500 70C8 + (0x158*i) + (0x44*m)	0x4500 80C8 + (0x158*i) + (0x44*m)	0x4500 90C8 + (0x158*i) + (0x44*m)	0x4500 A0C8 + (0x158*i) + (0x44*m)
L3_STCOL_FILTER_i_MASK_m_SLV ADDR ⁽¹⁾⁽³⁾	RW	32	0x0000 00CC + (0x158*i) + (0x44*m)	0x4500 60CC + (0x158*i) + (0x44*m)	0x4500 70CC + (0x158*i) + (0x44*m)	0x4500 80CC + (0x158*i) + (0x44*m)	0x4500 90CC + (0x158*i) + (0x44*m)	0x4500 A0CC + (0x158*i) + (0x44*m)
L3_STCOL_FILTER_i_MASK_m_ER R ⁽¹⁾⁽³⁾	RW	32	0x0000 00D0 + (0x158*i) + (0x44*m)	0x4500 60D0 + (0x158*i) + (0x44*m)	0x4500 70D0 + (0x158*i) + (0x44*m)	0x4500 80D0 + (0x158*i) + (0x44*m)	0x4500 90D0 + (0x158*i) + (0x44*m)	0x4500 A0D0 + (0x158*i) + (0x44*m)

⁽¹⁾ i = 0 to 3 for CLK2_STATCOLL5
i = 0 to 3 for CLK2_STATCOLL6
i = 0 to 3 for CLK2_STATCOLL7
i = 0 to 3 for CLK2_STATCOLL8
i = 0 to 3 for CLK2_STATCOLL9

⁽²⁾ k = 0 for CLK2_STATCOLL5
k = 0 for CLK2_STATCOLL6
k = 0 for CLK2_STATCOLL7
k = 0 for CLK2_STATCOLL8
k = 0 for CLK2_STATCOLL9

⁽³⁾ m = 0 for CLK2_STATCOLL5
m = 0 for CLK2_STATCOLL6
m = 0 for CLK2_STATCOLL7
m = 0 for CLK2_STATCOLL8
m = 0 for CLK2_STATCOLL9

Table 14-238. STATCOLL Register Summary (continued)

Register Name	Type	Register Width (Bits)	Address Offset for SDRAM	CLK2_STATCOLL5 L3_MAIN Physical Address	CLK2_STATCOLL6 L3_MAIN Physical Address	CLK2_STATCOLL7 L3_MAIN Physical Address	CLK2_STATCOLL8 L3_MAIN Physical Address	CLK2_STATCOLL9 L3_MAIN Physical Address
L3_STCOL_FILTER_i_MASK_m_USERINFO ⁽¹⁾⁽³⁾	RW	32	0x0000 00D4 + (0x158*i) + (0x44*m)	N/A	N/A	N/A	N/A	N/A
L3_STCOL_FILTER_i_MASK_m_REQUUSERINFO ⁽¹⁾⁽³⁾	RW	32	0x0000 00D4 + (0x158*i) + (0x44*m)	0x4500 60D4 + (0x158*i) + (0x44*m)	0x4500 70D4 + (0x158*i) + (0x44*m)	0x4500 80D4 + (0x158*i) + (0x44*m)	0x4500 90D4 + (0x158*i) + (0x44*m)	0x4500 A0D4 + (0x158*i) + (0x44*m)
L3_STCOL_FILTER_i_MASK_m_RSUSERINFO ⁽¹⁾⁽³⁾	RW	32	0x0000 00D8 + (0x158*i) + (0x44*m)	0x4500 60D8 + (0x158*i) + (0x44*m)	0x4500 70D8 + (0x158*i) + (0x44*m)	0x4500 80D8 + (0x158*i) + (0x44*m)	0x4500 90D8 + (0x158*i) + (0x44*m)	0x4500 A0D8 + (0x158*i) + (0x44*m)
L3_STCOL_FILTER_i_MATCH_m_RD ⁽¹⁾⁽³⁾	RW	32	0x0000 00E0 + (0x158*i) + (0x44*m)	0x4500 60E0 + (0x158*i) + (0x44*m)	0x4500 70E0 + (0x158*i) + (0x44*m)	0x4500 80E0 + (0x158*i) + (0x44*m)	0x4500 90E0 + (0x158*i) + (0x44*m)	0x4500 A0E0 + (0x158*i) + (0x44*m)
L3_STCOL_FILTER_i_MATCH_m_WR ⁽¹⁾⁽³⁾	RW	32	0x0000 00E4 + (0x158*i) + (0x44*m)	0x4500 60E4 + (0x158*i) + (0x44*m)	0x4500 70E4 + (0x158*i) + (0x44*m)	0x4500 80E4 + (0x158*i) + (0x44*m)	0x4500 90E4 + (0x158*i) + (0x44*m)	0x4500 A0E4 + (0x158*i) + (0x44*m)
L3_STCOL_FILTER_i_MATCH_m_MSTADDR ⁽¹⁾⁽³⁾	RW	32	0x0000 00E8 + (0x158*i) + (0x44*m)	0x4500 60E8 + (0x158*i) + (0x44*m)	0x4500 70E8 + (0x158*i) + (0x44*m)	0x4500 80E8 + (0x158*i) + (0x44*m)	0x4500 90E8 + (0x158*i) + (0x44*m)	0x4500 A0E8 + (0x158*i) + (0x44*m)
L3_STCOL_FILTER_i_MATCH_m_SLVADDR ⁽¹⁾⁽³⁾	RW	32	0x0000 00EC + (0x158*i) + (0x44*m)	0x4500 60EC + (0x158*i) + (0x44*m)	0x4500 70EC + (0x158*i) + (0x44*m)	0x4500 80EC + (0x158*i) + (0x44*m)	0x4500 90EC + (0x158*i) + (0x44*m)	0x4500 A0EC + (0x158*i) + (0x44*m)
L3_STCOL_FILTER_i_MATCH_m_ERR ⁽¹⁾⁽³⁾	RW	32	0x0000 00F0 + (0x158*i) + (0x44*m)	0x4500 60F0 + (0x158*i) + (0x44*m)	0x4500 70F0 + (0x158*i) + (0x44*m)	0x4500 80F0 + (0x158*i) + (0x44*m)	0x4500 90F0 + (0x158*i) + (0x44*m)	0x4500 A0F0 + (0x158*i) + (0x44*m)
L3_STCOL_FILTER_i_MATCH_m_USERINFO ⁽¹⁾⁽³⁾	RW	32	0x0000 00F4 + (0x158*i) + (0x44*m)	N/A	N/A	N/A	N/A	N/A
L3_STCOL_FILTER_i_MATCH_m_REQUUSERINFO ⁽¹⁾⁽³⁾	RW	32	0x0000 00F4 + (0x158*i) + (0x44*m)	0x4500 260F4 + (0x158*i) + (0x44*m)	0x4500 70F4 + (0x158*i) + (0x44*m)	0x4500 80F4 + (0x158*i) + (0x44*m)	0x4500 90F4 + (0x158*i) + (0x44*m)	0x4500 A0F4 + (0x158*i) + (0x44*m)
L3_STCOL_FILTER_i_MATCH_m_RSUSERINFO ⁽¹⁾⁽³⁾	RW	32	0x0000 00F8 + (0x158*i) + (0x44*m)	0x4500 60F8 + (0x158*i) + (0x44*m)	0x4500 70F8 + (0x158*i) + (0x44*m)	0x4500 80F8 + (0x158*i) + (0x44*m)	0x4500 90F8 + (0x158*i) + (0x44*m)	0x4500 A0F8 + (0x158*i) + (0x44*m)
L3_STCOL_OP_i_THRESHOLD_MINVAL ⁽¹⁾	RW	32	0x0000 01F0 + (0x158*i)	0x4500 61F0 + (0x158*i)	0x4500 71F0 + (0x158*i)	0x4500 81F0 + (0x158*i)	0x4500 91F0 + (0x158*i)	0x4500 A1F0 + (0x158*i)
L3_STCOL_OP_i_THRESHOLD_MAXVAL ⁽¹⁾	RW	32	0x0000 01F4 + (0x158*i)	0x4500 61F4 + (0x158*i)	0x4500 71F4 + (0x158*i)	0x4500 81F4 + (0x158*i)	0x4500 91F4 + (0x158*i)	0x4500 A1F4 + (0x158*i)
L3_STCOL_OP_i_EVTINFOSEL ⁽¹⁾	RW	32	0x0000 01F8 + (0x158*i)	0x4500 61F8 + (0x158*i)	0x4500 71F8 + (0x158*i)	0x4500 81F8 + (0x158*i)	0x4500 91F8 + (0x158*i)	0x4500 A1F8 + (0x158*i)
L3_STCOL_OP_i_SEL ⁽¹⁾	RW	32	0x0000 01FC + (0x158*i)	0x4500 61FC + (0x158*i)	0x4500 71FC + (0x158*i)	0x4500 81FC + (0x158*i)	0x4500 91FC + (0x158*i)	0x4500 A1FC + (0x158*i)

14.2.5.1.9.2 L3_MAIN STATCOLL Register Description
Table 14-239. L3_STCOL_STDHOSTHDR_COREREG

Address Offset	See Table 14-237.		
Physical Address	0x4500 0500 0x4500 1 000 0x4500 2000 0x4500 3000 0x4500 5000 0x4500 6000 0x4500 7000 0x4500 8000 0x4500 9000 0x4500 A000	Instance	CLK2_FLAGMUX_STATCOLL CLK2_STATCOLL0 CLK2_STATCOLL1 CLK2_STATCOLL2 CLK2_STATCOLL4 CLK2_STATCOLL5 CLK2_STATCOLL6 CLK2_STATCOLL7 CLK2_STATCOLL8 CLK2_STATCOLL9
Description			
Type	R		

31	30	29	28	27	26	25	24	23	22	21	20	19	18	17	16	15	14	13	12	11	10	9	8	7	6	5	4	3	2	1	0
RESERVED								STDHOSTHDR_COREREG_CORECODE								RESERVED								STDHOSTHDR_COREREG_VENDORCODE							

Bits	Field Name	Description	Type	Reset
31:22	RESERVED	Reserved	R	0x000
21:16	STDHOSTHDR_COREREG_CORECODE	The Core Code field is a constant reporting a vendor-specific core generator code. Type: Constant. Reset value: 0x3A. (When the instance is CLK2_FLAGMUX_STATCOLL reset value is 0x37)	R	0x3A
15:1	RESERVED	Reserved	R	0x0000
0	STDHOSTHDR_COREREG_VENDORCODE	The Vendor Code field is a constant reporting the core generator vendor code. Type: Constant. Reset value: 0x1. Read 0x0: Third-party vendor. Read 0x1:	R1	1

Table 14-240. Register Call Summary for Register L3_STCOL_STDHOSTHDR_COREREG

L3_MAIN Interconnect

- [L3_MAIN STATCOLL Register Summary and Description: \[0\]\[1\]\[2\]](#)

Table 14-241. L3_STCOL_STDHOSTHDR_VERSIONREG

Address Offset	See Table 14-237.		
Physical Address	0x4500 0504 0x4500 1004 0x4500 2004 0x4500 3004 0x4500 5004 0x4500 6004 0x4500 7004 0x4500 8004 0x4500 9004 0x4500 A004	Instance	CLK2_FLAGMUX_STATCOLL CLK2_STATCOLL0 CLK2_STATCOLL1 CLK2_STATCOLL2 CLK2_STATCOLL4 CLK2_STATCOLL5 CLK2_STATCOLL6 CLK2_STATCOLL7 CLK2_STATCOLL8 CLK2_STATCOLL9
Description			
Type	R		

31	30	29	28	27	26	25	24	23	22	21	20	19	18	17	16	15	14	13	12	11	10	9	8	7	6	5	4	3	2	1	0
STDHOSTHDR_VERSIONREG_REVISIONID								STDHOSTHDR_VERSIONREG_COREPARAMSCHECKSUM																							

Bits	Field Name	Description	Type	Reset
31:24	STDHOSTHDR_VERSIONREG_REVISIONID	The Revision Identifier field is a constant reporting the core generator revision number. Type: Constant. Reset value: 0x1.	R	0x1
23:0	STDHOSTHDR_VERSIONREG_COREPARAMSCHECKSUM	Reserved. Type: Reserved. Reset value: Reserved.	R	0x000000

Table 14-242. Register Call Summary for Register L3_STCOL_STDHOSTHDR_VERSIONREG

L3_MAIN Interconnect

- [L3_MAIN STATCOLL Register Summary and Description: \[0\]\[1\]\[2\]](#)

Table 14-243. L3_STCOL_MASK0

Address Offset	See Table 14-236.		
Physical Address	0x4500 0508	Instance	CLK2_FLAGMUX_STATCOLL
Description			
Type	RW		

31	30	29	28	27	26	25	24	23	22	21	20	19	18	17	16	15	14	13	12	11	10	9	8	7	6	5	4	3	2	1	0
RESERVED												MASK0																			

Bits	Field Name	Description	Type	Reset
31:1 0	RESERVED		R	0x0000 0000
9:0	MASK0	mask flag inputs 0 Type: Control. Reset value: 0x7.	RW	0x3ff

Table 14-244. Register Call Summary for Register L3_STCOL_MASK0

L3_MAIN Interconnect

- [L3_MAIN STATCOLL Register Summary and Description: \[0\]](#)

Table 14-245. L3_STCOL_REGERR0

Address Offset	See Table 14-236 .		
Physical Address	0x4500 050C	Instance	CLK2_FLAGMUX_STATCOLL
Description			
Type	RW		

31	30	29	28	27	26	25	24	23	22	21	20	19	18	17	16	15	14	13	12	11	10	9	8	7	6	5	4	3	2	1	0
RESERVED																REGERR0															

Bits	Field Name	Description	Type	Reset
31:1 0	RESERVED		R	0x0000 0000
9:0	REGERR0	flag inputs 0 Type: Status. Reset value: X.	R	0x0000 0000

Table 14-246. Register Call Summary for Register L3_STCOL_REGERR0

L3_MAIN Interconnect

- [L3_MAIN STATCOLL Register Summary and Description: \[0\]](#)

Table 14-247. L3_STCOL_EN

Address Offset	See Table 14-237 .		
Physical Address	0x4500 1008 0x4500 2008 0x4500 3008 0x4500 5008 0x4500 61008 0x4500 7008 0x4500 8008 0x4500 9008 0x4500 A008	Instance	CLK2_STATCOLL0 CLK2_STATCOLL1 CLK2_STATCOLL2 CLK2_STATCOLL4 CLK2_STATCOLL5 CLK2_STATCOLL6 CLK2_STATCOLL7 CLK2_STATCOLL8 CLK2_STATCOLL9
Description			
Type	RW		

31	30	29	28	27	26	25	24	23	22	21	20	19	18	17	16	15	14	13	12	11	10	9	8	7	6	5	4	3	2	1	0
RESERVED																EN															

Bits	Field Name	Description	Type	Reset
31:1 0	RESERVED	Reserved	R	0x0000 0000
0	EN	Enable performance monitoring, this will also shut down the clock if En = 0 Type: Control. Reset value: 0x0.	RW	0

Table 14-248. Register Call Summary for Register L3_STCOL_EN

L3_MAIN Interconnect

- [Statistic Collectors Group: \[0\]](#)
- [L3_MAIN STATCOLL Register Summary and Description: \[1\]\[2\]](#)

Table 14-249. L3_STCOL_SOFTEN

Address Offset	See Table 14-237.			
Physical Address	0x4500 100C	Instance	CLK2_STATCOLL0	
	0x4500 200C		CLK2_STATCOLL1	
	0x4500 300C		CLK2_STATCOLL2	
	0x4500 500C		CLK2_STATCOLL4	
	0x4500 600C		CLK2_STATCOLL5	
	0x4500 700C		CLK2_STATCOLL6	
	0x4500 800C		CLK2_STATCOLL7	
	0x4500 900C		CLK2_STATCOLL8	
	0x4500 A00C		CLK2_STATCOLL9	
Description				
Type	RW			
31 30 29 28 27 26 25 24	23 22 21 20 19 18 17 16	15 14 13 12 11 10 9 8	7 6 5 4 3 2 1 0	
RESERVED			SOFTEN	
Bits	Field Name	Description	Type	Reset
31:1	RESERVED	Reserved	R	0x0000 0000
0	SOFTEN	Software enable for performance monitoring Type: Control. Reset value: 0x0.	RW	0

Table 14-250. Register Call Summary for Register L3_STCOL_SOFTEN

L3_MAIN Interconnect

- [Statistic Collectors Group: \[0\]](#)
- [L3_MAIN STATCOLL Register Summary and Description: \[1\]\[2\]](#)

Table 14-251. L3_STCOL_IGNORESUSPEND

Address Offset	See Table 14-237.		
Physical Address	0x4500 1010 0x4500 2010 0x4500 3010 0x4500 5010 0x4500 6010 0x4500 7010 0x4500 8010 0x4500 9010 0x4500 A010	Instance	CLK2_STATCOLL0 CLK2_STATCOLL1 CLK2_STATCOLL2 CLK2_STATCOLL4 CLK2_STATCOLL5 CLK2_STATCOLL6 CLK2_STATCOLL7 CLK2_STATCOLL8 CLK2_STATCOLL9
Description			
Type	RW		

31	30	29	28	27	26	25	24	23	22	21	20	19	18	17	16	15	14	13	12	11	10	9	8	7	6	5	4	3	2	1	0
RESERVED																															IGNORESUSPEND

Bits	Field Name	Description	Type	Reset
31:1	RESERVED		R	0x0000 0000
0	IGNORESUSPEND	Ignore suspend if set to one for suspend mechanism Type: Control. Reset value: 0x0.	RW	0

Table 14-252. Register Call Summary for Register L3_STCOL_IGNORESUSPEND

L3_MAIN Interconnect

- [L3_MAIN STATCOLL Register Summary and Description: \[0\]\[1\]](#)

Table 14-253. L3_STCOL_TRIGEN

Address Offset	See Table 14-237.		
Physical Address	0x4500 1014 0x4500 2014 0x4500 3014 0x4500 5014 0x4500 6014 0x4500 7014 0x4500 8014 0x4500 9014 0x4500 A014	Instance	CLK2_STATCOLL0 CLK2_STATCOLL1 CLK2_STATCOLL2 CLK2_STATCOLL4 CLK2_STATCOLL5 CLK2_STATCOLL6 CLK2_STATCOLL7 CLK2_STATCOLL8 CLK2_STATCOLL9
Description			
Type	RW		

31	30	29	28	27	26	25	24	23	22	21	20	19	18	17	16	15	14	13	12	11	10	9	8	7	6	5	4	3	2	1	0
RESERVED																															TRIGEN

Bits	Field Name	Description	Type	Reset
31:1	RESERVED	Reserved	R	0x0000 0000
0	TRIGEN	TrigEn when set, it enable the external trigger start and stop Type: Control. Reset value: 0x0.	RW	0

Table 14-254. Register Call Summary for Register L3_STCOL_TRIGEN

L3_MAIN Interconnect

- [L3_MAIN STATCOLL Register Summary and Description: \[0\]\[1\]](#)

Table 14-255. L3_STCOL_REQEVT

Address Offset	See Table 14-237 .																																																																				
Physical Address	0x4500 1018 0x4500 2018 0x4500 3018 0x4500 5018 0x4500 6018 0x4500 7018 0x4500 8018 0x4500 9018 0x4500 A018	Instance	CLK2_STATCOLL0 CLK2_STATCOLL1 CLK2_STATCOLL2 CLK2_STATCOLL4 CLK2_STATCOLL5 CLK2_STATCOLL6 CLK2_STATCOLL7 CLK2_STATCOLL8 CLK2_STATCOLL9																																																																		
Description																																																																					
Type	RW																																																																				
<table border="1" style="width:100%; text-align:center; border-collapse: collapse;"> <tr> <td style="width:2.5%;">31</td><td style="width:2.5%;">30</td><td style="width:2.5%;">29</td><td style="width:2.5%;">28</td><td style="width:2.5%;">27</td><td style="width:2.5%;">26</td><td style="width:2.5%;">25</td><td style="width:2.5%;">24</td><td style="width:2.5%;">23</td><td style="width:2.5%;">22</td><td style="width:2.5%;">21</td><td style="width:2.5%;">20</td><td style="width:2.5%;">19</td><td style="width:2.5%;">18</td><td style="width:2.5%;">17</td><td style="width:2.5%;">16</td><td style="width:2.5%;">15</td><td style="width:2.5%;">14</td><td style="width:2.5%;">13</td><td style="width:2.5%;">12</td><td style="width:2.5%;">11</td><td style="width:2.5%;">10</td><td style="width:2.5%;">9</td><td style="width:2.5%;">8</td><td style="width:2.5%;">7</td><td style="width:2.5%;">6</td><td style="width:2.5%;">5</td><td style="width:2.5%;">4</td><td style="width:2.5%;">3</td><td style="width:2.5%;">2</td><td style="width:2.5%;">1</td><td style="width:2.5%;">0</td> </tr> <tr> <td colspan="24">RESERVED</td> <td colspan="4">REQEVT</td> </tr> </table>										31	30	29	28	27	26	25	24	23	22	21	20	19	18	17	16	15	14	13	12	11	10	9	8	7	6	5	4	3	2	1	0	RESERVED																								REQEVT			
31	30	29	28	27	26	25	24	23	22	21	20	19	18	17	16	15	14	13	12	11	10	9	8	7	6	5	4	3	2	1	0																																						
RESERVED																								REQEVT																																													
Bits	Field Name	Description	Type	Reset																																																																	
31:4	RESERVED	Reserved	R	0x0000000																																																																	
3:0	REQEVT	Req event select Type: Control. Reset value: 0x0. 0x0: Collect is disabled default value 0x1: Collect all event: hit always (cycle) 0x2: Collect transfers: actually used cycle for transferring aN NTPP word 0x3: Collect wait cycle: transfer has been delayed by source 0x4: Collect busy: transfer has been delayed by destination 0x5: Collect packet: new packet start 0x6: Collect data: data cycle transfer, write for requests, read for responses 0x7: Collect idles: transfer is not initiated by source 0x8: Collect latency: hit when actually detecting debug bit on response links	RW	0x0																																																																	

Table 14-256. Register Call Summary for Register L3_STCOL_REQEVT

L3_MAIN Interconnect

- [Statistic Collectors Group: \[0\]](#)
- [L3_MAIN STATCOLL Register Summary and Description: \[1\]\[2\]](#)

Table 14-257. L3_STCOL_RSPEVT

Address Offset	See Table 14-237.		
Physical Address	0x4500 101C 0x4500 201C 0x4500 301C 0x4500 501C 0x4500 601C 0x4500 701C 0x4500 801C 0x4500 901C 0x4500 A01C	Instance	CLK2_STATCOLL0 CLK2_STATCOLL1 CLK2_STATCOLL2 CLK2_STATCOLL4 CLK2_STATCOLL5 CLK2_STATCOLL6 CLK2_STATCOLL7 CLK2_STATCOLL8 CLK2_STATCOLL9
Description			
Type	RW		

31	30	29	28	27	26	25	24	23	22	21	20	19	18	17	16	15	14	13	12	11	10	9	8	7	6	5	4	3	2	1	0
RESERVED																RSPEVT															

Bits	Field Name	Description	Type	Reset
31:4	RESERVED	Reserved	R	0x0000000
3:0	RSPEVT	Rsp event select Type: Control. Reset value: 0x0. 0x0: Collect is disabled default value 0x1: Collect all event: hit always (cycle) 0x2: Collect transfers: actually used cycle for transferring a NTPP word 0x3: Collect wait cycle: transfer has been delayed by source 0x4: Collect busy: transfer has been delayed by destination 0x5: Collect packet: new packet start 0x6: Collect data: data cycle transfer, write for requests, read for responses 0x7: Collect idles: transfer is not initiated by source 0x8: Collect latency: hit when actually detecting debug bit on response links	RW	0x0

Table 14-258. Register Call Summary for Register L3_STCOL_RSPEVT

L3_MAIN Interconnect

- [Statistic Collectors Group: \[0\]](#)
- [L3_MAIN STATCOLL Register Summary and Description: \[1\]\[2\]](#)

Table 14-259. L3_STCOL_EVTMUX_SELO

Address Offset	See Table 14-237.		
Physical Address	0x45001020 0x4500 2020 0x4500 3020 0x4500 5020 0x4500 6020 0x4500 7020 0x4500 8020 0x4500 9020 0x4500 A020	Instance	CLK2_STATCOLL0 CLK2_STATCOLL1 CLK2_STATCOLL2 CLK2_STATCOLL4 CLK2_STATCOLL5 CLK2_STATCOLL6 CLK2_STATCOLL7 CLK2_STATCOLL8 CLK2_STATCOLL9
Description			
Type	RW		

31	30	29	28	27	26	25	24	23	22	21	20	19	18	17	16	15	14	13	12	11	10	9	8	7	6	5	4	3	2	1	0
RESERVED																EVTMUX_SELO															

Bits	Field Name	Description	Type	Reset
31:3	RESERVED	Reserved	R	0x0000 0000
2:0	EVTMUX_SELO	The select of the mux 0 Type: Control. Reset value: 0x0.	RW	0x0

Table 14-260. Register Call Summary for Register L3_STCOL_EVTMUX_SELO

L3_MAIN Interconnect

- [Statistic Collectors Group: \[0\]](#)
- [L3_MAIN STATCOLL Register Summary and Description: \[1\]\[2\]](#)

Table 14-261. L3_STCOL_EVTMUX_SEL1

Address Offset	See Table 14-237.		
Physical Address	0x4500 1024 0x4500 2024 0x4500 3024 0x4500 5024 0x4500 6024 0x4500 7024 0x4500 8024 0x4500 9024 0x4500 A024	Instance	CLK2_STATCOLL0 CLK2_STATCOLL1 CLK2_STATCOLL2 CLK2_STATCOLL4 CLK2_STATCOLL5 CLK2_STATCOLL6 CLK2_STATCOLL7 CLK2_STATCOLL8 CLK2_STATCOLL9
Description			
Type	RW		

31	30	29	28	27	26	25	24	23	22	21	20	19	18	17	16	15	14	13	12	11	10	9	8	7	6	5	4	3	2	1	0
RESERVED																EVTMUX_SEL1															

Bits	Field Name	Description	Type	Reset
31:3	RESERVED	Reserved	R	0x0000 0000
2:0	EVTMUX_SEL1	The select of the mux 1 Type: Control. Reset value: 0x0.	RW	0x0

Table 14-262. Register Call Summary for Register L3_STCOL_EVTMUX_SEL1

L3_MAIN Interconnect

- [L3_MAIN STATCOLL Register Summary and Description: \[0\]\[1\]](#)

Table 14-263. L3_STCOL_EVTMUX_SEL2

Address Offset	See Table 14-237 .		
Physical Address	0x4500 1028 0x4500 2028 0x4500 3028 0x4500 5028 0x4500 6028 0x4500 7028 0x4500 8028 0x4500 9028 0x4500 A028	Instance	CLK2_STATCOLL0 CLK2_STATCOLL1 CLK2_STATCOLL2 CLK2_STATCOLL4 CLK2_STATCOLL5 CLK2_STATCOLL6 CLK2_STATCOLL7 CLK2_STATCOLL8 CLK2_STATCOLL9
Description			
Type	RW		

31	30	29	28	27	26	25	24	23	22	21	20	19	18	17	16	15	14	13	12	11	10	9	8	7	6	5	4	3	2	1	0
RESERVED																EVTMUX_SEL2															

Bits	Field Name	Description	Type	Reset
31:3	RESERVED	Reserved	R	0x0000 0000
2:0	EVTMUX_SEL2	The select of the mux 2 Type: Control. Reset value: 0x0.	RW	0x0

Table 14-264. Register Call Summary for Register L3_STCOL_EVTMUX_SEL2

L3_MAIN Interconnect

- [L3_MAIN STATCOLL Register Summary and Description: \[0\]\[1\]](#)

Table 14-265. L3_STCOL_EVTMUX_SEL3

Address Offset	See Table 14-237 .		
Physical Address	0x4500 102C 0x4500 202C 0x4500 302C 0x4500 502C 0x4500 602C 0x4500 702C 0x4500 802C 0x4500 902C 0x4500 A02C	Instance	CLK2_STATCOLL0 CLK2_STATCOLL1 CLK2_STATCOLL2 CLK2_STATCOLL4 CLK2_STATCOLL5 CLK2_STATCOLL6 CLK2_STATCOLL7 CLK2_STATCOLL8 CLK2_STATCOLL9
Description			
Type	RW		

31	30	29	28	27	26	25	24	23	22	21	20	19	18	17	16	15	14	13	12	11	10	9	8	7	6	5	4	3	2	1	0
RESERVED																EVTMUX_SEL3															

Bits	Field Name	Description	Type	Reset
31:3	RESERVED	Reserved	R	0x0000 0000
2:0	EVTMUX_SEL3	The select of the mux 3 Type: Control. Reset value: 0x0.	RW	0x0

Table 14-266. Register Call Summary for Register L3_STCOL_EVTMUX_SEL3

L3_MAIN Interconnect

- [L3_MAIN STATCOLL Register Summary and Description: \[0\]\[1\]](#)

Table 14-267. L3_STCOL_EVTMUX_SEL4

Address Offset	See Table 14-237 .		
Physical Address	0x4500 1030 0x4500 2030	Instance	CLK2_STATCOLL0 CLK2_STATCOLL1
Description			
Type	RW		

31	30	29	28	27	26	25	24	23	22	21	20	19	18	17	16	15	14	13	12	11	10	9	8	7	6	5	4	3	2	1	0
RESERVED																							EVTMUX_SEL4								

Bits	Field Name	Description	Type	Reset
31:3	RESERVED	Reserved	R	0x0000 0000
2:0	EVTMUX_SEL4	The select of the mux 4 Type: Control. Reset value: 0x0.	RW	0x0

Table 14-268. Register Call Summary for Register L3_STCOL_EVTMUX_SEL4

L3_MAIN Interconnect

- [L3_MAIN STATCOLL Register Summary and Description: \[0\]\[1\]](#)

Table 14-269. L3_STCOL_EVTMUX_SEL5

Address Offset	See Table 14-237 .		
Physical Address	0x4500 1034 0x4500 2034	Instance	CLK2_STATCOLL0 CLK2_STATCOLL1
Description			
Type	RW		

31	30	29	28	27	26	25	24	23	22	21	20	19	18	17	16	15	14	13	12	11	10	9	8	7	6	5	4	3	2	1	0
RESERVED																							EVTMUX_SEL5								

Bits	Field Name	Description	Type	Reset
31:3	RESERVED	Reserved	R	0x0000 0000
2:0	EVTMUX_SEL5	The select of the mux 5 Type: Control. Reset value: 0x0.	RW	0x0

Table 14-270. Register Call Summary for Register L3_STCOL_EVTMUX_SEL5

L3_MAIN Interconnect

- [L3_MAIN STATCOLL Register Summary and Description: \[0\]\[1\]](#)

Table 14-271. L3_STCOL_EVTMUX_SEL6

Address Offset	See Table 14-237 .		
Physical Address	0x4500 1038	Instance	CLK2_STATCOLL0
Description			
Type	RW		

31	30	29	28	27	26	25	24	23	22	21	20	19	18	17	16	15	14	13	12	11	10	9	8	7	6	5	4	3	2	1	0
RESERVED																EVTMUX_SEL6															

Bits	Field Name	Description	Type	Reset
31:3	RESERVED	Reserved	R	0x0000 0000
2:0	EVTMUX_SEL6	The select of the mux 6 Type: Control. Reset value: 0x0.	RW	0x0

Table 14-272. Register Call Summary for Register L3_STCOL_EVTMUX_SEL6

L3_MAIN Interconnect

- [L3_MAIN STATCOLL Register Summary and Description: \[0\]\[1\]](#)

Table 14-273. L3_STCOL_EVTMUX_SEL7

Address Offset	See Table 14-237 .		
Physical Address	0x4500 103C	Instance	CLK2_STATCOLL0
Description			
Type	RW		

31	30	29	28	27	26	25	24	23	22	21	20	19	18	17	16	15	14	13	12	11	10	9	8	7	6	5	4	3	2	1	0
RESERVED																EVTMUX_SEL7															

Bits	Field Name	Description	Type	Reset
31:3	RESERVED	Reserved	R	0x0000 0000
2:0	EVTMUX_SEL7	The select of the mux 7 Type: Control. Reset value: 0x0.	RW	0x0

Table 14-274. Register Call Summary for Register L3_STCOL_EVTMUX_SEL7

L3_MAIN Interconnect

- [L3_MAIN STATCOLL Register Summary and Description: \[0\]\[1\]](#)

Table 14-275. L3_STCOL_DUMP_IDENTIFIER

Address Offset	See Table 14-237.		
Physical Address	0x4500 1040 0x4500 2040 0x4500 3040 0x4500 5040 0x4500 6040 0x4500 7040 0x4500 8040 0x4500 9040 0x4500 A040	Instance	CLK2_STATCOLL0 CLK2_STATCOLL1 CLK2_STATCOLL2 CLK2_STATCOLL4 CLK2_STATCOLL5 CLK2_STATCOLL6 CLK2_STATCOLL7 CLK2_STATCOLL8 CLK2_STATCOLL9
Description			
Type	R		

31	30	29	28	27	26	25	24	23	22	21	20	19	18	17	16	15	14	13	12	11	10	9	8	7	6	5	4	3	2	1	0
RESERVED																DUMP_IDENTIFIER															

Bits	Field Name	Description	Type	Reset
31:4	RESERVED	Reserved	R	0x0000 0000
3:0	DUMP_IDENTIFIER	Probe identifier Type: Control. Reset value: 0x0.	R	0x0

Table 14-276. Register Call Summary for Register L3_STCOL_DUMP_IDENTIFIER

L3_MAIN Interconnect

- [L3_MAIN STATCOLL Register Summary and Description: \[0\]\[1\]](#)

Table 14-277. L3_STCOL_DUMP_COLLECTTIME

Address Offset	See Table 14-237.		
Physical Address	0x4500 1044 0x4500 2044 0x4500 3044 0x4500 5044 0x4500 6044 0x4500 7044 0x4500 8044 0x4500 9044 0x4500 A044	Instance	CLK2_STATCOLL0 CLK2_STATCOLL1 CLK2_STATCOLL2 CLK2_STATCOLL4 CLK2_STATCOLL5 CLK2_STATCOLL6 CLK2_STATCOLL7 CLK2_STATCOLL8 CLK2_STATCOLL9
Description			
Type	RW		

31	30	29	28	27	26	25	24	23	22	21	20	19	18	17	16	15	14	13	12	11	10	9	8	7	6	5	4	3	2	1	0
DUMP_COLLECTTIME																															

Bits	Field Name	Description	Type	Reset
31:0	DUMP_COLLECTTIME	Number of cycle to wait between two statistics frame Type: Control. Reset value: 0x0.	RW	0x0000

Table 14-278. Register Call Summary for Register L3_STCOL_DUMP_COLLECTTIME

L3_MAIN Interconnect

- [L3_MAIN STATCOLL Register Summary and Description: \[0\]\[1\]](#)

Table 14-279. L3_STCOL_DUMP_SLVADDR

Address Offset	See Table 14-237 .		
Physical Address	0x4500 1048 0x4500 2048 0x4500 3048 0x4500 5048 0x4500 6048 0x4500 7048 0x4500 8048 0x4500 9048 0x4500 A048	Instance	CLK2_STATCOLL0 CLK2_STATCOLL1 CLK2_STATCOLL2 CLK2_STATCOLL4 CLK2_STATCOLL5 CLK2_STATCOLL6 CLK2_STATCOLL7 CLK2_STATCOLL8 CLK2_STATCOLL9
Description			
Type	R		

31	30	29	28	27	26	25	24	23	22	21	20	19	18	17	16	15	14	13	12	11	10	9	8	7	6	5	4	3	2	1	0
RESERVED																DUMP_SLVADDR															

Bits	Field Name	Description	Type	Reset
31:7	RESERVED	Reserved	R	0x0000000
6:0	DUMP_SLVADDR	Dump slave address Type: Control. Reset value: 0x19.	R	0x19

Table 14-280. Register Call Summary for Register L3_STCOL_DUMP_SLVADDR

L3_MAIN Interconnect

- [L3_MAIN STATCOLL Register Summary and Description: \[0\]\[1\]](#)

Table 14-281. L3_STCOL_DUMP_MSTADDR

Address Offset	See Table 14-237 .		
Physical Address	0x4500 104C 0x4500 204C 0x4500 304C 0x4500 504C 0x4500 604C 0x4500 704C 0x4500 804C 0x4500 904C 0x4500 A04C	Instance	CLK2_STATCOLL0 CLK2_STATCOLL1 CLK2_STATCOLL2 CLK2_STATCOLL4 CLK2_STATCOLL5 CLK2_STATCOLL6 CLK2_STATCOLL7 CLK2_STATCOLL8 CLK2_STATCOLL9
Description			
Type	R		

31	30	29	28	27	26	25	24	23	22	21	20	19	18	17	16	15	14	13	12	11	10	9	8	7	6	5	4	3	2	1	0
RESERVED																DUMP_MSTADDR															

Bits	Field Name	Description	Type	Reset
31:8	RESERVED	Reserved	R	0x0000000
7:0	DUMP_MSTADDR	Dump master address Type: Control. Reset value: 0xE0.	R	0x380

Table 14-282. Register Call Summary for Register L3_STCOL_DUMP_MSTADDR

L3_MAIN Interconnect

- [L3_MAIN STATCOLL Register Summary and Description: \[0\]\[1\]](#)

Table 14-283. L3_STCOL_DUMP_SLVOFS

Address Offset	See Table 14-237 .																																																																		
Physical Address	0x4500 1050 0x4500 2050 0x4500 3050 0x4500 5050 0x4500 6050 0x4500 7050 0x4500 8050 0x4500 9050 0x4500 A050	Instance	CLK2_STATCOLL0 CLK2_STATCOLL1 CLK2_STATCOLL2 CLK2_STATCOLL4 CLK2_STATCOLL5 CLK2_STATCOLL6 CLK2_STATCOLL7 CLK2_STATCOLL8 CLK2_STATCOLL9																																																																
Description																																																																			
Type	RW																																																																		
<table border="1" style="width: 100%; border-collapse: collapse;"> <tr> <td style="width: 5%;">31</td><td style="width: 5%;">30</td><td style="width: 5%;">29</td><td style="width: 5%;">28</td><td style="width: 5%;">27</td><td style="width: 5%;">26</td><td style="width: 5%;">25</td><td style="width: 5%;">24</td> <td style="width: 5%;">23</td><td style="width: 5%;">22</td><td style="width: 5%;">21</td><td style="width: 5%;">20</td><td style="width: 5%;">19</td><td style="width: 5%;">18</td><td style="width: 5%;">17</td><td style="width: 5%;">16</td> <td style="width: 5%;">15</td><td style="width: 5%;">14</td><td style="width: 5%;">13</td><td style="width: 5%;">12</td><td style="width: 5%;">11</td><td style="width: 5%;">10</td><td style="width: 5%;">9</td><td style="width: 5%;">8</td> <td style="width: 5%;">7</td><td style="width: 5%;">6</td><td style="width: 5%;">5</td><td style="width: 5%;">4</td><td style="width: 5%;">3</td><td style="width: 5%;">2</td><td style="width: 5%;">1</td><td style="width: 5%;">0</td> </tr> <tr> <td colspan="32" style="text-align: center;">DUMP_SLVOFS</td> </tr> </table>				31	30	29	28	27	26	25	24	23	22	21	20	19	18	17	16	15	14	13	12	11	10	9	8	7	6	5	4	3	2	1	0	DUMP_SLVOFS																															
31	30	29	28	27	26	25	24	23	22	21	20	19	18	17	16	15	14	13	12	11	10	9	8	7	6	5	4	3	2	1	0																																				
DUMP_SLVOFS																																																																			
Bits	Field Name	Description	Type	Reset																																																															
31:0	DUMP_SLVOFS	Dump slave offset Type: Control. Reset value: 0x800.	RW	0x0000 0800																																																															

Table 14-284. Register Call Summary for Register L3_STCOL_DUMP_SLVOFS

L3_MAIN Interconnect

- [L3_MAIN STATCOLL Register Summary and Description: \[0\]\[1\]](#)

Table 14-285. L3_STCOL_DUMP_MODE

Address Offset	See Table 14-237 .																																																																																																		
Physical Address	0x4500 1054 0x4500 2054 0x4500 3054 0x4500 5054 0x4500 6054 0x4500 7054 0x4500 8054 0x4500 9054 0x4500 A054	Instance	CLK2_STATCOLL0 CLK2_STATCOLL1 CLK2_STATCOLL2 CLK2_STATCOLL4 CLK2_STATCOLL5 CLK2_STATCOLL6 CLK2_STATCOLL7 CLK2_STATCOLL8 CLK2_STATCOLL9																																																																																																
Description																																																																																																			
Type	RW																																																																																																		
<table border="1" style="width: 100%; border-collapse: collapse;"> <tr> <td style="width: 5%;">31</td><td style="width: 5%;">30</td><td style="width: 5%;">29</td><td style="width: 5%;">28</td><td style="width: 5%;">27</td><td style="width: 5%;">26</td><td style="width: 5%;">25</td><td style="width: 5%;">24</td> <td style="width: 5%;">23</td><td style="width: 5%;">22</td><td style="width: 5%;">21</td><td style="width: 5%;">20</td><td style="width: 5%;">19</td><td style="width: 5%;">18</td><td style="width: 5%;">17</td><td style="width: 5%;">16</td> <td style="width: 5%;">15</td><td style="width: 5%;">14</td><td style="width: 5%;">13</td><td style="width: 5%;">12</td><td style="width: 5%;">11</td><td style="width: 5%;">10</td><td style="width: 5%;">9</td><td style="width: 5%;">8</td> <td style="width: 5%;">7</td><td style="width: 5%;">6</td><td style="width: 5%;">5</td><td style="width: 5%;">4</td><td style="width: 5%;">3</td><td style="width: 5%;">2</td><td style="width: 5%;">1</td><td style="width: 5%;">0</td> </tr> <tr> <td colspan="32" style="text-align: center;">RESERVED</td> </tr> <tr> <td colspan="32" style="text-align: right;"> DUMP_MODE_CONDITIONAL DUMP_MODE_MANUAL </td> </tr> </table>				31	30	29	28	27	26	25	24	23	22	21	20	19	18	17	16	15	14	13	12	11	10	9	8	7	6	5	4	3	2	1	0	RESERVED																																DUMP_MODE_CONDITIONAL DUMP_MODE_MANUAL																															
31	30	29	28	27	26	25	24	23	22	21	20	19	18	17	16	15	14	13	12	11	10	9	8	7	6	5	4	3	2	1	0																																																																				
RESERVED																																																																																																			
DUMP_MODE_CONDITIONAL DUMP_MODE_MANUAL																																																																																																			

Bits	Field Name	Description	Type	Reset
31:2	RESERVED	Reserved	R	0x0000 0000
1	DUMP_MODE_CONDITIONAL	Define the stat conditional dump, if one a dump will be generated when alarm is trigged Type: Control. Reset value: 0x0.	RW	0
0	DUMP_MODE_MANUAL	Define the dump mode: if != 0 the dump is controlled by the Send register. Type: Control. Reset value: 0x0.	RW	0

Table 14-286. Register Call Summary for Register L3_STCOL_DUMP_MODE

L3_MAIN Interconnect

- [L3_MAIN STATCOLL Register Summary and Description: \[0\]\[1\]](#)

Table 14-287. L3_STCOL_DUMP_SEND

Address Offset	See Table 14-237 .		
Physical Address	0x4500 1058 0x4500 2058 0x4500 3058 0x4500 5058 0x4500 6058 0x4500 7058 0x4500 8058 0x4500 9058 0x4500 A058	Instance	CLK2_STATCOLL0 CLK2_STATCOLL1 CLK2_STATCOLL2 CLK2_STATCOLL4 CLK2_STATCOLL5 CLK2_STATCOLL6 CLK2_STATCOLL7 CLK2_STATCOLL8 CLK2_STATCOLL9
Description			
Type	RW		

31	30	29	28	27	26	25	24	23	22	21	20	19	18	17	16	15	14	13	12	11	10	9	8	7	6	5	4	3	2	1	0
RESERVED																												DUMP_SEND			

Bits	Field Name	Description	Type	Reset
31:1	RESERVED	Reserved	R	0x0000 0000
0	DUMP_SEND	In manual mode, is used to send the dump content and initialize the counters. Type: Give_AutoCleared. Reset value: 0x0. <ul style="list-style-type: none"> • Dumping can be performed only if monitoring is enabled • For "one shot metrics dump" the DUMP_SEND command has to be issued before disabling monitoring 	RW	0

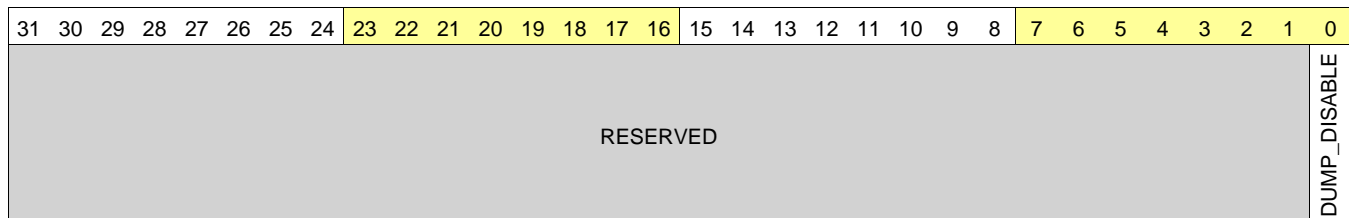
Table 14-288. Register Call Summary for Register L3_STCOL_DUMP_SEND

L3_MAIN Interconnect

- [L3_MAIN STATCOLL Register Summary and Description: \[0\]\[1\]](#)

Table 14-289. L3_STCOL_DUMP_DISABLE

Address Offset	See Table 14-237 .		
Physical Address	0x4500 105C 0x4500 205C 0x4500 305C 0x4500 505C 0x4500 605C 0x4500 705C 0x4500 805C 0x4500 905C 0x4500 A05C	Instance	CLK2_STATCOLL0 CLK2_STATCOLL1 CLK2_STATCOLL2 CLK2_STATCOLL4 CLK2_STATCOLL5 CLK2_STATCOLL6 CLK2_STATCOLL7 CLK2_STATCOLL8 CLK2_STATCOLL9
Description			
Type	RW		



Bits	Field Name	Description	Type	Reset
31:1	RESERVED		R	0x0000 0000
0	DUMP_DISABLE	If 1, the dump frame will be disabled, but counters still active. This is typically used when counters monitoring is enabled Type: Control. Reset value: 0x0.	RW	0

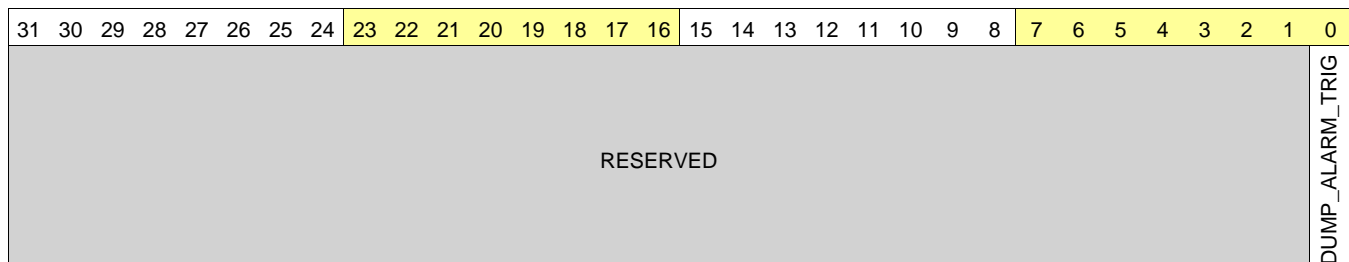
Table 14-290. Register Call Summary for Register L3_STCOL_DUMP_DISABLE

L3_MAIN Interconnect

- [L3_MAIN STATCOLL Register Summary and Description: \[0\]\[1\]](#)

Table 14-291. L3_STCOL_DUMP_ALARM_TRIG

Address Offset	See Table 14-237 .		
Physical Address	0x4500 1060 0x4500 2060 0x4500 3060 0x4500 5060 0x4500 6060 0x4500 7060 0x4500 8060 0x4500 9060 0x4500 A060	Instance	CLK2_STATCOLL0 CLK2_STATCOLL1 CLK2_STATCOLL2 CLK2_STATCOLL4 CLK2_STATCOLL5 CLK2_STATCOLL6 CLK2_STATCOLL7 CLK2_STATCOLL8 CLK2_STATCOLL9
Description			
Type	RW		



Bits	Field Name	Description	Type	Reset
31:1	RESERVED		R	0bxxx xxxx xxxx xxxx xxxx xxxx xxxx xxxx
0	DUMP_ALARM_TRIG	In Alarm Mode, is used to reset Alarm Type: Take. Reset value: 0x0.	RW	0

Table 14-292. Register Call Summary for Register L3_STCOL_DUMP_ALARM_TRIG

L3_MAIN Interconnect

- [L3_MAIN STATCOLL Register Summary and Description: \[0\]\[1\]](#)

Table 14-293. L3_STCOL_DUMP_ALARM_MINVAL

Address Offset	See Table 14-237 .		
Physical Address	0x4500 1064 0x4500 2064 0x4500 3064 0x4500 5064 0x4500 6064 0x4500 7064 0x4500 8064 0x4500 9064 0x4500 A064	Instance	CLK2_STATCOLL0 CLK2_STATCOLL1 CLK2_STATCOLL2 CLK2_STATCOLL4 CLK2_STATCOLL5 CLK2_STATCOLL6 CLK2_STATCOLL7 CLK2_STATCOLL8 CLK2_STATCOLL9
Description			
Type	RW		

31	30	29	28	27	26	25	24	23	22	21	20	19	18	17	16	15	14	13	12	11	10	9	8	7	6	5	4	3	2	1	0
DUMP_ALARM_MINVAL																															

Bits	Field Name	Description	Type	Reset
31:0	DUMP_ALARM_MINVAL	In Alarm Mode, used to trig an alert if any of counter value is less than AlarmMinVal Type: Control. Reset value: 0x0.	RW	0x0000 0000

Table 14-294. Register Call Summary for Register L3_STCOL_DUMP_ALARM_MINVAL

L3_MAIN Interconnect

- [L3_MAIN STATCOLL Register Summary and Description: \[0\]\[1\]](#)

Table 14-295. L3_STCOL_DUMP_ALARM_MAXVAL

Address Offset	See Table 14-237 .		
Physical Address	0x4500 1068 0x4500 2068 0x4500 3068 0x4500 5068 0x4500 6068 0x4500 7068 0x4500 8068 0x4500 9068 0x4500 A068	Instance	CLK2_STATCOLL0 CLK2_STATCOLL1 CLK2_STATCOLL2 CLK2_STATCOLL4 CLK2_STATCOLL5 CLK2_STATCOLL6 CLK2_STATCOLL7 CLK2_STATCOLL8 CLK2_STATCOLL9
Description			
Type	RW		

31	30	29	28	27	26	25	24	23	22	21	20	19	18	17	16	15	14	13	12	11	10	9	8	7	6	5	4	3	2	1	0
DUMP_ALARM_MAXVAL																															

Bits	Field Name	Description	Type	Reset
31:0	DUMP_ALARM_MAXVAL	In Alarm Mode, used to trig an alert if any of counter value is larger or equal to AlarmMaxVal Type: Control. Reset value: 0x0.	RW	0x0000 0000

Table 14-296. Register Call Summary for Register L3_STCOL_DUMP_ALARM_MAXVAL

L3_MAIN Interconnect

- [L3_MAIN STATCOLL Register Summary and Description: \[0\]\[1\]](#)

Table 14-297. L3_STCOL_DUMP_ALARM_MODE0

Address Offset	See Table 14-237 .		
Physical Address	0x4500 106C	Instance	CLK2_STATCOLL0
	0x4500 206C		CLK2_STATCOLL1
	0x4500 306C		CLK2_STATCOLL2
	0x4500 506C		CLK2_STATCOLL4
	0x4500 606C		CLK2_STATCOLL5
	0x4500 706C		CLK2_STATCOLL6
	0x4500 806C		CLK2_STATCOLL7
	0x4500 906C		CLK2_STATCOLL8
	0x4500 A06C		CLK2_STATCOLL9
Description			
Type	RW		

31	30	29	28	27	26	25	24	23	22	21	20	19	18	17	16	15	14	13	12	11	10	9	8	7	6	5	4	3	2	1	0
RESERVED																DUMP_ALARM_MODE0															

Bits	Field Name	Description	Type	Reset
31:2	RESERVED		R	0x0000 0000
1:0	DUMP_ALARM_MODE0	Alarm Mode off/min/max/both Type: Control. Reset value: 0x0. 0x0: OFF 0x1: MIN 0x3: MAX 0x2: BOTH	RW	0x0

Table 14-298. Register Call Summary for Register L3_STCOL_DUMP_ALARM_MODE0

L3_MAIN Interconnect

- [L3_MAIN STATCOLL Register Summary and Description: \[0\]\[1\]](#)

Table 14-299. L3_STCOL_DUMP_ALARM_MODE1

Address Offset	See Table 14-237 .		
Physical Address	0x4500 1070 0x4500 2070 0x4500 3070 0x4500 5070 0x4500 6070 0x4500 7070 0x4500 8070 0x4500 9070 0x4500 A070	Instance	CLK2_STATCOLL0 CLK2_STATCOLL1 CLK2_STATCOLL2 CLK2_STATCOLL4 CLK2_STATCOLL5 CLK2_STATCOLL6 CLK2_STATCOLL7 CLK2_STATCOLL8 CLK2_STATCOLL9
Description			
Type	RW		

31	30	29	28	27	26	25	24	23	22	21	20	19	18	17	16	15	14	13	12	11	10	9	8	7	6	5	4	3	2	1	0
RESERVED																DUMP_ALARM_MODE1															

Bits	Field Name	Description	Type	Reset
31:2	RESERVED		R	0x0000 0000
1:0	DUMP_ALARM_MODE1	Alarm Mode off/min/max/both Type: Control. Reset value: 0x0. 0x0: OFF 0x1: MIN 0x3: MAX 0x2: BOTH	RW	0x0

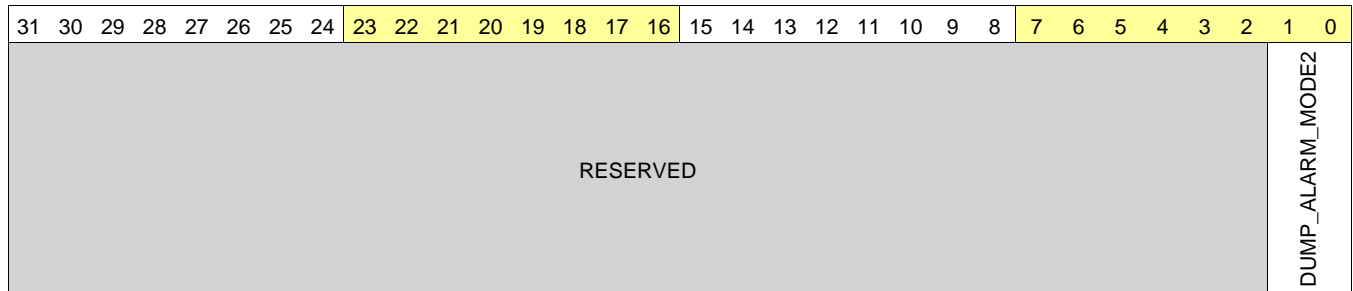
Table 14-300. Register Call Summary for Register L3_STCOL_DUMP_ALARM_MODE1

L3_MAIN Interconnect

- [L3_MAIN STATCOLL Register Summary and Description: \[0\]\[1\]](#)

Table 14-301. L3_STCOL_DUMP_ALARM_MODE2

Address Offset	See Table 14-237 .		
Physical Address	0x4500 1074 0x4500 2074 0x4500 3074 0x4500 5074 0x4500 6074 0x4500 7074 0x4500 8074 0x4500 9074 0x4500 A074	Instance	CLK2_STATCOLL0 CLK2_STATCOLL1 CLK2_STATCOLL2 CLK2_STATCOLL4 CLK2_STATCOLL5 CLK2_STATCOLL6 CLK2_STATCOLL7 CLK2_STATCOLL8 CLK2_STATCOLL9
Description			
Type	RW		



Bits	Field Name	Description	Type	Reset
31:2	RESERVED		R	0x0000 0000
1:0	DUMP_ALARM_MODE2	Alarm Mode off/min/max/both Type: Control. Reset value: 0x0. 0x0: OFF 0x1: MIN 0x3: MAX 0x2: BOTH	RW	0x0

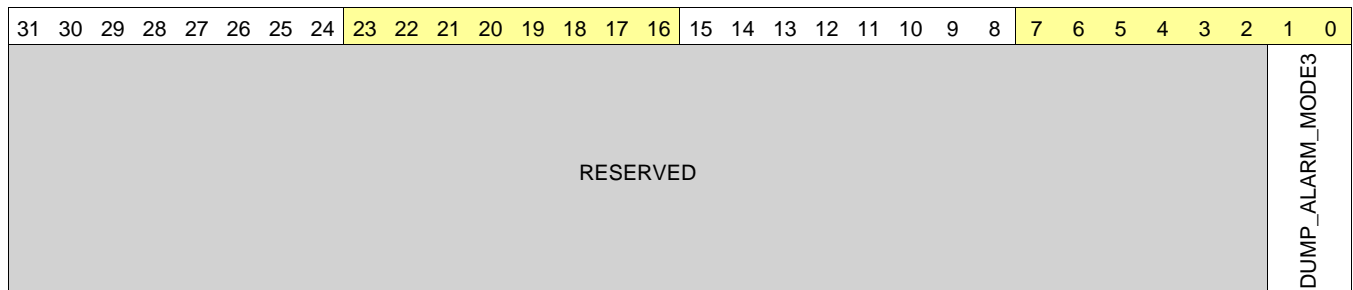
Table 14-302. Register Call Summary for Register L3_STCOL_DUMP_ALARM_MODE2

L3_MAIN Interconnect

- [L3_MAIN STATCOLL Register Summary and Description: \[0\]\[1\]](#)

Table 14-303. L3_STCOL_DUMP_ALARM_MODE3

Address Offset	See Table 14-237 .	
Physical Address	Instance	
0x4500 1078	CLK2_STATCOLL0	
0x4500 2078	CLK2_STATCOLL1	
0x4500 3078	CLK2_STATCOLL2	
0x4500 5078	CLK2_STATCOLL4	
0x4500 6078	CLK2_STATCOLL5	
0x4500 7078	CLK2_STATCOLL6	
0x4500 8078	CLK2_STATCOLL7	
0x4500 9078	CLK2_STATCOLL8	
0x4500 A078	CLK2_STATCOLL9	
Description		
Type	RW	



Bits	Field Name	Description	Type	Reset
31:2	RESERVED		R	0x0000 0000
1:0	DUMP_ALARM_MODE3	Alarm Mode off/min/max/both Type: Control. Reset value: 0x0. 0x0: OFF 0x1: MIN 0x3: MAX 0x2: BOTH	RW	0x0

Table 14-304. Register Call Summary for Register L3_STCOL_DUMP_ALARM_MODE3

L3_MAIN Interconnect

- [L3_MAIN STATCOLL Register Summary and Description: \[0\]\[1\]](#)

Table 14-305. L3_STCOL_DUMP_ALARM_MODE4

Address Offset	See Table 14-237 .		
Physical Address	0x4500 107C 0x4500 207C	Instance	CLK2_STATCOLL0 CLK2_STATCOLL1
Description			
Type	RW		

31	30	29	28	27	26	25	24	23	22	21	20	19	18	17	16	15	14	13	12	11	10	9	8	7	6	5	4	3	2	1	0	
RESERVED																DUMP_ALARM_MODE4																

Bits	Field Name	Description	Type	Reset
31:2	RESERVED		R	0x0000 0000
1:0	DUMP_ALARM_MODE4	Alarm Mode off/min/max/both Type: Control. Reset value: 0x0. 0x0: OFF 0x1: MIN 0x3: MAX 0x2: BOTH	RW	0x0

Table 14-306. Register Call Summary for Register L3_STCOL_DUMP_ALARM_MODE4

L3_MAIN Interconnect

- [L3_MAIN STATCOLL Register Summary and Description: \[0\]\[1\]](#)

Table 14-307. L3_STCOL_DUMP_ALARM_MODE5

Address Offset	See Table 14-237 .		
Physical Address	0x4500 1080 0x4500 2080	Instance	CLK2_STATCOLL0 CLK2_STATCOLL1
Description			
Type	RW		

31	30	29	28	27	26	25	24	23	22	21	20	19	18	17	16	15	14	13	12	11	10	9	8	7	6	5	4	3	2	1	0
RESERVED																												DUMP_ALARM_MODE5			

Bits	Field Name	Description	Type	Reset
31:2	RESERVED		R	0x0000 0000
1:0	DUMP_ALARM_MODE5	Alarm Mode off/min/max/both Type: Control. Reset value: 0x0. 0x0: OFF 0x1: MIN 0x3: MAX 0x2: BOTH	RW	0x0

Table 14-308. Register Call Summary for Register L3_STCOL_DUMP_ALARM_MODE5

L3_MAIN Interconnect

- [L3_MAIN STATCOLL Register Summary and Description: \[0\]\[1\]](#)

Table 14-309. L3_STCOL_DUMP_ALARM_MODE6

Address Offset	See Table 14-237 .		
Physical Address	0x4500 1084	Instance	CLK2_STATCOLL0
Description			
Type	RW		

31	30	29	28	27	26	25	24	23	22	21	20	19	18	17	16	15	14	13	12	11	10	9	8	7	6	5	4	3	2	1	0
RESERVED																												DUMP_ALARM_MODE6			

Bits	Field Name	Description	Type	Reset
31:2	RESERVED		R	0x0000 0000
1:0	DUMP_ALARM_MODE6	Alarm Mode off/min/max/both Type: Control. Reset value: 0x0. 0x0: OFF 0x1: MIN 0x3: MAX 0x2: BOTH	RW	0x0

Table 14-310. Register Call Summary for Register L3_STCOL_DUMP_ALARM_MODE6

L3_MAIN Interconnect

- [L3_MAIN STATCOLL Register Summary and Description: \[0\]\[1\]](#)

Table 14-311. L3_STCOL_DUMP_ALARM_MODE7

Address Offset	See Table 14-237 .		
Physical Address	0x4500 1088	Instance	CLK2_STATCOLLO
Description			
Type	RW		

31	30	29	28	27	26	25	24	23	22	21	20	19	18	17	16	15	14	13	12	11	10	9	8	7	6	5	4	3	2	1	0
RESERVED																DUMP_ALARM_MODE7															

Bits	Field Name	Description	Type	Reset
31:2	RESERVED		R	0x0000 0000
1:0	DUMP_ALARM_MODE7	Alarm Mode off/min/max/both Type: Control. Reset value: 0x0. 0x0: 0x1: 0x3: 0x2:	RW	0x0

Table 14-312. Register Call Summary for Register L3_STCOL_DUMP_ALARM_MODE7

L3_MAIN Interconnect

- [L3_MAIN STATCOLL Register Summary and Description: \[0\]\[1\]](#)

Table 14-313. L3_STCOL_DUMP_CNT0

Address Offset	See Table 14-237 .		
Physical Address	0x4500 108C 0x4500 208C 0x4500 308C 0x4500 508C 0x4500 608C 0x4500 708C 0x4500 808C 0x4500 908C 0x4500 A08C	Instance	CLK2_STATCOLLO CLK2_STATCOLL1 CLK2_STATCOLL2 CLK2_STATCOLL4 CLK2_STATCOLL5 CLK2_STATCOLL6 CLK2_STATCOLL7 CLK2_STATCOLL8 CLK2_STATCOLL9
Description			
Type	R		

31	30	29	28	27	26	25	24	23	22	21	20	19	18	17	16	15	14	13	12	11	10	9	8	7	6	5	4	3	2	1	0
DUMP_CNT0																															

Bits	Field Name	Description	Type	Reset
31:0	DUMP_CNT0	Dump counter value Type: Status. Reset value: X.	R	0x0

Table 14-314. Register Call Summary for Register L3_STCOL_DUMP_CNT0

L3_MAIN Interconnect

- [L3_MAIN STATCOLL Register Summary and Description: \[0\]\[1\]](#)

Table 14-315. L3_STCOL_DUMP_CNT1

Address Offset	See Table 14-237 .		
Physical Address	0x4500 1090	Instance	CLK2_STATCOLL0
	0x4500 2090		CLK2_STATCOLL1
	0x4500 3090		CLK2_STATCOLL2
	0x4500 5090		CLK2_STATCOLL4
	0x4500 6090		CLK2_STATCOLL5
	0x4500 7090		CLK2_STATCOLL6
	0x4500 8090		CLK2_STATCOLL7
	0x4500 9090		CLK2_STATCOLL8
	0x4500 A090		CLK2_STATCOLL9
Description			
Type	R		

31	30	29	28	27	26	25	24	23	22	21	20	19	18	17	16	15	14	13	12	11	10	9	8	7	6	5	4	3	2	1	0
DUMP_CNT1																															

Bits	Field Name	Description	Type	Reset
31:0	DUMP_CNT1	Dump counter value Type: Status. Reset value: X.	R	0x0

Table 14-316. Register Call Summary for Register L3_STCOL_DUMP_CNT1

L3_MAIN Interconnect

- [L3_MAIN STATCOLL Register Summary and Description: \[0\]\[1\]](#)

Table 14-317. L3_STCOL_DUMP_CNT2

Address Offset	See Table 14-237 .		
Physical Address	0x4500 1094	Instance	CLK2_STATCOLL0
	0x4500 2094		CLK2_STATCOLL1
	0x4500 3094		CLK2_STATCOLL2
	0x4500 5094		CLK2_STATCOLL4
	0x4500 6094		CLK2_STATCOLL5
	0x4500 7094		CLK2_STATCOLL6
	0x4500 8094		CLK2_STATCOLL7
	0x4500 9094		CLK2_STATCOLL8
	0x4500 A094		CLK2_STATCOLL9
Description			
Type	R		

31	30	29	28	27	26	25	24	23	22	21	20	19	18	17	16	15	14	13	12	11	10	9	8	7	6	5	4	3	2	1	0
DUMP_CNT2																															

Bits	Field Name	Description	Type	Reset
31:0	DUMP_CNT2	Dump counter value Type: Status. Reset value: X.	R	0x0

Table 14-318. Register Call Summary for Register L3_STCOL_DUMP_CNT2

L3_MAIN Interconnect

- [L3_MAIN STATCOLL Register Summary and Description: \[0\]\[1\]](#)

Table 14-319. L3_STCOL_DUMP_CNT3

Address Offset	See Table 14-237 .		
Physical Address	0x4500 1098 0x4500 2098 0x4500 3098 0x4500 5098 0x4500 6098 0x4500 7098 0x4500 8098 0x4500 9098 0x4500 A098	Instance	CLK2_STATCOLL0 CLK2_STATCOLL1 CLK2_STATCOLL2 CLK2_STATCOLL4 CLK2_STATCOLL5 CLK2_STATCOLL6 CLK2_STATCOLL7 CLK2_STATCOLL8 CLK2_STATCOLL9
Description			
Type	R		

31	30	29	28	27	26	25	24	23	22	21	20	19	18	17	16	15	14	13	12	11	10	9	8	7	6	5	4	3	2	1	0
DUMP_CNT3																															

Bits	Field Name	Description	Type	Reset
31:0	DUMP_CNT3	Dump counter value Type: Status. Reset value: X.	R	0x0

Table 14-320. Register Call Summary for Register L3_STCOL_DUMP_CNT3

L3_MAIN Interconnect

- [L3_MAIN STATCOLL Register Summary and Description: \[0\]\[1\]](#)

Table 14-321. L3_STCOL_DUMP_CNT4

Address Offset	See Table 14-237 .		
Physical Address	0x4500 109C 0x4500 209C	Instance	CLK2_STATCOLL0 CLK2_STATCOLL1
Description			
Type	R		

31	30	29	28	27	26	25	24	23	22	21	20	19	18	17	16	15	14	13	12	11	10	9	8	7	6	5	4	3	2	1	0
DUMP_CNT4																															

Bits	Field Name	Description	Type	Reset
31:0	DUMP_CNT4	Dump counter value Type: Status. Reset value: X.	R	0x0

Table 14-322. Register Call Summary for Register L3_STCOL_DUMP_CNT4

L3_MAIN Interconnect

- [L3_MAIN STATCOLL Register Summary and Description: \[0\]\[1\]](#)

Table 14-323. L3_STCOL_DUMP_CNT5

Address Offset	See Table 14-237 .		
Physical Address	0x4500 10A0 0x4500 20A0	Instance	CLK2_STATCOLL0 CLK2_STATCOLL1
Description			
Type	R		

31	30	29	28	27	26	25	24	23	22	21	20	19	18	17	16	15	14	13	12	11	10	9	8	7	6	5	4	3	2	1	0
DUMP_CNT5																															

Bits	Field Name	Description	Type	Reset
31:0	DUMP_CNT5	Dump counter value Type: Status. Reset value: X.	R	0x0

Table 14-324. Register Call Summary for Register L3_STCOL_DUMP_CNT5

L3_MAIN Interconnect

- [L3_MAIN STATCOLL Register Summary and Description: \[0\]\[1\]](#)

Table 14-325. L3_STCOL_DUMP_CNT6

Address Offset	See Table 14-237 .		
Physical Address	0x4500 10A4	Instance	CLK2_STATCOLL0
Description			
Type	R		

31	30	29	28	27	26	25	24	23	22	21	20	19	18	17	16	15	14	13	12	11	10	9	8	7	6	5	4	3	2	1	0
DUMP_CNT6																															

Bits	Field Name	Description	Type	Reset
31:0	DUMP_CNT6	Dump counter value Type: Status. Reset value: X.	R	0x---- ----

Table 14-326. Register Call Summary for Register L3_STCOL_DUMP_CNT6

L3_MAIN Interconnect

- [L3_MAIN STATCOLL Register Summary and Description: \[0\]\[1\]](#)

Table 14-327. L3_STCOL_DUMP_CNT7

Address Offset	See Table 14-237 .		
Physical Address	0x4500 10A8	Instance	CLK2_STATCOLL0
Description			
Type	R		

31	30	29	28	27	26	25	24	23	22	21	20	19	18	17	16	15	14	13	12	11	10	9	8	7	6	5	4	3	2	1	0
DUMP_CNT7																															

Bits	Field Name	Description	Type	Reset
31:0	DUMP_CNT7	Dump counter value Type: Status. Reset value: X.	R	0x---- ----

Table 14-328. Register Call Summary for Register L3_STCOL_DUMP_CNT7

L3_MAIN Interconnect

- [L3_MAIN STATCOLL Register Summary and Description: \[0\]\[1\]](#)

Table 14-329. L3_STCOL_FILTER_i_GLOBALEN

Address Offset	See Table 14-237.		
Physical Address	0x4500 10AC + (0x158*i) 0x4500 20AC + (0x158*i) 0x4500 30AC + (0x158*i) 0x4500 50AC + (0x158*i) 0x4500 60AC + (0x158*i) 0x4500 70AC + (0x158*i) 0x4500 80AC + (0x158*i) 0x4500 90AC + (0x158*i) 0x4500 A0AC + (0x158*i)	Instance	CLK2_STATCOLL0 CLK2_STATCOLL1 CLK2_STATCOLL2 CLK2_STATCOLL4 CLK2_STATCOLL5 CLK2_STATCOLL6 CLK2_STATCOLL7 CLK2_STATCOLL8 CLK2_STATCOLL9
Description			
Type	RW		

31	30	29	28	27	26	25	24	23	22	21	20	19	18	17	16	15	14	13	12	11	10	9	8	7	6	5	4	3	2	1	0
RESERVED																FILTER_i_GLOBALEN															

Bits	Field Name	Description	Type	Reset
31:1	RESERVED	Reserved	R	0x0000 0000
0	FILTER_i_GLOBALEN	Filter global enable Type: Control. Reset value: 0x0.	RW	0

Table 14-330. Register Call Summary for Register L3_STCOL_FILTER_i_GLOBALEN

L3_MAIN Interconnect

- [Statistic Collectors Group: \[0\]](#)
- [L3_MAIN STATCOLL Register Summary and Description: \[1\]\[2\]](#)

Table 14-331. L3_STCOL_FILTER_i_ADDRMIN

Address Offset	See Table 14-237.		
Physical Address	0x4500 10B0 + (0x158*i) 0x4500 20B0 + (0x158*i) 0x4500 30B0 + (0x158*i) 0x4500 50B0 + (0x158*i) 0x4500 60B0 + (0x158*i) 0x4500 70B0 + (0x158*i) 0x4500 80B0 + (0x158*i) 0x4500 90B0 + (0x158*i) 0x4500 A0B0 + (0x158*i)	Instance	CLK2_STATCOLL0 CLK2_STATCOLL1 CLK2_STATCOLL2 CLK2_STATCOLL4 CLK2_STATCOLL5 CLK2_STATCOLL6 CLK2_STATCOLL7 CLK2_STATCOLL8 CLK2_STATCOLL9
Description			
Type	RW		

31	30	29	28	27	26	25	24	23	22	21	20	19	18	17	16	15	14	13	12	11	10	9	8	7	6	5	4	3	2	1	0
RESERVED								FILTER0_ADDRMIN																							

Bits	Field Name	Description	Type	Reset
31:23	RESERVED		R	0x0000 0000
22:0	FILTER0_ADDRMIN	Min addr range Type: Control. Reset value: 0x0.	RW	0x00 0000

Table 14-332. Register Call Summary for Register L3_STCOL_FILTER_i_ADDRMIN

L3_MAIN Interconnect

- [L3_MAIN STATCOLL Register Summary and Description: \[0\]\[1\]](#)

Table 14-333. L3_STCOL_FILTER_i_ADDRMAX

Address Offset	See Table 14-237.		
Physical Address	0x4500 10B4 + (0x158*i) 0x4500 20B4 + (0x158*i) 0x4500 30B4 + (0x158*i) 0x4500 50B4 + (0x158*i) 0x4500 60B4 + (0x158*i) 0x4500 70B4 + (0x158*i) 0x4500 80B4 + (0x158*i) 0x4500 90B4 + (0x158*i) 0x4500 A0B4 + (0x158*i)	Instance	CLK2_STATCOLL0 CLK2_STATCOLL1 CLK2_STATCOLL2 CLK2_STATCOLL4 CLK2_STATCOLL5 CLK2_STATCOLL6 CLK2_STATCOLL7 CLK2_STATCOLL8 CLK2_STATCOLL9
Description			
Type	RW		

31	30	29	28	27	26	25	24	23	22	21	20	19	18	17	16	15	14	13	12	11	10	9	8	7	6	5	4	3	2	1	0
RESERVED								FILTER0_ADDRMAX																							

Bits	Field Name	Description	Type	Reset
31:23	RESERVED		R	0x0000 0000
22:0	FILTER0_ADDRMAX	Max addr range Type: Control. Reset value: 0x0.	RW	0x00 0000

Table 14-334. Register Call Summary for Register L3_STCOL_FILTER_i_ADDRMAX

L3_MAIN Interconnect

- [L3_MAIN STATCOLL Register Summary and Description: \[0\]\[1\]](#)

Table 14-335. L3_STCOL_FILTER_i_ADDREN

Address Offset	See Table 14-237.		
Physical Address	0x4500 10B8 + (0x158*i) 0x4500 20B8 + (0x158*i) 0x4500 30B8 + (0x158*i) 0x4500 50B8 + (0x158*i) 0x4500 60B8 + (0x158*i) 0x4500 70B8 + (0x158*i) 0x4500 80B8 + (0x158*i) 0x4500 90B8 + (0x158*i) 0x4500 A0B8 + (0x158*i)	Instance	CLK2_STATCOLL0 CLK2_STATCOLL1 CLK2_STATCOLL2 CLK2_STATCOLL4 CLK2_STATCOLL5 CLK2_STATCOLL6 CLK2_STATCOLL7 CLK2_STATCOLL8 CLK2_STATCOLL9
Description			
Type	RW		

31	30	29	28	27	26	25	24	23	22	21	20	19	18	17	16	15	14	13	12	11	10	9	8	7	6	5	4	3	2	1	0
RESERVED																FILTER0_ADDREN															

Bits	Field Name	Description	Type	Reset
31:1	RESERVED		R	0bxxx xxxx xxxx xxxx xxxx xxxx xxxx xxxx
0	FILTER0_ADDREN	max filtering enable Type: Control. Reset value: 0x0.	RW	0

Table 14-336. Register Call Summary for Register L3_STCOL_FILTER_i_ADDREN

L3_MAIN Interconnect

- [L3_MAIN STATCOLL Register Summary and Description: \[0\]\[1\]](#)

Table 14-337. L3_STCOL_FILTER_i_EN_k

Address Offset	See Table 14-237.	Instance	CLK2_STATCOLL0 CLK2_STATCOLL1 CLK2_STATCOLL2 CLK2_STATCOLL4 CLK2_STATCOLL5 CLK2_STATCOLL6 CLK2_STATCOLL7 CLK2_STATCOLL8 CLK2_STATCOLL9
Physical Address	0x4500 10BC + (0x158*i) + (0x44*k) 0x4500 20BC + (0x158*i) + (0x44*k) 0x4500 30BC + (0x158*i) + (0x44*k) 0x4500 50BC + (0x158*i) + (0x44*k) 0x4500 60BC + (0x158*i) + (0x44*k) 0x4500 70BC + (0x158*i) + (0x44*k) 0x4500 80BC + (0x158*i) + (0x44*k) 0x4500 90BC + (0x158*i) + (0x44*k) 0x4500 A0BC + (0x158*i) + (0x44*k)	Description	
Type	RW	Type	

31	30	29	28	27	26	25	24	23	22	21	20	19	18	17	16	15	14	13	12	11	10	9	8	7	6	5	4	3	2	1	0
RESERVED																	FILTER_i_EN0														

Bits	Field Name	Description	Type	Reset
31:1	RESERVED	Reserved	R	0x0000 0000
0	FILTER_i_EN0	Enable filter stage 0 Type: Control. Reset value: 0x0.	RW	0

Table 14-338. Register Call Summary for Register L3_STCOL_FILTER_i_EN_k

L3_MAIN Interconnect

- [L3_MAIN STATCOLL Register Summary and Description: \[0\]\[1\]](#)

Table 14-339. L3_STCOL_FILTER_i_MASK_m_MSTADDR

Address Offset	See Table 14-237.		
Physical Address	0x4500 10C8 + (0x158*i) + (0x44*m) 0x4500 20C8 + (0x158*i) + (0x44*m) 0x4500 30C8 + (0x158*i) + (0x44*m) 0x4500 50C8 + (0x158*i) + (0x44*m) 0x4500 60C8 + (0x158*i) + (0x44*m) 0x4500 70C8 + (0x158*i) + (0x44*m) 0x4500 80C8 + (0x158*i) + (0x44*m) 0x4500 90C8 + (0x158*i) + (0x44*m) 0x4500 A0C8 + (0x158*i) + (0x44*m)	Instance	CLK2_STATCOLL0 CLK2_STATCOLL1 CLK2_STATCOLL2 CLK2_STATCOLL4 CLK2_STATCOLL5 CLK2_STATCOLL6 CLK2_STATCOLL7 CLK2_STATCOLL8 CLK2_STATCOLL9
Description			
Type	RW		

31	30	29	28	27	26	25	24	23	22	21	20	19	18	17	16	15	14	13	12	11	10	9	8	7	6	5	4	3	2	1	0
RESERVED																FILTER_i_MASK_m_MSTADDR															

Bits	Field Name	Description	Type	Reset
31:8	RESERVED	Reserved	R	0x000000
7:0	FILTER_i_MASK_m_MSTADDR	Mask/Match of MstAddr Type: Control. Reset value: 0x0.	RW	0x00

Table 14-340. Register Call Summary for Register L3_STCOL_FILTER_i_MASK_m_MSTADDR

L3_MAIN Interconnect

- [L3_MAIN STATCOLL Register Summary and Description: \[0\]\[1\]](#)

Table 14-341. L3_STCOL_FILTER_i_MASK_m_RD

Address Offset	See Table 14-237.		
Physical Address	0x4500 10C0 + (0x158*i) + (0x44*m) 0x4500 20C0 + (0x158*i) + (0x44*m) 0x4500 30C0 + (0x158*i) + (0x44*m) 0x4500 50C0 + (0x158*i) + (0x44*m) 0x4500 60C0 + (0x158*i) + (0x44*m) 0x4500 70C0 + (0x158*i) + (0x44*m) 0x4500 80C0 + (0x158*i) + (0x44*m) 0x4500 90C0 + (0x158*i) + (0x44*m) 0x4500 A0C0 + (0x158*i) + (0x44*m)	Instance	CLK2_STATCOLL0 CLK2_STATCOLL1 CLK2_STATCOLL2 CLK2_STATCOLL4 CLK2_STATCOLL5 CLK2_STATCOLL6 CLK2_STATCOLL7 CLK2_STATCOLL8 CLK2_STATCOLL9
Description			
Type	RW		

31	30	29	28	27	26	25	24	23	22	21	20	19	18	17	16	15	14	13	12	11	10	9	8	7	6	5	4	3	2	1	0
RESERVED																FILTER_i_MASK_m_RD															

Bits	Field Name	Description	Type	Reset
31:1	RESERVED	Reserved	R	0x0000 0000
0	FILTER_i_MASK_m_RD	Mask/Match of Rd Type: Control. Reset value: 0x0.	RW	0

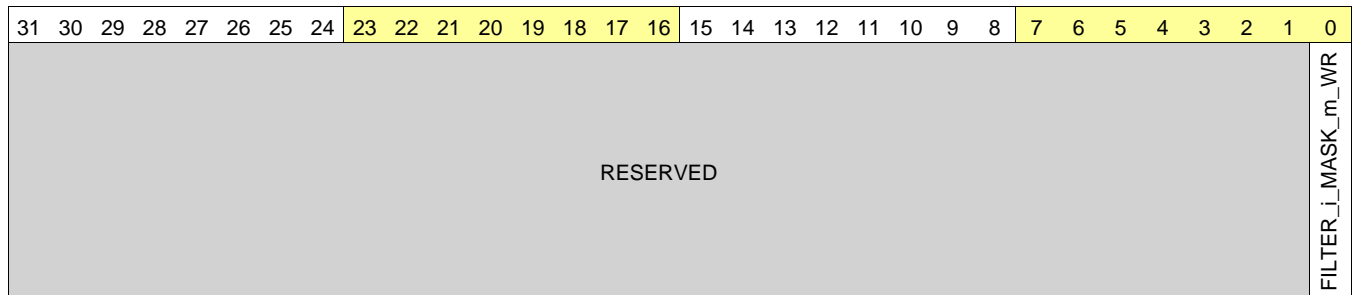
Table 14-342. Register Call Summary for Register L3_STCOL_FILTER_i_MASK_m_RD

L3_MAIN Interconnect

- [L3_MAIN STATCOLL Register Summary and Description: \[0\]\[1\]](#)

Table 14-343. L3_STCOL_FILTER_i_MASK_m_WR

Address Offset	See Table 14-237.		
Physical Address	0x4500 10C4 + (0x158*i) + (0x44*m) 0x4500 20C4 + (0x158*i) + (0x44*m) 0x4500 30C4 + (0x158*i) + (0x44*m) 0x4500 50C4 + (0x158*i) + (0x44*m) 0x4500 60C4 + (0x158*i) + (0x44*m) 0x4500 70C4 + (0x158*i) + (0x44*m) 0x4500 80C4 + (0x158*i) + (0x44*m) 0x4500 90C4 + (0x158*i) + (0x44*m) 0x4500 A0C4 + (0x158*i) + (0x44*m)	Instance	CLK2_STATCOLL0 CLK2_STATCOLL1 CLK2_STATCOLL2 CLK2_STATCOLL4 CLK2_STATCOLL5 CLK2_STATCOLL6 CLK2_STATCOLL7 CLK2_STATCOLL8 CLK2_STATCOLL9
Description			
Type	RW		



Bits	Field Name	Description	Type	Reset
31:1	RESERVED	Reserved	R	0x0000 0000
0	FILTER_i_MASK_m_WR	Mask/Match of Wr Type: Control. Reset value: 0x0.	RW	0

Table 14-344. Register Call Summary for Register L3_STCOL_FILTER_i_MASK_m_WR

L3_MAIN Interconnect

- [L3_MAIN STATCOLL Register Summary and Description: \[0\]\[1\]](#)

Table 14-345. L3_STCOL_FILTER_i_MASK_m_ERR

Address Offset	See Table 14-237.		
Physical Address	0x4500 10D0 + (0x158*i) + (0x44*m) 0x4500 20D0 + (0x158*i) + (0x44*m) 0x4500 30D0 + (0x158*i) + (0x44*m) 0x4500 50D0 + (0x158*i) + (0x44*m) 0x4500 60D0 + (0x158*i) + (0x44*m) 0x4500 70D0 + (0x158*i) + (0x44*m) 0x4500 80D0 + (0x158*i) + (0x44*m) 0x4500 90D0 + (0x158*i) + (0x44*m) 0x4500 A0D0 + (0x158*i) + (0x44*m)	Instance	CLK2_STATCOLL0 CLK2_STATCOLL1 CLK2_STATCOLL2 CLK2_STATCOLL4 CLK2_STATCOLL5 CLK2_STATCOLL6 CLK2_STATCOLL7 CLK2_STATCOLL8 CLK2_STATCOLL9
Description			
Type	RW		

31	30	29	28	27	26	25	24	23	22	21	20	19	18	17	16	15	14	13	12	11	10	9	8	7	6	5	4	3	2	1	0
RESERVED																FILTER_i_MASK_m_ERR															

Bits	Field Name	Description	Type	Reset
31:1	RESERVED	Reserved	R	0x0000 0000
0	FILTER_i_MASK_m_ERR	Mask/Match of Err Type: Control. Reset value: 0x0.	RW	0

Table 14-346. Register Call Summary for Register L3_STCOL_FILTER_i_MASK_m_ERR

L3_MAIN Interconnect

- [L3_MAIN STATCOLL Register Summary and Description: \[0\]\[1\]](#)

Table 14-347. L3_STCOL_FILTER_i_MASK_m_USERINFO

Address Offset	See Table 14-237.		
Physical Address	0x4500 10D4 + (0x158*i) + (0x44*m)	Instance	CLK2_STATCOLL0
Description			
Type	RW		

31	30	29	28	27	26	25	24	23	22	21	20	19	18	17	16	15	14	13	12	11	10	9	8	7	6	5	4	3	2	1	0
RESERVED												FILTER_i_MASK_m_USERINFO																			

Bits	Field Name	Description	Type	Reset
31:18	RESERVED	Reserved	R	0x0000
17:0	FILTER_i_MASK_m_USERINFO	Mask/Match of UserInfo Type: Control. Reset value: 0x0.	RW	0x00000

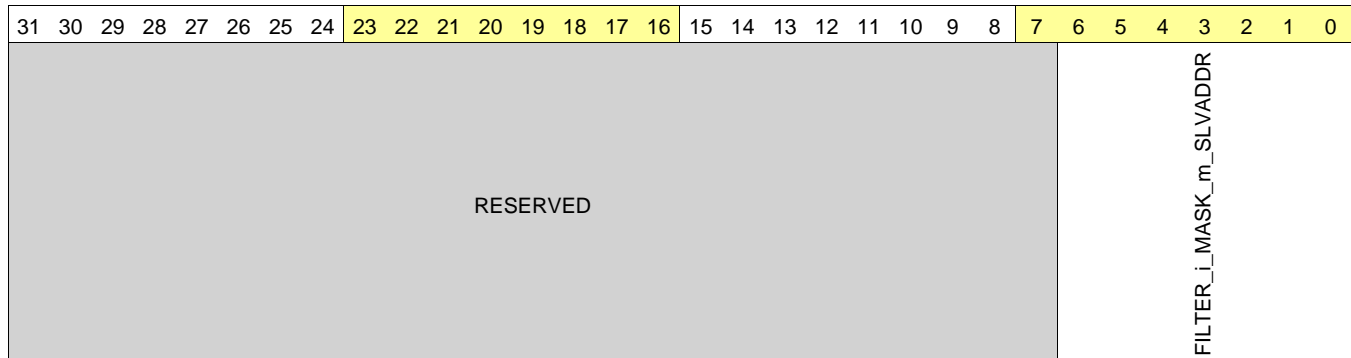
Table 14-348. Register Call Summary for Register L3_STCOL_FILTER_i_MASK_m_USERINFO

L3_MAIN Interconnect

- [L3_MAIN STATCOLL Register Summary and Description: \[0\]\[1\]](#)

Table 14-349. L3_STCOL_FILTER_i_MASK_m_SLVADDR

Address Offset	See Table 14-237.		
Physical Address	0x4500 20CC + (0x158*i) + (0x44*m)	Instance	CLK2_STATCOLL1
	0x4500 30CC + (0x158*i) + (0x44*m)		CLK2_STATCOLL2
	0x4500 50CC + (0x158*i) + (0x44*m)		CLK2_STATCOLL4
	0x4500 60CC + (0x158*i) + (0x44*m)		CLK2_STATCOLL5
	0x4500 70CC + (0x158*i) + (0x44*m)		CLK2_STATCOLL6
	0x4500 80CC + (0x158*i) + (0x44*m)		CLK2_STATCOLL7
	0x4500 90CC + (0x158*i) + (0x44*m)		CLK2_STATCOLL8
	0x4500 A0CC + (0x158*i) + (0x44*m)		CLK2_STATCOLL9
Description			
Type	RW		



Bits	Field Name	Description	Type	Reset
31:7	RESERVED		R	0x0000 0000
6:0	FILTER_i_MASK_m_SLVADDR	Mask/Match of SlvAddr Type: Control. Reset value: 0x0.	RW	0x00

Table 14-350. Register Call Summary for Register L3_STCOL_FILTER_i_MASK_m_SLVADDR

L3_MAIN Interconnect

- [L3_MAIN STATCOLL Register Summary and Description: \[0\]\[1\]](#)

Table 14-351. L3_STCOL_FILTER_i_MASK_m_REQUUSERINFO

Address Offset	See Table 14-237.		
Physical Address	0x4500 20D4 + (0x158*i) + (0x44*m)	Instance	CLK2_STATCOLL1
	0x4500 30D4 + (0x158*i) + (0x44*m)		CLK2_STATCOLL2
	0x4500 50D4 + (0x158*i) + (0x44*m)		CLK2_STATCOLL4
	0x4500 60D4 + (0x158*i) + (0x44*m)		CLK2_STATCOLL5
	0x4500 70D4 + (0x158*i) + (0x44*m)		CLK2_STATCOLL6
	0x4500 80D4 + (0x158*i) + (0x44*m)		CLK2_STATCOLL7
	0x4500 90D4 + (0x158*i) + (0x44*m)		CLK2_STATCOLL8
	0x4500 A0D4 + (0x158*i) + (0x44*m)		CLK2_STATCOLL9
Description			
Type	RW		

31	30	29	28	27	26	25	24	23	22	21	20	19	18	17	16	15	14	13	12	11	10	9	8	7	6	5	4	3	2	1	0
RESERVED								FILTER_i_MASK_m_REQUUSERINFO																							

Bits	Field Name	Description	Type	Reset
31:28	RESERVED		R	0x0000 0000
27:0	FILTER_i_MASK_m_REQUUSERINFO	Mask/Match of ReqUserInfo Type: Control. Reset value: 0x0.	RW	0x00

Table 14-352. Register Call Summary for Register L3_STCOL_FILTER_i_MASK_m_REQUUSERINFO

L3_MAIN Interconnect

- [L3_MAIN STATCOLL Register Summary and Description: \[0\]\[1\]](#)

Table 14-353. L3_STCOL_FILTER_i_MASK_m_RSPUSERINFO

Address Offset	See Table 14-237.		
Physical Address	0x4500 20D8 + (0x158*i) + (0x44*m)	Instance	CLK2_STATCOLL1
	0x4500 30D8 + (0x158*i) + (0x44*m)		CLK2_STATCOLL2
	0x4500 50D8 + (0x158*i) + (0x44*m)		CLK2_STATCOLL4
	0x4500 60D8 + (0x158*i) + (0x44*m)		CLK2_STATCOLL5
	0x4500 70D8 + (0x158*i) + (0x44*m)		CLK2_STATCOLL6
	0x4500 80D8 + (0x158*i) + (0x44*m)		CLK2_STATCOLL7
	0x4500 90D8 + (0x158*i) + (0x44*m)		CLK2_STATCOLL8
	0x4500 A0D8 + (0x158*i) + (0x44*m)		CLK2_STATCOLL9
Description			
Type	RW		

31	30	29	28	27	26	25	24	23	22	21	20	19	18	17	16	15	14	13	12	11	10	9	8	7	6	5	4	3	2	1	0
RESERVED																FILTER_i_MASK_m_RSPUSERINFO															

Bits	Field Name	Description	Type	Reset
31:3	RESERVED		R	0x0000 0000
2:0	FILTER_i_MASK_m_RSPUSERINFO	Mask/Match of RspUserInfo Type: Control. Reset value: 0x0.	RW	0x0

Table 14-354. Register Call Summary for Register L3_STCOL_FILTER_i_MASK_m_RSPUSERINFO

L3_MAIN Interconnect

- [L3_MAIN STATCOLL Register Summary and Description: \[0\]\[1\]](#)

Table 14-355. L3_STCOL_FILTER_i_MATCH_m_MSTADDR

Address Offset	See Table 14-237.		
Physical Address	0x4500 10E8 + (0x158*i) + (0x44*m) 0x4500 20E8 + (0x158*i) + (0x44*m) 0x4500 30E8 + (0x158*i) + (0x44*m) 0x4500 50E8 + (0x158*i) + (0x44*m) 0x4500 60E8 + (0x158*i) + (0x44*m) 0x4500 70E8 + (0x158*i) + (0x44*m) 0x4500 80E8 + (0x158*i) + (0x44*m) 0x4500 90E8 + (0x158*i) + (0x44*m) 0x4500 A0E8 + (0x158*i) + (0x44*m)	Instance	CLK2_STATCOLL0 CLK2_STATCOLL1 CLK2_STATCOLL2 CLK2_STATCOLL4 CLK2_STATCOLL5 CLK2_STATCOLL6 CLK2_STATCOLL7 CLK2_STATCOLL8 CLK2_STATCOLL9
Description			
Type	RW		

31	30	29	28	27	26	25	24	23	22	21	20	19	18	17	16	15	14	13	12	11	10	9	8	7	6	5	4	3	2	1	0
RESERVED																FILTER_i_MATCH_m_MSTADDR															

Bits	Field Name	Description	Type	Reset
31:8	RESERVED	Reserved	R	0x000000
7:0	FILTER_i_MATCH_m_MSTADD R	Mask/Match of MstAddr Type: Control. Reset value: 0x0.	RW	0x00

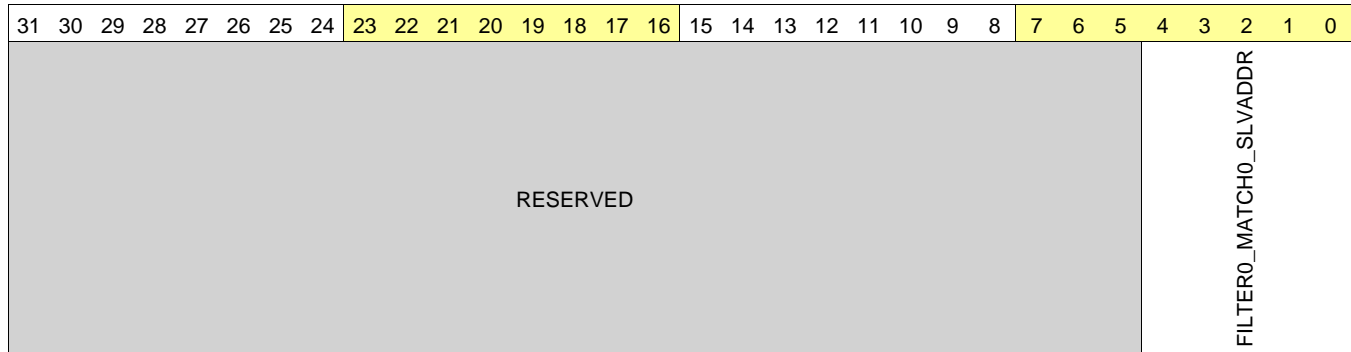
Table 14-356. Register Call Summary for Register L3_STCOL_FILTER_i_MATCH_m_MSTADDR

L3_MAIN Interconnect

- [L3_MAIN STATCOLL Register Summary and Description: \[0\]\[1\]](#)

Table 14-357. L3_STCOL_FILTER_i_MATCH_m_SLVADDR

Address Offset	See Table 14-237.		
Physical Address	0x4500 20EC + (0x158*i) + (0x44*m)	Instance	CLK2_STATCOLL1
	0x4500 30EC + (0x158*i) + (0x44*m)		CLK2_STATCOLL2
	0x4500 50EC + (0x158*i) + (0x44*m)		CLK2_STATCOLL4
	0x4500 60EC + (0x158*i) + (0x44*m)		CLK2_STATCOLL5
	0x4500 70EC + (0x158*i) + (0x44*m)		CLK2_STATCOLL6
	0x4500 80EC + (0x158*i) + (0x44*m)		CLK2_STATCOLL7
	0x4500 90EC + (0x158*i) + (0x44*m)		CLK2_STATCOLL8
	0x4500 A0EC + (0x158*i) + (0x44*m)		CLK2_STATCOLL9
Description			
Type	RW		



Bits	Field Name	Description	Type	Reset
31:5	RESERVED		R	0x0000 0000
4:0	FILTER0_MATCH0_SLVADDR	Mask/Match of SlvAddr Type: Control. Reset value: 0x0.	RW	0x00

Table 14-358. Register Call Summary for Register L3_STCOL_FILTER_i_MATCH_m_SLVADDR

L3_MAIN Interconnect

- [L3_MAIN STATCOLL Register Summary and Description: \[0\]\[1\]](#)

Table 14-359. L3_STCOL_FILTER_i_MATCH_m_RD

Address Offset	See Table 14-237.		
Physical Address	0x4500 10E0 + (0x158*i) + (0x44*m) 0x4500 20E0 + (0x158*i) + (0x44*m) 0x4500 30E0 + (0x158*i) + (0x44*m) 0x4500 50E0 + (0x158*i) + (0x44*m) 0x4500 60E0 + (0x158*i) + (0x44*m) 0x4500 70E0 + (0x158*i) + (0x44*m) 0x4500 80E0 + (0x158*i) + (0x44*m) 0x4500 90E0 + (0x158*i) + (0x44*m) 0x4500 A0E0 + (0x158*i) + (0x44*m)	Instance	CLK2_STATCOLL0 CLK2_STATCOLL1 CLK2_STATCOLL2 CLK2_STATCOLL4 CLK2_STATCOLL5 CLK2_STATCOLL6 CLK2_STATCOLL7 CLK2_STATCOLL8 CLK2_STATCOLL9
Description			
Type	RW		

31	30	29	28	27	26	25	24	23	22	21	20	19	18	17	16	15	14	13	12	11	10	9	8	7	6	5	4	3	2	1	0
RESERVED																															
FILTER_i_MATCH_m_RD																															

Bits	Field Name	Description	Type	Reset
31:1	RESERVED	Reserved	R	0x0000 0000
0	FILTER_i_MATCH_m_RD	Mask/Match of Rd Type: Control. Reset value: 0x0.	RW	0

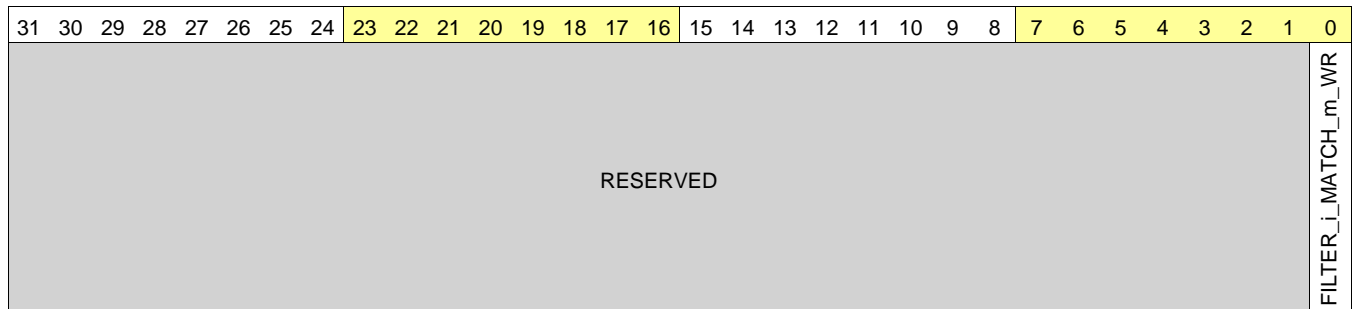
Table 14-360. Register Call Summary for Register L3_STCOL_FILTER_i_MATCH_m_RD

L3_MAIN Interconnect

- [L3_MAIN STATCOLL Register Summary and Description: \[0\]\[1\]](#)

Table 14-361. L3_STCOL_FILTER_i_MATCH_m_WR

Address Offset	See Table 14-237.		
Physical Address	0x4500 10E4 + (0x158*i) + (0x44*m) 0x4500 20E4 + (0x158*i) + (0x44*m) 0x4500 30E4 + (0x158*i) + (0x44*m) 0x4500 50E4 + (0x158*i) + (0x44*m) 0x4500 60E4 + (0x158*i) + (0x44*m) 0x4500 70E4 + (0x158*i) + (0x44*m) 0x4500 80E4 + (0x158*i) + (0x44*m) 0x4500 90E4 + (0x158*i) + (0x44*m) 0x4500 A0E4 + (0x158*i) + (0x44*m)	Instance	CLK2_STATCOLL0 CLK2_STATCOLL1 CLK2_STATCOLL2 CLK2_STATCOLL4 CLK2_STATCOLL5 CLK2_STATCOLL6 CLK2_STATCOLL7 CLK2_STATCOLL8 CLK2_STATCOLL9
Description			
Type	RW		



Bits	Field Name	Description	Type	Reset
31:1	RESERVED	Reserved	R	0x0000 0000
0	FILTER_i_MATCH_m_WR	Mask/Match of Wr Type: Control. Reset value: 0x0.	RW	0

Table 14-362. Register Call Summary for Register L3_STCOL_FILTER_i_MATCH_m_WR

L3_MAIN Interconnect

- [L3_MAIN STATCOLL Register Summary and Description: \[0\]\[1\]](#)

Table 14-363. L3_STCOL_FILTER_i_MATCH_m_ERR

Address Offset	See Table 14-237.		
Physical Address	0x4500 10F0 + (0x158*i) + (0x44*m) 0x4500 20F0 + (0x158*i) + (0x44*m) 0x4500 30F0 + (0x158*i) + (0x44*m) 0x4500 50F0 + (0x158*i) + (0x44*m) 0x4500 60F0 + (0x158*i) + (0x44*m) 0x4500 70F0 + (0x158*i) + (0x44*m) 0x4500 80F0 + (0x158*i) + (0x44*m) 0x4500 90F0 + (0x158*i) + (0x44*m) 0x4500 A0F0 + (0x158*i) + (0x44*m)	Instance	CLK2_STATCOLL0 CLK2_STATCOLL1 CLK2_STATCOLL2 CLK2_STATCOLL4 CLK2_STATCOLL5 CLK2_STATCOLL6 CLK2_STATCOLL7 CLK2_STATCOLL8 CLK2_STATCOLL9
Description			
Type	RW		

31	30	29	28	27	26	25	24	23	22	21	20	19	18	17	16	15	14	13	12	11	10	9	8	7	6	5	4	3	2	1	0
RESERVED																FILTER_i_MATCH_m_ERR															

Bits	Field Name	Description	Type	Reset
31:1	RESERVED	Reserved	R	0x0000 0000
0	FILTER_i_MATCH_m_ERR	Mask/Match of Err Type: Control. Reset value: 0x0.	RW	0

Table 14-364. Register Call Summary for Register L3_STCOL_FILTER_i_MATCH_m_ERR

L3_MAIN Interconnect

- [L3_MAIN STATCOLL Register Summary and Description: \[0\]\[1\]](#)

Table 14-365. L3_STCOL_FILTER_i_MATCH_m_USERINFO

Address Offset	See Table 14-237.		
Physical Address	0x4500 10F4 + (0x158*i) + (0x44*m)	Instance	CLK2_STATCOLL0
Description			
Type	RW		

31	30	29	28	27	26	25	24	23	22	21	20	19	18	17	16	15	14	13	12	11	10	9	8	7	6	5	4	3	2	1	0
RESERVED																FILTER_i_MATCH_m_USERINFO															

Bits	Field Name	Description	Type	Reset
31:18	RESERVED	Reserved	R	0x0000
17:0	FILTER_i_MATCH_m_USERINFO	Mask/Match of UserInfo Type: Control. Reset value: 0x0.	RW	0x00000

Table 14-366. Register Call Summary for Register L3_STCOL_FILTER_i_MATCH_m_USERINFO

L3_MAIN Interconnect

- [L3_MAIN STATCOLL Register Summary and Description: \[0\]\[1\]](#)

Table 14-367. L3_STCOL_FILTER_i_MATCH_m_REQUSERINFO

Address Offset	See Table 14-237.		
Physical Address	0x4500 20F4 + (0x158*i) + (0x44*m) 0x4500 30F4 + (0x158*i) + (0x44*m) 0x4500 50F4 + (0x158*i) + (0x44*m) 0x4500 260F4 + (0x158*i) + (0x44*m) 0x4500 70F4 + (0x158*i) + (0x44*m) 0x4500 80F4 + (0x158*i) + (0x44*m) 0x4500 90F4 + (0x158*i) + (0x44*m) 0x4500 A0F4 + (0x158*i) + (0x44*m)	Instance	CLK2_STATCOLL1 CLK2_STATCOLL2 CLK2_STATCOLL4 CLK2_STATCOLL5 CLK2_STATCOLL6 CLK2_STATCOLL7 CLK2_STATCOLL8 CLK2_STATCOLL9
Description			
Type	RW		

31	30	29	28	27	26	25	24	23	22	21	20	19	18	17	16	15	14	13	12	11	10	9	8	7	6	5	4	3	2	1	0
RESERVED								FILTER_i_MASK_m_REQUSERINFO																							

Bits	Field Name	Description	Type	Reset
31:28	RESERVED		R	0x0000 0000
27:0	FILTER_i_MASK_m_REQUSERINFO	Mask/Match of ReqUserInfo Type: Control. Reset value: 0x0.	RW	0x00

Table 14-368. Register Call Summary for Register L3_STCOL_FILTER_i_MATCH_m_REQUSERINFO

L3_MAIN Interconnect

- [L3_MAIN STATCOLL Register Summary and Description: \[0\]\[1\]](#)

Table 14-369. L3_STCOL_FILTER_i_MATCH_m_RSPUSERINFO

Address Offset	See Table 14-237.		
Physical Address	0x4500 20F8 + (0x158*i) + (0x44*m) 0x4500 30F8 + (0x158*i) + (0x44*m) 0x4500 50F8 + (0x158*i) + (0x44*m) 0x4500 60F8 + (0x158*i) + (0x44*m) 0x4500 70F8 + (0x158*i) + (0x44*m) 0x4500 80F8 + (0x158*i) + (0x44*m) 0x4500 90F8 + (0x158*i) + (0x44*m) 0x4500 A0F8 + (0x158*i) + (0x44*m)	Instance	CLK2_STATCOLL1 CLK2_STATCOLL2 CLK2_STATCOLL4 CLK2_STATCOLL5 CLK2_STATCOLL6 CLK2_STATCOLL7 CLK2_STATCOLL8 CLK2_STATCOLL9
Description			
Type	RW		

31	30	29	28	27	26	25	24	23	22	21	20	19	18	17	16	15	14	13	12	11	10	9	8	7	6	5	4	3	2	1	0
RESERVED																FILTER_i_MASK_m_RSPUSERINFO															

Bits	Field Name	Description	Type	Reset
31:3	RESERVED		R	0x0000 0000
2:0	FILTER_i_MASK_m_RSPUSERINFO	Mask/Match of RspUserInfo Type: Control. Reset value: 0x0.	RW	0x0

Table 14-370. Register Call Summary for Register L3_STCOL_FILTER_i_MATCH_m_RSPUSERINFO

L3_MAIN Interconnect

- [L3_MAIN STATCOLL Register Summary and Description: \[0\]\[1\]](#)

Table 14-371. L3_STCOL_OP_i_THRESHOLD_MINVAL

Address Offset	See Table 14-237.																																																														
Physical Address	0x4500 11F0 + (0x158*i) 0x4500 21F0 + (0x158*i) 0x4500 31F0 + (0x158*i) 0x4500 51F0 + (0x158*i) 0x4500 61F0 + (0x158*i) 0x4500 71F0 + (0x158*i) 0x4500 81F0 + (0x158*i) 0x4500 91F0 + (0x158*i) 0x4500 A1F0 + (0x158*i)	Instance	CLK2_STATCOLL0 CLK2_STATCOLL1 CLK2_STATCOLL2 CLK2_STATCOLL4 CLK2_STATCOLL5 CLK2_STATCOLL6 CLK2_STATCOLL7 CLK2_STATCOLL8 CLK2_STATCOLL9																																																												
Description																																																															
Type	RW																																																														
<table border="1" style="width:100%; text-align:center;"> <tr> <td>31</td><td>30</td><td>29</td><td>28</td><td>27</td><td>26</td><td>25</td><td>24</td> <td>23</td><td>22</td><td>21</td><td>20</td><td>19</td><td>18</td><td>17</td><td>16</td> <td>15</td><td>14</td><td>13</td><td>12</td><td>11</td><td>10</td><td>9</td><td>8</td> <td>7</td><td>6</td><td>5</td><td>4</td><td>3</td><td>2</td><td>1</td><td>0</td> </tr> <tr> <td colspan="16">RESERVED</td> <td colspan="12">OP_i_THRESHOLD_MINVAL</td> </tr> </table>				31	30	29	28	27	26	25	24	23	22	21	20	19	18	17	16	15	14	13	12	11	10	9	8	7	6	5	4	3	2	1	0	RESERVED																OP_i_THRESHOLD_MINVAL											
31	30	29	28	27	26	25	24	23	22	21	20	19	18	17	16	15	14	13	12	11	10	9	8	7	6	5	4	3	2	1	0																																
RESERVED																OP_i_THRESHOLD_MINVAL																																															
Bits	Field Name	Description	Type	Reset																																																											
31:13	RESERVED	Reserved	R	0x00000																																																											
12:0	OP_i_THRESHOLD_MINVAL	Min value Type: Control. Reset value: 0x0.	RW	0x000																																																											

Table 14-372. Register Call Summary for Register L3_STCOL_OP_i_THRESHOLD_MINVAL

L3_MAIN Interconnect

- [L3_MAIN STATCOLL Register Summary and Description: \[0\]\[1\]](#)

Table 14-373. L3_STCOL_OP_i_THRESHOLD_MAXVAL

Address Offset	See Table 14-237.																																																														
Physical Address	0x4500 11F4 + (0x158*i) 0x4500 21F4 + (0x158*i) 0x4500 31F4 + (0x158*i) 0x4500 51F4 + (0x158*i) 0x4500 61F4 + (0x158*i) 0x4500 71F4 + (0x158*i) 0x4500 81F4 + (0x158*i) 0x4500 91F4 + (0x158*i) 0x4500 A1F4 + (0x158*i)	Instance	CLK2_STATCOLL0 CLK2_STATCOLL1 CLK2_STATCOLL2 CLK2_STATCOLL4 CLK2_STATCOLL5 CLK2_STATCOLL6 CLK2_STATCOLL7 CLK2_STATCOLL8 CLK2_STATCOLL9																																																												
Description																																																															
Type	RW																																																														
<table border="1" style="width:100%; text-align:center;"> <tr> <td>31</td><td>30</td><td>29</td><td>28</td><td>27</td><td>26</td><td>25</td><td>24</td> <td>23</td><td>22</td><td>21</td><td>20</td><td>19</td><td>18</td><td>17</td><td>16</td> <td>15</td><td>14</td><td>13</td><td>12</td><td>11</td><td>10</td><td>9</td><td>8</td> <td>7</td><td>6</td><td>5</td><td>4</td><td>3</td><td>2</td><td>1</td><td>0</td> </tr> <tr> <td colspan="16">RESERVED</td> <td colspan="12">OP_i_THRESHOLD_MAXVAL</td> </tr> </table>				31	30	29	28	27	26	25	24	23	22	21	20	19	18	17	16	15	14	13	12	11	10	9	8	7	6	5	4	3	2	1	0	RESERVED																OP_i_THRESHOLD_MAXVAL											
31	30	29	28	27	26	25	24	23	22	21	20	19	18	17	16	15	14	13	12	11	10	9	8	7	6	5	4	3	2	1	0																																
RESERVED																OP_i_THRESHOLD_MAXVAL																																															
Bits	Field Name	Description	Type	Reset																																																											
31:13	RESERVED	Reserved	R	0x00000																																																											
12:0	OP_i_THRESHOLD_MAXVAL	Max value Type: Control. Reset value: 0x0.	RW	0x000																																																											

Table 14-374. Register Call Summary for Register L3_STCOL_OP_i_THRESHOLD_MAXVAL

L3_MAIN Interconnect

- [L3_MAIN STATCOLL Register Summary and Description: \[0\]\[1\]](#)

Table 14-375. L3_STCOL_OP_i_EVTINFOSEL

Address Offset	See Table 14-237.		
Physical Address	0x4500 11F8 + (0x158*i) 0x4500 21F8 + (0x158*i) 0x4500 31F8 + (0x158*i) 0x4500 51F8 + (0x158*i) 0x4500 61F8 + (0x158*i) 0x4500 71F8 + (0x158*i) 0x4500 81F8 + (0x158*i) 0x4500 91F8 + (0x158*i) 0x4500 A1F8 + (0x158*i)	Instance	CLK2_STATCOLL0 CLK2_STATCOLL1 CLK2_STATCOLL2 CLK2_STATCOLL4 CLK2_STATCOLL5 CLK2_STATCOLL6 CLK2_STATCOLL7 CLK2_STATCOLL8 CLK2_STATCOLL9
Description			
Type	RW		

31	30	29	28	27	26	25	24	23	22	21	20	19	18	17	16	15	14	13	12	11	10	9	8	7	6	5	4	3	2	1	0
RESERVED																OP_i_EVTINFOSEL															

Bits	Field Name	Description	Type	Reset
31:2	RESERVED	Reserved	R	0x0000 0000
1:0	OP_i_EVTINFOSEL	Select event info data to add to counter (len/press or latency) Type: Control. Reset value: 0x0. 0x0: Select len from event info list 0x1: Select pressure if available from event info list 0x2: Select latency if available from event info list	RW	0x0

Table 14-376. Register Call Summary for Register L3_STCOL_OP_i_EVTINFOSEL

L3_MAIN Interconnect

- [L3_MAIN STATCOLL Register Summary and Description: \[0\]\[1\]](#)

Table 14-377. L3_STCOL_OP_i_SEL

Address Offset	See Table 14-237.		
Physical Address	0x4500 11FC + (0x158*i) 0x4500 21FC + (0x158*i) 0x4500 31FC + (0x158*i) 0x4500 51FC + (0x158*i) 0x4500 61FC + (0x158*i) 0x4500 71FC + (0x158*i) 0x4500 81FC + (0x158*i) 0x4500 91FC + (0x158*i) 0x4500 A1FC + (0x158*i)	Instance	CLK2_STATCOLL0 CLK2_STATCOLL1 CLK2_STATCOLL2 CLK2_STATCOLL4 CLK2_STATCOLL5 CLK2_STATCOLL6 CLK2_STATCOLL7 CLK2_STATCOLL8 CLK2_STATCOLL9
Description			
Type	RW		

31	30	29	28	27	26	25	24	23	22	21	20	19	18	17	16	15	14	13	12	11	10	9	8	7	6	5	4	3	2	1	0
RESERVED																OP_i_SEL															

Bits	Field Name	Description	Type	Reset
31:4	RESERVED	Reserved	R	0x0000000
3:0	OP_i_SEL	Select logical operation Type: Control. Reset value: 0x0. 0x0: Increment counter on each mask/match filter hit 0x1: Increment counter on each min/max level hit 0x2: Add to counter the selected event info value (len/press or latency) 0x3: increment counter when all filter event hits (And(Fi)) 0x4: Increment counter if any of filter event hits (Or(Fi)) 0x5: Add to counter the number of current request event that hit 0x6: Add to counter the number of current response event that hit 0x7: Add to counter the number of all event that hit 0x8: Increment counter on each selected external event hit	RW	0x0

Table 14-378. Register Call Summary for Register L3_STCOL_OP_i_SEL

L3_MAIN Interconnect

- [L3_MAIN STATCOLL Register Summary and Description: \[0\]\[1\]](#)

14.3 L4 Interconnects

This section details the device L4 interconnects.

14.3.1 L4 Interconnect Overview

The device uses three separate L4 interconnect structures to connect peripheral modules. All L4s handle transfers with peripherals but are located in distinct power domains.

Figure 14-9 is an overview of the L4 interconnects and the peripherals attached to them.

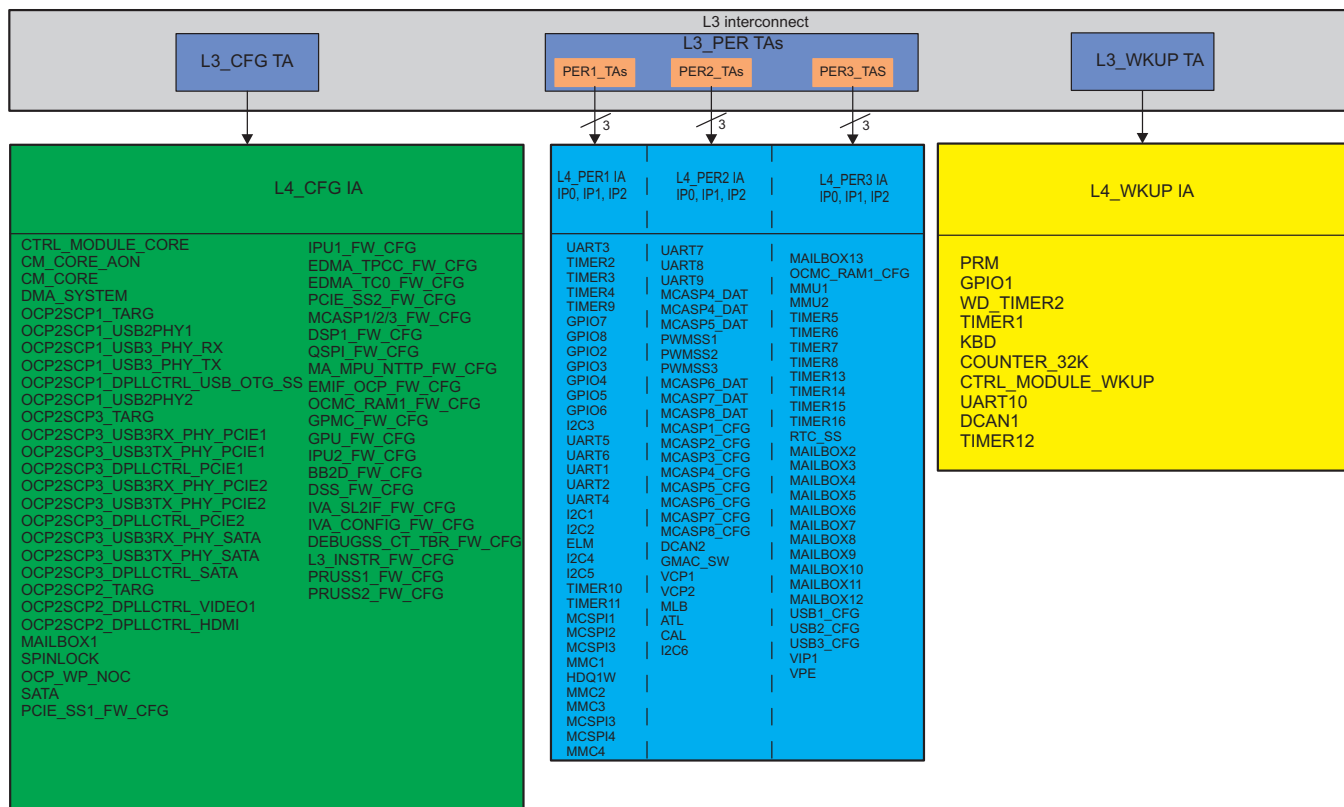
The L4 interconnect is composed of the following interconnects:

- L4_CFG: Includes the majority of the configuration interface for L3_MAIN system modules and peripheral interconnect
- L4_PER: Includes the main peripherals in the device. L4_PER is further divided into three sub-interconnects: L4_PER1, L4_PER2 and L4_PER3. As shown in Figure 14-9, each of these L4_PERx sub-interconnects is connected to L3_MAIN initiators via three ports:
 - L4_PER1_P1, L4_PER1_P2, L4_PER1_P3
 - L4_PER2_P1, L4_PER2_P2, L4_PER2_P3
 - L4_PER3_P1, L4_PER3_P2, L4_PER3_P3

L3_MAIN initiators access the L4_PERx peripherals through these ports. All peripherals attached to L4_PER1 are visible from all three L4_PER1 ports; this is also correct for L4_PER2 and L4_PER3. For information on which initiator can access which L4_PERx port, see .

- L4_WKUP: Includes peripherals attached to the WKUP power domain

Figure 14-9. L4 Interconnect Overview



icnt-013

NOTE: ATL, VCP1, VCP2, MLB, USB3 (ULPI) and I2C6 are not supported on the AM571x / AM570x family of devices.

SATA and RTC are not supported on the AM570x family of devices.

The main features of the L4 interconnects are:

- Eleven ports from L3_MAIN interconnect onto 5 parallel L4 interconnects
- From one to three 32-bit initiator ports for each L4 interconnect instance (11 in total)
- 8-, 16-, or 32-bit data, single, or burst transactions
- Little-endian platform
- Non-blocking architecture with fair arbitration between masters
- Target interfaces: Fully synchronous or divided synchronous clock frequencies
- L4_CFG and L4_PER1, L4_PER2, L4_PER3 frequency equals half of L3 frequency
- Protection logic that provides user-configurable access control to targets by each initiator

14.3.2 L4 Interconnect Integration

Table 14-379 and Table 14-380 summarize the integration of the module in the device.

Table 14-379. Integration Attributes

Module Instance	Attributes
	Power Domain
L4_PER1, L4_PER2, L4_PER3	PD_COREAON
L4_CFG	PD_COREAON
L4_WKUP	PD_WKUPAON

Table 14-380. Clocks and Resets

Clocks				
Module Instance	Destination Signal Name	Source Signal Name	Source	Description
L4_PER1	L4_PER1_CLK	L4PER_L3_GICLK	PRCM module	Functional and interface clock
L4_PER2	L4_PER2_CLK	L4PER_L3_GICLK	PRCM module	Functional and interface clock
L4_PER3	L4_PER3_CLK	L4PER_L3_GICLK	PRCM module	Functional and interface clock
L4_CFG	L4_CFG_CLK	L4CFG_L3_GICLK	PRCM module	Functional and interface clock
L4_WKUP	L4_WKUP_CLK	WKUPAON_GICLK	PRCM module	Functional and interface clock
Resets				
Module Instance	Destination Signal Name	Source Signal Name	Source	Description
L4_PER1, L4_PER2, L4_PER3	L4_PER_RST	L4_PER_RST	PRCM module	Reset of L4_PERx interconnect
	L4_PER_RET_RST	L4_PER_PWRON_RET_RST	PRCM module	Reset of L4_PERx interconnect retention registers. For information about retention reset, see Chapter 3, Power, Reset, and Clock Management .
L4_CFG	L4_CFG_RST	CORE_RST	PRCM module	Reset of L4_CFG interconnect.
	L4_CFG_RET_RST	CORE_PWRON_RET_RST	PRCM module	Reset of L4_CFG interconnect retention registers. For information about retention reset, see Chapter 3, Power, Reset, and Clock Management .
L4_WKUP	L4_WKUP_RST	WKUPAON_RST	PRCM module	Reset of L4_WKUP interconnect
	L4_WKUP_RET_RST	L4_WKUP_RET_RST	PRCM module	Reset of L4_WKUP interconnect. For information about retention reset, see Chapter 3, Power, Reset, and Clock Management .

14.3.3 L4 Interconnect Functional Description

14.3.3.1 Module Distribution

IAs and TAs provide the interface to connect the different modules to their associated interconnect.

[Table 14-381](#) through [Table 14-390](#) list all the modules and subsystems with their associated agents. The agents are listed for each L4 interconnect domain.

14.3.3.1.1 L4_PER1 Interconnect Agents

The L4_PER1 interconnect handles transfers only to peripherals in the PER power domain. [Table 14-381](#) lists the L4_PER1 TAs.

Table 14-381. L4_PER1 TAs

Module Target Name	Description
UART3_TARG	Universal Asynchronous Receiver/Transmitter target port
TIMER2_TARG	General Purpose Timer 2 target port
TIMER3_TARG	TIMER3 target port
TIMER4_TARG	TIMER4 target port
TIMER9_TARG	TIMER9 target port
GPIO7_TARG	General-Purpose Interface 7 target port
GPIO8_TARG	GPIO8 target port
GPIO2_TARG	GPIO2 target port
GPIO3_TARG	GPIO3 target port
GPIO4_TARG	GPIO4 target port
GPIO5_TARG	GPIO5 target port
GPIO6_TARG	GPIO6 target port
I2C3_TARG	Inter-Integrated Circuit 3 target port
UART5_TARG	UART5 target port
UART6_TARG	UART6 target port
UART1_TARG	UART1 target port
UART2_TARG	UART2 target port
UART4_TARG	UART4 target port
I2C1_TARG	I2C1 target port
I2C2_TARG	I2C2 target port
ELM_TARG	Error Location Module target port
I2C4_TARG	I2C4 target port
I2C5_TARG	I2C5 target port
TIMER10_TARG	TIMER10 target port
TIMER11_TARG	TIMER11 target port
MCSP11_TARG	Multi-channel Serial Peripheral Interface 1 target port
MCSP12_TARG	MCSP12 target port
MMC1_TARG	MMC1 target port
MMC2_TARG	MMC2 target port
MMC3_TARG	MMC3 target port
HDQ1W_TARG	HDQ1W target port
MCSP13_TARG	MCSP13 target port
MCSP14_TARG	MCSP14 target port
MMC4_TARG	MMC4 target port

Four ports communicate between the L3_MAIN interconnect and the L4_PER1 interconnect to allow the L3_MAIN initiators to access the L4_PER1 targets. [Table 14-382](#) lists the L4_PER1 initiator TAs.

For the list of initiators authorized to access the L4_PER1, peripherals, see [Section 14.2.3.2.2, Connectivity Matrix](#).

Table 14-382. L4_PER1 IAs

Module Initiator Name	Description
L3_MAIN_IP0_INIT	L3 sDMA RD interconnect port
L3_MAIN_IP1_INIT	L3 sDMA WR interconnect port
L3_MAIN_IP2_INIT	L3 MPU subsystem interconnect port

14.3.3.1.2 L4_PER2 Interconnect Agents

The L4_PER2 interconnect handles transfers only to peripherals in the PER power domain. [Table 14-383](#) lists the L4_PER2 TAs.

Table 14-383. L4_PER2 TAs

Module Target Name	Description
UART7_TARG	UART7 target port
UART8_TARG	UART8 target port
UART9_TARG	UART9 target port
MCASP4_DAT_TARG	Multi-Channel Audio Serial Port - DAT target port
MCASP5_DAT_TARG	MCASP5_DAT target port
MCASP6_DAT_TARG	MCASP6_DAT target port
MCASP7_DAT_TARG	MCASP7_DAT target port
MCASP8_DAT_TARG	MCASP8_DAT target port
MCASP1_CFG_TARG	MCASP1_CFG target port
MCASP2_CFG_TARG	MCASP2_CFG target port
MCASP3_CFG_TARG	MCASP3_CFG target port
MCASP4_CFG_TARG	MCASP4_CFG target port
MCASP5_CFG_TARG	MCASP5_CFG target port
MCASP6_CFG_TARG	MCASP6_CFG target port
MCASP7_CFG_TARG	MCASP7_CFG target port
MCASP8_CFG_TARG	MCASP8_CFG target port
PWM1_TARG	Pulse-Width Modulation 1 target port
PWM2_TARG	PWM2 target port
PWM3_TARG	PWM3 target port
VCP1_CFG_TARG ⁽¹⁾	Viterby Coder/Decoder 1 target port
VCP2_CFG_TARG ⁽¹⁾	Viterby Coder/Decoder 2 target port
MLB_TARG ⁽¹⁾	Media Local Bus target port
ATL_TARG ⁽¹⁾	Audio Tracking Logic target port
DCAN2_TARG	DCAN2 target port
GMAC_SW_TARG	Ethernet Controller target port
I2C6_TARG ⁽¹⁾	I2C6 target port
CAL_TARG	CAL target port

⁽¹⁾ **ATL, VCP1, VCP2, MLB, and I2C6 are not supported on the AM571x / AM570x family of devices.**

Three ports communicate between the L3_MAIN interconnect and the L4_PER2 interconnect to allow the L3_MAIN initiators to access the L4_PER2 targets. [Table 14-384](#) lists the L4_PER2 initiator TAs.

For the list of initiators authorized to access the L4_PER2 peripherals, see [Section 14.2.3.2.2, Connectivity Matrix](#).

Table 14-384. L4_PER2 IAs

Module Initiator Name	Description
L3_MAIN_IP0_INIT	L3 sDMA RD interconnect port
L3_MAIN_IP1_INIT	L3 sDMA WR interconnect port
L3_MAIN_IP2_INIT	L3 MPU subsystem interconnect port

14.3.3.1.3 L4_PER3 Interconnect Agents

The L4_PER3 interconnect handles transfers only to peripherals in the PER power domain. [Table 14-385](#) lists the L4_PER3 TAs.

Table 14-385. L4_PER3 TAs

Module Target Name	Description
TIMER5_TARG	TIMER5 target port
TIMER6_TARG	TIMER6 target port
TIMER7_TARG	TIMER7 target port
TIMER8_TARG	TIMER8 target port
TIMER13_TARG	TIMER13 target port
TIMER14_TARG	TIMER14 target port
TIMER15_TARG	TIMER15 target port
TIMER16_TARG	TIMER16 target port
VIP1_TARG	Video Input Parser(VIP) 1 target port
VPE_TARG	Video Processing Engine target port
RTC_TARG ⁽¹⁾	Real-Time Clock target port
MBX2_TARG	Mailbox 2 target port
MBX3_TARG	Mailbox 3 target port
MBX4_TARG	Mailbox 4 target port
MBX5_TARG	Mailbox 5 target port
MBX6_TARG	Mailbox 6 target port
MBX7_TARG	Mailbox 7 target port
MBX8_TARG	Mailbox 8 target port
MBX12_TARG	Mailbox 12 target port
MBX9_TARG	Mailbox 9 target port
MBX10_TARG	Mailbox 10 target port
MBX11_TARG	Mailbox 11 target port
USB2_CFG_TARG	USB2 configuration port
OCMC_RAM1_TARG	On-Chip Memory Controller RAM1 target port
USB1_CFG_TARG	USB1 configuration target port
USB3_CFG_TARG ⁽²⁾	USB3 configuration target port
MMU1_TARG	Memory Management Unit 1 target port
MMU2_TARG	MMU2 target port
MBX13_TARG	Mailbox 13 target port

⁽¹⁾ RTC is not supported on the AM570x family of devices.

⁽²⁾ USB3 (ULPI) is not supported on the AM571x / AM570x family of devices.

Three ports communicate between the L3_MAIN interconnect and the L4_PER3 interconnect to allow the L3_MAIN initiators to access the L4_PER3 targets. [Table 14-386](#) lists the L4_PER3 initiator TAs.

For the list of initiators authorized to access the L4_PER3 peripherals, see [Section 14.2.3.2.2, Connectivity Matrix](#).

Table 14-386. L4_PER3 IAs

Module Initiator Name	Description
L3_MAIN_IP0_INIT	L3 sDMA RD interconnect port
L3_MAIN_IP1_INIT	L3 sDMA WR interconnect port
L3_MAIN_IP2_INIT	L3 MPU subsystem interconnect port

14.3.3.1.4 L4_CFG Interconnect Agents

The L4_CFG interconnect handles only transfers to peripherals in the CORE power domain. [Table 14-387](#) lists the TAs.

Table 14-387. L4_CFG TAs

Module Target Name	Description
CTRL_MODULE_CORE_TARG	Control Module core target
CM_CORE_AON_TARG	CORE_AON module
CM_CORE_TARG	CM_CORE module
DMA_SYSTEM_TARG	System DMA
SCP1_TARG	SCP1 module
SCP2_TARG	SCP2 module
MAILBOX_TARG	Mailbox module
SPINLOCK_TARG	Spinlock module
OCP_WP_NOC_TARG	OCP watchpoint module
SATA_TARG ⁽¹⁾	SATA controller module
IPU1_FW_CFG_TARG	Image Processing Unit (IPU) 1 firewall
IPU2_FW_CFG_TARG	IPU 2 firewall
TPCC_FW_CFG_TARG	EDMA Channel Controller firewall
TPTC_FW_CFG_TARG	EDMA Transfer Controller firewall
PCIESS1_FW_CFG_TARG	PCIE1 firewall
MCASP1_FW_CFG_TARG	MCASP1 firewall
SCP3_TARG	SCP3 module
OCP2SCP1_USB2PHY1	OCP2SCP1_USB2PHY1 core target port
OCP2SCP1_USB3_PHY_RX_CORE_TARG	USB3_PHY_RX target port
OCP2SCP1_USB3_PHY_TX_CORE_TARG	USB3_PHY_TX target port
OCP2SCP1_DPLLCTRL_USB_OTG_SS_TARG	USB OTG Subsystem DPLLCTRL target port
OCP2SCP3_USB2PHY2	USB2PHY2 target port
VCP1_FW_CFG_TARG ⁽²⁾	Viterby Coder/Decoder 1 firewall
VCP2_FW_CFG_TARG ⁽²⁾	VCP2 module firewall
OCP2SCP3_USB3RX_PHY_PCIE1_TARG	PCIE1 RX PHY target port
OCP2SCP3_USB3TX_PHY_PCIE1_TARG	PCIE1 TX PHY target port
OCP2SCP3_DPLLCTRL_PCIE1_TARG	PCIE1 DPLL CTRL target port
OCP2SCP3_USB3RX_PHY_PCIE2_TARG	PCIE2 RX PHY target port
OCP2SCP3_USB3TX_PHY_PCIE2_TARG	PCIE2 TX PHY target port
OCP2SCP3_DPLLCTRL_PCIE2_TARG	PCIE2 DPLL CTRL target port
OCP2SCP3_USB3RX_PHY_SATA_TARG	SATA RX PHY target port
OCP2SCP3_USB3TX_PHY_SATA_TARG	SATA TX PHY target port
OCP2SCP3_DPLLCTRL_SATA_TARG	SATA DPLL CTRL target port
OCP2SCP2_DPLLCTRL_VIDEO1_TARG	VIDEO1 DPLL CTRL target port
OCP2SCP2_DPLLCTRL_HDMI_TARG	HDMI DPLL CTRL target port

⁽¹⁾ SATA is not supported on the AM570x family of devices.

⁽²⁾ VCP1 and VCP2 are not supported on the AM571x / AM570x family of devices.

Table 14-387. L4_CFG TAs (continued)

Module Target Name	Description
DSP1_SDMA_FW_CFG_TARG	DSP1 firewall
PRUSS1_FW_CFG_TARG	PRU-ICSS1 firewall
PRUSS2_FW_CFG_TARG	PRU-ICSS2 firewall
MA_MPU_NTTP_FW_CFG_TARG	MA_MPU firewall
EMIF_OCP_FW_CFG_TARG	EMIF firewall
GPMC_FW_CFG_TARG	GPMC firewall
OCMC_RAM1_FW_CFG_TARG	OCMC_RAM1 firewall
GPU_FW_CFG_TARG	GPU firewall
BB2D_FW_CFG_TARG	2D Graphics Accelerator firewall
DSS_FW_CFG_TARG	DSS firewall
IVA_SL2IF_FW_CFG_TARG	IVA SL2IF firewall
IVA_CONFIG_FW_CFG_TARG	IVA Config firewall
DEBUGSS_CT_TBR_FW_CFG_TARG	Debug subsystem firewall
L3_INSTR_FW_CFG_TARG	L3 Instrumentation firewall
MCASP2_FW_CFG_TARG	MCASP2 firewall
QSPI_FW_CFG_TARG	QSPI firewall
MCASP3_FW_CFG_TARG	MCASP3 firewall
PCIESS2_FW_CFG_TARG	PCIE2 firewall

A unique port, L3_MAIN_INIT, communicates between the L3 interconnect and the L4_CFG interconnect to allow the L3 initiators to access the L4_CFG targets (see [Table 14-388](#)).

For the list of initiators authorized to access the L4_CFG peripherals, see [Section 14.2.3.2.2, Connectivity Matrix](#).

Table 14-388. L4_CFG IAs

Module Initiator Name	Description
L3_MAIN_IP0	L3 interconnect port

14.3.3.1.5 L4_WKUP Interconnect Agents

The L4-WKUP interconnect handles transfers only to peripherals in the WKUP power domain. [Table 14-389](#) lists the TAs. [Table 14-390](#) lists the L4 WKUP IAs.

Table 14-389. L4_WKUP TAs

Module Target Name	Description
PRM_TARG	PRM module
GPIO1_TARG	GPIO1 module
WD_TIMER2_TARG	Watchdog Timer 2
TIMER1_TARG	Timer 1
TIMER12_TARG	Timer 12
KBD_TARG	Keyboard controller
COUNTER_32K_TARG	Counter 32k timer
CTRL_MODULE_WKUP_TARG	Control Module Wakeup module
UART10_TARG	UART10 module
DCAN1_TARG	CAN1 module

Table 14-390. L4_WKUP IAs

Module Initiator Name	Description
L3_MAIN_IP0	L3 interconnect port

14.3.3.2 Power Management

As part of the system-wide power-management scheme, the L4 interconnects go into IDLE state after receiving a request from the PRCM module after all commands are serviced. This function is handled by hardware. For more information, see [Chapter 3, Power, Reset, and Clock Management](#).

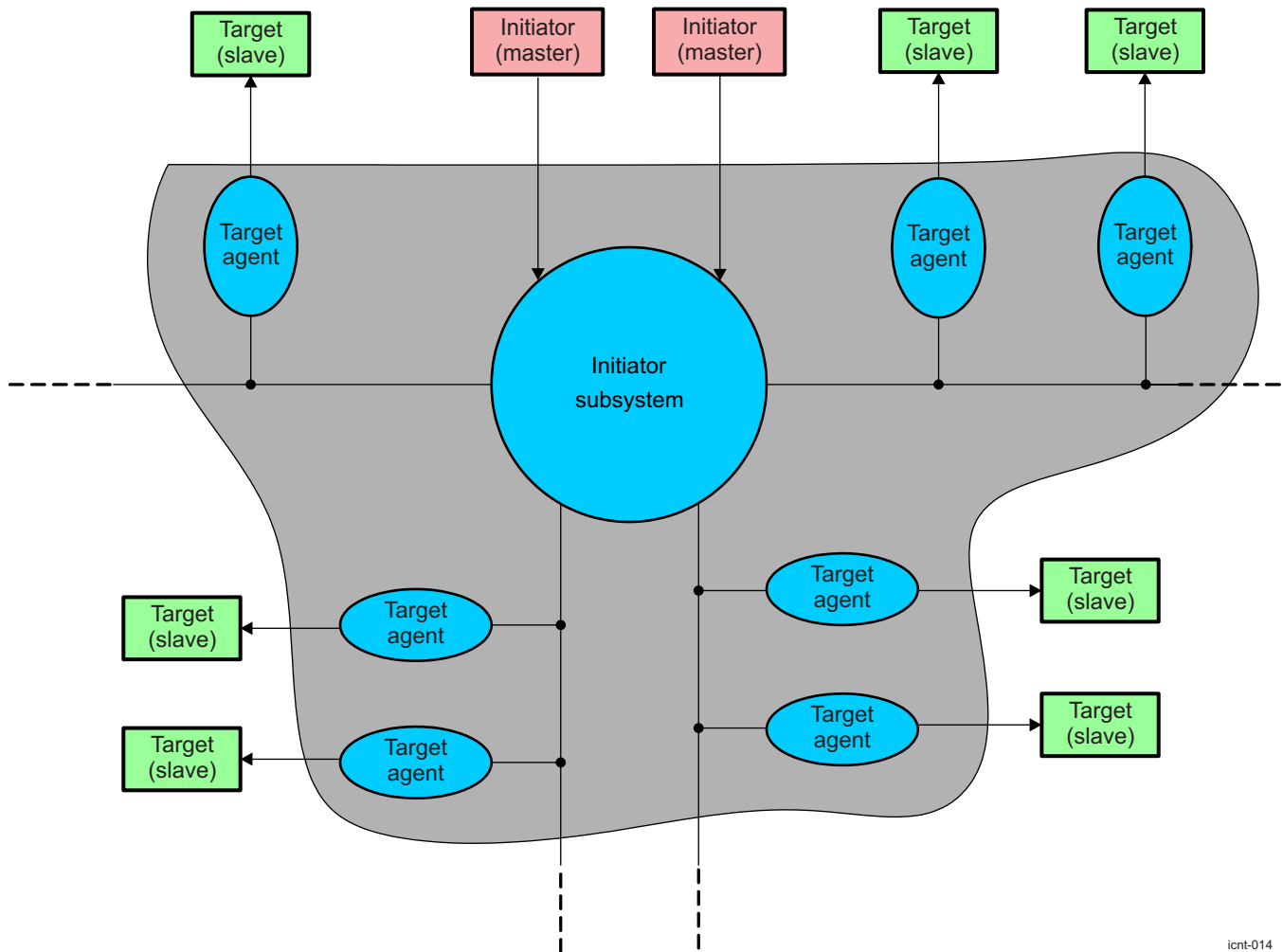
To reduce power consumption, each L4 interconnect automatically performs internal clock autogating. This is managed by hardware; no software configurations or settings are required.

L4_CFG, L4_PER1, L4_PER2, L4_PER3, and L4_WKUP are located in the always-on power domain and no retention is needed for these L4 interconnects.

14.3.3.3 L4 Firewalls

[Figure 14-10](#) is an internal view of the L4 interconnects in the overall interconnect. This architecture, with one initiator subsystem centralizing all initiator master requests and distributing them to all target modules (peripherals), enables the L4 interconnect firewall functions to be centralized at the L4 initiator subsystem level. The L4 firewall filters the accesses based on the configurable protection groups defined in the L4 address protection (AP) registers. Each module or TA is assigned to a protection group. The configuration is also defined in the L4 AP and is programmable on a module-per-module basis.

Figure 14-10. L4 Initiator-Target Connectivity



icnt-014

NOTE: As Figure 14-10 shows, targets are attached to branches. Branches do not impact the function of the L4 interconnect but are present to simplify timing closure and reduce active power consumption.

Because of the large address spaces and the number of peripherals connected to an L4 interconnect, two parameters are used to set up access permission:

- Programmable groups for initiators:
 - Eight protection groups for the L4 interconnect
- Segments divided into regions
 - 85 regions for the L4_PER1 interconnect
 - 63 regions for the L4_PER2 interconnect
 - 97 regions for the L4_PER3 interconnect
 - 129 regions for the L4_CFG interconnect
 - 44 regions for the L4_WKUP interconnect

Protection group members are TAs with the same protection settings. A region is programmed to allow access to a unique selectable protection group. For better protection, different regions are grouped into protection group regions and associated with a protection group member.

14.3.3.3.1 Protection Group

A protection group is defined by its initiators (or members) and MReqInfo is allowed. Two registers define these two settings:

- The 64-bit CONNID_BIT_VECTOR field [L4_AP_PROT_GROUP_MEMBERS_k_L](#) and [L4_AP_PROT_GROUP_MEMBERS_k_H](#) registers define which initiator belongs to a group. A protection group is accessible by an initiator when the bit position corresponding to its ConnID is set to 1 in the CONNID_BIT_VECTOR field. [Table 14-391](#) lists all the ConnIDs available at the L4 levels.
- The ENABLE field [L4_AP_PROT_GROUP_ROLES_k_L](#) register lists all possible MReqInfo combinations associated with the L4_AP_PROT_GROUP_MEMBERS register. Setting a Req bit in this register determines the initiators type of access. For more information, see [Section 14.2.3.7, L3 Firewall Functionality](#). Two MReqInfos are used in L4 interconnects: MReqDebug and MReqSupervisor.

NOTE: Permissions are identical for read and write accesses in L4 interconnect.

k indicates the protection group number.

L indicates the region number.

Table 14-391. L4 ConnID Definition

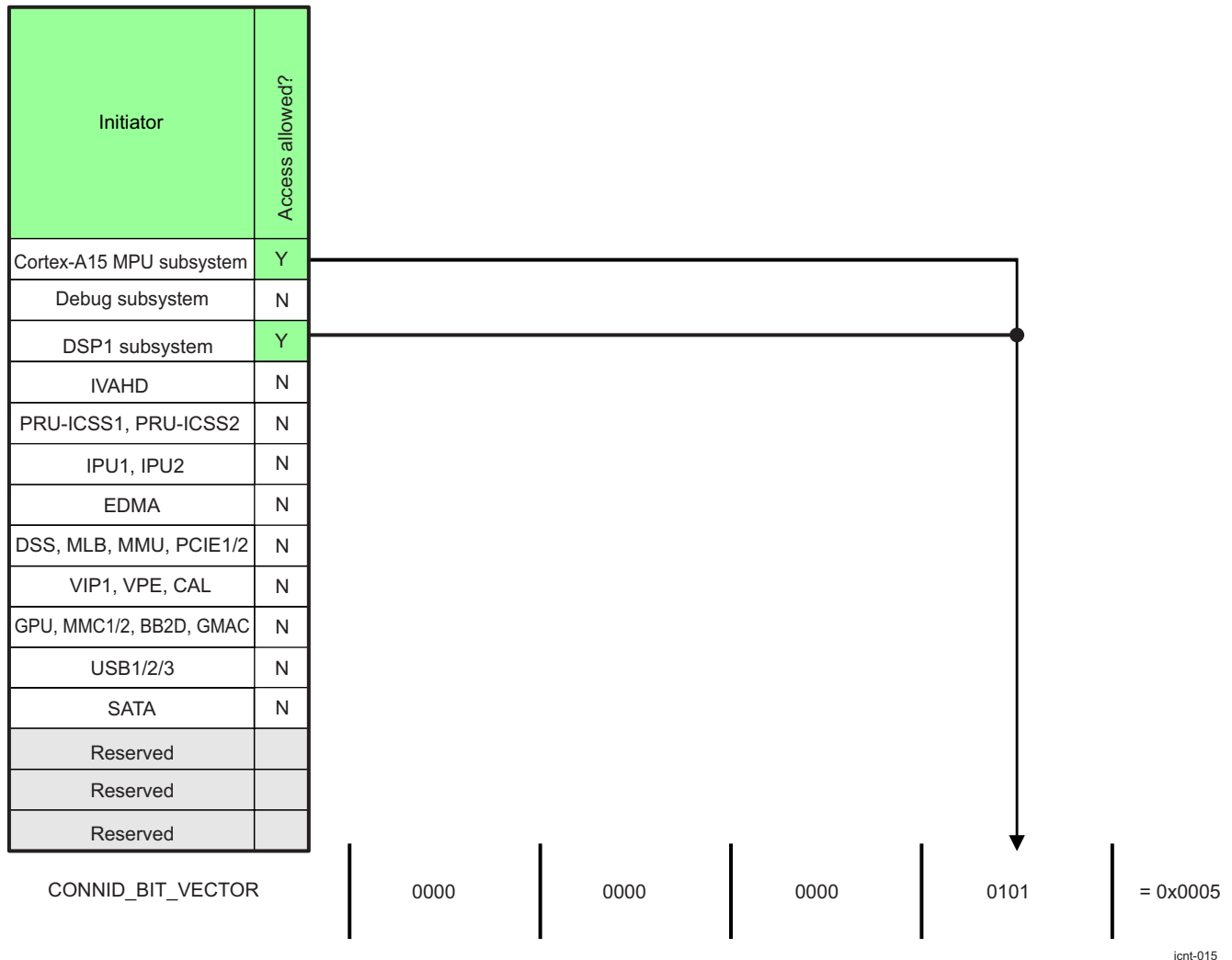
ConnID	Initiator
0	Cortex-A15 MPU subsystem
1	Debug subsystem
2	DSP1 subsystem (CFG, EDMA, MDMA)
3	IWAHD
5	PRU-ICSS1, PRU-ICSS2
6	IPU1/2; SYSTEM_DMA
7	EDMA
8	DSS, MLB, MMU1, MMU2, PCIE1 and PCIE2
9	VIP1, VPE
A	MMC1, MMC2, GPU, BB2D, GMAC
B	USB1, USB2, USB3
C	SATA
D	Reserved
E	Reserved
F	Reserved

NOTE: ATL, VCP1, VCP2, MLB, USB3 (ULPI) and I2C6 are not supported on the AM571x / AM570x family of devices.

SATA and RTC are not supported on the AM570x family of devices.

[Figure 14-11](#) is an example of CONNID_BIT_VECTOR.

Figure 14-11. Example of CONNID_BIT_VECTOR L4_AP_PROT_GROUP_MEMBERS_k



icnt-015

Setting bits 0 and 2 in the PROT_GROUP_MEMBERS_L register defines a group initiator that can access targets in protection group 1, and includes the following:

- Cortex-A15 MPU subsystem
- DSP subsystem

Protection group 1 can be applied to multiple protection regions with no limitation. Each protection region that is configured with protection group 1 enables permission access only to the two initiators.

The L4_AP_REGION_i_H PROT_GROUP_ID field determines the region to which the protection group member is attached.

The values of some CONNID_BIT_VECTOR and ENABLE fields are exported by the system control module (SCM) at reset or are user writable (see Figure 14-11 for more information).

Table 14-392 and Table 14-395 list the default configuration of the various groups for each L4 interconnect. For each group, some modules or regions are associated with it using default initiator members.

Table 14-392. L4_PER1 Firewall Default Configuration

Group	Default Modules Associated With Group	Register	Modifiability	Default Value
Group 0 AP registers	L4_PER1_AP registers	L4_AP_PROT_GROUP_ROL ES_0_L	No	EXPORTED
		L4_AP_PROT_GROUP_ROL ES_0_H	No	EXPORTED
		L4_AP_PROT_GROUP_MEM BERS_0_L	No	EXPORTED
		L4_AP_PROT_GROUP_MEM BERS_0_H	No	EXPORTED
Group 1	Reserved	L4_AP_PROT_GROUP_ROL ES_1_L	No	EXPORTED
		L4_AP_PROT_GROUP_ROL ES_1_H	No	EXPORTED
		L4_AP_PROT_GROUP_MEM BERS_1_L	No	EXPORTED
		L4_AP_PROT_GROUP_MEM BERS_1_H	No	EXPORTED
Group 2–7	PER1 peripherals	L4_AP_PROT_GROUP_ROL ES_k_L L4_AP_PROT_GROUP_ROL ES_k_H where k = 2 to 7	Yes	0xFFFF FFFF FFFF FFFF (all)
		L4_AP_PROT_GROUP_MEM BERS_k_L L4_AP_PROT_GROUP_MEM BERS_k_H where k = 2 to 7	Yes	0xFFFF (all)

Table 14-393. L4_PER2 Firewall Default Configuration

Group	Default Modules Associated With Group	Register	Modifiability	Default Value
Group 0 AP registers	L4_PER2_AP registers	L4_AP_PROT_GROUP_ROL ES_0_L	No	EXPORTED
		L4_AP_PROT_GROUP_ROL ES_0_H	No	EXPORTED
		L4_AP_PROT_GROUP_MEM BERS_0_L	No	EXPORTED
		L4_AP_PROT_GROUP_MEM BERS_0_H	No	EXPORTED
Group 1 - 7 L4_PER2 peripherals	PER2 peripherals	L4_AP_PROT_GROUP_ROL ES_k_L L4_AP_PROT_GROUP_ROL ES_k_H where k = 1 to 7	Yes	0xFFFF FFFF FFFF FFFF (all)
		L4_AP_PROT_GROUP_MEM BERS_k_L L4_AP_PROT_GROUP_MEM BERS_k_H where k = 1 to 7	Yes	0xFFFF (all)

Table 14-394. L4_PER3 Firewall Default Configuration

Group	Default Modules Associated With Group	Register	Modifiability	Default Value
Group 0 AP registers	L4_PER_AP registers	L4_AP_PROT_GROUP_ROL ES_0_L	No	EXPORTED
		L4_AP_PROT_GROUP_ROL ES_0_H	No	EXPORTED
		L4_AP_PROT_GROUP_MEM BERS_0_L	No	EXPORTED
		L4_AP_PROT_GROUP_MEM BERS_0_H	No	EXPORTED
Group 1 - 7 L4_PER3 peripherals	PER3 peripherals	L4_AP_PROT_GROUP_ROL ES_k_L L4_AP_PROT_GROUP_ROL ES_k_H where k = 1 to 7	Yes	0xFFFF FFFF FFFF FFFF (all)
		L4_AP_PROT_GROUP_MEM BERS_k_L L4_AP_PROT_GROUP_MEM BERS_k_H where k = 1 to 7	Yes	0xFFFF (all)

Table 14-395. L4_CFG Firewall Default Configuration

Group	Default Modules Associated With Group	Register	Modifiability	Default Value
Group 0 AP registers	AP registers	L4_AP_PROT_GROUP_ROL ES_0_L L4_AP_PROT_GROUP_ROL ES_0_H	No	EXPORTED
		L4_AP_PROT_GROUP_ME MBERS_0_L L4_AP_PROT_GROUP_ME MBERS_0_H	No	EXPORTED
Group 1	L3 firewall registers	L4_AP_PROT_GROUP_ROL ES_1_L L4_AP_PROT_GROUP_ROL ES_1_H	No	EXPORTED
		L4_AP_PROT_GROUP_ME MBERS_1_L L4_AP_PROT_GROUP_ME MBERS_1_H	No	EXPORTED
Group 5 Free	CPFROM	L4_AP_PROT_GROUP_ROL ES_5_L L4_AP_PROT_GROUP_ROL ES_5_H	Yes	EXPORTED
		L4_AP_PROT_GROUP_ME MBERS_5_L L4_AP_PROT_GROUP_ME MBERS_5_H	Yes	EXPORTED
Group 2, 3, 4 Free	No modules attached	L4_AP_PROT_GROUP_ROL ES_k_L L4_AP_PROT_GROUP_ROL ES_k_L where k = 2, 3, 4 and 6	Yes	0xFFFF FFFF FFFF FFFF (all)
		L4_AP_PROT_GROUP_ME MBERS_k_L L4_AP_PROT_GROUP_ME MBERS_k_H where k = 2, 3 and 4	Yes	0xFFFF (all)

Table 14-395. L4_CFG Firewall Default Configuration (continued)

Group	Default Modules Associated With Group	Register	Modifiability	Default Value
Group 6, 7 Other modules	Other L4_CFG modules	L4_AP_PROT_GROUP_ROL ES_k_L L4_AP_PROT_GROUP_ROL ES_k_H where k = 6 and 7	Yes	0xFFFF FFFF FFFF FFFF (all)
		L4_AP_PROT_GROUP_ME MBERS_k_L L4_AP_PROT_GROUP_ME MBERS_k_H where k = 6 and 7	Yes	0xFFFF (all)

Table 14-396. L4_WKUP Firewall Default Configuration

Group	Default Modules Associated With Group	Register	Modifiability	Default Value
Group 0 AP registers	AP registers	L4_AP_PROT_GROUP_ROL ES_0_L L4_AP_PROT_GROUP_ROL ES_0_H	No	EXPORTED
		L4_AP_PROT_GROUP_ME MBERS_0_L L4_AP_PROT_GROUP_ME MBERS_0_H	No	EXPORTED
Group 1	Reserved	L4_AP_PROT_GROUP_ROL ES_1_L L4_AP_PROT_GROUP_ROL ES_1_H	No	EXPORTED
		L4_AP_PROT_GROUP_ME MBERS_1_L L4_AP_PROT_GROUP_ME MBERS_1_H	No	EXPORTED
Group 2	No Modules Attached	L4_AP_PROT_GROUP_ROL ES_2_L L4_AP_PROT_GROUP_ROL ES_2_H	Yes	0xFFFF FFFF FFFF FFFF (all)
		L4_AP_PROT_GROUP_ME MBERS_2_L L4_AP_PROT_GROUP_ME MBERS_2_H	Yes	0xFFFF (all)
Group 3 Free	Reserved	L4_AP_PROT_GROUP_ROL ES_3_L L4_AP_PROT_GROUP_ROL ES_3_L	No	0xFFFF FFFF FFFF FFFF (all)
		L4_AP_PROT_GROUP_ME MBERS_3_L L4_AP_PROT_GROUP_ME MBERS_3_H	No	0xFFFF (all)
Group 4 Free	Reserved	L4_AP_PROT_GROUP_ROL ES_4_L L4_AP_PROT_GROUP_ROL ES_4_L	No	EXPORTED
		L4_AP_PROT_GROUP_ME MBERS_4_L L4_AP_PROT_GROUP_ME MBERS_4_H	No	EXPORTED

Table 14-396. L4_WKUP Firewall Default Configuration (continued)

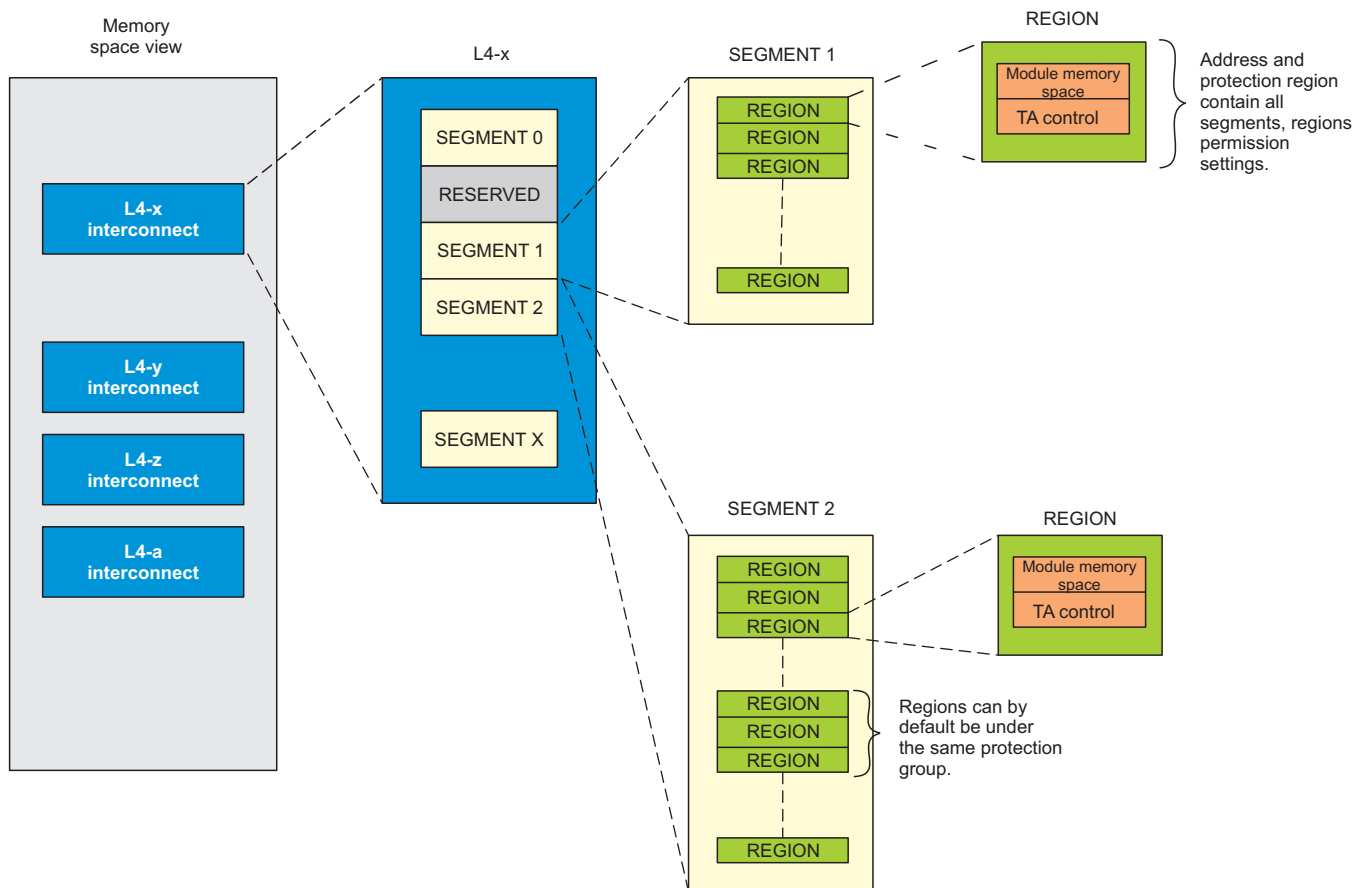
Group	Default Modules Associated With Group	Register	Modifiability	Default Value
Group 5-7 Other modules	Other L4_WKUP modules	L4_AP_PROT_GROUP_ROL ES_k_L L4_AP_PROT_GROUP_ROL ES_k_H where k = 5, 6, 7	Yes	0xFFFF FFFF FFFF FFFF (all)
		L4_AP_PROT_GROUP_ME MBERS_k_L L4_AP_PROT_GROUP_ME MBERS_k_H where k = 5, 6, 7	Yes	0xFFFF (all)

NOTE: For EXPORTED default values see CTRL_CORE_SEC_LOAD_FW_EXPORTED_VALUE register in [Chapter 18, Control Module](#)

14.3.3.2 Segments and Regions

The protection mechanism for L4 interconnects is based on a hierarchical segmentation, as shown in [Figure 14-12](#). By default, some regions are attached to specific protection group members. This specificity lets users set up the permission access to certain types of modules requiring the same access protection without managing region allocation.

Figure 14-12. L4 Segmentation



icnt-016

All interconnect address spaces are covered by regions. [Table 14-397](#) through [Table 14-401](#) list the module mapping with their addresses, region numbers, and default protection group allocated to them.

NOTE: Module refers to the configuration registers of the module.

TA (Target Agent) refers to the interconnect configuration registers of the TA associated with the module.

Table 14-397. Region Allocations for L4_PER1 Interconnect

Module	Region	Description
L4_PER1_CONFIG	0	Address Protection
	1	L3_MAIN_IP0 initiator port
	2	Link Agent
UART3_TARG	3	Module
	4	TA
TIMER2_TARG	5	Module
	6	TA
TIMER3_TARG	7	Module
	8	TA
TIMER4_TARG	9	Module
	10	TA
TIMER9_TARG	11	Module
	12	TA
GPIO2_TARG	13	Module
	14	TA
GPIO3_TARG	15	Module
	16	TA
GPIO4_TARG	17	Module
	18	TA
GPIO5_TARG	19	Module
	20	TA
GPIO6_TARG	21	Module
	22	TA
I2C3	23	Module
UART1_TARG	24	Module
	25	TA
UART2_TARG	26	Module
	27	TA
UART4_TARG	28	Module
	29	TA
I2C1_TARG	30	Module
	31	TA
I2C2_TARG	32	Module
	33	TA
I2C3_TARG	34	TA
GPIO8_TARG	35	Module
	36	TA
HDQ1W_TARG	37	Module
	38	TA
TIMER10_TARG	41	Module
	42	TA

Table 14-397. Region Allocations for L4_PER1 Interconnect (continued)

Module	Region	Description
TIMER11_TARG	43	Module
	44	TA
GPIO7_TARG	45	Module
	46	TA
MCSPI1_TARG	47	Module
	48	TA
MCSPI2_TARG	49	Module
	50	TA
MMC1_TARG	51	Module
	52	TA
UART6_TARG	53	Module
	54	TA
MMC3_TARG	61	Module
	62	TA
UART5_TARG	63	Module
	64	TA
MMC2_TARG	65	Module
	66	TA
MCSPI3_TARG	67	Module
	68	TA
MCSPI4_TARG	69	Module
	70	TA
MMC4_TARG	71	Module
	72	TA
L4_PER1 CONFIG	77	L3_MAIN_IP1
	78	L3_MAIN_IP2
I2C4_TARG	81	Module
	82	TA
I2C5_TARG	83	Module
	84	TA

Table 14-398. Region Allocations for L4_PER2 Interconnect

Module	Region	Description
L4_PER2_CONFIG	0	Address Protection
	1	L3_MAIN_IP0 initiator port
	2	Link Agent
GMAC_TARG	3	Module
L4_PER2_CONFIG	4	L3_MAIN_IP1 initiator port
	5	L3_MAIN_IP2 initiator port
GMAC_TARG	6	TA
MLB_TARG ⁽¹⁾	7	Module
	8	TA
MCASP1_CFG_TARG	9	Module
	10	TA
MCASP2_CFG_TARG	11	Module
	12	TA

⁽¹⁾ VCP1, VCP2, MLB and USB3 (ULPI) are not supported on the AM571x / AM570x family of devices.

Table 14-398. Region Allocations for L4_PER2 Interconnect (continued)

Module	Region	Description
MCASP3_CFG_TARG	13	Module
	14	TA
MCASP4_CFG_TARG	15	Module
	16	TA
MCASP4_DAT_TARG	17	Module
	18	TA
MCASP5_CFG_TARG	19	Module
	20	TA
MCASP5_DAT_TARG	21	Module
	22	TA
PWM1_TARG	25	Module
	26	TA
PWM2_TARG	27	Module
	28	TA
PWM3_TARG	29	Module
	30	TA
DCAN2_TARG	31	Module
	32	TA
MCASP6_CFG_TARG	35	Module
	36	TA
MCASP7_DAT_TARG	37	Module
	38	TA
MCASP7_CFG_TARG	39	Module
	40	TA
MCASP8_DAT_TARG	41	Module
	42	TA
MCASP8_CFG_TARG	43	Module
	44	TA
MCASP6_DAT_TARG	45	Module
	46	TA
UART7_TARG	47	Module
	48	TA
UART8_TARG	49	Module
	50	TA
UART9_TARG	51	Module
	52	TA
VCP1_CFG_TARG ⁽¹⁾	53	Module
	54	TA
VCP2_CFG_TARG ⁽¹⁾	55	Module
	56	TA
I2C6_TARG ⁽¹⁾	57	Module
	58	TA
CAL_TARG	59	Module
	60	TA

Table 14-399. Region Allocations for L4_PER3 Interconnect

Module	Region	Description
L4_PER3_CONFIG	0	Address Protection
	1	Link Agent
	2	L3_MAIN_IP0 initiator port
	3	L3_MAIN_IP1 initiator port
	4	L3_MAIN_IP2 initiator port
TIMER5_TARG	5	Module
	6	TA
TIMER6_TARG	7	Module
	8	TA
TIMER7_TARG	9	Module
	10	TA
TIMER8_TARG	11	Module
	12	TA
TIMER13_TARG	13	Module
	14	TA
TIMER14_TARG	15	Module
	16	TA
TIMER15_TARG	17	Module
	18	TA
TIMER16_TARG	19	Module
	20	TA
VIP1_TARG	21	Module
	22	TA
VPE_TARG	27	Module
	28	TA
RTC_TARG ⁽¹⁾	29	Module
	30	TA
MBX2_TARG	33	Module
	34	TA
MBX3_TARG	35	Module
	36	TA
MBX4_TARG	37	Module
	38	TA
MBX5_TARG	39	Module
	40	TA
MBX6_TARG	41	Module
	42	TA
MBX7_TARG	43	Module
	44	TA
MBX8_TARG	45	Module
	46	TA
MBX12_TARG	67	Module
	68	TA
MBX9_TARG	69	Module
	70	TA
MBX10_TARG	71	Module
	72	TA

⁽¹⁾ RTC is not supported on the AM570x family of devices.

Table 14-399. Region Allocations for L4_PER3 Interconnect (continued)

Module	Region	Description
MBX11_TARG	73	Module
	74	TA
USB2_CFG_TARG	79	Module
	80	TA
OCMC_RAM1_TARG	81	Module
	82	TA
USB1_CFG_TARG	83	Module
	84	TA
USB3_CFG_TARG ⁽²⁾	85	Module
	86	TA
MMU1_TARG	91	Module
	92	TA
MMU2_TARG	93	Module
	94	TA
MBX13_TARG	95	Module
	96	TA

⁽²⁾ USB3 (ULPI) is not supported on the AM571x / AM570x family of devices.

Table 14-400. Region Allocations for L4_CFG Interconnect

Module	Region	Description
L4_CFG Configuration	0	AP
	1	LA
	2	IP0
CTRL_MODULE_CORE_TARG	3	Module
	4	TA
CM_CORE_AON_TARG	5	Module
	6	TA
CM_CORE_TARG	7	Module
	8	TA
DMA_SYSTEM_TARG	9	Module
	10	TA
SCP1_TARG	13	Module
	14	TA
SCP2_TARG	15	Module
	16	TA
MAILBOX_TARG	23	Module
	24	TA
SPINLOCK_TARG	25	Module
	26	TA
OCP_WP_NOC_TARG	27	Module
	28	TA
IPU1_FW_CFG_TARG	41	Module
	42	TA
IPU2_FW_CFG_TARG	43	Module
	44	TA

Table 14-400. Region Allocations for L4_CFG Interconnect (continued)

Module	Region	Description
VCP1_FW_CFG_TARG ⁽¹⁾	45	Module
	46	TA
VCP2_FW_CFG_TARG ⁽¹⁾	47	Module
	48	TA
TPCC_FW_CFG_TARG	49	Module
	50	TA
TPTC_FW_CFG_TARG	51	Module
	52	TA
PCIESS1_FW_CFG_TARG	53	Module
	54	TA
MCASP1_FW_CFG_TARG	55	Module
	56	TA
SCP3_TARG	59	Module
	60	TA
DSP1_SDMA_FW_CFG_TARG	61	Module
	62	TA
PRUSS1_FW_CFG_TARG	65	Module
	66	TA
PRUSS2_FW_CFG_TARG	67	Module
	68	TA
MA_MPU_NTTP_FW_CFG_TARG	79	Module
	80	TA
EMIF_OCP_FW_CFG_TARG	81	Module
	82	TA
GPMC_FW_CFG_TARG	85	Module
	86	TA
OCMC_RAM1_FW_CFG_TARG	87	Module
	88	TA
GPU_FW_CFG_TARG	89	Module
	90	TA
DSS_FW_CFG_TARG	93	Module
	94	TA
IVA_SL2IF_FW_CFG_TARG	95	Module
	96	TA
IVA_CONFIG_FW_CFG_TARG	97	Module
	98	TA
DEBUGSS_CT_TBR_FW_CFG_TARG	99	Module
	100	TA
L3_INSTR_FW_CFG_TARG	101	Module
	102	TA
MCASP2_FW_CFG_TARG	103	Module
	104	TA
QSPI_FW_CFG_TARG	105	Module
	106	TA
MCASP3_FW_CFG_TARG	107	Module
	108	TA

⁽¹⁾ VCP1 and VCP2 are not supported on the AM571x / AM570x family of devices.

Table 14-400. Region Allocations for L4_CFG Interconnect (continued)

Module	Region	Description
PCIESS2_FW_CFG_TARG	125	Module
	126	TA

Table 14-401. Region Allocations for L4_WKUP Interconnect

Module	Region	Description
L4_WKUP	0	AP
	1	IP0
	2	LA
PRM_TARG	3	Module
	4	TA
GPIO1_TARG	5	Module
	6	TA
WD_TIMER2_TARG	7	Module
	8	TA
TIMER1_TARG	9	Module
	10	TA
KBD_TARG	11	Module
	12	TA
COUNTER_32K	15	Module
	16	TA
CTRL_MODULE_WKUP	17	Module
	18	TA
TIMER12	19	Module
	20	TA
UART10_TARG	28	Module
	29	TA
DCAN1_TARG	30	Module
	31	TA

14.3.3.3 L4 Firewall Address and Protection Register Settings

Table 14-402 lists the settings of the AP registers relative to an L4 interconnect firewall. These values are computed based on the physical implementation of each L4 interconnect.

Table 14-402. L4 Firewall Register Description Overview

Register Type	Register Name	Bits	Field	Description
Segment	L4_AP_SEGMENT_i_L ⁽¹⁾	31:0	BASE	Segment base address
	L4_AP_SEGMENT_i_H ⁽¹⁾	5:0	SIZE	Segment size equals to 2 ^{SIZE}

⁽¹⁾ i = 0 to 1 for PER1_AP
i = 0 for PER2_AP
i = 0 for PER3_AP
i = 0 to 2 for CFG_AP
i = 0 to 3 for WKUP_AP

Table 14-402. L4 Firewall Register Description Overview (continued)

Register Type	Register Name	Bits	Field	Description
Protection groups	L4_AP_PROT_GROUP_MEMBERS_k_L ⁽²⁾	15:0	CONNID_BIT_VECTOR	For L4ConnID, see Table 14-391 .
	L4_AP_PROT_GROUP_ROLES_k_L ⁽²⁾ L4_AP_PROT_GROUP_ROLES_k_H	31:0	ENABLE	See Section 14.2.3.7.3 for REQ_INFO description. ⁽³⁾
Region setting	L4_AP_REGION_I_L ⁽⁴⁾	20:0	BASE	Defines the base address of region with respect to its segment base address
	L4_AP_REGION_I_H ⁽⁴⁾	31:28	MADDRSPACE	Target interconnect MAddrSpace
		26:24	SEGMENT_ID	Segment ID number of the region
		22:20	PROT_GROUP_ID	Protection group member attached to the region
		18:17	BYTE_DATA_WIDTH_EXP	Determines the number of bytes in an access
		14:8	PHY_TARGET_ID	Physical target ID
		6:1	SIZE	Size of the region equals to 2 ^{SIZE}
		0	ENABLE	Enables the region protection

⁽²⁾ k = 0 to 7 for PER1_AP
k = 0 to 7 for PER2_AP
k = 0 to 7 for PER3_AP
k = 0 to 7 for CFG_AP
k = 0 to 7 for WKUP_AP

⁽³⁾ For L4 interconnects, only MReqDebug and MReqSupervisor are available.

⁽⁴⁾ l = 0 to 84 for PER1_AP
l = 0 to 56 for PER2_AP
l = 0 to 96 for PER3_AP
l = 0 to 128 for CFG_AP
l = 0 to 43 for WKUP_AP

14.3.3.4 L4 Error Detection and Reporting

14.3.3.4.1 IA and TA Error Detection and Logging

The L4 interconnect provides mechanisms for handling internally detected errors or errors reported by modules attached to the L4 target ports.

NOTE: L4_IA denotes the IA for all L4 interconnects: L4_PER1, L4_PER2, L4_PER3, L4_CFG, and L4_WKUP.

L4_TA denotes the TA for all L4 interconnects: L4_PER1, L4_PER2, L4_PER3, L4_CFG, and L4_WKUP.

The L4 interconnects handle four types of errors:

- No target core found or address hole, detected and logged at IA
- Unsupported command, detected and logged at IA
- Protection violation, detected and logged at IA (see [Section 14.3.3.3, L4 Firewalls](#))
- Target does not service a request before a time-out expires. The error is detected and logged at TA (see [Section 14.3.3.4.2, Time-Out](#)).

[Table 14-403](#) lists the value of the L4_IA_ERROR_LOG_L[25:24] CODE bit field stored when an error occurs.

Table 14-403. L4 CODE Bit Field Definition

CODE (bits 1:0)	Error Type	REQ_INFO	Secondary	ConnID	CMD
0	No error				
1	Unsupported command	x	x	x	x
2	Address hole	x	x	x	x
3	Protection violation	x		x	x

- No target core found/address hole: This error indicates that a request was addressed to a hole in the L4 address map. When this error occurs, an in-band error response is returned to the L3 level. The error is also logged into the [L4_IA_AGENT_STATUS_L\[27\] INBAND_ERROR](#) bit. Additionally, an address hole error code is logged to the [L4_IA_ERROR_LOG_L\[25:24\] CODE](#) bit field.
- Unsupported command: This error indicates that the command type of the request is not supported by the accessed target register. The error is logged into the [L4_IA_AGENT_STATUS_L\[27\] INBAND_ERROR](#) bit. An unsupported command error code is written to the [L4_IA_ERROR_LOG_L\[25:24\] CODE](#) bit field for the initiator interface.
- Protection violation: This error indicates that a request is not issued from an allowed initiator member or is issued with the inappropriate ReqInfo qualifiers associated with the target region. This error is reported using an in-band error and is written to the [L4_IA_AGENT_STATUS_L\[27\] INBAND_ERROR](#) bit. A protection violation error code is saved into the [L4_IA_ERROR_LOG_L\[25:24\] CODE](#) bit field for the same initiator interface. A protection violation is also logged in the [L4_IA_AGENT_STATUS_L\[31\] PROT_ERROR_SECONDARY](#) or [\[30\] PROT_ERROR_PRIMARY](#) bit when in debug or applicative mode, respectively.

The [L4_IA_ERROR_LOG_L\[30\] SECONDARY](#) bit indicates whether the error occurred in application or debug.

The [L4_IA_ERROR_LOG_H\[15:0\] REQ_INFO](#) bit field returns the type of access (REQ_INFO qualifier) that caused the error.

The [L4_IA_ERROR_LOG_L\[13:8\] CONNID](#) bit field returns the ID of the initiator that caused the error.

The [L4_IA_ERROR_LOG_ADDR_L\[31:0\] ADDR](#) register logs the address for error conditions.

14.3.3.4.2 Time-Out

A time-out mechanism can be enabled at the interconnect level and on a per-target basis. If the mechanism is enabled for a TA and interconnect and commands are not accepted or responses are not returned within the expected delay, the L4 interconnect generates an error event.

NOTE: The time-out mechanism is not available on the L4_WKUP interconnect, but L4_WKUP time-outs are detected in [CFG_TA_L4WKUP](#) of the [L4_CFG](#) interconnect.

The error is logged in the [L4_TA_AGENT_STATUS_L\[8\] REQ_TIMEOUT](#) bit. The affected TA enters an error state that causes it to send an error response to any new request targeted at it. To recover from this state, system software must reset the TA. The time-out is counted starting from the moment a command is presented to the target, regardless of the target response to this command.

The L4 interconnect implements a centralized time-base circuit that broadcasts a set of four periodic pulse signals to all connected TAs. The time-base circuit offers four possible sets of four time-base signals. The time-base signals are selected by programming the [L4_LA_NETWORK_CONTROL_L\[10:8\] TIMEOUT_BASE](#) bit field.

The selected time-base signals are available at any TA. Each TA can be programmed to refer to one of these four time-base signals, using the [L4_TA_AGENT_CONTROL_L\[10:8\] REQ_TIMEOUT](#) bit field. These four signals are referred to as 1X time-base, 4X time-base, 16X time-base, and 64X time-base.

[Table 14-404](#) lists all values in number of L4 clock cycles.

Table 14-404. L4 Time-out Link and TA Programming

		L4_TA_AGENT_CONTROL_L [10:8] REQ_TIMEOUT			
L4_LA_NETWORK_CONTROL_L[10:8] TIMEOUT_BASE	0	1	2	3	4
0	All L4 time-out features are disabled.				
1	Locally disabled	64	256	1024	4096
2		256	1024	4096	16,384
3		1024	4096	16,384	65,536
4		4096	16,384	65,536	262,144

The default reset value is 0x2 for REQ_TIMEOUT and 0x4 for TIMEOUT_BASE, implying 16,384 clock cycles.

A time-out condition is detected when the command acceptance or the response is not received after a delay of from one to three time-base periods.

Example:

- L4 frequency = 65-MHz, 15.3- μ s period
- TIMEOUT_BASE = 4 in the [L4_LA_NETWORK_CONTROL_L](#) register
- REQ_TIMEOUT = 2 in the [L4_TA_AGENT_CONTROL_L](#) for TA A
- REQ_TIMEOUT = 4 in the [L4_TA_AGENT_CONTROL_L](#) for TA B

At agent A, the time-base unit is 16,384 cycles. A time-out is issued when a request to the attached module is not accepted, or no response is sent after a delay of 252 μ s to 756 μ s.

At agent B, the time-base unit is 262,144 cycles. A time-out is issued when a request to the attached module is not accepted or no response is sent after a delay of 4 ms to 12 ms.

When a time-out condition is detected, the TA logs the error in the [L4_TA_AGENT_STATUS_L\[8\]](#) REQ_TIMEOUT bit, and it also reports the error to the IA, which forwards it to the L3 interconnects.

After the time-out is detected and logged, the behavior of the attached module is ignored. A new request targeting the module arriving at the timed-out TA receives an error response. If the request is addressed to the agent internal registers, it is processed normally.

To recover from a time-out error, software is assumed to first reset the faulty module and then the TA using the [L4_TA_AGENT_CONTROL_L\[0\]](#) OCP_RESET bit.

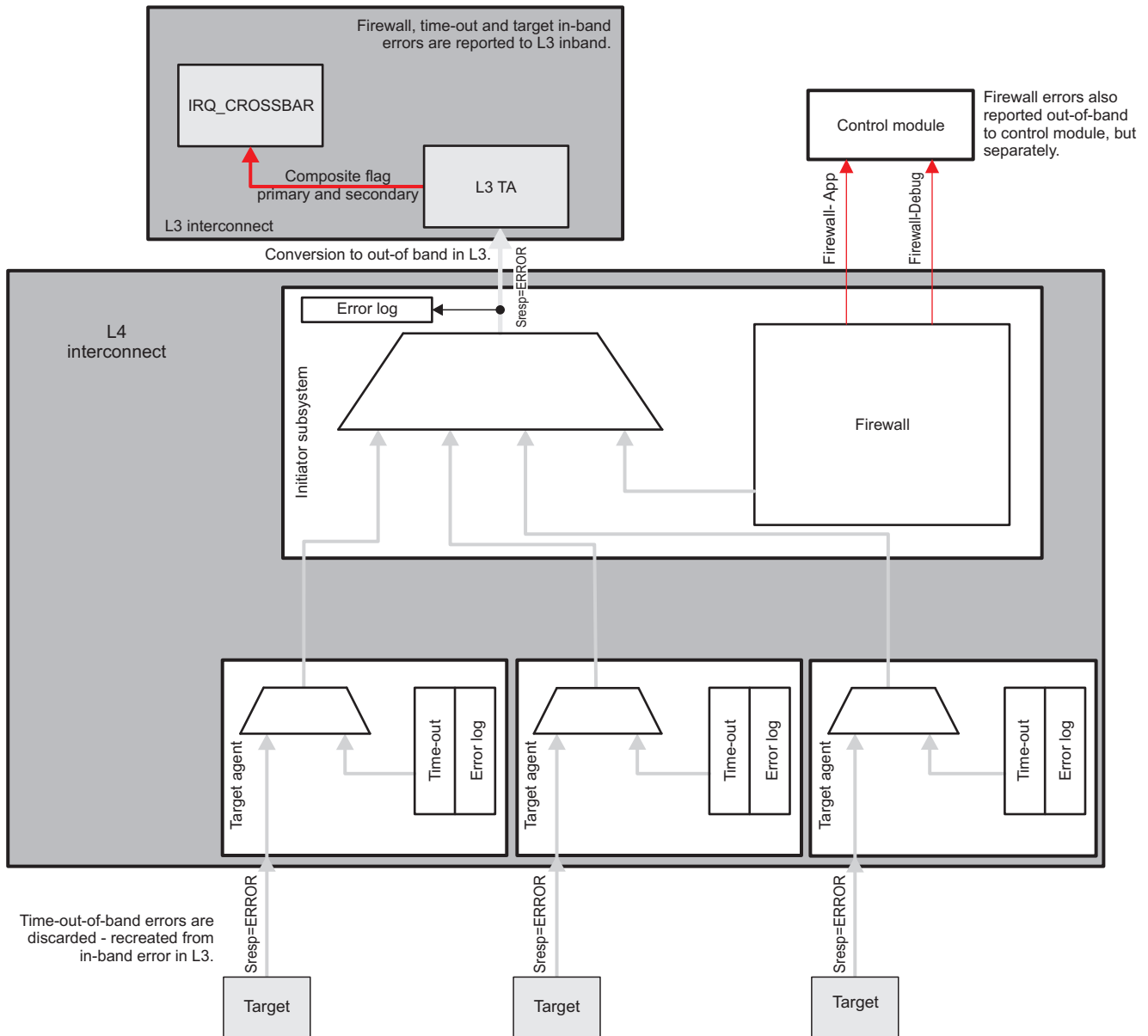
14.3.3.4.3 Error Reporting

[Figure 14-13](#) shows the error-reporting scheme used in the L4 interconnects. All L4 in-band errors are reported to their respective L3 TA, where errors are converted in an out-of band error signal (the L3 applicative and debug composite flags) going to the L3 INTCs.

Two levels of mask are present to report the error at INTC level:

- At the applicative and debug composite flag, to enable interrupt reporting, the following bits must be set:
 - L4_CFG in L3_FLAGMUX_MASK0 and L3_FLAGMUX_STATUS1
 - L4_PER in L3_FLAGMUX_MASK0 and L3_FLAGMUX_STATUS1
- At the L3 TA level, see [Section 14.2.1](#), *L3 Interconnect*.

Figure 14-13. L4 Error Reporting



icnt-017

14.3.3.4.4 Error Recovery

Setting the `L4_TA_AGENT_CONTROL_L[0] OCP_RESET` bit to 1 initiates the software reset period. Software reset must be asserted for at least 16 cycles of the target module interface clock, which can be a divided clock with respect to the L4 clock.

During the software reset period:

- Requests sent to the target module receive error responses. Therefore, if the faulty request is part of a DMA transfer, it is necessary to stop the DMA to prevent unwanted errors.
- Requests sent to the TA register block are processed as usual.
- The `L4_TA_AGENT_STATUS_L[8] REQ_TIMEOUT` status bit is cleared.

Setting the `L4_TA_AGENT_CONTROL_L[0] OCP_RESET` bit to 0 terminates the software reset period.

Reset the attached module to complete the recovery.

14.3.3.4.5 Firewall Error Logging in the Control Module

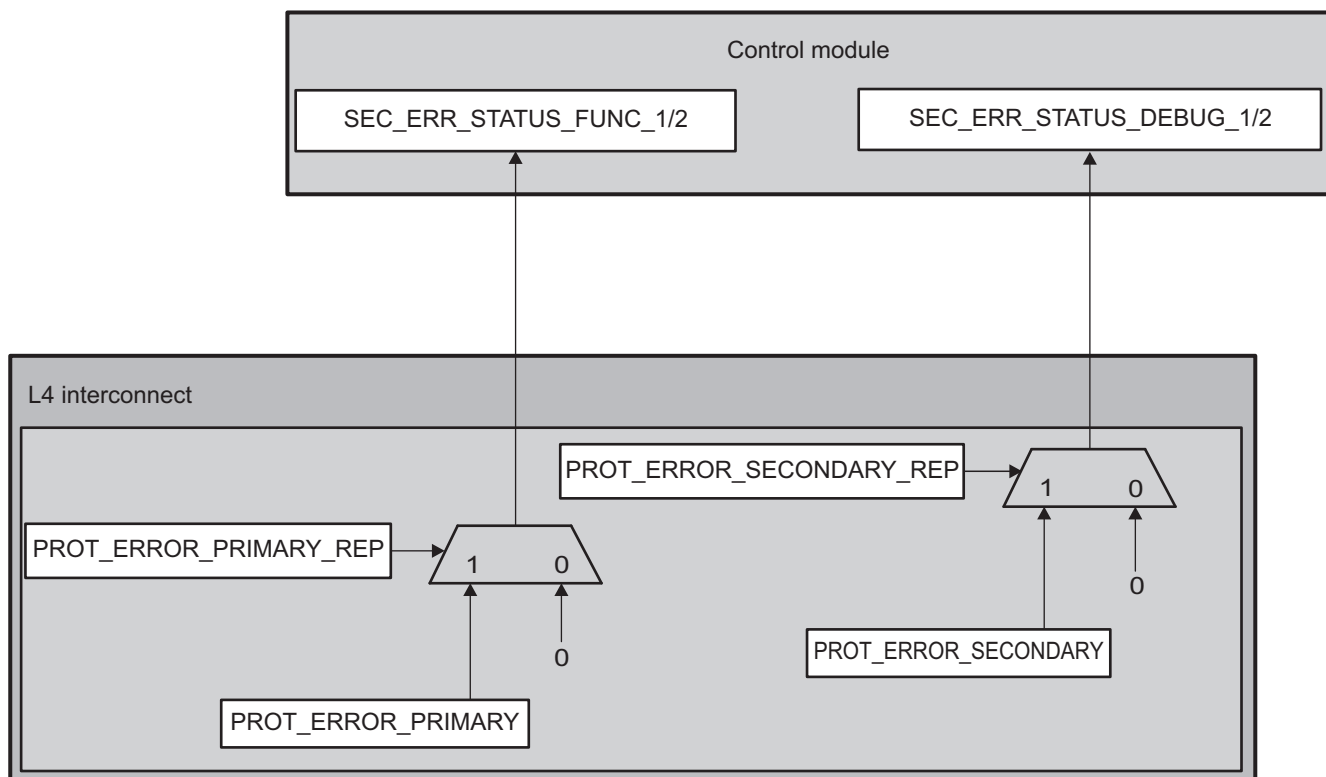
When a protection violation occurs, an interrupt is sent to the INTCs (if enabled). An in-band error is sent back to L3 IA and an out-of-band error can also be logged in the CONTROL.CONTROL_SEC_ERR_STATUS register in the SCM. These out-of-band errors are enabled and disabled at the L4 IA level by setting the [L4_IA_AGENT_CONTROL_L\[31\]\[30\]](#) PROT_ERROR_SECONDARY_REP or PROT_ERROR_PRIMARY_REP bit to 1 for debug and application mode, respectively.

At the control module level, two logging registers are used, depending on the mode:

- In application mode or primary error reporting:
 - SEC_ERR_STATUS_FUNC_1[16] = L4_PER1 protection violation
 - SEC_ERR_STATUS_FUNC_2[4] = L4_PER2 protection violation
 - SEC_ERR_STATUS_FUNC_2[5] = L4_PER3 protection violation
 - SEC_ERR_STATUS_FUNC_1[17] = L4_CFG protection violation
 - SEC_ERR_STATUS_FUNC_1[22] = L4_WKUP protection violation
- In debug mode or secondary error reporting:
 - SEC_ERR_STATUS_DEBUG_1[16] = L4_PER1 protection violation
 - SEC_ERR_STATUS_DEBUG_2[4] = L4_PER2 protection violation
 - SEC_ERR_STATUS_DEBUG_2[5] = L4_PER3 protection violation
 - SEC_ERR_STATUS_DEBUG_1[17] = L4_CFG protection violation
 - SEC_ERR_STATUS_DEBUG_1[22] = L4_WKUP protection violation

Figure 14-14 shows the global protection error reporting to the control module.

Figure 14-14. Protection Violation Out-of-Band Error Reporting



icnt-018

14.3.4 L4 Interconnect Programming Guide

14.3.4.1 L4 Interconnect Low-level Programming Models

This section describes the low-level hardware programming sequences for configuring and using the L4 interconnect module.

14.3.4.1.1 Global Initialization

14.3.4.1.1.1 Surrounding Modules Global Initialization

This section identifies the requirements of initializing the surrounding modules when the L4 interconnect module is used for the first time after a device reset. This initialization of surrounding modules is based on the integration and environment of the L4 interconnect. For more information, see [Section 14.3.2, L4 Interconnect Integration](#).

[Table 14-405](#) lists the surrounding modules.

Table 14-405. Global Initialization of Surrounding Modules

Surrounding Modules	Comments
PRCM	For more information about the configuration of the module, see Chapter 3, Power, Reset, and Clock Management .
Control module	For more information about the configuration of the module, see Chapter 18, Control Module .
Device INTCs	Device INTCs must be configured to enable the interrupt request generation. For more information see Chapter 17, Interrupt Controllers .
IRQ_CROSSBAR	IRQ_CROSSBAR configuration must be done to allow module IRQs to be mapped to certain device INTC line. For more information see Section 18.4.6.4, IRQ_CROSSBAR Module Functional Description , in Chapter 18, Control Module .
L3 interconnect	For more information about the interconnect configuration, see Section 14.2, L3 Interconnect .

14.3.4.1.2 Operational Modes Configuration

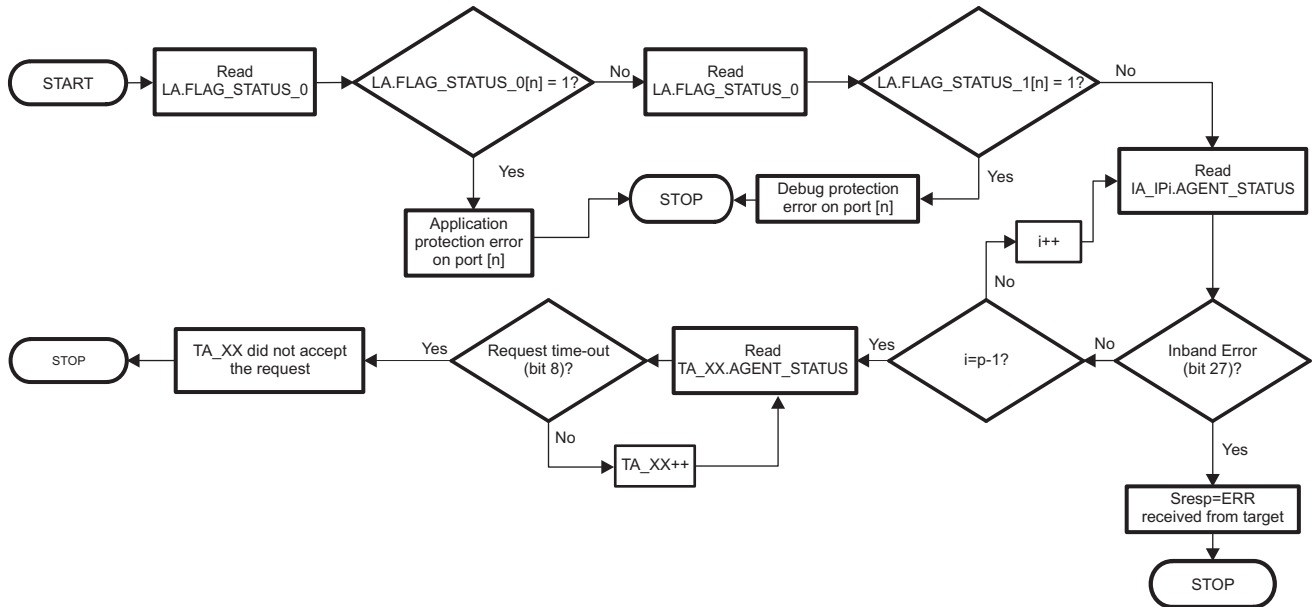
14.3.4.1.2.1 L4 Interconnect Error Analysis Mode

14.3.4.1.2.1.1 Main Sequence: L4 Interconnect Error Analysis Mode

The information required to analyze an error source is logged in several registers. The number of registers to access depends on the error source.

[Figure 14-15](#) shows the software sequence required in most cases.

Figure 14-15. Typical Error Analysis Sequence



icnt-019

NOTE: L4 interconnects don't log any address or other specific information for a custom error returned from any target IP. They rather pass an error response up to the master supposed to analyze it.

In case of posted writes, the master access completes before it actually completed at the end slave level, this way no error response is sent back to the master, making it impossible to have a direct way of understanding the origin of L4 error during posted writes. However, even though no address is logged, an error flag is generated and needs to be processed.

14.3.4.1.2.1.2 Subsequence: L4 Interconnect Protection Violation Error Identification

This procedure describes the protection violation error identification (see Table 14-406).

Table 14-406. Protection Violation Error Identification

Step	Register/Bit Field/Programming Model	Value
Read multiple errors detection.	L4_IA_ERROR_LOG_L[31] MULTI	x
Read initiator ID.	L4_IA_ERROR_LOG_L[13:8] CONNID	xxxxx
Read command that cause the error.	L4_IA_ERROR_LOG_L[2:0] CMD	xxx
Read address of request that caused the error.	L4_IA_ERROR_LOG_ADDR_L[31:0] ADDR	xxxxxxxxx
IF: Is it a primary error?	L4_IA_AGENT_STATUS_L[30] PROT_ERROR_PRIMARY	=0x1
Read status bits.	CONTROL.CONTROL_SEC_ERR_STATUS_FUNC	xx
Write 1 to clear status bits.	CONTROL.SEC_ERR_STATUS_FUNC_1 [16][17][22] CONTROL.SEC_ERR_STATUS_FUNC_2 [4][5]	xxxx
Write 1 to clear IA status bit.	L4_IA_AGENT_STATUS_L[30] PROT_ERROR_PRIMARY	0x1
ELSE		
Read status bits.	CONTROL.CONTROL_SEC_ERR_STATUS_DEB UG	xx

Table 14-406. Protection Violation Error Identification (continued)

Step	Register/Bit Field/Programming Model	Value
Write 1 to clear status bits.	CONTROL.SEC_ERR_STATUS_DEBUG_1 [16][17][22] CONTROL.SEC_ERR_STATUS_DEBUG_2 [4][5]	xxx
Write 1 to clear IA status bit	L4_IA_AGENT_STATUS_L[31] PROT_ERROR_SECONDARY	0x1
ENDIF		
Write 1 to clear multiple errors detection.	L4_IA_ERROR_LOG_L[31] MULTI	0x1
Write 1 to clear in-band error status.	L4_IA_AGENT_STATUS_L[24] INBAND_ERROR	0x1

14.3.4.1.2.1.3 Subsequence: L4 Interconnect Unsupported Command/Address Hole Error Identification

This procedure describes the identification of unsupported command/address hole error (see [Table 14-407](#)).

Table 14-407. Unsupported Command/Address Hole Error Identification

Step	Register/Bit Field/Programming Model	Value
Read multiple errors detection.	L4_IA_ERROR_LOG_L[31] MULTI	x
Read initiator ID.	L4_IA_ERROR_LOG_L[11:8] CONNID	xxxx
Read command that caused the error.	L4_IA_ERROR_LOG_L[2:0] CMD	xxx
Read address of request that caused the error.	L4_IA_ERROR_LOG_ADDR_L[31:0] ADDR	xxxxxxxx
Read secondary status.	L4_IA_ERROR_LOG_L[30] SECONDARY	x
Write 1 to clear secondary status.	L4_IA_ERROR_LOG_L[30] SECONDARY	0x1
Write 1 to clear multiple errors detection.	L4_IA_ERROR_LOG_L[31] MULTI	0x1
Write 1 to clear inband error status.	L4_IA_AGENT_STATUS_L[24] INBAND_ERROR	0x1

14.3.4.1.2.1.4 Subsequence: L4 Interconnect Reset TA and Module

This procedure describes the reset TA and module (see [Table 14-408](#)).

Table 14-408. Reset TA and Module

Step	Register/Bit Field/Programming Model	Value
Reset TA.	L4_TA_AGENT_CONTROL_L[0] OCP_RESET	0x1
Wait until target module clock = 16 cycles.		
Write 0 to clear TA time-out status.	L4_TA_AGENT_CONTROL_L[10:8] REQ_TIMEOUT	0x0
Write 0 to clear TA reset.	L4_TA_AGENT_CONTROL_L[0] OCP_RESET	0x0
Reset the attached module. ⁽¹⁾		

⁽¹⁾ For more information, see the respective module chapter.

14.3.4.1.2.2 L4 Interconnect Time-Out Configuration Mode

14.3.4.1.2.2.1 Main Sequence: L4 Interconnect Time-Out Configuration Mode

This procedure describes the time-out configuration sequence (see [Table 14-409](#)).

Table 14-409. Time-Out Configuration

Step	Register/Bit Field/Programming Model	Value
Disable time-out.	L4_LA_NETWORK_CONTROL_L[10:8] TIMEOUT_BASE	0x0

Table 14-409. Time-Out Configuration (continued)

Step	Register/Bit Field/Programming Model	Value
Clear TA time-out error status. ⁽¹⁾	L4_TA_AGENT_STATUS_L[8] REQ_TIMEOUT	0x1
Set time-out at TA level. ⁽¹⁾	L4_TA_AGENT_CONTROL_L[10:8] REQ_TIMEOUT	xxx
Set time-out base.	L4_LA_NETWORK_CONTROL_L[10:8] TIMEOUT_BASE	xxx

⁽¹⁾ Required for each TA.

14.3.4.1.2.3 L4 Interconnect Firewall Configuration Mode

14.3.4.1.2.3.1 Main Sequence: L4 Interconnect Firewall Configuration Mode

This procedure describes the firewall configuration sequence (see [Table 14-410](#)).

Table 14-410. Firewall Configuration

Step	Register/Bit Field/Programming Model	Value
Define the members of protection group k. ⁽¹⁾	L4_AP_PROT_GROUP_MEMBERS_k_L[15:0] CONNID_BIT_VECTOR	xxx
Define the access type of a protection group k. ⁽¹⁾	L4_AP_PROT_GROUP_ROLES_k_L[15:0] ENABLE	xx
Set region affiliation to protection group. ⁽²⁾	L4_AP_REGION_I_L[22:20] PROT_GROUP_ID	xxx

⁽¹⁾ Required for each protection group.

⁽²⁾ Required for each region.

14.3.5 L4 Interconnects Register Manual

Table 14-411 through Table 14-415 list all L4 register blocks for IA, TA, AP, and LA. Each module instance is shown with the module register mapping and bit and bit field definitions.

14.3.5.1 L4 Interconnects Instance Summary

NOTE: ATL, VCP1, VCP2, MLB, USB3 (ULPI) and I2C6 are not supported on the AM571x / AM570x family of devices.

SATA and RTC are not supported on the AM570x family of devices.

Table 14-411. L4_PER1 Instance Summary

Module Name	L3_MAIN Base Address	Size
PER1_AP	0x4800 0000	2KiB
PER1_LA	0x4800 0800	2KiB
PER1_IA_IP0	0x4800 1000	1KiB
PER1_IA_IP1	0x4800 1400	1KiB
PER1_IA_IP2	0x4800 1800	1KiB
UART3_TARG	0x4802 1000	4KiB
TIMER2_TARG	0x4803 3000	4KiB
TIMER3_TARG	0x4803 5000	4KiB
TIMER4_TARG	0x4803 7000	4KiB
TIMER9_TARG	0x4803 F000	4KiB
GPIO7_TARG	0x4805 2000	4KiB
GPIO8_TARG	0x4805 4000	4KiB
GPIO2_TARG	0x4805 6000	4KiB
GPIO3_TARG	0x4805 8000	4KiB
GPIO4_TARG	0x4805 A000	4KiB
GPIO5_TARG	0x4805 C000	4KiB
GPIO6_TARG	0x4805 E000	4KiB
I2C3_TARG	0x4806 1000	4KiB
UART5_TARG	0x4806 7000	4KiB
UART6_TARG	0x4806 9000	4KiB
UART1_TARG	0x4806 B000	4KiB
UART2_TARG	0x4806 D000	4KiB
UART4_TARG	0x4806 F000	4KiB
I2C1_TARG	0x4807 1000	4KiB
I2C2_TARG	0x4807 3000	4KiB
ELM_TARG	0x4807 9000	4KiB
I2C4_TARG	0x4807 B000	4KiB
I2C5_TARG	0x4807 D000	4KiB
TIMER10_TARG	0x4808 7000	4KiB
TIMER11_TARG	0x4808 9000	4KiB
MCSP1_TARG	0x4809 9000	4KiB
MCSP2_TARG	0x4809 B000	4KiB
MCSP3_TARG	0x480B 9000	4KiB
MCSP4_TARG	0x480B B000	4KiB
HDQ1W_TARG	0x480B 3000	4KiB
MMC1_TARG	0x4809 D000	4KiB
MMC2_TARG	0x480B 5000	4KiB

Table 14-411. L4_PER1 Instance Summary (continued)

Module Name	L3_MAIN Base Address	Size
MMC3_TARG	0x480A E000	4KiB
MMC4_TARG	0x480D 2000	4KiB

NOTE: ATL, VCP1, VCP2, MLB, USB3 (ULPI) and I2C6 are not supported on the AM571x / AM570x family of devices.

SATA and RTC are not supported on the AM570x family of devices.

Table 14-412. L4_PER2 Instance Summary

Module Name	L3_MAIN Base Address	Size
PER2_AP	0x4840 0000	2KiB
PER2_LA	0x4840 0800	2KiB
PER2_IA_IP0	0x4840 1000	1KiB
PER2_IA_IP1	0x4840 1400	1KiB
PER2_IA_IP2	0x4840 1800	1KiB
UART7_TARG	0x4842 1000	4KiB
UART8_TARG	0x4842 3000	4KiB
UART9_TARG	0x4842 5000	4KiB
MLB_TARG	0x4842 D000	4KiB
MCASP4_DAT_TARG	0x4843 7000	4KiB
MCASP5_DAT_TARG	0x4843 B000	4KiB
MCASP6_DAT_TARG	0x4844 D000	4KiB
MCASP7_DAT_TARG	0x4845 1000	4KiB
MCASP8_DAT_TARG	0x4845 5000	4KiB
MCASP1_CFG_TARG	0x4846 2000	4KiB
MCASP2_CFG_TARG	0x4846 6000	4KiB
MCASP3_CFG_TARG	0x4846 A000	4KiB
MCASP4_CFG_TARG	0x4846 E000	4KiB
MCASP5_CFG_TARG	0x4847 2000	4KiB
MCASP6_CFG_TARG	0x4847 6000	4KiB
MCASP7_CFG_TARG	0x4847 A000	4KiB
MCASP8_CFG_TARG	0x4847 E000	4KiB
ATL_TARG	0x4843 D000	4KiB
PWM1_TARG	0x4843 F000	4KiB
PWM2_TARG	0x4844 1000	4KiB
PWM3_TARG	0x4844 3000	4KiB
VCP1_CFG_TARG	0x4844 7000	4KiB
VCP2_CFG_TARG	0x4844 9000	4KiB
DCAN2_TARG	0x4848 2000	4KiB
GMAC_TARG	0x4848 8000	4KiB
I2C6_TARG	0x4845 A000	4KiB
CAL_TARG	0x4845 C000	4KiB

NOTE: ATL, VCP1, VCP2, MLB, USB3 (ULPI) and I2C6 are not supported on the AM571x / AM570x family of devices.

SATA and RTC are not supported on the AM570x family of devices.

Table 14-413. L4_PER3 Instance Summary

Module Name	L3_MAIN Base Address	Size
PER3_AP	0x4880 0000	2KiB
PER3_LA	0x4880 0800	2KiB
PER3_IA_IP0	0x4880 1000	1KiB
PER3_IA_IP1	0x4880 1400	1KiB
PER3_IA_IP2	0x4880 1800	1KiB
MBX13_TARG	0x4880 3000	4KiB
OCMC_RAM1_TARG	0x4880 5000	4KiB
MMU1_TARG	0x4881 D000	4KiB
MMU2_TARG	0x4881 F000	4KiB
TIMER5_TARG	0x4882 1000	4KiB
TIMER6_TARG	0x4882 3000	4KiB
TIMER7_TARG	0x4882 5000	4KiB
TIMER8_TARG	0x4882 7000	4KiB
TIMER13_TARG	0x4882 9000	4KiB
TIMER14_TARG	0x4882 B000	4KiB
TIMER15_TARG	0x4882 D000	4KiB
TIMER16_TARG	0x4882 F000	4KiB
MBX2_TARG	0x4883 B000	4KiB
MBX3_TARG	0x4883 D000	4KiB
MBX4_TARG	0x4883 F000	4KiB
MBX5_TARG	0x4884 1000	4KiB
MBX6_TARG	0x4884 3000	4KiB
MBX7_TARG	0x4884 5000	4KiB
MBX8_TARG	0x4884 7000	4KiB
MBX9_TARG	0x4885 F000	4KiB
MBX10_TARG	0x4886 1000	4KiB
MBX11_TARG	0x4886 3000	4KiB
MBX12_TARG	0x4886 5000	4KiB
VIP1_TARG	0x4898 0000	4KiB
VPE_TARG	0x489E 0000	4KiB
RTC_TARG	0x4883 9000	4KiB
USB2_TARG	0x488E 0000	4KiB
USB1_TARG	0x488A 0000	4KiB
USB3_TARG	0x4892 0000	4KiB

NOTE: ATL, VCP1, VCP2, MLB, USB3 (ULPI) and I2C6 are not supported on the AM571x / AM570x family of devices.

SATA and RTC are not supported on the AM570x family of devices.

Table 14-414. L4_CFG Instance Summary

Module Name	L3_MAIN Base Address	Size
CFG_AP	0x4A00 0000	2KiB
CFG_LA	0x4A00 0800	2KiB
CFG_IA_IP0	0x4A00 1000	4KiB
CTRL_MODULE_CORE_TARG	0x4A00 4000	4KiB
CM_CORE_AON_TARG	0x4A00 6000	4KiB
CM_CORE_TARG	0x4A00 A000	4KiB
SCP1_TARG	0x4A08 8000	4KiB
SCP3_TARG	0x4A09 8000	4KiB
SCP2_TARG	0x4A0A 8000	4KiB
MAILBOX_TARG	0x4A0F 5000	4KiB
SPINLOCK_TARG	0x4A0F 7000	4KiB
OCP_WP_NOC_TARG	0x4A10 3000	4KiB
IPU1_FW_CFG_TARG	0x4A15 C000	4KiB
VCP1_FW_CFG_TARG	0x4A15 E000	4KiB
VCP2_FW_CFG_TARG	0x4A16 0000	4KiB
TPCC_FW_CFG_TARG	0x4A16 2000	4KiB
TPTC_FW_CFG_TARG	0x4A16 4000	4KiB
PCIESS1_FW_CFG_TARG	0x4A16 6000	4KiB
DSP1_SDMA_FW_CFG_TARG	0x4A17 2000	4KiB
PRUSS1_FW_CFG_TARG	0x4A17 6000	4KiB
QSPI_FW_CFG_TARG	0x4A17 A000	4KiB
MA_MPU_NTTP_FW_CFG_TARG	0x4A20 B000	4KiB
EMIF_OCP_FW_CFG_TARG	0x4A20 D000	4KiB
GPMC_FW_CFG_TARG	0x4A21 1000	4KiB
OCMC_RAM1_FW_CFG_TARG	0x4A21 3000	4KiB
GPU_FW_CFG_TARG	0x4A21 5000	4KiB
DSS_FW_CFG_TARG	0x4A21 D000	4KiB
IVA_SL2IF_FW_CFG_TARG	0x4A21 F000	4KiB
IVA_CONFIG_FW_CFG_TARG	0x4A22 1000	4KiB
DEBUGSS_CT_TBR_FW_CFG_TARG	0x4A22 5000	4KiB
L3_INSTR_FW_CFG_TARG	0x4A22 7000	4KiB
DMA_SYSTEM_TARG	0x4A05 7000	4KiB
PRUSS2_FW_CFG_TARG	0x4A17 8000	4KiB
PCIESS2_FW_CFG_TARG	0x4A15 A000	4KiB
MCASP1_FW_CFG_TARG	0x4A16 8000	4KiB
MCASP2_FW_CFG_TARG	0x4A16 A000	4KiB
MCASP3_FW_CFG_TARG	0x4A16 C000	4KiB
IPU2_FW_CFG_TARG	0x4A21 9000	4KiB

NOTE: ATL, VCP1, VCP2, MLB, USB3 (ULPI) and I2C6 are not supported on the AM571x / AM570x family of devices.

SATA and RTC are not supported on the AM570x family of devices.

Table 14-415. L4_WKUP Instance Summary

Module Name	L3_MAIN Base Address	Size
WKUP_AP	0x4AE0 0000	2KiB
WKUP_LA	0x4AE0 0800	2KiB
WKUP_IA_IP0	0x4AE0 1000	4KiB
COUNTER_32K_TARG	0x4AE0 5000	4KiB
PRM_TARG	0x4AE0 8000	4KiB
CTRL_MODULE_WKUP_TARG	0x4AE0 D000	4KiB
GPIO1_TARG	0x4AE1 1000	4KiB
WD_TIMER2_TARG	0x4AE1 5000	4KiB
TIMER1_TARG	0x4AE1 9000	4KiB
KBD_TARG	0x4AE1 D000	4KiB
TIMER12_TARG	0x4AE2 1000	4KiB
UART10_TARG	0x4AE2 C000	4KiB
DCAN1_TARG	0x4AE3 E000	4KiB

14.3.5.2 L4 Initiator Agent (L4 IA)

14.3.5.2.1 L4 Initiator Agent (L4 IA) Register Summary

Table 14-416 summarizes the L4 IA register mapping.

Table 14-416. IA Registers Mapping Summary

Register Name	Type	Register Width (Bits)	Address Offset	PER1_IA_IP0 L3_MAIN Physical Address	PER1_IA_IP1 L3_MAIN Physical Address	PER1_IA_IP2 L3_MAIN Physical Address
L4_IA_COMPONENT_L	R	32	0x0000 0000	0x4800 1000	0x4800 1400	0x4800 1800
L4_IA_COMPONENT_H	R	32	0x0000 0004	0x4800 1004	0x4800 1404	0x4800 1804
L4_IA_CORE_L	R	32	0x0000 0018	0x4800 1018	0x4800 1418	0x4800 1818
L4_IA_CORE_H	R	32	0x0000 001C	0x4800 101C	0x4800 141C	0x4800 181C
L4_IA_AGENT_CONTROL_L	RW	32	0x0000 0020	0x4800 1020	0x4800 1420	0x4800 1820
L4_IA_AGENT_CONTROL_H	R	32	0x0000 0024	0x4800 1024	0x4800 1424	0x4800 1824
L4_IA_AGENT_STATUS_L	RW	32	0x0000 0028	0x4800 1028	0x4800 1428	0x4800 1828
L4_IA_AGENT_STATUS_H	R	32	0x0000 002C	0x4800 102C	0x4800 142C	0x4800 182C
L4_IA_ERROR_LOG_L	RW	32	0x0000 0058	0x4800 1058	0x4800 1458	0x4800 1858
L4_IA_ERROR_LOG_H	R	32	0x0000 005C	0x4800 105C	0x4800 145C	0x4800 185C
L4_IA_ERROR_LOG_ADDR_L	R	32	0x0000 0060	0x4800 1060	0x4800 1460	0x4800 1860
L4_IA_ERROR_LOG_ADDR_H	R	32	0x0000 0064	0x4800 1064	0x4800 1464	0x4800 1864

Table 14-417. IA Registers Mapping Summary

Register Name	Type	Register Width (Bits)	Address Offset	PER2_IA_IP0 L3_MAIN Physical Address	PER2_IA_IP1 L3_MAIN Physical Address	PER2_IA_IP2 L3_MAIN Physical Address
L4_IA_COMPONENT_L	R	32	0x0000 0000	0x4840 1000	0x4840 1400	0x4840 1800
L4_IA_COMPONENT_H	R	32	0x0000 0004	0x4840 1004	0x4840 1404	0x4840 1804
L4_IA_CORE_L	R	32	0x0000 0018	0x4840 1018	0x4840 1418	0x4840 1818
L4_IA_CORE_H	R	32	0x0000 001C	0x4840 101C	0x4840 141C	0x4840 181C
L4_IA_AGENT_CONTROL_L	RW	32	0x0000 0020	0x4840 1020	0x4840 1420	0x4840 1820
L4_IA_AGENT_CONTROL_H	R	32	0x0000 0024	0x4840 1024	0x4840 1424	0x4840 1824
L4_IA_AGENT_STATUS_L	RW	32	0x0000 0028	0x4840 1028	0x4840 1428	0x4840 1828
L4_IA_AGENT_STATUS_H	R	32	0x0000 002C	0x4840 102C	0x4840 142C	0x4840 182C
L4_IA_ERROR_LOG_L	RW	32	0x0000 0058	0x4840 1058	0x4840 1458	0x4840 1858
L4_IA_ERROR_LOG_H	R	32	0x0000 005C	0x4840 105C	0x4840 145C	0x4840 185C
L4_IA_ERROR_LOG_ADDR_L	R	32	0x0000 0060	0x4840 1060	0x4840 1460	0x4840 1860
L4_IA_ERROR_LOG_ADDR_H	R	32	0x0000 0064	0x4840 1064	0x4840 1464	0x4840 1864

Table 14-418. IA Registers Mapping Summary

Register Name	Type	Register Width (Bits)	Address Offset	PER3_IA_IP0 L3_MAIN Physical Address	PER3_IA_IP1 L3_MAIN Physical Address	PER3_IA_IP2 L3_MAIN Physical Address
L4_IA_COMPONENT_L	R	32	0x0000 0000	0x4880 1000	0x4880 1400	0x4880 1800
L4_IA_COMPONENT_H	R	32	0x0000 0004	0x4880 1004	0x4880 1404	0x4880 1804
L4_IA_CORE_L	R	32	0x0000 0018	0x4880 1018	0x4880 1418	0x4880 1818
L4_IA_CORE_H	R	32	0x0000 001C	0x4880 101C	0x4880 141C	0x4880 181C
L4_IA_AGENT_CONTROL_L	RW	32	0x0000 0020	0x4880 1020	0x4880 1420	0x4880 1820
L4_IA_AGENT_CONTROL_H	R	32	0x0000 0024	0x4880 1024	0x4880 1424	0x4880 1824
L4_IA_AGENT_STATUS_L	RW	32	0x0000 0028	0x4880 1028	0x4880 1428	0x4880 1828
L4_IA_AGENT_STATUS_H	R	32	0x0000 002C	0x4880 102C	0x4880 142C	0x4880 182C
L4_IA_ERROR_LOG_L	RW	32	0x0000 0058	0x4880 1058	0x4880 1458	0x4880 1858
L4_IA_ERROR_LOG_H	R	32	0x0000 005C	0x4880 105C	0x4880 145C	0x4880 185C
L4_IA_ERROR_LOG_ADDR_L	R	32	0x0000 0060	0x4880 1060	0x4880 1460	0x4880 1860
L4_IA_ERROR_LOG_ADDR_H	R	32	0x0000 0064	0x4880 1064	0x4880 1464	0x4880 1864

Table 14-419. IA Registers Mapping Summary

Register Name	Type	Register Width (Bits)	Address Offset	CFG_IA_IP0 L3_MAIN Physical Address	WKUP_IA_IP0 L3_MAIN Physical Address
L4_IA_COMPONENT_L	R	32	0x0000 0000	0x4A00 1000	0x4AE0 1000
L4_IA_COMPONENT_H	R	32	0x0000 0004	0x4A00 1004	0x4AE0 1004
L4_IA_CORE_L	R	32	0x0000 0018	0x4A00 1018	0x4AE0 1018
L4_IA_CORE_H	R	32	0x0000 001C	0x4A00 101C	0x4AE0 101C
L4_IA_AGENT_CONTRO L_L	RW	32	0x0000 0020	0x4A00 1020	0x4AE0 1020
L4_IA_AGENT_CONTRO L_H	R	32	0x0000 0024	0x4A00 1024	0x4AE0 1024
L4_IA_AGENT_STATUS_L	RW	32	0x0000 0028	0x4A00 1028	0x4AE0 1028
L4_IA_AGENT_STATUS_H	R	32	0x0000 002C	0x4A00 102C	0x4AE0 102C
L4_IA_ERROR_LOG_L	RW	32	0x0000 0058	0x4A00 1058	0x4AE0 1058
L4_IA_ERROR_LOG_H	R	32	0x0000 005C	0x4A00 105C	0x4AE0 105C
L4_IA_ERROR_LOG_AD DR_L	R	32	0x0000 0060	0x4A00 1060	0x4AE0 1060
L4_IA_ERROR_LOG_AD DR_H	R	32	0x0000 0064	0x4A00 1064	0x4AE0 1064

14.3.5.2.2 L4 Initiator Agent (L4 IA) Register Description

Table 14-420 through Table 14-442 describe the L4 IA registers.

Table 14-420. L4_IA_COMPONENT_L

Address Offset	0x0000 0000	Instance	PER1_IA_IP0 PER1_IA_IP1 PER1_IA_IP2 PER2_IA_IP0 PER2_IA_IP1 PER2_IA_IP2 PER3_IA_IP0 PER3_IA_IP1 PER3_IA_IP2 CFG_IA_IP0 WKUP_IA_IP0
Physical Address	0x4800 1000 0x4800 1400 0x4800 1800 0x4840 1000 0x4840 1400 0x4840 1800 0x4880 1000 0x4880 1400 0x4880 1800 0x4A00 1000 0x4AE0 1000		
Description	COMPONENT register identifies the component to which this register block belongs. The register contains a component code and revision, which are used to identify the hardware of the component. The COMPONENT register is read-only.		
Type	R		

31	30	29	28	27	26	25	24	23	22	21	20	19	18	17	16	15	14	13	12	11	10	9	8	7	6	5	4	3	2	1	0
CODE																REV															

Bits	Field Name	Description	Type	Reset
31:16	CODE	Interconnect code	R	See ⁽¹⁾ .
15:0	REV	Component revision code	R	See ⁽¹⁾ .

⁽¹⁾ TI Internal Data

Table 14-421. Register Call Summary for Register L4_IA_COMPONENT_L

L4 Interconnects

- [L4 Initiator Agent \(L4 IA\) Register Summary: \[0\]\[1\]\[2\]\[3\]](#)

Table 14-422. L4_IA_COMPONENT_H

Address Offset	0x0000 0004		
Physical Address	0x4800 1004 0x4800 1404 0x4800 1804 0x4840 1004 0x4840 1404 0x4840 1804 0x4880 1004 0x4880 1404 0x4880 1804 0x4A00 1004 0x4AE0 1004	Instance	PER1_IA_IP0 PER1_IA_IP1 PER1_IA_IP2 PER2_IA_IP0 PER2_IA_IP1 PER2_IA_IP2 PER3_IA_IP0 PER3_IA_IP1 PER3_IA_IP2 CFG_IA_IP0 WKUP_IA_IP0
Description	COMPONENT register identifies the component to which this register block belongs. The register contains a component code and revision, which are used to identify the hardware of the component. The COMPONENT register is read-only.		
Type	R		

31	30	29	28	27	26	25	24	23	22	21	20	19	18	17	16	15	14	13	12	11	10	9	8	7	6	5	4	3	2	1	0
RESERVED																															

Bits	Field Name	Description	Type	Reset
31:0	RESERVED	Read returns 0.	R	0x0000

Table 14-423. Register Call Summary for Register L4_IA_COMPONENT_H

L4 Interconnects

- [L4 Initiator Agent \(L4 IA\) Register Summary: \[0\]\[1\]\[2\]\[3\]](#)

Table 14-424. L4_IA_CORE_L

Address Offset	0x0000 0018		
Physical Address	0x4800 1018 0x4800 1418 0x4800 1818 0x4840 1018 0x4840 1418 0x4840 1818 0x4880 1018 0x4880 1418 0x4880 1818 0x4A00 1018 0x4AE0 1018	Instance	PER1_IA_IP0 PER1_IA_IP1 PER1_IA_IP2 PER2_IA_IP0 PER2_IA_IP1 PER2_IA_IP2 PER3_IA_IP0 PER3_IA_IP1 PER3_IA_IP2 CFG_IA_IP0 WKUP_IA_IP0
Description	Provide information about the core initiator		
Type	R		

31	30	29	28	27	26	25	24	23	22	21	20	19	18	17	16	15	14	13	12	11	10	9	8	7	6	5	4	3	2	1	0
CORE_CODE																CORE_REV															

Bits	Field Name	Description	Type	Reset
31:16	CORE_CODE	Interconnect core code	R	See ⁽¹⁾ .
15:0	CORE_REV	Component revision code code	R	See ⁽¹⁾ .

⁽¹⁾ TI Internal Data**Table 14-425. Register Call Summary for Register L4_IA_CORE_L**

L4 Interconnects

- [L4 Initiator Agent \(L4 IA\) Register Summary: \[0\]\[1\]\[2\]\[3\]](#)

Table 14-426. L4_IA_CORE_H

Address Offset	0x0000 001C		
Physical Address	0x4800 101C 0x4800 141C 0x4800 181C 0x4840 101C 0x4840 141C 0x4840 181C 0x4880 101C 0x4880 141C 0x4880 181C 0x4A00 101C 0x4AE0 101C	Instance	PER1_IA_IP0 PER1_IA_IP1 PER1_IA_IP2 PER2_IA_IP0 PER2_IA_IP1 PER2_IA_IP2 PER3_IA_IP0 PER3_IA_IP1 PER3_IA_IP2 CFG_IA_IP0 WKUP_IA_IP0
Description	Provide information about the core initiator		
Type	R		

31	30	29	28	27	26	25	24	23	22	21	20	19	18	17	16	15	14	13	12	11	10	9	8	7	6	5	4	3	2	1	0
RESERVED																VENDOR_CODE															

Bits	Field Name	Description	Type	Reset
31:16	RESERVED	Reserved	R	0x0000
15:0	VENDOR_CODE	Vendor revision core code	R	See ⁽¹⁾ .

⁽¹⁾ TI Internal Data

Table 14-427. Register Call Summary for Register L4_IA_CORE_H

L4 Interconnects

- [L4 Initiator Agent \(L4 IA\) Register Summary: \[0\]\[1\]\[2\]\[3\]](#)

Table 14-428. L4_IA_AGENT_CONTROL_L

Address Offset	0x0000 0020		
Physical Address	0x4800 1020 0x4800 1420 0x4800 1820 0x4840 1020 0x4840 1420 0x4840 1820 0x4880 1020 0x4880 1420 0x4880 1820 0x4A00 1020 0x4AE0 1020	Instance	PER1_IA_IP0 PER1_IA_IP1 PER1_IA_IP2 PER2_IA_IP0 PER2_IA_IP1 PER2_IA_IP2 PER3_IA_IP0 PER3_IA_IP1 PER3_IA_IP2 CFG_IA_IP0 WKUP_IA_IP0
Description	Core control for an initiator OCP interface		
Type	RW		

31	30	29	28	27	26	25	24	23	22	21	20	19	18	17	16	15	14	13	12	11	10	9	8	7	6	5	4	3	2	1	0
PROT_ERROR_SECONDARY_REP	PROT_ERROR_PRIMARY_REP	RESERVED	INBAND_ERROR_REP	RESERVED	MERROR_REP	RESERVED																									

Bits	Field Name	Description	Type	Reset
31	PROT_ERROR_SECONDARY_REP	Out-of-band reporting of protection mechanism secondary errors	RW	1
30	PROT_ERROR_PRIMARY_REP	Out-of-band reporting of protection mechanism primary errors	RW	1
29:28	RESERVED	Read returns 0.	R	0x0
27	INBAND_ERROR_REP	Setting this field to 1 reports on in-band errors using the INBAND_ERROR log bit of IA.AGENT_STATUS register. The error reporting mechanism is enabled when the INBAND_ERROR_REP bit field is set to 1.	RW	1
26:25	RESERVED	Read returns 0.	R	0x0
24	MERROR_REP	OCP MError reporting control. The out-of-band OCP MError reporting mechanism is enabled when the MERROR_REP bit field is set to 1.	R	0
23:0	RESERVED		R	0x0

Table 14-429. Register Call Summary for Register L4_IA_AGENT_CONTROL_L

L4 Interconnects

- [Firewall Error Logging in the Control Module: \[0\]](#)
- [L4 Initiator Agent \(L4 IA\) Register Summary: \[1\]\[2\]\[3\]\[4\]](#)

Table 14-430. L4_IA_AGENT_CONTROL_H

Address Offset	0x0000 0024																																																																		
Physical Address	0x4800 1024 0x4800 1424 0x4800 1824 0x4840 1024 0x4840 1424 0x4840 1824 0x4880 1024 0x4880 1424 0x4880 1824 0x4A00 1024 0x4AE0 1024	Instance	PER1_IA_IP0 PER1_IA_IP1 PER1_IA_IP2 PER2_IA_IP0 PER2_IA_IP1 PER2_IA_IP2 PER3_IA_IP0 PER3_IA_IP1 PER3_IA_IP2 CFG_IA_IP0 WKUP_IA_IP0																																																																
Description	Enable error reporting on an initiator interface.																																																																		
Type	R																																																																		
<table border="1" style="width:100%; text-align:center;"> <tr> <td>31</td><td>30</td><td>29</td><td>28</td><td>27</td><td>26</td><td>25</td><td>24</td> <td>23</td><td>22</td><td>21</td><td>20</td><td>19</td><td>18</td><td>17</td><td>16</td> <td>15</td><td>14</td><td>13</td><td>12</td><td>11</td><td>10</td><td>9</td><td>8</td> <td>7</td><td>6</td><td>5</td><td>4</td><td>3</td><td>2</td><td>1</td><td>0</td> </tr> <tr> <td colspan="32">RESERVED</td> </tr> </table>				31	30	29	28	27	26	25	24	23	22	21	20	19	18	17	16	15	14	13	12	11	10	9	8	7	6	5	4	3	2	1	0	RESERVED																															
31	30	29	28	27	26	25	24	23	22	21	20	19	18	17	16	15	14	13	12	11	10	9	8	7	6	5	4	3	2	1	0																																				
RESERVED																																																																			
Bits	Field Name	Description	Type	Reset																																																															
31:0	RESERVED	Read returns 0.	R	0x0000 0000																																																															

Table 14-431. Register Call Summary for Register L4_IA_AGENT_CONTROL_H

L4 Interconnects

- [L4 Initiator Agent \(L4 IA\) Register Summary: \[0\]\[1\]\[2\]\[3\]](#)

Table 14-432. L4_IA_AGENT_STATUS_L

Address Offset	0x0000 0028		
Physical Address	0x4800 1028	Instance	PER1_IA_IP0
	0x4800 1428		PER1_IA_IP1
	0x4800 1828		PER1_IA_IP2
	0x4840 1028		PER2_IA_IP0
	0x4840 1428		PER2_IA_IP1
	0x4840 1828		PER2_IA_IP2
	0x4880 1028		PER3_IA_IP0
	0x4880 1428		PER3_IA_IP1
	0x4880 1828		PER3_IA_IP2
	0x4A00 1028		CFG_IA_IP0
	0x4AE0 1028		WKUP_IA_IP0
Description	Stores status information for an initiator. The INBAND_ERROR and MERROR fields are read/write and are implemented as log bits.		
Type	RW		

31	30	29	28	27	26	25	24	23	22	21	20	19	18	17	16	15	14	13	12	11	10	9	8	7	6	5	4	3	2	1	0
PROT_ERROR_SECONDARY	PROT_ERROR_PRIMARY	RESERVED	RESERVED	INBAND_ERROR	RESERVED	RESERVED	MERROR	RESERVED																							

Bits	Field Name	Description	Type	Reset
31	PROT_ERROR_SECONDARY	0x0: Secondary Protection error not present.0x1: Secondary Protection error present	RW W1toClr	0
30	PROT_ERROR_PRIMARY	0x0: Primary Protection error not present.0x1: Primary Protection error present	RW W1toClr	0
29:28	RESERVED	Read returns 0.	R	0x0
27	INBAND_ERROR	0x0 No In-Band error present.0x1 In-Band error present.	RW W1toClr	0
26:25	RESERVED	Read returns 0.	R	0x0
24	MERROR	Value of the OCP MError signal	R	0
23:0	RESERVED	Read returns 0	R	0X0

Table 14-433. Register Call Summary for Register L4_IA_AGENT_STATUS_L

L4 Interconnects

- [IA and TA Error Detection and Logging: \[0\]\[1\]\[2\]\[3\]](#)
- [Operational Modes Configuration: \[4\]\[5\]\[6\]\[7\]\[8\]](#)
- [L4 Initiator Agent \(L4 IA\) Register Summary: \[9\]\[10\]\[11\]\[12\]](#)

Table 14-434. L4_IA_AGENT_STATUS_H

Address Offset	0x0000 002C		
Physical Address	0x4800 102C 0x4800 142C 0x4800 182C 0x4840 102C 0x4840 142C 0x4840 182C 0x4880 102C 0x4880 142C 0x4880 182C 0x4A00 102C 0x4AE0 102C	Instance	PER1_IA_IP0 PER1_IA_IP1 PER1_IA_IP2 PER2_IA_IP0 PER2_IA_IP1 PER2_IA_IP2 PER3_IA_IP0 PER3_IA_IP1 PER3_IA_IP2 CFG_IA_IP0 WKUP_IA_IP0
Description	Stores status information for an initiator.		
Type	R		

31	30	29	28	27	26	25	24	23	22	21	20	19	18	17	16	15	14	13	12	11	10	9	8	7	6	5	4	3	2	1	0
RESERVED																															

Bits	Field Name	Description	Type	Reset
31:0	RESERVED	Read returns 0.	R	0x0000 0000

Table 14-435. Register Call Summary for Register L4_IA_AGENT_STATUS_H

L4 Interconnects

- [L4 Initiator Agent \(L4 IA\) Register Summary: \[0\]\[1\]\[2\]\[3\]](#)

Table 14-436. L4_IA_ERROR_LOG_L

Address Offset	0x0000 0058		
Physical Address	0x4800 1058 0x4800 1458 0x4800 1858 0x4840 1058 0x4840 1458 0x4840 1858 0x4880 1058 0x4880 1458 0x4880 1858 0x4A00 1058 0x4AE0 1058	Instance	PER1_IA_IP0 PER1_IA_IP1 PER1_IA_IP2 PER2_IA_IP0 PER2_IA_IP1 PER2_IA_IP2 PER3_IA_IP0 PER3_IA_IP1 PER3_IA_IP2 CFG_IA_IP0 WKUP_IA_IP0
Description	Log information about error conditions. The CODE field logs any protection violation or address hole errors detected by the initiator subsystem while decoding a request.		
Type	RW		

31	30	29	28	27	26	25	24	23	22	21	20	19	18	17	16	15	14	13	12	11	10	9	8	7	6	5	4	3	2	1	0
MULTI	SECONDARY	RESERVED				CODE	RESERVED									CONNID				RESERVED				CMD							

Bits	Field Name	Description	Type	Reset
31	MULTI	Multiple errors detected	RW W1toClr	0
30	SECONDARY	Indicates whether protection violation was a primary or secondary error	RW W1toClr	0
29:26	RESERVED	Read returns 0.	R	0x0

Bits	Field Name	Description	Type	Reset
25:24	CODE	The error code of an initiator request. 0x00: No errors 0x01: Reserved 0x10: Address hole 0x11: Protection violation	RW W1toClr	0x0
23:14	RESERVED	Read returns 0.	R	0x000
13:8	CONNID	ConnID of request causing the error, refer to Table 14-391	R	0x00
7:3	RESERVED	Read returns 0.	R	0x00
2:0	CMD	Command that caused error	R	0x0

Table 14-437. Register Call Summary for Register L4_IA_ERROR_LOG_L

L4 Interconnects

- [IA and TA Error Detection and Logging: \[0\]\[1\]\[2\]\[3\]\[4\]\[5\]](#)
- [Operational Modes Configuration: \[6\]\[7\]\[8\]\[9\]\[10\]\[11\]\[12\]\[13\]\[14\]\[15\]](#)
- [L4 Initiator Agent \(L4 IA\) Register Summary: \[16\]\[17\]\[18\]\[19\]](#)

Table 14-438. L4_IA_ERROR_LOG_H

Address Offset	0x0000 005C			
Physical Address	0x4800 105C 0x4800 145C 0x4800 185C 0x4840 105C 0x4840 145C 0x4840 185C 0x4880 105C 0x4880 145C 0x4880 185C 0x4A00 105C 0x4AE0 105C	Instance	PER1_IA_IP0 PER1_IA_IP1 PER1_IA_IP2 PER2_IA_IP0 PER2_IA_IP1 PER2_IA_IP2 PER3_IA_IP0 PER3_IA_IP1 PER3_IA_IP2 CFG_IA_IP0 WKUP_IA_IP0	
Description	Log information about error conditions.			
Type	R			
31 30 29 28 27 26 25 24	23 22 21 20 19 18 17 16	15 14 13 12 11 10 9 8	7 6 5 4 3 2 1 0	
RESERVED		REQ_INFO		
Bits	Field Name	Description	Type	Reset
31:16	RESERVED	Read returns 0.	R	0x0000
15:0	REQ_INFO	MReqInfo bits of request that caused the error REQ_INFO[0] = supervisor, REQ_INFO[1] = Debug	R	0x0000

Table 14-439. Register Call Summary for Register L4_IA_ERROR_LOG_H

L4 Interconnects

- [IA and TA Error Detection and Logging: \[0\]](#)
- [L4 Initiator Agent \(L4 IA\) Register Summary: \[1\]\[2\]\[3\]\[4\]](#)

Table 14-440. L4_IA_ERROR_LOG_ADDR_L

Address Offset	0x0000 0060		
Physical Address	0x4800 1060 0x4800 1460 0x4800 1860 0x4840 1060 0x4840 1460 0x4840 1860 0x4880 1060 0x4880 1460 0x4880 1860 0x4A00 1060 0x4AE0 1060	Instance	PER1_IA_IP0 PER1_IA_IP1 PER1_IA_IP2 PER2_IA_IP0 PER2_IA_IP1 PER2_IA_IP2 PER3_IA_IP0 PER3_IA_IP1 PER3_IA_IP2 CFG_IA_IP0 WKUP_IA_IP0
Description	Extended error log (address information)		
Type	R		

31	30	29	28	27	26	25	24	23	22	21	20	19	18	17	16	15	14	13	12	11	10	9	8	7	6	5	4	3	2	1	0
ADDR																															

Bits	Field Name	Description	Type	Reset
31:0	ADDR	Address of request that caused the error. N is the number MAddr bits.	R	0x0000 0000

Table 14-441. Register Call Summary for Register L4_IA_ERROR_LOG_ADDR_L

L4 Interconnects

- [IA and TA Error Detection and Logging: \[0\]](#)
- [Operational Modes Configuration: \[1\]\[2\]](#)
- [L4 Initiator Agent \(L4 IA\) Register Summary: \[3\]\[4\]\[5\]\[6\]](#)

Table 14-442. L4_IA_ERROR_LOG_ADDR_H

Address Offset	0x0000 0064		
Physical Address	0x4800 1064 0x4800 1464 0x4800 1864 0x4840 1064 0x4840 1464 0x4840 1864 0x4880 1064 0x4880 1464 0x4880 1864 0x4A00 1064 0x4AE0 1064	Instance	PER1_IA_IP0 PER1_IA_IP1 PER1_IA_IP2 PER2_IA_IP0 PER2_IA_IP1 PER2_IA_IP2 PER3_IA_IP0 PER3_IA_IP1 PER3_IA_IP2 CFG_IA_IP0 WKUP_IA_IP0
Description	Extended error log (address information)		
Type	R		

31	30	29	28	27	26	25	24	23	22	21	20	19	18	17	16	15	14	13	12	11	10	9	8	7	6	5	4	3	2	1	0
RESERVED																															

Bits	Field Name	Description	Type	Reset
31:0	RESERVED	Read returns 0.	R	0x0000 0000

Table 14-443. Register Call Summary for Register L4_IA_ERROR_LOG_ADDR_H

L4 Interconnects

- [L4 Initiator Agent \(L4 IA\) Register Summary: \[0\]\[1\]\[2\]\[3\]](#)

14.3.5.3 L4 Target Agent (L4 TA)

14.3.5.3.1 L4 Target Agent (L4 TA) Register Summary

Table 14-444 through Table 14-488 summarizes the L4 TA mapping of the CFG_TA, PER_TA, and WKUP_TA registers.

Table 14-444. CFG_TA Register Mapping Summary 1

Register Name	Type	Register Width (Bits)	Address Offset	CTRL_MODULE_CORE_TARG_L3_MAIN Physical Address	CM_CORE_AO_N_TARG_L3_MAIN Physical Address	CM_CORE_TARG_GL3_MAIN Physical Address
L4_TA_COMPO NENT_L	R	32	0x0000 0000	0x4A00 4000	0x4A00 6000	0x4A00 A000
L4_TA_COMPO NENT_H	R	32	0x0000 0004	0x4A00 4004	0x4A00 6004	0x4A00 A004
L4_TA_CORE_L	R	32	0x0000 0018	0x4A00 4018	0x4A00 6018	0x4A00 A018
L4_TA_CORE_H	R	32	0x0000 001C	0x4A00 401C	0x4A00 601C	0x4A00 A01C
L4_TA_AGENT_ CONTROL_L	RW	32	0x0000 0020	0x4A00 4020	0x4A00 6020	0x4A00 A020
L4_TA_AGENT_ CONTROL_H	R	32	0x0000 0024	0x4A00 4024	0x4A00 6024	0x4A00 A024
L4_TA_AGENT_ STATUS_L	R	32	0x0000 0028	0x4A00 4028	0x4A00 6028	0x4A00 A028
L4_TA_AGENT_ STATUS_H	R	32	0x0000 002C	0x4A00 402C	0x4A00 602C	0x4A00 A02C

Table 14-445. CFG_TA Register Mapping Summary 2

Register Name	Type	Register Width (Bits)	Address Offset	SCP1_TARG_L3_MAIN Physical Address	SCP3_TARG_L3_MAIN Physical Address
L4_TA_COMPONE NT_L	R	32	0x0000 0000	0x4A08 8000	0x4A09 8000
L4_TA_COMPONE NT_H	R	32	0x0000 0004	0x4A08 8004	0x4A09 8004
L4_TA_CORE_L	R	32	0x0000 0018	0x4A08 8018	0x4A09 8018
L4_TA_CORE_H	R	32	0x0000 001C	0x4A08 801C	0x4A09 801C
L4_TA_AGENT_CO NTROL_L	RW	32	0x0000 0020	0x4A08 8020	0x4A09 8020
L4_TA_AGENT_CO NTROL_H	R	32	0x0000 0024	0x4A08 8024	0x4A09 8024
L4_TA_AGENT_ST ATUS_L	R	32	0x0000 0028	0x4A08 8028	0x4A09 8028
L4_TA_AGENT_ST ATUS_H	R	32	0x0000 002C	0x4A08 802C	0x4A09 802C

Table 14-446. CFG_TA Register Mapping Summary 3

Register Name	Type	Register Width (Bits)	Address Offset	SCP2_TARG_L3_MAIN Physical Address
L4_TA_COMPONENT_ L	R	32	0x0000 0000	0x4A0A 8000
L4_TA_COMPONENT_ H	R	32	0x0000 0004	0x4A0A 8004
L4_TA_CORE_L	R	32	0x0000 0018	0x4A0A 8018
L4_TA_CORE_H	R	32	0x0000 001C	0x4A0A 801C

Table 14-446. CFG_TA Register Mapping Summary 3 (continued)

Register Name	Type	Register Width (Bits)	Address Offset	SCP2_TARG L3_MAIN Physical Address
L4_TA_AGENT_CONTR OL_L	RW	32	0x0000 0020	0x4A0A 8020
L4_TA_AGENT_CONTR OL_H	R	32	0x0000 0024	0x4A0A 8024
L4_TA_AGENT_STATU S_L	R	32	0x0000 0028	0x4A0A 8028
L4_TA_AGENT_STATU S_H	R	32	0x0000 002C	0x4A0A 802C

Table 14-447. CFG_TA Register Mapping Summary 4

Register Name	Type	Register Width (Bits)	Address Offset	MAILBOX_TARG L3_MAIN Physical Address	SPINLOCK_TARG L3_MAIN Physical Address	OCP_WP_NOC_T ARG L3_MAIN Physical Address
L4_TA_COMPONENT_L	R	32	0x0000 0000	0x4A0F 5000	0x4A0F 7000	0x4A10 3000
L4_TA_COMPONENT_H	R	32	0x0000 0004	0x4A0F 5004	0x4A0F 7004	0x4A10 3004
L4_TA_CORE_L	R	32	0x0000 0018	0x4A0F 5018	0x4A0F 7018	0x4A10 3018
L4_TA_CORE_H	R	32	0x0000 001C	0x4A0F 501C	0x4A0F 701C	0x4A10 301C
L4_TA_AGENT_CON TROL_L	RW	32	0x0000 0020	0x4A0F 5020	0x4A0F 7020	0x4A10 3020
L4_TA_AGENT_CON TROL_H	R	32	0x0000 0024	0x4A0F 5024	0x4A0F 7024	0x4A10 3024
L4_TA_AGENT_STA TUS_H	R	32	0x0000 0028	0x4A0F 5028	0x4A0F 7028	0x4A10 3028
L4_TA_AGENT_STA TUS_L	R	32	0x0000 002C	0x4A0F 502C	0x4A0F 702C	0x4A10 302C

Table 14-448. CFG_TA Register Mapping Summary 5

Register Name	Type	Register Width (Bits)	Address Offset	IPU1_FW_CFG_TARG L3_MAIN Physical Address	PRUSS1_FW_CFG_TARG L3_MAIN Physical Address	VCP1_FW_CFG_TARG L3_MAIN Physical Address	VCP2_FW_CFG_TARG L3_MAIN Physical Address
L4_TA_COMPONENT_L	R	32	0x0000 0000	0x4A15 C000	0x4A17 6000	0x4A15 E000	0x4A16 0000
L4_TA_COMPONENT_H	R	32	0x0000 0004	0x4A15 C004	0x4A17 6004	0x4A15 E004	0x4A16 0004
L4_TA_CORE_L	R	32	0x0000 0018	0x4A15 C018	0x4A17 6018	0x4A15 E018	0x4A16 0018
L4_TA_CORE_H	R	32	0x0000 001C	0x4A15 C01C	0x4A17 601C	0x4A15 E01C	0x4A16 001C
L4_TA_AGENT_CON TROL_L	RW	32	0x0000 0020	0x4A15 C020	0x4A17 6020	0x4A15 E020	0x4A16 0020
L4_TA_AGENT_CON TROL_H	R	32	0x0000 0024	0x4A15 C024	0x4A17 6024	0x4A15 E024	0x4A16 0024
L4_TA_AGENT_STA TUS_L	R	32	0x0000 0028	0x4A15 C028	0x4A17 6028	0x4A15 E028	0x4A16 0028
L4_TA_AGENT_STA TUS_H	R	32	0x0000 002C	0x4A15 C02C	0x4A17 602C	0x4A15 E02C	0x4A16 002C

Table 14-449. CFG_TA Register Mapping Summary 6

Register Name	Type	Register Width (Bits)	Address Offset	TPCC_FW_CFG_TA RG L3_MAIN Physical Address	TPTC_FW_CFG_T ARG L3_MAIN Physical Address	PCIESS1_FW_CFG_TARG L3_MAIN Physical Address
L4_TA_COMPONENT_L	R	32	0x0000 0000	0x4A16 2000	0x4A16 4000	0x4A16 6000
L4_TA_COMPONENT_H	R	32	0x0000 0004	0x4A16 2004	0x4A16 4004	0x4A16 6004
L4_TA_CORE_L	R	32	0x0000 0018	0x4A16 2018	0x4A16 4018	0x4A16 6018
L4_TA_CORE_H	R	32	0x0000 001C	0x4A16 201C	0x4A16 401C	0x4A16 601C
L4_TA_AGENT_CONTROL_L	RW	32	0x0000 0020	0x4A16 2020	0x4A16 4020	0x4A16 6020
L4_TA_AGENT_CONTROL_H	R	32	0x0000 0024	0x4A16 2024	0x4A16 4024	0x4A16 6024
L4_TA_AGENT_STATUS_L	R	32	0x0000 0028	0x4A16 2028	0x4A16 4028	0x4A16 6028
L4_TA_AGENT_STATUS_H	R	32	0x0000 002C	0x4A16 202C	0x4A16 402C	0x4A16 602C

Table 14-450. CFG_TA Register Mapping Summary 7

Register Name	Type	Register Width (Bits)	Address Offset	DSP1_SDMA_FW_CFG_TARG L3_MAIN Physical Address	QSPI_FW_CFG_TARG L3_MAIN Physical Address
L4_TA_COMPONENT_L	R	32	0x0000 0000	0x4A17 2000	0x4A17 A000
L4_TA_COMPONENT_H	R	32	0x0000 0004	0x4A17 2004	0x4A17 A004
L4_TA_CORE_L	R	32	0x0000 0018	0x4A17 2018	0x4A17 A018
L4_TA_CORE_H	R	32	0x0000 001C	0x4A17 201C	0x4A17 A01C
L4_TA_AGENT_CONTROL_L	RW	32	0x0000 0020	0x4A17 2020	0x4A17 A020
L4_TA_AGENT_CONTROL_H	R	32	0x0000 0024	0x4A17 2024	0x4A17 A024
L4_TA_AGENT_STATUS_L	R	32	0x0000 0028	0x4A17 2028	0x4A17 A028
L4_TA_AGENT_STATUS_H	R	32	0x0000 002C	0x4A17 202C	0x4A17 A02C

Table 14-451. CFG_TA Register Mapping Summary 9

Register Name	Type	Register Width (Bits)	Address Offset	MA_MPU_NTTP_FW_CFG_TARG L3_MAIN Physical Address	EMIF_OCP_FW_CFG_TARG L3_MAIN Physical Address
L4_TA_COMPONENT_L	R	32	0x0000 0000	0x4A20 B000	0x4A20 D000
L4_TA_COMPONENT_H	R	32	0x0000 0004	0x4A20 B004	0x4A20 D004
L4_TA_CORE_L	R	32	0x0000 0018	0x4A20 B018	0x4A20 D018
L4_TA_CORE_H	R	32	0x0000 001C	0x4A20 B01C	0x4A20 D01C
L4_TA_AGENT_CONTROL_L	RW	32	0x0000 0020	0x4A20 B020	0x4A20 D020
L4_TA_AGENT_CONTROL_H	R	32	0x0000 0024	0x4A20 B024	0x4A20 D024
L4_TA_AGENT_STATUS_L	R	32	0x0000 0028	0x4A20 B028	0x4A20 D028
L4_TA_AGENT_STATUS_H	R	32	0x0000 002C	0x4A20 B02C	0x4A20 D02C

Table 14-452. CFG_TA Register Mapping Summary 10

Register Name	Type	Register Width (Bits)	Address Offset	GPMC_FW_CFG_TA RG L3_MAIN Physical Address	OCMC_RAM1_FW_CFG_TARG L3_MAIN Physical Address
L4_TA_COMPONENT_L	R	32	0x0000 0000	0x4A21 1000	0x4A21 3000
L4_TA_COMPONENT_H	R	32	0x0000 0004	0x4A21 1004	0x4A21 3004
L4_TA_CORE_L	R	32	0x0000 0018	0x4A21 1018	0x4A21 3018
L4_TA_CORE_H	R	32	0x0000 001C	0x4A21 101C	0x4A21 301C
L4_TA_AGENT_CONTROL_L	RW	32	0x0000 0020	0x4A21 1020	0x4A21 3020
L4_TA_AGENT_CONTROL_H	R	32	0x0000 0024	0x4A21 1024	0x4A21 3024
L4_TA_AGENT_STATUS_L	R	32	0x0000 0028	0x4A21 1028	0x4A21 3028
L4_TA_AGENT_STATUS_H	R	32	0x0000 002C	0x4A21 102C	0x4A21 302C

Table 14-453. CFG_TA Register Mapping Summary 11

Register Name	Type	Register Width (Bits)	Address Offset	GPU_FW_CFG_TA RG L3_MAIN Physical Address	DSS_FW_CFG_TA RG L3_MAIN Physical Address
L4_TA_COMPONENT_L	R	32	0x0000 0000	0x4A21 5000	0x4A21 D000
L4_TA_COMPONENT_H	R	32	0x0000 0004	0x4A21 5004	0x4A21 D004
L4_TA_CORE_L	R	32	0x0000 0018	0x4A21 5018	0x4A21 D018
L4_TA_CORE_H	R	32	0x0000 001C	0x4A21 501C	0x4A21 D01C
L4_TA_AGENT_CONTROL_L	RW	32	0x0000 0020	0x4A21 5020	0x4A21 D020
L4_TA_AGENT_CONTROL_H	R	32	0x0000 0024	0x4A21 5024	0x4A21 D024
L4_TA_AGENT_STATUS_L	R	32	0x0000 0028	0x4A21 5028	0x4A21 D028
L4_TA_AGENT_STATUS_H	R	32	0x0000 002C	0x4A21 502C	0x4A21 D02C

Table 14-454. CFG_TA Register Mapping Summary 12

Register Name	Type	Register Width (Bits)	Address Offset	IVA_SL2IF_FW_CFG_TARG L3_MAIN Physical Address	IVA_CONFIG_FW_CFG_TARG L3_MAIN Physical Address	DEBUGSS_CT_TB_R_FW_CFG_TARG L3_MAIN Physical Address
L4_TA_COMPONENT_L	R	32	0x0000 0000	0x4A21 F000	0x4A22 1000	0x4A22 5000
L4_TA_COMPONENT_H	R	32	0x0000 0004	0x4A21 F004	0x4A22 1004	0x4A22 5004
L4_TA_CORE_L	R	32	0x0000 0018	0x4A21 F018	0x4A22 1018	0x4A22 5018
L4_TA_CORE_H	R	32	0x0000 001C	0x4A21 F01C	0x4A22 101C	0x4A22 501C
L4_TA_AGENT_CONTROL_L	RW	32	0x0000 0020	0x4A21 F020	0x4A22 1020	0x4A22 5020
L4_TA_AGENT_CONTROL_H	R	32	0x0000 0024	0x4A21 F024	0x4A22 1024	0x4A22 5024
L4_TA_AGENT_STATUS_L	R	32	0x0000 0028	0x4A21 F028	0x4A22 1028	0x4A22 5028
L4_TA_AGENT_STATUS_H	R	32	0x0000 002C	0x4A21 F02C	0x4A22 102C	0x4A22 502C

Table 14-455. CFG_TA Register Mapping Summary 13

Register Name	Type	Register Width (Bits)	Address Offset	L3_INSTR_FW_CFG_TARG L3_MAIN Physical Address
L4_TA_COMPONENT_L	R	32	0x0000 0000	0x4A22 7000
L4_TA_COMPONENT_H	R	32	0x0000 0004	0x4A22 7004
L4_TA_CORE_L	R	32	0x0000 0018	0x4A22 7018
L4_TA_CORE_H	R	32	0x0000 001C	0x4A22 701C
L4_TA_AGENT_CONTROL_L	RW	32	0x0000 0020	0x4A22 7020
L4_TA_AGENT_CONTROL_H	R	32	0x0000 0024	0x4A22 7024
L4_TA_AGENT_STATUS_L	R	32	0x0000 0028	0x4A22 7028
L4_TA_AGENT_STATUS_H	R	32	0x0000 002C	0x4A22 702C

Table 14-456. CFG_TA Register Mapping Summary 14

Register Name	Type	Register Width (Bits)	Address Offset	DMA_SYSTEM_TARGL3_MAIN Physical Address	PCIESS2_FW_CFG_TARG L3_MAIN Physical Address	PRUSS2_FW_CFG_TARG L3_MAIN Physical Address	MCASP1_FW_CFG_TARG L3_MAIN Physical Address
L4_TA_COMPONENT_L	R	32	0x0000 0000	0x4A05 7000	0x4A15 A000	0x4A17 8000	0x4A16 8000
L4_TA_COMPONENT_H	R	32	0x0000 0004	0x4A05 7004	0x4A15 A004	0x4A17 8004	0x4A16 8004
L4_TA_CORE_L	R	32	0x0000 0018	0x4A05 7018	0x4A15 A018	0x4A17 8018	0x4A16 8018
L4_TA_CORE_H	R	32	0x0000 001C	0x4A05 701C	0x4A15 A01C	0x4A17 801C	0x4A16 801C
L4_TA_AGENT_CONTROL_L	RW	32	0x0000 0020	0x4A05 7020	0x4A15 A020	0x4A17 8020	0x4A16 8020
L4_TA_AGENT_CONTROL_H	R	32	0x0000 0024	0x4A05 7024	0x4A15 A024	0x4A17 8024	0x4A16 8024
L4_TA_AGENT_STATUS_L	R	32	0x0000 0028	0x4A05 7028	0x4A15 A028	0x4A17 8028	0x4A16 8028
L4_TA_AGENT_STATUS_H	R	32	0x0000 002C	0x4A05 702C	0x4A15 A02C	0x4A17 802C	0x4A16 802C

Table 14-457. CFG_TA Register Mapping Summary 15

Register Name	Type	Register Width (Bits)	Address Offset	MCASP2_FW_CFG_TARG L3_MAIN Physical Address	MCASP3_FW_CFG_TARG L3_MAIN Physical Address	IPU2_FW_CFG_TARG L3_MAIN Physical Address
L4_TA_COMPONENT_L	R	32	0x0000 0000	0x4A16 A000	0x4A16 C000	0x4A21 9000
L4_TA_COMPONENT_H	R	32	0x0000 0004	0x4A16 A004	0x4A16 C004	0x4A21 9004
L4_TA_CORE_L	R	32	0x0000 0018	0x4A16 A018	0x4A16 C018	0x4A21 9018
L4_TA_CORE_H	R	32	0x0000 001C	0x4A16 A01C	0x4A16 C01C	0x4A21 901C
L4_TA_AGENT_CONTROL_L	RW	32	0x0000 0020	0x4A16 A020	0x4A16 C020	0x4A21 9020
L4_TA_AGENT_CONTROL_H	R	32	0x0000 0024	0x4A16 A024	0x4A16 C024	0x4A21 9024
L4_TA_AGENT_STATUS_L	R	32	0x0000 0028	0x4A16 A028	0x4A16 C028	0x4A21 9028
L4_TA_AGENT_STATUS_H	R	32	0x0000 002C	0x4A16 A02C	0x4A16 C02C	0x4A21 902C

Table 14-458. PER1_TA Register Mapping Summary 1

Register Name	Type	Register Width (Bits)	Address Offset	UART3_TARG L3_MAIN Physical Address	TIMER2_TARG L3_MAIN Physical Address	TIMER3_TARG L3_MAIN Physical Address	TIMER4_TARG L3_MAIN Physical Address
L4_TA_COMPONENT_L	R	32	0x0000 0000	0x4802 1000	0x4803 3000	0x4803 5000	0x4803 7000
L4_TA_COMPONENT_H	R	32	0x0000 0004	0x4802 1004	0x4803 3004	0x4803 5004	0x4803 7004
L4_TA_CORE_L	R	32	0x0000 0018	0x4802 1018	0x4803 3018	0x4803 5018	0x4803 7018
L4_TA_CORE_H	R	32	0x0000 001C	0x4802 101C	0x4803 301C	0x4803 501C	0x4803 701C
L4_TA_AGENT_CONTROL_L	RW	32	0x0000 0020	0x4802 1020	0x4803 3020	0x4803 5020	0x4803 7020
L4_TA_AGENT_CONTROL_H	R	32	0x0000 0024	0x4802 1024	0x4803 3024	0x4803 5024	0x4803 7024
L4_TA_AGENT_STATUS_L	R	32	0x0000 0028	0x4802 1028	0x4803 3028	0x4803 5028	0x4803 7028
L4_TA_AGENT_STATUS_H	R	32	0x0000 002C	0x4802 102C	0x4803 302C	0x4803 502C	0x4803 702C

Table 14-459. PER1_TA Register Mapping Summary 2

Register Name	Type	Register Width (Bits)	Address Offset	TIMER9_TARG L3_MAIN Physical Address	GPIO7_TARG L3_MAIN Physical Address	GPIO8_TARG L3_MAIN Physical Address	GPIO2_TARG L3_MAIN Physical Address
L4_TA_COMPONENT_L	R	32	0x0000 0000	0x4803 F000	0x4805 2000	0x4805 4000	0x4805 6000
L4_TA_COMPONENT_H	R	32	0x0000 0004	0x4803 F004	0x4805 2004	0x4805 4004	0x4805 6004
L4_TA_CORE_L	R	32	0x0000 0018	0x4803 F018	0x4805 2018	0x4805 4018	0x4805 6018
L4_TA_CORE_H	R	32	0x0000 001C	0x4803 F01C	0x4805 201C	0x4805 401C	0x4805 601C
L4_TA_AGENT_CONTROL_L	RW	32	0x0000 0020	0x4803 F020	0x4805 2020	0x4805 4020	0x4805 6020
L4_TA_AGENT_CONTROL_H	R	32	0x0000 0024	0x4803 F024	0x4805 2024	0x4805 4024	0x4805 6024
L4_TA_AGENT_STATUS_L	R	32	0x0000 0028	0x4803 F028	0x4805 2028	0x4805 4028	0x4805 6028
L4_TA_AGENT_STATUS_H	R	32	0x0000 002C	0x4803 F02C	0x4805 202C	0x4805 402C	0x4805 602C

Table 14-460. PER1_TA Register Mapping Summary 3

Register Name	Type	Register Width (Bits)	Address Offset	GPIO3_TARG L3_MAIN Physical Address	GPIO4_TARG L3_MAIN Physical Address	GPIO5_TARG L3_MAIN Physical Address	GPIO6_TARG L3_MAIN Physical Address
L4_TA_COMPONENT_L	R	32	0x0000 0000	0x4805 8000	0x4805 A000	0x4805 C000	0x4805 E000
L4_TA_COMPONENT_H	R	32	0x0000 0004	0x4805 8004	0x4805 A004	0x4805 C004	0x4805 E004
L4_TA_CORE_L	R	32	0x0000 0018	0x4805 8018	0x4805 A018	0x4805 C018	0x4805 E018
L4_TA_CORE_H	R	32	0x0000 001C	0x4805 801C	0x4805 A01C	0x4805 C01C	0x4805 E01C

Table 14-460. PER1_TA Register Mapping Summary 3 (continued)

Register Name	Type	Register Width (Bits)	Address Offset	GPIO3_TARG L3_MAIN Physical Address	GPIO4_TARG L3_MAIN Physical Address	GPIO5_TARG L3_MAIN Physical Address	GPIO6_TARG L3_MAIN Physical Address
L4_TA_AGENT_CONTROL_L	RW	32	0x0000 0020	0x4805 8020	0x4805 A020	0x4805 C020	0x4805 E020
L4_TA_AGENT_CONTROL_H	R	32	0x0000 0024	0x4805 8024	0x4805 A024	0x4805 C024	0x4805 E024
L4_TA_AGENT_STATUS_L	R	32	0x0000 0028	0x4805 8028	0x4805 A028	0x4805 C028	0x4805 E028
L4_TA_AGENT_STATUS_H	R	32	0x0000 002C	0x4805 802C	0x4805 A02C	0x4805 C02C	0x4805 E02C

Table 14-461. PER1_TA Register Mapping Summary 4

Register Name	Type	Register Width (Bits)	Address Offset	I2C3_TARG L3_MAIN Physical Address	UART5_TARG L3_MAIN Physical Address	UART6_TARG L3_MAIN Physical Address	UART1_TARG L3_MAIN Physical Address
L4_TA_COMPONENT_L	R	32	0x0000 0000	0x4806 1000	0x4806 7000	0x4806 9000	0x4806 B000
L4_TA_COMPONENT_H	R	32	0x0000 0004	0x4806 1004	0x4806 7004	0x4806 9004	0x4806 B004
L4_TA_CORE_L	R	32	0x0000 0018	0x4806 1018	0x4806 7018	0x4806 9018	0x4806 B018
L4_TA_CORE_H	R	32	0x0000 001C	0x4806 101C	0x4806 701C	0x4806 901C	0x4806 B01C
L4_TA_AGENT_CONTROL_L	RW	32	0x0000 0020	0x4806 1020	0x4806 7020	0x4806 9020	0x4806 B020
L4_TA_AGENT_CONTROL_H	R	32	0x0000 0024	0x4806 1024	0x4806 7024	0x4806 9024	0x4806 B024
L4_TA_AGENT_STATUS_L	R	32	0x0000 0028	0x4806 1028	0x4806 7028	0x4806 9028	0x4806 B028
L4_TA_AGENT_STATUS_H	R	32	0x0000 002C	0x4806 102C	0x4806 702C	0x4806 902C	0x4806 B02C

Table 14-462. PER1_TA Register Mapping Summary 5

Register Name	Type	Register Width (Bits)	Address Offset	UART2_TARG L3_MAIN Physical Address	UART4_TARG L3_MAIN Physical Address	I2C1_TARG L3_MAIN Physical Address	I2C2_TARG L3_MAIN Physical Address
L4_TA_COMPONENT_L	R	32	0x0000 0000	0x4806 D000	0x4806 F000	0x4807 1000	0x4807 3000
L4_TA_COMPONENT_H	R	32	0x0000 0004	0x4806 D004	0x4806 F004	0x4807 1004	0x4807 3004
L4_TA_CORE_L	R	32	0x0000 0018	0x4806 D018	0x4806 F018	0x4807 1018	0x4807 3018
L4_TA_CORE_H	R	32	0x0000 001C	0x4806 D01C	0x4806 F01C	0x4807 101C	0x4807 301C
L4_TA_AGENT_CONTROL_L	RW	32	0x0000 0020	0x4806 D020	0x4806 F020	0x4807 1020	0x4807 3020
L4_TA_AGENT_CONTROL_H	R	32	0x0000 0024	0x4806 D024	0x4806 F024	0x4807 1024	0x4807 3024
L4_TA_AGENT_STATUS_L	R	32	0x0000 0028	0x4806 D028	0x4806 F028	0x4807 1028	0x4807 3028
L4_TA_AGENT_STATUS_H	R	32	0x0000 002C	0x4806 D02C	0x4806 F02C	0x4807 102C	0x4807 302C

Table 14-463. PER1_TA Register Mapping Summary 6

Register Name	Type	Register Width (Bits)	Address Offset	ELM_TARG L3_MAIN Physical Address	I2C4_TARG L3_MAIN Physical Address	I2C5_TARG L3_MAIN Physical Address	TIMER10_TARG L3_MAIN Physical Address
L4_TA_COMPONENT_L	R	32	0x0000 0000	0x4807 9000	0x4807 B000	0x4807 D000	0x4808 7000
L4_TA_COMPONENT_H	R	32	0x0000 0004	0x4807 9004	0x4807 B004	0x4807 D004	0x4808 7004
L4_TA_CORE_L	R	32	0x0000 0018	0x4807 9018	0x4807 B018	0x4807 D018	0x4808 7018
L4_TA_CORE_H	R	32	0x0000 001C	0x4807 901C	0x4807 B01C	0x4807 D01C	0x4808 701C
L4_TA_AGENT_CONTROL_L	RW	32	0x0000 0020	0x4807 9020	0x4807 B020	0x4807 D020	0x4808 7020
L4_TA_AGENT_CONTROL_H	R	32	0x0000 0024	0x4807 9024	0x4807 B024	0x4807 D024	0x4808 7024
L4_TA_AGENT_STATUS_L	R	32	0x0000 0028	0x4807 9028	0x4807 B028	0x4807 D028	0x4808 7028
L4_TA_AGENT_STATUS_H	R	32	0x0000 002C	0x4807 902C	0x4807 B02C	0x4807 D02C	0x4808 702C

Table 14-464. PER1_TA Register Mapping Summary 7

Register Name	Type	Register Width (Bits)	Address Offset	TIMER11_TARG L3_MAIN Physical Address	MCSP11_TARG L3_MAIN Physical Address	MCSP12_TARG L3_MAIN Physical Address
L4_TA_COMPONENT_L	R	32	0x0000 0000	0x4808 9000	0x4809 9000	0x4809 B000
L4_TA_COMPONENT_H	R	32	0x0000 0004	0x4808 9004	0x4809 9004	0x4809 B004
L4_TA_CORE_L	R	32	0x0000 0018	0x4808 9018	0x4809 9018	0x4809 B018
L4_TA_CORE_H	R	32	0x0000 001C	0x4808 901C	0x4809 901C	0x4809 B01C
L4_TA_AGENT_CONTR_OL_L	RW	32	0x0000 0020	0x4808 9020	0x4809 9020	0x4809 B020
L4_TA_AGENT_CONTR_OL_H	R	32	0x0000 0024	0x4808 9024	0x4809 9024	0x4809 B024
L4_TA_AGENT_STATUS_L	R	32	0x0000 0028	0x4808 9028	0x4809 9028	0x4809 B028
L4_TA_AGENT_STATUS_H	R	32	0x0000 002C	0x4808 902C	0x4809 902C	0x4809 B02C

Table 14-465. PER1_TA Register Mapping Summary 8

Register Name	Type	Register Width (Bits)	Address Offset	MCSP13_TARG L3_MAIN Physical Address	HDQ1W_TARG L3_MAIN Physical Address
L4_TA_COMPONENT_L	R	32	0x0000 0000	0x480B 9000	0x480B 3000
L4_TA_COMPONENT_H	R	32	0x0000 0004	0x480B 9004	0x480B 3004
L4_TA_CORE_L	R	32	0x0000 0018	0x480B 9018	0x480B 3018
L4_TA_CORE_H	R	32	0x0000 001C	0x480B 901C	0x480B 301C
L4_TA_AGENT_CONTROL_L	RW	32	0x0000 0020	0x480B 9020	0x480B 3020
L4_TA_AGENT_CONTROL_H	R	32	0x0000 0024	0x480B 9024	0x480B 3024
L4_TA_AGENT_STATUS_L	R	32	0x0000 0028	0x480B 9028	0x480B 3028
L4_TA_AGENT_STATUS_H	R	32	0x0000 002C	0x480B 902C	0x480B 302C

Table 14-466. PER1_TA Register Mapping Summary 9

Register Name	Type	Register Width (Bits)	Address Offset	MCSP14_TARG L3_MAIN Physical Address
L4_TA_COMPONENT_L	R	32	0x0000 0000	0x480B B000
L4_TA_COMPONENT_H	R	32	0x0000 0004	0x480B B004
L4_TA_CORE_L	R	32	0x0000 0018	0x480B B018
L4_TA_CORE_H	R	32	0x0000 001C	0x480B B01C
L4_TA_AGENT_CONTROL_L	RW	32	0x0000 0020	0x480B B020
L4_TA_AGENT_CONTROL_H	R	32	0x0000 0024	0x480B B024
L4_TA_AGENT_STATUS_L	R	32	0x0000 0028	0x480B B028
L4_TA_AGENT_STATUS_H	R	32	0x0000 002C	0x480B B02C

Table 14-467. PER1_TA Register Mapping Summary 10

Register Name	Type	Register Width (Bits)	Address Offset	MMC1_TARG L3_MAIN Physical Address	MMC2_TARG L3_MAIN Physical Address	MMC3_TARG L3_MAIN Physical Address	MMC4_TARG L3_MAIN Physical Address
L4_TA_COMPONENT_L	R	32	0x0000 0000	0x4809 D000	0x480B 5000	0x480A E000	0x480D 2000
L4_TA_COMPONENT_H	R	32	0x0000 0004	0x4809 D004	0x480B 5004	0x480A E004	0x480D 2004
L4_TA_CORE_L	R	32	0x0000 0018	0x4809 D018	0x480B 5018	0x480A E018	0x480D 2018
L4_TA_CORE_H	R	32	0x0000 001C	0x4809 D01C	0x480B 501C	0x480A E01C	0x480D 201C
L4_TA_AGENT_CONTR OL_L	RW	32	0x0000 0020	0x4809 D020	0x480B 5020	0x480A E020	0x480D 2020
L4_TA_AGENT_CONTR OL_H	R	32	0x0000 0024	0x4809 D024	0x480B 5024	0x480A E024	0x480D 2024
L4_TA_AGENT_STATU S_L	R	32	0x0000 0028	0x4809 D028	0x480B 5028	0x480A E028	0x480D 2028
L4_TA_AGENT_STATU S_H	R	32	0x0000 002C	0x4809 D02C	0x480B 502C	0x480A E02C	0x480D 202C

Table 14-468. PER2_TA Register Mapping Summary 1

Register Name	Type	Register Width (Bits)	Address Offset	UART7_TARG L3_MAIN Physical Address	UART8_TARG L3_MAIN Physical Address	UART9_TARG L3_MAIN Physical Address	MLB_TARG L3_MAIN Physical Address
L4_TA_COMPONEN T_L	R	32	0x0000 0000	0x4842 1000	0x4842 3000	0x4842 5000	0x4842 D000
L4_TA_COMPONEN T_H	R	32	0x0000 0004	0x4842 1004	0x4842 3004	0x4842 5004	0x4842 D004
L4_TA_CORE_L	R	32	0x0000 0018	0x4842 1018	0x4842 3018	0x4842 5018	0x4842 D018
L4_TA_CORE_H	R	32	0x0000 001C	0x4842 101C	0x4842 301C	0x4842 501C	0x4842 D01C
L4_TA_AGENT_CON TROL_L	RW	32	0x0000 0020	0x4842 1020	0x4842 3020	0x4842 5020	0x4842 D020
L4_TA_AGENT_CON TROL_H	R	32	0x0000 0024	0x4842 1024	0x4842 3024	0x4842 5024	0x4842 D024
L4_TA_AGENT_STA TUS_L	R	32	0x0000 0028	0x4842 1028	0x4842 3028	0x4842 5028	0x4842 D028
L4_TA_AGENT_STA TUS_H	R	32	0x0000 002C	0x4842 102C	0x4842 302C	0x4842 502C	0x4842 D02C

Table 14-469. PER2_TA Register Mapping Summary 2

Register Name	Type	Register Width (Bits)	Address Offset	DCAN2_TARG L3_MAIN Physical Address	ATL_TARG L3_MAIN Physical Address
L4_TA_COMPONENT_L	R	32	0x0000 0000	0x4848 2000	0x4843 D000
L4_TA_COMPONENT_H	R	32	0x0000 0004	0x4848 2004	0x4843 D004
L4_TA_CORE_L	R	32	0x0000 0018	0x4848 2018	0x4843 D018
L4_TA_CORE_H	R	32	0x0000 001C	0x4848 201C	0x4843 D01C
L4_TA_AGENT_CONTROL_L	RW	32	0x0000 0020	0x4848 2020	0x4843 D020
L4_TA_AGENT_CONTROL_H	R	32	0x0000 0024	0x4848 2024	0x4843 D024
L4_TA_AGENT_STATUS_L	R	32	0x0000 0028	0x4848 2028	0x4843 D028
L4_TA_AGENT_STATUS_H	R	32	0x0000 002C	0x4848 202C	0x4843 D02C

Table 14-470. PER2_TA Register Mapping Summary 3

Register Name	Type	Register Width (Bits)	Address Offset	GMAC_TARG L3_MAIN Physical Address	VCP1_CFG_TARG L3_MAIN Physical Address	VCP2_CFG_TARG L3_MAIN Physical Address
L4_TA_COMPONENT_L	R	32	0x0000 0000	0x4848 8000	0x4844 7000	0x4844 9000
L4_TA_COMPONENT_H	R	32	0x0000 0004	0x4848 8004	0x4844 7004	0x4844 9004
L4_TA_CORE_L	R	32	0x0000 0018	0x4848 8018	0x4844 7018	0x4844 9018
L4_TA_CORE_H	R	32	0x0000 001C	0x4848 801C	0x4844 701C	0x4844 901C
L4_TA_AGENT_CONTROL_L	RW	32	0x0000 0020	0x4848 8020	0x4844 7020	0x4844 9020
L4_TA_AGENT_CONTROL_H	R	32	0x0000 0024	0x4848 8024	0x4844 7024	0x4844 9024
L4_TA_AGENT_STATUS_L	R	32	0x0000 0028	0x4848 8028	0x4844 7028	0x4844 9028
L4_TA_AGENT_STATUS_H	R	32	0x0000 002C	0x4848 802C	0x4844 702C	0x4844 902C

Table 14-471. PER2_TA Register Mapping Summary 4

Register Name	Type	Register Width (Bits)	Address Offset	MCASP4_DAT_TARG L3_MAIN Physical Address	MCASP5_DAT_TARG L3_MAIN Physical Address	MCASP6_DAT_TARG L3_MAIN Physical Address	MCASP7_DAT_TARG L3_MAIN Physical Address
L4_TA_COMPONENT_L	R	32	0x0000 0000	0x4843 7000	0x4843 B000	0x4844 D000	0x4845 1000
L4_TA_COMPONENT_H	R	32	0x0000 0004	0x4843 7004	0x4843 B004	0x4844 D004	0x4845 1004
L4_TA_CORE_L	R	32	0x0000 0018	0x4843 7018	0x4843 B018	0x4844 D018	0x4845 1018
L4_TA_CORE_H	R	32	0x0000 001C	0x4843 701C	0x4843 B01C	0x4844 D01C	0x4845 101C
L4_TA_AGENT_CONTROL_L	RW	32	0x0000 0020	0x4843 7020	0x4843 B020	0x4844 D020	0x4845 1020
L4_TA_AGENT_CONTROL_H	R	32	0x0000 0024	0x4843 7024	0x4843 B024	0x4844 D024	0x4845 1024
L4_TA_AGENT_STATUS_L	R	32	0x0000 0028	0x4843 7028	0x4843 B028	0x4844 D028	0x4845 1028

Table 14-471. PER2_TA Register Mapping Summary 4 (continued)

Register Name	Type	Register Width (Bits)	Address Offset	MCASP4_DAT_TARG_L3_MAIN Physical Address	MCASP5_DAT_TARG_L3_MAIN Physical Address	MCASP6_DAT_TARG_L3_MAIN Physical Address	MCASP7_DAT_TARG_L3_MAIN Physical Address
L4_TA_AGENT_STATUS_H	R	32	0x0000 002C	0x4843 702C	0x4843 B02C	0x4844 D02C	0x4845 102C

Table 14-472. PER2_TA Register Mapping Summary 5

Register Name	Type	Register Width (Bits)	Address Offset	MCASP8_DAT_TARG_L3_MAIN Physical Address	MCASP1_CFG_TARG_L3_MAIN Physical Address	MCASP2_CFG_TARG_L3_MAIN Physical Address	MCASP3_CFG_TARG_L3_MAIN Physical Address
L4_TA_COMPONENT_L	R	32	0x0000 0000	0x4845 5000	0x4846 2000	0x4846 6000	0x4846 A000
L4_TA_COMPONENT_H	R	32	0x0000 0004	0x4845 5004	0x4846 2004	0x4846 6004	0x4846 A004
L4_TA_CORE_L	R	32	0x0000 0018	0x4845 5018	0x4846 2018	0x4846 6018	0x4846 A018
L4_TA_CORE_H	R	32	0x0000 001C	0x4845 501C	0x4846 201C	0x4846 601C	0x4846 A01C
L4_TA_AGENT_CONTROL_L	RW	32	0x0000 0020	0x4845 5020	0x4846 2020	0x4846 6020	0x4846 A020
L4_TA_AGENT_CONTROL_H	R	32	0x0000 0024	0x4845 5024	0x4846 2024	0x4846 6024	0x4846 A024
L4_TA_AGENT_STATUS_L	R	32	0x0000 0028	0x4845 5028	0x4846 2028	0x4846 6028	0x4846 A028
L4_TA_AGENT_STATUS_H	R	32	0x0000 002C	0x4845 502C	0x4846 202C	0x4846 602C	0x4846 A02C

Table 14-473. PER2_TA Register Mapping Summary 6

Register Name	Type	Register Width (Bits)	Address Offset	MCASP4_CFG_TARG_L3_MAIN Physical Address	MCASP5_CFG_TARG_L3_MAIN Physical Address	MCASP6_CFG_TARG_L3_MAIN Physical Address	MCASP7_CFG_TARG_L3_MAIN Physical Address
L4_TA_COMPONENT_L	R	32	0x0000 0000	0x4846 E000	0x4847 2000	0x4847 6000	0x4847 A000
L4_TA_COMPONENT_H	R	32	0x0000 0004	0x4846 E004	0x4847 2004	0x4847 6004	0x4847 A004
L4_TA_CORE_L	R	32	0x0000 0018	0x4846 E018	0x4847 2018	0x4847 6018	0x4847 A018
L4_TA_CORE_H	R	32	0x0000 001C	0x4846 E01C	0x4847 201C	0x4847 601C	0x4847 A01C
L4_TA_AGENT_CONTROL_L	RW	32	0x0000 0020	0x4846 E020	0x4847 2020	0x4847 6020	0x4847 A020
L4_TA_AGENT_CONTROL_H	R	32	0x0000 0024	0x4846 E024	0x4847 2024	0x4847 6024	0x4847 A024
L4_TA_AGENT_STATUS_L	R	32	0x0000 0028	0x4846 E028	0x4847 2028	0x4847 6028	0x4847 A028
L4_TA_AGENT_STATUS_H	R	32	0x0000 002C	0x4846 E02C	0x4847 202C	0x4847 602C	0x4847 A02C

Table 14-474. PER2_TA Register Mapping Summary 7

Register Name	Type	Register Width (Bits)	Address Offset	I2C6_TARG L3_MAIN Physical Address	CAL_TARG L3_MAIN Physical Address
L4_TA_COMPONENT_L	R	32	0x0000 0000	0x4845 A000	0x4845 C000
L4_TA_COMPONENT_H	R	32	0x0000 0004	0x4845 A004	0x4845 C004
L4_TA_CORE_L	R	32	0x0000 0018	0x4845 A018	0x4845 C018
L4_TA_CORE_H	R	32	0x0000 001C	0x4845 A01C	0x4845 C01C
L4_TA_AGENT_CONTROL_L	RW	32	0x0000 0020	0x4845 A020	0x4845 C020
L4_TA_AGENT_CONTROL_H	R	32	0x0000 0024	0x4845 A024	0x4845 C024
L4_TA_AGENT_STATUS_L	R	32	0x0000 0028	0x4845 A028	0x4845 C028
L4_TA_AGENT_STATUS_H	R	32	0x0000 002C	0x4845 A02C	0x4845 C02C

Table 14-475. PER2_TA Register Mapping Summary 8

Register Name	Type	Register Width (Bits)	Address Offset	MCASP8_CFG_TARG L3_MAIN Physical Address	PWM1_TARG L3_MAIN Physical Address	PWM2_TARG L3_MAIN Physical Address	PWM3_TARG L3_MAIN Physical Address
L4_TA_COMPONENT_L	R	32	0x0000 0000	0x4848 8000	0x4843 F000	0x4844 1000	0x4844 3000
L4_TA_COMPONENT_H	R	32	0x0000 0004	0x4848 8004	0x4843 F004	0x4844 1004	0x4844 3004
L4_TA_CORE_L	R	32	0x0000 0018	0x4848 8018	0x4843 F018	0x4844 1018	0x4844 3018
L4_TA_CORE_H	R	32	0x0000 001C	0x4848 801C	0x4843 F01C	0x4844 101C	0x4844 301C
L4_TA_AGENT_CONTR OL_L	RW	32	0x0000 0020	0x4848 8020	0x4843 F020	0x4844 1020	0x4844 3020
L4_TA_AGENT_CONTR OL_H	R	32	0x0000 0024	0x4848 8024	0x4843 F024	0x4844 1024	0x4844 3024
L4_TA_AGENT_STATU S_L	R	32	0x0000 0028	0x4848 8028	0x4843 F028	0x4844 1028	0x4844 3028
L4_TA_AGENT_STATU S_H	R	32	0x0000 002C	0x4848 802C	0x4843 F02C	0x4844 102C	0x4844 302C

Table 14-476. PER3_TA Register Mapping Summary 1

Register Name	Type	Register Width (Bits)	Address Offset	MBX13_TARG L3_MAIN Physical Address	OCMC_RAM1_TARG L3_MAIN Physical Address
L4_TA_COMPONENT_L	R	32	0x0000 0000	0x4880 3000	0x4880 5000
L4_TA_COMPONENT_H	R	32	0x0000 0004	0x4880 3004	0x4880 5004
L4_TA_CORE_L	R	32	0x0000 0018	0x4880 3018	0x4880 5018
L4_TA_CORE_H	R	32	0x0000 001C	0x4880 301C	0x4880 501C
L4_TA_AGENT_CONTROL_L	RW	32	0x0000 0020	0x4880 3020	0x4880 5020
L4_TA_AGENT_CONTROL_H	R	32	0x0000 0024	0x4880 3024	0x4880 5024
L4_TA_AGENT_STATUS_L	R	32	0x0000 0028	0x4880 3028	0x4880 5028
L4_TA_AGENT_STATUS_H	R	32	0x0000 002C	0x4880 302C	0x4880 502C

Table 14-477. PER3_TA Register Mapping Summary 2

Register Name	Type	Register Width (Bits)	Address Offset	MMU1_TARG L3_MAIN Physical Address	MMU2_TARG L3_MAIN Physical Address	TIMER5_TARG L3_MAIN Physical Address	TIMER6_TARG L3_MAIN Physical Address
L4_TA_COMPONENT_L	R	32	0x0000 0000	0x4881 D000	0x4881 F000	0x4882 1000	0x4882 3000
L4_TA_COMPONENT_H	R	32	0x0000 0004	0x4881 D004	0x4881 F004	0x4882 1004	0x4882 3004
L4_TA_CORE_L	R	32	0x0000 0018	0x4881 D018	0x4881 F018	0x4882 1018	0x4882 3018
L4_TA_CORE_H	R	32	0x0000 001C	0x4881 D01C	0x4881 F01C	0x4882 101C	0x4882 301C
L4_TA_AGENT_CONTROL_L	RW	32	0x0000 0020	0x4881 D020	0x4881 F020	0x4882 1020	0x4882 3020
L4_TA_AGENT_CONTROL_H	R	32	0x0000 0024	0x4881 D024	0x4881 F024	0x4882 1024	0x4882 3024
L4_TA_AGENT_STATUS_L	R	32	0x0000 0028	0x4881 D028	0x4881 F028	0x4882 1028	0x4882 3028
L4_TA_AGENT_STATUS_H	R	32	0x0000 002C	0x4881 D02C	0x4881 F02C	0x4882 102C	0x4882 302C

Table 14-478. PER3_TA Register Mapping Summary 3

Register Name	Type	Register Width (Bits)	Address Offset	TIMER7_TARG L3_MAIN Physical Address	TIMER8_TARG L3_MAIN Physical Address	TIMER13_TARG L3_MAIN Physical Address	TIMER14_TARG L3_MAIN Physical Address
L4_TA_COMPONENT_L	R	32	0x0000 0000	0x4882 5000	0x4882 7000	0x4882 9000	0x4882 B000
L4_TA_COMPONENT_H	R	32	0x0000 0004	0x4882 5004	0x4882 7004	0x4882 9004	0x4882 B004
L4_TA_CORE_L	R	32	0x0000 0018	0x4882 5018	0x4882 7018	0x4882 9018	0x4882 B018
L4_TA_CORE_H	R	32	0x0000 001C	0x4882 501C	0x4882 701C	0x4882 901C	0x4882 B01C
L4_TA_AGENT_CONTROL_L	RW	32	0x0000 0020	0x4882 5020	0x4882 7020	0x4882 9020	0x4882 B020
L4_TA_AGENT_CONTROL_H	R	32	0x0000 0024	0x4882 5024	0x4882 7024	0x4882 9024	0x4882 B024
L4_TA_AGENT_STATUS_L	R	32	0x0000 0028	0x4882 5028	0x4882 7028	0x4882 9028	0x4882 B028
L4_TA_AGENT_STATUS_H	R	32	0x0000 002C	0x4882 502C	0x4882 702C	0x4882 902C	0x4882 B02C

Table 14-479. PER3_TA Register Mapping Summary 4

Register Name	Type	Register Width (Bits)	Address Offset	TIMER15_TARG L3_MAIN Physical Address	TIMER16_TARG L3_MAIN Physical Address	MBX2_TARG L3_MAIN Physical Address
L4_TA_COMPONENT_L	R	32	0x0000 0000	0x4882 D000	0x4882 F000	0x4883 B000
L4_TA_COMPONENT_H	R	32	0x0000 0004	0x4882 D004	0x4882 F004	0x4883 B004
L4_TA_CORE_L	R	32	0x0000 0018	0x4882 D018	0x4882 F018	0x4883 B018
L4_TA_CORE_H	R	32	0x0000 001C	0x4882 D01C	0x4882 F01C	0x4883 B01C

Table 14-479. PER3_TA Register Mapping Summary 4 (continued)

Register Name	Type	Register Width (Bits)	Address Offset	TIMER15_TARG L3_MAIN Physical Address	TIMER16_TARG L3_MAIN Physical Address	MBX2_TARG L3_MAIN Physical Address
L4_TA_AGENT_CONTR_OL_L	RW	32	0x0000 0020	0x4882 D020	0x4882 F020	0x4883 B020
L4_TA_AGENT_CONTR_OL_H	R	32	0x0000 0024	0x4882 D024	0x4882 F024	0x4883 B024
L4_TA_AGENT_STATUS_L	R	32	0x0000 0028	0x4882 D028	0x4882 F028	0x4883 B028
L4_TA_AGENT_STATUS_H	R	32	0x0000 002C	0x4882 D02C	0x4882 F02C	0x4883 B02C

Table 14-480. PER3_TA Register Mapping Summary 5

Register Name	Type	Register Width (Bits)	Address Offset	MBX3_TARG L3_MAIN Physical Address	MBX4_TARG L3_MAIN Physical Address	MBX5_TARG L3_MAIN Physical Address	MBX6_TARG L3_MAIN Physical Address
L4_TA_COMPONENT_L	R	32	0x0000 0000	0x4883 D000	0x4883 F000	0x4884 1000	0x4884 3000
L4_TA_COMPONENT_H	R	32	0x0000 0004	0x4883 D004	0x4883 F004	0x4884 1004	0x4884 3004
L4_TA_CORE_L	R	32	0x0000 0018	0x4883 D018	0x4883 F018	0x4884 1018	0x4884 3018
L4_TA_CORE_H	R	32	0x0000 001C	0x4883 D01C	0x4883 F01C	0x4884 101C	0x4884 301C
L4_TA_AGENT_CONTROL_L	RW	32	0x0000 0020	0x4883 D020	0x4883 F020	0x4884 1020	0x4884 3020
L4_TA_AGENT_CONTROL_H	R	32	0x0000 0024	0x4883 D024	0x4883 F024	0x4884 1024	0x4884 3024
L4_TA_AGENT_STATUS_L	R	32	0x0000 0028	0x4883 D028	0x4883 F028	0x4884 1028	0x4884 3028
L4_TA_AGENT_STATUS_H	R	32	0x0000 002C	0x4883 D02C	0x4883 F02C	0x4884 102C	0x4884 302C

Table 14-481. PER3_TA Register Mapping Summary 6

Register Name	Type	Register Width (Bits)	Address Offset	MBX7_TARG L3_MAIN Physical Address	MBX8_TARG L3_MAIN Physical Address
L4_TA_COMPONENT_L	R	32	0x0000 0000	0x4884 5000	0x4884 7000
L4_TA_COMPONENT_H	R	32	0x0000 0004	0x4884 5004	0x4884 7004
L4_TA_CORE_L	R	32	0x0000 0018	0x4884 5018	0x4884 7018
L4_TA_CORE_H	R	32	0x0000 001C	0x4884 501C	0x4884 701C
L4_TA_AGENT_CONTROL_L	RW	32	0x0000 0020	0x4884 5020	0x4884 7020
L4_TA_AGENT_CONTROL_H	R	32	0x0000 0024	0x4884 5024	0x4884 7024
L4_TA_AGENT_STATUS_L	R	32	0x0000 0028	0x4884 5028	0x4884 7028
L4_TA_AGENT_STATUS_H	R	32	0x0000 002C	0x4884 502C	0x4884 702C

Table 14-482. PER3_TA Register Mapping Summary 7

Register Name	Type	Register Width (Bits)	Address Offset	MBX9_TARG L3_MAIN Physical Address	MBX10_TARG L3_MAIN Physical Address	MBX11_TARG L3_MAIN Physical Address	MBX12_TARG L3_MAIN Physical Address
L4_TA_COMPONENT_L	R	32	0x0000 0000	0x4885 F000	0x4886 1000	0x4886 3000	0x4886 5000

Table 14-482. PER3_TA Register Mapping Summary 7 (continued)

Register Name	Type	Register Width (Bits)	Address Offset	MBX9_TARG L3_MAIN Physical Address	MBX10_TARG L3_MAIN Physical Address	MBX11_TARG L3_MAIN Physical Address	MBX12_TARG L3_MAIN Physical Address
L4_TA_COMPONENT_H	R	32	0x0000 0004	0x4885 F004	0x4886 1004	0x4886 3004	0x4886 5004
L4_TA_CORE_L	R	32	0x0000 0018	0x4885 F018	0x4886 1018	0x4886 3018	0x4886 5018
L4_TA_CORE_H	R	32	0x0000 001C	0x4885 F01C	0x4886 101C	0x4886 301C	0x4886 501C
L4_TA_AGENT_CONTROL_L	RW	32	0x0000 0020	0x4885 F020	0x4886 1020	0x4886 3020	0x4886 5020
L4_TA_AGENT_CONTROL_H	R	32	0x0000 0024	0x4885 F024	0x4886 1024	0x4886 3024	0x4886 5024
L4_TA_AGENT_STATUS_L	R	32	0x0000 0028	0x4885 F028	0x4886 1028	0x4886 3028	0x4886 5028
L4_TA_AGENT_STATUS_H	R	32	0x0000 002C	0x4885 F02C	0x4886 102C	0x4886 302C	0x4886 502C

Table 14-483. PER3_TA Register Mapping Summary 8

Register Name	Type	Register Width (Bits)	Address Offset	VIP1_TARG L3_MAIN Physical Address
L4_TA_COMPONENT_L	R	32	0x0000 0000	0x4898 0000
L4_TA_COMPONENT_H	R	32	0x0000 0004	0x4898 0004
L4_TA_CORE_L	R	32	0x0000 0018	0x4898 0018
L4_TA_CORE_H	R	32	0x0000 001C	0x4898 001C
L4_TA_AGENT_CONTROL_L	RW	32	0x0000 0020	0x4898 0020
L4_TA_AGENT_CONTROL_H	R	32	0x0000 0024	0x4898 0024
L4_TA_AGENT_STATUS_L	R	32	0x0000 0028	0x4898 0028
L4_TA_AGENT_STATUS_H	R	32	0x0000 002C	0x4898 002C

Table 14-484. PER3_TA Register Mapping Summary 9

Register Name	Type	Register Width (Bits)	Address Offset	VPE_TARG L3_MAIN Physical Address	RTC_TARG L3_MAIN Physical Address ⁽¹⁾
L4_TA_COMPONENT_L	R	32	0x0000 0000	0x489E 0000	0x4883 9000
L4_TA_COMPONENT_H	R	32	0x0000 0004	0x489E 0004	0x4883 9004
L4_TA_CORE_L	R	32	0x0000 0018	0x489E 0018	0x4883 9018
L4_TA_CORE_H	R	32	0x0000 001C	0x489E 001C	0x4883 901C
L4_TA_AGENT_CONTROL_L	RW	32	0x0000 0020	0x489E 0020	0x4883 9020
L4_TA_AGENT_CONTROL_H	R	32	0x0000 0024	0x489E 0024	0x4883 9024
L4_TA_AGENT_STATUS_L	R	32	0x0000 0028	0x489E 0028	0x4883 9028
L4_TA_AGENT_STATUS_H	R	32	0x0000 002C	0x489E 002C	0x4883 902C

⁽¹⁾ RTC is not supported on the AM570x family of devices.

Table 14-485. PER3_TA Register Mapping Summary 10

Register Name	Type	Register Width (Bits)	Address Offset	USB2_TARG L3_MAIN Physical Address	USB1_TARG L3_MAIN Physical Address	USB3_TARG L3_MAIN Physical Address
L4_TA_COMPONENT_L	R	32	0x0000 0000	0x488E 0000	0x488A 0000	0x4892 0000
L4_TA_COMPONENT_H	R	32	0x0000 0004	0x488E 0004	0x488A 0004	0x4892 0004
L4_TA_CORE_L	R	32	0x0000 0018	0x488E 0018	0x488A 0018	0x4892 0018
L4_TA_CORE_H	R	32	0x0000 001C	0x488E 001C	0x488A 001C	0x4892 001C
L4_TA_AGENT_CONTR OL_L	RW	32	0x0000 0020	0x488E 0020	0x488A 0020	0x4892 0020
L4_TA_AGENT_CONTR OL_H	R	32	0x0000 0024	0x488E 0024	0x488A 0024	0x4892 0024
L4_TA_AGENT_STATUS _L	R	32	0x0000 0028	0x488E 0028	0x488A 0028	0x4892 0028
L4_TA_AGENT_STATUS _H	R	32	0x0000 002C	0x488E 002C	0x488A 002C	0x4892 002C

Table 14-486. WKUP_TA Register Mapping Summary 1

Register Name	Type	Register Width (Bits)	Address Offset	COUNTER_32K_T ARG L3_MAIN Physical Address	PRM_TARG L3_MAIN Physical Address	CTRL_MODULE_WKUP_TARG L3_MAIN Physical Address
L4_TA_COMPONEN T_L	R	32	0x0000 0000	0x4AE0 5000	0x4AE0 8000	0x4AE0 D000
L4_TA_COMPONEN T_H	R	32	0x0000 0004	0x4AE0 5004	0x4AE0 8004	0x4AE0 D004
L4_TA_CORE_L	R	32	0x0000 0018	0x4AE0 5018	0x4AE0 8018	0x4AE0 D018
L4_TA_CORE_H	R	32	0x0000 001C	0x4AE0 501C	0x4AE0 801C	0x4AE0 D01C
L4_TA_AGENT_CON TROL_L	RW	32	0x0000 0020	0x4AE0 5020	0x4AE0 8020	0x4AE0 D020
L4_TA_AGENT_CON TROL_H	R	32	0x0000 0024	0x4AE0 5024	0x4AE0 8024	0x4AE0 D024
L4_TA_AGENT_STA TUS_L	R	32	0x0000 0028	0x4AE0 5028	0x4AE0 8028	0x4AE0 D028
L4_TA_AGENT_STA TUS_H	R	32	0x0000 002C	0x4AE0 502C	0x4AE0 802C	0x4AE0 D02C

Table 14-487. WKUP_TA Register Mapping Summary 2

Register Name	Type	Register Width (Bits)	Address Offset	GPIO1_TARG L3_MAIN Physical Address	WD_TIMER2_TAR G L3_MAIN Physical Address	TIMER1_TARG L3_MAIN Physical Address
L4_TA_COMPONENT _L	R	32	0x0000 0000	0x4AE1 1000	0x4AE1 5000	0x4AE1 9000
L4_TA_COMPONENT _H	R	32	0x0000 0004	0x4AE1 1004	0x4AE1 5004	0x4AE1 9004
L4_TA_CORE_L	R	32	0x0000 0018	0x4AE1 1018	0x4AE1 5018	0x4AE1 9018
L4_TA_CORE_H	R	32	0x0000 001C	0x4AE1 101C	0x4AE1 501C	0x4AE1 901C
L4_TA_AGENT_CON TROL_L	RW	32	0x0000 0020	0x4AE1 1020	0x4AE1 5020	0x4AE1 9020
L4_TA_AGENT_CON TROL_H	R	32	0x0000 0024	0x4AE1 1024	0x4AE1 5024	0x4AE1 9024

Table 14-487. WKUP_TA Register Mapping Summary 2 (continued)

Register Name	Type	Register Width (Bits)	Address Offset	GPIO1_TARG L3_MAIN Physical Address	WD_TIMER2_TARG L3_MAIN Physical Address	TIMER1_TARG L3_MAIN Physical Address
L4_TA_AGENT_STATUS_L	R	32	0x0000 0028	0x4AE1 1028	0x4AE1 5028	0x4AE1 9028
L4_TA_AGENT_STATUS_H	R	32	0x0000 002C	0x4AE1 102C	0x4AE1 502C	0x4AE1 902C

Table 14-488. WKUP_TA Register Mapping Summary 3

Register Name	Type	Register Width (Bits)	Address Offset	KBD_TARG L3_MAIN Physical Address	TIMER12_TARG L3_MAIN Physical Address	UART10_TARG L3_MAIN Physical Address	DCAN1_TARG L3_MAIN Physical Address
L4_TA_COMPONENT_L	R	32	0x0000 0000	0x4AE1 D000	0x4AE2 1000	0x4AE2 C000	0x4AE3 E000
L4_TA_COMPONENT_H	R	32	0x0000 0004	0x4AE1 D004	0x4AE2 1004	0x4AE2 C004	0x4AE3 E004
L4_TA_CORE_L	R	32	0x0000 0018	0x4AE1 D018	0x4AE2 1018	0x4AE2 C018	0x4AE3 E018
L4_TA_CORE_H	R	32	0x0000 001C	0x4AE1 D01C	0x4AE2 101C	0x4AE2 C01C	0x4AE3 E01C
L4_TA_AGENT_CONTROL_L	RW	32	0x0000 0020	0x4AE1 D020	0x4AE2 1020	0x4AE2 C020	0x4AE3 E020
L4_TA_AGENT_CONTROL_H	R	32	0x0000 0024	0x4AE1 D024	0x4AE2 1024	0x4AE2 C024	0x4AE3 E024
L4_TA_AGENT_STATUS_L	R	32	0x0000 0028	0x4AE1 D028	0x4AE2 1028	0x4AE2 C028	0x4AE3 E028
L4_TA_AGENT_STATUS_H	R	32	0x0000 002C	0x4AE1 D02C	0x4AE2 102C	0x4AE2 C02C	0x4AE3 E02C

14.3.5.3.2 L4 Target Agent (L4 TA) Register Description

Table 14-489 through Table 14-503 describe the L4 TA registers.

Table 14-489. L4_TA_COMPONENT_H

Address Offset	0x0000 0004		
Physical Address	See Table 14-444 to Table 14-488	Instance	See Table 14-444 to Table 14-488
Description	Contains a component code and revision.		
Type	R		

31	30	29	28	27	26	25	24	23	22	21	20	19	18	17	16	15	14	13	12	11	10	9	8	7	6	5	4	3	2	1	0
RESERVED																															

Bits	Field Name	Description	Type	Reset
31:0	RESERVED	Read returns 0	R	0x0000 000

Table 14-490. Register Call Summary for Register L4_TA_COMPONENT_H

L4 Interconnects

- L4 Target Agent (L4 TA) Register Summary: [\[0\]\[1\]\[2\]\[3\]\[4\]\[5\]\[6\]\[7\]\[8\]\[9\]\[10\]\[11\]\[12\]\[13\]\[14\]\[15\]\[16\]\[17\]\[18\]\[19\]\[20\]\[21\]\[22\]\[23\]\[24\]\[25\]\[26\]\[27\]\[28\]\[29\]\[30\]\[31\]\[32\]\[33\]\[34\]\[35\]\[36\]\[37\]\[38\]\[39\]\[40\]\[41\]\[42\]\[43\]\[44\]](#)

Table 14-491. L4_TA_COMPONENT_L

Address Offset	0x0000 0000		
Physical Address	See Table 14-444 to Table 14-488	Instance	See Table 14-444 to Table 14-488
Description	Contains a component code and revision.		
Type	R		

31	30	29	28	27	26	25	24	23	22	21	20	19	18	17	16	15	14	13	12	11	10	9	8	7	6	5	4	3	2	1	0
CODE																REV															

Bits	Field Name	Description	Type	Reset
31:16	CODE	Interconnect code.	R	See ⁽¹⁾ .
15:0	REV	Component revision code.	R	See ⁽¹⁾ .

⁽¹⁾ TI Internal Data

Table 14-492. Register Call Summary for Register L4_TA_COMPONENT_L

L4 Interconnects

- L4 Target Agent (L4 TA) Register Summary:

[\[0\]\[1\]\[2\]\[3\]\[4\]\[5\]\[6\]\[7\]\[8\]\[9\]\[10\]\[11\]\[12\]\[13\]\[14\]\[15\]\[16\]\[17\]\[18\]\[19\]\[20\]\[21\]\[22\]\[23\]\[24\]\[25\]\[26\]\[27\]\[28\]\[29\]\[30\]\[31\]\[32\]\[33\]\[34\]\[35\]\[36\]\[37\]\[38\]\[39\]\[40\]\[41\]\[42\]\[43\]\[44\]](#)

Table 14-493. L4_TA_CORE_L

Address Offset	0x0000 0018		
Physical Address	See Table 14-444 to Table 14-488	Instance	See Table 14-444 to Table 14-488
Description	Contains a component code and revision.		
Type	R		

31	30	29	28	27	26	25	24	23	22	21	20	19	18	17	16	15	14	13	12	11	10	9	8	7	6	5	4	3	2	1	0
CORE_CODE																CORE_REV															

Bits	Field Name	Description	Type	Reset
31:16	CORE_CODE	Interconnect core code	R	See ⁽¹⁾ .
15:0	CORE_REV	Component revision code code	R	See ⁽¹⁾ .

⁽¹⁾ TI Internal Data

Table 14-494. Register Call Summary for Register L4_TA_CORE_L

L4 Interconnects

- L4 Target Agent (L4 TA) Register Summary:

[\[0\]\[1\]\[2\]\[3\]\[4\]\[5\]\[6\]\[7\]\[8\]\[9\]\[10\]\[11\]\[12\]\[13\]\[14\]\[15\]\[16\]\[17\]\[18\]\[19\]\[20\]\[21\]\[22\]\[23\]\[24\]\[25\]\[26\]\[27\]\[28\]\[29\]\[30\]\[31\]\[32\]\[33\]\[34\]\[35\]\[36\]\[37\]\[38\]\[39\]\[40\]\[41\]\[42\]\[43\]\[44\]](#)

Table 14-495. L4_TA_CORE_H

Address Offset	0x0000 001C		
Physical Address	See Table 14-444 to Table 14-488	Instance	See Table 14-444 to Table 14-488
Description	Contains a component code and revision.		
Type	R		

31	30	29	28	27	26	25	24	23	22	21	20	19	18	17	16	15	14	13	12	11	10	9	8	7	6	5	4	3	2	1	0
RESERVED																VENDOR_CODE															

Bits	Field Name	Description	Type	Reset
31:16	RESERVED	Reserved	R	0x0000
15:0	VENDOR_CODE	Vendor revision core code	R	See ⁽¹⁾ .

⁽¹⁾ TI Internal Data

Table 14-496. Register Call Summary for Register L4_TA_CORE_H

L4 Interconnects

- L4 Target Agent (L4 TA) Register Summary:

[\[0\]\[1\]\[2\]\[3\]\[4\]\[5\]\[6\]\[7\]\[8\]\[9\]\[10\]\[11\]\[12\]\[13\]\[14\]\[15\]\[16\]\[17\]\[18\]\[19\]\[20\]\[21\]\[22\]\[23\]\[24\]\[25\]\[26\]\[27\]\[28\]\[29\]\[30\]\[31\]\[32\]\[33\]\[34\]\[35\]\[36\]\[37\]\[38\]\[39\]\[40\]\[41\]\[42\]\[43\]\[44\]](#)

Table 14-497. L4_TA_AGENT_CONTROL_L

Address Offset	0x0000 0020		
Physical Address	See Table 14-444 to Table 14-488	Instance	See Table 14-444 to Table 14-488
Description	Enable error reporting		
Type	RW		

31	30	29	28	27	26	25	24	23	22	21	20	19	18	17	16	15	14	13	12	11	10	9	8	7	6	5	4	3	2	1	0
RESERVED								SERROR_REP	RESERVED												REQ_TIMEOUT	RESERVED							OCP_RESET		

Bits	Field Name	Description	Type	Reset
31:25	RESERVED	Read returns 0.	R	0x00
24	SERROR_REP	Enable logging of error	R	0x0
23:11	RESERVED	Read returns 0.	R	0x0
10:8	REQ_TIMEOUT	Time-out Bound. Values are: 0 - No time-out 1 - 1x base cycles. 2 - 4x base cycles. 3 - 16x base cycles. 4 - 64x base cycles.	RW	0x0
7:1	RESERVED	Read returns 0.	R	0x00
0	OCP_RESET	The OCP_RESET field controls the OCP reset signal to the attached core. Setting this bit clears any pending transfers and resets the OCP interface. The bit must be cleared to deassert the OCP reset signal. When the software reset feature is available on a target agent, the target agent OCP must also have a reset signal directed to the target core.	RW	0

Table 14-498. Register Call Summary for Register L4_TA_AGENT_CONTROL_L

L4 Interconnects

- Time-Out: [0][1][2][3][4]
- Error Recovery: [5][6]
- Operational Modes Configuration: [7][8][9][10]
- L4 Target Agent (L4 TA) Register Summary:
[11][12][13][14][15][16][17][18][19][20][21][22][23][24][25][26][27][28][29][30][31][32][33][34][35][36][37][38][39][40][41][42][43][44][45][46][47][48][49][50][51][52][53][54][55]

Table 14-499. L4_TA_AGENT_CONTROL_H

Address Offset	0x0000 0024	Instance	See Table 14-444 to Table 14-488
Physical Address	See Table 14-444 to Table 14-488		See Table 14-444 to Table 14-488
Description	Enable clock power management		
Type	R		

31	30	29	28	27	26	25	24	23	22	21	20	19	18	17	16	15	14	13	12	11	10	9	8	7	6	5	4	3	2	1	0
RESERVED																AUTO_WAKEUP_RESP_CODE	EXT_CLOCK	RESERVED													

Bits	Field Name	Description	Type	Reset
31:10	RESERVED	Read returns 0.	R	0x000000
9	AUTO_WAKEUP_RESP_CODE		R	0
8	EXT_CLOCK	When set to 1, the ext_clk_off_i signal on a target agent indicates when the target agent should shut off.	R	0
7:0	RESERVED	Read returns 0.	R	0x00

Table 14-500. Register Call Summary for Register L4_TA_AGENT_CONTROL_H

L4 Interconnects

- L4 Target Agent (L4 TA) Register Summary:
[0][1][2][3][4][5][6][7][8][9][10][11][12][13][14][15][16][17][18][19][20][21][22][23][24][25][26][27][28][29][30][31][32][33][34][35][36][37][38][39][40][41][42][43][44]

Table 14-501. L4_TA_AGENT_STATUS_L

Address Offset	0x0000 0028		
Physical Address	See Table 14-444 to Table 14-488	Instance	See Table 14-444 to Table 14-488
Description	Error reporting		
Type	R		

31	30	29	28	27	26	25	24	23	22	21	20	19	18	17	16	15	14	13	12	11	10	9	8	7	6	5	4	3	2	1	0
RESERVED								SERROR	RESERVED													REQ_TIMEOUT	RESERVED							OCP_RESET	

Bits	Field Name	Description	Type	Reset
31:25	RESERVED	Read returns 0.	R	0x00
24	SERROR	Value of OCP SError signal	R	0
23:9	RESERVED	Read returns 0.	R	0x0000
8	REQ_TIMEOUT	Time-out status: 0x0: No request time-out 0x1: A request time-out has occurred	R 1toCLR	0
7:1	RESERVED	Read returns 0.	R	0x00
0	OCP_RESET	L3 Reset	R	0

Table 14-502. Register Call Summary for Register L4_TA_AGENT_STATUS_L

L4 Interconnects

- [Time-Out: \[0\]\[1\]](#)
- [Error Recovery: \[2\]](#)
- [Operational Modes Configuration: \[3\]](#)
- [L4 Target Agent \(L4 TA\) Register Summary: \[4\]\[5\]\[6\]\[7\]\[8\]\[9\]\[10\]\[11\]\[12\]\[13\]\[14\]\[15\]\[16\]\[17\]\[18\]\[19\]\[20\]\[21\]\[22\]\[23\]\[24\]\[25\]\[26\]\[27\]\[28\]\[29\]\[30\]\[31\]\[32\]\[33\]\[34\]\[35\]\[36\]\[37\]\[38\]\[39\]\[40\]\[41\]\[42\]\[43\]\[44\]\[45\]\[46\]\[47\]\[48\]](#)

Table 14-503. L4_TA_AGENT_STATUS_H

Address Offset	0x0000 002C		
Physical Address	See Table 14-444 to Table 14-488	Instance	See Table 14-444 to Table 14-488
Description	Error reporting		
Type	R		

31	30	29	28	27	26	25	24	23	22	21	20	19	18	17	16	15	14	13	12	11	10	9	8	7	6	5	4	3	2	1	0
RESERVED																															

Bits	Field Name	Description	Type	Reset
31:0	RESERVED	Read returns 0	R	0x0000 000

Table 14-504. Register Call Summary for Register L4_TA_AGENT_STATUS_H

L4 Interconnects

- [L4 Target Agent \(L4 TA\) Register Summary: \[0\]\[1\]\[2\]\[3\]\[4\]\[5\]\[6\]\[7\]\[8\]\[9\]\[10\]\[11\]\[12\]\[13\]\[14\]\[15\]\[16\]\[17\]\[18\]\[19\]\[20\]\[21\]\[22\]\[23\]\[24\]\[25\]\[26\]\[27\]\[28\]\[29\]\[30\]\[31\]\[32\]\[33\]\[34\]\[35\]\[36\]\[37\]\[38\]\[39\]\[40\]\[41\]\[42\]\[43\]\[44\]](#)

14.3.5.4 L4 Link Agent (L4 LA)

14.3.5.4.1 L4 Link Agent (L4 LA) Register Summary

Table 14-505 summarizes the L4 LA register mapping.

Table 14-505. LA Register Mapping Summary

Register Name	Type	Register Width (Bits)	Address Offset	PER1_LA L3_MAIN Physical Address	PER2_LA L3_MAIN Physical Address	PER3_LA L3_MAIN Physical Address
L4_LA_COMPONENT_L	R	32	0x0000 0000	0x4800 0800	0x4840 0800	0x4880 0800
L4_LA_COMPONENT_H	R	32	0x0000 0004	0x4800 0804	0x4840 0804	0x4880 0804
L4_LA_NETWORK_L	R	32	0x0000 0010	0x4800 0810	0x4840 0810	0x4880 0810
L4_LA_NETWORK_H	R	32	0x0000 0014	0x4800 0814	0x4840 0814	0x4880 0814
L4_LA_INITIATOR_INFO_L	R	32	0x0000 0018	0x4800 0818	0x4840 0818	0x4880 0818
L4_LA_INITIATOR_INFO_H	R	32	0x0000 001C	0x4800 081C	0x4840 081C	0x4880 081C
L4_LA_NETWORK_CONTROL_L	RW	32	0x0000 0020	0x4800 0820	0x4840 0820	0x4880 0820
L4_LA_NETWORK_CONTROL_H	RW	32	0x0000 0024	0x4800 0824	0x4840 0824	0x4880 0824
L4_LA_FLAG_MASK_j_L⁽¹⁾	RW	32	0x0000 0100 + (0x20*j)	0x4800 0900 + (0x20*j)	0x4840 0900 + (0x20*j)	0x4880 0900 + (0x20*j)
L4_LA_FLAG_MASK_j_H⁽¹⁾	RW	32	0x0000 0104 + (0x20*j)	0x4800 0904 + (0x20*j)	0x4840 0904 + (0x20*j)	0x4880 0904 + (0x20*j)
L4_LA_FLAG_STATUS_j_L⁽¹⁾	R	32	0x0000 0110 + (0x20*j)	0x4800 0910 + (0x20*j)	0x4840 0910 + (0x20*j)	0x4880 0910 + (0x20*j)
L4_LA_FLAG_STATUS_j_H⁽¹⁾	R	32	0x0000 0114 + (0x20*j)	0x4800 0914 + (0x20*j)	0x4840 0914 + (0x20*j)	0x4880 0914 + (0x20*j)

⁽¹⁾ j = 0 to 1 for PER1_LA
j = 0 to 1 for PER2_LA
j = 0 to 1 for PER3_LA

Table 14-506. LA Register Mapping Summary

Register Name	Type	Register Width (Bits)	Address Offset	CFG_LA L3_MAIN Physical Address	WKUP_LA L3_MAIN Physical Address
L4_LA_COMPONENT_L	R	32	0x0000 0000	0x4A00 0800	0x4AE0 0800
L4_LA_COMPONENT_H	R	32	0x0000 0004	0x4A00 0804	0x4AE0 0804
L4_LA_NETWORK_L	R	32	0x0000 0010	0x4A00 0810	0x4AE0 0810
L4_LA_NETWORK_H	R	32	0x0000 0014	0x4A00 0814	0x4AE0 0814
L4_LA_INITIATOR_INFO_L	R	32	0x0000 0018	0x4A00 0818	0x4AE0 0818
L4_LA_INITIATOR_INFO_H	R	32	0x0000 001C	0x4A00 081C	0x4AE0 081C
L4_LA_NETWORK_CONTROL_L	RW	32	0x0000 0020	0x4A00 0820	0x4AE0 0820
L4_LA_NETWORK_CONTROL_H	RW	32	0x0000 0024	0x4A00 0824	0x4AE0 0824

14.3.5.4.2 L4 Link Agent (L4 LA) Register Description

Table 14-507 through Table 14-532 describe the L4 LA registers.

Table 14-507. L4_LA_COMPONENT_L

Address Offset	0x0000 0000		
Physical Address	0x4800 0800 0x4840 0800 0x4880 0800 0x4A00 0800 0x4AE0 0800	Instance	PER1_LA PER2_LA PER3_LA CFG_LA WKUP_LA
Description	Contain a component code and revision, which are used to identify the hardware of the component.		
Type	R		

31	30	29	28	27	26	25	24	23	22	21	20	19	18	17	16	15	14	13	12	11	10	9	8	7	6	5	4	3	2	1	0
CODE																REV															

Bits	Field Name	Description	Type	Reset
31:16	CODE	Interconnect code.	R	See ⁽¹⁾ .
15:0	REV	Component revision code.	R	See ⁽¹⁾ .

⁽¹⁾ TI Internal Data

Table 14-508. Register Call Summary for Register L4_LA_COMPONENT_L

L4 Interconnects

- [L4 Link Agent \(L4 LA\) Register Summary: \[0\]\[1\]](#)

Table 14-509. L4_LA_COMPONENT_H

Address Offset	0x0000 0004		
Physical Address	0x4800 0804 0x4840 0804 0x4880 0804 0x4A00 0804 0x4AE0 0804	Instance	PER1_LA PER2_LA PER3_LA CFG_LA WKUP_LA
Description	Contain a component code and revision, which are used to identify the hardware of the component.		
Type	R		

31	30	29	28	27	26	25	24	23	22	21	20	19	18	17	16	15	14	13	12	11	10	9	8	7	6	5	4	3	2	1	0
RESERVED																															

Bits	Field Name	Description	Type	Reset
31:0	RESERVED	Read returns 0.	R	0x0000 0000

Table 14-510. Register Call Summary for Register L4_LA_COMPONENT_H

L4 Interconnects

- [L4 Link Agent \(L4 LA\) Register Summary: \[0\]\[1\]](#)

Table 14-511. L4_LA_NETWORK_L

Address Offset	0x0000 0010		
Physical Address	0x4800 0810 0x4840 0810 0x4880 0810 0x4A00 0810 0x4AE0 0810	Instance	PER1_LA PER2_LA PER3_LA CFG_LA WKUP_LA
Description	Identify the interconnect		
Type	R		

31	30	29	28	27	26	25	24	23	22	21	20	19	18	17	16	15	14	13	12	11	10	9	8	7	6	5	4	3	2	1	0
RESERVED																															

Bits	Field Name	Description	Type	Reset
31:0	RESERVED	Read returns 0	R	0x0000 0000

Table 14-512. Register Call Summary for Register L4_LA_NETWORK_L

L4 Interconnects

- [L4 Link Agent \(L4 LA\) Register Summary: \[0\]\[1\]](#)

Table 14-513. L4_LA_NETWORK_H

Address Offset	0x0000 0014		
Physical Address	0x4800 0814 0x4840 0814 0x4880 0814 0x4A00 0814 0x4AE0 0814	Instance	PER1_LA PER2_LA PER3_LA CFG_LA WKUP_LA
Description	Identify the interconnect		
Type	R		

31	30	29	28	27	26	25	24	23	22	21	20	19	18	17	16	15	14	13	12	11	10	9	8	7	6	5	4	3	2	1	0
ID																															

Bits	Field Name	Description	Type	Reset
31:0	ID	The ID field uniquely identifies this interconnect.	R	0x00000000

Table 14-514. Register Call Summary for Register L4_LA_NETWORK_H

L4 Interconnects

- [L4 Link Agent \(L4 LA\) Register Summary: \[0\]\[1\]](#)

Table 14-515. L4_LA_INITIATOR_INFO_L

Address Offset	0x0000 0018		
Physical Address	0x4800 0818 0x4840 0818 0x4880 0818 0x4A00 0818 0x4AE0 0818	Instance	PER1_LA PER2_LA PER3_LA CFG_LA WKUP_LA
Description	Contain initiator subsystem information.		
Type	R		

31	30	29	28	27	26	25	24	23	22	21	20	19	18	17	16	15	14	13	12	11	10	9	8	7	6	5	4	3	2	1	0
RESERVED				PROT_GROUPS				NUMBER_REGIONS								RESERVED								SEGMENTS							

Bits	Field Name	Description	Type	Reset
31:28	RESERVED	Read returns 0.	R	0x0
27:24	PROT_GROUPS	Number of protection group of in the current L4 0x0: No protection group 0x1: 1 protection group 0x2: 2 protection groups 0x8: 8 protection groups 0x9 to 0xF: Reserved	R	see Table 14-517
23:16	NUMBER_REGIONS	Number of regions in the current L4 0x0: Reserved 0x1: 1 region 0x2: 2 regions Max regions +1 to 0xFF: Reserved, maximum regions is listed in Table 14-517	R	see Table 14-517
15:4	RESERVED	Read returns 0.	R	0x000
3:0	SEGMENTS	Number of segments in the current L4 0x0: Reserved 0x1: 1 segment 0x2: 2 segments 0x8: 8 segments	R	see Table 14-517

Table 14-516. Register Call Summary for Register L4_LA_INITIATOR_INFO_L

L4 Interconnects

- [L4 Link Agent \(L4 LA\) Register Summary: \[0\]\[1\]](#)

Table 14-517. Reset value for L4_LA_INITIATOR_INFO_L

Field Name	L4 PER1	L4 PER2	L4 PER3	L4 CFG	L4 WKUP
PROT_GROUPS	0x8	0x8	0x8	0x8	0x8
NUMBER_REGIO NS	0x55	0x3F	0x61	0x81	0x2C
SEGMENTS	0x2	0x1	0x1	0x3	0x4

Table 14-518. L4_LA_INITIATOR_INFO_H

Address Offset	0x0000 001C		
Physical Address	0x4800 081C 0x4840 081C 0x4880 081C 0x4A00 081C 0x4AE0 081C	Instance	PER1_LA PER2_LA PER3_LA CFG_LA WKUP_LA
Description	Contain initiator subsystem information.		
Type	R		

31	30	29	28	27	26	25	24	23	22	21	20	19	18	17	16	15	14	13	12	11	10	9	8	7	6	5	4	3	2	1	0
RESERVED								THREADS				RESERVED	CONNID_WIDTH		RESERVED	BYTE_DATA_WIDTH_EXP		RESERVED	ADDR_WIDTH												

Bits	Field Name	Description	Type	Reset
31:19	RESERVED	Read returns 0.	R	0x0000
18:16	THREADS	The THREADS field specifies the number of initiator threads connected to the interconnect. The field contains read-only configuration information for the initiator subsystem.	R	see Table 14-520
15	RESERVED	Read returns 0.	R	0
14:12	CONNID_WIDTH	The initiator subsystem ConnID width. The CONNID_WIDTH field contains read-only configuration information for the initiator subsystem.	R	see Table 14-520
11	RESERVED	Read returns 0.	R	0
10:8	BYTE_DATA_WIDTH_EXP	This field specifies the initiator subsystem data width. The BYTE_DATA_WIDTH_EXP field contains read-only configuration information for the initiator subsystem. 0x1: 16-bit data width is specified 0x2: 32-bit data width is specified	R	see Table 14-520
7:6	RESERVED	Read returns 0.	R	0x0
5:0	ADDR_WIDTH	This field specifies the initiator subsystem address width. The ADDR_WIDTH field contains read-only configuration information for the initiator subsystem.	R	see Table 14-520

Table 14-519. Register Call Summary for Register L4_LA_INITIATOR_INFO_H

L4 Interconnects

- [L4 Link Agent \(L4 LA\) Register Summary: \[0\]\[1\]](#)

Table 14-520. Reset value for L4_LA_INITIATOR_INFO_H

Field Name	L4 PER1	L4 PER2	L4 PER3	L4 CFG	L4 WKUP
THREADS	0x4	0x3	0x3	0x1	0x1
CONNID_WIDTH	0x4	0x4	0x5	0x4	0x4
BYTE_DATA_WIDT H_EXP	0x2	0x2	0x2	0x2	0x2
ADDR_WIDTH	0x18	0x18	0x18	0x18	0x15

Table 14-521. L4_LA_NETWORK_CONTROL_L

Address Offset	0x0000 0020		
Physical Address	0x4800 0820 0x4840 0820 0x4880 0820 0x4A00 0820 0x4AE0 0820	Instance	PER1_LA PER2_LA PER3_LA CFG_LA WKUP_LA
Description	Control interconnect minimum timeout values.		
Type	RW		

31	30	29	28	27	26	25	24	23	22	21	20	19	18	17	16	15	14	13	12	11	10	9	8	7	6	5	4	3	2	1	0
RESERVED																TIMEOUT_BASE		RESERVED													

Bits	Field Name	Description	Type	Reset
31:11	RESERVED	Read returns 0.	R	0x000000
10:8	TIMEOUT_BASE	The TIMEOUT_BASE field indicates the time-out period (that is, base cycles) for the highest frequency time-base signal sent from the L4 initiator subsystem to all target agents that have time-out enabled. Values for the field are: 0 - Time-out disabled 1 - L4 interconnect clock cycles divided by 64 2 - L4 interconnect clock cycles divided by 256 3 - L4 interconnect clock cycles divided by 1024 4 - L4 interconnect clock cycles divided by 4096	RW	0x4
7:0	RESERVED	Read returns 0.	R	0x00

Table 14-522. Register Call Summary for Register L4_LA_NETWORK_CONTROL_L

L4 Interconnects

- [Time-Out: \[0\]\[1\]\[2\]](#)
- [Operational Modes Configuration: \[3\]\[4\]](#)
- [L4 Link Agent \(L4 LA\) Register Summary: \[5\]\[6\]](#)

Table 14-523. L4_LA_NETWORK_CONTROL_H

Address Offset	0x0000 0024	Instance	PER1_LA PER2_LA PER3_LA CFG_LA WKUP_LA
Physical Address	0x4800 0824 0x4840 0824 0x4880 0824 0x4A00 0824 0x4AE0 0824		
Description	Control interconnect global power control		
Type	RW		

31	30	29	28	27	26	25	24	23	22	21	20	19	18	17	16	15	14	13	12	11	10	9	8	7	6	5	4	3	2	1	0
RESERVED								CLOCK_GATE_DISABLE		RESERVED		THREAD0_PRI		RESERVED								EXT_CLOCK		RESERVED							

Bits	Field Name	Description	Type	Reset
31:25	RESERVED	Read returns 0.	R	0x00
24	CLOCK_GATE_DISABLE	When set to 1 this field disables all clock gating.	RW	0
23:21	RESERVED	Read returns 0.	R	0x0
20	THREAD0_PRI	Sets thread priority. If the field is set to 0, the default, all initiator threads are treated the same. Setting the THREAD0_PRI field to 1 assigns a higher arbitration priority to thread 0 of the first initiator OCP interface. To avoid starvation, arbitration is imposed by the initiator subsystem. When multiple requests from different initiator threads are dispatched to targets simultaneously, the oldest request is dispatched first. If thread 0 is assigned a higher priority, a request on thread 0 always wins arbitration. Assigning thread 0 of the first initiator OCP the highest priority on a request or response can result in the starvation of other threads.	R	1
19:9	RESERVED	Read returns 0.	R	0x000
8	EXT_CLOCK	Global external clock control. When set to 1, the ext_clk_off_i signal on the initiator subsystem instructs the entire L4 to shut off.	R	1
7:0	RESERVED	Read returns 0.	R	0x00

Table 14-524. Register Call Summary for Register L4_LA_NETWORK_CONTROL_H

L4 Interconnects

- [L4 Link Agent \(L4 LA\) Register Summary: \[0\]\[1\]](#)

Table 14-525. L4_LA_FLAG_MASK_j_L

Address Offset	0x0000 0100 + (0x20*j)	Instance	PER1_LA PER2_LA PER3_LA
Physical Address	0x4800 0900 + (0x20*j) 0x4840 0900 + (0x20*j) 0x4880 0900 + (0x20*j)		
Description	Mask of composite sideband flag(0)		
Type	RW		

31	30	29	28	27	26	25	24	23	22	21	20	19	18	17	16	15	14	13	12	11	10	9	8	7	6	5	4	3	2	1	0
RESERVED																MASK															

Bits	Field Name	Description	Type	Reset
31:4	RESERVED	Read returns 0	R	0x0000 0000
3:0	MASK	Number of input sideband signals	RW	0xF

Table 14-526. Register Call Summary for Register L4_LA_FLAG_MASK_j_L

L4 Interconnects

- [L4 Link Agent \(L4 LA\) Register Summary: \[0\]](#)

Table 14-527. Reset Value for L4_LA_FLAG_MASK_j_L

Initiator	Bit Field (MASK)	Reset
L4_PER1	[3:0]	0xF
L4_PER2	[2:0]	0x7
L4_PER3	[2:0]	0x7

Table 14-528. L4_LA_FLAG_MASK_j_H

Address Offset	0x0000 0104 + (0x20*j)		
Physical Address	0x4800 0904 + (0x20*j) 0x4840 0904 + (0x20*j) 0x4880 0904 + (0x20*j)	Instance	PER1_LA PER2_LA PER3_LA
Description	Status of composite sideband flag(0)		
Type	R		

31	30	29	28	27	26	25	24	23	22	21	20	19	18	17	16	15	14	13	12	11	10	9	8	7	6	5	4	3	2	1	0
RESERVED																															

Bits	Field Name	Description	Type	Reset
31:0	RESERVED	Read returns 0	R	0x0000 0000

Table 14-529. Register Call Summary for Register L4_LA_FLAG_MASK_j_H

L4 Interconnects

- [L4 Link Agent \(L4 LA\) Register Summary: \[0\]](#)

Table 14-530. L4_LA_FLAG_STATUS_j_L

Address Offset	0x0000 0110 + (0x20*j)		
Physical Address	0x4800 0910 + (0x20*j) 0x4840 0910 + (0x20*j) 0x4880 0910 + (0x20*j)	Instance	PER1_LA PER2_LA PER3_LA
Description	Mask of composite sideband flag(1)		
Type	RW		

31	30	29	28	27	26	25	24	23	22	21	20	19	18	17	16	15	14	13	12	11	10	9	8	7	6	5	4	3	2	1	0
RESERVED																STATUS															

Bits	Field Name	Description	Type	Reset
31:4	RESERVED	Read returns 0	R	0x0000 0000
3:0	STATUS	Status of input sideband signals	RW	0x0

Table 14-531. Register Call Summary for Register L4_LA_FLAG_STATUS_j_L

L4 Interconnects

- [L4 Link Agent \(L4 LA\) Register Summary: \[0\]](#)

Table 14-532. L4_LA_FLAG_STATUS_j_H

Address Offset	0x0000 0114 + (0x20*j)		
Physical Address	0x4800 0914 + (0x20*j) 0x4840 0914 + (0x20*j) 0x4880 0914 + (0x20*j)	Instance	PER1_LA PER2_LA PER3_LA
Description	Status of composite sideband flag(1)		
Type	R		

31	30	29	28	27	26	25	24	23	22	21	20	19	18	17	16	15	14	13	12	11	10	9	8	7	6	5	4	3	2	1	0
RESERVED																															

Bits	Field Name	Description	Type	Reset
31:0	RESERVED	Read returns 0	R	0x000 0000 0000 0000

Table 14-533. Register Call Summary for Register L4_LA_FLAG_STATUS_j_H

L4 Interconnects

- [L4 Link Agent \(L4 LA\) Register Summary: \[0\]](#)

14.3.5.5 L4 Address Protection (L4 AP)

14.3.5.5.1 L4 Address Protection (L4 AP) Register Summary

Table 14-534 and Table 14-535 summarizes the L4 AP register mapping.

Table 14-534. L4 AP Register Summary

Register Name	Type	Register Width (Bits)	Address Offset	PER1_AP Physical Address	PER2_AP Physical Address	PER3_AP Physical Address
L4_AP_COMPONENT_L	R	32	0x0000 0000	0x4800 0 000	0x4840 0 000	0x4880 0 000
L4_AP_COMPONENT_H	R	32	0x0000 0004	0x4800 0004	0x4840 0004	0x4880 0004
L4_AP_SEGMENT_i_L ⁽¹⁾	RW	32	0x0000 0100 + (0x08*i)	0x4800 0100 + (0x08*i)	0x4840 0100 + (0x08*i)	0x4880 0100 + (0x08*i)
L4_AP_SEGMENT_i_H ⁽¹⁾	RW	32	0x0000 0104 + (0x08*i)	0x4800 0104 + (0x08*i)	0x4840 0104 + (0x08*i)	0x4880 0104 + (0x08*i)
L4_AP_PROT_GROUP_MEMBERS_k_L ⁽²⁾	R	32	0x0000 0200 + (0x08*k)	0x4800 0200 + (0x08*k)	0x4840 0200 + (0x08*k)	0x4880 0200 + (0x08*k)
L4_AP_PROT_GROUP_MEMBERS_k_H ⁽²⁾	R	32	0x0000 0204 + (0x08*k)	0x4800 0204 + (0x08*k)	0x4840 0204 + (0x08*k)	0x4880 0204 + (0x08*k)

⁽¹⁾ i = 0 to 1 for PER1_AP
i = 0 for PER2_AP
i = 0 for PER3_AP

⁽²⁾ k = 0 to 7 for PER1_AP
k = 0 to 7 for PER2_AP
k = 0 to 7 for PER3_AP

Table 14-534. L4 AP Register Summary (continued)

Register Name	Type	Register Width (Bits)	Address Offset	PER1_AP Physical Address	PER2_AP Physical Address	PER3_AP Physical Address
L4_AP_PROT_GROUP_ROLES_k_L ⁽²⁾	R	32	0x0000 0280 + (0x08*k)	0x4800 0280 + (0x08*k)	0x4840 0280 + (0x08*k)	0x4880 0280 + (0x08*k)
L4_AP_PROT_GROUP_ROLES_k_H ⁽²⁾	R	32	0x0000 0284 + (0x08*k)	0x4800 0284 + (0x08*k)	0x4840 0284 + (0x08*k)	0x4880 0284 + (0x08*k)
L4_AP_REGION_I_L ⁽³⁾	RW	32	0x0000 0300 + (0x08*I)	0x4800 0300 + (0x08*I)	0x4840 0300 + (0x08*I)	0x4880 0300 + (0x08*I)
L4_AP_REGION_I_H ⁽³⁾	RW	32	0x0000 0304 + (0x08*I)	0x4800 0304 + (0x08*I)	0x4840 0304 + (0x08*I)	0x4880 0304 + (0x08*I)

⁽³⁾ I = 0 to 84 for PER1_AP
I = 0 to 56 for PER2_AP
I = 0 to 96 for PER3_AP

Table 14-535. L4 AP Register Summary

Register Name	Type	Register Width (Bits)	Address Offset	CFG_AP Physical Address	WKUP_AP Physical Address
L4_AP_COMPONENT_L	R	32	0x0000 0000	0x4A00 0 000	0x4AE0 0 000
L4_AP_COMPONENT_H	R	32	0x0000 0004	0x4A00 0004	0x4AE0 0004
L4_AP_SEGMENT_i_L ⁽¹⁾	RW	32	0x0000 0100 + (0x08*i)	0x4A00 0100 + (0x08*i)	0x4AE0 0100 + (0x08*i)
L4_AP_SEGMENT_i_H ⁽¹⁾	RW	32	0x0000 0104 + (0x08*i)	0x4A00 0104 + (0x08*i)	0x4AE0 0104 + (0x08*i)
L4_AP_PROT_GROUP_MEMBERS_k_L ⁽²⁾	R	32	0x0000 0200 + (0x08*k)	0x4A00 0200 + (0x08*k)	0x4AE0 0200 + (0x08*k)
L4_AP_PROT_GROUP_MEMBERS_k_H ⁽²⁾	R	32	0x0000 0204 + (0x08*k)	0x4A00 0204 + (0x08*k)	0x4AE0 0204 + (0x08*k)
L4_AP_PROT_GROUP_ROLES_k_L ⁽²⁾	R	32	0x0000 0280 + (0x08*k)	0x4A00 0280 + (0x08*k)	0x4AE0 0280 + (0x08*k)
L4_AP_PROT_GROUP_ROLES_k_H ⁽²⁾	R	32	0x0000 0284 + (0x08*k)	0x4A00 0284 + (0x08*k)	0x4AE0 0284 + (0x08*k)
L4_AP_REGION_I_L ⁽³⁾	RW	32	0x0000 0300 + (0x08*I)	0x4A00 0300 + (0x08*I)	0x4AE0 0300 + (0x08*I)
L4_AP_REGION_I_H ⁽³⁾	RW	32	0x0000 0304 + (0x08*I)	0x4A00 0304 + (0x08*I)	0x4AE0 0304 + (0x08*I)

⁽¹⁾ i = 0 to 1 for PER1_AP
i = 0 for PER2_AP
i = 0 for PER3_AP

⁽²⁾ k = 0 to 7 for PER1_AP
k = 0 to 7 for PER2_AP
k = 0 to 7 for PER3_AP

⁽³⁾ I = 0 to 84 for PER1_AP
I = 0 to 56 for PER2_AP
I = 0 to 96 for PER3_AP

14.3.5.5.2 L4 Address Protection (L4 AP) Register Description

Table 14-536 through Table 14-561 describe the L4 AP registers.

Table 14-536. L4_AP_COMPONENT_L

Address Offset	0x000		
Physical Address	0x4800 0 000 0x4840 0 000 0x4880 0 000 0x4A00 0 000 0x4AE0 0 000	Instance	PER1_AP PER2_AP PER3_AP CFG_AP WKUP_AP
Description	Contains a component code and revision, which are used to identify the hardware of the component.		
Type	R		

31	30	29	28	27	26	25	24	23	22	21	20	19	18	17	16	15	14	13	12	11	10	9	8	7	6	5	4	3	2	1	0
CODE																REV															

Bits	Field Name	Description	Type	Reset
31:16	CODE	Interconnect code	R	See ⁽¹⁾ .
15:0	REV	Component revision code	R ⁽²⁾	See ⁽¹⁾ .

⁽¹⁾ TI Internal Data

⁽²⁾ For L4_PER1 and L4_WKUP, when k = 2 to 7 the access type of CONNID_BIT_VECTOR is RW.
For L4_PER2, L4_PER3 and L4_CFG, when k = 1 to 7 the access type of CONNID_BIT_VECTOR is RW.

Table 14-537. Register Call Summary for Register L4_AP_COMPONENT_L

L4 Interconnects

- [L4 Address Protection \(L4 AP\) Register Summary: \[0\]\[1\]](#)

Table 14-538. L4_AP_COMPONENT_H

Address Offset	0x004		
Physical Address	0x4800 0004 0x4840 0004 0x4880 0004 0x4A00 0004 0x4AE0 0004	Instance	PER1_AP PER2_AP PER3_AP CFG_AP WKUP_AP
Description	Contains a component code and revision, which are used to identify the hardware of the component.		
Type	R		

31	30	29	28	27	26	25	24	23	22	21	20	19	18	17	16	15	14	13	12	11	10	9	8	7	6	5	4	3	2	1	0
RESERVED																															

Bits	Field Name	Description	Type	Reset
31:0	RESERVED	Read returns 0	R	0x0000 0000

Table 14-539. Register Call Summary for Register L4_AP_COMPONENT_H

L4 Interconnects

- [L4 Address Protection \(L4 AP\) Register Summary: \[0\]\[1\]](#)

Table 14-540. L4_AP_SEGMENT_i_L

Address Offset	0x100 + (0x08*i)	Index	
Physical Address	0x4800 0100 + (0x08*i) 0x4840 0100 + (0x08*i) 0x4880 0100 + (0x08*i) 0x4A00 0100 + (0x08*i) 0x4AE0 0100 + (0x08*i)	Instance	PER1_AP PER2_AP PER3_AP CFG_AP WKUP_AP
Description	Define the base address of each segments		
Type	RW		

31	30	29	28	27	26	25	24	23	22	21	20	19	18	17	16	15	14	13	12	11	10	9	8	7	6	5	4	3	2	1	0
BASE																															

Bits	Field Name	Description	Type	Reset
31:0	BASE	The base address of the segment (with 0s from bit 0 to bit SIZE-1).	R	see Table 14-544

Table 14-541. Register Call Summary for Register L4_AP_SEGMENT_i_L

L4 Interconnects

- [L4 Firewall Address and Protection Register Settings: \[0\]](#)
- [L4 Address Protection \(L4 AP\) Register Summary: \[1\]\[2\]](#)

Table 14-542. L4_AP_SEGMENT_i_H

Address Offset	0x104 + (0x08*i)	Index	
Physical Address	0x4800 0104 + (0x08*i) 0x4840 0104 + (0x08*i) 0x4880 0104 + (0x08*i) 0x4A00 0104 + (0x08*i) 0x4AE0 0104 + (0x08*i)	Instance	PER1_AP PER2_AP PER3_AP CFG_AP WKUP_AP
Description	Define the size of each segments		
Type	RW		

31	30	29	28	27	26	25	24	23	22	21	20	19	18	17	16	15	14	13	12	11	10	9	8	7	6	5	4	3	2	1	0
RESERVED																								SIZE							

Bits	Field Name	Description	Type	Reset
31:5	RESERVED	Read returns 0.	R	0x0000000
4:0	SIZE	Segment size is a power of 2, where 2 ^{SIZE} is the byte size of a segment (all segment registers use the same size).	R	see Table 14-544

Table 14-543. Register Call Summary for Register L4_AP_SEGMENT_i_H

L4 Interconnects

- [L4 Firewall Address and Protection Register Settings: \[0\]](#)
- [L4 Address Protection \(L4 AP\) Register Summary: \[1\]\[2\]](#)

Table 14-544. Reset Value for L4_AP_SEGMENT_i

i	L4 PER1		L4 PER2		L4 PER3		L4 CFG		L4 WKUP	
	BASE	SIZE	BASE	SIZE	BASE	SIZE	BASE	SIZE	BASE	SIZE
0	0x0000 0000	0x15	0x0000 0000	0x16	0x0000 0000	0x15	0x0000 0000	0x14	0x0000 0000	0x10
1	0x0020 0000	0x15	-	-	-	-	0x0010 0000	0x14	0x0001 0000	0x10

Table 14-544. Reset Value for L4_AP_SEGMENT_i (continued)

i	L4 PER1		L4 PER2		L4 PER3		L4 CFG		L4 WKUP	
	BASE	SIZE	BASE	SIZE	BASE	SIZE	BASE	SIZE	BASE	SIZE
2	-	-	-	-	-	-	0x0020 0000	0x14	0x0002 0000	0x10
3	-	-	-	-	-	-	-	-	0x0003 0000	0x10

Table 14-545. L4_AP_PROT_GROUP_MEMBERS_k_L

Address Offset	0x200 + (0x08*k)	Index	
Physical Address	0x4800 0200 + (0x08*k) 0x4840 0200 + (0x08*k) 0x4880 0200 + (0x08*k) 0x4A00 0200 + (0x08*k) 0x4AE0 0200 + (0x08*k)	Instance	PER1_AP PER2_AP PER3_AP CFG_AP WKUP_AP
Description	Define ConnID bit vectors for a protection group.		
Type	R		

31	30	29	28	27	26	25	24	23	22	21	20	19	18	17	16	15	14	13	12	11	10	9	8	7	6	5	4	3	2	1	0
RESERVED																CONNID_BIT_VECTOR															

Bits	Field Name	Description	Type	Reset
31:16	RESERVED	Reserved	R	0x000000000000
15:0	CONNID_BIT_VECTOR	Specifies protection group members N is 2**W, where W is the connID width	R ⁽¹⁾	0xFFFF

⁽¹⁾ For L4_PER1 and L4_WKUP, when k = 2 to 7 the access type of CONNID_BIT_VECTOR is RW.
For L4_PER2, L4_PER3 and L4_CFG, when k = 1 to 7 the access type of CONNID_BIT_VECTOR is RW.

Table 14-546. Register Call Summary for Register L4_AP_PROT_GROUP_MEMBERS_k_L

L4 Interconnects

- [Protection Group: \[0\]\[1\]\[2\]\[3\]\[4\]\[5\]\[6\]](#)
- [L4 Firewall Address and Protection Register Settings: \[7\]](#)
- [Operational Modes Configuration: \[8\]](#)
- [L4 Address Protection \(L4 AP\) Register Summary: \[9\]\[10\]](#)

Table 14-547. L4_AP_PROT_GROUP_MEMBERS_k_H

Address Offset	0x204 + (0x08*k)	Index	
Physical Address	0x4800 0204 + (0x08*k) 0x4840 0204 + (0x08*k) 0x4880 0204 + (0x08*k) 0x4A00 0204 + (0x08*k) 0x4AE0 0204 + (0x08*k)	Instance	PER1_AP PER2_AP PER3_AP CFG_AP WKUP_AP
Description	Define ConnID bit vectors for a protection group.		
Type	R		

31	30	29	28	27	26	25	24	23	22	21	20	19	18	17	16	15	14	13	12	11	10	9	8	7	6	5	4	3	2	1	0
RESERVED																															

Bits	Field Name	Description	Type	Reset
31:0	RESERVED	Read returns 0's	R	0x0000 0000

Table 14-548. Register Call Summary for Register L4_AP_PROT_GROUP_MEMBERS_k_H

L4 Interconnects

- Protection Group: [0][1][2][3][4][5][6]
- L4 Address Protection (L4 AP) Register Summary: [7][8]

Table 14-549. L4_AP_PROT_GROUP_ROLES_k_L

Address Offset	0x200 + (0x08*k)	Index	
Physical Address	0x4800 0280 + (0x08*k) 0x4840 0280 + (0x08*k) 0x4880 0280 + (0x08*k) 0x4A00 0280 + (0x08*k) 0x4AE0 0280 + (0x08*k)	Instance	PER1_AP PER2_AP PER3_AP CFG_AP WKUP_AP
Description	Define MReqInfo bit vectors for a protection group.		
Type	R		

31	30	29	28	27	26	25	24	23	22	21	20	19	18	17	16	15	14	13	12	11	10	9	8	7	6	5	4	3	2	1	0
ENABLE																															

Bits	Field Name	Description	Type	Reset
31:0	ENABLE	Enabled bits N is 2**W, where W (W is less than or equal to 6) is the number of MReqInfo bits configured for role checking	R	0xFFFF

Table 14-550. Register Call Summary for Register L4_AP_PROT_GROUP_ROLES_k_L

L4 Interconnects

- Protection Group: [0][1][2][3][4][5][6][7]
- L4 Firewall Address and Protection Register Settings: [8]
- Operational Modes Configuration: [9]
- L4 Address Protection (L4 AP) Register Summary: [10][11]

Table 14-551. Reset Value for L4_AP_PROT_GROUP_ROLES_k

k	L4_PER		L4_CFG		L4_WKUP	
	Type	Reset Value	Type	Reset Value	Type	Reset value
0	R	0xFFFF FFFF ⁽¹⁾	R	0xFFFF FFFF ⁽¹⁾	R	0xFFFF FFFF ⁽¹⁾
1	R	0xFFFF FFFF ⁽¹⁾	R	0xFFFF FFFF ⁽¹⁾	R	0xFFFF FFFF ⁽¹⁾
2	R	0xFFFF FFFF ⁽¹⁾	R	0xFFFF FFFF ⁽¹⁾	R	0xFFFF FFFF ⁽¹⁾
3	RW	0xFFFF FFFF	R	0xFFFF FFFF ⁽¹⁾	R	0xFFFF FFFF ⁽¹⁾
4	RW	0xFFFF FFFF	R	0xFFFF FFFF ⁽¹⁾	R	0xFFFF FFFF ⁽¹⁾
5	RW	0xFFFF FFFF	RW	0xFFFF FFFF	RW	0xFFFF FFFF
6	RW	0xFFFF FFFF	RW	0xFFFF FFFF	RW	0xFFFF FFFF
7	RW	0xFFFF FFFF	RW	0xFFFF FFFF	RW	0xFFFF FFFF

⁽¹⁾ Value exported from SCM and valid for GP device only (see [Chapter 18, Control Module](#)). The values of the other protection registers can be modified during run time.

Table 14-552. L4_AP_PROT_GROUP_ROLES_k_H

Address Offset	0x204 + (0x08*k)	Index	
Physical Address	0x4800 0284 + (0x08*k) 0x4840 0284 + (0x08*k) 0x4880 0284 + (0x08*k) 0x4A00 0284 + (0x08*k) 0x4AE0 0284 + (0x08*k)	Instance	PER1_AP PER2_AP PER3_AP CFG_AP WKUP_AP
Description	Define ConnID bit vectors for a protection group.		
Type	R		

31	30	29	28	27	26	25	24	23	22	21	20	19	18	17	16	15	14	13	12	11	10	9	8	7	6	5	4	3	2	1	0
ENABLE																															

Bits	Field Name	Description	Type	Reset
31:0	ENABLE	Enabled bits N is 2**W, where W (W is less than or equal to 6) is the number of MReqInfo bits configured for role checking	R	0xFFFF

Table 14-553. Register Call Summary for Register L4_AP_PROT_GROUP_ROLES_k_H

L4 Interconnects

- [Protection Group: \[0\]\[1\]\[2\]\[3\]\[4\]](#)
- [L4 Firewall Address and Protection Register Settings: \[5\]](#)
- [L4 Address Protection \(L4 AP\) Register Summary: \[6\]\[7\]](#)

Table 14-554. L4_AP_REGION_I_L

Address Offset	0x300 + (0x08*I)	Index	
Physical Address	0x4800 0300 + (0x08*I) 0x4840 0300 + (0x08*I) 0x4880 0300 + (0x08*I) 0x4A00 0300 + (0x08*I) 0x4AE0 0300 + (0x08*I)	Instance	PER1_AP PER2_AP PER3_AP CFG_AP WKUP_AP
Description	Define the base address of the region in respect to the segment it belongs to.		
Type	RW		

31	30	29	28	27	26	25	24	23	22	21	20	19	18	17	16	15	14	13	12	11	10	9	8	7	6	5	4	3	2	1	0
RESERVED												BASE																			

Bits	Field Name	Description	Type	Reset
31:21	RESERVED	Read returns 0.	R	0x00
20:0	BASE	Sets the base address of the region relative to its segment base.	R	See Table 14-558 to Table 14-562

Table 14-555. Register Call Summary for Register L4_AP_REGION_I_L

L4 Interconnects

- [L4 Firewall Address and Protection Register Settings: \[0\]](#)
- [Operational Modes Configuration: \[1\]](#)
- [L4 Address Protection \(L4 AP\) Register Summary: \[2\]\[3\]](#)

Table 14-556. L4_AP_REGION_I_H

Address Offset	0x304 + (0x08*I)	Index	
Physical Address	0x4800 0304 + (0x08*I) 0x4840 0304 + (0x08*I) 0x4880 0304 + (0x08*I) 0x4A00 0304 + (0x08*I) 0x4AE0 0304 + (0x08*I)	Instance	PER1_AP PER2_AP PER3_AP CFG_AP WKUP_AP
Description	Define the size, protection group and segment ID of the region		
Type	RW		

31	30	29	28	27	26	25	24	23	22	21	20	19	18	17	16	15	14	13	12	11	10	9	8	7	6	5	4	3	2	1	0
MADDRSPACE				RESERVED	SEGMENT_ID			RESERVED	PROT_GROUP_ID			RESERVED	BYTE_DATA_WIDTH_EXP			RESERVED	PHY_TARGET_ID						RESERVED	SIZE				ENABLE			

Bits	Field Name	Description	Type	Reset
31:28	MADDRSPACE	Target interconnect MAddrSpace	R	See Table 14-558 to Table 14-562
27	RESERVED	Read returns 0	R	0x0
26:24	SEGMENT_ID	Segment ID of the region	R	See Table 14-558 to Table 14-562
23	RESERVED	Read returns 0	R	0x0
22:20	PROT_GROUP_ID	Protection group ID	RW	See Table 14-558 to Table 14-562
19	RESERVED	Read returns 0	R	0x0
18:17	BYTE_DATA_WIDTH_EXP	Target data byte width	R	See Table 14-558 to Table 14-562
16:15	RESERVED	Read returns 0	R	0x0
14:8	PHY_TARGET_ID	Physical target ID	R	See Table 14-558 to Table 14-562
7	RESERVED	Read returns 0.	R	0x0
6:1	SIZE	Define the size of the region in bytes. 2 ^{SIZE} equals the region.	R	See Table 14-558 to Table 14-562
0	ENABLE	0x0: Disable the region, no access allows 0x1: Enable the region, with access as define in registers	R	0x1

Table 14-557. Register Call Summary for Register L4_AP_REGION_I_H

L4 Interconnects

- [L4 Firewall Address and Protection Register Settings: \[0\]](#)
- [L4 Address Protection \(L4 AP\) Register Summary: \[1\]\[2\]](#)

Table 14-558. L4_AP_REGION_I Reset Value for L4 PER1

Region	MADDRSPACE	SEGMENT_ID	PROT_GROUP_ID	BYTE_DATA_WIDTH_EXP	PHY_TARGET_ID	SIZE	ENABLE	BASE
0	0x0	0x0	0x0	0x2	0x00	0x0B	0x1	0x00 0000
1	0x1	0x0	0x7	0x2	0x00	0x0A	0x1	0x00 1000
2	0x5	0x0	0x0	0x2	0x01	0x0B	0x1	0x00 0800
3	0x0	0x0	0x7	0x2	0x04	0x0C	0x1	0x02 0000

Table 14-558. L4_AP_REGION_I Reset Value for L4 PER1 (continued)

Region	MADDRSPACE	SEGMENT_ID	PROT_GROUP_ID	BYTE_DATA_WIDTH_EXP	PHY_TARGET_ID	SIZE	ENABLE	BASE
4	0x0	0x0	0x7	0x2	0x05	0x0C	0x1	0x02 1000
5	0x0	0x0	0x7	0x2	0x3E	0x0C	0x1	0x03 2000
6	0x0	0x0	0x7	0x2	0x3F	0x0C	0x1	0x03 3000
7	0x0	0x0	0x7	0x2	0x46	0x0C	0x1	0x03 4000
8	0x0	0x0	0x7	0x2	0x47	0x0C	0x1	0x03 5000
9	0x0	0x0	0x7	0x2	0x4E	0x0C	0x1	0x03 6000
10	0x0	0x0	0x7	0x2	0x4F	0x0C	0x1	0x03 7000
11	0x0	0x0	0x7	0x2	0x56	0x0C	0x1	0x03 E000
12	0x0	0x0	0x7	0x2	0x57	0x0C	0x1	0x03 F000
13	0x0	0x0	0x7	0x2	0x0E	0x0C	0x1	0x05 5000
14	0x0	0x0	0x7	0x2	0x0F	0x0C	0x1	0x05 6000
15	0x0	0x0	0x7	0x2	0x06	0x0C	0x1	0x05 7000
16	0x0	0x0	0x7	0x2	0x07	0x0C	0x1	0x05 8000
17	0x0	0x0	0x7	0x2	0x16	0x0C	0x1	0x05 9000
18	0x0	0x0	0x7	0x2	0x17	0x0C	0x1	0x05 A000
19	0x0	0x0	0x7	0x2	0x1E	0x0C	0x1	0x05 B000
20	0x0	0x0	0x7	0x2	0x1F	0x0C	0x1	0x05 C000
21	0x0	0x0	0x7	0x2	0x26	0x0C	0x1	0x05 D000
22	0x0	0x0	0x7	0x2	0x27	0x0C	0x1	0x05 E000
23	0x0	0x0	0x7	0x2	0x32	0x0C	0x1	0x06 0000
24	0x0	0x0	0x7	0x2	0x24	0x0C	0x1	0x06 A000
25	0x0	0x0	0x7	0x2	0x25	0x0C	0x1	0x06 B000
26	0x0	0x0	0x7	0x2	0x2C	0x0C	0x1	0x06 C000
27	0x0	0x0	0x7	0x2	0x2D	0x0C	0x1	0x06 D000
28	0x1	0x0	0x7	0x2	0x0C	0x0C	0x1	0x06 E000
29	0x0	0x0	0x7	0x2	0x0D	0x0C	0x1	0x06 F000
30	0x0	0x0	0x7	0x2	0x22	0x0C	0x1	0x07 0000
31	0x0	0x0	0x7	0x2	0x23	0x0C	0x1	0x07 1000
32	0x0	0x0	0x7	0x2	0x2A	0x0C	0x1	0x07 2000
33	0x0	0x0	0x7	0x2	0x2B	0x0C	0x1	0x07 3000
34	0x0	0x0	0x7	0x2	0x33	0x0C	0x1	0x06 1000
35	0x0	0x0	0x7	0x2	0x36	0x0C	0x1	0x05 3000
36	0x0	0x0	0x7	0x2	0x37	0x0C	0x1	0x05 4000
37	0x0	0x0	0x7	0x2	0x52	0x0C	0x1	0x0B 2000
38	0x0	0x0	0x7	0x2	0x53	0x0C	0x1	0x0B 3000
39	0x0	0x0	0x7	0x2	0x0A	0x0C	0x1	0x07 8000
40	0x0	0x0	0x7	0x2	0x0B	0x0C	0x1	0x07 9000
41	0x0	0x0	0x7	0x2	0x5E	0x0C	0x1	0x08 6000
42	0x0	0x0	0x7	0x2	0x5F	0x0C	0x1	0x08 7000
43	0x0	0x0	0x7	0x2	0x66	0x0C	0x1	0x08 8000
44	0x0	0x0	0x7	0x2	0x67	0x0C	0x1	0x08 9000
45	0x0	0x0	0x7	0x2	0x2E	0x0C	0x1	0x05 1000
46	0x0	0x0	0x7	0x2	0x2F	0x0C	0x1	0x05 2000
47	0x0	0x0	0x7	0x2	0x08	0x0C	0x1	0x09 8000
48	0x0	0x0	0x7	0x2	0x09	0x0C	0x1	0x09 9000
49	0x0	0x0	0x7	0x2	0x10	0x0C	0x1	0x09 A000
50	0x0	0x0	0x7	0x2	0x11	0x0C	0x1	0x09 B000

Table 14-558. L4_AP_REGION_I Reset Value for L4 PER1 (continued)

Region	MADDRSPACE	SEGMENT_ID	PROT_GROUP_ID	BYTE_DATA_WIDTH_EXP	PHY_TARGET_ID	SIZE	ENABLE	BASE
51	0x0	0x0	0x7	0x2	0x38	0x0C	0x1	0x09 C000
52	0x0	0x0	0x7	0x2	0x39	0x0C	0x1	0x09 D000
53	0x0	0x0	0x7	0x2	0x1C	0x0C	0x1	0x06 8000
54	0x0	0x0	0x7	0x2	0x1D	0x0C	0x1	0x06 9000
55	0x0	0x0	0x1	0x2	0x12	0x0D	0x1	0x09 0000
56	0x0	0x0	0x7	0x2	0x13	0x0C	0x1	0x09 2000
57	0x0	0x0	0x1	0x2	0x42	0x0C	0x1	0x0A 4000
58	0x0	0x0	0x7	0x2	0x43	0x0C	0x1	0x0A 6000
59	0x0	0x0	0x1	0x2	0x1A	0x0E	0x1	0x0A 8000
60	0x0	0x0	0x7	0x2	0x1B	0x0C	0x1	0x0A C000
61	0x0	0x0	0x7	0x2	0x20	0x0C	0x1	0x0A D000
62	0x0	0x0	0x7	0x2	0x21	0x0C	0x1	0x0A E000
63	0x0	0x0	0x7	0x2	0x14	0x0C	0x1	0x06 6000
64	0x0	0x0	0x7	0x2	0x15	0x0C	0x1	0x06 7000
65	0x0	0x0	0x7	0x2	0x40	0x0C	0x1	0x0B 4000
66	0x0	0x0	0x7	0x2	0x41	0x0C	0x1	0x0B 5000
67	0x0	0x0	0x7	0x2	0x48	0x0C	0x1	0x0B 8000
68	0x0	0x0	0x7	0x2	0x49	0x0C	0x1	0x0B 9000
69	0x0	0x0	0x7	0x2	0x18	0x0C	0x1	0x0B A000
70	0x0	0x0	0x7	0x2	0x19	0x0C	0x1	0x0B B000
71	0x0	0x0	0x7	0x2	0x28	0x0C	0x1	0x0D 1000
72	0x0	0x0	0x7	0x2	0x29	0x0C	0x1	0x0D 2000
73	0x0	0x0	0x7	0x2	0x30	0x0C	0x1	0x0D 5000
74	0x0	0x0	0x7	0x2	0x31	0x0C	0x1	0x0D 6000
75	0x0	0x0	0x7	0x2	0x02	0x0C	0x1	0x0A 2000
76	0x0	0x0	0x7	0x2	0x03	0x0C	0x1	0x0A 3000
77	0x2	0x0	0x7	0x2	0x00	0x0A	0x1	0x00 1400
78	0x3	0x0	0x7	0x2	0x00	0x0A	0x1	0x00 1800
79	0x4	0x0	0x7	0x2	0x00	0x0A	0x1	0x00 1C00
80	0x1	0x0	0x1	0x2	0x42	0x0C	0x1	0x0A 5000
81	0x0	0x0	0x7	0x2	0x3A	0x0C	0x1	0x07 A000
82	0x0	0x0	0x7	0x2	0x3B	0x0C	0x1	0x07 B000
83	0x0	0x0	0x7	0x2	0x4A	0x0C	0x1	0x07 C000
84	0x0	0x0	0x7	0x2	0x4B	0x0C	0x1	0x07 D000

Table 14-559. L4_AP_REGION_I Reset Value for L4 PER2

Region	MADDRSPACE	SEGMENT_ID	PROT_GROUP_ID	BYTE_DATA_WIDTH_EXP	PHY_TARGET_ID	SIZE	ENABLE	BASE
0	0x0	0x0	0x0	0x2	0x00	0x0B	0x1	0x00 0000
1	0x1	0x0	0x7	0x2	0x00	0x0A	0x1	0x00 1000
2	0x5	0x0	0x0	0x2	0x01	0x0B	0x1	0x00 0800
3	0x0	0x0	0x7	0x2	0x0E	0x0C	0x1	0x08 4000
4	0x2	0x0	0x7	0x2	0x0A	0x0C	0x1	0x00 1400
5	0x3	0x0	0x7	0x2	0x0A	0x0C	0x1	0x00 1800
6	0x0	0x0	0x7	0x2	0x11	0x0C	0x1	0x08 8000
7	0x0	0x0	0x7	0x2	0x18	0x0C	0x1	0x02 C000

Table 14-559. L4_AP_REGION_I Reset Value for L4 PER2 (continued)

Region	MADDRSPACE	SEGMENT_ID	PROT_GROUP_ID	BYTE_DATA_WIDTH_EXP	PHY_TARGET_ID	SIZE	ENABLE	BASE
8	0x0	0x0	0x7	0x2	0x19	0x0C	0x1	0x02 D000
9	0x0	0x0	0x7	0x2	0x0E	0x0D	0x1	0x06 0000
10	0x0	0x0	0x7	0x2	0x0F	0x0C	0x1	0x06 2000
11	0x0	0x0	0x7	0x2	0x1E	0x0D	0x1	0x06 4000
12	0x0	0x0	0x7	0x2	0x1F	0x0C	0x1	0x06 6000
13	0x0	0x0	0x7	0x2	0x26	0x0C	0x1	0x06 8000
14	0x0	0x0	0x7	0x2	0x27	0x0C	0x1	0x06 A000
15	0x0	0x0	0x7	0x2	0x2E	0x0D	0x1	0x06 C000
16	0x0	0x0	0x7	0x2	0x2F	0x0C	0x1	0x6 E000
17	0x0	0x0	0x7	0x2	0x06	0x0C	0x1	0x03 6000
18	0x0	0x0	0x7	0x2	0x07	0x0C	0x1	0x03 8000
19	0x0	0x0	0x7	0x2	0x36	0x0D	0x1	0x07 0000
20	0x0	0x0	0x7	0x2	0x37	0x0C	0x1	0x07 2000
21	0x0	0x0	0x7	0x2	0x3E	0x0C	0x1	0x03 A000
22	0x0	0x0	0x7	0x2	0x3F	0x0C	0x1	0x03 B000
23	0x0	0x0	0x7	0x2	0x08	0x0C	0x1	0x03 C000
24	0x0	0x0	0x7	0x2	0x09	0x0C	0x1	0x03 D000
25	0x0	0x0	0x7	0x2	0x30	0x0C	0x1	0x03 E000
26	0x0	0x0	0x7	0x2	0x31	0x0C	0x1	0x03 F000
27	0x0	0x0	0x7	0x2	0x38	0x0C	0x1	0x04 0000
28	0x1	0x0	0x7	0x2	0x39	0x0C	0x1	0x04 1000
29	0x0	0x0	0x7	0x2	0x20	0x0C	0x1	0x04 2000
30	0x0	0x0	0x7	0x2	0x21	0x0C	0x1	0x04 3000
31	0x0	0x0	0x7	0x2	0x16	0x0D	0x1	0x08 0000
32	0x0	0x0	0x7	0x2	0x17	0x0C	0x1	0x08 2000
33	0x0	0x0	0x7	0x2	0x1A	0x0C	0x1	0x04 A000
34	0x0	0x0	0x7	0x2	0x1B	0x0C	0x1	0x04 B000
35	0x0	0x0	0x7	0x2	0x14	0x0D	0x1	0x07 4000
36	0x0	0x0	0x7	0x2	0x15	0x0C	0x1	0x07 6000
37	0x0	0x0	0x7	0x2	0x24	0x0C	0x1	0x05 0000
38	0x0	0x0	0x7	0x2	0x25	0x0C	0x1	0x05 1000
39	0x0	0x0	0x7	0x2	0x0C	0x0D	0x1	0x07 8000
40	0x0	0x0	0x7	0x2	0x0D	0x0C	0x1	0x07 A000
41	0x0	0x0	0x7	0x2	0x2C	0x0C	0x1	0x05 4000
42	0x0	0x0	0x7	0x2	0x2D	0x0C	0x1	0x05 5000
43	0x0	0x0	0x7	0x2	0x04	0x0D	0x1	0x07 C000
44	0x0	0x0	0x7	0x2	0x05	0x0C	0x1	0x07 E000
45	0x0	0x0	0x7	0x2	0x1C	0x0C	0x1	0x04 C000
46	0x0	0x0	0x7	0x2	0x1D	0x0C	0x1	0x04 D000
47	0x0	0x0	0x7	0x2	0x02	0x0C	0x1	0x02 0000
48	0x0	0x0	0x7	0x2	0x03	0x0C	0x1	0x02 1000
49	0x0	0x0	0x7	0x2	0x0A	0x0C	0x1	0x02 2000
50	0x0	0x0	0x7	0x2	0x0B	0x0C	0x1	0x02 3000
51	0x0	0x0	0x7	0x2	0x12	0x0C	0x1	0x02 4000
52	0x0	0x0	0x7	0x2	0x13	0x0C	0x1	0x02 5000
53	0x0	0x0	0x7	0x2	0x40	0x0C	0x1	0x04 6000
54	0x0	0x0	0x7	0x2	0x41	0x0C	0x1	0x04 7000

Table 14-559. L4_AP_REGION_I Reset Value for L4 PER2 (continued)

Region	MADDRSPACE	SEGMENT_ID	PROT_GROUP_ID	BYTE_DATA_WIDTH_EXP	PHY_TARGET_ID	SIZE	ENABLE	BASE
55	0x0	0x0	0x1	0x2	0x48	0x0C	0x1	0x04 8000
56	0x0	0x0	0x7	0x2	0x49	0x0C	0x1	0x04 9000
57	0x0	0x0	0x1	0x2	0x28	0x0D	0x1	0x05 8000
58	0x0	0x0	0x7	0x2	0x29	0x0C	0x1	0x05 A000
59	0x0	0x0	0x1	0x2	0x46	0x0C	0x1	0x05 B000
60	0x0	0x0	0x7	0x2	0x47	0x0C	0x1	0x05 C000
61	0x0	0x0	0x7	0x2	0x22	0x0C	0x1	0x05 D000
62	0x0	0x0	0x7	0x2	0x23	0x0C	0x1	0x05 E000

Table 14-560. L4_AP_REGION_I Reset Value for L4 PER3

Region	MADDRSPACE	SEGMENT_ID	PROT_GROUP_ID	BYTE_DATA_WIDTH_EXP	PHY_TARGET_ID	SIZE	ENABLE	BASE
0	0x0	0x0	0x0	0x2	0x00	0x0B	0x1	0x00 0000
1	0x5	0x0	0x0	0x2	0x01	0x0B	0x1	0x00 0800
2	0x1	0x0	0x7	0x2	0x00	0x0A	0x1	0x00 1000
3	0x2	0x0	0x7	0x2	0x00	0x0A	0x1	0x00 1400
4	0x3	0x0	0x7	0x2	0x0A	0x0C	0x1	0x00 1800
5	0x0	0x0	0x7	0x2	0x08	0x0C	0x1	0x02 0000
6	0x0	0x0	0x7	0x2	0x09	0x0C	0x1	0x02 1000
7	0x0	0x0	0x7	0x2	0x24	0x0C	0x1	0x02 2000
8	0x0	0x0	0x7	0x2	0x25	0x0C	0x1	0x02 3000
9	0x0	0x0	0x7	0x2	0x26	0x0C	0x1	0x02 4000
10	0x0	0x0	0x7	0x2	0x27	0x0C	0x1	0x02 5000
11	0x0	0x0	0x7	0x2	0x0C	0x0C	0x1	0x02 6000
12	0x0	0x0	0x7	0x2	0x0D	0x0C	0x1	0x02 7000
13	0x0	0x0	0x7	0x2	0x16	0x0C	0x1	0x02 8000
14	0x0	0x0	0x7	0x2	0x17	0x0C	0x1	0x02 9000
15	0x0	0x0	0x7	0x2	0x10	0x0C	0x1	0x02 A000
16	0x0	0x0	0x7	0x2	0x11	0x0C	0x1	0x02 B000
17	0x0	0x0	0x7	0x2	0x02	0x0C	0x1	0x02 C000
18	0x0	0x0	0x7	0x2	0x03	0x0C	0x1	0x02 D000
19	0x0	0x0	0x7	0x2	0x14	0x0C	0x1	0x02 E000
20	0x0	0x0	0x7	0x2	0x15	0x0C	0x1	0x02 F000
21	0x0	0x0	0x7	0x2	0x0A	0x10	0x1	0x17 0000
22	0x0	0x0	0x7	0x2	0x0B	0x0C	0x1	0x18 0000
23	0x0	0x0	0x7	0x2	0x2E	0x0C	0x1	0x19 0000
24	0x0	0x0	0x7	0x2	0x2F	0x0C	0x1	0x1A 0000
25	0x0	0x0	0x7	0x2	0x34	0x10	0x1	0x1B 0000
26	0x0	0x0	0x7	0x2	0x35	0x0C	0x1	0x1C 0000
27	0x0	0x0	0x7	0x2	0x30	0x0C	0x1	0x1D 0000
28	0x1	0x0	0x7	0x2	0x31	0x0C	0x1	0x1E 0000
29	0x0	0x0	0x7	0x2	0x12	0x0C	0x1	0x03 8000
30	0x0	0x0	0x7	0x2	0x13	0x0C	0x1	0x03 9000
31	0x0	0x0	0x7	0x2	0x32	0x0D	0x1	0x05 C000
32	0x0	0x0	0x7	0x2	0x33	0x0C	0x1	0x05 D000
33	0x0	0x0	0x7	0x2	0x3E	0x0C	0x1	0x03 A000

Table 14-560. L4_AP_REGION_I Reset Value for L4 PER3 (continued)

Region	MADDRSPACE	SEGMENT_ID	PROT_GROUP_ID	BYTE_DATA_WIDTH_EXP	PHY_TARGET_ID	SIZE	ENABLE	BASE
34	0x0	0x0	0x7	0x2	0x3F	0x0C	0x1	0x03 B000
35	0x0	0x0	0x7	0x2	0x3A	0x0D	0x1	0x03 C000
36	0x0	0x0	0x7	0x2	0x3B	0x0C	0x1	0x03 D000
37	0x0	0x0	0x7	0x2	0x46	0x0C	0x1	0x03 E000
38	0x0	0x0	0x7	0x2	0x47	0x0C	0x1	0x03 F000
39	0x0	0x0	0x7	0x2	0x64	0x0D	0x1	0x04 0000
40	0x0	0x0	0x7	0x2	0x65	0x0D	0x1	0x04 1000
41	0x0	0x0	0x7	0x2	0x4E	0x0C	0x1	0x04 2000
42	0x0	0x0	0x7	0x2	0x4F	0x0C	0x1	0x04 3000
43	0x0	0x0	0x7	0x2	0x42	0x0C	0x1	0x04 4000
44	0x0	0x0	0x7	0x2	0x43	0x0C	0x1	0x04 5000
45	0x0	0x0	0x7	0x2	0x48	0x0C	0x1	0x04 6000
46	0x0	0x0	0x7	0x2	0x49	0x0C	0x1	0x04 7000
47	0x0	0x0	0x7	0x2	0x46	0x0C	0x1	0x04 8000
48	0x0	0x0	0x7	0x2	0x37	0x0C	0x1	0x04 9000
49	0x0	0x0	0x7	0x2	0x38	0x0C	0x1	0x04 A000
50	0x0	0x0	0x7	0x2	0x39	0x0C	0x1	0x04 B000
51	0x0	0x0	0x7	0x2	0x44	0x0C	0x1	0x04 C000
52	0x0	0x0	0x7	0x2	0x45	0x0C	0x1	0x04 D000
53	0x0	0x0	0x7	0x2	0x4C	0x0C	0x1	0x04 E000
54	0x0	0x0	0x7	0x2	0x4D	0x0C	0x1	0x04 F000
55	0x0	0x0	0x7	0x2	0x40	0x0C	0x1	0x05 0000
56	0x0	0x0	0x7	0x2	0x41	0x0C	0x1	0x05 1000
57	0x0	0x0	0x1	0x2	0x54	0x0C	0x1	0x05 2000
58	0x0	0x0	0x7	0x2	0x55	0x0C	0x1	0x05 3000
59	0x0	0x0	0x1	0x2	0x1A	0x0C	0x1	0x05 4000
60	0x0	0x0	0x7	0x2	0x1B	0x0C	0x1	0x05 5000
61	0x0	0x0	0x7	0x2	0x22	0x0C	0x1	0x05 6000
62	0x0	0x0	0x7	0x2	0x23	0x0C	0x1	0x05 7000
63	0x0	0x0	0x7	0x2	0x2A	0x0C	0x1	0x05 8000
64	0x0	0x0	0x7	0x2	0x2B	0x0C	0x1	0x05 9000
65	0x0	0x0	0x7	0x2	0x5C	0x0C	0x1	0x05 A000
66	0x0	0x0	0x7	0x2	0x5D	0x0C	0x1	0x05 B000
67	0x0	0x0	0x7	0x2	0x52	0x0C	0x1	0x06 4000
68	0x0	0x0	0x7	0x2	0x53	0x0C	0x1	0x06 5000
69	0x0	0x0	0x7	0x2	0x6C	0x0C	0x1	0x05 E000
70	0x0	0x0	0x7	0x2	0x6D	0x0C	0x1	0x05 F000
71	0x0	0x0	0x7	0x2	0x4A	0x0C	0x1	0x06 0000
72	0x0	0x0	0x7	0x2	0x4B	0x0C	0x1	0x06 1000
73	0x0	0x0	0x7	0x2	0x74	0x0C	0x1	0x06 2000
74	0x0	0x0	0x7	0x2	0x75	0x0C	0x1	0x06 3000
75	0x0	0x0	0x7	0x2	0x3C	0x0C	0x1	0x14 0000
76	0x0	0x0	0x7	0x2	0x3D	0x0C	0x1	0x16 0000
77	0x0	0x0	0x7	0x2	0x1E	0x0C	0x1	0x01 6000
78	0x0	0x0	0x7	0x2	0x1F	0x0C	0x1	0x01 7000
79	0x0	0x0	0x7	0x2	0x06	0x11	0x1	0x0C 0000
80	0x0	0x0	0x7	0x2	0x07	0x0C	0x1	0x0E 0000

Table 14-560. L4_AP_REGION_I Reset Value for L4 PER3 (continued)

Region	MADDRSPACE	SEGMENT_ID	PROT_GROUP_ID	BYTE_DATA_WIDTH_EXP	PHY_TARGET_ID	SIZE	ENABLE	BASE
81	0x0	0x0	0x7	0x2	0x20	0x0C	0x1	0x00 4000
82	0x0	0x0	0x7	0x2	0x21	0x0C	0x1	0x00 5000
83	0x0	0x0	0x7	0x2	0x0E	0x11	0x1	0x08 0000
84	0x0	0x0	0x7	0x2	0x0F	0x0C	0x1	0x0A 0000
85	0x0	0x0	0x7	0x2	0x01	0x11	0x1	0x10 0000
86	0x0	0x0	0x7	0x2	0x05	0x0C	0x1	0x12 0000
87	0x0	0x0	0x7	0x2	0x28	0x0C	0x1	0x01 0000
88	0x0	0x0	0x7	0x2	0x29	0x0C	0x1	0x01 1000
89	0x0	0x0	0x7	0x2	0x18	0x0C	0x1	0x00 A000
90	0x0	0x0	0x7	0x2	0x19	0x0C	0x1	0x00 B000
91	0x0	0x0	0x7	0x2	0x1C	0x0C	0x1	0x01 C000
92	0x0	0x0	0x7	0x2	0x1D	0x0C	0x1	0x01 D000
93	0x0	0x0	0x7	0x2	0x2C	0x0C	0x1	0x01 E000
94	0x0	0x0	0x7	0x2	0x2D	0x0C	0x1	0x01 F000
95	0x0	0x0	0x7	0x2	0x7C	0x0C	0x1	0x00 2000
96	0x0	0x0	0x7	0x2	0x7D	0x0C	0x1	0x00 3000

Table 14-561. L4_AP_REGION_I Reset Value for L4 CFG

Region	MADDRSPACE	SEGMENT_ID	PROT_GROUP_ID	BYTE_DATA_WIDTH_EXP	PHY_TARGET_ID	SIZE	ENABLE	BASE
0	0x0	0x0	0x0	0x2	0x00	0x0B	0x1	0x0 0000
1	0x5	0x0	0x0	0x2	0x01	0x0B	0x1	0x0 0800
2	0x1	0x0	0x7	0x2	0x00	0x0C	0x1	0x0 1000
3	0x0	0x0	0x7	0x2	0x08	0x0D	0x1	0x0 2000
4	0x0	0x0	0x7	0x2	0x09	0x0C	0x1	0x0 4000
5	0x0	0x0	0x7	0x2	0x10	0x0C	0x1	0x0 5000
6	0x0	0x0	0x7	0x2	0x11	0x0C	0x1	0x0 6000
7	0x0	0x0	0x7	0x2	0x0E	0x0D	0x1	0x0 8000
8	0x0	0x0	0x7	0x2	0x0F	0x0C	0x1	0x0 A000
9	0x0	0x0	0x7	0x2	0x02	0x0C	0x1	0x5 6000
10	0x0	0x0	0x7	0x2	0x03	0x0C	0x1	0x5 7000
11	0x0	0x0	0x7	0x2	0x1A	0x0D	0x1	0x5 E000
12	0x0	0x0	0x7	0x2	0x1B	0x0C	0x1	0x6 0000
13	0x0	0x0	0x7	0x2	0x20	0x0F	0x1	0x8 0000
14	0x0	0x0	0x7	0x2	0x21	0x0C	0x1	0x8 8000
15	0x0	0x0	0x7	0x2	0x40	0x0F	0x1	0xA 0000
16	0x0	0x0	0x7	0x2	0x41	0x0C	0x1	0xA 8000
17	0x0	0x0	0x7	0x2	0x72	0x0C	0x1	0xD 9000
18	0x0	0x0	0x7	0x2	0x73	0x0C	0x1	0xD A000
19	0x0	0x0	0x7	0x2	0x18	0x0C	0x1	0xD D000
20	0x0	0x0	0x7	0x2	0x19	0x0C	0x1	0xD E000
21	0x0	0x0	0x5	0x2	0x28	0x0C	0x1	0xE 0000
22	0x0	0x0	0x7	0x2	0x29	0x0C	0x1	0xE 1000
23	0x0	0x0	0x7	0x2	0x04	0x0C	0x1	0xF 4000
24	0x0	0x0	0x7	0x2	0x05	0x0C	0x1	0xF 5000
25	0x0	0x0	0x7	0x2	0x78	0x0C	0x1	0xF 6000

Table 14-561. L4_AP_REGION_I Reset Value for L4 CFG (continued)

Region	MADDRSPACE	SEGMENT_ID	PROT_GROUP_ID	BYTE_DATA_WIDTH_EXP	PHY_TARGET_ID	SIZE	ENABLE	BASE
26	0x0	0x0	0x7	0x2	0x79	0x0C	0x1	0xF 7000
27	0x0	0x1	0x7	0x2	0x3C	0x0C	0x1	0x0 2000
28	0x0	0x1	0x7	0x2	0x3D	0x0C	0x1	0x0 3000
29	0x0	0x1	0x7	0x2	0x1E	0x0C	0x1	0x0 8000
30	0x0	0x1	0x7	0x2	0x1F	0x0C	0x1	0x0 9000
31	0x0	0x1	0x7	0x2	0x06	0x10	0x1	0x4 0000
32	0x0	0x1	0x7	0x2	0x07	0x0C	0x1	0x5 0000
33	0x0	0x1	0x1	0x2	0x50	0x0C	0x1	0x5 1000
34	0x0	0x1	0x7	0x2	0x51	0x0C	0x1	0x5 2000
35	0x0	0x1	0x1	0x2	0x54	0x0C	0x1	0x5 3000
36	0x0	0x1	0x7	0x2	0x55	0x0C	0x1	0x5 4000
37	0x0	0x1	0x1	0x2	0x46	0x0C	0x1	0x5 5000
38	0x0	0x1	0x7	0x2	0x47	0x0C	0x1	0x5 6000
39	0x0	0x1	0x1	0x2	0x58	0x0C	0x1	0x5 7000
40	0x0	0x1	0x7	0x2	0x59	0x0C	0x1	0x5 8000
41	0x0	0x1	0x1	0x2	0x60	0x0C	0x1	0x5 B000
42	0x0	0x1	0x7	0x2	0x61	0x0C	0x1	0x5 C000
43	0x0	0x2	0x1	0x2	0x12	0x0C	0x1	0x1 8000
44	0x0	0x2	0x7	0x2	0x13	0x0C	0x1	0x1 9000
45	0x0	0x1	0x1	0x2	0x3A	0x0C	0x1	0x5 D000
46	0x0	0x1	0x7	0x2	0x3B	0x0C	0x1	0x5 E000
47	0x0	0x1	0x1	0x2	0x56	0x0C	0x1	0x5 F000
48	0x0	0x1	0x7	0x2	0x57	0x0C	0x1	0x6 0000
49	0x0	0x1	0x1	0x2	0x32	0x0C	0x1	0x6 1000
50	0x0	0x1	0x7	0x2	0x33	0x0C	0x1	0x6 2000
51	0x0	0x1	0x1	0x2	0x5C	0x0C	0x1	0x6 3000
52	0x0	0x1	0x7	0x2	0x5D	0x0C	0x01	0x6 4000
53	0x0	0x1	0x1	0x2	0x4E	0x0C	0x01	0x6 5000
54	0x0	0x1	0x7	0x2	0x4F	0x0C	0x01	0x6 6000
55	0x0	0x1	0x1	0x2	0x5E	0x0C	0x01	0x6 7000
56	0x0	0x1	0x7	0x2	0x5F	0x0C	0x01	0x6 8000
57	0x0	0x1	0x1	0x2	0x68	0x0C	0x01	0x6 D000
58	0x0	0x1	0x7	0x2	0x69	0x0C	0x01	0x6 E000
59	0x0	0x0	0x7	0x2	0x42	0x0F	0x01	0x9 0000
60	0x0	0x0	0x7	0x2	0x43	0x0C	0x01	0x9 8000
61	0x0	0x1	0x1	0x2	0x48	0x0C	0x01	0x7 1000
62	0x0	0x1	0x7	0x2	0x49	0x0C	0x01	0x7 2000
63	0x0	0x1	0x1	0x2	0x2A	0x0C	0x01	0x7 3000
64	0x0	0x1	0x7	0x2	0x2B	0x0C	0x01	07 4000
65	0x0	0x1	0x1	0x2	0x64	0x0C	0x01	0x7 5000
66	0x0	0x1	0x7	0x2	0x65	0x0C	0x01	0x7 6000
67	0x0	0x1	0x1	0x2	0x66	0x0C	0x01	0x7 7000
68	0x0	0x1	0x7	0x2	0x67	0x0C	0x01	0x7 8000
69	0x0	0x1	0x7	0x2	0x26	0x0C	0x01	0x8 1000
70	0x0	0x1	0x7	0x2	0x27	0x0C	0x01	0x8 2000
71	0x0	0x1	0x7	0x2	0x2E	0x0C	0x01	0x8 3000
72	0x0	0x1	0x7	0x2	0x2F	0x0C	0x01	0x8 4000

Table 14-561. L4_AP_REGION_I Reset Value for L4 CFG (continued)

Region	MADDRSPACE	SEGMENT_ID	PROT_GROUP_ID	BYTE_DATA_WIDTH_EXP	PHY_TARGET_ID	SIZE	ENABLE	BASE
73	0x0	0x1	0x7	0x2	0x36	0x0C	0x01	0x8 5000
74	0x0	0x1	0x7	0x2	0x37	0x0C	0x01	0x8 6000
75	0x0	0x1	0x7	0x2	0x74	0x0C	0x01	0x8 7000
76	0x0	0x1	0x7	0x2	0x75	0x0C	0x01	0x8 8000
77	0x0	0x2	0x1	0x2	0x3E	0x0C	0x01	0x0 0000
78	0x0	0x2	0x7	0x2	0x3F	0x0C	0x01	0x0 1000
79	0x0	0x2	0x1	0x2	0x30	0x0C	0x01	0x0 A000
80	0x0	0x2	0x7	0x2	0x31	0x0C	0x01	0x0 B000
81	0x0	0x2	0x1	0x2	0x0C	0x0C	0x01	0x0 C000
82	0x0	0x2	0x7	0x2	0x0D	0x0C	0x01	0x0 D000
83	0x0	0x2	0x1	0x2	0x22	0x0C	0x01	0x0 E000
84	0x0	0x2	0x7	0x2	0x23	0x0C	0x01	0x0 F000
85	0x0	0x2	0x1	0x2	0x14	0x0C	0x01	0x1 0000
86	0x0	0x2	0x7	0x2	0x15	0x0C	0x01	0x1 1000
87	0x0	0x2	0x1	0x2	0x16	0x0C	0x01	0x1 2000
88	0x0	0x2	0x7	0x2	0x17	0x0C	0x01	0x1 3000
89	0x0	0x2	0x1	0x2	0x1C	0x0C	0x01	0x1 4000
90	0x0	0x2	0x7	0x2	0x1D	0x0C	0x01	0x1 5000
91	0x0	0x2	0x1	0x2	0x4C	0x0C	0x01	0x2 A000
92	0x0	0x2	0x7	0x2	0x4D	0x0C	0x01	0x2 B000
93	0x0	0x2	0x1	0x2	0x38	0x0C	0x01	0x1 C000
94	0x0	0x2	0x7	0x2	0x39	0x0C	0x01	0x1 D000
95	0x0	0x2	0x1	0x2	0x0A	0x0C	0x01	0x1 E000
96	0x0	0x2	0x7	0x2	0x0B	0x0C	0x01	0x1 F000
97	0x0	0x2	0x1	0x2	0x24	0x0C	0x01	0x2 0000
98	0x0	0x2	0x7	0x2	0x25	0x0C	0x01	0x2 1000
99	0x0	0x2	0x1	0x2	0x44	0x0C	0x01	0x2 4000
100	0x0	0x2	0x7	0x2	0x45	0x0C	0x01	0x2 5000
101	0x0	0x2	0x1	0x2	0x2C	0x0C	0x01	0x2 6000
102	0x0	0x2	0x7	0x2	0x2D	0x0C	0x01	0x2 7000
103	0x0	0x1	0x1	0x2	0x4A	0x0C	0x01	0x6 9000
104	0x0	0x1	0x7	0x2	0x4B	0x0C	0x01	0x6 A000
105	0x0	0x1	0x1	0x2	0x34	0x0C	0x01	0x7 9000
106	0x0	0x1	0x7	0x2	0x35	0x0C	0x01	0x7 A000
107	0x0	0x1	0x1	0x2	0x52	0x0C	0x01	0x6 B000
108	0x0	0x1	0x7	0x2	0x53	0x0C	0x01	0x6 C000
109	0x0	0x2	0x1	0x2	0x6C	0x0C	0x01	0x2 C000
110	0x0	0x2	0x7	0x2	0x6D	0x0C	0x01	0x2 D000
111	0x0	0x2	0x1	0x2	0x6E	0x0C	0x01	0x2 E000
112	0x0	0x2	0x7	0x2	0x6F	0x0C	0x01	0x2 F000
113	0x0	0x2	0x1	0x2	0x70	0x0C	0x01	0x3 0000
114	0x0	0x2	0x7	0x2	0x71	0x0C	0x01	0x3 1000
115	0x0	0x2	0x1	0x2	0x5A	0x0C	0x01	0x3 2000
116	0x0	0x2	0x7	0x2	0x5B	0x0C	0x01	0x3 3000
117	0x1	0x2	0x1	0x2	0x76	0x0C	0x01	0x3 4000
118	0x0	0x2	0x7	0x2	0x77	0x0C	0x01	0x3 5000
119	0x0	0x2	0x1	0x2	0x62	0x0C	0x01	0x3 6000

Table 14-561. L4_AP_REGION_I Reset Value for L4 CFG (continued)

Region	MADDRSPACE	SEGMENT_ID	PROT_GROUP_ID	BYTE_DATA_WIDTH_EXP	PHY_TARGET_ID	SIZE	ENABLE	BASE
120	0x0	0x2	0x7	0x2	0x63	0x0C	0x01	0x3 7000
121	0x0	0x1	0x7	0x2	0x7C	0x0C	0x01	0x7 B000
122	0x0	0x1	0x7	0x2	0x7D	0x0C	0x01	0x7 C000
123	0x0	0x1	0x7	0x2	0x7E	0x0C	0x01	0x7 D000
124	0x0	0x1	0x7	0x2	0x7F	0x0C	0x01	0x7 E000
125	0x0	0x1	0x1	0x2	0x6A	0x0C	0x01	0x5 9000
126	0x0	0x1	0x7	0x2	0x6B	0x0C	0x01	0x5 A000
127	0x0	0x2	0x1	0x2	0x7A	0x0C	0x01	0x1 A000
128	0x0	0x2	0x7	0x2	0x7B	0x0C	0x01	0x1 B000

Table 14-562. L4_AP_REGION_I Reset values for L4 WKUP

Region	MADDRSPACE	SEGMENT_ID	PROT_GROUP_ID	BYTE_DATA_WIDTH_EXP	PHY_TARGET_ID	SIZE	ENABLE	BASE
0	0x0	0x0	0x0	0x2	0x0	0x0B	0x01	0x0000
1	0x1	0x0	0x7	0x2	0x0	0x0C	0x01	0x1000
2	0x5	0x0	0x0	0x2	0x01	0x0B	0x01	0x0800
3	0x0	0x0	0x7	0x2	0x10	0x0D	0x01	0x6000
4	0x0	0x0	0x7	0x2	0x11	0x0C	0x01	0x8000
5	0x0	0x1	0x7	0x2	0x20	0x0C	0x01	0x0000
6	0x0	0x1	0x7	0x2	0x21	0x0C	0x01	0x1000
7	0x0	0x1	0x7	0x2	0x28	0x0C	0x01	0x4000
8	0x0	0x1	0x7	0x2	0x29	0x0C	0x01	0x5000
9	0x0	0x1	0x7	0x2	0x30	0x0C	0x01	0x8000
10	0x0	0x1	0x7	0x2	0x31	0x0C	0x01	0x9000
11	0x0	0x1	0x7	0x2	0x38	0x0C	0x01	0xC000
12	0x0	0x1	0x7	0x2	0x39	0x0C	0x01	0xD000
13	0x0	0x2	0x7	0x2	0x48	0x0C	0x01	0x6000
14	0x0	0x2	0x7	0x2	0x49	0x0C	0x01	0xA000
15	0x0	0x0	0x7	0x2	0x40	0x0C	0x01	0x4000
16	0x0	0x0	0x7	0x2	0x41	0x0C	0x01	0x5000
17	0x0	0x0	0x7	0x2	0x50	0x0C	0x01	0xC000
18	0x0	0x0	0x7	0x2	0x51	0x0C	0x01	0xD000
19	0x0	0x2	0x1	0x2	0x08	0x0C	0x01	0x0000
20	0x0	0x2	0x7	0x2	0x09	0x0C	0x01	0x1000
21	0x0	0x2	0x1	0x2	0x18	0x0C	0x01	0x2000
22	0x0	0x2	0x7	0x2	0x19	0x0C	0x01	0x3000
23	0x1	0x2	0x3	0x2	0x48	0x0A	0x01	0x7000
24	0x2	0x2	0x1	0x2	0x48	0x0B	0x01	0x8000
25	0x5	0x2	0x4	0x2	0x48	0x08	0x01	0x9000
26	0x3	0x2	0x1	0x2	0x48	0x09	0x01	0x8800
27	0x4	0x2	0x1	0x2	0x48	0x08	0x01	0x8A00
28	0x0	0x2	0x7	0x2	0x02	0x0C	0x01	0xB000
29	0x0	0x2	0x7	0x2	0x03	0x0C	0x01	0xC000
30	0x0	0x3	0x7	0x2	0x04	0x0D	0x01	0xC000
31	0x0	0x3	0x7	0x2	0x05	0x0C	0x01	0xE000
32	0x0	0x2	0x7	0x2	0x58	0x0C	0x01	0xF000

Table 14-562. L4_AP_REGION_I Reset values for L4 WKUP (continued)

Region	MADDRSPACE	SEGMENT_ID	PROT_GROUP_ID	BYTE_DATA_WIDTH_EXP	PHY_TARGET_ID	SIZE	ENABLE	BASE
33	0x0	0x3	0x7	0x2	0x59	0x0C	0x01	0x0000
34	0x0	0x3	0x7	0x2	0x60	0x0C	0x01	0x1000
35	0x0	0x3	0x7	0x2	0x61	0x0C	0x01	0x2000
36	0x0	0x3	0x7	0x2	0x0A	0x0C	0x01	0x3000
37	0x0	0x3	0x7	0x2	0x0B	0x0C	0x01	0x4000
38	0x0	0x3	0x7	0x2	0x0C	0x0C	0x01	0x5000
39	0x0	0x3	0x7	0x2	0x0D	0x0C	0x01	0x6000
40	0x0	0x3	0x7	0x2	0x68	0x0C	0x01	0x7000
41	0x0	0x3	0x7	0x2	0x69	0x0C	0x01	0x8000
42	0x0	0x3	0x7	0x2	0x70	0x0C	0x01	0x9000
43	0x0	0x3	0x7	0x2	0x71	0x0C	0x01	0xA000

Memory Subsystem

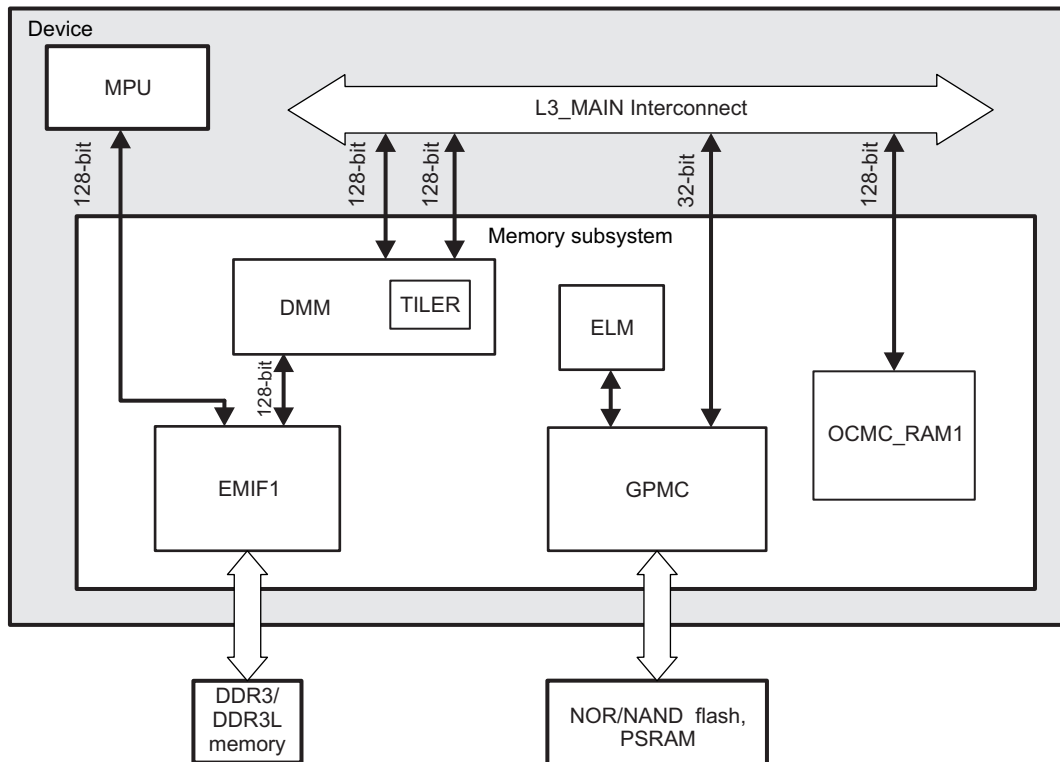
This chapter introduces the memory subsystem of the device.

Topic	Page
15.1 Memory Subsystem Overview	3293
15.2 Dynamic Memory Manager	3298
15.3 EMIF Controller.....	3386
15.4 General-Purpose Memory Controller	3529
15.5 Error Location Module.....	3675
15.6 On-Chip Memory (OCM) Subsystem	3705

15.1 Memory Subsystem Overview

Figure 15-1 shows a functional diagram of all memory subsystems in the device.

Figure 15-1. Memory Subsystem Functional Diagram



memss_over-001

15.1.1 DMM Overview

The dynamic memory manager (DMM) module is typically located immediately in front of the SDRAM controller (EMIF), as shown in Figure 15-1, *Memory Subsystem Functional Diagram*.

In a broad sense, the DMM manages various aspects of memory accesses such as:

- Initiator-indexed priority generation
- Block object transfer optimization – tiling
- Centralized low-latency page translation – MMU-like feature

The dynamic qualifier for memory management highlights the software configurability, and hence the runtime nature, of the four aspects of memory management handled by the DMM.

From a functional perspective, the role of the DMM is to:

- Add initiator-based priority to any incoming requests
- Perform to/from tiling conversions of tiled requests
- Make on-the-fly basic transforms, such as quadrant rotations and mirroring
- Optionally, provide a low-latency page-based translation to handle memory fragmentation – MMU

The main features of the DMM are:

- Programmable multizone DRAM mapping configuration
- Programmable initiator-based request priority extension
- Single SDRAM page request generation
- Low-latency interconnect port
- Page-grained address translation to manage memory fragmentation

- Automatic synchronized reloading of the address translation table

15.1.2 TILER Overview

The tiling and isometric lightweight engine for rotation (TILER) is a submodule of the DMM and is therefore described in [Section 15.2, Dynamic Memory Manager](#).

The TILER is intended to improve bidimensional (tiled) block transfer efficiency. It is, therefore, a module aimed at:

- Primarily, efficient handling of 2-dimension (2D) data mapped in tiles, such as video or graphics macroblocks
- Optionally, managing the memory fragmentation and zero-copy physical frame-buffer swapping through a page-grained translation
- Making isometric (distance preserving) transforms, such as 90-, 180-, or 270-degree rotations, with a horizontal or vertical reflection

The lightweight qualifier of this engine highlights its limited support of isometric transforms, as:

- Rotation performs only basic quadrant rotations by some multiple of 90 degrees.
- Reflection is limited to horizontal and vertical flip.
- Translation is restricted to a 4-KiB page granularity.

Written differently, the functionality of the TILER is to map a 2D virtually addressed interconnect request into one or more physically addressed interconnect requests by:

- Transforming the virtual address, data, and byte-enable to match the requested 0-, 90-, 180-, or 270-degree orientation in a tiled 2D addressing space
- Optionally, translating the oriented tiled address by a page-specific vector to manage memory fragmentation and physical object aliasing

The main features of the TILER are:

- Efficiency improvement of 2D block access on SDRAM
- Optimized interlaced access on tiled frames
- 2D virtual-to-physical address translation of SDRAM bidimensional objects to handle rotation
- Page-grained address translation to manage memory fragmentation and physical buffer aliasing
- Unlimited number of 2D tiled objects supported in any (0, 90, 180, or 270 degrees) orientation
- Full bandwidth use by minimizing the size of raster-based initiator buffers
- Optimization of multichannel memory transfers
- Interconnect request granularity balance (in X and Y directions)

15.1.3 EMIF Overview

The external memory interface (EMIF) module is typically located near the DMM module, as shown in [Figure 15-1, Memory Subsystem Functional Diagram](#).

The EMIF module provides connectivity between DDR memory types and manages data bus read/write accesses between external memory and device subsystems which have master access to the L3_MAIN interconnect and DMA capability.

The EMIF module has the following capabilities:

- Supports JEDEC standard-compliant DDR3/DDR3L-SDRAM memory types
- 2-GiB SDRAM address range over one chip-select. This range is configurable through the dynamic memory manager (DMM) module
- Supports SDRAM devices with one, two, four or eight internal banks
- Supports SDRAM devices with single or dual die packages
- Data bus widths:
 - 128-bit L3_MAIN (system) interconnect data bus width
 - 128-bit port for direct connection with MPU subsystem

- 32-bit SDRAM data bus width
- 16-bit SDRAM data bus width used in narrow mode
- Supported CAS latencies:
 - DDR3: 5, 6, 7, 8, 9, 10 and 11
- Supports 256-, 512-, 1024-, and 2048-word page sizes
- Supported burst length: 8
- Supports sequential burst type
- SDRAM auto initialization from reset or configuration change
- Supports self refresh and power-down modes for low power
- Partial array self-refresh mode for low power
- Output impedance (ZQ) calibration
- Supports on-die termination (ODT)
- Supports prioritized refresh
- Programmable SDRAM refresh rate and backlog counter
- Programmable SDRAM timing parameters
- Write and read leveling/calibration and data eye training for DDR3.
- ECC on the SDRAM data bus for EMIF1:
 - 7-bit ECC over 32-bit data
 - 6-bit ECC over 16-bit data when narrow mode is used
 - 1-bit error correction and 2-bit error detection
 - Programmable address ranges to define ECC protected region
 - ECC calculated and stored on all writes to ECC protected address region
 - ECC verified on all reads from ECC protected address region
 - Statistics for 1-bit ECC and 2-bit ECC errors
 - The total width of the ECC DDR data bus is 8 bits

The EMIF module does not support:

- Burst chop for DDR3
- Interleave burst type
- Auto precharge because of better Bank Interleaving performance
- DLL disabling from EMIF side
- SDRAM devices with more than one die, or topologies which require more than one chip select on a single EMIF channel

15.1.4 GPMC Overview

The General Purpose Memory Controller (GPMC) is an external memory controller of the device. Its data access engine provides a flexible programming model for communication with all standard memories.

The GPMC supports the following various access types:

- Asynchronous read/write access
- Asynchronous read page access (4, 8, and 16 Word16)
- Synchronous read/write access
- Synchronous read/write burst access without wrap capability (4, 8 and 16 Word16)
- Synchronous read/write burst access with wrap capability (4, 8 and 16 Word16)
- Address-data-multiplexed (AD) access
- Address-address-data (AAD) multiplexed access
- Little- and big-endian access

The GPMC can communicate with a wide range of external devices:

- External asynchronous or synchronous 8-bit wide memory or device (non burst device)
- External asynchronous or synchronous 16-bit wide memory or device
- External 16-bit non-multiplexed NOR flash device
- External 16-bit address and data multiplexed NOR Flash device
- External 8-bit and 16-bit NAND flash device
- External 16-bit pseudo-SRAM (pSRAM) device

The main features of the GPMC are:

- 8- or 16-bit-wide data path to external memory device
- Supports up to eight CS regions of programmable size and programmable base addresses in a total address space of 1 GiB
- Supports transactions controlled by a firewall
- On-the-fly error code detection using the Bose-Chaudhuri-Hocquenghem (BCH) ($t = 4, 8, \text{ or } 16$) or Hamming code to improve the reliability of NAND with a minimum effect on software (NAND flash with 512-byte page size or greater)
- Fully pipelined operation for optimal memory bandwidth use
- The clock to the external memory is provided from GPMC functional clock divided by 1, 2, 3, or 4
- Supports programmable autoclock gating when no access is detected
- Independent and programmable control signal timing parameters for setup and hold time on a per-chip basis. Parameters are set according to the memory device timing parameters, with a timing granularity of one GPMC functional clock cycle.
- Flexible internal access time control (WAIT state) and flexible handshake mode using external WAIT pin monitoring
- Support bus keeping
- Support bus turnaround
- Prefetch and write posting engine associated with a device DMA controller to achieve full performance from the NAND device with minimum effect on NOR/SRAM concurrent access

NOTE: Page mode is available only in nonmultiplexed mode.

15.1.5 ELM Overview

In the case of NAND modules with no internal correction capability, sometimes referred to as bare NAND, the correction process can be delegated to the error location module (ELM) used in conjunction with the GPMC.

The ELM supports the following features:

- 4, 8, and 16 bits per 512-byte block error location based on BCH algorithm
- Eight simultaneous processing contexts
- Page-based and continuous modes
- Interrupt generation when error location process completes:
 - When the full page has been processed in page mode
 - For each syndrome polynomial (checksum-like information) in continuous mode

15.1.6 OCM Overview

There is one on-chip memory controller (OCMC) in the device.

The OCM Controller supports the following features:

- L3_MAIN data interface:
 - Used for maximum throughput performance

- 128-bit data bus width
- Burst supported
- L4 interface:
 - Used for access to configuration registers
 - 32-bit data bus width
 - Only single accesses supported
 - The L4 associated OCMC clock is two times lower than the L3 associated OCMC clock
- Error correction and detection:
 - Single error correction and dual error detection
 - 9-bit Hamming error correction code (ECC) calculated on 128-bit data word which is concatenated with memory address bits
 - Hamming distance of 4
 - Enable/Disable mode control through a dedicated register
 - Single bit error correction on a read transaction
 - Exclusion of repeated addresses from correctable error address trace history
 - ECC valid for all write transactions to an enabled region
 - Sub-128-bit writes supported via read modify write
- ECC Error Status Reporting:
 - Trace history buffer (FIFO) with depth of 4 for corrected error address
 - Trace history buffer with depth of 4 for non correctable error address and also including double error detection
 - Interrupt generation for correctable and uncorrectable detected errors
- ECC Diagnostics Configuration:
 - Counters for single error correction (SEC), double error detection (DED) and address error events (AEE)
 - Programmable threshold registers for exceptions associated with SEC, DED and AEE counters
 - Register control for enabling and disabling of diagnostics
 - Configuration registers and ECC status accessible through L4 interconnect
- Circular buffer for sliced based VIP frame transfers:
 - Up to 12 programmable circular buffers mapped with unique virtual frame addresses
 - On the fly (with no additional latency) address translation from virtual to OCMC circular buffer memory space
 - Virtual frame size up to 8 MiB and circular buffer size up to 1 MiB
 - Error handling and reporting of illegal CBUF addressing
 - Underflow and Overflow status reporting and error handling
 - Last access read/write address history
- Two Interrupt outputs configured independently to service either ECC or CBUF interrupt events

The OCM controller does not have a memory protection logic and does not support endianism conversion.

15.2 Dynamic Memory Manager

15.2.1 DMM Overview

The function of the dynamic memory manager (DMM) is to:

- Add initiator-based priority to any incoming requests
- Perform to-and-from tiling and subtiling conversions of tiled requests
- Make on-the-fly basic transforms, such as quadrant rotations and mirroring
- Optionally provide a low-latency page-based translation to handle memory fragmentation – memory management unit (MMU)

The DMM is introduced also in [Section 15.1.1, DMM Overview of Section 15.1, Memory Subsystem Overview](#).

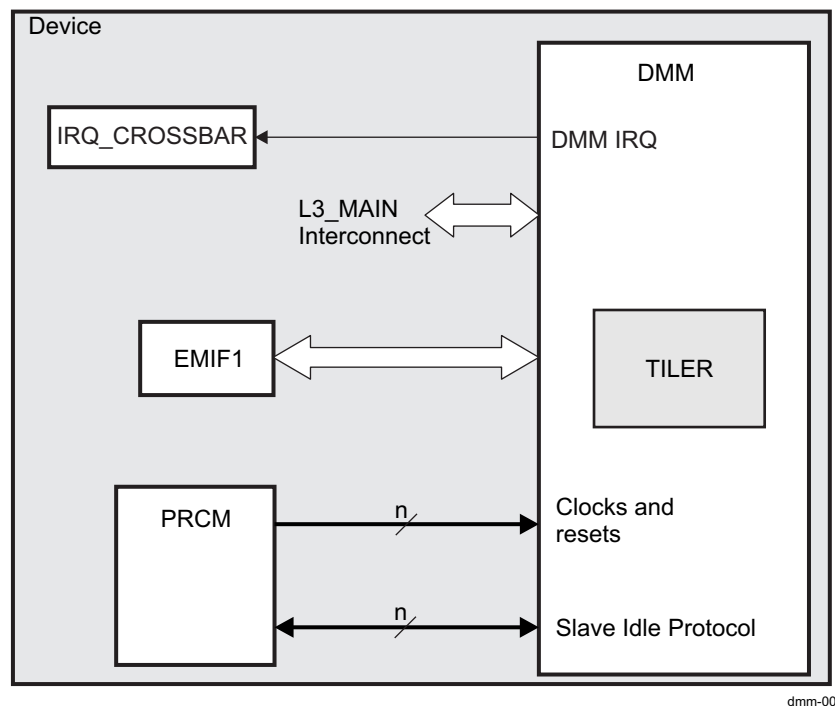
The functions of the TILER are:

- Primary handling efficiently 2-dimensional (2D) data mapped in tiles, such as video or graphics macroblocks
- Optionally managing the memory fragmentation and zero-copy physical frame buffers swapping through a page-grained translation
- Allowing optimized interlaced accesses on tiled frames
- Making (distance preserving) transforms, such as 90-, 180-, or 270-degree rotations, with a horizontal or vertical reflection

The TILER is also introduced in [Section 15.1.2, TILER Overview of Section 15.1, Memory Subsystem Overview](#).

[Figure 15-2](#) is an overview of the DMM and TILER in the device.

Figure 15-2. DMM and Tiler Overview



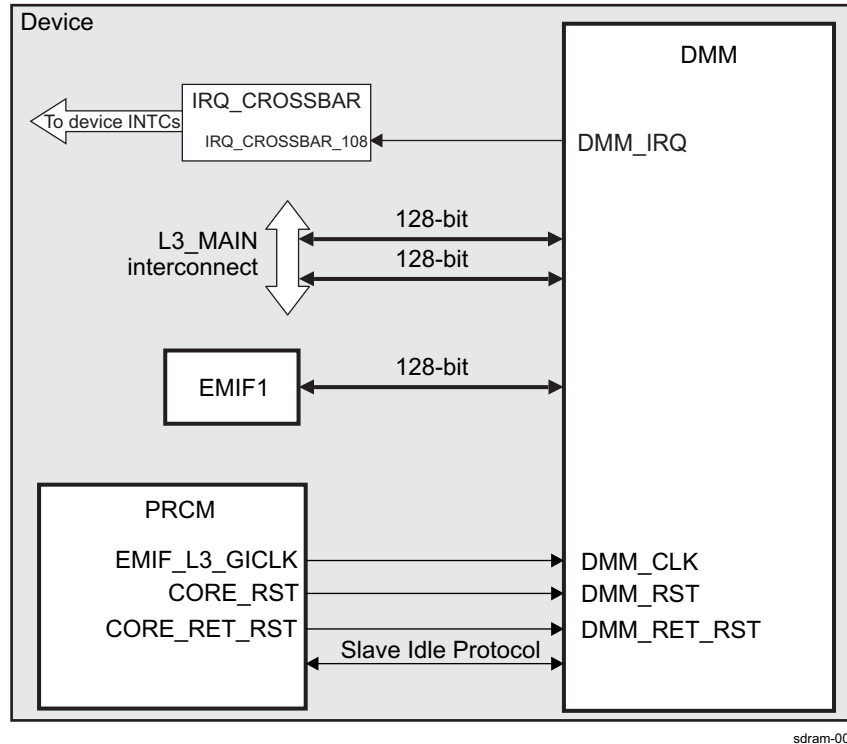
15.2.2 DMM Integration

This section describes module integration in the device, including information about clocks, resets, and hardware requests.

- Slave idle protocol (the DMM supports only smart-idle mode)
- No master standby protocol
- No wake-up request
- No system direct memory access requests
- One interrupt line for interrupt request (IRQ)
- One functional clock

Figure 15-3 shows the integration of DMM in the device.

Figure 15-3. DMM Integration



s dram-002

NOTE: For more information about the slave idle protocol, see [Chapter 3, Power, Reset, and Clock Management](#).

Table 15-1 through Table 15-3 summarize the integration of DMM in the device.

Table 15-1. DMM Integration Attributes

Module Instance	Attributes		
	Power Domain	Wake-Up Capability	Interconnect
DMM	PD_COREAON	No	L3_MAIN

Table 15-2. DMM Clocks and Resets

Module Instance	Destination Signal Name	Source Signal Name	Clocks	
			Source	Description
DMM	DMM_CLK	EMIF_L3_GICLK	PRCM	DMM interface and functional clock. For information about power, reset, and clock management (PRCM) module clock gating and management, see Chapter 3, Power, Reset, and Clock Management .

Table 15-2. DMM Clocks and Resets (continued)

Resets				
Module Instance	Destination Signal Name	Source Signal Name	Source	Description
DMM	DMM_RST	CORE_RST	PRCM	Functional reset. For information about PRCM reset sources and distribution, see Chapter 3, Power, Reset, and Clock Management .
DMM	DMM_RET_RST	CORE_RET_RST	PRCM	Reset for the following registers: DMM_SYSCONFIG DMM_LISA_LOCK DMM_LISA_MAP_i DMM_TILER_OR0 DMM_TILER_OR1 DMM_PAT_VIEW0 DMM_PAT_VIEW1 DMM_PAT_VIEW_MAP_i DMM_PAT_VIEW_MAP_BASE DMM_PAT_DESCR_i DMM_PAT_AREA_i DMM_PAT_CTRL_i DMM_PAT_DATA_i DMM_PEG_PRIO_k DMM_PEG_PRIO_PAT For information about PRCM reset sources and distribution, see Chapter 3, Power, Reset, and Clock Management .

Table 15-3. DMM Hardware Requests

Interrupt Requests				
Module Instance	Source Signal Name	IRQ_CROSSBAR	Destination Signal Name	Description
DMM	DMM_IRQ	IRQ_CROSSBAR_108	MPU_IRQ_113	DMM interrupt to IRQ_CROSSBAR_108
	DMM_IRQ	IRQ_CROSSBAR_108	IPU_IRQ_64	DMM interrupt to IRQ_CROSSBAR_108
No DMA Requests				

15.2.2.1 DMM Configuration

[Table 15-4](#) lists all configured parameters for the DMM. These parameters are read-only.

Table 15-4. DMM TILER Container Geometry

Scope	Bit field	Configuration Value	Description
LISA	DMM_HWINFO [3:0] TILER_CNT	0x2	Two TILER instances in the DMM
	DMM_HWINFO [19:16] ROBIN_CNT	0x1	One ROBIN instance in the DMM.
	DMM_LISA_HWINFO [4:0] SECTION_CNT	0x4	Four DMM sections
	DMM_LISA_HWINFO [11:8] SDRG_CNT	0x1	One SDRAM controller (EMIF) attached.
TILER	DMM_TILER_HWINFO [6:0] OR_CNT	0x10	16 orientation entries
PAT	DMM_PAT_GEOMETRY [4:0] PAGE_SZ	0x1	4-KiB page granularity
	DMM_PAT_GEOMETRY [19:16] CONT_WDTH	0x8	Container width of 256 pages

Table 15-4. DMM TILER Container Geometry (continued)

Scope	Bit field	Configurat ion Value	Description
	DMM_PAT_GEOMETRY [26:24] CONT_HGHT	0x8	Container height of 256 pages
	DMM_PAT_GEOMETRY [13:8] ADDR_RANGE	0x10	2-GiB PAT output physical address range
	DMM_PAT_HWINFO [6:0] VIEW_CNT	0x10	16 view entries
	DMM_PAT_HWINFO [11:8] VIEW_MAP_CNT	0x4	Four view maps
	DMM_PAT_HWINFO [20:16] LUT_CNT	0x1	One PAT LUT
	DMM_PAT_HWINFO [28:24] ENGINE_CNT	0x4	Four PAT refill engines
PEG	DMM_PEG_HWINFO [6:0] PRIO_CNT	0x40	64 priority entries

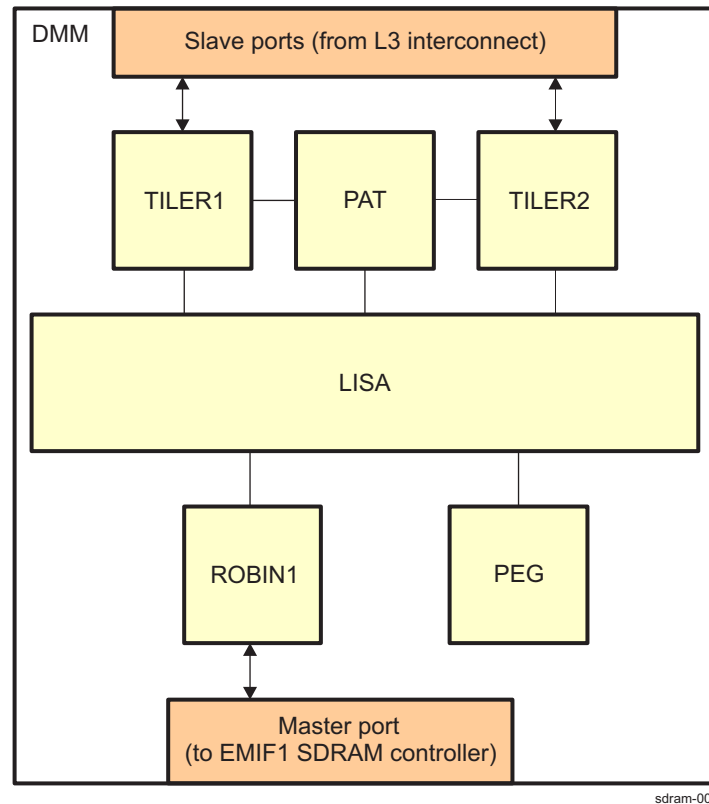
15.2.3 DMM Functional Description

15.2.3.1 DMM Block Diagram

shows the DMM macro architecture. The DMM consists of six blocks:

- Two TILERS, each with its own interconnect slave port for converting requests back and forth between the input virtual addressing mode and the output physical tiled addressing mode. The tiling conversions of requests, write data, and responses is performed entirely in the TILER blocks.
- One reordering buffer and initiator node (ROBIN) with its own interconnect master port to initiate requests to the SDRC and allow tiled data, tiled response, and split response reconstruction. The ROBIN block manages only the reordering buffer and performs data reordering due to the orientation.
- A physical address translator (PAT) for managing the memory fragmentation
- A priority extension generator (PEG) to generate priorities required by the SDRC; these priorities are not used in the DMM.
- A local interconnect and synchronization agent (LISA) to synchronize all DMM subsystems and provide access to their configuration registers

[Figure 15-4](#) is a block diagram of the DMM.

Figure 15-4. DMM Block Diagram

CAUTION

The interconnect must ensure that virtually addressed requests target only a TILER port.

15.2.3.2 DMM Clock Configuration

Table 15-5 describes the DMM clocks.

Table 15-5. DMM Clocks

Signal	I/O ⁽¹⁾	Description
DMM_CLK	I	Functional and interface clock

⁽¹⁾ I = Input; O = Output

The DMM is concerned with SDRC management and is in the MEMIF clock domain. The DMM is a fully synchronous module, which uses the clock and clock-enable signals provided in the MEMIF clock domain to generate its interface and functional clocks.

To configure DMM_CLK control and settings, see Table 15-2.

15.2.3.3 DMM Power Management

DMM power is supplied by the CORE power domain, and DMM power management complies with system power-management guidelines.

Table 15-6 describes the power-management features available for the DMM module.

Table 15-6. DMM Local Power-Management Features

Feature	Registers	Description
Slave idle modes	DMM_SYSCONFIG [3:2] SIDLEMODE bit field	Only smart-idle wake-up mode is available.

Some of the DMM module registers are affected by the save-and-restore (SAR) mechanism. For more information about SAR, see [Chapter 3, Power, Reset, and Clock Management](#).

15.2.3.4 DMM Interrupt Requests

Errors in PAT area refill registers are reported through the [DMM_PAT_STATUS_i](#)[15:10] ERROR bit field (see [Table 15-7](#)).

Table 15-7. DMM Hardware Status Features

Feature	Type	Register	Description
PAT error flags	Read-only	DMM_PAT_STATUS_i [15:10] ERROR (where i = 0 to 3)	Unexpected update of the PAT area refill registers

[Table 15-8](#) lists the event flags, and their masks, that can cause module interrupts.

Table 15-8. Events

Interrupt	Event Flag	Event Mask
ERR_LUT_MISS3	DMM_PAT_IRQSTATUS [31] ERR_LUT_MISS3 DMM_PAT_IRQSTATUS_RAW [31] ERR_LUT_MISS3	DMM_PAT_IRQENABLE_SET [31] ERR_LUT_MISS3 DMM_PAT_IRQENABLE_CLR [31] ERR_LUT_MISS3
ERR_UPD_DATA3	DMM_PAT_IRQSTATUS [30] ERR_UPD_DATA3 DMM_PAT_IRQSTATUS_RAW [30] ERR_UPD_DATA3	DMM_PAT_IRQENABLE_SET [30] ERR_UPD_DATA3 DMM_PAT_IRQENABLE_CLR [30] ERR_UPD_DATA3
ERR_UPD_CTRL3	DMM_PAT_IRQSTATUS [29] ERR_UPD_CTRL3 DMM_PAT_IRQSTATUS_RAW [29] ERR_UPD_CTRL3	DMM_PAT_IRQENABLE_SET [29] ERR_UPD_CTRL3 DMM_PAT_IRQENABLE_CLR [29] ERR_UPD_CTRL3
ERR_UPD_AREA3	DMM_PAT_IRQSTATUS [28] ERR_UPD_AREA3 DMM_PAT_IRQSTATUS_RAW [28] ERR_UPD_AREA3	DMM_PAT_IRQENABLE_SET [28] ERR_UPD_AREA3 DMM_PAT_IRQENABLE_CLR [28] ERR_UPD_AREA3
ERR_INV_DATA3	DMM_PAT_IRQSTATUS [27] ERR_INV_DATA3 DMM_PAT_IRQSTATUS_RAW [27] ERR_INV_DATA3	DMM_PAT_IRQENABLE_SET [27] ERR_INV_DATA3 DMM_PAT_IRQENABLE_CLR [27] ERR_INV_DATA3
ERR_INV_DSC3	DMM_PAT_IRQSTATUS [26] ERR_INV_DSC3 DMM_PAT_IRQSTATUS_RAW [26] ERR_INV_DSC3	DMM_PAT_IRQENABLE_SET [26] ERR_INV_DSC3 DMM_PAT_IRQENABLE_CLR [26] ERR_INV_DSC3
FILL_LST3	DMM_PAT_IRQSTATUS [25] FILL_LST3 DMM_PAT_IRQSTATUS_RAW [25] FILL_LST3	DMM_PAT_IRQENABLE_SET [25] FILL_LST3 DMM_PAT_IRQENABLE_CLR [25] FILL_LST3
FILL_DSC3	DMM_PAT_IRQSTATUS [24] FILL_DSC3 DMM_PAT_IRQSTATUS_RAW [24] FILL_DSC3	DMM_PAT_IRQENABLE_SET [24] FILL_DSC3 DMM_PAT_IRQENABLE_CLR [24] FILL_DSC3
ERR_LUT_MISS2	DMM_PAT_IRQSTATUS [23] ERR_LUT_MISS2 DMM_PAT_IRQSTATUS_RAW [23] ERR_LUT_MISS2	DMM_PAT_IRQENABLE_SET [23] ERR_LUT_MISS2 DMM_PAT_IRQENABLE_CLR [23] ERR_LUT_MISS2
ERR_UPD_DATA2	DMM_PAT_IRQSTATUS [22] ERR_UPD_DATA2 DMM_PAT_IRQSTATUS_RAW [22] ERR_UPD_DATA2	DMM_PAT_IRQENABLE_SET [22] ERR_UPD_DATA2 DMM_PAT_IRQENABLE_CLR [22] ERR_UPD_DATA2

Table 15-8. Events (continued)

Interrupt	Event Flag	Event Mask
ERR_UPD_CTRL2	DMM_PAT_IRQSTATUS[21] ERR_UPD_CTRL2 DMM_PAT_IRQSTATUS_RAW[21] ERR_UPD_CTRL2	DMM_PAT_IRQENABLE_SET[21] ERR_UPD_CTRL2 DMM_PAT_IRQENABLE_CLR[21] ERR_UPD_CTRL2
ERR_UPD_AREA2	DMM_PAT_IRQSTATUS[20] ERR_UPD_AREA2 DMM_PAT_IRQSTATUS_RAW[20] ERR_UPD_AREA2	DMM_PAT_IRQENABLE_SET[20] ERR_UPD_AREA2 DMM_PAT_IRQENABLE_CLR[20] ERR_UPD_AREA2
ERR_INV_DATA2	DMM_PAT_IRQSTATUS[19] ERR_INV_DATA2 DMM_PAT_IRQSTATUS_RAW[19] ERR_INV_DATA2	DMM_PAT_IRQENABLE_SET[19] ERR_INV_DATA2 DMM_PAT_IRQENABLE_CLR[19] ERR_INV_DATA2
ERR_INV_DSC2	DMM_PAT_IRQSTATUS[18] ERR_INV_DSC2 DMM_PAT_IRQSTATUS_RAW[18] ERR_INV_DSC2	DMM_PAT_IRQENABLE_SET[18] ERR_INV_DSC2 DMM_PAT_IRQENABLE_CLR[18] ERR_INV_DSC2
FILL_LST2	DMM_PAT_IRQSTATUS[17] FILL_LST2 DMM_PAT_IRQSTATUS_RAW[17] FILL_LST2	DMM_PAT_IRQENABLE_SET[17] FILL_LST2 DMM_PAT_IRQENABLE_CLR[17] FILL_LST2
FILL_DSC2	DMM_PAT_IRQSTATUS[16] FILL_DSC2 DMM_PAT_IRQSTATUS_RAW[16] FILL_DSC2	DMM_PAT_IRQENABLE_SET[16] FILL_DSC2 DMM_PAT_IRQENABLE_CLR[16] FILL_DSC2
ERR_LUT_MISS1	DMM_PAT_IRQSTATUS[15] ERR_LUT_MISS1 DMM_PAT_IRQSTATUS_RAW[15] ERR_LUT_MISS1	DMM_PAT_IRQENABLE_SET[15] ERR_LUT_MISS1 DMM_PAT_IRQENABLE_CLR[15] ERR_LUT_MISS1
ERR_UPD_DATA1	DMM_PAT_IRQSTATUS[14] ERR_UPD_DATA1 DMM_PAT_IRQSTATUS_RAW[14] ERR_UPD_DATA1	DMM_PAT_IRQENABLE_SET[14] ERR_UPD_DATA1 DMM_PAT_IRQENABLE_CLR[14] ERR_UPD_DATA1
ERR_UPD_CTRL1	DMM_PAT_IRQSTATUS[13] ERR_UPD_CTRL1 DMM_PAT_IRQSTATUS_RAW[13] ERR_UPD_CTRL1	DMM_PAT_IRQENABLE_SET[13] ERR_UPD_CTRL1 DMM_PAT_IRQENABLE_CLR[13] ERR_UPD_CTRL1
ERR_UPD_AREA1	DMM_PAT_IRQSTATUS[12] ERR_UPD_AREA1 DMM_PAT_IRQSTATUS_RAW[12] ERR_UPD_AREA1	DMM_PAT_IRQENABLE_SET[12] ERR_UPD_AREA1 DMM_PAT_IRQENABLE_CLR[12] ERR_UPD_AREA1
ERR_INV_DATA1	DMM_PAT_IRQSTATUS[11] ERR_INV_DATA1 DMM_PAT_IRQSTATUS_RAW[11] ERR_INV_DATA1	DMM_PAT_IRQENABLE_SET[11] ERR_INV_DATA1 DMM_PAT_IRQENABLE_CLR[11] ERR_INV_DATA1
ERR_INV_DSC1	DMM_PAT_IRQSTATUS[10] ERR_INV_DSC1 DMM_PAT_IRQSTATUS_RAW[10] ERR_INV_DSC1	DMM_PAT_IRQENABLE_SET[10] ERR_INV_DSC1 DMM_PAT_IRQENABLE_CLR[10] ERR_INV_DSC1
FILL_LST1	DMM_PAT_IRQSTATUS[9] FILL_LST1 DMM_PAT_IRQSTATUS_RAW[9] FILL_LST1	DMM_PAT_IRQENABLE_SET[9] FILL_LST1 DMM_PAT_IRQENABLE_CLR[9] FILL_LST1
FILL_DSC1	DMM_PAT_IRQSTATUS[8] FILL_DSC1 DMM_PAT_IRQSTATUS_RAW[8] FILL_DSC1	DMM_PAT_IRQENABLE_SET[8] FILL_DSC1 DMM_PAT_IRQENABLE_CLR[8] FILL_DSC1
ERR_LUT_MISS0	DMM_PAT_IRQSTATUS[7] ERR_LUT_MISS0 DMM_PAT_IRQSTATUS_RAW[7] ERR_LUT_MISS0	DMM_PAT_IRQENABLE_SET[7] ERR_LUT_MISS0 DMM_PAT_IRQENABLE_CLR[7] ERR_LUT_MISS0
ERR_UPD_DATA0	DMM_PAT_IRQSTATUS[6] ERR_UPD_DATA0 DMM_PAT_IRQSTATUS_RAW[6] ERR_UPD_DATA0	DMM_PAT_IRQENABLE_SET[6] ERR_UPD_DATA0 DMM_PAT_IRQENABLE_CLR[6] ERR_UPD_DATA0
ERR_UPD_CTRL0	DMM_PAT_IRQSTATUS[5] ERR_UPD_CTRL0 DMM_PAT_IRQSTATUS_RAW[5] ERR_UPD_CTRL0	DMM_PAT_IRQENABLE_SET[5] ERR_UPD_CTRL0 DMM_PAT_IRQENABLE_CLR[5] ERR_UPD_CTRL0

Table 15-8. Events (continued)

Interrupt	Event Flag	Event Mask
ERR_UPD_AREA0	DMM_PAT_IRQSTATUS[4] ERR_UPD_AREA0 DMM_PAT_IRQSTATUS_RAW[4] ERR_UPD_AREA0	DMM_PAT_IRQENABLE_SET[4] ERR_UPD_AREA0 DMM_PAT_IRQENABLE_CLR[4] ERR_UPD_AREA0
ERR_INV_DATA0	DMM_PAT_IRQSTATUS[3] ERR_INV_DATA0 DMM_PAT_IRQSTATUS_RAW[3] ERR_INV_DATA0	DMM_PAT_IRQENABLE_SET[3] ERR_INV_DATA0 DMM_PAT_IRQENABLE_CLR[3] ERR_INV_DATA0
ERR_INV_DSC0	DMM_PAT_IRQSTATUS[2] ERR_INV_DSC0 DMM_PAT_IRQSTATUS_RAW[2] ERR_INV_DSC0	DMM_PAT_IRQENABLE_SET[2] ERR_INV_DSC0 DMM_PAT_IRQENABLE_CLR[2] ERR_INV_DSC0
FILL_LST0	DMM_PAT_IRQSTATUS[1] FILL_LST0 DMM_PAT_IRQSTATUS_RAW[1] FILL_LST0	DMM_PAT_IRQENABLE_SET[1] FILL_LST0 DMM_PAT_IRQENABLE_CLR[1] FILL_LST0
FILL_DSC0	DMM_PAT_IRQSTATUS[0] FILL_DSC0 DMM_PAT_IRQSTATUS_RAW[0] FILL_DSC0	DMM_PAT_IRQENABLE_SET[0] FILL_DSC0 DMM_PAT_IRQENABLE_CLR[0] FILL_DSC0

15.2.3.5 DMM

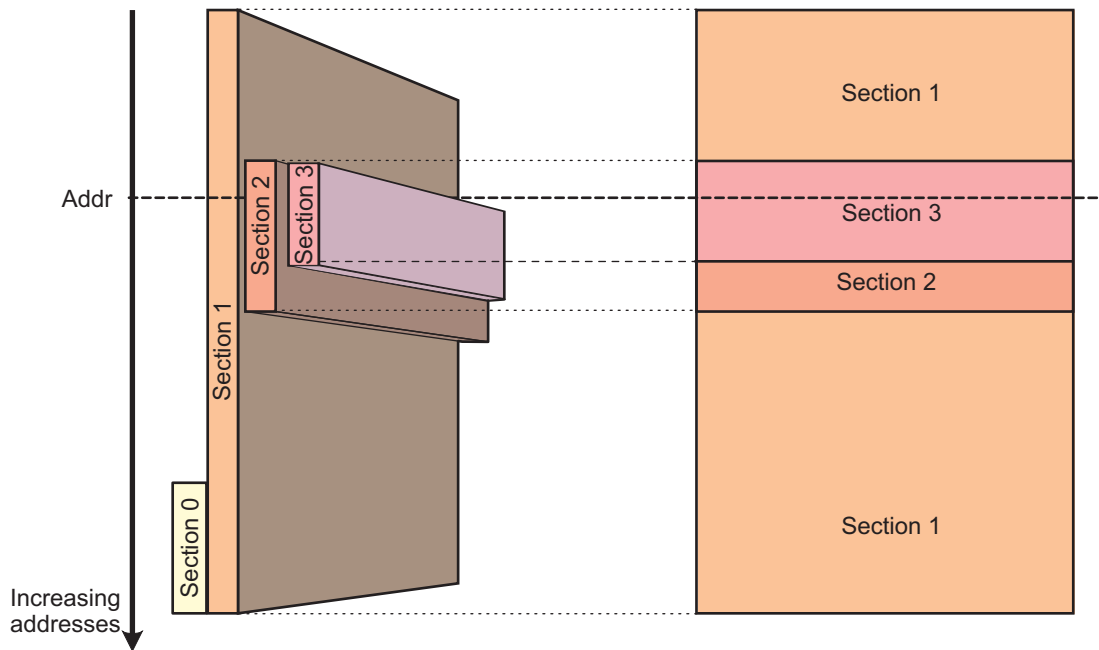
15.2.3.5.1 DMM Concepts

The DMM introduces the concepts of dynamic mapping and DMM atomic units.

15.2.3.5.1.1 Dynamic Mapping

The DMM manages its internal memory space as an ordered set of up to four sections. Figure 15-5 shows the DMM sections and memory mapping.

Figure 15-5. DMM Sections and Memory Mapping



sdram_004

In the DMM, a section is:

- A segment of 16MiB to 2GiB, which is power-of-two in size and aligned to that size in the system map
- Given a priority equal to its index: the higher the index, the higher the priority

Each of the four sections is configured through a [DMM_LISA_MAP_i](#) register, where $i = 0$ to 3.

NOTE: The DMM and EMIF registers (see [Section 15.3, EMIF Controller](#)) are declared in two extra static DMM sections of the highest priority so that they cannot be masked by any standard programmable DMM section.

NOTE: The DMM atomic size is 1KiB.

15.2.3.5.1.2 Address Mapping

The address mapping inside the DMM is configurable through up to four sections. A DMM section description fits in a single register ([DMM_LISA_MAP_i](#)). Each section is defined based on:

- Its system address: The base address of the decoding range for the section
- Its size: The encoding is the number of bits used in the upper 8 bits of the incoming system address
- Its physical address: The base address of the memory range access in the external memory controller
- Its address space: The address space used on the external memory controller (for the DMM) when hitting this section. For details, see [Section 15.3.4.1.1, Local Interface](#) in [Section 15.3, EMIF Controller](#).
- The target memory controller.

The address decoding is priority-based. In case of overlapping sections, only the highest-order one is hit. Register memory spaces have priority over regular memory sections. In case of four sections, the priority order is therefore:

1. Registers
2. DMM_LISA_MAP_3
3. DMM_LISA_MAP_2
4. DMM_LISA_MAP_1
5. DMM_LISA_MAP_0

All register-related addresses are reserved and fixed in the overall address mapping:

- DMM registers: 0x4E00_0000 to 0x4FFF_FFFF
- EMIF1 registers: 0x4C00_0000 to 0x4CFF_FFFF

There is no overlapping between register sections.

NOTE: Section decoding happens after PAT address translation in the case of TILER. In non-bypass mode, the system address considered for TILER accesses is the virtual address computed based on the PAT translation tables.

The [DMM_LISA_LOCK](#) register is used to lock the configuration once set. If written to 1, the LOCK bit prevents further writes to all [DMM_LISA_MAP_i](#) registers. The LOCK bit cannot be written back to 0. A reset is required to reprogram the sections.

15.2.3.5.1.3 Address Translation

The PAT engine of the DMM is composed of a 32-k entry physical address translation vector table and one or two refill engines. The refill engine is a specialized DMA for refilling the content of the PAT table.

The address translation mechanism is available only when the incoming request hits a page mode or tiled mode container; that is, when the incoming address targets the TILER or its aliased view in the system addressing space. Otherwise, the PAT logic is bypassed so that the resulting physical address corresponds to the input address.

The PAT engine supports multiple address translation schemes, called views, which can be bound to one or more initiators through a view mapping mechanism.

15.2.3.5.1.3.1 PAT View Mappings

The PAT engine can have up to 16 groups of initiators that share a set of four PAT views. The connection from an initiator to a PAT view is made through the DMM_PAT_VIEW register. Given that each PAT view index is coded on 4 bits, the DMM_PAT_VIEW register is a 64-bit register split into two 32-bit registers (DMM_PAT_VIEW0 for the first eight PAT view indexes and DMM_PAT_VIEW1 for the last eight PAT view indexes).

The PAT view index that corresponds to the initiator having the value *i* as the 4 most-significant bits (MSBs) of its L3 ConnID uses the view referenced in entry *i* of the DMM_PAT_VIEW. For example, the initiator 0xC7 uses the thirteenth view index of the DMM_PAT_VIEW register, the fifth view index in the DMM_PAT_VIEW1 register.

The PAT view index of the initiator *i* is found in the Vi field. The Wi field is aimed at writing the corresponding Vi. When writing to the DMM_PAT_VIEW registers, the only Vi view indexes that are updated are those having their corresponding Wi bit, and byte enable, set. The Wi bits are always read as 0. For instance, to set the PAT view indexes V3 and V7 to 2 and 1, respectively, the DMM_PAT_VIEW0 register must be written with 5000 6000h.

15.2.3.5.1.3.2 PAT View Map Base Address

The PAT view map base address defines the base address of all PAT translated addresses.

Bit [31] of all PAT translated addresses is set to BASE_ADDR. For example, if the DMM_PAT_VIEW_MAP_BASE register is set to 8000 0000h, all PAT translated addresses will have bit [31] set to 1 so that the translated addresses range from 8000 0000h to FFFF FFFFh. All reserved bits of this DMM PAT base address register are read to 0.

15.2.3.5.1.3.3 PAT Views

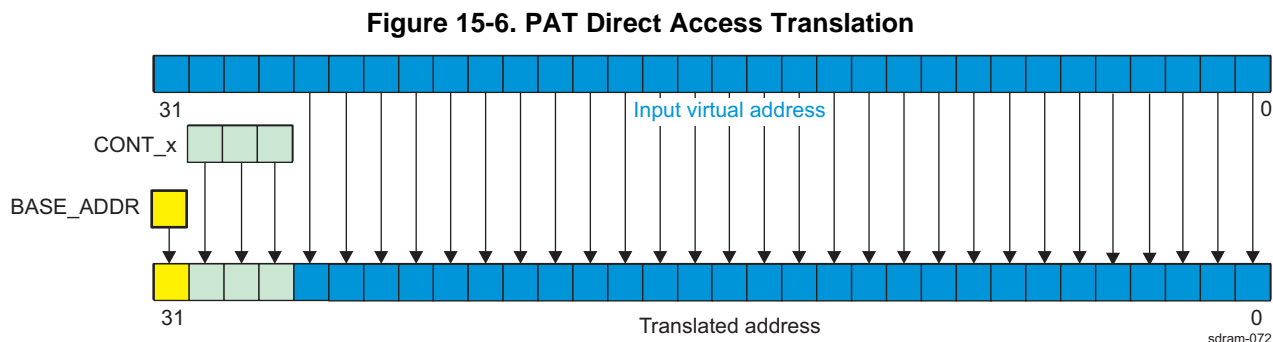
A PAT view defines the kind of physical address translation to perform for each mode accesses (page, 8-bit, 16-bit and 32-bit). Each mode of each PAT view can be configured to use a container-grained translation or page-mode translation.

15.2.3.5.1.3.3.1 PAT Direct Access Translation

The container-grained translation is named the direct access. In this mode, the translation vector is given directly by the CONT_x bit field that corresponds to the accessed mode.

- A page mode access uses the vector contained in the DMM_PAT_VIEW_MAP_i[26:24] CONT_PAGE bit field concatenated with 1 (bit 27 of translated address).
- A 32-bit mode access uses the vector contained in the DMM_PAT_VIEW_MAP_i[18:16] CONT_32 bit field concatenated with 0 (bit 27 of translated address).
- A 16-bit mode access uses the vector contained in the DMM_PAT_VIEW_MAP_i[10:8] CONT_16 bit field concatenated with 0 (bit 27 of translated address).
- An 8-bit mode access uses the vector contained in the DMM_PAT_VIEW_MAP_i[2:0] CONT_8 bit field concatenated with 0 (bit 27 of translated address).

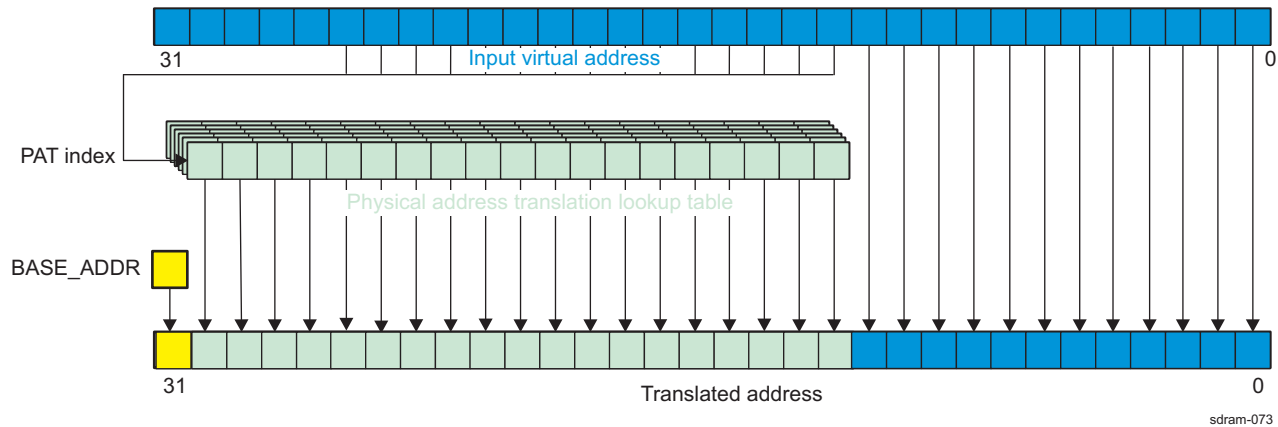
Figure 15-6, PAT Direct Access Translation describes PAT direct access translation .



15.2.3.5.1.3.3.2 PAT Indirect Access Translation

The page-grained translation is named the indirect access. In this mode the translation vector is found in the internal 32-k entry physical address translation vector table at the index given by bits [26:12] of the input virtual address, and the `DMM_PAT_VIEW_MAP_i` `CONT_x` bit field references the internal physical address translation table to use. Because the DMM uses only one such table, in this mode the `CONT_x` bit field must be written as 0. See Figure 15-7.

Figure 15-7. PAT Indirect Access Translation



Each entry of the PAT lookup table (LUT) is a 19-bit vector that replaces bits [30:12] of the input virtual address. The PAT index aimed at selecting the vector in the table consists of bits [26:12] of the input virtual address.

The mode associated to the transaction is used to define if the upper or lower half of the LUT is effectively used:

- If the mode is 8-, 16- or 32-bit, the lower part of the LUT (indexes 0x0000 to 0x7FFF; that is, lines 0 to 127) is used.
- If the mode is page, the upper part of the LUT (indexes 0x8000 to 0xFFFF; that is, lines 128 to 256) is used.

This means the PAT index used is the concatenation of 0 and address bits 12 to 26 in 8-, 16- or 32-bit mode, and the concatenation of 1 and address bits 12 to 26 in page mode.

Using different LUT indexes depending on the mode enables the user to define a larger tiled space, with the constraint that half of the space can be used only in 8-, 16- or 32-bit mode and the other half only in page mode. If the user wishes to preserve software compatibility with the case `CONT_HGHT = 128`, it is required to mirror the configuration for the lower half of the LUT on the upper half of the LUT. In that way, all views see the same address decoding through PAT.

15.2.3.5.1.3.3.3 PAT View Configuration

There are four different views in a DMM, each with its own `DMM_PAT_VIEW_MAP_i` register for defining the kind of address translation to perform.

The PAT view type of each mode is selected by the `ACCESS_x` bit field in the `DMM_PAT_VIEW_MAP_i` register, `i` being the index of the considered view. When this field is set to 1, the indirect access scheme is used; otherwise, the PAT performs the address translation in a direct way with the corresponding `CONT_x` vector.

When configuring a mode in a view to use the indirect access, the corresponding `CONT_x` bit field must be filled with 0.

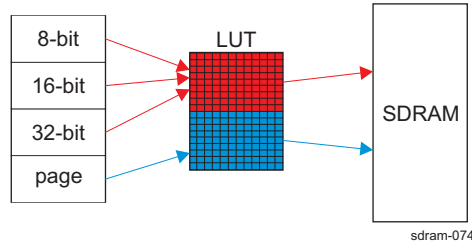
15.2.3.5.1.3.3.4 PAT Address Translation LUT

The PAT LUT does not have the same geometry as the DMM container. The PAT LUT has 256 lines of 256 entries of 19 bits each. The geometry of the DMM container is 256 × 128 entries.

- The lower 128MiB are restricted for use with 8-, 16-, and 32-bit modes.
- The upper 128MiB are restricted for use with page mode.

See [Figure 15-8](#).

Figure 15-8. Physical Address Translation Table



15.2.3.5.1.3.3.5 Direct Access to the PAT Table Vectors

The PAT table is typically refilled with specialized DMA called refill engines. Some direct read and write access to the content of this table is granted when disabling the use of one or the other refill engine by writing 1 in the MODE_i field of the [DMM_PAT_CONFIG](#) register that corresponds to the refill engine *i* to disable.

In this mode, often called the debug mode, the data read in or written to the [DMM_PAT_DATA_i](#) register corresponds to the vector in the PAT table, whose index is in the X0 and Y0 fields of the [DMM_PAT_AREA_i](#) register.

15.2.3.5.1.3.3.6 Automatic Refill Through the Refill Engines

See [Section 15.2.4.1](#), *PAT Use Cases*.

15.2.3.5.2 DMM Transaction Flows

15.2.3.5.2.1 Nontiled Transaction Flow

Each nontiled interconnect transaction that reaches the DMM on a TILER port is subject to the same processing.

The TILER blocks consider separated request, data, and response paths. An overview of each path follows and more detailed information is in [Section 15.2.3.5.3](#), *DMM Internal Macro-Architecture*.

On the request path, the flow consists of:

- Allocating a TILER response context for the timely generation of the appropriate responses
- Splitting 2D requests in a collection of 1D requests – TILER ports
- Splitting requests at DMM unit boundaries; the split granularity is provided by the LISA mapping registers
- Allocating an available buffer in the ROBIN, for both read and write requests
- In case of a write request, allocating and updating a TILER write context to direct the incoming write data into the reordering buffer
- Generating the initiator-indexed priority extension by use of the PEG block

On the write data path, the flow consists of forwarding incoming data to the reordering buffer in accordance with the corresponding TILER write context.

On the response path, responses are returned when:

- At least one response has entered each related buffer, in case of read requests.
- All related responses have returned from the SDRC, in case of write requests.
- No other previous pending response with the same tag exists.

15.2.3.5.2.2 Tiled Transaction Flow

Similarly, each tiled interconnect transaction that reaches the DMM is subject to the same processing.

The TILER blocks consider separated request, data, and response paths. An overview of each path follows, and more detailed information is in [Section 15.2.3.5.3, DMM Internal Macro-Architecture](#).

On the request path, the processing phase consists of:

- Decoding the address to qualify whether the request targets the TILER or the memory directly
- Transforming TILER-specific requests to their natural representation; the address, width, and height are modified accordingly

On the request path, the generation phase consists of:

- Allocating a TILER response context for the timely generation of the appropriate responses
- Splitting malformed: The request stride differs from the container stride and from the double of this container stride – tiled 2D requests in a collection of 1D requests
- Splitting tiled requests at tile boundaries
- Performing the page-based address translation by use of the PAT block
- Allocating an available buffer in the ROBIN, for read and write requests
- In case of a write request, allocating and updating a TILER write context to direct the incoming write data into the reordering buffer
- Generating the initiator-indexed priority extension by use of the PEG block

On the data path, any incoming data is transformed in accordance with the corresponding TILER write context and sent to the reordering buffer.

On the response path, responses are returned when:

- A minimal number of responses have entered the corresponding buffers, in case of read requests.
- All related responses have returned from the SDRG, in case of write requests.
- No other previous pending response with the same tag exists.

15.2.3.5.3 DMM Internal Macro-Architecture

This section describes the DMM internal macro-architecture, specifically:

- Input request decoding
- PAT and synchronized translation table reloading
- Output request and response generation
- Memory mapping in the system addressing space
- Tag management
- Priority handling
- Contexts
- Maximum allowed burst size
- Reconstruction buffer dimensioning

15.2.3.5.3.1 LISA Description

The LISA is a full crossbar aimed at setting priorities, managing tags, and mapping memory.

The interconnect routes are:

- TILER requests on the ROBIN initiator nodes
- TILER write data on the ROBIN write buffers
- ROBIN read data to the relevant TILER initiators

The LISA block registers are [DMM_LISA_MAP_i](#) (where $i = 0$ to 3) and [DMM_LISA_LOCK](#).

15.2.3.5.3.2 PAT Description

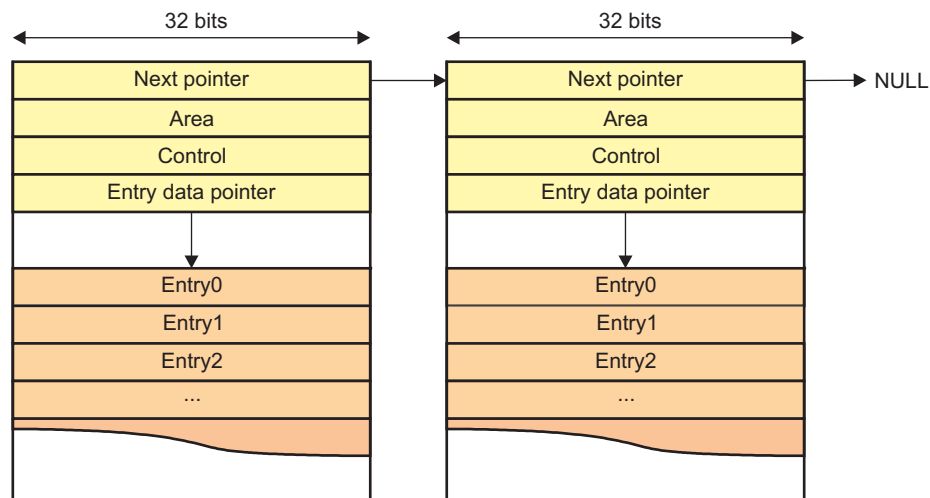
The PAT block maps physical pages to each TILER container page. The internal address translation memories used in the PAT block are designed with RFFs. It consists of:

- A memory-based LUT which has the same geometry as the container pages
- A refill engine for modifying entries in a given area of the internal LUT

A PAT descriptor is a singly-linked list node (see Figure 15-9) that contains:

- A description of the LUT area to reload
- A description of how to reload the defined LUT area
- A pointer to the location where the corresponding LUT entries are stored

Figure 15-9. PAT Descriptors



sdram-065

PAT descriptors are chained and processed until a NULL pointer is encountered. The PAT bank allocation scheme allows the updating of four consecutive entries of a line in a single cycle regardless of the refilling orientation.

The PAT descriptor structure directly maps the following registers (where $i = 0$ to 3):

- [DMM_PAT_DESCR_i](#)
- [DMM_PAT_AREA_i](#)
- [DMM_PAT_CTRL_i](#)
- [DMM_PAT_DATA_i](#)

The PAT refill engine can be started either of the following:

- Filling manually all the necessary registers:
 - [DMM_PAT_AREA_i](#) with the (x0, y0) (x1, y1) area definition
 - [DMM_PAT_DATA_i](#) with the physical address of the corresponding area entry table
 - [DMM_PAT_CTRL_i\[6:4\]](#) DIRECTION bit field with the relevant (S, Y, X) direction of the area refill
 - [DMM_PAT_CTRL_i\[0\]](#) START bit with 1
- Writing the physical address of a memory-mapped PAT descriptor in [DMM_PAT_DESCR_i](#) register, which updates:
 - [DMM_PAT_AREA_i](#) with the area value of the descriptor
 - [DMM_PAT_DATA_i](#) with the data value of the descriptor
 - [DMM_PAT_CTRL_i](#) with the control value of the descriptor
 - [DMM_PAT_DESCR_i](#) with the next value of the descriptor

The data part of the PAT refill starts only when the [DMM_PAT_CTRL_i\[0\]](#) START bit is asserted.

The `DMM_PAT_STATUS_i` register can be used to determine whether the process has completed without errors.

15.2.3.5.3.3 PEG Description

The PEG is a dynamic software-programmable, initiator-indexed table of priorities. Its unique role is to bind a priority to an initiator on the fly. The mapping of each initiator to the table (split into eight registers) is based on its 6-MSB group ConnID (see [Section 14.2.3.2.2, L3_MAIN Connectivity Matrix](#), in [Chapter 14, Interconnect](#)).

When an interconnect request enters the DMM, its priority is extracted from the PEG LUT.

The 64 priority entries are software-programmable with the `DMM_PEG_PRIO_k` register. A priority of 0 defines the highest priority and a priority of 7 defines the lowest priority. At reset, all priorities are set to 4.

These registers are each split into eight 4-bit fields, each field mapping an entry of the LUT with:

- The 3-bit priority coded on the 3 least-significant bits (LSBs): P field
- A \bar{W} field-specific active-low local write enable bit, always read as 0, on the MSB. The role of the \bar{W} bit is to allow the modification of a single entry without requiring a read-modify-write sequence. Because its \bar{W} bits are always read as 0, writing back the modified register updates all priority fields of the register.

[Table 15-9](#) lists the initiator ConnIDs that are mapped to PEG priority register fields (P/W).

Table 15-9. ConnIDs vs PEG Priority Register Fields

Registers	P0/W0	P1/W1	P2/W2	P3/W3	P4/W4	P5/W5	P6/W6	P7/W7
DMM_PEG_PRIO_0	0	1	2	3	4	5	6	7
DMM_PEG_PRIO_1	8	9	10(0xA)	11(0xB)	12(0xC)	13(0xD)	14(0xE)	15(0xF)
DMM_PEG_PRIO_2	16(0x10)	17(0x11)	18(0x12)	19(0x13)	20(0x14)	21(0x15)	22(0x16)	23(0x17)
DMM_PEG_PRIO_3	24(0x18)	25(0x19)	26(0x1A)	27(0x1B)	28(0x1C)	29(0x1D)	30(0x1E)	31(0x1F)
DMM_PEG_PRIO_4	32(0x20)	33(0x21)	34(0x22)	35(0x23)	36(0x24)	37(0x25)	38(0x26)	39(0x27)
DMM_PEG_PRIO_5	40(0x28)	41(0x29)	42(0x2A)	43(0x2B)	44(0x2C)	45(0x2D)	46(0x2E)	47(0x2F)
DMM_PEG_PRIO_6	48(0x30)	49(0x31)	50(0x32)	51(0x33)	52(0x34)	53(0x35)	54(0x36)	55(0x37)
DMM_PEG_PRIO_7	56(0x38)	57(0x39)	58(0x3A)	59(0x3B)	60(0x3C)	61(0x3D)	62(0x3E)	63(0x3F)

Although this priority information is generated before entering the LISA block, it is not used internally in the local interconnect arbitration but is forwarded to the EMIF as MRqInfo, where it indicates the command priority.

It is also possible to give a priority for the internal PAT engine through the `DMM_PEG_PRIO_PAT` register.

15.2.3.5.3.4 LISA Interconnect Arbitration

When `Mflag[i][63:0] ≠ 0` is signaled at TILER_i or both TILERs, the transactions of TILER_i or both TILERs form an additional new group called the high priority group. Within this group, reads and writes are sorted and arbitrated the same way as in the normal priority group. Arbitration between transactions out of the high priority group and out of the normal priority group is based on a weighted round-robin algorithm. Weight is software selectable using the `DMM_EMERGENCY[20:16] WEIGHT` bit field. Weight selection is considered static (that is, behavior is undefined when software changes the weight, and DMM is not empty of transaction).

The counter that is implemented to support the weighted round-robin is enabled as long as emergency signaling is present. The counter increments by one each time a command (from the normal or the high priority group) is pushed to ROBIN. The counter wraps on `DMM_EMERGENCY[20:16] WEIGHT` value. One command from the normal priority group is serviced in any of the following scenarios:

- The counter is enabled and wraps.
- The counter is enabled, has not reached its wrap value, and no command is queued in the high priority group (a case where one device module is signaling emergency but its requests have not yet reached

the TILERS).

- The counter is disabled.

Setting the [DMM_EMERGENCY\[0\] ENABLE](#) bit to 1 enables the emergency arbitration scheme.

NOTE: It is recommended to set the [DMM_EMERGENCY\[0\] ENABLE](#) bit to 1, and the [DMM_EMERGENCY\[20:16\] WEIGHT](#) bit to 0x8. This provides better and faster recovery behavior, and benefits system performance.

15.2.3.5.3.5 *ROBIN Description*

The ROBIN is a block that provides some working buffering for converting data and responses to-and-from between raster and tiled organizations, and a master port to connect to the EMIF.

The ROBIN block:

- Forwards requests
- Writes data and buffers responses
- Keeps write data ordering
- Performs intraword tiling and orientation transforms
- Handles tags

15.2.3.5.3.6 *TILER Description*

The main function of the TILER is request conversion caused by tiling.

The TILER block:

- Decodes the address to qualify whether the request targets the TILER or the memory directly
- Converts TILER-specific requests to their natural representation; address, width, and height are modified accordingly
- Allocates an internal response context for the timely generation of appropriate responses
- Splits tiled requests at tile boundaries and not-tiled requests at DMM atomic section boundaries
- Requests the page-based address translation
- Requests buffer allocation in the ROBIN
- In case of a write request, allocates and updates an internal write context to direct the incoming write data into the reordering buffer

The interdependent tiling and isometric transform concepts introduced in the TILER are described in the following section.

15.2.3.6 TILER

15.2.3.6.1 *TILER Concepts*

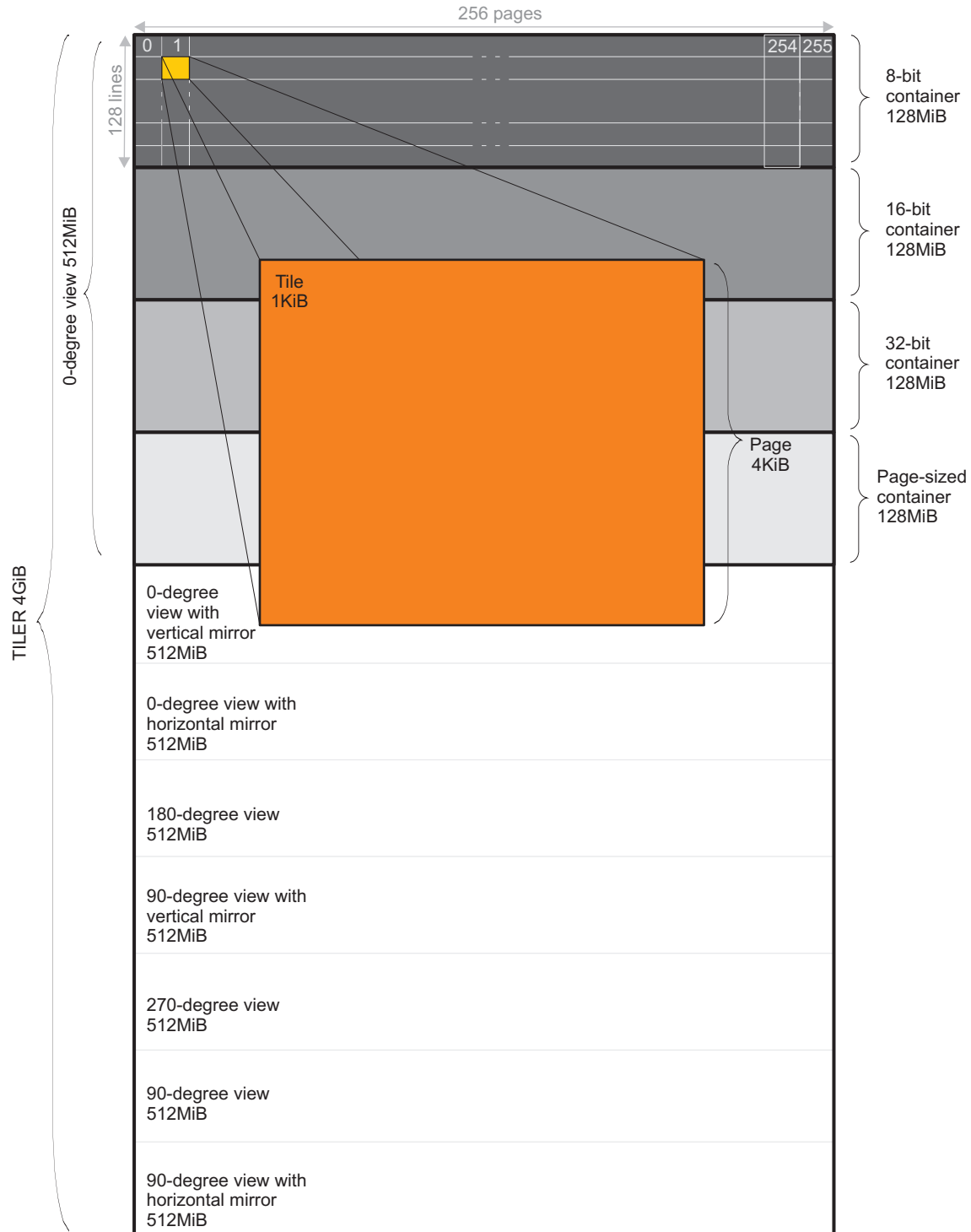
This section describes the concepts behind the TILER transforms, through a top-down approach starting from the main object container.

15.2.3.6.1.1 *TILER Rationale*

This section is a synthesis of all TILER concepts, giving one rule per TILER structure level.

[Figure 15-10](#) shows the TILER address space structure for tiled modes.

Figure 15-10. TILER Address Space Structure for Tiled Modes



sdram-005_public

15.2.3.6.1.1.1 The TILER is a 4-GiB Virtual Address Space Composed of Eight Views

There is one view for each of the eight possible ways of scanning a frame-buffer:

- From left to right and then from top to bottom

- From right to left and then from top to bottom
- From left to right and then from bottom to top
- From right to left and then from bottom to top
- From top to bottom and then from left to right
- From top to bottom and then from right to left
- From bottom to top and then from left to right
- From bottom to top and then from right to left

15.2.3.6.1.1.2 A View is a 512-MiB Virtual Address Space Composed of Four Containers

There is one container per element size to allow correct access patterns in any of the eight possible orientations. The container is the entity where all objects of a given element type are allocated.

The element is the entity of maximum size (8, 16, 32 bits, or page-sized), which is invariant in any orientation.

15.2.3.6.1.1.3 A Container is a 128-MiB Virtual Address Space

A container is composed of an array of 128 lines of 256 pages of 4kiB each.

The page defines the granularity of physical memory allocation through a PAT unit – MMU.

15.2.3.6.1.1.4 A Page is a 4-kiB Virtual Address Space

A page is composed of two lines. Each line consists of two tiles.

15.2.3.6.1.1.5 A Tile is a 1-kiB Address Space

The tile is designed to offer bidimensional data locality in a single SDRAM page. In this respect, it is sized to 1kiB; that is, to the size of the smallest SDRAM page.

15.2.3.6.1.1.6 A Subtile is a 128-Bit Address Space

A subtile is composed of:

- In 8-bit tiled mode: An array of four horizontal lines of four elements of 8 bits
- In 16-bit tiled mode: An array of two horizontal lines of four elements of 16 bits
- In 32-bit tiled mode: An array of two horizontal lines of two elements of 32 bits

The subtile structure is designed to increase the SDRAM access payload on macroblock requests; that is, to minimize the required line buffering of raster-based initiators to handle on-the-fly rotation, and to improve interlaced accesses to tiled frame-buffers.

15.2.3.6.1.2 TILER Modes

The TILER supports three major modes, bypass, page, and tiled. Each mode has a specific output request generation.

15.2.3.6.1.2.1 Bypass Mode

This mode is transparent from the TILER perspective. However, from the DMM perspective:

- 2D block bursts are broken down on a line basis in a set of incremental bursts.
- Incremental bursts, including those issued by a 2D block burst breakdown, are split at the DMM atomic unit of the section hit by the burst at 1-kiB boundary.

15.2.3.6.1.2.2 Page Mode

This mode uses the DMM address translation mechanism for nontiled accesses. In this respect it is similar to bypass mode:

- 2D block bursts are broken down on a line basis in a set of incremental bursts.
- Incremental bursts, including those issued by a 2D block burst breakdown, are split at -kiB boundary.

15.2.3.6.1.2.3 Tiled Mode

Tiled mode has two major breakdown algorithms:

- One for well-formed 2D block requests that conform to the orientation, mode, and stride listed in [Table 15-10](#)
- One for 1D incremental requests and ill-formed 2D block requests

Table 15-10. Well-Formed Tiled Mode 2D Block Requests

Orientation			Mode		Stride	Description
S	Y	X	M1	M0	(bytes)	
0	x	x	0	0	16,384	Plain access to an 8-bit progressive frame in 0 or 180 degrees
					32,768	Field access to an 8-bit interlaced frame 0 or 180 degrees
			1	0	32,768	Plain access to a 16-bit progressive frame in 0 or 180 degrees
					65,536	Field access to a 16-bit interlaced frame 0 or 180 degrees
					32,768	Plain access to a 32-bit progressive frame in 0 or 180 degrees
					65,536	Field access to a 32-bit interlaced frame 0 or 180 degrees
1	x	x	0	0	8192	Plain access to an 8-bit progressive frame in 90 or 270 degrees
					16,384	Field access to an 8-bit interlaced frame 90 or 270 degrees
			1	0	8192	Plain access to a 16-bit progressive frame in 90 or 270 degrees
					16,384	Field access to a 16-bit interlaced frame 90 or 270 degrees
					16,384	Plain access to a 32-bit progressive frame in 90 or 270 degrees
					32,768	Field access to a 32-bit interlaced frame 90 or 270 degrees

Similar to the bypass and page modes, ill-formed 2D block requests are broken down on a line basis in a set of incremental bursts. In tiled mode, however, these incremental virtual bursts do not translate to 1D physical burst requests.

15.2.3.6.1.3 Object Container Definition

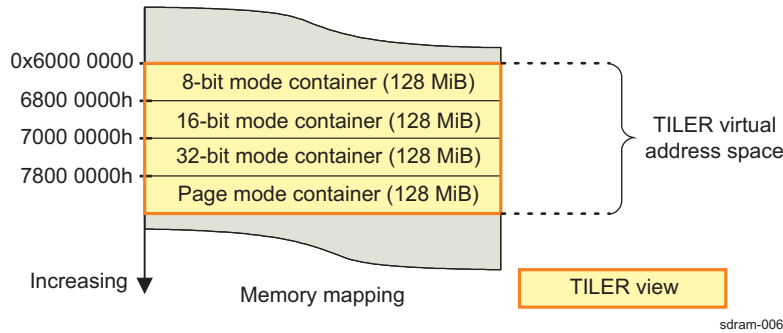
The object container is the unique addressable entry point of the TILER. It is a 128-MiB virtual address space, where all objects of a same kind and orientation are allocated.

Four main types of containers are present in the TILER, each referred by a mode:

- 8-bit element mode, for efficiently accessing bidimensional arrays of 8-bit data
- 16-bit element mode, for efficiently accessing bidimensional arrays of 16-bit data
- 32-bit element mode, for efficiently accessing bidimensional arrays of 32-bit data
- Page mode, for efficient 1D accesses

[Figure 15-11](#) shows the TILER object containers and views.

Figure 15-11. TILER Object Containers and Views

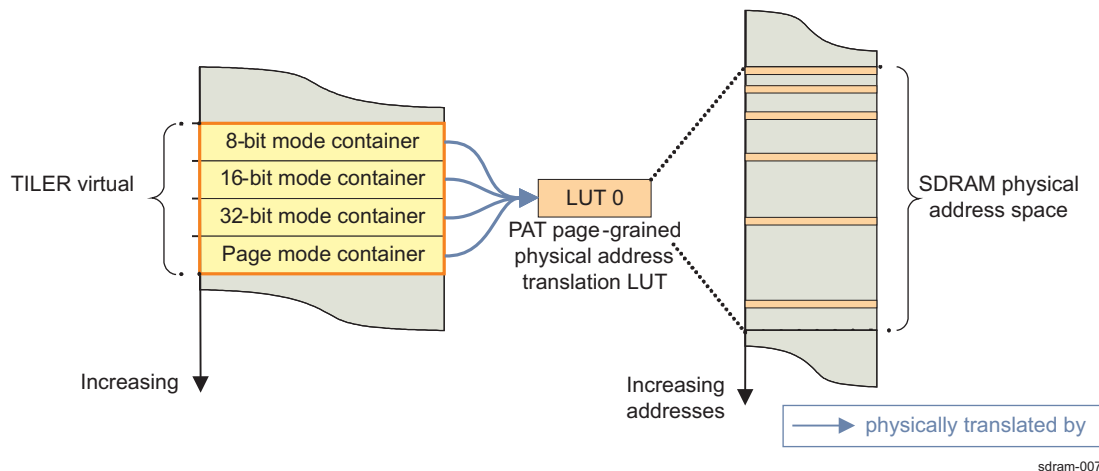


The 512-MiB virtual address space composed of four 128-MiB object containers of different modes is called a view. Because eight orientations are available per mode, the TILER actually manages 32 kinds of containers.

The physical memory footprint of a 512-MiB TILER view is directly subject to the nature of the PAT unit.

A unique PAT LUT is instantiated in the DMM. This table is shared by all TILER modes. Hence, each of the four modes cannot be given its own private page-grained PAT LUT. A maximum of 128MiB of objects among all TILER modes can be managed as shown in Figure 15-12.

Figure 15-12. TILER Memory Footprint With PAT and Shared Physical Address Translation LUT



Although each of the four modes has its own separate virtual 128-MiB object container, these containers are all mapped to the same piecewise 128-MiB physical address space, and are then not physically separated. Consequently, a memory-related system constraint is that no more than 128-MiB of objects can be available simultaneously in a TILER view.

NOTE: Software must ensure that any object allocated in a mode does not physically overlap with any other object, even in another mode.

15.2.3.6.1.4 Page Definition

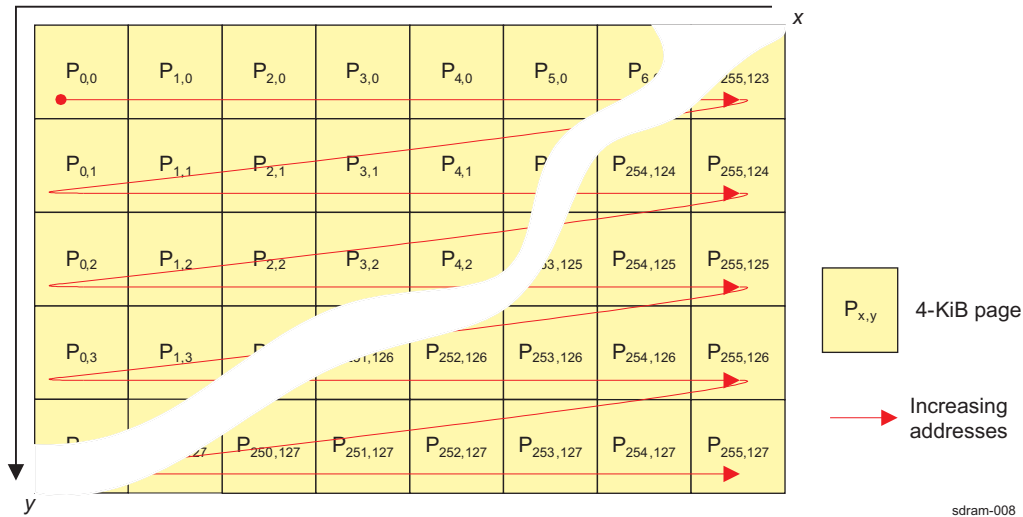
A TILER page defines the granularity of object allocation in virtual TILER containers.

Because the subpage structure is mode-specific, the page is the smallest granularity common to all modes, making it the granularity to consider in the TILER resource manager for object allocation.

15.2.3.6.1.4.1 Container Geometry With 4-kiB Pages

Because the size of the page is 4kiB, any 128-MiB object container is a set of 32,768 pages, organized in an array of 256 columns and 128 rows, as shown in Figure 15-13.

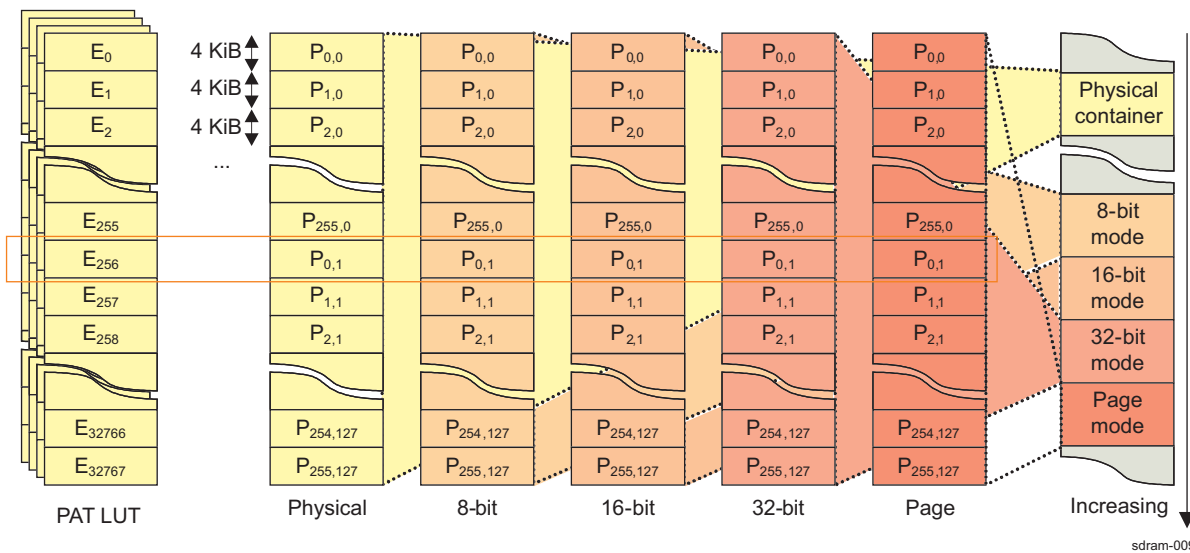
Figure 15-13. Object Container Geometry With 4-kiB Pages



sdr-am-008

This array of pages is mapped to the system address space, as shown in Figure 15-14.

Figure 15-14. TILER Page Mapping When Using 4-kiB Pages



sdr-am-009

In any 128-MiB object container, the 4-kiB page $P_{x,y}$ at column x (where $0 \leq x < 256$) and row y (where $0 \leq y < 128$), is found at an offset of $4096 \cdot (x + 256 \cdot y)$ bytes from the base address of the related object container.

Similarly, the page $P_{x,y}$ at column x (where $0 \leq x < 256$) and row y (where $0 \leq y < 128$), is translated by the LUT entry $E_{x+256 \cdot y}$ found at the index $x + 256 \cdot y$.

15.2.3.6.1.4.2 Container Geometry and Page Mapping Summary

The TILER has a page size of 4096 bytes. The page $P_{x,y}$:

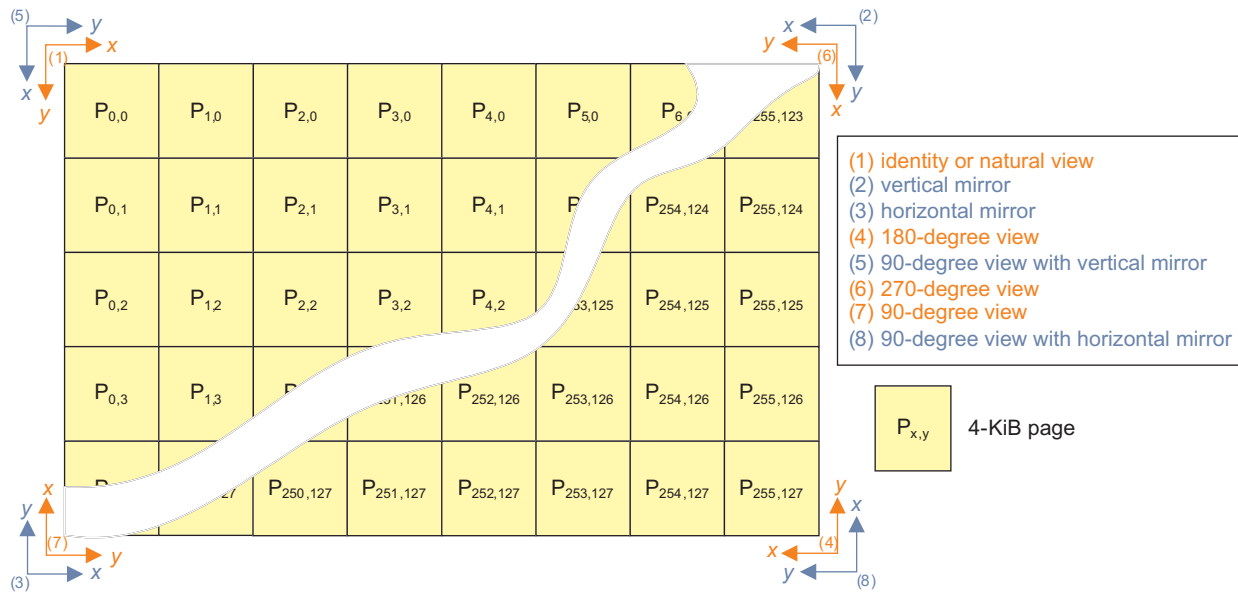
- Has $\max_x = 256$ and $\max_y = 128$
- Is found at an offset of $4096 \cdot (x + \max_x \cdot y)$ bytes from the base address of the related object container
- Is translated by the entry at the index $(x + \max_x \cdot y)$ of the LUT

15.2.3.6.1.5 Orientation

This section describes the eight on-the-fly orientation-related isometric transforms, which correspond to all available changes of orthonormal basis in the bidimensional space of the TILER container.

Figure 15-15 shows isometric transforms in the TILER container

Figure 15-15. Isometric Transforms in the TILER Container



sdram-010

Mathematically speaking, all these transforms correspond to the composition of a 0-, 90-, 180-, or 270-degree rotation with an optional reflection. The nature of this orientation is based on the three following binary parameters:

- X to change the direction of the x axis of the TILER container
- Y to change the direction of the y axis of the TILER container
- S to swap the modified x and y axis

Hereafter in this document the term orientation refers to any composition of a "quadrant" rotation with an optional horizontal (flip-flop) or vertical mirroring.

15.2.3.6.1.6 Tile Definition

A tile is a subdivision of a page that is aimed at:

- Representing a 2D block to better balance accesses in both directions
- Ensuring that any tiled access that fits within a tile is made atomic in the SDRC and fits in a single SDRAM memory page
- Minimizing the number of SDRAM page openings per 2D block transfer

The tile is defined as a 1-kiB 2D block, and a 4-kiB page as an array of two lines of two tiles each.

15.2.3.6.1.7 Subtiles

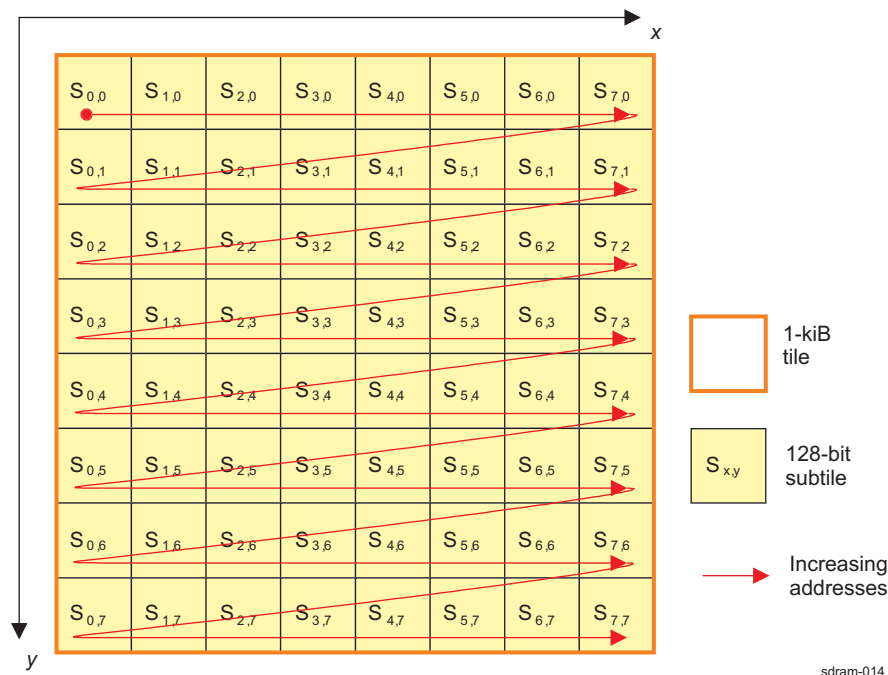
15.2.3.6.1.7.1 Subtiling Definition

To summarize, a subtile is a subtle refinement of a tile whose purpose is to:

- Lower the size (length x height) of 128-bit bursts in case of relatively small 2D block requests, such as video macroblocks
- Better balance the granularity in the two directions
- Better balance the accesses in the two (x and y) directions
- Minimize the size of the line buffer of the raster-based initiators to handle isometric transforms efficiently

A subtile is defined as a 128-bit 2D block, and a tile as an array of eight lines of eight subtiles, as shown in Figure 15-16.

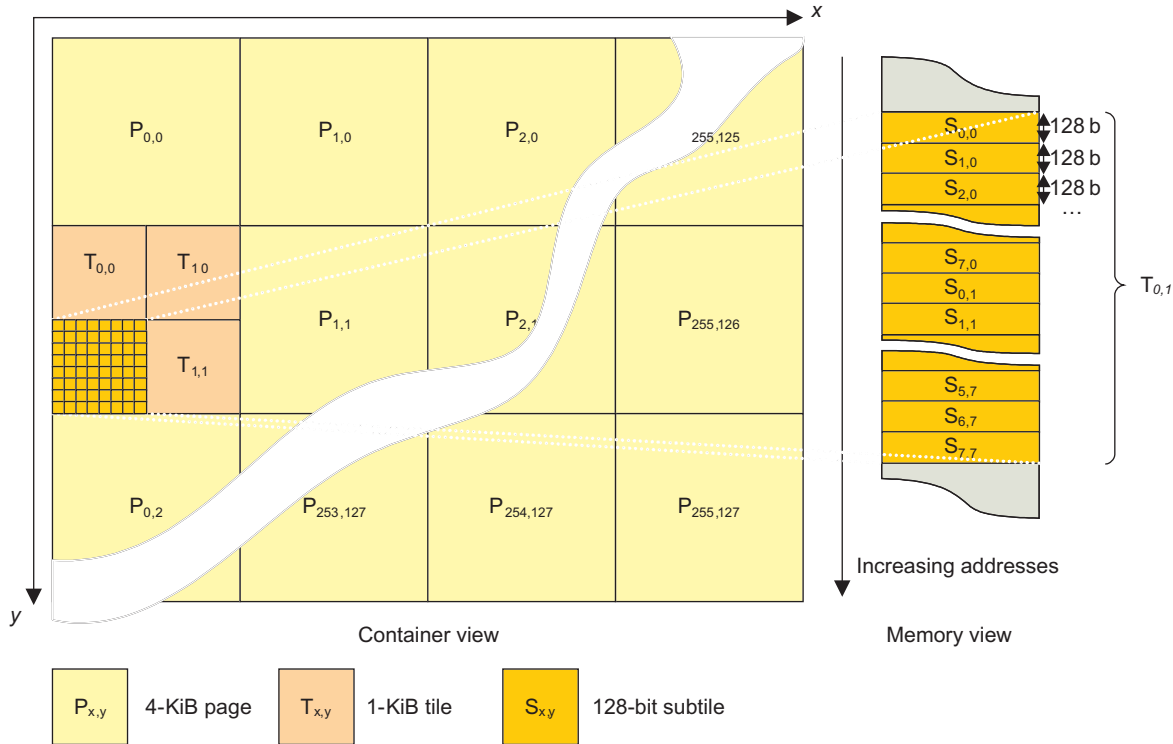
Figure 15-16. Tile Geometry



In any tile, the subtile $S_{x,y}$ at column x ($0 \leq x < 8$) and row y ($0 \leq y < 8$) is found at an offset of $16 \cdot (x + 8 \cdot y)$ bytes from the base address of the related tile. Besides, this array organization of subtiles is common to each tiled mode. For instance, the subtile $S_{0,1}$ is always located at an offset of 128 bytes (that is, $16 \cdot (0 + 8 \cdot 1)$) from the base address of the related tile.

Figure 15-17 shows the subtile mapping.

Figure 15-17. Subtile Mapping



sdram-015

15.2.3.6.1.8 TILER Virtual Addressing

The TILER can be virtually accessed in four different modes: 8-, 16-, 32-bit, and page modes. Each mode defines the element granularity to apply isometric transforms, as summarized in Table 15-11.

Table 15-11. Coding and Description of TILER Modes

Mode	Name	Granularity (Element Size)
0	8-bit tiled mode	8 bits
1	16-bit tiled mode	16 bits
2	32-bit tiled mode	32 bits
3	Page mode	4096 bytes

For instance, making a vertical mirror of a 16-byte horizontal line that contains the word 000102030405060708090A0B0C0D0E0Fh, leads to:

- 0F0E0D0C0B0A09080706050403020100h in 8-bit tiled mode
- 0E0F0C0D0A0B08090607040502030001h in 16-bit tiled mode
- 0C0D0E0F08090A0B0405060700010203h in 32-bit tiled mode
- 000102030405060708090A0B0C0D0E0Fh in page mode – unchanged because the element granularity is 4 KiB

Besides, because each of the eight orientations is available for any of the four modes, the TILER has 32 addressing possibilities (see Table 15-12).

Table 15-12. Coding and Description of TILER Orientations

S	Y	X	Description	Alternate description
0	0	0	0-degree view	Natural view
0	0	1	0-degree view with vertical mirror	180-degree view with horizontal mirror

Table 15-12. Coding and Description of TILER Orientations (continued)

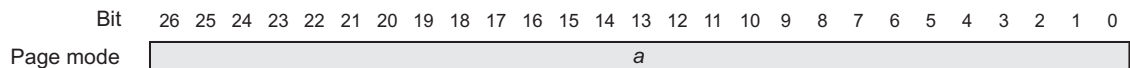
S	Y	X	Description	Alternate description
0	1	0	0-degree view with horizontal mirror	180-degree view with vertical mirror
0	1	1	180-degree view	
1	0	0	90-degree view with vertical mirror	270-degree view with horizontal mirror
1	0	1	270-degree view	
1	1	0	90-degree view	
1	1	1	90-degree view with horizontal mirror	270-degree view with vertical mirror

15.2.3.6.1.8.1 Page Mode Virtual Addressing and Characteristics

When used in page mode, the 128-MiB TILER space is seen as an orientation-specific sequence of 32,768 pages of 4kiB each. The access sequence inside a page is left unchanged.

Therefore, in page mode, the TILER is accessed similarly to any 128-MiB memory, with a 27-bit byte-based address.

NOTE: From here forward, the address is noted as *a* (see [Figure 15-18](#)).

Figure 15-18. Page Mode Virtual Addressing


sdram-027

15.2.3.6.1.8.2 Tiled Mode Virtual Addressing and Characteristics

When used in tiled mode, the 128-MiB TILER space is seen as a giant frame-buffer, the container. The addressing and characteristics of this giant frame-buffer depend on:

- The tiled mode, which defines the considered atomic element size
- The orientation, which potentially swaps its x and y axis, and hence the container geometry

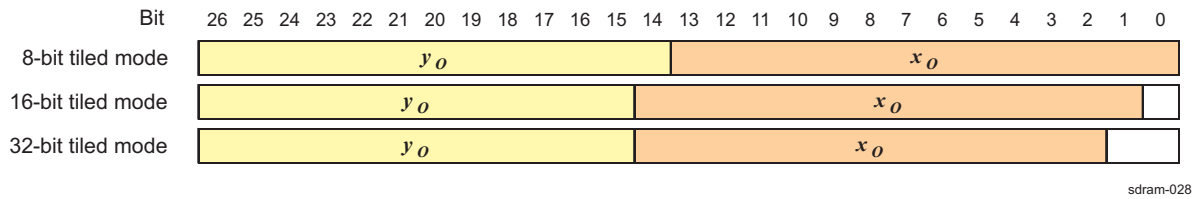
[Table 15-13](#) summarizes the container characteristics in tiled mode.

Table 15-13. Tiled Mode Container Characteristics

Orientation			Element Size (Bits)	Width (Elements)	Height (Elements)	Stride (Bytes)	
S	Y	X				Progressive	Interlaced
0	x	x	8	16,384	8192	16,384	32,768
			16	16,384	4096	32,768	65,536
			32	8192	4096	32,768	65,536
1	x	x	8	8192	16,384	8192	16,384
			16	4096	16,384	8192	16,384
			32	4096	8192	16,384	32,768

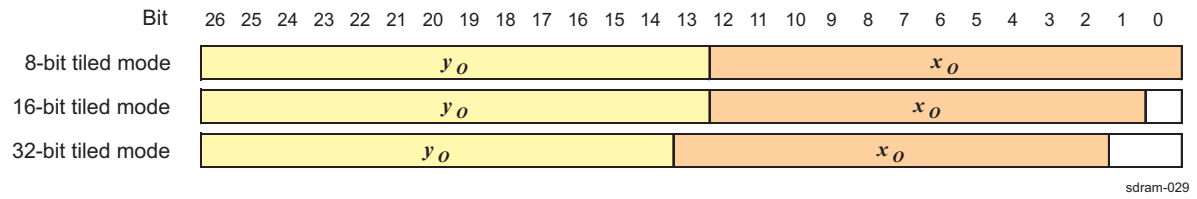
As a result, the coordinate (x_0, y_0) of a pixel in an oriented view is translated in a virtual address, as shown in Figure 15-19 and Figure 15-20.

Figure 15-19. Tiled Mode Addressing in 0- or 180-Degree Orientation (S = 0)



sdram-028

Figure 15-20. Tiled Mode Addressing in 90- or 270-Degree Orientation (S = 1)



sdram-029

15.2.3.6.1.8.3 Element Ordering in the TILER Container

This section describes how elements (8-, 16-, or 32-bit data or a 4-kiB page) are ordered in the container. In other words, this section describes how the path of incrementing virtual addresses is mapped in the container.

Regardless of the mode, and hence the element size, the sequence for ordering the elements in their related container is strictly similar and depends only on the related orientation. In other words:

- Mode is concerned with element granularity.
- Orientation is concerned with change of orthonormal basis for ordering the elements in the mode-specific container.

A corollary to the previous statements is that in a given mode the internal structure of an element is unchanged regardless of the orientation. In page mode for instance, the offset of a word inside a page is invariant by orientation; the content of a page is always accessed in the same manner.

In the following sections, the natural container orthonormal basis is referenced as:

$$(\vec{x}_N, \vec{y}_N)$$

sdram-030

and the oriented orthonormal basis is referenced as:

$$(\vec{x}_O, \vec{y}_O)$$

sdram-031

15.2.3.6.1.8.3.1 Natural View or 0-Degree View (Orientation 0)

This orientation defined by $S = 0$, $\bar{Y} = 0$, and $\bar{X} = 0$ means that the operated change of basis is:

$$\begin{cases} \vec{x}_O = \vec{x}_N \\ \vec{y}_O = \vec{y}_N \end{cases}$$

sdram-032

In any TILER mode, the elements are ordered from left to right and then from top to bottom in their container, as shown in Figure 15-21 and Figure 15-22.

Figure 15-21. Tiled Mode Ordering of Elements in Natural View

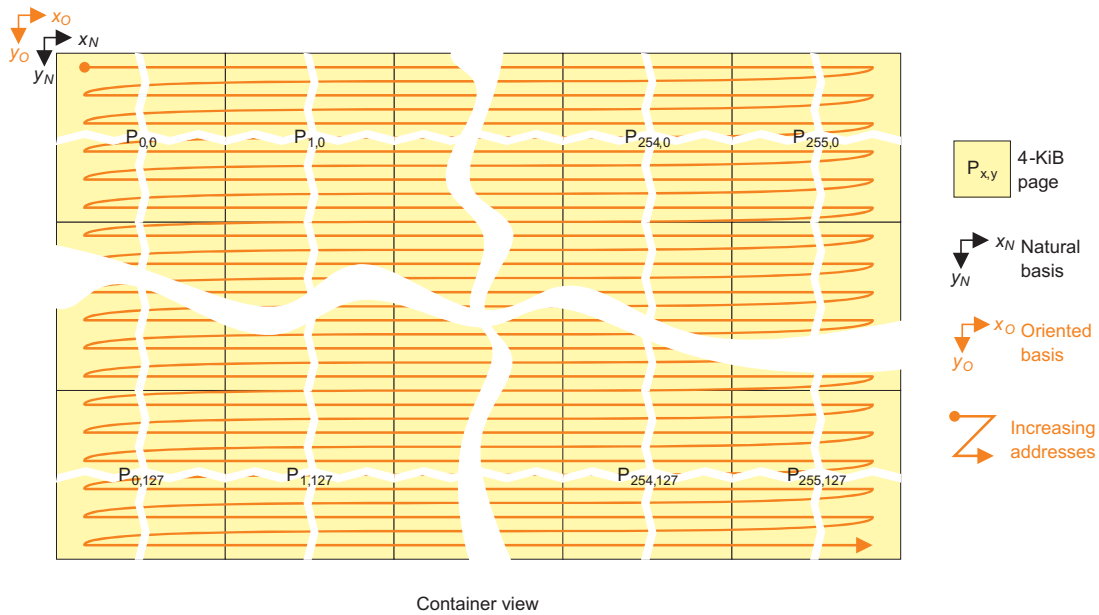
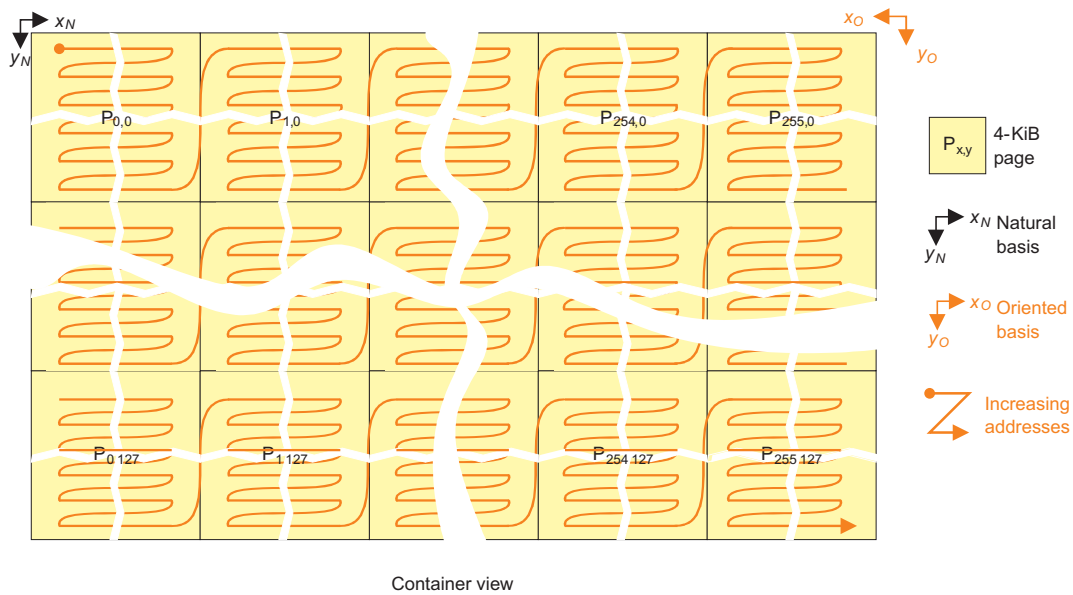


Figure 15-22. Page Mode Ordering of Elements in Natural View



15.2.3.6.1.8.3.2 0-Degree View With Vertical Mirror or 180-Degree View With Horizontal Mirror (Orientation 1)

This orientation defined by $S = 0$, $\bar{Y} = 0$, and $\bar{X} = 1$ and means that the operated change of basis is:

$$\begin{cases} \vec{x}_O = -\vec{x}_N \\ \vec{y}_O = \vec{y}_N \end{cases}$$

sdram-035

In any TILER mode, the elements are then ordered from right to left and then from top to bottom in their container, as shown in Figure 15-23 and Figure 15-24.

Figure 15-23. Tiled Mode Ordering of Elements in 0-Degree View With Vertical Mirror

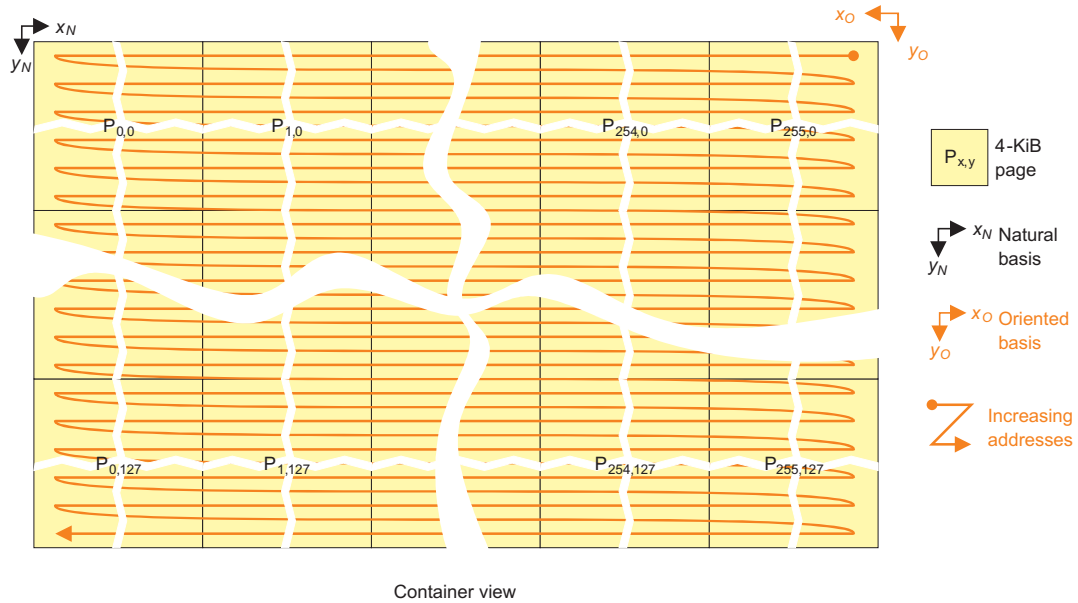
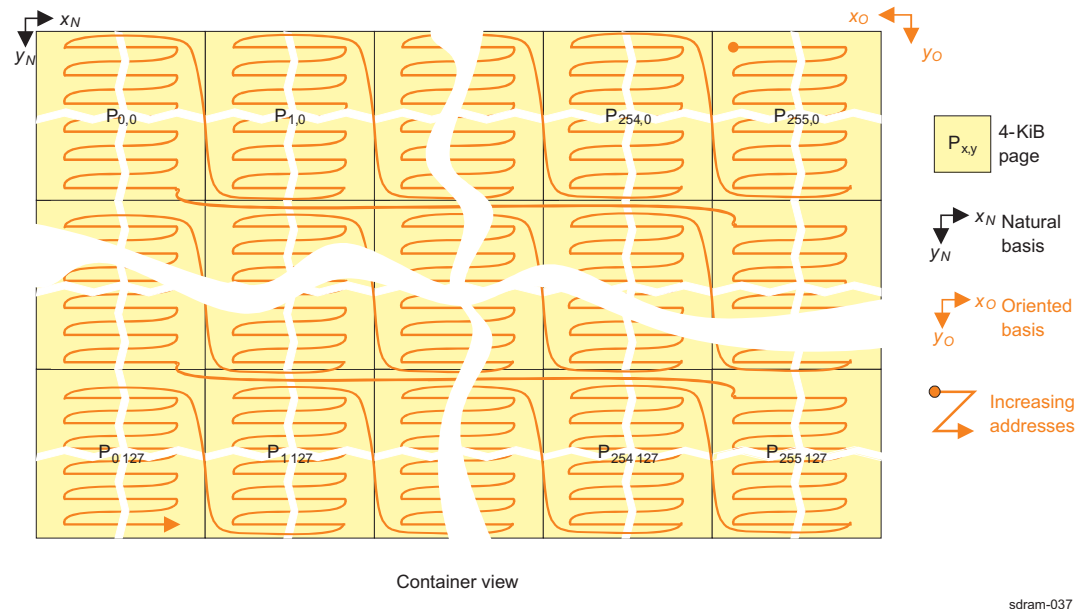


Figure 15-24. Page Mode Ordering of Elements in 0-Degree View With Vertical Mirror



15.2.3.6.1.8.3.3 0-Degree View With Horizontal Mirror or 180-Degree View With Vertical Mirror (Orientation 2)

This orientation defined by $S = 0$, $\bar{Y} = 1$, and $\bar{X} = 0$ and means that the operated change of basis is:

$$\begin{cases} \vec{x}_O = \vec{x}_N \\ \vec{y}_O = -\vec{y}_N \end{cases}$$

sdram-038

In any TILER mode, the elements are ordered from left to right and then from bottom to top in their container, as shown in Figure 15-25 and Figure 15-26.

Figure 15-25. Tiled Mode Ordering of Elements in 0-Degree View With Horizontal Mirror

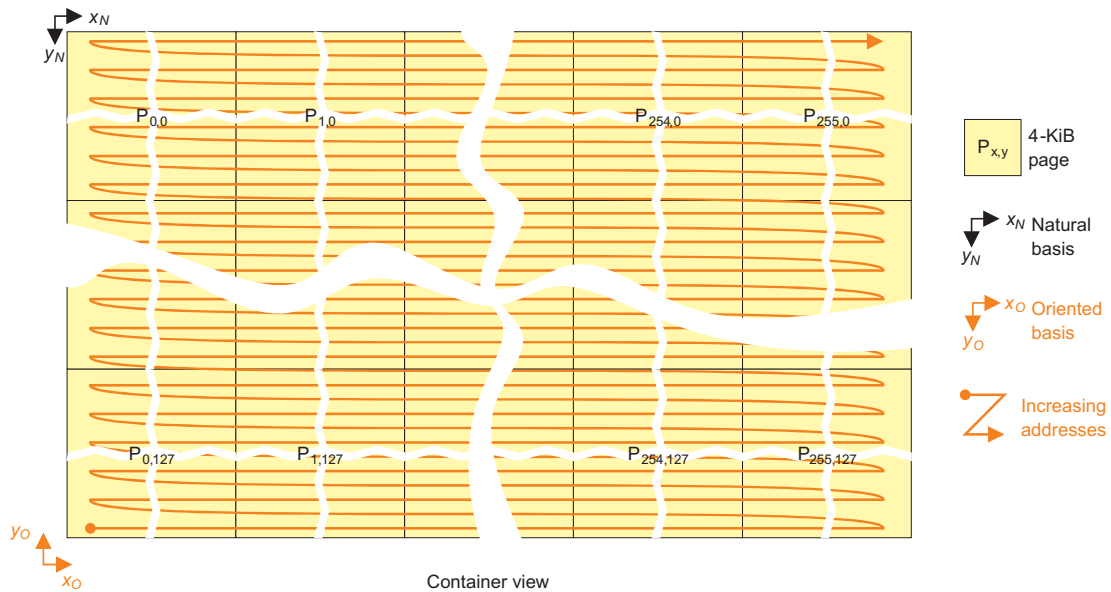
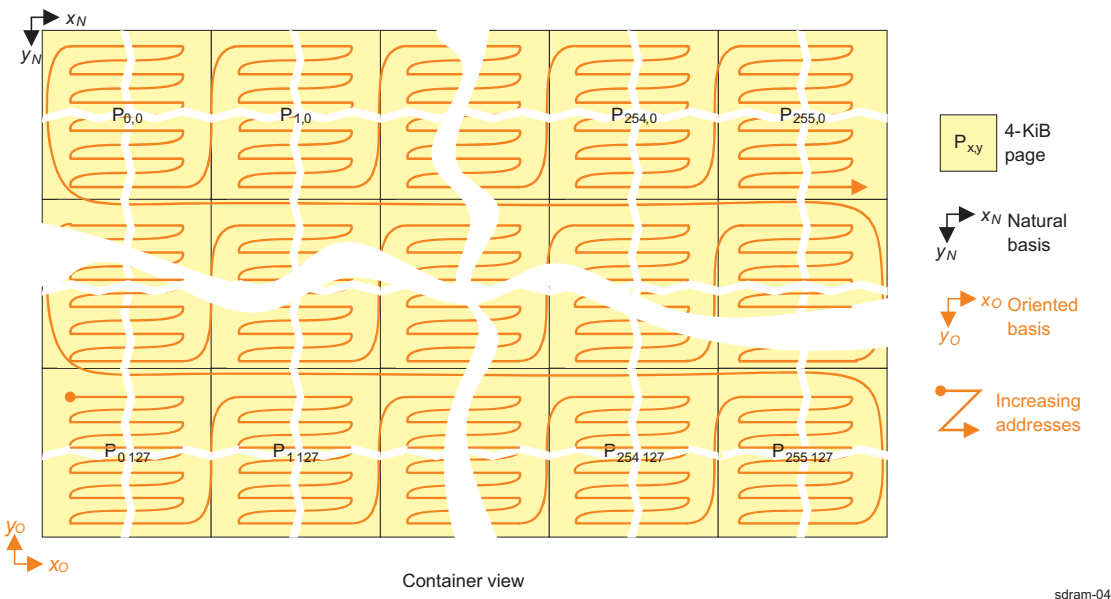


Figure 15-26. Page Mode Ordering of Elements in 0-Degree View With Horizontal Mirror



15.2.3.6.1.8.3.4 180-Degree View (Orientation 3)

This orientation defined by $S = 0$, $\bar{Y} = 1$, and $\bar{X} = 1$ and means that the operated change of basis is:

$$\begin{cases} \vec{x}_O = -\vec{x}_N \\ \vec{y}_O = -\vec{y}_N \end{cases}$$

sdram-041

In any TILER mode, the elements are ordered from right to left and then from bottom to top in their container, as shown in Figure 15-27 and Figure 15-28.

Figure 15-27. Tiled Mode Ordering of Elements in 180-Degree View

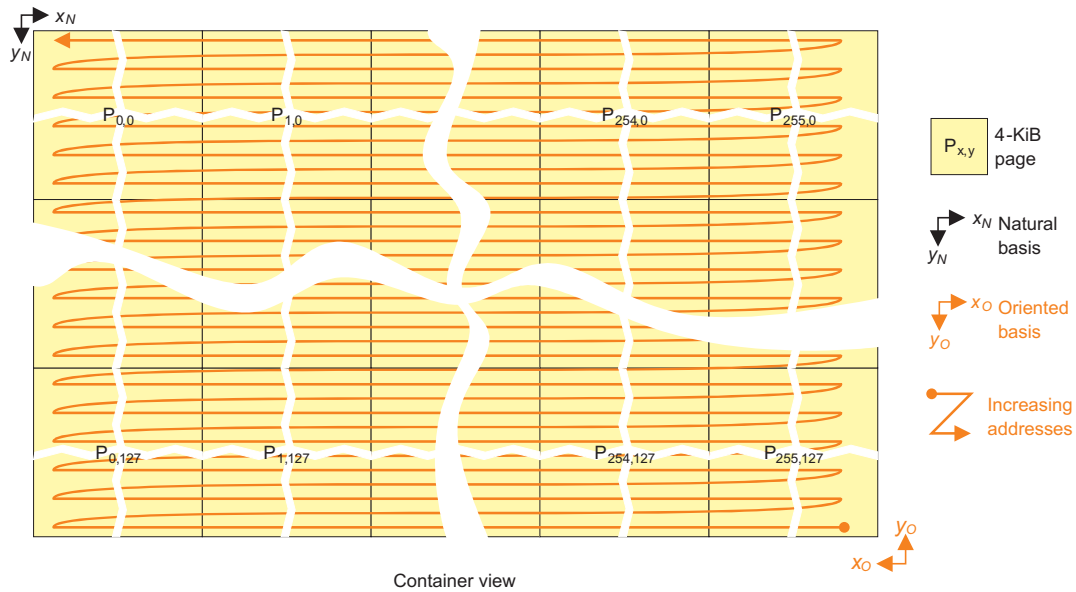
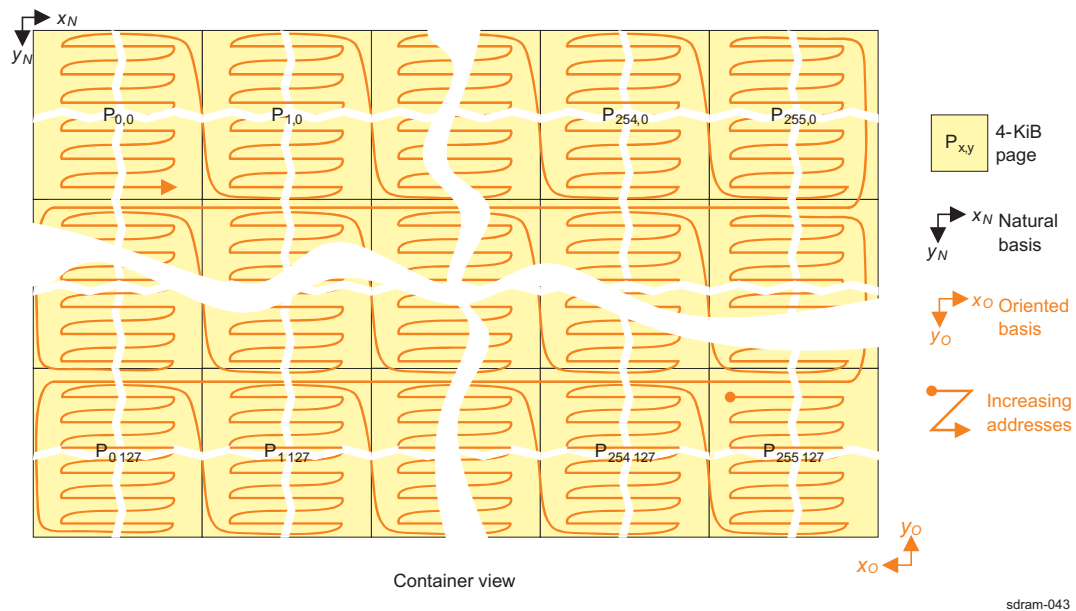


Figure 15-28. Page Mode Ordering of Elements in 180-Degree View



15.2.3.6.1.8.3.5 90-Degree View With Vertical Mirror or 270-Degree View With Horizontal Mirror (Orientation 4)

This orientation defined by $S = 1$, $\bar{Y} = 0$, and $\bar{X} = 0$ and means that the operated change of basis is:

$$\begin{cases} \bar{x}_O = \bar{y}_N \\ \bar{y}_O = \bar{x}_N \end{cases}$$

s dram-044

In any TILER mode, the elements are ordered from top to bottom and then from left to right in their container, as shown in Figure 15-29 and Figure 15-30.

Figure 15-29. Tiled Mode Ordering of Elements in 90-Degree View With Vertical Mirror

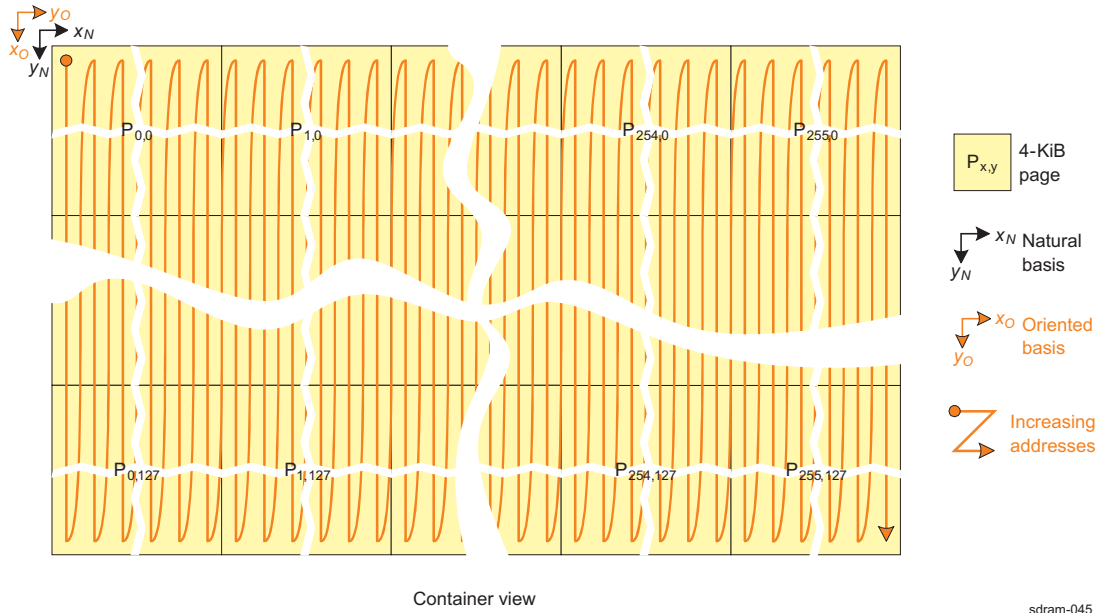
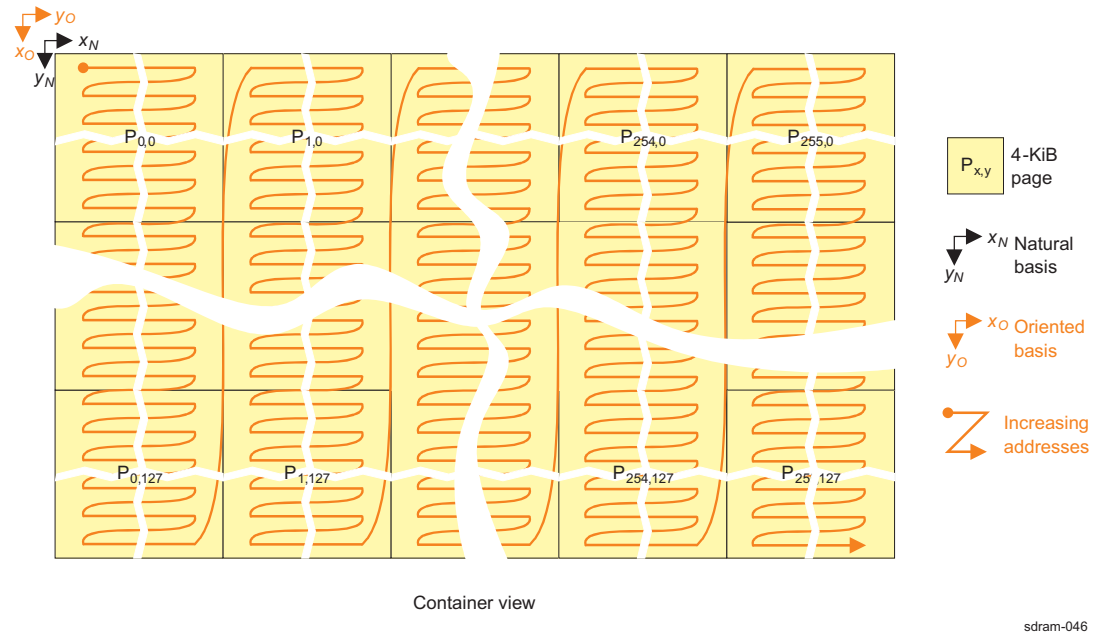


Figure 15-30. Page Mode Ordering of Elements in 90-Degree View With Vertical Mirror



15.2.3.6.1.8.3.6 270-Degree View (Orientation 5)

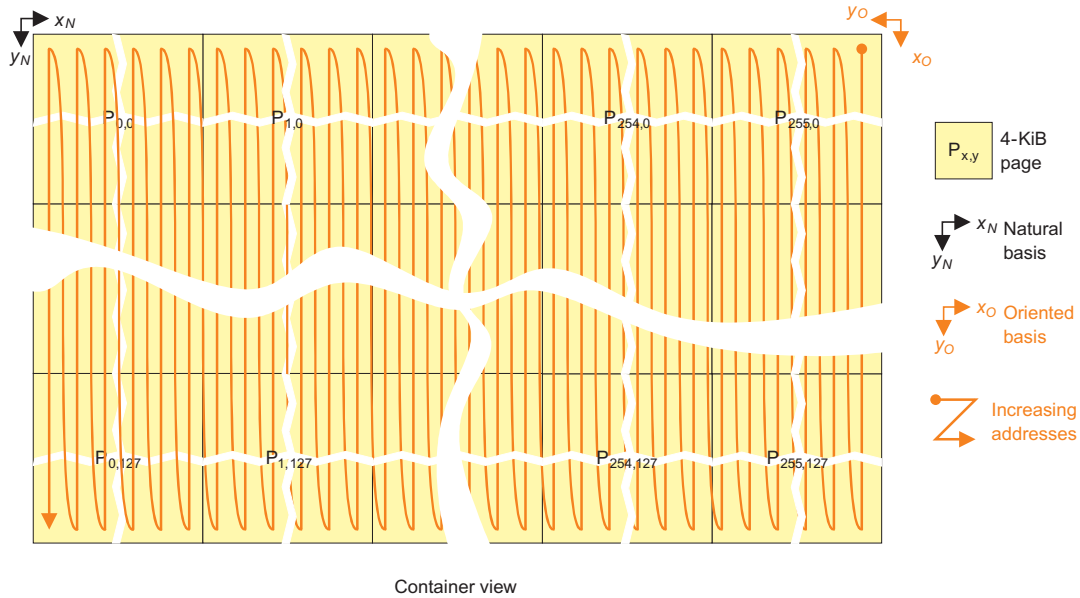
This orientation defined by $S = 1$, $\bar{Y} = 0$, and $\bar{X} = 1$ and means that the operated change of basis is:

$$\begin{cases} \vec{x}_O = \vec{y}_N \\ \vec{y}_O = -\vec{x}_N \end{cases}$$

sdram-047

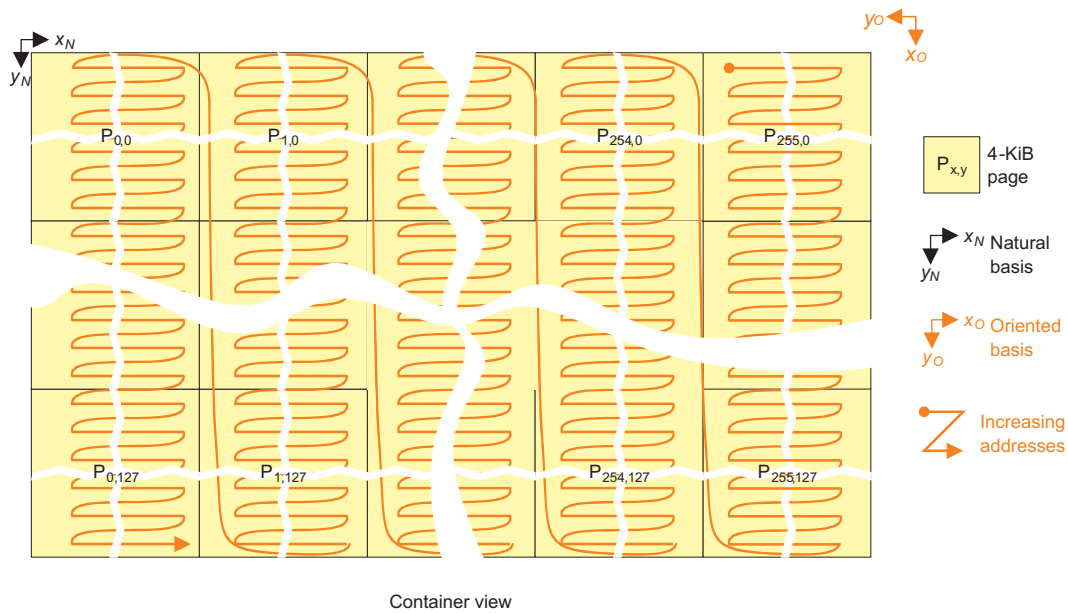
In any TILER mode, the elements are ordered from top to bottom and then from right to left in their container, as shown in Figure 15-31 and Figure 15-32.

Figure 15-31. Tiled Mode Ordering of Elements in 270-Degree View



sdram-048

Figure 15-32. Page Mode Ordering of Elements in 270-Degree View



sdram-049

15.2.3.6.1.8.3.7 90-Degree View (Orientation 6)

This orientation defined by $S = 1$, $\bar{Y} = 1$, and $\bar{X} = 0$ and means that the operated change of basis is:

$$\begin{cases} \vec{x}_O = -\vec{y}_N \\ \vec{y}_O = \vec{x}_N \end{cases}$$

sdram-050

In any TILER mode, the elements are ordered from bottom to top and then from left to right in their container, as shown in Figure 15-33 and Figure 15-34.

Figure 15-33. Tiled Mode Ordering of Elements in 90-Degree View

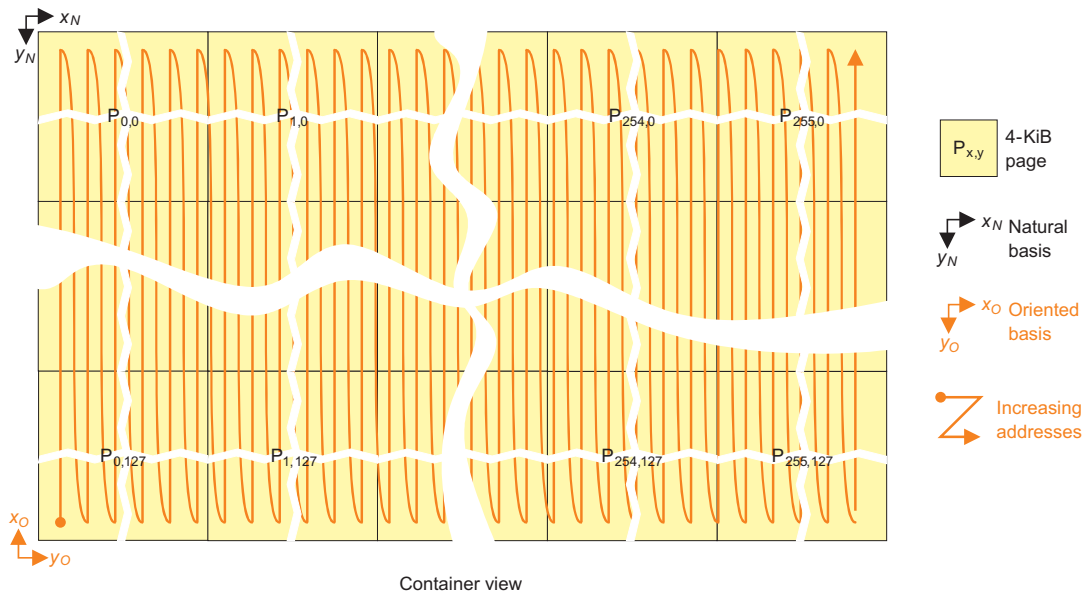
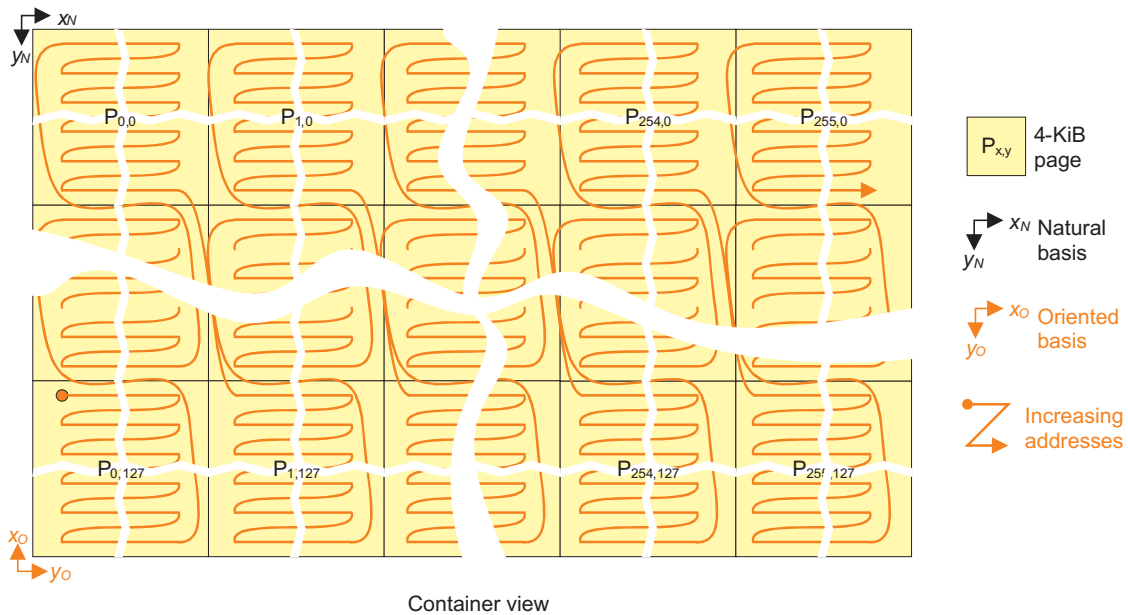


Figure 15-34. Page Mode Ordering of Elements in 90-Degree View



15.2.3.6.1.8.3.8 90-Degree View With Horizontal Mirror or 270-Degree View With Vertical Mirror (Orientation 7)

This orientation defined by $S = 1$, $\bar{Y} = 1$, and $\bar{X} = 1$ and means that the operated change of basis is:

$$\begin{cases} \bar{x}_O = -\bar{y}_N \\ \bar{y}_O = -\bar{x}_N \end{cases}$$

sdram-053

In any TILER mode, the elements are ordered from bottom to top and then from right to left in their container, as shown in Figure 15-35 and Figure 15-36.

Figure 15-35. Tiled Mode Ordering of Elements in 90-Degree View With Horizontal Mirror

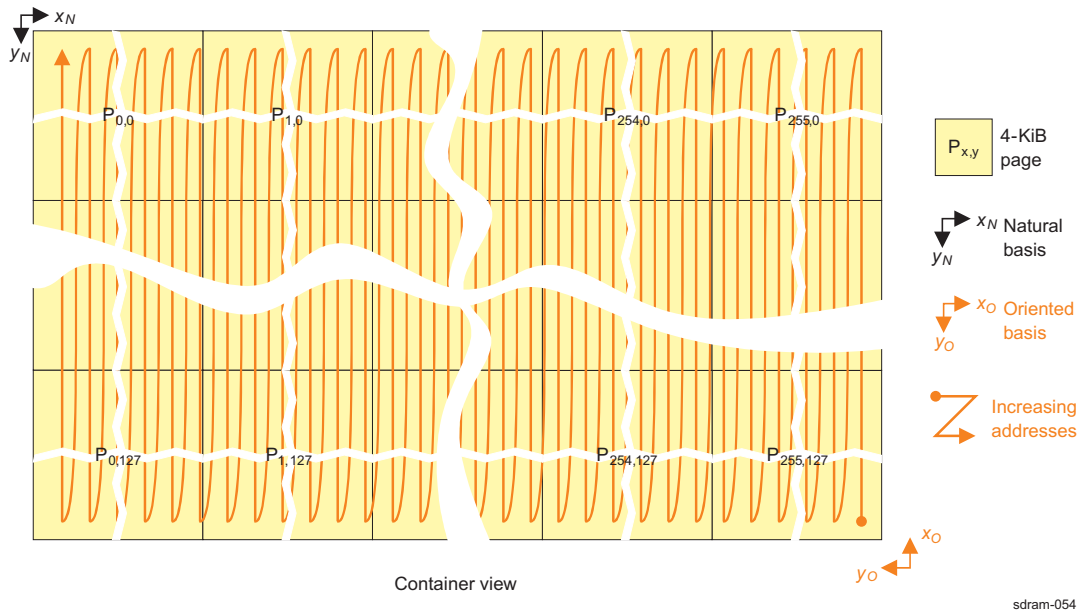
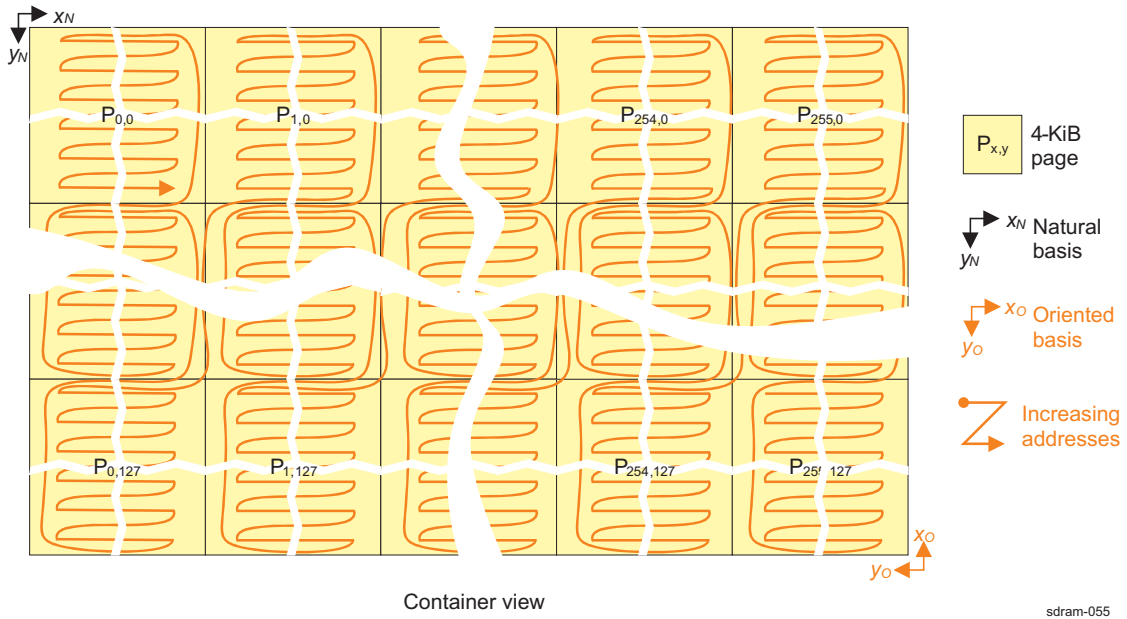


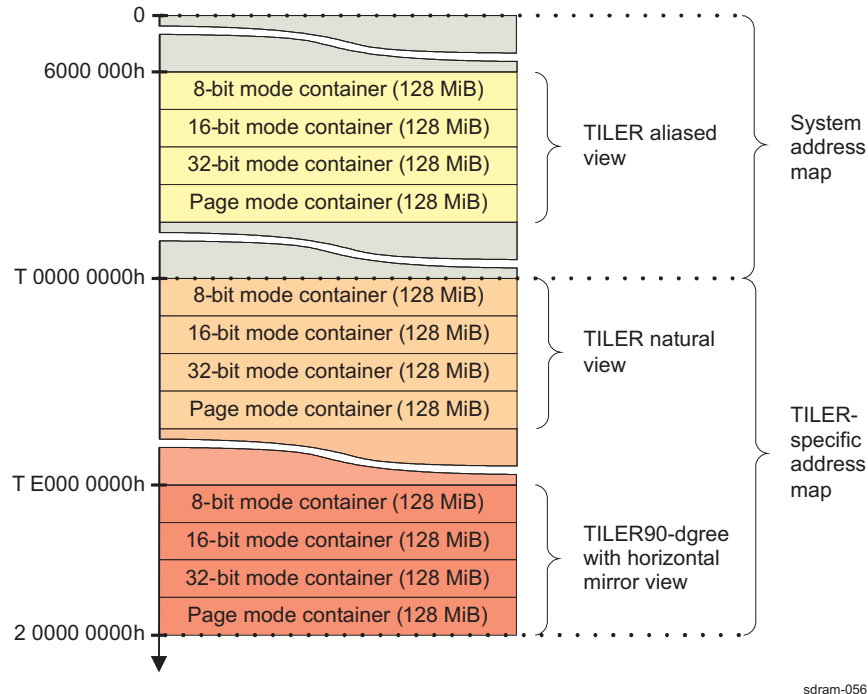
Figure 15-36. Page Mode Ordering of Elements in 90-Degree View With Horizontal Mirror



15.2.3.6.2 TILER Macro-Architecture

The TILER requires a 4-GiB addressing space to map its 128-MiB physical container in four modes and eight orientations. Because its addressing space alone fills the 4-GiB global system address map, the TILER addressing space cannot enter as-is into the system address map. Besides, putting in place a register-based mechanism per initiator to specify the orientation of the following accesses and then reducing the TILER addressing space to a single 512-MiB view is not an option; this is because most of the bandwidth-hungry initiators require simultaneous accesses to the TILER container in different views.

As a result, 32 bits are not enough to address all these requests, because the TILER port must convey not only virtually addressed requests to the "oriented" TILER containers but also physically addressed requests to the attached SDRC. A thirty-third address bit is necessary to distinguish the two separated address maps, as shown in Figure 15-37.

Figure 15-37. TILER Port Address Map


Still, having separated systems and TILER-specific address maps is not sufficient. In a system many existing and external IP blocks still rely on a 32-bit address and would then be limited to one or the other 4-GiB addressing space. To overcome this limitation, one 512-MiB view is aliased in the system address map as (see [Table 15-14](#) and [Figure 15-38](#)).

Table 15-14. TILER Aliased View in the L3 Interconnect Mapping

Start Address (hex)	End Address (hex)	Size
0x6000_0000	0x7FFF_FFFF	512 MiB

From all incoming requests, TILER requests are filtered as having an address that fits one of the following:

- The address format in the TILER-specific address map given in [Table 15-15](#)
- The address format of the aliased view in the system address map given in [Table 15-16](#)

Other requests are forwarded directly to the SDR in TILER bypass mode.

Table 15-15. Address Format in the TILER-Specific Address Map

32	31	30	29	28	27	26 ... 4	3 ... 0
T	Orientation			Mode		Virtual address	
1	S	Y	X	M1	M0	A26 ... A4	0

Table 15-16. Address Format of the TILER Aliased View in the System Address Map

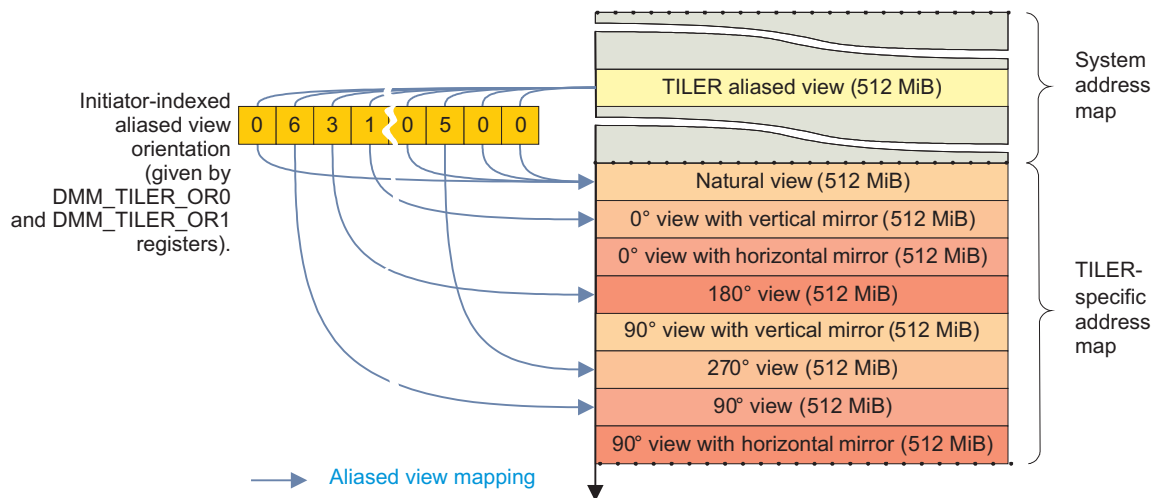
32	31	30	29	28	27	26 ... 4	3 ... 0
T	TILER aliasing			Mode		Virtual address	
0	0	1	1	M1	M0	A26 ... A4	0

In these address formats:

- The thirty-third bit, noted T, is aimed at distinguishing the standard 4-GiB system address map from the 4-GiB TILER-specific address map.
- The orientation bits, noted S, \bar{Y} , and \bar{X} , define the request orientation, as specified in Table 15-12.
- The mode bits, noted M1 and M0, define the request mode, as specified in Table 15-11.
- The remaining 27 bits, noted A0 to A26, define the mode and orientation specific virtual address, as defined in Figure 15-18, Figure 15-19, and Figure 15-20.

The orientation of the aliased TILER view is extracted from an initiator-indexed LUT, as shown in Figure 15-38.

Figure 15-38. TILER Aliased View Orientation



sdram-057

As shown in Figure 15-38, an internal initiator-indexed LUT stores the current orientation of the aliased view for each initiator.

When an interconnect request hits the TILER aliased view in the system address map, the request initiator orientation is extracted from the LUT and the request address is translated according to this orientation: the T bit is set and bits [31:29] are replaced with the orientation.

Regarding the dimensioning of this LUT, given that initiators simultaneously accessing multiple views use the TILER-specific address map, and many initiators do not need to access any view or can be restricted to accessing only the natural view, only a limited number of initiators are likely to dynamically modify the orientation of its aliased TILER view.

The orientation LUT is limited to 16 entries. These 16 orientation entries are mapped on the two 32-bit `DMM_TILER_OR0` and `DMM_TILER_OR1` registers.

The first eight entries of the LUT are mapped in the `DMM_TILER_OR0` register, and the last eight entries are mapped in the `DMM_TILER_OR1` register. Therefore, given an index x, the orientation related to this index is given in the `ORx` field.

Each of these registers is split into eight 4-bit fields, each field mapping an entry of the LUT with:

- An S, \bar{Y} , \bar{X} orientation code on the 3 LSBs
- An \bar{W} field-specific active-low local write-enable bit, always read as 0, on the MSB.

The registers fields that correspond to initiators that do not need any dynamic configuration of their aliased view orientation must be specified as reserved fields, and only written with zeros.

The \bar{W} bit allows the modification of a single entry without requiring a read-modify-write sequence. This approach is then more accommodating:

- In a system where multiple initiators can modify their own fields in the registers
- With initiators unable to make the read-modify-write sequence, such as DMA

Still, the \overline{W} bit is active-low to keep the compatibility with the usual read-modify-write sequence. When reading an aliased view orientation register, because all its \overline{W} bits are read as 0, if these bits are untouched by the modification—as they should be—writing back the modified register updates all orientation fields of the register.

15.2.3.6.3 TILER Guidelines for Initiators

15.2.3.6.3.1 Buffered Raster-Based Initiators

15.2.3.6.3.1.1 Buffer Size

The necessary minimum buffer size depends on the SDRAM prefetch size and on initiator support in terms of the following:

- Element size
- Orientation
- Maximum number of elements per line in all supported element sizes and orientations

Let N be the maximum number of elements per line for a given mode (element size) and orientation, P be the SDRAM memory prefetch size in bytes, and max be the function returning the maximum of the two parameters. The minimum necessary line buffer size to handle all resolutions in a given mode and orientation is listed in [Table 15-17](#).

Table 15-17. Minimum Buffer Size to Efficiently Handle Lines of up to N Elements

	0- or 180- Degree Orientation ($S = 0$)	90- or 270-Degree Orientation ($S = 1$)
8-bit mode	$4 \times N$ bytes	$max(4, P/4) \times N$ bytes
16-bit mode	None	$max(8, P/2) \times N$ bytes
32-bit mode	None	$max(8, P/2) \times N$ bytes

This minimal buffer size can be reached only with an advanced FIFO management scheme. The standard ping-pong buffer requires twice this buffer size.

NOTE: Given their nature, field accesses to an interlaced frame-buffer require buffers twice as small as in the standard progressive case.

For instance, an initiator that must handle only a single progressive frame-buffer in any orientation of:

- Up to 1920×1080 in YUV4:2:0
- Up to 1600×1200 in 16-bit RGB565
- Up to 800×600 in 32-bit ARGB

requires a line buffer of at least 15,360 bytes because:

- $4 \times 1920 + 4 \times 2960 = 15,360$ bytes required for a 3-plane YUV4:2:0 frame of 1920×1080
- $4 \times 1920 + 8 \times 960 = 15,360$ bytes required for a 2-plane YUV4:2:0 frame of 1920×1080
- $8 \times 1600 = 12,800$ bytes required for a 16-bit RGB565 frame of 1600×1200
- $8 \times 800 = 6400$ bytes required for a 32-bit ARGB frame of 800×600

and a line buffer of at least 30,720 bytes when using a simple ping-pong buffer scheme.

15.2.3.6.3.1.2 Performance

[Table 15-18](#) lists the ratio of effective data-to-transferred data at the external memory interface for the buffered raster-based initiators in each mode and orientation when using a 32-bit DDR3 memory.

Table 15-18. Memory Data Payload for Buffered Raster-Based Initiators on 32-Bit DDR3

	0- or 180-Degree Orientation (S = 0)		90- or 270-Degree Orientation (S = 1)	
	Progressive	Interlaced	Progressive	Interlaced
8-bit mode	100%	50%	100%	50%
16-bit mode	100%	50%	100%	50%
32-bit mode	100%	50%	100%	50%
Page mode	100%	N/A	100%	100%

When using 32-bit DDR3 SDRAM, whenever all previous guidelines are fulfilled, there is no penalty for these initiators to access a tiled object in any orientation, except for accesses to an interlaced frame in any orientation where the memory bandwidth is twice the requested bandwidth.

When using DDR3 SDRAM, all accesses, except interlaced accesses, are equally efficient and offer the full possible memory bandwidth.

Similarly, page mode does not introduce any performance hit.

15.2.4 DMM Use Cases and Tips

15.2.4.1 PAT Use Cases

Five ways to use PAT are:

- Simple manual area refill: [Section 15.2.4.1.1](#)
- Single auto-configured area refill: [Section 15.2.4.1.2](#)
- Chained auto-configured area refill: [Section 15.2.4.1.3](#)
- Synchronized auto-configured area refill: [Section 15.2.4.1.4](#)
- Cyclic synchronized auto-configured area refill: [Section 15.2.4.1.5](#)

NOTE: PAT refill area must be fully contained within either the LUT lower half or the LUT upper half. It must not span over both areas. That is, y_0 MS

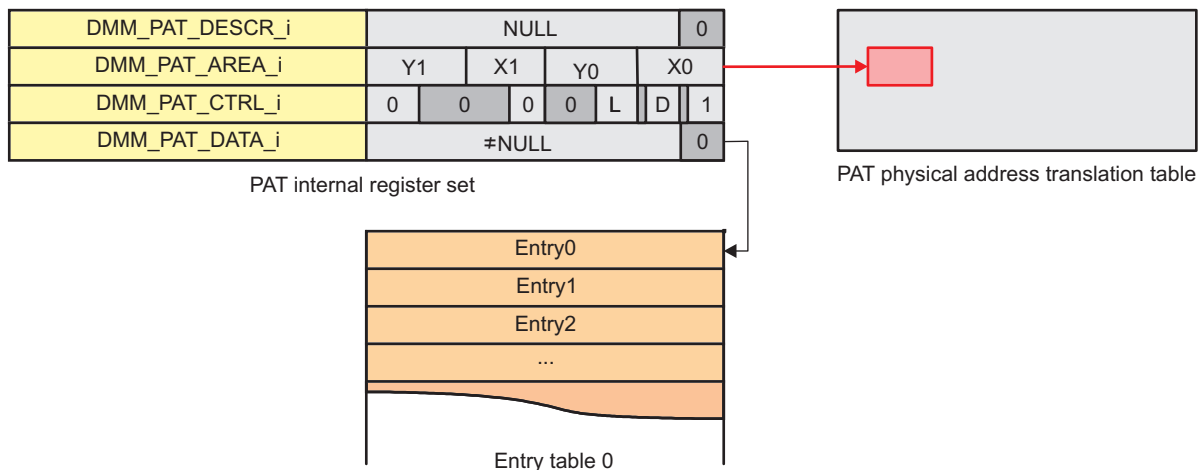
bit $y_0[7]$ must be equal to y_1 MSbit $y_1[7]$ when defining the area descriptor.

15.2.4.1.1 Simple Manual Area Refill

The following must be performed to create a 16-byte aligned memory-mapped entry table containing all entries of the defined area (see [Figure 15-39](#)):

1. Write the `DMM_PAT_AREA_i` register with the relevant (x_0, y_0) (x_1, y_1) area definition.
2. Write the `DMM_PAT_DATA_i` register with the physical address of the created entry table.
3. Write the `DMM_PAT_CTRL_i` register with the requested refill direction and assert the `DMM_PAT_CTRL_i[0]` START bit with the requested refill direction D and with the LUT ID L if multiple LUTs are present in the system.
4. The refill is done when the `DMM_PAT_STATUS_i[3]` DONE bit is set.
5. A new refill can be initiated when the `DMM_PAT_STATUS_i[0]` READY bit is set.

Figure 15-39. Simple Manual Area Refill Scheme



sdr-am-067

15.2.4.1.2 Single Auto-Configured Area Refill

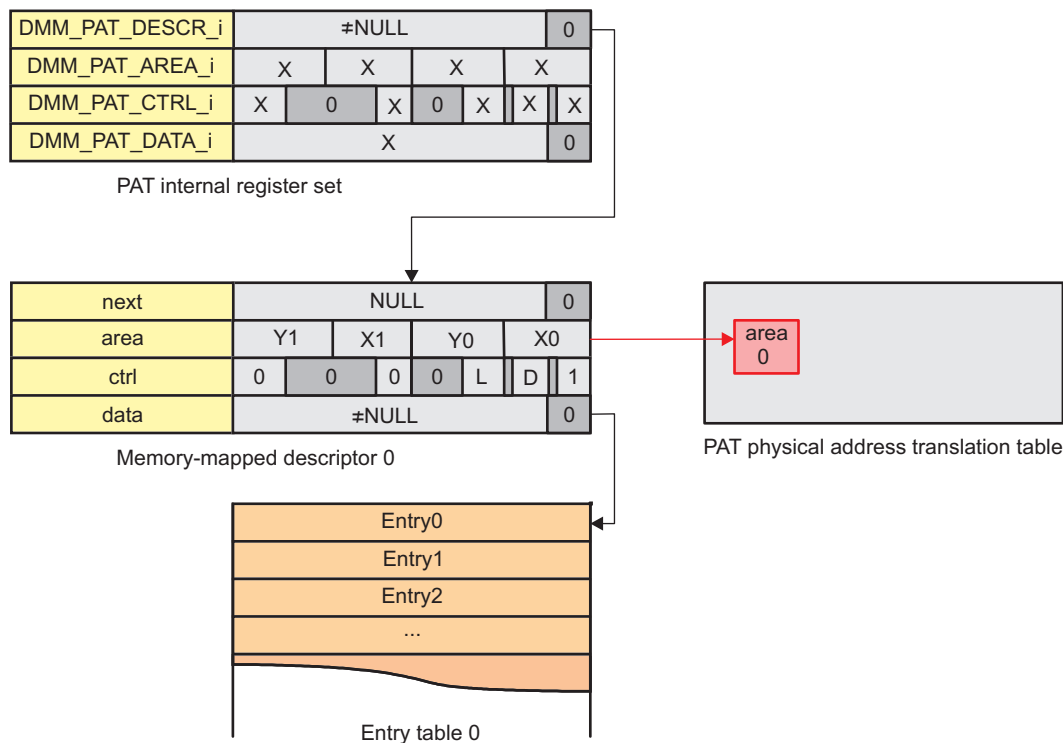
The following must be performed to create a 16-byte aligned memory-mapped entry table containing all entries of the defined area (see [Figure 15-40](#)):

1. Create a 16-byte aligned memory-mapped descriptor structure where:
 - The next field is set to NULL.
 - The area field is set with the relevant (x_0, y_0) (x_1, y_1) area definition.
 - The ctrl field is set with the requested direction D, with the requested LUT ID L if multiple LUTs are

present in the system, and the START bit is asserted to start refilling as soon as this descriptor enters the PAT refill engine.

- The data field is set to the physical address of the created entry table.
2. Write the `DMM_PAT_DESCR_i` register with the physical address of the created descriptor.
 3. The refill is done when the `DMM_PAT_STATUS_i[3]` DONE bit is set.
 4. A new refill can be initiated when the `DMM_PAT_STATUS_i[0]` READY bit is set.

Figure 15-40. Single Auto-Configured Area Refill Scheme

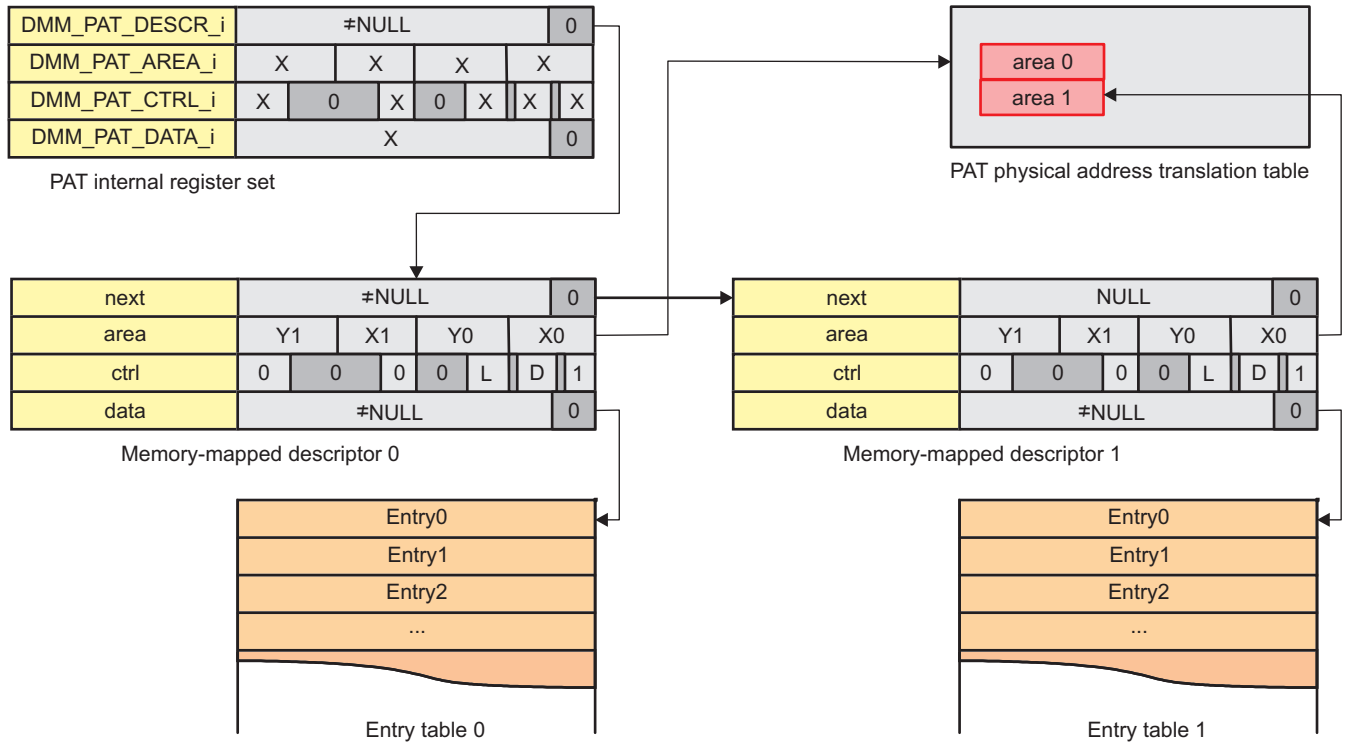


sdram-068

15.2.4.1.3 Chained Auto-Configured Area Refill

The following must be performed to create one 16-byte aligned memory-mapped entry table per area containing the entries for the corresponding area (see Figure 15-41):

1. Create one 16-byte aligned memory-mapped descriptor structure per area where:
 - The next field is set to the physical address of the next descriptor or NULL for the last one.
 - The area field is set with the relevant (x0, y0) (x1, y1) area definition.
 - The ctrl field is set with the requested direction D, with the requested LUT ID L if multiple LUTs are present in the system, and the START bit is asserted to start refilling as soon as the previous area refill is done.
 - The data field is set to the physical address of the corresponding entry table.
2. Write the `DMM_PAT_DESCR_i` register with the physical address of the first created descriptor.
3. Each area refill is done when the `DMM_PAT_STATUS_i[3]` DONE bit is set.
4. All area refills are done when the `DMM_PAT_STATUS_i[0]` READY bit is set.
5. A new refill can be initiated when the `DMM_PAT_STATUS_i[0]` READY bit is set.

Figure 15-41. Chained Auto-Configured Area Refill Scheme


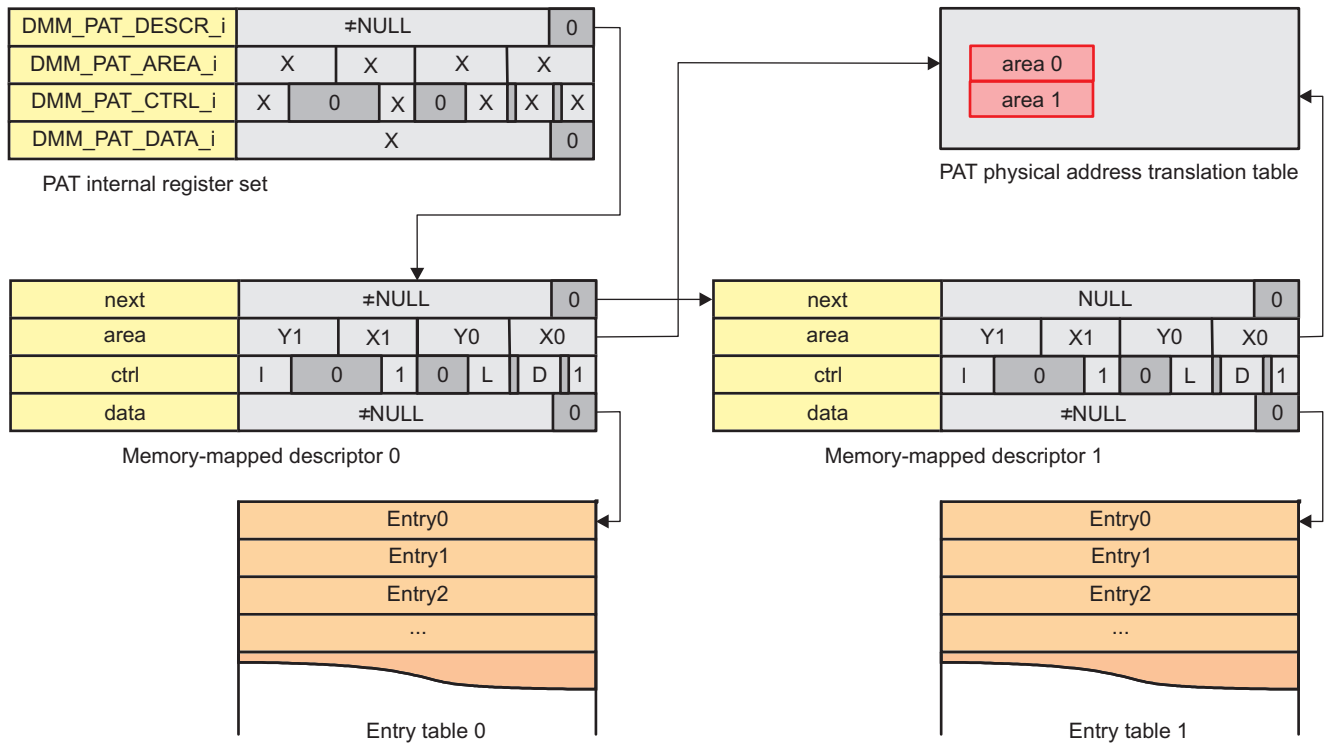
sdram-069

15.2.4.1.4 Synchronized Auto-Configured Area Refill

The following must be performed to create one 16-byte aligned memory-mapped entry table per area containing the entries for the corresponding area (see Figure 15-42):

1. Create one 16-byte aligned memory-mapped descriptor structure per area where:
 - The next field is set to the physical address of the next descriptor or NULL for the last one.
 - The area field is set with the relevant (x0, y0) (x1, y1) area definition.
 - The ctrl field is set with the synchronizing initiator identifier I, the SYNC bit is asserted, the requested direction D and the requested LUT ID L if multiple LUTs are present in the system, and the START bit is asserted to start refilling as soon as the previous area refill is done and initiator I has made one access in the previous area.
 - The data field is set to the physical address of the corresponding entry table.
2. Write the `DMM_PAT_DESCR_i` register with the physical address of the first created descriptor.
3. Each area refill is done when the `DMM_PAT_STATUS_i[3]` DONE bit is set.
4. All area refills are done when the `DMM_PAT_STATUS_i[0]` READY bit is set.
5. A new refill can be initiated when the `DMM_PAT_STATUS_i[0]` READY bit is set.

Figure 15-42. Synchronized Auto-Configured Area Refill Scheme



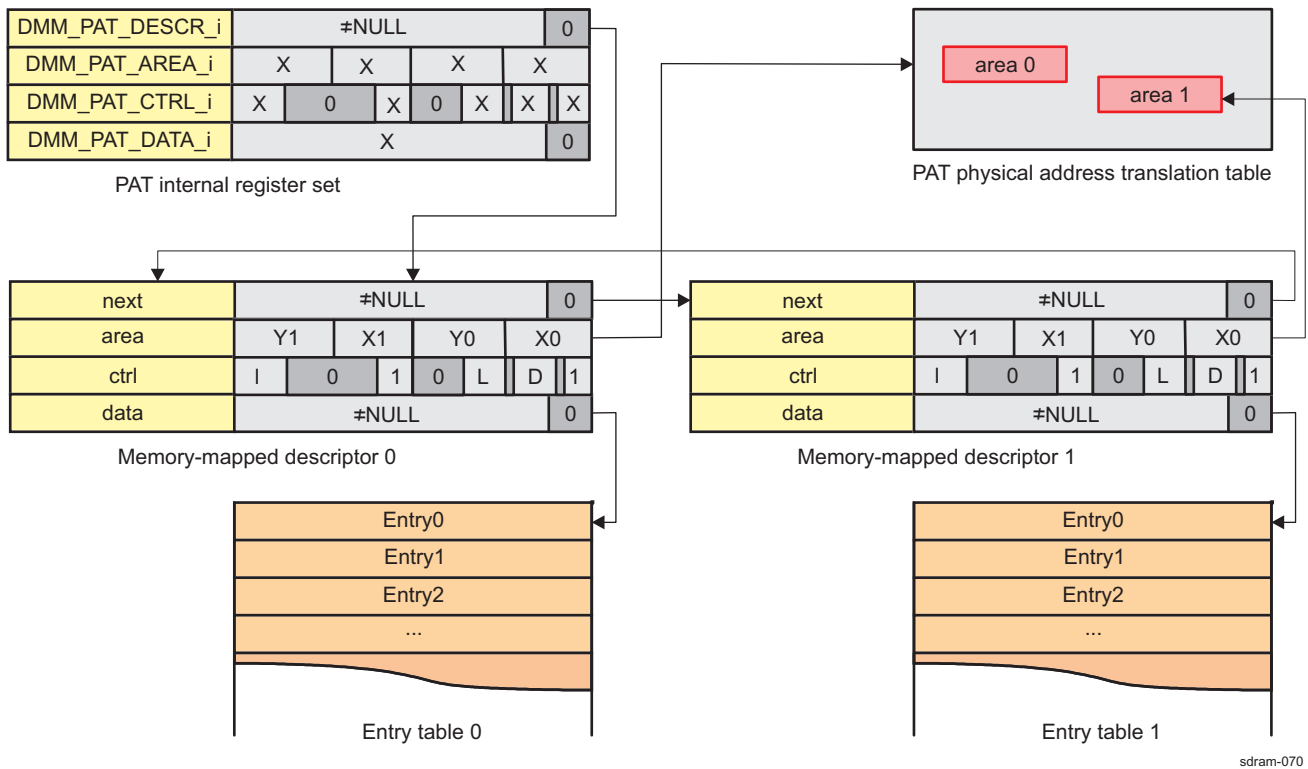
sdram-071

15.2.4.1.5 Cyclic Synchronized Auto-Configured Area Refill

The following must be performed to create one 16-byte aligned memory-mapped entry table per area containing the entries for the corresponding area (see Figure 15-43):

1. Create one 16-byte aligned memory-mapped descriptor structure per area where:
 - The next field is set to the physical address of the next descriptor in the circular list.
 - The area field is set with the relevant (x0, y0) (x1, y1) area definition.
 - The ctrl field is set with the synchronizing initiator identifier I, the SYNC bit asserted, the requested direction D and requested LUT ID L if multiple LUTs are present in the system, and the START bit is asserted to start refilling as soon as the previous area refill is done and initiator I has made one access in the previous area.
 - The data field is set to the physical address of the corresponding entry table.
2. Write the DMM_PAT_DESCR_i register with the physical address of the initial descriptor.
3. Each area refill is done when the DMM_PAT_STATUS_i[3] DONE bit is set.
4. A new refill can be initiated by writing any value to the DMM_PAT_DESCR_i register to abort the current one.

Figure 15-43. Cyclic Synchronized Auto-Configured Area Refill Scheme



sdram-070

NOTE: Never use circular lists of descriptors where all descriptors have the `DMM_PAT_CTRL_i[0]` START bit set and there is no synchronization. This leads to an endless continuous refill.

15.2.4.2 Addressing Management with LISA

15.2.4.2.1 Case 1: Use of One Memory Controller

In this example, assume there is 1 GiB of external memory evenly spread onto two address spaces. The address range for address space 0 must start at offset 0x2000_0000 (see Table 15-19).

Table 15-19. Address Definition

Address Range	Memory Controller	Memory Controller Address Space ⁽¹⁾	Memory Controller Address Range
0x8000_0000 to 0x9FFF_FFFF	EMIF1	0x0	0x0000_0000 to 0x1FFF_FFFF
0xA000_0000 to 0xBFFF_FFFF	EMIF1	0x0	0x2000_0000 to 0x3FFF_FFFF

⁽¹⁾ For memory controller address spaces, see Section 15.3.4.1.1, Local Interface in Section 15.3, EMIF Controller.

This configuration requires two nonoverlapping sections to be set. They can be defined in any order because there is no concern with priority in this case (see Table 15-20):

Table 15-20. Configuration

Bit Field	Section 0 (DMM_LISA_MAP_0)	Section 1 (DMM_LISA_MAP_1)
[31:24] SYS_ADDR	0x80	0xA0
[22:20] SYS_SIZE	0x5	0x5
[17:16] SDRC_ADDRSPC	0x0	0x0

Table 15-20. Configuration (continued)

Bit Field	Section 0 (DMM_LISA_MAP_0)	Section 1 (DMM_LISA_MAP_1)
[9:8] SDRC_MAP	0x1 (only EMIF1)	0x1 (only EMIF1)
[7:0] SDRC_ADDR	0x00	0x20

To check whether an address hits a section, use the 8 upper address bits of the address and mask them with the hit mask: $2^8 - 2^{\text{SYS_SIZE}}$. If the result is equal to SYS_ADDR, the section is hit.

To define the physical address to be issued to the memory controller, use the 8 upper address bits of the system address, mask them with the address mask: $2^{\text{SYS_SIZE}} - 1$, and OR them with SDRC_ADDR. This gives the resulting 8 upper physical address bits. All lower address bits are forwarded unchanged.

Request to address 0x99AE_37F0:

- Upper address bits: 0x99
- Hit mask: $2^8 - 2^5 = 0xE0$
- Masked upper address bits: 0x80, that is, hits section 0
- Address mask: $2^5 - 1 = 0x1F$
- Masked upper address bits: 0x19
- OR with SDRC_ADDR: 0x19
- Physical address: 0x19AE_37F0

This request is forwarded to address 0x19AE_37F0, address space 1 of the memory controller.

Request to address 0xB7FF_0340:

- Upper address bits: 0xB7
- Hit mask: $2^8 - 2^5 = 0xE0$
- Masked upper address bits: 0xA0, that is, hits section 1
- Address mask: $2^5 - 1 = 0x1F$
- Masked upper address bits: 0x17
- OR with SDRC_ADDR: 0x37
- Physical address: 0x37FF_0340

This request is forwarded to address 0x37FF_0340, address space 0 of the memory controller.

15.2.5 DMM Basic Programming Model

The programming model section:

- Describes how objects can be addressed in all TILER modes and orientations
- Explains how the physical containers and PAT LUT can be shared between different modes
- Does not give an exhaustive description of the TILER and DMM registers, because these are described in [Section 15.2.3.5, DMM](#), and [Section 15.2.3.6, TILER](#).

15.2.5.1 Global Initialization

This section identifies the requirements for initializing the surrounding modules when the DMM is to be used for the first time after a device reset. This initialization of surrounding modules is based on the integration and environment of the DMM (see [Table 15-21](#)).

Table 15-21. Global Initialization of Surrounding Modules

Surrounding Modules	Comments
PRCM	The module interface and functional clocks must be enabled. See Chapter 3, Power, Reset, and Clock Management .
Image processing unit (IPU)	IPU interrupt controller (INTC) configuration must be done to enable the interrupts from the DMM. See Chapter 17, Interrupt Controllers .

Table 15-21. Global Initialization of Surrounding Modules (continued)

Surrounding Modules	Comments
Main processing unit (MPU)	MPU INTC configuration must be done to enable interrupts from the DMM. See Chapter 17, Interrupt Controllers .
L3_MAIN interconnect	Data interface

15.2.5.2 DMM Module Global Initialization

The procedure in [Table 15-22](#) initializes the DMM after a power-on reset (POR).

Table 15-22. DMM Global Initialization

Step	Register/Bit Field/Programming Model	Value
Configure the DMM for smart-idle power management mode.	DMM_SYSCONFIG [3:2] IDLE_MODE	0x2

15.2.5.3 DMM Operational Modes Configuration

15.2.5.3.1 Different Operational Modes

The TILER can be virtually accessed in four different modes: 8-, 16-, 32-bit, and page modes. Each mode defines the element granularity to apply isometric transforms (see [Table 15-23](#)).

Table 15-23. Coding and Description of TILER Modes

Mode	Name	Granularity (Element Size)
0	8-bit tiled mode	8 bits
1	16-bit tiled mode	16 bits
2	32-bit tiled mode	32 bits
3	Page mode	4096 bytes

15.2.5.3.2 Configuration Settings and LUT Refill

The procedure in [Table 15-24](#) provides the configuration settings and LUT refill.

Table 15-24. Configuration Settings and LUT Refill

Step	Register/Bit Field/Programming Model	Value
PAT configuration refill Engine 0	DMM_PAT_CONFIG [0] MODE0	xxx
PAT configuration refill Engine 1	DMM_PAT_CONFIG [1] MODE1	xxx
Set DMM PAT view register value for each initiator.	DMM_PAT_VIEW0 Vx DMM_PAT_VIEW1 Vx	xxx
Set DMM PAT write enable for the initiators.	DMM_PAT_VIEW0 Wx DMM_PAT_VIEW1 Wx	xxx
Choosing container type and access method	DMM_PAT_VIEW_MAP_i	xxx
Define the base address of all view mappings.	DMM_PAT_VIEW_MAP_BASE [31] BASE_ADDR	xxx
Set area definition for DMM physical address translator.	DMM_PAT_AREA_i	xxx
Set the physical address of the current table refill entry data or entry data when in manual mode.	DMM_PAT_DATA_i [31:4] ADDR	xxx
Define the direction of this PAT table refill (S Y X), different from 0x011.	DMM_PAT_CTRL_i [6:4] DIRECTION	xxx
Start a PAT table refill.	DMM_PAT_CTRL_i [0] START	0x1

15.2.5.3.3 LISA Settings

The procedure in [Table 15-25](#) provides the LISA settings.

Table 15-25. LISA Settings

Step	Register/Bit Field/Programming Model	Value
Set DMM system section address MSB.	DMM_LISA_MAP_i [31:24] SYS_ADDR	xxx
Set DMM system section size.	DMM_LISA_MAP_i [22:20] SYS_SIZE	xxx
Set SDRC address space.	DMM_LISA_MAP_i [17:16] SDRC_ADDRSPC	xxx
Set SDRC mapping.	DMM_LISA_MAP_i [9:8] SDRC_MAP	xxx
Set SDRC address MSB.	DMM_LISA_MAP_i [7:0] SDRC_ADDR	xxx
Enable/disable DMM memory mapping lock.	DMM_LISA_LOCK [0] LOCK	xxx

15.2.5.3.4 Aliased Tiled View Orientation Settings and LUT Refill

The procedure in [Table 15-26](#) provides the settings for aliased tiled view and LUT refill.

Table 15-26. Aliased Tiled View Orientation Settings and LUT Refill

Step	Register/Bit Field/Programming Model	Value
Set DMM TILER orientation for each initiator.	DMM_TILER_OR0 ORx DMM_TILER_OR1 ORx	xxx
Set DMM TILER write enable for the initiators.	DMM_TILER_OR0 Wx DMM_TILER_OR1 Wx	xxx
Define the base address of all view mappings.	DMM_PAT_VIEW_MAP_BASE [31] BASE_ADDR	xxx
DMM PAT initiator for synchronization	DMM_PAT_CTRL_i [31:28] INITIATOR	xxx
Set DMM PAT table reload synchronization.	DMM_PAT_CTRL_i [16] SYNC	xxx
Set DMM PAT LUT index (when more than one LUTs).	DMM_PAT_CTRL_i [9:8] LUT_ID	xxx
Define the direction of this PAT table refill (S Y X).	DMM_PAT_CTRL_i [6:4] DIRECTION	xxx
Start a PAT table refill.	DMM_PAT_CTRL_i [0] START	0x1

15.2.5.3.5 Priority Settings

The procedure in [Table 15-27](#) provides the sequence to set priorities.

Table 15-27. Priority Settings

Step	Register/Bit Field/Programming Model	Value
Set priority for each initiator.	DMM_PEG_PRIO_k Px	xxx
Set write enable for P_PAT field.	DMM_PEG_PRIO_PAT [4] W_PAT	xxx
Set priority for PAT engine.	DMM_PEG_PRIO_PAT [2:0] W_PAT	xxx

15.2.5.3.6 Error Handling

The procedure in [Table 15-28](#) provides the sequence for error handling.

Table 15-28. Error Handling

Step	Register/Bit Field/Programming Model	Value
Enable interrupt for selected type of error.	DMM_PAT_IRQENABLE_SET [15:9] DMM_PAT_IRQENABLE_SET [7:0]	xxx
When interrupt occurs		
Disable type of error to handle.	DMM_PAT_IRQENABLE_CLR [15:9] DMM_PAT_IRQENABLE_CLR [7:0]	xxx

Table 15-28. Error Handling (continued)

Step	Register/Bit Field/Programming Model	Value
Check error status.	DMM_PAT_IRQSTATUS[15:9] DMM_PAT_IRQSTATUS[7:0]	xxx

15.2.5.3.7 PAT Programming Model

The PAT maps the tiled data anywhere in the 4-GiB physical address range, with a PAGE granularity. (The TILER page is the granularity of physical memory allocation in the TILER container. Each page is 4kiB).

A PAT view defines the kind of PAT to perform for each page, 8-, 16-, and 32-bit mode access. Each mode in each PAT view can be programmed in two different modes: direct translation and indirect translation.

15.2.5.3.7.1 PAT in Direct Translation Mode

In this mode, the PAT performs a translation of the 128-MiB virtual container as a whole in the physical address space (that is, in the SDRAM). This mode is used only for debug or in case of a DMM without a PAT.

15.2.5.3.7.2 PAT in Indirect Translation Mode

This is the most commonly used mode. In this mode, the PAT performs a translation of each 4-KiB page individually. In this way the 128-MiB virtual address space can be scattered in the whole 2 GiB of the physical address space. This is achieved by using a 32,678-word LUT that converts each page index (32,768 possible values) into 19 address bits that represent this page address in the physical memory. The main characteristic of this mode is there is no constraint on the use of the physical memory except that it uses a multiple of 4-KiB areas located at 4-KiB boundaries in the physical memory. In this mode, the translation vector is in the internal 32-k entry PAT vector table at the index given by bits [26:12] of the input virtual address, and $CONT_x = 0$.

Programming sequence:

1. Set the [DMM_PAT_VIEW0](#) register (or [DMM_PAT_VIEW1](#), depending on the L3 CONN_ID of the initiator that is to perform the tiled accesses) with the appropriate value. For example, if the L3 CONN_ID equals 0, then the [DMM_PAT_VIEW0](#) register must be programmed with the value 0x0000_0001 (PAT view 1 selected for initiator 0).
2. Set [DMM_PAT_VIEW_MAP_BASE](#)[31] = 0x8000_0000 (must always be programmed at 1 to select the upper 2 GiB of the physical address space that corresponds to the external memory).
3. Set all 16-bit tiled accesses in indirect translation mode by setting at least the field [ACCESS_16](#) to 1 ([DMM_PAT_VIEW_MAP_1](#) = 0x0000_8000), program [DMM_PAT_VIEW_MAP_1](#) at 0x8080_8080.

15.2.5.4 Addressing an Object in Tiled Mode

This section describes how a frame-buffer with a top-left pixel at (x0,y0) in the natural view container and a bottom right pixel at (x1,y1) in the natural view container is addressed in any tiled mode and orientation.

15.2.5.4.1 Frame-Buffer Addressing

NOTE: In this section, the (x,y) coordinates are given in pixel units.

Given an (S, \bar{Y} , \bar{X}) orientation, the (x,y) coordinates of the first pixel of the frame in the oriented view (where W = the width and H = the height in pixels of the container in the considered frame mode) is:

$(x,y) = (x_{or}, y_{or})$ when S, (y_{or}, x_{or}) otherwise

with:

$x_{or} = x_0$ when \bar{X} , $W-1-x_1$ otherwise

$y_{or} = y_0$ when \bar{Y} , $H-1-y_1$ otherwise

Given a (M_1, M_0) TILER mode where $M_1 \neq 0$ or $M_0 \neq 0$, the size in bytes of a pixel is $2^{2M_1+M_0}$.

Therefore, given an (S, \bar{Y}, \bar{X}) orientation and a $n(M_1, M_0)$ TILER mode where $M_1 \neq 0$ or $M_0 \neq 0$, the byte offset of the base address of the considered oriented frame in its container is:

$\text{base_address}((x_0, y_0), (x_1, y_1), (S, \bar{Y}, \bar{X}), (M_1, M_0)) = (y_{or}W + x_{or}) P_5$ when $S, (x_{or}H + y_{or}) P_5$ otherwise with:

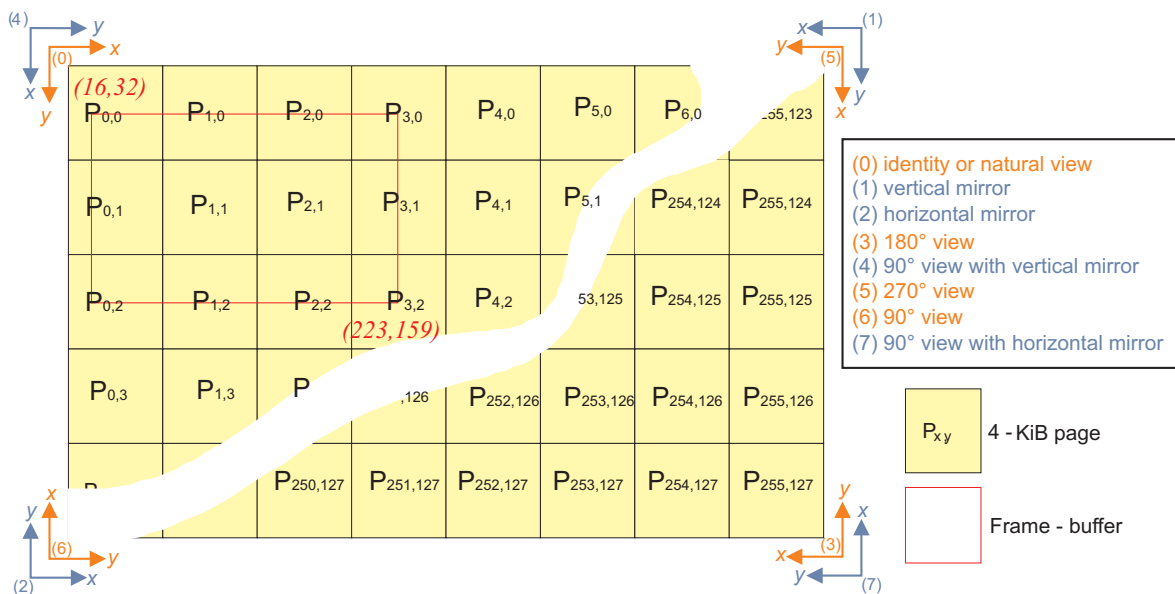
$x_{or} = x_0$ when $\bar{X}, W-1-x_1$ otherwise

$y_{or} = y_0$ when $\bar{Y}, H-1-y_1$ otherwise

$P_5 = 2^{2M_1+M_0}$

In its natural orientation, the TILER container consists of 8192 lines of 16,384 pixels of 8 bits, or 4096 lines of 16,384 pixels of 16 bits, or 4096 lines of 8192 pixels of 32 bits.

Figure 15-44. Example of 8-Bit Frame-Buffer Addressing in any Orientation



sdram-075

This frame-buffer address generation is independent from the page size. For instance, the 8-bit frame-buffer shown in Figure 15-44 that ranges from the top-left pixel at (16, 32) to the bottom-right pixel at (223, 159) in the natural orientation view, corresponds to the 29-bit view address offsets and full 33-bit TILER addresses given in Table 15-29.

Table 15-29. 29-Bit View Address Offset and 33-Bit Full TILER Address for an 8-Bit Frame-Buffer

S	\bar{Y}	\bar{X}	x_{or}	y_{or}	29-Bit Address Offset in View	Full 33-Bit TILER Address
0	0	0	16	32	00080010h	100080010h
0	0	1	16,160	32	00083F20h	120083F20h
0	1	0	16	8032	07D80010h	147D80010h
0	1	1	16,160	8032	07D83F20h	167D83F20h
1	0	0	16	32	00020020h	180020020h
1	0	1	16,160	32	07E40020h	1A7E40020h
1	1	0	16	8032	00021F60h	1C0021F60h
1	1	1	16,160	8032	07E41F60h	1E7E41F60h

In this example the TILER is addressed in 8-bit mode, which translates to addresses with all mode bits (bits 27 and 28) cleared in the 29-bit address offset in view and in the full 33-bit TILER address.

15.2.5.4.2 TILER Page Mapping

Let:

- c ($c = 0, 1, \text{ or } 2$) be the TILER page configuration (0 for 4-kB pages, 1 for 16-kB pages, and 2 for 64-kB pages)
- (x_0, y_0) be the top-left pixel and (x_1, y_1) be the bottom-right pixel of a frame in its natural orientation
- W be the width and H the height in pixels of the container in the considered frame mode

The top-left page coordinates (P_{x0}, P_{y0}) and bottom-right page coordinates (P_{x1}, P_{y1}) that correspond to the frame are given by: $P_{x0} = (64 \cdot x_0 \cdot 2^{2-c}) / W$, $P_{y0} = (32 \cdot y_0 \cdot 2^{2-c}) / H$, $P_{x1} = (64 \cdot x_1 \cdot 2^{2-c}) / W$ and $P_{y1} = (32 \cdot y_1 \cdot 2^{2-c}) / H$.

In its natural orientation, the TILER container consists of 8192 lines of 16,384 pixels of 8 bits, or 4096 lines of 16,384 pixels of 16 bits, or 4096 lines of 8192 pixels of 32 bits.

NOTE: The page area type has the same structure as the `DMM_PAT_AREA_i` registers. For instance, the 8-bit frame-buffer described in [Figure 15-44](#) and ranging from the top-left pixel at (16, 32) to the bottom-right pixel at (223, 159) in the natural orientation view, is mapped from the top-left page at P0,0 to the bottom-right page P3,2.

15.2.5.5 Addressing an Object in Page Mode

In page mode, the orientation modifies only the sequence of accessed pages, not their content. In this respect the orientation must be seen as a way to optimize the one-dimensional (1D) object allocation in a TILER container by allowing a 1D object spanning multiple pages to map a set of adjacent pages in any direction. For instance, a 1.25-MiB object, mapped on 320 pages of 4kiB can be allocated in a TILER container in any of the eight orientations (see [Section 15.2.3.6.1.8.3, Element Ordering in the TILER Container](#)).

The initial page can be chosen freely among all pages. In this respect, the address offset of a page in a TILER container is expressed as:

Let:

- c ($c = 0, 1 \text{ or } 2$) be the TILER page configuration (0 for 4-kB pages, 1 for 16-kB pages, and 2 for 64-kB pages)
- (S, \bar{Y}, \bar{X}) be the orientation of the considered 1D object in page mode
- (P_x, P_y) be the coordinate of the initial page in the natural orientation view

The byte offset of the base address of the considered initial page in its oriented container is:
 $\text{base_address}((P_x, P_y), (S, \bar{Y}, \bar{X})) = 4096 \cdot (64 \cdot y_{or} \cdot 2^{2-c} + x_{or}) \cdot 2^{2-c}$ when $S = 0$, $4096 \cdot (32 \cdot x_{or} \cdot 2^{2-c} + y_{or}) \cdot 2^{2-c}$ otherwise
 with:

$$x_{or} = P_x \text{ when } \bar{X}, 64 \cdot 2^{2-c} - 1 - P_x \text{ otherwise}$$

$$y_{or} = P_y \text{ when } \bar{Y}, 32 \cdot 2^{2-c} - 1 - P_y \text{ otherwise}$$

For instance, a 1D object starting from the page P32,63 in the natural orientation view on a DMM using 4-kB pages, corresponds to the 29-bit view address offsets and full 33-bit TILER addresses given in [Table 15-30](#).

Table 15-30. 29-Bit View Address Offset and 33-Bit Full TILER Address for a 1D Object

S	Y	X	x_{or}	y_{or}	29-Bit Address Offset in View	Full 33-Bit TILER Address
0	0	0	32	63	1BF20000h	11BF20000h
0	0	1	223	63	1BFDF000h	13BFDF000h
0	1	0	32	64	1C020000h	15C020000h
0	1	1	223	64	1C0DF000h	17C0DF000h
1	0	0	32	63	1903F000h	19903F000h
1	0	1	223	63	1EFBF000h	1BEFBF000h
1	1	0	32	64	19040000h	1D9040000h
1	1	1	223	64	1EFC0000h	1FEFC0000h

In this example the TILER is addressed in page mode, which translates to addresses with mode bits (bits 27 and 28) set in the 29-bit address offset in view and full 33-bit TILER address.

15.2.5.6 Sharing Containers Between Different Modes

When allocating objects in TILER containers, ensure that no two objects physically overlap.

In this respect, and to ease the object allocation and deallocation, it is strongly advised to share a TILER page only for different objects that do both of the following:

- Belong to the same mode
- Have the same lifetime (that is, are allocated and deallocated simultaneously)

Two objects of different modes can physically overlap if:

- One physical page is mapped twice in two different locations of the DMM LUT.
- The two objects share the DMM LUT and the intersection of their two page set is not empty.

These two issues can be easily avoided by allocating a physical page only once in the DMM LUT.

The second issue is a bit more difficult, especially if the allocation of objects in the various TILER containers must be dynamic. Managing the fragmentation within a flat memory model in a space-constrained system is not straightforward, and is the main reason for the existence of MMUs in most current processors, which adds yet another constraint to the problem (the y dimension, which makes it even more difficult).

Returning to the CPU-analogy, the memory fragmentation issue is mostly solved by using a virtual memory space larger than the actual physical memory space and a virtual-to-physical translation system. This allows contiguous virtual memory allocation when sufficient physical memory is available and the larger contiguous physical buffer is smaller than the requested memory allocation.

Similarly, the DMM answer to this object allocation in the TILER containers is two-fold:

- The DMM must have sufficient virtual address space in all modes to permit a static allocation of a pool of virtual buffers in all TILER modes for all TILER-aware initiators.
- Each TILER-aware initiator must dynamically manage its own pool of virtual buffers.

15.2.6 DMM Register Manual

This section provides information about the DMM registers. [Table 15-31](#) describes the DMM instance.

15.2.6.1 DMM Instance Summary

Table 15-31. DMM Instance Summary

Module Name	Base Address	Size
DMM	0x4E00 0000	32 MiB

15.2.6.2 DMM Registers

15.2.6.2.1 DMM Register Summary

[Table 15-32](#) provides a summary of the DMM registers.

Table 15-32. DMM Registers Mapping Summary

Register Name	Type	Register Width (Bits)	Address Offset	Physical Address DMM
DMM_REVISION	R	32	0x0000 0000	0x4E00 0000
DMM_HWINFO	R	32	0x0000 0004	0x4E00 0004
DMM_LISA_HWINFO	R	32	0x0000 0008	0x4E00 0008
DMM_SYSCONFIG	RW	32	0x0000 0010	0x4E00 0010
DMM_LISA_LOCK	RW	32	0x0000 001C	0x4E00 001C
DMM_EMERGENCY	RW	32	0x0000 0020	0x4E00 0020
DMM_LISA_MAP_i ⁽¹⁾	RW	32	0x0000 0040 + (0x4 * i)	0x4E00 0040 + (0x4 * i)
DMM_TILER_HWINFO	R	32	0x0000 0208	0x4E00 0208
DMM_TILER_OR0	RW	32	0x0000 0220	0x4E00 0220
DMM_TILER_OR1	RW	32	0x0000 0224	0x4E00 0224
DMM_PAT_HWINFO	R	32	0x0000 0408	0x4E00 0408
DMM_PAT_GEOMETRY	R	32	0x0000 040C	0x4E00 040C
DMM_PAT_CONFIG	RW	32	0x0000 0410	0x4E00 0410
DMM_PAT_VIEW0	RW	32	0x0000 0420	0x4E00 0420
DMM_PAT_VIEW1	RW	32	0x0000 0424	0x4E00 0424
DMM_PAT_VIEW_MAP_i ⁽¹⁾	RW	32	0x0000 0440 + (0x4 * i)	0x4E00 0440 + (0x4 * i)
DMM_PAT_VIEW_MAP_BASE	RW	32	0x0000 0460	0x4E00 0460
DMM_PAT_IRQ_EOI	RW	32	0x0000 0478	0x4E00 0478
DMM_PAT_IRQSTATUS_RAW	RW	32	0x0000 0480	0x4E00 0480
DMM_PAT_IRQSTATUS	RW	32	0x0000 0490	0x4E00 0490
DMM_PAT_IRQENABLE_SET	RW	32	0x0000 04A0	0x4E00 04A0
DMM_PAT_IRQENABLE_CLR	RW	32	0x0000 04B0	0x4E00 04B0
DMM_PAT_STATUS_i ⁽¹⁾	R	32	0x0000 04C0 + (0x4 * i)	0x4E00 04C0 + (0x4 * i)
DMM_PAT_DESCR_i ⁽¹⁾	RW	32	0x0000 0500 + (0x10 * i)	0x4E00 0500 + (0x10 * i)
DMM_PAT_AREA_i ⁽¹⁾	RW	32	0x0000 0504 + (0x10 * i)	0x4E00 0504 + (0x10 * i)
DMM_PAT_CTRL_i ⁽¹⁾	RW	32	0x0000 0508 + (0x10 * i)	0x4E00 0508 + (0x10 * i)
DMM_PAT_DATA_i ⁽¹⁾	RW	32	0x0000 050C + (0x10 * i)	0x4E00 050C + (0x10 * i)
DMM_PEG_HWINFO	R	32	0x0000 0608	0x4E00 0608
DMM_PEG_PRIO_k ⁽²⁾	RW	32	0x0000 0620 + (0x4 * k)	0x4E00 0620 + (0x4 * k)
DMM_PEG_PRIO_PAT	RW	32	0x0000 0640	0x4E00 0640

⁽¹⁾ i = 0 to 3 for DMM

⁽²⁾ k = 0 to 7

15.2.6.2.2 DMM Register Description
Table 15-33. DMM_REVISION

Address Offset	0x0000 0000		
Physical Address	0x4E00 0000	Instance	DMM
Description	DMM revision number		
Type	R		

31	30	29	28	27	26	25	24	23	22	21	20	19	18	17	16	15	14	13	12	11	10	9	8	7	6	5	4	3	2	1	0
REVISION																															

Bits	Field Name	Description	Type	Reset
31:0	REVISION	Revision number	R	0x- ⁽¹⁾

⁽¹⁾ TI internal data

Table 15-34. Register Call Summary for Register DMM_REVISION

Dynamic Memory Manager

- [DMM Register Summary: \[0\]](#)

Table 15-35. DMM_HWINFO

Address Offset	0x0000 0004		
Physical Address	0x4E00 0004	Instance	DMM
Description	DMM hardware configuration		
Type	R		

31	30	29	28	27	26	25	24	23	22	21	20	19	18	17	16	15	14	13	12	11	10	9	8	7	6	5	4	3	2	1	0
RESERVED								ROBIN_CNT				RESERVED				ELLA_CNT				RESERVED				TILER_CNT							

Table 15-36. Register Call Summary for Register DMM_HWINFO

Dynamic Memory Manager

- [DMM Configuration: \[0\]\[1\]](#)
- [DMM Register Summary: \[2\]](#)

Table 15-37. DMM_LISA_HWINFO

Address Offset	0x0000 0008		
Physical Address	0x4E00 0008	Instance	DMM
Description	DMM hardware configuration for LISA		
Type	R		

31	30	29	28	27	26	25	24	23	22	21	20	19	18	17	16	15	14	13	12	11	10	9	8	7	6	5	4	3	2	1	0
RESERVED																SDRC_CNT						RESERVED				SECTION_CNT					

Bits	Field Name	Description	Type	Reset
31:12	RESERVED	Reserved	R	0x00000
11:8	SDRC_CNT	Number of attached SDRAM controllers	R	0x1
7:5	RESERVED	Reserved	R	0x0
4:0	SECTION_CNT	Number of DMM sections	R	0x04

Table 15-38. Register Call Summary for Register DMM_LISA_HWINFO

Dynamic Memory Manager

- [DMM Configuration: \[0\]\[1\]](#)
- [DMM Register Summary: \[2\]](#)

Table 15-39. DMM_SYSCONFIG

Address Offset	0x0000 0010	Instance	DMM
Physical Address	0x4E00 0010		
Description	DMM clock management configuration		
Type	RW		

31	30	29	28	27	26	25	24	23	22	21	20	19	18	17	16	15	14	13	12	11	10	9	8	7	6	5	4	3	2	1	0
RESERVED																IDLE_MODE		RESERVED													

Bits	Field Name	Description	Type	Reset
31:4	RESERVED	Reserved	R	0x0000000
3:2	IDLE_MODE	Configuration of the local target state management mode. 0x0: Force-idle mode: local target's idle state follows (acknowledges) the system's idle requests unconditionally, that is, regardless of the IP module's internal requirements. Backup mode, for debug only. 0x1: No-idle mode: local target never enters idle state. Backup mode, for debug only. 0x2: Smart-idle mode: local target's idle state eventually follows (acknowledges) the system's idle requests, depending on the IP module's internal requirements. IP module shall not generate (IRQ- or DMA-request-related) wake-up events. 0x3: Reserved	RW	0x2
1:0	RESERVED	Reserved	RW W0Only	0x0

Table 15-40. Register Call Summary for Register DMM_SYSCONFIG

Dynamic Memory Manager

- [DMM Integration: \[0\]](#)
- [DMM Power Management: \[1\]](#)
- [DMM Module Global Initialization: \[2\]](#)
- [DMM Register Summary: \[3\]](#)

Table 15-41. DMM_LISA_LOCK

Address Offset	0x0000 001C		Instance	DMM
Physical Address	0x4E00 001C			
Description	DMM memory mapping lock			
Type	RW			

31	30	29	28	27	26	25	24	23	22	21	20	19	18	17	16	15	14	13	12	11	10	9	8	7	6	5	4	3	2	1	0
RESERVED																LOCK															

Bits	Field Name	Description	Type	Reset
31:1	RESERVED	Should be written as 0	R	0x0000 0000
0	LOCK	DMM lock map Write 0x0: No effect (clear on reset only) Read 0x0: DMM_LISA_MAP_i unlocked Read 0x1: DMM_LISA_MAP_i locked Write 0x1: Locking DMM_LISA_MAP_i registers	RW	0

Table 15-42. Register Call Summary for Register DMM_LISA_LOCK

Dynamic Memory Manager

- [DMM Integration: \[0\]](#)
- [Address Mapping: \[1\]](#)
- [LISA Description: \[2\]](#)
- [LISA Settings: \[3\]](#)
- [DMM Register Summary: \[4\]](#)

Table 15-43. DMM_EMERGENCY

Address Offset	0x0000 0020		Instance	DMM
Physical Address	0x4E00 0020			
Description	DMM memory mapping register			
Type	RW			

31	30	29	28	27	26	25	24	23	22	21	20	19	18	17	16	15	14	13	12	11	10	9	8	7	6	5	4	3	2	1	0
RESERVED										WEIGHT						RESERVED										ENABLE					

Bits	Field Name	Description	Type	Reset
31:21	RESERVED	Reserved	R	0x000
20:16	WEIGHT	Weight for the LISA arbitration when any bit of the vector Mflag[63:0] is set. The recommendation is to set this field to 0x8 with ENABLE =1, after reset.	RW	0x04
15:1	Reserved	Reserved	R	0x0000
0	ENABLE	0: Emergency feature is disabled. 1: Enable the emergency feature. LISA arbitration priority is higher for the initiator that set Mflag input of this initiator. The recommendation is to enable the feature (=1) after reset.	RW	0

Table 15-44. Register Call Summary for Register DMM_EMERGENCY

Dynamic Memory Manager

- [LISA Interconnect Arbitration: \[0\]\[1\]\[2\]\[3\]\[4\]](#)
- [DMM Register Summary: \[5\]](#)

Table 15-45. DMM_LISA_MAP_i

Address Offset	0x0000 0040 + (0x4 * i)	Index	i = 0 to 3
Physical Address	0x4E00 0040 + (0x4 * i)	Instance	DMM
Description	DMM memory mapping register		
Type	RW		

31	30	29	28	27	26	25	24	23	22	21	20	19	18	17	16	15	14	13	12	11	10	9	8	7	6	5	4	3	2	1	0
SYS_ADDR								RESERVED	SYS_SIZE				RESERVED	SDRC_ADDRSPC	RESERVED						SDRC_MAP	SDRC_ADDR									

Bits	Field Name	Description	Type	Reset
31:24	SYS_ADDR	DMM system section address MSB for view mapping i	RW	0x00
23	RESERVED	Reserved	RW W0Only	0
22:20	SYS_SIZE	DMM system section size for view mapping i 0x0: 16-MiB section 0x1: 32-MiB section 0x2: 64-MiB section 0x3: 128-MiB section 0x4: 256-MiB section 0x5: 512-MiB section 0x6: 1-GiB section 0x7: 2-GiB section	RW	0x0
19:18	RESERVED	NOTE: This bit field must be kept to its reset value of 0x0.	R	0x0
17:16	SDRC_ADDRSPC	SDRAM controller address space for view mapping i	RW	0x0
15:10	RESERVED	Reserved	RW W0Only	0x00
9:8	SDRC_MAP	SDRAM controller mapping for view mapping i 0x0: Unmapped 0x1: Mapped on EMIF1 0x2: Reserved 0x3: Reserved	RW	0
7:0	SDRC_ADDR	SDRAM controller address MSB for view mapping i	RW	0x00

Table 15-46. Register Call Summary for Register DMM_LISA_MAP_i

Dynamic Memory Manager

- [DMM Integration: \[0\]](#)
- [Dynamic Mapping: \[1\]](#)
- [Address Mapping: \[2\]\[3\]](#)
- [LISA Description: \[4\]](#)
- [LISA Settings: \[6\]\[7\]\[9\]\[10\]\[11\]](#)
- [DMM Register Summary: \[12\]](#)
- [DMM Register Description: \[13\]\[14\]\[15\]](#)

Table 15-47. DMM_TILER_HWINFO

Address Offset	0x0000 0208	Instance	DMM
Physical Address	0x4E00 0208		
Description	DMM hardware configuration for TILER		
Type	R		

31	30	29	28	27	26	25	24	23	22	21	20	19	18	17	16	15	14	13	12	11	10	9	8	7	6	5	4	3	2	1	0
RESERVED																OR_CNT															

Bits	Field Name	Description	Type	Reset
31:7	RESERVED	Reserved	R	0x000 0000
6:0	OR_CNT	Number of TILER orientation entries Read 0x4: Four orientation entries Read 0x20: Thirty-two orientation entries Read 0x40: Sixty-four orientation entries Read 0x2: Two orientation entries Read 0x1: One orientation entry Read 0x8: Eight orientation entries Read 0x10: Sixteen orientation entries	R	0x10

Table 15-48. Register Call Summary for Register DMM_TILER_HWINFO

Dynamic Memory Manager

- [DMM Configuration: \[0\]](#)
- [DMM Register Summary: \[1\]](#)

Table 15-49. DMM_TILER_OR0

Address Offset	0x0000 02200	Index	0
Physical Address	0x4E00 0220	Instance	DMM
Description	DMM TILER orientation (initiators 0 to 7)		
Type	RW		

31	30	29	28	27	26	25	24	23	22	21	20	19	18	17	16	15	14	13	12	11	10	9	8	7	6	5	4	3	2	1	0
W7		OR7		W6		OR6		W5		OR5		W4		OR4		W3		OR3		W2		OR2		W1		OR1		W0		OR0	

Bits	Field Name	Description	Type	Reset
31	W7	Write-enable for OR7 bit field Write 0x0: OR7 field is unchanged. Write 0x1: OR7 field is updated.	RW	0
30:28	OR7	Orientation for initiator 7	RW	0x0
27	W6	Write-enable for OR6 bit field Write 0x0: OR6 field is unchanged. Write 0x1: OR6 field is updated.	RW	0
26:24	OR6	Orientation for initiator 6	RW	0x0
23	W5	Write-enable for OR5 bit field Write 0x0: OR5 field is unchanged. Write 0x1: OR5 field is updated.	RW	0
22:20	OR5	Orientation for initiator 5	RW	0x0

Bits	Field Name	Description	Type	Reset
19	W4	Write-enable for OR4 bit field Write 0x0: OR4 field is unchanged. Write 0x1: OR4 field is updated.	RW	0
18:16	OR4	Orientation for initiator 4	RW	0x0
15	W3	Write-enable for OR3 bit field Write 0x0: OR3 field is unchanged. Write 0x1: OR3 field is updated.	RW	0
14:12	OR3	Orientation for initiator 3	RW	0x0
11	W2	Write-enable for OR2 bit field Write 0x0: OR2 field is unchanged. Write 0x1: OR2 field is updated.	RW	0
10:8	OR2	Orientation for initiator 2	RW	0x0
7	W1	Write-enable for OR1 bit field Write 0x0: OR1 field is unchanged. Write 0x1: OR1 field is updated.	RW	0
6:4	OR1	Orientation for initiator 1	RW	0x0
3	W0	Write-enable for OR0 bit field Write 0x0: OR0 field is unchanged. Write 0x1: OR0 field is updated.	RW	0
2:0	OR0	Orientation for initiator 0	RW	0x0

Table 15-50. Register Call Summary for Register DMM_TILER_OR0

Dynamic Memory Manager

- [DMM Integration: \[0\]](#)
- [TILER Macro-Architecture: \[1\]\[2\]](#)
- [Aliased Tiled View Orientation Settings and LUT Refill: \[3\]\[4\]](#)
- [DMM Register Summary: \[5\]](#)

Table 15-51. DMM_TILER_OR1

Address Offset	0x0000 02204	Index	0
Physical Address	0x4E00 0224	Instance	DMM
Description	DMM TILER orientation (initiators 8 to 15)		
Type	RW		

31	30	29	28	27	26	25	24	23	22	21	20	19	18	17	16	15	14	13	12	11	10	9	8	7	6	5	4	3	2	1	0
W15	OR15		W14	OR14		W13	OR13		W12	OR12		W11	OR11		W10	OR10		W9	OR9		W8	OR8									

Bits	Field Name	Description	Type	Reset
31	W15	Write-enable for OR15 bit field Write 0x0: OR15 field is unchanged. Write 0x1: OR15 field is updated.	RW	0
30:28	OR15	Orientation for initiator 15	RW	0x0
27	W14	Write-enable for OR14 bit field Write 0x0: OR14 field is unchanged. Write 0x1: OR14 field is updated.	RW	0
26:24	OR14	Orientation for initiator 14	RW	0x0

Bits	Field Name	Description	Type	Reset
23	W13	Write-enable for OR13 bit field Write 0x0: OR13 field is unchanged. Write 0x1: OR13 field is updated.	RW	0
22:20	OR13	Orientation for initiator 13	RW	0x0
19	W12	Write-enable for OR12 bit field Write 0x0: OR12 field is unchanged. Write 0x1: OR12 field is updated.	RW	0
18:16	OR12	Orientation for initiator 12	RW	0x0
15	W11	Write-enable for OR11 bit field Write 0x0: OR11 field is unchanged. Write 0x1: OR11 field is updated.	RW	0
14:12	OR11	Orientation for initiator 11	RW	0x0
11	W10	Write-enable for OR10 bit field Write 0x0: OR10 field is unchanged. Write 0x1: OR10 field is updated.	RW	0
10:8	OR10	Orientation for initiator 10	RW	0x0
7	W9	Write-enable for OR9 bit field Write 0x0: OR9 field is unchanged. Write 0x1: OR9 field is updated.	RW	0
6:4	OR9	Orientation for initiator 9	RW	0x0
3	W8	Write-enable for OR8 bit field Write 0x0: OR8 field is unchanged. Write 0x1: OR8 field is updated.	RW	0
2:0	OR8	Orientation for initiator 8	RW	0x0

Table 15-52. Register Call Summary for Register DMM_TILER_OR1

Dynamic Memory Manager

- [DMM Integration: \[0\]](#)
- [TILER Macro-Architecture: \[1\]\[2\]](#)
- [Aliased Tiled View Orientation Settings and LUT Refill: \[3\]\[4\]](#)
- [DMM Register Summary: \[5\]](#)

Table 15-53. DMM_PAT_HWINFO

Address Offset	0x0000 0408	
Physical Address	0x4E00 0408	Instance DMM
Description	DMM hardware configuration for PAT	
Type	R	

31	30	29	28	27	26	25	24	23	22	21	20	19	18	17	16	15	14	13	12	11	10	9	8	7	6	5	4	3	2	1	0
RESERVED				ENGINE_CNT				RESERVED				LUT_CNT				RESERVED				VIEW_MAP_CNT				RESERVED				VIEW_CNT			

Bits	Field Name	Description	Type	Reset
31:29	RESERVED	Reserved	R	0x0
28:24	ENGINE_CNT	Number of PAT refill engines	R	0x04
23:21	RESERVED	Reserved	R	0x0
20:16	LUT_CNT	Number of PAT LUT for page-grained physical address translation	R	0x01
15:12	RESERVED	Reserved	R	0x0
11:8	VIEW_MAP_CNT	Number of internal PAT view mappings. Read 0x1: One view map Read 0x2: Two view maps Read 0x4: Four view maps Read 0x8: Eight view maps	R	0x4
7	RESERVED	Reserved	R	0
6:0	VIEW_CNT	Number of PAT view entries Read 0x1: One view entry Read 0x2: Two view entries Read 0x4: Four view entries Read 0x8: Eight view entries Read 0x10: Sixteen view entries Read 0x20: Thirty-two view entries Read 0x40: Sixty-four view entries	R	0x10

Table 15-54. Register Call Summary for Register DMM_PAT_HWINFO

Dynamic Memory Manager

- [DMM Configuration: \[0\]\[1\]\[2\]\[3\]](#)
- [DMM Register Summary: \[4\]](#)

Table 15-55. DMM_PAT_GEOMETRY

Address Offset	0x0000 040C	Instance	DMM
Physical Address	0x4E00 040C		
Description	PAT geometry-related settings		
Type	R		

31	30	29	28	27	26	25	24	23	22	21	20	19	18	17	16	15	14	13	12	11	10	9	8	7	6	5	4	3	2	1	0
RESERVED							CONT_HGHT	RESERVED				CONT_WDTH				RESERVED	ADDR_RANGE						RESERVED	PAGE_SZ							

Bits	Field Name	Description	Type	Reset
31:27	RESERVED	Reserved	R	0x00
26:24	CONT_HGHT	Container height in pages Read 0x1: Container height of 32 pages Read 0x2: Container height of 64 pages Read 0x4: Container height of 128 pages Read 0x8: Container height of 256 pages	R	0x8
23:20	RESERVED	Reserved	R	0x0

Bits	Field Name	Description	Type	Reset
19:16	CONT_WDTH	Container width in pages Read 0x2: Container width of 64 pages Read 0x4: Container width of 128 pages Read 0x8: Container width of 256 pages	R	0x8
15:14	RESERVED	Reserved	R	0x0
13:8	ADDR_RANGE	PAT output physical address range Read 0x1: 128-MiB range Read 0x2: 256-MiB range Read 0x4: 512-MiB range Read 0x8: 1-GiB range Read 0x10: 2-GiB range Read 0x20: 4-GiB range	R	0x10
7:5	RESERVED	Reserved	R	0x0
4:0	PAGE_SZ	Page size in 4-kiB granularity Read 0x1: 4-kiB page Read 0x4: 16-kiB page Read 0x10: 64-kiB page	R	0x01

Table 15-56. Register Call Summary for Register DMM_PAT_GEOMETRY

Dynamic Memory Manager

- [DMM Configuration: \[0\]\[1\]\[2\]\[3\]](#)
- [DMM Register Summary: \[4\]](#)

Table 15-57. DMM_PAT_CONFIG

Address Offset	0x0000 0410																																																																	
Physical Address	0x4E00 0410	Instance DMM																																																																
Description	This is the PAT configuration register aimed at defining the major PAT configuration of each refill engine.																																																																	
Type	RW																																																																	
<table border="1" style="width:100%; text-align:center;"> <thead> <tr> <th>31</th><th>30</th><th>29</th><th>28</th><th>27</th><th>26</th><th>25</th><th>24</th><th>23</th><th>22</th><th>21</th><th>20</th><th>19</th><th>18</th><th>17</th><th>16</th><th>15</th><th>14</th><th>13</th><th>12</th><th>11</th><th>10</th><th>9</th><th>8</th><th>7</th><th>6</th><th>5</th><th>4</th><th>3</th><th>2</th><th>1</th><th>0</th> </tr> </thead> <tbody> <tr> <td colspan="28">RESERVED</td> <td>MODE3</td><td>MODE2</td><td>MODE1</td><td>MODE0</td> </tr> </tbody> </table>			31	30	29	28	27	26	25	24	23	22	21	20	19	18	17	16	15	14	13	12	11	10	9	8	7	6	5	4	3	2	1	0	RESERVED																												MODE3	MODE2	MODE1	MODE0
31	30	29	28	27	26	25	24	23	22	21	20	19	18	17	16	15	14	13	12	11	10	9	8	7	6	5	4	3	2	1	0																																			
RESERVED																												MODE3	MODE2	MODE1	MODE0																																			

Bits	Field Name	Description	Type	Reset
31:4	RESERVED	Reserved	R	0x0000000
3	MODE3	Mode of refill engine 3 0: Normal mode 1: Direct LUT access	RW	0
2	MODE2	Mode of refill engine 2 0: Normal mode 1: Direct LUT access	RW	0
1	MODE1	Mode of refill engine 1 0: Normal mode 1: Direct LUT access	RW	0
0	MODE0	Mode of refill engine 0 0: Normal mode 1: Direct LUT access	RW	0

Table 15-58. Register Call Summary for Register DMM_PAT_CONFIG

Dynamic Memory Manager

- [Address Translation: \[0\]](#)
- [Configuration Settings and LUT Refill: \[1\]\[2\]](#)
- [DMM Register Summary: \[3\]](#)

Table 15-59. DMM_PAT_VIEW0

Address Offset	0x0000 0420	Index	
Physical Address	0x4E00 0420	Instance	DMM
Description	DMM PAT View register (initiators 0 to 7)		
Type	RW		

31	30	29	28	27	26	25	24	23	22	21	20	19	18	17	16	15	14	13	12	11	10	9	8	7	6	5	4	3	2	1	0	
W7	RESERVED	V7	RESERVED	V6	RESERVED	V5	RESERVED	V4	RESERVED	V3	RESERVED	V2	RESERVED	V1	RESERVED	V0	RESERVED	V0	RESERVED	V0	RESERVED	V0	RESERVED	V0	RESERVED	V0	RESERVED	V0	RESERVED	V0	RESERVED	V0

Bits	Field Name	Description	Type	Reset
31	W7	Write-enable for V7 bit field Write 0x0: V7 field is unchanged. Write 0x1: V7 field is updated.	RW	0
30	RESERVED	Reserved	RW W0Only	0
29:28	V7	PAT view for initiator 7	RW	0x0
27	W6	Write-enable for V6 bit field Write 0x0: V6 field is unchanged. Write 0x1: V6 field is updated.	RW	0
26	RESERVED	Reserved	RW W0Only	0
25:24	V6	PAT view for initiator 6	RW	0x0
23	W5	Write-enable for V5 bit field Write 0x0: V5 field is unchanged. Write 0x1: V5 field is updated.	RW	0
22	RESERVED	Reserved	RW W0Only	0
21:20	V5	PAT view for initiator 5	RW	0x0
19	W4	Write-enable for V4 bit field Write 0x0: V4 field is unchanged. Write 0x1: V4 field is updated.	RW	0
18	RESERVED	Reserved	RW W0Only	0
17:16	V4	PAT view for initiator 4	RW	0x0
15	W3	Write-enable for V3 bit field Write 0x0: V3 field is unchanged. Write 0x1: V3 field is updated.	RW	0
14	RESERVED	Reserved	RW W0Only	0
13:12	V3	PAT view for initiator 3	RW	0x0

Bits	Field Name	Description	Type	Reset
11	W2	Write-enable for V2 bit field Write 0x0: V2 field is unchanged. Write 0x1: V2 field is updated.	RW	0
10	RESERVED	Reserved	RW W0Only	0
9:8	V2	PAT view for initiator 2	RW	0x0
7	W1	Write-enable for V1 bit field Write 0x0: V1 field is unchanged. Write 0x1: V1 field is updated.	RW	0
6	RESERVED	Reserved	RW W0Only	0
5:4	V1	PAT view for initiator 1	RW	0x0
3	W0	Write-enable for V0 bit field Write 0x0: V0 field is unchanged. Write 0x1: V0 field is updated.	RW	0
2	RESERVED	Reserved	RW W0Only	0
1:0	V0	PAT view for initiator 0	RW	0x0

Table 15-60. Register Call Summary for Register DMM_PAT_VIEW0

Dynamic Memory Manager

- [DMM Integration: \[0\]](#)
- [Address Translation: \[1\]\[2\]](#)
- [Configuration Settings and LUT Refill: \[3\]\[4\]](#)
- [PAT in Indirect Translation Mode: \[5\]\[6\]](#)
- [DMM Register Summary: \[7\]](#)

Table 15-61. DMM_PAT_VIEW1

Address Offset	0x0000 0424	Index	
Physical Address	0x4E00 0424	Instance	DMM
Description	DMM PAT view register (initiators 8 to 15)		
Type	RW		

31	30	29	28	27	26	25	24	23	22	21	20	19	18	17	16	15	14	13	12	11	10	9	8	7	6	5	4	3	2	1	0	
W15	RESERVED	V15	RESERVED	V14	RESERVED	V14	RESERVED	V13	RESERVED	V12	RESERVED	V12	RESERVED	V11	RESERVED	V11	RESERVED	V10	RESERVED	V10	RESERVED	V9	RESERVED	V9	RESERVED	V8	RESERVED	V8	RESERVED	V8	RESERVED	V8

Bits	Field Name	Description	Type	Reset
31	W15	Write-enable for V15 bit field Write 0x0: V15 field is unchanged. Write 0x1: V15 field is updated.	RW	0
30	RESERVED	Reserved	RW W0Only	0
29:28	V15	PAT view for initiator 15	RW	0x0
27	W14	Write-enable for V14 bit field Write 0x0: V14 field is unchanged. Write 0x1: V14 field is updated.	RW	0

Bits	Field Name	Description	Type	Reset
26	RESERVED	Reserved	RW W0Only	0
25:24	V14	PAT view for initiator 14	RW	0x0
23	W13	Write-enable for V13 bit field Write 0x0: V13 field is unchanged. Write 0x1: V13 field is updated.	RW	0
22	RESERVED	Reserved	RW W0Only	0
21:20	V13	PAT view for initiator 13	RW	0x0
19	W12	Write-enable for V12 bit field Write 0x0: V12 field is unchanged. Write 0x1: V12 field is updated.	RW	0
18	RESERVED	Reserved	RW W0Only	0
17:16	V12	PAT view for initiator 12	RW	0x0
15	W11	Write-enable for V11 bit field Write 0x0: V11 field is unchanged. Write 0x1: V11 field is updated.	RW	0
14	RESERVED	Reserved	RW W0Only	0
13:12	V11	PAT view for initiator 11	RW	0x0
11	W10	Write-enable for V10 bit field Write 0x0: V10 field is unchanged. Write 0x1: V10 field is updated.	RW	0
10	RESERVED	Reserved	RW W0Only	0
9:8	V10	PAT view for initiator 10	RW	0x0
7	W9	Write-enable for V9 bit field Write 0x0: V9 field is unchanged. Write 0x1: V9 field is updated.	RW	0
6	RESERVED	Reserved	RW W0Only	0
5:4	V9	PAT view for initiator 9	RW	0x0
3	W8	Write-enable for V8 bit field Write 0x0: V8 field is unchanged. Write 0x1: V8 field is updated.	RW	0
2	RESERVED	Reserved	RW W0Only	0
1:0	V8	PAT view for initiator 8	RW	0x0

Table 15-62. Register Call Summary for Register DMM_PAT_VIEW1

Dynamic Memory Manager

- [DMM Integration: \[0\]](#)
- [Address Translation: \[1\]\[2\]](#)
- [Configuration Settings and LUT Refill: \[3\]\[4\]](#)
- [PAT in Indirect Translation Mode: \[5\]](#)
- [DMM Register Summary: \[6\]](#)

Table 15-63. DMM_PAT_VIEW_MAP_i

Address Offset	0x0000 0440 + (0x4 * i)	Index	i = 0 to 3
Physical Address	0x4E00 0440 + (0x4 * i)	Instance	DMM
Description	PAT view mapping register		
Type	RW		

31	30	29	28	27	26	25	24	23	22	21	20	19	18	17	16	15	14	13	12	11	10	9	8	7	6	5	4	3	2	1	0	
ACCESS_PAGE		RESERVED				CONT_PAGE		ACCESS_32	RESERVED				CONT_32				ACCESS_16	RESERVED				CONT_16				ACCESS_8	RESERVED				CONT_8	

Bits	Field Name	Description	Type	Reset
31	ACCESS_PAGE	Kind of access for this page mode container in view mapping i 0x0: Direct access, container base address given in CONT_PAGE 0x1: indirect access through the LUT indexed by CONT_PAGE	RW	0
30:27	RESERVED	Reserved	RW W0Only	0x0
26:24	CONT_PAGE	Container for page mode in view mapping i	RW	0x0
23	ACCESS_32	Kind of access for this 32-bit mode container in view mapping i 0x0: Direct access, container base address given in CONT_32 0x1: indirect access through the LUT indexed by CONT_32	RW	0
22:19	RESERVED	Reserved	RW W0Only	0x0
18:16	CONT_32	Container for 32-bit mode in view mapping i	RW	0x0
15	ACCESS_16	Kind of access for this 16-bit mode container in view mapping i 0x0: Direct access, container base address given in CONT_16 0x1: indirect access through the LUT indexed by CONT_16	RW	0
14:11	RESERVED	Reserved	RW W0Only	0x0
10:8	CONT_16	Container for 16-bit mode in view mapping i	RW	0x0
7	ACCESS_8	Kind of access for this 8-bit mode container in view mapping i 0x0: Direct access, container base address given in CONT_8 0x1: indirect access through the LUT indexed by CONT_8	RW	0
6:3	RESERVED	Reserved	RW W0Only	0x0
2:0	CONT_8	Container for 8-bit mode in view mapping i	RW	0x0

Table 15-64. Register Call Summary for Register DMM_PAT_VIEW_MAP_i

Dynamic Memory Manager

- [DMM Integration: \[0\]](#)
- [Address Translation: \[1\]\[2\]\[3\]\[4\]\[5\]\[6\]\[7\]](#)
- [Configuration Settings and LUT Refill: \[8\]](#)
- [DMM Register Summary: \[9\]](#)

Table 15-65. DMM_PAT_VIEW_MAP_BASE

Address Offset	0x0000 0460	Instance	DMM
Physical Address	0x4E00 0460		
Description	Base address of all view mappings		
Type	RW		

31	30	29	28	27	26	25	24	23	22	21	20	19	18	17	16	15	14	13	12	11	10	9	8	7	6	5	4	3	2	1	0
BASE_ADDR	RESERVED																														

Bits	Field Name	Description	Type	Reset
31	BASE_ADDR	MSB of the PAT view mapping base address	RW	0
30:0	RESERVED	Reserved	RW W0Only	0x0000 0000

Table 15-66. Register Call Summary for Register DMM_PAT_VIEW_MAP_BASE

Dynamic Memory Manager

- [DMM Integration: \[0\]](#)
- [Address Translation: \[1\]](#)
- [Configuration Settings and LUT Refill: \[2\]](#)
- [Aliased Tiled View Orientation Settings and LUT Refill: \[3\]](#)
- [PAT in Indirect Translation Mode: \[4\]](#)
- [DMM Register Summary: \[5\]](#)

Table 15-67. DMM_PAT_IRQ_EOI

Address Offset	0x0000 0478	Instance	DMM
Physical Address	0x4E00 0478		
Description	PAT end of interrupt		
Type	RW		

31	30	29	28	27	26	25	24	23	22	21	20	19	18	17	16	15	14	13	12	11	10	9	8	7	6	5	4	3	2	1	0
RESERVED																															

Bits	Field Name	Description	Type	Reset
31:1	RESERVED		R	0x0
0	EOI	End of PAT interrupt 0x0: Acknowledge the PAT interrupts	RW	0x0

Table 15-68. Register Call Summary for Register DMM_PAT_IRQ_EOI

Dynamic Memory Manager

- [DMM Register Summary: \[0\]](#)

Table 15-69. DMM_PAT_IRQSTATUS_RAW

Address Offset	0x0000 0480	Instance	DMM
Physical Address	0x4E00 0480		
Description	Per-event raw interrupt status vector. Raw status is set even if the related event is not enabled. Write 1 to set the (raw) status, mostly for debug. n = 0 for the first interrupt status raw register, n = 1 for the second interrupt status raw register.		
Type	RW		

31	30	29	28	27	26	25	24	23	22	21	20	19	18	17	16	15	14	13	12	11	10	9	8	7	6	5	4	3	2	1	0
ERR_LUT_MISS3	ERR_UPD_DATA3	ERR_UPD_CTRL3	ERR_UPD_AREA3	ERR_INV_DATA3	ERR_INV_DSC3	FILL_LST3	FILL_DSC3	ERR_LUT_MISS2	ERR_UPD_DATA2	ERR_UPD_CTRL2	ERR_UPD_AREA2	ERR_INV_DATA2	ERR_INV_DSC2	FILL_LST2	FILL_DSC2	ERR_LUT_MISS1	ERR_UPD_DATA1	ERR_UPD_CTRL1	ERR_UPD_AREA1	ERR_INV_DATA1	ERR_INV_DSC1	FILL_LST1	FILL_DSC1	ERR_LUT_MISS0	ERR_UPD_DATA0	ERR_UPD_CTRL0	ERR_UPD_AREA0	ERR_INV_DATA0	ERR_INV_DSC0	FILL_LST0	FILL_DSC0

Bits	Field Name	Description	Type	Reset
31	ERR_LUT_MISS3	Access to a yet-to-be-refilled area event in area 4.n+3 Write 0x0: Keep current error event. Write 0x1: Set error event. Read 0x1: Error event happened. Read 0x0: No such error event	RW W1toSet	0
30	ERR_UPD_DATA3	Data register update whilst refilling error event in area 4.n+3 Write 0x0: Keep current error event. Write 0x1: Set error event. Read 0x1: Error event happened. Read 0x0: No such error event	RW W1toSet	0
29	ERR_UPD_CTRL3	Control register update whilst refilling error event in area 4.n+3 Write 0x0: Keep current error event. Write 0x1: Set error event. Read 0x1: Error event happened. Read 0x0: No such error event	RW W1toSet	0
28	ERR_UPD_AREA3	Area register update whilst refilling error event in area 4.n+3 Write 0x0: Keep current error event. Write 0x1: Set error event. Read 0x1: Error event happened. Read 0x0: No such error event	RW W1toSet	0
27	ERR_INV_DATA3	Invalid entry-table pointer error event in area 4.n+3 Write 0x0: Keep current error event. Write 0x1: Set error event. Read 0x1: Error event happened. Read 0x0: No such error event.	RW W1toSet	0

Bits	Field Name	Description	Type	Reset
26	ERR_INV_DSC3	Invalid descriptor pointer error event in area 4.n+3 Write 0x0: Keep current error event. Write 0x1: Set error event. Read 0x1: Error event happened. Read 0x0: No such error event	RW W1toSet	0
25	FILL_LST3	End of refill event for the last descriptor in area 4.n+3 Write 0x0: Keep area 3 refill done event. Write 0x1: Set area 3 refill done event. Read 0x1: Area 3 is refilled. Read 0x0: Area 3 is yet-to-be refilled.	RW W1toSet	0
24	FILL_DSC3	End of refill event for any descriptor in area 4.n+3 Write 0x0: Keep area 3 refill done event. Write 0x1: Set area 3 refill done event. Read 0x1: Area 3 is refilled. Read 0x0: Area 3 is yet-to-be refilled.	RW W1toSet	0
23	ERR_LUT_MISS2	Access to a yet-to-be-refilled area event in area 4.n+2 Write 0x0: Keep current error event. Write 0x1: Set error event. Read 0x1: Error event happened. Read 0x0: No such error event	RW W1toSet	0
22	ERR_UPD_DATA2	Data register update whilst refilling error event in area 4.n+2 Write 0x0: Keep current error event. Write 0x1: Set error event. Read 0x1: Error event happened. Read 0x0: No such error event	RW W1toSet	0
21	ERR_UPD_CTRL2	Control register update whilst refilling error event in area 4.n+2 Write 0x0: Keep current error event. Write 0x1: Set error event. Read 0x1: Error event happened. Read 0x0: No such error event	RW W1toSet	0
20	ERR_UPD_AREA2	Area register update whilst refilling error event in area 4.n+2 Write 0x0: Keep current error event. Write 0x1: Set error event. Read 0x1: Error event happened. Read 0x0: No such error event	RW W1toSet	0
19	ERR_INV_DATA2	Invalid entry-table pointer error event in area 4.n+2 Write 0x0: Keep current error event. Write 0x1: Set error event. Read 0x1: Error event happened. Read 0x0: No such error event	RW W1toSet	0
18	ERR_INV_DSC2	Invalid descriptor pointer error event in area 4.n+2 Write 0x0: Keep current error event. Write 0x1: Set error event. Read 0x1: Error event happened. Read 0x0: No such error event	RW W1toSet	0

Bits	Field Name	Description	Type	Reset
17	FILL_LST2	End of refill event for the last descriptor in area 4.n+2 Write 0x0: Keep area 2 refill done event. Write 0x1: Set area 2 refill done event. Read 0x1: Area 2 is refilled. Read 0x0: Area 2 is yet-to-be refilled.	RW W1toSet	0
16	FILL_DSC2	End of refill event for any descriptor in area 4.n+2 Write 0x0: Keep area 2 refill done event. Write 0x1: Set area 2 refill done event. Read 0x1: Area 2 is refilled. Read 0x0: Area 2 is yet-to-be refilled.	RW W1toSet	0
15	ERR_LUT_MISS1	Access to a yet-to-be-refilled area event in area 4.n+1 Write 0x0: Keep current error event. Write 0x1: Set error event. Read 0x1: Error event happened. Read 0x0: No such error event	RW W1toSet	0
14	ERR_UPD_DATA1	Data register update whilst refilling error event in area 4.n+1 Write 0x0: Keep current error event. Write 0x1: Set error event. Read 0x1: Error event happened. Read 0x0: No such error event	RW W1toSet	0
13	ERR_UPD_CTRL1	Control register update whilst refilling error event in area 4.n+1 Write 0x0: Keep current error event. Write 0x1: Set error event. Read 0x1: Error event happened. Read 0x0: No such error event	RW W1toSet	0
12	ERR_UPD_AREA1	Area register update whilst refilling error event in area 4.n+1 Write 0x0: Keep current error event. Write 0x1: Set error event. Read 0x1: Error event happened. Read 0x0: No such error event	RW W1toSet	0
11	ERR_INV_DATA1	Invalid entry-table pointer error event in area 4.n+1 Write 0x0: Keep current error event. Write 0x1: Set error event. Read 0x1: Error event happened. Read 0x0: No such error event	RW W1toSet	0
10	ERR_INV_DSC1	Invalid descriptor pointer error event in area 4.n+1 Write 0x0: Keep current error event. Write 0x1: Set error event. Read 0x1: Error event happened. Read 0x0: No such error event	RW W1toSet	0
9	FILL_LST1	End of refill event for the last descriptor in area 4.n+1 Write 0x0: Keep area 1 refill done event. Write 0x1: Set area 1 refill done event. Read 0x1: Area 1 is refilled. Read 0x0: Area 1 is yet-to-be refilled.	RW W1toSet	0

Bits	Field Name	Description	Type	Reset
8	FILL_DSC1	End of refill event for any descriptor in area 4.n+1 Write 0x0: Keep area 1 refill done event. Write 0x1: Set area 1 refill done event. Read 0x1: Area 1 is refilled. Read 0x0: Area 1 is yet-to-be refilled.	RW W1toSet	0
7	ERR_LUT_MISS0	Access to a yet-to-be-refilled area event in area 4.n Write 0x0: Keep current error event. Write 0x1: Set error event. Read 0x1: Error event happened. Read 0x0: No such error event	RW W1toSet	0
6	ERR_UPD_DATA0	Data register update whilst refilling error event in area 4.n Write 0x0: Keep current error event. Write 0x1: Set error event. Read 0x1: Error event happened. Read 0x0: No such error event	RW W1toSet	0
5	ERR_UPD_CTRL0	Control register update whilst refilling error event in area 4.n Write 0x0: Keep current error event. Write 0x1: Set error event. Read 0x1: Error event happened. Read 0x0: No such error event	RW W1toSet	0
4	ERR_UPD_AREA0	Area register update whilst refilling error event in area 4.n Write 0x0: Keep current error event. Write 0x1: Set error event. Read 0x1: Error event happened. Read 0x0: No such error event	RW W1toSet	0
3	ERR_INV_DATA0	Invalid entry-table pointer error event in area 4.n Write 0x0: Keep current error event. Write 0x1: Set error event. Read 0x1: Error event happened. Read 0x0: No such error event	RW W1toSet	0
2	ERR_INV_DSC0	Invalid descriptor pointer error event in area 4.n Write 0x0: Keep current error event. Write 0x1: Set error event. Read 0x1: Error event happened. Read 0x0: No such error event	RW W1toSet	0
1	FILL_LST0	End of refill event for the last descriptor in area 4.n Write 0x0: Keep area 0 refill done event. Write 0x1: Set area 0 refill done event. Read 0x1: Area 0 is refilled. Read 0x0: Area 0 is yet-to-be refilled.	RW W1toSet	0
0	FILL_DSC0	End of refill event for any descriptor in area 4.n Write 0x0: Keep area 0 refill done event. Write 0x1: Set area 0 refill done event. Read 0x1: Area 0 is refilled. Read 0x0: Area 0 is yet-to-be refilled.	RW W1toSet	0

Table 15-70. Register Call Summary for Register DMM_PAT_IRQSTATUS_RAW

Dynamic Memory Manager

- **DMM Interrupt Requests:**
[\[0\]](#)[\[1\]](#)[\[2\]](#)[\[3\]](#)[\[4\]](#)[\[5\]](#)[\[6\]](#)[\[7\]](#)[\[8\]](#)[\[9\]](#)[\[10\]](#)[\[11\]](#)[\[12\]](#)[\[13\]](#)[\[14\]](#)[\[15\]](#)[\[16\]](#)[\[17\]](#)[\[18\]](#)[\[19\]](#)[\[20\]](#)[\[21\]](#)[\[22\]](#)[\[23\]](#)[\[24\]](#)[\[25\]](#)[\[26\]](#)[\[27\]](#)[\[28\]](#)[\[29\]](#)[\[30\]](#)[\[31\]](#)
- **DMM Register Summary:** [\[32\]](#)

Table 15-71. DMM_PAT_IRQSTATUS

Address Offset	0x0000 0490
Physical Address	0x4E00 0490
Instance	DMM
Description	Per-event "enabled" interrupt status vector. Enabled status is not set unless the event is enabled. Write 1 to clear the status after interrupt has been serviced (raw status gets cleared, that is, even if not enabled). n = 0 for the first interrupt status register, n = 1 for the second interrupt status register.
Type	RW

31	30	29	28	27	26	25	24	23	22	21	20	19	18	17	16	15	14	13	12	11	10	9	8	7	6	5	4	3	2	1	0
ERR_LUT_MISS3	ERR_UPD_DATA3	ERR_UPD_CTRL3	ERR_UPD_AREA3	ERR_INV_DATA3	ERR_INV_DSC3	FILL_LST3	FILL_DSC3	ERR_LUT_MISS2	ERR_UPD_DATA2	ERR_UPD_CTRL2	ERR_UPD_AREA2	ERR_INV_DATA2	ERR_INV_DSC2	FILL_LST2	FILL_DSC2	ERR_LUT_MISS1	ERR_UPD_DATA1	ERR_UPD_CTRL1	ERR_UPD_AREA1	ERR_INV_DATA1	ERR_INV_DSC1	FILL_LST1	FILL_DSC1	ERR_LUT_MISS0	ERR_UPD_DATA0	ERR_UPD_CTRL0	ERR_UPD_AREA0	ERR_INV_DATA0	ERR_INV_DSC0	FILL_LST0	FILL_DSC0

Bits	Field Name	Description	Type	Reset
31	ERR_LUT_MISS3	Access to a yet-to-be-refilled area event in area 4.n+3 Write 0x0: Keep current maskable error event. Write 0x1: Clear this maskable error event. Read 0x1: Error event happened. Read 0x0: No such error event or this event is masked.	RW W1toClr	0
30	ERR_UPD_DATA3	Data register update whilst refilling error event in area 4.n+3 Write 0x0: Keep current maskable error event. Write 0x1: Clear this maskable error event. Read 0x1: Error event happened. Read 0x0: No such error event or this event is masked.	RW W1toClr	0
29	ERR_UPD_CTRL3	Control register update whilst refilling error event in area 4.n+3 Write 0x0: Keep current maskable error event. Write 0x1: Clear this maskable error event. Read 0x1: Error event happened. Read 0x0: No such error event or this event is masked.	RW W1toClr	0
28	ERR_UPD_AREA3	Area register update whilst refilling error event in area 4.n+3 Write 0x0: Keep current maskable error event. Write 0x1: Clear this maskable error event. Read 0x1: Error event happened. Read 0x0: No such error event or this event is masked.	RW W1toClr	0
27	ERR_INV_DATA3	Invalid entry-table pointer error event in area 4.n+3 Write 0x0: Keep current maskable error event. Write 0x1: Clear this maskable error event. Read 0x1: Error event happened. Read 0x0: No such error event or this event is masked.	RW W1toClr	0

Bits	Field Name	Description	Type	Reset
26	ERR_INV_DSC3	Invalid descriptor pointer error event in area 4.n+3 Write 0x0: Keep current maskable error event. Write 0x1: Clear this maskable error event. Read 0x1: Error event happened. Read 0x0: No such error event or this event is masked.	RW W1toClr	0
25	FILL_LST3	End of refill event for the last descriptor in area 4.n+3 Write 0x0: Keep current area refill done maskable event. Write 0x1: Clear current area refill done maskable event. Read 0x1: Current area is refilled. Read 0x0: Current area is yet-to-be refilled or this event is masked.	RW W1toClr	0
24	FILL_DSC3	End of refill event for any descriptor in area 4.n+3 Write 0x0: Keep current area refill done maskable event. Write 0x1: Clear current area refill done maskable event. Read 0x1: Current area is refilled. Read 0x0: Current area is yet-to-be refilled or this event is masked.	RW W1toClr	0
23	ERR_LUT_MISS2	Access to a yet-to-be-refilled area event in area 4.n+2 Write 0x0: Keep current maskable error event. Write 0x1: Clear this maskable error event. Read 0x1: Error event happened. Read 0x0: No such error event or this event is masked.	RW W1toClr	0
22	ERR_UPD_DATA2	Data register update whilst refilling error event in area 2 Write 0x0: Keep current maskable error event. Write 0x1: Clear this maskable error event. Read 0x1: Error event happened. Read 0x0: No such error event or this event is masked.	RW W1toClr	0
21	ERR_UPD_CTRL2	Control register update whilst refilling error event in area 4.n+2 Write 0x0: Keep current maskable error event. Write 0x1: Clear this maskable error event. Read 0x1: Error event happened. Read 0x0: No such error event or this event is masked.	RW W1toClr	0
20	ERR_UPD_AREA2	Area register update whilst refilling error event in area 4.n+2 Write 0x0: Keep current maskable error event. Write 0x1: Clear this maskable error event. Read 0x1: Error event happened. Read 0x0: No such error event or this event is masked.	RW W1toClr	0
19	ERR_INV_DATA2	Invalid entry-table pointer error event in area 4.n+2 Write 0x0: Keep current maskable error event. Write 0x1: Clear this maskable error event. Read 0x1: Error event happened. Read 0x0: No such error event or this event is masked.	RW W1toClr	0
18	ERR_INV_DSC2	Invalid descriptor pointer error event in area 4.n+2 Write 0x0: Keep current maskable error event. Write 0x1: Clear this maskable error event. Read 0x1: Error event happened. Read 0x0: No such error event or this event is masked.	RW W1toClr	0

Bits	Field Name	Description	Type	Reset
17	FILL_LST2	End of refill event for the last descriptor in area 4.n+2 Write 0x0: Keep current area refill done maskable event. Write 0x1: Clear current area refill done maskable event. Read 0x1: Current area is refilled. Read 0x0: Current area is yet-to-be refilled or this event is masked.	RW W1toClr	0
16	FILL_DSC2	End of refill event for any descriptor in area 4.n+2 Write 0x0: Keep current area refill done maskable event. Write 0x1: Clear current area refill done maskable event. Read 0x1: Current area is refilled. Read 0x0: Current area is yet-to-be refilled or this event is masked.	RW W1toClr	0
15	ERR_LUT_MISS1	Access to a yet-to-be-refilled area event in area 4.n+1 Write 0x0: Keep current maskable error event. Write 0x1: Clear this maskable error event. Read 0x1: Error event happened. Read 0x0: No such error event or this event is masked.	RW W1toClr	0
14	ERR_UPD_DATA1	Data register update whilst refilling error event in area 4.n+1 Write 0x0: Keep current maskable error event. Write 0x1: Clear this maskable error event. Read 0x1: Error event happened. Read 0x0: No such error event or this event is masked.	RW W1toClr	0
13	ERR_UPD_CTRL1	Control register update whilst refilling error event in area 4.n+1 Write 0x0: Keep current maskable error event. Write 0x1: Clear this maskable error event. Read 0x1: Error event happened. Read 0x0: No such error event or this event is masked.	RW W1toClr	0
12	ERR_UPD_AREA1	Area register update whilst refilling error event in area 4.n+1 Write 0x0: Keep current maskable error event. Write 0x1: Clear this maskable error event. Read 0x1: Error event happened. Read 0x0: No such error event or this event is masked.	RW W1toClr	0
11	ERR_INV_DATA1	Invalid entry-table pointer error event in area 4.n+1 Write 0x0: Keep current maskable error event. Write 0x1: Clear this maskable error event. Read 0x1: Error event happened. Read 0x0: No such error event or this event is masked	RW W1toClr	0
10	ERR_INV_DSC1	Invalid descriptor pointer error event in area 4.n+1 Write 0x0: Keep current maskable error event. Write 0x1: Clear this maskable error event. Read 0x1: Error event happened. Read 0x0: No such error event or this event is masked	RW W1toClr	0
9	FILL_LST1	End of refill event for the last descriptor in area 4.n+1 Write 0x0: Keep current area refill done maskable event. Write 0x1: Clear current area refill done maskable event. Read 0x1: Current area is refilled. Read 0x0: Current area is yet-to-be refilled or this event is masked.	RW W1toClr	0

Bits	Field Name	Description	Type	Reset
8	FILL_DSC1	End of refill event for any descriptor in area 4.n+1 Write 0x0: Keep current area refill done maskable event. Write 0x1: Clear current area refill done maskable event. Read 0x1: Current area is refilled. Read 0x0: Current area is yet-to-be refilled or this event is masked.	RW W1toClr	0
7	ERR_LUT_MISS0	Access to a yet-to-be-refilled area event in area 4.n Write 0x0: Keep current maskable error event. Write 0x1: Clear this maskable error event. Read 0x1: Error event happened. Read 0x0: No such error event or this event is masked.	RW W1toClr	0
6	ERR_UPD_DATA0	Data register update whilst refilling error event in area 4.n Write 0x0: Keep current maskable error event. Write 0x1: Clear this maskable error event. Read 0x1: Error event happened. Read 0x0: No such error event or this event is masked.	RW W1toClr	0
5	ERR_UPD_CTRL0	Control register update whilst refilling error event in area 4.n Write 0x0: Keep current maskable error event. Write 0x1: Clear this maskable error event. Read 0x1: Error event happened. Read 0x0: No such error event or this event is masked.	RW W1toClr	0
4	ERR_UPD_AREA0	Area register update whilst refilling error event in area 4.n Write 0x0: Keep current maskable error event. Write 0x1: Clear this maskable error event. Read 0x1: Error event happened. Read 0x0: No such error event or this event is masked.	RW W1toClr	0
3	ERR_INV_DATA0	Invalid entry-table pointer error event in area 4.n Write 0x0: Keep current maskable error event. Write 0x1: Clear this maskable error event. Read 0x1: Error event happened. Read 0x0: No such error event or this event is masked.	RW W1toClr	0
2	ERR_INV_DSC0	Invalid descriptor pointer error event in area 4.n Write 0x0: Keep current maskable error event. Write 0x1: Clear this maskable error event. Read 0x1: Error event happened. Read 0x0: No such error event or this event is masked.	RW W1toClr	0
1	FILL_LST0	End of refill event for the last descriptor in area 4.n Write 0x0: Keep current area refill done maskable event. Write 0x1: Clear current area refill done maskable event. Read 0x1: Current area is refilled. Read 0x0: Current area is yet-to-be refilled or this event is masked.	RW W1toClr	0
0	FILL_DSC0	End of refill event for any descriptor in area 4.n Write 0x0: Keep current area refill done maskable event. Write 0x1: Clear current area refill done maskable event. Read 0x1: Current area is refilled. Read 0x0: Current area is yet-to-be refilled or this event is masked.	RW W1toClr	0

Table 15-72. Register Call Summary for Register DMM_PAT_IRQSTATUS

Dynamic Memory Manager

- **DMM Interrupt Requests:** [\[0\]](#)[\[1\]](#)[\[2\]](#)[\[3\]](#)[\[4\]](#)[\[5\]](#)[\[6\]](#)[\[7\]](#)[\[8\]](#)[\[9\]](#)[\[10\]](#)[\[11\]](#)[\[12\]](#)[\[13\]](#)[\[14\]](#)[\[15\]](#)[\[16\]](#)[\[17\]](#)[\[18\]](#)[\[19\]](#)[\[20\]](#)[\[21\]](#)[\[22\]](#)[\[23\]](#)[\[24\]](#)[\[25\]](#)[\[26\]](#)[\[27\]](#)[\[28\]](#)[\[29\]](#)[\[30\]](#)[\[31\]](#)
- **Error Handling:** [\[32\]](#)[\[33\]](#)
- **DMM Register Summary:** [\[34\]](#)

Table 15-73. DMM_PAT_IRQENABLE_SET

Address Offset	0x0000 04A0
Physical Address	0x4E00 04A0
Description	Per-event interrupt enable bit vector. Write 1 to set (enable interrupt). Readout equal to corresponding _CLR register. n = 0 for the first interrupt enable set register, n = 1 for the second interrupt enable set register.
Type	RW

31	30	29	28	27	26	25	24	23	22	21	20	19	18	17	16	15	14	13	12	11	10	9	8	7	6	5	4	3	2	1	0
ERR_LUT_MISS3	ERR_UPD_DATA3	ERR_UPD_CTRL3	ERR_UPD_AREA3	ERR_INV_DATA3	ERR_INV_DSC3	FILL_LST3	FILL_DSC3	ERR_LUT_MISS2	ERR_UPD_DATA2	ERR_UPD_CTRL2	ERR_UPD_AREA2	ERR_INV_DATA2	ERR_INV_DSC2	FILL_LST2	FILL_DSC2	ERR_LUT_MISS1	ERR_UPD_DATA1	ERR_UPD_CTRL1	ERR_UPD_AREA1	ERR_INV_DATA1	ERR_INV_DSC1	FILL_LST1	FILL_DSC1	ERR_LUT_MISS0	ERR_UPD_DATA0	ERR_UPD_CTRL0	ERR_UPD_AREA0	ERR_INV_DATA0	ERR_INV_DSC0	FILL_LST0	FILL_DSC0

Bits	Field Name	Description	Type	Reset
31	ERR_LUT_MISS3	Unexpected access to a yet-to-be-refilled area interrupt source mask for area 4.n+3 Write 0x0: Keep current mask of this interrupt source. Write 0x1: Enable (unmask) this interrupt source. Read 0x1: This interrupt source is enabled (unmasked). Read 0x0: This interrupt source is disabled (masked).	RW W1toSet	0
30	ERR_UPD_DATA3	Unexpected data register update whilst refilling interrupt source mask for area 4.n+3 Write 0x0: Keep current mask of this interrupt source. Write 0x1: Enable (unmask) this interrupt source. Read 0x1: This interrupt source is enabled (unmasked). Read 0x0: This interrupt source is disabled (masked).	RW W1toSet	0
29	ERR_UPD_CTRL3	Unexpected control register update whilst refilling interrupt source mask for area 4.n+3 Write 0x0: Keep current mask of this interrupt source. Write 0x1: Enable (unmask) this interrupt source. Read 0x1: This interrupt source is enabled (unmasked). Read 0x0: This interrupt source is disabled (masked).	RW W1toSet	0
28	ERR_UPD_AREA3	Unexpected area register update whilst refilling interrupt source mask for area 4.n+3 Write 0x0: Keep current mask of this interrupt source. Write 0x1: Enable (unmask) this interrupt source. Read 0x1: This interrupt source is enabled (unmasked). Read 0x0: This interrupt source is disabled (masked).	RW W1toSet	0

Bits	Field Name	Description	Type	Reset
27	ERR_INV_DATA3	Invalid entry-table pointer interrupt source mask for area 4.n+3 Write 0x0: Keep current mask of this interrupt source. Write 0x1: Enable (unmask) this interrupt source. Read 0x1: This interrupt source is enabled (unmasked). Read 0x0: This interrupt source is disabled (masked).	RW W1toSet	0
26	ERR_INV_DSC3	Invalid descriptor pointer interrupt source mask for area 4.n+3 Write 0x0: Keep current mask of this interrupt source. Write 0x1: Enable (unmask) this interrupt source. Read 0x1: This interrupt source is enabled (unmasked). Read 0x0: This interrupt source is disabled (masked).	RW W1toSet	0
25	FILL_LST3	End of refill interrupt source mask for the last descriptor in area 4.n+3 Write 0x0: Keep current mask of this interrupt source. Write 0x1: Enable (unmask) this interrupt source. Read 0x1: This interrupt source is enabled (unmasked). Read 0x0: This interrupt source is disabled (masked).	RW W1toSet	0
24	FILL_DSC3	End of refill interrupt source mask for any descriptor in area 4.n+3 Write 0x0: Keep current mask of this interrupt source. Write 0x1: Enable (unmask) this interrupt source. Read 0x1: This interrupt source is enabled (unmasked). Read 0x0: This interrupt source is disabled (masked).	RW W1toSet	0
23	ERR_LUT_MISS2	Unexpected access to a yet-to-be-refilled area interrupt source mask for area 4.n+2 Write 0x0: Keep current mask of this interrupt source. Write 0x1: Enable (unmask) this interrupt source. Read 0x1: This interrupt source is enabled (unmasked). Read 0x0: This interrupt source is disabled (masked).	RW W1toSet	0
22	ERR_UPD_DATA2	Unexpected data register update whilst refilling interrupt source mask for area 4.n+2 Write 0x0: Keep current mask of this interrupt source. Write 0x1: Enable (unmask) this interrupt source. Read 0x1: This interrupt source is enabled (unmasked). Read 0x0: This interrupt source is disabled (masked).	RW W1toSet	0
21	ERR_UPD_CTRL2	Unexpected control register update whilst refilling interrupt source mask for area 4.n+2 Write 0x0: Keep current mask of this interrupt source. Write 0x1: Enable (unmask) this interrupt source. Read 0x1: This interrupt source is enabled (unmasked). Read 0x0: This interrupt source is disabled (masked).	RW W1toSet	0
20	ERR_UPD_AREA2	Unexpected area register update whilst refilling interrupt source mask for area 4.n+2 Write 0x0: Keep current mask of this interrupt source. Write 0x1: Enable (unmask) this interrupt source. Read 0x1: This interrupt source is enabled (unmasked). Read 0x0: This interrupt source is disabled (masked).	RW W1toSet	0

Bits	Field Name	Description	Type	Reset
19	ERR_INV_DATA2	Invalid entry-table pointer interrupt source mask for area 4.n+2 Write 0x0: Keep current mask of this interrupt source. Write 0x1: Enable (unmask) this interrupt source. Read 0x1: This interrupt source is enabled (unmasked). Read 0x0: This interrupt source is disabled (masked).	RW W1toSet	0
18	ERR_INV_DSC2	Invalid descriptor pointer interrupt source mask for area 4.n+2 Write 0x0: Keep current mask of this interrupt source. Write 0x1: Enable (unmask) this interrupt source. Read 0x1: This interrupt source is enabled (unmasked). Read 0x0: This interrupt source is disabled (masked).	RW W1toSet	0
17	FILL_LST2	End of refill interrupt source mask for the last descriptor in area 4.n+2 Write 0x0: Keep current mask of this interrupt source. Write 0x1: Enable (unmask) this interrupt source. Read 0x1: This interrupt source is enabled (unmasked). Read 0x0: This interrupt source is disabled (masked).	RW W1toSet	0
16	FILL_DSC2	End of refill interrupt source mask for any descriptor in area 4.n+2 Write 0x0: Keep current mask of this interrupt source. Write 0x1: Enable (unmask) this interrupt source. Read 0x1: This interrupt source is enabled (unmasked). Read 0x0: This interrupt source is disabled (masked).	RW W1toSet	0
15	ERR_LUT_MISS1	Unexpected access to a yet-to-be-refilled area interrupt source mask for area 4.n+1 Write 0x0: Keep current mask of this interrupt source. Write 0x1: Enable (unmask) this interrupt source. Read 0x1: This interrupt source is enabled (unmasked). Read 0x0: This interrupt source is disabled (masked).	RW W1toSet	0
14	ERR_UPD_DATA1	Unexpected data register update whilst refilling interrupt source mask for area 4.n+1 Write 0x0: Keep current mask of this interrupt source. Write 0x1: Enable (unmask) this interrupt source. Read 0x1: This interrupt source is enabled (unmasked). Read 0x0: This interrupt source is disabled (masked).	RW W1toSet	0
13	ERR_UPD_CTRL1	Unexpected control register update whilst refilling interrupt source mask for area 4.n+1 Write 0x0: Keep current mask of this interrupt source. Write 0x1: Enable (unmask) this interrupt source. Read 0x1: This interrupt source is enabled (unmasked). Read 0x0: This interrupt source is disabled (masked).	RW W1toSet	0
12	ERR_UPD_AREA1	Unexpected area register update whilst refilling interrupt source mask for area 4.n+1 Write 0x0: Keep current mask of this interrupt source. Write 0x1: Enable (unmask) this interrupt source. Read 0x1: This interrupt source is enabled (unmasked). Read 0x0: This interrupt source is disabled (masked).	RW W1toSet	0

Bits	Field Name	Description	Type	Reset
11	ERR_INV_DATA1	Invalid entry-table pointer interrupt source mask for area 4.n+1 Write 0x0: Keep current mask of this interrupt source. Write 0x1: Enable (unmask) this interrupt source. Read 0x1: This interrupt source is enabled (unmasked). Read 0x0: This interrupt source is disabled (masked).	RW W1toSet	0
10	ERR_INV_DSC1	Invalid descriptor pointer interrupt source mask for area 4.n+1 Write 0x0: Keep current mask of this interrupt source. Write 0x1: Enable (unmask) this interrupt source. Read 0x1: This interrupt source is enabled (unmasked). Read 0x0: This interrupt source is disabled (masked).	RW W1toSet	0
9	FILL_LST1	End of refill interrupt source mask for the last descriptor in area 4.n+1 Write 0x0: Keep current mask of this interrupt source. Write 0x1: Enable (unmask) this interrupt source. Read 0x1: This interrupt source is enabled (unmasked). Read 0x0: This interrupt source is disabled (masked).	RW W1toSet	0
8	FILL_DSC1	End of refill interrupt source mask for any descriptor in area 4.n+1 Write 0x0: Keep current mask of this interrupt source. Write 0x1: Enable (unmask) this interrupt source. Read 0x1: This interrupt source is enabled (unmasked). Read 0x0: This interrupt source is disabled (masked).	RW W1toSet	0
7	ERR_LUT_MISS0	Unexpected access to a yet-to-be-refilled area interrupt source mask for area 4.n Write 0x0: Keep current mask of this interrupt source. Write 0x1: Enable (unmask) this interrupt source. Read 0x1: This interrupt source is enabled (unmasked). Read 0x0: This interrupt source is disabled (masked).	RW W1toSet	0
6	ERR_UPD_DATA0	Unexpected data register update whilst refilling interrupt source mask for area 4.n Write 0x0: Keep current mask of this interrupt source. Write 0x1: Enable (unmask) this interrupt source. Read 0x1: This interrupt source is enabled (unmasked). Read 0x0: This interrupt source is disabled (masked).	RW W1toSet	0
5	ERR_UPD_CTRL0	Unexpected control register update whilst refilling interrupt source mask for area 4.n Write 0x0: Keep current mask of this interrupt source. Write 0x1: Enable (unmask) this interrupt source. Read 0x1: This interrupt source is enabled (unmasked). Read 0x0: This interrupt source is disabled (masked).	RW W1toSet	0
4	ERR_UPD_AREA0	Unexpected area register update whilst refilling interrupt source mask for area 4.n Write 0x0: Keep current mask of this interrupt source. Write 0x1: Enable (unmask) this interrupt source. Read 0x1: This interrupt source is enabled (unmasked). Read 0x0: This interrupt source is disabled (masked).	RW W1toSet	0

Bits	Field Name	Description	Type	Reset
3	ERR_INV_DATA0	Invalid entry-table pointer interrupt source mask for area 4.n Write 0x0: Keep current mask of this interrupt source. Write 0x1: Enable (unmask) this interrupt source. Read 0x1: This interrupt source is enabled (unmasked). Read 0x0: This interrupt source is disabled (masked).	RW W1toSet	0
2	ERR_INV_DSC0	Invalid descriptor pointer interrupt source mask for area 4.n Write 0x0: Keep current mask of this interrupt source. Write 0x1: Enable (unmask) this interrupt source. Read 0x1: This interrupt source is enabled (unmasked). Read 0x0: This interrupt source is disabled (masked).	RW W1toSet	0
1	FILL_LST0	End of refill interrupt source mask for the last descriptor in area 4.n Write 0x0: Keep current mask of this interrupt source. Write 0x1: Enable (unmask) this interrupt source. Read 0x1: This interrupt source is enabled (unmasked). Read 0x0: This interrupt source is disabled (masked).	RW W1toSet	0
0	FILL_DSC0	End of refill interrupt source mask for any descriptor in area 4.n Write 0x0: Keep current mask of this interrupt source. Write 0x1: Enable (unmask) this interrupt source. Read 0x1: This interrupt source is enabled (unmasked). Read 0x0: This interrupt source is disabled (masked).	RW W1toSet	0

Table 15-74. Register Call Summary for Register DMM_PAT_IRQENABLE_SET

Dynamic Memory Manager

- **DMM Interrupt Requests:** [\[0\]\[1\]\[2\]\[3\]\[4\]\[5\]\[6\]\[7\]\[8\]\[9\]\[10\]\[11\]\[12\]\[13\]\[14\]\[15\]\[16\]\[17\]\[18\]\[19\]\[20\]\[21\]\[22\]\[23\]\[24\]\[25\]\[26\]\[27\]\[28\]\[29\]\[30\]\[31\]](#)
- **Error Handling:** [\[32\]\[33\]](#)
- **DMM Register Summary:** [\[34\]](#)

Table 15-75. DMM_PAT_IRQENABLE_CLR

Address Offset	0x0000 04B0
Physical Address	0x4E00 04B0
Description	Per-event interrupt enable bit vector. Write 1 to clear (disable interrupt). Readout equal to corresponding _SET register. n = 0 for the first interrupt enable clear register, n = 1 for the second interrupt enable clear register.
Type	RW

31	30	29	28	27	26	25	24	23	22	21	20	19	18	17	16	15	14	13	12	11	10	9	8	7	6	5	4	3	2	1	0
ERR_LUT_MISS3	ERR_UPD_DATA3	ERR_UPD_CTRL3	ERR_UPD_AREA3	ERR_INV_DATA3	ERR_INV_DSC3	FILL_LST3	FILL_DSC3	ERR_LUT_MISS2	ERR_UPD_DATA2	ERR_UPD_CTRL2	ERR_UPD_AREA2	ERR_INV_DATA2	ERR_INV_DSC2	FILL_LST2	FILL_DSC2	ERR_LUT_MISS1	ERR_UPD_DATA1	ERR_UPD_CTRL1	ERR_UPD_AREA1	ERR_INV_DATA1	ERR_INV_DSC1	FILL_LST1	FILL_DSC1	ERR_LUT_MISS0	ERR_UPD_DATA0	ERR_UPD_CTRL0	ERR_UPD_AREA0	ERR_INV_DATA0	ERR_INV_DSC0	FILL_LST0	FILL_DSC0

Bits	Field Name	Description	Type	Reset
31	ERR_LUT_MISS3	Unexpected access to a yet-to-be-refilled area interrupt source mask for area 4.n+3 Write 0x0: Keep current mask of this interrupt source. Write 0x1: Disable (mask) this interrupt source. Read 0x1: This interrupt source is enabled (unmasked). Read 0x0: This interrupt source is disabled (masked).	RW W1toClr	0
30	ERR_UPD_DATA3	Unexpected data register update whilst refilling interrupt source mask for area 4.n+3 Write 0x0: Keep current mask of this interrupt source. Write 0x1: Disable (mask) this interrupt source. Read 0x1: This interrupt source is enabled (unmasked). Read 0x0: This interrupt source is disabled (masked).	RW W1toClr	0
29	ERR_UPD_CTRL3	Unexpected control register update whilst refilling interrupt source mask for area 4.n+3 Write 0x0: Keep current mask of this interrupt source. Write 0x1: Disable (mask) this interrupt source. Read 0x1: This interrupt source is enabled (unmasked). Read 0x0: This interrupt source is disabled (masked).	RW W1toClr	0
28	ERR_UPD_AREA3	Unexpected area register update whilst refilling interrupt source mask for area 4.n+3 Write 0x0: Keep current mask of this interrupt source. Write 0x1: Disable (mask) this interrupt source. Read 0x1: This interrupt source is enabled (unmasked). Read 0x0: This interrupt source is disabled (masked).	RW W1toClr	0
27	ERR_INV_DATA3	Invalid entry-table pointer interrupt source mask for area 4.n+3 Write 0x0: Keep current mask of this interrupt source. Write 0x1: Disable (mask) this interrupt source. Read 0x1: This interrupt source is enabled (unmasked). Read 0x0: This interrupt source is disabled (masked).	RW W1toClr	0
26	ERR_INV_DSC3	Invalid descriptor pointer interrupt source mask for area 4.n+3 Write 0x0: Keep current mask of this interrupt source. Write 0x1: Disable (mask) this interrupt source. Read 0x1: This interrupt source is enabled (unmasked). Read 0x0: This interrupt source is disabled (masked).	RW W1toClr	0
25	FILL_LST3	End of refill interrupt source mask for the last descriptor in area 4.n+3 Write 0x0: Keep current mask of this interrupt source. Write 0x1: Disable (mask) this interrupt source. Read 0x1: This interrupt source is enabled (unmasked). Read 0x0: This interrupt source is disabled (masked).	RW W1toClr	0
24	FILL_DSC3	End of refill interrupt source mask for any descriptor in area 4.n+3 Write 0x0: Keep current mask of this interrupt source. Write 0x1: Disable (mask) this interrupt source. Read 0x1: This interrupt source is enabled (unmasked). Read 0x0: This interrupt source is disabled (masked).	RW W1toClr	0

Bits	Field Name	Description	Type	Reset
23	ERR_LUT_MISS2	Unexpected access to a yet-to-be-refilled area interrupt source mask for area 4.n+2 Write 0x0: Keep current mask of this interrupt source. Write 0x1: Disable (mask) this interrupt source. Read 0x1: This interrupt source is enabled (unmasked). Read 0x0: This interrupt source is disabled (masked).	RW W1toClr	0
22	ERR_UPD_DATA2	Unexpected data register update whilst refilling interrupt source mask for area 4.n+2 Write 0x0: Keep current mask of this interrupt source. Write 0x1: Disable (mask) this interrupt source. Read 0x1: This interrupt source is enabled (unmasked). Read 0x0: This interrupt source is disabled (masked).	RW W1toClr	0
21	ERR_UPD_CTRL2	Unexpected control register update whilst refilling interrupt source mask for area 4.n+2 Write 0x0: Keep current mask of this interrupt source. Write 0x1: Disable (mask) this interrupt source. Read 0x1: This interrupt source is enabled (unmasked). Read 0x0: This interrupt source is disabled (masked).	RW W1toClr	0
20	ERR_UPD_AREA2	Unexpected area register update whilst refilling interrupt source mask for area 4.n+2 Write 0x0: Keep current mask of this interrupt source. Write 0x1: Disable (mask) this interrupt source. Read 0x1: This interrupt source is enabled (unmasked). Read 0x0: This interrupt source is disabled (masked).	RW W1toClr	0
19	ERR_INV_DATA2	Invalid entry-table pointer interrupt source mask for area 4.n+2 Write 0x0: Keep current mask of this interrupt source. Write 0x1: Disable (mask) this interrupt source. Read 0x1: This interrupt source is enabled (unmasked). Read 0x0: This interrupt source is disabled (masked).	RW W1toClr	0
18	ERR_INV_DSC2	Invalid descriptor pointer interrupt source mask for area 4.n+2 Write 0x0: Keep current mask of this interrupt source. Write 0x1: Disable (mask) this interrupt source. Read 0x1: This interrupt source is enabled (unmasked). Read 0x0: This interrupt source is disabled (masked).	RW W1toClr	0
17	FILL_LST2	End of refill interrupt source mask for the last descriptor in area 4.n+2 Write 0x0: Keep current mask of this interrupt source. Write 0x1: Disable (mask) this interrupt source. Read 0x1: This interrupt source is enabled (unmasked). Read 0x0: This interrupt source is disabled (masked).	RW W1toClr	0
16	FILL_DSC2	End of refill interrupt source mask for any descriptor in area 4.n+2 Write 0x0: Keep current mask of this interrupt source. Write 0x1: Disable (mask) this interrupt source. Read 0x1: This interrupt source is enabled (unmasked). Read 0x0: This interrupt source is disabled (masked).	RW W1toClr	0

Bits	Field Name	Description	Type	Reset
15	ERR_LUT_MISS1	Unexpected access to a yet-to-be-refilled area interrupt source mask for area 4.n+1 Write 0x0: Keep current mask of this interrupt source. Write 0x1: Disable (mask) this interrupt source. Read 0x1: This interrupt source is enabled (unmasked). Read 0x0: This interrupt source is disabled (masked).	RW W1toClr	0
14	ERR_UPD_DATA1	Unexpected data register update whilst refilling interrupt source mask for area 4.n+1 Write 0x0: Keep current mask of this interrupt source. Write 0x1: Disable (mask) this interrupt source. Read 0x1: This interrupt source is enabled (unmasked). Read 0x0: This interrupt source is disabled (masked).	RW W1toClr	0
13	ERR_UPD_CTRL1	Unexpected control register update whilst refilling interrupt source mask for area 4.n+1 Write 0x0: Keep current mask of this interrupt source. Write 0x1: Disable (mask) this interrupt source. Read 0x1: This interrupt source is enabled (unmasked). Read 0x0: This interrupt source is disabled (masked).	RW W1toClr	0
12	ERR_UPD_AREA1	Unexpected area register update whilst refilling interrupt source mask for area 4.n+1 Write 0x0: Keep current mask of this interrupt source. Write 0x1: Disable (mask) this interrupt source. Read 0x1: This interrupt source is enabled (unmasked). Read 0x0: This interrupt source is disabled (masked).	RW W1toClr	0
11	ERR_INV_DATA1	Invalid entry-table pointer interrupt source mask for area 4.n+1 Write 0x0: Keep current mask of this interrupt source. Write 0x1: Disable (mask) this interrupt source. Read 0x1: This interrupt source is enabled (unmasked). Read 0x0: This interrupt source is disabled (masked).	RW W1toClr	0
10	ERR_INV_DSC1	Invalid descriptor pointer interrupt source mask for area 4.n+1 Write 0x0: Keep current mask of this interrupt source. Write 0x1: Disable (mask) this interrupt source. Read 0x1: This interrupt source is enabled (unmasked). Read 0x0: This interrupt source is disabled (masked).	RW W1toClr	0
9	FILL_LST1	End of refill interrupt source mask for the last descriptor in area 4.n+1 Write 0x0: Keep current mask of this interrupt source. Write 0x1: Disable (mask) this interrupt source. Read 0x1: This interrupt source is enabled (unmasked). Read 0x0: This interrupt source is disabled (masked).	RW W1toClr	0
8	FILL_DSC1	End of refill interrupt source mask for any descriptor in area 4.n+1 Write 0x0: Keep current mask of this interrupt source. Write 0x1: Disable (mask) this interrupt source. Read 0x1: This interrupt source is enabled (unmasked). Read 0x0: This interrupt source is disabled (masked).	RW W1toClr	0

Bits	Field Name	Description	Type	Reset
7	ERR_LUT_MISS0	Unexpected access to a yet-to-be-refilled area interrupt source mask for area 4.n Write 0x0: Keep current mask of this interrupt source. Write 0x1: Disable (mask) this interrupt source. Read 0x1: This interrupt source is enabled (unmasked). Read 0x0: This interrupt source is disabled (masked).	RW W1toClr	0
6	ERR_UPD_DATA0	Unexpected data register update whilst refilling interrupt source mask for area 4.n Write 0x0: Keep current mask of this interrupt source. Write 0x1: Disable (mask) this interrupt source. Read 0x1: This interrupt source is enabled (unmasked). Read 0x0: This interrupt source is disabled (masked).	RW W1toClr	0
5	ERR_UPD_CTRL0	Unexpected control register update whilst refilling interrupt source mask for area 4.n Write 0x0: Keep current mask of this interrupt source. Write 0x1: Disable (mask) this interrupt source. Read 0x1: This interrupt source is enabled (unmasked). Read 0x0: This interrupt source is disabled (masked).	RW W1toClr	0
4	ERR_UPD_AREA0	Unexpected area register update whilst refilling interrupt source mask for area 4.n Write 0x0: Keep current mask of this interrupt source. Write 0x1: Disable (mask) this interrupt source. Read 0x1: This interrupt source is enabled (unmasked). Read 0x0: This interrupt source is disabled (masked).	RW W1toClr	0
3	ERR_INV_DATA0	Invalid entry-table pointer interrupt source mask for area 4.n Write 0x0: Keep current mask of this interrupt source. Write 0x1: Disable (mask) this interrupt source. Read 0x1: This interrupt source is enabled (unmasked). Read 0x0: This interrupt source is disabled (masked).	RW W1toClr	0
2	ERR_INV_DSC0	Invalid descriptor pointer interrupt source mask for area 4.n Write 0x0: Keep current mask of this interrupt source. Write 0x1: Disable (mask) this interrupt source. Read 0x1: This interrupt source is enabled (unmasked). Read 0x0: This interrupt source is disabled (masked).	RW W1toClr	0
1	FILL_LST0	End of refill interrupt source mask for the last descriptor in area 4.n Write 0x0: Keep current mask of this interrupt source. Write 0x1: Disable (mask) this interrupt source. Read 0x1: This interrupt source is enabled (unmasked). Read 0x0: This interrupt source is disabled (masked).	RW W1toClr	0
0	FILL_DSC0	End of refill interrupt source mask for any descriptor in area 4.n Write 0x0: Keep current mask of this interrupt source. Write 0x1: Disable (mask) this interrupt source. Read 0x1: This interrupt source is enabled (unmasked). Read 0x0: This interrupt source is disabled (masked).	RW W1toClr	0

Table 15-76. Register Call Summary for Register DMM_PAT_IRQENABLE_CLR

Dynamic Memory Manager

- [DMM Interrupt Requests: \[0\]\[1\]\[2\]\[3\]\[4\]\[5\]\[6\]\[7\]\[8\]\[9\]\[10\]\[11\]\[12\]\[13\]\[14\]\[15\]\[16\]\[17\]\[18\]\[19\]\[20\]\[21\]\[22\]\[23\]\[24\]\[25\]\[26\]\[27\]\[28\]\[29\]\[30\]\[31\]](#)
- [Error Handling: \[32\]\[33\]](#)
- [DMM Register Summary: \[34\]](#)

Table 15-77. DMM_PAT_STATUS_i

Address Offset	0x0000 04C0 + (0x4 * i)	Index	i = 0 to 3
Physical Address	0x4E00 04C0 + (0x4 * i)	Instance	DMM
Description	Status register for each refill engine n = 0 for the first engine status register, n = 1 for the second engine status register.		
Type	R		

31	30	29	28	27	26	25	24	23	22	21	20	19	18	17	16	15	14	13	12	11	10	9	8	7	6	5	4	3	2	1	0
RESERVED								CNT								ERROR								RESERVED	BYPASSED	RESERVED	LINKED	DONE	RUN	VALID	READY

Bits	Field Name	Description	Type	Reset
31:25	RESERVED	Reserved	R	0x00
24:16	CNT	Counter of remaining lines to reload for engine n	R	0x000
15:10	ERROR	Error happened in engine n Read 0x0: No error Read 0x1: Invalid descriptor provided Read 0x2: Invalid data pointer provided Read 0x4: Unexpected area register update while refilling Read 0x8: Unexpected control register update while refilling Read 0x10: Unexpected data register update while refilling Read 0x20: Unexpected access to a yet-to-be-refilled location	R	0x00
9:8	RESERVED	Reserved	R	0x0
7	BYPASSED	Engine n is bypassed. Direct access to the LUT is provided.	R	0
6:5	RESERVED	Reserved	R	0x0
4	LINKED	Area reconfiguration link asserted for engine n	R	0
3	DONE	Area reloading finished for engine n	R	0
2	RUN	Area currently reloading for engine n	R	0
1	VALID	Valid area description for engine n	R	0
0	READY	Area registers ready for engine n	R	1

Table 15-78. Register Call Summary for Register DMM_PAT_STATUS_i

Dynamic Memory Manager

- [DMM Interrupt Requests: \[0\]\[1\]](#)
- [PAT Description: \[2\]](#)
- [Simple Manual Area Refill: \[3\]\[4\]](#)
- [Single Auto-Configured Area Refill: \[5\]\[6\]](#)
- [Chained Auto-Configured Area Refill: \[7\]\[8\]\[9\]](#)
- [Synchronized Auto-Configured Area Refill: \[10\]\[11\]\[12\]](#)
- [Cyclic Synchronized Auto-Configured Area Refill: \[13\]](#)
- [DMM Register Summary: \[14\]](#)

Table 15-79. DMM_PAT_DESCR_i

Address Offset	0x0000 0500 + (0x10 * i)	Index	i = 0 to 3
Physical Address	0x4E00 0500 + (0x10 * i)	Instance	DMM
Description	Physical address of the next table refill descriptor n = 0 for the descriptor register of the first engine, n = 1 for the descriptor register of the second engine. Writing to this register aborts the current ongoing area reload and resets the corresponding DMM_PAT_AREA_i , DMM_PAT_CTRL_i and DMM_PAT_DATA_i registers.		
Type	RW		

31	30	29	28	27	26	25	24	23	22	21	20	19	18	17	16	15	14	13	12	11	10	9	8	7	6	5	4	3	2	1	0
ADDR																RESERVED															

Bits	Field Name	Description	Type	Reset
31:4	ADDR	Physical address of the next table refill descriptor of engine n	RW WtoClr	0x0000000
3:0	RESERVED	Reserved	RW W0Only	0x0

Table 15-80. Register Call Summary for Register DMM_PAT_DESCR_i

Dynamic Memory Manager

- [DMM Integration: \[0\]](#)
- [PAT Description: \[1\]\[2\]\[3\]](#)
- [Single Auto-Configured Area Refill: \[4\]](#)
- [Chained Auto-Configured Area Refill: \[5\]](#)
- [Synchronized Auto-Configured Area Refill: \[6\]](#)
- [Cyclic Synchronized Auto-Configured Area Refill: \[7\]\[8\]](#)
- [DMM Register Summary: \[9\]](#)

Table 15-81. DMM_PAT_AREA_i

Address Offset	0x0000 0504 + (0x10 * i)	Index	i = 0 to 3
Physical Address	0x4E00 0504 + (0x10 * i)	Instance	DMM
Description	Area definition for DMM physical address translator n = 0 for the area register of the first engine, n = 1 for the area register of the second engine.		
Type	RW		

31	30	29	28	27	26	25	24	23	22	21	20	19	18	17	16	15	14	13	12	11	10	9	8	7	6	5	4	3	2	1	0
Y1								X1								Y0								X0							

Bits	Field Name	Description	Type	Reset
31:24	Y1	Y-coordinate of the bottom-right corner of the PAT area for engine n	RW	0x00
23:16	X1	X-coordinate of the bottom-right corner of the PAT area for engine n	RW	0x00
15:8	Y0	Y-coordinate of the top-left corner of the PAT area for engine n	RW	0x00
7:0	X0	X-coordinate of the top-left corner of the PAT area for engine n	RW	0x00

Table 15-82. Register Call Summary for Register DMM_PAT_AREA_i

Dynamic Memory Manager

- [DMM Integration: \[0\]](#)
- [Address Translation: \[1\]](#)
- [PAT Description: \[2\]\[3\]\[4\]](#)
- [Simple Manual Area Refill: \[5\]](#)
- [Configuration Settings and LUT Refill: \[6\]](#)
- [TILER Page Mapping: \[7\]](#)
- [DMM Register Summary: \[8\]](#)
- [DMM Register Description: \[9\]](#)

Table 15-83. DMM_PAT_CTRL_i

Address Offset	0x0000 0508 + (0x10 * i)	Index	i = 0 to 3
Physical Address	0x4E00 0508 + (0x10 * i)	Instance	DMM
Description	DMM physical address translator control register n = 0 for the control register of the first engine, n = 1 for the control register of the second engine.		
Type	RW		

31	30	29	28	27	26	25	24	23	22	21	20	19	18	17	16	15	14	13	12	11	10	9	8	7	6	5	4	3	2	1	0
INITIATOR				RESERVED												SYNC	RESERVED							DIRECTION	RESERVED	START					

Bits	Field Name	Description	Type	Reset
31:28	INITIATOR	DMM PAT initiator for synchronization in engine n	RW	0x0
27:17	RESERVED	Reserved	RW W0Only	0x000
16	SYNC	DMM PAT table reload synchronization for engine n 0x0: Not synchronized 0x1: Synchronized	RW	0
15:7	RESERVED	Reserved	RW W0Only	0x000
6:4	DIRECTION	Direction of this PAT table refill for engine n	RW	0x0
3:1	RESERVED	Reserved	RW W0Only	0x0
0	START	Starting a PAT table refill with engine n	RW	0

Table 15-84. Register Call Summary for Register DMM_PAT_CTRL_i

Dynamic Memory Manager

- [DMM Integration: \[0\]](#)
- [PAT Description: \[1\]\[2\]\[3\]\[4\]\[5\]](#)
- [Simple Manual Area Refill: \[6\]\[7\]](#)
- [Cyclic Synchronized Auto-Configured Area Refill: \[8\]](#)
- [Configuration Settings and LUT Refill: \[9\]\[10\]](#)
- [Aliased Tiled View Orientation Settings and LUT Refill: \[11\]\[12\]\[13\]\[14\]\[15\]](#)
- [DMM Register Summary: \[16\]](#)
- [DMM Register Description: \[17\]](#)

Table 15-85. DMM_PAT_DATA_i

Address Offset	0x0000 050C + (0x10 * i)	Index	i = 0 to 3
Physical Address	0x4E00 050C + (0x10 * i)	Instance	DMM
Description	Physical address of the current table refill entry data n = 0 for the data register of the first engine, n = 1 for the data register of the second engine.		
Type	RW		

31	30	29	28	27	26	25	24	23	22	21	20	19	18	17	16	15	14	13	12	11	10	9	8	7	6	5	4	3	2	1	0
ADDR																RESERVED															

Bits	Field Name	Description	Type	Reset
31:4	ADDR	Physical address of the current table refill entry data or single actual entry data when in manual mode for engine n	RW	0x0000000
3:0	RESERVED	Reserved	RW W0Only	0x0

Table 15-86. Register Call Summary for Register DMM_PAT_DATA_i

Dynamic Memory Manager

- [DMM Integration: \[0\]](#)
- [Address Translation: \[1\]](#)
- [PAT Description: \[2\]\[3\]\[4\]](#)
- [Simple Manual Area Refill: \[5\]](#)
- [Configuration Settings and LUT Refill: \[6\]](#)
- [DMM Register Summary: \[7\]](#)
- [DMM Register Description: \[8\]](#)

Table 15-87. DMM_PEG_HWINFO

Address Offset	0x0000 0608	Instance	DMM
Physical Address	0x4E00 0608		
Description	DMM hardware configuration for PEG		
Type	R		

31	30	29	28	27	26	25	24	23	22	21	20	19	18	17	16	15	14	13	12	11	10	9	8	7	6	5	4	3	2	1	0
RESERVED																PRIO_CNT															

Bits	Field Name	Description	Type	Reset
31:7	RESERVED	Reserved	R	0x0000000
6:0	PRIO_CNT	Number of PEG priority entries Read 0x1: One priority entry Read 0x2: Two priority entries Read 0x4: Four priority entries Read 0x8: Eight priority entries Read 0x10: Sixteen priority entries Read 0x20: Thirty-two priority entries Read 0x40: Sixty-four priority entries	R	0x40

Table 15-88. Register Call Summary for Register DMM_PEG_HWINFO

Dynamic Memory Manager

- [DMM Configuration: \[0\]](#)
- [DMM Register Summary: \[1\]](#)

Table 15-89. DMM_PEG_PRIO_k

Address Offset	0x0000 0620 + (0x4 * k)	Index	k = 0 to 7
Physical Address	0x4E00 0620 + (0x4 * k)	Instance	DMM
Description	DMM PEG Priority register		
Type	RW		

31	30	29	28	27	26	25	24	23	22	21	20	19	18	17	16	15	14	13	12	11	10	9	8	7	6	5	4	3	2	1	0
W7		P7		W6		P6		W5		P5		W4		P4		W3		P3		W2		P2		W1		P1		W0		P0	

Bits	Field Name	Description	Type	Reset
31	W7	Write-enable for P7 bit field Write 0x0: P7 field is unchanged. Write 0x1: P7 field is updated.	RW	0
30:28	P7	Priority for initiator ConnID = 8 × k + 7	RW	0x4
27	W6	Write-enable for P6 bit field Write 0x0: P6 field is unchanged. Write 0x1: P6 field is updated.	RW	0
26:24	P6	Priority for initiator ConnID = 8 × k + 6	RW	0x4
23	W5	Write-enable for P5 bit field Write 0x0: P5 field is unchanged. Write 0x1: P5 field is updated.	RW	0
22:20	P5	Priority for initiator ConnID = 8 × k + 5	RW	0x4
19	W4	Write-enable for P4 bit field Write 0x0: P4 field is unchanged. Write 0x1: P4 field is updated.	RW	0
18:16	P4	Priority for initiator ConnID = 8 × k + 4	RW	0x4
15	W3	Write-enable for P3 bit field Write 0x0: P3 field is unchanged. Write 0x1: P3 field is updated.	RW	0
14:12	P3	Priority for initiator ConnID = 8 × k + 3	RW	0x4

Bits	Field Name	Description	Type	Reset
11	W2	Write-enable for P2 bit field Write 0x0: P2 field is unchanged. Write 0x1: P2 field is updated.	RW	0
10:8	P2	Priority for initiator ConnID = $8 \times k + 2$	RW	0x4
7	W1	Write-enable for P1 bit field Write 0x0: P1 field is unchanged. Write 0x1: P1 field is updated.	RW	0
6:4	P1	Priority for initiator ConnID = $8 \times k + 1$	RW	0x4
3	W0	Write-enable for P0 bit field Write 0x0: P0 field is unchanged. Write 0x1: P0 field is updated.	RW	0
2:0	P0	Priority for initiator ConnID = $8 \times k$	RW	0x4

Table 15-90. Register Call Summary for Register DMM_PEG_PRIO_k

Dynamic Memory Manager

- [DMM Integration: \[0\]](#)
- [PEG Description: \[1\]](#)
- [Priority Settings: \[2\]](#)
- [DMM Register Summary: \[3\]](#)

Table 15-91. DMM_PEG_PRIO_PAT

Address Offset	0x0000 0640	Instance	DMM
Physical Address	0x4E00 0640		
Description	DMM PEG priority register for the internal PAT engine.		
Type	RW		

31	30	29	28	27	26	25	24	23	22	21	20	19	18	17	16	15	14	13	12	11	10	9	8	7	6	5	4	3	2	1	0
RESERVED															W_PAT		P_PAT														

Bits	Field Name	Description	Type	Reset
31:4	RESERVED	Reserved	RW W0Only	0x0000000
3	W_PAT	Write-enable for P_PAT bit field Write 0x0: P_PAT field is updated. Write 0x1: P_PAT field is unchanged.	RW	0
2:0	P_PAT	Priority for PAT engine	RW	0x4

Table 15-92. Register Call Summary for Register DMM_PEG_PRIO_PAT

Dynamic Memory Manager

- [DMM Integration: \[0\]](#)
- [PEG Description: \[1\]](#)
- [Priority Settings: \[2\]\[3\]](#)
- [DMM Register Summary: \[4\]](#)

15.3 EMIF Controller

This section describes mainly the features and functions of the external memory interface (EMIF) controller and also its associated PHYs.

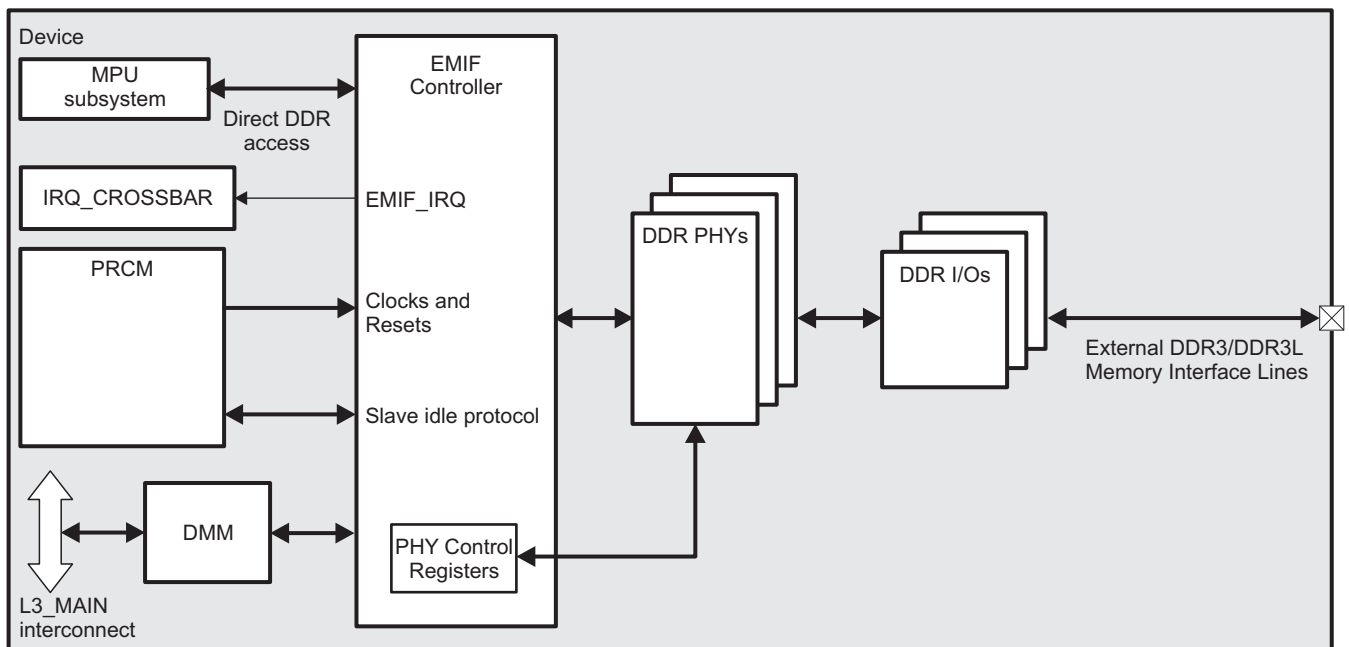
15.3.1 EMIF Controller Overview

The EMIF controller provides connectivity between the device and DDR3/DDR3L type of memories and manages data bus read/write accesses between external memories and the device subsystems which have access to the L3_MAIN interconnect and DMA capability too.

The EMIF features are introduced in [Section 15.1.3 EMIF Overview](#) of [Section 15.1 Memory Subsystem Overview](#).

The device includes one EMIF controller. [Figure 15-45](#) shows an overview of this EMIF controller and also the connections to the other surrounding modules. As can be seen on [Figure 15-45](#) the EMIF is not directly available on device pads. That is, it is not directly connected to the external SDRAM. There are a DDR PHYs and then DDR I/Os between the EMIF controller and external SDRAM. The EMIF controller, the DDR PHYs and the DDR I/Os work like a single unit to manage data exchanges to and from external memories. To achieve successful data transaction between an internal device initiator and external SDRAM all these three components must be used.

Figure 15-45. EMIF Controller Overview



emif-001

15.3.2 EMIF Module Environment

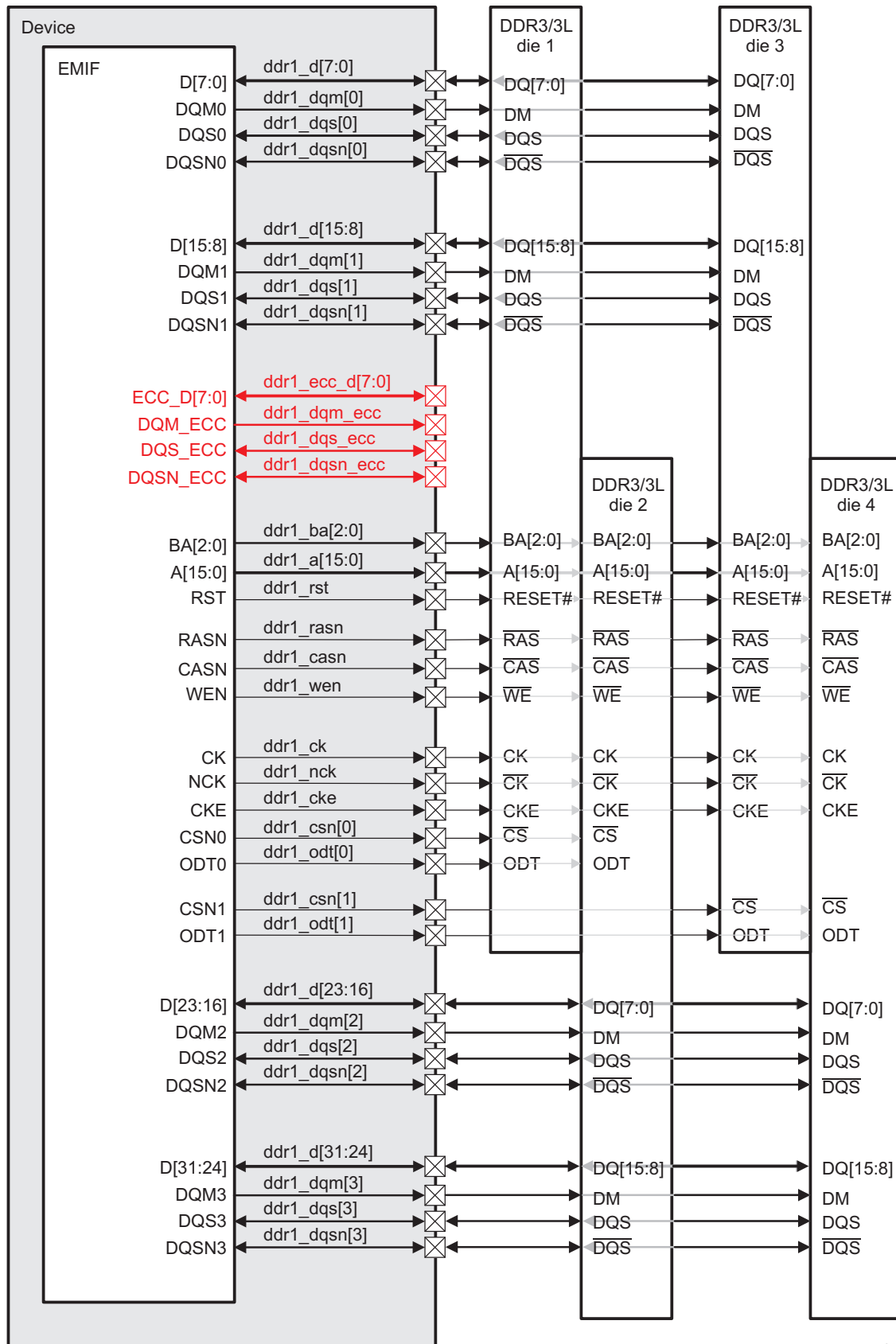
This section describes the external connections of the EMIF module.

[Figure 15-46](#) shows an example EMIF DDR3/DDR3L configuration without ECC memory connected.

[Figure 15-47](#) shows an example EMIF DDR3/DDR3L configuration with ECC memory connected.

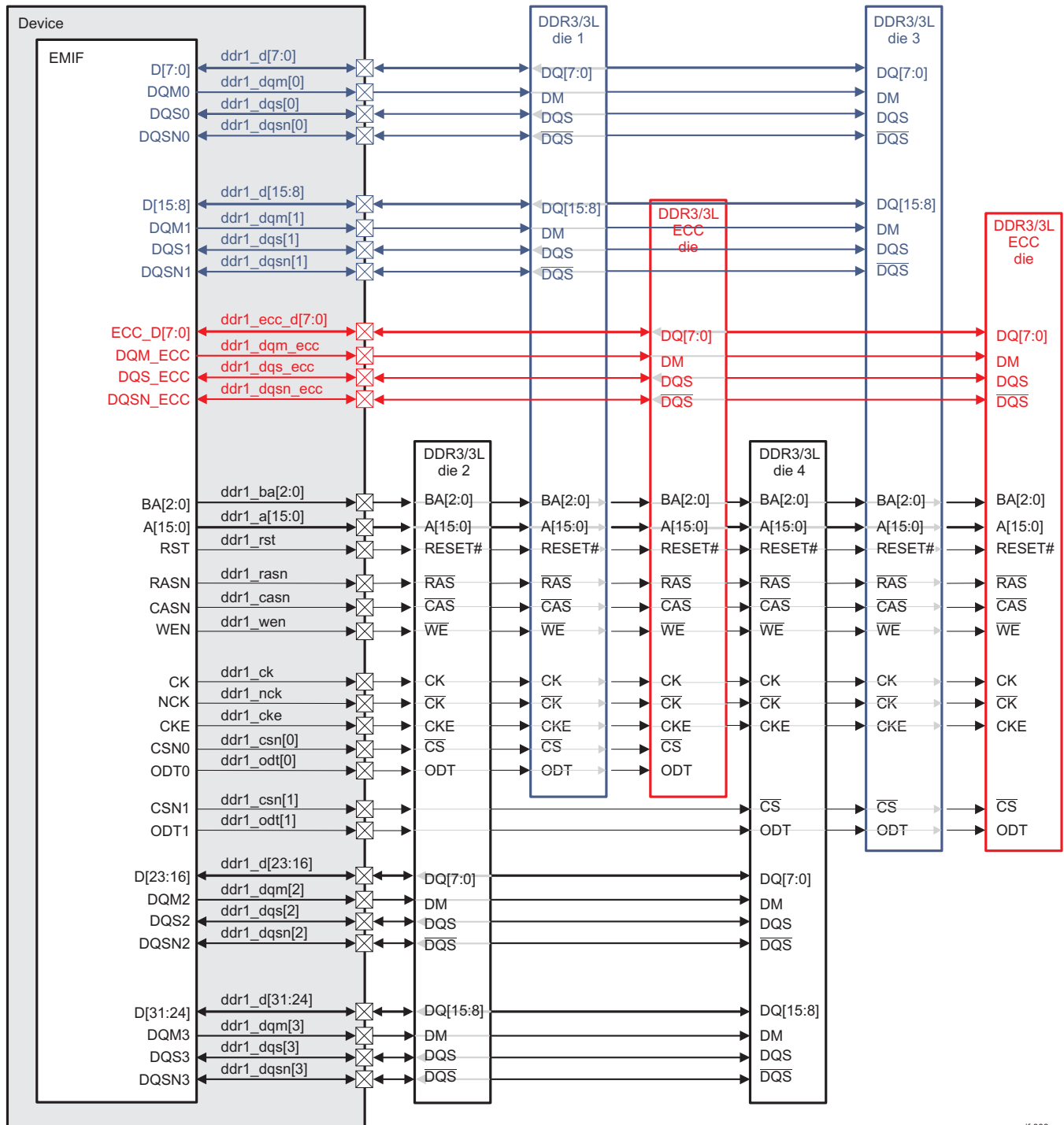
For simplification the DDR PHYs and DDR I/Os are not shown. Only the I/O signals and their corresponding EMIF pins are shown.

Figure 15-46. EMIF DDR3/DDR3L Configuration Without ECC



emif-002

Figure 15-47. EMIF DDR3/DDR3L Configuration With ECC



emif-006

Table 15-93 describes the EMIF module associated I/O signals used for connection to DDR3/DDR3L memory types.

Table 15-93. EMIF Module I/O signals

EMIF Pin Name	Device I/O Signal Names	I/O ⁽¹⁾	Description
EMIF1 Data PHYs			
D[31:0]	ddr1_d[31:0]	I/O	Data bus
DQM[3:0]	ddr1_dqm[3:0]	O	Data mask
DQS[3:0]	ddr1_dqs[3:0]	I/O	Data strobe
DQSN[3:0]	ddr1_dqsn[3:0]	I/O	Data strobe invert
ECC_D	ddr1_ecc_d[7:0]	I/O	Data bus used for ECC
DQM_ECC	ddr1_dqm_ecc	O	Data mask used for ECC
DQS_ECC	ddr1_dqs_ecc	I/O	Data strobe used for ECC
DQSN_ECC	ddr1_dqsn_ecc	I/O	Data strobe invert used for ECC
EMIF1 Command PHYs			
A[15:0]	ddr1_a[15:0]	O	Row/column address bus
BA[2:0]	ddr1_ba[2:0]	O	Bank select
CK	ddr1_ck	O	Differential clock
NCK	ddr1_nck	O	Differential clock
CSN[0]	ddr1_csn[0]	O	Active low rank select signal (chip select 0)
CSN[1]	ddr1_csn[1]	O	Active low rank select signal (chip select 1)
CKE	ddr1_cke	O	Clock enable
CASN	ddr1_casn	O	Command
RASN	ddr1_rasn	O	Command
WEN	ddr1_wen	O	Command
RST	ddr1_rst	O	Active low asynchronous reset
ODT[0]	ddr1_odt[0]	O	On-die termination enable signal for rank 0
ODT[1]	ddr1_odt[1]	O	On-die termination enable signal for rank 1

⁽¹⁾ I = Input; O = Output

NOTE: Chip select 1 is not supported on this device.

The CKE memory pad is dynamically driven by the EMIF module according to the memory interface activity. The ddr1_cke pad can also be forced to tri-state by a dedicated Control Module register. For more information, see [Section 15.3.4.17 Forcing CKE to tri-state](#).

The DDR memory connected to the DDR ECC bus does NOT need to be the same part number as the DDR memories connected to the DDR data bus. However, some constraints do apply. When selecting a memory for the DDR ECC bus, the following restrictions must be adhered to.

Compared to the DDR memories on the data bus, the DDR ECC memory must:

- Match the same DDR type (for example, DDR3) and speed grade
- Have an equal number of internal banks
- Have an equal number of columns
- Have a greater or equal number of rows

In addition,

- Unused pins should be properly tied off as described in the routing guidelines of the device data manual.
- EMIF register settings should be configured to satisfy the larger minimum timing requirements and the smaller maximum timing requirements between the two different DDR memories to ensure that all DDR memories connected to the EMIF channel are running within their specified range.

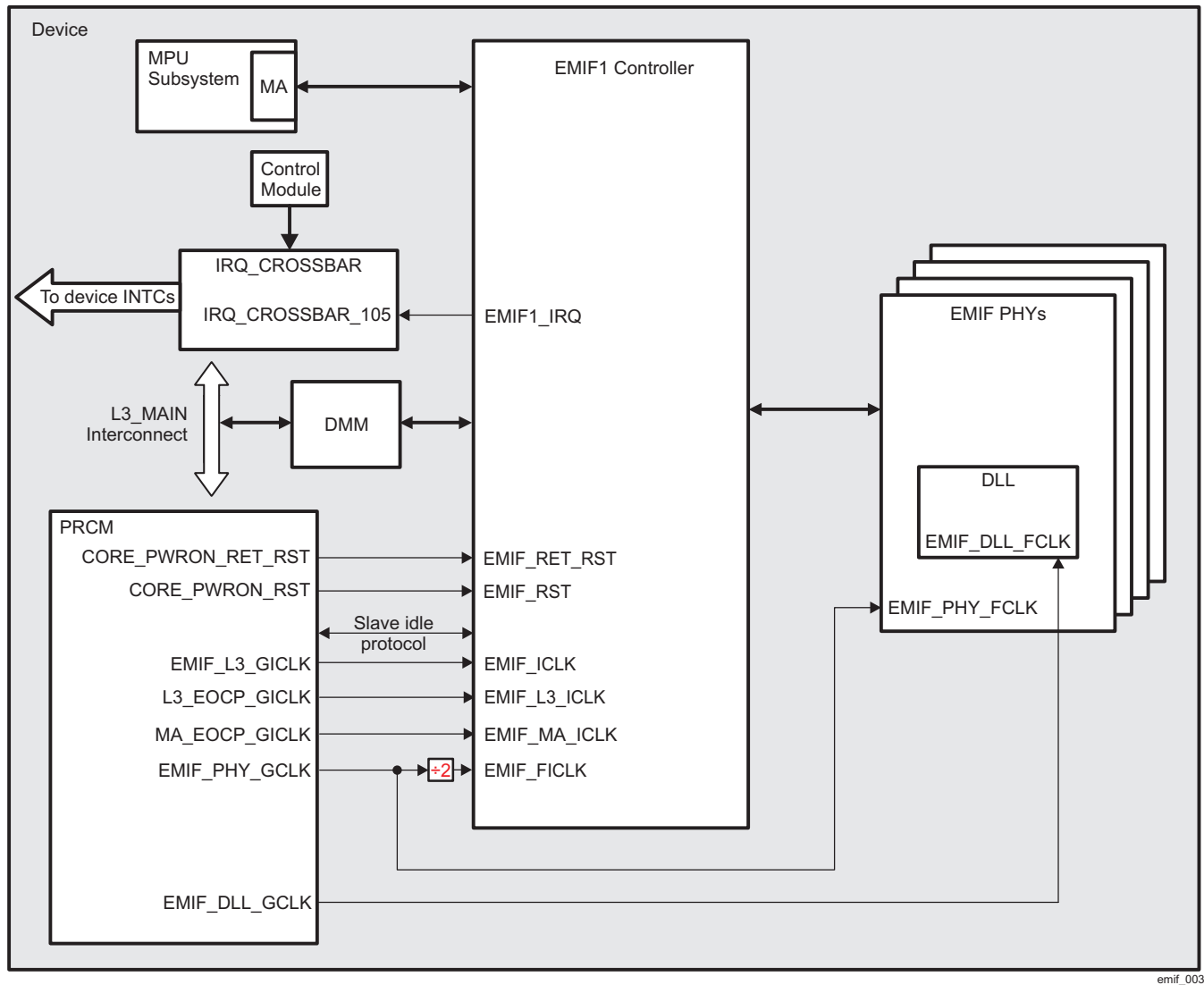
NOTE: For a full list of supported DDR device types, frequencies, and topologies, refer to the routing guidelines of the device data manual.

15.3.3 EMIF Module Integration

This section describes the integration of the EMIF module in the device and includes information about clocks, resets, and hardware requests.

Figure 15-48 shows the integration of the EMIF module in the device.

Figure 15-48. EMIF Module Integration



NOTE: For more information about the slave idle protocol, see [Section 3.1.1.1.2, Module-Level Clock Management](#), in [Chapter 3, Power, Reset, and Clock Management](#).

Table 15-94 through Table 15-96 summarize the integration of the EMIF module in the device.

Table 15-94. EMIF Integration Attributes

Module Instance	Attributes		
	Power Domain	Wake-Up Capability	Interconnect
EMIF1	PD_COREAON	No	EMIF1 Controller is accessible via L3_MAIN interconnect but not directly, and only through the DMM.

Table 15-95. EMIF Clocks and Resets

Clocks				
Module Instance	Destination Signal Name	Source Signal Name	Source	Description
EMIF1	EMIF_ICLK	EMIF_L3_GICLK	PRCM	Interface clock for EMIF1 used for driving the L3 interface logic and for SDRAM Read Data FIFO.
	EMIF_L3_ICLK	L3_EOCP_GICLK	PRCM	Interface clock for EMIF1 Controller which frequency is equal to EMIF_L3_GICLK interface clock. Used for command/write data pre-FIFO to Command/Write Data FIFO paths when MPU is idle.
	EMIF_MA_ICLK	MA_EOCP_GICLK	PRCM	Additional interface clock for EMIF1 which frequency is equal to MPU_GCLK/4. Used for command/write data pre-FIFO to Command/Write Data FIFO paths when MPU is active.
	EMIF_PHY_FCLK	EMIF_PHY_GCLK	PRCM	Common functional clock for the EMIF1 associated PHYs. This clock is equal to the DDR3/DDR3L clock rate.
	EMIF_FICLK	EMIF_PHY_GCLK/2	PRCM	Functional and interface clock for EMIF1. This clock runs at half the DDR3/DDR3L clock rate.
	EMIF_DLL_FCLK	EMIF_DLL_GCLK	PRCM	Common functional clock for all DLLs associated with the EMIF1 PHYs.
Resets				
Module Instance	Destination Signal Name	Source Signal Name	Source	Description
EMIF1	EMIF_RET_RST	CORE_PWRON_RET_RST	PRCM	Power-on reset
	EMIF_RST	CORE_PWRON_RST	PRCM	Power-on reset

NOTE: The two clocks MA_EOCP_GICLK and L3_EOCP_GICLK are mutually exclusive. The EMIF is clocked by EMIF_MA_ICLK when MPU interface is active. When system interface is active, EMIF_L3_ICLK clock is used. This action is done automatically by the PRCM.

Table 15-96. EMIF Hardware Requests

Interrupt Requests				
Module Instance	IRQ Source Name	IRQ_CROSSBAR Input	Default IRQ Source Mapping	Description
EMIF1	EMIF1_IRQ	IRQ_CROSSBAR_105	MPU_IRQ_110	EMIF1 interrupt request

NOTE: The “**Default IRQ Source Mapping**” column in [Table 15-96 EMIF Hardware Requests](#) shows the default mapping of the IRQ sources listed in column “**IRQ Source Name**” to a certain interrupt line of one of the device interrupt controllers. These IRQ sources can also be mapped to other interrupt lines of each device interrupt controller through the IRQ_CROSSBAR module. For more information about the IRQ_CROSSBAR module, see [Section 18.4.6.4, IRQ_CROSSBAR Module Functional Description](#), in [Chapter 18, Control Module](#). For more information about the device interrupt controllers, see [Chapter 17, Interrupt Controllers](#).

NOTE: For the description of the interrupt source, see [Section 15.3.4.5, Interrupt Requests](#).

15.3.4 EMIF Functional Description

15.3.4.1 Block Diagram

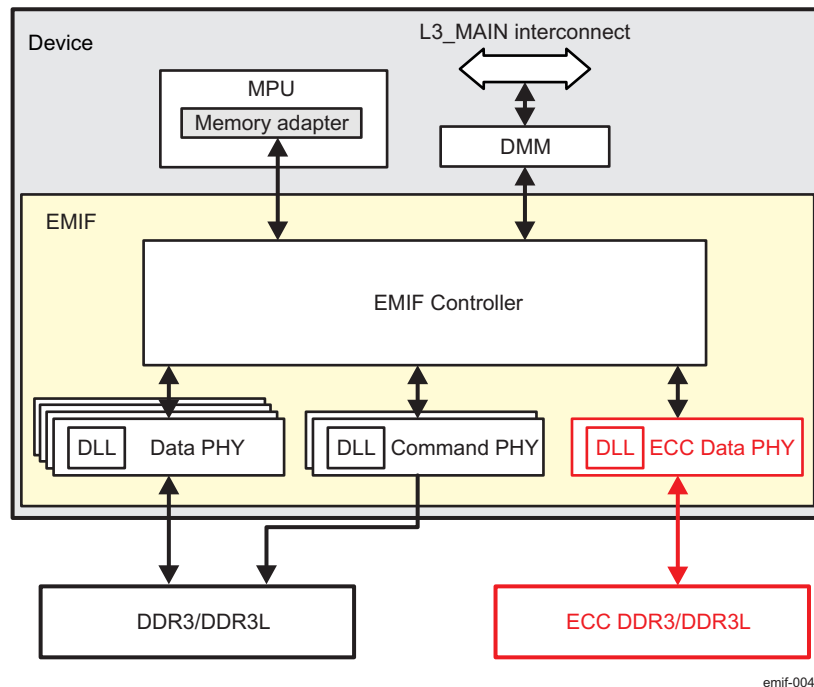
The EMIF module provides an interface to DDR3/DDR3L SDRAM memories.

Figure 15-49 shows the interconnection between the EMIF module and the other modules.

Digital locked loops (DLLs) are used to delay the input DQS signals during reads so that these strobe signals can be used to latch incoming data on the DQ pins, as required by the DDR standard.

Physical layers (PHYS) convert single-data rate (SDR) signals to DDR signals.

Figure 15-49. EMIF Block Diagram



emif-004

15.3.4.1.1 Local Interface

The EMIF supports two local (on-chip) interfaces:

- System interface (from L3_MAIN interconnect)
- MPU interface (from MPU subsystem)

System interface is used to request all external memory device accesses, to access the EMIF registers, and to transfer all data to and from the EMIF controller. MPU interface is used to process memory accesses. Table 15-97 shows the MAddrSpace mapping.

NOTE: Chip select 1 is not supported on this device.

Table 15-97. MAddrSpace Mapping

MAddrSpace ⁽¹⁾	Chip-Select	Description	Exclusions
0x0	CSN0 and CSN1	SDRAM(s)	
0x1	N/A	Reserved.	

⁽¹⁾ See DMM_LISA_MAP_i [17:16] SDR_C_ADDRSPC register bitfield in Section 15.2, Dynamic Memory Manager.

Table 15-97. MAddrSpace Mapping (continued)

MAddrSpace ⁽¹⁾	Chip-Select	Description	Exclusions
0x2	N/A	Reserved. Any access to this area will generate an error on the L3 interface. This can be used by the software to track any unwanted access to the section defined in the DMM_LISA_MAP_i register.	Not visible through the MPU port
0x3	N/A	Internal registers	Not visible through the MPU port

15.3.4.1.2 FIFO Description

The EMIF module contains the following FIFOs:

- Command FIFO
- Write data FIFO
- Return command FIFO
- Two read data FIFOs

Figure 15-50 shows the overall architecture of the EMIF FIFOs.

Figure 15-50. FIFO Block Diagram

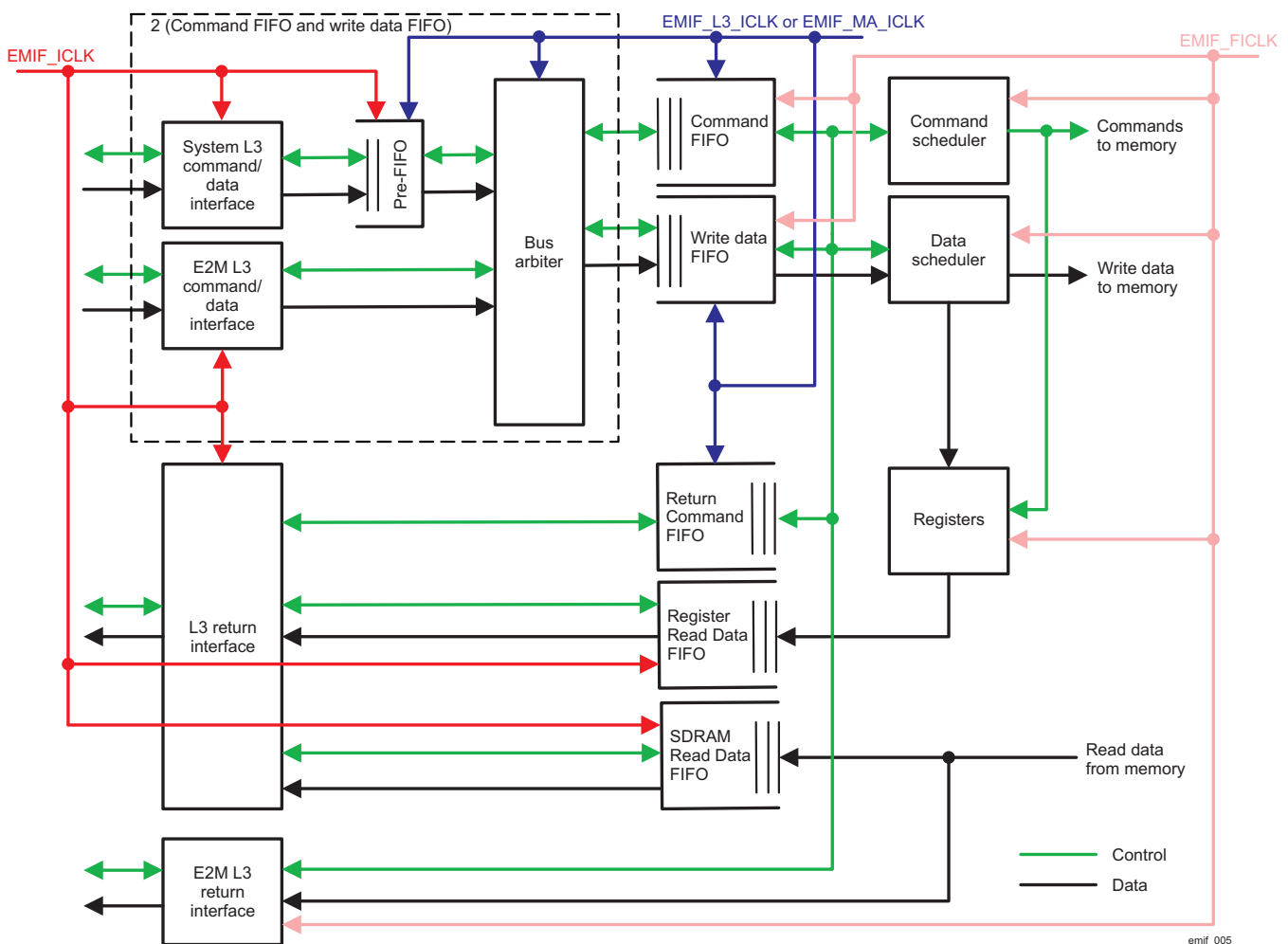


Table 15-98 lists the allocation of the entries.

Table 15-98. FIFO Allocation

Parameter	System Local Interface Entries	MPU Local Interface Entries
Pre Command FIFO	6	4
Command FIFO	Programmable ⁽¹⁾	Programmable ⁽¹⁾
Pre Write FIFO	6	8
Write Data FIFO (256-bit)	Up to (19 × 256 bits) + 6	Up to 19 + 8
Return Command FIFO	22	24
SDRAM Read Data FIFO	22	24
Register Read Data FIFO	2	0

⁽¹⁾ The total number of entries in the command FIFO is 10.

The command FIFO is shared between the two local interfaces, whereas there are two different FIFOs for every other type, one dedicated to each local interface.

The command FIFO stores all the commands coming in on the local command interface. The allocation of entries in the command FIFO is programmable per local interface using the following bit fields:

- [EMIF_OCP_CONFIG\[27:24\]](#) SYS_THRESH_MAX
- [EMIF_OCP_CONFIG\[23:20\]](#) MPU_THRESH_MAX

15.3.4.1.3 MPU Port Restrictions

The EMIF MPU port is defined only to process memory requests. All register accesses are processed through the system port of the EMIF. The EMIF MPU port does not support 2D or register requests required or provided by the system interface. The MPU port has a fixed ConnID equal to 0x0. The access burst length of the MPU port must not exceed 7.

To maintain coherency, the following rules must be followed:

- Any command arriving on MPU or system interface that matches an address in the command FIFO is executed after the command in the command FIFO
- The matching address is any address within a 2,000-address boundary
- On a 2D transfer, the starting address is the compared address. The computed addresses of the 2D transfer are not considered in address overlapping.
- Any command arriving within a 10-cycle window of another, from the different interfaces that do not match any address in the command FIFO, but may match command addresses arriving on a different interface, can be executed in any order.

15.3.4.1.4 Arbitration of Commands in the Command FIFO

The EMIF looks at all the commands stored in the command FIFO to schedule commands to the external memory. All commands with the same MTagID on a particular local interface complete in order. The EMIF does not ensure ordering between commands with different MTagIDs or between commands from two local interfaces.

However, the EMIF does maintain data coherency. Therefore, the EMIF blocks a command, regardless of priority or the local interface, if that command is to the same block address (2048 bytes) as an older command that is not complete. Thus, the EMIF may have one pending read or write for each MTagID. For information about MTagID, see [Section 14.1.1, Terminology](#) in [Chapter 14, Interconnect](#). Among all pending reads, the EMIF selects all reads that have their corresponding SDRAM banks already open. Similarly, among all pending writes, the EMIF selects all writes that have their corresponding SDRAM banks already open. Accesses to memory mapped registers are treated as accesses that have open banks.

As a result of this reordering, the EMIF may now have several pending reads and writes that have their corresponding banks open. The EMIF then selects the highest priority read from pending reads, and the highest priority write from pending writes. If two or more commands have the highest priority, the EMIF selects the oldest command. As a result, the EMIF may now have the next read and a write command. If the return command FIFO and the read data FIFO have space and the external bus conflict is resolved, the EMIF performs the final read command before the final write command. If the return command FIFO has space but the read data FIFO is full, the EMIF performs the final write command before the final read command. Resolution of external bus conflict means all the SDRAM command-to-command counters are satisfied and the read-to-write or write-to-read turnaround time is met.

The EMIF does not support tag interleaving. In other words, for an local interface, the EMIF completes executing an local command before it switches to another command. The EMIF can, however, interleave execution between commands from two local interfaces.

The data coherency inside the EMIF is ensured only in a single level of local infrastructure. For example, if a write from a secondary local bus segment is blocked by a bridge element, the read from a tertiary bus can still beat the write to the EMIF. In such a case, to confirm that a write from master A has landed before a read from master B is performed, master A must wait for the write status from the EMIF before indicating to master B that the data is ready to be read. If master A does not use the local wait status, it must do the following:

1. Perform the required write.
2. Perform a dummy write to the [EMIF_REVISION](#) register.
3. Perform a dummy read to the [EMIF_REVISION](#) register.
4. Indicate to master B that the data is ready to be read after completion of read in Step 3. The completion of read in Step 3 ensures that the previous writes were done.

Apart from reads and writes, the EMIF must also open and close SDRAM banks and maintain the refresh counts for an SDRAM. The priority of SDRAM commands with respect to refresh levels are:

1. SDRAM refresh request when refresh-must level is reached (highest priority)
2. ZQ calibration
3. Leveling
4. local request for a read or write
5. local request for a write
6. SDRAM activate commands
7. SDRAM deactivate commands
8. SDRAM power-down request
9. SDRAM refresh request when refresh-may or release level is reached
10. SDRAM self-refresh request (lowest priority)

To avoid continuous blocking effect which can be caused by a continuous stream of high-priority commands which thus block the lower priority commands, the EMIF momentarily raises the priority of the oldest command over all other commands when the time for the oldest command configured through the [EMIF_COS_CONFIG\[7:0\] PR_OLD_COUNT](#) bit field expires.

It should be taken into account that while performing the scheduling algorithm described, the EMIF may also encounter a condition in which continuous stream of SDRAM commands to a row in an open bank can block commands to another row in the same bank.

In addition to this scheduling, the highest priority condition is a reset command. If this condition occurs, the EMIF abandons what it is currently doing and begins its start-up sequence. In this case, commands and data stored in the FIFOs are lost. The EMIF also starts its start-up sequence whenever the [EMIF_SDRAM_CONFIG](#) register is written and the [EMIF_SDRAM_REFRESH_CONTROL\[31\] INITREF_DIS](#) bit is set to 0. In this case, commands and data stored in the FIFOs are not lost. The EMIF ensures that in-flight read or write transactions to the SDRAM are complete before starting the initialization sequence.

All the accesses to an SDRAM are pipelined to maximize use of the external bus. All of these are done while fulfilling the access timing requirements of an SDRAM.

15.3.4.2 Clock Management

15.3.4.2.1 EMIF_FICLK Overview

The EMIF can gate EMIF_FICLK. There is an internal mechanism that can stop EMIF_FICLK automatically. EMIF_FICLK is stopped only after the SDRAM is put into self-refresh mode and the power-idle protocol on the local bus completes. The EMIF_FICLK frequency can be changed only after putting the external SDRAM in self-refresh mode.

The EMIF waits for the DLL lock before performing any memory access.

EMIF_FICLK frequency is equal to half of the EMIF_PHY_FCLK frequency.

15.3.4.2.2 EMIF Dependency on MPU Clock Rate

The EMIF Write Data FIFO and Command FIFO clocks are derived from the MPU clock (specifically, $EMIF_MA_ICLK = MPU_GCLK/4$) any time the MPU is active. As such, the DDR Peak Write bandwidth scales in proportion to the MPU clock frequency. At lower MPU clock frequencies (< 1 GHz), the Write Data FIFO limits writes to less than peak DDR bandwidth (assuming DDR3-1066 operating conditions).

The SDRAM Read Data FIFO is always clocked by the EMIF_ICLK, so there is no relationship for read bandwidth relative to the MPU operating frequency.

The Command FIFO bandwidth is also controlled by the EMIF_MA_ICLK. Because the command bandwidth is much lower than the data bandwidth, there is no visible bandwidth scaling for the command interface (and as a result, the read interface can be fully utilized).

The total available bandwidth is not affected for most systems. The write bandwidth is limited on an internal path, not on the DDR pins. The DDR pin bandwidth is still available for reads. Because most systems have higher bandwidth requirements for read relative to write, the available DDR bandwidth is still usable.

15.3.4.3 Reset

The EMIF does not support a software reset.

The EMIF supports a global warm reset mode, during which the EMIF keeps the SDRAM content. Upon a request from the PRCM module indicating a need to enter global warm reset mode, the EMIF does the following:

1. During leveling operation, EMIF will immediately exit this mode and automatically perform a write to the MR1 register of DDR3 memory to disable the leveling at the memory side too.
2. EMIF completes the ongoing access, and then puts the SDRAM in self-refresh mode. If the [EMIF_SDRAM_REFRESH_CONTROL\[31\] INITREF_DIS](#) field is set to 1, the EMIF does not put SDRAM in self-refresh mode.
3. EMIF clears all its FIFO contents.
4. EMIF does not wait for all interrupts to be serviced.

To exit the global warm reset:

1. If the EMIF was in Self Refresh state, it will exit Self Refresh state.
2. If leveling was enabled at the time of a global warm reset, a PHY reset must occur to bring the PHY back into a known state, as it may have been left in a leveling state upon warm reset assertion. To guarantee that the SDRAM memory clocks are off when issuing PHY reset, software can use the [EMIF_POWER_MANAGEMENT_CONTROL](#) register to enter self refresh before asserting the PHY reset.

15.3.4.4 System Power Management

15.3.4.4.1 Power-Down Mode

The EMIF supports SDRAM power-down mode for low power. The EMIF automatically puts the SDRAM into power-down mode after it is idle for [EMIF_POWER_MANAGEMENT_CONTROL\[15:12\] PD_TIM](#) number of DDR clock cycles and the [EMIF_POWER_MANAGEMENT_CONTROL\[10:8\] LP_MODE](#) bit field is set to 0x4. In power-down mode, the EMIF does not stop the clocks to the SDRAM. The EMIF maintains CKE pin low to maintain the power-down mode.

If refresh-must level is not reached before power-down entering, EMIF will not precharge all SDRAM banks before it issues the power-down command. As a result of this EMIF puts the SDRAM in active power-down mode. If refresh-must level is reached before power-down entering, EMIF will precharge all SDRAM banks and before it issues the power-down command, EMIF issues refreshes until refresh-release level is reached. As a result of this EMIF puts the SDRAM in precharge power-down mode.

When the SDRAM is in power-down mode, the EMIF services register accesses normally.

If the SDRAM is in power-down mode and one of the following occurs, the EMIF brings SDRAM out of power-down mode:

- [EMIF_POWER_MANAGEMENT_CONTROL\[10:8\] LP_MODE](#) bit field is changed from 0x4 to some other value.
- An SDRAM access is requested.
- The refresh-must level is reached.

If refresh-must level brings the SDRAM out of power-down mode, EMIF puts it in power-down again when the refreshes are complete and keeps this state until the next SDRAM request.

To exit power-down, the EMIF:

1. Drives CKE high after $t_{cke} + 1$ cycles have elapsed since the power-down command was issued. The value of t_{cke} is taken from [EMIF_SDRAM_TIMING_2\[2:0\] T_CKE](#) bit field.
2. Waits for [EMIF_SDRAM_TIMING_2\[30:28\] T_XP](#) + 1 cycles
3. Enters its idle state and can issue any commands

15.3.4.4.2 Self-Refresh Mode

The EMIF supports SDRAM self-refresh mode for low power. The EMIF automatically puts the SDRAM into self-refresh mode after the EMIF is idle for [EMIF_POWER_MANAGEMENT_CONTROL\[7:4\] SR_TIMING](#) number of DDR clock cycles and the [EMIF_POWER_MANAGEMENT_CONTROL\[10:8\] LP_MODE](#) bit field is set to 0x2. The EMIF will complete all pending refreshes before it puts the SDRAM into self-refresh. Therefore, after the expiration of [SR_TIMING](#), the EMIF will start issuing refreshes to complete the refresh backlog, and then issue a self-refresh command to the SDRAM.

In self-refresh mode, the EMIF automatically stops the SDRAM clock. The EMIF drives CKE pin low to maintain self-refresh mode.

When the SDRAM is in self-refresh mode, the EMIF services register accesses normally.

If the SDRAM is in self-refresh mode and one of the following occurs, the EMIF brings SDRAM out of self-refresh mode:

- The [EMIF_POWER_MANAGEMENT_CONTROL\[10:8\] LP_MODE](#) bit field is changed from 0x2 to some other value.
- SDRAM access is requested.
- [EMIF_SDRAM_TIMING_2\[2:0\] T_CKE](#) + 1 cycles have elapsed since the last self-refresh command.

To exit self-refresh, for DDR3, the EMIF does the following:

1. Enables the SDRAM clock
2. Drives CKE pin high
3. Waits [EMIF_SDRAM_TIMING_2\[24:16\] T_XSNR](#) + 1 cycles
4. Starts a refresh cycle in the next cycle. EMIF also services all refreshes down to the refresh-release

level.

5. Enters its idle state and can issue any other command except write or read command. A write or a read command is issued only after [EMIF_SDRAM_TIMING_2\[15:6\]](#) T_XSRD + 1 cycles clock cycles have elapsed since pin CKE is driven high.

To use partial array self-refresh, the [EMIF_SDRAM_REFRESH_CONTROL\[26:24\]](#) PASR bits must be appropriately programmed. The EMIF performs bank interleaving when [EMIF_SDRAM_CONFIG\[28:27\]](#) IBANK_POS = 0x0. Because the SDRAM is partially refreshed during partial array self-refresh, for software ease, it is recommended that the IBANK_POS bit field to be set to 0x1, 0x2, or 0x3 depending on the scheme used. If IBANK_POS is set to 0x0, software must move critical data into the banks that are going to be refreshed during partial array self-refresh.

15.3.4.5 Interrupt Requests

The EMIF controller generates one interrupt request (EMIF1_IRQ) which is connected to the IRQ_CROSSBAR module. This interrupt line can be asserted by one of the interrupt events listed in [Table 15-99](#).

The EMIF controller generates an interrupt on its interrupt line only if the interrupts are enabled by setting to 0x1 the corresponding bits in the [EMIF_SYSTEM_OCP_INTERRUPT_ENABLE_SET](#) register. These interrupts can be disabled by setting to 0x1 the corresponding bits in the [EMIF_SYSTEM_OCP_INTERRUPT_ENABLE_CLEAR](#) register. After the interrupt has been serviced the corresponding status flag must be cleared by software. This is done by setting to 0x1 the corresponding bit in the [EMIF_SYSTEM_OCP_INTERRUPT_STATUS](#) register which also clears the corresponding bit in the [EMIF_SYSTEM_OCP_INTERRUPT_RAW_STATUS](#) register. The status flags in the [EMIF_SYSTEM_OCP_INTERRUPT_RAW_STATUS](#) register are set even if the corresponding interrupt is disabled unlike those in the [EMIF_SYSTEM_OCP_INTERRUPT_STATUS](#) register, which are set only if the corresponding interrupt is enabled. An interrupt is also generated by the EMIF controller, if certain bit in the [EMIF_SYSTEM_OCP_INTERRUPT_RAW_STATUS](#) register is set to 0x1 and the corresponding interrupt is enabled through the [EMIF_SYSTEM_OCP_INTERRUPT_ENABLE_SET](#) register. This feature is useful when user software debugging is performed. In addition, even if interrupts are not enabled, certain status bit in [EMIF_SYSTEM_OCP_INTERRUPT_RAW_STATUS](#) register can be cleared by setting to 0x1 the corresponding bit in the [EMIF_SYSTEM_OCP_INTERRUPT_STATUS](#) register.

The EMIF sets both the [EMIF_SYSTEM_OCP_INTERRUPT_RAW_STATUS\[0\]](#) ERR_SYS and [EMIF_SYSTEM_OCP_INTERRUPT_STATUS\[0\]](#) ERR_SYS bits to 0x1, if access request for an unsupported command type, an unsupported addressing mode or an access request to an unsupported MAddrSpace is received. If such an error occurs, it is due to bad programming of the DMM. For more information about addressing, see [Section 15.2, Dynamic Memory Manager](#).

The EMIF sets both the [EMIF_SYSTEM_OCP_INTERRUPT_RAW_STATUS\[3\]](#) WR_ECC_ERR_SYS and [EMIF_SYSTEM_OCP_INTERRUPT_STATUS\[3\]](#) WR_ECC_ERR_SYS bits to 0x1, if a write access with byte count that is not multiple of the ECC quanta or with a non ECC quanta aligned address is performed within the address range protected by the ECC.

The EMIF sets both the [EMIF_SYSTEM_OCP_INTERRUPT_RAW_STATUS\[4\]](#) TWOBIT_ECC_ERR_SYS and [EMIF_SYSTEM_OCP_INTERRUPT_STATUS\[4\]](#) TWOBIT_ECC_ERR_SYS bits to 0x1, if 2-bit ECC error for a read access performed within the address range protected by the ECC occurs.

The EMIF sets both the [EMIF_SYSTEM_OCP_INTERRUPT_RAW_STATUS\[5\]](#) ONEBIT_ECC_ERR_SYS and [EMIF_SYSTEM_OCP_INTERRUPT_STATUS\[5\]](#) ONEBIT_ECC_ERR_SYS bits to 0x1, if the threshold for 1-bit ECC error is reached. For more information about the EMIF ECC feature, see [Section 15.3.4.14, Error Correction And Detection Feature](#).

[Table 15-99](#) lists the event flags and their corresponding event mask bits of the sources which can cause module interrupts.

Table 15-99. Events

Event Flag	Event Mask	Description
EMIF_SYSTEM_OCP_INTERRUPT_RAW_STA TUS[5] ONEBIT_ECC_ERR_SYS/ EMIF_SYSTEM_OCP_INTERRUPT_STATUS[5] ONEBIT_ECC_ERR_SYS	EMIF_SYSTEM_OCP_INTERRUPT_ENABLE_ SET[5] ONEBIT_ECC_ERR_SYS/ EMIF_SYSTEM_OCP_INTERRUPT_ENABLE_ CLEAR[5] ONEBIT_ECC_ERR_SYS	Interrupt if one bit ECC error threshold is reached
EMIF_SYSTEM_OCP_INTERRUPT_RAW_STA TUS[4] TWOBIT_ECC_ERR_SYS/ EMIF_SYSTEM_OCP_INTERRUPT_STATUS[4] TWOBIT_ECC_ERR_SYS	EMIF_SYSTEM_OCP_INTERRUPT_ENABLE_ SET[4] TWOBIT_ECC_ERR_SYS/ EMIF_SYSTEM_OCP_INTERRUPT_ENABLE_ CLEAR[4] TWOBIT_ECC_ERR_SYS	Interrupt for two bit error detection
EMIF_SYSTEM_OCP_INTERRUPT_RAW_STA TUS[3] WR_ECC_ERR_SYS/ EMIF_SYSTEM_OCP_INTERRUPT_STATUS[3] WR_ECC_ERR_SYS	EMIF_SYSTEM_OCP_INTERRUPT_ENABLE_ SET[3] WR_ECC_ERR_SYS/ EMIF_SYSTEM_OCP_INTERRUPT_ENABLE_ CLEAR[3] WR_ECC_ERR_SYS	Interrupt for memory access made to a non-quanta aligned location or done with byte count not multiple of the ECC quanta
EMIF_SYSTEM_OCP_INTERRUPT_RAW_STA TUS[0] ERR_SYS/ EMIF_SYSTEM_OCP_INTERRUPT_STATUS[0] ERR_SYS	EMIF_SYSTEM_OCP_INTERRUPT_ENABLE_ SET[0] EN_ERR_SYS/ EMIF_SYSTEM_OCP_INTERRUPT_ENABLE_ CLEAR[0] EN_ERR_SYS	Interrupt for command or address error

15.3.4.6 SDRAM Refresh Scheduling

The EMIF uses two counters to schedule the Refresh (REF) commands: a 13-bit decrementing refresh interval counter and a 4-bit refresh backlog counter. The interval counter is used to define the rate at which connected SDRAM devices are refreshed. It is loaded with the value of the [EMIF_SDRAM_REFRESH_CONTROL\[15:0\] REFRESH_RATE](#) bit field at reset (only the 13 LSBs are taken). The interval counter decrements by 1 each cycle until it reaches 0x0, at which point it reloads from the [EMIF_SDRAM_REFRESH_CONTROL\[15:0\] REFRESH_RATE](#) bit field and restarts decrementing. The counter also reloads and restarts decrementing whenever the [EMIF_SDRAM_REFRESH_CONTROL\[15:0\] REFRESH_RATE](#) bit field is updated.

The refresh backlog counter records the number of the outstanding REF commands which the EMIF controller currently has. The backlog counter increments by 1 each time the interval counter reloads (unless it has reached its maximum value of 8). The backlog counter decrements by 1 each time the EMIF issues a REF command (unless it is already 0). For the range of values that the backlog counter can take, there are three levels of urgency with which the EMIF must perform refresh cycle in which it issues REF commands:

1. Refresh-may level is reached when the backlog count is greater than 0x0, which indicates that there is a refresh backlog and if the EMIF is not busy and there are no open SDRAM banks, the EMIF must perform refresh cycle.
2. Refresh-release level is reached when the backlog count is greater than 0x4, which indicates that the refresh backlog is getting bigger and if the EMIF is not busy it must perform refresh cycle even if there is an open SDRAM bank.
3. Refresh-must level is reached when the backlog count is greater than 0x7, which indicates that the refresh backlog is becoming excessive and the EMIF must perform refresh cycle before any new memory access request being serviced. The EMIF starts servicing new memory accesses after the refresh-release level is cleared.

The two counters do not operate when SDRAM is in self-refresh mode. They start tracking the missed refreshes (the outstanding REF commands) only after initialization is complete.

The time between two REF commands is set through the [EMIF_SDRAM_TIMING_3\[12:4\] T_RFC](#) bit field.

15.3.4.7 SDRAM Initialization

NOTE: To avoid error responses from the EMIF controller the SDRAM initialization must be performed per 16-Byte blocks if [EMIF_SDRAM_CONFIG\[15:14\] NARROW_MODE](#) = 0x0 or per 8-Byte blocks if [EMIF_SDRAM_CONFIG\[15:14\] NARROW_MODE](#) = 0x1.

15.3.4.7.1 DDR3/DDR3L SDRAM Initialization

On coming out of reset, the EMIF controller begins the DDR3 initialization sequence after a write to any one of the following three registers, providing that the corresponding listed conditions are met:

1. [EMIF_SDRAM_CONFIG](#)
 - a. Condition 1: [EMIF_SDRAM_REFRESH_CONTROL](#)[31] INITREF_DIS = 0 (that is, cleared before the write to [EMIF_SDRAM_CONFIG](#))
2. [EMIF_SDRAM_TIMING_1](#)
 - a. Condition 1: [EMIF_SDRAM_REFRESH_CONTROL](#)[31] INITREF_DIS = 0 (that is, cleared before the write to [EMIF_SDRAM_TIMING_1](#)) AND
 - b. Condition 2: The write access modifies the register bit field T_WR (bits 20:17)
3. [EMIF_SDRAM_REFRESH_CONTROL](#)
 - a. Condition 1: [EMIF_SDRAM_REFRESH_CONTROL](#)[31] INITREF_DIS = 0 AND
 - b. Condition 2: The write access modifies the register bit field SRT (bit 29), ASR (bit 28), or PASR (bits 26:24).

For the first DDR3 initialization sequence, the EMIF controller performs the following actions:

1. After 7 SDRAM refresh rate intervals, de-asserts the RST pin.
2. After 16 SDRAM refresh rate intervals, issues a NOP command with CKE pin held high. The SDRAM refresh rate is as defined in the [EMIF_SDRAM_REFRESH_CONTROL](#)[15:0] REFRESH_RATE bit field.
3. After 1 SDRAM refresh rate interval, issues MRS command to the DDR3/DDR3L MR2 register (bits BA[2:0] = 0x2) with bits A[15:0] set as in [Table 15-100](#)

Table 15-100. Load Value For The MR2 Register During DDR3/DDR3L SDRAM Initialization

Bits	Value	Description
A[15:11]	0x0	Reserved
A[10:9]	EMIF_SDRAM_CONFIG [22:21] DYN_ODT	Dynamic ODT value
A[8]	0x0	Reserved
A[7]	EMIF_SDRAM_REFRESH_CONTR OL[29] SRT	Self-refresh temperature range
A[6]	EMIF_SDRAM_REFRESH_CONTR OL[28] ASR	Auto self-refresh enable
A[5]	0x0	Reserved
A[4:3]	EMIF_SDRAM_CONFIG [17:16] CWL	CAS write latency
A[2:0]	EMIF_SDRAM_REFRESH_CONTR OL[26:24] PASR	Partial array self-refresh

4. After T_RFC + 1 DDR clock cycles, issues MRS command to the DDR3/DDR3L MR3 register (bits BA[2:0] = 0x3) with A[15:0] = 0x0
5. After T_RFC + 1 DDR clock cycles, issues MRS command to the DDR3/DDR3L MR1 register (BA[2:0] = 0x1) with A[15:0] set as in [Table 15-101](#)

Table 15-101. Load Value For The MR1 Register During DDR3/DDR3L SDRAM Initialization

Bits	Value	Description
A[15:13]	0x0	Reserved
A[12]	0x0	Output buffer enabled
A[11]	0x0	TDQS disable
A[10]	0x0	Reserved
A[9], A[6], A[2]	EMIF_SDRAM_CONFIG [26:24] DDR_TERM	DDR3/DDR3L termination resistor value

Table 15-101. Load Value For The MR1 Register During DDR3/DDR3L SDRAM Initialization (continued)

Bits	Value	Description
A[8]	0x0	Reserved
A[7]	0x0	Write leveling disabled
A[5], A[1]	EMIF_SDRAM_CONFIG [19:18] SDRAM_DRIVE	SDRAM drive strength
A[4:3]	0x0	Additive latency = 0
A[0]	EMIF_SDRAM_CONFIG [20] DDR_DISABLE_DLL = 0x0	Enable SDRAM DLL

- After $T_{RFC} + 1$ DDR clock cycles, issues MRS command to the DDR3/DDR3L MR0 register (BA[2:0] = 0x0) with A[15:0] set as in [Table 15-102](#)

Table 15-102. Load Value For The MR0 Register During DDR3/DDR3L SDRAM Initialization

Bits	Value	Description
A[15:13]	0x0	Reserved
A[12]	0x0	Slow exit. The DDR3/DDR3L SDRAM DLL is "OFF" after entering precharge power-down.
A[11:9]	EMIF_SDRAM_TIMING_1 [20:17] T_WR	Write recovery for autoprecharge
A[8]	0x1	DLL reset
A[7]	0x0	Normal mode
A[6:4], A[2]	EMIF_SDRAM_CONFIG [13:10] CL	Value for CAS latency
A[3]	0x0	Nibble sequential read burst type
A[1:0]	0x0	Burst length of 8

- After $T_{RFC} + 1$ DDR clock cycles, issues a ZQCL command to start long ZQ calibration
- Waits for t_{DLLK} and t_{ZQinit} to complete
- Issues REF command
- The EMIF enters its IDLE state.

The EMIF updates the DDR Mode registers if the DDR3 initialization sequence is triggered again. However, the EMIF controller first issues a precharge command and then starts from Step 3.

The EMIF does not perform any transactions until the DDR3/DDR3L initialization sequence is complete.

When the EMIF comes out of reset, the delay time in Step 2 resulting from the 16 refresh rate intervals + 8 cycles is approximately $16 \times \text{REFRESH_RATE} / \text{input frequency}$.

15.3.4.8 DDR3/DDR3L Read-Write Leveling

The EMIF supports one type of write/read leveling for DDR3/DDR3L memories - full leveling.

The full leveling consists of three parts:

- Write leveling
- Read data eye training
- Read DQS gate training

Write leveling

The goal of write leveling is to locate the delay between the rising edge of the write DQS signal and the rising edge of the SDRAM memory clock (CK). When this delay is identified, the system is able to accurately align the write DQS signal with the DDR3 memory clock. During Write leveling, the ODT function must be on and proper ODT values must be selected at the external memory side by setting Rtt_Nom (A9, A6, A2) bits in MR1 register of the external DDR3 memory. For more information about write leveling, see the *DDR3 SDRAM Standard*, section *Write leveling*.

Read data eye training

Through the read data eye training the delay between the rising edge of the read DQS signal and the rising and falling edges of the associated DQ data eye is determined. By identifying these delays, the midpoint between them can be calculated and thus the rising edge of the read DQS signal can be accurately centered within the DQ data eye.

Read DQS gate training

Read DQS Gate training is used for timing the internal read window during a read operation as opposed to the write leveling and read data eye training which are used for skew compensation of external signals. The goal of read DQS gate training is to locate the shortest delay that can be applied to each DQS gate such that it functions properly, then find the longest delay that can be applied to each DQS gate and keep its proper function again, and then align the midpoint of the DQS gate delay between these two.

15.3.4.8.1 Full Leveling

The EMIF does not perform full leveling after initialization upon reset. Full leveling must be triggered by software after the EMIF's registers are properly configured.

Full leveling is triggered by setting the [EMIF_READ_WRITE_LEVELING_CONTROL\[31\]](#) RDWRLVLFULL_START bit to 0x1. The leveling execution order is as follows:

1. Write leveling
2. Read DQS gate training
3. Read data eye training

After leveling procedure has finished the [EMIF_READ_WRITE_LEVELING_CONTROL\[31\]](#) RDWRLVLFULL_START bit clears itself automatically.

NOTE: SDRAM Refreshes must be disabled before triggering full leveling.

NOTE: The [EMIF_EXT_PHY_CONTROL_2](#) through [EMIF_EXT_PHY_CONTROL_21](#) registers have to be configured only in case of software leveling.

15.3.4.8.2 Software Leveling

In case of software leveling, the following registers must be configured:

- [EMIF_EXT_PHY_CONTROL_2](#) to [EMIF_EXT_PHY_CONTROL_6](#) containing the PHY_REG_FIFO_WE_SLAVE_RATIO value
- [EMIF_EXT_PHY_CONTROL_26](#) to [EMIF_EXT_PHY_CONTROL_30](#) containing the REG_PHY_GATELVL_INIT_RATIO value
- [EMIF_EXT_PHY_CONTROL_25](#) containing the DQ offset value

The bit fields of the [EMIF_EXT_PHY_CONTROL_2](#) to [EMIF_EXT_PHY_CONTROL_6](#) registers must be loaded with same values. The bit fields of the [EMIF_EXT_PHY_CONTROL_26](#) to [EMIF_EXT_PHY_CONTROL_30](#) registers must also be loaded with same values.

The REG_PHY_DQ_OFFSET fields in register [EMIF_EXT_PHY_CONTROL_25](#) must be loaded with 0x40. That value corresponds to quarter cycle shift between the DQS signals and the data to be written to the SDRAM.

To calculate the PHY_REG_FIFO_WE_SLAVE_RATIO value one of the following two formulas can be used:

- $0x80 + 2 * [(Board\ Delay\ in\ ps) * 0x100] / (Clock\ Period\ in\ ps)$. This formula is used when the [EMIF_DDR_PHY_CONTROL_1\[18\]](#) PHY_INVERT_CLKOUT bit is set to 0x1.
- $2 * [(Board\ Delay\ in\ ps) * 0x100] / (Clock\ Period\ in\ ps)$. This formula is used when the [EMIF_DDR_PHY_CONTROL_1\[18\]](#) PHY_INVERT_CLKOUT bit is set to 0x0.

The Board Delay in the previously described formulas is measured directly from the board. It depends on the trace length. When the calculated value for PHY_REG_FIFO_WE_SLAVE_RATIO is greater than 0x20, then a value of 0x27 must be used. That means, 0x27 must be loaded in registers [EMIF_EXT_PHY_CONTROL_2](#) to [EMIF_EXT_PHY_CONTROL_6](#).

To calculate the REG_PHY_GATELVL_INIT_RATIO value the following formula is used:

$$\text{REG_PHY_GATELVL_INIT_RATIO} = \text{PHY_REG_FIFO_WE_SLAVE_RATIO} - 0x20$$

When the calculated value for REG_PHY_GATELVL_INIT_RATIO is less than 0x0, then a value of 0x0 must be used. When the calculated value is greater than or equal to 0x0, then that value is used for registers [EMIF_EXT_PHY_CONTROL_26](#) to [EMIF_EXT_PHY_CONTROL_30](#).

In addition, when read DQS gate training is not performed the PHY_REG_FIFO_WE_SLAVE_RATIO value is used. When read DQS gate training is performed REG_PHY_GATELVL_INIT_RATIO is used and PHY_REG_FIFO_WE_SLAVE_RATIO is don't care.

NOTE: Software leveling is not recommended to be used. Hardware leveling must be used instead.

15.3.4.9 EMIF Access Cycles

By default, the EMIF keeps its SDRAM $\overline{\text{CS}}$ signals high (CSs are active-low). To direct a command to only one of the SDRAMs, EMIF asserts the $\overline{\text{CS}}$ signal (CSN0 or CSN1) to the SDRAM for the duration of the command. If the [EMIF_SDRAM_CONFIG\[3\]](#) EBANK bit is set to 0x0, CSN1 will always be driven high except during initialization and for the Refresh, Power-Down and Self-Refresh commands.

The EMIF always performs burst accesses to the SDRAM. Multiple SDRAM bursts may need to service a single local burst request. [Table 15-103](#) through [Table 15-105](#) show a few examples how EMIF performs SDRAM accesses for a linear incrementing transaction type. T0, T1, etc. are clock cycles. R0 is read starting at column 0, R8 is read starting at column 8, and R16 is read starting at column 16. D0-1 is the data from column 0 and 1, D2-3 is the data from column 2 and 3, and so on.

Table 15-103. 64-Byte Linear Read Starting at Address 0x0

T0	T1	T2	T3	T4	T5	T6	T7	T8	T9	T10	T11
R0				R8							
				D0-1	D2-3	D4-5	D6-7	D8-9	D10-11	D12-13	D14-15

Table 15-104. 64-Byte Linear Read Starting at Address 0x10

T0	T1	T2	T3	T4	T5	T6	T7	T8	T9	T10	T11	T12	T13
R4		R8				R16							
				D4-5	D6-7	D8-9	D10-11	D12-13	D14-15	D16-17	D18-19	Unused	Unused

Table 15-105. 64-Byte Linear Read Starting at Address 0x18

T0	T1	T2	T3	T4	T5	T6	T7	T8	T9	T10	T11	T12	T13
R6		R8				R16							
				D6-7	Unused	D8-9	D10-11	D12-13	D14-15	D16-17	D18-19	D20-21	Unused

The EMIF uses the unused data phases in the preceding figures by issuing successive read commands if there are reads to open banks pending in the command FIFO.

The write data conversion from SDR to DDR is done outside the EMIF.

15.3.4.10 Turnaround Time

[Table 15-106](#) lists the turnaround time that EMIF introduces on the data bus for various back-to-back accesses. The EMIF takes advantage of the CAS latencies and packs the commands as close as possible on the control bus to introduce the following turnaround time on the data bus.

NOTE: Chip select 1 is not supported on this device.

Table 15-106. Turnaround Time

Current Access	Next Access	Turnaround Time (Number of DDR Clock Cycles)
SDRAM write	SDRAM write to same chip select	0
SDRAM write	SDRAM write to different chip select	EMIF_SDRAM_TIMING_3 [27:24] T_CSTA + 1
SDRAM read	SDRAM read to same chip select	0
SDRAM read	SDRAM read to different chip select	EMIF_SDRAM_TIMING_3 [27:24] T_CSTA + 1
SDRAM write	SDRAM read	EMIF_SDRAM_TIMING_1 [2:0] T_WTR + 1 + CL
SDRAM read	SDRAM write	EMIF_SDRAM_TIMING_1 [31:29] T_RTW + 1

15.3.4.11 PHY DLL Calibration

When running in normal locked mode, the PHY DLL gets a reference clock (EMIFi_DLL_FCLK) from the PRCM, which is used by the DLL master to lock to the right frequency and provide the control code for a full period phase shift to the slave. The slave uses this code as a control for its internal delay line to produce the required delay for the signal considered.

When working in locked mode, the delay lines only get an updated control value from the master DLLs when an explicit `dll_calib` command is issued by the EMIF controller. Failure to send such commands on a timely basis will result in inaccurate delay-line information if there is a significant voltage and temperature drift in the system. It is recommended to issue at least one command every 100 μ s. EMIF automatically sends `ctrl_update` commands for:

- Refresh Exit
- Self Refresh Exit
- `phy_ready` asserted during initialization

The PHY also internally generates a control value update upon completion of a leveling operation. Control is also added when leveling is not used and there are gradual voltage changes during frequency change. The [EMIF_DLL_CALIB_CTRL](#) register can be programmed to generate a `phy_dll_calib` for a periodic interval based on EMIF_FICLK cycles, so allow continued memory access as voltage is changing. A safe window of no activity will be guaranteed for this periodic generation of `phy_dll_calib`. In addition, a one shot generator for `phy_pll_calib` has also been added that will generate a single `phy_dll_calib` by setting the [EMIF_MISC_REG](#)[0] `DLL_CALIB_OS` bit to 1.

15.3.4.12 SDRAM Address Mapping

The EMIF controller interleaves the internal banks for SDRAM connected to both chip selects. From the system point of view, the external SDRAM is seen as one block of SDRAM. If two external 64-MiB devices are used, a 128-MiB memory block is observed. If two external 32-MiB devices are used, a 64-MiB block is observed.

[Table 15-107](#) shows the SDRAM address space.

NOTE: Chip select 1 is not supported on this device.

Table 15-107. SDRAM Addressing Space

Module Name	Base Address	Size
EMIF1-CS0-SDRAM	0x8000 0000	0 to 1GiB, programmable in DMM (see Section 15.2, Dynamic Memory Manager)

Table 15-107. SDRAM Addressing Space (continued)

Module Name	Base Address	Size
EMIF1-CS1-SDRAM	0xC000 0000	0 to 1GiB, programmable in DMM (see Section 15.2, Dynamic Memory Manager)

When addressing SDRAM, if the [EMIF_SDRAM_CONFIG\[28:27\]](#) IBANK_POS bit field is set to 0, the EMIF uses the following three bit fields to determine the mapping from the source address to the SDRAM row, column, bank and chip select:

- [EMIF_SDRAM_CONFIG\[6:4\]](#) IBANK
- [EMIF_SDRAM_CONFIG\[3\]](#) EBANK
- [EMIF_SDRAM_CONFIG\[2:0\]](#) PAGESIZE

If the [EMIF_SDRAM_CONFIG\[28:27\]](#) IBANK_POS bit field is set to 1, 2, or 3, the EMIF uses the following four bit fields to determine the mapping from the source address to the SDRAM row, column, bank and chip select:

- [EMIF_SDRAM_CONFIG\[6:4\]](#) IBANK
- [EMIF_SDRAM_CONFIG\[2:0\]](#) PAGESIZE
- [EMIF_SDRAM_CONFIG\[3\]](#) EBANK
- [EMIF_SDRAM_CONFIG\[9:7\]](#) ROWSIZE

In all cases the EMIF considers its SDRAM address space to be a single logical block, regardless of the number of physical devices or whether the devices are mapped across one or two EMIF chip selects.

15.3.4.12.1 Address Mapping for IBANK_POS = 0 and EBANK_POS = 0

For [EMIF_SDRAM_CONFIG\[28:27\]](#) IBANK_POS = 0 and [EMIF_SDRAM_CONFIG_2\[27\]](#) EBANK_POS = 0, [Table 15-108](#) lists which source address bits (MAddr) are mapped to the SDRAM row, column, bank and chip select bits for all combinations of IBANK, EBANK and PAGESIZE.

Table 15-108. Local Address to SDRAM Address Mapping for IBANK_POS = 0 and EBANK_POS = 0

MAddr[31:N] N = 1 if 16-bit data bus width; N = 2 if 32-bit data bus width							
row address		chip select		bank address		column address	
ROWSIZE value	row width (bits)	EBANK value	chip select width (bits)	IBANK value	bank[2:0] width (bits)	PAGESIZE value	col width (bits)
In this case the ROWSIZE bit field is not used	16	0	0	0	0	0	8
		1	1	1	1	1	9
				2	2	2	10
				3	3	3	11

NOTE: The ROWSIZE bit field is unused in case of IBANK_POS = 0 and EBANK_POS = 0.

For [EMIF_SDRAM_CONFIG\[28:27\]](#) IBANK_POS = 0, the effect of the address-mapping scheme is that as the source address increments across the SDRAM pages, EMIF moves to page with the same number as in the previous bank within the current device (CSN0). This movement across the banks continues until the same page is accessed in all banks and then EMIF moves to the next page in the first bank if the [EMIF_SDRAM_CONFIG\[3\]](#) EBANK bit is set to 0x0. If EBANK is set to 0x1 the EMIF proceeds to the same page in the next device (CSN1) and then continues until the same page is accessed in all banks before modifying the next page of the first device (CSN0). The EMIF uses this movement across chip selects and internal banks while remaining on the same page to maximize the number of the open SDRAM banks within the overall SDRAM space.

Thus, the EMIF can keep a maximum of 16 banks (8 internal banks across two chip selects) open at a time, and can interleave among all of them.

15.3.4.12.2 Address Mapping for IBANK_POS = 1 and EBANK_POS = 0

Table 15-109 list the local address to SDRAM address mapping when IBANK_POS = 1 and EBANK_POS = 0.

Table 15-109. Local Address to SDRAM Address Mapping for IBANK_POS = 1 and EBANK_POS = 0

MAddr[31:N] N = 1 if 16-bit data bus width; N = 2 if 32-bit data bus width									
bank address[2]		row address		chip select		bank address[1:0]		column address	
IBANK value	bank[2] width (bits)	ROWSIZE value	row width (bits)	EBANK value	chip select width (bits)	IBANK value	bank[1:0] width (bits)	PAGESIZE value	col width (bits)
0	0	0	9	0	0	0	0	0	8
1	0	1	10	1	1	1	1	1	9
2	0	2	11			2	2	2	10
3	1	3	12			3	2	3	11
		4	13						
		5	14						
		6	15						
		7	16						

For EMIF_SDRAM_CONFIG[28:27] IBANK_POS = 1, the EMIF interleaves banks the same as for EMIF_SDRAM_CONFIG[28:27] IBANK_POS = 0 but the interleaving of banks within a device (per CS) is limited to four banks. Thus, the EMIF can keep a maximum of 16 banks (eight internal banks across two CSs) open at a time but can interleave among only 8 of them.

15.3.4.12.3 Address Mapping for IBANK_POS = 2 and EBANK_POS = 0

Table 15-110 list the local address to SDRAM address mapping when IBANK_POS = 2 and EBANK_POS = 0.

Table 15-110. Local Address to SDRAM Address Mapping for IBANK_POS = 2 and EBANK_POS = 0

MAddr[31:N] N = 1 if 16-bit data bus width; N = 2 if 32-bit data bus width									
bank address[2:1]		row address		chip select		bank address[0]		column address	
IBANK value	bank[2:1] width (bits)	ROWSIZE value	row width (bits)	EBANK value	chip select width (bits)	IBANK value	bank[0] width (bits)	PAGESIZE value	col width (bits)
0	0	0	9	0	0	0	0	0	8
1	0	1	10	1	1	1	1	1	9
2	1	2	11			2	1	2	10
3	2	3	12			3	1	3	11
		4	13						
		5	14						
		6	15						
		7	16						

For EMIF_SDRAM_CONFIG[28:27] IBANK_POS = 2, the EMIF interleaves banks the same as for EMIF_SDRAM_CONFIG[28:27] IBANK_POS = 0 but the interleaving of banks within a device (per CS) is limited to two banks. Thus, the EMIF can keep a maximum of 16 banks (eight internal banks across two CSs) open at a time but can interleave among only 4 of them.

15.3.4.12.4 Address Mapping for IBANK_POS = 3 and EBANK_POS = 0

Table 15-111 list the local address to SDRAM address mapping when IBANK_POS = 3 and EBANK_POS = 0.

Table 15-111. Local Address to SDRAM Address Mapping for IBANK_POS = 3 and EBANK_POS = 0

MAAddr[31:N] N = 1 if 16-bit data bus width; N = 2 if 32-bit data bus width							
bank address		row address		chip select		column address	
IBANK value	bank width (bits)	ROWSIZE value	row width (bits)	EBANK value	chip select width (bits)	PAGESIZE value	col width (bits)
0	0	0	9	0	0	0	8
1	1	1	10	1	1	1	9
2	2	2	11			2	10
3	3	3	12			3	11
		4	13				
		5	14				
		6	15				
		7	16				

For [EMIF_SDRAM_CONFIG\[28:27\]](#) IBANK_POS = 3, the EMIF cannot interleave banks within a device (per CS). However, it can interleave banks between the two CSs. Thus, the EMIF can keep a maximum of 16 banks (eight internal banks across two CSs) open at a time but can interleave among only two of them.

15.3.4.12.5 Address Mapping for IBANK_POS = 0 and EBANK_POS = 1

[Table 15-112](#) list the local address to SDRAM address mapping when IBANK_POS = 0 and EBANK_POS = 1.

Table 15-112. Local Address to SDRAM Address Mapping for IBANK_POS = 0 and EBANK_POS = 1

MAAddr[31:N] N = 1 if 16-bit data bus width; N = 2 if 32-bit data bus width							
chip select		row address		bank address		column address	
EBANK value	chip select width (bits)	ROWSIZE value	row width (bits)	IBANK value	bank width (bits)	PAGESIZE value	col width (bits)
0	0	0	9	0	0	0	8
1	1	1	10	1	1	1	9
		2	11	2	2	2	10
		3	12	3	3	3	11
		4	13				
		5	14				
		6	15				
		7	16				

For [EMIF_SDRAM_CONFIG\[28:27\]](#) IBANK_POS = 0, and [EMIF_SDRAM_CONFIG_2\[27\]](#) EBANK_POS = 1, the EMIF interleaves among all the banks within a device (per CS) but cannot interleave banks between the two CSs. Thus, the EMIF can keep a maximum of 16 banks (8 internal banks across two CSs) open at a time but can interleave among only 8 of them.

15.3.4.12.6 Address Mapping for IBANK_POS = 1 and EBANK_POS = 1

[Table 15-113](#) list the local address to SDRAM address mapping when IBANK_POS = 1 and EBANK_POS = 1.

Table 15-113. Local Address to SDRAM Address Mapping for IBANK_POS = 1 and EBANK_POS = 1

chip select		MAddr[31:2]							
bank address[2]		row address		bank address[1:0]		column address			
EBANK value	chip select width (bits)	IBANK value	bank[2] width (bits)	ROWSIZE value	row width (bits)	IBANK value	bank[1:0] width (bits)	PAGESIZE value	col width (bits)
0	0	0	0	0	9	0	0	0	8
1	1	1	0	1	10	1	1	1	9
		2	0	2	11	2	2	2	10
		3	1	3	12	3	2	3	11
				4	13				
				5	14				
				6	15				
				7	16				

For [EMIF_SDRAM_CONFIG\[28:27\]](#) IBANK_POS = 1, and [EMIF_SDRAM_CONFIG_2\[27\]](#) EBANK_POS = 1, the EMIF interleaves banks the same as for [EMIF_SDRAM_CONFIG\[28:27\]](#) IBANK_POS = 0 but the interleaving of banks within a device (per CS) is limited to four banks. Thus, the EMIF can keep a maximum of 16 banks (eight internal banks across two CSs) open at a time but can interleave among only 4 of them.

15.3.4.12.7 Address Mapping for IBANK_POS = 2 and EBANK_POS = 1

[Table 15-114](#) list the local address to SDRAM address mapping when IBANK_POS = 2 and EBANK_POS = 1.

Table 15-114. Local Address to SDRAM Address Mapping for IBANK_POS = 2 and EBANK_POS = 1

chip select		MAddr[31:N] N = 1 if 16-bit data bus width; N = 2 if 32-bit data bus width							
bank address[2:1]		row address		bank address[0]		column address			
EBANK value	chip select width (bits)	IBANK value	bank[2:1] width (bits)	ROWSIZE value	row width (bits)	IBANK value	bank[0] width (bits)	PAGESIZE value	col width (bits)
0	0	0	0	0	9	0	0	0	8
1	1	1	0	1	10	1	1	1	9
		2	1	2	11	2	1	2	10
		3	2	3	12	3	1	3	11
				4	13				
				5	14				
				6	15				
				7	16				

For [EMIF_SDRAM_CONFIG\[28:27\]](#) IBANK_POS = 2 and [EMIF_SDRAM_CONFIG_2\[27\]](#) EBANK_POS = 1, the EMIF interleaves banks the same as for [EMIF_SDRAM_CONFIG\[28:27\]](#) IBANK_POS = 0 but the interleaving of banks within a device (per CS) is limited to two banks. Thus, the EMIF can keep a maximum of 16 banks (eight internal banks across two CSs) open at a time but can interleave among only two of them.

15.3.4.12.8 Address Mapping for IBANK_POS = 3 and EBANK_POS = 1

[Table 15-115](#) list the local address to SDRAM address mapping when IBANK_POS = 3 and EBANK_POS = 1.

Table 15-115. Local Address to SDRAM Address Mapping for IBANK_POS = 3 and EBANK_POS = 1

MAddr[31:N] N = 1 if 16-bit data bus width; N = 2 if 32-bit data bus width							
chip select		bank address		row address		column address	
EBANK value	chip select width (bits)	IBANK value	bank width (bits)	ROWSIZE value	row width (bits)	PAGESIZE value	col width (bits)
0	0	0	0	0	9	0	8
1	1	1	1	1	10	1	9
		2	2	2	11	2	10
		3	3	3	12	3	11
				4	13		
				5	14		
				6	15		
				7	16		

For [EMIF_SDRAM_CONFIG\[28:27\]](#) IBANK_POS = 3 and [EMIF_SDRAM_CONFIG_2\[27\]](#) EBANK_POS = 1, the EMIF cannot interleave banks within a device (per CS). Thus, the EMIF can keep a maximum of 16 banks (eight internal banks across two CSs) open at a time but cannot interleave among them.

NOTE: Because the EMIF interleaves among a fewer number of banks when [EMIF_SDRAM_CONFIG\[28:27\]](#) IBANK_POS \neq 0 or [EMIF_SDRAM_CONFIG_2\[27\]](#) EBANK_POS = 1, these cases are lower in performance than the [EMIF_SDRAM_CONFIG\[28:27\]](#) IBANK_POS = 0 case. Thus, these cases are recommended to be used only with partial array self-refresh where performance can be traded off for power savings.

15.3.4.13 DDR3/DDR3L Output Impedance Calibration

NOTE: Chip select 1 is not supported on this device.

The EMIF controller supports automatic output impedance (ZQ) calibration for DDR3/DDR3L memories. The ZQ calibration can be enabled per CS by setting the [EMIF_SDRAM_OUTPUT_IMPEDANCE_CALIBRATION_CONFIG\[31\]](#) ZQ_CS1EN and [EMIF_SDRAM_OUTPUT_IMPEDANCE_CALIBRATION_CONFIG\[30\]](#) ZQ_CS0EN bits. The EMIF supports three types of ZQ calibration commands:

- ZQINIT: ZQ calibration command during initialization
- ZQCL: ZQ calibration long command
- ZQCS: ZQ calibration short command

The EMIF automatically issues ZQINIT command during DDR3/DDR3L memory initialization. It also issues ZQCS command each time the [EMIF_SDRAM_OUTPUT_IMPEDANCE_CALIBRATION_CONFIG\[15:0\]](#) ZQ_REFINTERVAL bit field expires. In other words, the ZQ_REFINTERVAL defines the interval between two ZQCS commands. When ZQCS command is issued, the EMIF waits and blocks any other command for [EMIF_SDRAM_TIMING_3\[20:15\]](#) ZQ_ZQCS + 1 number of DDR clock cycles.

If the [EMIF_SDRAM_OUTPUT_IMPEDANCE_CALIBRATION_CONFIG\[28\]](#) ZQ_SFEXITEN bit field is set to 0x1, the EMIF issues ZQCL command every time it exits self-refresh, active power-down and precharge power-down modes. When ZQCL command is issued, the EMIF waits and blocks any other command for ([EMIF_SDRAM_OUTPUT_IMPEDANCE_CALIBRATION_CONFIG\[17:16\]](#) ZQ_ZQCL_MULT + 1) \times ([EMIF_SDRAM_TIMING_3\[20:15\]](#) ZQ_ZQCS + 1) number of DDR clock cycles.

If a separate calibration resistor is used per device, the ZQ calibration can be performed simultaneously over both CSs. To enable ZQ calibration to be performed simultaneously over both CSs, the [EMIF_SDRAM_OUTPUT_IMPEDANCE_CALIBRATION_CONFIG\[27\]](#) ZQ_DUALCALEN bit must be set to 0x1. If ZQ_DUALCALEN is set to 0x0, the EMIF performs ZQ calibration serially per chip select.

The ZQINIT is a non periodic command issued only once during DDR initialization as opposed to the ZQCL and ZQCS calibration commands which are issued by the EMIF periodically at regular intervals.

15.3.4.14 Error Correction And Detection Feature

NOTE: The ECC feature is not available on this device, but signal names and configuration contexts are retained for consistency with the AM572x family of devices.

For data integrity, the EMIF1 supports ECC on the data written or read from the SDRAM and is enabled by programming the [EMIF_ECC_CTRL_REG](#) register. ECC accesses are allowed for the both SYS and the MPU ports. 7-bit ECC is calculated over 32-bit data when in 32-bit DDR mode. 6-bit ECC is calculated over 16-bit data when in 16-bit DDR mode. The ECC is calculated for all accesses that are within the address ranges protected by ECC. The address ranges are specified in the [EMIF_ECC_ADDRESS_RANGE_1](#) and [EMIF_ECC_ADDRESS_RANGE_2](#) registers. Both registers have identical bits and functionality. This provides flexibility allowing two non-overlapping memory regions to be ECC protected.

The system must ensure that any burst access with starting address in the ECC protected region must not cross over to the un-protected region and vice-versa. The ECC is stored inside the SDRAM during writes. If a write access with byte count that is not a multiple of ECC quanta or with a non quanta aligned address is performed within the address range protected by ECC, the EMIF will send out a write ECC error interrupt. The EMIF will also report an error on the SYS and MPU response interface. In this case, the EMIF will perform the write to the SDRAM. However, the ECC value written to the SDRAM will be corrupted. The EMIF will also log the MConnID, MCmd, MBurstSeq, and MAddrSpace for the first error transaction in the [EMIF_OCP_ERROR_LOG](#) register.

The ECC quanta is either 32-bit or 16-bit based on the [EMIF_SDRAM_CONFIG\[15:14\] NARROW_MODE](#) bit field. For 32-bit mode (128 bits per EMIF clock cycle), an ECC quanta is 32 bits. For 16-bit narrow mode (64 bits per EMIF clock cycle), the ECC quanta is 16 bits.

Once ECC is enabled the entire protected region must be initialized with data. These writes must be quanta-sized and quanta-aligned.

The ECC is read and verified during reads. For 1-bit ECC error in the data, the EMIF will correct the data and send it on the SYS or MPU return interface. The EMIF will log the starting address of the SDRAM burst in an internal 4 deep address FIFO. The internal FIFO will store the first four 1-bit ECC errors. The [EMIF_1B_ECC_ERR_ADDR_LOG](#) register will display the address on top of the internal FIFO. The software must write a 0x1 to the [EMIF_1B_ECC_ERR_ADDR_LOG](#) register to pop the FIFO and display the next address stored. For subsequent reads in the ECC regions, the FIFO will be loaded with the address for the next 1-bit ECC error if it is not full. It must be noted that no address comparison will be performed, that is, if a single address has ECC errors back-to-back, that address will be logged twice.

The number of 1-bit ECC errors can be counted using the [EMIF_1B_ECC_ERR_CNT](#) register. The EMIF also supports programming a threshold and a window in the [EMIF_1B_ECC_ERR_THRSH](#) register. The window is programmed in number of refresh periods. When the programmed window value is 0x0, that is, window is disabled, and the internal error count meets the programmed threshold, the EMIF will generate a 1-bit ECC error interrupt. When the programmed window value is non-zero, that is, window is enabled, the EMIF will generate a 1-bit ECC error interrupt only if the internal error count meets the programmed threshold in that window. The internal error count is reset every time the window expires. The software can use this to gauge the degree of 1-bit ECC errors occurring in the system.

For diagnosis, the EMIF supports a 1-Bit ECC data error distribution register ([EMIF_1B_ECC_ERR_DIST_1](#)) that represent whether an error has occurred in a given data channel location. This is advantageous to detect whether the errors are random or systemic. The distribution registers will be overlay of all 1-bit ECC errors until the software clears the register. Therefore, multiple bits could be set as a result of multiple 1-bit ECC errors occurring over multiple read accesses.

For 2-bit ECC errors in the data, the EMIF will generate a 2-bit ECC error interrupt. For any bit errors in the address, the EMIF will generate an address error interrupt. It must be noted that the EMIF will neither correct the data for these uncorrectable errors. Along with generating the interrupts, the EMIF will also report an error on the SYS or MPU return interface. In this case the EMIF will send the resultant data from the ECC correction logic. The read data received from the memory may have further been corrupted by the ECC correction logic since it will have attempted to correct the read data but failed due to uncorrectable error.

For all uncorrectable ECC errors listed above, the EMIF will log the starting address of the SDRAM burst in the [EMIF_2B_ECC_ERR_ADDR_LOG](#) register. This register will show the address of the first uncorrectable error. After the software clears the register, it will be loaded with the address for the next uncorrectable error.

In the event that the EMIF detects a single bit ECC error, although the error is corrected on the returned data, the data in the SDRAM is not corrected. It is the responsibility of the system software to correct the ECC error at that location. To the extent possible, the system software should correct multiple bit errors with the caveat that the returned data was not corrected but corrupted by the ECC correction logic.

15.3.4.15 Class of Service

The class of service mechanism can be enabled by setting to 0x1 the [EMIF_READ_WRITE_EXECUTION_THRESHOLD](#)[31] MFLAG_OVERRIDE bit. In this case EMIF services the order of commands given by the class of service rules described in the following paragraphs. If MFLAG_OVERRIDE is set to 0x0 then class of service does not apply. When MFLAG_OVERRIDE is 0x0 and the MFLAG is high then the EMIF alternates between one command coming from the MPU interface and one from the System interface and so forth. The MFLAG value is ignored if MFLAG_OVERRIDE is 0x1.

The commands in the Command FIFO can be mapped to two classes of service namely 1 and 2. The mapping of commands to a particular class of service can be done based on the priority or the master ID. The mapping based on priority can be done by setting the appropriate values in the [EMIF_PRIORITY_TO_CLASS_OF_SERVICE_MAPPING](#) register. The mapping based on master ID can be done by setting the appropriate values of master ID and the masks in the [EMIF_CONNECTION_ID_TO_CLASS_OF_SERVICE_1_MAPPING](#) and [EMIF_CONNECTION_ID_TO_CLASS_OF_SERVICE_2_MAPPING](#) registers. There are 3 master ID and mask values that can be set for each class of service. In conjunction with the masks, each class of service can have a maximum of 144 master IDs mapped to it. For example, a master ID value of 0xFF along with a mask value of 0x3 will map all master IDs from 0xF8 to 0xFF to that particular class of service.

Each class of service has an associated latency counter ([EMIF_COS_CONFIG](#)[23:16] COS_COUNT_1 and [EMIF_COS_CONFIG](#)[15:8] COS_COUNT_2). When the latency counter for a command expires, that is, reaches the value programmed for the class of service that the command belongs to, that command is executed next. If there is more than one command that has expired latency counter, the command with the highest priority is executed first. One exception to this rule is, if the [EMIF_COS_CONFIG](#)[7:0] PR_OLD_COUNT value expires for the oldest command in the queue. That command is executed first irrespective of priority or class of service. This is done to prevent the continuous blocking effect.

The [EMIF_COS_CONFIG](#)[7:0] PR_OLD_COUNT value is used to identify when the oldest command in the command FIFO has timed out. At this point during the arbitration process, this oldest command is issued regardless of the priority of the other commands in the FIFO. This feature is disabled when writing 0x0 to the [EMIF_COS_CONFIG](#)[7:0] PR_OLD_COUNT bit field. After issuing the oldest command, the other remaining commands in the FIFO are reordered by age. The next oldest command in the FIFO is given highest priority again and issued after the [EMIF_COS_CONFIG](#)[7:0] PR_OLD_COUNT value expires. If a new value in the PR_OLD_COUNT bit field is written during counting, that is, before PR_OLD_COUNT expires, the counter keeps working but if this value is smaller the oldest command is issued sooner and if this value is larger the oldest command is issued later.

The master ID mapping allows the same master ID to be put in both class of service 1 and 2. Also, a transaction might belong to one class of service if viewed by master ID and might belong to another class of service if viewed by priority. In these cases, the command will belong to both class of service. The EMIF will try executing the command as soon as possible, when the smaller of the two counters ([EMIF_COS_CONFIG](#)[23:16] COS_COUNT_1 and [EMIF_COS_CONFIG](#)[15:8] COS_COUNT_2) expires.

15.3.4.16 Performance Counters

The [EMIF_PERFORMANCE_COUNTER_1](#) and [EMIF_PERFORMANCE_COUNTER_2](#) registers are used to monitor or calculate the EMIF Controller bandwidth and efficiency. These counters are able to count events such as accesses made to EMIF, Activate (ACT) commands sent to SDRAM, read and write accesses made to EMIF, and other events. Each counter counts independently of the other. In addition to the ability of events counting, the counters can also filter the events from a particular master or address space. The events counting and filter enabling are configured using the [EMIF_PERFORMANCE_COUNTER_CONFIG](#) register. The filter value used is configured through the [EMIF_PERFORMANCE_COUNTER_MASTER_REGION_SELECT](#) register. Each counter can be configured independently.

[Table 15-116](#) lists all the events that can be counted and whether a filter can be applied to a particular event. A filter is applied to an event if the following bits are set to 0x1 for that event:

- For Performance Counter 1: [EMIF_PERFORMANCE_COUNTER_CONFIG\[15\]](#) CNTR1_MCONNID_EN and [EMIF_PERFORMANCE_COUNTER_CONFIG\[14\]](#) CNTR1_REGION_EN;
- For Performance Counter 2: [EMIF_PERFORMANCE_COUNTER_CONFIG\[31\]](#) CNTR2_MCONNID_EN and [EMIF_PERFORMANCE_COUNTER_CONFIG\[30\]](#) CNTR2_REGION_EN.

Table 15-116. Performance Counter Filter Configuration

CNTR _n _CFG ⁽¹⁾	CNTR _n _REGION_EN	CNTR _n _MCONNID_EN	Description
0x0	0x0	0x0 or 0x1	Count the accesses made to EMIF
0x1	0x0	0x0 or 0x1	Count the Activate (ACT) commands sent to SDRAM
0x2	0x0 or 0x1	0x0 or 0x1	Count the read accesses made to EMIF
0x3	0x0 or 0x1	0x0 or 0x1	Count the write accesses made to EMIF
0x4	0x0	0x0	Count number of EMIF_FICLK clock cycles during which the local Command FIFO is full
0x5	0x0	0x0	Count number of EMIF_FICLK clock cycles during which the local Write Data FIFO is full
0x6	0x0	0x0	Count number of EMIF_FICLK clock cycles during which the local Read Data FIFO is full
0x7	0x0	0x0	Count number of EMIF_FICLK clock cycles during which the local Return Command FIFO is full
0x8	0x0 or 0x1	0x0 or 0x1	Count number of priority elevations
0x9	0x0	0x0	Count number of EMIF_FICLK clock cycles that a command was pending
0xA	0x0	0x0	Count number of EMIF_FICLK cycles used by the EMIF controller for reads and writes.
0xB - 0xF	0x0	0x0	Reserved for future use.

⁽¹⁾ n = 1 or 2

NOTE: When the MReqDebug qualifier is set to 0x1 for a particular local command, the performance counters are not incremented for that particular command if the CNTR_n_CFG values are equal to 0x0, 0x1, 0x2, 0x3, or 0xA.

NOTE: The EMIF performance counters cannot distinguish between single access and burst access. In both cases they are incremented by 1. If the actual SDRAM bandwidth of an initiator has to be measured the EMIF performance counters may not be sufficient.

15.3.4.16.1 Performance Counters General Examples

- **General Example for Counting All Write Accesses made to EMIF**
If the [EMIF_PERFORMANCE_COUNTER_1](#) register is used to count all write accesses made to EMIF from master with connection ID equal to 0x86 (this is the system MMU) the following steps should be performed:

- To enable the writes counting, the [EMIF_PERFORMANCE_COUNTER_CONFIG\[3:0\]](#) CNTR1_CFG bit field must be set to 0x3.
- The [EMIF_PERFORMANCE_COUNTER_MASTER_REGION_SELECT\[15:8\]](#) MCONNID1 bit field must be set to 0x86.
- To enable filtering, the [EMIF_PERFORMANCE_COUNTER_CONFIG\[15\]](#) CNTR1_MCONNID_EN bit must be set to 0x1.

With this configuration [EMIF_PERFORMANCE_COUNTER_1](#) counts every write made to the EMIF from master 0x86 to any address space. This does not include accesses from other masters and commands other than writes.

- **General Example for Counting Total Accesses made to EMIF**

If the [EMIF_PERFORMANCE_COUNTER_2](#) register is used to count total accesses made to EMIF regardless of the address space or master the following steps should be performed:

- To enable counting of all accesses to the SDRAM, the [EMIF_PERFORMANCE_COUNTER_CONFIG\[19:16\]](#) CNTR2_CFG bit field must be set to 0x0.
- To disable filtering, both the [EMIF_PERFORMANCE_COUNTER_CONFIG\[31\]](#) CNTR2_MCONNID_EN and [EMIF_PERFORMANCE_COUNTER_CONFIG\[30\]](#) CNTR2_REGION_EN bits must be set to 0x0.

With this configuration [EMIF_PERFORMANCE_COUNTER_2](#) counts every access made to the EMIF. This includes all accesses from all masters and to any address space.

- **General Example for Counting All Read Accesses made to EMIF**

If the [EMIF_PERFORMANCE_COUNTER_1](#) register is used to count all read accesses made to EMIF from master with connection ID equal to 0x86 (this is the system MMU) to address space 0x0 the following steps should be performed:

- To enable the reads counting, the [EMIF_PERFORMANCE_COUNTER_CONFIG\[3:0\]](#) CNTR1_CFG bit field must be set to 0x2.
- The [EMIF_PERFORMANCE_COUNTER_MASTER_REGION_SELECT\[15:8\]](#) MCONNID1 bit field must be set to 0x86
- The [EMIF_PERFORMANCE_COUNTER_MASTER_REGION_SELECT\[1:0\]](#) REGION_SEL1 bit field must be set to 0x0.
- To enable filtering, both the [EMIF_PERFORMANCE_COUNTER_CONFIG\[15\]](#) CNTR1_MCONNID_EN and the [EMIF_PERFORMANCE_COUNTER_CONFIG\[14\]](#) CNTR1_REGION_EN bits must be set to 0x1.

With this configuration, [EMIF_PERFORMANCE_COUNTER_1](#) counts every read made to the EMIF from master 0x86 to address space 0x0. This does not include accesses from other masters or to other address spaces and does not include commands other than reads.

15.3.4.17 Forcing CKE to tri-state

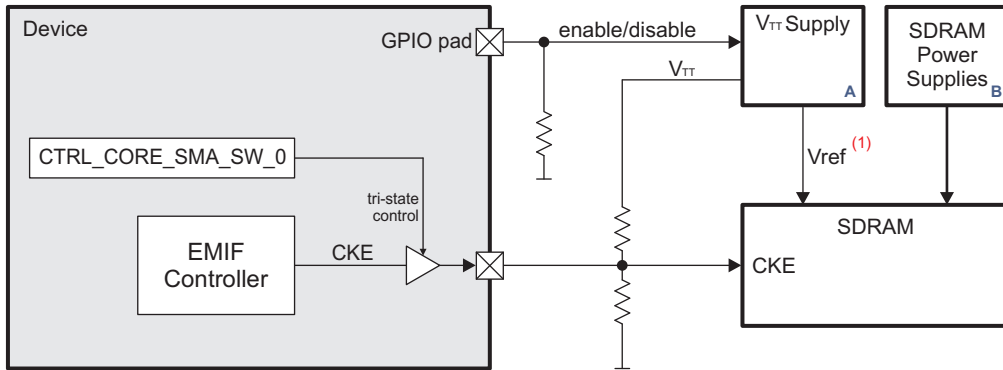
The CKE pad can be forced to tri-state when the CTRL_CORE_SMA_SW_0[0] CKE_GATING_CTRL bit is set to 0x1. This functionality facilitates fast resume by allowing a strong external pull-down resistor to hold the CKE memory pad low thus keeping the SDRAM in self-refresh while the device is completely powered off. [Figure 15-51](#) and the following example sequence provide more details how this functionality can be used:

- When device is running configure EMIF for self refresh. As a result it drives CKE low.
- Disable V_{TT} supply (can be controlled through a device GPIO pad).
- Ramp down all power rails to the device. When power is already off, EMIF doesn't drive CKE low. The external pull-down does this instead. Note that only V_{TT} must be off. All SDRAM supplies (including V_{REF}) must be on.
- After these three steps the device is completely powered off and the SDRAM is in self-refresh. The waking-up from this state is system specific.
- To resume from self-refresh the CKE pad must be forced to tri-state by writing 0x1 to one of the CKE_GATING_CTRL bits previously mentioned. Then EMIF must be configured for self-refresh so that its state becomes consistent with the actual SDRAM state.
- Write 0x0 to the corresponding CKE_GATING_CTRL bit to release CKE driver from tri-state. This

allows EMIF to take control over CKE which is now driven low as EMIF has already been configured for self-refresh.

- Enable V_{TT} supply.
- Access the SDRAM to bring it out of self refresh and resume application.

Figure 15-51. Example for Using the CKE Tri-state Functionality



(1) - Vref (derived either from A or B) must remain ON when V_{TT} is OFF.

emif-007

NOTE: In case the device is powered off but the SDRAM is in self-refresh (as previously described) it must be taken into account that the SDRAM RESET# signal has to be controlled externally to preserve the SDRAM contents. This is needed as ddr1_rst signal is not controlled by the CTRL_CORE_SMA_SW_0 register and therefore cannot be used.

15.3.5 EMIF Programming Guide

15.3.5.1 EMIF Low-Level Programming Models

This section describes the low-level hardware programming sequences for the configuration and use of the EMIF module.

15.3.5.1.1 Global Initialization

Table 15-117. Global Initialization of Surrounding Modules

Surrounding Modules	Comments
PRCM	The module interface and functional clocks must be enabled. See Chapter 3, Power, Reset, and Clock Management .
DMM	The EMIF is a slave to the DMM. The DMM must be enabled and configured. See Section 15.2, Dynamic Memory Manager .
Device INTCs	Device INTCs must be configured to enable the interrupt request generation. For more information see Chapter 17, Interrupt Controllers .
IRQ_CROSSBAR	IRQ_CROSSBAR configuration must be done to allow module IRQs to be mapped to certain device INTC line. For more information see Section 18.4.6.4, IRQ_CROSSBAR Module Functional Description , in Chapter 18, Control Module .

15.3.5.1.1.1 EMIF Configuration Sequence

[Table 15-118](#) shows all steps needed to configure and use the EMIF.

Table 15-118. EMIF Configuration Sequence

Step	Register/ Bit Field	Value
Configure DPLL_DDR to the required frequency:		
· IF DPLL_DDR is locked:	CM_IDLEST_DPLL_DDR[0] ST_DPLL_CLK	0x1
Unlock DPLL_DDR	CM_CLKMODE_DPLL_DDR[2:0] DPLL_EN	0x6
· ENDIF		
· Configure the DPLL multiplier and divider factors	CM_CLKSEL_DPLL_DDR[18:8] DPLL_MULT and CM_CLKSEL_DPLL_DDR[6:0] DPLL_DIV	0x-
· Configure the M2 post-divider factor	CM_DIV_M2_DPLL_DDR[4:0] DIVHS	0x-
· Configure the H11 post-divider factor	CM_DIV_H11_DPLL_DDR[5:0] DIVHS	0x-
· Lock the DPLL_DDR	CM_CLKMODE_DPLL_DDR[2:0] DPLL_EN	0x7
Disable DLL Override	CM_DLL_CTRL[0] DLL_OVERRIDE	0x0
Configure the output impedance, slew rate and weak pull resistors of the DDR IO cells. For more information, see Section 18.4.6.10 Software Controls for the DDR3 I/O Cells .	CTRL_CORE_CONTROL_DDRCACH1_0 CTRL_CORE_CONTROL_DDRCH1_0 CTRL_CORE_CONTROL_DDRCH1_1 CTRL_CORE_CONTROL_DDRCH1_2	0x-
If needed, configure the Vref-Generation Cells. For more information, see Section 18.4.6.11 Reference Voltage for the Device DDR3 Receivers .	CTRL_CORE_CONTROL_DDRIO_0	0x-
Set the number of DQ samples required for read leveling	CTRL_WKUP_EMIF1_SDRAM_CONFIG_EXT[15:14] EMIF1_REG_PHY_NUM_OF_SAMPLES	0x3
Choose SDRAM read response on only one DQ bit during read leveling	CTRL_WKUP_EMIF1_SDRAM_CONFIG_EXT[12] EMIF1_REG_PHY_ALL_DQ_MPR_RD_RESP	0x0

Table 15-118. EMIF Configuration Sequence (continued)

Step	Register/ Bit Field	Value
Configure ODT for the device DDR IOs	CTRL_WKUP_EMIF1_SDRAM_CONFIG_EXT [6:5] EMIF1_PHY_RD_LOCAL_ODT	0x1 for 60 Ohms
		0x2 for 80 Ohms
		0x3 for 120 Ohms
IF ECC is used OR IF special ⁽¹⁾ use-cases:		
Enable ECC	CTRL_WKUP_EMIF1_SDRAM_CONFIG_EXT[16] EMIF1_EN_ECC	0x1
ENDIF		
Based on the memory type other bits from CTRL_WKUP_EMIF1_SDRAM_CONFIG_EXT can also be configured.		
Read the EMIF_IODFT_TLGC register	EMIF_IODFT_TLGC	RD_VAL_1
Read the EMIF_DDR_PHY_CONTROL_2 register	EMIF_DDR_PHY_CONTROL_2	RD_VAL_2
IF External warm reset or global warm software reset has occurred:	PRM_RSTST[5]EXTERNAL_WARM_RST or PRM_RSTST[1] GLOBAL_WARM_SW_RST	0x1
		0x1
Reset the DDR PHY	EMIF_IODFT_TLGC [10] RESET_PHY	0x1
ENDIF		
Program the necessary ratio values to the EMIF_EXT_PHY_CONTROL_1 register	EMIF_EXT_PHY_CONTROL_1 [19:10] PHY_REG_CTRL_SLAVE_RATIO1	0x80 if PHY_INVERT_CLK OUT = 0x0 or 0x100 if PHY_INVERT_CLK OUT = 0x1
	EMIF_EXT_PHY_CONTROL_1 [9:0] PHY_REG_CTRL_SLAVE_RATIO0	0x80 if PHY_INVERT_CLK OUT = 0x0 or 0x100 if PHY_INVERT_CLK OUT = 0x1
Program the shadow register of EMIF_EXT_PHY_CONTROL_1	EMIF_EXT_PHY_CONTROL_1_SHADOW	EMIF_EXT_PHY_CONTROL_1
If software leveling will be used, program registers EMIF_EXT_PHY_CONTROL_2 through EMIF_EXT_PHY_CONTROL_21 and their corresponding shadow registers NOTE: Software leveling is not recommended to be used. Hardware leveling must be used instead.	EMIF_EXT_PHY_CONTROL_2 / EMIF_EXT_PHY_CONTROL_2_SHADOW through EMIF_EXT_PHY_CONTROL_21 / EMIF_EXT_PHY_CONTROL_21_SHADOW	0x-
Program the necessary delay values to the EMIF_EXT_PHY_CONTROL_22 register	EMIF_EXT_PHY_CONTROL_22 [24:16] PHY_REG_FIFO_WE_IN_DELAY ⁽²⁾ ⁽³⁾	Recommended value is 0x0
	EMIF_EXT_PHY_CONTROL_22 [8:0] PHY_REG_CTRL_SLAVE_DELAY ⁽²⁾ ⁽³⁾	Recommended value is 0x0
Program the shadow register of EMIF_EXT_PHY_CONTROL_22	EMIF_EXT_PHY_CONTROL_22_SHADOW ⁽²⁾ ⁽³⁾	EMIF_EXT_PHY_CONTROL_22

⁽¹⁾ In some special use-cases with features like suspend to RAM where EMIF may be reset but SDRAM content needs to be maintained correctly across such an event. In such cases, when EMIF is configured at first boot with hardware leveling enabled, the hardware leveling output from EMIF_PHY_STATUS_x registers is copied to the EMIF_EXT_PHY_CONTROL_x registers. When EMIF comes back from a reset state and needs to be reconfigured without losing SDRAM content, the [EMIF_READ_WRITE_LEVELING_RAMP_CONTROL](#)[31] RDWRLVL_EN bit must be 0 and hardware leveling must not be triggered. In this case, the [EMIF_EXT_PHY_CONTROL_2](#) through [EMIF_EXT_PHY_CONTROL_21](#) registers take effect. Here it is expected that SDRAM is moved to self-refresh mode before EMIF enters reset state and SDRAM content is maintained correctly by appropriate circuitry external to the SoC.

⁽²⁾ These values are only used when CM_DLL_CTRL[0] DLL_OVERRIDE is set to 0x1. This is used only for debug purposes.

⁽³⁾ The values of these fields do not depend on the board topology.

Table 15-118. EMIF Configuration Sequence (continued)

Step	Register/ Bit Field	Value
Program the necessary delay values to the EMIF_EXT_PHY_CONTROL_23 register	EMIF_EXT_PHY_CONTROL_23 [24:16] PHY_REG_WR_DQS_SLAVE_DELAY ^{(2) (3)}	Recommended value is 0x0
	EMIF_EXT_PHY_CONTROL_23 [8:0] PHY_REG_RD_DQS_SLAVE_DELAY ^{(2) (3)}	Recommended value is 0x0
Program the shadow register of EMIF_EXT_PHY_CONTROL_23	EMIF_EXT_PHY_CONTROL_23_SHADOW ^{(2) (3)}	EMIF_EXT_PHY_C ONTROL_23
Program the EMIF_EXT_PHY_CONTROL_24 register	EMIF_EXT_PHY_CONTROL_24 [30:24] REG_PHY_DQ_OFFSET_HI ⁽⁴⁾	0x-
	EMIF_EXT_PHY_CONTROL_24 [16] REG_PHY_GATELVL_INIT_MODE	Recommended value is 0x1
	EMIF_EXT_PHY_CONTROL_24 [12] REG_PHY_USE_RANK0_DELAYS ⁽³⁾	0x1
	EMIF_EXT_PHY_CONTROL_24 [8:0] REG_PHY_WR_DATA_SLAVE_DELAY ⁽²⁾⁽³⁾	Recommended value is 0x0
Program the shadow register of EMIF_EXT_PHY_CONTROL_24	EMIF_EXT_PHY_CONTROL_24_SHADOW	EMIF_EXT_PHY_C ONTROL_24
Program the necessary offset ratio values to the EMIF_EXT_PHY_CONTROL_25 register	EMIF_EXT_PHY_CONTROL_25 [27:21] REG_PHY_DQ_OFFSET3 ⁽⁴⁾	0x-
	EMIF_EXT_PHY_CONTROL_25 [20:14] REG_PHY_DQ_OFFSET2 ⁽⁴⁾	0x-
	EMIF_EXT_PHY_CONTROL_25 [13:7] REG_PHY_DQ_OFFSET1 ⁽⁴⁾	0x-
	EMIF_EXT_PHY_CONTROL_25 [6:0] REG_PHY_DQ_OFFSET0 ⁽⁴⁾	0x-
Program the shadow register of EMIF_EXT_PHY_CONTROL_25	EMIF_EXT_PHY_CONTROL_25_SHADOW	EMIF_EXT_PHY_C ONTROL_25
If hardware leveling (read-write leveling) will be used, program with zeros registers EMIF_EXT_PHY_CONTROL_26 through EMIF_EXT_PHY_CONTROL_35 and their corresponding shadow registers	EMIF_EXT_PHY_CONTROL_26 / EMIF_EXT_PHY_CONTROL_26_SHADOW through EMIF_EXT_PHY_CONTROL_35 / EMIF_EXT_PHY_CONTROL_35_SHADOW	0x0
Program the EMIF_EXT_PHY_CONTROL_36 register	EMIF_EXT_PHY_CONTROL_36	0x-
Program the shadow register of EMIF_EXT_PHY_CONTROL_36	EMIF_EXT_PHY_CONTROL_36_SHADOW	EMIF_EXT_PHY_C ONTROL_36
Define the SDRAM refresh rate in the shadow register of EMIF_SDRAM_REFRESH_CONTROL	EMIF_SDRAM_REFRESH_CONTROL_SHADOW [15:0] REFRESH_RATE_SHDW	0x-
Define the SDRAM refresh rate	EMIF_SDRAM_REFRESH_CONTROL [15:0] REFRESH_RATE	REFRESH_RATE_ SHDW
Disable SDRAM initialization and refreshes	EMIF_SDRAM_REFRESH_CONTROL [31] INITREF_DIS	0x1
Configure the timing parameters in EMIF_SDRAM_TIMING_1 ⁽⁵⁾		0x-
Program the shadow register of EMIF_SDRAM_TIMING_1	EMIF_SDRAM_TIMING_1_SHADOW ⁽⁵⁾	EMIF_SDRAM_TIMI NG_1
Configure the timing parameters in EMIF_SDRAM_TIMING_2 ⁽⁵⁾		0x-
Program the shadow register of EMIF_SDRAM_TIMING_2	EMIF_SDRAM_TIMING_2_SHADOW ⁽⁵⁾	EMIF_SDRAM_TIMI NG_2
Configure the timing parameters in EMIF_SDRAM_TIMING_3 ⁽⁵⁾		0x-
Program the shadow register of EMIF_SDRAM_TIMING_3	EMIF_SDRAM_TIMING_3_SHADOW ⁽⁵⁾	EMIF_SDRAM_TIMI NG_3

⁽⁴⁾ These fields control the delay between the corresponding DQ byte lane and DQS/DQSN pair. Their values should correspond to delay of 1/4 clock cycle to center the DQ relative to the rising/falling edges of DQS/DQSN. Regardless of topology, it is recommended that all the DQ bits are skew matched to the corresponding DQS/DQSN pair.

⁽⁵⁾ Values loaded in these registers depend on OPP.

Table 15-118. EMIF Configuration Sequence (continued)

Step	Register/ Bit Field	Value
Program the EMIF_LPDDR2_NVM_TIMING ⁽⁶⁾ and EMIF_LPDDR2_NVM_TIMING_SHADOW ⁽⁶⁾ registers. NOTE: These registers are not supported. They are kept only for code compatibility.		0x0
Disable automatic power management	EMIF_POWER_MANAGEMENT_CONTROL [10:8] LP_MODE	0x0
Define the number of DDR clock cycles after which the EMIF puts the external SDRAM in Power Down mode when EMIF is idle	EMIF_POWER_MANAGEMENT_CONTROL [15:12] PD_TIM	0x-
Define the number of DDR clock cycles after which the EMIF puts the external SDRAM in Self Refresh mode when EMIF is idle	EMIF_POWER_MANAGEMENT_CONTROL [7:4] SR_TIM	0x-
Program the shadow register of EMIF_POWER_MANAGEMENT_CONTROL_SHADOW	EMIF_POWER_MANAGEMENT_CONTROL_SHADOW	EMIF_POWER_MANAGEMENT_CONTROL_SHADOW
Configure the System and MPU maximum number of commands in the command FIFO	EMIF_OCP_CONFIG [27:24] SYS_THRESH_MAX	0x-
	EMIF_OCP_CONFIG [23:20] MPU_THRESH_MAX	0x-
Program the EMIF_IODFT_TLGC register	EMIF_IODFT_TLGC	RD_VAL_1
Determine the required wait time after a phy_dll_calib is generated before another command can be sent	EMIF_DLL_CALIB_CTRL [19:16] ACK_WAIT	0x-
Determine the interval between phy_dll_calib generation	EMIF_DLL_CALIB_CTRL [8:0] DLL_CALIB_INTERVAL	0x-
Program the shadow register of EMIF_DLL_CALIB_CTRL_SHADOW	EMIF_DLL_CALIB_CTRL_SHADOW	EMIF_DLL_CALIB_CTRL_SHADOW
Define the interval (number of refresh periods) between ZQCS commands	EMIF_SDRAM_OUTPUT_IMPEDANCE_CALIBRATION_CONFIG [15:0] ZQ_REFINTERVAL	0x-
Define the number of ZQCS intervals that build the ZQCL duration	EMIF_SDRAM_OUTPUT_IMPEDANCE_CALIBRATION_CONFIG [17:16] ZQ_ZQCL_MULT	0x-
Enable issuing of ZQCL on Self-Refresh, Active Power-Down, and Precharge Power-Down exit	EMIF_SDRAM_OUTPUT_IMPEDANCE_CALIBRATION_CONFIG [28] ZQ_SFEXITEN	0x1
IF Calibration per CS:		
Determine on which chip select (0 or 1) the calibration is enabled. NOTE: Chip select 1 is not supported on this device.	EMIF_SDRAM_OUTPUT_IMPEDANCE_CALIBRATION_CONFIG [31:30]	0x-
ELSE (Calibration on both CS0 and CS1):		
Enable automatic output impedance calibration for both chip selects simultaneously.	EMIF_SDRAM_OUTPUT_IMPEDANCE_CALIBRATION_CONFIG [29] ZQ_DUALCALEN	0x1
ENDIF		
Program the EMIF_TEMP_ALERT_CONFIG ⁽⁶⁾ register. NOTE: This register is not supported on this device. It is kept only for code compatibility.		0x-
Program the EMIF_READ_WRITE_LEVELING_RAMP_WINDOW register. NOTE: Incremental leveling is not supported on this device.		0x-
IF Memory type == DDR3 AND SDRAM content doesn't need to be maintained:		
Enable read-write leveling	EMIF_READ_WRITE_LEVELING_RAMP_CONTROL [31] RDWRLVL_EN	0x1
ELSE:		
Disable read-write leveling	EMIF_READ_WRITE_LEVELING_RAMP_CONTROL [31] RDWRLVL_EN	0x0
ENDIF		

⁽⁶⁾ Writes to these registers do not have any impact. It's up to the user to skip these steps.

Table 15-118. EMIF Configuration Sequence (continued)

Step	Register/ Bit Field	Value
Program bits [30:0] of EMIF_READ_WRITE_LEVELING_RAMP_CONTROL NOTE: Incremental leveling is not supported on this device.		0x-
Program the EMIF_READ_WRITE_LEVELING_CONTROL register		0x0
Define the read latency for the read data from SDRAM in number of DDR clock cycles	EMIF_DDR_PHY_CONTROL_1 [4:0] READ_LATENCY	0x- (typical value >= (CL + 4))
Configure whether the MDLL lock is asserted based on single sample or average of 16 samples	EMIF_DDR_PHY_CONTROL_1 [9] PHY_FAST_DLL_LOCK	0x-
Define the maximum number of delay line taps variation while maintaining the master DLL lock. The recommended value is 0x10	EMIF_DDR_PHY_CONTROL_1 [17:10] PHY_DLL_LOCK_DIFF	0x10
Configure whether the clock to the SDRAM is inverted or not	EMIF_DDR_PHY_CONTROL_1 [18] PHY_INVERT_CLKOUT	0x-
When leveling is used set PHY_DIS_CALIB_RST to 0x0	EMIF_DDR_PHY_CONTROL_1 [19] PHY_DIS_CALIB_RST	0x0
Program the slave delay line delays to support 2x mode	EMIF_DDR_PHY_CONTROL_1 [21] PHY_HALF_DELAYS	0x1
IF Memory type == DDR3:		
Unmask read data eye training, DQS gate training and write leveling training during full leveling	EMIF_DDR_PHY_CONTROL_1 [27] RDLVL_MASK	0x0
	EMIF_DDR_PHY_CONTROL_1 [26] RDLVLGATE_MASK	0x0
	EMIF_DDR_PHY_CONTROL_1 [25] WRLVL_MASK	0x0
ELSE:		
Mask read data eye training, DQS gate training and write leveling training during full leveling	EMIF_DDR_PHY_CONTROL_1 [27] RDLVL_MASK	0x1
	EMIF_DDR_PHY_CONTROL_1 [26] RDLVLGATE_MASK	0x1
	EMIF_DDR_PHY_CONTROL_1 [25] WRLVL_MASK	0x1
ENDIF		
Program the shadow register of EMIF_DDR_PHY_CONTROL_1	EMIF_DDR_PHY_CONTROL_1_SHADOW	EMIF_DDR_PHY_CONTROL_1
Program the EMIF_DDR_PHY_CONTROL_2 register	EMIF_DDR_PHY_CONTROL_2 ⁽⁶⁾	RD_VAL_2
If needed, configure and enable the priority-to-class-of-service mapping for the commands in the command FIFO	EMIF_PRIORITY_TO_CLASS_OF_SERVICE_MAPPING	0x-
If needed, configure and enable the master-ID-to-class-of-service mapping for the commands in the command FIFO	EMIF_CONNECTION_ID_TO_CLASS_OF_SERVICE_1_MAPPING	0x-
	EMIF_CONNECTION_ID_TO_CLASS_OF_SERVICE_2_MAPPING	0x-
Chose whether Mflag or Class of Service is used	EMIF_READ_WRITE_EXECUTION_THRESHOLD [31] MFLAG_OVERRIDE	0x-
Configure the write threshold after which EMIF switches to read commands	EMIF_READ_WRITE_EXECUTION_THRESHOLD [12:8] WR_THRSH	0x-
Configure the read threshold after which EMIF switches to write commands	EMIF_READ_WRITE_EXECUTION_THRESHOLD [4:0] RD_THRSH	0x-
Configure the priority rise counters	EMIF_COS_CONFIG	0x-
IF Memory type == DDR3:		
Configure the SDRAM refresh rate with a value of 31.25µs to get 500µs delay between RESET de-assertion to CKE assertion after power-up	EMIF_SDRAM_REFRESH_CONTROL_SHADOW [15:0] REFRESH_RATE_SHDW	0x-
Program the EMIF_SDRAM_REFRESH_CONTROL register with value same as its shadow register	EMIF_SDRAM_REFRESH_CONTROL [15:0] REFRESH_RATE	REFRESH_RATE_SHDW

Table 15-118. EMIF Configuration Sequence (continued)

Step	Register/ Bit Field	Value
ELSEIF Memory type == DDR2: NOTE: DDR2 is not supported on this device.		
Configure the SDRAM refresh rate with value used initially to get 200µs delay between POWER UP and PRECHARGE ALL command	EMIF_SDRAM_REFRESH_CONTROL_SHADOW [15:0] REFRESH_RATE_SHDW	0x-
Program the EMIF_SDRAM_REFRESH_CONTROL register with value same as its shadow register	EMIF_SDRAM_REFRESH_CONTROL [15:0] REFRESH_RATE	REFRESH_RATE_SHDW
ELSEIF Memory type == LPDDR2:		
Configure the SDRAM refresh rate with value used initially to get 200µs delay between POWER UP and RESET command to LPDDR2	EMIF_SDRAM_REFRESH_CONTROL_SHADOW [15:0] REFRESH_RATE_SHDW	0x-
Program the EMIF_SDRAM_REFRESH_CONTROL register with value same as its shadow register	EMIF_SDRAM_REFRESH_CONTROL [15:0] REFRESH_RATE	REFRESH_RATE_SHDW
ENDIF		
Assign the external bank address bits from lower or higher L3 address as shown in Section 15.3.4.12, SDRAM Address Mapping	EMIF_SDRAM_CONFIG_2 [27] EBANK_POS	0x-
Select the SDRAM type	EMIF_SDRAM_CONFIG [31:29] SDRAM_TYPE	0x-
Assign internal bank address bits from L3 address as shown in Section 15.3.4.12, SDRAM Address Mapping	EMIF_SDRAM_CONFIG [28:27] IBANK_POS	0x-
Choose SDRAM data bus width	EMIF_SDRAM_CONFIG [15:14] NARROW_MODE	0x-
Define CAS latency when accessing connected SDRAM devices.	EMIF_SDRAM_CONFIG [13:10] CL	0x-
Define the number of row address bits of connected SDRAM device.	EMIF_SDRAM_CONFIG [9:7] ROWSIZE	0x-
Define the number of banks inside connected SDRAM device.	EMIF_SDRAM_CONFIG [6:4] IBANK	0x-
Define the internal page size of connected SDRAM device.	EMIF_SDRAM_CONFIG [2:0] PAGESIZE	0x-
Wait 1ms		
Configure the SDRAM refresh rate with value according to the actual memory refresh period requirements	EMIF_SDRAM_REFRESH_CONTROL_SHADOW [15:0] REFRESH_RATE_SHDW	0x-
Program the EMIF_SDRAM_REFRESH_CONTROL register with value same as its shadow register	EMIF_SDRAM_REFRESH_CONTROL [15:0] REFRESH_RATE	REFRESH_RATE_SHDW
IF Memory type == DDR3 AND Hardware leveling is used AND SDRAM content doesn't need to be maintained:		
IF ECC is used:		
Perform dummy ECC setup just to allow hardware leveling of ECC memories	EMIF_ECC_ADDRESS_RANGE_1	0x0
	EMIF_ECC_ADDRESS_RANGE_2	0x0
	EMIF_ECC_CTRL_REG	0xC000 0000
ENDIF		
Clear the phy_reg_fifo_we_in_misaligned_sticky status flag	EMIF_EXT_PHY_CONTROL_36 [8] REG_PHY_FIFO_WE_IN_MISALIGNED_CLR	0x1

Table 15-118. EMIF Configuration Sequence (continued)

Step	Register/ Bit Field	Value
Temporarily disable SDRAM refreshes	EMIF_SDRAM_REFRESH_CONTROL[31] INITREF_DIS	0x1
Trigger read-write leveling	EMIF_READ_WRITE_LEVELING_CONTROL[31] RDWRLVLFULL_START	0x1
Wait 300µs		
Wait till read-write leveling completes	EMIF_READ_WRITE_LEVELING_CONTROL[31] RDWRLVLFULL_START	0x0
Enable the temporarily disabled SDRAM refreshes	EMIF_SDRAM_REFRESH_CONTROL[31] INITREF_DIS	0x0
Check EMIF_STATUS for leveling timeouts	EMIF_STATUS[6] RDLVLGATETO	0x1
	EMIF_STATUS[5] RDLVLTO	0x1
	EMIF_STATUS[4] WRLVLTO	0x1
IF special ⁽¹⁾ use-cases:		
Copy EMIF_PHY_STATUS_12 through EMIF_PHY_STATUS_16 to EMIF_EXT_PHY_CONTROL_2 through EMIF_EXT_PHY_CONTROL_6		
Copy EMIF_PHY_STATUS_7 through EMIF_PHY_STATUS_11 to EMIF_EXT_PHY_CONTROL_7 through EMIF_EXT_PHY_CONTROL_11		
Copy EMIF_PHY_STATUS_17 through EMIF_PHY_STATUS_26 to EMIF_EXT_PHY_CONTROL_12 through EMIF_EXT_PHY_CONTROL_21		
Mask read data eye training, DQS gate training and write leveling training to disable the use of registers EMIF_PHY_STATUS_7 through EMIF_PHY_STATUS_26 registers	EMIF_DDR_PHY_CONTROL_1[27:25]	0x7
Program the shadow register of EMIF_DDR_PHY_CONTROL_1	EMIF_DDR_PHY_CONTROL_1_SHADOW	EMIF_DDR_PHY_CONTROL_1
Disable read-write leveling	EMIF_READ_WRITE_LEVELING_RAMP_CONTROL[31] RDWRLVLFULL_START	0x0
ENDIF		
Clear the ECC control register	EMIF_ECC_CTRL_REG	0x0
ENDIF		
Configure the LISA_MAP registers based on the EMIF1 usage. For more information see Section 15.2.4.2, Addressing Management with LISA.	DMM_LISA_MAP_i (i = 0 to 3)	0x-
	MA_LISA_MAP_i (i = 0 to 3)	0x-

15.3.5.1.2 Operational Modes Configuration

15.3.5.1.2.1 EMIF Output Impedance Calibration Mode

NOTE: Chip select 1 is not supported on this device.

Table 15-119. EMIF Output Impedance Calibration Mode

Step	Register/ Bit Field / Programming Model	Value
IF : Calibration per CS		
Determine on which chip select (1 or 0) the calibration is enabled.	EMIF_SDRAM_OUTPUT_IMPEDANCE_CALIBRATION_CONFIG[31:30] ZQ_CS1EN/ZQ_CS0EN	0x-
ELSE : (Calibration on both the CS0 and CS1)		
Enable automatic output impedance calibration for both the chip selects simultaneously.	EMIF_SDRAM_OUTPUT_IMPEDANCE_CALIBRATION_CONFIG[29] ZQ_DUALCALEN	0x1

Table 15-119. EMIF Output Impedance Calibration Mode (continued)

Step	Register/ Bit Field / Programming Model	Value
ENDIF		
Define the interval (number of refresh periods) between ZQCS commands.	EMIF_SDRAM_OUTPUT_IMPEDANCE_CALIBRATION_CONFIG[15:0] ZQ_REFINTERVAL	0x-
Define the number of ZQCL durations that build the ZQINIT duration.	EMIF_SDRAM_OUTPUT_IMPEDANCE_CALIBRATION_CONFIG[19:18] ZQ_ZQINIT_MULT	0x-
Define the number of ZQCS intervals that build the ZQCL duration.	EMIF_SDRAM_OUTPUT_IMPEDANCE_CALIBRATION_CONFIG[17:16] ZQ_ZQCL_MULT	0x-
Enable the issuing of ZQ-Long Command on Self-Refresh, Active Power-Down, and Precharge Power-Down exit.	EMIF_SDRAM_OUTPUT_IMPEDANCE_CALIBRATION_CONFIG[28] ZQ_SFEXITEN	0x1

15.3.5.1.2.2 EMIF SDRAM Self-Refresh

Table 15-120. EMIF SDRAM Self-Refresh Entering

Step	Register/ Bit Field / Programming Model	Value
Define the number of DDR clock cycles after which the EMIF puts the external SDRAM in Self Refresh mode, when EMIF is idle.	EMIF_POWER_MANAGEMENT_CONTROL[7:4] SR_TIM	0x-
Enable the Self-Refresh mode	EMIF_POWER_MANAGEMENT_CONTROL[10:8] LP_MODE	0x2
Write the shadow register of EMIF_POWER_MANAGEMENT_CONTROL	EMIF_POWER_MANAGEMENT_CONTROL_SHADOW	0x-

Table 15-121. EMIF SDRAM Self-Refresh Exiting

Step	Register/ Bit Field / Programming Model	Value
Change LP_MODE bitfield from 0x2 to any value.	EMIF_POWER_MANAGEMENT_CONTROL[10:8] LP_MODE	0x-
Write the shadow register of EMIF_POWER_MANAGEMENT_CONTROL	EMIF_POWER_MANAGEMENT_CONTROL_SHADOW	0x-

15.3.5.1.2.3 EMIF SDRAM Power-Down Mode

Table 15-122. EMIF SDRAM Power-Down Mode Entering

Step	Register/ Bit Field / Programming Model	Value
Define the number of DDR clock cycles after which the EMIF puts the external SDRAM in Power Down mode, when EMIF is idle.	EMIF_POWER_MANAGEMENT_CONTROL[15:12] PD_TIM	0x-
Enable (enter) the Power-down mode	EMIF_POWER_MANAGEMENT_CONTROL[10:8] LP_MODE	0x4
Write the shadow register of EMIF_POWER_MANAGEMENT_CONTROL	EMIF_POWER_MANAGEMENT_CONTROL_SHADOW	0x-

Table 15-123. EMIF SDRAM Power-Down Mode Exiting

Step	Register/ Bit Field / Programming Model	Value
Change LP_MODE bitfield from 0x4 to any value.	EMIF_POWER_MANAGEMENT_CONTROL[10:8] LP_MODE	0x-
Write the shadow register of EMIF_POWER_MANAGEMENT_CONTROL	EMIF_POWER_MANAGEMENT_CONTROL_SHADOW	0x-

15.3.5.1.2.4 EMIF ECC Configuration

Table 15-124 lists the EMIF ECC configuration settings.

Table 15-124. EMIF ECC Configuration

Step	Register/ Bit Field / Programming Model	Value
Before configuring the EMIF ECC registers, the ECC must be enabled from the Control Module	CTRL_WKUP_EMIF1_SDRAM_CONFIG_EXT [16] EMIF1_EN_ECC	0x1
Configure the address ranges which have to be ECC protected	EMIF_ECC_ADDRESS_RANGE_1 and EMIF_ECC_ADDRESS_RANGE_2(1)	0x-
Enable the first ECC protected address range	EMIF_ECC_CTRL_REG[0] REG_ECC_ADDR_RGN_1_EN	0x1
Enable the second ECC protected address range	EMIF_ECC_CTRL_REG[1] REG_ECC_ADDR_RGN_2_EN(1)	0x1
Configure whether the EMIF accesses within the address ranges defined by EMIF_ECC_ADDRESS_RANGE_1 and EMIF_ECC_ADDRESS_RANGE_2 are ECC protected (=0x1) or the EMIF accesses outside these address ranges are ECC protected (=0x0).	EMIF_ECC_CTRL_REG[30] REG_ECC_ADDR_RGN_PROT	0x-
(Optional) Configure the thresholds to generate 1-bit error interrupt	EMIF_1B_ECC_ERR_THRSH	0x-
Enable ECC	EMIF_ECC_CTRL_REG[31] REG_ECC_EN	0x1
Initialize the ECC protected memory regions with quanta-sized and quanta-aligned data		
Clear the status flags and other status history	EMIF_1B_ECC_ERR_CNT	Read the register value and write it back to clear
	EMIF_1B_ECC_ERR_DIST_1	0xFFFF FFFF
	EMIF_2B_ECC_ERR_ADDR_LOG	0x1
	EMIF_SYSTEM_OCP_INTERRUPT_STATUS [5:3]	0x7

NOTE: The xxx_RATIO8 and xxx_RATIO9 bit fields are associated with the ECC data PHY and in case of software leveling must be loaded with values same as in the xxx_RATIO0 through xxx_RATIO7 bit fields from registers EMIF_EXT_PHY_CONTROL_x. This must be taken into account to avoid unexpected behavior and possible errors, if ECC is used.

15.3.6 EMIF Register Manual

Table 15-125 lists the EMIF instance.

15.3.6.1 EMIF Instance Summary

Table 15-125. EMIF Instance Summary

Module Name	Base Address	Size
EMIF1	0x4C00 0000	16 MiB

15.3.6.2 EMIF Registers

Many register values are programmed with full-speed DDR clock cycles, whereas EMIF always runs at half the speed of this clock. Because EMIF is only capable of decrementing these values at half speed (taking into account the minus 1 programming model) the following model applies for data issued on a lower bus:

- REG_VALUE = 0 → 2 DDR clocks
- REG_VALUE = 1 → 2 DDR clocks
- REG_VALUE = 2 → 4 DDR clocks
- REG_VALUE = 3 → 4 DDR clocks
- REG_VALUE = 4 → 6 DDR clocks
- REG_VALUE = 5 → 6 DDR clocks
- REG_VALUE = 6 → 8 DDR clocks
- REG_VALUE = 7 → 8 DDR clocks

Activate and deactivate commands use the upper bus. Register values associated with these operations follow the general rule:

- REG_VALUE = 0 → 1 DDR clocks
- REG_VALUE = 1 → 2 DDR clocks
- REG_VALUE = 2 → 2 DDR clocks
- REG_VALUE = 3 → 4 DDR clocks
- REG_VALUE = 4 → 4 DDR clocks
- REG_VALUE = 5 → 6 DDR clocks
- REG_VALUE = 6 → 6 DDR clocks

NOTE: Shadow registers are loaded on any frequency change or SideReq/SidleAck transition at the point where the EMIF has put SDRAM into self-refresh mode.

Table 15-126 summarizes the EMIF register mapping.

15.3.6.2.1 EMIF Register Summary

NOTE: The ECC feature is not available on this device, but signal names and configuration contexts are retained for consistency with the AM572x family of devices.

Table 15-126. EMIF Registers Mapping Summary

Register Name	Type	Register Width (Bits)	Address Offset	EMIF1 Physical Address
EMIF_REVISION	R	32	0x0000 0000	0x4C00 0000
EMIF_STATUS	R	32	0x0000 0004	0x4C00 0004

Table 15-126. EMIF Registers Mapping Summary (continued)

Register Name	Type	Register Width (Bits)	Address Offset	EMIF1 Physical Address
EMIF_SDRAM_CONFIG	RW	32	0x0000 0008	0x4C00 0008
EMIF_SDRAM_CONFIG_2	RW	32	0x0000 000C	0x4C00 000C
EMIF_SDRAM_REFRESH_CONTROL	RW	32	0x0000 0010	0x4C00 0010
EMIF_SDRAM_REFRESH_CONTROL_SHADOW	RW	32	0x0000 0014	0x4C00 0014
EMIF_SDRAM_TIMING_1	RW	32	0x0000 0018	0x4C00 0018
EMIF_SDRAM_TIMING_1_SHADOW	RW	32	0x0000 001C	0x4C00 001C
EMIF_SDRAM_TIMING_2	RW	32	0x0000 0020	0x4C00 0020
EMIF_SDRAM_TIMING_2_SHADOW	RW	32	0x0000 0024	0x4C00 0024
EMIF_SDRAM_TIMING_3	RW	32	0x0000 0028	0x4C00 0028
EMIF_SDRAM_TIMING_3_SHADOW	RW	32	0x0000 002C	0x4C00 002C
EMIF_LPDDR2_NVM_TIMING	RW	32	0x0000 0030	0x4C00 0030
EMIF_LPDDR2_NVM_TIMING_SHADOW	RW	32	0x0000 0034	0x4C00 0034
EMIF_POWER_MANAGEMENT_CONTROL	RW	32	0x0000 0038	0x4C00 0038
EMIF_POWER_MANAGEMENT_CONTROL_SHADOW	RW	32	0x0000 003C	0x4C00 003C
RESERVED	R	32	0x0000 0040	0x4C00 0040
RESERVED	R	32	0x0000 0050	0x4C00 0050
EMIF_OCP_CONFIG	RW	32	0x0000 0054	0x4C00 0054
EMIF_OCP_CONFIG_VALUE_1	R	32	0x0000 0058	0x4C00 0058
EMIF_OCP_CONFIG_VALUE_2	R	32	0x0000 005C	0x4C00 005C
EMIF_IODFT_TLGC	RW	32	0x0000 0060	0x4C00 0060
EMIF_PERFORMANCE_COUNTER_1	R	32	0x0000 0080	0x4C00 0080
EMIF_PERFORMANCE_COUNTER_2	R	32	0x0000 0084	0x4C00 0084
EMIF_PERFORMANCE_COUNTER_CONFIG	RW	32	0x0000 0088	0x4C00 0088
EMIF_PERFORMANCE_COUNTER_MASTER_REGION_SELECT	RW	32	0x0000 008C	0x4C00 008C
EMIF_PERFORMANCE_COUNTER_TIME	R	32	0x0000 0090	0x4C00 0090
EMIF_MISC_REG	RW	32	0x0000 0094	0x4C00 0094
EMIF_DLL_CALIB_CTRL	RW	32	0x0000 0098	0x4C00 0098
EMIF_DLL_CALIB_CTRL_SHADOW	RW	32	0x0000 009C	0x4C00 009C
EMIF_END_OF_INTERRUPT	RW	32	0x0000 00A0	0x4C00 00A0
EMIF_SYSTEM_OCP_INTERRUPT_RAW_STATUS	RW	32	0x0000 00A4	0x4C00 00A4
RESERVED	R	32	0x0000 00A8	0x4C00 00A8
EMIF_SYSTEM_OCP_INTERRUPT_STATUS	RW	32	0x0000 00AC	0x4C00 00AC
RESERVED	R	32	0x0000 00B0	0x4C00 00B0
EMIF_SYSTEM_OCP_INTERRUPT_ENABLE_SET	RW	32	0x0000 00B4	0x4C00 00B4
RESERVED	R	32	0x0000 00B8	0x4C00 00B8
EMIF_SYSTEM_OCP_INTERRUPT_ENABLE_CLEAR	RW	32	0x0000 00BC	0x4C00 00BC
RESERVED	R	32	0x0000 00C0	0x4C00 00C0
EMIF_SDRAM_OUTPUT_IMPEDANCE_CALIBRATION_CONFIG	RW	32	0x0000 00C8	0x4C00 00C8
EMIF_TEMP_ALERT_CONFIG	RW	32	0x0000 00CC	0x4C00 00CC
EMIF_OCP_ERROR_LOG	R	32	0x0000 00D0	0x4C00 00D0
EMIF_READ_WRITE_LEVELING_RAMP_WINDOW	RW	32	0x0000 00D4	0x4C00 00D4

Table 15-126. EMIF Registers Mapping Summary (continued)

Register Name	Type	Register Width (Bits)	Address Offset	EMIF1 Physical Address
EMIF_READ_WRITE_LEVELING_RAMP_CONTROL	RW	32	0x0000 00D8	0x4C00 00D8
EMIF_READ_WRITE_LEVELING_CONTROL	RW	32	0x0000 00DC	0x4C00 00DC
EMIF_DDR_PHY_CONTROL_1	RW	32	0x0000 00E4	0x4C00 00E4
EMIF_DDR_PHY_CONTROL_1_SHADOW	RW	32	0x0000 00E8	0x4C00 00E8
EMIF_DDR_PHY_CONTROL_2	RW	32	0x0000 00EC	0x4C00 00EC
EMIF_PRIORITY_TO_CLASS_OF_SERVICE_MAPPING	RW	32	0x0000 0100	0x4C00 0100
EMIF_CONNECTION_ID_TO_CLASS_OF_SERVICE_1_MAPPING	RW	32	0x0000 0104	0x4C00 0104
EMIF_CONNECTION_ID_TO_CLASS_OF_SERVICE_2_MAPPING	RW	32	0x0000 0108	0x4C00 0108
EMIF_ECC_CTRL_REG	RW	32	0x0000 0110	0x4C00 0110
EMIF_ECC_ADDRESS_RANGE_1	RW	32	0x0000 0114	0x4C00 0114
EMIF_ECC_ADDRESS_RANGE_2	RW	32	0x0000 0118	0x4C00 0118
EMIF_READ_WRITE_EXECUTION_THRESHOLD	RW	32	0x0000 0120	0x4C00 0120
EMIF_COS_CONFIG	RW	32	0x0000 0124	0x4C00 0124
EMIF_1B_ECC_ERR_CNT	RW	32	0x0000 0130	0x4C00 0130
EMIF_1B_ECC_ERR_THRSH	RW	32	0x0000 0134	0x4C00 0134
EMIF_1B_ECC_ERR_DIST_1	RW	32	0x0000 0138	0x4C00 0138
EMIF_1B_ECC_ERR_ADDR_LOG	RW	32	0x0000 013C	0x4C00 013C
EMIF_2B_ECC_ERR_ADDR_LOG	RW	32	0x0000 0140	0x4C00 0140
EMIF_PHY_STATUS_1	R	32	0x0000 0144	0x4C00 0144
EMIF_PHY_STATUS_2	R	32	0x0000 0148	0x4C00 0148
EMIF_PHY_STATUS_3	R	32	0x0000 014C	0x4C00 014C
EMIF_PHY_STATUS_4	R	32	0x0000 0150	0x4C00 0150
EMIF_PHY_STATUS_5	R	32	0x0000 0154	0x4C00 0154
EMIF_PHY_STATUS_6	R	32	0x0000 0158	0x4C00 0158
EMIF_PHY_STATUS_7	R	32	0x0000 015C	0x4C00 015C
EMIF_PHY_STATUS_8	R	32	0x0000 0160	0x4C00 0160
EMIF_PHY_STATUS_9	R	32	0x0000 0164	0x4C00 0164
EMIF_PHY_STATUS_10	R	32	0x0000 0168	0x4C00 0168
EMIF_PHY_STATUS_11	R	32	0x0000 016C	0x4C00 016C
EMIF_PHY_STATUS_12	R	32	0x0000 0170	0x4C00 0170
EMIF_PHY_STATUS_13	R	32	0x0000 0174	0x4C00 0174
EMIF_PHY_STATUS_14	R	32	0x0000 0178	0x4C00 0178
EMIF_PHY_STATUS_15	R	32	0x0000 017C	0x4C00 017C
EMIF_PHY_STATUS_16	R	32	0x0000 0180	0x4C00 0180
EMIF_PHY_STATUS_17	R	32	0x0000 0184	0x4C00 0184
EMIF_PHY_STATUS_18	R	32	0x0000 0188	0x4C00 0188
EMIF_PHY_STATUS_19	R	32	0x0000 018C	0x4C00 018C
EMIF_PHY_STATUS_20	R	32	0x0000 0190	0x4C00 0190
EMIF_PHY_STATUS_21	R	32	0x0000 0194	0x4C00 0194
EMIF_PHY_STATUS_22	R	32	0x0000 0198	0x4C00 0198
EMIF_PHY_STATUS_23	R	32	0x0000 019C	0x4C00 019C
EMIF_PHY_STATUS_24	R	32	0x0000 01A0	0x4C00 01A0
EMIF_PHY_STATUS_25	R	32	0x0000 01A4	0x4C00 01A4

Table 15-126. EMIF Registers Mapping Summary (continued)

Register Name	Type	Register Width (Bits)	Address Offset	EMIF1 Physical Address
EMIF_PHY_STATUS_26	R	32	0x0000 01A8	0x4C00 01A8
EMIF_PHY_STATUS_27	R	32	0x0000 01AC	0x4C00 01AC
EMIF_PHY_STATUS_28	R	32	0x0000 01B0	0x4C00 01B0
EMIF_EXT_PHY_CONTROL_1	RW	32	0x0000 0200	0x4C00 0200
EMIF_EXT_PHY_CONTROL_1_SHADOW	RW	32	0x0000 0204	0x4C00 0204
EMIF_EXT_PHY_CONTROL_2	RW	32	0x0000 0208	0x4C00 0208
EMIF_EXT_PHY_CONTROL_2_SHADOW	RW	32	0x0000 020C	0x4C00 020C
EMIF_EXT_PHY_CONTROL_3	RW	32	0x0000 0210	0x4C00 0210
EMIF_EXT_PHY_CONTROL_3_SHADOW	RW	32	0x0000 0214	0x4C00 0214
EMIF_EXT_PHY_CONTROL_4	RW	32	0x0000 0218	0x4C00 0218
EMIF_EXT_PHY_CONTROL_4_SHADOW	RW	32	0x0000 021C	0x4C00 021C
EMIF_EXT_PHY_CONTROL_5	RW	32	0x0000 0220	0x4C00 0220
EMIF_EXT_PHY_CONTROL_5_SHADOW	RW	32	0x0000 0224	0x4C00 0224
EMIF_EXT_PHY_CONTROL_6	RW	32	0x0000 0228	0x4C00 0228
EMIF_EXT_PHY_CONTROL_6_SHADOW	RW	32	0x0000 022C	0x4C00 022C
EMIF_EXT_PHY_CONTROL_7	RW	32	0x0000 0230	0x4C00 0230
EMIF_EXT_PHY_CONTROL_7_SHADOW	RW	32	0x0000 0234	0x4C00 0234
EMIF_EXT_PHY_CONTROL_8	RW	32	0x0000 0238	0x4C00 0238
EMIF_EXT_PHY_CONTROL_8_SHADOW	RW	32	0x0000 023C	0x4C00 023C
EMIF_EXT_PHY_CONTROL_9	RW	32	0x0000 0240	0x4C00 0240
EMIF_EXT_PHY_CONTROL_9_SHADOW	RW	32	0x0000 0244	0x4C00 0244
EMIF_EXT_PHY_CONTROL_10	RW	32	0x0000 0248	0x4C00 0248
EMIF_EXT_PHY_CONTROL_10_SHADOW	RW	32	0x0000 024C	0x4C00 024C
EMIF_EXT_PHY_CONTROL_11	RW	32	0x0000 0250	0x4C00 0250
EMIF_EXT_PHY_CONTROL_11_SHADOW	RW	32	0x0000 0254	0x4C00 0254
EMIF_EXT_PHY_CONTROL_12	RW	32	0x0000 0258	0x4C00 0258
EMIF_EXT_PHY_CONTROL_12_SHADOW	RW	32	0x0000 025C	0x4C00 025C
EMIF_EXT_PHY_CONTROL_13	RW	32	0x0000 0260	0x4C00 0260
EMIF_EXT_PHY_CONTROL_13_SHADOW	RW	32	0x0000 0264	0x4C00 0264
EMIF_EXT_PHY_CONTROL_14	RW	32	0x0000 0268	0x4C00 0268
EMIF_EXT_PHY_CONTROL_14_SHADOW	RW	32	0x0000 026C	0x4C00 026C
EMIF_EXT_PHY_CONTROL_15	RW	32	0x0000 0270	0x4C00 0270
EMIF_EXT_PHY_CONTROL_15_SHADOW	RW	32	0x0000 0274	0x4C00 0274
EMIF_EXT_PHY_CONTROL_16	RW	32	0x0000 0278	0x4C00 0278
EMIF_EXT_PHY_CONTROL_16_SHADOW	RW	32	0x0000 027C	0x4C00 027C
EMIF_EXT_PHY_CONTROL_17	RW	32	0x0000 0280	0x4C00 0280
EMIF_EXT_PHY_CONTROL_17_SHADOW	RW	32	0x0000 0284	0x4C00 0284
EMIF_EXT_PHY_CONTROL_18	RW	32	0x0000 0288	0x4C00 0288
EMIF_EXT_PHY_CONTROL_18_SHADOW	RW	32	0x0000 028C	0x4C00 028C
EMIF_EXT_PHY_CONTROL_19	RW	32	0x0000 0290	0x4C00 0290
EMIF_EXT_PHY_CONTROL_19_SHADOW	RW	32	0x0000 0294	0x4C00 0294
EMIF_EXT_PHY_CONTROL_20	RW	32	0x0000 0298	0x4C00 0298
EMIF_EXT_PHY_CONTROL_20_SHADOW	RW	32	0x0000 029C	0x4C00 029C
EMIF_EXT_PHY_CONTROL_21	RW	32	0x0000 02A0	0x4C00 02A0
EMIF_EXT_PHY_CONTROL_21_SHADOW	RW	32	0x0000 02A4	0x4C00 02A4
EMIF_EXT_PHY_CONTROL_22	RW	32	0x0000 02A8	0x4C00 02A8
EMIF_EXT_PHY_CONTROL_22_SHADOW	RW	32	0x0000 02AC	0x4C00 02AC

Table 15-126. EMIF Registers Mapping Summary (continued)

Register Name	Type	Register Width (Bits)	Address Offset	EMIF1 Physical Address
EMIF_EXT_PHY_CONTROL_23	RW	32	0x0000 02B0	0x4C00 02B0
EMIF_EXT_PHY_CONTROL_23_SHADOW	RW	32	0x0000 02B4	0x4C00 02B4
EMIF_EXT_PHY_CONTROL_24	RW	32	0x0000 02B8	0x4C00 02B8
EMIF_EXT_PHY_CONTROL_24_SHADOW	RW	32	0x0000 02BC	0x4C00 02BC
EMIF_EXT_PHY_CONTROL_25	RW	32	0x0000 02C0	0x4C00 02C0
EMIF_EXT_PHY_CONTROL_25_SHADOW	RW	32	0x0000 02C4	0x4C00 02C4
EMIF_EXT_PHY_CONTROL_26	RW	32	0x0000 02C8	0x4C00 02C8
EMIF_EXT_PHY_CONTROL_26_SHADOW	RW	32	0x0000 02CC	0x4C00 02CC
EMIF_EXT_PHY_CONTROL_27	RW	32	0x0000 02D0	0x4C00 02D0
EMIF_EXT_PHY_CONTROL_27_SHADOW	RW	32	0x0000 02D4	0x4C00 02D4
EMIF_EXT_PHY_CONTROL_28	RW	32	0x0000 02D8	0x4C00 02D8
EMIF_EXT_PHY_CONTROL_28_SHADOW	RW	32	0x0000 02DC	0x4C00 02DC
EMIF_EXT_PHY_CONTROL_29	RW	32	0x0000 02E0	0x4C00 02E0
EMIF_EXT_PHY_CONTROL_29_SHADOW	RW	32	0x0000 02E4	0x4C00 02E4
EMIF_EXT_PHY_CONTROL_30	RW	32	0x0000 02E8	0x4C00 02E8
EMIF_EXT_PHY_CONTROL_30_SHADOW	RW	32	0x0000 02EC	0x4C00 02EC
EMIF_EXT_PHY_CONTROL_31	RW	32	0x0000 02F0	0x4C00 02F0
EMIF_EXT_PHY_CONTROL_31_SHADOW	RW	32	0x0000 02F4	0x4C00 02F4
EMIF_EXT_PHY_CONTROL_32	RW	32	0x0000 02F8	0x4C00 02F8
EMIF_EXT_PHY_CONTROL_32_SHADOW	RW	32	0x0000 02FC	0x4C00 02FC
EMIF_EXT_PHY_CONTROL_33	RW	32	0x0000 0300	0x4C00 0300
EMIF_EXT_PHY_CONTROL_33_SHADOW	RW	32	0x0000 0304	0x4C00 0304
EMIF_EXT_PHY_CONTROL_34	RW	32	0x0000 0308	0x4C00 0308
EMIF_EXT_PHY_CONTROL_34_SHADOW	RW	32	0x0000 030C	0x4C00 030C
EMIF_EXT_PHY_CONTROL_35	RW	32	0x0000 0310	0x4C00 0310
EMIF_EXT_PHY_CONTROL_35_SHADOW	RW	32	0x0000 0314	0x4C00 0314
EMIF_EXT_PHY_CONTROL_36	RW	32	0x0000 0318	0x4C00 0318
EMIF_EXT_PHY_CONTROL_36_SHADOW	RW	32	0x0000 031C	0x4C00 031C

15.3.6.2.2 EMIF Register Description**Table 15-127. EMIF_REVISION**

Address Offset	0x0000 0000																																																																	
Physical Address	0x4C00 0000	Instance EMIF1																																																																
Description	Revision number register																																																																	
Type	R																																																																	
<table border="1" style="width:100%; text-align:center;"> <tr> <td>31</td><td>30</td><td>29</td><td>28</td><td>27</td><td>26</td><td>25</td><td>24</td> <td>23</td><td>22</td><td>21</td><td>20</td><td>19</td><td>18</td><td>17</td><td>16</td> <td>15</td><td>14</td><td>13</td><td>12</td><td>11</td><td>10</td><td>9</td><td>8</td> <td>7</td><td>6</td><td>5</td><td>4</td><td>3</td><td>2</td><td>1</td><td>0</td> </tr> <tr> <td colspan="32">REVISION</td> </tr> </table>			31	30	29	28	27	26	25	24	23	22	21	20	19	18	17	16	15	14	13	12	11	10	9	8	7	6	5	4	3	2	1	0	REVISION																															
31	30	29	28	27	26	25	24	23	22	21	20	19	18	17	16	15	14	13	12	11	10	9	8	7	6	5	4	3	2	1	0																																			
REVISION																																																																		
Bits	Field Name	Description	Type	Reset																																																														
31:0	REVISION	Module revision	R	0x- ⁽¹⁾																																																														

⁽¹⁾ TI internal data

Table 15-128. Register Call Summary for Register EMIF_REVISION

EMIF Controller

- [Arbitration of Commands in the Command FIFO: \[0\]\[1\]](#)
- [EMIF Register Summary: \[2\]](#)

Table 15-129. EMIF_STATUS

Address Offset	0x0000 0004	Instance	EMIF1
Physical Address	0x4C00 0004		
Description	SDRAM Status Register (STATUS)		
Type	R		

31	30	29	28	27	26	25	24	23	22	21	20	19	18	17	16	15	14	13	12	11	10	9	8	7	6	5	4	3	2	1	0
BE	DUAL_CLK_MODE	FAST_INIT	RESERVED													RDLVLGATETO	RDLVLTO	WRLVLTO	RESERVED	PHY_DLL_READY	RESERVED										

Bits	Field Name	Description	Type	Reset
31	BE	Big endian mode select for 8 and 16-bit devices, set to 1 for big endian or 0 for little endian operation. In current implementation, only 32-bit devices are supported - this bit is don't care.	R	0
30	DUAL_CLK_MODE	Dual Clock mode. Defines whether the EMIFi_L3_ICLK and EMIF_FICLK clock are asynchronous. EMIFi_L3_ICLK and EMIF_FICLK clock are asynchronous, if set to 1.	R	0
29	FAST_INIT	Fast Init. Defines whether the EMIF fast initialization mode has been enabled. Fast initialization is enabled if set to 1.	R	0
28:7	RESERVED	Reserved	R	0x00 0000
6	RDLVLGATETO	Read DQS Gate Training Timeout. Value of 1 indicates read DQS gate training has timed out because read DQS gate training done was not received from the PHY.	R	0
5	RDLVLTO	Read Data Eye Training Timeout. Value of 1 indicates read data eye training has timed out because read data eye training done was not received from the PHY.	R	0
4	WRLVLTO	Write Leveling Timeout. Value of 1 indicates write leveling has timed out because write leveling done was not received from the PHY.	R	0
3	RESERVED		R	0
2	PHY_DLL_READY	DDR PHY Ready. The DDR PHY is ready for normal operation, if set to 1.	R	0
1:0	RESERVED	Reserved	R	0x0

Table 15-130. Register Call Summary for Register EMIF_STATUS

EMIF Controller

- [Global Initialization: \[0\]\[1\]\[2\]\[3\]](#)
- [EMIF Register Summary: \[4\]](#)

Table 15-131. EMIF_SDRAM_CONFIG

Address Offset	0x0000 0008	Instance	EMIF1
Physical Address	0x4C00 0008		
Description	SDRAM Config Register. A write to this register will cause the EMIF to start the SDRAM initialization sequence. CAUTION: This register is loaded with values by control module at device reset.		
Type	RW		

31	30	29	28	27	26	25	24	23	22	21	20	19	18	17	16	15	14	13	12	11	10	9	8	7	6	5	4	3	2	1	0
SDRAM_TYPE			IBANK_POS			DDR_TERM			DDR2_DDQS	DYN_ODT	DDR_DISABLE_DLL	SDRAM_DRIVE		CWL	NARROW_MODE	CL			ROWSIZE			IBANK		EBANK	PAGESIZE						

Bits	Field Name	Description	Type	Reset
31:29	SDRAM_TYPE	SDRAM Type selection. This field is loaded from e-fuse. Set to 3 for DDR3. All other values are reserved.	RW	0x0
28:27	IBANK_POS	Internal bank position. See Section 15.3.4.12, SDRAM Address Mapping .	RW	0x0
26:24	DDR_TERM	DDR3 termination resistor value. Set to 0 to disable termination. For DDR3, set to 1 for RZQ/4, set to 2 for RZQ/2, set to 3 for RZQ/6, set to 4 for RZQ/12, and set to 5 for RZQ/8. All other values are reserved.	RW	0x0
23	DDR2_DDQS	Differential DQS enable. Set to 0 for single ended DQS (Not supported). Set to 1 for differential DQS.	RW	0
22:21	DYN_ODT	DDR3 Dynamic ODT. NOT SUPPORTED. Set to 0 to turn off dynamic ODT.	RW	0x0
20	DDR_DISABLE_DLL	Disable DLL select. Set to 1 to disable DLL inside SDRAM.	RW	0
19:18	SDRAM_DRIVE	SDRAM drive strength. For DDR3, set to 0 for RZQ/6 and set to 1 for RZQ/7. All other values are reserved.	RW	0x0
17:16	CWL	DDR3 CAS Write latency. Value of 0, 1, 2, and 3 (CAS write latency of 5, 6, 7, and 8) are supported. Use the lowest value supported for best performance. All other values are reserved.	RW	0x0
15:14	NARROW_MODE	SDRAM data bus width. Set to 0 for 32-bit data bus width. Set to 1 for 16-bit data bus width. All other values are reserved.	RW	0x0
13:10	CL	CAS Latency (referred to as read latency (RL) in some SDRAM specs). The value of this field defines the CAS latency to be used when accessing connected SDRAM devices. Values of 2, 4, 6, 8, 10, 12 and 14 (CAS latency of 5, 6, 7, 8, 9, 10 and 11) are supported for DDR3. All other values are reserved.	RW	0x0

Bits	Field Name	Description	Type	Reset
9:7	ROWSIZE	Row Size. Defines the number of row address bits of connected SDRAM devices. Set to 0 for 9 row bits, Set to 1 for 10 row bits, Set to 2 for 11 row bits, Set to 3 for 12 row bits, Set to 4 for 13 row bits, Set to 5 for 14 row bits, Set to 6 for 15 row bits, Set to 7 for 16 row bits. This field is only used when EMIF_SDRAM_CONFIG [28:27] IBANK_POS field is set to 1, 2, or 3 or EBANK_POS field in EMIF_SDRAM_CONFIG_2 register is set to 1.	RW	0x0
6:4	IBANK	Internal Bank setup. Defines number of banks inside connected SDRAM devices. Set to 0 for 1 bank, Set to 1 for 2 banks, Set to 2 for 4 banks, Set to 3 for 8 banks. All other values are reserved.	RW	0x0
3	EBANK	External chip select setup. Defines whether SDRAM accesses will use 1 or 2 chip select lines. Set to 0 to use CSN0 only. Set to 1 to use CSN[1:0]. NOTE: Chip select 1 is not supported on this device.	RW	0
2:0	PAGESIZE	Page Size. Defines the internal page size of connected SDRAM devices. Set to 0 for 256-word page (8 column bits), Set to 1 for 512-word page (9 column bits), Set to 2 for 1024-word page (10 column bits), Set to 3 for 2048-word page (11 column bits). All other values are reserved.	RW	0x0

Table 15-132. Register Call Summary for Register EMIF_SDRAM_CONFIG

EMIF Controller

- [Arbitration of Commands in the Command FIFO: \[0\]](#)
- [Self-Refresh Mode: \[1\]](#)
- [SDRAM Initialization: \[2\]\[3\]](#)
- [DDR3/DDR3L SDRAM Initialization: \[4\]\[5\]\[6\]\[7\]\[8\]\[9\]\[10\]\[11\]](#)
- [EMIF Access Cycles: \[12\]](#)
- [SDRAM Address Mapping: \[13\]\[14\]\[15\]\[16\]\[17\]\[18\]\[19\]\[20\]\[21\]](#)
- [Address Mapping for IBANK_POS = 0 and EBANK_POS = 0: \[22\]\[23\]\[24\]](#)
- [Address Mapping for IBANK_POS = 1 and EBANK_POS = 0: \[25\]\[26\]](#)
- [Address Mapping for IBANK_POS = 2 and EBANK_POS = 0: \[27\]\[28\]](#)
- [Address Mapping for IBANK_POS = 3 and EBANK_POS = 0: \[29\]](#)
- [Address Mapping for IBANK_POS = 0 and EBANK_POS = 1: \[30\]](#)
- [Address Mapping for IBANK_POS = 1 and EBANK_POS = 1: \[31\]\[32\]](#)
- [Address Mapping for IBANK_POS = 2 and EBANK_POS = 1: \[33\]\[34\]](#)
- [Address Mapping for IBANK_POS = 3 and EBANK_POS = 1: \[35\]\[36\]\[37\]](#)
- [Error Correction And Detection Feature: \[38\]](#)
- [Global Initialization: \[39\]\[40\]\[41\]\[42\]\[43\]\[44\]\[45\]](#)
- [EMIF Register Summary: \[46\]](#)
- [EMIF Register Description: \[47\]](#)

Table 15-133. EMIF_SDRAM_CONFIG_2

Address Offset	0x0000 000C	Instance	EMIF1
Physical Address	0x4C00 000C		
Description	SDRAM Config Register 2 CAUTION: This register is loaded with values by control module at device reset.		
Type	RW		

31	30	29	28	27	26	25	24	23	22	21	20	19	18	17	16	15	14	13	12	11	10	9	8	7	6	5	4	3	2	1	0
RESERVED				EBANK_POS	RESERVED																										

Bits	Field Name	Description	Type	Reset
31:28	RESERVED		R	0x0
27	EBANK_POS	External bank position. Set to 0 to assign external bank address bits from lower OCP address. Set to 1 to assign external bank address bits from higher OCP address bits. See Section 15.3.4.12, SDRAM Address Mapping .	RW	0
26:0	RESERVED		R	0x00 0000

Table 15-134. Register Call Summary for Register EMIF_SDRAM_CONFIG_2

EMIF Controller

- [Address Mapping for IBANK_POS = 0 and EBANK_POS = 0: \[0\]](#)
- [Address Mapping for IBANK_POS = 0 and EBANK_POS = 1: \[1\]](#)
- [Address Mapping for IBANK_POS = 1 and EBANK_POS = 1: \[2\]](#)
- [Address Mapping for IBANK_POS = 2 and EBANK_POS = 1: \[3\]](#)
- [Address Mapping for IBANK_POS = 3 and EBANK_POS = 1: \[4\]\[5\]](#)
- [Global Initialization: \[6\]](#)
- [EMIF Register Summary: \[7\]](#)
- [EMIF Register Description: \[8\]](#)

Table 15-135. EMIF_SDRAM_REFRESH_CONTROL

Address Offset	0x0000 0010	Instance	EMIF1
Physical Address	0x4C00 0010		
Description	SDRAM Refresh Control Register		
Type	RW		

31	30	29	28	27	26	25	24	23	22	21	20	19	18	17	16	15	14	13	12	11	10	9	8	7	6	5	4	3	2	1	0
INITREF_DIS	RESERVED	SRT	ASR	RESERVED	PASR	RESERVED										REFRESH_RATE															

Bits	Field Name	Description	Type	Reset
31	INITREF_DIS	Initialization and Refresh disable. When set to 1, EMIF will disable SDRAM initialization and refreshes, but will carry out SDRAM write/read transactions.	RW	1
30	RESERVED		R	0

Bits	Field Name	Description	Type	Reset
29	SRT	DDR3 Self Refresh temperature range. Set to 0 for normal operating temperature range and set to 1 for extended operating temperature range when the ASR field is set to 0. This bit must be set to 0 if the ASR field is set to 1. A write to this field will cause the EMIF to start the SDRAM initialization sequence.	RW	0
28	ASR	DDR3 Auto Self Refresh enable. Set to 1 for auto Self Refresh enable. Set to 0 for manual Self Refresh reference indicated by the SRT field. A write to this field will cause the EMIF to start the SDRAM initialization sequence.	RW	0
27	RESERVED		R	0
26:24	PASR	Partial Array Self Refresh. These bits get loaded into the Extended Mode Register of DDR3 during initialization. For DDR3, set to 0 for full array, set to 1 or 5 for 1/2 array, set to 2 or 6 for 1/4 array, set to 3 or 7 for 1/8 array, and set to 4 for 3/4 array to be refreshed. All other values are reserved. A write to this field will cause the EMIF to start the SDRAM initialization sequence.	RW	0x0
23:16	RESERVED		R	0x00
15:0	REFRESH_RATE	Refresh Rate. Value in this field is used to define the rate at which connected SDRAM devices will be refreshed. SDRAM refresh rate = REFRESH_RATE / EMIF_PHY_FCLK. A 533-MHz DDR clock rate system that requires a 7.8 μ s refresh rate would need $7.8 \times 533 = 4157$ or 0x103D value to be written. To avoid lock-up situations, the programmer must not program $REFRESH_RATE < (6 \times EMIF_SDRAM_TIMING_3[12:4] T_RFC)$. NOTE: The SDRAM refresh rate can be changed on-the-fly by writing to this field. When changing the SDRAM refresh rate all timing parameters that use the refresh rate value have to be recalculated. For example, tRASmax specified in the EMIF_SDRAM_TIMING_3[3:0] T_RAS_MAX field must be recalculated.	RW	0x0000

Table 15-136. Register Call Summary for Register EMIF_SDRAM_REFRESH_CONTROL

EMIF Controller

- [Arbitration of Commands in the Command FIFO: \[0\]](#)
- [Reset: \[1\]](#)
- [Self-Refresh Mode: \[2\]](#)
- [SDRAM Refresh Scheduling: \[3\]\[4\]\[5\]](#)
- [DDR3/DDR3L SDRAM Initialization: \[6\]\[7\]\[8\]\[9\]\[10\]\[11\]\[12\]\[13\]](#)
- [Global Initialization: \[14\]\[15\]\[16\]\[17\]\[18\]\[19\]\[20\]\[21\]\[22\]\[23\]\[24\]\[25\]\[26\]](#)
- [EMIF Register Summary: \[27\]](#)
- [EMIF Register Description: \[28\]\[29\]\[30\]\[31\]\[32\]\[33\]\[34\]](#)

Table 15-137. EMIF_SDRAM_REFRESH_CONTROL_SHADOW

Address Offset	0x0000 0014	
Physical Address	0x4C00 0014	Instance EMIF1
Description	SDRAM Refresh Control Shadow Register	
Type	RW	

31	30	29	28	27	26	25	24	23	22	21	20	19	18	17	16	15	14	13	12	11	10	9	8	7	6	5	4	3	2	1	0
RESERVED																REFRESH_RATE_SHDW															

Bits	Field Name	Description	Type	Reset
31:16	RESERVED	Reserved	R	0x0000
15:0	REFRESH_RATE_SHDW	Shadow field for REFRESH_RATE. This field is loaded into EMIF_SDRAM_REFRESH_CONTROL[15:0] REFRESH_RATE field when SldleAck is asserted.	RW	0x0000

Table 15-138. Register Call Summary for Register EMIF_SDRAM_REFRESH_CONTROL_SHADOW

EMIF Controller

- [Global Initialization: \[0\]\[1\]\[2\]\[3\]\[4\]](#)
- [EMIF Register Summary: \[5\]](#)

Table 15-139. EMIF_SDRAM_TIMING_1

Address Offset	0x0000 0018	
Physical Address	0x4C00 0018	Instance EMIF1
Description	SDRAM Timing 1 Register. If this register is byte written, care must be taken that all the fields are written before performing any accesses to the SDRAM.	
Type	RW	

31	30	29	28	27	26	25	24	23	22	21	20	19	18	17	16	15	14	13	12	11	10	9	8	7	6	5	4	3	2	1	0
T_RTW		T_RP		T_RCD		T_WR		T_RAS		T_RC		T_RRD		T_WTR																	

Bits	Field Name	Description	Type	Reset
31:29	T_RTW	Minimum number of DDR clock cycles between Read to Write data phases, minus one.	RW	0x0
28:25	T_RP	Minimum number of DDR clock cycles from Precharge to Activate or Refresh, minus one.	RW	0x0
24:21	T_RCD	Minimum number of DDR clock cycles from Activate to Read or Write, minus one.	RW	0x0
20:17	T_WR	Minimum number of DDR clock cycles from last Write transfer to Precharge, minus one.	RW	0x0
16:12	T_RAS	Minimum number of DDR clock cycles from Activate to Precharge, minus one. T_RAS value needs to be bigger than or equal to T_RDC value.	RW	0x00
11:6	T_RC	Minimum number of DDR clock cycles from Activate to Activate, minus one.	RW	0x00
5:3	T_RRD	Minimum number of DDR clock cycles from Activate to Activate for a different bank, minus one. For an 8-bank, this field must be equal to ((tFAW / (4 × tCK)) - 1).	RW	0x0
2:0	T_WTR	Minimum number of DDR clock cycles from last Write to Read, minus one.	RW	0x0

Table 15-140. Register Call Summary for Register EMIF_SDRAM_TIMING_1

EMIF Controller

- [DDR3/DDR3L SDRAM Initialization: \[0\]\[1\]\[2\]](#)
- [Turnaround Time: \[3\]\[4\]](#)
- [Global Initialization: \[5\]\[6\]\[7\]](#)
- [EMIF Register Summary: \[8\]](#)
- [EMIF Register Description: \[9\]\[10\]\[11\]\[12\]\[13\]\[14\]\[15\]\[16\]](#)

Table 15-141. EMIF_SDRAM_TIMING_1_SHADOW

Address Offset	0x0000 001C	Instance	EMIF1
Physical Address	0x4C00 001C		
Description	SDRAM Timing 1 Shadow Register		
Type	RW		

31	30	29	28	27	26	25	24	23	22	21	20	19	18	17	16	15	14	13	12	11	10	9	8	7	6	5	4	3	2	1	0					
T_RTW_SHDW		T_RP_SHDW			T_RCD_SHDW			T_WR_SHDW			T_RAS_SHDW			T_RC_SHDW			T_RRD_SHDW		T_WTR_SHDW																	

Bits	Field Name	Description	Type	Reset
31:29	T_RTW_SHDW	Shadow field for T_RTW. This field is loaded into EMIF_SDRAM_TIMING_1[31:29] T_RTW field when SldeAck is asserted.	RW	0x0
28:25	T_RP_SHDW	Shadow field for T_RP. This field is loaded into EMIF_SDRAM_TIMING_1[28:25] T_RP field when SldeAck is asserted.	RW	0x0
24:21	T_RCD_SHDW	Shadow field for T_RCD. This field is loaded into EMIF_SDRAM_TIMING_1[24:21] T_RCD field when SldeAck is asserted.	RW	0x0
20:17	T_WR_SHDW	Shadow field for T_WR. This field is loaded into EMIF_SDRAM_TIMING_1[20:17] T_WR field when SldeAck is asserted.	RW	0x0
16:12	T_RAS_SHDW	Shadow field for T_RAS. This field is loaded into EMIF_SDRAM_TIMING_1[16:12] T_RAS field when SldeAck is asserted.	RW	0x00
11:6	T_RC_SHDW	Shadow field for T_RC. This field is loaded into EMIF_SDRAM_TIMING_1[11:6] T_RC field when SldeAck is asserted.	RW	0x00
5:3	T_RRD_SHDW	Shadow field for T_RRD. This field is loaded into EMIF_SDRAM_TIMING_1[5:3] T_RRD field when SldeAck is asserted.	RW	0x0
2:0	T_WTR_SHDW	Shadow field for T_WTR. This field is loaded into EMIF_SDRAM_TIMING_1[2:0] T_WTR field when SldeAck is asserted.	RW	0x0

Table 15-142. Register Call Summary for Register EMIF_SDRAM_TIMING_1_SHADOW

EMIF Controller

- [Global Initialization: \[0\]](#)
- [EMIF Register Summary: \[1\]](#)

Table 15-143. EMIF_SDRAM_TIMING_2

Address Offset	0x0000 0020	Instance	EMIF1
Physical Address	0x4C00 0020		
Description	SDRAM Timing 2 Register. If this register is byte written, care must be taken that all the fields are written before performing any accesses to the SDRAM.		
Type	RW		

31	30	29	28	27	26	25	24	23	22	21	20	19	18	17	16	15	14	13	12	11	10	9	8	7	6	5	4	3	2	1	0
RESERVED	T_XP			RESERVED	T_XSNR						T_XSRD						T_RTP		T_CKE												

Bits	Field Name	Description	Type	Reset
31	RESERVED	Reserved	R	0
30:28	T_XP	Minimum number of DDR clock cycles from power-down exit to any command other than a read command, minus one.	RW	0x0
27:25	RESERVED	Reserved	RW	0x0
24:16	T_XSNR	Minimum number of DDR clock cycles from Self-Refresh exit to any command other than a Read command, minus one.	RW	0x000
15:6	T_XSRD	Minimum number of DDR clock cycles from Self-Refresh exit to a Read command, minus one.	RW	0x000
5:3	T_RTP	Minimum number of DDR clock cycles for the last read command to a Precharge command, minus one.	RW	0x0
2:0	T_CKE	Minimum number of DDR clock cycles between CKE pin changes, minus one.	RW	0x0

Table 15-144. Register Call Summary for Register EMIF_SDRAM_TIMING_2

EMIF Controller

- Power-Down Mode: [0][1]
- Self-Refresh Mode: [2][3][4]
- Global Initialization: [5][6][7]
- EMIF Register Summary: [8]
- EMIF Register Description: [9][10][11][12][13]

Table 15-145. EMIF_SDRAM_TIMING_2_SHADOW

Address Offset	0x0000 0024	Instance	EMIF1
Physical Address	0x4C00 0024		
Description	SDRAM Timing 2 Shadow Register		
Type	RW		

31	30	29	28	27	26	25	24	23	22	21	20	19	18	17	16	15	14	13	12	11	10	9	8	7	6	5	4	3	2	1	0
RESERVED	T_XP_SHDW			RESERVED	T_XSNR_SHDW						T_XSRD_SHDW						T_RTP_SHDW		T_CKE_SHDW												

Bits	Field Name	Description	Type	Reset
31	RESERVED	Reserved	R	0
30:28	T_XP_SHDW	Shadow field for T_XP. This field is loaded into EMIF_SDRAM_TIMING_2 [30:28] T_XP field when SldleAck is asserted.	RW	0x0
27:25	RESERVED	Reserved	RW	0x0
24:16	T_XSNR_SHDW	Shadow field for T_XSNR. This field is loaded into EMIF_SDRAM_TIMING_2 [24:16] T_XSNR field when SldleAck is asserted.	RW	0x000
15:6	T_XSRD_SHDW	Shadow field for T_XSRD. This field is loaded into EMIF_SDRAM_TIMING_2 [15:6] T_XSRD field when SldleAck is asserted.	RW	0x000
5:3	T_RTP_SHDW	Shadow field for T_RTP. This field is loaded into EMIF_SDRAM_TIMING_2 [5:3] T_RTP field when SldleAck is asserted.	RW	0x0
2:0	T_CKE_SHDW	Shadow field for T_CKE. This field is loaded into EMIF_SDRAM_TIMING_2 [2:0] T_CKE field when SldleAck is asserted.	RW	0x0

Table 15-146. Register Call Summary for Register EMIF_SDRAM_TIMING_2_SHADOW

EMIF Controller

- [Global Initialization: \[0\]](#)
- [EMIF Register Summary: \[1\]](#)

Table 15-147. EMIF_SDRAM_TIMING_3

Address Offset	0x0000 0028	Instance	EMIF1
Physical Address	0x4C00 0028		
Description	SDRAM Timing 3 Register. If this register is byte written, care must be taken that all the fields are written before performing any accesses to the SDRAM.		
Type	RW		

31	30	29	28	27	26	25	24	23	22	21	20	19	18	17	16	15	14	13	12	11	10	9	8	7	6	5	4	3	2	1	0
T_PDLL_UL				RESERVED				T_CKESR				ZQ_ZQCS				RESERVED				T_RFC				T_RAS_MAX							

Bits	Field Name	Description	Type	Reset
31:28	T_PDLL_UL	Minimum number of DDR clock cycles for PHY DLL to unlock. A value of N will be equal to N x 128 clocks.	RW	0x0
27:24	RESERVED		R	0x0
23:21	T_CKESR	Minimum number of DDR clock cycles for which SDRAM must remain in Self Refresh, minus one.	RW	0x0
20:15	ZQ_ZQCS	Number of DDR clock cycles for a ZQCS command, minus one.	RW	0x00
14:13	RESERVED		R	0x0
12:4	T_RFC	Minimum number of DDR clock cycles from Refresh or Load Mode to Refresh or Activate, minus one.	RW	0x000
3:0	T_RAS_MAX	Maximum number of REFRESH_RATE intervals from Activate to Precharge command. This field must be equal to ((tRASmax / tREFI)-1) rounded down to the next lower integer. Value for T_RAS_MAX can be calculated as follows: If tRASmax = 120 us and tREFI = 15.7 us, then T_RAS_MAX = ((120/15.7)-1) = 6.64. Round down to the next lower integer. Therefore, the programmed value must be 6.	RW	0x0

Table 15-148. Register Call Summary for Register EMIF_SDRAM_TIMING_3

EMIF Controller

- [SDRAM Refresh Scheduling: \[0\]](#)
- [Turnaround Time: \[1\]\[2\]](#)
- [DDR3/DDR3L Output Impedance Calibration: \[3\]\[4\]](#)
- [Global Initialization: \[5\]\[6\]\[7\]](#)
- [EMIF Register Summary: \[8\]](#)
- [EMIF Register Description: \[9\]\[10\]\[11\]\[12\]\[13\]\[14\]\[15\]\[16\]](#)

Table 15-149. EMIF_SDRAM_TIMING_3_SHADOW

Address Offset	0x0000 002C	Instance	EMIF1
Physical Address	0x4C00 002C		
Description	SDRAM Timing 3 Shadow Register		
Type	RW		

31	30	29	28	27	26	25	24	23	22	21	20	19	18	17	16	15	14	13	12	11	10	9	8	7	6	5	4	3	2	1	0
T_PDLL_UL_SHDW				RESERVED				T_CKESR_SHDW				ZQ_ZQCS_SHDW				RESERVED				T_RFC_SHDW				T_RAS_MAX_SHDW							

Bits	Field Name	Description	Type	Reset
31:28	T_PDLL_UL_SHDW	Shadow field for T_PDLL_UL. This field is loaded into T_PDLL_UL field in EMIF_SDRAM_TIMING_3 register when SldleAck is asserted.	RW	0x0
27:24	RESERVED		R	0x0
23:21	T_CKESR_SHDW	Shadow field for T_CKESR. This field is loaded into T_CKESR field in EMIF_SDRAM_TIMING_3 register when SldleAck is asserted.	RW	0x0
20:15	ZQ_ZQCS_SHDW	Shadow field for ZQ_ZQCS. This field is loaded into ZQ_ZQCS field in EMIF_SDRAM_TIMING_3 register when SldleAck is asserted.	RW	0x00
14:13	RESERVED		R	0x0
12:4	T_RFC_SHDW	Shadow field for T_RFC. This field is loaded into EMIF_SDRAM_TIMING_3 [12:4] T_RFC when SldleAck is asserted.	RW	0x000
3:0	T_RAS_MAX_SHDW	Shadow field for T_RAS_MAX. This field is loaded into EMIF_SDRAM_TIMING_3 [3:0] T_RAS_MAX field when SldleAck is asserted.	RW	0x0

Table 15-150. Register Call Summary for Register EMIF_SDRAM_TIMING_3_SHADOW

EMIF Controller

- [Global Initialization: \[0\]](#)
- [EMIF Register Summary: \[1\]](#)

Table 15-151. EMIF_LPDDR2_NVM_TIMING

Address Offset	0x0000 0030	Instance	EMIF1
Physical Address	0x4C00 0030		
Description	NOTE: This register is not supported. It is kept only for code compatibility.		
Type	RW		

31	30	29	28	27	26	25	24	23	22	21	20	19	18	17	16	15	14	13	12	11	10	9	8	7	6	5	4	3	2	1	0
RESERVED																															

Bits	Field Name	Description	Type	Reset
31:0	RESERVED	Reserved	RW	0x0

Table 15-152. Register Call Summary for Register EMIF_LPDDR2_NVM_TIMING

EMIF Controller

- [Global Initialization: \[0\]](#)
- [EMIF Register Summary: \[1\]](#)

Table 15-153. EMIF_LPDDR2_NVM_TIMING_SHADOW

Address Offset	0x0000 0034	Instance	EMIF1
Physical Address	0x4C00 0034		
Description	NOTE: This register is not supported. It is kept only for code compatibility.		
Type	RW		

31	30	29	28	27	26	25	24	23	22	21	20	19	18	17	16	15	14	13	12	11	10	9	8	7	6	5	4	3	2	1	0
RESERVED																															

Bits	Field Name	Description	Type	Reset
31:0	RESERVED	Reserved	RW	0x0

Table 15-154. Register Call Summary for Register EMIF_LPDDR2_NVM_TIMING_SHADOW

EMIF Controller

- [Global Initialization: \[0\]](#)
- [EMIF Register Summary: \[1\]](#)

Table 15-155. EMIF_POWER_MANAGEMENT_CONTROL

Address Offset	0x0000 0038	Instance	EMIF1
Physical Address	0x4C00 0038		
Description	Power Management Control Register. Updating the *_TIM fields must be followed by at least one access to SDRAM for the new value to take an effect.		
Type	RW		

31	30	29	28	27	26	25	24	23	22	21	20	19	18	17	16	15	14	13	12	11	10	9	8	7	6	5	4	3	2	1	0
RESERVED																PD_TIM		RESERVED	LP_MODE		SR_TIM		RESERVED								

Bits	Field Name	Description	Type	Reset
31:16	RESERVED		R	0x0000
15:12	PD_TIM	Power Management timer for Power-Down. The EMIF will put the external SDRAM in Power-Down mode after the EMIF is idle for these number of DDR clock cycles and if LP_MODE field is set to 4. Set to 0 to immediately enter Power-Down mode. Set to 1 for 16 clocks, set to 2 for 32 clocks, set to 3 for 64 clocks, set to 4 for 128 clocks, set to 5 for 256 clocks, set to 6 for 512 clocks, set to 7 for 1024 clocks, set to 8 for 2048 clocks, set to 9 for 4096 clocks, set to 10 for 8192 clocks, set to 11 for 16384 clocks, set to 12 for 32768 clocks, set to 13 for 65536 clocks, set to 14 for 131072 clocks, and set to 15 for 262144 clocks.	RW	0x0
11	RESERVED		R	0
10:8	LP_MODE	Automatic Power Management enable. 0x0: Disable automatic power management 0x1: Reserved 0x2: Self Refresh mode 0x3: Disable automatic power management 0x4: Power-Down mode All other values disable automatic power management.	RW	0x0
7:4	SR_TIM	Power Management timer for Self Refresh. The EMIF will put the external SDRAM in Self Refresh mode after the EMIF is idle for these number of DDR clock cycles and if LP_MODE field is set to 2. Set to 0 to immediately enter Self Refresh mode. Set to 1 for 16 clocks, set to 2 for 32 clocks, set to 3 for 64 clocks, set to 4 for 128 clocks, set to 5 for 256 clocks, set to 6 for 512 clocks, set to 7 for 1024 clocks, set to 8 for 2048 clocks, set to 9 for 4096 clocks, set to 10 for 8192 clocks, set to 11 for 16384 clocks, set to 12 for 32768 clocks, set to 13 for 65536 clocks, set to 14 for 131072 clocks, and set to 15 for 262144 clocks.	RW	0x0
3:0	RESERVED		RW	0x0

Table 15-156. Register Call Summary for Register EMIF_POWER_MANAGEMENT_CONTROL

EMIF Controller

- [Reset: \[0\]](#)
- [Power-Down Mode: \[1\]\[2\]\[3\]](#)
- [Self-Refresh Mode: \[4\]\[5\]\[6\]](#)
- [Global Initialization: \[7\]\[8\]\[9\]\[10\]\[11\]](#)
- [Operational Modes Configuration: \[12\]\[13\]\[14\]\[15\]\[16\]\[17\]\[18\]\[19\]\[20\]\[21\]](#)
- [EMIF Register Summary: \[22\]](#)
- [EMIF Register Description: \[23\]\[24\]](#)

Table 15-157. EMIF_POWER_MANAGEMENT_CONTROL_SHADOW

Address Offset	0x0000 003C		
Physical Address	0x4C00 003C	Instance EMIF1	
Description	Power Management Control Shadow Register		
Type	RW		
31 30 29 28 27 26 25 24	23 22 21 20 19 18 17 16	15 14 13 12 11 10 9 8	7 6 5 4 3 2 1 0
RESERVED			
PD_TIM_SHDW			
RESERVED			
SR_TIM_SHDW			
RESERVED			

Bits	Field Name	Description	Type	Reset
31:16	RESERVED		R	0x0000
15:12	PD_TIM_SHDW	Shadow field for PD_TIM. This field is loaded into PD_TIM field in EMIF_POWER_MANAGEMENT_CONTROL register when SlidleAck is asserted.	RW	0x0
11:8	RESERVED		R	0x0
7:4	SR_TIM_SHDW	Shadow field for SR_TIM. This field is loaded into SR_TIM field in EMIF_POWER_MANAGEMENT_CONTROL register when SlidleAck is asserted.	RW	0x0
3:0	RESERVED		RW	0x0

**Table 15-158. Register Call Summary for Register
EMIF_POWER_MANAGEMENT_CONTROL_SHADOW**

EMIF Controller

- [Global Initialization: \[0\]](#)
- [Operational Modes Configuration: \[1\]\[2\]\[3\]\[4\]](#)
- [EMIF Register Summary: \[5\]](#)

Table 15-159. EMIF_OCP_CONFIG

Address Offset	0x0000 0054	Instance	EMIF1
Physical Address	0x4C00 0054		
Description	OCP Config Register		
Type	RW		

31	30	29	28	27	26	25	24	23	22	21	20	19	18	17	16	15	14	13	12	11	10	9	8	7	6	5	4	3	2	1	0
RESERVED								SYS_THRESH_MAX		MPU_THRESH_MAX		RESERVED																			

Bits	Field Name	Description	Type	Reset
31:28	RESERVED		R	0x0
27:24	SYS_THRESH_MAX	System OCP Threshold Maximum. The number of commands the system interface can consume in the command FIFO. The value is used to determine when to stop future request, writing a zero will reserve no space for the associated interface. In the event the value is set to zero and a request is seen for that interface, the command FIFO will assume a value of 1.	RW	0x7
23:20	MPU_THRESH_MAX	MPU Threshold Maximum. The number of commands the MPU interface can consume in the command FIFO. The value is used to determine when to stop future request, writing a zero will reserve no space for the associated interface. In the event the value is set to zero and a request is seen for that interface, the command FIFO will assume a value of 1.	RW	0x7
19:0	RESERVED		R	0x70000

Table 15-160. Register Call Summary for Register EMIF_OCP_CONFIG

EMIF Controller

- [FIFO Description: \[0\]\[1\]](#)
- [Global Initialization: \[6\]\[7\]](#)
- [EMIF Register Summary: \[8\]](#)

Table 15-161. EMIF_OCP_CONFIG_VALUE_1

Address Offset	0x0000 0058	Instance	EMIF1
Physical Address	0x4C00 0058		
Description	OCP Config Value 1 Register		
Type	R		

31	30	29	28	27	26	25	24	23	22	21	20	19	18	17	16	15	14	13	12	11	10	9	8	7	6	5	4	3	2	1	0
SYS_BUS_WIDTH								RESERVED								WR_FIFO_DEPTH								CMD_FIFO_DEPTH							

Bits	Field Name	Description	Type	Reset
31:30	SYS_BUS_WIDTH	System OCP data bus width 0 = 32-bit wide, 1 = 64-bit wide, 2 = 128-bit wide, 3 = Reserved	R	0x2
29:16	RESERVED		R	0x1000
15:8	WR_FIFO_DEPTH	Write Data FIFO depth	R	0x19
7:0	CMD_FIFO_DEPTH	Command FIFO depth	R	0x0A

Table 15-162. Register Call Summary for Register EMIF_OCP_CONFIG_VALUE_1

EMIF Controller

- [EMIF Register Summary: \[0\]](#)

Table 15-163. EMIF_OCP_CONFIG_VALUE_2

Address Offset	0x0000 005C	Instance	EMIF1
Physical Address	0x4C00 005C		
Description	OCP Config Value 2 Register		
Type	R		

31	30	29	28	27	26	25	24	23	22	21	20	19	18	17	16	15	14	13	12	11	10	9	8	7	6	5	4	3	2	1	0
RESERVED								RREG_FIFO_DEPTH								RSD_FIFO_DEPTH								RCMD_FIFO_DEPTH							

Bits	Field Name	Description	Type	Reset
31:24	RESERVED	Reserved	R	0x00
23:16	RREG_FIFO_DEPTH	Register Read Data FIFO depth	R	0x04
15:8	RSD_FIFO_DEPTH	SDRAM Read Data FIFO depth	R	0x27
7:0	RCMD_FIFO_DEPTH	Read Command FIFO depth	R	0x27

Table 15-164. Register Call Summary for Register EMIF_OCP_CONFIG_VALUE_2

EMIF Controller

- [EMIF Register Summary: \[0\]](#)

Table 15-165. EMIF_IODFT_TLGC

Address Offset	0x0000 0060	Instance	EMIF1
Physical Address	0x4C00 0060		
Description			
Type	RW		

31	30	29	28	27	26	25	24	23	22	21	20	19	18	17	16	15	14	13	12	11	10	9	8	7	6	5	4	3	2	1	0
RESERVED																RESERVED	RESERVED	RESERVED	RESERVED	RESERVED	RESET_PHY	RESERVED	RESERVED	RESERVED	RESERVED	RESERVED	RESERVED	RESERVED	RESERVED	RESERVED	RESERVED

Bits	Field Name	Description	Type	Reset
31:16	RESERVED	Reserved. This field must not be modified.	RW	0x0
15	RESERVED	Reserved	R	0x0
14	RESERVED	Reserved. This bit must not be modified.	RW	0x0
13	RESERVED	Reserved. This bit must not be modified.	RW	0x1
12	RESERVED	Reserved. This bit must not be modified.	RW	0x0
11	RESERVED	Reserved	R	0x0
10	RESET_PHY	Reset the DDR PHY. Writing 1 to this bit resets the DDR PHY. This bit will self clear to 0.	RW	0x0
9	RESERVED	Reserved	R	0x0
8	RESERVED	Reserved. This bit must not be modified.	RW	0x0
7:6	RESERVED	Reserved	R	0x0
5:4	RESERVED	Reserved. This field must not be modified.	RW	0x1
3:1	RESERVED	Reserved. This field must not be modified.	RW	0x0
0	RESERVED	Reserved. This bit must not be modified.	RW	0x1

Table 15-166. Register Call Summary for Register EMIF_IODFT_TLGC

EMIF Controller

- [Global Initialization: \[0\]\[1\]\[2\]\[3\]\[4\]](#)
- [EMIF Register Summary: \[5\]](#)

Table 15-167. EMIF_PERFORMANCE_COUNTER_1

Address Offset	0x0000 0080	Instance	EMIF1
Physical Address	0x4C00 0080		
Description	Performance Counter 1 Register		
Type	R		

31	30	29	28	27	26	25	24	23	22	21	20	19	18	17	16	15	14	13	12	11	10	9	8	7	6	5	4	3	2	1	0
COUNTER1																															

Bits	Field Name	Description	Type	Reset
31:0	COUNTER1	32-bit counter that can be configured as specified in the EMIF_PERFORMANCE_COUNTER_CONFIG register and EMIF_PERFORMANCE_COUNTER_MASTER_REGION_SELECT register.	R	0x0000 0000

Table 15-168. Register Call Summary for Register EMIF_PERFORMANCE_COUNTER_1

EMIF Controller

- [Performance Counters: \[0\]](#)
- [Performance Counters General Examples: \[1\]\[2\]\[3\]\[4\]](#)
- [EMIF Register Summary: \[5\]](#)
- [EMIF Register Description: \[6\]\[7\]\[8\]\[9\]\[10\]](#)

Table 15-169. EMIF_PERFORMANCE_COUNTER_2

Address Offset	0x0000 0084	
Physical Address	0x4C00 0084	Instance EMIF1
Description	Performance Counter 2 Register	
Type	R	

31	30	29	28	27	26	25	24	23	22	21	20	19	18	17	16	15	14	13	12	11	10	9	8	7	6	5	4	3	2	1	0
COUNTER2																															

Bits	Field Name	Description	Type	Reset
31:0	COUNTER2	32-bit counter that can be configured as specified in the EMIF_PERFORMANCE_COUNTER_CONFIG register and EMIF_PERFORMANCE_COUNTER_MASTER_REGION_SELECT register.	R	0x0000 0000

Table 15-170. Register Call Summary for Register EMIF_PERFORMANCE_COUNTER_2

EMIF Controller

- [Performance Counters: \[0\]](#)
- [Performance Counters General Examples: \[1\]\[2\]](#)
- [EMIF Register Summary: \[3\]](#)
- [EMIF Register Description: \[4\]\[5\]\[6\]\[7\]\[8\]](#)

Table 15-171. EMIF_PERFORMANCE_COUNTER_CONFIG

Address Offset	0x0000 0088	
Physical Address	0x4C00 0088	Instance EMIF1
Description	Performance Counter Config Register	
Type	RW	

31	30	29	28	27	26	25	24	23	22	21	20	19	18	17	16	15	14	13	12	11	10	9	8	7	6	5	4	3	2	1	0		
CNTR2_MCONNID_EN	CNTR2_REGION_EN	RESERVED										CNTR2_CFG					CNTR1_MCONNID_EN	CNTR1_REGION_EN	RESERVED										CNTR1_CFG				

Bits	Field Name	Description	Type	Reset
31	CNTR2_MCONNID_EN	MConnID filter enable for EMIF_PERFORMANCE_COUNTER_2 register.	RW	0
30	CNTR2_REGION_EN	Chip Select filter enable for EMIF_PERFORMANCE_COUNTER_2 register.	RW	0
29:20	RESERVED	Reserved for future use	R	0x000
19:16	CNTR2_CFG	Filter configuration for EMIF_PERFORMANCE_COUNTER_2 . Refer to Table 15-116 for details.	RW	0x1
15	CNTR1_MCONNID_EN	MConnID filter enable for EMIF_PERFORMANCE_COUNTER_1 register.	RW	0
14	CNTR1_REGION_EN	Chip Select filter enable for EMIF_PERFORMANCE_COUNTER_1 register.	RW	0
13:4	RESERVED	Reserved for future use	R	0x000
3:0	CNTR1_CFG	Filter configuration for EMIF_PERFORMANCE_COUNTER_1 . Refer to Table 15-116 for details.	RW	0x0

Table 15-172. Register Call Summary for Register EMIF_PERFORMANCE_COUNTER_CONFIG

EMIF Controller

- [Performance Counters: \[0\]\[1\]\[2\]\[3\]\[4\]](#)
- [Performance Counters General Examples: \[5\]\[6\]\[7\]\[8\]\[9\]\[10\]\[11\]\[12\]](#)
- [EMIF Register Summary: \[13\]](#)
- [EMIF Register Description: \[14\]\[15\]](#)

Table 15-173. EMIF_PERFORMANCE_COUNTER_MASTER_REGION_SELECT

Address Offset	0x0000 008C	Instance	EMIF1
Physical Address	0x4C00 008C		
Description	Performance Counter Master Region Select Register The values programmed into the MCONNIDx fields are those in the <i>ConnID Values</i> table in Chapter 14, Interconnect .		
Type	RW		

31	30	29	28	27	26	25	24	23	22	21	20	19	18	17	16	15	14	13	12	11	10	9	8	7	6	5	4	3	2	1	0
MCONNID2								RESERVED			REGION_SEL2	MCONNID1								RESERVED			REGION_SEL1								

Bits	Field Name	Description	Type	Reset
31:24	MCONNID2	MConnID for EMIF_PERFORMANCE_COUNTER_2 register.	RW	0x00
23:18	RESERVED	Reserved	R	0x00
17:16	REGION_SEL2	MAddrSpace for EMIF_PERFORMANCE_COUNTER_2 register.	RW	0x0
15:8	MCONNID1	MConnID for EMIF_PERFORMANCE_COUNTER_1 register.	RW	0x00
7:2	RESERVED	Reserved	R	0x00
1:0	REGION_SEL1	MAddrSpace for EMIF_PERFORMANCE_COUNTER_1 register.	RW	0x0

**Table 15-174. Register Call Summary for Register
EMIF_PERFORMANCE_COUNTER_MASTER_REGION_SELECT**

EMIF Controller

- [Performance Counters: \[0\]](#)
- [Performance Counters General Examples: \[1\]\[2\]\[3\]](#)
- [EMIF Register Summary: \[4\]](#)
- [EMIF Register Description: \[5\]\[6\]](#)

Table 15-175. EMIF_PERFORMANCE_COUNTER_TIME

Address Offset	0x0000 0090	
Physical Address	0x4C00 0090	Instance EMIF1
Description	Performance Counter Time Register. This is a free running counter.	
Type	R	

31	30	29	28	27	26	25	24	23	22	21	20	19	18	17	16	15	14	13	12	11	10	9	8	7	6	5	4	3	2	1	0
TOTAL_TIME																															

Bits	Field Name	Description	Type	Reset
31:0	TOTAL_TIME	32-bit counter that continuously counts number for EMIF_FICLK clock cycles elapsed after EMIF is brought out of reset.	R	0x0000 0000

Table 15-176. Register Call Summary for Register EMIF_PERFORMANCE_COUNTER_TIME

EMIF Controller

- [EMIF Register Summary: \[0\]](#)

Table 15-177. EMIF_MISC_REG

Address Offset	0x0000 0094	
Physical Address	0x4C00 0094	Instance EMIF1
Description		
Type	RW	

31	30	29	28	27	26	25	24	23	22	21	20	19	18	17	16	15	14	13	12	11	10	9	8	7	6	5	4	3	2	1	0
RESERVED																															DLL_CALIB_OS

Bits	Field Name	Description	Type	Reset
31:1	RESERVED	Reserved	R	0x0
0	DLL_CALIB_OS	Phy_dll_calib one shot : Setting bit to 1 generates a phy_pll_calib pulse. Bit is self cleared when pll_calib gets generated and ack_wait has been satisfied. Software can poll to confirm completion. Uses the EMIF_DLL_CALIB_CTRL[19:16] ACK_WAIT bit field for time to wait after firing off the phy_dll_calib.	RW	0x0

Table 15-178. Register Call Summary for Register EMIF_MISC_REG

EMIF Controller

- [PHY DLL Calibration: \[0\]](#)
- [EMIF Register Summary: \[1\]](#)
- [EMIF Register Description: \[2\]](#)

Table 15-179. EMIF_DLL_CALIB_CTRL

Address Offset	0x0000 0098	Instance	EMIF1
Physical Address	0x4C00 0098		
Description	Control register to force idle window time to generate a phy_dll_calib that can be used for updating PHY DLLs during voltage ramps. NOTE: Should always be loaded via the shadow register.		
Type	RW		

31	30	29	28	27	26	25	24	23	22	21	20	19	18	17	16	15	14	13	12	11	10	9	8	7	6	5	4	3	2	1	0
RESERVED								ACK_WAIT				RESERVED				DLL_CALIB_INTERVAL															

Bits	Field Name	Description	Type	Reset
31:20	RESERVED		R	0x000
19:16	ACK_WAIT	The ack_wait determines the required wait time after a phy_dll_calib is generated before another command can be sent. Value program is in terms of EMIF_FICLK cycle count. CAUTION: 5 must be the minimum value ever programmed.	RW	0x9
15:9	RESERVED		R	0x00
8:0	DLL_CALIB_INTERVAL	This field determines the interval between phy_dll_calib generation. This value is multiplied by a precounter of 16 EMIF_FICLK cycles. Program this field one less the value you are targeting; program 1 to achieve interval of 2 (minimum interval supported). Programming zero turns off function. Note the final intervals between dll_calib generation is also a function of ACK_WAIT. Final periodic interval is calculated by: ((DLL_CALIB_INTERVAL + 1) × 16) + ACK_WAIT	RW	0x000

Table 15-180. Register Call Summary for Register EMIF_DLL_CALIB_CTRL

EMIF Controller

- [PHY DLL Calibration: \[0\]](#)
- [Global Initialization: \[1\]\[2\]\[3\]\[4\]](#)
- [EMIF Register Summary: \[5\]](#)
- [EMIF Register Description: \[6\]\[7\]\[8\]](#)

Table 15-181. EMIF_DLL_CALIB_CTRL_SHADOW

Address Offset	0x0000 009C	Instance	EMIF1
Physical Address	0x4C00 009C		
Description	Read Idle Control Shadow Register		
Type	RW		

31	30	29	28	27	26	25	24	23	22	21	20	19	18	17	16	15	14	13	12	11	10	9	8	7	6	5	4	3	2	1	0
RESERVED												ACK_WAIT_SHDW				RESERVED								DLL_CALIB_INTERVAL_SHDW							

Bits	Field Name	Description	Type	Reset
31:20	RESERVED		R	0x000
19:16	ACK_WAIT_SHDW	Shadow field for ACK_WAIT. This field is loaded into ACK_WAIT field in EMIF_DLL_CALIB_CTRL register when SldleAck is asserted	RW	0x9
15:9	RESERVED		R	0x00
8:0	DLL_CALIB_INTERVAL_SHDW	Shadow field for DLL_CALIB_INTERVAL. This field is loaded into DLL_CALIB_INTERVAL field in the EMIF_DLL_CALIB_CTRL register when SldleAck is asserted	RW	0x000

Table 15-182. Register Call Summary for Register EMIF_DLL_CALIB_CTRL_SHADOW

EMIF Controller

- [Global Initialization: \[0\]](#)
- [EMIF Register Summary: \[1\]](#)

Table 15-183. EMIF_END_OF_INTERRUPT

Address Offset	0x0000 00A0	Instance	EMIF1
Physical Address	0x4C00 00A0		
Description			
Type	RW		

31	30	29	28	27	26	25	24	23	22	21	20	19	18	17	16	15	14	13	12	11	10	9	8	7	6	5	4	3	2	1	0
RESERVED																	EOI														

Bits	Field Name	Description	Type	Reset
31:1	RESERVED		R	0x0
0	EOI	Software End Of Interrupt (EOI) control. Write 0x0 for system OCP interrupt. This field always reads 0 (no EOI memory).	RW	0x0

Table 15-184. Register Call Summary for Register EMIF_END_OF_INTERRUPT

EMIF Controller

- [EMIF Register Summary: \[0\]](#)

Table 15-185. EMIF_SYSTEM_OCP_INTERRUPT_RAW_STATUS

Address Offset	0x0000 00A4	Instance	EMIF1
Physical Address	0x4C00 00A4		
Description	System OCP Interrupt Raw Status Register		
Type	RW		

31	30	29	28	27	26	25	24	23	22	21	20	19	18	17	16	15	14	13	12	11	10	9	8	7	6	5	4	3	2	1	0
RESERVED																ONEBIT_ECC_ERR_SYS	TWOBIT_ECC_ERR_SYS	WR_ECC_ERR_SYS	RESERVED		ERR_SYS										

Bits	Field Name	Description	Type	Reset
31:6	RESERVED		R	0x000 0000
5	ONEBIT_ECC_ERR_SYS	Raw status of system ECC one bit error correction interrupt.	RW	0x0
4	TWOBIT_ECC_ERR_SYS	Raw status of system ECC two bit error detection interrupt.	RW	0x0
3	WR_ECC_ERR_SYS	Raw status of system ECC Error interrupt when a memory access is made to a non-quanta aligned location.	RW	0x0
2:1	RESERVED		R	0x0
0	ERR_SYS	Raw status of system OCP interrupt for command or address error. Write 1 to set the (raw) status, mostly for debug. Writing a 0 has no effect.	RW	0

Table 15-186. Register Call Summary for Register EMIF_SYSTEM_OCP_INTERRUPT_RAW_STATUS

EMIF Controller

- [Interrupt Requests: \[0\]\[1\]\[2\]\[3\]\[4\]\[5\]\[6\]\[7\]\[8\]\[9\]\[10\]\[11\]](#)
- [EMIF Register Summary: \[12\]](#)

Table 15-187. EMIF_SYSTEM_OCP_INTERRUPT_STATUS

Address Offset	0x0000 00AC	Instance	EMIF1
Physical Address	0x4C00 00AC		
Description	System OCP Interrupt Status Register		
Type	RW		

31	30	29	28	27	26	25	24	23	22	21	20	19	18	17	16	15	14	13	12	11	10	9	8	7	6	5	4	3	2	1	0
RESERVED																ONEBIT_ECC_ERR_SYS	TWOBIT_ECC_ERR_SYS	WR_ECC_ERR_SYS	RESERVED		ERR_SYS										

Bits	Field Name	Description	Type	Reset
31:6	RESERVED		R	0x000 0000
5	ONEBIT_ECC_ERR_SYS	Enabled status of system ECC one bit error correction interrupt. Write 1 to clear the status after interrupt has been serviced (raw status gets cleared, that is even if not enabled). Writing a 0 has no effect	RW	0x0
4	TWOBIT_ECC_ERR_SYS	Enabled status of system ECC two bit error detection interrupt. Write 1 to clear the status after interrupt has been serviced (raw status gets cleared, that is even if not enabled). Writing a 0 has no effect.	RW	0x0
3	WR_ECC_ERR_SYS	Enabled status of system ECC Error interrupt when a memory access is made to a non-quantum aligned location. Write 1 to clear the status after interrupt has been serviced (raw status gets cleared, that is even if not enabled). Writing a 0 has no effect.	RW	0x0
2:1	RESERVED		R	0x0
0	ERR_SYS	Enabled status of system OCP interrupt for command or address error. Write 1 to clear the status after interrupt has been serviced (raw status gets cleared, that is, even if not enabled). Writing a 0 has no effect.	RW	0

Table 15-188. Register Call Summary for Register EMIF_SYSTEM_OCP_INTERRUPT_STATUS

EMIF Controller

- [Interrupt Requests: \[0\]\[1\]\[2\]\[3\]\[4\]\[5\]\[6\]\[7\]\[8\]\[9\]\[10\]](#)
- [Operational Modes Configuration: \[11\]](#)
- [EMIF Register Summary: \[12\]](#)
- [EMIF Register Description: \[13\]](#)

Table 15-189. EMIF_SYSTEM_OCP_INTERRUPT_ENABLE_SET

Address Offset	0x0000 00B4	Instance	EMIF1
Physical Address	0x4C00 00B4		
Description	System OCP Interrupt Enable Set Register		
Type	RW		

31	30	29	28	27	26	25	24	23	22	21	20	19	18	17	16	15	14	13	12	11	10	9	8	7	6	5	4	3	2	1	0
RESERVED																ONEBIT_ECC_ERR_SYS	TWOBIT_ECC_ERR_SYS	WR_ECC_ERR_SYS	RESERVED	EN_ERR_SYS											

Bits	Field Name	Description	Type	Reset
31:6	RESERVED		R	0x000 0000
5	ONEBIT_ECC_ERR_SYS	Enabled status of system ECC one bit error correction interrupt. Writing a 1 will enable the interrupt, and set this bit as well as the corresponding Interrupt Enable Clear Register. Writing a 0 has no effect.	RW W1toSet	0x0
4	TWOBIT_ECC_ERR_SYS	Enabled status of system ECC two bit error detection interrupt. Writing a 1 will enable the interrupt, and set this bit as well as the corresponding Interrupt Enable Clear Register. Writing a 0 has no effect.	RW W1toSet	0x0

Bits	Field Name	Description	Type	Reset
3	WR_ECC_ERR_SYS	Enabled status of system ECC Error interrupt when a memory access is made to a non-quanta aligned location. Writing a 1 will enable the interrupt, and set this bit as well as the corresponding Interrupt Enable Clear Register. Writing a 0 has no effect.	RW W1toSet	0x0
2:1	RESERVED		R	0x0
0	EN_ERR_SYS	Enable set for system OCP interrupt for command or address error. Writing a 1 will enable the interrupt, and set this bit as well as the corresponding Interrupt Enable Clear Register. Writing a 0 has no effect.	RW W1toSet	0

Table 15-190. Register Call Summary for Register EMIF_SYSTEM_OCP_INTERRUPT_ENABLE_SET

EMIF Controller

- [Interrupt Requests: \[0\]\[1\]\[2\]\[3\]\[4\]\[5\]](#)
- [EMIF Register Summary: \[6\]](#)

Table 15-191. EMIF_SYSTEM_OCP_INTERRUPT_ENABLE_CLEAR

Address Offset	0x0000 00BC	Instance	EMIF1
Physical Address	0x4C00 00BC		
Description	System OCP Interrupt Enable Clear Register		
Type	RW		

31	30	29	28	27	26	25	24	23	22	21	20	19	18	17	16	15	14	13	12	11	10	9	8	7	6	5	4	3	2	1	0
RESERVED																ONEBIT_ECC_ERR_SYS	TWOBIT_ECC_ERR_SYS	WR_ECC_ERR_SYS	RESERVED		EN_ERR_SYS										

Bits	Field Name	Description	Type	Reset
31:6	RESERVED		R	0x000 0000
5	ONEBIT_ECC_ERR_SYS	Enabled status of system ECC one bit error correction interrupt. Writing a 1 will disable the interrupt, and clear this bit as well as the corresponding Interrupt Enable Set Register. Writing a 0 has no effect.	RW W1toClr	0x0
4	TWOBIT_ECC_ERR_SYS	Enabled status of system ECC two bit error detection interrupt. Writing a 1 will disable the interrupt, and clear this bit as well as the corresponding Interrupt Enable Set Register. Writing a 0 has no effect.	RW W1toClr	0x0
3	WR_ECC_ERR_SYS	Enabled status of system ECC Error interrupt when a memory access is made to a non-quanta aligned location. Writing a 1 will disable the interrupt, and clear this bit as well as the corresponding Interrupt Enable Set Register. Writing a 0 has no effect.	RW W1toClr	0x0
2:1	RESERVED		R	0x0
0	EN_ERR_SYS	Enable clear for system OCP interrupt for command or address error. Writing a 1 will disable the interrupt, and clear this bit as well as the corresponding Interrupt Enable Set Register. Writing a 0 has no effect.	RW W1toClr	0

**Table 15-192. Register Call Summary for Register
EMIF_SYSTEM_OCP_INTERRUPT_ENABLE_CLEAR**

EMIF Controller

- [Interrupt Requests: \[0\]\[1\]\[2\]\[3\]\[4\]](#)
- [EMIF Register Summary: \[5\]](#)

Table 15-193. EMIF_SDRAM_OUTPUT_IMPEDANCE_CALIBRATION_CONFIG

Address Offset	0x0000 00C8	Instance	EMIF1
Physical Address	0x4C00 00C8		
Description	SDRAM Output Impedance Calibration Config Register		
Type	RW		

31	30	29	28	27	26	25	24	23	22	21	20	19	18	17	16	15	14	13	12	11	10	9	8	7	6	5	4	3	2	1	0
ZQ_CS1EN	ZQ_CS0EN	ZQ_DUALCALEN	ZQ_SFEXITEN	RESERVED								ZQ_ZQINIT_MULT	ZQ_ZQCL_MULT	ZQ_REFINTERVAL																	

Bits	Field Name	Description	Type	Reset
31	ZQ_CS1EN	Writing a 1 enables ZQ calibration for CS1.	RW	0x0
30	ZQ_CS0EN	Writing a 1 enables ZQ calibration for CS0.	RW	0x0
29	ZQ_DUALCALEN	ZQ Dual Calibration enable. Allows both ranks to be ZQ calibrated simultaneously. Setting this bit requires both chip selects to have a separate calibration resistor per device. NOTE: Chip select 1 is not supported on this device.	RW	0x0
28	ZQ_SFEXITEN	Writing a 1 enables the issuing of ZQCL on Self-Refresh, Active Power-Down, and Precharge Power-Down exit.	RW	0x0
27:20	RESERVED		R	0x00
19:18	ZQ_ZQINIT_MULT	Indicates the number of ZQCL durations that make up a ZQINIT duration, minus one.	RW	0x0
17:16	ZQ_ZQCL_MULT	Indicates the number of ZQCS intervals that make up a ZQCL duration, minus one. ZQCS interval is defined by ZQ_ZQCS in EMIF_SDRAM_TIMING_3 .	RW	0x0
15:0	ZQ_REFINTERVAL	Number of refresh periods between ZQCS commands. This field supports between one refresh period to 256 ms between ZQCS calibration commands. Refresh period is defined by REFRESH_RATE in EMIF_SDRAM_REFRESH_CONTROL register.	RW	0x0000

**Table 15-194. Register Call Summary for Register
EMIF_SDRAM_OUTPUT_IMPEDANCE_CALIBRATION_CONFIG**

EMIF Controller

- [DDR3/DDR3L Output Impedance Calibration: \[0\]\[1\]\[2\]\[3\]\[4\]\[5\]](#)
- [Global Initialization: \[6\]\[7\]\[8\]\[9\]\[10\]](#)
- [Operational Modes Configuration: \[11\]\[12\]\[13\]\[14\]\[15\]\[16\]](#)
- [EMIF Register Summary: \[17\]](#)

Table 15-195. EMIF_TEMP_ALERT_CONFIG

Address Offset	0x0000 00CC	Instance	EMIF1
Physical Address	0x4C00 00CC		
Description	Temperature Alert Configuration Register. NOTE: This register is only applicable to LPDDR2 memories and cannot be used in this device.		
Type	RW		

31	30	29	28	27	26	25	24	23	22	21	20	19	18	17	16	15	14	13	12	11	10	9	8	7	6	5	4	3	2	1	0
TA_CS1EN	TA_CS0EN	RESERVED	TA_SFEXITEN	TA_DEVWDT	TA_DEVCNT	RESERVED	TA_REFINTERVAL																								

Bits	Field Name	Description	Type	Reset
31	TA_CS1EN	Writing 1 enables temperature alert polling for CS1.	RW	0x0
30	TA_CS0EN	Writing 1 enables temperature alert polling for CS0.	RW	0x0
29	RESERVED	Reserved	R	0x0
28	TA_SFEXITEN	Temperature Alert Poll on Self-Refresh, Active Power-Down, and Precharge Power-Down exit enable. Writing 1 enables the issuing of a temperature alert poll on Self-Refresh exit.	RW	0x0
27:26	TA_DEVWDT	This field indicates how wide a physical device is. It is used in conjunction with the TA_DEVCNT field to determine which byte lanes contain the temperature alert info. A value of 0: 8-bit wide, 1: 16-bit wide, 2: 32-bit wide. All others are reserved. If this field is set to 1 and the TA_DEVCNT field is set to 1 the byte mask for checking is 4'b0101.	RW	0x0
25:24	TA_DEVCNT	This field indicates which external byte lanes contain a device for temperature monitoring. A value of 0: one device, 1: two devices, 2: four devices. All other reserved.	RW	0x0
23:22	RESERVED	Reserved	R	0x0
21:0	TA_REFINTERVAL	Number of refresh periods between temperature alert polls. This field supports between one refresh period to 10 seconds between temperature alert polls. Refresh period is defined by REFRESH_RATE in EMIF_SDRAM_REFRESH_CONTROL register.	RW	0x0

Table 15-196. Register Call Summary for Register EMIF_TEMP_ALERT_CONFIG

EMIF Controller

- [Global Initialization: \[0\]](#)
- [EMIF Register Summary: \[1\]](#)

Table 15-197. EMIF_OCP_ERROR_LOG

Address Offset	0x0000 00D0	Instance	EMIF1
Physical Address	0x4C00 00D0		
Description	OCP Error Log Register. This register is overwritten by any first error transaction once after the interrupt is serviced and cleared by writing 0x1 to the EMIF_SYSTEM_OCP_INTERRUPT_STATUS[0] ERR_SYS bit.		
Type	R		

31	30	29	28	27	26	25	24	23	22	21	20	19	18	17	16	15	14	13	12	11	10	9	8	7	6	5	4	3	2	1	0
RESERVED																MADDRSPACE		MBURSTSEQ		MCMD				MCONNID							

Bits	Field Name	Description	Type	Reset
31:16	RESERVED	Reserved for future use.	R	0x0000
15:14	MADDRSPACE	Address space of the first errored transaction. 0x0: SDRAM 0x1: reserved 0x2: reserved 0x3: internal registers	R	0x0
13:11	MBURSTSEQ	Addressing mode of the first errored transaction. (see Section 14.2.1, L3_MAIN Interconnect for more information)	R	0x0
10:8	MCMD	Command type of the first errored transaction. (see Section 14.2.1, L3_MAIN Interconnect for more information)	R	0x0
7:0	MCONNID	Connection ID of the first errored transaction.	R	0x00

Table 15-198. Register Call Summary for Register EMIF_OCP_ERROR_LOG

EMIF Controller

- [Error Correction And Detection Feature: \[0\]](#)
- [EMIF Register Summary: \[1\]](#)

Table 15-199. EMIF_READ_WRITE_LEVELING_RAMP_WINDOW

Address Offset	0x0000 00D4	Instance	EMIF1
Physical Address	0x4C00 00D4		
Description	Read/write leveling ramp window register		
Type	RW		

31	30	29	28	27	26	25	24	23	22	21	20	19	18	17	16	15	14	13	12	11	10	9	8	7	6	5	4	3	2	1	0
RESERVED																RDWRLVLINC_RMP_WIN															

Bits	Field Name	Description	Type	Reset
31:13	RESERVED		R	0x0 0000
12:0	RDWRLVLINC_RMP_WIN	Incremental leveling ramp window in number of refresh periods. The value programmed is minus one the required value. Refresh period is defined by REFRESH_RATE in EMIF_SDRAM_REFRESH_CONTROL register. NOTE: Incremental leveling is not supported on this device.	RW	0x0000

Table 15-200. Register Call Summary for Register EMIF_READ_WRITE_LEVELING_RAMP_WINDOW

EMIF Controller

- [Global Initialization: \[3\]](#)
- [EMIF Register Summary: \[4\]](#)

Table 15-201. EMIF_READ_WRITE_LEVELING_RAMP_CONTROL

Address Offset	0x0000 00D8	Instance	EMIF1
Physical Address	0x4C00 00D8		
Description	Read/write leveling ramp control register		
Type	RW		

31	30	29	28	27	26	25	24	23	22	21	20	19	18	17	16	15	14	13	12	11	10	9	8	7	6	5	4	3	2	1	0
RDWRLV_EN	RDWRLVLINC_RMP_PRE							RDLVLINC_RMP_INT								RDLVLGATEINC_RMP_INT								WRLVLINC_RMP_INT							

Bits	Field Name	Description	Type	Reset
31	RDWRLV_EN	Read-Write Leveling enable. Set 1 to enable leveling. Set 0 to disable leveling.	RW	0
30:24	RDWRLVLINC_RMP_PRE	Incremental leveling pre-scalar in number of refresh periods during ramp window. The value programmed is minus one the required value. Refresh period is defined by REFRESH_RATE in EMIF_SDRAM_REFRESH_CONTROL register. NOTE: Incremental leveling is not supported on this device.	RW	0x00
23:16	RDLVLINC_RMP_INT	Incremental read data eye training interval during ramp window. Number of RDWRLVLINC_RMP_PRE intervals between incremental read data eye training during ramp window. A value of 0 will disable incremental read data eye training. NOTE: Incremental leveling is not supported on this device.	RW	0x00
15:8	RDLVLGATEINC_RMP_INT	Incremental read DQS gate training interval during ramp window. Number of RDWRLVLINC_RMP_PRE intervals between incremental read DQS gate training during ramp window. A value of 0 will disable incremental read DQS gate training. NOTE: Incremental leveling is not supported on this device.	RW	0x00
7:0	WRLVLINC_RMP_INT	Incremental write leveling interval during ramp window. Number of RDWRLVLINC_RMP_PRE intervals between incremental write leveling during ramp window. A value of 0 will disable incremental write leveling. NOTE: Incremental leveling is not supported on this device.	RW	0x00

Table 15-202. Register Call Summary for Register EMIF_READ_WRITE_LEVELING_RAMP_CONTROL

EMIF Controller

- [Global Initialization: \[3\]\[4\]\[5\]\[6\]\[7\]](#)
- [EMIF Register Summary: \[8\]](#)

Table 15-203. EMIF_READ_WRITE_LEVELING_CONTROL

Address Offset	0x0000 00DC	Instance	EMIF1
Physical Address	0x4C00 00DC		
Description	Read/write leveling control register		
Type	RW		

31	30	29	28	27	26	25	24	23	22	21	20	19	18	17	16	15	14	13	12	11	10	9	8	7	6	5	4	3	2	1	0
RDWRLVLFULL_START	RDWRLVLINC_PRE							RDLVLINC_INT								RDLVLGATEINC_INT								WRLVLINC_INT							

Bits	Field Name	Description	Type	Reset
31	RDWRLVLFULL_START	Full leveling trigger. Writing a 1 to this field triggers full read and write leveling. This bit will self clear to 0.	RW	0
30:24	RDWRLVLINC_PRE	Incremental leveling pre-scalar in number of refresh periods. The value programmed is minus one the required value. Refresh period is defined by REFRESH_RATE in EMIF_SDRAM_REFRESH_CONTROL register. NOTE: Incremental leveling is not supported on this device.	RW	0x00
23:16	RDLVLINC_INT	Incremental read data eye training interval. Number of RDWRLVLINC_PRE intervals between incremental read data eye training. A value of 0 will disable incremental read data eye training. NOTE: Incremental leveling is not supported on this device.	RW	0x00
15:8	RDLVLGATEINC_INT	Incremental read DQS gate training interval. Number of RDWRLVLINC_PRE intervals between incremental read DQS gate training. A value of 0 will disable incremental read DQS gate training. NOTE: Incremental leveling is not supported on this device.	RW	0x00
7:0	WRLVLINC_INT	Incremental write leveling interval. Number of RDWRLVLINC_PRE intervals between incremental write leveling. A value of 0 will disable incremental write leveling. NOTE: Incremental leveling is not supported on this device.	RW	0x00

Table 15-204. Register Call Summary for Register EMIF_READ_WRITE_LEVELING_CONTROL

EMIF Controller

- [Full Leveling: \[0\]\[1\]](#)
- [Global Initialization: \[4\]\[5\]\[6\]](#)
- [EMIF Register Summary: \[7\]](#)

Table 15-205. EMIF_DDR_PHY_CONTROL_1

Address Offset	0x0000 00E4	Instance	EMIF1
Physical Address	0x4C00 00E4		
Description	PHY control register 1		
Type	RW		

31	30	29	28	27	26	25	24	23	22	21	20	19	18	17	16	15	14	13	12	11	10	9	8	7	6	5	4	3	2	1	0
RESERVED								RESERVED				PHY_HALF_DELAYS				PHY_DLL_LOCK_DIFF				PHY_FAST_DLL_LOCK				RESERVED				READ_LATENCY			
				RDLVL_MASK					RDLVLGATE_MASK																						
				WRLVL_MASK																											

Bits	Field Name	Description	Type	Reset
31:28	RESERVED	Reserved	RW	0x0
27	RDLVL_MASK	Writing a 1 to this field will mask read data eye training during full leveling command, plus drives reg_phy_use_rd_data_eye_level control low to allow user to use programmed ratio values.	RW	0
26	RDLVLGATE_MASK	Writing a 1 to this field will mask dq's gate training during full leveling command, plus drives reg_phy_use_rd_dqs_level control low to allow user to use programmed ratio values.	RW	0
25	WRLVL_MASK	Writing a 1 to this field will mask write leveling training during full leveling command, plus drives reg_phy_use_wr_level control low to allow user to use programmed ratio values.	RW	0
24:22	RESERVED	Reserved	RW	0x0
21	PHY_HALF_DELAYS	Adjust slave delay line delays to support 2x mode 1: 2x mode (MDLL clock is half the rate of PHY) 0: 1x mode (MDLL clock rate is same as PHY)	RW	0
20	PHY_CLK_STALL_LEVEL	Enable variable idle value for delay lines. Enable during normal operations to avoid differential aging in the delay lines.	RW	0
19	PHY_DIS_CALIB_RST	Disable the dll_calib (internally generated) signal from resetting the Read Capture FIFO pointers and portions of data PHYs. Debug only. Note: dll_calib is generated by 1. EMIF_MISC_REG[0] DLL_CALIB_OS set to 1, or 2. by the PHY when it detects that the clock frequency variation has exceeded the bounds set by PHY_DLL_LOCK_DIFF or 3. periodically throughout the leveling process.	RW	0
18	PHY_INVERT_CLKOUT	Inverts the polarity of DRAM clock. 0: core clock is passed on to DRAM 1: inverted core clock is passed on to DRAM	RW	0
17:10	PHY_DLL_LOCK_DIFF	The maximum number of delay line taps variation while maintaining the master DLL lock. When the PHY is in locked state and the variation on the clock exceeds the variation indicated by this field, the lock signal is de-asserted and a dll_calib signal is generated. To prevent the dll_calib signal from being asserted in the middle of traffic when the clock jitter exceeds the variation, this register needs to be set to a value which will ensure that the lock will not be lost. Recommended value is 16.	RW	0x02
9	PHY_FAST_DLL_LOCK	Controls master DLL to lock fast or average logic must be part of locking process. Set to 1 before OPP transition commences, and set back to 0 after OPP transition completes. 1: MDLL lock is asserted based on single sample 0: MDLL lock is asserted based on average of 16 samples.	RW	0
8:5	RESERVED	Reserved	RW	0x00

Bits	Field Name	Description	Type	Reset
4:0	READ_LATENCY	This field defines the read latency for the read data from SDRAM in number of DDR clock cycles. This field is used by the EMIF as well as the PHY. $READ_LATENCY = RL + reg_phy_rdc_we_to_re - 1$. EMIF uses above equation to calculate $reg_phy_rdc_we_to_re$ and forward it to the PHY. For DDR3, the true RL is used, not the decoded value. See JEDEC spec.	RW	0x01E

Table 15-206. Register Call Summary for Register EMIF_DDR_PHY_CONTROL_1

EMIF Controller

- [Software Leveling: \[0\]\[1\]](#)
- [Global Initialization: \[2\]\[3\]\[4\]\[5\]\[6\]\[7\]\[8\]\[9\]\[10\]\[11\]\[12\]\[13\]\[14\]\[15\]\[16\]\[17\]\[18\]](#)
- [EMIF Register Summary: \[19\]](#)

Table 15-207. EMIF_DDR_PHY_CONTROL_1_SHADOW

Address Offset	0x0000 00E8	Instance	EMIF1
Physical Address	0x4C00 00E8		
Description			
Type	RW		

31	30	29	28	27	26	25	24	23	22	21	20	19	18	17	16	15	14	13	12	11	10	9	8	7	6	5	4	3	2	1	0
RESERVED				RDLVL_MASK_SHDW	RDLVLGATE_MASK_SHDW	WRLVL_MASK_SHDW	RESERVED	PHY_HALF_DELAYS_SHDW	PHY_CLK_STALL_LEVEL_SHDW	PHY_DIS_CALIB_RST_SHDW	PHY_INVERT_CLKOUT_SHDW	PHY_DLL_LOCK_DIFF_SHDW				PHY_FAST_DLL_SHDW	RESERVED			READ_LATENCY_SHDW											

Bits	Field Name	Description	Type	Reset
31:28	RESERVED	Reserved	RW	0x0
27	RDLVL_MASK_SHDW	Shadow field for RDLVL_MASK	RW	0
26	RDLVLGATE_MASK_SHDW	Shadow field for RDLVLGATE_MASK	RW	0
25	WRLVL_MASK_SHDW	Shadow field for WRLVL_MASK	RW	0
24:22	RESERVED	Reserved	RW	0x0
21	PHY_HALF_DELAYS_SHDW	Shadow field for PHY_HALF_DELAYS	RW	0
20	PHY_CLK_STALL_LEVEL_SHDW	Shadow field for PHY_CLK_STALL_LEVEL	RW	0
19	PHY_DIS_CALIB_RST_SHDW	Shadow field for PHY_DIS_CALIB_RST	RW	0
18	PHY_INVERT_CLKOUT_SHDW	Shadow field for PHY_INVERT_CLKOUT	RW	0
17:10	PHY_DLL_LOCK_DIFF_SHDW	Shadow field for PHY_DLL_LOCK_DIFF	RW	0x00
9	PHY_FAST_DLL_SHDW	Shadow field for PHY_FAST_DLL	RW	0
8:5	RESERVED	Reserved	RW	0x00
4:0	READ_LATENCY_SHDW	Shadow field for READ_LATENCY	RW	0x000

Table 15-208. Register Call Summary for Register EMIF_DDR_PHY_CONTROL_1_SHADOW

EMIF Controller

- [Global Initialization: \[0\]\[1\]](#)
- [EMIF Register Summary: \[2\]](#)

Table 15-209. EMIF_DDR_PHY_CONTROL_2

Address Offset	0x0000 00EC	Instance	EMIF1
Physical Address	0x4C00 00EC		
Description			
Type	RW		

31	30	29	28	27	26	25	24	23	22	21	20	19	18	17	16	15	14	13	12	11	10	9	8	7	6	5	4	3	2	1	0
RESERVED																															

Bits	Field Name	Description	Type	Reset
31:0	RESERVED	Reserved	RW	0x0

Table 15-210. Register Call Summary for Register EMIF_DDR_PHY_CONTROL_2

EMIF Controller

- [Global Initialization: \[0\]\[1\]\[2\]\[3\]](#)
- [EMIF Register Summary: \[4\]](#)

Table 15-211. EMIF_PRIORITY_TO_CLASS_OF_SERVICE_MAPPING

Address offset	0x0000 0100	Instance	EMIF1
Physical Address	0x4C00 0100		
Description			
Type	RW		

31	30	29	28	27	26	25	24	23	22	21	20	19	18	17	16	15	14	13	12	11	10	9	8	7	6	5	4	3	2	1	0
PRI_COS_MAP_EN	RESERVED															PRI_7_COS	PRI_6_COS	PRI_5_COS	PRI_4_COS	PRI_3_COS	PRI_2_COS	PRI_1_COS	PRI_0_COS								

Bits	Field Name	Description	Type	Reset
31	PRI_COS_MAP_EN	Set 1 to enable priority to class of service mapping. Set 0 to disable mapping.	RW	0x0
30:16	RESERVED		R	0x0
15:14	PRI_7_COS	Class of service for commands with priority of 7. Value can be 1, 2, or 3. Setting a value of 0 will have similar effects as a value of 3.	RW	0x0
13:12	PRI_6_COS	Class of service for commands with priority of 6. Value can be 1, 2, or 3. Setting a value of 0 will have similar effects as a value of 3.	RW	0x0
11:10	PRI_5_COS	Class of service for commands with priority of 5. Value can be 1, 2, or 3. Setting a value of 0 will have similar effects as a value of 3.	RW	0x0
9:8	PRI_4_COS	Class of service for commands with priority of 4. Value can be 1, 2, or 3. Setting a value of 0 will have similar effects as a value of 3.	RW	0x0

Bits	Field Name	Description	Type	Reset
7:6	PRI_3_COS	Class of service for commands with priority of 3. Value can be 1, 2, or 3. Setting a value of 0 will have similar effects as a value of 3.	RW	0x0
5:4	PRI_2_COS	Class of service for commands with priority of 2. Value can be 1, 2, or 3. Setting a value of 0 will have similar effects as a value of 3.	RW	0x0
3:2	PRI_1_COS	Class of service for commands with priority of 1. Value can be 1, 2, or 3. Setting a value of 0 will have similar effects as a value of 3.	RW	0x0
1:0	PRI_0_COS	Class of service for commands with priority of 0. Value can be 1, 2, or 3. Setting a value of 0 will have similar effects as a value of 3.	RW	0x0

**Table 15-212. Register Call Summary for Register
EMIF_PRIORITY_TO_CLASS_OF_SERVICE_MAPPING**

EMIF Controller

- [Class of Service: \[0\]](#)
- [Global Initialization: \[1\]](#)
- [EMIF Register Summary: \[2\]](#)

Table 15-213. EMIF_CONNECTION_ID_TO_CLASS_OF_SERVICE_1_MAPPING

Address offset	0x0000 0104	Instance	EMIF1
Physical Address	0x4C00 0104		
Description			
Type	RW		

31	30	29	28	27	26	25	24	23	22	21	20	19	18	17	16	15	14	13	12	11	10	9	8	7	6	5	4	3	2	1	0
CONNID_COS_1_MAP_EN	CONNID_1_COS_1							MSK_1_COS_1				CONNID_2_COS_1				MSK_2_COS_1				CONNID_3_COS_1				MSK_3_COS_1							

Bits	Field Name	Description	Type	Reset
31	CONNID_COS_1_MAP_EN	Set 1 to enable Connection ID to class of service 1 mapping. Set 0 to disable mapping.	RW	0x0
30:23	CONNID_1_COS_1	Connection ID value 1 for class of service 1.	RW	0x0
22:20	MSK_1_COS_1	Mask for Connection ID value 1 for class of service 1. Value of 0 will disable masking. Value of 1 will mask Connection ID bit 0. Value of 2 will mask Connection ID bits 1:0. Value of 3 will mask Connection ID bits 2:0. Value of 4 will mask Connection ID bits 3:0. Value of 5 will mask Connection ID bits 4:0. Value of 6 will mask Connection ID bits 5:0. Value of 7 will mask Connection ID bits 6:0.	RW	0x0
19:12	CONNID_2_COS_1	Connection ID value 2 for class of service 1.	RW	0x0
11:10	MSK_2_COS_1	Mask for Connection ID value 2 for class of service 1. Value of 0 will disable masking. Value of 1 will mask Connection ID bit 0. Value of 2 will mask Connection ID bits 1:0. Value of 3 will mask Connection ID bits 2:0.	RW	0x0
9:2	CONNID_3_COS_1	Connection ID value 3 for class of service 1.	RW	0x0
1:0	MSK_3_COS_1	Mask for Connection ID value 3 for class of service 1. Value of 0 will disable masking. Value of 1 will mask Connection ID bit 0. Value of 2 will mask Connection ID bits 1:0. Value of 3 will mask Connection ID bits 2:0.	RW	0x0

**Table 15-214. Register Call Summary for Register
EMIF_CONNECTION_ID_TO_CLASS_OF_SERVICE_1_MAPPING**

EMIF Controller

- [Class of Service: \[0\]](#)
- [Global Initialization: \[1\]](#)
- [EMIF Register Summary: \[2\]](#)

Table 15-215. EMIF_CONNECTION_ID_TO_CLASS_OF_SERVICE_2_MAPPING

Address offset	0x0000 0108	Instance	EMIF1
Physical Address	0x4C00 0108		
Description			
Type	RW		

31	30	29	28	27	26	25	24	23	22	21	20	19	18	17	16	15	14	13	12	11	10	9	8	7	6	5	4	3	2	1	0				
CONNID_1_COS_2								MSK_1_COS_2				CONNID_2_COS_2								MSK_2_COS_2				CONNID_3_COS_2								MSK_3_COS_2			

Bits	Field Name	Description	Type	Reset
31	CONNID_COS_2_MAP_EN	Set 1 to enable Connection ID to class of service 2 mapping. Set 0 to disable mapping.	RW	0x0
30:23	CONNID_1_COS_2	Connection ID value 1 for class of service 2.	RW	0x0
22:20	MSK_1_COS_2	Mask for Connection ID value 1 for class of service 2. Value of 0 will disable masking. Value of 1 will mask Connection ID bit 0. Value of 2 will mask Connection ID bits 1:0. Value of 3 will mask Connection ID bits 2:0. Value of 4 will mask Connection ID bits 3:0. Value of 5 will mask Connection ID bits 4:0. Value of 6 will mask Connection ID bits 5:0. Value of 7 will mask Connection ID bits 6:0.	RW	0x0
19:12	CONNID_2_COS_2	Connection ID value 2 for class of service 2.	RW	0x0
11:10	MSK_2_COS_2	Mask for Connection ID value 2 for class of service 2. Value of 0 will disable masking. Value of 1 will mask Connection ID bit 0. Value of 2 will mask Connection ID bits 1:0. Value of 3 will mask Connection ID bits 2:0.	RW	0x0
9:2	CONNID_3_COS_2	Connection ID value 3 for class of service 2.	RW	0x0
1:0	MSK_3_COS_2	Mask for Connection ID value 3 for class of service 2. Value of 0 will disable masking. Value of 1 will mask Connection ID bit 0. Value of 2 will mask Connection ID bits 1:0. Value of 3 will mask Connection ID bits 2:0.	RW	0x0

**Table 15-216. Register Call Summary for Register
EMIF_CONNECTION_ID_TO_CLASS_OF_SERVICE_2_MAPPING**

EMIF Controller

- [Class of Service: \[0\]](#)
- [Global Initialization: \[1\]](#)
- [EMIF Register Summary: \[2\]](#)

Table 15-217. EMIF_ECC_CTRL_REG

Address offset	0x4C00 0110	Instance	EMIF1
Physical Address	0x4C00 0110		
Description			
Type	RW		

31	30	29	28	27	26	25	24	23	22	21	20	19	18	17	16	15	14	13	12	11	10	9	8	7	6	5	4	3	2	1	0
REG_ECC_EN		REG_ECC_ADDR_RGN_PROT		RESERVED																								REG_ECC_ADDR_RGN_2_EN		REG_ECC_ADDR_RGN_1_EN	

Bits	Field Name	Description	Type	Reset
31	REG_ECC_EN	Set 1 to enable ECC. Set 0 to disable ECC.	RW	0x0
30	REG_ECC_ADDR_RGN_PROT	Setting this field to 1 and reg_ecc_en to a 1 will enable ECC calculation for accesses within the address ranges and disable ECC calculation for accesses outside the address ranges. Setting this field to 0 and reg_ecc_en to a 1 will disable ECC calculation for accesses within the address ranges and enable ECC calculation for accesses outside the address ranges. The address ranges can be specified using the ECC Address Range 1 and 2 registers.	RW	0x0
29:2	RESERVED		R	0x0
1	REG_ECC_ADDR_RGN_2_EN	Set 1 to enable ECC address range 2. Set 0 to disable ECC address range 2.	RW	0x0
0	REG_ECC_ADDR_RGN_1_EN	Set 1 to enable ECC address range 1. Set 0 to disable ECC address range 1.	RW	0x0

Table 15-218. Register Call Summary for Register EMIF_ECC_CTRL_REG

EMIF Controller

- [Error Correction And Detection Feature: \[0\]](#)
- [Global Initialization: \[1\]\[2\]](#)
- [Operational Modes Configuration: \[3\]\[4\]\[5\]\[6\]](#)
- [EMIF Register Summary: \[7\]](#)

Table 15-219. EMIF_ECC_ADDRESS_RANGE_1

Address offset	0x4C00 0114	Instance	EMIF1
Physical Address	0x4C00 0114		
Description			
Type	RW		

31	30	29	28	27	26	25	24	23	22	21	20	19	18	17	16	15	14	13	12	11	10	9	8	7	6	5	4	3	2	1	0
REG_ECC_END_ADDR_1																REG_ECC_STRT_ADDR_1															

Bits	Field Name	Description	Type	Reset
31:16	REG_ECC_END_ADDR_1	End address[32:17] for ECC address range 1. If this bit field is set to 0x1000, this indicates that the SDRAM physical end address on which the ECC applies is 0x1000 FFFF. If this bit field is set to 0x0FFF the physical end address on which the ECC applies is 0x0FFF FFFF. This bit field controls only the 16 MSBs of the physical end address of the ECC protected range. The other 16 LSbs are always 0xFFFF.	RW	0x0
15:0	REG_ECC_STRT_ADDR_1	Start address[32:17] for ECC address range 1. If this bit field is set to 0x0000, this indicates that the SDRAM physical start address on which the ECC applies is 0x0000 0000. This bit field controls only the 16 MSBs of the physical start address of the ECC protected range. The other 16 LSbs are always 0x0000.	RW	0x0

Table 15-220. Register Call Summary for Register EMIF_ECC_ADDRESS_RANGE_1

EMIF Controller

- [Error Correction And Detection Feature: \[0\]](#)
- [Global Initialization: \[1\]](#)
- [Operational Modes Configuration: \[2\]\[3\]](#)
- [EMIF Register Summary: \[4\]](#)

Table 15-221. EMIF_ECC_ADDRESS_RANGE_2

Address offset	0x4C00 0118	Instance	EMIF1
Physical Address	0x4C00 0118		
Description			
Type	RW		

31	30	29	28	27	26	25	24	23	22	21	20	19	18	17	16	15	14	13	12	11	10	9	8	7	6	5	4	3	2	1	0
REG_ECC_END_ADDR_2																REG_ECC_STRT_ADDR_2															

Bits	Field Name	Description	Type	Reset
31:16	REG_ECC_END_ADDR_2	End address[32:17] for ECC address range 2. If this bit field is set to 0x1000, this indicates that the SDRAM physical end address on which the ECC applies is 0x1000 FFFF. If this bit field is set to 0x0FFF the physical end address on which the ECC applies is 0x0FFF FFFF. This bit field controls only the 16 MSBs of the physical end address of the ECC protected range. The other 16 LSbs are always 0xFFFF.	RW	0x0
15:0	REG_ECC_STRT_ADDR_2	Start address[32:17] for ECC address range 2. If this bit field is set to 0x0000, this indicates that the SDRAM physical start address on which the ECC applies is 0x0000 0000. This bit field controls only the 16 MSBs of the physical start address of the ECC protected range. The other 16 LSbs are always 0x0000.	RW	0x0

Table 15-222. Register Call Summary for Register EMIF_ECC_ADDRESS_RANGE_2

EMIF Controller

- [Error Correction And Detection Feature: \[0\]](#)
- [Global Initialization: \[1\]](#)
- [Operational Modes Configuration: \[2\]\[3\]](#)
- [EMIF Register Summary: \[4\]](#)

Table 15-223. EMIF_READ_WRITE_EXECUTION_THRESHOLD

Address Offset	0x0000 0120	Instance	EMIF1
Physical Address	0x4C00 0120		
Description			

Table 15-223. EMIF_READ_WRITE_EXECUTION_THRESHOLD (continued)

Type		RW																													
31	30	29	28	27	26	25	24	23	22	21	20	19	18	17	16	15	14	13	12	11	10	9	8	7	6	5	4	3	2	1	0
MFLAG_OVERRIDE		RESERVED														WR_THRSH				RESERVED		RD_THRSH									

Bits	Field Name	Description	Type	Reset
31	MFLAG_OVERRIDE	Mflag override. 0x0: Use MFLAG 0x1: Use Priority Class of Service	RW	0
30:13	RESERVED	Reserved	R	0x0000
12:8	WR_THRSH	Write Threshold. Number of SDRAM write bursts after which the EMIF arbitration will switch to executing read commands. The value programmed is always minus one the required number	RW	0x03
7:5	RESERVED	Reserved	R	0x0
4:0	RD_THRSH	Read threshold. Number of SDRAM read bursts after which the EMIF arbitration will switch to executing write commands. The value that is programmed is always minus one the required number	R	0x05

Table 15-224. Register Call Summary for Register EMIF_READ_WRITE_EXECUTION_THRESHOLD

EMIF Controller

- [Class of Service: \[0\]](#)
- [Global Initialization: \[1\]\[2\]\[3\]](#)
- [EMIF Register Summary: \[4\]](#)

Table 15-225. EMIF_COS_CONFIG

Address Offset	0x0000 0124	Instance	EMIF1
Physical Address	0x4C00 0124		
Description	Priority Raise Counter Register.		
Type	RW		

31	30	29	28	27	26	25	24	23	22	21	20	19	18	17	16	15	14	13	12	11	10	9	8	7	6	5	4	3	2	1	0
RESERVED								COS_COUNT_1								COS_COUNT_2								PR_OLD_COUNT							

Bits	Field Name	Description	Type	Reset
31:24	RESERVED		R	0x00
23:16	COS_COUNT_1	Priority Raise Counter for class of service 1. Number of EMIF_FICLK cycles after which the EMIF momentarily raises the priority of the class of service 1 commands in the Command FIFO. A value of N will be equal to N x 16 clocks.	RW	0xFF

Bits	Field Name	Description	Type	Reset
15:8	COS_COUNT_2	Priority Raise Counter for class of service 2. Number of EMIF_FICLK cycles after which the EMIF momentarily raises the priority of the class of service 2 commands in the Command FIFO. A value of N will be equal to N x 16 clocks.	RW	0xFF
7:0	PR_OLD_COUNT	Priority Raise Old Counter. Number of EMIF_FICLK cycles after which the EMIF momentarily raises the priority of the oldest command in the Command FIFO. A value of N will be equal to N x 16 clocks.	RW	0xFF

Table 15-226. Register Call Summary for Register EMIF_COS_CONFIG

EMIF Controller

- [Arbitration of Commands in the Command FIFO: \[0\]](#)
- [Class of Service: \[1\]\[2\]\[3\]\[4\]\[5\]\[6\]\[7\]\[8\]](#)
- [Global Initialization: \[9\]](#)
- [EMIF Register Summary: \[10\]](#)

Table 15-227. EMIF_1B_ECC_ERR_CNT

Address offset	0x130	Instance	EMIF1
Physical Address	0x4C00 0130		
Description			
Type	RW		

31	30	29	28	27	26	25	24	23	22	21	20	19	18	17	16	15	14	13	12	11	10	9	8	7	6	5	4	3	2	1	0
REG_1B_ECC_ERR_CNT																															

Bits	Field Name	Description	Type	Reset
31:0	REG_1B_ECC_ERR_CNT	32 bit counter that displays number of 1-bit ECC errors. Writing a value will decrement the count by that value. For example, if the count is 0x1234_ABF3, writing 0x1234_ABF3 to this register will clear it.	RW	0x0

Table 15-228. Register Call Summary for Register EMIF_1B_ECC_ERR_CNT

EMIF Controller

- [Error Correction And Detection Feature: \[0\]](#)
- [Operational Modes Configuration: \[1\]](#)
- [EMIF Register Summary: \[2\]](#)

Table 15-229. EMIF_1B_ECC_ERR_THRSH

Address offset	0x134	Instance	EMIF1
Physical Address	0x4C00 0134		
Description			
Type	RW		

31	30	29	28	27	26	25	24	23	22	21	20	19	18	17	16	15	14	13	12	11	10	9	8	7	6	5	4	3	2	1	0
REG_1B_ECC_ERR_THRSH								RESERVED								REG_1B_ECC_ERR_WIN															

Bits	Field Name	Description	Type	Reset
31:24	REG_1B_ECC_ERR_THRSH	1-bit ECC error threshold. The EMIF will generate an interrupt when the 1-bit ECC error count is greater than or equal to this threshold. A value of 0 will disable the generation of the interrupt.	RW	0x0

Bits	Field Name	Description	Type	Reset
23:16	RESERVED		R	0x0
15:0	REG_1B_ECC_ERR_WIN	1-bit ECC error window in number of refresh periods. The EMIF will generate an interrupt when the 1-bit ECC error count is equal to or greater than the threshold within this window. A value of 0 will disable the window. Refresh period is defined by EMIF_SDRAM_REFRESH_CONTROL [15:0] REFRESH_RATE. The software can set this bitfield to 0x0 to reset the internal counter.	RW	0x0

Table 15-230. Register Call Summary for Register EMIF_1B_ECC_ERR_THRSH

EMIF Controller

- [Error Correction And Detection Feature: \[0\]](#)
- [Operational Modes Configuration: \[1\]](#)
- [EMIF Register Summary: \[2\]](#)

Table 15-231. EMIF_1B_ECC_ERR_DIST_1

Address offset	0x138	Instance	EMIF1
Physical Address	0x4C00 0138		
Description			
Type	RW		
REG_1B_ECC_ERR_DIST_1			

Bits	Field Name	Description	Type	Reset
31:0	REG_1B_ECC_ERR_DIST_1	1-bit ECC error distribution over data bus bit 31:0. A value of 1 on a bit indicates 1-bit error on the corresponding bit on the data bus. Writing a 1 to any bit will clear that bit. Writing a 0 has no effect.	RW	0x0

Table 15-232. Register Call Summary for Register EMIF_1B_ECC_ERR_DIST_1

EMIF Controller

- [Error Correction And Detection Feature: \[0\]](#)
- [Operational Modes Configuration: \[1\]](#)
- [EMIF Register Summary: \[2\]](#)

Table 15-233. EMIF_1B_ECC_ERR_ADDR_LOG

Address offset	0x13C	Instance	EMIF1
Physical Address	0x4C00 013C		
Description			
Type	RW		
REG_1B_ECC_ERR_ADDR			

Bits	Field Name	Description	Type	Reset
31:0	REG_1B_ECC_ERR_ADDR	1-bit ECC error address. Most significant bits of the starting address(es) related to the SDRAM reads that had a 1-bit ECC error. This field displays up to four addresses logged in the 4 deep address logging FIFO. Writing a 0x1 will pop one element of the FIFO. Writing a 0x2 will pop all elements of the FIFO. Writing any other value will have no effect.	RW	0x0

Table 15-234. Register Call Summary for Register EMIF_1B_ECC_ERR_ADDR_LOG

EMIF Controller

- [Error Correction And Detection Feature: \[0\]\[1\]](#)
- [EMIF Register Summary: \[2\]](#)

Table 15-235. EMIF_2B_ECC_ERR_ADDR_LOG

Address offset	0x140	Instance	EMIF1
Physical Address	0x4C00 0140		
Description			
Type	RW		

31	30	29	28	27	26	25	24	23	22	21	20	19	18	17	16	15	14	13	12	11	10	9	8	7	6	5	4	3	2	1	0
REG_2B_ECC_ERR_ADDR																															

Bits	Field Name	Description	Type	Reset
31:0	REG_2B_ECC_ERR_AD DR	2-bit ECC error address. Most significant bits of the starting address of the first SDRAM burst that had the 2-bit ECC error. Writing a 1 will clear this field. Writing any other value has no effect.	RW	0x0

Table 15-236. Register Call Summary for Register EMIF_2B_ECC_ERR_ADDR_LOG

EMIF Controller

- [Error Correction And Detection Feature: \[0\]](#)
- [Operational Modes Configuration: \[1\]](#)
- [EMIF Register Summary: \[2\]](#)

Table 15-237. EMIF_PHY_STATUS_1

Address Offset	0x0000 0144	Instance	EMIF1
Physical Address	0x4C00 0144		
Description			
Type	R		

31	30	29	28	27	26	25	24	23	22	21	20	19	18	17	16	15	14	13	12	11	10	9	8	7	6	5	4	3	2	1	0
RESERVED		PHY_REG_PHY_CTRL_DLL_SLAVE_VALUE														RESERVED		PHY_REG_STATUS_DLL_LOCK			RESERVED		PHY_REG_PHY_CTRL_DLL_LOCK								

Bits	Field Name	Description	Type	Reset
31:30	RESERVED		R	0x0
29:12	PHY_REG_PHY_CTRL_DLL_SL AVE_VALUE	DLL Slave Value	R	0x0
11:9	RESERVED		R	0x0

Bits	Field Name	Description	Type	Reset
8:4	PHY_REG_STATUS_DLL_LOCK	Lock Status for Data DLLs	R	0x0
3:2	RESERVED		R	0x0
1:0	PHY_REG_PHY_CTRL_DLL_LOCK	Lock Status for Command DLLs	R	0x0

Table 15-238. Register Call Summary for Register EMIF_PHY_STATUS_1

EMIF Controller

- [EMIF Register Summary: \[0\]](#)

Table 15-239. EMIF_PHY_STATUS_2

Address Offset	0x0000 0148	Instance	EMIF1
Physical Address	0x4C00 0148		
Description			
Type	R		

31	30	29	28	27	26	25	24	23	22	21	20	19	18	17	16	15	14	13	12	11	10	9	8	7	6	5	4	3	2	1	0
PHY_REG_STATUS_DLL_SLAVE_VALUE_LO																															

Bits	Field Name	Description	Type	Reset
31:0	PHY_REG_STATUS_DLL_SLAVE_VALUE_LO	Bits 31:0 of Phy_reg_status_dll_slave_value	R	0x0

Table 15-240. Register Call Summary for Register EMIF_PHY_STATUS_2

EMIF Controller

- [EMIF Register Summary: \[0\]](#)

Table 15-241. EMIF_PHY_STATUS_3

Address Offset	0x0000 014C	Instance	EMIF1
Physical Address	0x4C00 014C		
Description			
Type	R		

31	30	29	28	27	26	25	24	23	22	21	20	19	18	17	16	15	14	13	12	11	10	9	8	7	6	5	4	3	2	1	0
RESERVED	PHY_REG_RDFIFO_RDPTR											RESERVED	PHY_REG_STATUS_DLL_SLAVE_VALUE_HI																		

Bits	Field Name	Description	Type	Reset
31	RESERVED		R	0x0
30:16	PHY_REG_RDFIFO_RDPTR	Read FIFO Read Pointer	R	0x0
15:13	RESERVED		R	0x0
12:0	PHY_REG_STATUS_DLL_SLAVE_VALUE_HI	Bits 44:32 of Phy_reg_status_dll_slave_value	R	0x0

Table 15-242. Register Call Summary for Register EMIF_PHY_STATUS_3

EMIF Controller

- [EMIF Register Summary: \[0\]](#)

Table 15-243. EMIF_PHY_STATUS_4

Address Offset	0x0000 0150	Instance	EMIF1
Physical Address	0x4C00 0150		
Description			
Type	R		

31	30	29	28	27	26	25	24	23	22	21	20	19	18	17	16	15	14	13	12	11	10	9	8	7	6	5	4	3	2	1	0
RESERVED								PHY_REG_GATELVL_FSM								RESERVED								PHY_REG_RDFIFO_WRPTR							

Bits	Field Name	Description	Type	Reset
31	RESERVED		R	0x0
30:16	PHY_REG_GATELVL_FSM	Gate Levelling FSM	R	0x0
15	RESERVED		R	0x0
14:0	PHY_REG_RDFIFO_WRPTR	Read FIFO Write Pointer	R	0x0

Table 15-244. Register Call Summary for Register EMIF_PHY_STATUS_4

EMIF Controller

- [EMIF Register Summary: \[0\]](#)

Table 15-245. EMIF_PHY_STATUS_5

Address Offset	0x0000 0154	Instance	EMIF1
Physical Address	0x4C00 0154		
Description			
Type	R		

31	30	29	28	27	26	25	24	23	22	21	20	19	18	17	16	15	14	13	12	11	10	9	8	7	6	5	4	3	2	1	0
RESERVED												PHY_REG_RD_LEVEL_FSM																			

Bits	Field Name	Description	Type	Reset
31:20	RESERVED		R	0x0
19:0	PHY_REG_RD_LEVEL_FSM	Read Levelling FSM	R	0x0

Table 15-246. Register Call Summary for Register EMIF_PHY_STATUS_5

EMIF Controller

- [EMIF Register Summary: \[0\]](#)

Table 15-247. EMIF_PHY_STATUS_6

Address Offset	0x0000 0158	Instance	EMIF1
Physical Address	0x4C00 0158		
Description			
Type	R		

31	30	29	28	27	26	25	24	23	22	21	20	19	18	17	16	15	14	13	12	11	10	9	8	7	6	5	4	3	2	1	0
RESERVED																PHY_REG_WR_LEVEL_FSM															

Bits	Field Name	Description	Type	Reset
31:15	RESERVED		R	0x0
14:0	PHY_REG_WR_LEVEL_FSM	Writel Levelling FSM	R	0x0

Table 15-248. Register Call Summary for Register EMIF_PHY_STATUS_6

EMIF Controller

- [EMIF Register Summary: \[0\]](#)

Table 15-249. EMIF_PHY_STATUS_7

Address Offset	0x0000 015C	Instance	EMIF1
Physical Address	0x4C00 015C		
Description			
Type	R		

31	30	29	28	27	26	25	24	23	22	21	20	19	18	17	16	15	14	13	12	11	10	9	8	7	6	5	4	3	2	1	0
RESERVED								PHY_REG_RDLVL_DQS_RATIO1								RESERVED								PHY_REG_RDLVL_DQS_RATIO0							

Bits	Field Name	Description	Type	Reset
31:26	RESERVED		R	0x0
25:16	PHY_REG_RDLVL_DQS_RATIO 1	Read levelling DQS ratio1	R	0x0
15:10	RESERVED		R	0x0
9:0	PHY_REG_RDLVL_DQS_RATIO 0	Read levelling DQS ratio0	R	0x0

Table 15-250. Register Call Summary for Register EMIF_PHY_STATUS_7

EMIF Controller

- [Global Initialization: \[0\]\[1\]](#)
- [EMIF Register Summary: \[2\]](#)

Table 15-251. EMIF_PHY_STATUS_8

Address Offset	0x0000 0160	Instance	EMIF1
Physical Address	0x4C00 0160		
Description			
Type	R		

31	30	29	28	27	26	25	24	23	22	21	20	19	18	17	16	15	14	13	12	11	10	9	8	7	6	5	4	3	2	1	0
RESERVED								PHY_REG_RDLVL_DQS_RATIO3								RESERVED								PHY_REG_RDLVL_DQS_RATIO2							

Bits	Field Name	Description	Type	Reset
31:26	RESERVED		R	0x0
25:16	PHY_REG_RDLVL_DQS_RATIO 3	Read levelling DQS ratio3	R	0x0
15:10	RESERVED		R	0x0
9:0	PHY_REG_RDLVL_DQS_RATIO 2	Read levelling DQS ratio2	R	0x0

Table 15-252. Register Call Summary for Register EMIF_PHY_STATUS_8

EMIF Controller

- [EMIF Register Summary: \[0\]](#)

Table 15-253. EMIF_PHY_STATUS_9

Address Offset	0x0000 0164	Instance	EMIF1
Physical Address	0x4C00 0164		
Description			
Type	R		

31	30	29	28	27	26	25	24	23	22	21	20	19	18	17	16	15	14	13	12	11	10	9	8	7	6	5	4	3	2	1	0
RESERVED								PHY_REG_RDLVL_DQS_RATIO5								RESERVED								PHY_REG_RDLVL_DQS_RATIO4							

Bits	Field Name	Description	Type	Reset
31:26	RESERVED		R	0x0
25:16	PHY_REG_RDLVL_DQS_RATIO 5	Read Levelling DQS ratio5	R	0x0
15:10	RESERVED		R	0x0
9:0	PHY_REG_RDLVL_DQS_RATIO 4	Read Levelling DQS ratio4	R	0x0

Table 15-254. Register Call Summary for Register EMIF_PHY_STATUS_9

EMIF Controller

- [EMIF Register Summary: \[0\]](#)

Table 15-255. EMIF_PHY_STATUS_10

Address Offset	0x0000 0168	Instance	EMIF1
Physical Address	0x4C00 0168		
Description			
Type	R		

31	30	29	28	27	26	25	24	23	22	21	20	19	18	17	16	15	14	13	12	11	10	9	8	7	6	5	4	3	2	1	0
RESERVED								PHY_REG_RDLVL_DQS_RATIO7								RESERVED								PHY_REG_RDLVL_DQS_RATIO6							

Bits	Field Name	Description	Type	Reset
31:26	RESERVED		R	0x0
25:16	PHY_REG_RDLVL_DQS_RATIO 7	Read levelling DQS ratio7	R	0x0
15:10	RESERVED		R	0x0
9:0	PHY_REG_RDLVL_DQS_RATIO 6	Read levelling DQS ratio6	R	0x0

Table 15-256. Register Call Summary for Register EMIF_PHY_STATUS_10

EMIF Controller

- [EMIF Register Summary: \[0\]](#)

Table 15-257. EMIF_PHY_STATUS_11

Address Offset	0x0000 016C	Instance	EMIF1
Physical Address	0x4C00 016C		
Description			
Type	R		

31	30	29	28	27	26	25	24	23	22	21	20	19	18	17	16	15	14	13	12	11	10	9	8	7	6	5	4	3	2	1	0
RESERVED								PHY_REG_RDLVL_DQS_RATIO9								RESERVED								PHY_REG_RDLVL_DQS_RATIO8							

Bits	Field Name	Description	Type	Reset
31:26	RESERVED		R	0x0
25:16	PHY_REG_RDLVL_DQS_RATIO9	Read levelling DQS ratio9	R	0x0
15:10	RESERVED		R	0x0
9:0	PHY_REG_RDLVL_DQS_RATIO8	Read levelling DQS ratio8	R	0x0

Table 15-258. Register Call Summary for Register EMIF_PHY_STATUS_11

EMIF Controller

- [Global Initialization: \[0\]](#)
- [EMIF Register Summary: \[1\]](#)

Table 15-259. EMIF_PHY_STATUS_12

Address Offset	0x0000 0170	Instance	EMIF1
Physical Address	0x4C00 0170		
Description			
Type	R		

31	30	29	28	27	26	25	24	23	22	21	20	19	18	17	16	15	14	13	12	11	10	9	8	7	6	5	4	3	2	1	0
RESERVED								PHY_REG_RDLVL_FIFOWEIN_RATIO1								RESERVED								PHY_REG_RDLVL_FIFOWEIN_RATIO0							

Bits	Field Name	Description	Type	Reset
31:27	RESERVED		R	0x0
26:16	PHY_REG_RDLVL_FIFOWEIN_RATIO1	Read levelling FIFO Write Enable Ratio1	R	0x0
15:11	RESERVED		R	0x0
10:0	PHY_REG_RDLVL_FIFOWEIN_RATIO0	Read levelling FIFO Write Enable Ratio0	R	0x0

Table 15-260. Register Call Summary for Register EMIF_PHY_STATUS_12

EMIF Controller

- [Global Initialization: \[0\]](#)
- [EMIF Register Summary: \[1\]](#)

Table 15-261. EMIF_PHY_STATUS_13

Address Offset	0x0000 0174	Instance	EMIF1
Physical Address	0x4C00 0174		
Description			
Type	R		

31	30	29	28	27	26	25	24	23	22	21	20	19	18	17	16	15	14	13	12	11	10	9	8	7	6	5	4	3	2	1	0
RESERVED				PHY_REG_RDLVL_FIFOWEIN_RATIO3								RESERVED				PHY_REG_RDLVL_FIFOWEIN_RATIO2															

Bits	Field Name	Description	Type	Reset
31:27	RESERVED		R	0x0
26:16	PHY_REG_RDLVL_FIFOWEIN_RATIO3	Read levelling FIFO Write Enable Ratio3	R	0x0
15:11	RESERVED		R	0x0
10:0	PHY_REG_RDLVL_FIFOWEIN_RATIO2	Read levelling FIFO Write Enable Ratio2	R	0x0

Table 15-262. Register Call Summary for Register EMIF_PHY_STATUS_13

EMIF Controller

- [EMIF Register Summary: \[0\]](#)

Table 15-263. EMIF_PHY_STATUS_14

Address Offset	0x0000 0178	Instance	EMIF1
Physical Address	0x4C00 0178		
Description			
Type	R		

31	30	29	28	27	26	25	24	23	22	21	20	19	18	17	16	15	14	13	12	11	10	9	8	7	6	5	4	3	2	1	0
RESERVED				PHY_REG_RDLVL_FIFOWEIN_RATIO5								RESERVED				PHY_REG_RDLVL_FIFOWEIN_RATIO4															

Bits	Field Name	Description	Type	Reset
31:27	RESERVED		R	0x0
26:16	PHY_REG_RDLVL_FIFOWEIN_RATIO5	Read levelling FIFO Write Enable Ratio5	R	0x0
15:11	RESERVED		R	0x0
10:0	PHY_REG_RDLVL_FIFOWEIN_RATIO4	Read levelling FIFO Write Enable Ratio4	R	0x0

Table 15-264. Register Call Summary for Register EMIF_PHY_STATUS_14

EMIF Controller

- [EMIF Register Summary: \[0\]](#)

Table 15-265. EMIF_PHY_STATUS_15

Address Offset	0x0000 017C	Instance	EMIF1
Physical Address	0x4C00 017C		
Description			
Type	R		

31	30	29	28	27	26	25	24	23	22	21	20	19	18	17	16	15	14	13	12	11	10	9	8	7	6	5	4	3	2	1	0
RESERVED				PHY_REG_RDLVL_FIFOWEIN_RATIO7								RESERVED				PHY_REG_RDLVL_FIFOWEIN_RATIO6															

Bits	Field Name	Description	Type	Reset
31:27	RESERVED		R	0x0
26:16	PHY_REG_RDLVL_FIFOWEIN_RATIO7	Read levelling FIFO Write Enable Ratio7	R	0x0
15:11	RESERVED		R	0x0
10:0	PHY_REG_RDLVL_FIFOWEIN_RATIO6	Read levelling FIFO Write Enable Ratio6	R	0x0

Table 15-266. Register Call Summary for Register EMIF_PHY_STATUS_15

EMIF Controller

- [EMIF Register Summary: \[0\]](#)

Table 15-267. EMIF_PHY_STATUS_16

Address Offset	0x0000 0180	Instance	EMIF1
Physical Address	0x4C00 0180		
Description			
Type	R		

31	30	29	28	27	26	25	24	23	22	21	20	19	18	17	16	15	14	13	12	11	10	9	8	7	6	5	4	3	2	1	0
RESERVED				PHY_REG_RDLVL_FIFOWEIN_RATIO9								RESERVED				PHY_REG_RDLVL_FIFOWEIN_RATIO8															

Bits	Field Name	Description	Type	Reset
31:27	RESERVED		R	0x0
26:16	PHY_REG_RDLVL_FIFOWEIN_RATIO9	Read levelling FIFO Write Enable Ratio9	R	0x0
15:11	RESERVED		R	0x0
10:0	PHY_REG_RDLVL_FIFOWEIN_RATIO8	Read levelling FIFO Write Enable Ratio8	R	0x0

Table 15-268. Register Call Summary for Register EMIF_PHY_STATUS_16

EMIF Controller

- [Global Initialization: \[0\]](#)
- [EMIF Register Summary: \[1\]](#)

Table 15-269. EMIF_PHY_STATUS_17

Address Offset	0x0000 0184	Instance	EMIF1
Physical Address	0x4C00 0184		
Description			
Type	R		

31	30	29	28	27	26	25	24	23	22	21	20	19	18	17	16	15	14	13	12	11	10	9	8	7	6	5	4	3	2	1	0
RESERVED				PHY_REG_WRLVL_DQ_RATIO1								RESERVED				PHY_REG_WRLVL_DQ_RATIO0															

Bits	Field Name	Description	Type	Reset
31:26	RESERVED		R	0x0
25:16	PHY_REG_WRLVL_DQ_RATIO 1	Write levelling DQ ratio1	R	0x0
15:10	RESERVED		R	0x0
9:0	PHY_REG_WRLVL_DQ_RATIO 0	Write levelling DQ ratio0	R	0x0

Table 15-270. Register Call Summary for Register EMIF_PHY_STATUS_17

EMIF Controller

- [Global Initialization: \[0\]](#)
- [EMIF Register Summary: \[1\]](#)

Table 15-271. EMIF_PHY_STATUS_18

Address Offset	0x0000 0188	Instance	EMIF1
Physical Address	0x4C00 0188		
Description			
Type	R		

31	30	29	28	27	26	25	24	23	22	21	20	19	18	17	16	15	14	13	12	11	10	9	8	7	6	5	4	3	2	1	0
RESERVED								PHY_REG_WRLVL_DQ_RATIO3								RESERVED								PHY_REG_WRLVL_DQ_RATIO2							

Bits	Field Name	Description	Type	Reset
31:26	RESERVED		R	0x0
25:16	PHY_REG_WRLVL_DQ_RATIO 3	Write levelling DQ ratio3	R	0x0
15:10	RESERVED		R	0x0
9:0	PHY_REG_WRLVL_DQ_RATIO 2	Write levelling DQ ratio2	R	0x0

Table 15-272. Register Call Summary for Register EMIF_PHY_STATUS_18

EMIF Controller

- [EMIF Register Summary: \[0\]](#)

Table 15-273. EMIF_PHY_STATUS_19

Address Offset	0x0000 018C	Instance	EMIF1
Physical Address	0x4C00 018C		
Description			
Type	R		

31	30	29	28	27	26	25	24	23	22	21	20	19	18	17	16	15	14	13	12	11	10	9	8	7	6	5	4	3	2	1	0
RESERVED								PHY_REG_WRLVL_DQ_RATIO5								RESERVED								PHY_REG_WRLVL_DQ_RATIO4							

Bits	Field Name	Description	Type	Reset
31:26	RESERVED		R	0x0
25:16	PHY_REG_WRLVL_DQ_RATIO 5	Write levelling DQ ratio5	R	0x0
15:10	RESERVED		R	0x0

Bits	Field Name	Description	Type	Reset
9:0 4	PHY_REG_WRLVL_DQ_RATIO	Write levelling DQ ratio4	R	0x0

Table 15-274. Register Call Summary for Register EMIF_PHY_STATUS_19

EMIF Controller

- [EMIF Register Summary: \[0\]](#)

Table 15-275. EMIF_PHY_STATUS_20

Address Offset	0x0000 0190	Instance	EMIF1
Physical Address	0x4C00 0190		
Description			
Type	R		

31	30	29	28	27	26	25	24	23	22	21	20	19	18	17	16	15	14	13	12	11	10	9	8	7	6	5	4	3	2	1	0
RESERVED								PHY_REG_WRLVL_DQ_RATIO7								RESERVED								PHY_REG_WRLVL_DQ_RATIO6							

Bits	Field Name	Description	Type	Reset
31:26	RESERVED		R	0x0
25:16	PHY_REG_WRLVL_DQ_RATIO	Write levelling DQ ratio7	R	0x0
15:10	RESERVED		R	0x0
9:0	PHY_REG_WRLVL_DQ_RATIO	Write levelling DQ ratio6	R	0x0

Table 15-276. Register Call Summary for Register EMIF_PHY_STATUS_20

EMIF Controller

- [EMIF Register Summary: \[0\]](#)

Table 15-277. EMIF_PHY_STATUS_21

Address Offset	0x0000 0194	Instance	EMIF1
Physical Address	0x4C00 0194		
Description			
Type	R		

31	30	29	28	27	26	25	24	23	22	21	20	19	18	17	16	15	14	13	12	11	10	9	8	7	6	5	4	3	2	1	0
RESERVED								PHY_REG_WRLVL_DQ_RATIO9								RESERVED								PHY_REG_WRLVL_DQ_RATIO8							

Bits	Field Name	Description	Type	Reset
31:26	RESERVED		R	0x0
25:16	PHY_REG_WRLVL_DQ_RATIO	Write levelling DQ ratio9	R	0x0
15:10	RESERVED		R	0x0
9:0	PHY_REG_WRLVL_DQ_RATIO	Write levelling DQ ratio8	R	0x0

Table 15-278. Register Call Summary for Register EMIF_PHY_STATUS_21

EMIF Controller

- [EMIF Register Summary: \[0\]](#)

Table 15-279. EMIF_PHY_STATUS_22

Address Offset	0x0000 0198	Instance	EMIF1
Physical Address	0x4C00 0198		
Description			
Type	R		

31	30	29	28	27	26	25	24	23	22	21	20	19	18	17	16	15	14	13	12	11	10	9	8	7	6	5	4	3	2	1	0
RESERVED								PHY_REG_WRLVL_DQS_RATIO1								RESERVED								PHY_REG_WRLVL_DQS_RATIO0							

Bits	Field Name	Description	Type	Reset
31:26	RESERVED		R	0x0
25:16	PHY_REG_WRLVL_DQS_RATIO1	Write levelling DQS ratio 1 O1	R	0x0
15:10	RESERVED		R	0x0
9:0	PHY_REG_WRLVL_DQS_RATIO0	Write levelling DQS ratio 0 O0	R	0x0

Table 15-280. Register Call Summary for Register EMIF_PHY_STATUS_22

EMIF Controller

- [EMIF Register Summary: \[0\]](#)

Table 15-281. EMIF_PHY_STATUS_23

Address Offset	0x0000 019C	Instance	EMIF1
Physical Address	0x4C00 019C		
Description			
Type	R		

31	30	29	28	27	26	25	24	23	22	21	20	19	18	17	16	15	14	13	12	11	10	9	8	7	6	5	4	3	2	1	0
RESERVED								PHY_REG_WRLVL_DQS_RATIO3								RESERVED								PHY_REG_WRLVL_DQS_RATIO2							

Bits	Field Name	Description	Type	Reset
31:26	RESERVED		R	0x0
25:16	PHY_REG_WRLVL_DQS_RATIO3	Write levelling DQS ratio3 O3	R	0x0
15:10	RESERVED		R	0x0
9:0	PHY_REG_WRLVL_DQS_RATIO2	Write levelling DQS ratio2 O2	R	0x0

Table 15-282. Register Call Summary for Register EMIF_PHY_STATUS_23

EMIF Controller

- [EMIF Register Summary: \[0\]](#)

Table 15-283. EMIF_PHY_STATUS_24

Address Offset	0x0000 01A0	Instance	EMIF1
Physical Address	0x4C00 01A0		
Description			
Type	R		

31	30	29	28	27	26	25	24	23	22	21	20	19	18	17	16	15	14	13	12	11	10	9	8	7	6	5	4	3	2	1	0
RESERVED								PHY_REG_WRLVL_DQS_RATIO5								RESERVED								PHY_REG_WRLVL_DQS_RATIO4							

Bits	Field Name	Description	Type	Reset
31:26	RESERVED		R	0x0
25:16	PHY_REG_WRLVL_DQS_RATIO5	Write levelling DQS ratio5	R	0x0
15:10	RESERVED		R	0x0
9:0	PHY_REG_WRLVL_DQS_RATIO4	Write levelling DQS ratio4	R	0x0

Table 15-284. Register Call Summary for Register EMIF_PHY_STATUS_24

EMIF Controller

- [EMIF Register Summary: \[0\]](#)

Table 15-285. EMIF_PHY_STATUS_25

Address Offset	0x0000 01A4	Instance	EMIF1
Physical Address	0x4C00 01A4		
Description			
Type	R		

31	30	29	28	27	26	25	24	23	22	21	20	19	18	17	16	15	14	13	12	11	10	9	8	7	6	5	4	3	2	1	0
RESERVED								PHY_REG_WRLVL_DQS_RATIO7								RESERVED								PHY_REG_WRLVL_DQS_RATIO6							

Bits	Field Name	Description	Type	Reset
31:26	RESERVED		R	0x0
25:16	PHY_REG_WRLVL_DQS_RATIO7	Write levelling DQS ratio7	R	0x0
15:10	RESERVED		R	0x0
9:0	PHY_REG_WRLVL_DQS_RATIO6	Write levelling DQS ratio6	R	0x0

Table 15-286. Register Call Summary for Register EMIF_PHY_STATUS_25

EMIF Controller

- [EMIF Register Summary: \[0\]](#)

Table 15-287. EMIF_PHY_STATUS_26

Address Offset	0x0000 01A8	Instance	EMIF1
Physical Address	0x4C00 01A8		
Description			
Type	R		

31	30	29	28	27	26	25	24	23	22	21	20	19	18	17	16	15	14	13	12	11	10	9	8	7	6	5	4	3	2	1	0
RESERVED								PHY_REG_WRLVL_DQS_RATIO9								RESERVED								PHY_REG_WRLVL_DQS_RATIO8							

Bits	Field Name	Description	Type	Reset
31:26	RESERVED		R	0x0
25:16	PHY_REG_WRLVL_DQS_RATIO9	Write levelling DQS ratio9	R	0x0
15:10	RESERVED		R	0x0
9:0	PHY_REG_WRLVL_DQS_RATIO8	Write levelling DQS ratio8	R	0x0

Table 15-288. Register Call Summary for Register EMIF_PHY_STATUS_26

EMIF Controller

- [Global Initialization: \[0\]\[1\]](#)
- [EMIF Register Summary: \[2\]](#)

Table 15-289. EMIF_PHY_STATUS_27

Address Offset	0x0000 01AC	Instance	EMIF1
Physical Address	0x4C00 01AC		
Description			
Type	R		

31	30	29	28	27	26	25	24	23	22	21	20	19	18	17	16	15	14	13	12	11	10	9	8	7	6	5	4	3	2	1	0
RESERVED								PHY_REG_STATUS_MDLL_UNLOCK_STICKY								PHY_REG_RDC_FIFO_RST_ERR_CNT															
PHY_REG_PHY_CONTROL_MDLL_UNLOCK_STICKY				RESERVED																											

Bits	Field Name	Description	Type	Reset
31:30	RESERVED		R	0x0
29:28	PHY_REG_PHY_CONTROL_MDLL_UNLOCK_STICKY	Phy control MDLL unlock sticky	R	0x0
27:25	RESERVED		R	0x0
24:20	PHY_REG_STATUS_MDLL_UNLOCK_STICKY	Phy data MDLL unlock sticky	R	0x0
19:0	PHY_REG_RDC_FIFO_RST_ERR_CNT	RDC FIFO reset error count	R	0x0

Table 15-290. Register Call Summary for Register EMIF_PHY_STATUS_27

EMIF Controller

- [EMIF Register Summary: \[0\]](#)

Table 15-291. EMIF_PHY_STATUS_28

Address Offset	0x0000 01B0	Instance	EMIF1
Physical Address	0x4C00 01B0		
Description			
Type	R		

31	30	29	28	27	26	25	24	23	22	21	20	19	18	17	16	15	14	13	12	11	10	9	8	7	6	5	4	3	2	1	0																																
RESERVED								PHY_REG_GATELVL_INC_FAIL								RESERVED								PHY_REG_WRLVL_INC_FAIL								RESERVED								PHY_REG_RDLVL_INC_FAIL								RESERVED								PHY_REG_FIFO_WE_IN_MIASALIGNED_STICKY							

Bits	Field Name	Description	Type	Reset
31:29	RESERVED		R	0x0
28:24	PHY_REG_GATELVL_INC_FAIL	Gate levelling failure. NOTE: Incremental leveling is not supported on this device.	R	0x0
23:21	RESERVED		R	0x0
20:16	PHY_REG_WRLVL_INC_FAIL	Write levelling failure. NOTE: Incremental leveling is not supported on this device.	R	0x0
15:13	RESERVED		R	0x0
12:8	PHY_REG_RDLVL_INC_FAIL	Read levelling failure. NOTE: Incremental leveling is not supported on this device.	R	0x0
7:5	RESERVED		R	0x0
4:0	PHY_REG_FIFO_WE_IN_MIASALIGNED_STICKY	FIFO write enable in misaligned sticky	R	0x0

Table 15-292. Register Call Summary for Register EMIF_PHY_STATUS_28

EMIF Controller

- [EMIF Register Summary: \[0\]](#)

Table 15-293. EMIF_EXT_PHY_CONTROL_1

Address Offset	0x0000 0200	Instance	EMIF1
Physical Address	0x4C00 0200		
Description	Control DLL Slave Ratio Register		

Table 15-293. EMIF_EXT_PHY_CONTROL_1 (continued)

Type		RW																													
31	30	29	28	27	26	25	24	23	22	21	20	19	18	17	16	15	14	13	12	11	10	9	8	7	6	5	4	3	2	1	0
RESERVED		PHY_REG_CTRL_SLAVE_RATIO2								PHY_REG_CTRL_SLAVE_RATIO1								PHY_REG_CTRL_SLAVE_RATIO0													

Bits	Field Name	Description	Type	Reset
31:30	RESERVED		R	0x0
29:20	PHY_REG_CTRL_SLAVE_RATIO2	The user programmable ratio value for address/command launch timing in PHY control macro 2. This is the fraction of a clock cycle in units of 256ths. In other words, the full-cycle tap value from the master DLL will be scaled by this number over 256 to get the delay value for the slave delay line. Required for LPDDR2 only. Please check the device datasheet for supported DDR memory types.	RW	0x40
19:10	PHY_REG_CTRL_SLAVE_RATIO1	The user programmable ratio value for address/command launch timing in PHY control macro 1. This is the fraction of a clock cycle in units of 256ths. In other words, the full-cycle tap value from the master DLL will be scaled by this number over 256 to get the delay value for the slave delay line. Set to: <ul style="list-style-type: none"> 0x080 for PHY_INVERT_CLKOUT = 0 0x100 for PHY_INVERT_CLKOUT = 1 Required for DDR2/DDR3 only. Please check the device datasheet for supported DDR memory types.	RW	0x80
9:0	PHY_REG_CTRL_SLAVE_RATIO0	The user programmable ratio value for address/command launch timing in PHY control macro 0. This is the fraction of a clock cycle in units of 256ths. In other words, the full-cycle tap value from the master DLL will be scaled by this number over 256 to get the delay value for the slave delay line. Set to: <ul style="list-style-type: none"> 0x080 for PHY_INVERT_CLKOUT = 0 0x100 for PHY_INVERT_CLKOUT = 1 Required for DDR2/DDR3 only. Please check the device datasheet for supported DDR memory types.	RW	0x80

Table 15-294. Register Call Summary for Register EMIF_EXT_PHY_CONTROL_1

EMIF Controller

- [Global Initialization: \[0\]\[1\]\[2\]\[3\]\[4\]](#)
- [EMIF Register Summary: \[5\]](#)
- [EMIF Register Description: \[6\]](#)

Table 15-295. EMIF_EXT_PHY_CONTROL_1_SHADOW

Address Offset	0x0000 0204	Instance	EMIF1
Physical Address	0x4C00 0204		
Description	Control DLL Slave Ratio Shadow Register. Its value is loaded in register EMIF_EXT_PHY_CONTROL_1 on any frequency change.		
Type	RW		

31	30	29	28	27	26	25	24	23	22	21	20	19	18	17	16	15	14	13	12	11	10	9	8	7	6	5	4	3	2	1	0
RESERVED								PHY_REG_CTRL_SLAVE_RATIO2								PHY_REG_CTRL_SLAVE_RATIO1								PHY_REG_CTRL_SLAVE_RATIO0							

Bits	Field Name	Description	Type	Reset
31:30	RESERVED		R	0x0
29:20	PHY_REG_CTRL_SLAVE_RATIO2	The user programmable ratio value for address/command launch timing in PHY control macro 2. This is the fraction of a clock cycle in units of 256ths. In other words, the full-cycle tap value from the master DLL will be scaled by this number over 256 to get the delay value for the slave delay line. Required for LPDDR2 only. Please check the device datasheet for supported DDR memory types.	RW	0x40
19:10	PHY_REG_CTRL_SLAVE_RATIO1	The user programmable ratio value for address/command launch timing in PHY control macro 1. This is the fraction of a clock cycle in units of 256ths. In other words, the full-cycle tap value from the master DLL will be scaled by this number over 256 to get the delay value for the slave delay line. Set to: <ul style="list-style-type: none"> 0x080 for PHY_INVERT_CLKOUT = 0 0x100 for PHY_INVERT_CLKOUT = 1 Required for DDR2/DDR3 only. Please check the device datasheet for supported DDR memory types.	RW	0x80
9:0	PHY_REG_CTRL_SLAVE_RATIO0	The user programmable ratio value for address/command launch timing in PHY control macro 0. This is the fraction of a clock cycle in units of 256ths. In other words, the full-cycle tap value from the master DLL will be scaled by this number over 256 to get the delay value for the slave delay line. Set to: <ul style="list-style-type: none"> 0x080 for PHY_INVERT_CLKOUT = 0 0x100 for PHY_INVERT_CLKOUT = 1 Required for DDR2/DDR3 only. Please check the device datasheet for supported DDR memory types.	RW	0x80

Table 15-296. Register Call Summary for Register EMIF_EXT_PHY_CONTROL_1_SHADOW

EMIF Controller

- [Global Initialization: \[0\]](#)
- [EMIF Register Summary: \[1\]](#)

Table 15-297. EMIF_EXT_PHY_CONTROL_2

Address Offset	0x0000 0208	Instance	EMIF1
Physical Address	0x4C00 0208		
Description	Data macro 0, FIFO write enable (read DQS gate) DLL Slave Ratio Register		
Type	RW		

31	30	29	28	27	26	25	24	23	22	21	20	19	18	17	16	15	14	13	12	11	10	9	8	7	6	5	4	3	2	1	0
RESERVED								PHY_REG_FIFO_WE_SLAVE_RATIO1								RESERVED								PHY_REG_FIFO_WE_SLAVE_RATIO0							

Bits	Field Name	Description	Type	Reset
31:27	RESERVED		R	0x0
26:16	PHY_REG_FIFO_WE_SLAVE_RATIO1	The user programmable ratio value for the FIFO write enable slave DLL in PHY data macro 0, chip select 1. This is the fraction of a clock cycle in units of 256ths. In other words, the full-cycle tap value from the master DLL will be scaled by this number over 256 to get the delay value for the slave delay line. NOTE: Chip select 1 is not supported on this device.	RW	0x0
15:11	RESERVED		R	0x0
10:0	PHY_REG_FIFO_WE_SLAVE_RATIO0	The user programmable ratio value for the FIFO write enable slave DLL in PHY data macro 0, chip select 0. This is the fraction of a clock cycle in units of 256ths. In other words, the full-cycle tap value from the master DLL will be scaled by this number over 256 to get the delay value for the slave delay line.	RW	0x0

Table 15-298. Register Call Summary for Register EMIF_EXT_PHY_CONTROL_2

EMIF Controller

- [Full Leveling: \[0\]](#)
- [Software Leveling: \[1\]\[2\]\[3\]](#)
- [Global Initialization: \[4\]\[5\]\[6\]\[7\]](#)
- [EMIF Register Summary: \[8\]](#)
- [EMIF Register Description: \[9\]](#)

Table 15-299. EMIF_EXT_PHY_CONTROL_2_SHADOW

Address Offset	0x0000 020C	Instance	EMIF1
Physical Address	0x4C00 020C		
Description	Data macro 0, FIFO write enable (read DQS gate) DLL Slave Ratio Shadow Register. Its value is loaded in register EMIF_EXT_PHY_CONTROL_2 on any frequency change.		
Type	RW		

31	30	29	28	27	26	25	24	23	22	21	20	19	18	17	16	15	14	13	12	11	10	9	8	7	6	5	4	3	2	1	0
RESERVED								PHY_REG_FIFO_WE_SLAVE_RATIO1								RESERVED								PHY_REG_FIFO_WE_SLAVE_RATIO0							

Bits	Field Name	Description	Type	Reset
31:27	RESERVED		R	0x0
26:16	PHY_REG_FIFO_WE_SLAVE_RATIO1	The user programmable ratio value for the FIFO write enable slave DLL in PHY data macro 0, chip select 1. This is the fraction of a clock cycle in units of 256ths. In other words, the full-cycle tap value from the master DLL will be scaled by this number over 256 to get the delay value for the slave delay line. NOTE: Chip select 1 is not supported on this device.	RW	0x0
15:11	RESERVED		R	0x0
10:0	PHY_REG_FIFO_WE_SLAVE_RATIO0	The user programmable ratio value for the FIFO write enable slave DLL in PHY data macro 0, chip select 0. This is the fraction of a clock cycle in units of 256ths. In other words, the full-cycle tap value from the master DLL will be scaled by this number over 256 to get the delay value for the slave delay line.	RW	0x0

Table 15-300. Register Call Summary for Register EMIF_EXT_PHY_CONTROL_2_SHADOW

EMIF Controller

- [Global Initialization: \[0\]](#)
- [EMIF Register Summary: \[1\]](#)

Table 15-301. EMIF_EXT_PHY_CONTROL_3

Address Offset	0x0000 0210	Instance	EMIF1
Physical Address	0x4C00 0210		
Description	Data macro 1, FIFO write enable (read DQS gate) DLL Slave Ratio Register		
Type	RW		

31	30	29	28	27	26	25	24	23	22	21	20	19	18	17	16	15	14	13	12	11	10	9	8	7	6	5	4	3	2	1	0
RESERVED				PHY_REG_FIFO_WE_SLAVE_RATIO3								RESERVED				PHY_REG_FIFO_WE_SLAVE_RATIO2															

Bits	Field Name	Description	Type	Reset
31:27	RESERVED		R	0x0
26:16	PHY_REG_FIFO_WE_SLAVE_RATIO3	The user programmable ratio value for the FIFO write enable slave DLL in PHY data macro 1, chip select 1. This is the fraction of a clock cycle in units of 256ths. In other words, the full-cycle tap value from the master DLL will be scaled by this number over 256 to get the delay value for the slave delay line. NOTE: Chip select 1 is not supported on this device.	RW	0x0
15:11	RESERVED		R	0x0
10:0	PHY_REG_FIFO_WE_SLAVE_RATIO2	The user programmable ratio value for the FIFO write enable slave DLL in PHY data macro 1, chip select 0. This is the fraction of a clock cycle in units of 256ths. In other words, the full-cycle tap value from the master DLL will be scaled by this number over 256 to get the delay value for the slave delay line.	RW	0x0

Table 15-302. Register Call Summary for Register EMIF_EXT_PHY_CONTROL_3

EMIF Controller

- [EMIF Register Summary: \[0\]](#)
- [EMIF Register Description: \[1\]](#)

Table 15-303. EMIF_EXT_PHY_CONTROL_3_SHADOW

Address Offset	0x0000 0214	Instance	EMIF1
Physical Address	0x4C00 0214		
Description	Data macro 1, FIFO write enable (read DQS gate) DLL Slave Ratio Shadow Register. Its value is loaded in register EMIF_EXT_PHY_CONTROL_3 on any frequency change.		
Type	RW		

31	30	29	28	27	26	25	24	23	22	21	20	19	18	17	16	15	14	13	12	11	10	9	8	7	6	5	4	3	2	1	0
RESERVED				PHY_REG_FIFO_WE_SLAVE_RATIO3								RESERVED				PHY_REG_FIFO_WE_SLAVE_RATIO2															

Bits	Field Name	Description	Type	Reset
31:27	RESERVED		R	0x0
26:16	PHY_REG_FIFO_WE_SLAVE_RATIO3	The user programmable ratio value for the FIFO write enable slave DLL in PHY data macro 1, chip select 1. This is the fraction of a clock cycle in units of 256ths. In other words, the full-cycle tap value from the master DLL will be scaled by this number over 256 to get the delay value for the slave delay line. NOTE: Chip select 1 is not supported on this device.	RW	0x0
15:11	RESERVED		R	0x0

Bits	Field Name	Description	Type	Reset
10:0	PHY_REG_FIFO_WE_SLAVE_RATIO2	The user programmable ratio value for the FIFO write enable slave DLL in PHY data macro 1, chip select 0. This is the fraction of a clock cycle in units of 256ths. In other words, the full-cycle tap value from the master DLL will be scaled by this number over 256 to get the delay value for the slave delay line.	RW	0x0

Table 15-304. Register Call Summary for Register EMIF_EXT_PHY_CONTROL_3_SHADOW

EMIF Controller

- [EMIF Register Summary: \[0\]](#)

Table 15-305. EMIF_EXT_PHY_CONTROL_4

Address Offset	0x0000 0218		
Physical Address	0x4C00 0218	Instance	EMIF1
Description	Data macro 2, FIFO write enable (read DQS gate) DLL Slave Ratio Register		
Type	RW		

31	30	29	28	27	26	25	24	23	22	21	20	19	18	17	16	15	14	13	12	11	10	9	8	7	6	5	4	3	2	1	0
RESERVED								PHY_REG_FIFO_WE_SLAVE_RATIO5								RESERVED								PHY_REG_FIFO_WE_SLAVE_RATIO4							

Bits	Field Name	Description	Type	Reset
31:27	RESERVED		R	0x0
26:16	PHY_REG_FIFO_WE_SLAVE_RATIO5	The user programmable ratio value for the FIFO write enable slave DLL in PHY data macro 2, chip select 1. This is the fraction of a clock cycle in units of 256ths. In other words, the full-cycle tap value from the master DLL will be scaled by this number over 256 to get the delay value for the slave delay line. NOTE: Chip select 1 is not supported on this device.	RW	0x0
15:11	RESERVED		R	0x0
10:0	PHY_REG_FIFO_WE_SLAVE_RATIO4	The user programmable ratio value for the FIFO write enable slave DLL in PHY data macro 2, chip select 0. This is the fraction of a clock cycle in units of 256ths. In other words, the full-cycle tap value from the master DLL will be scaled by this number over 256 to get the delay value for the slave delay line.	RW	0x0

Table 15-306. Register Call Summary for Register EMIF_EXT_PHY_CONTROL_4

EMIF Controller

- [EMIF Register Summary: \[0\]](#)
- [EMIF Register Description: \[1\]](#)

Table 15-307. EMIF_EXT_PHY_CONTROL_4_SHADOW

Address Offset	0x0000 021C		
Physical Address	0x4C00 021C	Instance	EMIF1
Description	Data macro 2, FIFO write enable (read DQS gate) DLL Slave Ratio Shadow Register. Its value is loaded in register EMIF_EXT_PHY_CONTROL_4 on any frequency change.		
Type	RW		

31	30	29	28	27	26	25	24	23	22	21	20	19	18	17	16	15	14	13	12	11	10	9	8	7	6	5	4	3	2	1	0
RESERVED								PHY_REG_FIFO_WE_SLAVE_RATIO5								RESERVED								PHY_REG_FIFO_WE_SLAVE_RATIO4							

Bits	Field Name	Description	Type	Reset
31:27	RESERVED		R	0x0
26:16	PHY_REG_FIFO_WE_SLAVE_R ATIO5	The user programmable ratio value for the FIFO write enable slave DLL in PHY data macro 2, chip select 1. This is the fraction of a clock cycle in units of 256ths. In other words, the full-cycle tap value from the master DLL will be scaled by this number over 256 to get the delay value for the slave delay line. NOTE: Chip select 1 is not supported on this device.	RW	0x0
15:11	RESERVED		R	0x0
10:0	PHY_REG_FIFO_WE_SLAVE_R ATIO4	The user programmable ratio value for the FIFO write enable slave DLL in PHY data macro 2, chip select 0. This is the fraction of a clock cycle in units of 256ths. In other words, the full-cycle tap value from the master DLL will be scaled by this number over 256 to get the delay value for the slave delay line.	RW	0x0

Table 15-308. Register Call Summary for Register EMIF_EXT_PHY_CONTROL_4_SHADOW

EMIF Controller

- [EMIF Register Summary: \[0\]](#)

Table 15-309. EMIF_EXT_PHY_CONTROL_5

Address Offset	0x0000 0220	Instance	EMIF1
Physical Address	0x4C00 0220		
Description	Data macro 3, FIFO write enable (read DQS gate) DLL Slave Ratio Register		
Type	RW		

31	30	29	28	27	26	25	24	23	22	21	20	19	18	17	16	15	14	13	12	11	10	9	8	7	6	5	4	3	2	1	0
RESERVED								PHY_REG_FIFO_WE_SLAVE_RATIO7								RESERVED				PHY_REG_FIFO_WE_SLAVE_RATIO6											

Bits	Field Name	Description	Type	Reset
31:27	RESERVED		R	0x0
26:16	PHY_REG_FIFO_WE_SLAVE_R ATIO7	The user programmable ratio value for the FIFO write enable slave DLL in PHY data macro 3, chip select 1. This is the fraction of a clock cycle in units of 256ths. In other words, the full-cycle tap value from the master DLL will be scaled by this number over 256 to get the delay value for the slave delay line. NOTE: Chip select 1 is not supported on this device.	RW	0x0
15:11	RESERVED		R	0x0
10:0	PHY_REG_FIFO_WE_SLAVE_R ATIO6	The user programmable ratio value for the FIFO write enable slave DLL in PHY data macro 3, chip select 0. This is the fraction of a clock cycle in units of 256ths. In other words, the full-cycle tap value from the master DLL will be scaled by this number over 256 to get the delay value for the slave delay line.	RW	0x0

Table 15-310. Register Call Summary for Register EMIF_EXT_PHY_CONTROL_5

EMIF Controller

- [EMIF Register Summary: \[0\]](#)
- [EMIF Register Description: \[1\]](#)

Table 15-311. EMIF_EXT_PHY_CONTROL_5_SHADOW

Address Offset	0x0000 0224		
Physical Address	0x4C00 0224	Instance	EMIF1
Description	Data macro 3, FIFO write enable (read DQS gate) DLL Slave Ratio Register. Its value is loaded in register EMIF_EXT_PHY_CONTROL_5 on any frequency change.		
Type	RW		

31	30	29	28	27	26	25	24	23	22	21	20	19	18	17	16	15	14	13	12	11	10	9	8	7	6	5	4	3	2	1	0
RESERVED				PHY_REG_FIFO_WE_SLAVE_RATIO7								RESERVED				PHY_REG_FIFO_WE_SLAVE_RATIO6															

Bits	Field Name	Description	Type	Reset
31:27	RESERVED		R	0x0
26:16	PHY_REG_FIFO_WE_SLAVE_RATIO7	The user programmable ratio value for the FIFO write enable slave DLL in PHY data macro 3, chip select 1. This is the fraction of a clock cycle in units of 256ths. In other words, the full-cycle tap value from the master DLL will be scaled by this number over 256 to get the delay value for the slave delay line. NOTE: Chip select 1 is not supported on this device.	RW	0x0
15:11	RESERVED		R	0x0
10:0	PHY_REG_FIFO_WE_SLAVE_RATIO6	The user programmable ratio value for the FIFO write enable slave DLL in PHY data macro 3, chip select 0. This is the fraction of a clock cycle in units of 256ths. In other words, the full-cycle tap value from the master DLL will be scaled by this number over 256 to get the delay value for the slave delay line.	RW	0x0

Table 15-312. Register Call Summary for Register EMIF_EXT_PHY_CONTROL_5_SHADOW

EMIF Controller

- [EMIF Register Summary: \[0\]](#)

Table 15-313. EMIF_EXT_PHY_CONTROL_6

Address Offset	0x0000 0228		
Physical Address	0x4C00 0228	Instance	EMIF1
Description	ECC Data macro, FIFO write enable (read DQS gate) DLL Slave Ratio Register		
Type	RW		

31	30	29	28	27	26	25	24	23	22	21	20	19	18	17	16	15	14	13	12	11	10	9	8	7	6	5	4	3	2	1	0
RESERVED				PHY_REG_FIFO_WE_SLAVE_RATIO9								RESERVED				PHY_REG_FIFO_WE_SLAVE_RATIO8															

Bits	Field Name	Description	Type	Reset
31:27	RESERVED		R	0x0
26:16	PHY_REG_FIFO_WE_SLAVE_RATIO9	The user programmable ratio value for the FIFO write enable slave DLL in PHY ECC data macro, chip select 1. This is the fraction of a clock cycle in units of 256ths. In other words, the full-cycle tap value from the master DLL will be scaled by this number over 256 to get the delay value for the slave delay line. NOTE: Chip select 1 is not supported on this device.	RW	0x0
15:11	RESERVED		R	0x0

Bits	Field Name	Description	Type	Reset
10:0	PHY_REG_FIFO_WE_SLAVE_RATIO8	The user programmable ratio value for the FIFO write enable slave DLL in PHY ECC data macro, chip select 0. This is the fraction of a clock cycle in units of 256ths. In other words, the full-cycle tap value from the master DLL will be scaled by this number over 256 to get the delay value for the slave delay line.	RW	0x0

Table 15-314. Register Call Summary for Register EMIF_EXT_PHY_CONTROL_6

EMIF Controller

- [Software Leveling: \[0\]\[1\]\[2\]](#)
- [Global Initialization: \[3\]](#)
- [EMIF Register Summary: \[4\]](#)
- [EMIF Register Description: \[5\]](#)

Table 15-315. EMIF_EXT_PHY_CONTROL_6_SHADOW

Address Offset	0x0000 022C		
Physical Address	0x4C00 022C	Instance	EMIF1
Description	ECC Data macro, FIFO write enable (read DQS gate) DLL Slave Ratio Shadow Register. Its value is loaded in register EMIF_EXT_PHY_CONTROL_6 on any frequency change.		
Type	RW		

31	30	29	28	27	26	25	24	23	22	21	20	19	18	17	16	15	14	13	12	11	10	9	8	7	6	5	4	3	2	1	0
RESERVED								PHY_REG_FIFO_WE_SLAVE_RATIO9								RESERVED								PHY_REG_FIFO_WE_SLAVE_RATIO8							

Bits	Field Name	Description	Type	Reset
31:27	RESERVED		R	0x0
26:16	PHY_REG_FIFO_WE_SLAVE_RATIO9	The user programmable ratio value for the FIFO write enable slave DLL in PHY ECC data macro, chip select 1. This is the fraction of a clock cycle in units of 256ths. In other words, the full-cycle tap value from the master DLL will be scaled by this number over 256 to get the delay value for the slave delay line. NOTE: Chip select 1 is not supported on this device.	RW	0x0
15:11	RESERVED		R	0x0
10:0	PHY_REG_FIFO_WE_SLAVE_RATIO8	The user programmable ratio value for the FIFO write enable slave DLL in PHY ECC data macro, chip select 0. This is the fraction of a clock cycle in units of 256ths. In other words, the full-cycle tap value from the master DLL will be scaled by this number over 256 to get the delay value for the slave delay line.	RW	0x0

Table 15-316. Register Call Summary for Register EMIF_EXT_PHY_CONTROL_6_SHADOW

EMIF Controller

- [EMIF Register Summary: \[0\]](#)

Table 15-317. EMIF_EXT_PHY_CONTROL_7

Address Offset	0x0000 0230		
Physical Address	0x4C00 0230	Instance	EMIF1
Description	Data macro 0, read DQS DLL Slave Ratio Register		
Type	RW		

31	30	29	28	27	26	25	24	23	22	21	20	19	18	17	16	15	14	13	12	11	10	9	8	7	6	5	4	3	2	1	0
RESERVED								PHY_REG_RD_DQS_SLAVE_RATIO1								RESERVED								PHY_REG_RD_DQS_SLAVE_RATIO0							

Bits	Field Name	Description	Type	Reset
31:26	RESERVED		R	0x0
25:16	PHY_REG_RD_DQS_SLAVE_RATIO1	The user programmable ratio value for the read DQS slave DLL in PHY data macro 0, chip select 1. This is the fraction of a clock cycle in units of 256ths. In other words, the full-cycle tap value from the master DLL will be scaled by this number over 256 to get the delay value for the slave delay line. NOTE: Chip select 1 is not supported on this device.	RW	0x40
15:10	RESERVED		R	0x0
9:0	PHY_REG_RD_DQS_SLAVE_RATIO0	The user programmable ratio value for the read DQS slave DLL in PHY data macro 0, chip select 0. This is the fraction of a clock cycle in units of 256ths. In other words, the full-cycle tap value from the master DLL will be scaled by this number over 256 to get the delay value for the slave delay line.	RW	0x40

Table 15-318. Register Call Summary for Register EMIF_EXT_PHY_CONTROL_7

EMIF Controller

- [Global Initialization: \[0\]](#)
- [EMIF Register Summary: \[1\]](#)
- [EMIF Register Description: \[2\]](#)

Table 15-319. EMIF_EXT_PHY_CONTROL_7_SHADOW

Address Offset	0x0000 0234	Instance	EMIF1
Physical Address	0x4C00 0234		
Description	Data macro 0, read DQS DLL Slave Ratio Shadow Register. Its value is loaded in register EMIF_EXT_PHY_CONTROL_7 on any frequency change.		
Type	RW		

31	30	29	28	27	26	25	24	23	22	21	20	19	18	17	16	15	14	13	12	11	10	9	8	7	6	5	4	3	2	1	0
RESERVED								PHY_REG_RD_DQS_SLAVE_RATIO1								RESERVED								PHY_REG_RD_DQS_SLAVE_RATIO0							

Bits	Field Name	Description	Type	Reset
31:26	RESERVED		R	0x0
25:16	PHY_REG_RD_DQS_SLAVE_RATIO1	The user programmable ratio value for the read DQS slave DLL in PHY data macro 0, chip select 1. This is the fraction of a clock cycle in units of 256ths. In other words, the full-cycle tap value from the master DLL will be scaled by this number over 256 to get the delay value for the slave delay line. NOTE: Chip select 1 is not supported on this device.	RW	0x40
15:10	RESERVED		R	0x0
9:0	PHY_REG_RD_DQS_SLAVE_RATIO0	The user programmable ratio value for the read DQS slave DLL in PHY data macro 0, chip select 0. This is the fraction of a clock cycle in units of 256ths. In other words, the full-cycle tap value from the master DLL will be scaled by this number over 256 to get the delay value for the slave delay line.	RW	0x40

Table 15-320. Register Call Summary for Register EMIF_EXT_PHY_CONTROL_7_SHADOW

EMIF Controller

- [EMIF Register Summary: \[0\]](#)

Table 15-321. EMIF_EXT_PHY_CONTROL_8

Address Offset	0x0000 0238	Instance	EMIF1
Physical Address	0x4C00 0238		
Description	Data macro 1, read DQS DLL Slave Ratio Register		
Type	RW		

31	30	29	28	27	26	25	24	23	22	21	20	19	18	17	16	15	14	13	12	11	10	9	8	7	6	5	4	3	2	1	0
RESERVED								PHY_REG_RD_DQS_SLAVE_RATIO3								RESERVED								PHY_REG_RD_DQS_SLAVE_RATIO2							

Bits	Field Name	Description	Type	Reset
31:26	RESERVED		R	0x0
25:16	PHY_REG_RD_DQS_SLAVE_RATIO3	The user programmable ratio value for the read DQS slave DLL in PHY data macro 1, chip select 1. This is the fraction of a clock cycle in units of 256ths. In other words, the full-cycle tap value from the master DLL will be scaled by this number over 256 to get the delay value for the slave delay line. NOTE: Chip select 1 is not supported on this device.	RW	0x40
15:10	RESERVED		R	0x0
9:0	PHY_REG_RD_DQS_SLAVE_RATIO2	The user programmable ratio value for the read DQS slave DLL in PHY data macro 1, chip select 0. This is the fraction of a clock cycle in units of 256ths. In other words, the full-cycle tap value from the master DLL will be scaled by this number over 256 to get the delay value for the slave delay line.	RW	0x40

Table 15-322. Register Call Summary for Register EMIF_EXT_PHY_CONTROL_8

EMIF Controller

- [EMIF Register Summary: \[0\]](#)
- [EMIF Register Description: \[1\]](#)

Table 15-323. EMIF_EXT_PHY_CONTROL_8_SHADOW

Address Offset	0x0000 023C	Instance	EMIF1
Physical Address	0x4C00 023C		
Description	Data macro 1, read DQS DLL Slave Ratio Shadow Register. Its value is loaded in register EMIF_EXT_PHY_CONTROL_8 on any frequency change.		
Type	RW		

31	30	29	28	27	26	25	24	23	22	21	20	19	18	17	16	15	14	13	12	11	10	9	8	7	6	5	4	3	2	1	0
RESERVED								PHY_REG_RD_DQS_SLAVE_RATIO3								RESERVED								PHY_REG_RD_DQS_SLAVE_RATIO2							

Bits	Field Name	Description	Type	Reset
31:26	RESERVED		R	0x0
25:16	PHY_REG_RD_DQS_SLAVE_RATIO3	The user programmable ratio value for the read DQS slave DLL in PHY data macro 1, chip select 1. This is the fraction of a clock cycle in units of 256ths. In other words, the full-cycle tap value from the master DLL will be scaled by this number over 256 to get the delay value for the slave delay line. NOTE: Chip select 1 is not supported on this device.	RW	0x40
15:10	RESERVED		R	0x0

Bits	Field Name	Description	Type	Reset
9:0	PHY_REG_RD_QQS_SLAVE_RATIO2	The user programmable ratio value for the read DQS slave DLL in PHY data macro 1, chip select 0. This is the fraction of a clock cycle in units of 256ths. In other words, the full-cycle tap value from the master DLL will be scaled by this number over 256 to get the delay value for the slave delay line.	RW	0x40

Table 15-324. Register Call Summary for Register EMIF_EXT_PHY_CONTROL_8_SHADOW

EMIF Controller

- [EMIF Register Summary: \[0\]](#)

Table 15-325. EMIF_EXT_PHY_CONTROL_9

Address Offset	0x0000 0240	Instance	EMIF1
Physical Address	0x4C00 0240		
Description	Data macro 2, read DQS DLL Slave Ratio Register		
Type	RW		

31	30	29	28	27	26	25	24	23	22	21	20	19	18	17	16	15	14	13	12	11	10	9	8	7	6	5	4	3	2	1	0
RESERVED								PHY_REG_RD_QQS_SLAVE_RATIO5								RESERVED								PHY_REG_RD_QQS_SLAVE_RATIO4							

Bits	Field Name	Description	Type	Reset
31:26	RESERVED		R	0x0
25:16	PHY_REG_RD_QQS_SLAVE_RATIO5	The user programmable ratio value for the read DQS slave DLL in PHY data macro 2, chip select 1. This is the fraction of a clock cycle in units of 256ths. In other words, the full-cycle tap value from the master DLL will be scaled by this number over 256 to get the delay value for the slave delay line. NOTE: Chip select 1 is not supported on this device.	RW	0x40
15:10	RESERVED		R	0x0
9:0	PHY_REG_RD_QQS_SLAVE_RATIO4	The user programmable ratio value for the read DQS slave DLL in PHY data macro 2, chip select 0. This is the fraction of a clock cycle in units of 256ths. In other words, the full-cycle tap value from the master DLL will be scaled by this number over 256 to get the delay value for the slave delay line.	RW	0x40

Table 15-326. Register Call Summary for Register EMIF_EXT_PHY_CONTROL_9

EMIF Controller

- [EMIF Register Summary: \[0\]](#)
- [EMIF Register Description: \[1\]](#)

Table 15-327. EMIF_EXT_PHY_CONTROL_9_SHADOW

Address Offset	0x0000 0244	Instance	EMIF1
Physical Address	0x4C00 0244		
Description	Data macro 2, read DQS DLL Slave Ratio Shadow Register. Its value is loaded in register EMIF_EXT_PHY_CONTROL_9 on any frequency change.		
Type	RW		

31	30	29	28	27	26	25	24	23	22	21	20	19	18	17	16	15	14	13	12	11	10	9	8	7	6	5	4	3	2	1	0
RESERVED								PHY_REG_RD_QQS_SLAVE_RATIO5								RESERVED								PHY_REG_RD_QQS_SLAVE_RATIO4							

Bits	Field Name	Description	Type	Reset
31:26	RESERVED		R	0x0
25:16	PHY_REG_RD_DQS_SLAVE_RATIO5	The user programmable ratio value for the read DQS slave DLL in PHY data macro 2, chip select 1. This is the fraction of a clock cycle in units of 256ths. In other words, the full-cycle tap value from the master DLL will be scaled by this number over 256 to get the delay value for the slave delay line. NOTE: Chip select 1 is not supported on this device.	RW	0x40
15:10	RESERVED		R	0x0
9:0	PHY_REG_RD_DQS_SLAVE_RATIO4	The user programmable ratio value for the read DQS slave DLL in PHY data macro 2, chip select 0. This is the fraction of a clock cycle in units of 256ths. In other words, the full-cycle tap value from the master DLL will be scaled by this number over 256 to get the delay value for the slave delay line.	RW	0x40

Table 15-328. Register Call Summary for Register EMIF_EXT_PHY_CONTROL_9_SHADOW

EMIF Controller

- [EMIF Register Summary: \[0\]](#)

Table 15-329. EMIF_EXT_PHY_CONTROL_10

Address Offset	0x0000 0248	Instance	EMIF1
Physical Address	0x4C00 0248		
Description	Data macro 3, read DQS DLL Slave Ratio Register		
Type	RW		

31	30	29	28	27	26	25	24	23	22	21	20	19	18	17	16	15	14	13	12	11	10	9	8	7	6	5	4	3	2	1	0
RESERVED								PHY_REG_RD_DQS_SLAVE_RATIO7								RESERVED								PHY_REG_RD_DQS_SLAVE_RATIO6							

Bits	Field Name	Description	Type	Reset
31:26	RESERVED		R	0x0
25:16	PHY_REG_RD_DQS_SLAVE_RATIO7	The user programmable ratio value for the read DQS slave DLL in PHY data macro 3, chip select 1. This is the fraction of a clock cycle in units of 256ths. In other words, the full-cycle tap value from the master DLL will be scaled by this number over 256 to get the delay value for the slave delay line. NOTE: Chip select 1 is not supported on this device.	RW	0x40
15:10	RESERVED		R	0x0
9:0	PHY_REG_RD_DQS_SLAVE_RATIO6	The user programmable ratio value for the read DQS slave DLL in PHY data macro 3, chip select 0. This is the fraction of a clock cycle in units of 256ths. In other words, the full-cycle tap value from the master DLL will be scaled by this number over 256 to get the delay value for the slave delay line.	RW	0x40

Table 15-330. Register Call Summary for Register EMIF_EXT_PHY_CONTROL_10

EMIF Controller

- [EMIF Register Summary: \[0\]](#)
- [EMIF Register Description: \[1\]](#)

Table 15-331. EMIF_EXT_PHY_CONTROL_10_SHADOW

Address Offset	0x0000 024C	Instance	EMIF1
Physical Address	0x4C00 024C		
Description	Data macro 3, read DQS DLL Slave Ratio Shadow Register. Its value is loaded in register EMIF_EXT_PHY_CONTROL_10 on any frequency change.		
Type	RW		

31	30	29	28	27	26	25	24	23	22	21	20	19	18	17	16	15	14	13	12	11	10	9	8	7	6	5	4	3	2	1	0
RESERVED								PHY_REG_RD_DQS_SLAVE_RATIO7								RESERVED								PHY_REG_RD_DQS_SLAVE_RATIO6							

Bits	Field Name	Description	Type	Reset
31:26	RESERVED		R	0x0
25:16	PHY_REG_RD_DQS_SLAVE_RATIO7	The user programmable ratio value for the read DQS slave DLL in PHY data macro 3, chip select 1. This is the fraction of a clock cycle in units of 256ths. In other words, the full-cycle tap value from the master DLL will be scaled by this number over 256 to get the delay value for the slave delay line. NOTE: Chip select 1 is not supported on this device.	RW	0x40
15:10	RESERVED		R	0x0
9:0	PHY_REG_RD_DQS_SLAVE_RATIO6	The user programmable ratio value for the read DQS slave DLL in PHY data macro 3, chip select 0. This is the fraction of a clock cycle in units of 256ths. In other words, the full-cycle tap value from the master DLL will be scaled by this number over 256 to get the delay value for the slave delay line.	RW	0x40

Table 15-332. Register Call Summary for Register EMIF_EXT_PHY_CONTROL_10_SHADOW

EMIF Controller

- [EMIF Register Summary: \[0\]](#)

Table 15-333. EMIF_EXT_PHY_CONTROL_11

Address Offset	0x0000 0250	Instance	EMIF1
Physical Address	0x4C00 0250		
Description	ECC Data macro, read DQS DLL Slave Ratio Register		
Type	RW		

31	30	29	28	27	26	25	24	23	22	21	20	19	18	17	16	15	14	13	12	11	10	9	8	7	6	5	4	3	2	1	0
RESERVED								PHY_REG_RD_DQS_SLAVE_RATIO9								RESERVED								PHY_REG_RD_DQS_SLAVE_RATIO8							

Bits	Field Name	Description	Type	Reset
31:26	RESERVED		R	0x0
25:16	PHY_REG_RD_DQS_SLAVE_RATIO9	The user programmable ratio value for the read DQS slave DLL in PHY ECC data macro, chip select 1. This is the fraction of a clock cycle in units of 256ths. In other words, the full-cycle tap value from the master DLL will be scaled by this number over 256 to get the delay value for the slave delay line. NOTE: Chip select 1 is not supported on this device.	RW	0x40
15:10	RESERVED		R	0x0

Bits	Field Name	Description	Type	Reset
9:0	PHY_REG_RD_DQS_SLAVE_RATIO8	The user programmable ratio value for the read DQS slave DLL in PHY ECC data macro, chip select 0. This is the fraction of a clock cycle in units of 256ths. In other words, the full-cycle tap value from the master DLL will be scaled by this number over 256 to get the delay value for the slave delay line.	RW	0x40

Table 15-334. Register Call Summary for Register EMIF_EXT_PHY_CONTROL_11

EMIF Controller

- [Global Initialization: \[0\]](#)
- [EMIF Register Summary: \[1\]](#)
- [EMIF Register Description: \[2\]](#)

Table 15-335. EMIF_EXT_PHY_CONTROL_11_SHADOW

Address Offset	0x0000 0254	Instance	EMIF1
Physical Address	0x4C00 0254		
Description	ECC Data macro, read DQS DLL Slave Ratio Shadow Register. Its value is loaded in register EMIF_EXT_PHY_CONTROL_11 on any frequency change.		
Type	RW		

31	30	29	28	27	26	25	24	23	22	21	20	19	18	17	16	15	14	13	12	11	10	9	8	7	6	5	4	3	2	1	0
RESERVED								PHY_REG_RD_DQS_SLAVE_RATIO9								RESERVED								PHY_REG_RD_DQS_SLAVE_RATIO8							

Bits	Field Name	Description	Type	Reset
31:26	RESERVED		R	0x0
25:16	PHY_REG_RD_DQS_SLAVE_RATIO9	The user programmable ratio value for the read DQS slave DLL in PHY ECC data macro, chip select 1. This is the fraction of a clock cycle in units of 256ths. In other words, the full-cycle tap value from the master DLL will be scaled by this number over 256 to get the delay value for the slave delay line. NOTE: Chip select 1 is not supported on this device.	RW	0x40
15:10	RESERVED		R	0x0
9:0	PHY_REG_RD_DQS_SLAVE_RATIO8	The user programmable ratio value for the read DQS slave DLL in PHY ECC data macro, chip select 0. This is the fraction of a clock cycle in units of 256ths. In other words, the full-cycle tap value from the master DLL will be scaled by this number over 256 to get the delay value for the slave delay line.	RW	0x40

Table 15-336. Register Call Summary for Register EMIF_EXT_PHY_CONTROL_11_SHADOW

EMIF Controller

- [EMIF Register Summary: \[0\]](#)

Table 15-337. EMIF_EXT_PHY_CONTROL_12

Address Offset	0x0000 0258	Instance	EMIF1
Physical Address	0x4C00 0258		
Description	Data macro 0, write DQ (data) DLL Slave Ratio Register		
Type	RW		

31	30	29	28	27	26	25	24	23	22	21	20	19	18	17	16	15	14	13	12	11	10	9	8	7	6	5	4	3	2	1	0
RESERVED								PHY_REG_WR_DATA_SLAVE_RATIO1								RESERVED								PHY_REG_WR_DATA_SLAVE_RATIO0							

Bits	Field Name	Description	Type	Reset
31:26	RESERVED		R	0x0
25:16	PHY_REG_WR_DATA_SLAVE_RATIO1	The user programmable ratio value for the write DQ slave DLL in PHY data macro 0, chip select 1. This is the fraction of a clock cycle in units of 256ths. In other words, the full-cycle tap value from the master DLL will be scaled by this number over 256 to get the delay value for the slave delay line. NOTE: Chip select 1 is not supported on this device.	RW	0x40
15:10	RESERVED		R	0x0
9:0	PHY_REG_WR_DATA_SLAVE_RATIO0	The user programmable ratio value for the write DQ slave DLL in PHY data macro 0, chip select 0. This is the fraction of a clock cycle in units of 256ths. In other words, the full-cycle tap value from the master DLL will be scaled by this number over 256 to get the delay value for the slave delay line.	RW	0x40

Table 15-338. Register Call Summary for Register EMIF_EXT_PHY_CONTROL_12

EMIF Controller

- [Global Initialization: \[0\]](#)
- [EMIF Register Summary: \[1\]](#)
- [EMIF Register Description: \[2\]](#)

Table 15-339. EMIF_EXT_PHY_CONTROL_12_SHADOW

Address Offset	0x0000 025C	Instance	EMIF1
Physical Address	0x4C00 025C		
Description	Data macro 0, write DQ (data) DLL Slave Ratio Shadow Register. Its value is loaded in register EMIF_EXT_PHY_CONTROL_12 on any frequency change.		
Type	RW		

31	30	29	28	27	26	25	24	23	22	21	20	19	18	17	16	15	14	13	12	11	10	9	8	7	6	5	4	3	2	1	0
RESERVED								PHY_REG_WR_DATA_SLAVE_RATIO1								RESERVED								PHY_REG_WR_DATA_SLAVE_RATIO0							

Bits	Field Name	Description	Type	Reset
31:26	RESERVED		R	0x0
25:16	PHY_REG_WR_DATA_SLAVE_RATIO1	The user programmable ratio value for the write DQ slave DLL in PHY data macro 0, chip select 1. This is the fraction of a clock cycle in units of 256ths. In other words, the full-cycle tap value from the master DLL will be scaled by this number over 256 to get the delay value for the slave delay line. NOTE: Chip select 1 is not supported on this device.	RW	0x40
15:10	RESERVED		R	0x0
9:0	PHY_REG_WR_DATA_SLAVE_RATIO0	The user programmable ratio value for the write DQ slave DLL in PHY data macro 0, chip select 0. This is the fraction of a clock cycle in units of 256ths. In other words, the full-cycle tap value from the master DLL will be scaled by this number over 256 to get the delay value for the slave delay line.	RW	0x40

Table 15-340. Register Call Summary for Register EMIF_EXT_PHY_CONTROL_12_SHADOW

EMIF Controller

- [EMIF Register Summary: \[0\]](#)

Table 15-341. EMIF_EXT_PHY_CONTROL_13

Address Offset	0x0000 0260	Instance	EMIF1
Physical Address	0x4C00 0260		
Description	Data macro 1, write DQ (data) DLL Slave Ratio Register		
Type	RW		

31	30	29	28	27	26	25	24	23	22	21	20	19	18	17	16	15	14	13	12	11	10	9	8	7	6	5	4	3	2	1	0
RESERVED								PHY_REG_WR_DATA_SLAVE_RATIO3								RESERVED								PHY_REG_WR_DATA_SLAVE_RATIO2							

Bits	Field Name	Description	Type	Reset
31:26	RESERVED		R	0x0
25:16	PHY_REG_WR_DATA_SLAVE_RATIO3	The user programmable ratio value for the write DQ slave DLL in PHY data macro 1, chip select 1. This is the fraction of a clock cycle in units of 256ths. In other words, the full-cycle tap value from the master DLL will be scaled by this number over 256 to get the delay value for the slave delay line. NOTE: Chip select 1 is not supported on this device.	RW	0x40
15:10	RESERVED		R	0x0
9:0	PHY_REG_WR_DATA_SLAVE_RATIO2	The user programmable ratio value for the write DQ slave DLL in PHY data macro 1, chip select 0. This is the fraction of a clock cycle in units of 256ths. In other words, the full-cycle tap value from the master DLL will be scaled by this number over 256 to get the delay value for the slave delay line.	RW	0x40

Table 15-342. Register Call Summary for Register EMIF_EXT_PHY_CONTROL_13

EMIF Controller

- [EMIF Register Summary: \[0\]](#)
- [EMIF Register Description: \[1\]](#)

Table 15-343. EMIF_EXT_PHY_CONTROL_13_SHADOW

Address Offset	0x0000 0264	Instance	EMIF1
Physical Address	0x4C00 0264		
Description	Data macro 1, write DQ (data) DLL Slave Ratio Shadow Register. Its value is loaded in register EMIF_EXT_PHY_CONTROL_13 on any frequency change.		
Type	RW		

31	30	29	28	27	26	25	24	23	22	21	20	19	18	17	16	15	14	13	12	11	10	9	8	7	6	5	4	3	2	1	0
RESERVED								PHY_REG_WR_DATA_SLAVE_RATIO3								RESERVED								PHY_REG_WR_DATA_SLAVE_RATIO2							

Bits	Field Name	Description	Type	Reset
31:26	RESERVED		R	0x0
25:16	PHY_REG_WR_DATA_SLAVE_RATIO3	The user programmable ratio value for the write DQ slave DLL in PHY data macro 1, chip select 1. This is the fraction of a clock cycle in units of 256ths. In other words, the full-cycle tap value from the master DLL will be scaled by this number over 256 to get the delay value for the slave delay line. NOTE: Chip select 1 is not supported on this device.	RW	0x40
15:10	RESERVED		R	0x0

Bits	Field Name	Description	Type	Reset
9:0	PHY_REG_WR_DATA_SLAVE_RATIO2	The user programmable ratio value for the write DQ slave DLL in PHY data macro 1, chip select 0. This is the fraction of a clock cycle in units of 256ths. In other words, the full-cycle tap value from the master DLL will be scaled by this number over 256 to get the delay value for the slave delay line.	RW	0x40

Table 15-344. Register Call Summary for Register EMIF_EXT_PHY_CONTROL_13_SHADOW

EMIF Controller

- [EMIF Register Summary: \[0\]](#)

Table 15-345. EMIF_EXT_PHY_CONTROL_14

Address Offset	0x0000 0268	Instance	EMIF1
Physical Address	0x4C00 0268		
Description	Data macro 2, write DQ (data) DLL Slave Ratio Register		
Type	RW		

31	30	29	28	27	26	25	24	23	22	21	20	19	18	17	16	15	14	13	12	11	10	9	8	7	6	5	4	3	2	1	0
RESERVED								PHY_REG_WR_DATA_SLAVE_RATIO5								RESERVED								PHY_REG_WR_DATA_SLAVE_RATIO4							

Bits	Field Name	Description	Type	Reset
31:26	RESERVED		R	0x0
25:16	PHY_REG_WR_DATA_SLAVE_RATIO5	The user programmable ratio value for the write DQ slave DLL in PHY data macro 2, chip select 1. This is the fraction of a clock cycle in units of 256ths. In other words, the full-cycle tap value from the master DLL will be scaled by this number over 256 to get the delay value for the slave delay line. NOTE: Chip select 1 is not supported on this device.	RW	0x40
15:10	RESERVED		R	0x0
9:0	PHY_REG_WR_DATA_SLAVE_RATIO4	The user programmable ratio value for the write DQ slave DLL in PHY data macro 2, chip select 0. This is the fraction of a clock cycle in units of 256ths. In other words, the full-cycle tap value from the master DLL will be scaled by this number over 256 to get the delay value for the slave delay line.	RW	0x40

Table 15-346. Register Call Summary for Register EMIF_EXT_PHY_CONTROL_14

EMIF Controller

- [EMIF Register Summary: \[0\]](#)
- [EMIF Register Description: \[1\]](#)

Table 15-347. EMIF_EXT_PHY_CONTROL_14_SHADOW

Address Offset	0x0000 026C	Instance	EMIF1
Physical Address	0x4C00 026C		
Description	Data macro 2, write DQ (data) DLL Slave Ratio Shadow Register. Its value is loaded in register EMIF_EXT_PHY_CONTROL_14 on any frequency change.		
Type	RW		

31	30	29	28	27	26	25	24	23	22	21	20	19	18	17	16	15	14	13	12	11	10	9	8	7	6	5	4	3	2	1	0
RESERVED								PHY_REG_WR_DATA_SLAVE_RATIO5								RESERVED								PHY_REG_WR_DATA_SLAVE_RATIO4							

Bits	Field Name	Description	Type	Reset
31:26	RESERVED		R	0x0
25:16	PHY_REG_WR_DATA_SLAVE_RATIO5	The user programmable ratio value for the write DQ slave DLL in PHY data macro 2, chip select 1. This is the fraction of a clock cycle in units of 256ths. In other words, the full-cycle tap value from the master DLL will be scaled by this number over 256 to get the delay value for the slave delay line. NOTE: Chip select 1 is not supported on this device.	RW	0x40
15:10	RESERVED		R	0x0
9:0	PHY_REG_WR_DATA_SLAVE_RATIO4	The user programmable ratio value for the write DQ slave DLL in PHY data macro 2, chip select 0. This is the fraction of a clock cycle in units of 256ths. In other words, the full-cycle tap value from the master DLL will be scaled by this number over 256 to get the delay value for the slave delay line.	RW	0x40

Table 15-348. Register Call Summary for Register EMIF_EXT_PHY_CONTROL_14_SHADOW

EMIF Controller

- [EMIF Register Summary: \[0\]](#)

Table 15-349. EMIF_EXT_PHY_CONTROL_15

Address Offset	0x0000 0270	Instance	EMIF1
Physical Address	0x4C00 0270		
Description	Data macro 3, write DQ (data) DLL Slave Ratio Register		
Type	RW		

31	30	29	28	27	26	25	24	23	22	21	20	19	18	17	16	15	14	13	12	11	10	9	8	7	6	5	4	3	2	1	0
RESERVED								PHY_REG_WR_DATA_SLAVE_RATIO7								RESERVED								PHY_REG_WR_DATA_SLAVE_RATIO6							

Bits	Field Name	Description	Type	Reset
31:26	RESERVED		R	0x0
25:16	PHY_REG_WR_DATA_SLAVE_RATIO7	The user programmable ratio value for the write DQ slave DLL in PHY data macro 3, chip select 1. This is the fraction of a clock cycle in units of 256ths. In other words, the full-cycle tap value from the master DLL will be scaled by this number over 256 to get the delay value for the slave delay line. NOTE: Chip select 1 is not supported on this device.	RW	0x40
15:10	RESERVED		R	0x0
9:0	PHY_REG_WR_DATA_SLAVE_RATIO6	The user programmable ratio value for the write DQ slave DLL in PHY data macro 3, chip select 0. This is the fraction of a clock cycle in units of 256ths. In other words, the full-cycle tap value from the master DLL will be scaled by this number over 256 to get the delay value for the slave delay line.	RW	0x40

Table 15-350. Register Call Summary for Register EMIF_EXT_PHY_CONTROL_15

EMIF Controller

- [EMIF Register Summary: \[0\]](#)
- [EMIF Register Description: \[1\]](#)

Table 15-351. EMIF_EXT_PHY_CONTROL_15_SHADOW

Address Offset	0x0000 0274	Instance	EMIF1
Physical Address	0x4C00 0274		
Description	Data macro 3, write DQ (data) DLL Slave Ratio Shadow Register. Its value is loaded in register EMIF_EXT_PHY_CONTROL_15 on any frequency change.		
Type	RW		

31	30	29	28	27	26	25	24	23	22	21	20	19	18	17	16	15	14	13	12	11	10	9	8	7	6	5	4	3	2	1	0
RESERVED								PHY_REG_WR_DATA_SLAVE_RATIO7								RESERVED								PHY_REG_WR_DATA_SLAVE_RATIO6							

Bits	Field Name	Description	Type	Reset
31:26	RESERVED		R	0x0
25:16	PHY_REG_WR_DATA_SLAVE_RATIO7	The user programmable ratio value for the write DQ slave DLL in PHY data macro 3, chip select 1. This is the fraction of a clock cycle in units of 256ths. In other words, the full-cycle tap value from the master DLL will be scaled by this number over 256 to get the delay value for the slave delay line. NOTE: Chip select 1 is not supported on this device.	RW	0x40
15:10	RESERVED		R	0x0
9:0	PHY_REG_WR_DATA_SLAVE_RATIO6	The user programmable ratio value for the write DQ slave DLL in PHY data macro 3, chip select 0. This is the fraction of a clock cycle in units of 256ths. In other words, the full-cycle tap value from the master DLL will be scaled by this number over 256 to get the delay value for the slave delay line.	RW	0x40

Table 15-352. Register Call Summary for Register EMIF_EXT_PHY_CONTROL_15_SHADOW

EMIF Controller

- [EMIF Register Summary: \[0\]](#)

Table 15-353. EMIF_EXT_PHY_CONTROL_16

Address Offset	0x0000 0278	Instance	EMIF1
Physical Address	0x4C00 0278		
Description	ECC Data macro, write DQ (data) DLL Slave Ratio Register		
Type	RW		

31	30	29	28	27	26	25	24	23	22	21	20	19	18	17	16	15	14	13	12	11	10	9	8	7	6	5	4	3	2	1	0
RESERVED								PHY_REG_WR_DATA_SLAVE_RATIO9								RESERVED								PHY_REG_WR_DATA_SLAVE_RATIO8							

Bits	Field Name	Description	Type	Reset
31:26	RESERVED		R	0x0
25:16	PHY_REG_WR_DATA_SLAVE_RATIO9	The user programmable ratio value for the write DQ slave DLL in PHY ECC data macro, chip select 1. This is the fraction of a clock cycle in units of 256ths. In other words, the full-cycle tap value from the master DLL will be scaled by this number over 256 to get the delay value for the slave delay line. NOTE: Chip select 1 is not supported on this device.	RW	0x40
15:10	RESERVED		R	0x0

Bits	Field Name	Description	Type	Reset
9:0	PHY_REG_WR_DATA_SLAVE_RATIO8	The user programmable ratio value for the write DQ slave DLL in PHY ECC data macro, chip select 0. This is the fraction of a clock cycle in units of 256ths. In other words, the full-cycle tap value from the master DLL will be scaled by this number over 256 to get the delay value for the slave delay line.	RW	0x40

Table 15-354. Register Call Summary for Register EMIF_EXT_PHY_CONTROL_16

EMIF Controller

- [EMIF Register Summary: \[0\]](#)
- [EMIF Register Description: \[1\]](#)

Table 15-355. EMIF_EXT_PHY_CONTROL_16_SHADOW

Address Offset	0x0000 027C	Instance	EMIF1
Physical Address	0x4C00 027C		
Description	ECC Data macro, write DQ (data) DLL Slave Ratio Shadow Register. Its value is loaded in register EMIF_EXT_PHY_CONTROL_16 on any frequency change.		
Type	RW		

31	30	29	28	27	26	25	24	23	22	21	20	19	18	17	16	15	14	13	12	11	10	9	8	7	6	5	4	3	2	1	0
RESERVED								PHY_REG_WR_DATA_SLAVE_RATIO9								RESERVED								PHY_REG_WR_DATA_SLAVE_RATIO8							

Bits	Field Name	Description	Type	Reset
31:26	RESERVED		R	0x0
25:16	PHY_REG_WR_DATA_SLAVE_RATIO9	The user programmable ratio value for the write DQ slave DLL in PHY ECC data macro, chip select 1. This is the fraction of a clock cycle in units of 256ths. In other words, the full-cycle tap value from the master DLL will be scaled by this number over 256 to get the delay value for the slave delay line. NOTE: Chip select 1 is not supported on this device.	RW	0x40
15:10	RESERVED		R	0x0
9:0	PHY_REG_WR_DATA_SLAVE_RATIO8	The user programmable ratio value for the write DQ slave DLL in PHY ECC data macro, chip select 0. This is the fraction of a clock cycle in units of 256ths. In other words, the full-cycle tap value from the master DLL will be scaled by this number over 256 to get the delay value for the slave delay line.	RW	0x40

Table 15-356. Register Call Summary for Register EMIF_EXT_PHY_CONTROL_16_SHADOW

EMIF Controller

- [EMIF Register Summary: \[0\]](#)

Table 15-357. EMIF_EXT_PHY_CONTROL_17

Address Offset	0x0000 0280	Instance	EMIF1
Physical Address	0x4C00 0280		
Description	Data macro 0, write DQS DLL Slave Ratio Register		
Type	RW		

31	30	29	28	27	26	25	24	23	22	21	20	19	18	17	16	15	14	13	12	11	10	9	8	7	6	5	4	3	2	1	0
RESERVED								PHY_REG_WR_DQS_SLAVE_RATIO1								RESERVED								PHY_REG_WR_DQS_SLAVE_RATIO0							

Bits	Field Name	Description	Type	Reset
31:26	RESERVED		R	0x0
25:16	PHY_REG_WR_DQS_SLAVE_RATIO1	The user programmable ratio value for the write DQS slave DLL in PHY data macro 0, chip select 1. This is the fraction of a clock cycle in units of 256ths. In other words, the full-cycle tap value from the master DLL will be scaled by this number over 256 to get the delay value for the slave delay line. NOTE: Chip select 1 is not supported on this device.	RW	0x0
15:10	RESERVED		R	0x0
9:0	PHY_REG_WR_DQS_SLAVE_RATIO0	The user programmable ratio value for the write DQS slave DLL in PHY data macro 0, chip select 0. This is the fraction of a clock cycle in units of 256ths. In other words, the full-cycle tap value from the master DLL will be scaled by this number over 256 to get the delay value for the slave delay line.	RW	0x0

Table 15-358. Register Call Summary for Register EMIF_EXT_PHY_CONTROL_17

EMIF Controller

- [EMIF Register Summary: \[0\]](#)
- [EMIF Register Description: \[1\]](#)

Table 15-359. EMIF_EXT_PHY_CONTROL_17_SHADOW

Address Offset	0x0000 0284	Instance	EMIF1
Physical Address	0x4C00 0284		
Description	Data macro 0, write DQS DLL Slave Ratio Shadow Register. Its value is loaded in register EMIF_EXT_PHY_CONTROL_17 on any frequency change.		
Type	RW		

31	30	29	28	27	26	25	24	23	22	21	20	19	18	17	16	15	14	13	12	11	10	9	8	7	6	5	4	3	2	1	0
RESERVED								PHY_REG_WR_DQS_SLAVE_RATIO1								RESERVED								PHY_REG_WR_DQS_SLAVE_RATIO0							

Bits	Field Name	Description	Type	Reset
31:26	RESERVED		R	0x0
25:16	PHY_REG_WR_DQS_SLAVE_RATIO1	The user programmable ratio value for the write DQS slave DLL in PHY data macro 0, chip select 1. This is the fraction of a clock cycle in units of 256ths. In other words, the full-cycle tap value from the master DLL will be scaled by this number over 256 to get the delay value for the slave delay line. NOTE: Chip select 1 is not supported on this device.	RW	0x0
15:10	RESERVED		R	0x0
9:0	PHY_REG_WR_DQS_SLAVE_RATIO0	The user programmable ratio value for the write DQS slave DLL in PHY data macro 0, chip select 0. This is the fraction of a clock cycle in units of 256ths. In other words, the full-cycle tap value from the master DLL will be scaled by this number over 256 to get the delay value for the slave delay line.	RW	0x0

Table 15-360. Register Call Summary for Register EMIF_EXT_PHY_CONTROL_17_SHADOW

EMIF Controller

- [EMIF Register Summary: \[0\]](#)

Table 15-361. EMIF_EXT_PHY_CONTROL_18

Address Offset	0x0000 0288	Instance	EMIF1
Physical Address	0x4C00 0288		
Description	Data macro 1, write DQS DLL Slave Ratio Register		
Type	RW		

31	30	29	28	27	26	25	24	23	22	21	20	19	18	17	16	15	14	13	12	11	10	9	8	7	6	5	4	3	2	1	0
RESERVED								PHY_REG_WR_DQS_SLAVE_RATIO3								RESERVED								PHY_REG_WR_DQS_SLAVE_RATIO2							

Bits	Field Name	Description	Type	Reset
31:26	RESERVED		R	0x0
25:16	PHY_REG_WR_DQS_SLAVE_RATIO3	The user programmable ratio value for the write DQS slave DLL in PHY data macro 1, chip select 1. This is the fraction of a clock cycle in units of 256ths. In other words, the full-cycle tap value from the master DLL will be scaled by this number over 256 to get the delay value for the slave delay line. NOTE: Chip select 1 is not supported on this device.	RW	0x0
15:10	RESERVED		R	0x0
9:0	PHY_REG_WR_DQS_SLAVE_RATIO2	The user programmable ratio value for the write DQS slave DLL in PHY data macro 1, chip select 0. This is the fraction of a clock cycle in units of 256ths. In other words, the full-cycle tap value from the master DLL will be scaled by this number over 256 to get the delay value for the slave delay line.	RW	0x0

Table 15-362. Register Call Summary for Register EMIF_EXT_PHY_CONTROL_18

EMIF Controller

- [EMIF Register Summary: \[0\]](#)
- [EMIF Register Description: \[1\]](#)

Table 15-363. EMIF_EXT_PHY_CONTROL_18_SHADOW

Address Offset	0x0000 028C	Instance	EMIF1
Physical Address	0x4C00 028C		
Description	Data macro 1, write DQS DLL Slave Ratio Shadow Register. Its value is loaded in register EMIF_EXT_PHY_CONTROL_18 on any frequency change.		
Type	RW		

31	30	29	28	27	26	25	24	23	22	21	20	19	18	17	16	15	14	13	12	11	10	9	8	7	6	5	4	3	2	1	0
RESERVED								PHY_REG_WR_DQS_SLAVE_RATIO3								RESERVED								PHY_REG_WR_DQS_SLAVE_RATIO2							

Bits	Field Name	Description	Type	Reset
31:26	RESERVED		R	0x0
25:16	PHY_REG_WR_DQS_SLAVE_RATIO3	The user programmable ratio value for the write DQS slave DLL in PHY data macro 1, chip select 1. This is the fraction of a clock cycle in units of 256ths. In other words, the full-cycle tap value from the master DLL will be scaled by this number over 256 to get the delay value for the slave delay line. NOTE: Chip select 1 is not supported on this device.	RW	0x0
15:10	RESERVED		R	0x0

Bits	Field Name	Description	Type	Reset
9:0	PHY_REG_WR_DQS_SLAVE_RATIO2	The user programmable ratio value for the write DQS slave DLL in PHY data macro 1, chip select 0. This is the fraction of a clock cycle in units of 256ths. In other words, the full-cycle tap value from the master DLL will be scaled by this number over 256 to get the delay value for the slave delay line.	RW	0x0

Table 15-364. Register Call Summary for Register EMIF_EXT_PHY_CONTROL_18_SHADOW

EMIF Controller

- [EMIF Register Summary: \[0\]](#)

Table 15-365. EMIF_EXT_PHY_CONTROL_19

Address Offset	0x0000 0290		Instance	EMIF1
Physical Address	0x4C00 0290			
Description	Data macro 2, write DQS DLL Slave Ratio Register			
Type	RW			

31	30	29	28	27	26	25	24	23	22	21	20	19	18	17	16	15	14	13	12	11	10	9	8	7	6	5	4	3	2	1	0
RESERVED								PHY_REG_WR_DQS_SLAVE_RATIO5								RESERVED								PHY_REG_WR_DQS_SLAVE_RATIO4							

Bits	Field Name	Description	Type	Reset
31:26	RESERVED		R	0x0
25:16	PHY_REG_WR_DQS_SLAVE_RATIO5	The user programmable ratio value for the write DQS slave DLL in PHY data macro 2, chip select 1. This is the fraction of a clock cycle in units of 256ths. In other words, the full-cycle tap value from the master DLL will be scaled by this number over 256 to get the delay value for the slave delay line. NOTE: Chip select 1 is not supported on this device.	RW	0x0
15:10	RESERVED		R	0x0
9:0	PHY_REG_WR_DQS_SLAVE_RATIO4	The user programmable ratio value for the write DQS slave DLL in PHY data macro 2, chip select 0. This is the fraction of a clock cycle in units of 256ths. In other words, the full-cycle tap value from the master DLL will be scaled by this number over 256 to get the delay value for the slave delay line.	RW	0x0

Table 15-366. Register Call Summary for Register EMIF_EXT_PHY_CONTROL_19

EMIF Controller

- [EMIF Register Summary: \[0\]](#)
- [EMIF Register Description: \[1\]](#)

Table 15-367. EMIF_EXT_PHY_CONTROL_19_SHADOW

Address Offset	0x0000 0294		Instance	EMIF1
Physical Address	0x4C00 0294			
Description	Data macro 2, write DQS DLL Slave Ratio Shadow Register. Its value is loaded in register EMIF_EXT_PHY_CONTROL_19 on any frequency change.			
Type	RW			

31	30	29	28	27	26	25	24	23	22	21	20	19	18	17	16	15	14	13	12	11	10	9	8	7	6	5	4	3	2	1	0
RESERVED								PHY_REG_WR_DQS_SLAVE_RATIO5								RESERVED								PHY_REG_WR_DQS_SLAVE_RATIO4							

Bits	Field Name	Description	Type	Reset
31:26	RESERVED		R	0x0
25:16	PHY_REG_WR_DQS_SLAVE_RATIO5	The user programmable ratio value for the write DQS slave DLL in PHY data macro 2, chip select 1. This is the fraction of a clock cycle in units of 256ths. In other words, the full-cycle tap value from the master DLL will be scaled by this number over 256 to get the delay value for the slave delay line. NOTE: Chip select 1 is not supported on this device.	RW	0x0
15:10	RESERVED		R	0x0
9:0	PHY_REG_WR_DQS_SLAVE_RATIO4	The user programmable ratio value for the write DQS slave DLL in PHY data macro 2, chip select 0. This is the fraction of a clock cycle in units of 256ths. In other words, the full-cycle tap value from the master DLL will be scaled by this number over 256 to get the delay value for the slave delay line.	RW	0x0

Table 15-368. Register Call Summary for Register EMIF_EXT_PHY_CONTROL_19_SHADOW

EMIF Controller

- [EMIF Register Summary: \[0\]](#)

Table 15-369. EMIF_EXT_PHY_CONTROL_20

Address Offset	0x0000 0298	Instance	EMIF1
Physical Address	0x4C00 0298		
Description	Data macro 3, write DQS DLL Slave Ratio Register		
Type	RW		

31	30	29	28	27	26	25	24	23	22	21	20	19	18	17	16	15	14	13	12	11	10	9	8	7	6	5	4	3	2	1	0
RESERVED								PHY_REG_WR_DQS_SLAVE_RATIO7								RESERVED								PHY_REG_WR_DQS_SLAVE_RATIO6							

Bits	Field Name	Description	Type	Reset
31:26	RESERVED		R	0x0
25:16	PHY_REG_WR_DQS_SLAVE_RATIO7	The user programmable ratio value for the write DQS slave DLL in PHY data macro 3, chip select 1. This is the fraction of a clock cycle in units of 256ths. In other words, the full-cycle tap value from the master DLL will be scaled by this number over 256 to get the delay value for the slave delay line. NOTE: Chip select 1 is not supported on this device.	RW	0x0
15:10	RESERVED		R	0x0
9:0	PHY_REG_WR_DQS_SLAVE_RATIO6	The user programmable ratio value for the write DQS slave DLL in PHY data macro 3, chip select 0. This is the fraction of a clock cycle in units of 256ths. In other words, the full-cycle tap value from the master DLL will be scaled by this number over 256 to get the delay value for the slave delay line.	RW	0x0

Table 15-370. Register Call Summary for Register EMIF_EXT_PHY_CONTROL_20

EMIF Controller

- [EMIF Register Summary: \[0\]](#)
- [EMIF Register Description: \[1\]](#)

Table 15-371. EMIF_EXT_PHY_CONTROL_20_SHADOW

Address Offset	0x0000 029C	Instance	EMIF1
Physical Address	0x4C00 029C		
Description	Data macro 3, write DQS DLL Slave Ratio Shadow Register. Its value is loaded in register EMIF_EXT_PHY_CONTROL_20 on any frequency change.		
Type	RW		

31	30	29	28	27	26	25	24	23	22	21	20	19	18	17	16	15	14	13	12	11	10	9	8	7	6	5	4	3	2	1	0
RESERVED								PHY_REG_WR_DQS_SLAVE_RATIO7								RESERVED								PHY_REG_WR_DQS_SLAVE_RATIO6							

Bits	Field Name	Description	Type	Reset
31:26	RESERVED		R	0x0
25:16	PHY_REG_WR_DQS_SLAVE_RATIO7	The user programmable ratio value for the write DQS slave DLL in PHY data macro 3, chip select 1. This is the fraction of a clock cycle in units of 256ths. In other words, the full-cycle tap value from the master DLL will be scaled by this number over 256 to get the delay value for the slave delay line. NOTE: Chip select 1 is not supported on this device.	RW	0x0
15:10	RESERVED		R	0x0
9:0	PHY_REG_WR_DQS_SLAVE_RATIO6	The user programmable ratio value for the write DQS slave DLL in PHY data macro 3, chip select 0. This is the fraction of a clock cycle in units of 256ths. In other words, the full-cycle tap value from the master DLL will be scaled by this number over 256 to get the delay value for the slave delay line.	RW	0x0

Table 15-372. Register Call Summary for Register EMIF_EXT_PHY_CONTROL_20_SHADOW

EMIF Controller

- [EMIF Register Summary: \[0\]](#)

Table 15-373. EMIF_EXT_PHY_CONTROL_21

Address Offset	0x0000 02A0	Instance	EMIF1
Physical Address	0x4C00 02A0		
Description	ECC Data macro, write DQS DLL Slave Ratio Register		
Type	RW		

31	30	29	28	27	26	25	24	23	22	21	20	19	18	17	16	15	14	13	12	11	10	9	8	7	6	5	4	3	2	1	0
RESERVED								PHY_REG_WR_DQS_SLAVE_RATIO9								RESERVED								PHY_REG_WR_DQS_SLAVE_RATIO8							

Bits	Field Name	Description	Type	Reset
31:26	RESERVED		R	0x0
25:16	PHY_REG_WR_DQS_SLAVE_RATIO9	The user programmable ratio value for the write DQS slave DLL in PHY ECC data macro, chip select 1. This is the fraction of a clock cycle in units of 256ths. In other words, the full-cycle tap value from the master DLL will be scaled by this number over 256 to get the delay value for the slave delay line. NOTE: Chip select 1 is not supported on this device.	RW	0x0
15:10	RESERVED		R	0x0

Bits	Field Name	Description	Type	Reset
9:0	PHY_REG_WR_DQS_SLAVE_RATIO8	The user programmable ratio value for the write DQS slave DLL in PHY ECC data macro, chip select 0. This is the fraction of a clock cycle in units of 256ths. In other words, the full-cycle tap value from the master DLL will be scaled by this number over 256 to get the delay value for the slave delay line.	RW	0x0

Table 15-374. Register Call Summary for Register EMIF_EXT_PHY_CONTROL_21

EMIF Controller

- [Full Leveling: \[0\]](#)
- [Global Initialization: \[1\]\[2\]\[3\]\[4\]](#)
- [EMIF Register Summary: \[5\]](#)
- [EMIF Register Description: \[6\]](#)

Table 15-375. EMIF_EXT_PHY_CONTROL_21_SHADOW

Address Offset	0x0000 02A4	Instance	EMIF1
Physical Address	0x4C00 02A4		
Description	ECC Data macro, write DQS DLL Slave Ratio Shadow Register. Its value is loaded in register EMIF_EXT_PHY_CONTROL_21 on any frequency change.		
Type	RW		

31	30	29	28	27	26	25	24	23	22	21	20	19	18	17	16	15	14	13	12	11	10	9	8	7	6	5	4	3	2	1	0
RESERVED								PHY_REG_WR_DQS_SLAVE_RATIO9								RESERVED								PHY_REG_WR_DQS_SLAVE_RATIO8							

Bits	Field Name	Description	Type	Reset
31:26	RESERVED		R	0x0
25:16	PHY_REG_WR_DQS_SLAVE_RATIO9	The user programmable ratio value for the write DQS slave DLL in PHY ECC data macro, chip select 1. This is the fraction of a clock cycle in units of 256ths. In other words, the full-cycle tap value from the master DLL will be scaled by this number over 256 to get the delay value for the slave delay line. NOTE: Chip select 1 is not supported on this device.	RW	0x0
15:10	RESERVED		R	0x0
9:0	PHY_REG_WR_DQS_SLAVE_RATIO8	The user programmable ratio value for the write DQS slave DLL in PHY ECC data macro, chip select 0. This is the fraction of a clock cycle in units of 256ths. In other words, the full-cycle tap value from the master DLL will be scaled by this number over 256 to get the delay value for the slave delay line.	RW	0x0

Table 15-376. Register Call Summary for Register EMIF_EXT_PHY_CONTROL_21_SHADOW

EMIF Controller

- [Global Initialization: \[0\]](#)
- [EMIF Register Summary: \[1\]](#)

Table 15-377. EMIF_EXT_PHY_CONTROL_22

Address Offset	0x0000 02A8	Instance	EMIF1
Physical Address	0x4C00 02A8		
Description			
Type	RW		

31	30	29	28	27	26	25	24	23	22	21	20	19	18	17	16	15	14	13	12	11	10	9	8	7	6	5	4	3	2	1	0
RESERVED								PHY_REG_FIFO_WE_IN_DELAY								RESERVED								PHY_REG_CTRL_SLAVE_DELAY							

Bits	Field Name	Description	Type	Reset
31:25	RESERVED		R	0x0
24:16	PHY_REG_FIFO_WE_IN_DELA Y	The user programmable FIFO write enable delay value used when DLL_OVERRIDE = 1.	RW	0x80
15:9	RESERVED		R	0x0
8:0	PHY_REG_CTRL_SLAVE_DELA Y	The user programmable command delay value used when DLL_OVERRIDE = 1.	RW	0x80

Table 15-378. Register Call Summary for Register EMIF_EXT_PHY_CONTROL_22

EMIF Controller

- [Global Initialization: \[0\]\[1\]\[2\]\[3\]\[4\]](#)
- [EMIF Register Summary: \[5\]](#)

Table 15-379. EMIF_EXT_PHY_CONTROL_22_SHADOW

Address Offset	0x0000 02AC	Instance	EMIF1
Physical Address	0x4C00 02AC		
Description			
Type	RW		

31	30	29	28	27	26	25	24	23	22	21	20	19	18	17	16	15	14	13	12	11	10	9	8	7	6	5	4	3	2	1	0
RESERVED								PHY_REG_FIFO_WE_IN_DELAY								RESERVED								PHY_REG_CTRL_SLAVE_DELAY							

Bits	Field Name	Description	Type	Reset
31:25	RESERVED		R	0x0
24:16	PHY_REG_FIFO_WE_IN_DELA Y	The user programmable FIFO write enable delay value used when DLL_OVERRIDE = 1.	RW	0x80
15:9	RESERVED		R	0x0
8:0	PHY_REG_CTRL_SLAVE_DELA Y	The user programmable command delay value used when DLL_OVERRIDE = 1.	RW	0x80

Table 15-380. Register Call Summary for Register EMIF_EXT_PHY_CONTROL_22_SHADOW

EMIF Controller

- [Global Initialization: \[0\]](#)
- [EMIF Register Summary: \[1\]](#)

Table 15-381. EMIF_EXT_PHY_CONTROL_23

Address Offset	0x0000 02B0	Instance	EMIF1
Physical Address	0x4C00 02B0		
Description			
Type	RW		

31	30	29	28	27	26	25	24	23	22	21	20	19	18	17	16	15	14	13	12	11	10	9	8	7	6	5	4	3	2	1	0
RESERVED								PHY_REG_WR_DQS_SLAVE_DELAY								RESERVED								PHY_REG_RD_DQS_SLAVE_DELAY							

Bits	Field Name	Description	Type	Reset
31:25	RESERVED		R	0x0
24:16	PHY_REG_WR_DQS_SLAVE_D ELAY	The user programmable write DQS delay value used when DLL_OVERRIDE = 1.	RW	0x80
15:9	RESERVED		R	0x0
8:0	PHY_REG_RD_DQS_SLAVE_D ELAY	The user programmable read DQS delay value used when DLL_OVERRIDE = 1.	RW	0x80

Table 15-382. Register Call Summary for Register EMIF_EXT_PHY_CONTROL_23

EMIF Controller

- [Global Initialization: \[0\]\[1\]\[2\]\[3\]\[4\]](#)
- [EMIF Register Summary: \[5\]](#)

Table 15-383. EMIF_EXT_PHY_CONTROL_23_SHADOW

Address Offset	0x0000 02B4	Instance	EMIF1
Physical Address	0x4C00 02B4		
Description			
Type	RW		

31	30	29	28	27	26	25	24	23	22	21	20	19	18	17	16	15	14	13	12	11	10	9	8	7	6	5	4	3	2	1	0
RESERVED								PHY_REG_WR_DQS_SLAVE_DELAY								RESERVED								PHY_REG_RD_DQS_SLAVE_DELAY							

Bits	Field Name	Description	Type	Reset
31:25	RESERVED		R	0x0
24:16	PHY_REG_WR_DQS_SLAVE_D ELAY	The user programmable write DQS delay value used when DLL_OVERRIDE = 1.	RW	0x80
15:9	RESERVED		R	0x0

Bits	Field Name	Description	Type	Reset
8:0	PHY_REG_RD_DQS_SLAVE_DELAY	The user programmable read DQS delay value used when DLL_OVERRIDE = 1.	RW	0x80

Table 15-384. Register Call Summary for Register EMIF_EXT_PHY_CONTROL_23_SHADOW

EMIF Controller

- [Global Initialization: \[0\]](#)
- [EMIF Register Summary: \[1\]](#)

Table 15-385. EMIF_EXT_PHY_CONTROL_24

Address Offset	0x0000 02B8	Instance	EMIF1
Physical Address	0x4C00 02B8		
Description			
Type	RW		

31	30	29	28	27	26	25	24	23	22	21	20	19	18	17	16	15	14	13	12	11	10	9	8	7	6	5	4	3	2	1	0						
RESERVED								RESERVED								REG_PHY_GATELVL_INIT_MODE		RESERVED		REG_PHY_USE_RANK0_DELAYS		RESERVED								REG_PHY_WR_DATA_SLAVE_DELAY							

Bits	Field Name	Description	Type	Reset
31	RESERVED		R	0x0
30:24	REG_PHY_DQ_OFFSET_HI	The user programmable offset ratio value from write DQS to write DQ. This value is used for the write DQ slave DLL in PHY ECC data macro. The ratio represents the fraction of a clock cycle in units of 256ths. In other words, the full-cycle tap value from the master DLL will be scaled by this number over 256 (in addition to the write DQS delay) to get the delay value for the slave delay line.	RW	0x0
23:17	RESERVED		R	0x0
16	REG_PHY_GATELVL_INIT_MODE	The user programmable init ratio selection mode. Recommended value is 0x1.	RW	0x1
15:13	RESERVED		R	0x0
12	REG_PHY_USE_RANK0_DELAYS	Delay selection. Chip select 0 delay line ratios are used for all chip selects when set to 1. Each chip select uses its own delays when set to 0.	RW	0x0
11:9	RESERVED		R	0x0
8:0	REG_PHY_WR_DATA_SLAVE_DELAY	The user programmable write DQ delay value used when DLL_OVERRIDE = 1.	RW	0x80

Table 15-386. Register Call Summary for Register EMIF_EXT_PHY_CONTROL_24

EMIF Controller

- [Global Initialization: \[0\]\[1\]\[2\]\[3\]\[4\]\[5\]\[6\]](#)
- [EMIF Register Summary: \[7\]](#)

Table 15-387. EMIF_EXT_PHY_CONTROL_24_SHADOW

Address Offset	0x0000 02BC	Instance	EMIF1
Physical Address	0x4C00 02BC		
Description			
Type	RW		

31	30	29	28	27	26	25	24	23	22	21	20	19	18	17	16	15	14	13	12	11	10	9	8	7	6	5	4	3	2	1	0								
RESERVED								RESERVED								REG_PHY_GATELVL_INIT_MODE				RESERVED				REG_PHY_USE_RANK0_DELAYS				RESERVED				REG_PHY_WR_DATA_SLAVE_DELAY							

Bits	Field Name	Description	Type	Reset
31	RESERVED		R	0x0
30:24	REG_PHY_DQ_OFFSET_HI	The user programmable offset ratio value from write DQS to write DQ. This value is used for the write DQ slave DLL in PHY ECC data macro. The ratio represents the fraction of a clock cycle in units of 256ths. In other words, the full-cycle tap value from the master DLL will be scaled by this number over 256 (in addition to the write DQS delay) to get the delay value for the slave delay line.	RW	0x0
23:17	RESERVED		R	0x0
16	REG_PHY_GATELVL_INIT_MODE	The user programmable init ratio selection mode. Recommended value is 0x1.	RW	0x1
15:13	RESERVED		R	0x0
12	REG_PHY_USE_RANK0_DELAYS	Delay selection. Chip select 0 delay line ratios are used for all chip selects when set to 1. Each chip select uses its own delays when set to 0.	RW	0x0
11:9	RESERVED		R	0x0
8:0	REG_PHY_WR_DATA_SLAVE_DELAY	The user programmable write DQ delay value used when DLL_OVERRIDE = 1.	RW	0x80

Table 15-388. Register Call Summary for Register EMIF_EXT_PHY_CONTROL_24_SHADOW

EMIF Controller

- [Global Initialization: \[0\]](#)
- [EMIF Register Summary: \[1\]](#)

Table 15-389. EMIF_EXT_PHY_CONTROL_25

Address Offset	0x0000 02C0	Instance	EMIF1
Physical Address	0x4C00 02C0		
Description	DQ DLL Slave Ratio Offset Register		
Type	RW		

31	30	29	28	27	26	25	24	23	22	21	20	19	18	17	16	15	14	13	12	11	10	9	8	7	6	5	4	3	2	1	0
RESERVED								REG_PHY_DQ_OFFSET3				REG_PHY_DQ_OFFSET2				REG_PHY_DQ_OFFSET1				REG_PHY_DQ_OFFSET0											

Bits	Field Name	Description	Type	Reset
31:28	RESERVED		R	0x0
27:21	REG_PHY_DQ_OFFSET3	The user programmable offset ratio value from write DQS to write DQ. This value is used for the write DQ slave DLL in PHY data macro 3. The ratio represents the fraction of a clock cycle in units of 256ths. In other words, the full-cycle tap value from the master DLL will be scaled by this number over 256 (in addition to the write DQS delay) to get the delay value for the slave delay line.	RW	0x0
20:14	REG_PHY_DQ_OFFSET2	The user programmable offset ratio value from write DQS to write DQ. This value is used for the write DQ slave DLL in PHY data macro 2. The ratio represents the fraction of a clock cycle in units of 256ths. In other words, the full-cycle tap value from the master DLL will be scaled by this number over 256 (in addition to the write DQS delay) to get the delay value for the slave delay line.	RW	0x0
13:7	REG_PHY_DQ_OFFSET1	The user programmable offset ratio value from write DQS to write DQ. This value is used for the write DQ slave DLL in PHY data macro 1. The ratio represents the fraction of a clock cycle in units of 256ths. In other words, the full-cycle tap value from the master DLL will be scaled by this number over 256 (in addition to the write DQS delay) to get the delay value for the slave delay line.	RW	0x0
6:0	REG_PHY_DQ_OFFSET0	The user programmable offset ratio value from write DQS to write DQ. This value is used for the write DQ slave DLL in PHY data macro 0. The ratio represents the fraction of a clock cycle in units of 256ths. In other words, the full-cycle tap value from the master DLL will be scaled by this number over 256 (in addition to the write DQS delay) to get the delay value for the slave delay line.	RW	0x0

Table 15-390. Register Call Summary for Register EMIF_EXT_PHY_CONTROL_25

EMIF Controller

- [Software Leveling: \[0\]\[1\]](#)
- [Global Initialization: \[2\]\[3\]\[4\]\[5\]\[6\]\[7\]\[8\]](#)
- [EMIF Register Summary: \[9\]](#)
- [EMIF Register Description: \[10\]](#)

Table 15-391. EMIF_EXT_PHY_CONTROL_25_SHADOW

Address Offset	0x0000 02C4	Instance	EMIF1
Physical Address	0x4C00 02C4		
Description	DQ DLL Slave Ratio Offset Shadow Register. Its value is loaded in register EMIF_EXT_PHY_CONTROL_25 on any frequency change.		
Type	RW		

31	30	29	28	27	26	25	24	23	22	21	20	19	18	17	16	15	14	13	12	11	10	9	8	7	6	5	4	3	2	1	0
RESERVED								REG_PHY_DQ_OFFSET3				REG_PHY_DQ_OFFSET2				REG_PHY_DQ_OFFSET1				REG_PHY_DQ_OFFSET0											

Bits	Field Name	Description	Type	Reset
31:28	RESERVED		R	0x0
27:21	REG_PHY_DQ_OFFSET3	The user programmable offset ratio value from write DQS to write DQ. This value is used for the write DQ slave DLL in PHY data macro 3. The ratio represents the fraction of a clock cycle in units of 256ths. In other words, the full-cycle tap value from the master DLL will be scaled by this number over 256 (in addition to the write DQS delay) to get the delay value for the slave delay line.	RW	0x0
20:14	REG_PHY_DQ_OFFSET2	The user programmable offset ratio value from write DQS to write DQ. This value is used for the write DQ slave DLL in PHY data macro 2. The ratio represents the fraction of a clock cycle in units of 256ths. In other words, the full-cycle tap value from the master DLL will be scaled by this number over 256 (in addition to the write DQS delay) to get the delay value for the slave delay line.	RW	0x0
13:7	REG_PHY_DQ_OFFSET1	The user programmable offset ratio value from write DQS to write DQ. This value is used for the write DQ slave DLL in PHY data macro 1. The ratio represents the fraction of a clock cycle in units of 256ths. In other words, the full-cycle tap value from the master DLL will be scaled by this number over 256 (in addition to the write DQS delay) to get the delay value for the slave delay line.	RW	0x0
6:0	REG_PHY_DQ_OFFSET0	The user programmable offset ratio value from write DQS to write DQ. This value is used for the write DQ slave DLL in PHY data macro 0. The ratio represents the fraction of a clock cycle in units of 256ths. In other words, the full-cycle tap value from the master DLL will be scaled by this number over 256 (in addition to the write DQS delay) to get the delay value for the slave delay line.	RW	0x0

Table 15-392. Register Call Summary for Register EMIF_EXT_PHY_CONTROL_25_SHADOW

EMIF Controller

- [Global Initialization: \[0\]](#)
- [EMIF Register Summary: \[1\]](#)

Table 15-393. EMIF_EXT_PHY_CONTROL_26

Address Offset	0x0000 02C8	Instance	EMIF1
Physical Address	0x4C00 02C8		
Description	Data macro 0, FIFO write enable (read DQS gate) DLL Slave Init Ratio Register		
Type	RW		

31	30	29	28	27	26	25	24	23	22	21	20	19	18	17	16	15	14	13	12	11	10	9	8	7	6	5	4	3	2	1	0
RESERVED								REG_PHY_GATELVL_INIT_RATIO1								RESERVED								REG_PHY_GATELVL_INIT_RATIO0							

Bits	Field Name	Description	Type	Reset
31:27	RESERVED		R	0x0
26:16	REG_PHY_GATELVL_INIT_RATIO1	The user programmable initialization ratio value used by the gate training finite state machine (hardware leveling) for the FIFO write enable slave DLL in PHY data macro 0, chip select 1. This is the fraction of a clock cycle in units of 256ths. In other words, the full-cycle tap value from the master DLL will be scaled by this number over 256 to get the delay value for the slave delay line. NOTE: Chip select 1 is not supported on this device.	RW	0x150
15:11	RESERVED		R	0x0

Bits	Field Name	Description	Type	Reset
10:0	REG_PHY_GATELVL_INIT_RATIO0	The user programmable initialization ratio value used by the gate training finite state machine (hardware leveling) for the FIFO write enable slave DLL in PHY data macro 0, chip select 0. This is the fraction of a clock cycle in units of 256ths. In other words, the full-cycle tap value from the master DLL will be scaled by this number over 256 to get the delay value for the slave delay line.	RW	0x150

Table 15-394. Register Call Summary for Register EMIF_EXT_PHY_CONTROL_26

EMIF Controller

- [Software Leveling: \[0\]\[1\]\[2\]](#)
- [Global Initialization: \[3\]\[4\]](#)
- [EMIF Register Summary: \[5\]](#)
- [EMIF Register Description: \[6\]](#)

Table 15-395. EMIF_EXT_PHY_CONTROL_26_SHADOW

Address Offset	0x0000 02CC	Instance	EMIF1
Physical Address	0x4C00 02CC		
Description	Data macro 0, FIFO write enable (read DQS gate) DLL Slave Init Ratio Shadow Register. Its value is loaded in register EMIF_EXT_PHY_CONTROL_26 on any frequency change.		
Type	RW		

31	30	29	28	27	26	25	24	23	22	21	20	19	18	17	16	15	14	13	12	11	10	9	8	7	6	5	4	3	2	1	0
RESERVED								REG_PHY_GATELVL_INIT_RATIO1								RESERVED								REG_PHY_GATELVL_INIT_RATIO0							

Bits	Field Name	Description	Type	Reset
31:27	RESERVED		R	0x0
26:16	REG_PHY_GATELVL_INIT_RATIO1	The user programmable initialization ratio value used by the gate training finite state machine (hardware leveling) for the FIFO write enable slave DLL in PHY data macro 0, chip select 1. This is the fraction of a clock cycle in units of 256ths. In other words, the full-cycle tap value from the master DLL will be scaled by this number over 256 to get the delay value for the slave delay line. NOTE: Chip select 1 is not supported on this device.	RW	0x150
15:11	RESERVED		R	0x0
10:0	REG_PHY_GATELVL_INIT_RATIO0	The user programmable initialization ratio value used by the gate training finite state machine (hardware leveling) for the FIFO write enable slave DLL in PHY data macro 0, chip select 0. This is the fraction of a clock cycle in units of 256ths. In other words, the full-cycle tap value from the master DLL will be scaled by this number over 256 to get the delay value for the slave delay line.	RW	0x150

Table 15-396. Register Call Summary for Register EMIF_EXT_PHY_CONTROL_26_SHADOW

EMIF Controller

- [Global Initialization: \[0\]](#)
- [EMIF Register Summary: \[1\]](#)

Table 15-397. EMIF_EXT_PHY_CONTROL_27

Address Offset	0x0000 02D0	Instance	EMIF1
Physical Address	0x4C00 02D0		
Description	Data macro 1, FIFO write enable (read DQS gate) DLL Slave Init Ratio Register		
Type	RW		

31	30	29	28	27	26	25	24	23	22	21	20	19	18	17	16	15	14	13	12	11	10	9	8	7	6	5	4	3	2	1	0
RESERVED				REG_PHY_GATELVL_INIT_RATIO3								RESERVED				REG_PHY_GATELVL_INIT_RATIO2															

Bits	Field Name	Description	Type	Reset
31:27	RESERVED		R	0x0
26:16	REG_PHY_GATELVL_INIT_RATIO3	The user programmable initialization ratio value used by the gate training finite state machine (hardware leveling) for the FIFO write enable slave DLL in PHY data macro 1, chip select 1. This is the fraction of a clock cycle in units of 256ths. In other words, the full-cycle tap value from the master DLL will be scaled by this number over 256 to get the delay value for the slave delay line. NOTE: Chip select 1 is not supported on this device.	RW	0x150
15:11	RESERVED		R	0x0
10:0	REG_PHY_GATELVL_INIT_RATIO2	The user programmable initialization ratio value used by the gate training finite state machine (hardware leveling) for the FIFO write enable slave DLL in PHY data macro 1, chip select 0. This is the fraction of a clock cycle in units of 256ths. In other words, the full-cycle tap value from the master DLL will be scaled by this number over 256 to get the delay value for the slave delay line.	RW	0x150

Table 15-398. Register Call Summary for Register EMIF_EXT_PHY_CONTROL_27

EMIF Controller

- [EMIF Register Summary: \[0\]](#)
- [EMIF Register Description: \[1\]](#)

Table 15-399. EMIF_EXT_PHY_CONTROL_27_SHADOW

Address Offset	0x0000 02D4	Instance	EMIF1
Physical Address	0x4C00 02D4		
Description	Data macro 1, FIFO write enable (read DQS gate) DLL Slave Init Ratio Shadow Register. Its value is loaded in register EMIF_EXT_PHY_CONTROL_27 on any frequency change.		
Type	RW		

31	30	29	28	27	26	25	24	23	22	21	20	19	18	17	16	15	14	13	12	11	10	9	8	7	6	5	4	3	2	1	0
RESERVED				REG_PHY_GATELVL_INIT_RATIO3								RESERVED				REG_PHY_GATELVL_INIT_RATIO2															

Bits	Field Name	Description	Type	Reset
31:27	RESERVED		R	0x0
26:16	REG_PHY_GATELVL_INIT_RATIO3	The user programmable initialization ratio value used by the gate training finite state machine (hardware leveling) for the FIFO write enable slave DLL in PHY data macro 1, chip select 1. This is the fraction of a clock cycle in units of 256ths. In other words, the full-cycle tap value from the master DLL will be scaled by this number over 256 to get the delay value for the slave delay line. NOTE: Chip select 1 is not supported on this device.	RW	0x150
15:11	RESERVED		R	0x0
10:0	REG_PHY_GATELVL_INIT_RATIO2	The user programmable initialization ratio value used by the gate training finite state machine (hardware leveling) for the FIFO write enable slave DLL in PHY data macro 1, chip select 0. This is the fraction of a clock cycle in units of 256ths. In other words, the full-cycle tap value from the master DLL will be scaled by this number over 256 to get the delay value for the slave delay line.	RW	0x150

Table 15-400. Register Call Summary for Register EMIF_EXT_PHY_CONTROL_27_SHADOW

EMIF Controller

- [EMIF Register Summary: \[0\]](#)

Table 15-401. EMIF_EXT_PHY_CONTROL_28

Address Offset	0x0000 02D8	Instance	EMIF1
Physical Address	0x4C00 02D8		
Description	Data macro 2, FIFO write enable (read DQS gate) DLL Slave Init Ratio Register		
Type	RW		

31	30	29	28	27	26	25	24	23	22	21	20	19	18	17	16	15	14	13	12	11	10	9	8	7	6	5	4	3	2	1	0
RESERVED				REG_PHY_GATELVL_INIT_RATIO5								RESERVED				REG_PHY_GATELVL_INIT_RATIO4															

Bits	Field Name	Description	Type	Reset
31:27	RESERVED		R	0x0
26:16	REG_PHY_GATELVL_INIT_RATIO5	The user programmable initialization ratio value used by the gate training finite state machine (hardware leveling) for the FIFO write enable slave DLL in PHY data macro 2, chip select 1. This is the fraction of a clock cycle in units of 256ths. In other words, the full-cycle tap value from the master DLL will be scaled by this number over 256 to get the delay value for the slave delay line. NOTE: Chip select 1 is not supported on this device.	RW	0x150
15:11	RESERVED		R	0x0
10:0	REG_PHY_GATELVL_INIT_RATIO4	The user programmable initialization ratio value used by the gate training finite state machine (hardware leveling) for the FIFO write enable slave DLL in PHY data macro 2, chip select 0. This is the fraction of a clock cycle in units of 256ths. In other words, the full-cycle tap value from the master DLL will be scaled by this number over 256 to get the delay value for the slave delay line.	RW	0x150

Table 15-402. Register Call Summary for Register EMIF_EXT_PHY_CONTROL_28

EMIF Controller

- [EMIF Register Summary: \[0\]](#)
- [EMIF Register Description: \[1\]](#)

Table 15-403. EMIF_EXT_PHY_CONTROL_28_SHADOW

Address Offset	0x0000 02DC	Instance	EMIF1
Physical Address	0x4C00 02DC		
Description	Data macro 2, FIFO write enable (read DQS gate) DLL Slave Init Ratio Shadow Register. Its value is loaded in register EMIF_EXT_PHY_CONTROL_28 on any frequency change.		
Type	RW		

31	30	29	28	27	26	25	24	23	22	21	20	19	18	17	16	15	14	13	12	11	10	9	8	7	6	5	4	3	2	1	0
RESERVED				REG_PHY_GATELVL_INIT_RATIO5								RESERVED				REG_PHY_GATELVL_INIT_RATIO4															

Bits	Field Name	Description	Type	Reset
31:27	RESERVED		R	0x0
26:16	REG_PHY_GATELVL_INIT_RAT IO5	The user programmable initialization ratio value used by the gate training finite state machine (hardware leveling) for the FIFO write enable slave DLL in PHY data macro 2, chip select 1. This is the fraction of a clock cycle in units of 256ths. In other words, the full-cycle tap value from the master DLL will be scaled by this number over 256 to get the delay value for the slave delay line. NOTE: Chip select 1 is not supported on this device.	RW	0x150
15:11	RESERVED		R	0x0
10:0	REG_PHY_GATELVL_INIT_RAT IO4	The user programmable initialization ratio value used by the gate training finite state machine (hardware leveling) for the FIFO write enable slave DLL in PHY data macro 2, chip select 0. This is the fraction of a clock cycle in units of 256ths. In other words, the full-cycle tap value from the master DLL will be scaled by this number over 256 to get the delay value for the slave delay line.	RW	0x150

Table 15-404. Register Call Summary for Register EMIF_EXT_PHY_CONTROL_28_SHADOW

EMIF Controller

- [EMIF Register Summary: \[0\]](#)

Table 15-405. EMIF_EXT_PHY_CONTROL_29

Address Offset	0x0000 02E0	Instance	EMIF1
Physical Address	0x4C00 02E0		
Description	Data macro 3, FIFO write enable (read DQS gate) DLL Slave Init Ratio Register		
Type	RW		

31	30	29	28	27	26	25	24	23	22	21	20	19	18	17	16	15	14	13	12	11	10	9	8	7	6	5	4	3	2	1	0
RESERVED								REG_PHY_GATELVL_INIT_RATIO7								RESERVED								REG_PHY_GATELVL_INIT_RATIO6							

Bits	Field Name	Description	Type	Reset
31:27	RESERVED		R	0x0
26:16	REG_PHY_GATELVL_INIT_RAT IO7	The user programmable initialization ratio value used by the gate training finite state machine (hardware leveling) for the FIFO write enable slave DLL in PHY data macro 3, chip select 1. This is the fraction of a clock cycle in units of 256ths. In other words, the full-cycle tap value from the master DLL will be scaled by this number over 256 to get the delay value for the slave delay line. NOTE: Chip select 1 is not supported on this device.	RW	0x150
15:11	RESERVED		R	0x0
10:0	REG_PHY_GATELVL_INIT_RAT IO6	The user programmable initialization ratio value used by the gate training finite state machine (hardware leveling) for the FIFO write enable slave DLL in PHY data macro 3, chip select 0. This is the fraction of a clock cycle in units of 256ths. In other words, the full-cycle tap value from the master DLL will be scaled by this number over 256 to get the delay value for the slave delay line.	RW	0x150

Table 15-406. Register Call Summary for Register EMIF_EXT_PHY_CONTROL_29

EMIF Controller

- [EMIF Register Summary: \[0\]](#)
- [EMIF Register Description: \[1\]](#)

Table 15-407. EMIF_EXT_PHY_CONTROL_29_SHADOW

Address Offset	0x0000 02E4	Instance	EMIF1
Physical Address	0x4C00 02E4		
Description	Data macro 3, FIFO write enable (read DQS gate) DLL Slave Init Ratio Shadow Register. Its value is loaded in register EMIF_EXT_PHY_CONTROL_29 on any frequency change.		
Type	RW		

31	30	29	28	27	26	25	24	23	22	21	20	19	18	17	16	15	14	13	12	11	10	9	8	7	6	5	4	3	2	1	0
RESERVED				REG_PHY_GATELVL_INIT_RATIO7								RESERVED				REG_PHY_GATELVL_INIT_RATIO6															

Bits	Field Name	Description	Type	Reset
31:27	RESERVED		R	0x0
26:16	REG_PHY_GATELVL_INIT_RATIO7	The user programmable initialization ratio value used by the gate training finite state machine (hardware leveling) for the FIFO write enable slave DLL in PHY data macro 3, chip select 1. This is the fraction of a clock cycle in units of 256ths. In other words, the full-cycle tap value from the master DLL will be scaled by this number over 256 to get the delay value for the slave delay line. NOTE: Chip select 1 is not supported on this device.	RW	0x150
15:11	RESERVED		R	0x0
10:0	REG_PHY_GATELVL_INIT_RATIO6	The user programmable initialization ratio value used by the gate training finite state machine (hardware leveling) for the FIFO write enable slave DLL in PHY data macro 3, chip select 0. This is the fraction of a clock cycle in units of 256ths. In other words, the full-cycle tap value from the master DLL will be scaled by this number over 256 to get the delay value for the slave delay line.	RW	0x150

Table 15-408. Register Call Summary for Register EMIF_EXT_PHY_CONTROL_29_SHADOW

EMIF Controller

- [EMIF Register Summary: \[0\]](#)

Table 15-409. EMIF_EXT_PHY_CONTROL_30

Address Offset	0x0000 02E8	Instance	EMIF1
Physical Address	0x4C00 02E8		
Description	ECC Data macro, FIFO write enable (read DQS gate) DLL Slave Init Ratio Register		
Type	RW		

31	30	29	28	27	26	25	24	23	22	21	20	19	18	17	16	15	14	13	12	11	10	9	8	7	6	5	4	3	2	1	0
RESERVED				REG_PHY_GATELVL_INIT_RATIO9								RESERVED				REG_PHY_GATELVL_INIT_RATIO8															

Bits	Field Name	Description	Type	Reset
31:27	RESERVED		R	0x0
26:16	REG_PHY_GATELVL_INIT_RATIO9	The user programmable initialization ratio value used by the gate training finite state machine (hardware leveling) for the FIFO write enable slave DLL in PHY ECC data macro, chip select 1. This is the fraction of a clock cycle in units of 256ths. In other words, the full-cycle tap value from the master DLL will be scaled by this number over 256 to get the delay value for the slave delay line. NOTE: Chip select 1 is not supported on this device.	RW	0x150
15:11	RESERVED		R	0x0

Bits	Field Name	Description	Type	Reset
10:0	REG_PHY_GATELVL_INIT_RATIO8	The user programmable initialization ratio value used by the gate training finite state machine (hardware leveling) for the FIFO write enable slave DLL in PHY ECC data macro, chip select 0. This is the fraction of a clock cycle in units of 256ths. In other words, the full-cycle tap value from the master DLL will be scaled by this number over 256 to get the delay value for the slave delay line.	RW	0x150

Table 15-410. Register Call Summary for Register EMIF_EXT_PHY_CONTROL_30

EMIF Controller

- [Software Leveling: \[0\]\[1\]\[2\]](#)
- [EMIF Register Summary: \[3\]](#)
- [EMIF Register Description: \[4\]](#)

Table 15-411. EMIF_EXT_PHY_CONTROL_30_SHADOW

Address Offset	0x0000 02EC	Instance	EMIF1
Physical Address	0x4C00 02EC		
Description	ECC Data macro, FIFO write enable (read DQS gate) DLL Slave Init Ratio Shadow Register. Its value is loaded in register EMIF_EXT_PHY_CONTROL_30 on any frequency change.		
Type	RW		

31	30	29	28	27	26	25	24	23	22	21	20	19	18	17	16	15	14	13	12	11	10	9	8	7	6	5	4	3	2	1	0
RESERVED								REG_PHY_GATELVL_INIT_RATIO9								RESERVED								REG_PHY_GATELVL_INIT_RATIO8							

Bits	Field Name	Description	Type	Reset
31:27	RESERVED		R	0x0
26:16	REG_PHY_GATELVL_INIT_RATIO9	The user programmable initialization ratio value used by the gate training finite state machine (hardware leveling) for the FIFO write enable slave DLL in PHY ECC data macro, chip select 1. This is the fraction of a clock cycle in units of 256ths. In other words, the full-cycle tap value from the master DLL will be scaled by this number over 256 to get the delay value for the slave delay line. NOTE: Chip select 1 is not supported on this device.	RW	0x150
15:11	RESERVED		R	0x0
10:0	REG_PHY_GATELVL_INIT_RATIO8	The user programmable initialization ratio value used by the gate training finite state machine (hardware leveling) for the FIFO write enable slave DLL in PHY ECC data macro, chip select 0. This is the fraction of a clock cycle in units of 256ths. In other words, the full-cycle tap value from the master DLL will be scaled by this number over 256 to get the delay value for the slave delay line.	RW	0x150

Table 15-412. Register Call Summary for Register EMIF_EXT_PHY_CONTROL_30_SHADOW

EMIF Controller

- [EMIF Register Summary: \[0\]](#)

Table 15-413. EMIF_EXT_PHY_CONTROL_31

Address Offset	0x0000 02F0	Instance	EMIF1
Physical Address	0x4C00 02F0		
Description	Data macro 0, write DQS DLL Slave Init Ratio Register		
Type	RW		

31	30	29	28	27	26	25	24	23	22	21	20	19	18	17	16	15	14	13	12	11	10	9	8	7	6	5	4	3	2	1	0
RESERVED								REG_PHY_WRLVL_INIT_RATIO1								RESERVED								REG_PHY_WRLVL_INIT_RATIO0							

Bits	Field Name	Description	Type	Reset
31:26	RESERVED		R	0x0
25:16	REG_PHY_WRLVL_INIT_RATIO 1	The user programmable initialization ratio value used by the write leveling finite state machine (hardware leveling) for the write DQS slave DLL in PHY data macro 0, chip select 1. This is the fraction of a clock cycle in units of 256ths. In other words, the full-cycle tap value from the master DLL will be scaled by this number over 256 to get the delay value for the slave delay line. NOTE: Chip select 1 is not supported on this device.	RW	0x0
15:10	RESERVED		R	0x0
9:0	REG_PHY_WRLVL_INIT_RATIO 0	The user programmable initialization ratio value used by the write leveling finite state machine (hardware leveling) for the write DQS slave DLL in PHY data macro 0, chip select 0. This is the fraction of a clock cycle in units of 256ths. In other words, the full-cycle tap value from the master DLL will be scaled by this number over 256 to get the delay value for the slave delay line.	RW	0x0

Table 15-414. Register Call Summary for Register EMIF_EXT_PHY_CONTROL_31

EMIF Controller

- [EMIF Register Summary: \[0\]](#)
- [EMIF Register Description: \[1\]](#)

Table 15-415. EMIF_EXT_PHY_CONTROL_31_SHADOW

Address Offset	0x0000 02F4	Instance	EMIF1
Physical Address	0x4C00 02F4		
Description	Data macro 0, write DQS DLL Slave Init Ratio Shadow Register. Its value is loaded in register EMIF_EXT_PHY_CONTROL_31 on any frequency change.		
Type	RW		

31	30	29	28	27	26	25	24	23	22	21	20	19	18	17	16	15	14	13	12	11	10	9	8	7	6	5	4	3	2	1	0
RESERVED								REG_PHY_WRLVL_INIT_RATIO1								RESERVED								REG_PHY_WRLVL_INIT_RATIO0							

Bits	Field Name	Description	Type	Reset
31:26	RESERVED		R	0x0
25:16	REG_PHY_WRLVL_INIT_RATIO 1	The user programmable initialization ratio value used by the write leveling finite state machine (hardware leveling) for the write DQS slave DLL in PHY data macro 0, chip select 1. This is the fraction of a clock cycle in units of 256ths. In other words, the full-cycle tap value from the master DLL will be scaled by this number over 256 to get the delay value for the slave delay line. NOTE: Chip select 1 is not supported on this device.	RW	0x0
15:10	RESERVED		R	0x0
9:0	REG_PHY_WRLVL_INIT_RATIO 0	The user programmable initialization ratio value used by the write leveling finite state machine (hardware leveling) for the write DQS slave DLL in PHY data macro 0, chip select 0. This is the fraction of a clock cycle in units of 256ths. In other words, the full-cycle tap value from the master DLL will be scaled by this number over 256 to get the delay value for the slave delay line.	RW	0x0

Table 15-416. Register Call Summary for Register EMIF_EXT_PHY_CONTROL_31_SHADOW

EMIF Controller

- [EMIF Register Summary: \[0\]](#)

Table 15-417. EMIF_EXT_PHY_CONTROL_32

Address Offset	0x0000 02F8	Instance	EMIF1
Physical Address	0x4C00 02F8		
Description	Data macro 1, write DQS DLL Slave Init Ratio Register		
Type	RW		

31	30	29	28	27	26	25	24	23	22	21	20	19	18	17	16	15	14	13	12	11	10	9	8	7	6	5	4	3	2	1	0
RESERVED								REG_PHY_WRLVL_INIT_RATIO3								RESERVED								REG_PHY_WRLVL_INIT_RATIO2							

Bits	Field Name	Description	Type	Reset
31:26	RESERVED		R	0x0
25:16	REG_PHY_WRLVL_INIT_RATIO 3	The user programmable initialization ratio value used by the write leveling finite state machine (hardware leveling) for the write DQS slave DLL in PHY data macro 1, chip select 1. This is the fraction of a clock cycle in units of 256ths. In other words, the full-cycle tap value from the master DLL will be scaled by this number over 256 to get the delay value for the slave delay line. NOTE: Chip select 1 is not supported on this device.	RW	0x0
15:10	RESERVED		R	0x0
9:0	REG_PHY_WRLVL_INIT_RATIO 2	The user programmable initialization ratio value used by the write leveling finite state machine (hardware leveling) for the write DQS slave DLL in PHY data macro 1, chip select 0. This is the fraction of a clock cycle in units of 256ths. In other words, the full-cycle tap value from the master DLL will be scaled by this number over 256 to get the delay value for the slave delay line.	RW	0x0

Table 15-418. Register Call Summary for Register EMIF_EXT_PHY_CONTROL_32

EMIF Controller

- [EMIF Register Summary: \[0\]](#)
- [EMIF Register Description: \[1\]](#)

Table 15-419. EMIF_EXT_PHY_CONTROL_32_SHADOW

Address Offset	0x0000 02FC	Instance	EMIF1
Physical Address	0x4C00 02FC		
Description	Data macro 1, write DQS DLL Slave Init Ratio Shadow Register. Its value is loaded in register EMIF_EXT_PHY_CONTROL_32 on any frequency change.		
Type	RW		

31	30	29	28	27	26	25	24	23	22	21	20	19	18	17	16	15	14	13	12	11	10	9	8	7	6	5	4	3	2	1	0
RESERVED								REG_PHY_WRLVL_INIT_RATIO3								RESERVED								REG_PHY_WRLVL_INIT_RATIO2							

Bits	Field Name	Description	Type	Reset
31:26	RESERVED		R	0x0
25:16	REG_PHY_WRLVL_INIT_RATIO 3	The user programmable initialization ratio value used by the write leveling finite state machine (hardware leveling) for the write DQS slave DLL in PHY data macro 1, chip select 1. This is the fraction of a clock cycle in units of 256ths. In other words, the full-cycle tap value from the master DLL will be scaled by this number over 256 to get the delay value for the slave delay line. NOTE: Chip select 1 is not supported on this device.	RW	0x0
15:10	RESERVED		R	0x0
9:0	REG_PHY_WRLVL_INIT_RATIO 2	The user programmable initialization ratio value used by the write leveling finite state machine (hardware leveling) for the write DQS slave DLL in PHY data macro 1, chip select 0. This is the fraction of a clock cycle in units of 256ths. In other words, the full-cycle tap value from the master DLL will be scaled by this number over 256 to get the delay value for the slave delay line.	RW	0x0

Table 15-420. Register Call Summary for Register EMIF_EXT_PHY_CONTROL_32_SHADOW

EMIF Controller

- [EMIF Register Summary: \[0\]](#)

Table 15-421. EMIF_EXT_PHY_CONTROL_33

Address Offset	0x0000 0300	Instance	EMIF1
Physical Address	0x4C00 0300		
Description	Data macro 2, write DQS DLL Slave Init Ratio Register		
Type	RW		

31	30	29	28	27	26	25	24	23	22	21	20	19	18	17	16	15	14	13	12	11	10	9	8	7	6	5	4	3	2	1	0
RESERVED								REG_PHY_WRLVL_INIT_RATIO5								RESERVED								REG_PHY_WRLVL_INIT_RATIO4							

Bits	Field Name	Description	Type	Reset
31:26	RESERVED		R	0x0
25:16	REG_PHY_WRLVL_INIT_RATIO 5	The user programmable initialization ratio value used by the write leveling finite state machine (hardware leveling) for the write DQS slave DLL in PHY data macro 2, chip select 1. This is the fraction of a clock cycle in units of 256ths. In other words, the full-cycle tap value from the master DLL will be scaled by this number over 256 to get the delay value for the slave delay line. NOTE: Chip select 1 is not supported on this device.	RW	0x0
15:10	RESERVED		R	0x0
9:0	REG_PHY_WRLVL_INIT_RATIO 4	The user programmable initialization ratio value used by the write leveling finite state machine (hardware leveling) for the write DQS slave DLL in PHY data macro 2, chip select 0. This is the fraction of a clock cycle in units of 256ths. In other words, the full-cycle tap value from the master DLL will be scaled by this number over 256 to get the delay value for the slave delay line.	RW	0x0

Table 15-422. Register Call Summary for Register EMIF_EXT_PHY_CONTROL_33

EMIF Controller

- [EMIF Register Summary: \[0\]](#)
- [EMIF Register Description: \[1\]](#)

Table 15-423. EMIF_EXT_PHY_CONTROL_33_SHADOW

Address Offset	0x0000 0304	Instance	EMIF1
Physical Address	0x4C00 0304		
Description	Data macro 2, write DQS DLL Slave Init Ratio Shadow Register. Its value is loaded in register EMIF_EXT_PHY_CONTROL_33 on any frequency change.		
Type	RW		

31	30	29	28	27	26	25	24	23	22	21	20	19	18	17	16	15	14	13	12	11	10	9	8	7	6	5	4	3	2	1	0
RESERVED								REG_PHY_WRLVL_INIT_RATIO5								RESERVED								REG_PHY_WRLVL_INIT_RATIO4							

Bits	Field Name	Description	Type	Reset
31:26	RESERVED		R	0x0
25:16	REG_PHY_WRLVL_INIT_RATIO 5	The user programmable initialization ratio value used by the write leveling finite state machine (hardware leveling) for the write DQS slave DLL in PHY data macro 2, chip select 1. This is the fraction of a clock cycle in units of 256ths. In other words, the full-cycle tap value from the master DLL will be scaled by this number over 256 to get the delay value for the slave delay line. NOTE: Chip select 1 is not supported on this device.	RW	0x0
15:10	RESERVED		R	0x0
9:0	REG_PHY_WRLVL_INIT_RATIO 4	The user programmable initialization ratio value used by the write leveling finite state machine (hardware leveling) for the write DQS slave DLL in PHY data macro 2, chip select 0. This is the fraction of a clock cycle in units of 256ths. In other words, the full-cycle tap value from the master DLL will be scaled by this number over 256 to get the delay value for the slave delay line.	RW	0x0

Table 15-424. Register Call Summary for Register EMIF_EXT_PHY_CONTROL_33_SHADOW

EMIF Controller

- [EMIF Register Summary: \[0\]](#)

Table 15-425. EMIF_EXT_PHY_CONTROL_34

Address Offset	0x0000 0308	Instance	EMIF1
Physical Address	0x4C00 0308		
Description	Data macro 3, write DQS DLL Slave Init Ratio Register		
Type	RW		

31	30	29	28	27	26	25	24	23	22	21	20	19	18	17	16	15	14	13	12	11	10	9	8	7	6	5	4	3	2	1	0
RESERVED								REG_PHY_WRLVL_INIT_RATIO7								RESERVED								REG_PHY_WRLVL_INIT_RATIO6							

Bits	Field Name	Description	Type	Reset
31:26	RESERVED		R	0x0
25:16	REG_PHY_WRLVL_INIT_RATIO 7	The user programmable initialization ratio value used by the write leveling finite state machine (hardware leveling) for the write DQS slave DLL in PHY data macro 3, chip select 1. This is the fraction of a clock cycle in units of 256ths. In other words, the full-cycle tap value from the master DLL will be scaled by this number over 256 to get the delay value for the slave delay line. NOTE: Chip select 1 is not supported on this device.	RW	0x0
15:10	RESERVED		R	0x0

Bits	Field Name	Description	Type	Reset
9:0	REG_PHY_WRLVL_INIT_RATIO 6	The user programmable initialization ratio value used by the write leveling finite state machine (hardware leveling) for the write DQS slave DLL in PHY data macro 3, chip select 0. This is the fraction of a clock cycle in units of 256ths. In other words, the full-cycle tap value from the master DLL will be scaled by this number over 256 to get the delay value for the slave delay line.	RW	0x0

Table 15-426. Register Call Summary for Register EMIF_EXT_PHY_CONTROL_34

EMIF Controller

- [EMIF Register Summary: \[0\]](#)
- [EMIF Register Description: \[1\]](#)

Table 15-427. EMIF_EXT_PHY_CONTROL_34_SHADOW

Address Offset	0x0000 030C		
Physical Address	0x4C00 030C	Instance	EMIF1
Description	Data macro 3, write DQS DLL Slave Init Ratio Shadow Register. Its value is loaded in register EMIF_EXT_PHY_CONTROL_34 on any frequency change.		
Type	RW		

31	30	29	28	27	26	25	24	23	22	21	20	19	18	17	16	15	14	13	12	11	10	9	8	7	6	5	4	3	2	1	0
RESERVED								REG_PHY_WRLVL_INIT_RATIO7								RESERVED								REG_PHY_WRLVL_INIT_RATIO6							

Bits	Field Name	Description	Type	Reset
31:26	RESERVED		R	0x0
25:16	REG_PHY_WRLVL_INIT_RATIO 7	The user programmable initialization ratio value used by the write leveling finite state machine (hardware leveling) for the write DQS slave DLL in PHY data macro 3, chip select 1. This is the fraction of a clock cycle in units of 256ths. In other words, the full-cycle tap value from the master DLL will be scaled by this number over 256 to get the delay value for the slave delay line. NOTE: Chip select 1 is not supported on this device.	RW	0x0
15:10	RESERVED		R	0x0
9:0	REG_PHY_WRLVL_INIT_RATIO 6	The user programmable initialization ratio value used by the write leveling finite state machine (hardware leveling) for the write DQS slave DLL in PHY data macro 3, chip select 0. This is the fraction of a clock cycle in units of 256ths. In other words, the full-cycle tap value from the master DLL will be scaled by this number over 256 to get the delay value for the slave delay line.	RW	0x0

Table 15-428. Register Call Summary for Register EMIF_EXT_PHY_CONTROL_34_SHADOW

EMIF Controller

- [EMIF Register Summary: \[0\]](#)

Table 15-429. EMIF_EXT_PHY_CONTROL_35

Address Offset	0x0000 0310		
Physical Address	0x4C00 0310	Instance	EMIF1
Description	ECC Data macro, write DQS DLL Slave Init Ratio Register		
Type	RW		

31	30	29	28	27	26	25	24	23	22	21	20	19	18	17	16	15	14	13	12	11	10	9	8	7	6	5	4	3	2	1	0
RESERVED								REG_PHY_WRLVL_INIT_RATIO9								RESERVED								REG_PHY_WRLVL_INIT_RATIO8							

Bits	Field Name	Description	Type	Reset
31:26	RESERVED		R	0x0
25:16	REG_PHY_WRLVL_INIT_RATIO 9	The user programmable initialization ratio value used by the write leveling finite state machine (hardware leveling) for the write DQS slave DLL in PHY ECC data macro, chip select 1. This is the fraction of a clock cycle in units of 256ths. In other words, the full-cycle tap value from the master DLL will be scaled by this number over 256 to get the delay value for the slave delay line. NOTE: Chip select 1 is not supported on this device.	RW	0x0
15:10	RESERVED		R	0x0
9:0	REG_PHY_WRLVL_INIT_RATIO 8	The user programmable initialization ratio value used by the write leveling finite state machine (hardware leveling) for the write DQS slave DLL in PHY ECC data macro, chip select 0. This is the fraction of a clock cycle in units of 256ths. In other words, the full-cycle tap value from the master DLL will be scaled by this number over 256 to get the delay value for the slave delay line.	RW	0x0

Table 15-430. Register Call Summary for Register EMIF_EXT_PHY_CONTROL_35

EMIF Controller

- [Global Initialization: \[0\]\[1\]](#)
- [EMIF Register Summary: \[2\]](#)
- [EMIF Register Description: \[3\]](#)

Table 15-431. EMIF_EXT_PHY_CONTROL_35_SHADOW

Address Offset	0x0000 0314	Instance	EMIF1
Physical Address	0x4C00 0314		
Description	ECC Data macro, write DQS DLL Slave Init Ratio Shadow Register. Its value is loaded in register EMIF_EXT_PHY_CONTROL_35 on any frequency change.		
Type	RW		

31	30	29	28	27	26	25	24	23	22	21	20	19	18	17	16	15	14	13	12	11	10	9	8	7	6	5	4	3	2	1	0
RESERVED								REG_PHY_WRLVL_INIT_RATIO9								RESERVED								REG_PHY_WRLVL_INIT_RATIO8							

Bits	Field Name	Description	Type	Reset
31:26	RESERVED		R	0x0
25:16	REG_PHY_WRLVL_INIT_RATIO 9	The user programmable initialization ratio value used by the write leveling finite state machine (hardware leveling) for the write DQS slave DLL in PHY ECC data macro, chip select 1. This is the fraction of a clock cycle in units of 256ths. In other words, the full-cycle tap value from the master DLL will be scaled by this number over 256 to get the delay value for the slave delay line. NOTE: Chip select 1 is not supported on this device.	RW	0x0
15:10	RESERVED		R	0x0
9:0	REG_PHY_WRLVL_INIT_RATIO 8	The user programmable initialization ratio value used by the write leveling finite state machine (hardware leveling) for the write DQS slave DLL in PHY ECC data macro, chip select 0. This is the fraction of a clock cycle in units of 256ths. In other words, the full-cycle tap value from the master DLL will be scaled by this number over 256 to get the delay value for the slave delay line.	RW	0x0

Table 15-432. Register Call Summary for Register EMIF_EXT_PHY_CONTROL_35_SHADOW

EMIF Controller

- [Global Initialization: \[0\]](#)
- [EMIF Register Summary: \[1\]](#)

Table 15-433. EMIF_EXT_PHY_CONTROL_36

Address Offset	0x0000 0318	Instance	EMIF1
Physical Address	0x4C00 0318		
Description			
Type	RW		

31	30	29	28	27	26	25	24	23	22	21	20	19	18	17	16	15	14	13	12	11	10	9	8	7	6	5	4	3	2	1	0
RESERVED																REG_PHY_RDC_FIFO_RST_ERR_CNT_CLR		REG_PHY_MDLL_UNLOCK_CLR		REG_PHY_FIFO_WE_IN_MISALIGNED_CLR		REG_PHY_WRLVL_NUM_OF_DQ0				REG_PHY_GATELVL_NUM_OF_DQ0					

Bits	Field Name	Description	Type	Reset
31:11	RESERVED		R	0x0
10	REG_PHY_RDC_FIFO_RST_ERR_CNT_CLR	Clear/reset the phy_reg_rdc_fifo_rst_err_cnt, phy_reg_rdfifo_wrptr and phy_reg_rdfifo_rdptr status flags. A value of 0x1 clears the flag. A value of 0x0 has no effect.	RW	0x0
9	REG_PHY_MDLL_UNLOCK_CLR	Clears the phy_reg_status_mdll_unlock_sticky flag. A value of 0x1 clears the flag. A value of 0x0 has no effect.	RW	0x0
8	REG_PHY_FIFO_WE_IN_MISALIGNED_CLR	Clears the phy_reg_fifo_we_in_misaligned_sticky status flag. A value of 0x1 clears the flag. A value of 0x0 has no effect.	RW	0x0
7:4	REG_PHY_WRLVL_NUM_OF_DQ0	Determines the number of samples for <i>dq0_in</i> for each ratio increment by the write leveling finite state machine (hardware leveling). The minimum value supported is 3; however, the default setting of 7 is recommended. NOTE: In this case <i>dq0_in</i> represents all 8 DQ bits OR-ed together.	RW	0x7
3:0	REG_PHY_GATELVL_NUM_OF_DQ0	Determines the number of samples for <i>dq0_in</i> for each ratio increment by the gate training finite state machine (hardware leveling). The minimum value supported is 3; however, the default setting of 7 is recommended. NOTE: In this case <i>dq0_in</i> represents the corresponding DQS signal.	RW	0x7

Table 15-434. Register Call Summary for Register EMIF_EXT_PHY_CONTROL_36

EMIF Controller

- [Global Initialization: \[0\]\[1\]\[2\]\[3\]\[4\]](#)
- [EMIF Register Summary: \[5\]](#)

Table 15-435. EMIF_EXT_PHY_CONTROL_36_SHADOW

Address Offset	0x0000 031C	Instance	EMIF1
Physical Address	0x4C00 031C		
Description			
Type	RW		

31	30	29	28	27	26	25	24	23	22	21	20	19	18	17	16	15	14	13	12	11	10	9	8	7	6	5	4	3	2	1	0	
RESERVED																REG_PHY_RDC_FIFO_RST_ERR_CNT_CLR			REG_PHY_MDLL_UNLOCK_CLR			REG_PHY_FIFO_WE_IN_MISALIGNED_CLR			REG_PHY_WRLVL_NUM_OF_DQ0				REG_PHY_GATELVL_NUM_OF_DQ0			

Bits	Field Name	Description	Type	Reset
31:11	RESERVED		R	0x0
10	REG_PHY_RDC_FIFO_RST_ERR_CNT_CLR	Clear/reset the phy_reg_rdc_fifo_rst_err_cnt, phy_reg_rdfifo_wrptr and phy_reg_rdfifo_rdptr status flags. A value of 0x1 clears the flag. A value of 0x0 has no effect.	RW	0x0
9	REG_PHY_MDLL_UNLOCK_CLR	Clears the phy_reg_status_mdll_unlock_sticky flag. A value of 0x1 clears the flag. A value of 0x0 has no effect.	RW	0x0
8	REG_PHY_FIFO_WE_IN_MISALIGNED_CLR	Clears the phy_reg_fifo_we_in_misaligned_sticky status flag. A value of 0x1 clears the flag. A value of 0x0 has no effect.	RW	0x0
7:4	REG_PHY_WRLVL_NUM_OF_DQ0	Determines the number of samples for <i>dq0_in</i> for each ratio increment by the write leveling finite state machine (hardware leveling). The minimum value supported is 3; however, the default setting of 7 is recommended. NOTE: In this case <i>dq0_in</i> represents all 8 DQ bits OR-ed together.	RW	0x7
3:0	REG_PHY_GATELVL_NUM_OF_DQ0	Determines the number of samples for <i>dq0_in</i> for each ratio increment by the gate training finite state machine (hardware leveling). The minimum value supported is 3; however, the default setting of 7 is recommended. NOTE: In this case <i>dq0_in</i> represents the corresponding DQS signal.	RW	0x7

Table 15-436. Register Call Summary for Register EMIF_EXT_PHY_CONTROL_36_SHADOW

EMIF Controller

- [Global Initialization: \[0\]](#)
 - [EMIF Register Summary: \[1\]](#)
-

15.4 General-Purpose Memory Controller

This section describes the features and functions of the device GPMC controller.

15.4.1 GPMC Overview

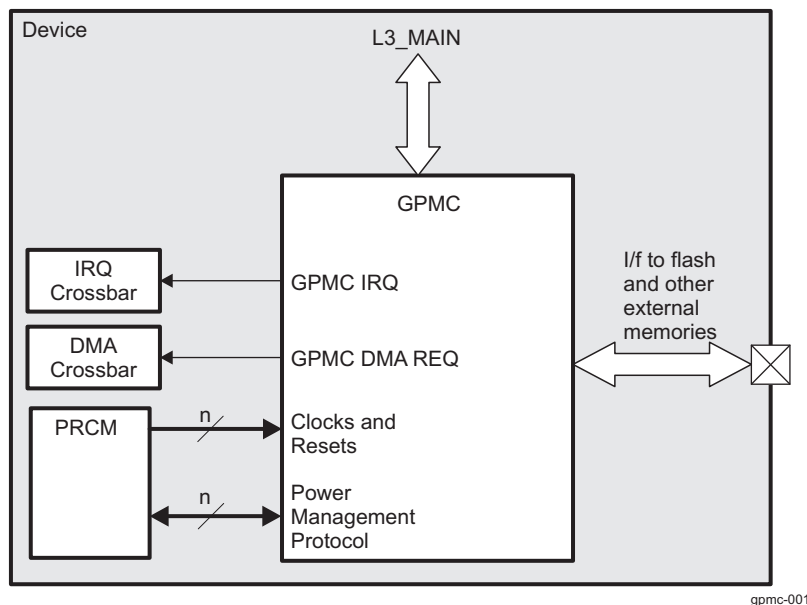
The general-purpose memory controller (GPMC) is a unified memory controller dedicated for interfacing with external memory devices like:

- Asynchronous SRAM-like memories and application-specific integrated circuit (ASIC) devices
- Asynchronous, synchronous, and page mode (available only in nonmultiplexed mode) burst NOR flash devices
- NAND flash
- Pseudo-SRAM devices

Figure 15-52 shows the GPMC module overview.

The GPMC features are introduced in Section 15.1.4, *GPMC Overview* of Section 15.1, *Memory Subsystem Overview*.

Figure 15-52. GPMC Overview



gpmc-001

15.4.2 GPMC Environment

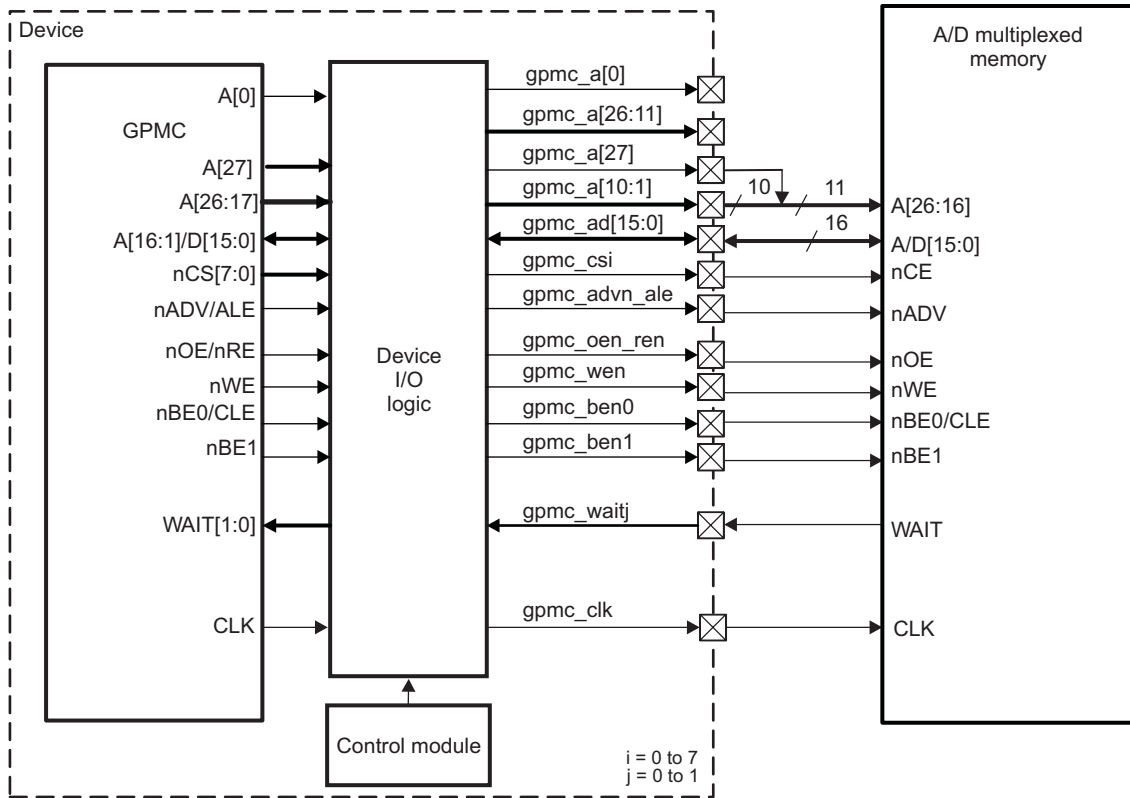
This section describes the GPMC application fields from an environment point of view (external connections). It describes GPMC connectivity options, and gives three possible interfaces.

15.4.2.1 GPMC Modes

This section shows three GPMC external connections options:

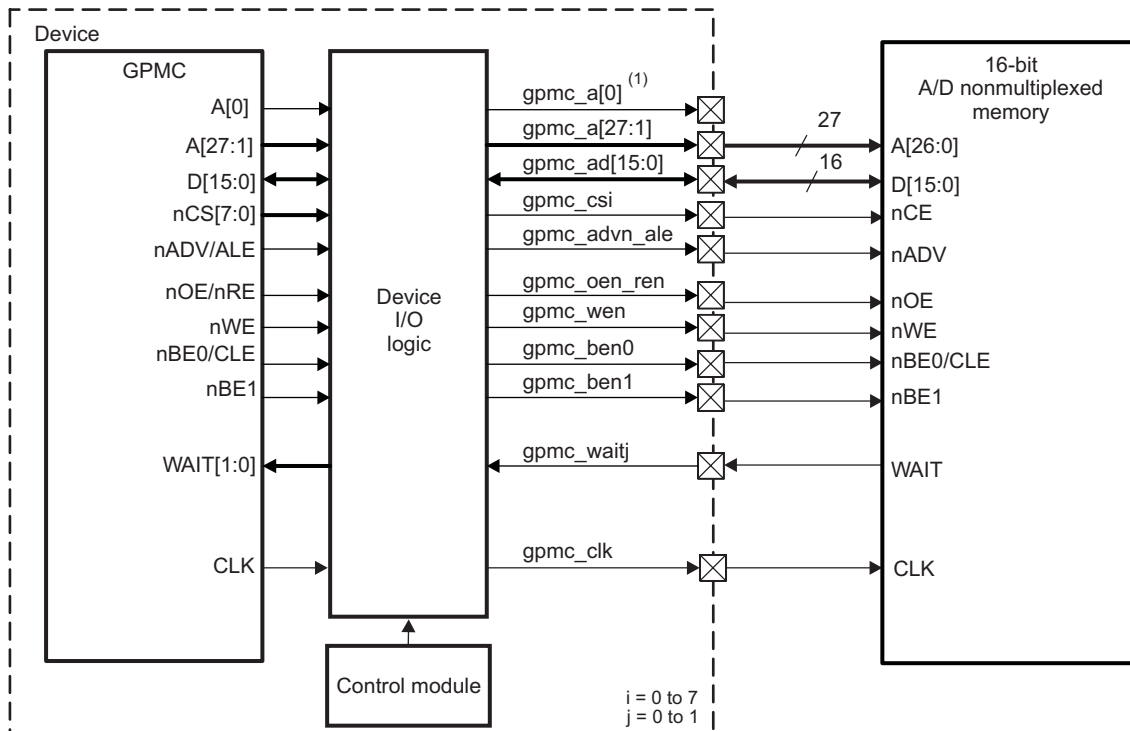
- Figure 15-53 shows a connection between the GPMC and a 16-bit synchronous address/data-multiplexed (or AAD-multiplexed, but this protocol uses fewer address pins) external memory device.
- Figure 15-54 shows a connection between the GPMC and a 16-bit synchronous nonmultiplexed external memory device.
- Figure 15-55 shows a connection between the GPMC and an 8-bit synchronous non-multiplexed external memory device.
- Figure 15-56 shows a connection between the GPMC and a 8-bit NAND device.

Figure 15-53. GPMC to 16-Bit Address/Data-Multiplexed Memory



gpmc-002

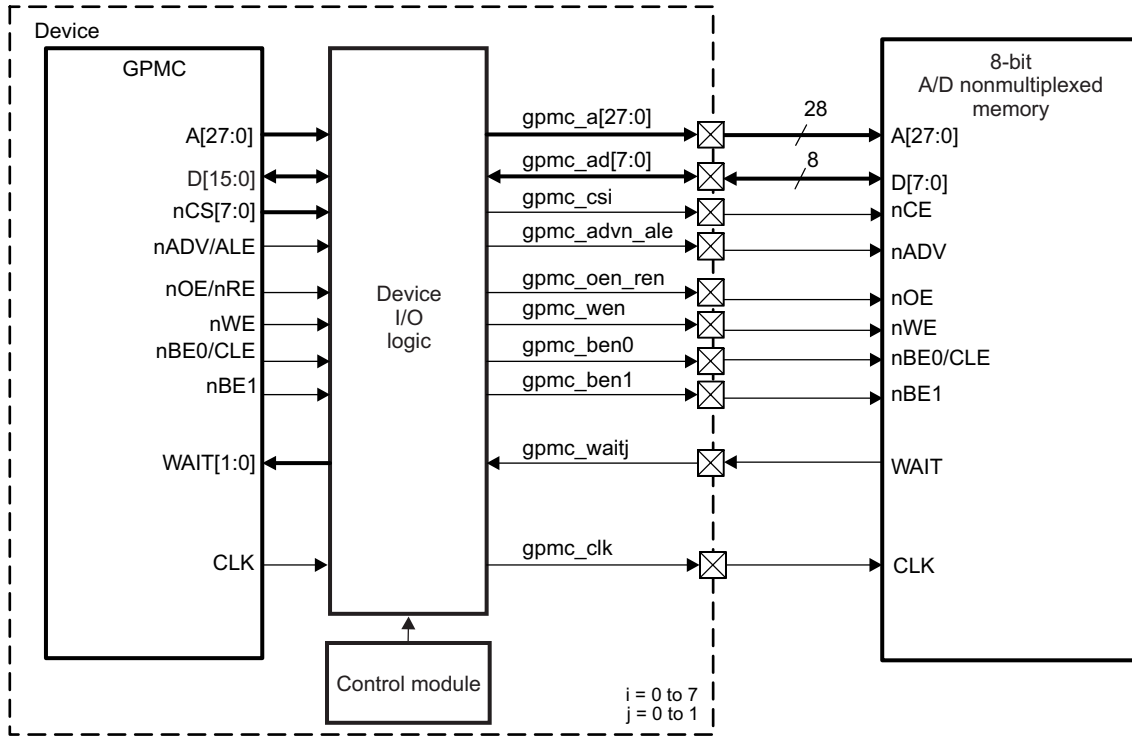
Figure 15-54. GPMC to 16-Bit Nonmultiplexed Memory



Note (1): the gpmc_a[0] pin is not used with 16-bit memory devices

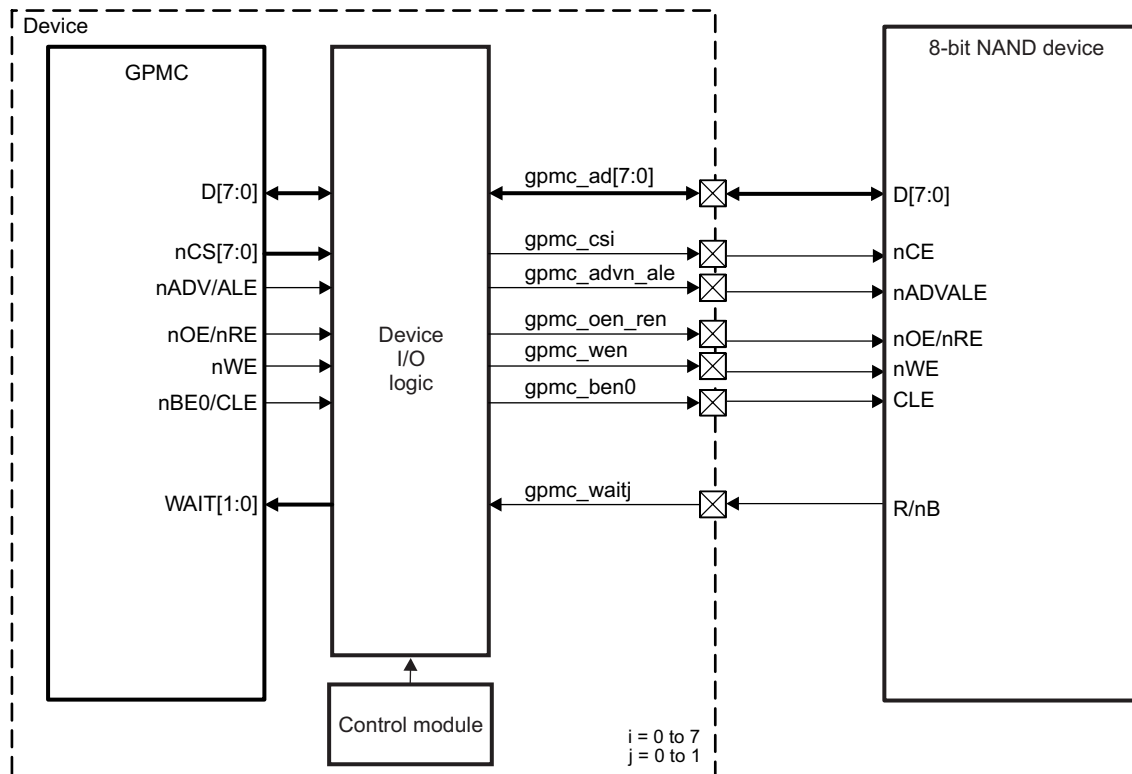
gpmc-045

Figure 15-55. GPMC to 8-Bit Nonmultiplexed Memory



gpmc-045a

Figure 15-56. GPMC to 8-Bit NAND Device



gpmc-003

15.4.2.2 GPMC Signals

Table 15-437 lists the GPMC subsystem input/output (I/O) pins.

Table 15-437. GPMC I/O Description

Pin Name	Device Signal	I/O ⁽¹⁾	Description
A[27:0]	gpmc_a[27:0]	O	28-bit output address bus
A[16:1]/D[15:0]	gpmc_ad[15:0]	I/O	Multiplexed address/data
nCS[7:0]	gpmc_cs[7:0]	O	Chip-selects (active low)
CLK	gpmc_clk	O	Clock generated for the external memory or device
nADV/ALE	gpmc_advn_ale	O	Address valid (active low). Also used as address latch enable (active high) for NAND protocol memories.
nOE/nRE	gpmc_oen_ren	O	Output enable (active low). Also used as read enable (active low) for NAND protocol memories.
nWE	gpmc_wen	O	Write enable (active low)
nBE0/CLE	gpmc_ben0	O	Lower-byte enable (active low). Also used as command latch enable for NAND protocol memories.
nBE1	gpmc_ben1	O	Upper-byte enable (active low).
WAIT[1:0]	gpmc_wait[1:0]	I	External wait signal for NOR and NAND protocol memories. The wait signals can be mapped on any of the chip-select.

⁽¹⁾ I = Input; O = Output

NOTE: For the gpmc_clk signal to work properly, the INPUTENABLE bit of the appropriate CTRL_CORE_PAD_x register should be set to 0x1 because of retiming purposes.

NOTE: On SR2.x devices the internal PU/PD resistors on pads gpmc_a[27:24, 22:19] can be permanently disabled. For more information, see [Section 18.4.6.1.1.1, Permanent PU/PD disabling \(SR 2.x only\)](#) in [Chapter 18, Control Module](#).

Table 15-438 shows the use of address and data GPMC controller pins based on the type of external device.

Table 15-438. GPMC Pin Multiplexing Options

GPMC Pin	Multiplexed Address Data 16-Bit Device	Nonmultiplexed Address Data 16-Bit Device (complete 28-bit address range)	Nonmultiplexed Address Data 8-Bit Device (complete 28-bit address range)	16-Bit NAND Device	8-Bit NAND Device
gpmc_a[27]	A27	A27	A27	Not used	Not used
gpmc_a[26]	Not used	A26	A26	Not used	Not used
gpmc_a[25]	Not used	A25	A25	Not used	Not used
gpmc_a[24]	Not used	A24	A24	Not used	Not used
gpmc_a[23]	Not used	A23	A23	Not used	Not used
gpmc_a[22]	Not used	A22	A22	Not used	Not used
gpmc_a[21]	Not used	A21	A21	Not used	Not used
gpmc_a[20]	Not used	A20	A20	Not used	Not used
gpmc_a[19]	Not used	A19	A19	Not used	Not used
gpmc_a[18]	Not used	A18	A18	Not used	Not used
gpmc_a[17]	Not used	A17	A17	Not used	Not used
gpmc_a[16]	Not used	A16	A16	Not used	Not used
gpmc_a[15]	Not used	A15	A15	Not used	Not used
gpmc_a[14]	Not used	A14	A14	Not used	Not used

Table 15-438. GPMC Pin Multiplexing Options (continued)

GPMC Pin	Multiplexed Address Data 16-Bit Device	Nonmultiplexed Address Data 16-Bit Device (complete 28-bit address range)	Nonmultiplexed Address Data 8-Bit Device (complete 28-bit address range)	16-Bit NAND Device	8-Bit NAND Device
gpmc_a[13]	Not used	A13	A13	Not used	Not used
gpmc_a[12]	Not used	A12	A12	Not used	Not used
gpmc_a[11]	Not used	A11	A11	Not used	Not used
gpmc_a[10]	A26	A10	A10	Not used	Not used
gpmc_a[9]	A25	A9	A9	Not used	Not used
gpmc_a[8]	A24	A8	A8	Not used	Not used
gpmc_a[7]	A23	A7	A7	Not used	Not used
gpmc_a[6]	A22	A6	A6	Not used	Not used
gpmc_a[5]	A21	A5	A5	Not used	Not used
gpmc_a[4]	A20	A4	A4	Not used	Not used
gpmc_a[3]	A19	A3	A3	Not used	Not used
gpmc_a[2]	A18	A2	A2	Not used	Not used
gpmc_a[1]	A17	A1	A1	Not used	Not used
gpmc_a[0] ⁽¹⁾	A0 - Not used	Not used	A0	Not used	Not used
gpmc_ad[15]	A16/D15	D15	Not used	D15	Not used
gpmc_ad[14]	A15/D14	D14	Not used	D14	Not used
gpmc_ad[13]	A14/D13	D13	Not used	D13	Not used
gpmc_ad[12]	A13/D12	D12	Not used	D12	Not used
gpmc_ad[11]	A12/D11	D11	Not used	D11	Not used
gpmc_ad[10]	A11/D10	D10	Not used	D10	Not used
gpmc_ad[9]	A10/D9	D9	Not used	D9	Not used
gpmc_ad[8]	A9/D8	D8	Not used	D8	Not used
gpmc_ad[7]	A8/D7	D7	D7	D7	D7
gpmc_ad[6]	A7/D6	D6	D6	D6	D6
gpmc_ad[5]	A6/D5	D5	D5	D5	D5
gpmc_ad[4]	A5/D4	D4	D4	D4	D4
gpmc_ad[3]	A4/D3	D3	D3	D3	D3
gpmc_ad[2]	A3/D2	D2	D2	D2	D2
gpmc_ad[1]	A2/D1	D1	D1	D1	D1
gpmc_ad[0]	A1/D0	D0	D0	D0	D0

⁽¹⁾ Used to effectively address 8-bit (only) non-multiplexed memories

With all device types, the GPMC does not drive unnecessary address lines. They stay at their reset value of 0x00.

Address mapping supports address/data-multiplexed 16-bit-wide devices:

- The NOR flash memory controller still supports nonmultiplexed address and data memory devices.
- Multiplexing mode can be selected through the [GPMC_CONFIG1_i\[9:8\]](#) MUXADDDATA bit field (where i = 0 to 7).
- Asynchronous page mode is not supported for multiplexed address and data devices.

15.4.3 GPMC Integration

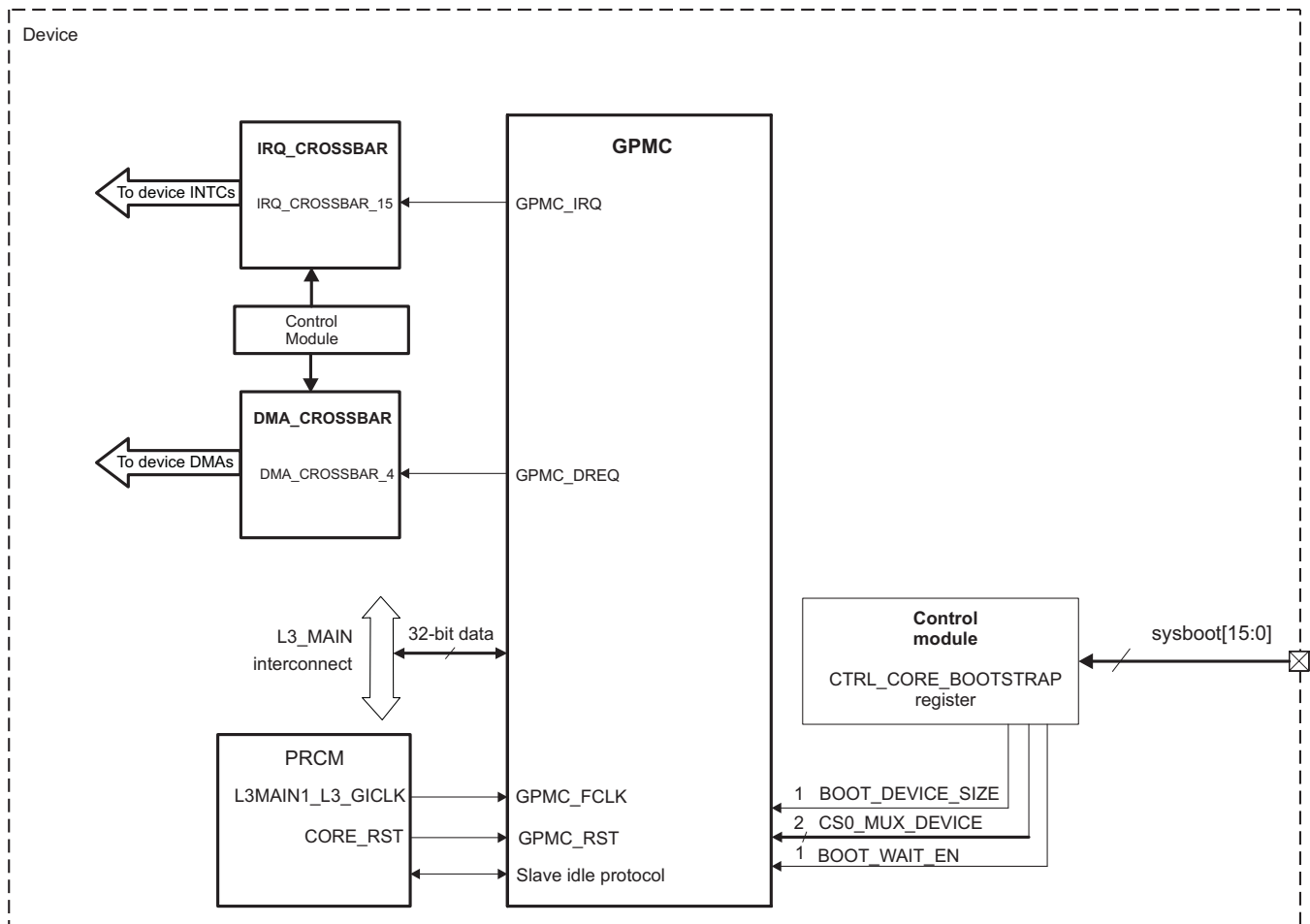
This section describes module integration in the device, including information about clocks, resets, and hardware requests.

- No master standby protocol

- Supports slave idle protocol with device PRCM
- Supports Auto Idle
- No wake-up request
- One direct memory access request mapped via the device DMA crossbar (DMA_CROSSBAR) to all device integrated DMA controllers
- One interrupt request mapped via the device interrupt crossbar (IRQ_CROSSBAR) to all device integrated interrupt controllers (MPU_INTC, etc.)
- One clock for functional and interface domains

Figure 15-57 shows GPMC integration.

Figure 15-57. GPMC Integration



gpmc-004

[Table 15-439](#), [Table 15-440](#) and [Table 15-441](#) summarize the integration of the module in the device.

Table 15-439. GPMC Integration Attributes

Module Instance	Attributes		
	Power Domain	Wake-Up Capability	Interconnect
GPMC	PD_COREAON	No	L3_MAIN

NOTE:

- For the description of the operation performance point (OPP) configuration, see [Section 3.1.1.1.2, Module Level Clock Management](#), in [Chapter 3, Power, Reset, and Clock Management](#).
- For information about frequencies associated with each OPP, see the device data manual.

Table 15-440. GPMC Clocks and Resets

Clocks				
Module Instance	Destination Signal Name	Source Signal Name	Source	Description
GPMC	GPMC_FCLK	L3MAIN1_L3_GICLK	PRCM	Functional clock
Resets				
Module Instance	Destination Signal Name	Source Signal Name	Source	Description
GPMC	GPMC_RST	CORE_RET_RST	PRCM	GPMC reset

NOTE: For the clock description, see [Section 15.4.4.2, GPMC Clock Configuration](#).

Table 15-441. GPMC Hardware Requests

Interrupt Requests				
Module Instance	Source Signal Name	Destination IRQ_CROSSBAR Input	Default Mapping	Description
GPMC	GPMC_IRQ	IRQ_CROSSBAR_15	MPU_IRQ_20 DSP1_IRQ_46 PRUSS1_IRQ_46 PRUSS2_IRQ_46	GPMC interrupt
DMA Requests				
Module Instance	Source Signal Name	Destination DMA_CROSSBAR Input	Default Mapping	Description
GPMC	GPMC_DREQ	DMA_CROSSBAR_4	DMA_EDMA_DREQ_3 DMA_SYSTEM_DREQ_3	DMA request from GPMC prefetch engine.

NOTE: The “Default Mapping” column in [Table 15-441 GPMC Hardware Requests](#) shows the default mapping of module IRQ and DREQ source signals. These module IRQ and DREQ source signals can also be mapped to other lines of each device Interrupt or DMA controller through the IRQ_CROSSBAR and DMA_CROSSBAR modules, respectively. For more information about the IRQ_CROSSBAR module, see [Section 18.4.6.4, IRQ_CROSSBAR Module Functional Description](#), in [Chapter 18, Control Module](#). For more information about the DMA_CROSSBAR module, see [Section 18.4.6.5, DMA_CROSSBAR Module Functional Description](#), in [Chapter 18, Control Module](#). For more information about the device interrupt controllers, see [Chapter 17, Interrupt Controllers](#). For more information about the device DMA_SYSTEM module, see [Section 16.1, System DMA](#). For more information about the device EDMA module, see [Section 16.2, Enhanced DMA](#).

NOTE: For the description of the interrupt source, see [Section 15.4.4.5, GPMC Interrupt Requests](#).

15.4.4 GPMC Functional Description

The GPMC basic programming model offers maximum flexibility to support various access protocols for each of the eight configurable chip-selects. Use optimal chip-select settings, based on the characteristics of the external device:

- Different protocols can be selected to support generic asynchronous or synchronous random-access devices (NOR flash, SRAM) or to support specific NAND devices.
- The address and data bus can be multiplexed on the same external bus.
- Read and write access can be independently defined as asynchronous or synchronous.
- System requests (byte, 16-bit word, burst) are performed through single or multiple accesses. External access profiles (single, multiple with optimized burst length, native- or emulated-wrap) are based on external device characteristics (supported protocol, bus width, data buffer size, native-wrap support).
- System burst read or write requests are synchronous-burst (multiple-read or multiple-write). When neither burst nor page mode is supported by external memory or ASIC devices, system burst read or write requests are translated to successive single synchronous or asynchronous accesses (single reads or single writes). 8-bit wide devices are supported only in single synchronous or single asynchronous read or write mode.
- To simulate a programmable internal-wait-state, an external wait pin can be monitored to dynamically control external access at the beginning (initial access time) of and during a burst access.

Each control signal is controlled independently for each chip-select. The internal functional clock of the GPMC (GPMC_FCLK) is used as a time reference to specify the following:

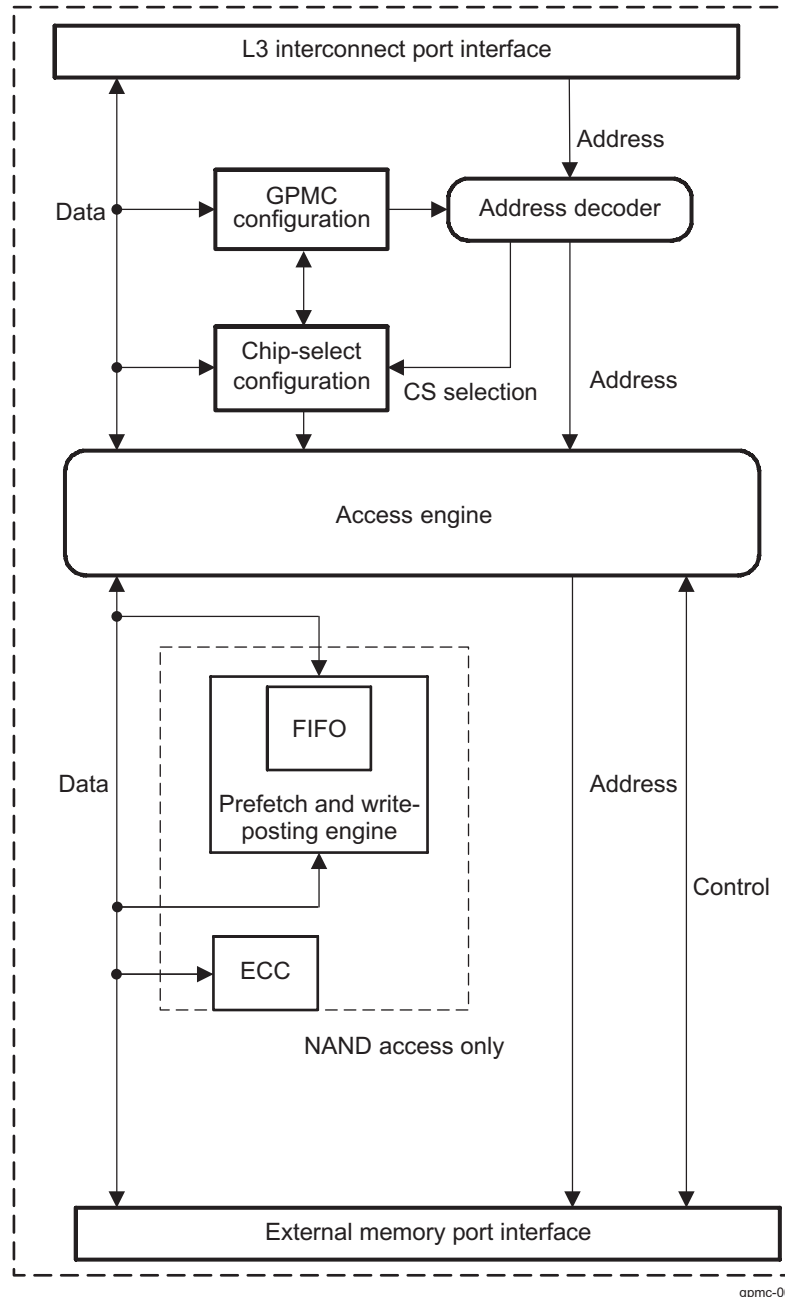
- Read- and write-access duration
- Most GPMC external interface control-signal assertion and deassertion times
- Data-capture time during read access
- External wait-pin monitoring time
- Duration of idle time between accesses, when required

15.4.4.1 GPMC Block Diagram

[Figure 15-58](#) shows the GPMC functional block diagram. The GPMC consists of six blocks:

- L3 interconnect port interface
- Address decoder, GPMC configuration, and chip-select configuration register file
- Access engine
- Prefetch and write-posting engine
- Error correction code engine (ECC)
- External device/memory port interface

Figure 15-58. GPMC Block Diagram



gpmc-005

The GPMC can access various external devices. The flexible programming model allows a wide range of attached device types and access schemes.

Based on the programmed configuration bit fields stored in the GPMC registers, the GPMC can generate the timing of all control signals depending on the attached device and access type.

Given the chip-select decoding and its associated configuration registers, the GPMC selects the appropriate control signal timing for the device type.

15.4.4.2 GPMC Clock Configuration

Table 15-442 describes the GPMC clocks.

Table 15-442. GPMC Clocks

Signal	I/O ⁽¹⁾	Description
GPMC_FCLK	I	Functional and interface clock
gpmc_clk	O	External clock provided to synchronous external memory devices

⁽¹⁾ I = Input; O = Output

The gpmc_clk is generated by the GPMC from the internal GPMC_FCLK clock. The source of the GPMC_FCLK is described in [Table 15-440](#). The gpmc_clk is configured using the [GPMC_CONFIG1_i\[1:0\]](#) GPMCFCLKDIVIDER bit field (where i = 0 to 7), as shown in [Table 15-443](#).

Table 15-443. gpmc_clk Configuration

Source Clock	GPMC_CONFIG1_i[1:0] GPMCFCLKDIVIDER	gpmc_clk Generated Clock Provided to External Memory Device
GPMC_FCLK	00	GPMC_FCLK
	01	GPMC_FCLK/2
	10	GPMC_FCLK/3
	11	GPMC_FCLK/4

15.4.4.3 GPMC Software Reset

The GPMC can be reset by software through the [GPMC_SYSCONFIG\[1\]](#) SOFTRESET bit. Setting the bit to 1 enables an active software reset that is functionally equivalent to a hardware reset. Hardware and software resets initialize all GPMC registers and the finite state-machine (FSM) immediately and unconditionally. The [GPMC_SYSSTATUS\[0\]](#) RESETDONE bit indicates that the software reset is complete when its value is 1. Software must ensure that the software reset completes before performing GPMC operations.

15.4.4.4 GPMC Power Management

GPMC power is supplied by the CORE power domain, and GPMC power management complies with system power-management guidelines.

[Table 15-444](#) describes the power-management features available for the GPMC module.

NOTE:

- For information about source clock gating and sleep/wake-up transitions, see [Section 3.1.1.1, Clock Management](#), in [Chapter 3, Power, Reset, and Clock Management](#).
 - For descriptions of the EnaWakeUp, IdleMode, ClockActivity, and StandbyMode features, see [Section 3.6, Clock Management Functional Description](#), in [Chapter 3, Power, Reset, and Clock Management](#).
-

Table 15-444. GPMC Local Power-Management Features

Feature	Registers	Description
Clock autogating	GPMC_SYSCONFIG[0] AUTOIDLE	This bit allows a local power optimization inside the module, by gating the GPMC_FCLK clock upon the internal activity.
Slave idle modes	GPMC_SYSCONFIG[4:3] SIDLEMODE	Force-idle, no-idle and smart-idle wake-up modes are available.
Clock activity	N/A	Feature not available
Master standby modes	N/A	Feature not available
Global wake-up enable	N/A	Feature not available
Wake-up sources enable	N/A	Feature not available

15.4.4.5 GPMC Interrupt Requests

The GPMC generates one interrupt request (see [Figure 15-57](#)).

[Table 15-445](#) lists the event flags, and their mask, that can cause module interrupts.

Table 15-445. GPMC Interrupt Events

Event Flag	Event Mask	Sensitivity	Description
GPMC_IRQSTATUS [9] WAIT1EDGE DETECTIONSTATUS	GPMC_IRQENABLE [9] WAIT1EDGE DETECTIONENABLE	Edge	Wait1 edge detection interrupt: Triggered if a rising or falling edge is detected on the gpmc_wait1 signal. The rising or falling edge detection of Wait1 is selected through the GPMC_CONFIG [9] WAIT1PINPOLARITY bit.
GPMC_IRQSTATUS [8] WAIT0EDGE DETECTIONSTATUS	GPMC_IRQENABLE [8] WAIT0EDGE DETECTIONENABLE	Edge	Wait0 edge detection interrupt: Triggered if a rising or falling edge is detected on the gpmc_wait0 signal. The rising or falling edge detection of Wait0 is selected through the GPMC_CONFIG [8] WAIT0PINPOLARITY bit.
GPMC_IRQSTATUS [1] TERMINAL COUNTSTATUS	GPMC_IRQENABLE [1] TERMINAL COUNTENABLE	Level	Terminal count event: Triggered on prefetch process completion; that is, when the number of currently remaining data to be requested reaches 0
GPMC_IRQSTATUS [0] FIFOEVENTSTATUS	GPMC_IRQENABLE [0] FIFOEVENTENABLE	Level	FIFO event interrupt: Indicates available FIFO levels for write-posting mode and prefetch mode. GPMC_PREFETCH_CONFIG1 [2] DMAMODE must be set to 0.

15.4.4.6 L3 Interconnect Interface

The GPMC L3 interconnect interface is a pipelined interface including a 16 × 32-bit word write buffer.

Any system host can issue external access requests through the GPMC.

The device system can issue the following requests through this interface:

- One 8-, 16-, or 32-bit interconnect access (read/write)
- Two incrementing 32-bit interconnect accesses (read/write)
- Two wrapped 32-bit interconnect accesses (read/write)
- Four incrementing 32-bit interconnect accesses (read/write)
- Four wrapped 32-bit interconnect accesses (read/write)
- Eight incrementing 32-bit interconnect accesses (read/write)
- Eight wrapped 32-bit interconnect accesses (read/write)

Only linear burst transactions are supported; interleaved burst transactions are not supported. Only power-of-two-length precise bursts 2 × 32, 4 × 32, 8 × 32, and 16 × 32, with the burst base address aligned on the total burst size, are supported (this limitation applies to incrementing bursts only).

This interface also provides one interrupt and one DMA request line for specific event control.

It is recommended to program the [GPMC_CONFIG1](#)_i[24:23] ATTACHEDDEVICEPAGELENGTH bit field according to the page length of the effective attached device and to enable the [GPMC_CONFIG1](#)_i[31] WRAPBURST bit if the attached device supports wrapping burst.

It is possible, however, to emulate wrapping burst on a nonwrapping memory by providing relevant addresses within the page or by splitting transactions. Bursts larger than the memory page length are chopped into multiple burst transactions. Because of the alignment requirements, a page boundary is never crossed.

15.4.4.7 GPMC Address and Data Bus

The current application supports GPMC connection to NAND devices and to address/data-multiplexed memories or devices. Connection to address/data-nonmultiplexed memories or devices is supported with an address range up to 256 MB (that is, 28 address bits in 8-bit mode or 27 address bits in 16-bit mode).

Depending on the GPMC configuration of each chip-select, address and data bus lines that are not required for a particular access protocol are not updated (changed from current value) and are not sampled when input (input data bus).

- For address/data-multiplexed and AAD-multiplexed NOR devices, the address is multiplexed on the data bus.
- 8-bit-wide NOR devices do not use GPMC I/O: gpmc_ad[15:8] for data (they are used for address if needed).
- 16-bit-wide NAND devices do not use GPMC I/O: gpmc_a[27:16].
- 8-bit-wide NAND devices do not use GPMC I/O: gpmc_a[27:16] and GPMC I/O: gpmc_ad[15:8].

15.4.4.7.1 GPMC I/O Configuration Setting

NOTE: In this section and the following sections, the *i* in GPMC_CONFIGx_i stands for the GPMC chip-select *i*, where *i* = 0 to 7.

To select a NAND device, program the following register fields:

- [GPMC_CONFIG1_i\[11:10\]](#) DEVICETYPE = 0b10
- [GPMC_CONFIG1_i\[9:8\]](#) MUXADDDATA = 0b00

To select an address/data-multiplexed device, program the following register fields:

- [GPMC_CONFIG1_i\[11:10\]](#) DEVICETYPE = 0b00
- [GPMC_CONFIG1_i\[9:8\]](#) MUXADDDATA = 0b10

To select an address/address/data-multiplexed device, program the following register fields:

- [GPMC_CONFIG1_i\[11:10\]](#) DEVICETYPE = 0b00
- [GPMC_CONFIG1_i\[9:8\]](#) MUXADDDATA = 0b01

To select an address/data-nonmultiplexed device, program the following register fields:

- [GPMC_CONFIG1_i\[11:10\]](#) DEVICETYPE = 0b00
- [GPMC_CONFIG1_i\[9:8\]](#) MUXADDDATA = 0b00

15.4.4.7.2 GPMC CS0 Default Configuration at Device Reset

To ensure a correct, fast external boot (see [Section 33.3.6, Fast External Booting](#), in [Chapter 33, Initialization](#)) with a GPMC access on device reset, several pins are sampled:

- The "sysboot0" through "sysboot5" pins (device boundary) define the sequence of interfaces and devices to use for booting (i.e. SYSBOOT[5:0] vector). They are sampled by the control module at reset and used later by the device ROM code. For more information, see [Section 33.2.4, Sysboot Configuration](#), in [Chapter 33, Initialization](#).
- Additional pins are used to configure reset values in the [GPMC_CONFIG1_i](#) register (where *i* = 0) as explained in the following and in [Table 15-446](#):
 - The *bootdevicesize* input pin (at the GPMC boundary) defines the size of the attached device on chip-select 0 (CS0) and is used to configure the [GPMC_CONFIG1_i\[13:12\]](#) DEVICEMEMORYSIZE bit field (where *i* = 0). The BOOT_DEVICE_SIZE signal is propagated from the device Control Module. Its value 0b0 (8-bit memories) or 0b1 (16-bit memories) can be externally determined upon booting by **user hardware** via the device external input signal - "sysboot13".
 - The *cs0muxdevice* input pin (at the GPMC boundary) selects whether or not the device attached to CS0 is an address/data-multiplexed device. The input pin is used to configure the [GPMC_CONFIG1_i\[9:8\]](#) MUXADDDATA bit field (where *i* = 0). The CS0_MUX_DEVICE[1:0] signal is propagated from the Control Module. Its value 0x0 (**non-muxed memory attached**) or 0x2 (**Addr-Data Mux memory attached**) can be externally determined upon booting by **user hardware** via combining the device external input signals - "sysboot12" and "sysboot11", i.e. SYSBOOT[12:11].
 - The *bootwaiten* input pin (at the GPMC boundary) enables the monitoring on CS0 of the wait pin at device reset release time for read accesses. The input pin is used to configure the

GPMC_CONFIG1_i[22] WAITREADMONITORING bit (where $i = 0$). The **BOOT_WAIT_EN** signal is propagated from the Control Module. Its value 0x0 (**wait pin is not monitored for read accesses**) or 0x1 (**wait pin is monitored for read accesses**) can be externally determined upon booting by **user hardware** via the device external input signal - "sysboot10".

NOTE: If WAIT pin monitoring function is enabled upon booting (i.e. **BOOT_WAIT_EN="1"**), the default (power-on-reset) monitored input for CS0 is always the device **gpmc_wait0** input.

Table 15-446. Boot Control Interface Input Signals Description

Signal Name	Width	Description
BOOT_DEVICE_SIZE	1	Size of the device attached on CS0 0b00: 8-bit 0b01: 16-bit 0b10: Reserved (not used) 0b11: Reserved (not used)
CS0_MUX_DEVICE	2	Multiplexing mode of the device on CS0 0b00: Nonmultiplexed device on CS0 0b01: AAD-multiplexed device on CS0 (address-address-data) 0b10: Address/data-multiplexed device on CS0 0b11: Reserved
BOOT_WAIT_EN	1	Wait monitoring on CS0 at device reset release time for read accesses 0: Wait pin is not monitored 1: Wait pin is monitored

CAUTION

Using the internal boot code, the entire CS0 configuration can be modified before the first CS0 access. For more information, see [Section 33.3.7, Memory Booting](#), and [Section 33.3.8, Image Format](#), in [Chapter 33, Initialization](#). This modification of internal boot code is necessary for two external devices:

- NAND device attached to CS0
- Nonmultiplexed memory device attached to CS0

At reset time, the device can boot from the internal ROM.

The reset values of the timing control parameters are defined to cope with direct boot on address and data-multiplexed NOR flash devices, nonmultiplexed NOR flash devices, or any asynchronous device with large timing margins, assuming a low GPMC_FCLK frequency (for example, 19.2 MHz) at boot time.

For a multiplexed access, the address 16 low-order bits are presented onto **gpmc_ad[15:0]**, while the high-order bits are presented onto **gpmc_a[26:16]**. If the external chip interface to the memories uses a 16-bit data bus, the high-order address bits are sampled on the address bus.

The reset values of timing parameters used at boot time are:

- CSONTIME = 1
- CSRDOFFTIME = 16
- ADVONTIME = 4
- ADVRDOFFTIME = 5
- OEONTIME = 6
- OEOFFTIME = 16
- RDACCESSTIME = 15
- RDCYCLETIME = 17

For an AAD-multiplexed access, all address bits are passed onto the data bus using two nADV rising edges. The first rising edge latches the address most-significant bit (MSB) down to bit 17, while the second rising edge latches address bits 16 down to 1. This configuration is only used for 16-bit memories.

The reset values of these timing parameters used at boot time are:

- ADVAADMUXONTIME = 1
- ADVAADMUXRDOFFTIME = 2
- OEADMUXONTIME = 1
- OEADMUXOFFTIME = 3

15.4.4.8 Address Decoder and Chip-Select Configuration

Addresses are decoded accordingly with the address request of the chip-select and the content of the chip-select base address register file, which includes a set of global GPMC configuration registers and eight sets of chip-select configuration registers.

The GPMC configuration register file is memory-mapped and can be read or written with byte, 16-bit word, or 32-bit word accesses. The register file must be configured as a noncacheable, nonbufferable region to prevent any desynchronization between host execution (write request) and the completion of register configuration (write completed with register updated). [Section 15.4.7](#), *GPMC Register Manual*, provides the GPMC register locations. For the map of GPMC memory locations, see [Chapter 2](#), *Memory Mapping*.

After the chip-select is configured, the access engine accesses the external device, drives the external interface control signals, and applies the interface protocol based on user-defined timing parameters and settings.

15.4.4.8.1 Chip-Select Base Address and Region Size

Any external memory or ASIC device attached to the GPMC external interface can be accessed by any device system host within the GPMC 512-MiB address space. For more information, see [Chapter 2](#), *Memory Mapping*.

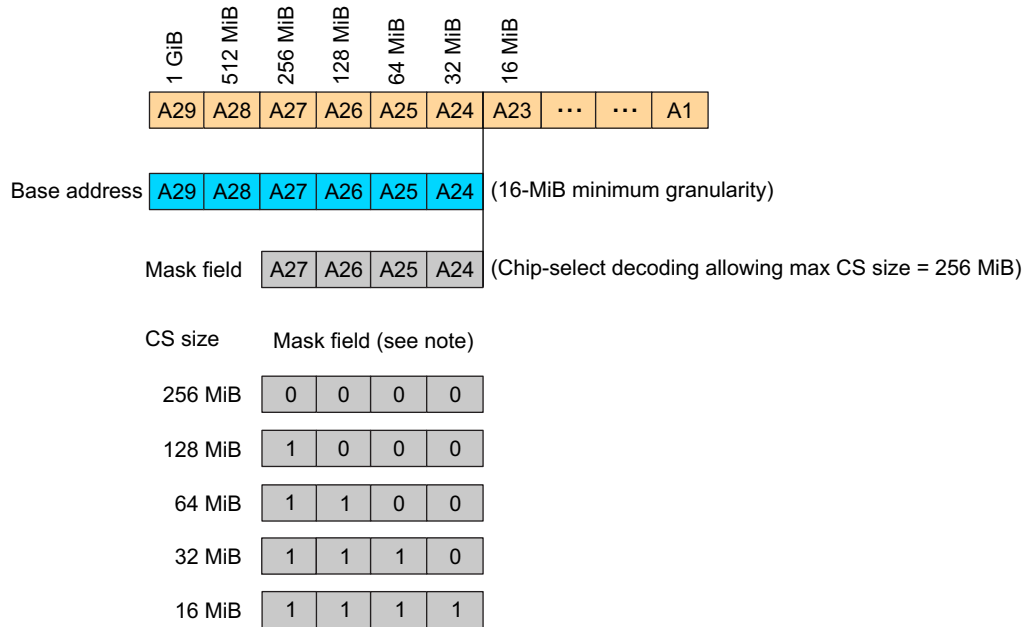
NOTE: Even though GPMC supports total address space of 1GB, only 512MB are physically available in this device.

The GPMC 512-MiB address space can be divided into a maximum of eight chip-select regions with programmable base address and programmable chip-select size. The chip-select size is programmable from 16 MiB to 256 MiB (must be a power-of-two) and is defined by the mask field. Attached memory smaller than the programmed chip-select region size is accessed through the entire chip-select region (aliasing).

Each chip-select has a 6-bit base address encoding and 4-bit decoding mask, which must be programmed according to the following rules:

- The programmed chip-select region base address must be aligned on the chip-select region size address boundary and is limited to a power-of-two address value. During access decoding, the value of the register base address is used to compare the address with the address bit line mapping, as shown in [Figure 15-59](#) (with A0 as the device system byte-address line). The base address is programmed through the `GPMC_CONFIG7_i[5:0] BASEADDRESS` bit field.
- The register mask is used to exclude some address lines from the decoding. A register mask bit field set to 0 suppresses the associated address line from the address comparison (incoming address bit line is don't care). The value of the register mask must be limited to the subsequent value, based on the desired chip-select region size. Any other value has an undefined result. When multiple chip-select regions with overlapping addresses are enabled concurrently, access to these chip-select regions is cancelled and a GPMC access error is posted. The mask field is programmed through the `GPMC_CONFIG7_i[11:8] MASKADDRESS` bit field.

Figure 15-59. Chip-Select Address Mapping and Decoding Mask



gpmc-006

Following is an example mapping that divides the 512MB memory reach into two 256MB regions:

- 1st 256MB region – 0x0000 0000 to 0x0FFF FFFF – program base address for that chip select equal to 0x0
- 2nd 256MB region – 0x1000 0000 to 0x1FFF FFFF – program base address for that chip select equal to 0x10

Chip-select configuration (base and mask address or any protocol and timing settings) must be performed while the associated chip-select is disabled through the `GPMC_CONFIG7_i[6]` CSVALID bit (where i stands for the GPMC chip-select value, 0 to 7). In addition, a chip-select configuration can be disabled only if there is no ongoing access to that chip-select. This requires monitoring the activity of the prefetch or write-posting engine if the engine is active on the chip-select. Also, the write buffer state must be monitored to wait for any posted write completion to the chip-select.

Any access attempted to a nonvalid GPMC address region (CSVALID disabled or address decoding outside a valid chip-select region) is not propagated to the external interface and a GPMC access error is posted. In case of overlapping chip-selects, an error is generated and no access occurs on either chip-select.

CS0 is the only chip-select region enabled after a power up or GPMC reset.

CAUTION

Although the GPMC interface can drive up to eight chip-selects, the frequency specified for this interface is for a specific load. If this load is exceeded, the maximum frequency cannot be reached. One solution is to implement a board with buffers to allow the slowest device to maintain the total load on the lines.

15.4.4.8.2 Access Protocol

15.4.4.8.2.1 Supported Devices

The access protocol of each chip-select can be independently specified through the `GPMC_CONFIG1_i[11:10]` DEVICETYPE parameter (where i = 0 to 7) for:

- Random-access synchronous or asynchronous memory, such as NOR flash and SRAM

- NAND flash asynchronous devices

NOTE: For more information about the NAND flash GPMC basic programming model and NAND support, see [Section 15.4.4.12, NAND Device Basic Programming Model](#), and [Section 15.4.4.12.1, NAND Memory Device in Byte or Word16 Stream Mode](#).

15.4.4.8.2.2 Access Size Adaptation and Device Width

Each chip-select can be independently configured through the [GPMC_CONFIG1_i\[13:12\]](#) DEVICESIZE bit field (where $i = 0$ to 7) to interface with a 16- or 8-bit-wide device. System requests with data width greater than the external device data bus width are split into successive accesses according to the external device data-bus width and little-endian data organization.

15.4.4.8.2.3 Address/Data-Multiplexing Interface

For random synchronous or asynchronous memory interfacing ($DEVICETYPE = 0b00$), an address- and data-multiplexing protocol can be selected through the [GPMC_CONFIG1_i\[9:8\]](#) MUXADDDATA bit field (where $i = 0$ to 7). The nADV signal must be used as the external device address latch control signal. For the associated chip-select configuration, nADV assertion and deassertion time and nOE assertion time must be set to the appropriate value to meet the address latch setup/hold time requirements of the external device. See [Section 15.4.3, GPMC Integration](#).

NOTE: This address/data-multiplexing interface is not applicable to NAND device interfacing. NAND devices require a specific address, command, and data-multiplexing protocol. See [Section 15.4.4.12, NAND Device Basic Programming Model](#).

15.4.4.8.3 External Signals

NOTE: The "DIR" (direction control) output signal is NOT pinned out on any of the device pads. It is an internal signal only representing a signal direction on the GPMC data bus.

15.4.4.8.3.1 Wait Pin Monitoring Control

GPMC access time can be dynamically controlled using an external `gpmc_wait` pin when the external device access time is not deterministic and cannot be defined and controlled using only the GPMC internal `RDACCESSTIME`, `WRACCESSTIME`, and `PAGEBURSTACCESSTIME` wait-state generator.

The GPMC features two input wait pins: `gpmc_wait1`, and `gpmc_wait0`. These pins allow control of external devices with different wait pin polarity. They also allow the overlap of wait pin assertion from different devices without affecting access to devices for which the wait pin is not asserted.

- The [GPMC_CONFIG1_i\[17:16\]](#) WAITPINSELECT bit field (where $i = 0$ to 7) selects which input `gpmc_wait` pin is used for the device attached to the corresponding chip-select.
- The polarity of the wait pin is defined through the WAITxPINPOLARITY bit of the [GPMC_CONFIG](#) register. A wait pin configured to be active low means that low level on the WAIT signal indicates that the data is not ready and that the data bus is invalid. When a wait pin is inactive, data is valid.

The GPMC access engine can be configured per chip-select to monitor or not the wait pin of the external memory device, based on the access type: read or write.

- The [GPMC_CONFIG1_i\[22\]](#) WAITREADMONITORING bit defines whether or not the wait pin must be monitored during read accesses.
- The [GPMC_CONFIG1_i\[21\]](#) WAITWRITEMONITORING bit defines whether or not the wait pin must be monitored during write accesses.

The GPMC access engine can be configured to monitor the wait pin of the external memory device asynchronously or synchronously with the `GPMC_CLK` clock, depending on the access type: synchronous or asynchronous (the [GPMC_CONFIG1_i\[29\]](#) READTYPE and [GPMC_CONFIG1_i\[27\]](#) WRITETYPE bits).

15.4.4.8.3.1.1 Wait Monitoring During Asynchronous Read Access

When wait pin monitoring is enabled for read accesses (WAITREADMONITORING), the effective access time is a logical AND combination of the RDACCESSTIME timing completion and the wait-deasserted state.

During asynchronous read accesses with wait pin monitoring enabled, the wait pin must be at a valid level (asserted or deasserted) for at least two GPMC clock cycles before RDACCESSTIME completes, to ensure correct dynamic access-time control through wait pin monitoring. The advance pipelining of the two GPMC clock cycles is the result of the internal synchronization requirements for the WAIT signal.

In this context, RDACCESSTIME is used as a wait invalid timing window and is set to such a value that the wait pin is at a valid state two GPMC clock cycles before RDACCESSTIME completes.

Similarly, during a multiple-access cycle (for example, asynchronous read page mode), the effective access time is a logical AND combination of PAGEBURSTACCESSTIME timing completion and the wait-deasserted state. Wait monitoring pipelining is also applicable to multiple accesses (access within a page).

- Wait monitored as active freezes the CYCLETIME counter. For an access within a page, when the CYCLETIME counter is by definition in a lock state, wait monitored as asserted extends the current access time in the page. Control signals are kept in their current state. The data bus is considered invalid, and no data are captured during this clock cycle.
- Wait monitored as inactive unfreezes the CYCLETIME counter. For an access within a page, when the CYCLETIME counter is by definition in a lock state, wait monitored as inactive completes the current access time and starts the next access phase in the page. The data bus is considered valid, and data are captured during this clock cycle. In case of a single access or if this was the last access in a multiple-access cycle, all signals are controlled according to their related control timing value and according to the CYCLETIME counter status.

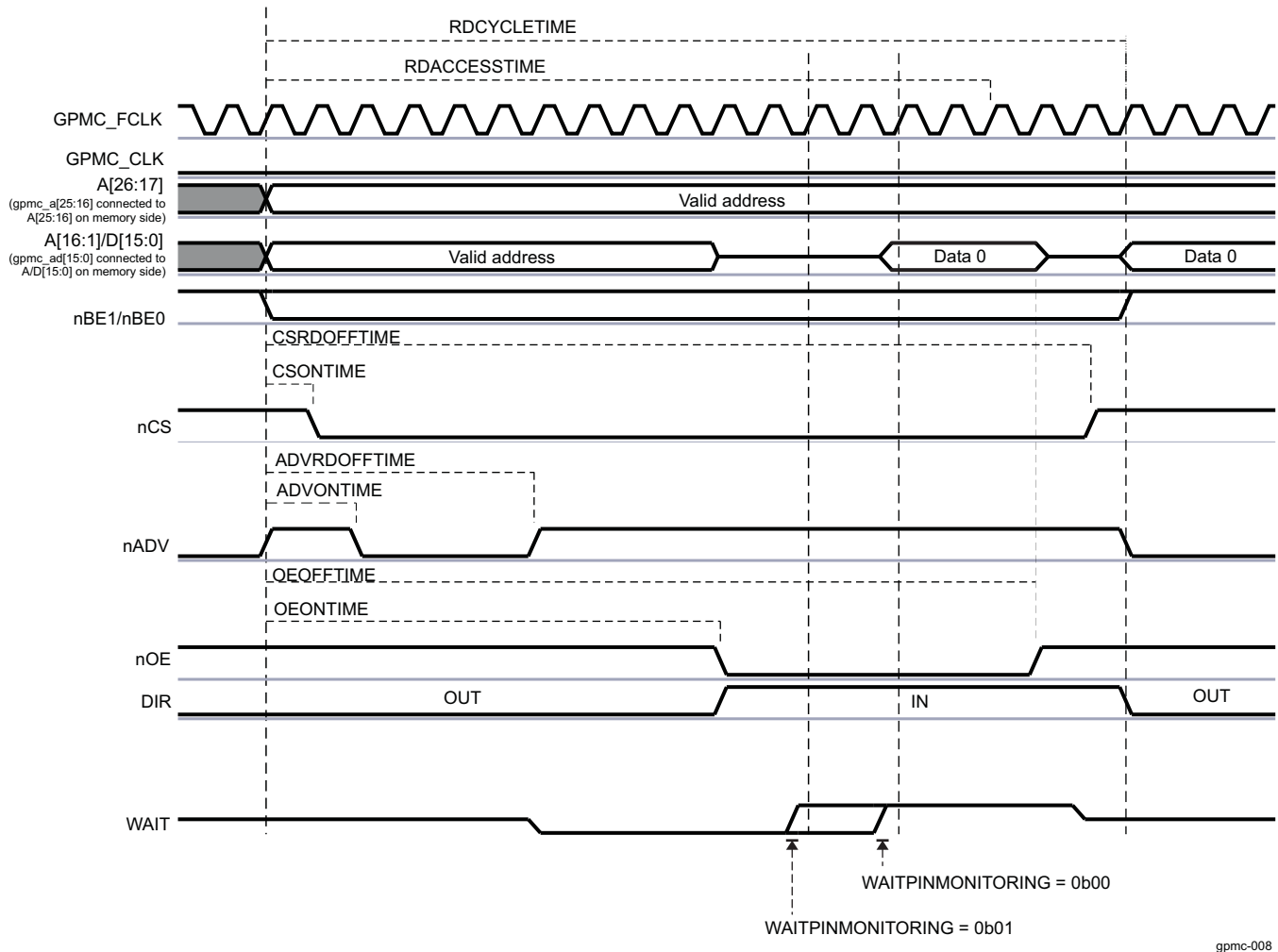
When a delay larger than two GPMC clocks must be observed between wait-pin deactivation time and data valid time (including the required GPMC and the device data setup time), an extra delay can be added between wait-pin deassertion time detection and effective data-capture time and the effective unlock of the CYCLETIME counter. This extra delay can be programmed in the [GPMC_CONFIG1_i\[19:18\]](#) WAITMONITORINGTIME bit field (where i = 0 to 7).

NOTE:

- The WAITMONITORINGTIME parameter does not delay the wait pin active or inactive detection, nor does it modify the two GPMC clocks pipelined detection delay.
 - This extra delay is expressed as a number of GPMC_CLK clock cycles, even though the access is defined as asynchronous, and no GPMC_CLK clock is provided to the external device. Still, because GPMCFCLKDIVIDER is used as a divider for the GPMC clock, it must be programmed to define the correct WAITMONITORINGTIME delay.
-

Figure 15-60 shows wait behavior during an asynchronous single read access.

Figure 15-60. Wait Behavior During an Asynchronous Single Read Access (GPMCFCLKDivider = 1)



gpmc-008

NOTE: The WAIT signal is active low. [GPMC_CONFIG1_i\[19:18\] WAITMONITORINGTIME = 0b00](#), or [0b01](#).

15.4.4.8.3.1.2 Wait Monitoring During Asynchronous Write Access

When wait pin monitoring is enabled for write accesses ([GPMC_CONFIG1_i\[21\] WAITWRITEMONITORING](#) bit = 0x1), the wait invalid timing window is defined by the WRACCESSTIME field. WRACCESSTIME must be set so that the wait pin is at a valid state two GPMC clock cycles before WRACCESSTIME completes. The advance pipelining of the two GPMC clock cycles is the result of the internal synchronization requirements for the WAIT signal.

- Wait monitored as active freezes the CYCLETIME counter. This informs the GPMC that the data bus is not captured by the external device. The control signals are kept in their current state. The data bus still drives the data.
- Wait monitored as inactive unfreezes the CYCLETIME counter. This informs that the data bus is correctly captured by the external device. All signals, including the data bus, are controlled according to their related control timing value and to the CYCLETIME counter status.

When a delay larger than two GPMC clock cycles must be observed between wait-pin deassertion time and the effective data write into the external device (including the required GPMC data setup time and the device data setup time), an extra delay can be added between wait-pin deassertion time detection and effective data write time into the external device and the effective unfreezing of the CYCLETIME counter. This extra delay can be programmed in the [GPMC_CONFIG1_i\[19:18\]](#) WAITMONITORINGTIME bit field (where $i = 0$ to 7).

NOTE:

- The WAITMONITORINGTIME parameter does not delay the wait pin assertion or deassertion detection, nor does it modify the two GPMC clock cycles pipelined detection delay.
 - This extra delay is expressed as a number of GPMC_CLK clock cycles, even though the access is defined as asynchronous, and even though no clock is provided to the external device. Still, because the [GPMC_CONFIG1_i\[1:0\]](#) GPMCFCLKDIVIDER bit field is used as a divider for the GPMC clock, it must be programmed to define the correct WAITMONITORINGTIME delay.
-

15.4.4.8.3.1.3 Wait Monitoring During Synchronous Read Access

During synchronous accesses with wait pin monitoring enabled, the wait pin is captured synchronously with GPMC_CLK, using the rising edge of this clock.

The WAIT signal can be programmed to apply to the same clock cycle in which it is captured. Alternatively, it can be sampled one or two GPMC_CLK cycles ahead of the clock cycle to which it applies. This pipelining is applicable to the entire burst access and to all data phases in the burst access. This wait pipelining depth is programmed in the [GPMC_CONFIG1_i\[19:18\]](#) WAITMONITORINGTIME bit field (where $i = 0$ to 7), and is expressed as a number of GPMC_CLK clock cycles.

In synchronous mode, when wait pin monitoring is enabled (the [GPMC_CONFIG1_i\[22\]](#) WAITREADMONITORING bit), the effective access time is a logical AND combination of the RDACCESSTIME timing completion and the wait-deasserted state detection.

Depending on the programmed value of WAITMONITORINGTIME, the wait pin must be at a valid level, either asserted or deasserted:

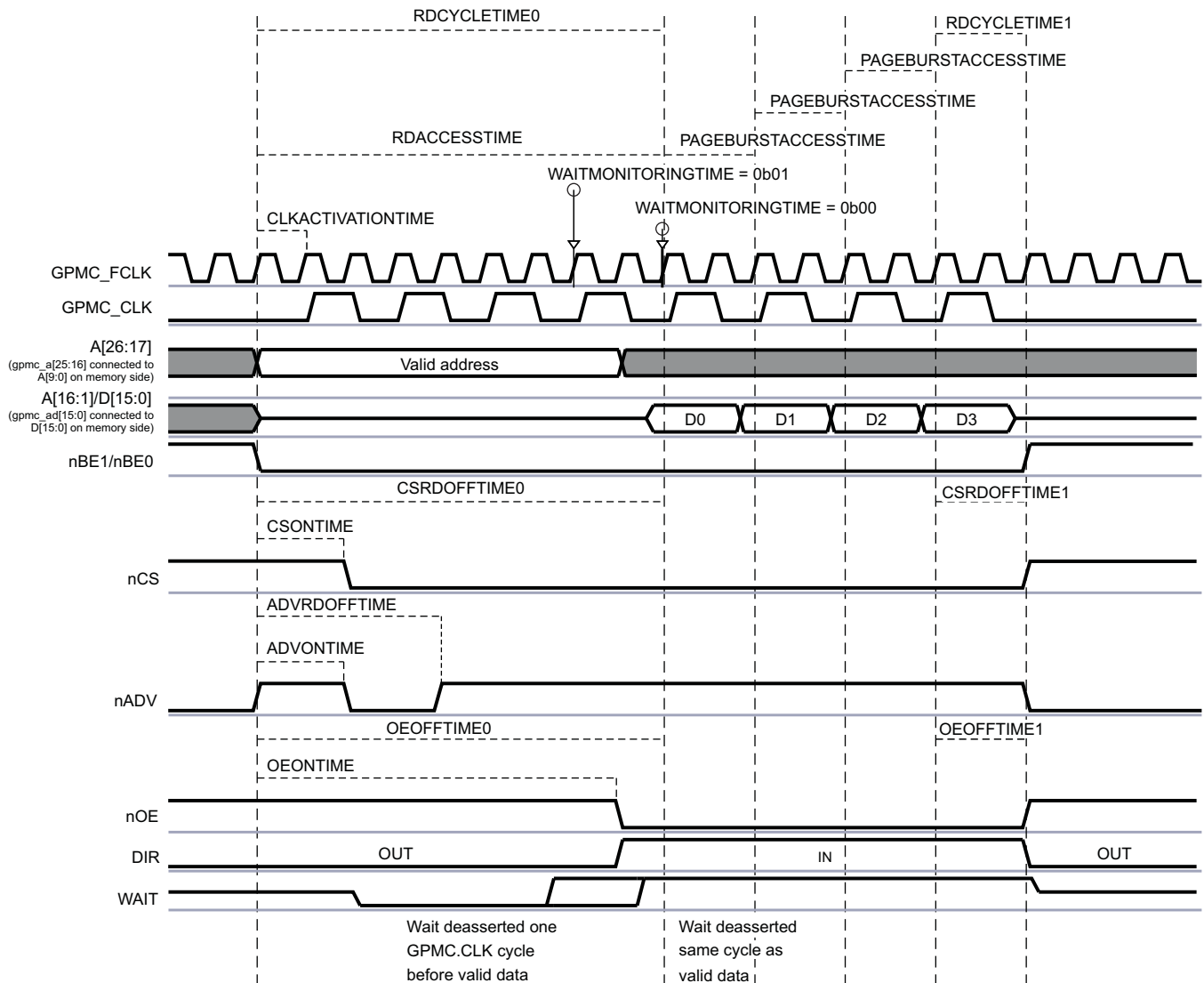
- In the same clock cycle the data is valid if WAITMONITORINGTIME = 0 (at RDACCESSTIME completion)
- In the WAITMONITORINGTIME x (GPMCFCLKDIVIDER + 1) GPMC_FCLK clock cycles before RDACCESSTIME completion if WAITMONITORINGTIME is not equal to 0

Similarly, during a multiple-access cycle (burst mode), the effective access time is a logical AND combination of PAGEBURSTACCESSTIME timing completion and the WAIT-INACTIVE state. The wait pipelining-depth programming applies to the whole burst access.

- Wait monitored as active freezes the CYCLETIME counter. For an access within a burst (when the CYCLETIME counter is by definition in a lock state), wait monitored as active extends the current access time in the burst. Control signals are kept in their current state. The data bus is considered invalid, and no data are captured during this clock cycle.
- Wait monitored as inactive unfreezes the CYCLETIME counter. For an access within a burst (when the CYCLETIME counter is by definition in lock state), wait monitored as inactive completes the current access time and starts the next access phase in the burst. The data bus is considered valid, and data are captured during this clock cycle. In a single access or if this was the last access in a multiple-access cycle, all signals are controlled according to their relative control timing value and the CYCLETIME counter status.

[Figure 15-61](#) shows wait behavior during a synchronous read burst access.

Figure 15-61. Wait Behavior During a Synchronous Read Burst Access



gpmc-009

NOTE: The WAIT signal is active low. WAITMONITORINGTIME = 00, 01.

15.4.4.8.3.1.4 Wait Monitoring During Synchronous Write Access

During synchronous accesses with wait pin monitoring enabled (the WAITWRITEMONITORING bit), the wait pin is captured synchronously with GPMC_CLK, using the rising edge of this clock.

If enabled, external wait pin monitoring can be used in combination with WRACCESSTIME to delay the GPMC_CLK capture edge of the effective memory device.

Wait-monitoring pipelining depth is similar to synchronous read access:

- At WRACCESSTIME completion if WAITMONITORINGTIME = 0
- In the WAITMONITORINGTIME x (GPMCFCLKDIVIDER + 1) GPMC_FCLK cycles before WRACCESSTIME completion if WAITMONITORINGTIME is not equal to 0

Wait-monitoring pipelining definition applies to whole burst accesses:

- Wait monitored as active freezes the CYCLETIME counter. For accesses within a burst, when the CYCLETIME counter is by definition in a lock state, wait monitored as active indicates that the data

bus is not being captured by the external device. Control signals are kept in their current state. The data bus is kept in its current state.

- Wait monitored as inactive unfreezes the CYCLETIME counter. For accesses within a burst, when the CYCLETIME counter is by definition in a lock state, wait monitored as inactive indicates the effective data capture of the bus by the external device and starts the next access of the burst. In case of a single access or if this was the last access in a multiple access cycle, all signals, including the data bus, are controlled according to their related control timing value and the CYCLETIME counter status.

NOTE: Wait monitoring is supported for all configurations except `GPMC_CONFIG1_i[19:18] WAITMONITORINGTIME = 0x0` (where `i = 0 to 7`) for write bursts with a clock divider of 1 or 2 (the `GPMC_CONFIG1_i[1:0] GPMCFCLKDIVIDER` bit field is equal to 0x0 or 0x1, respectively).

15.4.4.8.3.1.5 Wait With NAND Device

For information about the use of the wait pin for communication with a NAND flash external device, see [Section 15.4.4.12.2, NAND Device-Ready Pin](#).

15.4.4.8.3.1.6 Idle Cycle Control Between Successive Accesses

15.4.4.8.3.1.6.1 Bus Turnaround (BUSTURNAROUND)

To prevent data-bus contention, an access that follows a read access to a slow memory/device must be delayed (in other words, control the nCS/nOE deassertion to data bus in high-impedance delay).

The bus turnaround is a time-out counter starting after nCS or nOE deassertion time, whichever occurs first, and delays the next access start-cycle time. The counter is programmed through the `GPMC_CONFIG6_i[3:0] BUSTURNAROUND` bit field (where `i = 0 to 7`).

After a read access to a chip-select with a nonzero BUSTURNAROUND, the next access is delayed until the BUSTURNAROUND delay completes, if the next access is one of the following:

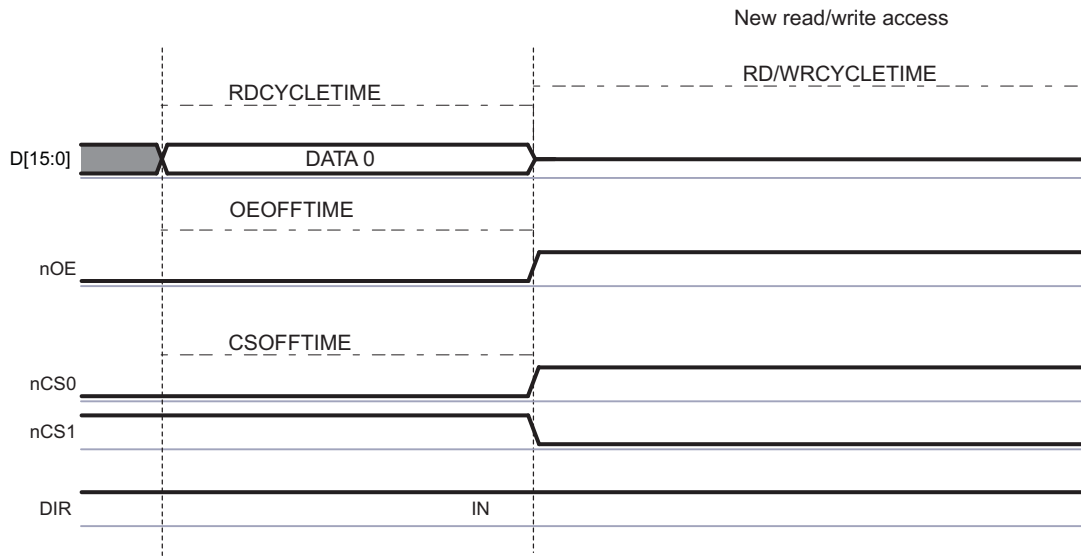
- A write access to any chip-select (the same or different chip-select from which the data was read)
- A read access to a different chip-select than the chip-select from which the data was read access
- A read or write access to a chip-select associated with an address/data-multiplexed device

NOTE: Bus keeping starts after bus turnaround completion so that DIR changes from IN to OUT after bus turnaround. The bus does not have enough time to go into high-impedance even though it can be driven with the same value before bus turnaround timing.

BUSTURNAROUND delay runs in parallel with `GPMC_CONFIG6_i[3:0] CYCLE2CYCLEDELAY` bit field delays. BUSTURNAROUND is a timing parameter for the ending chip-select access, while CYCLE2CYCLEDELAY is a timing parameter for the following chip-select access. The effective minimum delay between successive accesses is driven by these delay timing parameters and by the access type of the following access (see [Figure 15-62](#) through [Figure 15-64](#)).

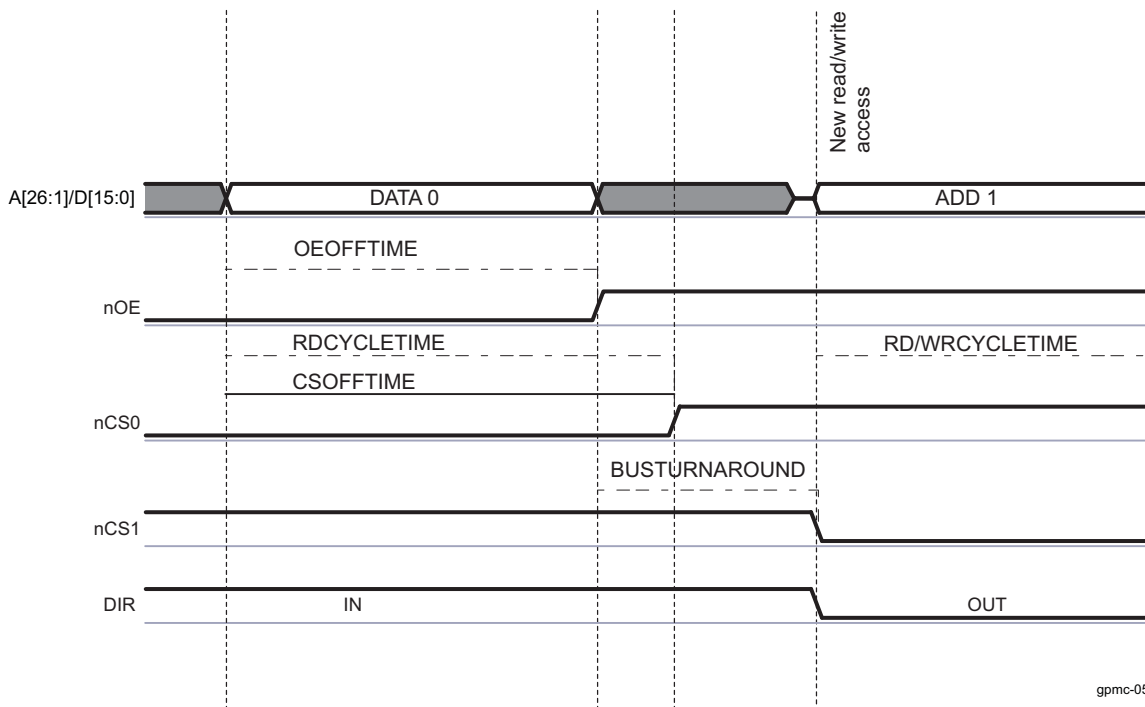
Another way to prevent bus contention is to define an earlier nCS or nOE deassertion time for slow devices or to extend the value of RDCYCLETIME. Doing this prevents bus contention, but it also affects all accesses of this specific chip-select.

Figure 15-62. Read-to-Read for an Address-Data Multiplexed Device, on Different Chip-Select, Without Bus Turnaround (nCS Attached to a Fast Device)



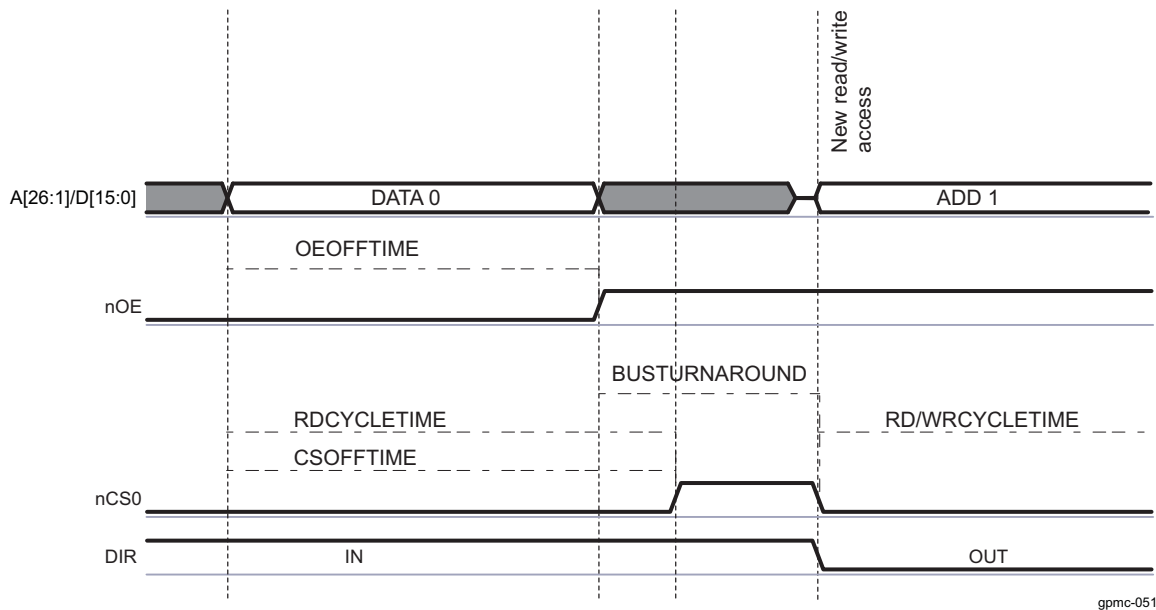
gpmc-049

Figure 15-63. Read-to-Read/Write for an Address-Data Multiplexed Device, on Different Chip-Select, With Bus Turnaround



gpmc-050

Figure 15-64. Read-to-Read/Write for a Address-Data or AAD-Multiplexed Device, on Same Chip-Select, With Bus Turnaround



15.4.4.8.3.1.6.2 Idle Cycles Between Accesses to Same Chip-Select (CYCLE2CYCLESAMECSSEN, CYCLE2CYCLEDELAY)

Some devices require a minimum chip-select signal inactive time between accesses. The [GPMC_CONFIG6_i\[7\]](#) CYCLE2CYCLESAMECSSEN bit (where $i = 0$ to 7) enables insertion of a minimum number of GPMC_FCLK cycles, defined by the [GPMC_CONFIG6_i\[11:8\]](#) CYCLE2CYCLEDELAY bit field, between successive accesses of any type (read or write) to the same chip-select.

If CYCLE2CYCLESAMECSSEN is enabled, any subsequent access to the same chip-select is delayed until its CYCLE2CYCLEDELAY completes. The CYCLE2CYCLEDELAY counter starts when CSRDOFFTIME/CSWROFFTIME completes.

The same applies to successive accesses occurring during 32-bit word or burst accesses split into successive single accesses when the single-access mode is used ([GPMC_CONFIG1_i\[30\]](#) READMULTIPLE = 0 or [GPMC_CONFIG1_i\[28\]](#) WRITEMULTIPLE = 0).

All control signals (CS, ADV#/ALE, BE0#/CLE, WE#, and GPMC.CLK) are kept inactive (ADV#/ALE, BE0#/CLE, and GPMC.CLK at low level; and CS, OE#/RE, and WE at high level) during the idle GPMC.FCLK cycles. This prevents back-to-back accesses to the same chip-select without idle cycles between accesses.

15.4.4.8.3.1.6.3 Idle Cycles Between Accesses to Different Chip-Select (CYCLE2CYCLEDIFFCSSEN, CYCLE2CYCLEDELAY)

Because of the pipelined behavior of the system, successive accesses to different chip-selects can occur back-to-back with no idle cycles between accesses. Depending on the control signals (nCS, nADV/ALE, nBE0/CLE, nOE/RE, nWE) assertion and deassertion timing parameters and on the device timing parameters, the assertion times of some control signals may overlap between the successive accesses to a different chip-select. Similarly, some control signals (WE, OE/RE) may not respect required transition times.

To work around overlapping and to observe the required control-signal transitions, a minimum of CYCLE2CYCLEDELAY inactive cycles is inserted between the access being initiated to this chip-select and the previous access ending for a different chip-select. This applies to any type of access (read or write).

If the [GPMC_CONFIG6_i](#)[6] CYCLE2CYCLEDIFFCSEN bit is enabled, the chip-select access is delayed until CYCLE2CYCLEDELAY cycles have expired since the end of a previous access to a different chip-select. CYCLE2CYCLEDELAY count starts at CSRDOFFTIME/CSWROFFTIME completion. All control signals are kept inactive during the idle GPMC_FCLK cycles.

NOTE: CYCLE2CYCLESAMECSEN and CYCLE2CYCLEDIFFCSEN must be set in the [GPMC_CONFIG6_i](#) registers to get idle cycles inserted between accesses on this chip-select and after accesses to a different chip-select, respectively.

The CYCLE2CYCLEDELAY delay runs in parallel with the BUSTURNAROUND delay. The BUSTURNAROUND is a timing parameter defined for the ending chip-select access, whereas CYCLE2CYCLEDELAY is a timing parameter defined for the starting chip-select access. The effective minimum delay between successive accesses is based on the larger delay timing parameter and on access type combination, because bus turnaround does not apply to all access types. For more information about bus turnaround, see [Section 15.4.4.8.3.1.6.1, Bus Turnaround \(BUSTURNAROUND\)](#).

[Table 15-447](#) describes the configuration required for idle cycle insertion.

Table 15-447. Idle Cycle Insertion Configuration

1st Access Type	BUSTURN AROUND Timing Parameter	Second Access Type	Chip-Select	Add/Data Multiplexed	CYCLE2 CYCLE SAMECSEN Parameter	CYCLE2 CYCLE DIFFCSEN Parameter	Idle Cycle Insertion Between the Two Accesses
R/W	= 0	R/W	Any	Any	0	x	No idle cycles are inserted if the two accesses are well pipelined.
R	> 0	R	Same	Nonmuxed	x	0	No idle cycles are inserted if the two accesses are well pipelined.
R	> 0	R	Different	Nonmuxed	0	0	BUSTURNAROUND cycles are inserted.
R	> 0	R/W	Any	Muxed	0	0	BUSTURNAROUND cycles are inserted.
R	> 0	W	Any	Any	0	0	BUSTURNAROUND cycles are inserted.
W	> 0	R/W	Any	Any	0	0	No idle cycles are inserted if the two accesses are well pipelined.
R/W	= 0	R/W	Same	Any	1	x	CYCLE2CYCLEDELAY cycles are inserted.
R/W	= 0	R/W	Different	Any	x	1	CYCLE2CYCLEDELAY cycles are inserted.
R/W	> 0	R/W	Same	Any	1	x	CYCLE2CYCLEDELAY cycles are inserted. If BTA idle cycles already apply on these two back-to-back accesses, the effective delay is max (BUSTURNAROUND, CYCLE2CYCLEDELAY).
R/W	> 0	R/W	Different	Any	x	1	CYCLE2CYCLEDELAY cycles are inserted. If BTA idle cycles already apply on these two back-to-back accesses, the effective delay is maximum (BUSTURNAROUND, CYCLE2CYCLEDELAY).

15.4.4.8.3.1.7 Slow Device Support (TIMEPARAGRANULARITY Parameter)

All access-timing parameters can be multiplied by 2 by setting the [GPMC_CONFIG1_i](#)[4] TIMEPARAGRANULARITY bit (where i stands for the GPMC chip-select value, 0 to 7). Increasing all access timing parameters allows support of slow devices.

15.4.4.8.3.2 Reset

No reset signal is sent to the external memory device by the GPMC. For more information about external-device reset, see [Chapter 3, Power, Reset, and Clock Management](#).

The PRCM module provides an input pin, `global_rst_n`, to the GPMC:

- The `global_rst_n` pin is activated during device warm reset and cold reset.
- The `global_rst_n` pin initializes the internal state-machine and the internal configuration registers.

15.4.4.8.3.3 Byte Enable (`nBE1/nBE0`)

Byte enable signals (`nBE1/nBE0`) are:

- Valid (asserted or nonasserted according to the incoming system request) from access start to access completion for asynchronous and synchronous single accesses
- Asserted low from access start to access completion for asynchronous and synchronous multiple read accesses
- Valid (asserted or nonasserted, according to the incoming system request) synchronously to each written data for synchronous multiple write accesses

15.4.4.8.4 Error Handling

When an error occurs in the GPMC, the error information is stored in the [GPMC_ERR_TYPE](#) register and the address of the illegal access is stored in the [GPMC_ERR_ADDRESS](#) register. The GPMC keeps only the first error abort information until the [GPMC_ERR_TYPE](#) register is reset. Subsequent accesses that cause errors are not logged until the error is cleared by hardware with the [GPMC_ERR_TYPE\[0\]](#) `ERRORVALID` bit.

- `ERRORNOTSUPPADD` occurs when an incoming system request address decoding does not match any valid chip-select region, or if two chip-select regions are defined as overlapped, or if a register file access is tried outside the valid address range of 1KiB.
- `ERRORNOTSUPPMCMD` occurs when an unsupported command request is decoded at the L3 interconnect interface.
- `ERRORTIMEOUT`: A time-out mechanism prevents the system from hanging. The start value of the 9-bit time-out counter is defined in the [GPMC_TIMEOUT_CONTROL](#) register and enabled with the [GPMC_TIMEOUT_CONTROL\[0\]](#) `TIMEOUTENABLE` bit. When enabled, the counter starts at start-cycle time until it reaches 0 and data is not responded to from memory, and then a time-out error occurs. When data are sent from memory, this counter is reset to its start value. With multiple accesses (asynchronous page mode or synchronous burst mode), the counter is reset to its start value for each data access within the burst.

The GPMC does not generate interrupts on these errors. True abort to the MPU or interrupt generation is handled at interconnect level.

15.4.4.9 Timing Setting

The GPMC offers maximum flexibility to support various access protocols. Most of the timing parameters of the protocol access used by the GPMC to communicate with attached memories or devices are programmable on a chip-select basis. Assertion and deassertion times of control signals are defined to match the attached memory or device timing specifications and to get maximum performance during accesses. For more information about `GPMC_CLK` and `GPMC_FCLK` see [Section 15.4.4.9.6, GPMC_CLK](#).

NOTE: In the following sections, the start access time refers to the time at which the access begins.

15.4.4.9.1 Read Cycle Time and Write Cycle Time (RDCYCLETIME / WRCYCLETIME)

The [GPMC_CONFIG5_i\[4:0\]](#) RDCYCLETIME and [GPMC_CONFIG5_i\[12:8\]](#) WRCYCLETIME bit fields (where $i = 0$ to 7) define the address bus and byte-enable valid times for read and write accesses. To ensure a correct duty cycle of GPMC_CLK between accesses, RDCYCLETIME and WRCYCLETIME are expressed in GPMC_FCLK cycles and must be multiples of the GPMC_CLK cycle. The RDCYCLETIME and WRCYCLETIME bit fields can be set with a granularity of 1 or 2 through the [GPMC_CONFIG1_i\[4\]](#) TIMEPARAGRANULARITY bit.

When RDCYCLETIME or WRCYCLETIME completes, if they are not already deasserted, all control signals (nCS, nADV/ALE, nOE/RE, nWE, and BE0/CLE) are deasserted to their reset values, regardless of their deassertion time parameters.

An exception to this forced deassertion occurs when a pipelined request to the same chip-select or to a different chip-select is pending. In such a case, it is not necessary to deassert a control signal with deassertion time parameters equal to the cycle-time parameter. This exception to forced deassertion prevents any unnecessary glitches. This requirement also applies to BE signals, thus avoiding an unnecessary BE glitch transition when pipelining requests.

NOTE: All control signals (CS, ADV#/ALE, BE0#/CLE, WE#, and GPMC.CLK) are kept inactive (ADV#/ALE, BE0#/CLE, and GPMC.CLK at low level; and CS, OE#/RE, and WE at high level) during the idle GPMC.FCLK cycles.

If no inactive cycles are required between successive accesses to the same chip-select or a different chip-select ([GPMC_CONFIG6_i\[7\]](#) CYCLE2CYCLESAMECSEN = 0 or [GPMC_CONFIG6_i\[6\]](#) CYCLE2CYCLEDIFFCSEN = 0, where $i = 0$ to 7), and if assertion-time parameters associated with the pipelined access are equal to 0, asserted control signals (nCS, nADV/ALE, nBE0/CLE, nWE, and nOE/RE) are kept asserted. This applies to any read/write to read/write access combination.

If inactive cycles are inserted between successive accesses (that is, CYCLE2CYCLESAMECSEN = 1 or CYCLE2CYCLEDIFFCSEN = 1), the control signals are forced to their respective default reset values for the number of GPMC_FCLK cycles defined in CYCLE2CYCLEDELAY.

15.4.4.9.2 nCS: Chip-Select Signal Control Assertion/Deassertion Time (CSONTIME / CSRDOFFTIME / CSWROFFTIME / CSEXTRADELAY)

The [GPMC_CONFIG2_i\[3:0\]](#) CSONTIME bit field (where $i = 0$ to 7) defines the nCS signal-assertion time relative to the start access time. It is common for read and write accesses.

The [GPMC_CONFIG2_i\[12:8\]](#) CSRDOFFTIME (read access) and [GPMC_CONFIG2_i\[20:16\]](#) CSWROFFTIME (write access) bit fields define the nCS signal deassertion time relative to start access time.

The CSONTIME, CSRDOFFTIME, and CSWROFFTIME parameters apply to synchronous and asynchronous modes. CSONTIME can be used to control an address and byte-enable setup time before chip-select assertion. CSRDOFFTIME and CSWROFFTIME can be used to control an address and byte-enable hold time after chip-select deassertion.

nCS signal transitions, as controlled through CSONTIME, CSRDOFFTIME, and CSWROFFTIME, can be delayed by a half-GPMC_FCLK period by enabling the [GPMC_CONFIG2_i\[7\]](#) CSEXTRADELAY bit. This half-GPMC_FCLK period provides more granularity on the nCS assertion and deassertion time to ensure proper setup and hold time relative to GPMC_CLK. CSEXTRADELAY is especially useful in configurations where GPMC_CLK and GPMC_FCLK have the same frequency, but it can also be used for all GPMC configurations. If enabled, CSEXTRADELAY applies to all parameters that control nCS transitions.

The CSEXTRADELAY bit must be used carefully to avoid control signal overlap between successive accesses to different chip-selects. This implies the need to program the RDCYCLETIME and WRCYCLETIME bit fields to be greater than the nCS signal-deassertion time, including the extra half-GPMC_FCLK-period delay.

15.4.4.9.3 nADV/ALE: Address Valid/Address Latch Enable Signal Control Assertion/Deassertion Time (ADVONTIME / ADVRDOFFTIME / ADVWROFFTIME /

ADVEXTRADELAY/ADVAADMUXONTIME/ADVAADMUXRDOFFTIME/ADVAADMUXWROFFTIME)

The [GPMC_CONFIG3_i\[3:0\]](#) ADVONTIME field (where $i = 0$ to 7) defines the nADV/ALE signal-assertion time relative to start access time. It is common to read and write accesses.

The [GPMC_CONFIG3_i\[12:8\]](#) ADVRDOFFTIME (read access) and [GPMC_CONFIG3_i\[20:16\]](#) ADVWROFFTIME (write access) bit fields define the nADV/ALE signal-deassertion time relative to start access time.

ADVONTIME can be used to control an address and byte-enable valid setup time control before nADV/ALE assertion. ADVRDOFFTIME and ADVWROFFTIME can be used to control an address and byte-enable valid hold time control after nADV/ALE deassertion. ADVRDOFFTIME and ADVWROFFTIME apply to synchronous and asynchronous modes.

The nADV/ALE signal transitions as controlled through ADVONTIME, ADVRDOFFTIME, and ADVWROFFTIME can be delayed by a half-GPMC_FCLK period by enabling the [GPMC_CONFIG3_i\[7\]](#) ADVEXTRADELAY bit. This half-GPMC_FCLK period provides more granularity on nADV/ALE assertion and deassertion time to ensure proper setup and hold time relative to GPMC_CLK. The ADVEXTRADELAY configuration parameter is especially useful in configurations where GPMC_CLK and GPMC_FCLK have the same frequency, but can be used for all GPMC configurations. If enabled, ADVEXTRADELAY applies to all parameters controlling nADV/ALE transitions.

ADVEXTRADELAY must be used carefully to avoid control-signal overlap between successive accesses to different chip-selects. This implies the need to program the RDCYCLETIME and WRCYCLETIME bit fields to be greater than nADV/ALE signal-deassertion time, including the extra half-GPMC_FCLK-period delay.

[GPMC_CONFIG3_i\[6:4\]](#) ADVAADMUXONTIME, [GPMC_CONFIG3_i\[26:24\]](#) ADVAADMUXRDOFFTIME, and [GPMC_CONFIG3_i\[30:28\]](#) ADVAADMUXWROFFTIME parameters have the same functions as ADVONTIME, ADVRDOFFTIME, and ADVWROFFTIME, but apply to the first address phase in the AAD-multiplexed protocol. The user must ensure that ADVAADMUXxxOFFTIME is programmed to a value less than or equal to ADVxxOFFTIME. Functionality in AAD-multiplexed mode is undefined if the settings do not comply with this requirement. ADVAADMUXxxOFFTIME can be programmed to the same value as ADVONTIME if no high nADV pulse is needed between the two AAD-multiplexed address phases, which is the typical case in synchronous mode. In this configuration, nADV is kept low until it reaches the correct ADVxxOFFTIME.

For more information about the use of ADVONTIME, ADVRDOFFTIME, ADVWROFFTIME, and ADVAADMUXRDOFFTIME and ADVAADMUXWROFFTIME for command latch enable (CLE) and address latch enable (ALE) use for a NAND flash interface, see [Section 15.4.4.12, NAND Access Description](#).

15.4.4.9.4 nOE/nRE: Output Enable/Read Enable Signal Control Assertion/Deassertion Time (OEONTIME / OEOFFTIME / OEXTRADELAY / OEAADMUXONTIME / OEAADMUXOFFTIME)

The [GPMC_CONFIG4_i\[3:0\]](#) OEONTIME bit field (where $i = 0$ to 7) defines the nOE/nRE signal assertion time relative to start access time. It applies only to read accesses.

The [GPMC_CONFIG4_i\[12:8\]](#) OEOFFTIME bit field defines the nOE/nRE signal deassertion time relative to start access time. It applies only to read accesses. nOE/nRE is not asserted during a write cycle.

The OEONTIME, OEOFFTIME, OEAADMUXONTIME, and OEAADMUXOFFTIME parameters apply to synchronous and asynchronous modes. OEONTIME can be used to control an address and byte enable valid setup time control before nOE/nRE assertion. OEOFFTIME can be used to control an address and byte-enable valid hold time control after nOE/nRE assertion.

The OEAADMUXONTIME and OEAADMUXOFFTIME parameters have the same functions as OEONTIME and OEOFFTIME, but apply to the first OE assertion in the AAD-multiplexed protocol for a read phase, or to the only OE assertion for a write phase. The user must ensure that OEAADMUXOFFTIME is programmed to a value less than OEONTIME. Functionality in AAD-multiplexed mode is undefined if the settings do not comply with this requirement. OEAADMUXOFFTIME must never be equal to OEONTIME because the AAD-multiplexed protocol requires a second address phase with the nOE signal deasserted before nOE can be asserted again to define a read command.

The nOE/RE signal transitions as controlled through OEONTIME, OEOFFTIME, OEAADMUXONTIME, and OEAADMUXOFFTIME can be delayed by a half-GPMC_FCLK period by enabling the [GPMC_CONFIG4_j\[7\]](#) OEEEXTRADELAY bit. This half-GPMC_FCLK period provides more granularity on the nOE/RE assertion and deassertion time to ensure proper setup and hold time relative to GPMC_CLK. If enabled, OEEEXTRADELAY applies to all parameters controlling nOE/nRE transitions.

OEEEXTRADELAY must be used carefully, to avoid control-signal overlap between successive accesses to different chip-selects. This implies the need to program RDCYCLETIME and WRCYCLETIME to be greater than the nOE/RE signal-deassertion time, including the extra half-GPMC_FCLK-period delay.

NOTE: When the GPMC generates a read access to an address-/data-multiplexed device, it drives the address bus until nOE assertion time.

15.4.4.9.5 *nWE: Write Enable Signal Control Assertion/Deassertion Time (WEONTIME / WEOFFTIME / WEEXTRADELAY)*

The [GPMC_CONFIG4_i\[19:16\]](#) WEONTIME bit field (where $i = 0$ to 7) defines the nWE signal-assertion time relative to start access time. The [GPMC_CONFIG4_i\[28:24\]](#) WEOFFTIME bit field defines the nWE signal-deassertion time relative to start access time. These bit fields apply only to write accesses. nWE is not asserted during a read cycle.

WEONTIME can be used to control an address and byte-enable valid setup time control before nWE assertion. WEOFFTIME can be used to control an address and byte-enable valid hold time control after nWE assertion.

nWE signal transitions as controlled through WEONTIME, and WEOFFTIME can be delayed by a half-GPMC_FCLK period by enabling the [GPMC_CONFIG4_j\[23\]](#) WEEXTRADELAY bit. This half-GPMC_FCLK period provides more granularity on nWE assertion and deassertion time to ensure proper setup and hold time relative to GPMC_CLK. If enabled, WEEXTRADELAY applies to all parameters controlling nWE transitions.

The WEEXTRADELAY bit must be used carefully to avoid control-signal overlap between successive accesses to different chip-selects. This implies the need to program the WRCYCLETIME bit field to be greater than the nWE signal-deassertion time, including the extra half-GPMC_FCLK-period delay.

15.4.4.9.6 *GPMC_CLK*

GPMC_CLK is the external clock provided to the attached synchronous memory or device.

- The GPMC_CLK clock frequency is the GPMC_FCLK functional clock frequency divided by 1, 2, 3, or 4, depending on the [GPMC_CONFIG1_i\[1:0\]](#) GPMCFCLKDIVIDER bit field (where $i = 0$ to 7), with a guaranteed 50-percent duty cycle. For information about the duty cycle error, see the device data manual.
- The GPMC_CLK clock is activated only when the access in progress is defined as synchronous (read or write access).
- The [GPMC_CONFIG1_j\[26:25\]](#) CLKACTIVATIONTIME bit field (where $i = 0$ to 7) defines the number of GPMC_FCLK cycles from start access time to GPMC_CLK activation.
- The GPMC_CLK clock is stopped when cycle time completes and is asserted low between accesses.
- The GPMC_CLK clock is kept low when access is defined as asynchronous.

CAUTION

When the cycle time completes, the GPMC_CLK may be high because of the GPMCFCLKDIVIDER bit field. To ensure correct stoppage of the GPMC_CLK clock within the required 50-percent duty cycle, the user must extend the RDCYCLETIME or WRCYCLETIME value.

NOTE: To ensure a correct external clock cycle, the following rules must be applied:

- (RDCYCLETIME CLKACTIVATIONTIME) must be a multiple of (GPMCFCLKDIVIDER + 1).
- The PAGEBURSTACCESSTIME value must be a multiple of (GPMCFCLKDIVIDER + 1).

15.4.4.9.7 GPMC_CLK and Control Signals Setup and Hold

Control-signal transition (assertion and deassertion) setup and hold values with respect to the GPMC_CLK edge can be controlled in the following ways:

- For the GPMC_CLK signal, the [GPMC_CONFIG1_i\[26:25\]](#) CLKACTIVATIONTIME bit field (where $i = 0$ to 7) allows setup and hold control of control-signal assertion time.
- The use of a divided GPMC_CLK allows setup and hold control of the control-signal assertion and deassertion times.
- When GPMC_CLK runs at the GPMC_FCLK frequency so that GPMC_CLK edge and control-signal transitions refer to the same GPMC_FCLK edge, the control-signal transitions can be delayed by a half-GPMC_FCLK period to provide minimum setup and hold times. This half-GPMC_FCLK delay is enabled with the CSEXTRADelay, ADVEXTRADelay, OEXTRADelay, or WEEXTRADelay parameter. This delay must be used carefully to prevent control-signal overlap between successive accesses to different chip-selects. This implies that the RDCYCLETIME and WRCYCLETIME are greater than the last control-signal deassertion time, including the extra half-GPMC_FCLK cycle.

15.4.4.9.8 Access Time (RDACCESSTIME / WRACCESSTIME)

The read/write access time durations can be programmed independently through the [GPMC_CONFIG5_i\[20:16\]](#) RDACCESSTIME and [GPMC_CONFIG6_i\[28:24\]](#) WRACCESSTIME bit fields (where $i = 0$ to 7). This allows nOE and GPMC data-capture timing parameters to be independent of nWE and memory device data capture timing parameters. The RDACCESSTIME and WRACCESSTIME bit fields can be set with a granularity of 1 or 2 through the [GPMC_CONFIG1_i\[4\]](#) TIMEPARAGRANULARITY bit.

15.4.4.9.8.1 Access Time on Read Access

In asynchronous read mode, for single and paged accesses, the [GPMC_CONFIG5_i\[20:16\]](#) RDACCESSTIME bit field (where $i = 0$ to 7) defines the number of GPMC_FCLK cycles from start access time to the GPMC_FCLK rising edge used for the first data capture. RDACCESSTIME must be programmed to the rounded greater value (in GPMC_FCLK cycles) of the read access time of the attached memory device.

In synchronous read mode, for single or burst accesses, RDACCESSTIME defines the number of GPMC_FCLK cycles from the start access time to the GPMC_FCLK rising edge corresponding to the GPMC_CLK rising edge used for the first data capture.

GPMC_CLK, which is sent to the memory device for synchronization with the GPMC controller, is internally retimed to correctly latch the returned data. The [GPMC_CONFIG5_i\[4:0\]](#) RDCYCLETIME bit field must be greater than RDACCESSTIME to let the GPMC latch the last return data using the internally retimed GPMC_CLK.

The external WAIT signal can be used in conjunction with RDACCESSTIME to control the effective GPMC data-capture GPMC_FCLK edge on read access in asynchronous and synchronous modes. For more information about wait monitoring, see [Section 15.4.4.8.3.1, Wait Pin Monitoring Control](#).

15.4.4.9.8.2 Access Time on Write Access

In asynchronous write mode, the [GPMC_CONFIG6_i\[28:24\]](#) WRACCESSTIME timing parameter is not used to define the effective write access time. Instead, it is used as a wait invalid timing window and must be set to a correct value so that the gpmc_wait pin is at a valid state two GPMC_CLK cycles before WRACCESSTIME completes. For more information about wait monitoring, see [Section 15.4.4.8.3.1, Wait Pin Monitoring Control](#).

In synchronous write mode, for single or burst accesses, WRACCESSTIME defines the number of GPMC_FCLK cycles from the start access time to the GPMC_CLK rising edge used by the memory device for the first data capture.

The external WAIT signal can be used in conjunction with WRACCESSTIME to control the effective memory device data-capture GPMC_CLK edge for a synchronous write access. For more information about wait monitoring, see [Section 15.4.4.8.3.1, Wait Pin Monitoring Control](#).

15.4.4.9.9 Page Burst Access Time (PAGEBURSTACCESSTIME)

The [GPMC_CONFIG5_i\[27:24\]](#) PAGEBURSTACCESSTIME bit field (where $i = 0$ to 7) can be set with a granularity of 1 or 2 through the [GPMC_CONFIG1_i\[4\]](#) TIMEPARAGRANULARITY bit.

15.4.4.9.9.1 Page Burst Access Time on Read Access

In asynchronous page read mode, the delay between successive word captures in a page is controlled through the PAGEBURSTACCESSTIME bit field. The PAGEBURSTACCESSTIME parameter must be programmed to the rounded greater value (in GPMC_FCLK cycles) of the read access time of the attached device.

In synchronous burst read mode, the delay between successive word captures in a burst is controlled through the PAGEBURSTACCESSTIME bit field.

The external WAIT signal can be used in conjunction with PAGEBURSTACCESSTIME to control the effective GPMC data-capture GPMC_FCLK edge on read access. For more information about wait monitoring, see [Section 15.4.4.8.3.1, Wait Pin Monitoring Control](#).

15.4.4.9.9.2 Page Burst Access Time on Write Access

Asynchronous page write mode is not supported. PAGEBURSTACCESSTIME is irrelevant in this case.

In synchronous burst write mode, PAGEBURSTACCESSTIME controls the delay between successive memory device word captures in a burst.

The external WAIT signal can be used in conjunction with PAGEBURSTACCESSTIME to control the effective memory device data capture GPMC_CLK edge in synchronous write mode. For more information about wait monitoring, see [Section 15.4.4.8.3.1, Wait Pin Monitoring Control](#).

15.4.4.9.10 Bus Keeping Support

At the end cycle time of a read access, if no other access is pending, the GPMC drives the bus with the last data read after RDCYCLETIME completes to prevent bus floating and reduce power consumption.

After a write access, if no other access is pending, the GPMC keeps driving the data bus after WRCYCLETIME completes with the same data to prevent bus floating and power consumption.

15.4.4.10 NOR Access Description

For each chip-select configuration, the read access can be specified as asynchronous or synchronous access through the [GPMC_CONFIG1_i\[29\]](#) READTYPE bit (where $i = 0$ to 7). For each chip-select configuration, the write access can be specified as synchronous or asynchronous access through the [GPMC_CONFIG1_i\[27\]](#) WRITETYPE bit where ($i = 0$ to 7).

Asynchronous and synchronous read and write access time and related control signals are controlled through timing parameters that refer to GPMC_FCLK. The primary difference of synchronous mode is the availability of a configurable clock interface (GPMC_CLK) to control the external device. Synchronous mode also affects data-capture and wait-pin monitoring schemes in read access.

For more information about asynchronous and synchronous access, see the descriptions of GPMC_CLK, RdAccessTime, WrAccessTime, and wait pin monitoring.

For more information about timing-parameter settings, see the sample timing diagrams in this chapter.

NOTE: The address bus and nBE[1:0] are fixed for the duration of a synchronous burst read access, but they are updated for each beat of an asynchronous page-read access.

15.4.4.10.1 Asynchronous Access Description

This section describes:

- Asynchronous single-read operation on an address/data multiplexed device
- Asynchronous single write operation on an address/data-multiplexed device
- Asynchronous single read operation on an AAD-multiplexed device
- Asynchronous single write operation on an AAD-multiplexed device
- Asynchronous multiple (page) read operation on a non-multiplexed device

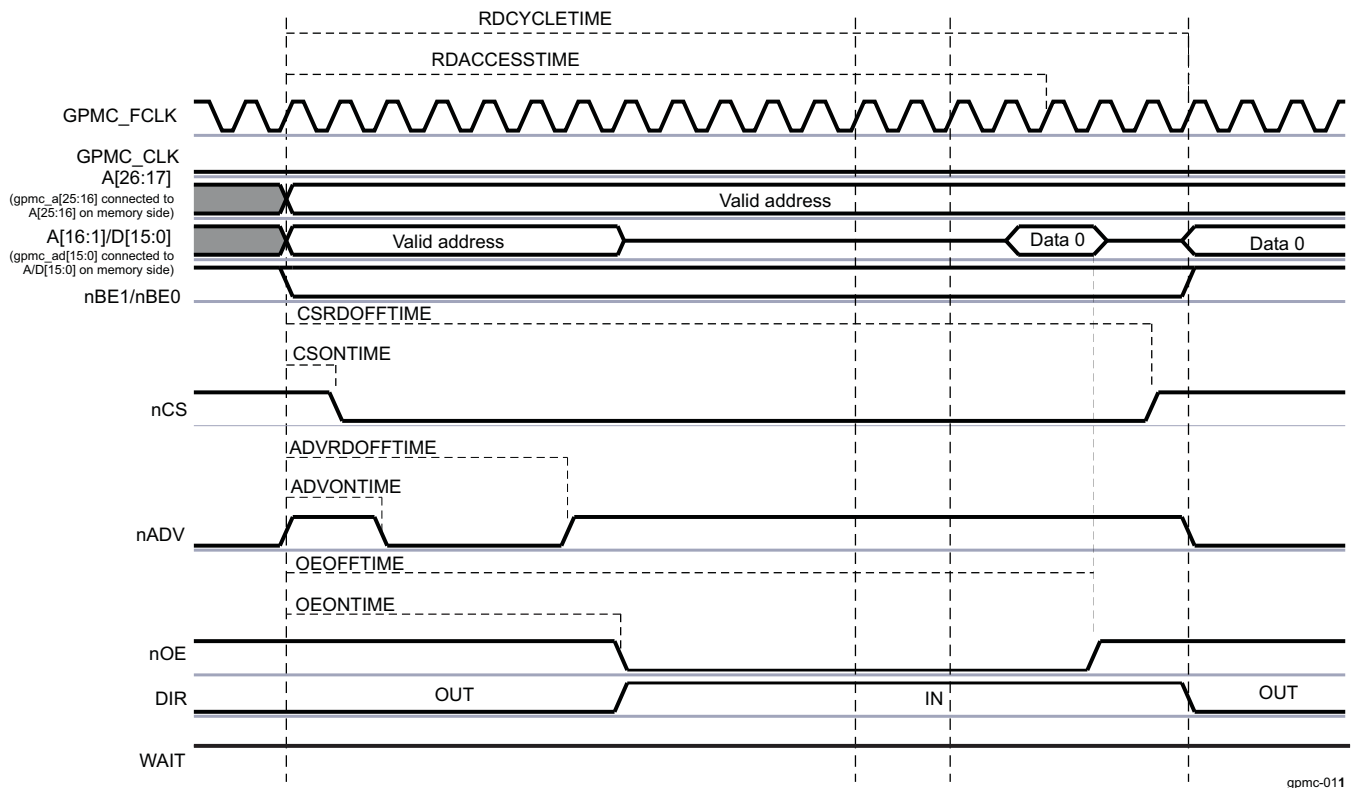
In asynchronous operations GPMC_CLK is not provided outside the GPMC and is kept low.

15.4.4.10.1.1 Access on Address/Data Multiplexed Devices

15.4.4.10.1.1.1 Asynchronous Single-Read Operation on an Address/Data Multiplexed Device

Figure 15-65 shows an asynchronous single read operation on an address/data-multiplexed device.

Figure 15-65. Asynchronous Single Read on an Address/Data-Multiplexed Device



For formulas to calculate timing parameters, see Section 15.4.5.6.1, GPMC Timing Parameters Formulas.

Table 15-479 lists the timing bit fields to set up to configure the GPMC in asynchronous single-read mode.

When the GPMC generates a read access to an address/data-multiplexed device, it drives the address bus until nOE assertion time. For more information, see Section 15.4.4.8.2.3, Address/Data-Multiplexing Interface.

Address bits (A[16:1] from a GPMC perspective, A[15:0] from an external device perspective) are placed on the address/data bus, and the remaining address bits gpmc_a[27:16] are placed on the address bus. The address phase ends at nOE assertion, when the DIR signal goes from OUT to IN.

- Chip-select signal nCS:
 - nCS assertion time is controlled by the GPMC_CONFIG2_i[3:0] CSONTIME bit field. It controls the address setup time to nCS assertion.
 - nCS deassertion time is controlled by the GPMC_CONFIG2_i[12:8] CSRDOFFTIME bit field. It controls the address hold time from nCS deassertion.
- Address valid signal nADV:
 - nADV assertion time is controlled by the GPMC_CONFIG3_i[3:0] ADVONTIME bit field.
 - nADV deassertion time is controlled by the GPMC_CONFIG3_i[12:8] ADVRDFFTIME bit field.
- Output enable signal nOE:
 - nOE assertion indicates a read cycle.
 - nOE assertion time is controlled by the GPMC_CONFIG4_i[3:0] OEONTIME bit field.
 - nOE deassertion time is controlled by the GPMC_CONFIG4_i[12:8] OEOFFTIME bit field.

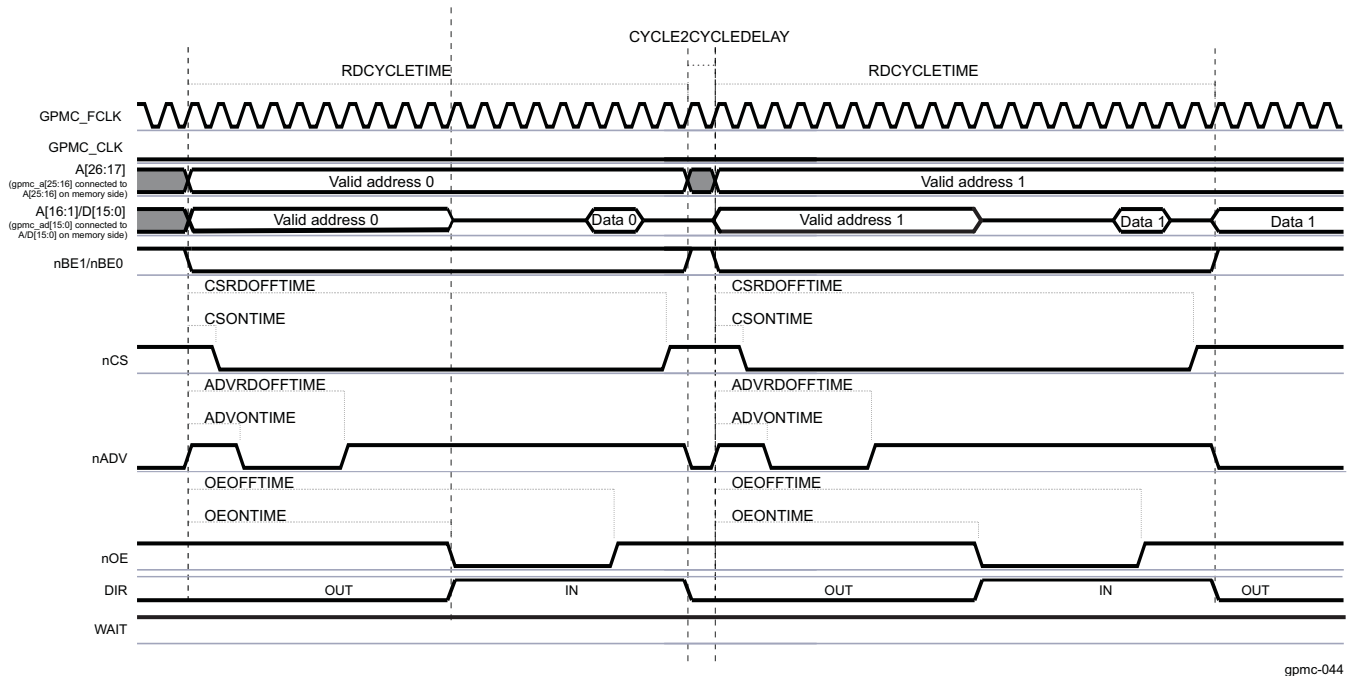
- Read data is latched when RDACCESSTIME completes. Access time is defined in the [GPMC_CONFIG5_i\[20:16\]](#) RDACCESSTIME bit field.
- Direction signal DIR: DIR goes from OUT to IN at the same time that nOE is asserted.
- The end of the access is defined by the [GPMC_CONFIG5_i\[4:0\]](#) RDCYCLETIME parameter.

In the GPMC, when a 16-bit wide device is attached to the controller, a 32-bit word write access is split into two 16-bit word write accesses. For more information about GPMC access size and type adaptation, see [Section 15.4.4.10.5, System Burst Versus External Device Burst Support](#).

Between two successive accesses, if an nCS pulse is needed:

- The [GPMC_CONFIG6_i\[11:8\]](#) CYCLE2CYCLEDELAY bit field can be programmed with the [GPMC_CONFIG6_i\[7\]](#) CYCLE2CYCLESAMECSSEN bit enabled.
- The CSWROFFTIME and CSONTIME parameters also allow a chip-select pulse, but this affects all other types of access.

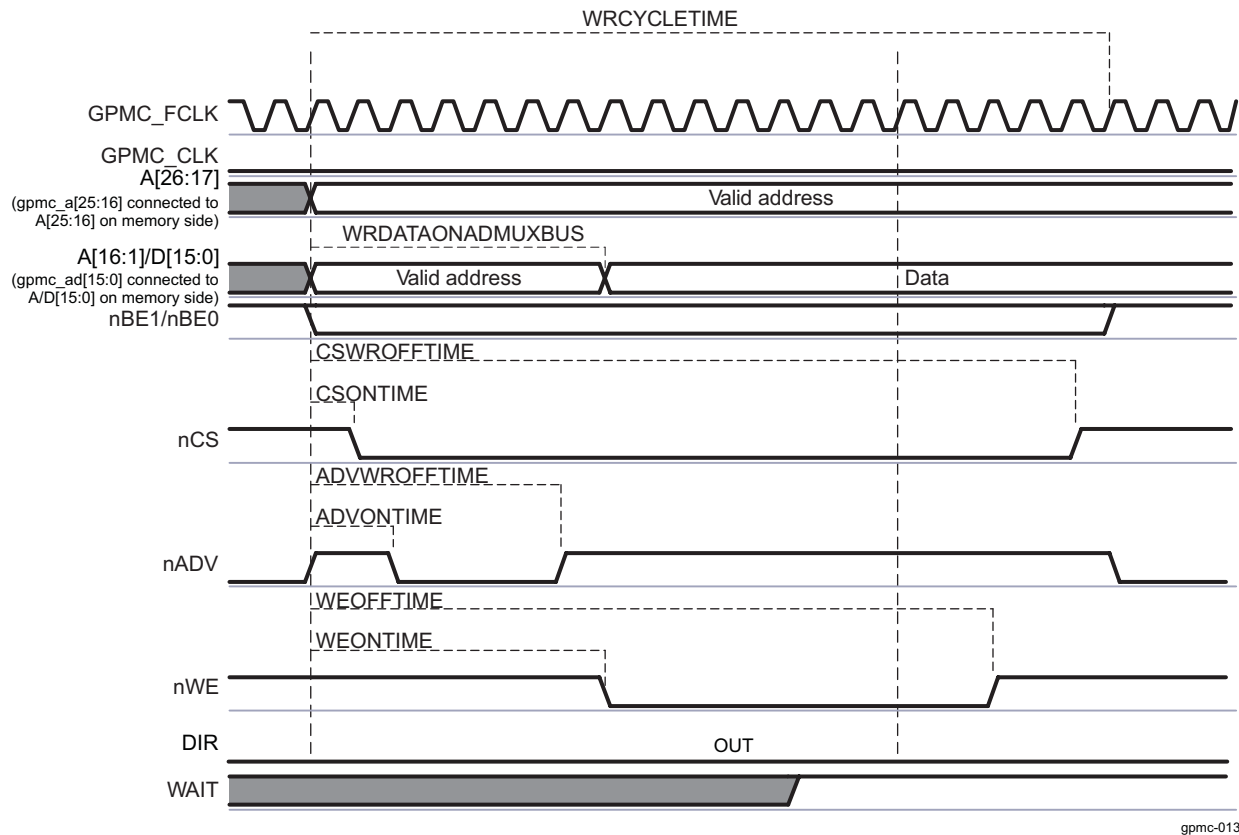
Figure 15-66. Two Asynchronous Single-Read Accesses on an Address/Data-Multiplexed Device (32-Bit Read Split Into 2 x 16-Bit Read)



15.4.4.10.1.1.2 Asynchronous Single-Write Operation on an Address/Data-Multiplexed Device

Figure 15-67 shows an asynchronous single-write operation on an address/data-multiplexed device.

Figure 15-67. Asynchronous Single-Write on an Address/Data-Multiplexed Device



gpmc-013

For formulas to calculate timing parameters, see [Section 15.4.5.6.1, GPMC Timing Parameters Formulas](#).

[Table 15-479](#) lists the timing bit fields to set up to configure the GPMC in asynchronous single-write mode.

When the GPMC generates a write access to an address/data-multiplexed device, it drives the address bus until nWE assertion time. For more information, see [Section 15.4.4.8.2.3, Address/Data-Multiplexing Interface](#).

The nCS and nADV signals are controlled in the same way as for a asynchronous single-read operation on an address/data-multiplexed device.

- Write enable signal nWE:
 - nWE assertion indicates a write cycle.
 - nWE assertion time is controlled by the [GPMC_CONFIG4_i\[19:16\] WEONTIME](#) bit field.
 - nWE deassertion time is controlled by the [GPMC_CONFIG4_i\[28:24\] WEOFFTIME](#) bit field.
- Direction signal DIR: DIR signal is OUT during the entire access.
- The end of the access is defined by the [GPMC_CONFIG5_i\[12:8\] WRCYCLETIME](#) parameter.

Address bits A[16:1] (GPMC point of view) are placed on the address/data bus at the start of cycle time, and the remaining address bits A[26:17] are placed on the address bus.

Data is driven on the address/data bus at a [GPMC_CONFIG6_i\[19:16\] WRDATAONADMUXBUS](#) time.

NOTE: Write multiple access in asynchronous mode is not supported. If WRITEMULTIPLE is enabled with WRITETYPE as asynchronous, the GPMC processes single asynchronous accesses.

After a write operation, if no other access (read or write) is pending, the data bus keeps its previous value. See [Section 15.4.4.9.10, Bus Keeping Support](#).

15.4.4.10.1.1.3 Asynchronous Multiple (Page) Write Operation on an Address/Data-Multiplexed Device

Write multiple (page) access in asynchronous mode is not supported for address/data-multiplexed devices.

If the [GPMC_CONFIG1_i\[28\]](#) WRITEMULTIPLE bit is enabled (0x1) with the [GPMC_CONFIG1_i\[27\]](#) WRITETYPE bit as asynchronous (0x0), the GPMC processes single asynchronous accesses.

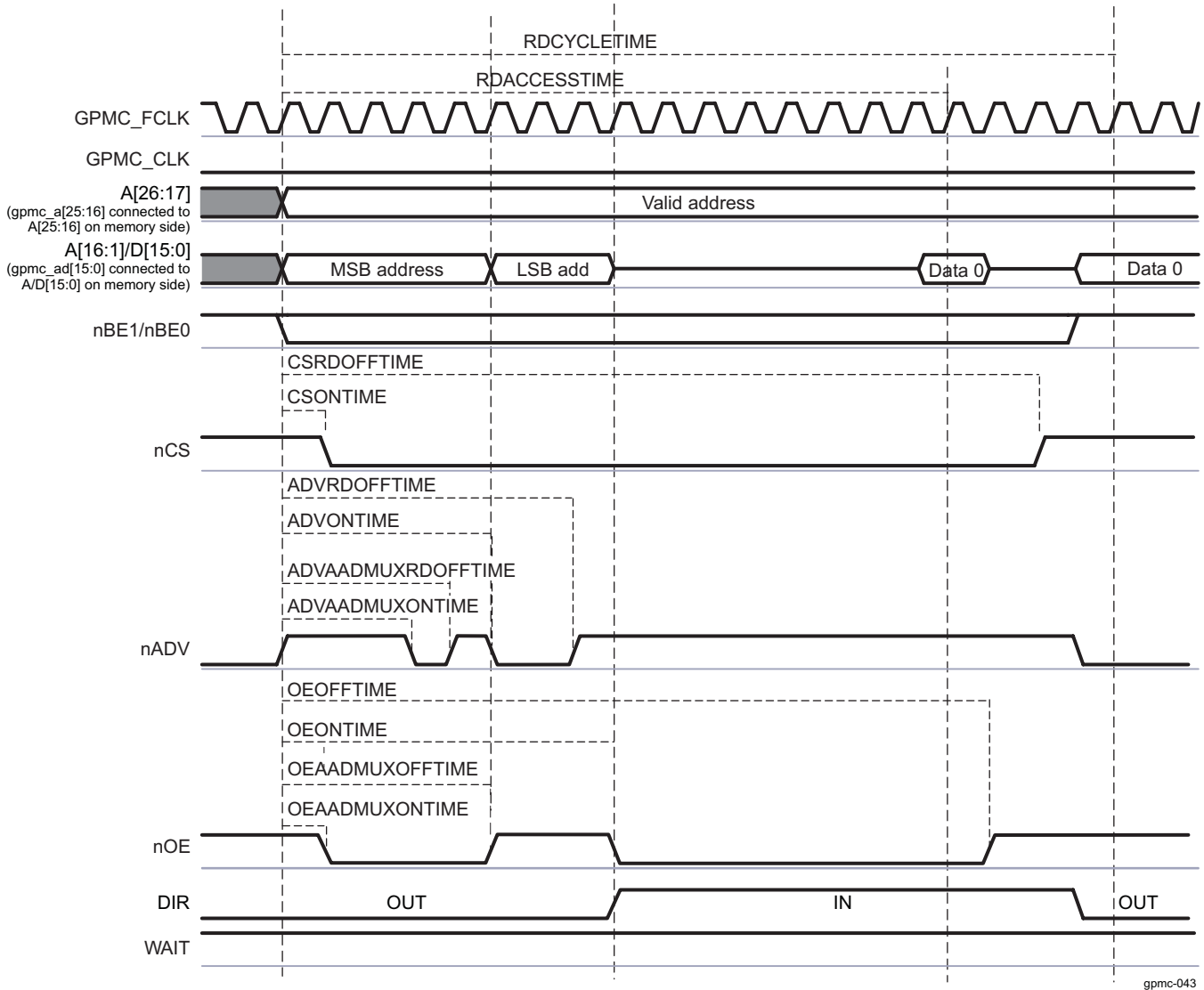
For accesses on nonmultiplexed devices, see [Section 15.4.4.10.3, Asynchronous and Synchronous Accesses in Nonmultiplexed Mode](#).

15.4.4.10.1.2 Access on Address/Address/Data-Multiplexed Devices

15.4.4.10.1.2.1 Asynchronous Single Read Operation on an AAD-Multiplexed Device

Figure 15-68 shows an asynchronous single-read operation on an AAD-multiplexed device.

Figure 15-68. Asynchronous Single Read on an AAD-Multiplexed Device



For formulas to calculate timing parameters, see Section 15.4.5.6.1, GPMC Timing Parameters Formulas.

Table 15-479 lists the timing bit fields to set up to configure the GPMC in asynchronous single write mode.

When the GPMC generates a read access to an AAD-multiplexed device, all address bits are driven onto the address/data bus in two separate phases. The first phase is used for the MSB address and is qualified with nOE driven low. The first address phase ends at the first nOE deassertion time. The second phase for LSB address is qualified with nOE driven high. The second address phase ends at the second nOE assertion time, when the DIR signal goes from OUT to IN.

The nCS and DIR signals are controlled in the same way as for an asynchronous single-read operation on an address/data-multiplexed device.

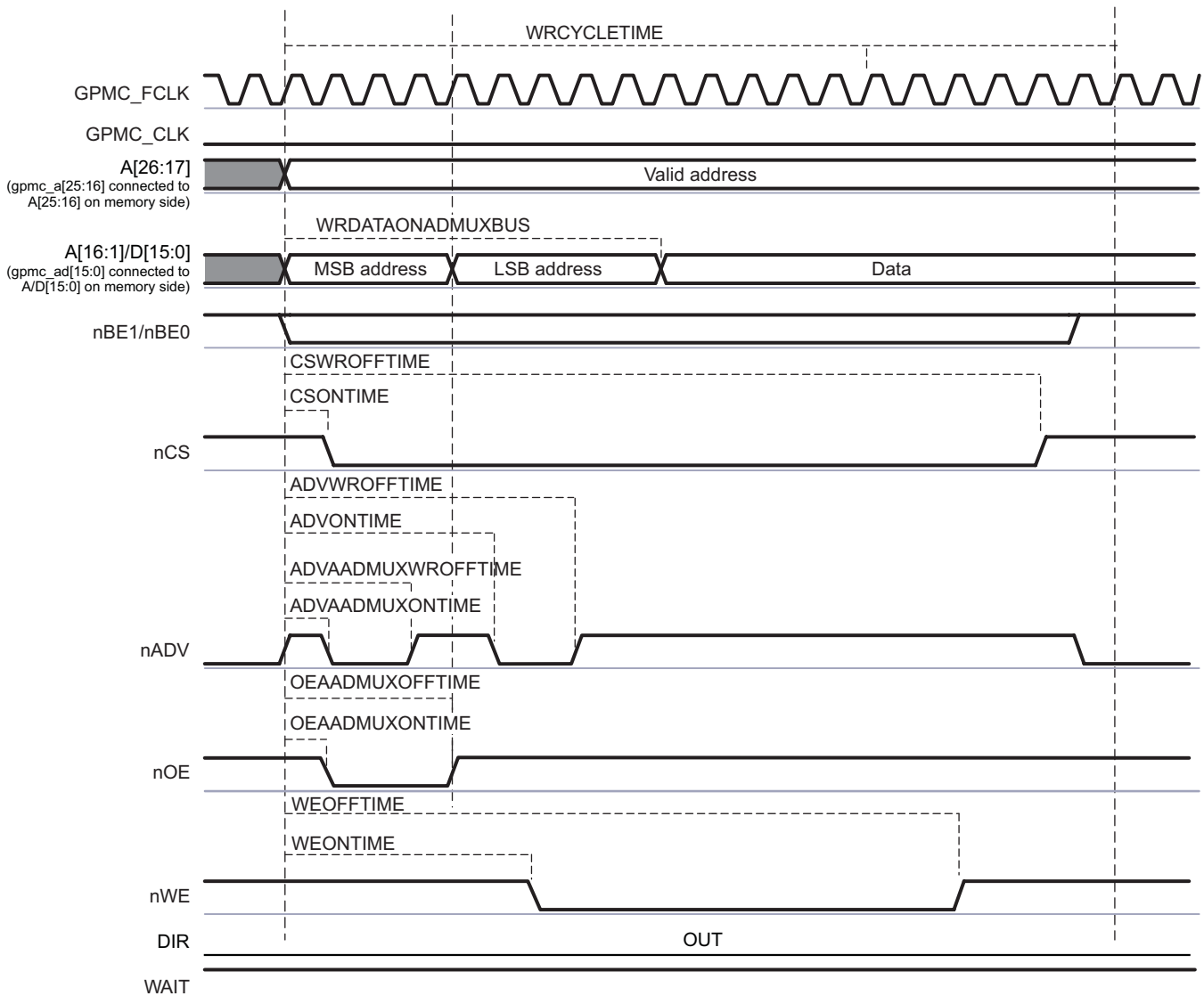
- Address valid signal nADV. nADV is asserted and deasserted twice during a read transaction:
 - nADV first assertion time is controlled by the GPMC_CONFIG3_i[6:4] ADVAADMUXONTIME bit field.

- nADV first deassertion time is controlled by the `GPMC_CONFIG3_i[26:24]` ADVAADMUXRD OFFTIME bit field.
- nADV second assertion time is controlled by the `GPMC_CONFIG3_i[3:0]` ADVONTIME bit field.
- nADV second deassertion time is controlled by the `GPMC_CONFIG3_i[12:8]` ADVRDOFFTIME bit field.
- Output Enable signal nOE. nOE is asserted and deasserted twice during a read transaction (nOE second assertion indicates a read cycle):
 - nOE first assertion time is controlled by the `GPMC_CONFIG4_i[6:4]` OEAADMUXONTIME bit field.
 - nOE first deassertion time is controlled by the `GPMC_CONFIG3_i[15:13]` OEAADMUXOFFTIME bit field.
 - nOE second assertion time is controlled by the `GPMC_CONFIG4_i[3:0]` OEONTIME bit field.
 - nOE second deassertion time is controlled by the `GPMC_CONFIG4_i[12:8]` OEOFFTIME bit field.

15.4.4.10.1.2.2 Asynchronous Single-Write Operation on an AAD-Multiplexed Device

Figure 15-69 shows an asynchronous single-write operation on an AAD-multiplexed device.

Figure 15-69. Asynchronous Single Write on an AAD-Multiplexed Device



gpmc-042

For formulas to calculate timing parameters, see [Section 15.4.5.6.1, GPMC Timing Parameters Formulas](#).

[Table 15-479](#) lists the timing bit fields to set up to configure the GPMC in asynchronous single-write mode.

When the GPMC generates a write access to an AAD-multiplexed device, all address bits are driven onto the address/data bus in two separate phases. The first phase is used for the MSB address and is qualified with nOE driven low. The second phase for LSB address is qualified with nOE driven high. The address phase ends at nWE assertion time.

The nCS, nWE, and DIR signals are controlled in the same way as for an asynchronous single-write operation on an address/data-multiplexed device. See [Table 15-470](#).

- Address valid signal nADV is asserted and deasserted twice during a write transaction:
 - nADV first assertion time is controlled by the [GPMC_CONFIG3_i\[6:4\]](#) ADVAADMUXONTIME bit field.
 - nADV first deassertion time is controlled by the [GPMC_CONFIG3_i\[30:28\]](#) ADVAADMUXWROFFTIME bit field.
 - nADV second assertion time is controlled by the [GPMC_CONFIG3_i\[3:0\]](#) ADVONTIME bit field.
 - nADV second deassertion time is controlled by the [GPMC_CONFIG3_i\[20:16\]](#) ADVWROFFTIME bit field.
- Output enable signal nOE is asserted during the address phase of a write transaction:
 - nOE assertion time is controlled by the [GPMC_CONFIG4_i\[6:4\]](#) OEAADMUXONTIME bit field.
 - nOE deassertion time is controlled by the [GPMC_CONFIG3_i\[15:13\]](#) OEAADMUXOFFTIME bit field.

The address bits for the first address phase are driven onto the data bus until nOE deassertion. Data is driven onto the address/data bus at the clock edge defined by the [GPMC_CONFIG6_i\[19:16\]](#) WRDATAONADMUXBUS parameter.

15.4.4.10.1.2.3 Asynchronous Multiple (Page) Read Operation on an AAD-Multiplexed Device

Write multiple (page) access in asynchronous mode is not supported for AAD-multiplexed devices.

If the [GPMC_CONFIG1_i\[28\]](#) WRITEMULTIPLE bit is enabled (0x1) with the [GPMC_CONFIG1_i\[27\]](#) WRITETYPE bit as asynchronous (0x0), the GPMC processes single asynchronous accesses.

For accesses on nonmultiplexed devices, see [Section 15.4.4.10.3, Asynchronous and Synchronous Accessed in Nonmultiplexed Mode](#).

15.4.4.10.2 Synchronous Access Description

This section describes read and write synchronous accesses on address/data-multiplexed devices. All information in this section can be applied to any type of memory (nonmultiplexed, address and data-multiplexed, or AAD-multiplexed) with the difference limited to the address phase. For accesses on nonmultiplexed devices, see [Section 15.4.4.10.3, Asynchronous and Synchronous Accessed in Nonmultiplexed Mode](#).

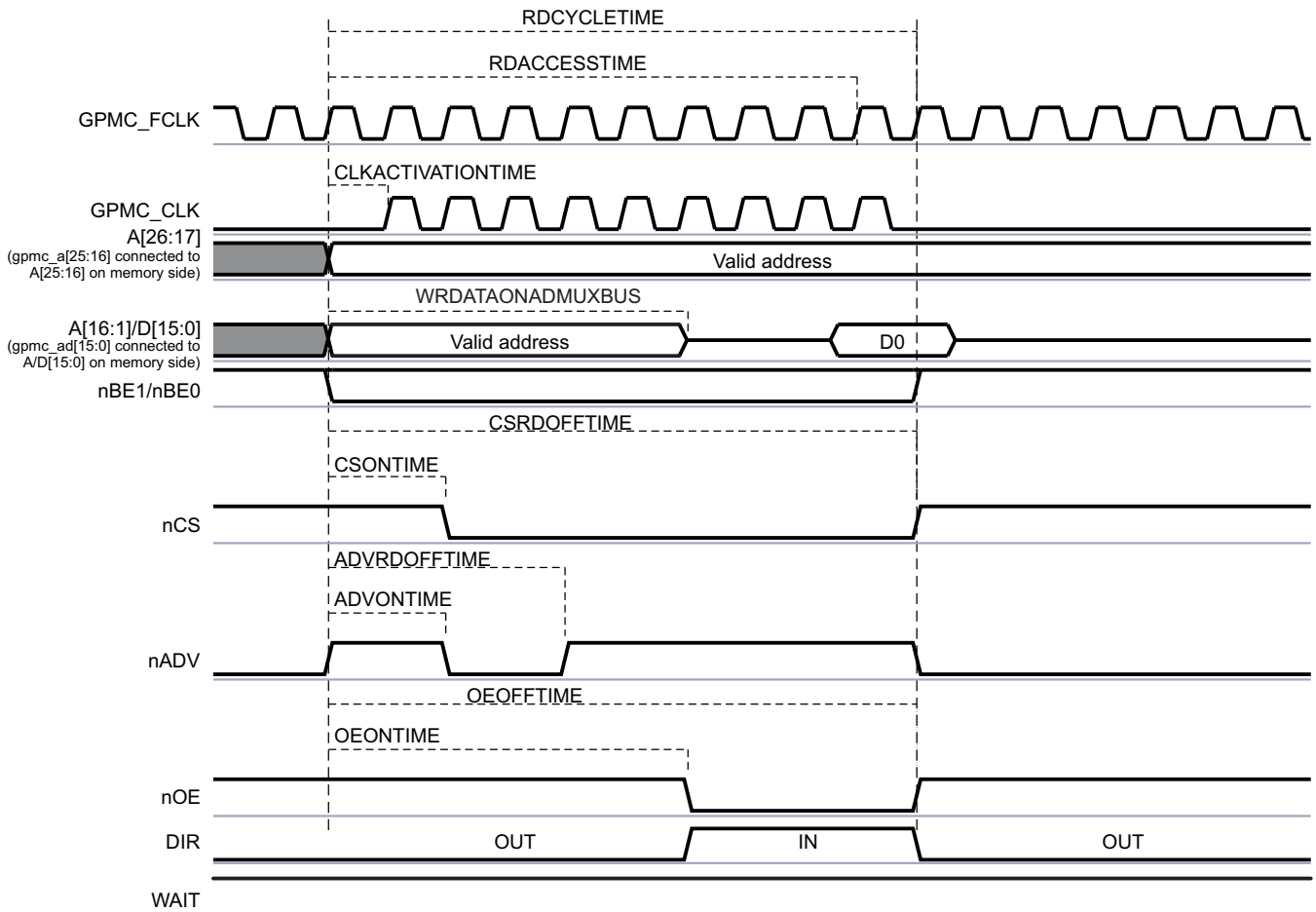
In synchronous operations:

- The GPMC_CLK clock is provided outside the GPMC when accessing the memory device.
- The GPMC_CLK clock is derived from the GPMC_FCLK clock using the [GPMC_CONFIG1_i\[1:0\]](#) GPMCFCLKDIVIDER bit field. In the following section i stands for the chip-select number, i = 0 to 7.
- The [GPMC_CONFIG1_i\[26:25\]](#) CLKACTIVATIONTIME bit field specifies that the GPMC_CLK is provided outside the GPMC for 0 to 2 GPMC_FCLK cycles after start access time until RDCYCLETIME or WRCYCLETIME completes.

15.4.4.10.2.1 Synchronous Single Read

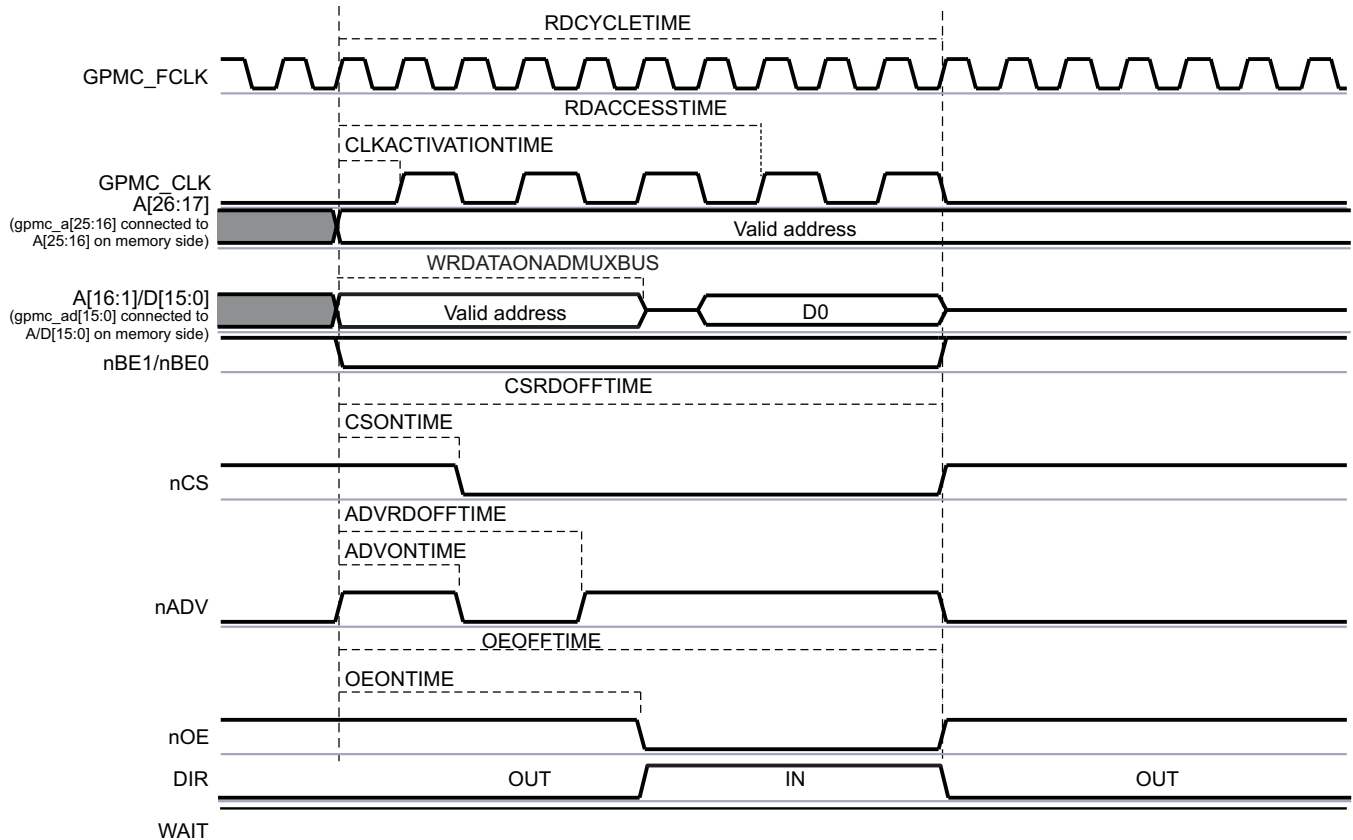
[Figure 15-70](#) and [Figure 15-71](#) show a synchronous single-read operation with GPMCFCLKDIVIDER equal to 0 and 1, respectively.

Figure 15-70. Synchronous Single Read (GPMCFCLKDIVIDER = 0)



gpmc-015

Figure 15-71. Synchronous Single Read (GPMCFCLKDIVIDER = 1)



gpmc-016

For formulas to calculate timing parameters, see [Section 15.4.5.6.1, GPMC Timing Parameters Formulas](#).

[Table 15-479](#) lists the timing bit fields to set up to configure the GPMC in asynchronous single-read mode.

When the GPMC generates a read access to an address/data-multiplexed device, it drives the address bus until nOE assertion time. For more information, see [Section 15.4.4.8.2.3, Address/Data-Multiplexing Interface](#).

- Chip-select signal nCS:
 - nCS assertion time is controlled by the [GPMC_CONFIG2_i\[3:0\]](#) CSONTIME bit field and ensures address setup time to nCS assertion.
 - nCS deassertion time is controlled by the [GPMC_CONFIG2_i\[12:8\]](#) CSRDOFFTIME bit field and ensures address hold time to nCS deassertion.
- Address valid signal nADV:
 - nADV assertion time is controlled by the [GPMC_CONFIG3_i\[3:0\]](#) ADVONTIME bit field.
 - nADV deassertion time is controlled by the [GPMC_CONFIG3_i\[12:8\]](#) ADVRDOFFTIME bit field.
- Output enable signal nOE:
 - nOE assertion indicates a read cycle.
 - nOE assertion time is controlled by the [GPMC_CONFIG4_i\[3:0\]](#) OEONTIME bit field.
 - nOE deassertion time is controlled by the [GPMC_CONFIG4_i\[12:8\]](#) OEOFFTIME bit field.
- Initial latency for the first read data is controlled by [GPMC_CONFIG5_i\[20:16\]](#) RDACCESSTIME bit field or by monitoring the WAIT signal.
- Total access time (the [GPMC_CONFIG5_i\[4:0\]](#) RDCYCLETIME bit field) corresponds to RDACCESSTIME plus the address hold time from nCS deassertion, plus time from RDACCESSTIME to CSRDOFFTIME.

- Direction signal DIR: DIR goes from OUT to IN at the same time as nOE assertion.

When the GPMC generates a write access to an AAD-multiplexed device, all address bits are driven onto the address/data bus in two separate phases. The first phase is used for the MSB address and is qualified with nOE driven low. The second phase for LSB address is qualified with nOE driven high. The address phase ends at nWE assertion time.

The nCS and DIR signals are controlled in the same way as for a synchronous single-read operation on an address/data-multiplexed device.

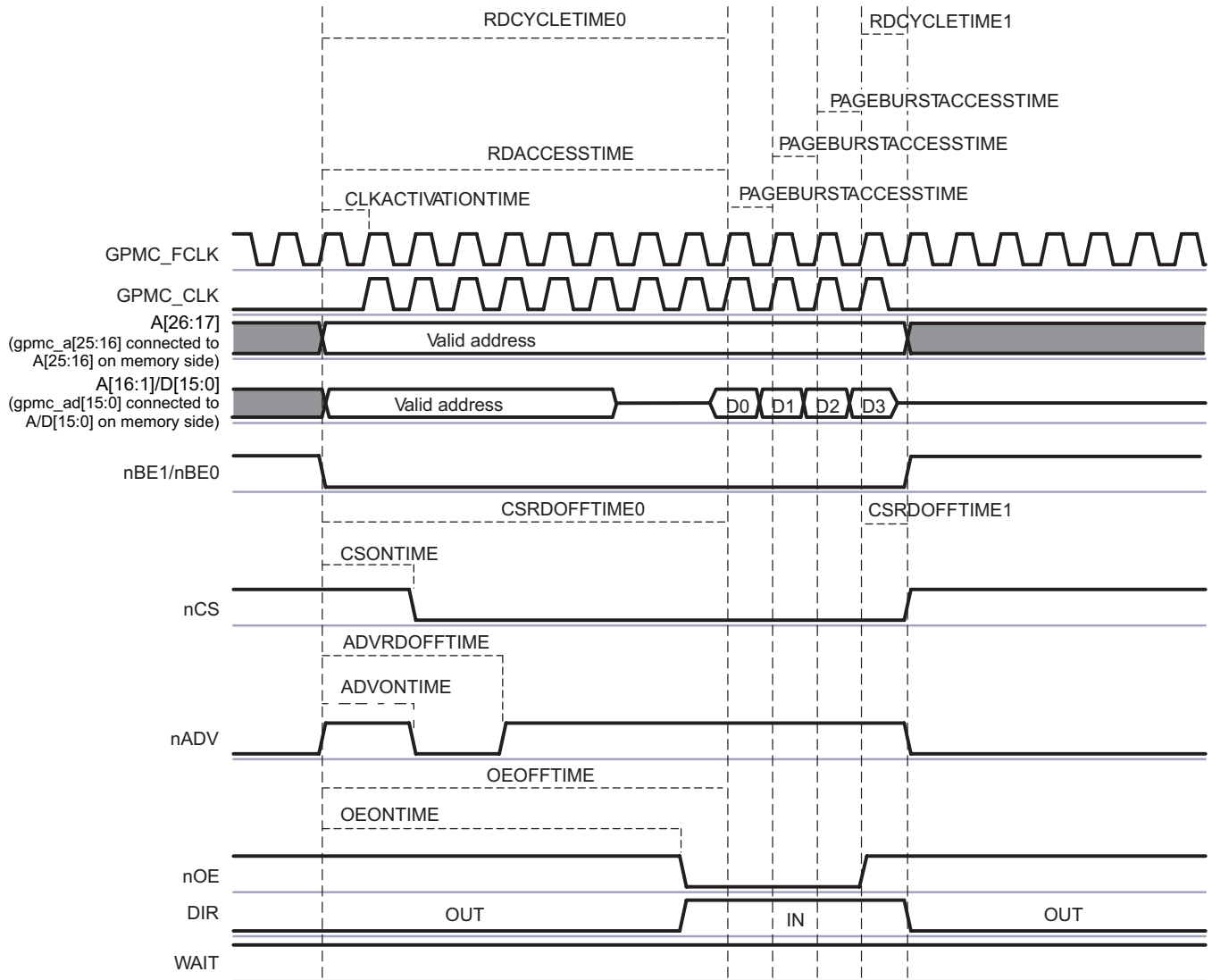
- Address valid signal nADV is asserted and deasserted twice during a read transaction:
 - nADV first assertion time is controlled by the [GPMC_CONFIG3_i\[6:4\]](#) ADVAADMUXONTIME bit field.
 - nADV first deassertion time is controlled by the [GPMC_CONFIG3_i\[26:24\]](#) ADVAADMUXRDOFFTIME bit field.
 - nADV second assertion time is controlled by the [GPMC_CONFIG3_i\[3:0\]](#) ADVONTIME bit field.
 - nADV second deassertion time is controlled by the [GPMC_CONFIG3_i\[12:8\]](#) ADVRDOFFTIME bit field.
- Output Enable signal nOE is asserted and deasserted twice during a read transaction (nOE second assertion indicates a read cycle):
 - nOE first assertion time is controlled by the [GPMC_CONFIG4_i\[6:4\]](#) OEAADMUXONTIME bit field.
 - nOE first deassertion time is controlled by the [GPMC_CONFIG3_i\[15:13\]](#) OEAADMUXOFFTIME bit field.
 - nOE second assertion time is controlled by the [GPMC_CONFIG4_i\[3:0\]](#) OEONTIME bit field.
 - nOE second deassertion time is controlled by the [GPMC_CONFIG4_i\[12:8\]](#) OEOFFTIME bit field.

After a read operation, if no other access (read or write) is pending, the data bus is driven with the previous read value. See [Section 15.4.4.9.10](#), *Bus Keeping Support*.

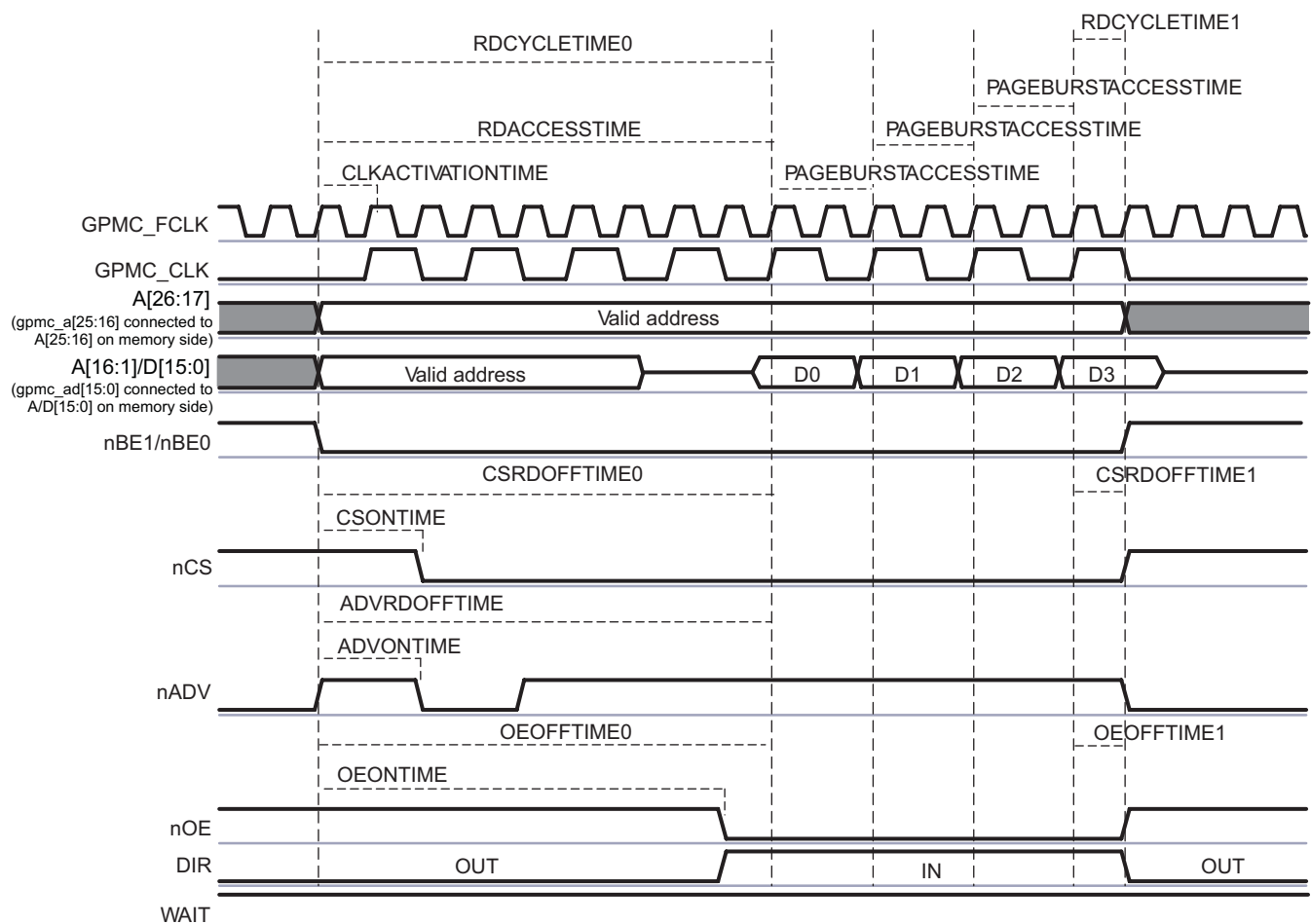
15.4.4.10.2.2 Synchronous Multiple (Burst) Read (4-, 8-, 16-Word16 Burst With Wraparound Capability)

[Figure 15-72](#) and [Figure 15-73](#) show a synchronous multiple-read operation with GPMCFCLKDivider equal to 0 and 1, respectively.

Figure 15-72. Synchronous Multiple (Burst) Read (GPMCFCLKDIVIDER = 0)



gpmc-018

Figure 15-73. Synchronous Multiple (Burst) Read (GPMCFCLKDIVIDER = 1)


gpmc-019

When the [GPMC_CONFIG5_i\[20:16\]](#) RDACCESSTIME bit field completes, control-signal timings are frozen during the multiple data transactions, corresponding to the [GPMC_CONFIG5_i\[27:24\]](#) PAGEBURSTACCESSTIME bit field multiplied by the number of remaining data transactions.

The nCS, nADV, nOE, and DIR signals are controlled in the same way as for a synchronous single-read operation. See [Table 15-465](#).

Initial latency for the first read data is controlled by RDACCESSTIME or by monitoring the WAIT signal. Successive read data are provided by the memory device every one or two GPMC_CLK cycles. The PAGEBURSTACCESSTIME parameter must be set accordingly with the [GPMC_CONFIG1_i\[1:0\]](#) GPMCFCLKDIVIDER bit field and the memory-device internal configuration. Depending on the device page length, the GPMC checks the device page crossing during a new burst request and purposely inserts initial latency (of RDACCESSTIME) when required.

Total access time [GPMC_CONFIG5_i\[4:0\]](#) RDCYCLETIME corresponds to RDACCESSTIME plus the address hold time from nCS deassertion. In [Figure 15-73](#), the programmed value of RDCYCLETIME equals RDCYCLETIME0 + RDCYCLETIME1.

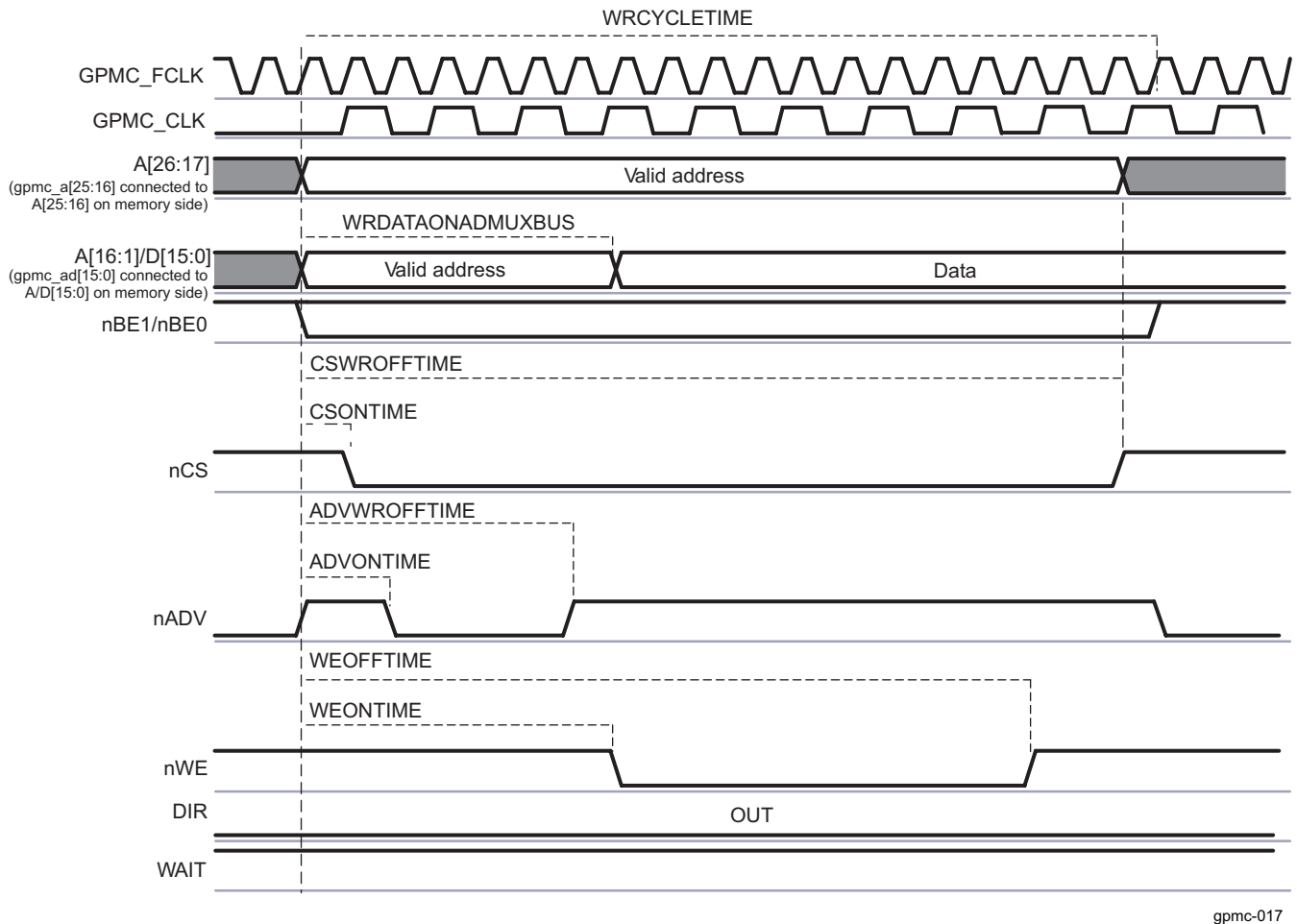
After a read operation, if no other access (read or write) is pending, the data bus is driven with the previous read value. See [Section 15.4.4.9.10, Bus Keeping Support](#).

Burst wraparound is enabled through the [GPMC_CONFIG1_i\[31\]](#) WRAPBURST bit and allows a 4-, 8-, or 16-Word16 linear burst access to wrap within its burst-length boundary through the [GPMC_CONFIG1_i\[24:23\]](#) ATTACHEDDEVICEPAGELENGTH bit field.

15.4.4.10.2.3 Synchronous Single Write

Burst write mode is used for synchronous single or burst accesses.

Figure 15-74. Synchronous Single Write on an Address/Data-Multiplexed Device



gpmc-017

When the GPMC generates a write access to an address/data-multiplexed device, it drives the data bus (with address bits A[16:1]) until the [GPMC_CONFIG6_i\[19:16\]](#) WRDATAONADMUXBUS bit field time. The first data of the burst is driven on the address/data bus at WRDATAONADMUXBUS time.

15.4.4.10.2.4 Synchronous Multiple (Burst) Write

Synchronous burst write mode provides synchronous single or consecutive accesses.

[Figure 15-75](#) shows a synchronous burst write access when the chip-select is configured in address/data-multiplexed mode.

Figure 15-75. Synchronous Multiple Write (Burst Write) in Address/Data-Multiplexed Mode

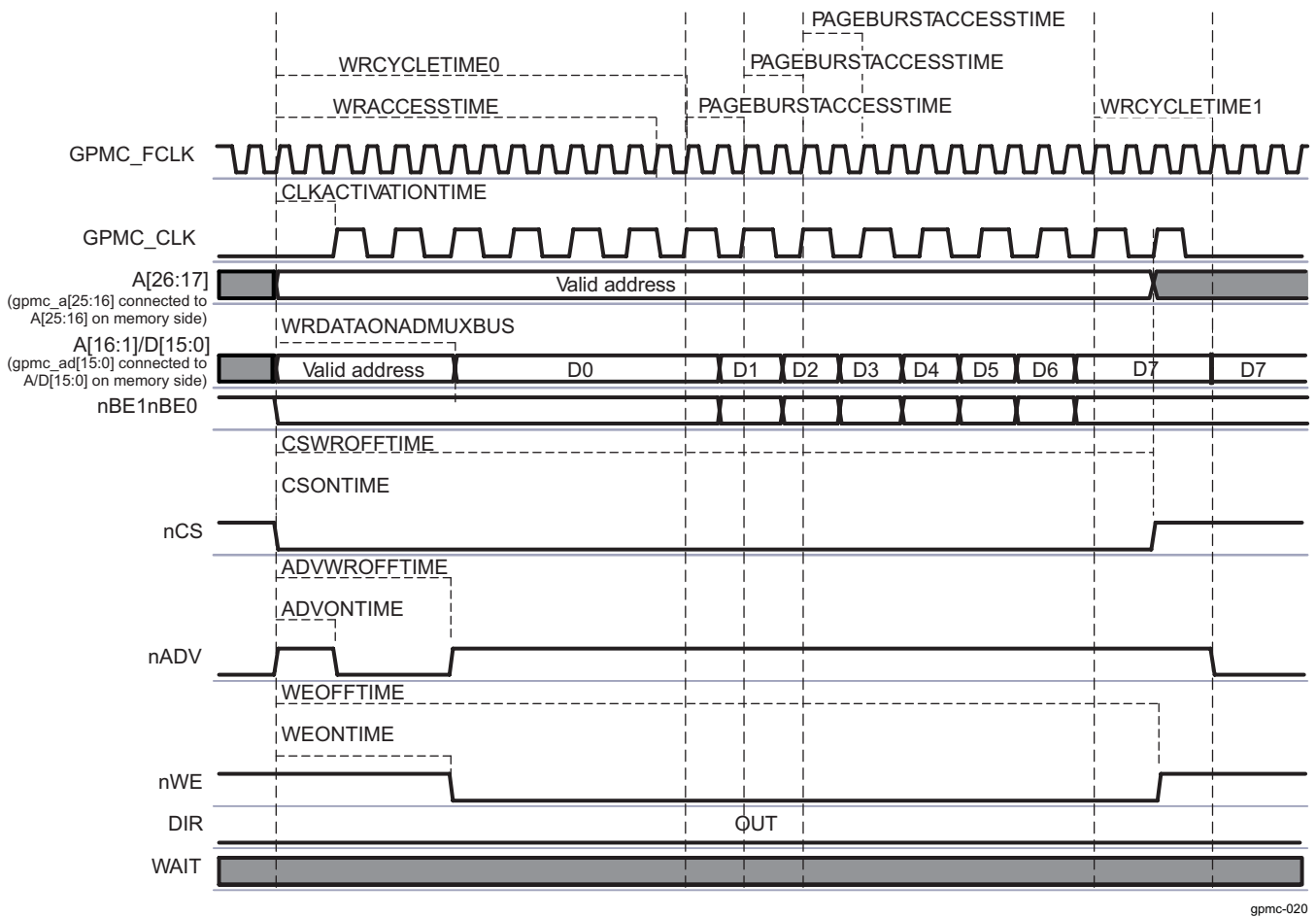
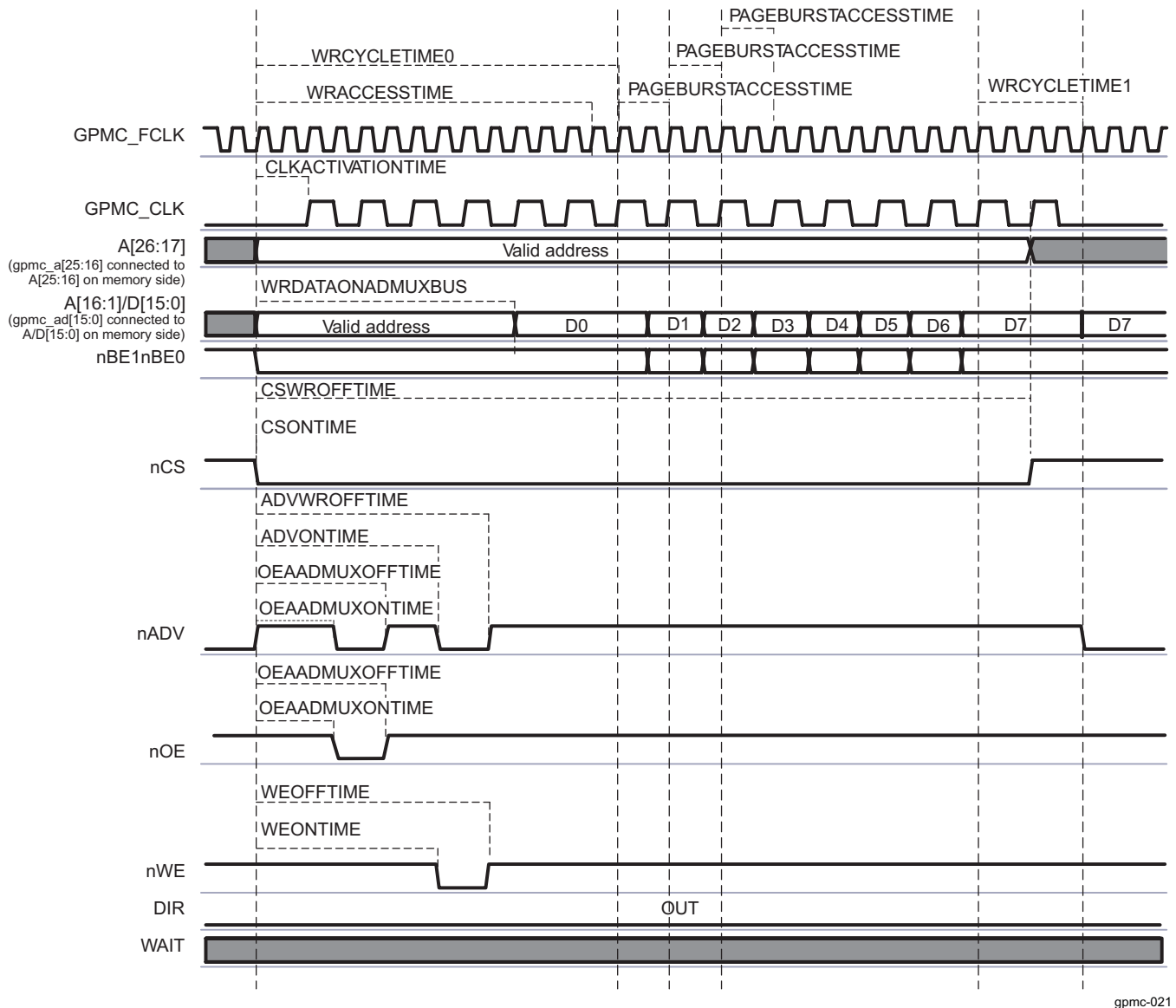


Figure 15-76 shows the same synchronous burst write access when the chip-select is configured in address/address/data-multiplexed (AAD-multiplexed) mode.

gpmc-020

Figure 15-76. Synchronous Multiple Write (Burst Write) in Address/Address/Data-Multiplexed Mode



gpmc-021

The first data of the burst is driven on the A/D bus at the [GPMC_CONFIG6_i\[19:16\]](#) WRDATAONADMUXBUS bit field.

When WRACCESSTIME completes, control-signal timings are frozen during the multiple data transactions, corresponding to the [GPMC_CONFIG5_i\[27:24\]](#) PAGEBURSTACCESSTIME bit field multiplied by the number of remaining data transactions.

When the GPMC generates a read access to an address/data-multiplexed device, it drives the address bus until nOE assertion time. For more information, see [Section 15.4.4.8.2.3, Address/Data-Multiplexing Interface](#).

- Chip-select signal nCS:
 - nCS assertion time is controlled by the [GPMC_CONFIG2_i\[3:0\]](#) CSONTIME bit field (where i = 0 to 7) and ensures address setup time to nCS assertion.
 - nCS deassertion time controlled by the [GPMC_CONFIG2_i\[20:16\]](#) CSWROFFTIME bit field and ensures address hold time to nCS deassertion.
- Address valid signal nADV:
 - nADV assertion time is controlled by the [GPMC_CONFIG3_i\[3:0\]](#) ADVONTIME bit field.

- nADV deassertion time is controlled by the [GPMC_CONFIG3_i\[20:16\]](#) ADVWROFFTIME bit field.
- Write enable signal nWE:
 - nWE assertion indicates a read cycle.
 - nWE assertion time is controlled by the [GPMC_CONFIG4_i\[19:16\]](#) WEONTIME bit field.
 - nWE deassertion time is controlled by the [GPMC_CONFIG4_i\[28:24\]](#) WEOFFTIME bit field.

NOTE: The nWE falling edge must not be used to control the time when the burst first data is driven in the address/data bus, because some new devices require the nWE signal to be low during the address phase.

- Direction signal DIR is OUT during the entire access.

When the GPMC generates a write access to an AAD-multiplexed device, all address bits are driven onto the address/data bus in two separate phases. The first phase is used for the MSB address and is qualified with nOE driven low. The second phase for LSB address is qualified with nOE driven high. The address phase ends at nWE assertion time.

The nCS, and DIR signals are controlled as previously described..

- Address valid signal nADV is asserted and deasserted twice during a read transaction:
 - nADV first assertion time is controlled by the [GPMC_CONFIG3_i\[6:4\]](#) ADVAADMUXONTIME bit field.
 - nADV first deassertion time is controlled by the [GPMC_CONFIG3_i\[26:24\]](#) ADVAADMUXRDOFFTIME bit field.
 - nADV second assertion time is controlled by the [GPMC_CONFIG3_i\[3:0\]](#) ADVONTIME bit field.
 - nADV second deassertion time is controlled by the [GPMC_CONFIG3_i\[12:8\]](#) ADVRDOFFTIME bit field.
- Output Enable signal nOE is asserted and deasserted twice during a read transaction (nOE second assertion indicates a read cycle):
 - nOE first assertion time is controlled by the [GPMC_CONFIG4_i\[6:4\]](#) OEAADMUXONTIME bit field.
 - nOE first deassertion time is controlled by the [GPMC_CONFIG4_i\[15:13\]](#) OEAADMUXOFFTIME bit field.
 - nOE second assertion time is controlled by the [GPMC_CONFIG4_i\[3:0\]](#) OEONTIME bit field.
 - nOE second deassertion time is controlled by the [GPMC_CONFIG4_i\[12:8\]](#) OEOFFTIME bit field.

First write data is driven by the GPMC at [GPMC_CONFIG6_i\[19:16\]](#) WRDATAONADMUXBUS, when in address/data-multiplexed configuration. The next write data of the burst is driven on the bus at $WRACCESSTIME + 1$ during [GPMC_CONFIG5_i\[27:24\]](#) PAGEBURSTACCESSTIME [GPMC_FCLK](#) cycles. The last data of the synchronous burst write is driven until [GPMC_CONFIG5_i\[12:8\]](#) WRCYCLETIME completes.

- WRACCESSTIME is defined in the [GPMC_CONFIG6_i\[28:24\]](#) bit field.
- The PAGEBURSTACCESSTIME parameter must be set accordingly with GPMCFCLKDIVIDER and the memory-device internal configuration.

Total access time [GPMC_CONFIG5_i\[12:8\]](#) WRCYCLETIME corresponds to WRACCESSTIME plus the address hold time from nCS deassertion. In [Figure 15-75](#), the programmed value of WRCYCLETIME equals $WRCYCLETIME0 + WRCYCLETIME1$. WRCYCLETIME0 and WRCYCLETIME1 delays are not actual parameters and are only a graphical representation of the full WRCYCLETIME value.

After a write operation, if no other access (read or write) is pending, the data bus keeps the previous value. See [Section 15.4.4.9.10, Bus Keeping Support](#).

15.4.4.10.3 Asynchronous and Synchronous Accesses in Nonmultiplexed Mode

Page mode is available only in nonmultiplexed mode.

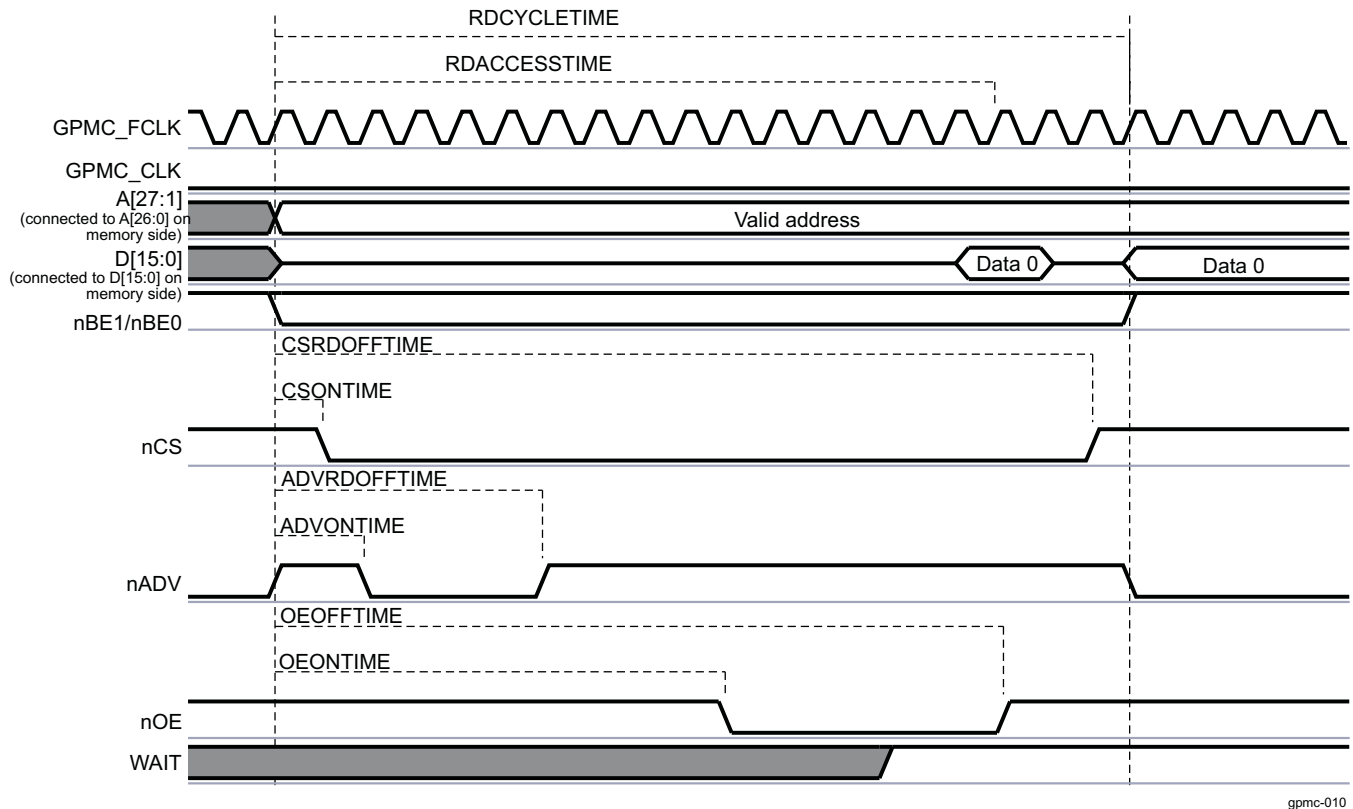
- Asynchronous single-read operation on a nonmultiplexed device
- Asynchronous single-write operation on a nonmultiplexed device
- Asynchronous multiple- (page mode) read operation on a nonmultiplexed device

- Synchronous operations on a nonmultiplexed device

15.4.4.10.3.1 Asynchronous Single-Read Operation on Nonmultiplexed Device

Figure 15-77 shows an asynchronous single-read operation on a nonmultiplexed device.

Figure 15-77. Asynchronous Single Read on an Address/Data-Nonmultiplexed Device



The 27-bit address (For a 16-bit data memory device, hence GPMC A[0] is not necessary to be output) is driven onto the address bus A[27:1] and the 16-bit data is driven onto the data bus D[15:0].

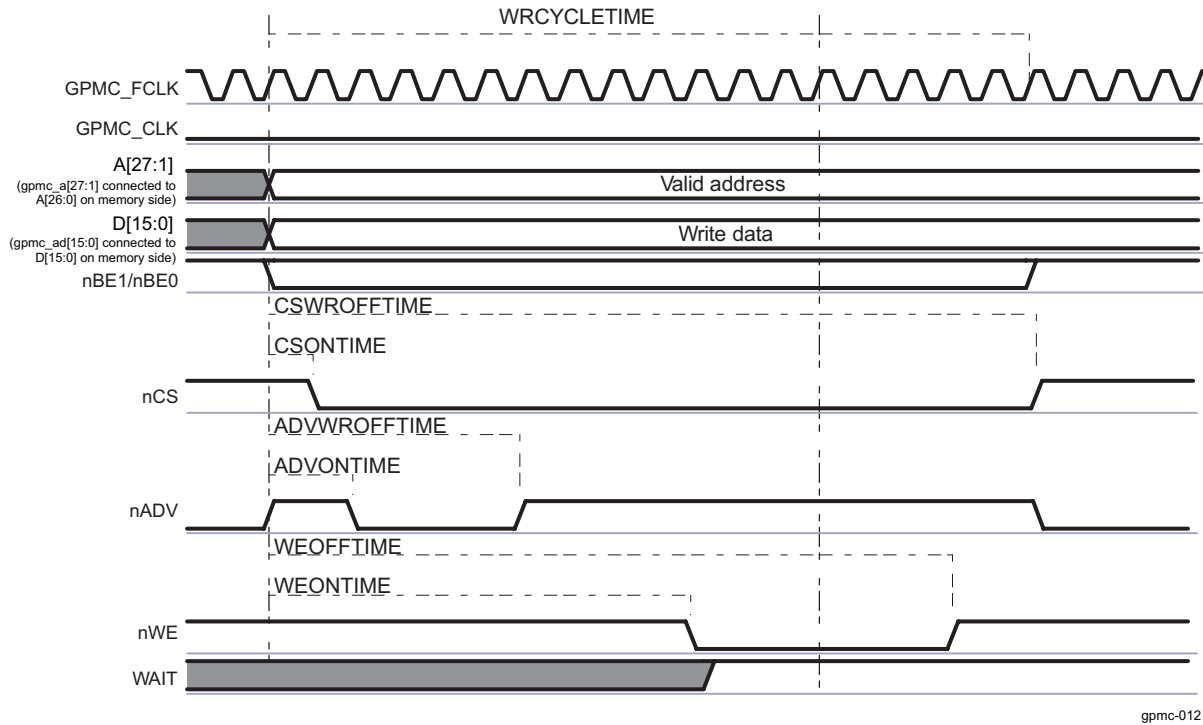
Read data is latched at `GPMC_CONFIG1_5[20:16]` RDACCESSTIME completion time. The end of the access is defined by the `GPMC_CONFIG1_5[4:0]` RDCYCLETIME parameter.

The nCS, nADV, nOE, and DIR signals are controlled in the same way as address/data-multiplexed accesses (see [Table 15-470](#)).

15.4.4.10.3.2 Asynchronous Single-Write Operation on Nonmultiplexed Device

Figure 15-78 shows an asynchronous single-write operation on a nonmultiplexed device.

Figure 15-78. Asynchronous Single Write on an Address/Data-Nonmultiplexed Device

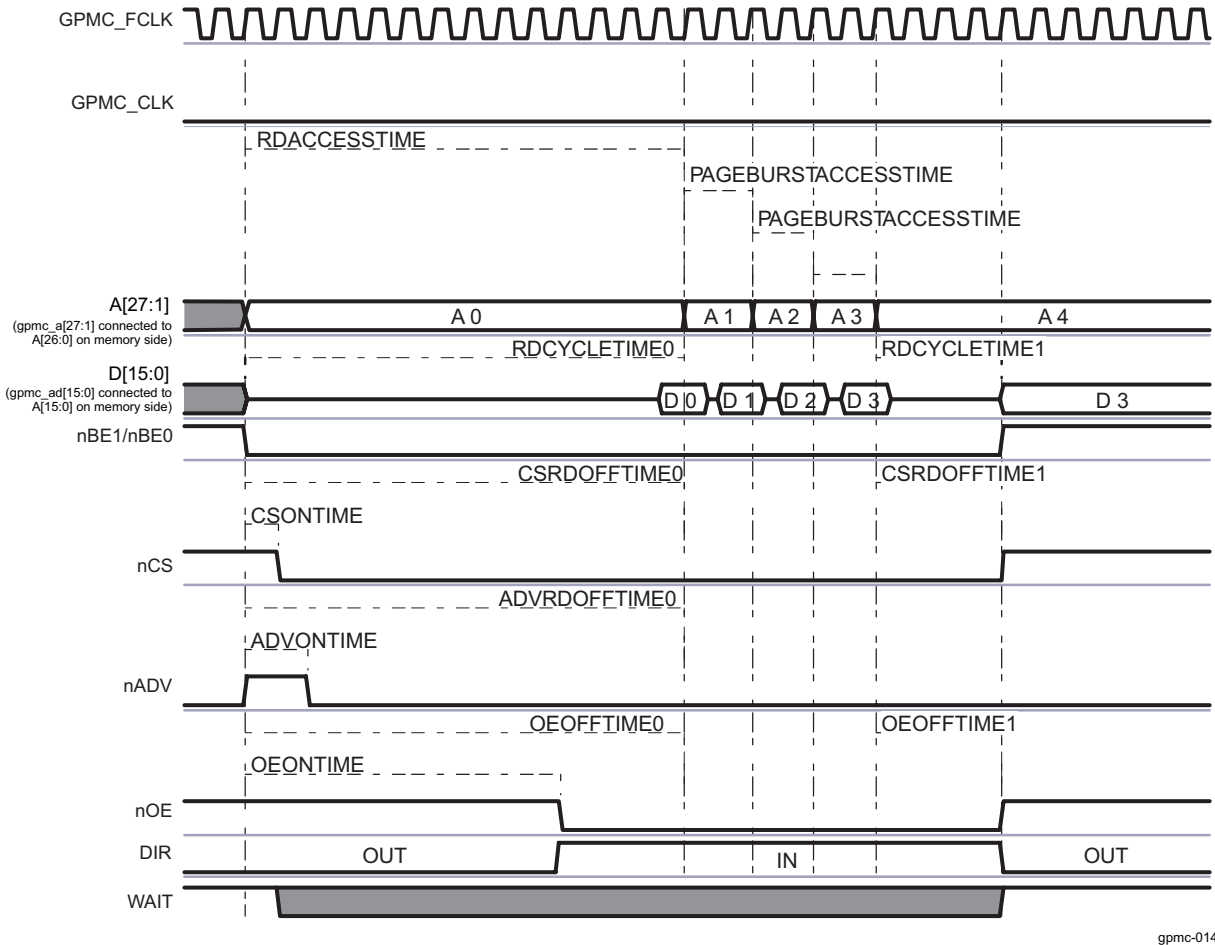


The nCS, nADV, nWE, and DIR signals are controlled in the same way as address/data-multiplexed accesses (see [Table 15-470](#)).

15.4.4.10.3.3 Asynchronous Multiple (Page Mode) Read Operation on Nonmultiplexed Device

[Figure 15-79](#) shows an asynchronous multiple-read operation on a nonmultiplexed device in which two word32 host read accesses to the GPMC are split into one multiple- (page mode of 4 word16) read access to the attached device.

Figure 15-79. Asynchronous Multiple (Page Mode) Read



gpmc-014

NOTE: The WAIT signal is active low.

The nCS, nADV, nOE, and DIR signals are controlled in the same way as address/data-multiplexed accesses (see [Table 15-470](#)).

When RDACCESSTIME completes, control signal timings are frozen during the multiple data transactions, corresponding to PAGEBURSTACCESSTIME multiplied by the number of remaining data transactions.

Read data is latched at [GPMC_CONFIG5_i\[20:16\]](#) RDACCESSTIME completion time (where $i = 0$ to 7). The end of the access is defined by the [GPMC_CONFIG5_i\[4:0\]](#) RDCYCLETIME parameter.

During consecutive accesses, the GPMC increments the address after each data read completes.

Delay between successive read data in the page is controlled by the [GPMC_CONFIG5_i\[27:24\]](#) PAGEBURSTACCESSTIME parameter. Depending on the device page length, the GPMC can control device page crossing during a burst request and insert initial RDACCESSTIME latency. Page crossing is possible only with a new burst access, meaning a new initial access phase is initiated.

Total access time RDCYCLETIME corresponds to RDACCESSTIME, plus the address hold time, starting from the nCS deassertion.

- The read cycle time is defined in the [GPMC_CONFIG5_i\[4:0\]](#) RDCYCLETIME bit field.
- In [Figure 15-79](#), the programmed value of RDCYCLETIME equals RDCYCLETIME0 (before paged accesses) + RDCYCLETIME1 (after paged accesses).

15.4.4.10.3.4 Synchronous Operations on a Nonmultiplexed Device

All information for this section is equivalent to similar operations for address/data-multiplexed or AAD-multiplexed accesses. The only difference resides in the address phase. See [Section 15.4.5.3, GPMC Configuration in NOR Mode](#).

15.4.4.10.4 Page and Burst Support

Each chip-select can be configured to process system single or burst requests into successive single accesses or asynchronous page/synchronous burst accesses, with appropriate access size adaptation.

Depending on the external device page or burst capability, read and write accesses can be independently configured through the GPMC. The [GPMC_CONFIG1_i\[30\]](#) READMULTIPLE and [GPMC_CONFIG1_i\[28\]](#) WRITMULTIPLE bits (where $i = 0$ to 7) are associated with the READTYPE and WRITETYPE parameters.

NOTE:

- Asynchronous write page mode is not supported.
 - 8-bit-wide device support is limited to nonburstable devices (READMULTIPLE and WRITEMULTIPLE are ignored).
 - Not applicable to NAND device interfacing
-

15.4.4.10.5 System Burst vs External Device Burst Support

The device system can issue the following requests to the GPMC:

- Byte, 16-bit word, 32-bit word requests (byte-enable-controlled). This is always a single request from the interconnect point of view.
- Incrementing fixed-length bursts of two, four, and eight words
- Wrapped (critical word access first) fixed-length burst of two, four, or eight words

To process a system request with the optimal protocol, the READMULTIPLE (and READTYPE) and WRITEMULTIPLE (and WRITETYPE) parameters must be set according to the burstable capability (synchronous or asynchronous) of the attached device.

The GPMC access engine issues only fixed-length bursts. The maximum length that can be issued is defined per chip-select by the [GPMC_CONFIG1_i\[24:23\]](#) ATTACHEDDEVICEPAGELENGTH bit field (where $i = 0$ to 7). When the value of ATTACHEDDEVICEPAGELENGTH is less than the length of the system burst request (including the appropriate access size adaptation according to the device width), the GPMC splits the system burst request into multiple bursts. Within the specified 4-, 8-, or 16-word value, the value of the ATTACHEDDEVICEPAGELENGTH bit field must correspond to the maximum length burst supported by the memory device configured in fixed-length burst mode (as opposed to continuous burst mode).

To get optimal performance from memory devices that natively support 16 Word16-length-wrapping burst capability (critical word access first), the ATTACHEDDEVICEPAGELENGTH parameter must be set to 16 words and the [GPMC_CONFIG1_i\[31\]](#) WRAPBURST bit (where $i = 0$ to 7) must be set to 1. Similarly DEVICEPAGELENGTH is set to 4 and 8 for memories supporting 4 and 8 Word16-length-wrapping burst, respectively.

When the memory device does not offer (or is not configured to offer) native 16 Word16-length-wrapping burst, the WRAPBURST parameter must be cleared, and the GPMC access engine emulates the wrapping burst by issuing the appropriate burst sequences according to the value of ATTACHEDDEVICEPAGELENGTH.

When the memory device does not support native-wrapping burst, there is usually no difference in behavior between a fixed-burst length mode and a continuous-burst mode configuration (except for a potential power increase from a memory-speculative data prefetch in a continuous burst read). However, even though continuous burst mode is compatible with GPMC behavior, because the GPMC access engine issues only fixed-length burst and does not benefit from continuous burst mode, it is best to configure the memory device in fixed-length burst mode.

The memory device maximum-length burst (configured in fixed-length burst wrap or nonwrap mode) usually corresponds to the memory device data buffer size. Memory devices with a minimum of 16 half-word buffers are the most appropriate (especially with wrap support), but memory devices with smaller buffer size (4 or 8) are also supported, assuming that the [GPMC_CONFIG1_i\[24:23\]](#) ATTACHEDDEVICEPAGELENGTH bit field is set accordingly to 4 or 8 words.

The device system issues only requests with addresses or starting addresses for nonwrapping burst requests; that is, the request size boundary is aligned. In case of an eight-word-wrapping burst, the wrapping address always occurs on the eight-word boundary. As a consequence, all words requested must be available from the memory data buffer when the buffer size is equal to or greater than the value of ATTACHEDDEVICEPAGELENGTH. This usually means that data can be read from or written to the buffer at a constant rate (number of cycles between data) without wait-states between data accesses. If the memory does not behave this way (nonzero wait-state burstable memory), wait pin monitoring must be enabled to dynamically control data access completion within the burst.

NOTE: When the system burst request length is less than the value of ATTACHEDDEVICEPAGELENGTH, the GPMC proceeds with the required accesses.

15.4.4.11 pSRAM Access Specificities

pSRAM devices are SRAM-pin-compatible low-power memories that contain a self-refreshed DRAM memory array. The [GPMC_CONFIG1_i\[11:10\]](#) DEVICETYPE bit field (where $i = 0$ to 7) must be set to 0b00.

The pSRAM device uses the NOR protocol. It supports the following operations:

- Asynchronous single read
- Asynchronous page read
- Asynchronous single write
- Synchronous single read and write
- Synchronous burst read
- Synchronous burst write (not supported by NOR flash memory)

pSRAM devices must be powered up and initialized in a predefined manner according to the specifications of the attached device.

pSRAM devices can be programmed to use either mode: fixed or variable latency. pSRAM devices can automatically schedule autorefresh operations, which force the GPMC to use its WAIT signal capability when read or write operations occur during an internal self-refresh operation, or they can automatically include the autorefresh operation in the access time. These devices do not require additional WAIT signal capability or a minimum nCS high pulse width between consecutive accesses to ensure that the correct internal refresh operation is scheduled.

15.4.4.12 NAND Access Description

NAND (8-bit and 16-bit) memory devices using a standard NAND asynchronous address/data-multiplexing scheme can be supported on any chip-select with the appropriate asynchronous configuration settings.

As for any other type of memory compatible with the GPMC interface, accesses to a chip-select allocated to a NAND device can be interleaved with accesses to chip-selects allocated to other external devices. This interleaved capability limits the system to *chip enable don't care* NAND devices, because the chip-select allocated to the NAND device must be deasserted if accesses to other chip-selects are requested.

15.4.4.12.1 NAND Memory Device in Byte or 16-bit Word Stream Mode

NAND devices require correct command and address programming before data array read or write accesses. The GPMC does not include specific hardware to translate a random address system request into a NAND-specific multiphase access. In that sense, GPMC NAND support, as opposed to random memory-map device support, is data stream-oriented (byte or 16-bit word).

The GPMC NAND programming model relies on a software driver for address and command formatting with the correct data address pointer value according to the block and page structure. Because of NAND structure and protocol interface diversity, the GPMC does not support automatic command and address phase programming, and software drivers must access the NAND device ID to ensure that correct command and address formatting are used for the identified device.

NAND device data read and write accesses are achieved through an asynchronous read or write access. The associated chip-select signal timing control must be programmed according to the NAND device timing specification.

Any chip-select region can be qualified as a NAND region to constrain the nADV/ALE signal as ALE (ALE active high, default state value at low) during address program access, and the nBE0/CLE signal as CLE (CLE active high, default state value at low) during command program access. GPMC address lines are not used (the previous value is not changed) during NAND access.

15.4.4.12.1.1 Chip-Select Configuration for NAND Interfacing in Byte or Word Stream Mode

The [GPMC_CONFIG7_i](#) register (where $i = 0$ to 7) associated with a NAND device region interfaced in byte or word stream mode can be initialized with a minimum size of 16MiB, because any address location in the chip-select memory region can be used to access a NAND data array. The NAND flash protocol specifies an address sequence where address bits are passed through the data bus in a series of write accesses with the ALE pin asserted. After this address phase, all operations are streamed and the system requests address is irrelevant.

CAUTION

To allow correct command, address, and data-access controls, the [GPMC_CONFIG1_i](#) register associated with a NAND device region must be initialized in asynchronous read and write modes with the parameters listed in [Table 15-448](#). Failure to comply with these settings corrupts the NAND interface protocol.

Table 15-448. Chip-Select Configuration for NAND Interfacing

Bit Field	Register	Value	Comments
WRAPBURST	GPMC_CONFIG1_i [31] ⁽¹⁾	0	No wrap
READMULTIPLE	GPMC_CONFIG1_i [30]	0	Single access
READTYPE	GPMC_CONFIG1_i [29]	0	Asynchronous mode
WRITEMULTIPLE	GPMC_CONFIG1_i [28]	0	Single access
WRITETYPE	GPMC_CONFIG1_i [27]	0	Asynchronous mode
CLKACTIVATIONTIME	GPMC_CONFIG1_i [26:25]	0b00	
ATTACHEDDEVICEPAGELENGTH	GPMC_CONFIG1_i [24:23]	Don't care	Single-access mode
WAITREADMONITORING	GPMC_CONFIG1_i [22]	0	Wait not monitored by GPMC access engine
WAITWRITEMONITORING	GPMC_CONFIG1_i [21]	0	Wait not monitored by GPMC access engine
WAITMONITORINGTIME	GPMC_CONFIG1_i [19:18]	Don't care	Wait not monitored by GPMC access engine
WAITPINSELECT	GPMC_CONFIG1_i [17:16]		Select which wait is monitored by edge detectors
DEVICESTYPE	GPMC_CONFIG1_i [13:12]	0b00 or 0b01	8- or 16-bit interface
DEVICETYPE	GPMC_CONFIG1_i [11:10]	0b10	NAND device in stream mode
MUXADDDATA	GPMC_CONFIG1_i [9:8]	0b00	Nonmultiplexed mode

⁽¹⁾ $i = 0$ to 7

Table 15-448. Chip-Select Configuration for NAND Interfacing (continued)

Bit Field	Register	Value	Comments
TIMEPARAGRANULARITY	GPMC_CONFIG1_i[4]	0	Timing achieved with best GPMC clock granularity
GPMCFCLKDIVIDER	GPMC_CONFIG1_i[1:0]	Don't care	Asynchronous mode

The [GPMC_CONFIG1_i](#) to [GPMC_CONFIG4_i](#) registers (where $i = 0$ to 7) associated with a NAND device region must be initialized with the correct control-signal timing value according to the NAND device timing parameters.

15.4.4.12.1.2 NAND Device Command and Address Phase Control

NAND devices require multiple address programming phases. The MPU software driver must issue the correct number of command and address program accesses, according to the device command set and the device address-mapping scheme.

NAND device-command and address-phase programming is achieved through write requests to the [GPMC_NAND_COMMAND_i](#) and [GPMC_NAND_ADDRESS_i](#) register locations (where $i = 0$ to 7) with the correct command and address values. These locations are mapped in the associated chip-select register region. The associated chip-select signal timing control must be programmed according to the NAND device timing specification.

Command and address values are not latched during the access and cannot be read back at the register location.

- Only write accesses must be issued to these locations, but the GPMC does not discard any read access. Accessing a NAND device with nOE and CLE or ALE asserted (read access) can produce undefined results.
- Write accesses to the [GPMC_NAND_COMMAND_i](#) and [GPMC_NAND_ADDRESS_i](#) register locations must be posted for faster operations (where $i = 0$ to 7). The [GPMC_CONFIG\[0\]](#) NANDFORCEPOSTEDWRITE bit enables write accesses to these locations as posted, even if they are defined as nonposted.

A write buffer is used to store write transaction information before the external device is accessed:

- Up to eight consecutive posted write accesses can be accepted and stored in the write buffer.
- For nonposted write, the pipeline is one deep.
- An [GPMC_STATUS\[0\]](#) EMPTYWRITEBUFFERSTATUS bit stores the empty status of the write buffer.

The [GPMC_NAND_COMMAND_i](#) and [GPMC_NAND_ADDRESS_i](#) registers (where $i = 0$ to 7) are 32-bit word locations, which means any 32- or 16-bit word access is split into 4- or 2-byte accesses if an 8-bit-wide NAND device is attached. For multiple-command phase or multiple-address phase, the software driver can use 32- or 16-bit word access to these registers, but it must consider the splitting and little-endian ordering scheme. When only one byte command or address phase is required, only byte write access to the [GPMC_NAND_COMMAND_i](#) and [GPMC_NAND_ADDRESS_i](#) registers can be used, and any of the four byte locations of the registers is valid.

The same applies to a [GPMC_NAND_COMMAND_i](#) and a [GPMC_NAND_ADDRESS_i](#) (where $i = 0$ to 7) 32-bit word write access to a 16-bit-wide NAND device (split into two 16-bit word accesses). In the case of a 16-bit word write access, the MSByte of the 16-bit word value must be set according to the NAND device requirement (usually 0). Either 16-bit word location or any one of the four byte locations of the registers is valid.

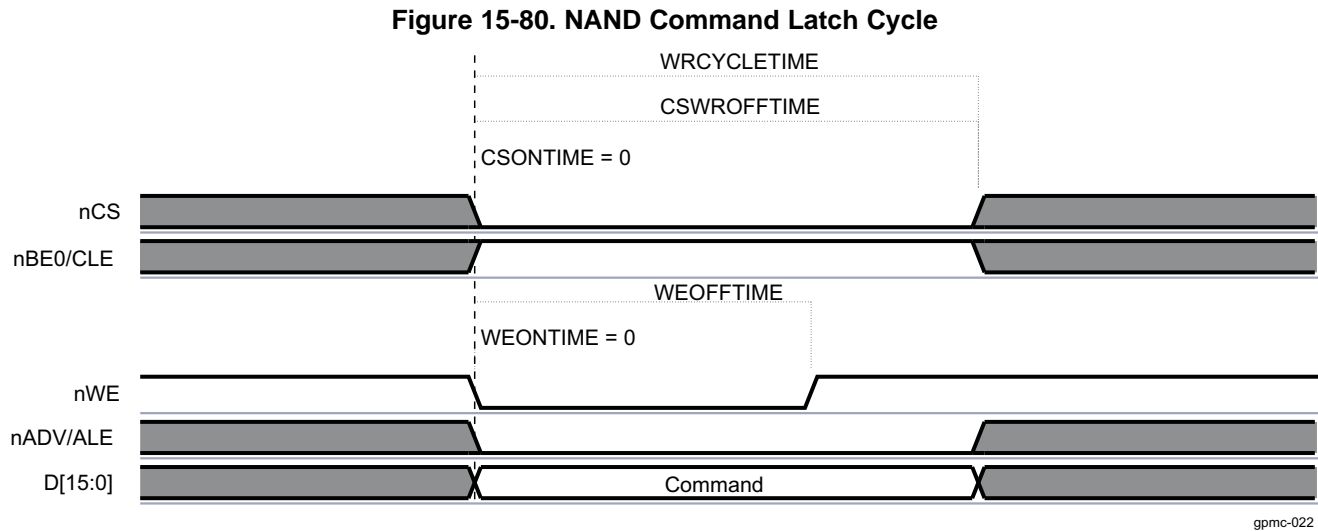
15.4.4.12.1.3 Command Latch Cycle

Writing data at the [GPMC_NAND_COMMAND_i](#) location (where $i = 0$ to 7) places the data as the NAND command value on the bus, using a regular asynchronous write access.

- nCE is controlled by the CSONTIME and CSWROFFTIME timing parameters.
- CLE is controlled by the ADVONTIME and ADVWROFFTIME timing parameters.
- nWE is controlled by the WEONTIME and WEOFFTIME timing parameters.

- ALE and nRE (nOE) are maintained inactive.

Figure 15-80 shows the NAND command latch cycle.



NOTE: CLE is shared with the nBE0 output signal and has an inverted polarity from BE0. The NAND qualifier deals with this. During the asynchronous NAND data access cycle, nBE0 (also nBE1) must not toggle, because it is shared with CLE.

NAND flash memories do not use byte-enable signals.

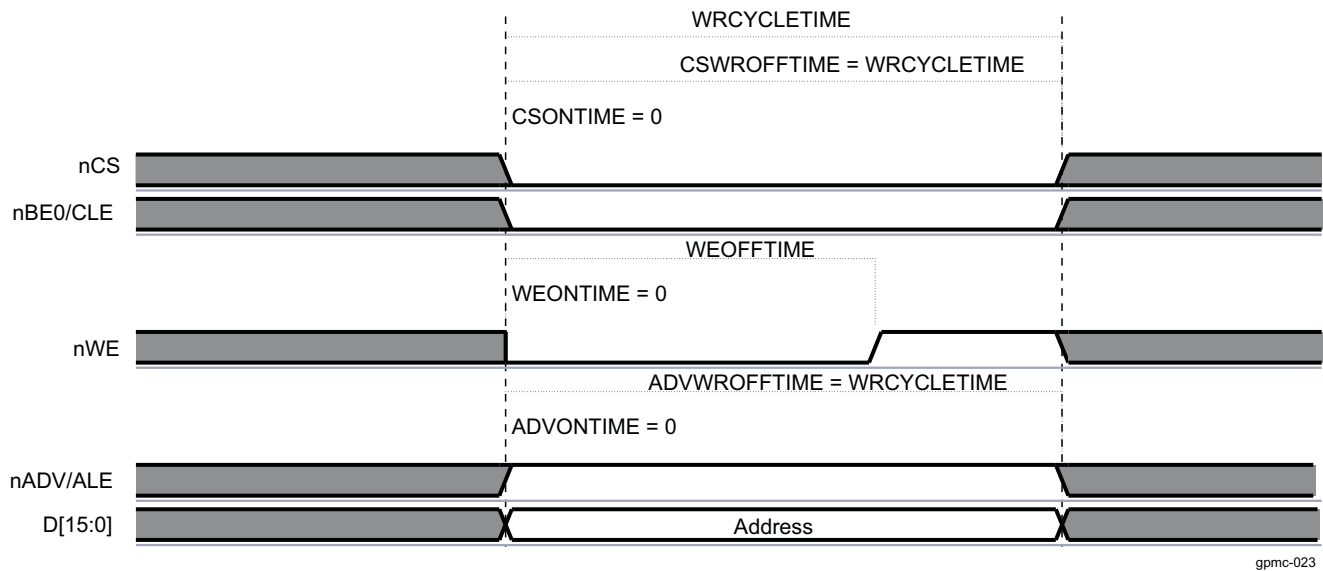
15.4.4.12.1.4 Address Latch Cycle

Writing data at the [GPMC_NAND_ADDRESS_i](#) location (where $i = 0$ to 7) places the data as the NAND partial address value on the bus, using a regular asynchronous write access.

- nCS is controlled by the CSONTIME and CSWROFFTIME timing parameters.
- ALE is controlled by the ADVONTIME and ADVWROFFTIME timing parameters.
- nWE is controlled by the WEONTIME and WEOFFTIME timing parameters.
- CLE and nRE (nOE) are maintained inactive.

Figure 15-81 shows the NAND address latch cycle.

Figure 15-81. NAND Address Latch Cycle



gpmc-023

NOTE: ALE is shared with the nADV output signal and has an inverted polarity from ADV. The NAND qualifier deals with this. During the asynchronous NAND data access cycle, ALE is kept stable.

15.4.4.12.1.5 NAND Device Data Read and Write Phase Control in Stream Mode

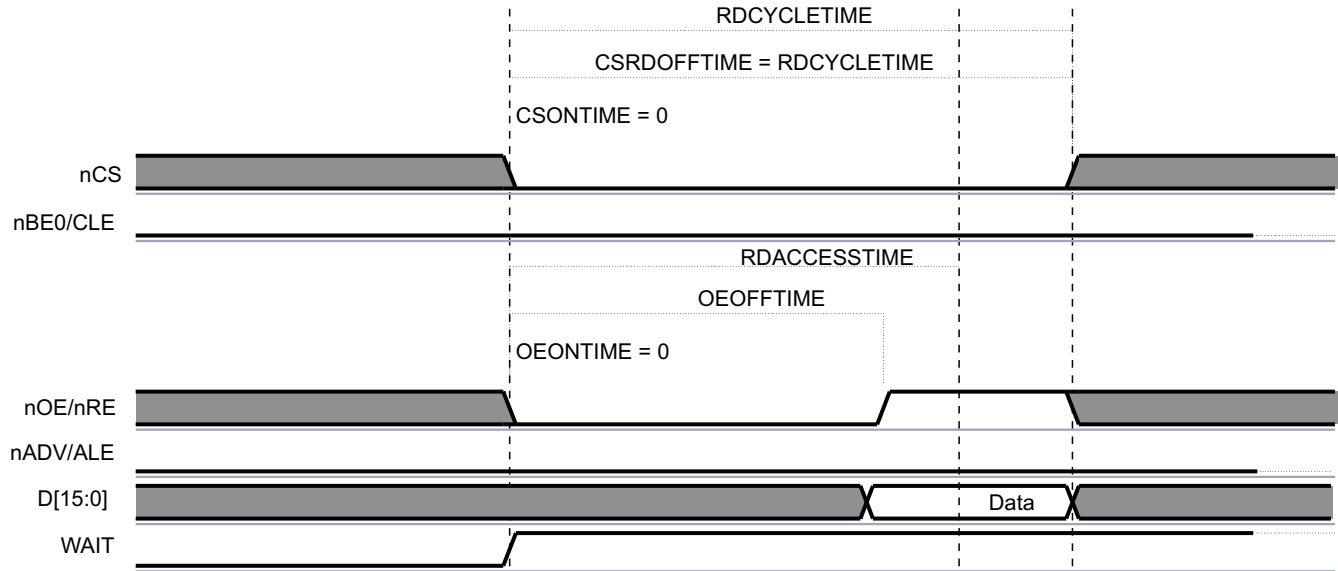
NAND device data read and write accesses are achieved through a read or write request to the chip-select-associated memory region at any address location in the region or through a read or write request to the [GPMC_NAND_DATA_i](#) location (where $i = 0$ to 7) mapped in the chip-select-associated control register region. [GPMC_NAND_DATA_i](#) is not a true register, but an address location to enable nRE or nWE signal control. The associated chip-select signal timing control must be programmed according to the NAND device timing specification.

Reading data from the [GPMC_NAND_DATA_i](#) location or from any location in the associated chip-select memory region activates an asynchronous read access.

- nCS is controlled by the CSONTIME and CSRDOFFTIME timing parameters.
- nRE is controlled by the OEONTIME and OEOFFTIME timing parameters.
- To take advantage of nRE high-to-data invalid minimum timing value, RDACCESSTIME can be set so that data are effectively captured after nRE deassertion. This allows optimization of NAND read access cycle time completion. For optimal timing parameter settings, see the NAND device and the device timing parameters.

ALE, CLE, and nWE are maintained inactive.

[Figure 15-82](#) shows the NAND data read cycle.

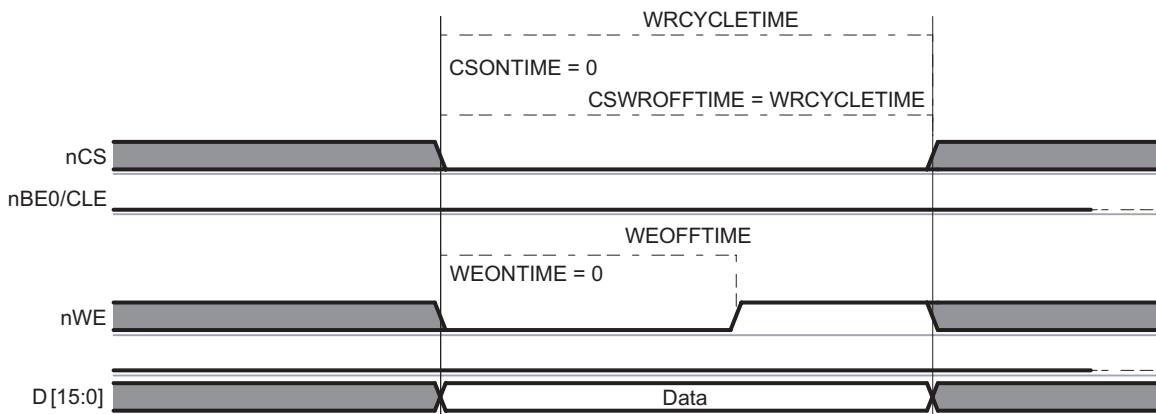
Figure 15-82. NAND Data Read Cycle


gpmc-024

Writing data to the [GPMC_NAND_DATA_i](#) location or to any location in the associated chip-select memory region activates an asynchronous write access.

- nCS is controlled by the CS ONTIME and CSWROFFTIME timing parameters.
- nWE is controlled by the WE ONTIME and WEOFFTIME timing parameters.
- ALE, CLE, and nRE (nOE) are maintained inactive.

Figure 15-83 shows the NAND data write cycle.

Figure 15-83. NAND Data Write Cycle


gpmc-025

15.4.4.12.1.6 NAND Device General Chip-Select Timing Control Requirement

For most NAND devices, read data access time is dominated by nCS-to-data-valid timing and has faster nRE-to-data-valid timing. Successive accesses with nCS deassertions between accesses are affected by this timing constraint. Because accesses to a NAND device can be interleaved with other chip-select accesses, there is no certainty that nCS always stays low between two accesses to the same chip-select. Moreover, an nCS deassertion time between the same chip-select NAND accesses is likely to be required as follows: the nCS deassertion requires programming CYCLETIME and RDACCESSTIME according to the nCS-to-data-valid critical timing.

To get full performance from NAND read and write accesses, the prefetch engine can dynamically reduce the following on back-to-back NAND accesses (to the same memory) and suppress the minimum nCS high pulse width between accesses:

- RDCYCLETIME
- WRCYCLETIME
- RDACCESSTIME
- WRACCESSTIME
- CSRDOFFTIME
- CSWROFFTIME
- ADVRDOFFTIME
- ADVWROFFTIME
- OEOFFTIME
- WEOFFTIME

For more information about optimal prefetch engine access, see [Section 15.4.4.12.4](#), *Prefetch and Write-Posting Engine*.

Some NAND devices require minimum write-to-read idle time, especially for device-status read accesses following status-read command programming (write access). If such write-to-read transactions are used, a minimum nCS high pulse width must be set. For this, CYCLE2CYCLESAMEECSEN and CYCLE2CYCLEDELAY must be set according to the appropriate timing requirement to prevent any timing violation.

NAND devices usually have an important nRE high-to-data bus in three-state mode. This requires a bus turnaround setting (BUSTURNAROUND = 1) so that the next access to a different chip-select is delayed until the BUSTURNAROUND delay completes. Back-to-back NAND read accesses to the same NAND flash are not affected by the programmed bus turnaround delay.

15.4.4.12.1.7 Read and Write Access Size Adaptation

15.4.4.12.1.7.1 8-Bit-Wide NAND Device

Host 16- and 32-bit word read and write access requests to a chip-select associated with an 8-bit-wide NAND device are split into successive read and write byte accesses to the NAND memory device. Byte access is ordered according to little-endian organization. A NAND 8-bit-wide device must be interfaced on the D0D7 interface bus lane. GPMC data accesses are justified on this bus lane when the cs is associated with an 8-bit-wide NAND device.

15.4.4.12.1.7.2 16-Bit-Wide NAND Device

Host 32-bit word read and write access requests to a chip-select associated with a 16-bit-wide NAND device are split into successive read and write 16-bit word accesses to the NAND memory device. 16-bit word access is ordered according to little-endian organization.

Host byte read and write access requests to a 16-bit-wide NAND device are completed as 16-bit accesses on the device itself, because there is no byte-addressing capability on 16-bit-wide NAND devices. This means that the NAND device address pointer is incremented on a 16-bit word basis and not on a byte basis. For a read access, only the requested byte is given back to the host, but the remaining byte is not stored or saved by the GPMC, and the next byte or 16-bit word read access gets the next 16-bit word NAND location. For a write access, the invalid byte part of the 16-bit word is driven to FF, and the next byte or 16-bit word write access programs the next 16-bit word NAND location.

Generally, byte access to a 16-bit-wide NAND device must be avoided, especially when ECC calculation is enabled. 8- or 16-bit ECC-based computations are corrupted by a byte read to a 16-bit-wide NAND device, because the nonrequested byte is considered invalid on a read access (not captured on the external data bus; FF is fed to the ECC engine) and is set to FF on a write access.

Host requests (read/write) issued in the chip-select memory region are translated in successive single or split accesses (read/write) to the attached device. Therefore, incrementing 32-bit burst requests are translated in multiple 32-bit sequential accesses following the access adaptation of the 32-bit to 8- or 16-bit device.

15.4.4.12.2 NAND Device-Ready Pin

The NAND memory device provides a ready pin to indicate data availability after a block/page opening and to indicate that data programming is complete. The ready pin can be connected to one of the wait GPMC input pins; data read accesses must not be tried when the ready pin is sampled inactive (device is not ready) even if the associated chip-select WAITREADMONITORING bit field is set. The duration of the NAND device busy state after the block/page opening is so long (up to 50 micro second) that accesses occurring when the ready pin is sampled inactive can stall GPMC access and eventually cause a system time-out.

NOTE: If a read access to a NAND flash is done using wait monitoring mode, the device is blocked during a page opening, and so is the GPMC. If the correct settings are used, other chip-selects can be used while the memory processes the page opening command.

To avoid a time-out caused by a block/page opening delay in NAND flash, disable the wait pin monitoring for read and write accesses (that is, set the [GPMC_CONFIG1_i\[21\]](#) WAITWRITEMONITORING and [GPMC_CONFIG1_i\[22\]](#) WAITREADMONITORING bits to 0, where $i = 0$ to 7), and use one of the following methods instead:

- Use software to poll the WAITxSTATUS bit (where $x = 0$ to 2) of the [GPMC_STATUS](#).
- Configure an interrupt that is generated on the WAIT signal change (through the [GPMC_IRQENABLE](#) register bits[11:8]).

Even if the READWAITMONITORING bit is not set, the external memory nR/B pin status is captured in the programmed wait bit in the [GPMC_STATUS](#) register.

The READWAITMONITORING bit method must be used for other memories than NAND flash, if they require the use of a WAIT signal.

15.4.4.12.2.1 Ready Pin Monitored by Software Polling

The ready signal state can be monitored through the [GPMC_STATUS](#) WAITxSTATUS bit (where $x = 0$ to 2). Software must monitor the ready pin only when the signal is declared valid. Refer to the NAND device timing parameters to set the correct software temporization to monitor ready only after the invalid window is complete from the last read command written to the NAND device.

15.4.4.12.2.2 Ready Pin Monitored by Hardware Interrupt

Each `gpmc_wait` input pin can generate an interrupt when a wait-to-no-wait transition is detected. Depending on whether the [GPMC_CONFIG](#) WAITxPINPOLARITY bits (where $x = 0$ to 2) is active low or active high, the wait-to-no-wait transition is a low-to-high external WAIT signal transition or a high-to-low external WAIT signal transition, respectively.

The wait transition pin detector must be cleared before any transition detection. This is done by writing 1 to the WAITxEDGEDETECTIONSTATUS bit (where $x = 0$ to 2) of the [GPMC_IRQSTATUS](#) register according to the `gpmc_wait` pin used for the NAND device-ready signal monitoring. To detect a wait-to-no-wait transition, the transition detector requires a wait active time detection of a minimum of two [GPMC_FCLK](#) cycles. Software must incorporate precautions to clear the wait transition pin detector before wait (busy) time completes.

A wait-to-no-wait transition detection can issue a GPMC interrupt if the WAITxEDGEDETECTIONENABLE bit in the [GPMC_IRQENABLE](#) register is set and if the WAITxEDGEDETECTIONSTATUS bit field in the [GPMC_IRQSTATUS](#) register is set.

The WAITMONITORINGTIME bit field does not affect wait-to-no-wait transition time detection.

It is also possible to poll the WAITxEDGEDETECTIONSTATUS bit field in the [GPMC_IRQSTATUS](#) register according to the `gpmc_wait` pin used for NAND device ready signal monitoring.

15.4.4.12.3 ECC Calculator

The GPMC includes an error code correction (ECC) calculator circuitry that enables ECC calculation on the fly during data read or data program (that is, write) operations. The page size supported by the ECC calculator in one calculation/context is 512 bytes.

The user can choose from two different algorithms with different error correction capabilities through the [GPMC_ECC_CONFIG\[16\]](#) ECCALGORITHM bit:

1. Hamming code for 1-bit error code correction on 8- or 16-bit NAND flash organized with page size greater than 512 bytes
2. Bose-Chaudhuri-Hocquenghem (BCH) code for 4- to 16-bit error correction

The GPMC does not handle the error code correction directly. During writes, the GPMC computes parity bits. During reads, the GPMC provides enough information for the processor to correct errors without reading the data buffer all over again.

The Hamming code ECC is based on a 2-dimensional (2D) (row and column) bit parity accumulation. This parity accumulation is accomplished on the programmed number of bytes or 16-bit words read from the memory device, or is written to the memory device in stream mode.

Because the ECC engine includes only one accumulation context, it can be allocated to only one chip-select at a time through the [GPMC_ECC_CONFIG\[3:1\]](#) ECCCS bit field. Even if two chip-selects use different ECC algorithms, one the Hamming code and the other a BCH code, they must define separate ECC contexts because some of the ECC registers are common to all types of algorithms.

15.4.4.12.3.1 Hamming Code

All references to ECC in this subsection refer to the 1-bit error correction Hamming code.

The ECC is based on a 2D (row and column) bit parity accumulation known as the Hamming code. The parity accumulation is done for a programmed number of bytes or 16-bit word read from the memory device or written to the memory device in stream mode.

There is no automatic error detection or correction, and the software NAND driver must read the multiple ECC calculation results, compare them to the expected code value, and take the appropriate corrective actions according to the error handling strategy (ECC storage in spare byte, error correction on read, block invalidation).

The ECC engine includes a single accumulation context. It can be allocated to a single designated chip-select at a time, and parallel computations on different chip-selects are not possible. Because it is allocated to a single chip-select, the ECC computation is not affected by interleaved GPMC accesses to other chip-selects and devices. The ECC accumulation is sequentially processed in the order of data read from or written to the memory on the designated chip-select. The ECC engine does not differentiate read accesses from write accesses and does not differentiate data from command or status information. Software must ensure that only relevant data are passed to the NAND flash memory while the ECC computation engine is active.

The starting NAND page location must be programmed first, followed by an ECC accumulation context reset with an ECC enabling, if required. The NAND device accesses discussed in the following sections must be limited to data read or write until the specified number of ECC calculations is complete.

15.4.4.12.3.1.1 ECC Result Register and ECC Computation Accumulation Size

The GPMC includes up to nine ECC result registers ([GPMC_ECCj_RESULT](#), where $j = 1$ to 9) to store ECC computation results when the specified number of bytes or 16-bit words has been computed.

The ECC result registers are used sequentially: one ECC result is stored in one ECC result register on the list, the next ECC result is stored in the next ECC result register on the list, and so forth, until the last ECC computation. The value of the [GPMC_ECCj_RESULT](#) register is valid only when the programmed number of bytes or 16-bit words has been accumulated, which means that the same number of bytes or 16-bit words has been read from or written to the NAND device in sequence.

The [GPMC_ECC_CONTROL](#)[3:0] ECCPOINTER bit field must be set to the correct value to select the ECC result register to be used first in the list for the incoming ECC computation process. The ECCPointer can be read to determine which ECC register is used in the next ECC result storage for the ongoing ECC computation. The value of the [GPMC_ECCj_RESULT](#) register (where j = 1 to 9) can be considered valid when ECCPOINTER equals j + 1. When the [GPMC_ECCj_RESULT](#) register (where j = 9) is updated, ECCPOINTER is frozen at 10, and ECC computing is stopped (ECCENABLE = 0).

The ECC accumulator must be reset before any ECC computation accumulation process. The [GPMC_ECC_CONTROL](#)[8] ECCCLEAR bit must be set to 1 (nonpersistent bit) to clear the accumulator and all ECC result registers.

For each ECC result (each [GPMC_ECCj_RESULT](#) register, where j = 1 to 9), the number of bytes or 16-bit words used for ECC computing accumulation can be selected from between two programmable values.

The ECCjRESULTSIZe bits (where j = 1 to 9) in the [GPMC_ECC_SIZE_CONFIG](#) register select which programmable size value (ECCSIZE0 or ECCSIZE1) must be used for this ECC result (stored in the [GPMC_ECCj_RESULT](#) register).

The ECCSIZE0 and ECCSIZE1 bit fields allow selection of the number of bytes or 16-bit words used for ECC computation accumulation. Any even values from 2 to 512 are allowed.

Flexibility in the number of ECCs computed and the number of bytes or 16-bit words used in the successive ECC computations enables different NAND page error-correction strategies. Usually based on 256 or 512 bytes and on 128 or 256 16-bit word, the number of ECC results required is a function of the NAND device page size. Specific ECC accumulation size can be used when computing the ECC on the NAND spare byte.

For example, with a 2-KiB data page, 8-bit-wide NAND device, eight ECCs accumulated on 256 bytes can be computed and added to one extra ECC computed on the 24 spare bytes area where the eight ECC results used for comparison and correction with the computed data page ECC are stored. The GPMC then provides nine [GPMC_ECCj_RESULT](#) registers (j = 1 to 9) to store the results. In this case, ECCSIZE0 is set to 256, and ECCSIZE1 is set to 24; the ECC[1:8] RESULTSIZe bits are set to 0, and the ECC9RESULTSIZe bit is set to 1.

15.4.4.12.3.1.2 ECC Enabling

The [GPMC_ECC_CONFIG](#)[3:1] ECCCS bit field selects the allocated chip-select. The [GPMC_ECC_CONFIG](#)[0] ECCENABLE bit enables ECC computation on the next detected read or write access to the selected chip-select.

The following fields must not be changed or cleared while an ECC computation is in progress:

- CCPOINTER
- ECCCLEAR
- ECCSIZE
- ECCjRESULTSIZe (where j = 1 to 9)
- ECC16B
- ECCCS

The ECC accumulator and ECC result register must not be changed or cleared while an ECC computation is in progress.

[Table 15-449](#) describes the ECC enable settings.

Table 15-449. ECC Enable Settings

Bit Field	Register	Value	Comments
ECCCS	GPMC_ECC_CONFIG	0–3	Selects the chip-select where ECC is computed
ECC16B	GPMC_ECC_CONFIG	0/1	Selects column number for ECC calculation
ECCCLEAR	GPMC_ECC_CONTROL	0–7	Clears all ECC result registers
ECCPOINTER	GPMC_ECC_CONTROL	0–7	A write to this bit field selects the ECC result register where the first ECC computation is stored. Set to 1 by default.

Table 15-449. ECC Enable Settings (continued)

Bit Field	Register	Value	Comments
ECCSIZE1	GPMC_ECC_SIZE_CONFIG	0x00–0xFF	Defines ECCSIZE1
ECCSIZE0	GPMC_ECC_SIZE_CONFIG	0x00–0xFF	Defines ECCSIZE0
ECCjRESULTSIZE (j from 1 to 9)	GPMC_ECC_SIZE_CONFIG	0/1	Selects the size of ECCn result register
ECCENABLE	GPMC_ECC_CONFIG	1	Enables the ECC computation

15.4.4.12.3.1.3 ECC Computation

The ECC algorithm is a multiple parity bit accumulation computed on the odd and even bit streams extracted from the byte or Word16 streams. The parity accumulation is split into row and column accumulations, as shown in Figure 15-84 and Figure 15-85. The intermediate row and column parities are used to compute the upper level row and column parities. Only the final computation of each parity bit is used for ECC comparison and correction.

P1o = bit7 XOR bit5 XOR bit3 XOR bit1 on each byte of the data stream

P1e = bit6 XOR bit4 XOR bit2 XOR bit0 on each byte of the data stream

P2o = bit7 XOR bit6 XOR bit3 XOR bit2 on each byte of the data stream

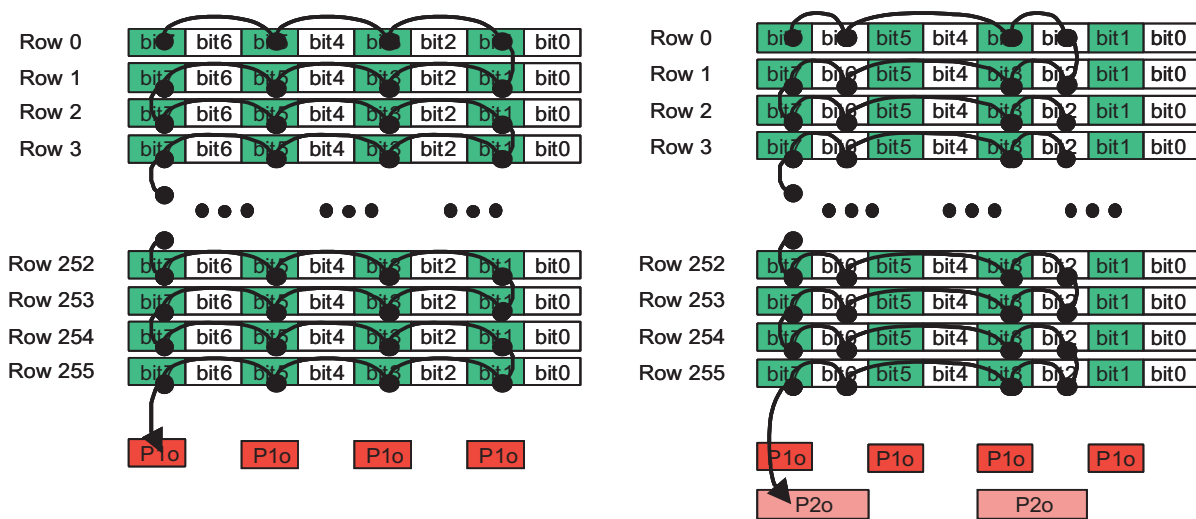
P2e = bit5 XOR bit4 XOR bit1 XOR bit0 on each byte of the data stream

P4o = bit7 XOR bit6 XOR bit5 XOR bit4 on each byte of the data stream

P4e = bit3 XOR bit2 XOR bit1 XOR bit0 on each byte of the data stream

Each column parity bit is XORed with the previous accumulated value.

Figure 15-84. Hamming Code Accumulation Algorithm (1/2)



gpmc-026

For line parities, the bits of each new data are XORed together, and line parity bits are computed as described below:

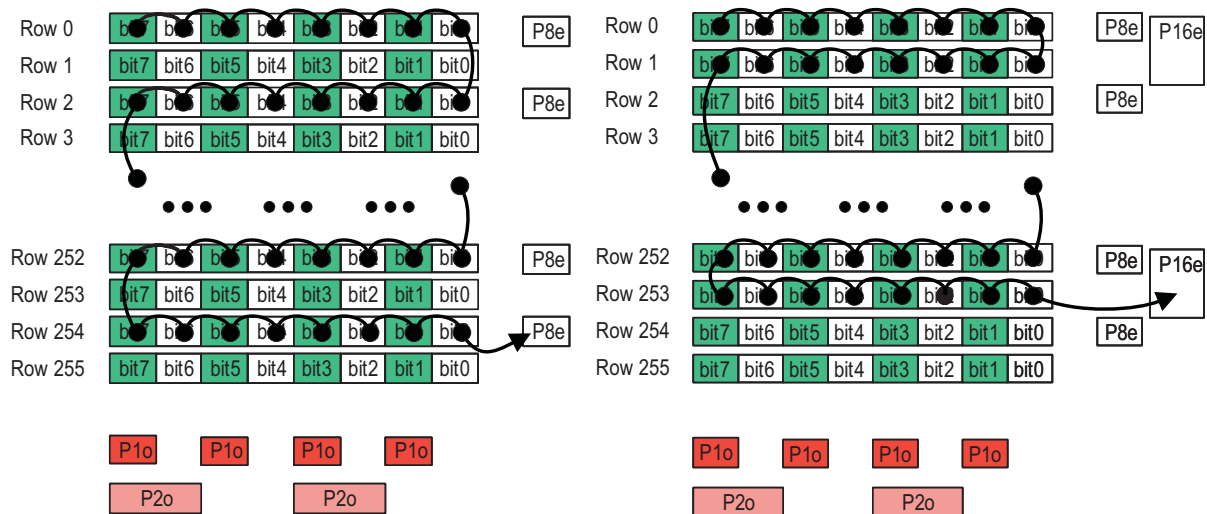
P8e = row0 XOR row2 XOR row4 XOR ... XOR row254

P8o = row1 XOR row3 XOR row5 XOR ... XOR row255

P16e = row0 XOR row1 XOR row4 XOR row5 XOR ... XOR row252 XOR row 253

P16o = row2 XOR row3 XOR row6 XOR row7 XOR ... XOR row254 XOR row 255

Figure 15-85. Hamming Code Accumulation Algorithm (2/2)

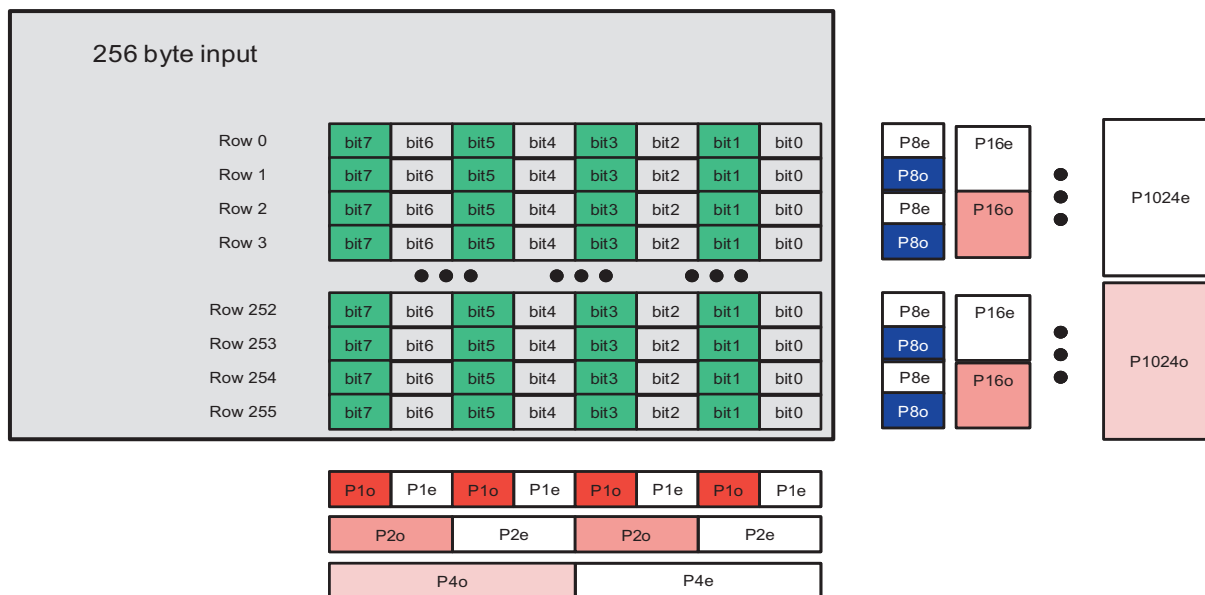


gpmc-027

Unused parity bits in the result registers are set to 0.

Figure 15-86 shows ECC computation for a 256-byte data stream (read or write). The result includes six column parity bits (P1o-P2o-P4o for odd parities, and P1e-P2e-P4e for even parities) and sixteen row parity bits (P8o-P16o-P32o--P1024o for odd parities, and P8e-P16e-P32e--P1024e for even parities).

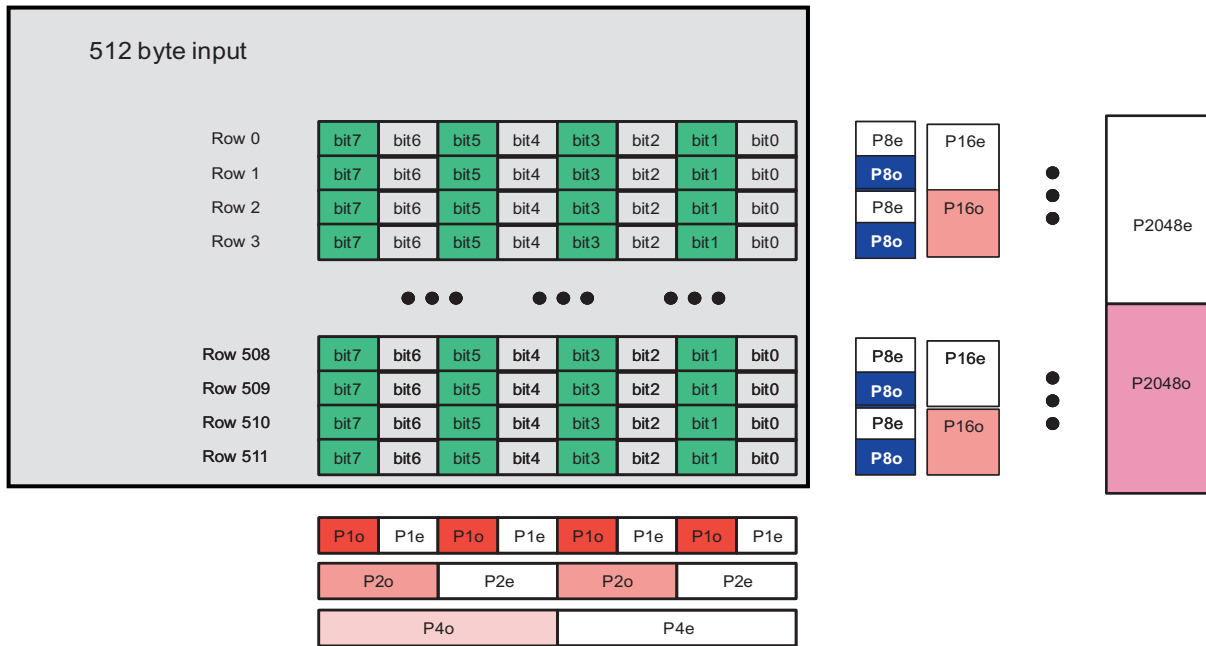
Figure 15-86. ECC Computation for a 256-Byte Data Stream (Read or Write)



gpmc-028

Figure 15-87 shows ECC computation for a 512-byte data stream (read or write). The result includes six column parity bits (P1o-P2o-P4o for odd parities, and P1e-P2e-P4e for even parities) and eighteen row parity bits (P8o-P16o-P32o--P1024o- - P2048o for odd parities, and P8e-P16e-P32e--P1024e- P2048e for even parities).

Figure 15-87. ECC Computation for a 512-Byte Data Stream (Read or Write)



gpmc-029

For a 2-KiB page, four 512 bytes ECC calculations plus 1 for the spare area are required. Results are stored in the [GPMC_ECCj_RESULT](#) registers (where j = 1 to 9).

15.4.4.12.3.1.4 ECC Comparison and Correction

To detect an error, the computed ECC result must be XORed with the parity value stored in the spare area of the accessed page.

- If the result of this logical XOR is all 0s, no error is detected and the read data is correct.
- If every second bit in the parity result is a 1, 1 bit is corrupted and is located at bit address (P2048o, P1024o, P512o, P256o, P128o, P64o, P32o, P16o, P8o, P4o, P2o, P1o). Software must correct the corresponding bit.
- If only 1 bit in the parity result is 1, it is an ECC error and the read data is correct.

15.4.4.12.3.1.5 ECC Calculation Based on 8-Bit Word

The 8-bit-based ECC computation is used for 8-bit-wide NAND device interfacing.

The 8-bit-based ECC computation can be used for 16-bit-wide NAND device interfacing to get backward compatibility on the error-handling strategy used with 8-bit-wide NAND devices. In this case, the 16-bit-wide data read from or written to the NAND device is fragmented into 2 bytes. According to little-endian access, the LSB of the 16-bit-wide data is ordered first in the byte stream used for 8-bit-based ECC computation.

15.4.4.12.3.1.6 ECC Calculation Based on 16-Bit Word

ECC computation based on an 16-bit word is used for 16-bit-wide NAND device interfacing. This ECC computation is not supported when interfacing an 8-bit-wide NAND device, and the [GPMC_ECC_CONFIG\[7\]](#) ECC16B bit must be set to 0 when interfacing an 8-bit-wide NAND device.

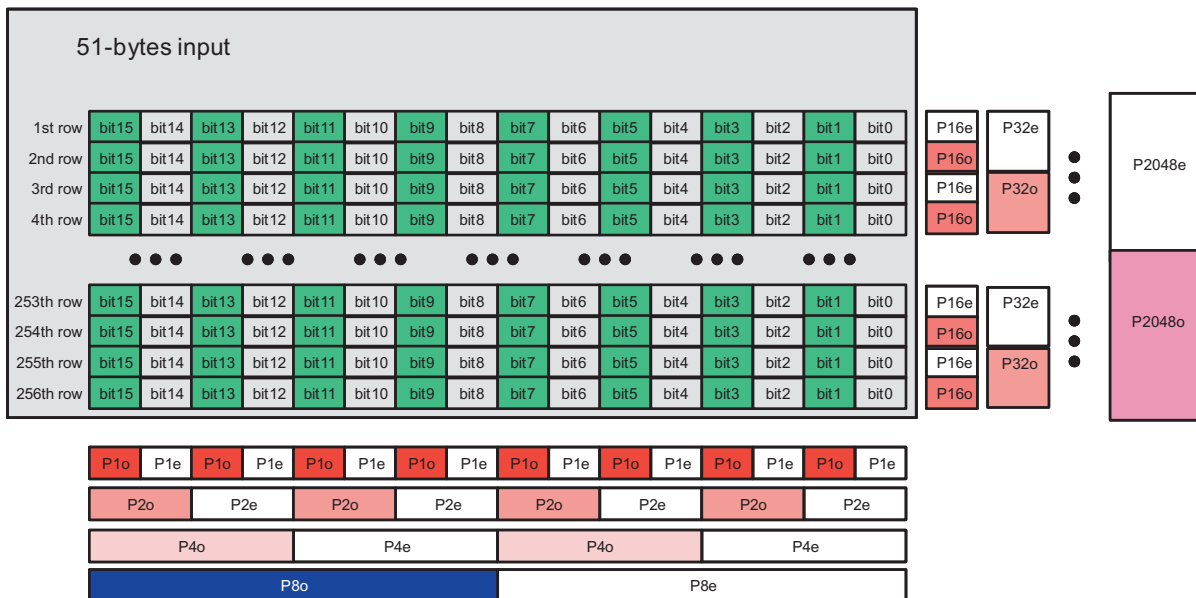
The parity computation based on 16-bit words affects the row and column parity mapping. The main difference is that the odd and even parity bits P8o and P8e are computed on rows for an 8-bit-based ECC and on columns for a 16-bit based ECC. [Figure 15-88](#) and [Figure 15-89](#) show a 128 Word16 ECC computation scheme and a 256 16-bit word ECC computation scheme.

Figure 15-88. 128 Word16 ECC Computation



gpmc-030

Figure 15-89. 256 Word16 ECC Computation



gpmc-031

15.4.4.12.3.2 BCH Code

All references to ECC in this subsection refer to the 4- to 16-bit error correction BCH code.

15.4.4.12.3.2.1 Requirements

1. Read and write accesses to a NAND flash take place by whole pages, in a predetermined sequence: first the data byte page itself, and then some spare bytes, including the BCH ECC (and other information). The NAND device can cache a full page, including spares, for read and write accesses.
 - Typical page write sequence:
 - Sequential write to NAND cache of main data plus spare data, for a page. ECC is calculated on the fly. Calculated ECC can be inserted on the fly in the spares or replaced by dummy

- accesses.
- When the calculated ECC is replaced by dummy accesses, it must be written to the cache in a second, separate phase. The ECC module is disabled during that time.
 - NAND writes its cache line (page) to the array.
- Typical page read sequence:
 - Sequential read of a page. ECC is calculated on the fly.
 - The status of the ECC module buffers determines the presence of errors.
2. Accesses to several memories can be interleaved by the GPMC, but only one of those memories at a time can be a NAND using the BCH engine; in other words, only one BCH calculation (for example, for a single page) can be ongoing at any time. The sequential nature of NAND accesses ensures that the data is always written or read out in the same order. BCH-relevant accesses are selected by the chip-selects of the GPMC.
 3. Each page can hold up to 4KiB of data, spare bytes not included. This means up to 8×512 -byte BCH messages. Because all the data is written or read out first, followed by the BCH ECC, the BCH engine must be able to hold eight 104-bit remainders or syndromes (or smaller, 52-bit ones) at the same time. The BCH module can store all remainders internally. After the page start, an internal counter is used to detect the 512-byte sector boundaries. On those boundaries, the current remainder is stored and the divider reset for the next calculation. At the end of the page, the BCH module contains all remainders.
 4. NAND access cycles hold 8 or 16 bits of data each (1 or 2 bytes); Each NAND cycle takes at least four cycles of the GPMC internal clock. This means the NAND flash timing parameters must define a RDCYCLETIME and a WRCYCLETIME of at least four clock cycles after optimization when using the BCH calculator.
 5. The spare area is assumed to be large enough to hold the BCH ECC; that is, to have a message of at least 13 bytes available per 512-byte sector of data. The zone of unused spare area by the ECC may or may not be protected by the same ECC scheme, by extending the BCH message beyond 512 bytes (the maximum codeword is 1023 bytes long, ECC included, which leaves much space to cover spare bytes).

15.4.4.12.3.2.2 Memory Mapping of BCH Codeword

BCH encoding considers a block of data to protect as a polynomial message $M(x)$. In a standard case, 512 bytes of data (that is, 2^{12} bits = 4096 bits) are seen as a polynomial of degree $2^{12} - 1 = 4095$, with parameters ranging from M_0 to M_{4095} . For 512 bytes of data, 52 bits are required for 4-bit error correction, 104 bits are required for 8-bit error correction, and 207 bits are required for 16-bit error correction. The ECC is a remainder polynomial $R(x)$ of degree 103 (or 51, depending on the selected mode). The complete codeword $C(x)$ is the concatenation of $M(x)$ and $R(x)$, as described in [Table 15-450](#).

Table 15-450. Flattened BCH Codeword Mapping (512 Bytes + 104 Bits)

Bit Number	Message $M(x)$			ECC $R(x)$		
	M4095	...	M0	R103	...	R0

If the message is extended by the addition of spare bytes to be protected by the same ECC, the principle is still valid. For example, a 3-byte extension of the message gives a polynomial message $M(x)$ of degree $((512 + 3) \times 8) - 1 = 4119$, for a total of $3 + 13 = 16$ spare bytes of spare, all protected as part of the same codeword.

The message and the ECC bits are manipulated and mapped in the GPMC byte-oriented system. The ECC bits are stored in the following registers (where $i = 0$ to 7):

- [GPMC_BCH_RESULT0_i](#)
- [GPMC_BCH_RESULT1_i](#)
- [GPMC_BCH_RESULT2_i](#)
- [GPMC_BCH_RESULT3_i](#)

15.4.4.12.3.2.1 Memory Mapping of Data Message

The data message mapping must follow the following rules:

- Bit endianness within a byte is little-endian; that is, the bytes LSB is also the lowest-degree polynomial parameter: a byte b7-b0 (with b0 the LSB) represents a segment of polynomial $b7 * x^{(7+i)} + b6 * x^{(6+i)} + \dots + b0 * x^i$
- The message is mapped in the NAND starting with the highest-order parameters, that is, in the lowest addresses of a NAND page.
- Byte endianness within the 16-bit words in the NAND is big-endian (that is, the same message mapped in 8- and 16-bit memories has the same content at the same byte address).

NOTE: The BCH module has no visibility over actual addresses. The most important point is the sequence of data words the BCH sees. However, the NAND page is always scanned incrementally in read and write accesses, which produces the mapping patterns described in the following.

Table 15-451 and Table 15-452 describe the mapping of the same 512-byte vector (typically, a BCH message) in the NAND memory space. The byte address is only an offset modulo 512 (0x200), because the same page may contain several contiguous 512-byte sectors (BCH blocks). The LSB and MSB are, respectively, the bits M0 and M(2¹²-1) of the codeword mapping discussed previously. In both cases the data vectors are aligned; that is, their boundaries coincide with the RAM data word boundaries.

Table 15-451. Aligned Message Byte Mapping in 8-Bit NAND

Byte Offset	8-Bit Word
0x000	(MSB) Byte 511 (0x1FF)
0x001	Byte 510 (0x1FE)
...	...
0x1FF	Byte 0 (0x0) (LSB)

Table 15-452. Aligned Message Byte Mapping in 16-Bit NAND

Byte Offset	16-Bit Word MSB	16-Bit Word LSB
0x000	Byte 510 (0x1FE)	(MSB) Byte 511 (0x1FF)
0x002	Byte 508 (0x1FC)	Byte 509 (0x1FD)
...
0x1FE	Byte 0 (0x0)	(LSB) Byte 1 (0x1)

Table 15-453 through Table 15-458 list the mapping in memory of arbitrarily-sized messages, starting on access (byte or 16-bit word) boundaries for more clarity. Note that message may actually start and stop on arbitrary nibbles. A nibble is a 4-bit entity. The unused nibbles are not discarded, and they can still be used by the BCH module, but as part of the next message section (for example, on the ECC of another sector).

Table 15-453. Aligned Nibble Mapping of Message in 8-Bit NAND

Byte Offset	8-Bit Word	
	4-Bit Most Significant Nibble	4-Bit Least Significant Nibble
1	(MSB) Nibble S-1	Nibble S-2
2	Nibble S-3	Nibble S-4
...
$S/2 - 2$	Nibble 3	Nibble 2
$S/2 - 1$	Nibble 1	Nibble 0 (LSB)

Table 15-454. Misaligned Nibble Mapping of Message in 8-Bit NAND

Byte Offset	8-Bit Word	
	4-Bit Most Significant Nibble	4-Bit Least Significant Nibble
1	(MSB) Nibble S-1	Nibble S-2
2	Nibble S-3	Nibble S-4
...
$(S + 1) / 2 - 2$	Nibble 2	Nibble 1
$(S + 1) / 2 - 1$	Nibble 0 (LSB)	

Table 15-455. Aligned Nibble Mapping of Message in 16-Bit NAND

Byte Offset	16-Bit Word			
	4-Bit Most Significant Nibble		4-Bit Least Significant Nibble	
0	Nibble S-3	Nibble S-4	(MSB) Nibble S-1	Nibble S-2
2	Nibble S-7	Nibble S-8	Nibble S-5	Nibble S-6
...
$S/2 - 4$	Nibble 5	Nibble 4	Nibble 7	Nibble 6
$S/2 - 2$	Nibble 1	Nibble 0 (LSB)	Nibble 3	Nibble 2

Table 15-456. Misaligned Nibble Mapping of Message in 16-Bit NAND (1 Unused Nibble)

Byte Offset	16-Bit Word			
	4-Bit Most Significant Nibble		4-Bit Least Significant Nibble	
0	Nibble S-3	Nibble S-4	(MSB) Nibble S-1	Nibble S-2
2	Nibble S-7	Nibble S-8	Nibble S-5	Nibble S-6
...
$(S + 1) / 2 - 4$	Nibble 4	Nibble 3	Nibble 6	Nibble 5
$(S + 1) / 2 - 2$	Nibble 0 (LSB)		Nibble 2	Nibble 1

Table 15-457. Misaligned Nibble Mapping of Message in 16-Bit NAND (2 Unused Nibbles)

Byte Offset	16-Bit Word			
	4-Bit Most Significant Nibble		4-Bit Least Significant Nibble	
0	Nibble S-3	Nibble S-4	(MSB) Nibble S-1	Nibble S-2
2	Nibble S-7	Nibble S-8	Nibble S-5	Nibble S-6
...
$(S + 2) / 2 - 4$	Nibble 3	Nibble 2	Nibble 5	Nibble 4
$(S + 2) / 2 - 2$			Nibble 1	Nibble 0 (LSB)

Table 15-458. Misaligned Nibble Mapping of Message in 16-Bit NAND (3 Unused Nibbles)

Byte Offset	16-Bit Word			
	4-Bit Most Significant Nibble		4-Bit Least Significant Nibble	
0	Nibble S-3	Nibble S-4	(MSB) Nibble S-1	Nibble S-2
2	Nibble S-7	Nibble S-8	Nibble S-5	Nibble S-6
...
$(S + 3) / 2 - 4$	Nibble 2	Nibble 1	Nibble 4	Nibble 3
$(S + 3) / 2 - 2$			Nibble 0 (LSB)	

Many other cases exist than those given in the previous tables; for example, where the message does not start on a word boundary.

15.4.4.12.3.2.2 Memory-Mapping of the ECC

The ECC (or remainder) is presented by the BCH module as a single 104-bit (or 52-bit), little-endian vector. Software must fetch those 13 bytes (or 6 bytes) from the module interface and then store them to the spare area (page write) in the NAND or to an intermediate buffer for comparison with the stored ECC (page read). There are no constraints on the ECC mapping inside the spare area: it is software-controlled.

It is advised, however, to maintain a coherence in the respective formats of the message or the ECC remainder once they have been read out of the NAND. The error correction algorithm works from the complete codeword (concatenated message and remainder) once an error is detected. The creation of this codeword must be made as straightforward as possible.

There are cases in which the same NAND access contains both data and the ECC protecting that data. This is the case when the data/ECC boundary (which can be on any nibble) does not coincide with an access boundary. The ECC is calculated on the fly following the write. In that case, the write must also contain part of the ECC because it is impossible to insert the ECC on the fly. Instead:

- During the initial page write (BCH encoding), the ECC is replaced by dummy bits. The BCH encoder is by definition turned OFF during the ECC section, so the BCH result is unmodified.
- During a second phase, the ECC is written to the correct location, next to the actual data.
- The completed line buffer is then written to the NAND array.

15.4.4.12.3.2.3 Wrapping Modes

For a given wrapping mode, the module automatically goes through a specific number of sections as data is being fed into the module. For each section, the BCH core can be enabled (in which case the data is fed to the BCH divider) or not (in which case the BCH simply counts to the end of the section). When enabled, the data is added to the ongoing calculation for a given sector number (for example, number 0).

Wrapping modes are described as follows. To better understand and see the real-life read and write sequences implemented with each mode, see [Section 15.4.4.12.3.2.3, Supported NAND Page Mappings and ECC Schemes](#).

For each mode:

- A sequence describes the mode in pseudo language, with, for each section, the size and the buffer used for ECC processing (if ON). The programmable lengths are size, size0, and size1.
- A checksum condition is given. If the checksum condition is not respected for a given mode, the module behavior is unpredictable. S is the number of sectors in the page; size0 and size1 are the section sizes programmed for the mode, in nibbles.

Wrapping modes 8 through 11 insert a 1-nibble padding where the BCH processing is OFF. This is intended for $t = 4$ ECC, where ECC is 6 bytes long and the ECC area is expected to include (at least) 1 unused nibble to remain byte-aligned.

15.4.4.12.3.2.4 Manual Mode (0x0)

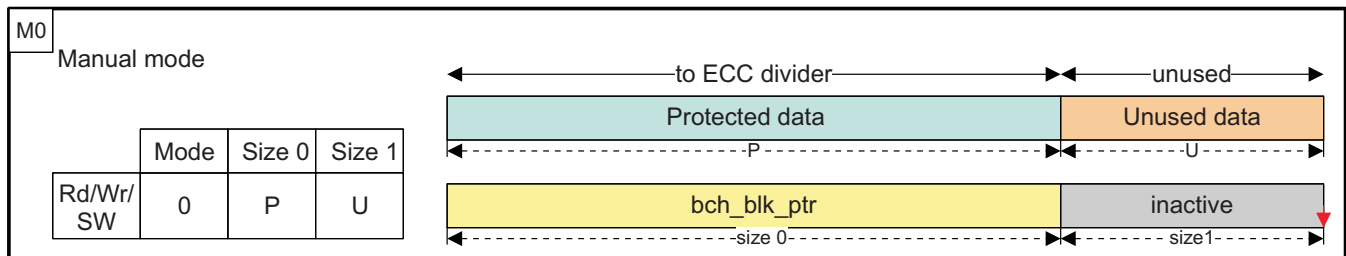
This mode is intended for short sequences, added manually to a given buffer through the software data port input. A complete page may be built out of several such sequences.

To process an arbitrary sequence of 4-bit nibbles, accesses to the software data port, containing the appropriate data, must be made. If the sequence end does not coincide with an access boundary (for example, to process 5 nibbles = 20 bits in 16-bit access mode) and those nibbles must be skipped, a number of unused nibbles must be programmed in `GPMC_ECC_SIZE_CONFIG[29:22] ECCSIZE1`. In the same example, 5 nibbles to process + 3 to discard = 8 nibbles = 2 x 16-bit accesses. Software must set:

- `GPMC_ECC_SIZE_CONFIG[19:12] ECCSIZE0 = 0x5`
- `GPMC_ECC_SIZE_CONFIG[29:22] ECCSIZE1 = 0x3`

NOTE: In the following figures, size and size0 are the same parameter.

Figure 15-90. Manual Mode Sequence and Mapping



gpmc-032

Section processing sequence:

- One time with buffer
 - size0 nibbles of data, processing ON
 - size1 nibbles of unused data, processing OFF

Checksum: size0 + size1 nibbles must fit in a whole number of accesses.

In the following sections, S is the number of sectors in the page.

15.4.4.12.3.2.2.5 Mode 0x1

Page processing sequence:

- Repeat with buffer 0 to S-1
 - 512-byte data, processing ON
- Repeat with buffer 0 to S-1
 - size0 nibbles spare, processing ON
 - size1 nibbles spare, processing OFF

Checksum: Spare area size (nibbles) = S – (size0 + size1)

15.4.4.12.3.2.2.6 Mode 0xA (10)

Page processing sequence:

- Repeat with buffer 0 to S-1
 - 512-byte data, processing ON
- Repeat with buffer 0 to S-1
 - size0 nibbles spare, processing ON
 - 1 nibble pad spare, processing OFF
 - size1 nibbles spare, processing OFF

Checksum: Spare area size (nibbles) = S – (size0 + 1 + size1)

15.4.4.12.3.2.2.7 Mode 0x2

Page processing sequence:

- Repeat with buffer 0 to S-1
 - 512-byte data, processing ON
- Repeat with buffer 0 to S-1
 - size0 nibbles spare, processing OFF
 - size1 nibbles spare, processing ON

Checksum: Spare area size (nibbles) = $S - (size0 + size1)$

15.4.4.12.3.2.2.8 Mode 0x3

Page processing sequence:

- Repeat with buffer 0 to S-1
 - 512-byte data, processing ON
- One time with buffer 0
 - size0 nibbles spare, processing ON
- Repeat with buffer 0 to S-1
 - size1 nibbles spare, processing ON

Checksum: Spare area size (nibbles) = $size0 + (S - size1)$

15.4.4.12.3.2.2.9 Mode 0x7

Page processing sequence:

- Repeat with buffer 0 to S-1
 - 512-byte data, processing ON
- One time with buffer 0
 - size0 nibbles spare, processing ON
- Repeat S times (no buffer used)
 - size1 nibbles spare, processing OFF

Checksum: Spare area size (nibbles) = $size0 + (S - size1)$

15.4.4.12.3.2.2.10 Mode 0x8

Page processing sequence:

- Repeat with buffer 0 to S-1
 - 512-byte data, processing ON
- One time with buffer 0
 - size0 nibbles spare, processing ON
- Repeat with buffer 0 to S-1
 - 1 nibble padding spare, processing OFF
 - size1 nibbles spare, processing ON

Checksum: Spare area size (nibbles) = $size0 + (S - (1 + size1))$

15.4.4.12.3.2.2.11 Mode 0x4

Page processing sequence:

- Repeat with buffer 0 to S-1
 - 512-byte data, processing ON
- One time (no buffer used)

- size0 nibbles spare, processing OFF
 - Repeat with buffer 0 to S-1
 - size1 nibbles spare, processing ON
- Checksum: Spare area size (nibbles) = size0 + (S – size1)

15.4.4.12.3.2.2.12 Mode 0x9

Page processing sequence:

- Repeat with buffer 0 to S-1
 - 512-byte data, processing ON
- One time (no buffer used)
 - size0 nibbles spare, processing OFF
- Repeat with buffer 0 to S-1
 - 1 nibble padding spare, processing OFF
 - size1 nibbles spare, processing ON

Checksum: Spare area size (nibbles) = size0 + (S – (1 + size1))

15.4.4.12.3.2.2.13 Mode 0x5

Page processing sequence:

- Repeat with buffer 0 to S-1
 - 512-byte data, processing ON
- Repeat with buffer 0 to S-1
 - size0 nibbles spare, processing ON
- Repeat with buffer 0 to S-1
 - size1 nibbles spare, processing ON

Checksum: Spare area size (nibbles) = S – (size0 + size1)

15.4.4.12.3.2.2.14 Mode 0xB (11)

Page processing sequence:

- Repeat with buffer 0 to S-1
 - 512-byte data, processing ON
- Repeat with buffer 0 to S-1
 - size0 nibbles spare, processing ON
- Repeat with buffer 0 to S-1
 - 1 nibble padding spare, processing OFF
 - size1 nibbles spare, processing ON

Checksum: Spare area size (nibbles) = S – (size0 + 1 + size1)

15.4.4.12.3.2.2.15 Mode 0x6

Page processing sequence:

- Repeat with buffer 0 to S-1
 - 512-byte data, processing ON
- Repeat with buffer 0 to S-1
 - size0 nibbles spare, processing ON
- Repeat S times (no buffer used)
 - size1 nibbles spare, processing OFF

Checksum: Spare area size (nibbles) = $S - (\text{size0} + \text{size1})$

15.4.4.12.3.2.3 Supported NAND Page Mappings and ECC Schemes

The following rules apply to the entire mapping description:

- Main data area (sectors) size is hardcoded to 512 bytes.
- Spare area size is programmable.
- All page sections (of main area data bytes, protected spare bytes, unprotected spare bytes, and ECC) are defined as explained in [Section 15.4.4.12.3.2.2.1, Memory Mapping of Data Message](#).

Each of the following sections gives a NAND page mapping example (per-sector spare mappings, pooled spare mapping, per-sector spare mapping, with ECC separated at the end of the page).

In the mapping diagrams, sections that belong to the same BCH codeword have the same color (blue or green); unprotected sections are not covered (orange) by the BCH scheme.

Below each mapping diagram, a write (encoding) and read (decoding: syndrome generation) sequence is given, with the number of the active buffers at each point in time (yellow). In the inactive zones (grey), no computing is taking place but the data counter is still active.

In [Figure 15-91](#) through [Figure 15-93](#), the tables on the left summarize the mode, size0, and size1 parameters to program for, respectively, write and read processing of a page, with the given mapping, where:

- P is the size of spare byte section Protected by the ECC (in nibbles)
- U is the size of spare byte section Unprotected by the ECC (in nibbles)
- E is the size of the ECC (in nibbles)
- S is the number of Sectors per page (two in the current diagrams)

Each time the processing of a BCH block is complete (ECC calculation for write/encoding, syndrome generation for read/decoding, indicated by red arrows), the update pointer is pulsed. The processing for block 0 can be the first or the last to complete, depending on the NAND page mapping and operation (read or write). All examples show a page size of 1 KiB + spares; that is, $S = 2$ sectors of 512 bytes. The same principles can be extended to larger pages by adding more sectors.

The actual BCH codeword size is used during the error location work to restrict the search range: by definition, errors can happen only in the codeword that was actually written to the NAND, not in the mathematical codeword of $n = 2^{13} - 1 = 8191$ bits; that codeword (higher-order bits) is all-zero and implicit during computations.

The actual BCH codeword size depends on the mode, the programmed sizes, and the sector number (all sizes in nibbles):

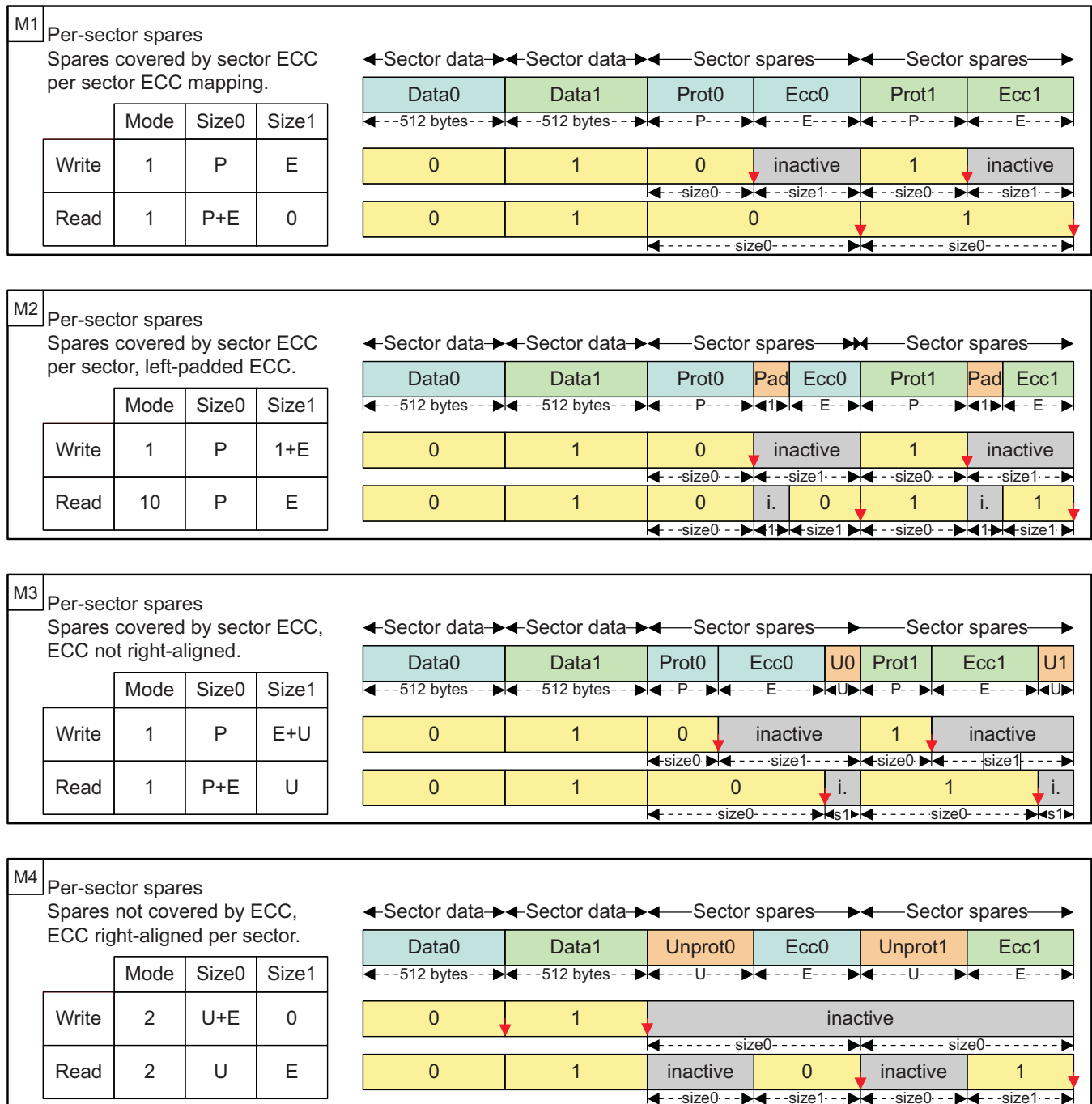
- Spares mapped and protected per sector (below: see M1-M2-M3-M9-M10):
 - All sectors: $(512) + P + E$
- Spares pooled and protected by sector 0 (below: see M5-M6):
 - Sector 0 codeword: $(512) + P + E$
 - Other sectors: $(512) + E$
- Unprotected spares (below: see M4-M7-M8-M11-M12):
 - All codewords $(512) + E$

15.4.4.12.3.2.3.1 Per-Sector Spare Mappings

In these schemes, each 512-byte sector of the main area has its own dedicated section of the spare area. The spare area of each sector is composed of:

- ECC, which must be located after the data it protects
- Other data, which may or may not be protected by the ECC for its sector.

Figure 15-91. NAND Page Mapping and ECC: Per-Sector Schemes

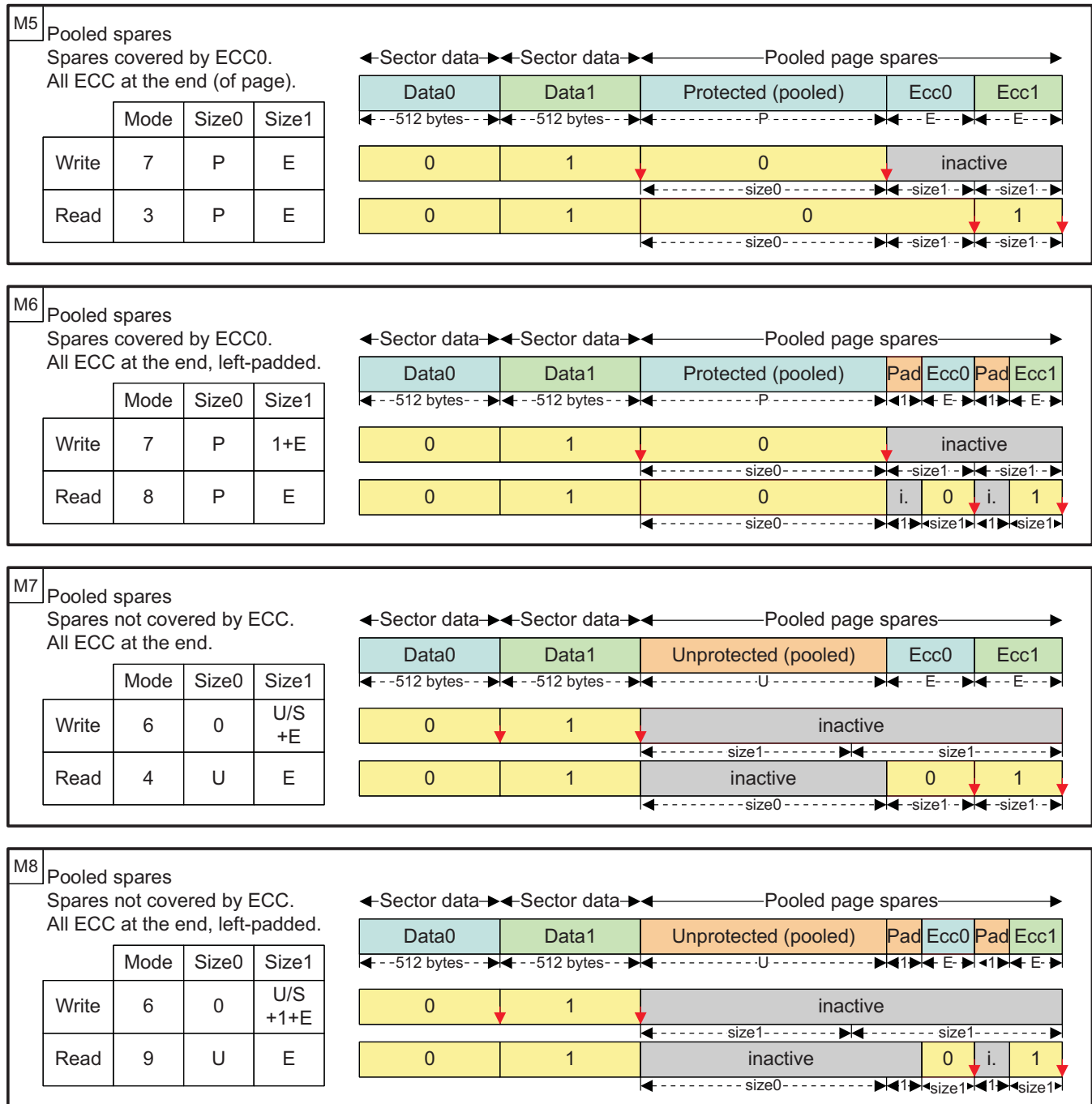


gpmc-033

15.4.4.12.3.2.3.2 Pooled Spare Mapping

In the following schemes, the spare area is pooled for the page.

- The ECC of each sector is aligned at the end of the spare area.
- The non-ECC spare data may or may not be covered by the ECC of sector 0.

Figure 15-92. NAND Page Mapping and ECC: Pooled Spare Schemes


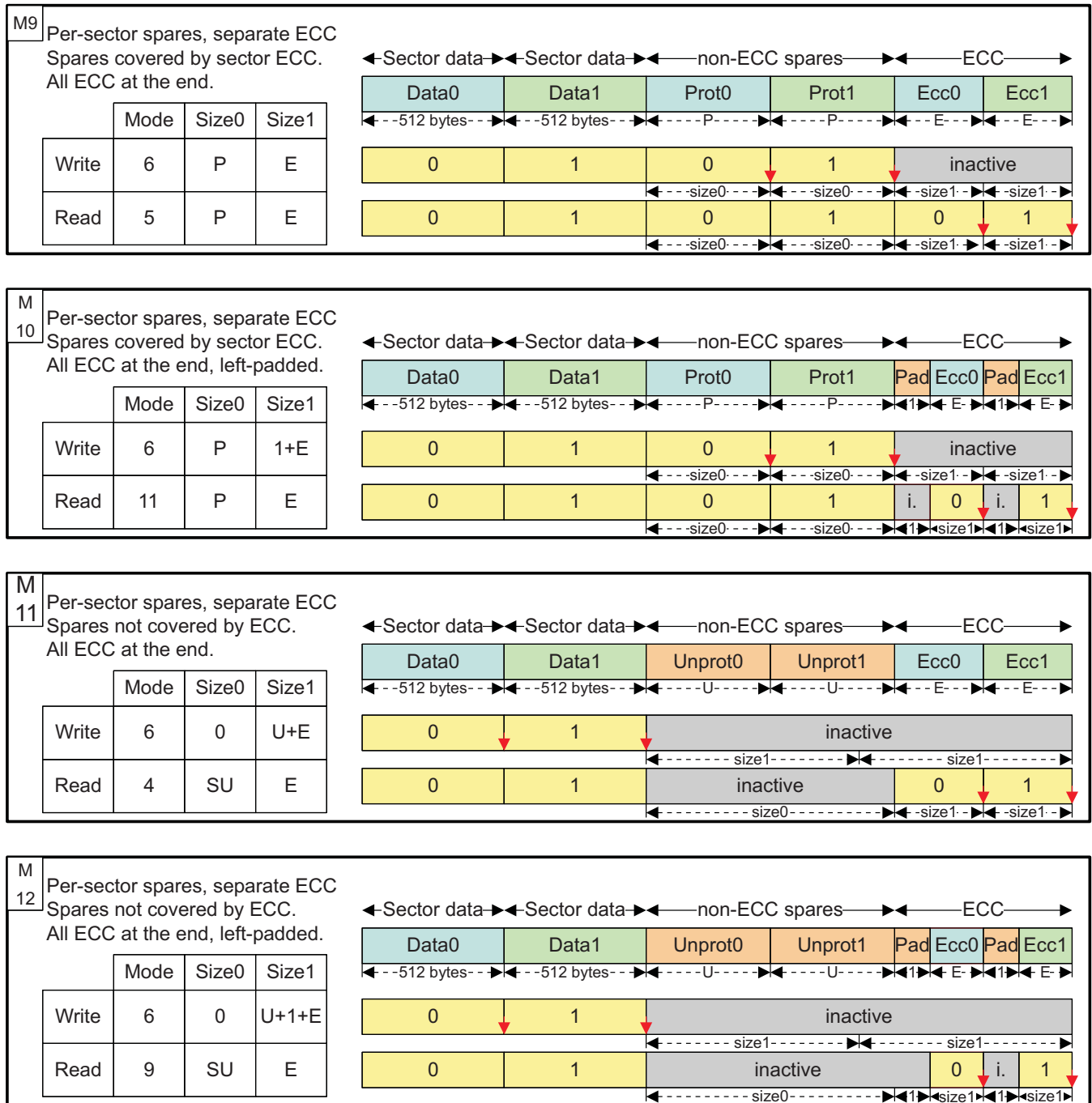
gpmc-034

15.4.4.12.3.2.3.3 Per-Sector Spare Mapping, with ECC Separated at the End of the Page

In these schemes, each 512-byte sector of the main area is associated with two sections of the spare area.

- ECC section, all aligned at the end of the page
- Other data section, aligned before the ECCs, each of which may or may not be protected by the ECC for its sector.

Figure 15-93. NAND Page Mapping and ECC: Per-Sector Schemes, With Separate ECC



gpmc_035

15.4.4.12.4 Prefetch and Write-Posting Engine

NAND device data access cycles are usually much slower than the MPU system frequency; such NAND read or write accesses issued by the processor affect the overall system performance, especially considering long read or write sequences required for NAND page loading or programming. To minimize this effect on system performance, the GPMC includes a prefetch and write-posting engine, which can be used to read from or write to any chip-select location in a buffered manner.

The prefetch and write-posting engine is a simplified embedded-access requester that presents requests to the access engine on a user-defined chip-select target. The access engine interleaves these requests with any request coming from the L3 interface; as a default, the prefetch and write-posting engine has the lowest priority.

The prefetch and write-posting engine is dedicated to data-stream access (as opposed to random data access); thus, it is primarily dedicated to NAND support. The engine does not include an address generator; the request is limited to chip-select target identification. It includes a 64-byte FIFO associated with a DMA request synchronization line, for optimal DMA-based use.

The prefetch and write-posting engine uses an embedded 64-byte (32 16-bit word) FIFO to prefetch data from the NAND device in read mode (prefetch mode) or to store host data to be programmed into the NAND device in write mode (write-posting mode). The FIFO draining and filling (read and write) can be controlled by a device host processor through interrupt synchronization (an interrupt is triggered whenever a programmable threshold is reached) or by a device DMA module through DMA request synchronization, with a programmable request byte size in prefetch or posting mode.

The prefetch and write-posting engine includes a single memory pool. Therefore, only one mode, read or write, can be used at any given time. In other words, the prefetch and write-posting engine is a single-context engine that can be allocated to only one chip-select at a time for a read prefetch or a write-posting process.

The engine does not support atomic command and address phase programming and is limited to linear memory read or write access. As a consequence, it is limited to NAND data-stream access. The engine relies on the MPU NAND software driver to control block and page opening with the correct data address pointer initialization, before the engine can read from or write to the NAND memory device.

Once started, engine data read and write sequencing is based solely on FIFO location availability and until the total programmed number of bytes is read or written.

Any host-concurrent accesses to a different chip-select are correctly interleaved with ongoing engine accesses. The engine has the lowest priority access so that host accesses to a different chip-select do not suffer a large latency.

A round-robin arbitration scheme can be enabled to ensure minimum bandwidth to the prefetch and write-posting engine in the case of back-to-back direct memory requests to a different chip-select. If the [GPMC_PREFETCH_CONFIG1\[23\] PFPWENROUNDROBIN](#) bit is enabled, the arbitration grants the prefetch and write posting engine access to the GPMC bus for a number of requests programmed in the [GPMC_PREFETCH_CONFIG1\[19:16\] PFPWWEIGHTEDPRIO](#) bit field.

The prefetch/write-posting engine read or write request is routed to the access engine with the chip-select destination ID. After the required arbitration phase, the access engine processes the request as a single access with the data access size equal to the device size specified in the corresponding chip-select configuration.

NOTE: The destination chip-select configuration must be set to the NAND protocol-compatible configuration for which address lines are not used (the address bus is not changed from its current value). Selecting a different chip-select configuration can produce undefined behavior.

15.4.4.12.4.1 General Facts About the Engine Configuration

The engine can be configured only if the [GPMC_PREFETCH_CONTROL\[0\] STARTENGINE](#) bit is deasserted.

The engine must be correctly configured in prefetch or write-posting mode and must be linked to a NAND chip-select before it can be started. The chip-select is linked using the [GPMC_PREFETCH_CONFIG1\[26:24\] ENGINECSSELECTOR](#) bit field.

In prefetch and write-posting modes, the engine uses byte or 16-bit word access requests, respectively, for an 8- or 16-bit-wide NAND device attached to the linked chip-select. The FIFOTHRESHOLD and TRANSFERCOUNT bit fields must be programmed accordingly as a number of bytes.

When the [GPMC_PREFETCH_CONFIG1\[7\] ENABLEENGINE](#) bit is set, the FIFO entry on the L3 interconnect port side is accessible at any address in the associated chip-select memory region. When the [ENABLEENGINE](#) bit is set, any host access to this chip-select is rerouted to the FIFO input. Directly accessing the NAND device linked to this chip-select from the host is still possible through the following registers (where $i = 0$ to 7):

- [GPMC_NAND_COMMAND_i](#)
- [GPMC_NAND_ADDRESS_i](#)
- [GPMC_NAND_DATA_i](#)

The FIFO entry on the L3 interconnect port can be accessed with byte, 16-bit word, or 32-bit word access size, according to little-endian format, even though the FIFO input is 32 bits wide.

The FIFO control is made easier through the use of interrupts or DMA requests associated with the [FIFOTHRESHOLD](#) bit field. The [GPMC_PREFETCH_STATUS\[30:24\] FIFOPINTER](#) bit field monitors the number of available bytes to be read in prefetch mode or the number of free empty slots that can be written in write-posting mode. The [GPMC_PREFETCH_STATUS\[13:0\] COUNTVALUE](#) bit field monitors the number of remaining bytes to be read or written by the engine according to the value of the [TRANSFERCOUNT](#) bit field. The [FIFOPINTER](#) and [COUNTVALUE](#) bit fields are always expressed as a number of bytes even if a 16-bit-wide NAND device is attached to the linked chip-select.

In prefetch mode, when the [FIFOPINTER](#) equals 0 (that is, the FIFO is empty), a host read access receives the byte last read from the FIFO as its response. In case of 32-bit word or 16-bit word read accesses, the last byte read from the FIFO is copied the required number of times to fit the requested word size. In write-posting mode, when the [FIFOPINTER](#) equals 0 (that is, the FIFO is full), a host write overwrites the last FIFO byte location. There is no underflow or overflow error reporting in the GPMC.

15.4.4.12.4.2 Prefetch Mode

The prefetch mode is selected when the [GPMC_PREFETCH_CONFIG1\[0\] ACCESSMODE](#) bit is cleared.

The MPU NAND software driver must issue the block and page opening (READ) command with the correct data address pointer initialization before the engine can be started to read from the NAND memory device. The engine is started by asserting the [GPMC_PREFETCH_CONTROL\[0\] STARTENGINE](#) bit. The [STARTENGINE](#) bit automatically clears when the prefetch process completes.

If required, the ECC calculator engine must be initialized (that is, reset, configured, and enabled) before the prefetch engine is started so that the ECC is computed correctly on all data read by the prefetch engine.

When the [GPMC_PREFETCH_CONFIG1\[3\] SYNCHROMODE](#) bit is cleared, the prefetch engine starts requesting data as soon as the [STARTENGINE](#) bit is set. If using this configuration, the host must monitor the NAND device-ready pin so that it sets the [STARTENGINE](#) bit only when the NAND device is in a ready state (that is, data is valid for prefetching).

When the [SYNCHROMODE](#) bit is set, the prefetch engine starts requesting data when an active-to-inactive [WAIT](#) signal transition is detected. The transition detector must be cleared before any transition detection (see [Section 15.4.4.12.2.2, Ready Pin Monitored by Hardware Interrupt](#)). The [GPMC_PREFETCH_CONFIG1\[5:4\] WAITPINSELECTOR](#) bit field selects which [gpmc_wait](#) pin edge detector triggers the prefetch engine in this synchronized mode.

If the [STARTENGINE](#) bit is set after the NAND address phase (page opening command), the engine is effectively started only after the actual NAND address phase completion. To prevent GPMC stall during this NAND address phase, set the [STARTENGINE](#) bit before NAND address phase completion when in synchronized mode. The prefetch engine starts when an active-to-inactive [WAIT](#) signal transition is detected. The [STARTENGINE](#) bit is automatically cleared on prefetch process completion.

The prefetch engine issues a read request to fill the FIFO with the amount of data specified by the [GPMC_PREFETCH_CONFIG2\[13:0\] TRANSFERCOUNT](#) bit field.

[Table 15-459](#) describes the prefetch mode configuration.

Table 15-459. Prefetch Mode Configuration

Bit Field	Register	Value	Comments
STARTENGINE	GPMC_PREFETCH_CONTROL [0]	0	Prefetch engine can be configured only if STARTENGINE is set to 0.
ENGINECSSELECTOR	GPMC_PREFETCH_CONFIG1 [26:24]	0 to 3	Selects the chip-select associated with a NAND device where the prefetch engine is active.
ACCESSMODE	GPMC_PREFETCH_CONFIG1 [0]	0	Selects prefetch mode
FIFOTHRESHOLD	GPMC_PREFETCH_CONFIG1 [14:8]		Selects the maximum number of bytes read or written by the host on DMA or interrupt request
TRANSFERCOUNT	GPMC_PREFETCH_CONFIG2 [13:0]		Selects the number of bytes to be read or written by the engine to the selected chip-select
SYNCHROMODE	GPMC_PREFETCH_CONFIG1 [3]	0/1	Selects when the engine starts the access to the chip-select
WAITPINSELECT	GPMC_PREFETCH_CONFIG1 [17:16]	0 to 1	Selects wait pin edge detector (if GPMC_PREFETCH_CONFIG1 [3] SYNCHROMODE = 0x1)
ENABLEOPTIMIZEDACCESS	GPMC_PREFETCH_CONFIG1 [27]	0/1	See Section 15.4.4.12.4.6, Optimizing NAND Access Using the Prefetch and Write-Posting Engine .
CYCLEOPTIMIZATION	GPMC_PREFETCH_CONFIG1 [30:28]		Number of clock cycle removed to timing parameters
ENABLEENGINE	GPMC_PREFETCH_CONFIG1 [7]	1	Engine enabled
STARTENGINE	GPMC_PREFETCH_CONTROL [0]	1	Starts the prefetch engine

15.4.4.12.4.3 FIFO Control in Prefetch Mode

The FIFO can be drained directly by a device host processor or a DMA module channel.

In MPU draining mode, the FIFO status can be monitored through the [GPMC_PREFETCH_STATUS](#)[30:24] FIFOPINTER bit field or through the [GPMC_PREFETCH_STATUS](#)[16] FIFOTHRESHOLDSTATUS bit. The FIFOPINTER indicates the current number of available data to be read; FIFOTHRESHOLDSTATUS set to 1 indicates that at least FIFOTHRESHOLD bytes are available from the FIFO.

An interrupt can be triggered by the GPMC if the [GPMC_IRQENABLE](#)[0] FIFOEVENTENABLE bit is set. The FIFO interrupt event is logged, and the [GPMC_IRQSTATUS](#)[0] FIFOEVENTSTATUS bit is set. To clear the interrupt, the MPU must read all the available bytes, or at least enough bytes to get below the programmed FIFO threshold, and the FIFOEVENTSTATUS bit must be cleared to enable further interrupt events. The FIFOEVENTSTATUS bit must always be reset before asserting the FIFOEVENTENABLE bit to clear any out-of-date logged interrupt event. This interrupt generation must be enabled after enabling the STARTENGINE bit.

Prefetch completion can be monitored through the [GPMC_PREFETCH_STATUS](#)[13:0] COUNTVALUE bit field. COUNTVALUE indicates the number of currently remaining data to be requested according to the TRANSFERCOUNT value. An interrupt can be triggered by the GPMC when the prefetch process is complete (that is, COUNTVALUE equals 0) if the [GPMC_IRQENABLE](#)[1] TERMINALCOUNTEVENTENABLE bit is set. At prefetch completion, the TERMINALCOUNT interrupt event is also logged, and the [GPMC_IRQSTATUS](#)[1] TERMINALCOUNTSTATUS bit is set. To clear the interrupt, the MPU must clear the TERMINALCOUNTSTATUS bit. The TERMINALCOUNTSTATUS bit must always be cleared prior to asserting the TERMINALCOUNTEVENTENABLE bit to clear any out-of-date logged interrupt event.

NOTE: The COUNTVALUE value is valid only when the prefetch engine is active (started), and an interrupt is only triggered when COUNTVALUE reaches 0, that is, when the prefetch engine automatically goes from an active to an inactive state.

The number of bytes to be prefetched (programmed in TRANSFERCOUNT) must be a multiple of the programmed FIFOTHRESHOLD to trigger the correct number of interrupts allowing a deterministic and transparent FIFO control. If this guideline is respected, the number of ISR accesses is always required and the FIFO is always empty after the last interrupt is triggered. In other cases, the TERMINALCOUNT interrupt must be used to read the remaining bytes in the FIFO (the number of remaining bytes being lower than the FIFOTHRESHOLD value).

In DMA draining mode, the [GPMC_PREFETCH_CONFIG1\[2\]](#) DMAMODE bit must be set so that the GPMC issues a DMA hardware request when at least FIFOTHRESHOLD bytes are ready to be read from the FIFO. The DMA channel that owns this DMA request must be programmed so that the number of bytes programmed in FIFOTHRESHOLD is read from the FIFO during the DMA request process. The DMA request is kept active until this number of bytes has effectively been read from the FIFO, and no other DMA request can be issued until the ongoing active request is complete.

In prefetch mode, the TERMINALCOUNT event is also a source of DMA requests if the number of bytes to be prefetched is not a multiple of FIFOTHRESHOLD, the remaining bytes in the FIFO can be read by the DMA channel using the last DMA request. This assumes that the number of remaining bytes to be read is known and controlled through the DMA channel programming model.

Any potentially active DMA request is cleared when the prefetch engine goes from inactive-to-active prefetch (the STARTENGINE bit is set to 1). The associated DMA channel must always be enabled by the MPU after setting the STARTENGINE bit so that the out-of-date active DMA request does not trigger spurious DMA transfers.

15.4.4.12.4.4 Write-Posting Mode

The write-posting mode is selected when the [GPMC_PREFETCH_CONFIG1\[0\]](#) ACCESSMODE bit is set.

The MPU NAND software driver must issue the correct address pointer initialization command (page program) before the engine can start writing data into the NAND memory device. The engine starts when the [GPMC_PREFETCH_CONTROL\[0\]](#) STARTENGINE bit is set to 1. The STARTENGINE bit clears automatically when posting completes. When all data have been written to the NAND memory device, the MPU NAND software driver must issue the second cycle program command and monitor the status for programming process completion (adding ECC handling, if required).

If used, the ECC calculator engine must be started (configured, reset, and enabled) before the posting engine is started so that the ECC parities are calculated properly on all data written by the prefetch engine to the associated chip-select.

In write-posting mode, the [GPMC_PREFETCH_CONFIG1\[3\]](#) SYNCHROMODE bit must be cleared so that posting starts as soon as the STARTENGINE bit is set and the FIFO is not empty.

If the STARTENGINE bit is set after the NAND address phase (page program command), the STARTENGINE setting is effective only after the actual NAND command completion. To prevent GPMC stall during this NAND command phase, set the STARTENGINE bit field before the NAND address completion and ensure that the associated DMA channel is enabled after the NAND address phase.

The posting engine issues a write request when valid data are available from the FIFO and until the programmed [GPMC_PREFETCH_CONFIG2\[13:0\]](#) TRANSFERCOUNT accesses are complete.

The STARTENGINE bit clears automatically when posting completes. When all data have been written to the NAND memory device, the MPU NAND software driver must issue the second cycle program command and monitor the status for programming process completion. The closing program command phase must be issued only when the full NAND page has been written into the NAND flash write buffer, including the spare area data and the ECC parities, if used.

[Table 15-460](#) describes the write-posting configuration.

Table 15-460. Write-Posting Mode Configuration

Bit Field	Register	Value	Comments
STARTENGINE	GPMC_PREFETCH_CONTROL[0]	0	Write-posting engine can be configured only if STARTENGINE is set to 0.

Table 15-460. Write-Posting Mode Configuration (continued)

Bit Field	Register	Value	Comments
ENGINECSSELECTOR	GPMC_PREFETCH_CONFIG1 [26:24]	0 to 3	Selects the chip-select associated with a NAND device where the prefetch engine is active
ACCESSMODE	GPMC_PREFETCH_CONFIG1 [0]	1	Selects write-posting mode
FIFOTHRESHOLD	GPMC_PREFETCH_CONFIG1 [14:8]		Selects the maximum number of bytes read or written by the host on DMA or interrupt request
TRANSFERCOUNT	GPMC_PREFETCH_CONFIG2 [13:0]		Selects the number of bytes to be read or written by the engine from/to the selected chip-select
SYNCHROMODE	GPMC_PREFETCH_CONFIG1 [3]	0	Engine starts the access to chip-select as soon as STARTENGINE is set.
ENABLEOPTIMIZEDACCESS	GPMC_PREFETCH_CONFIG1 [27]	0/1	See Section 15.4.4.12.4.6, Optimizing NAND Access Using the Prefetch and Write-Posting Engine.
CYCLOPTIMIZATION	GPMC_PREFETCH_CONFIG1 [30:28]		
ENABLEENGINE	GPMC_PREFETCH_CONFIG1 [7]	1	Engine enabled
STARTENGINE	GPMC_PREFETCH_CONTROL [0]	1	Starts the prefetch engine

15.4.4.12.4.5 FIFO Control in Write-Posting Mode

The FIFO can be filled directly by a device host processor or a DMA module channel.

In MPU filling mode, the FIFO status can be monitored through the FIFOPINTER or through the [GPMC_PREFETCH_STATUS](#)[16] FIFOTHRESHOLDSTATUS bit. FIFOPINTER indicates the current number of available free byte places in the FIFO, and the FIFOTHRESHOLDSTATUS bit, when set, indicates that at least FIFOTHRESHOLD free byte places are available in the FIFO.

An interrupt can be issued by the GPMC if the [GPMC_IRQENABLE](#)[0] FIFOEVENTENABLE bit is set. When the interrupt is fired, the [GPMC_IRQSTATUS](#)[0] FIFOEVENTSTATUS bit is set. To clear the interrupt, the MPU must write enough bytes to fill the FIFO or to get below the programmed threshold, and the FIFOEVENTSTATUS bit must be cleared to get further interrupt events. The FIFOEVENTSTATUS bit must always be cleared before asserting the FIFOEVENTENABLE bit to clear any out-of-date logged interrupt event. This interrupt must be enabled after enabling the STARTENGINE bit.

The posting completion can be monitored through the [GPMC_PREFETCH_STATUS](#)[13:0] COUNTVALUE bit field. COUNTVALUE indicates the current number of remaining data to be written based on the value of the TRANSFERCOUNT bit field. An interrupt is issued by the GPMC when the write-posting process completes (that is, COUNTVALUE equal to 0) if the [GPMC_IRQENABLE](#)[1] TERMINALCOUNTEVENTENABLE bit is set. When the interrupt is fired, the [GPMC_IRQSTATUS](#)[1] TERMINALCOUNTSTATUS bit is set. To clear the interrupt, the MPU must clear the TERMINALCOUNTSTATUS bit. The TERMINALCOUNTSTATUS bit must always be cleared before asserting the TERMINALCOUNTEVENTENABLE bit to clear any out-of-date logged interrupt event.

NOTE: The value of the COUNTVALUE bit field is valid only if the write-posting engine is active and started, and an interrupt is issued only when COUNTVALUE reaches 0; that is, when the posting engine automatically goes from active to inactive.

In DMA filling mode, the DMAMode bit field in the [GPMC_PREFETCH_CONFIG1](#)[2] DMAMODE bit must be set so that the GPMC issues a DMA hardware request when at least FIFOTHRESHOLD bytes-free places are available in the FIFO. The DMA channel that owns this DMA request must be programmed so that a number of bytes equal to the value programmed in the FIFOTHRESHOLD bit field are written into the FIFO during the DMA access. The DMA request remains active until the associated number of bytes has effectively been written into the FIFO, and no other DMA request can be issued until the ongoing active request completes.

Any potentially active DMA request is cleared when the prefetch engine goes from inactive-to-active prefetch (STARTENGINE set to 1). The associated DMA channel must always be enabled by the MPU after setting the STARTENGINE bit so that an out-of-date active DMA request does not trigger spurious DMA transfers.

In write-posting mode, the DMA or MPU fills the FIFO with no consideration for the associated byte enables. Any byte stored in the FIFO is written into the memory device.

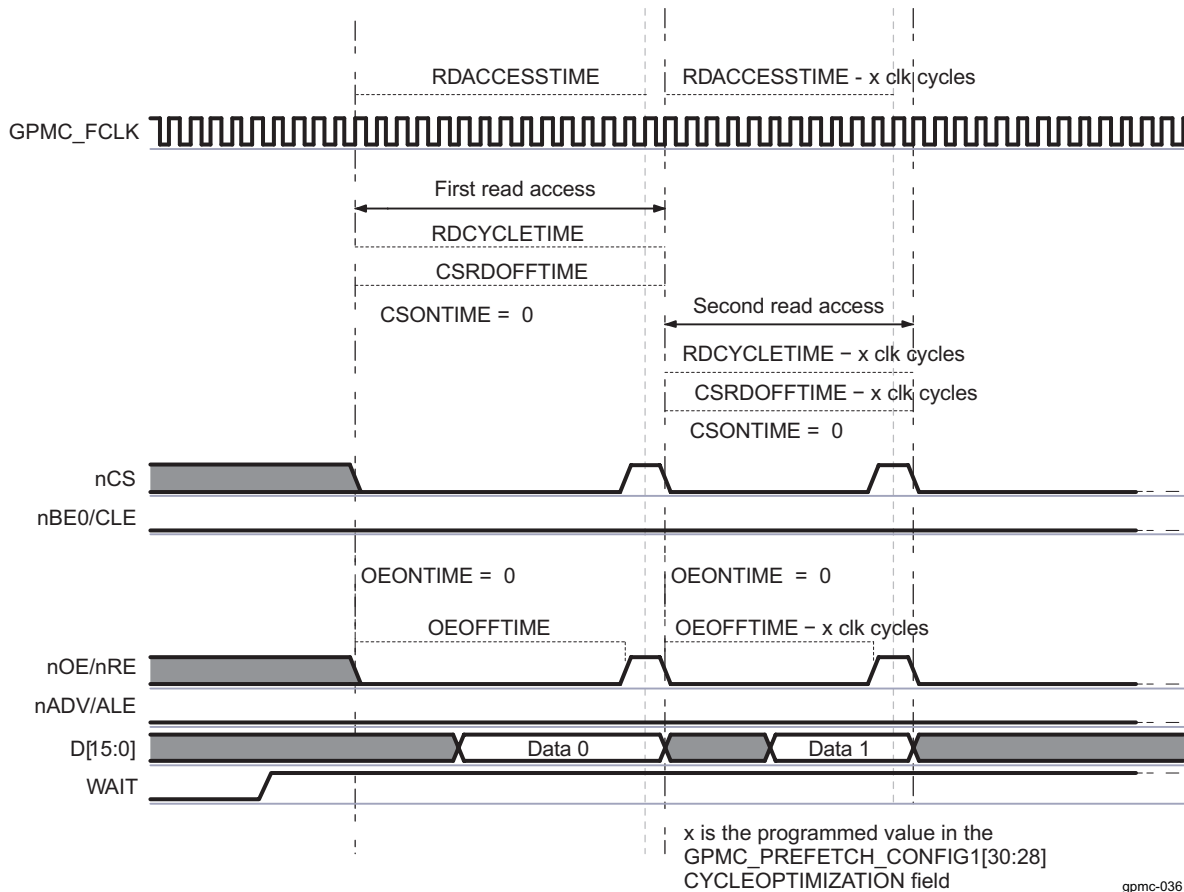
15.4.4.12.4.6 Optimizing NAND Access Using the Prefetch and Write-Posting Engine

Access time to a NAND memory device can be optimized for back-to-back accesses if the associated nCS signal is not deasserted between accesses. The GPMC access engine can track prefetch engine accesses to optimize the access timing parameter programmed for the allocated chip-select, if no accesses to other chip-selects (that is, interleaved accesses) occur. Similarly, the access engine also eliminates CYCLE2CYCLEDELAY even if CYCLE2CYCLESAMEECSEN is set. This capability is limited to the prefetch and write-posting engine accesses, and MPU accesses to a NAND memory device (through the defined chip-select memory region or through the [GPMC_NAND_DATA_i](#) location, where i = 0 to 7) are never optimized.

The [GPMC_PREFETCH_CONFIG1](#)[27] ENABLEOPTIMIZEDACCESS bit must be set to enable optimized accesses. To optimize access time, the [GPMC_PREFETCH_CONFIG1](#)[30:28] CYCLEOPTIMIZATION bit field defines the number of GPMC_FCLK cycles to be suppressed from the following timing parameters:

- RDCYCLETIME
- WRCYCLETIME
- RDACCESSTIME
- WRACCESSTIME
- CSOFFTIME
- ADVOFFTIME
- OEOFFTIME
- WEOFFTIME

[Figure 15-94](#) shows that in the case of back-to-back accesses to the NAND flash through the prefetch engine, CYCLE2CYCLESAMEECSEN is forced to 0 when using optimized accesses. The first access uses the regular timing settings for this chip-select. All accesses after this one use settings reduced by x clock cycles, x being defined by the [GPMC_PREFETCH_CONFIG1](#)[30:28] CYCLEOPTIMIZATION bit field.

Figure 15-94. NAND Read Cycle Optimization Timing Description


15.4.4.12.4.7 Interleaved Accesses Between Prefetch and Write-Posting Engine and Other Chip-Selects

Any on-going read or write access from the prefetch and write-posting engine is completed before an access to any other chip-select can be initiated. As a default, the arbiter uses a fixed-priority algorithm, and the prefetch and write-posting engine has the lowest priority. The maximum latency added to access starting time in this case equals the RDCYCLETIME or WRCYCLETIME (optimized or not) plus the requested BUSTURNAROUND delay for bus turnaround completion programmed for the chip-select to which the NAND device is connected.

Alternatively, a round-robin arbitration can be used to prioritize accesses to the external bus. This arbitration scheme is enabled by setting the [GPMC_PREFETCH_CONFIG1\[23\] PFPWENROUNDROBIN](#) bit. When a request to another chip-select is received while the prefetch and write-posting engine is active, priority is given to the new request. The request processed thereafter is the prefetch and write-posting engine request, even if another interconnect request is passed in the mean time. The engine keeps control of the bus for an additional number of requests programmed in the [GPMC_PREFETCH_CONFIG1\[19:16\] PFPWWEIGHTEDPRIO](#) bit field. Control is then passed to the direct interconnect request.

As an example, the round-robin arbitration scheme is selected with PFPWWEIGHTEDPRIO set to 0x2. Considering that the prefetch and write-posting engine and the interconnect interface are always requesting access to the external interface, the GPMC grants priority to the direct interconnect access for one request. The GPMC then grants priority to the engine for three requests, and finally back to the direct interconnect access, until the arbiter is reset when one of the two initiators stops initiating requests.

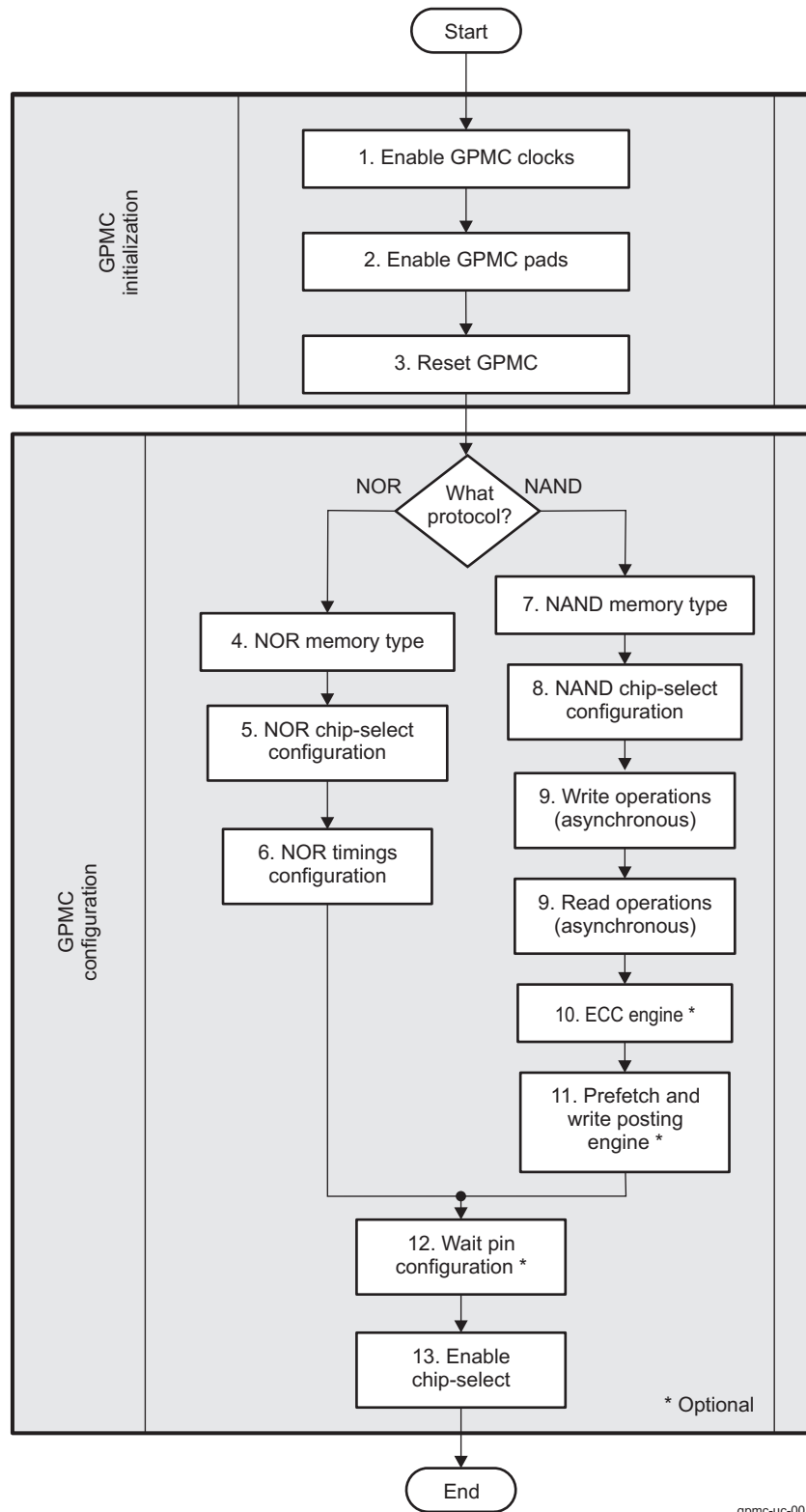
15.4.5 GPMC Basic Programming Model

15.4.5.1 GPMC High-Level Programming Model Overview

The goal of the basic high-level programming model is to introduce a top-down approach to users that need to configure the GPMC module.

[Figure 15-95](#) and [Table 15-461](#) through [Table 15-463](#) show a programming model top-level diagram for the GPMC, and a description of each step. Each block of the diagram is described in one of the following sections through a set of registers to configure.

Figure 15-95. Programming Model Top-Level Diagram



gpmc-uc-001

Table 15-461. GPMC Initialization

Step	Description
Enable GPMC clocks.	Module interface and functional clocks must be enabled. See Chapter 3, Power, Reset, and Clock Management .
Enable GPMC pads.	Module-specific pad multiplexing and configuration must be set in the control module. See Section 18.4.6.1.1, Pad Configuration Registers in Chapter 18, Control Module .
Reset GPMC.	See Table 15-464 .

Table 15-462. GPMC Configuration in NOR Mode

Step	Description
NOR Memory Type	See Table 15-465 .
NOR Chip-Select Configuration	See Table 15-466 .
NOR Timings Configuration	See Table 15-467 .
Wait Pin Configuration	See Table 15-475 .
Enable Chip-Select	See Table 15-476 .

Table 15-463. GPMC Configuration in NAND Mode

Step	Description
NAND Memory Type	See Table 15-470 .
NAND Chip-Select Configuration	See Table 15-471 .
Write Operations (Asynchronous)	See Table 15-472 .
Read Operations (Asynchronous)	See Table 15-472 .
ECC Engine	See Table 15-473 .
Prefetch and Write-Posting Engine	See Table 15-474 .
Wait Pin Configuration	See Table 15-475 .
Enable Chip-Select	See Table 15-476 .

15.4.5.2 GPMC Initialization

[Table 15-492](#) describes the settings required to prepare the GPMC; that is enabling its clock and pads, and proceeding to a GPMC reset.

Table 15-464. Reset GPMC

Subprocess Name	Register/Bit Field	Value
Start a software reset.	GPMC_SYSCONFIG [1] SOFTRESET	0x1
Wait until	GPMC_SYSSTATUS [0] RESETDONE =	0x1

15.4.5.3 GPMC Configuration in NOR Mode

This section gives a generic configuration for parameters related to the NOR memory connected to the GPMC.

Table 15-465. NOR Memory Type

Subprocess Name	Register / Bit Field	Value
Set the NOR protocol.	GPMC_CONFIG1 _ <i>i</i> [11:10] DEVICETYPE	0x0
Set a device size.	GPMC_CONFIG1 _ <i>i</i> [13:12] DEVICESIZE	x
Select an address and data multiplexing protocol.	GPMC_CONFIG1 _ <i>i</i> [9] MUXADDDATA	x
Set the attached device page length.	GPMC_CONFIG1 _ <i>i</i> [24:23] ATTACHEDDEVICEPAGELENGTH	x

Table 15-465. NOR Memory Type (continued)

Subprocess Name	Register / Bit Field	Value
Set the wrapping burst capabilities.	GPMC_CONFIG1_i[31] WRAPBURST	x
Select a timing signals latencies factor.	GPMC_CONFIG1_i[4] TIMEPARAGRANULARITY	x
Select an output clock frequency ⁽¹⁾ .	GPMC_CONFIG1_i[1:0] GPMCFCLKDIVIDER	x
Choose an output clock activation time ⁽¹⁾ .	GPMC_CONFIG1_i[26:25] CLKACTIVATIONTIME	x
Set a single or multiple access for read operations ⁽¹⁾ .	GPMC_CONFIG1_i[30] READMULTIPLE	x
Set a synchronous or asynchronous mode for read operations.	GPMC_CONFIG1_i[29] READTYPE	x
Set a single or multiple access for write operations.	GPMC_CONFIG1_i[28] WRITEMULTIPLE	x
Set a synchronous or asynchronous mode for write operations.	GPMC_CONFIG1_i[27] WRITETYPE	x

⁽¹⁾ Applies only to synchronous configurations (or nonmultiplexed asynchronous for multiple access one)

Table 15-466. NOR Chip-Select Configuration

Subprocess Name	Register/Bit Field	Value
Select the chip-select base address.	GPMC_CONFIG7_i[5:0] BASEADDRESS	x
Select the chip-select mask address.	GPMC_CONFIG7_i[11:8] MASKADDRESS	x

Table 15-467. NOR Timings Configuration

Subprocess Name	Register/Bit Field	Value
Configure adequate timing parameters in various memory modes.	See Section 15.4.5.6, GPMC Timing Parameters	

Table 15-468. Wait Pin Configuration

Subprocess Name	Register/Bit Field	Value
Enable or disable wait pin monitoring for read operations.	GPMC_CONFIG1_i[22] WAITREADMONITORING	x
Enable or disable wait pin monitoring for write operations.	GPMC_CONFIG1_i[21] WAITWRITEMONITORING	x
Select a wait pin monitoring time.	GPMC_CONFIG1_i[19:18] WAITMONITORINGTIME	x
Choose the input wait pin for the chip-select.	GPMC_CONFIG1_i[17:16] WAITPINSELECT	x

Table 15-469. Enable Chip-Select

Subprocess Name	Register/Bit Field	Value
When all parameters are configured, enable the chip-select.	GPMC_CONFIG7_i[6] CSVALID	x

15.4.5.4 GPMC Configuration in NAND Mode

This section gives a generic configuration for parameters related to the NAND memory connected to the GPMC.

Table 15-470. NAND Memory Type

Subprocess Name	Register/Bit Field	Value
Set the NAND protocol.	GPMC_CONFIG1_i[11:10] DEVICETYPE	0x2
Set a device size.	GPMC_CONFIG1_i[13:12] DEVICESIZE	x
Set the address and data multiplexing protocol to non-multiplexed attached device.	GPMC_CONFIG1_i[9] MUXADDDATA	0x0
Select a timing signals latencies factor.	GPMC_CONFIG1_i[4] TIMEPARAGRANULARITY	x

Table 15-470. NAND Memory Type (continued)

Subprocess Name	Register/Bit Field	Value
Set a synchronous or asynchronous mode and a single or multiple access for read and write operations.	See Section 15.4.5.5, Set Memory Access.	x

Table 15-471. NAND Chip-Select Configuration

Subprocess Name	Register/Bit Field	Value
Select the chip-select base address.	GPMC_CONFIG7_i[5:0] BASEADDRESS	x
Select the chip-select minimum granularity (16MiB).	GPMC_CONFIG7_i[11:8] MASKADDRESS	x

Table 15-472. Asynchronous Read and Write Operations

Subprocess Name	Register/Bit Field	Value
Configure adequate timing parameters in asynchronous modes	See Section 15.4.5.6, GPMC Timing Parameters.	

Table 15-473. ECC Engine

Subprocess Name	Register/Bit Field	Value
Select the ECC result register where the first ECC computation is stored (applies only to Hamming).	GPMC_ECC_CONTROL[3:0] ECCPOINTER	x ⁽¹⁾
Clear all ECC result registers.	GPMC_ECC_CONTROL[8] ECCCLEAR	Write 1 to clear.
Define ECCSIZE0 and ECCSIZE1.	GPMC_ECC_SIZE_CONFIG[19:12] ECCSIZE0 and [29:22] ECCSIZE1	x ⁽²⁾
Select the size of each of the 9 result registers (size specified by ECCSIZE0 or ECCSIZE1).	GPMC_ECC_SIZE_CONFIG[j-1] ECCjRESULTSIZE where j = 1 to 9	x
Select the chip-select where ECC is computed.	GPMC_ECC_CONFIG[3:1] ECCCS	x
Select the Hamming code or BCH code ECC algorithm in use.	GPMC_ECC_CONFIG[16] ECCALGORITHM	x
Select word size for ECC calculation.	GPMC_ECC_CONFIG[7] ECC16B	x
If the BCH code is used, Set an error correction capability and Select a number of sectors to process.	GPMC_ECC_CONFIG[13:12] ECCBCHTSEL and GPMC_ECC_CONFIG[6:4] ECCTOPSECTOR	x
Enable the ECC computation.	GPMC_ECC_CONFIG[0] ECCENABLE	0x1

⁽¹⁾ This parameter depends on the numbers of sectors in a page.

⁽²⁾ Depends on the size of each sector in the NAND page

Table 15-474. Prefetch and Write-Posting Engine

Subprocess Name	Register/Bit Field	Value
Disable the engine before configuration.	GPMC_PREFETCH_CONTROL[0] STARTENGINE	0x0
Select the chip-select associated with a NAND device where the prefetch engine is active.	GPMC_PREFETCH_CONFIG1[26:24] ENGINECSSELECTOR	x
Select access direction through prefetch engine, read or write.	GPMC_PREFETCH_CONFIG1[0] ACCESSMODE	x
Select the threshold used to issue a DMA request.	GPMC_PREFETCH_CONFIG1[14:8] FIFOTHRESHOLD	x
Select DMA synchronized mode or software manual mode.	GPMC_PREFETCH_CONFIG1[2] DMAMODE	x
Select if the engine immediately starts accessing the memory upon STARTENGINE assertion or if hardware synchronization based on a WAIT signal is used.	GPMC_PREFETCH_CONFIG1[3] SYNCHROMODE	x
Select which wait pin edge detector should start the engine in synchronized mode.	GPMC_PREFETCH_CONFIG1[5:4] WAITPINSELECTOR	x

Table 15-474. Prefetch and Write-Posting Engine (continued)

Subprocess Name	Register/Bit Field	Value
Enter a number of clock cycles removed to timing parameters (for all back-to-back accesses to the NAND flash except the first one).	GPMC_PREFETCH_CONFIG1 [30:28] CYCLOPTIMIZATION	x
Enable the prefetch postwrite engine.	GPMC_PREFETCH_CONFIG1 [7] ENABLEENGINE	0x1
Select the number of bytes to be read or written by the engine to the selected chip-select.	GPMC_PREFETCH_CONFIG2 [13:0] TRANSFERCOUNT	x
Start the prefetch engine.	GPMC_PREFETCH_CONTROL [0] STARTENGINE	0x1

Table 15-475. Wait Pin Configuration

Subprocess Name	Register/Bit Field	Value
Selects when the engine starts the access to chip-select.	GPMC_PREFETCH_CONFIG1 [3] SYNCHROMODE	x
Select which wait pin edge detector should start the engine in synchronized mode.	GPMC_PREFETCH_CONFIG1 [5:4] WAITPINSELECTOR	x

Table 15-476. Enable Chip-Select

Subprocess Name	Register/Bit Field	Value
When all parameters are configured, enable the chip-select.	GPMC_CONFIG7 _[6] CSVALID	x

15.4.5.5 Set Memory Access

This section describes the bit field to configure to set the GPMC in various memory modes. [Table 15-477](#) and [Table 15-478](#) provide check lists for mode parameters and access type parameters, respectively.

Table 15-477. Mode Parameters Check List

Register	Bit	Name	Asynchronous				Synchronous			
			Single Read Access	Single Write Access	Multiple Read (Page) Access	Multiple Write (Page) Access	Single Read Access	Single Write Access	Multiple Read (Burst) Access	Multiple Write (Burst) Access
GPMC_CONFIG1_i	30	READMULTIPLE	0x0	–	0x1 ⁽¹⁾	N/S	0x0	–	0x1	–
GPMC_CONFIG1_i	29	READTYPE	0x0	–	0x0 ⁽¹⁾	N/S	0x1	–	0x1	–
GPMC_CONFIG1_i	28	WRITEMULTIPLE	–	0x0	- ⁽¹⁾	N/S	–	0x0	–	0x1
GPMC_CONFIG1_i	27	WRITETYPE	–	0x0	- ⁽¹⁾	N/S	–	0x1	–	0x1

⁽¹⁾ Multiple read is not supported in address/data-multiplexed and AAD-multiplexed modes. Multiple read is supported in nonmultiplexed mode.

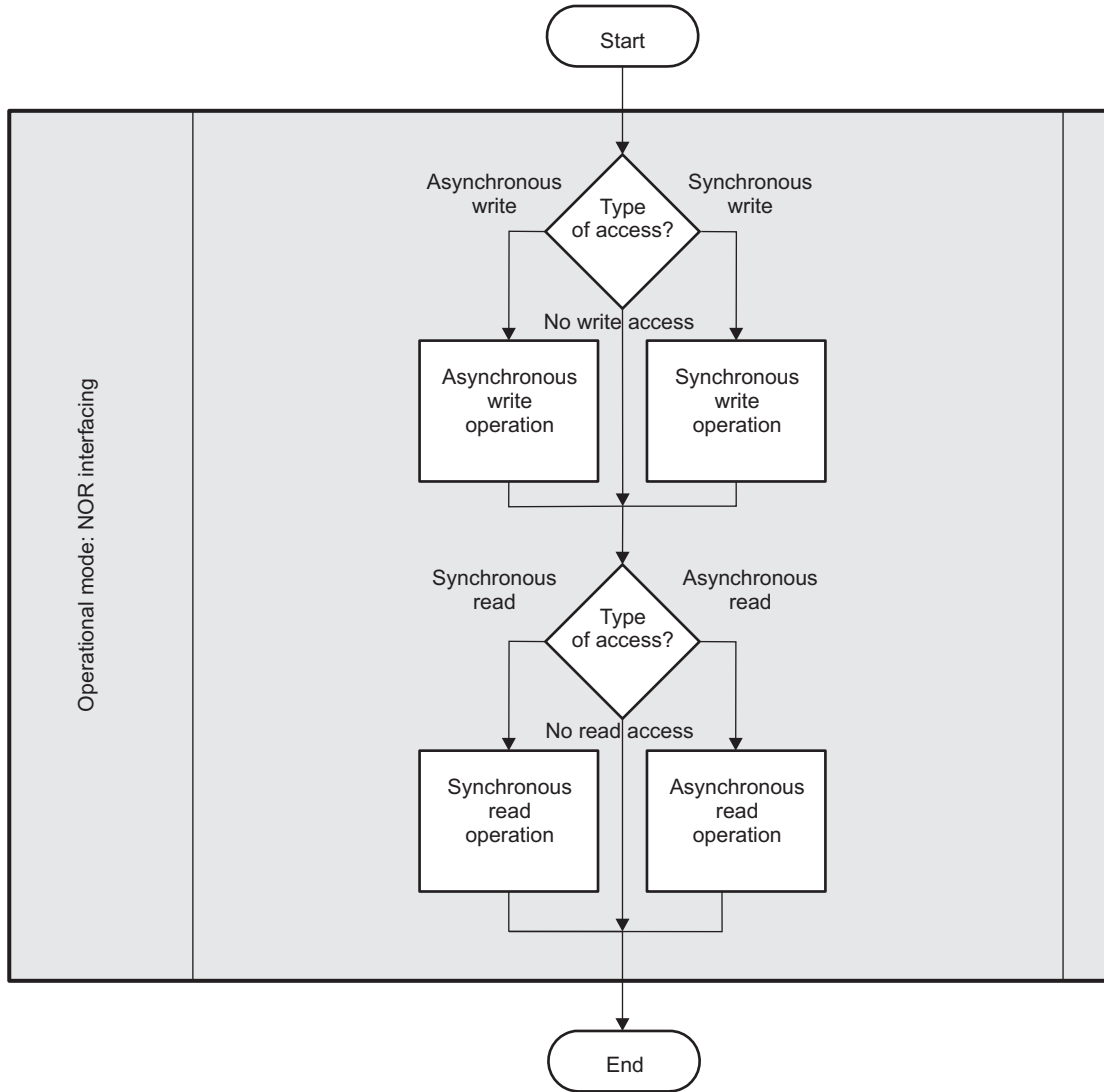
Table 15-478. Access Type Parameters Check List

Register	Bit	Name	Access Type		
			Nonmultiplexed	Address/Data-Multiplexed	AAD-Multiplexed
GPMC_CONFIG1_i	9:8	MUXADDDATA	0x0	0x2	0x1

15.4.5.6 GPMC Timing Parameters

Figure 15-96 shows a programming model diagram for the NOR interfacing timing parameters.

Figure 15-96. NOR Interfacing Timing Parameters Diagram



gpmc-uc-002

Table 15-479 lists the bit fields to configure adequate timing parameters in various memory modes.

Table 15-479. Timing Parameters

Register	Bit	Name	Asynchronous			Synchronous				Access Type		
			Single Read Access	Single Write Access	Multiple Read (Page) access	Single Read Access	Single Write Access	Multiple Read (Burst) Access	Multiple Write (Burst) Access	Non-multiple xed	Address / Data-Multiple xed	AAD Multiple xed
GPMC_CONFIG1_i	9	MUXADDDATA	y	y	y	y	y	y	y	y	y	y
GPMC_CONFIG1_i	29	READTYPE	y		y	y		y		y	y	y
GPMC_CONFIG1_i	30	READMULTIPLE	y		y	y		y		y	y	y
GPMC_CONFIG1_i	27	WRITETYPE		y			y		y	y	y	y
GPMC_CONFIG1_i	28	WRITEMULTIPLE		y			y		y	y	y	y
GPMC_CONFIG1_i	31	WRAPBURST						y	y	y	y	y
GPMC_CONFIG1_i	26:25	CLKACTIVATIONTIME				y	y	y	y	y	y	y
GPMC_CONFIG1_i	19:18	WAITMONITORINGTIME	y	y	y	y	y	y	y	y	y	y
GPMC_CONFIG1_i	4	TIMEPARAGRANULARITY	y	y	y	y	y	y	y	y	y	y
GPMC_CONFIG2_i	20:16	CSWROFFTIME		y			y		y	y	y	y
GPMC_CONFIG2_i	12:8	CSRDOFFTIME	y		y	y		y		y	y	y
GPMC_CONFIG2_i	7	CSEXTRADELAY	y	y	y	y	y	y	y	y	y	y
GPMC_CONFIG2_i	3:0	CSONTIME	y	y	y	y	y	y	y	y	y	y
GPMC_CONFIG3_i	30:28	ADVAADMUXWROFFTIME		y			y		y			y
GPMC_CONFIG3_i	30:29	ADVAADMUXRDOFFTIME	y		y	y		y				y
GPMC_CONFIG3_i	6:4	ADVAADMUXONTIME	y	y	y	y	y	y	y			y
GPMC_CONFIG3_i	20:16	ADVWROFFTIME		y			y		y	y	y	y
GPMC_CONFIG3_i	12:8	ADVRDOFFTIME	y		y	y		y		y	y	y
GPMC_CONFIG3_i	7	ADVEXTRADELAY	y	y	y	y	y	y	y	y	y	y
GPMC_CONFIG3_i	3:0	ADVONTIME	y	y	y	y	y	y	y	y	y	y
GPMC_CONFIG4_i	15:13	OEAADMUXOFFTIME	y	y	y	y	y	y	y			y
GPMC_CONFIG4_i	6:4	OEAADMUXONTIME	y	y	y	y	y	y	y			y
GPMC_CONFIG4_i	28:24	WEOFFTIME		y			y		y	y	y	y
GPMC_CONFIG4_i	23	WEEXTRADELAY		y			y		y	y	y	y
GPMC_CONFIG4_i	19:16	WEONTIME		y			y		y	y	y	y
GPMC_CONFIG4_i	12:8	OEOFFTIME	y		y	y		y		y	y	y
GPMC_CONFIG4_i	7	OEEXTRADELAY	y		y	y		y		y	y	y
GPMC_CONFIG4_i	3:0	OEONTIME	y		y	y		y		y	y	y
GPMC_CONFIG5_i	27:24	PAGEBURSTACCESSTIME			y			y	y	y	y	y
GPMC_CONFIG5_i	20:16	RDACCESSTIME	y		y	y		y		y	y	y

Table 15-479. Timing Parameters (continued)

			Asynchronous			Synchronous				Access Type		
GPMC_CONFIG5_i	12:8	WRCYCLETIME		y		y		y		y	y	y
GPMC_CONFIG5_i	4:0	RDCYCLETIME	y		y	y		y		y	y	y
GPMC_CONFIG6_i	28:24	WRACCESSTIME		y		y		y		y	y	y
GPMC_CONFIG6_i	19:16	WRDATAONADMUXBUS		y		y		y			y	y
GPMC_CONFIG6_i	11:8	CYCLE2CYCLEDELAY	y	y	y	y	y	y	y	y	y	y
GPMC_CONFIG6_i	7	CYCLE2CYCLESAMECSSEN	y	y	y	y	y	y	y	y	y	y
GPMC_CONFIG6_i	6	CYCLE2CYCLEDIFFCSSEN	y	y	y	y	y	y	y	y	y	y
GPMC_CONFIG6_i	3:0	BUSTURNAROUND	y	y	y	y	y	y	y	y	y	y
GPMC_CONFIG7_i	6	CSVALID	y	y	y	y	y	y	y	y	y	y

15.4.5.6.1 GPMC Timing Parameters Formulas

This section is intended to help the user calculate the GPMC timing bit field values. Formulas are not listed exhaustively.

The section describes:

- NAND flash interface timing parameters formulas
- Synchronous NOR flash timing parameters formulas
- Asynchronous NOR flash timing parameters formulas

For complete information, such as OPP and board effects on timings, see the device data manual.

15.4.5.6.1.1 NAND Flash Interface Timing Parameters Formulas

This section lists formulas to calculate NAND timing parameters. This is the case when `GPMC_CONFIG1_i[11:10] DEVICETYPE = 0x2`. [Table 15-480](#) describes the NAND timing parameters.

Table 15-480. NAND Formulas Description

Configuration Parameter	Unit	Description
A	ns	Pulse duration – gpmc_wen valid time
B	ns	Delay time – gpmc_cs valid to gpmc_wen valid
C	ns	Delay time – gpmc_ben0/gpmc_advn_ale high to gpmc_wen valid
D	ns	Delay time – gpmc_ad[15:0] valid to gpmc_wen valid
E	ns	Delay time – gpmc_wen invalid to gpmc_ad[15:0] invalid
F	ns	Delay time – gpmc_wen invalid to gpmc_ben0/gpmc_advn_ale invalid
G	ns	Delay time – gpmc_wen invalid to gpmc_cs invalid
H	ns	Cycle time – Write cycle time
I	ns	Delay time – gpmc_cs valid to gpmc_oen_ren valid
J	ns	Setup time – gpmc_ad[15:0] valid to gpmc_oen_ren invalid
K	ns	Pulse duration – gpmc_oen_ren valid time
L	ns	Cycle time – Read cycle time
M	ns	Delay time – gpmc_oen_ren invalid to gpmc_cs invalid

The configuration parameters are calculated through the following formulas. For more information, see the device data manual.

$$A = (WEOffTime - WEOnTime) * (TimeParaGranularity + 1) * GPMC_FCLK \text{ period}$$

$$B = ((WEOnTime - CSONTime) * (TimeParaGranularity + 1) + 0.5 * (WEEExtraDelay - CSEExtraDelay)) * GPMC_FCLK \text{ period}$$

$$C = ((WEOnTime - ADVOnTime) * (TimeParaGranularity + 1) + 0.5 * (WEEExtraDelay - ADVExtraDelay)) * GPMC_FCLK \text{ period}$$

$$D = (WEOnTime * (TimeParaGranularity + 1) + 0.5 * WEEExtraDelay) * GPMC_FCLK \text{ period}$$

$$E = (WrCycleTime - WEOffTime * (TimeParaGranularity + 1) - 0.5 * WEEExtraDelay) * GPMC_FCLK \text{ period}$$

$$F = (ADVWrOffTime - WEOffTime * (TimeParaGranularity + 1) + 0.5 * (ADVExtraDelay - WEEExtraDelay)) * GPMC_FCLK \text{ period}$$

$$G = (CSWrOffTime - WEOffTime * (TimeParaGranularity + 1) + 0.5 * (CSEExtraDelay - WEEExtraDelay)) * GPMC_FCLK \text{ period}$$

$$H = WrCycleTime * (1 + TimeParaGranularity) * GPMC_FCLK \text{ period}$$

$$I = ((OEOnTime - CSONTime) * (TimeParaGranularity + 1) + 0.5 * (OEEExtraDelay - CSEExtraDelay)) * GPMC_FCLK \text{ period}$$

$$J = ((RdAccessTime - OEOffTime) * (TimeParaGranularity + 1) - 0.5 * OEEExtraDelay) * GPMC_FCLK \text{ period}$$

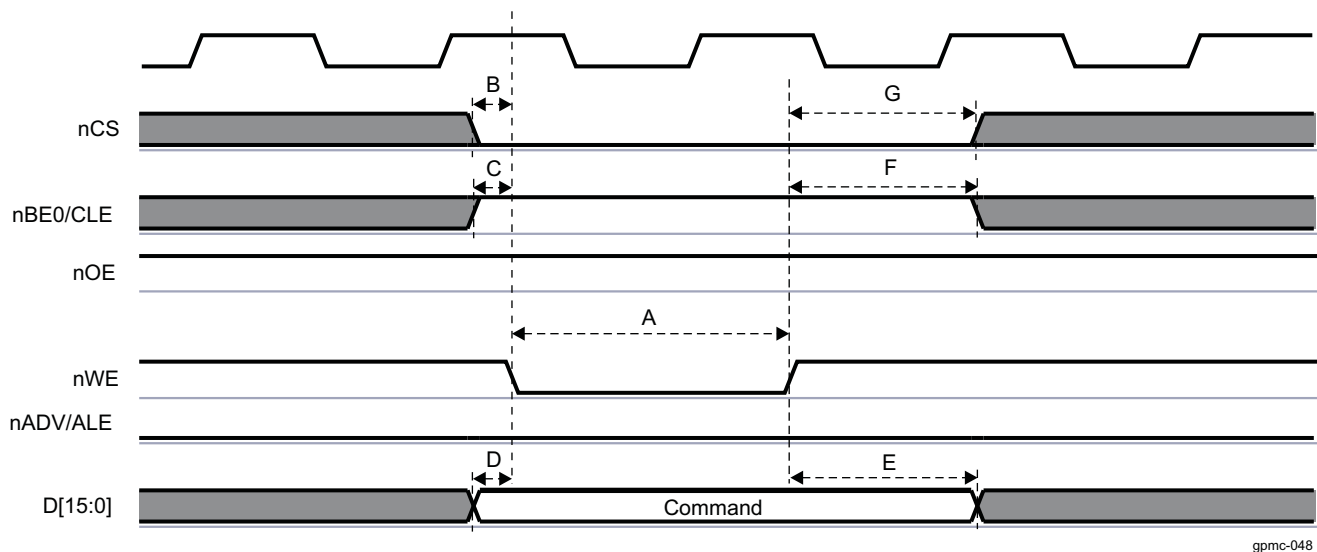
$$K = (OEOffTime - OEOnTime) * (1 + TimeParaGranularity) * GPMC_FCLK \text{ period}$$

$$L = RdCycleTime * (1 + TimeParaGranularity) * GPMC_FCLK \text{ period}$$

$$M = (CSRdOffTime - OEOffTime * (TimeParaGranularity + 1) + 0.5 * (CSEExtraDelay - OEEExtraDelay) * GPMC_FCLK \text{ period}$$

Figure 15-97 shows a simplified example of command latch cycle timing where formulas are associated with signal waves.

Figure 15-97. NAND Command Latch Cycle Timing Simplified Example



gpmc-048

15.4.5.6.1.2 Synchronous NOR Flash Timing Parameters Formulas

This section lists all formulas to calculate synchronous NOR timing parameters. This is the case when [GPMC_CONFIG1_i\[11:10\] DEVICETYPE = 0x0](#) and when READTYPE or WRITETYPE are set to synchronous mode. [Table 15-481](#) describes the synchronous NOR formulas.

Table 15-481. Synchronous NOR Formulas Description

Configuration Parameter	Unit	Description
A	ns	Pulse duration – gpmc_cs low
B	ns	Delay time – address bus valid to gpmc_clk first edge Delay time – gpmc_ben0/gpmc_ben1 valid to gpmc_clk first edge
C	ns	Pulse duration – gpmc_ben0/gpmc_ben1 low
D	ns	Delay time – gpmc_clk rising edge to gpmc_ben0/gpmc_ben1 invalid Delay time – gpmc_clk rising edge to gpmc_advn_ale invalid
E	ns	Delay time – gpmc_clk rising edge to gpmc_cs invalid Delay time – gpmc_clk rising edge to gpmc_oen_ren invalid
F	ns	Delay time – gpmc_clk rising edge to gpmc_cs transition
G	ns	Delay time – gpmc_clk rising edge to gpmc_advn_ale transition
H	ns	Delay time – gpmc_clk rising edge to gpmc_oen_ren transition
I	ns	Delay time – gpmc_clk rising edge to gpmc_wen transition
J	ns	Delay time – gpmc_clk rising edge to gpmc_ad data bus transition Delay time – gpmc_clk rising edge to gpmc_ben0/gpmc_ben1 transition
K	ns	Pulse duration – gpmc_advn_ale low
L	ns	Delay time – gpmc_wait invalid to first data latching gpmc_clk edge

The configuration parameters are calculated through the following formulas. For more information, see the device data manual.

- For single read accesses:

$$A = (\text{CSRDOFFTIME} - \text{CSONTIME}) * (\text{TIMEPARAGRANULARITY} + 1) * \text{GPMC_FCLK period}$$

$$C = \text{RDCYCLETIME} * (\text{TIMEPARAGRANULARITY} + 1) * \text{GPMC_FCLK period}$$

$$D = (\text{RDCYCLETIME} - \text{RDACCESSTIME}) * \text{GPMC_FCLK period}$$

$$E = (\text{CSRDOFFTIME} - \text{RDACCESSTIME}) * \text{GPMC_FCLK period}$$

- For burst read accesses (where n is the page burst access number):

$$A = (\text{CSRDOFFTIME} - \text{CSONTIME} + (n - 1) * \text{PAGEBURSTACCESSTIME}) * (\text{TIMEPARAGRANULARITY} + 1) * \text{GPMC_FCLK period}$$

$$C = (\text{RDCYCLETIME} + (n - 1) * \text{PAGEBURSTACCESSTIME}) * (\text{TIMEPARAGRANULARITY} + 1) * \text{GPMC_FCLK period}$$

$$D = (\text{RDCYCLETIME} - (\text{RDACCESSTIME} + (n - 1) * \text{PAGEBURSTACCESSTIME})) * \text{GPMC_FCLK period}$$

$$E = (\text{CSRDOFFTIME} - (\text{RDACCESSTIME} + (n - 1) * \text{PAGEBURSTACCESSTIME})) * \text{GPMC_FCLK period}$$

- For burst write accesses (where n is the page burst access number):

$$A = (\text{CSWROFFTIME} - \text{CSONTIME} + (n - 1) * \text{PAGEBURSTACCESSTIME}) * (\text{TIMEPARAGRANULARITY} + 1) * \text{GPMC_FCLK period}$$

$$C = (\text{WRCYCLETIME} + (n - 1) * \text{PAGEBURSTACCESSTIME}) * (\text{TIMEPARAGRANULARITY} + 1) * \text{GPMC_FCLK period}$$

$$D = (\text{WRCYCLETIME} - (\text{RDACCESSTIME} + (n - 1) * \text{PAGEBURSTACCESSTIME})) * \text{GPMC_FCLK period}$$

$$E = (\text{CSWROFFTIME} - (\text{RDACCESSTIME} + (n - 1) * \text{PAGEBURSTACCESSTIME})) * \text{GPMC_FCLK period}$$

- For all accesses:

For nCS falling edge (chip-select activated):

- Case where [GPMC_CONFIG1_j\[1:0\]](#) GPMCFCLKDIVIDER = 0x0:
 $F = 0.5 * \text{CSEXTRADelay} * \text{GPMC_FCLK period}$
- Case where GPMCFCLKDIVIDER = 0x1:
 $F = 0.5 * \text{CSEXTRADelay} * \text{GPMC_FCLK period}$, when (CLKACTIVATIONTIME and CSONTIME are odd) or (CLKACTIVATIONTIME and CSONTIME are even)
 $F = (1 + 0.5 * \text{CSEXTRADelay}) * \text{GPMC_FCLK period}$ otherwise.
- Case where GPMCFCLKDIVIDER = 0x2:
 $F = 0.5 * \text{CSEXTRADelay} * \text{GPMC_FCLK period}$, when (CSONTIME - CLKACTIVATIONTIME) is a multiple of 3
 $F = (1 + 0.5 * \text{CSEXTRADelay}) * \text{GPMC_FCLK period}$, when (CSONTIME - CLKACTIVATIONTIME - 1) is a multiple of 3
 $F = (2 + 0.5 * \text{CSEXTRADelay}) * \text{GPMC_FCLK period}$, when (CSONTIME - CLKACTIVATIONTIME - 2) is a multiple of 3
- Case where GPMCFCLKDIVIDER = 0x3:
 $F = 0.5 * \text{CSEXTRADelay} * \text{GPMC_FCLK period}$, when (CSONTIME - CLKACTIVATIONTIME) is a multiple of 4
 $F = (1 + 0.5 * \text{CSEXTRADelay}) * \text{GPMC_FCLK period}$, when (CSONTIME - CLKACTIVATIONTIME - 1) is a multiple of 4
 $F = (2 + 0.5 * \text{CSEXTRADelay}) * \text{GPMC_FCLK period}$, when (CSONTIME - CLKACTIVATIONTIME - 2) is a multiple of 4
 $F = (3 + 0.5 * \text{CSEXTRADelay}) * \text{GPMC_FCLK period}$, when (CSONTIME - CLKACTIVATIONTIME - 3) is a multiple of 4

For nCS rising edge (chip-select deactivated) in reading mode:

- Case where [GPMC_CONFIG1_j\[1:0\]](#) GPMCFCLKDIVIDER = 0x0:
 $F = 0.5 * \text{CSEXTRADelay} * \text{GPMC_FCLK period}$
- Case where GPMCFCLKDIVIDER = 0x1:
 $F = 0.5 * \text{CSEXTRADelay} * \text{GPMC_FCLK period}$, when (CLKACTIVATIONTIME and CSRDOFFTIME are odd) or (CLKACTIVATIONTIME and CSRDOFFTIME are even)
 $F = (1 + 0.5 * \text{CSEXTRADelay}) * \text{GPMC_FCLK period}$ otherwise.

- Case where GPMCFCLKDIVIDER = 0x2:
 $F = 0.5 * CSEXTRADelay * GPMC_FCLK \text{ period, when } (CSRDOFFTIME - CLKACTIVATIONTIME) \text{ is a multiple of } 3$
 $F = (1 + 0.5 * CSEXTRADelay) * GPMC_FCLK \text{ period, when } (CSRDOFFTIME - CLKACTIVATIONTIME - 1) \text{ is a multiple of } 3$
 $F = (2 + 0.5 * CSEXTRADelay) * GPMC_FCLK \text{ period, when } (CSRDOFFTIME - CLKACTIVATIONTIME - 2) \text{ is a multiple of } 3$
 - Case where GPMCFCLKDIVIDER = 0x3:
 $F = 0.5 * CSEXTRADelay * GPMC_FCLK \text{ period, when } (CSRDOFFTIME - CLKACTIVATIONTIME) \text{ is a multiple of } 4$
 $F = (1 + 0.5 * CSEXTRADelay) * GPMC_FCLK \text{ period, when } (CSRDOFFTIME - CLKACTIVATIONTIME - 1) \text{ is a multiple of } 4$
 $F = (2 + 0.5 * CSEXTRADelay) * GPMC_FCLK \text{ period, when } (CSRDOFFTIME - CLKACTIVATIONTIME - 2) \text{ is a multiple of } 4$
 $F = (3 + 0.5 * CSEXTRADelay) * GPMC_FCLK \text{ period, when } (CSRDOFFTIME - CLKACTIVATIONTIME - 3) \text{ is a multiple of } 4$
- For nCS rising edge (chip-select deactivated) in writing mode:
- Case where [GPMC_CONFIG1_j\[1:0\]](#) GPMCFCLKDIVIDER = 0x0:
 $F = 0.5 * CSEXTRADelay * GPMC_FCLK \text{ period}$
 - Case where GPMCFCLKDIVIDER = 0x1:
 $F = 0.5 * CSEXTRADelay * GPMC_FCLK \text{ period, when } (CLKACTIVATIONTIME \text{ and } CSWROFFTIME \text{ are odd}) \text{ or } (CLKACTIVATIONTIME \text{ and } CSWROFFTIME \text{ are even})$
 $F = (1 + 0.5 * CSEXTRADelay) * GPMC_FCLK \text{ period otherwise.}$
 - Case where GPMCFCLKDIVIDER = 0x2:
 $F = 0.5 * CSEXTRADelay * GPMC_FCLK \text{ period, when } (CSWROFFTIME - CLKACTIVATIONTIME) \text{ is a multiple of } 3$
 $F = (1 + 0.5 * CSEXTRADelay) * GPMC_FCLK \text{ period, when } (CSWROFFTIME - CLKACTIVATIONTIME - 1) \text{ is a multiple of } 3$
 $F = (2 + 0.5 * CSEXTRADelay) * GPMC_FCLK \text{ period, when } (CSWROFFTIME - CLKACTIVATIONTIME - 2) \text{ is a multiple of } 3$
 - Case where GPMCFCLKDIVIDER = 0x3:
 $F = 0.5 * CSEXTRADelay * GPMC_FCLK \text{ period, when } (CSWROFFTIME - CLKACTIVATIONTIME) \text{ is a multiple of } 4$
 $F = (1 + 0.5 * CSEXTRADelay) * GPMC_FCLK \text{ period, when } (CSWROFFTIME - CLKACTIVATIONTIME - 1) \text{ is a multiple of } 4$
 $F = (2 + 0.5 * CSEXTRADelay) * GPMC_FCLK \text{ period, when } (CSWROFFTIME - CLKACTIVATIONTIME - 2) \text{ is a multiple of } 4$
 $F = (3 + 0.5 * CSEXTRADelay) * GPMC_FCLK \text{ period, when } (CSWROFFTIME - CLKACTIVATIONTIME - 3) \text{ is a multiple of } 4$
- For nADV falling edge (nADV activated):
- Case where [GPMC_CONFIG1_j\[1:0\]](#) GPMCFCLKDIVIDER = 0x0:
 $G = 0.5 * ADVEXTRADelay * GPMC_FCLK \text{ period}$
 - Case where GPMCFCLKDIVIDER = 0x1:
 $G = 0.5 * ADVEXTRADelay * GPMC_FCLK \text{ period, when } (CLKACTIVATIONTIME \text{ and } ADVONTIME \text{ are odd}) \text{ or } (CLKACTIVATIONTIME \text{ and } ADVONTIME \text{ are even})$
 $G = (1 + 0.5 * ADVEXTRADelay) * GPMC_FCLK \text{ period otherwise.}$
 - Case where GPMCFCLKDIVIDER = 0x2:
 $G = 0.5 * ADVEXTRADelay * GPMC_FCLK \text{ period, when } (ADVONTIME - CLKACTIVATIONTIME) \text{ is a multiple of } 3$
 $G = (1 + 0.5 * ADVEXTRADelay) * GPMC_FCLK \text{ period, when } (ADVONTIME - CLKACTIVATIONTIME - 1) \text{ is a multiple of } 3$
 $G = (2 + 0.5 * ADVEXTRADelay) * GPMC_FCLK \text{ period, when } (ADVONTIME - CLKACTIVATIONTIME - 2) \text{ is a multiple of } 3$
 - Case where GPMCFCLKDIVIDER = 0x3:
 $G = 0.5 * ADVEXTRADelay * GPMC_FCLK \text{ period, when } (ADVONTIME - CLKACTIVATIONTIME) \text{ is a multiple of } 4$
 $G = (1 + 0.5 * ADVEXTRADelay) * GPMC_FCLK \text{ period, when } (ADVONTIME -$

CLKACTIVATIONTIME – 1) is a multiple of 4

$G = (2 + 0.5 * ADVEXTRADELAY) * GPMC_FCLK$ period, when (ADVONTIME – CLKACTIVATIONTIME – 2) is a multiple of 4

$G = (3 + 0.5 * ADVEXTRADELAY) * GPMC_FCLK$ period, when (ADVONTIME – CLKACTIVATIONTIME – 3) is a multiple of 4

For nADV rising edge (nADV deactivated) in reading mode:

- Case where `GPMC_CONFIG1_j[1:0] GPMCFCLKDIVIDER = 0x0`:
 $G = 0.5 * ADVEXTRADELAY * GPMC_FCLK$ period
- Case where `GPMCFCLKDIVIDER = 0x1`:
 $G = 0.5 * ADVEXTRADELAY * GPMC_FCLK$ period, when (CLKACTIVATIONTIME and ADVRDOFFTIME are odd) or (CLKACTIVATIONTIME and ADVRDOFFTIME are even)
 $G = (1 + 0.5 * ADVEXTRADELAY) * GPMC_FCLK$ period otherwise.
- Case where `GPMCFCLKDIVIDER = 0x2`:
 $G = 0.5 * ADVEXTRADELAY * GPMC_FCLK$ period, when (ADVRDOFFTIME - CLKACTIVATIONTIME) is a multiple of 3
 $G = (1 + 0.5 * ADVEXTRADELAY) * GPMC_FCLK$ period, when (ADVRDOFFTIME - CLKACTIVATIONTIME - 1) is a multiple of 3
 $G = (2 + 0.5 * ADVEXTRADELAY) * GPMC_FCLK$ period, when (ADVRDOFFTIME - CLKACTIVATIONTIME - 2) is a multiple of 3
- Case where `GPMCFCLKDIVIDER = 0x3`:
 $G = 0.5 * ADVEXTRADELAY * GPMC_FCLK$ period, when (ADVRDOFFTIME – CLKACTIVATIONTIME) is a multiple of 4
 $G = (1 + 0.5 * ADVEXTRADELAY) * GPMC_FCLK$ period, when (ADVRDOFFTIME – CLKACTIVATIONTIME – 1) is a multiple of 4
 $G = (2 + 0.5 * ADVEXTRADELAY) * GPMC_FCLK$ period, when (ADVRDOFFTIME – CLKACTIVATIONTIME – 2) is a multiple of 4
 $G = (3 + 0.5 * ADVEXTRADELAY) * GPMC_FCLK$ period, when (ADVRDOFFTIME – CLKACTIVATIONTIME – 3) is a multiple of 4

For nADV rising edge (nADV deactivated) in writing mode:

- Case where `GPMC_CONFIG1_j[1:0] GPMCFCLKDIVIDER = 0x0`:
 $G = 0.5 * ADVEXTRADELAY * GPMC_FCLK$ period
- Case where `GPMCFCLKDIVIDER = 0x1`:
 $G = 0.5 * ADVEXTRADELAY * GPMC_FCLK$ period, when (CLKACTIVATIONTIME and ADVWROFFTIME are odd) or (CLKACTIVATIONTIME and ADVWROFFTIME are even)
 $G = (1 + 0.5 * ADVEXTRADELAY) * GPMC_FCLK$ period otherwise.
- Case where `GPMCFCLKDIVIDER = 0x2`:
 $G = 0.5 * ADVEXTRADELAY * GPMC_FCLK$ period, when (ADVWROFFTIME – CLKACTIVATIONTIME) is a multiple of 3
 $G = (1 + 0.5 * ADVEXTRADELAY) * GPMC_FCLK$ period, when (ADVWROFFTIME – CLKACTIVATIONTIME – 1) is a multiple of 3
 $G = (2 + 0.5 * ADVEXTRADELAY) * GPMC_FCLK$ period, when (ADVWROFFTIME – CLKACTIVATIONTIME – 2) is a multiple of 3
- Case where `GPMCFCLKDIVIDER = 0x3`:
 $G = 0.5 * ADVEXTRADELAY * GPMC_FCLK$ period, when (ADVWROFFTIME – CLKACTIVATIONTIME) is a multiple of 4
 $G = (1 + 0.5 * ADVEXTRADELAY) * GPMC_FCLK$ period, when (ADVWROFFTIME – CLKACTIVATIONTIME – 1) is a multiple of 4
 $G = (2 + 0.5 * ADVEXTRADELAY) * GPMC_FCLK$ period, when (ADVWROFFTIME – CLKACTIVATIONTIME – 2) is a multiple of 4
 $G = (3 + 0.5 * ADVEXTRADELAY) * GPMC_FCLK$ period, when (ADVWROFFTIME – CLKACTIVATIONTIME – 3) is a multiple of 4

For nOE falling edge (nOE activated):

- Case where `GPMC_CONFIG1_j[1:0] GPMCFCLKDIVIDER = 0x0`:
 $H = 0.5 * OEXTRADELAY * GPMC_FCLK$ period
- Case where `GPMCFCLKDIVIDER = 0x1`:
 $H = 0.5 * OEXTRADELAY * GPMC_FCLK$ period, when (CLKACTIVATIONTIME and OEONTIME are odd) or (CLKACTIVATIONTIME and OEONTIME are even)

$H = (1 + 0.5 * OEEXTRADELAY) * GPMC_FCLK$ period otherwise.

- Case where $GPMCFCLKDIVIDER = 0x2$:
 $H = 0.5 * OEEXTRADELAY * GPMC_FCLK$ period, when $(OEONTIME - CLKACTIVATIONTIME)$ is a multiple of 3
 $H = (1 + 0.5 * OEEXTRADELAY) * GPMC_FCLK$ period, when $(OEONTIME - CLKACTIVATIONTIME - 1)$ is a multiple of 3
 $H = (2 + 0.5 * OEEXTRADELAY) * GPMC_FCLK$ period, when $(OEONTIME - CLKACTIVATIONTIME - 2)$ is a multiple of 3
 - Case where $GPMCFCLKDIVIDER = 0x3$:
 $H = 0.5 * OEEXTRADELAY * GPMC_FCLK$ period, when $(OEONTIME - CLKACTIVATIONTIME)$ is a multiple of 4
 $H = (1 + 0.5 * OEEXTRADELAY) * GPMC_FCLK$ period, when $(OEONTIME - CLKACTIVATIONTIME - 1)$ is a multiple of 4
 $H = (2 + 0.5 * OEEXTRADELAY) * GPMC_FCLK$ period, when $(OEONTIME - CLKACTIVATIONTIME - 2)$ is a multiple of 4
 $H = (3 + 0.5 * OEEXTRADELAY) * GPMC_FCLK$ period, when $(OEONTIME - CLKACTIVATIONTIME - 3)$ is a multiple of 4
- For nOE rising edge (nOE deactivated):

- Case where $GPMC_CONFIG1_j[1:0] GPMCFCLKDIVIDER = 0x0$:
 $H = 0.5 * OEEXTRADELAY * GPMC_FCLK$ period
- Case where $GPMCFCLKDIVIDER = 0x1$:
 $H = 0.5 * OEEXTRADELAY * GPMC_FCLK$ period, when $(CLKACTIVATIONTIME$ and $OEOFFTIME$ are odd) or $(CLKACTIVATIONTIME$ and $OEOFFTIME$ are even)
 $H = (1 + 0.5 * OEEXTRADELAY) * GPMC_FCLK$ period otherwise.
- Case where $GPMCFCLKDIVIDER = 0x2$:
 $H = 0.5 * OEEXTRADELAY * GPMC_FCLK$ period, when $(OEOFFTIME - CLKACTIVATIONTIME)$ is a multiple of 3
 $H = (1 + 0.5 * OEEXTRADELAY) * GPMC_FCLK$ period, when $(OEOFFTIME - CLKACTIVATIONTIME - 1)$ is a multiple of 3
 $H = (2 + 0.5 * OEEXTRADELAY) * GPMC_FCLK$ period, when $(OEOFFTIME - CLKACTIVATIONTIME - 2)$ is a multiple of 3
- Case where $GPMCFCLKDIVIDER = 0x3$:
 $H = 0.5 * OEEXTRADELAY * GPMC_FCLK$ period, when $(OEOFFTIME - CLKACTIVATIONTIME)$ is a multiple of 4
 $H = (1 + 0.5 * OEEXTRADELAY) * GPMC_FCLK$ period, when $(OEOFFTIME - CLKACTIVATIONTIME - 1)$ is a multiple of 4
 $H = (2 + 0.5 * OEEXTRADELAY) * GPMC_FCLK$ period, when $(OEOFFTIME - CLKACTIVATIONTIME - 2)$ is a multiple of 4
 $H = (3 + 0.5 * OEEXTRADELAY) * GPMC_FCLK$ period, when $(OEOFFTIME - CLKACTIVATIONTIME - 3)$ is a multiple of 4

For nWE falling edge (nWE activated):

- Case where $GPMC_CONFIG1_j[1:0] GPMCFCLKDIVIDER = 0x0$:
 $I = 0.5 * WEEXTRADELAY * GPMC_FCLK$ period
- Case where $GPMCFCLKDIVIDER = 0x1$:
 $I = 0.5 * WEEXTRADELAY * GPMC_FCLK$ period, when $(CLKACTIVATIONTIME$ and $WEONTIME$ are odd) or $(CLKACTIVATIONTIME$ and $WEONTIME$ are even)
 $I = (1 + 0.5 * WEEXTRADELAY) * GPMC_FCLK$ period otherwise.
- Case where $GPMCFCLKDIVIDER = 0x2$:
 $I = 0.5 * WEEXTRADELAY * GPMC_FCLK$ period, when $(WEONTIME - CLKACTIVATIONTIME)$ is a multiple of 3
 $I = (1 + 0.5 * WEEXTRADELAY) * GPMC_FCLK$ period, when $(WEONTIME - CLKACTIVATIONTIME - 1)$ is a multiple of 3
 $I = (2 + 0.5 * WEEXTRADELAY) * GPMC_FCLK$ period, when $(WEONTIME - CLKACTIVATIONTIME - 2)$ is a multiple of 3
- Case where $GPMCFCLKDIVIDER = 0x3$:
 $I = 0.5 * WEEXTRADELAY * GPMC_FCLK$ period, when $(WEONTIME - CLKACTIVATIONTIME)$ is a multiple of 4

$I = (1 + 0.5 * WEEXTRADELAY) * GPMC_FCLK$ period, when $(WEONTIME - CLKACTIVATIONTIME - 1)$ is a multiple of 4

$I = (2 + 0.5 * WEEXTRADELAY) * GPMC_FCLK$ period, when $(WEONTIME - CLKACTIVATIONTIME - 2)$ is a multiple of 4

$I = (3 + 0.5 * WEEXTRADELAY) * GPMC_FCLK$ period, when $(WEONTIME - CLKACTIVATIONTIME - 3)$ is a multiple of 4

For nWE rising edge (nWE deactivated):

- Case where $GPMC_CONFIG1_j[1:0] GPMCFCLKDIVIDER = 0x0$:
 $I = 0.5 * WEEXTRADELAY * GPMC_FCLK$ period
- Case where $GPMCFCLKDIVIDER = 0x1$:
 $I = 0.5 * WEEXTRADELAY * GPMC_FCLK$ period, when $(CLKACTIVATIONTIME$ and $WEOFFTIME$ are odd) or $(CLKACTIVATIONTIME$ and $WEOFFTIME$ are even)
 $I = (1 + 0.5 * WEEXTRADELAY) * GPMC_FCLK$ period otherwise.
- Case where $GPMCFCLKDIVIDER = 0x2$:
 $I = 0.5 * WEEXTRADELAY * GPMC_FCLK$ period, when $(WEOFFTIME - CLKACTIVATIONTIME)$ is a multiple of 3
 $I = (1 + 0.5 * WEEXTRADELAY) * GPMC_FCLK$ period, when $(WEOFFTIME - CLKACTIVATIONTIME - 1)$ is a multiple of 3
 $I = (2 + 0.5 * WEEXTRADELAY) * GPMC_FCLK$ period, when $(WEOFFTIME - CLKACTIVATIONTIME - 2)$ is a multiple of 3
- Case where $GPMCFCLKDIVIDER = 0x3$:
 $I = 0.5 * WEEXTRADELAY * GPMC_FCLK$ period, when $(WEOFFTIME - CLKACTIVATIONTIME)$ is a multiple of 4
 $I = (1 + 0.5 * WEEXTRADELAY) * GPMC_FCLK$ period, when $(WEOFFTIME - CLKACTIVATIONTIME - 1)$ is a multiple of 4
 $I = (2 + 0.5 * WEEXTRADELAY) * GPMC_FCLK$ period, when $(WEOFFTIME - CLKACTIVATIONTIME - 2)$ is a multiple of 4
 $I = (3 + 0.5 * WEEXTRADELAY) * GPMC_FCLK$ period, when $(WEOFFTIME - CLKACTIVATIONTIME - 3)$ is a multiple of 4

For gpmc_nadv low pulse duration:

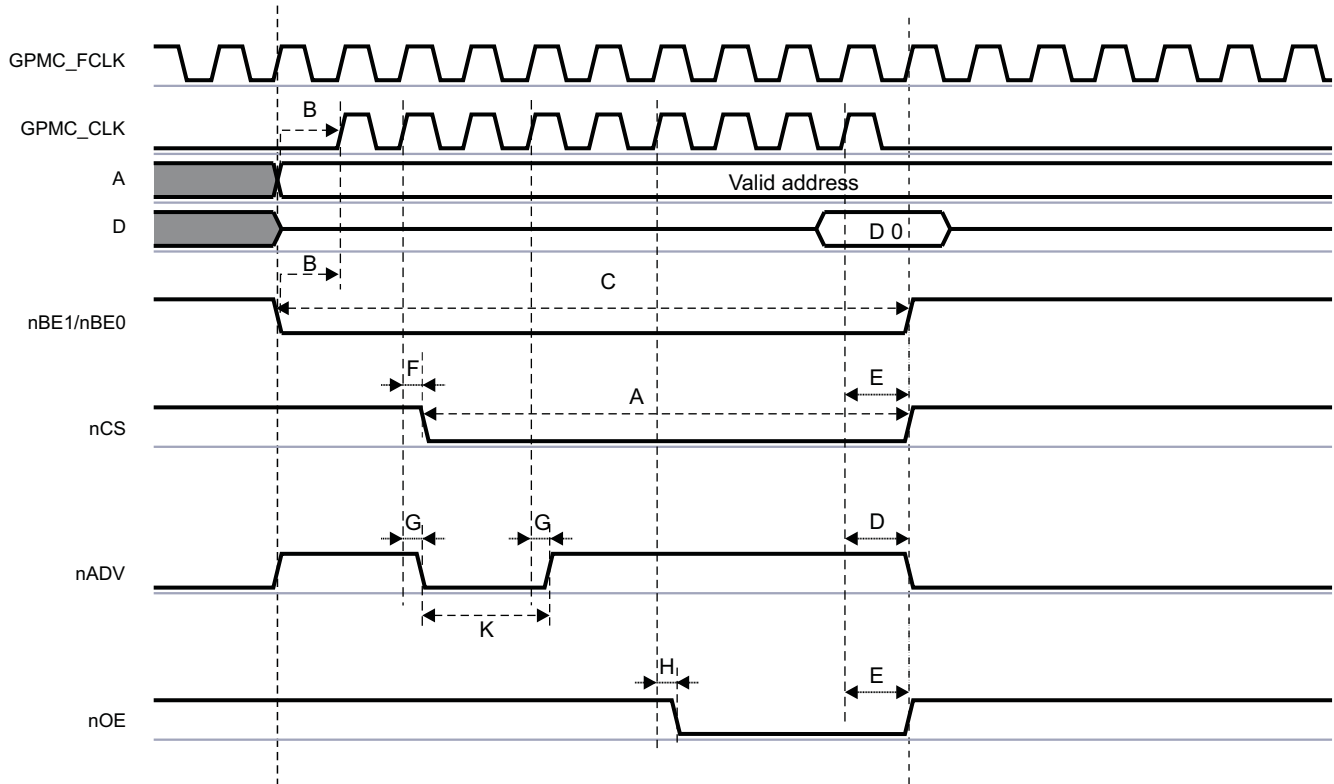
- Read operation:
 $K = (ADVRDOFFTIME - ADVONTIME) * (TIMEPARAGRANULARITY + 1) * GPMC_FCLK$ period
- Write operation:
 $K = (ADVWROFFTIME - ADVONTIME) * (TIMEPARAGRANULARITY + 1) * GPMC_FCLK$ period

For gpmc_wait invalid to first data latching gpmc_clk edge:

- $L = WAITMONITORINGTIME * (GPMCFCLKDIVIDER + 1) * GPMC_FCLK$ period + $GPMC_CLK$ period

Figure 15-98 shows a simplified example of a synchronous NOR single read where formulas are associated with signal waves.

Figure 15-98. Synchronous NOR Single Read Simplified Example



gpmc-046

15.4.5.6.1.3 Asynchronous NOR Flash Timing Parameters Formulas

This section lists all the formulas to calculate asynchronous NOR timing parameters. This is the case when GPMC_CONFIG1_i[11:10] DEVICETYPE = 0x0 and when READTYPE or WRITETYPE are set to asynchronous mode. Table 15-482 describes the asynchronous NOR formulas.

Table 15-482. Asynchronous NOR Formulas Description

Configuration Parameter	Unit	Description
A	ns	Pulse duration – gpmc_cs low
B	ns	Delay time – gpmc_cs valid to gpmc_advn_ale invalid
C	ns	Delay time – gpmc_cs valid to gpmc_oen_ren invalid (single read)
D	ns	Pulse duration – address bus valid - 2nd, 3rd and 4th accesses
E	ns	Delay time – gpmc_cs valid to gpmc_wen valid
F	ns	Delay time – gpmc_cs valid to gpmc_wen invalid
G	ns	Address invalid duration between two successive R/W accesses
H	ns	Setup time – read data valid before gpmc_oen_ren high
I	ns	Delay time – gpmc_cs valid to gpmc_oen_ren invalid (burst read)
J	ns	Delay time – address bus valid to gpmc_cs valid Delay time – data bus valid to gpmc_cs valid Delay time – gpmc_ben0/gpmc_ben1 valid to gpmc_cs valid
K	ns	Delay time – gpmc_cs valid to gpmc_advn_ale valid
L	ns	Delay time – gpmc_cs valid to gpmc_oen_ren valid
M	ns	Delay time – gpmc_cs valid to first data latching edge
N	ns	Pulse duration – gpmc_ben0/gpmc_ben1 valid time

Table 15-482. Asynchronous NOR Formulas Description (continued)

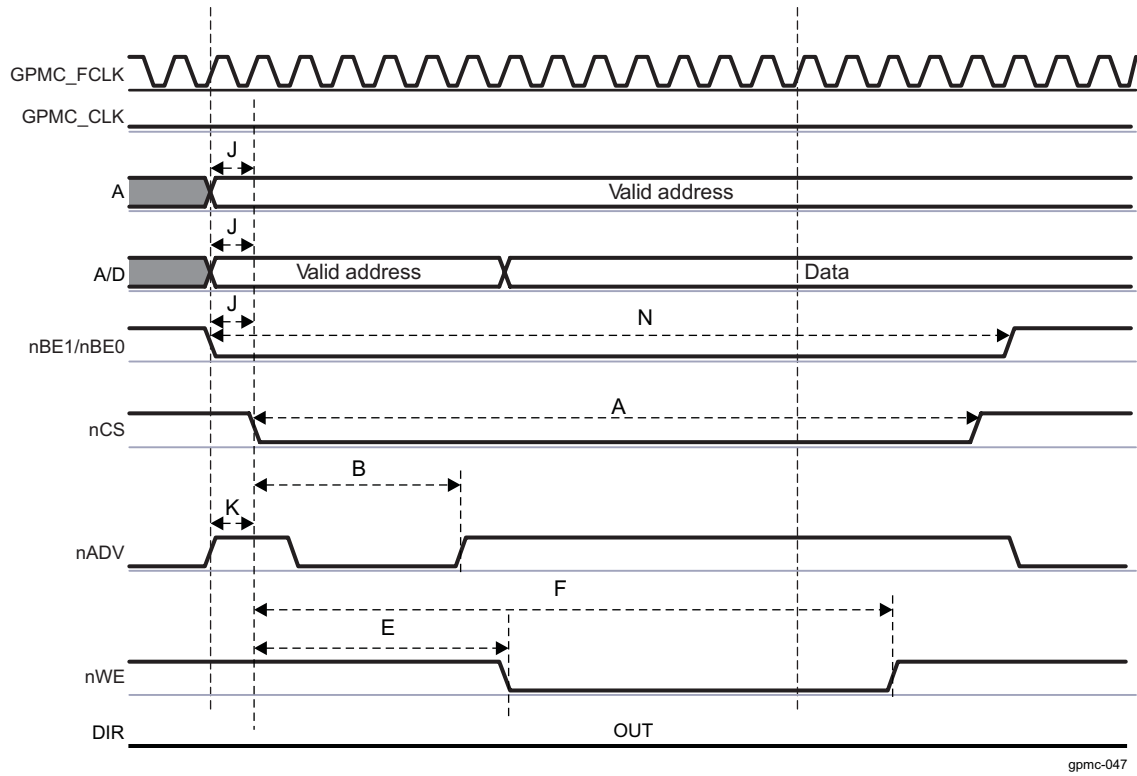
Configuration Parameter	Unit	Description
O	ns	Delay time – gpmc_cs valid to gpmc_advn_ale valid

The configuration parameters are calculated through the following formulas. These formulas are not exhaustive. For more information, see the device data manual.

- gpmc_cs low pulse:
For single read: $A = (\text{CSRDOFFTIME} - \text{CSONTIME}) * (\text{TIMEPARAGRANULARITY} + 1) * \text{GPMC_FCLK period}$
For burst read: $A = (\text{CSRDOFFTIME} - \text{CSONTIME} + (N - 1) * \text{PAGEBURSTACCESSTIME}) * (\text{TIMEPARAGRANULARITY} + 1) * \text{GPMC_FCLK period}$, where N = page burst access number
For single write: $A = (\text{CSWROFFTIME} - \text{CSONTIME}) * (\text{TIMEPARAGRANULARITY} + 1) * \text{GPMC_FCLK period}$
For burst write: $A = (\text{CSWROFFTIME} - \text{CSONTIME} + (N - 1) * \text{PAGEBURSTACCESSTIME}) * (\text{TIMEPARAGRANULARITY} + 1) * \text{GPMC_FCLK period}$, where N = page burst access number
- gpmc_cs valid to gpmc_advn_ale invalid delay:
For reading: $B = ((\text{ADVRDOFFTIME} - \text{CSONTIME}) * (\text{TIMEPARAGRANULARITY} + 1) + 0.5 * (\text{ADVEXTRADELAY} - \text{CSEXTRADELAY})) * \text{GPMC_FCLK period}$
For writing: $B = ((\text{ADVWROFFTIME} - \text{CSONTIME}) * (\text{TIMEPARAGRANULARITY} + 1) + 0.5 * (\text{ADVEXTRADELAY} - \text{CSEXTRADELAY})) * \text{GPMC_FCLK period}$
- $C = ((\text{OEOFFTIME} - \text{CSONTIME}) * (\text{TIMEPARAGRANULARITY} + 1) + 0.5 * (\text{OEEXTRADELAY} - \text{CSEXTRADELAY})) * \text{GPMC_FCLK period}$
- $D = \text{PAGEBURSTACCESSTIME} * (\text{TIMEPARAGRANULARITY} + 1) * \text{GPMC_FCLK period}$
- $E = ((\text{WEONTIME} - \text{CSONTIME}) * (\text{TIMEPARAGRANULARITY} + 1) + 0.5 * (\text{WEEXTRADELAY} - \text{CSEXTRADELAY})) * \text{GPMC_FCLK period}$
- $F = ((\text{WEOFFTIME} - \text{CSONTIME}) * (\text{TIMEPARAGRANULARITY} + 1) + 0.5 * (\text{WEEXTRADELAY} - \text{CSEXTRADELAY})) * \text{GPMC_FCLK period}$
- $G = \text{CYCLE2CYCLEDELAY} * \text{GPMC_FCLK period}$
- $H = ((\text{OEOFFTIME} - \text{RDACCESSTIME}) * (\text{TIMEPARAGRANULARITY} + 1) + 0.5 * \text{OEEXTRADELAY}) * \text{GPMC_FCLK period}$
- $I = ((\text{OEOFFTIME} + (N - 1) * \text{PAGEBURSTACCESSTIME} - \text{CSONTIME}) * (\text{TIMEPARAGRANULARITY} + 1) + 0.5 * (\text{OEEXTRADELAY} - \text{CSEXTRADELAY})) * \text{GPMC_FCLK period}$, where N = page burst access number
- $J = (\text{CSONTIME} * (\text{TIMEPARAGRANULARITY} + 1) + 0.5 * \text{CSEXTRADELAY}) * \text{GPMC_FCLK period}$
- $K = ((\text{ADVONTIME} - \text{CSONTIME}) * (\text{TIMEPARAGRANULARITY} + 1) + 0.5 * (\text{ADVEXTRADELAY} - \text{CSEXTRADELAY})) * \text{GPMC_FCLK period}$
- $L = ((\text{OEONTIME} - \text{CSONTIME}) * (\text{TIMEPARAGRANULARITY} + 1) + 0.5 * (\text{OEEXTRADELAY} - \text{CSEXTRADELAY})) * \text{GPMC_FCLK period}$
- $M = ((\text{RDACCESSTIME} - \text{CSONTIME}) * (\text{TIMEPARAGRANULARITY} + 1) - 0.5 * \text{CSEXTRADELAY}) * \text{GPMC_FCLK period}$
- gpmc_ben0/gpmc_ben1 pulse:
For single read: $N = \text{RDCYCLETIME} * (\text{TIMEPARAGRANULARITY} + 1) * \text{GPMC_FCLK period}$
For burst read: $N = (\text{RDCYCLETIME} + (N - 1) * \text{PAGEBURSTACCESSTIME}) * (\text{TIMEPARAGRANULARITY} + 1) * \text{GPMC_FCLK period}$, where N = page burst access number
For burst write: $N = (\text{WRCYCLETIME} + (N - 1) * \text{PAGEBURSTACCESSTIME}) * (\text{TIMEPARAGRANULARITY} + 1) * \text{GPMC_FCLK period}$, where N = page burst access number
- $O = ((\text{WRCYCLETIME} + (N - 1) * \text{PAGEBURSTACCESSTIME} - \text{CSONTIME}) * (\text{TIMEPARAGRANULARITY} + 1) + 0.5 * (\text{ADVEXTRADELAY} - \text{CSEXTRADELAY})) * \text{GPMC_FCLK period}$

Figure 15-99 shows a simplified example of an asynchronous NOR single write where formulas are associated with signal waves.

Figure 15-99. Asynchronous NOR Single Write Simplified Example



NOTE: Write multiple access is not supported in asynchronous mode. If WRITEMULTIPLE is enabled with WRITETYPE as asynchronous, the GPMC processes single asynchronous accesses.

15.4.6 GPMC Use Cases and Tips

15.4.6.1 How to Set GPMC Timing Parameters for Typical Accesses

15.4.6.1.1 External Memory Attached to the GPMC Module

As discussed in the introduction to this chapter, the GPMC module supports the following external memory types:

- Asynchronous or synchronous, 8- or 16-bit-wide memory or device
- 16-bit address/data-multiplexed or not multiplexed NOR flash device
- 8- or 16-bit NAND flash device

The following examples describe how to calculate GPMC timing parameters by showing a typical parameter setup for the access to be performed.

The example is based on a 512-Mb multiplexed NOR flash memory with the following characteristics:

- Type: NOR flash (address/data-multiplexed mode)
- Size: 512M bits
- Data Bus: 16 bits wide
- Speed: 104-MHz clock frequency
- Read access time: 80 ns

15.4.6.1.2 Typical GPMC Setup

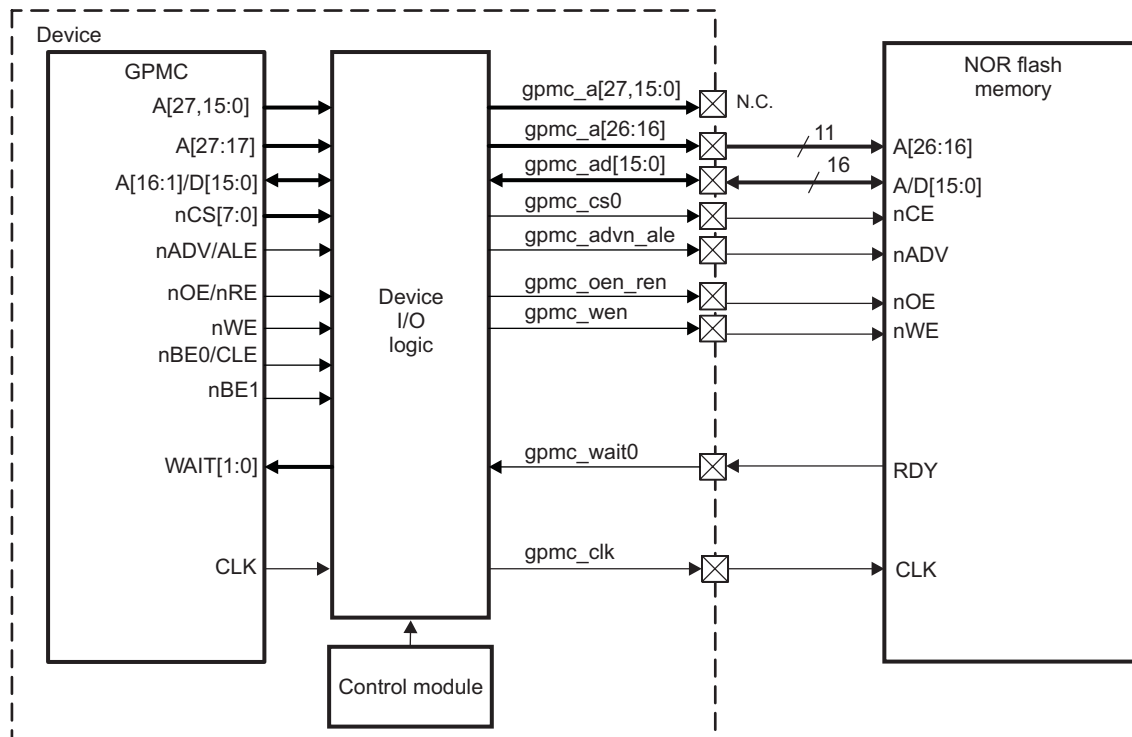
[Table 15-483](#) lists some of the I/Os of the GPMC module.

Table 15-483. GPMC Signals

Signal Name	I/O	Description
GPMC_FCLK	Internal	Functional and interface clock. Acts as the time reference.
gpmc_clk	O	External clock provided to the external device for synchronous operations
gpmc_a[26:16]	O	Address
gpmc_ad[15:0]	I/O	Data-multiplexed with addresses A[16:1] on memory side
gpmc_csx	O	Chip-select (where x = 0, or 1)
gpmc_advn_ale	O	Address valid enable
gpmc_oen_ren	O	Output enable (read access only)
gpmc_wen	O	Write enable (write access only)
gpmc_wait[1:0]	I	Ready signal from memory device. Indicates when valid burst data is ready to be read

Figure 15-100 shows the typical connection between the GPMC module and an attached NOR Flash memory.

Figure 15-100. GPMC Connection to an External NOR Flash Memory



gpmc-037

The following sections demonstrate how to calculate GPMC parameters for three access types:

- Synchronous burst read
- Asynchronous read
- Asynchronous single write

15.4.6.1.2.1 GPMC Configuration for Synchronous Burst Read Access

NOTE: The examples in Section 15.4.6.1.2.1 through Section 15.4.6.1.2.3 are based on a clock rate of 104 MHz. Refer to the device Data Manual for the maximum frequency appropriate for this device and to the memory datasheet for the maximum frequency for the particular memory device.

The clock runs at 104 MHz ($f = 104 \text{ MHz}$; $T = 9,615 \text{ ns}$).

Table 15-484 shows the timing parameters (on the memory side) that determine the parameters on the GPMC side.

Table 15-485 shows how to calculate timings for the GPMC using the memory parameters.

Figure 15-101 shows the synchronous burst read access.

Table 15-484. Useful Timing Parameters on the Memory Side

AC Read Characteristics on the Memory Side	Description	Duration (ns)
tCES	nCS setup time to clock	0
tACS	Address setup time to clock	3
tIACC	Synchronous access time	80

Table 15-484. Useful Timing Parameters on the Memory Side (continued)

AC Read Characteristics on the Memory Side	Description	Duration (ns)
tBACC	Burst access time valid clock to output delay	5,2
tCEZ	Chip-select to High-Z	7
tOEZ	Output enable to High-Z	7
tAVC	nADV setup time	6
tAVD	nAVD pulse	6
tACH	Address hold time from clock	3

The following terms, which describe the timing interface between the controller and its attached device, are used to calculate the timing parameters on the GPMC side:

- Read access time (GPMC side): Time required to activate the clock + read access time requested on the memory side + data setup time required for optimal capture of a burst of data
- Data setup time (GPMC side): Ensures a good capture of a burst of data (as opposed to taking a burst of data out). One word of data is processed in one clock cycle ($T = 9,615$ ns). The read access time between two bursts of data is $tBACC = 5.2$ ns. Therefore, data setup time is a clock period – $tBACC = 4,415$ ns of data setup.
- Access completion (GPMC side): (Different from page burst access time) Time required between the last burst access and access completion: nCS/nOE hold time (nCS and nOE must be released at the end of an access. These signals are held to allow the access to complete).
- Read cycle time (GPMC side): Read access time + access completion
- Write cycle time for burst access: Not supported for NOR flash memory

Table 15-485. Calculating GPMC Timing Parameters

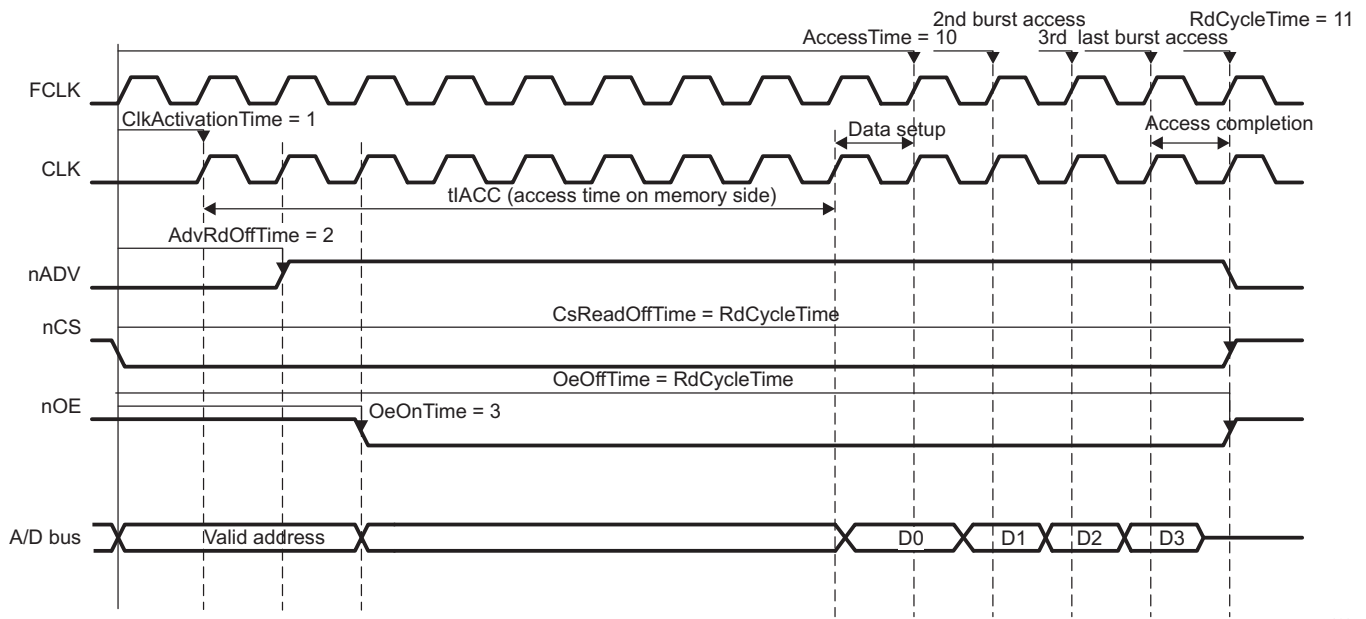
Parameter Name on GPMC Side	Formula	Duration (ns)	Number of Clock Cycles (F = 104 MHz)	GPMC Register Configurations
GPMC FCLK Divider	–	–	–	GPMCFCLKDIVIDER = 0x0
ClkActivation Time	$\min(tCES, tACS)$	3	1	CLKACTIVATIONTIME = 0x1
RdAccessTime	$\text{roundmax}(\text{ClkActivationTime} + tIACC + \text{DataSetupTime})$	94.03: (9,615 + 80 + 4,415)	10: $\text{roundmax}(94.03 / 9,615)$	RDACCESSTIME = 0x0A
PageBurst RdAccessTime	$\text{roundmax}(tBACC)$	$\text{roundmax}(5.2)$	1	PAGEBURSTACCESSTIME = 0x1
RdCycleTime	$\text{RdAccess time} + \max(tCEZ, tOEZ)$	101.03: (94.03 + 7)	11	RDCYCLETIME = 0x0B
CsOnTime	tCES	0	0	CSONTIME = 0x0
CsReadOffTime	RdCycleTime	-	11	CSRDOFFTIME = 0x0B
AdvOnTime	tAVC ⁽¹⁾	0	0	ADVONTIME = 0x0
AdvRdOffTime	$tAVD + tAVC$ ⁽²⁾	12	2	ADVRDOFFTIME = 0x02
OeOnTime ⁽³⁾	$(\text{ClkActivationTime} + tACH) < \text{OeOnTime}(\text{ClkActivationTime} + tIACC)$	–	3, for instance	OEONTIME = 0x3
OeOffTime	RdCycleTime	–	11	OEOFFTIME = 0x0B

⁽¹⁾ The external clock provided to the NOR flash is not yet available.

⁽²⁾ $\text{AdvRdOffTime} - \text{AdvOnTime} = tAVD$; thus, $\text{AdvRdOffTime} = tAVD + \text{AdvOnTime} = tAVD + tAVC$.

⁽³⁾ OeOnTime must ensure that addresses are available. It must not exceed the availability of the first burst of data.

Figure 15-101. Synchronous Burst Read Access (Timing Parameters in Clock Cycles)



gpmc-038

15.4.6.1.2.2 GPMC Configuration for Asynchronous Read Access

The clock runs at 104 MHz (f = 104 MHz; T = 9, 615 ns).

Table 15-486 shows the timing parameters (on the memory side) that determine the parameters on the GPMC side.

Table 15-487 shows how to calculate timings for the GPMC using the memory parameters.

Figure 15-102 shows the asynchronous read access.

Table 15-486. AC Characteristics for Asynchronous Read Access

AC Read Characteristics on the Memory Side	Description	Duration (ns)
tCE	Read Access time from nCS low	80
tAAVDS	Address setup time to rising edge of nADV	3
tAVDP	nADV low time	6
tCAS	nCS setup time to nADV	0
tOE	Output enable to output valid	6
tOEZ	Output enable to High-Z	7

Use the following formula to calculate the RdCycleTime parameter for this typical access:

$$\text{RdCycleTime} = \text{RdAccessTime} + \text{AccessCompletion} = \text{RdAccessTime} + 1 \text{ clock cycle} + \text{tOEZ}$$

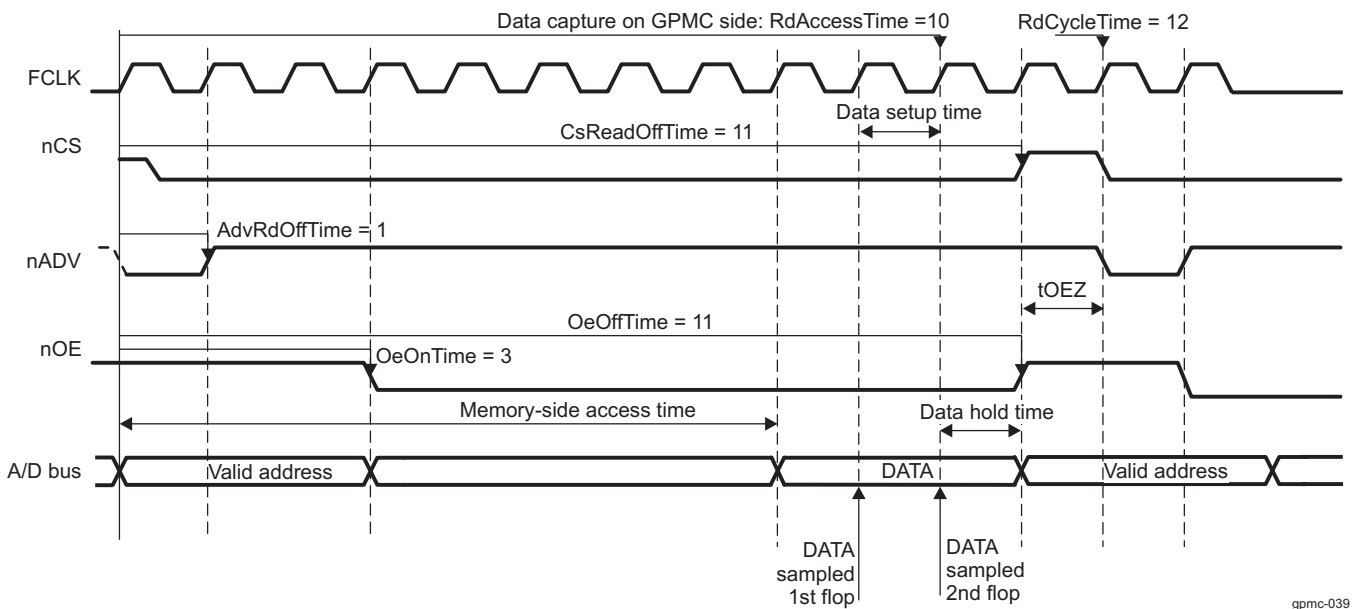
1. On the memory side, the external memory makes the data available to the output bus. This is the memory-side read access time defined in Table 15-486: the number of clock cycles between the address capture (nADV rising edge) and the data valid on the output bus.
The GPMC requires some hold time to allow the data to be captured correctly and the access to be finished.
2. To read the data correctly, the GPMC must be configured to meet the data setup time requirement of the memory; the GPMC module captures the data on the next rising edge. This is access time on the GPMC side.
3. There must also be a data hold time for correctly reading the data (checking that there is no nOE/nCS deassertion while reading the data). This data hold time is one clock cycle (that is, RdAccessTime + 1).

4. To complete the access, nOE/nCS signals are driven to High-Z. RdAccessTime + 1 + tOEZ is the read cycle time.
5. Addresses can now be relatched and a new read cycle begun.

Table 15-487. GPMC Timing Parameters for Asynchronous Read Access

Parameter Name on GPMC Side	Formula	Duration (ns)	Number of Clock Cycles (F = 104 MHz)	GPMC Register Configurations
ClkActivationTime		n/a (asynchronous mode)		
RdAccessTime	round max (tCE)	80	10	RDACCESSTIME = 0x0A
PageBurstAccess Time	N/A (single access)			
RdCycleTime	RdAccessTime + 1cycle + tOEZ	96, 615	12	RDCYCLETIME = 0x0C
CsOnTime	tCAS	0	0	CSONTIME = 0x0
CsReadOffTime	RdAccessTime + 1 cycle	89, 615	11	CSRDOFFTIME = 0x0B
AdvOnTime	tAAVDS	3	1	ADVONTIME = 0x1
AdvRdOffTime	tAAVDS + tAVDP	9	1	ADVRDOFFTIME = 0x01
OeOnTime	OeOnTime >= AdvRdOffTime (multiplexed mode)	-	3, for instance	OEONTIME = 0x3
OeOffTime	RdAccessTime + 1cycle	89, 615	11	OEOFFTIME = 0x0B

Figure 15-102. Asynchronous Single Read Access (Timing Parameters in Clock Cycles)



gpmc-039

15.4.6.1.2.3 GPMC Configuration for Asynchronous Single Write Access

The clock runs at 104 MHz: (f = 104 MHz; T = 9, 615 ns).

Table 15-489 shows how to calculate timings for the GPMC using the memory parameters.

Table 15-488 shows the timing parameters (on the memory side) that determine the parameters on the GPMC side.

Figure 15-103 shows the synchronous burst write access.

Table 15-488. AC Characteristics for Asynchronous Single Write (Memory Side)

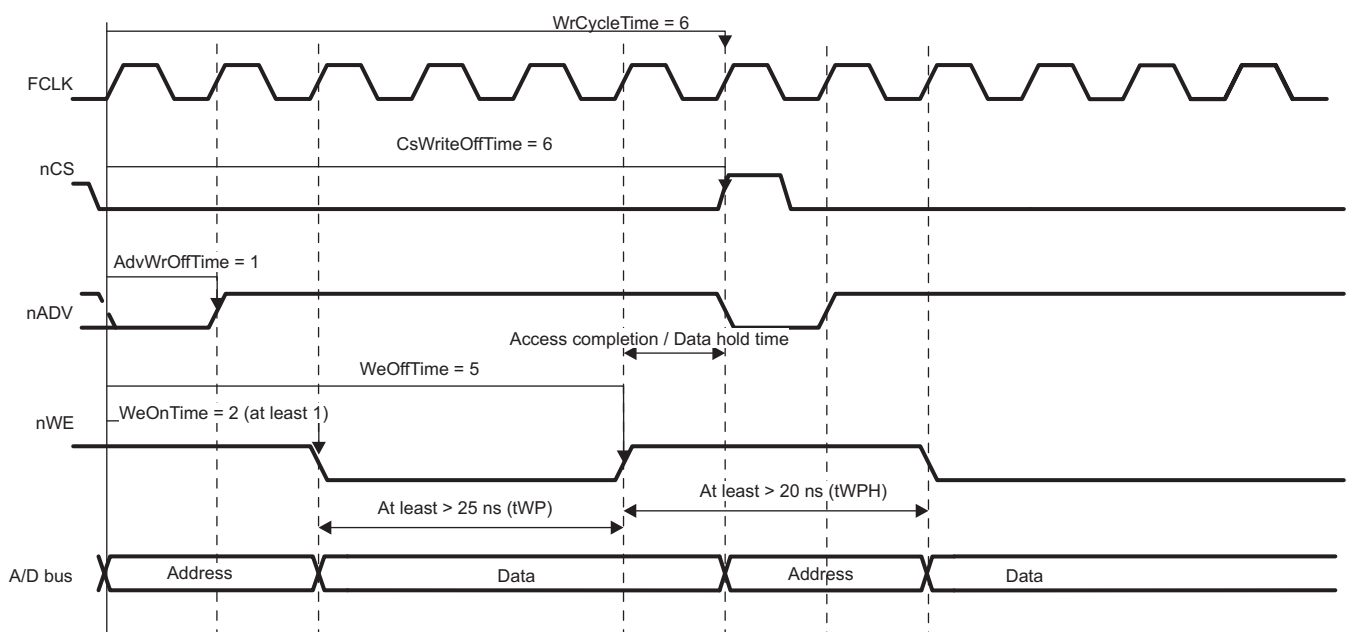
AC Characteristics on the Memory Side	Description	Duration (ns)
tWC	Write cycle time	60
tAVDP	nADV low time	6
tWP	Write pulse width	25
tWPH	Write pulse width high	20
tCS	nCS setup time to nWE	3
tCAS	nCS setup time to nADV	0
tAVSC	nADV setup time	3

For asynchronous single write access, write cycle time is $WrCycleTime = WeOffTime + AccessCompletion = WeOffTime + 1$. For the AccessCompletion, the GPMC requires one cycle of data hold time (nCS deassertion). For more information, see the device data manual.

Table 15-489. GPMC Timing Parameters for Asynchronous Single Write

Parameter Name on GPMC Side	Formula	Duration (ns)	Number of Clock Cycles (F = 104 MHz)	GPMC Registers Configuration
ClkActivationTime		N/A (asynchronous mode)		
WdAccessTime	Applicable only to WAITMONITORING (the value is the same as for read access)			
PageBurstAccessTime		N/A (single access)		
WrCycleTime	$WeOffTime + AccessCompletion$	57, 615	6	WRCYCLETIME = 0x06
CsOnTime	tCAS	0	0	CSONTIME = 0x0
CsWrOffTime	$WeOffTime + 1$	57, 615	6	CSWROFFTIME = 0x06
AdvOnTime	tAVSC	3	1	ADVONTIME = 0x1
AdvWrOffTime	$tAVSC + tAVDP$	9	1	ADVWROFFTIME = 0x01
WeOnTime	tCS	3	1	WEONTIME = 0x1
WeOffTime	$tCS + tWP + tWPH$	48	5	WEOFFTIME = 0x05

Figure 15-103. Asynchronous Single Write Access (Timing Parameters in Clock Cycles)



gpmc-040

15.4.6.2 How to Choose a Suitable Memory to Use With the GPMC

This section is intended to help the user select a suitable memory device to interface with the GPMC controller.

15.4.6.2.1 Supported Memories or Devices

NAND flash and NOR flash architectures are the two flash technologies. The GPMC supports various types of external memory or devices, basically any one that supports NAND or NOR protocols:

- 8- and 16-bit-wide asynchronous or synchronous memory or device (only 8-bit: nonburst device)
- 16-bit address and data-multiplexed NOR flash devices (pSRAM, OneNAND™, etc.)
- 8- and 16-bit NAND flash devices

15.4.6.2.1.1 Memory Pin Multiplexing

This section describes the interfacing differences of the GPMC supported memories.

Table 15-490. Supported Memories Interfaces

Function	16-Bit Address/ Data-Multiplexed pSRAM or NOR Flash ⁽¹⁾	OneNAND	16-Bit NAND	8-Bit NAND
gpmc_a[27]	A27			
gpmc_a[26]				
gpmc_a[25]				
gpmc_a[24]				
gpmc_a[23]				
gpmc_a[22]				
gpmc_a[21]				
gpmc_a[20]				
gpmc_a[19]				
gpmc_a[18]				
gpmc_a[17]				
gpmc_a[16]				
gpmc_a[15]				
gpmc_a[14]				
gpmc_a[13]				
gpmc_a[12]				
gpmc_a[11]				
gpmc_a[10]	A26			
gpmc_a[9]	A25			
gpmc_a[8]	A24			
gpmc_a[7]	A23			
gpmc_a[6]	A22			
gpmc_a[5]	A21			
gpmc_a[4]	A20			
gpmc_a[3]	A19			
gpmc_a[2]	A18			
gpmc_a[1]	A17			
gpmc_a[0]	A16			
gpmc_ad[15]	D15 or A16		IO15	
gpmc_ad[14]	D14 or A15		IO14	

⁽¹⁾ Addresses seen from the device side. When interfacing to the external device, A1 is connected to the memory A0, A2 to the memory A1, and so on.

Table 15-490. Supported Memories Interfaces (continued)

Function	16-Bit Address/ Data-Multiplexed pSRAM or NOR Flash ⁽¹⁾	OneNAND	16-Bit NAND	8-Bit NAND
gpmc_ad[13]	D13 or A14		IO13	
gpmc_ad[12]	D12 or A13		IO12	
gpmc_ad[11]	D11 or A12		IO11	
gpmc_ad[10]	D10 or A11		IO10	
gpmc_ad[9]	D9 or A10		IO9	
gpmc_ad[8]	D8 or A9		IO8	
gpmc_ad[7]	D7 or A8		IO7	
gpmc_ad[6]	D6 or A7		IO6	
gpmc_ad[5]	D5 or A6		IO5	
gpmc_ad[4]	D4 or A5		IO4	
gpmc_ad[3]	D3 or A4		IO3	
gpmc_ad[2]	D2 or A3		IO2	
gpmc_ad[1]	D1 or A2		IO1	
gpmc_ad[0]	D0 or A1		IO0	
gpmc_clk	CLK			
gpmc_cs0	nCS0 (chip-select)		nCE0 (chip-enable)	
gpmc_cs1	nCS1		nCE1	
gpmc_cs2	nCS2		nCE2	
gpmc_cs3	nCS3		nCE3	
gpmc_cs4	nCS4		nCE4	
gpmc_cs5	nCS5		nCE5	
gpmc_cs6	nCS6		nCE6	
gpmc_cs7	nCS7		nCE7	
gpmc_advn_ale	nADV (address valid)		ALE (address latch enable)	
gpmc_oen_ren	nOE (output enable)		nRE (read enable)	
gpmc_wen	nWE (Write enable)		nWE (write enable)	
gpmc_ben0	nBE0 (byte enable)		CLE (command latch enable)	
gpmc_ben1	nBE1			
gpmc_wait0	WAIT0		R/nB0 (ready/busy)	
gpmc_wait1	WAIT1		R/nB1	

15.4.6.2.1.2 NAND Interface Protocol

NAND flash architecture, introduced in 1989, is a flash technology. NAND is a page-oriented memory device; that is, read and write accesses are done by pages. NAND achieves great density by sharing common areas of the storage transistor, which creates strings of serially connected transistors (in NOR devices, each transistor stands alone). Because of its high density NAND is best suited to devices that require high capacity data storage, such as pictures, music, and data files. NAND nonvolatility makes of it a good storage solution for many applications where mobility, low power, and speed are key factors. Low pin count and simple interface are other advantages of NAND.

Table 15-491 summarizes the NAND interface signals level applied to external device or memories.

Table 15-491. NAND Interface Bus Operations Summary

Bus Operation	CLE	ALE	nCE	nWE ⁽¹⁾	nRE ⁽¹⁾
Read (cmd input)	H	L	L	RE	H
Read (add input)	L	H	L	RE	H

⁽¹⁾ RE stands for rising edge; FE stands for falling edge

Table 15-491. NAND Interface Bus Operations Summary (continued)

Bus Operation	CLE	ALE	nCE	nWE ⁽¹⁾	nRE ⁽¹⁾
Write (cmd input)	H	L	L	RE	H
Write (add input)	L	H	L	RE	H
Data input	L	L	L	RE	H
Data output	L	L	L	H	FE
Busy (during read)	x	x	H ⁽²⁾	H ⁽²⁾	H ⁽²⁾
Busy (during program)	x	x	x	x	x
Busy (during erase)	x	x	x	x	x
Standby	x	x	H	x	x

⁽²⁾ Can be nCE high, or WE and nRE high.

15.4.6.2.1.3 NOR Interface Protocol

NOR flash architecture, introduced in 1988, is a flash technology. Unlike NAND, which is a sequential access device, NOR is directly addressable; that is, it is designed to be a random access device. NOR is best suited to devices used to store and run code or firmware, usually in small capacities. While NOR has fast read capabilities, it also has slow write and erase functions when compared to the NAND architecture.

Table 15-492 summarizes the level of the NOR interface signals applied to external devices or memories.

Table 15-492. NOR Interface Bus Operations Summary

Bus Operation	CLK	nADV	nCS	nOE	nWE	WAIT	DQ[15:0]
Read (asynchronous)	x	L	L	L	H	Asserted	Output
Read (synchronous)	Running	L	L	L	H	Driven	Output
Read (burst suspend)	Halted	x	L	H	H	Active	Output
Write	x	L	L	H	L	Asserted	Input
Output disable	x	x	L	H	H	Asserted	High-Z
Standby	x	x	H	x	x	High-Z	High-Z

15.4.6.2.1.4 Other Technologies

Other supported device types interact with the GPMC through the NOR interface protocol.

OneNAND is a high-density, low-power memory device. OneNAND is based on single- or multilevel-cell NAND core with SRAM and logic. It interfaces as a synchronous NOR flash and has synchronous write capability. It reads faster than conventional NAND and writes faster than conventional NOR flash. Hence, it is appropriate for mass storage and code storage.

pSRAM (pseudo-static random access memory) is a low-power memory device. pSRAM is based on the DRAM cell with internal refresh and address control features, and interfaces as a synchronous NOR flash. It also has synchronous write capability.

15.4.6.2.1.5 Supported Protocols

The GPMC supports the following interface protocols when communicating with external memory or external devices:

- Asynchronous read/write access
- Asynchronous read page access (4, 8, 16 Word16)
- Synchronous read/write access
- Synchronous read burst access without wrap capability (4, 8, 16 Word16)
- Synchronous read burst access with wrap capability (4, 8, 16 Word16)

15.4.6.2.2 GPMC Features and Settings

The features and settings of the GPMC are:

- Supported device type: Up to four NAND or NOR protocol external memories or devices
- Operating voltage: 1.8 V, 3.3 V
- Maximum operating frequency provided externally: See the device data manual for precise information.
- Maximum GPMC addressing capability: 512MiB divided into eight chip-selects
- Maximum supported memory size: 256MiB (must be a power-of-two)
- Minimum supported memory size: 16MiB (must be a power-of-two). Aliasing occurs when addressing smaller memories.
- Data path to external memory or device: 8, 16 bits wide
- Burst and page access: burst of 4, 8, 16 Word16
- Supports bus keeping
- Supports bus turnaround

15.4.7 GPMC Register Manual

This section provides information about the GPMC instance in this product. [Table 15-494](#) provides a summary of the GPMC registers. The remaining parts of this section describe the registers within the module instance.

15.4.7.1 GPMC Register Summary

Table 15-493. GPMC Instance Summary

Module Name	Base Address	Size
GPMC	0x5000 0000	16 MiB

Table 15-494. GPMC Registers Mapping Summary

Register Name	Type	Register Width (Bits)	Address Offset	Physical Address GPMC
GPMC_REVISION	R	32	0x0000 0000	0x5000 0000
GPMC_SYSCONFIG	RW	32	0x0000 0010	0x5000 0010
GPMC_SYSSTATUS	R	32	0x0000 0014	0x5000 0014
GPMC_IRQSTATUS	RW	32	0x0000 0018	0x5000 0018
GPMC_IRQENABLE	RW	32	0x0000 001C	0x5000 001C
GPMC_TIMEOUT_CONTROL	RW	32	0x0000 0040	0x5000 0040
GPMC_ERR_ADDRESS	RW	32	0x0000 0044	0x5000 0044
GPMC_ERR_TYPE	RW	32	0x0000 0048	0x5000 0048
GPMC_CONFIG	RW	32	0x0000 0050	0x5000 0050
GPMC_STATUS	RW	32	0x0000 0054	0x5000 0054
GPMC_CONFIG1_i ⁽¹⁾	RW	32	0x0000 0060 + (0x0000 0030 * i)	0x5000 0060 + (0x0000 0030 * i)
GPMC_CONFIG2_i ⁽¹⁾	RW	32	0x0000 0064 + (0x0000 0030 * i)	0x5000 0064 + (0x0000 0030 * i)
GPMC_CONFIG3_i ⁽¹⁾	RW	32	0x0000 0068 + (0x0000 0030 * i)	0x5000 0068 + (0x0000 0030 * i)
GPMC_CONFIG4_i ⁽¹⁾	RW	32	0x0000 006C + (0x0000 0030 * i)	0x5000 006C + (0x0000 0030 * i)
GPMC_CONFIG5_i ⁽¹⁾	RW	32	0x0000 0070 + (0x0000 0030 * i)	0x5000 0070 + (0x0000 0030 * i)
GPMC_CONFIG6_i ⁽¹⁾	RW	32	0x0000 0074 + (0x0000 0030 * i)	0x5000 0074 + (0x0000 0030 * i)
GPMC_CONFIG7_i ⁽¹⁾	RW	32	0x0000 0078 + (0x0000 0030 * i)	0x5000 0078 + (0x0000 0030 * i)
GPMC_NAND_COMMAND_i ⁽¹⁾	W	32	0x0000 007C + (0x0000 0030 * i)	0x5000 007C + (0x0000 0030 * i)
GPMC_NAND_ADDRESS_i ⁽¹⁾	W	32	0x0000 0080 + (0x0000 0030 * i)	0x5000 0080 + (0x0000 0030 * i)
GPMC_NAND_DATA_i ⁽¹⁾	RW	32	0x0000 0084 + (0x0000 0030 * i)	0x5000 0084 + (0x0000 0030 * i)
GPMC_PREFETCH_CONFIG1	RW	32	0x0000 01E0	0x5000 01E0
GPMC_PREFETCH_CONFIG2	RW	32	0x0000 01E4	0x5000 01E4
GPMC_PREFETCH_CONTROL	RW	32	0x0000 01EC	0x5000 01EC
GPMC_PREFETCH_STATUS	RW	32	0x0000 01F0	0x5000 01F0
GPMC_ECC_CONFIG	RW	32	0x0000 01F4	0x5000 01F4
GPMC_ECC_CONTROL	RW	32	0x0000 01F8	0x5000 01F8
GPMC_ECC_SIZE_CONFIG	RW	32	0x0000 01FC	0x5000 01FC
GPMC_ECCj_RESULT ⁽²⁾	RW	32	0x0000 0200 + (0x0000 0004 * j)	0x5000 0200 + (0x0000 0004 * j)
GPMC_BCH_RESULT0_i ⁽¹⁾	RW	32	0x0000 0240 + (0x0000 0010 * i)	0x5000 0240 + (0x0000 0010 * i)
GPMC_BCH_RESULT1_i ⁽¹⁾	RW	32	0x0000 0244 + (0x0000 0010 * i)	0x5000 0244 + (0x0000 0010 * i)
GPMC_BCH_RESULT2_i ⁽¹⁾	RW	32	0x0000 0248 + (0x0000 0010 * i)	0x5000 0248 + (0x0000 0010 * i)
GPMC_BCH_RESULT3_i ⁽¹⁾	RW	32	0x0000 024C + (0x0000 0010 * i)	0x5000 024C + (0x0000 0010 * i)
GPMC_BCH_RESULT4_i ⁽¹⁾	RW	32	0x0000 0300 + (0x0000 0010 * i)	0x5000 0300 + (0x0000 0010 * i)
GPMC_BCH_RESULT5_i ⁽¹⁾	RW	32	0x0000 0304 + (0x0000 0010 * i)	0x5000 0304 + (0x0000 0010 * i)
GPMC_BCH_RESULT6_i ⁽¹⁾	RW	32	0x0000 0308 + (0x0000 0010 * i)	0x5000 0308 + (0x0000 0010 * i)
GPMC_BCH_SWDATA	RW	32	0x0000 02D0	0x5000 02D0

⁽¹⁾ i = 0 to 7 for GPMC

⁽²⁾ j = 0 to 8 for GPMC

15.4.7.2 GPMC Register Descriptions

NOTE: All GPMC registers are aligned to 32-bit address boundaries. All register file accesses, except to [GPMC_NAND_DATA_i](#) register, are little-endian. If the [GPMC_NAND_DATA_i](#) register location is accessed, the endianness is access-dependent.

In this section i corresponds to the chip-select number, where i = 0 to 7.

Table 15-495. GPMC_REVISION

Address Offset	0x0000 0000	Instance	GPMC
Physical Address	0x5000 0000		
Description	This register contains the IP revision code.		
Type	R		

31	30	29	28	27	26	25	24	23	22	21	20	19	18	17	16	15	14	13	12	11	10	9	8	7	6	5	4	3	2	1	0
REVISION																															

Bits	Field Name	Description	Type	Reset
31:0	REVISION	IP revision	R	T1 internal data

Table 15-496. Register Call Summary for Register GPMC_REVISION

GPMC Register Manual

- [GPMC Register Summary: \[0\]](#)

Table 15-497. GPMC_SYSCONFIG

Address Offset	0x0000 0010	Instance	GPMC
Physical Address	0x5000 0010		
Description	This register controls the various parameters of the interconnect.		
Type	RW		

31	30	29	28	27	26	25	24	23	22	21	20	19	18	17	16	15	14	13	12	11	10	9	8	7	6	5	4	3	2	1	0
RESERVED																												IDLEMODE	RESERVED	SOFTRESET	AUTOIDLE

Bits	Field Name	Description	Type	Reset
31:5	RESERVED	Write 0s for future compatibility. Read returns 0.	RW	0x00000000
4:3	IDLEMODE	0x0: Force-idle. An idle request is acknowledged unconditionally. 0x1: No-idle. An idle request is never acknowledged. 0x2: Smart-idle. Acknowledgment to an idle request is given based on the internal activity of the module. 0x3: Do not use.	RW	0x0
2	RESERVED	Write 0 for future compatibility Read returns 0.	RW	0x0
1	SOFTRESET	Software reset. Set this bit to 1 triggers a module reset. This bit is automatically reset by hardware. During reads, it always returns 0. 0x0: Normal mode 0x1: The module is reset.	RW	0x0

Bits	Field Name	Description	Type	Reset
0	AUTOIDLE	Internal interface clock-gating strategy 0x0: Interface clock is free-running. 0x1: Automatic Interface clock gating strategy is applied, based on the interconnect activity.	RW	0x0

Table 15-498. Register Call Summary for Register GPMC_SYSCONFIG

GPMC Functional Description

- [GPMC Software Reset: \[0\]](#)
- [GPMC Power Management: \[1\]\[2\]](#)

GPMC Basic Programming Model

- [GPMC Initialization: \[3\]](#)

GPMC Register Manual

- [GPMC Register Summary: \[4\]](#)

Table 15-499. GPMC_SYSSTATUS

Address Offset	0x0000 0014	Instance	GPMC
Physical Address	0x5000 0014		
Description	This register provides status information about the module, excluding the interrupt status information.		
Type	R		

31	30	29	28	27	26	25	24	23	22	21	20	19	18	17	16	15	14	13	12	11	10	9	8	7	6	5	4	3	2	1	0
RESERVED																RESERVED											RESETDONE				

Bits	Field Name	Description	Type	Reset
31:8	RESERVED	Read returns 0.	R	0x000000
7:1	RESERVED	Read returns 0 (reserved for interconnect-socket status information).	R	0x00
0	RESETDONE	Internal reset monitoring 0x0: Internal module reset is ongoing. 0x1: Reset is complete.	R	0x-

Table 15-500. Register Call Summary for Register GPMC_SYSSTATUS

GPMC Functional Description

- [GPMC Software Reset: \[0\]](#)

GPMC Basic Programming Model

- [GPMC Initialization: \[1\]](#)

GPMC Register Manual

- [GPMC Register Summary: \[2\]](#)

Table 15-501. GPMC_IRQSTATUS

Address Offset	0x0000 0018	Instance	GPMC
Physical Address	0x5000 0018		
Description	This interrupt status register regroups all the status of the module internal events that can generate an interrupt.		
Type	RW		

31	30	29	28	27	26	25	24	23	22	21	20	19	18	17	16	15	14	13	12	11	10	9	8	7	6	5	4	3	2	1	0
RESERVED																WAIT1EDGEDETECTIONSTATUS		WAIT0EDGEDETECTIONSTATUS		RESERVED						TERMINALCOUNTSTATUS		FIFOEVENTSTATUS			

Bits	Field Name	Description	Type	Reset
31:10	RESERVED	Write 0s for future compatibility. Read returns 0s.	RW	0x000000
9	WAIT1EDGEDETECTIONSTATUS	Status of the Wait1 Edge Detection interrupt Read 0x0: A transition on WAIT1 input pin has not been detected. Write 0x0: WAIT1EDGEDETECTIONSTATUS bit is unchanged. Read 0x1: A transition on WAIT1 input pin has been detected. Write 0x1: WAIT1EDGEDETECTIONSTATUS bit is reset.	RW	0x0
8	WAIT0EDGEDETECTIONSTATUS	Status of the Wait0 Edge Detection interrupt Read 0x0: A transition on WAIT0 input pin has not been detected. Write 0x0: WAIT0EDGEDETECTIONSTATUS bit is unchanged. Read 0x1: A transition on WAIT0 input pin has been detected. Write 0x1: WAIT0EDGEDETECTIONSTATUS bit is reset.	RW	0x0
7:2	RESERVED	Write 0s for future compatibility. Read returns 0s.	RW	0x00
1	TERMINALCOUNTSTATUS	Status of the TerminalCountEvent interrupt Read 0x0: Indicates that CountValue is greater than 0 Write 0x0: TERMINALCOUNTSTATUS bit is unchanged. Read 0x1: Indicates that CountValue is equal to 0 Write 0x1: TERMINALCOUNTSTATUS bit is reset.	RW	0x0
0	FIFOEVENTSTATUS	Status of the FIFOEvent interrupt Read 0x0: Indicates that less than GPMC_PREFETCH_STATUS[16] FIFOTHRESHOLDSTATUS bytes are available in prefetch mode and less than FIFOTHRESHOLD bytes free places are available in write-posting mode Write 0x0: FIFOEVENTSTATUS bit is unchanged. Read 0x1: Indicates that at least GPMC_PREFETCH_STATUS[16] FIFOTHRESHOLDSTATUS bytes are available in prefetch mode and at least FIFOTHRESHOLD bytes free places are available in write-posting mode Write 0x1: FIFOEVENTSTATUS bit is reset.	RW	0x0

Table 15-502. Register Call Summary for Register GPMC_IRQSTATUS

GPMC Functional Description

- [GPMC Interrupt Requests: \[0\]\[1\]\[2\]\[3\]](#)
- [Ready Pin Monitored by Hardware Interrupt: \[4\]\[5\]\[6\]](#)
- [FIFO Control in Prefetch Mode: \[7\]\[8\]](#)
- [FIFO Control in Write-Posting Mode: \[9\]\[10\]](#)

GPMC Register Manual

- [GPMC Register Summary: \[11\]](#)

Table 15-503. GPMC_IRQENABLE

Address Offset	0x0000 001C	Instance	GPMC
Physical Address	0x5000 001C		
Description	The interrupt enable register allows to mask/unmask the module internal sources of interrupt, on a event-by-event basis.		
Type	RW		

31	30	29	28	27	26	25	24	23	22	21	20	19	18	17	16	15	14	13	12	11	10	9	8	7	6	5	4	3	2	1	0
RESERVED																WAIT1EDGEDETECTIONENABLE	WAIT0EDGEDETECTIONENABLE	RESERVED						TERMINALCOUNTEVENTENABLE	FIFOEVENTENABLE						

Bits	Field Name	Description	Type	Reset
31:10	RESERVED	Write 0s for future compatibility. Read returns 0s.	RW	0x000000
9	WAIT1EDGEDETECTIONENABLE	Enables the Wait1 Edge Detection interrupt 0x0: Wait1EdgeDetection interrupt is masked. 0x1: Wait1EdgeDetection event generates an interrupt if occurs.	RW	0x0
8	WAIT0EDGEDETECTIONENABLE	Enables the Wait0 Edge Detection interrupt 0x0: Wait0EdgeDetection interrupt is masked. 0x1: Wait0EdgeDetection event generates an interrupt if occurs.	RW	0x0
7:2	RESERVED	Write 0s for future compatibility. Read returns 0s.	RW	0x00
1	TERMINALCOUNTEVENTENABLE	Enables TerminalCountEvent interrupt issuing in prefetch or write-posting mode 0x0: TerminalCountEvent interrupt is masked. 0x1: TerminalCountEvent interrupt is not masked.	RW	0x0
0	FIFOEVENTENABLE	Enables the FIFOEvent interrupt 0x0: FIFOEvent interrupt is masked. 0x1: FIFOEvent interrupt is not masked.	RW	0x0

Table 15-504. Register Call Summary for Register GPMC_IRQENABLE

GPMC Functional Description

- [GPMC Interrupt Requests: \[0\]\[1\]\[2\]\[3\]](#)
- [NAND Device-Ready Pin: \[4\]](#)
- [Ready Pin Monitored by Hardware Interrupt: \[5\]](#)
- [FIFO Control in Prefetch Mode: \[6\]\[7\]](#)
- [FIFO Control in Write-Posting Mode: \[8\]\[9\]](#)

GPMC Register Manual

- [GPMC Register Summary: \[10\]](#)

Table 15-505. GPMC_TIMEOUT_CONTROL

Address Offset	0x0000 0040	Instance	GPMC
Physical Address	0x5000 0040		
Description	The GPMC_TIMEOUT_CONTROL register allows the user to set the start value of the timeout counter.		
Type	RW		

31	30	29	28	27	26	25	24	23	22	21	20	19	18	17	16	15	14	13	12	11	10	9	8	7	6	5	4	3	2	1	0
RESERVED																TIMEOUTSTARTVALUE								RESERVED		TIMEOUTENABLE					

Bits	Field Name	Description	Type	Reset
31:13	RESERVED	Write 0s for future compatibility. Read returns 0s.	RW	0x00000
12:4	TIMEOUTSTARTVALUE	Start value of the time-out counter 0x000: Zero GPMC_FCLK cycle 0x001: One GPMC_FCLK cycle ... 0x1FF: 511 GPMC_FCLK cycles	RW	0x1FF
3:1	RESERVED	Write 0s for future compatibility. Read returns 0s.	RW	0x0
0	TIMEOUTENABLE	Enable bit of the TimeOut feature 0x0: TimeOut feature is disabled. 0x1: TimeOut feature is enabled.	RW	0x0

Table 15-506. Register Call Summary for Register GPMC_TIMEOUT_CONTROL

GPMC Functional Description

- [Error Handling: \[0\]\[1\]](#)

GPMC Register Manual

- [GPMC Register Summary: \[2\]](#)
- [GPMC Register Descriptions: \[3\]](#)

Table 15-507. GPMC_ERR_ADDRESS

Address Offset	0x0000 0044	Instance	GPMC
Physical Address	0x5000 0044		
Description	The GPMC_ERR_ADDRESS register stores the address of the illegal access when an error occurs.		
Type	RW		

31	30	29	28	27	26	25	24	23	22	21	20	19	18	17	16	15	14	13	12	11	10	9	8	7	6	5	4	3	2	1	0
RESERVED	ILLEGALADD																														

Bits	Field Name	Description	Type	Reset
31	RESERVED	Write 0s for future compatibility. Read returns 0.	RW	0x0
30:0	ILLEGALADD	Address of illegal access A30: 0 for memory region, 1 for GPMC register region A29-A0: 1 GiB maximum	R	0x00000000

Table 15-508. Register Call Summary for Register GPMC_ERR_ADDRESS

GPMC Functional Description

- [Error Handling: \[0\]](#)

GPMC Register Manual

- [GPMC Register Summary: \[1\]](#)
- [GPMC Register Descriptions: \[2\]](#)

Table 15-509. GPMC_ERR_TYPE

Address Offset	0x0000 0048	Instance	GPMC
Physical Address	0x5000 0048		
Description	The GPMC_ERR_TYPE register stores the type of error when an error occurs.		
Type	RW		

31	30	29	28	27	26	25	24	23	22	21	20	19	18	17	16	15	14	13	12	11	10	9	8	7	6	5	4	3	2	1	0
RESERVED																ILLEGALMCMD		RESERVED		ERRORNOTSUPPADD	ERRORNOTSUPPMCMD	ERRORTIMEOUT	RESERVED	ERRORVALID							

Bits	Field Name	Description	Type	Reset
31:11	RESERVED	Write 0s for future compatibility. Read returns 0s.	RW	0x0000000
10:8	ILLEGALMCMD	System command of the transaction that caused the error	R	0x0
7:5	RESERVED	Write 0s for future compatibility. Read returns 0s.	RW	0x0
4	ERRORNOTSUPPADD	Not supported address error 0x0: No error occurs. 0x1: The error is due to a nonsupported address.	R	0x0

Bits	Field Name	Description	Type	Reset
3	ERRORNOTSUPPMCMD	Not supported command error 0x0: No error occurs. 0x1: The error is due to a nonsupported command	R	0x0
2	ERRORTIMEOUT	Time-out error 0x0: No error occurs. 0x1: The error is due to a timeout.	R	0x0
1	RESERVED	Write 0s for future compatibility. Read returns 0.	RW	0x0
0	ERRORVALID	Error validity status - Must be explicitly cleared with a write 1 transaction 0x0: All error fields no longer valid 0x1: Error detected and logged in the other error fields	RW	0x0

Table 15-510. Register Call Summary for Register GPMC_ERR_TYPE

GPMC Functional Description

- [Error Handling: \[0\]\[1\]\[2\]](#)

GPMC Register Manual

- [GPMC Register Summary: \[3\]](#)
- [GPMC Register Descriptions: \[4\]](#)

Table 15-511. GPMC_CONFIG

Address Offset	0x0000 0050	Instance	GPMC
Physical Address	0x5000 0050		
Description	The configuration register allows global configuration of the GPMC.		
Type	RW		

31	30	29	28	27	26	25	24	23	22	21	20	19	18	17	16	15	14	13	12	11	10	9	8	7	6	5	4	3	2	1	0
RESERVED																WAIT1PINPOLARITY	WAIT0PINPOLARITY	RESERVED						RESERVED	NANDFORCEPOSTEDWRITE						

Bits	Field Name	Description	Type	Reset
31:10	RESERVED	Write 0s for future compatibility. Read returns 0s.	RW	0x000000
9	WAIT1PINPOLARITY	Selects the polarity of input pin WAIT1 0x0: WAIT1 active low 0x1: WAIT1 active high	RW	0x1
8	WAIT0PINPOLARITY	Selects the polarity of input pin WAIT0 0x0: WAIT0 active low 0x1: WAIT0 active high	RW	0x0
7:2	RESERVED	Write 0s for future compatibility. Read returns 0s.	RW	0x00
1	RESERVED	Write 0 for future compatibility. Read returns 0.	RW	0x0

Bits	Field Name	Description	Type	Reset
0	NANDFORCEPOSTEDWRITE	Enables the Force Posted Write feature to NAND Cmd/Add/Data location 0x0: Disables Force Posted Write 0x1: Enables Force Posted Write	RW	0x0

Table 15-512. Register Call Summary for Register GPMC_CONFIG

GPMC Functional Description

- [GPMC Interrupt Requests: \[0\]\[1\]](#)
- [Wait Pin Monitoring Control: \[2\]](#)
- [Asynchronous Single-Read Operation on Nonmultiplexed Device: \[3\]\[4\]](#)
- [NAND Device Command and Address Phase Control: \[5\]](#)
- [Ready Pin Monitored by Hardware Interrupt: \[6\]](#)

GPMC Register Manual

- [GPMC Register Summary: \[7\]](#)

Table 15-513. GPMC_STATUS

Address Offset	0x0000 0054	Instance	GPMC
Physical Address	0x5000 0054		
Description	The status register provides global status bits of the GPMC.		
Type	RW		

31	30	29	28	27	26	25	24	23	22	21	20	19	18	17	16	15	14	13	12	11	10	9	8	7	6	5	4	3	2	1	0
RESERVED																WAIT1STATUS		WAIT0STATUS		RESERVED										EMPTYWRITEBUFFERSTATUS	

Bits	Field Name	Description	Type	Reset
31:10	RESERVED	Write 0s for future compatibility. Read returns 0s.	RW	0x000000
9	WAIT1STATUS	Is a copy of input pin WAIT1. (Reset value is WAIT1 input pin sampled at device reset.) 0x0: WAIT1 asserted (inactive state) 0x1: WAIT1 deasserted	R	0x-
8	WAIT0STATUS	Is a copy of input pin WAIT0. (Reset value is WAIT0 input pin sampled at device reset.) 0x0: WAIT0 asserted (inactive state) 0x1: WAIT0 deasserted	R	0x-
7:1	RESERVED	Write 0s for future compatibility. Reads returns 0	RW	0x00
0	EMPTYWRITEBUFFERSTATUS	Stores the empty status of the write buffer 0x0: Write buffer is not empty. 0x1: Write buffer is empty.	R	0x1

Table 15-514. Register Call Summary for Register GPMC_STATUS
GPMC Functional Description

- [NAND Device Command and Address Phase Control: \[0\]](#)
- [NAND Device-Ready Pin: \[1\]\[2\]](#)
- [Ready Pin Monitored by Software Polling: \[3\]](#)

GPMC Register Manual

- [GPMC Register Summary: \[4\]](#)

Table 15-515. GPMC_CONFIG1_i

Address Offset	0x0000 0060 + (0x0000 0030 * i)	Index	i = 0 to 7
Physical Address	0x5000 0060 + (0x0000 0030 * i)	Instance	GPMC
Description	The configuration register 1 sets signal control parameters per chip-select.		
Type	RW		

31	30	29	28	27	26	25	24	23	22	21	20	19	18	17	16	15	14	13	12	11	10	9	8	7	6	5	4	3	2	1	0
WRAPBURST	READMULTIPLE	READTYPE	WRITEMULTIPLE	WRITETYPE	CLKACTIVATIONTIME	ATTACHEDDEVICEPAGELENGTH	WAITREADMONITORING	WAITWRITEMONITORING	RESERVED	WAITMONITORINGTIME	WAITPINSELECT	RESERVED	DEVICESIZE	DEVICETYPE	MUXADDRESS	RESERVED	TIMEPARAGRANULARITY	RESERVED	GPMCFCLKDIVIDER												

Bits	Field Name	Description	Type	Reset
31	WRAPBURST	Enables the wrapping burst capability. Must be set if the attached device is configured in wrapping burst 0x0: Synchronous wrapping burst not supported 0x1: Synchronous wrapping burst supported	RW	0x0
30	READMULTIPLE	Selects the read single or multiple access 0x0: Single access 0x1: Multiple access (burst if synchronous, page if asynchronous)	RW	0x0
29	READTYPE	Selects the read mode operation 0x0: Read asynchronous 0x1: Read synchronous	RW	0x0
28	WRITEMULTIPLE	Selects the write single or multiple access 0x0: Single access 0x1: Multiple access (burst if synchronous, considered as single if asynchronous)	RW	0x0
27	WRITETYPE	Selects the write mode operation 0x0: Write asynchronous 0x1: Write synchronous	RW	0x0

Bits	Field Name	Description	Type	Reset
26:25	CLKACTIVATIONTIME	Output GPMC_CLK activation time 0x0: First rising edge of GPMC_CLK at start access time 0x1: First rising edge of GPMC_CLK one GPMC_FCLK cycle after start access time 0x2: First rising edge of GPMC_CLK two GPMC_FCLK cycles after start access time 0x3: Reserved	RW	0x0
24:23	ATTACHEDDEVICEPAGELENGTH	Specifies the attached device page (burst) length 0x0: 4 words 0x1: 8 words 0x2: 16 words 0x3: Reserved (1 word = interface size)	RW	0x0
22	WAITREADMONITORING	Selects the Wait monitoring configuration for Read accesses (Reset value is <i>bootwaiten</i> input pin sampled at device reset) 0x0: Wait pin is not monitored for read accesses. 0x1: Wait pin is monitored for read accesses.	RW	0x-
21	WAITWRITEMONITORING	Selects the Wait monitoring configuration for Write accesses 0x0: Wait pin is not monitored for write accesses. 0x1: Wait pin is monitored for write accesses.	RW	0x0
20	RESERVED	Write 0s for future compatibility. Read returns 0.	RW	0x0
19:18	WAITMONITORINGTIME	Selects input pin Wait monitoring time 0x0: Wait pin is monitored with valid data. 0x1: Wait pin is monitored one GPMC_CLK cycle before valid data. 0x2: Wait pin is monitored two GPMC_CLK cycle before valid data. 0x3: Reserved	RW	0x0
17:16	WAITPINSELECT	Selects the input wait pin for this chip-select (The reset value is HW fixed to 0x0 for CS0-CS7) 0x0: Wait input pin is WAIT0. 0x1: Wait input pin is WAIT1. 0x2, 0x3: Reserved	RW	0x0
15:14	RESERVED	Write 0s for future compatibility. Reads returns 0	RW	0x0
13:12	DEVICESTYPE	Selects the device size attached (Reset value is <i>bootdevicesize</i> input pin sampled at device reset for CS0 and 0x1 for CS1 to CS7) 0x0: 8 bit 0x1: 16 bit 0x2: Reserved 0x3: Reserved	RW	0x-
11:10	DEVICETYPE	Selects the attached device type 0x0: NOR flash-like, asynchronous and synchronous devices 0x1: Reserved 0x2: NAND flash-like devices, stream mode 0x3: Reserved	RW	0x0

Bits	Field Name	Description	Type	Reset
9:8	MUXADDDATA	Enables the address and data multiplexed protocol (Reset value is <i>cs0muxdevice</i> input pin sampled at device reset for CS0 and 0 for CS1-CS7) 0x0: Nonmultiplexed attached device 0x1: AAD-multiplexed protocol device 0x2: Address and data multiplexed attached device 0x3: Reserved	RW	0x-
7:5	RESERVED	Write 0s for future compatibility. Read returns 0s.	RW	0x0
4	TIMEPARAGRANULARITY	Signals timing latencies scalar factor (RD/WRCYCLETIME, RD/WRACCESSTIME, PAGEBURSTACCESSTIME, CSONTIME, CSRD/WROFFTIME, ADVONTIME, ADVRD/WROFFTIME, OEONTIME, OEOFFTIME, WEONTIME, WEOFFTIME, CYCLE2CYCLEDELAY, BUSTURNAROUND, TIMEOUTSTARTVALUE, WRDATAONADMUXBUS) 0x0: x1 latencies 0x1: x2 latencies	RW	0x0
3:2	RESERVED	Write 0s for future compatibility. Read returns 0s.	RW	0x0
1:0	GPMCCLKDIVIDER	Divides the GPMC_FCLK clock 0x0: GPMC_CLK frequency = GPMC_FCLK frequency 0x1: GPMC_CLK frequency = GPMC_FCLK frequency / 2 0x2: GPMC_CLK frequency = GPMC_FCLK frequency / 3 0x3: GPMC_CLK frequency = GPMC_FCLK frequency / 4	RW	0x0

Table 15-516. Register Call Summary for Register GPMC_CONFIG1_i

GPMC Environment

- [GPMC Signals: \[0\]](#)

GPMC Functional Description

- [GPMC Clock Configuration: \[1\]\[2\]](#)
- [L3 Interconnect Interface: \[3\]\[4\]](#)
- [GPMC I/O Configuration Setting: \[5\]\[6\]\[7\]\[8\]\[9\]\[10\]\[11\]\[12\]](#)
- [GPMC CS0 Default Configuration at Device Reset: \[13\]\[14\]\[15\]\[16\]](#)
- [Supported Devices: \[17\]](#)
- [Access Size Adaptation and Device Width: \[18\]](#)
- [Address/Data-Multiplexing Interface: \[19\]](#)
- [Wait Pin Monitoring Control: \[20\]\[21\]\[22\]\[23\]\[24\]\[25\]\[26\]\[27\]\[28\]\[29\]\[30\]\[31\]\[32\]\[33\]\[34\]\[35\]\[36\]](#)
- [Read Cycle Time and Write Cycle Time \(RDCYCLETIME / WRCYCLETIME\): \[37\]](#)
- [GPMC_CLK: \[38\]\[39\]](#)
- [GPMC_CLK and Control Signals Setup and Hold: \[40\]](#)
- [Access Time \(RDACCESSTIME / WRACCESSTIME\): \[41\]](#)
- [Page Burst Access Time \(PAGEBURSTACCESSTIME\): \[42\]](#)
- [NOR Access Description: \[43\]\[44\]](#)
- [Access on Address/Data Multiplexed Devices: \[45\]\[46\]](#)
- [Access on Address/Address/Data-Multiplexed Devices: \[47\]\[48\]](#)
- [Synchronous Access Description: \[49\]\[50\]](#)
- [Synchronous Multiple \(Burst\) Read \(4-, 8-, 16-Word16 Burst With Wraparound Capability\): \[51\]\[52\]\[53\]](#)
- [Page and Burst Support: \[54\]\[55\]](#)
- [System Burst vs External Device Burst Support: \[56\]\[57\]\[58\]](#)
- [pSRAM Access Specificities: \[59\]](#)
- [Chip-Select Configuration for NAND Interfacing in Byte or Word Stream Mode: \[60\]\[61\]\[62\]\[63\]\[64\]\[65\]\[66\]\[67\]\[68\]\[69\]\[70\]\[71\]\[72\]\[73\]\[74\]\[75\]\[76\]\[77\]](#)
- [NAND Device-Ready Pin: \[78\]\[79\]](#)

Table 15-516. Register Call Summary for Register GPMC_CONFIG1_i (continued)

GPMC Basic Programming Model

- [GPMC Configuration in NOR Mode: \[80\]\[81\]\[82\]\[83\]\[84\]\[85\]\[86\]\[87\]\[88\]\[89\]\[90\]\[91\]\[92\]\[93\]\[94\]\[95\]](#)
- [GPMC Configuration in NAND Mode: \[96\]\[97\]\[98\]\[99\]](#)
- [Set Memory Access: \[100\]\[101\]\[102\]\[103\]\[104\]](#)
- [GPMC Timing Parameters: \[105\]\[106\]\[107\]\[108\]\[109\]\[110\]\[111\]\[112\]\[113\]](#)
- [NAND Flash Interface Timing Parameters Formulas: \[114\]](#)
- [Synchronous NOR Flash Timing Parameters Formulas: \[115\]\[116\]\[117\]\[118\]\[119\]\[120\]\[121\]\[122\]\[123\]\[124\]\[125\]](#)
- [Asynchronous NOR Flash Timing Parameters Formulas: \[126\]](#)

GPMC Register Manual

- [GPMC Register Summary: \[127\]](#)

Table 15-517. GPMC_CONFIG2_i

Address Offset	0x0000 0064 + (0x0000 0030 * i)	Index	i = 0 to 7
Physical Address	0x5000 0064 + (0x0000 0030 * i)	Instance	GPMC
Description	CS signal timing parameter configuration		
Type	RW		

31	30	29	28	27	26	25	24	23	22	21	20	19	18	17	16	15	14	13	12	11	10	9	8	7	6	5	4	3	2	1	0
RESERVED								CSWROFFTIME				RESERVED		CSRDOFFTIME				CSEXTRADELAY	RESERVED		CSONTIME										

Bits	Field Name	Description	Type	Reset
31:21	RESERVED	Write 0s for future compatibility. Read returns 0s.	RW	0x000
20:16	CSWROFFTIME	CS i deassertion time from start cycle time for write accesses 0x00: 0 GPMC_FCLK cycle 0x01: 1 GPMC_FCLK cycle ... 0x1F: 31 GPMC_FCLK cycles	RW	0x10
15:13	RESERVED	Write 0s for future compatibility. Read returns 0s.	RW	0x0
12:8	CSRDOFFTIME	CS i de-assertion time from start cycle time for read accesses 0x00: 0 GPMC_FCLK cycle 0x01: 1 GPMC_FCLK cycle ... 0x1F: 31 GPMC_FCLK cycles	RW	0x10
7	CSEXTRADELAY	CS i Add extra half-GPMC_FCLK cycle 0x0: CS i Timing control signal is not delayed 0x1: CS i Timing control signal is delayed of half GPMC_FCLK clock cycle	RW	0x0
6:4	RESERVED	Write 0s for future compatibility. Read returns 0s.	RW	0x0
3:0	CSONTIME	CS i assertion time from start cycle time 0x0: 0 GPMC_FCLK cycle 0x1: 1 GPMC_FCLK cycle ... 0xF: 15 GPMC_FCLK cycles	RW	0x1

Table 15-518. Register Call Summary for Register GPMC_CONFIG2_i

GPMC Functional Description
<ul style="list-style-type: none"> nCS: Chip-Select Signal Control Assertion/Deassertion Time (CSONTIME / CSRDOFFTIME / CSWROFFTIME / CSEXTRADELAY): [0][1][2][3] Access on Address/Data Multiplexed Devices: [4][5] Synchronous Single Read: [6][7] Synchronous Multiple (Burst) Write: [8][9]
GPMC Basic Programming Model
<ul style="list-style-type: none"> GPMC Timing Parameters: [10][11][12][13]
GPMC Register Manual
<ul style="list-style-type: none"> GPMC Register Summary: [14]

Table 15-519. GPMC_CONFIG3_i

Address Offset	0x0000 0068 + (0x0000 0030 * i)	Index	i = 0 to 7
Physical Address	0x5000 0068 + (0x0000 0030 * i)	Instance	GPMC
Description	nADV signal timing parameter configuration		
Type	RW		

31	30	29	28	27	26	25	24	23	22	21	20	19	18	17	16	15	14	13	12	11	10	9	8	7	6	5	4	3	2	1	0
RESERVED	ADVAADMUXWROFFTIME	RESERVED	ADVAADMUXRDROFFTIME	RESERVED	ADVWROFFTIME	RESERVED	ADVRDOFFTIME	ADVEXTRADELAY	ADVAADMUXONTIME	ADVONTIME																					

Bits	Field Name	Description	Type	Reset
31	RESERVED	Write 0s for future compatibility. Read returns 0s.	RW	0
30:28	ADVAADMUXWROFFTIME	nADV deassertion for first address phase when using the AAD-multiplexed protocol 0x0: 0 GPMC_FCLK cycle 0x1: 1 GPMC_FCLK cycle ... 0x7: 7 GPMC_FCLK cycles	RW	0x2
27	RESERVED	Write 0s for future compatibility. Read returns 0s.	RW	0
26:24	ADVAADMUXRDROFFTIME	nADV assertion for first address phase when using the AAD-multiplexed protocol 0x0: 0 GPMC_FCLK cycle 0x1: 1 GPMC_FCLK cycle ... 0x7: 7 GPMC_FCLK cycles	RW	0x2
23:21	RESERVED	Write 0s for future compatibility. Read returns 0s.	RW	0x0
20:16	ADVWROFFTIME	nADV deassertion time from start cycle time for write accesses 0x00: 0 GPMC_FCLK cycle 0x01: 1 GPMC_FCLK cycle ... 0x1F: 31 GPMC_FCLK cycles	RW	0x06
15:13	RESERVED	Write 0s for future compatibility. Read returns 0s.	RW	0x0
12:8	ADVRDOFFTIME	nADV deassertion time from start cycle time for read accesses 0x00: 0 GPMC_FCLK cycle 0x01: 1 GPMC_FCLK cycle ... 0x1F: 31 GPMC_FCLK cycles	RW	0x05

Bits	Field Name	Description	Type	Reset
7	ADVEXTRADELAY	nADV add extra half-GPMC_FCLK cycle 0x0: nADV timing control signal is not delayed 0x1: nADV timing control signal is delayed of half GPMC_FCLK clock cycle	RW	0
6:4	ADVAADMUXONTIME	nADV assertion for first address phase when using the AAD-multiplexed protocol 0x0: 0 GPMC_FCLK cycle 0x1: 1 GPMC_FCLK cycle ... 0x7: 7 GPMC_FCLK cycles	RW	0x1
3:0	ADVONTIME	nADV assertion time from start cycle time 0x0: 0 GPMC_FCLK cycle 0x1: 1 GPMC_FCLK cycle ... 0xF: 15 GPMC_FCLK cycles	RW	0x4

Table 15-520. Register Call Summary for Register GPMC_CONFIG3_i

GPMC Functional Description

- [nADV/ALE: Address Valid/Address Latch Enable Signal Control Assertion/Deassertion Time \(ADVONTIME / ADVRDOFFTIME / ADVWROFFTIME / ADVEXTRADELAY/ADVAADMUXONTIME/ADVAADMUXRDOFFTIME/ADVAADMUXWROFFTIME\): \[0\]\[1\]\[2\]\[3\]\[4\]\[5\]\[6\]](#)
- [Access on Address/Data Multiplexed Devices: \[7\]\[8\]](#)
- [Access on Address/Address/Data-Multiplexed Devices: \[9\]\[10\]\[11\]\[12\]\[13\]\[14\]\[15\]\[16\]\[17\]\[18\]](#)
- [Synchronous Single Read: \[19\]\[20\]\[21\]\[22\]\[23\]\[24\]\[25\]](#)
- [Synchronous Multiple \(Burst\) Write: \[26\]\[27\]\[28\]\[29\]\[30\]\[31\]](#)

GPMC Basic Programming Model

- [GPMC Timing Parameters: \[32\]\[33\]\[34\]\[35\]\[36\]\[37\]\[38\]](#)

GPMC Register Manual

- [GPMC Register Summary: \[39\]](#)

Table 15-521. GPMC_CONFIG4_i

Address Offset	0x0000 006C + (0x0000 0030 * i)	Index	i = 0 to 7
Physical Address	0x5000 006C + (0x0000 0030 * i)	Instance	GPMC
Description	nWE and nOE signals timing parameter configuration		
Type	RW		

31	30	29	28	27	26	25	24	23	22	21	20	19	18	17	16	15	14	13	12	11	10	9	8	7	6	5	4	3	2	1	0		
RESERVED								WEEXTRADELAY	RESERVED				WEONTIME				OEADMUX OFFTIME				OEOFFTIME				OEXTRADELAY	OEADMUX ONTIME				OEONTIME			

Bits	Field Name	Description	Type	Reset
31:29	RESERVED	Write 0s for future compatibility. Read returns 0s.	RW	0x0
28:24	WEOFFTIME	nWE deassertion time from start cycle time 0x00: 0 GPMC_FCLK cycle 0x01: 1 GPMC_FCLK cycle ... 0x1F: 31 GPMC_FCLK cycles	RW	0x10

Bits	Field Name	Description	Type	Reset
23	WEEXTRADELAY	nWE add extra half-GPMC_FCLK cycle 0x0: nWE timing control signal is not delayed 0x1: nWE timing control signal is delayed of half-GPMC_FCLK clock cycle	RW	0
22:20	RESERVED	Write 0s for future compatibility. Read returns 0s.	RW	0x0
19:16	WEONTIME	nWE assertion time from start cycle time 0x0: 0 GPMC_FCLK cycle 0x1: 1 GPMC_FCLK cycle ... 0xF: 15 GPMC_FCLK cycles	RW	0x5
15:13	OEAADMUXOFFTIME	nOE deassertion time for the first address phase in an AAD-multiplexed access 0x0: 0 GPMC_FCLK cycle 0x1: 1 GPMC_FCLK cycle ... 0x7: 7 GPMC_FCLK cycles	RW	0x3
12:8	OEOFFTIME	nOE deassertion time from start cycle time 0x00: 0 GPMC_FCLK cycle 0x01: 1 GPMC_FCLK cycle ... 0x1F: 31 GPMC_FCLK cycles	RW	0x10
7	OEXTRADELAY	nOE add extra half-GPMC_FCLK cycle 0x0: nOE timing control signal is not delayed 0x1: nOE timing control signal is delayed of half-GPMC_FCLK clock cycle	RW	0
6:4	OEAADMUXONTIME	nOE assertion time for the first address phase in an AAD-mux access 0x0: 0 GPMC_FCLK cycle 0x1: 1 GPMC_FCLK cycle ... 0x7: 7 GPMC_FCLK cycles	RW	0x1
3:0	OEONTIME	nOE assertion time from start cycle time 0x0: 0 GPMC_FCLK cycle 0x1: 1 GPMC_FCLK cycle ... 0xF: 15 GPMC_FCLK cycles	RW	0x6

Table 15-522. Register Call Summary for Register GPMC_CONFIG4_i

GPMC Functional Description

- nOE/nRE: Output Enable/Read Enable Signal Control Assertion/Deassertion Time (OEONTIME / OEOFFTIME / OEXTRADELAY / OEAADMUXONTIME / OEAADMUXOFFTIME): [0][1][2]
- nWE: Write Enable Signal Control Assertion/Deassertion Time (WEONTIME / WEOFFTIME / WEEXTRADELAY): [3][4][5]
- Access on Address/Data Multiplexed Devices: [6][7][8][9]
- Access on Address/Address/Data-Multiplexed Devices: [10][11][12][13]
- Synchronous Single Read: [14][15][16][17][18]
- Synchronous Multiple (Burst) Write: [19][20][21][22][23][24]
- Chip-Select Configuration for NAND Interfacing in Byte or Word Stream Mode: [25]

GPMC Basic Programming Model

- GPMC Timing Parameters: [26][27][28][29][30][31][32][33]

GPMC Register Manual

- GPMC Register Summary: [34]

Table 15-523. GPMC_CONFIG5_i

Address Offset	0x0000 0070 + (0x0000 0030 * i)	Index	i = 0 to 7
Physical Address	0x5000 0070 + (0x0000 0030 * i)	Instance	GPMC
Description	RdAccessTime and CycleTime timing parameters configuration		
Type	RW		

31	30	29	28	27	26	25	24	23	22	21	20	19	18	17	16	15	14	13	12	11	10	9	8	7	6	5	4	3	2	1	0				
RESERVED								PAGEBURSTACCESSTIME				RESERVED				RDACCESSTIME				RESERVED				WRCYCLETIME				RESERVED				RDCYCLETIME			

Bits	Field Name	Description	Type	Reset
31:28	RESERVED	Write 0s for future compatibility. Read returns 0s.	RW	0x0
27:24	PAGEBURSTACCESSTIME	Delay between successive words in a multiple access 0x0: 0 GPMC_FCLK cycle 0x1: 1 GPMC_FCLK cycle ... 0xF: 15 GPMC_FCLK cycles	RW	0x1
23:21	RESERVED	Write 0s for future compatibility. Read returns 0s.	RW	0x0
20:16	RDACCESSTIME	Delay between start cycle time and first data valid 0x00: 0 GPMC_FCLK cycle 0x01: 1 GPMC_FCLK cycle ... 0x1F: 31 GPMC_FCLK cycles	RW	0x0F
15:13	RESERVED	Write 0s for future compatibility. Reads returns 0	RW	0x0
12:8	WRCYCLETIME	Total write cycle time 0x00: 0 GPMC_FCLK cycle 0x01: 1 GPMC_FCLK cycle ... 0x1F: 31 GPMC_FCLK cycles	RW	0x11
7:5	RESERVED	Write 0s for future compatibility. Read returns 0s.	RW	0x0
4:0	RDCYCLETIME	Total read cycle time 0x00: 0 GPMC_FCLK cycle 0x01: 1 GPMC_FCLK cycle ... 0x1F: 31 GPMC_FCLK cycles	RW	0x11

Table 15-524. Register Call Summary for Register GPMC_CONFIG5_i

GPMC Functional Description

- [Read Cycle Time and Write Cycle Time \(RDCYCLETIME / WRCYCLETIME\): \[0\]\[1\]](#)
- [Access Time \(RDACCESSTIME / WRACCESSTIME\): \[2\]](#)
- [Access Time on Read Access: \[3\]\[4\]](#)
- [Page Burst Access Time \(PAGEBURSTACCESSTIME\): \[5\]](#)
- [Access on Address/Data Multiplexed Devices: \[6\]\[7\]\[8\]](#)
- [Synchronous Single Read: \[9\]\[10\]](#)
- [Synchronous Multiple \(Burst\) Read \(4-, 8-, 16-Word16 Burst With Wraparound Capability\): \[11\]\[12\]\[13\]](#)
- [Synchronous Multiple \(Burst\) Write: \[14\]\[15\]\[16\]\[17\]](#)
- [Asynchronous Multiple \(Page Mode\) Read Operation on Nonmultiplexed Device: \[18\]\[19\]\[20\]\[21\]](#)

GPMC Basic Programming Model

- [GPMC Timing Parameters: \[22\]\[23\]\[24\]\[25\]](#)

Table 15-524. Register Call Summary for Register GPMC_CONFIG5_i (continued)

GPMC Register Manual

- [GPMC Register Summary: \[26\]](#)

Table 15-525. GPMC_CONFIG6_i

Address Offset	0x0000 0074 + (0x0000 0030 * i)	Index	i = 0 to7
Physical Address	0x5000 0074 + (0x0000 0030 * i)	Instance	GPMC
Description	WrAccessTime, WrDataOnADmuxBus, Cycle2Cycle and BusTurnAround parameters configuration		
Type	RW		

31	30	29	28	27	26	25	24	23	22	21	20	19	18	17	16	15	14	13	12	11	10	9	8	7	6	5	4	3	2	1	0
RESERVED	RESERVED	WRACCESSTIME						RESERVED	WRDATAONADMUXBUS				RESERVED	CYCLE2CYCLEDELAY				CYCLE2CYCLESAMECSEN	CYCLE2CYCLEDIFFCSEN	RESERVED	BUSTURNAROUND										

Bits	Field Name	Description	Type	Reset
31	RESERVED	TI Internal use - Do not modify.	RW	1
30:29	RESERVED	Write 0s for future compatibility. Read returns 0s.	RW	0x0
28:24	WRACCESSTIME	Delay from start access time to the GPMC_FCLK rising edge corresponding the GPMC_CLK rising edge used by the attached memory for the first data capture 0x00: 0 GPMC_FCLK cycle 0x01: 1 GPMC_FCLK cycle ... 0x1F: 31 GPMC_FCLK cycles	RW	0x0F
23:20	RESERVED	Write 0s for future compatibility. Read returns 0s.	RW	0x0
19:16	WRDATAONADMUXBUS	Specifies on which GPMC_FCLK rising edge the first data of the write is driven in the add/data mux bus	RW	0x7
15:12	RESERVED	Write 0s for future compatibility. Read returns 0s.	RW	0x0
11:8	CYCLE2CYCLEDELAY	Chip-select high pulse delay between successive accesses 0x0: 0 GPMC_FCLK cycle 0x1: 1 GPMC_FCLK cycle ... 0xF: 15 GPMC_FCLK cycles	RW	0x0
7	CYCLE2CYCLESAMECSEN	Add CYCLE2CYCLEDELAY between successive accesses to the same chip-select (any access type) 0x0: No delay between the two accesses 0x1: Add CYCLE2CYCLEDELAY	RW	0
6	CYCLE2CYCLEDIFFCSEN	Add CYCLE2CYCLEDELAY between successive accesses to a different chip-select (any access type) 0x0: No delay between the two accesses 0x1: Add CYCLE2CYCLEDELAY	RW	0x0
5:4	RESERVED	Write 0s for future compatibility. Reads return 0.	RW	0x0

Bits	Field Name	Description	Type	Reset
3:0	BUSTURNAROUND	Bus turnaround latency between successive accesses to the same chip-select (read to write) or to a different chip-select (read to read and read to write) 0x0: 0 GPMC_FCLK cycle 0x1: 1 GPMC_FCLK cycle ... 0xF: 15 GPMC_FCLK cycles	RW	0x0

Table 15-526. Register Call Summary for Register GPMC_CONFIG6_i

GPMC Functional Description

- [Wait Pin Monitoring Control: \[0\]\[1\]\[2\]\[3\]\[4\]\[5\]](#)
- [Read Cycle Time and Write Cycle Time \(RDCYCLETIME / WRCYCLETIME\): \[6\]\[7\]](#)
- [Access Time \(RDACCESSTIME / WRACCESSTIME\): \[8\]](#)
- [Access Time on Write Access: \[9\]](#)
- [Access on Address/Data Multiplexed Devices: \[10\]\[11\]\[12\]](#)
- [Access on Address/Address/Data-Multiplexed Devices: \[13\]](#)
- [Synchronous Single Write: \[14\]](#)
- [Synchronous Multiple \(Burst\) Write: \[15\]\[16\]\[17\]](#)

GPMC Basic Programming Model

- [GPMC Timing Parameters: \[18\]\[19\]\[20\]\[21\]\[22\]\[23\]](#)

GPMC Register Manual

- [GPMC Register Summary: \[24\]](#)

Table 15-527. GPMC_CONFIG7_i

Address Offset	0x0000 0078 + (0x0000 0030 * i)	Index	i = 0 to 7
Physical Address	0x5000 0078 + (0x0000 0030 * i)	Instance	GPMC
Description	CS address mapping configuration		
Type	RW		

31	30	29	28	27	26	25	24	23	22	21	20	19	18	17	16	15	14	13	12	11	10	9	8	7	6	5	4	3	2	1	0
RESERVED																MASKADDRESS		RESERVED	CSVALID	BASEADDRESS											

Bits	Field Name	Description	Type	Reset
31:12	RESERVED	Write 0s for future compatibility. Read returns 0s.	RW	0x00000
11:8	MASKADDRESS	CS mask address. 0x0000: Chip-select size of 256 MiB 0x1000: Chip-select size of 128 MiB 0x1100: Chip-select size of 64 MiB 0x1110: Chip-select size of 32 MiB 0x1111: Chip-select size of 16 MiB Other values must be avoided as they create holes in the chip-select address space.	RW	0xF
7	RESERVED	Write 0s for future compatibility. Read returns 0.	RW	0x0
6	CSVALID	CS enable 0x0: CS disabled 0x1: CS enabled	RW	See ⁽¹⁾
5:0	BASEADDRESS	CSi base address where i = 0 to 7 (16-MiB minimum granularity) bits [5:0] corresponds to A29, A28, A27, A26, A25, and A24. See Figure 15-59	RW	0x00

⁽¹⁾ Reset value is 0x1 for CS0 and 0x0 for CS1 to CS7

Table 15-528. Register Call Summary for Register GPMC_CONFIG7_i

GPMC Functional Description

- [Chip-Select Base Address and Region Size: \[0\]\[1\]\[2\]](#)
- [Chip-Select Configuration for NAND Interfacing in Byte or Word Stream Mode: \[3\]](#)

GPMC Basic Programming Model

- [GPMC Configuration in NOR Mode: \[4\]\[5\]\[6\]](#)
- [GPMC Configuration in NAND Mode: \[7\]\[8\]\[9\]](#)
- [GPMC Timing Parameters: \[10\]](#)

GPMC Register Manual

- [GPMC Register Summary: \[11\]](#)

Table 15-529. GPMC_NAND_COMMAND_i

Address Offset	0x0000 007C + (0x0000 0030 * i)	Index	i = 0 to 7
Physical Address	0x5000 007C + (0x0000 0030 * i)	Instance	GPMC
Description	This register is not a true register, only an address location.		
Type	W		

31	30	29	28	27	26	25	24	23	22	21	20	19	18	17	16	15	14	13	12	11	10	9	8	7	6	5	4	3	2	1	0
GPMC_NAND_COMMAND																															

Bits	Field Name	Description	Type	Reset
31:0	GPMC_NAND_COMMAND	This register is not a true register, only an address location. Writing data at the GPMC_NAND_COMMAND_i location places the data as the NAND command value on the bus, using a regular asynchronous write access.	W	0x-

Table 15-530. Register Call Summary for Register GPMC_NAND_COMMAND_i

GPMC Functional Description

- [NAND Device Command and Address Phase Control: \[0\]\[1\]\[2\]\[3\]\[4\]](#)
- [Command Latch Cycle: \[5\]](#)
- [General Facts About the Engine Configuration: \[6\]](#)

GPMC Register Manual

- [GPMC Register Summary: \[7\]](#)
- [GPMC Register Descriptions: \[8\]](#)

Table 15-531. GPMC_NAND_ADDRESS_i

Address Offset	0x0000 0080 + (0x0000 0030 * i)	Index	i = 0 to 7
Physical Address	0x5000 0080 + (0x0000 0030 * i)	Instance	GPMC
Description	This register is not a true register, only an address location.		
Type	W		

31	30	29	28	27	26	25	24	23	22	21	20	19	18	17	16	15	14	13	12	11	10	9	8	7	6	5	4	3	2	1	0
GPMC_NAND_ADDRESS																															

Bits	Field Name	Description	Type	Reset
31:0	GPMC_NAND_ADDRESS	This register is not a true register, only an address location. Writing data at the GPMC_NAND_ADDRESS_i location places the data as the NAND partial address value on the bus, using a regular asynchronous write access.	W	0x-

Table 15-532. Register Call Summary for Register GPMC_NAND_ADDRESS_i

GPMC Functional Description

- [NAND Device Command and Address Phase Control: \[0\]\[1\]\[2\]\[3\]\[4\]](#)
- [Address Latch Cycle: \[5\]](#)
- [General Facts About the Engine Configuration: \[6\]](#)

GPMC Register Manual

- [GPMC Register Summary: \[7\]](#)
- [GPMC Register Descriptions: \[8\]](#)

Table 15-533. GPMC_NAND_DATA_i

Address Offset	0x0000 0084 + (0x0000 0030 * i)	Index	i = 0 to 7
Physical Address	0x5000 0084 + (0x0000 0030 * i)	Instance	GPMC
Description	This register is not a true register, only an address location.		
Type	RW		

31	30	29	28	27	26	25	24	23	22	21	20	19	18	17	16	15	14	13	12	11	10	9	8	7	6	5	4	3	2	1	0
GPMC_NAND_DATA																															

Bits	Field Name	Description	Type	Reset
31:0	GPMC_NAND_DATA	This register is not a true register, only an address location. Reading data from the GPMC_NAND_DATA_i location or from any location in the associated chip-select memory region activates an asynchronous read access.	W	0x-

Table 15-534. Register Call Summary for Register GPMC_NAND_DATA_i

GPMC Functional Description

- [NAND Device Data Read and Write Phase Control in Stream Mode: \[0\]\[1\]\[2\]\[3\]](#)
- [General Facts About the Engine Configuration: \[4\]](#)
- [Optimizing NAND Access Using the Prefetch and Write-Posting Engine: \[5\]](#)

GPMC Register Manual

- [GPMC Register Summary: \[6\]](#)
- [GPMC Register Descriptions: \[7\]\[8\]\[9\]](#)

Table 15-535. GPMC_PREFETCH_CONFIG1

Address Offset	0x0000 01E0	Instance	GPMC
Physical Address	0x5000 01E0		
Description	Prefetch engine configuration 1		
Type	RW		

31	30	29	28	27	26	25	24	23	22	21	20	19	18	17	16	15	14	13	12	11	10	9	8	7	6	5	4	3	2	1	0
RESERVED	CYCLOPTIMIZATION		ENABLEOPTIMIZEDACCESS	ENGINECSSELECTOR	PPWENROUNDROBIN	RESERVED	PPFWWEIGHTEDPRIO	RESERVED	FIFOTHRESHOLD								ENABLEENGINE	RESERVED	WAITPINSELECTION	SYNCHROMODE	DMAMODE	RESERVED	ACCESSMODE								

Bits	Field Name	Description	Type	Reset
31	RESERVED	Write 0s for future compatibility. Read returns 0.	RW	0x0
30:28	CYCLEOPTIMIZATION	Define the number of GPMC_FCLK cycles to be subtracted from RDCYCLETIME, WRCYCLETIME, RDACCESSTIME, CSRDOFFTIME, CSWROFFTIME, ADVRDOFFTIME, ADVWROFFTIME, OEOFFTIME, WEOFFTIME 0x0: 0 GPMC_FCLK cycle 0x1: 1 GPMC_FCLK cycle ... 0x7: 7 GPMC_FCLK cycles	RW	0x0
27	ENABLEOPTIMIZEDACCESS	Enables access cycle optimization 0x0: Access cycle optimization is disabled. 0x1: Access cycle optimization is enabled.	RW	0x0
26:24	ENGINECSSELECTOR	Selects the chip-select where Prefetch Postwrite engine is active 0x0: CS0 0x1: CS1 0x2: CS2 0x3: CS3 0x4: CS4 0x5: CS5 0x6: CS6 0x7: CS7	RW	0x0
23	PFPWENROUNDROBIN	Enables the PFPW RoundRobin arbitration 0x0: Prefetch Postwrite engine round robin arbitration is disabled. 0x1: Prefetch Postwrite engine round robin arbitration is enabled.	RW	0x0
22:20	RESERVED	Write 0s for future compatibility. Read returns 0s.	RW	0x0
19:16	PFPWWEIGHTEDPRIO	When an arbitration occurs between a DMA and a PFPW engine access, the DMA is always serviced. If the PFPWEnRoundRobin is enabled, 0x0: The next access is granted to the PFPW engine. 0x1: The next two accesses are granted to the PFPW engine. ... 0xF: The next 16 accesses are granted to the PFPW engine.	RW	0x0
15	RESERVED	Write 0s for future compatibility. Read returns 0.	RW	0x0
14:8	FIFOTHRESHOLD	Selects the maximum number of bytes read from the FIFO or written to the FIFO by the host on a DMA or interrupt request 0x00: 0 byte 0x01: 1 byte ... 0x40: 64 bytes	RW	0x40
7	ENABLEENGINE	Enables the Prefetch Postwrite engine 0x0: Prefetch Postwrite engine is disabled. 0x1: Prefetch Postwrite engine is enabled.	RW	0x0
6	RESERVED	Write 0s for future compatibility. Read returns 0.	RW	0x0
5:4	WAITPINSELECTOR	Select which wait pin edge detector should start the engine in synchronized mode 0x0: Selects Wait0 EdgeDetection 0x1: Selects Wait1 EdgeDetection 0x2, 0x3: Reserved	RW	0x0
3	SYNCHROMODE	Selects when the engine starts the access to chip-select 0x0: Engine starts the access to chip-select as soon as STARTENGINE is set 0x1: Engine starts the access to chip-select as soon as STARTENGINE is set AND wait to nonwait edge detection on the selected wait pin	RW	0x0

Bits	Field Name	Description	Type	Reset
2	DMAMODE	Selects interrupt synchronization or DMA request synchronization 0x0: Interrupt synchronization is enabled. Only interrupt line is activated on FIFO threshold crossing. 0x1: DMA request synchronization is enabled. A DMA request protocol is used.	RW	0x0
1	RESERVED	Write 0s for future compatibility. Read returns 0.	RW	0x0
0	ACCESSMODE	Selects prefetch read or write-posting accesses 0x0: Prefetch read mode 0x1: Write-posting mode	RW	0x0

Table 15-536. Register Call Summary for Register GPMC_PREFETCH_CONFIG1

GPMC Functional Description

- [GPMC Interrupt Requests: \[0\]](#)
- [Prefetch and Write-Posting Engine: \[1\]\[2\]](#)
- [General Facts About the Engine Configuration: \[3\]\[4\]](#)
- [Prefetch Mode: \[5\]\[6\]\[7\]\[8\]\[9\]\[10\]\[11\]\[12\]\[13\]\[14\]\[15\]\[16\]](#)
- [FIFO Control in Prefetch Mode: \[17\]](#)
- [Write-Posting Mode: \[18\]\[19\]\[20\]\[21\]\[22\]\[23\]\[24\]\[25\]\[26\]](#)
- [FIFO Control in Write-Posting Mode: \[27\]](#)
- [Optimizing NAND Access Using the Prefetch and Write-Posting Engine: \[28\]\[29\]\[30\]](#)
- [Interleaved Accesses Between Prefetch and Write-Posting Engine and Other Chip-Selects: \[31\]\[32\]](#)

GPMC Basic Programming Model

- [GPMC Configuration in NAND Mode: \[33\]\[34\]\[35\]\[36\]\[37\]\[38\]\[39\]\[40\]\[41\]\[42\]](#)

GPMC Register Manual

- [GPMC Register Summary: \[43\]](#)

Table 15-537. GPMC_PREFETCH_CONFIG2

Address Offset	0x0000 01E4	Instance	GPMC
Physical Address	0x5000 01E4		
Description	Prefetch engine configuration 2		
Type	RW		

31	30	29	28	27	26	25	24	23	22	21	20	19	18	17	16	15	14	13	12	11	10	9	8	7	6	5	4	3	2	1	0
RESERVED																TRANSFERCOUNT															

Bits	Field Name	Description	Type	Reset
31:14	RESERVED	Write 0s for future compatibility. Read returns 0s.	RW	0x00000
13:0	TRANSFERCOUNT	Selects the number of bytes to be read or written by the engine to the selected chip-select 0x0000: 0 byte 0x0001: 1 byte ... 0x2000: 8 Kbytes	RW	0x0000

Table 15-538. Register Call Summary for Register GPMC_PREFETCH_CONFIG2

GPMC Functional Description

- [Prefetch Mode: \[0\]\[1\]](#)
- [Write-Posting Mode: \[2\]\[3\]](#)

GPMC Basic Programming Model

- [GPMC Configuration in NAND Mode: \[4\]](#)

Table 15-538. Register Call Summary for Register GPMC_PREFETCH_CONFIG2 (continued)

GPMC Register Manual

- [GPMC Register Summary: \[5\]](#)

Table 15-539. GPMC_PREFETCH_CONTROL

Address Offset	0x0000 01EC	Instance	GPMC
Physical Address	0x5000 01EC		
Description	Prefetch engine control		
Type	RW		

31	30	29	28	27	26	25	24	23	22	21	20	19	18	17	16	15	14	13	12	11	10	9	8	7	6	5	4	3	2	1	0
RESERVED																STARTENGINE															

Bits	Field Name	Description	Type	Reset
31:1	RESERVED	Write 0s for future compatibility. Read returns 0s.	RW	0x00000000
0	STARTENGINE	Resets the FIFO pointer and starts the engine Read 0x0: Engine is stopped. Write 0x0: Stops the engine Read 0x1: Engine is running. Write 0x1: Resets the FIFO pointer to 0x0 in prefetch mode and 0x40 in postwrite mode and starts the engine	RW	0x0

Table 15-540. Register Call Summary for Register GPMC_PREFETCH_CONTROL

GPMC Functional Description

- [General Facts About the Engine Configuration: \[0\]](#)
- [Prefetch Mode: \[1\]\[2\]\[3\]](#)
- [Write-Posting Mode: \[4\]\[5\]\[6\]](#)

GPMC Basic Programming Model

- [GPMC Configuration in NAND Mode: \[7\]\[8\]](#)

GPMC Register Manual

- [GPMC Register Summary: \[9\]](#)

Table 15-541. GPMC_PREFETCH_STATUS

Address Offset	0x0000 01F0	Instance	GPMC
Physical Address	0x5000 01F0		
Description	Prefetch engine status		
Type	RW		

31	30	29	28	27	26	25	24	23	22	21	20	19	18	17	16	15	14	13	12	11	10	9	8	7	6	5	4	3	2	1	0
RESERVED								RESERVED								RESERVED								COUNTVALUE							
FIFOPOINTER								FIFOTHRESHOLDSTATUS								COUNTVALUE															

Bits	Field Name	Description	Type	Reset
31	RESERVED	Write 0s for future compatibility. Read returns 0.	RW	0x0
30:24	FIFOPOINTER	Number of available bytes to be read or number of free empty byte places to be written 0x00: 0 byte available to be read or 0 free empty place to be written ... 0x40: 64 bytes available to be read or 64 empty places to be written	R	0x00
23:17	RESERVED	Write 0s for future compatibility. Read returns 0s.	RW	0x00
16	FIFOTHRESHOLDSTATUS	Set when FIFOPointer exceeds FIFOThreshold value 0x0: FIFOPointer smaller or equal to FIFOThreshold. Writing to this bit has no effect. 0x1: FIFOPointer greater than FIFOThreshold. Writing to this bit has no effect.	R	0x0
15:14	RESERVED	Write 0s for future compatibility. Read returns 0s.	RW	0x0
13:0	COUNTVALUE	Number of remaining bytes to be read or to be written by the engine according to the TransferCount value 0x0000: 0 byte remaining to be read or to be written 0x0001: 1 byte remaining to be read or to be written ... 0x2000: 8 KiB remaining to be read or to be written	R	0x0000

Table 15-542. Register Call Summary for Register GPMC_PREFETCH_STATUS

GPMC Functional Description

- [General Facts About the Engine Configuration: \[0\]\[1\]](#)
- [FIFO Control in Prefetch Mode: \[2\]\[3\]\[4\]](#)
- [FIFO Control in Write-Posting Mode: \[5\]\[6\]](#)

GPMC Register Manual

- [GPMC Register Summary: \[7\]](#)
- [GPMC Register Descriptions: \[8\]\[9\]](#)

Table 15-543. GPMC_ECC_CONFIG

Address Offset	0x0000 01F4	Instance	GPMC
Physical Address	0x5000 01F4		
Description	ECC configuration		
Type	RW		

31	30	29	28	27	26	25	24	23	22	21	20	19	18	17	16	15	14	13	12	11	10	9	8	7	6	5	4	3	2	1	0
RESERVED																ECCALGORITHM	RESERVED	ECCBCHTSEL	ECCWRAPMODE	ECC16B	ECCTOPSECTOR	ECCCS	ECCENABLE								

Bits	Field Name	Description	Type	Reset
31:17	RESERVED	Write 0s for future compatibility. Read returns 0s.	RW	0x0000
16	ECCALGORITHM	ECC algorithm used 0x0: Hamming code 0x1: BCH code	RW	0x0
15:14	RESERVED	Write 0s for future compatibility. Read returns 0s.	RW	0x0
13:12	ECCBCHTSEL	Error correction capability used for BCH 0x0: Up to 4 bits error correction (t = 4) 0x1: Up to 8 bits error correction (t = 8) 0x2: Up to 16 bits error correction (t = 16) 0x3: Reserved	RW	0x1
11:8	ECCWRAPMODE	Spare area organization definition for the BCH algorithm. See the BCH syndrome/parity calculator module functional specification for more details	RW	0x0
7	ECC16B	Selects an ECC calculated on 16 columns 0x0: ECC calculated on 8 columns 0x1: ECC calculated on 16 columns	RW	0x0
6:4	ECCTOPSECTOR	Number of sectors to process with the BCH algorithm 0x0: 1 sector (512-kB page) 0x1: 2 sectors ... 0x3: 4 sectors (2-kB page) ... 0x7: 8 sectors (4-kB page)	RW	0x3
3:1	ECCCS	Selects the CS where ECC is computed 0x0: CS0 0x1: CS1 0x2: CS2 0x3: CS3 Other: Reserved	RW	0x0
0	ECCENABLE	Enables the ECC feature 0x0: ECC disabled 0x1: ECC enabled	RW	0x0

Table 15-544. Register Call Summary for Register GPMC_ECC_CONFIG

GPMC Functional Description

- [ECC Calculator: \[0\]\[1\]](#)
- [Hamming Code: \[2\]\[3\]\[4\]\[5\]\[6\]\[7\]](#)

Table 15-544. Register Call Summary for Register GPMC_ECC_CONFIG (continued)

GPMC Basic Programming Model
<ul style="list-style-type: none"> • GPMC Configuration in NAND Mode: [8][9][10][11][12][13]
GPMC Register Manual
<ul style="list-style-type: none"> • GPMC Register Summary: [14] • GPMC Register Descriptions: [15][16][17]

Table 15-545. GPMC_ECC_CONTROL

Address Offset	0x0000 01F8	Instance	GPMC
Physical Address	0x5000 01F8		
Description	ECC control		
Type	RW		

31	30	29	28	27	26	25	24	23	22	21	20	19	18	17	16	15	14	13	12	11	10	9	8	7	6	5	4	3	2	1	0
RESERVED																ECCCLEAR	RESERVED				ECCPOINTER										

Bits	Field Name	Description	Type	Reset
31:9	RESERVED	Write 0s for future compatibility. Read returns 0s.	RW	0x000000
8	ECCCLEAR	Clear all ECC result registers Reads return 0. Write 0x1 to this field clears all ECC result registers. Write 0x0 is ignored.	RW	0x0
7:4	RESERVED	Write 0s for future compatibility. Read returns 0s.	RW	0x0
3:0	ECCPOINTER	Selects ECC result register (Reads to this field give the dynamic position of the ECC pointer - Writes to this field select the ECC result register where the first ECC computation will be stored.); Other enums: writing other values disables the ECC engine (ECCENABLE bit of GPMC_ECC_CONFIG set to 0) 0x0: Writing 0x0 disables the ECC engine (ECCENABLE bit of GPMC_ECC_CONFIG set to 0) 0x1: ECC result register 1 selected 0x2: ECC result register 2 selected 0x3: ECC result register 3 selected 0x4: ECC result register 4 selected 0x5: ECC result register 5 selected 0x6: ECC result register 6 selected 0x7: ECC result register 7 selected 0x8: ECC result register 8 selected 0x9: ECC result register 9 selected	RW	0x0

Table 15-546. Register Call Summary for Register GPMC_ECC_CONTROL

GPMC Functional Description
<ul style="list-style-type: none"> • Hamming Code: [0][1][2][3]
GPMC Basic Programming Model
<ul style="list-style-type: none"> • GPMC Configuration in NAND Mode: [4][5]
GPMC Register Manual
<ul style="list-style-type: none"> • GPMC Register Summary: [6]

Table 15-547. GPMC_ECC_SIZE_CONFIG

Address Offset	0x0000 01FC	Instance	GPMC
Physical Address	0x5000 01FC		
Description	ECC size		
Type	RW		

31	30	29	28	27	26	25	24	23	22	21	20	19	18	17	16	15	14	13	12	11	10	9	8	7	6	5	4	3	2	1	0
RESERVED				ECCSIZE1				RESERVED				ECCSIZE0				RESERVED				ECC9RESULTSIZ	ECC8RESULTSIZ	ECC7RESULTSIZ	ECC6RESULTSIZ	ECC5RESULTSIZ	ECC4RESULTSIZ	ECC3RESULTSIZ	ECC2RESULTSIZ	ECC1RESULTSIZ			

Bits	Field Name	Description	Type	Reset
31:30	RESERVED	Write 0s for future compatibility. Read returns 3.	RW	0x3
29:22	ECCSIZE1	Defines Hamming code ECC size 1 in bytes 0x00: 2 bytes 0x01: 4 bytes 0x02: 6 bytes 0x03: 8 bytes ... 0xFF: 512 bytes For BCH code ECC, the size 1 is programmed directly with the number of nibbles. For details, see Section 15.4.4.12.3.2.2.3 , <i>Wrapping Modes</i> .	RW	0xFF
21:20	RESERVED	Write 0s for future compatibility. Read returns 3.	RW	0x3
19:12	ECCSIZE0	Defines Hamming code ECC size 0 in bytes 0x00: 2 bytes 0x01: 4 bytes 0x02: 6 bytes 0x03: 8 bytes ... 0xFF: 512 bytes For BCH code ECC, the size 0 is programmed directly with the number of nibbles. For details, see Section 15.4.4.12.3.2.2.3 , <i>Wrapping Modes</i> .	RW	0xFF
11:9	RESERVED	Write 0s for future compatibility. Read returns 0s.	RW	0x0
8	ECC9RESULTSIZ	Selects ECC size for ECC 9 result register 0x0: ECCSIZE0 selected 0x1: ECCSIZE1 selected	RW	0x0
7	ECC8RESULTSIZ	Selects ECC size for ECC 8 result register 0x0: ECCSIZE0 selected 0x1: ECCSIZE1 selected	RW	0x0
6	ECC7RESULTSIZ	Selects ECC size for ECC 7 result register 0x0: ECCSIZE0 selected 0x1: ECCSIZE1 selected	RW	0x0
5	ECC6RESULTSIZ	Selects ECC size for ECC 6 result register 0x0: ECCSIZE0 selected 0x1: ECCSIZE1 selected	RW	0x0
4	ECC5RESULTSIZ	Selects ECC size for ECC 5 result register 0x0: ECCSIZE0 selected 0x1: ECCSIZE1 selected	RW	0x0

Bits	Field Name	Description	Type	Reset
3	ECC4RESULTSIZ	Selects ECC size for ECC 4 result register 0x0: ECCSIZE0 selected 0x1: ECCSIZE1 selected	RW	0x0
2	ECC3RESULTSIZ	Selects ECC size for ECC 3 result register 0x0: ECCSIZE0 selected 0x1: ECCSIZE1 selected	RW	0x0
1	ECC2RESULTSIZ	Selects ECC size for ECC 2 result register 0x0: ECCSIZE0 selected 0x1: ECCSIZE1 selected	RW	0x0
0	ECC1RESULTSIZ	Selects ECC size for ECC 1 result register 0x0: ECCSIZE0 selected 0x1: ECCSIZE1 selected	RW	0x0

Table 15-548. Register Call Summary for Register GPMC_ECC_SIZE_CONFIG

GPMC Functional Description

- [Hamming Code: \[0\]\[1\]\[2\]\[3\]](#)
- [BCH Code: \[4\]\[5\]\[6\]](#)

GPMC Basic Programming Model

- [GPMC Configuration in NAND Mode: \[7\]\[8\]](#)

GPMC Register Manual

- [GPMC Register Summary: \[9\]](#)

Table 15-549. GPMC_ECCj_RESULT

Address Offset	0x0000 0200 + (0x0000 0004 * (j - 1))	Index	j = 1 to 9
Physical Address	0x5000 0200 + (0x0000 0004 * j)	Instance	GPMC
Description	ECC result register		
Type	RW		

31	30	29	28	27	26	25	24	23	22	21	20	19	18	17	16	15	14	13	12	11	10	9	8	7	6	5	4	3	2	1	0								
RESERVED								P2048O	P1024O	P512O	P256O	P128O	P64O	P32O	P16O	P8O	P4O	P2O	P1O	RESERVED								P2048E	P1024E	P512E	P256E	P128E	P64E	P32E	P16E	P8E	P4E	P2E	P1E

Bits	Field Name	Description	Type	Reset
31:28	RESERVED	Write 0s for future compatibility. Read returns 0s.	RW	0x0
27	P2048O	Odd row parity bit 2048, only used for ECC computed on 512 bytes	R	0x0
26	P1024O	Odd row parity bit 1024	R	0x0
25	P512O	Odd row parity bit 512	R	0x0
24	P256O	Odd row parity bit 256	R	0x0
23	P128O	Odd row parity bit 128	R	0x0
22	P64O	Odd row parity bit 64	R	0x0
21	P32O	Odd row parity bit 32	R	0x0
20	P16O	Odd row parity bit 16	R	0x0
19	P8O	Odd row parity bit 8	R	0x0
18	P4O	Odd Column Parity bit 4	R	0x0
17	P2O	Odd Column Parity bit 2	R	0x0
16	P1O	Odd Column Parity bit 1	R	0x0
15:12	RESERVED	Write 0s for future compatibility. Read returns 0s.	RW	0x0

Bits	Field Name	Description	Type	Reset
11	P2048E	Even row parity bit 2048, only used for ECC computed on 512 bytes	R	0x0
10	P1024E	Even row parity bit 1024	R	0x0
9	P512E	Even row parity bit 512	R	0x0
8	P256E	Even row parity bit 256	R	0x0
7	P128E	Even row parity bit 128	R	0x0
6	P64E	Even row parity bit 64	R	0x0
5	P32E	Even row parity bit 32	R	0x0
4	P16E	Even row parity bit 16	R	0x0
3	P8E	Even row parity bit 8	R	0x0
2	P4E	Even column parity bit 4	R	0x0
1	P2E	Even column parity bit 2	R	0x0
0	P1E	Even column parity bit 1	R	0x0

Table 15-550. Register Call Summary for Register GPMC_ECCj_RESULT

GPMC Functional Description

- [Hamming Code: \[0\]\[1\]\[2\]\[3\]\[4\]\[5\]\[6\]\[7\]](#)

GPMC Register Manual

- [GPMC Register Summary: \[8\]](#)

Table 15-551. GPMC_BCH_RESULT0_i

Address Offset	0x0000 0240 + (0x0000 0010 * i)	Index	i = 0 to 7
Physical Address	0x5000 0240 + (0x0000 0010 * i)	Instance	GPMC
Description	BCH ECC result (bits 0 to 31)		
Type	RW		

31	30	29	28	27	26	25	24	23	22	21	20	19	18	17	16	15	14	13	12	11	10	9	8	7	6	5	4	3	2	1	0
BCH_RESULT_0																															

Bits	Field Name	Description	Type	Reset
31:0	BCH_RESULT_0	BCH ECC result (bits 0 to 31)	RW	0x00000000

Table 15-552. Register Call Summary for Register GPMC_BCH_RESULT0_i

GPMC Functional Description

- [BCH Code: \[0\]](#)

GPMC Register Manual

- [GPMC Register Summary: \[1\]](#)

Table 15-553. GPMC_BCH_RESULT1_i

Address Offset	0x0000 0244 + (0x0000 0010 * i)	Index	i = 0 to 7
Physical Address	0x5000 0244 + (0x0000 0010 * i)	Instance	GPMC
Description	BCH ECC result (bits 32 to 63)		
Type	RW		

31	30	29	28	27	26	25	24	23	22	21	20	19	18	17	16	15	14	13	12	11	10	9	8	7	6	5	4	3	2	1	0
BCH_RESULT_1																															

Bits	Field Name	Description	Type	Reset
31:0	BCH_RESULT_1	BCH ECC result (bits 32 to 63)	RW	0x00000000

Table 15-554. Register Call Summary for Register GPMC_BCH_RESULT1_i

GPMC Functional Description

- [BCH Code: \[0\]](#)

GPMC Register Manual

- [GPMC Register Summary: \[1\]](#)

Table 15-555. GPMC_BCH_RESULT2_i

Address Offset	0x0000 0248 + (0x0000 0010 * i)	Index	i = 0 to 7
Physical Address	0x5000 0248 + (0x0000 0010 * i)	Instance	GPMC
Description	BCH ECC result (bits 64 to 95)		
Type	RW		

31	30	29	28	27	26	25	24	23	22	21	20	19	18	17	16	15	14	13	12	11	10	9	8	7	6	5	4	3	2	1	0
BCH_RESULT_2																															

Bits	Field Name	Description	Type	Reset
31:0	BCH_RESULT_2	BCH ECC result (bits 64 to 95)	RW	0x00000000

Table 15-556. Register Call Summary for Register GPMC_BCH_RESULT2_i

GPMC Functional Description

- [BCH Code: \[0\]](#)

GPMC Register Manual

- [GPMC Register Summary: \[1\]](#)

Table 15-557. GPMC_BCH_RESULT3_i

Address Offset	0x0000 024C + (0x0000 0010 * i)	Index	i = 0 to 7
Physical Address	0x5000 024C + (0x0000 0010 * i)	Instance	GPMC
Description	BCH ECC result (bits 96 to 127)		
Type	RW		

31	30	29	28	27	26	25	24	23	22	21	20	19	18	17	16	15	14	13	12	11	10	9	8	7	6	5	4	3	2	1	0
BCH_RESULT_3																															

Bits	Field Name	Description	Type	Reset
31:0	BCH_RESULT_3	BCH ECC result (bits 96 to 127)	RW	0x00000000

Table 15-558. Register Call Summary for Register GPMC_BCH_RESULT3_i

GPMC Functional Description

- [BCH Code: \[0\]](#)

GPMC Register Manual

- [GPMC Register Summary: \[1\]](#)

Table 15-559. GPMC_BCH_RESULT4_i

Address Offset	0x0000 0300 + (0x0000 0010 * i)	Index	i = 0 to 7
Physical Address	0x5000 0300 + (0x0000 0010 * i)	Instance	GPMC
Description	BCH ECC result (bits 128 to 159)		
Type	RW		

31	30	29	28	27	26	25	24	23	22	21	20	19	18	17	16	15	14	13	12	11	10	9	8	7	6	5	4	3	2	1	0
BCH_RESULT_4																															

Bits	Field Name	Description	Type	Reset
31:0	BCH_RESULT_4	BCH ECC result (bits 128 to 159)	RW	0x00000000

Table 15-560. Register Call Summary for Register GPMC_BCH_RESULT4_i

GPMC Register Manual

- [GPMC Register Summary: \[0\]](#)

Table 15-561. GPMC_BCH_RESULT5_i

Address Offset	0x0000 0304 + (0x0000 0010 * i)	Index	i = 0 to 7
Physical Address	0x5000 0304 + (0x0000 0010 * i)	Instance	GPMC
Description	BCH ECC result (bits 160 to 191)		
Type	RW		

31	30	29	28	27	26	25	24	23	22	21	20	19	18	17	16	15	14	13	12	11	10	9	8	7	6	5	4	3	2	1	0
BCH_RESULT_5																															

Bits	Field Name	Description	Type	Reset
31:0	BCH_RESULT_5	BCH ECC result (bits 160 to 191)	RW	0x00000000

Table 15-562. Register Call Summary for Register GPMC_BCH_RESULT5_i

GPMC Register Manual

- [GPMC Register Summary: \[0\]](#)

Table 15-563. GPMC_BCH_RESULT6_i

Address Offset	0x0000 0308 + (0x0000 0010 * i)	Index	i = 0 to 7
Physical Address	0x5000 0308 + (0x0000 0010 * i)	Instance	GPMC
Description	BCH ECC result (bits 192 to 207)		
Type	RW		

31	30	29	28	27	26	25	24	23	22	21	20	19	18	17	16	15	14	13	12	11	10	9	8	7	6	5	4	3	2	1	0
RESERVED																BCH_RESULT_6															

Bits	Field Name	Description	Type	Reset
31:16	RESERVED	Write 0s for future compatibility. Read returns 0s.	R	0x0000
15:0	BCH_RESULT_6	BCH ECC result (bits 192 to 207)	RW	0x0000

Table 15-564. Register Call Summary for Register GPMC_BCH_RESULT6_i

GPMC Register Manual

- [GPMC Register Summary: \[0\]](#)

Table 15-565. GPMC_BCH_SWDATA

Address Offset	0x0000 02D0	Instance	GPMC
Physical Address	0x5000 02D0		
Description	This register is used to directly pass data to the BCH ECC calculator without accessing the actual NAND flash interface.		
Type	RW		

31	30	29	28	27	26	25	24	23	22	21	20	19	18	17	16	15	14	13	12	11	10	9	8	7	6	5	4	3	2	1	0
RESERVED																BCH_DATA															

Bits	Field Name	Description	Type	Reset
31:16	RESERVED	Write 0s for future compatibility. Read returns 0s.	R	0x0000
15:0	BCH_DATA	Data to be included in the BCH calculation Only bits 0 to 7 are considered if the calculator is configured to use 8-bit data (GPMC_ECC_CONFIG[7] ECC16B = 0)	RW	0x0000

Table 15-566. Register Call Summary for Register GPMC_BCH_SWDATA

GPMC Register Manual

- [GPMC Register Summary: \[0\]](#)

15.5 Error Location Module

15.5.1 Error Location Module Overview

When reading from NAND flash memories, some level of error-correction is required. In the case of NAND modules with no internal correction capability, sometimes referred to as *bare NANDs*, the correction process is delegated to the memory controller.

The general-purpose memory controller (GPMC) probes data read from an external NAND flash and uses this to compute checksum-like information, called syndrome polynomials, on a per-block basis. Each syndrome polynomial gives a status of the read operations for a full block, including 512 bytes of data, parity bits, and an optional spare-area data field, with a maximum block size of 1023 bytes. Computation is based on a Bose-Chaudhuri-Hocquenghem (BCH) algorithm. The error-location module (ELM) extracts error addresses from these syndrome polynomials.

Based on the syndrome polynomial value, the ELM can detect errors, compute the number of errors, and give the location of each error bit. The actual data is not required to complete the error-correction algorithm. Errors can be reported anywhere in the NAND flash block, including in the parity bits.

The maximum acceptable number of errors that can be corrected depends on a programmable configuration parameter. 4-, 8-, and 16-bit error-correction levels are supported. The ELM relies on a static and fixed definition of the generator polynomial for each error-correction level that corresponds to the generator polynomials defined in the GPMC (there are three fixed polynomial for the three correction error levels). A larger number of errors than the programmed error-correction level may be detected, but the ELM cannot correct them all. The offending block is then tagged as *uncorrectable* in the associated computation exit status register. If the computation is successful, that is, if the number of errors detected does not exceed the maximum value authorized for the chosen correction capability, the exit status register contains the information on the number of detected errors.

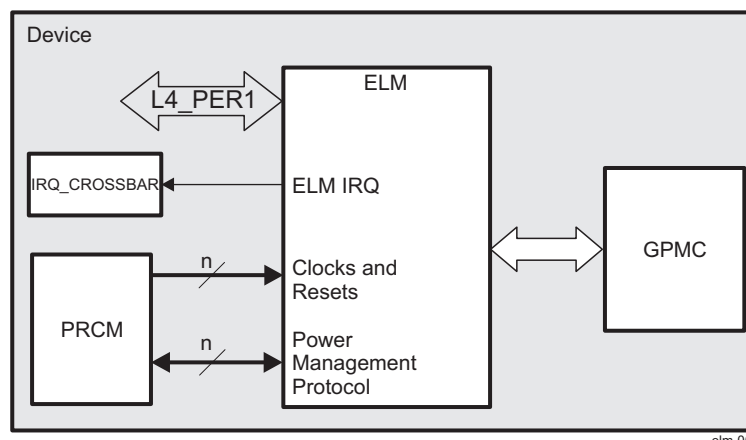
When the error-location process completes, an interrupt is triggered to inform the software that its status can be checked. The number of detected errors and their locations in the NAND block can be retrieved from the module through register accesses.

The ELM has the following features:

- 4, 8 and 16 bits per 512-byte block error-location based on BCH algorithms
- Eight simultaneous processing contexts
- Page-based and continuous modes
- Interrupt generation on error-location process completion:
 - When the full page has been processed in page mode
 - For each syndrome polynomial in continuous mode

Figure 15-104 shows the ELM overview.

Figure 15-104. ELM Overview



elm-001

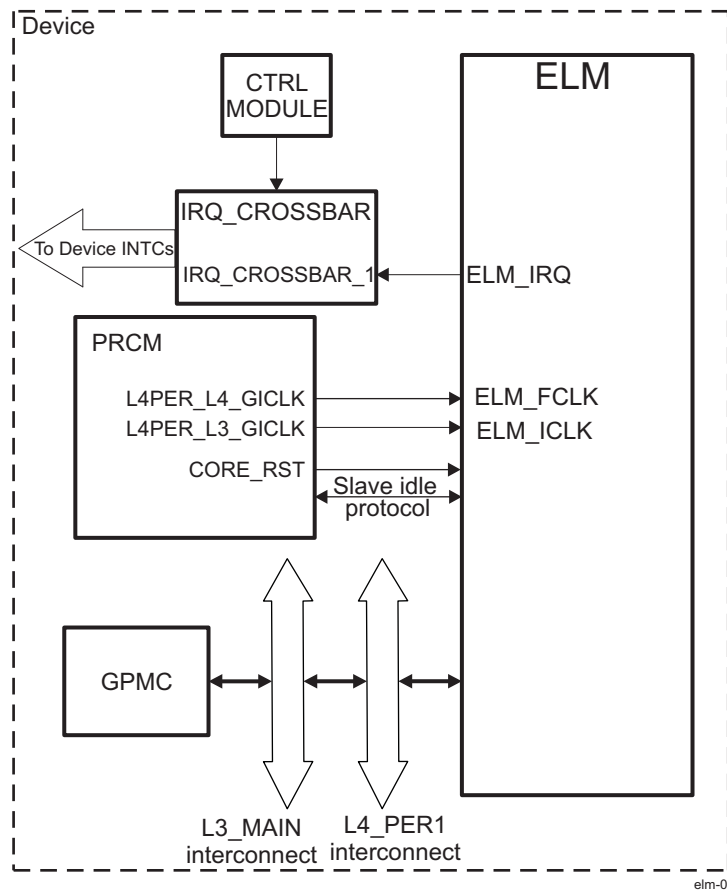
15.5.2 ELM Integration

The ELM extracts error addresses from generated syndrome polynomials.

The ELM is used with the GPMC. Syndrome polynomials generated on-the-fly when reading a NAND flash page and stored in GPMC registers are passed to the ELM. The microprocessor unit (MPU) can then correct the data block by flipping the bits to which the ELM error-location outputs point.

Figure 15-105 shows the integration of the ELM subsystem in the device.

Figure 15-105. ELM Integration



elm-001

Table 15-567 through Table 15-569 summarize the integration of the module in the device.

Table 15-567. ELM Integration Attributes

Module Instance	Attributes		
	Power Domain	Wake-Up Capability	Interconnect
ELM	PD_COREAON	No	L4_PER1

Table 15-568. ELM Clocks and Resets

Clocks				
Module Instance	Destination Signal Name	Source Signal Name	Source	Description
ELM	ELM_FCLK	L4PER_L4_GICLK	PRCM	Functional clock
	ELM_ICLK	L4PER_L3_GICLK	PRCM	Interface clock
Resets				
Module Instance	Destination Signal Name	Source Signal Name	Source	Description
ELM	ELM_RST	L4PER_RST	PRCM	Module hardware reset

Table 15-569. ELM Hardware Requests

Interrupt Requests				
Module Instance	Source Signal Name	IRQ_CROSSBAR	Default Mapping	Description
ELM	ELM_IRQ	IRQ_CROSSBAR_1	MPU_IRQ_4 DSP1_IRQ_32	BCH error-location module interrupt BCH error-location module interrupt
			PRUSS1_IRQ_3 2	BCH error-location module interrupt
			PRUSS2_IRQ_3 2	BCH error-location module interrupt

NOTE: The “Default Mapping” column in [Table 15-569 ELM Hardware Requests](#) shows the default mapping of module IRQ source signals. These IRQ source signals can also be mapped to other lines of each device Interrupt controller through the IRQ_CROSSBAR module. For more information about the IRQ_CROSSBAR module, see [Section 18.4.6.4, IRQ_CROSSBAR Module Functional Description](#), in [Chapter 18, Control Module](#). For more information about the device interrupt controllers, see [Chapter 17, Interrupt Controllers](#).

15.5.3 ELM Functional Description

The ELM is designed around the error-location engine, which handles the computation based on the input syndrome polynomials.

The ELM maps the error-location engine to a standard interconnect interface by using a set of registers to control inputs and outputs.

15.5.3.1 ELM Software Reset

To perform a software reset, set the [ELM_SYSCONFIG\[1\] SOFTRESET](#) bit to 1. The [ELM_SYSSTATUS\[0\] RESETDONE](#) bit indicates that the software reset is complete when its value is 1. When the software reset completes, the [ELM_SYSCONFIG\[1\] SOFTRESET](#) bit is automatically reset.

15.5.3.2 ELM Power Management

[Table 15-570](#) describes the power-management features available to the ELM.

NOTE:

- For information about source clock gating and a description of the sleep/wake-up transitions, see the [Section 3.6.4.5, CD_L4_PER1 Clock Domain](#), in [Chapter 3, Power, Reset, and Clock Management](#).
- For a general description of EnaWakeUp, IdleMode, ClockActivity, and StandbyMode features, see [Section 3.6, Clock Management Functional Description](#), in [Chapter 3, Power, Reset, and Clock Management](#)

Table 15-570. Local Power-Management Features

Feature	Registers	Description
Clock autogating	ELM_SYSCONFIG [0] AUTOGATING	This bit allows a local power optimization inside the module by gating the ELM_FCLK clock upon the interface activity.
Slave idle modes	ELM_SYSCONFIG [4:3] SIDLEMODE	Force-idle, no-idle, and smart-idle modes are available.
Clock activity	ELM_SYSCONFIG [8] CLOCKACTIVITY	The clock can be switched off or maintained during the wake-up period.
Master standby modes	N/A	
Global wake-up enable	N/A	
Wake-up sources enable	N/A	

CAUTION

The PRCM module has no hardware means of reading CLOCKACTIVITY settings. Thus, software must ensure consistent programming between the ELM CLOCKACTIVITY and ELM clock PRCM control bits. For a description of the ClockActivity feature, see [Chapter 3, Power, Reset, and Clock Management](#).

15.5.3.3 ELM Interrupt Requests

[Table 15-571](#) lists the event flags, and their masks, that can cause module interrupts.

Table 15-571. Events

Event Flag	Event Mask	Description
ELM_IRQSTATUS [8] PAGE_VALID	ELM_IRQENABLE [8] PAGE_MASK	Page interrupt
ELM_IRQSTATUS [7] LOC_VALID_7	ELM_IRQENABLE [7] LOCATION_MASK_7	Error-location interrupt for syndrome polynomial 7
ELM_IRQSTATUS [6] LOC_VALID_6	ELM_IRQENABLE [6] LOCATION_MASK_6	Error-location interrupt for syndrome polynomial 6
ELM_IRQSTATUS [5] LOC_VALID_5	ELM_IRQENABLE [5] LOCATION_MASK_5	Error-location interrupt for syndrome polynomial 5
ELM_IRQSTATUS [4] LOC_VALID_4	ELM_IRQENABLE [4] LOCATION_MASK_4	Error-location interrupt for syndrome polynomial 4
ELM_IRQSTATUS [3] LOC_VALID_3	ELM_IRQENABLE [3] LOCATION_MASK_3	Error-location interrupt for syndrome polynomial 3
ELM_IRQSTATUS [2] LOC_VALID_2	ELM_IRQENABLE [2] LOCATION_MASK_2	Error-location interrupt for syndrome polynomial 2
ELM_IRQSTATUS [1] LOC_VALID_1	ELM_IRQENABLE [1] LOCATION_MASK_1	Error-location interrupt for syndrome polynomial 1
ELM_IRQSTATUS [0] LOC_VALID_0	ELM_IRQENABLE [0] LOCATION_MASK_0	Error-location interrupt for syndrome polynomial 0

15.5.3.4 Processing Initialization

[ELM_LOCATION_CONFIG](#) global setting parameters must be set before using the error-location engine. The [ELM_LOCATION_CONFIG\[1:0\]](#) [ECC_BCH_LEVEL](#) bit field defines the error-correction level used (4-, 8-, or 16-bit error correction). The [ELM_LOCATION_CONFIG\[26:16\]](#) [ECC_SIZE](#) bit field defines the maximum buffer length beyond which the engine processing no longer looks for errors.

Software can choose to use the ELM in continuous mode or page mode. If all [ELM_PAGE_CTRL\[i\]](#) [SECTOR_i](#) bits (i is the syndrome polynomial number, where i = 0 to 7) are reset, continuous mode is used. In any other case, page mode is implicitly selected.

- Continuous mode: Each syndrome polynomial is processed independently. Results for a syndrome can be retrieved and acknowledged at any time, regardless of the status of the other seven processing contexts.
- Page mode: Syndrome polynomials are grouped into atomic entities: only one page can be processed at any given time, even if all eight contexts are not used for this page. Unused contexts are lost and cannot be affected to any other processing. The full page must be acknowledged and cleared before moving to the next page.

For completion interrupts to be generated correctly, all [ELM_IRQENABLE\[i\]](#) [LOCATION_MASK_i](#) bits (where i = 0 to 7) must be forced to 0 when in page mode, and set to 1 in continuous mode. Additionally, the [ELM_IRQENABLE\[8\]](#) [PAGE_MASK](#) bit must be set to 1 when in page mode.

Software initiates error-location processing by writing a syndrome polynomial into one of the eight possible register sets. Each of these register sets includes seven registers: [ELM_SYNDROME_FRAGMENT_0_i](#) to [ELM_SYNDROME_FRAGMENT_6_i](#). The first six registers can be written in any order, but [ELM_SYNDROME_FRAGMENT_6_i](#) must be written last because it includes the validity bit, which instructs the ELM that this syndrome polynomial must be processed (the [ELM_SYNDROME_FRAGMENT_6_i\[16\]](#) [SYNDROME_VALID](#) bit).

As soon as one validity bit is asserted ([ELM_SYNDROME_FRAGMENT_6_i\[16\]](#) [SYNDROME_VALID](#) = 0x1, where i = 0 to 7), error-location processing can start for the corresponding syndrome polynomial. The associated [ELM_LOCATION_STATUS_i](#) and [ELM_ERROR_LOCATION_0_i](#) to [ELM_ERROR_LOCATION_15_i](#) registers (where i = 0 to 7) are not reset. Software must not consider them until the corresponding [ELM_IRQSTATUS\[i\]](#) [LOC_VALID_i](#) bit is set.

15.5.3.5 Processing Sequence

While the error-location engine is busy processing one syndrome polynomial, further syndrome polynomials can be written. They are processed when the current processing completes.

The engine completes early when:

- No error is detected; that is, when the [ELM_LOCATION_STATUS_i\[8\]](#) [ECC_CORRECTABLE](#) bit is set to 1 and the [ELM_LOCATION_STATUS_i\[4:0\]](#) [ECC_NB_ERRORS](#) bit field is set to 0x0.
- Too many errors are detected; that is, when the [ELM_LOCATION_STATUS_i\[8\]](#) [ECC_CORRECTABLE](#) bit is set to 0 while the [ELM_LOCATION_STATUS_i\[4:0\]](#) [ECC_NB_ERRORS](#) bit field is set with the value output by the error-location engine. The reported number of errors is not ensured if [ECC_CORRECTABLE](#) is 0.

If the engine completes early, the associated error-location registers [ELM_ERROR_LOCATION_0_i](#) to [ELM_ERROR_LOCATION_15_i](#) (where i = 0 to 7) are not updated.

In all other cases, the engine goes through the entire error-location process. Each time an error location is found, it is logged in the associated [ECC_ERROR_LOCATION](#) bit field. The first error detected is logged in the [ELM_ERROR_LOCATION_0_i\[12:0\]](#) [ECC_ERROR_LOCATION](#) bit field; the second is logged in the [ELM_ERROR_LOCATION_1_i\[12:0\]](#) [ECC_ERROR_LOCATION](#) bit field, and so on.

Table 15-572 describes the [ELM_LOCATION_STATUS_i](#) value decoding.

Table 15-572. ELM_LOCATION_STATUS_i Value Decoding

ECC_CORRECTABLE Value	ECC_NB_ERRORS Value	Status	Number of Errors Detected	Action Required
1	0	OK	0	None

Table 15-572. ELM_LOCATION_STATUS_i Value Decoding (continued)

1	≠ 0	OK	ECC_NB_ERRORS	Correct the data buffer read based on the ELM_ERROR_LOCATION_0_i to ELM_ERROR_LOCATION_15_i results.
0	Any	Failed	Unknown	Software-dependent

15.5.3.6 Processing Completion

When the processing for a given syndrome polynomial completes, its [ELM_SYNDROME_FRAGMENT_6_i\[16\]](#) SYNDROME_VALID bit is reset. It must not be set again until the exit status registers, [ELM_LOCATION_STATUS_i](#) (where i = 0 to 7) for this processing are checked. Failure to comply with this rule leads to potential loss of the first polynomial process data output.

The error-location engine signals the process completion to the ELM. When this event is detected, the corresponding `ELM_IRQSTATUS[i] LOC_VALID_i` bit (where $i = 0$ to 7) is set. The processing exit status is available from the associated `ELM_LOCATION_STATUS_i` register, and error locations are stored in order in the `ECC_ERROR_LOCATION` bit fields. Software must read only valid error-location registers based on the number of errors detected and located.

Immediately after the error-location engine completes, a new syndrome polynomial can be processed, if any is available, as reported by the `ELM_SYNDROME_FRAGMENT_6_i[16] SYNDROME_VALID` bit, depending on the configured error-correction level. If several syndrome polynomials are available, a round-robin arbitration is used to select one for processing.

In continuous mode (that is, all bits in `ELM_PAGE_CTRL` are reset), an interrupt is triggered whenever a `ELM_IRQSTATUS[i] LOC_VALID_i` bit is asserted. Software must read the `ELM_IRQSTATUS` register to determine which polynomial is processed and retrieve the exit status and error locations (`ELM_LOCATION_STATUS_i` and `ELM_ERROR_LOCATION_0_i` to `ELM_ERROR_LOCATION_15_i`). When done, software must clear the corresponding `ELM_IRQSTATUS[i] LOC_VALID_i` bit by setting it to 1. Other status bits must be set to 0 so that other interrupts are not unintentionally cleared. When using this mode, the `ELM_IRQSTATUS[8] PAGE_VALID` interrupt is never triggered.

In page mode, the module does not trigger interrupts for the processing completion of each polynomial because the `ELM_IRQENABLE[i] LOCATION_MASK_i` bits are cleared. A page is defined using the `ELM_PAGE_CTRL` register. Each `SECTOR_i` bit set means the corresponding polynomial i is part of the page processing. A page is fully processed when all tagged polynomials have been processed, as logged in the `ELM_IRQSTATUS[i] LOC_VALID_i` bits. The module triggers an `ELM_IRQSTATUS[8] PAGE_VALID` interrupt whenever it detects that the full page has been processed. To make sure the next page can be correctly processed, all status bits in the `ELM_IRQSTATUS` register must be cleared by using a single atomic-write access.

NOTE: Do not modify page setting parameters in the `ELM_PAGE_CTRL` register unless the engine is idle, no polynomial input is valid, and all interrupts have been cleared.

Because no polynomial-level interrupt is triggered in page mode, polynomials cleared in the `ELM_PAGE_CTRL[i] SECTOR_i` bits (where $i = 0$ to 7) are processed as usual, but are essentially ignored. Software must manually poll the `ELM_IRQSTATUS` bits to check for their status.

15.5.4 ELM Basic Programming Model

15.5.4.1 ELM Low-Level Programming Model

15.5.4.1.1 Processing Initialization

Table 15-573. ELM Processing Initialization

Step	Register/Bit Field/Programming Model	Value
Resets the module	<code>ELM_SYSCONFIG[1] SOFTRESET</code>	0x1
Wait until reset is done.	<code>ELM_SYSSTATUS[0] RESETDONE</code>	0x1
Configure the slave interface power management.	<code>ELM_SYSCONFIG[4:3] SIDLEMODE</code>	Set value.
Defines the error-correction level used	<code>ELM_LOCATION_CONFIG[1:0] ECC_BCH_LEVEL</code>	Set value.
Defines the maximum buffer length	<code>ELM_LOCATION_CONFIG[26:16] ECC_SIZE</code>	Set value.
Sets the ELM in continuous mode or page mode	<code>ELM_PAGE_CTRL</code>	Set value.
If continuous mode is used	All <code>ELM_PAGE_CTRL[i] SECTOR_i</code> (where $i = 0$ to 7)	0x0
Enables interrupt for syndrome polynomial i	<code>ELM_IRQENABLE[i] LOCATION_MASK_i</code>	0x1
else (page mode is used)	One syndrome polynomial i is set <code>ELM_PAGE_CTRL[i] SECTOR_i</code> (where $i = 0$ to 7)	0x1
Disable all interrupts for syndrome polynomial and enable <code>PAGE_MASK</code> interrupt.	All <code>ELM_IRQENABLE[i] LOCATION_MASK_i = 0x0</code> and <code>ELM_IRQENABLE[8] PAGE_MASK = 0x1</code>	Set value.
endif		Set value.

Table 15-573. ELM Processing Initialization (continued)

Step	Register/Bit Field/Programming Model	Value
Set the input syndrome polynomial i.	ELM_SYNDROME_FRAGMENT_0_i	Set value.
	ELM_SYNDROME_FRAGMENT_1_i	Set value.
	ELM_SYNDROME_FRAGMENT_5_i	Set value.
	ELM_SYNDROME_FRAGMENT_6_i	Set value.
Initiates the computation process	ELM_SYNDROME_FRAGMENT_6_i [16] SYNDROME_VALID	0x1

15.5.4.1.2 Read Results

The engine goes through the entire error-location process and results can be read. [Table 15-574](#) and [Table 15-575](#) describe the processing completion for continuous and page modes, respectively.

Table 15-574. ELM Processing Completion for Continuous Mode

Step	Register/Bit Field/Programming Model	Value
Wait until process is complete for syndrome polynomial i: Wait until the ELM_IRQ interrupt is generated, or poll the status register.		
Read for which i the error-location process is complete.	ELM_IRQSTATUS [i] LOC_VALID_i	0x1
if the process fails (too many errors) It is software dependant.	ELM_LOCATION_STATUS_i [8] ECC_CORRECTABLE	0x0
else (process successful, the engine completes)	ELM_LOCATION_STATUS_i [8] ECC_CORRECTABLE	0x1
Read the number of errors.	ELM_LOCATION_STATUS_i [4:0] ECC_NB_ERRORS	
Read the error-location bit addresses for syndrome polynomial i of the ECC_NB_ERRORS first registers. Software must correct errors in the data buffer.	ELM_ERROR_LOCATION_0_i [12:0] ECC_ERROR_LOCATION	
	ELM_ERROR_LOCATION_1_i [12:0] ECC_ERROR_LOCATION	
	... ELM_ERROR_LOCATION_15_i [12:0] ECC_ERROR_LOCATION	
endif		
Clear the corresponding i interrupt.	ELM_IRQSTATUS [i] LOC_VALID_i	0x1

A new syndrome polynomial can be processed after the end of processing ([ELM_SYNDROME_FRAGMENT_6_i](#)[16] SYNDROME_VALID = 0x0) and after the exit status register check ([ELM_LOCATION_STATUS_i](#)).

Table 15-575. ELM Processing Completion for Page Mode

Step	Register/Bit Field/Programming Model	Value
Wait until process is complete for syndrome polynomial i: Wait until the ELM_IRQ interrupt is generated, or poll the status register.		
Wait for page completed interrupt: All error locations are valid.	ELM_IRQSTATUS [8] PAGE_VALID	0x1
Repeat the following actions the necessary number of times. That is, once for each valid defined block in the page.		
Read the process exit status.	ELM_LOCATION_STATUS_i [8] ECC_CORRECTABLE	
if the process fails (too many errors) It is software dependant.	ELM_LOCATION_STATUS_i [8] ECC_CORRECTABLE	0x0
else (process successful, the engine completes)	ELM_LOCATION_STATUS_i [8] ECC_CORRECTABLE	0x1
Read the number of errors.	ELM_LOCATION_STATUS_i [4:0] ECC_NB_ERRORS	

Table 15-575. ELM Processing Completion for Page Mode (continued)

Step	Register/Bit Field/Programming Model	Value
Read the error-location bit addresses for syndrome polynomial <i>i</i> of the ECC_NB_ERRORS first registers.	ELM_ERROR_LOCATION_0_i [12:0] ECC_ERROR_LOCATION	
	ELM_ERROR_LOCATION_1_i [12:0] ECC_ERROR_LOCATION	
	...	
	ELM_ERROR_LOCATION_15_i [12:0] ECC_ERROR_LOCATION	
endif		
End Repeat		
Clear the ELM_IRQSTATUS register.	ELM_IRQSTATUS	0x1FF

Next page can be correctly processed after a page is fully processed, when all tagged polynomials have been processed ([ELM_IRQSTATUS](#)[*i*] LOC_VALID_*i* = 0x1 for all syndrome polynomials *i* used in the page).

15.5.4.2 Use Case: ELM Used in Continuous Mode

In this example, the ELM is programmed for an 8-bit error-correction capability in continuous mode (see [Table 15-576](#)). After reading a 528-byte NAND flash sector (512B data plus 16B spare area) with a 16-bit interface, a nonzero polynomial syndrome is reported from the GPMC (polynomial syndrome 0 is used in the ELM):

- P = 0x0A16ABE115E44F767BFB0D0980

Table 15-576. Use Case: Continuous Mode

Step	Register/Bit Field/Programming Model	Value
Resets the module	ELM_SYSCONFIG [1] SOFTRESET	0x1
Wait until reset is done.	ELM_SYSSTATUS [0] RESETDONE	0x1
Configure the slave interface power management: Smart idle is used.	ELM_SYSCONFIG [4:3] SIDLEMODE	0x2
Defines the error-correction level used: 8 bits	ELM_LOCATION_CONFIG [1:0] ECC_BCH_LEVEL	0x1
Defines the maximum buffer length: 528 bytes (2 × 528 = 1056)	ELM_LOCATION_CONFIG [26:16] ECC_SIZE	0x420
Sets the ELM in continuous mode	ELM_PAGE_CTRL	0
Enables interrupt for syndrome polynomial 0	ELM_IRQENABLE [0] LOCATION_MASK_0	0x1
Set the input syndrome polynomial 0.	ELM_SYNDROME_FRAGMENT_0_i (where <i>i</i> = 0)	0xFB0D0980
	ELM_SYNDROME_FRAGMENT_1_i (where <i>i</i> = 0)	0xE44F767B
	ELM_SYNDROME_FRAGMENT_2_i (where <i>i</i> = 0)	0x16ABE115
	ELM_SYNDROME_FRAGMENT_3_i (where <i>i</i> = 0)	0x0000000A
Initiates the computation process	ELM_SYNDROME_FRAGMENT_6_i [16] SYNDROME_VALID (where <i>i</i> = 0)	0x1
Wait until process is complete for syndrome polynomial 0: IRQ_ELM is generated or poll the status register.		
Read that error-location process is complete for syndrome polynomial 0.	ELM_IRQSTATUS [0] LOC_VALID_0	0x1
Read the process exit status: All errors were successfully located.	ELM_LOCATION_STATUS_i [8] ECC_CORRECTABLE (where <i>i</i> = 0)	0x1
Read the number of errors: Four errors detected.	ELM_LOCATION_STATUS_i [4:0] ECC_NB_ERRORS (where <i>i</i> = 0)	0x4

Table 15-576. Use Case: Continuous Mode (continued)

Step	Register/Bit Field/Programming Model	Value
Read the error-location bit addresses for syndrome polynomial 0 of the first four registers: Errors are located in the data buffer at decimal addresses 431, 1062, 1909, 3452.	ELM_ERROR_LOCATION_0_i (where i = 0)	0x1AF
	ELM_ERROR_LOCATION_1_i (where i = 0)	0x426
	ELM_ERROR_LOCATION_2_i (where i = 0)	0x775
	ELM_ERROR_LOCATION_3_i (where i = 0)	0xD7C
Clear the corresponding interrupt for polynomial 0.	ELM_IRQSTATUS[0] LOC_VALID_0	0x1

The NAND flash data in the sector are seen as a polynomial of degree 4223 (number of bits in a 528 byte buffer minus 1), with each data bit being a coefficient in the polynomial. When reading from a NAND flash using the GPMC module, computation of the polynomial syndrome assumes that the first NAND word read at address 0x0 contains the highest-order coefficient in the message. Furthermore, in the 16-bit NAND word, bits are ordered from bit 7 to bit 0, and then from bit 15 to bit 8. Based on this convention, an address table of the data buffer can be built. NAND memory addresses in Table 15-577 are given in decimal format.

Table 15-577. 16-Bit NAND Sector Buffer Address Map

NAND Memory Address	Message Bit Addresses in Memory Word															
	15	14	13	12	11	10	9	8	7	6	5	4	3	2	1	0
0	4215	4214	4213	4212	4211	4210	4209	4208	4223	4222	4221	4220	4219	4218	4217	4216
1	4175	4174	4173	4172	4171	4170	4169	4168	4183	4182	4181	4180	4179	4178	4177	4176
...																
47	3463	3462	3461	3460	3459	3458	3457	3456	3471	3470	3469	3468	3467	3466	3465	3464
48	3447	3446	3445	3444	3443	3442	3441	3440	3455	3454	3453	3452	3451	3450	3449	3448
49	3431	3430	3429	3428	3427	3426	3425	3424	3439	3438	3437	3436	3435	3434	3433	3432
50	3415	3414	3413	3412	3411	3410	3409	3408	3423	3422	3421	3420	3419	3418	3417	3416
...																
255	135	134	133	132	131	130	129	128	143	142	141	140	139	138	137	136
256	119	118	117	116	115	114	113	112	127	126	125	124	123	122	121	120
257	103	102	101	100	99	98	97	96	111	110	109	108	107	106	105	104
258	87	86	85	84	83	82	81	80	95	94	93	92	91	90	89	88
259	71	70	69	68	67	66	65	64	79	78	77	76	75	74	73	72
260	55	54	53	52	51	50	49	48	63	62	61	60	59	58	57	56
261	39	38	37	36	35	34	33	32	47	46	45	44	43	42	41	40
262	23	22	21	20	19	18	17	16	31	30	29	28	27	26	25	24
263	7	6	5	4	3	2	1	0	15	14	13	12	11	10	9	8

The table can now be used to determine which bits in the buffer were incorrect and must be flipped. In this example, the first bit to be flipped is bit 4 from the 49th byte read from memory. It is up to the processor to correctly map this word to the copied buffer and flip this bit. The same process must be repeated for all detected errors.

15.5.4.3 Use Case: ELM Used in Page Mode

In this example, the ELM module is programmed for an 16-bit error-correction capability in page mode (see Table 15-578). After reading a 528-byte NAND flash sector (512B data plus 16B spare area) with a 16-bit interface, four non-zero polynomial syndromes are reported from the GPMC (polynomial syndrome 0, 1, 2, and 3 are used in the ELM):

- P0 = 0xE8B0 12ADDB5A318E05BE B0693DB28330B5CC A329AA05E0B718EF
- P1 = 0xBAD0 49A0D932C22E6669 0948DF08BE093336 79C6BA10E5F935EB
- P2 = 0x69D9 B86ABCD5EC3697FA A6498FEE54556EA0 1579EF7D60BA3189

- P3 = 0x0

Table 15-578. Use Case: Page Mode

Step	Register/Bit Field/Programming Model	Value
Resets the module	ELM_SYSCONFIG[1] SOFTRESET	0x1
Wait until reset is done.	ELM_SYSSTATUS[0] RESETDONE	0x1
Configure the slave interface power management: Smart idle is used.	ELM_SYSCONFIG[4:3] SIDLEMODE	0x2
Defines the error-correction level used: 16 bits	ELM_LOCATION_CONFIG[1:0] ECC_BCH_LEVEL	0x2
Defines the maximum buffer length: 528 bytes	ELM_LOCATION_CONFIG[26:16] ECC_SIZE	0x420
Sets the ELM in page mode (four blocks in a page)	ELM_PAGE_CTRL[0] SECTOR_0	0x1
	ELM_PAGE_CTRL[1] SECTOR_1	0x1
	ELM_PAGE_CTRL[2] SECTOR_2	0x1
	ELM_PAGE_CTRL[3] SECTOR_3	0x1
Disable all interrupts for syndrome polynomial and enable PAGE_MASK interrupt.	ELM_IRQENABLE	0x100
Set the input syndrome polynomial 0.	ELM_SYNDROME_FRAGMENT_0_i (where i = 0)	0xE0B718EF
	ELM_SYNDROME_FRAGMENT_1_i (where i = 0)	0xA329AA05
	ELM_SYNDROME_FRAGMENT_2_i (where i = 0)	0x8330B5CC
	ELM_SYNDROME_FRAGMENT_3_i (where i = 0)	0xB0693DB2
	ELM_SYNDROME_FRAGMENT_4_i (where i = 0)	0x318E05BE
	ELM_SYNDROME_FRAGMENT_5_i (where i = 0)	0x12ADDB5A
	ELM_SYNDROME_FRAGMENT_6_i (where i = 0)	0xE8B0
Set the input syndrome polynomial 1.	ELM_SYNDROME_FRAGMENT_0_i (where i = 1)	0xE5F935EB
	ELM_SYNDROME_FRAGMENT_1_i (where i = 1)	0x79C6BA10
	ELM_SYNDROME_FRAGMENT_2_i (where i = 1)	0xBE093336
	ELM_SYNDROME_FRAGMENT_3_i (where i = 1)	0x0948DF08
	ELM_SYNDROME_FRAGMENT_4_i (where i = 1)	0xC22E6669
	ELM_SYNDROME_FRAGMENT_5_i (where i = 1)	0x49A0D932
	ELM_SYNDROME_FRAGMENT_6_i (where i = 1)	0xBAD0
Set the input syndrome polynomial 2.	ELM_SYNDROME_FRAGMENT_0_i (where i = 2)	0x60BA3189
	ELM_SYNDROME_FRAGMENT_1_i (where i = 2)	0x1579EF7D
	ELM_SYNDROME_FRAGMENT_2_i (where i = 2)	0x54556EA0
	ELM_SYNDROME_FRAGMENT_3_i (where i = 2)	0xA6498FEE
	ELM_SYNDROME_FRAGMENT_4_i (where i = 2)	0xEC3697FA
	ELM_SYNDROME_FRAGMENT_5_i (where i = 2)	0xB86ABCD5
	ELM_SYNDROME_FRAGMENT_6_i (where i = 2)	0x69D9
Set the input syndrome polynomial 3.	ELM_SYNDROME_FRAGMENT_0_i (where i = 3)	0x0
	ELM_SYNDROME_FRAGMENT_1_i (where i = 3)	0x0
	ELM_SYNDROME_FRAGMENT_2_i (where i = 3)	0x0
	ELM_SYNDROME_FRAGMENT_3_i (where i = 3)	0x0
	ELM_SYNDROME_FRAGMENT_4_i (where i = 3)	0x0
	ELM_SYNDROME_FRAGMENT_5_i (where i = 3)	0x0
	ELM_SYNDROME_FRAGMENT_6_i (where i = 3)	0x0
Initiates the computation process for syndrome polynomial 0	ELM_SYNDROME_FRAGMENT_6_i[16] SYNDROME_VALID (where i = 0)	0x1
Initiates the computation process for syndrome polynomial 1	ELM_SYNDROME_FRAGMENT_6_i[16] SYNDROME_VALID (where i = 1)	0x1
Initiates the computation process for syndrome polynomial 2	ELM_SYNDROME_FRAGMENT_6_i[16] SYNDROME_VALID (where i = 2)	0x1
Initiates the computation process for syndrome polynomial 3	ELM_SYNDROME_FRAGMENT_6_i[16] SYNDROME_VALID (where i = 3)	0x1

Table 15-578. Use Case: Page Mode (continued)

Step	Register/Bit Field/Programming Model	Value
Wait until process is complete for syndrome polynomial 0, 1, 2, and 3: Wait until the ELM_IRQ interrupt is generated or poll the status register.		
Wait for page completed interrupt: All error locations are valid.	ELM_IRQSTATUS[8] PAGE_VALID	0x1
Read the process exit status for syndrome polynomial 0: All errors were successfully located.	ELM_LOCATION_STATUS_i[8] ECC_CORRECTABLE (where i = 0)	0x1
Read the process exit status for syndrome polynomial 1: All errors were successfully located.	ELM_LOCATION_STATUS_i[8] ECC_CORRECTABLE (where i = 1)	0x1
Read the process exit status for syndrome polynomial 2: All errors were successfully located.	ELM_LOCATION_STATUS_i[8] ECC_CORRECTABLE (where i = 2)	0x1
Read the process exit status for syndrome polynomial 3: All errors were successfully located.	ELM_LOCATION_STATUS_i[8] ECC_CORRECTABLE (where i = 3)	0x1
Read the number of errors for syndrome polynomial 0: four errors detected.	ELM_LOCATION_STATUS_i[4:0] ECC_NB_ERRORS (where i = 0)	0x4
Read the number of errors for syndrome polynomial 1: two errors detected.	ELM_LOCATION_STATUS_i[4:0] ECC_NB_ERRORS (where i = 1)	0x2
Read the number of errors for syndrome polynomial 2: one error detected.	ELM_LOCATION_STATUS_i[4:0] ECC_NB_ERRORS (where i = 2)	0x1
Read the number of errors for syndrome polynomial 3: no errors detected.	ELM_LOCATION_STATUS_i[4:0] ECC_NB_ERRORS (where i = 3)	0x0
Read the error-location bit addresses for syndrome polynomial 0 of the first four registers:	ELM_ERROR_LOCATION_0_i (where i = 0)	0x1FE
	ELM_ERROR_LOCATION_1_i (where i = 0)	0x617
	ELM_ERROR_LOCATION_2_i (where i = 0)	0x650
	ELM_ERROR_LOCATION_3_i (where i = 0)	0xA83
Read the error-location bit addresses for syndrome polynomial 1 of the first two registers:	ELM_ERROR_LOCATION_0_i (where i = 1)	0x4
	ELM_ERROR_LOCATION_1_i (where i = 1)	0x1036
Read the errors location bit addresses for syndrome polynomial 2 of the first registers:	ELM_ERROR_LOCATION_0_i (where i = 1)	0x3E8
Clear the ELM_IRQSTATUS register.	ELM_IRQSTATUS	0x1FF

15.5.5 ELM Register Manual

15.5.5.1 ELM Instance Summary

Table 15-579 summarizes the ELM instance.

Table 15-579. ELM Instance Summary

Module Name	Base Address	Size
ELM	0x4807 8000	4 KiB

15.5.5.2 ELM Registers

15.5.5.2.1 ELM Register Summary

Table 15-580 summarizes the ELM register mapping.

Table 15-580. ELM Registers Mapping Summary

Register Name	Type	Register Width (Bits)	Address Offset	Physical Address ELM
ELM_REVISION	R	32	0x0000 0000	0x4807 8000
ELM_SYSCONFIG	RW	32	0x0000 0010	0x4807 8010
ELM_SYSSTATUS	R	32	0x0000 0014	0x4807 8014
ELM_IRQSTATUS	RW	32	0x0000 0018	0x4807 8018
ELM_IRQENABLE	RW	32	0x0000 001C	0x4807 801C
ELM_LOCATION_CONFIG	RW	32	0x0000 0020	0x4807 8020
ELM_PAGE_CTRL	RW	32	0x0000 0080	0x4807 8080
ELM_SYNDROME_FRAGMENT_0_i ⁽¹⁾	RW	32	0x0000 0400 + (0x40 * i)	0x4807 8400 + (0x40 * i)
ELM_SYNDROME_FRAGMENT_1_i ⁽¹⁾	RW	32	0x0000 0404 + (0x40 * i)	0x4807 8404 + (0x40 * i)
ELM_SYNDROME_FRAGMENT_2_i ⁽¹⁾	RW	32	0x0000 0408 + (0x40 * i)	0x4807 8408 + (0x40 * i)
ELM_SYNDROME_FRAGMENT_3_i ⁽¹⁾	RW	32	0x0000 040C + (0x40 * i)	0x4807 840C + (0x40 * i)
ELM_SYNDROME_FRAGMENT_4_i ⁽¹⁾	RW	32	0x0000 0410 + (0x40 * i)	0x4807 8410 + (0x40 * i)
ELM_SYNDROME_FRAGMENT_5_i ⁽¹⁾	RW	32	0x0000 0414 + (0x40 * i)	0x4807 8414 + (0x40 * i)
ELM_SYNDROME_FRAGMENT_6_i ⁽¹⁾	RW	32	0x0000 0418 + (0x40 * i)	0x4807 8418 + (0x40 * i)
ELM_LOCATION_STATUS_i ⁽¹⁾	R	32	0x0000 0800 + (0x100 * i)	0x4807 8800 + (0x100 * i)
ELM_ERROR_LOCATION_0_i ⁽¹⁾	R	32	0x0000 0880 + (0x100 * i)	0x4807 8880 + (0x100 * i)
ELM_ERROR_LOCATION_1_i ⁽¹⁾	R	32	0x0000 0884 + (0x100 * i)	0x4807 8884 + (0x100 * i)
ELM_ERROR_LOCATION_2_i ⁽¹⁾	R	32	0x0000 0888 + (0x100 * i)	0x4807 8888 + (0x100 * i)
ELM_ERROR_LOCATION_3_i ⁽¹⁾	R	32	0x0000 088C + (0x100 * i)	0x4807 888C + (0x100 * i)
ELM_ERROR_LOCATION_4_i ⁽¹⁾	R	32	0x0000 0890 + (0x100 * i)	0x4807 8890 + (0x100 * i)
ELM_ERROR_LOCATION_5_i ⁽¹⁾	R	32	0x0000 0894 + (0x100 * i)	0x4807 8894 + (0x100 * i)
ELM_ERROR_LOCATION_6_i ⁽¹⁾	R	32	0x0000 0898 + (0x100 * i)	0x4807 8898 + (0x100 * i)
ELM_ERROR_LOCATION_7_i ⁽¹⁾	R	32	0x0000 089C + (0x100 * i)	0x4807 889C + (0x100 * i)
ELM_ERROR_LOCATION_8_i ⁽¹⁾	R	32	0x0000 08A0 + (0x100 * i)	0x4807 88A0 + (0x100 * i)
ELM_ERROR_LOCATION_9_i ⁽¹⁾	R	32	0x0000 08A4 + (0x100 * i)	0x4807 88A4 + (0x100 * i)
ELM_ERROR_LOCATION_10_i ⁽¹⁾	R	32	0x0000 08A8 + (0x100 * i)	0x4807 88A8 + (0x100 * i)
ELM_ERROR_LOCATION_11_i ⁽¹⁾	R	32	0x0000 08AC + (0x100 * i)	0x4807 88AC + (0x100 * i)
ELM_ERROR_LOCATION_12_i ⁽¹⁾	R	32	0x0000 08B0 + (0x100 * i)	0x4807 88B0 + (0x100 * i)
ELM_ERROR_LOCATION_13_i ⁽¹⁾	R	32	0x0000 08B4 + (0x100 * i)	0x4807 88B4 + (0x100 * i)
ELM_ERROR_LOCATION_14_i ⁽¹⁾	R	32	0x0000 08B8 + (0x100 * i)	0x4807 88B8 + (0x100 * i)
ELM_ERROR_LOCATION_15_i ⁽¹⁾	R	32	0x0000 08BC + (0x100 * i)	0x4807 88BC + (0x100 * i)

⁽¹⁾ i = 0 to 7 for ELM

15.5.5.2.2 ELM Register Description

Table 15-581 through Table 15-641 describe the individual ELM registers.

Table 15-581. ELM_REVISION

Address Offset	0x0000 0000	
Physical Address	0x4807 8000	Instance ELM
Description	This register contains the IP revision code. (A write or reset of to this register has no effect.)	
Type	R	

31	30	29	28	27	26	25	24	23	22	21	20	19	18	17	16	15	14	13	12	11	10	9	8	7	6	5	4	3	2	1	0
REVISION																															

Bits	Field Name	Description	Type	Reset
31:0	REVISION	IP Revision (TI internal data)	R	0x-

Table 15-582. Register Call Summary for Register ELM_REVISION

Error Location Module

- [ELM Register Summary: \[0\]](#)

Table 15-583. ELM_SYSCONFIG

Address Offset	0x0000 0010	
Physical Address	0x4807 8010	Instance ELM
Description	This register allows controlling various parameters of the OCP interface.	
Type	RW	

31	30	29	28	27	26	25	24	23	22	21	20	19	18	17	16	15	14	13	12	11	10	9	8	7	6	5	4	3	2	1	0
RESERVED																CLOCKACTIVITYOCP	RESERVED	SIDLEMODE	RESERVED	SOFTRESET	AUTOGATING										

Bits	Field Name	Description	Type	Reset
31:9	RESERVED	Reserved	R	0x0000000
8	CLOCKACTIVITYOCP	OCP clock activity when module is in IDLE mode (during wake-up mode period) 0x0: OCP clock can be switched off. 0x1: OCP clock is maintained during wake-up period.	RW	0
7:5	RESERVED	Reserved	R	0x0
4:3	SIDLEMODE	Slave interface power management (IDLE req/ack control) 0x0: Force-idle. IDLE request is acknowledged unconditionally and immediately (Default <i>Dumb</i> mode for safety) 0x1: No-idle. IDLE request is never acknowledged. 0x2: Smart-idle. The acknowledgment to an IDLE request is given based on the internal activity. 0x3: Reserved - do not use	RW	0x2

Bits	Field Name	Description	Type	Reset
2	RESERVED	Reserved	R	0
1	SOFTRESET	Module software reset This bit is automatically reset by hardware (during reads, it always returns 0). It has same effect as the OCP hardware reset. 0x0: Normal mode 0x1: Start soft reset sequence.	RW	0
0	AUTOGATING	Internal OCP clock gating strategy (no module visible effect other than saving power) 0x0: OCP clock is free-running. 0x1: Automatic internal OCP clock gating strategy is applied based on the OCP interface activity.	RW	1

Table 15-584. Register Call Summary for Register ELM_SYSCONFIG

Error Location Module

- [ELM Software Reset: \[0\]\[1\]](#)
- [ELM Power Management: \[2\]\[3\]\[4\]](#)
- [Processing Initialization: \[5\]\[6\]](#)
- [Use Case: ELM Used in Continuous Mode: \[7\]\[8\]](#)
- [Use Case: ELM Used in Page Mode: \[9\]\[10\]](#)
- [ELM Register Summary: \[11\]](#)

Table 15-585. ELM_SYSSTATUS

Address Offset	0x0000 0014	Instance	ELM
Physical Address	0x4807 8014		
Description	Internal reset monitoring (OCP domain) Undefined since: From hardware perspective, the reset state is 0. From software user perspective, when the accessible module is 1.		
Type	R		

31	30	29	28	27	26	25	24	23	22	21	20	19	18	17	16	15	14	13	12	11	10	9	8	7	6	5	4	3	2	1	0
RESERVED																												RESETDONE			

Bits	Field Name	Description	Type	Reset
31:1	RESERVED	Reserved	R	0x0000 0000
0	RESETDONE	Internal reset monitoring (OCP domain) Undefined since: From hardware perspective, the reset state is 0. From software user perspective, when the accessible module is 1. Read 0x0: Reset is ongoing. Read 0x1: Reset is done (completed).	R	1

Table 15-586. Register Call Summary for Register ELM_SYSSTATUS

Error Location Module

- [ELM Software Reset: \[0\]](#)
- [Processing Initialization: \[1\]](#)
- [Use Case: ELM Used in Continuous Mode: \[2\]](#)
- [Use Case: ELM Used in Page Mode: \[3\]](#)
- [ELM Register Summary: \[4\]](#)

Table 15-587. ELM_IRQSTATUS

Address Offset	0x0000 0018	Instance	ELM
Physical Address	0x4807 8018		
Description	Interrupt status. This register doubles as a status register for the error-location processes.		
Type	RW		

31	30	29	28	27	26	25	24	23	22	21	20	19	18	17	16	15	14	13	12	11	10	9	8	7	6	5	4	3	2	1	0
RESERVED																PAGE_VALID	LOC_VALID_7	LOC_VALID_6	LOC_VALID_5	LOC_VALID_4	LOC_VALID_3	LOC_VALID_2	LOC_VALID_1	LOC_VALID_0							

Bits	Field Name	Description	Type	Reset
31:9	RESERVED	Reserved	R	0x000000
8	PAGE_VALID	Error-location status for a full page, based on the mask definition Read 0x0: Error locations invalid for all polynomials enabled in the ECC_INTERRUPT_MASK register Read 0x1: All error locations valid Write 0x0: No effect Write 0x1: Clear interrupt	RW	0
7	LOC_VALID_7	Error-location status for syndrome polynomial 7 Read 0x0: No syndrome processed or process in progress Read 0x1: Error-location process completed Write 0x0: No effect Write 0x1: Clear interrupt	RW W1toClr	0
6	LOC_VALID_6	Error-location status for syndrome polynomial 6	RW W1toClr	0
5	LOC_VALID_5	Error-location status for syndrome polynomial 5	RW W1toClr	0
4	LOC_VALID_4	Error-location status for syndrome polynomial 4	RW W1toClr	0
3	LOC_VALID_3	Error-location status for syndrome polynomial 3	RW W1toClr	0
2	LOC_VALID_2	Error-location status for syndrome polynomial 2	RW W1toClr	0
1	LOC_VALID_1	Error-location status for syndrome polynomial 1	RW W1toClr	0
0	LOC_VALID_0	Error-location status for syndrome polynomial 0	RW W1toClr	0

Table 15-588. Register Call Summary for Register ELM_IRQSTATUS

Error Location Module

- ELM Interrupt Requests: [0][1][2][3][4][5][6][7][8]
- Processing Initialization: [9]
- Processing Completion: [10][11][12][13][14][15][16][17][18]
- Read Results: [19][20][21][22][23][24]
- Use Case: ELM Used in Continuous Mode: [25][26]
- Use Case: ELM Used in Page Mode: [27][28][29]
- ELM Register Summary: [30]

Table 15-589. ELM_IRQENABLE

Address Offset	0x0000 001C	Instance	ELM
Physical Address	0x4807 801C		
Description	Interrupt enable		
Type	RW		

31	30	29	28	27	26	25	24	23	22	21	20	19	18	17	16	15	14	13	12	11	10	9	8	7	6	5	4	3	2	1	0	
RESERVED																								PAGE_MASK	LOCATION_MASK_7	LOCATION_MASK_6	LOCATION_MASK_5	LOCATION_MASK_4	LOCATION_MASK_3	LOCATION_MASK_2	LOCATION_MASK_1	LOCATION_MASK_0

Bits	Field Name	Description	Type	Reset
31:9	RESERVED	Reserved	R	0x0000000
8	PAGE_MASK	Page interrupt mask bit 0: Disable interrupt 1: Enable interrupt	RW	0
7	LOCATION_MASK_7	Error-location interrupt mask bit for syndrome polynomial 7	RW	0
6	LOCATION_MASK_6	Error-location interrupt mask bit for syndrome polynomial 6	RW	0
5	LOCATION_MASK_5	Error-location interrupt mask bit for syndrome polynomial 5	RW	0
4	LOCATION_MASK_4	Error-location interrupt mask bit for syndrome polynomial 4	RW	0
3	LOCATION_MASK_3	Error-location interrupt mask bit for syndrome polynomial 3	RW	0
2	LOCATION_MASK_2	Error-location interrupt mask bit for syndrome polynomial 2	RW	0
1	LOCATION_MASK_1	Error-location interrupt mask bit for syndrome polynomial 1	RW	0
0	LOCATION_MASK_0	Error-location interrupt mask bit for syndrome polynomial 0 0: Disable interrupt 1: Enable interrupt	RW	0

Table 15-590. Register Call Summary for Register ELM_IRQENABLE

Error Location Module

- ELM Interrupt Requests: [0][1][2][3][4][5][6][7][8]
- Processing Initialization: [9][10]
- Processing Completion: [11]
- Processing Initialization: [12][13][14]
- Use Case: ELM Used in Continuous Mode: [15]
- Use Case: ELM Used in Page Mode: [16]
- ELM Register Summary: [17]

Table 15-591. ELM_LOCATION_CONFIG

Address Offset	0x0000 0020	Instance	ELM
Physical Address	0x4807 8020		
Description	ECC algorithm parameters		
Type	RW		

31	30	29	28	27	26	25	24	23	22	21	20	19	18	17	16	15	14	13	12	11	10	9	8	7	6	5	4	3	2	1	0
RESERVED								ECC_SIZE								RESERVED								ECC_BCH_LEVEL							

Bits	Field Name	Description	Type	Reset
31:27	RESERVED	Reserved	R	0x00
26:16	ECC_SIZE	Maximum size of the buffers for which the error-location engine is used, in number of nibbles (4-bit entities)	RW	0x000
15:2	RESERVED	Reserved	R	0x0000
1:0	ECC_BCH_LEVEL	Error correction level 0x0: 4 bits 0x1: 8 bits 0x2: 16 bits 0x3: Reserved	RW	0x0

Table 15-592. Register Call Summary for Register ELM_LOCATION_CONFIG

Error Location Module

- [Processing Initialization: \[0\]\[1\]\[2\]](#)
- [Processing Initialization: \[3\]\[4\]](#)
- [Use Case: ELM Used in Continuous Mode: \[5\]\[6\]](#)
- [Use Case: ELM Used in Page Mode: \[7\]\[8\]](#)
- [ELM Register Summary: \[9\]](#)

Table 15-593. ELM_PAGE_CTRL

Address Offset	0x0000 0080	Instance	ELM
Physical Address	0x4807 8080		
Description	Page definition		
Type	RW		

31	30	29	28	27	26	25	24	23	22	21	20	19	18	17	16	15	14	13	12	11	10	9	8	7	6	5	4	3	2	1	0
RESERVED																SECTOR_7	SECTOR_6	SECTOR_5	SECTOR_4	SECTOR_3	SECTOR_2	SECTOR_1	SECTOR_0								

Bits	Field Name	Description	Type	Reset
31:8	RESERVED	Reserved	R	0x000000
7	SECTOR_7	Set to 1 if syndrome polynomial 7 is part of the page in page mode. Must be 0 in continuous mode.	RW	0
6	SECTOR_6	Set to 1 if syndrome polynomial 6 is part of the page in page mode. Must be 0 in continuous mode.	RW	0

Bits	Field Name	Description	Type	Reset
5	SECTOR_5	Set to 1 if syndrome polynomial 5 is part of the page in page mode. Must be 0 in continuous mode.	RW	0
4	SECTOR_4	Set to 1 if syndrome polynomial 4 is part of the page in page mode. Must be 0 in continuous mode.	RW	0
3	SECTOR_3	Set to 1 if syndrome polynomial 3 is part of the page in page mode. Must be 0 in continuous mode.	RW	0
2	SECTOR_2	Set to 1 if syndrome polynomial 2 is part of the page in page mode. Must be 0 in continuous mode.	RW	0
1	SECTOR_1	Set to 1 if syndrome polynomial 1 is part of the page in page mode. Must be 0 in continuous mode.	RW	0
0	SECTOR_0	Set to 1 if syndrome polynomial 0 is part of the page in page mode. Must be 0 in continuous mode.	RW	0

Table 15-594. Register Call Summary for Register ELM_PAGE_CTRL

Error Location Module

- [Processing Initialization: \[0\]](#)
- [Processing Completion: \[1\]\[2\]\[3\]\[4\]](#)
- [Processing Initialization: \[5\]\[6\]\[7\]](#)
- [Use Case: ELM Used in Continuous Mode: \[8\]](#)
- [Use Case: ELM Used in Page Mode: \[9\]\[10\]\[11\]\[12\]](#)
- [ELM Register Summary: \[13\]](#)

Table 15-595. ELM_SYNDROME_FRAGMENT_0_i

Address Offset	0x0000 0400 + (0x40 * i)	Index	i = 0 to 7
Physical Address	0x4807 8400 + (0x40 * i)	Instance	ELM
Description	Input syndrome polynomial bits 0 to 31.		
Type	RW		

31	30	29	28	27	26	25	24	23	22	21	20	19	18	17	16	15	14	13	12	11	10	9	8	7	6	5	4	3	2	1	0
SYNDROME_0																															

Bits	Field Name	Description	Type	Reset
31:0	SYNDROME_0	Syndrome bits 0 to 31	RW	0x0000 0000

Table 15-596. Register Call Summary for Register ELM_SYNDROME_FRAGMENT_0_i

Error Location Module

- [Processing Initialization: \[0\]](#)
- [Processing Initialization: \[1\]](#)
- [Use Case: ELM Used in Continuous Mode: \[2\]](#)
- [Use Case: ELM Used in Page Mode: \[3\]\[4\]\[5\]\[6\]](#)
- [ELM Register Summary: \[7\]](#)

Table 15-597. ELM_SYNDROME_FRAGMENT_1_i

Address Offset	0x0000 0404 + (0x40 * i)	Index	i = 0 to 7
Physical Address	0x4807 8404 + (0x40 * i)	Instance	ELM
Description	Input syndrome polynomial bits 32 to 63.		
Type	RW		

31	30	29	28	27	26	25	24	23	22	21	20	19	18	17	16	15	14	13	12	11	10	9	8	7	6	5	4	3	2	1	0
SYNDROME_1																															

Bits	Field Name	Description	Type	Reset
31:0	SYNDROME_1	Syndrome bits 32 to 63	RW	0x0000 0000

Table 15-598. Register Call Summary for Register ELM_SYNDROME_FRAGMENT_1_i

Error Location Module

- [Processing Initialization: \[0\]](#)
- [Use Case: ELM Used in Continuous Mode: \[1\]](#)
- [Use Case: ELM Used in Page Mode: \[2\]\[3\]\[4\]\[5\]](#)
- [ELM Register Summary: \[6\]](#)

Table 15-599. ELM_SYNDROME_FRAGMENT_2_i

Address Offset	0x0000 0408 + (0x40 * i)	Index	i = 0 to 7
Physical Address	0x4807 8408 + (0x40 * i)	Instance	ELM
Description	Input syndrome polynomial bits 64 to 95.		
Type	RW		

31	30	29	28	27	26	25	24	23	22	21	20	19	18	17	16	15	14	13	12	11	10	9	8	7	6	5	4	3	2	1	0
SYNDROME_2																															

Bits	Field Name	Description	Type	Reset
31:0	SYNDROME_2	Syndrome bits 64 to 95	RW	0x0000 0000

Table 15-600. Register Call Summary for Register ELM_SYNDROME_FRAGMENT_2_i

Error Location Module

- [Use Case: ELM Used in Continuous Mode: \[0\]](#)
- [Use Case: ELM Used in Page Mode: \[1\]\[2\]\[3\]\[4\]](#)
- [ELM Register Summary: \[5\]](#)

Table 15-601. ELM_SYNDROME_FRAGMENT_3_i

Address Offset	0x0000 040C + (0x40 * i)	Index	i = 0 to 7
Physical Address	0x4807 840C + (0x40 * i)	Instance	ELM
Description	Input syndrome polynomial bits 96 to 127		
Type	RW		

31	30	29	28	27	26	25	24	23	22	21	20	19	18	17	16	15	14	13	12	11	10	9	8	7	6	5	4	3	2	1	0
SYNDROME_3																															

Bits	Field Name	Description	Type	Reset
31:0	SYNDROME_3	Syndrome bits 96 to 127	RW	0x0000 0000

Table 15-602. Register Call Summary for Register ELM_SYNDROME_FRAGMENT_3_i

Error Location Module

- [Use Case: ELM Used in Continuous Mode: \[0\]](#)
- [Use Case: ELM Used in Page Mode: \[1\]\[2\]\[3\]\[4\]](#)
- [ELM Register Summary: \[5\]](#)

Table 15-603. ELM_SYNDROME_FRAGMENT_4_i

Address Offset	0x0000 0410 + (0x40 * i)	Index	i = 0 to 7
Physical Address	0x4807 8410 + (0x40 * i)	Instance	ELM
Description	Input syndrome polynomial bits 128 to 159.		
Type	RW		

31	30	29	28	27	26	25	24	23	22	21	20	19	18	17	16	15	14	13	12	11	10	9	8	7	6	5	4	3	2	1	0
SYNDROME_4																															

Bits	Field Name	Description	Type	Reset
31:0	SYNDROME_4	Syndrome bits 128 to 159	RW	0x0000 0000

Table 15-604. Register Call Summary for Register ELM_SYNDROME_FRAGMENT_4_i

Error Location Module

- [Use Case: ELM Used in Page Mode: \[0\]\[1\]\[2\]\[3\]](#)
- [ELM Register Summary: \[4\]](#)

Table 15-605. ELM_SYNDROME_FRAGMENT_5_i

Address Offset	0x0000 0414 + (0x40 * i)	Index	i = 0 to 7
Physical Address	0x4807 8414 + (0x40 * i)	Instance	ELM
Description	Input syndrome polynomial bits 160 to 191.		
Type	RW		

31	30	29	28	27	26	25	24	23	22	21	20	19	18	17	16	15	14	13	12	11	10	9	8	7	6	5	4	3	2	1	0
SYNDROME_5																															

Bits	Field Name	Description	Type	Reset
31:0	SYNDROME_5	Syndrome bits 160 to 191	RW	0x0000 0000

Table 15-606. Register Call Summary for Register ELM_SYNDROME_FRAGMENT_5_i

Error Location Module

- [Processing Initialization: \[0\]](#)
- [Use Case: ELM Used in Page Mode: \[1\]\[2\]\[3\]\[4\]](#)
- [ELM Register Summary: \[5\]](#)

Table 15-607. ELM_SYNDROME_FRAGMENT_6_i

Address Offset	0x0000 0418 + (0x40 * i)	Index	i = 0 to 7
Physical Address	0x4807 8418 + (0x40 * i)	Instance	ELM
Description	Input syndrome polynomial bits 192 to 207.		
Type	RW		

31	30	29	28	27	26	25	24	23	22	21	20	19	18	17	16	15	14	13	12	11	10	9	8	7	6	5	4	3	2	1	0
RESERVED																SYNDROME_6															
																SYNDROME_VALID															

Bits	Field Name	Description	Type	Reset
31:17	RESERVED	Reserved	R	0x0000
16	SYNDROME_VALID	Syndrome valid bit 0x0: This syndrome polynomial must not be processed. 0x1: This syndrome polynomial must be processed.	RW	0
15:0	SYNDROME_6	Syndrome bits 192 to 207	RW	0x0000

Table 15-608. Register Call Summary for Register ELM_SYNDROME_FRAGMENT_6_i

Error Location Module

- Processing Initialization: [0][1][2][3]
- Processing Completion: [4][5]
- Processing Initialization: [6][7]
- Read Results: [8]
- Use Case: ELM Used in Continuous Mode: [9]
- Use Case: ELM Used in Page Mode: [10][11][12][13][14][15][16][17]
- ELM Register Summary: [18]

Table 15-609. ELM_LOCATION_STATUS_i

Address Offset	0x0000 0800 + (0x100 * i)	Index	i = 0 to 7
Physical Address	0x4807 8800 + (0x100 * i)	Instance	ELM
Description	Exit status for the syndrome polynomial processing		
Type	R		

31	30	29	28	27	26	25	24	23	22	21	20	19	18	17	16	15	14	13	12	11	10	9	8	7	6	5	4	3	2	1	0
RESERVED																ECC_CORRECTABLE	RESERVED			ECC_NB_ERRORS											

Bits	Field Name	Description	Type	Reset
31:9	RESERVED	Reserved	R	0x000000
8	ECC_CORRECTABLE	Error-location process exit status 0x0: ECC error-location process failed. Number of errors and error locations are invalid. 0x1: All errors were successfully located. Number of errors and error locations are valid.	R	0
7:5	RESERVED	Reserved	R	0x0
4:0	ECC_NB_ERRORS	Number of errors detected and located	R	0x00

Table 15-610. Register Call Summary for Register ELM_LOCATION_STATUS_i

Error Location Module

- [Processing Initialization: \[0\]](#)
- [Processing Sequence: \[1\]\[2\]\[3\]\[4\]\[5\]](#)
- [Processing Completion: \[6\]\[7\]\[8\]](#)
- [Read Results: \[9\]\[10\]\[11\]\[12\]\[13\]\[14\]\[15\]\[16\]](#)
- [Use Case: ELM Used in Continuous Mode: \[17\]\[18\]](#)
- [Use Case: ELM Used in Page Mode: \[19\]\[20\]\[21\]\[22\]\[23\]\[24\]\[25\]\[26\]](#)
- [ELM Register Summary: \[27\]](#)

Table 15-611. ELM_ERROR_LOCATION_0_i

Address Offset	0x0000 0880 + (0x100 * i)	Index	i = 0 to 7
Physical Address	0x4807 8880 + (0x100 * i)	Instance	ELM
Description	Error-location register		
Type	R		

31	30	29	28	27	26	25	24	23	22	21	20	19	18	17	16	15	14	13	12	11	10	9	8	7	6	5	4	3	2	1	0
RESERVED																ECC_ERROR_LOCATION															

Bits	Field Name	Description	Type	Reset
31:13	RESERVED	Reserved	R	0x00000
12:0	ECC_ERROR_LOCATION	Error-location bit address	R	0x0000

Table 15-612. Register Call Summary for Register ELM_ERROR_LOCATION_0_i

Error Location Module

- [Processing Initialization: \[0\]](#)
- [Processing Sequence: \[1\]\[2\]\[3\]](#)
- [Processing Completion: \[4\]](#)
- [Read Results: \[5\]\[6\]](#)
- [Use Case: ELM Used in Continuous Mode: \[7\]](#)
- [Use Case: ELM Used in Page Mode: \[8\]\[9\]\[10\]](#)
- [ELM Register Summary: \[11\]](#)

Table 15-613. ELM_ERROR_LOCATION_1_i

Address Offset	0x0000 0884 + (0x100 * i)	Index	i = 0 to 7
Physical Address	0x4807 8884 + (0x100 * i)	Instance	ELM
Description	Error-location register		
Type	R		

31	30	29	28	27	26	25	24	23	22	21	20	19	18	17	16	15	14	13	12	11	10	9	8	7	6	5	4	3	2	1	0
RESERVED																ECC_ERROR_LOCATION															

Bits	Field Name	Description	Type	Reset
31:13	RESERVED	Reserved	R	0x00000
12:0	ECC_ERROR_LOCATION	Error-location bit address	R	0x0000

Table 15-614. Register Call Summary for Register ELM_ERROR_LOCATION_1_i

Error Location Module

- [Processing Sequence: \[0\]](#)
- [Read Results: \[1\]\[2\]](#)
- [Use Case: ELM Used in Continuous Mode: \[3\]](#)
- [Use Case: ELM Used in Page Mode: \[4\]\[5\]](#)
- [ELM Register Summary: \[6\]](#)

Table 15-615. ELM_ERROR_LOCATION_2_i

Address Offset	0x0000 0888 + (0x100 * i)	Index	i = 0 to 7
Physical Address	0x4807 8888 + (0x100 * i)	Instance	ELM
Description	Error-location register		
Type	R		

31	30	29	28	27	26	25	24	23	22	21	20	19	18	17	16	15	14	13	12	11	10	9	8	7	6	5	4	3	2	1	0
RESERVED																ECC_ERROR_LOCATION															

Bits	Field Name	Description	Type	Reset
31:13	RESERVED	Reserved	R	0x00000
12:0	ECC_ERROR_LOCATION	Error-location bit address	R	0x0000

Table 15-616. Register Call Summary for Register ELM_ERROR_LOCATION_2_i

Error Location Module

- [Use Case: ELM Used in Continuous Mode: \[0\]](#)
- [Use Case: ELM Used in Page Mode: \[1\]](#)
- [ELM Register Summary: \[2\]](#)

Table 15-617. ELM_ERROR_LOCATION_3_i

Address Offset	0x0000 088C + (0x100 * i)	Index	i = 0 to 7
Physical Address	0x4807 888C + (0x100 * i)	Instance	ELM
Description	Error-location register		
Type	R		

31	30	29	28	27	26	25	24	23	22	21	20	19	18	17	16	15	14	13	12	11	10	9	8	7	6	5	4	3	2	1	0
RESERVED																ECC_ERROR_LOCATION															

Bits	Field Name	Description	Type	Reset
31:13	RESERVED	Reserved	R	0x00000
12:0	ECC_ERROR_LOCATION	Error-location bit address	R	0x0000

Table 15-618. Register Call Summary for Register ELM_ERROR_LOCATION_3_i

Error Location Module

- [Use Case: ELM Used in Continuous Mode: \[0\]](#)
- [Use Case: ELM Used in Page Mode: \[1\]](#)
- [ELM Register Summary: \[2\]](#)

Table 15-619. ELM_ERROR_LOCATION_4_i

Address Offset	0x0000 0890 + (0x100 * i)	Index	i = 0 to 7
Physical Address	0x4807 8890 + (0x100 * i)	Instance	ELM
Description	Error-location register		
Type	R		

31	30	29	28	27	26	25	24	23	22	21	20	19	18	17	16	15	14	13	12	11	10	9	8	7	6	5	4	3	2	1	0
RESERVED																ECC_ERROR_LOCATION															

Bits	Field Name	Description	Type	Reset
31:13	RESERVED	Reserved	R	0x00000
12:0	ECC_ERROR_LOCATION	Error-location bit address	R	0x0000

Table 15-620. Register Call Summary for Register ELM_ERROR_LOCATION_4_i

Error Location Module

- [ELM Register Summary: \[0\]](#)

Table 15-621. ELM_ERROR_LOCATION_5_i

Address Offset	0x0000 0894 + (0x100 * i)	Index	i = 0 to 7
Physical Address	0x4807 8894 + (0x100 * i)	Instance	ELM
Description	Error-location register		
Type	R		

31	30	29	28	27	26	25	24	23	22	21	20	19	18	17	16	15	14	13	12	11	10	9	8	7	6	5	4	3	2	1	0
RESERVED																ECC_ERROR_LOCATION															

Bits	Field Name	Description	Type	Reset
31:13	RESERVED	Reserved	R	0x00000
12:0	ECC_ERROR_LOCATION	Error-location bit address	R	0x0000

Table 15-622. Register Call Summary for Register ELM_ERROR_LOCATION_5_i

Error Location Module

- [ELM Register Summary: \[0\]](#)

Table 15-623. ELM_ERROR_LOCATION_6_i

Address Offset	0x0000 0898 + (0x100 * i)	Index	i = 0 to 7
Physical Address	0x4807 8898 + (0x100 * i)	Instance	ELM
Description	Error-location register		
Type	R		

31	30	29	28	27	26	25	24	23	22	21	20	19	18	17	16	15	14	13	12	11	10	9	8	7	6	5	4	3	2	1	0
RESERVED																ECC_ERROR_LOCATION															

Bits	Field Name	Description	Type	Reset
31:13	RESERVED	Reserved	R	0x00000
12:0	ECC_ERROR_LOCATION	Error-location bit address	R	0x0000

Table 15-624. Register Call Summary for Register ELM_ERROR_LOCATION_6_i

Error Location Module

- [ELM Register Summary: \[0\]](#)

Table 15-625. ELM_ERROR_LOCATION_7_i

Address Offset	0x0000 089C + (0x100 * i)	Index	i = 0 to 7
Physical Address	0x4807 889C + (0x100 * i)	Instance	ELM
Description	Error-location register		
Type	R		

31	30	29	28	27	26	25	24	23	22	21	20	19	18	17	16	15	14	13	12	11	10	9	8	7	6	5	4	3	2	1	0
RESERVED																ECC_ERROR_LOCATION															

Bits	Field Name	Description	Type	Reset
31:13	RESERVED	Reserved	R	0x00000
12:0	ECC_ERROR_LOCATION	Error-location bit address	R	0x0000

Table 15-626. Register Call Summary for Register ELM_ERROR_LOCATION_7_i

Error Location Module

- [ELM Register Summary: \[0\]](#)

Table 15-627. ELM_ERROR_LOCATION_8_i

Address Offset	0x0000 08A0 + (0x100 * i)	Index	i = 0 to 7
Physical Address	0x4807 88A0 + (0x100 * i)	Instance	ELM
Description	Error-location register		
Type	R		

31	30	29	28	27	26	25	24	23	22	21	20	19	18	17	16	15	14	13	12	11	10	9	8	7	6	5	4	3	2	1	0
RESERVED																ECC_ERROR_LOCATION															

Bits	Field Name	Description	Type	Reset
31:13	RESERVED	Reserved	R	0x00000
12:0	ECC_ERROR_LOCATION	Error-location bit address	R	0x0000

Table 15-628. Register Call Summary for Register ELM_ERROR_LOCATION_8_i

Error Location Module

- [ELM Register Summary: \[0\]](#)

Table 15-629. ELM_ERROR_LOCATION_9_i

Address Offset	0x0000 08A4 + (0x100 * i)	Index	i = 0 to 7
Physical Address	0x4807 88A4 + (0x100 * i)	Instance	ELM
Description	Error-location register		
Type	R		

31	30	29	28	27	26	25	24	23	22	21	20	19	18	17	16	15	14	13	12	11	10	9	8	7	6	5	4	3	2	1	0
RESERVED																ECC_ERROR_LOCATION															

Bits	Field Name	Description	Type	Reset
31:13	RESERVED	Reserved	R	0x00000
12:0	ECC_ERROR_LOCATION	Error-location bit address	R	0x0000

Table 15-630. Register Call Summary for Register ELM_ERROR_LOCATION_9_i

Error Location Module

- [ELM Register Summary: \[0\]](#)

Table 15-631. ELM_ERROR_LOCATION_10_i

Address Offset	0x0000 08A8 + (0x100 * i)	Index	i = 0 to 7
Physical Address	0x4807 88A8 + (0x100 * i)	Instance	ELM
Description	Error-location register		
Type	R		

31	30	29	28	27	26	25	24	23	22	21	20	19	18	17	16	15	14	13	12	11	10	9	8	7	6	5	4	3	2	1	0
RESERVED																ECC_ERROR_LOCATION															

Bits	Field Name	Description	Type	Reset
31:13	RESERVED	Reserved	R	0x00000
12:0	ECC_ERROR_LOCATION	Error-location bit address	R	0x0000

Table 15-632. Register Call Summary for Register ELM_ERROR_LOCATION_10_i

Error Location Module

- [ELM Register Summary: \[0\]](#)

Table 15-633. ELM_ERROR_LOCATION_11_i

Address Offset	0x0000 08AC + (0x100 * i)	Index	i = 0 to 7
Physical Address	0x4807 88AC + (0x100 * i)	Instance	ELM
Description	Error-location register		
Type	R		

31	30	29	28	27	26	25	24	23	22	21	20	19	18	17	16	15	14	13	12	11	10	9	8	7	6	5	4	3	2	1	0
RESERVED																ECC_ERROR_LOCATION															

Bits	Field Name	Description	Type	Reset
31:13	RESERVED	Reserved	R	0x00000
12:0	ECC_ERROR_LOCATION	Error-location bit address	R	0x0000

Table 15-634. Register Call Summary for Register ELM_ERROR_LOCATION_11_i

Error Location Module

- [ELM Register Summary: \[0\]](#)

Table 15-635. ELM_ERROR_LOCATION_12_i

Address Offset	0x0000 08B0 + (0x100 * i)	Index	i = 0 to 7
Physical Address	0x4807 88B0 + (0x100 * i)	Instance	ELM
Description	Error-location register		
Type	R		

31	30	29	28	27	26	25	24	23	22	21	20	19	18	17	16	15	14	13	12	11	10	9	8	7	6	5	4	3	2	1	0
RESERVED																ECC_ERROR_LOCATION															

Bits	Field Name	Description	Type	Reset
31:13	RESERVED	Reserved	R	0x00000
12:0	ECC_ERROR_LOCATION	Error-location bit address	R	0x0000

Table 15-636. Register Call Summary for Register ELM_ERROR_LOCATION_12_i

Error Location Module

- [ELM Register Summary: \[0\]](#)

Table 15-637. ELM_ERROR_LOCATION_13_i

Address Offset	0x0000 08B4 + (0x100 * i)	Index	i = 0 to 7
Physical Address	0x4807 88B4 + (0x100 * i)	Instance	ELM
Description	Error-location register		
Type	R		

31	30	29	28	27	26	25	24	23	22	21	20	19	18	17	16	15	14	13	12	11	10	9	8	7	6	5	4	3	2	1	0
RESERVED																ECC_ERROR_LOCATION															

Bits	Field Name	Description	Type	Reset
31:13	RESERVED	Reserved	R	0x00000
12:0	ECC_ERROR_LOCATION	Error-location bit address	R	0x0000

Table 15-638. Register Call Summary for Register ELM_ERROR_LOCATION_13_i

Error Location Module

- [ELM Register Summary: \[0\]](#)

Table 15-639. ELM_ERROR_LOCATION_14_i

Address Offset	0x0000 08B8 + (0x100 * i)	Index	i = 0 to 7
Physical Address	0x4807 88B8 + (0x100 * i)	Instance	ELM
Description	Error-location register		
Type	R		

31	30	29	28	27	26	25	24	23	22	21	20	19	18	17	16	15	14	13	12	11	10	9	8	7	6	5	4	3	2	1	0
RESERVED																ECC_ERROR_LOCATION															

Bits	Field Name	Description	Type	Reset
31:13	RESERVED	Reserved	R	0x00000
12:0	ECC_ERROR_LOCATION	Error-location bit address	R	0x0000

Table 15-640. Register Call Summary for Register ELM_ERROR_LOCATION_14_i

Error Location Module

- [ELM Register Summary: \[0\]](#)

Table 15-641. ELM_ERROR_LOCATION_15_i

Address Offset	0x0000 08BC + (0x100 * i)	Index	i = 0 to 7
Physical Address	0x4807 88BC + (0x100 * i)	Instance	ELM
Description	Error-location register		
Type	R		

31	30	29	28	27	26	25	24	23	22	21	20	19	18	17	16	15	14	13	12	11	10	9	8	7	6	5	4	3	2	1	0
RESERVED																ECC_ERROR_LOCATION															

Bits	Field Name	Description	Type	Reset
31:13	RESERVED	Reserved	R	0x00000
12:0	ECC_ERROR_LOCATION	Error-location bit address	R	0x0000

Table 15-642. Register Call Summary for Register ELM_ERROR_LOCATION_15_i

Error Location Module

- [Processing Initialization: \[0\]](#)
 - [Processing Sequence: \[1\]\[2\]](#)
 - [Processing Completion: \[3\]](#)
 - [Read Results: \[4\]\[5\]](#)
 - [ELM Register Summary: \[6\]](#)
-

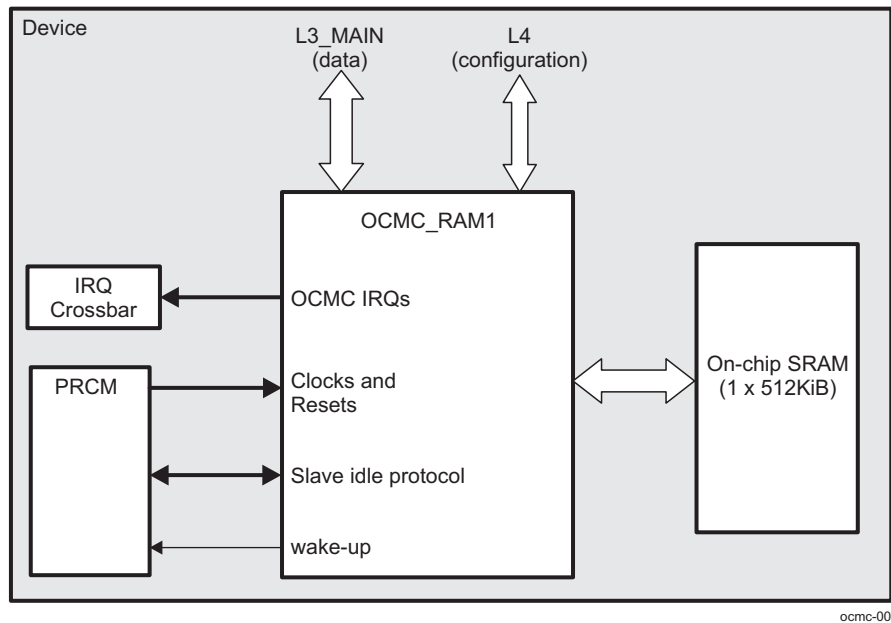
15.6 On-Chip Memory (OCM) Subsystem

15.6.1 OCM Subsystem Overview

The OCM subsystem consists of one OCM Controller (OCMC) that is associated with the on-chip RAM. This is the OCMC_RAM1 with 512 KiB of dedicated memory space. The OCM controller is also introduced in [Section 15.1.6, OCM Overview](#) of [Section 15.1, Memory Subsystem Overview](#).

[Figure 15-106](#) shows the OCMC_RAM controller.

Figure 15-106. OCMC_RAM1 Overview



15.6.2 OCM Subsystem Integration

[Figure 15-107](#) shows the integration of the OCMC_RAM1 in the device.

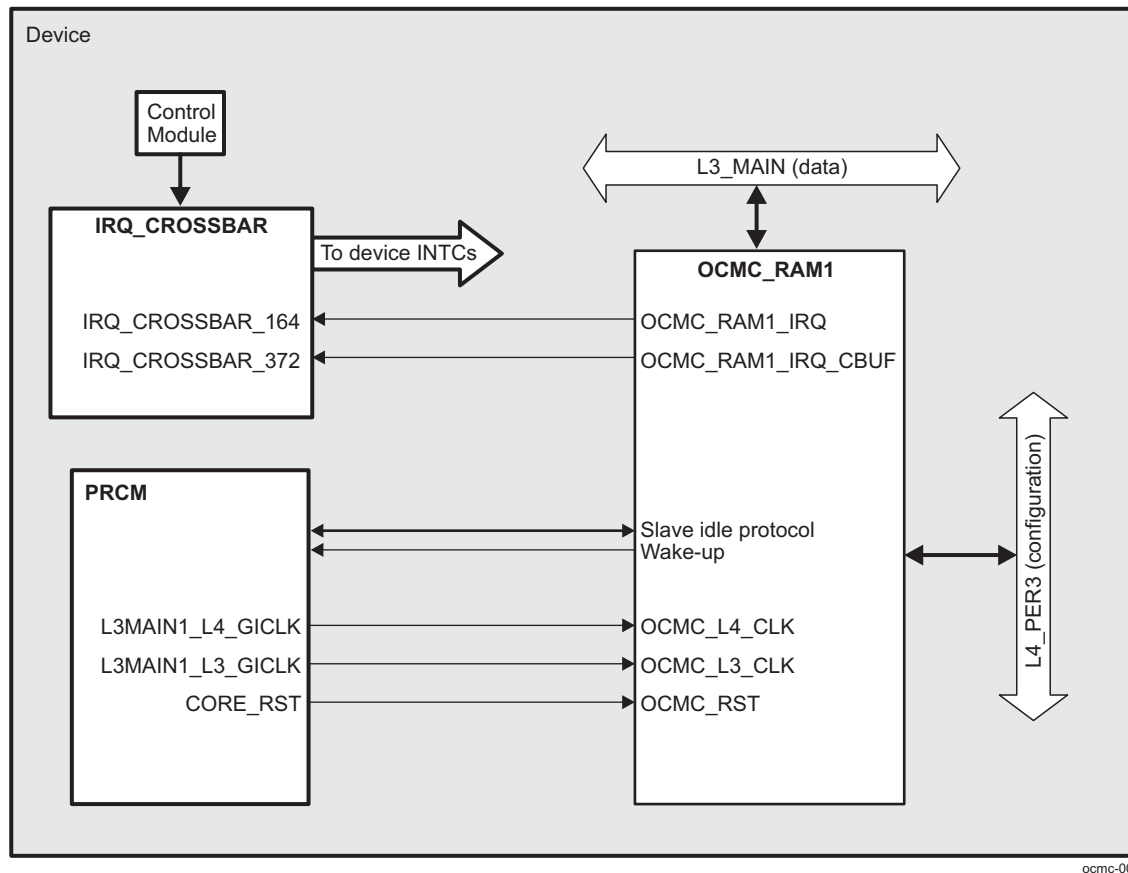
Figure 15-107. OCMC_RAM1 Integration


Table 15-643 through Table 15-645 summarize the integration of the OCMC_RAM1 in the device.

Table 15-643. OCMC_RAM1 Integration Attributes

Module Instance	Attributes		
	Power Domain	Wake-Up Capability	Interconnect
OCMC_RAM1	PD_COREAON	Yes	L3_MAIN L4_PER3

Table 15-644. OCMC_RAM1 Clocks and Resets

Clocks				
Module Instance	Destination Signal Name	Source Signal Name	Source	Description
OCMC_RAM1	OCMC_L3_CLK	L3MAIN1_L3_GICLK	PRCM	Clock used to drive and receive data over the L3 data bus. This is also the processing clock of the OCM Controller and the SRAM. With this clock all internal data transfers are clocked.
	OCMC_L4_CLK	L3MAIN1_L4_GICLK	PRCM	Clock used to drive and receive data over the L4_PER3 configuration bus. This clock should run at half the OCMC_L3_CLK clock rate.
Resets				
Module Instance	Destination Signal Name	Source Signal Name	Source	Description
OCMC_RAM1	OCMC_RST	CORE_RST	PRCM	Reset signal for the OCMC_RAM1

Table 15-645. OCMC_RAM1 Hardware Requests

Module Instance	Source Signal Name	Interrupt Requests		Description
		Destination IRQ_CROSSBAR Input	Default Mapping	
OCMC_RAM1	OCMC_RAM1_IRQ	IRQ_CROSSBAR_164	-	First OCMC_RAM1 interrupt request. This IRQ source signal is not mapped by default to any device INTC.
	OCMC_RAM1_IRQ_CBUF	IRQ_CROSSBAR_372	-	Second OCMC_RAM1 interrupt request. This IRQ source signal is not mapped by default to any device INTC.

NOTE: The “Default Mapping” column in Table 15-645 OCMC_RAM1 Hardware Requests shows the default mapping of module IRQ source signals. These IRQ source signals can also be mapped to other lines of each device Interrupt controller through the IRQ_CROSSBAR module.

For more information about the IRQ_CROSSBAR module, see Section 18.4.6.4, *IRQ_CROSSBAR Module Functional Description*, in Chapter 18, *Control Module*.

For more information about the device interrupt controllers, see Chapter 17, *Interrupt Controllers*.

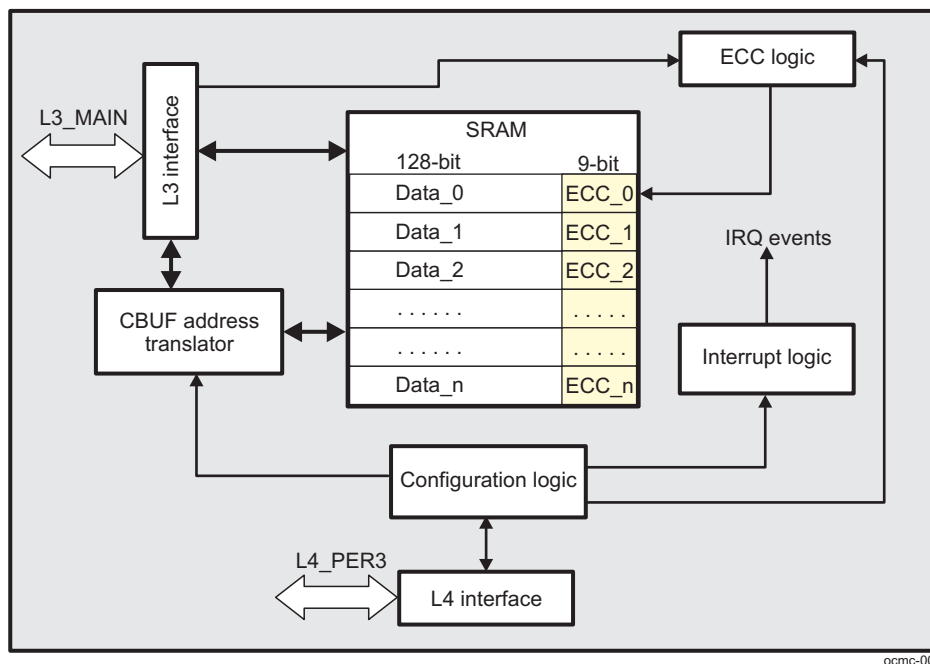
NOTE: For description of the interrupt sources, see Section 15.6.3.4, *Interrupt Requests*.

15.6.3 OCM Subsystem Functional Description

15.6.3.1 Block Diagram

Figure 15-108 shows the OCMC block diagram.

Figure 15-108. OCMC Block Diagram



The module is composed by the following main blocks:

- L3 interface used for data transactions
- L4 interface used for configuration
- CBUF address translator which converts the L3_MAIN VBUF addresses into SRAM addresses
- ECC logic to support single error correction and double error detection
- SRAM used for storing data and the corresponding for each 128-bit word ECC
- Interrupt logic used for generating interrupt requests
- Configuration logic in which reside the registers used for configuring the OCM controller operation modes

15.6.3.2 Resets

The OCMC_RST is the reset signal for the OCM controller which asynchronously resets the whole internal logic of the controller, including all configuration registers. It does not reset the SRAM. In addition, the [OCMC_SYSCONFIG_RST\[0\]](#) SW_RST bit provides a software way to reset the OCM controller. In this case all of its internal logic is reset except the configuration registers accessible through the L4_PER3.

15.6.3.3 Clock Management

The OCM controller complies with the PRCM slave idle protocol. The OCMC_L3_CLK and OCMC_L4_CLK clocks are gated based on the values loaded in the [OCMC_SYSCONFIG_PM\[3:2\]](#) IDLEMODE bit field.

15.6.3.4 Interrupt Requests

The OCM controller generates two interrupt requests, OCMC_RAM1_IRQ and OCMC_RAM1_IRQ_CBUF.

The OCMC_RAM1_IRQ line is associated with the following registers:

- [INTR0_STATUS_RAW_SET](#) - interrupt raw status register
- [INTR0_STATUS_ENABLED_CLEAR](#) - interrupt status register
- [INTR0_ENABLE_SET](#) - interrupt enable register
- [INTR0_ENABLE_CLEAR](#) - interrupt disable register

The OCMC_RAM1_IRQ_CBUF line is associated with the following registers:

- [INTR1_STATUS_RAW_SET](#) - interrupt raw status register
- [INTR1_STATUS_ENABLED_CLEAR](#) - interrupt status register
- [INTR1_ENABLE_SET](#) - interrupt enable (event unmask) register
- [INTR1_ENABLE_CLEAR](#) - interrupt disable (event mask) register

Both the register groups previously described have identical bits. When for example, only one event occurs one or the two IRQ lines will be asserted depending on the masks applied to the [INTR0_ENABLE_SET](#) and [INTR1_ENABLE_SET](#) registers. When for example, a short frame detection event occurs and if both the [INTR0_ENABLE_SET\[14\]](#) CBUF_SHORT_FRAME_DETECT_FOUND and [INTR1_ENABLE_SET\[14\]](#) CBUF_SHORT_FRAME_DETECT_FOUND bits are set to 0x1, then both the OCMC_RAM1_IRQ and OCMC_RAM1_IRQ_CBUF lines are asserted. If only the [INTR0_ENABLE_SET\[14\]](#) CBUF_SHORT_FRAME_DETECT_FOUND bit is set to 0x1, then only the OCMC_RAM1_IRQ line is asserted and the OCMC_RAM1_IRQ_CBUF line remains inactive (deasserted). Thus depending on the mask applied one IRQ line of the OCM controller can be associated only with CBUF events for example, and the other one IRQ line can be associated with ECC events. In other words, two unique interrupts can be provided.

[Table 15-646](#) lists the interrupt events which can assert the two interrupt lines of the OCM controller.

The OCM controller asserts each of its interrupt lines only if the interrupts are enabled by setting to 0x1 the corresponding bits in the [INTR0_ENABLE_SET/INTR1_ENABLE_SET](#) register. These interrupts can be disabled by setting to 0x1 the corresponding bits in the [INTR0_ENABLE_CLEAR/INTR1_ENABLE_CLEAR](#) register. After the interrupt has been serviced the corresponding status flag must be cleared by software. This is done by setting to 0x1 the corresponding bit in the [INTR0_STATUS_ENABLED_CLEAR/INTR1_STATUS_ENABLED_CLEAR](#) register which also

clears the corresponding bit in the [INTR0_STATUS_RAW_SET/INTR1_STATUS_RAW_SET](#) register. The status flags in the [INTR0_STATUS_RAW_SET/INTR1_STATUS_RAW_SET](#) register are set even if the corresponding interrupt is disabled as opposed to those in the [INTR0_STATUS_ENABLED_CLEAR/INTR1_STATUS_ENABLED_CLEAR](#) register, which are set only if the corresponding interrupt is enabled. An interrupt is also generated by the OCM controller, if certain bit in the [INTR0_STATUS_RAW_SET/INTR1_STATUS_RAW_SET](#) register is set to 0x1 and the corresponding interrupt is enabled through the [INTR0_ENABLE_SET/INTR1_ENABLE_SET](#) register. This is useful when user software debugging is performed. Additionally, even if interrupts are not enabled, certain status bit in the [INTR0_STATUS_RAW_SET/INTR1_STATUS_RAW_SET](#) register can be cleared by setting to 0x1 the corresponding bit in the [INTR0_STATUS_ENABLED_CLEAR/INTR1_STATUS_ENABLED_CLEAR](#) register.

For additional details regarding the CBUF related events, see [Section 15.6.3.11, CBUF Mode Error Handling](#).

Table 15-646. OCMC_RAM1 Events

Event Flag	Event Mask	Description
INTR0_STATUS_RAW_SET [14] CBUF_SHORT_FRAME_DETECT_FOUND/INTR1_STATUS_RAW_SET [14] CBUF_SHORT_FRAME_DETECT_FOUND and INTR0_STATUS_ENABLED_CLEAR [14] CBUF_SHORT_FRAME_DETECT_FOUND/INTR1_STATUS_ENABLED_CLEAR [14] CBUF_SHORT_FRAME_DETECT_FOUND	INTR0_ENABLE_SET [14] CBUF_SHORT_FRAME_DETECT_FOUND/INTR1_ENABLE_SET [14] CBUF_SHORT_FRAME_DETECT_FOUND and INTR0_ENABLE_CLEAR [14] CBUF_SHORT_FRAME_DETECT_FOUND/INTR1_ENABLE_CLEAR [14] CBUF_SHORT_FRAME_DETECT_FOUND	This bit indicates a short frame detection. It is set if at least one of the bits in the STATUS_CBUF_SHORT_FRAME_DETECT register is set to 0x1.
INTR0_STATUS_RAW_SET [13] CBUF_UNDERFLOW_ERR_FOUND/INTR1_STATUS_RAW_SET [13] CBUF_UNDERFLOW_ERR_FOUND and INTR0_STATUS_ENABLED_CLEAR [13] CBUF_UNDERFLOW_ERR_FOUND/INTR1_STATUS_ENABLED_CLEAR [13] CBUF_UNDERFLOW_ERR_FOUND	INTR0_ENABLE_SET [13] CBUF_UNDERFLOW_ERR_FOUND/INTR1_ENABLE_SET [13] CBUF_UNDERFLOW_ERR_FOUND and INTR0_ENABLE_CLEAR [13] CBUF_UNDERFLOW_ERR_FOUND/INTR1_ENABLE_CLEAR [13] CBUF_UNDERFLOW_ERR_FOUND	Indicates CBUF underflow detection. This bit is set if at least one of the bits in the STATUS_CBUF_UNDERFLOW register is set to 0x1.
INTR0_STATUS_RAW_SET [12] CBUF_OVERFLOW_WRAP_ERR_FOUND/INTR1_STATUS_RAW_SET [12] CBUF_OVERFLOW_WRAP_ERR_FOUND and INTR0_STATUS_ENABLED_CLEAR [12] CBUF_OVERFLOW_WRAP_ERR_FOUND/INTR1_STATUS_ENABLED_CLEAR [12] CBUF_OVERFLOW_WRAP_ERR_FOUND	INTR0_ENABLE_SET [12] CBUF_OVERFLOW_WRAP_ERR_FOUND/INTR1_ENABLE_SET [12] CBUF_OVERFLOW_WRAP_ERR_FOUND and INTR0_ENABLE_CLEAR [12] CBUF_OVERFLOW_WRAP_ERR_FOUND/INTR1_ENABLE_CLEAR [12] CBUF_OVERFLOW_WRAP_ERR_FOUND	Indicates Cbuf_Overflow_Wrap event
INTR0_STATUS_RAW_SET [11] CBUF_OVERFLOW_MID_ERR_FOUND/INTR1_STATUS_RAW_SET [11] CBUF_OVERFLOW_MID_ERR_FOUND and INTR0_STATUS_ENABLED_CLEAR [11] CBUF_OVERFLOW_MID_ERR_FOUND/INTR1_STATUS_ENABLED_CLEAR [11] CBUF_OVERFLOW_MID_ERR_FOUND	INTR0_ENABLE_SET [11] CBUF_OVERFLOW_MID_ERR_FOUND/INTR1_ENABLE_SET [11] CBUF_OVERFLOW_MID_ERR_FOUND and INTR0_ENABLE_CLEAR [11] CBUF_OVERFLOW_MID_ERR_FOUND/INTR1_ENABLE_CLEAR [11] CBUF_OVERFLOW_MID_ERR_FOUND	Indicates Cbuf_Overflow_Mid event
INTR0_STATUS_RAW_SET [10] CBUF_READ_SEQUENCE_ERR_FOUND/INTR1_STATUS_RAW_SET [10] CBUF_READ_SEQUENCE_ERR_FOUND and INTR0_STATUS_ENABLED_CLEAR [10] CBUF_READ_SEQUENCE_ERR_FOUND/INTR1_STATUS_ENABLED_CLEAR [10] CBUF_READ_SEQUENCE_ERR_FOUND	INTR0_ENABLE_SET [10] CBUF_READ_SEQUENCE_ERR_FOUND/INTR1_ENABLE_SET [10] CBUF_READ_SEQUENCE_ERR_FOUND and INTR0_ENABLE_CLEAR [10] CBUF_READ_SEQUENCE_ERR_FOUND/INTR1_ENABLE_CLEAR [10] CBUF_READ_SEQUENCE_ERR_FOUND	This flag indicates that at least one CBUF read address is not incrementing in raster scan order ⁽¹⁾ .

⁽¹⁾ The [LAST_ILLEGAL_OCMC_ADDR](#) register stores the last illegal L3_MAIN address caused the assertion of this event.

Table 15-646. OCMC_RAM1 Events (continued)

Event Flag	Event Mask	Description
INTR0_STATUS_RAW_SET[9] CBUF_VBUF_READ_START_ERR_FOUND/INTR1_STATUS_RAW_SET[9] CBUF_VBUF_READ_START_ERR_FOUND and	INTR0_ENABLE_SET[9] CBUF_VBUF_READ_START_ERR_FOUND/INTR1_ENABLE_SET[9] CBUF_VBUF_READ_START_ERR_FOUND and	This flag indicates when at least one of the CBUF read accesses does not start at the VBUF start address ⁽¹⁾ .
INTR0_STATUS_ENABLED_CLEAR[9] CBUF_VBUF_READ_START_ERR_FOUND/INTR1_STATUS_ENABLED_CLEAR[9] CBUF_VBUF_READ_START_ERR_FOUND	INTR0_ENABLE_CLEAR[9] CBUF_VBUF_READ_START_ERR_FOUND/INTR1_ENABLE_CLEAR[9] CBUF_VBUF_READ_START_ERR_FOUND	
INTR0_STATUS_RAW_SET[8] CBUF_READ_OUT_OF_RANGE_ERR_FOUND/INTR1_STATUS_RAW_SET[8] CBUF_READ_OUT_OF_RANGE_ERR_FOUND and	INTR0_ENABLE_SET[8] CBUF_READ_OUT_OF_RANGE_ERR_FOUND/INTR1_ENABLE_SET[8] CBUF_READ_OUT_OF_RANGE_ERR_FOUND and	This flag indicates when at least one of the CBUF read addresses is out of the CBUF address range ⁽¹⁾ .
INTR0_STATUS_ENABLED_CLEAR[8] CBUF_READ_OUT_OF_RANGE_ERR_FOUND/INTR1_STATUS_ENABLED_CLEAR[8] CBUF_READ_OUT_OF_RANGE_ERR_FOUND	INTR0_ENABLE_CLEAR[8] CBUF_READ_OUT_OF_RANGE_ERR_FOUND/INTR1_ENABLE_CLEAR[8] CBUF_READ_OUT_OF_RANGE_ERR_FOUND	
INTR0_STATUS_RAW_SET[7] CBUF_WRITE_SEQUENCE_ERR_FOUND/INTR1_STATUS_RAW_SET[7] CBUF_WRITE_SEQUENCE_ERR_FOUND and	INTR0_ENABLE_SET[7] CBUF_WRITE_SEQUENCE_ERR_FOUND/INTR1_ENABLE_SET[7] CBUF_WRITE_SEQUENCE_ERR_FOUND and	This flag indicates that at least one CBUF write address is not incrementing in raster scan order ⁽¹⁾ .
INTR0_STATUS_ENABLED_CLEAR[7] CBUF_WRITE_SEQUENCE_ERR_FOUND/INTR1_STATUS_ENABLED_CLEAR[7] CBUF_WRITE_SEQUENCE_ERR_FOUND	INTR0_ENABLE_CLEAR[7] CBUF_WRITE_SEQUENCE_ERR_FOUND/INTR1_ENABLE_CLEAR[7] CBUF_WRITE_SEQUENCE_ERR_FOUND	
INTR0_STATUS_RAW_SET[6] CBUF_VBUF_WRITE_START_ERR_FOUND/INTR1_STATUS_RAW_SET[6] CBUF_VBUF_WRITE_START_ERR_FOUND and	INTR0_ENABLE_SET[6] CBUF_VBUF_WRITE_START_ERR_FOUND/INTR1_ENABLE_SET[6] CBUF_VBUF_WRITE_START_ERR_FOUND and	This flag indicates when at least one of the CBUF write accesses does not start at the VBUF start address ⁽¹⁾ .
INTR0_STATUS_ENABLED_CLEAR[6] CBUF_VBUF_WRITE_START_ERR_FOUND/INTR1_STATUS_ENABLED_CLEAR[6] CBUF_VBUF_WRITE_START_ERR_FOUND	INTR0_ENABLE_CLEAR[6] CBUF_VBUF_WRITE_START_ERR_FOUND/INTR1_ENABLE_CLEAR[6] CBUF_VBUF_WRITE_START_ERR_FOUND	
INTR0_STATUS_RAW_SET[5] CBUF_WR_OUT_OF_RANGE_ERR_FOUND/INTR1_STATUS_RAW_SET[5] CBUF_WR_OUT_OF_RANGE_ERR_FOUND and	INTR0_ENABLE_SET[5] CBUF_WR_OUT_OF_RANGE_ERR_FOUND/INTR1_ENABLE_SET[5] CBUF_WR_OUT_OF_RANGE_ERR_FOUND and	This flag indicates when at least one of the CBUF write addresses is out of the CBUF address range ⁽¹⁾ .
INTR0_STATUS_ENABLED_CLEAR[5] CBUF_WR_OUT_OF_RANGE_ERR_FOUND/INTR1_STATUS_ENABLED_CLEAR[5] CBUF_WR_OUT_OF_RANGE_ERR_FOUND	INTR0_ENABLE_CLEAR[5] CBUF_WR_OUT_OF_RANGE_ERR_FOUND/INTR1_ENABLE_CLEAR[5] CBUF_WR_OUT_OF_RANGE_ERR_FOUND	
INTR0_STATUS_RAW_SET[4] CBUF_VIRTUAL_ADDR_ERR_FOUND/INTR1_STATUS_RAW_SET[4] CBUF_VIRTUAL_ADDR_ERR_FOUND and	INTR0_ENABLE_SET[4] CBUF_VIRTUAL_ADDR_ERR_FOUND/INTR1_ENABLE_SET[4] CBUF_VIRTUAL_ADDR_ERR_FOUND and	This flag indicates when a virtual address error is detected. This is a general interrupt event which is not associated with any specific CBUF ⁽¹⁾ .
INTR0_STATUS_ENABLED_CLEAR[4] CBUF_VIRTUAL_ADDR_ERR_FOUND/INTR1_STATUS_ENABLED_CLEAR[4] CBUF_VIRTUAL_ADDR_ERR_FOUND	INTR0_ENABLE_CLEAR[4] CBUF_VIRTUAL_ADDR_ERR_FOUND/INTR1_ENABLE_CLEAR[4] CBUF_VIRTUAL_ADDR_ERR_FOUND	
INTR0_STATUS_RAW_SET[3] OUT_OF_RANGE_ERR_FOUND/INTR1_STATUS_RAW_SET[3] OUT_OF_RANGE_ERR_FOUND and	INTR0_ENABLE_SET[3] OUT_OF_RANGE_ERR_FOUND/INTR1_ENABLE_SET[3] OUT_OF_RANGE_ERR_FOUND and	General interrupt for an access made with illegal VBUF address ⁽¹⁾ .
INTR0_STATUS_ENABLED_CLEAR[3] OUT_OF_RANGE_ERR_FOUND/INTR1_STATUS_ENABLED_CLEAR[3] OUT_OF_RANGE_ERR_FOUND	INTR0_ENABLE_CLEAR[3] OUT_OF_RANGE_ERR_FOUND/INTR1_ENABLE_CLEAR[3] OUT_OF_RANGE_ERR_FOUND	

Table 15-646. OCMC_RAM1 Events (continued)

Event Flag	Event Mask	Description
INTR0_STATUS_RAW_SET[2] ADDR_ERR_FOUND/INTR1_STATUS_RAW_SE T[2] ADDR_ERR_FOUND and INTR0_STATUS_ENABLED_CLEAR[2] ADDR_ERR_FOUND/INTR1_STATUS_ENABL ED_CLEAR[2] ADDR_ERR_FOUND	INTR0_ENABLE_SET[2] ADDR_ERR_FOUND/INTR1_ENABLE_SET[2] ADDR_ERR_FOUND and INTR0_ENABLE_CLEAR[2] ADDR_ERR_FOUND/INTR1_ENABLE_CLEAR[2] ADDR_ERR_FOUND	This status flag is set when the value of the STATUS_ERROR_CNT [23:20] ADDR_ERROR_CNT bit field reaches the threshold counter value configured through the CFG_OCMC_ECC_ERROR [23:20] CFG_ADDR_ERR_CNT_MAX bit field. The status remains asserted until the counter is not cleared. This is done by setting to 0x1 the CFG_OCMC_ECC_CLEAR_HIST [2] CLEAR_ADDR_ERR_CNT bit. If the counter is not cleared another interrupt is re-issued.
INTR0_STATUS_RAW_SET[1] DED_ERR_FOUND/INTR1_STATUS_RAW_SE T[1] DED_ERR_FOUND and INTR0_STATUS_ENABLED_CLEAR[1] DED_ERR_FOUND/INTR1_STATUS_ENABL E_CLEAR[1] DED_ERR_FOUND	INTR0_ENABLE_SET[1] DED_ERR_FOUND/INTR1_ENABLE_SET[1] DED_ERR_FOUND and INTR0_ENABLE_CLEAR[1] DED_ERR_FOUND/INTR1_ENABLE_CLEAR[1] DED_ERR_FOUND	This status flag is set when the value of the STATUS_ERROR_CNT [19:16] DED_ERROR_CNT bit field reaches the threshold counter value configured through the CFG_OCMC_ECC_ERROR [19:16] CFG_DED_CNT_MAX bit field. The status remains asserted until the counter is not cleared. This is done by setting to 0x1 the CFG_OCMC_ECC_CLEAR_HIST [1] CLEAR_DED_ERR_CNT bit. If the counter is not cleared another interrupt is re-issued.
INTR0_STATUS_RAW_SET[0] SEC_ERR_FOUND/INTR1_STATUS_RAW_SE T[0] SEC_ERR_FOUND and INTR0_STATUS_ENABLED_CLEAR[0] SEC_ERR_FOUND/INTR1_STATUS_ENABL E_CLEAR[0] SEC_ERR_FOUND	INTR0_ENABLE_SET[0] SEC_ERR_FOUND/INTR1_ENABLE_SET[0] SEC_ERR_FOUND and INTR0_ENABLE_CLEAR[0] SEC_ERR_FOUND/INTR1_ENABLE_CLEAR[0] SEC_ERR_FOUND	This status flag is set when the value of the STATUS_ERROR_CNT [15:0] SEC_ERROR_CNT bit field reaches the threshold counter value configured through the CFG_OCMC_ECC_ERROR [15:0] CFG_SEC_CNT_MAX bit field. The status remains asserted until the counter is not cleared. This is done by setting to 0x1 the CFG_OCMC_ECC_CLEAR_HIST [0] CLEAR_SEC_ERR_CNT bit. If the counter is not cleared another interrupt is re-issued.

15.6.3.5 OCM Subsystem Memory Regions

The SRAM associated with the OCMC_RAM1 is accessible through the L3_MAIN interconnect. The start address is 0x4030 0000 and the end address is 0x4037 FFFF. That is address space of 512KiB. The configuration registers of the OCMC_RAM1 are accessible through the L4_PER3 starting at address 0x4880 4000.

15.6.3.6 OCM Controller Modes Of Operation

The OCM controller supports four modes of operation. Each of these modes is selected through the [CFG_OCMC_ECC\[2:0\] CFG_OCMC_MODE](#) bit field. The four supported modes are the following:

- Non-ECC mode (Data Access) - Accesses to the SRAM are non-ECC-enabled and an ECC is not calculated.
- Non-ECC mode (Code Access) - The L3_MAIN address is mapped to the SRAM memory space where the ECC code is stored. This mode allows read and write access to the 9-bit ECC word associated with each 128-bit data word. This mode is used for test purposes.
- Full-ECC mode - Accesses to the SRAM are ECC-enabled and a 9-bit ECC is calculated for each 128 bits of data.
- Block-ECC mode - A 9-bit ECC is calculated only for a 128KiB block of the SRAM. Accesses outside the 128KiB ECC-enabled block are non-ECC data accesses. In other words, a 9-bit ECC will be calculated not for each 128-bit data word of the whole SRAM space, but for each 128-bit data word within the boundaries of this 128KiB block of the SRAM. The selection of a 128KiB ECC-enabled block is done using bits[19:0] of the [CFG_OCMC_ECC_MEM_BLK](#) register. Each bit specifies which 128KiB block of the SRAM is ECC-enabled. 0x1 is the active value for each bit. In addition, more than one 128KiB ECC-enabled block can be selected.

The default mode of operation for the OCM controller is the non-ECC data access mode.

15.6.3.7 ECC Associated FIFOs

There are three FIFOs used when ECC mode is enabled. Each FIFO is four level deep. The FIFOs are the following:

- Address FIFO for single errors also referred to as SEC FIFO
- Address FIFO for double errors also referred to as DED FIFO
- Address FIFO for address errors also referred to as ADDRERR FIFO

The SEC FIFO stores the SRAM addresses at which a single error is detected. The FIFO is able to store up to four unique addresses of the single errors occurred. If there are more than four single errors associated with unique addresses, then only the first four addresses are stored in the FIFO. In case of occurrence of multiple correctable errors, the addresses are stored in the order the errors occurred. The SEC FIFO can be optionally configured to store all addresses of the single errors occurred including also the repeated addresses. This is done by setting to 0x0 the [CFG_OCMC_ECC_ERROR\[24\] CFG_DISCARD_DUP_ADDR](#) bit. The SEC FIFO can be cleared by setting to 0x1 the [CFG_OCMC_ECC_CLEAR_HIST\[0\] CLEAR_SEC_ERR_CNT](#) bit or by reading FIFO's content one by one through the [STATUS_SEC_ERROR_TRACE\[17:0\] ADDRESS_128BIT](#) bit field which points to the SEC FIFO. In addition, the [STATUS_SEC_ERROR_TRACE\[18\] VALID](#) bit shows whether the FIFO is empty or not. A value of 0x1 means that the SEC FIFO is not empty and valid address can be read.

The DED FIFO stores the SRAM addresses when a double error is detected. The FIFO is able to store up to four unique addresses, but it can also be configured to store the repeated addresses by setting to 0x0 the [CFG_OCMC_ECC_ERROR\[24\] CFG_DISCARD_DUP_ADDR](#) bit. The [STATUS_DED_ERROR_TRACE\[17:0\] ADDRESS_128BIT](#) bit field points to the DED FIFO. The [STATUS_DED_ERROR_TRACE\[18\] VALID](#) bit shows whether the FIFO is empty or not. The DED FIFO can be cleared by setting to 0x1 the [CFG_OCMC_ECC_CLEAR_HIST\[1\] CLEAR_DED_ERR_CNT](#) bit or by reading its content one by one through the [STATUS_DED_ERROR_TRACE\[17:0\] ADDRESS_128BIT](#).

The ADDRERR FIFO stores the SRAM addresses where the single error occurred is an address error. The [STATUS_ADDR_TRANSLATION_ERROR_TRACE\[17:0\] ADDRESS_128BIT](#) bit field points to the ADDRERR FIFO. The [STATUS_ADDR_TRANSLATION_ERROR_TRACE\[18\] VALID](#) bit shows whether the FIFO is empty or not. The ADDRERR FIFO can be cleared by setting to 0x1 the [CFG_OCMC_ECC_CLEAR_HIST\[2\] CLEAR_ADDR_ERR_CNT](#) bit or by reading its content one by one through the [STATUS_ADDR_TRANSLATION_ERROR_TRACE\[17:0\] ADDRESS_128BIT](#) pointer. The ADDRERR FIFO is also able to store up to four unique addresses and can also be configured to store repeated addresses by setting to 0x0 the [CFG_OCMC_ECC_ERROR\[24\] CFG_DISCARD_DUP_ADDR](#) bit.

15.6.3.8 ECC Counters And Corrected Bit Distribution Register

There are three counters which are used to count different types of errors occurred when the ECC mode is enabled. The counters are the following:

- SEC Counter - [STATUS_ERROR_CNT\[15:0\]](#) SEC_ERROR_CNT. This is the counter for the single errors occurred. It keeps track of all single errors. That is, even for those with error addresses that have already been logged.
- DED Counter - [STATUS_ERROR_CNT\[19:16\]](#) DED_ERROR_CNT. This is the counter for the double error detections.
- ADDRERR Counter - [STATUS_ERROR_CNT\[23:20\]](#) ADDR_ERROR_CNT. This is the counter for the address errors found when a single error occurs. That is, when the single error is an address error.

When a single error in the 128-bit data word occurs and this error is corrected, the OCM controller indicates for the corrected bit of this 128-bit word by setting to 0x1 a corresponding bit in the corrected bit distribution register. This is a 128-bit register composed by the following registers:

- [STATUS_SEC_ERROR_DISTR_0\[31:0\]](#) SEC_BIT_ERROR_FOUND - Bits [31:0] of the corrected 128-bit data word.
- [STATUS_SEC_ERROR_DISTR_1\[31:0\]](#) SEC_BIT_ERROR_FOUND - Bits [63:32] of the corrected 128-bit data word.
- [STATUS_SEC_ERROR_DISTR_2\[31:0\]](#) SEC_BIT_ERROR_FOUND - Bits [95:64] of the corrected 128-bit data word.
- [STATUS_SEC_ERROR_DISTR_3\[31:0\]](#) SEC_BIT_ERROR_FOUND - Bits [127:96] of the corrected 128-bit data word.

When a single error in the ECC itself occurs, the OCM controller indicates for this error by setting to 0x1 a corresponding bit in the [STATUS_SEC_ERROR_DISTR_4\[7:0\]](#) SEC_ECC_CODE_ERROR_FOUND bit field. The parity bit is not associated with this bit field.

15.6.3.9 ECC Support

The ECC mode is enabled through the [CFG_OCMC_ECC\[2:0\]](#) CFG_OCMC_MODE bit field. When enabled a 9-bit Hamming ECC is calculated and stored for each consecutive 128-bit block of the SRAM. The ECC is calculated based on a codeword constructed by concatenating the 128 bits of data with the address bits A21 through A4 of the L3_MAIN. The ECC generated is Hamming(155,146) code and has a Hamming distance of 4. The OCM controller uses this code to validate the content of the SRAM, to correct a single bit error that occurs within the 128-bit boundary or to determine if a non-correctable error has occurred within the 128-bit boundary.

During write transactions and when ECC is enabled, for every 128-bit data word, the ECC is calculated and stored in a 9-bit field of the SRAM associated only with the address where that 128-bit data word is written. If an initiator performs a write transaction which is less than 128 bits or it is non-128-bit aligned transaction, then the content of all 128 bits is read, the new sub-quanta of data is inserted and the ECC is calculated based on all 128 bits.

During read transactions and when ECC is enabled, the ECC is calculated based on the memory address (bits A21 through A4) and the 128-bit data word read from the SRAM. This ECC is then compared to the ECC stored at the address when the data was written to the SRAM. If the two ECCs are matching then the data is transferred to the requesting initiator without further exceptions. If the two ECCs are not matching then a check is made to determine if the error is correctable or not. If the error is not correctable, that is a double error, then the address of the erroneous word is stored in the DED FIFO, the [STATUS_ERROR_CNT\[19:16\]](#) DED_ERROR_CNT counter is incremented by 1 and the double error flag is asserted. The double error flag is indicated by the [INTR0_STATUS_RAW_SET\[1\]](#) DED_ERR_FOUND/[INTR1_STATUS_RAW_SET\[1\]](#) DED_ERR_FOUND bits, but its assertion depends on the threshold configured through the [CFG_OCMC_ECC_ERROR\[19:16\]](#) CFG_DED_CNT_MAX bit field. For more information see, [Table 15-646, OCMC_RAM1 Events](#).

In case of a single error, the OCM controller first determines whether the erroneous bit is in the data, address or the ECC itself. In this case the following applies:

- If the single error is located in the data read, then the erroneous bit is corrected and the data is passed to the requesting initiator. The erroneous bit is corrected also in the SRAM location by the auto re-write

feature of the OCM controller if this feature is enabled by setting to 0x1 the [CFG_OCMC_ECC\[3\]](#) [CFG_ECC_SEC_AUTO_CORRECT](#) bit field. In addition, the address of the corrected data word is pushed to the SEC FIFO and the [STATUS_ERROR_CNT\[15:0\]](#) [SEC_ERROR_CNT](#) counter is incremented by 1. The single error flag is asserted too, but only if the value of the [STATUS_ERROR_CNT\[15:0\]](#) [SEC_ERROR_CNT](#) counter reaches the threshold configured by the [CFG_OCMC_ECC_ERROR\[15:0\]](#) [CFG_SEC_CNT_MAX](#) bit field. The single error flag is indicated by the [INTR0_STATUS_RAW_SET\[0\]](#) [SEC_ERR_FOUND/INTR1_STATUS_RAW_SET\[0\]](#) [SEC_ERR_FOUND](#) bits. For more information see, [Table 15-646, OCMC_RAM1 Events](#).

- If the single error is located in the address portion of the quanta, then the data is passed to the requesting initiator unchanged and the [STATUS_ERROR_CNT\[23:20\]](#) [ADDR_ERROR_CNT](#) and [STATUS_ERROR_CNT\[15:0\]](#) [SEC_ERROR_CNT](#) counters are incremented by 1. The address associated with this error is stored in the ADDRERR FIFO and the address error flag is asserted. This flag is indicated by the [INTR0_STATUS_RAW_SET\[2\]](#) [ADDR_ERR_FOUND/INTR1_STATUS_RAW_SET\[2\]](#) [ADDR_ERR_FOUND](#) bits, but its assertion depends on the threshold configured through the [CFG_OCMC_ECC_ERROR\[23:20\]](#) [CFG_ADDR_ERR_CNT_MAX](#) bit field. For more information see, [Table 15-646, OCMC_RAM1 Events](#).
- If the single error is located in the ECC itself, then the data is passed to the initiator unchanged but the [STATUS_ERROR_CNT\[15:0\]](#) [SEC_ERROR_CNT](#) counter is incremented by 1 and the address associated with this error is stored in the SEC FIFO.

[Table 15-647](#) summarizes the actions taken by the OCM controller for the different error types.

Table 15-647. OCMC Error Handling In Case Of Different Error Types

Error Type	Data Returned	SRAM Data/ECC Update	SEC Counter	SEC FIFO	DED Counter	DED FIFO	ADDRERR Counter	ADDRERR FIFO	Error Bit Distribution
Single data error	Corrected	Data corrected/ECC re-generated	Incremented by 1	Address written	-	-	-	-	The content of the corrected bit distribution register is updated
Single address error	Unchanged	ECC re-generated	Incremented by 1	-	-	-	Incremented by 1	Address written	-
Single ECC error	Unchanged	ECC re-generated	Incremented by 1	Address written	-	-	-	-	The content of the STATUS_SEC_ERROR_DISTR_4[7:0] SEC_ECC_CODE_ERROR_FOUND bit field is updated
Double error	Unchanged	-	-	-	Incremented by 1	Address written	-	-	-

If ECC has to be used, before performing SRAM read/write operations the following steps should be performed:

- Configuring the ECC registers
- Enabling the ECC
- Initializing the SRAM with data
- Clearing the status flags

[Table 15-648](#) describes in detail the steps to be performed.

Table 15-648. OCMC ECC Configuration

Step	Associated Register/ Bit Field	Value
(Optional) Enable the error response on L3_MAIN for a non-correctable error	CFG_OCMC_ECC[4] CFG_ECC_ERR_SRESP_EN	0x1
(Optional) Enable data auto correction in case of a single error	CFG_OCMC_ECC[3] CFG_ECC_SEC_AUTO_CORRECT	0x1
Enable the memory blocks to be ECC protected, if ECC block mode is used	CFG_OCMC_ECC_MEM_BLK[19:0] CFG_ECC_ENABLED_128K_BLK	0x-

Table 15-648. OCMC ECC Configuration (continued)

Step	Associated Register/ Bit Field	Value
(Optional) Configure the address errors count needed for triggering an interrupt	CFG_OCMC_ECC_ERROR [23:20] CFG_ADDR_ERR_CNT_MAX	0x-
(Optional) Configure the DED count needed for triggering an interrupt	CFG_OCMC_ECC_ERROR [19:16] CFG_DED_CNT_MAX	0x-
(Optional) Configure the SEC count needed for triggering an interrupt	CFG_OCMC_ECC_ERROR [15:0] CFG_SEC_CNT_MAX	0x-
Enable ECC	CFG_OCMC_ECC [2:0] CFG_OCMC_MODE	0x2 for full ECC or 0x3 for block ECC mode
Initialize the memory with data		
Clear the error counters in the STATUS_ERROR_CNT register	CFG_OCMC_ECC_CLEAR_HIST [2:0]	0x7
Clear the SEC bit distribution history from the following registers:	CFG_OCMC_ECC_CLEAR_HIST [3] CLEAR_SEC_BIT_DISTR	0x1
• STATUS_SEC_ERROR_DISTR_0		
• STATUS_SEC_ERROR_DISTR_1		
• STATUS_SEC_ERROR_DISTR_2		
• STATUS_SEC_ERROR_DISTR_3		
• STATUS_SEC_ERROR_DISTR_4		

15.6.3.10 Circular Buffer (CBUF) Support

The OCM controller provides up to 12 programmable circular buffers that are mapped to virtual video frames to support sliced based on-the-fly video frame processing. Each circular buffer must be programmed with the following:

- Unique virtual frame start address - configured through [CBUF_i_VBUF_START_ADDR](#)[31:4] ADDR.
- Unique virtual frame end address - configured through [CBUF_i_VBUF_END_ADDR](#)[31:4] ADDR.
- SRAM start address - configured through [CBUF_i_OCMC_START_ADDR](#)[31:4] ADDR.
- SRAM size allocated for that circular buffer - configured through [CBUF_i_OCMC_BUF_SIZE](#)[19:4] BUF_SIZE.

The circular buffer mode is enabled when the [CFG_OCMC_CBUF_EN](#)[0] CBUF_MODE_EN bit is set to 0x1. In addition, to enable certain circular buffer the corresponding bit in the [CFG_OCMC_CBUF_EN](#)[27:16] bit field must be set to 0x1. For example, to enable CBUF_0 both the [CFG_OCMC_CBUF_EN](#)[0] CBUF_MODE_EN and [CFG_OCMC_CBUF_EN](#)[16] CBUF_EN_0 bits must be set to 0x1.

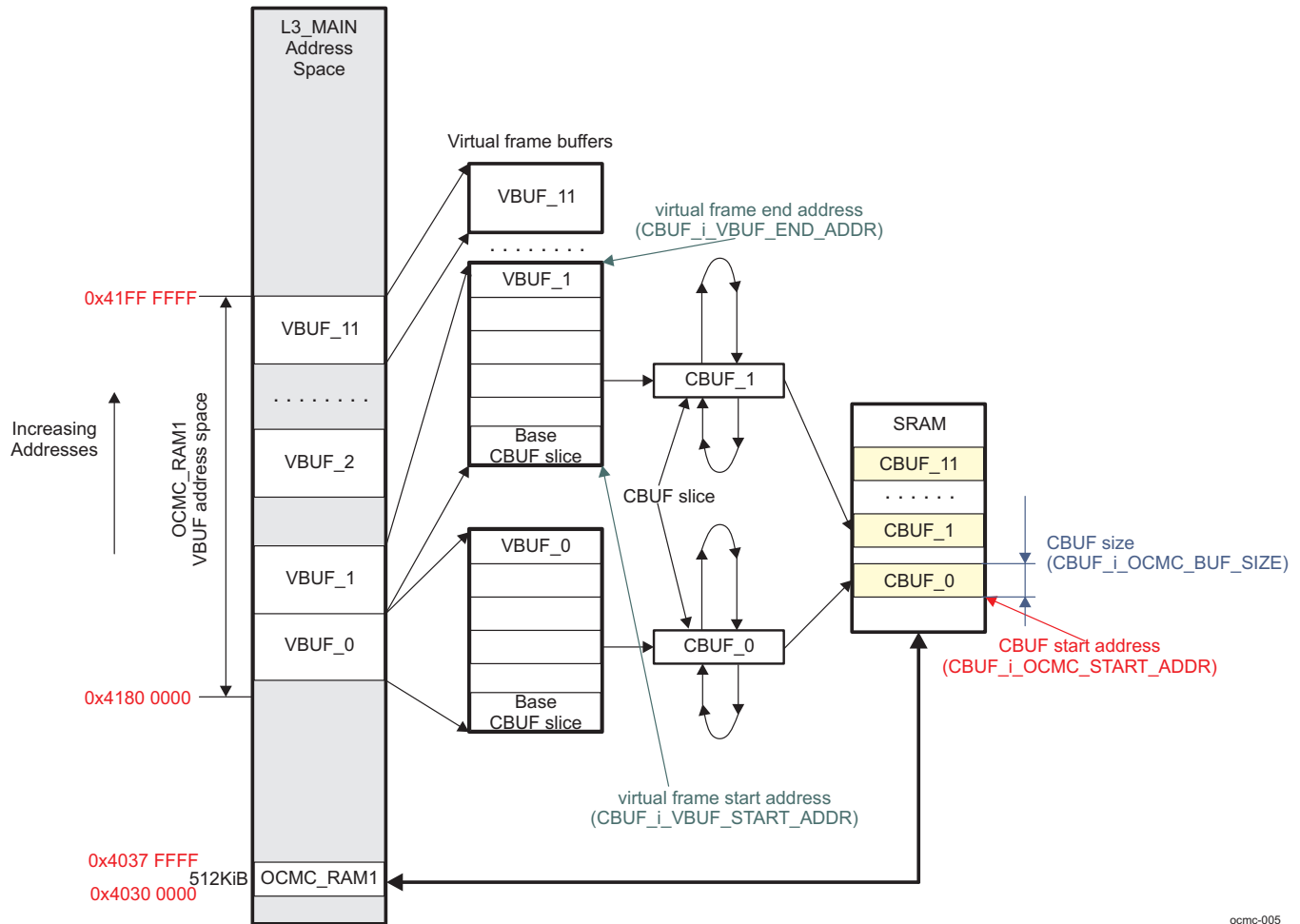
The data transfers are made to the virtual frame addresses. The OCM controller translates these virtual addresses to SRAM addresses allocated for the CBUF. The address translation is done on-the-fly without leading to any additional latency and therefore has no performance impact on the overall operation of the OCM controller.

The L3_MAIN address range associated with the virtual frame addresses is the following:

- For OCMC_RAM1 the start address is 0x4180 0000 and the end address is 0x41FF FFFF.

When an initiator performs an access to these L3_MAIN addresses, these virtual frame addresses will be translated automatically by the OCM controller into SRAM addresses. [Figure 15-109](#) shows the address mapping of the virtual frame addresses to CBUF addresses.

Figure 15-109. VBUF to CBUF Address Mapping



It must be taken into account that the start address of a virtual frame always begins at the start of the CBUF. Since the virtual frame buffer size is not necessarily to be a multiple of the CBUF size, the last VBUF write location may not be the last line of the CBUF. As the CBUF read and write pointers are independently managed the initiators that are writing to and reading from the CBUF should be coordinated in order to avoid overflow and underflow conditions.

15.6.3.11 CBUF Mode Error Handling

For each L3_MAIN write or read access associated with the virtual frame buffer, the OCM controller performs various address error checks to prevent illegal CBUF accesses from causing false overflow and underflow conditions. Once the L3_MAIN VBUF address is determined as valid, the OCM controller further checks for overflow and underflow conditions to properly handle the access to the CBUF during each one of these conditions and to notify for error condition an external host.

For more information regarding all CBUF events see, [Table 15-646, OCMC_RAM1 Events](#).

15.6.3.11.1 VBUF Address Not Mapped to a CBUF Memory Space

The L3_MAIN VBUF address should be mapped to a valid CBUF region. If this address is mapped to none of the configured CBUF regions, then the OCM controller generates a virtual address error or out of range CBUF address error event. It is possible both virtual address error and out of range CBUF address error to be generated. The L3_MAIN VBUF address caused these two events can be read through the [LAST_ILLEGAL_OCMC_ADDR\[31:0\] ADDR](#) bit field.

Virtual address error is generated when the L3_MAIN VBUF address is lower than the virtual frame start address. This is indicated by asserting the [INTRO_STATUS_RAW_SET\[4\]](#) [CBUF_VIRTUAL_ADDR_ERR_FOUND/INTR1_STATUS_RAW_SET\[4\]](#) [CBUF_VIRTUAL_ADDR_ERR_FOUND](#) bit.

The out of range CBUF address error is generated when the L3_MAIN VBUF address is greater than the virtual frame end address. This error is an indication of an unexpected change in the frame size or a long frame and should be handled immediately to prevent further memory corruption. The out of range CBUF address error can be caused when performing write or read access. The out of range CBUF write address error is indicated by the [STATUS_CBUF_WR_OUT_OF_RANGE_ERR\[11:0\]](#) [CBUF_ERR](#) bit field. The out of range CBUF read address error is indicated by the [STATUS_CBUF_RD_OUT_OF_RANGE_ERROR\[11:0\]](#) [CBUF_ERR](#) bit field. Each bit in these registers is associated only with one CBUF. Bit 0 corresponds to CBUF_0, bit 1 corresponds to CBUF_1 and so on. A value of 0x1 for each bit means that there is an error (CBUF address is out of CBUF range) for the corresponding CBUF. Writing 0x1 for each bit clears the status.

The [INTRO_STATUS_RAW_SET\[5\]](#) [CBUF_WR_OUT_OF_RANGE_ERR_FOUND/INTR1_STATUS_RAW_SET\[5\]](#) [CBUF_WR_OUT_OF_RANGE_ERR_FOUND](#) bit is asserted if at least one of the bits in the [STATUS_CBUF_WR_OUT_OF_RANGE_ERR\[11:0\]](#) [CBUF_ERR](#) bit field is set to 0x1.

The [INTRO_STATUS_RAW_SET\[8\]](#) [CBUF_READ_OUT_OF_RANGE_ERR_FOUND/INTR1_STATUS_RAW_SET\[8\]](#) [CBUF_READ_OUT_OF_RANGE_ERR_FOUND](#) bit is asserted if at least one of the bits in the [STATUS_CBUF_RD_OUT_OF_RANGE_ERROR\[11:0\]](#) [CBUF_ERR](#) bit field is set to 0x1.

15.6.3.11.2 VBUF Access Not Starting At The Base Address

After (hardware or software) reset or on a new frame start condition, a frame write or read access for any VBUF must start from its virtual frame start address ([CBUF_i_VBUF_START_ADDR\[31:4\]](#) [ADDR](#)). If this is not met the OCM controller ignores all accesses which don't start at address [CBUF_i_VBUF_START_ADDR\[31:4\]](#) [ADDR](#) and also generates an interrupt. The [STATUS_CBUF_WR_VBUF_START_ERR\[11:0\]](#) [CBUF_ERR](#) register contains the status bits of this interrupt which are associated with frame write access. The [STATUS_CBUF_VBUF_RD_START_ERROR\[11:0\]](#) [CBUF_ERR](#) register contains the status bits associated with frame read access. Each bit in these two registers is associated only with one CBUF. A value of 0x1 for each bit means that the read/write access does not start at the VBUF start address.

While this error condition exists, no updates to the CBUF channel status registers are made. An exception to this constraint is when the last read/write access is still within the base CBUF slice. The enforcing of a frame starting at VBUF starting address is not done in this case to allow random access within the same CBUF. However, this will be flagged and handled as a short frame occurrence.

The [INTRO_STATUS_RAW_SET\[6\]](#) [CBUF_VBUF_WRITE_START_ERR_FOUND/INTR1_STATUS_RAW_SET\[6\]](#) [CBUF_VBUF_WRITE_START_ERR_FOUND](#) bit is asserted if at least one of the bits in the [STATUS_CBUF_WR_VBUF_START_ERR\[11:0\]](#) [CBUF_ERR](#) bit field is set to 0x1.

The [INTRO_STATUS_RAW_SET\[9\]](#) [CBUF_VBUF_READ_START_ERR_FOUND/INTR1_STATUS_RAW_SET\[9\]](#) [CBUF_VBUF_READ_START_ERR_FOUND](#) bit is asserted if at least one of the bits in the [STATUS_CBUF_VBUF_RD_START_ERROR\[11:0\]](#) [CBUF_ERR](#) bit field is set to 0x1.

15.6.3.11.3 Illegal Address Change Between Two Same Type Accesses

The OCM controller requires both read and write accesses to a virtual frame buffer to be performed in the positive raster scan order, that is, successive write or read accesses should be to a higher address except on a new frame start for which the address jumps back down to the beginning of the virtual frame buffer. The OCM controller checks to make sure that a virtual address meets one of the following conditions:

- It is within the same CBUF slice as the last access of the same type (read or write)
- It is within the next CBUF slice of the last access of the same type (read or write)
- The virtual address is to the VBUF frame start address

Based on these constraints, the OCM controller generates an write/read address sequence error interrupt and invalidates the access, that is, writes are disabled and reads return unknown data, if the following two conditions are met:

- The current access address is not to a current or next CBUF slice space
- The current access address is not to the base of the virtual frame buffer (the first CBUF slice)

The random accesses within the current CBUF slice are permitted to allow some variations in the line width of the captured video which often happens with weak video signal conditions.

To avoid illegal CBUF slice backward switching, the modules capturing the input video and sending it to the CBUF of the OCM controller should limit the maximum width of a line width to be less than the stride size (in pixels). This guarantees that a start of a new line does not point back to the previous CBUF slice.

If a write or read address sequence error event is detected on an access, the OCM controller will simply invalidate the accesses and will not update the CBUF status registers.

The bits in the [STATUS_CBUF_WR_ADDR_SEQ_ERROR](#)[11:0] CBUF_ERR bit field indicate write address sequence error event.

The bits in the [STATUS_CBUF_RD_ADDR_SEQ_ERROR](#)[11:0] CBUF_ERR bit field indicate read address sequence error event.

In both the registers each bit is associated only with one CBUF.

The [INTR0_STATUS_RAW_SET](#)[7]

[CBUF_WRITE_SEQUENCE_ERR_FOUND](#)/[INTR1_STATUS_RAW_SET](#)[7]

[CBUF_WRITE_SEQUENCE_ERR_FOUND](#) bit is asserted if at least one of the bits in the [STATUS_CBUF_WR_ADDR_SEQ_ERROR](#)[11:0] CBUF_ERR bit field is set to 0x1.

The [INTR0_STATUS_RAW_SET](#)[10]

[CBUF_READ_SEQUENCE_ERR_FOUND](#)/[INTR1_STATUS_RAW_SET](#)[10]

[CBUF_READ_SEQUENCE_ERR_FOUND](#) bit is asserted if at least one of the bits in the [STATUS_CBUF_RD_ADDR_SEQ_ERROR](#)[11:0] CBUF_ERR bit field is set to 0x1.

15.6.3.11.4 Illegal Frame Size (Short Frame Detection)

If a frame write access for any VBUF begins from its virtual frame start address without a CBUF software reset and the last write address is not the virtual frame end address or is in the last CBUF slice, then the previous frame is considered to be short. This includes the case where a new frame write happens twice without a new frame read in between, which is an indication of an extremely short frame. When a short frame event is detected, the OCM controller generates a short frame detection interrupt and temporarily disables overflow checking on the write access, including also the current access, until a frame read happens in order to avoid false overflow indication on a suspended read side following the short frame detection.

If the last write address is in the last CBUF slice the short frame detection can be ignored if the [CFG_OCMC_CBUF_ERR_HANDLER](#)[1] [SHORT_FRAME_PREV_EOF_SEL](#) bit is set to 0x1.

The [STATUS_CBUF_SHORT_FRAME_DETECT](#)[11:0] CBUF_ERR bit field has status flags to indicate a short frame detection for each CBUF. When a short frame condition occurs the corresponding bit is set to 0x1.

The [INTR0_STATUS_RAW_SET](#)[14]

[CBUF_SHORT_FRAME_DETECT_FOUND](#)/[INTR1_STATUS_RAW_SET](#)[14]

[CBUF_SHORT_FRAME_DETECT_FOUND](#) bit is asserted if at least one of the bits in the [STATUS_CBUF_SHORT_FRAME_DETECT](#)[11:0] CBUF_ERR bit field is set to 0x1.

In addition, the short frame detection enabling/disabling is controlled by the [CFG_OCMC_CBUF_ERR_HANDLER](#)[0] [SHORT_FRAME_DETECT_CHECK_EN](#) bit.

15.6.3.11.5 CBUF Overflow

For each valid CBUF write access, the write address is compared to the last read address for an overflow condition. If an overflow is detected, the corresponding CBUF overflow status bit in the [STATUS_CBUF_OVERFLOW_MID](#) or [STATUS_CBUF_OVERFLOW_WRAP](#) registers is set to 0x1 and an interrupt is generated. This interrupt condition exists until the corresponding overflow status bit is cleared.

There are two types of overflow conditions referred to as `Cbuf_overflow_wrap` and `Cbuf_overflow_mid`.

`Cbuf_overflow_wrap` occurs in case at least one of the following two:

- VBUF write address – VBUF frame start address < CBUF size
- VBUF write address – VBUF frame start address > VBUF last read address – Current VBUF start address

`Cbuf_overflow_mid` occurs in case at least one of the following two:

- VBUF write address – VBUF frame start address > CBUF size
- VBUF write address – VBUF last read address > CBUF size

If an overflow condition is detected on a CBUF write access, the OCM controller generates a CBUF overflow (`Cbuf_overflow_wrap` or `Cbuf_overflow_mid`) interrupt and enter an overflow error handling state. In this state, the OCM controller do the following in the default error handling configuration:

- When a `Cbuf_Overflow_Wrap` condition occurs (write buffer wraparound with read from previous frame still remaining), writes are disabled but reads are serviced normally. This mechanism preserves the back end of the previous frame and discards the new frame which is already showing signs of overflowing. Writes will be re-enabled automatically on write to the virtual frame start address which indicates the next frame after the overflowed frame has begun. The overflow (and underflow) check for this CBUF will be disabled until detection of write to/read from the virtual frame start address. The module which reads should not start reading the next frame (which is being discarded) or stop reading the frame if the read of this new frame has already started. This mechanism allows both write and read sides to re-synchronize on the next frame after one-frame drop.
- When a `Cbuf_Overflow_Mid` condition occurs, writes and reads are serviced normally allowing the read side to catch up to the write side. The overflow (and underflow) check will be disabled until first a write to the virtual frame start address and then a read from the virtual frame start address is detected. This mechanism allows the frame with a “momentary” overflow condition to be saved. The reader side has an option to stop reading and discarding the data by just resetting its CBUF read pointer at the next frame start, if the read side is too far back.

These steps are taken to minimize the frame loss due to an overflow condition. To support the previously described behavior but to allow software to override the default error handling behavior the following controls are available:

- [CFG_OCMC_CBUF_ERR_HANDLER\[7:6\] OVERFLOW_CHECK_REENABLE_SEL](#)
- [CFG_OCMC_CBUF_ERR_HANDLER\[5:4\] OVERFLOW_WRITE_HANDLER_SEL](#)

In addition, the overflow check can be enabled or disabled through the [CFG_OCMC_CBUF_ERR_HANDLER\[2\] OVERFLOW_ERR_CHECK_EN](#) bit.

15.6.3.11.6 CBUF Underflow

According to the CBUF operation a read request can only be made when there are enough number of video lines written to the CBUF. Therefore, there should not be any underflow conditions due to normal processing speed variations. An underflow condition occurs when the VBUF read address is greater than the last VBUF write address. To detect an abnormal failure in the read/write mechanism which could cause an underflow condition, each valid CBUF read access is checked for an underflow condition and if detected, an underflow interrupt is generated for the selected CBUF. The [STATUS_CBUF_UNDERFLOW\[11:0\] CBUF_ERR](#) bit field has status flags indicating when underflow occurs. This interrupt condition exists until the corresponding underflow status bit in the [STATUS_CBUF_UNDERFLOW](#) register is cleared.

If an underflow is detected on a CBUF read access, the OCM controller generates an underflow interrupt and continues to perform reads and writes normally, but the return data will not be correct while the underflow condition exists.

To avoid a false underflow detection at the end of a frame (due to external decoders sending short last line or due to interlaced input video having different number of lines in even/odd fields), the [CFG_OCMC_CBUF_ERR_HANDLER\[8\]](#) UNDERFLOW_LAST_CBUF_SLICE_DISABLE bit can be set to 0x1 which disables the underflow checking in the last CBUF slice.

The [INTR0_STATUS_RAW_SET\[13\]](#) CBUF_UNDERFLOW_ERR_FOUND/[INTR1_STATUS_RAW_SET\[13\]](#) CBUF_UNDERFLOW_ERR_FOUND bit is asserted if at least one of the bits in the [STATUS_CBUF_UNDERFLOW\[11:0\]](#) CBUF_ERR bit field is set to 0x1.

In addition, the underflow check can be enabled or disabled through the [CFG_OCMC_CBUF_ERR_HANDLER\[3\]](#) UNDERFLOW_ERR_CHECK_EN bit.

15.6.3.12 Status Reporting

The OCM controller keeps a history of last valid write and read addresses for each CBUF. The [CBUF_k_LAST_WR_ADDR](#) register stores the address for the last valid write and the [CBUF_k_LAST_RD_ADDR](#) register stores the address for the last valid read access.

The OCMC_ECC generates also a general VBUF mode error event for an access made with illegal VBUF address. The [INTR0_STATUS_RAW_SET\[3\]](#) OUT_OF_RANGE_ERR_FOUND/[INTR1_STATUS_RAW_SET\[3\]](#) OUT_OF_RANGE_ERR_FOUND bit indicates for this event.

15.6.4 OCM Subsystem Register Manual

15.6.4.1 OCM Subsystem Instance Summary

Table 15-649. OCM Subsystem Instance Summary

Module Name	Module Base Address	Size
OCMC_RAM1	0x4880 4000	4KiB

15.6.4.2 OCM Subsystem Registers

15.6.4.2.1 OCM Subsystem Register Summary

Table 15-650. OCM Subsystem Registers Mapping Summary

Register Name	Type	Register Width (Bits)	Address Offset	OCMC_RAM1 Base Address
OCMC_ECC_PID	R	32	0x0000 0000	0x4880 4000
OCMC_SYSCONFIG_PM	RW	32	0x0000 0004	0x4880 4004
OCMC_SYSCONFIG_RST	RW	32	0x0000 0008	0x4880 4008
OCMC_MEM_SIZE_READ	R	32	0x0000 000C	0x4880 400C
INTR0_STATUS_RAW_SET	RW	32	0x0000 0040	0x4880 4040
INTR0_STATUS_ENABLED_CLEAR	RW	32	0x0000 0044	0x4880 4044
INTR0_ENABLE_SET	RW	32	0x0000 0048	0x4880 4048
INTR0_ENABLE_CLEAR	RW	32	0x0000 004C	0x4880 404C
OCMC_INTR0_EOI	RW	32	0x0000 0050	0x4880 4050
INTR1_STATUS_RAW_SET	RW	32	0x0000 0060	0x4880 4060
INTR1_STATUS_ENABLED_CLEAR	RW	32	0x0000 0064	0x4880 4064
INTR1_ENABLE_SET	RW	32	0x0000 0068	0x4880 4068

Table 15-650. OCM Subsystem Registers Mapping Summary (continued)

Register Name	Type	Register Width (Bits)	Address Offset	OCMC_RAM1 Base Address
INTR1_ENABLE_CLEAR	RW	32	0x0000 006C	0x4880 406C
OCMC_INTR1_EOI	RW	32	0x0000 0070	0x4880 4070
CFG_OCMC_ECC	RW	32	0x0000 0080	0x4880 4080
CFG_OCMC_ECC_MEM_BLK	RW	32	0x0000 0084	0x4880 4084
CFG_OCMC_ECC_ERROR	RW	32	0x0000 0088	0x4880 4088
CFG_OCMC_ECC_CLEAR_HIST	RW	32	0x0000 008C	0x4880 408C
STATUS_ERROR_CNT	R	32	0x0000 0090	0x4880 4090
STATUS_SEC_ERROR_TRACE	R	32	0x0000 0094	0x4880 4094
STATUS_DED_ERROR_TRACE	R	32	0x0000 0098	0x4880 4098
STATUS_ADDR_TRANSLATION_ERROR_TRACE	R	32	0x0000 009C	0x4880 409C
STATUS_SEC_ERROR_DISTR_0	R	32	0x0000 00A0	0x4880 40A0
STATUS_SEC_ERROR_DISTR_1	R	32	0x0000 00A4	0x4880 40A4
STATUS_SEC_ERROR_DISTR_2	R	32	0x0000 00A8	0x4880 40A8
STATUS_SEC_ERROR_DISTR_3	R	32	0x0000 00AC	0x4880 40AC
STATUS_SEC_ERROR_DISTR_4	R	32	0x0000 00B0	0x4880 40B0
CFG_OCMC_CBUF_EN	RW	32	0x0000 0200	0x4880 4200
CFG_OCMC_CBUF_RESET	RW	32	0x0000 0204	0x4880 4204
CFG_OCMC_CBUF_ERR_HANDLER	RW	32	0x0000 0208	0x4880 4208
STATUS_CBUF_WR_OUT_OF_RANGE_ERR	RW	32	0x0000 020C	0x4880 420C
STATUS_CBUF_WR_VBUF_START_ERR	RW	32	0x0000 0210	0x4880 4210
STATUS_CBUF_WR_ADDR_SEQ_ERROR	RW	32	0x0000 0214	0x4880 4214
STATUS_CBUF_RD_OUT_OF_RANGE_ERROR	RW	32	0x0000 0218	0x4880 4218
STATUS_CBUF_VBUF_RD_START_ERROR	RW	32	0x0000 021C	0x4880 421C
STATUS_CBUF_RD_ADDR_SEQ_ERROR	RW	32	0x0000 0220	0x4880 4220
STATUS_CBUF_OVERFLOW_MID	RW	32	0x0000 0224	0x4880 4224
STATUS_CBUF_OVERFLOW_WRAP	RW	32	0x0000 0228	0x4880 4228
STATUS_CBUF_UNDERFLOW	RW	32	0x0000 022C	0x4880 422C
STATUS_CBUF_SHORT_FRAME_DETECT	RW	32	0x0000 0230	0x4880 4230
CBUF_i_VBUF_START_ADDR⁽¹⁾	RW	32	0x0000 0240 + (i*16)	0x4880 4240 + (i*16)
CBUF_i_VBUF_END_ADDR⁽¹⁾	RW	32	0x0000 0244 + (i*16)	0x4880 4244 + (i*16)
CBUF_i_OCMC_START_ADDR⁽¹⁾	RW	32	0x0000 0248 + (i*16)	0x4880 4248 + (i*16)
CBUF_i_OCMC_BUF_SIZE⁽¹⁾	RW	32	0x0000 024C + (i*16)	0x4880 424C + (i*16)
CBUF_k_LAST_WR_ADDR⁽²⁾	R	32	0x0000 0300 + (k*8)	0x4880 4300 + (k*8)
CBUF_k_LAST_RD_ADDR⁽²⁾	R	32	0x0000 0304 + (k*8)	0x4880 4304 + (k*8)
LAST_ILLEGAL_OCMC_ADDR	R	32	0x0000 0360	0x4880 4360

⁽¹⁾ i = 0 to 11

⁽²⁾ k = 0 to 11

15.6.4.2.2 OCM Subsystem Register Description
Table 15-651. OCMC_ECC_PID

Address Offset	0x0000 0000	Instance	OCMC_RAM1
Physical Address	0x4880 4000		
Description			
Type	R		

31	30	29	28	27	26	25	24	23	22	21	20	19	18	17	16	15	14	13	12	11	10	9	8	7	6	5	4	3	2	1	0
REVISION																															

Bits	Field Name	Description	Type	Reset
31:0	REVISION	TI internal data	R	0x-

Table 15-652. Register Call Summary for Register OCMC_ECC_PID

On-Chip Memory (OCM) Subsystem

- [OCM Subsystem Register Summary: \[1\]](#)

Table 15-653. OCMC_SYSCONFIG_PM

Address Offset	0x0000 0004	Instance	OCMC_RAM1
Physical Address	0x4880 4004		
Description			
Type	RW		

31	30	29	28	27	26	25	24	23	22	21	20	19	18	17	16	15	14	13	12	11	10	9	8	7	6	5	4	3	2	1	0
RESERVED																														IDLEMODE	RESERVED

Bits	Field Name	Description	Type	Reset
31:4	RESERVED		R	0x0
3:2	IDLEMODE	Configuration of the local target state management mode. By definition, target can handle read/write transaction as long as it is out of IDLE state. 0x0: Force-idle mode: local target's idle state follows (acknowledges) the system's idle requests unconditionally, that is, regardless of the IP module's internal requirements. Backup mode, for debug only. 0x1: No-idle mode: local target never enters idle state. Backup mode, for debug only 0x2: Smart-idle mode: local target's idle state eventually follows (acknowledges) the system's idle requests, depending on the IP module's internal requirements. IP module shall not generate IRQ-request-related wakeup events. 0x3: Smart-idle wakeup-capable mode: local target's idle state eventually follows (acknowledges) the system's idle requests, depending on the IP module's internal requirements. IP module may generate IRQ-request-related wakeup events when in idle state.	RW	0x2
1:0	RESERVED		R	0x0

Table 15-654. Register Call Summary for Register OCMC_SYSCONFIG_PM

On-Chip Memory (OCM) Subsystem

- [Clock Management: \[0\]](#)
- [OCM Subsystem Register Summary: \[2\]](#)

Table 15-655. OCMC_SYSCONFIG_RST

Address Offset	0x0000 0008	Instance	OCMC_RAM1
Physical Address	0x4880 4008		
Description			
Type	RW		

31	30	29	28	27	26	25	24	23	22	21	20	19	18	17	16	15	14	13	12	11	10	9	8	7	6	5	4	3	2	1	0
RESERVED																												SW_RST			

Bits	Field Name	Description	Type	Reset
31:1	RESERVED		R	0x0
0	SW_RST	Software reset of the OCM controller configuration and history logic (does not reset L4 interface) 0x0: Normal operation (OCM controller is not reset) 0x1: Reset the OCM controller (except its registers). This bit must be set back to 0x0 to resume the normal operation of the OCM Controller.	RW	0x0

Table 15-656. Register Call Summary for Register OCMC_SYSCONFIG_RST

On-Chip Memory (OCM) Subsystem

- [Resets: \[0\]](#)
- [OCM Subsystem Register Summary: \[2\]](#)

Table 15-657. OCMC_MEM_SIZE_READ

Address Offset	0x0000 000C	Instance	OCMC_RAM1
Physical Address	0x4880 400C		
Description	This register provides the status of the OCM Controller configuration.		
Type	R		

31	30	29	28	27	26	25	24	23	22	21	20	19	18	17	16	15	14	13	12	11	10	9	8	7	6	5	4	3	2	1	0		
RESERVED																VBUF_ADDR_MSB						RESERVED		MEM_CBUF_ENABLE		MEM_ECC_ENABLE		RESERVED		MEM_SIZE_128K_CNT			

Bits	Field Name	Description	Type	Reset
31:15	RESERVED		R	0x0
14	CBUF_SHORT_FRAME_DETECT_FOUND	CBUF detected short frame.	RW	0x0
13	CBUF_UNDERFLOW_ERR_FOUND		RW	0x0
12	CBUF_OVERFLOW_WRAP_ERR_FOUND		RW	0x0
11	CBUF_OVERFLOW_MID_ERR_FOUND		RW	0x0
10	CBUF_READ_SEQUENCE_ERR_FOUND		RW	0x0
9	CBUF_VBUF_READ_START_ERR_FOUND		RW	0x0
8	CBUF_READ_OUT_OF_RANGE_ERR_FOUND		RW	0x0
7	CBUF_WRITE_SEQUENCE_ERR_FOUND		RW	0x0
6	CBUF_VBUF_WRITE_START_ERR_FOUND		RW	0x0
5	CBUF_WR_OUT_OF_RANGE_ERR_FOUND		RW	0x0
4	CBUF_VIRTUAL_ADDR_ERR_FOUND		RW	0x0
3	OUT_OF_RANGE_ERR_FOUND		RW	0x0
2	ADDR_ERR_FOUND		RW	0x0
1	DED_ERR_FOUND		RW	0x0
0	SEC_ERR_FOUND		RW	0x0

Table 15-660. Register Call Summary for Register INTR0_STATUS_RAW_SET

On-Chip Memory (OCM) Subsystem

- [Interrupt Requests: \[0\]\[1\]\[2\]\[3\]\[4\]\[5\]\[6\]\[7\]\[8\]\[9\]\[10\]\[11\]\[12\]\[13\]\[14\]\[15\]\[16\]\[17\]\[18\]\[19\]](#)
- [ECC Support: \[20\]\[21\]\[22\]](#)
- [VBUF Address Not Mapped to a CBUF Memory Space: \[23\]\[24\]\[25\]](#)
- [VBUF Access Not Starting At The Base Address: \[26\]\[27\]](#)
- [Illegal Address Change Between Two Same Type Accesses: \[28\]\[29\]](#)
- [Illegal Frame Size \(Short Frame Detection\): \[30\]](#)
- [CBUF Underflow: \[31\]](#)
- [Status Reporting: \[32\]](#)
- [OCM Subsystem Register Summary: \[34\]](#)

Table 15-661. INTR0_STATUS_ENABLED_CLEAR

Address Offset	0x0000 0044	Instance	OCMC_RAM1
Physical Address	0x4880 4044		
Description	Read indicates ENABLED interrupt status (0=inactive, 1=active). Writing 1 will CLEAR the corresponding enabled status bit. Writing 0 has no effect.		
Type	RW		

Table 15-663. INTR0_ENABLE_SET

Address Offset	0x0000 0048	Instance	OCMC_RAM1
Physical Address	0x4880 4048		
Description	Read indicates interrupt enable (0=disabled, 1=enabled) Writing 1 will set the corresponding interrupt enable bit. Writing 0 has no effect. Interrupt_enable_set		
Type	RW		

31	30	29	28	27	26	25	24	23	22	21	20	19	18	17	16	15	14	13	12	11	10	9	8	7	6	5	4	3	2	1	0											
RESERVED																CBUF_SHORT_FRAME_DETECT_FOUND	CBUF_UNDERFLOW_ERR_FOUND	CBUF_OVERFLOW_WRAP_ERR_FOUND	CBUF_OVERFLOW_MID_ERR_FOUND	CBUF_READ_SEQUENCE_ERR_FOUND	CBUF_VBUF_READ_START_ERR_FOUND	CBUF_READ_OUT_OF_RANGE_ERR_FOUND	CBUF_WRITE_SEQUENCE_ERR_FOUND	CBUF_VBUF_WRITE_START_ERR_FOUND	CBUF_WR_OUT_OF_RANGE_ERR_FOUND	CBUF_VIRTUAL_ADDR_ERR_FOUND	OUT_OF_RANGE_ERR_FOUND	ADDR_ERR_FOUND	DED_ERR_FOUND	SEC_ERR_FOUND												

Bits	Field Name	Description	Type	Reset
31:15	RESERVED		R	0x0
14	CBUF_SHORT_FRAME_DETECT_FOUND	CBUF detected short frame	RW	0x0
13	CBUF_UNDERFLOW_ERR_FOUND		RW	0x0
12	CBUF_OVERFLOW_WRAP_ERR_FOUND		RW	0x0
11	CBUF_OVERFLOW_MID_ERR_FOUND		RW	0x0
10	CBUF_READ_SEQUENCE_ERR_FOUND		RW	0x0
9	CBUF_VBUF_READ_START_ERR_FOUND		RW	0x0
8	CBUF_READ_OUT_OF_RANGE_ERR_FOUND		RW	0x0
7	CBUF_WRITE_SEQUENCE_ERR_FOUND		RW	0x0
6	CBUF_VBUF_WRITE_START_ERR_FOUND		RW	0x0
5	CBUF_WR_OUT_OF_RANGE_ERR_FOUND		RW	0x0
4	CBUF_VIRTUAL_ADDR_ERR_FOUND		RW	0x0
3	OUT_OF_RANGE_ERR_FOUND		RW	0x0
2	ADDR_ERR_FOUND		RW	0x0
1	DED_ERR_FOUND		RW	0x0
0	SEC_ERR_FOUND		RW	0x0

Table 15-664. Register Call Summary for Register INTR0_ENABLE_SET

On-Chip Memory (OCM) Subsystem

- [Interrupt Requests: \[0\]\[1\]\[2\]\[3\]\[4\]\[5\]\[6\]\[7\]\[8\]\[9\]\[10\]\[11\]\[12\]\[13\]\[14\]\[15\]\[16\]\[17\]\[18\]\[19\]\[20\]](#)
- [OCM Subsystem Register Summary: \[22\]](#)

Table 15-665. INTR0_ENABLE_CLEAR

Address Offset	0x0000 004C	Instance	OCMC_RAM1
Physical Address	0x4880 404C		
Description	Read indicates interrupt enable (0=disabled, 1=enabled) Writing 1 will clear interrupt enabled. Writing 0 has no effect. Interrupt_enable_clear		
Type	RW		

31	30	29	28	27	26	25	24	23	22	21	20	19	18	17	16	15	14	13	12	11	10	9	8	7	6	5	4	3	2	1	0											
RESERVED																CBUF_SHORT_FRAME_DETECT_FOUND	CBUF_UNDERFLOW_ERR_FOUND	CBUF_OVERFLOW_WRAP_ERR_FOUND	CBUF_OVERFLOW_MID_ERR_FOUND	CBUF_READ_SEQUENCE_ERR_FOUND	CBUF_VBUF_READ_START_ERR_FOUND	CBUF_READ_OUT_OF_RANGE_ERR_FOUND	CBUF_WRITE_SEQUENCE_ERR_FOUND	CBUF_VBUF_WRITE_START_ERR_FOUND	CBUF_WR_OUT_OF_RANGE_ERR_FOUND	CBUF_VIRTUAL_ADDR_ERR_FOUND	OUT_OF_RANGE_ERR_FOUND	ADDR_ERR_FOUND	DED_ERR_FOUND	SEC_ERR_FOUND												

Bits	Field Name	Description	Type	Reset
31:15	RESERVED		R	0x0
14	CBUF_SHORT_FRAME_DETECT_FOUND	CBUF detected short frame	RW W1toClr	0x0
13	CBUF_UNDERFLOW_ERR_FOUND		RW W1toClr	0x0
12	CBUF_OVERFLOW_WRAP_ERR_FOUND		RW W1toClr	0x0
11	CBUF_OVERFLOW_MID_ERR_FOUND		RW W1toClr	0x0
10	CBUF_READ_SEQUENCE_ERR_FOUND		RW W1toClr	0x0
9	CBUF_VBUF_READ_START_ERR_FOUND		RW W1toClr	0x0
8	CBUF_READ_OUT_OF_RANGE_ERR_FOUND		RW W1toClr	0x0
7	CBUF_WRITE_SEQUENCE_ERR_FOUND		RW W1toClr	0x0
6	CBUF_VBUF_WRITE_START_ERR_FOUND		RW W1toClr	0x0
5	CBUF_WR_OUT_OF_RANGE_ERR_FOUND		RW W1toClr	0x0
4	CBUF_VIRTUAL_ADDR_ERR_FOUND		RW W1toClr	0x0

Bits	Field Name	Description	Type	Reset
3	OUT_OF_RANGE_ERR_FOUND		RW W1toClr	0x0
2	ADDR_ERR_FOUND		RW W1toClr	0x0
1	DED_ERR_FOUND		RW W1toClr	0x0
0	SEC_ERR_FOUND		RW W1toClr	0x0

Table 15-666. Register Call Summary for Register INTR0_ENABLE_CLEAR

On-Chip Memory (OCM) Subsystem

- [Interrupt Requests: \[0\]\[1\]\[2\]\[3\]\[4\]\[5\]\[6\]\[7\]\[8\]\[9\]\[10\]\[11\]\[12\]\[13\]\[14\]\[15\]\[16\]](#)
- [OCM Subsystem Register Summary: \[18\]](#)

Table 15-667. OCMC_INTR0_EOI

Address Offset	0x0000 0050	Instance	OCMC_RAM1
Physical Address	0x4880 4050		
Description	This register contains the EOI vector.		
Type	RW		

31	30	29	28	27	26	25	24	23	22	21	20	19	18	17	16	15	14	13	12	11	10	9	8	7	6	5	4	3	2	1	0
RESERVED																															EOI_VECTOR

Bits	Field Name	Description	Type	Reset
31:1	RESERVED		R	0x0
0	EOI_VECTOR		RW	0x0

Table 15-668. Register Call Summary for Register OCMC_INTR0_EOI

On-Chip Memory (OCM) Subsystem

- [OCM Subsystem Register Summary: \[1\]](#)

Table 15-669. INTR1_STATUS_RAW_SET

Address Offset	0x0000 0060	Instance	OCMC_RAM1
Physical Address	0x4880 4060		
Description	This register contains the raw interrupt status. Read indicates RAW interrupt status (0=inactive, 1=active). Writing 1 will SET the corresponding raw status bit (soft interrupt set). Writing 0 has no effect.		
Type	RW		

Table 15-670. Register Call Summary for Register INTR1_STATUS_RAW_SET

On-Chip Memory (OCM) Subsystem

- Interrupt Requests: [0][1][2][3][4][5][6][7][8][9][10][11][12][13][14][15][16][17][18][19]
- ECC Support: [20][21][22]
- VBUF Address Not Mapped to a CBUF Memory Space: [23][24][25]
- VBUF Access Not Starting At The Base Address: [26][27]
- Illegal Address Change Between Two Same Type Accesses: [28][29]
- Illegal Frame Size (Short Frame Detection): [30]
- CBUF Underflow: [31]
- Status Reporting: [32]
- OCM Subsystem Register Summary: [34]

Table 15-671. INTR1_STATUS_ENABLED_CLEAR

Address Offset	0x0000 0064	Instance	OCMC_RAM1
Physical Address	0x4880 4064		
Description	Read indicates ENABLED interrupt status (0=inactive, 1=active). Writing 1 will CLEAR the corresponding enabled status bit. Writing 0 has no effect.		
Type	RW		

31	30	29	28	27	26	25	24	23	22	21	20	19	18	17	16	15	14	13	12	11	10	9	8	7	6	5	4	3	2	1	0															
RESERVED																CBUF_SHORT_FRAME_DETECT_FOUND	CBUF_UNDERFLOW_ERR_FOUND	CBUF_OVERFLOW_WRAP_ERR_FOUND	CBUF_OVERFLOW_MID_ERR_FOUND	CBUF_READ_SEQUENCE_ERR_FOUND	CBUF_VBUF_READ_START_ERR_FOUND	CBUF_READ_OUT_OF_RANGE_ERR_FOUND	CBUF_WRITE_SEQUENCE_ERR_FOUND	CBUF_VBUF_WRITE_START_ERR_FOUND	CBUF_WR_OUT_OF_RANGE_ERR_FOUND	CBUF_VIRTUAL_ADDR_ERR_FOUND	OUT_OF_RANGE_ERR_FOUND	ADDR_ERR_FOUND	DED_ERR_FOUND	SEC_ERR_FOUND																

Bits	Field Name	Description	Type	Reset
31:15	RESERVED		R	0x0
14	CBUF_SHORT_FRAME_DETECT_FOUND	CBUF detected short frame	RW W1toClr	0x0
13	CBUF_UNDERFLOW_ERR_FOUND		RW W1toClr	0x0
12	CBUF_OVERFLOW_WRAP_ERR_FOUND		RW W1toClr	0x0
11	CBUF_OVERFLOW_MID_ERR_FOUND		RW W1toClr	0x0
10	CBUF_READ_SEQUENCE_ERR_FOUND		RW W1toClr	0x0
9	CBUF_VBUF_READ_START_ERR_FOUND		RW W1toClr	0x0
8	CBUF_READ_OUT_OF_RANGE_ERR_FOUND		RW W1toClr	0x0
7	CBUF_WRITE_SEQUENCE_ERR_FOUND		RW W1toClr	0x0

Bits	Field Name	Description	Type	Reset
6	CBUF_VBUF_WRITE_START_ERR_FOUND		RW W1toClr	0x0
5	CBUF_WR_OUT_OF_RANGE_ERR_FOUND		RW W1toClr	0x0
4	CBUF_VIRTUAL_ADDR_ERR_FOUND		RW W1toClr	0x0
3	OUT_OF_RANGE_ERR_FOUND		RW W1toClr	0x0
2	ADDR_ERR_FOUND		RW W1toClr	0x0
1	DED_ERR_FOUND		RW W1toClr	0x0
0	SEC_ERR_FOUND		RW W1toClr	0x0

Table 15-672. Register Call Summary for Register INTR1_STATUS_ENABLED_CLEAR

On-Chip Memory (OCM) Subsystem

- [Interrupt Requests: \[0\]\[1\]\[2\]\[3\]\[4\]\[5\]\[6\]\[7\]\[8\]\[9\]\[10\]\[11\]\[12\]\[13\]\[14\]\[15\]\[16\]\[17\]\[18\]](#)
- [OCM Subsystem Register Summary: \[20\]](#)

Table 15-673. INTR1_ENABLE_SET

Address Offset	0x0000 0068	Instance	OCMC_RAM1
Physical Address	0x4880 4068		
Description	Read indicates interrupt enable (0=disabled, 1=enabled) Writing 1 will set the corresponding interrupt enable bit. Writing 0 has no effect. Interrupt_enable_set		
Type	RW		

31	30	29	28	27	26	25	24	23	22	21	20	19	18	17	16	15	14	13	12	11	10	9	8	7	6	5	4	3	2	1	0	
RESERVED																CBUF_SHORT_FRAME_DETECT_FOUND	CBUF_UNDERFLOW_ERR_FOUND	CBUF_OVERFLOW_WRAP_ERR_FOUND	CBUF_OVERFLOW_MID_ERR_FOUND	CBUF_READ_SEQUENCE_ERR_FOUND	CBUF_VBUF_READ_START_ERR_FOUND	CBUF_READ_OUT_OF_RANGE_ERR_FOUND	CBUF_WRITE_SEQUENCE_ERR_FOUND	CBUF_VBUF_WRITE_START_ERR_FOUND	CBUF_WR_OUT_OF_RANGE_ERR_FOUND	CBUF_VIRTUAL_ADDR_ERR_FOUND	OUT_OF_RANGE_ERR_FOUND	ADDR_ERR_FOUND	DED_ERR_FOUND	SEC_ERR_FOUND		

Bits	Field Name	Description	Type	Reset
31:15	RESERVED		R	0x0
14	CBUF_SHORT_FRAME_DETECT_FOUND	CBUF detected short frame	RW	0x0
13	CBUF_UNDERFLOW_ERR_FOUND		RW	0x0
12	CBUF_OVERFLOW_WRAP_ERR_FOUND		RW	0x0

Bits	Field Name	Description	Type	Reset
31:15	RESERVED		R	0x0
14	CBUF_SHORT_FRAME_DETECT_FOUND	CBUF detected short frame	RW W1toClr	0x0
13	CBUF_UNDERFLOW_ERR_FOUND		RW W1toClr	0x0
12	CBUF_OVERFLOW_WRAP_ERR_FOUND		RW W1toClr	0x0
11	CBUF_OVERFLOW_MID_ERR_FOUND		RW W1toClr	0x0
10	CBUF_READ_SEQUENCE_ERR_FOUND		RW W1toClr	0x0
9	CBUF_VBUF_READ_START_ERR_FOUND		RW W1toClr	0x0
8	CBUF_READ_OUT_OF_RANGE_ERR_FOUND		RW W1toClr	0x0
7	CBUF_WRITE_SEQUENCE_ERR_FOUND		RW W1toClr	0x0
6	CBUF_VBUF_WRITE_START_ERR_FOUND		RW W1toClr	0x0
5	CBUF_WR_OUT_OF_RANGE_ERR_FOUND		RW W1toClr	0x0
4	CBUF_VIRTUAL_ADDR_ERR_FOUND		RW W1toClr	0x0
3	OUT_OF_RANGE_ERR_FOUND		RW W1toClr	0x0
2	ADDR_ERR_FOUND		RW W1toClr	0x0
1	DED_ERR_FOUND		RW W1toClr	0x0
0	SEC_ERR_FOUND		RW W1toClr	0x0

Table 15-676. Register Call Summary for Register INTR1_ENABLE_CLEAR

On-Chip Memory (OCM) Subsystem

- [Interrupt Requests: \[0\]\[1\]\[2\]\[3\]\[4\]\[5\]\[6\]\[7\]\[8\]\[9\]\[10\]\[11\]\[12\]\[13\]\[14\]\[15\]\[16\]](#)
- [OCM Subsystem Register Summary: \[18\]](#)

Table 15-677. OCMC_INTR1_EOI

Address Offset	0x0000 0070	Instance	OCMC_RAM1
Physical Address	0x4880 4070		
Description	This register contains the EOI vector.		
Type	RW		

31	30	29	28	27	26	25	24	23	22	21	20	19	18	17	16	15	14	13	12	11	10	9	8	7	6	5	4	3	2	1	0
RESERVED																EOI_VECTOR															

Bits	Field Name	Description	Type	Reset
31:1	RESERVED		R	0x0
0	EOI_VECTOR		RW	0x0

Table 15-678. Register Call Summary for Register OCMC_INTR1_EOI

On-Chip Memory (OCM) Subsystem

- [OCM Subsystem Register Summary: \[1\]](#)

Table 15-679. CFG_OCMC_ECC

Address Offset	0x0000 0080	Instance	OCMC_RAM1
Physical Address	0x4880 4080		
Description			
Type	RW		

31	30	29	28	27	26	25	24	23	22	21	20	19	18	17	16	15	14	13	12	11	10	9	8	7	6	5	4	3	2	1	0
RESERVED																CFG_ECC_OPT_NON_ECC_READ	CFG_ECC_ERR_SRESP_EN	CFG_ECC_SEC_AUTO_CORRECT	CFG_OCMC_MODE												

Bits	Field Name	Description	Type	Reset
31:6	RESERVED		R	0x0
5	CFG_ECC_OPT_NON_ECC_READ	Optimize read latency for non-ECC read. Returns the data one cycle faster if the read access is from a non-ECC enabled space. 0x0: Disable 0x1: Enable	RW	0x0
4	CFG_ECC_ERR_SRESP_EN	ECC non-correctable error SRESP enable. Enables ERR return on L3 OCP SRESP when a non-correctable data (DED) or address error is detected. 0x0: Disable 0x1: Enable	RW	0x0
3	CFG_ECC_SEC_AUTO_CORRECT	SEC error auto correction mode. Enables the OCM Controller to automatically update the wrong data word with the corrected word. 0x0: Disable 0x1: Enable (If the OCM Controller is performing a read-modify operation for a sub-128b write to an ECC enabled memory, the error found during the read phase will be corrected always regardless of the value of this bit)	RW	0x0
2:0	CFG_OCMC_MODE	OCM Controller memory access modes. 0x0: Non-ECC mode (data access) 0x1: Non-ECC mode (code access) 0x2: Full ECC enabled mode 0x3: Block ECC enabled mode 0x4-0x7: Reserved (internally defaults to 0x0 mode)	RW	0x0

Table 15-680. Register Call Summary for Register CFG_OCMC_ECC

- On-Chip Memory (OCM) Subsystem
- [OCM Controller Modes Of Operation: \[0\]](#)
 - [ECC Support: \[1\]\[2\]\[3\]\[4\]\[5\]](#)
 - [OCM Subsystem Register Summary: \[7\]](#)

Table 15-681. CFG_OCMC_ECC_MEM_BLK

Address Offset	0x0000 0084	Instance	OCMC_RAM1
Physical Address	0x4880 4084		
Description			
Type	RW		

31	30	29	28	27	26	25	24	23	22	21	20	19	18	17	16	15	14	13	12	11	10	9	8	7	6	5	4	3	2	1	0
RESERVED								CFG_ECC_ENABLED_128K_BLK																							

Bits	Field Name	Description	Type	Reset
31:20	RESERVED		R	0x0
19:0	CFG_ECC_ENABLED_128K_BLK	ECC memory block enable bits. The active level of each bit is 0x1. Bit [0] -> Address offset range 0x0 to 0x1FFFF Bit [1] -> Address offset range 0x20000 to 0x3FFFF ... Bit [19] -> Address offset range 0x260000 to 0x27FFFF	RW	0x0

Table 15-682. Register Call Summary for Register CFG_OCMC_ECC_MEM_BLK

- On-Chip Memory (OCM) Subsystem
- [OCM Controller Modes Of Operation: \[0\]](#)
 - [ECC Support: \[1\]](#)
 - [OCM Subsystem Register Summary: \[3\]](#)

Table 15-683. CFG_OCMC_ECC_ERROR

Address Offset	0x0000 0088	Instance	OCMC_RAM1
Physical Address	0x4880 4088		
Description			
Type	RW		

31	30	29	28	27	26	25	24	23	22	21	20	19	18	17	16	15	14	13	12	11	10	9	8	7	6	5	4	3	2	1	0	
RESERVED								CFG_DISCARD_DUP_ADDR	CFG_ADDR_ERR_CNT_MAX				CFG_DED_CNT_MAX				CFG_SEC_CNT_MAX															

Bits	Field Name	Description	Type	Reset
31:25	RESERVED		R	0x0
24	CFG_DISCARD_DUP_ADDR	Do not save duplicate error address. This bit applies to the SEC, DED and ADDRERR FIFOs. 0x0: Save the duplicated addresses 0x1: Save only the unique addresses	RW	0x0
23:20	CFG_ADDR_ERR_CNT_MAX	Number of ADDR errors to trigger an interrupt (The value configured must be > 0 to generate an interrupt).	RW	0x1
19:16	CFG_DED_CNT_MAX	Number of DED errors to trigger an interrupt (The value configured must be > 0 to generate an interrupt).	RW	0x1
15:0	CFG_SEC_CNT_MAX	Number of SEC error to trigger an interrupt (The value configured must be > 0 to generate an interrupt).	RW	0x1

Table 15-684. Register Call Summary for Register CFG_OCMC_ECC_ERROR

On-Chip Memory (OCM) Subsystem

- [Interrupt Requests: \[0\]\[1\]\[2\]](#)
- [ECC Associated FIFOs: \[3\]\[4\]\[5\]](#)
- [ECC Support: \[6\]\[7\]\[8\]\[9\]\[10\]\[11\]](#)
- [OCM Subsystem Register Summary: \[13\]](#)

Table 15-685. CFG_OCMC_ECC_CLEAR_HIST

Address Offset	0x0000 008C	Instance	OCMC_RAM1
Physical Address	0x4880 408C		
Description			
Type	RW		

31	30	29	28	27	26	25	24	23	22	21	20	19	18	17	16	15	14	13	12	11	10	9	8	7	6	5	4	3	2	1	0
RESERVED																												CLEAR_SEC_BIT_DISTR	CLEAR_ADDR_ERR_CNT	CLEAR_DED_ERR_CNT	CLEAR_SEC_ERR_CNT

Bits	Field Name	Description	Type	Reset
31:4	RESERVED		R	0x0
3	CLEAR_SEC_BIT_DISTR	Clear stored single error correction (SEC) bit distribution history. Returns 0 on read. 0x0: Reserved (not used) 0x1: Clears the following registers: <ul style="list-style-type: none"> • STATUS_SEC_ERROR_DISTR_0 • STATUS_SEC_ERROR_DISTR_1 • STATUS_SEC_ERROR_DISTR_2 • STATUS_SEC_ERROR_DISTR_3 • STATUS_SEC_ERROR_DISTR_4 	RW	0x0
2	CLEAR_ADDR_ERR_CNT	Clear stored address error history. Returns 0 on read. 0x0: Reserved (not used) 0x1: Clears the STATUS_ERROR_CNT[23:20] ADDR_ERROR_CNT bit field and the ADDRERR FIFO	RW	0x0

Bits	Field Name	Description	Type	Reset
1	CLEAR_DED_ERR_CNT	Clear stored double error detection (DED) history. Returns 0 on read. 0x0: Reserved (not used) 0x1: Clears the STATUS_ERROR_CNT[19:16] DED_ERROR_CNT bit field and the DED FIFO	RW	0x0
0	CLEAR_SEC_ERR_CNT	Clear stored single error correction history. Returns 0 on read. 0x0: Reserved (not used) 0x1: Clears the STATUS_ERROR_CNT[15:0] SEC_ERROR_CNT bit field and the SEC FIFO	RW	0x0

Table 15-686. Register Call Summary for Register CFG_OCMC_ECC_CLEAR_HIST

On-Chip Memory (OCM) Subsystem

- [Interrupt Requests: \[0\]\[1\]\[2\]](#)
- [ECC Associated FIFOs: \[3\]\[4\]\[5\]](#)
- [ECC Support: \[6\]\[7\]](#)
- [OCM Subsystem Register Summary: \[9\]](#)
- [OCM Subsystem Register Description: \[11\]\[12\]\[13\]](#)

Table 15-687. STATUS_ERROR_CNT

Address Offset	0x0000 0090	Instance	OCMC_RAM1
Physical Address	0x4880 4090		
Description	OCM Controller error status		
Type	R		

31	30	29	28	27	26	25	24	23	22	21	20	19	18	17	16	15	14	13	12	11	10	9	8	7	6	5	4	3	2	1	0
RESERVED								ADDR_ERROR_CNT		DED_ERROR_CNT		SEC_ERROR_CNT																			

Bits	Field Name	Description	Type	Reset
31:24	RESERVED		R	0x0
23:20	ADDR_ERROR_CNT	Counter for the address errors found. This bit field is reset when 0x1 is written to the CFG_OCMC_ECC_CLEAR_HIST[2] CLEAR_ADDR_ERR_CNT bit.	R	0x0
19:16	DED_ERROR_CNT	Counter for the double error detections. This bit field is reset when 0x1 is written to the CFG_OCMC_ECC_CLEAR_HIST[1] CLEAR_DED_ERR_CNT bit.	R	0x0
15:0	SEC_ERROR_CNT	Counter for the single errors occurred. This bit field is reset when 0x1 is written to the CFG_OCMC_ECC_CLEAR_HIST[0] CLEAR_SEC_ERR_CNT bit.	R	0x0

Table 15-688. Register Call Summary for Register STATUS_ERROR_CNT

On-Chip Memory (OCM) Subsystem

- [Interrupt Requests: \[0\]\[1\]\[2\]](#)
- [ECC Counters And Corrected Bit Distribution Register: \[3\]\[4\]\[5\]](#)
- [ECC Support: \[6\]\[7\]\[8\]\[9\]\[10\]\[11\]\[12\]](#)
- [OCM Subsystem Register Summary: \[14\]](#)
- [OCM Subsystem Register Description: \[16\]\[17\]\[18\]](#)

Table 15-689. STATUS_SEC_ERROR_TRACE

Address Offset	0x0000 0094	Instance	OCMC_RAM1
Physical Address	0x4880 4094		
Description	SEC error 128-bit memory address		
Type	R		

31	30	29	28	27	26	25	24	23	22	21	20	19	18	17	16	15	14	13	12	11	10	9	8	7	6	5	4	3	2	1	0
RESERVED														VALID	ADDRESS_128BIT																

Bits	Field Name	Description	Type	Reset
31:19	RESERVED		R	0x0
18	VALID	SEC FIFO valid address indication. 0x0: The SEC FIFO is empty 0x1: There is a valid address in the SEC FIFO	R	0x0
17:0	ADDRESS_128BIT	SEC error 128-bit memory address (Read from the SEC error address trace fifo)	R	0x0

Table 15-690. Register Call Summary for Register STATUS_SEC_ERROR_TRACE

On-Chip Memory (OCM) Subsystem

- [ECC Associated FIFOs: \[0\]\[1\]](#)
- [OCM Subsystem Register Summary: \[3\]](#)

Table 15-691. STATUS_DED_ERROR_TRACE

Address Offset	0x0000 0098	Instance	OCMC_RAM1
Physical Address	0x4880 4098		
Description	DED error 128-bit memory address		
Type	R		

31	30	29	28	27	26	25	24	23	22	21	20	19	18	17	16	15	14	13	12	11	10	9	8	7	6	5	4	3	2	1	0
RESERVED														VALID	ADDRESS_128BIT																

Bits	Field Name	Description	Type	Reset
31:19	RESERVED		R	0x0
18	VALID	DED FIFO valid address indication. 0x0: The DED FIFO is empty 0x1: There is a valid address in the DED FIFO	R	0x0
17:0	ADDRESS_128BIT	DED error 128-bit memory address (Read from the DED error address trace fifo)	R	0x0

Table 15-692. Register Call Summary for Register STATUS_DED_ERROR_TRACE

On-Chip Memory (OCM) Subsystem

- [ECC Associated FIFOs: \[0\]\[1\]\[2\]](#)
- [OCM Subsystem Register Summary: \[4\]](#)

Table 15-693. STATUS_ADDR_TRANSLATION_ERROR_TRACE

Address Offset	0x0000 009C	Instance	OCMC_RAM1
Physical Address	0x4880 409C		
Description	ADDR error 128-bit memory address		
Type	R		

31	30	29	28	27	26	25	24	23	22	21	20	19	18	17	16	15	14	13	12	11	10	9	8	7	6	5	4	3	2	1	0
RESERVED														VALID	ADDRESS_128BIT																

Bits	Field Name	Description	Type	Reset
31:19	RESERVED		R	0x0
18	VALID	ADDRERR FIFO valid address indication. 0x0: The ADDRERR FIFO is empty 0x1: There is a valid address in the ADDRERR FIFO	R	0x0
17:0	ADDRESS_128BIT	ADDR error 128-bit memory address (Read from the ADDR error address trace fifo)	R	0x0

Table 15-694. Register Call Summary for Register STATUS_ADDR_TRANSLATION_ERROR_TRACE

On-Chip Memory (OCM) Subsystem

- [ECC Associated FIFOs: \[0\]\[1\]\[2\]](#)
- [OCM Subsystem Register Summary: \[4\]](#)

Table 15-695. STATUS_SEC_ERROR_DISTR_0

Address Offset	0x0000 00A0	Instance	OCMC_RAM1
Physical Address	0x4880 40A0		
Description	SEC data error bit distribution status [31:0]		
Type	R		

31	30	29	28	27	26	25	24	23	22	21	20	19	18	17	16	15	14	13	12	11	10	9	8	7	6	5	4	3	2	1	0
SEC_BIT_ERROR_FOUND																															

Bits	Field Name	Description	Type	Reset
31:0	SEC_BIT_ERROR_FOUND	1 in a bit position means that an SEC error was found at that bit position and corrected	R	0x0

Table 15-696. Register Call Summary for Register STATUS_SEC_ERROR_DISTR_0

On-Chip Memory (OCM) Subsystem

- [ECC Counters And Corrected Bit Distribution Register: \[0\]](#)
- [ECC Support: \[1\]](#)
- [OCM Subsystem Register Summary: \[3\]](#)
- [OCM Subsystem Register Description: \[5\]](#)

Table 15-697. STATUS_SEC_ERROR_DISTR_1

Address Offset	0x0000 00A4		
Physical Address	0x4880 40A4	Instance	OCMC_RAM1
Description	SEC data error bit distribution status [63:32]		
Type	R		

31	30	29	28	27	26	25	24	23	22	21	20	19	18	17	16	15	14	13	12	11	10	9	8	7	6	5	4	3	2	1	0
SEC_BIT_ERROR_FOUND																															

Bits	Field Name	Description	Type	Reset
31:0	SEC_BIT_ERROR_FOUND	1 in a bit position means that an SEC error was found at that bit position and corrected	R	0x0

Table 15-698. Register Call Summary for Register STATUS_SEC_ERROR_DISTR_1

On-Chip Memory (OCM) Subsystem

- [ECC Counters And Corrected Bit Distribution Register: \[0\]](#)
- [ECC Support: \[1\]](#)
- [OCM Subsystem Register Summary: \[3\]](#)
- [OCM Subsystem Register Description: \[5\]](#)

Table 15-699. STATUS_SEC_ERROR_DISTR_2

Address Offset	0x0000 00A8		
Physical Address	0x4880 40A8	Instance	OCMC_RAM1
Description	SEC data error bit distribution status [95:64]		
Type	R		

31	30	29	28	27	26	25	24	23	22	21	20	19	18	17	16	15	14	13	12	11	10	9	8	7	6	5	4	3	2	1	0
SEC_BIT_ERROR_FOUND																															

Bits	Field Name	Description	Type	Reset
31:0	SEC_BIT_ERROR_FOUND	1 in a bit position means that an SEC error was found at that bit position and corrected	R	0x0

Table 15-700. Register Call Summary for Register STATUS_SEC_ERROR_DISTR_2

On-Chip Memory (OCM) Subsystem

- [ECC Counters And Corrected Bit Distribution Register: \[0\]](#)
- [ECC Support: \[1\]](#)
- [OCM Subsystem Register Summary: \[3\]](#)
- [OCM Subsystem Register Description: \[5\]](#)

Table 15-701. STATUS_SEC_ERROR_DISTR_3

Address Offset	0x0000 00AC		
Physical Address	0x4880 40AC	Instance	OCMC_RAM1
Description	SEC data error bit distribution status [127:96]		
Type	R		

31	30	29	28	27	26	25	24	23	22	21	20	19	18	17	16	15	14	13	12	11	10	9	8	7	6	5	4	3	2	1	0
SEC_BIT_ERROR_FOUND																															

Bits	Field Name	Description	Type	Reset
31:0	SEC_BIT_ERROR_FOUND	1 in a bit position means that an SEC error was found at that bit position and corrected	R	0x0

Table 15-702. Register Call Summary for Register STATUS_SEC_ERROR_DISTR_3

On-Chip Memory (OCM) Subsystem

- [ECC Counters And Corrected Bit Distribution Register: \[0\]](#)
- [ECC Support: \[1\]](#)
- [OCM Subsystem Register Summary: \[3\]](#)
- [OCM Subsystem Register Description: \[5\]](#)

Table 15-703. STATUS_SEC_ERROR_DISTR_4

Address Offset	0x0000 00B0	Instance	OCMC_RAM1
Physical Address	0x4880 40B0		
Description	SEC ecc code error bit distribution status [7:0]		
Type	R		

31	30	29	28	27	26	25	24	23	22	21	20	19	18	17	16	15	14	13	12	11	10	9	8	7	6	5	4	3	2	1	0
RESERVED																SEC_ECC_CODE_ERROR_FOUND															

Bits	Field Name	Description	Type	Reset
31:8	RESERVED		R	0x0
7:0	SEC_ECC_CODE_ERROR_FO UND	ECC Code (excluding the parity bit) error distribution [7:0]. For each bit: 0x0: SEC error not found 0x1: SEC error found In the corresponding bit location	R	0x0

Table 15-704. Register Call Summary for Register STATUS_SEC_ERROR_DISTR_4

On-Chip Memory (OCM) Subsystem

- [ECC Counters And Corrected Bit Distribution Register: \[0\]](#)
- [ECC Support: \[1\]\[2\]](#)
- [OCM Subsystem Register Summary: \[4\]](#)
- [OCM Subsystem Register Description: \[6\]](#)

Table 15-705. CFG_OCMC_CBUF_EN

Address Offset	0x0000 0200	Instance	OCMC_RAM1
Physical Address	0x4880 4200		
Description	CBUF mode enable register		
Type	RW		

31	30	29	28	27	26	25	24	23	22	21	20	19	18	17	16	15	14	13	12	11	10	9	8	7	6	5	4	3	2	1	0	
RESERVED								CBUF_EN_11	CBUF_EN_10	CBUF_EN_9	CBUF_EN_8	CBUF_EN_7	CBUF_EN_6	CBUF_EN_5	CBUF_EN_4	CBUF_EN_3	CBUF_EN_2	CBUF_EN_1	CBUF_EN_0	RESERVED										NEW_FRAME_SEL	CBUF_DEBUG_EN	CBUF_MODE_EN

Bits	Field Name	Description	Type	Reset
31:28	RESERVED		R	0x0
27	CBUF_EN_11	CBUF 11 enable. 0x0: Disable 0x1: Enable	RW	0x0
26	CBUF_EN_10	CBUF 10 enable. 0x0: Disable 0x1: Enable	RW	0x0
25	CBUF_EN_9	CBUF 9 enable. 0x0: Disable 0x1: Enable	RW	0x0
24	CBUF_EN_8	CBUF 8 enable. 0x0: Disable 0x1: Enable	RW	0x0
23	CBUF_EN_7	CBUF 7 enable. 0x0: Disable 0x1: Enable	RW	0x0
22	CBUF_EN_6	CBUF 6 enable. 0x0: Disable 0x1: Enable	RW	0x0
21	CBUF_EN_5	CBUF 5 enable. 0x0: Disable 0x1: Enable	RW	0x0
20	CBUF_EN_4	CBUF 4 enable. 0x0: Disable 0x1: Enable	RW	0x0
19	CBUF_EN_3	CBUF 3 enable. 0x0: Disable 0x1: Enable	RW	0x0
18	CBUF_EN_2	CBUF 2 enable. 0x0: Disable 0x1: Enable	RW	0x0
17	CBUF_EN_1	CBUF 1 enable. 0x0: Disable 0x1: Enable	RW	0x0

Bits	Field Name	Description	Type	Reset
16	CBUF_EN_0	CBUF 0 enable. 0x0: Disable 0x1: Enable	RW	0x0
15:3	RESERVED		R	0x0
2	NEW_FRAME_SEL	CBUF New Frame Event Definition Select. 0x0: New frame event flag is set when a VBUF access is made to the base address of the VBUF 0x1: New frame event flag is set when a VBUF access is made to the base CBUF slice address range of the VBUF	RW	0x0
1	CBUF_DEBUG_EN	CBUF Debug Enable Mode. 0x0: Default Normal mode. All CBUF accesses with MReqDebug=1 are rejected. 0x1: Debug mode. MReqDebug Interconnect qualifier is ignored.	RW	0x0
0	CBUF_MODE_EN	CBUF Mode Enable. 0x0: Disable all CBUF address translation 0x1: Enable CBUF address translation	RW	0x0

Table 15-706. Register Call Summary for Register CFG_OCMC_CBUF_EN

On-Chip Memory (OCM) Subsystem

- [Circular Buffer \(CBUF\) Support: \[0\]\[1\]\[2\]\[3\]](#)
- [OCM Subsystem Register Summary: \[5\]](#)

Table 15-707. CFG_OCMC_CBUF_RESET

Address Offset	0x0000 0204	Instance	OCMC_RAM1
Physical Address	0x4880 4204		
Description	Writing 1 to bit n will set a reset bit to clear the corresponding CBUF_n address translation logic. Sliding CBUF frame tracking will be cleared so that the CBUF now points to the base of the virtual frame buffer. Normally, a reset is not required since the CBUF logic will clear itself when a VBUF access is to the base of the virtual frame.		
Type	RW		

31	30	29	28	27	26	25	24	23	22	21	20	19	18	17	16	15	14	13	12	11	10	9	8	7	6	5	4	3	2	1	0
RESERVED																CBUF_RESET_11	CBUF_RESET_10	CBUF_RESET_9	CBUF_RESET_8	CBUF_RESET_7	CBUF_RESET_6	CBUF_RESET_5	CBUF_RESET_4	CBUF_RESET_3	CBUF_RESET_2	CBUF_RESET_1	CBUF_RESET_0				

Bits	Field Name	Description	Type	Reset
31:12	RESERVED		R	0x0
11	CBUF_RESET_11	cbuf_reset_11	RW W1toClr	0x0
10	CBUF_RESET_10	cbuf_reset_10	RW W1toClr	0x0
9	CBUF_RESET_9	cbuf_reset_9	RW W1toClr	0x0
8	CBUF_RESET_8	cbuf_reset_8	RW W1toClr	0x0
7	CBUF_RESET_7	cbuf_reset_7	RW W1toClr	0x0

Bits	Field Name	Description	Type	Reset
6	CBUF_RESET_6	cbuf_reset_6	RW W1toClr	0x0
5	CBUF_RESET_5	cbuf_reset_5	RW W1toClr	0x0
4	CBUF_RESET_4	cbuf_reset_4	RW W1toClr	0x0
3	CBUF_RESET_3	cbuf_reset_3	RW W1toClr	0x0
2	CBUF_RESET_2	cbuf_reset_2	RW W1toClr	0x0
1	CBUF_RESET_1	cbuf_reset_1	RW W1toClr	0x0
0	CBUF_RESET_0	cbuf_reset_0	RW W1toClr	0x0

Table 15-708. Register Call Summary for Register CFG_OCMC_CBUF_RESET

On-Chip Memory (OCM) Subsystem

- [OCM Subsystem Register Summary: \[1\]](#)

Table 15-709. CFG_OCMC_CBUF_ERR_HANDLER

Address Offset	0x0000 0208	Instance	OCMC_RAM1
Physical Address	0x4880 4208		
Description			
Type	RW		

31	30	29	28	27	26	25	24	23	22	21	20	19	18	17	16	15	14	13	12	11	10	9	8	7	6	5	4	3	2	1	0
RESERVED																UNDERFLOW_LAST_CBUF_SLICE_DISABLE	OVERFLOW_CHECK_REENABLE_SEL	OVERFLOW_WRITE_HANDLER_SEL	UNDERFLOW_ERR_CHECK_EN	OVERFLOW_ERR_CHECK_EN	SHORT_FRAME_PREV_EOF_SEL	SHORT_FRAME_DETECT_CHECK_EN									

Bits	Field Name	Description	Type	Reset
31:9	RESERVED		R	0x0
8	UNDERFLOW_LAST_CBUF_SLICE_DISABLE	0x0: Check underflow even when read is from the last CBUF slice 0x1: Disable underflow check when read is from the last CBUF slice	RW	0x0

Bits	Field Name	Description	Type	Reset
7:6	OVERFLOW_CHECK_REENABLE_SEL	Overflow check re-enable selection. 0x0: Overflow check is disabled until next write to or read from virtual frame start address is detected 0x1: Overflow check is disabled until next write to virtual frame start address is detected 0x2: Overflow check is disabled until next read from virtual frame start address is detected 0x3: Overflow check is re-enabled immediately	RW	0x0
5:4	OVERFLOW_WRITE_HANDLER_SEL	Overflow write handler selection. 0x0: Writes disabled only on CBUF_overflow_wrap cases until next write to virtual frame start address is detected 0x1: Writes disabled on all overflow cases until next write to virtual frame start address is detected 0x2: Writes serviced with CBUF pointer updated even on overflow condition 0x3: Reserved	RW	0x0
3	UNDERFLOW_ERR_CHECK_ENABLE	Underflow check enable. 0x0: Underflow check enabled 0x1: Underflow check disabled	RW	0x0
2	OVERFLOW_ERR_CHECK_ENABLE	Overflow check enable. 0x0: Overflow check enabled 0x1: Overflow check disabled	RW	0x0
1	SHORT_FRAME_PREV_EOF_STATUS	0x0: previous frame EOF history is set if the last write address is equal to the VBUF frame end address 0x1: previous frame EOF history is set if the last write address is in the Last CBUF slice	RW	0x0
0	SHORT_FRAME_DETECT_CHECK_ENABLE	Short frame detection enable. 0x0: Detection enabled 0x1: Detection disabled	RW	0x0

Table 15-710. Register Call Summary for Register CFG_OCMC_CBUF_ERR_HANDLER

On-Chip Memory (OCM) Subsystem

- [Illegal Frame Size \(Short Frame Detection\): \[0\]\[1\]](#)
- [CBUF Overflow: \[2\]\[3\]\[4\]](#)
- [CBUF Underflow: \[5\]\[6\]](#)
- [OCM Subsystem Register Summary: \[8\]](#)

Table 15-711. STATUS_CBUF_WR_OUT_OF_RANGE_ERR

Address Offset	0x0000 020C	Instance	OCMC_RAM1
Physical Address	0x4880 420C		
Description			
Type	RW		

31	30	29	28	27	26	25	24	23	22	21	20	19	18	17	16	15	14	13	12	11	10	9	8	7	6	5	4	3	2	1	0
RESERVED																CBUF_ERR															

Bits	Field Name	Description	Type	Reset
31:12	RESERVED		R	0x0
11:0	CBUF_ERR	Indicates that the CBUF write address is out of the CBUF range. Each bit indicates the error of this type for CBUF[n], where n = 0 to 11. Writing 0x1 to bit [n] clears the status of CBUF[n]. Reading 0x1 from bit [n] means that the status is set.	RW W1toClr	0x0

Table 15-712. Register Call Summary for Register STATUS_CBUF_WR_OUT_OF_RANGE_ERR

On-Chip Memory (OCM) Subsystem

- [VBUF Address Not Mapped to a CBUF Memory Space: \[0\]\[1\]](#)
- [OCM Subsystem Register Summary: \[3\]](#)

Table 15-713. STATUS_CBUF_WR_VBUF_START_ERR

Address Offset	0x0000 0210	Instance	OCMC_RAM1
Physical Address	0x4880 4210		
Description			
Type	RW		

31	30	29	28	27	26	25	24	23	22	21	20	19	18	17	16	15	14	13	12	11	10	9	8	7	6	5	4	3	2	1	0
RESERVED																CBUF_ERR															

Bits	Field Name	Description	Type	Reset
31:12	RESERVED		R	0x0
11:0	CBUF_ERR	CBUF write is not to the base address at vbuf access start. Each bit indicates the error of this type for CBUF[n], where n = 0 to 11. Writing 0x1 to bit [n] clears the status of CBUF[n]. Reading 0x1 from bit [n] means that the status is set.	RW W1toClr	0x0

Table 15-714. Register Call Summary for Register STATUS_CBUF_WR_VBUF_START_ERR

On-Chip Memory (OCM) Subsystem

- [VBUF Access Not Starting At The Base Address: \[0\]\[1\]](#)
- [OCM Subsystem Register Summary: \[3\]](#)

Table 15-715. STATUS_CBUF_WR_ADDR_SEQ_ERROR

Address Offset	0x0000 0214	Instance	OCMC_RAM1
Physical Address	0x4880 4214		
Description			
Type	RW		

31	30	29	28	27	26	25	24	23	22	21	20	19	18	17	16	15	14	13	12	11	10	9	8	7	6	5	4	3	2	1	0
RESERVED																CBUF_ERR															

Bits	Field Name	Description	Type	Reset
31:12	RESERVED		R	0x0
11:0	CBUF_ERR	CBUF address is not incrementing in raster scan order. Each bit indicates the error of this type for CBUF[n], where n = 0 to 11. Writing 0x1 to bit [n] clears the status of CBUF[n]. Reading 0x1 from bit [n] means that the status is set.	RW W1toClr	0x0

Table 15-716. Register Call Summary for Register STATUS_CBUF_WR_ADDR_SEQ_ERROR

On-Chip Memory (OCM) Subsystem

- [Illegal Address Change Between Two Same Type Accesses: \[0\]\[1\]](#)
- [OCM Subsystem Register Summary: \[3\]](#)

Table 15-717. STATUS_CBUF_RD_OUT_OF_RANGE_ERROR

Address Offset	0x0000 0218	Instance	OCMC_RAM1
Physical Address	0x4880 4218		
Description			
Type	RW		

31	30	29	28	27	26	25	24	23	22	21	20	19	18	17	16	15	14	13	12	11	10	9	8	7	6	5	4	3	2	1	0
RESERVED																CBUF_ERR															

Bits	Field Name	Description	Type	Reset
31:12	RESERVED		R	0x0
11:0	CBUF_ERR	Indicates that the CBUF read address is out of the CBUF range. Each bit indicates the error of this type for CBUF[n], where n = 0 to 11. Writing 0x1 to bit [n] clears the status of CBUF[n]. Reading 0x1 from bit [n] means that the status is set.	RW W1toClr	0x0

Table 15-718. Register Call Summary for Register STATUS_CBUF_RD_OUT_OF_RANGE_ERROR

On-Chip Memory (OCM) Subsystem

- [VBUF Address Not Mapped to a CBUF Memory Space: \[0\]\[1\]](#)
- [OCM Subsystem Register Summary: \[3\]](#)

Table 15-719. STATUS_CBUF_VBUF_RD_START_ERROR

Address Offset	0x0000 021C	Instance	OCMC_RAM1
Physical Address	0x4880 421C		
Description			
Type	RW		

31	30	29	28	27	26	25	24	23	22	21	20	19	18	17	16	15	14	13	12	11	10	9	8	7	6	5	4	3	2	1	0
RESERVED																CBUF_ERR															

Bits	Field Name	Description	Type	Reset
31:12	RESERVED		R	0x0
11:0	CBUF_ERR	CBUF read is not from the base address at VBUF access start. Each bit indicates the error of this type for CBUF[n], where n = 0 to 11. Writing 0x1 to bit [n] clears the status of CBUF[n]. Reading 0x1 from bit [n] means that the status is set.	RW W1toClr	0x0

Table 15-720. Register Call Summary for Register STATUS_CBUF_VBUF_RD_START_ERROR

On-Chip Memory (OCM) Subsystem

- [VBUF Access Not Starting At The Base Address: \[0\]\[1\]](#)
- [OCM Subsystem Register Summary: \[3\]](#)

Table 15-721. STATUS_CBUF_RD_ADDR_SEQ_ERROR

Address Offset	0x0000 0220	Instance	OCMC_RAM1
Physical Address	0x4880 4220		
Description			
Type	RW		

31	30	29	28	27	26	25	24	23	22	21	20	19	18	17	16	15	14	13	12	11	10	9	8	7	6	5	4	3	2	1	0
RESERVED																CBUF_ERR															

Bits	Field Name	Description	Type	Reset
31:12	RESERVED		R	0x0
11:0	CBUF_ERR	CBUF read address is not incrementing in raster scan order. Each bit indicates the error of this type for CBUF[n], where n = 0 to 11. Writing 0x1 to bit [n] clears the status of CBUF[n]. Reading 0x1 from bit [n] means that the status is set.	RW W1toClr	0x0

Table 15-722. Register Call Summary for Register STATUS_CBUF_RD_ADDR_SEQ_ERROR

On-Chip Memory (OCM) Subsystem

- [Illegal Address Change Between Two Same Type Accesses: \[0\]\[1\]](#)
- [OCM Subsystem Register Summary: \[3\]](#)

Table 15-723. STATUS_CBUF_OVERFLOW_MID

Address Offset	0x0000 0224	Instance	OCMC_RAM1
Physical Address	0x4880 4224		
Description			
Type	RW		

31	30	29	28	27	26	25	24	23	22	21	20	19	18	17	16	15	14	13	12	11	10	9	8	7	6	5	4	3	2	1	0
RESERVED																CBUF_ERR															

Bits	Field Name	Description	Type	Reset
31:12	RESERVED		R	0x0
11:0	CBUF_ERR	CBUF overflow condition detected in the middle of a frame. Each bit indicates the error of this type for CBUF[n], where n = 0 to 11. Writing 0x1 to bit [n] clears the status of CBUF[n]. Reading 0x1 from bit [n] means that the status is set.	RW W1toClr	0x0

Table 15-724. Register Call Summary for Register STATUS_CBUF_OVERFLOW_MID

On-Chip Memory (OCM) Subsystem

- [CBUF Overflow: \[0\]](#)
- [OCM Subsystem Register Summary: \[2\]](#)

Table 15-725. STATUS_CBUF_OVERFLOW_WRAP

Address Offset	0x0000 0228	Instance	OCMC_RAM1
Physical Address	0x4880 4228		
Description			
Type	RW		

31	30	29	28	27	26	25	24	23	22	21	20	19	18	17	16	15	14	13	12	11	10	9	8	7	6	5	4	3	2	1	0
RESERVED																CBUF_ERR															

Bits	Field Name	Description	Type	Reset
31:12	RESERVED		R	0x0
11:0	CBUF_ERR	CBUF overflow condition detected during buffer switching. Each bit indicates the error of this type for CBUF[n], where n = 0 to 11. Writing 0x1 to bit [n] clears the status of CBUF[n]. Reading 0x1 from bit [n] means that the status is set.	RW W1toClr	0x0

Table 15-726. Register Call Summary for Register STATUS_CBUF_OVERFLOW_WRAP

On-Chip Memory (OCM) Subsystem

- [CBUF Overflow: \[0\]](#)
- [OCM Subsystem Register Summary: \[2\]](#)

Table 15-727. STATUS_CBUF_UNDERFLOW

Address Offset	0x0000 022C	Instance	OCMC_RAM1
Physical Address	0x4880 422C		
Description			
Type	RW		

31	30	29	28	27	26	25	24	23	22	21	20	19	18	17	16	15	14	13	12	11	10	9	8	7	6	5	4	3	2	1	0
RESERVED																CBUF_ERR															

Bits	Field Name	Description	Type	Reset
31:12	RESERVED		R	0x0
11:0	CBUF_ERR	CBUF underflow condition detected. Each bit indicates the error of this type for CBUF[n], where n = 0 to 11. Writing 0x1 to bit [n] clears the status of CBUF[n]. Reading 0x1 from bit [n] means that the status is set.	RW W1toClr	0x0

Table 15-728. Register Call Summary for Register STATUS_CBUF_UNDERFLOW

On-Chip Memory (OCM) Subsystem

- [Interrupt Requests: \[0\]](#)
- [CBUF Underflow: \[1\]\[2\]\[3\]](#)
- [OCM Subsystem Register Summary: \[5\]](#)

Table 15-729. STATUS_CBUF_SHORT_FRAME_DETECT

Address Offset	0x0000 0230	Instance	OCMC_RAM1
Physical Address	0x4880 4230		
Description			
Type	RW		

31	30	29	28	27	26	25	24	23	22	21	20	19	18	17	16	15	14	13	12	11	10	9	8	7	6	5	4	3	2	1	0
RESERVED																CBUF_ERR															

Bits	Field Name	Description	Type	Reset
31:12	RESERVED		R	0x0
11:0	CBUF_ERR	CBUF short frame detected. Each bit indicates the error of this type for CBUF[n], where n = 0 to 11. Writing 0x1 to bit [n] clears the status of CBUF[n]. Reading 0x1 from bit [n] means that the status is set.	RW W1toClr	0x0

Table 15-730. Register Call Summary for Register STATUS_CBUF_SHORT_FRAME_DETECT

On-Chip Memory (OCM) Subsystem

- [Interrupt Requests: \[0\]](#)
- [Illegal Frame Size \(Short Frame Detection\): \[1\]\[2\]](#)
- [OCM Subsystem Register Summary: \[4\]](#)

Table 15-731. CBUF_i_VBUF_START_ADDR

Address Offset	0x0000 0240 + (i*16); i = 0 to 11	Instance	OCMC_RAM1
Physical Address	0x4880 4240 + (i*16)		
Description			
Type	RW		

31	30	29	28	27	26	25	24	23	22	21	20	19	18	17	16	15	14	13	12	11	10	9	8	7	6	5	4	3	2	1	0				
RESERVED																ADDR												RESERVED							

Bits	Field Name	Description	Type	Reset
31:24	RESERVED	The virtual address range is determined by the OCMC_MEM_SIZE_READ [16:12] VBUF_ADDR_MSB bit field. For default value of 23, the valid VBUF address is 0x80xx_xxxx. Writing to this field above the MSB bit returned by VBUF_ADDR_MSB will be ignored and reading will return all zeroes except for bit[31] = 1.	R	0x80
23:4	ADDR	Virtual frame start address for this CBUF - bits [23:4]	RW	0x0
3:0	RESERVED		R	0x0

Table 15-732. Register Call Summary for Register CBUF_i_VBUF_START_ADDR

On-Chip Memory (OCM) Subsystem

- [Circular Buffer \(CBUF\) Support: \[0\]](#)
- [VBUF Access Not Starting At The Base Address: \[1\]\[2\]](#)
- [OCM Subsystem Register Summary: \[4\]](#)

Table 15-733. CBUF_i_VBUF_END_ADDR

Address Offset	0x0000 0244 + (i*16); i = 0 to 11		
Physical Address	0x4880 4244 + (i*16)	Instance	OCMC_RAM1
Description			
Type	RW		

31	30	29	28	27	26	25	24	23	22	21	20	19	18	17	16	15	14	13	12	11	10	9	8	7	6	5	4	3	2	1	0
RESERVED								ADDR																RESERVED							

Bits	Field Name	Description	Type	Reset
31:24	RESERVED	The virtual address range is determined by the OCMC_MEM_SIZE_READ [16:12] VBUF_ADDR_MSB bit field. For default value of 23, the valid VBUF address is 0x80xx_xxxx. Writing to this field above the MSB bit returned by VBUF_ADDR_MSB will be ignored and reading will return all zeroes except for bit[31] = 1.	R	0x80
23:4	ADDR	Virtual frame end address for this CBUF - bits [23:4]	RW	0x0
3:0	RESERVED		R	0x0

Table 15-734. Register Call Summary for Register CBUF_i_VBUF_END_ADDR

On-Chip Memory (OCM) Subsystem

- [Circular Buffer \(CBUF\) Support: \[0\]](#)
- [OCM Subsystem Register Summary: \[2\]](#)

Table 15-735. CBUF_i_OCMC_START_ADDR

Address Offset	0x0000 0248 + (i*16); i = 0 to 11		
Physical Address	0x4880 4248 + (i*16)	Instance	OCMC_RAM1
Description			
Type	RW		

31	30	29	28	27	26	25	24	23	22	21	20	19	18	17	16	15	14	13	12	11	10	9	8	7	6	5	4	3	2	1	0
RESERVED								ADDR																RESERVED							

Bits	Field Name	Description	Type	Reset
31:22	RESERVED		R	0x0
21:4	ADDR	SRAM start address for this CBUF - bits [21:4]	RW	0x0
3:0	RESERVED		R	0x0

Table 15-736. Register Call Summary for Register CBUF_i_OCMC_START_ADDR

On-Chip Memory (OCM) Subsystem

- [Circular Buffer \(CBUF\) Support: \[0\]](#)
- [OCM Subsystem Register Summary: \[2\]](#)

Table 15-737. CBUF_i_OCMC_BUF_SIZE

Address Offset	0x0000 024C + (i*16); i = 0 to 11		
Physical Address	0x4880 424C + (i*16)	Instance	OCMC_RAM1
Description			
Type	RW		

31	30	29	28	27	26	25	24	23	22	21	20	19	18	17	16	15	14	13	12	11	10	9	8	7	6	5	4	3	2	1	0
RESERVED								BUF_SIZE										RESERVED													

Bits	Field Name	Description	Type	Reset
31:20	RESERVED		R	0x0
19:4	BUF_SIZE	SRAM size allocated for this CBUF - bits [19:4]	RW	0x0
3:0	RESERVED		R	0x0

Table 15-738. Register Call Summary for Register CBUF_i_OCMC_BUF_SIZE

On-Chip Memory (OCM) Subsystem

- [Circular Buffer \(CBUF\) Support: \[0\]](#)
- [OCM Subsystem Register Summary: \[2\]](#)

Table 15-739. CBUF_k_LAST_WR_ADDR

Address Offset	0x0000 0300 + (k*8); k = 0 to 11		
Physical Address	0x4880 4300 + (k*8)	Instance	OCMC_RAM1
Description			
Type	R		

31	30	29	28	27	26	25	24	23	22	21	20	19	18	17	16	15	14	13	12	11	10	9	8	7	6	5	4	3	2	1	0
ADDR																															

Bits	Field Name	Description	Type	Reset
31:0	ADDR	Last virtual write address accessing CBUF	R	0x0

Table 15-740. Register Call Summary for Register CBUF_k_LAST_WR_ADDR

On-Chip Memory (OCM) Subsystem

- [Status Reporting: \[0\]](#)
- [OCM Subsystem Register Summary: \[2\]](#)

Table 15-741. CBUF_k_LAST_RD_ADDR

Address Offset	0x0000 0304 + (k*8); k = 0 to 11		
Physical Address	0x4880 4304 + (k*8)	Instance	OCMC_RAM1
Description			
Type	R		

31	30	29	28	27	26	25	24	23	22	21	20	19	18	17	16	15	14	13	12	11	10	9	8	7	6	5	4	3	2	1	0
ADDR																															

Bits	Field Name	Description	Type	Reset
31:0	ADDR	Last virtual read address accessing CBUF	R	0x0

Table 15-742. Register Call Summary for Register CBUF_k_LAST_RD_ADDR

On-Chip Memory (OCM) Subsystem

- [Status Reporting: \[0\]](#)
- [OCM Subsystem Register Summary: \[2\]](#)

Table 15-743. LAST_ILLEGAL_OCMC_ADDR

Address Offset	0x0000 0360		
Physical Address	0x4880 4360	Instance	OCMC_RAM1
Description			
Type	R		

31	30	29	28	27	26	25	24	23	22	21	20	19	18	17	16	15	14	13	12	11	10	9	8	7	6	5	4	3	2	1	0
ADDR																															

Bits	Field Name	Description	Type	Reset
31:0	ADDR	Last Illegal OCMC Address. This register returns the OCMC L3_MAIN address of the last access that was invalidated due to an OUT_OF_RANGE_ERR_FOUND (non-VBUF address) error or any one of the CBUF related access errors (including any write access disabled during overflow error handling).	R	0x0

Table 15-744. Register Call Summary for Register LAST_ILLEGAL_OCMC_ADDR

On-Chip Memory (OCM) Subsystem

- [Interrupt Requests: \[0\]](#)
- [VBUF Address Not Mapped to a CBUF Memory Space: \[1\]](#)
- [OCM Subsystem Register Summary: \[3\]](#)

DMA Controllers

This chapter describes the features and operation of the device System DMA (DMA_SYSTEM) and Enhanced DMA (EDMA) controllers.

Topic	Page
16.1 System DMA.....	3756
16.2 Enhanced DMA	3839

16.1 System DMA

This chapter describes the system direct memory access (DMA_SYSTEM) module.

16.1.1 DMA_SYSTEM Module Overview

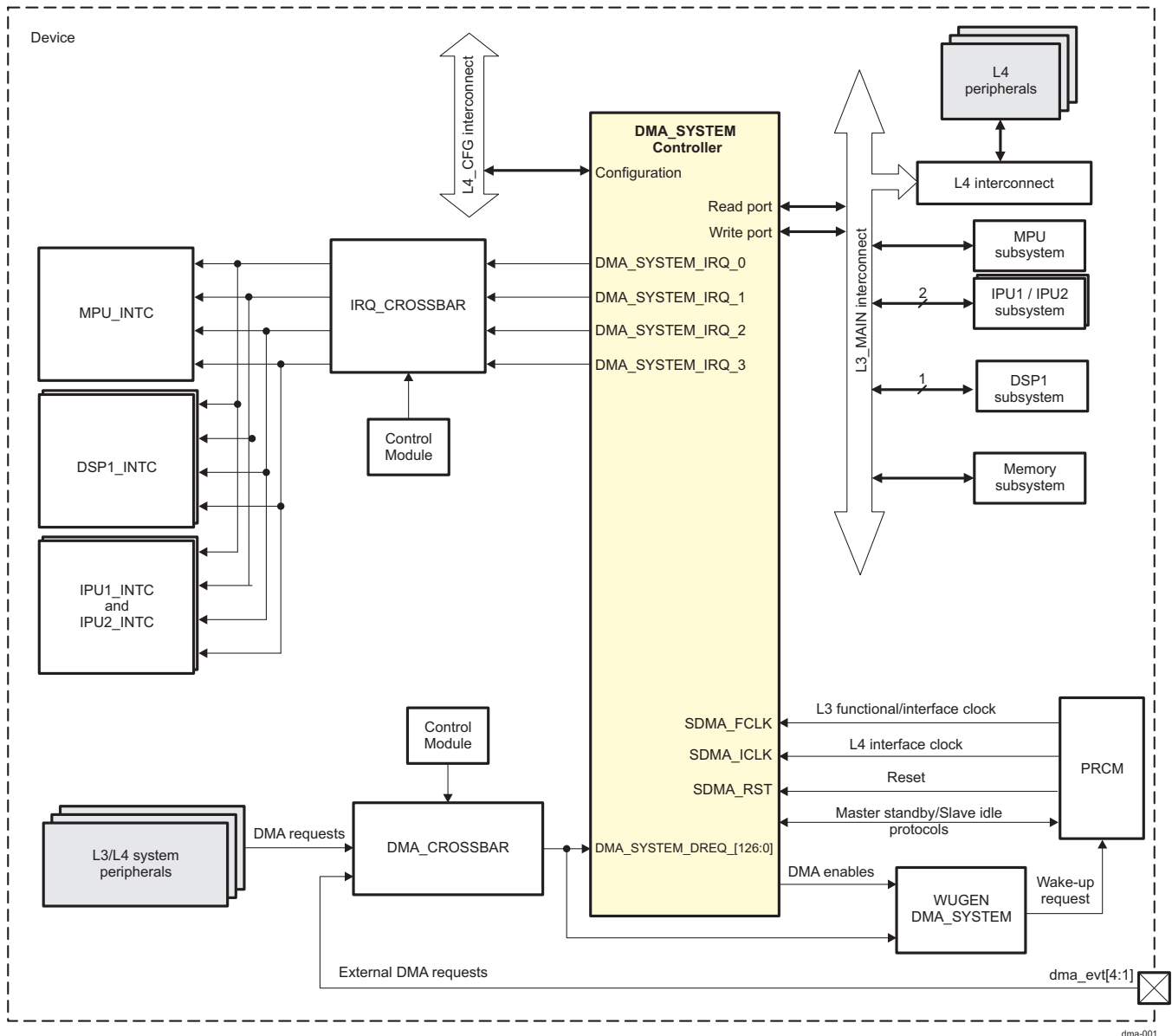
The system direct memory access (DMA_SYSTEM) module, also called DMA4, performs high-performance data transfers between memories and peripheral devices without microprocessor unit (MPU) or digital signal processor (DSP) support during transfer. A DMA transfer is programmed through a logical DMA channel, which allows the transfer to be optimally tailored to the requirements of the application.

The DMA controller includes the following main features:

- Data transfer support in either direction between:
 - Memory and memory
 - Memory and peripheral device
- 32 logical DMA channels supporting:
 - Multiple concurrent transfers
 - Independent transfer profile for each channel
 - 8-bit, 16-bit, or 32-bit data element transfer size
 - Software-triggered or hardware-synchronized transfers
 - Flexible source and destination address generation
 - Burst read and write - max burst size is 16
 - Chained multiple-channel transfers
 - Endianism conversion
 - Draining
 - Linked-list support for descriptor types 1, 2, and 3
- First-come, first-serve DMA scheduling with fixed priority
- Up to 127 Hardware DMA requests
- DMA_CROSSBAR
- Constant fill
- Transparent copy
- Four programmable interrupt request output lines
- FIFO depth: 256 x 64-bit
- Data buffering
- FIFO budget allocation
- Power-management support
- Auto-idle power-saving support

Figure 16-1 shows an overview of the DMA_SYSTEM module.

Figure 16-1. DMA_SYSTEM Overview



The DMA_SYSTEM module has three ports: one read, one write, and one configuration port, and provides multiple logical channel support. A dynamically allocated FIFO queue memory pool provides buffering between the read and write ports, which are multithreaded (two threads for the write port and four threads for the read port); this means that each transaction is flagged by a thread ID (0, 1, 2, or 3) in the request direction and in the response direction. This allows the read port to have four outstanding requests at a time. The write port has two threads budget available.

The MPU (or DSP) configures the DMA_SYSTEM through the L4_CFG interconnect.

16.1.2 DMA_SYSTEM Controller Environment

The DMA_SYSTEM controller supports external DMA requests through the dma_evt[4:1] pins (see Table 16-1). A logical channel can be configured to respond to an external synchronization request.

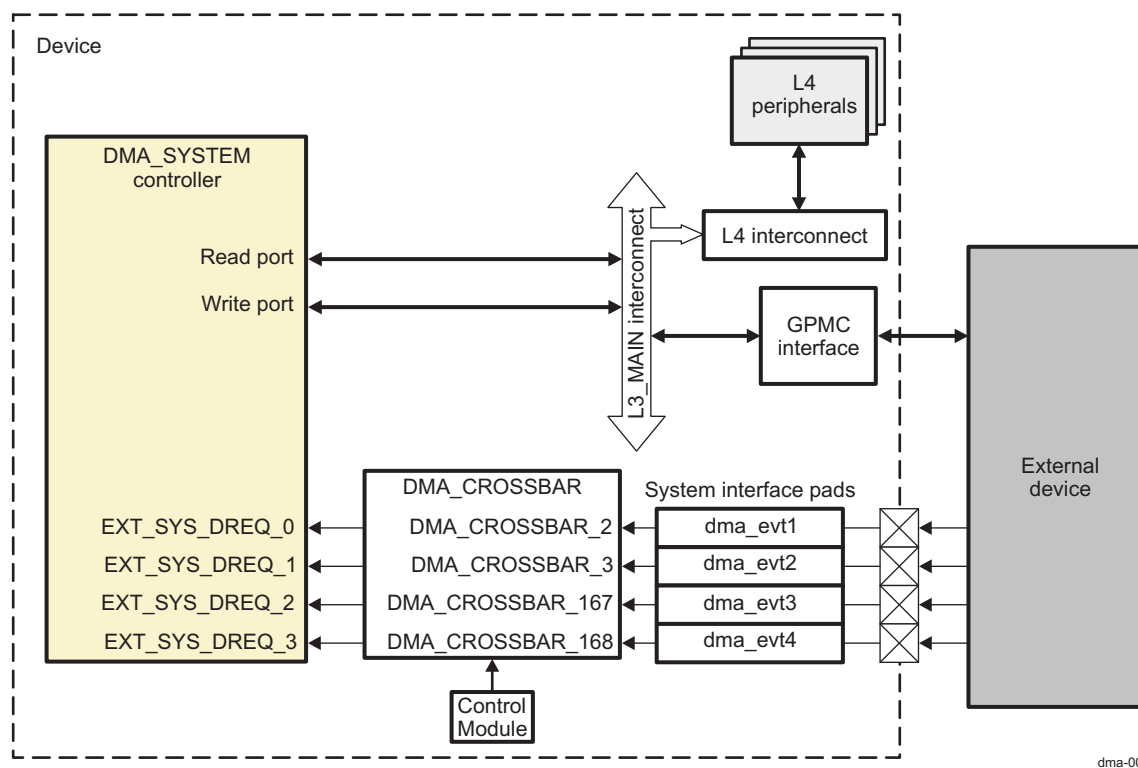
Table 16-1. External DMA_SYSTEM Request Signals

Pin Name	DMA_CROSSBAR Input	Signal Name	I/O ⁽¹⁾	Description	Module Reset Value
dma_evt1	DMA_CROSSBAR_2	EXT_SYS_DREQ_0	I	External DMA request 0 (system expansion)	Z
dma_evt2	DMA_CROSSBAR_3	EXT_SYS_DREQ_1	I	External DMA request 1 (system expansion)	Z
dma_evt3	DMA_CROSSBAR_167	EXT_SYS_DREQ_2	I	External DMA request 2 (system expansion)	Z
dma_evt4	DMA_CROSSBAR_168	EXT_SYS_DREQ_3	I	External DMA request 3 (system expansion)	Z

⁽¹⁾ I = Input, O = Output

Figure 16-2 shows an example of how to use the external hardware DMA request pins in the DMA_SYSTEM environment.

Figure 16-2. Example of External DMA Requests Use



dma-003

An external device can use the external DMA request pins to start a logical channel transfer over the general-purpose memory controller (GPMC) interface. The transfer can be a memory-to-memory transfer in which the source memory is in the external device.

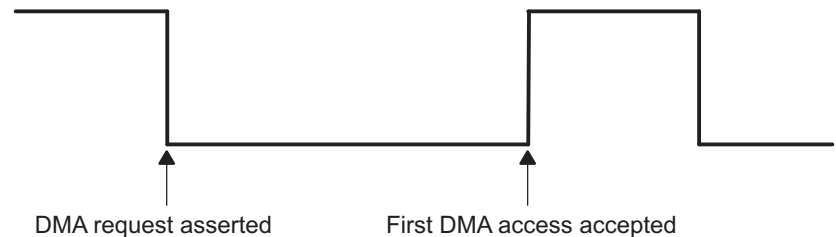
By default, the external DMA request signals are not available on external pins after a cold reset. For more information about multiplexing out the two signal lines to pins, see [Section 18.4.6.1.1, Pad Configuration Registers](#) in the [Chapter 18, Control Module](#).

All 127 DMA request lines are transition sensitive.

For a transition-sensitive DMA request (see [Figure 16-3](#)), the line must be maintained low (asserted) until the first DMA access is complete, after which the line must be maintained high (deasserted) for greater than one clock cycle (DMA_L3_GICLK):

- When the deassertion time is less than one clock cycle, the DMA_SYSTEM may not detect the deassertion.
- When the channel is enabled one cycle after a DMA request is disabled, the channel detects the DMA request and starts the corresponding transfer.
- When the channel is enabled two cycles after the DMA request is disabled, the channel does not detect the DMA request.

Figure 16-3. Transition-Sensitive DMA Request Scheme



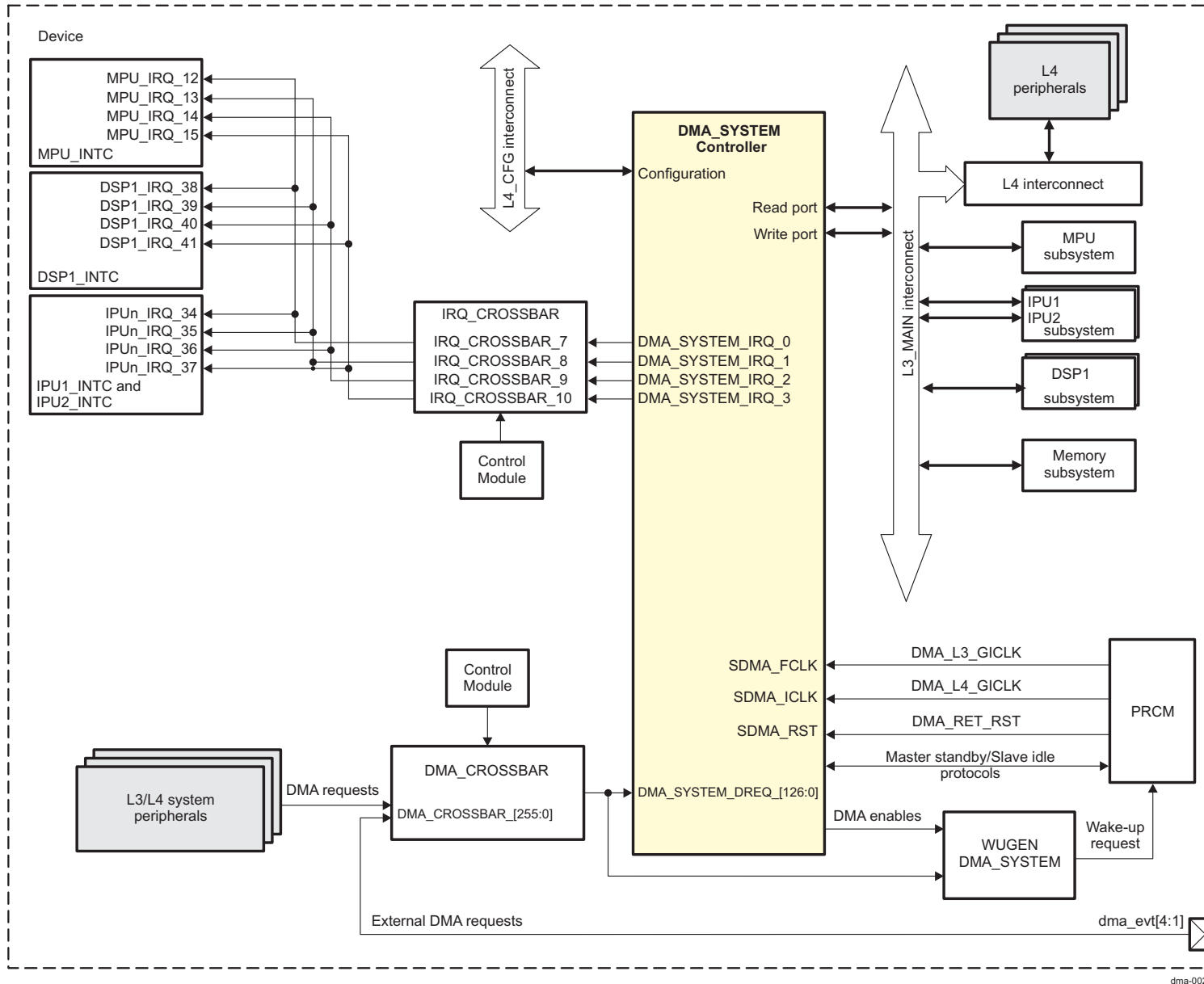
dma-012

16.1.3 DMA_SYSTEM Module Integration

This section describes the integration of the module in the device, including information about clocks, resets, and hardware requests.

[Figure 16-4](#) shows the DMA_SYSTEM controller integration.

Figure 16-4. DMA_SYSTEM Controller Integration



dma-002

NOTE: For more information about the system DMA wake-up generator (WUGEN_DMA_SYSTEM), the master standby/slave idle protocols, and the wake-up request, see [Section 3.1.1.1, Clock Management](#), in [Chapter 3, Power, Reset, and Clock Management](#).

[Table 16-2](#) through [Table 16-4](#) summarize the integration of the module in the device.

Table 16-2. DMA_SYSTEM Integration Attributes

Module Instance	Attributes	
	Power Domain	Interconnect
DMA_SYSTEM	PD_COREAON	L3_MAIN and L4_CFG

Table 16-3. DMA_SYSTEM Clocks and Resets

Clocks				
Module Instance	Destination Signal Name	Source Signal Name	Source	Description
DMA_SYSTEM	SDMA_FCLK	DMA_L3_GICLK	PRCM	Functional clock for all internal logic and for the two master read and write ports. For information about the power, reset, and clock management (PRCM) clock gating and management, see Chapter 3, Power, Reset, and Clock Management .
	SDMA_ICLK	DMA_L4_GICLK		Interface clock. It supports the configuration port. For information about PRCM clock gating and management, see Chapter 3, Power, Reset, and Clock Management .
Resets				
Module Instance	Destination Signal Name	Source Signal Name	Source	Description
DMA_SYSTEM	SDMA_RST	DMA_RET_RST	PRCM	Hardware retention reset. It initializes all internal logic of the DMA_SYSTEM module, all global registers, and some of the per-channel registers, implemented in flip-flops. However, all remaining per-channel registers are memory-based, and, therefore, are not reset (have undefined values). Thus, when programming a channel for the first time, all bits that have undefined reset values must be configured before enabling the channel. For information about PRCM reset sources and distribution, see Chapter 3, Power, Reset, and Clock Management .

Table 16-4. DMA_SYSTEM Hardware Requests

Interrupt Requests					
Module Instance	Source Signal Name	Destination IRQ_CROSSBAR INPUT	Default Mapping	Destination	Description
DMA_SYSTEM	DMA_SYSTEM_IRQ_0	IRQ_CROSSBAR_7	MPU_IRQ_12	Cortex-A15 MPU INTC	DMA_SYSTEM interrupt request 0. For information about the MPU_INTC, see Section 17.3.1 Interrupt Requests to MPU_INTC .

Table 16-4. DMA_SYSTEM Hardware Requests (continued)

		IPU1_IRQ_34	IPU1 INTC	DMA_SYSTEM interrupt request 0. For information about the IPU1_INTC, see Section 17.3.3 Interrupt Requests to IPU1_Cx_INTC .
		IPU2_IRQ_34	IPU2 INTC	DMA_SYSTEM interrupt request 0. For information about the IPU2_INTC, see Section 17.3.4 Interrupt Requests to IPU2_Cx_INTC .
		DSP1_IRQ_38	DSP1 INTC	DMA_SYSTEM interrupt request 0. For information about the DSP1_INTC, see Section 17.3.2 Interrupt Requests to DSP1_INTC .
DMA_SYSTEM_IRQ_1	IRQ_CROSSBAR_8	MPU_IRQ_13	Cortex-A15 MPU INTC	DMA_SYSTEM interrupt request 1
		IPU1_IRQ_35	IPU1 INTC	
		IPU2_IRQ_35	IPU2 INTC	
		DSP1_IRQ_39	DSP1 INTC	
DMA_SYSTEM_IRQ_2	IRQ_CROSSBAR_9	MPU_IRQ_14	Cortex-A15 MPU INTC	DMA_SYSTEM interrupt request 2
		IPU1_IRQ_36	IPU1 INTC	
		IPU2_IRQ_36	IPU2 INTC	
		DSP1_IRQ_40	DSP1 INTC	
DMA_SYSTEM_IRQ_3	IRQ_CROSSBAR_10	MPU_IRQ_15	Cortex-A15 MPU INTC	DMA_SYSTEM interrupt request 3
		IPU1_IRQ_37	IPU1 INTC	
		IPU2_IRQ_37	IPU2 INTC	
		DSP1_IRQ_41	DSP1 INTC	

NOTE: The “Default Mapping” column in [Table 16-4 Hardware Requests](#) shows the default mapping of module IRQ source signals. These IRQ source signals can also be mapped to other lines of each device Interrupt controller through the IRQ_CROSSBAR or DMA_CROSSBAR modules.

For more information about the IRQ_CROSSBAR and DMA_CROSSBAR modules, see sections: [Section 18.4.6.4 IRQ_CROSSBAR Module Functional Description](#) and [DMA_CROSSBAR Module Functional Description](#), in [Chapter 18 Control Module](#).

For more information about the device interrupt controllers, refer to [Chapter 17 Interrupt Controllers](#) in the device TRM.

NOTE: For a description of the interrupt source, see [Section 16.1.4.2, DMA_SYSTEM Controller Interrupt Requests](#).

16.1.3.1 DMA Requests to the DMA_SYSTEM Controller

[Table 16-5](#) lists the default DMA sources for the DMA_SYSTEM controller. In addition, the DMA_SYSTEM inputs (DMA_SYSTEM_DREQ_[126:0]) can alternatively be sourced through the associated DMA_CROSSBAR from one of the 256 multiplexed device DMA sources listed in [Table 16-6](#). The CTRL_CORE_DMA_SYSTEM_DREQ_y_z registers (where y and z are indexes of DMA_SYSTEM input lines) in the Control Module are used to select between the default DMA sources and the multiplexed DMA sources.

Table 16-5. DMA_SYSTEM Default Request Mapping

DMA Request Line	DMA_CROSSBAR Instance Number	DMA_CROSSBAR Configuration Register	DMA_CROSSBAR Default Input Index	Default DMA Source Name	Default DMA Source Description
DMA_SYSTEM_DREQ_0	1	CTRL_CORE_DMA_SYSTEM_DREQ_0_1 [7:0]	1	Reserved	Reserved by default but can be remapped to a valid DMA source
DMA_SYSTEM_DREQ_1	2	CTRL_CORE_DMA_SYSTEM_DREQ_0_1 [23:16]	2	EXT_SYS_DREQ_0	External DMA request 0 (system expansion)
DMA_SYSTEM_DREQ_2	3	CTRL_CORE_DMA_SYSTEM_DREQ_2_3 [7:0]	3	EXT_SYS_DREQ_1	External DMA request 1 (system expansion)
DMA_SYSTEM_DREQ_3	4	CTRL_CORE_DMA_SYSTEM_DREQ_2_3 [23:16]	4	GPMC_DREQ	GPMC data transmit request from prefetch engine
DMA_SYSTEM_DREQ_4	5	CTRL_CORE_DMA_SYSTEM_DREQ_4_5 [7:0]	5	Reserved	Reserved by default but can be remapped to a valid DMA source
DMA_SYSTEM_DREQ_5	6	CTRL_CORE_DMA_SYSTEM_DREQ_4_5 [23:16]	6	DISPC_DREQ	Frame update request
DMA_SYSTEM_DREQ_6	7	CTRL_CORE_DMA_SYSTEM_DREQ_6_7 [7:0]	7	CT_TBR_DREQ	DEBUG subsystem CT_TBR request
DMA_SYSTEM_DREQ_7	8	CTRL_CORE_DMA_SYSTEM_DREQ_6_7 [23:16]	8	Reserved	Reserved by default but can be remapped to a valid DMA source
DMA_SYSTEM_DREQ_8	9	CTRL_CORE_DMA_SYSTEM_DREQ_8_9 [7:0]	9	Reserved	Reserved by default but can be remapped to a valid DMA source
DMA_SYSTEM_DREQ_9	10	CTRL_CORE_DMA_SYSTEM_DREQ_8_9 [23:16]	10	Reserved	Reserved by default but can be remapped to a valid DMA source
DMA_SYSTEM_DREQ_10	11	CTRL_CORE_DMA_SYSTEM_DREQ_10_11 [7:0]	11	Reserved	Reserved by default but can be remapped to a valid DMA source
DMA_SYSTEM_DREQ_11	12	CTRL_CORE_DMA_SYSTEM_DREQ_10_11 [23:16]	12	Reserved	Reserved by default but can be remapped to a valid DMA source
DMA_SYSTEM_DREQ_12	13	CTRL_CORE_DMA_SYSTEM_DREQ_12_13 [7:0]	13	Reserved	Reserved by default but can be remapped to a valid DMA source
DMA_SYSTEM_DREQ_13	14	CTRL_CORE_DMA_SYSTEM_DREQ_12_13 [23:16]	14	Reserved	Reserved by default but can be remapped to a valid DMA source
DMA_SYSTEM_DREQ_14	15	CTRL_CORE_DMA_SYSTEM_DREQ_14_15 [7:0]	15	MCSPi3_DREQ_TX0	McSPi3 transmit request channel 0
DMA_SYSTEM_DREQ_15	16	CTRL_CORE_DMA_SYSTEM_DREQ_14_15 [23:16]	16	MCSPi3_DREQ_RX0	McSPi3 receive request channel 0
DMA_SYSTEM_DREQ_16	17	CTRL_CORE_DMA_SYSTEM_DREQ_16_17 [7:0]	17	Reserved	Reserved by default but can be remapped to a valid DMA source
DMA_SYSTEM_DREQ_17	18	CTRL_CORE_DMA_SYSTEM_DREQ_16_17 [23:16]	18	Reserved	Reserved by default but can be remapped to a valid DMA source
DMA_SYSTEM_DREQ_18	19	CTRL_CORE_DMA_SYSTEM_DREQ_18_19 [7:0]	19	Reserved	Reserved by default but can be remapped to a valid DMA source
DMA_SYSTEM_DREQ_19	20	CTRL_CORE_DMA_SYSTEM_DREQ_18_19 [23:16]	20	Reserved	Reserved by default but can be remapped to a valid DMA source
DMA_SYSTEM_DREQ_20	21	CTRL_CORE_DMA_SYSTEM_DREQ_20_21 [7:0]	21	Reserved	Reserved by default but can be remapped to a valid DMA source

Table 16-5. DMA_SYSTEM Default Request Mapping (continued)

DMA Request Line	DMA_CROSSBAR Instance Number	DMA_CROSSBAR Configuration Register	DMA_CROSSBAR Default Input Index	Default DMA Source Name	Default DMA Source Description
DMA_SYSTEM_DREQ_21	22	CTRL_CORE_DMA_SYSTEM_DREQ_20_21 [23:16]	22	Reserved	Reserved by default but can be remapped to a valid DMA source
DMA_SYSTEM_DREQ_22	23	CTRL_CORE_DMA_SYSTEM_DREQ_22_23 [7:0]	23	Reserved	Reserved by default but can be remapped to a valid DMA source
DMA_SYSTEM_DREQ_23	24	CTRL_CORE_DMA_SYSTEM_DREQ_22_23 [23:16]	24	Reserved	Reserved by default but can be remapped to a valid DMA source
DMA_SYSTEM_DREQ_22	23	CTRL_CORE_DMA_SYSTEM_DREQ_22_23 [7:0]	23	MCSPi3_DREQ_TX1	McSPi module 3 - transmit request channel 1
DMA_SYSTEM_DREQ_23	24	CTRL_CORE_DMA_SYSTEM_DREQ_22_23 [23:16]	24	MCSPi3_DREQ_RX1	McSPi module 3 - receive request channel 1
DMA_SYSTEM_DREQ_24	25	CTRL_CORE_DMA_SYSTEM_DREQ_24_25 [7:0]	25	I2C3_DREQ_TX	I2C3 transmit request
DMA_SYSTEM_DREQ_25	26	CTRL_CORE_DMA_SYSTEM_DREQ_24_25 [23:16]	26	I2C3_DREQ_RX	I2C3 receive request
DMA_SYSTEM_DREQ_26	27	CTRL_CORE_DMA_SYSTEM_DREQ_26_27 [7:0]	27	I2C1_DREQ_TX	I2C1 transmit request
DMA_SYSTEM_DREQ_27	28	CTRL_CORE_DMA_SYSTEM_DREQ_26_27 [23:16]	28	I2C1_DREQ_RX	I2C1 receive request
DMA_SYSTEM_DREQ_28	29	CTRL_CORE_DMA_SYSTEM_DREQ_28_29 [7:0]	29	I2C2_DREQ_TX	I2C2 transmit request
DMA_SYSTEM_DREQ_29	30	CTRL_CORE_DMA_SYSTEM_DREQ_28_29 [23:16]	30	I2C2_DREQ_RX	I2C2 receive request
DMA_SYSTEM_DREQ_30	31	CTRL_CORE_DMA_SYSTEM_DREQ_30_31 [7:0]	31	Reserved	Reserved by default but can be remapped to a valid DMA source
DMA_SYSTEM_DREQ_31	32	CTRL_CORE_DMA_SYSTEM_DREQ_30_31 [23:16]	32	Reserved	Reserved by default but can be remapped to a valid DMA source
DMA_SYSTEM_DREQ_32	33	CTRL_CORE_DMA_SYSTEM_DREQ_32_33 [7:0]	33	Reserved	Reserved by default but can be remapped to a valid DMA source
DMA_SYSTEM_DREQ_33	34	CTRL_CORE_DMA_SYSTEM_DREQ_32_33 [23:16]	34	Reserved	Reserved by default but can be remapped to a valid DMA source
DMA_SYSTEM_DREQ_34	35	CTRL_CORE_DMA_SYSTEM_DREQ_34_35 [7:0]	35	MCSPi1_DREQ_TX0	McSPi1 transmit request channel 0
DMA_SYSTEM_DREQ_35	36	CTRL_CORE_DMA_SYSTEM_DREQ_34_35 [23:16]	36	MCSPi1_DREQ_RX0	McSPi1 receive request channel 0
DMA_SYSTEM_DREQ_36	37	CTRL_CORE_DMA_SYSTEM_DREQ_36_37 [7:0]	37	MCSPi1_DREQ_TX1	McSPi1 transmit request channel 1
DMA_SYSTEM_DREQ_37	38	CTRL_CORE_DMA_SYSTEM_DREQ_36_37 [23:16]	38	MCSPi1_DREQ_RX1	McSPi1 receive request channel 1
DMA_SYSTEM_DREQ_38	39	CTRL_CORE_DMA_SYSTEM_DREQ_38_39 [7:0]	39	MCSPi1_DREQ_TX2	McSPi1 transmit request channel 2
DMA_SYSTEM_DREQ_39	40	CTRL_CORE_DMA_SYSTEM_DREQ_38_39 [23:16]	40	MCSPi1_DREQ_RX2	McSPi1 receive request channel 2
DMA_SYSTEM_DREQ_40	41	CTRL_CORE_DMA_SYSTEM_DREQ_40_41 [7:0]	41	MCSPi1_DREQ_TX3	McSPi1 transmit request channel 3
DMA_SYSTEM_DREQ_41	42	CTRL_CORE_DMA_SYSTEM_DREQ_40_41 [23:16]	42	MCSPi1_DREQ_RX3	McSPi1 receive request channel 3
DMA_SYSTEM_DREQ_42	43	CTRL_CORE_DMA_SYSTEM_DREQ_42_43 [7:0]	43	MCSPi2_DREQ_TX0	McSPi2 transmit request channel 0
DMA_SYSTEM_DREQ_43	44	CTRL_CORE_DMA_SYSTEM_DREQ_42_43 [23:16]	44	MCSPi2_DREQ_RX0	McSPi2 receive request channel 0

Table 16-5. DMA_SYSTEM Default Request Mapping (continued)

DMA Request Line	DMA CROSSBAR Instance Number	DMA_CROSSBAR Configuration Register	DMA CROSSBAR Default Input Index	Default DMA Source Name	Default DMA Source Description
DMA_SYSTEM_DREQ_44	45	CTRL_CORE_DMA_SYSTEM_DREQ_44_45 [7:0]	45	MCSPi2_DREQ_TX1	McSPi2 transmit request channel 1
DMA_SYSTEM_DREQ_45	46	CTRL_CORE_DMA_SYSTEM_DREQ_44_45 [23:16]	46	MCSPi2_DREQ_RX1	McSPi2 receive request channel 1
DMA_SYSTEM_DREQ_46	47	CTRL_CORE_DMA_SYSTEM_DREQ_46_47 [7:0]	47	MMC2_DREQ_TX	MMC2 transmit request
DMA_SYSTEM_DREQ_47	48	CTRL_CORE_DMA_SYSTEM_DREQ_46_47 [23:16]	48	MMC2_DREQ_RX	MMC2 receive request
DMA_SYSTEM_DREQ_48	49	CTRL_CORE_DMA_SYSTEM_DREQ_48_49 [7:0]	49	UART1_DREQ_TX	UART1 transmit request
DMA_SYSTEM_DREQ_49	50	CTRL_CORE_DMA_SYSTEM_DREQ_48_49 [23:16]	50	UART1_DREQ_RX	UART1 receive request
DMA_SYSTEM_DREQ_50	51	CTRL_CORE_DMA_SYSTEM_DREQ_50_51 [7:0]	51	UART2_DREQ_TX	UART2 transmit request
DMA_SYSTEM_DREQ_51	52	CTRL_CORE_DMA_SYSTEM_DREQ_50_51 [23:16]	52	UART2_DREQ_RX	UART2 receive request
DMA_SYSTEM_DREQ_52	53	CTRL_CORE_DMA_SYSTEM_DREQ_52_53 [7:0]	53	UART3_DREQ_TX	UART3 transmit request
DMA_SYSTEM_DREQ_53	54	CTRL_CORE_DMA_SYSTEM_DREQ_52_53 [23:16]	54	UART3_DREQ_RX	UART3 receive request
DMA_SYSTEM_DREQ_54	55	CTRL_CORE_DMA_SYSTEM_DREQ_54_55 [7:0]	55	UART4_DREQ_TX	UART4 transmit request
DMA_SYSTEM_DREQ_55	56	CTRL_CORE_DMA_SYSTEM_DREQ_54_55 [23:16]	56	UART4_DREQ_RX	UART4 receive request
DMA_SYSTEM_DREQ_56	57	CTRL_CORE_DMA_SYSTEM_DREQ_56_57 [7:0]	57	MMC4_DREQ_TX	MMC4 transmit request
DMA_SYSTEM_DREQ_57	58	CTRL_CORE_DMA_SYSTEM_DREQ_56_57 [23:16]	58	MMC4_DREQ_RX	MMC4 receive request
DMA_SYSTEM_DREQ_58	59	CTRL_CORE_DMA_SYSTEM_DREQ_58_59 [7:0]	59	Reserved	Reserved by default but can be remapped to a valid DMA source
DMA_SYSTEM_DREQ_59	60	CTRL_CORE_DMA_SYSTEM_DREQ_58_59 [23:16]	60	Reserved	Reserved by default but can be remapped to a valid DMA source
DMA_SYSTEM_DREQ_60	61	CTRL_CORE_DMA_SYSTEM_DREQ_60_61 [7:0]	61	MMC1_DREQ_TX	MMC1 transmit request
DMA_SYSTEM_DREQ_61	62	CTRL_CORE_DMA_SYSTEM_DREQ_60_61 [23:16]	62	MMC1_DREQ_RX	MMC1 receive request
DMA_SYSTEM_DREQ_62	63	CTRL_CORE_DMA_SYSTEM_DREQ_62_63 [7:0]	63	UART5_DREQ_TX	UART5 transmit request
DMA_SYSTEM_DREQ_63	64	CTRL_CORE_DMA_SYSTEM_DREQ_62_63 [23:16]	64	UART5_DREQ_RX	UART5 receive request
DMA_SYSTEM_DREQ_64	65	CTRL_CORE_DMA_SYSTEM_DREQ_64_65 [7:0]	65	Reserved	Reserved by default but can be remapped to a valid DMA source
DMA_SYSTEM_DREQ_65	66	CTRL_CORE_DMA_SYSTEM_DREQ_64_65 [23:16]	66	Reserved	Reserved by default but can be remapped to a valid DMA source
DMA_SYSTEM_DREQ_66	67	CTRL_CORE_DMA_SYSTEM_DREQ_66_67 [7:0]	67	Reserved	Reserved by default but can be remapped to a valid DMA source
DMA_SYSTEM_DREQ_67	68	CTRL_CORE_DMA_SYSTEM_DREQ_66_67 [23:16]	68	Reserved	Reserved by default but can be remapped to a valid DMA source
DMA_SYSTEM_DREQ_68	69	CTRL_CORE_DMA_SYSTEM_DREQ_68_69 [7:0]	69	Reserved	Reserved by default but can be remapped to a valid DMA source
DMA_SYSTEM_DREQ_69	70	CTRL_CORE_DMA_SYSTEM_DREQ_68_69 [23:16]	70	MCSPi4_DREQ_TX0	McSPi4 transmit request channel 0
DMA_SYSTEM_DREQ_70	71	CTRL_CORE_DMA_SYSTEM_DREQ_70_71 [7:0]	71	MCSPi4_DREQ_RX0	McSPi4 receive request channel 0

Table 16-5. DMA_SYSTEM Default Request Mapping (continued)

DMA Request Line	DMA_CROSSBAR Instance Number	DMA_CROSSBAR Configuration Register	DMA_CROSSBAR Default Input Index	Default DMA Source Name	Default DMA Source Description
DMA_SYSTEM_DREQ_71	72	CTRL_CORE_DMA_SYSTEM_DREQ_70_71 [23:16]	72	Reserved	Reserved by default but can be remapped to a valid DMA source
DMA_SYSTEM_DREQ_72	73	CTRL_CORE_DMA_SYSTEM_DREQ_72_73 [7:0]	73	Reserved	Reserved by default but can be remapped to a valid DMA source
DMA_SYSTEM_DREQ_73	74	CTRL_CORE_DMA_SYSTEM_DREQ_72_73 [23:16]	74	Reserved	Reserved by default but can be remapped to a valid DMA source
DMA_SYSTEM_DREQ_74	75	CTRL_CORE_DMA_SYSTEM_DREQ_74_75 [7:0]	75	Reserved	Reserved by default but can be remapped to a valid DMA source
DMA_SYSTEM_DREQ_75	76	CTRL_CORE_DMA_SYSTEM_DREQ_74_75 [23:16]	76	DSS_DREQ	Display subsystem HDMI audio request
DMA_SYSTEM_DREQ_76	77	CTRL_CORE_DMA_SYSTEM_DREQ_76_77 [7:0]	77	MMC3_DREQ_TX	MMC3 transmit request
DMA_SYSTEM_DREQ_77	78	CTRL_CORE_DMA_SYSTEM_DREQ_76_77 [23:16]	78	MMC3_DREQ_RX	MMC3 receive request
DMA_SYSTEM_DREQ_78	79	CTRL_CORE_DMA_SYSTEM_DREQ_78_79 [7:0]	79	UART6_DREQ_TX	UART6 transmit request
DMA_SYSTEM_DREQ_79	80	CTRL_CORE_DMA_SYSTEM_DREQ_78_79 [23:16]	80	UART6_DREQ_RX	UART6 receive request
DMA_SYSTEM_DREQ_80	81	CTRL_CORE_DMA_SYSTEM_DREQ_80_81 [7:0]	81	Reserved	Reserved by default but can be remapped to a valid DMA source
DMA_SYSTEM_DREQ_81	82	CTRL_CORE_DMA_SYSTEM_DREQ_80_81 [23:16]	82	Reserved	Reserved by default but can be remapped to a valid DMA source
DMA_SYSTEM_DREQ_82	83	CTRL_CORE_DMA_SYSTEM_DREQ_82_83 [7:0]	83	Reserved	Reserved by default but can be remapped to a valid DMA source
DMA_SYSTEM_DREQ_83	84	CTRL_CORE_DMA_SYSTEM_DREQ_82_83 [23:16]	84	Reserved	Reserved by default but can be remapped to a valid DMA source
DMA_SYSTEM_DREQ_84	85	CTRL_CORE_DMA_SYSTEM_DREQ_84_85 [7:0]	85	Reserved	Reserved by default but can be remapped to a valid DMA source
DMA_SYSTEM_DREQ_85	86	CTRL_CORE_DMA_SYSTEM_DREQ_84_85 [23:16]	86	Reserved	Reserved by default but can be remapped to a valid DMA source
DMA_SYSTEM_DREQ_86	87	CTRL_CORE_DMA_SYSTEM_DREQ_86_87 [7:0]	87	Reserved	Reserved by default but can be remapped to a valid DMA source
DMA_SYSTEM_DREQ_87	88	CTRL_CORE_DMA_SYSTEM_DREQ_86_87 [23:16]	88	Reserved	Reserved by default but can be remapped to a valid DMA source
DMA_SYSTEM_DREQ_88	89	CTRL_CORE_DMA_SYSTEM_DREQ_88_89 [7:0]	89	Reserved	Reserved by default but can be remapped to a valid DMA source
DMA_SYSTEM_DREQ_89	90	CTRL_CORE_DMA_SYSTEM_DREQ_88_89 [23:16]	90	Reserved	Reserved by default but can be remapped to a valid DMA source
DMA_SYSTEM_DREQ_90	91	CTRL_CORE_DMA_SYSTEM_DREQ_90_91 [7:0]	91	Reserved	Reserved by default but can be remapped to a valid DMA source
DMA_SYSTEM_DREQ_91	92	CTRL_CORE_DMA_SYSTEM_DREQ_90_91 [23:16]	92	Reserved	Reserved by default but can be remapped to a valid DMA source

Table 16-5. DMA_SYSTEM Default Request Mapping (continued)

DMA Request Line	DMA_CROSSBAR Instance Number	DMA_CROSSBAR Configuration Register	DMA_CROSSBAR Default Input Index	Default DMA Source Name	Default DMA Source Description
DMA_SYSTEM_DREQ_92	93	CTRL_CORE_DMA_SYSTEM_DREQ_92_93[7:0]	93	Reserved	Reserved by default but can be remapped to a valid DMA source
DMA_SYSTEM_DREQ_93	94	CTRL_CORE_DMA_SYSTEM_DREQ_92_93[23:16]	94	Reserved	Reserved by default but can be remapped to a valid DMA source
DMA_SYSTEM_DREQ_94	95	CTRL_CORE_DMA_SYSTEM_DREQ_94_95[7:0]	95	Reserved	Reserved by default but can be remapped to a valid DMA source
DMA_SYSTEM_DREQ_95	96	CTRL_CORE_DMA_SYSTEM_DREQ_94_95[23:16]	96	Reserved	Reserved by default but can be remapped to a valid DMA source
DMA_SYSTEM_DREQ_96	97	CTRL_CORE_DMA_SYSTEM_DREQ_96_97[7:0]	97	Reserved	Reserved by default but can be remapped to a valid DMA source
DMA_SYSTEM_DREQ_97	98	CTRL_CORE_DMA_SYSTEM_DREQ_96_97[23:16]	98	Reserved	Reserved by default but can be remapped to a valid DMA source
DMA_SYSTEM_DREQ_98	99	CTRL_CORE_DMA_SYSTEM_DREQ_98_99[7:0]	99	Reserved	Reserved by default but can be remapped to a valid DMA source
DMA_SYSTEM_DREQ_99	100	CTRL_CORE_DMA_SYSTEM_DREQ_98_99[23:16]	100	Reserved	Reserved by default but can be remapped to a valid DMA source
DMA_SYSTEM_DREQ_100	101	CTRL_CORE_DMA_SYSTEM_DREQ_100_101[7:0]	101	Reserved	Reserved by default but can be remapped to a valid DMA source
DMA_SYSTEM_DREQ_101	102	CTRL_CORE_DMA_SYSTEM_DREQ_100_101[23:16]	102	Reserved	Reserved by default but can be remapped to a valid DMA source
DMA_SYSTEM_DREQ_102	103	CTRL_CORE_DMA_SYSTEM_DREQ_102_103[7:0]	103	Reserved	Reserved by default but can be remapped to a valid DMA source
DMA_SYSTEM_DREQ_103	104	CTRL_CORE_DMA_SYSTEM_DREQ_102_103[23:16]	104	Reserved	Reserved by default but can be remapped to a valid DMA source
DMA_SYSTEM_DREQ_104	105	CTRL_CORE_DMA_SYSTEM_DREQ_104_105[7:0]	105	Reserved	Reserved by default but can be remapped to a valid DMA source
DMA_SYSTEM_DREQ_105	106	CTRL_CORE_DMA_SYSTEM_DREQ_104_105[23:16]	106	Reserved	Reserved by default but can be remapped to a valid DMA source
DMA_SYSTEM_DREQ_106	107	CTRL_CORE_DMA_SYSTEM_DREQ_106_107[7:0]	107	Reserved	Reserved by default but can be remapped to a valid DMA source
DMA_SYSTEM_DREQ_107	108	CTRL_CORE_DMA_SYSTEM_DREQ_106_107[23:16]	108	Reserved	Reserved by default but can be remapped to a valid DMA source
DMA_SYSTEM_DREQ_108	109	CTRL_CORE_DMA_SYSTEM_DREQ_108_109[7:0]	109	Reserved	Reserved by default but can be remapped to a valid DMA source
DMA_SYSTEM_DREQ_109	110	CTRL_CORE_DMA_SYSTEM_DREQ_108_109[23:16]	110	Reserved	Reserved by default but can be remapped to a valid DMA source
DMA_SYSTEM_DREQ_110	111	CTRL_CORE_DMA_SYSTEM_DREQ_110_111[7:0]	111	Reserved	Reserved by default but can be remapped to a valid DMA source

Table 16-5. DMA_SYSTEM Default Request Mapping (continued)

DMA Request Line	DMA_CROSSBAR Instance Number	DMA_CROSSBAR Configuration Register	DMA_CROSSBAR Default Input Index	Default DMA Source Name	Default DMA Source Description
DMA_SYSTEM_DREQ_111	112	CTRL_CORE_DMA_SYSTEM_DREQ_110_111 [23:16]	112	Reserved	Reserved by default but can be remapped to a valid DMA source
DMA_SYSTEM_DREQ_112	113	CTRL_CORE_DMA_SYSTEM_DREQ_112_113 [7:0]	113	Reserved	Reserved by default but can be remapped to a valid DMA source
DMA_SYSTEM_DREQ_113	114	CTRL_CORE_DMA_SYSTEM_DREQ_112_113 [23:16]	114	Reserved	Reserved by default but can be remapped to a valid DMA source
DMA_SYSTEM_DREQ_114	115	CTRL_CORE_DMA_SYSTEM_DREQ_114_115 [7:0]	115	Reserved	Reserved by default but can be remapped to a valid DMA source
DMA_SYSTEM_DREQ_115	116	CTRL_CORE_DMA_SYSTEM_DREQ_114_115 [23:16]	116	Reserved	Reserved by default but can be remapped to a valid DMA source
DMA_SYSTEM_DREQ_116	117	CTRL_CORE_DMA_SYSTEM_DREQ_116_117 [7:0]	117	Reserved	Reserved by default but can be remapped to a valid DMA source
DMA_SYSTEM_DREQ_117	118	CTRL_CORE_DMA_SYSTEM_DREQ_116_117 [23:16]	118	Reserved	Reserved by default but can be remapped to a valid DMA source
DMA_SYSTEM_DREQ_118	119	CTRL_CORE_DMA_SYSTEM_DREQ_118_119 [7:0]	119	Reserved	Reserved by default but can be remapped to a valid DMA source
DMA_SYSTEM_DREQ_119	120	CTRL_CORE_DMA_SYSTEM_DREQ_118_119 [23:16]	120	Reserved	Reserved by default but can be remapped to a valid DMA source
DMA_SYSTEM_DREQ_120	121	CTRL_CORE_DMA_SYSTEM_DREQ_120_121 [7:0]	121	Reserved	Reserved by default but can be remapped to a valid DMA source
DMA_SYSTEM_DREQ_121	122	CTRL_CORE_DMA_SYSTEM_DREQ_120_121 [23:16]	122	Reserved	Reserved by default but can be remapped to a valid DMA source
DMA_SYSTEM_DREQ_122	123	CTRL_CORE_DMA_SYSTEM_DREQ_122_123 [7:0]	123	Reserved	Reserved by default but can be remapped to a valid DMA source
DMA_SYSTEM_DREQ_123	124	CTRL_CORE_DMA_SYSTEM_DREQ_122_123 [23:16]	124	I2C4_DREQ_TX	I2C4 transmit request
DMA_SYSTEM_DREQ_124	125	CTRL_CORE_DMA_SYSTEM_DREQ_124_125 [7:0]	125	I2C4_DREQ_RX	I2C4 receive request
DMA_SYSTEM_DREQ_125	126	CTRL_CORE_DMA_SYSTEM_DREQ_124_125 [23:16]	126	Reserved	Reserved by default but can be remapped to a valid DMA source
DMA_SYSTEM_DREQ_126	127	CTRL_CORE_DMA_SYSTEM_DREQ_126_127 [7:0]	127	Reserved	Reserved by default but can be remapped to a valid DMA source

16.1.3.2 Mapping of DMA Requests to DMA_CROSSBAR Inputs

NOTE: For information about the DMA_CROSSBAR module, refer to [Section 18.4.6.5](#), *DMA_CROSSBAR Module Functional Description* in [Chapter 18](#), *Control Module*.

Table 16-6 shows the mapping of device DMA requests to DMA_CROSSBAR inputs.

Table 16-6. Connection of The Device DREQs to The DMA_CROSSBAR Inputs

DMA_CROSSBAR Input	Device Module DREQs	Description
DMA_CROSSBAR_0	Reserved	Reserved
DMA_CROSSBAR_1	Reserved	Reserved
DMA_CROSSBAR_2	EXT_SYS_DREQ_0	External DMA request 0 (system expansion) - coming from SOC I/Os. Level sensitive only
DMA_CROSSBAR_3	EXT_SYS_DREQ_1	External DMA request 1 (system expansion) - coming from SOC I/Os - level sensitive only
DMA_CROSSBAR_4	GPMC_DREQ	GPMC request from prefetch engine
DMA_CROSSBAR_5	Reserved	Reserved
DMA_CROSSBAR_6	DISPC_DREQ	The line trigger signal to synchronize a memory to memory logical channel in the DMA4 (system DMA) is generated by the Display Controller IP.
DMA_CROSSBAR_7	CT_TBR_DREQ	DMA request coming from CT_TBR in DEBUGSS (used to be External DMA request 2 - coming from SOC I/Os)
DMA_CROSSBAR_8 to DMA_CROSSBAR_14	Reserved	Reserved
DMA_CROSSBAR_15	MCSP13_DREQ_TX0	McSPI module 3 - transmit request channel 0
DMA_CROSSBAR_16	MCSP13_DREQ_RX0	McSPI module 3 - receive request channel 0
DMA_CROSSBAR_17 to DMA_CROSSBAR_22	Reserved	Reserved
DMA_CROSSBAR_23	MCSP13_DREQ_TX1	McSPI module 3 - transmit request channel 1
DMA_CROSSBAR_24	MCSP13_DREQ_RX1	McSPI module 3 - receive request channel 1
DMA_CROSSBAR_25	I2C3_DREQ_TX	I2C module 3 - transmit request
DMA_CROSSBAR_26	I2C3_DREQ_RX	I2C module 3 - receive request
DMA_CROSSBAR_27	I2C1_DREQ_TX	I2C module 1 - transmit request
DMA_CROSSBAR_28	I2C1_DREQ_RX	I2C module 1 - receive request
DMA_CROSSBAR_29	I2C2_DREQ_TX	I2C module 2 - transmit request
DMA_CROSSBAR_30	I2C2_DREQ_RX	I2C module 2 - receive request
DMA_CROSSBAR_31 to DMA_CROSSBAR_34	Reserved	Reserved
DMA_CROSSBAR_35	MCSP11_DREQ_TX0	McSPI module 1 - transmit request channel 0
DMA_CROSSBAR_36	MCSP11_DREQ_RX0	McSPI module 1 - receive request channel 0
DMA_CROSSBAR_37	MCSP11_DREQ_TX1	McSPI module 1 - transmit request channel 1
DMA_CROSSBAR_38	MCSP11_DREQ_RX1	McSPI module 1 - receive request channel 1
DMA_CROSSBAR_39	MCSP11_DREQ_TX2	McSPI module 1 - transmit request channel 2
DMA_CROSSBAR_40	MCSP11_DREQ_RX2	McSPI module 1 - receive request channel 2
DMA_CROSSBAR_41	MCSP11_DREQ_TX3	McSPI module 1 - transmit request channel 3
DMA_CROSSBAR_42	MCSP11_DREQ_RX3	McSPI module 1 - receive request channel 3
DMA_CROSSBAR_43	MCSP12_DREQ_TX0	McSPI module 2 - transmit request channel 0
DMA_CROSSBAR_44	MCSP12_DREQ_RX0	McSPI module 2 - receive request channel 0
DMA_CROSSBAR_45	MCSP12_DREQ_TX1	McSPI module 2 - transmit request channel 1
DMA_CROSSBAR_46	MCSP12_DREQ_RX1	McSPI module 2 - receive request channel 1
DMA_CROSSBAR_47	MMC2_DREQ_TX	MMC/SD2 transmit request
DMA_CROSSBAR_48	MMC2_DREQ_RX	MMC/SD2 receive request
DMA_CROSSBAR_49	UART1_DREQ_TX	UART module 1 - transmit request

Table 16-6. Connection of The Device DREQs to The DMA_CROSSBAR Inputs (continued)

DMA_CROSSBAR Input	Device Module DREQs	Description
DMA_CROSSBAR_50	UART1_DREQ_RX	UART module 1 - receive request
DMA_CROSSBAR_51	UART2_DREQ_TX	UART module 2 - transmit request
DMA_CROSSBAR_52	UART2_DREQ_RX	UART module 2 - receive request
DMA_CROSSBAR_53	UART3_DREQ_TX	UART module 3 - transmit request (Also infrared - IRDA)
DMA_CROSSBAR_54	UART3_DREQ_RX	UART module 3 - receive request (Also infrared - IRDA)
DMA_CROSSBAR_55	UART4_DREQ_TX	UART module 4 – transmit request
DMA_CROSSBAR_56	UART4_DREQ_RX	UART module 4 – receive request
DMA_CROSSBAR_57	MMC4_DREQ_TX	MMC/SD4 transmit request
DMA_CROSSBAR_58	MMC4_DREQ_RX	MMC/SD4 receive request
DMA_CROSSBAR_59	Reserved	Reserved
DMA_CROSSBAR_60	Reserved	Reserved
DMA_CROSSBAR_61	MMC1_DREQ_TX	MMC/SD1 transmit request
DMA_CROSSBAR_62	MMC1_DREQ_RX	MMC/SD1 receive request
DMA_CROSSBAR_63	UART5_DREQ_TX	UART module 5 – transmit request (used to be External DMA request 3 - coming from SOC IOs)
DMA_CROSSBAR_64	UART5_DREQ_RX	UART module 5 – receive request (used to be USIM receive request)
DMA_CROSSBAR_65 to DMA_CROSSBAR_69	Reserved	Reserved
DMA_CROSSBAR_70	MCSPi4_DREQ_TX0	McSPI module 4 - transmit request channel 0
DMA_CROSSBAR_71	MCSPi4_DREQ_RX0	McSPI module 4 - receive request channel 0
DMA_CROSSBAR_72 to DMA_CROSSBAR_75	Reserved	Reserved
DMA_CROSSBAR_76	DSS_DREQ	Display subsystem HDMI Audio DMA request
DMA_CROSSBAR_77	MMC3_DREQ_TX	MMC/SD3 transmit request
DMA_CROSSBAR_78	MMC3_DREQ_RX	MMC/SD3 receive request
DMA_CROSSBAR_79	UART6_DREQ_TX	UART module 6 – transmit request (used to be USIM transmit request)
DMA_CROSSBAR_80	UART6_DREQ_RX	UART module 6 – receive request (used to be USIM receive request)
DMA_CROSSBAR_81 to DMA_CROSSBAR_123	Reserved	Reserved
DMA_CROSSBAR_124	I2C4_DREQ_TX	I2C module 4 - transmit request
DMA_CROSSBAR_125	I2C4_DREQ_RX	I2C module 4 - receive request
DMA_CROSSBAR_126	Reserved	Reserved
DMA_CROSSBAR_127	Reserved	Reserved
DMA_CROSSBAR_128	McASP1_DREQ_RX	McASP receive event
DMA_CROSSBAR_129	McASP1_DREQ_TX	McASP transmit event
DMA_CROSSBAR_130	McASP2_DREQ_RX	McASP receive event
DMA_CROSSBAR_131	McASP2_DREQ_TX	McASP transmit event
DMA_CROSSBAR_132	McASP3_DREQ_RX	McASP receive event
DMA_CROSSBAR_133	McASP3_DREQ_TX	McASP transmit event
DMA_CROSSBAR_134	McASP4_DREQ_RX	McASP receive event
DMA_CROSSBAR_135	McASP4_DREQ_TX	McASP transmit event
DMA_CROSSBAR_136	McASP5_DREQ_RX	McASP receive event
DMA_CROSSBAR_137	McASP5_DREQ_TX	McASP transmit event
DMA_CROSSBAR_138	McASP6_DREQ_RX	McASP receive event
DMA_CROSSBAR_139	McASP6_DREQ_TX	McASP transmit event
DMA_CROSSBAR_140	McASP7_DREQ_RX	McASP receive event

Table 16-6. Connection of The Device DREQs to The DMA_CROSSBAR Inputs (continued)

DMA_CROSSBAR Input	Device Module DREQs	Description
DMA_CROSSBAR_141	McASP7_DREQ_TX	McASP transmit event
DMA_CROSSBAR_142	McASP8_DREQ_RX	McASP receive event
DMA_CROSSBAR_143	McASP8_DREQ_TX	McASP receive event
DMA_CROSSBAR_144	UART7_DREQ_TX	UART module 7 - transmit request
DMA_CROSSBAR_145	UART7_DREQ_RX	UART module 7 - receive request
DMA_CROSSBAR_146	UART8_DREQ_TX	UART module 8 - transmit request
DMA_CROSSBAR_147	UART8_DREQ_RX	UART module 8 - receive request
DMA_CROSSBAR_148	UART9_DREQ_TX	UART module 9 - transmit request
DMA_CROSSBAR_149	UART9_DREQ_RX	UART module 9 - receive request
DMA_CROSSBAR_150	UART10_DREQ_TX	UART module 10 - transmit request
DMA_CROSSBAR_151	UART10_DREQ_RX	UART module 10 - receive request
DMA_CROSSBAR_152	I2C5_DREQ_TX	I2C module 5 - transmit request
DMA_CROSSBAR_153	I2C5_DREQ_RX	I2C module 5 - receive request
DMA_CROSSBAR_154	VCP1_DREQ_RX ⁽¹⁾	VCP RX Event
DMA_CROSSBAR_155	VCP1_DREQ_TX ⁽¹⁾	VCP TX Event
DMA_CROSSBAR_156	VCP2_DREQ_RX ⁽¹⁾	VCP RX Event
DMA_CROSSBAR_157	VCP2_DREQ_TX ⁽¹⁾	VCP TX Event
DMA_CROSSBAR_158	DCAN1_DREQ_IF1	DCAN IF1 Event
DMA_CROSSBAR_159	DCAN1_DREQ_IF2	DCAN IF2 Event
DMA_CROSSBAR_160	DCAN1_DREQ_IF3	DCAN IF3 Event
DMA_CROSSBAR_161	DCAN2_DREQ_IF1	DCAN IF1 Event
DMA_CROSSBAR_162	DCAN2_DREQ_IF2	DCAN IF2 Event
DMA_CROSSBAR_163	DCAN2_DREQ_IF3	DCAN IF3 Event
DMA_CROSSBAR_164 to DMA_CROSSBAR_166	Reserved	Reserved
DMA_CROSSBAR_167	EXT_SYS_DREQ_2	External DMA request 2 (system expansion) - coming from SOC IOs. Level sensitive only
DMA_CROSSBAR_168	EXT_SYS_DREQ_3	External DMA request 3 (system expansion) - coming from SOC IOs. Level sensitive only
DMA_CROSSBAR_169	MCSPi2_DREQ_TX2	McSPI module 2 - transmit request channel 2
DMA_CROSSBAR_170	MCSPi2_DREQ_RX2	McSPI module 2 - receive request channel 2
DMA_CROSSBAR_171	MCSPi2_DREQ_TX3	McSPI module 2 - transmit request channel 3
DMA_CROSSBAR_172	MCSPi2_DREQ_RX3	McSPI module 2 - receive request channel 3
DMA_CROSSBAR_173	MCSPi3_DREQ_TX2	McSPI module 3 - transmit request channel 2
DMA_CROSSBAR_174	MCSPi3_DREQ_RX2	McSPI module 3 - receive request channel 2
DMA_CROSSBAR_175	MCSPi3_DREQ_TX3	McSPI module 3 - transmit request channel 3
DMA_CROSSBAR_176	MCSPi3_DREQ_RX3	McSPI module 3 - receive request channel 3
DMA_CROSSBAR_177	MCSPi4_DREQ_TX1	McSPI module 4 - transmit request channel 1
DMA_CROSSBAR_178	MCSPi4_DREQ_RX1	McSPI module 4 - receive request channel 1
DMA_CROSSBAR_179	MCSPi4_DREQ_TX2	McSPI module 4 - transmit request channel 2
DMA_CROSSBAR_180	MCSPi4_DREQ_RX2	McSPI module 4 - receive request channel 2
DMA_CROSSBAR_181	MCSPi4_DREQ_TX3	McSPI module 4 - transmit request channel 3
DMA_CROSSBAR_182	MCSPi4_DREQ_RX3	McSPI module 4 - receive request channel 3
DMA_CROSSBAR_183	PRUSS1_DREQ_HOST_REQ0	PRU-ICSS1 Host DMA request 0 (mapped to PRU-ICSS1 Host Interrupt 9)
DMA_CROSSBAR_184	PRUSS1_DREQ_HOST_REQ1	PRU-ICSS1 Host DMA request 1 (mapped to PRU-ICSS1 Host Interrupt 8)

⁽¹⁾ VCP1, VCP2 and I2C6 are not supported on the AM571x / AM570x family of devices.

Table 16-6. Connection of The Device DREQs to The DMA_CROSSBAR Inputs (continued)

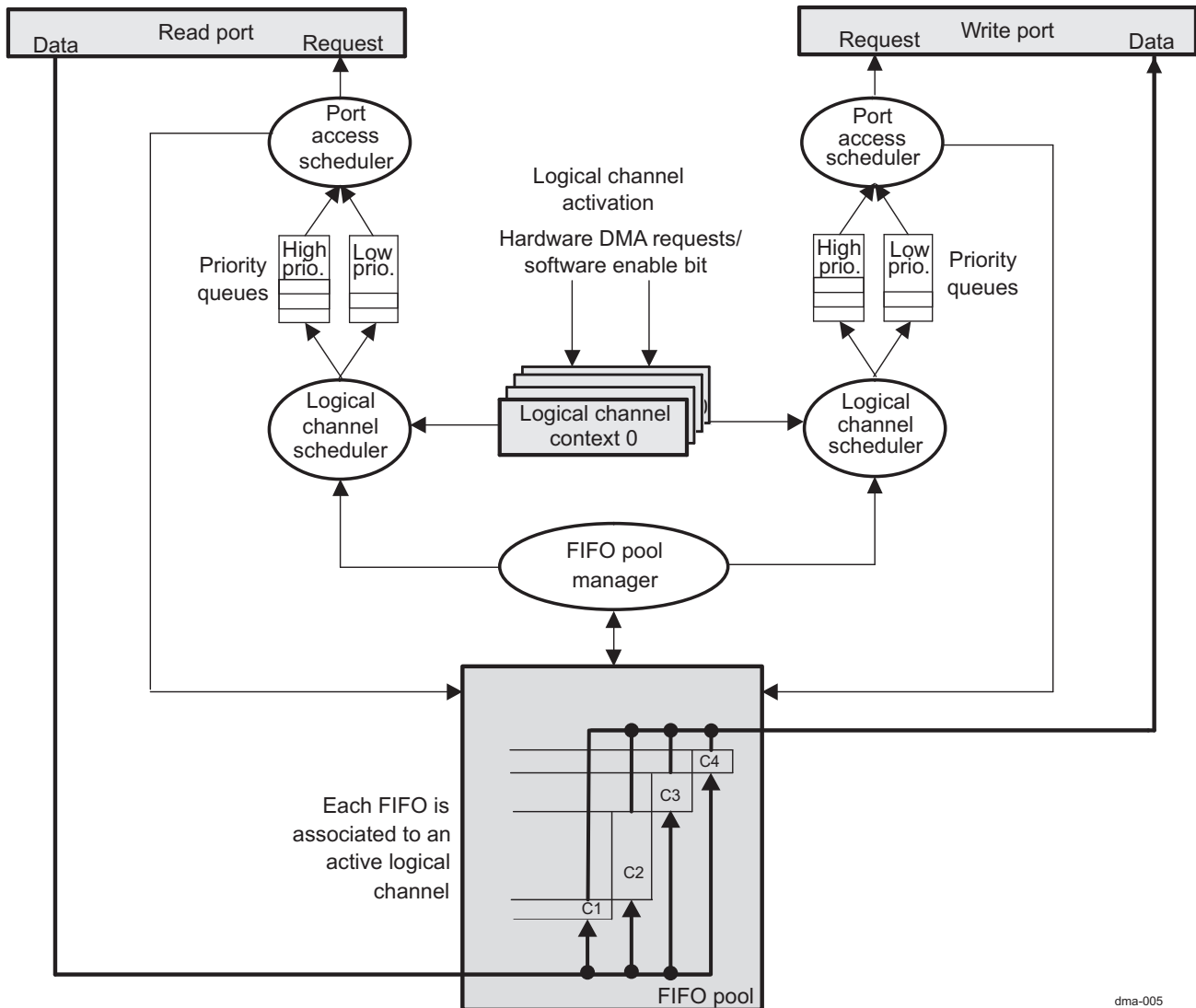
DMA_CROSSBAR Input	Device Module DREQs	Description
DMA_CROSSBAR_185	PRUSS2_DREQ_HOST_REQ0	PRU-ICSS2 Host DMA request 0 (mapped to PRU-ICSS2 Host Interrupt 9)
DMA_CROSSBAR_186	PRUSS2_DREQ_HOST_REQ1	PRU-ICSS2 Host DMA request 1 (mapped to PRU-ICSS2 Host Interrupt 8)
DMA_CROSSBAR_187	GPIO1_DREQ_EVT	GPIO module 1 - event/interrupt 1
DMA_CROSSBAR_188	GPIO2_DREQ_EVT	GPIO module 2 - event/interrupt 1
DMA_CROSSBAR_189	GPIO3_DREQ_EVT	GPIO module 3 - event/interrupt 1
DMA_CROSSBAR_190	GPIO4_DREQ_EVT	GPIO module 4 - event/interrupt 1
DMA_CROSSBAR_191	GPIO5_DREQ_EVT	GPIO module 5 - event/interrupt 1
DMA_CROSSBAR_192	GPIO6_DREQ_EVT	GPIO module 6 - event/interrupt 1
DMA_CROSSBAR_193	GPIO7_DREQ_EVT	GPIO module 7 - event/interrupt 1
DMA_CROSSBAR_194	GPIO8_DREQ_EVT	GPIO module 8 - event/interrupt 1
DMA_CROSSBAR_195	PWMSS1_DREQ_ePWM0_EVT	eHRPWM0 event/interrupt
DMA_CROSSBAR_196	PWMSS2_DREQ_ePWM1_EVT	eHRPWM1 event/interrupt
DMA_CROSSBAR_197	PWMSS3_DREQ_ePWM2_EVT	eHRPWM2 event/interrupt
DMA_CROSSBAR_198	PWMSS1_DREQ_eQEP0_EVT	eQEP0 event/interrupt
DMA_CROSSBAR_199	PWMSS2_DREQ_eQEP1_EVT	eQEP1 event/interrupt
DMA_CROSSBAR_200	PWMSS3_DREQ_eQEP2_EVT	eQEP2 event/interrupt
DMA_CROSSBAR_201	PWMSS1_DREQ_eCAP0_EVT	eCAP0 event/interrupt
DMA_CROSSBAR_202	PWMSS2_DREQ_eCAP1_EVT	eCAP1 event/interrupt
DMA_CROSSBAR_203	PWMSS3_DREQ_eCAP2_EVT	eCAP2 event/interrupt
DMA_CROSSBAR_204	I2C6_DREQ_TX ⁽¹⁾	I2C6 DMA Transmit request
DMA_CROSSBAR_205	I2C6_DREQ_RX ⁽¹⁾	I2C6 DMA Receive request
DMA_CROSSBAR_206 to DMA_CROSSBAR_255	Reserved	Reserved

16.1.4 DMA_SYSTEM Functional Description

The DMA_SYSTEM module provides high-performance data transfers between memories and peripheral devices with low processor use. A DMA transfer is programmed through a logical DMA channel, which allows the transfer to be optimally tailored to the requirements of the application.

Figure 16-5 shows the DMA_SYSTEM controller top-level block diagram.

Figure 16-5. DMA_SYSTEM Controller Top-Level Block Diagram



16.1.4.1 DMA_SYSTEM Controller Power Management

Table 16-7 describes power-management features available for the DMA_SYSTEM controller.

NOTE:

- For information about source clock gating and sleep/wake-up transitions, see section [Section 3.1.1.1 Clock Management](#), in [Chapter 3, Power, Reset, and Clock Management](#).
- For a description of the EnaWakeUp, IdleMode, ClockActivity, and StandbyMode features, see [Section 3.1.1.2 Module Level Clock Management](#), in [Chapter 3, Power, Reset, and Clock Management](#).

Table 16-7. Local Power-Management Features

Feature	Registers	Description
Clock auto gating	DMA4_OCP_SYSCONFIG [0] AUTOIDLE bit	This bit allows local power optimization inside the module by gating the SDMA_ICLK clock upon the interface activity.
Slave idle modes	DMA4_OCP_SYSCONFIG [4:3] SIDLEMODE bit field	Force-idle, no-idle, and smart-idle modes are available.
Clock activity	DMA4_OCP_SYSCONFIG [9:8] CLOCKACTIVITY bit field	For configuration details, see Table 16-8 .
Master standby modes	DMA4_OCP_SYSCONFIG [13:12] MIDLEMODE bit field	Force-standby, no-standby, and smart-standby modes are available.
Global wake-up enable	N/A	Feature not available
Wake-up sources enable	N/A	Feature not available

Table 16-8. Clock Activity Settings

SDMA_CLOCKACTIVITY Values	Clock State When Module is in IDLE State	
	SDMA_ICLK	SDMA_FCLK
00	Off	Off
10	Off	On
01	On	Off
11	On	On

CAUTION

Because the PRCM module cannot read CLOCKACTIVITY settings through hardware, software must ensure consistent programming between the SDMA_CLOCKACTIVITY and DMA_SYSTEM clock PRCM control bits. For a description of the ClockActivity feature, see [Section 3.1.1.1.2, Module Level Clock Management](#), in [Chapter 3, Power, Reset, and Clock Management](#).

16.1.4.2 DMA_SYSTEM Controller Interrupt Requests

DMA4 has four interrupt lines (L_j, where j = 0, 1, 2, 3). Each logical channel can request an interrupt over any line. The attachment of a channel interrupt event to one of these four external lines is programmable. Software determines whether it attaches a channel interrupt to a single IRQ line or to multiple IRQ lines.

There are two different registers per interrupt line:

- The [DMA4_IRQSTATUS_Lj](#) CH_31_0_Lj field shows the status of the different sources of interrupt. If the [DMA4_IRQENABLE_Lj](#) bit is 1, channel *i* is the source of interrupt in line *j*. In contrast to the [DMA4_CSRi](#) registers, the [DMA4_IRQSTATUS_Lj](#) registers are updated regardless of the corresponding bits in the [DMA4_IRQENABLE_Lj](#) registers.
- The [DMA4_IRQENABLE_Lj](#) CH_31_0_Lj_EN field masks/unmasks the channel interrupt. If the [DMA4_IRQENABLE_Lj](#) bit is set to 0, channel interrupt *i* of the line *j* is masked.

Each logical channel can generate a number of different interrupt events when enabled (that is, set to 1) in the [DMA4_CICRi](#) register. Each status bit is updated in the [DMA4_CSRi](#) register only when the corresponding enable bit is enabled in the [DMA4_CICRi](#) register.

To determine an interrupt source when an interrupt rises on an interrupt line L_j:

- Identify the channel (LCH_i) generating the interrupt.
Read [DMA4_IRQSTATUS_Lj.LCHi](#) (LCH₀ to LCH₃). If LCH_i = 1, channel *i* is the originator of the interrupt.
- Identify the interrupt event.

Read the LCHi [DMA4_CSRi](#). For example, if the drop event (the [DMA4_CSRi\[1\]](#) DROP bit) is 1, a request collision will occur.

The interrupt event status bit in the [DMA4_CSRi](#) register is immediately reset after it is written to 1.

The interrupt status bit in the [DMA4_IRQSTATUS_Lj](#) register is cleared after it is written to 1.

16.1.4.2.1 Interrupt Generation

The DMA_SYSTEM module has four interrupt request output lines, DMA_SYSTEM_IRQ_0 to DMA_SYSTEM_IRQ_3. One or more logical channels can be programmed to generate an interrupt request on any of these lines when any one of the maskable DMA events listed in [Table 16-9](#) occurs.

Table 16-9. Logical DMA Channel Events

Event	Description
End of packet	A packet transfer completed.
End of block	A block transfer completed.
End of frame	A frame transfer completed.
End of super block	A super block transfer completed.
Half of frame	Half of the current frame transferred.
Start of last frame	The first element of the last frame transferred.
Transaction error	A transaction error is returned by the interconnect in either the read or write port.
Address error	An attempt was made to perform a DMA access to an address not aligned on an ES boundary. Condition to occur: if DMA4_CENi[23:0] CHANNEL_ELMNT_NBR = 0x000000 or DMA4_CFNi[15:0] CHANNEL_FRAME_NBR = 0x0000 or DMA4_CSDPi[1:0] DATA_TYPE = 0x3.
Supervisor transaction error	An error occurred, for example, when an unauthorized initiator (that is not a supervisor) tries to use a supervisor transfer.
Drain end	Drain is completed (DMA4_CCRi[10] WR_ACTIVE becomes 0).
Drop error	A drop event interrupt is generated when a DMA request is being serviced while a second one is asserted and a third one arrives before the second DMA request is serviced.

The logical DMA channels that generate an interrupt on a particular IRQ output are specified through the [DMA4_IRQENABLE_Lj](#) register (where *j* is the IRQ number: 0, 1, 2, or 3). The events that generate an interrupt for a particular channel can be configured through the channel [DMA4_CICRi](#) register.

When an interrupt is detected, the logical DMA channel generating the event can first be identified by reading the [DMA4_IRQSTATUS_Lj](#) register. The event causing the interrupt then can be identified by reading the interrupt status via the relevant DMA channel [DMA4_CSRi](#) register.

16.1.4.3 Logical Channel Transfer Overview

As [Figure 16-5](#) shows, the DMA_SYSTEM module has one read port and one write port operating independently of one another. Buffering is provided between the read and write ports through a FIFO queue memory pool that is shared dynamically between the active logical channels.

- Logical channel synchronization

A logical channel is described as hardware-synchronized when the DMA transfers are triggered by DMA requests from a hardware device. Alternatively, a logical channel is described as nonsynchronized when the DMA transfer is triggered by software.

- Logical channel activation

A logical channel becomes active as follows:

- For hardware-synchronized transfers, when the logical channel is enabled and the hardware DMA request line is asserted
- For software-triggered (nonsynchronized) transfers, as soon as software enables the logical channel

- Logical channel transfer composition

A DMA transfer is divided automatically into a number of transactions. Depending on the logical

channel context configured, the transfer size, start address alignment, addressing mode, and configured maximum burst size, each transaction can be a single access or a burst of accesses.

- Logical channel scheduling

When several logical channels are active at the same time, schedulers manage the read and write ports. The scheduling of logical channel transfers is similar for both read and write ports. When a logical channel becomes active, it is added to the tail of a scheduling queue. If more than one logical channel becomes active at the same time, the one with the lower number is queued first. This mechanism provides a first-come, first-serve scheduling scheme between the concurrently active logical channels.

In addition, each read and write port has a high-priority queue and a low-priority queue. The priority bits (WRITE_PRIORITY and READ_PRIORITY) in the logical channel `DMA4_CCRi` register determine whether a logical channel is queued as high or low priority. A software-configurable 8-bit priority counter gives weighting to the priority write queue. For every N (1 to 255) schedules from the priority write queue, one is scheduled from the regular write queue. A channel that is scheduled goes to the end of the queue after it completes its turn on the port. The relative weighting of the scheduling of the high-priority queue to the low priority queue is programmable from 1:1 to 1:256 through the DMA global channel register using the `DMA4_GCR[23:16] ARBITRATION_RATE` bit field.

NOTE: The `DMA4_GCR[23:16] ARBITRATION_RATE` bit field does not depend on the `DMA4_GCR[13:12] HI_THREAD_RESERVED` bit field. The `ARBITRATION_RATE` bit field depends on the `DMA4_CCRi[26] WRITE_PRIORITY` bit and the `DMA4_CCRi[6] READ_PRIORITY` bit.

- Read/write port access scheduling policy

When either the read or write port becomes available, the port access scheduler selects the next logical channel for which to perform a DMA transaction from either the high- or low-priority queue.

When the current DMA transaction (single or burst access) is complete and the full DMA transfer is not finished, the logical channel returns to the tail of the queue. Because the port access scheduling is on a per-transaction basis, a logical channel can be queued repeatedly this way several times during its block transfer.

The `DMA_SYSTEM` module can have up to four outstanding read transactions and two outstanding write transactions in the system interconnect; four read and two write thread IDs exist. For an arbitration cycle to occur, these two conditions must be met:

- At least one channel is requesting
- At least one free thread ID is available

On an arbitration cycle, the scheduler grants the highest priority channel that has an active request, allocates the thread ID, and tags this thread as busy. At a given time, a channel cannot be allocated for more than one thread ID.

NOTE: If more than one channel is active, each channel is given a thread ID for the current service only, not for the whole channel transfer.

When only one channel is enabled, only one thread is allocated for the channel. In such a situation the channel can have maximum of four outstanding commands (without getting the responses) without rescheduling the channel at the end of each transaction. Each command can be either single access (8-bit, 16-bit or 32-bit) or burst access (2 × M, 4 × M, 8 × M or 16 × M, where M can be 8, 16, or 32 bits).

When nonburst alignment is at the beginning of the transfer, the channel is rescheduled for each smaller access until burst-aligned. When the end of the transfer is not burst-aligned, the channel is rescheduled for each of the remaining smaller accesses.

For a logical channel transfer completion, when the last access is written to the destination, the logical channel becomes inactive. If enabled, an interrupt request is generated (see [Section 16.1.4.2.1, Interrupt Generation](#)).

16.1.4.4 FIFO Queue Memory Pool

A FIFO queue memory pool provides buffering between the read and write ports. The hardware allocates the space dynamically to a number of FIFO queues, and each queue is associated with an active logical channel.

To avoid a memory pool overflow, if there are fewer entries in the FIFO queue memory pool than are required for the maximum configured source burst size of the next logical channel to be scheduled, the logical channel is returned to the tail of the queue, and the port access scheduler continues to search the queue until it finds a logical channel that can be scheduled.

The maximum FIFO depth that can be allocated to each individual logical channel can be limited globally through the `DMA4_GCR[7:0] MAX_CHANNEL_FIFO_DEPTH` bit field. This value should be configured to allow a fair allocation of the memory pool between the active channels.

A logical channel is scheduled if it has not yet reached its allocation limit, even if the access to be performed will exceed this limit. This means that the effective number of entries used by a particular logical channel is limited to the configured maximum entries per channel + channel maximum configured burst size (in words) 1.

16.1.4.5 Addressing Modes

A DMA transfer block consists of a number of frames (FN). Each frame consists of a number of elements (EN), and each element can have a size of 8, 16, or 32 bits (ES), as follows:

$$\text{transfer block size} = \text{FN} \times \text{EN} \times \text{ES}$$

The FN, EN, and ES are common for the source and destination. However, the way in which the data is represented (addressing profile/mode) is independently programmable for the source and destination devices, using one of these four addressing modes:

- Constant: The address remains the same for consecutive element accesses.
- Post-increment: The address increases by the ES, even across consecutive frames.
- Single-index: The address increases by the ES plus the element index (EI) value minus 1 (even across consecutive frames).
- Double-index: The address increases by the ES plus the EI value minus 1 within a frame. When a full frame is transferred, the address increases by the ES plus the frame index (FI) value minus 1.

The ES, EI, and FI values are expressed in bytes. The EI and FI values can be positive or negative.

When calculating the EI and FI values, it is critical to note that, after an element is accessed, the logical channel address pointer equals the address of the last byte (highest address) of the accessed element. The correct value for the EI or FI must be such that, when added to the logical channel address pointer, it results in the address of the first byte (lowest address) of the next element to be accessed.

The EI and FI values must be configured so that the address of each element in the transfer is aligned on an ES boundary.

Consequently, the single-index addressing mode with EI = 1 or double-index addressing mode with EI = 1 and FI = 1 is equivalent to post-increment addressing.

NOTE: The source and destination start addresses must also be aligned on an ES boundary.

When the address of an element to be accessed is not aligned on an ES boundary, the transfer is stopped and a misaligned address error interrupt occurs, if enabled (see [Section 16.1.4.2.1, Interrupt Generation](#)).

The `DMA4_CFNi` register configures the FN in a block.

The `DMA4_CENi` register configures the EN.

The `DMA4_CSDPi` register configures the ES.

The `DMA4_CSSAi` and `DMA4_CDSAi` registers configure the source and destination start addresses.

The `DMA4_CCRi` register configures the source and destination addressing modes.

The [DMA4_CSEIi](#), [DMA4_CSFIi](#), [DMA4_CDEIi](#), and [DMA4_CDFIi](#) registers configure the source EI, source FI, destination EI, and destination FI, respectively.

The addressing profiles are expressed as equations as follows:

Equation 1. Constant addressing:

$$A(n + 1) = A(n)$$

NOTE: Constant addressing mode with DMA4 to/from DDR memory is not supported on the device. To fill the DDR memory with a single value, the constant fill feature of the DMA4 must be used, instead of a constant-addressing mode transfer.

Equation 2. Post-increment addressing:

$$A(n + 1) = A(n) + ES$$

Equation 3. Single-indexed addressing:

$$A(n + 1) = A(n) + ES + (EI \ 1)$$

Equation 4. Double-indexed addressing:

When not at the end of a frame or transfer (that is, when the element counter $\neq 0$):

$$A(n + 1) = A(n) + ES + (EI \ 1)$$

When at the end of a frame but not at the end of the transfer (that is, when the element counter = 0 and the frame counter $\neq 0$):

$$A(n + 1) = A(n) + ES + (FI \ 1)$$

Calculate the element and frame index as follows:

Equation 5. Element index

$$EI = [(Stride \ EI \ 1) * ES] + 1$$

Equation 6. Frame index

$$FI = [(Stride \ FI \ 1) * ES] + 1$$

where:

$A(n)$: Byte address of the element n within the transfer.

ES is in bytes, $ES\{1, 2, 4\}$.

EI is in bytes, specified in a configuration register, 32768 EI 32767.

Stride EI: The difference in the number of elements between the start of the current element n to the start of next element, $n+1$.

Element counter: A counter that is (re)initiated with the number of elements per frame or per transfer. Decreased by 1 for each element transferred. The initial value is configured in the register DMA channel element number, [DMA4_CENi](#).

FI is in bytes, specified in a configuration register, 2147483648 FI 2147483647.

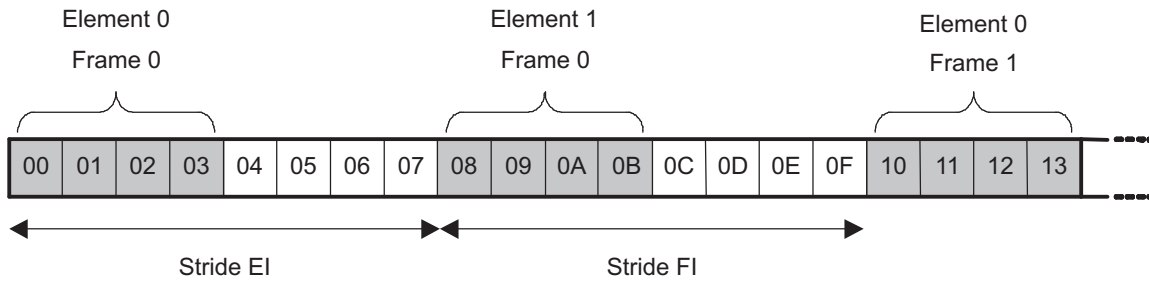
Stride FI: The difference in the number of elements between the start of the last element of the current frame and the beginning of the first element of the next frame.

Frame counter: A counter that is (re)initiated with the FN per transfer. Decreased by 1 for each frame transferred. The initial value is configured in the register DMA channel frame number, [DMA4_CFNi](#).

[Figure 16-6](#) shows how a stride EI and FI are defined. When handling complex configurations, using strides can make it easier to calculate EI and FI because you can calculate in elements instead of bytes. (This approach is used in the 90-degree clockwise image rotation example shown in [Figure 16-10](#).) The double-index addressing example shown in [Figure 16-6](#) uses $ES = 4$, $EN = 2$, $EI = 5$, $FI = 5$, and $FN = 2$.

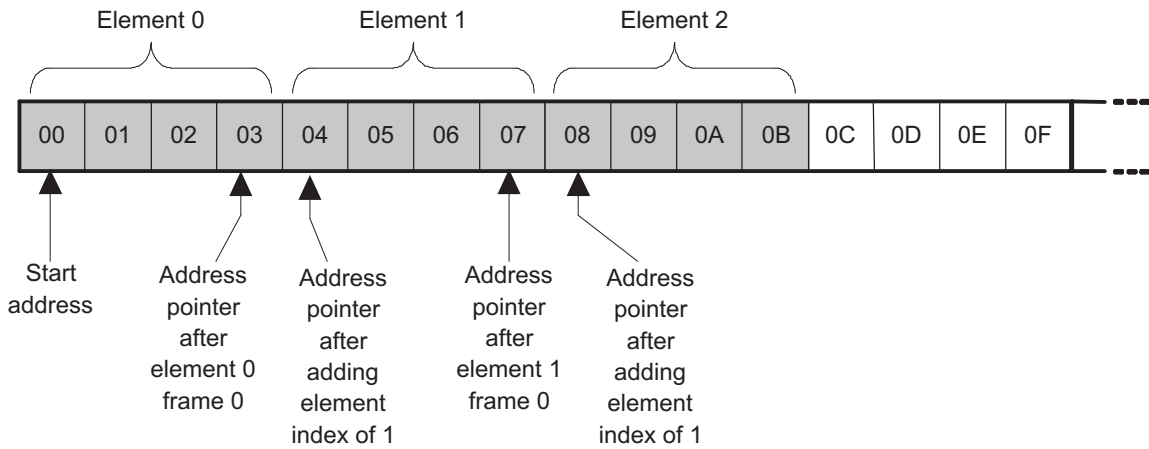
[Figure 16-6](#) through [Figure 16-9](#) show examples of addressing mode configurations. [Table 16-10](#) lists parameter values for the examples.

Figure 16-6. Example Showing Double-Index Addressing, Elements, Frames, and Strides



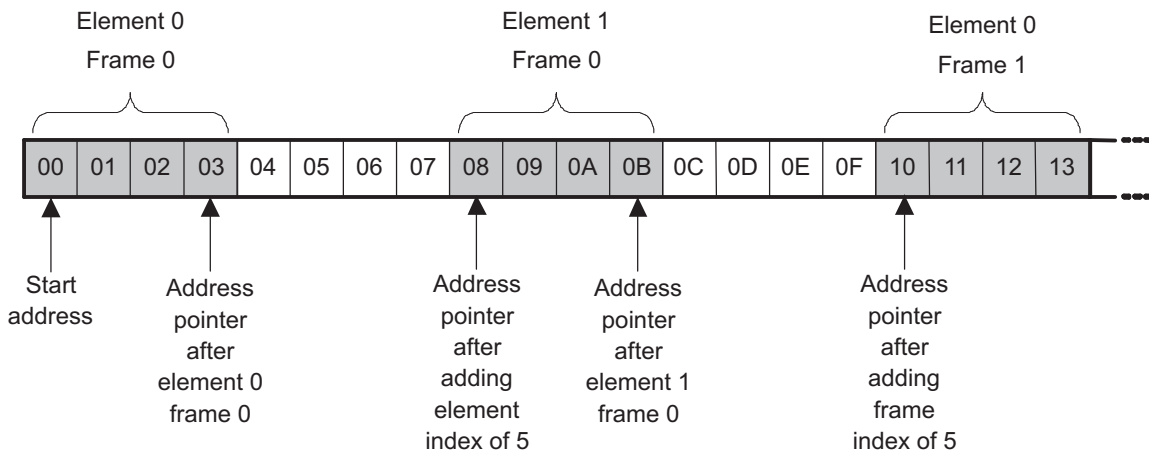
dma-011

Figure 16-7. Addressing Mode Example (a)

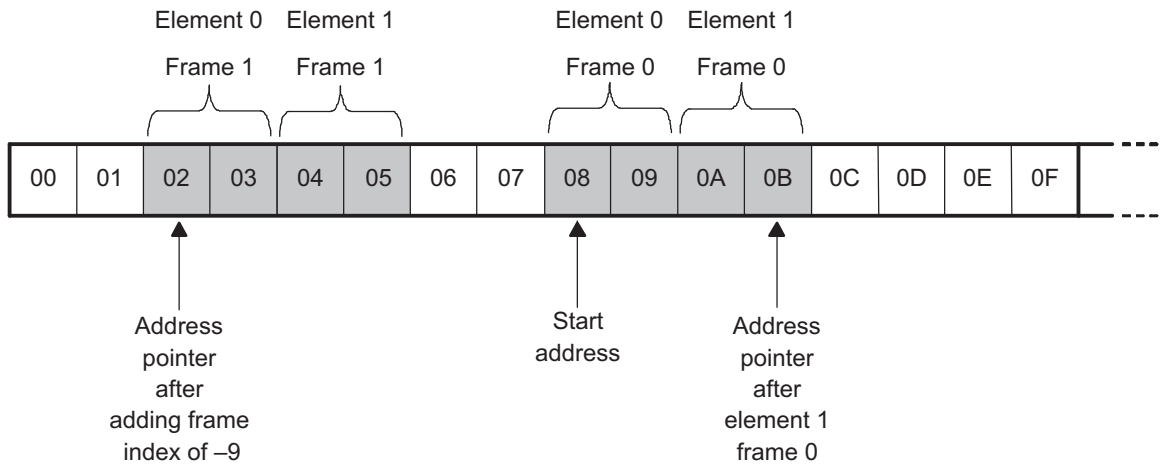


dma-010

Figure 16-8. Addressing Mode Example (b)



dma-009

Figure 16-9. Addressing Mode Example (c)


dma-008

Table 16-10. Parameter Values for Addressing Mode Examples (a), (b), and (c)

Parameter	Example (a)	Example (b)	Example (c)
Addressing mode	Single index (or post-increment)	Double index	Double index
Start address	0	0	8
ES	4 (32-bit)	4 (32-bit)	2 (16-bit)
EN	3	2	2
EI	1	5	1
FN	1	2	2
Frame index	N/A	5	-9

Double indexing can occur on source (read) or destination (write). Equations for rotation of xx degrees on destination are obtained by taking equations for rotation of $(360 - xx)$ degrees on source, and swapping the width (x) and height (y) of the image in them. The opposite is also true. Table 16-11 lists the equations for 90-, 180-, and 270-degree rotations.

Table 16-11. Equations for Rotation

		90° Rotation	180° Rotation	270° Rotation
Double indexing on destination (write)	Base address	$ES*(y-1)$	$ES*(x*y-1)$	$ES*y*(x-1)$
	EI	$ES*(y-1) + 1$	$1-2*ES$	$1-ES*(y + 1)$
	FI	$1 ES*[(x-1)*y + 2]$	$1-2*ES$	$1+ES*(x-1)*y$
Double indexing on source (read)	Base address	$ES*x*(y-1)$	$ES*(x*y-1)$	$ES*(x-1)$
	EI	$1-ES*(x + 1)$	$1-2*ES$	$ES*(x-1) + 1$
	FI	$1+ES*(y-1)*x$	$1-2*ES$	$1 ES*[(y-1)*x + 2]$

Table 16-12 and Figure 16-10 show the configuration required to perform a 90-degree clockwise rotation of a 240 x 160 pixel, 32-bit image. The EI, frame size, and FI values are configured so that the image is rotated line-by-line starting at the left end of the top line.

NOTE: The FI value for the destination is negative so that the first pixel of each subsequent line of the source image is written to the correct location at the destination.

Equation 5 and Equation 6 calculate the destination, FI and EI. The example assumes that the image lines are stored at consecutive addresses in memory, meaning that both EI and FI on the source side are 1.

Rotations:

Section 16.1.5.7, *90-Degree Clockwise Image Rotation*, describes how to program an example of a 90-degree clockwise image rotation.

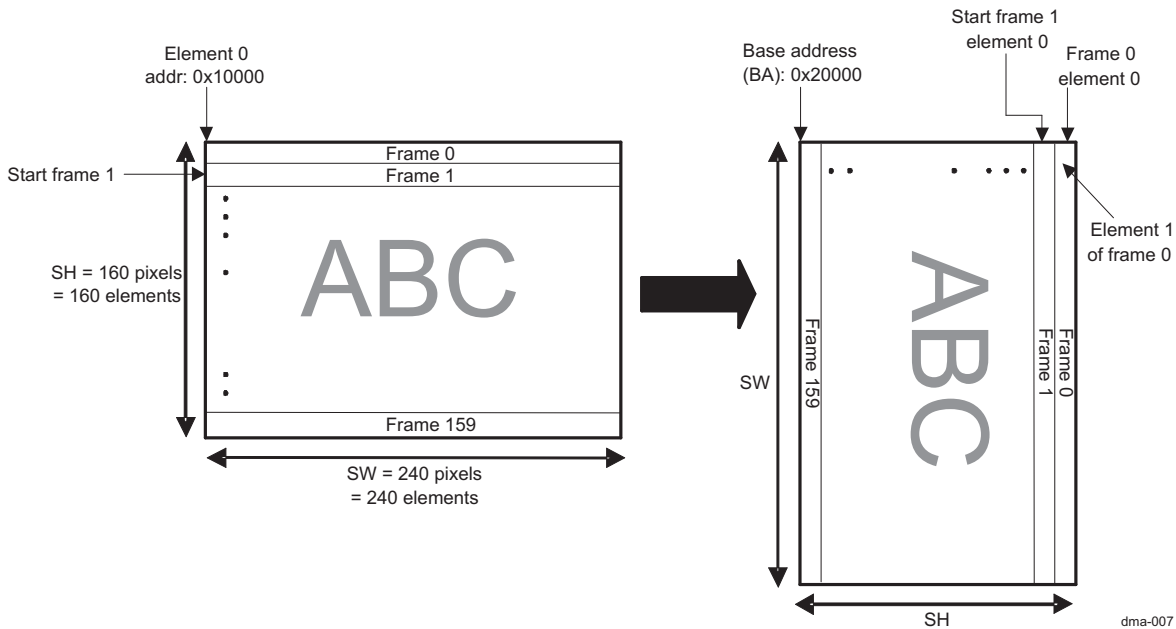
Observe that:

- One pixel = one element
- One line = one DMA frame
- Pixel size = element size = ES

Table 16-12. Example Parameter Values for a 90-Degree Clockwise Image Rotation

Parameter	Source Value	Destination Value
Bits per pixel	32	32
ES	4	4
Image width	SW	SH
Image height	SH	SW
Stride elements (stride EI)	1 element	SH
Stride frames (stride FI)	1 element	$-(SW-1)*SH + 1 = 38,241$ elements
Start address	0x100000	$0x200000 + (SH - 1) \times ES = 0x20027C$
EN	SW	SW
EI	$[(Stride EI - 1) * ES] + 1 = 1$	$[(Stride EI - 1) * ES] + 1 = 637$
FN	SH	SH
FI	$[(Stride FI - 1) * ES] + 1 = 1$	$[(Stride FI - 1) * ES] + 1 = 152,967$

Figure 16-10. Example of a 90-Degree Clockwise Image Rotation



16.1.4.6 Packed Accesses

To pack data means to group data to match the bus size, thus optimizing a transfer. When the logical channel ES is less than the DMA module read/write port size, and the addressing profile supports it (post-increment mode or single- or double-index mode with EI = 1), the number of elements to transfer in each read/write port access can be maximized by specifying that the source or destination is packed through the channel DMA4_CSDPi register. Thus:

- For a read/write port size of 32 bits, the source or destination can be configured as packed for transfer

ESs of 8 bits (four elements per access) and 16 bits (two elements per access).

- For a read/write port size of 64 bits, the source or destination can be configured as packed for transfer ESs of 8 bits (eight elements per access), 16 bits (four elements per access), and 32 bits (two elements per access).

Depending on the start address and transfer length, the first or last packed access can be only partially filled. This is indicated to the source or destination using the byte-enable signals.

16.1.4.7 Burst Transactions

Transfer performance can be improved so that the source or destination and addressing profile supports it. This can be achieved by configuring the logical channel to perform burst transactions consisting of multiple instead of single accesses. The channel can be programmed to use burst sizes equal to 16, 32, or 64 bytes through the [DMA4_CSDPi](#) register, with the read burst size programmable independently of the write burst size. Typically, the optimal burst size is 64 bytes (16 accesses for a 32-bit read/write port size or 8 accesses for a 64-bit read/write port size).

To obtain the maximum benefit from burst transactions, the source and destination start addresses must be aligned with the burst size. If this is not the case, the start of the transfer can consist of a number of smaller (single or burst) transactions until the first burst size boundary is reached.

Similarly, if the end of the transfer is not aligned on a burst size boundary, the final part of the transfer can consist of a number of smaller transactions.

NOTE: If post-incrementing is used, data must be packed to DMA data-port width, to use burst.

16.1.4.8 Endianism Conversion

The source and destination are each specified as little-endian or big-endian through the [DMA4_CSDPi](#) register for the particular logical channel. If the endianism of the source and destination differ, and if the logical channel ES is less than the DMA_SYSTEM module read/write port size, an endianism conversion is applied to the data before it is written to the destination.

When transferring data between a source and a destination with different endianism, it is important to specify an ES that equals the type of data being transferred to preserve the correct data image at the destination.

In the system, endianism conversion can be performed in more than one place. It is possible to instruct the source and/or destination to lock the endianism (that is, to not perform a conversion) through the logical DMA channel [DMA4_CSDPi](#) register.

NOTE: Because the device is little-endian by construction, the DMA_SYSTEM endianism registers must never be set to big-endian.

If DMA_SYSTEM is used to execute endian conversion by setting the source and destination to different endianism values, it is important to consider that the L3_MAIN interconnect also executes endian conversion if the DMA_SYSTEM and the source or destination have a different data bus width.

16.1.4.9 Transfer Synchronization

A logical channel can be programmed for software-triggered or hardware synchronized transfers.

16.1.4.9.1 Software Synchronization

A transfer is software-triggered when the logical channel is set up and started by software. To specify a software-triggered transfer, set the channel DMA [DMA4_CCRi\[4:0\]](#) and [DMA4_CCRi\[20:19\]](#) bit fields to 0. The transfer starts as soon as the DMA [DMA4_CCRi\[7\]](#) bit is set (when it enters the scheduling process).

16.1.4.9.2 Hardware Synchronization

A transfer is hardware-synchronized if the logical channel activation is driven by hardware requests from the source or destination target. A hardware-synchronized transfer is specified by configuring the DMA request line number in the channel `DMA4_CCRi` register to a value that corresponds to the DMA request line from the source or destination that generates the DMA requests. The DMA request numbers to be configured are specified in the DMA request mapping (see [Table 16-9](#)).

Specify the DMA request number in the `DMA4_CCRi[4:0]` SYNCHRO_CONTROL and `DMA4_CCRi[20:19]` SYNCHRO_CONTROL_UPPER bit fields. After the `DMA4_CCRi[7]` ENABLE bit is set, the logical channel becomes enabled but not activated (it does not enter the scheduling process), which means that channel registers are not updated until the first DMA request is received.

NOTE: The channel synchronization control registers are 1-based. For example, to enable the `S_DMA_1` request, the `DMA4_CCRi[4:0]` SYNCHRO_CONTROL bit field must be set to `0x2` (DMA request number + 1).

NOTE: A DMA request line must not be shared between concurrently enabled DMA channels. However, a DMA request line can be shared among several chained logical channels.

For hardware synchronization, the amount of data to be transferred for each assertion of the DMA request line is configured through the frame synchronization (FS) and block synchronization (BS) bits in the logical channel `DMA4_CCRi` register and the `DMA4_CCRi[5]` FS and `DMA4_CCRi[18]` BS bits, respectively.

The amount of data can be any of the following:

- A single element transfer: A complete element defined by data type. For example, 8/16/32 bits are transferred in response to a DMA request.
- A full frame: A complete frame of several elements is transferred in response to a DMA request.
- A full block (a full channel transfer): A complete block of several frames is transferred in response to a DMA request.
- A full packet (a full channel transfer): A complete packet of several elements is transferred in response to a DMA request.

Packets allow the size of each part of the full DMA transfer to be configured independently of the organization of the data to be transferred (typically a number of elements). This can be useful when the source or destination has a buffer (such as a FIFO queue) with a size unrelated to the frame size of the transfer. The packet size then can be set to the size of the buffer.

Packet transfer must be used only where the source or destination is addressed in constant addressing mode, because FI registers are reused to specify the packet size.

To support the burst mode, the logical channel must also be configured in target-port packed access mode.

The packet size is configured based on the `DMA4_CCRi[24]` SEL_SRC_DST_SYNC bit through either the channel `DMA4_CDFIi` register (source synchronized) or the `DMA4_CSFII` register (destination synchronized).

When the logical channel transfer block is not an exact multiple of the packet size, the final packet consists of the remaining elements in the transfer, using burst or single accesses to complete the block transfer.

The maximum transfer size, regardless of the packet size, is always as follows:

$$\text{Block_size} = \text{Number_of_Frame_in_Block} * \text{Number_of_Element_in_Frame} * \text{Element_Size}$$

- Synchronized at the source

The DMA module optimizes the transfer with respect to the number and size of burst transactions for the given source and destination addressing profiles and configured maximum burst sizes. When writing to the destination is slower than reading from the source, data is buffered in the channel FIFO queue. If the transfer is packet-synchronized at the source, the end-of-packet interrupt is disabled (see [Section 16.1.4.13, Reprogramming an Active Channel](#)).

For a source synchronized transfer, buffering can be enabled or disabled by setting the [DMA4_CCRi\[25\] BUFFERING_DISABLE](#) bit. For a packet source synchronization with buffering disabled and the packed/burst across the packet boundary, the last packed/burst write transaction is split in optimized smaller accesses to complete the packet transfer size. However, for a packet source synchronized transfer with buffering enabled and with the packed/burst across the packet boundary, the DMA module waits for the next DMA request(s) to read enough data to issue an atomic packed/burst write transaction (assuming that the address is packed/burst aligned).

NOTE: Buffering is not performed between frames, even if it is enabled. If the packed/burst is across the frame boundary, the last packed/burst write transaction is split in optimized smaller accesses to complete the frame transfer size.

- Synchronized at the destination

The performance of a hardware-synchronized transfer can be improved by using the prefetch mode, enabled through the channel [DMA4_CCRi\[23\] PREFETCH](#) bit. Data is prefetched on the read port side before the DMA request received and buffered in the FIFO queue. Up to a full transfer block can be prefetched, although this can be limited by the specified maximum channel FIFO queue depth (see [Section 16.1.4.4, FIFO Queue Memory Pool](#)).

Buffering disable is not allowed for a destination-synchronized transfer.

NOTE: Behavior is undefined when prefetch is enabled and a transfer is synchronized to the source.

Regardless of whether buffering is enabled, the last transaction in the frame or in the block is write nonposted (WNP) even if the write mode is specified as write last nonposted (WLNP; the [DMA4_CSDPi\[17:16\] WRITE_MODE](#) bit field = 0x2). However, in a packet synchronization mode, the last transaction of each packet in the transfer is WNP only if the buffering disable is on (even if the write mode is specified as WLNP).

Regardless of whether buffering is enabled, the packet interrupt is not generated in the packet source synchronized mode.

CAUTION

The [DMA4_CCRi\[25\] BUFFERING_DISABLE](#) bit must be filled with an allowed value, as specified in [Table 16-13](#).

Table 16-13. Buffering Disable

	BUFFERING_DISABLE (0: Buffering enable, 1: Buffering disable)	
Destination synchronized	0	Allowed
	1	Not allowed
Source synchronized	0	Allowed
	1	Allowed

- Synchronized transfer monitoring using CDAC ([DMA4_CDACi](#)):
Context is restored only when the channel becomes active on a DMA request (not at software enable). The channel is software-enabled first, and then a DMA request is asserted followed by the first context restore.
The CDAC register is writable; thus, the CDAC can be initialized to monitor the transfer and determine whether the transfer is started (for more information, see [Section 16.1.5.4, Synchronized Transfer Monitoring Using CDAC](#)).

NOTE: For 16-bit transactions, start reading from or writing to the LSByte first to enable the register update. This is not an issue for 32-bit read-write transactions.

16.1.4.10 Thread Budget Allocation

When several concurrent channels are latency critical and hardware synchronized, a specific latency cannot be ensured until the target is served. This situation occurs when the number of concurrent channels is greater than the number of available threads.

NOTE: Four threads are available on the read port, and two threads are available on the write port.

For a hardware-synchronized transfer (memory to peripheral), a minimum bandwidth for a latency-critical transfer must be ensured to avoid collisions between two hardware requests.

Because it is latency critical, the software user is responsible for the following:

- Programming the synchronized channel as a high-priority channel
- Reserving one or several threads for high-priority channels

The proposed implementation is as follows (see [Section 16.1.5.5, Concurrent Software and Hardware Synchronization](#)):

Prevent the regular channel queue from exceeding more than a programmable (3, 2, or 1) number of threads on the read port and no more than one thread on the write port. This number can be set in the global register `DMA4_GCR[13:12]`.

The thread reservation is programmable for maximum use of thread resources for concurrent, low-priority channel transfer. Programmability can also allow a partial throughput control by limiting in software the number of concurrent outstanding requests that break the pipelining.

Depending on the `DMA4_GCR [13:12]` value, the following threadID on the read/write ports are allocated for a high-priority channel:

Read port priority thread reservation:

- `DMA4_GCR[13:12] = 0x0` => No ThreadID is reserved for high-priority channels.
- `DMA4_GCR[13:12] = 0x1` => Read ThreadID 0 is reserved for high-priority channels.
- `DMA4_GCR[13:12] = 0x2` => Read ThreadID 0 and Read ThreadID 1 are reserved for high-priority channels.
- `DMA4_GCR[13:12] = 0x3` => Read ThreadID 0, Read ThreadID 1, and Read ThreadID 2 are reserved for high-priority channels.

Write port priority thread reservation:

- `DMA4_GCR[13:12] = 0x0` => No ThreadID is reserved for high-priority channels
- `DMA4_GCR[13:12] = 0x1` => Write ThreadID 0 is reserved for high-priority channels.
- `DMA4_GCR[13:12] = 0x2` => Write ThreadID 0 is reserved for high-priority channels.
- `DMA4_GCR[13:12] = 0x3` => Write ThreadID 0 is reserved for high-priority channels.

Regardless of whether the enabled channels are high priority, only the setting of the `DMA4_GCR[13:12]` value forces the thread reservation to these values. Set the appropriate value to avoid losing threads using only regular channels.

To have an independent read and write priority context, a per-channel bit (`DMA4_CCRI[26]`) is added for write priority, and the previous priority bit becomes read priority bit (`DMA4_CCRI[6]`).

NOTE: The device has one priority bit per logical channel, not one priority bit per port.

16.1.4.11 FIFO Budget Allocation

To avoid fully occupying the FIFO with a high-priority transfer while low-priority channels wait in the arbitration queue, two separate FIFO budgets are specified: one for high-priority channels and one for low-priority channels. This is defined in the [DMA4_GCR](#) register, allowing the user to share the FIFO budget between the low- and high-priority channels. The amount of the FIFO allocated by the low- and high-priority channels is fixed by the value set in the [DMA4_GCR\[15:14\]](#) HI_LO_FIFO_BUDGET field. The maximum channel FIFO depth is limited by the HI_LO_FIFO_BUDGET field as follows:

If the channel is low priority:

- When HI_LO_FIFO_BUDGET = 0x1, then low priority cannot exceed 75 percent of the total FIFO.
- When HI_LO_FIFO_BUDGET = 0x2, then low priority cannot exceed 25 percent of the total FIFO.
- When HI_LO_FIFO_BUDGET = 0x3, then low priority cannot exceed 50 percent of the total FIFO.

If channel is high priority

- When HI_LO_FIFO_BUDGET = 0x1, then high priority cannot exceed 25 percent of the total FIFO.
- When HI_LO_FIFO_BUDGET = 0x2, then high priority cannot exceed 75 percent of the total FIFO.
- When HI_LO_FIFO_BUDGET = 0x3, then high priority cannot exceed 50 percent of the total FIFO.

The user must perform the following equation:

- For a high-priority channel: $(\text{Per_Channel_Maximum FIFO Depth} + 1) \times \text{Number of High Channel} = < \text{High Budget FIFO}$
- For a low-priority channel: $(\text{Per_Channel_Maximum FIFO Depth} + 1) \times \text{Number of Low Channel} = < \text{Low Budget FIFO}$

NOTE: Ensure that *Number of High Channel* means *Number of Active High-Priority Channel* and that *Number of Low Channel* means *Number of Active Low-Priority Channel*.

16.1.4.12 Chained Logical Channel Transfers

Chaining multiple logical channels permits transfers consisting of multiple parts to be executed without repeated software intervention. This results in better performance than the alternative of software setting up and starting each transfer separately. Each part of a chained transfer can have the data addressed in a different manner that permits the programming of a variety of complex transfers. For example:

- Interlaced video data with one logical channel configured to transfer the even lines and another logical channel configured to transfer the odd lines
- Protocol headers with a separate DMA4 channel configured to transfer each field in the header

Channels can be chained through each channel [DMA4_CLNK_CTRLi](#) register. When the transfer for the first channel completes, the next channel in the chain is enabled. The number of channels in the chain that are configured for hardware-synchronized transfers is flexible (although typically it may be all, none, or simply the first one). The DMA request line number must be set to 0 to specify that any or all of the channels in a chain are software-triggered or nonsynchronized.

The last channel in a chain can be chained to the first channel to create a continuously looping chain. The continuously looping transfer can be stopped on the fly at a specific channel by disabling the [DMA4_CLNK_CTRLi\[15\]](#) ENABLE_LNK bit. The looping transfer stops after the specified channel transfer is complete.

NOTE: A DMA request line must not be shared between concurrently enabled DMA channels. However, a DMA request line can be shared between several chained logical channels.

For more information about the programming model, see [Section 16.1.5, DMA_SYSTEM Basic Programming Model](#).

16.1.4.13 Reprogramming an Active Channel

A currently active logical DMA channel can be disabled through the `DMA4_CCRi[7]` ENABLE bit. When an ongoing transaction is complete and the read-active and write-active bits in the `DMA4_CCRi` register (`DMA4_CCRi[9]` RD_ACTIVE and `DMA4_CCRi[10]` WR_ACTIVE) are reset, the channel can be reprogrammed for a new transfer.

16.1.4.14 Packet Synchronization

A packet transfer notion is related to the behavior of some peripherals, which have certain buffering capability and requires to transfer the buffer content once an element number threshold is reached (a hardware DMA request is generated). To associate a frame synchronization to each DMA request is possible, but this limits the maximum transfer size. Indeed the maximum transfer size is proportional to the FIFO depth of the peripheral:

$$\text{maximum_transfer_size} = \text{peripheral_FIFO_depth} \times \text{number_of_frame_in_block}$$

The packet synchronization allows to dissociate the transfer size from the FIFO depth of the peripheral. Only Constant addressing mode is allowed on a read port or a write port if source target or destination target is packet synchronized respectively.

Example:

Consider a camera interface with a FIFO_depth of 128 words and a FIFO_element_number_threshold of 128, and a picture to transfer with a size 320 lines by 240 columns. If frame synchronization is associated with each DMA request then the maximum transfer size that can be performed is 128×2^{16} words. In this case, a frame is 128-word long, which does not fit the size of a line, and it is not possible to generate an interrupt at the end of line. However, by introducing the packet transfer notion, which is related to the peripheral FIFO behavior/structure, the maximum transfer size ($\text{maximum_transfer_size} = 2^{24} \times 2^{16}$ words) is independent of both peripheral_FIFO_depth and FIFO_element_number_threshold. This allows a long-enough transfer within one channel context and rotation operation on a large image format.

The main features of DMA Packet transfer are as follows:

- **DMA Packet_Data_Size** for each DMA Request: The Peripheral_element_number_threshold (the number of elements in a packet) shares the `DMA4_CSFl` and `DMA4_CDFli` configuration registers. If the peripheral is the source target, the addressing mode is constant, and the `DMA4_CSFl[15:0]` bit field is used to specify the packet data size in the `DMA4_CSFl` register. The user must set the `DMA4_CCRi[24]` SEL_SRC_DST_SYNC bit to 1. If the peripheral is the destination target, the addressing mode is constant, the `DMA4_CDFli[15:0]`, is used to specify the packet data size (PKT_ELNT_NBR), and the bit field [31:16] is unused. To specify the packet data size in the `DMA4_CDFli` register, the user must set the `DMA4_CCRi[24]` SEL_SRC_DST_SYNC bit to 0.

NOTE: The packet size can be a submultiple or non-submultiple of a frame size. If DMA Packet_Data_Size is aligned on the DMA channel block data size boundary, then DMA transfers the last data in the channel block boundary and stops at the block boundary for the last packet DMA Request. If the Packet_Data_size is not aligned on the block boundary, the remaining data smaller than a packet size are transferred using burst or single accesses to complete the block.

- **DMA Packet_Data_Transfer** does not affect DMA channel capabilities in term of packing and bursting. The packet synchronization mode is active when `DMA4_CCRi[5]` FS = `DMA4_CCRi[18]` BS = 1. Then:
 - If `DMA4_CCRi[24]` SEL_SRC_DST_SYNC = 0, the `DMA4_CDFli[15:0]` bit field gives the number of elements in the packet and the `DMA4_CDFli[31:16]` bit field is unused for the packet size.
 - If `DMA4_CCRi[24]` SEL_SRC_DST_SYNC = 1, the `DMA4_CSFl[15:0]` bit field gives the number of elements in the packet and the `DMA4_CSFl[31:16]` bit field is unused for the packet size.

NOTE: The maximum transfer size, regardless of the packet size, is always:

$$\text{Block_size} = \text{Number_of_Frame_in_Block} \times \text{Number_of_Element_in_Frame} \times \text{Element_Size}.$$

If DMA channel packet/burst access is across the packet boundary, the DMA hardware automatically splits this packing/burst access into multiple smaller accesses that are aligned on the packet boundary. Otherwise, the DMA transfers data as a usual packing/burst access.

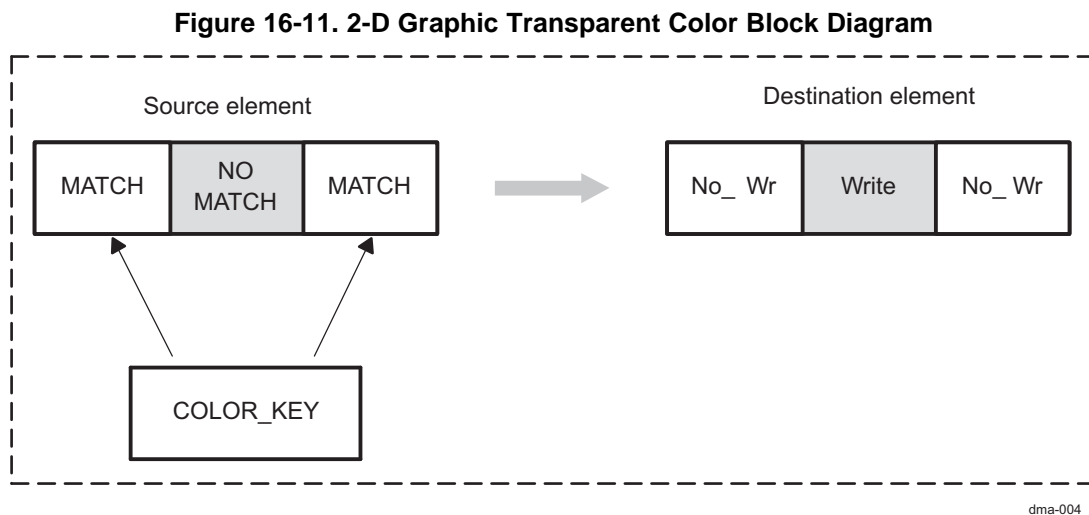
16.1.4.15 Graphics Acceleration Support

The DMA_SYSTEM supports two graphic acceleration features: transparent copy and constant fill.

Only one of these features can be enabled at a time through the [DMA4_CCRi](#) register for the particular logical DMA channel.

The transparent copy feature enables specification of a particular color through the [DMA4_COLORi](#) register so that when it is recognized in the data from the source, it is not copied to the corresponding location in the destination but instead leaves the data in the corresponding location in the destination as it is.

Figure 16-11 shows the 2-D graphic transparent color block diagram.



The constant fill feature provides the ability to specify a particular color through the [DMA4_COLORi](#) register for every specified location in the destination. In this case, the transfer consists only of writing to the destination without reading from a source.

Both features support 8, 16, and 24 bpp, depending on what is specified as the DMA transfer ES through the [DMA4_CSDPi](#) register. An ES of 32 bits corresponds to 24 bpp. During a 32-bit (24 bpp) transfer, the 8 most-significant bits (MSBs) ([31:24]) are 0. Both features are compatible with packed and burst transactions.

16.1.4.16 Supervisor Modes

A logical DMA channel can be configured to operate in supervisor mode through the [DMA4_CCRi](#)[22] SUPERVISOR bit. This must be done using supervisor access. Once a channel is configured in supervisor mode, the channel configuration is protected from nonsupervisor accesses. All DMA transactions on a supervisor channel are supervisor transactions.

16.1.4.17 Posted and Nonposted Writes

A logical channel can be configured in its [DMA4_CSDPi](#)[17:16] bits to use one of three write access handshake modes for the destination:

- Nonposted write: Each write must complete before transfer can continue or complete.

- Posted write: Transfer continues without waiting for each write to complete (may improve performance with slow devices).
- Posted with final write nonposted: Transfer continues without waiting for each write to complete, but final write completes before transfer can complete.

16.1.4.18 Disabling a Channel During Transfer

When a channel is disabled during a transfer, the channel undergoes an abort, unless it is hardware-source-synchronized with buffering enabled ([DMA4_CCRi\[25\] BUFFERING_DISABLE = 0](#)). If this is the case, the FIFO is drained to prevent the loss of data. For more information about this feature, see [Section 16.1.4.19, FIFO Draining Mechanism](#).

16.1.4.19 FIFO Draining Mechanism

When a source-synchronized channel is disabled during a transfer, the current hardware request (element/packet/frame/block) service completes and the channel [DMA4_CCRi\[9\] RD_ACTIVE](#) bit is set to 0, which means the channel is not active on the read port. The remaining data in the corresponding disabled channel FIFO is drained onto the write port and transferred to the programmed destination as in normal transfer.

At the end of the draining the [DMA4_CCRi\[10\] WR_ACTIVE](#) bit is set to 0 (channel is no longer active on the write port) and if the [DMA4_CICRi\[12\] DRAIN_END_IE](#) is set to 1, the [DMA4_CSRI\[12\] DRAIN_END](#) status bit is updated and an interrupt is generated.

Once a channel is disabled during a transfer, it must wait for the [DMA4_CCRi\[9\] RD_ACTIVE](#) and [DMA4_CCRi\[10\] WR_ACTIVE](#) bits to become 0 before being reenabled for a new transfer. The FIFO drain for a channel occurs only in the following cases:

- If the channel is a source synchronized channel and [DMA4_CCRi\[25\] BUFFERING_DISABLE = 0](#) and
- If the channel is not a solid fill channel and
- If the channel is not a transparent and copy channel and
- If the channel is a hardware, synchronized channel

NOTE: For a self-linked or chain-linked channel, the user must disable the [DMA4_CLNK_CTRLi\[15\] ENABLE_LINK](#) bit before disabling the channel.

In all other cases, the channel undergoes an abort.

16.1.4.20 Linked List

16.1.4.20.1 Overview

The DMA_SYSTEM supports the logical transfer-descriptor loader feature. A transfer descriptor represents a set of values that maps to a set of logical channel configuration registers.

A logical channel transfer descriptor can be loaded by DMA from memories, and then successive transfer descriptors can be autonomously loaded based on a linked-list scheme. This enables DMA4 scatter-gather transfers with minimum MPU support by removing successive channel configuration processing and associated interrupt handling overheads. It also optimizes DMA4 channel resources by enabling efficient transfer serialization on a single logical channel versus concurrent (multiple) logical channel use.

Different types of transfer descriptors are supported (full or partial logical channel configuration registers are set). This optimizes the memory size required for storing a long linked list, because parameter changes are limited to only a few logical channel configuration registers.

16.1.4.20.2 Link-List Transfer Profile

A linked-list transfer can be seen as a super-block transfer (where the block is composed of FN frames and each frame includes EN elements). The block size (FN x EN x ES) can be changed in the linked list by loading an updated transfer descriptor.

The end of the super block is signaled in the last descriptor associated with the last block. Generally, for a given link-list transfer, the logical channel is set at the beginning of the transfer and the logical channel configurations for the subsequent blocks are slightly changed. Thus, the descriptor can be limited to an update of only few parameters, such as FN or EN. This assumes that the content of unmodified registers is preserved when a new descriptor is loaded.

A transfer descriptor is composed of a set of channel configuration register values with the addition of the next-descriptor pointer register ([DMA4_CNDPi](#)) and a channel-descriptor parameter register ([DMA4_CDPi](#)). The next-descriptor pointer is the 32-bit address pointer from where the next transfer descriptor is to be loaded. The next-descriptor pointer is mapped depending on the descriptor type (1, 2, or 3).

16.1.4.20.3 Descriptors

A transfer descriptor is a set of values that maps to a set of logical channel configuration registers. The descriptor contains the parameters associated with a transfer profile (transfer size, source or destination addresses, etc). Four different types of transfer descriptors are supported to optimize the memory size required to store a long linked list and to minimize MPU use to create and maintain the descriptor list.

A transfer descriptor is a list of 32-bit values. A descriptor must be 32-bit aligned in memory. Only the 30 least-significant bits (LSBs) of the next-descriptor address pointer are updated from the descriptor, and the DMA4 forces the 2 LSBs to 0 on generation of the pointer address. The descriptor size is variable, depending on the descriptor type and the `Nxt_Dv` and `Nxt_Sv` bit fields.

Transfer descriptor bit mapping is the same as DMA4 logical-channel configuration register bit mapping, with the following exceptions:

- `Src_Element_index` and `Dst_Element_index` are concatenated in the same 32-bit location.
- [DMA4_CICRi](#) (interrupt event mask)
- CFN (frame number)
- Bit fields:
 - P: Corresponds to the `PAUSE_LINK_LIST` bit:
 - When set to 1 in the descriptor, the channel is suspended when the descriptor load completes.
 - The user must not set the `PAUSE_LINK_LIST` bit through the configuration port. Otherwise, behavior is undefined.
 - When set to 0 (through the configuration port) after pause, the linked-list channel resumes its transfer (descriptor load or data load).
 - B: Corresponds to the end-of-block enable bit (`BLOCK_IE`) of the [DMA4_CICRi](#) register; valid only for type 3. This value is don't care for descriptor types 1 and 2, where [DMA4_CICRi](#) is fully specified.
 - `Nxt_Dv`, `Nxt_Sv`: Mapped in the [DMA4_CDPi](#) register. They indicate one of the following possibilities:
 - Next descriptor contains an updated destination or source address.
 - Next descriptor does not update the source or destination address, but increments the last source or destination address (from the end of the last transfer).
 - The next source address and/or destination address are the last valid ones in the configuration memory. This means that the corresponding location in the configuration memory is not updated (assuming that they were initialized at least once in the past). This is also called wrapping addressing.
 - `Next_Descriptor_Type`: Specifies the next descriptor type that corresponds to the `NEXT_DESCRIPTOR_TYPE` bit field in the [DMA4_CDPi](#) register

16.1.4.20.4.5 *Pause a Linked List*

When the channel is suspended, it remains enabled.

The pause behaves differently, depending on the transfer mode:

- Normal transfer mode: If the user sets the [DMA4_CDPi\[7\] PAUSE_LINK_LIST](#) bit to 1, the channel completes the current read and write transactions and then suspends the channel. The channel can be resumed by setting the channel [DMA4_CDPi\[7\] PAUSE_LINK_LIST](#) bit to 0.
- Linked-list type 1, 2, or 3 mode: The user must not set the [DMA4_CDPi\[7\] PAUSE_LINK_LIST](#) bit through the configuration port; otherwise, transfer behavior is undefined.

A [PAUSE_LINK_LIST](#) bit (P) is set to 1 in the descriptor.

- The channel is suspended after the descriptor load, translation, and configuration memory update are complete.
- The linked list can be resumed by resetting the [DMA4_CDPi\[7\] PAUSE_LINK_LIST](#) bit (through the configuration port).

16.1.4.20.4.6 *Stop a Linked List (Abort or Drain)*

The channel can be stopped for a drain or an abort. These cases are exclusive.

16.1.4.20.4.6.1 *Drain*

- Drain conditions:

A channel is a drain candidate if it is a hardware-source-synchronized transfer with [DMA4_CCRi\[25\] BUFFERING_DISABLE = 0](#) and should not be doing any of the graphics operation (transparent copy or solid-color fill).

- Drain trigger:

A drain candidate channel is drained if it is disabled ([DMA4_CCRi\[7\] ENABLE = 0](#)) or if it receives a transaction error on the read port.

- Drain behavior with a type 1, 2, or 3 descriptor. Drain trigger can occur in two situations:
 - During descriptor loading: Any ongoing current transaction is complete and the channel is aborted.
 - During data loading: The read is completed at the boundary of the request (element/frame/packet/block boundary), the FIFO is drained to the destination, and then a [DRAIN_END](#) interrupt can be asserted.

16.1.4.20.4.6.2 *Abort*

- Abort condition:

A channel is an abort candidate if it is software-synchronized, hardware-destination-synchronized, solid color-fill, transparent-color fill, or hardware-source-synchronized with [DMA4_CCRi\[25\] BUFFERING_DISABLE = 1](#).

- Abort trigger:

A channel is an abort candidate if it is disabled ([DMA4_CCRi\[7\] ENABLE = 0](#)), if it receives a transaction error on the read or write port, or if there is a [MISALIGNMENT_ERROR](#).

- Abort behavior with a type 1, 2, or 3 descriptor:

If an abort trigger occurs, the channel aborts immediately after completion of current read/write transactions and then the FIFO is cleaned up.

In type 1, 2, or 3, if an abort trigger or drain trigger occurs during the descriptor load phase, the channel aborts.

16.1.4.20.4.7 *Status Bit Behavior*

This section describes the behavior of the [DMA4_CSRi\[6\] SYNC](#), [DMA4_CCRi\[9\] RD_ACTIVE](#) and [DMA4_CCRi\[10\] WR_ACTIVE](#) status bits:

- For a hardware-synchronized channel in linked-list mode, the [DMA4_CSRi\[6\] SYNC](#) bit becomes active ([DMA4_CSRi\[6\] SYNC = 1](#)) when the first data load transaction is scheduled and remains active

until the last data load transaction in the block (not super block) is descheduled ([DMA4_CSRI\[6\]](#) SYNC = 0). The SYNC bit is not active during the descriptor load phase.

- The [DMA4_CCRi\[9\]](#) RD_ACTIVE bit is active during the data load phase and the descriptor load phase. It becomes active when the first read transaction is scheduled. It becomes inactive:
 - When (during the descriptor load phase) the last descriptor write request is descheduled
 - When (during the data load phase) the last read transaction in the block (not super block) is descheduled for software-synchronized transfer or destination-synchronized transfer with prefetch enabled
 - When (during the data load phase) the last read transaction in the request (element/frame/packet/block sync) is descheduled for hardware-source-synchronized transfer or hardware-destination-synchronized transfer without prefetch
- The [DMA4_CCRi\[10\]](#) WR_ACTIVE bit is active only during the data load phase. It becomes active when the first write transaction is scheduled and becomes inactive:
 - Until the last write transaction in the block (not super block) is descheduled and the FIFO is cleaned up for software-synchronized transfer
 - Until the last write transaction in the request (element/frame/packet/block sync) is descheduled and the FIFO is cleaned up for hardware-source-synchronized transfer (with [DMA4_CCRi\[25\]](#) BUFFERING_DISABLE = 0) or hardware-destination-synchronized transfer.

16.1.4.20.4.8 **Linked-List Channel Linking**

Channel linking for inter- and intra-super blocks is supported for type 1, 2, and 3 descriptors.

Assume that CHx and CHz are linked-list channels using generic descriptors. If CHx is composed of N descriptors and CHz is composed of M descriptors, then in nonfast mode:

CHx: CHx[Data1]-> CHx[DES1] -> . -> CHx[DESN]->CHx[DataN + 1]

CHz: CHz[Data1]-> CHz[DES1] -> . -> CHz[DESM]->CHz[DataM + 1]

It is possible to link CHx to CHz or CHx to itself after the completion of the CHx transfer (end of super block). To do this, the user must set the [DMA4_CLNK_CTRLi\[15\]](#) ENABLE_LNK bit to 1 and the [DMA4_CLNK_CTRLi\[4:0\]](#) NEXTLCH_ID bit to z (or to x for self linking) through the last descriptor using a type 1 descriptor. The sequence is:

CHx: CHx[Data1]-> CHx[DES1] -> . -> CHx[DESN]-CHx[DataN+1] -> CHz: CHz[Data1]-> CHz[DES1] -> . -> CHz[DESM]->CHz[DataM+1]

It is also possible to link CHx to CHz during the CHx transfer and before the end of super block. The user must set the [DMA4_CLNK_CTRLi\[15\]](#) ENABLE_LNK bit to 1 and the [DMA4_CLNK_CTRLi\[4:0\]](#) NEXTLCH_ID bit to z through descriptor p (CHx[DESp]) using a type 1 descriptor. The sequence is:

CHx: CHx[Data1]-> CHx[DES1] ->. -> CHx[DESp]->CHx[Data(p + 1)] -> CHz[Data1]-> CHz[DES1] -> .

The user must continue the linking until channels CHx and CHz complete their super-block transfers; otherwise, the channels remain enabled.

NOTE: In channel linking, the head of a chain can be in fast mode or nonfast mode. All channels that are not in the head of the chain can be in nonfast mode only. In self-linking, the channel cannot be in fast mode.

NOTE: If channel CHx links to CHz in the middle of the superblock transfer (remember link bit can be set through Type-1 descriptor load), CHx is disabled after the corresponding data load and enables the channel CHz.

16.1.5 DMA_SYSTEM Basic Programming Model

16.1.5.1 Setup Configuration

After a hardware reset, program all fields in the logical channel registers to default values for any channels used, because most fields are undefined following reset.

Before programming any DMA transfers, the priority arbitration rate and the maximum FIFO depth must be configured through the [DMA4_GCR](#) register, and any required interrupts must be enabled through the [DMA4_IRQENABLE_Lj](#) registers and the logical channel [DMA4_CICRi](#) registers.

Software clears the [DMA4_CSRi](#) register and the IRQSTATUS bit for the different interrupt lines before enabling the channel.

16.1.5.2 Software-Triggered (Nonsynchronized) Transfer

To program a software-triggered DMA transfer:

1. Configure the transfer parameters in the logical DMA channel registers:

- [DMA4_CSDPi](#):
 - Transfer ES (8, 16, or 32 bits) in the DMA [DMA4_CSDPi\[1:0\]](#) bit field.
 - Read and write port access types (single/burst), DMA [DMA4_CSDPi\[8:7\]](#) and [DMA4_CSDPi\[15:14\]](#) bit fields
 - Source and destination endianness, DMA [DMA4_CSDPi\[21\]](#) and [DMA4_CSDPi\[19\]](#) bits
 - Write mode (posted or nonposted) and DMA [DMA4_CSDPi\[17:16\]](#) bit field
 - Source or destination packed or nonpacked (if the ES is less than the read/write port size), DMA [DMA4_CSDPi\[6\]](#) and [DMA4_CSDPi\[13\]](#) bits
- [DMA4_CENi](#): EN
- [DMA4_CFNi](#): FN per transfer block
- [DMA4_CSSAi](#) and [DMA4_CDSAi](#): Source and destination start address (aligned with transfer ES)
- [DMA4_CCRi](#):
 - Read and write port addressing modes, DMA [DMA4_CCRi\[13:12\]](#) and [DMA4_CCRi\[15:14\]](#) bit field
 - Priority bit for both read and write ports, DMA [DMA4_CCRi\[6\]](#) and [DMA4_CCRi\[26\]](#) bits
 - DMA request number (set to 0 for a software-triggered transfer) and DMA register bit fields [DMA4_CCRi\[4:0\] = 0](#) and [DMA4_CCRi\[20:19\] = 0](#)
- [DMA4_CSEIi](#), [DMA4_CSFi](#), [DMA4_CDEIi](#), and [DMA4_CDFIi](#): Source and destination element and frame indexes (depending on addressing mode)

2. Start the transfer through the enable bit in the channel [DMA4_CCRi](#) register and DMA [DMA4_CCRi\[7\]](#) bit

The following example performs a DMA transfer on channel 10 of a 240*160 picture from RAM to RAM (0x80C00000 to 0x80F00000):

```
UWORD32 RegVal = 0;
DMA4_t *DMA4;
DMA4 = (DMA4_t
        *)malloc(sizeof(DMA4_t));

/* Init. parameters
   */
DMA4->DataType = 0x2; //
    DMA4_CSDPi[1:0]
DMA4->ReadPortAccessType = 0; //
    DMA4_CSDPi[8:7]
DMA4->WritePortAccessType = 0; //
    DMA4_CSDPi[15:14]
DMA4->SourceEndiansim = 0; //
    DMA4_CSDPi[21]
DMA4->DestinationEndianism = 0; //
```



```

        DMA4_CSDPi[19]
DMA4->WriteMode = 0; //
        DMA4_CSDPi[17:16]
DMA4->SourcePacked = 0; //
        DMA4_CSDPi[6]
DMA4->DestinationPacked = 0; //
        DMA4_CSDPi[13]
DMA4->NumberOfElementPerFrame = 240; //
        DMA4_CENi
DMA4->NumberOfFramePerTransferBlock = 160; //
        DMA4_CFNi
DMA4->SourceStartAddress = 0x80C00000; //
        DMA4_CSSAi
DMA4->DestinationStartAddress = 0x80F00000; //
        DMA4_CDSAi
DMA4->SourceElementIndex = 1; //
        DMA4_CSEIi
DMA4->SourceFrameIndex = 1; //
        DMA4_CSFii
DMA4->DestinationElementIndex = 1; //
        DMA4_CDEIi
DMA4->DestinationFrameIndex = 1; //
        DMA4_CDFii
DMA4->ReadPortAccessMode = 1; //
        DMA4_CCRi[13:12]
DMA4->WritePortAccessMode = 1; //
        DMA4_CCRi[15:14]
DMA4->ReadPriority = 0; //
        DMA4_CCRi[6]
DMA4->WritePriority = 0; //
        DMA4_CCRi[23]
DMA4->ReadRequestNumber = 0; //
        DMA4_CCRi[4:0]
DMA4->WriteRequestNumber = 0; //
        DMA4_CCRi[20:19]

/* 1) Configure the transfer
   parameters in the logical DMA registers
   */
/*-----*/

/*
   a) Set the data type CSDP[1:0], the Read/Write Port access type
   CSDP[8:7]/[15:14], the Source/dest endianism CSDP[21]/CSDP[19], write
   mode CSDP[17:16], source/dest packed or non-packed
   CSDP[6]/CSDP[13]*/

// Read CSDP
RegVal =
    DMA4_CSDP_CH10;

// Build reg
RegVal = ((RegVal &~ 0x3)
    | DMA4->DataType );
RegVal = ((RegVal &~(0x3 << 7)) |
    (DMA4->ReadPortAccessType << 7));
RegVal = ((RegVal &~(0x3 << 14)) |
    (DMA4->WritePortAccessType << 14));
RegVal = ((RegVal &~(0x1 << 21)) |
    (DMA4->SourceEndiansim << 21));
RegVal = ((RegVal &~(0x1 << 19)) |
    (DMA4->DestinationEndianism << 19));
RegVal = ((RegVal &~(0x3 << 16)) |
    (DMA4->WriteMode << 16));
RegVal = ((RegVal &~(0x1 << 6)) |

```

```

        (DMA4->SourcePacked << 6));
RegVal = ((RegVal & ~(0x1 << 13)) |
        (DMA4->DestinationPacked << 13));

// Write CSDP

DMA4_CSDP_CH10 = RegVal;

/* b) Set the number of
   element per frame CEN[23:0]*/

DMA4_CEN_CH10 =
        DMA4->NumberOfElementPerFrame;

/* c) Set the number of frame
   per block CFN[15:0]*/

DMA4_CFN_CH10 =
        DMA4->NumberOfFramePerTransferBlock;

/* d) Set the
   Source/dest start address index CSSA[31:0]/CDSA[31:0]*/

DMA4_CSSA_CH10 = DMA4->SourceStartAddress; // address start

DMA4_CDSA_CH10 = DMA4->DestinationStartAddress; // address dest

/* e) Set the Read Port addressing mode CCR[13:12], the
   Write Port addressing mode CCR[15:14], read/write priority
   CCR[6]/CCR[26], the current LCH CCR[20:19]=00 and CCR[4:0]=00000*/

// Read CCR
RegVal = DMA4_CCR_CH10;

//
    Build reg
RegVal = ((RegVal & ~(0x3 << 12)) | (DMA4->ReadPortAccessMode << 12));
RegVal = ((RegVal & ~(0x3 << 14)) | (DMA4->WritePortAccessMode
    << 14));
RegVal = ((RegVal & ~(0x1 << 6)) | (DMA4->ReadPriority << 6));
RegVal = ((RegVal & ~(0x1 << 26)) | (DMA4->WritePriority << 26));

RegVal &= 0xFFCFFFE0 ;

// Write CCR
DMA4_CCR_CH10
    = RegVal;

/* f)- Set the source element index CSEI[15:0]*/

DMA4_CSEI_CH10 = DMA4->SourceElementIndex;

/* g)-
   Set the source frame index CSFI[15:0]*/

DMA4_CSFI_CH10 =
        DMA4->SourceFrameIndex ;

/* h)- Set the destination element
   index CDEI[15:0]*/

```

```

DMA4_CDEI_CH10 =
    DMA4->DestinationElementIndex;

/* i)- Set the destination
   frame index CDFI[31:0]*/

DMA4_CDFI_CH10 =
    DMA4->DestinationFrameIndex;

/* 2) Start the DMA transfer by
   Setting the enable bit CCR[7]=1 */

/*-----*/

//write enable bit
DMA4_CCR_CH10 |= 1 << 7; /* start */

```

16.1.5.3 Hardware-Synchronized Transfer

To monitor a hardware synchronized DMA transfer, initialize the [DMA4_CDACi](#) register before the software enable.

To configure an LCh to synchronize by element, packet, frame, or block, the frame synchronization [DMA4_CCRi\[5\]](#) FS bit and the block synchronization [DMA4_CCRi\[18\]](#) BS bit must be programmed. For all the following synchronized transfers (element, packet, and frame or block-synchronized transfers), the user must first set the [DMA4_CCRi\[24\]](#) SEL_SRC_DST_SYNC bit to 1 when the source triggers on the DMA request and set it the [DMA4_CCRi\[24\]](#) SEL_SRC_DST_SYNC bit to 0 when the destination triggers on the DMA request.

NOTE: The user must take care when setting the [DMA4_CCRi\[23\]](#) PREFETCH bit it is in conjunction with [DMA4_CCRi\[24\]](#) SEL_SRC_DST_SYNC bit.

- To configure an LCh to transfer one element per DMA request:
 1. Set the number of DMA request associated with the current LCH in the [DMA4_CCRi\[20:19\]](#) SYNCHRO_CONTROL_UPPER and [DMA4_CCRi\[4:0\]](#) SYNCHRO bit field.
 2. Set the data type, also referenced as element size (ES), in the [DMA4_CSDPi\[1:0\]](#) DATA_TYPE bit field.
 3. Set the Read Port access type (single or burst access) in the [DMA4_CSDPi\[8:7\]](#) SRC_BURST_EN bit field.
 4. Set the Write Port access type (single or burst access) in the [DMA4_CSDPi\[15:14\]](#) DST_BURST_EN bit field.
 5. Set the Read Port addressing mode in the [DMA4_CCRi\[13:12\]](#) SRC_AMODE bit field.
 6. Set the Write Port addressing mode in the [DMA4_CCRi\[15:14\]](#) DST_AMODE bit field.
 7. Set the Read start address in the [DMA4_CSSAi\[31:0\]](#) SRC_START_ADRS bit field.
 8. Set the Write start address in the [DMA4_CDSAi\[31:0\]](#) DST_START_ADRS bit field.
 9. Set both FS and BS to 0 in [DMA4_CCRi\[5\]](#) FS and [DMA4_CCRi\[18\]](#) BS.
 10. Set to 1 the channel enable bit [DMA4_CCRi\[7\]](#) EN.
- To configure an LCh to transfer one frame per DMA request:
 1. Set the number of DMA request associated to the current LCH in the [DMA4_CCRi\[20:19\]](#) SYNCHRO_CONTROL_UPPER and [DMA4_CCRi\[4:0\]](#) SYNCHRO bit field.
 2. Set the data type, also referenced as element size (ES), in the [DMA4_CSDPi\[1:0\]](#) DATA_TYPE bit field.
 3. Set the number of element per frame in the [DMA4_CENi\[23:0\]](#) CHANNEL_ELMNT_NBR bit field.
 4. Set the Read Port access type (single or burst access) in the [DMA4_CSDPi\[8:7\]](#) SRC_BURST_EN bit field.

5. Set the Write Port access type (single or burst access) in the [DMA4_CSDPi\[15:14\]](#) DST_BURST_EN bit field.
 6. Set the Read Port addressing mode in the [DMA4_CCRi\[13:12\]](#) SRC_AMODE bit field.
 7. Set the Write Port addressing mode in the [DMA4_CCRi\[15:14\]](#) DST_AMODE bit field.
 8. Set the Read start address in the [DMA4_CSSAi\[31:0\]](#) SRC_START_ADRS bit field.
 9. Set the Write start address in the [DMA4_CDSAi\[31:0\]](#) DST_START_ADRS bit field.
 10. Set FS to 1 and BS to 0, respectively, in [DMA4_CCRi\[5\]](#) FS and [DMA4_CCRi\[18\]](#) BS.
 11. Set to 1 the channel enable bit [DMA4_CCRi\[7\]](#) EN.
- To configure an LCh to transfer one block per DMA request:
 1. Set the number of DMA request associated to the current LCH in the [DMA4_CCRi\[20:19\]](#) SYNCHRO_CONTROL_UPPER and [DMA4_CCRi\[4:0\]](#) SYNCHRO bit field.
 2. Set the data type, also referenced as element size (ES), in the [DMA4_CSDPi\[1:0\]](#) DATA_TYPE bit field.
 3. Set the number of element per frame in the [DMA4_CENi\[23:0\]](#) CHANNEL_ELMNT_NBR bit field.
 4. Set in the [DMA4_CFNi\[15:0\]](#) CHANNEL_FRAME_NBR bit field the number of frame (transfers), to take place before the LCH gets disabled.
 5. Set the Read Port access type (single or burst access) in the [DMA4_CSDPi\[8:7\]](#) SRC_BURST_EN bit field.
 6. Set the Write Port access type (single or burst access) in the [DMA4_CSDPi\[15:14\]](#) DST_BURST_EN bit field.
 7. Set the Read Port addressing mode in the [DMA4_CCRi\[13:12\]](#) SRC_AMODE bit field.
 8. Set the Write Port addressing mode in the [DMA4_CCRi\[15:14\]](#) DST_AMODE bit field.
 9. Set the Read start address in the [DMA4_CSSAi\[31:0\]](#) SRC_START_ADRS bit field.
 10. Set the Write start address in the [DMA4_CDSAi\[31:0\]](#) DST_START_ADRS bit field.
 11. Set FS to 0 and BS to 1, respectively, in [DMA4_CCRi\[5\]](#) FS and [DMA4_CCRi\[18\]](#) BS.
 12. Set to 1 the channel enable bit [DMA4_CCRi\[7\]](#) EN.
 - To configure an LCh to transfer one packet per DMA request:
 1. Set the number of DMA request associated to the current LCH in the [DMA4_CCRi\[20:19\]](#) SYNCHRO_CONTROL_UPPER and [DMA4_CCRi\[4:0\]](#) SYNCHRO bit field.
 2. Set the data type, also referenced as element size (ES), in the [DMA4_CSDPi\[1:0\]](#) DATA_TYPE bit field.
 3. Set the number of elements per packet to transfer: If the packet requestor is in the source, set [DMA4_CCRi\[24\]](#) SEL_SRC_DST_SYNC to 1 and set the packet element number in the [DMA4_CSFli](#) register and set the addressing mode of source to constant addressing in [DMA4_CCRi\[13:12\]](#) SRC_AMODE bit field; else, if the packet requestor is in the destination, set the [DMA4_CCRi\[24\]](#) SEL_SRC_DST_SYNC to 0 and set the packet element number in the [DMA4_CDFli](#) register and set the addressing mode of destination to constant addressing in [DMA4_CCRi\[15:14\]](#) DST_AMODE bit field.
 4. Set the number of elements per frame in the [DMA4_CENi\[23:0\]](#) CHANNEL_ELMNT_NBR bit field.
 5. Set in the [DMA4_CFNi\[15:0\]](#) CHANNEL_FRAME_NBR bit field the number of frames (transfers), to take place before the LCH gets disabled.
 6. Set the element number in the packet in the [DMA4_CSFli\[15:0\]](#) PKT_ELNT_NBR, if constant addressing or post-incremented addressing modes are used in the source side. However, the number of element in the packet is set in the [DMA4_CDFli\[15:0\]](#) PKT_ELNT_NBR if constant addressing mode is used in the destination side.
 7. Set the Read Port access type (single or burst access) in the [DMA4_CSDPi\[8:7\]](#) SRC_BURST_EN bit field.
 8. Set the Write Port access type (single or burst access) in the [DMA4_CSDPi\[15:14\]](#) DST_BURST_EN bit field.
 9. Set the Read Port addressing mode in the [DMA4_CCRi\[13:12\]](#) SRC_AMODE bit field.

10. Set the Write Port addressing mode in the [DMA4_CCRi\[15:14\]](#) DST_AMODE bit field.
11. Set the Read start address in the [DMA4_CSSAi\[31:0\]](#) SRC_START_ADRS bit field.
12. Set the Write start address in the [DMA4_CDSAi\[31:0\]](#) DST_START_ADRS bit field.
13. Set FS to 1 and BS to 1, respectively, in [DMA4_CCRi\[5\]](#) FS and [DMA4_CCRi\[18\]](#) BS.
14. Set to 1 the channel enable bit [DMA4_CCRi\[7\]](#) EN.

NOTE: It is possible to stop a transfer by disabling the channel by resetting the [DMA4_CCRi\[7\]](#) ENABLE bit.

16.1.5.4 Synchronized Transfer Monitoring Using CDAC

The [DMA4_CDACi](#) register is writable and non-initialized (value undefined). It can be initialized to monitor a transfer by applying the following programming model:

1. Write 0 in the [DMA4_CDACi](#) register.
2. Enable the channel.
3. If a time-out occurs, read [DMA4_CDACi](#) register.
4. If [DMA4_CDACi](#) != 0 (it is the value configured in [DMA4_CDACi](#)):

This indicates that the corresponding transfer has started. The user can then rely on [DMA4_CCENi](#) and [DMA4_CCFNi](#) element and frame counters.

Otherwise, if [DMA4_CDACi](#) = 0 (it is the value configured in the [DMA4_CDACi](#)):

This indicates that the corresponding transfer did not start.

16.1.5.5 Concurrent Software and Hardware Synchronization

This section describes thread allocation only; it does not describe the entire transfer. Because synchronized transfers are latency critical, you must allocate a thread at least on the synchronized target side.

Even for multiple concurrent channels, thread reservation ensures that when a hardware DMA request arrives, the read/write scheduler finds available thread(s) to initiate a channel schedule and issue a read/write transaction.

Consider six concurrent channels:

- Channels 0, 1, 2, and 3 are dedicated to memory-memory transfer; they are software triggered and not synchronized.
- Channel 4 is dedicated to memory-peripheral transfer, hardware triggered, and synchronized on the write side.
- Channel 5 is dedicated to peripheral-memory transfer, hardware triggered, and synchronized on the read side.

To perform thread reservation:

1. Allow thread reservation for priority channel 4 and channel 5:
Reserve one thread (Read ThreadID 0) on the read port and one thread (Write ThreadID 0) on the write port: set the [DMA4_GCR\[13:12\]](#) HI_THREAD_RESERVED bit field to 0x1.
2. Specify channel priority:
Channel 4 is a write high priority channel: set [DMA4_CCRi\[26\]](#) WRITE_PRIORITY = 1.
Channel 5 is a read high priority channel: set [DMA4_CCRi\[6\]](#) READ_PRIORITY = 1.

16.1.5.6 Chained Transfer

A chained DMA transfer can be programmed as follows:

1. Configure the transfer parameters for each logical DMA channel in the chain as in step 1 for either the synchronized or non-synchronized transfers described in [Section 16.1.5.5, Concurrent Software and Hardware Synchronization](#).

2. For each channel in the chain, configure the [DMA4_CLNK_CTRLi](#) register as follows:
 - Next logical DMA channel number (for a looping chained transfer link last channel to first channel number), in the [DMA4_CLNK_CTRLi\[4:0\]](#) NEXTLCH_ID bit field.
 - Include the logical channel to the chain and enable link by setting the [DMA4_CLNK_CTRLi\[15\]](#) ENABLE_LNK bit.
 - For a non-looping chain, the last logical channel in the chain must have the [DMA4_CLNK_CTRLi\[15\]](#) ENABLE_LNK bit set to 0 to indicate the end of the chain.
3. Enable the transfer through the enable bit in the first logical channel [DMA4_CCRi\[7\]](#) ENABLE bit. All other channels in the chain must be disabled. Each channel is enabled automatically in turn when the previous logical channel transfer completes. A non-synchronized transfer starts immediately; a hardware-synchronized transfer starts when the DMA request line corresponding to the first DMA channel in the chain is asserted.

To stop a looping chained transfer, disable the [DMA4_CLNK_CTRLi\[15\]](#) ENABLE_LNK bit (by setting it to 0x0), of the final channel transfer.

In the RAM-to-RAM copy example, to copy in loop, it is possible to link channel 10 on itself. The following line can be added in the channel configuration:

```
/* g) Set link for loop */
DMA4_CLNK_CTRL_CH10 =
    0x0000800A;
```

16.1.5.7 90-Degree Clockwise Image Rotation

The 90-degree clockwise image rotation example described in [Section 16.1.4.5, Addressing Modes](#), can be programmed as follows:

1. Configure the transfer parameters in the logical DMA channel registers:
 - [DMA4_CSDPi](#):
 - Transfer ES = 32-bit (32 bpp), [DMA4_CSDPi\[1:0\]](#) DATA_TYPE bit field
 - Read and write port access types = maximum burst size supported by memory device, [DMA4_CSDPi\[8:7\]](#) SRC_BURST_EN and [DMA4_CSDPi\[15:14\]](#) DST_BURST_EN bit fields
 - Source and destination endianness, [DMA4_CSDPi\[21\]](#) SRC_ENDIAN and [DMA4_CSDPi\[19\]](#) DST_ENDIAN bits
 - Write mode = posted with last element nonposted, [DMA4_CSDPi\[17:16\]](#) WRITE_MODE bit field
 - Source and destination packed = Yes (although destination writes do not benefit because EI1), [DMA4_CSDPi\[6\]](#) SRC_PACKED and [DMA4_CSDPi\[13\]](#) DST_PACKED bits
 - [DMA4_CENi](#): EN = 240
 - [DMA4_CFNi](#): FN per transfer block = 160
 - [DMA4_CSSAi](#): Source start address = 0x100000
 - [DMA4_CDSAi](#): destination start address = 0x20013E
 - [DMA4_CCRi](#):
 - Read and write port addressing modes = double-index addressing mode for both or post-increment addressing on source and double-index addressing on destination, [DMA4_CCRi\[13:12\]](#) SRC_AMODE and [DMA4_CCRi\[15:14\]](#) DST_AMODE bit fields
 - Low or high priority, [DMA4_CCRi\[6\]](#) READ_PRIORITY bit
 - DMA request number = 0 (for software-triggered transfer), [DMA4_CCRi\[4:0\]](#) SYNCHRO_CONTROL and [DMA4_CCRi\[20:19\]](#) SYNCHRO_CONTROL_UPPER bit fields
 - [DMA4_CSEIi](#): Source EI = 1
 - [DMA4_CSFii](#): Source frame index = 1
 - [DMA4_CDEIi](#): destination EI = 637
 - [DMA4_CDFii](#): destination frame index = 152967
2. Start the transfer through the enable bit in the channel [DMA4_CCRi](#) register.

The following parameters are used to perform this rotation from 0x80C00000 RAM address to 0x80F00000, with the same code used in [Section 16.1.5.2, Software-Triggered \(Nonsynchronized\) Transfer](#).

```

/* Init. parameters */
DMA4->DataType = 0x2; //
    DMA4_CSDPi[1:0]
DMA4->ReadPortAccessType = 0x3; // DMA4_CSDPi[8:7]

DMA4->WritePortAccessType = 0x3; // DMA4_CSDPi[15:14]

DMA4->SourceEndiansim = 0; // DMA4_CSDPi[21]

DMA4->DestinationEndianism = 0; // DMA4_CSDPi[19]

DMA4->WriteMode = 0x2; // DMA4_CSDPi[17:16]
DMA4->SourcePacked
    = 0x1; // DMA4_CSDPi[6]
DMA4->DestinationPacked = 0x1; //
    DMA4_CSDPi[13]
DMA4->NumberOfElementPerFrame = 240; // DMA4_CENi

DMA4->NumberOfFramePerTransferBlock = 160; // DMA4_CFNi

DMA4->SourceStartAddress = 0x80C00000; // DMA4_CSSAi

DMA4->DestinationStartAddress = 0x80F00000; // DMA4_CDSAi

DMA4->SourceElementIndex = 1; // DMA4_CSEIi

DMA4->SourceFrameIndex = 1; // DMA4_CSFII

DMA4->DestinationElementIndex = 637; // DMA4_CDEIi

DMA4->DestinationFrameIndex = -152967; // DMA4_CDFII

DMA4->ReadPortAccessMode = 0x3; // DMA4_CCRi[13:12]

DMA4->WritePortAccessMode = 0x3; // DMA4_CCRi[15:14]

DMA4->ReadPriority = 0; // DMA4_CCRi[6]
DMA4->WritePriority =
    0; // DMA4_CCRi[23]
DMA4->ReadRequestNumber = 0; // DMA4_CCRi[4:0]

DMA4->WriteRequestNumber = 0; // DMA4_CCRi[20:19]
    
```

16.1.5.8 Graphic Operations

- Transparent copy:
 1. Set the [DMA4_CCRi\[17\]](#) TRANSPARENT_COPY_ENABLE bit to 1
 2. Set the [DMA4_CCRi\[16\]](#) CONST_FILL_ENABLE bit to 0
 3. Set the value of the key color in the [DMA4_COLORi\[15:0\]](#) COLOR_KEY bit field

To perform this graphic operation, the following lines can be added to the example of [Section 16.1.5.2, Software-Triggered \(Nonsynchronized\) Transfer](#).

```

DMA4_CCR_CH10 &= ~(0x1 << 16);
DMA4_CCR_CH10 |= 0x1 << 17;

DMA4_COLOR_CH10 = 0x00000003;
    
```

- Solid Color fill:
 1. Set the [DMA4_CCRi\[16\]](#) CONST_FILL_ENABLE bit to 1
 2. Set the [DMA4_CCRi\[17\]](#) TRANSPARENT_COPY_ENABLE bit to 0

3. Set the value of key the color in the `DMA4_COLORi[15:0]` `SOLID_COLOR` bit field

To perform this graphic operation, the following lines can be added to the example of [Section 16.1.5.2, Software-Triggered \(Nonsynchronized\) Transfer](#).

```
DMA4_CCR_CH10 &= ~(0x1 << 17);
DMA4_CCR_CH10 |= 0x1 << 16;

DMA4_COLOR_CH10 = 0x00000003;
```

16.1.5.9 Linked-List Programming Guidelines

- With the exception of the `DMA4_CCRi[7]` `ENABLE` bit and the `DMA4_CDPi[7]` `PAUSE_LINK_LIST` bit during a linked-list transfer (descriptor load phase or data load phase), avoid programming any register through the configuration port.
- Before enabling any linked-list transfer, ensure that all global registers and all registers in the descriptor are initialized. Some static channel registers (registers that are not updated by the descriptor to be loaded) must also be initialized correctly:
 - For type 2, the following registers must be initialized with consistent values:
 - All global registers
 - `DMA4_CCRi`
 - `DMA4_CSDPi`
 - `DMA4_CLNK_CTRLi`
 - For type 3, the following registers must be initialized with consistent values:
 - All global registers
 - `DMA4_CCRi`
 - `DMA4_CSDPi`
 - `DMA4_CLNK_CTRLi`
 - `DMA4_CICRi`
 - `DMA4_CFNi`
- In case of a linked list with descriptor types 2 and 3, the content of the `DMA4_CCRi` register must not change during super-block life.
- The `PAUSE_LINK_LIST` bit must not be set in the initialization phase.

16.1.6 DMA_SYSTEM Register Manual

16.1.6.1 DMA_SYSTEM Instance Summary

Table 16-19. DMA_SYSTEM Instance Summary

Module Name	Base Address	Size
DMA_SYSTEM	0x4A05 6000	4 KiB

16.1.6.2 DMA_SYSTEM Registers

16.1.6.2.1 DMA_SYSTEM Register Summary

Index *i* represents the logical channel number (where $i = 0$ to 31). The offset address for some registers is calculated from the channel *c* number. For example, the DMA4_CCR10 (channel 10) register has an offset address of $10 \times 0x60 = 0x3C0$, and thus a physical address of $0x4A05\ 6080 + 0x3C0 = 0x4A05\ 6440$.

Index *j* represents the interrupt line number (where $j = 0$ to 3). The offset address for some registers is calculated from the channel *c* number. For example, the DMA4_IRQSTATUS_L3 (line 3) register has an offset address of $3 \times 0x4 = 0xC$, and thus a physical address of $0x4A05\ 6008 + 0xC = 0x4A05\ 6014$.

Table 16-20. DMA_SYSTEM Registers Mapping Summary

Register Name	Type	Register Width (Bits)	Address Offset	DMA_SYSTEM Base Address
DMA4_REVISION	R	32	0x0000 0000	0x4A05 6000
DMA4_IRQSTATUS_Lj ⁽¹⁾	RW	32	0x0000 0008 + (0x4 * j)	0x4A05 6008 + (0x4 * j)
DMA4_IRQENABLE_Lj ⁽¹⁾	RW	32	0x0000 0018 + (0x4 * j)	0x4A05 6018 + (0x4 * j)
DMA4_SYSSTATUS	R	32	0x0000 0028	0x4A05 6028
DMA4_OCP_SYSCONFIG	RW	32	0x0000 002C	0x4A05 602C
DMA4_CAPS_0	RW	32	0x0000 0064	0x4A05 6064
DMA4_CAPS_2	R	32	0x0000 006C	0x4A05 606C
DMA4_CAPS_3	R	32	0x0000 0070	0x4A05 6070
DMA4_CAPS_4	RW	32	0x0000 0074	0x4A05 6074
DMA4_GCR	RW	32	0x0000 0078	0x4A05 6078
DMA4_CCRi ⁽²⁾	RW	32	0x0000 0080 + (0x60 * i)	0x4A05 6080 + (0x60 * i)
DMA4_CLNK_CTRLi ⁽²⁾	RW	32	0x0000 0084 + (0x60 * i)	0x4A05 6084 + (0x60 * i)
DMA4_CICRi ⁽²⁾	RW	32	0x0000 0088 + (0x60 * i)	0x4A05 6088 + (0x60 * i)
DMA4_CSRI ⁽²⁾	RW	32	0x0000 008C + (0x60 * i)	0x4A05 608C + (0x60 * i)
DMA4_CSDPi ⁽²⁾	RW	32	0x0000 0090 + (0x60 * i)	0x4A05 6090 + (0x60 * i)
DMA4_CENi ⁽²⁾	RW	32	0x0000 0094 + (0x60 * i)	0x4A05 6094 + (0x60 * i)
DMA4_CFNi ⁽²⁾	RW	32	0x0000 0098 + (0x60 * i)	0x4A05 6098 + (0x60 * i)
DMA4_CSSAi ⁽²⁾	RW	32	0x0000 009C + (0x60 * i)	0x4A05 609C + (0x60 * i)
DMA4_CDSAi ⁽²⁾	RW	32	0x0000 00A0 + (0x60 * i)	0x4A05 60A0 + (0x60 * i)
DMA4_CSEIi ⁽²⁾	RW	32	0x0000 00A4 + (0x60 * i)	0x4A05 60A4 + (0x60 * i)
DMA4_CSFII ⁽²⁾	RW	32	0x0000 00A8 + (0x60 * i)	0x4A05 60A8 + (0x60 * i)
DMA4_CDEIi ⁽²⁾	RW	32	0x0000 00AC + (0x60 * i)	0x4A05 60AC + (0x60 * i)
DMA4_CDFIi ⁽²⁾	RW	32	0x0000 00B0 + (0x60 * i)	0x4A05 60B0 + (0x60 * i)
DMA4_CSACi ⁽²⁾	R	32	0x0000 00B4 + (0x60 * i)	0x4A05 60B4 + (0x60 * i)
DMA4_CDACi ⁽²⁾	RW	32	0x0000 00B8 + (0x60 * i)	0x4A05 60B8 + (0x60 * i)
DMA4_CCENi ⁽²⁾	RW	32	0x0000 00BC + (0x60 * i)	0x4A05 60BC + (0x60 * i)
DMA4_CCFNi ⁽²⁾	RW	32	0x0000 00C0 + (0x60 * i)	0x4A05 60C0 + (0x60 * i)
DMA4_COLORi ⁽²⁾	RW	32	0x0000 00C4 + (0x60 * i)	0x4A05 60C4 + (0x60 * i)

⁽¹⁾ $j = 0$ to 3

⁽²⁾ $i = 0$ to 31

Table 16-20. DMA_SYSTEM Registers Mapping Summary (continued)

Register Name	Type	Register Width (Bits)	Address Offset	DMA_SYSTEM Base Address
DMA4_CDPI ⁽²⁾	RW	32	0x0000 00D0 + (0x60 * i)	0x4A05 60D0 + (0x60 * i)
DMA4_CNDPI ⁽²⁾	RW	32	0x0000 00D4 + (0x60 * i)	0x4A05 60D4 + (0x60 * i)
DMA4_CCDNi ⁽²⁾	RW	32	0x0000 00D8 + (0x60 * i)	0x4A05 60D8 + (0x60 * i)

16.1.6.2.2 DMA_SYSTEM Register Description

NOTE: Some registers have no reset value (marked with -) because of hardware implementation in memory. Software must ensure the correct programming of these registers, if needed.

Shadow registers are used to read run-time registers such as CCEN, CCFN, CDAC, and CSAC. Typically, when accessed in 8-bit or 16-bit access for two consecutive accesses, the value of the previous registers can change. A shadow register holds the entire value to let the next access recover the remaining 24 or 16 bits.

For non-32-bit transactions, start reading or writing from the LSByte first to enable the register update. There is no issue for 32-bit read-write transactions.

Table 16-21. DMA4_REVISION

Address Offset	0x0000 0000		Instance	DMA_SYSTEM																																																																
Physical Address	0x4A05 6000																																																																			
Description	This register contains the DMA revision code																																																																			
Type	R																																																																			
<table border="1" style="width:100%; text-align:center;"> <tr> <td>31</td><td>30</td><td>29</td><td>28</td><td>27</td><td>26</td><td>25</td><td>24</td> <td>23</td><td>22</td><td>21</td><td>20</td><td>19</td><td>18</td><td>17</td><td>16</td> <td>15</td><td>14</td><td>13</td><td>12</td><td>11</td><td>10</td><td>9</td><td>8</td> <td>7</td><td>6</td><td>5</td><td>4</td><td>3</td><td>2</td><td>1</td><td>0</td> </tr> <tr> <td colspan="32">REVISION</td> </tr> </table>					31	30	29	28	27	26	25	24	23	22	21	20	19	18	17	16	15	14	13	12	11	10	9	8	7	6	5	4	3	2	1	0	REVISION																															
31	30	29	28	27	26	25	24	23	22	21	20	19	18	17	16	15	14	13	12	11	10	9	8	7	6	5	4	3	2	1	0																																					
REVISION																																																																				
Bits	Field Name	Description	Type	Reset																																																																
31:0	REVISION	Reserved, Write 0's for future compatibility. Read returns 0	R	TI internal Data																																																																

Table 16-22. Register Call Summary for Register DMA4_REVISION

DMA_SYSTEM Register Manual

- [DMA_SYSTEM Register Summary: \[0\]](#)

Table 16-23. DMA4_IRQSTATUS_Lj

Address Offset	0x0000 0008 + (0x4 * j)		Index	j = 0 to 3																																																																
Physical Address	0x4A05 6008 + (0x4 * j)		Instance	DMA_SYSTEM																																																																
Description	The interrupt status register regroups all the status of the DMA_SYSTEM channels that can generate an interrupt over line Lj.																																																																			
Type	RW																																																																			
<table border="1" style="width:100%; text-align:center;"> <tr> <td>31</td><td>30</td><td>29</td><td>28</td><td>27</td><td>26</td><td>25</td><td>24</td> <td>23</td><td>22</td><td>21</td><td>20</td><td>19</td><td>18</td><td>17</td><td>16</td> <td>15</td><td>14</td><td>13</td><td>12</td><td>11</td><td>10</td><td>9</td><td>8</td> <td>7</td><td>6</td><td>5</td><td>4</td><td>3</td><td>2</td><td>1</td><td>0</td> </tr> <tr> <td colspan="32">CH_31_0_Lj</td> </tr> </table>					31	30	29	28	27	26	25	24	23	22	21	20	19	18	17	16	15	14	13	12	11	10	9	8	7	6	5	4	3	2	1	0	CH_31_0_Lj																															
31	30	29	28	27	26	25	24	23	22	21	20	19	18	17	16	15	14	13	12	11	10	9	8	7	6	5	4	3	2	1	0																																					
CH_31_0_Lj																																																																				

Bits	Field Name	Description	Type	Reset
31:0	CH_31_0_Lj	<p>Channel 31 Interrupt on Lj: When an interrupt is seen on the line Lj the status of a interrupting channel i is read in the bit field i.</p> <p>Read 0x0: Channel Interrupt Lj false</p> <p>Write 0x0: Channel Interrupt Lj status bit unchanged</p> <p>Write 0x1: Channel Interrupt Lj status bit is reset</p> <p>Read 0x1: Channel Interrupt Lj true (pending)</p>	RW W1toClr	0x0000 0000

Table 16-24. Register Call Summary for Register DMA4_IRQSTATUS_Lj

DMA_SYSTEM Functional Description

- [DMA_SYSTEM Controller Interrupt Requests: \[0\]\[1\]\[2\]\[3\]](#)
- [Interrupt Generation: \[4\]](#)

DMA_SYSTEM Register Manual

- [DMA_SYSTEM Register Summary: \[5\]](#)

Table 16-25. DMA4_IRQENABLE_Lj

Address Offset	0x0000 0018 + (0x4 * j)	Index	j = 0 to 3
Physical Address	0x4A05 6018 + (0x4 * j)	Instance	DMA_SYSTEM
Description	The interrupt enable register allows to mask/unmask the module internal sources of interrupt, on line Lj		
Type	RW		

31	30	29	28	27	26	25	24	23	22	21	20	19	18	17	16	15	14	13	12	11	10	9	8	7	6	5	4	3	2	1	0
CH_31_0_Lj_EN																															

Bits	Field Name	Description	Type	Reset
31:0	CH_31_0_Lj_EN	<p>Channel Interrupt on Lj mask/unmask : to Mask/Unmask a channel i interrupt on Lj the user writes 0/1 on the bit field i.</p> <p>0x0: Channel Interrupt Lj is masked</p> <p>0x1: Channel Interrupt Lj generates an interrupt when it occurs</p>	RW	0x0000 0000

Table 16-26. Register Call Summary for Register DMA4_IRQENABLE_Lj

DMA_SYSTEM Functional Description

- [DMA_SYSTEM Controller Interrupt Requests: \[0\]\[1\]\[2\]\[3\]](#)
- [Interrupt Generation: \[4\]](#)

DMA_SYSTEM Basic Programming Model

- [Setup Configuration: \[5\]](#)

DMA_SYSTEM Register Manual

- [DMA_SYSTEM Register Summary: \[6\]](#)

Table 16-27. DMA4_SYSSTATUS

Address Offset	0x0000 0028	Instance	DMA_SYSTEM
Physical Address	0x4A05 6028		
Description	The register provides status information about the module excluding the interrupt status information (see interrupt status register)		
Type	R		

31	30	29	28	27	26	25	24	23	22	21	20	19	18	17	16	15	14	13	12	11	10	9	8	7	6	5	4	3	2	1	0
RESERVED																												RESETDONE			

Bits	Field Name	Description	Type	Reset
31:1	RESERVED	Reserved for module-specific status information	R	0x0000 0000
0	RESETDONE	Internal reset monitoring Read 0x0: Internal module reset is on-going Read 0x1: Reset completed	R	1

Table 16-28. Register Call Summary for Register DMA4_SYSSTATUS

DMA_SYSTEM Register Manual

- [DMA_SYSTEM Register Summary: \[0\]](#)

Table 16-29. DMA4_OCP_SYSCONFIG

Address Offset	0x0000 002C	Instance	DMA_SYSTEM
Physical Address	0x4A05 602C		
Description	DMA system configuration register		
Type	RW		

31	30	29	28	27	26	25	24	23	22	21	20	19	18	17	16	15	14	13	12	11	10	9	8	7	6	5	4	3	2	1	0
RESERVED																MIDLEMODE	RESERVED	CLOCKACTIVITY	RESERVED	EMUFREE	SIDLEMODE	RESERVED	RESERVED	AUTOIDLE							

Bits	Field Name	Description	Type	Reset
31:14	RESERVED	Write 0's for future compatibility, Reads return 0	RW	0x00000
13:12	MIDLEMODE	Read write power management, standby/wait control 0x0: Force-standby: MStandby is asserted only when all the DMA channels are disabled 0x1: No-Standby: MStandby is never asserted 0x2: Smart-Standby: MStandby is asserted if at least one of the following two conditions is satisfied: 1. All the channels are disabled, OR 2. There is no non-synchronized channel enabled AND [if hardware synchronized channel is enabled, then no DMA request input is asserted and no requests are pending to be serviced]. 0x3: Reserved	RW	0x0
11:10	RESERVED	Reserved for clocks activities extension	RW	0x0

Bits	Field Name	Description	Type	Reset
9:8	CLOCKACTIVITY	Clocks activities during wake-up Bit 8: Interface clock 0x0: Interface clock can be switched-off Bit 9: Functional clock 0x0: Functional clock can be switched-off	R	0x0
7:6	RESERVED	Write 0's for future compatibility. Read returns 0	RW	0x0
5	EMUFREE	Enable sensitivity to MSuspend 0x0: DMA4 freezes its internal logic upon MSuspend assertion 0x1: DMA4 ignores the MSuspend input	RW	0
4:3	SIDLEMODE	Configuration port power management, Idle req/ack control 0x0: Force-idle. An idle request is acknowledged unconditionally 0x1: No-idle. An idle request is never acknowledged 0x2: Smart-idle. Idle acknowledge is given by DMA4 if all of the conditions are true: 1. All the channels are disabled. 2. If hardware synchronized channel is enabled, then no DMA request input is asserted and no requests are pending to be serviced. 3. All transactions are completed on all the DMA ports. 4.No interrupts are pending to be serviced. 0x3: Reserved. Do not use	RW	0x0
2	RESERVED	Write 0's for future compatibility, Reads return 0	RW	0
1	RESERVED	Reserved for non-GP devices	RW	0
0	AUTOIDLE	Internal interface clock gating strategy 0x0: Interface clock is free running 0x1: Automatic interface clock gating strategy is applied, based on the interface activity.	RW	0

Table 16-30. Register Call Summary for Register DMA4_OCP_SYSCONFIG

DMA_SYSTEM Functional Description

- [DMA_SYSTEM Controller Power Management: \[0\]\[1\]\[2\]\[3\]](#)

DMA_SYSTEM Register Manual

- [DMA_SYSTEM Register Summary: \[4\]](#)

Table 16-31. DMA4_CAPS_0

Address Offset	0x0000 0064	Instance	DMA_SYSTEM
Physical Address	0x4A05 6064		
Description	DMA Capabilities Register 0 LSW		
Type	RW		

31	30	29	28	27	26	25	24	23	22	21	20	19	18	17	16	15	14	13	12	11	10	9	8	7	6	5	4	3	2	1	0
RESERVED								LINK_LIST_CPBLTY_TYPE4	LINK_LIST_CPBLTY_TYPE123	CONST_FILL_CPBLTY	TRANSPARENT_BLT_CPBLTY	RESERVED																			

Bits	Field Name	Description	Type	Reset
31:22	RESERVED	Write 0's for future compatibility. Read returns 0	RW	0x000
21	LINK_LIST_CPBLTY_TYPE4	Link List capability for type4 descriptor capability	R	0
20	LINK_LIST_CPBLTY_TYPE123	Link List capability for type123 descriptor capability	R	1
19	CONST_FILL_CPBLTY	Constant_Fill_Capability Read 0x0: No LCH supports constant fill copy Read 0x1: any LCH supports constant fill copy	R	1
18	TRANSPARENT_BLT_CPBLTY	Transparent_BLT_Capability Read 0x0: No LCH supports transparent BLT copy Read 0x1: any LCH supports transparent BLT copy	R	1
17:0	RESERVED	Write 0's for future compatibility. Read returns 0	RW	0x00000

Table 16-32. Register Call Summary for Register DMA4_CAPS_0

DMA_SYSTEM Register Manual

- [DMA_SYSTEM Register Summary: \[0\]](#)

Table 16-33. DMA4_CAPS_2

Address Offset	0x0000 006C	Instance	DMA_SYSTEM
Physical Address	0x4A05 606C		
Description	DMA Capabilities Register 2		
Type	R		

31	30	29	28	27	26	25	24	23	22	21	20	19	18	17	16	15	14	13	12	11	10	9	8	7	6	5	4	3	2	1	0
RESERVED																SEPARATE_SRC_AND_DST_INDEX_CPBLTY	DST_DOUBLE_INDEX_ADRS_CPBLTY	DST_SINGLE_INDEX_ADRS_CPBLTY	DST_POST_INCRMNT_ADRS_CPBLTY	DST_CONST_ADRS_CPBLTY	SRC_DOUBLE_INDEX_ADRS_CPBLTY	SRC_SINGLE_INDEX_ADRS_CPBLTY	SRC_POST_INCREMENT_ADRS_CPBLTY	SRC_CONST_ADRS_CPBLTY							

Bits	Field Name	Description	Type	Reset
31:9	RESERVED	Write 0's for future compatibility. Read returns 0	R	0x000000
8	SEPARATE_SRC_AND_DST_IN DEX_CPBLTY	Separate_source/destination_index_capability Read 0x0: Does not support separate src/dst index for 2D addressing Read 0x1: Supports separate src/dest index for 2D addressing	R	1
7	DST_DOUBLE_INDEX_ADRS_C PBLTY	Destination_double_index_address_capability Read 0x0: Does not support double index address mode on the destination port Read 0x1: Supports double index address mode on the destination port	R	1
6	DST_SINGLE_INDEX_ADRS_C PBLTY	Destination_single_index_address_capability Read 0x0: Does not support single index address mode on the destination port Read 0x1: Supports single index address mode on the destination port	R	1
5	DST_POST_INCRMNT_ADRS_ CPBLTY	Destination_post_increment_address_capability Read 0x0: Does not supports post-increment address mode in the destination port Read 0x1: Supports post-increment address mode in the destination port	R	1
4	DST_CONST_ADRS_CPBLTY	Destination_constant_address_capability Read 0x0: Does not supports constant address mode in the destination port Read 0x1: Supports constant address mode in the destination port	R	1

Bits	Field Name	Description	Type	Reset
3	SRC_DOUBLE_INDEX_ADRS_CPBLTY	Source_double_index_address_capability Read 0x0: Does not support double index address mode on the source port Read 0x1: Supports double index address mode on the source port	R	1
2	SRC_SINGLE_INDEX_ADRS_CPBLTY	Source_single_index_address_capability Read 0x0: Does not support single index address mode on the source port Read 0x1: Supports single index address mode in the source port	R	1
1	SRC_POST_INCREMENT_ADRS_CPBLTY	Source_post_increment_address_capability Read 0x0: Does not supports post-increment address mode in the source port Read 0x1: Supports post-increment address mode in the source port	R	1
0	SRC_CONST_ADRS_CPBLTY	Source_constant_address_capability Read 0x0: Does not supports constant address mode in the source port Read 0x1: Supports constant address mode in the source port	R	1

Table 16-34. Register Call Summary for Register DMA4_CAPS_2

DMA_SYSTEM Register Manual

- [DMA_SYSTEM Register Summary: \[0\]](#)

Table 16-35. DMA4_CAPS_3

Address Offset	0x0000 0070	Instance	DMA_SYSTEM
Physical Address	0x4A05 6070		
Description	DMA Capabilities Register 3		
Type	R		

31	30	29	28	27	26	25	24	23	22	21	20	19	18	17	16	15	14	13	12	11	10	9	8	7	6	5	4	3	2	1	0
RESERVED																BLOCK_SYNCHR_CPBLTY	PKT_SYNCHR_CPBLTY	CHANNEL_CHANINIG_CPBLTY	CHANNEL_INTERLEAVE_CPBLTY	RESERVED	FRAME_SYNCHR_CPBLTY	ELMNT_SYNCHR_CPBLTY									

Bits	Field Name	Description	Type	Reset
31:8	RESERVED	Write 0's for future compatibility. Read returns 0	R	0x000000
7	BLOCK_SYNCHR_CPBLTY	Block_synchronization_capability Read 0x0: Does not support synchronization transfer on block boundary Read 0x1: Supports synchronization transfer on block boundary	R	1

Bits	Field Name	Description	Type	Reset
31:15	RESERVED	Write 0's for future compatibility. Read returns 0.	RW	0x00000
14	EOSB_INTERRUPT_CPBLTY	End of Super Block detection capability.	R	1
13	RESERVED	Reserved for non-GP devices	R	1
12	DRAIN_END_INTERRUPT_CPBLTY	Drain End detection capability.	R	1
11	MISALIGNED_ADRS_ERR_INTERRUPT_CPBLTY	Misaligned error detection capability.	R	1
10	SUPERVISOR_ERR_INTERRUPT_CPBLTY	Supervisor error detection capability.	R	1
9	RESERVED	Reserved for non-GP devices	R	1
8	TRANS_ERR_INTERRUPT_CPBLTY	Transaction error detection capability.	R	1
7	PKT_INTERRUPT_CPBLTY	End of Packet detection capability. Read 0x0: Does not support end of packet interrupt generation capability Read 0x1: Supports end of packet interrupt generation capability	R	1
6	SYNC_STATUS_CPBLTY	Sync_status_capability Read 0x0: Does not support synchronized transfer status bit generation Read 0x1: Supports synchronized transfer status bit generation	R	1
5	BLOCK_INTERRUPT_CPBLTY	End of block detection capability. Read 0x0: Does not support end of block interrupt generation capability Read 0x1: Supports end of block interrupt generation capability	R	1
4	LAST_FRAME_INTERRUPT_CPBLTY	Start of last frame detection capability. Read 0x0: Does not support last frame interrupt generation capability Read 0x1: Supports last frame interrupt generation capability	R	1
3	FRAME_INTERRUPT_CPBLTY	End of frame detection capability. Read 0x0: Does not support end of frame interrupt generation capability Read 0x1: Supports end of frame interrupt generation capability	R	1
2	HALF_FRAME_INTERRUPT_CPBLTY	Detection capability of the half of frame end. Read 0x0: Does not support half of frame interrupt generation capability Read 0x1: Supports half of frame interrupt generation capability	R	1
1	EVENT_DROP_INTERRUPT_CPBLTY	Request collision detection capability. Read 0x0: Does not support event drop interrupt generation capability Read 0x1: Supports event drop interrupt generation capability	R	1
0	RESERVED	Write 0's for future compatibility. Read returns 0.	RW	0

Table 16-38. Register Call Summary for Register DMA4_CAPS_4

DMA_SYSTEM Register Manual

- [DMA_SYSTEM Register Summary: \[0\]](#)

Table 16-39. DMA4_GCR

Address Offset	0x0000 0078	Instance	DMA_SYSTEM
Physical Address	0x4A05 6078		
Description	FIFO sharing between high and low priority channel. The Maximum per channel FIFO depth is bounded by the low and high channel FIFO budget. The high respectively low priority channels maximum burst size must be less than the min (high respectively low priority channel FIFO budget, per channel maximum FIFO depth)		
Type	RW		

31	30	29	28	27	26	25	24	23	22	21	20	19	18	17	16	15	14	13	12	11	10	9	8	7	6	5	4	3	2	1	0
RESERVED								ARBITRATION_RATE								RESERVED				MAX_CHANNEL_FIFO_DEPTH											
CHANNEL_ID_GATE																HI_LO_FIFO_BUDGET				HI_THREAD_RESERVED											

Bits	Field Name	Description	Type	Reset
31:25	RESERVED	Write 0's for future compatibility. Read returns 0.	RW	0x00
24	CHANNEL_ID_GATE	Gates the Channel ID bus monitoring on both Read and Write ports 0x0: Gates the Channel ID qualifiers on both Read and Write Ports 0x1: Does not gate the Channel ID qualifiers on both Read and Write Ports	RW	0x0
23:16	ARBITRATION_RATE	Arbitration switching rate between prioritized and regular channel queues	RW	0x01
15:14	HI_LO_FIFO_BUDGET	Allow to have a separate Global FIFO budget for high and low priority channels. For Hi priority Channel: (Per_channel_Maximum FIFO depth + 1) x Number of active High priority Channel =< High Budget FIFO For Low priority channel: (Per_channel_Maximum FIFO depth + 1) x Number of active Low priority Channel =< Low Budget FIFO 0x0: no fixed budget for neither higher nor lower priority channel 0x1: 75% of FIFO for low priority and 25% for high priority channels 0x2: 25% of FIFO for low priority and 75% for high priority channels 0x3: 50% of FIFO for low priority and 50% for high priority channels	RW	0x0
13:12	HI_THREAD_RESERVED	Allow thread reservation for high priority channel on both read and write ports. 0x0: No ThreadID is reserved on the Read Port for high priority channels. No ThreadID is reserved on the Write Port for high priority channels. 0x1: Read Port ThreadID 0 is reserved for high priority channels. Write Port ThreadID 0 is reserved for high priority channels. 0x2: Read port ThreadID 0 and ThreadID 1 are reserved for high priority channels. Write Port ThreadID 0 is reserved for high priority channels. 0x3: Read PortThreadID 0, ThreadID 1 and ThreadID 2 are reserved for high priority channels. Write Port ThreadID 0 is reserved for high priority channels.	RW	0x0

Bits	Field Name	Description	Type	Reset
11:8	RESERVED	Write 0's for future compatibility. Read returns 0.	RW	0x0
7:0	MAX_CHANNEL_FIFO_DEPTH	Maximum FIFO depth allocated to one logical channel. Maximum FIFO depth can not be 0x0. It should be at least 0x1 or greater. Note that If channel limit is less than destination burst size enough data will not be accumulated in the data FIFO and it will never be sent out on the WR port. The burst size should be less than the FIFO limit specified in this bit field.	RW	0x10

Table 16-40. Register Call Summary for Register DMA4_GCR

DMA_SYSTEM Functional Description

- [Logical Channel Transfer Overview: \[0\]\[1\]\[2\]](#)
- [FIFO Queue Memory Pool: \[3\]](#)
- [Thread Budget Allocation: \[4\]\[5\]\[6\]\[7\]\[8\]\[9\]\[10\]\[11\]\[12\]\[13\]\[14\]](#)
- [FIFO Budget Allocation: \[15\]\[16\]](#)

DMA_SYSTEM Basic Programming Model

- [Setup Configuration: \[17\]](#)
- [Concurrent Software and Hardware Synchronization: \[18\]](#)

DMA_SYSTEM Register Manual

- [DMA_SYSTEM Register Summary: \[19\]](#)

Table 16-41. DMA4_CCRi

Address Offset	0x0000 0080 + (0x60 * i)	index:	i = 0 to 31
Physical Address	0x4A05 6080 + (0x60 * i)	Instance	DMA_SYSTEM
Description	Channel Control Register		
Type	RW		

31	30	29	28	27	26	25	24	23	22	21	20	19	18	17	16	15	14	13	12	11	10	9	8	7	6	5	4	3	2	1	0
RESERVED	RESERVED	RESERVED	RESERVED	RESERVED	WRITE_PRIORITY	BUFFERING_DISABLE	SEL_SRC_DST_SYNC	PREFETCH	SUPERVISOR	RESERVED	SYNCHRO_CONTROL_UPPER	BS	TRANSPARENT_COPY_ENABLE	CONST_FILL_ENABLE	DST_AMODE	SRC_AMODE	RESERVED	WR_ACTIVE	RD_ACTIVE	SUSPEND_SENSITIVE	ENABLE	READ_PRIORITY	FS	SYNCHRO_CONTROL	SYNCHRO_CONTROL	SYNCHRO_CONTROL	SYNCHRO_CONTROL	SYNCHRO_CONTROL	SYNCHRO_CONTROL	SYNCHRO_CONTROL	SYNCHRO_CONTROL

Bits	Field Name	Description	Type	Reset
31:30	RESERVED	Write 0's for future compatibility. Read returns 0.	RW	0x0
29:27	RESERVED	Reserved for non-GP devices	RW	0x0
26	WRITE_PRIORITY	Channel priority on the Write side 0x0: Channel has low priority on the write side during the arbitration process. 0x1: Channel has high priority on write sided during the arbitration process.	RW	0

Bits	Field Name	Description	Type	Reset
25	BUFFERING_DISABLE	This bit allows to disable the default buffering functionality when transfer is source synchronized. 0x0: Buffering is enabled across element/packet when source is synchronized to element, packet, frame or blocks. 0x1: Buffering is disabled across element/packet when source is synchronized to element, packet, frame or blocks.	RW	-
24	SEL_SRC_DST_SYNC	Specifies that element, packet, frame or block transfer (depending on CCR.bs and CCR.fs) is triggered by the source or the destination on the DMA request 0x0: Transfer is triggered by the destination. If synch on packet the packet element number is specified in the CDFI register. 0x1: Transfer is triggered by the source. If synchronized on packet the packet element number is specified in the CSFI register.	RW	-
23	PREFETCH	Enables the prefetch mode 0x0: Prefetch mode is disabled. When Sel_Src_Dst_Sync=1 transfers are buffered and pipelined between DMA requests. 0x1: Prefetch mode is enabled. Prefetch mode is active only when destination is synchronized. It is software user responsibility not to have at the same time Prefetch=1 when Sel_Src_Dst_Sync=1. This mode is not supported.	RW	0
22	SUPERVISOR	Enables the supervisor mode 0x0: Supervisor mode is disabled. 0x1: Supervisor mode is enabled.	RW	0
21	RESERVED	Reserved for non-GP devices	RW	0
20:19	SYNCHRO_CONTROL_UPPER	Channel Synchronization control upper (used in conjunction with the 5 bits of synchro channel DMA4_CCRi[4:0]) Used in conjunction, as 2 MSB, with the 5 bits of the synchro channel bit field.	RW	0b00
18	BS	Block synchronization This bit used in conjunction with the fs to see how the DMA request is serviced in a synchronized transfer.	RW	-
17	TRANSPARENT_COPY_ENABLE	Transparent copy enable 0x0: Transparent copy mode is disabled. 0x1: Transparent copy mode is enabled.	RW	-
16	CONST_FILL_ENABLE	Constant fill enable 0x0: Constant fill mode is disabled. 0x1: Constant fill mode is enabled.	RW	0
15:14	DST_AMODE	Selects the addressing mode on the Write Port of a channel. 0x0: Constant address mode 0x1: Post-incremented address mode 0x2: Single index address mode 0x3: Double index address mode	RW	0bxx
13:12	SRC_AMODE	Selects the addressing mode on the Read Port of a channel. 0x0: Constant address mode 0x1: Post-incremented address mode 0x2: Single index address mode 0x3: Double index address mode	RW	0bxx
11	RESERVED	Write 0s for future compatibility. Read returns 0.	RW	0

Bits	Field Name	Description	Type	Reset
10	WR_ACTIVE	Indicates if the channel write context is active or not Read 0x0: Channel is not active on the write port. Read 0x1: Channel is currently active on the write port.	R	0
9	RD_ACTIVE	Indicates if the channel read context is active or not Read 0x0: Channel is not active on the read port. Read 0x1: Channel is currently active on the read port.	R	0
8	SUSPEND_SENSITIVE	Logical channel suspend enable bit 0x0: The channel ignores the MSuspend even if EMUFree is set to 0. 0x1: If EMUFree is set to 0 and MSuspend comes in then all current OCP services (single transaction or burst transaction as specified in the corresponding CSDP register) have to be completed before stopping processing any more transactions.	RW	0
7	ENABLE	Logical channel enable. It is SW responsibility to clear the CSR register and the IRQSTATUS bit for the different interrupt lines before enabling the channel. 0x0: The logical channel is disabled. 0x1: The logical channel is enabled.	RW	0
6	READ_PRIORITY	Channel priority on the read side 0x0: Channel has low priority on the read side during the arbitration process. 0x1: Channel has high priority on read sided during the arbitration process.	RW	0
5	FS	Frame synchronization This bit used in conjunction with the BS to see how the DMA request is serviced in a synchronized transfer FS = 0 and BS = 0: An element is transferred once a DMA request is made. FS = 0 and BS = 1: An entire block is transferred once a DMA request is made. FS = 1 and BS = 0: An entire frame is transferred once a DMA request is made. FS = 1 and BS = 1: A packet is transferred once a DMA request is made. All these different transfers can be interleaved on the port with other DMA requests.	RW	-
4:0	SYNCHRO_CONTROL	Channel synchronization control This bit field used in conjunction with the second_level_synchro_control_upper (as 2 MSB) 0000000 : Is reserved for non synchronized LCH transfer xxxxxxx (from 1 to 127)There are 127 possible DMA request to assign to any LCH. Note: The channel synchronization control registers are 1-based. For example, to enable the S_DMA_1 request, DMA4_CCR[4:0] SYNCHRO_CONTROL must be set to 0x2 (DMA request number + 1).	RW	0b00000

Table 16-42. Register Call Summary for Register DMA4_CCRi

DMA_SYSTEM Functional Description	
<ul style="list-style-type: none"> • Interrupt Generation: [0] • Logical Channel Transfer Overview: [1][2][3] • Addressing Modes: [4] • Software Synchronization: [5][6][7] • Hardware Synchronization: [8][9][10][11][12][13][14][15][16][17][18][19] • Thread Budget Allocation: [20][21] • Reprogramming an Active Channel: [22][23][24][25] • Packet Synchronization: [26][27][28][29][30][31] • Graphics Acceleration Support: [32] • Supervisor Modes: [33] • Disabling a Channel During Transfer: [34] • FIFO Draining Mechanism: [35][36][37][38][39] • Descriptors: [40][41] • Linked-List Control and Monitoring: [42][43][44][45][46][47][48][49][50][51] 	
DMA_SYSTEM Basic Programming Model	
<ul style="list-style-type: none"> • Software-Triggered (Nonsynchronized) Transfer: [52][53][54][55][56][57][58][59][60] • Hardware-Synchronized Transfer: [61][62][63][64][65][66][67][68][69][70][71][72][73][74][75][76][77][78][79][80][81][82][83][84][85][86][87][88][89][90][91][92][93][94][95][96][97][98][99] • Concurrent Software and Hardware Synchronization: [100][101] • Chained Transfer: [102] • 90-Degree Clockwise Image Rotation: [103][104][105][106][107][108][109] • Graphic Operations: [110][111][112][113] • Linked-List Programming Guidelines: [114][115][116][117] 	
DMA_SYSTEM Register Manual	
<ul style="list-style-type: none"> • DMA_SYSTEM Register Summary: [118] • DMA_SYSTEM Register Description: [119] 	

Table 16-43. DMA4_CLNK_CTRLi

Address Offset	0x0000 0084 + (0x60 * i)	index:	i = 0 to 31
Physical Address	0x4A05 6084 + (0x60 * i)	Instance	DMA_SYSTEM
Description	Channel Link Control Register		
Type	RW		

31	30	29	28	27	26	25	24	23	22	21	20	19	18	17	16	15	14	13	12	11	10	9	8	7	6	5	4	3	2	1	0
RESERVED																ENABLE_LNK	RESERVED											NEXTLCH_ID			

Bits	Field Name	Description	Type	Reset
31:16	RESERVED	Write 0's for future compatibility. Read returns 0.	RW	0x0000
15	ENABLE_LNK	Enables or disable the channel linking. 0x0: Channel linking mode is disabled When set on the fly to 0 the current channel will complete the transfer and stops the chain linking 0x1: Channel linking mode is enabled. The logical channel defined in the NextLCH_ID is enabled at the end of the current transfer	RW	0
14:5	RESERVED	Write 0's for future compatibility. Read returns 0.	RW	0x000
4:0	NEXTLCH_ID	Defines the NextLCh_ID, which is used to build logical channel chaining queue.	RW	0bxxxxx

Table 16-44. Register Call Summary for Register DMA4_CLNK_CTRLi

DMA_SYSTEM Functional Description
<ul style="list-style-type: none"> • Chained Logical Channel Transfers: [0][1] • FIFO Draining Mechanism: [2] • Descriptors: [3] • Linked-List Control and Monitoring: [4][5][6][7]
DMA_SYSTEM Basic Programming Model
<ul style="list-style-type: none"> • Chained Transfer: [8][9][10][11][12] • Linked-List Programming Guidelines: [13][14]
DMA_SYSTEM Register Manual
<ul style="list-style-type: none"> • DMA_SYSTEM Register Summary: [15]

Table 16-45. DMA4_CICRi

Address Offset	0x0000 0088 + (0x60 * i)	index:	i = 0 to 31
Physical Address	0x4A05 6088 + (0x60 * i)	Instance	DMA_SYSTEM
Description	Channel Interrupt Control Register		
Type	RW		

31	30	29	28	27	26	25	24	23	22	21	20	19	18	17	16	15	14	13	12	11	10	9	8	7	6	5	4	3	2	1	0
RESERVED																SUPER_BLOCK_IE	RESERVED	DRAIN_IE	MISALIGNED_ERR_IE	SUPERVISOR_ERR_IE	RESERVED	TRANS_ERR_IE	PKT_IE	RESERVED	BLOCK_IE	LAST_IE	FRAME_IE	HALF_IE	DROP_IE	RESERVED	

Bits	Field Name	Description	Type	Reset
31:15	RESERVED	Write 0's for future compatibility. Read returns 0.	RW	0x00000
14	SUPER_BLOCK_IE	Enables the end of super block interrupt	RW	-
13	RESERVED	Reserved for non-GP devices	RW	1
12	DRAIN_IE	Enables the end of draining interrupt	RW	0
11	MISALIGNED_ERR_IE	Enables the address misaligned error event interrupt 0x0: Disables the misaligned address error event interrupt 0x1: Enables the misaligned address error event interrupt	RW	-
10	SUPERVISOR_ERR_IE	Enables the supervisor transaction error event interrupt 0x0: Disables the supervisor transaction error event interrupt 0x1: Enables the supervisor transaction error event interrupt	RW	1
9	RESERVED	Reserved for non-GP devices	RW	1
8	TRANS_ERR_IE	Enables the transaction error event interrupt 0x0: Disables the transaction error event interrupt 0x1: Enables the transaction error event interrupt	RW	-
7	PKT_IE	Enables the end of Packet interrupt 0x0: Disables the end of Packet transfer interrupt 0x1: Enables the end of Packet transfer interrupt	RW	-
6	RESERVED	Write 0's for future compatibility. Read returns 0.	RW	0

Bits	Field Name	Description	Type	Reset
5	BLOCK_IE	Enables the end of block interrupt 0x0: Disables the end of block interrupt 0x1: Enables the end of block interrupt	RW	-
4	LAST_IE	Last frame interrupt enable (start of last frame) 0x0: Disables the last frame interrupt 0x1: Enables the last frame interrupt	RW	-
3	FRAME_IE	Frame interrupt enable (end of frame) 0x0: Disables the end of frame interrupt 0x1: Enables the end of frame interrupt	RW	-
2	HALF_IE	Enables or disables the half frame interrupt. 0x0: Disables the half frame interrupt 0x1: Enables the half frame interrupt	RW	-
1	DROP_IE	Synchronization event drop interrupt enable (request collision) 0x0: Disables the event drop interrupt 0x1: Enables the event drop interrupt	RW	0
0	RESERVED	Write 0's for future compatibility. Read returns 0.	RW	0

Table 16-46. Register Call Summary for Register DMA4_CICRi
DMA_SYSTEM Functional Description

- [DMA_SYSTEM Controller Interrupt Requests: \[0\]\[1\]](#)
- [Interrupt Generation: \[2\]](#)
- [FIFO Draining Mechanism: \[3\]](#)
- [Descriptors: \[4\]\[5\]\[6\]](#)
- [Linked-List Control and Monitoring: \[7\]\[8\]\[9\]](#)

DMA_SYSTEM Basic Programming Model

- [Setup Configuration: \[10\]](#)
- [Linked-List Programming Guidelines: \[11\]](#)

DMA_SYSTEM Register Manual

- [DMA_SYSTEM Register Summary: \[12\]](#)

Table 16-47. DMA4_CSRI

Address Offset	0x0000 008C + (0x60 * i)	index:	i = 0 to 31
Physical Address	0x4A05 608C + (0x60 * i)	Instance	DMA_SYSTEM
Description	Channel Status Register		
Type	RW		

31	30	29	28	27	26	25	24	23	22	21	20	19	18	17	16	15	14	13	12	11	10	9	8	7	6	5	4	3	2	1	0
RESERVED								RESERVED	SUPER_BLOCK	RESERVED	DRAIN_END	MISALIGNED_ADRS_ERR	SUPERVISOR_ERR	RESERVED	TRANS_ERR	PKT	SYNC	BLOCK	LAST	FRAME	HALF	DROP	RESERVED								

Bits	Field Name	Description	Type	Reset
31:17	RESERVED	Write 0's for future compatibility. Read returns 0.	RW	0x0000
16:15	RESERVED	Reserved for debug (Monitor descriptor/data load phase), Write 0's for future compatibility, Read returns 0	RW	0x0
14	SUPER_BLOCK	End of Super block event Read 0x0: The current Super block transfer has not been finished Write 0x0: Status bit unchanged Read 0x1: The current Super block has been transferred Write 0x1: Status bit is reset	RW W1toClr	0
13	RESERVED	Reserved for non-GP devices	RW	0
12	DRAIN_END	End of channel draining Read 0x0: No drain end in the current transfer Write 0x0: Status bit unchanged Read 0x1: The current channel draining is completed Write 0x1: Status bit is reset	RW W1toClr	0
11	MISALIGNED_ADRS_ERR	Misaligned address error event Read 0x0: No address error Write 0x0: Status bit unchanged Write 0x1: Status bit is reset Read 0x1: An address error has been occurred	RW W1toClr	0
10	SUPERVISOR_ERR	Supervisor transaction error event Read 0x0: No supervisor transaction error Write 0x0: Status bit unchanged Write 0x1: Status bit is reset Read 0x1: A supervisor transaction error has been occurred	RW W1toClr	0
9	RESERVED	Reserved for non-GP devices	RW	0
8	TRANS_ERR	Transaction error event Read 0x0: No transaction error Write 0x0: Status bit unchanged Write 0x1: Status bit is reset Read 0x1: A transaction error has been occurred	RW W1toClr	0
7	PKT	End of Packet transfer Read 0x0: The current packet transfer has not been finished Write 0x0: Status bit unchanged Write 0x1: Status bit is reset Read 0x1: The current packet has been transferred	RW W1toClr	0
6	SYNC	Synchronization status of a channel. Read 0x0: Logical channel is not scheduled or servicing a non synchronized DMA request. Write 0x0: Status bit unchanged Write 0x1: Status bit is reset Read 0x1: Logical channel is servicing a synchronized DMA request	RW W1toClr	0

Bits	Field Name	Description	Type	Reset
5	BLOCK	End of block event Read 0x0: The current block transfer has not been finished Write 0x0: Status bit unchanged Write 0x1: Status bit is reset Read 0x1: The current block has been transferred	RW W1toClr	0
4	LAST	Last frame (start of last frame) Read 0x0: The start of the last frame to transfer is not reached Write 0x0: Status bit unchanged Write 0x1: Status bit is reset Read 0x1: The start of the last frame to transfer is reached	RW W1toClr	0
3	FRAME	End of frame event Read 0x0: The end of current transferred frame is not reached Write 0x0: Status bit unchanged Write 0x1: Status bit is reset Read 0x1: The end of current transferred frame is reached	RW W1toClr	0
2	HALF	Half of frame event. Read 0x0: The half of current transferred frame is not reached Write 0x0: Status bit unchanged Write 0x1: Status bit is reset Read 0x1: The half of current transferred frame is reached	RW W1toClr	0
1	DROP	Synchronization event drop occurred during the transfer Read 0x0: No synchronization collision Write 0x0: Status bit unchanged Write 0x1: Status bit is reset Read 0x1: A synchronization collision has been occurred	RW W1toClr	0
0	RESERVED	Write 0's for future compatibility. Read returns 0.	RW	0

Table 16-48. Register Call Summary for Register DMA4_CSRi

DMA_SYSTEM Functional Description

- [DMA_SYSTEM Controller Interrupt Requests: \[0\]\[1\]\[2\]\[3\]\[4\]](#)
- [Interrupt Generation: \[5\]](#)
- [FIFO Draining Mechanism: \[6\]](#)
- [Linked-List Control and Monitoring: \[7\]\[8\]\[9\]\[10\]\[11\]](#)

DMA_SYSTEM Basic Programming Model

- [Setup Configuration: \[12\]](#)

DMA_SYSTEM Register Manual

- [DMA_SYSTEM Register Summary: \[13\]](#)

Table 16-49. DMA4_CSDPi

Address Offset	0x0000 0090 + (0x60 * i)	index:	i = 0 to 31
Physical Address	0x4A05 6090 + (0x60 * i)	Instance	DMA_SYSTEM
Description	Channel Source Destination Parameters		
Type	RW		

31	30	29	28	27	26	25	24	23	22	21	20	19	18	17	16	15	14	13	12	11	10	9	8	7	6	5	4	3	2	1	0
RESERVED								SRC_ENDIAN	SRC_ENDIAN_LOCK	DST_ENDIAN	DST_ENDIAN_LOCK	WRITE_MODE	DST_BURST_EN	DST_PACKED	RESERVED	SRC_BURST_EN	SRC_PACKED	RESERVED	DATA_TYPE												

Bits	Field Name	Description	Type	Reset
31:22	RESERVED	Write 0's for future compatibility. Read returns 0.	RW	0x000
21	SRC_ENDIAN	Channel source endianness control 0x0: Source has Little Endian type 0x1: Source has Big Endian type	RW	-
20	SRC_ENDIAN_LOCK	Endianness Lock 0x0: Endianness adapt 0x1: Endianness lock	RW	-
19	DST_ENDIAN	Channel Destination endianness control 0x0: Destination has Little Endian type 0x1: Destination has Big Endian type	RW	-
18	DST_ENDIAN_LOCK	Endianness Lock 0x0: Endianness adapt 0x1: Endianness lock	RW	-
17:16	WRITE_MODE	Used to enable writing mode without posting or with posting 0x0: Write None Posted (WRNP) 0x1: Write (Posted) 0x2: All transaction are mapped on the Write command as posted except for the last transaction in the transfer mapped on a Write None Posted 0x3: Undefined	RW	0bxx
15:14	DST_BURST_EN	Used to enable bursting on the Write Port. Smaller burst size than the programmed burst size is also allowed 0x0: single access 0x1: 16 bytes or 4x32-bit / 2x64-bit burst access 0x2: 32 bytes or 8x32-bit / 4x64-bit burst access 0x3: 64 bytes or 16x32-bit / 8x64-bit burst access	RW	0b00
13	DST_PACKED	Destination receives packed data. 0x0: The destination target is non packed 0x1: The destination target is packed	RW	-
12:9	RESERVED	Write the reset value. Read returns reset value	RW	0x-

Bits	Field Name	Description	Type	Reset
8:7	SRC_BURST_EN	Used to enable bursting on the Read Port. Smaller burst size than the programmed burst size is also allowed 0x0: single access 0x1: 16 bytes or 4x32-bit / 2x64-bit burst access 0x2: 32 bytes or 8x32-bit / 4x64-bit burst access 0x3: 64 bytes or 16x32-bit / 8x64-bit burst access	RW	0bxx
6	SRC_PACKED	Source provides packed data. 0x0: The source target is non packed 0x1: The source target is packed	RW	-
5:2	RESERVED	Write the reset value. Read returns reset value	RW	0x-
1:0	DATA_TYPE	Defines the type of the data moved in the channel. 0x0: 8 bits scalar 0x1: 16 bits scalar 0x2: 32 bits scalar 0x3: Reserved	RW	0bxx

Table 16-50. Register Call Summary for Register DMA4_CSDPi

DMA_SYSTEM Functional Description

- [Interrupt Generation: \[0\]](#)
- [Addressing Modes: \[1\]](#)
- [Packed Accesses: \[2\]](#)
- [Burst Transactions: \[3\]](#)
- [Endianism Conversion: \[4\]\[5\]](#)
- [Hardware Synchronization: \[6\]](#)
- [Graphics Acceleration Support: \[7\]](#)
- [Posted and Nonposted Writes: \[8\]](#)
- [Descriptors: \[9\]](#)

DMA_SYSTEM Basic Programming Model

- [Software-Triggered \(Nonsynchronized\) Transfer: \[10\]\[11\]\[12\]\[13\]\[14\]\[15\]\[16\]\[17\]\[18\]](#)
- [Hardware-Synchronized Transfer: \[19\]\[20\]\[21\]\[22\]\[23\]\[24\]\[25\]\[26\]\[27\]\[28\]\[29\]\[30\]](#)
- [90-Degree Clockwise Image Rotation: \[31\]\[32\]\[33\]\[34\]\[35\]\[36\]\[37\]\[38\]\[39\]](#)
- [Linked-List Programming Guidelines: \[40\]\[41\]](#)

DMA_SYSTEM Register Manual

- [DMA_SYSTEM Register Summary: \[42\]](#)

Table 16-51. DMA4_CENi

Address Offset	0x0000 0094 + (0x60 * i)	index:	i = 0 to 31	
Physical Address	0x4A05 6094 + (0x60 * i)	Instance	DMA_SYSTEM	
Description	Channel Element Number			
Type	RW			
31 30 29 28 27 26 25 24	23 22 21 20 19 18 17 16	15 14 13 12 11 10 9 8	7 6 5 4 3 2 1 0	
RESERVED		CHANNEL_ELMNT_NBR		
Bits	Field Name	Description	Type	Reset
31:24	RESERVED	Write 0's for future compatibility. Read returns 0.	RW	0x00
23:0	CHANNEL_ELMNT_NBR	Number of elements within a frame (unsigned) to transfer	RW	0x-----

Table 16-52. Register Call Summary for Register DMA4_CENi

DMA_SYSTEM Functional Description

- [Interrupt Generation: \[0\]](#)
- [Addressing Modes: \[1\]\[2\]](#)

DMA_SYSTEM Basic Programming Model

- [Software-Triggered \(Nonsynchronized\) Transfer: \[3\]](#)
- [Hardware-Synchronized Transfer: \[4\]\[5\]\[6\]](#)
- [90-Degree Clockwise Image Rotation: \[7\]](#)

DMA_SYSTEM Register Manual

- [DMA_SYSTEM Register Summary: \[8\]](#)

Table 16-53. DMA4_CFNi

Address Offset	0x0000 0098 + (0x60 * i)	index:	i = 0 to 31
Physical Address	0x4A05 6098 + (0x60 * i)	Instance	DMA_SYSTEM
Description	Channel Frame Number		
Type	RW		

31	30	29	28	27	26	25	24	23	22	21	20	19	18	17	16	15	14	13	12	11	10	9	8	7	6	5	4	3	2	1	0
RESERVED																CHANNEL_FRAME_NBR															

Bits	Field Name	Description	Type	Reset
31:16	RESERVED	Write 0's for future compatibility. Read returns 0.	RW	0x0000
15:0	CHANNEL_FRAME_NBR	Number of frames within the block to be transferred (unsigned)	RW	0x----

Table 16-54. Register Call Summary for Register DMA4_CFNi

DMA_SYSTEM Functional Description

- [Interrupt Generation: \[0\]](#)
- [Addressing Modes: \[1\]\[2\]](#)

DMA_SYSTEM Basic Programming Model

- [Software-Triggered \(Nonsynchronized\) Transfer: \[3\]](#)
- [Hardware-Synchronized Transfer: \[4\]\[5\]](#)
- [90-Degree Clockwise Image Rotation: \[6\]](#)
- [Linked-List Programming Guidelines: \[7\]](#)

DMA_SYSTEM Register Manual

- [DMA_SYSTEM Register Summary: \[8\]](#)

Table 16-55. DMA4_CSSAi

Address Offset	0x0000 009C + (0x60 * i)	index:	i = 0 to 31
Physical Address	0x4A05 609C + (0x60 * i)	Instance	DMA_SYSTEM
Description	Channel Source Start Address		
Type	RW		

31	30	29	28	27	26	25	24	23	22	21	20	19	18	17	16	15	14	13	12	11	10	9	8	7	6	5	4	3	2	1	0
SRC_START_ADRS																															

Bits	Field Name	Description	Type	Reset
31:0	SRC_START_ADRS	32 bits of the source start address	RW	0x-----

Table 16-56. Register Call Summary for Register DMA4_CSSAi

DMA_SYSTEM Functional Description

- [Addressing Modes: \[0\]](#)

DMA_SYSTEM Basic Programming Model

- [Software-Triggered \(Nonsynchronized\) Transfer: \[1\]](#)
- [Hardware-Synchronized Transfer: \[2\]\[3\]\[4\]\[5\]](#)
- [90-Degree Clockwise Image Rotation: \[6\]](#)

DMA_SYSTEM Register Manual

- [DMA_SYSTEM Register Summary: \[7\]](#)

Table 16-57. DMA4_CDSAi

Address Offset	0x0000 00A0 + (0x60 * i)	index:	i = 0 to 31
Physical Address	0x4A05 60A0 + (0x60 * i)	Instance	DMA_SYSTEM
Description	Channel Destination Start Address		
Type	RW		

31	30	29	28	27	26	25	24	23	22	21	20	19	18	17	16	15	14	13	12	11	10	9	8	7	6	5	4	3	2	1	0
DST_START_ADRS																															

Bits	Field Name	Description	Type	Reset
31:0	DST_START_ADRS	32 bits of the destination start address	RW	0x-----

Table 16-58. Register Call Summary for Register DMA4_CDSAi

DMA_SYSTEM Functional Description

- [Addressing Modes: \[0\]](#)

DMA_SYSTEM Basic Programming Model

- [Software-Triggered \(Nonsynchronized\) Transfer: \[1\]](#)
- [Hardware-Synchronized Transfer: \[2\]\[3\]\[4\]\[5\]](#)
- [90-Degree Clockwise Image Rotation: \[6\]](#)

DMA_SYSTEM Register Manual

- [DMA_SYSTEM Register Summary: \[7\]](#)

Table 16-59. DMA4_CSEli

Address Offset	0x0000 00A4 + (0x60 * i)	index:	i = 0 to 31
Physical Address	0x4A05 60A4 + (0x60 * i)	Instance	DMA_SYSTEM
Description	Channel Source Element Index (Signed)		
Type	RW		

31	30	29	28	27	26	25	24	23	22	21	20	19	18	17	16	15	14	13	12	11	10	9	8	7	6	5	4	3	2	1	0
RESERVED																CHANNEL_SRC_ELMNT_INDEX															

Bits	Field Name	Description	Type	Reset
31:16	RESERVED	Write 0's for future compatibility. Read returns 0.	RW	0x0000
15:0	CHANNEL_SRC_ELMNT_INDEX	Channel source element index	RW	0x----

Table 16-60. Register Call Summary for Register DMA4_CSEIi

DMA_SYSTEM Functional Description

- [Addressing Modes: \[0\]](#)

DMA_SYSTEM Basic Programming Model

- [Software-Triggered \(Nonsynchronized\) Transfer: \[1\]](#)
- [90-Degree Clockwise Image Rotation: \[2\]](#)

DMA_SYSTEM Register Manual

- [DMA_SYSTEM Register Summary: \[3\]](#)

Table 16-61. DMA4_CSFIi

Address Offset	0x0000 00A8 + (0x60 * i)	index:	i = 0 to 31
Physical Address	0x4A05 60A8 + (0x60 * i)	Instance	DMA_SYSTEM
Description	Channel Source Frame Index (Signed) or 16-bit Packet size		
Type	RW		

31	30	29	28	27	26	25	24	23	22	21	20	19	18	17	16	15	14	13	12	11	10	9	8	7	6	5	4	3	2	1	0
CH_SRC_FRM_INDEX_OR_16BIT_PKT_ELNT_NBR																															

Bits	Field Name	Description	Type	Reset
31:0	CH_SRC_FRM_INDEX_OR_16BIT_PKT_ELNT_NBR	Channel source frame index value if source address is in double index mode. Or if fs=bs=1 and DMA_CCR[SEL_SRC_DST_SYNC] = 1; the bit field [15:0] gives the number of element in packet. The field [31:16] is unused for the packet size.	RW	0x-----

Table 16-62. Register Call Summary for Register DMA4_CSFII

DMA_SYSTEM Functional Description

- [Addressing Modes: \[0\]](#)
- [Hardware Synchronization: \[1\]](#)
- [Packet Synchronization: \[2\]\[3\]\[4\]\[5\]\[6\]](#)

DMA_SYSTEM Basic Programming Model

- [Software-Triggered \(Nonsynchronized\) Transfer: \[7\]](#)
- [Hardware-Synchronized Transfer: \[8\]\[9\]](#)
- [90-Degree Clockwise Image Rotation: \[10\]](#)

DMA_SYSTEM Register Manual

- [DMA_SYSTEM Register Summary: \[11\]](#)

Table 16-63. DMA4_CDEIi

Address Offset	0x0000 00AC + (0x60 * i)	index:	i = 0 to 31
Physical Address	0x4A05 60AC + (0x60 * i)	Instance	DMA_SYSTEM
Description	Channel Destination Element Index (Signed)		
Type	RW		

31	30	29	28	27	26	25	24	23	22	21	20	19	18	17	16	15	14	13	12	11	10	9	8	7	6	5	4	3	2	1	0
RESERVED																CHANNEL_DST_ELMNT_INDEX															

Bits	Field Name	Description	Type	Reset
31:16	RESERVED	Write 0's for future compatibility. Read returns 0.	RW	0x0000
15:0	CHANNEL_DST_ELMNT_INDEX	Channel destination element index	RW	0x----

Table 16-64. Register Call Summary for Register DMA4_CDEIi

DMA_SYSTEM Functional Description

- [Addressing Modes: \[0\]](#)

DMA_SYSTEM Basic Programming Model

- [Software-Triggered \(Nonsynchronized\) Transfer: \[1\]](#)
- [90-Degree Clockwise Image Rotation: \[2\]](#)

DMA_SYSTEM Register Manual

- [DMA_SYSTEM Register Summary: \[3\]](#)

Table 16-65. DMA4_CDFIi

Address Offset	0x0000 00B0 + (0x60 * i)	index:	i = 0 to 31
Physical Address	0x4A05 60B0 + (0x60 * i)	Instance	DMA_SYSTEM
Description	Channel Destination Frame Index (Signed) or 16-bit Packet size		
Type	RW		

31	30	29	28	27	26	25	24	23	22	21	20	19	18	17	16	15	14	13	12	11	10	9	8	7	6	5	4	3	2	1	0
CH_DST_FRM_IDX_OR_16BIT_PKT_ELNT_NBR																															

Bits	Field Name	Description	Type	Reset
31:0	CH_DST_FRM_IDX_OR_16BIT_PKT_ELNT_NBR	Channel destination frame index value if destination address is in double index mode. Or if fs=bs=1 and DMA_CCR[SEL_SRC_DST_SYNC]=0; the bit field [15:0] gives the number of element in packet. The field [31:16] is unused for the packet size..	RW	0x-----

Table 16-66. Register Call Summary for Register DMA4_CDFIi

DMA_SYSTEM Functional Description

- [Addressing Modes: \[0\]](#)
- [Hardware Synchronization: \[1\]](#)
- [Packet Synchronization: \[2\]\[3\]\[4\]\[5\]\[6\]](#)

DMA_SYSTEM Basic Programming Model

- [Software-Triggered \(Nonsynchronized\) Transfer: \[7\]](#)
- [Hardware-Synchronized Transfer: \[8\]\[9\]](#)
- [90-Degree Clockwise Image Rotation: \[10\]](#)

DMA_SYSTEM Register Manual

- [DMA_SYSTEM Register Summary: \[11\]](#)

Table 16-67. DMA4_CSACi

Address Offset	0x0000 00B4 + (0x60 * i)	index:	i = 0 to 31
Physical Address	0x4A05 60B4 + (0x60 * i)	Instance	DMA_SYSTEM
Description	Channel Source Address Value. User has to access this register only in 32-bit access. If accessed in 8-bit or 16bit data may be corrupted.		
Type	R		

31	30	29	28	27	26	25	24	23	22	21	20	19	18	17	16	15	14	13	12	11	10	9	8	7	6	5	4	3	2	1	0
SRC_ELMNT_ADRS																															

Bits	Field Name	Description	Type	Reset
31:0	SRC_ELMNT_ADRS	Current source address counter value	R	0x-----

Table 16-68. Register Call Summary for Register DMA4_CSACi

DMA_SYSTEM Register Manual

- [DMA_SYSTEM Register Summary: \[0\]](#)

Table 16-69. DMA4_CDACi

Address Offset	0x0000 00B8 + (0x60 * i)	index:	i = 0 to 31
Physical Address	0x4A05 60B8 + (0x60 * i)	Instance	DMA_SYSTEM
Description	Channel Destination Address Value. User has to access this register only in 32-bit access. If accessed in 8-bit or 16bit data may be corrupted.		
Type	RW		

31	30	29	28	27	26	25	24	23	22	21	20	19	18	17	16	15	14	13	12	11	10	9	8	7	6	5	4	3	2	1	0
DST_ELMNT_ADRS																															

Bits	Field Name	Description	Type	Reset
31:0	DST_ELMNT_ADRS	Current destination address counter value	RW	0x-----

Table 16-70. Register Call Summary for Register DMA4_CDACi

DMA_SYSTEM Functional Description

- [Hardware Synchronization: \[0\]](#)

DMA_SYSTEM Basic Programming Model

- [Hardware-Synchronized Transfer: \[1\]](#)
- [Synchronized Transfer Monitoring Using CDAC: \[2\]\[3\]\[4\]\[5\]\[6\]\[7\]\[8\]](#)

DMA_SYSTEM Register Manual

- [DMA_SYSTEM Register Summary: \[9\]](#)

Table 16-71. DMA4_CCENi

Address Offset	0x0000 00BC + (0x60 * i)	index:	i = 0 to 31
Physical Address	0x4A05 60BC + (0x60 * i)	Instance	DMA_SYSTEM
Description	Channel Current Transferred Element Number in the current frame. User has to access this register only in 32-bit access. If accessed in 8-bit or 16bit data may be corrupted.		
Type	RW		

31	30	29	28	27	26	25	24	23	22	21	20	19	18	17	16	15	14	13	12	11	10	9	8	7	6	5	4	3	2	1	0
RESERVED								CURRENT_ELMNT_NBR																							

Bits	Field Name	Description	Type	Reset
31:24	RESERVED	Write 0's for future compatibility. Read returns 0.	RW	0x00
23:0	CURRENT_ELMNT_NBR	Channel current transferred element number in the current frame	RW	0x-----

Table 16-72. Register Call Summary for Register DMA4_CCENi

DMA_SYSTEM Functional Description

- [Linked-List Control and Monitoring: \[0\]\[1\]\[2\]](#)

DMA_SYSTEM Basic Programming Model

- [Synchronized Transfer Monitoring Using CDAC: \[3\]](#)

DMA_SYSTEM Register Manual

- [DMA_SYSTEM Register Summary: \[4\]](#)

Table 16-73. DMA4_CCFNi

Address Offset	0x0000 00C0 + (0x60 * i)	index:	i = 0 to 31
Physical Address	0x4A05 60C0 + (0x60 * i)	Instance	DMA_SYSTEM
Description	Channel Current Transferred Frame Number in the current transfer. User has to access this register only in 32-bit access. If accessed in 8-bit or 16bit data may be corrupted.		
Type	RW		

31	30	29	28	27	26	25	24	23	22	21	20	19	18	17	16	15	14	13	12	11	10	9	8	7	6	5	4	3	2	1	0
RESERVED																CURRENT_FRAME_NBR															

Bits	Field Name	Description	Type	Reset
31:16	RESERVED	Write 0's for future compatibility. Read returns 0.	RW	0x0000
15:0	CURRENT_FRAME_NBR	Channel current transferred frame number in the current transfer	RW	0x----

Table 16-74. Register Call Summary for Register DMA4_CCFNi

DMA_SYSTEM Functional Description

- [Linked-List Control and Monitoring: \[0\]\[1\]\[2\]](#)

DMA_SYSTEM Basic Programming Model

- [Synchronized Transfer Monitoring Using CDAC: \[3\]](#)

DMA_SYSTEM Register Manual

- [DMA_SYSTEM Register Summary: \[4\]](#)

Table 16-75. DMA4_COLORi

Address Offset	0x0000 00C4 + (0x60 * i)	index:	i = 0 to 31
Physical Address	0x4A05 60C4 + (0x60 * i)	Instance	DMA_SYSTEM
Description	Channel DMA COLOR KEY /SOLID COLOR		
Type	RW		

31	30	29	28	27	26	25	24	23	22	21	20	19	18	17	16	15	14	13	12	11	10	9	8	7	6	5	4	3	2	1	0
RESERVED								CH_BLT_FRGRND_COLOR_OR_SOLID_COLOR_PTRN																							

Bits	Field Name	Description	Type	Reset
31:24	RESERVED	Write 0's for future compatibility. Read returns 0.	RW	0x-
23:0	CH_BLT_FRGRND_COLOR_OR_SOLID_COLOR_PTRN	Color key or solid color pattern: The pattern is replicated according to the data type. If the data-type is 8-bit the pattern is replicated 4 times to fill the register in order to enhance processing when data is packed at the graphic module input. The same reasoning for 16-bit data-type.	RW	0x-----

Table 16-76. Register Call Summary for Register DMA4_COLORi

DMA_SYSTEM Functional Description

- [Graphics Acceleration Support: \[0\]\[1\]](#)
- [Descriptors: \[2\]](#)

DMA_SYSTEM Basic Programming Model

- [Graphic Operations: \[3\]\[4\]](#)

DMA_SYSTEM Register Manual

- [DMA_SYSTEM Register Summary: \[5\]](#)

Table 16-77. DMA4_CDPi

Address Offset	0x0000 00D0 + (0x60 * i)	index:	i = 0 to 31
Physical Address	0x4A05 60D0 + (0x60 * i)	Instance	DMA_SYSTEM
Description	This register controls the various parameters of the link list mechanism		
Type	RW		

31	30	29	28	27	26	25	24	23	22	21	20	19	18	17	16	15	14	13	12	11	10	9	8	7	6	5	4	3	2	1	0
RESERVED																FAST	TRANSFER_MODE		PAUSE_LINK_LIST		NEXT_DESCRIPTOR_TYPE			SRC_VALID		DEST_VALID					

Bits	Field Name	Description	Type	Reset
31:11	RESERVED	Write 0's for future compatibility, Reads return 0	RW	0x00000
10	FAST	Sets the fast-start mode for linked list descriptor types 1, 2 and 3 0x0: No fast-start mode 0x1: Fast-start mode is enabled.	RW	0x0
9:8	TRANSFER_MODE	Enable linked-list transfer mode 0x0: Normal transfer mode is used. 0x1: Linked-list channel mode for type 1, 2, or 3 descriptor is used. 0x2: Undefined 0x3: Undefined	RW	0x0
7	PAUSE_LINK_LIST	Suspend the linked-list transfer at completion of the current block transfer. 0x0: Linked list is active. 0x1: Linked list is suspended at the boundary of next descriptor loading.	RW	0x0
6:4	NEXT_DESCRIPTOR_TYPE	Next Descriptor Type 0x0: Undefined 0x1: Next descriptor is of type 1. 0x2: Next descriptor is of type 2. 0x3: Next descriptor is of type 3. 0x4: Undefined 0x5: Undefined 0x6: Undefined 0x7: Undefined	RW	0x-
3:2	SRC_VALID	Source address valid 0x0: The source address is not present in the next descriptor and continuous incrementing is enabled. 0x1: The source address must be reloaded in the next descriptor transfer. 0x2: The source start address is not present in the next descriptor. But will reload the one from configuration memory which belongs to the previous descriptor. 0x3: Undefined addressing mode	RW	0x-

Bits	Field Name	Description	Type	Reset
1:0	DEST_VALID	Destination address valid 0x0: The destination address is not present in the next descriptor and continuous incrementing is enabled. 0x1: The destination address must be reloaded in the next descriptor transfer. 0x2: The destination start address is not present in the next descriptor. But will reload the one from configuration memory which belongs to the previous descriptor. 0x3: Undefined addressing mode	RW	0x-

Table 16-78. Register Call Summary for Register DMA4_CDPi

DMA_SYSTEM Functional Description

- [Link-List Transfer Profile: \[0\]](#)
- [Descriptors: \[1\]\[2\]](#)
- [Linked-List Control and Monitoring: \[3\]\[4\]\[5\]\[6\]\[7\]\[8\]\[9\]\[10\]\[11\]](#)

DMA_SYSTEM Basic Programming Model

- [Linked-List Programming Guidelines: \[12\]](#)

DMA_SYSTEM Register Manual

- [DMA_SYSTEM Register Summary: \[13\]](#)

Table 16-79. DMA4_CNDPi

Address Offset	0x0000 00D4 + (0x60 * i)	index:	i = 0 to 31
Physical Address	0x4A05 60D4 + (0x60 * i)	Instance	DMA_SYSTEM
Description	This register contains the Next descriptor Address Pointer for the link list Mechanism		
Type	RW		

31	30	29	28	27	26	25	24	23	22	21	20	19	18	17	16	15	14	13	12	11	10	9	8	7	6	5	4	3	2	1	0
NEXT_DESCRIPTOR_POINTER																RESERVED															

Bits	Field Name	Description	Type	Reset
31:2	NEXT_DESCRIPTOR_POINTER	This register contains the Next descriptor Address Pointer for the link list Mechanism	RW	0bxxxxxxxxxxxxxxxxxxxx xxxxxxxxxxxxxxxx
1:0	RESERVED	Write 0's for future compatibility, Reads return 0	RW	0x0

Table 16-80. Register Call Summary for Register DMA4_CNDPi

DMA_SYSTEM Functional Description

- [Link-List Transfer Profile: \[0\]](#)

DMA_SYSTEM Register Manual

- [DMA_SYSTEM Register Summary: \[1\]](#)

Table 16-81. DMA4_CCDNi

Address Offset	0x0000 00D8 + (0x60 * i)	index:	i = 0 to 31
Physical Address	0x4A05 60D8 + (0x60 * i)	Instance	DMA_SYSTEM
Description			
Type	RW		

31	30	29	28	27	26	25	24	23	22	21	20	19	18	17	16	15	14	13	12	11	10	9	8	7	6	5	4	3	2	1	0
RESERVED																CURRENT_DESCRIPTOR_NBR															

Bits	Field Name	Description	Type	Reset
31:16	RESERVED	Write 0's for future compatibility, Reads return 0	RW	0x0000
15:0	CURRENT_DESCRIPTOR_NBR	This register when read contains the current active descriptor number in the link list. This register is Read/write to allow user initialization.	RW	0x----

Table 16-82. Register Call Summary for Register DMA4_CCDNi

DMA_SYSTEM Functional Description

- [Linked-List Control and Monitoring: \[0\]\[1\]\[2\]](#)

DMA_SYSTEM Register Manual

- [DMA_SYSTEM Register Summary: \[3\]](#)

16.2 Enhanced DMA

This chapter describes the Enhanced Direct Memory Access (EDMA) controller.

16.2.1 EDMA Module Overview

The enhanced direct memory access module, also called EDMA, performs high-performance data transfers between two slave points, memories and peripheral devices without microprocessor unit (MPU) or digital signal processor (DSP) support during transfer. EDMA transfer is programmed through a logical EDMA channel, which allows the transfer to be optimally tailored to the requirements of the application.

The EDMA can also perform transfers between external memories and between Device subsystems internal memories, with some performance loss caused by resource sharing between the read and write ports.

EDMA controller is based on two major principal blocks:

- EDMA third-party channel controller (EDMA_TPCC)
- EDMA third-party transfer controller (EDMA_TPTC)

The **TPCC** is a high flexible Channel Controller. It serves as an user interface and an event interface for the EDMA controller. The EDMA_TPCC serves to prioritize incoming software requests or events from peripherals and submits transfer requests (TRs) to the transfer controller.

The **TPTC** performs read and write transfers by EDMA ports to the slave peripherals as programmed in the "Active" and "Pending" set of the registers. The transfer controllers are responsible for data movement and issue read/write commands to the source and destination addresses that are programmed for a given transfer in the EDMA_TPCC.

The SoC integrates the following EDMA instances:

- One system-level EDMA
- One DSP internal EDMA (per DSP)
- One EVE internal EDMA (per EVE)

Each of these EDMA modules consists of:

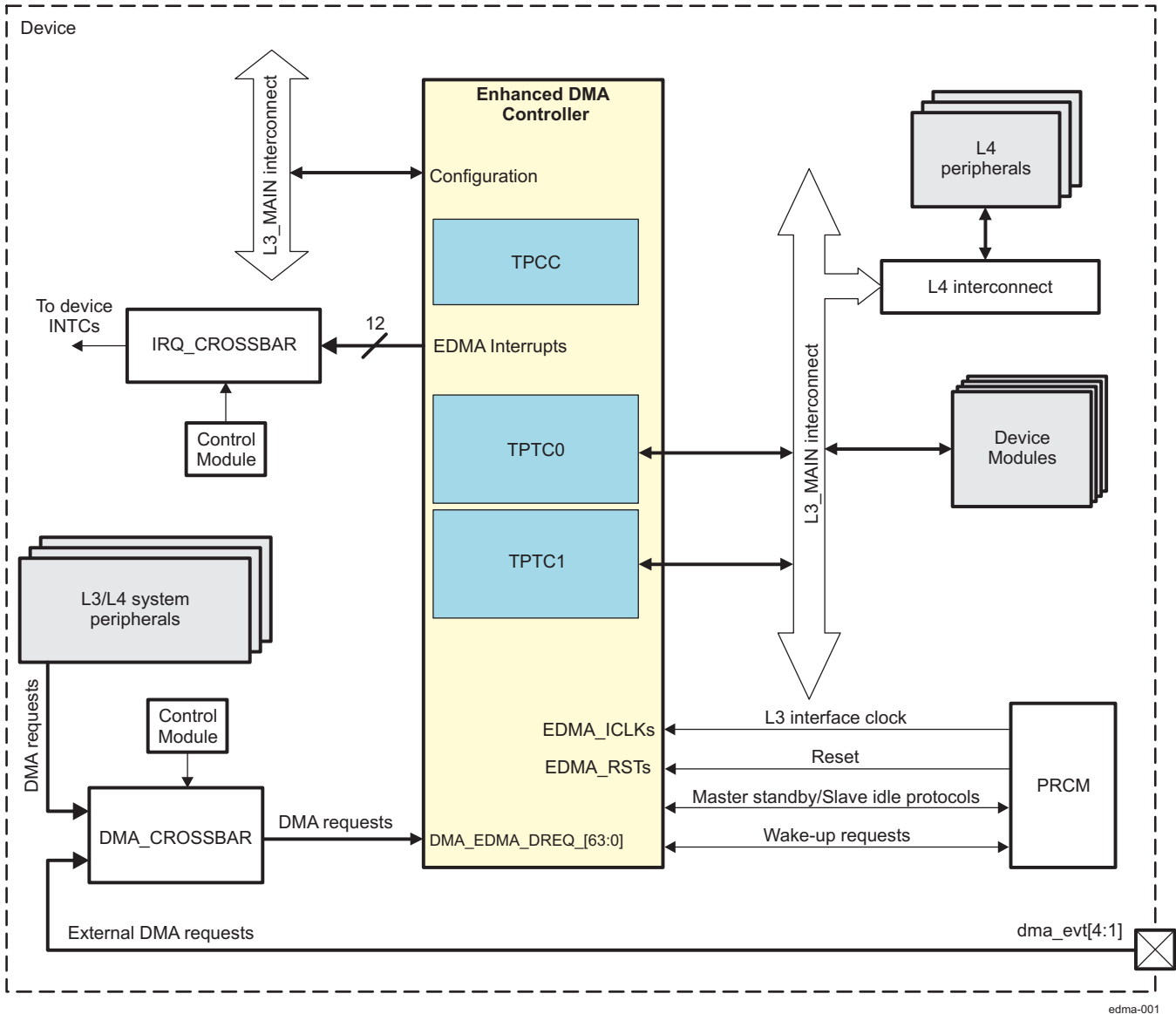
- One TPCC instance
- Two TPTC instances

NOTE: All EDMA modules in the SoC are functionally identical. Note that some of the configuration parameters may be different for the various EDMA instances (see [Section 16.2.1.2, EDMA Controllers Configuration](#)).

This chapter is mostly focused on describing the system-level EDMA module (in terms of configuration and integration in the SoC). For details on DSPx_EDMA / EVEx_EDMA integration, see their respective chapters.

[Figure 16-12](#) shows an overview of the EDMA module.

Figure 16-12. EDMA module Overview



The device CPUs can configure the EDMA controller blocks through the L3_MAIN interconnect.

16.2.1.1 EDMA Features

The **EDMA_TPCC** channel controller has following features:

- Fully orthogonal transfer description:
 - Three transfer dimensions.
 - A-synchronized transfers: one-dimension serviced per event.
 - AB-synchronized transfers: two-dimensions serviced per event.
 - Independent indexes on source and destination.
 - Chaining feature allows a 3-D transfer based on a single event.
- Flexible transfer definition:
 - Increment or FIFO transfer addressing modes.
 - Linking mechanism allows automatic PaRAM set update.

- Chaining allows multiple transfers to execute with one event.
- Interrupt generation for the following:
 - Transfer completion.
 - Error conditions.
- Debug visibility:
 - Queue water marking/threshold.
 - Error and status recording to facilitate debug.
- 64 DMA request channels:
 - Event synchronization.
 - Manual synchronization (CPU(s) write to event set registers [EDMA_TPCC_ESR](#) and [EDMA_TPCC_ESRH](#)).
 - Chain synchronization (completion of one transfer triggers another transfer).
- Eight QDMA channels:
 - QDMA channels trigger automatically upon writing to a parameter RAM (PaRAM) set entry.
 - Support for programmable QDMA channel to PaRAM mapping.
- 512 PaRAM sets:
 - Each PaRAM set can be used for a DMA channel, QDMA channel, or link set.
- Two transfer controllers/event queues.
- 16 event entries per event queue.
- Memory protection support:
 - Proxy memory protection for TR submission.
 - Active memory protection for accesses to PaRAM and registers.

The **EDMA_TPTC** transfer controller has the following features:

- Two transfer controllers (TC).
- 128-bit wide read and write ports per TC.
- Up to four in-flight transfer requests (TRs).
- Programmable priority level.
- Supports two-dimensional transfers with independent indexes on source and destination (EDMA_TPCC manages the 3rd dimension).
- Support for increment or constant addressing mode transfers.
- Interrupt and error support.
- Memory-Mapped Register (MMR) bit fields are fixed position in 32-bit MMR regardless of endianness.

EDMA controller uses the shared MMU1 module for transferring to and from DSP module. This provides several benefits including:

- Protection of Host CPU memory regions from accidental corruption by EDMA TPTCs.
- Direct allocation of buffers in user space without the need for translation between CPU and DSP applications utilizing EDMA TPTCs.

Accesses by the EDMA TPTCs (both TPTC0 and TPTC1) may optionally be routed through the MMU1.

The TPTC0 and TPTC1 routing allows EDMA transfer controller to be used to perform transfers using only the virtual addresses of the associated buffers.

For more information about MMU1 module refer to [Chapter 20 Memory Management Units](#).

16.2.1.2 EDMA Controllers Configuration

[Table 16-83](#) summarizes the configuration for each of the EDMA channel controllers present on the SoC.

Table 16-83. EDMA Channel Controllers Configuration

Parameter	SYS_EDMA CC Configuration	DSPx_EDMA CC Configuration	EVE _x _EDMA CC Configuration
Number of DMA channels (NUM_DMACH)	64	64	16
Number of QDMA channels (NUM_QDMACH)	8	8	8
Number of interrupt channels (NUM_INTCH)	64	64	16
Number of PaRAM set entries (NUM_PARAMENTRY)	512	128	128
Number of event queues (NUM_EVQUE)	2	2	2
Number of transfer controllers (NUM_TC)	2	2	2
Memory protection existence (MPEXIST)	Yes	Yes	Yes
Number of memory protection and shadow regions (NUM_REGIONS)	8	8	8
Channel mapping existence (CHMAPEXIST)	Yes	Yes	Yes

Table 16-84 summarizes the configuration of each of the EDMA transfer controllers present on the SoC.

Table 16-84. EDMA Transfer Controllers Configuration

Parameter	SYS_EDMA TC0 / TC1 Configuration	DSPx_EDMA TC0 / TC1 Configuration	EVE _x _EDMA TC0 / TC1 Configuration
Data FIFO size (FIFOSIZE)	1024 bytes	2048 bytes	2048 bytes
Bus width (BUSBYTE)	16 bytes	16 bytes	16 bytes
Number of destination FIFO register sets (DSTREGDEPTH)	4 entries	4 entries	4 entries
Default burst size (DBS)	Defined by CTRL_CORE_CONTROL_ IO_1 register	Defined by DSP_SYS_BUS_CONFIG register	Defined by EVE_BUS_CONFIG register

16.2.2 EDMA Controller Environment

The EDMA controller supports external DMA requests through the dma_evt[4:1] pins (see Table 16-85). A logical channel can be configured to respond to an external synchronization request.

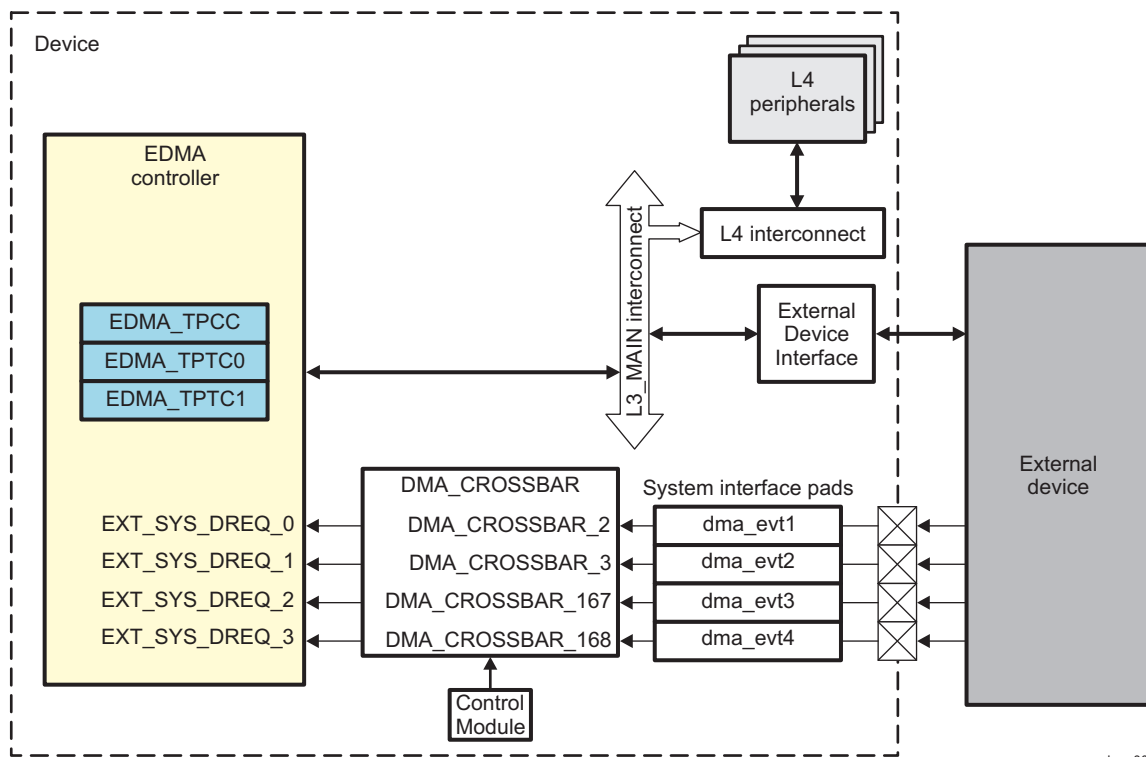
Table 16-85. External EDMA Request Signals

Pin Name	DMA_CROSSBAR Input	Signal Name	I/O ⁽¹⁾	Description	Module Reset Value
dma_evt1	DMA_CROSSBAR_2	EXT_SYS_DREQ_0	I	External DMA request 0 (system expansion)	Z
dma_evt2	DMA_CROSSBAR_3	EXT_SYS_DREQ_1	I	External DMA request 1 (system expansion)	Z
dma_evt3	DMA_CROSSBAR_167	EXT_SYS_DREQ_2	I	External DMA request 2 (system expansion)	Z
dma_evt4	DMA_CROSSBAR_168	EXT_SYS_DREQ_3	I	External DMA request 3 (system expansion)	Z

⁽¹⁾ I = Input, O = Output

Figure 16-13 shows an example of how to use the external hardware DMA request pins in the EDMA environment.

Figure 16-13. Example of External DMA Requests Use



edma-005

An external device can use the external DMA request pins to start a logical channel transfer. The transfer can be a memory-to-memory transfer in which the source memory is in the external device.

By default, the external DMA request signals are not available on external pins after a cold reset. For more information about multiplexing out the two signal lines to pins, refer to Chapter 18, Control Module.

All 64 DMA request lines are transition sensitive.

16.2.3 EDMA Controller Integration

This section describes the integration of the module in the device, including information about clocks, resets, and hardware requests.

[Figure 16-14](#) shows the EDMA controller integration.

Table 16-86 through Table 16-88 summarize the integration of the module in the device.

Table 16-86. EDMA Integration Attributes

Module Instance	Attributes	
	Power Domain	Interconnect
EDMA_TPCC	PD_COREAON	L3_MAIN
EDMA_TPTC0		
EDMA_TPTC1		

Table 16-87. EDMA Clocks and Resets

Clocks				
Module Instance	Destination Signal Name	Source Signal Name	Source	Description
EDMA_TPCC	EDMA_TPCC_GCLK	L3MAIN1_L3_GICKL	PRCM	Interface clock. It supports the configuration port. For information about PRCM clock gating and management, see Chapter 3, Power, Reset, and Clock Management .
EDMA_TPTC0	EDMA_TPTC0_GCLK			
EDMA_TPTC1	EDMA_TPTC1_GCLK			
Resets				
Module Instance	Destination Signal Name	Source Signal Name	Source	Description
EDMA_TPCC	EDMA_TPCC_RST	CORE_RET_RST	PRCM	Hardware retention reset. It initializes all internal logic of the EDMA controller modules, all global registers, and some of the per-channel registers, implemented in flip-flops. However, all remaining per-channel registers are memory-based, and, therefore, are not reset (have undefined values). Thus, when programming a channel for the first time, all bits that have undefined reset values must be configured before enabling the channel. For information about PRCM reset sources and distribution, see Chapter 3, Power, Reset, and Clock Management .
EDMA_TPTC0	EDMA_TPTC0_RST			
EDMA_TPTC1	EDMA_TPTC1_RST			

Table 16-88. EDMA Hardware Requests

Interrupt Requests				
Module Instance	Source Signal Name	Destination IRQ_CROSSBAR INPUT	Default mapping	Description
EDMA_TPCC	EDMA_TPCC_IRQ_ERR	IRQ_CROSSBAR_359	-	TPCC error interrupt. This IRQ source signal is not mapped by default to any device INTC. For more information about INTC refer to Chapter 17 Interrupt Controllers .
	EDMA_TPCC_IRQ_MP	IRQ_CROSSBAR_360	-	TPCC memory protection interrupt. This IRQ source signal is not mapped by default to any device INTC.

Table 16-88. EDMA Hardware Requests (continued)

EDMA_TPCC_IRQ_REGION0	IRQ_CROSSBAR_361	-	TPCC Region 0 interrupt. This IRQ source signal is not mapped by default to any device INTC.	
EDMA_TPCC_IRQ_REGION1	IRQ_CROSSBAR_362	-	TPCC Region 1 interrupt. This IRQ source signal is not mapped by default to any device INTC.	
EDMA_TPCC_IRQ_REGION2	IRQ_CROSSBAR_363	-	TPCC Region 2 interrupt. This IRQ source signal is not mapped by default to any device INTC.	
EDMA_TPCC_IRQ_REGION3	IRQ_CROSSBAR_364	-	TPCC Region 3 interrupt. This IRQ source signal is not mapped by default to any device INTC.	
EDMA_TPCC_IRQ_REGION4	IRQ_CROSSBAR_365	-	TPCC Region 4 interrupt. This IRQ source signal is not mapped by default to any device INTC.	
EDMA_TPCC_IRQ_REGION5	IRQ_CROSSBAR_366	-	TPCC Region 5 interrupt. This IRQ source signal is not mapped by default to any device INTC.	
EDMA_TPCC_IRQ_REGION6	IRQ_CROSSBAR_367	-	TPCC Region 6 interrupt. This IRQ source signal is not mapped by default to any device INTC.	
EDMA_TPCC_IRQ_REGION7	IRQ_CROSSBAR_368	-	TPCC Region 7 interrupt. This IRQ source signal is not mapped by default to any device INTC.	
EDMA_TPTC0	EDMA_TC0_IRQ_ERR	IRQ_CROSSBAR_370	-	TPTC0 error interrupt. This IRQ source signal is not mapped by default to any device INTC.
EDMA_TPTC1	EDMA_TC1_IRQ_ERR	IRQ_CROSSBAR_371	-	TPTC1 error interrupt. This IRQ source signal is not mapped by default to any device INTC.

NOTE: The “Default Mapping” column in [Table 16-88 EDMA Hardware Requests](#) shows the default mapping of module IRQ source signals. These IRQ source signals can also be mapped to other lines of each device Interrupt controller through the `IRQ_CROSSBAR` or `DMA_CROSSBAR` modules. For more information about the `IRQ_CROSSBAR` and `DMA_CROSSBAR` modules, see sections: [Section 18.4.6.4 IRQ_CROSSBAR Module Functional Description](#) and [Section 18.4.6.5 DMA_CROSSBAR Module Functional Description](#), in [Chapter 18 Control Module](#). For more information about the device interrupt controllers, see [Chapter 17 Interrupt Controllers](#).

NOTE: For a description of the interrupt source, see [Section 16.2.4.9, EDMA interrupts](#).

16.2.3.1 EDMA Requests to the EDMA Controller

[Table 16-89](#) lists the default DMA sources for the EDMA controller. In addition, the EDMA inputs (DMA_EDMA_DREQ_[63:0]) can alternatively be sourced through the associated DMA_CROSSBAR from one of the 256 multiplexed device DMA sources listed in [Table 16-6](#). The CTRL_CORE_DMA_EDMA_DREQ_y_z registers (where y and z are indexes of EDMA input lines) in the Control Module are used to select between the default DMA sources and the multiplexed DMA sources.

Table 16-89. EDMA Default Request Mapping

DMA Request Line	DMA CROSSBAR Instance Number	DMA_CROSSBAR Configuration Register	DMA_CROSSBAR Default Input Index	Default DMA Source Name	Default DMA Source Description
DMA_EDMA_DREQ_0	1	CTRL_CORE_DMA_EDMA_DREQ_0_1 [7:0]	1	Reserved	Reserved by default but can be remapped to a valid DMA source
DMA_EDMA_DREQ_1	2	CTRL_CORE_DMA_EDMA_DREQ_0_1 [23:16]	2	EXT_SYS_DREQ_0	External DMA request 0 (system expansion)
DMA_EDMA_DREQ_2	3	CTRL_CORE_DMA_EDMA_DREQ_2_3 [7:0]	3	EXT_SYS_DREQ_1	External DMA request 1 (system expansion)
DMA_EDMA_DREQ_3	4	CTRL_CORE_DMA_EDMA_DREQ_2_3 [23:16]	4	GPMC_DREQ	GPMC data transmit request from prefetch engine
DMA_EDMA_DREQ_4	5	CTRL_CORE_DMA_EDMA_DREQ_4_5 [7:0]	5	Reserved	Reserved by default but can be remapped to a valid DMA source
DMA_EDMA_DREQ_5	6	CTRL_CORE_DMA_EDMA_DREQ_4_5 [23:16]	6	DISPC_DREQ	Frame update request
DMA_EDMA_DREQ_6	7	CTRL_CORE_DMA_EDMA_DREQ_6_7 [7:0]	7	CT_TBR_DREQ	DEBUG subsystem CT_TBR request
DMA_EDMA_DREQ_7	8	CTRL_CORE_DMA_EDMA_DREQ_6_7 [23:16]	8	Reserved	Reserved by default but can be remapped to a valid DMA source
DMA_EDMA_DREQ_8	9	CTRL_CORE_DMA_EDMA_DREQ_8_9 [7:0]	9	Reserved	Reserved by default but can be remapped to a valid DMA source
DMA_EDMA_DREQ_9	10	CTRL_CORE_DMA_EDMA_DREQ_8_9 [23:16]	10	Reserved	Reserved by default but can be remapped to a valid DMA source
DMA_EDMA_DREQ_10	11	CTRL_CORE_DMA_EDMA_DREQ_10_11 [7:0]	11	Reserved	Reserved by default but can be remapped to a valid DMA source
DMA_EDMA_DREQ_11	12	CTRL_CORE_DMA_EDMA_DREQ_10_11 [23:16]	12	Reserved	Reserved by default but can be remapped to a valid DMA source
DMA_EDMA_DREQ_12	13	CTRL_CORE_DMA_EDMA_DREQ_12_13 [7:0]	13	Reserved	Reserved by default but can be remapped to a valid DMA source
DMA_EDMA_DREQ_13	14	CTRL_CORE_DMA_EDMA_DREQ_12_13 [23:16]	14	Reserved	Reserved by default but can be remapped to a valid DMA source
DMA_EDMA_DREQ_14	15	CTRL_CORE_DMA_EDMA_DREQ_14_15 [7:0]	15	MCSPi3_DREQ_TX0	McSPi3 transmit request channel 0
DMA_EDMA_DREQ_15	16	CTRL_CORE_DMA_EDMA_DREQ_14_15 [23:16]	16	MCSPi3_DREQ_RX0	McSPi3 receive request channel 0
DMA_EDMA_DREQ_16	17	CTRL_CORE_DMA_EDMA_DREQ_16_17 [7:0]	17	Reserved	Reserved by default but can be remapped to a valid DMA source
DMA_EDMA_DREQ_17	18	CTRL_CORE_DMA_EDMA_DREQ_16_17 [23:16]	18	Reserved	Reserved by default but can be remapped to a valid DMA source
DMA_EDMA_DREQ_18	19	CTRL_CORE_DMA_EDMA_DREQ_18_19 [7:0]	19	Reserved	Reserved by default but can be remapped to a valid DMA source
DMA_EDMA_DREQ_19	20	CTRL_CORE_DMA_EDMA_DREQ_18_19 [23:16]	20	Reserved	Reserved by default but can be remapped to a valid DMA source
DMA_EDMA_DREQ_20	21	CTRL_CORE_DMA_EDMA_DREQ_20_21 [7:0]	21	Reserved	Reserved by default but can be remapped to a valid DMA source

Table 16-89. EDMA Default Request Mapping (continued)

DMA Request Line	DMA CROSSBAR Instance Number	DMA_CROSSBAR Configuration Register	DMA_CROSSBAR Default Input Index	Default DMA Source Name	Default DMA Source Description
DMA_EDMA_DREQ_21	22	CTRL_CORE_DMA_EDMA_DREQ_20_21[23:16]	22	Reserved	Reserved by default but can be remapped to a valid DMA source
DMA_EDMA_DREQ_22	23	CTRL_CORE_DMA_EDMA_DREQ_22_23[7:0]	23	MCSPi3_DREQ_TX1	McSPi3 transmit request channel 1
DMA_EDMA_DREQ_23	24	CTRL_CORE_DMA_EDMA_DREQ_22_23[23:16]	24	MCSPi3_DREQ_RX1	McSPi3 receive request channel 1
DMA_EDMA_DREQ_24	25	CTRL_CORE_DMA_EDMA_DREQ_24_25[7:0]	25	I2C3_DREQ_TX	I2C3 transmit request
DMA_EDMA_DREQ_25	26	CTRL_CORE_DMA_EDMA_DREQ_24_25[23:16]	26	I2C3_DREQ_RX	I2C3 receive request
DMA_EDMA_DREQ_26	27	CTRL_CORE_DMA_EDMA_DREQ_26_27[7:0]	27	I2C1_DREQ_TX	I2C1 transmit request
DMA_EDMA_DREQ_27	28	CTRL_CORE_DMA_EDMA_DREQ_26_27[23:16]	28	I2C1_DREQ_RX	I2C1 receive request
DMA_EDMA_DREQ_28	29	CTRL_CORE_DMA_EDMA_DREQ_28_29[7:0]	29	I2C2_DREQ_TX	I2C2 transmit request
DMA_EDMA_DREQ_29	30	CTRL_CORE_DMA_EDMA_DREQ_28_29[23:16]	30	I2C2_DREQ_RX	I2C2 receive request
DMA_EDMA_DREQ_30	31	CTRL_CORE_DMA_EDMA_DREQ_30_31[7:0]	31	Reserved	Reserved by default but can be remapped to a valid DMA source
DMA_EDMA_DREQ_31	32	CTRL_CORE_DMA_EDMA_DREQ_30_31[23:16]	32	Reserved	Reserved by default but can be remapped to a valid DMA source
DMA_EDMA_DREQ_32	33	CTRL_CORE_DMA_EDMA_DREQ_32_33[7:0]	33	Reserved	Reserved by default but can be remapped to a valid DMA source
DMA_EDMA_DREQ_33	34	CTRL_CORE_DMA_EDMA_DREQ_32_33[23:16]	34	Reserved	Reserved by default but can be remapped to a valid DMA source
DMA_EDMA_DREQ_34	35	CTRL_CORE_DMA_EDMA_DREQ_34_35[7:0]	35	MCSPi1_DREQ_TX0	McSPi1 transmit request channel 0
DMA_EDMA_DREQ_35	36	CTRL_CORE_DMA_EDMA_DREQ_34_35[23:16]	36	MCSPi1_DREQ_RX0	McSPi1 receive request channel 0
DMA_EDMA_DREQ_36	37	CTRL_CORE_DMA_EDMA_DREQ_36_37[7:0]	37	MCSPi1_DREQ_TX1	McSPi1 transmit request channel 1
DMA_EDMA_DREQ_37	38	CTRL_CORE_DMA_EDMA_DREQ_36_37[23:16]	38	MCSPi1_DREQ_RX1	McSPi1 receive request channel 1
DMA_EDMA_DREQ_38	39	CTRL_CORE_DMA_EDMA_DREQ_38_39[7:0]	39	MCSPi1_DREQ_TX2	McSPi1 transmit request channel 2
DMA_EDMA_DREQ_39	40	CTRL_CORE_DMA_EDMA_DREQ_38_39[23:16]	40	MCSPi1_DREQ_RX2	McSPi1 receive request channel 2
DMA_EDMA_DREQ_40	41	CTRL_CORE_DMA_EDMA_DREQ_40_41[7:0]	41	MCSPi1_DREQ_TX3	McSPi1 transmit request channel 3
DMA_EDMA_DREQ_41	42	CTRL_CORE_DMA_EDMA_DREQ_40_41[23:16]	42	MCSPi1_DREQ_RX3	McSPi1 receive request channel 3
DMA_EDMA_DREQ_42	43	CTRL_CORE_DMA_EDMA_DREQ_42_43[7:0]	43	MCSPi2_DREQ_TX0	McSPi2 transmit request channel 0
DMA_EDMA_DREQ_43	44	CTRL_CORE_DMA_EDMA_DREQ_42_43[23:16]	44	MCSPi2_DREQ_RX0	McSPi2 receive request channel 0
DMA_EDMA_DREQ_44	45	CTRL_CORE_DMA_EDMA_DREQ_44_45[7:0]	45	MCSPi2_DREQ_TX1	McSPi2 transmit request channel 1
DMA_EDMA_DREQ_45	46	CTRL_CORE_DMA_EDMA_DREQ_44_45[23:16]	46	MCSPi2_DREQ_RX1	McSPi2 receive request channel 1
DMA_EDMA_DREQ_46	47	CTRL_CORE_DMA_EDMA_DREQ_46_47[7:0]	47	MMC2_DREQ_TX	MMC2 transmit request
DMA_EDMA_DREQ_47	48	CTRL_CORE_DMA_EDMA_DREQ_46_47[23:16]	48	MMC2_DREQ_RX	MMC2 receive request
DMA_EDMA_DREQ_48	49	CTRL_CORE_DMA_EDMA_DREQ_48_49[7:0]	49	UART1_DREQ_TX	UART1 transmit request

Table 16-89. EDMA Default Request Mapping (continued)

DMA Request Line	DMA_CROSSBAR Instance Number	DMA_CROSSBAR Configuration Register	DMA_CROSSBAR Default Input Index	Default DMA Source Name	Default DMA Source Description
DMA_EDMA_DREQ_49	50	CTRL_CORE_DMA_EDMA_DREQ_48_49[23:16]	50	UART1_DREQ_RX	UART1 receive request
DMA_EDMA_DREQ_50	51	CTRL_CORE_DMA_EDMA_DREQ_50_51[7:0]	51	UART2_DREQ_TX	UART2 transmit request
DMA_EDMA_DREQ_51	52	CTRL_CORE_DMA_EDMA_DREQ_50_51[23:16]	52	UART2_DREQ_RX	UART2 receive request
DMA_EDMA_DREQ_52	53	CTRL_CORE_DMA_EDMA_DREQ_52_53[7:0]	53	UART3_DREQ_TX	UART3 transmit request
DMA_EDMA_DREQ_53	54	CTRL_CORE_DMA_EDMA_DREQ_52_53[23:16]	54	UART3_DREQ_RX	UART3 receive request
DMA_EDMA_DREQ_54	55	CTRL_CORE_DMA_EDMA_DREQ_54_55[7:0]	55	UART4_DREQ_TX	UART4 transmit request
DMA_EDMA_DREQ_55	56	CTRL_CORE_DMA_EDMA_DREQ_54_55[23:16]	56	UART4_DREQ_RX	UART4 receive request
DMA_EDMA_DREQ_56	57	CTRL_CORE_DMA_EDMA_DREQ_56_57[7:0]	57	MMC4_DREQ_TX	MMC4 transmit request
DMA_EDMA_DREQ_57	58	CTRL_CORE_DMA_EDMA_DREQ_56_57[23:16]	58	MMC4_DREQ_RX	MMC4 receive request
DMA_EDMA_DREQ_58	59	CTRL_CORE_DMA_EDMA_DREQ_58_59[7:0]	59	Reserved	Reserved by default but can be remapped to a valid DMA source
DMA_EDMA_DREQ_59	60	CTRL_CORE_DMA_EDMA_DREQ_58_59[23:16]	60	Reserved	Reserved by default but can be remapped to a valid DMA source
DMA_EDMA_DREQ_60	61	CTRL_CORE_DMA_EDMA_DREQ_60_61[7:0]	61	MMC1_DREQ_TX	MMC1 transmit request
DMA_EDMA_DREQ_61	62	CTRL_CORE_DMA_EDMA_DREQ_60_61[23:16]	62	MMC1_DREQ_RX	MMC1 receive request
DMA_EDMA_DREQ_62	63	CTRL_CORE_DMA_EDMA_DREQ_62_63[7:0]	63	UART5_DREQ_TX	UART5 transmit request
DMA_EDMA_DREQ_63	64	CTRL_CORE_DMA_EDMA_DREQ_62_63[23:16]	64	UART5_DREQ_RX	UART5 receive request

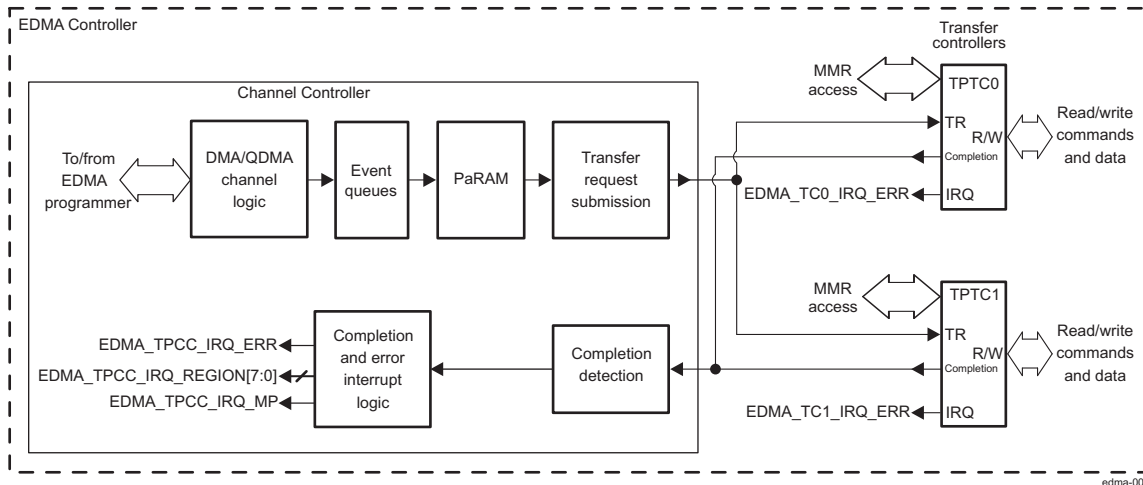
16.2.4 EDMA Controller Functional Description

This chapter discusses the architecture of the EDMA controller.

16.2.4.1 Block Diagram

Figure 16-15 shows the functional block diagram of the EDMA controller.

Figure 16-15. EDMA Controller Block Diagram



16.2.4.1.1 Third-Party Channel Controller

The TPCC is the EDMA transfer scheduler responsible for scheduling, arbitrating, and issuing user programmed transfers to the two TPTCs.

Figure 16-16 shows a functional block diagram of the EDMA channel controller (EDMA_TPCC).

The main blocks of the EDMA_TPCC are as follows:

- **Parameter RAM (PaRAM):** The PaRAM maintains parameter sets for channel and reload parameter sets. The PaRAM must be written with the transfer context for the desired channels and link parameter sets. EDMA_TPCC processes and sets based on a trigger event and submits a transfer request (TR) to the transfer controllers.
- **EDMA event and interrupt processing registers:** Allows mapping of events to parameter sets, enable/disable events, enable/disable interrupt conditions, and clearing interrupts.
- **Completion detection:** The completion detect block detects completion of transfers by the EDMA_TPTCs or slave peripherals. The completion of transfers can be used optionally to chain trigger new transfers or to assert interrupts.
- **Event queues:** Event queues form the interface between the event detection logic and the transfer request submission logic.
- **Memory protection registers:** Memory protection registers define the accesses (privilege level and requestor(s)) that are allowed to access the DMA channel shadow region view(s) and regions of PaRAM.

Other functions include the following:

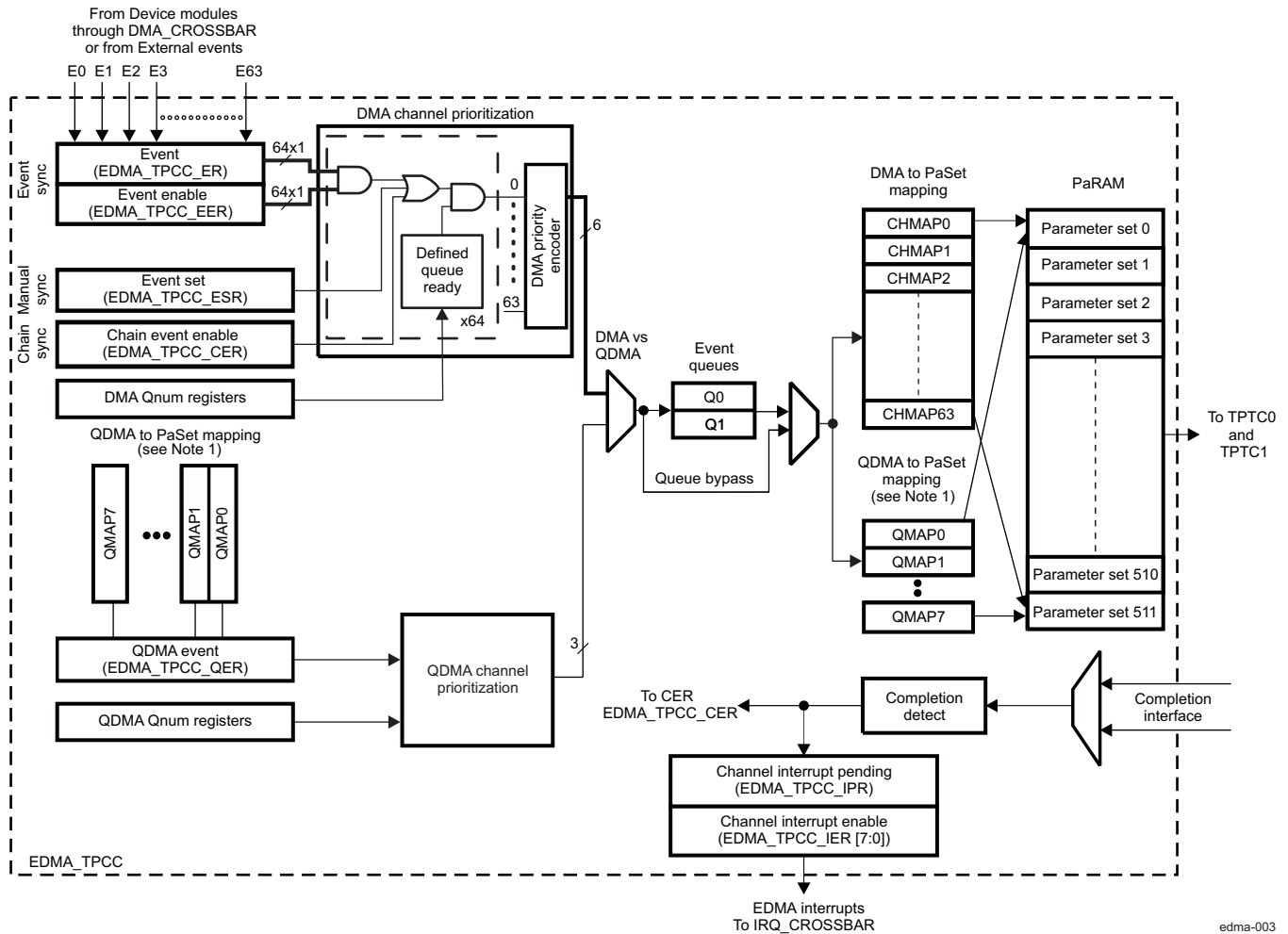
- **Region registers:** Region registers allow DMA resources (DMA channels and interrupts) to be assigned to unique regions that different EDMA programmers own (for example, MPU or DSPs).
- **Debug registers:** Debug registers allow debug visibility by providing registers to read the queue status, controller status, and missed event status.

The EDMA_TPCC includes two channel types: DMA channels (64 channels) and QDMA channels (8 channels).

Each channel is associated with a given event queue/transfer controller and with a given PaPARAM set. The main difference between a DMA channel and a QDMA channel is the method that the system uses to trigger transfers.

Figure 16-16 is a block diagram of the EDMA_TPCC.

Figure 16-16. EDMA Channel Controller Block Diagram



(1) Although it is depicted twice in Figure 16-16, there is only one physical register set for the QDMA to PaPARAM set mapping block.

The EDMA_TPCC supports up to 64 DMA channels and up to 8 QDMA channels. These channels are identical, except for how they are triggered:

- DMA channels are triggered by external events (such as McSPI modules TX event and McSPI modules RX event) by the event set registers [EDMA_TPCC_ESR](#) and [EDMA_TPCC_ESRH](#), or through chaining register [EDMA_TPCC_CER](#).
- QDMA channels are triggered automatically (auto-triggered) by the CPU. QDMAs allow a minimum number of linear writes to be issued to the TPCC to force a series of transfers to occur.

The TPCC arbitrates among pending DMA and QDMA events with a fixed [64:1] and [8:1] priority encoder for these events, respectively (a low channel number corresponds to a high priority).

DMA events are always higher priority than QDMA events. The higher-priority event is placed in the event queue to await submission to the transfer controllers, which occurs at the earliest opportunity. Each event queue is serviced in FIFO order, with a maximum of 16 queued events per event queue. If more than one TPTC is ready to be programmed with a transmission request (TR), the event queues are serviced with fixed priority: Q0 is higher than Q1. When an event is ready to be queued and the event queue and the TC channel are empty, the event bypasses the event queue and goes directly to the PaRAM processing logic for submission to the appropriate TC. If the transfer request TR bus or PaRAM processing are busy, the bypass path is not used. The bypass is not used to dequeue for a higher-priority event.

Events are extracted from the event queue when the EDMA_TPTC is available for a new TR to be programmed into the EDMA_TPTC (signaled with the empty signal, indicating an empty program register set). As an event is extracted from the event queue, the associated PaRAM entry is processed and submitted to the TPTC as a TR. The TPCC updates the appropriate counts and addresses in the PaRAM entry in anticipation of the next trigger event for that PaRAM entry.

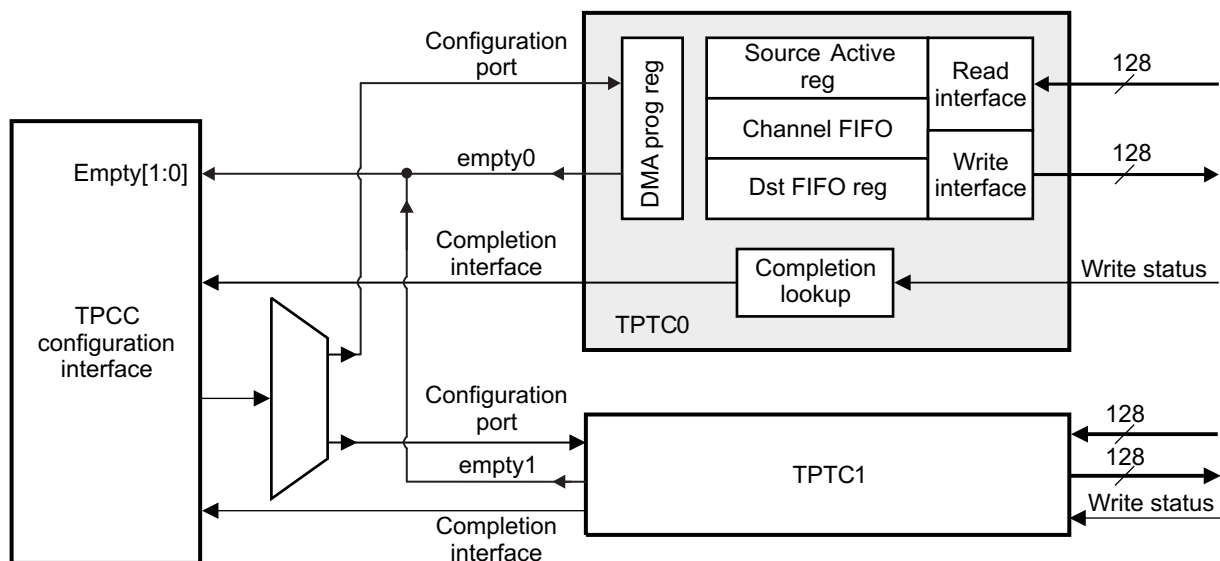
The EDMA_TPCC also has an error detection logic that causes an error interrupt generation on various error conditions (for example: missed events [EDMA_TPCC_EMR](#) and [EDMA_TPCC_EMRH](#) registers, exceeding event queue thresholds in [EDMA_TPCC_CCERR](#) register, etc.).

16.2.4.1.2 Third-Party Transfer Controller

The TPTC module is the EDMA transfer engine that generates transfers as programmed in dedicated working registers, using two dedicated master ports: a read-only port and a write-only port.

Figure 16-17 shows a functional block diagram and of the EDMA transfer controller (EDMA_TPTC) and its connection to the EDMA_TPCC.

Figure 16-17. TPTC Block Diagram



NOTE: The port data bus width of the instances of the TPTC is fixed at 128 bits.

Two instances of the EDMA_TPTC generate concurrent traffic on the L3_MAIN interconnect. Each TC controller consists of the following components:

- **DMA Program Register Set:** Stores the context for the DMA transfer that is loaded into the active register set when the current active register set completes. The CPU or TPCC programs the Program Register Set, not the active register set. For typical standalone operation, the CPU programs the Program Register while the TC services the Active register set. The Program Register set includes ownership control such that CPU software and the EDMA stay synchronized relative to one another.
- **Source Active Register Set :** Stores the context (src/dst/cnt/etc) for the DMA Transfer Request (TR) in progress in the Read Controller. The Active register set is split into independent Source and

Destination, because the source interconnect controller and the distant interconnect controller operate independently of one another.

- Destination FIFO Register Set: Stores the context (src/dst/cnt/etc) for the DMA Transfer Request (TR) in progress, or pending, in the Write Controller. The pending register must allow the source controller to begin processing a new TR while the distant register set processes the previous TR.
- Channel FIFO: Temporary holding buffer for in-flight data. The read return data of the source peripheral is stored in the Data FIFO, and then is written to the destination peripheral by the write command/data bus.
- Read Controller/Interconnect Read Interface: The Interconnect read interface issues optimally sized read commands to the source peripheral, based on a burst size of 128 bytes and available landing space in the channel FIFO.
- Write controller/Interconnect Write interface: The local interconnect write interface issues optimally sized write commands to the destination peripheral, based on a burst size of 128 bytes and available data in the channel FIFO.
- Completion interface: sends completion codes to the EDMA_TPCC when a transfer completes and generates interrupts and chained events in the TPCC module.
- Configuration port: Slave interface that provides read/write access to program registers and read access to all memory-mapped TPTC registers.

When one EDMA_TPTC module is idle and receive its first TR, DMA program register set receives the TR, where it transitions to the DMA source active set and the destination FIFO register set immediately. The second TR (if pending from EDMA_TPCC) is loaded into the DMA program set, ensuring it can start as soon as possible when the active transfer completes. As soon as the current active set is exhausted, the TR is loaded from the DMA program register set into the DMA source active register set as well as to the appropriate entry in the destination FIFO register set.

The read controller issues read commands controlled by the rules of command fragmentation and optimization. These are issued only when the data FIFO has space available for the data read. When sufficient data is in the data FIFO, the write controller starts issuing a write command again following the rules for command fragmentation and optimization.

Depending on the number of entries, the read controller can process up to two or four transfer requests ahead of the destination subject to the amount of free data FIFO.

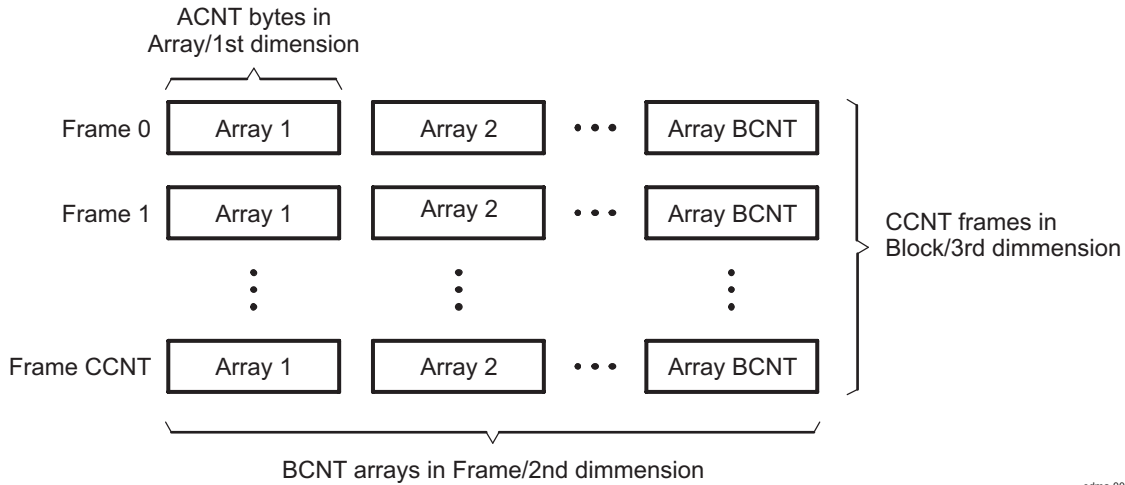
16.2.4.2 Types of EDMA controller Transfers

An EDMA transfer is always defined in terms of three dimensions. [Figure 16-18](#) shows the three dimensions used by EDMA controller transfers. These three dimensions are defined as:

- 1st Dimension or Array (A): The 1st dimension in a transfer consists of [EDMA_TPCC_ABCNT_n\[15:0\]](#) ACNT contiguous bytes.
- 2nd Dimension or Frame (B): The 2nd dimension in a transfer consists of [EDMA_TPCC_ABCNT_n\[31:16\]](#) BCNT arrays of ACNT bytes. Each array transfer in the 2nd dimension is separated from each other by an index programmed using bit-fields [EDMA_TPCC_BIDX_n\[15:0\]](#) SBIDX or [EDMA_TPCC_BIDX_n\[31:16\]](#) DBIDX.
- 3rd Dimension or Block (C): The 3rd dimension in a transfer consists of CCNT frames of BCNT arrays of ACNT bytes. The Count for 3rd Dimension is defined in register [EDMA_TPCC_CCNT_n\[15:0\]](#) CCNT. Each transfer in the 3rd dimension is separated from the previous by an index programmed using [EDMA_TPCC_CIDX_n\[15:0\]](#) SCIDX or [EDMA_TPCC_CIDX_n\[31:16\]](#) DCIDX.

NOTE: The reference point for the index depends on the synchronization type. The amount of data transferred upon receipt of a trigger/synchronization event is controlled by the synchronization types ([EDMA_TPCC_OPT_n\[2\]](#) SYNCDIM bit). For these three dimensions, only two synchronization types are supported: A-synchronized transfers and AB-synchronized transfers.

Figure 16-18. Definition of ACNT, BCNT, and CCNT



edma-007

16.2.4.2.1 A-Synchronized Transfers

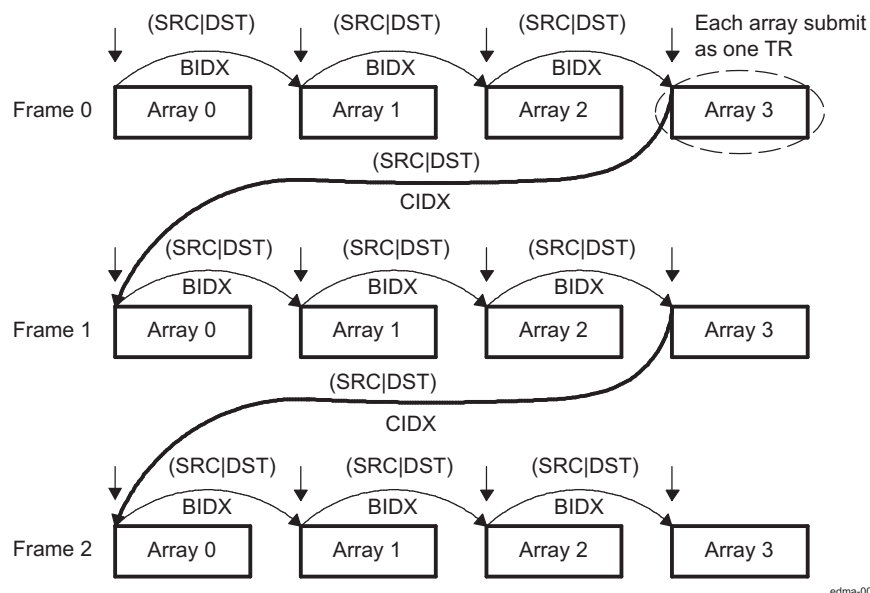
In an A-synchronized transfer, each EDMA sync event initiates the transfer of the 1st dimension of [EDMA_TPCC_ABCNT_n\[15:0\]](#) ACNT bytes, or one array of ACNT bytes. Each event/TR packet conveys the transfer information for one array only. Thus, BCNT × CCNT events are needed to completely service a PaRAM set.

Arrays are always separated by [EDMA_TPCC_BIDX_n\[15:0\]](#) SBIDX and [EDMA_TPCC_BIDX_n\[31:16\]](#) DBIDX, as shown in [Figure 16-19](#), where the start address of Array N is equal to the start address of Array N – 1 plus source (SRC) or destination (DST) in [EDMA_TPCC_BIDX_n](#) register.

Frames are always separated by [EDMA_TPCC_CIDX_n\[15:0\]](#) SCIDX and [EDMA_TPCC_CIDX_n\[31:16\]](#) DCIDX. For A-synchronized transfers, after the frame is exhausted, the address is updated by adding SRCCIDX/DSTCIDX to the beginning address of the last array in the frame. As in [Figure 16-19](#), SRCCIDX / DSTCIDX is the difference between the start of Frame 0 Array 3 to the start of Frame 1 Array 0.

[Figure 16-19](#) shows an A-synchronized transfer of 3 (CCNT) frames of 4 (BCNT) arrays of n (ACNT) bytes. In this example, a total of 12 sync events (BCNT × CCNT) exhaust a PaRAM set. See [Figure 16-19](#) for details on parameter set updates.

Figure 16-19. A-Synchronized Transfers (ACNT = n, BCNT = 4, CCNT = 3)



edma-008

16.2.4.2.2 AB-Synchronized Transfers

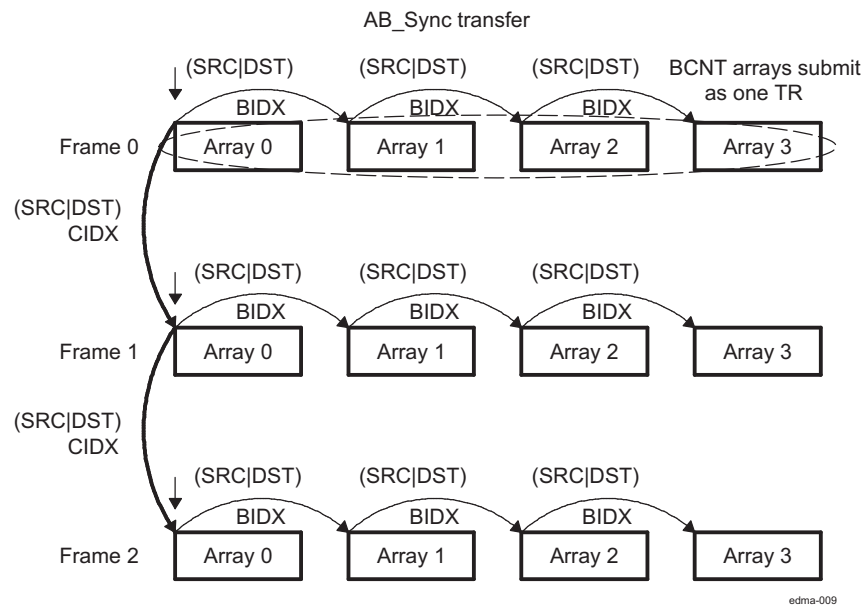
In an AB-synchronized transfer, each EDMA sync event initiates the transfer of 2 dimensions or one frame. Each event/TR packet conveys information for one entire frame of BCNT_n arrays of ACNT_n bytes. Thus, EDMA_TPCC_CCNT_n events are needed to completely service a PaRAM set.

Arrays are always separated by EDMA_TPCC_BIDX_n[15:0] SBIDX and EDMA_TPCC_BIDX_n[31:16] DBIDX as shown in Figure 16-20. Frames are always separated by SRCCIDX and DSTCIDX.

Note that for AB-synchronized transfers, after a TR for the frame is submitted, the address update is to add EDMA_TPCC_CIDX_n[15:0] SCIDX / EDMA_TPCC_CIDX_n[31:16] DCIDX to the beginning address of the beginning array in the frame. This is different from A-synchronized transfers where the address is updated by adding SRCCIDX/DSTCIDX to the start address of the last array in the frame. See Section 16.2.4.3.6 *Parameter Set Updates* for details on parameter set updates.

Figure 16-20 shows an AB-synchronized transfer of 3 (CCNT) frames of 4 (BCNT) arrays of *n* (ACNT) bytes. In this example, a total of 3 sync events (CCNT) exhaust a PaRAM set; that is, a total of 3 transfers of 4 arrays each completes the transfer.

Figure 16-20. AB-Synchronized Transfers (ACNT = *n*, BCNT = 4, CCNT = 3)



NOTE: ABC-synchronized transfers are not directly supported. It can be logically achieved by chaining between multiple AB-synchronized transfers.

NOTE: VCP does not support Const/FIFO mode DMA transfers. The EDMA should be configured for AB-Synchronized transfer with ACNT = 8, BCNT = number of elements.

16.2.4.3 Parameter RAM (PaRAM)

The EDMA controller is a RAM-based architecture. The transfer context (source/destination addresses, count, indexes, etc.) for DMA or QDMA channels is programmed in a parameter RAM table in EDMA_TPCC. The PaRAM table is segmented into multiple PaRAM sets. Each PaRAM set includes eight four-byte PaRAM set entries (32-bytes total per PaRAM set), which includes typical DMA transfer parameters such as source address, destination address, transfer counts, indexes, options, etc.

The PaRAM structure supports flexible ping-pong, circular buffering, channel chaining, and auto-reloading (linking).

The contents of the PaRAM include the following:

- 512 PaRAM sets
- 64 channels that are direct mapped and can be used as link or QDMA sets if not used for DMA channels
- 64 channels remain for link or QDMA sets

By default, all channels map to PaRAM set to 0, they should be remapped before use by [EDMA_TPCC_DCHMAPN_m](#) and [EDMA_TPCC_QCHMAPN_j](#) registers.

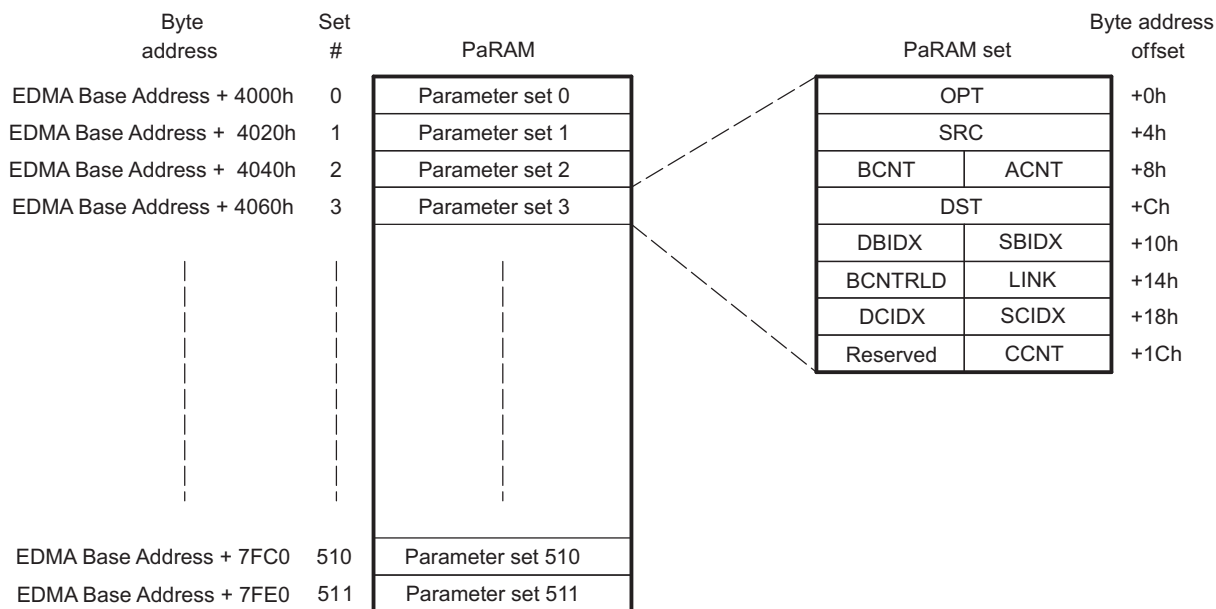
Table 16-90. EDMA Parameter RAM Contents

PaRAM Set Number	Base Address	Parameters ⁽¹⁾
0	EDMA Base Address + 4000h to EDMA Base Address + 401Fh	PaRAM set 0
1	EDMA Base Address + 4020h to EDMA Base Address + 403Fh	PaRAM set 1
2	EDMA Base Address + 4040h to EDMA Base Address + 405Fh	PaRAM set 2
3	EDMA Base Address + 4060h to EDMA Base Address + 407Fh	PaRAM set 3
4	EDMA Base Address + 4080h to EDMA Base Address + 409Fh	PaRAM set 4
5	EDMA Base Address + 40A0h to EDMA Base Address + 40BFh	PaRAM set 5
6	EDMA Base Address + 40C0h to EDMA Base Address + 40DFh	PaRAM set 6
7	EDMA Base Address + 40E0h to EDMA Base Address + 40FFh	PaRAM set 7
8	EDMA Base Address + 4100h to EDMA Base Address + 411Fh	PaRAM set 8
9	EDMA Base Address + 4120h to EDMA Base Address + 413Fh	PaRAM set 9
...
63	EDMA Base Address + 47E0h to EDMA Base Address + 47FFh	PaRAM set 63
64	EDMA Base Address + 4800h to EDMA Base Address + 481Fh	PaRAM set 64
65	EDMA Base Address + 4820h to EDMA Base Address + 483Fh	PaRAM set 65
...
510	EDMA Base Address + 7FC0h to EDMA Base Address + 7FDFh	PaRAM set 510
511	EDMA Base Address + 7FE0h to EDMA Base Address + 7FFFh	PaRAM set 511

⁽¹⁾ The device has 8 QDMA channels that can be mapped to any parameter set number from 0 to 511.

16.2.4.3.1 PaRAM

Each parameter set of PaRAM is organized into eight 32-bit words or 32 bytes, as shown in [Figure 16-21](#) and described in [Table 16-91](#). Each PaRAM set consists of 16-bit and 32-bit parameters.

Figure 16-21. PaRAM Set


edma-010

Table 16-91. EDMA Channel Parameter Description

Offset Address (bytes)	Acronym	Parameter	Description
0h	OPT	Channel Options EDMA_TPCC_OPT_n register	Transfer configuration options
4h	SRC	Channel Source Address EDMA_TPCC_SRC_n register	The byte address from which data is transferred
8h ⁽¹⁾	ACNT	Count for 1st Dimension EDMA_TPCC_ABCNT_n[15:0] ACNT bit-field.	Unsigned value specifying the number of contiguous bytes within an array (first dimension of the transfer). Valid values range from 1 to 65 535.
	BCNT	Count for 2nd Dimension EDMA_TPCC_ABCNT_n[31:16] BCNT bit-field.	Unsigned value specifying the number of arrays in a frame, where an array is ACNT bytes. Valid values range from 1 to 65 535.
Ch	DST	Channel Destination Address EDMA_TPCC_DST_n register	The byte address to which data is transferred
10h ⁽¹⁾	SBIDX	Source BCNT Index EDMA_TPCC_BIDX_n[15:0] SBIDX bit-field.	Signed value specifying the byte address offset between source arrays within a frame (2nd dimension). Valid values range from –32 768 and 32 767.
	DBIDX	Destination BCNT Index EDMA_TPCC_BIDX_n[31:16] DBIDX bit-field.	Signed value specifying the byte address offset between destination arrays within a frame (2nd dimension). Valid values range from –32 768 and 32 767.
14h ⁽¹⁾	LINK	Link Address EDMA_TPCC_LNK_n[15:0] LINK bit-field	The PaRAM address containing the PaRAM set to be linked (copied from) when the current PaRAM set is exhausted. A value of FFFFh specifies a null link.
	BCNTRLD	BCNT Reload EDMA_TPCC_LNK_n[31:16] BCNTRLD bit-field	The count value used to reload BCNT when BCNT decrements to 0 (TR is submitted for the last array in 2nd dimension). Only relevant in A-synchronized transfers.
18h ⁽¹⁾	SCIDX	Source CCNT index. EDMA_TPCC_CIDX_n[15:0] SCIDX bit-field.	Signed value specifying the byte address offset between frames within a block (3rd dimension). Valid values range from –32 768 and 32 767. A-synchronized transfers: The byte address offset from the beginning of the last source array in a frame to the beginning of the first source array in the next frame. AB-synchronized transfers: The byte address offset from the beginning of the first source array in a frame to the beginning of the first source array in the next frame.
	DCIDX	Destination CCNT index. EDMA_TPCC_CIDX_n[31:16] DCIDX bit-field.	Signed value specifying the byte address offset between frames within a block (3rd dimension). Valid values range from –32 768 and 32 767. A-synchronized transfers: The byte address offset from the beginning of the last destination array in a frame to the beginning of the first destination array in the next frame. AB-synchronized transfers: The byte address offset from the beginning of the first destination array in a frame to the beginning of the first destination array in the next frame.
1Ch	CCNT	Count for 3rd Dimension. EDMA_TPCC_CCNT_n[15:0] CCNT bit-field.	Unsigned value specifying the number of frames in a block, where a frame is BCNT arrays of ACNT bytes. Valid values range from 1 to 65 535.
	Reserved	Reserved	Reserved. Always write 0 to this bit; writes of 1 to this bit are not supported and attempts to do so may result in undefined behavior.

⁽¹⁾ If OPT, SRC, or DST is the trigger word for a QDMA transfer, then a 32-bit access to that field is required. Furthermore, it is recommended to perform only 32-bit accesses on the parameter RAM for best code compatibility. For example, switching the endianness of the processor will swap addresses of the 16-bit fields, but 32-bit accesses avoid the issue entirely.

16.2.4.3.2 EDMA Channel PaRAM Set Entry Fields

16.2.4.3.2.1 Channel Options Parameter (OPT)

For detailed information about the channel options parameter, see the [EDMA_TPCC_OPT_n](#) register description in [Section 16.2.7.2.2.1, EDMA_TPCC Register Description](#).

16.2.4.3.2.2 Channel Source Address (SRC)

The 32-bit source address parameter specifies the starting byte address of the source. For SAM in increment mode, there are no alignment restrictions imposed by EDMA. For SAM in constant addressing mode, it must program the source address to be aligned to a 256-bit aligned address (5 LSBs of address must be 0). If this rule is not observed, the EDMA_TPTC returns an error. Refer to [Section 16.2.4.12.3 Error Generation](#) for additional details.

16.2.4.3.2.3 Channel Destination Address (DST)

The 32-bit destination address parameter specifies the starting byte address of the destination. For DAM in increment mode, there are no alignment restrictions imposed by EDMA. For DAM in constant addressing mode, it must program the destination address to be aligned to a 256-bit aligned address (5 LSBs of address must be 0). If this rule is not observed, the EDMA_TPTC returns an error. Refer to [Section 16.2.4.12.3 Error Generation](#) for additional details.

16.2.4.3.2.4 Count for 1st Dimension (ACNT)

[EDMA_TPCC_ABCNT_n\[15:0\]](#) ACNT represents the number of bytes within the 1st dimension of a transfer. ACNT is a 16-bit unsigned value with valid values between 0 and 65 535. Therefore, the maximum number of bytes in an array is 65 535 bytes (64K – 1 bytes). ACNT must be greater than or equal to 1 for a TR to be submitted to EDMA_TPTC. A transfer with ACNT equal to 0 is considered either a null or dummy transfer. A dummy or null transfer generates a completion code depending on the settings of the completion bit fields in [EDMA_TPCC_OPT_n](#).

Refer to [Section 16.2.4.3.5 Dummy Versus Null Transfer Comparison](#) and [Section 16.2.4.5.3 Dummy or Null Completion](#) for details on dummy/null completion conditions.

16.2.4.3.2.5 Count for 2nd Dimension (BCNT)

[EDMA_TPCC_ABCNT_n\[15:0\]](#) BCNT is a 16-bit unsigned value that specifies the number of arrays of length ACNT. For normal operation, valid values for BCNT are between 1 and 65 535. Therefore, the maximum number of arrays in a frame is 65 535 (64K – 1 arrays). A transfer with BCNT equal to 0 is considered either a null or dummy transfer. A dummy or null transfer generates a completion code depending on the settings of the completion bit fields in [EDMA_TPCC_OPT_n](#).

Refer to [Section 16.2.4.3.5 Dummy Versus Null Transfer Comparison](#) and [Section 16.2.4.5.3 Dummy or Null Completion](#) for details on dummy/null completion conditions.

16.2.4.3.2.6 Count for 3rd Dimension (CCNT)

[EDMA_TPCC_CCNT_n\[15:0\]](#) CCNT is a 16-bit unsigned value that specifies the number of frames in a block. Valid values for CCNT are between 1 and 65 535. Therefore, the maximum number of frames in a block is 65 535 (64K – 1 frames). A transfer with CCNT equal to 0 is considered either a null or dummy transfer. A dummy or null transfer generates a completion code depending on the settings of the completion bit fields in [EDMA_TPCC_OPT_n](#).

A CCNT value of 0 is considered either a null or dummy transfer.

Refer to [Section 16.2.4.3.5 Dummy Versus Null Transfer Comparison](#) and [Section 16.2.4.5.3 Dummy or Null Completion](#) for details on dummy/null completion conditions.

16.2.4.3.2.7 BCNT Reload (BCNTRLD)

[EDMA_TPCC_LNK_n\[31:16\]](#) BCNTRLD is a 16-bit unsigned value used to reload the [EDMA_TPCC_ABCNT_n\[15:0\]](#) BCNT field once the last array in the 2nd dimension is transferred. This field is only used for A-synchronized transfers. In this case, the EDMA_TPCC decrements the BCNT value by 1 on each TR submission. When BCNT reaches 0, the EDMA_TPCC decrements CCNT and uses the BCNTRLD value to reinitialize the BCNT value.

For AB-synchronized transfers, the EDMA_TPCC submits the BCNT in the TR and the EDMA_TPTC decrements BCNT appropriately. For AB-synchronized transfers, BCNTRLD is not used.

16.2.4.3.2.8 Source B Index (SBIDX)

[EDMA_TPCC_BIDX_n\[15:0\]](#) SBIDX is a 16-bit signed value (2s complement) used for source address modification between each array in the 2nd dimension. Valid values for [EDMA_TPCC_BIDX_n\[15:0\]](#) SBIDX are between $-32\,768$ and $32\,767$. It provides a byte address offset from the beginning of the source array to the beginning of the next source array. It applies to both A-synchronized and AB-synchronized transfers. Some examples:

- [EDMA_TPCC_BIDX_n\[15:0\]](#) SBIDX = 0000h (0): no address offset from the beginning of an array to the beginning of the next array. All arrays are fixed to the same beginning address.
- [EDMA_TPCC_BIDX_n\[15:0\]](#) SBIDX = 0003h (+3): the address offset from the beginning of an array to the beginning of the next array in a frame is 3 bytes. For example, if the current array begins at address 1000h, the next array begins at 1003h.
- [EDMA_TPCC_BIDX_n\[15:0\]](#) SBIDX = FFFFh (−1): the address offset from the beginning of an array to the beginning of the next array in a frame is −1 byte. For example, if the current array begins at address 5054h, the next array begins at 5053h.

16.2.4.3.2.9 Destination B Index (DBIDX)

[EDMA_TPCC_BIDX_n\[31:16\]](#) DBIDX is a 16-bit signed value (2s complement) used for destination address modification between each array in the 2nd dimension. Valid values for [EDMA_TPCC_BIDX_n\[31:16\]](#) DBIDX are between $-32\,768$ and $32\,767$. It provides a byte address offset from the beginning of the destination array to the beginning of the next destination array within the current frame. It applies to both A-synchronized and AB-synchronized transfers. Refer to [Section 16.2.4.3.2.8 Source B Index \(SBIDX\)](#) for examples.

16.2.4.3.2.10 Source C Index (SCIDX)

[EDMA_TPCC_CIDX_n\[15:0\]](#) SCIDX is a 16-bit signed value (2s complement) used for source address modification in the 3rd dimension. Valid values for [EDMA_TPCC_CIDX_n\[15:0\]](#) SCIDX are between $-32\,768$ and $32\,767$. It provides a byte address offset from the beginning of the current array (pointed to by SRC address) to the beginning of the first source array in the next frame. It applies to both A-synchronized and AB-synchronized transfers.

NOTE: When SCIDX is applied, the current array in an A-synchronized transfer is the last array in the frame ([Figure 16-19](#)), while the current array in an AB-synchronized transfer is the first array in the frame ([Figure 16-20](#)).

16.2.4.3.2.11 Destination C Index (DCIDX)

[EDMA_TPCC_CIDX_n\[31:16\]](#) DCIDX is a 16-bit signed value (2s complement) used for destination address modification in the 3rd dimension. Valid values are between $-32\,768$ and $32\,767$. It provides a byte address offset from the beginning of the current array (pointed to by DST address) to the beginning of the first destination array TR in the next frame. It applies to both A-synchronized and AB-synchronized transfers.

NOTE: When DCIDX is applied, the current array in an A-synchronized transfer is the last array in the frame (Figure 16-19), while the current array in a AB-synchronized transfer is the first array in the frame (Figure 16-20).

16.2.4.3.2.12 Link Address (LINK)

The EDMA_TPCC provides a mechanism, called linking, to reload the current PaRAM set upon its natural termination (that is, after the count fields are decremented to 0) with a new PaRAM set. The 16-bit parameter `EDMA_TPCC_LNK_n[15:0]` LINK specifies the byte address offset in the PaRAM from which the EDMA_TPCC loads/reloads the next PaRAM set during linking.

It must program the link address to point to a valid aligned 32-byte PaRAM set. The 5 LSBs of the LINK field should be cleared to 0.

The EDMA_TPCC ignores the upper 2 bits of the LINK entry, allowing the flexibility of programming the link address as either an absolute/literal byte address or use the PaRAM-base-relative offset address. Therefore, if it use the literal address with a range from 4000h to 7FFFh, it will be treated as a PaRAM-base-relative value of 0000h to 3FFFh.

It should check that the programmed value in the `EDMA_TPCC_LNK_n[15:0]` LINK field is correctly, so that link update is requested from a PaRAM address that falls in the range of the available PaRAM addresses on the device.

Value of FFFFh in `EDMA_TPCC_LNK_n[15:0]` LINK bit-field is referred to as a NULL link that should cause the EDMA_TPCC to perform an internal write of 0 to all entries of the current PaRAM set, except for the `EDMA_TPCC_LNK_n[15:0]` LINK field is set to FFFFh. Also, see Section 16.2.4.5 *Completion of a DMA Transfer* for details on terminating a transfer.

16.2.4.3.3 Null PaRAM Set

A null PaRAM set is defined as a PaRAM set where all count fields (`EDMA_TPCC_ABCNT_n[15:0]` ACNT, `EDMA_TPCC_ABCNT_n[31:16]` BCNT, and `EDMA_TPCC_CCNT_n[15:0]` CCNT) are cleared to 0. If a PaRAM set associated with a channel is a NULL set, then when serviced by the EDMA_TPCC, the bit corresponding to the channel is set in the associated event missed register (`EDMA_TPCC_EMR`, `EDMA_TPCC_EMRH`, or `EDMA_TPCC_QEMR`). This bit remains set in the associated secondary event register (`EDMA_TPCC_SER`, `EDMA_TPCC_SERH`, or `EDMA_TPCC_QSER`).

This implies that any future events on the same channel are ignored by the EDMA_TPCC and it is required to clear the bit in `EDMA_TPCC_SER`, `EDMA_TPCC_SERH`, or `EDMA_TPCC_QSER` for the channel. This is considered an error condition, since events are not expected on a channel that is configured as a null transfer.

16.2.4.3.4 Dummy PaRAM Set

A dummy PaRAM set is defined as a PaRAM set where at least one of the count fields (`EDMA_TPCC_ABCNT_n[15:0]` ACNT, `EDMA_TPCC_ABCNT_n[31:16]` BCNT, or `EDMA_TPCC_CCNT_n[15:0]` CCNT) is cleared to 0 and at least one of the count fields is nonzero.

If a PaRAM set associated with a channel is a dummy set, then when serviced by the EDMA_TPCC, it will not set the bit corresponding to the channel (DMA/QDMA) in the event missed register (`EDMA_TPCC_EMR`, `EDMA_TPCC_EMRH`, or `EDMA_TPCC_QEMR`) and the secondary event register (`EDMA_TPCC_SER`, `EDMA_TPCC_SERH`, or `EDMA_TPCC_QSER`) bit gets cleared similar to a normal transfer. Future events on that channel are serviced. A dummy transfer is a legal transfer of 0 bytes.

16.2.4.3.5 Dummy Versus Null Transfer Comparison

There are some differences in the way the EDMA_TPCC logic treats a dummy versus a null transfer request. A null transfer request is an error condition, but a dummy transfer is a legal transfer of 0 bytes. A null transfer causes an error bit (E_n) in `EDMA_TPCC_EMR` to get set and the E_n bit in `EDMA_TPCC_SER` remains set, essentially preventing any further transfers on that channel without clearing the associated error registers.

Table 16-92 summarizes the conditions and effects of null and dummy transfer requests.

Table 16-92. Dummy and Null Transfer Request

Feature	Null TR	Dummy TR
EDMA_TPCC_EMR / EDMA_TPCC_EMRH / EDMA_TPCC_QEMR is set	Yes	No
EDMA_TPCC_SER / EDMA_TPCC_SERH / EDMA_TPCC_QSER remains set	Yes	No
Link update (STATIC = 0 in EDMA_TPCC_OPT_n)	Yes	Yes
EDMA_TPCC_QER is set	Yes	Yes
EDMA_TPCC_IPR / EDMA_TPCC_IPRH , EDMA_TPCC_CER / EDMA_TPCC_CERH is set using early completion	Yes	Yes

16.2.4.3.6 Parameter Set Updates

When a TR is submitted for a given DMA/QDMA channel and its corresponding PaRAM set, the EDMA_TPCC is responsible for updating the PaRAM set in anticipation of the next trigger event. For events that are not final, this includes address and count updates; for final events, this includes the link update.

The specific PaRAM set entries that are updated depend on the channel's synchronization type (A-synchronized or B-synchronized) and the current state of the PaRAM set. A B-update refers to the decrementing of [EDMA_TPCC_ABCNT_n\[31:16\]](#) BCNT in the case of A-synchronized transfers after the submission of successive TRs. A C-update refers to the decrementing of CCNT in the case of A-synchronized transfers after BCNT TRs for [EDMA_TPCC_ABCNT_n\[15:0\]](#) ACNT byte transfers have submitted. For AB-synchronized transfers, a C-update refers to the decrementing of [EDMA_TPCC_CCNT_n\[15:0\]](#) CCNT after submission of every transfer request.

Refer to [Table 16-93](#) for details and conditions on the parameter updates. A link update occurs when the PaPARAM set is exhausted, as described in [Section 16.2.4.3.7 Linking Transfers](#).

After the TR is read from the PaPARAM (and is in process of being submitted to EDMA_TPTC), the following fields are updated if needed:

- A-synchronized: BCNT, CCNT, SRC, DST.
- AB-synchronized: CCNT, SRC, DST.

The following fields are not updated (except for during linking, where all fields are overwritten by the link PaPARAM set):

- A-synchronized: [EDMA_TPCC_ABCNT_n\[15:0\]](#) ACNT, [EDMA_TPCC_LNK_n\[31:16\]](#) BCNTRLD, [EDMA_TPCC_BIDX_n\[15:0\]](#) SBIDX, [EDMA_TPCC_BIDX_n\[31:16\]](#) DBIDX, [EDMA_TPCC_CIDX_n\[15:0\]](#) SCIDX, [EDMA_TPCC_CIDX_n\[31:16\]](#) DCIDX, [EDMA_TPCC_OPT_n](#), [EDMA_TPCC_LNK_n\[15:0\]](#)LINK.
- AB-synchronized: [EDMA_TPCC_ABCNT_n\[15:0\]](#) ACNT, [EDMA_TPCC_ABCNT_n\[31:16\]](#) BCNT, [EDMA_TPCC_LNK_n\[31:16\]](#) BCNTRLD, [EDMA_TPCC_BIDX_n\[15:0\]](#) SBIDX, [EDMA_TPCC_BIDX_n\[31:16\]](#) DBIDX, [EDMA_TPCC_CIDX_n\[15:0\]](#) SCIDX, [EDMA_TPCC_CIDX_n\[31:16\]](#) DCIDX, [EDMA_TPCC_OPT_n](#), [EDMA_TPCC_LNK_n\[15:0\]](#)LINK.

NOTE: PaPARAM updates only pertain to the information that is needed to properly submit the next transfer request to the EDMA_TPTC. Updates that occur while data is moved within a transfer request are tracked within the transfer controller, and is detailed in [Section 16.2.4.12 EDMA Transfer Controller \(EDMA_TPTC\)](#). For A-synchronized transfers, the EDMA_TPCC always submits a TRP for [EDMA_TPCC_ABCNT_n\[15:0\]](#) ACNT bytes ([EDMA_TPCC_ABCNT_n\[31:16\]](#) BCNT = 1 and [EDMA_TPCC_CCNT_n\[15:0\]](#) CCNT = 1). For AB-synchronized transfers, the EDMA_TPCC always submits a TRP for [EDMA_TPCC_ABCNT_n\[15:0\]](#) ACNT bytes of BCNT arrays ([EDMA_TPCC_CCNT_n\[15:0\]](#) CCNT = 1). The EDMA_TPTC is responsible for updating source and destination addresses within the array based on [EDMA_TPCC_ABCNT_n\[15:0\]](#) ACNT and [EDMA_TPCC_OPT_n\[10:8\]](#) FWID. For AB-synchronized transfers, the EDMA_TPTC is also responsible to update source and destination addresses between arrays based on [EDMA_TPCC_BIDX_n\[15:0\]](#) SBIDX and [EDMA_TPCC_BIDX_n\[31:16\]](#) DBIDX.

Table 16-93 shows the details of parameter updates that occur within EDMA_TPCC for A-synchronized and AB-synchronized transfers.

Table 16-93. Parameter Updates in EDMA_TPCC (for Non-Null, Non-Dummy PaRAM Set)

	A-Synchronized Transfer			AB-Synchronized Transfer		
	B-Update	C-Update	Link Update	B-Update	C-Update	Link Update
Condition:	BCNT > 1	BCNT == 1 && CCNT > 1	BCNT == 1 && CCNT == 1	N/A	EDMA_TPCC_C CNT_n[15:0] CCNT > 1	EDMA_TPCC_CCNT_n[15:0] CCNT == 1
SRC	+= SBIDX	+= SCIDX	= Link.EDMA_TPCC_SRC_n	in EDMA_TP TC	+= SCIDX	= Link.EDMA_TPCC_SRC_n
DST	+= DBIDX	+= DCIDX	= Link.EDMA_TPCC_DST_n	in EDMA_TP TC	+= DCIDX	= Link.EDMA_TPCC_DST_n
ACNT	None	None	= Link.EDMA_TPCC_ABCNT_n[15:0] ACNT	None	None	= Link.EDMA_TPCC_ABCNT_n[15:0] ACNT
BCNT	-- 1	= BCNTRLD	= Link.EDMA_TPCC_ABCNT_n[31:16] BCNT	in EDMA_TP TC	N/A	= Link.EDMA_TPCC_ABCNT_n[31:16] BCNT
CCNT	None	-- 1	= Link.EDMA_TPCC_CCNT_n[15:0] CCNT	in EDMA_TP TC	--1	= Link.EDMA_TPCC_CCNT_n[15:0] CCNT
SBIDX	None	None	= Link.EDMA_TPCC_BIDX_n[15:0] SBIDX	in EDMA_TP TC	None	= Link.EDMA_TPCC_BIDX_n[15:0] SBIDX
DBIDX	None	None	= Link.EDMA_TPCC_BIDX_n[31:16] DBIDX	None	None	= Link.EDMA_TPCC_BIDX_n[31:16] DBIDX
SCIDX	None	None	= Link.EDMA_TPCC_BIDX_n[15:0] SBIDX	in EDMA_TP TC	None	= Link.EDMA_TPCC_BIDX_n[15:0] SBIDX
DCIDX	None	None	= Link.EDMA_TPCC_BIDX_n[31:16] DBIDX	None	None	= Link.EDMA_TPCC_BIDX_n[31:16] DBIDX
LINK	None	None	= Link.EDMA_TPCC_LNK_n[15:0] LINK	None	None	= Link.EDMA_TPCC_LNK_n[15:0] LINK
BCNTRLD	None	None	= Link.EDMA_TPCC_LNK_n[31:16] BCNTRLD	None	None	= Link.EDMA_TPCC_LNK_n[31:16] BCNTRLD
OPT ⁽¹⁾	None	None	= LINK.EDMA_TPCC_OPT_n	None	None	= LINK.EDMA_TPCC_OPT_n

⁽¹⁾ In all cases, no updates occur if EDMA_TPCC_OPT_n[3] STATIC == 1 for the current PaRAM set.

NOTE: The EDMA_TPCC includes no special hardware to detect when an indexed address update calculation overflows/underflows. The address update will wrap across boundaries as programmed by the user. It should ensure that no transfer is allowed to cross internal port boundaries between peripherals. A single TR must target a single source/destination slave endpoint.

16.2.4.3.7 Linking Transfers

The EDMA_TPCC provides a mechanism known as linking, which allows the entire PaRAM set to be reloaded from a location within the PaRAM memory map (for both DMA and QDMA channels). Linking is especially useful for maintaining ping-pong buffers, circular buffering, and repetitive/continuous transfers with no CPU intervention. Upon completion of a transfer, the current transfer parameters are reloaded with the parameter set pointed to by the 16-bit link address field of the current parameter set. Linking only occurs when the [EDMA_TPCC_OPT_n\[3\]](#) STATIC bit is cleared.

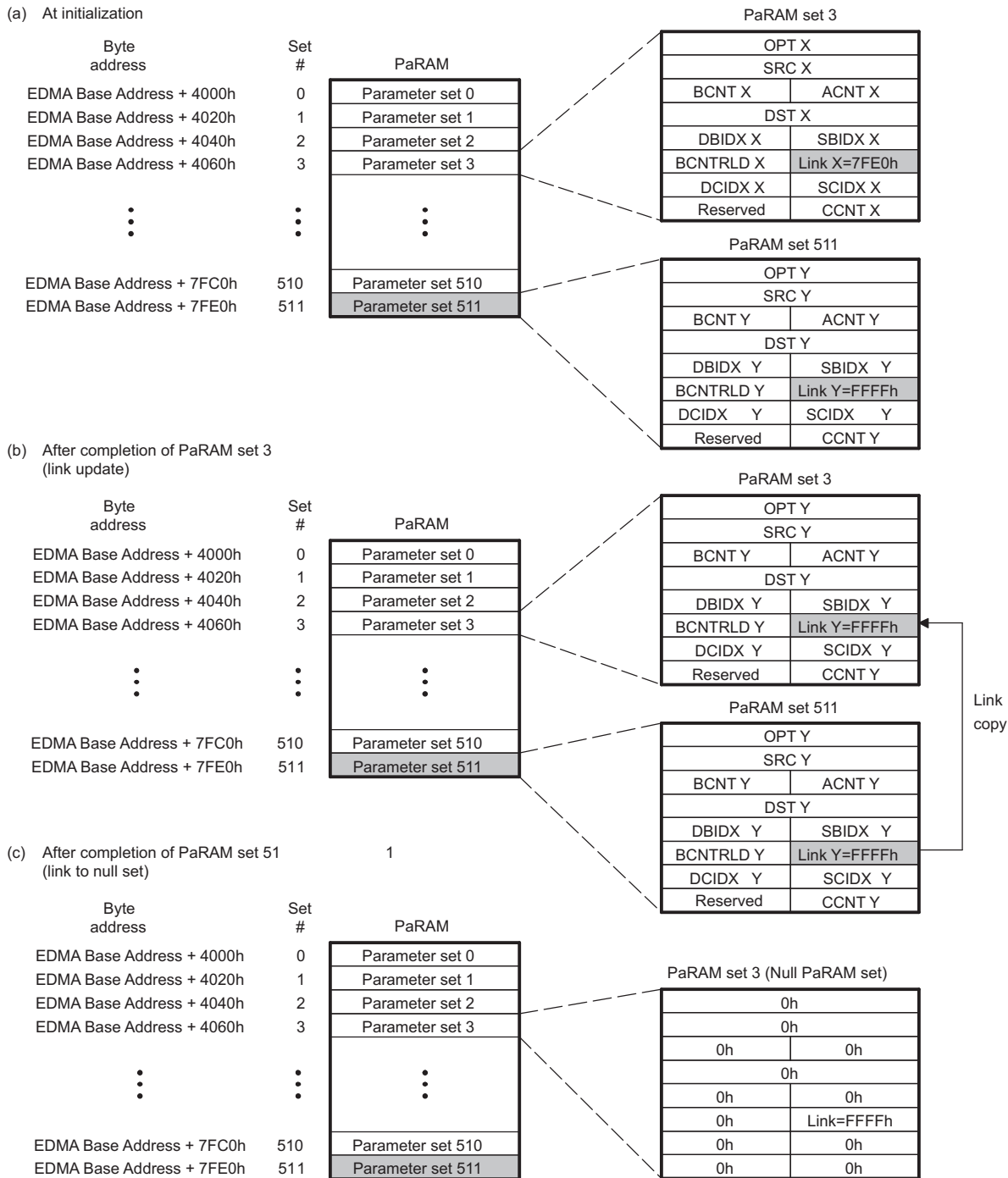
NOTE: It should always link a transfer (EDMA or QDMA) to another useful transfer. If it must terminate a transfer, then link the transfer to a NULL parameter set. Refer to [Section 16.2.4.3.3 Null PaRAM Set](#).

The link update occurs after the current PaRAM set event parameters have been exhausted. An event's parameters are exhausted when the EDMA channel controller has submitted all of the transfers that are associated with the PaRAM set.

A link update occurs for null and dummy transfers depending on the state of the [EDMA_TPCC_OPT_n\[3\]](#) STATIC bit and the [EDMA_TPCC_LNK_n\[15:0\]](#) LINK field. In both cases (null or dummy), if the value of [EDMA_TPCC_LNK_n\[15:0\]](#) LINK is FFFFh, then a null PaRAM set (with all 0s and [EDMA_TPCC_LNK_n\[15:0\]](#) LINK set to FFFFh) is written to the current PaRAM set. Similarly, if [EDMA_TPCC_LNK_n\[15:0\]](#) LINK is set to a value other than FFFFh, then the appropriate PaRAM location that [EDMA_TPCC_LNK_n\[15:0\]](#) LINK points to is copied to the current PaRAM set.

Once the channel completion conditions are met for an event, the transfer parameters that are located at the link address are loaded into the current DMA or QDMA channel's associated parameter set. This indicates that the EDMA_TPCC reads the entire set (eight words) from the PaRAM set specified by [EDMA_TPCC_LNK_n\[15:0\]](#) LINK and writes all eight words to the PaRAM set that is associated with the current channel. [Figure 16-22](#) shows an example of a linked transfer.

Figure 16-22. Linked Transfer



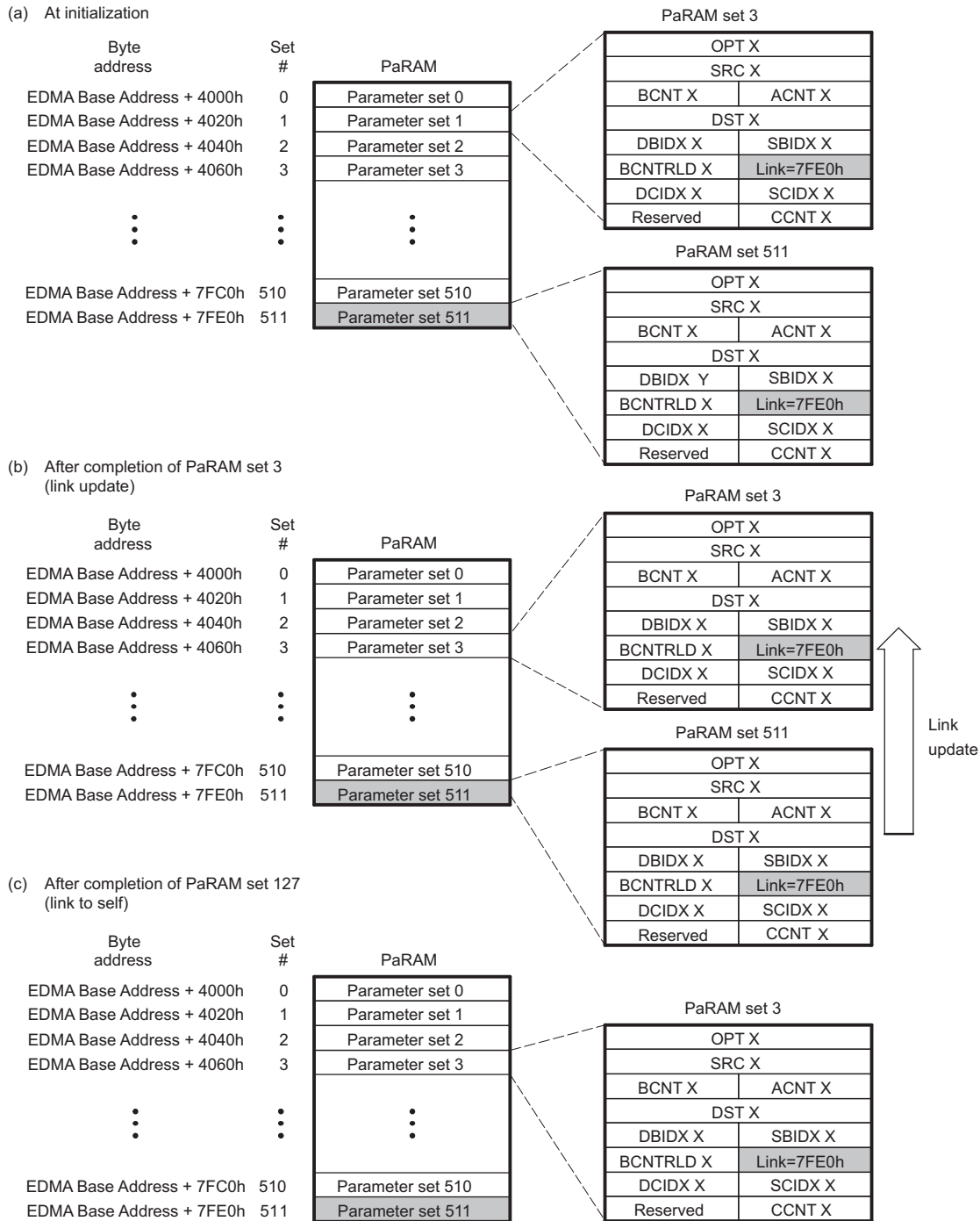
edma-011

Any PaRAM set in the PaRAM can be used as a link/reload parameter set. The PaRAM sets associated with peripheral synchronization events (refer to [Section 16.2.4.6 Event, Channel, and PaRAM Mapping](#)) only use for linking if the corresponding events are disabled.

If a PaRAM set location is defined as a QDMA channel PaRAM set (by [EDMA_TPCC_QCHMAPN_j](#) register), then copying the link PaRAM set into the current QDMA channel PaRAM set is recognized as a trigger event. It is latched in [EDMA_TPCC_QER](#) because a write to the trigger word was performed. This feature is used to create a linked list of transfers using a single QDMA channel and multiple PaRAM sets. Refer to [Section 16.2.4.2 QDMA Channels](#).

Linking to itself replicates the behavior of auto-initialization, thus facilitating the use of circular buffering and repetitive transfers. After an EDMA channel exhausts its current PaRAM set, it reloads all of the parameter set entries from another PaRAM set, which is initialized with values that are identical to the original PaRAM set. Figure 16-23 shows an example of a linked to self transfer. Here, the PaRAM set 511 has the link field pointing to the address of parameter set 511 (linked to self).

Figure 16-23. Link-to-Self Transfer



edma-012

NOTE: If the in `EDMA_TPCC_OPT_n[3]` STATIC bit is set for a PaRAM set, then link updates are not performed.

16.2.4.3.8 Constant Addressing Mode Transfers/Alignment Issues

If either `EDMA_TPCC_OPT_n[0]` SAM or `EDMA_TPCC_OPT_n[1]` DAM is set (constant addressing mode), then the source or destination address must be aligned to a 256-bit aligned address, respectively, and the corresponding `EDMA_TPCC_BIDX_n` is an even multiple of 32 bytes (256 bits). The EDMA_TPCC does not recognize errors here, but the EDMA_TPTC asserts an error if this is not true. Refer to [Section 16.2.4.12.3 Error Generation](#).

NOTE: The constant addressing (CONST) mode has limited applicability. The EDMA is configured for the constant addressing mode (`EDMA_TPCC_OPT_n[0]` SAM / `EDMA_TPCC_OPT_n[1]` DAM = 1) only if the transfer source or destination (on-chip memory, off-chip memory controllers, slave peripherals) support the constant addressing mode. If the constant addressing mode is not supported, the similar logical transfer can be achieved using the increment (INCR) mode (`EDMA_TPCC_OPT_n[0]` SAM / `EDMA_TPCC_OPT_n[1]` DAM = 0) by appropriately programming the count and indices values.

16.2.4.3.9 Element Size

The EDMA controller does not use element-size and element-indexing. Instead, all transfers are defined in terms of all three dimensions: `EDMA_TPCC_ABCNT_n[15:0]` ACNT, `EDMA_TPCC_ABCNT_n[31:16]` BCNT, and `EDMA_TPCC_CCNT_n[15:0]` CCNT. An element-indexed transfer is logically achieved by programming `EDMA_TPCC_ABCNT_n[15:0]` ACNT to the size of the element and `EDMA_TPCC_ABCNT_n[31:16]` BCNT to the number of elements that need to be transferred. For example: If there are 16-bit audio data and 256 audio samples that must be transferred to a serial port, therefore the `EDMA_TPCC_ABCNT_n[15:0]` ACNT = 2 (2 bytes) and `EDMA_TPCC_ABCNT_n[31:16]` BCNT = 256.

16.2.4.4 Initiating a DMA Transfer

There are multiple ways to initiate a programmed data transfer using the EDMA_TPCC channel controller. Transfers on DMA channels are initiated by three sources.

They are listed as follows:

- **Event-triggered transfer request** (this is the typical usage of EDMA controller): A peripheral, system, or externally-generated event triggers a transfer request.
- **Manually-triggered transfer request:** The CPU manually triggers a transfer by writing a 1 to the corresponding bit in the event set registers (`EDMA_TPCC_ESR` / `EDMA_TPCC_ESRH`).
- **Chain-triggered transfer request:** A transfer is triggered on the completion of another transfer or sub-transfer.

Transfers on QDMA channels are initiated by two sources. They are as follows:

- **Auto-triggered transfer request:** Writing to the programmed trigger word triggers a transfer.
- **Link-triggered transfer requests:** Writing to the trigger word triggers the transfer when linking occurs.

16.2.4.4.1 DMA Channel

16.2.4.4.1.1 Event-Triggered Transfer Request

When an event is asserted from a peripheral or device pins, it gets latched in the corresponding bit of the event register (`EDMA_TPCC_ER[31:0]` $En = 1$). For more information about peripheral events to EDMA events mapping, refer to *the device data manual*.

If the corresponding event in the event enable register (`EDMA_TPCC_EER`) is enabled (`EDMA_TPCC_EER[31:0]` $En = 1$), then the EDMA_TPCC prioritizes and queues the event in the appropriate event queue. When the event reaches the head of the queue, it is evaluated for submission as a transfer request to the transfer controller.

If the PaRAM set is valid (not a NULL set), then a transfer request packet (TRP) is submitted to the EDMA_TPTC and the `EDMA_TPCC_ER[31:0]` En bit is cleared. At this point, a new event can be safely received by the EDMA_TPCC.

If the PaRAM set associated with the channel is a NULL set (see [Section 16.2.4.3.3 Null PaRAM Set](#)), then no transfer request (TR) is submitted and the corresponding `EDMA_TPCC_ER[31:0] En` bit is cleared and simultaneously the corresponding channel bit is set in the event miss register (`EDMA_TPCC_EMR[31:0] En = 1`) to indicate that the event was discarded due to a null TR being serviced. Good programming practices should include cleaning the event missed error before re-triggering the DMA channel.

When an event is received, the corresponding event bit in the event register is set (`EDMA_TPCC_ER[31:0] En = 1`), regardless of the state of `EDMA_TPCC_EER[31:0] En`. If the event is disabled when an external event is received (`EDMA_TPCC_ER[31:0] En = 1` and `EDMA_TPCC_EER[31:0] En = 0`), the `EDMA_TPCC_ER[31:0] En` bit remains set. If the event is subsequently enabled (`EDMA_TPCC_EER[31:0] En = 1`), then the pending event is processed by the EDMA_TPCC and the TR is processed/submitted, after which the `EDMA_TPCC_ER[31:0] En` bit is cleared.

If an event is being processed (prioritized or is in the event queue) and another sync event is received for the same channel prior to the original being cleared (`EDMA_TPCC_ER[31:0] En != 0`), then the second event is registered as a missed event in the corresponding bit of the event missed register (`EDMA_TPCC_EMR[31:0] En = 1`).

16.2.4.4.1.2 Manually-Triggered Transfer Request

The CPU or any peripheral device module initiates a DMA transfer by writing to the event set register `EDMA_TPCC_ESR`. Writing a 1 to an event bit in the `EDMA_TPCC_ESR` results in the event being prioritized/queued in the appropriate event queue, regardless of the state of the `EDMA_TPCC_EER[31:0] En` bit. When the event reaches the head of the queue, it is evaluated for submission as a transfer request to the transfer controller.

As in the event-triggered transfers, if the PaRAM set associated with the channel is valid (it is not a null set) then the TR is submitted to the associated EDMA_TPTC and the channel can be triggered again.

If the PaRAM set associated with the channel is a NULL set (see [Section 16.2.4.3.3 Null PaRAM Set](#)), then no transfer request (TR) is submitted and the corresponding `EDMA_TPCC_ER[31:0] En` bit is cleared and simultaneously the corresponding channel bit is set in the event miss register `EDMA_TPCC_EMR[31:0] En = 1` to indicate that the event was discarded due to a null TR being serviced. Good programming practices should include clearing the event missed error before re-triggering the DMA channel.

If an event is being processed (prioritized or is in the event queue) and the same channel is manually set by a write to the corresponding channel bit of the event set register `EDMA_TPCC_ESR[31:0] En = 1` prior to the original being cleared `EDMA_TPCC_ESR[31:0] En = 0`, then the second event is registered as a missed event in the corresponding bit of the event missed register `EDMA_TPCC_EMR[31:0] En = 1`.

16.2.4.4.1.3 Chain-Triggered Transfer Request

Chaining is a mechanism by which the completion of one transfer automatically sets the event for another channel. When a chained completion code is detected, the value of which is dictated by the transfer completion code `EDMA_TPCC_OPT_n[17:12] TCC` of the PaRAM set associated with the channel, it results in the corresponding bit in the chained event register `EDMA_TPCC_CER` to be set (`EDMA_TPCC_CER[31:0] E[TCC] = 1`).

Once a bit is set in `EDMA_TPCC_CER`, the EDMA_TPCC prioritizes and queues the event in the appropriate event queue. When the event reaches the head of the queue, it is evaluated for submission as a transfer request to the transfer controller.

As in the event-triggered transfers, if the PaRAM set associated with the channel is valid (it is not a null set) then the TR is submitted to the associated EDMA_TPTC and the channel can be triggered again.

If the PaRAM set associated with the channel is a NULL set (see [Section 16.2.4.3.3 Null PaRAM Set](#)), then no transfer request (TR) is submitted and the corresponding [EDMA_TPCC_CER\[31:0\]](#) E_n bit is cleared and simultaneously the corresponding channel bit is set in the event miss register [EDMA_TPCC_EMR\[31:0\]](#) $E_n = 1$ to indicate that the event was discarded due to a null TR being serviced. In this case, the error condition must be cleared before the DMA channel can be re-triggered. Good programming practices might include clearing the event missed error before re-triggering the DMA channel.

If a chaining event is being processed (prioritized or queued) and another chained event is received for the same channel prior to the original being cleared ([EDMA_TPCC_CER\[31:0\]](#) $E_n \neq 0$), then the second chained event is registered as a missed event in the corresponding channel bit of the event missed register [EDMA_TPCC_EMR\[31:0\]](#) $E_n = 1$.

NOTE: Chained event registers [EDMA_TPCC_CER](#), event registers [EDMA_TPCC_ER](#), and event set registers [EDMA_TPCC_ESR](#) operate independently. An event E_n can be triggered by any of the trigger sources (event-triggered, manually-triggered, or chain-triggered).

16.2.4.4.2 QDMA Channels

16.2.4.4.2.1 Auto-triggered and Link-Triggered Transfer Request

QDMA-based transfer requests are issued when a QDMA event gets latched in the QDMA event register [EDMA_TPCC_QER\[31:0\]](#) $E_n = 1$. A bit corresponding to a QDMA channel is set in the QDMA event register [EDMA_TPCC_QER](#) when the following occurs:

- A CPU (or any device module) write occurs to a PaRAM address that is defined as a QDMA channel trigger word (programmed in the QDMA channel mapping register [EDMA_TPCC_QCHMAPN_j](#) for the particular QDMA channel and the QDMA channel is enabled via the QDMA event enable register [EDMA_TPCC_QEER\[31:0\]](#) $E_n = 1$.
- EDMA_TPCC performs a link update on a PaRAM set address that is configured as a QDMA channel matches [EDMA_TPCC_QCHMAPN_j](#) settings and the corresponding channel is enabled via the QDMA event enable register [EDMA_TPCC_QEER\[31:0\]](#) $E_n = 1$.

Once a bit is set in [EDMA_TPCC_QER](#), the EDMA_TPCC prioritizes and queues the event in the appropriate event queue. When the event reaches the head of the queue, it is evaluated for submission as a transfer request to the transfer controller.

As in the event-triggered transfers, if the PaRAM set associated with the channel is valid (it is not a null set) then the TR is submitted to the associated EDMA_TPTC and the channel can be triggered again.

If a bit is already set in [EDMA_TPCC_QER\[31:0\]](#) $E_n = 1$ and a second QDMA event for the same QDMA channel occurs prior to the original being cleared, the second QDMA event gets captured in the QDMA event miss register [EDMA_TPCC_QEMR\[7:0\]](#) $E_n = 1$.

16.2.4.4.3 Comparison Between DMA and QDMA Channels

The primary difference between DMA and QDMA channels is the event/channel synchronization.

QDMA events are either auto-triggered or link triggered. Auto-triggering allows QDMA channels to be triggered by CPU(s) with a minimum number of linear writes to PaRAM. Link triggering allows a linked list of transfers to be executed, using a single QDMA PaRAM set and multiple link PaRAM sets.

A QDMA transfer is triggered when a CPU (or other device modules) writes to the trigger word of the QDMA channel parameter set (auto-triggered) or when the EDMA_TPCC performs a link update on a PaRAM set that has been mapped to a QDMA channel (link triggered).

NOTE: The CPUs triggered (manually triggered) DMA channels, in addition to writing to the PaRAM set, it is required to write to the event set register [EDMA_TPCC_ESR](#) to kick-off the transfer.

QDMA channels are typically for cases where a single event accomplishes a complete transfer since the CPU (or other device modules) must reprogram some portion of the QDMA PaRAM set in order to re-trigger the channel. QDMA transfers are programmed with `EDMA_TPCC_ABCNT_n[31:0]` BCNT = 1 and `EDMA_TPCC_CCNT_n[15:0]` CCNT = 1 for A-synchronized transfers, and `EDMA_TPCC_CCNT_n[15:0]` CCNT = 1 for AB-synchronized transfers.

Additionally, since linking is also supported (if `EDMA_TPCC_OPT_n[3]` STATIC = 0) for QDMA transfers, it allows to initiate a linked list of QDMAs, so when `EDMA_TPCC` copies over a link PaRAM set (including the write to the trigger word), the current PaRAM set mapped to the QDMA channel automatically recognizes as a valid QDMA event and initiate another set of transfers as specified by the linked set.

16.2.4.5 Completion of a DMA Transfer

A parameter set for a given channel is complete when the required number of transfer requests is submitted (based on receiving the number of synchronization events). The expected number of TRs for a non-null/non-dummy transfer is shown in [Table 16-94](#) for both synchronization types along with state of the PaRAM set prior to the final TR being submitted. When the counts (`EDMA_TPCC_ABCNT_n[31:0]` BCNT and/or `EDMA_TPCC_CCNT_n[15:0]` CCNT) are this value, the next TR results in:

- Final chaining or interrupt codes sent by the transfer controllers (instead of intermediate).
- Link updates (linking to either null or another valid link set).

Table 16-94. Expected Number of Transfers for Non-Null Transfer

Sync Mode	Counts at time 0	Total # Transfers	Counts prior to final TR
A-synchronized	ACNT BCNT CCNT	(BCNT × CCNT) TRs of ACNT bytes each	<code>EDMA_TPCC_ABCNT_n[31:0]</code> BCNT == 1 && <code>EDMA_TPCC_CCNT_n[15:0]</code> CCNT == 1
AB-synchronized	ACNT BCNT CCNT	CCNT TRs for ACNT × BCNT bytes each	<code>EDMA_TPCC_CCNT_n[15:0]</code> CCNT == 1

The PaRAM OPT field must program with a specific transfer completion code TCC or `EDMA_TPCC_OPT_n[17:12]` TCC along with the other `EDMA_TPCC_OPT_n` fields ([22] TCCHEN, [20] TCINTEN, [23] ITCCHEN, and [21] ITCINTEN bits) to indicate whether the completion code is to be used for generating a chained event or/and for generating an interrupt upon completion of a transfer.

The specific `EDMA_TPCC_OPT_n[17:12]` TCC value (6-bit binary value) programmed dictates which of the 64-bits in the chain event register `EDMA_TPCC_CER` [TCC] and/or interrupt pending register `EDMA_TPCC_IPR` [TCC] is set.

It can selectively program whether the transfer controller sends back completion codes on completion of the final transfer request (TR) of a parameter set `EDMA_TPCC_OPT_n[22]` TCCHEN or `EDMA_TPCC_OPT_n[20]` TCINTEN, for all but the final transfer request (TR) of a parameter set `EDMA_TPCC_OPT_n[23]` ITCCHEN or `EDMA_TPCC_OPT_n[21]` ITCINTEN), or for all TRs of a parameter set (both). Refer to [Section 16.2.4.8 Chaining EDMA Channels](#) for details on chaining (intermediate/final chaining) and [Section 16.2.4.9 EDMA Interrupts](#) for details on intermediate/final interrupt completion.

A completion detection interface exists between the EDMA channel controller and transfer controller(s). This interface sends back information from the transfer controller to the channel controller to indicate that a specific transfer is completed. Completion of a transfer is used for generating chained events and/or generating interrupts to the CPU(s).

All DMA/QDMA PaRAM sets must also specify a link address value. For repetitive transfers such as ping-pong buffers, the link address value must point to another predefined PaRAM set. Alternatively, a non-repetitive transfer must set the link address value to the null link value. The null link value is defined as FFFFh. Refer to [Section 16.2.4.3.7 Linking Transfers](#) for more details.

NOTE: Any incoming events that are mapped to a null PaRAM set results in an error condition. The error condition must clear before the corresponding channel is used again. Refer to [Section 16.2.4.3.5 Dummy Versus Null Transfer Comparison](#).

There are three ways the EDMA_TPCC gets updated/informed about a transfer completion: normal completion, early completion, and dummy/null completion. This applies to both chained events and completion interrupt generation.

16.2.4.5.1 Normal Completion

In normal completion mode [EDMA_TPCC_OPT_n\[11\]](#) TCCMODE = 0, the transfer or sub-transfer is considered to be complete when the EDMA channel controller receives the completion codes from the EDMA transfer controller. In this mode, the completion code to the channel controller is posted by the transfer controller after it receives a signal from the destination peripheral. Normal completion is typically used to generate an interrupt to inform the CPU that a set of data is ready for processing.

16.2.4.5.2 Early Completion

In early completion mode [EDMA_TPCC_OPT_n\[11\]](#) TCCMODE = 1, the transfer is considered to be complete when the EDMA channel controller submits the transfer request (TR) to the EDMA transfer controller. In this mode, the channel controller generates the completion code internally. Early completion is typically useful for chaining, as it allows subsequent transfers to be chained-triggered while the previous transfer is still in progress within the transfer controller, maximizing the overall throughput of the set of the transfers.

16.2.4.5.3 Dummy or Null Completion

This is a variation of early completion. Dummy or null completion is associated with a dummy set [Section 16.2.4.3.4](#) or null set [Section 16.2.4.3.3](#). In both cases, the EDMA channel controller does not submit the associated transfer request to the EDMA transfer controller(s). However, if the set (dummy/null) has the OPT field programmed to return completion code (intermediate/final interrupt/chaining completion), then it sets the appropriate bits in the interrupt pending registers [EDMA_TPCC_IPR](#) and [EDMA_TPCC_IPRH](#) or chained event register [EDMA_TPCC_CER](#) and [EDMA_TPCC_CERH](#). The internal early completion path is used by the channel controller to return the completion codes internally (that is, EDMA_TPCC generates the completion code).

16.2.4.6 Event, Channel, and PaRAM Mapping

Several of the 64 DMA channels are tied to a specific hardware event, thus allowing events from device peripherals or external hardware (via the `dma_evt[4:1]` pins) to trigger transfers. A DMA channel typically requests a data transfer when it receives its event (apart from manually-triggered, chain-triggered, and other transfers). The amount of data transferred per synchronization event depends on the channel's configuration ([EDMA_TPCC_ABCNT_n\[15:0\]](#) ACNT, [EDMA_TPCC_ABCNT_n\[31:16\]](#) BCNT, [EDMA_TPCC_CCNT_n\[15:0\]](#) CCNT, etc.) and the synchronization type (A-synchronized or AB-synchronized).

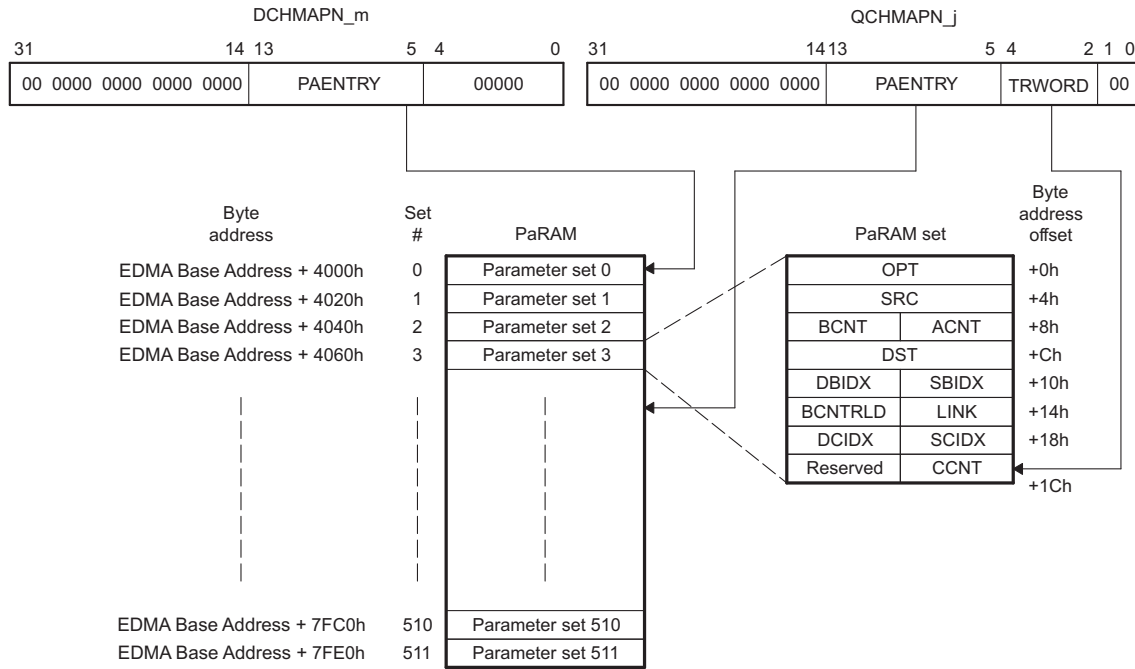
The association of an event to a channel is fixed within the EDMA Channel Controller, that is, each DMA channel has one specific event associated with it. The EDMA event crossbar can be used to select which level events (of which there are more than 64) are mapped to the 64 input events to the EDMA Channel Controller. The default mapping and event crossbar mapping are defined in [Section 16.2.3.1, EDMA Requests to the EDMA Controller](#). The event crossbar mapping is controlled by the device Control Modules registers refer to [Section 18.4.6.4 IRQ_CROSSBAR Module Functional Description](#), in [Chapter 18 Control Module](#).

In an application, if a channel does not use the associated synchronization event or if it does not have an associated synchronization event (unused), that channel can be used for manually-triggered or chained-triggered transfers, for linking/reloading, or as a QDMA channel.

16.2.4.6.1 DMA Channel to PaRAM Mapping

The mapping between the DMA channel numbers and the PaRAM sets is programmable (see Table 16-90). The DMA channel mapping registers `EDMA_TPCC_DCHMAPN_m` in the `EDMA_TPCC` provide programmability that allows the DMA channels to be mapped to any of the PaRAM sets in the PaRAM memory map. Figure 16-24 illustrates the use of `EDMA_TPCC_DCHMAPN_m`. There is one `EDMA_TPCC_DCHMAPN_m` register per channel.

Figure 16-24. DMA Channel and QDMA Channel to PaRAM Mapping



edma-013

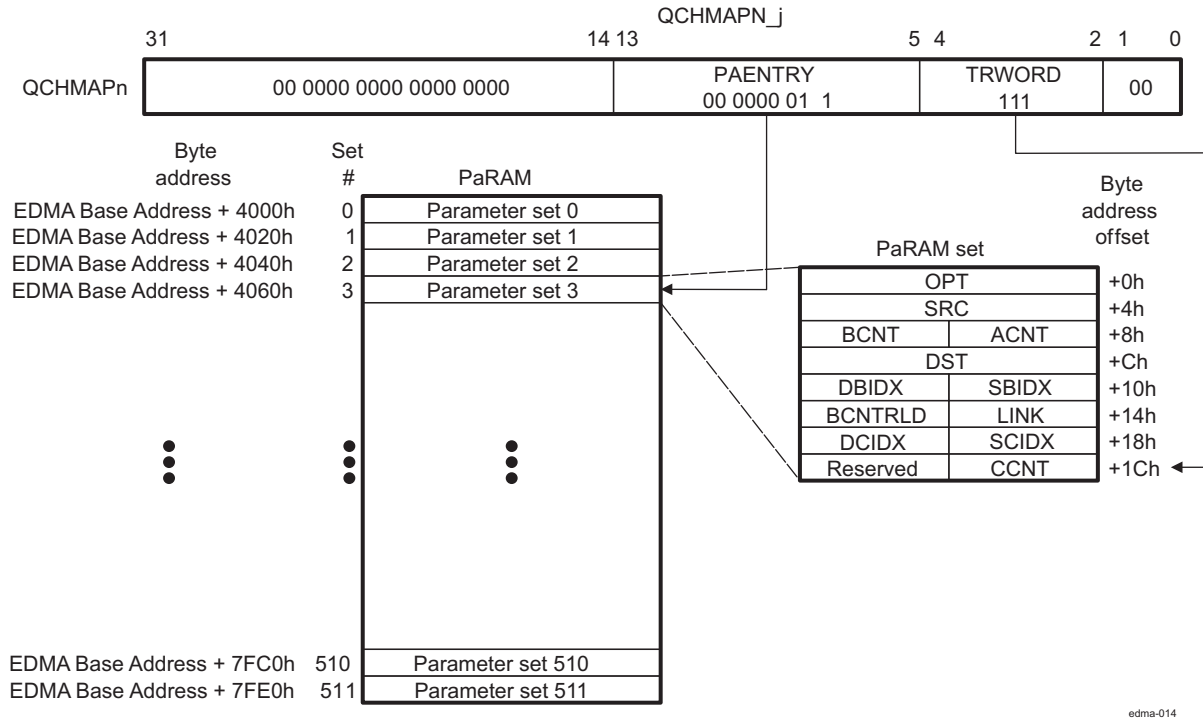
16.2.4.6.2 QDMA Channel to PaRAM Mapping

The mapping between the QDMA channels and the PaRAM sets is programmable. The QDMA channel mapping register `EDMA_TPCC_QCHMAPN_j` in the `EDMA_TPCC` allows to map the QDMA channels to any of the PaRAM sets in the PaRAM memory map. Figure 16-25 illustrates the use of `EDMA_TPCC_QCHMAPN_j`.

`EDMA_TPCC_QCHMAPN_j[4:2]` `TRWORD` bit-field allows to program the trigger word in the PaRAM set for the QDMA channel. A trigger word is one of the eight words in the PaRAM set. For a QDMA transfer to occur, a valid TR synchronization event for `EDMA_TPCC` is a write to the trigger word in the PaRAM set pointed to by `EDMA_TPCC_QCHMAPN_j` for a particular QDMA channel. By default, QDMA channels are mapped to PaRAM set 0.

It must appropriately re-map PaRAM set 0 before use.

Figure 16-25. QDMA Channel to PaRAM Mapping



edma-014

16.2.4.7 EDMA Channel Controller Regions

The EDMA channel controller divides its address space into eight regions. Individual channel resources are assigned to a specific region, where each region is typically assigned to a specific device module uses the EDMA controller.

Application software can use regions or to ignore them altogether. It can be used active memory protection in conjunction with regions so that only a specific device module which uses the EDMA (for example, privilege identification) or privilege level (for example, user vs. supervisor) is allowed access to a given region, and thus to a given DMA or QDMA channel. This allows robust system-level DMA code where each EDMA initiator only modifies the state of the assigned resources. Memory protection is described in [Section 16.2.4.10 Memory Protection](#).

16.2.4.7.1 Region Overview

The EDMA channel controller memory-mapped registers are divided in three main categories:

1. Global registers
2. Global region channel registers
3. Shadow region channel registers

The global registers are located at a single/fixed location in the EDMA_TPCC memory map. These registers control EDMA resource mapping and provide debug visibility and error tracking information.

The channel registers (including DMA, QDMA, and interrupt registers) are accessible via the global channel region address range, or in the shadow *n* channel region address range(s). For example, the event enable register [EDMA_TPCC_EER](#) is visible at the global address of EDMA Base Address + 1020h or region addresses of EDMA Base Address + 2020h for region 0, EDMA Base Address + 2220h for region 1, ... EDMA Base Address + 2E20h for region 7.

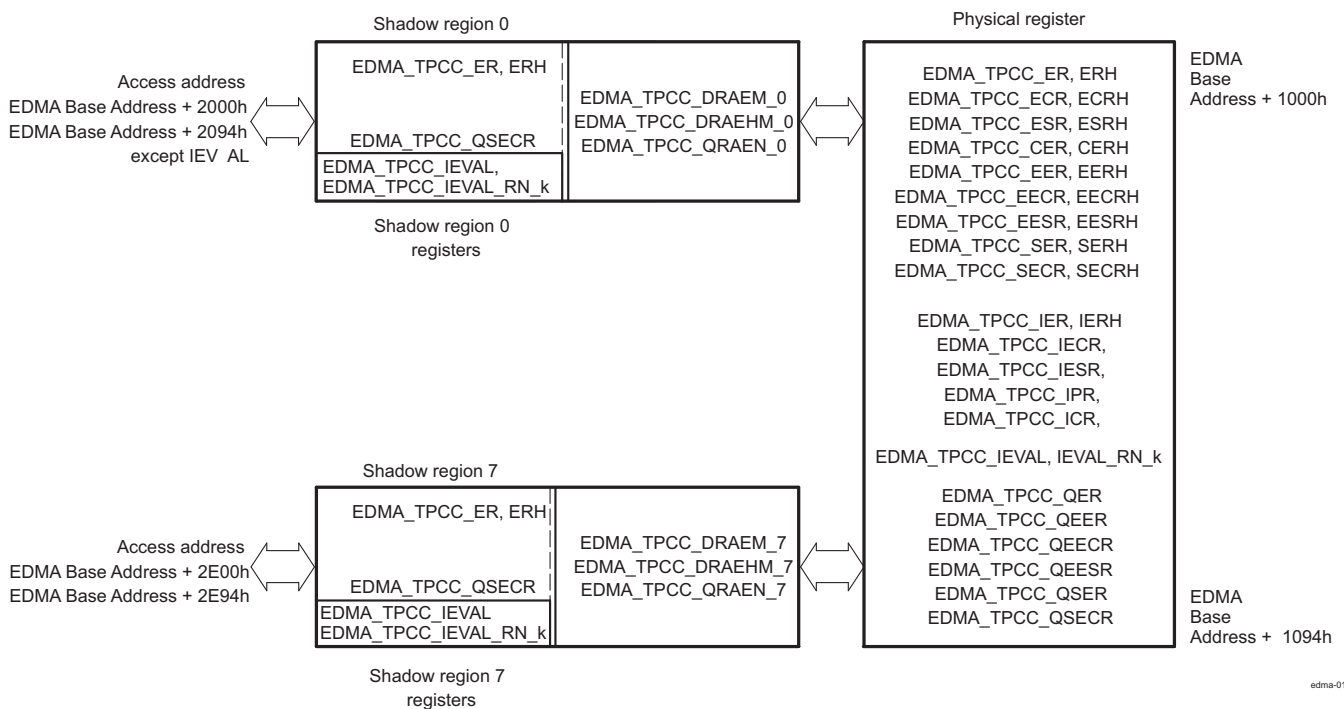
The DMA region access enable registers [EDMA_TPCC_DRAEM_k](#) and the QDMA region access enable registers [EDMA_TPCC_QRAEN_k](#) control the underlying control register bits that are accessible via the shadow region address space (except for [EDMA_TPCC_IEVAL](#) and [EDMA_TPCC_IEVAL_RN_k](#) registers). [Table 16-95](#) lists the registers in the shadow region memory map. Refer to [EDMA_TPCC](#) register summary [Table 16-111](#) for the complete global and shadow region memory maps.

Table 16-95. Shadow Region Registers

EDMA_TPCC_DRAE M_k	EDMA_TPCC_DRAE HM_k	EDMA_TPCC_QRAE N_k
EDMA_TPCC_ER	EDMA_TPCC_ERH	EDMA_TPCC_QER
EDMA_TPCC_ECR	EDMA_TPCC_ECRH	EDMA_TPCC_QEER
EDMA_TPCC_ESR	EDMA_TPCC_ESRH	EDMA_TPCC_QEER R
EDMA_TPCC_CER	EDMA_TPCC_CERH	EDMA_TPCC_QEESR
EDMA_TPCC_EER	EDMA_TPCC_EERH	
EDMA_TPCC_EECR	EDMA_TPCC_EECRH	
EDMA_TPCC_EESR	EDMA_TPCC_EESRH	
EDMA_TPCC_SER	EDMA_TPCC_SERH	
EDMA_TPCC_SECR	EDMA_TPCC_SECRH	
EDMA_TPCC_IER	EDMA_TPCC_IERH	
EDMA_TPCC_IECR	EDMA_TPCC_IECRH	
EDMA_TPCC_IESR	EDMA_TPCC_IESRH	
EDMA_TPCC_IPR	EDMA_TPCC_IPRH	
EDMA_TPCC_ICR	EDMA_TPCC_ICRH	
Register not affected by DRAE/DRAEH		
EDMA_TPCC_IEVAL		
EDMA_TPCC_IEVAL_ RN_k		

Figure 16-26 illustrates the conceptual view of the regions.

Figure 16-26. Shadow Region Registers



edma-015

16.2.4.7.2 Channel Controller Regions

There are eight EDMA shadow regions (and associated memory maps). Associated with each shadow region are a set of registers defining which channels and interrupt completion codes belong to that region. These registers are user-programmed per region to assign ownership of the DMA/QDMA channels to a region.

- [EDMA_TPCC_DRAEM_k](#) and [EDMA_TPCC_DRAEHM_k](#): One register pair exists for each of the shadow regions. The number of bits in each register pair matches the number of DMA channels (64 DMA channels). These registers need to be programmed to assign ownership of DMA channels and interrupt (or [EDMA_TPCC_OPT_n\[17:12\]](#) TCC codes) to the respective region. Accesses to DMA and interrupt registers via the shadow region address view are filtered through the DRAEM/DRAEHM pair. A value of 1 in the corresponding [EDMA_TPCC_DRAEM_k\[31:0\]](#) / [EDMA_TPCC_DRAEHM_k\[31:0\]](#) bit implies that the corresponding DMA interrupt channel is accessible; a value of 0 in the corresponding [EDMA_TPCC_DRAEM_k\[31:0\]](#) / [EDMA_TPCC_DRAEHM_k\[31:0\]](#) bit forces writes to be discarded and returns a value of 0 for reads.
- [EDMA_TPCC_QRAEN_k](#): One register exists for every region. The number of bits in each register matches the number of QDMA channels (4 QDMA channels). These registers must be programmed to assign ownership of QDMA channels to the respective region. To enable a channel in a shadow region using shadow region 0 [EDMA_TPCC_QEER](#), the corresponding bits in QRAE must be set or writing into [EDMA_TPCC_QEESR](#) there will be no the desired effect.
- [EDMA_TPCC_MPPAN_k](#) and [EDMA_TPCC_MPPAG](#): One register exists for every region. This register defines the privilege level, requestor, and types of accesses allowed to a region's memory-mapped registers.

It is typical for an application to have a unique assignment of QDMA/DMA channels (and, therefore, a given bit position) to a given region.

The use of shadow regions allows restricted access to EDMA resources (DMA channels, QDMA channels, TCC, interrupts) by tasks in a system by setting or clearing bits in the [EDMA_TPCC_DRAEM_k](#) / [EDMA_TPCC_QRAEN_k](#) registers.

If exclusive access to any given channel / TCC code is required for a region, then only that region's [EDMA_TPCC_DRAEM_k](#) / [EDMA_TPCC_QRAEN_k](#) have the associated bit set.

Example 16-1. Resource Pool Division Across Two Regions

This example illustrates a resource pool division across two regions, assuming region 0 must be allocated 16 DMA channels (0-15) and 1 QDMA channel (0) and 32 TCC codes (0-15 and 48-63).

Region 1 needs to be allocated 16 DMA channels (16-32) and the remaining 7 QDMA channels (1-7) and TCC codes (16-47).

[EDMA_TPCC_DRAEM_k](#) should be equal to the OR of the bits that are required for the DMA channels and the TCC codes:

```
Region 0: DRAEHM, DRAEM = 0xFFFF0000, 0x0000FFFF QRAEN = 0x0000001
Region 1: DRAEHM, DRAEM = 0x0000FFFF, 0xFFFF0000 QRAEN = 0x00000FE
```

16.2.4.7.3 Region Interrupts

In addition to the EDMA_TPCC global completion interrupt, there is an additional completion interrupt line that is associated with every shadow region. Along with the interrupt enable register [EDMA_TPCC_IER](#), DRAEM acts as a secondary interrupt enable for the respective shadow region interrupts. Refer to [Table 16-88 Hardware Request](#) for more information about EDMA Interrupts.

16.2.4.8 Chaining EDMA Channels

The channel chaining capability for the EDMA allows the completion of an EDMA channel transfer to trigger another EDMA channel transfer. The purpose is to allow the ability to chain several events through one event occurrence.

Chaining is different from linking ([Section 16.2.4.3.7 Linking Transfers](#)). The EDMA link feature reloads the current channel parameter set with the linked parameter set. The EDMA chaining feature does not modify or update any channel parameter set. It provides a synchronization event to the chained channel (see [Section 16.2.4.4.1.3 Chain-Triggered Transfer Request](#)).

Chaining is achieved at either final transfer completion or intermediate transfer completion, or both, of the current channel. Consider a channel m (DMA/QDMA) required to chain to channel n . Channel number n (0-63) needs to be programmed into the `EDMA_TPCC_OPT_n[17:12]` TCC bit-field of channel m channel options parameter (OPT) set.

- If final transfer completion chaining `EDMA_TPCC_OPT_n[22] TCCHEN = 1` is enabled, the chain-triggered event occurs after the submission of the last transfer request of channel m is either submitted or completed (depending on early or normal completion).
- If intermediate transfer completion chaining `EDMA_TPCC_OPT_n[23] ITCCHEN = 1` is enabled, the chain-triggered event occurs after every transfer request, except the last of channel m is either submitted or completed (depending on early or normal completion).
- If both final and intermediate transfer completion chaining (`EDMA_TPCC_OPT_n[22] TCCHEN = 1` and `EDMA_TPCC_OPT_n[23] ITCCHEN = 1`) are enabled, then the chain-trigger event occurs after every transfer request is submitted or completed (depending on early or normal completion).

[Table 16-96](#) illustrates the number of chain event triggers occurring in different synchronized scenarios. Consider channel 31 programmed with `EDMA_TPCC_ABCNT_n[15:0] ACNT = 3`, `EDMA_TPCC_ABCNT_n[31:16] BCNT = 4`, `EDMA_TPCC_CCNT_n[15:0] CCNT = 5`, and `EDMA_TPCC_OPT_n[17:12] TCC = 30`.

Table 16-96. Chain Event Triggers

Options	(Number of chained event triggers on channel 30)	
	A-Synchronized	AB-Synchronized
<code>EDMA_TPCC_OPT_n[22] TCCHEN = 1</code> , <code>EDMA_TPCC_OPT_n[23] ITCCHEN = 0</code>	1 (Owing to the last TR)	1 (Owing to the last TR)
<code>EDMA_TPCC_OPT_n[22] TCCHEN = 0</code> , <code>EDMA_TPCC_OPT_n[23] ITCCHEN = 1</code>	19 (Owing to all but the last TR)	4 (Owing to all but the last TR)
<code>EDMA_TPCC_OPT_n[22] TCCHEN = 1</code> , <code>EDMA_TPCC_OPT_n[23] ITCCHEN = 1</code>	20 (Owing to a total of 20 TRs)	5 (Owing to a total of 5 TRs)

16.2.4.9 EDMA Interrupts

The EDMA interrupts are divided into 2 categories: transfer completion interrupts and error interrupts.

There are nine region interrupts, eight shadow regions and one global region. The transfer completion interrupts are listed in [Table 16-97](#). The transfer completion interrupts and the error interrupts from the transfer controllers are all routed to the device interrupt controllers INTCs through the inputs of the `IRQ_CROSSBAR` module.

Table 16-97. EDMA Transfer Completion Interrupts

Name	Description
<code>EDMA_TPCC_INT0</code>	EDMA_TPCC Transfer Completion Interrupt Shadow Region 0
<code>EDMA_TPCC_INT1</code>	EDMA_TPCC Transfer Completion Interrupt Shadow Region 1
<code>EDMA_TPCC_INT2</code>	EDMA_TPCC Transfer Completion Interrupt Shadow Region 2
<code>EDMA_TPCC_INT3</code>	EDMA_TPCC Transfer Completion Interrupt Shadow Region 3
<code>EDMA_TPCC_INT4</code>	EDMA_TPCC Transfer Completion Interrupt Shadow Region 4
<code>EDMA_TPCC_INT5</code>	EDMA_TPCC Transfer Completion Interrupt Shadow Region 5
<code>EDMA_TPCC_INT6</code>	EDMA_TPCC Transfer Completion Interrupt Shadow Region 6
<code>EDMA_TPCC_INT7</code>	EDMA_TPCC Transfer Completion Interrupt Shadow Region 7

Table 16-98. EDMA Error Interrupts

Name	Description
EDMA_TPCC_ERRINT	EDMA_TPCC Error Interrupt
EDMA_TPCC_MPINT	EDMA_TPCC Memory Protection Interrupt
EDMA_TC0_ERRINT	TC0 Error Interrupt
EDMA_TC1_ERRINT	TC1 Error Interrupt

16.2.4.9.1 Transfer Completion Interrupts

The EDMA_TPCC is responsible for generating transfer completion interrupts to the CPU(s) (and other EDMA masters). The EDMA generates a single completion interrupt per shadow region, as well as one for the global region on behalf of all 64 channels. The various control registers and bit fields facilitate EDMA interrupt generation.

The software architecture must either use the global interrupt or the shadow interrupts, but not both.

The transfer completion code [EDMA_TPCC_OPT_n\[17:12\]](#) TCC value is directly mapped to the bits of the interrupt pending register [EDMA_TPCC_IPR](#) / [EDMA_TPCC_IPRH](#).

For example, if [EDMA_TPCC_OPT_n\[17:12\]](#) TCC = 10 0001b, [EDMA_TPCC_IPRH\[1\]](#) is set after transfer completion, and results in interrupt generation to the CPU(s) if the completion interrupt is enabled for the CPU. See [Section 16.2.4.9.1.1 Enabling Transfer Completion Interrupts](#) for details about enabling EDMA transfer completion interrupts.

When a completion code is returned (as a result of early or normal completions), the corresponding bit in [EDMA_TPCC_IPR](#) / [EDMA_TPCC_IPRH](#) registers is set if transfer completion interrupt (final/intermediate) is enabled in the channel options parameter (OPT) for a PaRAM set associated with the transfer.

Table 16-99. Transfer Complete Code (TCC) to EDMA_TPCC Interrupt Mapping

TCC values in EDMA_TPCC_OPT_n[17:12] TCC (EDMA_TPCC_OPT_n[20] TCINTEN / EDMA_TPCC_OPT_n[21] ITCINTEN = 1)		EDMA_TPCC_IPR Bit Set	TCC values in EDMA_TPCC_OPT_n[17:12] TCC (EDMA_TPCC_OPT_n[20] TCINTEN / EDMA_TPCC_OPT_n[21] ITCINTEN = 1)		EDMA_TPCC_IPRH Bit Set ⁽¹⁾
0		EDMA_TPCC_IPR[0]	20h		EDMA_TPCC_IPR[32] / EDMA_TPCC_IPRH[0]
1		EDMA_TPCC_IPR[1]	21h		EDMA_TPCC_IPR[33] / EDMA_TPCC_IPRH[1]
2h		EDMA_TPCC_IPR[2]	22h		EDMA_TPCC_IPR[34] / EDMA_TPCC_IPRH[2]
3h		EDMA_TPCC_IPR[3]	23h		EDMA_TPCC_IPR[35] / EDMA_TPCC_IPRH[3]
4h		EDMA_TPCC_IPR[4]	24h		EDMA_TPCC_IPR[36] / EDMA_TPCC_IPRH[4]
...	
1Eh		EDMA_TPCC_IPR[30]	3Eh		EDMA_TPCC_IPR[62] / EDMA_TPCC_IPRH[30]
1Fh		EDMA_TPCC_IPR[31]	3Fh		EDMA_TPCC_IPR[63] / EDMA_TPCC_IPRH[31]

⁽¹⁾ Bit fields [EDMA_TPCC_IPR](#) [32-63] correspond to bits 0 to 31 in [EDMA_TPCC_IPRH](#), respectively.

The transfer completion code (TCC) can program to any value for a DMA/QDMA channel. A direct relation between the channel number and the transfer completion code value does not need to exist. This allows multiple channels having the same transfer completion code value to cause a CPU to execute the same interrupt service routine (ISR) for different channels.

If the channel is used in the context of a shadow region and it intends for the shadow region interrupt to be asserted, then ensure that the bit corresponding to the TCC code is enabled in [EDMA_TPCC_IER](#) / [EDMA_TPCC_IERH](#) and in the corresponding shadow region's DMA region access registers ([EDMA_TPCC_DRAEM_k](#) / [EDMA_TPCC_DRAEHM_k](#)).

Interrupt generation can be enabled at either final transfer completion or intermediate transfer completion, or both. Consider channel *m* as an example.

- If the final transfer interrupt ([EDMA_TPCC_OPT_n\[20\]](#) TCINTEN = 1) is enabled, the interrupt occurs after the last transfer request of channel *m* is either submitted or completed (depending on early or normal completion).
- If the intermediate transfer interrupt ([EDMA_TPCC_OPT_n\[21\]](#) ITCINTEN = 1) is enabled, the interrupt occurs after every transfer request, except the last TR of channel *m* is either submitted or completed (depending on early or normal completion).
- If both final and intermediate transfer completion interrupts ([EDMA_TPCC_OPT_n\[20\]](#) TCINTEN = 1, and [EDMA_TPCC_OPT_n\[21\]](#) ITCINTEN = 1) are enabled, then the interrupt occurs after every transfer request is submitted or completed (depending on early or normal completion).

Table 16-100 shows the number of interrupts that occur in different synchronized scenarios. Consider channel 31, programmed with [ABCNT_n\[15:0\]](#) ACNT = 3, [EDMA_TPCC_ABCNT_n\[31:16\]](#) BCNT = 4, [EDMA_TPCC_CCNT_n\[15:0\]](#) CCNT = 5, and [EDMA_TPCC_OPT_n\[17:12\]](#) TCC = 30.

Table 16-100. Number of Interrupts

Options	A-Synchronized	AB-Synchronized
EDMA_TPCC_OPT_n[20] TCINTEN = 1, EDMA_TPCC_OPT_n[21] ITCINTEN = 0	1 (Last TR)	1 (Last TR)
EDMA_TPCC_OPT_n[20] TCINTEN = 0, EDMA_TPCC_OPT_n[21] ITCINTEN = 1	19 (All but the last TR)	4 (All but the last TR)
EDMA_TPCC_OPT_n[20] TCINTEN = 1, EDMA_TPCC_OPT_n[21] ITCINTEN = 1	20 (All TRs)	5 (All TRs)

16.2.4.9.1.1 Enabling Transfer Completion Interrupts

For the EDMA channel controller to assert a transfer completion to the external environment, the interrupts must be enabled in the EDMA_TPCC. This is in addition to setting up the [EDMA_TPCC_OPT_n\[20\]](#) TCINTEN and [EDMA_TPCC_OPT_n\[21\]](#) ITCINTEN bits of the associated PaRAM set.

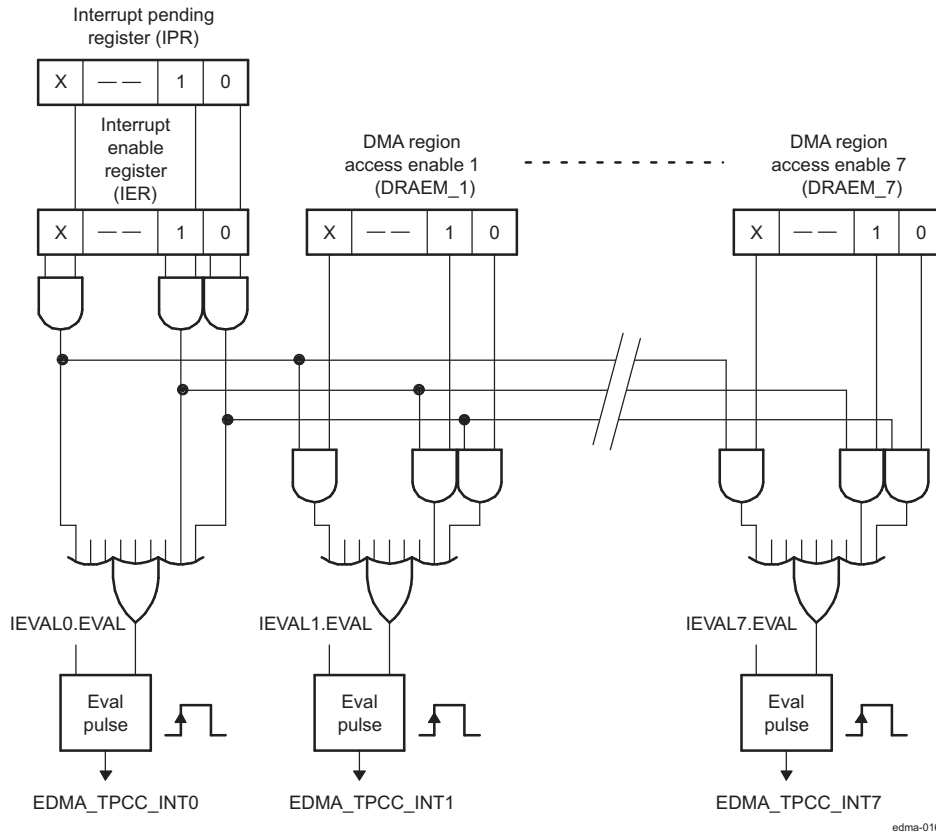
The EDMA channel controller has interrupt enable registers [EDMA_TPCC_IER](#) / [EDMA_TPCC_IERH](#) and each bit location in [EDMA_TPCC_IER](#) / [EDMA_TPCC_IERH](#) serves as a primary enable for the corresponding interrupt pending registers [EDMA_TPCC_IPR](#) / [EDMA_TPCC_IPRH](#).

All of the interrupt registers ([EDMA_TPCC_IER](#), [EDMA_TPCC_IESR](#), [EDMA_TPCC_IECR](#), and [EDMA_TPCC_IPR](#)) are either manipulated from the global DMA channel region, or by the DMA channel shadow regions. The shadow regions provide a view to the same set of physical registers that are in the global region.

The EDMA channel controller has a hierarchical completion interrupt scheme that uses a single set of interrupt pending registers [EDMA_TPCC_IPR](#) / [EDMA_TPCC_IPRH](#) and single set of interrupt enable registers [EDMA_TPCC_IER](#) / [EDMA_TPCC_IERH](#). The programmable DMA region access enable registers [EDMA_TPCC_DRAEM_k](#) / [EDMA_TPCC_DRAEHM_k](#) provides a second level of interrupt masking. The global region interrupt output is gated based on the enable mask that is provided by [EDMA_TPCC_IER](#) / [EDMA_TPCC_IERH](#), see [Figure 16-27](#)

The region interrupt outputs are gated by [EDMA_TPCC_IER](#) and the specific [EDMA_TPCC_DRAEM_k](#) / [EDMA_TPCC_DRAEHM_k](#) associated with the region.

[Figure 16-27](#) shows the Interrupt diagram of the EDMA controller.

Figure 16-27. Interrupt Diagram


The EDMA_TPCC generates the transfer completion interrupts that are associated with each shadow region, the following conditions must be true:

- EDMA_TPCC_INT0: (EDMA_TPCC_IPR[0] E0 & EDMA_TPCC_IER[0] E0 & EDMA_TPCC_DRAEM_k.DRAEM_0[0] E0) | (EDMA_TPCC_IPR[1] E1 & EDMA_TPCC_IER[1] E1 & EDMA_TPCC_DRAEM_k.DRAEM_0[1] E1) | ...|(EDMA_TPCC_IPRH[31] E63 & EDMA_TPCC_IERH[31] E63 & EDMA_TPCC_DRAEHM_k.DRAEHM_0[31] E63)
- EDMA_TPCC_INT1: (EDMA_TPCC_IPR[0] E0 & EDMA_TPCC_IER[0] E0 & EDMA_TPCC_DRAEM_k.DRAEM_1[0] E0) | (EDMA_TPCC_IPR[1] E1 & EDMA_TPCC_IER[1] E1 & EDMA_TPCC_DRAEM_k.DRAEM_1[1] E1) | ...|(EDMA_TPCC_IPRH[31] E63 & EDMA_TPCC_IERH[31] E63 & EDMA_TPCC_DRAEHM_k.DRAEHM_1[31] E63)
- EDMA_TPCC_INT2: (EDMA_TPCC_IPR[0] E0 & EDMA_TPCC_IER[0] E0 & EDMA_TPCC_DRAEM_k.DRAEM_2[0] E0) | (EDMA_TPCC_IPR[1] E1 & EDMA_TPCC_IER[1] E1 & EDMA_TPCC_DRAEM_k.DRAEM_2[1] E1) | ...|(EDMA_TPCC_IPRH[31] E63 & EDMA_TPCC_IERH[31] E63 & EDMA_TPCC_DRAEHM_k.DRAEHM_2[31] E63)....
- Up to EDMA_TPCC_INT7: (EDMA_TPCC_IPR[0] E0 & EDMA_TPCC_IER[0] E0 & EDMA_TPCC_DRAEM_k.DRAEM_7[0] E0) | (EDMA_TPCC_IPR[1] E1 & EDMA_TPCC_IER[1] E1 & EDMA_TPCC_DRAEM_k.DRAEM_7[1] E1) | ...|(EDMA_TPCC_IPRH[31] E63 & EDMA_TPCC_IERH[31] E63 & EDMA_TPCC_DRAEHM_k.DRAEHM_7[31] E63)

NOTE: The [EDMA_TPCC_DRAEM_k](#) / [EDMA_TPCC_DRAEHM_k](#) for all regions are expected to be set up at system initialization and to remain static for an extended period of time. The interrupt enable registers are used for dynamic enable/disable of individual interrupts.

Because there is no relation between the [EDMA_TPCC_OPT_n\[17:12\]](#) TCC value and the DMA/QDMA channel, it is possible, the DMA channel 0 to have the [EDMA_TPCC_OPT_n\[17:12\]](#) TCC = 63 in its associated PaRAM set. This mean that if a transfer completion interrupt is enabled ([EDMA_TPCC_OPT_n\[20\]](#) TCINTEN or [EDMA_TPCC_OPT_n\[21\]](#) ITCINTEN is set), then based on the TCC value, [EDMA_TPCC_IPRH\[31\]](#) E63 is set up on completion. For proper channel operations and interrupt generation using the shadow region map - program the [EDMA_TPCC_DRAEM_k](#) / [EDMA_TPCC_DRAEHM_k](#) that is associated with the shadow region to have read/write access to both bit 0 (corresponding to channel 0) and bit 63 (corresponding to [EDMA_TPCC_IPRH](#) bit that is set upon completion).

16.2.4.9.1.2 Clearing Transfer Completion Interrupts

Transfer completion interrupts that are latched to the interrupt pending registers ([EDMA_TPCC_IPR](#) / [EDMA_TPCC_IPRH](#)) are cleared by writing a 1 to the corresponding bit in the interrupt pending clear register ([EDMA_TPCC_ICR](#) / [EDMA_TPCC_ICRH](#)). For example, a write of 1 to [EDMA_TPCC_ICR\[0\]](#) E0 clears a pending interrupt in [EDMA_TPCC_IPR\[0\]](#) E0.

If an incoming transfer completion code TCC ([EDMA_TPCC_OPT_n\[17:12\]](#) TCC) gets latched to a bit in [EDMA_TPCC_IPR](#) / [EDMA_TPCC_IPRH](#), then additional bits that get set due to a subsequent transfer completion does not result in asserting the [EDMA_TPCC](#) completion interrupt. In order for the completion interrupt to be pulsed, the required transition is from a state where no enabled interrupts are set to a state where at least one enabled interrupt is set.

16.2.4.9.2 EDMA Interrupt Servicing

Upon completion of a transfer (early or normal completion), the EDMA channel controller sets the appropriate bit in the interrupt pending registers ([EDMA_TPCC_IPR](#) / [EDMA_TPCC_IPRH](#)), as the transfer completion codes specify. If the completion interrupts are appropriately enabled, then the CPU enters the interrupt service routine (ISR) when the completion interrupt is asserted.

After servicing the interrupt, the ISR should clear the corresponding bit in [EDMA_TPCC_IPR/EDMA_TPCC_IPRH](#), thereby enabling recognition of future interrupts. The [EDMA_TPCC](#) only asserts additional completion interrupts when all [EDMA_TPCC_IPR](#) / [EDMA_TPCC_IPRH](#) bits clear.

When one interrupt is serviced many other transfer completions may result in additional bits being set in [EDMA_TPCC_IPR](#) / [EDMA_TPCC_IPRH](#), thereby resulting in additional interrupts. Each of the bits in [EDMA_TPCC_IPR](#) / [EDMA_TPCC_IPRH](#) may need different types of service therefore, the ISR must check all pending interrupts and continue until all of the posted interrupts are serviced appropriately.

Examples of pseudo code for a CPU interrupt service routine for an [EDMA_TPCC](#) completion interrupt are shown in [Example 16-2](#) and [Example 16-3](#).

The ISR routine in [Example 16-2](#) is more exhaustive and incurs a higher latency.

Example 16-2. Interrupt Servicing

The pseudo code:

1. Reads the interrupt pending register [EDMA_TPCC_IPR](#) / [EDMA_TPCC_IPRH](#).
2. Performs the operations needed.
3. Writes to the interrupt pending clear register [EDMA_TPCC_ICR](#) / [EDMA_TPCC_ICRH](#) to clear the corresponding [EDMA_TPCC_IPR](#) / [EDMA_TPCC_IPRH](#) bit(s).
4. Reads [EDMA_TPCC_IPR](#) / [EDMA_TPCC_IPRH](#) again:
 - a. If [EDMA_TPCC_IPR](#) / [EDMA_TPCC_IPRH](#) is not equal to 0, repeat from step 2 (implies occurrence of new event between step 2 to step 4).

Example 16-2. Interrupt Servicing (continued)

- b. If `EDMA_TPCC_IPR` / `EDMA_TPCC_IPRH` is equal to 0, assure that all of the enabled interrupts are inactive.

NOTE: An event may occur during step 4 while the `EDMA_TPCC_IPR` / `EDMA_TPCC_IPRH` bits are read as 0 and the application is still in the interrupt service routine. If this happens, a new interrupt is recorded in the device interrupt controller and a new interrupt generates as soon as the application exits in the interrupt service routine.

[Example 16-3](#) is less rigorous, with less burden on the software in polling for set interrupt bits, but can occasionally cause a race condition as mentioned above.

Example 16-3. Interrupt Servicing

If any enabled and pending (possibly lower priority) interrupts are left, force the interrupt logic to reassert the interrupt pulse by setting the `EDMA_TPCC_IEVAL[0]` EVAL bit in the interrupt evaluation register.

The pseudo code is as follows:

1. Enters ISR.
2. Reads `EDMA_TPCC_IPR` / `EDMA_TPCC_IPRH`.
3. For the condition that is set in `EDMA_TPCC_IPR` / `EDMA_TPCC_IPRH`:
 - a. Service interrupt as the application requires.
 - b. Clear the bit for serviced conditions (others may still be set, and other transfers may have resulted in returning the TCC to `EDMA_TPCC` after step 2).
4. Reads `EDMA_TPCC_IPR` / `EDMA_TPCC_IPRH` prior to exiting the ISR:
 - a. If `EDMA_TPCC_IPR` / `EDMA_TPCC_IPRH` is equal to 0, then exit the ISR.
 - b. If `EDMA_TPCC_IPR` / `EDMA_TPCC_IPRH` is not equal to 0, then set `EDMA_TPCC_IEVAL` so that upon exit of ISR, a new interrupt triggers if any enabled interrupts are still pending.

16.2.4.9.3 Interrupt Evaluation Operations

The `EDMA_TPCC` has interrupt evaluate registers `EDMA_TPCC_IEVAL` that exist in the global region and in each shadow region. The registers in the shadow region are the only registers in the DMA channel shadow region memory map that are not affected by the settings for the DMA region access enable registers `EDMA_TPCC_DRAEM_k` / `EDMA_TPCC_DRAEHM_k`. Writing a 1 to the `EDMA_TPCC_IEVAL[0]` EVAL bit in the registers that are associated with a particular shadow region results in pulsing the associated region interrupt (global or shadow), if any enabled interrupt (via `EDMA_TPCC_IER` / `EDMA_TPCC_IERH`) is still pending `EDMA_TPCC_IPR` / `EDMA_TPCC_IPRH`. This register assures that the CPU does not miss the interrupts (or the EDMA master associated with the shadow region) if the software architecture chooses not to use all interrupts. Refer to [Example 16-3](#) about the use of `EDMA_TPCC_IEVAL` in the EDMA interrupt service routine (ISR).

Similarly an error evaluation register `EDMA_TPCC_EEVAL` exists in the global region. Writing a 1 to the `EDMA_TPCC_EEVAL[0]` EVAL bit causes the pulsing of the error interrupt if any pending errors are in `EDMA_TPCC_EMR` / `EDMA_TPCC_EMRH`, `EDMA_TPCC_QEMR`, or `EDMA_TPCC_CCERR`. See [Section 16.2.4.9.4 Error Interrupts](#) for additional information regarding error interrupts.

NOTE: While using `EDMA_TPCC_IEVAL` for shadow region completion interrupts, check that the `EDMA_TPCC_IEVAL` operated upon is from that particular shadow region memory map.

16.2.4.9.4 Error Interrupts

The EDMA_TPCC error registers provide the capability to differentiate error conditions (event missed, threshold exceed, etc.). Additionally, setting the error bits in these registers results in asserting the EDMA_TPCC error interrupt. If the EDMA_TPCC error interrupt is enabled in the device interrupt controller(s), then it allows the CPU(s) to handle the error conditions.

The EDMA_TPCC has a single error interrupt (EDMA_TPCC_ERRINT) that is asserted for all EDMA_TPCC error conditions. There are four conditions that cause the error interrupt:

- DMA missed events: for all 64 DMA channels. DMA missed events are latched in the event missed registers [EDMA_TPCC_EMR](#) / [EDMA_TPCC_EMRH](#).
- QDMA missed events: for all 8 QDMA channels. QDMA missed events are latched in the QDMA event missed register [EDMA_TPCC_QEMR](#).
- Threshold exceed: for all event queues. These are latched in EDMA_TPCC error register [EDMA_TPCC_CCERR](#).
- TCC error: for outstanding transfer requests that are expected to return completion code [EDMA_TPCC_OPT_n\[22\]](#) TCCHEN or [EDMA_TPCC_OPT_n\[23\]](#) TCINTEN bit is set to 1, exceeding the maximum limit of 63. This is also latched in the EDMA_TPCC error register [EDMA_TPCC_CCERR](#).

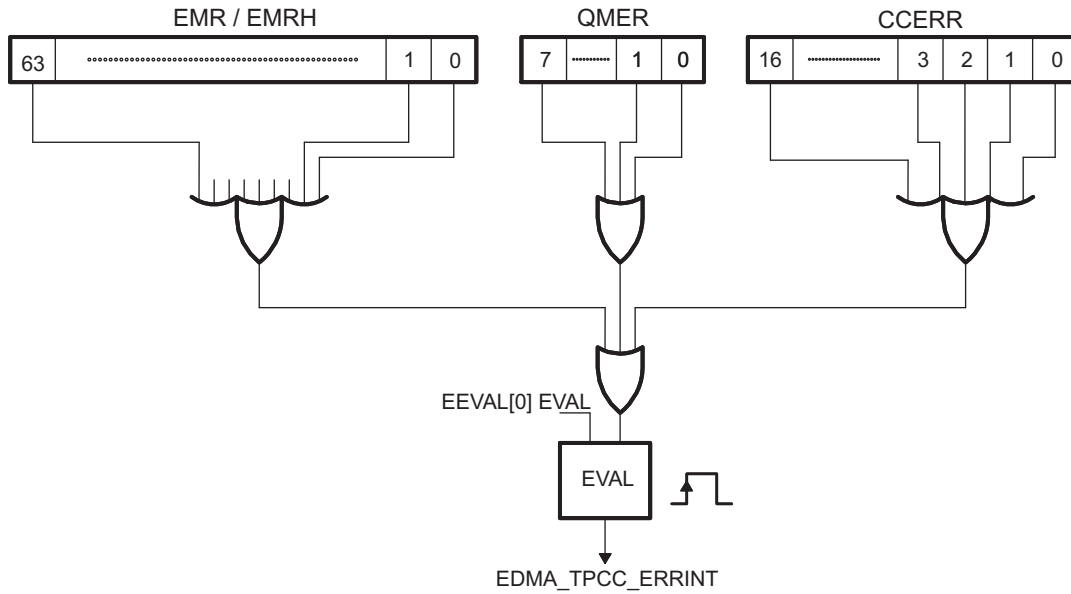
[Figure 16-28](#) illustrates the EDMA_TPCC error interrupt generation operation.

If any of the bits are set in the error registers due to any error condition, the EDMA_TPCC_ERRINT is always asserted, as there are no enables for masking these error events. Similar to transfer completion interrupts (EDMA_TPCC_INT), the error interrupt also only pulses when the error interrupt condition transitions from no errors being set to at least one error being set. If additional error events are latched prior to the original error bits clearing, the EDMA_TPCC does not generate additional interrupt.

To reduce the burden on the software, there is an error evaluate register [EDMA_TPCC_EEVAL](#) that allows re-evaluation of pending set error events/bits, similar to the interrupt evaluate register [EDMA_TPCC_IEVAL](#). Unlike the [EDMA_TPCC_IEVAL](#) functionality, the [EDMA_TPCC_EEVAL](#) register must be written with '1' after any error interrupts are serviced (even when all pending errors are cleared) in order for subsequent errors to trigger a new interrupt.

NOTE: It is good practice to enable the error interrupt in the device interrupt controller and to associate an interrupt service routine with it to address the various error conditions appropriately. Doing so puts less burden on the software (polling for error status), it provides a good debug mechanism for unexpected error conditions.

Figure 16-28. Error Interrupt Operation



edma-017

16.2.4.10 Memory Protection

The EDMA channel controller supports two kinds of memory protection: active and proxy.

16.2.4.10.1 Active Memory Protection

Active memory protection is a feature that allows or prevents read and write accesses to the EDMA_TPCC registers. Active memory protection is achieved by a set of memory protection permissions attribute [EDMA_TPCC_MPPAN_k](#) registers.

The EDMA_TPCC register map is divided into three categories:

- a global region.
- a global channel region.
- eight shadow regions.

Each shadow region consists of the respective shadow region registers and the associated PaRAM. For more detailed information regarding the contents of a shadow region, refer to [Table 16-111 EDMA_TPCC Registers Mapping Summary](#).

Each of the eight shadow regions has an associated [EDMA_TPCC_MPPAN_k](#) registers that defines the specific requestor(s) and types of requests that are allowed to the regions resources.

The global channel region is also protected with a memory-mapped register [EDMA_TPCC_MPPAG](#). The [EDMA_TPCC_MPPAG](#) applies to the global region and to the global channel region, except the other [EDMA_TPCC_MPPAN_k](#) registers themselves.

[Table 16-101](#) shows the accesses that are allowed or not allowed to the [EDMA_TPCC_MPPAG](#) and [EDMA_TPCC_MPPAN_k](#). The active memory protection uses the [EDMA_TPCC_OPT_n\[31\]](#) PRIV and [EDMA_TPCC_OPT_n\[27:24\]](#) PRIVID attributes of the EDMA peripheral modules. The [EDMA_TPCC_OPT_n\[31\]](#) PRIV is the privilege level (i.e., user vs. supervisor).

The [EDMA_TPCC_OPT_n\[27:24\]](#) PRIVID refers to a privilege ID with a number that is associated with an EDMA peripheral modules.

Table 16-101. Allowed Accesses

Access	Supervisor	User
Read	Yes	Yes
Write	Yes	No

[Table 16-102](#) describes the [EDMA_TPCC_MPPAN_k](#) register mapping for the shadow regions (which includes shadow region registers and PaRAM addresses).

The region-based [EDMA_TPCC_MPPAN_k](#) registers are used to protect accesses to the DMA shadow regions and the associated region PaRAM. Because there are eight regions, there are eight [EDMA_TPCC_MPPAN_k](#) region registers (MPPAN[0-7]).

Table 16-102. MPPA Registers to Region Assignment

Register	Registers Protect	Address Range	PaRAM Protect ⁽¹⁾	Address Range
EDMA_TPCC_MPPAG	Global Range	0000h-1FFCh	N/A	N/A
EDMA_TPCC_MPPAN_k . MPPAN_0	DMA Shadow 0	2000h-21FCh	1st octant	4000h-47FCh
MPPAN_1	DMA Shadow 1	2200h-23FCh	2nd octant	4800h-4FFCh
MPPAN_2	DMA Shadow 2	2400h-25FCh	3rd octant	5000h-57FCh
MPPAN_3	DMA Shadow 3	2600h-27FCh	4th octant	5800h-5FFCh
MPPAN_4	DMA Shadow 4	2800h-29FCh	5th octant	6000h-67FCh
MPPAN_5	DMA Shadow 5	2A00h-2BFCh	6th octant	6800h-6FFCh
MPPAN_6	DMA Shadow 6	2C00h-2DFCh	7th octant	7000h-77FCh
MPPAN_7	DMA Shadow 7	2E00h-2FFCh	8th octant	7800h-7FFCh

⁽¹⁾ The PARAM region is divided into 8 regions referred to as an octant.

Example Access denied.

Write access to shadow region 7's event enable set register [EDMA_TPCC_EESR](#):

1. The original value of the event enable register [EDMA_TPCC_EER](#) at address offset 0x1020 is 0x0.
2. The [EDMA_TPCC_MPPAN_k](#). [EDMA_TPCC_MPPAN_7](#)[7] NS is set to prevent user level accesses ([EDMA_TPCC_MPPAN_k](#). [EDMA_TPCC_MPPAN_7](#)[1] UW = 0, [EDMA_TPCC_MPPAN_k](#). [EDMA_TPCC_MPPAN_7](#)[2] UR = 0), but it allows supervisor level accesses ([EDMA_TPCC_MPPAN_k](#). [EDMA_TPCC_MPPAN_7](#)[4] SW = 1, [EDMA_TPCC_MPPAN_k](#). [EDMA_TPCC_MPPAN_7](#)[5] SR = 1) with a privilege ID of 0. ([EDMA_TPCC_MPPAN_k](#). [EDMA_TPCC_MPPAN_7](#)[10] AID0 = 1).
3. EDMA peripheral modules with a privilege ID of 0 attempts to perform a user-level write of a value of 0xFF00FF00 to shadow region 7's event enable set register [EDMA_TPCC_EESR](#) at address offset 0x2E30.

NOTE: The [EDMA_TPCC_EER](#) is a read-only register and the only way that write to it is by writing to the [EDMA_TPCC_EESR](#). There is only one physical register for [EDMA_TPCC_EER](#), [EDMA_TPCC_EESR](#), etc. and that the shadow regions only provide to the same physical set.

4. Since the [EDMA_TPCC_MPPAN_k](#). [EDMA_TPCC_MPPAN_7](#)[1] UW = 0, though the privilege ID of the write access is set to 0, the access is not allowed and the [EDMA_TPCC_EER](#) is not written too.

Table 16-103. Example Access Denied

Register	Value	Description
EDMA_TPCC_EER (offset 0x1020)	0x0000 0000	Value in EDMA_TPCC_EER to begin with.
EDMA_TPCC_EESR (offset 0x2E30)	0xFF00 FF00 ↓	Value attempted to be written to shadow region 7's EDMA_TPCC_EESR . This is done by an EDMA connected device module with a privilege level of User and Privilege ID of 0.
EDMA_TPCC_MPPAN_k (offset 0x082C)	0x0000 04B0 X	Memory Protection Filter EDMA_TPCC_MPPAN_k [10] AID0 = 1, EDMA_TPCC_MPPAN_k [1] UW = 0, EDMA_TPCC_MPPAN_k [2] UR = 0, EDMA_TPCC_MPPAN_k [4] SW = 1, EDMA_TPCC_MPPAN_k [5] SR = 1. Access Denied
EDMA_TPCC_EER (offset 0x1020)	0x0000 0000	Final value of EDMA_TPCC_EER

Example Access Allowed

Write access to shadow region 7's event enable set register [EDMA_TPCC_EESR](#):

1. The original value of the event enable register [EDMA_TPCC_EER](#) at address offset 0x1020 is 0x0.
2. The [EDMA_TPCC_MPPAN_k](#). [EDMA_TPCC_MPPAN_7](#) is set to allow user-level accesses ([EDMA_TPCC_MPPAN_k](#). [EDMA_TPCC_MPPAN_7](#)[1] UW = 1, [EDMA_TPCC_MPPAN_k](#). [EDMA_TPCC_MPPAN_7](#)[2] UR = 1) and supervisor-level accesses ([EDMA_TPCC_MPPAN_k](#). [EDMA_TPCC_MPPAN_7](#)[4] SW = 1, [EDMA_TPCC_MPPAN_k](#). [EDMA_TPCC_MPPAN_7](#)[5] SR = 1) with a privilege ID of 0. ([EDMA_TPCC_MPPAN_k](#). [EDMA_TPCC_MPPAN_7](#)[10] AID0 = 1).
3. EDMA peripheral modules with a privilege ID of 0, attempts to perform a user-level write of a value of 0xABCD0123 to shadow region 7's event enable set register [EDMA_TPCC_EESR](#) at address offset 0x2E30.

NOTE: The [EDMA_TPCC_EER](#) is a read-only register and the only way that write to it is by writing to the [EDMA_TPCC_EESR](#). There is only one physical register for [EDMA_TPCC_EER](#), [EDMA_TPCC_EESR](#), etc. and that the shadow regions only provide to the same physical set.

4. Since the [EDMA_TPCC_MPPAN_k](#). [EDMA_TPCC_MPPAN_7](#)[1] UW = 1 and [EDMA_TPCC_MPPAN_k](#). [MPPAN_7](#)[10] AID0 = 1, the user-level write access is allowed.
5. The accesse to shadow region registers are masked by their respective [EDMA_TPCC_DRAEM_k](#)

register. In this example, the [EDMA_TPCC_DRAEM_k](#). EDMA_TPCC_DRAEM_7 is set of 0x9FF0FC2.

6. The value finally written to [EDMA_TPCC_EER](#) is 0x8BC00102.

Table 16-104. Example Access Allowed

Register	Value	Description
EDMA_TPCC_EER (offset 0x1020)	0x0000 0000	Value in EER to begin with.
EDMA_TPCC_EESR (offset 0x2E30)	0xFF00 FF00	Value attempted to be written to shadow region 7's EESR. This is done by an EDMA peripheral module with a privilege level of User and Privilege ID of 0.
EDMA_TPCC_MPPAN_k , EDMA_TPCC_MPPAN_7 (offset 0x082C)	0x0000 04B3	Memory Protection Filter EDMA_TPCC_MPPAN_k [10] AID = 1, EDMA_TPCC_MPPAN_k . EDMA_TPCC_MPPAN_7 [1] UW = 1, EDMA_TPCC_MPPAN_k . EDMA_TPCC_MPPAN_7 [2] UR = 1, EDMA_TPCC_MPPAN_k . EDMA_TPCC_MPPAN_7 [4] SW = 1, EDMA_TPCC_MPPAN_k . EDMA_TPCC_MPPAN_7 [5] SR = 1.
	√ ↓	Access allowed.
EDMA_TPCC_DRAEM_k , EDMA_TPCC_DRAEM_7 (offset 0x0378)	0x9FF0 0FC2 ↓	DMA Region Access Enable Filter
EDMA_TPCC_EESR (offset 0x2E30)	0x8BC0 0102 ↓	Value written to shadow region 7's EESR. This is done by an EDMA peripheral module with a privilege level of User and a Privilege ID of 0.
EDMA_TPCC_EER (offset 0x1020)	↓ 0x8BC0 0102	Final value of EER.

16.2.4.10.2 Proxy Memory Protection

Proxy memory protection allows an EDMA transfer programmed by a given peripheral module connected to EDMA, to have its permissions travel with the transfer through the EDMA_TPTC. The permissions travel along with the read transactions to the source and the write transactions to the destination endpoints. The [EDMA_TPCC_OPT_n](#)[31] PRIV bit and [EDMA_TPCC_OPT_n](#)[27:24] PRIVID bit is set with the peripheral module's PRIV value and PRIVID values, respectively, when any part of the PaRAM set is written.

The [EDMA_TPCC_OPT_n](#)[31] PRIV is the privilege level (i.e., user vs. supervisor). The [EDMA_TPCC_OPT_n](#)[27:24] PRIVID refers to a privilege ID with a number that is associated with an peripheral module connected to EDMA.

These options are part of the TR that are submitted to the transfer controller. The transfer controller uses the above values on their respective read and write command bus so that the target endpoints can perform memory protection checks based on these values.

Consider a parameter set that is programmed by a CPU in user privilege level for a simple transfer with the source buffer on an L2 page and the destination buffer on an L1D page. The [EDMA_TPCC_OPT_n](#)[31] PRIV is 0 for user-level and the CPU has a [EDMA_TPCC_OPT_n](#)[27:24] PRIVID to 0.

The PaRAM set is shown in [Figure 16-29](#).

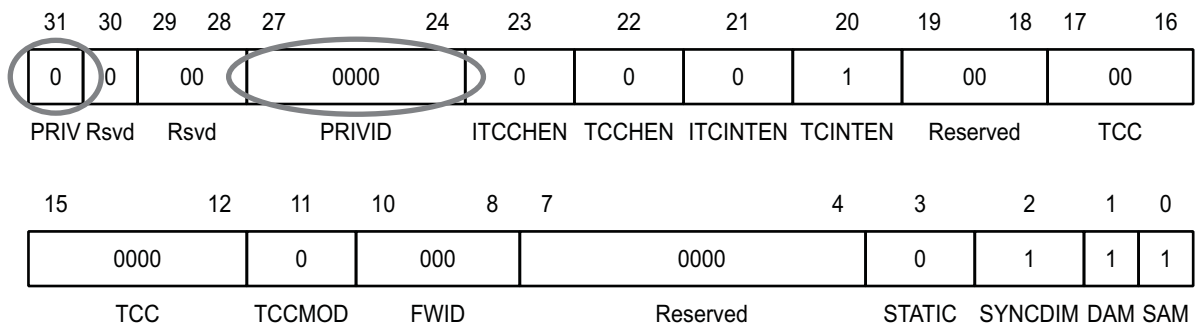
Figure 16-29. PaPARAM Set Content for Proxy Memory Protection Example

(a) EDMA Parameters

Parameter Contents		Parameter	
0010 0007h		Channel Options Parameter (OPT)	
009F 0000h		Channel Source Address (SRC)	
0001h	0004h	Count for 2nd Dimension (BCNT)	Count for 1st Dimension (ACNT)
00F0 7800h		Channel Destination Address (DST)	
0001h	0001h	Destination BCNT Index (DBIDX)	Source BCNT Index (SBIDX)
0000h	FFFFh	BCNT Reload (BCNTRLD)	Link Address (LINK)
0001h	1000h	Destination CCNT Index (DCIDX)	Source CCNT Index (SCIDX)
0000h	0001h	Reserved	Count for 3rd Dimension (CCNT)

Figure 16-30. Channel Options Parameter (OPT) Example

(b) Channel Options Parameter (OPT_n) Content



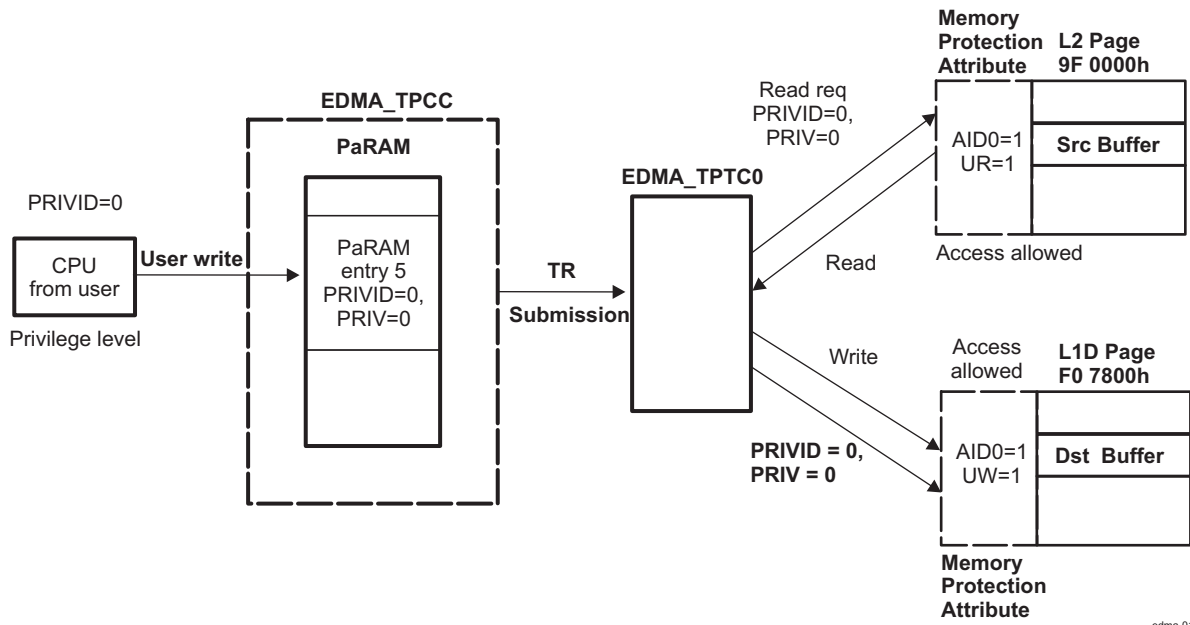
edma-018

The [EDMA_TPCC_OPT_n\[31\]](#) PRIV and [EDMA_TPCC_OPT_n\[27:24\]](#) PRIVID information travels along with the read and write requests that are issued to the source and destination memories.

For example, if the access attributes that are associated with the L2 page with the source buffer only allow supervisor read, write accesses [EDMA_TPCC_MPPAN_k\[4\]](#) SW and [EDMA_TPCC_MPPAN_k\[5\]](#) SR, the user-level read request above is refused. Similarly, if the access attributes that are associated with the L1D page with the destination buffer only allow supervisor read and write accesses ([EDMA_TPCC_MPPAN_k\[4\]](#) SW, [EDMA_TPCC_MPPAN_k\[5\]](#) SR), the user-level write request above is refused. For the transfer to succeed, the source and destination pages must have user-read and user-write permissions, respectively, along with allowing accesses from a PRIVID = 0.

Because the privilege level and privilege identification travel with the read and write requests, EDMA acts as a proxy.

Figure 16-31 illustrates the propagation of [EDMA_TPCC_OPT_n\[31\]](#) PRIV and [EDMA_TPCC_OPT_n\[27:24\]](#) PRIVID at the boundaries of all the interacting entities (CPU, EDMA_TPCC, EDMA_TPTCs, and slave memories).

Figure 16-31. Proxy Memory Protection Example


edma-019

16.2.4.11 Event Queue(s)

Event queues are a part of the EDMA channel controller. Event queues form the interface between the event detection logic in the EDMA_TPCC and the transfer request (TR) submission logic of the EDMA_TPCC. Each queue is 16 entries deep. Each event queue can queue a maximum of 16 events. If there are more than 16 events, then the events that cannot find a place in the event queue remain set in the associated event register and the CPU does not stall.

There are two event queues for the device: Queue0, Queue1. Events in Queue0 result in submission of its associated transfer requests (TRs) to TC0. The transfer requests that are associated with events in Queue1 are submitted to TC1.

An event that wins prioritization against other DMA and/or QDMA pending events is placed at the tail of the appropriate event queue. Each event queue is serviced in FIFO order. Once the event reaches the head of its queue and the corresponding transfer controller is ready to receive another TR, the event is de-queued and the PaRAM set corresponding to the de-queued event is processed and submitted as a transfer request packet (TRP) to the associated EDMA transfer controller.

Queue0 has highest priority and Queue1 has the lowest priority, if Queue0 and Queue1 both have at least one event entry and if both TC0 and TC1 can accept transfer requests, then the event in Queue0 is de-queued first and its associated PaRAM set is processed and submitted as a transfer request (TR) to TC0.

Refer to [Section 16.2.4.11.4](#) for system-level performance considerations. All of the event entries in all of the event queues are software readable (not writeable) by accessing the event entry registers [EDMA_TPCC_Q0E_p](#) and [EDMA_TPCC_Q1E_p](#). Each event entry register characterizes the queued event in terms of the type of event (manual, event, chained or auto-triggered) and the event number. Refer to [Section 16.2.7.2.2.1 EDMA_TPCC Register Description](#) for Q0E_p / Q1E_p descriptions of the bit fields.

16.2.4.11.1 DMA/QDMA Channel to Event Queue Mapping

Each of the 64 DMA channels and eight QDMA channels are programmed independently to map to a specific queue, using the DMA queue number register [EDMA_TPCC_DMAQNUMN_k](#) and the QDMA queue number register [EDMA_TPCC_QDMAQNUM](#). The mapping of DMA/QDMA channels is critical to achieving the desired performance level for the EDMA and most importantly, in meeting real-time deadlines. Refer to [Section 16.2.4.11.4 System-level Performance Considerations](#).

NOTE: If an event is ready to be queued and both the event queue and the EDMA transfer controller that is associated to the event queue are empty, then the event bypasses the event queue, and moves the PaRAM processing logic, and eventually to the transfer request submission logic for submission to the EDMA_TPTC. In this case, the event is not logged in the event queue status registers.

16.2.4.11.2 Queue RAM Debug Visibility

There are two event queues and each queue has 16 entries. These 16 entries are managed in a circular FIFO. There is a queue status register [EDMA_TPCC_QSTATN_i](#) associated with each queue. These along with all of the 16 entries per queue can be read via registers [EDMA_TPCC_QSTATN_i](#) and [Q0E_p / Q1E_p](#), respectively.

These registers provide user visibility.

The event queue entry register ([QxEy Q0E_p / Q1E_p](#)) uniquely identifies the specific event type (event-triggered, manually-triggered, chain-triggered, and QDMA events) along with the event number (for all DMA/QDMA event channels) that are in the queue or have been de-queued (passed through the queue).

Each of the 16 entries in the event queue are read using the EDMA_TPCC memory-mapped register. To see the history of the last 16 TRs that have been processed by the EDMA on a given queue, read the event queue registers. This provides user/software visibility and is helpful for debugging real-time issues (typically post-mortem), involving multiple events and event sources.

The queue status register ([QSTATn EDMA_TPCC_QSTATN_i](#)) includes fields for the start pointer [EDMA_TPCC_QSTATN_i\[3:0\] STRTPTR](#) which provides the offset to the head entry of an event. It also includes a field called [EDMA_TPCC_QSTATN_i\[12:8\] NUMVAL](#) that provides the total number of valid entries residing in the event queue at a given instance of time. The [EDMA_TPCC_QSTATN_i\[3:0\] STRTPTR](#) is used to index appropriately into the 16 event entries. [EDMA_TPCC_QSTATN_i\[12:8\] NUMVAL](#) number of entries starting from STRTPTR are indicative of events still queued in the respective queue. The remaining entry must be read to determine what's already de-queued and submitted to the associated transfer controller.

16.2.4.11.3 Queue Resource Tracking

The EDMA_TPCC event queue includes watermarking/threshold logic that allows to keep track of maximum usage of all event queues. This is useful for debugging real-time deadline violations that may result from head-of-line blocking on a given EDMA event queue.

The maximum number of events are programmed that the queue up in an event queue by programming the threshold value (between 0 to 15) in the queue watermark threshold A register [EDMA_TPCC_QWMTHRA](#). The maximum queue usage is recorded actively in the watermark [EDMA_TPCC_QSTATN_i\[20:16\] WM](#) field of the queue status register, that keeps getting updated based on a comparison of number of valid entries, which is also visible in the [EDMA_TPCC_QSTATN_i\[12:8\] NUMVAL](#) bit and the maximum number of entries.

If the queue usage is exceeded, this status is visible in the EDMA_TPCC registers: the [QTHRXCdn](#) bits in the channel controller error register [EDMA_TPCC_CCERR\[7:0\]](#) and the [EDMA_TPCC_QSTATN_i\[24\] THRXCD](#) bit, where *n* stands for the event queue number. Any bits that are set in [EDMA_TPCC_CCERR](#) also generate an EDMA_TPCC error interrupt.

16.2.4.11.4 Performance Considerations

The main system bus infrastructure (L3) arbitrates bus requests from all of the masters (TCs, CPU(S), and other bus masters) to the shared slave resources (peripherals and memories).

The priorities of transfer requests (read and write commands) from the EDMA transfer controllers with respect to other masters within the device [IRQ_CROSSBAR](#) are programmed using the Control Module registers. The [EDMA_TPCC_QUEPRI](#) register has no affect.

Therefore, the priority of unloading queues has a secondary affect compared to the priority of the transfers as they are executed by the EDMA_TPTC (dictated by the priority set using the Control Module registers, refer to [Section 18.5 Control Module Register Manual](#) in [Chapter 18 Control Module](#) chapter).

16.2.4.12 EDMA Transfer Controller (EDMA_TPTC)

The EDMA channel controller is the user-interface of the EDMA and the EDMA transfer controller (EDMA_TPTC) is the data movement engine of the EDMA controller. The EDMA_TPCC submits transfer requests (TR) to the EDMA_TPTC and the EDMA_TPTC performs the data transfers dictated by the TR, so the EDMA_TPTC is a slave to the EDMA_TPCC.

16.2.4.12.1 Architecture Details

16.2.4.12.1.1 Command Fragmentation

The TC read and write controllers in conjunction with the source and destination register sets are responsible for issuing optimally-sized reads and writes to the slave endpoints. An optimally-sized command is defined by the transfer controller default burst size (DBS), which is defined in [Section 16.2.4.12.5 EDMA_TPTC Configuration](#).

The EDMA_TPTC attempts to issue the largest possible command size as limited by the DBS value or the [EDMA_TPCC_ABCNT_n\[15:0\]](#) ACNT and [EDMA_TPCC_ABCNT_n\[31:16\]](#) BCNT value of the TR. EDMA_TPTC obeys the following rules:

- The read/write controllers always issue commands less than or equal to the DBS value.
- The first command of a 1D transfer command always aligns the address of subsequent commands to the DBS value.

[Table 16-105](#) lists the TR segmentation rules that are followed by the EDMA_TPTC. In summary, if the [EDMA_TPCC_ABCNT_n\[15:0\]](#) ACNT value is larger than the DBS value, then the EDMA_TPTC breaks the [EDMA_TPCC_ABCNT_n\[15:0\]](#) ACNT array into DBS-sized commands to the source/destination addresses. Each [EDMA_TPCC_ABCNT_n\[31:16\]](#) BCNT number of arrays are then serviced in succession.

For BCNT arrays of ACNT bytes (that is, a 2D transfer), if the [EDMA_TPCC_ABCNT_n\[15:0\]](#) ACNT value is less than or equal to the DBS value, then the TR may be optimized into a 1D-transfer in order to maximize efficiency. The optimization takes place if the EDMA_TPTC recognizes that the 2D-transfer is organized as a single dimension ([EDMA_TPCC_ABCNT_n\[15:0\]](#) ACNT == [EDMA_TPCC_BIDX_n](#)) and the ACNT value is a power of 2.

[Table 16-105](#) lists conditions in which the optimizations are performed.

Table 16-105. Read/Write Command Optimization Rules

ACNT ≤ DBS	ACNT is power of 2	BIDX = ACNT	BCNT ≤ 1023	SAM/DAM = Increment	Description
Yes	Yes	Yes	Yes	Yes	Optimized
No	x	x	x	x	Not Optimized
x	No	x	x	x	Not Optimized
x	x	No	x	x	Not Optimized
x	x	x	No	x	Not Optimized
x	x	x	x	No	Not Optimized

16.2.4.12.1.2 TR Pipelining

TR pipelining refers to the ability of the source active set to proceed ahead of the destination active set. Essentially, the reads for a given TR may already be in progress while the writes of a previous TR may not have completed.

The number of outstanding TRs is limited by the number of destination FIFO register entries.

TR pipelining is useful for maintaining throughput on back-to-back small TRs. It minimizes the startup overhead because reads start in the background of a previous TR writes.

Example 16-4. Command Fragmentation (DBS = 64)

The pseudo code:

1. [EDMA_TPTCn_PCNT\[15:0\]](#) ACNT = 8, [EDMA_TPTCn_PCNT\[31:16\]](#) BCNT = 8, [EDMA_TPTCn_PBIDX\[15:0\]](#) SBIDX = 8, [EDMA_TPTCn_PBIDX\[31:16\]](#) DBIDX = 10, [EDMA_TPTCn_PSRC\[31:0\]](#) SADDR = 64, [EDMA_TPTCn_SADST\[31:0\]](#) DADDR = 191

Read Controller: This is optimized from a 2D-transfer to a 1D-transfer such that the read side is equivalent to [EDMA_TPTCn_PCNT\[15:0\]](#) ACNT = 64, [EDMA_TPTCn_PCNT\[31:16\]](#) BCNT = 1.

Cmd0 = 64 byte

Write Controller: Because DBIDX != ACNT, it is not optimized.

Cmd0 = 8 byte, Cmd1 = 8 byte, Cmd2 = 8 byte, Cmd3 = 8 byte, Cmd4 = 8 byte, Cmd5 = 8 byte, Cmd6 = 8 byte, Cmd7 = 8 byte.

2. [EDMA_TPTCn_PCNT\[15:0\]](#) ACNT=128, [EDMA_TPTCn_PCNT\[31:16\]](#) BCNT = 1, [EDMA_TPTCn_PSRC\[31:0\]](#) SADDR = 63, [EDMA_TPTCn_SADST\[31:0\]](#) DADDR = 513

Read Controller: Read address is not aligned.

Cmd0 = 1 byte, (now the SADDR is aligned to 64 for the next command)

Cmd1 = 64 bytes

Cmd2 = 63 bytes

Write Controller: The write address is also not aligned.

Cmd0 = 63 bytes, (now the DADDR is aligned to 64 for the next command)

Cmd1 = 64 bytes

Cmd2 = 1 byte

16.2.4.12.1.3 Performance Tuning

By default, reads are as issued as fast as possible. In some cases, the reads issued by the EDMA_TPTC could fill the available command buffering for a slave, delaying other (potentially higher priority) masters from successfully submitting commands to that slave. The rate at which read commands are issued by the EDMA_TPTC is controlled by the [EDMA_TPTCn_RDRATE](#) register. The [EDMA_TPTCn_RDRATE](#) register defines the number of cycles that the EDMA_TPTC read controller waits before issuing subsequent commands for a given TR, thus minimizing the chance of the EDMA_TPTC consuming all available slave resources. The [EDMA_TPTCn_RDRATE\[2:0\]](#) RDRATE value must be set to a relatively small value if the transfer controller is targeted for high priority transfers and to a higher value if the transfer controller is targeted for low priority transfers.

In contrast, the Write Interface does not have any performance turning knobs because writes always have an interval between commands as write commands are submitted along with the associated write data.

16.2.4.12.2 Memory Protection

The transfer controller plays an important role in handling proxy memory protection. There are two access properties associated with a transfer: for instance, the privilege id (system-wide identification assigned to a master) of the master initiating the transfer, and the privilege level (user versus supervisor) used to program the transfer. This information is maintained in the PaRAM set when it is programmed in the channel controller. When a TR is submitted to the transfer controller, this information is made available to the EDMA_TPTC and used by the EDMA_TPTC while issuing read and write commands. The read or write commands have the same privilege identification, and privilege level as that programmed in the EDMA transfer in the channel controller.

16.2.4.12.3 Error Generation

Errors are generated if enabled under three conditions:

- EDMA_TPTC detection of an error signaled by the source or destination address.
- Attempt to read or write to an invalid address in the configuration memory map.

- Detection of a constant addressing mode TR violating the constant addressing mode transfer rules (the source/destination addresses and source/destination indexes must be aligned to 32 bytes).

Either or all error types may be disabled. If an error bit is set and enabled, the error interrupt for the concerned transfer controller is generated.

16.2.4.12.4 Debug Features

The DMA program register set, DMA source active register set, and the destination FIFO register set are used to derive a brief history of TRs serviced through the transfer controller.

Additionally, the EDMA_TPTC status register [EDMA_TPTCn_TCSTAT](#) has dedicated bit fields to indicate the ongoing activity within different parts of the transfer controller:

- The [EDMA_TPTCn_TCSTAT\[1\]](#) SRCACTV bit indicates whether the source active set is active.
- The [EDMA_TPTCn_TCSTAT\[6:4\]](#) DSTACTV bit indicates the number of TRs resident in the destination register active set at a given instance.
- The [EDMA_TPTCn_TCSTAT\[0\]](#) PROGBUSY bit indicates whether a valid TR is present in the DMA program set.

NOTE: If the TRs are in progression, it must realize that there is a chance that the values read from the EDMA_TPTC status registers will be inconsistent since the EDMA_TPTC changes the values of these registers due to ongoing activities.

It is recommended that to ensure no additional submission of TRs to the EDMA_TPTC in order to facilitate ease of debug.

16.2.4.12.4.1 Destination FIFO Register Pointer

The destination FIFO register pointer is implemented as a circular buffer with the start pointer being [EDMA_TPTCn_TCSTAT\[12:11\]](#) DFSTRTPTR and a buffer depth of usually 2 or 4. The EDMA_TPTC maintains two important status details in [EDMA_TPTCn_TCSTAT](#) that are used during advanced debugging, if necessary. The [EDMA_TPTCn_TCSTAT\[12:11\]](#) DFSTRTPTR is a start pointer, the index to the head of the destination FIFO register. The [EDMA_TPTCn_TCSTAT\[6:4\]](#) DSTACTV is a counter for the number of valid (occupied) entries. These registers are used to get a brief history of transfers.

Examples of some register field values and their interpretation:

- [EDMA_TPTCn_TCSTAT\[12:11\]](#) DFSTRTPTR = 0x0 and [EDMA_TPTCn_TCSTAT\[6:4\]](#) DSTACTV = 0x0 implies that no TRs are stored in the destination FIFO register.
- [EDMA_TPTCn_TCSTAT\[12:11\]](#) DFSTRTPTR = 0x1 and [EDMA_TPTCn_TCSTAT\[6:4\]](#) DSTACTV = 0x2 implies that two TRs are present. The first pending TR is read from the destination FIFO register entry 1 and the second pending TR is read from the destination FIFO register entry 2.
- [EDMA_TPTCn_TCSTAT\[12:11\]](#) DFSTRTPTR = 0x3 and [EDMA_TPTCn_TCSTAT\[6:4\]](#) DSTACTV = 0x2 implies that two TRs are present. The first pending TR is read from the destination FIFO register entry 3 and the second pending TR is read from the destination FIFO register entry 0.

16.2.4.12.5 EDMA_TPTC Configuration

[Table 16-106](#) provides the configuration of the individual EDMA transfer controllers present on the device. The DBS for each transfer controller is defined by Control Module register ([CTRL_CORE_CONTROL_IO_1](#)) settings.

Table 16-106. EDMA Transfer Controller Configurations

Name	TC0	TC1
EDMA_TPTCn_TCCFG[2:0] FIFOSIZE	1024 bytes	1024 bytes
EDMA_TPTCn_TCCFG[5:4] BUSWIDTH	16 bytes	16 bytes
EDMA_TPTCn_TCCFG[9:8] DSTREGDEPTH	4 entries	4 entries

Table 16-106. EDMA Transfer Controller Configurations (continued)

Name	TC0	TC1
DBS	Defined by CTRL_CORE_CONTROL_IO_1[9:8] TC0_DEFAULT_BURST_SIZE	Defined by CTRL_CORE_CONTROL_IO_1[13:12] TC1_DEFAULT_BURST_SIZE

16.2.4.13 Event Dataflow

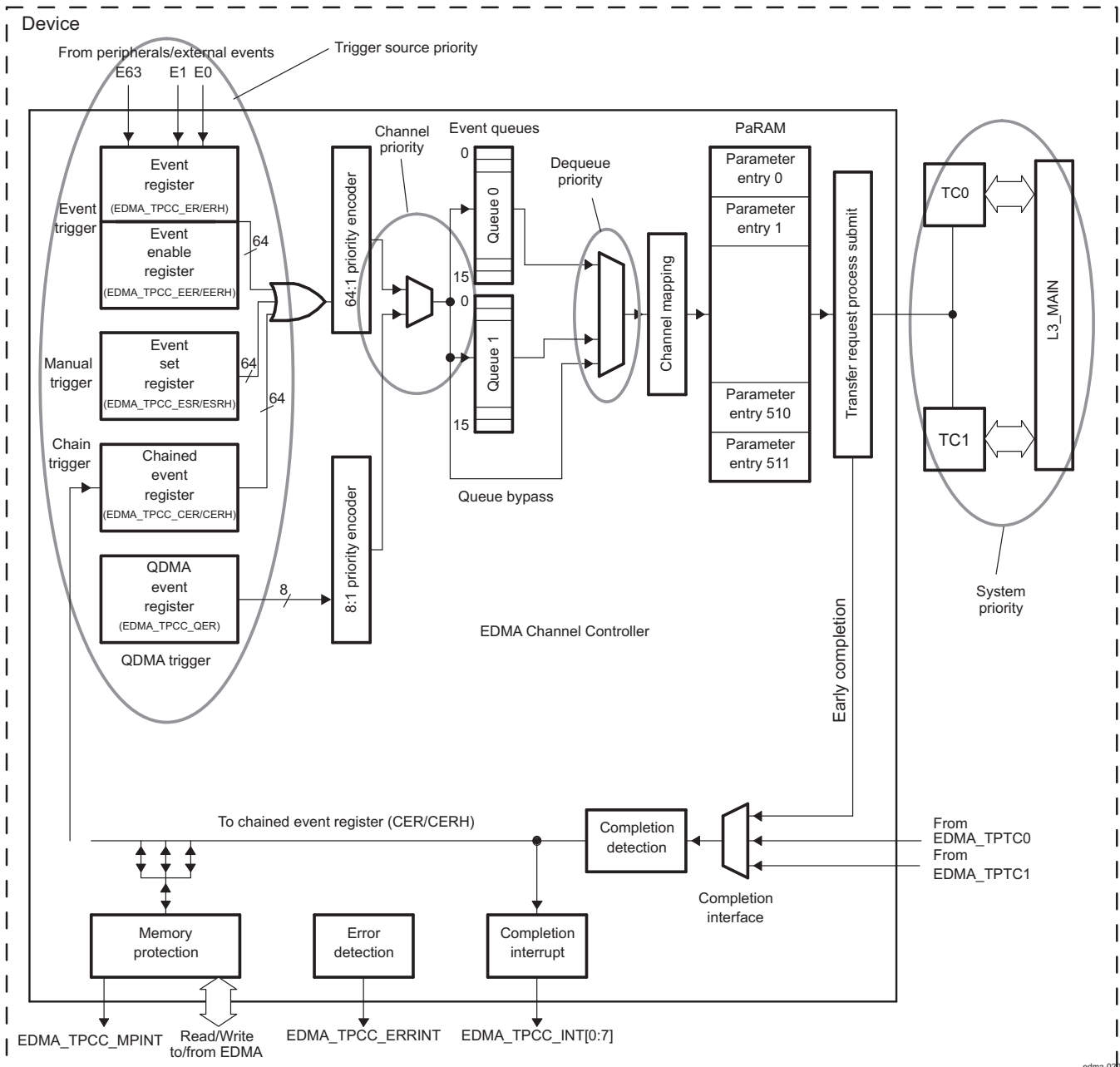
This section summarizes the data flow of a single event, from the time the event is latched to the channel controller to the time the transfer completion code is returned. The following steps list the sequence of EDMA_TPCC activity:

1. Event is asserted from an external source (peripheral or external interrupt). This also is similar for a manually-triggered, chained-triggered, or QDMA-triggered event. The event is latched into the [EDMA_TPCC_ER\[31:0\]En](#) / [EDMA_TPCC_ERH\[31:0\] En](#) (or [EDMA_TPCC_CER\[31:0\] En](#) / [EDMA_TPCC_CERH\[31:0\] En](#), [EDMA_TPCC_ESR\[31:0\] En](#) / [EDMA_TPCC_ESRH\[31:0\] En](#), [EDMA_TPCC_QER\[7:0\] En](#)) bit.
2. Once an event is prioritized and queued into the appropriate event queue, the [EDMA_TPCC_SER\[31:0\] En](#) \ [EDMA_TPCC_SERH\[31:0\] En](#) (or [EDMA_TPCC_QSER\[7:0\] En](#)) bit is set to inform the event prioritization / processing logic to disregard this event since it is already in the queue. Alternatively, if the transfer controller and the event queue are empty, then the event bypasses the queue.
3. The EDMA_TPCC processing and the submission logic evaluates the appropriate PaRAM set and determines whether it is a non-null and non-dummy transfer request (TR).
4. The EDMA_TPCC clears the [EDMA_TPCC_ER\[31:0\] En](#) / [EDMA_TPCC_ERH\[31:0\] En](#) (or [EDMA_TPCC_CER\[31:0\] En](#) / [EDMA_TPCC_CERH\[31:0\] En](#), [EDMA_TPCC_ESR\[31:0\]En](#) / [EDMA_TPCC_ESRH\[31:0\] En](#), [EDMA_TPCC_QER\[31:0\] En](#)) bit and the [EDMA_TPCC_SER\[31:0\] En](#) / [EDMA_TPCC_SERH\[31:0\] En](#) bit as soon as it determines the TR is non-null. In the case of a null set, the [EDMA_TPCC_SER\[31:0\] En](#) / [EDMA_TPCC_SERH\[31:0\] En](#) bit remains set. It submits the non-null/non-dummy TR to the associated transfer controller. If the TR was programmed for early completion, the EDMA_TPCC immediately sets the interrupt pending register ([EDMA_TPCC_IPR\[31:0\] I\[TCC\]](#) / [EDMA_TPCC_IPRH\[31:0\] I\[TCC\]](#) - 32).
5. If the TR was programmed for normal completion, the EDMA_TPCC sets the interrupt pending register ([EDMA_TPCC_IPR\[31:0\] I\[TCC\]](#) / [EDMA_TPCC_IPRH\[31:0\] I\[TCC\]](#)) when the EDMA_TPTC informs the EDMA_TPCC about completion of the transfer (returns transfer completion codes).
6. The EDMA_TPCC programs the associated EDMA_TPTC's Program Register Set with the TR.
7. The TR is then passed to the Source Active set and the DST FIFO Register Set, if both the register sets are available.
8. The Read Controller processes the TR by issuing read commands to the source slave endpoint. The Read Data lands in the Data FIFO of the EDMA_TPTC_n.
9. As soon as sufficient data is available, the Write Controller begins processing the TR by issuing write commands to the destination slave endpoint.
10. This continues until the TR completes and the EDMA_TPTC_n then signals completion status to the EDMA_TPCC.

16.2.4.14 EDMA controller Prioritization

The EDMA controller has many implementation rules to deal with concurrent events/channels, transfers, etc. The following subsections detail various arbitration details whenever there might be occurrence of concurrent activity. [Figure 16-32](#) shows the different places EDMA priorities come into play.

Figure 16-32. EDMA Prioritization



16.2.4.14.1 Channel Priority

The EDMA event registers `EDMA_TPCC_ER` and `EDMA_TPCC_ERH` capture up to 64 events, the QDMA event register `EDMA_TPCC_QER` captures QDMA events for all QDMA channels therefore, it is possible for events to occur simultaneously on the DMA/QDMA event inputs. For events arriving simultaneously, the event associated with the lowest channel number is prioritized for submission to the event queues (for DMA events, channel 0 has the highest priority and channel 63 has the lowest priority, for QDMA events, channel 0 has the highest priority and channel 7 has the lowest priority). This mechanism only sorts simultaneous events for submission to the event queues.

If a DMA and QDMA event occurs simultaneously, the DMA event always has prioritization against the QDMA event for submission to the event queues.

16.2.4.14.2 Trigger Source Priority

If a EDMA channel is associated with more than one trigger source (event trigger, manual trigger, and chain trigger), and if multiple events are set simultaneously for the same channel ([EDMA_TPCC_ER\[31:0\]](#) $E_n = 1$, [EDMA_TPCC_ESR\[31:0\]](#) $E_n = 1$, [EDMA_TPCC_CER\[31:0\]](#) $E_n = 1$), then the EDMA_TPCC always services these events in the following priority order: event trigger (via [EDMA_TPCC_ER](#)) is higher priority than chain trigger (via [EDMA_TPCC_CER](#)) and chain trigger is higher priority than manual trigger (via [EDMA_TPCC_ESR](#)).

This implies that if for channel 0, both [EDMA_TPCC_ER\[0\]](#) $E_0 = 1$ and [EDMA_TPCC_CER\[0\]](#) $E_0 = 1$ at the same time, then the [EDMA_TPCC_ER\[0\]](#) E_0 event is always queued before the [EDMA_TPCC_CER\[0\]](#) E_0 event.

16.2.4.14.3 Dequeue Priority

The priority of the associated transfer request (TR) is further mitigated by which event queue is being used for event submission (dictated by [EDMA_TPCC_DMAQNUMN_k](#) and [EDMA_TPCC_QDMAQNUM](#)). For submission of a TR to the transfer request, events need to be de-queued from the event queues. Queue 0 has the highest dequeue priority and queue 1 the lowest.

16.2.4.15 EDMA Power, Reset and Clock Management

16.2.4.15.1 Clock and Power Management

The EDMA channel controller and transfer controller are clocked from L3MIAN1_L3_GICLK interface clock. The EDMA system runs at the L3 clock frequency.

The Auto clock gating for the EDMA_TPCC module is controlled by the [EDMA_TPCC_CLKGDIS\[0\]](#) CLKGDIS bit at the module level.

The L3MIAN1_L3_GICLK interface clock to EDMA controller's modules are controlled by the following registers in the PRCM module:

- PRCM.CM_L3MAIN1_TPCC_CLKCTRL - manages EDMA_TPCC module clock.
- PRCM.CM_L3MAIN1_TPTC1_CLKCTRL - manages EDMA_TPTC0 module clock.
- PRCM.CM_L3MAIN1_TPTC2_CLKCTRL - manages EDMA_TPTC1 module clock.

EDMA_TPCC and EDMA_TPTC0 and EDMA_TPTC1 modules have wakeup dependances to several device modules. The wakeup dependency based on EDMA modules service requests are controlled by registers in PRCM module:

- PRCM.PM_L3MAIN1_TPCC_WKDEP - controls wakeup dependency based on TPCC service requests.
- PRCM.PM_L3MAIN1_TPTC1_WKDEP - controls wakeup dependency based on TPTC0 service requests.
- PRCM.PM_L3MAIN1_TPTC2_WKDEP - controls wakeup dependency based on TPTC1 service requests.

The EDMA_TPCC, EDMA_TPTC0 and EDMA_TPTC1 can be placed in reduced-power modes to conserve power during periods of low activity. The power management of the peripheral is controlled by the PRCM module. The PRCM acts as a master controller for power management for all peripherals on the device.

The EDMA controller can be idled on receiving a clock stop request from the PRCM. The requests to EDMA_TPCC and EDMA_TPTC0 and EDMA_TPTC1 are separate. In general, it should be verified that there are no pending activities in the EDMA controller

NOTE: When EDMA controller modules no longer require the interface clock, software can disable it at the PRCM level by configuring the MODULEMODE bit field (PRCM.CM_L3MAIN1_TPCC_CLKCTRL[1:0], PRCM.CM_L3MAIN1_TPTC1_CLKCTRL[1:0], PRCM.CM_L3MAIN1_TPTC2_CLKCTRL[1:0]) in the PRCM registers. The clock is effectively cut, provided the other modules that receive it do not require it.

At the PRCM level, when all the conditions to shut off the L3MIAN1_L3_GICLK clock are met the PRCM module automatically launches a hardware handshake protocol to ensure EDMA modules are ready to have this clock switched off. Namely, the PRCM module asserts an IDLE request to the EDMA modules. For more information, refer to [Chapter 3, Power, Reset, and Clock Management](#).

16.2.4.15.2 Reset Considerations

A hardware resets the EDMA (EDMA_TPCC, EDMA_TPTC0 and EDMA_TPTC1) and the EDMA configuration registers. The PaRAM memory contents are undefined after device reset and it should not rely on parameters to be reset to a known state. The PaRAM entry must be initialized to a desired value before it is used. The EDMA modules are reset by CORE_RET_RST reset signal from PRCM.

16.2.4.16 Emulation Considerations

During debug when using the emulator, the CPU(s) may be halted on an execute packet boundary for single-stepping, benchmarking, profiling, or other debug purposes. During an emulation halt, the EDMA channel controller and transfer controller operations continue. Events continue to be latched and processed and transfer requests continue to be submitted and serviced.

Since EDMA is involved in servicing multiple master and slave peripherals, it is not feasible to have an independent behavior of the EDMA for emulation halts. EDMA functionality would be coupled with the peripherals it is servicing, which might have different behavior during emulation halts.

16.2.5 EDMA Transfer Examples

The EDMA channel controller performs a variety of transfers depending on the parameter configuration. The following sections provide a description and PaRAM configuration for some typical use case scenarios.

16.2.5.1 Block Move Example

The most basic transfer performed by the EDMA is a block move. During device operation it is often necessary to transfer a block of data from one location to another, usually between on-chip and off-chip memory.

In this example, a section of data is to be copied from external memory to internal L2 SRAM as shown in Figure 16-33.

The source address for the transfer is set to the start of the data block in external memory, and the destination address is set to the start of the data block in L2. If the data block is less than 64K bytes, the PaRAM configuration shown in Figure 16-34 holds true with the synchronization type set to A-synchronized and indexes cleared to 0. If the amount of data is greater than 64K bytes, EDMA_TPCC_ABCNT_n[31:16] BCNT and the B-indexes need to be set appropriately with the synchronization type set to AB-synchronized. The EDMA_TPCC_OPT_n[3] STATIC bit is set to prevent linking.

This transfer example may also be set up using QDMA. For successive transfer submissions, of a similar nature, the number of cycles used to submit the transfer are fewer depending on the number of changing transfer parameters. The QDMA trigger word must be programmed to be the highest numbered offset in the PaRAM set that undergoes change.

Figure 16-34 shows the parameters Block Move transfer.

Figure 16-33. Block Move Example



edma-021

Figure 16-34. Block Move Example PaRAM Configuration

(a) EDMA Parameters

Parameter Contents		Parameter	
0010 0008h		Channel Options Parameter (OPT)	
Channel Source Address (SRC)		Channel Source Address (SRC)	
0001h	0100h	Count for 2nd Dimension (BCNT)	Count for 1st Dimension (ACNT)
Channel Destination Address (DST)		Channel Destination Address (DST)	
0000h	0000h	Destination BCNT Index (DBIDX)	Source BCNT Index (SBIDX)
0000h	FFFFh	BCNT Reload (BCNTRLD)	Link Address (LINK)
0000h	0000h	Destination CCNT Index (DCIDX)	Source CCNT Index (SCIDX)
0000h	0001h	Reserved	Count for 3rd Dimension (CCNT)

(b) Channel Options Parameter (OPT) Content

- [EDMA_TPCC_OPT_n\[3\]](#) STATIC = 0x1
- [EDMA_TPCC_OPT_n\[20\]](#) TCINTEN = 0x1

16.2.5.2 Subframe Extraction Example

The EDMA can efficiently extract a small frame of data from a larger frame of data. By performing a 2D-to-1D transfer, the EDMA retrieves a portion of data for the CPU to process. In this example, a 640 x 480-pixel frame of video data is stored in external memory. Each pixel is represented by a 16-bit halfword. The CPU extracts a 16 x 12-pixel subframe of the image for processing. To facilitate more efficient processing time by the CPU, the EDMA places the subframe in internal L2 SRAM. Figure 16-35 shows the transfer of a subframe from external memory to L2.

The same PaRAM entry options are used for QDMA channels, as well as DMA channels. The EDMA_TPCC_OPT_n[3] STATIC bit is set to prevent linking. For successive transfers, only changed parameters need to be programmed before triggering the channel.

Figure 16-36 shows the parameters for Subframe Extraction transfer.

Figure 16-35. Subframe Extraction Transfer

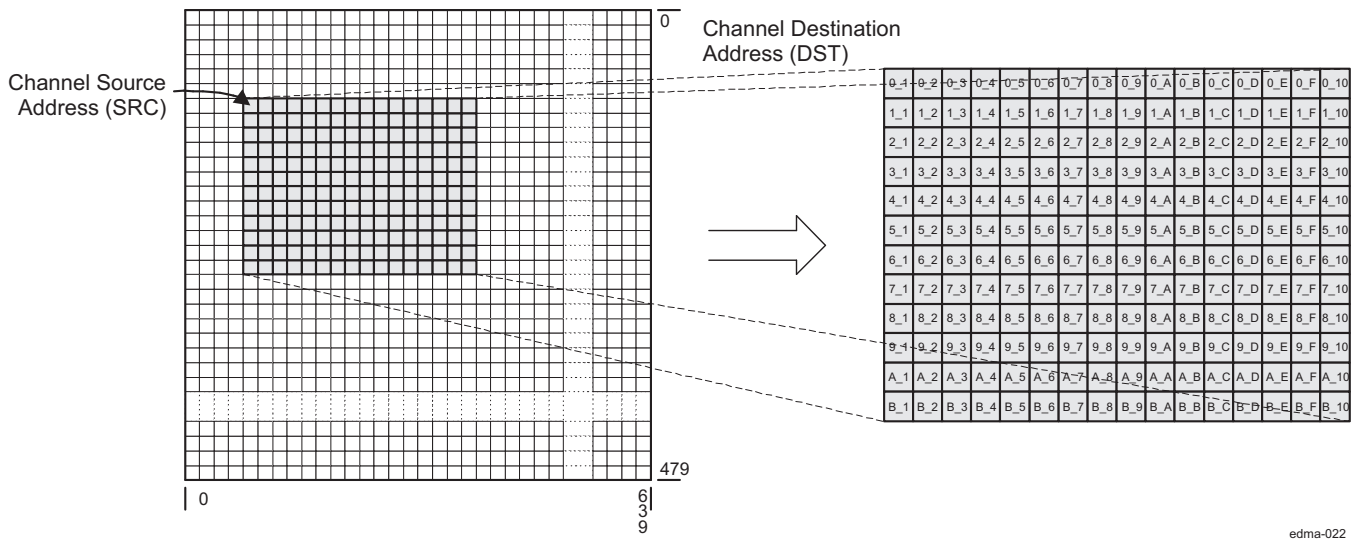


Figure 16-36. Subframe Extraction Example PaRAM Configuration

(a) EDMA Parameters

Parameter Contents	
0010 000Ch	
Channel Source Address (SRC)	
000Ch	0020h
Channel Destination Address (DST)	
0020h	0500h
0000h	FFFFh
0000h	0000h
0000h	0001h

Parameter	
Channel Options Parameter (OPT)	
Channel Source Address (SRC)	
Count for 2nd Dimension (BCNT)	Count for 1st Dimension (ACNT)
Channel Destination Address (DST)	
Destination BCNT Index (DBIDX)	Source BCNT Index (SBIDX)
BCNT Reload (BCNTRLD)	Link Address (LINK)
Destination CCNT Index (DCIDX)	Source CCNT Index (SCIDX)
Reserved	Count for 3rd Dimension (CCNT)

(b) Channel Options Parameter (OPT) Content

- EDMA_TPCC_OPT_n[2] SYNCDIM = 0x1
- EDMA_TPCC_OPT_n[3] STATIC = 0x1
- EDMA_TPCC_OPT_n[20] TCINTEN = 0x1

16.2.5.3 Data Sorting Example

Many applications require the use of multiple data arrays, it is often desirable to have the arrays arranged such that the first elements of each array are adjacent, the second elements are adjacent, and so on. Often this is not how the data is presented to the device. Either data is transferred via a peripheral with the data arrays arriving one after the other or the arrays are located in memory with each array occupying a portion of contiguous memory spaces. For these instances, the EDMA can reorganize the data into the desired format.

To determine the parameter set values, the following need to be considered:

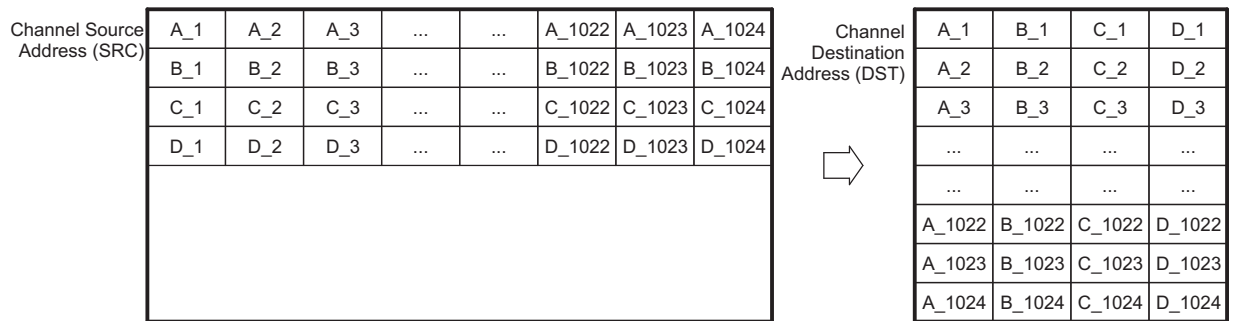
- ACNT - Program this to be the size in bytes of an element.
- BCNT - Program this to be the number of elements in a frame.
- CCNT - Program this to be the number of frames.
- SBIDX - Program this to be the size of the element or ACNT.
- DBIDX - CCNT x ACNT
- SCIDX - ACNT x BCNT
- DCIDX - ACNT

The synchronization type needs to be AB-synchronized and the `EDMA_TPCC_OPT_n[3]` STATIC bit is 0 to allow updates to the parameter set. It is advised to use normal EDMA channels for sorting.

It is not possible to sort this with a single trigger event. Instead, the channel can be programmed to be chained to itself. After BCNT elements get sorted, intermediate chaining could be used to trigger the channel again causing the transfer of the next BCNT elements and so on. Figure 16-38 shows the parameter set programming for this transfer, assuming channel 0 and an element size of 4 bytes.

Figure 16-37 shows the Data Sorting transfer

Figure 16-37. Data Sorting Example



edma-023

Figure 16-38. Data Sorting Example PaRAM Configuration
(a) EDMA Parameters

Parameter Contents	
0090 0004h	
Channel Source Address (SRC)	
0400h	0004h
Channel Destination Address (DST)	
0010h	0001h
0000h	FFFFh
0001h	1000h
0000h	0004h

Parameter	
Channel Options Parameter (OPT)	
Channel Source Address (SRC)	
Count for 2nd Dimension (BCNT)	Count for 1st Dimension (ACNT)
Channel Destination Address (DST)	
Destination BCNT Index (DSTBIDX)	Source BCNT Index (SRCBIDX)
BCNT Reload (BCNTRLD)	Link Address (LINK)
Destination CCNT Index (DSTCIDX)	Source CCNT Index (SRCCIDX)
Reserved	Count for 3rd Dimension (CCNT)

(b) Channel Options Parameter (OPT) Content

- [EDMA_TPCC_OPT_n\[2\]](#) SYNCDIM = 0x1
- [EDMA_TPCC_OPT_n\[20\]](#) TCINTEN = 0x1
- [EDMA_TPCC_OPT_n\[23\]](#) ITCCHEN = 0x1

16.2.5.4 Peripheral Servicing Example

The EDMA channel controller also services peripherals in the background of CPU operation, without requiring any CPU intervention. Through proper initialization of the EDMA channels, they can be configured to continuously service on-chip and off-chip peripherals throughout the device operation. Each event available to the EDMA has its own dedicated channel, and all channels operate simultaneously. The only requirements are to use the proper channel for a particular transfer and to enable the channel event in the event enable register `EDMA_TPCC_EER`. When programming an EDMA channel to service a peripheral, it is necessary to know how data is to be presented to the processor. Data is always provided with some kind of synchronization event as either one element per event (non-bursting) or multiple elements per event (bursting).

16.2.5.4.1 Non-bursting Peripherals

Non-bursting peripherals include the on-chip multichannel audio serial port (McASP) and many external devices, such as codecs. Regardless of the peripheral, the EDMA channel configuration is the same.

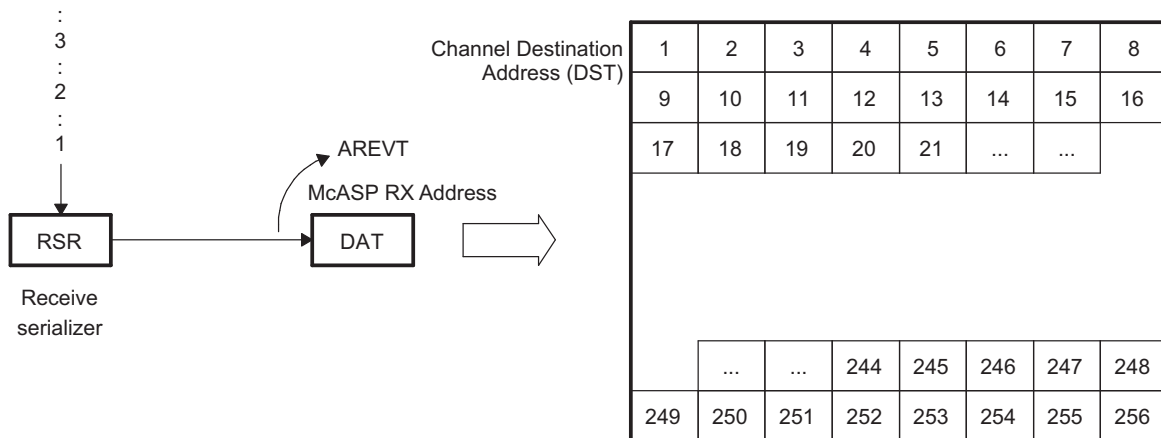
The McASP transmit and receive data streams are treated independently by the EDMA. The transmit and receive data streams can have completely different counts, data sizes, and formats.

To transfer the incoming data stream to its proper location in DDR memory, the EDMA channel must be set up for a 1D-to-1D transfer with A-synchronization. Because an event (AREVT) is generated for every word as it arrives, it is necessary to have the EDMA issue the transfer request for each element individually. Figure 16-40 shows the parameters for this transfer. The source address of the EDMA channel is set to the data port address (DAT) for McASP, and the destination address is set to the start of the data block in DDR. Because the address of serializer buffer is fixed, the source B index is cleared to 0 (no modification) and the destination B index is set to 0x2 (increment).

Based on the premise that serial data is typically a high priority, the EDMA channel should be programmed to be on queue 0.

Figure 16-39 shows servicing incoming McASP data.

Figure 16-39. Servicing Incoming McASP Data Example



edma-024

Figure 16-40. Servicing Incoming McASP Data Example PaRAM Configuration
(a) EDMA Parameters

Parameter Contents	
0010 0000h	
McASP RX Address	
0100h	0001h
Channel Destination Address (DST)	
0001h	0000h
0000h	FFFFh
0000h	0000h
0000h	0004h

Parameter	
Channel Options Parameter (OPT)	
Channel Source Address (SRC)	
Count for 2nd Dimension (BCNT)	Count for 1st Dimension (ACNT)
Channel Destination Address (DST)	
Destination BCNT Index (DBIDX)	Source BCNT Index (SBIDX)
BCNT Reload (BCNTRLD)	Link Address (LINK)
Destination CCNT Index (DCIDX)	Source CCNT Index (SCIDX)
Reserved	Count for 3rd Dimension (CCNT)

(b) Channel Options Parameter (OPT) Content

- [EDMA_TPCC_OPT_n\[20\]](#) TCINTEN = 0x1

16.2.5.4.2 Bursting Peripherals

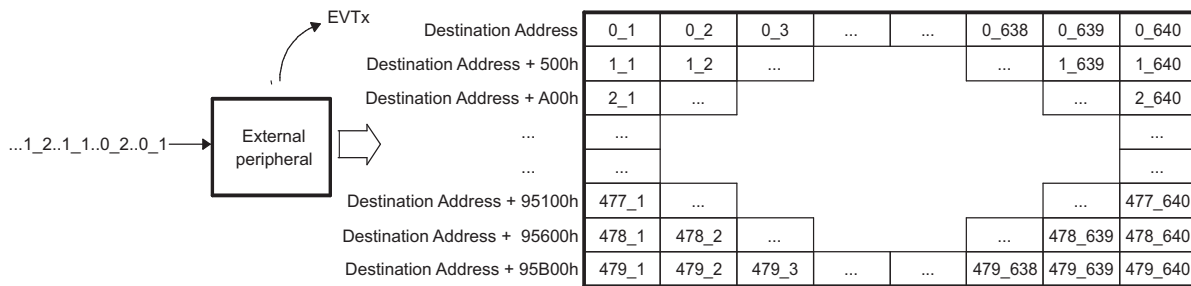
Higher bandwidth applications require that multiple data elements be presented to the processor core for every synchronization event. This frame of data can either be from multiple sources that are working simultaneously or from a single high-throughput peripheral that streams data to/from the processor.

In this example, a port is receiving a video frame from a camera and presenting it to the DSP one array at a time. The video image is 640 × 480 pixels, with each pixel represented by a 16-bit element. The image is to be stored in external memory.

To transfer data from an external peripheral to an external buffer one array at a time based on EVT_n, channel *n* must be configured. Due to the nature of the data (a video frame made up of arrays of pixels) the destination is essentially a 2D entity. Figure 16-42 shows the parameters to service the incoming data with a 1D-to-2D transfer using AB-synchronization. The source address is set to the location of the video framer peripheral, and the destination address is set to the start of the data buffer. Because the input address is static, the EDMA_TPCC_BDIX_n[15:0] SBIDX is 0 (no modification to the source address). The destination is made up of arrays of contiguous, linear elements; therefore, the EDMA_TPCC_BIDX_n[31:16] DBIDX is set to pixel size, 2 bytes. EDMA_TPCC_ABCNT_n[15:0] ANCT is equal to the pixel size, 2 bytes. EDMA_TPCC_ABCNT_n[31:16] BCNT is set to the number of pixels in an array, 640. EDMA_TPCC_CCNT_n[15:0] CCNT is equal to the total number of arrays in the block, 480. EDMA_TPCC_CIDX_n[15:0] SCIDX is 0 because the source address undergoes no increment. The EDMA_TPCC_CIDX_n[31:16] DCIDX is equal to the difference between the starting addresses of each array. Because one pixel is 16 bits (2 bytes), EDMA_TPCC_CIDX_n[31:16] DCIDX is equal to 640 × 2.

Figure 16-41 shows Bursting Peripherals Transfer.

Figure 16-41. Servicing Peripheral Burst Example



edma-025

Figure 16-42. Servicing Peripheral Burst Example PaRAM Configuration
(a) EDMA Parameters

Parameter Contents	
0010 0004h	
Channel Source Address	
0280h	0002h
Channel Destination Address	
0002h	0000h
0000h	FFFFh
0500h	0000h
0000h	01E0h

Parameter	
Channel Options Parameter (OPT)	
Channel Source Address (SRC)	
Count for 2nd Dimension (BCNT)	Count for 1st Dimension (ACNT)
Channel Destination Address (DST)	
Destination BCNT Index (DSTBIDX)	Source BCNT Index (SRCBIDX)
BCNT Reload (BCNTRLD)	Link Address (LINK)
Destination CCNT Index (DSTCIDX)	Source CCNT Index (SRCCIDX)
Reserved	Count for 3rd Dimension (CCNT)

(b) Channel Options Parameter (OPT) Content

- [EDMA_TPCC_OPT_n\[2\]](#) SYNCDIM = 0x1
- [EDMA_TPCC_OPT_n\[20\]](#) TCINTEN = 0x1

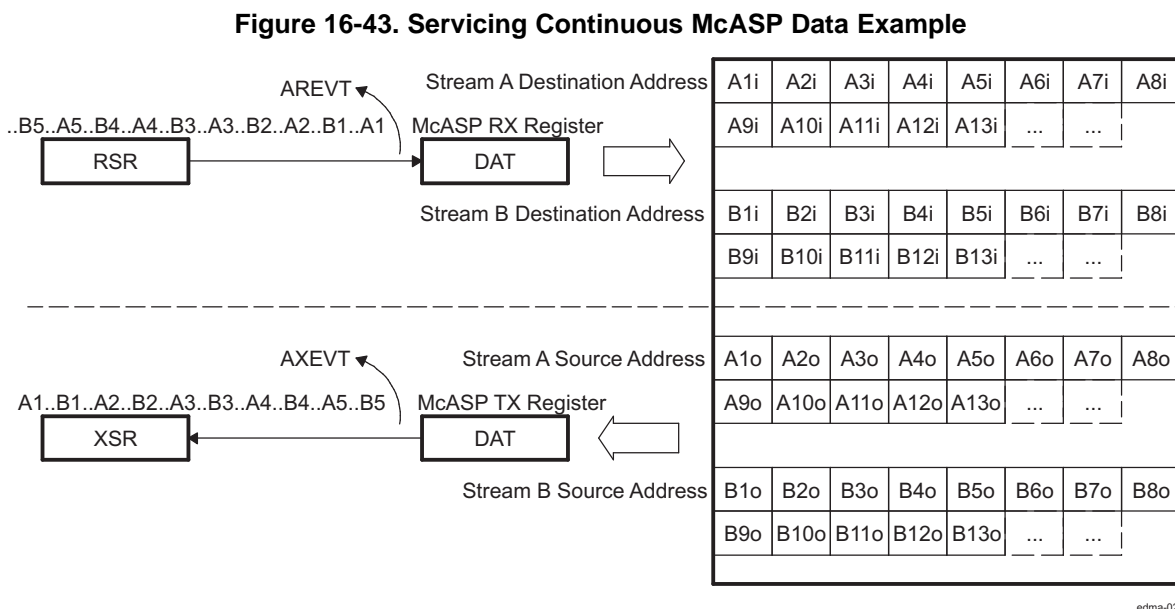
16.2.5.4.3 Continuous Operation

Configuring an EDMA channel to receive a single frame of data is useful, and is applicable to some systems. A majority of the time, however, data is going to be continuously transmitted and received throughout the entire operation of the processor. In this case, it is necessary to implement some form of linking such that the EDMA channels continuously reload the necessary parameter sets. In this example, McASP is configured to transmit and receive data on a T1 array. To simplify the example, only two channels are active for both transmit and receive data streams. Each channel receives packets of 128 elements. The packets are transferred from the serial port to internal memory and from internal memory to the serial port, as shown in Figure 16-43.

The McASP generates AREVT for every element received and generates AXEVT for every element transmitted. To service the data streams, the DMA channels associated with the McASP must be setup for 1D-to-1D transfers with A-synchronization.

Figure 16-44 shows the parameter entries for the channel for these transfers. To service the McASP continuously throughout DSP operation, the channels must be linked to a duplicate PaRAM set in the PaRAM. After all frames have been transferred, the EDMA channels reload and continue.

Figure 16-45 shows the reload parameters for the channel.



16.2.5.4.3.1 Receive Channel

EDMA channel 15 services the incoming data stream of McASP. The source address is set to that of the receive serializer buffer, and the destination address is set to the first element of the data block. Because there are two data channels being serviced, A and B, they are to be located separately within the L2 SRAM.

To facilitate continuous operation, a copy of the PaRAM set for the channel is placed in PaRAM set 64. The LINK option is set and the link address is provided in the PaRAM set. Upon exhausting the channel 15 parameter set, the parameters located at the link address are loaded into the channel 15 parameter set and operation continues. This function continues throughout device operation until halted by the CPU.

16.2.5.4.3.2 Transmit Channel

EDMA channel 12 services the outgoing data stream of McASP. In this case the destination address needs no update, hence, the parameter set changes accordingly. Linking is also used to allow continuous operation by the EDMA channel, with duplicate PaRAM set entries at PaRAM set 65.

Figure 16-44. Servicing Continuous McASP Data Example PaRAM Configuration

(a) EDMA Parameters for Receive Channel (PaRAM Set 15) being Linked to PaRAM Set 64

Parameter Contents		Parameter	
0010 0000h		Channel Options Parameter (OPT)	
McASP RX Register		Channel Source Address (SRC)	
0080h	0001h	Count for 2nd Dimension (BCNT)	Count for 1st Dimension (ACNT)
Channel Destination Address (DST)		Channel Destination Address (DST)	
0001h	0000h	Destination BCNT Index (DBIDX)	Source BCNT Index (SBIDX)
0080h	4800h	BCNT Reload (BCNTRLD)	Link Address (LINK)
0000h	0000h	Destination CCNT Index (DCIDX)	Source CCNT Index (SCIDX)
0000h	FFFFh	Reserved	Count for 3rd Dimension (CCNT)

(b) Channel Options Parameter (OPT) Content for Receive Channel (PaRAM Set 15)

- [EDMA_TPCC_OPT_n\[20\]](#) TCINTEN = 0x1

(c) EDMA Parameters for Transmit Channel (PaRAM Set 12) being Linked to PaRAM Set 65

Parameter Contents		Parameter	
0010 1000h		Channel Options Parameter (OPT)	
Channel Source Address (SRC)		Channel Source Address (SRC)	
0080h	0001h	Count for 2nd Dimension (BCNT)	Count for 1st Dimension (ACNT)
McASP TX Register		Channel Destination Address (DST)	
0000h	0001h	Destination BCNT Index (DBIDX)	Source BCNT Index (SBIDX)
0080h	4860h	BCNT Reload (BCNTRLD)	Link Address (LINK)
0000h	0000h	Destination CCNT Index (DCIDX)	Source CCNT Index (SCIDX)
0000h	FFFFh	Reserved	Count for 3rd Dimension (CCNT)

(d) Channel Options Parameter (OPT) Content for Transmit Channel (PaRAM Set 12)

- [EDMA_TPCC_OPT_n\[20\]](#) TCINTEN = 0x1

Figure 16-45. Servicing Continuous McASP Data Example Reload PaRAM Configuration

(a) EDMA Reload Parameters (PaRAM Set 64) for Receive Channel

Parameter Contents		Parameter	
0010 0000h		Channel Options Parameter (OPT)	
McASP RX Register		Channel Source Address (SRC)	
0080h	0001h	Count for 2nd Dimension (BCNT)	Count for 1st Dimension (ACNT)
Channel Destination Address (DST)		Channel Destination Address (DST)	
0001h	0000h	Destination BCNT Index (DBIDX)	Source BCNT Index (SBIDX)
0080h	4800h	BCNT Reload (BCNTRLD)	Link Address (LINK)
0000h	0000h	Destination CCNT Index (DCIDX)	Source CCNT Index (SCIDX)
0000h	FFFFh	Reserved	Count for 3rd Dimension (CCNT)

(b) Channel Options Parameter (OPT) Content for Receive Channel (PaRAM Set 64)

- [EDMA_TPCC_OPT_n\[20\]](#) TCINTEN = 0x1

(c) EDMA Reload Parameters (PaRAM Set 65) for Transmit Channel

Parameter Contents		Parameter	
0010 1000h		Channel Options Parameter (OPT)	
Channel Source Address (SRC)		Channel Source Address (SRC)	
0080h	0001h	Count for 2nd Dimension (BCNT)	Count for 1st Dimension (ACNT)
McASP TX Register		Channel Destination Address (DST)	
0000h	0001h	Destination BCNT Index (DBIDX)	Source BCNT Index (SBIDX)
0080h	4860h	BCNT Reload (BCNTRLD)	Link Address (LINK)
0000h	0000h	Destination CCNT Index (DCIDX)	Source CCNT Index (SCIDX)
0000h	FFFFh	Reserved	Count for 3rd Dimension (CCNT)

(d) Channel Options Parameter (OPT) Content for Transmit Channel (PaRAM Set 65)

- [EDMA_TPCC_OPT_n\[20\]](#) TCINTEN = 0x1

16.2.5.4.4 Ping-Pong Buffering

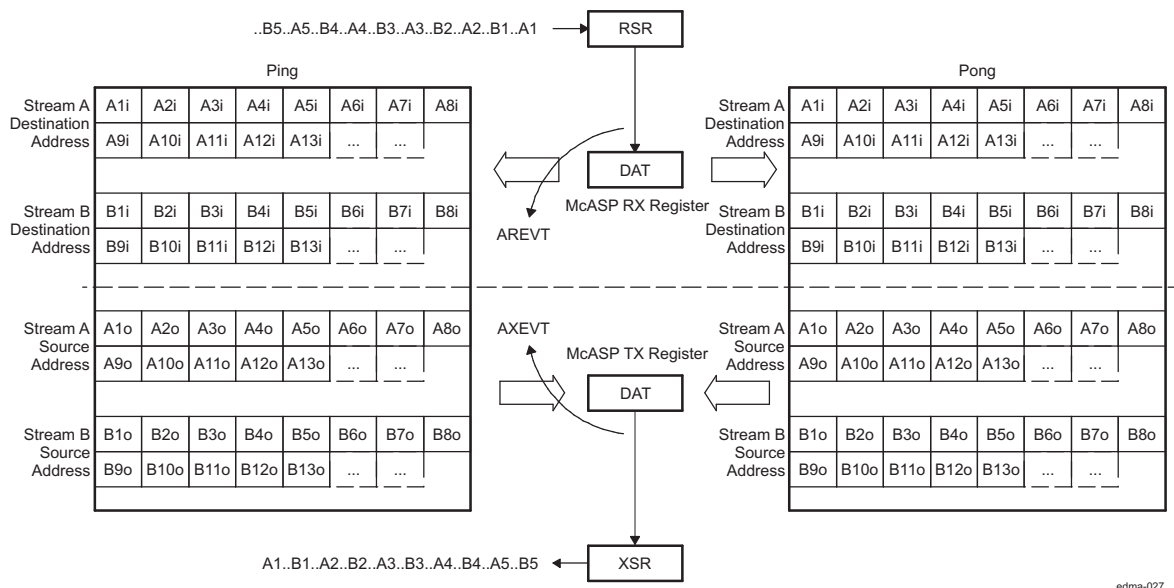
Although the previous configuration allows the EDMA to service a peripheral continuously, it presents a number of restrictions to the CPU. Because the input and output buffers are continuously being filled/emptied, the CPU must match the pace of the EDMA very closely to process the data. The EDMA receive data must always be placed in memory before the CPU accesses it, and the CPU must provide the output data before the EDMA transfers it. Though not impossible, this is an unnecessary challenge. It is particularly difficult in a 2-level cache scheme.

Ping-pong buffering is a simple technique that allows the CPU activity to be distanced from the EDMA activity. This means that there are multiple (usually two) sets of data buffers for all incoming and outgoing data streams. While the EDMA transfers the data into and out of the ping buffers, the CPU manipulates the data in the pong buffers. When both CPU and EDMA activity completes, they switch. The EDMA then writes over the old input data and transfers the new output data. Figure 16-46 shows the ping-pong scheme for this example.

To change the continuous operation example, such that a ping-pong buffering scheme is used, the EDMA channels need only a moderate change. Instead of one parameter set, there are two; one for transferring data to/from the ping buffers and one for transferring data to/from the pong buffers. As soon as one transfer completes, the channel loads the PaPARAM set for the other and the data transfers continue. Figure 16-47 shows the EDMA channel configuration required.

Each channel has two parameter sets, ping and pong. The EDMA channel is initially loaded with the ping parameters (Figure 16-47). The link address for the ping set is set to the PaPARAM offset of the pong parameter set (Figure 16-48). The link address for the pong set is set to the PaPARAM offset of the ping parameter set (Figure 16-49). The channel options, count values, and index values are all identical between the ping and pong parameters for each channel. The only differences are the link address provided and the address of the data buffer.

Figure 16-46. Ping-Pong Buffering for McASP Data Example



16.2.5.4.4.1 Synchronization with the CPU

To utilize the ping-pong buffering technique, the system must signal the CPU when to begin to access the new data set. After the CPU finishes processing an input buffer (ping), it waits for the EDMA to complete before switching to the alternate (pong) buffer. In this example, both channels provide their channel numbers as their report word and set the `EDMA_TPCC_OPT_n[20]` TCINTEN bit to generate an interrupt after completion. When channel 15 fills an input buffer, the E15 bit in the interrupt pending register

[EDMA_TPCC_IPR](#) is set; when channel 12 empties an output buffer, the E12 bit in [EDMA_TPCC_IPR](#) is set. The CPU must manually clear these bits. With the channel parameters set, the CPU polls [EDMA_TPCC_IPR](#) to determine when to switch. The EDMA and CPU could alternatively be configured such that the channel completion interrupts the CPU. By doing this, the CPU could service a background task while waiting for the EDMA to complete.

Figure 16-47. Ping-Pong Buffering for McASP Example PaRAM Configuration

(a) EDMA Parameters for Channel 15 (Using PaRAM Set 15 Linked to Pong Set 64)

Parameter Contents		Parameter	
0010 D00h		Channel Options Parameter (OPT)	
McASP RX Register		Channel Source Address (SRC)	
0080h	0001h	Count for 2nd Dimension (BCNT)	Count for 1st Dimension (ACNT)
Channel Destination Address (DST)		Channel Destination Address (DST)	
0001h	0000h	Destination BCNT Index (DBIDX)	Source BCNT Index (SBIDX)
0080h	4800h	BCNT Reload (BCNTRLD)	Link Address (LINK)
0000h	0000h	Destination CCNT Index (DCIDX)	Source CCNT Index (SCIDX)
0000h	0001h	Reserved	Count for 3rd Dimension (CCNT)

(b) Channel Options Parameter (OPT) Content for Channel 15

- [EDMA_TPCC_OPT_n\[20\]](#) TCINTEN = 0x1

(c) EDMA Parameters for Channel 12 (Using PaRAM Set 12 Linked to Pong Set 65)

Parameter Contents		Parameter	
0010 C00h		Channel Options Parameter (OPT)	
Channel Source Address (SRC)		Channel Source Address (SRC)	
0080h	0001h	Count for 2nd Dimension (BCNT)	Count for 1st Dimension (ACNT)
McASP TX Register		Channel Destination Address (DST)	
0000h	0001h	Destination BCNT Index (DBIDX)	Source BCNT Index (SBIDX)
0080h	4840h	BCNT Reload (BCNTRLD)	Link Address (LINK)
0000h	0000h	Destination CCNT Index (DCIDX)	Source CCNT Index (SCIDX)
0000h	0001h	Reserved	Count for 3rd Dimension (CCNT)

(d) Channel Options Parameter (OPT) Content for Channel 12

- [EDMA_TPCC_OPT_n\[20\]](#) TCINTEN = 0x1

Figure 16-48. Ping-Pong Buffering for McASP Example Pong PaRAM Configuration

(a) EDMA Pong Parameters for Channel 15 at Set 64 Linked to Set 65

Parameter Contents		Parameter	
0010 D00h		Channel Options Parameter (OPT)	
McASP RX Register		Channel Source Address (SRC)	
0080h	0001h	Count for 2nd Dimension (BCNT)	Count for 1st Dimension (ACNT)
Channel Destination Address (DST)		Channel Destination Address (DST)	
0001h	0000h	Destination BCNT Index (DBIDX)	Source BCNT Index (SBIDX)
0080h	4820h	BCNT Reload (BCNTRLD)	Link Address (LINK)
0000h	0000h	Destination CCNT Index (DCIDX)	Source CCNT Index (SCIDX)
0000h	0001h	Reserved	Count for 3rd Dimension (CCNT)

(b) EDMA Pong Parameters for Channel 12 at Set 66 Linked to Set 67

Parameter Contents		Parameter	
0010 C00h		Channel Options Parameter (OPT)	
Channel Source Address (SRC)		Channel Source Address (SRC)	
0080h	0001h	Count for 2nd Dimension (BCNT)	Count for 1st Dimension (ACNT)
McASP TX Register		Channel Destination Address (DST)	
0000h	0001h	Destination BCNT Index (DBIDX)	Source BCNT Index (SBIDX)
0080h	4860h	BCNT Reload (BCNTRLD)	Link Address (LINK)
0000h	0000h	Destination CCNT Index (DCIDX)	Source CCNT Index (SCIDX)
0000h	0001h	Reserved	Count for 3rd Dimension (CCNT)

Figure 16-49. Ping-Pong Buffering for McASP Example Ping PaRAM Configuration

(a) EDMA Ping Parameters for Channel 15 at Set 65 Linked to Set 64

Parameter Contents		Parameter	
0010 D00h		Channel Options Parameter (OPT)	
McASP RX Register		Channel Source Address (SRC)	
0080h	0001h	Count for 2nd Dimension (BCNT)	Count for 1st Dimension (ACNT)
Channel Destination Address (DST)		Channel Destination Address (DST)	
0001h	0000h	Destination BCNT Index (DBIDX)	Source BCNT Index (SBIDX)
0080h	4800h	BCNT Reload (BCNTRLD)	Link Address (LINK)
0000h	0000h	Destination CCNT Index (DCIDX)	Source CCNT Index (SCIDX)
0000h	0001h	Reserved	Count for 3rd Dimension (CCNT)

(b) EDMA Ping Parameters for Channel 12 at Set 67 Linked to Set 66

Parameter Contents		Parameter	
0010 C00h		Channel Options Parameter (OPT)	
Channel Source Address (SRC)		Channel Source Address (SRC)	
0080h	0001h	Count for 2nd Dimension (BCNT)	Count for 1st Dimension (ACNT)
McASP TX Register		Channel Destination Address (DST)	
0000h	0001h	Destination BCNT Index (DBIDX)	Source BCNT Index (SBIDX)
0080h	4840h	BCNT Reload (BCNTRLD)	Link Address (LINK)
0000h	0000h	Destination CCNT Index (DCIDX)	Source CCNT Index (SCIDX)
0000h	0001h	Reserved	Count for 3rd Dimension (CCNT)

16.2.5.4.5 Transfer Chaining Examples

The following examples explain the intermediate transfer complete chaining function.

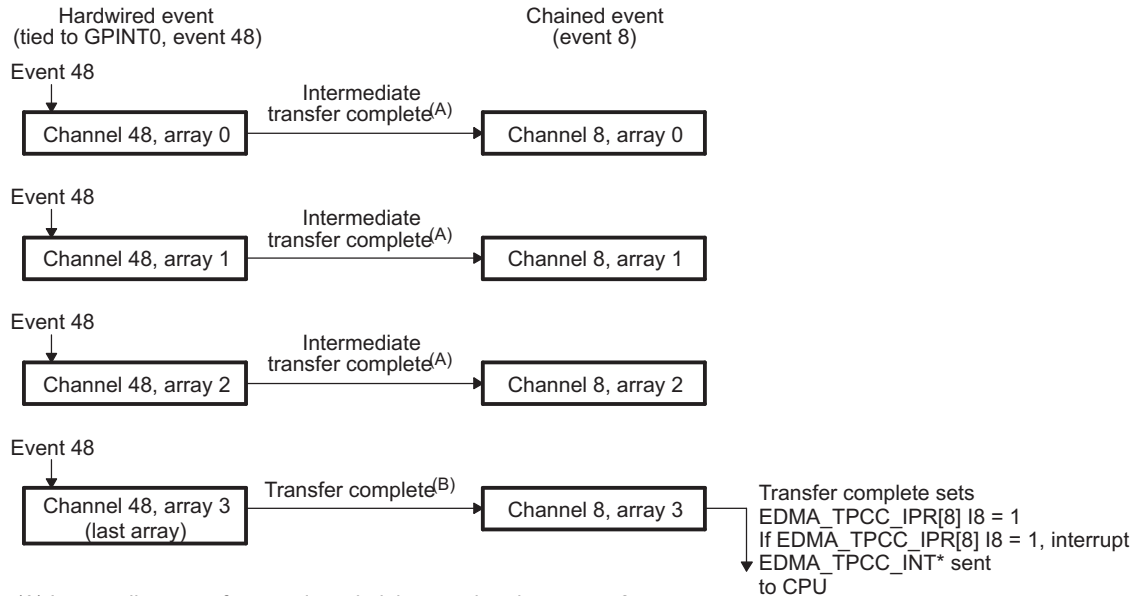
16.2.5.4.5.1 Servicing Input/Output FIFOs with a Single Event

Many systems require the use of a pair of external FIFOs that must be serviced at the same rate. One FIFO buffers data input, and the other buffers data output. The EDMA channels that service these FIFOs can be set up for AB-synchronized transfers. While each FIFO is serviced with a different set of parameters, both can be signaled from a single event.

For example, an external interrupt pin can be tied to the status flags of one of the FIFOs. When this event arrives, the EDMA needs to perform servicing for both the input and output streams. Without the intermediate transfer complete chaining feature this would require two events, and thus two external interrupt pins. The intermediate transfer complete chaining feature allows the use of a single external event (for example, a GPIO event). [Figure 16-50](#) shows the EDMA setup and illustration for this example.

A GPIO event (in this case, GPINT0) triggers an array transfer. Upon completion of each intermediate array transfer of channel 48, intermediate transfer complete chaining sets the E8 bit (specified by TCC of 8) in the chained event register [EDMA_TPCC_CER](#) and provides a synchronization event to channel 8. Upon completion of the last array transfer of channel 48, transfer complete chaining—not intermediate transfer complete chaining—sets the E8 bit in [EDMA_TPCC_CER](#) (specified by [EDMA_TPCC_OPT_n\[11\]](#) TCCMODE: TCC) and provides a synchronization event to channel 8. The completion of channel 8 sets the I8 bit (specified by [EDMA_TPCC_OPT_n\[11\]](#) TCCMODE: TCC) in the interrupt pending register [EDMA_TPCC_IPR](#), which can generate an interrupt to the CPU, if the I8 bit in the interrupt enable register [EDMA_TPCC_IER](#) is set.

[Figure 16-50](#) shows the Intermediate Transfer Completion Chaining Example.

Figure 16-50. Intermediate Transfer Completion Chaining Example


Notes: (A) Intermediate transfer complete chaining synchronizes event 8
 EDMA_TPCC_OPT_n[23] ITCCHEN = 1, TCC = 01000b, and sets EDMA_TPCC_CER[8] E8 = 1
 (B) Transfer complete chaining synchronizes event 8
 EDMA_TPCC_OPT_n[22] TCCHEN = 1, EDMA_TPCC_OPT_n[17:12] TCC = 01000b and sets EDMA_TPCC_CER[8] E8 = 1

Setup

 Channel 48 parameters
 for chaining

- | | |
|--|--|
| <input type="checkbox"/> Enable transfer complete chaining:
EDMA_TPCC_OPT_n[22] TCCHEN = 1
EDMA_TPCC_OPT_n[17:12] TCC = 01000b | <input type="checkbox"/> Enable intermediate transfer complete chaining:
EDMA_TPCC_OPT_n[23] ITCCHEN = 1
EDMA_TPCC_OPT_n[17:12] TCC = 01000b |
|--|--|

 Channel 8 parameters
 for chaining

- | | |
|---|--|
| <input type="checkbox"/> Enable transfer complete chaining:
EDMA_TPCC_OPT_n[20] TCINTEN = 1
EDMA_TPCC_OPT_n[17:12] TCC = 01000b | <input type="checkbox"/> Disable intermediate transfer complete chaining:
EDMA_TPCC_OPT_n[23] ITCCHEN = 0 |
|---|--|

 Event enable register
 (EDMA_TPCC_EER)

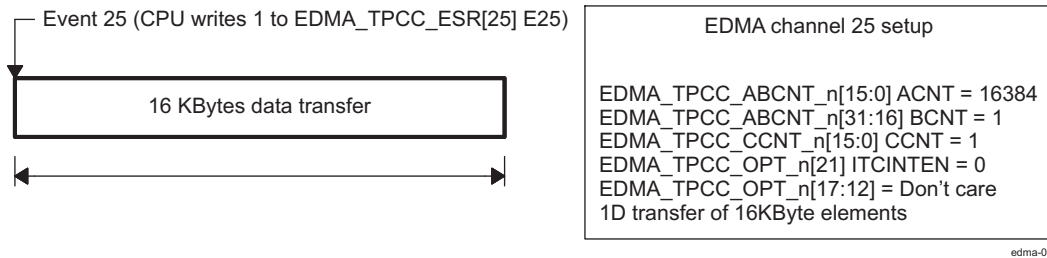
- | |
|--|
| <input type="checkbox"/> Enable channel 48
EDMA_TPCC_EERH[16] E48 = 1 |
|--|

edma-028

16.2.5.4.5.2 Breaking Up Large Transfers with Intermediate Chaining

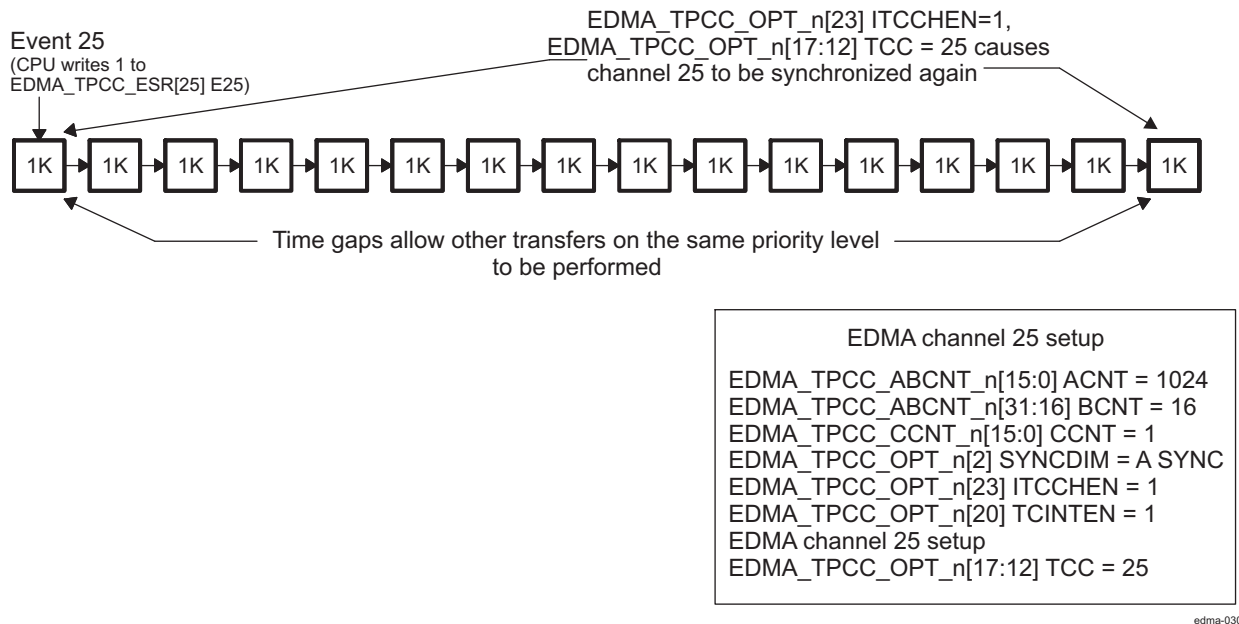
Another feature of intermediate transfer chaining [EDMA_TPCC_OPT_n\[23\] ITCCHEN](#) is for breaking up large transfers. A large transfer may lock out other transfers of the same priority level for the duration of the transfer. For example, a large transfer on queue 0 from the internal memory to the external memory using the EMIF may starve other EDMA transfers on the same queue. In addition, this large high-priority transfer may prevent the EMIF for a long duration to service other lower priority transfers. When a large transfer is considered to be high priority, it should be split into multiple smaller transfers. [Figure 16-51](#) shows the EDMA setup and illustration of an example single large block transfer.

Figure 16-51. Single Large Block Transfer Example



The intermediate transfer chaining enable `EDMA_TPCC_OPT_n[23] ITCCHEN` provides a method to break up a large transfer into smaller transfers. For example, to move a single large block of memory (16K bytes), the EDMA performs an A-synchronized transfer. The element count is set to a reasonable value, where reasonable derives from the amount of time it would take to move this smaller amount of data. Assume 1 Kbyte is a reasonable small transfer in this example. The EDMA is set up to transfer 16 arrays of 1 Kbyte elements, for a total of 16K byte elements. The `EDMA_TPCC_OPT_n[17:12] TCC` field in the channel options parameter (OPT) is set to the same value as the channel number and `EDMA_TPCC_OPT_n[23] ITCCHEN` are set. In this example, EDMA channel 25 is used and `EDMA_TPCC_OPT_n[17:12] TCC` is also set to 25. The `EDMA_TPCC_OPT_n[20] TCINTEN` may also be set to trigger interrupt 25 when the last 1 Kbyte array is transferred. The CPU starts the EDMA transfer by writing to the appropriate bit of the event set register `EDMA_TPCC_ESR[25] E25`. The EDMA transfers the first 1 Kbyte array. Upon completion of the first array, intermediate transfer complete code chaining generates a synchronization event to channel 25, a value specified by the `EDMA_TPCC_OPT_n[17:12] TCC` field. This intermediate transfer completion chaining event causes EDMA channel 25 to transfer the next 1 Kbyte array. This process continues until the transfer parameters are exhausted, at which point the EDMA has completed the 16K byte transfer. This method breaks up a large transfer into smaller packets, thus providing natural time slices in the transfer such that other events may be processed. Figure 16-52 shows the EDMA setup and illustration of the broken up smaller packet transfers.

Figure 16-52. Smaller Packet Data Transfers Example



16.2.5.5 Setting Up an EDMA Transfer

The following list provides a quick guide for the typical steps involved in setting up a transfer.

Step 1. Initiating a DMA/QDMA channel

1. Determine the type of channel (QDMA or DMA) to be used.
2. Channel mapping
 - i. If using a QDMA channel, program the [EDMA_TPCC_QCHMAPN_j](#) with the parameter set number to which the channel maps and the trigger word.
 - ii. If using a DMA channel, program the [EDMA_TPCC_DCHMAPN_m](#) with the parameter set number to which the channel maps.
3. If the channel is being used in the context of a shadow region, ensure the [EDMA_TPCC_DRAEM_k](#) / [EDMA_TPCC_DRAEHM_k](#) for the region is properly set up to allow read write accesses to bits in the event registers and interrupt registers in the Shadow region memory map. The subsequent steps in this process should be done using the respective shadow region registers. (Shadow region descriptions and usage are provided in [Section 16.2.4.7.1](#).)
4. Determine the type of triggering used.
 - i. If external events are used for triggering (DMA channels), enable the respective event in [EDMA_TPCC_EER](#) / [EDMA_TPCC_EERH](#) by writing into [EDMA_TPCC_EESR](#) / [EDMA_TPCC_EESRH](#).
 - ii. If QDMA Channel is used, enable the channel in [EDMA_TPCC_QEER](#) by writing into [EDMA_TPCC_QEESR](#).
5. Queue setup
 - i. If a QDMA channel is used, set up the [EDMA_TPCC_QDMAQNUM](#) to map the channel to the respective event queue.
 - ii. If a DMA channel is used, set up the [EDMA_TPCC_DMAQNUMN_k](#) to map the event to the respective event queue.

Step 2. Parameter set setup

1. Program the PaRAM set number associated with the channel. Note that

NOTE: If it is a QDMA channel, the PaPARAM entry that is configured as trigger word is written to last. Alternatively, enable the QDMA channel (step 1-b-ii above) just before the write to the trigger word.

Step 3. Interrupt setup

1. Enable the interrupt in the [EDMA_TPCC_IER](#) / [EDMA_TPCC_IERH](#) by writing into [EDMA_TPCC_IESR](#) / [EDMA_TPCC_IESRH](#).
2. Ensure that the EDMA_TPCC completion interrupt (either the global or the shadow region interrupt) is enabled properly in the device interrupt controller.
3. Ensure the EDMA_TPCC completion interrupt (this refers to either the Global interrupt or the shadow region interrupt) is enabled properly in the Device Interrupt controller.
4. Set up the interrupt controller properly to receive the expected EDMA interrupt.

Step 4. Initiate transfer

1. This step is highly dependent on the event trigger source:
 - i. If the source is an external event coming from a peripheral, the peripheral will be enabled to start generating relevant EDMA events that can be latched to the [EDMA_TPCC_ER](#) transfer.
 - ii. For QDMA events, writes to the trigger word (step 2-a above) will initiate the transfer.
 - iii. Manually triggered transfers will be initiated by writes to the Event Set Registers [EDMA_TPCC_ESR](#) / [EDMA_TPCC_ESRH](#).
 - iv. Chained-trigger events initiate when a previous transfer returns a transfer completion code equal to the chained channel number.

Step 5. Wait for completion

1. If the interrupts are enabled as mentioned in step 3 above, then the EDMA_TPCC will generate a completion interrupt to the CPU whenever transfer completion results in setting the corresponding bits in the interrupt pending register [EDMA_TPCC_IPR](#) / [EDMA_TPCC_IPRH](#). The set bits must be cleared in the [EDMA_TPCC_IPR](#) / [EDMA_TPCC_IPRH](#) by writing to corresponding bit in [EDMA_TPCC_ICR](#) / [EDMA_TPCC_ICRH](#).
2. If polling for completion (interrupts not enabled in the device controller), then the application code can wait on the expected bits to be set in the [EDMA_TPCC_IPR](#) / [EDMA_TPCC_IPRH](#). Again, the set bits in the [EDMA_TPCC_IPR](#) / [EDMA_TPCC_IPRH](#) must be manually cleared via [EDMA_TPCC_ICR](#) / [EDMA_TPCC_ICRH](#) before the next set of transfers is performed for the same transfer completion code values.

16.2.6 EDMA Debug Checklist and Programming Tips

This section lists some tips to keep in mind while debugging applications using the EDMA controller.

16.2.6.1 EDMA Debug Checklist

Table 16-107 provides some common issues and their probable causes and resolutions.

Table 16-107. Debug Checklist

Issue	Description/Solution
The transfer associated with the channel does not happen. The channel does not get serviced.	The EDMA_TPCC may not service a transfer request, even though the associated PaRAM set is programmed appropriately. Check for the following: <ol style="list-style-type: none"> 1) Verify that events are enabled, i.e., if an external/peripheral event is latched in Event Registers EDMA_TPCC_ER / EDMA_TPCC_ERH, check that the event is enabled in the Event Enable Registers EDMA_TPCC_EER / EDMA_TPCC_EERH. Similarly, for QDMA channels, check that QDMA events are appropriately enabled in the QDMA Event Enable Register EDMA_TPCC_QEER. 2) Verify that the DMA or QDMA Secondary Event Register EDMA_TPCC_SER / EDMA_TPCC_SERH / EDMA_TPCC_QSER bits corresponding to the particular event or channel are not set.
The Secondary Event Registers bits are set, not allowing additional transfers to occur on a channel.	It is possible that a trigger event was received when the parameter set associated with the channel/event was a NULL set for a previous transfer on the channel. This is typical in two cases: <ol style="list-style-type: none"> 1) QDMA channels: Typically if the parameter set is non-static and expected to be terminated by a NULL set (i.e., EDMA_TPCC_OPT_n[3] STATIC = 0x0, EDMA_TPCC_LNK_n[15:0] LINK = 0xFFFF), the parameter set is updated with a NULL set after submission of the last TR. Because QDMA channels are auto-triggered, this update caused the generation of an event. An event generated for a NULL set causes an error condition and results in setting the bits corresponding to the QDMA channel in the EDMA_TPCC_QEMR and EDMA_TPCC_QSER. This will disable further prioritization of the channel. 2) DMA channels used in a continuous mode: The peripheral may be set up to continuously generate infinite events (for instance, in case of McASP, every time the data shifts out from the DXR register, it generates an XEVT). The parameter set may be programmed to expect only a finite number of events and to be terminated by a NULL link. After the expected number of events, the parameter set is reloaded with a NULL parameter set. Because the peripheral will generate additional events, an error condition is set in the EDMA_TPCC_SER[31:0] En and EDMA_TPCC_EMR[31:0] En set, preventing further event prioritization. Check the number of events received is limited to the expected number of events for which the parameter set is programmed, or check the bits corresponding to particular channel or event are not set in the Secondary event registers (EDMA_TPCC_SER / EDMA_TPCC_SERH / EDMA_TPCC_QSER) and Event Missed Registers (EDMA_TPCC_EMR / EDMA_TPCC_EMRH / EDMA_TPCC_QEMR) before trying to perform subsequent transfers for the event/channel.
Completion interrupts are not asserted, or no further interrupts are received after the first completion interrupt.	Check the following: <ol style="list-style-type: none"> 1) The interrupt generation is enabled in the EDMA_TPCC_OPT_n of the associated PaRAM set (EDMA_TPCC_OPT_n[20] TCINTEN = 0x1 and/or EDMA_TPCC_OPT_n[20] ITCINTEN = 0x1). 2) The interrupts are enabled in the EDMA Channel Controller, via the Interrupt Enable Registers (EDMA_TPCC_IER / EDMA_TPCC_IERH). 3) The corresponding interrupts are enabled in the device interrupt controller. 4) The set interrupts are cleared in the interrupt pending registers (EDMA_TPCC_IPR / EDMA_TPCC_IPRH) before exiting the transfer completion interrupt service routine (ISR). See Section 16.2.4.9.1.2 Clearing Transfer Completion Interrupts for details on writing EDMA ISRs. 5) If working with shadow region interrupts, make sure that the DMA Region Access registers (EDMA_TPCC_DRAEM_k / EDMA_TPCC_DRAEHM_k) are set up properly, because the EDMA_TPCC_DRAEM_k / EDMA_TPCC_DRAEHM_k registers act as secondary enables for shadow region completion interrupts, along with the EDMA_TPCC_IER / EDMA_TPCC_IERH registers. If working with shadow region interrupts, make sure that the bits corresponding to the transfer completion code EDMA_TPCC_OPT_n[17:12] TCC value are also enabled in the EDMA_TPCC_DRAEM_k / EDMA_TPCC_DRAEHM_k registers. For instance, if the PaRAM set associated with Channel 0 returns a completion code of 63 EDMA_TPCC_OPT_n[17:12] TCC = 63, ensure that EDMA_TPCC_DRAEHM_k[31] E63 is also set for a shadow region completion interrupt because the interrupt pending register bit set will be EDMA_TPCC_IPRH[31] I63 (not EDMA_TPCC_IPR[0] I0).

16.2.6.2 EDMA Programming Tips

1. For several registers, the setting and clearing of bits needs to be done via separate dedicated registers.
 For example, the Event Register ([EDMA_TPCC_ER](#) / [EDMA_TPCC_ERH](#)) can only be cleared by writing a 1 to the corresponding bits in the Event Clear Registers ([EDMA_TPCC_ECR](#) / [EDMA_TPCC_ECRH](#)). Similarly, the Event Enable Register ([EDMA_TPCC_EER](#) / [EDMA_TPCC_EERH](#)) bits can only be set with writing of 0x1 to the Event Enable Set Registers ([EDMA_TPCC_EESR](#) / [EDMA_TPCC_EESRH](#)) and cleared with writing of 0x1 to the corresponding bits in the Event Enable Clear Register ([EDMA_TPCC_EECR](#) / [EDMA_TPCC_EECRH](#)).
2. Writes to the shadow region memory maps are governed by region access registers ([EDMA_TPCC_DRAEM_k](#) / [EDMA_TPCC_DRAEHM_k](#) / [EDMA_TPCC_QRAEN_k](#)). If the appropriate channels are not enabled in these registers, read/write access to the shadow region memory map is not enabled.
3. When working with shadow region completion interrupts, ensure that the DMA Region Access Registers ([EDMA_TPCC_DRAEM_k](#) / [EDMA_TPCC_DRAEHM_k](#)) for every region are set in a mutually exclusive way (unless it is a requirement for an application). If there is an overlap in the allocated channels and transfer completion codes (setting of Interrupt Pending Register bits) in the region resource allocation, it results in multiple shadow region completion interrupts.
 For example, if [EDMA_TPCC_DRAEM_k.DRAEM_0\[0\]](#) E0 and [EDMA_TPCC_DRAEM_k.DRAEM_1\[0\]](#) E0 are both set, then on completion of a transfer that returns a TCC = 0x0, they will generate both shadow region 0 and 1 completion interrupts.
4. While programming a non-dummy parameter set, ensure the [EDMA_TPCC_CCNT_n\[15:0\]](#) CCNT is not left to zero.
5. Enable the EDMA_TPCC error interrupt in the device controller and attach an interrupt service routine (ISR) to ensure that error conditions are not missed in an application and are appropriately addressed with the ISR.
6. Depending on the application, it can want to break large transfers into smaller transfers and use self-chaining to prevent starvation of other events in an event queue.
7. In applications where a large transfer is broken into sets of small transfers using chaining or other methods, it chooses to use the early chaining option to reduce the time between the sets of transfers and increase the throughput.
 However, keep in mind that with early completion, all data might have not been received at the end point when completion is reported because the EDMA_TPCC internally signals completion when the TR is submitted to the EDMA_TPTC, potentially before any data has been transferred.
8. The event queue entries can be observed to determine the last few events if there is a system failure (provided the entries were not bypassed).

16.2.7 EDMA Register Manual

16.2.7.1 EDMA Instance Summary

Table 16-108 shows the L3_MAIN base address and address space for the EDMA module instances.

Table 16-108. EDMA Instance Summary

Module Name	Base Address (L3_MAIN Access)	Size
SYS_EDMA_TPCC	0x4330 0000	1 MB
SYS_EDMA_TPTC0	0x4340 0000	1 MB
SYS_EDMA_TPTC1	0x4350 0000	1 MB
DSP1_EDMA_TPCC	0x40D1 0000	32 KB
DSP1_EDMA_TPTC0	0x40D0 5000	4 KB
DSP1_EDMA_TPTC1	0x40D0 6000	4 KB

Table 16-109 lists the base addresses for DSP internal (private) access to its embedded TPCC / TPTC modules.

Table 16-109. DSP Private Access EDMA Instance Summary

Module Name	Base Address	Size
DSP_EDMA_TPCC	0x01D1 0000	32 KB
DSP_EDMA_TPTC0	0x01D0 5000	4 KB
DSP_EDMA_TPTC1	0x01D0 6000	4 KB

Table 16-110 lists the base addresses for EVE internal (private) access to its embedded TPCC / TPTC modules.

Table 16-110. EVE EDMA Instance Summary (Private Access)

Module Name	Base Address (EVE Private Access)	Size
EVE_EDMA_TPCC	0x400A 0000	32 KB
EVE_EDMA_TPTC0	0x4008 6000	4 KB
EVE_EDMA_TPTC1	0x4008 7000	4 KB

16.2.7.2 EDMA Registers

16.2.7.2.1 EDMA Register Summary

Table 16-111 through summarize the EDMA_TPCC, EDMA_TPTC0 and EDMA_TPTC1 registers.

NOTE: All EDMA modules in the SoC are functionally identical. Note that some of the configuration parameters may be different for the various EDMA instances (see [Section 16.2.1.2, EDMA Controllers Configuration](#)).

Table 16-111. System EDMA_TPCC Registers Mapping Summary

Register Name	Type	Register Width (Bits)	Address Offset	SYS_EDMA_TPCC Physical Address (L3_MAIN Access)
EDMA_TPCC_PID	R	32	0x0000 0000	0x4330 0000
EDMA_TPCC_CCCFG	R	32	0x0000 0004	0x4330 0004
EDMA_TPCC_CLKGDIS	RW	32	0x0000 00FC	0x4330 00FC

Table 16-111. System EDMA_TPCC Registers Mapping Summary (continued)

Register Name	Type	Register Width (Bits)	Address Offset	SYS_EDMA_TPCC Physical Address (L3_MAIN Access)
EDMA_TPCC_DCHMAPN_m ⁽¹⁾	RW	32	0x0000 0100 + (0x4 * m)	0x4330 0100 + (0x4 * m)
EDMA_TPCC_QCHMAPN_j ⁽²⁾	RW	32	0x0000 0200 + (0x4 * j)	0x4330 0200 + (0x4 * j)
EDMA_TPCC_DMAQNUMN_k ⁽³⁾	RW	32	0x0000 0240 + (0x4 * k)	0x4330 0240 + (0x4 * k)
EDMA_TPCC_QDMAQNUM	RW	32	0x0000 0260	0x4330 0260
EDMA_TPCC_QUETCMAP	RW	32	0x0000 0280	0x4330 0280
EDMA_TPCC_QUEPRI	RW	32	0x0000 0284	0x4330 0284
EDMA_TPCC_EMR	R	32	0x0000 0300	0x4330 0300
EDMA_TPCC_EMRH	R	32	0x0000 0304	0x4330 0304
EDMA_TPCC_EMCR	W	32	0x0000 0308	0x4330 0308
EDMA_TPCC_EMCRH	W	32	0x0000 030C	0x4330 030C
EDMA_TPCC_QEMR	R	32	0x0000 0310	0x4330 0310
EDMA_TPCC_QEMCR	W	32	0x0000 0314	0x4330 0314
EDMA_TPCC_CCERR	R	32	0x0000 0318	0x4330 0318
EDMA_TPCC_CCERRCLR	W	32	0x0000 031C	0x4330 031C
EDMA_TPCC_EEVAL	W	32	0x0000 0320	0x4330 0320
EDMA_TPCC_DRAEM_k ⁽³⁾	RW	32	0x0000 0340 + (0x8 * k)	0x4330 0340 + (0x8 * k)
EDMA_TPCC_DRAEHM_k ⁽³⁾	RW	32	0x0000 0344 + (0x8 * k)	0x4330 0344 + (0x8 * k)
EDMA_TPCC_QRAEN_k ⁽³⁾	RW	32	0x0000 0380 + (0x4 * k)	0x4330 0380 + (0x4 * k)
EDMA_TPCC_Q0E_p ⁽⁴⁾	R	32	0x0000 0400 + (0x4 * p)	0x4330 0400 + (0x4 * p)
EDMA_TPCC_Q1E_p ⁽⁴⁾	R	32	0x0000 0440 + (0x4 * p)	0x4330 0440 + (0x4 * p)
EDMA_TPCC_QSTATN_i ⁽⁵⁾	R	32	0x0000 0600 + (0x4 * i)	0x4330 0600 + (0x4 * i)
EDMA_TPCC_QWMTHRA	RW	32	0x0000 0620	0x4330 0620
EDMA_TPCC_QWMTHRB	RW	32	0x0000 0624	0x4330 0624
EDMA_TPCC_CCSTAT	R	32	0x0000 0640	0x4330 0640
EDMA_TPCC_AETCTL	RW	32	0x0000 0700	0x4330 0700
EDMA_TPCC_AETSTAT	R	32	0x0000 0704	0x4330 0704
EDMA_TPCC_AETCMD	W	32	0x0000 0708	0x4330 0708
EDMA_TPCC_MPFAR	R	32	0x0000 0800	0x4330 0800
EDMA_TPCC_MPFAR	R	32	0x0000 0804	0x4330 0804
EDMA_TPCC_MPFAR	W	32	0x0000 0808	0x4330 0808
EDMA_TPCC_MPPAG	RW	32	0x0000 080C	0x4330 080C
EDMA_TPCC_MPPAN_k ⁽³⁾	RW	32	0x0000 0810 + (0x4 * k)	0x4330 0810 + (0x4 * k)
EDMA_TPCC_ER	R	32	0x0000 1000	0x4330 1000
EDMA_TPCC_ERH	R	32	0x0000 1004	0x4330 1004
EDMA_TPCC_ECR	W	32	0x0000 1008	0x4330 1008
EDMA_TPCC_ECRH	W	32	0x0000 100C	0x4330 100C
EDMA_TPCC_ESR	W	32	0x0000 1010	0x4330 1010
EDMA_TPCC_ESRH	W	32	0x0000 1014	0x4330 1014
EDMA_TPCC_CER	R	32	0x0000 1018	0x4330 1018
EDMA_TPCC_CERH	R	32	0x0000 101C	0x4330 101C
EDMA_TPCC_EER	R	32	0x0000 1020	0x4330 1020
EDMA_TPCC_EERH	R	32	0x0000 1024	0x4330 1024

⁽¹⁾ m = 0 to 63 for SYS_EDMA_TPCC

⁽²⁾ j = 0 to 7 for SYS_EDMA_TPCC

⁽³⁾ k = 0 to 7 for SYS_EDMA_TPCC

⁽⁴⁾ p = 0 to 15 for SYS_EDMA_TPCC

⁽⁵⁾ i = 0 to 1 for SYS_EDMA_TPCC

Table 16-111. System EDMA_TPCC Registers Mapping Summary (continued)

Register Name	Type	Register Width (Bits)	Address Offset	SYS_EDMA_TPCC Physical Address (L3_MAIN Access)
EDMA_TPCC_EECR	W	32	0x0000 1028	0x4330 1028
EDMA_TPCC_EECRH	W	32	0x0000 102C	0x4330 102C
EDMA_TPCC_EESR	W	32	0x0000 1030	0x4330 1030
EDMA_TPCC_EESRH	W	32	0x0000 1034	0x4330 1034
EDMA_TPCC_SER	R	32	0x0000 1038	0x4330 1038
EDMA_TPCC_SERH	R	32	0x0000 103C	0x4330 103C
EDMA_TPCC_SECR	W	32	0x0000 1040	0x4330 1040
EDMA_TPCC_SECRH	W	32	0x0000 1044	0x4330 1044
EDMA_TPCC_IER	R	32	0x0000 1050	0x4330 1050
EDMA_TPCC_IERH	R	32	0x0000 1054	0x4330 1054
EDMA_TPCC_IECR	W	32	0x0000 1058	0x4330 1058
EDMA_TPCC_IECRH	W	32	0x0000 105C	0x4330 105C
EDMA_TPCC_IESR	W	32	0x0000 1060	0x4330 1060
EDMA_TPCC_IESRH	W	32	0x0000 1064	0x4330 1064
EDMA_TPCC_IPR	R	32	0x0000 1068	0x4330 1068
EDMA_TPCC_IPRH	R	32	0x0000 106C	0x4330 106C
EDMA_TPCC_ICR	W	32	0x0000 1070	0x4330 1070
EDMA_TPCC_ICRH	W	32	0x0000 1074	0x4330 1074
EDMA_TPCC_IEVAL	W	32	0x0000 1078	0x4330 1078
EDMA_TPCC_QER	R	32	0x0000 1080	0x4330 1080
EDMA_TPCC_QEER	R	32	0x0000 1084	0x4330 1084
EDMA_TPCC_QEECR	W	32	0x0000 1088	0x4330 1088
EDMA_TPCC_QEESR	W	32	0x0000 108C	0x4330 108C
EDMA_TPCC_QSER	R	32	0x0000 1090	0x4330 1090
EDMA_TPCC_QSECR	W	32	0x0000 1094	0x4330 1094
EDMA_TPCC_ER_RN_k ⁽³⁾	R	32	0x0000 2000 + (0x200 * k)	0x4330 2000 + (0x200 * k)
EDMA_TPCC_ERH_RN_k ⁽³⁾	R	32	0x0000 2004 + (0x200 * k)	0x4330 2004 + (0x200 * k)
EDMA_TPCC_ECR_RN_k ⁽³⁾	W	32	0x0000 2008 + (0x200 * k)	0x4330 2008 + (0x200 * k)
EDMA_TPCC_ECRH_RN_k ⁽³⁾	W	32	0x0000 200C + (0x200 * k)	0x4330 200C + (0x200 * k)
EDMA_TPCC_ESR_RN_k ⁽³⁾	W	32	0x0000 2010 + (0x200 * k)	0x4330 2010 + (0x200 * k)
EDMA_TPCC_ESRH_RN_k ⁽³⁾	W	32	0x0000 2014 + (0x200 * k)	0x4330 2014 + (0x200 * k)
EDMA_TPCC_CER_RN_k ⁽³⁾	R	32	0x0000 2018 + (0x200 * k)	0x4330 2018 + (0x200 * k)
EDMA_TPCC_CERH_RN_k ⁽³⁾	R	32	0x0000 201C + (0x200 * k)	0x4330 201C + (0x200 * k)
EDMA_TPCC_EER_RN_k ⁽³⁾	R	32	0x0000 2020 + (0x200 * k)	0x4330 2020 + (0x200 * k)
EDMA_TPCC_EERH_RN_k ⁽³⁾	R	32	0x0000 2024 + (0x200 * k)	0x4330 2024 + (0x200 * k)
EDMA_TPCC_EECR_RN_k ⁽³⁾	W	32	0x0000 2028 + (0x200 * k)	0x4330 2028 + (0x200 * k)
EDMA_TPCC_EECRH_RN_k ⁽³⁾	W	32	0x0000 202C + (0x200 * k)	0x4330 202C + (0x200 * k)
EDMA_TPCC_EESR_RN_k ⁽³⁾	W	32	0x0000 2030 + (0x200 * k)	0x4330 2030 + (0x200 * k)
EDMA_TPCC_EESRH_RN_k ⁽³⁾	W	32	0x0000 2034 + (0x200 * k)	0x4330 2034 + (0x200 * k)
EDMA_TPCC_SER_RN_k ⁽³⁾	R	32	0x0000 2038 + (0x200 * k)	0x4330 2038 + (0x200 * k)
EDMA_TPCC_SERH_RN_k ⁽³⁾	R	32	0x0000 203C + (0x200 * k)	0x4330 203C + (0x200 * k)
EDMA_TPCC_SECR_RN_k ⁽³⁾	W	32	0x0000 2040 + (0x200 * k)	0x4330 2040 + (0x200 * k)
EDMA_TPCC_SECRH_RN_k ⁽³⁾	W	32	0x0000 2044 + (0x200 * k)	0x4330 2044 + (0x200 * k)
EDMA_TPCC_IER_RN_k ⁽³⁾	R	32	0x0000 2050 + (0x200 * k)	0x4330 2050 + (0x200 * k)
EDMA_TPCC_IERH_RN_k ⁽³⁾	R	32	0x0000 2054 + (0x200 * k)	0x4330 2054 + (0x200 * k)
EDMA_TPCC_IECR_RN_k ⁽³⁾	W	32	0x0000 2058 + (0x200 * k)	0x4330 2058 + (0x200 * k)

Table 16-111. System EDMA_TPCC Registers Mapping Summary (continued)

Register Name	Type	Register Width (Bits)	Address Offset	SYS_EDMA_TPCC Physical Address (L3_MAIN Access)
EDMA_TPCC_IECRH_RN_k⁽³⁾	W	32	0x0000 205C + (0x200 * k)	0x4330 205C + (0x200 * k)
EDMA_TPCC_IESR_RN_k⁽³⁾	W	32	0x0000 2060 + (0x200 * k)	0x4330 2060 + (0x200 * k)
EDMA_TPCC_IESRH_RN_k⁽³⁾	W	32	0x0000 2064 + (0x200 * k)	0x4330 2064 + (0x200 * k)
EDMA_TPCC_IPR_RN_k⁽³⁾	R	32	0x0000 2068 + (0x200 * k)	0x4330 2068 + (0x200 * k)
EDMA_TPCC_IPRH_RN_k⁽³⁾	R	32	0x0000 206C + (0x200 * k)	0x4330 206C + (0x200 * k)
EDMA_TPCC_ICR_RN_k⁽³⁾	W	32	0x0000 2070 + (0x200 * k)	0x4330 2070 + (0x200 * k)
EDMA_TPCC_ICRH_RN_k⁽³⁾	W	32	0x0000 2074 + (0x200 * k)	0x4330 2074 + (0x200 * k)
EDMA_TPCC_IEVAL_RN_k⁽³⁾	W	32	0x0000 2078 + (0x200 * k)	0x4330 2078 + (0x200 * k)
EDMA_TPCC_QER_RN_k⁽³⁾	R	32	0x0000 2080 + (0x200 * k)	0x4330 2080 + (0x200 * k)
EDMA_TPCC_QEER_RN_k⁽³⁾	R	32	0x0000 2084 + (0x200 * k)	0x4330 2084 + (0x200 * k)
EDMA_TPCC_QEECR_RN_k⁽³⁾	W	32	0x0000 2088 + (0x200 * k)	0x4330 2088 + (0x200 * k)
EDMA_TPCC_QEESR_RN_k⁽³⁾	W	32	0x0000 208C + (0x200 * k)	0x4330 208C + (0x200 * k)
EDMA_TPCC_QSER_RN_k⁽³⁾	R	32	0x0000 2090 + (0x200 * k)	0x4330 2090 + (0x200 * k)
EDMA_TPCC_QSECR_RN_k⁽³⁾	W	32	0x0000 2094 + (0x200 * k)	0x4330 2094 + (0x200 * k)
EDMA_TPCC_OPT_n⁽⁶⁾	RW	32	0x0000 4000 + (0x20 * n)	0x4330 4000 + (0x20 * n)
EDMA_TPCC_SRC_n⁽⁶⁾	RW	32	0x0000 4004 + (0x20 * n)	0x4330 4004 + (0x20 * n)
EDMA_TPCC_ABCNT_n⁽⁶⁾	RW	32	0x0000 4008 + (0x20 * n)	0x4330 4008 + (0x20 * n)
EDMA_TPCC_DST_n⁽⁶⁾	RW	32	0x0000 400C + (0x20 * n)	0x4330 400C + (0x20 * n)
EDMA_TPCC_BIDX_n⁽⁶⁾	RW	32	0x0000 4010 + (0x20 * n)	0x4330 4010 + (0x20 * n)
EDMA_TPCC_LNK_n⁽⁶⁾	RW	32	0x0000 4014 + (0x20 * n)	0x4330 4014 + (0x20 * n)
EDMA_TPCC_CIDX_n⁽⁶⁾	RW	32	0x0000 4018 + (0x20 * n)	0x4330 4018 + (0x20 * n)
EDMA_TPCC_CCNT_n⁽⁶⁾	RW	32	0x0000 401C + (0x20 * n)	0x4330 401C + (0x20 * n)

⁽⁶⁾ n = 0 to 512 for SYS_EDMA_TPCC

Table 16-112. DSP1 EDMA_TPCC Registers Mapping Summary (L3_MAIN Access)

Register Name	Type	Register Width (Bits)	Address Offset	DSP1_EDMA_TPCC Physical Address (L3_MAIN Access)
EDMA_TPCC_PID	R	32	0x0000 0000	0x40D1 0000
EDMA_TPCC_CCCFG	R	32	0x0000 0004	0x40D1 0004
EDMA_TPCC_CLKGDIS	RW	32	0x0000 00FC	0x40D1 00FC
EDMA_TPCC_DCHMAPN_m⁽¹⁾	RW	32	0x0000 0100 + (0x4 * m)	0x40D1 0100 + (0x4 * m)
EDMA_TPCC_QCHMAPN_j⁽²⁾	RW	32	0x0000 0200 + (0x4 * j)	0x40D1 0200 + (0x4 * j)
EDMA_TPCC_DMAQNUMN_k⁽³⁾	RW	32	0x0000 0240 + (0x4 * k)	0x40D1 0240 + (0x4 * k)
EDMA_TPCC_QDMAQNUM	RW	32	0x0000 0260	0x40D1 0260
EDMA_TPCC_QUETCMAP	RW	32	0x0000 0280	0x40D1 0280
EDMA_TPCC_QUEPRI	RW	32	0x0000 0284	0x40D1 0284
EDMA_TPCC_EMR	R	32	0x0000 0300	0x40D1 0300
EDMA_TPCC_EMRH	R	32	0x0000 0304	0x40D1 0304
EDMA_TPCC_EMCR	W	32	0x0000 0308	0x40D1 0308
EDMA_TPCC_EMCRH	W	32	0x0000 030C	0x40D1 030C
EDMA_TPCC_QEMR	R	32	0x0000 0310	0x40D1 0310
EDMA_TPCC_QEMCR	W	32	0x0000 0314	0x40D1 0314
EDMA_TPCC_CCERR	R	32	0x0000 0318	0x40D1 0318

⁽¹⁾ m = 0 to 63 for DSP1_EDMA_TPCC

⁽²⁾ j = 0 to 7 for DSP1_EDMA_TPCC

⁽³⁾ k = 0 to 7 for DSP1_EDMA_TPCC

Table 16-112. DSP1 EDMA_TPCC Registers Mapping Summary (L3_MAIN Access) (continued)

Register Name	Type	Register Width (Bits)	Address Offset	DSP1_EDMA_TPCC Physical Address (L3_MAIN Access)
EDMA_TPCC_CCERRCLR	W	32	0x0000 031C	0x40D1 031C
EDMA_TPCC_EEVAL	W	32	0x0000 0320	0x40D1 0320
EDMA_TPCC_DRAEM_k ⁽³⁾	RW	32	0x0000 0340 + (0x8 * k)	0x40D1 0340 + (0x8 * k)
EDMA_TPCC_DRAEHM_k ⁽³⁾	RW	32	0x0000 0344 + (0x8 * k)	0x40D1 0344 + (0x8 * k)
EDMA_TPCC_QRAEN_k ⁽³⁾	RW	32	0x0000 0380 + (0x4 * k)	0x40D1 0380 + (0x4 * k)
EDMA_TPCC_Q0E_p ⁽⁴⁾	R	32	0x0000 0400 + (0x4 * p)	0x40D1 0400 + (0x4 * p)
EDMA_TPCC_Q1E_p ⁽⁴⁾	R	32	0x0000 0440 + (0x4 * p)	0x40D1 0440 + (0x4 * p)
EDMA_TPCC_QSTATN_i ⁽⁵⁾	R	32	0x0000 0600 + (0x4 * i)	0x40D1 0600 + (0x4 * i)
EDMA_TPCC_QWMTHRA	RW	32	0x0000 0620	0x40D1 0620
EDMA_TPCC_QWMTHRB	RW	32	0x0000 0624	0x40D1 0624
EDMA_TPCC_CCSTAT	R	32	0x0000 0640	0x40D1 0640
EDMA_TPCC_AETCTL	RW	32	0x0000 0700	0x40D1 0700
EDMA_TPCC_AETSTAT	R	32	0x0000 0704	0x40D1 0704
EDMA_TPCC_AETCMD	W	32	0x0000 0708	0x40D1 0708
EDMA_TPCC_MPFAR	R	32	0x0000 0800	0x40D1 0800
EDMA_TPCC_MPFAR	R	32	0x0000 0804	0x40D1 0804
EDMA_TPCC_MPFAR	W	32	0x0000 0808	0x40D1 0808
EDMA_TPCC_MPPAG	RW	32	0x0000 080C	0x40D1 080C
EDMA_TPCC_MPPAN_k ⁽³⁾	RW	32	0x0000 0810 + (0x4 * k)	0x40D1 0810 + (0x4 * k)
EDMA_TPCC_ER	R	32	0x0000 1000	0x40D1 1000
EDMA_TPCC_ERH	R	32	0x0000 1004	0x40D1 1004
EDMA_TPCC_ECR	W	32	0x0000 1008	0x40D1 1008
EDMA_TPCC_ECRH	W	32	0x0000 100C	0x40D1 100C
EDMA_TPCC_ESR	W	32	0x0000 1010	0x40D1 1010
EDMA_TPCC_ESRH	W	32	0x0000 1014	0x40D1 1014
EDMA_TPCC_CER	R	32	0x0000 1018	0x40D1 1018
EDMA_TPCC_CERH	R	32	0x0000 101C	0x40D1 101C
EDMA_TPCC_EER	R	32	0x0000 1020	0x40D1 1020
EDMA_TPCC_EERH	R	32	0x0000 1024	0x40D1 1024
EDMA_TPCC_EECR	W	32	0x0000 1028	0x40D1 1028
EDMA_TPCC_EECRH	W	32	0x0000 102C	0x40D1 102C
EDMA_TPCC_EESR	W	32	0x0000 1030	0x40D1 1030
EDMA_TPCC_EESRH	W	32	0x0000 1034	0x40D1 1034
EDMA_TPCC_SER	R	32	0x0000 1038	0x40D1 1038
EDMA_TPCC_SERH	R	32	0x0000 103C	0x40D1 103C
EDMA_TPCC_SECR	W	32	0x0000 1040	0x40D1 1040
EDMA_TPCC_SECRH	W	32	0x0000 1044	0x40D1 1044
EDMA_TPCC_IER	R	32	0x0000 1050	0x40D1 1050
EDMA_TPCC_IERH	R	32	0x0000 1054	0x40D1 1054
EDMA_TPCC_IECR	W	32	0x0000 1058	0x40D1 1058
EDMA_TPCC_IECRH	W	32	0x0000 105C	0x40D1 105C
EDMA_TPCC_IESR	W	32	0x0000 1060	0x40D1 1060
EDMA_TPCC_IESRH	W	32	0x0000 1064	0x40D1 1064
EDMA_TPCC_IPR	R	32	0x0000 1068	0x40D1 1068

⁽⁴⁾ p = 0 to 15 for DSP1_EDMA_TPCC⁽⁵⁾ i = 0 to 1 for DSP1_EDMA_TPCC

Table 16-112. DSP1 EDMA_TPCC Registers Mapping Summary (L3_MAIN Access) (continued)

Register Name	Type	Register Width (Bits)	Address Offset	DSP1_EDMA_TPCC Physical Address (L3_MAIN Access)
EDMA_TPCC_IPRH	R	32	0x0000 106C	0x40D1 106C
EDMA_TPCC_ICR	W	32	0x0000 1070	0x40D1 1070
EDMA_TPCC_ICRH	W	32	0x0000 1074	0x40D1 1074
EDMA_TPCC_IEVAL	W	32	0x0000 1078	0x40D1 1078
EDMA_TPCC_QER	R	32	0x0000 1080	0x40D1 1080
EDMA_TPCC_QEER	R	32	0x0000 1084	0x40D1 1084
EDMA_TPCC_QEECR	W	32	0x0000 1088	0x40D1 1088
EDMA_TPCC_QEESR	W	32	0x0000 108C	0x40D1 108C
EDMA_TPCC_QSER	R	32	0x0000 1090	0x40D1 1090
EDMA_TPCC_QSECR	W	32	0x0000 1094	0x40D1 1094
EDMA_TPCC_ER_RN_k ⁽³⁾	R	32	0x0000 2000 + (0x200 * k)	0x40D1 2000 + (0x200 * k)
EDMA_TPCC_ERH_RN_k ⁽³⁾	R	32	0x0000 2004 + (0x200 * k)	0x40D1 2004 + (0x200 * k)
EDMA_TPCC_ECR_RN_k ⁽³⁾	W	32	0x0000 2008 + (0x200 * k)	0x40D1 2008 + (0x200 * k)
EDMA_TPCC_ECRH_RN_k ⁽³⁾	W	32	0x0000 200C + (0x200 * k)	0x40D1 200C + (0x200 * k)
EDMA_TPCC_ESR_RN_k ⁽³⁾	W	32	0x0000 2010 + (0x200 * k)	0x40D1 2010 + (0x200 * k)
EDMA_TPCC_ESRH_RN_k ⁽³⁾	W	32	0x0000 2014 + (0x200 * k)	0x40D1 2014 + (0x200 * k)
EDMA_TPCC_CER_RN_k ⁽³⁾	R	32	0x0000 2018 + (0x200 * k)	0x40D1 2018 + (0x200 * k)
EDMA_TPCC_CERH_RN_k ⁽³⁾	R	32	0x0000 201C + (0x200 * k)	0x40D1 201C + (0x200 * k)
EDMA_TPCC_EER_RN_k ⁽³⁾	R	32	0x0000 2020 + (0x200 * k)	0x40D1 2020 + (0x200 * k)
EDMA_TPCC_EERH_RN_k ⁽³⁾	R	32	0x0000 2024 + (0x200 * k)	0x40D1 2024 + (0x200 * k)
EDMA_TPCC_EECR_RN_k ⁽³⁾	W	32	0x0000 2028 + (0x200 * k)	0x40D1 2028 + (0x200 * k)
EDMA_TPCC_EECRH_RN_k ⁽³⁾	W	32	0x0000 202C + (0x200 * k)	0x40D1 202C + (0x200 * k)
EDMA_TPCC_EESR_RN_k ⁽³⁾	W	32	0x0000 2030 + (0x200 * k)	0x40D1 2030 + (0x200 * k)
EDMA_TPCC_EESRH_RN_k ⁽³⁾	W	32	0x0000 2034 + (0x200 * k)	0x40D1 2034 + (0x200 * k)
EDMA_TPCC_SER_RN_k ⁽³⁾	R	32	0x0000 2038 + (0x200 * k)	0x40D1 2038 + (0x200 * k)
EDMA_TPCC_SERH_RN_k ⁽³⁾	R	32	0x0000 203C + (0x200 * k)	0x40D1 203C + (0x200 * k)
EDMA_TPCC_SECR_RN_k ⁽³⁾	W	32	0x0000 2040 + (0x200 * k)	0x40D1 2040 + (0x200 * k)
EDMA_TPCC_SECRH_RN_k ⁽³⁾	W	32	0x0000 2044 + (0x200 * k)	0x40D1 2044 + (0x200 * k)
EDMA_TPCC_IER_RN_k ⁽³⁾	R	32	0x0000 2050 + (0x200 * k)	0x40D1 2050 + (0x200 * k)
EDMA_TPCC_IERH_RN_k ⁽³⁾	R	32	0x0000 2054 + (0x200 * k)	0x40D1 2054 + (0x200 * k)
EDMA_TPCC_IECR_RN_k ⁽³⁾	W	32	0x0000 2058 + (0x200 * k)	0x40D1 2058 + (0x200 * k)
EDMA_TPCC_IECRH_RN_k ⁽³⁾	W	32	0x0000 205C + (0x200 * k)	0x40D1 205C + (0x200 * k)
EDMA_TPCC_IESR_RN_k ⁽³⁾	W	32	0x0000 2060 + (0x200 * k)	0x40D1 2060 + (0x200 * k)
EDMA_TPCC_IESRH_RN_k ⁽³⁾	W	32	0x0000 2064 + (0x200 * k)	0x40D1 2064 + (0x200 * k)
EDMA_TPCC_IPR_RN_k ⁽³⁾	R	32	0x0000 2068 + (0x200 * k)	0x40D1 2068 + (0x200 * k)
EDMA_TPCC_IPRH_RN_k ⁽³⁾	R	32	0x0000 206C + (0x200 * k)	0x40D1 206C + (0x200 * k)
EDMA_TPCC_ICR_RN_k ⁽³⁾	W	32	0x0000 2070 + (0x200 * k)	0x40D1 2070 + (0x200 * k)
EDMA_TPCC_ICRH_RN_k ⁽³⁾	W	32	0x0000 2074 + (0x200 * k)	0x40D1 2074 + (0x200 * k)
EDMA_TPCC_IEVAL_RN_k ⁽³⁾	W	32	0x0000 2078 + (0x200 * k)	0x40D1 2078 + (0x200 * k)
EDMA_TPCC_QER_RN_k ⁽³⁾	R	32	0x0000 2080 + (0x200 * k)	0x40D1 2080 + (0x200 * k)
EDMA_TPCC_QEER_RN_k ⁽³⁾	R	32	0x0000 2084 + (0x200 * k)	0x40D1 2084 + (0x200 * k)
EDMA_TPCC_QEECR_RN_k ⁽³⁾	W	32	0x0000 2088 + (0x200 * k)	0x40D1 2088 + (0x200 * k)
EDMA_TPCC_QEESR_RN_k ⁽³⁾	W	32	0x0000 208C + (0x200 * k)	0x40D1 208C + (0x200 * k)
EDMA_TPCC_QSER_RN_k ⁽³⁾	R	32	0x0000 2090 + (0x200 * k)	0x40D1 2090 + (0x200 * k)
EDMA_TPCC_QSECR_RN_k ⁽³⁾	W	32	0x0000 2094 + (0x200 * k)	0x40D1 2094 + (0x200 * k)

Table 16-112. DSP1 EDMA_TPCC Registers Mapping Summary (L3_MAIN Access) (continued)

Register Name	Type	Register Width (Bits)	Address Offset	DSP1_EDMA_TPCC Physical Address (L3_MAIN Access)
EDMA_TPCC_OPT_n ⁽⁶⁾	RW	32	0x0000 4000 + (0x20 * n)	0x40D1 4000 + (0x20 * n)
EDMA_TPCC_SRC_n ⁽⁶⁾	RW	32	0x0000 4004 + (0x20 * n)	0x40D1 4004 + (0x20 * n)
EDMA_TPCC_ABCNT_n ⁽⁶⁾	RW	32	0x0000 4008 + (0x20 * n)	0x40D1 4008 + (0x20 * n)
EDMA_TPCC_DST_n ⁽⁶⁾	RW	32	0x0000 400C + (0x20 * n)	0x40D1 400C + (0x20 * n)
EDMA_TPCC_BIDX_n ⁽⁶⁾	RW	32	0x0000 4010 + (0x20 * n)	0x40D1 4010 + (0x20 * n)
EDMA_TPCC_LNK_n ⁽⁶⁾	RW	32	0x0000 4014 + (0x20 * n)	0x40D1 4014 + (0x20 * n)
EDMA_TPCC_CIDX_n ⁽⁶⁾	RW	32	0x0000 4018 + (0x20 * n)	0x40D1 4018 + (0x20 * n)
EDMA_TPCC_CCNT_n ⁽⁶⁾	RW	32	0x0000 401C + (0x20 * n)	0x40D1 401C + (0x20 * n)

⁽⁶⁾ n = 0 to 127 for DSP1_EDMA_TPCC

Table 16-113. DSP EDMA_TPCC Registers Mapping Summary (Private Access)

Register Name	Type	Register Width (Bits)	Address Offset	DSP_EDMA_TPCC Physical Address (DSP Private Access)
EDMA_TPCC_PID	R	32	0x0000 0000	0x01D1 0000
EDMA_TPCC_CCCFG	R	32	0x0000 0004	0x01D1 0004
EDMA_TPCC_CLKGDIS	RW	32	0x0000 00FC	0x01D1 00FC
EDMA_TPCC_DCHMAPN_m ⁽¹⁾	RW	32	0x0000 0100 + (0x4 * m)	0x01D1 0100 + (0x4 * m)
EDMA_TPCC_QCHMAPN_j ⁽²⁾	RW	32	0x0000 0200 + (0x4 * j)	0x01D1 0200 + (0x4 * j)
EDMA_TPCC_DMAQNUMN_k ⁽³⁾	RW	32	0x0000 0240 + (0x4 * k)	0x01D1 0240 + (0x4 * k)
EDMA_TPCC_QDMAQNUM	RW	32	0x0000 0260	0x01D1 0260
EDMA_TPCC_QUETCMAP	RW	32	0x0000 0280	0x01D1 0280
EDMA_TPCC_QUEPRI	RW	32	0x0000 0284	0x01D1 0284
EDMA_TPCC_EMR	R	32	0x0000 0300	0x01D1 0300
EDMA_TPCC_EMRH	R	32	0x0000 0304	0x01D1 0304
EDMA_TPCC_EMCR	W	32	0x0000 0308	0x01D1 0308
EDMA_TPCC_EMCRH	W	32	0x0000 030C	0x01D1 030C
EDMA_TPCC_QEMR	R	32	0x0000 0310	0x01D1 0310
EDMA_TPCC_QEMCR	W	32	0x0000 0314	0x01D1 0314
EDMA_TPCC_CCERR	R	32	0x0000 0318	0x01D1 0318
EDMA_TPCC_CCERRCLR	W	32	0x0000 031C	0x01D1 031C
EDMA_TPCC_EEVAL	W	32	0x0000 0320	0x01D1 0320
EDMA_TPCC_DRAEM_k ⁽³⁾	RW	32	0x0000 0340 + (0x8 * k)	0x01D1 0340 + (0x8 * k)
EDMA_TPCC_DRAEHM_k ⁽³⁾	RW	32	0x0000 0344 + (0x8 * k)	0x01D1 0344 + (0x8 * k)
EDMA_TPCC_QRAEN_k ⁽³⁾	RW	32	0x0000 0380 + (0x4 * k)	0x01D1 0380 + (0x4 * k)
EDMA_TPCC_Q0E_p ⁽⁴⁾	R	32	0x0000 0400 + (0x4 * p)	0x01D1 0400 + (0x4 * p)
EDMA_TPCC_Q1E_p ⁽⁴⁾	R	32	0x0000 0440 + (0x4 * p)	0x01D1 0440 + (0x4 * p)
EDMA_TPCC_QSTATN_i ⁽⁵⁾	R	32	0x0000 0600 + (0x4 * i)	0x01D1 0600 + (0x4 * i)
EDMA_TPCC_QWMTHRA	RW	32	0x0000 0620	0x01D1 0620
EDMA_TPCC_QWMTHRB	RW	32	0x0000 0624	0x01D1 0624
EDMA_TPCC_CCSTAT	R	32	0x0000 0640	0x01D1 0640
EDMA_TPCC_AETCTL	RW	32	0x0000 0700	0x01D1 0700

⁽¹⁾ m = 0 to 63 for DSP_EDMA_TPCC

⁽²⁾ j = 0 to 7 for DSP_EDMA_TPCC

⁽³⁾ k = 0 to 7 for DSP_EDMA_TPCC

⁽⁴⁾ p = 0 to 15 for DSP_EDMA_TPCC

⁽⁵⁾ i = 0 to 1 for DSP_EDMA_TPCC

Table 16-113. DSP EDMA_TPCC Registers Mapping Summary (Private Access) (continued)

Register Name	Type	Register Width (Bits)	Address Offset	DSP_EDMA_TPCC Physical Address (DSP Private Access)
EDMA_TPCC_AETSTAT	R	32	0x0000 0704	0x01D1 0704
EDMA_TPCC_AETCMD	W	32	0x0000 0708	0x01D1 0708
EDMA_TPCC_MPFAR	R	32	0x0000 0800	0x01D1 0800
EDMA_TPCC_MPFAR	R	32	0x0000 0804	0x01D1 0804
EDMA_TPCC_MPFAR	W	32	0x0000 0808	0x01D1 0808
EDMA_TPCC_MPPAG	RW	32	0x0000 080C	0x01D1 080C
EDMA_TPCC_MPPAN_k ⁽³⁾	RW	32	0x0000 0810 + (0x4 * k)	0x01D1 0810 + (0x4 * k)
EDMA_TPCC_ER	R	32	0x0000 1000	0x01D1 1000
EDMA_TPCC_ERH	R	32	0x0000 1004	0x01D1 1004
EDMA_TPCC_ECR	W	32	0x0000 1008	0x01D1 1008
EDMA_TPCC_ECRH	W	32	0x0000 100C	0x01D1 100C
EDMA_TPCC_ESR	W	32	0x0000 1010	0x01D1 1010
EDMA_TPCC_ESRH	W	32	0x0000 1014	0x01D1 1014
EDMA_TPCC_CER	R	32	0x0000 1018	0x01D1 1018
EDMA_TPCC_CERH	R	32	0x0000 101C	0x01D1 101C
EDMA_TPCC_EER	R	32	0x0000 1020	0x01D1 1020
EDMA_TPCC_EERH	R	32	0x0000 1024	0x01D1 1024
EDMA_TPCC_EECR	W	32	0x0000 1028	0x01D1 1028
EDMA_TPCC_EECRH	W	32	0x0000 102C	0x01D1 102C
EDMA_TPCC_EESR	W	32	0x0000 1030	0x01D1 1030
EDMA_TPCC_EESRH	W	32	0x0000 1034	0x01D1 1034
EDMA_TPCC_SER	R	32	0x0000 1038	0x01D1 1038
EDMA_TPCC_SERH	R	32	0x0000 103C	0x01D1 103C
EDMA_TPCC_SECR	W	32	0x0000 1040	0x01D1 1040
EDMA_TPCC_SECRH	W	32	0x0000 1044	0x01D1 1044
EDMA_TPCC_IER	R	32	0x0000 1050	0x01D1 1050
EDMA_TPCC_IERH	R	32	0x0000 1054	0x01D1 1054
EDMA_TPCC_IECR	W	32	0x0000 1058	0x01D1 1058
EDMA_TPCC_IECRH	W	32	0x0000 105C	0x01D1 105C
EDMA_TPCC_IESR	W	32	0x0000 1060	0x01D1 1060
EDMA_TPCC_IESRH	W	32	0x0000 1064	0x01D1 1064
EDMA_TPCC_IPR	R	32	0x0000 1068	0x01D1 1068
EDMA_TPCC_IPRH	R	32	0x0000 106C	0x01D1 106C
EDMA_TPCC_ICR	W	32	0x0000 1070	0x01D1 1070
EDMA_TPCC_ICRH	W	32	0x0000 1074	0x01D1 1074
EDMA_TPCC_IEVAL	W	32	0x0000 1078	0x01D1 1078
EDMA_TPCC_QER	R	32	0x0000 1080	0x01D1 1080
EDMA_TPCC_QEER	R	32	0x0000 1084	0x01D1 1084
EDMA_TPCC_QEECR	W	32	0x0000 1088	0x01D1 1088
EDMA_TPCC_QEESR	W	32	0x0000 108C	0x01D1 108C
EDMA_TPCC_QSER	R	32	0x0000 1090	0x01D1 1090
EDMA_TPCC_QSECR	W	32	0x0000 1094	0x01D1 1094
EDMA_TPCC_ER_RN_k ⁽³⁾	R	32	0x0000 2000 + (0x200 * k)	0x01D1 2000 + (0x200 * k)
EDMA_TPCC_ERH_RN_k ⁽³⁾	R	32	0x0000 2004 + (0x200 * k)	0x01D1 2004 + (0x200 * k)
EDMA_TPCC_ECR_RN_k ⁽³⁾	W	32	0x0000 2008 + (0x200 * k)	0x01D1 2008 + (0x200 * k)
EDMA_TPCC_ECRH_RN_k ⁽³⁾	W	32	0x0000 200C + (0x200 * k)	0x01D1 200C + (0x200 * k)

Table 16-113. DSP EDMA_TPCC Registers Mapping Summary (Private Access) (continued)

Register Name	Type	Register Width (Bits)	Address Offset	DSP_EDMA_TPCC Physical Address (DSP Private Access)
EDMA_TPCC_ESR_RN_k ⁽³⁾	W	32	0x0000 2010 + (0x200 * k)	0x01D1 2010 + (0x200 * k)
EDMA_TPCC_ESRH_RN_k ⁽³⁾	W	32	0x0000 2014 + (0x200 * k)	0x01D1 2014 + (0x200 * k)
EDMA_TPCC_CER_RN_k ⁽³⁾	R	32	0x0000 2018 + (0x200 * k)	0x01D1 2018 + (0x200 * k)
EDMA_TPCC_CERH_RN_k ⁽³⁾	R	32	0x0000 201C + (0x200 * k)	0x01D1 201C + (0x200 * k)
EDMA_TPCC_EER_RN_k ⁽³⁾	R	32	0x0000 2020 + (0x200 * k)	0x01D1 2020 + (0x200 * k)
EDMA_TPCC_EERH_RN_k ⁽³⁾	R	32	0x0000 2024 + (0x200 * k)	0x01D1 2024 + (0x200 * k)
EDMA_TPCC_EECR_RN_k ⁽³⁾	W	32	0x0000 2028 + (0x200 * k)	0x01D1 2028 + (0x200 * k)
EDMA_TPCC_EECRH_RN_k ⁽³⁾	W	32	0x0000 202C + (0x200 * k)	0x01D1 202C + (0x200 * k)
EDMA_TPCC_EESR_RN_k ⁽³⁾	W	32	0x0000 2030 + (0x200 * k)	0x01D1 2030 + (0x200 * k)
EDMA_TPCC_EESRH_RN_k ⁽³⁾	W	32	0x0000 2034 + (0x200 * k)	0x01D1 2034 + (0x200 * k)
EDMA_TPCC_SER_RN_k ⁽³⁾	R	32	0x0000 2038 + (0x200 * k)	0x01D1 2038 + (0x200 * k)
EDMA_TPCC_SERH_RN_k ⁽³⁾	R	32	0x0000 203C + (0x200 * k)	0x01D1 203C + (0x200 * k)
EDMA_TPCC_SECR_RN_k ⁽³⁾	W	32	0x0000 2040 + (0x200 * k)	0x01D1 2040 + (0x200 * k)
EDMA_TPCC_SECRH_RN_k ⁽³⁾	W	32	0x0000 2044 + (0x200 * k)	0x01D1 2044 + (0x200 * k)
EDMA_TPCC_IER_RN_k ⁽³⁾	R	32	0x0000 2050 + (0x200 * k)	0x01D1 2050 + (0x200 * k)
EDMA_TPCC_IERH_RN_k ⁽³⁾	R	32	0x0000 2054 + (0x200 * k)	0x01D1 2054 + (0x200 * k)
EDMA_TPCC_IECR_RN_k ⁽³⁾	W	32	0x0000 2058 + (0x200 * k)	0x01D1 2058 + (0x200 * k)
EDMA_TPCC_IECRH_RN_k ⁽³⁾	W	32	0x0000 205C + (0x200 * k)	0x01D1 205C + (0x200 * k)
EDMA_TPCC_IESR_RN_k ⁽³⁾	W	32	0x0000 2060 + (0x200 * k)	0x01D1 2060 + (0x200 * k)
EDMA_TPCC_IESRH_RN_k ⁽³⁾	W	32	0x0000 2064 + (0x200 * k)	0x01D1 2064 + (0x200 * k)
EDMA_TPCC_IPR_RN_k ⁽³⁾	R	32	0x0000 2068 + (0x200 * k)	0x01D1 2068 + (0x200 * k)
EDMA_TPCC_IPRH_RN_k ⁽³⁾	R	32	0x0000 206C + (0x200 * k)	0x01D1 206C + (0x200 * k)
EDMA_TPCC_ICR_RN_k ⁽³⁾	W	32	0x0000 2070 + (0x200 * k)	0x01D1 2070 + (0x200 * k)
EDMA_TPCC_ICRH_RN_k ⁽³⁾	W	32	0x0000 2074 + (0x200 * k)	0x01D1 2074 + (0x200 * k)
EDMA_TPCC_IEVAL_RN_k ⁽³⁾	W	32	0x0000 2078 + (0x200 * k)	0x01D1 2078 + (0x200 * k)
EDMA_TPCC_QER_RN_k ⁽³⁾	R	32	0x0000 2080 + (0x200 * k)	0x01D1 2080 + (0x200 * k)
EDMA_TPCC_QEER_RN_k ⁽³⁾	R	32	0x0000 2084 + (0x200 * k)	0x01D1 2084 + (0x200 * k)
EDMA_TPCC_QEECR_RN_k ⁽³⁾	W	32	0x0000 2088 + (0x200 * k)	0x01D1 2088 + (0x200 * k)
EDMA_TPCC_QEESR_RN_k ⁽³⁾	W	32	0x0000 208C + (0x200 * k)	0x01D1 208C + (0x200 * k)
EDMA_TPCC_QSER_RN_k ⁽³⁾	R	32	0x0000 2090 + (0x200 * k)	0x01D1 2090 + (0x200 * k)
EDMA_TPCC_QSECR_RN_k ⁽³⁾	W	32	0x0000 2094 + (0x200 * k)	0x01D1 2094 + (0x200 * k)
EDMA_TPCC_OPT_n ⁽⁶⁾	RW	32	0x0000 4000 + (0x20 * n)	0x01D1 4000 + (0x20 * n)
EDMA_TPCC_SRC_n ⁽⁶⁾	RW	32	0x0000 4004 + (0x20 * n)	0x01D1 4004 + (0x20 * n)
EDMA_TPCC_ABCNT_n ⁽⁶⁾	RW	32	0x0000 4008 + (0x20 * n)	0x01D1 4008 + (0x20 * n)
EDMA_TPCC_DST_n ⁽⁶⁾	RW	32	0x0000 400C + (0x20 * n)	0x01D1 400C + (0x20 * n)
EDMA_TPCC_BIDX_n ⁽⁶⁾	RW	32	0x0000 4010 + (0x20 * n)	0x01D1 4010 + (0x20 * n)
EDMA_TPCC_LNK_n ⁽⁶⁾	RW	32	0x0000 4014 + (0x20 * n)	0x01D1 4014 + (0x20 * n)
EDMA_TPCC_CIDX_n ⁽⁶⁾	RW	32	0x0000 4018 + (0x20 * n)	0x01D1 4018 + (0x20 * n)
EDMA_TPCC_CCNT_n ⁽⁶⁾	RW	32	0x0000 401C + (0x20 * n)	0x01D1 401C + (0x20 * n)

⁽⁶⁾ n = 0 to 127 for DSP_EDMA_TPCC

NOTE: The value for "n" is from 0 to 1 in the [Table 16-114](#). It corresponds of the Transfer Controller (EDMA_TPTC0 and EDMA_TPTC1) instances in the device.

Table 16-114. System EDMA TPTC0 and EDMA TPTC1 Registers Mapping Summary

Register Name	Type	Register Width (Bits)	Address Offset	SYS_EDMA_TPTC0 Physical Address (L3_MAIN Access)	SYS_EDMA_TPTC1 Physical Address (L3_MAIN Access)
EDMA_TPTCn_PID	R	32	0x0000 0000	0x4340 0000	0x4350 0000
EDMA_TPTCn_TCCFG	R	32	0x0000 0004	0x4340 0004	0x4350 0004
EDMA_TPTCn_TCSTAT	R	32	0x0000 0100	0x4340 0100	0x4350 0100
EDMA_TPTCn_INTSTAT	R	32	0x0000 0104	0x4340 0104	0x4350 0104
EDMA_TPTCn_INTEN	RW	32	0x0000 0108	0x4340 0108	0x4350 0108
EDMA_TPTCn_INTCLR	W	32	0x0000 010C	0x4340 010C	0x4350 010C
EDMA_TPTCn_INTCMD	W	32	0x0000 0110	0x4340 0110	0x4350 0110
EDMA_TPTCn_ERRSTAT	R	32	0x0000 0120	0x4340 0120	0x4350 0120
EDMA_TPTCn_ERREN	RW	32	0x0000 0124	0x4340 0124	0x4350 0124
EDMA_TPTCn_ERRCLR	W	32	0x0000 0128	0x4340 0128	0x4350 0128
EDMA_TPTCn_ERRDET	R	32	0x0000 012C	0x4340 012C	0x4350 012C
EDMA_TPTCn_ERRCMD	W	32	0x0000 0130	0x4340 0130	0x4350 0130
EDMA_TPTCn_RDRATE	RW	32	0x0000 0140	0x4340 0140	0x4350 0140
EDMA_TPTCn_POPT	RW	32	0x0000 0200	0x4340 0200	0x4350 0200
EDMA_TPTCn_PSRC	RW	32	0x0000 0204	0x4340 0204	0x4350 0204
EDMA_TPTCn_PCNT	RW	32	0x0000 0208	0x4340 0208	0x4350 0208
EDMA_TPTCn_PDST	RW	32	0x0000 020C	0x4340 020C	0x4350 020C
EDMA_TPTCn_PBDX	RW	32	0x0000 0210	0x4340 0210	0x4350 0210
EDMA_TPTCn_PMPPRXY	R	32	0x0000 0214	0x4340 0214	0x4350 0214
EDMA_TPTCn_SAOPT	R	32	0x0000 0240	0x4340 0240	0x4350 0240
EDMA_TPTCn_SASRC	R	32	0x0000 0244	0x4340 0244	0x4350 0244
EDMA_TPTCn_SACNT	R	32	0x0000 0248	0x4340 0248	0x4350 0248
EDMA_TPTCn_SADST	R	32	0x0000 024C	0x4340 024C	0x4350 024C
EDMA_TPTCn_SABIDX	R	32	0x0000 0250	0x4340 0250	0x4350 0250
EDMA_TPTCn_SAMPPRXY	R	32	0x0000 0254	0x4340 0254	0x4350 0254
EDMA_TPTCn_SACNTRLD	R	32	0x0000 0258	0x4340 0258	0x4350 0258
EDMA_TPTCn_SASRCBREF	R	32	0x0000 025C	0x4340 025C	0x4350 025C
EDMA_TPTCn_SADSTBREF	R	32	0x0000 0260	0x4340 0260	0x4350 0260
EDMA_TPTCn_DFCNTRLD	R	32	0x0000 0280	0x4340 0280	0x4350 0280
EDMA_TPTCn_DFSRCBREF	R	32	0x0000 0284	0x4340 0284	0x4350 0284
EDMA_TPTCn_DFDSTBREF	R	32	0x0000 0288	0x4340 0288	0x4350 0288
EDMA_TPTCn_DFOPTi ⁽¹⁾	R	32	0x0000 0300 + (0x40 * i)	0x4340 0300 + (0x40 * i)	0x4350 0300 + (0x40 * i)
EDMA_TPTCn_DFSRCi ⁽¹⁾	R	32	0x0000 0304 + (0x40 * i)	0x4340 0304 + (0x40 * i)	0x4350 0304 + (0x40 * i)
EDMA_TPTCn_DFCNTi ⁽¹⁾	R	32	0x0000 0308 + (0x40 * i)	0x4340 0308 + (0x40 * i)	0x4350 0308 + (0x40 * i)
EDMA_TPTCn_DFDSTi ⁽¹⁾	R	32	0x0000 030C + (0x40 * i)	0x4340 030C + (0x40 * i)	0x4350 030C + (0x40 * i)
EDMA_TPTCn_DFBIDXi ⁽¹⁾	R	32	0x0000 0310 + (0x40 * i)	0x4340 0310 + (0x40 * i)	0x4350 0310 + (0x40 * i)
EDMA_TPTCn_DFMPPRXYi ⁽¹⁾	R	32	0x0000 0314 + (0x40 * i)	0x4340 0314 + (0x40 * i)	0x4350 0314 + (0x40 * i)

⁽¹⁾ i = 0 to 1 for SYS_EDMA_TPTC0 and SYS_EDMA_TPTC1

Table 16-115. DSP1 EDMA_TPTC0 and EDMA_TPTC1 Registers Mapping Summary (L3_MAIN Access)

Register Name	Type	Register Width (Bits)	Address Offset	DSP1_EDMA_TPTC0 Physical Address (L3_MAIN Access)	DSP1_EDMA_TPTC1 Physical Address (L3_MAIN Access)
EDMA_TPTCn_PID	R	32	0x0000 0000	0x40D0 5000	0x40D0 6000
EDMA_TPTCn_TCCFG	R	32	0x0000 0004	0x40D0 5004	0x40D0 6004
EDMA_TPTCn_TCSTAT	R	32	0x0000 0100	0x40D0 5100	0x40D0 6100
EDMA_TPTCn_INTSTAT	R	32	0x0000 0104	0x40D0 5104	0x40D0 6104
EDMA_TPTCn_INTEN	RW	32	0x0000 0108	0x40D0 5108	0x40D0 6108
EDMA_TPTCn_INTCLR	W	32	0x0000 010C	0x40D0 510C	0x40D0 610C
EDMA_TPTCn_INTCMD	W	32	0x0000 0110	0x40D0 5110	0x40D0 6110
EDMA_TPTCn_ERRSTAT	R	32	0x0000 0120	0x40D0 5120	0x40D0 6120
EDMA_TPTCn_ERREN	RW	32	0x0000 0124	0x40D0 5124	0x40D0 6124
EDMA_TPTCn_ERRCLR	W	32	0x0000 0128	0x40D0 5128	0x40D0 6128
EDMA_TPTCn_ERRDET	R	32	0x0000 012C	0x40D0 512C	0x40D0 612C
EDMA_TPTCn_ERRCMD	W	32	0x0000 0130	0x40D0 5130	0x40D0 6130
EDMA_TPTCn_RDRATE	RW	32	0x0000 0140	0x40D0 5140	0x40D0 6140
EDMA_TPTCn_POPT	RW	32	0x0000 0200	0x40D0 5200	0x40D0 6200
EDMA_TPTCn_PSRC	RW	32	0x0000 0204	0x40D0 5204	0x40D0 6204
EDMA_TPTCn_PCNT	RW	32	0x0000 0208	0x40D0 5208	0x40D0 6208
EDMA_TPTCn_PDST	RW	32	0x0000 020C	0x40D0 520C	0x40D0 620C
EDMA_TPTCn_PBDX	RW	32	0x0000 0210	0x40D0 5210	0x40D0 6210
EDMA_TPTCn_PMPPRXY	R	32	0x0000 0214	0x40D0 5214	0x40D0 6214
EDMA_TPTCn_SAOPT	R	32	0x0000 0240	0x40D0 5240	0x40D0 6240
EDMA_TPTCn_SASRC	R	32	0x0000 0244	0x40D0 5244	0x40D0 6244
EDMA_TPTCn_SACNT	R	32	0x0000 0248	0x40D0 5248	0x40D0 6248
EDMA_TPTCn_SADST	R	32	0x0000 024C	0x40D0 524C	0x40D0 624C
EDMA_TPTCn_SABIDX	R	32	0x0000 0250	0x40D0 5250	0x40D0 6250
EDMA_TPTCn_SAMPPRXY	R	32	0x0000 0254	0x40D0 5254	0x40D0 6254
EDMA_TPTCn_SACNTRLD	R	32	0x0000 0258	0x40D0 5258	0x40D0 6258
EDMA_TPTCn_SASRCBREF	R	32	0x0000 025C	0x40D0 525C	0x40D0 625C
EDMA_TPTCn_SADSTBREF	R	32	0x0000 0260	0x40D0 5260	0x40D0 6260
EDMA_TPTCn_DFCNTRLD	R	32	0x0000 0280	0x40D0 5280	0x40D0 6280
EDMA_TPTCn_DFSRCBREF	R	32	0x0000 0284	0x40D0 5284	0x40D0 6284
EDMA_TPTCn_DFDSTBREF	R	32	0x0000 0288	0x40D0 5288	0x40D0 6288
EDMA_TPTCn_DFOPTi ⁽¹⁾	R	32	0x0000 0300 + (0x40 * i)	0x40D0 5300 + (0x40 * i)	0x40D0 6300 + (0x40 * i)
EDMA_TPTCn_DFSRCi ⁽¹⁾	R	32	0x0000 0304 + (0x40 * i)	0x40D0 5304 + (0x40 * i)	0x40D0 6304 + (0x40 * i)
EDMA_TPTCn_DFCNTi ⁽¹⁾	R	32	0x0000 0308 + (0x40 * i)	0x40D0 5308 + (0x40 * i)	0x40D0 6308 + (0x40 * i)
EDMA_TPTCn_DFDSTi ⁽¹⁾	R	32	0x0000 030C + (0x40 * i)	0x40D0 530C + (0x40 * i)	0x40D0 630C + (0x40 * i)
EDMA_TPTCn_DFBIDXi ⁽¹⁾	R	32	0x0000 0310 + (0x40 * i)	0x40D0 5310 + (0x40 * i)	0x40D0 6310 + (0x40 * i)
EDMA_TPTCn_DFMPPRXYi ⁽¹⁾	R	32	0x0000 0314 + (0x40 * i)	0x40D0 5314 + (0x40 * i)	0x40D0 6314 + (0x40 * i)

⁽¹⁾ i = 0 to 1 for DSP1_EDMA_TPTC0 and DSP1_EDMA_TPTC1

Table 16-116. DSP EDMA_TPTC0 and EDMA_TPTC1 Registers Mapping Summary (Private Access)

Register Name	Type	Register Width (Bits)	Address Offset	DSP_EDMA_TPTC0 Physical Address (DSP Private Access)	DSP_EDMA_TPTC1 Physical Address (DSP Private Access)
EDMA_TPTCn_PID	R	32	0x0000 0000	0x01D0 5000	0x01D0 6000
EDMA_TPTCn_TCCFG	R	32	0x0000 0004	0x01D0 5004	0x01D0 6004
EDMA_TPTCn_TCSTAT	R	32	0x0000 0100	0x01D0 5100	0x01D0 6100
EDMA_TPTCn_INTSTAT	R	32	0x0000 0104	0x01D0 5104	0x01D0 6104
EDMA_TPTCn_INTEN	RW	32	0x0000 0108	0x01D0 5108	0x01D0 6108
EDMA_TPTCn_INTCLR	W	32	0x0000 010C	0x01D0 510C	0x01D0 610C
EDMA_TPTCn_INTCMD	W	32	0x0000 0110	0x01D0 5110	0x01D0 6110
EDMA_TPTCn_ERRSTAT	R	32	0x0000 0120	0x01D0 5120	0x01D0 6120
EDMA_TPTCn_ERREN	RW	32	0x0000 0124	0x01D0 5124	0x01D0 6124
EDMA_TPTCn_ERRCLR	W	32	0x0000 0128	0x01D0 5128	0x01D0 6128
EDMA_TPTCn_ERRDET	R	32	0x0000 012C	0x01D0 512C	0x01D0 612C
EDMA_TPTCn_ERRCMD	W	32	0x0000 0130	0x01D0 5130	0x01D0 6130
EDMA_TPTCn_RDRATE	RW	32	0x0000 0140	0x01D0 5140	0x01D0 6140
EDMA_TPTCn_POPT	RW	32	0x0000 0200	0x01D0 5200	0x01D0 6200
EDMA_TPTCn_PSRC	RW	32	0x0000 0204	0x01D0 5204	0x01D0 6204
EDMA_TPTCn_PCNT	RW	32	0x0000 0208	0x01D0 5208	0x01D0 6208
EDMA_TPTCn_PDST	RW	32	0x0000 020C	0x01D0 520C	0x01D0 620C
EDMA_TPTCn_PBDX	RW	32	0x0000 0210	0x01D0 5210	0x01D0 6210
EDMA_TPTCn_PMPPRXY	R	32	0x0000 0214	0x01D0 5214	0x01D0 6214
EDMA_TPTCn_SAOPT	R	32	0x0000 0240	0x01D0 5240	0x01D0 6240
EDMA_TPTCn_SASRC	R	32	0x0000 0244	0x01D0 5244	0x01D0 6244
EDMA_TPTCn_SACNT	R	32	0x0000 0248	0x01D0 5248	0x01D0 6248
EDMA_TPTCn_SADST	R	32	0x0000 024C	0x01D0 524C	0x01D0 624C
EDMA_TPTCn_SABDX	R	32	0x0000 0250	0x01D0 5250	0x01D0 6250
EDMA_TPTCn_SAMPXY	R	32	0x0000 0254	0x01D0 5254	0x01D0 6254
EDMA_TPTCn_SACNTRLD	R	32	0x0000 0258	0x01D0 5258	0x01D0 6258
EDMA_TPTCn_SASRCBREF	R	32	0x0000 025C	0x01D0 525C	0x01D0 625C
EDMA_TPTCn_SADSTBREF	R	32	0x0000 0260	0x01D0 5260	0x01D0 6260
EDMA_TPTCn_DFCNTRLD	R	32	0x0000 0280	0x01D0 5280	0x01D0 6280
EDMA_TPTCn_DFSRCBREF	R	32	0x0000 0284	0x01D0 5284	0x01D0 6284
EDMA_TPTCn_DFDSTBREF	R	32	0x0000 0288	0x01D0 5288	0x01D0 6288
EDMA_TPTCn_DFOPTi ⁽¹⁾	R	32	0x0000 0300 + (0x40 * i)	0x01D0 5300 + (0x40 * i)	0x01D0 6300 + (0x40 * i)
EDMA_TPTCn_DFSRCi ⁽¹⁾	R	32	0x0000 0304 + (0x40 * i)	0x01D0 5304 + (0x40 * i)	0x01D0 6304 + (0x40 * i)
EDMA_TPTCn_DFCNTi ⁽¹⁾	R	32	0x0000 0308 + (0x40 * i)	0x01D0 5308 + (0x40 * i)	0x01D0 6308 + (0x40 * i)
EDMA_TPTCn_DFDSTi ⁽¹⁾	R	32	0x0000 030C + (0x40 * i)	0x01D0 530C + (0x40 * i)	0x01D0 630C + (0x40 * i)
EDMA_TPTCn_DFBIDXi ⁽¹⁾	R	32	0x0000 0310 + (0x40 * i)	0x01D0 5310 + (0x40 * i)	0x01D0 6310 + (0x40 * i)
EDMA_TPTCn_DFMPXYi ⁽¹⁾	R	32	0x0000 0314 + (0x40 * i)	0x01D0 5314 + (0x40 * i)	0x01D0 6314 + (0x40 * i)

⁽¹⁾ i = 0 to 1 for DSP_EDMA_TPTC0 and DSP_EDMA_TPTC1

16.2.7.2.2 EDMA Register Description

16.2.7.2.2.1 EDMA_TPCC Register Description

Table 16-117 through Table 16-341 describe the EDMA_TPCC module registers.

Table 16-117. EDMA_TPCC_PID

Address Offset	0x0000 0000		
Physical Address	0x4330 0000 0x40D1 0000 0x01D1 0000	Instance	SYS_EDMA_TPCC DSP1_EDMA_TPCC DSP_EDMA_TPCC
Description	Peripheral ID Register		
Type	R		

31	30	29	28	27	26	25	24	23	22	21	20	19	18	17	16	15	14	13	12	11	10	9	8	7	6	5	4	3	2	1	0
REVISION																															

Bits	Field Name	Description	Type	Reset
31:0	REVISION	IP revision	R	TI internal data

Table 16-118. Register Call Summary for Register EDMA_TPCC_PID

Enhanced DMA

- [EDMA Register Summary: \[0\]\[1\]\[3\]](#)

Table 16-119. EDMA_TPCC_CCCFG

Address Offset	0x0000 0004		
Physical Address	0x4330 0004 0x40D1 0004 0x01D1 0004	Instance	SYS_EDMA_TPCC DSP1_EDMA_TPCC DSP_EDMA_TPCC
Description	CC Configuration Register		
Type	R		

31	30	29	28	27	26	25	24	23	22	21	20	19	18	17	16	15	14	13	12	11	10	9	8	7	6	5	4	3	2	1	0
RESERVED				MPEXIST	CHMAPEXIST	RESERVED	NUMREGN	RESERVED	NUMTC				RESERVED	NUMPAENTRY		RESERVED	NUMINTCH		RESERVED	NUMQDMACH		RESERVED	NUMDMACH								

Bits	Field Name	Description	Type	Reset
31:26	RESERVED	Reads return 0's	R	0x0
25	MPEXIST	Memory Protection Existence 0x0: No memory protection 0x1: Memory Protection logic included	R	See Table 16-83
24	CHMAPEXIST	Channel Mapping Existence 0x0: No Channel mapping 0x1: Channel mapping logic included	R	See Table 16-83
23:22	RESERVED	Reads return 0's	R	0x0

Bits	Field Name	Description	Type	Reset
21:20	NUMREGN	Number of MP and Shadow regions 0x0: 0 Regions 0x1: 2 Regions 0x2: 4 Regions 0x3: 8 Regions	R	See Table 16-83
19	RESERVED	Reads return 0's	R	0x0
18:16	NUMTC	Number of Queues/Number of TCs 0x0: 1 TC/Event Queue 0x1: 2 TC/Event Queue 0x2: 3 TC/Event Queue 0x3: 4 TC/Event Queue 0x4: 5 TC/Event Queue 0x5: 6 TC/Event Queue 0x6: 7 TC/Event Queue 0x7: 8 TC/Event Queue	R	See Table 16-83
15	RESERVED	Reads return 0's	R	0x0
14:12	NUMPAENTRY	Number of PaRAM entries 0x0: 16 entries 0x1: 32 entries 0x2: 64 entries 0x3: 128 entries 0x4: 256 entries 0x5: 512 entries	R	See Table 16-83
11	RESERVED	Reads return 0's	R	0x0
10:8	NUMINTCH	Number of Interrupt Channels 0x1: 8 Interrupt channels 0x2: 16 Interrupt channels 0x3: 32 Interrupt channels 0x4: 64 Interrupt channels	R	See Table 16-83
7	RESERVED	reads return 0's	R	0x0
6:4	NUMQDMACH	Number of QDMA Channels 0x0: No QDMA Channels 0x1: 2 QDMA Channels 0x2: 4 QDMA Channels 0x3: 6 QDMA Channels 0x4: 8 QDMA Channels	R	See Table 16-83
3	RESERVED	reads return 0's	R	0x0
2:0	NUMDMACH	Number of DMA Channels 0x0: No DMA Channels 0x1: 4 DMA Channels 0x2: 8 DMA Channels 0x3: 16 DMA Channels 0x4: 32 DMA Channels 0x5: 64 DMA Channels	R	See Table 16-83

Table 16-120. Register Call Summary for Register EDMA_TPCC_CCCFG

Enhanced DMA

- [EDMA Register Summary: \[0\]\[1\]\[3\]](#)

Table 16-121. EDMA_TPCC_CLKGDIS

Address Offset	0x0000 00FC	Instance	SYS_EDMA_TPCC
Physical Address	0x4330 00FC 0x40D1 00FC 0x01D1 00FC		DSP1_EDMA_TPCC DSP_EDMA_TPCC
Description	Auto Clock Gate Disable		
Type	RW		

31	30	29	28	27	26	25	24	23	22	21	20	19	18	17	16	15	14	13	12	11	10	9	8	7	6	5	4	3	2	1	0
RESERVED																												CLKGDIS			

Bits	Field Name	Description	Type	Reset
31:1	RESERVED	Reserved	R	0x0
0	CLKGDIS	Auto Clock Gate Disable	RW	0x0

Table 16-122. Register Call Summary for Register EDMA_TPCC_CLKGDIS

Enhanced DMA

- [Clock and Power Management: \[0\]](#)
- [EDMA Register Summary: \[1\]\[2\]\[4\]](#)

Table 16-123. EDMA_TPCC_DCHMAPN_m

Address Offset	0x0000 0100 + (0x4 * m)	Instance	SYS_EDMA_TPCC
Physical Address	0x4330 0100 + (0x4 * m) 0x40D1 0100 + (0x4 * m) 0x01D1 0100 + (0x4 * m)		DSP1_EDMA_TPCC DSP_EDMA_TPCC
Description	DMA Channel N Mapping Register		
Type	RW		

31	30	29	28	27	26	25	24	23	22	21	20	19	18	17	16	15	14	13	12	11	10	9	8	7	6	5	4	3	2	1	0
RESERVED												PAENTRY						RESERVED													

Bits	Field Name	Description	Type	Reset
31:14	RESERVED	Reserved	R	0x0
13:5	PAENTRY	PaRAM Entry number for DMA Channel N.	RW	0x0
4:0	RESERVED	Reserved	R	0x0

Table 16-124. Register Call Summary for Register EDMA_TPCC_DCHMAPN_m

Enhanced DMA

- [Parameter RAM \(PaRAM\): \[0\]](#)
- [DMA Channel to PaRAM Mapping: \[1\]\[2\]\[3\]](#)
- [Setting Up an EDMA Transfer: \[4\]](#)
- [EDMA Register Summary: \[5\]\[6\]\[8\]](#)

Table 16-125. EDMA_TPCC_QCHMAPN_j

Address Offset	0x0000 0200 + (0x4 * j)		
Physical Address	0x4330 0200 + (0x4 * j) 0x40D1 0200 + (0x4 * j) 0x01D1 0200 + (0x4 * j)	Instance	SYS_EDMA_TPCC DSP1_EDMA_TPCC DSP_EDMA_TPCC
Description	QDMA Channel N Mapping Register		
Type	RW		

31	30	29	28	27	26	25	24	23	22	21	20	19	18	17	16	15	14	13	12	11	10	9	8	7	6	5	4	3	2	1	0
RESERVED																PAENTRY								TRWORD			RESERVED				

Bits	Field Name	Description	Type	Reset
31:14	RESERVED	Reserved	R	0x0
13:5	PAENTRY	PaRAM Entry number for QDMA Channel N.	RW	0x0
4:2	TRWORD	TRWORD points to the specific trigger word of the PaRAM Entry defined by PAENTRY. A write to the trigger word results in a QDMA Event being recognized.	RW	0x0
1:0	RESERVED	Reserved	R	0x0

Table 16-126. Register Call Summary for Register EDMA_TPCC_QCHMAPN_j

Enhanced DMA

- [Parameter RAM \(PaRAM\): \[0\]](#)
- [Linking Transfers: \[1\]](#)
- [QDMA Channels: \[2\]\[3\]](#)
- [QDMA Channel to PaRAM Mapping: \[4\]\[5\]\[6\]\[7\]](#)
- [Setting Up an EDMA Transfer: \[8\]](#)
- [EDMA Register Summary: \[9\]\[10\]\[12\]](#)

Table 16-127. EDMA_TPCC_DMAQNUMN_k

Address Offset	0x0000 0240 + (0x4 * k)		
Physical Address	0x4330 0240 + (0x4 * k) 0x40D1 0240 + (0x4 * k) 0x01D1 0240 + (0x4 * k)	Instance	SYS_EDMA_TPCC DSP1_EDMA_TPCC DSP_EDMA_TPCC
Description	DMA Queue Number Register n Contains the Event queue number to be used for the corresponding DMA Channel.		
Type	RW		

31	30	29	28	27	26	25	24	23	22	21	20	19	18	17	16	15	14	13	12	11	10	9	8	7	6	5	4	3	2	1	0
RESERVED	E7			RESERVED	E6			RESERVED	E5			RESERVED	E4			RESERVED	E3			RESERVED	E2			RESERVED	E1			RESERVED	E0		

Bits	Field Name	Description	Type	Reset
31	RESERVED	Reserved	R	0x0
30:28	E7	DMA Queue Number for event #7	RW	0x0
27	RESERVED	Reserved	R	0x0

Bits	Field Name	Description	Type	Reset
26:24	E6	DMA Queue Number for event #6	RW	0x0
23	RESERVED	Reserved	R	0x0
22:20	E5	DMA Queue Number for event #5	RW	0x0
19	RESERVED	Reserved	R	0x0
18:16	E4	DMA Queue Number for event #4	RW	0x0
15	RESERVED	Reserved	R	0x0
14:12	E3	DMA Queue Number for event #3	RW	0x0
11	RESERVED	Reserved	R	0x0
10:8	E2	DMA Queue Number for event #2	RW	0x0
7	RESERVED	Reserved	R	0x0
6:4	E1	DMA Queue Number for event #1	RW	0x0
3	RESERVED	Reserved	R	0x0
2:0	E0	DMA Queue Number for event #0	RW	0x0

Table 16-128. Register Call Summary for Register EDMA_TPCC_DMAQNUMN_k

Enhanced DMA

- [DMA/QDMA Channel to Event Queue Mapping: \[0\]](#)
- [Dequeue Priority: \[1\]](#)
- [Setting Up an EDMA Transfer: \[2\]](#)
- [EDMA Register Summary: \[3\]\[4\]\[6\]](#)

Table 16-129. EDMA_TPCC_QDMAQNUM

Address Offset	0x0000 0260	Instance	SYS_EDMA_TPCC DSP1_EDMA_TPCC DSP_EDMA_TPCC
Physical Address	0x4330 0260 0x40D1 0260 0x01D1 0260		
Description	QDMA Queue Number Register Contains the Event queue number to be used for the corresponding QDMA Channel.		
Type	RW		

31	30	29	28	27	26	25	24	23	22	21	20	19	18	17	16	15	14	13	12	11	10	9	8	7	6	5	4	3	2	1	0
RESERVED		E7		RESERVED		E6		RESERVED		E5		RESERVED		E4		RESERVED		E3		RESERVED		E2		RESERVED		E1		RESERVED		E0	

Bits	Field Name	Description	Type	Reset
31	RESERVED		R	0x0
30:28	E7	QDMA Queue Number for event #7	RW	0x0
27	RESERVED		R	0x0
26:24	E6	QDMA Queue Number for event #6	RW	0x0
23	RESERVED		R	0x0
22:20	E5	QDMA Queue Number for event #5	RW	0x0
19	RESERVED		R	0x0
18:16	E4	QDMA Queue Number for event #4	RW	0x0
15	RESERVED		R	0x0
14:12	E3	QDMA Queue Number for event #3	RW	0x0
11	RESERVED		R	0x0
10:8	E2	QDMA Queue Number for event #2	RW	0x0

Bits	Field Name	Description	Type	Reset
7	RESERVED		R	0x0
6:4	E1	QDMA Queue Number for event #1	RW	0x0
3	RESERVED		R	0x0
2:0	E0	QDMA Queue Number for event #0	RW	0x0

Table 16-130. Register Call Summary for Register EDMA_TPCC_QDMAQNUM

Enhanced DMA

- [DMA/QDMA Channel to Event Queue Mapping: \[0\]](#)
- [Dequeue Priority: \[1\]](#)
- [Setting Up an EDMA Transfer: \[2\]](#)
- [EDMA Register Summary: \[3\]\[4\]\[6\]](#)

Table 16-131. EDMA_TPCC_QUETCMAP

Address Offset	0x0000 0280	Instance	SYS_EDMA_TPCC DSP1_EDMA_TPCC DSP_EDMA_TPCC
Physical Address	0x4330 0280 0x40D1 0280 0x01D1 0280		
Description	Queue to TC Mapping		
Type	RW		

31	30	29	28	27	26	25	24	23	22	21	20	19	18	17	16	15	14	13	12	11	10	9	8	7	6	5	4	3	2	1	0
RESERVED																							TCNUMQ1			RESERVED	TCNUMQ0				

Bits	Field Name	Description	Type	Reset
31:7	RESERVED	Reserved	R	0x0
6:4	TCNUMQ1	TC Number for Queue N: Defines the TC number that Event Queue N TRs are written to.	RW	0x1
3	RESERVED	Reserved	R	0x0
2:0	TCNUMQ0	TC Number for Queue N: Defines the TC number that Event Queue N TRs are written to.	RW	0x0

Table 16-132. Register Call Summary for Register EDMA_TPCC_QUETCMAP

Enhanced DMA

- [EDMA Register Summary: \[0\]\[1\]\[3\]](#)

Table 16-133. EDMA_TPCC_QUEPRI

Address Offset	0x0000 0284	Instance	SYS_EDMA_TPCC DSP1_EDMA_TPCC DSP_EDMA_TPCC
Physical Address	0x4330 0284 0x40D1 0284 0x01D1 0284		
Description	Queue Priority		
Type	RW		

31	30	29	28	27	26	25	24	23	22	21	20	19	18	17	16	15	14	13	12	11	10	9	8	7	6	5	4	3	2	1	0
RESERVED																PRIQ1			RESERVED	PRIQ0											

Bits	Field Name	Description	Type	Reset
31:7	RESERVED	Reserved	R	0x0
6:4	PRIQ1	Priority Level for Queue 1 Dictates the priority level used for the OPTIONS field programming for Qn TRs. Sets the priority used for TC read and write commands.	RW	0x0
3	RESERVED	Reserved	R	0x0
2:0	PRIQ0	Priority Level for Queue 0 Dictates the priority level used for the OPTIONS field programming for Qn TRs. Sets the priority used for TC read and write commands.	RW	0x0

Table 16-134. Register Call Summary for Register EDMA_TPCC_QUEPRI

Enhanced DMA

- [Performance Considerations: \[0\]](#)
- [EDMA Register Summary: \[1\]\[2\]\[4\]](#)

Table 16-135. EDMA_TPCC_EMR

Address Offset	0x0000 0300	Instance	SYS_EDMA_TPCC DSP1_EDMA_TPCC DSP_EDMA_TPCC
Physical Address	0x4330 0300 0x40D1 0300 0x01D1 0300		
Description	Event Missed Register: The Event Missed register is set if 2 events are received without the first event being cleared or if a Null TR is serviced. Chained events (CER), Set Events (ESR), and normal events (ER) are treated individually. If any bit in the EMR register is set (and all errors (including EDMA_TPCC_QEMR / EDMA_TPCC_CCERR) were previously clear), then an error will be signaled with TPCC error interrupt.		
Type	R		

31	30	29	28	27	26	25	24	23	22	21	20	19	18	17	16	15	14	13	12	11	10	9	8	7	6	5	4	3	2	1	0
E31	E30	E29	E28	E27	E26	E25	E24	E23	E22	E21	E20	E19	E18	E17	E16	E15	E14	E13	E12	E11	E10	E9	E8	E7	E6	E5	E4	E3	E2	E1	E0

Bits	Field Name	Description	Type	Reset
31	E31	Event Missed #31	R	0x0
30	E30	Event Missed #30	R	0x0
29	E29	Event Missed #29	R	0x0
28	E28	Event Missed #28	R	0x0
27	E27	Event Missed #27	R	0x0
26	E26	Event Missed #26	R	0x0
25	E25	Event Missed #25	R	0x0
24	E24	Event Missed #24	R	0x0
23	E23	Event Missed #23	R	0x0
22	E22	Event Missed #22	R	0x0
21	E21	Event Missed #21	R	0x0
20	E20	Event Missed #20	R	0x0
19	E19	Event Missed #19	R	0x0
18	E18	Event Missed #18	R	0x0

Bits	Field Name	Description	Type	Reset
17	E17	Event Missed #17	R	0x0
16	E16	Event Missed #16	R	0x0
15	E15	Event Missed #15	R	0x0
14	E14	Event Missed #14	R	0x0
13	E13	Event Missed #13	R	0x0
12	E12	Event Missed #12	R	0x0
11	E11	Event Missed #11	R	0x0
10	E10	Event Missed #10	R	0x0
9	E9	Event Missed #9	R	0x0
8	E8	Event Missed #8	R	0x0
7	E7	Event Missed #7	R	0x0
6	E6	Event Missed #6	R	0x0
5	E5	Event Missed #5	R	0x0
4	E4	Event Missed #4	R	0x0
3	E3	Event Missed #3	R	0x0
2	E2	Event Missed #2	R	0x0
1	E1	Event Missed #1	R	0x0
0	E0	Event Missed #0	R	0x0

Table 16-136. Register Call Summary for Register EDMA_TPCC_EMR

Enhanced DMA

- [Third-Party Channel Controller: \[0\]](#)
- [Null PaRAM Set: \[1\]](#)
- [Dummy PaRAM Set: \[2\]](#)
- [Dummy Versus Null Transfer Comparison: \[3\]\[4\]](#)
- [DMA Channel: \[5\]\[6\]\[7\]\[8\]\[9\]\[10\]](#)
- [Interrupt Evaluation Operations: \[11\]](#)
- [Error Interrupts: \[12\]](#)
- [EDMA Debug Checklist: \[13\]\[14\]](#)
- [EDMA Register Summary: \[15\]\[16\]\[18\]](#)
- [EDMA Register Description: \[21\]\[22\]\[23\]\[24\]\[25\]\[26\]\[27\]\[28\]\[29\]\[30\]\[31\]\[32\]\[33\]](#)

Table 16-137. EDMA_TPCC_EMRH

Address Offset	0x0000 0304	Instance	SYS_EDMA_TPCC DSP1_EDMA_TPCC DSP_EDMA_TPCC
Physical Address	0x4330 0304 0x40D1 0304 0x01D1 0304		
Description	Event Missed Register (High Part): The Event Missed register is set if 2 events are received without the first event being cleared or if a Null TR is serviced. Chained events (CER), Set Events (ESR), and normal events (ER) are treated individually. If any bit in the EMR register is set (and all errors (including EDMA_TPCC_QEMR / EDMA_TPCC_CCERR) were previously clear), then an error will be signaled with TPCC error interrupt.		
Type	R		

31	30	29	28	27	26	25	24	23	22	21	20	19	18	17	16	15	14	13	12	11	10	9	8	7	6	5	4	3	2	1	0
E63	E62	E61	E60	E59	E58	E57	E56	E55	E54	E53	E52	E51	E50	E49	E48	E47	E46	E45	E44	E43	E42	E41	E40	E39	E38	E37	E36	E35	E34	E33	E32

Bits	Field Name	Description	Type	Reset
31	E63	Event Missed #63	R	0x0
30	E62	Event Missed #62	R	0x0
29	E61	Event Missed #61	R	0x0
28	E60	Event Missed #60	R	0x0
27	E59	Event Missed #59	R	0x0
26	E58	Event Missed #58	R	0x0
25	E57	Event Missed #57	R	0x0
24	E56	Event Missed #56	R	0x0
23	E55	Event Missed #55	R	0x0
22	E54	Event Missed #54	R	0x0
21	E53	Event Missed #53	R	0x0
20	E52	Event Missed #52	R	0x0
19	E51	Event Missed #51	R	0x0
18	E50	Event Missed #50	R	0x0
17	E49	Event Missed #49	R	0x0
16	E48	Event Missed #48	R	0x0
15	E47	Event Missed #47	R	0x0
14	E46	Event Missed #46	R	0x0
13	E45	Event Missed #45	R	0x0
12	E44	Event Missed #44	R	0x0
11	E43	Event Missed #43	R	0x0
10	E42	Event Missed #42	R	0x0
9	E41	Event Missed #41	R	0x0
8	E40	Event Missed #40	R	0x0
7	E39	Event Missed #39	R	0x0
6	E38	Event Missed #38	R	0x0
5	E37	Event Missed #37	R	0x0
4	E36	Event Missed #36	R	0x0
3	E35	Event Missed #35	R	0x0
2	E34	Event Missed #34	R	0x0
1	E33	Event Missed #33	R	0x0
0	E32	Event Missed #32	R	0x0

Table 16-138. Register Call Summary for Register EDMA_TPCC_EMRH

Enhanced DMA

- [Third-Party Channel Controller: \[0\]](#)
- [Null PaRAM Set: \[1\]](#)
- [Dummy PaRAM Set: \[2\]](#)
- [Dummy Versus Null Transfer Comparison: \[3\]](#)
- [Interrupt Evaluation Operations: \[4\]](#)
- [Error Interrupts: \[5\]](#)
- [EDMA Debug Checklist: \[6\]](#)
- [EDMA Register Summary: \[7\]\[8\]\[10\]](#)
- [EDMA Register Description: \[13\]\[14\]](#)

Table 16-139. EDMA_TPCC_EMCR

Address Offset	Physical Address	Instance	
0x0000 0308	0x4330 0308		SYS_EDMA_TPCC
	0x40D1 0308		DSP1_EDMA_TPCC
	0x01D1 0308		DSP_EDMA_TPCC

Table 16-139. EDMA_TPCC_EMCR (continued)

Description	Event Missed Clear Register: CPU write of '1' to the EDMA_TPCC_EMCR .En bit causes the EDMA_TPCC_EMCR .En bit to be cleared. CPU write of '0' has no effect.. All error bits must be cleared before additional error interrupts will be asserted by CC.
Type	W

31	30	29	28	27	26	25	24	23	22	21	20	19	18	17	16	15	14	13	12	11	10	9	8	7	6	5	4	3	2	1	0
E31	E30	E29	E28	E27	E26	E25	E24	E23	E22	E21	E20	E19	E18	E17	E16	E15	E14	E13	E12	E11	E10	E9	E8	E7	E6	E5	E4	E3	E2	E1	E0

Bits	Field Name	Description	Type	Reset
31	E31	Event Missed Clear #31	W	0x0
30	E30	Event Missed Clear #30	W	0x0
29	E29	Event Missed Clear #29	W	0x0
28	E28	Event Missed Clear #28	W	0x0
27	E27	Event Missed Clear #27	W	0x0
26	E26	Event Missed Clear #26	W	0x0
25	E25	Event Missed Clear #25	W	0x0
24	E24	Event Missed Clear #24	W	0x0
23	E23	Event Missed Clear #23	W	0x0
22	E22	Event Missed Clear #22	W	0x0
21	E21	Event Missed Clear #21	W	0x0
20	E20	Event Missed Clear #20	W	0x0
19	E19	Event Missed Clear #19	W	0x0
18	E18	Event Missed Clear #18	W	0x0
17	E17	Event Missed Clear #17	W	0x0
16	E16	Event Missed Clear #16	W	0x0
15	E15	Event Missed Clear #15	W	0x0
14	E14	Event Missed Clear #14	W	0x0
13	E13	Event Missed Clear #13	W	0x0
12	E12	Event Missed Clear #12	W	0x0
11	E11	Event Missed Clear #11	W	0x0
10	E10	Event Missed Clear #10	W	0x0
9	E9	Event Missed Clear #9	W	0x0
8	E8	Event Missed Clear #8	W	0x0
7	E7	Event Missed Clear #7	W	0x0
6	E6	Event Missed Clear #6	W	0x0
5	E5	Event Missed Clear #5	W	0x0
4	E4	Event Missed Clear #4	W	0x0
3	E3	Event Missed Clear #3	W	0x0
2	E2	Event Missed Clear #2	W	0x0
1	E1	Event Missed Clear #1	W	0x0
0	E0	Event Missed Clear #0	W	0x0

Table 16-140. Register Call Summary for Register EDMA_TPCC_EMCR

Enhanced DMA

- [EDMA Register Summary: \[0\]\[1\]\[3\]](#)
- [EDMA Register Description: \[6\]\[7\]](#)

Table 16-141. EDMA_TPCC_EMCRH

Address Offset	0x0000 030C		
Physical Address	0x4330 030C 0x40D1 030C 0x01D1 030C	Instance	SYS_EDMA_TPCC DSP1_EDMA_TPCC DSP_EDMA_TPCC
Description	Event Missed Clear Register (High Part): CPU write of '1' to the EDMA_TPCC_EMCR . En bit causes the EDMA_TPCC_EMR . En bit to be cleared. CPU write of '0' has no effect. All error bits must be cleared before additional error interrupts will be asserted by CC.		
Type	W		

31	30	29	28	27	26	25	24	23	22	21	20	19	18	17	16	15	14	13	12	11	10	9	8	7	6	5	4	3	2	1	0
E63	E62	E61	E60	E59	E58	E57	E56	E55	E54	E53	E52	E51	E50	E49	E48	E47	E46	E45	E44	E43	E42	E41	E40	E39	E38	E37	E36	E35	E34	E33	E32

Bits	Field Name	Description	Type	Reset
31	E63	Event Missed Clear #63	W	0x0
30	E62	Event Missed Clear #62	W	0x0
29	E61	Event Missed Clear #61	W	0x0
28	E60	Event Missed Clear #60	W	0x0
27	E59	Event Missed Clear #59	W	0x0
26	E58	Event Missed Clear #58	W	0x0
25	E57	Event Missed Clear #57	W	0x0
24	E56	Event Missed Clear #56	W	0x0
23	E55	Event Missed Clear #55	W	0x0
22	E54	Event Missed Clear #54	W	0x0
21	E53	Event Missed Clear #53	W	0x0
20	E52	Event Missed Clear #52	W	0x0
19	E51	Event Missed Clear #51	W	0x0
18	E50	Event Missed Clear #50	W	0x0
17	E49	Event Missed Clear #49	W	0x0
16	E48	Event Missed Clear #48	W	0x0
15	E47	Event Missed Clear #47	W	0x0
14	E46	Event Missed Clear #46	W	0x0
13	E45	Event Missed Clear #45	W	0x0
12	E44	Event Missed Clear #44	W	0x0
11	E43	Event Missed Clear #43	W	0x0
10	E42	Event Missed Clear #42	W	0x0
9	E41	Event Missed Clear #41	W	0x0
8	E40	Event Missed Clear #40	W	0x0
7	E39	Event Missed Clear #39	W	0x0
6	E38	Event Missed Clear #38	W	0x0
5	E37	Event Missed Clear #37	W	0x0
4	E36	Event Missed Clear #36	W	0x0
3	E35	Event Missed Clear #35	W	0x0
2	E34	Event Missed Clear #34	W	0x0
1	E33	Event Missed Clear #33	W	0x0
0	E32	Event Missed Clear #32	W	0x0

Table 16-142. Register Call Summary for Register EDMA_TPCC_EMCRH

Enhanced DMA

- [EDMA Register Summary: \[0\]\[1\]\[3\]](#)

Table 16-143. EDMA_TPCC_QEMR

Address Offset	0x0000 0310		
Physical Address	0x4330 0310 0x40D1 0310 0x01D1 0310	Instance	SYS_EDMA_TPCC DSP1_EDMA_TPCC DSP_EDMA_TPCC
Description	<p>QDMA Event Missed Register: The QDMA Event Missed register is set if 2 QDMA events are detected without the first event being cleared or if a Null TR is serviced. If any bit in the EDMA_TPCC_QEMR register is set (and all errors (including EDMA_TPCC_EMR / EDMA_TPCC_CCERR) were previously clear), then an error will be signaled with TPCC error interrupt.</p>		
Type	R		

31	30	29	28	27	26	25	24	23	22	21	20	19	18	17	16	15	14	13	12	11	10	9	8	7	6	5	4	3	2	1	0
RESERVED																E7	E6	E5	E4	E3	E2	E1	E0								

Bits	Field Name	Description	Type	Reset
31:8	RESERVED	Reserved	R	0x0
7	E7	Event Missed #7	R	0x0
6	E6	Event Missed #6	R	0x0
5	E5	Event Missed #5	R	0x0
4	E4	Event Missed #4	R	0x0
3	E3	Event Missed #3	R	0x0
2	E2	Event Missed #2	R	0x0
1	E1	Event Missed #1	R	0x0
0	E0	Event Missed #0	R	0x0

Table 16-144. Register Call Summary for Register EDMA_TPCC_QEMR

Enhanced DMA

- [Null PaRAM Set: \[0\]](#)
- [Dummy PaRAM Set: \[1\]](#)
- [Dummy Versus Null Transfer Comparison: \[2\]](#)
- [QDMA Channels: \[3\]](#)
- [Interrupt Evaluation Operations: \[4\]](#)
- [Error Interrupts: \[5\]](#)
- [EDMA Debug Checklist: \[6\]\[7\]](#)
- [EDMA Register Summary: \[8\]\[9\]\[11\]](#)
- [EDMA Register Description: \[14\]\[15\]\[16\]\[17\]\[18\]\[19\]\[20\]\[21\]\[22\]\[23\]\[24\]\[25\]\[26\]\[27\]](#)

Table 16-145. EDMA_TPCC_QEMCR

Address Offset	0x0000 0314		
Physical Address	0x4330 0314 0x40D1 0314 0x01D1 0314	Instance	SYS_EDMA_TPCC DSP1_EDMA_TPCC DSP_EDMA_TPCC
Description	<p>QDMA Event Missed Clear Register: CPU write of '1' to the EDMA_TPCC_QEMCR. En bit causes the EDMA_TPCC_QEMR. En bit to be cleared. CPU write of '0' has no effect. All error bits must be cleared before additional error interrupts will be asserted by CC.</p>		
Type	W		

31	30	29	28	27	26	25	24	23	22	21	20	19	18	17	16	15	14	13	12	11	10	9	8	7	6	5	4	3	2	1	0
RESERVED																E7	E6	E5	E4	E3	E2	E1	E0								

Bits	Field Name	Description	Type	Reset
31:8	RESERVED	Reserved	R	0x0
7	E7	Event Missed Clear #7	W	0x0
6	E6	Event Missed Clear #6	W	0x0
5	E5	Event Missed Clear #5	W	0x0
4	E4	Event Missed Clear #4	W	0x0
3	E3	Event Missed Clear #3	W	0x0
2	E2	Event Missed Clear #2	W	0x0
1	E1	Event Missed Clear #1	W	0x0
0	E0	Event Missed Clear #0	W	0x0

Table 16-146. Register Call Summary for Register EDMA_TPCC_QEMCR

Enhanced DMA

- [EDMA Register Summary: \[0\]\[1\]\[3\]](#)
- [EDMA Register Description: \[6\]](#)

Table 16-147. EDMA_TPCC_CCERR

Address Offset	0x0000 0318	Instance	SYS_EDMA_TPCC DSP1_EDMA_TPCC DSP_EDMA_TPCC
Physical Address	0x4330 0318 0x40D1 0318 0x01D1 0318		
Description	CC Error Register		
Type	R		

31	30	29	28	27	26	25	24	23	22	21	20	19	18	17	16	15	14	13	12	11	10	9	8	7	6	5	4	3	2	1	0
RESERVED																RESERVED															
																TCERR															
																QTHRXC7 QTHRXC6 QTHRXC5 QTHRXC4 QTHRXC3 QTHRXC2 QTHRXC1 QTHRXC0															

Bits	Field Name	Description	Type	Reset
31:17	RESERVED	Reserved	R	0x0
16	TCERR	Transfer Completion Code Error 0x0: Total number of allowed TCCs outstanding has not been reached. 0x1: Total number of allowed TCCs has been reached. TCERR can be cleared by writing a '1' to corresponding bit in EDMA_TPCC_CCERRCLR register. If any bit in the EDMA_TPCC_CCERR register is set (and all errors were previously clear), then an error will be signaled with TPCC error interrupt.	R	0x0
15:8	RESERVED	Reserved	R	0x0
7	QTHRXC7	Queue Threshold Error for Q7 0x0: Watermark/threshold has not been exceeded. 0x1: Watermark/threshold has been exceeded. QTHRXC7 can be cleared by writing a '1' to corresponding bit in EDMA_TPCC_CCERRCLR register. If any bit in the EDMA_TPCC_CCERR register is set (and all errors (including EDMA_TPCC_EMR/EDMA_TPCC_QEMR) were previously clear), then an error will be signaled with the TPCC error interrupt.	R	0x0

Bits	Field Name	Description	Type	Reset
6	QTHRXC6	<p>Queue Threshold Error for Q6</p> <p>0x0 : Watermark/threshold has not been exceeded.</p> <p>0x1 : Watermark/threshold has been exceeded.</p> <p>QTHRXC6 can be cleared by writing a '1' to corresponding bit in EDMA_TPCC_CCERRCLR register. If any bit in the EDMA_TPCC_CCERR register is set (and all errors (including EDMA_TPCC_EMR/EDMA_TPCC_QEMR) were previously clear), then an error will be signaled with the TPCC error interrupt.</p>	R	0x0
5	QTHRXC5	<p>Queue Threshold Error for Q5</p> <p>0x0 : Watermark/threshold has not been exceeded.</p> <p>0x1 : Watermark/threshold has been exceeded.</p> <p>QTHRXC5 can be cleared by writing a '1' to corresponding bit in EDMA_TPCC_CCERRCLR register. If any bit in the EDMA_TPCC_CCERR register is set (and all errors (including EDMA_TPCC_EMR/EDMA_TPCC_QEMR) were previously clear), then an error will be signaled with the TPCC error interrupt.</p>	R	0x0
4	QTHRXC4	<p>Queue Threshold Error for Q4</p> <p>0x0: Watermark/threshold has not been exceeded.</p> <p>0x1: Watermark/threshold has been exceeded.</p> <p>QTHRXC4 can be cleared by writing a '1' to corresponding bit in EDMA_TPCC_CCERRCLR register. If any bit in the EDMA_TPCC_CCERR register is set (and all errors (including EDMA_TPCC_EMR/EDMA_TPCC_QEMR) were previously clear), then an error will be signaled with the TPCC error interrupt.</p>	R	0x0
3	QTHRXC3	<p>Queue Threshold Error for Q3</p> <p>0x0: Watermark/threshold has not been exceeded.</p> <p>0x1 : Watermark/threshold has been exceeded.</p> <p>QTHRXC3 can be cleared by writing a '1' to corresponding bit in EDMA_TPCC_CCERRCLR register. If any bit in the EDMA_TPCC_CCERR register is set (and all errors (including EDMA_TPCC_EMR/EDMA_TPCC_QEMR) were previously clear), then an error will be signaled with the TPCC error interrupt.</p>	R	0x0
2	QTHRXC2	<p>Queue Threshold Error for Q2</p> <p>0x0: Watermark/threshold has not been exceeded.</p> <p>0x1: Watermark/threshold has been exceeded.</p> <p>QTHRXC2 can be cleared by writing a '1' to corresponding bit in EDMA_TPCC_CCERRCLR register. If any bit in the EDMA_TPCC_CCERR register is set (and all errors (including EDMA_TPCC_EMR/EDMA_TPCC_QEMR) were previously clear), then an error will be signaled with the TPCC error interrupt.</p>	R	0x0
1	QTHRXC1	<p>Queue Threshold Error for Q1</p> <p>0x0: Watermark/threshold has not been exceeded.</p> <p>0x1: Watermark/threshold has been exceeded.</p> <p>QTHRXC1 can be cleared by writing a '1' to corresponding bit in EDMA_TPCC_CCERRCLR register. If any bit in the EDMA_TPCC_CCERR register is set (and all errors (including EDMA_TPCC_EMR/EDMA_TPCC_QEMR) were previously clear), then an error will be signaled with the TPCC error interrupt.</p>	R	0x0

Bits	Field Name	Description	Type	Reset
0	QTHRXCD0	Queue Threshold Error for Q0: 0x0: Watermark/threshold has not been exceeded. 0x1: Watermark/threshold has been exceeded. QTHRXCD0 can be cleared by writing a '1' to corresponding bit in EDMA_TPCC_CCERRCLR register. If any bit in the EDMA_TPCC_CCERR register is set (and all errors (including EDMA_TPCC_EMR/EDMA_TPCC_QEMR) were previously clear), then an error will be signaled with the TPCC error interrupt.	R	0x0

Table 16-148. Register Call Summary for Register EDMA_TPCC_CCERR

Enhanced DMA

- [Third-Party Channel Controller](#): [0]
- [Interrupt Evaluation Operations](#): [1]
- [Error Interrupts](#): [2][3]
- [Queue Resource Tracking](#): [4][5]
- [EDMA Register Summary](#): [6][7][9]
- [EDMA Register Description](#): [12][13][14][15][16][17][18][19][20][21][22][23][24][25][26][27][28][29][30][31][32][33][34][35][36][37][38][39][40][41][42][43][44][45][46][47]

Table 16-149. EDMA_TPCC_CCERRCLR

Address Offset	0x0000 031C	Instance	SYS_EDMA_TPCC DSP1_EDMA_TPCC DSP_EDMA_TPCC
Physical Address	0x4330 031C 0x40D1 031C 0x01D1 031C		
Description	CC Error Clear Register		
Type	W		

31	30	29	28	27	26	25	24	23	22	21	20	19	18	17	16	15	14	13	12	11	10	9	8	7	6	5	4	3	2	1	0								
RESERVED																RESERVED																							
																TCERR																QTHRXCD7	QTHRXCD6	QTHRXCD5	QTHRXCD4	QTHRXCD3	QTHRXCD2	QTHRXCD1	QTHRXCD0

Bits	Field Name	Description	Type	Reset
31:17	RESERVED	Reserved	R	0x0
16	TCERR	Clear Error for EDMA_TPCC_CCERR [16] TR. Write 0x1 to clear the value of EDMA_TPCC_CCERR [16] TCERR. Write 0x0 have no affect.	W	0x0
15:8	RESERVED	Reserved	R	0x0
7	QTHRXCD7	Clear error for EDMA_TPCC_CCERR [7]QTHRXCD7 Write 0x0 have no affect. Write 0x1 to clear the values of QSTAT7.WM, QSTAT7.THRXCD, EDMA_TPCC_CCERR [7] QTHRXCD7	W	0x0
6	QTHRXCD6	Clear error for EDMA_TPCC_CCERR [6] QTHRXCD6 Write 0x0 have no affect. Write 0x1 to clear the values of QSTAT6.WM, QSTAT6.THRXCD, EDMA_TPCC_CCERR [6]QTHRXCD6	W	0x0

Bits	Field Name	Description	Type	Reset
5	QTHRXC5	Clear error for EDMA_TPCC_CCERR[5] QTHRXC5 Write 0x0 have no affect. Write 0x1 to clear the values of QSTAT5.WM, QSTAT5.THRXCD, EDMA_TPCC_CCERR[5] QTHRXC5	W	0x0
4	QTHRXC4	Clear error for EDMA_TPCC_CCERR[4] QTHRXC4: Write 0x0 have no affect. Write 0x1 to clear the values of QSTAT4.WM, QSTAT4.THRXCD, EDMA_TPCC_CCERR[4] QTHRXC4	W	0x0
3	QTHRXC3	Clear error for EDMA_TPCC_CCERR[3] QTHRXC3 Write 0x1 to clear the values of QSTAT3.WM, QSTAT3.THRXCD, EDMA_TPCC_CCERR[3] QTHRXC3 Write 0x0 have no affect.	W	0x0
2	QTHRXC2	Clear error for EDMA_TPCC_CCERR[2] QTHRXC2 Write 0x0 have no affect. Write 0x1 to clear the values of QSTAT2.WM, QSTAT2.THRXCD, EDMA_TPCC_CCERR[2] QTHRXC2	W	0x0
1	QTHRXC1	Clear error for EDMA_TPCC_CCERR[1] QTHRXC1 Write 0x1 to clear the values of QSTAT1.WM, QSTAT1.THRXCD, EDMA_TPCC_CCERR[1] QTHRXC1 Write 0x0 have no affect.	W	0x0
0	QTHRXC0	Clear error for EDMA_TPCC_CCERR[0] QTHRXC0 Write 0x0 have no affect. Write 0x1 to clear the values of QSTAT0.WM, QSTAT0.THRXCD, EDMA_TPCC_CCERR[0] QTHRXC0	W	0x0

Table 16-150. Register Call Summary for Register EDMA_TPCC_CCERRCLR

Enhanced DMA

- [EDMA Register Summary: \[0\]\[1\]\[3\]](#)
- [EDMA Register Description: \[6\]\[7\]\[8\]\[9\]\[10\]\[11\]\[12\]\[13\]\[14\]](#)

Table 16-151. EDMA_TPCC_EEVAL

Address Offset	0x0000 0320	Instance	SYS_EDMA_TPCC DSP1_EDMA_TPCC DSP_EDMA_TPCC
Physical Address	0x4330 0320 0x40D1 0320 0x01D1 0320		
Description	Error Eval Register		
Type	W		

31	30	29	28	27	26	25	24	23	22	21	20	19	18	17	16	15	14	13	12	11	10	9	8	7	6	5	4	3	2	1	0
RESERVED																SET	EVAL														

Bits	Field Name	Description	Type	Reset
31:2	RESERVED	Reserved	R	0x000000
1	SET	Error Interrupt Set CPU writes 0x0 has no effect. CPU writes 0x1 to the SET bit causes the TPCC error interrupt to be pulsed regardless of state of EDMA_TPCC_EMR/EDMA_TPCC_EMRH , EDMA_TPCC_QEMR , or EDMA_TPCC_CCERR .	W	0x0
0	EVAL	Error Interrupt Evaluate CPU writes 0x0 has no effect. CPU writes 0x1 to the EVAL bit causes the TPCC error interrupt to be pulsed if any errors have not been cleared in the EDMA_TPCC_EMR/EDMA_TPCC_EMRH , EDMA_TPCC_QEMR , or EDMA_TPCC_CCERR registers. The CPU must also write 0x1 after any error interrupts are serviced in order for subsequent interrupts to be asserted.	W	0x0

Table 16-152. Register Call Summary for Register EDMA_TPCC_EEVAL

Enhanced DMA

- [Interrupt Evaluation Operations: \[0\]\[1\]](#)
- [Error Interrupts: \[2\]](#)
- [EDMA Register Summary: \[3\]\[4\]\[6\]](#)

Table 16-153. EDMA_TPCC_DRAEM_k

Address Offset	0x0000 0340 + (0x8 * k)	
Physical Address	0x4330 0340 + (0x8 * k) 0x40D1 0340 + (0x8 * k) 0x01D1 0340 + (0x8 * k)	Instance
		SYS_EDMA_TPCC DSP1_EDMA_TPCC DSP_EDMA_TPCC
Description	DMA Region Access enable for bit N in Region M: En = 0 : Accesses via Region M address space to Bit N in any DMA Channel Register are not allowed. Reads will return 'b0 on Bit N and writes will not modify the state of bit N. Enabled interrupt bits for bit N do not contribute to the generation of the TPCC region M interrupt. En = 1 : Accesses via Region M address space to Bit N in any DMA Channel Register are allowed. Reads will return the value from Bit N and writes will modify the state of bit N. Enabled interrupt bits for bit N do contribute to the generation of the TPCC region M interrupt.	
Type	RW	

31	30	29	28	27	26	25	24	23	22	21	20	19	18	17	16	15	14	13	12	11	10	9	8	7	6	5	4	3	2	1	0
E31	E30	E29	E28	E27	E26	E25	E24	E23	E22	E21	E20	E19	E18	E17	E16	E15	E14	E13	E12	E11	E10	E9	E8	E7	E6	E5	E4	E3	E2	E1	E0

Bits	Field Name	Description	Type	Reset
31	E31	DMA Region Access enable for Region M, bit #31	RW	0x0
30	E30	DMA Region Access enable for Region M, bit #30	RW	0x0
29	E29	DMA Region Access enable for Region M, bit #29	RW	0x0
28	E28	DMA Region Access enable for Region M, bit #28	RW	0x0
27	E27	DMA Region Access enable for Region M, bit #27	RW	0x0
26	E26	DMA Region Access enable for Region M, bit #26	RW	0x0
25	E25	DMA Region Access enable for Region M, bit #25	RW	0x0
24	E24	DMA Region Access enable for Region M, bit #24	RW	0x0
23	E23	DMA Region Access enable for Region M, bit #23	RW	0x0
22	E22	DMA Region Access enable for Region M, bit #22	RW	0x0
21	E21	DMA Region Access enable for Region M, bit #21	RW	0x0
20	E20	DMA Region Access enable for Region M, bit #20	RW	0x0

Bits	Field Name	Description	Type	Reset
19	E19	DMA Region Access enable for Region M, bit #19	RW	0x0
18	E18	DMA Region Access enable for Region M, bit #18	RW	0x0
17	E17	DMA Region Access enable for Region M, bit #17	RW	0x0
16	E16	DMA Region Access enable for Region M, bit #16	RW	0x0
15	E15	DMA Region Access enable for Region M, bit #15	RW	0x0
14	E14	DMA Region Access enable for Region M, bit #14	RW	0x0
13	E13	DMA Region Access enable for Region M, bit #13	RW	0x0
12	E12	DMA Region Access enable for Region M, bit #12	RW	0x0
11	E11	DMA Region Access enable for Region M, bit #11	RW	0x0
10	E10	DMA Region Access enable for Region M, bit #10	RW	0x0
9	E9	DMA Region Access enable for Region M, bit #9	RW	0x0
8	E8	DMA Region Access enable for Region M, bit #8	RW	0x0
7	E7	DMA Region Access enable for Region M, bit #7	RW	0x0
6	E6	DMA Region Access enable for Region M, bit #6	RW	0x0
5	E5	DMA Region Access enable for Region M, bit #5	RW	0x0
4	E4	DMA Region Access enable for Region M, bit #4	RW	0x0
3	E3	DMA Region Access enable for Region M, bit #3	RW	0x0
2	E2	DMA Region Access enable for Region M, bit #2	RW	0x0
1	E1	DMA Region Access enable for Region M, bit #1	RW	0x0
0	E0	DMA Region Access enable for Region M, bit #0	RW	0x0

Table 16-154. Register Call Summary for Register EDMA_TPCC_DRAEM_k

Enhanced DMA

- [Region Overview: \[0\]\[1\]](#)
- [Channel Controller Regions: \[2\]\[3\]\[4\]\[5\]\[6\]\[7\]](#)
- [Transfer Completion Interrupts: \[8\]\[9\]\[10\]\[11\]\[12\]\[13\]\[14\]\[15\]\[16\]\[17\]\[18\]\[19\]\[20\]](#)
- [Interrupt Evaluation Operations: \[21\]](#)
- [Active Memory Protection: \[22\]\[23\]\[24\]](#)
- [Setting Up an EDMA Transfer: \[25\]](#)
- [EDMA Debug Checklist: \[26\]\[27\]](#)
- [EDMA Programming Tips: \[28\]\[29\]\[30\]\[31\]](#)
- [EDMA Register Summary: \[32\]\[33\]\[35\]](#)

Table 16-155. EDMA_TPCC_DRAEHM_k

Address Offset	0x0000 0344 + (0x8 * k)		
Physical Address	0x4330 0344 + (0x8 * k) 0x40D1 0344 + (0x8 * k) 0x01D1 0344 + (0x8 * k)	Instance	SYS_EDMA_TPCC DSP1_EDMA_TPCC DSP_EDMA_TPCC
Description	<p>DMA Region Access enable for bit N in Region M: En = 0 : Accesses via Region M address space to Bit N in any DMA Channel Register are not allowed. Reads will return 'b0 on Bit N and writes will not modify the state of bit N. Enabled interrupt bits for bit N do not contribute to the generation of the TPCC region M interrupt. En = 1 : Accesses via Region M address space to Bit N in any DMA Channel Register are allowed. Reads will return the value from Bit N and writes will modify the state of bit N. Enabled interrupt bits for bit N do contribute to the generation of the TPCC region M interrupt. En = 0 : Accesses via Region M address space to Bit N in any DMA Channel Register are not allowed. Reads will return 'b0 on Bit N and writes will not modify the state of bit N. Enabled interrupt bits for bit N do not contribute to the generation of the TPCC region M interrupt. En = 1 : Accesses via Region M address space to Bit N in any DMA Channel Register are allowed. Reads will return the value from Bit N and writes will modify the state of bit N. Enabled interrupt bits for bit N do contribute to the generation of the TPCC region M interrupt.</p>		
Type	RW		

31	30	29	28	27	26	25	24	23	22	21	20	19	18	17	16	15	14	13	12	11	10	9	8	7	6	5	4	3	2	1	0
E63	E62	E61	E60	E59	E58	E57	E56	E55	E54	E53	E52	E51	E50	E49	E48	E47	E46	E45	E44	E43	E42	E41	E40	E39	E38	E37	E36	E35	E34	E33	E32

Bits	Field Name	Description	Type	Reset
31	E63	DMA Region Access enable for Region M, bit #63	RW	0x0
30	E62	DMA Region Access enable for Region M, bit #62	RW	0x0
29	E61	DMA Region Access enable for Region M, bit #61	RW	0x0
28	E60	DMA Region Access enable for Region M, bit #60	RW	0x0
27	E59	DMA Region Access enable for Region M, bit #59	RW	0x0
26	E58	DMA Region Access enable for Region M, bit #58	RW	0x0
25	E57	DMA Region Access enable for Region M, bit #57	RW	0x0
24	E56	DMA Region Access enable for Region M, bit #56	RW	0x0
23	E55	DMA Region Access enable for Region M, bit #55	RW	0x0
22	E54	DMA Region Access enable for Region M, bit #54	RW	0x0
21	E53	DMA Region Access enable for Region M, bit #53	RW	0x0
20	E52	DMA Region Access enable for Region M, bit #52	RW	0x0
19	E51	DMA Region Access enable for Region M, bit #51	RW	0x0
18	E50	DMA Region Access enable for Region M, bit #50	RW	0x0
17	E49	DMA Region Access enable for Region M, bit #49	RW	0x0
16	E48	DMA Region Access enable for Region M, bit #48	RW	0x0
15	E47	DMA Region Access enable for Region M, bit #47	RW	0x0
14	E46	DMA Region Access enable for Region M, bit #46	RW	0x0
13	E45	DMA Region Access enable for Region M, bit #45	RW	0x0
12	E44	DMA Region Access enable for Region M, bit #44	RW	0x0
11	E43	DMA Region Access enable for Region M, bit #43	RW	0x0
10	E42	DMA Region Access enable for Region M, bit #42	RW	0x0
9	E41	DMA Region Access enable for Region M, bit #41	RW	0x0
8	E40	DMA Region Access enable for Region M, bit #40	RW	0x0
7	E39	DMA Region Access enable for Region M, bit #39	RW	0x0
6	E38	DMA Region Access enable for Region M, bit #38	RW	0x0
5	E37	DMA Region Access enable for Region M, bit #37	RW	0x0
4	E36	DMA Region Access enable for Region M, bit #36	RW	0x0
3	E35	DMA Region Access enable for Region M, bit #35	RW	0x0
2	E34	DMA Region Access enable for Region M, bit #34	RW	0x0
1	E33	DMA Region Access enable for Region M, bit #33	RW	0x0
0	E32	DMA Region Access enable for Region M, bit #32	RW	0x0

Table 16-156. Register Call Summary for Register EDMA_TPCC_DRAEHM_k

Enhanced DMA

- [Region Overview: \[0\]](#)
- [Channel Controller Regions: \[1\]\[2\]\[3\]](#)
- [Transfer Completion Interrupts: \[4\]\[5\]\[6\]\[7\]\[8\]\[9\]\[10\]\[11\]\[12\]](#)
- [Interrupt Evaluation Operations: \[13\]](#)
- [Setting Up an EDMA Transfer: \[14\]](#)
- [EDMA Debug Checklist: \[15\]\[16\]\[17\]\[18\]](#)
- [EDMA Programming Tips: \[19\]\[20\]](#)
- [EDMA Register Summary: \[21\]\[22\]\[24\]](#)

Table 16-157. EDMA_TPCC_QRAEN_k

Address Offset	0x0000 0380 + (0x4 * k)		
Physical Address	0x4330 0380 + (0x4 * k) 0x40D1 0380 + (0x4 * k) 0x01D1 0380 + (0x4 * k)	Instance	SYS_EDMA_TPCC DSP1_EDMA_TPCC DSP_EDMA_TPCC
Description	QDMA Region Access enable for bit N in Region M: En = 0 : Accesses via Region M address space to Bit N in any QDMA Channel Register are not allowed. Reads will return 'b0 on Bit N and writes will not modify the state of bit N. Enabled interrupt bits for bit N do not contribute to the generation of the TPCC region M interrupt. En = 1 : Accesses via Region M address space to Bit N in any QDMA Channel Register are allowed. Reads will return the value from Bit N and writes will modify the state of bit N. Enabled interrupt bits for bit N do contribute to the generation of the TPCC region n interrupt.		
Type	RW		

31	30	29	28	27	26	25	24	23	22	21	20	19	18	17	16	15	14	13	12	11	10	9	8	7	6	5	4	3	2	1	0
RESERVED																E7	E6	E5	E4	E3	E2	E1	E0								

Bits	Field Name	Description	Type	Reset
31:8	RESERVED	Reserved	R	0x0
7	E7	QDMA Region Access enable for Region M, bit #7	RW	0x0
6	E6	QDMA Region Access enable for Region M, bit #6	RW	0x0
5	E5	QDMA Region Access enable for Region M, bit #5	RW	0x0
4	E4	QDMA Region Access enable for Region M, bit #4	RW	0x0
3	E3	QDMA Region Access enable for Region M, bit #3	RW	0x0
2	E2	QDMA Region Access enable for Region M, bit #2	RW	0x0
1	E1	QDMA Region Access enable for Region M, bit #1	RW	0x0
0	E0	QDMA Region Access enable for Region M, bit #0	RW	0x0

Table 16-158. Register Call Summary for Register EDMA_TPCC_QRAEN_k

Enhanced DMA

- [Region Overview: \[0\]\[1\]](#)
- [Channel Controller Regions: \[2\]\[3\]\[4\]](#)
- [EDMA Programming Tips: \[5\]](#)
- [EDMA Register Summary: \[6\]\[7\]\[9\]](#)

Table 16-159. EDMA_TPCC_Q0E_p

Address Offset	0x0000 0400 + (0x4 * l)		
Physical Address	0x4330 0400 + (0x4 * p) 0x40D1 0400 + (0x4 * p) 0x01D1 0400 + (0x4 * p)	Instance	SYS_EDMA_TPCC DSP1_EDMA_TPCC DSP_EDMA_TPCC
Description	Event Queue Entries Diagram for Queue 0 - Entry 0 through Entry 15		
Type	R		

31	30	29	28	27	26	25	24	23	22	21	20	19	18	17	16	15	14	13	12	11	10	9	8	7	6	5	4	3	2	1	0
RESERVED																ETYPE	ENUM														

Bits	Field Name	Description	Type	Reset
31:8	RESERVED	Reserved	R	0x0
7:6	ETYPE	Event Type: Specifies the specific Event Type for the given entry in the Event Queue.	R	0x0

Bits	Field Name	Description	Type	Reset
5:0	ENUM	Event Number: Specifies the specific Event Number for the given entry in the Event Queue. For DMA Channel events (EDMA_TPCC_ER / EDMA_TPCC_ESR / EDMA_TPCC_CER), ENUM will range between 0 and NUM_DMACH (up to 63). For QDMA Channel events (EDMA_TPCC_QER), ENUM will range between 0 and NUM_QDMACH (up to 7).	R	0x0

Table 16-160. Register Call Summary for Register EDMA_TPCC_Q0E_p

Enhanced DMA

- [Event Queue\(s\): \[0\]](#)
- [EDMA Register Summary: \[1\]\[2\]\[4\]](#)

Table 16-161. EDMA_TPCC_Q1E_p

Address Offset	0x0000 0440 + (0x4 * l)		
Physical Address	0x4330 0440 + (0x4 * p) 0x40D1 0440 + (0x4 * p) 0x01D1 0440 + (0x4 * p)	Instance	SYS_EDMA_TPCC DSP1_EDMA_TPCC DSP_EDMA_TPCC
Description	Event Queue Entries Diagram for Queue 1 - Entry 0 through Entry 15		
Type	R		

31	30	29	28	27	26	25	24	23	22	21	20	19	18	17	16	15	14	13	12	11	10	9	8	7	6	5	4	3	2	1	0
RESERVED																ETYPE		ENUM													

Bits	Field Name	Description	Type	Reset
31:8	RESERVED	Reserved	R	0x0
7:6	ETYPE	Event Type: Specifies the specific Event Type for the given entry in the Event Queue.	R	0x0
5:0	ENUM	Event Number: Specifies the specific Event Number for the given entry in the Event Queue. For DMA Channel events (EDMA_TPCC_ER / EDMA_TPCC_ESR / EDMA_TPCC_CER), ENUM will range between 0 and NUM_DMACH (up to 63). For QDMA Channel events (EDMA_TPCC_QER), ENUM will range between 0 and NUM_QDMACH (up to 7).	R	0x0

Table 16-162. Register Call Summary for Register EDMA_TPCC_Q1E_p

Enhanced DMA

- [Event Queue\(s\): \[0\]](#)
- [EDMA Register Summary: \[1\]\[2\]\[4\]](#)

Table 16-163. EDMA_TPCC_QSTATN_i

Address Offset	0x0000 0600 + (0x4 * i)		
Physical Address	0x4330 0600 + (0x4 * i) 0x40D1 0600 + (0x4 * i) 0x01D1 0600 + (0x4 * i)	Instance	SYS_EDMA_TPCC DSP1_EDMA_TPCC DSP_EDMA_TPCC
Description	QSTATn Register Set		
Type	R		

31	30	29	28	27	26	25	24	23	22	21	20	19	18	17	16	15	14	13	12	11	10	9	8	7	6	5	4	3	2	1	0	
RESERVED								THRCD	RESERVED				WM				RESERVED				NUMVAL				RESERVED				STRTPTR			

Bits	Field Name	Description	Type	Reset
31:25	RESERVED	Reserved	R Returns 0's	0x0
24	THRCD	Threshold Exceeded 0x0 : Threshold specified by QWMTHR(A B).Qn has not been exceeded. 0x1 : Threshold specified by QWMTHR(A B).Qn has been exceeded. THRCD is cleared via EDMA_TPCC_CCERR . WMCLRn bit.	R	0x0
23:21	RESERVED	Reserved	R Returns 0's	0x0
20:16	WM	Watermark for Maximum Queue Usage: Watermark tracks the most entries that have been in QueueN since reset or since the last time that the watermark (WM) was cleared. QSTATn. WM is cleared via EDMA_TPCC_CCERR .WMCLRn bit. Legal values: 0x0: empty 0x10: full	R	0x0
15:13	RESERVED	Reserved	Returns 0's	0x0
12:8	NUMVAL	Number of Valid Entries in QueueN: Represents the total number of entries residing in the Queue Manager FIFO at a given instant. Always enabled. Legal values: = 0x0 (empty) to 0x10 (full) 0x0: empty 0x10: full	R	0x0
7:4	RESERVED	Reserved	Returns 0's	0x0
3:0	STRTPTR	Start Pointer: Represents the offset to the head entry of QueueN, in units of *entries*. Always enabled. Legal values: 0x0: 0th entry 0xF: 15th entry	R	0x0

Table 16-164. Register Call Summary for Register EDMA_TPCC_QSTATN_i

Enhanced DMA

- [Queue RAM Debug Visibility: \[0\]\[1\]\[2\]\[3\]\[4\]\[5\]\[6\]](#)
- [Queue Resource Tracking: \[7\]\[8\]\[9\]](#)
- [EDMA Register Summary: \[10\]\[11\]\[13\]](#)

Table 16-165. EDMA_TPCC_QWMTHRA

Address Offset	0x0000 0620	Instance	SYS_EDMA_TPCC DSP1_EDMA_TPCC DSP_EDMA_TPCC
Physical Address	0x4330 0620 0x40D1 0620 0x01D1 0620		

Table 16-165. EDMA_TPCC_QWMTHRA (continued)

Description	Queue Threshold A, for Q[3:0]: EDMA_TPCC_CCERR.QTHRXCdN and QSTATn[24]THRXCd error bit is set when the number of Events in QueueN at an instant in time (visible via QSTATn[12:8]NUMVAL) equals or exceeds the value specified by EDMA_TPCC_QWMTHRA.Qn . Legal values = 0x0 (ever used?) to 0x10 (ever full?) A value of 0x11 disables threshold errors.
Type	RW

31	30	29	28	27	26	25	24	23	22	21	20	19	18	17	16	15	14	13	12	11	10	9	8	7	6	5	4	3	2	1	0
RESERVED				Q3				RESERVED				Q2				RESERVED				Q1				RESERVED				Q0			

Bits	Field Name	Description	Type	Reset
31:29	RESERVED	Reserved	R	0x0
28:24	Q3	Queue Threshold for Q3 value	RW	0x10
23:21	RESERVED	Reserved	R	0x0
20:16	Q2	Queue Threshold for Q2 value	RW	0x10
15:13	RESERVED	Reserved	R	0x0
12:8	Q1	Queue Threshold for Q1 value	RW	0x10
7:5	RESERVED	Reserved	R	0x0
4:0	Q0	Queue Threshold for Q0 value	RW	0x10

Table 16-166. Register Call Summary for Register EDMA_TPCC_QWMTHRA

Enhanced DMA

- [Queue Resource Tracking: \[0\]](#)
- [EDMA Register Summary: \[1\]\[2\]\[4\]](#)
- [EDMA Register Description: \[7\]](#)

Table 16-167. EDMA_TPCC_QWMTHRB

Address Offset	0x0000 0624	Instance	SYS_EDMA_TPCC
Physical Address	0x4330 0624 0x40D1 0624 0x01D1 0624		DSP1_EDMA_TPCC DSP_EDMA_TPCC
Description	Queue Threshold B, for Q[7:4]: EDMA_TPCC_CCERR.QTHRXCdN and QSTATn[24]THRXCd error bit is set when the number of Events in QueueN at an instant in time (visible via QSTATn[12:8]NUMVAL) equals or exceeds the value specified by QWMTHRB.Qn . Legal values = 0x0 (ever used?) to 0x10 (ever full?) A value of 0x11 disables threshold errors.		
Type	RW		

31	30	29	28	27	26	25	24	23	22	21	20	19	18	17	16	15	14	13	12	11	10	9	8	7	6	5	4	3	2	1	0
RESERVED				Q7				RESERVED				Q6				RESERVED				Q5				RESERVED				Q4			

Bits	Field Name	Description	Type	Reset
31:29	RESERVED	Reserved	R	0x0
28:24	Q7	Queue Threshold for Q7 value (unused in the context of IVAHD)	RW	0x10
23:21	RESERVED	Reserved	R	0x0
20:16	Q6	Queue Threshold for Q6 value (unused in the context of IVAHD)	RW	0x10
15:13	RESERVED	Reserved	R	0x0
12:8	Q5	Queue Threshold for Q5 value (unused in the context of IVAHD)	RW	0x10
7:5	RESERVED	Reserved	R	0x0
4:0	Q4	Queue Threshold for Q4 value (unused in the context of IVAHD)	RW	0x10

Table 16-168. Register Call Summary for Register EDMA_TPCC_QWMTHRB

Enhanced DMA

- [EDMA Register Summary: \[0\]\[1\]\[3\]](#)

Table 16-169. EDMA_TPCC_CCSTAT

Address Offset	0x0000 0640	Instance	SYS_EDMA_TPCC DSP1_EDMA_TPCC DSP_EDMA_TPCC
Physical Address	0x4330 0640 0x40D1 0640 0x01D1 0640		
Description	CC Status Register		
Type	R		

31	30	29	28	27	26	25	24	23	22	21	20	19	18	17	16	15	14	13	12	11	10	9	8	7	6	5	4	3	2	1	0
RESERVED								QUEACTV7	QUEACTV6	QUEACTV5	QUEACTV4	QUEACTV3	QUEACTV2	QUEACTV1	QUEACTV0	RESERVED	COMPACTV								RESERVED	ACTV	RESERVED	TRACTV	QEVACTV	EVTACTV	

Bits	Field Name	Description	Type	Reset
31:24	RESERVED	reads return 0's	R	0x0
23	QUEACTV7	Queue 7 Active 0x0: No Evts are queued in Q7 0x1: At least one TR is queued in Q7.	R	0x0
22	QUEACTV6	Queue 6 Active 0x0: No Evts are queued in Q6. 0x1: At least one TR is queued in Q6.	R	0x0
21	QUEACTV5	Queue 5 Active 0x0: No Evts are queued in Q5 0x1: At least one TR is queued in Q5.	R	0x0
20	QUEACTV4	Queue 4 Active 0x0: No Evts are queued in Q4. 0x1: At least one TR is queued in Q4.	R	0x0
19	QUEACTV3	Queue 3 Active 0x0: No Evts are queued in Q3. 0x1: At least one TR is queued in Q3.	R	0x0

Bits	Field Name	Description	Type	Reset
18	QUEACTV2	Queue 2 Active QUEACTV2 = 0 : No Evts are queued in Q2. QUEACTV2 = 1 : At least one TR is queued in Q2. 0x0: 0x1:	R	0x0
17	QUEACTV1	Queue 1 Active 0x0: No Evts are queued in Q1. 0x1: At least one TR is queued in Q1.	R	0x0
16	QUEACTV0	Queue 0 Active 0x0: No Evts are queued in Q0. 0x1: At least one TR is queued in Q0.	R	0x0
15:14	RESERVED	Reserved	R reads return 0's	0x0
13:8	COMPACTV	Completion Request Active: Counter that tracks the total number of completion requests submitted to the TC. The counter increments when a TR is submitted with TCINTEN or TCCHEN set to '1'. The counter decrements for every valid completion code received from any of the external TCs. The CC will not service new TRs if COMPACTV count is already at the limit. 0x0: No completion requests outstanding. 0x1: Total of '1' completion request outstanding. ... 0x3F: Total of 63 completion requests are outstanding. No additional TRs will be submitted until count is less than 63.	R	0x0
7:5	RESERVED	reads return 0's	R	0x0
4	ACTV	Channel Controller Active Channel Controller Active is a logical-OR of each of the *ACTV signals. The ACTV bit must remain high through the life of a: 0x0: Channel is idle. 0x1: Channel is busy.	R	0x0
3	RESERVED	reads return 0's	R	0x0
2	TRACTV	Transfer Request Active TRACTV = 0 : Transfer Request processing/submission logic is inactive. TRACTV = 1 : Transfer Request processing/submission logic is active. 0x0: 0x1:	R	0x0
1	QEVACTV	QDMA Event Active 0x0: No enabled QDMA Events are active within the CC. 0x1: At least one enabled DMA Event (EDMA_TPCC_ER , EDMA_TPCC_EER , EDMA_TPCC_ESR , EDMA_TPCC_CER) is active within the CC.	R	0x0
0	EVTACTV	DMA Event Active 0x0: No enabled DMA Events are active within the CC. 0x1: At least one enabled DMA Event (EDMA_TPCC_ER , EDMA_TPCC_EER , EDMA_TPCC_ESR , EDMA_TPCC_CER) is active within the CC.	R	0x0

Table 16-170. Register Call Summary for Register EDMA_TPCC_CCSTAT

Enhanced DMA

- [EDMA Register Summary: \[0\]\[1\]\[3\]](#)

Table 16-171. EDMA_TPCC_AETCTL

Address Offset	0x0000 0700	Instance	SYS_EDMA_TPCC DSP1_EDMA_TPCC DSP_EDMA_TPCC
Physical Address	0x4330 0700 0x40D1 0700 0x01D1 0700		
Description	Advanced Event Trigger Control		
Type	RW		

31	30	29	28	27	26	25	24	23	22	21	20	19	18	17	16	15	14	13	12	11	10	9	8	7	6	5	4	3	2	1	0
EN	RESERVED															ENDINT						RESERVED	TYPE	STRTEVT							

Bits	Field Name	Description	Type	Reset
31	EN	AET Enable 0x0: AET event generation is disabled. 0x1: AET event generation is enabled.	RW	0x0
30:14	RESERVED	Reserved	R	0x0
13:8	ENDINT	AET End Interrupt: Dictates the completion interrupt number that will force the tpcc_aet signal to be deasserted (low)	RW	0x0
7	RESERVED	Reserved	R	0x0
6	TYPE	AET Event Type 0x0: Event specified by STARTEVT applies to DMA Events (set by EDMA_TPCC_ER , EDMA_TPCC_ESR , or EDMA_TPCC_CER) 0x1: Event specified by STARTEVT applies to QDMA Events	RW	0x0
5:0	STRTEVT	AET Start Event: Dictates the Event Number that will force the tpcc_aet signal to be asserted (high)	RW	0x0

Table 16-172. Register Call Summary for Register EDMA_TPCC_AETCTL

Enhanced DMA

- [EDMA Register Summary: \[0\]\[1\]\[3\]](#)

Table 16-173. EDMA_TPCC_AETSTAT

Address Offset	0x0000 0704	Instance	SYS_EDMA_TPCC DSP1_EDMA_TPCC DSP_EDMA_TPCC
Physical Address	0x4330 0704 0x40D1 0704 0x01D1 0704		
Description	Advanced Event Trigger Stat		
Type	R		

31	30	29	28	27	26	25	24	23	22	21	20	19	18	17	16	15	14	13	12	11	10	9	8	7	6	5	4	3	2	1	0
RESERVED																												STAT			

Bits	Field Name	Description	Type	Reset
31:1	RESERVED	Reserved	R Return 0's	0x0
0	STAT	AET Status 0x0: tpcc_aet is currently low. 0x1: tpcc_aet is currently high.	R	0x0

Table 16-174. Register Call Summary for Register EDMA_TPCC_AETSTAT

Enhanced DMA

- [EDMA Register Summary: \[0\]\[1\]\[3\]](#)
- [EDMA Register Description: \[6\]](#)

Table 16-175. EDMA_TPCC_AETCMD

Address Offset	0x0000 0708	Instance	SYS_EDMA_TPCC DSP1_EDMA_TPCC DSP_EDMA_TPCC
Physical Address	0x4330 0708 0x40D1 0708 0x01D1 0708		
Description	AET Command		
Type	W		

31	30	29	28	27	26	25	24	23	22	21	20	19	18	17	16	15	14	13	12	11	10	9	8	7	6	5	4	3	2	1	0
RESERVED																												CLR			

Bits	Field Name	Description	Type	Reset
31:1	RESERVED	Reserved	R	0x0
0	CLR	AET Clear command CPU writes 0x0 has no effect. CPU writes 0x1 to the CLR bit causes the tpcc_aet output signal and EDMA_TPCC_AETSTAT[0]STAT register to be cleared.	W	0x0

Table 16-176. Register Call Summary for Register EDMA_TPCC_AETCMD

Enhanced DMA

- [EDMA Register Summary: \[0\]\[1\]\[3\]](#)

Table 16-177. EDMA_TPCC_MPFAR

Address Offset	0x0000 0800	Instance	SYS_EDMA_TPCC DSP1_EDMA_TPCC DSP_EDMA_TPCC
Physical Address	0x4330 0800 0x40D1 0800 0x01D1 0800		
Description	MMemory Protection Fault Address		
Type	R		

31	30	29	28	27	26	25	24	23	22	21	20	19	18	17	16	15	14	13	12	11	10	9	8	7	6	5	4	3	2	1	0
FADDR																															

Bits	Field Name	Description	Type	Reset
31:0	FADDR	Fault Address: 32-bit read-only status register containing the faulting address when a mMemory protection violation is detected. This register can only be cleared via the EDMA_TPCC_MPFCCR .	R	0x0

Table 16-178. Register Call Summary for Register EDMA_TPCC_MPFAR

Enhanced DMA

- [EDMA Register Summary: \[0\]\[1\]\[3\]](#)
- [EDMA Register Description: \[6\]](#)

Table 16-179. EDMA_TPCC_MPFAR

Address Offset	0x0000 0804	Instance	SYS_EDMA_TPCC DSP1_EDMA_TPCC DSP_EDMA_TPCC
Physical Address	0x4330 0804 0x40D1 0804 0x01D1 0804		
Description	Memory Protection Fault Status Register		
Type	R		

31	30	29	28	27	26	25	24	23	22	21	20	19	18	17	16	15	14	13	12	11	10	9	8	7	6	5	4	3	2	1	0
RESERVED																FID						RESERVED	SRE	SWE	SXE	URE	UWE	UXE			

Bits	Field Name	Description	Type	Reset
31:13	RESERVED	Reserved	R Returns 0	0x0
12:9	FID	Faulted ID: FID register contains valid info if any of the MP error bits (UXE, UWE, URE, SXE, SWE, SRE) are non-zero (i.e., if an error has been detected.) The FID field contains the VBus PrivID for the specific request/requestor that resulted in a MP Error.	R	0x0
8:6	RESERVED	Reserved	R Returns 0	0x0
5	SRE	Supervisor Read Error 0x0: No error detected. 0x1: Supervisor level task attempted to Read from a MP Page without SR permissions.	R	0x0
4	SWE	Supervisor Write Error 0x0: No error detected. 0x1: Supervisor level task attempted to Write to a MP Page without SW permissions.	R	0x0
3	SXE	Supervisor Execute Error 0x0: No error detected. 0x1: Supervisor level task attempted to Execute from a MP Page without SX permissions.	R	0x0

Bits	Field Name	Description	Type	Reset
2	URE	User Read Error 0x0: No error detected. 0x1: User level task attempted to Read from a MP Page without UR permissions.	R	0x0
1	UWE	User Write Error 0x0: No error detected. 0x1: User level task attempted to Write to a MP Page without UW permissions.	R	0x0
0	UXE	User Execute Error 0x0: No error detected 0x1: User level task attempted to Execute from a MP Page without UX permissions.	R	0x0

Table 16-180. Register Call Summary for Register EDMA_TPCC_MPF SR

Enhanced DMA

- [EDMA Register Summary: \[0\]\[1\]\[3\]](#)
- [EDMA Register Description: \[6\]](#)

Table 16-181. EDMA_TPCC_MPF CR

Address Offset	0x0000 0808	Instance	SYS_EDMA_TPCC DSP1_EDMA_TPCC DSP_EDMA_TPCC
Physical Address	0x4330 0808 0x40D1 0808 0x01D1 0808		
Description	Memory Protection Fault Command Register		
Type	W		

31	30	29	28	27	26	25	24	23	22	21	20	19	18	17	16	15	14	13	12	11	10	9	8	7	6	5	4	3	2	1	0
RESERVED																															
MPFCLR																															

Bits	Field Name	Description	Type	Reset
31:1	RESERVED	Reserved	R	0x0
0	MPFCLR	Fault Clear register CPU writes 0x0: has no effect CPU writes 0x1: to the MPFCLR bit causes any error conditions stored in EDMA_TPCC_MPFAR and EDMA_TPCC_MPF SR registers to be cleared.	W	0x0

Table 16-182. Register Call Summary for Register EDMA_TPCC_MPF CR

Enhanced DMA

- [EDMA Register Summary: \[0\]\[1\]\[3\]](#)
- [EDMA Register Description: \[6\]](#)

Table 16-183. EDMA_TPCC_MPPAG

Address Offset	0x0000 080C	Instance	SYS_EDMA_TPCC DSP1_EDMA_TPCC DSP_EDMA_TPCC
Physical Address	0x4330 080C 0x40D1 080C 0x01D1 080C		
Description	Memory Protection Page Attribute for Global registers		

Table 16-183. EDMA_TPCC_MPPAG (continued)

Type		RW																																						
31	30	29	28	27	26	25	24	23	22	21	20	19	18	17	16	15	14	13	12	11	10	9	8	7	6	5	4	3	2	1	0									
RESERVED																AID5	AID4	AID3	AID2	AID1	AID0	EXT	RESERVED	SR	SW	SX	UR	UW	UX											

Bits	Field Name	Description	Type	Reset
31:16	RESERVED	Reserved	R	0x0
15	AID5	Allowed ID 5 0x0: VBus requests with PrivID == '5' are not allowed regardless of permission settings (UW, UR, SW, SR). 0x1: VBus requests with PrivID == '5' are permitted if access type is allowed as defined by permission settings (UW, UR, SW, SR).	RW	0x1
14	AID4	Allowed ID 4 0x0: VBus requests with PrivID == '4' are not allowed regardless of permission settings (UW, UR, SW, SR). 0x1: VBus requests with PrivID == '4' are permitted if access type is allowed as defined by permission settings (UW, UR, SW, SR).	RW	0x1
13	AID3	Allowed ID 3 0x0: VBus requests with PrivID == '3' are not allowed regardless of permission settings (UW, UR, SW, SR). 0x1: VBus requests with PrivID == '3' are permitted if access type is allowed as defined by permission settings (UW, UR, SW, SR).	RW	0x1
12	AID2	Allowed ID 2 0x0: VBus requests with PrivID == '2' are not allowed regardless of permission settings (UW, UR, SW, SR). 0x1: VBus requests with PrivID == '2' are permitted if access type is allowed as defined by permission settings (UW, UR, SW, SR).	RW	0x1
11	AID1	Allowed ID 1 0x0: VBus requests with PrivID == '1' are not allowed regardless of permission settings (UW, UR, SW, SR). 0x1: VBus requests with PrivID == '1' are permitted if access type is allowed as defined by permission settings (UW, UR, SW, SR).	RW	0x1
10	AID0	Allowed ID 0 0x0: VBus requests with PrivID == '0' are not allowed regardless of permission settings (UW, UR, SW, SR). 0x1: VBus requests with PrivID == '0' are permitted if access type is allowed as defined by permission settings (UW, UR, SW, SR).	RW	0x1
9	EXT	External Allowed ID 0x0: VBus requests with PrivID = '6' are not allowed regardless of permission settings (UW, UR, SW, SR). 0x1: VBus requests with PrivID = '6' are permitted if access type is allowed as defined by permission settings (UW, UR, SW, SR).	RW	0x1
8:6	RESERVED	Reserved	R	0x1

Bits	Field Name	Description	Type	Reset
5	SR	Supervisor Read permission 0x0: Supervisor read accesses are not allowed 0x1: Supervisor write accesses are allowed	RW	0x1
4	SW	Supervisor Write permission 0x0: Supervisor write accesses are not allowed 0x1: Supervisor write accesses are allowed	RW	0x1
3	SX	Supervisor Execute permission 0x0: Supervisor execute accesses are not allowed 0x1: Supervisor execute accesses are allowed	RW	0x0
2	UR	User Read permission 0x0: User read accesses are not allowed 0x1: User write accesses are allowed	RW	0x1
1	UW	User Write permission 0x0: User write accesses are not allowed 0x1: User write accesses are allowed	RW	0x1
0	UX	User Execute permission 0x0: User execute accesses are not allowed 0x1: User execute accesses are allowed	RW	0x0

Table 16-184. Register Call Summary for Register EDMA_TPCC_MPPAG

Enhanced DMA

- [Channel Controller Regions: \[0\]](#)
- [Active Memory Protection: \[1\]\[2\]\[3\]\[4\]](#)
- [EDMA Register Summary: \[5\]\[6\]\[8\]](#)

Table 16-185. EDMA_TPCC_MPPAN_k

Address Offset	0x0000 0810 + (0x4 * k)	Instance	SYS_EDMA_TPCC DSP1_EDMA_TPCC DSP_EDMA_TPCC
Physical Address	0x4330 0810 + (0x4 * k) 0x40D1 0810 + (0x4 * k) 0x01D1 0810 + (0x4 * k)		
Description	P Permission Attribute for DMA Region n		
Type	RW		

31	30	29	28	27	26	25	24	23	22	21	20	19	18	17	16	15	14	13	12	11	10	9	8	7	6	5	4	3	2	1	0
RESERVED																AID5	AID4	AID3	AID2	AID1	AID0	EXT	RESERVED	SR	SW	SX	UR	UW	UX		

Bits	Field Name	Description	Type	Reset
31:16	RESERVED	Reserved	R	0x0
15	AID5	Allowed ID 5 0x0: VBus requests with PrivID == '5' are not allowed regardless of permission settings (UW, UR, SW, SR). 0x1: VBus requests with PrivID == '5' are permitted if access type is allowed as defined by permission settings (UW, UR, SW, SR).	RW	0x1

Bits	Field Name	Description	Type	Reset
14	AID4	Allowed ID 4 0x0: VBus requests with PrivID == '4' are not allowed regardless of permission settings (UW, UR, SW, SR). 0x1: VBus requests with PrivID == '4' are permitted if access type is allowed as defined by permission settings (UW, UR, SW, SR).	RW	0x1
13	AID3	Allowed ID 3 0x0: VBus requests with PrivID == '3' are not allowed regardless of permission settings (UW, UR, SW, SR). 0x1: VBus requests with PrivID == '3' are permitted if access type is allowed as defined by permission settings (UW, UR, SW, SR).	RW	0x1
12	AID2	Allowed ID 2 0x0: VBus requests with PrivID == '2' are not allowed regardless of permission settings (UW, UR, SW, SR). 0x1: VBus requests with PrivID == '2' are permitted if access type is allowed as defined by permission settings (UW, UR, SW, SR).	RW	0x1
11	AID1	Allowed ID 1 0x0: VBus requests with PrivID == '1' are not allowed regardless of permission settings (UW, UR, SW, SR). 0x1: VBus requests with PrivID == '1' are permitted if access type is allowed as defined by permission settings (UW, UR, SW, SR).	RW	0x1
10	AID0	Allowed ID 0: AID0 = 0 : VBus requests with PrivID == '0' are not allowed regardless of permission settings (UW, UR, SW, SR). AID0 = 1 : VBus requests with PrivID == '0' are permitted if access type is allowed as defined by permission settings (UW, UR, SW, SR). 0x0: 0x1:	RW	0x1
9	EXT	External Allowed ID 0x0: VBus requests with PrivID = '6' are not allowed regardless of permission settings (UW, UR, SW, SR). 0x1: VBus requests with PrivID = '6' are permitted if access type is allowed as defined by permission settings (UW, UR, SW, SR).	RW	0x1
8:6	RESERVED	Reserved	R	0x0
5	SR	Supervisor Read permission 0x0: Supervisor read accesses are not allowed 0x1: Supervisor write accesses are allowed	RW	0x1
4	SW	Supervisor Write permission 0x0: Supervisor write accesses are not allowed 0x1: Supervisor write accesses are allowed	RW	0x1
3	SX	Supervisor Execute permission 0x0: Supervisor execute accesses are not allowed 0x1: Supervisor execute accesses are allowed	RW	0x0
2	UR	User Read permission 0x0: User read accesses are not allowed 0x1: User write accesses are allowed	RW	0x1
1	UW	User Write permission 0x0: User write accesses are not allowed 0x1: User write accesses are allowed	RW	0x1

Bits	Field Name	Description	Type	Reset
0	UX	User Execute permission 0x0: User execute accesses are not allowed 0x0: User execute accesses are allowed	RW	0x0

Table 16-186. Register Call Summary for Register EDMA_TPCC_MPPAN_k

Enhanced DMA

- Channel Controller Regions: [0]
- Active Memory Protection: [1][2][3][4][5][6][7][8][9][10][11][12][13][14][15][16][17][18][19][20][21][22][23][24][25][26][27][28][29][30][31][32][33][34][35]
- Proxy Memory Protection: [36][37][38][39]
- EDMA Register Summary: [40][41][43]

Table 16-187. EDMA_TPCC_ER

Address Offset	0x0000 1000		
Physical Address	0x4330 1000 0x40D1 1000 0x01D1 1000	Instance	SYS_EDMA_TPCC DSP1_EDMA_TPCC DSP_EDMA_TPCC
Description	Event Register: If EDMA_TPCC_ER .En bit is set and the EDMA_TPCC_EER .En bit is also set, then the corresponding DMA channel is prioritized vs. other pending DMA events for submission to the TC. EDMA_TPCC_ER .En bit is set when the input event #n transitions from inactive (low) to active (high), regardless of the state of EDMA_TPCC_EER .En bit. EDMA_TPCC_ER .En bit is cleared when the corresponding event is prioritized and serviced. If the EDMA_TPCC_ER .En bit is already set and a new inactive to active transition is detected on the input event #n input AND the corresponding bit in the EDMA_TPCC_EER register is set, then the corresponding bit in the Event Missed Register is set. Event N can be cleared via sw by writing a '1' to the EDMA_TPCC_ECR pseudo-register.		
Type	R		

31	30	29	28	27	26	25	24	23	22	21	20	19	18	17	16	15	14	13	12	11	10	9	8	7	6	5	4	3	2	1	0
E31	E30	E29	E28	E27	E26	E25	E24	E23	E22	E21	E20	E19	E18	E17	E16	E15	E14	E13	E12	E11	E10	E9	E8	E7	E6	E5	E4	E3	E2	E1	E0

Bits	Field Name	Description	Type	Reset
31	E31	Event #31	R	0x0
30	E30	Event #30	R	0x0
29	E29	Event #29	R	0x0
28	E28	Event #28	R	0x0
27	E27	Event #27	R	0x0
26	E26	Event #26	R	0x0
25	E25	Event #25	R	0x0
24	E24	Event #24	R	0x0
23	E23	Event #23	R	0x0
22	E22	Event #22	R	0x0
21	E21	Event #21	R	0x0
20	E20	Event #20	R	0x0
19	E19	Event #19	R	0x0
18	E18	Event #18	R	0x0
17	E17	Event #17	R	0x0
16	E16	Event #16	R	0x0
15	E15	Event #15	R	0x0
14	E14	Event #14	R	0x0

Bits	Field Name	Description	Type	Reset
13	E13	Event #13	R	0x0
12	E12	Event #12	R	0x0
11	E11	Event #11	R	0x0
10	E10	Event #10	R	0x0
9	E9	Event #9	R	0x0
8	E8	Event #8	R	0x0
7	E7	Event #7	R	0x0
6	E6	Event #6	R	0x0
5	E5	Event #5	R	0x0
4	E4	Event #4	R	0x0
3	E3	Event #3	R	0x0
2	E2	Event #2	R	0x0
1	E1	Event #1	R	0x0
0	E0	Event #0	R	0x0

Table 16-188. Register Call Summary for Register EDMA_TPCC_ER

Enhanced DMA

- [DMA Channel: \[0\]\[1\]\[2\]\[3\]\[4\]\[5\]\[6\]\[7\]\[8\]\[9\]](#)
- [Region Overview: \[10\]](#)
- [Event Dataflow: \[11\]\[12\]](#)
- [Channel Priority: \[13\]](#)
- [Trigger Source Priority: \[14\]\[15\]\[16\]\[17\]](#)
- [Setting Up an EDMA Transfer: \[18\]](#)
- [EDMA Debug Checklist: \[19\]](#)
- [EDMA Programming Tips: \[20\]](#)
- [EDMA Register Summary: \[21\]\[22\]\[24\]](#)
- [EDMA Register Description: \[27\]\[28\]\[29\]\[30\]\[31\]\[32\]\[33\]\[34\]\[35\]\[36\]\[37\]\[38\]\[39\]\[40\]\[41\]\[42\]\[43\]\[44\]\[45\]\[46\]\[47\]\[48\]\[49\]\[50\]\[51\]\[52\]\[53\]\[54\]\[55\]\[56\]\[57\]\[58\]\[59\]\[60\]\[61\]\[62\]\[63\]\[64\]\[65\]](#)

Table 16-189. EDMA_TPCC_ERH

Address Offset	0x0000 1004		
Physical Address	0x4330 1004 0x40D1 1004 0x01D1 1004	Instance	SYS_EDMA_TPCC DSP1_EDMA_TPCC DSP_EDMA_TPCC
Description	Event Register (High Part): If EDMA_TPCC_ERH.En bit is set and the EDMA_TPCC_EERH.En bit is also set, then the corresponding DMA channel is prioritized vs. other pending DMA events for submission to the TC. EDMA_TPCC_ERH.En bit is set when the input event #n transitions from inactive (low) to active (high), regardless of the state of EDMA_TPCC_EERH.En bit. EDMA_TPCC_ERH.En bit is cleared when the corresponding event is prioritized and serviced. If the EDMA_TPCC_ERH.En bit is already set and a new inactive to active transition is detected on the input event #n input AND the corresponding bit in the EDMA_TPCC_EERH register is set, then the corresponding bit in the Event Missed Register is set. Event N can be cleared via sw by writing a '1' to the EDMA_TPCC_ECRH pseudo-register.		
Type	R		

31	30	29	28	27	26	25	24	23	22	21	20	19	18	17	16	15	14	13	12	11	10	9	8	7	6	5	4	3	2	1	0
E63	E62	E61	E60	E59	E58	E57	E56	E55	E54	E53	E52	E51	E50	E49	E48	E47	E46	E45	E44	E43	E42	E41	E40	E39	E38	E37	E36	E35	E34	E33	E32

Bits	Field Name	Description	Type	Reset
31	E63	Event #63	R	0x0
30	E62	Event #62	R	0x0
29	E61	Event #61	R	0x0
28	E60	Event #60	R	0x0
27	E59	Event #59	R	0x0
26	E58	Event #58	R	0x0
25	E57	Event #57	R	0x0
24	E56	Event #56	R	0x0
23	E55	Event #55	R	0x0
22	E54	Event #54	R	0x0
21	E53	Event #53	R	0x0
20	E52	Event #52	R	0x0
19	E51	Event #51	R	0x0
18	E50	Event #50	R	0x0
17	E49	Event #49	R	0x0
16	E48	Event #48	R	0x0
15	E47	Event #47	R	0x0
14	E46	Event #46	R	0x0
13	E45	Event #45	R	0x0
12	E44	Event #44	R	0x0
11	E43	Event #43	R	0x0
10	E42	Event #42	R	0x0
9	E41	Event #41	R	0x0
8	E40	Event #40	R	0x0
7	E39	Event #39	R	0x0
6	E38	Event #38	R	0x0
5	E37	Event #37	R	0x0
4	E36	Event #36	R	0x0
3	E35	Event #35	R	0x0
2	E34	Event #34	R	0x0
1	E33	Event #33	R	0x0
0	E32	Event #32	R	0x0

Table 16-190. Register Call Summary for Register EDMA_TPCC_ERH

Enhanced DMA

- [Region Overview: \[0\]](#)
- [Event Dataflow: \[1\]\[2\]](#)
- [Channel Priority: \[3\]](#)
- [EDMA Debug Checklist: \[4\]](#)
- [EDMA Programming Tips: \[5\]](#)
- [EDMA Register Summary: \[6\]\[7\]\[9\]](#)
- [EDMA Register Description: \[12\]\[13\]\[14\]\[15\]\[16\]\[17\]\[18\]\[19\]\[20\]\[21\]\[22\]\[23\]\[24\]\[25\]\[26\]\[27\]\[28\]\[29\]\[30\]\[31\]](#)

Table 16-191. EDMA_TPCC_ECR

Address Offset	Physical Address	Instance	
0x0000 1008	0x4330 1008		SYS_EDMA_TPCC
	0x40D1 1008		DSP1_EDMA_TPCC
	0x01D1 1008		DSP_EDMA_TPCC

Table 16-191. EDMA_TPCC_ECR (continued)

Description	Event Clear Register: CPU write of '1' to the EDMA_TPCC_ECR .En bit causes the EDMA_TPCC_ER .En bit to be cleared. CPU write of '0' has no effect.
Type	W

31	30	29	28	27	26	25	24	23	22	21	20	19	18	17	16	15	14	13	12	11	10	9	8	7	6	5	4	3	2	1	0
E31	E30	E29	E28	E27	E26	E25	E24	E23	E22	E21	E20	E19	E18	E17	E16	E15	E14	E13	E12	E11	E10	E9	E8	E7	E6	E5	E4	E3	E2	E1	E0

Bits	Field Name	Description	Type	Reset
31	E31	Event #31	W	0x0
30	E30	Event #30	W	0x0
29	E29	Event #29	W	0x0
28	E28	Event #28	W	0x0
27	E27	Event #27	W	0x0
26	E26	Event #26	W	0x0
25	E25	Event #25	W	0x0
24	E24	Event #24	W	0x0
23	E23	Event #23	W	0x0
22	E22	Event #22	W	0x0
21	E21	Event #21	W	0x0
20	E20	Event #20	W	0x0
19	E19	Event #19	W	0x0
18	E18	Event #18	W	0x0
17	E17	Event #17	W	0x0
16	E16	Event #16	W	0x0
15	E15	Event #15	W	0x0
14	E14	Event #14	W	0x0
13	E13	Event #13	W	0x0
12	E12	Event #12	W	0x0
11	E11	Event #11	W	0x0
10	E10	Event #10	W	0x0
9	E9	Event #9	W	0x0
8	E8	Event #8	W	0x0
7	E7	Event #7	W	0x0
6	E6	Event #6	W	0x0
5	E5	Event #5	W	0x0
4	E4	Event #4	W	0x0
3	E3	Event #3	W	0x0
2	E2	Event #2	W	0x0
1	E1	Event #1	W	0x0
0	E0	Event #0	W	0x0

Table 16-192. Register Call Summary for Register EDMA_TPCC_ECR

Enhanced DMA

- [Region Overview: \[0\]](#)
- [EDMA Programming Tips: \[1\]](#)
- [EDMA Register Summary: \[2\]\[3\]\[5\]](#)
- [EDMA Register Description: \[8\]\[9\]\[10\]\[11\]](#)

Table 16-193. EDMA_TPCC_ECRH

Address Offset	0x0000 100C		
Physical Address	0x4330 100C 0x40D1 100C 0x01D1 100C	Instance	SYS_EDMA_TPCC DSP1_EDMA_TPCC DSP_EDMA_TPCC
Description	Event Clear Register (High Part): CPU write of '1' to the EDMA_TPCC_ECRH . En bit causes the EDMA_TPCC_ERH . En bit to be cleared. CPU write of '0' has no effect.		
Type	W		

31	30	29	28	27	26	25	24	23	22	21	20	19	18	17	16	15	14	13	12	11	10	9	8	7	6	5	4	3	2	1	0
E63	E62	E61	E60	E59	E58	E57	E56	E55	E54	E53	E52	E51	E50	E49	E48	E47	E46	E45	E44	E43	E42	E41	E40	E39	E38	E37	E36	E35	E34	E33	E32

Bits	Field Name	Description	Type	Reset
31	E63	Event #63	W	0x0
30	E62	Event #62	W	0x0
29	E61	Event #61	W	0x0
28	E60	Event #60	W	0x0
27	E59	Event #59	W	0x0
26	E58	Event #58	W	0x0
25	E57	Event #57	W	0x0
24	E56	Event #56	W	0x0
23	E55	Event #55	W	0x0
22	E54	Event #54	W	0x0
21	E53	Event #53	W	0x0
20	E52	Event #52	W	0x0
19	E51	Event #51	W	0x0
18	E50	Event #50	W	0x0
17	E49	Event #49	W	0x0
16	E48	Event #48	W	0x0
15	E47	Event #47	W	0x0
14	E46	Event #46	W	0x0
13	E45	Event #45	W	0x0
12	E44	Event #44	W	0x0
11	E43	Event #43	W	0x0
10	E42	Event #42	W	0x0
9	E41	Event #41	W	0x0
8	E40	Event #40	W	0x0
7	E39	Event #39	W	0x0
6	E38	Event #38	W	0x0
5	E37	Event #37	W	0x0
4	E36	Event #36	W	0x0

Bits	Field Name	Description	Type	Reset
3	E35	Event #35	W	0x0
2	E34	Event #34	W	0x0
1	E33	Event #33	W	0x0
0	E32	Event #32	W	0x0

Table 16-194. Register Call Summary for Register EDMA_TPCC_ECRH

Enhanced DMA

- [Region Overview: \[0\]](#)
- [EDMA Programming Tips: \[1\]](#)
- [EDMA Register Summary: \[2\]\[3\]\[5\]](#)
- [EDMA Register Description: \[8\]\[9\]\[10\]\[11\]](#)

Table 16-195. EDMA_TPCC_ESR

Address Offset	0x0000 1010		
Physical Address	0x4330 1010 0x40D1 1010 0x01D1 1010	Instance	SYS_EDMA_TPCC DSP1_EDMA_TPCC DSP_EDMA_TPCC
Description	Event Set Register: CPU write of '1' to the EDMA_TPCC_ESR .En bit causes the EDMA_TPCC_ER .En bit to be set. CPU write of '0' has no effect.		
Type	W		

31	30	29	28	27	26	25	24	23	22	21	20	19	18	17	16	15	14	13	12	11	10	9	8	7	6	5	4	3	2	1	0
E31	E30	E29	E28	E27	E26	E25	E24	E23	E22	E21	E20	E19	E18	E17	E16	E15	E14	E13	E12	E11	E10	E9	E8	E7	E6	E5	E4	E3	E2	E1	E0

Bits	Field Name	Description	Type	Reset
31	E31	Event #31	W	0x0
30	E30	Event #30	W	0x0
29	E29	Event #29	W	0x0
28	E28	Event #28	W	0x0
27	E27	Event #27	W	0x0
26	E26	Event #26	W	0x0
25	E25	Event #25	W	0x0
24	E24	Event #24	W	0x0
23	E23	Event #23	W	0x0
22	E22	Event #22	W	0x0
21	E21	Event #21	W	0x0
20	E20	Event #20	W	0x0
19	E19	Event #19	W	0x0
18	E18	Event #18	W	0x0
17	E17	Event #17	W	0x0
16	E16	Event #16	W	0x0
15	E15	Event #15	W	0x0
14	E14	Event #14	W	0x0
13	E13	Event #13	W	0x0
12	E12	Event #12	W	0x0
11	E11	Event #11	W	0x0
10	E10	Event #10	W	0x0
9	E9	Event #9	W	0x0

Bits	Field Name	Description	Type	Reset
8	E8	Event #8	W	0x0
7	E7	Event #7	W	0x0
6	E6	Event #6	W	0x0
5	E5	Event #5	W	0x0
4	E4	Event #4	W	0x0
3	E3	Event #3	W	0x0
2	E2	Event #2	W	0x0
1	E1	Event #1	W	0x0
0	E0	Event #0	W	0x0

Table 16-196. Register Call Summary for Register EDMA_TPCC_ESR

Enhanced DMA

- [EDMA Features: \[0\]](#)
- [Third-Party Channel Controller: \[1\]](#)
- [Initiating a DMA Transfer: \[2\]](#)
- [DMA Channel: \[3\]\[4\]\[5\]\[6\]\[7\]](#)
- [Comparison Between DMA and QDMA Channels: \[8\]](#)
- [Region Overview: \[9\]](#)
- [Event Dataflow: \[10\]\[11\]](#)
- [Trigger Source Priority: \[12\]\[13\]](#)
- [Transfer Chaining Examples: \[14\]](#)
- [Setting Up an EDMA Transfer: \[15\]](#)
- [EDMA Register Summary: \[16\]\[17\]\[19\]](#)
- [EDMA Register Description: \[22\]\[23\]\[24\]\[25\]\[26\]\[27\]\[28\]\[29\]\[30\]](#)

Table 16-197. EDMA_TPCC_ESRH

Address Offset	0x0000 1014	Instance	SYS_EDMA_TPCC DSP1_EDMA_TPCC DSP_EDMA_TPCC
Physical Address	0x4330 1014 0x40D1 1014 0x01D1 1014		
Description	Event Set Register (High Part) CPU write of '1' to the EDMA_TPCC_ESRH .En bit causes the EDMA_TPCC_ERH .En bit to be set. CPU write of '0' has no effect.		
Type	W		

31	30	29	28	27	26	25	24	23	22	21	20	19	18	17	16	15	14	13	12	11	10	9	8	7	6	5	4	3	2	1	0
E63	E62	E61	E60	E59	E58	E57	E56	E55	E54	E53	E52	E51	E50	E49	E48	E47	E46	E45	E44	E43	E42	E41	E40	E39	E38	E37	E36	E35	E34	E33	E32

Bits	Field Name	Description	Type	Reset
31	E63	Event #63	W	0x0
30	E62	Event #62	W	0x0
29	E61	Event #61	W	0x0
28	E60	Event #60	W	0x0
27	E59	Event #59	W	0x0
26	E58	Event #58	W	0x0
25	E57	Event #57	W	0x0
24	E56	Event #56	W	0x0
23	E55	Event #55	W	0x0
22	E54	Event #54	W	0x0

Bits	Field Name	Description	Type	Reset
21	E53	Event #53	W	0x0
20	E52	Event #52	W	0x0
19	E51	Event #51	W	0x0
18	E50	Event #50	W	0x0
17	E49	Event #49	W	0x0
16	E48	Event #48	W	0x0
15	E47	Event #47	W	0x0
14	E46	Event #46	W	0x0
13	E45	Event #45	W	0x0
12	E44	Event #44	W	0x0
11	E43	Event #43	W	0x0
10	E42	Event #42	W	0x0
9	E41	Event #41	W	0x0
8	E40	Event #40	W	0x0
7	E39	Event #39	W	0x0
6	E38	Event #38	W	0x0
5	E37	Event #37	W	0x0
4	E36	Event #36	W	0x0
3	E35	Event #35	W	0x0
2	E34	Event #34	W	0x0
1	E33	Event #33	W	0x0
0	E32	Event #32	W	0x0

Table 16-198. Register Call Summary for Register EDMA_TPCC_ESRH

Enhanced DMA

- [EDMA Features: \[0\]](#)
- [Third-Party Channel Controller: \[1\]](#)
- [Initiating a DMA Transfer: \[2\]](#)
- [Region Overview: \[3\]](#)
- [Event Dataflow: \[4\]\[5\]](#)
- [Setting Up an EDMA Transfer: \[6\]](#)
- [EDMA Register Summary: \[7\]\[8\]\[10\]](#)
- [EDMA Register Description: \[13\]\[14\]\[15\]\[16\]](#)

Table 16-199. EDMA_TPCC_CER

Address Offset	0x0000 1018		
Physical Address	0x4330 1018 0x40D1 1018 0x01D1 1018	Instance	SYS_EDMA_TPCC DSP1_EDMA_TPCC DSP_EDMA_TPCC
Description	<p>Chained Event Register: If EDMA_TPCC_CER.En bit is set (regardless of state of EDMA_TPCC_EER.En), then the corresponding DMA channel is prioritized vs. other pending DMA events for submission to the TC. EDMA_TPCC_CER.En bit is set when a chaining completion code is returned from one of the 3PTCs via the completion interface, or is generated internally via Early Completion path. EDMA_TPCC_CER.En bit is cleared when the corresponding event is prioritized and serviced. If the EDMA_TPCC_CER.En bit is already set and the corresponding chaining completion code is returned from the TC, then the corresponding bit in the Event Missed Register is set. EDMA_TPCC_CER.En cannot be set or cleared via software.</p>		
Type	R		

31	30	29	28	27	26	25	24	23	22	21	20	19	18	17	16	15	14	13	12	11	10	9	8	7	6	5	4	3	2	1	0
E31	E30	E29	E28	E27	E26	E25	E24	E23	E22	E21	E20	E19	E18	E17	E16	E15	E14	E13	E12	E11	E10	E9	E8	E7	E6	E5	E4	E3	E2	E1	E0

Bits	Field Name	Description	Type	Reset
31	E31	Event #31	R	0x0
30	E30	Event #30	R	0x0
29	E29	Event #29	R	0x0
28	E28	Event #28	R	0x0
27	E27	Event #27	R	0x0
26	E26	Event #26	R	0x0
25	E25	Event #25	R	0x0
24	E24	Event #24	R	0x0
23	E23	Event #23	R	0x0
22	E22	Event #22	R	0x0
21	E21	Event #21	R	0x0
20	E20	Event #20	R	0x0
19	E19	Event #19	R	0x0
18	E18	Event #18	R	0x0
17	E17	Event #17	R	0x0
16	E16	Event #16	R	0x0
15	E15	Event #15	R	0x0
14	E14	Event #14	R	0x0
13	E13	Event #13	R	0x0
12	E12	Event #12	R	0x0
11	E11	Event #11	R	0x0
10	E10	Event #10	R	0x0
9	E9	Event #9	R	0x0
8	E8	Event #8	R	0x0
7	E7	Event #7	R	0x0
6	E6	Event #6	R	0x0
5	E5	Event #5	R	0x0
4	E4	Event #4	R	0x0
3	E3	Event #3	R	0x0
2	E2	Event #2	R	0x0
1	E1	Event #1	R	0x0
0	E0	Event #0	R	0x0

Table 16-200. Register Call Summary for Register EDMA_TPCC_CER

Enhanced DMA

- [Third-Party Channel Controller: \[0\]](#)
- [Dummy Versus Null Transfer Comparison: \[1\]](#)
- [DMA Channel: \[2\]\[3\]\[4\]\[5\]\[6\]\[7\]](#)
- [Completion of a DMA Transfer: \[8\]](#)
- [Dummy or Null Completion: \[9\]](#)
- [Region Overview: \[10\]](#)
- [Event Dataflow: \[11\]\[12\]](#)
- [Trigger Source Priority: \[13\]\[14\]\[15\]\[16\]](#)
- [Transfer Chaining Examples: \[17\]\[18\]](#)
- [EDMA Register Summary: \[19\]\[20\]\[22\]](#)
- [EDMA Register Description: \[25\]\[26\]\[27\]\[28\]\[29\]\[30\]\[31\]\[32\]\[33\]\[34\]\[35\]\[36\]\[37\]\[38\]\[39\]\[40\]\[41\]\[42\]\[43\]\[44\]](#)

Table 16-201. EDMA_TPCC_CERH

Address Offset	0x0000 101C		
Physical Address	0x4330 101C 0x40D1 101C 0x01D1 101C	Instance	SYS_EDMA_TPCC DSP1_EDMA_TPCC DSP_EDMA_TPCC
Description	<p>Chained Event Register (High Part): If EDMA_TPCC_CERH.En bit is set (regardless of state of EDMA_TPCC_EERH.En), then the corresponding DMA channel is prioritized vs. other pending DMA events for submission to the TC. EDMA_TPCC_CERH.En bit is set when a chaining completion code is returned from one of the 3PTCs via the completion interface, or is generated internally via Early Completion path. EDMA_TPCC_CERH.En bit is cleared when the corresponding event is prioritized and serviced. If the EDMA_TPCC_CERH.En bit is already set and the corresponding chaining completion code is returned from the TC, then the corresponding bit in the Event Missed Register is set. EDMA_TPCC_CERH.En cannot be set or cleared via software.</p>		
Type	R		

31	30	29	28	27	26	25	24	23	22	21	20	19	18	17	16	15	14	13	12	11	10	9	8	7	6	5	4	3	2	1	0
E63	E62	E61	E60	E59	E58	E57	E56	E55	E54	E53	E52	E51	E50	E49	E48	E47	E46	E45	E44	E43	E42	E41	E40	E39	E38	E37	E36	E35	E34	E33	E32

Bits	Field Name	Description	Type	Reset
31	E63	Event #63	R	0x0
30	E62	Event #62	R	0x0
29	E61	Event #61	R	0x0
28	E60	Event #60	R	0x0
27	E59	Event #59	R	0x0
26	E58	Event #58	R	0x0
25	E57	Event #57	R	0x0
24	E56	Event #56	R	0x0
23	E55	Event #55	R	0x0
22	E54	Event #54	R	0x0
21	E53	Event #53	R	0x0
20	E52	Event #52	R	0x0
19	E51	Event #51	R	0x0
18	E50	Event #50	R	0x0
17	E49	Event #49	R	0x0
16	E48	Event #48	R	0x0
15	E47	Event #47	R	0x0
14	E46	Event #46	R	0x0
13	E45	Event #45	R	0x0
12	E44	Event #44	R	0x0
11	E43	Event #43	R	0x0
10	E42	Event #42	R	0x0
9	E41	Event #41	R	0x0
8	E40	Event #40	R	0x0
7	E39	Event #39	R	0x0
6	E38	Event #38	R	0x0
5	E37	Event #37	R	0x0
4	E36	Event #36	R	0x0
3	E35	Event #35	R	0x0
2	E34	Event #34	R	0x0
1	E33	Event #33	R	0x0
0	E32	Event #32	R	0x0

Table 16-202. Register Call Summary for Register EDMA_TPCC_CERH

- Enhanced DMA
- [Dummy Versus Null Transfer Comparison: \[0\]](#)
 - [Dummy or Null Completion: \[1\]](#)
 - [Region Overview: \[2\]](#)
 - [Event Dataflow: \[3\]\[4\]](#)
 - [EDMA Register Summary: \[5\]\[6\]\[8\]](#)
 - [EDMA Register Description: \[11\]\[12\]\[13\]\[14\]\[15\]\[16\]\[17\]\[18\]\[19\]\[20\]\[21\]\[22\]](#)

Table 16-203. EDMA_TPCC_EER

Address Offset	0x0000 1020		
Physical Address	0x4330 1020	Instance	SYS_EDMA_TPCC
	0x40D1 1020		DSP1_EDMA_TPCC
	0x01D1 1020		DSP_EDMA_TPCC
Description	<p>Event Enable Register: Enables DMA transfers for EDMA_TPCC_ER.En pending events. EDMA_TPCC_ER.En is set based on externally asserted events (via tpcc_eventN_pi). This register has no effect on Chained Event Register (EDMA_TPCC_CER) or Event Set Register (EDMA_TPCC_ESR). Note that if a bit is set in EDMA_TPCC_ER.En while EDMA_TPCC_EER.En is disabled, no action is taken. If EDMA_TPCC_EER.En is enabled at a later point (and EDMA_TPCC_ER.En has not been cleared via SW) then the event will be recognized as a valid 'TR Sync' EDMA_TPCC_EER.En is not directly writeable. Events can be enabled via writes to EDMA_TPCC_EESR and can be disabled via writes to EDMA_TPCC_EECR register. EDMA_TPCC_EER.En = 0: EDMA_TPCC_ER.En is not enabled to trigger DMA transfers. EDMA_TPCC_EER.En = 1: EDMA_TPCC_ER.En is enabled to trigger DMA transfers.</p>		
Type	R		

31	30	29	28	27	26	25	24	23	22	21	20	19	18	17	16	15	14	13	12	11	10	9	8	7	6	5	4	3	2	1	0
E31	E30	E29	E28	E27	E26	E25	E24	E23	E22	E21	E20	E19	E18	E17	E16	E15	E14	E13	E12	E11	E10	E9	E8	E7	E6	E5	E4	E3	E2	E1	E0

Bits	Field Name	Description	Type	Reset
31	E31	Event #31	R	0x0
30	E30	Event #30	R	0x0
29	E29	Event #29	R	0x0
28	E28	Event #28	R	0x0
27	E27	Event #27	R	0x0
26	E26	Event #26	R	0x0
25	E25	Event #25	R	0x0
24	E24	Event #24	R	0x0
23	E23	Event #23	R	0x0
22	E22	Event #22	R	0x0
21	E21	Event #21	R	0x0
20	E20	Event #20	R	0x0
19	E19	Event #19	R	0x0
18	E18	Event #18	R	0x0
17	E17	Event #17	R	0x0
16	E16	Event #16	R	0x0
15	E15	Event #15	R	0x0
14	E14	Event #14	R	0x0
13	E13	Event #13	R	0x0
12	E12	Event #12	R	0x0
11	E11	Event #11	R	0x0
10	E10	Event #10	R	0x0

Bits	Field Name	Description	Type	Reset
9	E9	Event #9	R	0x0
8	E8	Event #8	R	0x0
7	E7	Event #7	R	0x0
6	E6	Event #6	R	0x0
5	E5	Event #5	R	0x0
4	E4	Event #4	R	0x0
3	E3	Event #3	R	0x0
2	E2	Event #2	R	0x0
1	E1	Event #1	R	0x0
0	E0	Event #0	R	0x0

Table 16-204. Register Call Summary for Register EDMA_TPCC_EER

Enhanced DMA

- [DMA Channel: \[0\]\[1\]\[2\]\[3\]\[4\]\[5\]](#)
- [Region Overview: \[6\]\[7\]](#)
- [Active Memory Protection: \[8\]\[9\]\[10\]\[11\]\[12\]\[13\]\[14\]\[15\]\[16\]\[17\]\[18\]\[19\]\[20\]\[21\]](#)
- [Peripheral Servicing Example: \[22\]](#)
- [Setting Up an EDMA Transfer: \[23\]](#)
- [EDMA Debug Checklist: \[24\]](#)
- [EDMA Programming Tips: \[25\]](#)
- [EDMA Register Summary: \[26\]\[27\]\[29\]](#)
- [EDMA Register Description: \[32\]\[33\]\[34\]\[35\]\[36\]\[37\]\[38\]\[39\]\[40\]\[41\]\[42\]\[43\]\[44\]\[45\]\[46\]\[47\]\[48\]\[49\]\[50\]\[51\]\[52\]\[53\]\[54\]\[55\]](#)

Table 16-205. EDMA_TPCC_EERH

Address Offset	0x0000 1024	Instance	SYS_EDMA_TPCC DSP1_EDMA_TPCC DSP_EDMA_TPCC
Physical Address	0x4330 1024 0x40D1 1024 0x01D1 1024		
Description	Event Enable Register (High Part): Enables DMA transfers for EDMA_TPCC_ERH .En pending events. EDMA_TPCC_ERH .En is set based on externally asserted events (via tpcc_eventN_pi). This register has no effect on Chained Event Register (EDMA_TPCC_CERH) or Event Set Register (EDMA_TPCC_ESRH). Note that if a bit is set in EDMA_TPCC_ERH .En while EDMA_TPCC_EERH .En is disabled, no action is taken. If EDMA_TPCC_EERH .En is enabled at a later point (and EDMA_TPCC_ERH .En has not been cleared via SW) then the event will be recognized as a valid 'TR Sync' EDMA_TPCC_EERH .En is not directly writeable. Events can be enabled via writes to EDMA_TPCC_EESRH and can be disabled via writes to EDMA_TPCC_EECRH register. EDMA_TPCC_EERH .En = 0: EDMA_TPCC_ER .En is not enabled to trigger DMA transfers. EDMA_TPCC_EERH .En = 1: EDMA_TPCC_ER .En is enabled to trigger DMA transfers.		
Type	R		

31	30	29	28	27	26	25	24	23	22	21	20	19	18	17	16	15	14	13	12	11	10	9	8	7	6	5	4	3	2	1	0
E63	E62	E61	E60	E59	E58	E57	E56	E55	E54	E53	E52	E51	E50	E49	E48	E47	E46	E45	E44	E43	E42	E41	E40	E39	E38	E37	E36	E35	E34	E33	E32

Bits	Field Name	Description	Type	Reset
31	E63	Event #63	R	0x0
30	E62	Event #62	R	0x0
29	E61	Event #61	R	0x0
28	E60	Event #60	R	0x0
27	E59	Event #59	R	0x0
26	E58	Event #58	R	0x0
25	E57	Event #57	R	0x0

Bits	Field Name	Description	Type	Reset
24	E56	Event #56	R	0x0
23	E55	Event #55	R	0x0
22	E54	Event #54	R	0x0
21	E53	Event #53	R	0x0
20	E52	Event #52	R	0x0
19	E51	Event #51	R	0x0
18	E50	Event #50	R	0x0
17	E49	Event #49	R	0x0
16	E48	Event #48	R	0x0
15	E47	Event #47	R	0x0
14	E46	Event #46	R	0x0
13	E45	Event #45	R	0x0
12	E44	Event #44	R	0x0
11	E43	Event #43	R	0x0
10	E42	Event #42	R	0x0
9	E41	Event #41	R	0x0
8	E40	Event #40	R	0x0
7	E39	Event #39	R	0x0
6	E38	Event #38	R	0x0
5	E37	Event #37	R	0x0
4	E36	Event #36	R	0x0
3	E35	Event #35	R	0x0
2	E34	Event #34	R	0x0
1	E33	Event #33	R	0x0
0	E32	Event #32	R	0x0

Table 16-206. Register Call Summary for Register EDMA_TPCC_EERH

Enhanced DMA

- [Region Overview: \[0\]](#)
- [Setting Up an EDMA Transfer: \[1\]](#)
- [EDMA Debug Checklist: \[2\]](#)
- [EDMA Programming Tips: \[3\]](#)
- [EDMA Register Summary: \[4\]\[5\]\[7\]](#)
- [EDMA Register Description: \[10\]\[11\]\[12\]\[13\]\[14\]\[15\]\[16\]\[17\]\[18\]\[19\]\[20\]\[21\]\[22\]\[23\]\[24\]\[25\]\[26\]\[27\]\[28\]\[29\]](#)

Table 16-207. EDMA_TPCC_EECR

Address Offset	0x0000 1028	Instance	SYS_EDMA_TPCC DSP1_EDMA_TPCC DSP_EDMA_TPCC
Physical Address	0x4330 1028 0x40D1 1028 0x01D1 1028		
Description	Event Enable Clear Register CPU writes of '1' to the EDMA_TPCC_EECR . En bit causes the EDMA_TPCC_EER . En bit to be cleared. CPU writes of '0' has no effect..		
Type	W		

31	30	29	28	27	26	25	24	23	22	21	20	19	18	17	16	15	14	13	12	11	10	9	8	7	6	5	4	3	2	1	0
E31	E30	E29	E28	E27	E26	E25	E24	E23	E22	E21	E20	E19	E18	E17	E16	E15	E14	E13	E12	E11	E10	E9	E8	E7	E6	E5	E4	E3	E2	E1	E0

Bits	Field Name	Description	Type	Reset
31	E31	Event #31	W	0x0
30	E30	Event #30	W	0x0
29	E29	Event #29	W	0x0
28	E28	Event #28	W	0x0
27	E27	Event #27	W	0x0
26	E26	Event #26	W	0x0
25	E25	Event #25	W	0x0
24	E24	Event #24	W	0x0
23	E23	Event #23	W	0x0
22	E22	Event #22	W	0x0
21	E21	Event #21	W	0x0
20	E20	Event #20	W	0x0
19	E19	Event #19	W	0x0
18	E18	Event #18	W	0x0
17	E17	Event #17	W	0x0
16	E16	Event #16	W	0x0
15	E15	Event #15	W	0x0
14	E14	Event #14	W	0x0
13	E13	Event #13	W	0x0
12	E12	Event #12	W	0x0
11	E11	Event #11	W	0x0
10	E10	Event #10	W	0x0
9	E9	Event #9	W	0x0
8	E8	Event #8	W	0x0
7	E7	Event #7	W	0x0
6	E6	Event #6	W	0x0
5	E5	Event #5	W	0x0
4	E4	Event #4	W	0x0
3	E3	Event #3	W	0x0
2	E2	Event #2	W	0x0
1	E1	Event #1	W	0x0
0	E0	Event #0	W	0x0

Table 16-208. Register Call Summary for Register EDMA_TPCC_EECR

Enhanced DMA

- [Region Overview: \[0\]](#)
- [EDMA Programming Tips: \[1\]](#)
- [EDMA Register Summary: \[2\]\[3\]\[5\]](#)
- [EDMA Register Description: \[8\]\[9\]\[10\]\[11\]](#)

Table 16-209. EDMA_TPCC_EECCR

Address Offset	0x0000 102C	Instance	SYS_EDMA_TPCC
Physical Address	0x4330 102C 0x40D1 102C 0x01D1 102C		DSP1_EDMA_TPCC DSP_EDMA_TPCC
Description	Event Enable Clear Register (High Part) CPU writes of '1' to the EDMA_TPCC_EECCRH.En bit causes the EERH.En bit to be cleared. CPU writes of '0' has no effect..		
Type	W		

31	30	29	28	27	26	25	24	23	22	21	20	19	18	17	16	15	14	13	12	11	10	9	8	7	6	5	4	3	2	1	0
E63	E62	E61	E60	E59	E58	E57	E56	E55	E54	E53	E52	E51	E50	E49	E48	E47	E46	E45	E44	E43	E42	E41	E40	E39	E38	E37	E36	E35	E34	E33	E32

Bits	Field Name	Description	Type	Reset
31	E63	Event #63	W	0x0
30	E62	Event #62	W	0x0
29	E61	Event #61	W	0x0
28	E60	Event #60	W	0x0
27	E59	Event #59	W	0x0
26	E58	Event #58	W	0x0
25	E57	Event #57	W	0x0
24	E56	Event #56	W	0x0
23	E55	Event #55	W	0x0
22	E54	Event #54	W	0x0
21	E53	Event #53	W	0x0
20	E52	Event #52	W	0x0
19	E51	Event #51	W	0x0
18	E50	Event #50	W	0x0
17	E49	Event #49	W	0x0
16	E48	Event #48	W	0x0
15	E47	Event #47	W	0x0
14	E46	Event #46	W	0x0
13	E45	Event #45	W	0x0
12	E44	Event #44	W	0x0
11	E43	Event #43	W	0x0
10	E42	Event #42	W	0x0
9	E41	Event #41	W	0x0
8	E40	Event #40	W	0x0
7	E39	Event #39	W	0x0
6	E38	Event #38	W	0x0
5	E37	Event #37	W	0x0
4	E36	Event #36	W	0x0
3	E35	Event #35	W	0x0
2	E34	Event #34	W	0x0
1	E33	Event #33	W	0x0
0	E32	Event #32	W	0x0

Table 16-210. Register Call Summary for Register EDMA_TPCC_EECRH

Enhanced DMA

- [Region Overview: \[0\]](#)
- [EDMA Programming Tips: \[1\]](#)
- [EDMA Register Summary: \[2\]\[3\]\[5\]](#)
- [EDMA Register Description: \[8\]\[9\]\[10\]\[11\]](#)

Table 16-211. EDMA_TPCC_EESR

Address Offset	Physical Address	Instance	
0x0000 1030	0x4330 1030	SYS_EDMA_TPCC	
	0x40D1 1030	DSP1_EDMA_TPCC	
	0x01D1 1030	DSP_EDMA_TPCC	

Table 16-211. EDMA_TPCC_EESR (continued)

Description	Event Enable Set Register CPU write of '1' to the EDMA_TPCC_EESR .En bit causes the EDMA_TPCC_EER .En bit to be set. CPU writes of '0' has no effect..
Type	W

31	30	29	28	27	26	25	24	23	22	21	20	19	18	17	16	15	14	13	12	11	10	9	8	7	6	5	4	3	2	1	0
E31	E30	E29	E28	E27	E26	E25	E24	E23	E22	E21	E20	E19	E18	E17	E16	E15	E14	E13	E12	E11	E10	E9	E8	E7	E6	E5	E4	E3	E2	E1	E0

Bits	Field Name	Description	Type	Reset
31	E31	Event #31	W	0x0
30	E30	Event #30	W	0x0
29	E29	Event #29	W	0x0
28	E28	Event #28	W	0x0
27	E27	Event #27	W	0x0
26	E26	Event #26	W	0x0
25	E25	Event #25	W	0x0
24	E24	Event #24	W	0x0
23	E23	Event #23	W	0x0
22	E22	Event #22	W	0x0
21	E21	Event #21	W	0x0
20	E20	Event #20	W	0x0
19	E19	Event #19	W	0x0
18	E18	Event #18	W	0x0
17	E17	Event #17	W	0x0
16	E16	Event #16	W	0x0
15	E15	Event #15	W	0x0
14	E14	Event #14	W	0x0
13	E13	Event #13	W	0x0
12	E12	Event #12	W	0x0
11	E11	Event #11	W	0x0
10	E10	Event #10	W	0x0
9	E9	Event #9	W	0x0
8	E8	Event #8	W	0x0
7	E7	Event #7	W	0x0
6	E6	Event #6	W	0x0
5	E5	Event #5	W	0x0
4	E4	Event #4	W	0x0
3	E3	Event #3	W	0x0
2	E2	Event #2	W	0x0
1	E1	Event #1	W	0x0
0	E0	Event #0	W	0x0

Table 16-212. Register Call Summary for Register EDMA_TPCC_EESR

Enhanced DMA

- [Region Overview: \[0\]](#)
- [Active Memory Protection: \[1\]\[2\]\[3\]\[4\]\[5\]\[6\]\[7\]\[8\]\[9\]\[10\]\[11\]\[12\]](#)
- [Setting Up an EDMA Transfer: \[13\]](#)
- [EDMA Programming Tips: \[14\]](#)
- [EDMA Register Summary: \[15\]\[16\]\[18\]](#)
- [EDMA Register Description: \[21\]\[22\]\[23\]\[24\]](#)

Table 16-213. EDMA_TPCC_EESRH

Address Offset	0x0000 1034		
Physical Address	0x4330 1034 0x40D1 1034 0x01D1 1034	Instance	SYS_EDMA_TPCC DSP1_EDMA_TPCC DSP_EDMA_TPCC
Description	Event Enable Set Register (High Part) CPU writes of '1' to the EDMA_TPCC_EESRH . En bit causes the EDMA_TPCC_EERH . En bit to be set. CPU writes of '0' has no effect..		
Type	W		

31	30	29	28	27	26	25	24	23	22	21	20	19	18	17	16	15	14	13	12	11	10	9	8	7	6	5	4	3	2	1	0
E63	E62	E61	E60	E59	E58	E57	E56	E55	E54	E53	E52	E51	E50	E49	E48	E47	E46	E45	E44	E43	E42	E41	E40	E39	E38	E37	E36	E35	E34	E33	E32

Bits	Field Name	Description	Type	Reset
31	E63	Event #63	W	0x0
30	E62	Event #62	W	0x0
29	E61	Event #61	W	0x0
28	E60	Event #60	W	0x0
27	E59	Event #59	W	0x0
26	E58	Event #58	W	0x0
25	E57	Event #57	W	0x0
24	E56	Event #56	W	0x0
23	E55	Event #55	W	0x0
22	E54	Event #54	W	0x0
21	E53	Event #53	W	0x0
20	E52	Event #52	W	0x0
19	E51	Event #51	W	0x0
18	E50	Event #50	W	0x0
17	E49	Event #49	W	0x0
16	E48	Event #48	W	0x0
15	E47	Event #47	W	0x0
14	E46	Event #46	W	0x0
13	E45	Event #45	W	0x0
12	E44	Event #44	W	0x0
11	E43	Event #43	W	0x0
10	E42	Event #42	W	0x0
9	E41	Event #41	W	0x0
8	E40	Event #40	W	0x0
7	E39	Event #39	W	0x0
6	E38	Event #38	W	0x0

Bits	Field Name	Description	Type	Reset
5	E37	Event #37	W	0x0
4	E36	Event #36	W	0x0
3	E35	Event #35	W	0x0
2	E34	Event #34	W	0x0
1	E33	Event #33	W	0x0
0	E32	Event #32	W	0x0

Table 16-214. Register Call Summary for Register EDMA_TPCC_EESRH

Enhanced DMA

- [Region Overview: \[0\]](#)
- [Setting Up an EDMA Transfer: \[1\]](#)
- [EDMA Programming Tips: \[2\]](#)
- [EDMA Register Summary: \[3\]\[4\]\[6\]](#)
- [EDMA Register Description: \[9\]\[10\]\[11\]\[12\]](#)

Table 16-215. EDMA_TPCC_SER

Address Offset	0x0000 1038	Instance	SYS_EDMA_TPCC DSP1_EDMA_TPCC DSP_EDMA_TPCC
Physical Address	0x4330 1038 0x40D1 1038 0x01D1 1038		
Description	Secondary Event Register The secondary event register is used along with the Event Register (EDMA_TPCC_ER) to provide information on the state of an Event. En = 0 : Event is not currently in the Event Queue. En = 1 : Event is currently stored in Event Queue. Event arbiter will not prioritize additional events.		
Type	R		

31	30	29	28	27	26	25	24	23	22	21	20	19	18	17	16	15	14	13	12	11	10	9	8	7	6	5	4	3	2	1	0
E31	E30	E29	E28	E27	E26	E25	E24	E23	E22	E21	E20	E19	E18	E17	E16	E15	E14	E13	E12	E11	E10	E9	E8	E7	E6	E5	E4	E3	E2	E1	E0

Bits	Field Name	Description	Type	Reset
31	E31	Event #31	R	0x0
30	E30	Event #30	R	0x0
29	E29	Event #29	R	0x0
28	E28	Event #28	R	0x0
27	E27	Event #27	R	0x0
26	E26	Event #26	R	0x0
25	E25	Event #25	R	0x0
24	E24	Event #24	R	0x0
23	E23	Event #23	R	0x0
22	E22	Event #22	R	0x0
21	E21	Event #21	R	0x0
20	E20	Event #20	R	0x0
19	E19	Event #19	R	0x0
18	E18	Event #18	R	0x0
17	E17	Event #17	R	0x0
16	E16	Event #16	R	0x0
15	E15	Event #15	R	0x0
14	E14	Event #14	R	0x0

Bits	Field Name	Description	Type	Reset
13	E13	Event #13	R	0x0
12	E12	Event #12	R	0x0
11	E11	Event #11	R	0x0
10	E10	Event #10	R	0x0
9	E9	Event #9	R	0x0
8	E8	Event #8	R	0x0
7	E7	Event #7	R	0x0
6	E6	Event #6	R	0x0
5	E5	Event #5	R	0x0
4	E4	Event #4	R	0x0
3	E3	Event #3	R	0x0
2	E2	Event #2	R	0x0
1	E1	Event #1	R	0x0
0	E0	Event #0	R	0x0

Table 16-216. Register Call Summary for Register EDMA_TPCC_SER

Enhanced DMA

- [Null PaRAM Set: \[0\]\[1\]](#)
- [Dummy PaRAM Set: \[2\]](#)
- [Dummy Versus Null Transfer Comparison: \[3\]\[4\]](#)
- [Region Overview: \[5\]](#)
- [Event Dataflow: \[6\]\[7\]\[8\]](#)
- [EDMA Debug Checklist: \[9\]\[10\]\[11\]](#)
- [EDMA Register Summary: \[12\]\[13\]\[15\]](#)
- [EDMA Register Description: \[18\]\[19\]\[20\]\[21\]\[22\]\[23\]](#)

Table 16-217. EDMA_TPCC_SERH

Address Offset	0x0000 103C	Instance	SYS_EDMA_TPCC DSP1_EDMA_TPCC DSP_EDMA_TPCC
Physical Address	0x4330 103C 0x40D1 103C 0x01D1 103C		
Description	Secondary Event Register (High Part) The secondary event register is used along with the Event Register (EDMA_TPCC_ERH) to provide information on the state of an Event. En = 0 : Event is not currently in the Event Queue. En = 1 : Event is currently stored in Event Queue. Event arbiter will not prioritize additional events.		
Type	R		

31	30	29	28	27	26	25	24	23	22	21	20	19	18	17	16	15	14	13	12	11	10	9	8	7	6	5	4	3	2	1	0
E63	E62	E61	E60	E59	E58	E57	E56	E55	E54	E53	E52	E51	E50	E49	E48	E47	E46	E45	E44	E43	E42	E41	E40	E39	E38	E37	E36	E35	E34	E33	E32

Bits	Field Name	Description	Type	Reset
31	E63	Event #63	R	0x0
30	E62	Event #62	R	0x0
29	E61	Event #61	R	0x0
28	E60	Event #60	R	0x0
27	E59	Event #59	R	0x0
26	E58	Event #58	R	0x0
25	E57	Event #57	R	0x0

Bits	Field Name	Description	Type	Reset
24	E56	Event #56	R	0x0
23	E55	Event #55	R	0x0
22	E54	Event #54	R	0x0
21	E53	Event #53	R	0x0
20	E52	Event #52	R	0x0
19	E51	Event #51	R	0x0
18	E50	Event #50	R	0x0
17	E49	Event #49	R	0x0
16	E48	Event #48	R	0x0
15	E47	Event #47	R	0x0
14	E46	Event #46	R	0x0
13	E45	Event #45	R	0x0
12	E44	Event #44	R	0x0
11	E43	Event #43	R	0x0
10	E42	Event #42	R	0x0
9	E41	Event #41	R	0x0
8	E40	Event #40	R	0x0
7	E39	Event #39	R	0x0
6	E38	Event #38	R	0x0
5	E37	Event #37	R	0x0
4	E36	Event #36	R	0x0
3	E35	Event #35	R	0x0
2	E34	Event #34	R	0x0
1	E33	Event #33	R	0x0
0	E32	Event #32	R	0x0

Table 16-218. Register Call Summary for Register EDMA_TPCC_SERH

Enhanced DMA

- [Null PaRAM Set: \[0\]\[1\]](#)
- [Dummy PaRAM Set: \[2\]](#)
- [Dummy Versus Null Transfer Comparison: \[3\]](#)
- [Region Overview: \[4\]](#)
- [Event Dataflow: \[5\]\[6\]\[7\]](#)
- [EDMA Debug Checklist: \[8\]\[9\]](#)
- [EDMA Register Summary: \[10\]\[11\]\[13\]](#)
- [EDMA Register Description: \[16\]\[17\]\[18\]\[19\]](#)

Table 16-219. EDMA_TPCC_SECR

Address Offset	0x0000 1040	Instance	SYS_EDMA_TPCC DSP1_EDMA_TPCC DSP_EDMA_TPCC
Physical Address	0x4330 1040 0x40D1 1040 0x01D1 1040		
Description	Secondary Event Clear Register The secondary event clear register is used to clear the status of the EDMA_TPCC_SER registers. CPU write of '1' to the EDMA_TPCC_SECR .En bit clears the EDMA_TPCC_SER register. CPU write of '0' has no effect.		
Type	W		

31	30	29	28	27	26	25	24	23	22	21	20	19	18	17	16	15	14	13	12	11	10	9	8	7	6	5	4	3	2	1	0
E31	E30	E29	E28	E27	E26	E25	E24	E23	E22	E21	E20	E19	E18	E17	E16	E15	E14	E13	E12	E11	E10	E9	E8	E7	E6	E5	E4	E3	E2	E1	E0

Bits	Field Name	Description	Type	Reset
31	E31	Event #31	W	0x0
30	E30	Event #30	W	0x0
29	E29	Event #29	W	0x0
28	E28	Event #28	W	0x0
27	E27	Event #27	W	0x0
26	E26	Event #26	W	0x0
25	E25	Event #25	W	0x0
24	E24	Event #24	W	0x0
23	E23	Event #23	W	0x0
22	E22	Event #22	W	0x0
21	E21	Event #21	W	0x0
20	E20	Event #20	W	0x0
19	E19	Event #19	W	0x0
18	E18	Event #18	W	0x0
17	E17	Event #17	W	0x0
16	E16	Event #16	W	0x0
15	E15	Event #15	W	0x0
14	E14	Event #14	W	0x0
13	E13	Event #13	W	0x0
12	E12	Event #12	W	0x0
11	E11	Event #11	W	0x0
10	E10	Event #10	W	0x0
9	E9	Event #9	W	0x0
8	E8	Event #8	W	0x0
7	E7	Event #7	W	0x0
6	E6	Event #6	W	0x0
5	E5	Event #5	W	0x0
4	E4	Event #4	W	0x0
3	E3	Event #3	W	0x0
2	E2	Event #2	W	0x0
1	E1	Event #1	W	0x0
0	E0	Event #0	W	0x0

Table 16-220. Register Call Summary for Register EDMA_TPCC_SECR

Enhanced DMA

- [Region Overview: \[0\]](#)
- [EDMA Register Summary: \[1\]\[2\]\[4\]](#)
- [EDMA Register Description: \[7\]\[8\]](#)

Table 16-221. EDMA_TPCC_SECRH

Address Offset	0x0000 1044	Instance	SYS_EDMA_TPCC
Physical Address	0x4330 1044 0x40D1 1044 0x01D1 1044		DSP1_EDMA_TPCC DSP_EDMA_TPCC
Description	Secondary Event Clear Register (High Part) The secondary event clear register is used to clear the status of the EDMA_TPCC_SERH registers. CPU write of '1' to the EDMA_TPCC_SECRH .En bit clears the EDMA_TPCC_SERH register. CPU write of '0' has no effect.		
Type	W		

31	30	29	28	27	26	25	24	23	22	21	20	19	18	17	16	15	14	13	12	11	10	9	8	7	6	5	4	3	2	1	0
E63	E62	E61	E60	E59	E58	E57	E56	E55	E54	E53	E52	E51	E50	E49	E48	E47	E46	E45	E44	E43	E42	E41	E40	E39	E38	E37	E36	E35	E34	E33	E32

Bits	Field Name	Description	Type	Reset
31	E63	Event #63	W	0x0
30	E62	Event #62	W	0x0
29	E61	Event #61	W	0x0
28	E60	Event #60	W	0x0
27	E59	Event #59	W	0x0
26	E58	Event #58	W	0x0
25	E57	Event #57	W	0x0
24	E56	Event #56	W	0x0
23	E55	Event #55	W	0x0
22	E54	Event #54	W	0x0
21	E53	Event #53	W	0x0
20	E52	Event #52	W	0x0
19	E51	Event #51	W	0x0
18	E50	Event #50	W	0x0
17	E49	Event #49	W	0x0
16	E48	Event #48	W	0x0
15	E47	Event #47	W	0x0
14	E46	Event #46	W	0x0
13	E45	Event #45	W	0x0
12	E44	Event #44	W	0x0
11	E43	Event #43	W	0x0
10	E42	Event #42	W	0x0
9	E41	Event #41	W	0x0
8	E40	Event #40	W	0x0
7	E39	Event #39	W	0x0
6	E38	Event #38	W	0x0
5	E37	Event #37	W	0x0
4	E36	Event #36	W	0x0
3	E35	Event #35	W	0x0
2	E34	Event #34	W	0x0
1	E33	Event #33	W	0x0
0	E32	Event #32	W	0x0

Table 16-222. Register Call Summary for Register EDMA_TPCC_SECRH

Enhanced DMA

- [Region Overview: \[0\]](#)
- [EDMA Register Summary: \[1\]\[2\]\[4\]](#)
- [EDMA Register Description: \[7\]\[8\]](#)

Table 16-223. EDMA_TPCC_IER

Address Offset	0x0000 1050	Instance	SYS_EDMA_TPCC
Physical Address	0x4330 1050		DSP1_EDMA_TPCC
	0x40D1 1050		DSP_EDMA_TPCC
	0x01D1 1050		

Table 16-223. EDMA_TPCC_IER (continued)

Description	Int Enable Register EDMA_TPCC_IER . In is not directly writeable. Interrupts can be enabled via writes to EDMA_TPCC_IESR and can be disabled via writes to EDMA_TPCC_IECR register. EDMA_TPCC_IER . In = 0: EDMA_TPCC_IPR . In is NOT enabled for interrupts. EDMA_TPCC_IER . In = 1: EDMA_TPCC_IPR . In IS enabled for interrupts.
Type	R

31	30	29	28	27	26	25	24	23	22	21	20	19	18	17	16	15	14	13	12	11	10	9	8	7	6	5	4	3	2	1	0
I31	I30	I29	I28	I27	I26	I25	I24	I23	I22	I21	I20	I19	I18	I17	I16	I15	I14	I13	I12	I11	I10	I9	I8	I7	I6	I5	I4	I3	I2	I1	I0

Bits	Field Name	Description	Type	Reset
31	I31	Interrupt associated with TCC #31	R	0x0
30	I30	Interrupt associated with TCC #30	R	0x0
29	I29	Interrupt associated with TCC #29	R	0x0
28	I28	Interrupt associated with TCC #28	R	0x0
27	I27	Interrupt associated with TCC #27	R	0x0
26	I26	Interrupt associated with TCC #26	R	0x0
25	I25	Interrupt associated with TCC #25	R	0x0
24	I24	Interrupt associated with TCC #24	R	0x0
23	I23	Interrupt associated with TCC #23	R	0x0
22	I22	Interrupt associated with TCC #22	R	0x0
21	I21	Interrupt associated with TCC #21	R	0x0
20	I20	Interrupt associated with TCC #20	R	0x0
19	I19	Interrupt associated with TCC #19	R	0x0
18	I18	Interrupt associated with TCC #18	R	0x0
17	I17	Interrupt associated with TCC #17	R	0x0
16	I16	Interrupt associated with TCC #16	R	0x0
15	I15	Interrupt associated with TCC #15	R	0x0
14	I14	Interrupt associated with TCC #14	R	0x0
13	I13	Interrupt associated with TCC #13	R	0x0
12	I12	Interrupt associated with TCC #12	R	0x0
11	I11	Interrupt associated with TCC #11	R	0x0
10	I10	Interrupt associated with TCC #10	R	0x0
9	I9	Interrupt associated with TCC #9	R	0x0
8	I8	Interrupt associated with TCC #8	R	0x0
7	I7	Interrupt associated with TCC #7	R	0x0
6	I6	Interrupt associated with TCC #6	R	0x0
5	I5	Interrupt associated with TCC #5	R	0x0
4	I4	Interrupt associated with TCC #4	R	0x0
3	I3	Interrupt associated with TCC #3	R	0x0
2	I2	Interrupt associated with TCC #2	R	0x0
1	I1	Interrupt associated with TCC #1	R	0x0
0	I0	Interrupt associated with TCC #0	R	0x0

Table 16-224. Register Call Summary for Register EDMA_TPCC_IER

Enhanced DMA

- [Region Overview: \[0\]](#)
- [Region Interrupts: \[1\]](#)
- [Transfer Completion Interrupts: \[2\]\[3\]\[4\]\[5\]\[6\]\[7\]\[8\]\[9\]\[10\]\[11\]\[12\]\[13\]\[14\]\[15\]\[16\]](#)
- [Interrupt Evaluation Operations: \[17\]](#)
- [Transfer Chaining Examples: \[18\]](#)
- [Setting Up an EDMA Transfer: \[19\]](#)
- [EDMA Debug Checklist: \[20\]\[21\]](#)
- [EDMA Register Summary: \[22\]\[23\]\[25\]](#)
- [EDMA Register Description: \[28\]\[29\]\[30\]\[31\]\[32\]\[33\]\[34\]\[35\]\[36\]\[37\]\[38\]\[39\]](#)

Table 16-225. EDMA_TPCC_IERH

Address Offset	0x0000 1054		
Physical Address	0x4330 1054 0x40D1 1054 0x01D1 1054	Instance	SYS_EDMA_TPCC DSP1_EDMA_TPCC DSP_EDMA_TPCC
Description	Int Enable Register (High Part) EDMA_TPCC_IERH.In is not directly writeable. Interrupts can be enabled via writes to EDMA_TPCC_IESRH and can be disabled via writes to EDMA_TPCC_IECRH register. EDMA_TPCC_IERH. In = 0: EDMA_TPCC_IPRH.In is NOT enabled for interrupts. EDMA_TPCC_IERH. In = 1: EDMA_TPCC_IPRH.In IS enabled for interrupts.		
Type	R		

31	30	29	28	27	26	25	24	23	22	21	20	19	18	17	16	15	14	13	12	11	10	9	8	7	6	5	4	3	2	1	0
I63	I62	I61	I60	I59	I58	I57	I56	I55	I54	I53	I52	I51	I50	I49	I48	I47	I46	I45	I44	I43	I42	I41	I40	I39	I38	I37	I36	I35	I34	I33	I32

Bits	Field Name	Description	Type	Reset
31	I63	Interrupt associated with TCC #63	R	0x0
30	I62	Interrupt associated with TCC #62	R	0x0
29	I61	Interrupt associated with TCC #61	R	0x0
28	I60	Interrupt associated with TCC #60	R	0x0
27	I59	Interrupt associated with TCC #59	R	0x0
26	I58	Interrupt associated with TCC #58	R	0x0
25	I57	Interrupt associated with TCC #57	R	0x0
24	I56	Interrupt associated with TCC #56	R	0x0
23	I55	Interrupt associated with TCC #55	R	0x0
22	I54	Interrupt associated with TCC #54	R	0x0
21	I53	Interrupt associated with TCC #53	R	0x0
20	I52	Interrupt associated with TCC #52	R	0x0
19	I51	Interrupt associated with TCC #51	R	0x0
18	I50	Interrupt associated with TCC #50	R	0x0
17	I49	Interrupt associated with TCC #49	R	0x0
16	I48	Interrupt associated with TCC #48	R	0x0
15	I47	Interrupt associated with TCC #47	R	0x0
14	I46	Interrupt associated with TCC #46	R	0x0
13	I45	Interrupt associated with TCC #45	R	0x0
12	I44	Interrupt associated with TCC #44	R	0x0
11	I43	Interrupt associated with TCC #43	R	0x0
10	I42	Interrupt associated with TCC #42	R	0x0
9	I41	Interrupt associated with TCC #41	R	0x0

Bits	Field Name	Description	Type	Reset
8	I40	Interrupt associated with TCC #40	R	0x0
7	I39	Interrupt associated with TCC #39	R	0x0
6	I38	Interrupt associated with TCC #38	R	0x0
5	I37	Interrupt associated with TCC #37	R	0x0
4	I36	Interrupt associated with TCC #36	R	0x0
3	I35	Interrupt associated with TCC #35	R	0x0
2	I34	Interrupt associated with TCC #34	R	0x0
1	I33	Interrupt associated with TCC #33	R	0x0
0	I32	Interrupt associated with TCC #32	R	0x0

Table 16-226. Register Call Summary for Register EDMA_TPCC_IERH

Enhanced DMA

- [Region Overview: \[0\]](#)
- [Transfer Completion Interrupts: \[1\]\[2\]\[3\]\[4\]\[5\]\[6\]\[7\]\[8\]\[9\]](#)
- [Interrupt Evaluation Operations: \[10\]](#)
- [Setting Up an EDMA Transfer: \[11\]](#)
- [EDMA Debug Checklist: \[12\]\[13\]](#)
- [EDMA Register Summary: \[14\]\[15\]\[17\]](#)
- [EDMA Register Description: \[20\]\[21\]\[22\]\[23\]\[24\]\[25\]\[26\]\[27\]](#)

Table 16-227. EDMA_TPCC_IECR

Address Offset	0x0000 1058		
Physical Address	0x4330 1058 0x40D1 1058 0x01D1 1058	Instance	SYS_EDMA_TPCC DSP1_EDMA_TPCC DSP_EDMA_TPCC
Description	Int Enable Clear Register CPU writes of '1' to the EDMA_TPCC_IECR .In bit causes the EDMA_TPCC_IER .In bit to be cleared. CPU writes of '0' has no effect..		
Type	W		

31	30	29	28	27	26	25	24	23	22	21	20	19	18	17	16	15	14	13	12	11	10	9	8	7	6	5	4	3	2	1	0
I31	I30	I29	I28	I27	I26	I25	I24	I23	I22	I21	I20	I19	I18	I17	I16	I15	I14	I13	I12	I11	I10	I9	I8	I7	I6	I5	I4	I3	I2	I1	I0

Bits	Field Name	Description	Type	Reset
31	I31	Interrupt associated with TCC #31	W	0x0
30	I30	Interrupt associated with TCC #30	W	0x0
29	I29	Interrupt associated with TCC #29	W	0x0
28	I28	Interrupt associated with TCC #28	W	0x0
27	I27	Interrupt associated with TCC #27	W	0x0
26	I26	Interrupt associated with TCC #26	W	0x0
25	I25	Interrupt associated with TCC #25	W	0x0
24	I24	Interrupt associated with TCC #24	W	0x0
23	I23	Interrupt associated with TCC #23	W	0x0
22	I22	Interrupt associated with TCC #22	W	0x0
21	I21	Interrupt associated with TCC #21	W	0x0
20	I20	Interrupt associated with TCC #20	W	0x0
19	I19	Interrupt associated with TCC #19	W	0x0
18	I18	Interrupt associated with TCC #18	W	0x0
17	I17	Interrupt associated with TCC #17	W	0x0

Bits	Field Name	Description	Type	Reset
16	I16	Interrupt associated with TCC #16	W	0x0
15	I15	Interrupt associated with TCC #15	W	0x0
14	I14	Interrupt associated with TCC #14	W	0x0
13	I13	Interrupt associated with TCC #13	W	0x0
12	I12	Interrupt associated with TCC #12	W	0x0
11	I11	Interrupt associated with TCC #11	W	0x0
10	I10	Interrupt associated with TCC #10	W	0x0
9	I9	Interrupt associated with TCC #9	W	0x0
8	I8	Interrupt associated with TCC #8	W	0x0
7	I7	Interrupt associated with TCC #7	W	0x0
6	I6	Interrupt associated with TCC #6	W	0x0
5	I5	Interrupt associated with TCC #5	W	0x0
4	I4	Interrupt associated with TCC #4	W	0x0
3	I3	Interrupt associated with TCC #3	W	0x0
2	I2	Interrupt associated with TCC #2	W	0x0
1	I1	Interrupt associated with TCC #1	W	0x0
0	I0	Interrupt associated with TCC #0	W	0x0

Table 16-228. Register Call Summary for Register EDMA_TPCC_IECR

Enhanced DMA

- [Region Overview: \[0\]](#)
- [Transfer Completion Interrupts: \[1\]](#)
- [EDMA Register Summary: \[2\]\[3\]\[5\]](#)
- [EDMA Register Description: \[8\]\[9\]\[10\]\[11\]](#)

Table 16-229. EDMA_TPCC_IERH

Address Offset	0x0000 105C		
Physical Address	0x4330 105C 0x40D1 105C 0x01D1 105C	Instance	SYS_EDMA_TPCC DSP1_EDMA_TPCC DSP_EDMA_TPCC
Description	Int Enable Clear Register (High Part) CPU write of '1' to the EDMA_TPCC_IERH .In bit causes the EDMA_TPCC_IERH .In bit to be cleared. CPU write of '0' has no effect..		
Type	W		

31	30	29	28	27	26	25	24	23	22	21	20	19	18	17	16	15	14	13	12	11	10	9	8	7	6	5	4	3	2	1	0
I63	I62	I61	I60	I59	I58	I57	I56	I55	I54	I53	I52	I51	I50	I49	I48	I47	I46	I45	I44	I43	I42	I41	I40	I39	I38	I37	I36	I35	I34	I33	I32

Bits	Field Name	Description	Type	Reset
31	I63	Interrupt associated with TCC #63	W	0x0
30	I62	Interrupt associated with TCC #62	W	0x0
29	I61	Interrupt associated with TCC #61	W	0x0
28	I60	Interrupt associated with TCC #60	W	0x0
27	I59	Interrupt associated with TCC #59	W	0x0
26	I58	Interrupt associated with TCC #58	W	0x0
25	I57	Interrupt associated with TCC #57	W	0x0
24	I56	Interrupt associated with TCC #56	W	0x0
23	I55	Interrupt associated with TCC #55	W	0x0

Bits	Field Name	Description	Type	Reset
22	I54	Interrupt associated with TCC #54	W	0x0
21	I53	Interrupt associated with TCC #53	W	0x0
20	I52	Interrupt associated with TCC #52	W	0x0
19	I51	Interrupt associated with TCC #51	W	0x0
18	I50	Interrupt associated with TCC #50	W	0x0
17	I49	Interrupt associated with TCC #49	W	0x0
16	I48	Interrupt associated with TCC #48	W	0x0
15	I47	Interrupt associated with TCC #47	W	0x0
14	I46	Interrupt associated with TCC #46	W	0x0
13	I45	Interrupt associated with TCC #45	W	0x0
12	I44	Interrupt associated with TCC #44	W	0x0
11	I43	Interrupt associated with TCC #43	W	0x0
10	I42	Interrupt associated with TCC #42	W	0x0
9	I41	Interrupt associated with TCC #41	W	0x0
8	I40	Interrupt associated with TCC #40	W	0x0
7	I39	Interrupt associated with TCC #39	W	0x0
6	I38	Interrupt associated with TCC #38	W	0x0
5	I37	Interrupt associated with TCC #37	W	0x0
4	I36	Interrupt associated with TCC #36	W	0x0
3	I35	Interrupt associated with TCC #35	W	0x0
2	I34	Interrupt associated with TCC #34	W	0x0
1	I33	Interrupt associated with TCC #33	W	0x0
0	I32	Interrupt associated with TCC #32	W	0x0

Table 16-230. Register Call Summary for Register EDMA_TPCC_IECRH

Enhanced DMA

- [Region Overview: \[0\]](#)
- [EDMA Register Summary: \[1\]\[2\]\[4\]](#)
- [EDMA Register Description: \[7\]\[8\]\[9\]\[10\]](#)

Table 16-231. EDMA_TPCC_IESR

Address Offset	0x0000 1060		
Physical Address	0x4330 1060 0x40D1 1060 0x01D1 1060	Instance	SYS_EDMA_TPCC DSP1_EDMA_TPCC DSP_EDMA_TPCC
Description	Int Enable Set Register CPU write of '1' to the EDMA_TPCC_IESR .In bit causes the EDMA_TPCC_IESR .In bit to be set. CPU write of '0' has no effect..		
Type	W		

31	30	29	28	27	26	25	24	23	22	21	20	19	18	17	16	15	14	13	12	11	10	9	8	7	6	5	4	3	2	1	0
I31	I30	I29	I28	I27	I26	I25	I24	I23	I22	I21	I20	I19	I18	I17	I16	I15	I14	I13	I12	I11	I10	I9	I8	I7	I6	I5	I4	I3	I2	I1	I0

Bits	Field Name	Description	Type	Reset
31	I31	Interrupt associated with TCC #31	W	0x0
30	I30	Interrupt associated with TCC #30	W	0x0
29	I29	Interrupt associated with TCC #29	W	0x0
28	I28	Interrupt associated with TCC #28	W	0x0
27	I27	Interrupt associated with TCC #27	W	0x0

Bits	Field Name	Description	Type	Reset
26	I26	Interrupt associated with TCC #26	W	0x0
25	I25	Interrupt associated with TCC #25	W	0x0
24	I24	Interrupt associated with TCC #24	W	0x0
23	I23	Interrupt associated with TCC #23	W	0x0
22	I22	Interrupt associated with TCC #22	W	0x0
21	I21	Interrupt associated with TCC #21	W	0x0
20	I20	Interrupt associated with TCC #20	W	0x0
19	I19	Interrupt associated with TCC #19	W	0x0
18	I18	Interrupt associated with TCC #18	W	0x0
17	I17	Interrupt associated with TCC #17	W	0x0
16	I16	Interrupt associated with TCC #16	W	0x0
15	I15	Interrupt associated with TCC #15	W	0x0
14	I14	Interrupt associated with TCC #14	W	0x0
13	I13	Interrupt associated with TCC #13	W	0x0
12	I12	Interrupt associated with TCC #12	W	0x0
11	I11	Interrupt associated with TCC #11	W	0x0
10	I10	Interrupt associated with TCC #10	W	0x0
9	I9	Interrupt associated with TCC #9	W	0x0
8	I8	Interrupt associated with TCC #8	W	0x0
7	I7	Interrupt associated with TCC #7	W	0x0
6	I6	Interrupt associated with TCC #6	W	0x0
5	I5	Interrupt associated with TCC #5	W	0x0
4	I4	Interrupt associated with TCC #4	W	0x0
3	I3	Interrupt associated with TCC #3	W	0x0
2	I2	Interrupt associated with TCC #2	W	0x0
1	I1	Interrupt associated with TCC #1	W	0x0
0	I0	Interrupt associated with TCC #0	W	0x0

Table 16-232. Register Call Summary for Register EDMA_TPCC_IESR

Enhanced DMA

- [Region Overview: \[0\]](#)
- [Transfer Completion Interrupts: \[1\]](#)
- [Setting Up an EDMA Transfer: \[2\]](#)
- [EDMA Register Summary: \[3\]\[4\]\[6\]](#)
- [EDMA Register Description: \[9\]\[10\]\[11\]\[12\]\[13\]\[14\]](#)

Table 16-233. EDMA_TPCC_IESRH

Address Offset	0x0000 1064	Instance	SYS_EDMA_TPCC DSP1_EDMA_TPCC DSP_EDMA_TPCC
Physical Address	0x4330 1064 0x40D1 1064 0x01D1 1064		
Description	Int Enable Set Register (High Part) CPU write of '1' to the EDMA_TPCC_IESRH . In bit causes the EDMA_TPCC_IESRH . In bit to be set. CPU write of '0' has no effect..		
Type	W		

31	30	29	28	27	26	25	24	23	22	21	20	19	18	17	16	15	14	13	12	11	10	9	8	7	6	5	4	3	2	1	0
I63	I62	I61	I60	I59	I58	I57	I56	I55	I54	I53	I52	I51	I50	I49	I48	I47	I46	I45	I44	I43	I42	I41	I40	I39	I38	I37	I36	I35	I34	I33	I32

Bits	Field Name	Description	Type	Reset
31	I63	Interrupt associated with TCC #63	W	0x0
30	I62	Interrupt associated with TCC #62	W	0x0
29	I61	Interrupt associated with TCC #61	W	0x0
28	I60	Interrupt associated with TCC #60	W	0x0
27	I59	Interrupt associated with TCC #59	W	0x0
26	I58	Interrupt associated with TCC #58	W	0x0
25	I57	Interrupt associated with TCC #57	W	0x0
24	I56	Interrupt associated with TCC #56	W	0x0
23	I55	Interrupt associated with TCC #55	W	0x0
22	I54	Interrupt associated with TCC #54	W	0x0
21	I53	Interrupt associated with TCC #53	W	0x0
20	I52	Interrupt associated with TCC #52	W	0x0
19	I51	Interrupt associated with TCC #51	W	0x0
18	I50	Interrupt associated with TCC #50	W	0x0
17	I49	Interrupt associated with TCC #49	W	0x0
16	I48	Interrupt associated with TCC #48	W	0x0
15	I47	Interrupt associated with TCC #47	W	0x0
14	I46	Interrupt associated with TCC #46	W	0x0
13	I45	Interrupt associated with TCC #45	W	0x0
12	I44	Interrupt associated with TCC #44	W	0x0
11	I43	Interrupt associated with TCC #43	W	0x0
10	I42	Interrupt associated with TCC #42	W	0x0
9	I41	Interrupt associated with TCC #41	W	0x0
8	I40	Interrupt associated with TCC #40	W	0x0
7	I39	Interrupt associated with TCC #39	W	0x0
6	I38	Interrupt associated with TCC #38	W	0x0
5	I37	Interrupt associated with TCC #37	W	0x0
4	I36	Interrupt associated with TCC #36	W	0x0
3	I35	Interrupt associated with TCC #35	W	0x0
2	I34	Interrupt associated with TCC #34	W	0x0
1	I33	Interrupt associated with TCC #33	W	0x0
0	I32	Interrupt associated with TCC #32	W	0x0

Table 16-234. Register Call Summary for Register EDMA_TPCC_IESRH

Enhanced DMA

- [Region Overview: \[0\]](#)
- [Setting Up an EDMA Transfer: \[1\]](#)
- [EDMA Register Summary: \[2\]\[3\]\[5\]](#)
- [EDMA Register Description: \[8\]\[9\]\[10\]\[11\]\[12\]\[13\]](#)

Table 16-235. EDMA_TPCC_IPR

Address Offset	0x0000 1068	Instance	SYS_EDMA_TPCC
Physical Address	0x4330 1068 0x40D1 1068 0x01D1 1068		DSP1_EDMA_TPCC DSP_EDMA_TPCC
Description	Interrupt Pending Register EDMA_TPCC_IPR . In bit is set when an interrupt completion code with TCC of N is detected. EDMA_TPCC_IPR . In bit is cleared via software by writing a '1' to EDMA_TPCC_ICR . In bit.		
Type	R		

31	30	29	28	27	26	25	24	23	22	21	20	19	18	17	16	15	14	13	12	11	10	9	8	7	6	5	4	3	2	1	0
I31	I30	I29	I28	I27	I26	I25	I24	I23	I22	I21	I20	I19	I18	I17	I16	I15	I14	I13	I12	I11	I10	I9	I8	I7	I6	I5	I4	I3	I2	I1	I0

Bits	Field Name	Description	Type	Reset
31	I31	Interrupt associated with TCC #31	R	0x0
30	I30	Interrupt associated with TCC #30	R	0x0
29	I29	Interrupt associated with TCC #29	R	0x0
28	I28	Interrupt associated with TCC #28	R	0x0
27	I27	Interrupt associated with TCC #27	R	0x0
26	I26	Interrupt associated with TCC #26	R	0x0
25	I25	Interrupt associated with TCC #25	R	0x0
24	I24	Interrupt associated with TCC #24	R	0x0
23	I23	Interrupt associated with TCC #23	R	0x0
22	I22	Interrupt associated with TCC #22	R	0x0
21	I21	Interrupt associated with TCC #21	R	0x0
20	I20	Interrupt associated with TCC #20	R	0x0
19	I19	Interrupt associated with TCC #19	R	0x0
18	I18	Interrupt associated with TCC #18	R	0x0
17	I17	Interrupt associated with TCC #17	R	0x0
16	I16	Interrupt associated with TCC #16	R	0x0
15	I15	Interrupt associated with TCC #15	R	0x0
14	I14	Interrupt associated with TCC #14	R	0x0
13	I13	Interrupt associated with TCC #13	R	0x0
12	I12	Interrupt associated with TCC #12	R	0x0
11	I11	Interrupt associated with TCC #11	R	0x0
10	I10	Interrupt associated with TCC #10	R	0x0
9	I9	Interrupt associated with TCC #9	R	0x0
8	I8	Interrupt associated with TCC #8	R	0x0
7	I7	Interrupt associated with TCC #7	R	0x0
6	I6	Interrupt associated with TCC #6	R	0x0
5	I5	Interrupt associated with TCC #5	R	0x0
4	I4	Interrupt associated with TCC #4	R	0x0
3	I3	Interrupt associated with TCC #3	R	0x0
2	I2	Interrupt associated with TCC #2	R	0x0
1	I1	Interrupt associated with TCC #1	R	0x0
0	I0	Interrupt associated with TCC #0	R	0x0

Table 16-236. Register Call Summary for Register EDMA_TPCC_IPR

Enhanced DMA

- [Dummy Versus Null Transfer Comparison: \[0\]](#)
- [Completion of a DMA Transfer: \[1\]](#)
- [Dummy or Null Completion: \[2\]](#)
- [Region Overview: \[3\]](#)
- [Transfer Completion Interrupts: \[4\]\[5\]\[6\]\[7\]\[8\]\[9\]\[10\]\[11\]\[12\]\[13\]\[14\]\[15\]\[16\]\[17\]\[18\]\[19\]\[20\]\[21\]\[22\]\[23\]\[24\]\[25\]\[26\]\[27\]\[28\]\[29\]\[30\]\[31\]\[32\]\[33\]\[34\]\[35\]](#)
- [EDMA Interrupt Servicing: \[36\]\[37\]\[38\]\[39\]\[40\]](#)
- [Interrupt Servicing: \[41\]\[42\]\[43\]\[44\]\[45\]\[46\]](#)
- [Interrupt Servicing: \[47\]\[48\]\[49\]\[50\]\[51\]](#)
- [Interrupt Evaluation Operations: \[52\]](#)
- [Event Dataflow: \[53\]\[54\]](#)
- [Ping-Pong Buffering: \[55\]\[56\]\[57\]](#)
- [Transfer Chaining Examples: \[58\]](#)
- [Setting Up an EDMA Transfer: \[59\]\[60\]\[61\]\[62\]](#)
- [EDMA Debug Checklist: \[63\]\[64\]](#)
- [EDMA Register Summary: \[65\]\[66\]\[68\]](#)
- [EDMA Register Description: \[71\]\[72\]\[73\]\[74\]\[75\]\[76\]\[77\]\[78\]\[79\]\[80\]\[81\]\[82\]\[83\]\[84\]\[85\]](#)

Table 16-237. EDMA_TPCC_IPRH

Address Offset	0x0000 106C		
Physical Address	0x4330 106C	Instance	SYS_EDMA_TPCC
	0x40D1 106C		DSP1_EDMA_TPCC
	0x01D1 106C		DSP_EDMA_TPCC
Description	Interrupt Pending Register (High Part) EDMA_TPCC_IPRH . In bit is set when a interrupt completion code with TCC of N is detected. EDMA_TPCC_IPRH . In bit is cleared via software by writing a '1' to EDMA_TPCC_ICRH . In bit.		
Type	R		

31	30	29	28	27	26	25	24	23	22	21	20	19	18	17	16	15	14	13	12	11	10	9	8	7	6	5	4	3	2	1	0
I63	I62	I61	I60	I59	I58	I57	I56	I55	I54	I53	I52	I51	I50	I49	I48	I47	I46	I45	I44	I43	I42	I41	I40	I39	I38	I37	I36	I35	I34	I33	I32

Bits	Field Name	Description	Type	Reset
31	I63	Interrupt associated with TCC #63	R	0x0
30	I62	Interrupt associated with TCC #62	R	0x0
29	I61	Interrupt associated with TCC #61	R	0x0
28	I60	Interrupt associated with TCC #60	R	0x0
27	I59	Interrupt associated with TCC #59	R	0x0
26	I58	Interrupt associated with TCC #58	R	0x0
25	I57	Interrupt associated with TCC #57	R	0x0
24	I56	Interrupt associated with TCC #56	R	0x0
23	I55	Interrupt associated with TCC #55	R	0x0
22	I54	Interrupt associated with TCC #54	R	0x0
21	I53	Interrupt associated with TCC #53	R	0x0
20	I52	Interrupt associated with TCC #52	R	0x0
19	I51	Interrupt associated with TCC #51	R	0x0
18	I50	Interrupt associated with TCC #50	R	0x0
17	I49	Interrupt associated with TCC #49	R	0x0
16	I48	Interrupt associated with TCC #48	R	0x0
15	I47	Interrupt associated with TCC #47	R	0x0

Bits	Field Name	Description	Type	Reset
14	I46	Interrupt associated with TCC #46	R	0x0
13	I45	Interrupt associated with TCC #45	R	0x0
12	I44	Interrupt associated with TCC #44	R	0x0
11	I43	Interrupt associated with TCC #43	R	0x0
10	I42	Interrupt associated with TCC #42	R	0x0
9	I41	Interrupt associated with TCC #41	R	0x0
8	I40	Interrupt associated with TCC #40	R	0x0
7	I39	Interrupt associated with TCC #39	R	0x0
6	I38	Interrupt associated with TCC #38	R	0x0
5	I37	Interrupt associated with TCC #37	R	0x0
4	I36	Interrupt associated with TCC #36	R	0x0
3	I35	Interrupt associated with TCC #35	R	0x0
2	I34	Interrupt associated with TCC #34	R	0x0
1	I33	Interrupt associated with TCC #33	R	0x0
0	I32	Interrupt associated with TCC #32	R	0x0

Table 16-238. Register Call Summary for Register EDMA_TPCC_IPRH

Enhanced DMA

- [Dummy Versus Null Transfer Comparison: \[0\]](#)
- [Dummy or Null Completion: \[1\]](#)
- [Region Overview: \[2\]](#)
- [Transfer Completion Interrupts: \[3\]\[4\]\[5\]\[6\]\[7\]\[8\]\[9\]\[10\]\[11\]\[12\]\[13\]\[14\]\[15\]\[16\]\[17\]\[18\]\[19\]\[20\]\[21\]\[22\]\[23\]\[24\]](#)
- [EDMA Interrupt Servicing: \[25\]\[26\]\[27\]\[28\]\[29\]](#)
- [Interrupt Servicing: \[30\]\[31\]\[32\]\[33\]\[34\]\[35\]](#)
- [Interrupt Servicing: \[36\]\[37\]\[38\]\[39\]\[40\]](#)
- [Interrupt Evaluation Operations: \[41\]](#)
- [Event Dataflow: \[42\]\[43\]](#)
- [Setting Up an EDMA Transfer: \[44\]\[45\]\[46\]\[47\]](#)
- [EDMA Debug Checklist: \[48\]\[49\]](#)
- [EDMA Register Summary: \[50\]\[51\]\[53\]](#)
- [EDMA Register Description: \[56\]\[57\]\[58\]\[59\]\[60\]\[61\]\[62\]\[63\]\[64\]\[65\]\[66\]\[67\]](#)

Table 16-239. EDMA_TPCC_ICR

Address Offset	0x0000 1070		
Physical Address	0x4330 1070 0x40D1 1070 0x01D1 1070	Instance	SYS_EDMA_TPCC DSP1_EDMA_TPCC DSP_EDMA_TPCC
Description	Interrupt Clear Register CPU write of '1' to the EDMA_TPCC_ICR .In bit causes the EDMA_TPCC_IPR .In bit to be cleared. CPU write of '0' has no effect. All EDMA_TPCC_IPR .In bits must be cleared before additional interrupts will be asserted by CC.		
Type	W		

31	30	29	28	27	26	25	24	23	22	21	20	19	18	17	16	15	14	13	12	11	10	9	8	7	6	5	4	3	2	1	0
I31	I30	I29	I28	I27	I26	I25	I24	I23	I22	I21	I20	I19	I18	I17	I16	I15	I14	I13	I12	I11	I10	I9	I8	I7	I6	I5	I4	I3	I2	I1	I0

Bits	Field Name	Description	Type	Reset
31	I31	Interrupt associated with TCC #31	W	0x0
30	I30	Interrupt associated with TCC #30	W	0x0
29	I29	Interrupt associated with TCC #29	W	0x0
28	I28	Interrupt associated with TCC #28	W	0x0

Bits	Field Name	Description	Type	Reset
27	I27	Interrupt associated with TCC #27	W	0x0
26	I26	Interrupt associated with TCC #26	W	0x0
25	I25	Interrupt associated with TCC #25	W	0x0
24	I24	Interrupt associated with TCC #24	W	0x0
23	I23	Interrupt associated with TCC #23	W	0x0
22	I22	Interrupt associated with TCC #22	W	0x0
21	I21	Interrupt associated with TCC #21	W	0x0
20	I20	Interrupt associated with TCC #20	W	0x0
19	I19	Interrupt associated with TCC #19	W	0x0
18	I18	Interrupt associated with TCC #18	W	0x0
17	I17	Interrupt associated with TCC #17	W	0x0
16	I16	Interrupt associated with TCC #16	W	0x0
15	I15	Interrupt associated with TCC #15	W	0x0
14	I14	Interrupt associated with TCC #14	W	0x0
13	I13	Interrupt associated with TCC #13	W	0x0
12	I12	Interrupt associated with TCC #12	W	0x0
11	I11	Interrupt associated with TCC #11	W	0x0
10	I10	Interrupt associated with TCC #10	W	0x0
9	I9	Interrupt associated with TCC #9	W	0x0
8	I8	Interrupt associated with TCC #8	W	0x0
7	I7	Interrupt associated with TCC #7	W	0x0
6	I6	Interrupt associated with TCC #6	W	0x0
5	I5	Interrupt associated with TCC #5	W	0x0
4	I4	Interrupt associated with TCC #4	W	0x0
3	I3	Interrupt associated with TCC #3	W	0x0
2	I2	Interrupt associated with TCC #2	W	0x0
1	I1	Interrupt associated with TCC #1	W	0x0
0	I0	Interrupt associated with TCC #0	W	0x0

Table 16-240. Register Call Summary for Register EDMA_TPCC_ICR

Enhanced DMA

- [Region Overview: \[0\]](#)
- [Transfer Completion Interrupts: \[1\]\[2\]](#)
- [Interrupt Servicing: \[3\]](#)
- [Setting Up an EDMA Transfer: \[4\]\[5\]](#)
- [EDMA Register Summary: \[6\]\[7\]\[9\]](#)
- [EDMA Register Description: \[12\]\[13\]\[14\]\[15\]](#)

Table 16-241. EDMA_TPCC_ICRH

Address Offset	0x0000 1074		
Physical Address	0x4330 1074 0x40D1 1074 0x01D1 1074	Instance	SYS_EDMA_TPCC DSP1_EDMA_TPCC DSP_EDMA_TPCC
Description	Interrupt Clear Register (High Part) CPU write of '1' to the EDMA_TPCC_ICRH .In bit causes the EDMA_TPCC_IPRH .In bit to be cleared. CPU write of '0' has no effect. All EDMA_TPCC_IPRH .In bits must be cleared before additional interrupts will be asserted by CC.		
Type	W		

31	30	29	28	27	26	25	24	23	22	21	20	19	18	17	16	15	14	13	12	11	10	9	8	7	6	5	4	3	2	1	0
I63	I62	I61	I60	I59	I58	I57	I56	I55	I54	I53	I52	I51	I50	I49	I48	I47	I46	I45	I44	I43	I42	I41	I40	I39	I38	I37	I36	I35	I34	I33	I32

Bits	Field Name	Description	Type	Reset
31	I63	Interrupt associated with TCC #63	W	0x0
30	I62	Interrupt associated with TCC #62	W	0x0
29	I61	Interrupt associated with TCC #61	W	0x0
28	I60	Interrupt associated with TCC #60	W	0x0
27	I59	Interrupt associated with TCC #59	W	0x0
26	I58	Interrupt associated with TCC #58	W	0x0
25	I57	Interrupt associated with TCC #57	W	0x0
24	I56	Interrupt associated with TCC #56	W	0x0
23	I55	Interrupt associated with TCC #55	W	0x0
22	I54	Interrupt associated with TCC #54	W	0x0
21	I53	Interrupt associated with TCC #53	W	0x0
20	I52	Interrupt associated with TCC #52	W	0x0
19	I51	Interrupt associated with TCC #51	W	0x0
18	I50	Interrupt associated with TCC #50	W	0x0
17	I49	Interrupt associated with TCC #49	W	0x0
16	I48	Interrupt associated with TCC #48	W	0x0
15	I47	Interrupt associated with TCC #47	W	0x0
14	I46	Interrupt associated with TCC #46	W	0x0
13	I45	Interrupt associated with TCC #45	W	0x0
12	I44	Interrupt associated with TCC #44	W	0x0
11	I43	Interrupt associated with TCC #43	W	0x0
10	I42	Interrupt associated with TCC #42	W	0x0
9	I41	Interrupt associated with TCC #41	W	0x0
8	I40	Interrupt associated with TCC #40	W	0x0
7	I39	Interrupt associated with TCC #39	W	0x0
6	I38	Interrupt associated with TCC #38	W	0x0
5	I37	Interrupt associated with TCC #37	W	0x0
4	I36	Interrupt associated with TCC #36	W	0x0
3	I35	Interrupt associated with TCC #35	W	0x0
2	I34	Interrupt associated with TCC #34	W	0x0
1	I33	Interrupt associated with TCC #33	W	0x0
0	I32	Interrupt associated with TCC #32	W	0x0

Table 16-242. Register Call Summary for Register EDMA_TPCC_ICRH

Enhanced DMA

- [Region Overview: \[0\]](#)
- [Transfer Completion Interrupts: \[1\]](#)
- [Interrupt Servicing: \[2\]](#)
- [Setting Up an EDMA Transfer: \[3\]\[4\]](#)
- [EDMA Register Summary: \[5\]\[6\]\[8\]](#)
- [EDMA Register Description: \[11\]\[12\]\[13\]\[14\]](#)

Bits	Field Name	Description	Type	Reset
31:8	RESERVED	Reserved	R	0x0
7	E7	Event #7	R	0x0
6	E6	Event #6	R	0x0
5	E5	Event #5	R	0x0
4	E4	Event #4	R	0x0
3	E3	Event #3	R	0x0
2	E2	Event #2	R	0x0
1	E1	Event #1	R	0x0
0	E0	Event #0	R	0x0

Table 16-246. Register Call Summary for Register EDMA_TPCC_QER

Enhanced DMA

- [Dummy Versus Null Transfer Comparison: \[0\]](#)
- [Linking Transfers: \[1\]](#)
- [QDMA Channels: \[2\]\[3\]\[4\]\[5\]](#)
- [Region Overview: \[6\]](#)
- [Event Dataflow: \[7\]\[8\]](#)
- [Channel Priority: \[9\]](#)
- [EDMA Register Summary: \[10\]\[11\]\[13\]](#)
- [EDMA Register Description: \[16\]\[17\]\[18\]\[19\]\[20\]\[21\]\[22\]\[23\]\[24\]\[25\]\[26\]\[27\]\[28\]\[29\]\[30\]\[31\]\[32\]\[33\]\[34\]\[35\]\[36\]\[37\]](#)

Table 16-247. EDMA_TPCC_QEER

Address Offset	0x0000 1084	Instance	SYS_EDMA_TPCC DSP1_EDMA_TPCC DSP_EDMA_TPCC
Physical Address	0x4330 1084 0x40D1 1084 0x01D1 1084		
Description	QDMA Event Enable Register Enabled/disabled QDMA address comparator for QDMA Channel N. EDMA_TPCC_QEER .En is not directly writeable. QDMA channels can be enabled via writes to EDMA_TPCC_QEESR and can be disabled via writes to EDMA_TPCC_QEECR register. EDMA_TPCC_QEER .En = 1, The corresponding QDMA channel comparator is enabled and Events will be recognized and latched in EDMA_TPCC_QER .En. EDMA_TPCC_QEER .En = 0, The corresponding QDMA channel comparator is disabled. Events will not be recognized/latched in EDMA_TPCC_QER .En.		
Type	R		

31	30	29	28	27	26	25	24	23	22	21	20	19	18	17	16	15	14	13	12	11	10	9	8	7	6	5	4	3	2	1	0
RESERVED																E7	E6	E5	E4	E3	E2	E1	E0								

Bits	Field Name	Description	Type	Reset
31:8	RESERVED	Reserved	R Return 0's	0x0
7	E7	Event #7	R	0x0
6	E6	Event #6	R	0x0
5	E5	Event #5	R	0x0
4	E4	Event #4	R	0x0
3	E3	Event #3	R	0x0
2	E2	Event #2	R	0x0
1	E1	Event #1	R	0x0
0	E0	Event #0	R	0x0

Table 16-248. Register Call Summary for Register EDMA_TPCC_QEER

Enhanced DMA

- [QDMA Channels: \[0\]\[1\]](#)
- [Region Overview: \[2\]](#)
- [Channel Controller Regions: \[3\]](#)
- [Setting Up an EDMA Transfer: \[4\]](#)
- [EDMA Debug Checklist: \[5\]](#)
- [EDMA Register Summary: \[6\]\[7\]\[9\]](#)
- [EDMA Register Description: \[12\]\[13\]\[14\]\[15\]\[16\]\[17\]\[18\]\[19\]\[20\]\[21\]](#)

Table 16-249. EDMA_TPCC_QEECR

Address Offset	0x0000 1088		
Physical Address	0x4330 1088 0x40D1 1088 0x01D1 1088	Instance	SYS_EDMA_TPCC DSP1_EDMA_TPCC DSP_EDMA_TPCC
Description	QDMA Event Enable Clear Register CPU write of '1' to the EDMA_TPCC_QEECR .En bit causes the EDMA_TPCC_QEER .En bit to be cleared. CPU write of '0' has no effect..		
Type	W		

31	30	29	28	27	26	25	24	23	22	21	20	19	18	17	16	15	14	13	12	11	10	9	8	7	6	5	4	3	2	1	0
RESERVED																E7	E6	E5	E4	E3	E2	E1	E0								

Bits	Field Name	Description	Type	Reset
31:8	RESERVED	Reserved	R	0x0
7	E7	Event #7	W	0x0
6	E6	Event #6	W	0x0
5	E5	Event #5	W	0x0
4	E4	Event #4	W	0x0
3	E3	Event #3	W	0x0
2	E2	Event #2	W	0x0
1	E1	Event #1	W	0x0
0	E0	Event #0	W	0x0

Table 16-250. Register Call Summary for Register EDMA_TPCC_QEECR

Enhanced DMA

- [Region Overview: \[0\]](#)
- [EDMA Register Summary: \[1\]\[2\]\[4\]](#)
- [EDMA Register Description: \[7\]\[8\]\[9\]\[10\]](#)

Table 16-251. EDMA_TPCC_QEESR

Address Offset	0x0000 108C		
Physical Address	0x4330 108C 0x40D1 108C 0x01D1 108C	Instance	SYS_EDMA_TPCC DSP1_EDMA_TPCC DSP_EDMA_TPCC
Description	QDMA Event Enable Set Register CPU write of '1' to the EDMA_TPCC_QEESR .En bit causes the EDMA_TPCC_QEESR .En bit to be set. CPU write of '0' has no effect..		
Type	W		

31	30	29	28	27	26	25	24	23	22	21	20	19	18	17	16	15	14	13	12	11	10	9	8	7	6	5	4	3	2	1	0
RESERVED																E7	E6	E5	E4	E3	E2	E1	E0								

Bits	Field Name	Description	Type	Reset
31:8	RESERVED	Reserved	R	0x0
7	E7	Event #7	W	0x0
6	E6	Event #6	W	0x0
5	E5	Event #5	W	0x0
4	E4	Event #4	W	0x0
3	E3	Event #3	W	0x0
2	E2	Event #2	W	0x0
1	E1	Event #1	W	0x0
0	E0	Event #0	W	0x0

Table 16-252. Register Call Summary for Register EDMA_TPCC_QEESR

Enhanced DMA

- [Region Overview: \[0\]](#)
- [Channel Controller Regions: \[1\]](#)
- [Setting Up an EDMA Transfer: \[2\]](#)
- [EDMA Register Summary: \[3\]\[4\]\[6\]](#)
- [EDMA Register Description: \[9\]\[10\]\[11\]\[12\]\[13\]\[14\]](#)

Table 16-253. EDMA_TPCC_QSER

Address Offset	0x0000 1090	Instance	SYS_EDMA_TPCC DSP1_EDMA_TPCC DSP_EDMA_TPCC
Physical Address	0x4330 1090 0x40D1 1090 0x01D1 1090		
Description	QDMA Secondary Event Register The QDMA secondary event register is used along with the QDMA Event Register (EDMA_TPCC_QER) to provide information on the state of a QDMA Event. En = 0 : Event is not currently in the Event Queue. En = 1 : Event is currently stored in Event Queue. Event arbiter will not prioritize additional events.		
Type	R		

31	30	29	28	27	26	25	24	23	22	21	20	19	18	17	16	15	14	13	12	11	10	9	8	7	6	5	4	3	2	1	0
RESERVED																E7	E6	E5	E4	E3	E2	E1	E0								

Bits	Field Name	Description	Type	Reset
31:8	RESERVED	Reserved	R Return 0's	0x0
7	E7	Event #7	R	0x0
6	E6	Event #6	R	0x0
5	E5	Event #5	R	0x0
4	E4	Event #4	R	0x0
3	E3	Event #3	R	0x0
2	E2	Event #2	R	0x0
1	E1	Event #1	R	0x0
0	E0	Event #0	R	0x0

Table 16-254. Register Call Summary for Register EDMA_TPCC_QSER

Enhanced DMA

- Null PaRAM Set: [0][1]
- Dummy PaRAM Set: [2]
- Dummy Versus Null Transfer Comparison: [3]
- Event Dataflow: [4]
- EDMA Debug Checklist: [5][6][7]
- EDMA Register Summary: [8][9][11]
- EDMA Register Description: [14][15][16][17]

Table 16-255. EDMA_TPCC_QSECR

Address Offset	0x0000 1094		
Physical Address	0x4330 1094 0x40D1 1094 0x01D1 1094	Instance	SYS_EDMA_TPCC DSP1_EDMA_TPCC DSP_EDMA_TPCC
Description	QDMA Secondary Event Clear Register The secondary event clear register is used to clear the status of the EDMA_TPCC_QSER and EDMA_TPCC_QER register (note that this is slightly different than the EDMA_TPCC_SER operation, which does not clear the EDMA_TPCC_ER .En register). CPU write of '1' to the EDMA_TPCC_QSECR .En bit clears the EDMA_TPCC_QSER .En and EDMA_TPCC_QER .En register fields. CPU write of '0' has no effect..		
Type	W		

31	30	29	28	27	26	25	24	23	22	21	20	19	18	17	16	15	14	13	12	11	10	9	8	7	6	5	4	3	2	1	0
RESERVED																							E7	E6	E5	E4	E3	E2	E1	E0	

Bits	Field Name	Description	Type	Reset
31:8	RESERVED	Reserved	R	0x0
7	E7	Event #7	W	0x0
6	E6	Event #6	W	0x0
5	E5	Event #5	W	0x0
4	E4	Event #4	W	0x0
3	E3	Event #3	W	0x0
2	E2	Event #2	W	0x0
1	E1	Event #1	W	0x0
0	E0	Event #0	W	0x0

Table 16-256. Register Call Summary for Register EDMA_TPCC_QSECR

Enhanced DMA

- EDMA Register Summary: [0][1][3]
- EDMA Register Description: [6][7][8][9]

Table 16-257. EDMA_TPCC_ER_RN_k

Address Offset	0x0000 2000 + (0x200 * k)		
Physical Address	0x4330 2000 + (0x200 * k) 0x40D1 2000 + (0x200 * k) 0x01D1 2000 + (0x200 * k)	Instance	SYS_EDMA_TPCC DSP1_EDMA_TPCC DSP_EDMA_TPCC

Table 16-257. EDMA_TPCC_ER_RN_k (continued)

Description	Event Register If EDMA_TPCC_ER .En bit is set and the EDMA_TPCC_EER .En bit is also set, then the corresponding DMA channel is prioritized vs. other pending DMA events for submission to the TC. EDMA_TPCC_ER .En bit is set when the input event #n transitions from inactive (low) to active (high), regardless of the state of EDMA_TPCC_EER .En bit. EDMA_TPCC_ER .En bit is cleared when the corresponding event is prioritized and serviced. If the EDMA_TPCC_ER .En bit is already set and a new inactive to active transition is detected on the input event #n input AND the corresponding bit in the EDMA_TPCC_EER register is set, then the corresponding bit in the Event Missed Register is set. Event N can be cleared via sw by writing a '1' to the EDMA_TPCC_ECR pseudo-register.
Type	R

31	30	29	28	27	26	25	24	23	22	21	20	19	18	17	16	15	14	13	12	11	10	9	8	7	6	5	4	3	2	1	0
E31	E30	E29	E28	E27	E26	E25	E24	E23	E22	E21	E20	E19	E18	E17	E16	E15	E14	E13	E12	E11	E10	E9	E8	E7	E6	E5	E4	E3	E2	E1	E0

Bits	Field Name	Description	Type	Reset
31	E31	Event #31	R	0x0
30	E30	Event #30	R	0x0
29	E29	Event #29	R	0x0
28	E28	Event #28	R	0x0
27	E27	Event #27	R	0x0
26	E26	Event #26	R	0x0
25	E25	Event #25	R	0x0
24	E24	Event #24	R	0x0
23	E23	Event #23	R	0x0
22	E22	Event #22	R	0x0
21	E21	Event #21	R	0x0
20	E20	Event #20	R	0x0
19	E19	Event #19	R	0x0
18	E18	Event #18	R	0x0
17	E17	Event #17	R	0x0
16	E16	Event #16	R	0x0
15	E15	Event #15	R	0x0
14	E14	Event #14	R	0x0
13	E13	Event #13	R	0x0
12	E12	Event #12	R	0x0
11	E11	Event #11	R	0x0
10	E10	Event #10	R	0x0
9	E9	Event #9	R	0x0
8	E8	Event #8	R	0x0
7	E7	Event #7	R	0x0
6	E6	Event #6	R	0x0
5	E5	Event #5	R	0x0
4	E4	Event #4	R	0x0
3	E3	Event #3	R	0x0
2	E2	Event #2	R	0x0
1	E1	Event #1	R	0x0
0	E0	Event #0	R	0x0

Table 16-258. Register Call Summary for Register EDMA_TPCC_ER_RN_k

Enhanced DMA

- [EDMA Register Summary: \[0\]\[1\]\[3\]](#)

Table 16-259. EDMA_TPCC_ERH_RN_k

Address Offset	0x0000 2004 + (0x200 * k)		
Physical Address	0x4330 2004 + (0x200 * k) 0x40D1 2004 + (0x200 * k) 0x01D1 2004 + (0x200 * k)	Instance	SYS_EDMA_TPCC DSP1_EDMA_TPCC DSP_EDMA_TPCC
Description	<p>Event Register (High Part)</p> <p>If EDMA_TPCC_ERH.En bit is set and the EDMA_TPCC_EERH.En bit is also set, then the corresponding DMA channel is prioritized vs. other pending DMA events for submission to the TC.</p> <p>EDMA_TPCC_ERH.En bit is set when the input event #n transitions from inactive (low) to active (high), regardless of the state of EERH.En bit.</p> <p>EDMA_TPCC_ER.En bit is cleared when the corresponding event is prioritized and serviced. If the EDMA_TPCC_ERH.En bit is already set and a new inactive to active transition is detected on the input event #n input AND the corresponding bit in the EDMA_TPCC_EERH register is set, then the corresponding bit in the Event Missed Register is set.</p> <p>Event N can be cleared via sw by writing a '1' to the EDMA_TPCC_ECRH pseudo-register.</p>		
Type	R		

31	30	29	28	27	26	25	24	23	22	21	20	19	18	17	16	15	14	13	12	11	10	9	8	7	6	5	4	3	2	1	0
E63	E62	E61	E60	E59	E58	E57	E56	E55	E54	E53	E52	E51	E50	E49	E48	E47	E46	E45	E44	E43	E42	E41	E40	E39	E38	E37	E36	E35	E34	E33	E32

Bits	Field Name	Description	Type	Reset
31	E63	Event #63	R	0x0
30	E62	Event #62	R	0x0
29	E61	Event #61	R	0x0
28	E60	Event #60	R	0x0
27	E59	Event #59	R	0x0
26	E58	Event #58	R	0x0
25	E57	Event #57	R	0x0
24	E56	Event #56	R	0x0
23	E55	Event #55	R	0x0
22	E54	Event #54	R	0x0
21	E53	Event #53	R	0x0
20	E52	Event #52	R	0x0
19	E51	Event #51	R	0x0
18	E50	Event #50	R	0x0
17	E49	Event #49	R	0x0
16	E48	Event #48	R	0x0
15	E47	Event #47	R	0x0
14	E46	Event #46	R	0x0
13	E45	Event #45	R	0x0
12	E44	Event #44	R	0x0
11	E43	Event #43	R	0x0
10	E42	Event #42	R	0x0
9	E41	Event #41	R	0x0
8	E40	Event #40	R	0x0
7	E39	Event #39	R	0x0
6	E38	Event #38	R	0x0

Bits	Field Name	Description	Type	Reset
5	E37	Event #37	R	0x0
4	E36	Event #36	R	0x0
3	E35	Event #35	R	0x0
2	E34	Event #34	R	0x0
1	E33	Event #33	R	0x0
0	E32	Event #32	R	0x0

Table 16-260. Register Call Summary for Register EDMA_TPCC_ERH_RN_k

Enhanced DMA

- [EDMA Register Summary: \[0\]\[1\]\[3\]](#)

Table 16-261. EDMA_TPCC_ECR_RN_k

Address Offset	0x0000 2008 + (0x200 * k)		
Physical Address	0x4330 2008 + (0x200 * k) 0x40D1 2008 + (0x200 * k) 0x01D1 2008 + (0x200 * k)	Instance	SYS_EDMA_TPCC DSP1_EDMA_TPCC DSP_EDMA_TPCC
Description	Event Clear Register CPU write of '1' to the EDMA_TPCC_ECR . En bit causes the EDMA_TPCC_ER . En bit to be cleared. CPU write of '0' has no effect.		
Type	W		

31	30	29	28	27	26	25	24	23	22	21	20	19	18	17	16	15	14	13	12	11	10	9	8	7	6	5	4	3	2	1	0
E31	E30	E29	E28	E27	E26	E25	E24	E23	E22	E21	E20	E19	E18	E17	E16	E15	E14	E13	E12	E11	E10	E9	E8	E7	E6	E5	E4	E3	E2	E1	E0

Bits	Field Name	Description	Type	Reset
31	E31	Event #31	W	0x0
30	E30	Event #30	W	0x0
29	E29	Event #29	W	0x0
28	E28	Event #28	W	0x0
27	E27	Event #27	W	0x0
26	E26	Event #26	W	0x0
25	E25	Event #25	W	0x0
24	E24	Event #24	W	0x0
23	E23	Event #23	W	0x0
22	E22	Event #22	W	0x0
21	E21	Event #21	W	0x0
20	E20	Event #20	W	0x0
19	E19	Event #19	W	0x0
18	E18	Event #18	W	0x0
17	E17	Event #17	W	0x0
16	E16	Event #16	W	0x0
15	E15	Event #15	W	0x0
14	E14	Event #14	W	0x0
13	E13	Event #13	W	0x0
12	E12	Event #12	W	0x0
11	E11	Event #11	W	0x0
10	E10	Event #10	W	0x0
9	E9	Event #9	W	0x0

Bits	Field Name	Description	Type	Reset
8	E8	Event #8	W	0x0
7	E7	Event #7	W	0x0
6	E6	Event #6	W	0x0
5	E5	Event #5	W	0x0
4	E4	Event #4	W	0x0
3	E3	Event #3	W	0x0
2	E2	Event #2	W	0x0
1	E1	Event #1	W	0x0
0	E0	Event #0	W	0x0

Table 16-262. Register Call Summary for Register EDMA_TPCC_ECR_RN_k

Enhanced DMA

- [EDMA Register Summary: \[0\]\[1\]\[3\]](#)

Table 16-263. EDMA_TPCC_ECRH_RN_k

Address Offset	0x0000 200C + (0x200 * k)	Instance	SYS_EDMA_TPCC DSP1_EDMA_TPCC DSP_EDMA_TPCC
Physical Address	0x4330 200C + (0x200 * k) 0x40D1 200C + (0x200 * k) 0x01D1 200C + (0x200 * k)		
Description	Event Clear Register (High Part) CPU write of '1' to the EDMA_TPCC_ECRH .En bit causes the EDMA_TPCC_ERH .En bit to be cleared. CPU write of '0' has no effect.		
Type	W		

31	30	29	28	27	26	25	24	23	22	21	20	19	18	17	16	15	14	13	12	11	10	9	8	7	6	5	4	3	2	1	0
E63	E62	E61	E60	E59	E58	E57	E56	E55	E54	E53	E52	E51	E50	E49	E48	E47	E46	E45	E44	E43	E42	E41	E40	E39	E38	E37	E36	E35	E34	E33	E32

Bits	Field Name	Description	Type	Reset
31	E63	Event #63	W	0x0
30	E62	Event #62	W	0x0
29	E61	Event #61	W	0x0
28	E60	Event #60	W	0x0
27	E59	Event #59	W	0x0
26	E58	Event #58	W	0x0
25	E57	Event #57	W	0x0
24	E56	Event #56	W	0x0
23	E55	Event #55	W	0x0
22	E54	Event #54	W	0x0
21	E53	Event #53	W	0x0
20	E52	Event #52	W	0x0
19	E51	Event #51	W	0x0
18	E50	Event #50	W	0x0
17	E49	Event #49	W	0x0
16	E48	Event #48	W	0x0
15	E47	Event #47	W	0x0
14	E46	Event #46	W	0x0
13	E45	Event #45	W	0x0
12	E44	Event #44	W	0x0

Bits	Field Name	Description	Type	Reset
11	E43	Event #43	W	0x0
10	E42	Event #42	W	0x0
9	E41	Event #41	W	0x0
8	E40	Event #40	W	0x0
7	E39	Event #39	W	0x0
6	E38	Event #38	W	0x0
5	E37	Event #37	W	0x0
4	E36	Event #36	W	0x0
3	E35	Event #35	W	0x0
2	E34	Event #34	W	0x0
1	E33	Event #33	W	0x0
0	E32	Event #32	W	0x0

Table 16-264. Register Call Summary for Register EDMA_TPCC_ECRH_RN_k

Enhanced DMA

- [EDMA Register Summary: \[0\]\[1\]\[3\]](#)

Table 16-265. EDMA_TPCC_ESR_RN_k

Address Offset	0x0000 2010 + (0x200 * k)		
Physical Address	0x4330 2010 + (0x200 * k) 0x40D1 2010 + (0x200 * k) 0x01D1 2010 + (0x200 * k)	Instance	SYS_EDMA_TPCC DSP1_EDMA_TPCC DSP_EDMA_TPCC
Description	Event Set Register CPU write of '1' to the EDMA_TPCC_ESR .En bit causes the EDMA_TPCC_ER .En bit to be set. CPU write of '0' has no effect.		
Type	W		

31	30	29	28	27	26	25	24	23	22	21	20	19	18	17	16	15	14	13	12	11	10	9	8	7	6	5	4	3	2	1	0
E31	E30	E29	E28	E27	E26	E25	E24	E23	E22	E21	E20	E19	E18	E17	E16	E15	E14	E13	E12	E11	E10	E9	E8	E7	E6	E5	E4	E3	E2	E1	E0

Bits	Field Name	Description	Type	Reset
31	E31	Event #31	W	0x0
30	E30	Event #30	W	0x0
29	E29	Event #29	W	0x0
28	E28	Event #28	W	0x0
27	E27	Event #27	W	0x0
26	E26	Event #26	W	0x0
25	E25	Event #25	W	0x0
24	E24	Event #24	W	0x0
23	E23	Event #23	W	0x0
22	E22	Event #22	W	0x0
21	E21	Event #21	W	0x0
20	E20	Event #20	W	0x0
19	E19	Event #19	W	0x0
18	E18	Event #18	W	0x0
17	E17	Event #17	W	0x0
16	E16	Event #16	W	0x0
15	E15	Event #15	W	0x0

Bits	Field Name	Description	Type	Reset
14	E14	Event #14	W	0x0
13	E13	Event #13	W	0x0
12	E12	Event #12	W	0x0
11	E11	Event #11	W	0x0
10	E10	Event #10	W	0x0
9	E9	Event #9	W	0x0
8	E8	Event #8	W	0x0
7	E7	Event #7	W	0x0
6	E6	Event #6	W	0x0
5	E5	Event #5	W	0x0
4	E4	Event #4	W	0x0
3	E3	Event #3	W	0x0
2	E2	Event #2	W	0x0
1	E1	Event #1	W	0x0
0	E0	Event #0	W	0x0

Table 16-266. Register Call Summary for Register EDMA_TPCC_ESR_RN_k

Enhanced DMA

- [EDMA Register Summary: \[0\]\[1\]\[3\]](#)

Table 16-267. EDMA_TPCC_ESRH_RN_k

Address Offset	0x0000 2014 + (0x200 * k)		
Physical Address	0x4330 2014 + (0x200 * k) 0x40D1 2014 + (0x200 * k) 0x01D1 2014 + (0x200 * k)	Instance	SYS_EDMA_TPCC DSP1_EDMA_TPCC DSP_EDMA_TPCC
Description	Event Set Register (High Part) CPU write of '1' to the EDMA_TPCC_ESRH .En bit causes the EDMA_TPCC_ERH .En bit to be set. CPU write of '0' has no effect.		
Type	W		

31	30	29	28	27	26	25	24	23	22	21	20	19	18	17	16	15	14	13	12	11	10	9	8	7	6	5	4	3	2	1	0
E63	E62	E61	E60	E59	E58	E57	E56	E55	E54	E53	E52	E51	E50	E49	E48	E47	E46	E45	E44	E43	E42	E41	E40	E39	E38	E37	E36	E35	E34	E33	E32

Bits	Field Name	Description	Type	Reset
31	E63	Event #63	W	0x0
30	E62	Event #62	W	0x0
29	E61	Event #61	W	0x0
28	E60	Event #60	W	0x0
27	E59	Event #59	W	0x0
26	E58	Event #58	W	0x0
25	E57	Event #57	W	0x0
24	E56	Event #56	W	0x0
23	E55	Event #55	W	0x0
22	E54	Event #54	W	0x0
21	E53	Event #53	W	0x0
20	E52	Event #52	W	0x0
19	E51	Event #51	W	0x0
18	E50	Event #50	W	0x0

Bits	Field Name	Description	Type	Reset
17	E49	Event #49	W	0x0
16	E48	Event #48	W	0x0
15	E47	Event #47	W	0x0
14	E46	Event #46	W	0x0
13	E45	Event #45	W	0x0
12	E44	Event #44	W	0x0
11	E43	Event #43	W	0x0
10	E42	Event #42	W	0x0
9	E41	Event #41	W	0x0
8	E40	Event #40	W	0x0
7	E39	Event #39	W	0x0
6	E38	Event #38	W	0x0
5	E37	Event #37	W	0x0
4	E36	Event #36	W	0x0
3	E35	Event #35	W	0x0
2	E34	Event #34	W	0x0
1	E33	Event #33	W	0x0
0	E32	Event #32	W	0x0

Table 16-268. Register Call Summary for Register EDMA_TPCC_ESRH_RN_k

Enhanced DMA

- [EDMA Register Summary: \[0\]\[1\]\[3\]](#)

Table 16-269. EDMA_TPCC_CER_RN_k

Address Offset	0x0000 2018 + (0x200 * k)		
Physical Address	0x4330 2018 + (0x200 * k) 0x40D1 2018 + (0x200 * k) 0x01D1 2018 + (0x200 * k)	Instance	SYS_EDMA_TPCC DSP1_EDMA_TPCC DSP_EDMA_TPCC
Description	Chained Event Register If EDMA_TPCC_CER.En bit is set (regardless of state of EDMA_TPCC_EER.En), then the corresponding DMA channel is prioritized vs. other pending DMA events for submission to the TC. EDMA_TPCC_CER.En bit is set when a chaining completion code is returned from one of the 3PTCs via the completion interface, or is generated internally via Early Completion path. EDMA_TPCC_CER.En bit is cleared when the corresponding event is prioritized and serviced. If the EDMA_TPCC_CER.En bit is already set and the corresponding chaining completion code is returned from the TC, then the corresponding bit in the Event Missed Register is set. EDMA_TPCC_CER.En cannot be set or cleared via software.		
Type	R		

31	30	29	28	27	26	25	24	23	22	21	20	19	18	17	16	15	14	13	12	11	10	9	8	7	6	5	4	3	2	1	0
E31	E30	E29	E28	E27	E26	E25	E24	E23	E22	E21	E20	E19	E18	E17	E16	E15	E14	E13	E12	E11	E10	E9	E8	E7	E6	E5	E4	E3	E2	E1	E0

Bits	Field Name	Description	Type	Reset
31	E31	Event #31	R	0x0
30	E30	Event #30	R	0x0
29	E29	Event #29	R	0x0
28	E28	Event #28	R	0x0
27	E27	Event #27	R	0x0
26	E26	Event #26	R	0x0
25	E25	Event #25	R	0x0

Bits	Field Name	Description	Type	Reset
24	E24	Event #24	R	0x0
23	E23	Event #23	R	0x0
22	E22	Event #22	R	0x0
21	E21	Event #21	R	0x0
20	E20	Event #20	R	0x0
19	E19	Event #19	R	0x0
18	E18	Event #18	R	0x0
17	E17	Event #17	R	0x0
16	E16	Event #16	R	0x0
15	E15	Event #15	R	0x0
14	E14	Event #14	R	0x0
13	E13	Event #13	R	0x0
12	E12	Event #12	R	0x0
11	E11	Event #11	R	0x0
10	E10	Event #10	R	0x0
9	E9	Event #9	R	0x0
8	E8	Event #8	R	0x0
7	E7	Event #7	R	0x0
6	E6	Event #6	R	0x0
5	E5	Event #5	R	0x0
4	E4	Event #4	R	0x0
3	E3	Event #3	R	0x0
2	E2	Event #2	R	0x0
1	E1	Event #1	R	0x0
0	E0	Event #0	R	0x0

Table 16-270. Register Call Summary for Register EDMA_TPCC_CER_RN_k

Enhanced DMA

- [EDMA Register Summary: \[0\]\[1\]\[3\]](#)

Table 16-271. EDMA_TPCC_CERH_RN_k

Address Offset	0x0000 201C + (0x200 * k)		
Physical Address	0x4330 201C + (0x200 * k) 0x40D1 201C + (0x200 * k) 0x01D1 201C + (0x200 * k)	Instance	SYS_EDMA_TPCC DSP1_EDMA_TPCC DSP_EDMA_TPCC
Description	Chained Event Register (High Part) If EDMA_TPCC_CERH.En bit is set (regardless of state of EDMA_TPCC_EERH.En), then the corresponding DMA channel is prioritized vs. other pending DMA events for submission to the TC. EDMA_TPCC_CERH.En bit is set when a chaining completion code is returned from one of the 3PTCs via the completion interface, or is generated internally via Early Completion path. EDMA_TPCC_CERH.En bit is cleared when the corresponding event is prioritized and serviced. If the EDMA_TPCC_CERH.En bit is already set and the corresponding chaining completion code is returned from the TC, then the corresponding bit in the Event Missed Register is set. EDMA_TPCC_CERH.En cannot be set or cleared via software.		
Type	R		

31	30	29	28	27	26	25	24	23	22	21	20	19	18	17	16	15	14	13	12	11	10	9	8	7	6	5	4	3	2	1	0
E63	E62	E61	E60	E59	E58	E57	E56	E55	E54	E53	E52	E51	E50	E49	E48	E47	E46	E45	E44	E43	E42	E41	E40	E39	E38	E37	E36	E35	E34	E33	E32

Bits	Field Name	Description	Type	Reset
31	E63	Event #63	R	0x0
30	E62	Event #62	R	0x0
29	E61	Event #61	R	0x0
28	E60	Event #60	R	0x0
27	E59	Event #59	R	0x0
26	E58	Event #58	R	0x0
25	E57	Event #57	R	0x0
24	E56	Event #56	R	0x0
23	E55	Event #55	R	0x0
22	E54	Event #54	R	0x0
21	E53	Event #53	R	0x0
20	E52	Event #52	R	0x0
19	E51	Event #51	R	0x0
18	E50	Event #50	R	0x0
17	E49	Event #49	R	0x0
16	E48	Event #48	R	0x0
15	E47	Event #47	R	0x0
14	E46	Event #46	R	0x0
13	E45	Event #45	R	0x0
12	E44	Event #44	R	0x0
11	E43	Event #43	R	0x0
10	E42	Event #42	R	0x0
9	E41	Event #41	R	0x0
8	E40	Event #40	R	0x0
7	E39	Event #39	R	0x0
6	E38	Event #38	R	0x0
5	E37	Event #37	R	0x0
4	E36	Event #36	R	0x0
3	E35	Event #35	R	0x0
2	E34	Event #34	R	0x0
1	E33	Event #33	R	0x0
0	E32	Event #32	R	0x0

Table 16-272. Register Call Summary for Register EDMA_TPCC_CERH_RN_k

Enhanced DMA

- [EDMA Register Summary: \[0\]\[1\]\[3\]](#)

Table 16-273. EDMA_TPCC_EER_RN_k

Address Offset	Physical Address	Instance	
0x0000 2020 + (0x200 * k)	0x4330 2020 + (0x200 * k) 0x40D1 2020 + (0x200 * k) 0x01D1 2020 + (0x200 * k)		SYS_EDMA_TPCC DSP1_EDMA_TPCC DSP_EDMA_TPCC

Table 16-273. EDMA_TPCC_EER_RN_k (continued)

Description	Event Enable Register Enables DMA transfers for <code>EDMA_TPCC_ER.En</code> pending events. <code>EDMA_TPCC_ER.En</code> is set based on externally asserted events (via <code>tpcc_eventN_pi</code>). This register has no effect on Chained Event Register (<code>EDMA_TPCC_CER</code>) or Event Set Register (<code>EDMA_TPCC_ESR</code>). NOTE: If a bit is set in <code>EDMA_TPCC_ER.En</code> while <code>EDMA_TPCC_EER.En</code> is disabled, no action is taken. If <code>EDMA_TPCC_EER.En</code> is enabled at a later point (and <code>EDMA_TPCC_ER.En</code> has not been cleared via SW) then the event will be recognized as a valid 'TR Sync' <code>EDMA_TPCC_EER.En</code> is not directly writeable. Events can be enabled via writes to <code>EDMA_TPCC_EESR</code> and can be disabled via writes to <code>EDMA_TPCC_EEER</code> register. <code>EDMA_TPCC_EER.En</code> = 0: <code>EDMA_TPCC_ER.En</code> is not enabled to trigger DMA transfers. <code>EDMA_TPCC_EER.En</code> = 1: <code>EDMA_TPCC_ER.En</code> is enabled to trigger DMA transfers.
Type	R

31	30	29	28	27	26	25	24	23	22	21	20	19	18	17	16	15	14	13	12	11	10	9	8	7	6	5	4	3	2	1	0
E31	E30	E29	E28	E27	E26	E25	E24	E23	E22	E21	E20	E19	E18	E17	E16	E15	E14	E13	E12	E11	E10	E9	E8	E7	E6	E5	E4	E3	E2	E1	E0

Bits	Field Name	Description	Type	Reset
31	E31	Event #31	R	0x0
30	E30	Event #30	R	0x0
29	E29	Event #29	R	0x0
28	E28	Event #28	R	0x0
27	E27	Event #27	R	0x0
26	E26	Event #26	R	0x0
25	E25	Event #25	R	0x0
24	E24	Event #24	R	0x0
23	E23	Event #23	R	0x0
22	E22	Event #22	R	0x0
21	E21	Event #21	R	0x0
20	E20	Event #20	R	0x0
19	E19	Event #19	R	0x0
18	E18	Event #18	R	0x0
17	E17	Event #17	R	0x0
16	E16	Event #16	R	0x0
15	E15	Event #15	R	0x0
14	E14	Event #14	R	0x0
13	E13	Event #13	R	0x0
12	E12	Event #12	R	0x0
11	E11	Event #11	R	0x0
10	E10	Event #10	R	0x0
9	E9	Event #9	R	0x0
8	E8	Event #8	R	0x0
7	E7	Event #7	R	0x0
6	E6	Event #6	R	0x0
5	E5	Event #5	R	0x0
4	E4	Event #4	R	0x0
3	E3	Event #3	R	0x0
2	E2	Event #2	R	0x0
1	E1	Event #1	R	0x0
0	E0	Event #0	R	0x0

Table 16-274. Register Call Summary for Register EDMA_TPCC_EER_RN_k

Enhanced DMA

- [EDMA Register Summary: \[0\]\[1\]\[3\]](#)

Table 16-275. EDMA_TPCC_EERH_RN_k

Address Offset	0x0000 2024 + (0x200 * k)		
Physical Address	0x4330 2024 + (0x200 * k) 0x40D1 2024 + (0x200 * k) 0x01D1 2024 + (0x200 * k)	Instance	SYS_EDMA_TPCC DSP1_EDMA_TPCC DSP_EDMA_TPCC
Description	<p>Event Enable Register (High Part) Enables DMA transfers for EDMA_TPCC_ERH.En pending events. EDMA_TPCC_ERH.En is set based on externally asserted events (via tpcc_eventN_pi). This register has no effect on Chained Event Register (EDMA_TPCC_CERH) or Event Set Register (EDMA_TPCC_ESRH).</p> <p>NOTE: If a bit is set in EDMA_TPCC_ERH.En while EDMA_TPCC_EERH.En is disabled, no action is taken.</p> <p>If EDMA_TPCC_EERH.En is enabled at a later point (and EDMA_TPCC_ERH.En has not been cleared via SW) then the event will be recognized as a valid 'TR Sync' EDMA_TPCC_EERH.En is not directly writeable. Events can be enabled via writes to EDMA_TPCC_EESRH and can be disabled via writes to EDMA_TPCC_EECRH register. EDMA_TPCC_EERH.En = 0: EDMA_TPCC_ERH.En is not enabled to trigger DMA transfers. EDMA_TPCC_EERH.En = 1: EDMA_TPCC_ERH.En is enabled to trigger DMA transfers.</p>		
Type	R		

31	30	29	28	27	26	25	24	23	22	21	20	19	18	17	16	15	14	13	12	11	10	9	8	7	6	5	4	3	2	1	0
E63	E62	E61	E60	E59	E58	E57	E56	E55	E54	E53	E52	E51	E50	E49	E48	E47	E46	E45	E44	E43	E42	E41	E40	E39	E38	E37	E36	E35	E34	E33	E32

Bits	Field Name	Description	Type	Reset
31	E63	Event #63	R	0x0
30	E62	Event #62	R	0x0
29	E61	Event #61	R	0x0
28	E60	Event #60	R	0x0
27	E59	Event #59	R	0x0
26	E58	Event #58	R	0x0
25	E57	Event #57	R	0x0
24	E56	Event #56	R	0x0
23	E55	Event #55	R	0x0
22	E54	Event #54	R	0x0
21	E53	Event #53	R	0x0
20	E52	Event #52	R	0x0
19	E51	Event #51	R	0x0
18	E50	Event #50	R	0x0
17	E49	Event #49	R	0x0
16	E48	Event #48	R	0x0
15	E47	Event #47	R	0x0
14	E46	Event #46	R	0x0
13	E45	Event #45	R	0x0
12	E44	Event #44	R	0x0
11	E43	Event #43	R	0x0
10	E42	Event #42	R	0x0
9	E41	Event #41	R	0x0
8	E40	Event #40	R	0x0
7	E39	Event #39	R	0x0

Bits	Field Name	Description	Type	Reset
6	E38	Event #38	R	0x0
5	E37	Event #37	R	0x0
4	E36	Event #36	R	0x0
3	E35	Event #35	R	0x0
2	E34	Event #34	R	0x0
1	E33	Event #33	R	0x0
0	E32	Event #32	R	0x0

Table 16-276. Register Call Summary for Register EDMA_TPCC_EERH_RN_k

Enhanced DMA

- [EDMA Register Summary: \[0\]\[1\]\[3\]](#)

Table 16-277. EDMA_TPCC_EECR_RN_k

Address Offset	0x0000 2028 + (0x200 * k)		
Physical Address	0x4330 2028 + (0x200 * k) 0x40D1 2028 + (0x200 * k) 0x01D1 2028 + (0x200 * k)	Instance	SYS_EDMA_TPCC DSP1_EDMA_TPCC DSP_EDMA_TPCC
Description	Event Enable Clear Register CPU write of '0' has no effect. CPU write of '1' to the EDMA_TPCC_EECR.En bit causes the EDMA_TPCC_EER.En bit to be cleared.		
Type	W		

31	30	29	28	27	26	25	24	23	22	21	20	19	18	17	16	15	14	13	12	11	10	9	8	7	6	5	4	3	2	1	0
E31	E30	E29	E28	E27	E26	E25	E24	E23	E22	E21	E20	E19	E18	E17	E16	E15	E14	E13	E12	E11	E10	E9	E8	E7	E6	E5	E4	E3	E2	E1	E0

Bits	Field Name	Description	Type	Reset
31	E31	Event #31	W	0x0
30	E30	Event #30	W	0x0
29	E29	Event #29	W	0x0
28	E28	Event #28	W	0x0
27	E27	Event #27	W	0x0
26	E26	Event #26	W	0x0
25	E25	Event #25	W	0x0
24	E24	Event #24	W	0x0
23	E23	Event #23	W	0x0
22	E22	Event #22	W	0x0
21	E21	Event #21	W	0x0
20	E20	Event #20	W	0x0
19	E19	Event #19	W	0x0
18	E18	Event #18	W	0x0
17	E17	Event #17	W	0x0
16	E16	Event #16	W	0x0
15	E15	Event #15	W	0x0
14	E14	Event #14	W	0x0
13	E13	Event #13	W	0x0
12	E12	Event #12	W	0x0
11	E11	Event #11	W	0x0
10	E10	Event #10	W	0x0

Bits	Field Name	Description	Type	Reset
9	E9	Event #9	W	0x0
8	E8	Event #8	W	0x0
7	E7	Event #7	W	0x0
6	E6	Event #6	W	0x0
5	E5	Event #5	W	0x0
4	E4	Event #4	W	0x0
3	E3	Event #3	W	0x0
2	E2	Event #2	W	0x0
1	E1	Event #1	W	0x0
0	E0	Event #0	W	0x0

Table 16-278. Register Call Summary for Register EDMA_TPCC_EECR_RN_k

Enhanced DMA

- [EDMA Register Summary: \[0\]\[1\]\[3\]](#)

Table 16-279. EDMA_TPCC_EECRH_RN_k

Address Offset	0x0000 202C + (0x200 * k)		
Physical Address	0x4330 202C + (0x200 * k) 0x40D1 202C + (0x200 * k) 0x01D1 202C + (0x200 * k)	Instance	SYS_EDMA_TPCC DSP1_EDMA_TPCC DSP_EDMA_TPCC
Description	Event Enable Clear Register (High Part) CPU write of '0' has no effect. CPU write of '1' to the EDMA_TPCC_EECRH .En bit causes the EDMA_TPCC_EERH .En bit to be cleared.		
Type	W		

31	30	29	28	27	26	25	24	23	22	21	20	19	18	17	16	15	14	13	12	11	10	9	8	7	6	5	4	3	2	1	0
E63	E62	E61	E60	E59	E58	E57	E56	E55	E54	E53	E52	E51	E50	E49	E48	E47	E46	E45	E44	E43	E42	E41	E40	E39	E38	E37	E36	E35	E34	E33	E32

Bits	Field Name	Description	Type	Reset
31	E63	Event #63	W	0x0
30	E62	Event #62	W	0x0
29	E61	Event #61	W	0x0
28	E60	Event #60	W	0x0
27	E59	Event #59	W	0x0
26	E58	Event #58	W	0x0
25	E57	Event #57	W	0x0
24	E56	Event #56	W	0x0
23	E55	Event #55	W	0x0
22	E54	Event #54	W	0x0
21	E53	Event #53	W	0x0
20	E52	Event #52	W	0x0
19	E51	Event #51	W	0x0
18	E50	Event #50	W	0x0
17	E49	Event #49	W	0x0
16	E48	Event #48	W	0x0
15	E47	Event #47	W	0x0
14	E46	Event #46	W	0x0
13	E45	Event #45	W	0x0

Bits	Field Name	Description	Type	Reset
12	E44	Event #44	W	0x0
11	E43	Event #43	W	0x0
10	E42	Event #42	W	0x0
9	E41	Event #41	W	0x0
8	E40	Event #40	W	0x0
7	E39	Event #39	W	0x0
6	E38	Event #38	W	0x0
5	E37	Event #37	W	0x0
4	E36	Event #36	W	0x0
3	E35	Event #35	W	0x0
2	E34	Event #34	W	0x0
1	E33	Event #33	W	0x0
0	E32	Event #32	W	0x0

Table 16-280. Register Call Summary for Register EDMA_TPCC_EECRH_RN_k

Enhanced DMA

- [EDMA Register Summary: \[0\]\[1\]\[3\]](#)

Table 16-281. EDMA_TPCC_EESR_RN_k

Address Offset	0x0000 2030 + (0x200 * k)	Instance	SYS_EDMA_TPCC DSP1_EDMA_TPCC DSP_EDMA_TPCC
Physical Address	0x4330 2030 + (0x200 * k) 0x40D1 2030 + (0x200 * k) 0x01D1 2030 + (0x200 * k)		
Description	Event Enable Set Register CPU write of '0' has no effect. CPU write of '1' to the EDMA_TPCC_EESR .En bit causes the EDMA_TPCC_EER .En bit to be set.		
Type	W		

31	30	29	28	27	26	25	24	23	22	21	20	19	18	17	16	15	14	13	12	11	10	9	8	7	6	5	4	3	2	1	0
E31	E30	E29	E28	E27	E26	E25	E24	E23	E22	E21	E20	E19	E18	E17	E16	E15	E14	E13	E12	E11	E10	E9	E8	E7	E6	E5	E4	E3	E2	E1	E0

Bits	Field Name	Description	Type	Reset
31	E31	Event #31	W	0x0
30	E30	Event #30	W	0x0
29	E29	Event #29	W	0x0
28	E28	Event #28	W	0x0
27	E27	Event #27	W	0x0
26	E26	Event #26	W	0x0
25	E25	Event #25	W	0x0
24	E24	Event #24	W	0x0
23	E23	Event #23	W	0x0
22	E22	Event #22	W	0x0
21	E21	Event #21	W	0x0
20	E20	Event #20	W	0x0
19	E19	Event #19	W	0x0
18	E18	Event #18	W	0x0
17	E17	Event #17	W	0x0
16	E16	Event #16	W	0x0

Bits	Field Name	Description	Type	Reset
15	E15	Event #15	W	0x0
14	E14	Event #14	W	0x0
13	E13	Event #13	W	0x0
12	E12	Event #12	W	0x0
11	E11	Event #11	W	0x0
10	E10	Event #10	W	0x0
9	E9	Event #9	W	0x0
8	E8	Event #8	W	0x0
7	E7	Event #7	W	0x0
6	E6	Event #6	W	0x0
5	E5	Event #5	W	0x0
4	E4	Event #4	W	0x0
3	E3	Event #3	W	0x0
2	E2	Event #2	W	0x0
1	E1	Event #1	W	0x0
0	E0	Event #0	W	0x0

Table 16-282. Register Call Summary for Register EDMA_TPCC_EESR_RN_k

Enhanced DMA

- [EDMA Register Summary: \[0\]\[1\]\[3\]](#)

Table 16-283. EDMA_TPCC_EESRH_RN_k

Address Offset	0x0000 2034 + (0x200 * k)		
Physical Address	0x4330 2034 + (0x200 * k) 0x40D1 2034 + (0x200 * k) 0x01D1 2034 + (0x200 * k)	Instance	SYS_EDMA_TPCC DSP1_EDMA_TPCC DSP_EDMA_TPCC
Description	Event Enable Set Register (High Part) CPU write of '0' has no effect. CPU write of '1' to the EDMA_TPCC_EESRH .En bit causes the EDMA_TPCC_EERH .En bit to be set.		
Type	W		

31	30	29	28	27	26	25	24	23	22	21	20	19	18	17	16	15	14	13	12	11	10	9	8	7	6	5	4	3	2	1	0
E63	E62	E61	E60	E59	E58	E57	E56	E55	E54	E53	E52	E51	E50	E49	E48	E47	E46	E45	E44	E43	E42	E41	E40	E39	E38	E37	E36	E35	E34	E33	E32

Bits	Field Name	Description	Type	Reset
31	E63	Event #63	W	0x0
30	E62	Event #62	W	0x0
29	E61	Event #61	W	0x0
28	E60	Event #60	W	0x0
27	E59	Event #59	W	0x0
26	E58	Event #58	W	0x0
25	E57	Event #57	W	0x0
24	E56	Event #56	W	0x0
23	E55	Event #55	W	0x0
22	E54	Event #54	W	0x0
21	E53	Event #53	W	0x0
20	E52	Event #52	W	0x0
19	E51	Event #51	W	0x0

Bits	Field Name	Description	Type	Reset
18	E50	Event #50	W	0x0
17	E49	Event #49	W	0x0
16	E48	Event #48	W	0x0
15	E47	Event #47	W	0x0
14	E46	Event #46	W	0x0
13	E45	Event #45	W	0x0
12	E44	Event #44	W	0x0
11	E43	Event #43	W	0x0
10	E42	Event #42	W	0x0
9	E41	Event #41	W	0x0
8	E40	Event #40	W	0x0
7	E39	Event #39	W	0x0
6	E38	Event #38	W	0x0
5	E37	Event #37	W	0x0
4	E36	Event #36	W	0x0
3	E35	Event #35	W	0x0
2	E34	Event #34	W	0x0
1	E33	Event #33	W	0x0
0	E32	Event #32	W	0x0

Table 16-284. Register Call Summary for Register EDMA_TPCC_EESRH_RN_k

Enhanced DMA

- [EDMA Register Summary: \[0\]\[1\]\[3\]](#)

Table 16-285. EDMA_TPCC_SER_RN_k

Address Offset	0x0000 2038 + (0x200 * k)		
Physical Address	0x4330 2038 + (0x200 * k) 0x40D1 2038 + (0x200 * k) 0x01D1 2038 + (0x200 * k)	Instance	SYS_EDMA_TPCC DSP1_EDMA_TPCC DSP_EDMA_TPCC
Description	Secondary Event Register The secondary event register is used along with the Event Register (EDMA_TPCC_ER) to provide information on the state of an Event. En = 0 : Event is not currently in the Event Queue. En = 1 : Event is currently stored in Event Queue. Event arbiter will not prioritize additional events.		
Type	R		

31	30	29	28	27	26	25	24	23	22	21	20	19	18	17	16	15	14	13	12	11	10	9	8	7	6	5	4	3	2	1	0
E31	E30	E29	E28	E27	E26	E25	E24	E23	E22	E21	E20	E19	E18	E17	E16	E15	E14	E13	E12	E11	E10	E9	E8	E7	E6	E5	E4	E3	E2	E1	E0

Bits	Field Name	Description	Type	Reset
31	E31	Event #31	R	0x0
30	E30	Event #30	R	0x0
29	E29	Event #29	R	0x0
28	E28	Event #28	R	0x0
27	E27	Event #27	R	0x0
26	E26	Event #26	R	0x0
25	E25	Event #25	R	0x0
24	E24	Event #24	R	0x0

Bits	Field Name	Description	Type	Reset
23	E23	Event #23	R	0x0
22	E22	Event #22	R	0x0
21	E21	Event #21	R	0x0
20	E20	Event #20	R	0x0
19	E19	Event #19	R	0x0
18	E18	Event #18	R	0x0
17	E17	Event #17	R	0x0
16	E16	Event #16	R	0x0
15	E15	Event #15	R	0x0
14	E14	Event #14	R	0x0
13	E13	Event #13	R	0x0
12	E12	Event #12	R	0x0
11	E11	Event #11	R	0x0
10	E10	Event #10	R	0x0
9	E9	Event #9	R	0x0
8	E8	Event #8	R	0x0
7	E7	Event #7	R	0x0
6	E6	Event #6	R	0x0
5	E5	Event #5	R	0x0
4	E4	Event #4	R	0x0
3	E3	Event #3	R	0x0
2	E2	Event #2	R	0x0
1	E1	Event #1	R	0x0
0	E0	Event #0	R	0x0

Table 16-286. Register Call Summary for Register EDMA_TPCC_SER_RN_k

Enhanced DMA

- [EDMA Register Summary: \[0\]\[1\]\[3\]](#)

Table 16-287. EDMA_TPCC_SERH_RN_k

Address Offset	0x0000 203C + (0x200 * k)		
Physical Address	0x4330 203C + (0x200 * k) 0x40D1 203C + (0x200 * k) 0x01D1 203C + (0x200 * k)	Instance	SYS_EDMA_TPCC DSP1_EDMA_TPCC DSP_EDMA_TPCC
Description	Secondary Event Register (High Part) The secondary event register is used along with the Event Register (EDMA_TPCC_ERH) to provide information on the state of an Event. En = 0 : Event is not currently in the Event Queue. En = 1 : Event is currently stored in Event Queue. Event arbiter will not prioritize additional events.		
Type	R		

31	30	29	28	27	26	25	24	23	22	21	20	19	18	17	16	15	14	13	12	11	10	9	8	7	6	5	4	3	2	1	0
E63	E62	E61	E60	E59	E58	E57	E56	E55	E54	E53	E52	E51	E50	E49	E48	E47	E46	E45	E44	E43	E42	E41	E40	E39	E38	E37	E36	E35	E34	E33	E32

Bits	Field Name	Description	Type	Reset
31	E63	Event #63	R	0x0
30	E62	Event #62	R	0x0
29	E61	Event #61	R	0x0

Bits	Field Name	Description	Type	Reset
28	E60	Event #60	R	0x0
27	E59	Event #59	R	0x0
26	E58	Event #58	R	0x0
25	E57	Event #57	R	0x0
24	E56	Event #56	R	0x0
23	E55	Event #55	R	0x0
22	E54	Event #54	R	0x0
21	E53	Event #53	R	0x0
20	E52	Event #52	R	0x0
19	E51	Event #51	R	0x0
18	E50	Event #50	R	0x0
17	E49	Event #49	R	0x0
16	E48	Event #48	R	0x0
15	E47	Event #47	R	0x0
14	E46	Event #46	R	0x0
13	E45	Event #45	R	0x0
12	E44	Event #44	R	0x0
11	E43	Event #43	R	0x0
10	E42	Event #42	R	0x0
9	E41	Event #41	R	0x0
8	E40	Event #40	R	0x0
7	E39	Event #39	R	0x0
6	E38	Event #38	R	0x0
5	E37	Event #37	R	0x0
4	E36	Event #36	R	0x0
3	E35	Event #35	R	0x0
2	E34	Event #34	R	0x0
1	E33	Event #33	R	0x0
0	E32	Event #32	R	0x0

Table 16-288. Register Call Summary for Register EDMA_TPCC_SERH_RN_k

Enhanced DMA

- [EDMA Register Summary: \[0\]\[1\]\[3\]](#)

Table 16-289. EDMA_TPCC_SECR_RN_k

Address Offset	0x0000 2040 + (0x200 * k)		
Physical Address	0x4330 2040 + (0x200 * k) 0x40D1 2040 + (0x200 * k) 0x01D1 2040 + (0x200 * k)	Instance	SYS_EDMA_TPCC DSP1_EDMA_TPCC DSP_EDMA_TPCC
Description	Secondary Event Clear Register The secondary event clear register is used to clear the status of the EDMA_TPCC_SER registers. CPU write of '0' has no effect. CPU write of '1' to the EDMA_TPCC_SECR .En bit clears the EDMA_TPCC_SER register.		
Type	W		

31	30	29	28	27	26	25	24	23	22	21	20	19	18	17	16	15	14	13	12	11	10	9	8	7	6	5	4	3	2	1	0
E31	E30	E29	E28	E27	E26	E25	E24	E23	E22	E21	E20	E19	E18	E17	E16	E15	E14	E13	E12	E11	E10	E9	E8	E7	E6	E5	E4	E3	E2	E1	E0

Bits	Field Name	Description	Type	Reset
31	E31	Event #31	W	0x0
30	E30	Event #30	W	0x0
29	E29	Event #29	W	0x0
28	E28	Event #28	W	0x0
27	E27	Event #27	W	0x0
26	E26	Event #26	W	0x0
25	E25	Event #25	W	0x0
24	E24	Event #24	W	0x0
23	E23	Event #23	W	0x0
22	E22	Event #22	W	0x0
21	E21	Event #21	W	0x0
20	E20	Event #20	W	0x0
19	E19	Event #19	W	0x0
18	E18	Event #18	W	0x0
17	E17	Event #17	W	0x0
16	E16	Event #16	W	0x0
15	E15	Event #15	W	0x0
14	E14	Event #14	W	0x0
13	E13	Event #13	W	0x0
12	E12	Event #12	W	0x0
11	E11	Event #11	W	0x0
10	E10	Event #10	W	0x0
9	E9	Event #9	W	0x0
8	E8	Event #8	W	0x0
7	E7	Event #7	W	0x0
6	E6	Event #6	W	0x0
5	E5	Event #5	W	0x0
4	E4	Event #4	W	0x0
3	E3	Event #3	W	0x0
2	E2	Event #2	W	0x0
1	E1	Event #1	W	0x0
0	E0	Event #0	W	0x0

Table 16-290. Register Call Summary for Register EDMA_TPCC_SECR_RN_k

Enhanced DMA

- [EDMA Register Summary: \[0\]\[1\]\[3\]](#)

Table 16-291. EDMA_TPCC_SECRH_RN_k

Address Offset	0x0000 2044 + (0x200 * k)		
Physical Address	0x4330 2044 + (0x200 * k) 0x40D1 2044 + (0x200 * k) 0x01D1 2044 + (0x200 * k)	Instance	SYS_EDMA_TPCC DSP1_EDMA_TPCC DSP_EDMA_TPCC
Description	Secondary Event Clear Register (High Part) The secondary event clear register is used to clear the status of the EDMA_TPCC_SERH registers. CPU write of '0' has no effect. CPU write of '1' to the EDMA_TPCC_SECRH .En bit clears the EDMA_TPCC_SERH register.		
Type	W		

31	30	29	28	27	26	25	24	23	22	21	20	19	18	17	16	15	14	13	12	11	10	9	8	7	6	5	4	3	2	1	0
E63	E62	E61	E60	E59	E58	E57	E56	E55	E54	E53	E52	E51	E50	E49	E48	E47	E46	E45	E44	E43	E42	E41	E40	E39	E38	E37	E36	E35	E34	E33	E32

Bits	Field Name	Description	Type	Reset
31	E63	Event #63	W	0x0
30	E62	Event #62	W	0x0
29	E61	Event #61	W	0x0
28	E60	Event #60	W	0x0
27	E59	Event #59	W	0x0
26	E58	Event #58	W	0x0
25	E57	Event #57	W	0x0
24	E56	Event #56	W	0x0
23	E55	Event #55	W	0x0
22	E54	Event #54	W	0x0
21	E53	Event #53	W	0x0
20	E52	Event #52	W	0x0
19	E51	Event #51	W	0x0
18	E50	Event #50	W	0x0
17	E49	Event #49	W	0x0
16	E48	Event #48	W	0x0
15	E47	Event #47	W	0x0
14	E46	Event #46	W	0x0
13	E45	Event #45	W	0x0
12	E44	Event #44	W	0x0
11	E43	Event #43	W	0x0
10	E42	Event #42	W	0x0
9	E41	Event #41	W	0x0
8	E40	Event #40	W	0x0
7	E39	Event #39	W	0x0
6	E38	Event #38	W	0x0
5	E37	Event #37	W	0x0
4	E36	Event #36	W	0x0
3	E35	Event #35	W	0x0
2	E34	Event #34	W	0x0
1	E33	Event #33	W	0x0
0	E32	Event #32	W	0x0

Table 16-292. Register Call Summary for Register EDMA_TPCC_SECRH_RN_k

Enhanced DMA

- [EDMA Register Summary: \[0\]\[1\]\[3\]](#)

Table 16-293. EDMA_TPCC_IER_RN_k

Address Offset	0x0000 2050 + (0x200 * k)		
Physical Address	0x4330 2050 + (0x200 * k) 0x40D1 2050 + (0x200 * k) 0x01D1 2050 + (0x200 * k)	Instance	SYS_EDMA_TPCC DSP1_EDMA_TPCC DSP_EDMA_TPCC

Table 16-293. EDMA_TPCC_IER_RN_k (continued)

Description	Int Enable Register EDMA_TPCC_IER.In is not directly writeable. Interrupts can be enabled via writes to EDMA_TPCC_IESR and can be disabled via writes to EDMA_TPCC_IECR register. EDMA_TPCC_IER.In = 0: EDMA_TPCC_IPR.In is NOT enabled for interrupts. EDMA_TPCC_IER.In = 1: EDMA_TPCC_IPR.In IS enabled for interrupts.
Type	R

31	30	29	28	27	26	25	24	23	22	21	20	19	18	17	16	15	14	13	12	11	10	9	8	7	6	5	4	3	2	1	0
I31	I30	I29	I28	I27	I26	I25	I24	I23	I22	I21	I20	I19	I18	I17	I16	I15	I14	I13	I12	I11	I10	I9	I8	I7	I6	I5	I4	I3	I2	I1	I0

Bits	Field Name	Description	Type	Reset
31	I31	Interrupt associated with TCC #31	R	0x0
30	I30	Interrupt associated with TCC #30	R	0x0
29	I29	Interrupt associated with TCC #29	R	0x0
28	I28	Interrupt associated with TCC #28	R	0x0
27	I27	Interrupt associated with TCC #27	R	0x0
26	I26	Interrupt associated with TCC #26	R	0x0
25	I25	Interrupt associated with TCC #25	R	0x0
24	I24	Interrupt associated with TCC #24	R	0x0
23	I23	Interrupt associated with TCC #23	R	0x0
22	I22	Interrupt associated with TCC #22	R	0x0
21	I21	Interrupt associated with TCC #21	R	0x0
20	I20	Interrupt associated with TCC #20	R	0x0
19	I19	Interrupt associated with TCC #19	R	0x0
18	I18	Interrupt associated with TCC #18	R	0x0
17	I17	Interrupt associated with TCC #17	R	0x0
16	I16	Interrupt associated with TCC #16	R	0x0
15	I15	Interrupt associated with TCC #15	R	0x0
14	I14	Interrupt associated with TCC #14	R	0x0
13	I13	Interrupt associated with TCC #13	R	0x0
12	I12	Interrupt associated with TCC #12	R	0x0
11	I11	Interrupt associated with TCC #11	R	0x0
10	I10	Interrupt associated with TCC #10	R	0x0
9	I9	Interrupt associated with TCC #9	R	0x0
8	I8	Interrupt associated with TCC #8	R	0x0
7	I7	Interrupt associated with TCC #7	R	0x0
6	I6	Interrupt associated with TCC #6	R	0x0
5	I5	Interrupt associated with TCC #5	R	0x0
4	I4	Interrupt associated with TCC #4	R	0x0
3	I3	Interrupt associated with TCC #3	R	0x0
2	I2	Interrupt associated with TCC #2	R	0x0
1	I1	Interrupt associated with TCC #1	R	0x0
0	I0	Interrupt associated with TCC #0	R	0x0

Table 16-294. Register Call Summary for Register EDMA_TPCC_IER_RN_k

Enhanced DMA

- [EDMA Register Summary: \[0\]\[1\]\[3\]](#)

Table 16-295. EDMA_TPCC_IERH_RN_k

Address Offset	0x0000 2054 + (0x200 * k)		
Physical Address	0x4330 2054 + (0x200 * k) 0x40D1 2054 + (0x200 * k) 0x01D1 2054 + (0x200 * k)	Instance	SYS_EDMA_TPCC DSP1_EDMA_TPCC DSP_EDMA_TPCC
Description	Int Enable Register (High Part) EDMA_TPCC_IERH.In is not directly writeable. Interrupts can be enabled via writes to EDMA_TPCC_IESRH and can be disabled via writes to EDMA_TPCC_IECRH register. EDMA_TPCC_IERH.In = 0: EDMA_TPCC_IPRH.In is NOT enabled for interrupts. EDMA_TPCC_IERH.In = 1: EDMA_TPCC_IPRH.In IS enabled for interrupts.		
Type	R		

31	30	29	28	27	26	25	24	23	22	21	20	19	18	17	16	15	14	13	12	11	10	9	8	7	6	5	4	3	2	1	0
163	162	161	160	159	158	157	156	155	154	153	152	151	150	149	148	147	146	145	144	143	142	141	140	139	138	137	136	135	134	133	132

Bits	Field Name	Description	Type	Reset
31	163	Interrupt associated with TCC #63	R	0x0
30	162	Interrupt associated with TCC #62	R	0x0
29	161	Interrupt associated with TCC #61	R	0x0
28	160	Interrupt associated with TCC #60	R	0x0
27	159	Interrupt associated with TCC #59	R	0x0
26	158	Interrupt associated with TCC #58	R	0x0
25	157	Interrupt associated with TCC #57	R	0x0
24	156	Interrupt associated with TCC #56	R	0x0
23	155	Interrupt associated with TCC #55	R	0x0
22	154	Interrupt associated with TCC #54	R	0x0
21	153	Interrupt associated with TCC #53	R	0x0
20	152	Interrupt associated with TCC #52	R	0x0
19	151	Interrupt associated with TCC #51	R	0x0
18	150	Interrupt associated with TCC #50	R	0x0
17	149	Interrupt associated with TCC #49	R	0x0
16	148	Interrupt associated with TCC #48	R	0x0
15	147	Interrupt associated with TCC #47	R	0x0
14	146	Interrupt associated with TCC #46	R	0x0
13	145	Interrupt associated with TCC #45	R	0x0
12	144	Interrupt associated with TCC #44	R	0x0
11	143	Interrupt associated with TCC #43	R	0x0
10	142	Interrupt associated with TCC #42	R	0x0
9	141	Interrupt associated with TCC #41	R	0x0
8	140	Interrupt associated with TCC #40	R	0x0
7	139	Interrupt associated with TCC #39	R	0x0
6	138	Interrupt associated with TCC #38	R	0x0
5	137	Interrupt associated with TCC #37	R	0x0
4	136	Interrupt associated with TCC #36	R	0x0
3	135	Interrupt associated with TCC #35	R	0x0
2	134	Interrupt associated with TCC #34	R	0x0
1	133	Interrupt associated with TCC #33	R	0x0
0	132	Interrupt associated with TCC #32	R	0x0

Table 16-296. Register Call Summary for Register EDMA_TPCC_IERH_RN_k

Enhanced DMA

- [EDMA Register Summary: \[0\]\[1\]\[3\]](#)

Table 16-297. EDMA_TPCC_IECR_RN_k

Address Offset	0x0000 2058 + (0x200 * k)	
Physical Address	0x4330 2058 + (0x200 * k) 0x40D1 2058 + (0x200 * k) 0x01D1 2058 + (0x200 * k)	Instance SYS_EDMA_TPCC DSP1_EDMA_TPCC DSP_EDMA_TPCC
Description	Int Enable Clear Register CPU write of '0' has no effect. CPU write of '1' to the EDMA_TPCC_IECR .In bit causes the EDMA_TPCC_IER .In bit to be cleared.	
Type	W	

31	30	29	28	27	26	25	24	23	22	21	20	19	18	17	16	15	14	13	12	11	10	9	8	7	6	5	4	3	2	1	0
I31	I30	I29	I28	I27	I26	I25	I24	I23	I22	I21	I20	I19	I18	I17	I16	I15	I14	I13	I12	I11	I10	I9	I8	I7	I6	I5	I4	I3	I2	I1	I0

Bits	Field Name	Description	Type	Reset
31	I31	Interrupt associated with TCC #31	W	0x0
30	I30	Interrupt associated with TCC #30	W	0x0
29	I29	Interrupt associated with TCC #29	W	0x0
28	I28	Interrupt associated with TCC #28	W	0x0
27	I27	Interrupt associated with TCC #27	W	0x0
26	I26	Interrupt associated with TCC #26	W	0x0
25	I25	Interrupt associated with TCC #25	W	0x0
24	I24	Interrupt associated with TCC #24	W	0x0
23	I23	Interrupt associated with TCC #23	W	0x0
22	I22	Interrupt associated with TCC #22	W	0x0
21	I21	Interrupt associated with TCC #21	W	0x0
20	I20	Interrupt associated with TCC #20	W	0x0
19	I19	Interrupt associated with TCC #19	W	0x0
18	I18	Interrupt associated with TCC #18	W	0x0
17	I17	Interrupt associated with TCC #17	W	0x0
16	I16	Interrupt associated with TCC #16	W	0x0
15	I15	Interrupt associated with TCC #15	W	0x0
14	I14	Interrupt associated with TCC #14	W	0x0
13	I13	Interrupt associated with TCC #13	W	0x0
12	I12	Interrupt associated with TCC #12	W	0x0
11	I11	Interrupt associated with TCC #11	W	0x0
10	I10	Interrupt associated with TCC #10	W	0x0
9	I9	Interrupt associated with TCC #9	W	0x0
8	I8	Interrupt associated with TCC #8	W	0x0
7	I7	Interrupt associated with TCC #7	W	0x0
6	I6	Interrupt associated with TCC #6	W	0x0
5	I5	Interrupt associated with TCC #5	W	0x0
4	I4	Interrupt associated with TCC #4	W	0x0
3	I3	Interrupt associated with TCC #3	W	0x0
2	I2	Interrupt associated with TCC #2	W	0x0
1	I1	Interrupt associated with TCC #1	W	0x0

Bits	Field Name	Description	Type	Reset
0	I0	Interrupt associated with TCC #0	W	0x0

Table 16-298. Register Call Summary for Register EDMA_TPCC_IECR_RN_k

Enhanced DMA

- [EDMA Register Summary: \[0\]\[1\]\[3\]](#)

Table 16-299. EDMA_TPCC_IECRH_RN_k

Address Offset	0x0000 205C + (0x200 * k)		
Physical Address	0x4330 205C + (0x200 * k) 0x40D1 205C + (0x200 * k) 0x01D1 205C + (0x200 * k)	Instance	SYS_EDMA_TPCC DSP1_EDMA_TPCC DSP_EDMA_TPCC
Description	Int Enable Clear Register (High Part) CPU write of '0' has no effect. CPU write of '1' to the EDMA_TPCC_IECRH .In bit causes the EDMA_TPCC_IERH .In bit to be cleared.		
Type	W		

31	30	29	28	27	26	25	24	23	22	21	20	19	18	17	16	15	14	13	12	11	10	9	8	7	6	5	4	3	2	1	0
I63	I62	I61	I60	I59	I58	I57	I56	I55	I54	I53	I52	I51	I50	I49	I48	I47	I46	I45	I44	I43	I42	I41	I40	I39	I38	I37	I36	I35	I34	I33	I32

Bits	Field Name	Description	Type	Reset
31	I63	Interrupt associated with TCC #63	W	0x0
30	I62	Interrupt associated with TCC #62	W	0x0
29	I61	Interrupt associated with TCC #61	W	0x0
28	I60	Interrupt associated with TCC #60	W	0x0
27	I59	Interrupt associated with TCC #59	W	0x0
26	I58	Interrupt associated with TCC #58	W	0x0
25	I57	Interrupt associated with TCC #57	W	0x0
24	I56	Interrupt associated with TCC #56	W	0x0
23	I55	Interrupt associated with TCC #55	W	0x0
22	I54	Interrupt associated with TCC #54	W	0x0
21	I53	Interrupt associated with TCC #53	W	0x0
20	I52	Interrupt associated with TCC #52	W	0x0
19	I51	Interrupt associated with TCC #51	W	0x0
18	I50	Interrupt associated with TCC #50	W	0x0
17	I49	Interrupt associated with TCC #49	W	0x0
16	I48	Interrupt associated with TCC #48	W	0x0
15	I47	Interrupt associated with TCC #47	W	0x0
14	I46	Interrupt associated with TCC #46	W	0x0
13	I45	Interrupt associated with TCC #45	W	0x0
12	I44	Interrupt associated with TCC #44	W	0x0
11	I43	Interrupt associated with TCC #43	W	0x0
10	I42	Interrupt associated with TCC #42	W	0x0
9	I41	Interrupt associated with TCC #41	W	0x0
8	I40	Interrupt associated with TCC #40	W	0x0
7	I39	Interrupt associated with TCC #39	W	0x0
6	I38	Interrupt associated with TCC #38	W	0x0
5	I37	Interrupt associated with TCC #37	W	0x0
4	I36	Interrupt associated with TCC #36	W	0x0

Bits	Field Name	Description	Type	Reset
3	I35	Interrupt associated with TCC #35	W	0x0
2	I34	Interrupt associated with TCC #34	W	0x0
1	I33	Interrupt associated with TCC #33	W	0x0
0	I32	Interrupt associated with TCC #32	W	0x0

Table 16-300. Register Call Summary for Register EDMA_TPCC_IECRH_RN_k

Enhanced DMA

- [EDMA Register Summary: \[0\]\[1\]\[3\]](#)

Table 16-301. EDMA_TPCC_IISR_RN_k

Address Offset	0x0000 2060 + (0x200 * k)		
Physical Address	0x4330 2060 + (0x200 * k) 0x40D1 2060 + (0x200 * k) 0x01D1 2060 + (0x200 * k)	Instance	SYS_EDMA_TPCC DSP1_EDMA_TPCC DSP_EDMA_TPCC
Description	Int Enable Set Register CPU write of '0' has no effect. CPU write of '1' to the EDMA_TPCC_IISR .In bit causes the EDMA_TPCC_IISR .In bit to be set.		
Type	W		

31	30	29	28	27	26	25	24	23	22	21	20	19	18	17	16	15	14	13	12	11	10	9	8	7	6	5	4	3	2	1	0
I31	I30	I29	I28	I27	I26	I25	I24	I23	I22	I21	I20	I19	I18	I17	I16	I15	I14	I13	I12	I11	I10	I9	I8	I7	I6	I5	I4	I3	I2	I1	I0

Bits	Field Name	Description	Type	Reset
31	I31	Interrupt associated with TCC #31	W	0x0
30	I30	Interrupt associated with TCC #30	W	0x0
29	I29	Interrupt associated with TCC #29	W	0x0
28	I28	Interrupt associated with TCC #28	W	0x0
27	I27	Interrupt associated with TCC #27	W	0x0
26	I26	Interrupt associated with TCC #26	W	0x0
25	I25	Interrupt associated with TCC #25	W	0x0
24	I24	Interrupt associated with TCC #24	W	0x0
23	I23	Interrupt associated with TCC #23	W	0x0
22	I22	Interrupt associated with TCC #22	W	0x0
21	I21	Interrupt associated with TCC #21	W	0x0
20	I20	Interrupt associated with TCC #20	W	0x0
19	I19	Interrupt associated with TCC #19	W	0x0
18	I18	Interrupt associated with TCC #18	W	0x0
17	I17	Interrupt associated with TCC #17	W	0x0
16	I16	Interrupt associated with TCC #16	W	0x0
15	I15	Interrupt associated with TCC #15	W	0x0
14	I14	Interrupt associated with TCC #14	W	0x0
13	I13	Interrupt associated with TCC #13	W	0x0
12	I12	Interrupt associated with TCC #12	W	0x0
11	I11	Interrupt associated with TCC #11	W	0x0
10	I10	Interrupt associated with TCC #10	W	0x0
9	I9	Interrupt associated with TCC #9	W	0x0
8	I8	Interrupt associated with TCC #8	W	0x0
7	I7	Interrupt associated with TCC #7	W	0x0
6	I6	Interrupt associated with TCC #6	W	0x0

Bits	Field Name	Description	Type	Reset
5	I5	Interrupt associated with TCC #5	W	0x0
4	I4	Interrupt associated with TCC #4	W	0x0
3	I3	Interrupt associated with TCC #3	W	0x0
2	I2	Interrupt associated with TCC #2	W	0x0
1	I1	Interrupt associated with TCC #1	W	0x0
0	I0	Interrupt associated with TCC #0	W	0x0

Table 16-302. Register Call Summary for Register EDMA_TPCC_IESR_RN_k

Enhanced DMA

- [EDMA Register Summary: \[0\]\[1\]\[3\]](#)

Table 16-303. EDMA_TPCC_IESRH_RN_k

Address Offset	0x0000 2064 + (0x200 * k)		
Physical Address	0x4330 2064 + (0x200 * k) 0x40D1 2064 + (0x200 * k) 0x01D1 2064 + (0x200 * k)	Instance	SYS_EDMA_TPCC DSP1_EDMA_TPCC DSP_EDMA_TPCC
Description	Int Enable Set Register (High Part) CPU write of '0' has no effect. CPU write of '1' to the EDMA_TPCC_IESRH .In bit causes the EDMA_TPCC_IESRH .In bit to be set.		
Type	W		

31	30	29	28	27	26	25	24	23	22	21	20	19	18	17	16	15	14	13	12	11	10	9	8	7	6	5	4	3	2	1	0
I63	I62	I61	I60	I59	I58	I57	I56	I55	I54	I53	I52	I51	I50	I49	I48	I47	I46	I45	I44	I43	I42	I41	I40	I39	I38	I37	I36	I35	I34	I33	I32

Bits	Field Name	Description	Type	Reset
31	I63	Interrupt associated with TCC #63	W	0x0
30	I62	Interrupt associated with TCC #62	W	0x0
29	I61	Interrupt associated with TCC #61	W	0x0
28	I60	Interrupt associated with TCC #60	W	0x0
27	I59	Interrupt associated with TCC #59	W	0x0
26	I58	Interrupt associated with TCC #58	W	0x0
25	I57	Interrupt associated with TCC #57	W	0x0
24	I56	Interrupt associated with TCC #56	W	0x0
23	I55	Interrupt associated with TCC #55	W	0x0
22	I54	Interrupt associated with TCC #54	W	0x0
21	I53	Interrupt associated with TCC #53	W	0x0
20	I52	Interrupt associated with TCC #52	W	0x0
19	I51	Interrupt associated with TCC #51	W	0x0
18	I50	Interrupt associated with TCC #50	W	0x0
17	I49	Interrupt associated with TCC #49	W	0x0
16	I48	Interrupt associated with TCC #48	W	0x0
15	I47	Interrupt associated with TCC #47	W	0x0
14	I46	Interrupt associated with TCC #46	W	0x0
13	I45	Interrupt associated with TCC #45	W	0x0
12	I44	Interrupt associated with TCC #44	W	0x0
11	I43	Interrupt associated with TCC #43	W	0x0
10	I42	Interrupt associated with TCC #42	W	0x0
9	I41	Interrupt associated with TCC #41	W	0x0

Bits	Field Name	Description	Type	Reset
8	I40	Interrupt associated with TCC #40	W	0x0
7	I39	Interrupt associated with TCC #39	W	0x0
6	I38	Interrupt associated with TCC #38	W	0x0
5	I37	Interrupt associated with TCC #37	W	0x0
4	I36	Interrupt associated with TCC #36	W	0x0
3	I35	Interrupt associated with TCC #35	W	0x0
2	I34	Interrupt associated with TCC #34	W	0x0
1	I33	Interrupt associated with TCC #33	W	0x0
0	I32	Interrupt associated with TCC #32	W	0x0

Table 16-304. Register Call Summary for Register EDMA_TPCC_IESRH_RN_k

Enhanced DMA

- [EDMA Register Summary: \[0\]\[1\]\[3\]](#)

Table 16-305. EDMA_TPCC_IPR_RN_k

Address Offset	0x0000 2068 + (0x200 * k)		
Physical Address	0x4330 2068 + (0x200 * k) 0x40D1 2068 + (0x200 * k) 0x01D1 2068 + (0x200 * k)	Instance	SYS_EDMA_TPCC DSP1_EDMA_TPCC DSP_EDMA_TPCC
Description	Interrupt Pending Register EDMA_TPCC_IPR . In bit is set when a interrupt completion code with TCC of N is detected. EDMA_TPCC_IPR . In bit is cleared via software by writing a '1' to EDMA_TPCC_ICR . In bit.		
Type	R		

31	30	29	28	27	26	25	24	23	22	21	20	19	18	17	16	15	14	13	12	11	10	9	8	7	6	5	4	3	2	1	0
I31	I30	I29	I28	I27	I26	I25	I24	I23	I22	I21	I20	I19	I18	I17	I16	I15	I14	I13	I12	I11	I10	I9	I8	I7	I6	I5	I4	I3	I2	I1	I0

Bits	Field Name	Description	Type	Reset
31	I31	Interrupt associated with TCC #31	R	0x0
30	I30	Interrupt associated with TCC #30	R	0x0
29	I29	Interrupt associated with TCC #29	R	0x0
28	I28	Interrupt associated with TCC #28	R	0x0
27	I27	Interrupt associated with TCC #27	R	0x0
26	I26	Interrupt associated with TCC #26	R	0x0
25	I25	Interrupt associated with TCC #25	R	0x0
24	I24	Interrupt associated with TCC #24	R	0x0
23	I23	Interrupt associated with TCC #23	R	0x0
22	I22	Interrupt associated with TCC #22	R	0x0
21	I21	Interrupt associated with TCC #21	R	0x0
20	I20	Interrupt associated with TCC #20	R	0x0
19	I19	Interrupt associated with TCC #19	R	0x0
18	I18	Interrupt associated with TCC #18	R	0x0
17	I17	Interrupt associated with TCC #17	R	0x0
16	I16	Interrupt associated with TCC #16	R	0x0
15	I15	Interrupt associated with TCC #15	R	0x0
14	I14	Interrupt associated with TCC #14	R	0x0
13	I13	Interrupt associated with TCC #13	R	0x0
12	I12	Interrupt associated with TCC #12	R	0x0
11	I11	Interrupt associated with TCC #11	R	0x0

Bits	Field Name	Description	Type	Reset
10	I10	Interrupt associated with TCC #10	R	0x0
9	I9	Interrupt associated with TCC #9	R	0x0
8	I8	Interrupt associated with TCC #8	R	0x0
7	I7	Interrupt associated with TCC #7	R	0x0
6	I6	Interrupt associated with TCC #6	R	0x0
5	I5	Interrupt associated with TCC #5	R	0x0
4	I4	Interrupt associated with TCC #4	R	0x0
3	I3	Interrupt associated with TCC #3	R	0x0
2	I2	Interrupt associated with TCC #2	R	0x0
1	I1	Interrupt associated with TCC #1	R	0x0
0	I0	Interrupt associated with TCC #0	R	0x0

Table 16-306. Register Call Summary for Register EDMA_TPCC_IPR_RN_k

Enhanced DMA

- [EDMA Register Summary: \[0\]\[1\]\[3\]](#)

Table 16-307. EDMA_TPCC_IPRH_RN_k

Address Offset	0x0000 206C + (0x200 * k)		
Physical Address	0x4330 206C + (0x200 * k) 0x40D1 206C + (0x200 * k) 0x01D1 206C + (0x200 * k)	Instance	SYS_EDMA_TPCC DSP1_EDMA_TPCC DSP_EDMA_TPCC
Description	Interrupt Pending Register (High Part) EDMA_TPCC_IPRH.In bit is set when a interrupt completion code with TCC of N is detected. EDMA_TPCC_IPRH.In bit is cleared via software by writing a '1' to EDMA_TPCC_ICRH.In bit.		
Type	R		

31	30	29	28	27	26	25	24	23	22	21	20	19	18	17	16	15	14	13	12	11	10	9	8	7	6	5	4	3	2	1	0
I63	I62	I61	I60	I59	I58	I57	I56	I55	I54	I53	I52	I51	I50	I49	I48	I47	I46	I45	I44	I43	I42	I41	I40	I39	I38	I37	I36	I35	I34	I33	I32

Bits	Field Name	Description	Type	Reset
31	I63	Interrupt associated with TCC #63	R	0x0
30	I62	Interrupt associated with TCC #62	R	0x0
29	I61	Interrupt associated with TCC #61	R	0x0
28	I60	Interrupt associated with TCC #60	R	0x0
27	I59	Interrupt associated with TCC #59	R	0x0
26	I58	Interrupt associated with TCC #58	R	0x0
25	I57	Interrupt associated with TCC #57	R	0x0
24	I56	Interrupt associated with TCC #56	R	0x0
23	I55	Interrupt associated with TCC #55	R	0x0
22	I54	Interrupt associated with TCC #54	R	0x0
21	I53	Interrupt associated with TCC #53	R	0x0
20	I52	Interrupt associated with TCC #52	R	0x0
19	I51	Interrupt associated with TCC #51	R	0x0
18	I50	Interrupt associated with TCC #50	R	0x0
17	I49	Interrupt associated with TCC #49	R	0x0
16	I48	Interrupt associated with TCC #48	R	0x0
15	I47	Interrupt associated with TCC #47	R	0x0
14	I46	Interrupt associated with TCC #46	R	0x0
13	I45	Interrupt associated with TCC #45	R	0x0

Bits	Field Name	Description	Type	Reset
12	I44	Interrupt associated with TCC #44	R	0x0
11	I43	Interrupt associated with TCC #43	R	0x0
10	I42	Interrupt associated with TCC #42	R	0x0
9	I41	Interrupt associated with TCC #41	R	0x0
8	I40	Interrupt associated with TCC #40	R	0x0
7	I39	Interrupt associated with TCC #39	R	0x0
6	I38	Interrupt associated with TCC #38	R	0x0
5	I37	Interrupt associated with TCC #37	R	0x0
4	I36	Interrupt associated with TCC #36	R	0x0
3	I35	Interrupt associated with TCC #35	R	0x0
2	I34	Interrupt associated with TCC #34	R	0x0
1	I33	Interrupt associated with TCC #33	R	0x0
0	I32	Interrupt associated with TCC #32	R	0x0

Table 16-308. Register Call Summary for Register EDMA_TPCC_IPRH_RN_k

Enhanced DMA

- [EDMA Register Summary: \[0\]\[1\]\[3\]](#)

Table 16-309. EDMA_TPCC_ICR_RN_k

Address Offset	0x0000 2070 + (0x200 * k)		
Physical Address	0x4330 2070 + (0x200 * k) 0x40D1 2070 + (0x200 * k) 0x01D1 2070 + (0x200 * k)	Instance	SYS_EDMA_TPCC DSP1_EDMA_TPCC DSP_EDMA_TPCC
Description	Interrupt Clear Register CPU writes of '0' has no effect. CPU write of '1' to the EDMA_TPCC_ICR .In bit causes the EDMA_TPCC_IPR .In bit to be cleared. All EDMA_TPCC_IPR .In bits must be cleared before additional interrupts will be asserted by CC.		
Type	W		

31	30	29	28	27	26	25	24	23	22	21	20	19	18	17	16	15	14	13	12	11	10	9	8	7	6	5	4	3	2	1	0
I31	I30	I29	I28	I27	I26	I25	I24	I23	I22	I21	I20	I19	I18	I17	I16	I15	I14	I13	I12	I11	I10	I9	I8	I7	I6	I5	I4	I3	I2	I1	I0

Bits	Field Name	Description	Type	Reset
31	I31	Interrupt associated with TCC #31	W	0x0
30	I30	Interrupt associated with TCC #30	W	0x0
29	I29	Interrupt associated with TCC #29	W	0x0
28	I28	Interrupt associated with TCC #28	W	0x0
27	I27	Interrupt associated with TCC #27	W	0x0
26	I26	Interrupt associated with TCC #26	W	0x0
25	I25	Interrupt associated with TCC #25	W	0x0
24	I24	Interrupt associated with TCC #24	W	0x0
23	I23	Interrupt associated with TCC #23	W	0x0
22	I22	Interrupt associated with TCC #22	W	0x0
21	I21	Interrupt associated with TCC #21	W	0x0
20	I20	Interrupt associated with TCC #20	W	0x0
19	I19	Interrupt associated with TCC #19	W	0x0
18	I18	Interrupt associated with TCC #18	W	0x0
17	I17	Interrupt associated with TCC #17	W	0x0
16	I16	Interrupt associated with TCC #16	W	0x0

Bits	Field Name	Description	Type	Reset
15	I15	Interrupt associated with TCC #15	W	0x0
14	I14	Interrupt associated with TCC #14	W	0x0
13	I13	Interrupt associated with TCC #13	W	0x0
12	I12	Interrupt associated with TCC #12	W	0x0
11	I11	Interrupt associated with TCC #11	W	0x0
10	I10	Interrupt associated with TCC #10	W	0x0
9	I9	Interrupt associated with TCC #9	W	0x0
8	I8	Interrupt associated with TCC #8	W	0x0
7	I7	Interrupt associated with TCC #7	W	0x0
6	I6	Interrupt associated with TCC #6	W	0x0
5	I5	Interrupt associated with TCC #5	W	0x0
4	I4	Interrupt associated with TCC #4	W	0x0
3	I3	Interrupt associated with TCC #3	W	0x0
2	I2	Interrupt associated with TCC #2	W	0x0
1	I1	Interrupt associated with TCC #1	W	0x0
0	I0	Interrupt associated with TCC #0	W	0x0

Table 16-310. Register Call Summary for Register EDMA_TPCC_ICR_RN_k

Enhanced DMA

- [EDMA Register Summary: \[0\]\[1\]\[3\]](#)

Table 16-311. EDMA_TPCC_ICRH_RN_k

Address Offset	0x0000 2074 + (0x200 * k)		
Physical Address	0x4330 2074 + (0x200 * k) 0x40D1 2074 + (0x200 * k) 0x01D1 2074 + (0x200 * k)	Instance	SYS_EDMA_TPCC DSP1_EDMA_TPCC DSP_EDMA_TPCC
Description	Interrupt Clear Register (High Part) CPU write of '0' has no effect. CPU write of '1' to the EDMA_TPCC_ICRH.In bit causes the EDMA_TPCC_IPRH.In bit to be cleared. All EDMA_TPCC_IPRH.In bits must be cleared before additional interrupts will be asserted by CC.		
Type	W		

31	30	29	28	27	26	25	24	23	22	21	20	19	18	17	16	15	14	13	12	11	10	9	8	7	6	5	4	3	2	1	0
I63	I62	I61	I60	I59	I58	I57	I56	I55	I54	I53	I52	I51	I50	I49	I48	I47	I46	I45	I44	I43	I42	I41	I40	I39	I38	I37	I36	I35	I34	I33	I32

Bits	Field Name	Description	Type	Reset
31	I63	Interrupt associated with TCC #63	W	0x0
30	I62	Interrupt associated with TCC #62	W	0x0
29	I61	Interrupt associated with TCC #61	W	0x0
28	I60	Interrupt associated with TCC #60	W	0x0
27	I59	Interrupt associated with TCC #59	W	0x0
26	I58	Interrupt associated with TCC #58	W	0x0
25	I57	Interrupt associated with TCC #57	W	0x0
24	I56	Interrupt associated with TCC #56	W	0x0
23	I55	Interrupt associated with TCC #55	W	0x0
22	I54	Interrupt associated with TCC #54	W	0x0
21	I53	Interrupt associated with TCC #53	W	0x0

Bits	Field Name	Description	Type	Reset
20	I52	Interrupt associated with TCC #52	W	0x0
19	I51	Interrupt associated with TCC #51	W	0x0
18	I50	Interrupt associated with TCC #50	W	0x0
17	I49	Interrupt associated with TCC #49	W	0x0
16	I48	Interrupt associated with TCC #48	W	0x0
15	I47	Interrupt associated with TCC #47	W	0x0
14	I46	Interrupt associated with TCC #46	W	0x0
13	I45	Interrupt associated with TCC #45	W	0x0
12	I44	Interrupt associated with TCC #44	W	0x0
11	I43	Interrupt associated with TCC #43	W	0x0
10	I42	Interrupt associated with TCC #42	W	0x0
9	I41	Interrupt associated with TCC #41	W	0x0
8	I40	Interrupt associated with TCC #40	W	0x0
7	I39	Interrupt associated with TCC #39	W	0x0
6	I38	Interrupt associated with TCC #38	W	0x0
5	I37	Interrupt associated with TCC #37	W	0x0
4	I36	Interrupt associated with TCC #36	W	0x0
3	I35	Interrupt associated with TCC #35	W	0x0
2	I34	Interrupt associated with TCC #34	W	0x0
1	I33	Interrupt associated with TCC #33	W	0x0
0	I32	Interrupt associated with TCC #32	W	0x0

Table 16-312. Register Call Summary for Register EDMA_TPCC_ICRH_RN_k

Enhanced DMA

- [EDMA Register Summary: \[0\]\[1\]\[3\]](#)

Table 16-313. EDMA_TPCC_IEVAL_RN_k

Address Offset	0x0000 2078 + (0x200 * k)		
Physical Address	0x4330 2078 + (0x200 * k) 0x40D1 2078 + (0x200 * k) 0x01D1 2078 + (0x200 * k)	Instance	SYS_EDMA_TPCC DSP1_EDMA_TPCC DSP_EDMA_TPCC
Description	Interrupt Eval Register		
Type	W		

31	30	29	28	27	26	25	24	23	22	21	20	19	18	17	16	15	14	13	12	11	10	9	8	7	6	5	4	3	2	1	0
RESERVED																SET	EVAL														

Bits	Field Name	Description	Type	Reset
31:2	RESERVED	Reserved	R	0x0
1	SET	Interrupt Set CPU writes 0x0 has no effect. CPU writes 0x1 to the SETn bit causes the tpcc_intN output signal to be pulsed egardless of state of interrupts enable (IERn) and status (EDMA_TPCC_IPRn).	W	0x0

Bits	Field Name	Description	Type	Reset
0	EVAL	Interrupt Evaluate CPU writes 0x0 has no effect. CPU writes 0x1 to the EVALn bit causes the tpcc_intN output signal to be pulsed if any enabled interrupts (IERn) are still pending (EDMA_TPCC_IPRn).	W	0x0

Table 16-314. Register Call Summary for Register EDMA_TPCC_IEVAL_RN_k

Enhanced DMA

- [Region Overview: \[0\]\[1\]](#)
- [EDMA Register Summary: \[2\]\[3\]\[5\]](#)

Table 16-315. EDMA_TPCC_QER_RN_k

Address Offset	0x0000 2080 + (0x200 * k)	
Physical Address	0x4330 2080 + (0x200 * k) 0x40D1 2080 + (0x200 * k) 0x01D1 2080 + (0x200 * k)	Instance SYS_EDMA_TPCC DSP1_EDMA_TPCC DSP_EDMA_TPCC
Description	QDMA Event Register If EDMA_TPCC_QER.En bit is set, then the corresponding QDMA channel is prioritized vs. other qdma events for submission to the TC. EDMA_TPCC_QER.En bit is set when a vbus write byte matches the address defined in the QCHMAPn register. EDMA_TPCC_QER.En bit is cleared when the corresponding event is prioritized and serviced. EDMA_TPCC_QER.En is also cleared when user writes a '1' to the EDMA_TPCC_QSECR.En bit. If the EDMA_TPCC_QER.En bit is already set and a new QDMA event is detected due to user write to QDMA trigger location and EDMA_TPCC_QEER register is set, then the corresponding bit in the QDMA Event Missed Register is set.	
Type	R	

31	30	29	28	27	26	25	24	23	22	21	20	19	18	17	16	15	14	13	12	11	10	9	8	7	6	5	4	3	2	1	0
RESERVED																E7	E6	E5	E4	E3	E2	E1	E0								

Bits	Field Name	Description	Type	Reset
31:8	RESERVED	Reserved	R Return 0's	0x0
7	E7	Event #7	R	0x0
6	E6	Event #6	R	0x0
5	E5	Event #5	R	0x0
4	E4	Event #4	R	0x0
3	E3	Event #3	R	0x0
2	E2	Event #2	R	0x0
1	E1	Event #1	R	0x0
0	E0	Event #0	R	0x0

Table 16-316. Register Call Summary for Register EDMA_TPCC_QER_RN_k

Enhanced DMA

- [EDMA Register Summary: \[0\]\[1\]\[3\]](#)

Table 16-317. EDMA_TPCC_QEER_RN_k

Address Offset	0x0000 2084 + (0x200 * k)	
Physical Address	0x4330 2084 + (0x200 * k) 0x40D1 2084 + (0x200 * k) 0x01D1 2084 + (0x200 * k)	Instance SYS_EDMA_TPCC DSP1_EDMA_TPCC DSP_EDMA_TPCC

Table 16-317. EDMA_TPCC_QEER_RN_k (continued)

Description	QDMA Event Enable Register Enabled/disabled QDMA address comparator for QDMA Channel N. EDMA_TPCC_QEER.En is not directly writeable. The corresponding QDMA channel comparator is enabled and Events will be recognized and latched in EDMA_TPCC_QER.En . EDMA_TPCC_QEER.En = 0, The corresponding QDMA channel comparator is disabled. Events will not be recognized/latched in EDMA_TPCC_QER.En . QDMA channels can be enabled via writes to EDMA_TPCC_QEESR and can be disabled via writes to EDMA_TPCC_QEECR register. EDMA_TPCC_QEER.En = 1,
Type	R

31	30	29	28	27	26	25	24	23	22	21	20	19	18	17	16	15	14	13	12	11	10	9	8	7	6	5	4	3	2	1	0
RESERVED																								E7	E6	E5	E4	E3	E2	E1	E0

Bits	Field Name	Description	Type	Reset
31:8	RESERVED	Reserved	R Return 0's	0x0
7	E7	Event #7	R	0x0
6	E6	Event #6	R	0x0
5	E5	Event #5	R	0x0
4	E4	Event #4	R	0x0
3	E3	Event #3	R	0x0
2	E2	Event #2	R	0x0
1	E1	Event #1	R	0x0
0	E0	Event #0	R	0x0

Table 16-318. Register Call Summary for Register EDMA_TPCC_QEER_RN_k

Enhanced DMA

- [EDMA Register Summary: \[0\]\[1\]\[3\]](#)

Table 16-319. EDMA_TPCC_QEECR_RN_k

Address Offset	0x0000 2088 + (0x200 * k)		
Physical Address	0x4330 2088 + (0x200 * k) 0x40D1 2088 + (0x200 * k) 0x01D1 2088 + (0x200 * k)	Instance	SYS_EDMA_TPCC DSP1_EDMA_TPCC DSP_EDMA_TPCC
Description	QDMA Event Enable Clear Register CPU write of '0' has no effect. CPU write of '1' to the EDMA_TPCC_QEECR.En bit causes the EDMA_TPCC_QEER.En bit to be cleared.		
Type	W		

31	30	29	28	27	26	25	24	23	22	21	20	19	18	17	16	15	14	13	12	11	10	9	8	7	6	5	4	3	2	1	0
RESERVED																								E7	E6	E5	E4	E3	E2	E1	E0

Bits	Field Name	Description	Type	Reset
31:8	RESERVED	Reserved	R	0x0
7	E7	Event #7	W	0x0
6	E6	Event #6	W	0x0
5	E5	Event #5	W	0x0
4	E4	Event #4	W	0x0

Bits	Field Name	Description	Type	Reset
3	E3	Event #3	W	0x0
2	E2	Event #2	W	0x0
1	E1	Event #1	W	0x0
0	E0	Event #0	W	0x0

Table 16-320. Register Call Summary for Register EDMA_TPCC_QEECR_RN_k

Enhanced DMA

- [EDMA Register Summary: \[0\]\[1\]\[3\]](#)

Table 16-321. EDMA_TPCC_QEESR_RN_k

Address Offset	0x0000 208C + (0x200 * k)		
Physical Address	0x4330 208C + (0x200 * k) 0x40D1 208C + (0x200 * k) 0x01D1 208C + (0x200 * k)	Instance	SYS_EDMA_TPCC DSP1_EDMA_TPCC DSP_EDMA_TPCC
Description	QDMA Event Enable Set Register CPU write of '0' has no effect. CPU write of '1' to the EDMA_TPCC_QEESR .En bit causes the EDMA_TPCC_QEESR .En bit to be set.		
Type	W		

31	30	29	28	27	26	25	24	23	22	21	20	19	18	17	16	15	14	13	12	11	10	9	8	7	6	5	4	3	2	1	0																					
RESERVED																																																				

Bits	Field Name	Description	Type	Reset
31:8	RESERVED	Reserved	R	0x0
7	E7	Event #7	W	0x0
6	E6	Event #6	W	0x0
5	E5	Event #5	W	0x0
4	E4	Event #4	W	0x0
3	E3	Event #3	W	0x0
2	E2	Event #2	W	0x0
1	E1	Event #1	W	0x0
0	E0	Event #0	W	0x0

Table 16-322. Register Call Summary for Register EDMA_TPCC_QEESR_RN_k

Enhanced DMA

- [EDMA Register Summary: \[0\]\[1\]\[3\]](#)

Table 16-323. EDMA_TPCC_QSER_RN_k

Address Offset	0x0000 2090 + (0x200 * k)		
Physical Address	0x4330 2090 + (0x200 * k) 0x40D1 2090 + (0x200 * k) 0x01D1 2090 + (0x200 * k)	Instance	SYS_EDMA_TPCC DSP1_EDMA_TPCC DSP_EDMA_TPCC
Description	QDMA Secondary Event Register The QDMA secondary event register is used along with the QDMA Event Register (EDMA_TPCC_QER) to provide information on the state of a QDMA Event. En = 0 : Event is not currently in the Event Queue. En = 1 : Event is currently stored in Event Queue. Event arbiter will not prioritize additional events.		
Type	R		

31	30	29	28	27	26	25	24	23	22	21	20	19	18	17	16	15	14	13	12	11	10	9	8	7	6	5	4	3	2	1	0
RESERVED																E7	E6	E5	E4	E3	E2	E1	E0								

Bits	Field Name	Description	Type	Reset
31:8	RESERVED	Reserved	R Return 0's	0x0
7	E7	Event #7	R	0x0
6	E6	Event #6	R	0x0
5	E5	Event #5	R	0x0
4	E4	Event #4	R	0x0
3	E3	Event #3	R	0x0
2	E2	Event #2	R	0x0
1	E1	Event #1	R	0x0
0	E0	Event #0	R	0x0

Table 16-324. Register Call Summary for Register EDMA_TPCC_QSER_RN_k

Enhanced DMA

- [EDMA Register Summary: \[0\]\[1\]\[3\]](#)

Table 16-325. EDMA_TPCC_QSECR_RN_k

Address Offset	0x0000 2094 + (0x200 * k)		
Physical Address	0x4330 2094 + (0x200 * k) 0x40D1 2094 + (0x200 * k) 0x01D1 2094 + (0x200 * k)	Instance	SYS_EDMA_TPCC DSP1_EDMA_TPCC DSP_EDMA_TPCC
Description	QDMA Secondary Event Clear Register CPU write of '0' has no effect. The secondary event clear register is used to clear the status of the EDMA_TPCC_QSER and EDMA_TPCC_QER register (note that this is slightly different than the EDMA_TPCC_SER operation, which does not clear the EDMA_TPCC_ER .En register). CPU write of '1' to the EDMA_TPCC_QSECR .En bit clears the EDMA_TPCC_QSER .En and EDMA_TPCC_QER .En register fields.		
Type	W		

31	30	29	28	27	26	25	24	23	22	21	20	19	18	17	16	15	14	13	12	11	10	9	8	7	6	5	4	3	2	1	0
RESERVED																E7	E6	E5	E4	E3	E2	E1	E0								

Bits	Field Name	Description	Type	Reset
31:8	RESERVED	write 0's for future compatibility	W	0x0
7	E7	Event #7	W	0x0
6	E6	Event #6	W	0x0
5	E5	Event #5	W	0x0
4	E4	Event #4	W	0x0
3	E3	Event #3	W	0x0
2	E2	Event #2	W	0x0
1	E1	Event #1	W	0x0
0	E0	Event #0	W	0x0

Table 16-326. Register Call Summary for Register EDMA_TPCC_QSECR_RN_k

Enhanced DMA

- [EDMA Register Summary: \[0\]\[1\]\[3\]](#)

Table 16-327. EDMA_TPCC_OPT_n

Address Offset	0x0000 4000 + (0x20 * n)	Instance	SYS_EDMA_TPCC DSP1_EDMA_TPCC DSP_EDMA_TPCC
Physical Address	0x4330 4000 + (0x20 * n) 0x40D1 4000 + (0x20 * n) 0x01D1 4000 + (0x20 * n)		
Description	Options Parameter		
Type	RW		

31	30	29	28	27	26	25	24	23	22	21	20	19	18	17	16	15	14	13	12	11	10	9	8	7	6	5	4	3	2	1	0
PRIV	RESERVED			PRIVID				ITCCHEN	TCCHEN	ITCINTEN	TCINTEN	WIMODE	RESERVED	TCC				TCCMODE	FWID		RESERVED				STATIC	SYNCDIM	DAM	SAM			

Bits	Field Name	Description	Type	Reset
31	PRIV	Privilege level privilege level (supervisor vs. user) for the host/cpu/dma that programmed this PaRAM Entry. Value is set with the vbus priv value when any part of the PaRAM Entry is written. Not writeable via vbus wdata bus. Is readable via VBus rdata bus. 0x0: User level privilege 0x1: Supervisor level privilege	R	0x0
30:28	RESERVED	Reserved	R	0x0
27:24	PRIVID	Privilege ID Privilege ID for the external host/cpu/dma that programmed this PaRAM Entry. This value is set with the vbus privid value when any part of the PaRAM Entry is written. Not writeable via vbus wdata bus. Is readable via VBus rdata bus.	R	0x0
23	ITCCHEN	Intermediate transfer completion chaining enable 0x0: Intermediate transfer complete chaining is disabled. 0x1: Intermediate transfer complete chaining is enabled.	RW	0x0
22	TCCHEN	Transfer complete chaining enable 0x0: Transfer complete chaining is disabled. 0x1: Transfer complete chaining is enabled.	RW	0x0
21	ITCINTEN	Intermediate transfer completion interrupt enable 0x0: Intermediate transfer complete interrupt is disabled. 0x1: Intermediate transfer complete interrupt is enabled (corresponding EDMA_TPCC_IER[TCC] bit must be set to 1 to generate interrupt)	RW	0x0
20	TCINTEN	Transfer complete interrupt enable 0x0: Transfer complete interrupt is disabled. 0x1: Transfer complete interrupt is enabled (corresponding EDMA_TPCC_IER[TCC] bit must be set to 1 to generate interrupt)	RW	0x0
19	WIMODE	Backward compatibility mode 0x0: Normal operation 0x1: WI Backwards Compatibility mode, forces BCNT to be adjusted by '1' upon TR submission (0 means 1, 1 means 2, ...) and forces ACNT to be treated as a word-count (left shifted by 2 by hardware to create byte cnt for TR submission)	RW	0x0
18	RESERVED	Reserved	R	0x0

Bits	Field Name	Description	Type	Reset
17:12	TCC	Transfer Complete Code The 6-bit code is used to set the relevant bit in EDMA_TPCC_CER (bit EDMA_TPCC_CER[TCC]) for chaining or in EDMA_TPCC_IER (bit EDMA_TPCC_IER[TCC]) for interrupts.	RW	0x0
11	TCCMODE	Transfer complete code mode: Indicates the point at which a transfer is considered completed. Applies to both chaining and interrupt. 0x0: Normal Completion. A transfer is considered completed after the transfer parameters are returned to the CC from the TC (which was returned from the peripheral) 0x1: Early Completion, A transfer is considered completed after the CC submits a TR to the TC. CC generates completion code internally.	RW	0x0
10:8	FWID	FIFO width: Applies if either SAM or DAM is set to FIFO mode. Pass-thru to TC.	RW	0x0
7:4	RESERVED	Reserved	R	0x0
3	STATIC	Static Entry 0x0: Entry is updated as normal 0x1: Entry is static, Count and Address updates are not updated after TRP is submitted. Linking is not performed.	RW	0x0
2	SYNCDIM	Transfer Synchronization Dimension: 0x0: A-Sync, Each event triggers the transfer of ACNT elements. 0x1: AB-Sync, Each event triggers the transfer of BCNT arrays of ACNT elements.	RW	0x0
1	DAM	Destination Address Mode: Destination Address Mode within an array. Pass-thru to TC. 0x0: INCR, Dst addressing within an array increments. Dst is not a FIFO. 0x1: FIFO, Dst addressing within an array wraps around upon reaching FIFO width.	RW	0x0
0	SAM	Source Address Mode: Source Address Mode within an array. Pass-thru to TC. 0x0: INCR, Src addressing within an array increments. Source is not a FIFO. 0x1: FIFO, Src addressing within an array wraps around upon reaching FIFO width.	RW	0x0

Table 16-328. Register Call Summary for Register EDMA_TPCC_OPT_n

Enhanced DMA

- Types of EDMA controller Transfers: [0]
- PaRAM: [1]
- EDMA Channel PaRAM Set Entry Fields: [2][3][4][5]
- Dummy Versus Null Transfer Comparison: [6]
- Parameter Set Updates: [7][8][9][10][11][12]
- Linking Transfers: [13][14][15]
- Constant Addressing Mode Transfers/Alignment Issues: [16][17][18][19][20][21]
- DMA Channel: [22]
- Comparison Between DMA and QDMA Channels: [23]
- Completion of a DMA Transfer: [24][25][26][27][28][29][30]
- Normal Completion: [31]
- Early Completion: [32]
- Channel Controller Regions: [33]
- Chaining EDMA Channels: [34][35][36][37][38][39][40][41][42][43][44][45]
- Transfer Completion Interrupts: [46][47][48][49][50][51][52][53][54][55][56][57][58][59][60][61][62][63][64][65][66][67][68][69][70][71]
- Error Interrupts: [72][73]
- Active Memory Protection: [74][75][76][77]
- Proxy Memory Protection: [78][79][80][81][82][83][84][85][86][87]
- Block Move Example: [88][89][90]
- Subframe Extraction Example: [91][92][93][94]
- Data Sorting Example: [95][96][97][98]
- Non-bursting Peripherals: [99]
- Bursting Peripherals: [100][101]
- Continuous Operation: [102][103][104][105]
- Ping-Pong Buffering: [106][107][108]
- Transfer Chaining Examples: [109][110][111][112][113][114][115][116][117]
- EDMA Debug Checklist: [118][119][120][121][122][123]
- EDMA Register Summary: [124][125][127]
- EDMA Register Description: [130][131][132][133][134][135][136][137][138]

Table 16-329. EDMA_TPCC_SRC_n

Address Offset	0x0000 4004 + (0x20 * n)	Instance	SYS_EDMA_TPCC
Physical Address	0x4330 4004 + (0x20 * n) 0x40D1 4004 + (0x20 * n) 0x01D1 4004 + (0x20 * n)		DSP1_EDMA_TPCC DSP_EDMA_TPCC
Description	Source Address		
Type	RW		

31	30	29	28	27	26	25	24	23	22	21	20	19	18	17	16	15	14	13	12	11	10	9	8	7	6	5	4	3	2	1	0
SRC																															

Bits	Field Name	Description	Type	Reset
31:0	SRC	Source Address The 32-bit source address parameters specify the starting byte address of the source. If SAM is set to FIFO mode then the user should program the Source address to be aligned to the value specified by the EDMA_TPCC_OPT_n[10:8] FWID field. No errors are recognized here but TC will assert error if this is not true.	RW	0x0

Table 16-330. Register Call Summary for Register EDMA_TPCC_SRC_n

Enhanced DMA

- PaRAM: [0]
- Parameter Set Updates: [1][2]
- EDMA Register Summary: [3][4][6]

Table 16-331. EDMA_TPCC_ABCNT_n

Address Offset	0x0000 4008 + (0x20 * n)		
Physical Address	0x4330 4008 + (0x20 * n)	Instance	SYS_EDMA_TPCC
	0x40D1 4008 + (0x20 * n)		DSP1_EDMA_TPCC
	0x01D1 4008 + (0x20 * n)		DSP_EDMA_TPCC
Description	A and B byte count		
Type	RW		

31	30	29	28	27	26	25	24	23	22	21	20	19	18	17	16	15	14	13	12	11	10	9	8	7	6	5	4	3	2	1	0
BCNT																ACNT															

Bits	Field Name	Description	Type	Reset
31:16	BCNT	<p>BCNT: Count for 2nd Dimension: BCNT is a 16-bit unsigned value that specifies the number of arrays of length ACNT. For normal operation, valid values for BCNT can be anywhere between 1 and 65535. Therefore, the maximum number of arrays in a frame is 65535 (64K-1 arrays). BCNT=1 means 1 array in the frame, and BCNT=0 means 0 arrays in the frame. In normal mode, a BCNT of '0' is considered as either a Null or Dummy transfer. A Dummy or Null transfer will generate a Completion code depending on the settings of the completion bit fields of the OPT field. If the EDMA_TPCC_OPT_n.WIMODE bit is set, then the programmed BCNT value will be incremented by '1' before submission to TC. I.e., 0 means 1, 1 means 2, 2 means 3, ..., 0xFFFF means 0xFFFF. A value of 0xFFFF is an illegal value that will be treated as a Null TR.</p>	RW	0x0
15:0	ACNT	<p>ACNT: number of bytes in 1st dimension: ACNT represents the number of bytes within the first dimension of a transfer. ACNT is a 16-bit unsigned value with valid values between 0 and 65535. Therefore, the maximum number of bytes in an array is 65535 bytes (64K-1 bytes). ACNT must be greater than or equal to '1' for a TR to be submitted to TC. An ACNT of '0' is considered as either a null or dummy transfer. A Dummy or Null transfer will generate a Completion code depending on the settings of the completion bit fields of the OPT field. If the EDMA_TPCC_OPT_n.WIMODE bit is set then the ACNT field represents a word count. The CC must internally multiply by 4 to translate the word count to a byte count prior to submission to the TC. The 2 MSBs of the 16-bit ACNT are reserved and should always be written as 'b00' by the user. If user writes a value other than 0, it will still be treated as 0 since the multiply-by-4 operation (to translate between a word count and a byte count) will drop the 2 msbits. For dummy and null transfer definition, the ACNT definition will disregard the 2 msbits. I.e., a programmed ACNT value of 0x8000 in WI-mode will be treated as 0 byte transfer, resulting in null or dummy operation dependent on the state of BCNT and CCNT.</p>	RW	0x0

Table 16-332. Register Call Summary for Register EDMA_TPCC_ABCNT_n

Enhanced DMA

- [Types of EDMA controller Transfers: \[0\]\[1\]](#)
- [A-Synchronized Transfers: \[2\]](#)
- [PaRAM: \[3\]\[4\]](#)
- [EDMA Channel PaRAM Set Entry Fields: \[5\]\[6\]\[7\]](#)
- [Null PaRAM Set: \[8\]\[9\]](#)
- [Dummy PaRAM Set: \[10\]\[11\]](#)
- [Parameter Set Updates: \[12\]\[13\]\[14\]\[15\]\[16\]\[17\]\[18\]\[19\]\[20\]\[21\]\[22\]\[23\]\[24\]](#)
- [Element Size: \[25\]\[26\]\[27\]\[28\]\[29\]\[30\]](#)
- [Comparison Between DMA and QDMA Channels: \[31\]](#)
- [Completion of a DMA Transfer: \[32\]\[33\]](#)
- [Event, Channel, and PaRAM Mapping: \[34\]\[35\]](#)
- [Chaining EDMA Channels: \[36\]\[37\]](#)
- [Transfer Completion Interrupts: \[38\]](#)
- [Architecture Details: \[39\]\[40\]\[41\]\[42\]\[43\]\[44\]\[45\]](#)
- [Block Move Example: \[46\]](#)
- [Bursting Peripherals: \[47\]\[48\]](#)
- [EDMA Register Summary: \[49\]\[50\]\[52\]](#)

Table 16-333. EDMA_TPCC_DST_n

Address Offset	0x0000 400C + (0x20 * n)	Instance	SYS_EDMA_TPCC
Physical Address	0x4330 400C + (0x20 * n) 0x40D1 400C + (0x20 * n) 0x01D1 400C + (0x20 * n)		DSP1_EDMA_TPCC DSP_EDMA_TPCC
Description	Destination Address		
Type	RW		

31	30	29	28	27	26	25	24	23	22	21	20	19	18	17	16	15	14	13	12	11	10	9	8	7	6	5	4	3	2	1	0
DST																															

Bits	Field Name	Description	Type	Reset
31:0	DST	Destination Address: The 32-bit destination address parameters specify the starting byte address of the destination. If DAM is set to FIFO mode then the user should program the Destination address to be aligned to the value specified by the EDMA_TPCC_OPT_n.FWID field. No errors are recognized here but TC will assert error if this is not true.	RW	0x0

Table 16-334. Register Call Summary for Register EDMA_TPCC_DST_n

Enhanced DMA

- [PaRAM: \[0\]](#)
- [Parameter Set Updates: \[1\]\[2\]](#)
- [EDMA Register Summary: \[3\]\[4\]\[6\]](#)

Table 16-335. EDMA_TPCC_BIDX_n

Address Offset	0x0000 4010 + (0x20 * n)	Instance	SYS_EDMA_TPCC
Physical Address	0x4330 4010 + (0x20 * n) 0x40D1 4010 + (0x20 * n) 0x01D1 4010 + (0x20 * n)		DSP1_EDMA_TPCC DSP_EDMA_TPCC
Description			
Type	RW		

31	30	29	28	27	26	25	24	23	22	21	20	19	18	17	16	15	14	13	12	11	10	9	8	7	6	5	4	3	2	1	0
DBIDX																SBIDX															

Bits	Field Name	Description	Type	Reset
31:16	DBIDX	Destination 2nd Dimension Index: DBIDX is a 16-bit signed value (2's complement) used for destination address modification in between each array in the 2nd dimension. It is a signed value between -32768 and 32767. It provides a byte address offset from the beginning of the destination array to the beginning of the next destination array within the current frame. It applies to both A-Sync and AB-Sync transfers.	RW	0x0
15:0	SBIDX	Source 2nd Dimension Index: SBIDX is a 16-bit signed value (2's complement) used for source address modification in between each array in the 2nd dimension. It is a signed value between -32768 and 32767. It provides a byte address offset from the beginning of the source array to the beginning of the next source array. It applies to both A-sync and AB-sync transfers.	RW	0x0

Table 16-336. Register Call Summary for Register EDMA_TPCC_BIDX_n

Enhanced DMA

- [Types of EDMA controller Transfers: \[0\]\[1\]](#)
- [A-Synchronized Transfers: \[2\]\[3\]\[4\]](#)
- [AB-Synchronized Transfers: \[5\]\[6\]](#)
- [PaRAM: \[7\]\[8\]](#)
- [EDMA Channel PaRAM Set Entry Fields: \[9\]\[10\]\[11\]\[12\]\[13\]\[14\]\[15\]](#)
- [Parameter Set Updates: \[16\]\[17\]\[18\]\[19\]\[20\]\[21\]\[22\]\[23\]\[24\]\[25\]\[26\]\[27\]\[28\]\[29\]](#)
- [Constant Addressing Mode Transfers/Alignment Issues: \[30\]](#)
- [Architecture Details: \[31\]](#)
- [Bursting Peripherals: \[32\]](#)
- [EDMA Register Summary: \[33\]\[34\]\[36\]](#)

Table 16-337. EDMA_TPCC_LNK_n

Address Offset	0x0000 4014 + (0x20 * n)	Instance	SYS_EDMA_TPCC DSP1_EDMA_TPCC DSP_EDMA_TPCC
Physical Address	0x4330 4014 + (0x20 * n) 0x40D1 4014 + (0x20 * n) 0x01D1 4014 + (0x20 * n)		
Description	Link and Reload parameters		
Type	RW		

31	30	29	28	27	26	25	24	23	22	21	20	19	18	17	16	15	14	13	12	11	10	9	8	7	6	5	4	3	2	1	0
BCNTRLD																LINK															

Bits	Field Name	Description	Type	Reset
31:16	BCNTRLD	BCNT Reload: BCNTRLD is a 16-bit unsigned value used to reload the BCNT field once the last array in the 2nd dimension is transferred. This field is only used for A-Sync'ed transfers. In this case, the CC decrements the BCNT value by one on each TR submission. When BCNT (conceptually) reaches zero, then the CC decrements CCNT and uses the BCNTRLD value to reinitialize the BCNT value. For AB-synchronized transfers, the CC submits the BCNT in the TR and therefore the TC is responsible to keep track of BCNT, not thus BCNTRLD is a don't care field.	RW	0x0

Bits	Field Name	Description	Type	Reset
15:0	LINK	<p>Link Address:</p> <p>The CC provides a mechanism to reload the current PaRAM Entry upon its natural termination (i.e., after count fields are decremented to '0') with a new PaRAM Entry. This is called 'linking'. The 16-bit parameter LINK specifies the byte address offset in the PaRAM from which the CC loads/reloads the next PaRAM entry in the link. The CC should disregard the value in the upper 2 bits of the LINK field as well as the lower 5-bits of the LINK field. The upper two bits are ignored such that the user can program either the 'literal' byte address of the LINK parameter or the 'PaRAM base-relative' address of the link field. Therefore, if the user uses the literal address with a range from 0x4000 to 0x7FFF, it will be treated as a PaRAM-base-relative value of 0x0000 to 0x3FFF. The lower-5 bits are ignored and treated as 'b00000, thereby guaranteeing that all Link pointers point to a 32-byte aligned PaRAM entry. In the latter case (5-lsbs), behavior is undefined for the user (i.e., don't have to test it). In the former case (2 msbs), user should be able to take advantage of this feature (i.e., do have to test it). If a Link Update is requested to a PaRAM address that is beyond the actual range of implemented PaRAM, then the Link will be treated as a Null Link and all 0s plus 0xFFFF will be written to the current entry location. A LINK value of 0xFFFF is referred to as a NULL link which should cause the CC to write 0x0 to all entries of the current PaRAM Entry except for the LINK field which is set to 0xFFFF. The Priv/Privid state is overwritten to 0x0 when linking. MSBs and LSBS should not be masked when comparing against the 0xFFFF value. I.e., a value of 0x3FFE is a non-NULL PaRAM link field.</p>	RW	0x0

Table 16-338. Register Call Summary for Register EDMA_TPCC_LNK_n

Enhanced DMA

- PaRAM: [0][1]
- EDMA Channel PaRAM Set Entry Fields: [2][3][4][5][6]
- Parameter Set Updates: [7][8][9][10][11][12][13][14]
- Linking Transfers: [15][16][17][18][19][20]
- EDMA Debug Checklist: [21]
- EDMA Register Summary: [22][23][25]

Table 16-339. EDMA_TPCC_CIDX_n

Address Offset	0x0000 4018 + (0x20 * n)	Instance	SYS_EDMA_TPCC
Physical Address	0x4330 4018 + (0x20 * n) 0x40D1 4018 + (0x20 * n) 0x01D1 4018 + (0x20 * n)		DSP1_EDMA_TPCC DSP_EDMA_TPCC
Description	Source and destination frame indexes		
Type	RW		

31	30	29	28	27	26	25	24	23	22	21	20	19	18	17	16	15	14	13	12	11	10	9	8	7	6	5	4	3	2	1	0
DCIDX																SCIDX															

Bits	Field Name	Description	Type	Reset
31:16	DCIDX	Destination Frame Index: DCIDX is a 16-bit signed value (2's complement) used for destination address modification for the 3rd dimension. It is a signed value between -32768 and 32767. It provides a byte address offset from the beginning of the current array (pointed to by DST address) to the beginning of the first destination array in the next frame. It applies to both A-sync and AB-sync transfers. Note that when DCIDX is applied, the current array in an A-sync transfer is the last array in the frame, while the current array in a ABsync transfer is the first array in the frame.	RW	0x0
15:0	SCIDX	Source Frame Index: SCIDX is a 16-bit signed value (2's complement) used for source address modification for the 3rd dimension. It is a signed value between -32768 and 32767. It provides a byte address offset from the beginning of the current array (pointed to by SRC address) to the beginning of the first source array in the next frame. It applies to both A-sync and AB-sync transfers. Note that when SCIDX is applied, the current array in an A-sync transfer is the last array in the frame, while the current array in a AB-sync transfer is the first array in the frame.	RW	0x0

Table 16-340. Register Call Summary for Register EDMA_TPCC_CIDX_n

Enhanced DMA

- [Types of EDMA controller Transfers: \[0\]\[1\]](#)
- [A-Synchronized Transfers: \[2\]\[3\]](#)
- [AB-Synchronized Transfers: \[4\]\[5\]](#)
- [PaRAM: \[6\]\[7\]](#)
- [EDMA Channel PaRAM Set Entry Fields: \[8\]\[9\]\[10\]](#)
- [Parameter Set Updates: \[11\]\[12\]\[13\]\[14\]](#)
- [Bursting Peripherals: \[15\]\[16\]\[17\]](#)
- [EDMA Register Summary: \[18\]\[19\]\[21\]](#)

Table 16-341. EDMA_TPCC_CCNT_n

Address Offset	0x0000 401C + (0x20 * n)	Instance	SYS_EDMA_TPCC DSP1_EDMA_TPCC DSP_EDMA_TPCC
Physical Address	0x4330 401C + (0x20 * n) 0x40D1 401C + (0x20 * n) 0x01D1 401C + (0x20 * n)		
Description	C byte count		
Type	RW		

31	30	29	28	27	26	25	24	23	22	21	20	19	18	17	16	15	14	13	12	11	10	9	8	7	6	5	4	3	2	1	0
RESERVED																CCNT															

Bits	Field Name	Description	Type	Reset
31:16	RESERVED	Reserved	RW	0x0
15:0	CCNT	CCNT: Count for 3rd Dimension: CCNT is a 16-bit unsigned value that specifies the number of frames in a block. Valid values for CCNT can be anywhere between 1 and 65535. Therefore, the maximum number of frames in a block is 65535 (64K-1 frames). CCNT of '1' means '1' frame in the block, and CCNT of '0' means '0' frames in the block. A CCNT value of '0' is considered as either a null or dummy transfer. A Dummy or Null transfer will generate a Completion code depending on the settings of the completion bit fields of the OPT field. WIMODE has no affect on CCNT operation.	RW	0x0

Table 16-342. Register Call Summary for Register EDMA_TPCC_CCNT_n

Enhanced DMA

- [Types of EDMA controller Transfers: \[0\]](#)
- [AB-Synchronized Transfers: \[1\]](#)
- [PaRAM: \[2\]](#)
- [EDMA Channel PaRAM Set Entry Fields: \[3\]](#)
- [Null PaRAM Set: \[4\]](#)
- [Dummy PaRAM Set: \[5\]](#)
- [Parameter Set Updates: \[6\]\[7\]\[8\]\[9\]\[10\]\[11\]\[12\]](#)
- [Element Size: \[13\]](#)
- [Comparison Between DMA and QDMA Channels: \[14\]\[15\]](#)
- [Completion of a DMA Transfer: \[16\]\[17\]\[18\]](#)
- [Event, Channel, and PaRAM Mapping: \[19\]](#)
- [Chaining EDMA Channels: \[20\]](#)
- [Transfer Completion Interrupts: \[21\]](#)
- [Bursting Peripherals: \[22\]](#)
- [EDMA Programming Tips: \[23\]](#)
- [EDMA Register Summary: \[24\]\[25\]\[27\]](#)

16.2.7.2.2.2 EDMA_TPTC0 and EDMA_TPTC1 Register Description

Table 16-343 through Table 16-415 describe the individual EDMA_TPTC0 and EDMA_TPTC1 module registers.

Table 16-343. EDMA_TPTCn_PID

Address Offset	0x0000 0000		
Physical Address	0x4340 0000 0x4350 0000 0x40D0 5000 0x40D0 6000 0x01D0 5000 0x01D0 6000	Instance	SYS_EDMA_TPTC0 SYS_EDMA_TPTC1 DSP1_EDMA_TPTC0 DSP1_EDMA_TPTC1 DSP_EDMA_TPTC0 DSP_EDMA_TPTC1
Description	Peripheral ID Register		
Type	R		

31	30	29	28	27	26	25	24	23	22	21	20	19	18	17	16	15	14	13	12	11	10	9	8	7	6	5	4	3	2	1	0
REVISION																															

Bits	Field Name	Description	Type	Reset
31:0	REVISION	IP Revision	R	TI internal data

Table 16-344. Register Call Summary for Register EDMA_TPTCn_PID

Enhanced DMA

- [EDMA Register Summary: \[0\]\[1\]\[3\]](#)

Table 16-345. EDMA_TPTCn_TCCFG

Address Offset	0x0000 0004		
Physical Address	0x4340 0004 0x4350 0004 0x40D0 5004 0x40D0 6004 0x01D0 5004 0x01D0 6004	Instance	SYS_EDMA_TPTC0 SYS_EDMA_TPTC1 DSP1_EDMA_TPTC0 DSP1_EDMA_TPTC1 DSP_EDMA_TPTC0 DSP_EDMA_TPTC1
Description	TC Configuration Register		
Type	R		

31	30	29	28	27	26	25	24	23	22	21	20	19	18	17	16	15	14	13	12	11	10	9	8	7	6	5	4	3	2	1	0
RESERVED																DREGDEPTH	RESERVED	BUSWIDTH	RESERVED	FIFOSIZE											

Bits	Field Name	Description	Type	Reset
31:10	RESERVED	Reads return 0's	R	0x0
9:8	DREGDEPTH	Dst Register FIFO Depth Parameterization 0x0: 1 entry 0x1: 2 entries 0x2: 4 entries	R	See Table 16-84
7:6	RESERVED	Reads return 0's	R	0x0
5:4	BUSWIDTH	Bus Width Parameterization 0x0: 32-bit 0x1: 64-bit 0x2: 128-bit	R	See Table 16-84
3	RESERVED	Reads return 0's	R	0x0
2:0	FIFOSIZE	Fifo Size Parameterization 0x0: 32 byte FIFO 0x1: 64 byte FIFO 0x2: 128 byte FIFO 0x3: 256 byte FIFO 0x4: 512 byte FIFO	R	See Table 16-84

Table 16-346. Register Call Summary for Register EDMA_TPTCn_TCCFG

Enhanced DMA

- [EDMA_TPTC Configuration: \[1\]\[2\]\[3\]](#)
- [EDMA Register Summary: \[4\]\[5\]\[7\]](#)

Table 16-347. EDMA_TPTCn_TCSTAT

Address Offset	0x0000 0100	Instance	SYS_EDMA_TPTC0 SYS_EDMA_TPTC1 DSP1_EDMA_TPTC0 DSP1_EDMA_TPTC1 DSP_EDMA_TPTC0 DSP_EDMA_TPTC1
Physical Address	0x4340 0100 0x4350 0100 0x40D0 5100 0x40D0 6100 0x01D0 5100 0x01D0 6100		
Description	TC Status Register		
Type	R		

31	30	29	28	27	26	25	24	23	22	21	20	19	18	17	16	15	14	13	12	11	10	9	8	7	6	5	4	3	2	1	0
RESERVED																DFSTRTPTR	RESERVED	ACTV	RESERVED	DSTACTV	RESERVED	WSACTV	SRCACTV	PROGBUSY							

Bits	Field Name	Description	Type	Reset
31:13	RESERVED	Reserved	R Return 0's	0x0
12:11	DFSTRTPTR	Dst FIFO Start Pointer Represents the offset to the head entry of Dst Register FIFO, in units of *entries*. Legal values = 0x0 to 0x3	R	0x0
10:9	RESERVED	Reserved	R Return 0's	0x0
8	ACTV	Channel Active Channel Active is a logical-OR of each of the *BUSY/ACTV signals. The ACTV bit must remain high through the life of a TR. 0x0: Channel is idle 0x1: Channel is busy	R	0x1
7	RESERVED	Reserved	R Return 0's	0x0
6:4	DSTACTV	Destination Active State Specifies the number of TRs that are resident in the Dst Register FIFO at a given instant. Legal values are constrained by the DSTREGDEPTH parameter.	R	0x0
3	RESERVED	Reserved	R Return 0's	0x0
2	WSACTV	Write Status Active 0x0: Write status is not pending. Write status has been received for all previously issued write commands. 0x1: Write Status is pending. Write status has not been received for all previously issued write commands.	R	0x0
1	SRCACTV	Source Active State 0x0: Source Active set is idle. Any TR written to Prog Set will immediately transition to Source Active set as long as the Dst FIFO Set is not full (DSTFULL == 1). 0x1: Source Active set is busy either performing read transfers or waiting to perform read transfers for current Transfer Request.	R	0x0

Table 16-351. EDMA_TPTCn_INTEN

Address Offset	0x0000 0108		
Physical Address	0x4340 0108 0x4350 0108 0x40D0 5108 0x40D0 6108 0x01D0 5108 0x01D0 6108	Instance	SYS_EDMA_TPTC0 SYS_EDMA_TPTC1 DSP1_EDMA_TPTC0 DSP1_EDMA_TPTC1 DSP_EDMA_TPTC0 DSP_EDMA_TPTC1
Description	Interrupt Enable Register		
Type	RW		

31	30	29	28	27	26	25	24	23	22	21	20	19	18	17	16	15	14	13	12	11	10	9	8	7	6	5	4	3	2	1	0
RESERVED																TRDONE		PROGEMPTY													

Bits	Field Name	Description	Type	Reset
31:2	RESERVED	Reserved	R	0x0
1	TRDONE	TR Done Event Enable 0x0: TRDONE Event is disabled. 0x1: TRDONE Event is enabled, and contributes to interrupt generation	RW	0x0
0	PROGEMPTY	Program Set Empty Event Enable 0x0: PROGEMPTY Event is disabled. 0x1: PROGEMPTY Event is enabled, and contributes to interrupt generation	RW	0x0

Table 16-352. Register Call Summary for Register EDMA_TPTCn_INTEN

Enhanced DMA

- [EDMA Register Summary: \[0\]\[1\]\[3\]](#)

Table 16-353. EDMA_TPTCn_INTCLR

Address Offset	0x0000 010C		
Physical Address	0x4340 010C 0x4350 010C 0x40D0 510C 0x40D0 610C 0x01D0 510C 0x01D0 610C	Instance	SYS_EDMA_TPTC0 SYS_EDMA_TPTC1 DSP1_EDMA_TPTC0 DSP1_EDMA_TPTC1 DSP_EDMA_TPTC0 DSP_EDMA_TPTC1
Description	Interrupt Clear Register		
Type	W		

31	30	29	28	27	26	25	24	23	22	21	20	19	18	17	16	15	14	13	12	11	10	9	8	7	6	5	4	3	2	1	0
RESERVED																TRDONE		PROGEMPTY													

Bits	Field Name	Description	Type	Reset
31:2	RESERVED	Reserved	R	0x0
1	TRDONE	TR Done Event Clear Write 0x0: have no effect. Write 0x1: Clear	W	0x0
0	PROGEMPTY	Program Set Empty Event Clear Write 0x0: have no effect. Write 0x1: Clear	W	0x0

Table 16-354. Register Call Summary for Register EDMA_TPTCn_INTCLR

Enhanced DMA

- [EDMA Register Summary: \[0\]\[1\]\[3\]](#)
- [EDMA Register Description: \[8\]](#)

Table 16-355. EDMA_TPTCn_INTCMD

Address Offset	0x0000 0110		
Physical Address	0x4340 0110 0x4350 0110 0x40D0 5110 0x40D0 6110 0x01D0 5110 0x01D0 6110	Instance	SYS_EDMA_TPTC0 SYS_EDMA_TPTC1 DSP1_EDMA_TPTC0 DSP1_EDMA_TPTC1 DSP_EDMA_TPTC0 DSP_EDMA_TPTC1
Description	Interrupt Command Register		
Type	W		

31	30	29	28	27	26	25	24	23	22	21	20	19	18	17	16	15	14	13	12	11	10	9	8	7	6	5	4	3	2	1	0
RESERVED																	SET	EVAL													

Bits	Field Name	Description	Type	Reset
31:2	RESERVED	Reserved	R	0x0
1	SET	Set TPTC interrupt Write 0x0: have no affect. Write 0x1: SET causes TPTC interrupt to be pulsed unconditionally	W	0x0
0	EVAL	Evaluate state of TPTC interrupt Write 0x0: have no affect. 0x1: causes TPTC interrupt to be pulsed if any of the EDMA_TPTCn_INTSTAT bits are set to '1'.	W	0x0

Table 16-356. Register Call Summary for Register EDMA_TPTCn_INTCMD

Enhanced DMA

- [EDMA Register Summary: \[0\]\[1\]\[3\]](#)

Table 16-357. EDMA_TPTCn_ERRSTAT

Address Offset	0x0000 0120		
Physical Address	0x4340 0120 0x4350 0120 0x40D0 5120 0x40D0 6120 0x01D0 5120 0x01D0 6120	Instance	SYS_EDMA_TPTC0 SYS_EDMA_TPTC1 DSP1_EDMA_TPTC0 DSP1_EDMA_TPTC1 DSP_EDMA_TPTC0 DSP_EDMA_TPTC1

31	30	29	28	27	26	25	24	23	22	21	20	19	18	17	16	15	14	13	12	11	10	9	8	7	6	5	4	3	2	1	0
RESERVED																				MMRAERR	TRERR	RESERVED	BUSERR								

Bits	Field Name	Description	Type	Reset
31:4	RESERVED	Reserved	R Return 0's	0x0
3	MMRAERR	Interrupt enable for EDMA_TPTCn_ERRSTAT[3] MMRAERR 0x0: BUSERR is disabled 0x1: MMRAERR is enabled, and contributes to the TPTC error interrupt generation.	RW	0x0
2	TRERR	Interrupt enable for EDMA_TPTCn_ERRSTAT[2] TRERR 0x0: BUSERR is disabled. 0x1: TRERR is enabled, and contributes to the TPTC error interrupt generation.	RW	0x0
1	RESERVED	Reserved	R Return 0's	0x0
0	BUSERR	Interrupt enable for EDMA_TPTCn_ERRSTAT[0] BUSERR 0x0: BUSERR is disabled. 0x1: BUSERR is enabled, and contributes to the TPTC error interrupt generation.	RW	0x0

Table 16-360. Register Call Summary for Register EDMA_TPTCn_ERREN

Enhanced DMA

- [EDMA Register Summary: \[0\]\[1\]\[3\]](#)

Table 16-361. EDMA_TPTCn_ERRCLR

Address Offset	0x0000 0128	Instance	SYS_EDMA_TPTC0 SYS_EDMA_TPTC1 DSP1_EDMA_TPTC0 DSP1_EDMA_TPTC1 DSP_EDMA_TPTC0 DSP_EDMA_TPTC1
Physical Address	0x4340 0128 0x4350 0128 0x40D0 5128 0x40D0 6128 0x01D0 5128 0x01D0 6128		
Description	Error Clear Register		
Type	W		

31	30	29	28	27	26	25	24	23	22	21	20	19	18	17	16	15	14	13	12	11	10	9	8	7	6	5	4	3	2	1	0
RESERVED																				MMRAERR	TRERR	RESERVED	BUSERR								

Bits	Field Name	Description	Type	Reset
31:4	RESERVED	Reserved	R Return 0's	0x0
3	MMRAERR	Interrupt clear for EDMA_TPTCn_ERRSTAT[3] MMRAERR Write 0x0: have no effect Write 0x1: to clear EDMA_TPTCn_ERRSTAT[3] MMRAERR bit. Write of '1' to EDMA_TPTCn_ERRCLR[3] MMRAERR does not clear the ERRDET register.	W	0x0
2	TRERR	Interrupt clear for EDMA_TPTCn_ERRSTAT[2] TRERR Write 0x0: have no effect Write 0x1: to clear EDMA_TPTCn_ERRSTAT[2] TRERR bit. Write of '1' to EDMA_TPTCn_ERRCLR[2] TRERR does not clear the ERRDET register.	W	0x0
1	RESERVED	Reserved	R Return 0's	0x0
0	BUSERR	Interrupt clear for EDMA_TPTCn_ERRSTAT[0] BUSERR Write 0x0: have no effect Write 0x1: to clear EDMA_TPTCn_ERRSTAT[0] BUSERR bit Write of '1' to EDMA_TPTCn_ERRCLR[0] BUSERR clears the ERRDET register.	W	0x0

Table 16-362. Register Call Summary for Register EDMA_TPTCn_ERRCLR

Enhanced DMA

- [EDMA Register Summary: \[0\]\[1\]\[3\]](#)
- [EDMA Register Description: \[8\]\[9\]\[10\]](#)

Table 16-363. EDMA_TPTCn_ERRDET

Address Offset	0x0000 012C	Instance	SYS_EDMA_TPTC0
Physical Address	0x4340 012C 0x4350 012C 0x40D0 512C 0x40D0 612C 0x01D0 512C 0x01D0 612C		SYS_EDMA_TPTC1 DSP1_EDMA_TPTC0 DSP1_EDMA_TPTC1 DSP_EDMA_TPTC0 DSP_EDMA_TPTC1
Description	Error Details Register		
Type	R		

31	30	29	28	27	26	25	24	23	22	21	20	19	18	17	16	15	14	13	12	11	10	9	8	7	6	5	4	3	2	1	0		
RESERVED																TCCHEN		TCINTEN		RESERVED		TCC						RESERVED			STAT		

Bits	Field Name	Description	Type	Reset
31:18	RESERVED	Reserved	R Return 0's	0x0
17	TCCHEN	Contains the EDMA_TPCC_OPT_n[17] TCCHEN value programmed by the user for the Read or Write transaction that resulted in an error.	R	0x0

Bits	Field Name	Description	Type	Reset
16	TCINTEN	Contains the EDMA_TPCC_OPT_n[16] TCINTEN value programmed by the user for the Read or Write transaction that resulted in an error.	R	0x0
15:14	RESERVED	Reserved	R Return 0's	0x0
13:8	TCC	Transfer Complete Code: Contains the EDMA_TPCC_OPT_n[13:8] TCC value programmed by the user for the Read or Write transaction that resulted in an error.	R	0x0
7:4	RESERVED	Reserved	R Return 0's	0x0
3:0	STAT	Transaction Status: Stores the non-zero status/error code that was detected on the read status or write status bus. MS-bit effectively serves as the read vs. write error code. If read status and write status are returned on the same cycle, then the TC chooses non-zero version. If both are non-zero then write status is treated as higher priority. Encoding of errors matches the CBA spec and is summarized here: 0xF =	R	0x0

Table 16-364. Register Call Summary for Register EDMA_TPTCn_ERRDET

Enhanced DMA

- [EDMA Register Summary: \[0\]\[1\]\[3\]](#)
- [EDMA Register Description: \[8\]](#)

Table 16-365. EDMA_TPTCn_ERRCMD

Address Offset	0x0000 0130	Instance	SYS_EDMA_TPTC0
Physical Address	0x4340 0130 0x4350 0130 0x40D0 5130 0x40D0 6130 0x01D0 5130 0x01D0 6130		SYS_EDMA_TPTC1 DSP1_EDMA_TPTC0 DSP1_EDMA_TPTC1 DSP_EDMA_TPTC0 DSP_EDMA_TPTC1
Description	Error Command Register		
Type	W		

31	30	29	28	27	26	25	24	23	22	21	20	19	18	17	16	15	14	13	12	11	10	9	8	7	6	5	4	3	2	1	0
RESERVED																SET	EVAL														

Bits	Field Name	Description	Type	Reset
31:2	RESERVED	Reserved	R	0x0
1	SET	Set TPTC error interrupt Write 0x0: have no affect Write 0x1: to SET causes TPTC error interrupt to be pulsed unconditionally.	W	0x0
0	EVAL	Evaluate state of TPTC error interrupt Write of '1' Write 0x0: have no affect Write 0x1: to EVAL causes TPTC error interrupt to be pulsed if any of the EDMA_TPTCn_ERRSTAT bits are set to '1'.	W	0x0

Table 16-366. Register Call Summary for Register EDMA_TPTCn_ERRCMD

Enhanced DMA

- [EDMA Register Summary: \[0\]\[1\]\[3\]](#)

Table 16-367. EDMA_TPTCn_RDRATE

Address Offset	0x0000 0140	Instance	SYS_EDMA_TPTC0
Physical Address	0x4340 0140 0x4350 0140 0x40D0 5140 0x40D0 6140 0x01D0 5140 0x01D0 6140		SYS_EDMA_TPTC1 DSP1_EDMA_TPTC0 DSP1_EDMA_TPTC1 DSP_EDMA_TPTC0 DSP_EDMA_TPTC1
Description	Read Rate Register		
Type	RW		

31	30	29	28	27	26	25	24	23	22	21	20	19	18	17	16	15	14	13	12	11	10	9	8	7	6	5	4	3	2	1	0
RESERVED																RDRATE															

Bits	Field Name	Description	Type	Reset
31:3	RESERVED	Reserved	R	0x0
2:0	RDRATE	Read Rate Control: Controls the number of cycles between read commands. This is a global setting that applies to all TRs for this TC.	RW	0x0

Table 16-368. Register Call Summary for Register EDMA_TPTCn_RDRATE

Enhanced DMA

- [Architecture Details: \[0\]\[1\]\[2\]](#)
- [EDMA Register Summary: \[3\]\[4\]\[6\]](#)

Table 16-369. EDMA_TPTCn_POPT

Address Offset	0x0000 0200	Instance	SYS_EDMA_TPTC0
Physical Address	0x4340 0200 0x4350 0200 0x40D0 5200 0x40D0 6200 0x01D0 5200 0x01D0 6200		SYS_EDMA_TPTC1 DSP1_EDMA_TPTC0 DSP1_EDMA_TPTC1 DSP_EDMA_TPTC0 DSP_EDMA_TPTC1
Description	Program Set Options		
Type	RW		

31	30	29	28	27	26	25	24	23	22	21	20	19	18	17	16	15	14	13	12	11	10	9	8	7	6	5	4	3	2	1	0
RESERVED								TCCHEN	RESERVED	TCINTEN	RESERVED	TCC				RESERVED	FWID	RESERVED	PRI	RESERVED	DAM	SAM									

Bits	Field Name	Description	Type	Reset
31:23	RESERVED	Reserved	R	0x0
22	TCCHEN	Transfer complete chaining enable 0x0: Transfer complete chaining is disabled. 0x1: Transfer complete chaining is enabled.	RW	0x0

Bits	Field Name	Description	Type	Reset
21	RESERVED	Reserved	R	0x0
20	TCINTEN	Transfer complete interrupt enable 0x0: Transfer complete interrupt is disabled. 0x1: Transfer complete interrupt is enabled.	RW	0x0
19:18	RESERVED	Reserved	R	0x0
17:12	TCC	Transfer Complete Code: The 6-bit code is used to set the relevant bit in CER or EDMA_TPCC_IPR of the TPCC module.	RW	0x0
11	RESERVED	Reserved	R	0x0
10:8	FWID	FIFO width control: Applies if either SAM or DAM is set to FIFO mode.	RW	0x0
7	RESERVED	Reserved	R	0x0
6:4	PRI	Transfer Priority: 0x0: Priority 0 - Highest priority 0x1: Priority 1 ... 0x7: Priority 7 - Lowest priority	RW	0x0
3:2	RESERVED	Reserved	R	0x0
1	DAM	Destination Address Mode within an array 0x0: INCR, Destination addressing within an array increments. 0x1: FIFO, Destination addressing within an array wraps around upon reaching FIFO width.	RW	0x0
0	SAM	Source Address Mode within an array 0x0: INCR, Source addressing within an array increments. 0x1: FIFO, Source addressing within an array wraps around upon reaching FIFO width.	RW	0x0

Table 16-370. Register Call Summary for Register EDMA_TPTCn_POPT

Enhanced DMA

- [EDMA Register Summary: \[0\]\[1\]\[3\]](#)

Table 16-371. EDMA_TPTCn_PSRC

Address Offset	0x0000 0204	Instance	SYS_EDMA_TPTC0 SYS_EDMA_TPTC1 DSP1_EDMA_TPTC0 DSP1_EDMA_TPTC1 DSP_EDMA_TPTC0 DSP_EDMA_TPTC1
Physical Address	0x4340 0204 0x4350 0204 0x40D0 5204 0x40D0 6204 0x01D0 5204 0x01D0 6204		
Description	Program Set Source Address		
Type	RW		

31	30	29	28	27	26	25	24	23	22	21	20	19	18	17	16	15	14	13	12	11	10	9	8	7	6	5	4	3	2	1	0
SADDR																															

Bits	Field Name	Description	Type	Reset
31:0	SADDR	Source address for Program Register Set	RW	0x0

Table 16-372. Register Call Summary for Register EDMA_TPTCn_PSRC

Enhanced DMA

- [Architecture Details: \[0\]\[1\]](#)
- [EDMA Register Summary: \[2\]\[3\]\[5\]](#)
- [EDMA Register Description: \[10\]](#)

Table 16-373. EDMA_TPTCn_PCNT

Address Offset	0x0000 0208	Instance	SYS_EDMA_TPTC0
Physical Address	0x4340 0208 0x4350 0208 0x40D0 5208 0x40D0 6208 0x01D0 5208 0x01D0 6208		SYS_EDMA_TPTC1 DSP1_EDMA_TPTC0 DSP1_EDMA_TPTC1 DSP_EDMA_TPTC0 DSP_EDMA_TPTC1
Description	Program Set Count		
Type	RW		

31	30	29	28	27	26	25	24	23	22	21	20	19	18	17	16	15	14	13	12	11	10	9	8	7	6	5	4	3	2	1	0
BCNT																ACNT															

Bits	Field Name	Description	Type	Reset
31:16	BCNT	B-Dimension count. Number of arrays to be transferred, where each array is ACNT in length.	RW	0x0
15:0	ACNT	A-Dimension count. Number of bytes to be transferred in first dimension.	RW	0x0

Table 16-374. Register Call Summary for Register EDMA_TPTCn_PCNT

Enhanced DMA

- [Architecture Details: \[0\]\[1\]\[2\]\[3\]\[4\]\[5\]](#)
- [EDMA Register Summary: \[6\]\[7\]\[9\]](#)
- [EDMA Register Description: \[14\]\[15\]\[16\]\[17\]\[18\]\[19\]](#)

Table 16-375. EDMA_TPTCn_PDST

Address Offset	0x0000 020C	Instance	SYS_EDMA_TPTC0
Physical Address	0x4340 020C 0x4350 020C 0x40D0 520C 0x40D0 620C 0x01D0 520C 0x01D0 620C		SYS_EDMA_TPTC1 DSP1_EDMA_TPTC0 DSP1_EDMA_TPTC1 DSP_EDMA_TPTC0 DSP_EDMA_TPTC1
Description	Program Set Destination Address		
Type	RW		

31	30	29	28	27	26	25	24	23	22	21	20	19	18	17	16	15	14	13	12	11	10	9	8	7	6	5	4	3	2	1	0
DADDR																															

Bits	Field Name	Description	Type	Reset
31:0	DADDR	Destination address for Program Register Set	RW	0x0

Table 16-376. Register Call Summary for Register EDMA_TPTCn_PDST

Enhanced DMA

- [EDMA Register Summary: \[0\]\[1\]\[3\]](#)
- [EDMA Register Description: \[8\]](#)

Table 16-377. EDMA_TPTCn_PBIDX

Address Offset	0x0000 0210		
Physical Address	0x4340 0210 0x4350 0210 0x40D0 5210 0x40D0 6210 0x01D0 5210 0x01D0 6210	Instance	SYS_EDMA_TPTC0 SYS_EDMA_TPTC1 DSP1_EDMA_TPTC0 DSP1_EDMA_TPTC1 DSP_EDMA_TPTC0 DSP_EDMA_TPTC1
Description	Program Set B-Dim Idx		
Type	RW		

31	30	29	28	27	26	25	24	23	22	21	20	19	18	17	16	15	14	13	12	11	10	9	8	7	6	5	4	3	2	1	0
DBIDX																SBIDX															

Bits	Field Name	Description	Type	Reset
31:16	DBIDX	Dest B-Idx for Program Register Set: B-Idx offset between Destination arrays: Represents the offset in bytes between the starting address of each destination array (recall that there are BCNT arrays of ACNT elements). DBIDX is always used, regardless of whether DAM is Increment or FIFO mode.	RW	0x0
15:0	SBIDX	Source B-Idx for Program Register Set: B-Idx offset between Source arrays: Represents the offset in bytes between the starting address of each source array (recall that there are BCNT arrays of ACNT elements). SBIDX is always used, regardless of whether SAM is Increment or FIFO mode.	RW	0x0

Table 16-378. Register Call Summary for Register EDMA_TPTCn_PBIDX

Enhanced DMA

- [Architecture Details: \[0\]\[1\]](#)
- [EDMA Register Summary: \[2\]\[3\]\[5\]](#)
- [EDMA Register Description: \[10\]\[11\]\[12\]\[13\]](#)

Table 16-379. EDMA_TPTCn_PMPPRXY

Address Offset	0x0000 0214		
Physical Address	0x4340 0214 0x4350 0214 0x40D0 5214 0x40D0 6214 0x01D0 5214 0x01D0 6214	Instance	SYS_EDMA_TPTC0 SYS_EDMA_TPTC1 DSP1_EDMA_TPTC0 DSP1_EDMA_TPTC1 DSP_EDMA_TPTC0 DSP_EDMA_TPTC1
Description	Program Set Memory Protect Proxy		
Type	R		

31	30	29	28	27	26	25	24	23	22	21	20	19	18	17	16	15	14	13	12	11	10	9	8	7	6	5	4	3	2	1	0
RESERVED																PRIV	RESERVED				PRIVID										

Bits	Field Name	Description	Type	Reset
31:9	RESERVED	Reserved	R Return 0's	0x0
8	PRIV	Privilege Level 0x0: User level privilege 0x1: Supervisor level privilege EDMA_TPTCn_PMPPRXY.PRIV is always updated with the value from the configuration bus privilege field on any/every write to Program Set BIDX Register (trigger register). The PRIV value for the SA Set and DF Set are copied from the value in the Program set along with the remainder of the parameter values. The privilege ID is issued on the VBusM read and write command bus such that the target endpoints can perform mMemory protection checks based on the PRIV of the external host that sets up the DMA transaction.	R	0x0
7:4	RESERVED	Reserved	R Return 0's	0x0
3:0	PRIVID	Privilege ID: EDMA_TPTCn_PMPPRXY.PRIVID is always updated with the value from configuration bus privilege ID field on any/every write to Program Set BIDX Register (trigger register). The PRIVID value for the SA Set and DF Set are copied from the value in the Program set along with the remainder of the parameter values. The privilege ID is issued on the VBusM read and write command bus such that the target endpoints can perform mMemory protection checks based on the privid of the external host that sets up the DMA transaction.	R	0x0

Table 16-380. Register Call Summary for Register EDMA_TPTCn_PMPPRXY

Enhanced DMA

- [EDMA Register Summary: \[0\]\[1\]\[3\]](#)
- [EDMA Register Description: \[8\]\[9\]](#)

Table 16-381. EDMA_TPTCn_SAOPT

Address Offset	0x0000 0240		
Physical Address	0x4340 0240 0x4350 0240 0x40D0 5240 0x40D0 6240 0x01D0 5240 0x01D0 6240	Instance	SYS_EDMA_TPTC0 SYS_EDMA_TPTC1 DSP1_EDMA_TPTC0 DSP1_EDMA_TPTC1 DSP_EDMA_TPTC0 DSP_EDMA_TPTC1
Description	Source Active Set Options		
Type	R		

31	30	29	28	27	26	25	24	23	22	21	20	19	18	17	16	15	14	13	12	11	10	9	8	7	6	5	4	3	2	1	0
RESERVED								TCCHEN	RESERVED	TCINTEN	RESERVED	TCC				RESERVED	FWID		RESERVED	PRI		RESERVED	DAM	SAM							

Bits	Field Name	Description	Type	Reset
31:23	RESERVED	Reserved	R Return 0's	0x0
22	TCCHEN	Transfer complete chaining enable 0x0: Transfer complete chaining is disabled. 0x1: Transfer complete chaining is enabled.	R	0x0
21	RESERVED	Reserved	R Return 0's	0x0
20	TCINTEN	Transfer complete interrupt enable 0x0: Transfer complete interrupt is disabled. 0x1: Transfer complete interrupt is enabled.	R	0x0
19:18	RESERVED	Reserved	R Return 0's	0x0
17:12	TCC	Transfer Complete Code The 6-bit code is used to set the relevant bit in EDMA_TPCC_CER or EDMA_TPCC_IPR of the TPCC module.	R	0x0
11	RESERVED	Reserved	R Return 0's	0x0
10:8	FWID	FIFO width control Applies if either SAM or DAM is set to FIFO mode.	R	0x0
7	RESERVED	Reserved	R Return 0's	0x0
6:4	PRI	Transfer Priority 0x0: Priority 0 - Highest priority 0x1: Priority 1 ... 0x7: Priority 7 - Lowest priority	R	0x0
3:2	RESERVED	Reserved	R Return 0's	0x0
1	DAM	Destination Address Mode within an array 0x0: INCR, Destination addressing within an array increments. 0x1: FIFO, Destination addressing within an array wraps around upon reaching FIFO width.	R	0x0
0	SAM	Source Address Mode within an array 0x0: INCR, Source addressing within an array increments. 0x1: FIFO, Source addressing within an array wraps around upon reaching FIFO width.	R	0x0

Table 16-382. Register Call Summary for Register EDMA_TPTCn_SAOPT

Enhanced DMA

- [EDMA Register Summary: \[0\]\[1\]\[3\]](#)

Table 16-383. EDMA_TPTCn_SASRC

Address Offset	0x0000 0244		
Physical Address	0x4340 0244 0x4350 0244 0x40D0 5244 0x40D0 6244 0x01D0 5244 0x01D0 6244	Instance	SYS_EDMA_TPTC0 SYS_EDMA_TPTC1 DSP1_EDMA_TPTC0 DSP1_EDMA_TPTC1 DSP_EDMA_TPTC0 DSP_EDMA_TPTC1
Description	Source Active Set Source Address		
Type	R		

31	30	29	28	27	26	25	24	23	22	21	20	19	18	17	16	15	14	13	12	11	10	9	8	7	6	5	4	3	2	1	0
SADDR																															

Bits	Field Name	Description	Type	Reset
31:0	SADDR	Source address for Source Active Register Set: Initial value is copied from EDMA_TPTCn_PSRC.SADDR . TC updates value according to source addressing mode (EDMA_TPCC_OPT_n.SAM) and/or source index value (BIDX.SBIDX) after each read command is issued. When a TR is complete, the final value should be the address of the last read command issued.	R	0x0

Table 16-384. Register Call Summary for Register EDMA_TPTCn_SASRC

Enhanced DMA

- [EDMA Register Summary: \[0\]\[1\]\[3\]](#)

Table 16-385. EDMA_TPTCn_SACNT

Address Offset	0x0000 0248		
Physical Address	0x4340 0248 0x4350 0248 0x40D0 5248 0x40D0 6248 0x01D0 5248 0x01D0 6248	Instance	SYS_EDMA_TPTC0 SYS_EDMA_TPTC1 DSP1_EDMA_TPTC0 DSP1_EDMA_TPTC1 DSP_EDMA_TPTC0 DSP_EDMA_TPTC1
Description	Source Active Set Count		
Type	R		

31	30	29	28	27	26	25	24	23	22	21	20	19	18	17	16	15	14	13	12	11	10	9	8	7	6	5	4	3	2	1	0
BCNT												ACNT																			

Bits	Field Name	Description	Type	Reset
31:16	BCNT	B-Dimension count: Number of arrays to be transferred, where each array is ACNT in length. Count Remaining for Source Active Register Set. Represents the amount of data remaining to be read. Initial value is copied from EDMA_TPTCn_PCNT . TC decrements ACNT and BCNT as necessary after each read command is issued. Final value should be 0 when TR is complete.	R	0x0

Bits	Field Name	Description	Type	Reset
15:0	ACNT	A-Dimension count: Number of bytes to be transferred in first dimension. Count Remaining for Source Active Register Set. Represents the amount of data remaining to be read. Initial value is copied from EDMA_TPTCn_PCNT . TC decrements ACNT and BCNT as necessary after each read command is issued. Final value should be 0 when TR is complete.	R	0x0

Table 16-386. Register Call Summary for Register EDMA_TPTCn_SACNT

Enhanced DMA

- [EDMA Register Summary: \[0\]\[1\]\[3\]](#)

Table 16-387. EDMA_TPTCn_SADST

Address Offset	0x0000 024C		
Physical Address	0x4340 024C 0x4350 024C 0x40D0 524C 0x40D0 624C 0x01D0 524C 0x01D0 624C	Instance	SYS_EDMA_TPTC0 SYS_EDMA_TPTC1 DSP1_EDMA_TPTC0 DSP1_EDMA_TPTC1 DSP_EDMA_TPTC0 DSP_EDMA_TPTC1
Description	Source Active Destination Address Register Reserved, return 0x0 w/o AERROR		
Type	R		

31	30	29	28	27	26	25	24	23	22	21	20	19	18	17	16	15	14	13	12	11	10	9	8	7	6	5	4	3	2	1	0
DADDR																															

Bits	Field Name	Description	Type	Reset
31:0	DADDR	Destination address is not applicable for Source Active Register Set. Reads return 0x0	R	0x0

Table 16-388. Register Call Summary for Register EDMA_TPTCn_SADST

Enhanced DMA

- [Architecture Details: \[0\]\[1\]](#)
- [EDMA Register Summary: \[2\]\[3\]\[5\]](#)

Table 16-389. EDMA_TPTCn_SABIDX

Address Offset	0x0000 0250		
Physical Address	0x4340 0250 0x4350 0250 0x40D0 5250 0x40D0 6250 0x01D0 5250 0x01D0 6250	Instance	SYS_EDMA_TPTC0 SYS_EDMA_TPTC1 DSP1_EDMA_TPTC0 DSP1_EDMA_TPTC1 DSP_EDMA_TPTC0 DSP_EDMA_TPTC1
Description	Source Active Set B-Dim Idx		
Type	R		

31	30	29	28	27	26	25	24	23	22	21	20	19	18	17	16	15	14	13	12	11	10	9	8	7	6	5	4	3	2	1	0
DBIDX																	SBIDX														

Bits	Field Name	Description	Type	Reset
31:16	DBIDX	Destination B-Idx for Source Active Register Set. Value copied from EDMA_TPTCn_PBIDX : B-Idx offset between Destination arrays: Represents the offset in bytes between the starting address of each destination array (recall that there are BCNT arrays of ACNT elements). DBIDX is always used, regardless of whether DAM is Increment or FIFO mode.	R	0x0
15:0	SBIDX	Source B-Idx for Source Active Register Set. Value copied from EDMA_TPTCn_PBIDX : B-Idx offset between Source arrays: Represents the offset in bytes between the starting address of each source array (recall that there are BCNT arrays of ACNT elements). SBIDX is always used, regardless of whether SAM is Increment or FIFO mode.	R	0x0

Table 16-390. Register Call Summary for Register EDMA_TPTCn_SABIDX

Enhanced DMA

- [EDMA Register Summary: \[0\]\[1\]\[3\]](#)

Table 16-391. EDMA_TPTCn_SAMPPrXY

Address Offset	0x0000 0254	Instance	SYS_EDMA_TPTC0 SYS_EDMA_TPTC1 DSP1_EDMA_TPTC0 DSP1_EDMA_TPTC1 DSP_EDMA_TPTC0 DSP_EDMA_TPTC1
Physical Address	0x4340 0254 0x4350 0254 0x40D0 5254 0x40D0 6254 0x01D0 5254 0x01D0 6254		
Description	Source Active Set Mem Protect Proxy		
Type	R		

31	30	29	28	27	26	25	24	23	22	21	20	19	18	17	16	15	14	13	12	11	10	9	8	7	6	5	4	3	2	1	0
RESERVED																PRIV	RESERVED				PRIVID										

Bits	Field Name	Description	Type	Reset
31:9	RESERVED	Reserved	R Return 0's	0x0
8	PRIV	Privilege Level 0x0: User level privilege 0x1: Supervisor level privilege SAMPPRXY.PRIV is always updated with the value from the configuration bus privilege field on any/every write to Program Set BIDX Register (trigger register). The PRIV value for the SA Set and DF Set are copied from the value in the Program set along with the remainder of the parameter values. The privilege ID is issued on the VBusM read and write command bus such that the target endpoints can perform mMemory protection checks based on the PRIV of the external host that sets up the DMA transaction.	R	0x0
7:4	RESERVED	Reserved	R Return 0's	0x0

Bits	Field Name	Description	Type	Reset
3:0	PRIVID	Privilege ID SAMPPrxy.PRIVID is always updated with the value from configuration bus privilege ID field on any/every write to Program Set BIDX Register (trigger register). The PRIVID value for the SA Set and DF Set are copied from the value in the Program set along with the remainder of the parameter values. The privilege ID is issued on the VBusM read and write command bus such that the target endpoints can perform mMemory protection checks based on the privid of the external host that sets up the DMA transaction.	R	0x0

Table 16-392. Register Call Summary for Register EDMA_TPTCn_SAMPPrxy

Enhanced DMA

- [EDMA Register Summary: \[0\]\[1\]\[3\]](#)

Table 16-393. EDMA_TPTCn_SACNTRLD

Address Offset	0x0000 0258		
Physical Address	0x4340 0258 0x4350 0258 0x40D0 5258 0x40D0 6258 0x01D0 5258 0x01D0 6258	Instance	SYS_EDMA_TPTC0 SYS_EDMA_TPTC1 DSP1_EDMA_TPTC0 DSP1_EDMA_TPTC1 DSP_EDMA_TPTC0 DSP_EDMA_TPTC1
Description	Source Active Set Count Reload		
Type	R		

31	30	29	28	27	26	25	24	23	22	21	20	19	18	17	16	15	14	13	12	11	10	9	8	7	6	5	4	3	2	1	0
RESERVED								ACNTRLD																							

Bits	Field Name	Description	Type	Reset
31:16	RESERVED	Reserved	R Return 0's	0x0
15:0	ACNTRLD	A-Cnt Reload value for Source Active Register set. Value copied from EDMA_TPTCn_PCNT[15:0] ACNT: Represents the originally programmed value of ACNT. The Reload value is used to reinitialize ACNT after each array is serviced (i.e., ACNT decrements to 0). by the Src offset in bytes between the starting address of each source array (recall that there are BCNT arrays of ACNT bytes)	R	0x0

Table 16-394. Register Call Summary for Register EDMA_TPTCn_SACNTRLD

Enhanced DMA

- [EDMA Register Summary: \[0\]\[1\]\[3\]](#)

Table 16-395. EDMA_TPTCn_SASRCBREF

Address Offset	0x0000 025C		
Physical Address	0x4340 025C 0x4350 025C 0x40D0 525C 0x40D0 625C 0x01D0 525C 0x01D0 625C	Instance	SYS_EDMA_TPTC0 SYS_EDMA_TPTC1 DSP1_EDMA_TPTC0 DSP1_EDMA_TPTC1 DSP_EDMA_TPTC0 DSP_EDMA_TPTC1
Description	Source Active Set Source Address A-Reference		

Table 16-395. EDMA_TPTCn_SASRCBREF (continued)

Type		R																													
31	30	29	28	27	26	25	24	23	22	21	20	19	18	17	16	15	14	13	12	11	10	9	8	7	6	5	4	3	2	1	0
SADDRBREF																															
Bits	Field Name	Description	Type	Reset																											
31:0	SADDRBREF	Source address reference for Source Active Register Set. Represents the starting address for the array currently being read. The next array's starting address is calculated as the 'reference address' plus the 'source b-idx' value.	R	0x0																											

Table 16-396. Register Call Summary for Register EDMA_TPTCn_SASRCBREF

Enhanced DMA

- [EDMA Register Summary: \[0\]\[1\]\[3\]](#)

Table 16-397. EDMA_TPTCn_SADSTBREF

Address Offset	0x0000 0260		
Physical Address	0x4340 0260 0x4350 0260 0x40D0 5260 0x40D0 6260 0x01D0 5260 0x01D0 6260	Instance	SYS_EDMA_TPTC0 SYS_EDMA_TPTC1 DSP1_EDMA_TPTC0 DSP1_EDMA_TPTC1 DSP_EDMA_TPTC0 DSP_EDMA_TPTC1
Description	Source Active Destination Address B-Reference Register Reserved, return 0x0 w/o AERROR		
Type	R		

31	30	29	28	27	26	25	24	23	22	21	20	19	18	17	16	15	14	13	12	11	10	9	8	7	6	5	4	3	2	1	0
DADDRBREF																															
Bits	Field Name	Description	Type	Reset																											
31:0	DADDRBREF	Destination address reference is not applicable for Src Active Register Set. Reads return 0x0.	R	0x0																											

Table 16-398. Register Call Summary for Register EDMA_TPTCn_SADSTBREF

Enhanced DMA

- [EDMA Register Summary: \[0\]\[1\]\[3\]](#)

Table 16-399. EDMA_TPTCn_DFCNTRLD

Address Offset	0x0000 0280		
Physical Address	0x4340 0280 0x4350 0280 0x40D0 5280 0x40D0 6280 0x01D0 5280 0x01D0 6280	Instance	SYS_EDMA_TPTC0 SYS_EDMA_TPTC1 DSP1_EDMA_TPTC0 DSP1_EDMA_TPTC1 DSP_EDMA_TPTC0 DSP_EDMA_TPTC1
Description	Destination FIFO Set Count Reload		
Type	R		

31	30	29	28	27	26	25	24	23	22	21	20	19	18	17	16	15	14	13	12	11	10	9	8	7	6	5	4	3	2	1	0
RESERVED																ACNTRLD															

Bits	Field Name	Description	Type	Reset
31:16	RESERVED	Reserved	R Return 0's	0x0
15:0	ACNTRLD	A-Cnt Reload value for Destination FIFO Register set. Value copied from EDMA_TPTCn_PCNT[15:0] ACNT: Represents the originally programmed value of ACNT. The Reload value is used to reinitialize ACNT after each array is serviced (i.e., ACNT decrements to 0). by the Src offset in bytes between the starting address of each source array (recall that there are BCNT arrays of ACNT bytes)	R	0x0

Table 16-400. Register Call Summary for Register EDMA_TPTCn_DFCNTRLD

Enhanced DMA

- [EDMA Register Summary: \[0\]\[1\]\[3\]](#)

Table 16-401. EDMA_TPTCn_DFSRCBREF

Address Offset	0x0000 0284	Instance	
Physical Address	0x4340 0284 0x4350 0284 0x40D0 5284 0x40D0 6284 0x01D0 5284 0x01D0 6284		SYS_EDMA_TPTC0 SYS_EDMA_TPTC1 DSP1_EDMA_TPTC0 DSP1_EDMA_TPTC1 DSP_EDMA_TPTC0 DSP_EDMA_TPTC1
Description	Destination FIFO Set Destination Address B Reference Reserved, return 0x0 w/o AERROR		
Type	R		

31	30	29	28	27	26	25	24	23	22	21	20	19	18	17	16	15	14	13	12	11	10	9	8	7	6	5	4	3	2	1	0
SADDRBREF																															

Bits	Field Name	Description	Type	Reset
31:0	SADDRBREF	Source address reference is not applicable for Dst FIFO Register Set. Reads return 0x0.	R	0x0

Table 16-402. Register Call Summary for Register EDMA_TPTCn_DFSRCBREF

Enhanced DMA

- [EDMA Register Summary: \[0\]\[1\]\[3\]](#)

Table 16-403. EDMA_TPTCn_DFDSTBREF

Address Offset	0x0000 0288	Instance	
Physical Address	0x4340 0288 0x4350 0288 0x40D0 5288 0x40D0 6288 0x01D0 5288 0x01D0 6288		SYS_EDMA_TPTC0 SYS_EDMA_TPTC1 DSP1_EDMA_TPTC0 DSP1_EDMA_TPTC1 DSP_EDMA_TPTC0 DSP_EDMA_TPTC1
Description	Destination FIFO Set Destination Address A-Reference		
Type	R		

31	30	29	28	27	26	25	24	23	22	21	20	19	18	17	16	15	14	13	12	11	10	9	8	7	6	5	4	3	2	1	0
DADDRBREF																															

Bits	Field Name	Description	Type	Reset
31:0	DADDRBREF	Destination address reference for Dst FIFO Register Set: Represents the starting address for the array currently being written. The next array's starting address is calculated as the 'reference address' plus the 'dest bidx' value.	R	0x0

Table 16-404. Register Call Summary for Register EDMA_TPTCn_DFDSTBREF

Enhanced DMA

- [EDMA Register Summary: \[0\]\[1\]\[3\]](#)

Table 16-405. EDMA_TPTCn_DFOPTi

Address Offset	0x0000 0300 + (0x40 * i)	
Physical Address	0x4340 0300 + (0x40 * i) 0x4350 0300 + (0x40 * i) 0x40D0 5300 + (0x40 * i) 0x40D0 6300 + (0x40 * i) 0x01D0 5300 + (0x40 * i) 0x01D0 6300 + (0x40 * i)	Instance
Description	Destination FIFO Set Options	
Type	R	
		SYS_EDMA_TPTC0 SYS_EDMA_TPTC1 DSP1_EDMA_TPTC0 DSP1_EDMA_TPTC1 DSP_EDMA_TPTC0 DSP_EDMA_TPTC1

31	30	29	28	27	26	25	24	23	22	21	20	19	18	17	16	15	14	13	12	11	10	9	8	7	6	5	4	3	2	1	0
RESERVED								TCCHEN	RESERVED	TCINTEN	RESERVED	TCC				RESERVED	FWID		RESERVED	PRI		RESERVED	DAM	SAM							

Bits	Field Name	Description	Type	Reset
31:23	RESERVED	Reserved	R Return 0's	0x0
22	TCCHEN	Transfer complete chaining enable 0x0: Transfer complete chaining is disabled. 0x1: Transfer complete chaining is enabled.	R	0x0
21	RESERVED	Reserved	R Return 0's	0x0
20	TCINTEN	Transfer complete interrupt enable 0x0: Transfer complete interrupt is disabled. 0x1: Transfer complete interrupt is enabled.	R	0x0
19:18	RESERVED	Reserved	R Return 0's	0x0
17:12	TCC	Transfer Complete Code The 6-bit code is used to set the relevant bit in CER or EDMA_TPCC_IPR of the TPCC module.	R	0x0
11	RESERVED	Reserved	R Return 0's	0x0
10:8	FWID	FIFO width control Applies if either SAM or DAM is set to FIFO mode.	R	0x0

Bits	Field Name	Description	Type	Reset
7	RESERVED	Reserved	R Return 0's	0x0
6:4	PRI	Transfer Priority 0x0: Priority 0 - Highest priority 0x1: Priority 1 ... 0x7: Priority 7 - Lowest priority	R	0x0
3:2	RESERVED	Reserved	R Return 0's	0x0
1	DAM	Destination Address Mode within an array 0x0: INCR, Dst addressing within an array increments. 0x1: FIFO, Dst addressing within an array wraps around upon reaching FIFO width.	R	0x0
0	SAM	Source Address Mode within an array 0x0: INCR, Source addressing within an array increments. 0x1: FIFO, Source addressing within an array wraps around upon reaching FIFO width.	R	0x0

Table 16-406. Register Call Summary for Register EDMA_TPTCn_DFOPTi

Enhanced DMA

- [EDMA Register Summary: \[0\]\[1\]\[3\]](#)

Table 16-407. EDMA_TPTCn_DFSRCi

Address Offset	0x0000 0304 + (0x40 * i)	
Physical Address	0x4340 0304 + (0x40 * i) 0x4350 0304 + (0x40 * i) 0x40D0 5304 + (0x40 * i) 0x40D0 6304 + (0x40 * i) 0x01D0 5304 + (0x40 * i) 0x01D0 6304 + (0x40 * i)	Instance
Description	Destination FIFO source address register Reserved, return 0x0 w/o AERROR	
Type	R	

31	30	29	28	27	26	25	24	23	22	21	20	19	18	17	16	15	14	13	12	11	10	9	8	7	6	5	4	3	2	1	0
SADDR																															

Bits	Field Name	Description	Type	Reset
31:0	SADDR	Source address is not applicable for Dst FIFO Register Set: Reads return 0x0.	R	0x0

Table 16-408. Register Call Summary for Register EDMA_TPTCn_DFSRCi

Enhanced DMA

- [EDMA Register Summary: \[0\]\[1\]\[3\]](#)

Table 16-409. EDMA_TPTCn_DFCNTi

Address Offset	0x0000 0308 + (0x40 * i)		
Physical Address	0x4340 0308 + (0x40 * i) 0x4350 0308 + (0x40 * i) 0x40D0 5308 + (0x40 * i) 0x40D0 6308 + (0x40 * i) 0x01D0 5308 + (0x40 * i) 0x01D0 6308 + (0x40 * i)	Instance	SYS_EDMA_TPTC0 SYS_EDMA_TPTC1 DSP1_EDMA_TPTC0 DSP1_EDMA_TPTC1 DSP_EDMA_TPTC0 DSP_EDMA_TPTC1
Description	Destination FIFO count register		
Type	R		

31	30	29	28	27	26	25	24	23	22	21	20	19	18	17	16	15	14	13	12	11	10	9	8	7	6	5	4	3	2	1	0
BCNT																ACNT															

Bits	Field Name	Description	Type	Reset
31:16	BCNT	B-Count Remaining for Dst Register Set: Number of arrays to be transferred, where each array is ACNT in length. Represents the amount of data remaining to be written. Initial value is copied from EDMA_TPTCn_PCNT . TC decrements ACNT and BCNT as necessary after each write dataphase is issued. Final value should be 0 when TR is complete.	R	0x0
15:0	ACNT	A-Count Remaining for Dst Register Set: Number of bytes to be transferred in first dimension. Represents the amount of data remaining to be written. Initial value is copied from EDMA_TPTCn_PCNT . TC decrements ACNT and BCNT as necessary after each write dataphase is issued. Final value should be 0 when TR is complete.	R	0x0

Table 16-410. Register Call Summary for Register EDMA_TPTCn_DFCNTi

Enhanced DMA

- [EDMA Register Summary: \[0\]\[1\]\[3\]](#)

Table 16-411. EDMA_TPTCn_DFDSTi

Address Offset	0x0000 030C + (0x40 * i)		
Physical Address	0x4340 030C + (0x40 * i) 0x4350 030C + (0x40 * i) 0x40D0 530C + (0x40 * i) 0x40D0 630C + (0x40 * i) 0x01D0 530C + (0x40 * i) 0x01D0 630C + (0x40 * i)	Instance	SYS_EDMA_TPTC0 SYS_EDMA_TPTC1 DSP1_EDMA_TPTC0 DSP1_EDMA_TPTC1 DSP_EDMA_TPTC0 DSP_EDMA_TPTC1
Description	The destination FIFO destination address register		
Type	R		

31	30	29	28	27	26	25	24	23	22	21	20	19	18	17	16	15	14	13	12	11	10	9	8	7	6	5	4	3	2	1	0
DADDR																															

Bits	Field Name	Description	Type	Reset
31:0	DADDR	Destination address for Dst FIFO Register Set. Initial value is copied from EDMA_TPTCn_PDST [31:0] DADDR. TC updates value according to destination addressing mode (EDMA_TPCC_OPT_n . SAM) and/or dest index value (BIDX. DBIDX) after each write command is issued. When a TR is complete, the final value should be the address of the last write command issued.	R	0x0

Table 16-412. Register Call Summary for Register EDMA_TPTCn_DFDSTi

Enhanced DMA

- [EDMA Register Summary: \[0\]\[1\]\[3\]](#)

Table 16-413. EDMA_TPTCn_DFBIDXi

Address Offset	0x0000 0310 + (0x40 * i)		
Physical Address	0x4340 0310 + (0x40 * i) 0x4350 0310 + (0x40 * i) 0x40D0 5310 + (0x40 * i) 0x40D0 6310 + (0x40 * i) 0x01D0 5310 + (0x40 * i) 0x01D0 6310 + (0x40 * i)	Instance	SYS_EDMA_TPTC0 SYS_EDMA_TPTC1 DSP1_EDMA_TPTC0 DSP1_EDMA_TPTC1 DSP_EDMA_TPTC0 DSP_EDMA_TPTC1
Description	The destination FIFO B-index register		
Type	R		

31	30	29	28	27	26	25	24	23	22	21	20	19	18	17	16	15	14	13	12	11	10	9	8	7	6	5	4	3	2	1	0
DBIDX																SBIDX															

Bits	Field Name	Description	Type	Reset
31:16	DBIDX	Dest B-Idx for Dest FIFO Register Set. Value copied from EDMA_TPTCn_PBDIX : B-Idx offset between Destination arrays: Represents the offset in bytes between the starting address of each destination array (recall that there are BCNT arrays of ACNT elements). DBIDX is always used, regardless of whether DAM is Increment or FIFO mode.	R	0x0
15:0	SBIDX	Dest B-Idx for Dest FIFO Register Set. Value copied from EDMA_TPTCn_PBDIX : B-Idx offset between Source arrays: Represents the offset in bytes between the starting address of each source array (recall that there are BCNT arrays of ACNT elements). SBIDX is always used, regardless of whether SAM is Increment or FIFO mode.	R	0x0

Table 16-414. Register Call Summary for Register EDMA_TPTCn_DFBIDXi

Enhanced DMA

- [EDMA Register Summary: \[0\]\[1\]\[3\]](#)

Table 16-415. EDMA_TPTCn_DFMPPRXYi

Address Offset	0x0000 0314 + (0x40 * i)		
Physical Address	0x4340 0314 + (0x40 * i) 0x4350 0314 + (0x40 * i) 0x40D0 5314 + (0x40 * i) 0x40D0 6314 + (0x40 * i) 0x01D0 5314 + (0x40 * i) 0x01D0 6314 + (0x40 * i)	Instance	SYS_EDMA_TPTC0 SYS_EDMA_TPTC1 DSP1_EDMA_TPTC0 DSP1_EDMA_TPTC1 DSP_EDMA_TPTC0 DSP_EDMA_TPTC1

Table 16-415. EDMA_TPTCn_DFMPPRXYi (continued)

Description	The destination FIFO memory protection proxy register
Type	R

31	30	29	28	27	26	25	24	23	22	21	20	19	18	17	16	15	14	13	12	11	10	9	8	7	6	5	4	3	2	1	0
RESERVED																							PRIV	RESERVED				PRIVID			

Bits	Field Name	Description	Type	Reset
31:9	RESERVED	Reserved	R Return 0's	0x0
8	PRIV	Privilege Level 0x0: User level privilege 0x1: Supervisor level privilege DFMPPRXY0.PRIV is always updated with the value from the configuration bus privilege field on any/every write to Program Set BIDX Register (trigger register). The PRIV value for the SA Set and DF Set are copied from the value in the Program set along with the remainder of the parameter values. The privilege ID is issued on the VBusM read and write command bus such that the target endpoints can perform mMemory protection checks based on the PRIV of the external host that sets up the DMA transaction.	R	0x0
7:4	RESERVED	Reserved	R Return 0's	0x0
3:0	PRIVID	Privilege ID: DFMPPRXY0.PRIVID is always updated with the value from configuration bus privilege ID field on any/every write to Program Set BIDX Register (trigger register). The PRIVID value for the SA Set and DF Set are copied from the value in the Program set along with the remainder of the parameter values. The privilege ID is issued on the VBusM read and write command bus such that the target endpoints can perform mMemory protection checks based on the privid of the external host that sets up the DMA transaction.	R	0x0

Table 16-416. Register Call Summary for Register EDMA_TPTCn_DFMPPRXYi

Enhanced DMA

- [EDMA Register Summary: \[0\]\[1\]\[3\]](#)

Interrupt Controllers

This chapter describes the interrupt controllers (INTCs) in the device.

Topic	Page
17.1 Interrupt Controllers Overview	4078
17.2 Interrupt Controllers Environment	4081
17.3 Interrupt Controllers Integration	4083
17.4 Interrupt Controllers Functional Description	4119

17.1 Interrupt Controllers Overview

The device has a large number of interrupts to service the needs of its many peripherals and subsystems. The MPU, DSP, IPU (x2), and PRU-ICSS (x2) subsystems are capable of servicing these interrupts via their integrated interrupt controllers. In addition, each processor's interrupt controller is preceded by an Interrupt Controller Crossbar (IRQ_CROSSBAR) that provides flexibility in mapping the device interrupts to processor interrupt inputs. For more information about IRQ crossbar, see [Chapter 18, Control Module](#).

Cortex®-A15 MPU Subsystem Interrupt Controller (MPU_INTC)

The MPU_INTC module (also called Generalized Interrupt Controller [GIC]) is a single functional unit that is integrated in the Arm® Cortex-A15 multiprocessor core (MPCore) alongside Cortex-A15 processor. It provides:

- 160 hardware interrupt inputs
- Generation of interrupts by software
- Prioritization of interrupts
- Masking of any interrupts
- Distribution of the interrupts to the target Cortex-A15 processor(s)
- Tracking the status of interrupts

The Cortex-A15 processor supports three main groups of interrupt sources, with each interrupt source having a unique ID:

- *Software Generated Interrupts (SGIs)*: SGIs are generated by writing to the Cortex-A15 Software Generated Interrupt Register (GICD_SGIR). A maximum of 16 SGIs (ID0–ID15) can be generated for the CPU interface. An SGI has edge-triggered properties. The software triggering of the interrupt is equivalent to the edge transition of the interrupt signal on a peripheral input.
- *Private Peripheral Interrupts (PPIs)*: A PPI is an interrupt generated by a peripheral that is specific to the processor. Although interrupts ID16–ID31 are dedicated to PPIs in general, only seven PPIs are actually used for the CPU interface (ID25–ID31). Interrupts ID16–ID24 are reserved (not used).
- *Shared Peripheral Interrupts (SPIs)*: SPIs are triggered by events generated on associated interrupt input lines. In this device, the GIC is configured to support 160 SPIs corresponding to its external IRQS[159:0] signals. SPIs start at ID32 and their mapping is presented in [Section 17.3.1](#).

For detailed information about this module and description of SGIs and PPIs, see the Arm *Cortex-A15 MPCore Technical Reference Manual* (available at infocenter.arm.com/help/index.jsp).

C66x DSP Subsystem Interrupt Controller (DSP1_INTC)

The DSP1 subsystem integrates an interrupt controller - DSP1_INTC, which interfaces the system events to the C66x core interrupt and exceptions inputs. It combines up to 128 interrupts into 12 prioritized interrupts presented to the C66x CPU.

For detailed information about this module, see [Chapter 5, DSP Subsystem](#).

Dual Cortex-M4 IPU Subsystem Interrupt Controller (IPUx_Cx_INTC, where x = 1, 2)

There are two Image Processing Unit (IPU) subsystems in the device - IPU1, and IPU2. Each IPU subsystem integrates two Arm Cortex-M4 cores.

A Nested Vectored Interrupt Controller (NVIC) is integrated within each Cortex-M4. The interrupt mapping is the same (per IPU) for the two cores to facilitate parallel processing. The NVIC supports:

- 64 external interrupts (in addition to 16 Cortex-M4 internal interrupts), which are dynamically prioritized with 16 levels of priority defined for each core
- Low-latency exception and interrupt handling
- Prioritization and handling of exceptions
- Control of the local power management
- Debug accesses to the processor core

For detailed information about this module, refer to Arm *Cortex-M4 Technical Reference Manual* (available at infocenter.arm.com/help/index.jsp).

NOTE: IPUx_Cx_INTC is a unified name for the following interrupt controllers:

- IPU1_C0_INTC - NVIC in first Cortex-M4 core of IPU1
- IPU1_C1_INTC - NVIC in second Cortex-M4 core of IPU1
- IPU2_C0_INTC - NVIC in first Cortex-M4 core of IPU2
- IPU2_C1_INTC - NVIC in second Cortex-M4 core of IPU2

PRU-ICSS Interrupt Controller (PRUSSx_INTC, where x = 1 to 2)

The PRUSSx_INTC is an interface between interrupts coming from different parts of the system (referred to as system events) and the PRU-ICSS interrupt interface.

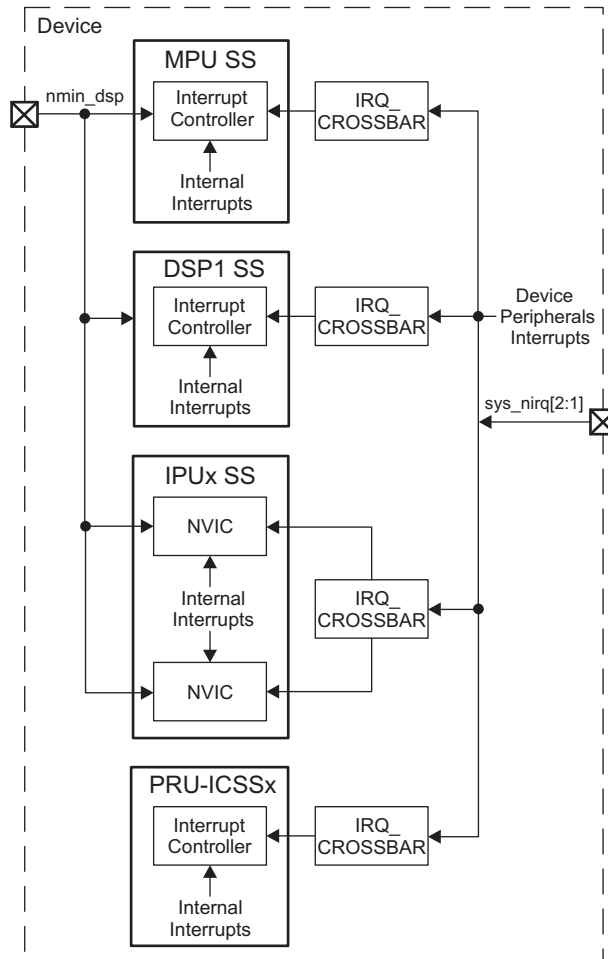
The PRUSSx_INTC has the following features:

- Capturing up to 64 System Events
- Supports up to 10 interrupt channels
- Generation of 10 Host Interrupts:
 - 2 Host Interrupts for the PRUs
 - 8 Host Interrupts exported from the PRU-ICSS for signaling the Arm interrupt controllers
- Each system event can be enabled and disabled
- Each host event can be enabled and disabled
- Hardware prioritization of events

For detailed information about this module, see [Chapter 30, Programmable Real-Time Unit and Industrial Communication Subsystems](#).

[Figure 17-1](#) shows the top-level block diagram of the interrupt controllers in this device.

Figure 17-1. Interrupt Controllers in the Device



17.2 Interrupt Controllers Environment

Figure 17-2 shows the relationship between the device INTCs and external interrupts.

Figure 17-2. Interrupts From External Devices

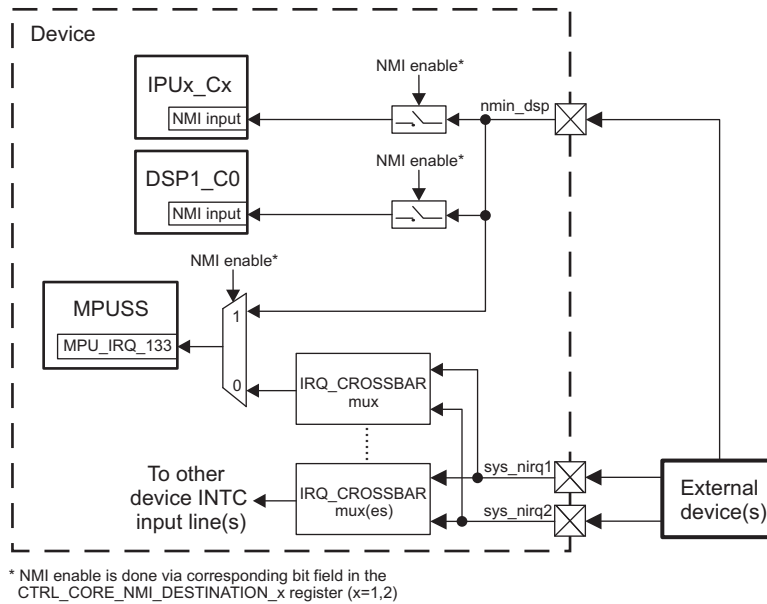


Table 17-1 describes the signals that can be used by external devices to generate interrupts to the device INTCs.

Table 17-1. Interrupts From External Devices

Device Pin	I/O ⁽¹⁾	Description
sys_nirq1	I	External devices can use these pins to generate a system wake-up interrupt event to any device INTC. The user must take care to configure the corresponding IRQ_CROSSBAR properly (via Control Module).
sys_nirq2	I	

⁽¹⁾ I = Input, O = Output

Table 17-1. Interrupts From External Devices (continued)

Device Pin	I/O ⁽¹⁾	Description
nmin_dsp	I	<p>External device can use this pin to generate a non-maskable interrupt (NMI) event to the following device processors:</p> <ul style="list-style-type: none"> - IPU1_C0, IPU1_C1. Upon enable (via Control Module), the NMI is routed directly to the NMI input of Cortex M4 core. Note that NMI can be enabled separately for IPU1_C0 and IPU1_C1. - IPU2_C0, IPU2_C1. Upon enable (via Control Module), the NMI is routed directly to the NMI input of Cortex M4 core. Note that NMI can be enabled separately for IPU2_C0 and IPU2_C1. - DSP1. Upon enable (via Control Module), the NMI is routed directly to the NMI input of C66x CPU. <p>The signal from the nmin_dsp pin can also be mapped to the MPU_INTC (MPU_IRQ_133 input) but it would be treated by Cortex-A15 as a general interrupt and not as a non-maskable interrupt. The Cortex-A15 processor does not provide NMI input.</p> <p>The Control Module registers CTRL_CORE_NMI_DESTINATION_1 and CTRL_CORE_NMI_DESTINATION_2 are used to route the NMI signal to the corresponding device processor subsystems, as follows:</p> <ul style="list-style-type: none"> • Writing 0x1 to CTRL_CORE_NMI_DESTINATION_1 [23:16] IPU2_C1 enables NMI mapping to IPU2_C1; • Writing 0x1 to CTRL_CORE_NMI_DESTINATION_1 [15:8] IPU2_C0 enables NMI mapping to IPU2_C0; • Writing 0x1 to CTRL_CORE_NMI_DESTINATION_1 [7:0] IPU1_C1 enables NMI mapping to IPU1_C1; • Writing 0x1 to CTRL_CORE_NMI_DESTINATION_2 [31:24] IPU1_C0 enables NMI mapping to IPU1_C0; • Writing 0x1 to CTRL_CORE_NMI_DESTINATION_2 [15:8] DSP1 enables NMI mapping to DSP1; • Writing 0x1 to CTRL_CORE_NMI_DESTINATION_2 [7:0] MPU enables NMI mapping to MPU_IRQ_133 interrupt line of MPU_INTC; writing 0x0 to this bit field disables the NMI mapping and IRQ_CROSSBAR mux is mapped to MPU_IRQ_133 instead. <p>Refer to Chapter 18, <i>Control Module</i>, for more information about CTRL_CORE_NMI_DESTINATION_1 and CTRL_CORE_NMI_DESTINATION_2 registers.</p>

NOTE: External devices can also use the GPIO modules to generate an interrupt to the device INTCs. For more information, see [Chapter 27](#), *General-Purpose Interface*.

17.3 Interrupt Controllers Integration

[Table 17-2](#) through present the default interrupt mapping of the device INTCs. The mapping of device interrupts to IRQ_CROSSBAR inputs is presented in [Table 17-8](#).

NOTE: All device interrupts (external to the MPU, DSP, IPU [x2], and PRU-ICSS [x2] subsystems) are active-high, level-sensitive.

CAUTION

A single interrupt source can be physically mapped to multiple INTCs. With multiple-mapped interrupts, it is strongly recommended to unmask each interrupt source in only one INTC at a time.

17.3.1 Interrupt Requests to MPU_INTC

[Table 17-2](#) lists the default interrupt sources for the MPU_INTC. In addition, interrupts MPU_IRQ_4, MPU_IRQ_[130:7], MPU_IRQ_[138:133], and MPU_IRQ_[159:141] can alternatively be sourced through the MPU's IRQ_CROSSBAR from one of the 420 multiplexed device interrupts listed in [Table 17-8](#). The CTRL_CORE_MPU_IRQ_y_z registers (where y and z are indexes of INTC input lines) in the Control Module are used to select between the default interrupts and the multiplexed interrupts.

NOTE: The interrupts listed in [Table 17-2](#) are also called Shared Peripheral Interrupts (SPIs) in Arm Cortex-A15 terminology. That is, the MPU_IRQ_[159:0] interrupt inputs correspond to the **IRQS[N:0]** GIC signals (N = 159 for this device), described in the *Arm Cortex-A15 MPCore Processor Technical Reference Manual*.

The association between the Shared Peripheral Interrupts (MPU_IRQ_0 – MPU_IRQ_159) and the GIC inputs (ID32 – ID191) is shown in the first column of this table.

Table 17-2. MPU_INTC Default Interrupt Mapping

IRQ Input Line (GIC ID Number) ⁽¹⁾	IRQ CROSSBAR Instance Number	IRQ_CROSSBAR Configuration Register	IRQ CROSSBAR Default Input Index	Default Interrupt Name	Default Interrupt Source Description
MPU_IRQ_0 (ID32)	N/A	N/A	N/A	MPU_CLUSTER_IRQ_INTERR	Illegal writes to interrupt controller memory map region
MPU_IRQ_1 (ID33)	N/A	N/A	N/A	CS_CTI_MPU_C0_IRQ	TRIGOUT[6] of Cross Trigger Interface 0 (CTI0)
MPU_IRQ_2 (ID34)	N/A	N/A	N/A	CS_CTI_MPU_C1_IRQ	TRIGOUT[6] of Cross Trigger Interface 1 (CTI1)
MPU_IRQ_3 (ID35)	N/A	N/A	N/A	MPU_CLUSTER_IRQ_AXIERR	Error indication for AXI write transactions with a BRESP error condition
MPU_IRQ_4 (ID36)	1	CTRL_CORE_MPU_IRQ_4_7[8:0]	1	ELM_IRQ	Error location process completion interrupt
MPU_IRQ_5 (ID37)	N/A	N/A	N/A	WD_TIMER_MPU_C0_IRQ_WARN	MPU_WD_TIMER channel 0 warning interrupt
MPU_IRQ_6 (ID38)	N/A	N/A	N/A	Reserved	Reserved by default but can be remapped to a valid interrupt source
MPU_IRQ_7 (ID39)	2	CTRL_CORE_MPU_IRQ_4_7[24:16]	2	EXT_SYS_IRQ_1	External interrupt (active low) via sys_nirq1 pin
MPU_IRQ_8 (ID40)	3	CTRL_CORE_MPU_IRQ_8_9[8:0]	3	CTRL_MODULE_CORE_IRQ_SEC_EVTS	Combined firewall error interrupt. For more information, see Section 18.4.6.14.3 .
MPU_IRQ_9 (ID41)	4	CTRL_CORE_MPU_IRQ_8_9[24:16]	4	L3_MAIN_IRQ_DBG_ERR	L3_MAIN debug error
MPU_IRQ_10 (ID42)	5	CTRL_CORE_MPU_IRQ_10_11[8:0] (not functional)	5	L3_MAIN_IRQ_APP_ERR	L3_MAIN application or non-attributable error ⁽²⁾
MPU_IRQ_11 (ID43)	6	CTRL_CORE_MPU_IRQ_10_11[24:16]	6	PRM_IRQ_MPU	PRCM interrupt to MPU
MPU_IRQ_12 (ID44)	7	CTRL_CORE_MPU_IRQ_12_13[8:0]	7	DMA_SYSTEM_IRQ_0	System DMA interrupt 0
MPU_IRQ_13 (ID45)	8	CTRL_CORE_MPU_IRQ_12_13[24:16]	8	DMA_SYSTEM_IRQ_1	System DMA interrupt 1
MPU_IRQ_14 (ID46)	9	CTRL_CORE_MPU_IRQ_14_15[8:0]	9	DMA_SYSTEM_IRQ_2	System DMA interrupt 2
MPU_IRQ_15 (ID47)	10	CTRL_CORE_MPU_IRQ_14_15[24:16]	10	DMA_SYSTEM_IRQ_3	System DMA interrupt 3
MPU_IRQ_16 (ID48)	11	CTRL_CORE_MPU_IRQ_16_17[8:0]	11	L3_MAIN_IRQ_STAT_ALARM	L3_MAIN statistic collector alarm interrupt
MPU_IRQ_17 (ID49)	12	CTRL_CORE_MPU_IRQ_16_17[24:16]	12	Reserved	Reserved by default but can be remapped to a valid interrupt source
MPU_IRQ_18 (ID50)	13	CTRL_CORE_MPU_IRQ_18_19[8:0]	13	Reserved	Reserved by default but can be remapped to a valid interrupt source
MPU_IRQ_19 (ID51)	14	CTRL_CORE_MPU_IRQ_18_19[24:16]	14	Reserved	Reserved by default but can be remapped to a valid interrupt source
MPU_IRQ_20 (ID52)	15	CTRL_CORE_MPU_IRQ_20_21[8:0]	15	GPMC_IRQ	GPMC interrupt
MPU_IRQ_21 (ID53)	16	CTRL_CORE_MPU_IRQ_20_21[24:16]	16	GPU_IRQ	GPU interrupt
MPU_IRQ_22 (ID54)	17	CTRL_CORE_MPU_IRQ_22_23[8:0]	17	Reserved	Reserved by default but can be remapped to a valid interrupt source

⁽¹⁾ This column shows the association between the Shared Peripheral Interrupts (MPU_IRQ_0 – MPU_IRQ_159) and the GIC inputs (ID32 – ID191).

⁽²⁾ The L3_MAIN_IRQ_APP_ERR interrupt is directly mapped to the MPU_IRQ_10 line, bypassing the crossbar instance dedicated to this line. No other interrupt source can be mapped to MPU_IRQ_10.

Table 17-2. MPU_INTC Default Interrupt Mapping (continued)

IRQ Input Line (GIC ID Number) ⁽¹⁾	IRQ_ CROSSBAR Instance Number	IRQ_CROSSBAR Configuration Register	IRQ_ CROSSBAR Default Input Index	Default Interrupt Name	Default Interrupt Source Description
MPU_IRQ_23 (ID55)	18	CTRL_CORE_MPU_IRQ_22_23 [24:16]	18	Reserved	Reserved by default but can be remapped to a valid interrupt source
MPU_IRQ_24 (ID56)	19	CTRL_CORE_MPU_IRQ_24_25 [8:0]	19	Reserved	Reserved by default but can be remapped to a valid interrupt source
MPU_IRQ_25 (ID57)	20	CTRL_CORE_MPU_IRQ_24_25 [24:16]	20	DISPC_IRQ	Display controller interrupt
MPU_IRQ_26 (ID58)	21	CTRL_CORE_MPU_IRQ_26_27 [8:0]	21	MAILBOX1_IRQ_USER0	Mailbox 1 user 0 interrupt
MPU_IRQ_27 (ID59)	22	CTRL_CORE_MPU_IRQ_26_27 [24:16]	22	Reserved	Reserved by default but can be remapped to a valid interrupt source
MPU_IRQ_28 (ID60)	23	CTRL_CORE_MPU_IRQ_28_29 [8:0]	23	DSP1_IRQ_MMU0	DSP1 MMU0 interrupt
MPU_IRQ_29 (ID61)	24	CTRL_CORE_MPU_IRQ_28_29 [24:16]	24	GPIO1_IRQ_1	GPIO1 interrupt 1
MPU_IRQ_30 (ID62)	25	CTRL_CORE_MPU_IRQ_30_31 [8:0]	25	GPIO2_IRQ_1	GPIO2 interrupt 1
MPU_IRQ_31 (ID63)	26	CTRL_CORE_MPU_IRQ_30_31 [24:16]	26	GPIO3_IRQ_1	GPIO3 interrupt 1
MPU_IRQ_32 (ID64)	27	CTRL_CORE_MPU_IRQ_32_33 [8:0]	27	GPIO4_IRQ_1	GPIO4 interrupt 1
MPU_IRQ_33 (ID65)	28	CTRL_CORE_MPU_IRQ_32_33 [24:16]	28	GPIO5_IRQ_1	GPIO5 interrupt 1
MPU_IRQ_34 (ID66)	29	CTRL_CORE_MPU_IRQ_34_35 [8:0]	29	GPIO6_IRQ_1	GPIO6 interrupt 1
MPU_IRQ_35 (ID67)	30	CTRL_CORE_MPU_IRQ_34_35 [24:16]	30	GPIO7_IRQ_1	GPIO7 interrupt 1
MPU_IRQ_36 (ID68)	31	CTRL_CORE_MPU_IRQ_36_37 [8:0]	31	Reserved	Reserved by default but can be remapped to a valid interrupt source
MPU_IRQ_37 (ID69)	32	CTRL_CORE_MPU_IRQ_36_37 [24:16]	32	TIMER1_IRQ	TIMER1 interrupt
MPU_IRQ_38 (ID70)	33	CTRL_CORE_MPU_IRQ_38_39 [8:0]	33	TIMER2_IRQ	TIMER2 interrupt
MPU_IRQ_39 (ID71)	34	CTRL_CORE_MPU_IRQ_38_39 [24:16]	34	TIMER3_IRQ	TIMER3 interrupt
MPU_IRQ_40 (ID72)	35	CTRL_CORE_MPU_IRQ_40_41 [8:0]	35	TIMER4_IRQ	TIMER4 interrupt
MPU_IRQ_41 (ID73)	36	CTRL_CORE_MPU_IRQ_40_41 [24:16]	36	TIMER5_IRQ	TIMER5 interrupt
MPU_IRQ_42 (ID74)	37	CTRL_CORE_MPU_IRQ_42_43 [8:0]	37	TIMER6_IRQ	TIMER6 interrupt
MPU_IRQ_43 (ID75)	38	CTRL_CORE_MPU_IRQ_42_43 [24:16]	38	TIMER7_IRQ	TIMER7 interrupt
MPU_IRQ_44 (ID76)	39	CTRL_CORE_MPU_IRQ_44_45 [8:0]	39	TIMER8_IRQ	TIMER8 interrupt
MPU_IRQ_45 (ID77)	40	CTRL_CORE_MPU_IRQ_44_45 [24:16]	40	TIMER9_IRQ	TIMER9 interrupt
MPU_IRQ_46 (ID78)	41	CTRL_CORE_MPU_IRQ_46_47 [8:0]	41	TIMER10_IRQ	TIMER10 interrupt
MPU_IRQ_47 (ID79)	42	CTRL_CORE_MPU_IRQ_46_47 [24:16]	42	TIMER11_IRQ	TIMER11 interrupt
MPU_IRQ_48 (ID80)	43	CTRL_CORE_MPU_IRQ_48_49 [8:0]	43	MCSPi4_IRQ	McSPi4 interrupt
MPU_IRQ_49 (ID81)	44	CTRL_CORE_MPU_IRQ_48_49 [24:16]	44	Reserved	Reserved by default but can be remapped to a valid interrupt source

Table 17-2. MPU_INTC Default Interrupt Mapping (continued)

IRQ Input Line (GIC ID Number) ⁽¹⁾	IRQ_CROSSBAR Instance Number	IRQ_CROSSBAR Configuration Register	IRQ_CROSSBAR Default Input Index	Default Interrupt Name	Default Interrupt Source Description
MPU_IRQ_50 (ID82)	45	CTRL_CORE_MPU_IRQ_50_51[8:0]	45	Reserved	Reserved by default but can be remapped to a valid interrupt source
MPU_IRQ_51 (ID83)	46	CTRL_CORE_MPU_IRQ_50_51[24:16]	46	Reserved	Reserved by default but can be remapped to a valid interrupt source
MPU_IRQ_52 (ID84)	47	CTRL_CORE_MPU_IRQ_52_53[8:0]	47	Reserved	Reserved by default but can be remapped to a valid interrupt source
MPU_IRQ_53 (ID85)	48	CTRL_CORE_MPU_IRQ_52_53[24:16]	48	Reserved	Reserved by default but can be remapped to a valid interrupt source
MPU_IRQ_54 (ID86)	49	CTRL_CORE_MPU_IRQ_54_55[8:0]	49	SATA_IRQ ⁽³⁾	SATA interrupt
MPU_IRQ_55 (ID87)	50	CTRL_CORE_MPU_IRQ_54_55[24:16]	50	Reserved	Reserved by default but can be remapped to a valid interrupt source
MPU_IRQ_56 (ID88)	51	CTRL_CORE_MPU_IRQ_56_57[8:0]	51	I2C1_IRQ	I2C1 interrupt
MPU_IRQ_57 (ID89)	52	CTRL_CORE_MPU_IRQ_56_57[24:16]	52	I2C2_IRQ	I2C2 interrupt
MPU_IRQ_58 (ID90)	53	CTRL_CORE_MPU_IRQ_58_59[8:0]	53	HDQ1W_IRQ	HDQ1W interrupt
MPU_IRQ_59 (ID91)	54	CTRL_CORE_MPU_IRQ_58_59[24:16]	54	Reserved	Reserved by default but can be remapped to a valid interrupt source
MPU_IRQ_60 (ID92)	55	CTRL_CORE_MPU_IRQ_60_61[8:0]	55	I2C5_IRQ	I2C5 interrupt
MPU_IRQ_61 (ID93)	56	CTRL_CORE_MPU_IRQ_60_61[24:16]	56	I2C3_IRQ	I2C3 interrupt
MPU_IRQ_62 (ID94)	57	CTRL_CORE_MPU_IRQ_62_63[8:0]	57	I2C4_IRQ	I2C4 interrupt
MPU_IRQ_63 (ID95)	58	CTRL_CORE_MPU_IRQ_62_63[24:16]	58	Reserved	Reserved by default but can be remapped to a valid interrupt source
MPU_IRQ_64 (ID96)	59	CTRL_CORE_MPU_IRQ_64_65[8:0]	59	Reserved	Reserved by default but can be remapped to a valid interrupt source
MPU_IRQ_65 (ID97)	60	CTRL_CORE_MPU_IRQ_64_65[24:16]	60	MCSP11_IRQ	McSPI1 interrupt
MPU_IRQ_66 (ID98)	61	CTRL_CORE_MPU_IRQ_66_67[8:0]	61	MCSP12_IRQ	McSPI2 interrupt
MPU_IRQ_67 (ID99)	62	CTRL_CORE_MPU_IRQ_66_67[24:16]	62	Reserved	Reserved by default but can be remapped to a valid interrupt source
MPU_IRQ_68 (ID100)	63	CTRL_CORE_MPU_IRQ_68_69[8:0]	63	Reserved	Reserved by default but can be remapped to a valid interrupt source
MPU_IRQ_69 (ID101)	64	CTRL_CORE_MPU_IRQ_68_69[24:16]	64	Reserved	Reserved by default but can be remapped to a valid interrupt source
MPU_IRQ_70 (ID102)	65	CTRL_CORE_MPU_IRQ_70_71[8:0]	65	UART4_IRQ	UART4 interrupt
MPU_IRQ_71 (ID103)	66	CTRL_CORE_MPU_IRQ_70_71[24:16]	66	Reserved	Reserved by default but can be remapped to a valid interrupt source
MPU_IRQ_72 (ID104)	67	CTRL_CORE_MPU_IRQ_72_73[8:0]	67	UART1_IRQ	UART1 interrupt

⁽³⁾ SATA is NOT supported on the AM570x family of devices.

Table 17-2. MPU_INTC Default Interrupt Mapping (continued)

IRQ Input Line (GIC ID Number) ⁽¹⁾	IRQ_CROSSBAR Instance Number	IRQ_CROSSBAR Configuration Register	IRQ_CROSSBAR Default Input Index	Default Interrupt Name	Default Interrupt Source Description
MPU_IRQ_73 (ID105)	68	CTRL_CORE_MPU_IRQ_72_73[24:16]	68	UART2_IRQ	UART2 interrupt
MPU_IRQ_74 (ID106)	69	CTRL_CORE_MPU_IRQ_74_75[8:0]	69	UART3_IRQ	UART3 interrupt
MPU_IRQ_75 (ID107)	70	CTRL_CORE_MPU_IRQ_74_75[24:16]	70	PBIAS_IRQ	MMC1 PBIAS interrupt (controlled via device Control Module)
MPU_IRQ_76 (ID108)	71	CTRL_CORE_MPU_IRQ_76_77[8:0]	71	USB1_IRQ_INTR0	USB1 interrupt 0
MPU_IRQ_77 (ID109)	72	CTRL_CORE_MPU_IRQ_76_77[24:16]	72	USB1_IRQ_INTR1	USB1 interrupt 1
MPU_IRQ_78 (ID110)	73	CTRL_CORE_MPU_IRQ_78_79[8:0]	73	USB2_IRQ_INTR0	USB2 interrupt 0
MPU_IRQ_79 (ID111)	74	CTRL_CORE_MPU_IRQ_78_79[24:16]	74	Reserved	Reserved by default but can be remapped to a valid interrupt source
MPU_IRQ_80 (ID112)	75	CTRL_CORE_MPU_IRQ_80_81[8:0]	75	WD_TIMER2_IRQ	WD_TIMER2 interrupt
MPU_IRQ_81 (ID113)	76	CTRL_CORE_MPU_IRQ_80_81[24:16]	76	Reserved	Reserved by default but can be remapped to a valid interrupt source
MPU_IRQ_82 (ID114)	77	CTRL_CORE_MPU_IRQ_82_83[8:0]	77	Reserved	Reserved by default but can be remapped to a valid interrupt source
MPU_IRQ_83 (ID115)	78	CTRL_CORE_MPU_IRQ_82_83[24:16]	78	MMC1_IRQ	MMC1 interrupt
MPU_IRQ_84 (ID116)	79	CTRL_CORE_MPU_IRQ_84_85[8:0]	79	Reserved	Reserved by default but can be remapped to a valid interrupt source
MPU_IRQ_85 (ID117)	80	CTRL_CORE_MPU_IRQ_84_85[24:16]	80	Reserved	Reserved by default but can be remapped to a valid interrupt source
MPU_IRQ_86 (ID118)	81	CTRL_CORE_MPU_IRQ_86_87[8:0]	81	MMC2_IRQ	MMC2 interrupt
MPU_IRQ_87 (ID119)	82	CTRL_CORE_MPU_IRQ_86_87[24:16]	82	Reserved	Reserved by default but can be remapped to a valid interrupt source
MPU_IRQ_88 (ID120)	83	CTRL_CORE_MPU_IRQ_88_89[8:0]	83	Reserved	Reserved by default but can be remapped to a valid interrupt source
MPU_IRQ_89 (ID121)	84	CTRL_CORE_MPU_IRQ_88_89[24:16]	84	Reserved	Reserved by default but can be remapped to a valid interrupt source
MPU_IRQ_90 (ID122)	85	CTRL_CORE_MPU_IRQ_90_91[8:0]	85	DEBUGSS_IRQ_CT_UART	CT_UART interrupt generated when data ready on RX or when TX empty
MPU_IRQ_91 (ID123)	86	CTRL_CORE_MPU_IRQ_90_91[24:16]	86	MCSPi3_IRQ	McSPi3 interrupt
MPU_IRQ_92 (ID124)	87	CTRL_CORE_MPU_IRQ_92_93[8:0]	87	USB2_IRQ_INTR1	USB2 interrupt 1
MPU_IRQ_93 (ID125)	88	CTRL_CORE_MPU_IRQ_92_93[24:16]	88	USB3_IRQ_INTR0 ⁽⁴⁾	USB3 interrupt 0
MPU_IRQ_94 (ID126)	89	CTRL_CORE_MPU_IRQ_94_95[8:0]	89	MMC3_IRQ	MMC3 interrupt
MPU_IRQ_95 (ID127)	90	CTRL_CORE_MPU_IRQ_94_95[24:16]	90	TIMER12_IRQ	TIMER12 interrupt
MPU_IRQ_96 (ID128)	91	CTRL_CORE_MPU_IRQ_96_97[8:0]	91	MMC4_IRQ	MMC4 interrupt

⁽⁴⁾ USB3 (ULPI) is not supported on the AM571x / AM570x family of devices.

Table 17-2. MPU_INTC Default Interrupt Mapping (continued)

IRQ Input Line (GIC ID Number) ⁽¹⁾	IRQ_CROSSBAR Instance Number	IRQ_CROSSBAR Configuration Register	IRQ_CROSSBAR Default Input Index	Default Interrupt Name	Default Interrupt Source Description
MPU_IRQ_97 (ID129)	92	CTRL_CORE_MPU_IRQ_96_97 [24:16]	92	Reserved	Reserved by default but can be remapped to a valid interrupt source
MPU_IRQ_98 (ID130)	93	CTRL_CORE_MPU_IRQ_98_99 [8:0]	93	Reserved	Reserved by default but can be remapped to a valid interrupt source
MPU_IRQ_99 (ID131)	94	CTRL_CORE_MPU_IRQ_98_99 [24:16]	94	Reserved	Reserved by default but can be remapped to a valid interrupt source
MPU_IRQ_100 (ID132)	95	CTRL_CORE_MPU_IRQ_100_101 [8:0]	395	IPU1_IRQ_MMU	IPU1 MMU interrupt
MPU_IRQ_101 (ID133)	96	CTRL_CORE_MPU_IRQ_100_101 [24:16]	96	HDMI_IRQ	HDMI interrupt
MPU_IRQ_102 (ID134)	97	CTRL_CORE_MPU_IRQ_102_103 [8:0]	97	Reserved	Reserved by default but can be remapped to a valid interrupt source
MPU_IRQ_103 (ID135)	98	CTRL_CORE_MPU_IRQ_102_103 [24:16]	98	IVA_IRQ_SYNC_1	IVA ICONT2 sync interrupt
MPU_IRQ_104 (ID136)	99	CTRL_CORE_MPU_IRQ_104_105 [8:0]	99	IVA_IRQ_SYNC_0	IVA ICONT1 sync interrupt
MPU_IRQ_105 (ID137)	100	CTRL_CORE_MPU_IRQ_104_105 [24:16]	100	UART5_IRQ	UART5 interrupt
MPU_IRQ_106 (ID138)	101	CTRL_CORE_MPU_IRQ_106_107 [8:0]	101	UART6_IRQ	UART6 interrupt
MPU_IRQ_107 (ID139)	102	CTRL_CORE_MPU_IRQ_106_107 [24:16]	102	IVA_IRQ_MAILBOX_0	IVA mailbox user 0 interrupt
MPU_IRQ_108 (ID140)	103	CTRL_CORE_MPU_IRQ_108_109 [8:0]	103	McASP1_IRQ_AREVT	McASP1 receive interrupt
MPU_IRQ_109 (ID141)	104	CTRL_CORE_MPU_IRQ_108_109 [24:16]	104	McASP1_IRQ_AXEVT	McASP1 transmit interrupt
MPU_IRQ_110 (ID142)	105	CTRL_CORE_MPU_IRQ_110_111 [8:0]	105	EMIF1_IRQ	EMIF1 interrupt
MPU_IRQ_111 (ID143)	106	CTRL_CORE_MPU_IRQ_110_111 [24:16]	106	Reserved	Reserved by default but can be remapped to a valid interrupt source
MPU_IRQ_112 (ID144)	107	CTRL_CORE_MPU_IRQ_112_113 [8:0]	107	Reserved	Reserved by default but can be remapped to a valid interrupt source
MPU_IRQ_113 (ID145)	108	CTRL_CORE_MPU_IRQ_112_113 [24:16]	108	DMM_IRQ	DMM interrupt
MPU_IRQ_114 (ID146)	109	CTRL_CORE_MPU_IRQ_114_115 [8:0]	109	Reserved	Reserved by default but can be remapped to a valid interrupt source
MPU_IRQ_115 (ID147)	110	CTRL_CORE_MPU_IRQ_114_115 [24:16]	110	Reserved	Reserved by default but can be remapped to a valid interrupt source
MPU_IRQ_116 (ID148)	111	CTRL_CORE_MPU_IRQ_116_117 [8:0]	111	Reserved	Reserved by default but can be remapped to a valid interrupt source
MPU_IRQ_117 (ID149)	112	CTRL_CORE_MPU_IRQ_116_117 [24:16]	112	Reserved	Reserved by default but can be remapped to a valid interrupt source
MPU_IRQ_118 (ID150)	113	CTRL_CORE_MPU_IRQ_118_119 [8:0]	113	Reserved	Reserved by default but can be remapped to a valid interrupt source
MPU_IRQ_119 (ID151)	114	CTRL_CORE_MPU_IRQ_118_119 [24:16]	114	EXT_SYS_IRQ_2	External interrupt (active low) via sys_nirq2 pin
MPU_IRQ_120 (ID152)	115	CTRL_CORE_MPU_IRQ_120_121 [8:0]	115	KBD_IRQ	Keyboard controller interrupt

Table 17-2. MPU_INTC Default Interrupt Mapping (continued)

IRQ Input Line (GIC ID Number) ⁽¹⁾	IRQ_CROSSBAR Instance Number	IRQ_CROSSBAR Configuration Register	IRQ_CROSSBAR Default Input Index	Default Interrupt Name	Default Interrupt Source Description
MPU_IRQ_121 (ID153)	116	CTRL_CORE_MPU_IRQ_120_121 [24:16]	116	GPIO8_IRQ_1	GPIO8 interrupt 1
MPU_IRQ_122 (ID154)	117	CTRL_CORE_MPU_IRQ_122_123 [8:0]	117	Reserved	Reserved by default but can be remapped to a valid interrupt source
MPU_IRQ_123 (ID155)	118	CTRL_CORE_MPU_IRQ_122_123 [24:16]	118	Reserved	Reserved by default but can be remapped to a valid interrupt source
MPU_IRQ_124 (ID156)	119	CTRL_CORE_MPU_IRQ_124_125 [8:0]	119	CAL_IRQ	CAL (CSI2) interrupt
MPU_IRQ_125 (ID157)	120	CTRL_CORE_MPU_IRQ_124_125 [24:16]	120	BB2D_IRQ	BB2D interrupt
MPU_IRQ_126 (ID158)	121	CTRL_CORE_MPU_IRQ_126_127 [8:0]	121	CTRL_MODULE_CORE_IRQ_THE_RMAL_ALERT	CTRL_MODULE thermal alert interrupt
MPU_IRQ_127 (ID159)	122	CTRL_CORE_MPU_IRQ_126_127 [24:16]	122	Reserved	Reserved by default but can be remapped to a valid interrupt source
MPU_IRQ_128 (ID160)	123	CTRL_CORE_MPU_IRQ_128_129 [8:0]	123	Reserved	Reserved by default but can be remapped to a valid interrupt source
MPU_IRQ_129 (ID161)	124	CTRL_CORE_MPU_IRQ_128_129 [24:16]	124	Reserved	Reserved by default but can be remapped to a valid interrupt source
MPU_IRQ_130 (ID162)	125	CTRL_CORE_MPU_IRQ_130_133 [8:0]	125	Reserved	Reserved by default but can be remapped to a valid interrupt source
MPU_IRQ_131 (ID163)	N/A	N/A	N/A	MPU_CLUSTER_IRQ_PMU_C0	MPU core 0 PMU interrupt
MPU_IRQ_132 (ID164)	N/A	N/A	N/A	Reserved	Reserved by default but can be remapped to a valid interrupt source
MPU_IRQ_133 (ID165)	126	CTRL_CORE_MPU_IRQ_130_133 [24:16]	0	Reserved	Reserved by default but can be remapped to: <ul style="list-style-type: none"> a valid interrupt source (through CTRL_CORE_MPU_IRQ_130_133[24:16]) the nmin_dsp pin (through CTRL_CORE_NMI_DESTINATION_2[7:0] MPU). See Section 17.2, Interrupt Controllers Environment for details.
MPU_IRQ_134 (ID166)	127	CTRL_CORE_MPU_IRQ_134_135 [8:0]	0	Reserved	Reserved by default but can be remapped to a valid interrupt source
MPU_IRQ_135 (ID167)	128	CTRL_CORE_MPU_IRQ_134_135 [24:16]	0	Reserved	Reserved by default but can be remapped to a valid interrupt source
MPU_IRQ_136 (ID168)	129	CTRL_CORE_MPU_IRQ_136_137 [8:0]	0	Reserved	Reserved by default but can be remapped to a valid interrupt source
MPU_IRQ_137 (ID169)	130	CTRL_CORE_MPU_IRQ_136_137 [24:16]	0	Reserved	Reserved by default but can be remapped to a valid interrupt source
MPU_IRQ_138 (ID170)	131	CTRL_CORE_MPU_IRQ_138_139 [8:0]	0	Reserved	Reserved by default but can be remapped to a valid interrupt source

Table 17-2. MPU_INTC Default Interrupt Mapping (continued)

IRQ Input Line (GIC ID Number) ⁽¹⁾	IRQ_CROSSBAR Instance Number	IRQ_CROSSBAR Configuration Register	IRQ_CROSSBAR Default Input Index	Default Interrupt Name	Default Interrupt Source Description
MPU_IRQ_139 (ID171)	N/A	N/A	N/A	WD_TIMER_MPU_CO_IRQ	MPU_WD_TIMER channel 0 timeout interrupt (watchdog reset)
MPU_IRQ_140 (ID172)	N/A	N/A	N/A	Reserved	Reserved by default but can be remapped to a valid interrupt source
MPU_IRQ_141 (ID173)	134	CTRL_CORE_MPU_IRQ_140_141 [24:16]	0	Reserved	Reserved by default but can be remapped to a valid interrupt source
MPU_IRQ_142 (ID174)	135	CTRL_CORE_MPU_IRQ_142_143 [8:0]	0	Reserved	Reserved by default but can be remapped to a valid interrupt source
MPU_IRQ_143 (ID175)	136	CTRL_CORE_MPU_IRQ_142_143 [24:16]	0	Reserved	Reserved by default but can be remapped to a valid interrupt source
MPU_IRQ_144 (ID176)	137	CTRL_CORE_MPU_IRQ_144_145 [8:0]	0	Reserved	Reserved by default but can be remapped to a valid interrupt source
MPU_IRQ_145 (ID177)	138	CTRL_CORE_MPU_IRQ_144_145 [24:16]	0	Reserved	Reserved by default but can be remapped to a valid interrupt source
MPU_IRQ_146 (ID178)	139	CTRL_CORE_MPU_IRQ_146_147 [8:0]	0	Reserved	Reserved by default but can be remapped to a valid interrupt source
MPU_IRQ_147 (ID179)	140	CTRL_CORE_MPU_IRQ_146_147 [24:16]	0	Reserved	Reserved by default but can be remapped to a valid interrupt source
MPU_IRQ_148 (ID180)	141	CTRL_CORE_MPU_IRQ_148_149 [8:0]	0	Reserved	Reserved by default but can be remapped to a valid interrupt source
MPU_IRQ_149 (ID181)	142	CTRL_CORE_MPU_IRQ_148_149 [24:16]	0	Reserved	Reserved by default but can be remapped to a valid interrupt source
MPU_IRQ_150 (ID182)	143	CTRL_CORE_MPU_IRQ_150_151 [8:0]	0	Reserved	Reserved by default but can be remapped to a valid interrupt source
MPU_IRQ_151 (ID183)	144	CTRL_CORE_MPU_IRQ_150_151 [24:16]	0	Reserved	Reserved by default but can be remapped to a valid interrupt source
MPU_IRQ_152 (ID184)	145	CTRL_CORE_MPU_IRQ_152_153 [8:0]	0	Reserved	Reserved by default but can be remapped to a valid interrupt source
MPU_IRQ_153 (ID185)	146	CTRL_CORE_MPU_IRQ_152_153 [24:16]	0	Reserved	Reserved by default but can be remapped to a valid interrupt source
MPU_IRQ_154 (ID186)	147	CTRL_CORE_MPU_IRQ_154_155 [8:0]	0	Reserved	Reserved by default but can be remapped to a valid interrupt source
MPU_IRQ_155 (ID187)	148	CTRL_CORE_MPU_IRQ_154_155 [24:16]	0	Reserved	Reserved by default but can be remapped to a valid interrupt source
MPU_IRQ_156 (ID188)	149	CTRL_CORE_MPU_IRQ_156_157 [8:0]	0	Reserved	Reserved by default but can be remapped to a valid interrupt source
MPU_IRQ_157 (ID189)	150	CTRL_CORE_MPU_IRQ_156_157 [24:16]	0	Reserved	Reserved by default but can be remapped to a valid interrupt source

Table 17-2. MPU_INTC Default Interrupt Mapping (continued)

IRQ Input Line (GIC ID Number) ⁽¹⁾	IRQ_CROSSBAR Instance Number	IRQ_CROSSBAR Configuration Register	IRQ_CROSSBAR Default Input Index	Default Interrupt Name	Default Interrupt Source Description
MPU_IRQ_158 (ID190)	151	CTRL_CORE_MPU_IRQ_158_159[8:0]	0	Reserved	Reserved by default but can be remapped to a valid interrupt source
MPU_IRQ_159 (ID191)	152	CTRL_CORE_MPU_IRQ_158_159[24:16]	0	Reserved	Reserved by default but can be remapped to a valid interrupt source

NOTE: The "IRQ_CROSSBAR Default Input Index" column of Table 17-2 shows which input of the corresponding IRQ_CROSSBAR instance is mapped to its output (and then routed to the corresponding MPU_INTC input) by default. In other words, this column specifies the default (reset) values (in decimal) of the CTRL_CORE_MPU_IRQ_y_z register bit fields that are used to control the mapping of device interrupts to MPU_INTC inputs. For example, the MPU_IRQ_4_7[8:0] bit field is used to configure which device interrupt would be mapped to the MPU_IRQ_4 line. The reset value of this bit field is 0x1, meaning that ELM_IRQ would be mapped to MPU_IRQ_4 by default because it is connected to the IRQ_CROSSBAR_1 input.

'N/A' in this column means that the corresponding interrupt is internal to the MPU subsystem. There is no IRQ_CROSSBAR dedicated to the associated MPU_INTC input line and therefore, the user cannot change its default mapping.

17.3.2 Interrupt Requests to DSP1_INTC

Table 17-3 lists the default interrupt sources for the DSP1_INTC. In addition, interrupts DSP1_IRQ_32 through DSP1_IRQ_95 can alternatively be sourced through the DSP1's IRQ_CROSSBAR from one of the 420 multiplexed device interrupts listed in Table 17-8. The DSP1_IRQ_y_z registers in the Control Module are used to select between the default interrupts and the multiplexed interrupts.

Table 17-3. DSP1_INTC Default Interrupt Mapping

IRQ Input Line	IRQ_CROSSBAR Instance Number	IRQ_CROSSBAR Configuration Register	IRQ_CROSSBAR Default Input Index	Default Interrupt Name	Default Interrupt Source Description
DSP1_IRQ_0	N/A	N/A	N/A	CGEM_IRQ_0	CGEM Internal Interrupt
DSP1_IRQ_1	N/A	N/A	N/A	CGEM_IRQ_1	CGEM Internal Interrupt
DSP1_IRQ_2	N/A	N/A	N/A	CGEM_IRQ_2	CGEM Internal Interrupt
DSP1_IRQ_3	N/A	N/A	N/A	CGEM_IRQ_3	CGEM Internal Interrupt
DSP1_IRQ_4	N/A	N/A	N/A	CGEM_IRQ_4	CGEM Internal Interrupt
DSP1_IRQ_5	N/A	N/A	N/A	CGEM_IRQ_5	CGEM Internal Interrupt
DSP1_IRQ_6	N/A	N/A	N/A	CGEM_IRQ_6	CGEM Internal Interrupt
DSP1_IRQ_7	N/A	N/A	N/A	CGEM_IRQ_7	CGEM Internal Interrupt
DSP1_IRQ_8	N/A	N/A	N/A	CGEM_IRQ_8	CGEM Internal Interrupt

Table 17-3. DSP1_INTC Default Interrupt Mapping (continued)

IRQ Input Line	IRQ_CROSSBAR Instance Number	IRQ_CROSSBAR Configuration Register	IRQ_CROSSBAR Default Input Index	Default Interrupt Name	Default Interrupt Source Description
DSP1_IRQ_9	N/A	N/A	N/A	CGEM_IRQ_9	CGEM Internal Interrupt
DSP1_IRQ_10	N/A	N/A	N/A	CGEM_IRQ_10	CGEM Internal Interrupt
DSP1_IRQ_11	N/A	N/A	N/A	CGEM_IRQ_11	CGEM Internal Interrupt
DSP1_IRQ_12	N/A	N/A	N/A	CGEM_IRQ_12	CGEM Internal Interrupt
DSP1_IRQ_13	N/A	N/A	N/A	CGEM_IRQ_13	CGEM Internal Interrupt
DSP1_IRQ_14	N/A	N/A	N/A	CGEM_IRQ_14	CGEM Internal Interrupt
DSP1_IRQ_15	N/A	N/A	N/A	CGEM_IRQ_15	CGEM Internal Interrupt
DSP1_IRQ_16	N/A	N/A	N/A	TPCC_INTG	EDMA CC global interrupt
DSP1_IRQ_17	N/A	N/A	N/A	TPCC_INT0	EDMA CC region0 interrupt
DSP1_IRQ_18	N/A	N/A	N/A	TPCC_INT1	EDMA CC region1 interrupt
DSP1_IRQ_19	N/A	N/A	N/A	TPCC_INT2	EDMA CC region2 interrupt
DSP1_IRQ_20	N/A	N/A	N/A	TPCC_INT3	EDMA CC region3 interrupt
DSP1_IRQ_21	N/A	N/A	N/A	FW0_FUNC_ERROR	Firewall0 func access error
DSP1_IRQ_22	N/A	N/A	N/A	FW0_DEBUG_ERROR	Firewall0 debug access error
DSP1_IRQ_23	N/A	N/A	N/A	FW1_FUNC_ERROR	Firewall1 func access error
DSP1_IRQ_24	N/A	N/A	N/A	FW1_DEBUG_ERROR	Firewall1 debug access error
DSP1_IRQ_25	N/A	N/A	N/A	MMU0_INT	DSP MMU0 Interrupt
DSP1_IRQ_26	N/A	N/A	N/A	MMU1_INT	DSP MMU1 Interrupt
DSP1_IRQ_27	N/A	N/A	N/A	TPCC_ERRINT	EDMA CC error interrupt
DSP1_IRQ_28	N/A	N/A	N/A	TPTC_ERRINT0	EDMA TC0 error interrupt
DSP1_IRQ_29	N/A	N/A	N/A	TPTC_ERRINT1	EDMA TC1 error interrupt
DSP1_IRQ_30	N/A	N/A	N/A	NOC_ERRINT	Interconnect error interrupt
DSP1_IRQ_31	NA	N/A	N/A	EDMA_WAKE_INT	EDMA wakeup interrupt
DSP1_IRQ_32	1	CTRL_CORE_DSP1_IRQ_32_33[8:0]	1	ELM_IRQ	Error location process completion interrupt
DSP1_IRQ_33	2	CTRL_CORE_DSP1_IRQ_32_33[24:16]	2	EXT_SYS_IRQ_1	External interrupt (active low) via sys_nirq1 pin
DSP1_IRQ_34	3	CTRL_CORE_DSP1_IRQ_34_35[8:0]	3	CTRL_MODULE_CORE_IRQ_SE C_EVTS	Combined firewall error interrupt. For more information, see Section 18.4.6.14.3 .
DSP1_IRQ_35	4	CTRL_CORE_DSP1_IRQ_34_35[24:16]	4	L3_MAIN_IRQ_DBG_ERR	L3_MAIN debug error
DSP1_IRQ_36	5	CTRL_CORE_DSP1_IRQ_36_37[8:0]	5	L3_MAIN_IRQ_APP_ERR	L3_MAIN application or non-attributable error
DSP1_IRQ_37	6	CTRL_CORE_DSP1_IRQ_36_37[24:16]	6	PRM_IRQ_MPU	PRCM interrupt to MPU
DSP1_IRQ_38	7	CTRL_CORE_DSP1_IRQ_38_39[8:0]	7	DMA_SYSTEM_IRQ_0	System DMA interrupt 0
DSP1_IRQ_39	8	CTRL_CORE_DSP1_IRQ_38_39[24:16]	8	DMA_SYSTEM_IRQ_1	System DMA interrupt 1

Table 17-3. DSP1_INTC Default Interrupt Mapping (continued)

IRQ Input Line	IRQ_CROSSBAR Instance Number	IRQ_CROSSBAR Configuration Register	IRQ_CROSSBAR Default Input Index	Default Interrupt Name	Default Interrupt Source Description
DSP1_IRQ_40	9	CTRL_CORE_DSP1_IRQ_40_41 [8:0]	9	DMA_SYSTEM_IRQ_2	System DMA interrupt 2
DSP1_IRQ_41	10	CTRL_CORE_DSP1_IRQ_40_41 [24:16]	10	DMA_SYSTEM_IRQ_3	System DMA interrupt 3
DSP1_IRQ_42	11	CTRL_CORE_DSP1_IRQ_42_43 [8:0]	11	L3_MAIN_IRQ_STAT_ALARM	L3_MAIN statistic collector alarm interrupt
DSP1_IRQ_43	12	CTRL_CORE_DSP1_IRQ_42_43 [24:16]	12	Reserved	Reserved by default but can be remapped to a valid interrupt source
DSP1_IRQ_44	13	CTRL_CORE_DSP1_IRQ_44_45 [8:0]	13	Reserved	Reserved by default but can be remapped to a valid interrupt source
DSP1_IRQ_45	14	CTRL_CORE_DSP1_IRQ_44_45 [24:16]	14	Reserved	Reserved by default but can be remapped to a valid interrupt source
DSP1_IRQ_46	15	CTRL_CORE_DSP1_IRQ_46_47 [8:0]	15	GPMC_IRQ	GPMC interrupt
DSP1_IRQ_47	16	CTRL_CORE_DSP1_IRQ_46_47 [24:16]	16	GPU_IRQ	GPU interrupt
DSP1_IRQ_48	17	CTRL_CORE_DSP1_IRQ_48_49 [8:0]	17	Reserved	Reserved by default but can be remapped to a valid interrupt source
DSP1_IRQ_49	18	CTRL_CORE_DSP1_IRQ_48_49 [24:16]	18	Reserved	Reserved by default but can be remapped to a valid interrupt source
DSP1_IRQ_50	19	CTRL_CORE_DSP1_IRQ_50_51 [8:0]	19	Reserved	Reserved by default but can be remapped to a valid interrupt source
DSP1_IRQ_51	20	CTRL_CORE_DSP1_IRQ_50_51 [24:16]	20	DISPC_IRQ	Display controller interrupt
DSP1_IRQ_52	21	CTRL_CORE_DSP1_IRQ_52_53 [8:0]	21	MAILBOX1_IRQ_USER0	Mailbox 1 user 0 interrupt
DSP1_IRQ_53	22	CTRL_CORE_DSP1_IRQ_52_53 [24:16]	22	Reserved	Reserved by default but can be remapped to a valid interrupt source
DSP1_IRQ_54	23	CTRL_CORE_DSP1_IRQ_54_55 [8:0]	23	DSP1_IRQ_MMU0	DSP1 MMU0 interrupt
DSP1_IRQ_55	24	CTRL_CORE_DSP1_IRQ_54_55 [24:16]	24	GPIO1_IRQ_1	GPIO1 interrupt 1
DSP1_IRQ_56	25	CTRL_CORE_DSP1_IRQ_56_57 [8:0]	25	GPIO2_IRQ_1	GPIO2 interrupt 1
DSP1_IRQ_57	26	CTRL_CORE_DSP1_IRQ_56_57 [24:16]	26	GPIO3_IRQ_1	GPIO3 interrupt 1
DSP1_IRQ_58	27	CTRL_CORE_DSP1_IRQ_58_59 [8:0]	27	GPIO4_IRQ_1	GPIO4 interrupt 1
DSP1_IRQ_59	28	CTRL_CORE_DSP1_IRQ_58_59 [24:16]	28	GPIO5_IRQ_1	GPIO5 interrupt 1
DSP1_IRQ_60	29	CTRL_CORE_DSP1_IRQ_60_61 [8:0]	29	GPIO6_IRQ_1	GPIO6 interrupt 1
DSP1_IRQ_61	30	CTRL_CORE_DSP1_IRQ_60_61 [24:16]	30	GPIO7_IRQ_1	GPIO7 interrupt 1
DSP1_IRQ_62	31	CTRL_CORE_DSP1_IRQ_62_63 [8:0]	31	Reserved	Reserved by default but can be remapped to a valid interrupt source
DSP1_IRQ_63	32	CTRL_CORE_DSP1_IRQ_62_63 [24:16]	32	TIMER1_IRQ	TIMER1 interrupt
DSP1_IRQ_64	33	CTRL_CORE_DSP1_IRQ_64_65 [8:0]	33	TIMER2_IRQ	TIMER2 interrupt
DSP1_IRQ_65	34	CTRL_CORE_DSP1_IRQ_64_65 [24:16]	34	TIMER3_IRQ	TIMER3 interrupt

Table 17-3. DSP1_INTC Default Interrupt Mapping (continued)

IRQ Input Line	IRQ_CROSSBAR Instance Number	IRQ_CROSSBAR Configuration Register	IRQ_CROSSBAR Default Input Index	Default Interrupt Name	Default Interrupt Source Description
DSP1_IRQ_66	35	CTRL_CORE_DSP1_IRQ_66_67 [8:0]	35	TIMER4_IRQ	TIMER4 interrupt
DSP1_IRQ_67	36	CTRL_CORE_DSP1_IRQ_66_67 [24:16]	36	TIMER5_IRQ	TIMER5 interrupt
DSP1_IRQ_68	37	CTRL_CORE_DSP1_IRQ_68_69 [8:0]	37	TIMER6_IRQ	TIMER6 interrupt
DSP1_IRQ_69	38	CTRL_CORE_DSP1_IRQ_68_69 [24:16]	38	TIMER7_IRQ	TIMER7 interrupt
DSP1_IRQ_70	39	CTRL_CORE_DSP1_IRQ_70_71 [8:0]	39	TIMER8_IRQ	TIMER8 interrupt
DSP1_IRQ_71	40	CTRL_CORE_DSP1_IRQ_70_71 [24:16]	40	TIMER9_IRQ	TIMER9 interrupt
DSP1_IRQ_72	41	CTRL_CORE_DSP1_IRQ_72_73 [8:0]	41	TIMER10_IRQ	TIMER10 interrupt
DSP1_IRQ_73	42	CTRL_CORE_DSP1_IRQ_72_73 [24:16]	42	TIMER11_IRQ	TIMER11 interrupt
DSP1_IRQ_74	43	CTRL_CORE_DSP1_IRQ_74_75 [8:0]	43	MCSP14_IRQ	McSPI4 interrupt
DSP1_IRQ_75	44	CTRL_CORE_DSP1_IRQ_74_75 [24:16]	44	Reserved	Reserved by default but can be remapped to a valid interrupt source
DSP1_IRQ_76	45	CTRL_CORE_DSP1_IRQ_76_77 [8:0]	45	Reserved	Reserved by default but can be remapped to a valid interrupt source
DSP1_IRQ_77	46	CTRL_CORE_DSP1_IRQ_76_77 [24:16]	46	Reserved	Reserved by default but can be remapped to a valid interrupt source
DSP1_IRQ_78	47	CTRL_CORE_DSP1_IRQ_78_79 [8:0]	47	Reserved	Reserved by default but can be remapped to a valid interrupt source
DSP1_IRQ_80	49	CTRL_CORE_DSP1_IRQ_80_81 [8:0]	49	SATA_IRQ	SATA interrupt
DSP1_IRQ_81	50	CTRL_CORE_DSP1_IRQ_80_81 [24:16]	50	Reserved	Reserved by default but can be remapped to a valid interrupt source
DSP1_IRQ_82	51	CTRL_CORE_DSP1_IRQ_82_83 [8:0]	51	I2C1_IRQ	I2C1 interrupt
DSP1_IRQ_83	52	CTRL_CORE_DSP1_IRQ_82_83 [24:16]	52	I2C2_IRQ	I2C2 interrupt
DSP1_IRQ_84	53	CTRL_CORE_DSP1_IRQ_84_85 [8:0]	53	HDQ1W_IRQ	HDQ1W interrupt
DSP1_IRQ_85	54	CTRL_CORE_DSP1_IRQ_84_85 [24:16]	54	Reserved	Reserved by default but can be remapped to a valid interrupt source
DSP1_IRQ_86	55	CTRL_CORE_DSP1_IRQ_86_87 [8:0]	55	I2C5_IRQ	I2C5 interrupt
DSP1_IRQ_87	56	CTRL_CORE_DSP1_IRQ_86_87 [24:16]	56	I2C3_IRQ	I2C3 interrupt
DSP1_IRQ_88	57	CTRL_CORE_DSP1_IRQ_88_89 [8:0]	57	I2C4_IRQ	I2C4 interrupt
DSP1_IRQ_89	58	CTRL_CORE_DSP1_IRQ_88_89 [24:16]	58	Reserved	Reserved by default but can be remapped to a valid interrupt source
DSP1_IRQ_90	59	CTRL_CORE_DSP1_IRQ_90_91 [8:0]	59	Reserved	Reserved by default but can be remapped to a valid interrupt source
DSP1_IRQ_91	60	CTRL_CORE_DSP1_IRQ_90_91 [24:16]	60	MCSP11_IRQ	McSPI1 interrupt
DSP1_IRQ_92	61	CTRL_CORE_DSP1_IRQ_92_93 [8:0]	61	MCSP12_IRQ	McSPI2 interrupt

Table 17-3. DSP1_INTC Default Interrupt Mapping (continued)

IRQ Input Line	IRQ_CROSSBAR Instance Number	IRQ_CROSSBAR Configuration Register	IRQ_CROSSBAR Default Input Index	Default Interrupt Name	Default Interrupt Source Description
DSP1_IRQ_93	62	CTRL_CORE_DSP1_IRQ_92_93[24:16]	62	Reserved	Reserved by default but can be remapped to a valid interrupt source
DSP1_IRQ_94	63	CTRL_CORE_DSP1_IRQ_94_95[8:0]	63	Reserved	Reserved by default but can be remapped to a valid interrupt source
DSP1_IRQ_95	64	CTRL_CORE_DSP1_IRQ_94_95[24:16]	64	Reserved	Reserved by default but can be remapped to a valid interrupt source
DSP1_IRQ_96	N/A	N/A	N/A	CGEM_IRQ_16	CGEM Internal Interrupt
DSP1_IRQ_97	N/A	N/A	N/A	CGEM_IRQ_17	CGEM Internal Interrupt
DSP1_IRQ_98	N/A	N/A	N/A	CGEM_IRQ_18	CGEM Internal Interrupt
DSP1_IRQ_99	NA	N/A	N/A	CGEM_IRQ_19	CGEM Internal Interrupt
DSP1_IRQ_100	N/A	N/A	N/A	CGEM_IRQ_20	CGEM Internal Interrupt
DSP1_IRQ_101	N/A	N/A	N/A	CGEM_IRQ_21	CGEM Internal Interrupt
DSP1_IRQ_102	N/A	N/A	N/A	CGEM_IRQ_22	CGEM Internal Interrupt
DSP1_IRQ_103	N/A	N/A	N/A	CGEM_IRQ_23	CGEM Internal Interrupt
DSP1_IRQ_104	N/A	N/A	N/A	CGEM_IRQ_24	CGEM Internal Interrupt
DSP1_IRQ_105	NA	N/A	N/A	CGEM_IRQ_25	CGEM Internal Interrupt
DSP1_IRQ_106	N/A	N/A	N/A	CGEM_IRQ_26	CGEM Internal Interrupt
DSP1_IRQ_107	N/A	N/A	N/A	CGEM_IRQ_27	CGEM Internal Interrupt
DSP1_IRQ_108	N/A	N/A	N/A	CGEM_IRQ_28	CGEM Internal Interrupt
DSP1_IRQ_109	N/A	N/A	N/A	CGEM_IRQ_29	CGEM Internal Interrupt
DSP1_IRQ_110	N/A	N/A	N/A	CGEM_IRQ_30	CGEM Internal Interrupt
DSP1_IRQ_111	N/A	N/A	N/A	CGEM_IRQ_31	CGEM Internal Interrupt
DSP1_IRQ_112	N/A	N/A	N/A	CGEM_IRQ_32	CGEM Internal Interrupt
DSP1_IRQ_113	N/A	N/A	N/A	CGEM_IRQ_33	CGEM Internal Interrupt
DSP1_IRQ_114	N/A	N/A	N/A	CGEM_IRQ_34	CGEM Internal Interrupt
DSP1_IRQ_115	N/A	N/A	N/A	CGEM_IRQ_35	CGEM Internal Interrupt
DSP1_IRQ_116	N/A	N/A	N/A	CGEM_IRQ_36	CGEM Internal Interrupt
DSP1_IRQ_117	N/A	N/A	N/A	CGEM_IRQ_37	CGEM Internal Interrupt
DSP1_IRQ_118	N/A	N/A	N/A	CGEM_IRQ_38	CGEM Internal Interrupt
DSP1_IRQ_119	NA	N/A	N/A	CGEM_IRQ_39	CGEM Internal Interrupt
DSP1_IRQ_120	N/A	N/A	N/A	CGEM_IRQ_40	CGEM Internal Interrupt
DSP1_IRQ_121	N/A	N/A	N/A	CGEM_IRQ_41	CGEM Internal Interrupt
DSP1_IRQ_122	N/A	N/A	N/A	CGEM_IRQ_42	CGEM Internal Interrupt

Table 17-3. DSP1_INTC Default Interrupt Mapping (continued)

IRQ Input Line	IRQ_CROSSBAR Instance Number	IRQ_CROSSBAR Configuration Register	IRQ_CROSSBAR Default Input Index	Default Interrupt Name	Default Interrupt Source Description
DSP1_IRQ_123	N/A	N/A	N/A	CGEM_IRQ_43	CGEM Internal Interrupt
DSP1_IRQ_124	N/A	N/A	N/A	CGEM_IRQ_44	CGEM Internal Interrupt
DSP1_IRQ_125	N/A	N/A	N/A	CGEM_IRQ_45	CGEM Internal Interrupt
DSP1_IRQ_126	N/A	N/A	N/A	CGEM_IRQ_46	CGEM Internal Interrupt
DSP1_IRQ_127	N/A	N/A	N/A	CGEM_IRQ_47	CGEM Internal Interrupt

NOTE: The "IRQ_CROSSBAR Default Input Index" column of [Table 17-3](#) shows which input of the corresponding IRQ_CROSSBAR instance is mapped to its output (and then routed to the corresponding DSP1_INTC input) by default. In other words, this column specifies the default (reset) values (in decimal) of the CTRL_CORE_DSP1_IRQ_y_z register bit fields that are used to control the mapping of device interrupts to DSP1_INTC inputs. For example, the DSP1_IRQ_32_33[8:0] bit field is used to configure which device interrupt would be mapped to the DSP1_IRQ_32 line. The reset value of this bit field is 0x1, meaning that ELM_IRQ would be mapped to DSP1_IRQ_32 by default because it is connected to the IRQ_CROSSBAR_1 input.

'N/A' in this column means that the corresponding interrupt is internal to the DSP1 subsystem. There is no IRQ_CROSSBAR dedicated to the associated DSP1_INTC input line and therefore, the user cannot change its default mapping.

17.3.3 Interrupt Requests to IPU1_Cx_INTC

[Table 17-4](#) lists the default interrupt sources for the IPU1_Cx_INTC. In addition, device interrupts IPU1_IRQ_23 through IPU1_IRQ_79 can alternatively be sourced through the IPU1's IRQ_CROSSBAR from one of the 420 multiplexed device interrupts listed in [Table 17-8](#). The CTRL_CORE_IPU1_IRQ_y_z registers in the Control Module are used to select between the default interrupts and the multiplexed interrupts.

Table 17-4. IPU1_Cx_INTC Default Interrupt Mapping

IRQ Input Line ⁽¹⁾	IRQ_CROSSBAR Instance Number	IRQ_CROSSBAR Configuration Register	IRQ_CROSSBAR Default Input Index	Default Interrupt Name	Default Interrupt Source Description
IPU1_IRQ_0	N/A	N/A	N/A	Reserved	MSP initial value in exception vector table
IPU1_IRQ_1	N/A	N/A	N/A	RESET_IRQ	Reset
IPU1_IRQ_2	N/A	N/A	N/A	NMI_IRQ	External NMI inputs
IPU1_IRQ_3	N/A	N/A	N/A	HARD_FAULT_IRQ	All fault conditions, if the fault handle is not enabled
IPU1_IRQ_4	N/A	N/A	N/A	MEM_MANAGE_FAULT_IRQ	Memory management fault; access to illegal locations
IPU1_IRQ_5	N/A	N/A	N/A	BUS_FAULT_IRQ	Bus error (on AHB intf)
IPU1_IRQ_6	N/A	N/A	N/A	USAGE_FAULT_IRQ	Program error

⁽¹⁾ This column shows the number of the corresponding exception type.

Table 17-4. IPU1_Cx_INTC Default Interrupt Mapping (continued)

IRQ Input Line ⁽¹⁾	IRQ_CROSSBAR Instance Number	IRQ_CROSSBAR Configuration Register	IRQ_CROSSBAR Default Input Index	Default Interrupt Name	Default Interrupt Source Description
IPU1_IRQ_7	N/A	N/A	N/A	Reserved	Reserved
IPU1_IRQ_8	N/A	N/A	N/A	Reserved	Reserved
IPU1_IRQ_9	NA	N/A	N/A	Reserved	Reserved
IPU1_IRQ_10	N/A	N/A	N/A	Reserved	Reserved
IPU1_IRQ_11	N/A	N/A	N/A	SV_CALL_IRQ	Service system Call
IPU1_IRQ_12	N/A	N/A	N/A	DEBUG_MON_IRQ	BP, WP or external debug req.
IPU1_IRQ_13	N/A	N/A	N/A	Reserved	Reserved
IPU1_IRQ_14	N/A	N/A	N/A	PEND_SV_IRQ	Pendable request for system device
IPU1_IRQ_15	N/A	N/A	N/A	SYS_TICK_TIMER_IRQ	System Tick Timer
IPU1_IRQ_16	N/A	N/A	N/A	XLATE_MMU_FAULT_IRQ	xlate_mmu_fault (from L2 MMU)
IPU1_IRQ_17	N/A	N/A	N/A	UNICACHE_MMU_IRQ	Unicache or MMU maintenance complete
IPU1_IRQ_18	N/A	N/A	N/A	CTM_TIM_EVENT1_IRQ	CTM timer event (timer #1)
IPU1_IRQ_19	N/A	N/A	N/A	HWSEM_M4_IRQ	Semaphore interrupt (1 to each core)
IPU1_IRQ_20	N/A	N/A	N/A	ICE_NEMU_IRQ	ICECrusher (1 to each core)
IPU1_IRQ_21	N/A	N/A	N/A	IPU_IMP_FAULT_IRQ	Ducati imprecise fault (from interconnect)
IPU1_IRQ_22	N/A	N/A	N/A	CTM_TIM_EVENT2_IRQ	CTM timer event (timer #2)
IPU1_IRQ_23	1	CTRL_CORE_IPU1_IRQ_23_24[8:0]	20	DISPC_IRQ	Display controller interrupt
IPU1_IRQ_24	2	CTRL_CORE_IPU1_IRQ_23_24[24:16]	48	Reserved	Reserved by default but can be remapped to a valid interrupt source
IPU1_IRQ_25	3	CTRL_CORE_IPU1_IRQ_25_26[8:0]	0	Reserved	Reserved by default but can be remapped to a valid interrupt source
IPU1_IRQ_26	4	CTRL_CORE_IPU1_IRQ_25_26[24:16]	96	HDMI_IRQ	HDMI interrupt
IPU1_IRQ_27	5	CTRL_CORE_IPU1_IRQ_27_28[8:0]	126	Reserved	Reserved by default but can be remapped to a valid interrupt source
IPU1_IRQ_28	6	CTRL_CORE_IPU1_IRQ_27_28[24:16]	127	Reserved	Reserved by default but can be remapped to a valid interrupt source
IPU1_IRQ_29	7	CTRL_CORE_IPU1_IRQ_29_30[8:0]	128	Reserved	Reserved by default but can be remapped to a valid interrupt source
IPU1_IRQ_30	8	CTRL_CORE_IPU1_IRQ_29_30[24:16]	129	Reserved	Reserved by default but can be remapped to a valid interrupt source
IPU1_IRQ_31	9	CTRL_CORE_IPU1_IRQ_31_32[8:0]	130	Reserved	Reserved by default but can be remapped to a valid interrupt source
IPU1_IRQ_32	10	CTRL_CORE_IPU1_IRQ_31_32[24:16]	19	Reserved	Reserved by default but can be remapped to a valid interrupt source

Table 17-4. IPU1_Cx_INTC Default Interrupt Mapping (continued)

IRQ Input Line ⁽¹⁾	IRQ_CROSSBAR Instance Number	IRQ_CROSSBAR Configuration Register	IRQ_CROSSBAR Default Input Index	Default Interrupt Name	Default Interrupt Source Description
IPU1_IRQ_33	11	CTRL_CORE_IPU1_IRQ_33_34[8:0]	131	Reserved	Reserved by default but can be remapped to a valid interrupt source
IPU1_IRQ_34	12	CTRL_CORE_IPU1_IRQ_33_34[24:16]	7	DMA_SYSTEM_IRQ_0	System DMA interrupt 0
IPU1_IRQ_35	13	CTRL_CORE_IPU1_IRQ_35_36[8:0]	8	DMA_SYSTEM_IRQ_1	System DMA interrupt 1
IPU1_IRQ_36	14	CTRL_CORE_IPU1_IRQ_35_36[24:16]	9	DMA_SYSTEM_IRQ_2	System DMA interrupt 2
IPU1_IRQ_37	15	CTRL_CORE_IPU1_IRQ_37_38[8:0]	10	DMA_SYSTEM_IRQ_3	System DMA interrupt 3
IPU1_IRQ_38	16	CTRL_CORE_IPU1_IRQ_37_38[24:16]	132	IVA_IRQ_MAILBOX_2	IVA mailbox user 2 interrupt
IPU1_IRQ_39	17	CTRL_CORE_IPU1_IRQ_39_40[8:0]	98	IVA_IRQ_SYNC_1	IVA ICONT2 sync interrupt
IPU1_IRQ_40	18	CTRL_CORE_IPU1_IRQ_39_40[24:16]	99	IVA_IRQ_SYNC_0	IVA ICONT1 sync interrupt
IPU1_IRQ_41	19	CTRL_CORE_IPU1_IRQ_41_42[8:0]	51	I2C1_IRQ	I2C1 interrupt
IPU1_IRQ_42	20	CTRL_CORE_IPU1_IRQ_41_42[24:16]	52	I2C2_IRQ	I2C2 interrupt
IPU1_IRQ_43	21	CTRL_CORE_IPU1_IRQ_43_44[8:0]	56	I2C3_IRQ	I2C3 interrupt
IPU1_IRQ_44	22	CTRL_CORE_IPU1_IRQ_43_44[24:16]	57	I2C4_IRQ	I2C4 interrupt
IPU1_IRQ_45	23	CTRL_CORE_IPU1_IRQ_45_46[8:0]	69	UART3_IRQ	UART3 interrupt
IPU1_IRQ_46	24	CTRL_CORE_IPU1_IRQ_45_46[24:16]	5	L3_MAIN_IRQ_APP_ERR	L3_MAIN application or non-attributable error
IPU1_IRQ_47	25	CTRL_CORE_IPU1_IRQ_47_48[8:0]	133	PRM_IRQ_IPU1	PRCM interrupt to IPU1
IPU1_IRQ_48	26	CTRL_CORE_IPU1_IRQ_47_48[24:16]	14	Reserved	Reserved by default but can be remapped to a valid interrupt source
IPU1_IRQ_49	27	CTRL_CORE_IPU1_IRQ_49_50[8:0]	66	Reserved	Reserved by default but can be remapped to a valid interrupt source
IPU1_IRQ_50	28	CTRL_CORE_IPU1_IRQ_49_50[24:16]	134	MAILBOX1_IRQ_USER2	Mailbox 1 user 2 interrupt
IPU1_IRQ_51	29	CTRL_CORE_IPU1_IRQ_51_52[8:0]	24	GPIO1_IRQ_1	GPIO1 interrupt 1
IPU1_IRQ_52	30	CTRL_CORE_IPU1_IRQ_51_52[24:16]	25	GPIO2_IRQ_1	GPIO2 interrupt 1
IPU1_IRQ_53	31	CTRL_CORE_IPU1_IRQ_53_54[8:0]	34	TIMER3_IRQ	TIMER3 interrupt
IPU1_IRQ_54	32	CTRL_CORE_IPU1_IRQ_53_54[24:16]	35	TIMER4_IRQ	TIMER4 interrupt
IPU1_IRQ_55	33	CTRL_CORE_IPU1_IRQ_55_56[8:0]	40	TIMER9_IRQ	TIMER9 interrupt
IPU1_IRQ_56	34	CTRL_CORE_IPU1_IRQ_55_56[24:16]	42	TIMER11_IRQ	TIMER11 interrupt
IPU1_IRQ_57	35	CTRL_CORE_IPU1_IRQ_57_58[8:0]	60	MCSP11_IRQ	McSPI1 interrupt
IPU1_IRQ_58	36	CTRL_CORE_IPU1_IRQ_57_58[24:16]	61	MCSP12_IRQ	McSPI2 interrupt
IPU1_IRQ_59	37	CTRL_CORE_IPU1_IRQ_59_60[8:0]	50	Reserved	Reserved by default but can be remapped to a valid interrupt source
IPU1_IRQ_60	38	CTRL_CORE_IPU1_IRQ_59_60[24:16]	0	Reserved	Reserved by default but can be remapped to a valid interrupt source

Table 17-4. IPU1_Cx_INTC Default Interrupt Mapping (continued)

IRQ Input Line ⁽¹⁾	IRQ_CROSSBAR Instance Number	IRQ_CROSSBAR Configuration Register	IRQ_CROSSBAR Default Input Index	Default Interrupt Name	Default Interrupt Source Description
IPU1_IRQ_61	39	CTRL_CORE_IPU1_IRQ_61_62[8:0]	0	Reserved	Reserved by default but can be remapped to a valid interrupt source
IPU1_IRQ_62	40	CTRL_CORE_IPU1_IRQ_61_62[24:16]	22	Reserved	Reserved by default but can be remapped to a valid interrupt source
IPU1_IRQ_63	41	CTRL_CORE_IPU1_IRQ_63_64[8:0]	83	Reserved	Reserved by default but can be remapped to a valid interrupt source
IPU1_IRQ_64	42	CTRL_CORE_IPU1_IRQ_63_64[24:16]	108	DMM_IRQ	DMM interrupt
IPU1_IRQ_65	43	CTRL_CORE_IPU1_IRQ_65_66[8:0]	120	BB2D_IRQ	BB2D interrupt
IPU1_IRQ_66	44	CTRL_CORE_IPU1_IRQ_65_66[24:16]	78	MMC1_IRQ	MMC1 interrupt
IPU1_IRQ_67	45	CTRL_CORE_IPU1_IRQ_67_68[8:0]	81	MMC2_IRQ	MMC2 interrupt
IPU1_IRQ_68	46	CTRL_CORE_IPU1_IRQ_67_68[24:16]	89	MMC3_IRQ	MMC3 interrupt
IPU1_IRQ_69	47	CTRL_CORE_IPU1_IRQ_69_70[8:0]	0	Reserved	Reserved by default but can be remapped to a valid interrupt source
IPU1_IRQ_70	48	CTRL_CORE_IPU1_IRQ_69_70[24:16]	0	Reserved	Reserved by default but can be remapped to a valid interrupt source
IPU1_IRQ_71	49	CTRL_CORE_IPU1_IRQ_71_72[8:0]	119	CAL_IRQ	CAL (CSI2) interrupt
IPU1_IRQ_72	50	CTRL_CORE_IPU1_IRQ_71_72[24:16]	118	Reserved	Reserved by default but can be remapped to a valid interrupt source
IPU1_IRQ_73	51	CTRL_CORE_IPU1_IRQ_73_74[8:0]	72	USB1_IRQ_INTR1	USB1 interrupt 1
IPU1_IRQ_74	52	CTRL_CORE_IPU1_IRQ_73_74[24:16]	73	USB2_IRQ_INTR0	USB2 interrupt 0
IPU1_IRQ_75	53	CTRL_CORE_IPU1_IRQ_75_76[8:0]	117	Reserved	Reserved by default but can be remapped to a valid interrupt source
IPU1_IRQ_76	54	CTRL_CORE_IPU1_IRQ_75_76[24:16]	87	USB2_IRQ_INTR1	USB2 interrupt 1
IPU1_IRQ_77	55	CTRL_CORE_IPU1_IRQ_77_78[8:0]	88	USB3_IRQ_INTR0 ⁽²⁾	USB3 interrupt 0
IPU1_IRQ_78	56	CTRL_CORE_IPU1_IRQ_77_78[24:16]	62	Reserved	Reserved by default but can be remapped to a valid interrupt source
IPU1_IRQ_79	57	CTRL_CORE_IPU1_IRQ_79_80[8:0]	63	Reserved	Reserved by default but can be remapped to a valid interrupt source

⁽²⁾ USB3 (ULPI) is not supported on the AM571x / AM570x family of devices.

NOTE: Exceptions/interrupts IPU1_IRQ_[15:0] are all internal to the Cortex-M4 core.

Exceptions/interrupts IPU1_IRQ_[79:16] are all external to the Cortex-M4 core – that is, the first Cortex-M4 external interrupt is mapped to IPU1_IRQ_16 (exception #16), and the last (sixty-fourth) Cortex-M4 external interrupt is mapped to IPU1_IRQ_79 (exception #79).

For more information about Cortex-M4 exception types, refer to Arm *Cortex™-M4 Devices Generic User Guide* (available at <http://infocenter.arm.com/help/index.jsp>).

NOTE: The "IRQ_CROSSBAR Default Input Index" column of [Table 17-4](#) shows which input of the corresponding IRQ_CROSSBAR instance is mapped to its output (and then routed to the corresponding IPU1_Cx_INTC input) by default. In other words, this column specifies the default (reset) values (in decimal) of the CTRL_CORE_IPU1_IRQ_y_z register bit fields that are used to control the mapping of device interrupts to IPU1_Cx_INTC inputs. For example, the IPU1_IRQ_23_24[8:0] bit field is used to configure which device interrupt would be mapped to the IPU1_IRQ_23 line. The reset value of this bit field is 0x14, meaning that DISPC_IRQ would be mapped to IPU1_IRQ_23 by default because it is connected to the IRQ_CROSSBAR_20 input.

'N/A' in this column means that the corresponding interrupt is internal to the IPU1 subsystem. There is no IRQ_CROSSBAR dedicated to the associated IPU1_Cx_INTC input line and therefore, the user cannot change its default mapping.

The CTRL_CORE_IPU1_IRQ_y_z registers control the IRQ_CROSSBAR settings for both NVICs in the IPU1 subsystem. That is, it is not possible to map different interrupts to the same interrupt input of the NVICs in IPU1.

17.3.4 Interrupt Requests to IPU2_Cx_INTC

[Table 17-5](#) lists the default interrupt sources for the IPU2_Cx_INTC. In addition, device interrupts IPU2_IRQ_23 through IPU2_IRQ_79 can alternatively be sourced through the IPU2's IRQ_CROSSBAR from one of the 420 multiplexed device interrupts listed in [Table 17-8](#). The CTRL_CORE_IPU2_IRQ_y_z registers in the Control Module are used to select between the default interrupts and the multiplexed interrupts.

Table 17-5. IPU2_Cx_INTC Default Interrupt Mapping

IRQ Input Line ⁽¹⁾	IRQ_CROSSBAR Instance Number	IRQ_CROSSBAR Configuration Register	IRQ_CROSSBAR Default Input Index	Default Interrupt Name	Default Interrupt Source Description
IPU2_IRQ_0	N/A	N/A	N/A	Reserved	MSP initial value in exception vector table
IPU2_IRQ_1	N/A	N/A	N/A	RESET_IRQ	Reset
IPU2_IRQ_2	N/A	N/A	N/A	NMI_IRQ	External NMI inputs
IPU2_IRQ_3	N/A	N/A	N/A	HARD_FAULT_IRQ	All fault conditions, if the fault handle is not enabled
IPU2_IRQ_4	N/A	N/A	N/A	MEM_MANAGE_FAULT_IRQ	Memory management fault; access to illegal locations
IPU2_IRQ_5	N/A	N/A	N/A	BUS_FAULT_IRQ	Bus error (on AHB intf)
IPU2_IRQ_6	N/A	N/A	N/A	USAGE_FAULT_IRQ	Program error

⁽¹⁾ This column shows the number of the corresponding exception type.

Table 17-5. IPU2_Cx_INTC Default Interrupt Mapping (continued)

IRQ Input Line ⁽¹⁾	IRQ_CROSSBAR Instance Number	IRQ_CROSSBAR Configuration Register	IRQ_CROSSBAR Default Input Index	Default Interrupt Name	Default Interrupt Source Description
IPU2_IRQ_7	N/A	N/A	N/A	Reserved	Reserved
IPU2_IRQ_8	N/A	N/A	N/A	Reserved	Reserved
IPU2_IRQ_9	NA	N/A	N/A	Reserved	Reserved
IPU2_IRQ_10	N/A	N/A	N/A	Reserved	Reserved
IPU2_IRQ_11	N/A	N/A	N/A	SV_CALL_IRQ	Service system Call
IPU2_IRQ_12	N/A	N/A	N/A	DEBUG_MON_IRQ	BP, WP or external debug req.
IPU2_IRQ_13	N/A	N/A	N/A	Reserved	Reserved
IPU2_IRQ_14	N/A	N/A	N/A	PEND_SV_IRQ	Pendable request for system device
IPU2_IRQ_15	N/A	N/A	N/A	SYS_TICK_TIMER_IRQ	System Tick Timer
IPU2_IRQ_16	N/A	N/A	N/A	XLATE_MMU_FAULT_IRQ	xlate_mmu_fault (from L2 MMU)
IPU2_IRQ_17	N/A	N/A	N/A	UNICACHE_MMU_IRQ	Unicache or MMU maintenance complete
IPU2_IRQ_18	N/A	N/A	N/A	CTM_TIM_EVENT1_IRQ	CTM timer event (timer #1)
IPU2_IRQ_19	N/A	N/A	N/A	HWSEM_M4_IRQ	Semaphore interrupt (1 to each core)
IPU2_IRQ_20	N/A	N/A	N/A	ICE_NEMU_IRQ	ICECrusher (1 to each core)
IPU2_IRQ_21	N/A	N/A	N/A	IPU_IMP_FAULT_IRQ	Ducati imprecise fault (from interconnect)
IPU2_IRQ_22	N/A	N/A	N/A	CTM_TIM_EVENT2_IRQ	CTM timer event (timer #2)
IPU2_IRQ_23	1	CTRL_CORE_IPU2_IRQ_23_24[8:0]	20	DISPC_IRQ	Display controller interrupt
IPU2_IRQ_24	2	CTRL_CORE_IPU2_IRQ_23_24[24:16]	48	Reserved	Reserved by default but can be remapped to a valid interrupt source
IPU2_IRQ_25	3	CTRL_CORE_IPU2_IRQ_25_26[8:0]	0	Reserved	Reserved by default but can be remapped to a valid interrupt source
IPU2_IRQ_26	4	CTRL_CORE_IPU2_IRQ_25_26[24:16]	96	HDMI_IRQ	HDMI interrupt
IPU2_IRQ_27	5	CTRL_CORE_IPU2_IRQ_27_28[8:0]	126	Reserved	Reserved by default but can be remapped to a valid interrupt source
IPU2_IRQ_28	6	CTRL_CORE_IPU2_IRQ_27_28[24:16]	127	Reserved	Reserved by default but can be remapped to a valid interrupt source
IPU2_IRQ_29	7	CTRL_CORE_IPU2_IRQ_29_30[8:0]	128	Reserved	Reserved by default but can be remapped to a valid interrupt source
IPU2_IRQ_30	8	CTRL_CORE_IPU2_IRQ_29_30[24:16]	129	Reserved	Reserved by default but can be remapped to a valid interrupt source
IPU2_IRQ_31	9	CTRL_CORE_IPU2_IRQ_31_32[8:0]	130	Reserved	Reserved by default but can be remapped to a valid interrupt source
IPU2_IRQ_32	10	CTRL_CORE_IPU2_IRQ_31_32[24:16]	19	Reserved	Reserved by default but can be remapped to a valid interrupt source

Table 17-5. IPU2_Cx_INTC Default Interrupt Mapping (continued)

IRQ Input Line ⁽¹⁾	IRQ_CROSSBAR Instance Number	IRQ_CROSSBAR Configuration Register	IRQ_CROSSBAR Default Input Index	Default Interrupt Name	Default Interrupt Source Description
IPU2_IRQ_33	11	CTRL_CORE_IPU2_IRQ_33_34[8:0]	131	Reserved	Reserved by default but can be remapped to a valid interrupt source
IPU2_IRQ_34	12	CTRL_CORE_IPU2_IRQ_33_34[24:16]	7	DMA_SYSTEM_IRQ_0	System DMA interrupt 0
IPU2_IRQ_35	13	CTRL_CORE_IPU2_IRQ_35_36[8:0]	8	DMA_SYSTEM_IRQ_1	System DMA interrupt 1
IPU2_IRQ_36	14	CTRL_CORE_IPU2_IRQ_35_36[24:16]	9	DMA_SYSTEM_IRQ_2	System DMA interrupt 2
IPU2_IRQ_37	15	CTRL_CORE_IPU2_IRQ_37_38[8:0]	10	DMA_SYSTEM_IRQ_3	System DMA interrupt 3
IPU2_IRQ_38	16	CTRL_CORE_IPU2_IRQ_37_38[24:16]	132	IVA_IRQ_MAILBOX_2	IVA mailbox user 2 interrupt
IPU2_IRQ_39	17	CTRL_CORE_IPU2_IRQ_39_40[8:0]	98	IVA_IRQ_SYNC_1	IVA ICONT2 sync interrupt
IPU2_IRQ_40	18	CTRL_CORE_IPU2_IRQ_39_40[24:16]	99	IVA_IRQ_SYNC_0	IVA ICONT1 sync interrupt
IPU2_IRQ_41	19	CTRL_CORE_IPU2_IRQ_41_42[8:0]	51	I2C1_IRQ	I2C1 interrupt
IPU2_IRQ_42	20	CTRL_CORE_IPU2_IRQ_41_42[24:16]	52	I2C2_IRQ	I2C2 interrupt
IPU2_IRQ_43	21	CTRL_CORE_IPU2_IRQ_43_44[8:0]	56	I2C3_IRQ	I2C3 interrupt
IPU2_IRQ_44	22	CTRL_CORE_IPU2_IRQ_43_44[24:16]	57	I2C4_IRQ	I2C4 interrupt
IPU2_IRQ_45	23	CTRL_CORE_IPU2_IRQ_45_46[8:0]	69	UART3_IRQ	UART3 interrupt
IPU2_IRQ_46	24	CTRL_CORE_IPU2_IRQ_45_46[24:16]	5	L3_MAIN_IRQ_APP_ERR	L3_MAIN application or non-attributable error
IPU2_IRQ_47	25	CTRL_CORE_IPU2_IRQ_47_48[8:0]	133	PRM_IRQ_IPU1	PRCM interrupt to IPU1
IPU2_IRQ_48	26	CTRL_CORE_IPU2_IRQ_47_48[24:16]	14	Reserved	Reserved by default but can be remapped to a valid interrupt source
IPU2_IRQ_49	27	CTRL_CORE_IPU2_IRQ_49_50[8:0]	66	Reserved	Reserved by default but can be remapped to a valid interrupt source
IPU2_IRQ_50	28	CTRL_CORE_IPU2_IRQ_49_50[24:16]	134	MAILBOX1_IRQ_USER2	Mailbox 1 user 2 interrupt
IPU2_IRQ_51	29	CTRL_CORE_IPU2_IRQ_51_52[8:0]	24	GPIO1_IRQ_1	GPIO1 interrupt 1
IPU2_IRQ_52	30	CTRL_CORE_IPU2_IRQ_51_52[24:16]	25	GPIO2_IRQ_1	GPIO2 interrupt 1
IPU2_IRQ_53	31	CTRL_CORE_IPU2_IRQ_53_54[8:0]	34	TIMER3_IRQ	TIMER3 interrupt
IPU2_IRQ_54	32	CTRL_CORE_IPU2_IRQ_53_54[24:16]	35	TIMER4_IRQ	TIMER4 interrupt
IPU2_IRQ_55	33	CTRL_CORE_IPU2_IRQ_55_56[8:0]	40	TIMER9_IRQ	TIMER9 interrupt
IPU2_IRQ_56	34	CTRL_CORE_IPU2_IRQ_55_56[24:16]	42	TIMER11_IRQ	TIMER11 interrupt
IPU2_IRQ_57	35	CTRL_CORE_IPU2_IRQ_57_58[8:0]	60	MCSP11_IRQ	McSPI1 interrupt
IPU2_IRQ_58	36	CTRL_CORE_IPU2_IRQ_57_58[24:16]	61	MCSP12_IRQ	McSPI2 interrupt
IPU2_IRQ_59	37	CTRL_CORE_IPU2_IRQ_59_60[8:0]	50	Reserved	Reserved by default but can be remapped to a valid interrupt source
IPU2_IRQ_60	38	CTRL_CORE_IPU2_IRQ_59_60[24:16]	0	Reserved	Reserved by default but can be remapped to a valid interrupt source

Table 17-5. IPU2_Cx_INTC Default Interrupt Mapping (continued)

IRQ Input Line ⁽¹⁾	IRQ_CROSSBAR Instance Number	IRQ_CROSSBAR Configuration Register	IRQ_CROSSBAR Default Input Index	Default Interrupt Name	Default Interrupt Source Description
IPU2_IRQ_61	39	CTRL_CORE_IPU2_IRQ_61_62[8:0]	0	Reserved	Reserved by default but can be remapped to a valid interrupt source
IPU2_IRQ_62	40	CTRL_CORE_IPU2_IRQ_61_62[24:16]	22	Reserved	Reserved by default but can be remapped to a valid interrupt source
IPU2_IRQ_63	41	CTRL_CORE_IPU2_IRQ_63_64[8:0]	83	Reserved	Reserved by default but can be remapped to a valid interrupt source
IPU2_IRQ_64	42	CTRL_CORE_IPU2_IRQ_63_64[24:16]	108	DMM_IRQ	DMM interrupt
IPU2_IRQ_65	43	CTRL_CORE_IPU2_IRQ_65_66[8:0]	120	BB2D_IRQ	BB2D interrupt
IPU2_IRQ_66	44	CTRL_CORE_IPU2_IRQ_65_66[24:16]	78	MMC1_IRQ	MMC1 interrupt
IPU2_IRQ_67	45	CTRL_CORE_IPU2_IRQ_67_68[8:0]	81	MMC2_IRQ	MMC2 interrupt
IPU2_IRQ_68	46	CTRL_CORE_IPU2_IRQ_67_68[24:16]	89	MMC3_IRQ	MMC3 interrupt
IPU2_IRQ_69	47	CTRL_CORE_IPU2_IRQ_69_70[8:0]	0	Reserved	Reserved by default but can be remapped to a valid interrupt source
IPU2_IRQ_70	48	CTRL_CORE_IPU2_IRQ_69_70[24:16]	0	Reserved	Reserved by default but can be remapped to a valid interrupt source
IPU2_IRQ_71	49	CTRL_CORE_IPU2_IRQ_71_72[8:0]	119	CAL_IRQ	CAL (CSI2) interrupt
IPU2_IRQ_72	50	CTRL_CORE_IPU2_IRQ_71_72[24:16]	118	Reserved	Reserved by default but can be remapped to a valid interrupt source
IPU2_IRQ_73	51	CTRL_CORE_IPU2_IRQ_73_74[8:0]	72	USB1_IRQ_INTR1	USB1 interrupt 1
IPU2_IRQ_74	52	CTRL_CORE_IPU2_IRQ_73_74[24:16]	73	USB2_IRQ_INTR0	USB2 interrupt 0
IPU2_IRQ_75	53	CTRL_CORE_IPU2_IRQ_75_76[8:0]	117	Reserved	Reserved by default but can be remapped to a valid interrupt source
IPU2_IRQ_76	54	CTRL_CORE_IPU2_IRQ_75_76[24:16]	87	USB2_IRQ_INTR1	USB2 interrupt 1
IPU2_IRQ_77	55	CTRL_CORE_IPU2_IRQ_77_78[8:0]	88	USB3_IRQ_INTR0 ⁽²⁾	USB3 interrupt 0
IPU2_IRQ_78	56	CTRL_CORE_IPU2_IRQ_77_78[24:16]	62	Reserved	Reserved by default but can be remapped to a valid interrupt source
IPU2_IRQ_79	57	CTRL_CORE_IPU2_IRQ_79_80[8:0]	63	Reserved	Reserved by default but can be remapped to a valid interrupt source

⁽²⁾ USB3 (ULPI) is not supported on the AM571x / AM570x family of devices.

NOTE: Exceptions/interrupts IPU2_IRQ_[15:0] are all internal to the Cortex-M4 core.

Exceptions/interrupts IPU2_IRQ_[79:16] are all external to the Cortex-M4 core – that is, the first Cortex-M4 external interrupt is mapped to IPU2_IRQ_16 (exception #16), and the last (sixty-fourth) Cortex-M4 external interrupt is mapped to IPU2_IRQ_79 (exception #79).

For more information about Cortex-M4 exception types, refer to Arm *Cortex™-M4 Devices Generic User Guide* (available at <http://infocenter.arm.com/help/index.jsp>).

NOTE: The "IRQ_CROSSBAR Default Input Index" column of [Table 17-5](#) shows which input of the corresponding IRQ_CROSSBAR instance is mapped to its output (and then routed to the corresponding IPU2_Cx_INTC input) by default. In other words, this column specifies the default (reset) values (in decimal) of the CTRL_CORE_IPU2_IRQ_y_z register bit fields that are used to control the mapping of device interrupts to IPU2_Cx_INTC inputs. For example, the IPU2_IRQ_23_24[8:0] bit field is used to configure which device interrupt would be mapped to the IPU2_IRQ_23 line. The reset value of this bit field is 0x14, meaning that DISPC_IRQ would be mapped to IPU2_IRQ_23 by default because it is connected to the IRQ_CROSSBAR_20 input.

'N/A' in this column means that the corresponding interrupt is internal to the IPU2 subsystem. There is no IRQ_CROSSBAR dedicated to the associated IPU2_Cx_INTC input line and therefore, the user cannot change its default mapping.

The CTRL_CORE_IPU2_IRQ_y_z registers control the IRQ_CROSSBAR settings for both NVICs in the IPU2 subsystem. That is, it is not possible to map different interrupts to the same interrupt input of the NVICs in IPU2.

17.3.5 Interrupt Requests to PRUSS1_INTC

[Table 17-6](#) lists the default interrupt sources for the PRUSS1_INTC. In addition, device interrupts PRUSS1_IRQ_32 through PRUSS1_IRQ_63 can alternatively be sourced through the PRU-ICSS1's IRQ_CROSSBAR from one of the 420 multiplexed device interrupts listed in [Table 17-8](#). The CTRL_CORE_PRUSS1_IRQ_y_z registers in the Control Module are used to select between the default interrupts and the multiplexed interrupts.

Table 17-6. PRUSS1_INTC Default Interrupt Mapping

IRQ Input Line	IRQ_CROSSBAR Instance Number	IRQ_CROSSBAR Configuration Register	IRQ_CROSSBAR Default Input Index	Default Interrupt Name	Default Interrupt Source Description
PRUSS1_IRQ_0	N/A	N/A	N/A	PRUSS1_INTERNAL_IRQ_0	PRU-ICSS1 Internal Interrupt
PRUSS1_IRQ_1	N/A	N/A	N/A	PRUSS1_INTERNAL_IRQ_1	PRU-ICSS1 Internal Interrupt
PRUSS1_IRQ_2	N/A	N/A	N/A	PRUSS1_INTERNAL_IRQ_2	PRU-ICSS1 Internal Interrupt
PRUSS1_IRQ_3	N/A	N/A	N/A	PRUSS1_INTERNAL_IRQ_3	PRU-ICSS1 Internal Interrupt
PRUSS1_IRQ_4	N/A	N/A	N/A	PRUSS1_INTERNAL_IRQ_4	PRU-ICSS1 Internal Interrupt
PRUSS1_IRQ_5	N/A	N/A	N/A	PRUSS1_INTERNAL_IRQ_5	PRU-ICSS1 Internal Interrupt
PRUSS1_IRQ_6	N/A	N/A	N/A	PRUSS1_INTERNAL_IRQ_6	PRU-ICSS1 Internal Interrupt
PRUSS1_IRQ_7	N/A	N/A	N/A	PRUSS1_INTERNAL_IRQ_7	PRU-ICSS1 Internal Interrupt

Table 17-6. PRUSS1_INTC Default Interrupt Mapping (continued)

IRQ Input Line	IRQ_CROSSBAR Instance Number	IRQ_CROSSBAR Configuration Register	IRQ_CROSSBAR Default Input Index	Default Interrupt Name	Default Interrupt Source Description
PRUSS1_IRQ_8	N/A	N/A	N/A	PRUSS1_INTERNAL_IRQ_8	PRU-ICSS1 Internal Interrupt
PRUSS1_IRQ_9	N/A	N/A	N/A	PRUSS1_INTERNAL_IRQ_9	PRU-ICSS1 Internal Interrupt
PRUSS1_IRQ_10	N/A	N/A	N/A	PRUSS1_INTERNAL_IRQ_10	PRU-ICSS1 Internal Interrupt
PRUSS1_IRQ_11	N/A	N/A	N/A	PRUSS1_INTERNAL_IRQ_11	PRU-ICSS1 Internal Interrupt
PRUSS1_IRQ_12	N/A	N/A	N/A	PRUSS1_INTERNAL_IRQ_12	PRU-ICSS1 Internal Interrupt
PRUSS1_IRQ_13	N/A	N/A	N/A	PRUSS1_INTERNAL_IRQ_13	PRU-ICSS1 Internal Interrupt
PRUSS1_IRQ_14	N/A	N/A	N/A	PRUSS1_INTERNAL_IRQ_14	PRU-ICSS1 Internal Interrupt
PRUSS1_IRQ_15	N/A	N/A	N/A	PRUSS1_INTERNAL_IRQ_15	PRU-ICSS1 Internal Interrupt
PRUSS1_IRQ_16	N/A	N/A	N/A	PRUSS1_INTERNAL_IRQ_16	PRU-ICSS1 Internal Interrupt
PRUSS1_IRQ_17	N/A	N/A	N/A	PRUSS1_INTERNAL_IRQ_17	PRU-ICSS1 Internal Interrupt
PRUSS1_IRQ_18	N/A	N/A	N/A	PRUSS1_INTERNAL_IRQ_18	PRU-ICSS1 Internal Interrupt
PRUSS1_IRQ_19	N/A	N/A	N/A	PRUSS1_INTERNAL_IRQ_19	PRU-ICSS1 Internal Interrupt
PRUSS1_IRQ_20	N/A	N/A	N/A	PRUSS1_INTERNAL_IRQ_20	PRU-ICSS1 Internal Interrupt
PRUSS1_IRQ_21	N/A	N/A	N/A	PRUSS1_INTERNAL_IRQ_21	PRU-ICSS1 Internal Interrupt
PRUSS1_IRQ_22	N/A	N/A	N/A	PRUSS1_INTERNAL_IRQ_22	PRU-ICSS1 Internal Interrupt
PRUSS1_IRQ_23	N/A	N/A	N/A	PRUSS1_INTERNAL_IRQ_23	PRU-ICSS1 Internal Interrupt
PRUSS1_IRQ_24	N/A	N/A	N/A	PRUSS1_INTERNAL_IRQ_24	PRU-ICSS1 Internal Interrupt
PRUSS1_IRQ_25	N/A	N/A	N/A	PRUSS1_INTERNAL_IRQ_25	PRU-ICSS1 Internal Interrupt
PRUSS1_IRQ_26	N/A	N/A	N/A	PRUSS1_INTERNAL_IRQ_26	PRU-ICSS1 Internal Interrupt
PRUSS1_IRQ_27	N/A	N/A	N/A	PRUSS1_INTERNAL_IRQ_27	PRU-ICSS1 Internal Interrupt
PRUSS1_IRQ_28	N/A	N/A	N/A	PRUSS1_INTERNAL_IRQ_28	PRU-ICSS1 Internal Interrupt
PRUSS1_IRQ_29	N/A	N/A	N/A	PRUSS1_INTERNAL_IRQ_29	PRU-ICSS1 Internal Interrupt
PRUSS1_IRQ_30	N/A	N/A	N/A	PRUSS1_INTERNAL_IRQ_30	PRU-ICSS1 Internal Interrupt
PRUSS1_IRQ_31	N/A	N/A	N/A	PRUSS1_INTERNAL_IRQ_31	PRU-ICSS1 Internal Interrupt
PRUSS1_IRQ_32	1	CTRL_CORE_PRUSS1_IRQ_32_33 [8:0]	1	ELM_IRQ	Error location process completion interrupt
PRUSS1_IRQ_33	2	CTRL_CORE_PRUSS1_IRQ_32_33 [24:16]	2	EXT_SYS_IRQ_1	External interrupt (active low) via sys_nirq1 pin
PRUSS1_IRQ_34	3	CTRL_CORE_PRUSS1_IRQ_34_35 [8:0]	3	CTRL_MODULE_CORE_IRQ_SE C_EVTS	Combined firewall error interrupt. For more information, see Section 18.4.6.14.3 .
PRUSS1_IRQ_35	4	CTRL_CORE_PRUSS1_IRQ_34_35 [24:16]	4	L3_MAIN_IRQ_DBG_ERR	L3_MAIN debug error
PRUSS1_IRQ_36	5	CTRL_CORE_PRUSS1_IRQ_36_37 [8:0]	5	L3_MAIN_IRQ_APP_ERR	L3_MAIN application or non-attributable error
PRUSS1_IRQ_37	6	CTRL_CORE_PRUSS1_IRQ_36_37 [24:16]	6	PRM_IRQ_MPU	PRCM interrupt to MPU

Table 17-6. PRUSS1_INTC Default Interrupt Mapping (continued)

IRQ Input Line	IRQ_CROSSBAR Instance Number	IRQ_CROSSBAR Configuration Register	IRQ_CROSSBAR Default Input Index	Default Interrupt Name	Default Interrupt Source Description
PRUSS1_IRQ_38	7	CTRL_CORE_PRUSS1_IRQ_38_39 [8:0]	7	Reserved	Reserved by default but can be remapped to a valid interrupt source
PRUSS1_IRQ_39	8	CTRL_CORE_PRUSS1_IRQ_38_39 [24:16]	8	Reserved	Reserved by default but can be remapped to a valid interrupt source
PRUSS1_IRQ_40	9	CTRL_CORE_PRUSS1_IRQ_40_41 [8:0]	9	Reserved	Reserved by default but can be remapped to a valid interrupt source
PRUSS1_IRQ_41	10	CTRL_CORE_PRUSS1_IRQ_40_41 [24:16]	10	Reserved	Reserved by default but can be remapped to a valid interrupt source
PRUSS1_IRQ_42	11	CTRL_CORE_PRUSS1_IRQ_42_43 [8:0]	11	L3_MAIN_IRQ_STAT_ALARM	L3_MAIN statistic collector alarm interrupt
PRUSS1_IRQ_43	12	CTRL_CORE_PRUSS1_IRQ_42_43 [24:16]	12	Reserved	Reserved by default but can be remapped to a valid interrupt source
PRUSS1_IRQ_44	13	CTRL_CORE_PRUSS1_IRQ_44_45 [8:0]	13	Reserved	Reserved by default but can be remapped to a valid interrupt source
PRUSS1_IRQ_45	14	CTRL_CORE_PRUSS1_IRQ_44_45 [24:16]	14	Reserved	Reserved by default but can be remapped to a valid interrupt source
PRUSS1_IRQ_46	15	CTRL_CORE_PRUSS1_IRQ_46_47 [8:0]	15	GPMC_IRQ	GPMC interrupt
PRUSS1_IRQ_47	16	CTRL_CORE_PRUSS1_IRQ_46_47 [24:16]	16	GPU_IRQ	GPU interrupt
PRUSS1_IRQ_48	17	CTRL_CORE_PRUSS1_IRQ_48_49 [8:0]	17	Reserved	Reserved by default but can be remapped to a valid interrupt source
PRUSS1_IRQ_49	18	CTRL_CORE_PRUSS1_IRQ_48_49 [24:16]	18	Reserved	Reserved by default but can be remapped to a valid interrupt source
PRUSS1_IRQ_50	19	CTRL_CORE_PRUSS1_IRQ_50_51 [8:0]	19	Reserved	Reserved by default but can be remapped to a valid interrupt source
PRUSS1_IRQ_51	20	CTRL_CORE_PRUSS1_IRQ_50_51 [24:16]	20	DISPC_IRQ	Display controller interrupt
PRUSS1_IRQ_52	21	CTRL_CORE_PRUSS1_IRQ_52_53 [8:0]	21	MAILBOX1_IRQ_USER0	Mailbox 1 user 0 interrupt
PRUSS1_IRQ_53	22	CTRL_CORE_PRUSS1_IRQ_52_53 [24:16]	22	Reserved	Reserved by default but can be remapped to a valid interrupt source
PRUSS1_IRQ_54	23	CTRL_CORE_PRUSS1_IRQ_54_55 [8:0]	23	DSP1_IRQ_MMU0	DSP1 MMU0 interrupt
PRUSS1_IRQ_55	24	CTRL_CORE_PRUSS1_IRQ_54_55 [24:16]	24	GPIO1_IRQ_1	GPIO1 interrupt 1
PRUSS1_IRQ_56	25	CTRL_CORE_PRUSS1_IRQ_56_57 [8:0]	25	GPIO2_IRQ_1	GPIO2 interrupt 1
PRUSS1_IRQ_57	26	CTRL_CORE_PRUSS1_IRQ_56_57 [24:16]	26	GPIO3_IRQ_1	GPIO3 interrupt 1
PRUSS1_IRQ_58	27	CTRL_CORE_PRUSS1_IRQ_58_59 [8:0]	27	GPIO4_IRQ_1	GPIO4 interrupt 1
PRUSS1_IRQ_59	28	CTRL_CORE_PRUSS1_IRQ_58_59 [24:16]	28	GPIO5_IRQ_1	GPIO5 interrupt 1
PRUSS1_IRQ_60	29	CTRL_CORE_PRUSS1_IRQ_60_61 [8:0]	29	GPIO6_IRQ_1	GPIO6 interrupt 1
PRUSS1_IRQ_61	30	CTRL_CORE_PRUSS1_IRQ_60_61 [24:16]	30	GPIO7_IRQ_1	GPIO7 interrupt 1

Table 17-6. PRUSS1_INTC Default Interrupt Mapping (continued)

IRQ Input Line	IRQ_CROSSBAR Instance Number	IRQ_CROSSBAR Configuration Register	IRQ_CROSSBAR Default Input Index	Default Interrupt Name	Default Interrupt Source Description
PRUSS1_IRQ_62	31	CTRL_CORE_PRUSS1_IRQ_62_63[8:0]	31	Reserved	Reserved by default but can be remapped to a valid interrupt source
PRUSS1_IRQ_63	32	CTRL_CORE_PRUSS1_IRQ_62_63[24:16]	32	TIMER1_IRQ	TIMER1 interrupt

NOTE: The "IRQ_CROSSBAR Default Input Index" column of [Table 17-6](#) shows which input of the corresponding IRQ_CROSSBAR instance is mapped to its output (and then routed to the corresponding PRUSS1_INTC input) by default. In other words, this column specifies the default (reset) values (in decimal) of the CTRL_CORE_PRUSS1_IRQ_y_z register bit fields that are used to control the mapping of device interrupts to PRUSS1_INTC inputs. For example, the PRUSS1_IRQ_32_33[8:0] bit field is used to configure which device interrupt would be mapped to the PRUSS1_IRQ_32 line. The reset value of this bit field is 0x1, meaning that ELM_IRQ would be mapped to PRUSS1_IRQ_32 by default because it is connected to the IRQ_CROSSBAR_1 input.

'N/A' in this column means that the corresponding interrupt is internal to the PRU-ICSS1 subsystem. There is no IRQ_CROSSBAR dedicated to the associated PRUSS1_INTC input line and therefore, the user cannot change its default mapping.

17.3.6 Interrupt Requests to PRUSS2_INTC

[Table 17-7](#) lists the default interrupt sources for the PRUSS2_INTC. In addition, device interrupts PRUSS2_IRQ_32 through PRUSS2_IRQ_63 can alternatively be sourced through the PRU-ICSS1's IRQ_CROSSBAR from one of the 420 multiplexed device interrupts listed in [Table 17-8](#). The CTRL_CORE_PRUSS2_IRQ_y_z registers in the Control Module are used to select between the default interrupts and the multiplexed interrupts.

Table 17-7. PRUSS2_INTC Default Interrupt Mapping

IRQ Input Line	IRQ_CROSSBAR Instance Number	IRQ_CROSSBAR Configuration Register	IRQ_CROSSBAR Default Input Index	Default Interrupt Name	Default Interrupt Source Description
PRUSS2_IRQ_0	N/A	N/A	N/A	PRUSS2_INTERNAL_IRQ_0	PRU-ICSS1 Internal Interrupt
PRUSS2_IRQ_1	N/A	N/A	N/A	PRUSS2_INTERNAL_IRQ_1	PRU-ICSS1 Internal Interrupt
PRUSS2_IRQ_2	N/A	N/A	N/A	PRUSS2_INTERNAL_IRQ_2	PRU-ICSS1 Internal Interrupt
PRUSS2_IRQ_3	N/A	N/A	N/A	PRUSS2_INTERNAL_IRQ_3	PRU-ICSS1 Internal Interrupt
PRUSS2_IRQ_4	N/A	N/A	N/A	PRUSS2_INTERNAL_IRQ_4	PRU-ICSS1 Internal Interrupt
PRUSS2_IRQ_5	N/A	N/A	N/A	PRUSS2_INTERNAL_IRQ_5	PRU-ICSS1 Internal Interrupt
PRUSS2_IRQ_6	N/A	N/A	N/A	PRUSS2_INTERNAL_IRQ_6	PRU-ICSS1 Internal Interrupt
PRUSS2_IRQ_7	N/A	N/A	N/A	PRUSS2_INTERNAL_IRQ_7	PRU-ICSS1 Internal Interrupt
PRUSS2_IRQ_8	N/A	N/A	N/A	PRUSS2_INTERNAL_IRQ_8	PRU-ICSS1 Internal Interrupt
PRUSS2_IRQ_9	N/A	N/A	N/A	PRUSS2_INTERNAL_IRQ_9	PRU-ICSS1 Internal Interrupt

Table 17-7. PRUSS2_INTC Default Interrupt Mapping (continued)

IRQ Input Line	IRQ_CROSSBAR Instance Number	IRQ_CROSSBAR Configuration Register	IRQ_CROSSBAR Default Input Index	Default Interrupt Name	Default Interrupt Source Description
PRUSS2_IRQ_10	N/A	N/A	N/A	PRUSS2_INTERNAL_IRQ_10	PRU-ICSS1 Internal Interrupt
PRUSS2_IRQ_11	N/A	N/A	N/A	PRUSS2_INTERNAL_IRQ_11	PRU-ICSS1 Internal Interrupt
PRUSS2_IRQ_12	N/A	N/A	N/A	PRUSS2_INTERNAL_IRQ_12	PRU-ICSS1 Internal Interrupt
PRUSS2_IRQ_13	N/A	N/A	N/A	PRUSS2_INTERNAL_IRQ_13	PRU-ICSS1 Internal Interrupt
PRUSS2_IRQ_14	N/A	N/A	N/A	PRUSS2_INTERNAL_IRQ_14	PRU-ICSS1 Internal Interrupt
PRUSS2_IRQ_15	N/A	N/A	N/A	PRUSS2_INTERNAL_IRQ_15	PRU-ICSS1 Internal Interrupt
PRUSS2_IRQ_16	N/A	N/A	N/A	PRUSS2_INTERNAL_IRQ_16	PRU-ICSS1 Internal Interrupt
PRUSS2_IRQ_17	N/A	N/A	N/A	PRUSS2_INTERNAL_IRQ_17	PRU-ICSS1 Internal Interrupt
PRUSS2_IRQ_18	N/A	N/A	N/A	PRUSS2_INTERNAL_IRQ_18	PRU-ICSS1 Internal Interrupt
PRUSS2_IRQ_19	N/A	N/A	N/A	PRUSS2_INTERNAL_IRQ_19	PRU-ICSS1 Internal Interrupt
PRUSS2_IRQ_20	N/A	N/A	N/A	PRUSS2_INTERNAL_IRQ_20	PRU-ICSS1 Internal Interrupt
PRUSS2_IRQ_21	N/A	N/A	N/A	PRUSS2_INTERNAL_IRQ_21	PRU-ICSS1 Internal Interrupt
PRUSS2_IRQ_22	N/A	N/A	N/A	PRUSS2_INTERNAL_IRQ_22	PRU-ICSS1 Internal Interrupt
PRUSS2_IRQ_23	N/A	N/A	N/A	PRUSS2_INTERNAL_IRQ_23	PRU-ICSS1 Internal Interrupt
PRUSS2_IRQ_24	N/A	N/A	N/A	PRUSS2_INTERNAL_IRQ_24	PRU-ICSS1 Internal Interrupt
PRUSS2_IRQ_25	N/A	N/A	N/A	PRUSS2_INTERNAL_IRQ_25	PRU-ICSS1 Internal Interrupt
PRUSS2_IRQ_26	N/A	N/A	N/A	PRUSS2_INTERNAL_IRQ_26	PRU-ICSS1 Internal Interrupt
PRUSS2_IRQ_27	N/A	N/A	N/A	PRUSS2_INTERNAL_IRQ_27	PRU-ICSS1 Internal Interrupt
PRUSS2_IRQ_28	N/A	N/A	N/A	PRUSS2_INTERNAL_IRQ_28	PRU-ICSS1 Internal Interrupt
PRUSS2_IRQ_29	N/A	N/A	N/A	PRUSS2_INTERNAL_IRQ_29	PRU-ICSS1 Internal Interrupt
PRUSS2_IRQ_30	N/A	N/A	N/A	PRUSS2_INTERNAL_IRQ_30	PRU-ICSS1 Internal Interrupt
PRUSS2_IRQ_31	N/A	N/A	N/A	PRUSS2_INTERNAL_IRQ_31	PRU-ICSS1 Internal Interrupt
PRUSS2_IRQ_32	1	CTRL_CORE_PRUSS2_IRQ_32_33[8:0]	1	ELM_IRQ	Error location process completion interrupt
PRUSS2_IRQ_33	2	CTRL_CORE_PRUSS2_IRQ_32_33[24:16]	2	EXT_SYS_IRQ_1	External interrupt (active low) via sys_nirq1 pin
PRUSS2_IRQ_34	3	CTRL_CORE_PRUSS2_IRQ_34_35[8:0]	3	CTRL_MODULE_CORE_IRQ_S EC_EVTS	Combined firewall error interrupt. For more information, see Section 18.4.6.14.3 .
PRUSS2_IRQ_35	4	CTRL_CORE_PRUSS2_IRQ_34_35[24:16]	4	L3_MAIN_IRQ_DBG_ERR	L3_MAIN debug error
PRUSS2_IRQ_36	5	CTRL_CORE_PRUSS2_IRQ_36_37[8:0]	5	L3_MAIN_IRQ_APP_ERR	L3_MAIN application or non-attributable error
PRUSS2_IRQ_37	6	CTRL_CORE_PRUSS2_IRQ_36_37[24:16]	6	PRM_IRQ_MPU	PRCM interrupt to MPU
PRUSS2_IRQ_38	7	CTRL_CORE_PRUSS2_IRQ_38_39[8:0]	7	Reserved	Reserved by default but can be remapped to a valid interrupt source
PRUSS2_IRQ_39	8	CTRL_CORE_PRUSS2_IRQ_38_39[24:16]	8	Reserved	Reserved by default but can be remapped to a valid interrupt source

Table 17-7. PRUSS2_INTC Default Interrupt Mapping (continued)

IRQ Input Line	IRQ CROSSBAR Instance Number	IRQ_CROSSBAR Configuration Register	IRQ_CROSSBAR Default Input Index	Default Interrupt Name	Default Interrupt Source Description
PRUSS2_IRQ_40	9	CTRL_CORE_PRUSS2_IRQ_40_41 [8:0]	9	Reserved	Reserved by default but can be remapped to a valid interrupt source
PRUSS2_IRQ_41	10	CTRL_CORE_PRUSS2_IRQ_40_41 [24:16]	10	Reserved	Reserved by default but can be remapped to a valid interrupt source
PRUSS2_IRQ_42	11	CTRL_CORE_PRUSS2_IRQ_42_43 [8:0]	11	L3_MAIN_IRQ_STAT_ALARM	L3_MAIN statistic collector alarm interrupt
PRUSS2_IRQ_43	12	CTRL_CORE_PRUSS2_IRQ_42_43 [24:16]	12	Reserved	Reserved by default but can be remapped to a valid interrupt source
PRUSS2_IRQ_44	13	CTRL_CORE_PRUSS2_IRQ_44_45 [8:0]	13	Reserved	Reserved by default but can be remapped to a valid interrupt source
PRUSS2_IRQ_45	14	CTRL_CORE_PRUSS2_IRQ_44_45 [24:16]	14	Reserved	Reserved by default but can be remapped to a valid interrupt source
PRUSS2_IRQ_46	15	CTRL_CORE_PRUSS2_IRQ_46_47 [8:0]	15	GPMC_IRQ	GPMC interrupt
PRUSS2_IRQ_47	16	CTRL_CORE_PRUSS2_IRQ_46_47 [24:16]	16	GPU_IRQ	GPU interrupt
PRUSS2_IRQ_48	17	CTRL_CORE_PRUSS2_IRQ_48_49 [8:0]	17	Reserved	Reserved by default but can be remapped to a valid interrupt source
PRUSS2_IRQ_49	18	CTRL_CORE_PRUSS2_IRQ_48_49 [24:16]	18	Reserved	Reserved by default but can be remapped to a valid interrupt source
PRUSS2_IRQ_50	19	CTRL_CORE_PRUSS2_IRQ_50_51 [8:0]	19	Reserved	Reserved by default but can be remapped to a valid interrupt source
PRUSS2_IRQ_51	20	CTRL_CORE_PRUSS2_IRQ_50_51 [24:16]	20	DISPC_IRQ	Display controller interrupt
PRUSS2_IRQ_52	21	CTRL_CORE_PRUSS2_IRQ_52_53 [8:0]	21	MAILBOX1_IRQ_USER0	Mailbox 1 user 0 interrupt
PRUSS2_IRQ_53	22	CTRL_CORE_PRUSS2_IRQ_52_53 [24:16]	22	Reserved	Reserved by default but can be remapped to a valid interrupt source
PRUSS2_IRQ_54	23	CTRL_CORE_PRUSS2_IRQ_54_55 [8:0]	23	DSP1_IRQ_MMU0	DSP1 MMU0 interrupt
PRUSS2_IRQ_55	24	CTRL_CORE_PRUSS2_IRQ_54_55 [24:16]	24	GPIO1_IRQ_1	GPIO1 interrupt 1
PRUSS2_IRQ_56	25	CTRL_CORE_PRUSS2_IRQ_56_57 [8:0]	25	GPIO2_IRQ_1	GPIO2 interrupt 1
PRUSS2_IRQ_57	26	CTRL_CORE_PRUSS2_IRQ_56_57 [24:16]	26	GPIO3_IRQ_1	GPIO3 interrupt 1
PRUSS2_IRQ_58	27	CTRL_CORE_PRUSS2_IRQ_58_59 [8:0]	27	GPIO4_IRQ_1	GPIO4 interrupt 1
PRUSS2_IRQ_59	28	CTRL_CORE_PRUSS2_IRQ_58_59 [24:16]	28	GPIO5_IRQ_1	GPIO5 interrupt 1
PRUSS2_IRQ_60	29	CTRL_CORE_PRUSS2_IRQ_60_61 [8:0]	29	GPIO6_IRQ_1	GPIO6 interrupt 1
PRUSS2_IRQ_61	30	CTRL_CORE_PRUSS2_IRQ_60_61 [24:16]	30	GPIO7_IRQ_1	GPIO7 interrupt 1
PRUSS2_IRQ_62	31	CTRL_CORE_PRUSS2_IRQ_62_63 [8:0]	31	Reserved	Reserved by default but can be remapped to a valid interrupt source
PRUSS2_IRQ_63	32	CTRL_CORE_PRUSS2_IRQ_62_63 [24:16]	32	TIMER1_IRQ	TIMER1 interrupt

NOTE: The "IRQ_CROSSBAR Default Input Index" column of [Table 17-7](#) shows which input of the corresponding IRQ_CROSSBAR instance is mapped to its output (and then routed to the corresponding PRUSS2_INTC input) by default. In other words, this column specifies the default (reset) values (in decimal) of the CTRL_CORE_PRUSS2_IRQ_y_z register bit fields that are used to control the mapping of device interrupts to PRUSS2_INTC inputs. For example, the PRUSS2_IRQ_32_33[8:0] bit field is used to configure which device interrupt would be mapped to the PRUSS2_IRQ_32 line. The reset value of this bit field is 0x1, meaning that ELM_IRQ would be mapped to PRUSS2_IRQ_32 by default because it is connected to the IRQ_CROSSBAR_1 input.

'N/A' in this column means that the corresponding interrupt is internal to the PRU-ICSS2 subsystem. There is no IRQ_CROSSBAR dedicated to the associated PRUSS2_INTC input line and therefore, the user cannot change its default mapping.

17.3.7 Mapping of Device Interrupts to IRQ_CROSSBAR Inputs

[Table 17-8](#) shows the individual connection between all module IRQs and all IRQ_CROSSBAR inputs.

Table 17-8. Connection of Device IRQs to IRQ_CROSSBAR Inputs

IRQ_CROSSBAR Input	Interrupt Name	Interrupt Source	Description
IRQ_CROSSBAR_0	Reserved	Reserved	Reserved
IRQ_CROSSBAR_1	ELM_IRQ	ELM	Error location process completion interrupt
IRQ_CROSSBAR_2	EXT_SYS_IRQ_1	External system	External interrupt (active low) via sys_nirq1 pin
IRQ_CROSSBAR_3	CTRL_MODULE_CORE_IRQ_SEC_EVTS	CTRL_MODULE_CORE	Combined firewall error interrupt. For more information, see Section 18.4.6.14.3
IRQ_CROSSBAR_4	L3_MAIN_IRQ_DBG_ERR	L3_MAIN	L3_MAIN debug error
IRQ_CROSSBAR_5	L3_MAIN_IRQ_APP_ERR	L3_MAIN	L3_MAIN application or non-attributable error
IRQ_CROSSBAR_6	PRM_IRQ_MPU	PRM	PRCM interrupt to MPU
IRQ_CROSSBAR_7	DMA_SYSTEM_IRQ_0	DMA_SYSTEM	System DMA interrupt 0
IRQ_CROSSBAR_8	DMA_SYSTEM_IRQ_1	DMA_SYSTEM	System DMA interrupt 1
IRQ_CROSSBAR_9	DMA_SYSTEM_IRQ_2	DMA_SYSTEM	System DMA interrupt 2
IRQ_CROSSBAR_10	DMA_SYSTEM_IRQ_3	DMA_SYSTEM	System DMA interrupt 3
IRQ_CROSSBAR_11	L3_MAIN_IRQ_STAT_ALARM	L3_MAIN	L3_MAIN statistic collector alarm interrupt
IRQ_CROSSBAR_12	Reserved	Reserved	Reserved
IRQ_CROSSBAR_13	Reserved	Reserved	Reserved
IRQ_CROSSBAR_14	Reserved	Reserved	Reserved
IRQ_CROSSBAR_15	GPMC_IRQ	GPMC	GPMC interrupt
IRQ_CROSSBAR_16	GPU_IRQ	GPU	GPU interrupt
IRQ_CROSSBAR_17	Reserved	Reserved	Reserved
IRQ_CROSSBAR_18	Reserved	Reserved	Reserved
IRQ_CROSSBAR_19	Reserved	Reserved	Reserved
IRQ_CROSSBAR_20	DISPC_IRQ	DISPC	Display controller interrupt
IRQ_CROSSBAR_21	MAILBOX1_IRQ_USER0	MAILBOX1	Mailbox 1 user 0 interrupt
IRQ_CROSSBAR_22	Reserved	Reserved	Reserved
IRQ_CROSSBAR_23	DSP1_IRQ_MMU0	DSP1	DSP1 MMU0 interrupt
IRQ_CROSSBAR_24	GPIO1_IRQ_1	GPIO1	GPIO1 interrupt 1
IRQ_CROSSBAR_25	GPIO2_IRQ_1	GPIO2	GPIO2 interrupt 1
IRQ_CROSSBAR_26	GPIO3_IRQ_1	GPIO3	GPIO3 interrupt 1
IRQ_CROSSBAR_27	GPIO4_IRQ_1	GPIO4	GPIO4 interrupt 1
IRQ_CROSSBAR_28	GPIO5_IRQ_1	GPIO5	GPIO5 interrupt 1
IRQ_CROSSBAR_29	GPIO6_IRQ_1	GPIO6	GPIO6 interrupt 1
IRQ_CROSSBAR_30	GPIO7_IRQ_1	GPIO7	GPIO7 interrupt 1
IRQ_CROSSBAR_31	Reserved	Reserved	Reserved
IRQ_CROSSBAR_32	TIMER1_IRQ	TIMER1	TIMER1 interrupt
IRQ_CROSSBAR_33	TIMER2_IRQ	TIMER2	TIMER2 interrupt
IRQ_CROSSBAR_34	TIMER3_IRQ	TIMER3	TIMER3 interrupt
IRQ_CROSSBAR_35	TIMER4_IRQ	TIMER4	TIMER4 interrupt
IRQ_CROSSBAR_36	TIMER5_IRQ	TIMER5	TIMER5 interrupt
IRQ_CROSSBAR_37	TIMER6_IRQ	TIMER6	TIMER6 interrupt
IRQ_CROSSBAR_38	TIMER7_IRQ	TIMER7	TIMER7 interrupt
IRQ_CROSSBAR_39	TIMER8_IRQ	TIMER8	TIMER8 interrupt
IRQ_CROSSBAR_40	TIMER9_IRQ	TIMER9	TIMER9 interrupt
IRQ_CROSSBAR_41	TIMER10_IRQ	TIMER10	TIMER10 interrupt
IRQ_CROSSBAR_42	TIMER11_IRQ	TIMER11	TIMER11 interrupt
IRQ_CROSSBAR_43	MCSP14_IRQ	MCSP14	McSPI4 interrupt
IRQ_CROSSBAR_44	Reserved	Reserved	Reserved
IRQ_CROSSBAR_45	Reserved	Reserved	Reserved

Table 17-8. Connection of Device IRQs to IRQ_CROSSBAR Inputs (continued)

IRQ_CROSSBAR Input	Interrupt Name	Interrupt Source	Description
IRQ_CROSSBAR_46	Reserved	Reserved	Reserved
IRQ_CROSSBAR_47	Reserved	Reserved	Reserved
IRQ_CROSSBAR_48	Reserved	Reserved	Reserved
IRQ_CROSSBAR_49	SATA_IRQ ⁽¹⁾	SATA	SATA interrupt
IRQ_CROSSBAR_50	Reserved	Reserved	Reserved
IRQ_CROSSBAR_51	I2C1_IRQ	I2C1	I2C1 interrupt
IRQ_CROSSBAR_52	I2C2_IRQ	I2C2	I2C2 interrupt
IRQ_CROSSBAR_53	HDQ1W_IRQ	HDQ1W	HDQ1W interrupt
IRQ_CROSSBAR_54	Reserved	Reserved	Reserved
IRQ_CROSSBAR_55	I2C5_IRQ	I2C5	I2C5 interrupt
IRQ_CROSSBAR_56	I2C3_IRQ	I2C3	I2C3 interrupt
IRQ_CROSSBAR_57	I2C4_IRQ	I2C4	I2C4 interrupt
IRQ_CROSSBAR_58	Reserved	Reserved	Reserved
IRQ_CROSSBAR_59	Reserved	Reserved	Reserved
IRQ_CROSSBAR_60	MCSP1_IRQ	MCSP1	McSP1 interrupt
IRQ_CROSSBAR_61	MCSP2_IRQ	MCSP2	McSP2 interrupt
IRQ_CROSSBAR_62	Reserved	Reserved	Reserved
IRQ_CROSSBAR_63	Reserved	Reserved	Reserved
IRQ_CROSSBAR_64	Reserved	Reserved	Reserved
IRQ_CROSSBAR_65	UART4_IRQ	UART4	UART4 interrupt
IRQ_CROSSBAR_66	Reserved	Reserved	Reserved
IRQ_CROSSBAR_67	UART1_IRQ	UART1	UART1 interrupt
IRQ_CROSSBAR_68	UART2_IRQ	UART2	UART2 interrupt
IRQ_CROSSBAR_69	UART3_IRQ	UART3	UART3 interrupt
IRQ_CROSSBAR_70	PBIAS_IRQ	MMC1 PBIAS Cell	MMC1 PBIAS interrupt (controlled via device Control Module)
IRQ_CROSSBAR_71	USB1_IRQ_INTR0	USB1	USB1 interrupt 0
IRQ_CROSSBAR_72	USB1_IRQ_INTR1	USB1	USB1 interrupt 1
IRQ_CROSSBAR_73	USB2_IRQ_INTR0	USB2	USB2 interrupt 0
IRQ_CROSSBAR_74	Reserved	Reserved	Reserved
IRQ_CROSSBAR_75	WD_TIMER2_IRQ	WD_TIMER2	WD_TIMER2 interrupt
IRQ_CROSSBAR_76	Reserved	Reserved	Reserved
IRQ_CROSSBAR_77	Reserved	Reserved	Reserved
IRQ_CROSSBAR_78	MMC1_IRQ	MMC1	MMC1 interrupt
IRQ_CROSSBAR_79	Reserved	Reserved	Reserved
IRQ_CROSSBAR_80	Reserved	Reserved	Reserved
IRQ_CROSSBAR_81	MMC2_IRQ	MMC2	MMC2 interrupt
IRQ_CROSSBAR_82	Reserved	Reserved	Reserved
IRQ_CROSSBAR_83	Reserved	Reserved	Reserved
IRQ_CROSSBAR_84	Reserved	Reserved	Reserved
IRQ_CROSSBAR_85	DEBUGSS_IRQ_CT_UART	DEBUGSS	CT_UART interrupt generated when data ready on RX or when TX empty
IRQ_CROSSBAR_86	MCSP3_IRQ	MCSP3	McSP3 interrupt
IRQ_CROSSBAR_87	USB2_IRQ_INTR1	USB2	USB2 interrupt 1
IRQ_CROSSBAR_88	USB3_IRQ_INTR0 ⁽²⁾	USB3	USB3 interrupt 0
IRQ_CROSSBAR_89	MMC3_IRQ	MMC3	MMC3 interrupt

⁽¹⁾ RTC and SATA are not supported on the AM570x family of devices.

⁽²⁾ VCP1, VCP2, MLB, USB3 (ULPI) and I2C6 are not supported on the AM571x / AM570x family of devices.

Table 17-8. Connection of Device IRQs to IRQ_CROSSBAR Inputs (continued)

IRQ_CROSSBAR Input	Interrupt Name	Interrupt Source	Description
IRQ_CROSSBAR_90	TIMER12_IRQ	TIMER12	TIMER12 interrupt
IRQ_CROSSBAR_91	MMC4_IRQ	MMC4	MMC4 interrupt
IRQ_CROSSBAR_92	Reserved	Reserved	Reserved
IRQ_CROSSBAR_93	Reserved	Reserved	Reserved
IRQ_CROSSBAR_94	Reserved	Reserved	Reserved
IRQ_CROSSBAR_95	Reserved	Reserved	Reserved
IRQ_CROSSBAR_96	HDMI_IRQ	HDMI	HDMI interrupt
IRQ_CROSSBAR_97	Reserved	Reserved	Reserved
IRQ_CROSSBAR_98	IVA_IRQ_SYNC_1	IVA	IVA ICONT2 sync interrupt
IRQ_CROSSBAR_99	IVA_IRQ_SYNC_0	IVA	IVA ICONT1 sync interrupt
IRQ_CROSSBAR_100	UART5_IRQ	UART5	UART5 interrupt
IRQ_CROSSBAR_101	UART6_IRQ	UART6	UART6 interrupt
IRQ_CROSSBAR_102	IVA_IRQ_MAILBOX_0	IVA	IVA mailbox user 0 interrupt
IRQ_CROSSBAR_103	McASP1_IRQ_AREVT	McASP1	McASP1 receive interrupt
IRQ_CROSSBAR_104	McASP1_IRQ_AXEVT	McASP1	McASP1 transmit interrupt
IRQ_CROSSBAR_105	EMIF1_IRQ	EMIF1	EMIF1 interrupt
IRQ_CROSSBAR_106	Reserved	Reserved	Reserved
IRQ_CROSSBAR_107	Reserved	Reserved	Reserved
IRQ_CROSSBAR_108	DMM_IRQ	DMM	DMM interrupt
IRQ_CROSSBAR_109	Reserved	Reserved	Reserved
IRQ_CROSSBAR_110	Reserved	Reserved	Reserved
IRQ_CROSSBAR_111	Reserved	Reserved	Reserved
IRQ_CROSSBAR_112	Reserved	Reserved	Reserved
IRQ_CROSSBAR_113	Reserved	Reserved	Reserved
IRQ_CROSSBAR_114	EXT_SYS_IRQ_2	External system	External interrupt (active low) via sys_nirq2 pin
IRQ_CROSSBAR_115	KBD_IRQ	KBD	Keyboard controller interrupt
IRQ_CROSSBAR_116	GPIO8_IRQ_1	GPIO8	GPIO8 interrupt 1
IRQ_CROSSBAR_117	Reserved	Reserved	Reserved
IRQ_CROSSBAR_118	Reserved	Reserved	Reserved
IRQ_CROSSBAR_119	CAL_IRQ	CAL	CAL (CS12) interrupt
IRQ_CROSSBAR_120	BB2D_IRQ	BB2D	BB2D interrupt
IRQ_CROSSBAR_121	CTRL_MODULE_CORE_IRQ_THE RMAL_ALERT	CTRL_MODULE	CTRL_MODULE thermal alert interrupt
IRQ_CROSSBAR_[122 :131]	Reserved	Reserved	Reserved
IRQ_CROSSBAR_132	IVA_IRQ_MAILBOX_2	IVA	IVA mailbox user 2 interrupt
IRQ_CROSSBAR_133	PRM_IRQ_IPU1	PRM	PRCM interrupt to IPU1
IRQ_CROSSBAR_134	MAILBOX1_IRQ_USER2	MAILBOX1	Mailbox 1 user 2 interrupt
IRQ_CROSSBAR_135	MAILBOX1_IRQ_USER1	MAILBOX1	Mailbox 1 user 1 interrupt
IRQ_CROSSBAR_136	IVA_IRQ_MAILBOX_1	IVA	IVA mailbox user 1 interrupt
IRQ_CROSSBAR_137	PRM_IRQ_DSP1	PRM	PRCM interrupt to DSP1
IRQ_CROSSBAR_138	GPIO1_IRQ_2	GPIO1	GPIO1 interrupt 2
IRQ_CROSSBAR_139	GPIO2_IRQ_2	GPIO2	GPIO2 interrupt 2
IRQ_CROSSBAR_140	GPIO3_IRQ_2	GPIO3	GPIO3 interrupt 2
IRQ_CROSSBAR_141	GPIO4_IRQ_2	GPIO4	GPIO4 interrupt 2
IRQ_CROSSBAR_142	GPIO5_IRQ_2	GPIO5	GPIO5 interrupt 2
IRQ_CROSSBAR_143	GPIO6_IRQ_2	GPIO6	GPIO6 interrupt 2

Table 17-8. Connection of Device IRQs to IRQ_CROSSBAR Inputs (continued)

IRQ_CROSSBAR Input	Interrupt Name	Interrupt Source	Description
IRQ_CROSSBAR_144	Reserved	Reserved	Reserved
IRQ_CROSSBAR_145	DSP1_IRQ_MMU1	DSP1	DSP1 MMU1 interrupt
IRQ_CROSSBAR_146	Reserved	Reserved	Reserved
IRQ_CROSSBAR_147	Reserved	Reserved	Reserved
IRQ_CROSSBAR_148	McASP2_IRQ_AREVT	McASP2	McASP2 receive interrupt
IRQ_CROSSBAR_149	McASP2_IRQ_AXEVT	McASP2	McASP2 transmit interrupt
IRQ_CROSSBAR_150	McASP3_IRQ_AREVT	McASP3	McASP3 receive interrupt
IRQ_CROSSBAR_151	McASP3_IRQ_AXEVT	McASP3	McASP3 transmit interrupt
IRQ_CROSSBAR_152	McASP4_IRQ_AREVT	McASP4	McASP4 receive interrupt
IRQ_CROSSBAR_153	McASP4_IRQ_AXEVT	McASP4	McASP4 transmit interrupt
IRQ_CROSSBAR_154	McASP5_IRQ_AREVT	McASP5	McASP5 receive interrupt
IRQ_CROSSBAR_155	McASP5_IRQ_AXEVT	McASP5	McASP5 transmit interrupt
IRQ_CROSSBAR_156	McASP6_IRQ_AREVT	McASP6	McASP6 receive interrupt
IRQ_CROSSBAR_157	McASP6_IRQ_AXEVT	McASP6	McASP6 transmit interrupt
IRQ_CROSSBAR_158	McASP7_IRQ_AREVT	McASP7	McASP7 receive interrupt
IRQ_CROSSBAR_159	McASP7_IRQ_AXEVT	McASP7	McASP7 transmit interrupt
IRQ_CROSSBAR_160	McASP8_IRQ_AREVT	McASP8	McASP8 receive interrupt
IRQ_CROSSBAR_161	McASP8_IRQ_AXEVT	McASP8	McASP8 transmit interrupt
IRQ_CROSSBAR_162	Reserved	Reserved	Reserved
IRQ_CROSSBAR_163	Reserved	Reserved	Reserved
IRQ_CROSSBAR_164	OCMC_RAM1_IRQ	OCMC_RAM1	OCMC_RAM1 interrupt
IRQ_CROSSBAR_[165 :185]	Reserved	Reserved	Reserved
IRQ_CROSSBAR_186	PRUSS1_IRQ_HOST2 ⁽³⁾	PRU-ICSS1	PRU-ICSS1 exported interrupt 2
IRQ_CROSSBAR_187	PRUSS1_IRQ_HOST3 ⁽³⁾	PRU-ICSS1	PRU-ICSS1 exported interrupt 3
IRQ_CROSSBAR_188	PRUSS1_IRQ_HOST4 ⁽³⁾	PRU-ICSS1	PRU-ICSS1 exported interrupt 4
IRQ_CROSSBAR_189	PRUSS1_IRQ_HOST5 ⁽³⁾	PRU-ICSS1	PRU-ICSS1 exported interrupt 5
IRQ_CROSSBAR_190	PRUSS1_IRQ_HOST6 ⁽³⁾	PRU-ICSS1	PRU-ICSS1 exported interrupt 6
IRQ_CROSSBAR_191	PRUSS1_IRQ_HOST7 ⁽³⁾	PRU-ICSS1	PRU-ICSS1 exported interrupt 7
IRQ_CROSSBAR_192	PRUSS1_IRQ_HOST8 ⁽³⁾	PRU-ICSS1	PRU-ICSS1 exported interrupt 8
IRQ_CROSSBAR_193	PRUSS1_IRQ_HOST9 ⁽³⁾	PRU-ICSS1	PRU-ICSS1 exported interrupt 9
IRQ_CROSSBAR_194	Reserved	Reserved	Reserved
IRQ_CROSSBAR_195	Reserved	Reserved	Reserved
IRQ_CROSSBAR_196	PRUSS2_IRQ_HOST2 ⁽³⁾	PRU-ICSS2	PRU-ICSS2 exported interrupt 2
IRQ_CROSSBAR_197	PRUSS2_IRQ_HOST3 ⁽³⁾	PRU-ICSS2	PRU-ICSS2 exported interrupt 3
IRQ_CROSSBAR_198	PRUSS2_IRQ_HOST4 ⁽³⁾	PRU-ICSS2	PRU-ICSS2 exported interrupt 4
IRQ_CROSSBAR_199	PRUSS2_IRQ_HOST5 ⁽³⁾	PRU-ICSS2	PRU-ICSS2 exported interrupt 5
IRQ_CROSSBAR_200	PRUSS2_IRQ_HOST6 ⁽³⁾	PRU-ICSS2	PRU-ICSS2 exported interrupt 6
IRQ_CROSSBAR_201	PRUSS2_IRQ_HOST7 ⁽³⁾	PRU-ICSS2	PRU-ICSS2 exported interrupt 7
IRQ_CROSSBAR_202	PRUSS2_IRQ_HOST8 ⁽³⁾	PRU-ICSS2	PRU-ICSS2 exported interrupt 8
IRQ_CROSSBAR_203	PRUSS2_IRQ_HOST9 ⁽³⁾	PRU-ICSS2	PRU-ICSS2 exported interrupt 9
IRQ_CROSSBAR_204	PWMSS1_IRQ_ePWM0_TZINT	PWMSS1	eHRPWM0 TZ interrupt
IRQ_CROSSBAR_205	PWMSS2_IRQ_ePWM1_TZINT	PWMSS2	eHRPWM1 TZ interrupt
IRQ_CROSSBAR_206	PWMSS3_IRQ_ePWM2_TZINT	PWMSS3	eHRPWM2 TZ interrupt
IRQ_CROSSBAR_207	PWMSS1_IRQ_ePWM0INT	PWMSS1	eHRPWM0 event/interrupt

⁽³⁾ PRUSSn_IRQ_HOST[2:9] correspond to PRU-ICSSn HOST_INT[0:7] or PRU-ICSSn EVTOUT[0:7] in other TI Sitara devices' SoC-level interrupt controller.

Table 17-8. Connection of Device IRQs to IRQ_CROSSBAR Inputs (continued)

IRQ_CROSSBAR Input	Interrupt Name	Interrupt Source	Description
IRQ_CROSSBAR_208	PWMSS2_IRQ_ePWM1INT	PWMSS2	eHRPWM1 event/interrupt
IRQ_CROSSBAR_209	PWMSS3_IRQ_ePWM2INT	PWMSS3	eHRPWM2 event/interrupt
IRQ_CROSSBAR_210	PWMSS1_IRQ_eQEP0INT	PWMSS1	eQEP0 event/interrupt
IRQ_CROSSBAR_211	PWMSS2_IRQ_eQEP1INT	PWMSS2	eQEP1 event/interrupt
IRQ_CROSSBAR_212	PWMSS3_IRQ_eQEP2INT	PWMSS3	eQEP2 event/interrupt
IRQ_CROSSBAR_213	PWMSS1_IRQ_eCAP0INT	PWMSS1	eCAP0 event/interrupt
IRQ_CROSSBAR_214	PWMSS2_IRQ_eCAP1INT	PWMSS2	eCAP1 event/interrupt
IRQ_CROSSBAR_215	PWMSS3_IRQ_eCAP2INT	PWMSS3	eCAP2 event/interrupt
IRQ_CROSSBAR_216	Reserved	Reserved	Reserved
IRQ_CROSSBAR_217	RTC_SS_IRQ_ALARM ⁽¹⁾	RTC_SS	RTC_SS alarm interrupt
IRQ_CROSSBAR_218	UART7_IRQ	UART7	UART7 interrupt
IRQ_CROSSBAR_219	UART8_IRQ	UART8	UART8 interrupt
IRQ_CROSSBAR_220	UART9_IRQ	UART9	UART9 interrupt
IRQ_CROSSBAR_221	UART10_IRQ	UART10	UART10 interrupt
IRQ_CROSSBAR_222	DCAN1_IRQ_INT0	DCAN1	DCAN1 interrupt 0
IRQ_CROSSBAR_223	DCAN1_IRQ_INT1	DCAN1	DCAN1 interrupt 1
IRQ_CROSSBAR_224	DCAN1_IRQ_PARITY	DCAN1	DCAN1 parity interrupt
IRQ_CROSSBAR_225	DCAN2_IRQ_INT0	DCAN2	DCAN2 interrupt 0
IRQ_CROSSBAR_226	DCAN2_IRQ_INT1	DCAN2	DCAN2 interrupt 1
IRQ_CROSSBAR_227	DCAN2_IRQ_PARITY	DCAN2	DCAN2 parity interrupt
IRQ_CROSSBAR_228	MLB_IRQ_SYS_INT0 ⁽²⁾	MLB	MLB sys interrupt 0
IRQ_CROSSBAR_229	MLB_IRQ_SYS_INT1 ⁽²⁾	MLB	MLB sys interrupt 1
IRQ_CROSSBAR_230	VCP1_IRQ_INT ⁽²⁾	VCP1	VCP1 interrupt
IRQ_CROSSBAR_231	VCP2_IRQ_INT ⁽²⁾	VCP2	VCP2 interrupt
IRQ_CROSSBAR_232	PCIe_SS1_IRQ_INT0	PCIe_SS1	PCIe_SS1 interrupt 0
IRQ_CROSSBAR_233	PCIe_SS1_IRQ_INT1	PCIe_SS1	PCIe_SS1 interrupt 1
IRQ_CROSSBAR_234	Reserved	Reserved	Reserved
IRQ_CROSSBAR_235	Reserved	Reserved	Reserved
IRQ_CROSSBAR_236	Reserved	Reserved	Reserved
IRQ_CROSSBAR_237	MAILBOX2_IRQ_USER0	MAILBOX2	Mailbox 2 user 0 interrupt
IRQ_CROSSBAR_238	MAILBOX2_IRQ_USER1	MAILBOX2	Mailbox 2 user 1 interrupt
IRQ_CROSSBAR_239	MAILBOX2_IRQ_USER2	MAILBOX2	Mailbox 2 user 2 interrupt
IRQ_CROSSBAR_240	MAILBOX2_IRQ_USER3	MAILBOX2	Mailbox 2 user 3 interrupt
IRQ_CROSSBAR_241	MAILBOX3_IRQ_USER0	MAILBOX3	Mailbox 3 user 0 interrupt
IRQ_CROSSBAR_242	MAILBOX3_IRQ_USER1	MAILBOX3	Mailbox 3 user 1 interrupt
IRQ_CROSSBAR_243	MAILBOX3_IRQ_USER2	MAILBOX3	Mailbox 3 user 2 interrupt
IRQ_CROSSBAR_244	MAILBOX3_IRQ_USER3	MAILBOX3	Mailbox 3 user 3 interrupt
IRQ_CROSSBAR_245	MAILBOX4_IRQ_USER0	MAILBOX4	Mailbox 4 user 0 interrupt
IRQ_CROSSBAR_246	MAILBOX4_IRQ_USER1	MAILBOX4	Mailbox 4 user 1 interrupt
IRQ_CROSSBAR_247	MAILBOX4_IRQ_USER2	MAILBOX4	Mailbox 4 user 2 interrupt
IRQ_CROSSBAR_248	MAILBOX4_IRQ_USER3	MAILBOX4	Mailbox 4 user 3 interrupt
IRQ_CROSSBAR_249	MAILBOX5_IRQ_USER0	MAILBOX5	Mailbox 5 user 0 interrupt
IRQ_CROSSBAR_250	MAILBOX5_IRQ_USER1	MAILBOX5	Mailbox 5 user 1 interrupt
IRQ_CROSSBAR_251	MAILBOX5_IRQ_USER2	MAILBOX5	Mailbox 5 user 2 interrupt
IRQ_CROSSBAR_252	MAILBOX5_IRQ_USER3	MAILBOX5	Mailbox 5 user 3 interrupt
IRQ_CROSSBAR_253	MAILBOX6_IRQ_USER0	MAILBOX6	Mailbox 6 user 0 interrupt
IRQ_CROSSBAR_254	MAILBOX6_IRQ_USER1	MAILBOX6	Mailbox 6 user 1 interrupt

Table 17-8. Connection of Device IRQs to IRQ_CROSSBAR Inputs (continued)

IRQ_CROSSBAR Input	Interrupt Name	Interrupt Source	Description
IRQ_CROSSBAR_255	MAILBOX6_IRQ_USER2	MAILBOX6	Mailbox 6 user 2 interrupt
IRQ_CROSSBAR_256	MAILBOX6_IRQ_USER3	MAILBOX6	Mailbox 6 user 3 interrupt
IRQ_CROSSBAR_257	MAILBOX7_IRQ_USER0	MAILBOX7	Mailbox 7 user 0 interrupt
IRQ_CROSSBAR_258	MAILBOX7_IRQ_USER1	MAILBOX7	Mailbox 7 user 1 interrupt
IRQ_CROSSBAR_259	MAILBOX7_IRQ_USER2	MAILBOX7	Mailbox 7 user 2 interrupt
IRQ_CROSSBAR_260	MAILBOX7_IRQ_USER3	MAILBOX7	Mailbox 7 user 3 interrupt
IRQ_CROSSBAR_261	MAILBOX8_IRQ_USER0	MAILBOX8	Mailbox 8 user 0 interrupt
IRQ_CROSSBAR_262	MAILBOX8_IRQ_USER1	MAILBOX8	Mailbox 8 user 1 interrupt
IRQ_CROSSBAR_263	MAILBOX8_IRQ_USER2	MAILBOX8	Mailbox 8 user 2 interrupt
IRQ_CROSSBAR_264	MAILBOX8_IRQ_USER3	MAILBOX8	Mailbox 8 user 3 interrupt
IRQ_CROSSBAR_265	MAILBOX9_IRQ_USER0	MAILBOX9	Mailbox 9 user 0 interrupt
IRQ_CROSSBAR_266	MAILBOX9_IRQ_USER1	MAILBOX9	Mailbox 9 user 1 interrupt
IRQ_CROSSBAR_267	MAILBOX9_IRQ_USER2	MAILBOX9	Mailbox 9 user 2 interrupt
IRQ_CROSSBAR_268	MAILBOX9_IRQ_USER3	MAILBOX9	Mailbox 9 user 3 interrupt
IRQ_CROSSBAR_269	MAILBOX10_IRQ_USER0	MAILBOX10	Mailbox 10 user 0 interrupt
IRQ_CROSSBAR_270	MAILBOX10_IRQ_USER1	MAILBOX10	Mailbox 10 user 1 interrupt
IRQ_CROSSBAR_271	MAILBOX10_IRQ_USER2	MAILBOX10	Mailbox 10 user 2 interrupt
IRQ_CROSSBAR_272	MAILBOX10_IRQ_USER3	MAILBOX10	Mailbox 10 user 3 interrupt
IRQ_CROSSBAR_273	MAILBOX11_IRQ_USER0	MAILBOX11	Mailbox 11 user 0 interrupt
IRQ_CROSSBAR_274	MAILBOX11_IRQ_USER1	MAILBOX11	Mailbox 11 user 1 interrupt
IRQ_CROSSBAR_275	MAILBOX11_IRQ_USER2	MAILBOX11	Mailbox 11 user 2 interrupt
IRQ_CROSSBAR_276	MAILBOX11_IRQ_USER3	MAILBOX11	Mailbox 11 user 3 interrupt
IRQ_CROSSBAR_277	MAILBOX12_IRQ_USER0	MAILBOX12	Mailbox 12 user 0 interrupt
IRQ_CROSSBAR_278	MAILBOX12_IRQ_USER1	MAILBOX12	Mailbox 12 user 1 interrupt
IRQ_CROSSBAR_279	MAILBOX12_IRQ_USER2	MAILBOX12	Mailbox 12 user 2 interrupt
IRQ_CROSSBAR_280	MAILBOX12_IRQ_USER3	MAILBOX12	Mailbox 12 user 3 interrupt
IRQ_CROSSBAR_[281:316]	Reserved	Reserved	Reserved
IRQ_CROSSBAR_317	DSP1_IRQ_TPCC_ERR	DSP1	DSP1 TPCC error interrupt
IRQ_CROSSBAR_318	DSP1_IRQ_TPCC_GLOBAL	DSP1	DSP1 TPCC global interrupt
IRQ_CROSSBAR_319	DSP1_IRQ_TPCC_REGION0	DSP1	DSP1 TPCC region 0 interrupt
IRQ_CROSSBAR_320	DSP1_IRQ_TPCC_REGION1	DSP1	DSP1 TPCC region 1 interrupt
IRQ_CROSSBAR_321	DSP1_IRQ_TPCC_REGION2	DSP1	DSP1 TPCC region 2 interrupt
IRQ_CROSSBAR_322	DSP1_IRQ_TPCC_REGION3	DSP1	DSP1 TPCC region 3 interrupt
IRQ_CROSSBAR_323	DSP1_IRQ_TPCC_REGION4	DSP1	DSP1 TPCC region 4 interrupt
IRQ_CROSSBAR_324	DSP1_IRQ_TPCC_REGION5	DSP1	DSP1 TPCC region 5 interrupt
IRQ_CROSSBAR_[325:332]	Reserved	Reserved	Reserved
IRQ_CROSSBAR_333	MMU1_IRQ	MMU1	Top level MMU1 interrupt
IRQ_CROSSBAR_334	GMAC_SW_IRQ_RX_THRESH_PULSE	GMAC_SW	GMAC_SW receive threshold interrupt
IRQ_CROSSBAR_335	GMAC_SW_IRQ_RX_PULSE	GMAC_SW	GMAC_SW receive interrupt
IRQ_CROSSBAR_336	GMAC_SW_IRQ_TX_PULSE	GMAC_SW	GMAC_SW transmit interrupt
IRQ_CROSSBAR_337	GMAC_SW_IRQ_MISC_PULSE	GMAC_SW	GMAC_SW miscellaneous interrupt
IRQ_CROSSBAR_338	Reserved	Reserved	Reserved
IRQ_CROSSBAR_339	TIMER13_IRQ	TIMER13	TIMER13 interrupt
IRQ_CROSSBAR_340	TIMER14_IRQ	TIMER14	TIMER14 interrupt
IRQ_CROSSBAR_341	TIMER15_IRQ	TIMER15	TIMER15 interrupt

Table 17-8. Connection of Device IRQs to IRQ_CROSSBAR Inputs (continued)

IRQ_CROSSBAR Input	Interrupt Name	Interrupt Source	Description
IRQ_CROSSBAR_342	TIMER16_IRQ	TIMER16	TIMER16 interrupt
IRQ_CROSSBAR_343	QSPI_IRQ	QSPI	QSPI interrupt
IRQ_CROSSBAR_344	USB3_IRQ_INTR1	USB3	USB3 interrupt 1
IRQ_CROSSBAR_345	Reserved	Reserved	Reserved
IRQ_CROSSBAR_346	Reserved	Reserved	Reserved
IRQ_CROSSBAR_347	GPIO7_IRQ_2	GPIO7	GPIO7 interrupt 2
IRQ_CROSSBAR_348	GPIO8_IRQ_2	GPIO8	GPIO8 interrupt 2
IRQ_CROSSBAR_349	Reserved	Reserved	Reserved
IRQ_CROSSBAR_350	Reserved	Reserved	Reserved
IRQ_CROSSBAR_351	VIP1_IRQ_1	VIP1	VIP1 interrupt 1
IRQ_CROSSBAR_352	Reserved	Reserved	Reserved
IRQ_CROSSBAR_353	Reserved	Reserved	Reserved
IRQ_CROSSBAR_354	VPE_IRQ	VPE	VPE interrupt
IRQ_CROSSBAR_355	PCIe_SS2_IRQ_INT0	PCIe_SS2	PCIe_SS2 interrupt 0
IRQ_CROSSBAR_356	PCIe_SS2_IRQ_INT1	PCIe_SS2	PCIe_SS2 interrupt 1
IRQ_CROSSBAR_357	Reserved	Reserved	Reserved
IRQ_CROSSBAR_358	Reserved	Reserved	Reserved
IRQ_CROSSBAR_359	EDMA_TPCC_IRQ_ERR	EDMA TPCC	EDMA TPCC error interrupt
IRQ_CROSSBAR_360	EDMA_TPCC_IRQ_MP	EDMA TPCC	EDMA TPCC memory protection interrupt
IRQ_CROSSBAR_361	EDMA_TPCC_IRQ_REGION0	EDMA TPCC	EDMA TPCC region 0 interrupt
IRQ_CROSSBAR_362	EDMA_TPCC_IRQ_REGION1	EDMA TPCC	EDMA TPCC region 1 interrupt
IRQ_CROSSBAR_363	EDMA_TPCC_IRQ_REGION2	EDMA TPCC	EDMA TPCC region 2 interrupt
IRQ_CROSSBAR_364	EDMA_TPCC_IRQ_REGION3	EDMA TPCC	EDMA TPCC region 3 interrupt
IRQ_CROSSBAR_365	EDMA_TPCC_IRQ_REGION4	EDMA TPCC	EDMA TPCC region 4 interrupt
IRQ_CROSSBAR_366	EDMA_TPCC_IRQ_REGION5	EDMA TPCC	EDMA TPCC region 5 interrupt
IRQ_CROSSBAR_367	EDMA_TPCC_IRQ_REGION6	EDMA TPCC	EDMA TPCC region 6 interrupt
IRQ_CROSSBAR_368	EDMA_TPCC_IRQ_REGION7	EDMA TPCC	EDMA TPCC region 7 interrupt
IRQ_CROSSBAR_369	MMU2_IRQ	MMU2	Top level MMU2 interrupt
IRQ_CROSSBAR_370	EDMA_TC0_IRQ_ERR	EDMA TC0	EDMA TPTC0 error interrupt
IRQ_CROSSBAR_371	EDMA_TC1_IRQ_ERR	EDMA TC1	EDMA TPTC1 error interrupt
IRQ_CROSSBAR_372	OCMC_RAM1_IRQ_CBUF	OCMC_RAM1	OCMC_RAM1 CBUF interrupt
IRQ_CROSSBAR_373	Reserved	Reserved	Reserved
IRQ_CROSSBAR_374	Reserved	Reserved	Reserved
IRQ_CROSSBAR_375	DSP1_IRQ_TPCC_REGION6	DSP1	DSP1 TPCC region 6 interrupt
IRQ_CROSSBAR_376	DSP1_IRQ_TPCC_REGION7	DSP1	DSP1 TPCC region 7 interrupt
IRQ_CROSSBAR_377	Reserved	Reserved	Reserved
IRQ_CROSSBAR_378	Reserved	Reserved	Reserved
IRQ_CROSSBAR_379	MAILBOX13_IRQ_USER0	MAILBOX13	Mailbox 13 user 0 interrupt
IRQ_CROSSBAR_380	MAILBOX13_IRQ_USER1	MAILBOX13	Mailbox 13 user 1 interrupt
IRQ_CROSSBAR_381	MAILBOX13_IRQ_USER2	MAILBOX13	Mailbox 13 user 2 interrupt
IRQ_CROSSBAR_382	MAILBOX13_IRQ_USER3	MAILBOX13	Mailbox 13 user 3 interrupt
IRQ_CROSSBAR_383	Reserved	Reserved	Reserved
IRQ_CROSSBAR_384	Reserved	Reserved	Reserved
IRQ_CROSSBAR_385	Reserved	Reserved	Reserved
IRQ_CROSSBAR_386	PRM_IRQ_IPU2	PRM	PRCM interrupt to IPU2
IRQ_CROSSBAR_387	Reserved	Reserved	Reserved
IRQ_CROSSBAR_388	Reserved	Reserved	Reserved

Table 17-8. Connection of Device IRQs to IRQ_CROSSBAR Inputs (continued)

IRQ_CROSSBAR Input	Interrupt Name	Interrupt Source	Description
IRQ_CROSSBAR_389	Reserved	Reserved	Reserved
IRQ_CROSSBAR_390	Reserved	Reserved	Reserved
IRQ_CROSSBAR_391	Reserved	Reserved	Reserved
IRQ_CROSSBAR_392	VIP1_IRQ_2	VIP1	VIP1 interrupt 2
IRQ_CROSSBAR_393	Reserved	Reserved	Reserved
IRQ_CROSSBAR_394	Reserved	Reserved	Reserved
IRQ_CROSSBAR_395	IPU1_IRQ_MMU	IPU1	IPU1 MMU interrupt
IRQ_CROSSBAR_396	IPU2_IRQ_MMU	IPU2	IPU2 MMU interrupt
IRQ_CROSSBAR_397	MLB_IRQ ⁽²⁾	MLB	MLB interrupt
IRQ_CROSSBAR_398	Reserved	Reserved	Reserved
IRQ_CROSSBAR_399	Reserved	Reserved	Reserved
IRQ_CROSSBAR_400	Reserved	Reserved	Reserved
IRQ_CROSSBAR_401	Reserved	Reserved	Reserved
IRQ_CROSSBAR_402	I2C6_IRQ ⁽²⁾	I2C6	I2C6 interrupt
IRQ_CROSSBAR_[403 :419]	Reserved	Reserved	Reserved

17.4 Interrupt Controllers Functional Description

For detailed information about each device INTC (including functional description and registers descriptions), see the TRM chapters and Arm documents referenced in [Section 17.1](#), *Interrupt Controllers Overview*.

Control Module

This chapter describes the system control module for the device.

Topic	Page
18.1 Control Module Overview	4121
18.2 Control Module Environment.....	4123
18.3 Control Module Integration	4124
18.4 Control Module Functional Description	4126
18.5 Control Module Register Manual.....	4171
18.6 IODELAYCONFIG Module Integration	4871
18.7 IODELAYCONFIG Module Register Manual	4872

18.1 Control Module Overview

The control module allows software control of the various operation modes supported by the device. It is composed of two submodules. The CTRL_MODULE_CORE submodule which resides in the COREAON power domain and the CTRL_MODULE_WKUP submodule which resides in the WKUPAON power domain. These two submodules represent a set of registers which are used to control the device I/O ports and also various kinds of settings related to the different device operation modes and also to its internal modules.

The CTRL_MODULE_CORE submodule has registers for the following features:

- Pad configuration with following controls:
 - Pad I/O multiplexing
 - Pad pullup and pulldown configuration
 - Pad wake-up detection enabling
 - Pad wake-up event status
 - Pad input buffer enable
 - Pad slew rate control
- Device thermal management control and status registers
- PBIAS cell and MMC1 I/O cells control
- IRQ_CROSSBAR and DMA_CROSSBAR control
- Control the priority of initiator accesses to the external SDRAM
- Control the priority of initiators connected to L3_MAIN interconnect
- Memory region lock registers
- Mapping of the device non-maskable interrupt (NMI) to respective cores
- Controls for the DDR3 I/O Cells
- Controls for the DDR3 associated vref-generation cells
- AVS Class 0 associated registers
- ABB associated registers
- PCIe related registers
- Standard eFuse logic
- Other miscellaneous functions:
 - Status of the system boot settings
 - DSP1 reset vector address
 - Settings associated with USB, SATA and HDMI PHYs
Note: SATA is NOT supported on the AM570x family of devices
 - DSS PLLs multiplexing and enabling
 - Force MPU write nonposted transactions
 - Firewalls error status
 - Settings related to different peripheral modules
 - Others

The CTRL_MODULE_WKUP submodule has registers for the following features:

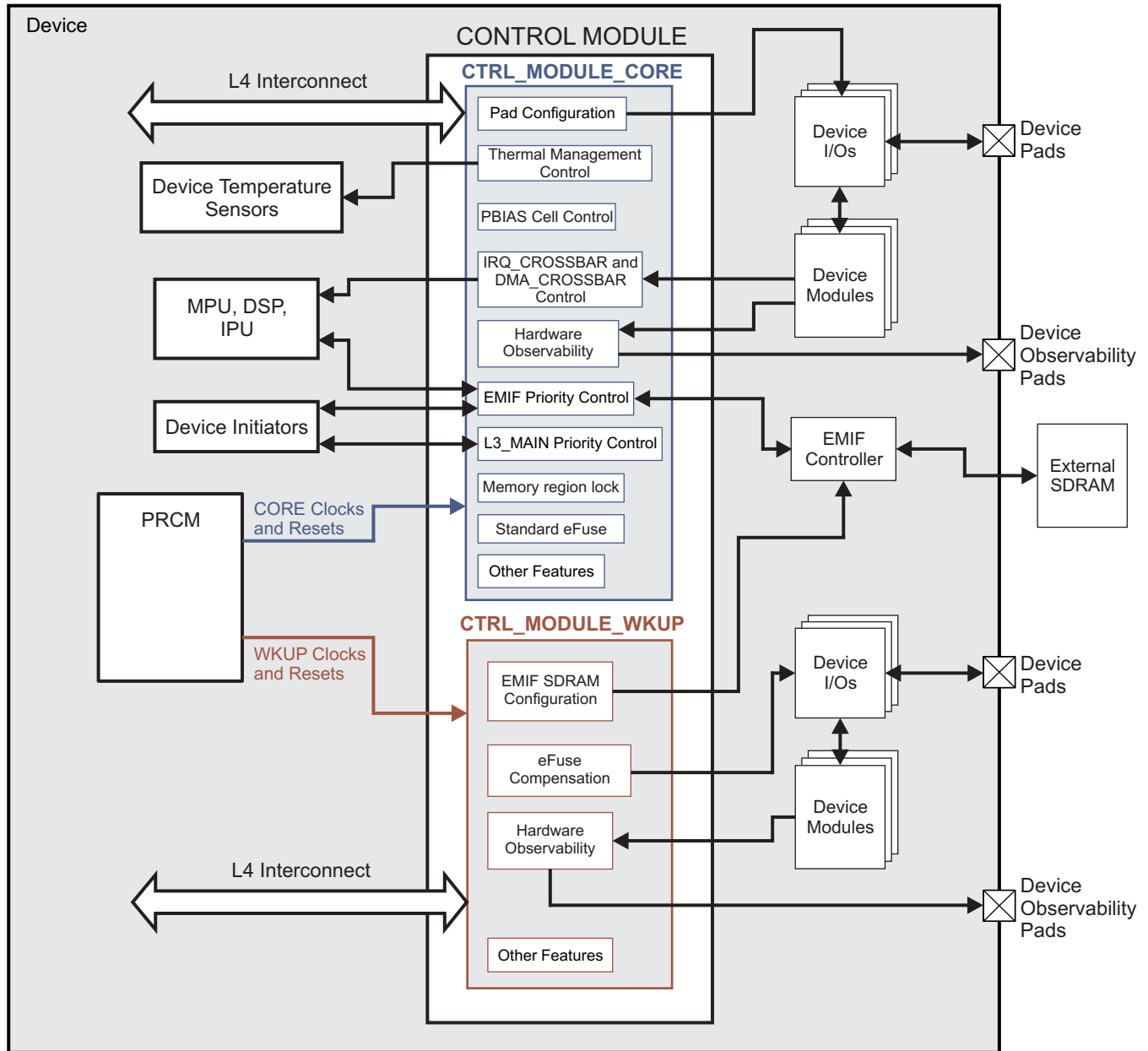
- Basic EMIF configuration settings
- XTAL Oscillator control
- Efuse I/O compensation
- Other functions

Figure 18-1 represents an overview block diagram of the control module.

NOTE: ATL, VCP1, VCP2, MLB and USB3 (ULPI) are not supported on the AM571x / AM570x family of devices.

SATA and RTC are not supported on the AM570x family of devices.

Figure 18-1. Control Module Overview Block Diagram



ctrlmod-001

18.2 Control Module Environment

One of the control module functions is to control the multiplexing of certain signals from the device internal modules. Using the correct pad configuration settings, the control module maps these observability lines to the device boundary and a set of user selected internal module signals are available to be observed on the device pads. In addition, there are also two lines intended for observation of any of the device interrupt requests connected to the inputs of the IRQ_CROSSBAR module and two lines intended for observation of any of the DMA requests connected to the inputs of the DMA_CROSSBAR module. For more information, see [Section 18.4.6.4, IRQ_CROSSBAR Module Functional Description](#) and [Section 18.4.6.5, DMA_CROSSBAR Module Functional Description](#).

An external non-maskable interrupt signal is also present. Using the appropriate registers the NMI can be mapped to different device cores. For more information, see [Section 18.4.6.9, NMI Mapping to respective cores](#).

Figure 18-2 is an overview of the control module environment.

Figure 18-2. Control Module Environment

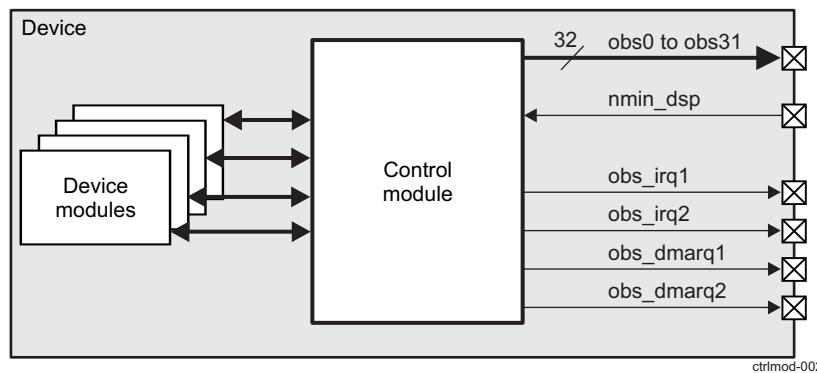


Table 18-1 shows the NMI input signal and observability outputs used to observe different signals of the device modules.

Table 18-1. Control Module I/O Description

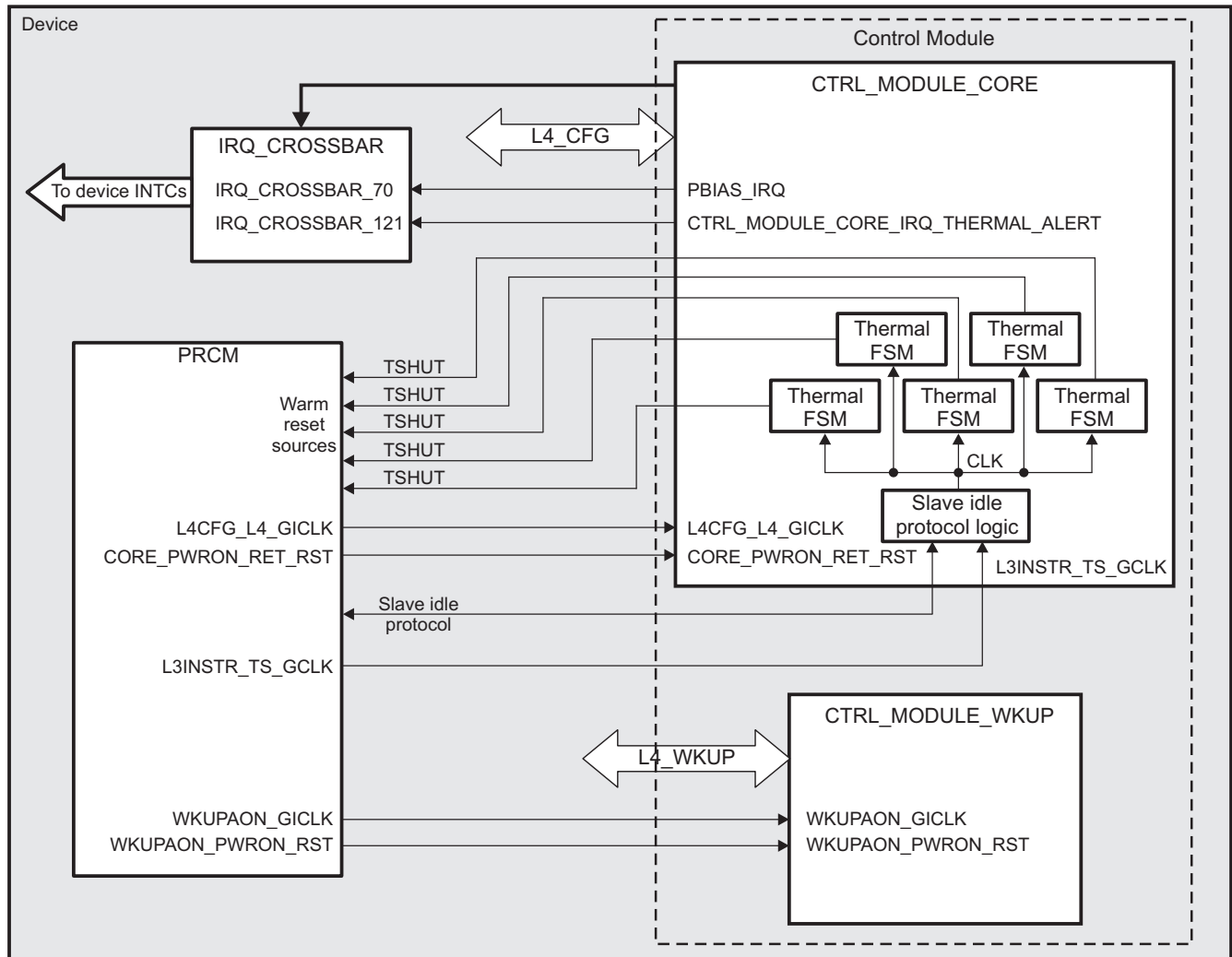
Signal	I/O ⁽¹⁾	Description
obs[31:0]	O	32 internal hardware observability signals
nmin_dsp	I	External non-maskable interrupt signal
obs_irq1	O	Two signals intended for IRQ observation
obs_irq2	O	
obs_dmarq1	O	Two signals intended for DREQ observation
obs_dmarq2	O	

⁽¹⁾ I = Input; O = Output; I/O = Bidirectional

18.3 Control Module Integration

Figure 18-3 shows the integration of the control module in the device.

Figure 18-3. Control Module Integration



ctrlmod-003

Table 18-2 through Table 18-4 summarize the integration of the Control Module in the device.

Table 18-2. Control Module Integration Attributes

Submodule	Attributes	
	Power Domain	Interconnect
CTRL_MODULE_CORE	PD_COREAON	L4_CFG
CTRL_MODULE_WKUP	PD_WKUPAON	L4_WKUP

Table 18-3. Control Module Clocks and Resets

Clocks				
Submodule	Destination Signal Name	Source Signal Name	Source	Description

Table 18-3. Control Module Clocks and Resets (continued)

CTRL_MODULE_CORE	L4CFG_L4_GICKL	L4CFG_L4_GICKL	PRCM	Interface clock to the CTRL_MODULE_CORE submodule
	L3INSTR_TS_GCLK	L3INSTR_TS_GCLK	PRCM	Common functional clock for the five thermal FSMs instantiated in the CTRL_MODULE_CORE submodule
CTRL_MODULE_WKUP	WKUPAON_GICKL	WKUPAON_GICKL	PRCM	Interface clock to the CTRL_MODULE_WKUP submodule
Resets				
CTRL_MODULE_CORE	CORE_PWRON_RST	CORE_PWRON_RST	PRCM	Internal power-on reset (POR) affecting the CTRL_MODULE_CORE submodule
CTRL_MODULE_WKUP	WKUPAON_PWRON_RST	WKUPAON_PWRON_RST	PRCM	Internal POR affecting the CTRL_MODULE_WKUP submodule

Table 18-4. Control Module Hardware Requests

Submodule	Source Signal Name	Interrupt Requests		Description
		Destination IRQ_CROSSBAR Input	Default Mapping	
CTRL_MODULE_CORE	PBIAS_IRQ	IRQ_CROSSBAR_70	MPU_IRQ_75	Interrupt signal generated by the PBIAS cell when the MMC1 I/Os supply voltage is not equal to the bias voltage generated by the PBIAS cell
	CTRL_MODULE_CORE_IRQ_THERMAL_ALERT	IRQ_CROSSBAR_121	MPU_IRQ_126	Thermal alert interrupt signal generated when one of the five thermal sensors goes over the temperature threshold value

NOTE: The “Default Mapping” column in [Table 18-4 Control Module Hardware Requests](#) shows the default mapping of module IRQ source signals. These IRQ source signals can also be mapped to other lines of each device Interrupt controller through the IRQ_CROSSBAR module.

For more information about the IRQ_CROSSBAR module, see [Section 18.4.6.4, IRQ_CROSSBAR Module Functional Description](#).

For more information about the device interrupt controllers, see [Chapter 17, Interrupt Controllers](#).

The integration of the control module is the following:

- No wake-up request generation
- No DMA request generation
- No master standby protocol with the PRCM
- Slave idle protocol, between the CTRL_MODULE_CORE submodule and the PRCM, related only to the L3INSTR_TS_GCLK
- One interrupt request to the IRQ_CROSSBAR module
- Five (thermal shutdown) TSHUT signals used as PRCM warm reset sources
- Two clocks and one reset signal to the CTRL_MODULE_CORE submodule
- One clock and one reset signal to the CTRL_MODULE_WKUP submodule

18.4 Control Module Functional Description

18.4.1 Control Module Clock Configuration

There is no software control over the L4CFG_L4_GICLK and WKUPAON_GICLK clocks neither in the control module nor in the PRCM module. The L4CFG_L4_GICLK clock is automatically gated when there is no access to the CTRL_MODULE_CORE registers and the WKUPAON_GICLK is automatically gated when there is no access to the CTRL_MODULE_WKUP registers. There are clock activity status bits for these two clocks in the PRCM module.

The L3INSTR_TS_GCLK is controlled by the CTRL_CORE_BANDGAP_MASK_1[31:30] SIDLEMODE bit field. For more information, see [Section 18.4.6.2.5](#).

The L3INSTR_TS_GCLK has also the following software controls located in the PRCM module:

- Status: see [Chapter 3, Power, Reset, and Clock Management](#)
- Divider ratio: see [Chapter 3, Power, Reset, and Clock Management](#)

18.4.2 Control Module Resets

The control module is not sensitive to software reset. It does not respond to global warm reset too. The control module is reset only by the internal POR (global cold reset).

Despite the previously stated that control module is not sensitive to global warm reset all CTRL_CORE_PAD_x registers are exception of this rule and are sensitive to global warm reset. All other control module registers are sensitive only to global cold reset.

The PRCM provides the CORE_PWRON_RET_RST POR signal to the CTRL_MODULE_CORE and the WKUPAON_PWRON_RST POR signal to the CTRL_MODULE_WKUP. For more information, see [Section 3.5.5, Reset Domains](#), in [Chapter 3, Power, Reset, and Clock Management](#).

18.4.3 Control Module Power Management

18.4.3.1 Power Management Protocols

The control module, which is slave on the L4 interconnect, does not support master standby or slave idle protocols for handshaking with the PRCM. Only the five thermal FSMs support slave idle protocol used to control their common functional clock, that is the L3INSTR_TS_GCLK clock.

18.4.4 Hardware Requests

The control module does not generate DMA and wake-up requests. The CTRL_MODULE_CORE submodule generates only two IRQs to the IRQ_CROSSBAR module. The first one is the PBIAS_IRQ and the second one is the CTRL_MODULE_CORE_IRQ_THERMAL_ALERT. For more information, see [Section 18.4.6.4, IRQ_CROSSBAR Module Functional Description](#).

18.4.5 Control Module Initialization

The control module responds to the internal POR. During device initialization, only modules used at boot time are associated with the pads. Other module inputs are internally tied and output buffers are turned off. After POR, software must set the pad configuration registers to appropriate values according to the desired device configuration.

The CTRL_CORE_BOOTSTRAP[15:0] bit field reflects the state of the sysboot[15:0] pads captured at POR in the PRCM module.

18.4.6 Functional Description Of The Various Register Types In CTRL_MODULE_CORE Submodule

The following sections describe in detail the purpose of the various kinds of registers and register groups which reside in the CTRL_MODULE_CORE submodule.

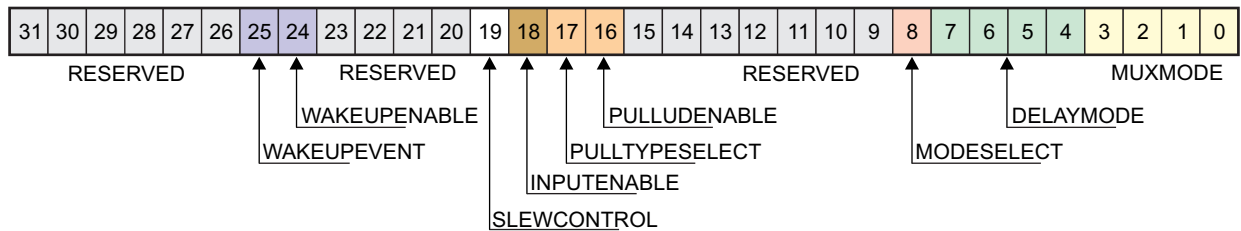
18.4.6.1 Pad Configuration

18.4.6.1.1 Pad Configuration Registers

The pad configuration registers are used to configure most of the device pads. Each pad configuration register is associated only with one pad. The name of each register is formed by the corresponding pad name and the prefix "CTRL_CORE_PAD_". Almost all pad configuration registers have same bits. In some of these registers certain bits cannot be present. Figure 18-4 shows the general case in which all the pad configuration register bits are present. Table 18-5 describes these bits.

After POR, software must set the pad configuration registers to appropriate values depending on the desired device configuration. Configuration of the pad configuration registers is normally done as part of the IO delay recalibration sequence described in Section 18.4.6.1.8, IO Delay Recalibration.

Figure 18-4. Pad Configuration Register Bits



ctrlmod-005

Table 18-5. Description Of The Pad Configuration Register Bits

Bit/Bit Field	Bit Meaning		Description
	0b0	0b1	
WAKEUPEVENT	Wake-up event is not detected	Wake-up event is detected	Wake-up event status for a given pad. Indicates whenever the pad state is changed (0->1 or 1->0). In addition, when a wake-up event from a given I/O cell is received, the PRCM will wake up the MPU by switching-on its power domain and clocks and then generating an interrupt.
WAKEUPENABLE	Disable I/O wake-up function	Enable I/O wake-up function	Enables wake-up detection on input
SLEWCONTROL	Fast slew is selected	Slow slew is selected	Selects the slew rate for a given pad. The slew rate should be set to the value specified in the device Data Manual for a given mode of operation.
INPUTENABLE ⁽¹⁾	Receive mode is disabled. The pad is configured in output mode only.	Receive mode is enabled. The pad is configured in bidirectional mode.	Enables the input buffer of a given I/O
PULLTYPESELECT	Weak pull-down resistor is selected	Weak pull-up resistor is selected	Weak pull-up or weak pull-down resistor selection for a given pad
PULLUDENABLE	Weak pull-up/pull-down resistor is enabled	Weak pull-up/pull-down resistor is disabled	Enables weak pull-up/pull-down feature of a given pad
MODESELECT	Default IO Timing Mode is used	A Virtual or Manual IO Timing Mode is used.	Selects between the Default IO Timing Mode and a Virtual or Manual IO Timing Mode. Refer to the device Data Manual for definition of the required settings for a given mode of operation. When this bit is 0b1, a Virtual IO Timing Mode can be selected via the DELAYMODE field of this register, as described in Section 18.4.6.1.5, Virtual IO Timing Modes. Manual IO Timing Modes are selected via the procedure described in Section 18.4.6.1.6, Manual IO Timing Modes.

⁽¹⁾ To enable/disable the input buffers of the mmc1_* pads the ACTIVE bits of the corresponding CTRL_CORE_PAD_x registers are used. These registers have ACTIVE bits instead of INPUTENABLE bits.

Table 18-5. Description Of The Pad Configuration Register Bits (continued)

Bit/Bit Field	Bit Meaning		Description
	0b0	0b1	
DELAYMODE	This bit field selects the Virtual Timing Mode used when the MODESELECT bit is set to 0b1. See Section 18.4.6.1.5, Virtual IO Timing Modes for details.		
MUXMODE	This bit field selects the desired Multiplexing Mode for the pad. See section “ <i>Multiplexing Characteristics</i> ” of the Data Manual for a list of available functions for each pad.		

NOTE: The default SLEWCONTROL settings in each pad configuration register must be used to guarantee timings, unless specific instructions otherwise are given in the individual timing sub-sections of the device Data Manual. The only exception is when the MUXMODE is configured to select a vout*_* signal. In this case the corresponding SLEWCONTROL bit must be configured to slow slew instead of the default fast slew.

NOTE: It must be taken into account that when an external pull resistor is desired, the internal pull resistors must be disabled by software because they are enabled by default.

NOTE: GPIO pins can directly snoop device pads even if those are configured in the other modes. For GPIO output user needs to set pad mux.

The following signals require CTRL_CORE_PAD_x to be programmed with INPUTENABLE=1 for retiming purposes:

- mmc2_clk, mmc3_clk, and mmc4_clk
- gpmc_clk
- i2cj_scl where j=1-6
- spim_sclk where m=1-4
- mcaspi_aclkx, mcaspi_ahclkx and mcaspi_aclkr signals where i=1-8

Aside from the pad configuration registers, there are also two additional registers related to signal multiplexing. These are the [CTRL_CORE_VIP_MUX_SELECT](#) and [CTRL_CORE_ALT_SELECT_MUX](#) registers. The [CTRL_CORE_VIP_MUX_SELECT](#) register has bits for remapping the VIP1 signals to several device pads. [Table 18-6](#) shows the VIP1 signals and the corresponding device pads to which these signals can be mapped.

Using the [CTRL_CORE_VIP_MUX_SELECT](#) register the signals of the CAL video port (described in [Section 8.3.2 CAL Integration - Video Port](#)) can also be mapped to VIP1.

For example, the [vin1a_clk0](#) signal can be mapped to the [gpmc_cs3](#) pad when [CTRL_CORE_PAD_GPMC_CS3\[3:0\] GPMC_CS3_MUXMODE = 0x2](#) or to the [vout1_fld](#) pad when [CTRL_CORE_PAD_VOUT1_FLD\[3:0\] VOUT1_FLD_MUXMODE = 0x4](#) only if the [CTRL_CORE_VIP_MUX_SELECT\[6:4\] VIP_SEL_1A](#) bit field is set to 0x0 (GROUP3A pads). If the [CTRL_CORE_VIP_MUX_SELECT\[6:4\] VIP_SEL_1A](#) bit field is set to 0x1 (GROUP5A pads) the [vin1a_clk0](#) signal can be mapped to the [gpio6_10](#) device pad after the [CTRL_CORE_PAD_GPIO6_10\[3:0\] GPIO6_10_MUXMODE](#) bit field has been set to 0x9.

The [vin1a_clk0](#) signal can also be mapped to the [xref_clk1](#) pad when the [CTRL_CORE_VIP_MUX_SELECT\[6:4\] VIP_SEL_1A](#) bit field is set to 0x2 (GROUP6A pads) and the [CTRL_CORE_PAD_XREF_CLK1\[3:0\] XREF_CLK1_MUXMODE](#) bit field is set to 0x7. The same logic applies to the other VIP1 signals listed in [Table 18-6](#).

It must be taken into account that some VIP1 signals may be available on the device pads in one combination of MUXMODE values and values in certain bit field of the [CTRL_CORE_VIP_MUX_SELECT](#) register but in another combination of values the same signals may not be available on another device pads. For example, the `vin2a_d[23:0]` set of signals are available on the `vin2a_d[23:0]` device pads when the corresponding MUXMODE bit fields are set to 0x0 and the [CTRL_CORE_VIP_MUX_SELECT\[2:1\]](#) `VIP_SEL_2A` bit field is set to 0x0 (GROUP2A pads). But the signals `vin2a_d[23:12]` are not available on another device pads when [CTRL_CORE_VIP_MUX_SELECT\[2:1\]](#) `VIP_SEL_2A` = 0x0 (GROUP2A pads).

Table 18-6. Additional Multiplexing of the VIP1 Signals

Pad Group ⁽¹⁾	Device Pads	VIP1 Signals	The signal in column "VIP1 Signals" is available on the pad in column "Device Pads" when:
GROUP2A	<code>vin2a_clk0</code>	<code>vin2a_clk0</code>	the MUXMODE bit field of the corresponding pad configuration registers is set to 0x0 and the CTRL_CORE_VIP_MUX_SELECT[2:1] <code>VIP_SEL_2A</code> bit is set to 0x0.
	<code>vin2a_de0</code>	<code>vin2a_de0</code>	
	<code>vin2a_fld0</code>	<code>vin2a_fld0</code>	
	<code>vin2a_hsync0</code>	<code>vin2a_hsync0</code>	
	<code>vin2a_vsync0</code>	<code>vin2a_vsync0</code>	
	<code>vin2a_d[23:0]</code>	<code>vin2a_d[23:0]</code>	
	<code>mdio_mclk</code>	<code>vin2a_clk0</code>	the MUXMODE bit field of the corresponding pad configuration registers is set to 0x4 and the CTRL_CORE_VIP_MUX_SELECT[2:1] <code>VIP_SEL_2A</code> bit is set to 0x0.
	<code>mdio_d</code>	<code>vin2a_d0</code>	
	<code>RMII_MHZ_50_CLK</code>	<code>vin2a_d11</code>	
	<code>uart3_rxd</code>	<code>vin2a_d1</code>	
	<code>uart3_txd</code>	<code>vin2a_d2</code>	
	<code>rgmii0_txc</code>	<code>vin2a_d3</code>	
	<code>rgmii0_tctl</code>	<code>vin2a_d4</code>	
	<code>rgmii0_txd3</code>	<code>vin2a_de0</code>	
	<code>rgmii0_txd2</code>	<code>vin2a_hsync0</code>	
	<code>rgmii0_txd1</code>	<code>vin2a_vsync0</code>	
	<code>rgmii0_txd0</code>	<code>vin2a_d10</code>	
	<code>rgmii0_rxc</code>	<code>vin2a_d5</code>	
	<code>rgmii0_rxctl</code>	<code>vin2a_d6</code>	
	<code>rgmii0_rxd[3:1]</code>	<code>vin2a_d[7:9]</code>	
<code>rgmii0_rxd0</code>	<code>vin2a_fld0</code>		
<code>vin2a_de0</code>	<code>vin2a_fld0</code>	the MUXMODE bit field of the corresponding pad configuration register is set to 0x1 and the CTRL_CORE_VIP_MUX_SELECT[2:1] <code>VIP_SEL_2A</code> bit is set to 0x0.	
GROUP2B	<code>vin2a_de0</code>	<code>vin2b_fld1</code>	the MUXMODE bit field of the corresponding pad configuration registers is set to 0x2 and the CTRL_CORE_VIP_MUX_SELECT[0] <code>VIP_SEL_2B</code> bit is set to 0x0.
	<code>vin2a_fld0</code>	<code>vin2b_clk1</code>	
	<code>vin2a_d[16:23]</code>	<code>vin2b_d[7:0]</code>	
	<code>vin2a_de0</code>	<code>vin2b_de1</code>	the MUXMODE bit field of the corresponding pad configuration registers is set to 0x3 and the CTRL_CORE_VIP_MUX_SELECT[0] <code>VIP_SEL_2B</code> bit is set to 0x0.
	<code>vin2a_hsync0</code>	<code>vin2b_hsync1</code>	
	<code>vin2a_vsync0</code>	<code>vin2b_vsync1</code>	the MUXMODE bit field of the corresponding pad configuration registers is set to 0x4 and the CTRL_CORE_VIP_MUX_SELECT[0] <code>VIP_SEL_2B</code> bit is set to 0x0.
	<code>gpio6_10</code>	<code>vin2b_hsync1</code>	
	<code>gpio6_11</code>	<code>vin2b_vsync1</code>	
	<code>mmc3_clk</code>	<code>vin2b_d7</code>	
	<code>mmc3_cmd</code>	<code>vin2b_d6</code>	
	<code>mmc3_dat[0:5]</code>	<code>vin2b_d[5:0]</code>	
	<code>mmc3_dat6</code>	<code>vin2b_de1</code>	
	<code>mmc3_dat7</code>	<code>vin2b_clk1</code>	

⁽¹⁾ See the bits in the [CTRL_CORE_VIP_MUX_SELECT](#) register.

Table 18-6. Additional Multiplexing of the VIP1 Signals (continued)

Pad Group ⁽¹⁾	Device Pads	VIP1 Signals	The signal in column "VIP1 Signals" is available on the pad in column "Device Pads" when:
GROUP3A	gpmc_ad[0:15]	vin1a_d[0:15]	the MUXMODE bit field of the corresponding pad configuration registers is set to 0x2 and the CTRL_CORE_VIP_MUX_SELECT[6:4] VIP_SEL_1A bit is set to 0x0.
	gpmc_a[0:7]	vin1a_d[16:23]	
	gpmc_a8	vin1a_hsync0	
	gpmc_a9	vin1a_vsync0	
	gpmc_a10	vin1a_de0	
	gpmc_a11	vin1a_fld0	
	gpmc_cs3	vin1a_clk0	
	vout1_clk	vin1a_fld0	the MUXMODE bit field of the corresponding pad configuration registers is set to 0x4 and the CTRL_CORE_VIP_MUX_SELECT[6:4] VIP_SEL_1A bit is set to 0x0.
	vout1_de	vin1a_de0	
	vout1_fld	vin1a_clk0	
	vout1_hsync	vin1a_hsync0	
	vout1_vsync	vin1a_vsync0	
	vout1_d[0:7]	vin1a_d[16:23]	
	vout1_d[8:15]	vin1a_d[8:15]	
vout1_d[16:23]	vin1a_d[0:7]		
GROUP3B	gpmc_a[19:26]	vin2b_d[0:7]	the MUXMODE bit field of the corresponding pad configuration registers is set to 0x6 and the CTRL_CORE_VIP_MUX_SELECT[0] VIP_SEL_2B bit is set to 0x1.
	gpmc_a27	vin2b_hsync1	
	gpmc_cs1	vin2b_vsync1	
	gpmc_clk	vin2b_clk1	
	gpmc_ben0	vin2b_de1	
	gpmc_ben1	vin2b_fld1	
	gpmc_ben1	vin2b_clk1	the MUXMODE bit field of the corresponding pad configuration register is set to 0x4 and the CTRL_CORE_VIP_MUX_SELECT[0] VIP_SEL_2B bit is set to 0x1.
	gpmc_a[19:26]	vin1b_d[0:7]	the MUXMODE bit field of the corresponding pad configuration register is set to 0x6 and the CTRL_CORE_VIP_MUX_SELECT[3] VIP_SEL_1B bit is set to 0x1.
	gpmc_a27	vin1b_hsync1	
	gpmc_cs1	vin1b_vsync1	
	gpmc_clk	vin1b_clk1	
	gpmc_ben0	vin1b_de1	
	gpmc_ben1	vin1b_fld1	
	gpmc_ben1	vin1b_clk1	the MUXMODE bit field of the corresponding pad configuration register is set to 0x4 and the CTRL_CORE_VIP_MUX_SELECT[3] VIP_SEL_1B bit is set to 0x1.

Table 18-6. Additional Multiplexing of the VIP1 Signals (continued)

Pad Group ⁽¹⁾	Device Pads	VIP1 Signals	The signal in column "VIP1 Signals" is available on the pad in column "Device Pads" when:
GROUP4A	gpio6_14	vin2a_hsync0	the MUXMODE bit field of the corresponding pad configuration registers is set to 0x8 and the CTRL_CORE_VIP_MUX_SELECT[2:1] VIP_SEL_2A bit is set to 0x1.
	gpio6_15	vin2a_vsync0	
	gpio6_16	vin2a_fld0	
	xref_clk2	vin2a_clk0	
	xref_clk3	vin2a_de0	
	mcasp1_aclkr	vin2a_d0	
	mcasp1_fsr	vin2a_d1	
	mcasp1_axr[2:7]	vin2a_d[2:7]	
	mcasp2_aclkr	vin2a_d8	
	mcasp2_fsr	vin2a_d9	
	mcasp2_axr[0:1]	vin2a_d[10:11]	
	mcasp2_axr[4:7]	vin2a_d[12:15]	
	mcasp4_aclkx	vin2a_d16	
	mcasp4_fsx	vin2a_d17	
	mcasp4_axr[0:1]	vin2a_d[18:19]	
	mcasp5_aclkx	vin2a_d20	
	mcasp5_fsx	vin2a_d21	
	mcasp5_axr[0:1]	vin2a_d[22:23]	
	gpmc_a[0:7]	vin2a_d[0:7]	the MUXMODE bit field of the corresponding pad configuration registers is set to 0x4 and the CTRL_CORE_VIP_MUX_SELECT[2:1] VIP_SEL_2A bit is set to 0x1.
	gpmc_a11	vin2a_fld0	
	gpmc_a12	vin2a_clk0	
	gpmc_a13	vin2a_hsync0	
	gpmc_a14	vin2a_vsync0	
	gpmc_a[15:22]	vin2a_d[8:15]	
	gpmc_a23	vin2a_fld0	
	gpmc_a[24:27]	vin2a_d[8:11]	
	gpmc_cs1	vin2a_de0	
	gpmc_clk	vin2a_hsync0	
	gpmc_advn_ale	vin2a_vsync0	
	gpmc_clk	vin2a_de0	the MUXMODE bit field of the corresponding pad configuration register is set to 0x5 and the CTRL_CORE_VIP_MUX_SELECT[2:1] VIP_SEL_2A bit is set to 0x1.
	vout1_clk	vin2a_fld0	
	vout1_de	vin2a_de0	the MUXMODE bit field of the corresponding pad configuration registers is set to 0x3 and the CTRL_CORE_VIP_MUX_SELECT[2:1] VIP_SEL_2A bit is set to 0x1.
	vout1_fld	vin2a_clk0	
vout1_hsync	vin2a_hsync0		
vout1_vsync	vin2a_vsync0		
vout1_d[0:7]	vin2a_d[16:23]		
vout1_d[8:15]	vin2a_d[8:15]		
vout1_d[16:23]	vin2a_d[0:7]		

Table 18-6. Additional Multiplexing of the VIP1 Signals (continued)

Pad Group ⁽¹⁾	Device Pads	VIP1 Signals	The signal in column "VIP1 Signals" is available on the pad in column "Device Pads" when:
	gpmc_a[0:7]	vin1a_d[0:7]	the MUXMODE bit field of the corresponding pad configuration registers is set to 0x4 and the CTRL_CORE_VIP_MUX_SELECT [6:4] VIP_SEL_1A bit field is set to 0x3.
	gpmc_a11	vin1a_fld0	
	gpmc_a12	vin1a_clk0	
	gpmc_a13	vin1a_hsync0	
	gpmc_a14	vin1a_vsync0	
	gpmc_a[15:22]	vin1a_d[8:15]	
	gpmc_a23	vin1a_fld0	
	gpmc_a[24:27]	vin1a_d[8:11]	
	gpmc_cs1	vin1a_de0	
	gpmc_clk	vin1a_hsync0	
	gpmc_advn_ale	vin1a_vsync0	
	gpmc_clk	vin1a_de0	
	vout1_clk	vin1a_fld0	the MUXMODE bit field of the corresponding pad configuration register is set to 0x3 and the CTRL_CORE_VIP_MUX_SELECT [6:4] VIP_SEL_1A bit field is set to 0x3.
	vout1_de	vin1a_de0	
	vout1_fld	vin1a_clk0	
	vout1_hsync	vin1a_hsync0	
	vout1_vsync	vin1a_vsync0	
	vout1_d[0:7]	vin1a_d[16:23]	
	vout1_d[8:15]	vin1a_d[8:15]	
	vout1_d[16:23]	vin1a_d[0:7]	
	gpio6_14	vin1a_hsync0	the MUXMODE bit field of the corresponding pad configuration register is set to 0x8 and the CTRL_CORE_VIP_MUX_SELECT [6:4] VIP_SEL_1A bit field is set to 0x3.
	gpio6_15	vin1a_vsync0	
	gpio6_16	vin1a_fld0	
	xref_clk2	vin1a_clk0	
	xref_clk3	vin1a_de0	
	mcasp1_aclkr	vin1a_d0	
	mcasp1_fsr	vin1a_d1	
	mcasp1_axr[2:7]	vin1a_d[2:7]	
	mcasp2_aclkr	vin1a_d8	
	mcasp2_fsr	vin1a_d9	
	mcasp2_axr[0:1]	vin1a_d[10:11]	
	mcasp2_axr[4:7]	vin1a_d[12:15]	
	mcasp4_aclkx	vin1a_d16	
	mcasp4_fsx	vin1a_d17	
	mcasp4_axr[0:1]	vin1a_d[18:19]	
	mcasp5_aclkx	vin1a_d20	
	mcasp5_fsx	vin1a_d21	
	mcasp5_axr[0:1]	vin1a_d[22:23]	

Table 18-6. Additional Multiplexing of the VIP1 Signals (continued)

Pad Group ⁽¹⁾	Device Pads	VIP1 Signals	The signal in column "VIP1 Signals" is available on the pad in column "Device Pads" when:
GROUP4B	gpmc_a[0:7]	vin1b_d[0:7]	the MUXMODE bit field of the corresponding pad configuration registers is set to 0x6 and the CTRL_CORE_VIP_MUX_SELECT [3] VIP_SEL_1B bit is set to 0x0.
	gpmc_a8	vin1b_hsync1	
	gpmc_a9	vin1b_vsync1	
	gpmc_a10	vin1b_clk1	
	gpmc_a11	vin1b_de1	
	gpmc_a12	vin1b_fld1	
	mdio_mclk	vin1b_clk1	the MUXMODE bit field of the corresponding pad configuration registers is set to 0x5 and the CTRL_CORE_VIP_MUX_SELECT [3] VIP_SEL_1B bit is set to 0x0.
	mdio_d	vin1b_d0	
	uart3_rxd	vin1b_d1	
	uart3_txd	vin1b_d2	
	rgmii0_txc	vin1b_d3	
	rgmii0_txctl	vin1b_d4	
	rgmii0_txd3	vin1b_de1	
	rgmii0_txd2	vin1b_hsync1	
	rgmii0_txd1	vin1b_vsync1	
	rgmii0_rxc	vin1b_d5	
	rgmii0_rxctl	vin1b_d6	
	rgmii0_rxd3	vin1b_d7	
rgmii0_rxd0	vin1b_fld1		
GROUP5A	mcasp3_axr1	vin1a_fid0	the MUXMODE bit field of the corresponding pad configuration registers is set to 0x9 and the CTRL_CORE_VIP_MUX_SELECT [6:4] VIP_SEL_1A bit is set to 0x1.
	mcasp4_aclkx	vin1a_d15	
	mcasp4_fsx	vin1a_d14	
	mcasp4_axr[0:1]	vin1a_d[13:12]	
	mcasp5_aclkx	vin1a_d11	
	mcasp5_fsx	vin1a_d10	
	mcasp5_axr[0:1]	vin1a_d[9:8]	
	gpio6_10	vin1a_clk0	
	gpio6_11	vin1a_de0	
	mmc3_clk	vin1a_d7	
	mmc3_cmd	vin1a_d6	
	mmc3_dat[0:5]	vin1a_d[5:0]	
	mmc3_dat6	vin1a_hsync0	
	mmc3_dat7	vin1a_vsync0	

Table 18-6. Additional Multiplexing of the VIP1 Signals (continued)

Pad Group ⁽¹⁾	Device Pads	VIP1 Signals	The signal in column "VIP1 Signals" is available on the pad in column "Device Pads" when:
GROUP6A	xref_clk0	vin1a_d0	the MUXMODE bit field of the corresponding pad configuration registers is set to 0x7 and the CTRL_CORE_VIP_MUX_SELECT [6:4] VIP_SEL_1A bit is set to 0x2.
	xref_clk1	vin1a_clk0	
	mcasp1_aclkx	vin1a_fld0	
	mcasp1_fsx	vin1a_de0	
	mcasp1_axr0	vin1a_vsync0	
	mcasp1_axr1	vin1a_hsync0	
	mcasp1_axr[8:13]	vin1a_d[15:10]	
	mcasp1_axr[14:15]	vin1a_d[9:8]	
	mcasp2_aclkx	vin1a_d7	
	mcasp2_fsx	vin1a_d6	
	mcasp2_axr[2:3]	vin1a_d[5:4]	
	mcasp3_aclkx	vin1a_d3	
	mcasp3_fsx	vin1a_d2	
	mcasp3_axr[0:1]	vin1a_d[1:0]	

The same logic as previously described applies also to the [CTRL_CORE_ALT_SELECT_MUX](#)[6] SEL_FUNC_USB3_USB4 bit. It is used to remap the USB3 signals.

[Table 18-7](#) shows the USB3 signals and the corresponding device pads to which these signals can be mapped.

Table 18-7. Additional Multiplexing of the USB Signals

Pad Group	Device Pads	USB3 Signals	The signal in column "USB3 Signals" is available on the pad in column "Device Pads" when:
USB_GROUP3	gpio6_10	usb3_ulpi_d7	the MUXMODE bit field of the corresponding pad configuration registers is set to 0x3 and the CTRL_CORE_ALT_SELECT_MUX [6] SEL_ALT_USB3_USB4 bit is set to 0x0.
	gpio6_11	usb3_ulpi_d6	
	mmc3_clk	usb3_ulpi_d5	
	mmc3_cmd	usb3_ulpi_d4	
	mmc3_dat0	usb3_ulpi_d3	
	mmc3_dat1	usb3_ulpi_d2	
	mmc3_dat2	usb3_ulpi_d1	
	mmc3_dat3	usb3_ulpi_d0	
	mmc3_dat4	usb3_ulpi_nxt	
	mmc3_dat5	usb3_ulpi_dir	
	mmc3_dat6	usb3_ulpi_stp	
	mmc3_dat7	usb3_ulpi_clk	

Table 18-7. Additional Multiplexing of the USB Signals (continued)

Pad Group	Device Pads	USB3 Signals	The signal in column "USB3 Signals" is available on the pad in column "Device Pads" when:
USB_GROUP4	rgmii0_txc	usb3_ulpi_clk	the MUXMODE bit field of the corresponding pad configuration registers is set to 0x6 and the CTRL_CORE_ALT_SELECT_MUX[6] SEL_ALT_USB3_USB4 bit is set to 0x1.
	rgmii0_txctl	usb3_ulpi_stp	
	rgmii0_txd3	usb3_ulpi_dir	
	rgmii0_txd2	usb3_ulpi_nxt	
	rgmii0_txd1	usb3_ulpi_d0	
	rgmii0_txd0	usb3_ulpi_d1	
	rgmii0_rxc	usb3_ulpi_d2	
	rgmii0_rxctl	usb3_ulpi_d3	
	rgmii0_rxd3	usb3_ulpi_d4	
	rgmii0_rxd2	usb3_ulpi_d5	
	rgmii0_rxd1	usb3_ulpi_d6	
	rgmii0_rxd0	usb3_ulpi_d7	

NOTE: USB3 (ULPI) is not supported on the AM571x / AM570x family of devices.

Aside from the maximum 16 possible combinations through the MUXMODE bit fields using the [CTRL_CORE_ALT_SELECT_MUX\[5:0\]](#) bits, an additional signal can be mapped to several device pads. These pads are listed in [Table 18-8](#). In other words, for these pads there are up to 17 possible signal combinations, although not all of them are really implemented.

Table 18-8. Pads Having Capability for Additional Signal Mapping

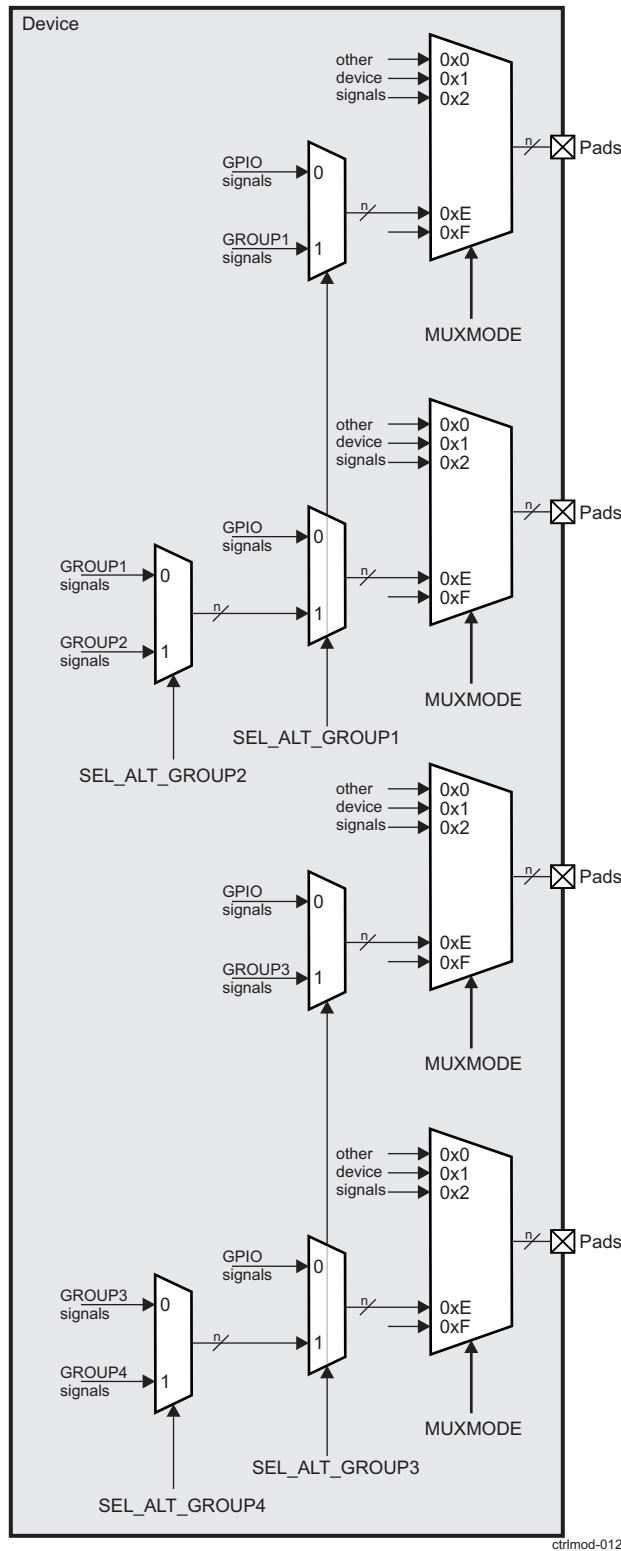
Pad/Signal Group	Device Pads	GPMC/GPIO Signals	The signal in column "GPMC/GPIO Signals" is available on the pad in column "Device Pads" when:
GROUP1	vin2a_clk0	gpmc_a27	the MUXMODE bit field of the corresponding pad configuration registers is set to 0xE and the CTRL_CORE_ALT_SELECT_MUX[3] SEL_ALT_GROUP1 bit is set to 0x1 and the CTRL_CORE_ALT_SELECT_MUX[2] SEL_ALT_GROUP2 bit is set to 0x0.
	vin2a_fld0	gpmc_a27	
	vin2a_d8	gpmc_a26	
	vin2a_d9	gpmc_a25	
	vin2a_d10	gpmc_a24	
	vin2a_d11	gpmc_a23	
	vin2a_hsync0	gpmc_a27	
GROUP2	vin2a_clk0	gpmc_a17	the MUXMODE bit field of the corresponding pad configuration registers is set to 0xE, the CTRL_CORE_ALT_SELECT_MUX[3] SEL_ALT_GROUP1 bit is set to 0x1 and the CTRL_CORE_ALT_SELECT_MUX[2] SEL_ALT_GROUP2 bit is set to 0x1.
	vin2a_fld0	gpmc_a18	
	vin2a_d8	gpmc_a26	
	vin2a_d9	gpmc_a25	
	vin2a_d10	gpmc_a24	
	vin2a_d11	gpmc_a23	
	vin2a_hsync0	gpmc_a27	
GROUP3	gpmc_cs2	gpmc_a23	the MUXMODE bit field of the corresponding pad configuration registers is set to 0xE and the CTRL_CORE_ALT_SELECT_MUX[1] SEL_ALT_GROUP3 bit is set to 0x1 and the CTRL_CORE_ALT_SELECT_MUX[0] SEL_ALT_GROUP4 bit is set to 0x0.
	gpmc_cs3	gpmc_a24	
	gpmc_wait0	gpmc_a25	
	gpmc_clk	gpmc_a20	
	gpmc_advn_ale	gpmc_a19	
	gpmc_ben0	gpmc_a21	
	gpmc_ben1	gpmc_a22	
	gpmc_a0	gpmc_a26	

Table 18-8. Pads Having Capability for Additional Signal Mapping (continued)

Pad/Signal Group	Device Pads	GPMC/GPIO Signals	The signal in column "GPMC/GPIO Signals" is available on the pad in column "Device Pads" when:
GROUP4	gpmc_cs2	gpmc_a13	the MUXMODE bit field of the corresponding pad configuration registers is set to 0xE, the CTRL_CORE_ALT_SELECT_MUX[1] SEL_ALT_GROUP3 bit is set to 0x1 and the CTRL_CORE_ALT_SELECT_MUX[0] SEL_ALT_GROUP4 bit is set to 0x1.
	gpmc_cs3	gpmc_a14	
	gpmc_wait0	gpmc_a15	
	gpmc_a0	gpmc_a16	
	gpmc_clk	gpmc_a20	
	gpmc_advn_ale	gpmc_a19	
	gpmc_ben0	gpmc_a21	
	gpmc_ben1	gpmc_a22	
GROUP5	vin2a_clk0	gpio3_28	the MUXMODE bit field of the corresponding pad configuration registers is set to 0xE and the CTRL_CORE_ALT_SELECT_MUX[3] SEL_ALT_GROUP1 bit is set to 0x0.
	vin2a_fld0	gpio3_30	
	vin2a_d8	gpio4_9	
	vin2a_d9	gpio4_10	
	vin2a_d10	gpio4_11	
	vin2a_d11	gpio4_12	
	vin2a_hsync0	gpio3_31	
GROUP6	gpmc_cs2	gpio2_20	the MUXMODE bit field of the corresponding pad configuration registers is set to 0xE and the CTRL_CORE_ALT_SELECT_MUX[1] SEL_ALT_GROUP3 bit is set to 0x0.
	gpmc_cs3	gpio2_21	
	gpmc_wait0	gpio2_28	
	gpmc_clk	gpio2_22	
	gpmc_advn_ale	gpio2_23	
	gpmc_ben0	gpio2_26	
	gpmc_ben1	gpio2_27	
	gpmc_a0	gpio7_3	
GROUP7	Wakeup0	gpio1_0	the MUXMODE bit field of the corresponding pad configuration registers is set to 0xE and the CTRL_CORE_ALT_SELECT_MUX[5] SEL_ALT_WAKEUP0_WAKEUP_2 bit is set to 0x0.
GROUP8	Wakeup0	sys_nirq2	the MUXMODE bit field of the corresponding pad configuration registers is set to 0xE and the CTRL_CORE_ALT_SELECT_MUX[5] SEL_ALT_WAKEUP0_WAKEUP_2 bit is set to 0x1.
GROUP9	Wakeup3	gpio1_3	the MUXMODE bit field of the corresponding pad configuration registers is set to 0xE and the CTRL_CORE_ALT_SELECT_MUX[4] SEL_ALT_WAKEUP3_WAKEUP_1 bit is set to 0x0.
GROUP10	Wakeup3	dcan2_rx	the MUXMODE bit field of the corresponding pad configuration registers is set to 0xE and the CTRL_CORE_ALT_SELECT_MUX[4] SEL_ALT_WAKEUP3_WAKEUP_1 bit is set to 0x1.

Figure 18-5 shows the multiplexing scheme of pads from GROUP1 to GROUP4.

Figure 18-5. Multiplexing Scheme of the Pads Having Capability for Additional Signal Mapping



ctrlmod-012

18.4.6.1.1.1 Permanent PU/PD disabling (SR 2.x only)

This section applies only to SR2.x.

The internal pull resistors of pads gpmc_a[27:24, 22:19] can be permanently disabled by pulling sysboot15 low during power-on-reset deassertion. When sysboot15 = 0, the corresponding PULLUDENABLE bit does not apply anymore. In this case it is a don't care bit whatever value set. This functionality is intended to be used when mmc2_dat* signals are configured on the gpmc_a[27:24, 22:19] pads. In this case, if sysboot15 = 0, external pull-up resistors with values as per JEDEC eMMC specification (JESD84-B451) must be connected to these pads. If gpmc_a[27:24, 22:19] are connected to non-multiplexed NOR flash used for booting and sysboot15 = 0, external pull-down resistors are mandatory on these pads otherwise boot is not possible. During NOR flash run-time accesses the external pull-down resistors are not needed.

18.4.6.1.2 Pull Selection

There is no automatic gating control to ensure that internal weak pull-up or pull-down resistors on a pad are disconnected whenever pad is configured as output. If a pad is always configured in output mode, it is recommended for user software to disable any internal pull resistor tied to it to avoid unnecessary consumption.

Table 18-9 describes the software controls available for pad internal pull-up and pull-down resistors in the control module pad configuration registers.

Table 18-9. Pull Selection

PULL		Pad Behavior
PULLTYPESELECT	PULLUDENABLE	
0	1	Pull-down selected but not activated
0	0	Pull-down selected and activated
1	1	Pull-up selected but not activated
1	0	Pull-up selected and activated

18.4.6.1.3 Pad multiplexing

Many of the Device pads support pad multiplexing. This means that their function can be independently chosen from two or more options. The selection of functions available on each pad is enumerated in the "Multiplexing Characteristics" section of the Data Manual. The desired function is selected via the MUXMODE field of the associated pad configuration register.

By default, the MUXMODE field of most device pads is set to 0xF, which means the pads are in Hi-Z. Only MUXMODE values which correspond to defined functions should be used.

NOTE: When setting the MUXMODE of any mmc1_* pad, the following register fields should also be programmed:

- CTRL_CORE_CONTROL_PBIAS[27] SDCARD_BIAS_PWRDNZ = 1
- CTRL_CORE_CONTROL_PBIAS[26] SDCARD_IO_PWRDNZ = 1
- If MUXMODE=0 is not selected, configure CTRL_CORE_CONTROL_PBIAS[21] SDCARD_BIAS_VMODE
 - Clear to 0 if vddshv8 = 1.8V
 - Set to 1 if vddshv8 = 3.3V

18.4.6.1.4 IOSETs

An IO signal may have multiplexing options across two or more device pads. In many cases, the user is allowed to select any combination of IO signal multiplexing options to use for an interface. But in some cases, specific combinations of multiplexing options must be selected to guarantee the Timing and Switching Characteristics in the *Data Manual*. These specific combinations are called IOSETs, and they generally represent layout-friendly groups of pads that are pinned-out in close proximity to each other. IOSETs are defined in the Data Manual for interfaces that require them.

18.4.6.1.5 Virtual IO Timing Modes

When operating a pad in certain modes, a Virtual IO Timing Mode must be selected to ensure that IO timings are met. The modes requiring Virtual IO Timing Modes are described in *Virtual Functions Mapping* tables within the “*Timing Requirements and Switching Characteristics*” section of the Data Manual. These tables list each pad associated with a specific Virtual IO Timing Mode, along with the DELAYMODE setting required for that pad.

To select a Virtual IO Timing Mode, both the MODESELECT field of each associated pad configuration register must be set to 0b1 and DELAYMODE field of each associated pad configuration register must be set to match the *Virtual Function Mapping* tables in the Data Manual.

Selection of all Virtual IO Timings Modes should be done as part of the IO Delay Recalibration Sequence described in [Section 18.4.6.1.8, IO Delay Recalibration](#).

18.4.6.1.6 Manual IO Timing Modes

When operating a pad in certain modes, a Manual IO Timing Mode must be configured to ensure that IO timings are met. The modes requiring Manual IO Timing Modes are described in *Manual Functions Mapping* tables within the “*Timing Requirements and Switching Characteristics*” section of the Data Manual. These tables list each pad associated with a specific Manual IO Timing Mode, along with the required A_DELAY and G_DELAY values that should be used to calculate the correct values to be set in the CFG_x_IN, CFG_x_OEN, and CFG_x_OUT registers associated with that pad. For more information regarding these registers, see [Section 18.7, IODELAYCONFIG Module Register Manual](#)

To select a Manual IO Timing Mode, the MODESELECT field of each associated pad configuration register must be set to 0b1 and the associated CFG_x_IN, CFG_x_OEN, and CFG_x_OUT registers should be set via the following sequence:

1. Compute CDPE and FPDE based on the following equations using values from the IODELAYCONFIG module registers (the register values must be converted to decimal before calculating):

$$CDPE = \frac{10 * (CONFIG_REG_3[15:0] \text{ COARSE_REF_COUNT} * CONFIG_REG_2[15:0] \text{ REFCLK_PERIOD})}{2 * (CONFIG_REG_3[31:16] \text{ COARSE_DELAY_COUNT} * 88)}$$

$$FDPE = \frac{10 * (CONFIG_REG_4[15:0] \text{ FINE_REF_COUNT} * CONFIG_REG_2[15:0] \text{ REFCLK_PERIOD})}{2 * (CONFIG_REG_4[31:16] \text{ FINE_DELAY_COUNT} * 264)}$$

ctrlmod-014

2. For each pad that requires a Manual IO Timing Mode, perform the following setups to calculate the values required to be programmed into each of the associated CFG_x_IN, CFG_x_OEN, and CFG_x_OUT IODELAYCONFIG module registers:
 - a. Calculate the Coarse Values and Fine Values corresponding to the A_DELAY and G_DELAY values listed in the Data Manual for the associated Manual IO Timing Mode as follows:

$$G_DELAY_COARSE = \text{floor}\left(\frac{G_DELAY}{920}\right)$$

$$G_DELAY_FINE = \frac{\text{floor}(G_DELAY \bmod 920) * 10}{60}$$

$$A_DELAY_COARSE = \text{floor}\left(\frac{A_DELAY}{CDPE}\right)$$

$$A_DELAY_FINE = \frac{\text{floor}(A_DELAY \bmod CDPE) * 10}{FDPE}$$

ctrlmod-015

- b. Calculate the required number of Coarse Elements and Fine Elements:

$$COARSE_ELEMENTS = G_DELAY_COARSE + A_DELAY_COARSE$$

$$FINE_ELEMENTS = \frac{G_DELAY_FINE + A_DELAY_FINE}{10}$$

ctrlmod-016

- c. If FINE_ELEMENTS > 22, recalculate COARSE_ELEMENTS and FINE_ELEMENTS as follows:

$$\text{COARSE_ELEMENTS} = \frac{\text{TOTAL_DELAY}}{\text{CDPE}}$$

$$\text{FINE_ELEMENTS} = \frac{\text{TOTAL_DELAY mod CDPE}}{\text{FDPE}}$$

$$\text{Where TOTAL_DELAY} = (\text{Original COARSE_ELEMENTS} * \text{CDPE}) + (\text{Original FINE_ELEMENTS} * \text{FDPE})$$

ctrlmod-017

- d. Convert COARSE_ELEMENTS and FINE_ELEMENTS to 5-bit binary values
COARSE_ELEMENTS_5b and FINE_ELEMENTS_5b
- e. Write associated CFG_x register with 0x29400 + COARSE_ELEMENTS_5b << 5 + FINE_ELEMENTS_5b

Selection of all Manual IO Timing Modes should be done as part of the IO Delay Recalibration Sequence described in [Section 18.4.6.1.8, IO Delay Recalibration](#).

18.4.6.1.7 Isolation Requirements

When reprogramming the MUXMODE, DELAYMODE, and MODESELECT fields of a pad configuration register or the CFG_x_IN, CFG_x_OEN, and CFG_x_OUT registers in the IODELAYCONFIG Module, there is potential for a glitch on the corresponding IO. Therefore, the device IOs should be isolated when writing to any of these fields. Isolating the IOs forces them to tri-state output with internal pulls holding their previous levels. De-isolating the IOs returns their control to the selected peripheral modules.

NOTE: While the IOs are Isolated, code must execute only from internal RAM and the isolated IO interfaces should not be actively used.

Isolation is a global event that affects all LVCMOS IOs except for the following:

- JTAG IOs
- on_off
- rstoutn

Isolation/De-isolation of the device IOs is accomplished via the following sequences:

Isolation Sequence:

1. Ensure that the [CTRL_CORE_CONTROL_PBIAS\[27\]](#) SDCARD_BIAS_PWRDNZ and [CTRL_CORE_CONTROL_PBIAS\[26\]](#) SDCARD_IO_PWRDNZ bits are set to 1
2. Write 1 to the PRM_IO_PMCTRL[0] ISOCLK_OVERRIDE bit
3. Poll the PRM_IO_PMCTRL[1] ISOCLK_STATUS bit until it reads 1
4. Write 1 to the [CTRL_CORE_SMA_SW_0\[2\]](#) ISO_CTRL_IO bit
5. Read the [CTRL_CORE_SMA_SW_0\[2\]](#) ISO_CTRL_IO bit for timing purposes only
6. Write the PRM_IO_PMCTRL[0] ISOCLK_OVERRIDE bit to 0
7. Poll the PRM_IO_PMCTRL[1] ISOCLK_STATUS bit until it reads 0

De-isolation Sequence:

1. Write 1 to the PRM_IO_PMCTRL[0] ISOCLK_OVERRIDE bit
2. Poll the PRM_IO_PMCTRL[1] ISOCLK_STATUS bit until it reads 1
3. Write 0 to the [CTRL_CORE_SMA_SW_0\[2\]](#) ISO_CTRL_IO bit
4. Read the [CTRL_CORE_SMA_SW_0\[2\]](#) ISO_CTRL_IO bit for timing purposes only
5. Write the PRM_IO_PMCTRL[0] ISOCLK_OVERRIDE bit to 0
6. Poll the PRM_IO_PMCTRL[1] ISOCLK_STATUS bit until it reads 0

Configuration of the pad configuration registers is normally done as part of the IO Delay Recalibration Sequence described in [Section 18.4.6.1.8, IO Delay Recalibration](#), which references the above Isolation/De-isolation sequences.

18.4.6.1.8 IO Delay Recalibration

After adjusting the AVS voltage for VDD_CORE_L voltage domain, an IO Delay Recalibration Sequence must be followed to ensure device IO timings are met. The IO Delay Recalibration Sequence is as follows:

IO Delay Recalibration Sequence:

1. Complete the AVS voltage change on the VDD_CORE_L voltage domain and ensure voltage has stabilized to the new AVS target voltage
2. Unlock the registers used by this sequence as follows:
 - a. Write 0x2FF1AC2B to register [CTRL_CORE_MMR_LOCK_1](#) of the Control Module
 - b. Write 0x6F361E05 to register [CTRL_CORE_MMR_LOCK_5](#) of the Control Module
 - c. Write 0x0000AAAA to register [CONFIG_REG_8](#) of the IODELAYCONFIG Module
3. Perform IO Delay Calibration
 - a. Write register field [CONFIG_REG_2\[15:0\]](#) REFCLK_PERIOD of the IODELAYCONFIG Module with the L4_ICLK clock period in ps divided by 10 (or, equivalently, L3_ICLK clock period in ps divided by 5), then rounded down to the closest integer.
 - i. L4_ICLK = 133MHz requires a value of 0x2EF
 - b. Write 1 to register field [CONFIG_REG_0\[0\]](#) CALIBRATION_START of the IODELAYCONFIG module to initiate the calibration.
 - c. Poll register field [CONFIG_REG_0\[0\]](#) CALIBRATION_START for 0, indicating calibration is complete.
4. Isolate the device IOs via the Isolation Sequence described in [Section 18.4.6.1.7 Isolation Requirements](#)
5. Update the delay mechanism for each IO with new calibrated values:
 - a. Write 1 to register field [CONFIG_REG_0\[1\]](#) ROM_READ of the IODELAYCONFIG module to initiate a reload of calibrated delay values for all IOs.
 - b. Poll register field [CONFIG_REG_0\[1\]](#) ROM_READ for 0, indicating reload is complete.
6. Configure the pad configuration register (CTRL_CORE_PAD_x) for each IO with the desired MUXMODE, DELAYMODE, and MODESELECT settings.
7. Configure all required Manual IO Timing Modes as described in [Section 18.4.6.1.6, Manual IO Timing Modes](#)
8. De-isolate the device IOs via the de-isolation sequence described in [Section 18.4.6.1.7 Isolation Requirements](#)
9. Relock the registers used by this sequence:
 - a. Write 0x1A1C8144 to register [CTRL_CORE_MMR_LOCK_1](#)
 - b. Write 0x143F832C to register [CTRL_CORE_MMR_LOCK_5](#)
 - c. Write 0x0000AAAB to register [CONFIG_REG_8](#)

18.4.6.2 Thermal Management Related Registers

There are five temperature sensors on the device die. Each sensor is associated only with one voltage domain and is also a part of a VBGAPTS cell. This cell has a 10-bit ADC. The ADC converts the temperature values into digital output values proportional to the temperature measured. Each VBGAPTS cell is controlled by a dedicated FSM referred to as thermal FSM. The registers associated with each FSM reside in the CTRL_MODULE_CORE submodule. All FSMs are clocked by the L3INSTR_TS_GCLK clock. The PRCM module controls this clock through the slave idle protocol.

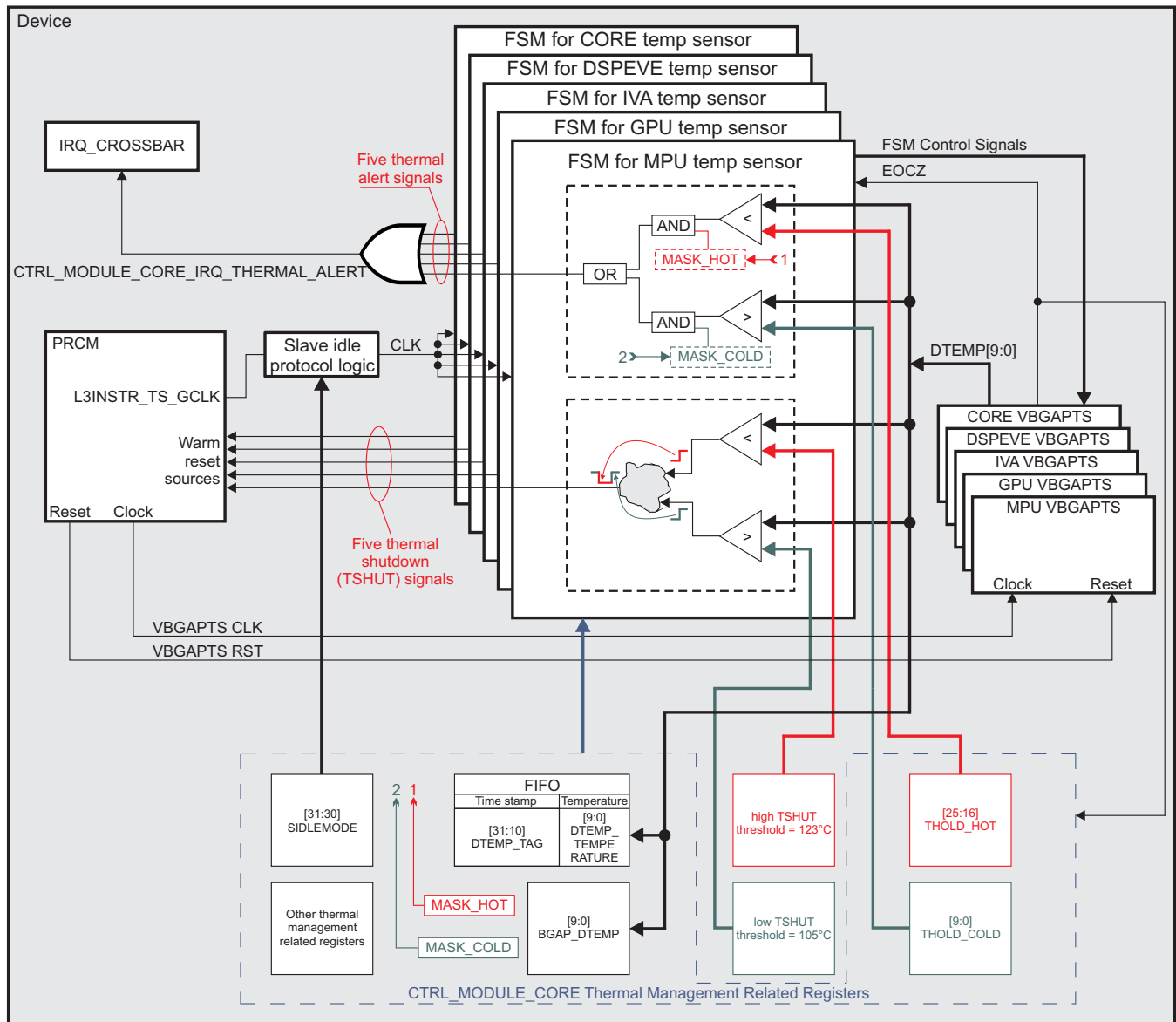
The device thermal management related registers can be split into the following classes:

- Temperature sensors control registers
- Registers for the thermal alert comparators

- Temperature timestamp registers
- Other registers used for:
 - controlling the FIFOs
 - controlling the clock provided to the five FSMs

Figure 18-6 shows the block diagram of the device thermal management.

Figure 18-6. Thermal Management Functional Block Diagram



ctrlmod-006

Table 18-10 describes the signals related to the device thermal management logic.

Table 18-10. Thermal Management Signals Description

Signal	I/O ⁽¹⁾	Description
EOCZ	O	End of conversion signal. When low, this signal indicates that the value of DTEMP[9:0] is valid.
DTEMP[9:0]	O	Temperature data from the temperature sensor. This value is valid when EOCZ is low.

⁽¹⁾ I = Input; O = Output

Table 18-10. Thermal Management Signals Description (continued)

Signal	I/O ⁽¹⁾	Description
VBGAPTS CLK	I	Functional clock from the WKUPAON power domain used by the temperature sensor during temperature conversion.
THERMAL ALERT	O	The five thermal alert outputs from each thermal FSM are ORed and then mapped as an interrupt request to the IRQ_CROSSBAR module. Software uses this interrupt to implement the device thermal management policy.
TSHUT	O	Each of the five thermal shutdown signals is mapped to the PRCM and is used as a warm reset signal. These overheat protection signals are high during normal operation and go low during thermal shutdown event.

The ADC values which correspond to the current temperature are listed in [Table 18-13](#).

18.4.6.2.1 Temperature Sensors Control Registers

Each VBGAPTS cell works in continuous conversion mode controlled by the corresponding FSM. This means that the temperature is measured at regular time intervals. The start of temperature measurement is initiated automatically by each FSM after it goes out of reset state. To control the main delay between two measurements the [CTRL_CORE_BANDGAP_MASK_1\[29:27\]](#) COUNTER_DELAY bit field is used. After this delay expires the five FSMs automatically start a temperature conversion.

The conversion is complete when the [CTRL_CORE_TEMP_SENSOR_x\[10\]](#) BGAP_EOCZ_x status bits are set to 0x0. After this the valid temperature is written automatically by each FSM in the [CTRL_CORE_TEMP_SENSOR_x\[9:0\]](#) BGAP_DTEMP_x bit fields, and then software is able to read it from the corresponding register. After writing the valid temperature values the five FSMs wait one clock cycle and start another conversion cycle.

For details regarding the [CTRL_CORE_TEMP_SENSOR_x](#) registers, see [Table 18-12](#).

18.4.6.2.2 Registers For The Thermal Alert Comparators

There is a comparator block responsible for the thermal alert function of the [CTRL_MODULE_CORE](#) thermal management logic. This comparator block is composed of two comparators. One dedicated to low temperature threshold and the other one to high temperature threshold. Because of the five temperature sensors there are also five comparator blocks. Software can configure the low temperature threshold through the [CTRL_CORE_BANDGAP_THRESHOLD_x\[9:0\]](#) THOLD_COLD_x bit fields and high temperature threshold through the [CTRL_CORE_BANDGAP_THRESHOLD_x\[25:16\]](#) THOLD_HOT_x bit fields. The values which have to be loaded in these bit fields are the same as those listed in [Table 18-13](#). For example, to set the high temperature threshold value to 120°C, the THOLD_HOT field must be loaded with value of 931 (0x3A3).

The thermal alert logic provides also a capability to mask the outputs of the comparators associated with low and high temperature thresholds. The low temperature threshold comparator outputs are masked by setting to 0x0 the corresponding [MASK_COLD_x](#) bits in the [CTRL_CORE_BANDGAP_MASK_1](#) and [CTRL_CORE_BANDGAP_MASK_2](#) registers. The high temperature threshold comparator outputs are masked by setting to 0x0 the corresponding [MASK_HOT_x](#) bits in [CTRL_CORE_BANDGAP_MASK_1](#) and [CTRL_CORE_BANDGAP_MASK_2](#) registers.

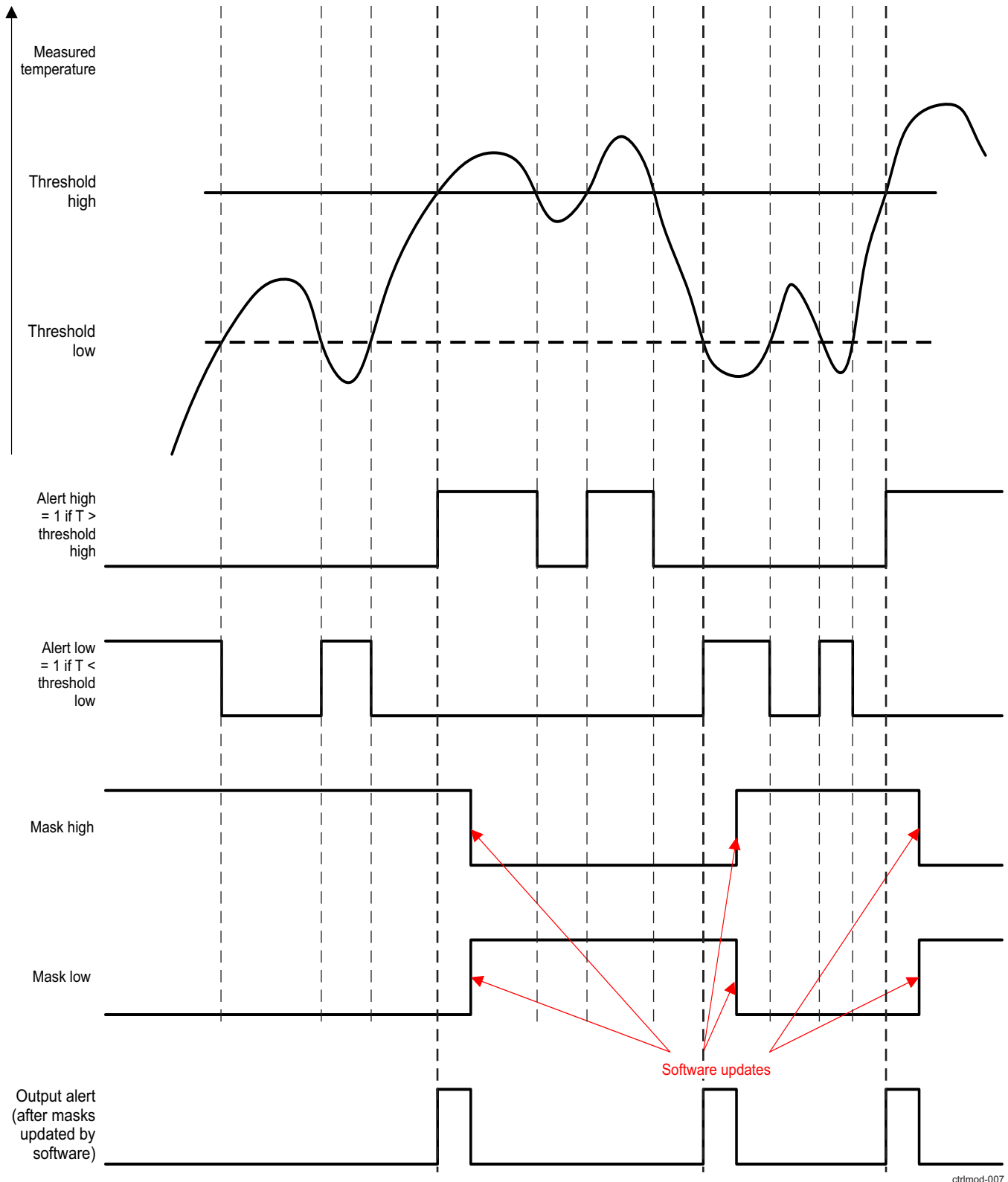
The masked low and high temperature threshold outputs are ORed once and as a result a single thermal alert signal is produced. As there are five temperature sensors there are also five thermal alert output signals produced. These five signals are then ORed (see [Figure 18-6](#)) in the [CTRL_MODULE_CORE_IRQ_THERMAL_ALERT](#) signal, which delivers an interrupt to the [IRQ_CROSSBAR_121](#) input line of the [IRQ_CROSSBAR](#) module. Software can use this interrupt to implement the device thermal management policy. The [CTRL_MODULE_CORE_IRQ_THERMAL_ALERT](#) signal is also routed to the [CTRL_CORE_BANDGAP_STATUS_1\[31\]](#) ALERT bit. Value of 0x1 indicates that the [CTRL_MODULE_CORE_IRQ_THERMAL_ALERT](#) signal is asserted.

The non masked (raw) comparator outputs are available for reading through the corresponding bits in the [CTRL_CORE_BANDGAP_STATUS_1](#) and [CTRL_CORE_BANDGAP_STATUS_2](#) registers. The low temperature threshold comparator outputs are read through the [COLD_x](#) bits and the high temperature threshold comparator outputs through the [HOT_x](#) bits.

Figure 18-7 shows the behavior of the thermal alert logic.

For details regarding the CTRL_CORE_BANDGAP_THRESHOLD_x registers, see Table 18-12.

Figure 18-7. Behavior Of The Thermal Alert Logic



ctrlmod-007

18.4.6.2.3 Thermal Shutdown Comparators

There is also a comparator block responsible for the thermal shutdown (TSHUT) function of the CTRL_MODULE_CORE thermal management logic. This comparator block is also composed of two comparators. One dedicated to low TSHUT threshold and the other one to high TSHUT threshold. Because of the five temperature sensors there are also five comparator blocks. The comparator outputs for the low and high TSHUT thresholds of each comparator block are connected to a logic which then generates a single TSHUT signal. All five TSHUT signals are tied to the PRCM and used as warm reset sources. For details, see [Figure 18-6](#).

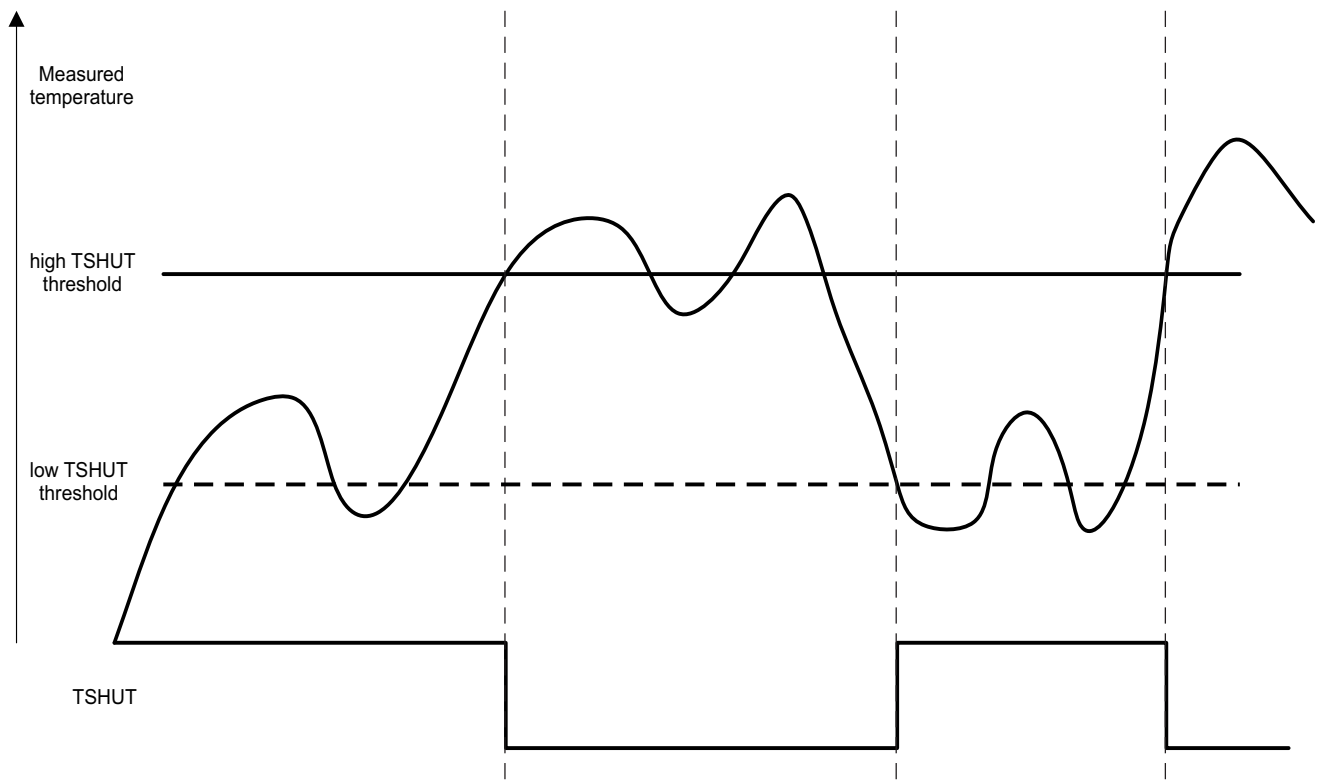
The values of the five low and high TSHUT thresholds are fixed and can be neither overridden nor read by software. The value for the high TSHUT threshold is 123°C (assuming $\pm 2^\circ\text{C}$ temperature sensor accuracy), and the low TSHUT threshold is 105°C.

When the high TSHUT threshold is reached, the TSHUT output is activated. To deactivate each TSHUT output, the temperature must go below the value of each low TSHUT threshold.

Each of the five TSHUT signals is used as an overheat protection.

[Figure 18-8](#) shows the behavior of the TSHUT logic.

Figure 18-8. Behavior Of The Thermal Shutdown Logic



ctrlmod-008

18.4.6.2.4 Temperature Timestamp Registers

Each time one of the CTRL_CORE_TEMP_SENSOR_x[9:0] BGAP_DTEMP_x bit fields is updated with new temperature value, this value is also automatically stored into a 5-level deep FIFO and a timestamp is registered too. There are five FIFOs used to store a brief history for the last few temperature measurements and are also dedicated to temperature timestamping feature. Each FIFO has two fields. The first one is 10 bits wide, 5 levels deep, and is intended to store the temperature values for the last five measurements. The second field is 22 bits wide, 5 levels deep, and acts like a counter for the number of temperature measurements. Each FIFO is composed of the following registers:

- CTRL_CORE_DTEMP_x_0

- CTRL_CORE_DTEMP_x_1
- CTRL_CORE_DTEMP_x_2
- CTRL_CORE_DTEMP_x_3
- CTRL_CORE_DTEMP_x_4

Table 18-11 shows a generic description of the five FIFOs.

For details regarding the five CTRL_CORE_DTEMP_x registers, see Table 18-12.

Table 18-11. FIFOs Generic Description

FIFO Levels	Second FIFO Field (22 Bits) – Timestamp Bits [31:10]	Description	First FIFO field (10 Bits) – Temperature Bits [9:0]	Description
Level 1	DTEMP_TAG_x_0	Indicates the number of temperature measurements	DTEMP_TEMPERATURE_x_0	Indicates the last measured temperature value (the most recent sample)
Level 2	DTEMP_TAG_x_1	Indicates the number of temperature measurements minus one (DTEMP_TEMPERATURE_x_0 – 1)	DTEMP_TEMPERATURE_x_1	Indicates the penultimate measured temperature value
Level 3	DTEMP_TAG_x_2	Indicates the number of temperature measurements minus two (DTEMP_TEMPERATURE_x_0 – 2)	DTEMP_TEMPERATURE_x_2	Indicates temperature value measured before DTEMP_TEMPERATURE_x_1
Level 4	DTEMP_TAG_x_3	Indicates the number of temperature measurements minus three (DTEMP_TEMPERATURE_x_0 – 3)	DTEMP_TEMPERATURE_x_3	Indicates temperature value measured before DTEMP_TEMPERATURE_x_2
Level 5	DTEMP_TAG_x_4	Indicates the number of temperature measurements minus four (DTEMP_TEMPERATURE_x_0 – 4)	DTEMP_TEMPERATURE_x_4	Indicates temperature value measured before DTEMP_TEMPERATURE_x_3 (the oldest sample)

NOTE: DTEMP_TAG_x_4 increments its value with one after each fifth temperature measurement.

DTEMP_TAG_x_3 increments its value with one after each fourth temperature measurement.

DTEMP_TAG_x_2 increments its value with one after each third temperature measurement.

DTEMP_TAG_x_1 increments its value with one after each second temperature measurement.

DTEMP_TAG_x_0 increments its value with one after each temperature measurement.

18.4.6.2.5 Other Thermal Management Related Registers

- **Controlling the FIFOs:**

Software can stop a certain FIFO to update with new temperature and timestamp values when setting to 0x1 one of the FREEZE_x bits in the CTRL_CORE_BANDGAP_MASK_1 and CTRL_CORE_BANDGAP_MASK_2 registers. These 5 bits are automatically cleared by hardware after the FIFOs are cleared.

Each FIFO is cleared by setting to 0x1 one of the CLEAR_x bits in the CTRL_CORE_BANDGAP_MASK_1 and CTRL_CORE_BANDGAP_MASK_2 registers. These 5 bits are also automatically set by hardware to 0x0 after the FIFOs clearing procedure completes.

- **Controlling the clock provided to the five FSMs:**

The five FSMs comply with the PRCM slave idle protocol. They share common functional clock (L3INSTR_TS_GCLK), which is automatically gated by PRCM depending on the value of the [CTRL_CORE_BANDGAP_MASK_1\[31:30\]](#) SIDLEMODE bit field. L3INSTR_TS_GCLK clock is also enabled automatically by the PRCM module.

18.4.6.2.6 Summary Of The Thermal Management Related Registers

[Table 18-12](#) summarizes all the thermal management related registers.

Table 18-12. Summary Of The Thermal Management Related Registers

Register Name	Description	Access
CTRL_CORE_TEMP_SENSOR_MPU	Temperature sensor control registers	RW
CTRL_CORE_TEMP_SENSOR_GPU		
CTRL_CORE_TEMP_SENSOR_CORE		
CTRL_CORE_TEMP_SENSOR_IVA		
CTRL_CORE_TEMP_SENSOR_DSPEVE		
CTRL_CORE_BANDGAP_THRESHOLD_MPU	Registers for the thermal alert comparators	RW
CTRL_CORE_BANDGAP_THRESHOLD_GPU		
CTRL_CORE_BANDGAP_THRESHOLD_CORE		
CTRL_CORE_BANDGAP_THRESHOLD_IVA		
CTRL_CORE_BANDGAP_THRESHOLD_DSPEVE		
CTRL_CORE_BANDGAP_TSHUT_MPU	Registers for the thermal shutdown comparators	RW
CTRL_CORE_BANDGAP_TSHUT_GPU		
CTRL_CORE_BANDGAP_TSHUT_CORE		
CTRL_CORE_BANDGAP_TSHUT_IVA		
CTRL_CORE_BANDGAP_TSHUT_DSPEVE		

Table 18-12. Summary Of The Thermal Management Related Registers (continued)

Register Name	Description	Access
CTRL_CORE_DTEMP_MPU_0	Temperature timestamp registers	RO
CTRL_CORE_DTEMP_MPU_1		
CTRL_CORE_DTEMP_MPU_2		
CTRL_CORE_DTEMP_MPU_3		
CTRL_CORE_DTEMP_MPU_4		
CTRL_CORE_DTEMP_GPU_0		
CTRL_CORE_DTEMP_GPU_1		
CTRL_CORE_DTEMP_GPU_2		
CTRL_CORE_DTEMP_GPU_3		
CTRL_CORE_DTEMP_GPU_4		
CTRL_CORE_DTEMP_CORE_0		
CTRL_CORE_DTEMP_CORE_1		
CTRL_CORE_DTEMP_CORE_2		
CTRL_CORE_DTEMP_CORE_3		
CTRL_CORE_DTEMP_CORE_4		
CTRL_CORE_DTEMP_IVA_0		
CTRL_CORE_DTEMP_IVA_1		
CTRL_CORE_DTEMP_IVA_2		
CTRL_CORE_DTEMP_IVA_3		
CTRL_CORE_DTEMP_IVA_4		
CTRL_CORE_DTEMP_DSPEVE_0		
CTRL_CORE_DTEMP_DSPEVE_1		
CTRL_CORE_DTEMP_DSPEVE_2		
CTRL_CORE_DTEMP_DSPEVE_3		
CTRL_CORE_DTEMP_DSPEVE_4		
CTRL_CORE_BANDGAP_STATUS_1	Registers with status bits for the non masked comparator outputs and the thermal alert signal.	RO
CTRL_CORE_BANDGAP_STATUS_2		
CTRL_CORE_BANDGAP_MASK_1	Registers used to mask the comparator outputs for the low and high thermal alert thresholds. These registers are also used to control the FIFOs and the clock provided to the five FSMs.	RW
CTRL_CORE_BANDGAP_MASK_2		

18.4.6.2.7 ADC Values Versus Temperature

Table 18-13 provides all the valid ADC values which correspond to the temperature measured which is read from the CTRL_CORE_TEMP_SENSOR_x[9:0] BGAP_DTEMP_x bit fields. Table 18-13 also provides the values for the low and high temperature thresholds which are configurable through the CTRL_CORE_BANDGAP_THRESHOLD_x[9:0] THOLD_COLD_x and CTRL_CORE_BANDGAP_THRESHOLD_x[25:16] THOLD_HOT_x bit fields.

Table 18-13. ADC Values Versus Temperature

ADC Code	Temperature		ADC Code	Temperature		ADC Code	Temperature		ADC Code	Temperature	
	From	To		From	To		From	To		From	To
0-539	Outside region of operation		641	0.8	1.2	743	43.4	44	845	85.2	85.6
540	-40	-40	642	1.2	1.6	744	44	44.4	846	85.6	86
541	-40	-40	643	1.6	2	745	44.4	44.8	847	86	86.4
542	-40	-40	644	2	2.4	746	44.8	45.2	848	86.4	86.8

Table 18-13. ADC Values Versus Temperature (continued)

ADC Code	Temperature		ADC Code	Temperature		ADC Code	Temperature		ADC Code	Temperature	
543	-40	-40	645	2.4	2.8	747	45.2	45.6	849	86.8	87.2
544	-40	-39.6	646	2.8	3.2	748	45.6	46	850	87.2	87.6
545	-39.6	-39.2	647	3.2	3.6	749	46	46.4	851	87.6	88
546	-39.2	-38.8	648	3.6	4.2	750	46.4	46.8	852	88	88.4
547	-38.8	-38.4	649	4.2	4.8	751	46.8	47.2	853	88.4	88.8
548	-38.4	-38	650	4.8	5.2	752	47.2	47.6	854	88.8	89.2
549	-38	-37.6	651	5.2	5.6	753	47.6	48	855	89.2	89.6
550	-37.6	-37.2	652	5.6	6	754	48	48.4	856	89.6	90
551	-37.2	-36.8	653	6	6.4	755	48.4	48.8	857	90	90.4
552	-36.8	-36.4	654	6.4	6.8	756	48.8	49.2	858	90.4	90.8
553	-36.4	-36	655	6.8	7.2	757	49.2	49.6	859	90.8	91.2
554	-36	-35.6	656	7.2	7.6	758	49.6	50	860	91.2	91.6
555	-35.6	-35	657	7.6	8	759	50	50.4	861	91.6	92
556	-35	-34.4	658	8	8.4	760	50.4	50.8	862	92	92.4
557	-34.4	-34	659	8.4	8.8	761	50.8	51.2	863	92.4	92.8
558	-34	-33.6	660	8.8	9.2	762	51.2	51.6	864	92.8	93.2
559	-33.6	-33.2	661	9.2	9.6	763	51.6	52	865	93.2	93.6
560	-33.2	-32.8	662	9.6	10	764	52	52.4	866	93.6	94
561	-32.8	-32.4	663	10	10.4	765	52.4	52.8	867	94	94.4
562	-32.4	-32	664	10.4	10.8	766	52.8	53.2	868	94.4	94.8
563	-32	-31.6	665	10.8	11.2	767	53.2	53.6	869	94.8	95.2
564	-31.6	-31.2	666	11.2	11.6	768	53.6	54	870	95.2	95.6
565	-31.2	-30.8	667	11.6	12	769	54	54.4	871	95.6	96
566	-30.8	-30.4	668	12	12.4	770	54.4	54.8	872	96	96.4
567	-30.4	-30	669	12.4	13	771	54.8	55.2	873	96.4	96.8
568	-30	-29.6	670	13	13.6	772	55.2	55.6	874	96.8	97.2
569	-29.6	-29.2	671	13.6	14	773	55.6	56.2	875	97.2	97.8
570	-29.2	-28.8	672	14	14.4	774	56.2	56.8	876	97.8	98.4
571	-28.8	-28.4	673	14.4	14.8	775	56.8	57.2	877	98.4	98.8
572	-28.4	-28	674	14.8	15.2	776	57.2	57.6	878	98.8	99.2
573	-28	-27.4	675	15.2	15.6	777	57.6	58	879	99.2	99.6
574	-27.4	-26.8	676	15.6	16	778	58	58.4	880	99.6	100
575	-26.8	-26.4	677	16	16.4	779	58.4	58.8	881	100	100.4
576	-26.4	-26	678	16.4	16.8	780	58.8	59.2	882	100.4	100.8
577	-26	-25.6	679	16.8	17.2	781	59.2	59.6	883	100.8	101.2
578	-25.6	-25.2	680	17.2	17.6	782	59.6	60	884	101.2	101.6
579	-25.2	-24.8	681	17.6	18	783	60	60.4	885	101.6	102
580	-24.8	-24.4	682	18	18.4	784	60.4	60.8	886	102	102.4
581	-24.4	-24	683	18.4	18.8	785	60.8	61.2	887	102.4	102.8
582	-24	-23.6	684	18.8	19.2	786	61.2	61.6	888	102.8	103.2
583	-23.6	-23.2	685	19.2	19.6	787	61.6	62	889	103.2	103.6
584	-23.2	-22.8	686	19.6	20	788	62	62.4	890	103.6	104
585	-22.8	-22.4	687	20	20.4	789	62.4	62.8	891	104	104.4
586	-22.4	-22	688	20.4	20.8	790	62.8	63.2	892	104.4	104.8
587	-22	-21.6	689	20.8	21.2	791	63.2	63.6	893	104.8	105.2
588	-21.6	-21.2	690	21.2	21.6	792	63.6	64	894	105.2	105.6
589	-21.2	-20.8	691	21.6	22.2	793	64	64.4	895	105.6	106

Table 18-13. ADC Values Versus Temperature (continued)

ADC Code	Temperature		ADC Code	Temperature		ADC Code	Temperature		ADC Code	Temperature	
590	-20.8	-20.2	692	22.2	22.8	794	64.4	64.8	896	106	106.4
591	-20.2	-19.6	693	22.8	23.2	795	64.8	65.2	897	106.4	106.8
592	-19.6	-19.2	694	23.2	23.6	796	65.2	65.6	898	106.8	107.2
593	-19.2	-18.8	695	23.6	24	797	65.6	66	899	107.2	107.6
594	-18.8	-18.4	696	24	24.4	798	66	66.4	900	107.6	108
595	-18.4	-18	697	24.4	24.8	799	66.4	66.8	901	108	108.4
596	-18	-17.6	698	24.8	25.2	800	66.8	67.2	902	108.4	108.8
597	-17.6	-17.2	699	25.2	25.6	801	67.2	67.6	903	108.8	109.2
598	-17.2	-16.8	700	25.6	26	802	67.6	68	904	109.2	109.6
599	-16.8	-16.4	701	26	26.4	803	68	68.4	905	109.6	110
600	-16.4	-16	702	26.4	26.8	804	68.4	68.8	906	110	110.4
601	-16	-15.6	703	26.8	27.2	805	68.8	69.2	907	110.4	110.8
602	-15.6	-15.2	704	27.2	27.6	806	69.2	69.6	908	110.8	111.2
603	-15.2	-14.8	705	27.6	28	807	69.6	70	909	111.2	111.6
604	-14.8	-14.4	706	28	28.4	808	70	70.4	910	111.6	112
605	-14.4	-14	707	28.4	28.8	809	70.4	70.8	911	112	112.4
606	-14	-13.6	708	28.8	29.2	810	70.8	71.2	912	112.4	112.8
607	-13.6	-13.2	709	29.2	29.6	811	71.2	71.8	913	112.8	113.2
608	-13.2	-12.8	710	29.6	30	812	71.8	72.4	914	113.2	113.6
609	-12.8	-12.2	711	30	30.4	813	72.4	72.8	915	113.6	114
610	-12.2	-11.6	712	30.4	30.8	814	72.8	73.2	916	114	114.4
611	-11.6	-11.2	713	30.8	31.2	815	73.2	73.6	917	114.4	114.8
612	-11.2	-10.8	714	31.2	31.6	816	73.6	74	918	114.8	115.2
613	-10.8	-10.4	715	31.6	32.2	817	74	74.4	919	115.2	115.6
614	-10.4	-10	716	32.2	32.8	818	74.4	74.8	920	115.6	116
615	-10	-9.6	717	32.8	33.2	819	74.8	75.2	921	116	116.4
616	-9.6	-9.2	718	33.2	33.6	820	75.2	75.6	922	116.4	116.8
617	-9.2	-8.8	719	33.6	34	821	75.6	76	923	116.8	117.2
618	-8.8	-8.4	720	34	34.4	822	76	76.4	924	117.2	117.6
619	-8.4	-8	721	34.4	34.8	823	76.4	76.8	925	117.6	118
620	-8	-7.6	722	34.8	35.2	824	76.8	77.2	926	118	118.4
621	-7.6	-7.2	723	35.2	35.6	825	77.2	77.6	927	118.4	118.8
622	-7.2	-6.8	724	35.6	36	826	77.6	78	928	118.8	119.2
623	-6.8	-6.4	725	36	36.4	827	78	78.4	929	119.2	119.6
624	-6.4	-6	726	36.4	36.8	828	78.4	78.8	930	119.6	120
625	-6	-5.6	727	36.8	37.2	829	78.8	79.2	931	120	120.4
626	-5.6	-5.2	728	37.2	37.6	830	79.2	79.6	932	120.4	120.8
627	-5.2	-4.8	729	37.6	38	831	79.6	80	933	120.8	121.2
628	-4.8	-4.2	730	38	38.4	832	80	80.4	934	121.2	121.6
629	-4.2	-3.6	731	38.4	38.8	833	80.4	80.8	935	121.6	122
630	-3.6	-3.2	732	38.8	39.2	834	80.8	81.2	936	122	122.4
631	-3.2	-2.8	733	39.2	39.6	835	81.2	81.6	937	122.4	122.8
632	-2.8	-2.4	734	39.6	40	836	81.6	82	938	122.8	123.2
633	-2.4	-2	735	40	40.4	837	82	82.4	939	123.2	123.6
634	-2	-1.6	736	40.4	40.8	838	82.4	82.8	940	123.6	124
635	-1.6	-1.2	737	40.8	41.2	839	82.8	83.2	941	124	124.4
636	-1.2	-0.8	738	41.2	41.6	840	83.2	83.6	942	124.4	124.8

Table 18-13. ADC Values Versus Temperature (continued)

ADC Code	Temperature		ADC Code	Temperature		ADC Code	Temperature		ADC Code	Temperature	
637	-0.8	-0.4	739	41.6	42	841	83.6	84	943	124.8	125
638	-0.4	0	740	42	42.4	842	84	84.4	945	125	125
639	0	0.4	741	42.4	42.8	843	84.4	84.8	946-1023	Outside region of operation	
640	0.4	0.8	742	42.8	43.4	844	84.8	85.2			

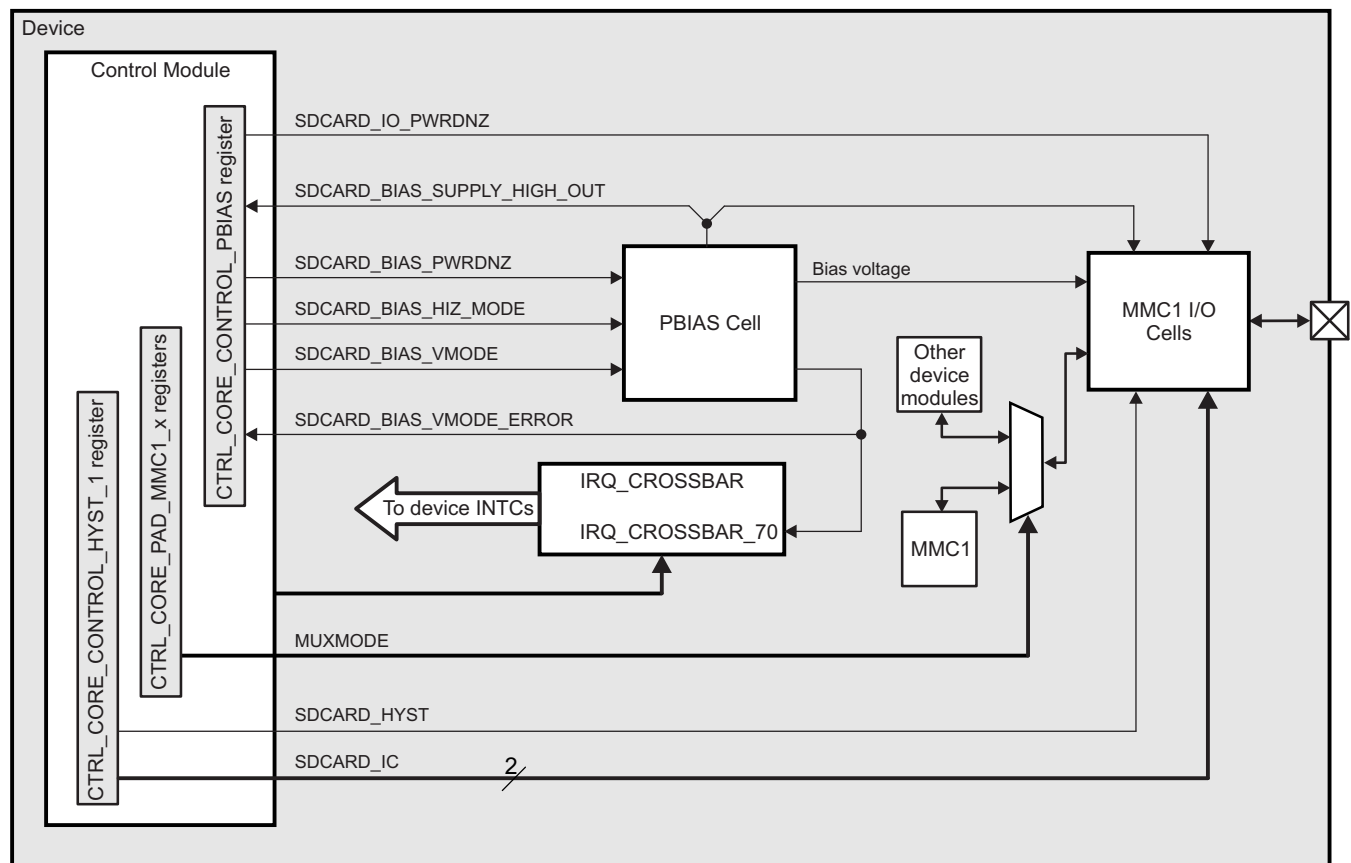
18.4.6.3 PBIAS Cell And MMC1 I/O Cells Control Registers

The PBIAS cell is associated with device MMC1 interface and used together with the MMC1 I/O cells. Its purpose is to provide bias voltage to the MMC1 I/O cells. Without this bias voltage these I/O cells can not function properly.

The PBIAS cell is controlled by software using the [CTRL_CORE_CONTROL_PBIAS](#) register. The [CTRL_CORE_CONTROL_HYST_1](#) register is used for hysteresis and drive strength control of the MMC1 I/O cells.

[Figure 18-9](#) shows the PBIAS cell with the control bits and connections between it, the control module and the MMC1 I/O cells.

Figure 18-9. PBIAS Cell And Its Connections



ctrimod-009

Table 18-14 describes PBIAS cell and MMC1 I/O cells control bits.

Table 18-14. Control Bits For the PBIAS and MMC1 I/O Cells

Control bits for PBIAS cell and MMC1 I/O cells	Reset Value	Description
CTRL_CORE_CONTROL_PBIAS [27] SDCARD_BIAS_PWRDNZ	0x0	This bit turns ON and OFF the PBIAS cell. Software must keep it to 0x0 whenever the PBIAS cell supply voltage is ramping up/down or changing. Thus the PBIAS cell is protected. This bit should be set to 0x1 only after the PBIAS cell supply voltage is stable. This action power up the PBIAS cell.
CTRL_CORE_CONTROL_PBIAS [26] SDCARD_IO_PWRDNZ	0x0	This bit turns ON and OFF the MMC1 I/O cells. Software must keep it to 0x0 whenever the MMC1 IOs supply voltage is ramping up/down or changing. Thus the MMC1 I/O cells are protected. When this bit is set to 0x0, the MMC1 pads are floating. This bit should be set to 0x1 only after the MMC1 IOs supply voltage is stable. This action powers up the MMC1 I/O cells.
CTRL_CORE_CONTROL_PBIAS [25] SDCARD_BIAS_HIZ_MODE	0x0	When this bit is set to 0x1, the PBIAS cell output is in high impedance state and the SDCARD_BIAS_VMODE_ERROR bit sets automatically to 0x1. When SDCARD_BIAS_HIZ_MODE is set to 0x0, the PBIAS cell is in normal operation mode.
CTRL_CORE_CONTROL_PBIAS [24] SDCARD_BIAS_SUPPLY_HI_OUT	0x0	This is status bit indicating whether the MMC1 I/O cells supply voltage is equal to 1,8V or 3,3V.
CTRL_CORE_CONTROL_PBIAS [23] SDCARD_BIAS_VMODE_ERROR	0x0	Status bit wich indicates, during PBIAS cell normal operation mode, whether the voltage defined by the SDCARD_BIAS_VMODE bit is equal to the MMC1 I/Os supply voltage or not. If not, this bit is automatically set to 0x1 4µs after the voltage detection. It is also mapped to the IRQ_CROSSBAR_70 input line and is used as an interrupt source. If both voltage values are not equal an interrupt is generated.
CTRL_CORE_CONTROL_PBIAS [21] SDCARD_BIAS_VMODE	0x1	By controlling this bit software tells the PBIAS cell whether the MMC1 I/O cells supply voltage is equal to 1,8V or 3,3V. Its reset value indicates that the MMC1 I/Os voltage level is 3,3V.
CTRL_CORE_CONTROL_HYST_1 [31] SDCARD_HYST	0x1	Hysteresis enabling/disabling for the MMC1 I/Os input buffer.
CTRL_CORE_CONTROL_HYST_1 [30:29] SDCARD_IC	0x0	Impedance control (drive strength) for the MMC1 I/Os output buffer.

When the MMC1 signals are not used, that is MUXMODE different than 0x0 selected, the PBIAS cell must also be configured for proper work of the other interface signals multiplexed on the MMC1 I/O cells. For example, if MUXMODE = 0xE (gpio6_21 to gpio6_26 signals selected) the PBIAS cell and MMC1 I/O cells must be configured. This means that both the cells must be powered and the appropriate PBIAS cell control bits must also be configured.

The MMC1 interface pads are the following:

- mmc1_clk
- mmc1_cmd
- mmc1_dat[3:0]
- mmc1_sdcd
- mmc1_sdpw

All of these pads except the mmc1_sdcd and mmc1_sdpw pads are associated with the PBIAS cell and the [CTRL_CORE_CONTROL_PBIAS](#) register and are also controlled by the [CTRL_CORE_CONTROL_HYST_1](#) register.

The PBIAS cell and the MMC1 I/O cells are powered externally through the vddshv8 ball.

The PBIAS cell must be programmed according to the MMC1 I/O cells supply voltage. For details, see [Table 18-15](#).

Table 18-15. PBIAS Cell Voltage Configuration⁽¹⁾

CTRL_CORE_CONTROL_PBIAS[21] SDCARD_BIAS_VMODE Bit Configuration	PBIAS Cell and MMC1 I/O Cells Supply Voltage	Type of Operation
1.8V (0x0)	1.8V	Normal 1.8V operation
1.8V (0x0)	3.3V	Damaging configuration ⁽²⁾
3.3V (0x1)	1.8V	Damaging configuration ⁽²⁾
3.3V (0x1)	3.3V	Normal 3.3V operation

⁽¹⁾ For damaging configuration, hardware system protection is provided to prevent deterioration of the associated MMC1 I/Os.

⁽²⁾ These modes must not be used.

Table 18-16 summarizes the generation of the CTRL_CORE_CONTROL_PBIAS[23] SDCARD_BIAS_VMODE_ERROR status flag, which depends on the various combinations of bits in the CTRL_CORE_CONTROL_PBIAS register. When this flag sets to 0x1, it is recommended the MMC1 I/O cells to be powered down by setting to 0x0 the CTRL_CORE_CONTROL_PBIAS[26] SDCARD_IO_PWRDNZ bit.

Table 18-16. PBIAS Cell Error Signal Truth Table

Programmed Voltage Level (SDCARD_BIAS_VMODE) E)	SDCARD_BIAS_SUPP LY_HI_OUT	SDCARD_BIAS_HIZ_M ODE	PWRDNZ Bits	SDCARD_BIAS_VMOD E_ERROR
0	0	X	0	0
0	0	0	1	0
0	1	0	1	1
X	X	1	1	1
1	0	X	0	0
1	0	0	1	1
1	1	0	1	0

SDCARD_BIAS_VMODE_ERROR = 0x1 shows that the programmed voltage level is not the same as the voltage indicated by the SDCARD_BIAS_SUPPLY_HI_OUT bit or high impedance mode is selected.

SDCARD_BIAS_VMODE_ERROR = 0x0 shows that the programmed voltage level is the same as the voltage indicated by the SDCARD_BIAS_SUPPLY_HI_OUT bit or it is not considered because SDCARD_PWRDNZ = 0x0.

18.4.6.4 IRQ_CROSSBAR Module Functional Description

There is an IRQ_CROSSBAR module in the device, which is controlled by registers in the CTRL_MODULE_CORE submodule. The IRQ_CROSSBAR is able to map any of its input signals to any of its outputs. This module is associated with the device interrupt sources. The IRQs from all the device modules are connected to the IRQ_CROSSBAR inputs. Each module IRQ is connected only to one crossbar input. Each output of the IRQ_CROSSBAR module is connected only to one interrupt line of certain interrupt controller (INTC). Thus, the device IRQs are mapped to the device INTCs through the IRQ_CROSSBAR. Some of these IRQs are mapped by default to certain interrupt lines of one of the device INTCs, but there are IRQs which are not mapped by default to any interrupt line of any device INTC. All IRQs, connected to the IRQ_CROSSBAR inputs, can be remapped to other interrupt lines of the different device INTCs through the CTRL_CORE_X_IRQ_B_A registers. Each of these registers has a structure described in Table 18-17.

Table 18-17. Generic Description of the CTRL_CORE_X_IRQ_B_A IRQ_CROSSBAR Control Registers

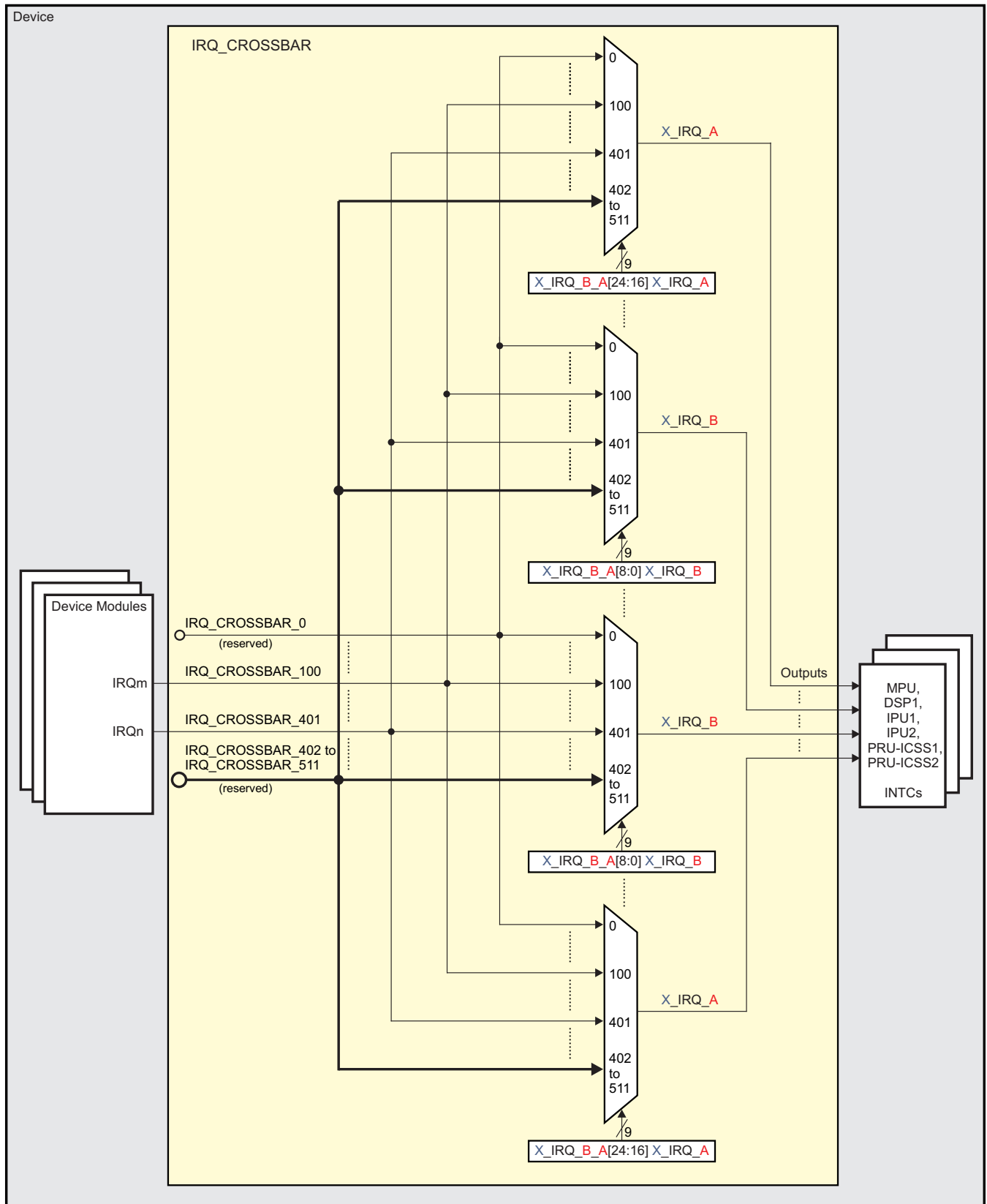
Bits	Field Name	Description	Type	Note
31:25	RESERVED		R	

Table 18-17. Generic Description of the CTRL_CORE_X_IRQ_B_A IRQ_CROSSBAR Control Registers (continued)

Bits	Field Name	Description	Type	Note
24:16	X_IRQ_A	Selects an interrupt source signal for the X_IRQ_A INTC line 0x0: Reserved 0x1: Maps IRQ_CROSSBAR input 1 to X_IRQ_A INTC line 0x2: Maps IRQ_CROSSBAR input 2 to X_IRQ_A INTC line 0x-: 0x64: Maps IRQ_CROSSBAR input 100 to X_IRQ_A INTC line 0x-: 0x190 to 0x1FF: Reserved	RW	X is summarization. It is equal to: <ul style="list-style-type: none"> • MPU • DSP1 • IPU1 • IPU2 • PRU-ICSS1 • PRU-ICSS2 X shows the module name to which interrupt controller all inputs of the IRQ_CROSSBAR module can be mapped. A is also summarization. It shows the number of the line for the corresponding INTC. A is equal to 0, 1, 2, ..., and so on, depending on the count of the INTC lines controlled by the IRQ_CROSSBAR module. For more details, see Table 18-18 .
15:9	RESERVED		R	
8:0	X_IRQ_B	Selects an interrupt source signal for the X_IRQ_B INTC line 0x0: Reserved 0x1: Maps IRQ_CROSSBAR input 1 to X_IRQ_B INTC line 0x2: Maps IRQ_CROSSBAR input 2 to X_IRQ_B INTC line 0x-: 0x64: Maps IRQ_CROSSBAR input 100 to X_IRQ_B INTC line 0x-: 0x190 to 0x1FF: Reserved	RW	B is summarization. It shows the number of the line for the corresponding INTC. B is equal to 0, 1, 2, ..., and so on, depending on the count of the INTC lines controlled by the IRQ_CROSSBAR module.

[Figure 18-10](#) represents the way in which the IRQ_CROSSBAR module works. It shows the device modules and their IRQs connected to the IRQ_CROSSBAR inputs, the structure of the cross-bar and its outputs connected to the device INTCs.

Figure 18-10. IRQ_CROSSBAR Module Functional Diagram



ctrlmod-010

Each IRQ_CROSSBAR control register has two 9-bit fields. Each 9-bit field is associated only with one interrupt line. Through this 9-bit field any of the IRQs connected to the IRQ_CROSSBAR inputs can be mapped to the INTC line associated with this 9-bit field. For example, the register [CTRL_CORE_MPU_IRQ_74_75](#) is associated with MPU_IRQ_74 and MPU_IRQ_75. The 9-bit field [CTRL_CORE_MPU_IRQ_74_75\[24:16\]](#) MPU_IRQ_75 is associated only with MPU_IRQ_75 interrupt line of the MPU INTC. Setting this bit field to any other value different than its reset value will map another module IRQ to the MPU_IRQ_75 interrupt line. The default (reset) value of this bit field is 0x46 which corresponds to the IRQ_CROSSBAR_70 input. The PBIAS_IRQ is connected to this cross-bar input. Setting another register to 0x46 will cause the PBIAS_IRQ to be mapped to another INTC line. For example, if the [CTRL_CORE_DSP1_IRQ_40_41\[8:0\]](#) DSP1_IRQ_40 is set to 0x46 the PBIAS_IRQ will be mapped to the DSP1_IRQ_40 interrupt line. The same logic also applies to the other interrupt lines of the device INTCs.

In addition, not all of the interrupt lines of a given INTC are controlled by the IRQ_CROSSBAR registers. This means, that there are interrupt lines which are not connected to any IRQ_CROSSBAR output and thus only one IRQ is connected to these interrupt lines. In the most common case these lines are used by interrupt sources internal or specific for the corresponding module, which has an INTC.

[Table 18-18](#) shows which lines of each INTC are associated with the IRQ_CROSSBAR control registers. The rest of the INTC lines (not listed in the table) cannot be controlled by the cross-bar registers.

Table 18-18. Interrupt Lines Associated With The IRQ_CROSSBAR Control Registers

MPU INTC Lines	DSP INTC Lines	IPU INTC Lines	PRU-ICSS INTC Lines
MPU_IRQ_4, MPU_IRQ_7 to MPU_IRQ_130, MPU_IRQ_133 to MPU_IRQ_159	DSP1_IRQ_32 to DSP1_IRQ_95	IPU1_IRQ_23 to IPU1_IRQ_79, IPU2_IRQ_23 to IPU2_IRQ_79	PRUSS1_IRQ_32 to PRUSS1_IRQ_63, PRUSS2_IRQ_32 to PRUSS2_IRQ_63

The individual connection between all module IRQs and all IRQ_CROSSBAR inputs is shown in [Section 17.3.7, Mapping of Device Interrupts to IRQ_CROSSBAR Inputs](#) of [Chapter 17, Interrupt Controllers](#).

In addition, the [CTRL_CORE_OVS_IRQ_IO_MUX](#) register is used to select for observation on two external pads any IRQ connected to the IRQ_CROSSBAR inputs. Using the [CTRL_CORE_OVS_IRQ_IO_MUX\[17:9\]](#) OVS_IRQ_IO_MUX_2 bit field all IRQs can be mapped to the obs_irq2 signal. The [CTRL_CORE_OVS_IRQ_IO_MUX\[8:0\]](#) OVS_IRQ_IO_MUX_1 bit field maps all IRQs to the obs_irq1 signal. For example, setting the [CTRL_CORE_OVS_IRQ_IO_MUX\[8:0\]](#) OVS_IRQ_IO_MUX_1 to 0x18 maps the GPIO1_IRQ_1 to the obs_irq1 line and thus this IRQ can be observed.

18.4.6.5 DMA_CROSSBAR Module Functional Description

There is a DMA_CROSSBAR module in the device, which is controlled by registers in the CTRL_MODULE_CORE submodule. The DMA_CROSSBAR is able to map any of its input signals to any of its outputs. This module is associated with the device DMA request source signals. The DREQs from all the device modules are connected to the DMA_CROSSBAR inputs. Each DREQ signal is connected only to one DMA cross-bar input. Each output of the DMA_CROSSBAR module is connected only to one input line of the device DMA modules. The DMAs associated with the DMA_CROSSBAR are the following:

- DMA_SYSTEM
- DMA_EDMA
- DMA_DSP1_EDMA

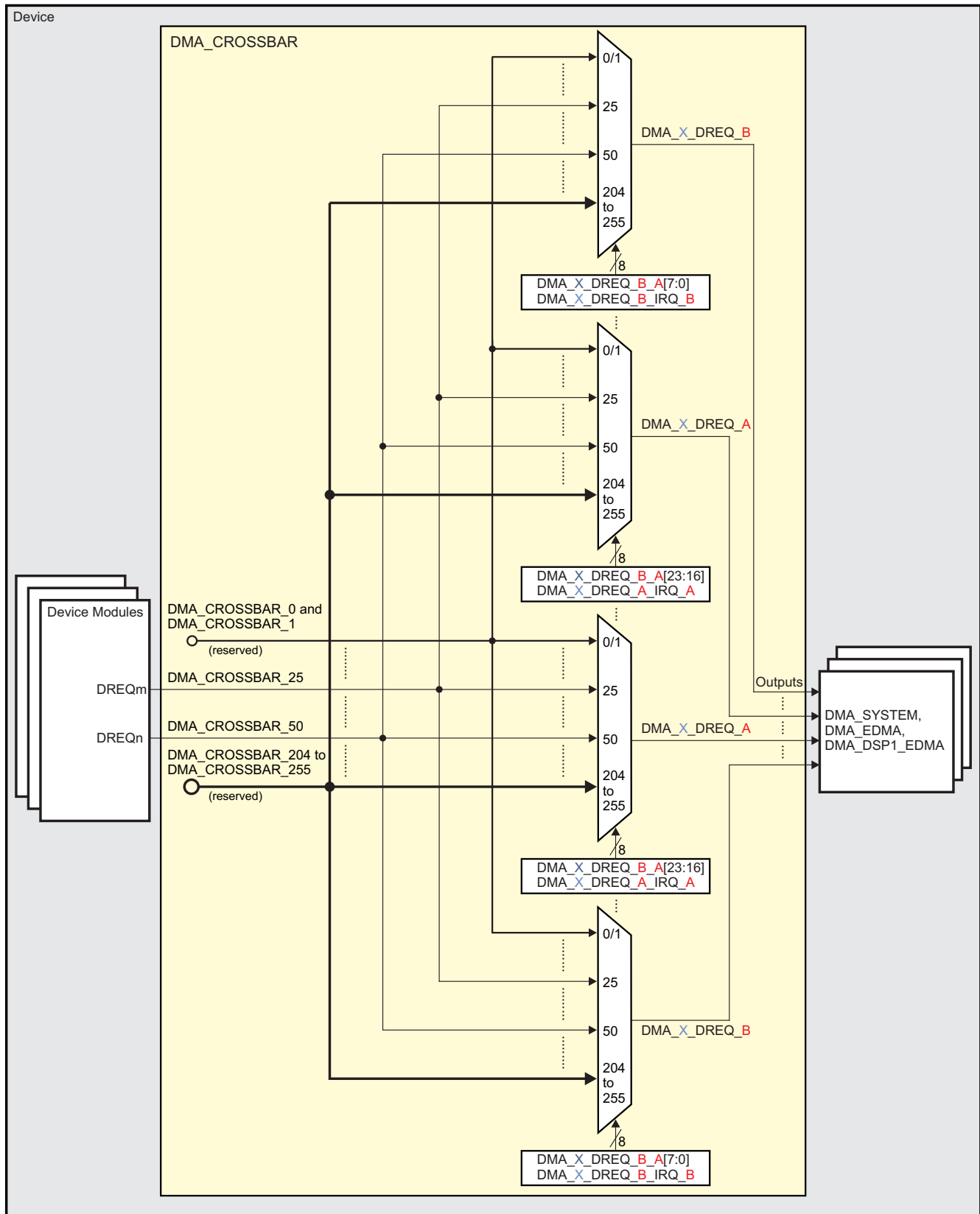
All DREQs, connected to the DMA_CROSSBAR inputs, can be remapped to other lines of the these DMA modules through the CTRL_CORE_DMA_X_DREQ_B_A registers. Each of these registers has a structure described in [Table 18-19](#).

Table 18-19. Generic Description of the CTRL_CORE_DMA_X_DREQ_B_A DMA_CROSSBAR Control Registers

Bits	Field Name	Description	Type	Note
31:24	RESERVED		R	
23:16	DMA_X_DREQ_A_IRQ_A	Selects a DMA request source signal for the DMA_X_DREQ_A_IRQ_A DMA line 0x0: Reserved 0x1: Reserved 0x2: Maps DMA_CROSSBAR input 2 to DMA_X_DREQ_A_IRQ_A DMA line 0x3: Maps DMA_CROSSBAR input 3 to DMA_X_DREQ_A_IRQ_A DMA line 0x-: 0x32: Maps DMA_CROSSBAR input 50 to DMA_X_DREQ_A_IRQ_A DMA line 0x-: 0xCC to 0xFF: Reserved	RW	X is summarization. It is equal to: • SYSTEM • EDMA • DSP1_EDMA X shows to which DMA all inputs of the DMA_CROSSBAR module can be mapped. A is also summarization. It shows the number of the DREQ line for the corresponding DMA module. A is equal to 0, 1, 2, ..., and so on, depending on the count of the DMA lines controlled by the DMA_CROSSBAR module. For more details, see Table 18-20 .
15:8	RESERVED		R	
7:0	DMA_X_DREQ_B_IRQ_B	Selects a DMA request source signal for the DMA_X_DREQ_B_IRQ_B DMA line 0x0: Reserved 0x1: Reserved 0x2: Maps DMA_CROSSBAR input 2 to DMA_X_DREQ_B_IRQ_B DMA line 0x3: Maps DMA_CROSSBAR input 3 to DMA_X_DREQ_B_IRQ_B DMA line 0x-: 0x32: Maps DMA_CROSSBAR input 50 to DMA_X_DREQ_B_IRQ_B DMA line 0x-: 0xCC to 0xFF: Reserved	RW	B is also summarization. It shows the number of the DREQ line for the corresponding DMA module. B is equal to 0, 1, 2, ..., and so on, depending on the count of the DMA lines controlled by the DMA_CROSSBAR module. For more details, see Table 18-20 .

[Figure 18-11](#) represents the way in which the DMA_CROSSBAR module works. It shows the device modules and their DREQs connected to the DMA_CROSSBAR inputs, the structure of the cross-bar and its outputs connected to the device DMA modules.

Figure 18-11. DMA_CROSSBAR Module Functional Diagram



ctrlmod-011

Each DMA_CROSSBAR control register has two 8-bit fields. Each 8-bit field is associated only with one line of certain DMA module. Through this 8-bit field any of the DREQs connected to the DMA_CROSSBAR inputs can be mapped to the DMA line associated with this 8-bit field. For example, the register [CTRL_CORE_DMA_EDMA_DREQ_62_63](#) is associated with DMA_EDMA_DREQ_62 and DMA_EDMA_DREQ_63 lines. The 8-bit field [CTRL_CORE_DMA_EDMA_DREQ_62_63\[7:0\]](#) DMA_EDMA_DREQ_62_IRQ_62 is associated only with DMA_EDMA_DREQ_62 line of the DMA_EDMA module. Setting this bit field to any other value different than its reset value will map another DREQ from the device modules to the DMA_EDMA_DREQ_62 line. The default (reset) value of this bit field is 0x3F which corresponds to the DMA_CROSSBAR_63 input. The UART5_DREQ_TX is connected to this cross-bar input. Setting another register to 0x3F will cause the UART5_DREQ_TX to be mapped to another DMA line. For example, if the [CTRL_CORE_DMA_EDMA_DREQ_30_31\[23:16\]](#) DMA_EDMA_DREQ_31_IRQ_31 is set to 0x3F the UART5_DREQ_TX will be mapped to the DMA_EDMA_DREQ_31 line. The same logic also applies to the other lines of the device DMAs.

[Table 18-20](#) shows which lines of each DMA are associated with the DMA_CROSSBAR control registers. The rest of the lines (not listed in the table) cannot be controlled by the cross-bar registers.

Table 18-20. DREQ Lines Associated With The DMA_CROSSBAR Control Registers

DMA_SYSTEM DREQ Lines	DMA_EDMA DREQ Lines	DMA_DSP1_EDMA DREQ Lines
DMA_SYSTEM_DREQ_0 to DMA_SYSTEM_DREQ_126	DMA_EDMA_DREQ_0 to DMA_EDMA_DREQ_63	DMA_DSP1_DREQ_0 to DMA_DSP1_DREQ_19

The individual connection between all module DREQs and all DMA_CROSSBAR inputs is shown in [Section 16.1.3.2, Mapping of DMA Requests to DMA_CROSSBAR Inputs](#) of [Section 16.1, System DMA](#).

In addition, the [CTRL_CORE_OVS_DMARQ_IO_MUX](#) register is used to select for observation on two external pads any DREQ connected to the DMA_CROSSBAR inputs. Using the [CTRL_CORE_OVS_DMARQ_IO_MUX\[15:8\]](#) OVS_DMARQ_IO_MUX_2 bit field all DREQs can be mapped to the obs_dmarq2 signal. The [CTRL_CORE_OVS_DMARQ_IO_MUX\[7:0\]](#) OVS_DMARQ_IO_MUX_1 bit field maps all DREQs to the obs_dmarq1 signal. For example, setting the [CTRL_CORE_OVS_DMARQ_IO_MUX\[7:0\]](#) OVS_DMARQ_IO_MUX_1 to 0x6 maps the DISPC_DREQ to the obs_dmarq1 line and thus this DREQ can be observed.

18.4.6.6 SDRAM Initiator Priority Registers

The [CTRL_CORE_EMIF_INITIATOR_PRIORITY_1](#) to [CTRL_CORE_EMIF_INITIATOR_PRIORITY_6](#) registers are intended to control the priority of each initiator accessing the EMIF controller. Each 3-bit field in these registers is associated only with one initiator. Setting this bit field to 0x0 means that the corresponding initiator has a highest priority over the others and setting it to 0x7 is for lowest priority. This feature is useful in case of concurrent access to the external SDRAM from several initiators.

NOTE: The priorities configured through the [CTRL_CORE_EMIF_INITIATOR_PRIORITY_1](#) to [CTRL_CORE_EMIF_INITIATOR_PRIORITY_6](#) registers have affect only at the L3 switch levels and are always overridden at DMM level by the priorities configured through the [DMM_PEG_PRIO_k](#) registers.

18.4.6.7 L3_MAIN Initiator Priority Registers

The [CTRL_CORE_L3_INITIATOR_PRESSURE_1](#) to [CTRL_CORE_L3_INITIATOR_PRESSURE_6](#) registers are used for controlling the priority of certain initiators on the L3_MAIN. Each 2-bit field in these registers is associated only with one initiator. Setting this bit field to 0x3 means that the traffic of this initiator has highest proiroty over the other traffics. A value of 0x0 is for lowest priority. These registers provide a dynamic priority escalation for the following L3_MAIN initiators:

- MPU
- DSP1
- IPU1
- IPU2

- GPU P1
- GPU P2
- PRU-ICSS1
- PRU-ICSS2
- SATA
- MMC1
- MMC2
- USB1
- USB2
- USB3

NOTE: USB3 (ULPI) is not supported on the AM571x / AM570x family of devices.
SATA is not supported on the AM570x family of devices.

18.4.6.8 Memory Region Lock Registers

There are five registers used to lock different memory regions of CTRL_MODULE_CORE memory mapped space. A memory region is locked, means that all write accesses to this region are ignored. Writing a value unique for each register will lock certain memory region and writing another unique value results in unlocking of the same region. These five registers can lock the entire memory space of the CTRL_MODULE_CORE submodule. [Table 18-21](#) gives more details.

Table 18-21. Memory Region Lock Registers

Register	Memory Space to Lock	Groups of Registers Associated With This Memory Region	Lock/Unlock (register reset value)
CTRL_CORE_MMR_LOCK_1	Region from 0x0000 0100 to 0x0000 079F	Thermal management related registers, EMIF initiator priority, L3_MAIN initiator pressure (priority), standard eFuse and other registers	locked
CTRL_CORE_MMR_LOCK_2	Region from 0x0000 07A0 to 0x0000 0D9F	IRQ_CROSSBAR and DMA_CROSSBAR registers	locked
CTRL_CORE_MMR_LOCK_3	Region from 0x0000 0DA0 to 0x0000 0FFF	A few registers associated with device I/Os	locked
CTRL_CORE_MMR_LOCK_4	Region from 0x0000 1000 to 0x0000 13FF	Reserved range	locked
CTRL_CORE_MMR_LOCK_5	Region from 0x0000 1400 to 0x0000 1FFF	Mainly pad configuration registers	locked

NOTE: By default the entire CTRL_MODULE_CORE memory space is locked but the ROM code unlocks it by writing corresponding unlock values to all CTRL_CORE_MMR_LOCK_x registers.

18.4.6.9 NMI Mapping To Respective Cores

Two registers [CTRL_CORE_NMI_DESTINATION_1](#) and [CTRL_CORE_NMI_DESTINATION_2](#) are intended to map the external non-maskable interrupt (NMI) to certain of the device host processors. Writing 0x1 into a bit field of these registers enables the NMI to be mapped to the corresponding processor associated with this bit field. Writing 0x0 disables the NMI mapping to this processor.

18.4.6.10 Software Controls for the DDR3 I/O Cells

There are two types of I/O cells associated with the DDR3 interface. These are single-ended and differential I/O cells.

These I/O cells have the following software controls which reside in registers of the CTRL_MODULE_CORE:

- Output impedance controls - I[2:0]
- Slew rate controls - SR[2:0]
- Weak driver controls - WD[1:0]

The I and SR controls apply when the I/Os operate as outputs. The WD controls apply when the I/Os operate as both inputs or outputs.

The bits I[2:0] are used for programming the desired impedance value of the output buffer. [Table 18-22](#) describes the I[2:0] controls which are valid for pull-up and pull-down outputs.

Table 18-22. Output Impedance Controls - I[2:0]

I[2]	I[1]	I[0]	Drive Setting Name	Output Impedance
0	0	0	Imp80	80 Ohms
0	0	1	Imp60	60 Ohms
0	1	0	Imp48	48 Ohms
0	1	1	Imp40	40 Ohms
1	0	0	Imp34	34 Ohms
1	0	1	Reserved	Reserved
1	1	0	Reserved	Reserved
1	1	1	Reserved	Reserved

To achieve optimal noise/speed trade-off the slew rate of the output signal can also be programmed using the slew rate control bits SR[2:0] shown in [Table 18-23](#). These SR settings do not affect the DC drive strength of the output buffer. They only control its turn-on time.

Table 18-23. Slew Rate Controls - SR[2:0]

SR[2]	SR[1]	SR[0]	Turn-On Time Level	Note
0	0	0	fastest	All 8 values are valid.
...		
...		
1	1	1	slowest	

Weak pull-up, pull-down or keeper option for device DDR3 pads is enabled through the WD[1:0] bits. The weak pull-up or pull-down option is used to define the pad state (high or low) when no signal is driving the pad. The weak keeper option is used to maintain the previous output value when nothing is driving the pad. [Table 18-24](#) describes the WD controls. They are used for avoiding floating pads on the DDR3 interface.

Table 18-24. Weak Driver Controls - WD[1:0]

WD[1]	WD[0]	Single-Ended Operation	Differential Pair Operation	
			padp	padn
0	0	Pull logic disabled	Pull logic disabled	Pull logic disabled
0	1	Weak pullup enabled	Weak pullup enabled	Weak pulldown enabled
1	0	Weak pulldown enabled	Weak pulldown enabled	Weak pullup enabled
1	1	Weak keeper enabled	Weak keeper enabled	Weak keeper enabled

NOTE: To avoid unnecessary power consumption, software must overwrite the Weak Driver (WD) reset values by setting them to 0x0.

It must be taken into account that the I, SR and WD software controls apply for several pads combined in groups, and not for a single pad. For example, writing 0x1 to the [CTRL_CORE_CONTROL_DDRCACH1_0\[17:16\]](#) DDR3CH1_PART5A_WD bit field enables the weak pull-up resistors for all 16 pads in the PART5A group. These are the ddr1_a[15:0] pads. [Table 18-25](#) shows the I, SR and WD controls for the different DDR3 pad groups.

Table 18-25. Software Group Controls for the DDR3 Pads

DDR3 Interface I/O Group Controls	Group Name	Pads in a Group
EMIF1 Pads		
CTRL_CORE_CONTROL_DDRCACH1_0[31:29] DDR3CH1_PART0_I CTRL_CORE_CONTROL_DDRCACH1_0[28:26] DDR3CH1_PART0_SR CTRL_CORE_CONTROL_DDRCACH1_0[25:24] DDR3CH1_PART0_WD	PART0	ddr1_casn, ddr1_rasn, ddr1_rst, ddr1_wen, ddr1_csn[0], ddr1_cke, ddr1_odt[0]
CTRL_CORE_CONTROL_DDRCACH1_0[23:21] DDR3CH1_PART5A_I CTRL_CORE_CONTROL_DDRCACH1_0[20:18] DDR3CH1_PART5A_SR CTRL_CORE_CONTROL_DDRCACH1_0[17:16] DDR3CH1_PART5A_WD	PART5A	ddr1_a[15:0]
CTRL_CORE_CONTROL_DDRCACH1_0[15:13] DDR3CH1_PART5B_I CTRL_CORE_CONTROL_DDRCACH1_0[12:10] DDR3CH1_PART5B_SR CTRL_CORE_CONTROL_DDRCACH1_0[9:8] DDR3CH1_PART5B_WD	PART5B	ddr1_ba[0], ddr1_ba[1], ddr1_ba[2]
CTRL_CORE_CONTROL_DDRCACH1_0[7:5] DDR3CH1_PART6_I CTRL_CORE_CONTROL_DDRCACH1_0[4:2] DDR3CH1_PART6_SR CTRL_CORE_CONTROL_DDRCACH1_0[1:0] DDR3CH1_PART6_WD	PART6	ddr1_ck, ddr1_nck
CTRL_CORE_CONTROL_DDRCH1_0[31:29] DDRCH1_PART1A_I CTRL_CORE_CONTROL_DDRCH1_0[28:26] DDRCH1_PART1A_SR CTRL_CORE_CONTROL_DDRCH1_0[25:24] DDRCH1_PART1A_WD	PART1A	ddr1_d[7:0], ddr1_dqm[0]
CTRL_CORE_CONTROL_DDRCH1_0[23:21] DDRCH1_PART1B_I CTRL_CORE_CONTROL_DDRCH1_0[20:18] DDRCH1_PART1B_SR CTRL_CORE_CONTROL_DDRCH1_0[17:16] DDRCH1_PART1B_WD	PART1B	ddr1_dqs[0], ddr1_dqsn[0]
CTRL_CORE_CONTROL_DDRCH1_0[15:13] DDRCH1_PART2A_I CTRL_CORE_CONTROL_DDRCH1_0[12:10] DDRCH1_PART2A_SR CTRL_CORE_CONTROL_DDRCH1_0[9:8] DDRCH1_PART2A_WD	PART2A	ddr1_d[15:8], ddr1_dqm[1]

Table 18-25. Software Group Controls for the DDR3 Pads (continued)

DDR3 Interface I/O Group Controls	Group Name	Pads in a Group
EMIF1 Pads		
CTRL_CORE_CONTROL_DDRCH1_0[7:5] DDRCH1_PART2B_I CTRL_CORE_CONTROL_DDRCH1_0[4:2] DDRCH1_PART2B_SR CTRL_CORE_CONTROL_DDRCH1_0[1:0] DDRCH1_PART2B_WD	PART2B	ddr1_dqs[1], ddr1_dqsn[1]
CTRL_CORE_CONTROL_DDRCH1_1[31:29] DDRCH1_PART3A_I CTRL_CORE_CONTROL_DDRCH1_1[28:26] DDRCH1_PART3A_SR CTRL_CORE_CONTROL_DDRCH1_1[25:24] DDRCH1_PART3A_WD	PART3A	ddr1_d[23:16], ddr1_dqm[2]
CTRL_CORE_CONTROL_DDRCH1_1[23:21] DDRCH1_PART3B_I CTRL_CORE_CONTROL_DDRCH1_1[20:18] DDRCH1_PART3B_SR CTRL_CORE_CONTROL_DDRCH1_1[17:16] DDRCH1_PART3B_WD	PART3B	ddr1_dqs[2], ddr1_dqsn[2]
CTRL_CORE_CONTROL_DDRCH1_1[15:13] DDRCH1_PART4A_I CTRL_CORE_CONTROL_DDRCH1_1[12:10] DDRCH1_PART4A_SR CTRL_CORE_CONTROL_DDRCH1_1[9:8] DDRCH1_PART4A_WD	PART4A	ddr1_d[31:24], ddr1_dqm[3]
CTRL_CORE_CONTROL_DDRCH1_1[7:5] DDRCH1_PART4B_I CTRL_CORE_CONTROL_DDRCH1_1[4:2] DDRCH1_PART4B_SR CTRL_CORE_CONTROL_DDRCH1_1[1:0] DDRCH1_PART4B_WD	PART4B	ddr1_dqs[3], ddr1_dqsn[3]
CTRL_CORE_CONTROL_DDRCH1_2[23:21] DDRCH1_PART7A_I CTRL_CORE_CONTROL_DDRCH1_2[20:18] DDRCH1_PART7A_SR CTRL_CORE_CONTROL_DDRCH1_2[17:16] DDRCH1_PART7A_WD	PART7A	ddr1_ecc_d[7:0], ddr1_dqm_ecc
CTRL_CORE_CONTROL_DDRCH1_2[15:13] DDRCH1_PART7B_I CTRL_CORE_CONTROL_DDRCH1_2[12:10] DDRCH1_PART7B_SR CTRL_CORE_CONTROL_DDRCH1_2[9:8] DDRCH1_PART7B_WD	PART7B	ddr1_dqs_ecc, ddr1_dqsn_ecc

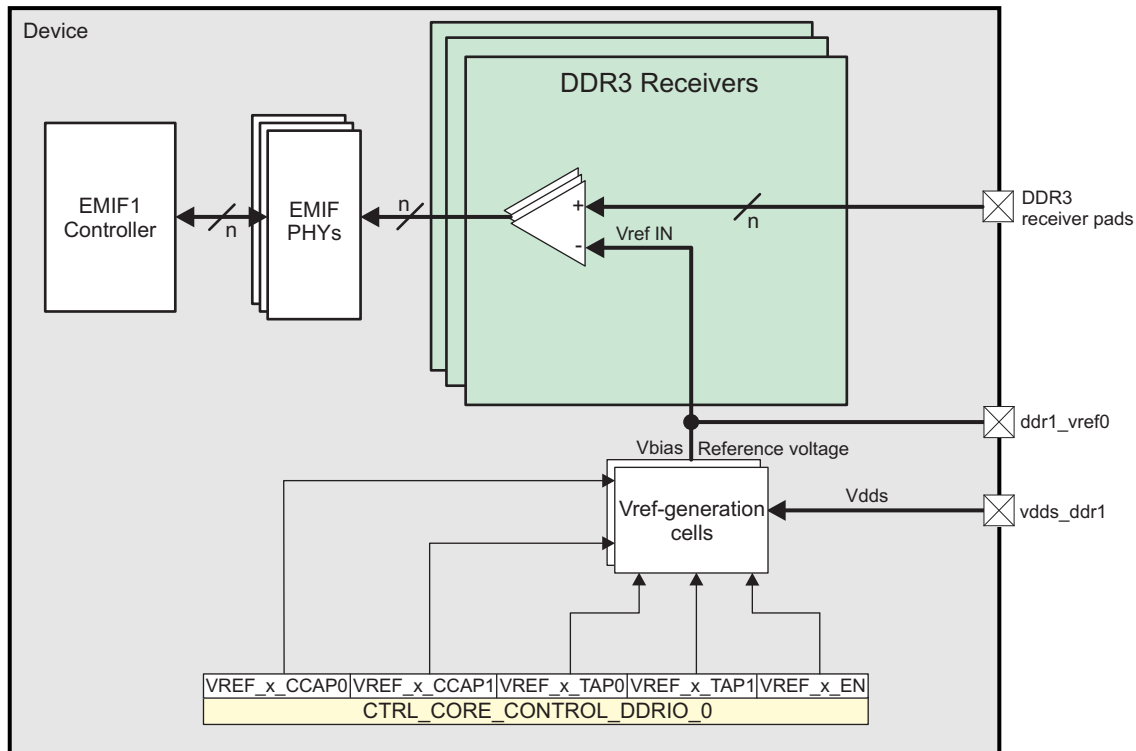
18.4.6.11 Reference Voltage for the Device DDR3 Receivers

The device DDR3 input buffers work in so-called Vref-based receiver mode. In this mode, the buffers act like differential comparators with positive terminal connected to a device pad which receives signals from DDR3 memory and negative terminal connected to a source of reference voltage.

To work properly, a reference voltage must be provided to the device DDR3 input buffers. There are two Vref-generation cells in the device intended to supply this internal reference voltage.

Figure 18-12 shows the Vref-generation cells in the device.

Figure 18-12. Vref-Generation Cells and Their Controls



ctrlmod-004

Both the Vref-generation cells associated with EMIF1 are powered through the vdds_dds1 ball. For more information, see the device data manual.

The control bits for the Vref-generation cells reside in the [CTRL_CORE_CONTROL_DDRIO_0](#) register. There are VREF_x_TAP[1:0] control bits which set the output drive capability of the Vref cells. [Table 18-26](#) lists the possible options for selection of load current sourced from the output of each Vref-generation cell.

Table 18-26. Vref Cell Load Current Selection

VREF_x_TAP1	VREF_x_TAP0	Description
0	0	2- μ A load current
0	1	4- μ A load current
1	0	8- μ A load current
1	1	32- μ A load current

According to the noise environment, the user can choose to filter the supplied reference voltage. Two coupling capacitors internal to each Vref-generation cell are available and configurable through the VREF_x_CCAP[1:0] control bits in the [CTRL_CORE_CONTROL_DDRIO_0](#) register, as specified in [Table 18-27](#).

Table 18-27. Vref Cell Coupling Capacitor Selection

VREF_x_CCAP1	VREF_x_CCAP0	Capacitor
0	0	No capacitor connected.
0	1	One capacitor connected between Vbias and ground. ⁽¹⁾
1	0	One capacitor connected between Vbias and Vdds. ⁽²⁾

⁽¹⁾ Vbias is the output of the Vref-generation cell which provides the reference voltage.

⁽²⁾ Vdds is the power supply voltage of the Vref-generation cell.

Table 18-27. Vref Cell Coupling Capacitor Selection (continued)

VREF_x_CCAP1	VREF_x_CCAP0	Capacitor
1	1	One capacitor connected between Vbias and ground and one capacitor connected between Vbias and Vdds.

The Vref-generation cells can be enabled by setting to 0x1 the VREF_x_EN bits in the [CTRL_CORE_CONTROL_DDRIO_0](#) register. These cells can be disabled (for leakage improvement and when not in use) by clearing the same VREF_x_EN bits.

[Table 18-28](#) shows the Vref-generation cells control bits and the DDR3 pads used as receivers to which the corresponding Vref cell supplies reference voltage.

Table 18-28. Controls for the Vref-Generation Cells Versus DDR3 Receiver Pads

Vref-generation Cell Control Bits	DDR3 Vref Cell Associated Pads Used as Receivers
CTRL_CORE_CONTROL_DDRIO_0 [19] DDRCH1_VREF_DQ0_INT_CCAP0	ddr1_d[7:0], ddr1_d[15:8]
CTRL_CORE_CONTROL_DDRIO_0 [18] DDRCH1_VREF_DQ0_INT_CCAP1	
CTRL_CORE_CONTROL_DDRIO_0 [17] DDRCH1_VREF_DQ0_INT_TAP0	
CTRL_CORE_CONTROL_DDRIO_0 [16] DDRCH1_VREF_DQ0_INT_TAP1	
CTRL_CORE_CONTROL_DDRIO_0 [15] DDRCH1_VREF_DQ0_INT_EN	
CTRL_CORE_CONTROL_DDRIO_0 [14] DDRCH1_VREF_DQ1_INT_CCAP0	ddr1_d[23:16], ddr1_d[31:24], ddr1_ecc_d[7:0]
CTRL_CORE_CONTROL_DDRIO_0 [13] DDRCH1_VREF_DQ1_INT_CCAP1	
CTRL_CORE_CONTROL_DDRIO_0 [12] DDRCH1_VREF_DQ1_INT_TAP0	
CTRL_CORE_CONTROL_DDRIO_0 [11] DDRCH1_VREF_DQ1_INT_TAP1	
CTRL_CORE_CONTROL_DDRIO_0 [10] DDRCH1_VREF_DQ1_INT_EN	

18.4.6.12 AVS Class 0 Associated Registers

AVS Class 0 attempts to normalize the power consumption across all devices by lowering the operating voltage of certain voltage rails. This procedure of lowering the voltage should be performed in the boot loader after ROM code. The new voltage to be set for each AVS Class 0 supported voltage rail should be read from the eFuse using dedicated registers. Then the power supply output voltage is adjusted to this new voltage value.

The following voltage rails support AVS Class 0:

- vdd_iva
- vdd_dsp
- vdd
- vdd_gpu
- vdd_mpu

NOTE: For descriptions of the voltage rails previously listed see the "Power Supply Signal Descriptions" table in the device Data Manual.

Table 18-29 shows all registers associated with AVS Class 0. The corresponding AVS Class 0 voltage value can be read from the 12 LSbits of each of the listed registers. They contain the voltage value in hex format. To find the actual value in mV a conversion from hex to decimal value is needed. For example, if the value read from `CTRL_CORE_STD_FUSE_OPP_VMIN_MPU_2[11:0]` is `0x041F`, then this corresponds to 1055 mV.

Table 18-29. Registers Associated With AVS Class 0 Voltage

Physical Address	Bit Field Containing the AVS Class 0 Voltage Value	Voltage Rail	Supported OPP
0x4A00 25CC	<code>CTRL_CORE_STD_FUSE_OPP_VMIN_IVA_2[11:0]</code> <code>STD_FUSE_OPP_VMIN_IVA_2</code>	vdd_iva	OPP_NOM
0x4A00 25D0	<code>CTRL_CORE_STD_FUSE_OPP_VMIN_IVA_3[11:0]</code> <code>STD_FUSE_OPP_VMIN_IVA_3</code>		OPP_OD
0x4A00 25D4	<code>CTRL_CORE_STD_FUSE_OPP_VMIN_IVA_4[11:0]</code> <code>STD_FUSE_OPP_VMIN_IVA_4</code>		OPP_HIGH
0x4A00 25C4	<code>CTRL_CORE_STD_FUSE_OPP_VMIN_IVA_5[11:0]</code> <code>STD_FUSE_OPP_VMIN_IVA_5</code>		OPP_PLUS
0x4A00 25E0	<code>CTRL_CORE_STD_FUSE_OPP_VMIN_DSPEVE_2[11:0]</code> <code>STD_FUSE_OPP_VMIN_DSPEVE_2</code>	vdd_dsp	OPP_NOM
0x4A00 25E4	<code>CTRL_CORE_STD_FUSE_OPP_VMIN_DSPEVE_3[11:0]</code> <code>STD_FUSE_OPP_VMIN_DSPEVE_3</code>		OPP_OD
0x4A00 25E8	<code>CTRL_CORE_STD_FUSE_OPP_VMIN_DSPEVE_4[11:0]</code> <code>STD_FUSE_OPP_VMIN_DSPEVE_4</code>		OPP_HIGH
0x4A00 25D8	<code>CTRL_CORE_STD_FUSE_OPP_VMIN_DSPEVE_5[11:0]</code> <code>STD_FUSE_OPP_VMIN_DSPEVE_5</code>		OPP_PLUS
0x4A00 25F4	<code>CTRL_CORE_STD_FUSE_OPP_VMIN_CORE_2[11:0]</code> <code>STD_FUSE_OPP_VMIN_CORE_2</code>	vdd	OPP_NOM
0x4A00 3B08	<code>CTRL_CORE_STD_FUSE_OPP_VMIN_GPU_2[11:0]</code> <code>STD_FUSE_OPP_VMIN_GPU_2</code>	vdd_gpu	OPP_NOM
0x4A00 3B0C	<code>CTRL_CORE_STD_FUSE_OPP_VMIN_GPU_3[11:0]</code> <code>STD_FUSE_OPP_VMIN_GPU_3</code>		OPP_OD
0x4A00 3B10	<code>CTRL_CORE_STD_FUSE_OPP_VMIN_GPU_4[11:0]</code> <code>STD_FUSE_OPP_VMIN_GPU_4</code>		OPP_HIGH
0x4A00 3B14	<code>CTRL_CORE_STD_FUSE_OPP_VMIN_GPU_5[11:0]</code> <code>STD_FUSE_OPP_VMIN_GPU_5</code>		OPP_PLUS
0x4A00 3B1C	<code>CTRL_CORE_STD_FUSE_OPP_VMIN_MPU_1[11:0]</code> <code>STD_FUSE_OPP_VMIN_MPU_1</code>	vdd_mpu	OPP_LOW
0x4A00 3B20	<code>CTRL_CORE_STD_FUSE_OPP_VMIN_MPU_2[11:0]</code> <code>STD_FUSE_OPP_VMIN_MPU_2</code>		OPP_NOM
0x4A00 3B24	<code>CTRL_CORE_STD_FUSE_OPP_VMIN_MPU_3[11:0]</code> <code>STD_FUSE_OPP_VMIN_MPU_3</code>		OPP_OD
0x4A00 3B28	<code>CTRL_CORE_STD_FUSE_OPP_VMIN_MPU_4[11:0]</code> <code>STD_FUSE_OPP_VMIN_MPU_4</code>		OPP_HIGH
0x4A00 3B2C	<code>CTRL_CORE_STD_FUSE_OPP_VMIN_MPU_5[11:0]</code> <code>STD_FUSE_OPP_VMIN_MPU_5</code>		OPP_PLUS

Some of the OPPs listed in Table 18-29 may not be supported for some devices. In these cases the voltage values in the corresponding AVS Class 0 registers can be disregarded.

NOTE: For more information about the supported OPPs, see the "Operating Performance Points" section of the device Data Manual.

In some cases, the AVS Class 0 voltage that is read from the `CTRL_CORE_STD_FUSE_OPP_VMIN_xxx_y` registers has a value between two incremental voltage steps of the power supply. If such a case occurs, the higher voltage value should be selected.

If several AVS Class 0 supported voltage rails are combined with each other, then all corresponding registers should be read and the highest value should be selected. The power supply of the combined rails should be changed to this highest voltage value.

NOTE: For a list of the supported voltage rail combinations, see the device Data Manual.

Figure 18-13 shows a general example of how AVS Class 0 should be performed.

Figure 18-13. AVS Class 0 Procedure



18.4.6.13 ABB Associated Registers

When ABB is needed the following registers should be used:

- CTRL_CORE_LDOVBB_DSPEVE_VOLTAGE_CTRL
- CTRL_CORE_LDOVBB_IVA_VOLTAGE_CTRL
- CTRL_WKUP_LDOVBB_GPU_VOLTAGE_CTRL
- CTRL_WKUP_LDOVBB_MPU_VOLTAGE_CTRL

- The CTRL_CORE_STD_FUSE_OPP_VMIN_xxx_y registers depending on the OPP. There are different values for each OPP stored in each one of these registers.

The ABB LDO target value can be read from CTRL_CORE_STD_FUSE_OPP_VMIN_xxx_y[24:20] VSETABB bits, if CTRL_CORE_STD_FUSE_OPP_VMIN_xxx_y[25] ABBEN is set to 0x1. Then this value should be written to bits FBB_VSET_OUT (bits [4:0]) of registers CTRL_CORE/WKUP_LDOVBB_x_VOLTAGE_CTRL. The ABB LDO target value applies when CTRL_CORE/WKUP_LDOVBB_x_VOLTAGE_CTRL[10] FBB_MUX_CTRL is set to 0x1, that is, FBB_VSET_OUT is used as a target bias voltage. When ABB is bypassed (not used) the FBB_VSET_OUT bits should be loaded with 0x0 and FBB_MUX_CTRL should be set to 0x0.

It must be taken into account that the ABB LDO target value depends on the OPP. For example, concerning the MPU voltage domain:

- in case of OPP_NOM the value from CTRL_CORE_STD_FUSE_OPP_VMIN_MPU_2[24:20] VSETABB should be used.
- in case of OPP_OD the value from CTRL_CORE_STD_FUSE_OPP_VMIN_MPU_3[24:20] VSETABB should be used.

NOTE: Before enabling the ABB LDO in FBB mode the FBB_VSET_OUT and FBB_MUX_CTRL bits must be programmed. The FBB_VSET_OUT bits must be loaded with a value which corresponds to the relevant OPP.

For more details regarding ABB see [Section 3.8.3.4 ABB LDO Programming sequence](#).

18.4.6.14 Registers For Other Miscellaneous Functions

18.4.6.14.1 System Boot Status Settings

The CTRL_CORE_BOOTSTRAP register is a status register which indicates the state of the sysboot0 to sysboot15 input signals. Their purpose is to select the boot interface, the device source clock configuration and also other boot related settings.

NOTE: For proper device operation, sysboot14 must be tied to vss. For SR1.0, sysboot15 must be tied to vdd, but for SR2.x it is configurable. For more information, see [Section 18.4.6.1.1.1, Permanent PU/PD disabling \(SR 2.x only\)](#) in [Chapter 18, Control Module](#).

SR1.0 information is valid only for the AM571x family of devices.

18.4.6.14.2 Force MPU Write Nonposted Transactions

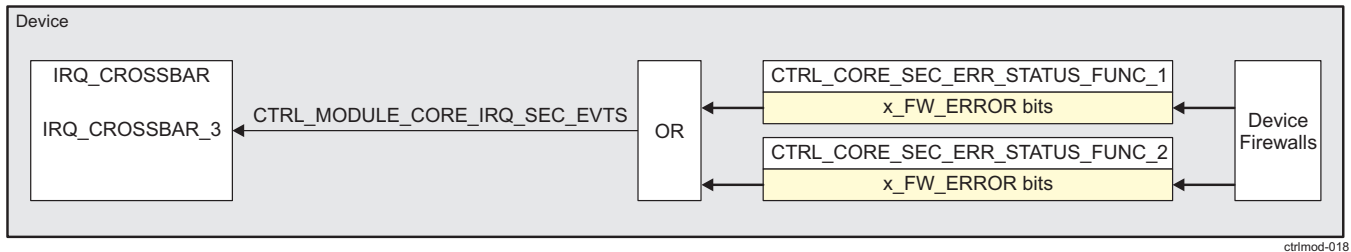
The control module provides a way for software to force all writes from the MPU subsystem to the L3_MAIN to be nonposted regardless of the attributes of the transactions coming from the MPU. This is done by setting to 0x1 the CTRL_CORE_MPU_FORCEWRNP[0] MPU_FORCEWRNP bit. This bit must not be changed until the transfer completes.

18.4.6.14.3 Firewall Error Status Registers

There are four status registers which show when there is a firewall error. The CTRL_CORE_SEC_ERR_STATUS_FUNC_1 and CTRL_CORE_SEC_ERR_STATUS_FUNC_2 registers are used in device normal operation mode. The x_FW_ERROR bits from these two registers are combined into a single interrupt signal sent to the IRQ_CROSSBAR module as shown in [Figure 18-14](#). The CTRL_CORE_SEC_ERR_STATUS_DEBUG_1 and CTRL_CORE_SEC_ERR_STATUS_DEBUG_2 registers are used when the device is in debug mode. These two registers have bits same as in the CTRL_CORE_SEC_ERR_STATUS_FUNC_1 and CTRL_CORE_SEC_ERR_STATUS_FUNC_2 registers.

All bits in these registers are cleared when the ERROR_LOG_k and L4_IA_ERROR_LOG_L registers are cleared.

Figure 18-14. Combined Firewall Error Interrupt



18.4.6.14.4 Settings Related To Different Peripheral Modules

The [CTRL_CORE_CONTROL_IO_1](#) and [CTRL_CORE_CONTROL_IO_2](#) registers have controls for specific settings of several device peripheral modules.

18.4.7 Functional Description Of The Various Register Types In CTRL_MODULE_WKUP Submodule

The following sections describe in detail the purpose of the various kinds of registers and register groups which reside in the CTRL_MODULE_WKUP submodule.

18.4.7.1 Registers For Basic EMIF configuration

The [CTRL_WKUP_SECURE_EMIF1_SDRAM_CONFIG](#) register has bits which determine the basic settings of the EMIF controller. These are, for example, settings like CAS write latency, SDRAM drive strength, SDRAM termination resistor values, SDRAM type and others.

The [CTRL_WKUP_SECURE_EMIF1_SDRAM_CONFIG](#) bit field values are exported upon POR to the EMIF1.EMIF_SDRAM_CONFIG register.

The [CTRL_WKUP_EMIF1_SDRAM_CONFIG_EXT](#) register is associated with DDR PHY controls, ODT values for device DDR I/Os, some leveling related parameters and others.

18.5 Control Module Register Manual

18.5.1 Control Module Instance Summary

NOTE: ATL, VCP1, VCP2, MLB and USB3 (ULPI) are not supported on the AM571x / AM570x family of devices.

SATA and RTC are not supported on the AM570x family of devices.

NOTE: MreqDomain is supported only on SR2.1.

Table 18-30. CONTROL MODULE Instance Summary

Module Name	Module Base Address	Size
CTRL_MODULE_CORE	0x4A00 2000	8 KiB
CTRL_MODULE_WKUP	0x4AE0 C000	4 KiB

18.5.2 CTRL_MODULE_CORE Registers

18.5.2.1 CTRL_MODULE_CORE Register Summary

Table 18-31. CTRL_MODULE_CORE Registers Mapping Summary

Register Name	Type	Register Width (Bits)	Address Offset	CTRL_MODULE_CORE Base Address
CTRL_CORE_MREQDOMAIN_EXP1⁽¹⁾	RW	32	0x0000 0108	0x4A00 2108
CTRL_CORE_MREQDOMAIN_EXP2⁽¹⁾	RW	32	0x0000 010C	0x4A00 210C
CTRL_CORE_MREQDOMAIN_EXP3⁽¹⁾	RW	32	0x0000 0110	0x4A00 2110
RESERVED_k (k = 0 to 7)	R	32	0x0000 0114 + (k*4)	0x4A00 2114 + (k*4)
CTRL_CORE_STATUS	R	32	0x0000 0134	0x4A00 2134
RESERVED	R	32	0x0000 0138	0x4A00 2138
RESERVED	R	32	0x0000 013C	0x4A00 213C
RESERVED	R	32	0x0000 0140	0x4A00 2140
RESERVED	R	32	0x0000 0144	0x4A00 2144
CTRL_CORE_SEC_ERR_STATUS_FUNC_1	RW	32	0x0000 0148	0x4A00 2148
RESERVED	R	32	0x0000 014C	0x4A00 214C
CTRL_CORE_SEC_ERR_STATUS_DEBUG_1	RW	32	0x0000 0150	0x4A00 2150
RESERVED	R	32	0x0000 0154	0x4A00 2154
RESERVED	R	32	0x0000 0158	0x4A00 2158
CTRL_CORE_MPU_FORCEWRNP	RW	32	0x0000 015C	0x4A00 215C
RESERVED	R	32	0x0000 0160	0x4A00 2160
RESERVED	R	32	0x0000 0164	0x4A00 2164
RESERVED	R	32	0x0000 0168	0x4A00 2168
RESERVED	R	32	0x0000 016C	0x4A00 216C
RESERVED	R	32	0x0000 0170	0x4A00 2170
RESERVED	R	32	0x0000 0174	0x4A00 2174
RESERVED	R	32	0x0000 0178	0x4A00 2178
RESERVED	R	32	0x0000 017C	0x4A00 217C
RESERVED	R	32	0x0000 0180	0x4A00 2180
RESERVED	R	32	0x0000 0184	0x4A00 2184
RESERVED	R	32	0x0000 0188	0x4A00 2188
RESERVED	R	32	0x0000 018C	0x4A00 218C
RESERVED	R	32	0x0000 0190	0x4A00 2190
CTRL_CORE_STD_FUSE_OPP_VDD_GPU_0	R	32	0x0000 0194	0x4A00 2194
CTRL_CORE_STD_FUSE_OPP_VDD_GPU_1	R	32	0x0000 0198	0x4A00 2198
CTRL_CORE_STD_FUSE_OPP_VDD_GPU_2	R	32	0x0000 019C	0x4A00 219C
CTRL_CORE_STD_FUSE_OPP_VDD_GPU_3	R	32	0x0000 01A0	0x4A00 21A0
CTRL_CORE_STD_FUSE_OPP_VDD_GPU_4	R	32	0x0000 01A4	0x4A00 21A4
CTRL_CORE_STD_FUSE_OPP_VDD_GPU_5	R	32	0x0000 01A8	0x4A00 21A8
CTRL_CORE_STD_FUSE_OPP_VDD_MPU_0	R	32	0x0000 01AC	0x4A00 21AC
CTRL_CORE_STD_FUSE_OPP_VDD_MPU_1	R	32	0x0000 01B0	0x4A00 21B0
CTRL_CORE_STD_FUSE_OPP_VDD_MPU_2	R	32	0x0000 01B4	0x4A00 21B4
CTRL_CORE_STD_FUSE_OPP_VDD_MPU_3	R	32	0x0000 01B8	0x4A00 21B8
CTRL_CORE_STD_FUSE_OPP_VDD_MPU_4	R	32	0x0000 01BC	0x4A00 21BC
CTRL_CORE_STD_FUSE_OPP_VDD_MPU_5	R	32	0x0000 01C0	0x4A00 21C0
CTRL_CORE_STD_FUSE_OPP_VDD_MPU_6	R	32	0x0000 01C4	0x4A00 21C4
CTRL_CORE_STD_FUSE_OPP_VDD_MPU_7	R	32	0x0000 01C8	0x4A00 21C8
CTRL_CORE_STD_FUSE_OPP_VDD_CORE_0	R	32	0x0000 01CC	0x4A00 21CC
CTRL_CORE_STD_FUSE_OPP_VDD_CORE_1	R	32	0x0000 01D0	0x4A00 21D0
CTRL_CORE_STD_FUSE_OPP_VDD_CORE_2	R	32	0x0000 01D4	0x4A00 21D4

⁽¹⁾ MreqDomain is supported only on SR2.1.

Table 18-31. CTRL_MODULE_CORE Registers Mapping Summary (continued)

Register Name	Type	Register Width (Bits)	Address Offset	CTRL_MODULE_CORE Base Address
CTRL_CORE_STD_FUSE_OPP_VDD_CORE_3	R	32	0x0000 01D8	0x4A00 21D8
CTRL_CORE_STD_FUSE_OPP_VDD_CORE_4	R	32	0x0000 01DC	0x4A00 21DC
CTRL_CORE_STD_FUSE_OPP_BGAP_GPU	R	32	0x0000 01E0	0x4A00 21E0
CTRL_CORE_STD_FUSE_OPP_BGAP_MPU	R	32	0x0000 01E4	0x4A00 21E4
CTRL_CORE_STD_FUSE_OPP_BGAP_CORE	R	32	0x0000 01E8	0x4A00 21E8
CTRL_CORE_STD_FUSE_OPP_BGAP_MPU23	R	32	0x0000 01EC	0x4A00 21EC
RESERVED_x (x = 0 to 11)	R	32	0x0000 01F0	0x4A00 21F0
CTRL_CORE_STD_FUSE_MPK_0	R	32	0x0000 0220	0x4A00 2220
CTRL_CORE_STD_FUSE_MPK_1	R	32	0x0000 0224	0x4A00 2224
CTRL_CORE_STD_FUSE_MPK_2	R	32	0x0000 0228	0x4A00 2228
CTRL_CORE_STD_FUSE_MPK_3	R	32	0x0000 022C	0x4A00 222C
CTRL_CORE_STD_FUSE_MPK_4	R	32	0x0000 0230	0x4A00 2230
CTRL_CORE_STD_FUSE_MPK_5	R	32	0x0000 0234	0x4A00 2234
CTRL_CORE_STD_FUSE_MPK_6	R	32	0x0000 0238	0x4A00 2238
CTRL_CORE_STD_FUSE_MPK_7	R	32	0x0000 023C	0x4A00 223C
CTRL_CORE_STD_FUSE_OPP_VDD_GPU_LVT_0	R	32	0x0000 0240	0x4A00 2240
CTRL_CORE_STD_FUSE_OPP_VDD_GPU_LVT_1	R	32	0x0000 0244	0x4A00 2244
CTRL_CORE_STD_FUSE_OPP_VDD_GPU_LVT_2	R	32	0x0000 0248	0x4A00 2248
CTRL_CORE_STD_FUSE_OPP_VDD_GPU_LVT_3	R	32	0x0000 024C	0x4A00 224C
CTRL_CORE_STD_FUSE_OPP_VDD_GPU_LVT_4	R	32	0x0000 0250	0x4A00 2250
CTRL_CORE_STD_FUSE_OPP_VDD_GPU_LVT_5	R	32	0x0000 0254	0x4A00 2254
CTRL_CORE_STD_FUSE_OPP_VDD_MPU_LVT_0	R	32	0x0000 0258	0x4A00 2258
CTRL_CORE_STD_FUSE_OPP_VDD_MPU_LVT_1	R	32	0x0000 025C	0x4A00 225C
CTRL_CORE_STD_FUSE_OPP_VDD_MPU_LVT_2	R	32	0x0000 0260	0x4A00 2260
CTRL_CORE_STD_FUSE_OPP_VDD_MPU_LVT_3	R	32	0x0000 0264	0x4A00 2264
CTRL_CORE_STD_FUSE_OPP_VDD_MPU_LVT_4	R	32	0x0000 0268	0x4A00 2268
CTRL_CORE_STD_FUSE_OPP_VDD_MPU_LVT_5	R	32	0x0000 026C	0x4A00 226C
CTRL_CORE_STD_FUSE_OPP_VDD_MPU_LVT_6	R	32	0x0000 0270	0x4A00 2270
CTRL_CORE_STD_FUSE_OPP_VDD_MPU_LVT_7	R	32	0x0000 0274	0x4A00 2274
RESERVED_v (v = 0 to 16)	R	32	0x0000 0278 + (v*4)	0x4A00 2278 + (v*4)
CTRL_CORE_CUST_FUSE_SWRV_0	R	32	0x0000 02BC	0x4A00 22BC
CTRL_CORE_CUST_FUSE_SWRV_1	R	32	0x0000 02C0	0x4A00 22C0
CTRL_CORE_CUST_FUSE_SWRV_2	R	32	0x0000 02C4	0x4A00 22C4
CTRL_CORE_CUST_FUSE_SWRV_3	R	32	0x0000 02C8	0x4A00 22C8
CTRL_CORE_CUST_FUSE_SWRV_4	R	32	0x0000 02CC	0x4A00 22CC
CTRL_CORE_CUST_FUSE_SWRV_5	R	32	0x0000 02D0	0x4A00 22D0
CTRL_CORE_CUST_FUSE_SWRV_6	R	32	0x0000 02D4	0x4A00 22D4
RESERVED	R	32	0x0000 02D8	0x4A00 22D8
RESERVED	R	32	0x0000 02DC	0x4A00 22DC
RESERVED	R	32	0x0000 02E0	0x4A00 22E0
RESERVED	R	32	0x0000 02E4	0x4A00 22E4
RESERVED	R	32	0x0000 02E8	0x4A00 22E8
RESERVED	R	32	0x0000 02EC	0x4A00 22EC
CTRL_CORE_DEV_CONF	RW	32	0x0000 0300	0x4A00 2300
RESERVED	R	32	0x0000 0304	0x4A00 2304
CTRL_CORE_TEMP_SENSOR_MPU	R	32	0x0000 032C	0x4A00 232C
CTRL_CORE_TEMP_SENSOR_GPU	R	32	0x0000 0330	0x4A00 2330
CTRL_CORE_TEMP_SENSOR_CORE	R	32	0x0000 0334	0x4A00 2334
RESERVED	R	32	0x0000 033C	0x4A00 233C

Table 18-31. CTRL_MODULE_CORE Registers Mapping Summary (continued)

Register Name	Type	Register Width (Bits)	Address Offset	CTRL_MODULE_CORE Base Address
RESERVED	R	32	0x0000 0340	0x4A00 2340
RESERVED	R	32	0x0000 0344	0x4A00 2344
CTRL_CORE_CORTEX_M4_MMUADDRTRANSLTR	RW	32	0x0000 0358	0x4A00 2358
CTRL_CORE_CORTEX_M4_MMUADDRLOGICTR	RW	32	0x0000 035C	0x4A00 235C
CTRL_CORE_HWOBS_CONTROL	RW	32	0x0000 0360	0x4A00 2360
RESERVED	R	32	0x0000 0364	0x4A00 2364
RESERVED	R	32	0x0000 0368	0x4A00 2368
RESERVED	R	32	0x0000 036C	0x4A00 236C
CTRL_CORE_PHY_POWER_USB	RW	32	0x0000 0370	0x4A00 2370
CTRL_CORE_PHY_POWER_SATA	RW	32	0x0000 0374	0x4A00 2374
CTRL_CORE_BANDGAP_MASK_1	RW	32	0x0000 0380	0x4A00 2380
CTRL_CORE_BANDGAP_THRESHOLD_MPU	RW	32	0x0000 0384	0x4A00 2384
CTRL_CORE_BANDGAP_THRESHOLD_GPU	RW	32	0x0000 0388	0x4A00 2388
CTRL_CORE_BANDGAP_THRESHOLD_CORE	RW	32	0x0000 038C	0x4A00 238C
CTRL_CORE_BANDGAP_TSHUT_MPU	RW	32	0x0000 0390	0x4A00 2390
CTRL_CORE_BANDGAP_TSHUT_GPU	RW	32	0x0000 0394	0x4A00 2394
CTRL_CORE_BANDGAP_TSHUT_CORE	RW	32	0x0000 0398	0x4A00 2398
RESERVED	R	32	0x0000 039C	0x4A00 239C
RESERVED	R	32	0x0000 03A0	0x4A00 23A0
RESERVED	R	32	0x0000 03A4	0x4A00 23A4
CTRL_CORE_BANDGAP_STATUS_1	R	32	0x0000 03A8	0x4A00 23A8
CTRL_CORE_SATA_EXT_MODE	RW	32	0x0000 03AC	0x4A00 23AC
RESERVED	R	32	0x0000 03B0	0x4A00 23B0
RESERVED	R	32	0x0000 03B4	0x4A00 23B4
RESERVED	R	32	0x0000 03B8	0x4A00 23B8
RESERVED	R	32	0x0000 03BC	0x4A00 23BC
CTRL_CORE_DTEMP_MPU_0	R	32	0x0000 03C0	0x4A00 23C0
CTRL_CORE_DTEMP_MPU_1	R	32	0x0000 03C4	0x4A00 23C4
CTRL_CORE_DTEMP_MPU_2	R	32	0x0000 03C8	0x4A00 23C8
CTRL_CORE_DTEMP_MPU_3	R	32	0x0000 03CC	0x4A00 23CC
CTRL_CORE_DTEMP_MPU_4	R	32	0x0000 03D0	0x4A00 23D0
CTRL_CORE_DTEMP_GPU_0	R	32	0x0000 03D4	0x4A00 23D4
CTRL_CORE_DTEMP_GPU_1	R	32	0x0000 03D8	0x4A00 23D8
CTRL_CORE_DTEMP_GPU_2	R	32	0x0000 03DC	0x4A00 23DC
CTRL_CORE_DTEMP_GPU_3	R	32	0x0000 03E0	0x4A00 23E0
CTRL_CORE_DTEMP_GPU_4	R	32	0x0000 03E4	0x4A00 23E4
CTRL_CORE_DTEMP_CORE_0	R	32	0x0000 03E8	0x4A00 23E8
CTRL_CORE_DTEMP_CORE_1	R	32	0x0000 03EC	0x4A00 23EC
CTRL_CORE_DTEMP_CORE_2	R	32	0x0000 03F0	0x4A00 23F0
CTRL_CORE_DTEMP_CORE_3	R	32	0x0000 03F4	0x4A00 23F4
CTRL_CORE_DTEMP_CORE_4	R	32	0x0000 03F8	0x4A00 23F8
CTRL_CORE_SMA_SW_0	RW	32	0x0000 03FC	0x4A00 23FC
CTRL_CORE_MREQDOMAIN_EXP4 ⁽¹⁾	RW	32	0x0000 0400	0x4A00 2400
CTRL_CORE_MREQDOMAIN_EXP5 ⁽¹⁾	RW	32	0x0000 0404	0x4A00 2404
RESERVED	R	32	0x0000 0408	0x4A00 2408
RESERVED	R	32	0x0000 040C	0x4A00 240C
CTRL_CORE_SEC_ERR_STATUS_FUNC_2	RW	32	0x0000 0414	0x4A00 2414
RESERVED	R	32	0x0000 0418	0x4A00 2418
CTRL_CORE_SEC_ERR_STATUS_DEBUG_2	RW	32	0x0000 041C	0x4A00 241C
CTRL_CORE_EMIF_INITIATOR_PRIORITY_1	RW	32	0x0000 0420	0x4A00 2420

Table 18-31. CTRL_MODULE_CORE Registers Mapping Summary (continued)

Register Name	Type	Register Width (Bits)	Address Offset	CTRL_MODULE_CORE Base Address
CTRL_CORE_EMIF_INITIATOR_PRIORITY_2	RW	32	0x0000 0424	0x4A00 2424
CTRL_CORE_EMIF_INITIATOR_PRIORITY_3	RW	32	0x0000 0428	0x4A00 2428
CTRL_CORE_EMIF_INITIATOR_PRIORITY_4	RW	32	0x0000 042C	0x4A00 242C
CTRL_CORE_EMIF_INITIATOR_PRIORITY_5	RW	32	0x0000 0430	0x4A00 2430
CTRL_CORE_EMIF_INITIATOR_PRIORITY_6	RW	32	0x0000 0434	0x4A00 2434
RESERVED	R	32	0x0000 0438	0x4A00 2438
CTRL_CORE_L3_INITIATOR_PRESSURE_1	RW	32	0x0000 043C	0x4A00 243C
CTRL_CORE_L3_INITIATOR_PRESSURE_2	RW	32	0x0000 0440	0x4A00 2440
CTRL_CORE_L3_INITIATOR_PRESSURE_3	RW	32	0x0000 0444	0x4A00 2444
CTRL_CORE_L3_INITIATOR_PRESSURE_4	RW	32	0x0000 0448	0x4A00 2448
CTRL_CORE_L3_INITIATOR_PRESSURE_5	RW	32	0x0000 044C	0x4A00 244C
CTRL_CORE_L3_INITIATOR_PRESSURE_6	RW	32	0x0000 0450	0x4A00 2450
RESERVED	R	32	0x0000 0454	0x4A00 2454
CTRL_CORE_STD_FUSE_OPP_VDD_IVA_0	R	32	0x0000 0458	0x4A00 2458
CTRL_CORE_STD_FUSE_OPP_VDD_IVA_1	R	32	0x0000 045C	0x4A00 245C
CTRL_CORE_STD_FUSE_OPP_VDD_IVA_2	R	32	0x0000 0460	0x4A00 2460
CTRL_CORE_STD_FUSE_OPP_VDD_IVA_3	R	32	0x0000 0464	0x4A00 2464
CTRL_CORE_STD_FUSE_OPP_VDD_IVA_4	R	32	0x0000 0468	0x4A00 2468
CTRL_CORE_LDOVBB_DSPEVE_VOLTAGE_CTRL	RW	32	0x0000 046C	0x4A00 246C
CTRL_CORE_LDOVBB_IVA_VOLTAGE_CTRL	RW	32	0x0000 0470	0x4A00 2470
RESERVED_a (a = 0 to 28)	R	32	0x0000 0474 + (a*4)	0x4A00 2474 + (a*4)
CTRL_CORE_CUST_FUSE_UID_0	R	32	0x0000 04E8	0x4A00 24E8
CTRL_CORE_CUST_FUSE_UID_1	R	32	0x0000 04EC	0x4A00 24EC
CTRL_CORE_CUST_FUSE_UID_2	R	32	0x0000 04F0	0x4A00 24F0
CTRL_CORE_CUST_FUSE_UID_3	R	32	0x0000 04F4	0x4A00 24F4
CTRL_CORE_CUST_FUSE_UID_4	R	32	0x0000 04F8	0x4A00 24F8
CTRL_CORE_CUST_FUSE_UID_5	R	32	0x0000 04FC	0x4A00 24FC
CTRL_CORE_CUST_FUSE_UID_6	R	32	0x0000 0500	0x4A00 2500
RESERVED	R	32	0x0000 0504	0x4A00 2504
CTRL_CORE_CUST_FUSE_PCIE_ID_0	R	32	0x0000 0508	0x4A00 2508
RESERVED	R	32	0x0000 050C	0x4A00 250C
CTRL_CORE_CUST_FUSE_USB_ID_0	R	32	0x0000 0510	0x4A00 2510
CTRL_CORE_MAC_ID_SW_0	R	32	0x0000 0514	0x4A00 2514
CTRL_CORE_MAC_ID_SW_1	R	32	0x0000 0518	0x4A00 2518
CTRL_CORE_MAC_ID_SW_2	R	32	0x0000 051C	0x4A00 251C
CTRL_CORE_MAC_ID_SW_3	R	32	0x0000 0520	0x4A00 2520
RESERVED_d (d = 0 to 3)	R	32	0x0000 0524 + (d*4)	0x4A00 2524 + (d*4)
CTRL_CORE_SMA_SW_1	RW	32	0x0000 0534	0x4A00 2534
CTRL_CORE_DSS_PLL_CONTROL	RW	32	0x0000 0538	0x4A00 2538
RESERVED	R	32	0x0000 053C	0x4A00 253C
CTRL_CORE_MMR_LOCK_1	RW	32	0x0000 0540	0x4A00 2540
CTRL_CORE_MMR_LOCK_2	RW	32	0x0000 0544	0x4A00 2544
CTRL_CORE_MMR_LOCK_3	RW	32	0x0000 0548	0x4A00 2548
CTRL_CORE_MMR_LOCK_4	RW	32	0x0000 054C	0x4A00 254C
CTRL_CORE_MMR_LOCK_5	RW	32	0x0000 0550	0x4A00 2550
CTRL_CORE_CONTROL_IO_1	RW	32	0x0000 0554	0x4A00 2554
CTRL_CORE_CONTROL_IO_2	RW	32	0x0000 0558	0x4A00 2558
CTRL_CORE_CONTROL_DSP1_RST_VECT	RW	32	0x0000 055C	0x4A00 255C
RESERVED	R	32	0x0000 0560	0x4A00 2560

Table 18-31. CTRL_MODULE_CORE Registers Mapping Summary (continued)

Register Name	Type	Register Width (Bits)	Address Offset	CTRL_MODULE_CORE Base Address
CTRL_CORE_STD_FUSE_OPP_BGAP_DSPEVE	R	32	0x0000 0564	0x4A00 2564
CTRL_CORE_STD_FUSE_OPP_BGAP_IVA	R	32	0x0000 0568	0x4A00 2568
CTRL_CORE_LDOSRAM_DSPEVE_VOLTAGE_CTRL	RW	32	0x0000 056C	0x4A00 256C
CTRL_CORE_LDOSRAM_IVA_VOLTAGE_CTRL	RW	32	0x0000 0570	0x4A00 2570
CTRL_CORE_TEMP_SENSOR_DSPEVE	R	32	0x0000 0574	0x4A00 2574
CTRL_CORE_TEMP_SENSOR_IVA	R	32	0x0000 0578	0x4A00 2578
CTRL_CORE_BANDGAP_MASK_2	RW	32	0x0000 057C	0x4A00 257C
CTRL_CORE_BANDGAP_THRESHOLD_DSPEVE	RW	32	0x0000 0580	0x4A00 2580
CTRL_CORE_BANDGAP_THRESHOLD_IVA	RW	32	0x0000 0584	0x4A00 2584
CTRL_CORE_BANDGAP_TSHUT_DSPEVE	RW	32	0x0000 0588	0x4A00 2588
CTRL_CORE_BANDGAP_TSHUT_IVA	RW	32	0x0000 058C	0x4A00 258C
RESERVED	R	32	0x0000 0590	0x4A00 2590
RESERVED	R	32	0x0000 0594	0x4A00 2594
CTRL_CORE_BANDGAP_STATUS_2	R	32	0x0000 0598	0x4A00 2598
CTRL_CORE_DTEMP_DSPEVE_0	R	32	0x0000 059C	0x4A00 259C
CTRL_CORE_DTEMP_DSPEVE_1	R	32	0x0000 05A0	0x4A00 25A0
CTRL_CORE_DTEMP_DSPEVE_2	R	32	0x0000 05A4	0x4A00 25A4
CTRL_CORE_DTEMP_DSPEVE_3	R	32	0x0000 05A8	0x4A00 25A8
CTRL_CORE_DTEMP_DSPEVE_4	R	32	0x0000 05AC	0x4A00 25AC
CTRL_CORE_DTEMP_IVA_0	R	32	0x0000 05B0	0x4A00 25B0
CTRL_CORE_DTEMP_IVA_1	R	32	0x0000 05B4	0x4A00 25B4
CTRL_CORE_DTEMP_IVA_2	R	32	0x0000 05B8	0x4A00 25B8
CTRL_CORE_DTEMP_IVA_3	R	32	0x0000 05BC	0x4A00 25BC
CTRL_CORE_DTEMP_IVA_4	R	32	0x0000 05C0	0x4A00 25C0
CTRL_CORE_STD_FUSE_OPP_VMIN_IVA_5	R	32	0x0000 05C4	0x4A00 25C4
RESERVED	R	32	0x0000 05C8	0x4A00 25C8
CTRL_CORE_STD_FUSE_OPP_VMIN_IVA_2	R	32	0x0000 05CC	0x4A00 25CC
CTRL_CORE_STD_FUSE_OPP_VMIN_IVA_3	R	32	0x0000 05D0	0x4A00 25D0
CTRL_CORE_STD_FUSE_OPP_VMIN_IVA_4	R	32	0x0000 05D4	0x4A00 25D4
CTRL_CORE_STD_FUSE_OPP_VMIN_DSPEVE_5	R	32	0x0000 05D8	0x4A00 25D8
RESERVED	R	32	0x0000 05DC	0x4A00 25DC
CTRL_CORE_STD_FUSE_OPP_VMIN_DSPEVE_2	R	32	0x0000 05E0	0x4A00 25E0
CTRL_CORE_STD_FUSE_OPP_VMIN_DSPEVE_3	R	32	0x0000 05E4	0x4A00 25E4
CTRL_CORE_STD_FUSE_OPP_VMIN_DSPEVE_4	R	32	0x0000 05E8	0x4A00 25E8
RESERVED	R	32	0x0000 05EC	0x4A00 25EC
RESERVED	R	32	0x0000 05F0	0x4A00 25F0
CTRL_CORE_STD_FUSE_OPP_VMIN_CORE_2	R	32	0x0000 05F4	0x4A00 25F4
RESERVED	R	32	0x0000 05F8	0x4A00 25F8
RESERVED	R	32	0x0000 05FC	0x4A00 25FC
RESERVED_m (m = 0 to 31)	R	32	0x0000 0600 + (m*4)	0x4A00 2600 + (m*4)
CTRL_CORE_LDOSRAM_CORE_2_VOLTAGE_CTRL	RW	32	0x0000 0680	0x4A00 2680
CTRL_CORE_LDOSRAM_CORE_3_VOLTAGE_CTRL	RW	32	0x0000 0684	0x4A00 2684
RESERVED	R	32	0x0000 0688	0x4A00 2688
CTRL_CORE_NMI_DESTINATION_1	RW	32	0x0000 068C	0x4A00 268C
CTRL_CORE_NMI_DESTINATION_2	RW	32	0x0000 0690	0x4A00 2690
RESERVED	R	32	0x0000 0694	0x4A00 2694
CTRL_CORE_IP_PRESSURE	RW	32	0x0000 0698	0x4A00 2698
RESERVED	R	32	0x0000 069C	0x4A00 269C
CTRL_CORE_STD_FUSE_OPP_VDD_DSPEVE_0	R	32	0x0000 06A0	0x4A00 26A0

Table 18-31. CTRL_MODULE_CORE Registers Mapping Summary (continued)

Register Name	Type	Register Width (Bits)	Address Offset	CTRL_MODULE_CORE Base Address
CTRL_CORE_STD_FUSE_OPP_VDD_DSPEVE_1	R	32	0x0000 06A4	0x4A00 26A4
CTRL_CORE_STD_FUSE_OPP_VDD_DSPEVE_2	R	32	0x0000 06A8	0x4A00 26A8
CTRL_CORE_STD_FUSE_OPP_VDD_DSPEVE_3	R	32	0x0000 06AC	0x4A00 26AC
CTRL_CORE_STD_FUSE_OPP_VDD_DSPEVE_4	R	32	0x0000 06B0	0x4A00 26B0
CTRL_CORE_CUST_FUSE_SWRV_7	R	32	0x0000 06B4	0x4A00 26B4
CTRL_CORE_STD_FUSE_CALIBRATION_OVERRIDE_VALUE_0	R	32	0x0000 06B8	0x4A00 26B8
CTRL_CORE_STD_FUSE_CALIBRATION_OVERRIDE_VALUE_1	R	32	0x0000 06BC	0x4A00 26BC
CTRL_CORE_PCIE_POWER_STATE	RW	32	0x0000 06C0	0x4A00 26C0
CTRL_CORE_BOOTSTRAP	R	32	0x0000 06C4	0x4A00 26C4
CTRL_CORE_MLB_SIG_IO_CTRL	RW	32	0x0000 06C8	0x4A00 26C8
CTRL_CORE_MLB_DAT_IO_CTRL	RW	32	0x0000 06CC	0x4A00 26CC
CTRL_CORE_MLB_CLK_BG_CTRL	RW	32	0x0000 06D0	0x4A00 26D0
RESERVED_n (n = 0 to 47)	R	32	0x0000 06D4 + (n*4)	0x4A00 26D4 + (n*4)
CTRL_CORE_CAL_REG	RW	32	0x0000 0794	0x4A00 2794
CTRL_CORE_MLB_DLL	RW	32	0x0000 0798	0x4A00 2798
CTRL_CORE_MLB_CLK	RW	32	0x0000 079C	0x4A00 279C
RESERVED_e (e = 0 to 15)	R	32	0x0000 07A0 + (e*4)	0x4A00 27A0 + (e*4)
CTRL_CORE_IPU1_IRQ_23_24	RW	32	0x0000 07E0	0x4A00 27E0
CTRL_CORE_IPU1_IRQ_25_26	RW	32	0x0000 07E4	0x4A00 27E4
CTRL_CORE_IPU1_IRQ_27_28	RW	32	0x0000 07E8	0x4A00 27E8
CTRL_CORE_IPU1_IRQ_29_30	RW	32	0x0000 07EC	0x4A00 27EC
CTRL_CORE_IPU1_IRQ_31_32	RW	32	0x0000 07F0	0x4A00 27F0
CTRL_CORE_IPU1_IRQ_33_34	RW	32	0x0000 07F4	0x4A00 27F4
CTRL_CORE_IPU1_IRQ_35_36	RW	32	0x0000 07F8	0x4A00 27F8
CTRL_CORE_IPU1_IRQ_37_38	RW	32	0x0000 07FC	0x4A00 27FC
CTRL_CORE_IPU1_IRQ_39_40	RW	32	0x0000 0800	0x4A00 2800
CTRL_CORE_IPU1_IRQ_41_42	RW	32	0x0000 0804	0x4A00 2804
CTRL_CORE_IPU1_IRQ_43_44	RW	32	0x0000 0808	0x4A00 2808
CTRL_CORE_IPU1_IRQ_45_46	RW	32	0x0000 080C	0x4A00 280C
CTRL_CORE_IPU1_IRQ_47_48	RW	32	0x0000 0810	0x4A00 2810
CTRL_CORE_IPU1_IRQ_49_50	RW	32	0x0000 0814	0x4A00 2814
CTRL_CORE_IPU1_IRQ_51_52	RW	32	0x0000 0818	0x4A00 2818
CTRL_CORE_IPU1_IRQ_53_54	RW	32	0x0000 081C	0x4A00 281C
CTRL_CORE_IPU1_IRQ_55_56	RW	32	0x0000 0820	0x4A00 2820
CTRL_CORE_IPU1_IRQ_57_58	RW	32	0x0000 0824	0x4A00 2824
CTRL_CORE_IPU1_IRQ_59_60	RW	32	0x0000 0828	0x4A00 2828
CTRL_CORE_IPU1_IRQ_61_62	RW	32	0x0000 082C	0x4A00 282C
CTRL_CORE_IPU1_IRQ_63_64	RW	32	0x0000 0830	0x4A00 2830
CTRL_CORE_IPU1_IRQ_65_66	RW	32	0x0000 0834	0x4A00 2834
CTRL_CORE_IPU1_IRQ_67_68	RW	32	0x0000 0838	0x4A00 2838
CTRL_CORE_IPU1_IRQ_69_70	RW	32	0x0000 083C	0x4A00 283C
CTRL_CORE_IPU1_IRQ_71_72	RW	32	0x0000 0840	0x4A00 2840
CTRL_CORE_IPU1_IRQ_73_74	RW	32	0x0000 0844	0x4A00 2844
CTRL_CORE_IPU1_IRQ_75_76	RW	32	0x0000 0848	0x4A00 2848
CTRL_CORE_IPU1_IRQ_77_78	RW	32	0x0000 084C	0x4A00 284C
CTRL_CORE_IPU1_IRQ_79_80	RW	32	0x0000 0850	0x4A00 2850
CTRL_CORE_IPU2_IRQ_23_24	RW	32	0x0000 0854	0x4A00 2854
CTRL_CORE_IPU2_IRQ_25_26	RW	32	0x0000 0858	0x4A00 2858
CTRL_CORE_IPU2_IRQ_27_28	RW	32	0x0000 085C	0x4A00 285C

Table 18-31. CTRL_MODULE_CORE Registers Mapping Summary (continued)

Register Name	Type	Register Width (Bits)	Address Offset	CTRL_MODULE_CORE Base Address
CTRL_CORE_IPU2_IRQ_29_30	RW	32	0x0000 0860	0x4A00 2860
CTRL_CORE_IPU2_IRQ_31_32	RW	32	0x0000 0864	0x4A00 2864
CTRL_CORE_IPU2_IRQ_33_34	RW	32	0x0000 0868	0x4A00 2868
CTRL_CORE_IPU2_IRQ_35_36	RW	32	0x0000 086C	0x4A00 286C
CTRL_CORE_IPU2_IRQ_37_38	RW	32	0x0000 0870	0x4A00 2870
CTRL_CORE_IPU2_IRQ_39_40	RW	32	0x0000 0874	0x4A00 2874
CTRL_CORE_IPU2_IRQ_41_42	RW	32	0x0000 0878	0x4A00 2878
CTRL_CORE_IPU2_IRQ_43_44	RW	32	0x0000 087C	0x4A00 287C
CTRL_CORE_IPU2_IRQ_45_46	RW	32	0x0000 0880	0x4A00 2880
CTRL_CORE_IPU2_IRQ_47_48	RW	32	0x0000 0884	0x4A00 2884
CTRL_CORE_IPU2_IRQ_49_50	RW	32	0x0000 0888	0x4A00 2888
CTRL_CORE_IPU2_IRQ_51_52	RW	32	0x0000 088C	0x4A00 288C
CTRL_CORE_IPU2_IRQ_53_54	RW	32	0x0000 0890	0x4A00 2890
CTRL_CORE_IPU2_IRQ_55_56	RW	32	0x0000 0894	0x4A00 2894
CTRL_CORE_IPU2_IRQ_57_58	RW	32	0x0000 0898	0x4A00 2898
CTRL_CORE_IPU2_IRQ_59_60	RW	32	0x0000 089C	0x4A00 289C
CTRL_CORE_IPU2_IRQ_61_62	RW	32	0x0000 08A0	0x4A00 28A0
CTRL_CORE_IPU2_IRQ_63_64	RW	32	0x0000 08A4	0x4A00 28A4
CTRL_CORE_IPU2_IRQ_65_66	RW	32	0x0000 08A8	0x4A00 28A8
CTRL_CORE_IPU2_IRQ_67_68	RW	32	0x0000 08AC	0x4A00 28AC
CTRL_CORE_IPU2_IRQ_69_70	RW	32	0x0000 08B0	0x4A00 28B0
CTRL_CORE_IPU2_IRQ_71_72	RW	32	0x0000 08B4	0x4A00 28B4
CTRL_CORE_IPU2_IRQ_73_74	RW	32	0x0000 08B8	0x4A00 28B8
CTRL_CORE_IPU2_IRQ_75_76	RW	32	0x0000 08BC	0x4A00 28BC
CTRL_CORE_IPU2_IRQ_77_78	RW	32	0x0000 08C0	0x4A00 28C0
CTRL_CORE_IPU2_IRQ_79_80	RW	32	0x0000 08C4	0x4A00 28C4
CTRL_CORE_PRUSS1_IRQ_32_33	RW	32	0x0000 08C8	0x4A00 28C8
CTRL_CORE_PRUSS1_IRQ_34_35	RW	32	0x0000 08CC	0x4A00 28CC
CTRL_CORE_PRUSS1_IRQ_36_37	RW	32	0x0000 08D0	0x4A00 28D0
CTRL_CORE_PRUSS1_IRQ_38_39	RW	32	0x0000 08D4	0x4A00 28D4
CTRL_CORE_PRUSS1_IRQ_40_41	RW	32	0x0000 08D8	0x4A00 28D8
CTRL_CORE_PRUSS1_IRQ_42_43	RW	32	0x0000 08DC	0x4A00 28DC
CTRL_CORE_PRUSS1_IRQ_44_45	RW	32	0x0000 08E0	0x4A00 28E0
CTRL_CORE_PRUSS1_IRQ_46_47	RW	32	0x0000 08E4	0x4A00 28E4
CTRL_CORE_PRUSS1_IRQ_48_49	RW	32	0x0000 08E8	0x4A00 28E8
CTRL_CORE_PRUSS1_IRQ_50_51	RW	32	0x0000 08EC	0x4A00 28EC
CTRL_CORE_PRUSS1_IRQ_52_53	RW	32	0x0000 08F0	0x4A00 28F0
CTRL_CORE_PRUSS1_IRQ_54_55	RW	32	0x0000 08F4	0x4A00 28F4
CTRL_CORE_PRUSS1_IRQ_56_57	RW	32	0x0000 08F8	0x4A00 28F8
CTRL_CORE_PRUSS1_IRQ_58_59	RW	32	0x0000 08FC	0x4A00 28FC
CTRL_CORE_PRUSS1_IRQ_60_61	RW	32	0x0000 0900	0x4A00 2900
CTRL_CORE_PRUSS1_IRQ_62_63	RW	32	0x0000 0904	0x4A00 2904
CTRL_CORE_PRUSS2_IRQ_32_33	RW	32	0x0000 0908	0x4A00 2908
CTRL_CORE_PRUSS2_IRQ_34_35	RW	32	0x0000 090C	0x4A00 290C
CTRL_CORE_PRUSS2_IRQ_36_37	RW	32	0x0000 0910	0x4A00 2910
CTRL_CORE_PRUSS2_IRQ_38_39	RW	32	0x0000 0914	0x4A00 2914
CTRL_CORE_PRUSS2_IRQ_40_41	RW	32	0x0000 0918	0x4A00 2918
CTRL_CORE_PRUSS2_IRQ_42_43	RW	32	0x0000 091C	0x4A00 291C
CTRL_CORE_PRUSS2_IRQ_44_45	RW	32	0x0000 0920	0x4A00 2920
CTRL_CORE_PRUSS2_IRQ_46_47	RW	32	0x0000 0924	0x4A00 2924

Table 18-31. CTRL_MODULE_CORE Registers Mapping Summary (continued)

Register Name	Type	Register Width (Bits)	Address Offset	CTRL_MODULE_CORE Base Address
CTRL_CORE_PRUSS2_IRQ_48_49	RW	32	0x0000 0928	0x4A00 2928
CTRL_CORE_PRUSS2_IRQ_50_51	RW	32	0x0000 092C	0x4A00 292C
CTRL_CORE_PRUSS2_IRQ_52_53	RW	32	0x0000 0930	0x4A00 2930
CTRL_CORE_PRUSS2_IRQ_54_55	RW	32	0x0000 0934	0x4A00 2934
CTRL_CORE_PRUSS2_IRQ_56_57	RW	32	0x0000 0938	0x4A00 2938
CTRL_CORE_PRUSS2_IRQ_58_59	RW	32	0x0000 093C	0x4A00 293C
CTRL_CORE_PRUSS2_IRQ_60_61	RW	32	0x0000 0940	0x4A00 2940
CTRL_CORE_PRUSS2_IRQ_62_63	RW	32	0x0000 0944	0x4A00 2944
CTRL_CORE_DSP1_IRQ_32_33	RW	32	0x0000 0948	0x4A00 2948
CTRL_CORE_DSP1_IRQ_34_35	RW	32	0x0000 094C	0x4A00 294C
CTRL_CORE_DSP1_IRQ_36_37	RW	32	0x0000 0950	0x4A00 2950
CTRL_CORE_DSP1_IRQ_38_39	RW	32	0x0000 0954	0x4A00 2954
CTRL_CORE_DSP1_IRQ_40_41	RW	32	0x0000 0958	0x4A00 2958
CTRL_CORE_DSP1_IRQ_42_43	RW	32	0x0000 095C	0x4A00 295C
CTRL_CORE_DSP1_IRQ_44_45	RW	32	0x0000 0960	0x4A00 2960
CTRL_CORE_DSP1_IRQ_46_47	RW	32	0x0000 0964	0x4A00 2964
CTRL_CORE_DSP1_IRQ_48_49	RW	32	0x0000 0968	0x4A00 2968
CTRL_CORE_DSP1_IRQ_50_51	RW	32	0x0000 096C	0x4A00 296C
CTRL_CORE_DSP1_IRQ_52_53	RW	32	0x0000 0970	0x4A00 2970
CTRL_CORE_DSP1_IRQ_54_55	RW	32	0x0000 0974	0x4A00 2974
CTRL_CORE_DSP1_IRQ_56_57	RW	32	0x0000 0978	0x4A00 2978
CTRL_CORE_DSP1_IRQ_58_59	RW	32	0x0000 097C	0x4A00 297C
CTRL_CORE_DSP1_IRQ_60_61	RW	32	0x0000 0980	0x4A00 2980
CTRL_CORE_DSP1_IRQ_62_63	RW	32	0x0000 0984	0x4A00 2984
CTRL_CORE_DSP1_IRQ_64_65	RW	32	0x0000 0988	0x4A00 2988
CTRL_CORE_DSP1_IRQ_66_67	RW	32	0x0000 098C	0x4A00 298C
CTRL_CORE_DSP1_IRQ_68_69	RW	32	0x0000 0990	0x4A00 2990
CTRL_CORE_DSP1_IRQ_70_71	RW	32	0x0000 0994	0x4A00 2994
CTRL_CORE_DSP1_IRQ_72_73	RW	32	0x0000 0998	0x4A00 2998
CTRL_CORE_DSP1_IRQ_74_75	RW	32	0x0000 099C	0x4A00 299C
CTRL_CORE_DSP1_IRQ_76_77	RW	32	0x0000 09A0	0x4A00 29A0
CTRL_CORE_DSP1_IRQ_78_79	RW	32	0x0000 09A4	0x4A00 29A4
CTRL_CORE_DSP1_IRQ_80_81	RW	32	0x0000 09A8	0x4A00 29A8
CTRL_CORE_DSP1_IRQ_82_83	RW	32	0x0000 09AC	0x4A00 29AC
CTRL_CORE_DSP1_IRQ_84_85	RW	32	0x0000 09B0	0x4A00 29B0
CTRL_CORE_DSP1_IRQ_86_87	RW	32	0x0000 09B4	0x4A00 29B4
CTRL_CORE_DSP1_IRQ_88_89	RW	32	0x0000 09B8	0x4A00 29B8
CTRL_CORE_DSP1_IRQ_90_91	RW	32	0x0000 09BC	0x4A00 29BC
CTRL_CORE_DSP1_IRQ_92_93	RW	32	0x0000 09C0	0x4A00 29C0
CTRL_CORE_DSP1_IRQ_94_95	RW	32	0x0000 09C4	0x4A00 29C4
RESERVED_c (c = 0 to 31)	R	32	0x0000 09C8 + (c*4)	0x4A00 29C8 + (c*4)
CTRL_CORE_MPU_IRQ_4_7	RW	32	0x0000 0A48	0x4A00 2A48
CTRL_CORE_MPU_IRQ_8_9	RW	32	0x0000 0A4C	0x4A00 2A4C
CTRL_CORE_MPU_IRQ_10_11	RW	32	0x0000 0A50	0x4A00 2A50
CTRL_CORE_MPU_IRQ_12_13	RW	32	0x0000 0A54	0x4A00 2A54
CTRL_CORE_MPU_IRQ_14_15	RW	32	0x0000 0A58	0x4A00 2A58
CTRL_CORE_MPU_IRQ_16_17	RW	32	0x0000 0A5C	0x4A00 2A5C
CTRL_CORE_MPU_IRQ_18_19	RW	32	0x0000 0A60	0x4A00 2A60
CTRL_CORE_MPU_IRQ_20_21	RW	32	0x0000 0A64	0x4A00 2A64

Table 18-31. CTRL_MODULE_CORE Registers Mapping Summary (continued)

Register Name	Type	Register Width (Bits)	Address Offset	CTRL_MODULE_CORE Base Address
CTRL_CORE_MPU_IRQ_22_23	RW	32	0x0000 0A68	0x4A00 2A68
CTRL_CORE_MPU_IRQ_24_25	RW	32	0x0000 0A6C	0x4A00 2A6C
CTRL_CORE_MPU_IRQ_26_27	RW	32	0x0000 0A70	0x4A00 2A70
CTRL_CORE_MPU_IRQ_28_29	RW	32	0x0000 0A74	0x4A00 2A74
CTRL_CORE_MPU_IRQ_30_31	RW	32	0x0000 0A78	0x4A00 2A78
CTRL_CORE_MPU_IRQ_32_33	RW	32	0x0000 0A7C	0x4A00 2A7C
CTRL_CORE_MPU_IRQ_34_35	RW	32	0x0000 0A80	0x4A00 2A80
CTRL_CORE_MPU_IRQ_36_37	RW	32	0x0000 0A84	0x4A00 2A84
CTRL_CORE_MPU_IRQ_38_39	RW	32	0x0000 0A88	0x4A00 2A88
CTRL_CORE_MPU_IRQ_40_41	RW	32	0x0000 0A8C	0x4A00 2A8C
CTRL_CORE_MPU_IRQ_42_43	RW	32	0x0000 0A90	0x4A00 2A90
CTRL_CORE_MPU_IRQ_44_45	RW	32	0x0000 0A94	0x4A00 2A94
CTRL_CORE_MPU_IRQ_46_47	RW	32	0x0000 0A98	0x4A00 2A98
CTRL_CORE_MPU_IRQ_48_49	RW	32	0x0000 0A9C	0x4A00 2A9C
CTRL_CORE_MPU_IRQ_50_51	RW	32	0x0000 0AA0	0x4A00 2AA0
CTRL_CORE_MPU_IRQ_52_53	RW	32	0x0000 0AA4	0x4A00 2AA4
CTRL_CORE_MPU_IRQ_54_55	RW	32	0x0000 0AA8	0x4A00 2AA8
CTRL_CORE_MPU_IRQ_56_57	RW	32	0x0000 0AAC	0x4A00 2AAC
CTRL_CORE_MPU_IRQ_58_59	RW	32	0x0000 0AB0	0x4A00 2AB0
CTRL_CORE_MPU_IRQ_60_61	RW	32	0x0000 0AB4	0x4A00 2AB4
CTRL_CORE_MPU_IRQ_62_63	RW	32	0x0000 0AB8	0x4A00 2AB8
CTRL_CORE_MPU_IRQ_64_65	RW	32	0x0000 0ABC	0x4A00 2ABC
CTRL_CORE_MPU_IRQ_66_67	RW	32	0x0000 0AC0	0x4A00 2AC0
CTRL_CORE_MPU_IRQ_68_69	RW	32	0x0000 0AC4	0x4A00 2AC4
CTRL_CORE_MPU_IRQ_70_71	RW	32	0x0000 0AC8	0x4A00 2AC8
CTRL_CORE_MPU_IRQ_72_73	RW	32	0x0000 0ACC	0x4A00 2ACC
CTRL_CORE_MPU_IRQ_74_75	RW	32	0x0000 0AD0	0x4A00 2AD0
CTRL_CORE_MPU_IRQ_76_77	RW	32	0x0000 0AD4	0x4A00 2AD4
CTRL_CORE_MPU_IRQ_78_79	RW	32	0x0000 0AD8	0x4A00 2AD8
CTRL_CORE_MPU_IRQ_80_81	RW	32	0x0000 0ADC	0x4A00 2ADC
CTRL_CORE_MPU_IRQ_82_83	RW	32	0x0000 0AE0	0x4A00 2AE0
CTRL_CORE_MPU_IRQ_84_85	RW	32	0x0000 0AE4	0x4A00 2AE4
CTRL_CORE_MPU_IRQ_86_87	RW	32	0x0000 0AE8	0x4A00 2AE8
CTRL_CORE_MPU_IRQ_88_89	RW	32	0x0000 0AEC	0x4A00 2AEC
CTRL_CORE_MPU_IRQ_90_91	RW	32	0x0000 0AF0	0x4A00 2AF0
CTRL_CORE_MPU_IRQ_92_93	RW	32	0x0000 0AF4	0x4A00 2AF4
CTRL_CORE_MPU_IRQ_94_95	RW	32	0x0000 0AF8	0x4A00 2AF8
CTRL_CORE_MPU_IRQ_96_97	RW	32	0x0000 0AFC	0x4A00 2AFC
CTRL_CORE_MPU_IRQ_98_99	RW	32	0x0000 0B00	0x4A00 2B00
CTRL_CORE_MPU_IRQ_100_101	RW	32	0x0000 0B04	0x4A00 2B04
CTRL_CORE_MPU_IRQ_102_103	RW	32	0x0000 0B08	0x4A00 2B08
CTRL_CORE_MPU_IRQ_104_105	RW	32	0x0000 0B0C	0x4A00 2B0C
CTRL_CORE_MPU_IRQ_106_107	RW	32	0x0000 0B10	0x4A00 2B10
CTRL_CORE_MPU_IRQ_108_109	RW	32	0x0000 0B14	0x4A00 2B14
CTRL_CORE_MPU_IRQ_110_111	RW	32	0x0000 0B18	0x4A00 2B18
CTRL_CORE_MPU_IRQ_112_113	RW	32	0x0000 0B1C	0x4A00 2B1C
CTRL_CORE_MPU_IRQ_114_115	RW	32	0x0000 0B20	0x4A00 2B20
CTRL_CORE_MPU_IRQ_116_117	RW	32	0x0000 0B24	0x4A00 2B24
CTRL_CORE_MPU_IRQ_118_119	RW	32	0x0000 0B28	0x4A00 2B28
CTRL_CORE_MPU_IRQ_120_121	RW	32	0x0000 0B2C	0x4A00 2B2C

Table 18-31. CTRL_MODULE_CORE Registers Mapping Summary (continued)

Register Name	Type	Register Width (Bits)	Address Offset	CTRL_MODULE_CORE Base Address
CTRL_CORE_MPU_IRQ_122_123	RW	32	0x0000 0B30	0x4A00 2B30
CTRL_CORE_MPU_IRQ_124_125	RW	32	0x0000 0B34	0x4A00 2B34
CTRL_CORE_MPU_IRQ_126_127	RW	32	0x0000 0B38	0x4A00 2B38
CTRL_CORE_MPU_IRQ_128_129	RW	32	0x0000 0B3C	0x4A00 2B3C
CTRL_CORE_MPU_IRQ_130_133	RW	32	0x0000 0B40	0x4A00 2B40
CTRL_CORE_MPU_IRQ_134_135	RW	32	0x0000 0B44	0x4A00 2B44
CTRL_CORE_MPU_IRQ_136_137	RW	32	0x0000 0B48	0x4A00 2B48
CTRL_CORE_MPU_IRQ_138_139	RW	32	0x0000 0B4C	0x4A00 2B4C
CTRL_CORE_MPU_IRQ_140_141	RW	32	0x0000 0B50	0x4A00 2B50
CTRL_CORE_MPU_IRQ_142_143	RW	32	0x0000 0B54	0x4A00 2B54
CTRL_CORE_MPU_IRQ_144_145	RW	32	0x0000 0B58	0x4A00 2B58
CTRL_CORE_MPU_IRQ_146_147	RW	32	0x0000 0B5C	0x4A00 2B5C
CTRL_CORE_MPU_IRQ_148_149	RW	32	0x0000 0B60	0x4A00 2B60
CTRL_CORE_MPU_IRQ_150_151	RW	32	0x0000 0B64	0x4A00 2B64
CTRL_CORE_MPU_IRQ_152_153	RW	32	0x0000 0B68	0x4A00 2B68
CTRL_CORE_MPU_IRQ_154_155	RW	32	0x0000 0B6C	0x4A00 2B6C
CTRL_CORE_MPU_IRQ_156_157	RW	32	0x0000 0B70	0x4A00 2B70
CTRL_CORE_MPU_IRQ_158_159	RW	32	0x0000 0B74	0x4A00 2B74
CTRL_CORE_DMA_SYSTEM_DREQ_0_1	RW	32	0x0000 0B78	0x4A00 2B78
CTRL_CORE_DMA_SYSTEM_DREQ_2_3	RW	32	0x0000 0B7C	0x4A00 2B7C
CTRL_CORE_DMA_SYSTEM_DREQ_4_5	RW	32	0x0000 0B80	0x4A00 2B80
CTRL_CORE_DMA_SYSTEM_DREQ_6_7	RW	32	0x0000 0B84	0x4A00 2B84
CTRL_CORE_DMA_SYSTEM_DREQ_8_9	RW	32	0x0000 0B88	0x4A00 2B88
CTRL_CORE_DMA_SYSTEM_DREQ_10_11	RW	32	0x0000 0B8C	0x4A00 2B8C
CTRL_CORE_DMA_SYSTEM_DREQ_12_13	RW	32	0x0000 0B90	0x4A00 2B90
CTRL_CORE_DMA_SYSTEM_DREQ_14_15	RW	32	0x0000 0B94	0x4A00 2B94
CTRL_CORE_DMA_SYSTEM_DREQ_16_17	RW	32	0x0000 0B98	0x4A00 2B98
CTRL_CORE_DMA_SYSTEM_DREQ_18_19	RW	32	0x0000 0B9C	0x4A00 2B9C
CTRL_CORE_DMA_SYSTEM_DREQ_20_21	RW	32	0x0000 0BA0	0x4A00 2BA0
CTRL_CORE_DMA_SYSTEM_DREQ_22_23	RW	32	0x0000 0BA4	0x4A00 2BA4
CTRL_CORE_DMA_SYSTEM_DREQ_24_25	RW	32	0x0000 0BA8	0x4A00 2BA8
CTRL_CORE_DMA_SYSTEM_DREQ_26_27	RW	32	0x0000 0BAC	0x4A00 2BAC
CTRL_CORE_DMA_SYSTEM_DREQ_28_29	RW	32	0x0000 0BB0	0x4A00 2BB0
CTRL_CORE_DMA_SYSTEM_DREQ_30_31	RW	32	0x0000 0BB4	0x4A00 2BB4
CTRL_CORE_DMA_SYSTEM_DREQ_32_33	RW	32	0x0000 0BB8	0x4A00 2BB8
CTRL_CORE_DMA_SYSTEM_DREQ_34_35	RW	32	0x0000 0BBC	0x4A00 2BBC
CTRL_CORE_DMA_SYSTEM_DREQ_36_37	RW	32	0x0000 0BC0	0x4A00 2BC0
CTRL_CORE_DMA_SYSTEM_DREQ_38_39	RW	32	0x0000 0BC4	0x4A00 2BC4
CTRL_CORE_DMA_SYSTEM_DREQ_40_41	RW	32	0x0000 0BC8	0x4A00 2BC8
CTRL_CORE_DMA_SYSTEM_DREQ_42_43	RW	32	0x0000 0BCC	0x4A00 2BCC
CTRL_CORE_DMA_SYSTEM_DREQ_44_45	RW	32	0x0000 0BD0	0x4A00 2BD0
CTRL_CORE_DMA_SYSTEM_DREQ_46_47	RW	32	0x0000 0BD4	0x4A00 2BD4
CTRL_CORE_DMA_SYSTEM_DREQ_48_49	RW	32	0x0000 0BD8	0x4A00 2BD8
CTRL_CORE_DMA_SYSTEM_DREQ_50_51	RW	32	0x0000 0BDC	0x4A00 2BDC
CTRL_CORE_DMA_SYSTEM_DREQ_52_53	RW	32	0x0000 0BE0	0x4A00 2BE0
CTRL_CORE_DMA_SYSTEM_DREQ_54_55	RW	32	0x0000 0BE4	0x4A00 2BE4
CTRL_CORE_DMA_SYSTEM_DREQ_56_57	RW	32	0x0000 0BE8	0x4A00 2BE8
CTRL_CORE_DMA_SYSTEM_DREQ_58_59	RW	32	0x0000 0BEC	0x4A00 2BEC
CTRL_CORE_DMA_SYSTEM_DREQ_60_61	RW	32	0x0000 0BF0	0x4A00 2BF0
CTRL_CORE_DMA_SYSTEM_DREQ_62_63	RW	32	0x0000 0BF4	0x4A00 2BF4

Table 18-31. CTRL_MODULE_CORE Registers Mapping Summary (continued)

Register Name	Type	Register Width (Bits)	Address Offset	CTRL_MODULE_CORE Base Address
CTRL_CORE_DMA_SYSTEM_DREQ_64_65	RW	32	0x0000 0BF8	0x4A00 2BF8
CTRL_CORE_DMA_SYSTEM_DREQ_66_67	RW	32	0x0000 0BFC	0x4A00 2BFC
CTRL_CORE_DMA_SYSTEM_DREQ_68_69	RW	32	0x0000 0C00	0x4A00 2C00
CTRL_CORE_DMA_SYSTEM_DREQ_70_71	RW	32	0x0000 0C04	0x4A00 2C04
CTRL_CORE_DMA_SYSTEM_DREQ_72_73	RW	32	0x0000 0C08	0x4A00 2C08
CTRL_CORE_DMA_SYSTEM_DREQ_74_75	RW	32	0x0000 0C0C	0x4A00 2C0C
CTRL_CORE_DMA_SYSTEM_DREQ_76_77	RW	32	0x0000 0C10	0x4A00 2C10
CTRL_CORE_DMA_SYSTEM_DREQ_78_79	RW	32	0x0000 0C14	0x4A00 2C14
CTRL_CORE_DMA_SYSTEM_DREQ_80_81	RW	32	0x0000 0C18	0x4A00 2C18
CTRL_CORE_DMA_SYSTEM_DREQ_82_83	RW	32	0x0000 0C1C	0x4A00 2C1C
CTRL_CORE_DMA_SYSTEM_DREQ_84_85	RW	32	0x0000 0C20	0x4A00 2C20
CTRL_CORE_DMA_SYSTEM_DREQ_86_87	RW	32	0x0000 0C24	0x4A00 2C24
CTRL_CORE_DMA_SYSTEM_DREQ_88_89	RW	32	0x0000 0C28	0x4A00 2C28
CTRL_CORE_DMA_SYSTEM_DREQ_90_91	RW	32	0x0000 0C2C	0x4A00 2C2C
CTRL_CORE_DMA_SYSTEM_DREQ_92_93	RW	32	0x0000 0C30	0x4A00 2C30
CTRL_CORE_DMA_SYSTEM_DREQ_94_95	RW	32	0x0000 0C34	0x4A00 2C34
CTRL_CORE_DMA_SYSTEM_DREQ_96_97	RW	32	0x0000 0C38	0x4A00 2C38
CTRL_CORE_DMA_SYSTEM_DREQ_98_99	RW	32	0x0000 0C3C	0x4A00 2C3C
CTRL_CORE_DMA_SYSTEM_DREQ_100_101	RW	32	0x0000 0C40	0x4A00 2C40
CTRL_CORE_DMA_SYSTEM_DREQ_102_103	RW	32	0x0000 0C44	0x4A00 2C44
CTRL_CORE_DMA_SYSTEM_DREQ_104_105	RW	32	0x0000 0C48	0x4A00 2C48
CTRL_CORE_DMA_SYSTEM_DREQ_106_107	RW	32	0x0000 0C4C	0x4A00 2C4C
CTRL_CORE_DMA_SYSTEM_DREQ_108_109	RW	32	0x0000 0C50	0x4A00 2C50
CTRL_CORE_DMA_SYSTEM_DREQ_110_111	RW	32	0x0000 0C54	0x4A00 2C54
CTRL_CORE_DMA_SYSTEM_DREQ_112_113	RW	32	0x0000 0C58	0x4A00 2C58
CTRL_CORE_DMA_SYSTEM_DREQ_114_115	RW	32	0x0000 0C5C	0x4A00 2C5C
CTRL_CORE_DMA_SYSTEM_DREQ_116_117	RW	32	0x0000 0C60	0x4A00 2C60
CTRL_CORE_DMA_SYSTEM_DREQ_118_119	RW	32	0x0000 0C64	0x4A00 2C64
CTRL_CORE_DMA_SYSTEM_DREQ_120_121	RW	32	0x0000 0C68	0x4A00 2C68
CTRL_CORE_DMA_SYSTEM_DREQ_122_123	RW	32	0x0000 0C6C	0x4A00 2C6C
CTRL_CORE_DMA_SYSTEM_DREQ_124_125	RW	32	0x0000 0C70	0x4A00 2C70
CTRL_CORE_DMA_SYSTEM_DREQ_126_127	RW	32	0x0000 0C74	0x4A00 2C74
CTRL_CORE_DMA_EDMA_DREQ_0_1	RW	32	0x0000 0C78	0x4A00 2C78
CTRL_CORE_DMA_EDMA_DREQ_2_3	RW	32	0x0000 0C7C	0x4A00 2C7C
CTRL_CORE_DMA_EDMA_DREQ_4_5	RW	32	0x0000 0C80	0x4A00 2C80
CTRL_CORE_DMA_EDMA_DREQ_6_7	RW	32	0x0000 0C84	0x4A00 2C84
CTRL_CORE_DMA_EDMA_DREQ_8_9	RW	32	0x0000 0C88	0x4A00 2C88
CTRL_CORE_DMA_EDMA_DREQ_10_11	RW	32	0x0000 0C8C	0x4A00 2C8C
CTRL_CORE_DMA_EDMA_DREQ_12_13	RW	32	0x0000 0C90	0x4A00 2C90
CTRL_CORE_DMA_EDMA_DREQ_14_15	RW	32	0x0000 0C94	0x4A00 2C94
CTRL_CORE_DMA_EDMA_DREQ_16_17	RW	32	0x0000 0C98	0x4A00 2C98
CTRL_CORE_DMA_EDMA_DREQ_18_19	RW	32	0x0000 0C9C	0x4A00 2C9C
CTRL_CORE_DMA_EDMA_DREQ_20_21	RW	32	0x0000 0CA0	0x4A00 2CA0
CTRL_CORE_DMA_EDMA_DREQ_22_23	RW	32	0x0000 0CA4	0x4A00 2CA4
CTRL_CORE_DMA_EDMA_DREQ_24_25	RW	32	0x0000 0CA8	0x4A00 2CA8
CTRL_CORE_DMA_EDMA_DREQ_26_27	RW	32	0x0000 0CAC	0x4A00 2CAC
CTRL_CORE_DMA_EDMA_DREQ_28_29	RW	32	0x0000 0CB0	0x4A00 2CB0
CTRL_CORE_DMA_EDMA_DREQ_30_31	RW	32	0x0000 0CB4	0x4A00 2CB4
CTRL_CORE_DMA_EDMA_DREQ_32_33	RW	32	0x0000 0CB8	0x4A00 2CB8
CTRL_CORE_DMA_EDMA_DREQ_34_35	RW	32	0x0000 0CBC	0x4A00 2CBC

Table 18-31. CTRL_MODULE_CORE Registers Mapping Summary (continued)

Register Name	Type	Register Width (Bits)	Address Offset	CTRL_MODULE_CORE Base Address
CTRL_CORE_DMA_EDMA_DREQ_36_37	RW	32	0x0000 0CC0	0x4A00 2CC0
CTRL_CORE_DMA_EDMA_DREQ_38_39	RW	32	0x0000 0CC4	0x4A00 2CC4
CTRL_CORE_DMA_EDMA_DREQ_40_41	RW	32	0x0000 0CC8	0x4A00 2CC8
CTRL_CORE_DMA_EDMA_DREQ_42_43	RW	32	0x0000 0CCC	0x4A00 2CCC
CTRL_CORE_DMA_EDMA_DREQ_44_45	RW	32	0x0000 0CD0	0x4A00 2CD0
CTRL_CORE_DMA_EDMA_DREQ_46_47	RW	32	0x0000 0CD4	0x4A00 2CD4
CTRL_CORE_DMA_EDMA_DREQ_48_49	RW	32	0x0000 0CD8	0x4A00 2CD8
CTRL_CORE_DMA_EDMA_DREQ_50_51	RW	32	0x0000 0CDC	0x4A00 2CDC
CTRL_CORE_DMA_EDMA_DREQ_52_53	RW	32	0x0000 0CE0	0x4A00 2CE0
CTRL_CORE_DMA_EDMA_DREQ_54_55	RW	32	0x0000 0CE4	0x4A00 2CE4
CTRL_CORE_DMA_EDMA_DREQ_56_57	RW	32	0x0000 0CE8	0x4A00 2CE8
CTRL_CORE_DMA_EDMA_DREQ_58_59	RW	32	0x0000 0CEC	0x4A00 2CEC
CTRL_CORE_DMA_EDMA_DREQ_60_61	RW	32	0x0000 0CF0	0x4A00 2CF0
CTRL_CORE_DMA_EDMA_DREQ_62_63	RW	32	0x0000 0CF4	0x4A00 2CF4
CTRL_CORE_DMA_DSP1_DREQ_0_1	RW	32	0x0000 0CF8	0x4A00 2CF8
CTRL_CORE_DMA_DSP1_DREQ_2_3	RW	32	0x0000 0CFC	0x4A00 2CFC
CTRL_CORE_DMA_DSP1_DREQ_4_5	RW	32	0x0000 0D00	0x4A00 2D00
CTRL_CORE_DMA_DSP1_DREQ_6_7	RW	32	0x0000 0D04	0x4A00 2D04
CTRL_CORE_DMA_DSP1_DREQ_8_9	RW	32	0x0000 0D08	0x4A00 2D08
CTRL_CORE_DMA_DSP1_DREQ_10_11	RW	32	0x0000 0D0C	0x4A00 2D0C
CTRL_CORE_DMA_DSP1_DREQ_12_13	RW	32	0x0000 0D10	0x4A00 2D10
CTRL_CORE_DMA_DSP1_DREQ_14_15	RW	32	0x0000 0D14	0x4A00 2D14
CTRL_CORE_DMA_DSP1_DREQ_16_17	RW	32	0x0000 0D18	0x4A00 2D18
CTRL_CORE_DMA_DSP1_DREQ_18_19	RW	32	0x0000 0D1C	0x4A00 2D1C
RESERVED_d (d = 0 to 10)	R	32	0x0000 0D20 + (d*4)	0x4A00 2D20 + (d*4)
CTRL_CORE_OVS_DMARQ_IO_MUX	RW	32	0x0000 0D4C	0x4A00 2D4C
CTRL_CORE_OVS_IRQ_IO_MUX	RW	32	0x0000 0D50	0x4A00 2D50
RESERVED_q (q = 0 to 42)	R	32	0x0000 0D54 + (q*4)	0x4A00 2D54 + (q*4)
CTRL_CORE_CONTROL_PBIAS	RW	32	0x0000 0E00	0x4A00 2E00
RESERVED	R	32	0x0000 0E04	0x4A00 2E04
CTRL_CORE_CONTROL_HDMI_TX_PHY	RW	32	0x0000 0E0C	0x4A00 2E0C
RESERVED	R	32	0x0000 0E14	0x4A00 2E14
RESERVED	R	32	0x0000 0E18	0x4A00 2E18
CTRL_CORE_CONTROL_USB2PHYCORE	RW	32	0x0000 0E1C	0x4A00 2E1C
CTRL_CORE_CONTROL_HDMI_1	RW	32	0x0000 0E20	0x4A00 2E20
RESERVED	RW	32	0x0000 0E24	0x4A00 2E24
CTRL_CORE_CONTROL_DDRCACH1_0	RW	32	0x0000 0E30	0x4A00 2E30
RESERVED	R	32	0x0000 0E34	0x4A00 2E34
CTRL_CORE_CONTROL_DDRCH1_0	RW	32	0x0000 0E38	0x4A00 2E38
CTRL_CORE_CONTROL_DDRCH1_1	RW	32	0x0000 0E3C	0x4A00 2E3C
RESERVED	R	32	0x0000 0E40	0x4A00 2E40
RESERVED	R	32	0x0000 0E44	0x4A00 2E44
CTRL_CORE_CONTROL_DDRCH1_2	RW	32	0x0000 0E48	0x4A00 2E48
RESERVED	R	32	0x0000 0E4C	0x4A00 2E4C
CTRL_CORE_CONTROL_DDRIO_0	RW	32	0x0000 0E50	0x4A00 2E50
RESERVED	R	32	0x0000 0E54	0x4A00 2E54
RESERVED	R	32	0x0000 0E58	0x4A00 2E58
CTRL_CORE_CONTROL_HYST_1	RW	32	0x0000 0E5C	0x4A00 2E5C
RESERVED	R	32	0x0000 0E60	0x4A00 2E60

Table 18-31. CTRL_MODULE_CORE Registers Mapping Summary (continued)

Register Name	Type	Register Width (Bits)	Address Offset	CTRL_MODULE_CORE Base Address
RESERVED	R	32	0x0000 0E64	0x4A00 2E64
CTRL_CORE_SPARE_RW	RW	32	0x0000 0E68	0x4A00 2E68
CTRL_CORE_SPARE_R	R	32	0x0000 0E6C	0x4A00 2E6C
RESERVED	R	32	0x0000 0E70	0x4A00 2E70
CTRL_CORE_SRCOMP_NORTH_SIDE	RW	32	0x0000 0E74	0x4A00 2E74
CTRL_CORE_SRCOMP_SOUTH_SIDE	R	32	0x0000 0E78	0x4A00 2E78
RESERVED_p (p = 0 to 3)	R	32	0x0000 0E7C + (p*4)	0x4A00 2E7C + (p*4)
CTRL_CORE_VIP_MUX_SELECT	RW	32	0x0000 0E8C	0x4A00 2E8C
CTRL_CORE_ALT_SELECT_MUX	RW	32	0x0000 0E90	0x4A00 2E90
CTRL_CORE_CAMERRX_CONTROL	RW	32	0x0000 0E94	0x4A00 2E94
RESERVED_r (r = 0 to 345)	R	32	0x0000 0E98 + (r*4)	0x4A00 2E98 + (r*4)
CTRL_CORE_PAD_GPMC_AD0	RW	32	0x0000 1400	0x4A00 3400
CTRL_CORE_PAD_GPMC_AD1	RW	32	0x0000 1404	0x4A00 3404
CTRL_CORE_PAD_GPMC_AD2	RW	32	0x0000 1408	0x4A00 3408
CTRL_CORE_PAD_GPMC_AD3	RW	32	0x0000 140C	0x4A00 340C
CTRL_CORE_PAD_GPMC_AD4	RW	32	0x0000 1410	0x4A00 3410
CTRL_CORE_PAD_GPMC_AD5	RW	32	0x0000 1414	0x4A00 3414
CTRL_CORE_PAD_GPMC_AD6	RW	32	0x0000 1418	0x4A00 3418
CTRL_CORE_PAD_GPMC_AD7	RW	32	0x0000 141C	0x4A00 341C
CTRL_CORE_PAD_GPMC_AD8	RW	32	0x0000 1420	0x4A00 3420
CTRL_CORE_PAD_GPMC_AD9	RW	32	0x0000 1424	0x4A00 3424
CTRL_CORE_PAD_GPMC_AD10	RW	32	0x0000 1428	0x4A00 3428
CTRL_CORE_PAD_GPMC_AD11	RW	32	0x0000 142C	0x4A00 342C
CTRL_CORE_PAD_GPMC_AD12	RW	32	0x0000 1430	0x4A00 3430
CTRL_CORE_PAD_GPMC_AD13	RW	32	0x0000 1434	0x4A00 3434
CTRL_CORE_PAD_GPMC_AD14	RW	32	0x0000 1438	0x4A00 3438
CTRL_CORE_PAD_GPMC_AD15	RW	32	0x0000 143C	0x4A00 343C
CTRL_CORE_PAD_GPMC_A0	RW	32	0x0000 1440	0x4A00 3440
CTRL_CORE_PAD_GPMC_A1	RW	32	0x0000 1444	0x4A00 3444
CTRL_CORE_PAD_GPMC_A2	RW	32	0x0000 1448	0x4A00 3448
CTRL_CORE_PAD_GPMC_A3	RW	32	0x0000 144C	0x4A00 344C
CTRL_CORE_PAD_GPMC_A4	RW	32	0x0000 1450	0x4A00 3450
CTRL_CORE_PAD_GPMC_A5	RW	32	0x0000 1454	0x4A00 3454
CTRL_CORE_PAD_GPMC_A6	RW	32	0x0000 1458	0x4A00 3458
CTRL_CORE_PAD_GPMC_A7	RW	32	0x0000 145C	0x4A00 345C
CTRL_CORE_PAD_GPMC_A8	RW	32	0x0000 1460	0x4A00 3460
CTRL_CORE_PAD_GPMC_A9	RW	32	0x0000 1464	0x4A00 3464
CTRL_CORE_PAD_GPMC_A10	RW	32	0x0000 1468	0x4A00 3468
CTRL_CORE_PAD_GPMC_A11	RW	32	0x0000 146C	0x4A00 346C
CTRL_CORE_PAD_GPMC_A12	RW	32	0x0000 1470	0x4A00 3470
CTRL_CORE_PAD_GPMC_A13	RW	32	0x0000 1474	0x4A00 3474
CTRL_CORE_PAD_GPMC_A14	RW	32	0x0000 1478	0x4A00 3478
CTRL_CORE_PAD_GPMC_A15	RW	32	0x0000 147C	0x4A00 347C
CTRL_CORE_PAD_GPMC_A16	RW	32	0x0000 1480	0x4A00 3480
CTRL_CORE_PAD_GPMC_A17	RW	32	0x0000 1484	0x4A00 3484
CTRL_CORE_PAD_GPMC_A18	RW	32	0x0000 1488	0x4A00 3488
CTRL_CORE_PAD_GPMC_A19	RW	32	0x0000 148C	0x4A00 348C
CTRL_CORE_PAD_GPMC_A20	RW	32	0x0000 1490	0x4A00 3490
CTRL_CORE_PAD_GPMC_A21	RW	32	0x0000 1494	0x4A00 3494

Table 18-31. CTRL_MODULE_CORE Registers Mapping Summary (continued)

Register Name	Type	Register Width (Bits)	Address Offset	CTRL_MODULE_CORE Base Address
CTRL_CORE_PAD_GPMC_A22	RW	32	0x0000 1498	0x4A00 3498
CTRL_CORE_PAD_GPMC_A23	RW	32	0x0000 149C	0x4A00 349C
CTRL_CORE_PAD_GPMC_A24	RW	32	0x0000 14A0	0x4A00 34A0
CTRL_CORE_PAD_GPMC_A25	RW	32	0x0000 14A4	0x4A00 34A4
CTRL_CORE_PAD_GPMC_A26	RW	32	0x0000 14A8	0x4A00 34A8
CTRL_CORE_PAD_GPMC_A27	RW	32	0x0000 14AC	0x4A00 34AC
CTRL_CORE_PAD_GPMC_CS1	RW	32	0x0000 14B0	0x4A00 34B0
CTRL_CORE_PAD_GPMC_CS0	RW	32	0x0000 14B4	0x4A00 34B4
CTRL_CORE_PAD_GPMC_CS2	RW	32	0x0000 14B8	0x4A00 34B8
CTRL_CORE_PAD_GPMC_CS3	RW	32	0x0000 14BC	0x4A00 34BC
CTRL_CORE_PAD_GPMC_CLK	RW	32	0x0000 14C0	0x4A00 34C0
CTRL_CORE_PAD_GPMC_ADV_NALE	RW	32	0x0000 14C4	0x4A00 34C4
CTRL_CORE_PAD_GPMC_OEN_REN	RW	32	0x0000 14C8	0x4A00 34C8
CTRL_CORE_PAD_GPMC_WEN	RW	32	0x0000 14CC	0x4A00 34CC
CTRL_CORE_PAD_GPMC_BEN0	RW	32	0x0000 14D0	0x4A00 34D0
CTRL_CORE_PAD_GPMC_BEN1	RW	32	0x0000 14D4	0x4A00 34D4
CTRL_CORE_PAD_GPMC_WAIT0	RW	32	0x0000 14D8	0x4A00 34D8
RESERVED_f (f = 0 to 30)	R	32	0x0000 14DC + (f*4)	0x4A00 34DC + (f*4)
CTRL_CORE_PAD_VIN2A_CLK0	RW	32	0x0000 1554	0x4A00 3554
CTRL_CORE_PAD_VIN2A_DE0	RW	32	0x0000 1558	0x4A00 3558
CTRL_CORE_PAD_VIN2A_FLD0	RW	32	0x0000 155C	0x4A00 355C
CTRL_CORE_PAD_VIN2A_HSYNCO	RW	32	0x0000 1560	0x4A00 3560
CTRL_CORE_PAD_VIN2A_VSYNCO	RW	32	0x0000 1564	0x4A00 3564
CTRL_CORE_PAD_VIN2A_D0	RW	32	0x0000 1568	0x4A00 3568
CTRL_CORE_PAD_VIN2A_D1	RW	32	0x0000 156C	0x4A00 356C
CTRL_CORE_PAD_VIN2A_D2	RW	32	0x0000 1570	0x4A00 3570
CTRL_CORE_PAD_VIN2A_D3	RW	32	0x0000 1574	0x4A00 3574
CTRL_CORE_PAD_VIN2A_D4	RW	32	0x0000 1578	0x4A00 3578
CTRL_CORE_PAD_VIN2A_D5	RW	32	0x0000 157C	0x4A00 357C
CTRL_CORE_PAD_VIN2A_D6	RW	32	0x0000 1580	0x4A00 3580
CTRL_CORE_PAD_VIN2A_D7	RW	32	0x0000 1584	0x4A00 3584
CTRL_CORE_PAD_VIN2A_D8	RW	32	0x0000 1588	0x4A00 3588
CTRL_CORE_PAD_VIN2A_D9	RW	32	0x0000 158C	0x4A00 358C
CTRL_CORE_PAD_VIN2A_D10	RW	32	0x0000 1590	0x4A00 3590
CTRL_CORE_PAD_VIN2A_D11	RW	32	0x0000 1594	0x4A00 3594
CTRL_CORE_PAD_VIN2A_D12	RW	32	0x0000 1598	0x4A00 3598
CTRL_CORE_PAD_VIN2A_D13	RW	32	0x0000 159C	0x4A00 359C
CTRL_CORE_PAD_VIN2A_D14	RW	32	0x0000 15A0	0x4A00 35A0
CTRL_CORE_PAD_VIN2A_D15	RW	32	0x0000 15A4	0x4A00 35A4
CTRL_CORE_PAD_VIN2A_D16	RW	32	0x0000 15A8	0x4A00 35A8
CTRL_CORE_PAD_VIN2A_D17	RW	32	0x0000 15AC	0x4A00 35AC
CTRL_CORE_PAD_VIN2A_D18	RW	32	0x0000 15B0	0x4A00 35B0
CTRL_CORE_PAD_VIN2A_D19	RW	32	0x0000 15B4	0x4A00 35B4
CTRL_CORE_PAD_VIN2A_D20	RW	32	0x0000 15B8	0x4A00 35B8
CTRL_CORE_PAD_VIN2A_D21	RW	32	0x0000 15BC	0x4A00 35BC
CTRL_CORE_PAD_VIN2A_D22	RW	32	0x0000 15C0	0x4A00 35C0
CTRL_CORE_PAD_VIN2A_D23	RW	32	0x0000 15C4	0x4A00 35C4
CTRL_CORE_PAD_VOUT1_CLK	RW	32	0x0000 15C8	0x4A00 35C8
CTRL_CORE_PAD_VOUT1_DE	RW	32	0x0000 15CC	0x4A00 35CC

Table 18-31. CTRL_MODULE_CORE Registers Mapping Summary (continued)

Register Name	Type	Register Width (Bits)	Address Offset	CTRL_MODULE_CORE Base Address
CTRL_CORE_PAD_VOUT1_FLD	RW	32	0x0000 15D0	0x4A00 35D0
CTRL_CORE_PAD_VOUT1_HSYNC	RW	32	0x0000 15D4	0x4A00 35D4
CTRL_CORE_PAD_VOUT1_VSYNC	RW	32	0x0000 15D8	0x4A00 35D8
CTRL_CORE_PAD_VOUT1_D0	RW	32	0x0000 15DC	0x4A00 35DC
CTRL_CORE_PAD_VOUT1_D1	RW	32	0x0000 15E0	0x4A00 35E0
CTRL_CORE_PAD_VOUT1_D2	RW	32	0x0000 15E4	0x4A00 35E4
CTRL_CORE_PAD_VOUT1_D3	RW	32	0x0000 15E8	0x4A00 35E8
CTRL_CORE_PAD_VOUT1_D4	RW	32	0x0000 15EC	0x4A00 35EC
CTRL_CORE_PAD_VOUT1_D5	RW	32	0x0000 15F0	0x4A00 35F0
CTRL_CORE_PAD_VOUT1_D6	RW	32	0x0000 15F4	0x4A00 35F4
CTRL_CORE_PAD_VOUT1_D7	RW	32	0x0000 15F8	0x4A00 35F8
CTRL_CORE_PAD_VOUT1_D8	RW	32	0x0000 15FC	0x4A00 35FC
CTRL_CORE_PAD_VOUT1_D9	RW	32	0x0000 1600	0x4A00 3600
CTRL_CORE_PAD_VOUT1_D10	RW	32	0x0000 1604	0x4A00 3604
CTRL_CORE_PAD_VOUT1_D11	RW	32	0x0000 1608	0x4A00 3608
CTRL_CORE_PAD_VOUT1_D12	RW	32	0x0000 160C	0x4A00 360C
CTRL_CORE_PAD_VOUT1_D13	RW	32	0x0000 1610	0x4A00 3610
CTRL_CORE_PAD_VOUT1_D14	RW	32	0x0000 1614	0x4A00 3614
CTRL_CORE_PAD_VOUT1_D15	RW	32	0x0000 1618	0x4A00 3618
CTRL_CORE_PAD_VOUT1_D16	RW	32	0x0000 161C	0x4A00 361C
CTRL_CORE_PAD_VOUT1_D17	RW	32	0x0000 1620	0x4A00 3620
CTRL_CORE_PAD_VOUT1_D18	RW	32	0x0000 1624	0x4A00 3624
CTRL_CORE_PAD_VOUT1_D19	RW	32	0x0000 1628	0x4A00 3628
CTRL_CORE_PAD_VOUT1_D20	RW	32	0x0000 162C	0x4A00 362C
CTRL_CORE_PAD_VOUT1_D21	RW	32	0x0000 1630	0x4A00 3630
CTRL_CORE_PAD_VOUT1_D22	RW	32	0x0000 1634	0x4A00 3634
CTRL_CORE_PAD_VOUT1_D23	RW	32	0x0000 1638	0x4A00 3638
CTRL_CORE_PAD_MDIO_MCLK	RW	32	0x0000 163C	0x4A00 363C
CTRL_CORE_PAD_MDIO_D	RW	32	0x0000 1640	0x4A00 3640
CTRL_CORE_PAD_RMII_MHZ_50_CLK	RW	32	0x0000 1644	0x4A00 3644
CTRL_CORE_PAD_UART3_RXD	RW	32	0x0000 1648	0x4A00 3648
CTRL_CORE_PAD_UART3_TXD	RW	32	0x0000 164C	0x4A00 364C
CTRL_CORE_PAD_RGMII0_TXC	RW	32	0x0000 1650	0x4A00 3650
CTRL_CORE_PAD_RGMII0_TXCTL	RW	32	0x0000 1654	0x4A00 3654
CTRL_CORE_PAD_RGMII0_TXD3	RW	32	0x0000 1658	0x4A00 3658
CTRL_CORE_PAD_RGMII0_TXD2	RW	32	0x0000 165C	0x4A00 365C
CTRL_CORE_PAD_RGMII0_TXD1	RW	32	0x0000 1660	0x4A00 3660
CTRL_CORE_PAD_RGMII0_TXD0	RW	32	0x0000 1664	0x4A00 3664
CTRL_CORE_PAD_RGMII0_RXC	RW	32	0x0000 1668	0x4A00 3668
CTRL_CORE_PAD_RGMII0_RXCTL	RW	32	0x0000 166C	0x4A00 366C
CTRL_CORE_PAD_RGMII0_RXD3	RW	32	0x0000 1670	0x4A00 3670
CTRL_CORE_PAD_RGMII0_RXD2	RW	32	0x0000 1674	0x4A00 3674
CTRL_CORE_PAD_RGMII0_RXD1	RW	32	0x0000 1678	0x4A00 3678
CTRL_CORE_PAD_RGMII0_RXD0	RW	32	0x0000 167C	0x4A00 367C
CTRL_CORE_PAD_USB1_DRVVBUS	RW	32	0x0000 1680	0x4A00 3680
CTRL_CORE_PAD_USB2_DRVVBUS	RW	32	0x0000 1684	0x4A00 3684
CTRL_CORE_PAD_GPIO6_14	RW	32	0x0000 1688	0x4A00 3688
CTRL_CORE_PAD_GPIO6_15	RW	32	0x0000 168C	0x4A00 368C
CTRL_CORE_PAD_GPIO6_16	RW	32	0x0000 1690	0x4A00 3690
CTRL_CORE_PAD_XREF_CLK0	RW	32	0x0000 1694	0x4A00 3694

Table 18-31. CTRL_MODULE_CORE Registers Mapping Summary (continued)

Register Name	Type	Register Width (Bits)	Address Offset	CTRL_MODULE_CORE Base Address
CTRL_CORE_PAD_XREF_CLK1	RW	32	0x0000 1698	0x4A00 3698
CTRL_CORE_PAD_XREF_CLK2	RW	32	0x0000 169C	0x4A00 369C
CTRL_CORE_PAD_XREF_CLK3	RW	32	0x0000 16A0	0x4A00 36A0
CTRL_CORE_PAD_MCASP1_ACLKX	RW	32	0x0000 16A4	0x4A00 36A4
CTRL_CORE_PAD_MCASP1_FSX	RW	32	0x0000 16A8	0x4A00 36A8
CTRL_CORE_PAD_MCASP1_ACLKR	RW	32	0x0000 16AC	0x4A00 36AC
CTRL_CORE_PAD_MCASP1_FSR	RW	32	0x0000 16B0	0x4A00 36B0
CTRL_CORE_PAD_MCASP1_AXR0	RW	32	0x0000 16B4	0x4A00 36B4
CTRL_CORE_PAD_MCASP1_AXR1	RW	32	0x0000 16B8	0x4A00 36B8
CTRL_CORE_PAD_MCASP1_AXR2	RW	32	0x0000 16BC	0x4A00 36BC
CTRL_CORE_PAD_MCASP1_AXR3	RW	32	0x0000 16C0	0x4A00 36C0
CTRL_CORE_PAD_MCASP1_AXR4	RW	32	0x0000 16C4	0x4A00 36C4
CTRL_CORE_PAD_MCASP1_AXR5	RW	32	0x0000 16C8	0x4A00 36C8
CTRL_CORE_PAD_MCASP1_AXR6	RW	32	0x0000 16CC	0x4A00 36CC
CTRL_CORE_PAD_MCASP1_AXR7	RW	32	0x0000 16D0	0x4A00 36D0
CTRL_CORE_PAD_MCASP1_AXR8	RW	32	0x0000 16D4	0x4A00 36D4
CTRL_CORE_PAD_MCASP1_AXR9	RW	32	0x0000 16D8	0x4A00 36D8
CTRL_CORE_PAD_MCASP1_AXR10	RW	32	0x0000 16DC	0x4A00 36DC
CTRL_CORE_PAD_MCASP1_AXR11	RW	32	0x0000 16E0	0x4A00 36E0
CTRL_CORE_PAD_MCASP1_AXR12	RW	32	0x0000 16E4	0x4A00 36E4
CTRL_CORE_PAD_MCASP1_AXR13	RW	32	0x0000 16E8	0x4A00 36E8
CTRL_CORE_PAD_MCASP1_AXR14	RW	32	0x0000 16EC	0x4A00 36EC
CTRL_CORE_PAD_MCASP1_AXR15	RW	32	0x0000 16F0	0x4A00 36F0
CTRL_CORE_PAD_MCASP2_ACLKX	RW	32	0x0000 16F4	0x4A00 36F4
CTRL_CORE_PAD_MCASP2_FSX	RW	32	0x0000 16F8	0x4A00 36F8
CTRL_CORE_PAD_MCASP2_ACLKR	RW	32	0x0000 16FC	0x4A00 36FC
CTRL_CORE_PAD_MCASP2_FSR	RW	32	0x0000 1700	0x4A00 3700
CTRL_CORE_PAD_MCASP2_AXR0	RW	32	0x0000 1704	0x4A00 3704
CTRL_CORE_PAD_MCASP2_AXR1	RW	32	0x0000 1708	0x4A00 3708
CTRL_CORE_PAD_MCASP2_AXR2	RW	32	0x0000 170C	0x4A00 370C
CTRL_CORE_PAD_MCASP2_AXR3	RW	32	0x0000 1710	0x4A00 3710
CTRL_CORE_PAD_MCASP2_AXR4	RW	32	0x0000 1714	0x4A00 3714
CTRL_CORE_PAD_MCASP2_AXR5	RW	32	0x0000 1718	0x4A00 3718
CTRL_CORE_PAD_MCASP2_AXR6	RW	32	0x0000 171C	0x4A00 371C
CTRL_CORE_PAD_MCASP2_AXR7	RW	32	0x0000 1720	0x4A00 3720
CTRL_CORE_PAD_MCASP3_ACLKX	RW	32	0x0000 1724	0x4A00 3724
CTRL_CORE_PAD_MCASP3_FSX	RW	32	0x0000 1728	0x4A00 3728
CTRL_CORE_PAD_MCASP3_AXR0	RW	32	0x0000 172C	0x4A00 372C
CTRL_CORE_PAD_MCASP3_AXR1	RW	32	0x0000 1730	0x4A00 3730
CTRL_CORE_PAD_MCASP4_ACLKX	RW	32	0x0000 1734	0x4A00 3734
CTRL_CORE_PAD_MCASP4_FSX	RW	32	0x0000 1738	0x4A00 3738
CTRL_CORE_PAD_MCASP4_AXR0	RW	32	0x0000 173C	0x4A00 373C
CTRL_CORE_PAD_MCASP4_AXR1	RW	32	0x0000 1740	0x4A00 3740
CTRL_CORE_PAD_MCASP5_ACLKX	RW	32	0x0000 1744	0x4A00 3744
CTRL_CORE_PAD_MCASP5_FSX	RW	32	0x0000 1748	0x4A00 3748
CTRL_CORE_PAD_MCASP5_AXR0	RW	32	0x0000 174C	0x4A00 374C
CTRL_CORE_PAD_MCASP5_AXR1	RW	32	0x0000 1750	0x4A00 3750
CTRL_CORE_PAD_MMC1_CLK	RW	32	0x0000 1754	0x4A00 3754
CTRL_CORE_PAD_MMC1_CMD	RW	32	0x0000 1758	0x4A00 3758
CTRL_CORE_PAD_MMC1_DAT0	RW	32	0x0000 175C	0x4A00 375C

Table 18-31. CTRL_MODULE_CORE Registers Mapping Summary (continued)

Register Name	Type	Register Width (Bits)	Address Offset	CTRL_MODULE_CORE Base Address
CTRL_CORE_PAD_MMC1_DAT1	RW	32	0x0000 1760	0x4A00 3760
CTRL_CORE_PAD_MMC1_DAT2	RW	32	0x0000 1764	0x4A00 3764
CTRL_CORE_PAD_MMC1_DAT3	RW	32	0x0000 1768	0x4A00 3768
CTRL_CORE_PAD_MMC1_SDCD	RW	32	0x0000 176C	0x4A00 376C
CTRL_CORE_PAD_MMC1_SDWP	RW	32	0x0000 1770	0x4A00 3770
CTRL_CORE_PAD_GPIO6_10	RW	32	0x0000 1774	0x4A00 3774
CTRL_CORE_PAD_GPIO6_11	RW	32	0x0000 1778	0x4A00 3778
CTRL_CORE_PAD_MMC3_CLK	RW	32	0x0000 177C	0x4A00 377C
CTRL_CORE_PAD_MMC3_CMD	RW	32	0x0000 1780	0x4A00 3780
CTRL_CORE_PAD_MMC3_DAT0	RW	32	0x0000 1784	0x4A00 3784
CTRL_CORE_PAD_MMC3_DAT1	RW	32	0x0000 1788	0x4A00 3788
CTRL_CORE_PAD_MMC3_DAT2	RW	32	0x0000 178C	0x4A00 378C
CTRL_CORE_PAD_MMC3_DAT3	RW	32	0x0000 1790	0x4A00 3790
CTRL_CORE_PAD_MMC3_DAT4	RW	32	0x0000 1794	0x4A00 3794
CTRL_CORE_PAD_MMC3_DAT5	RW	32	0x0000 1798	0x4A00 3798
CTRL_CORE_PAD_MMC3_DAT6	RW	32	0x0000 179C	0x4A00 379C
CTRL_CORE_PAD_MMC3_DAT7	RW	32	0x0000 17A0	0x4A00 37A0
CTRL_CORE_PAD_SPI1_SCLK	RW	32	0x0000 17A4	0x4A00 37A4
CTRL_CORE_PAD_SPI1_D1	RW	32	0x0000 17A8	0x4A00 37A8
CTRL_CORE_PAD_SPI1_D0	RW	32	0x0000 17AC	0x4A00 37AC
CTRL_CORE_PAD_SPI1_CS0	RW	32	0x0000 17B0	0x4A00 37B0
CTRL_CORE_PAD_SPI1_CS1	RW	32	0x0000 17B4	0x4A00 37B4
CTRL_CORE_PAD_SPI1_CS2	RW	32	0x0000 17B8	0x4A00 37B8
CTRL_CORE_PAD_SPI1_CS3	RW	32	0x0000 17BC	0x4A00 37BC
CTRL_CORE_PAD_SPI2_SCLK	RW	32	0x0000 17C0	0x4A00 37C0
CTRL_CORE_PAD_SPI2_D1	RW	32	0x0000 17C4	0x4A00 37C4
CTRL_CORE_PAD_SPI2_D0	RW	32	0x0000 17C8	0x4A00 37C8
CTRL_CORE_PAD_SPI2_CS0	RW	32	0x0000 17CC	0x4A00 37CC
CTRL_CORE_PAD_DCAN1_TX	RW	32	0x0000 17D0	0x4A00 37D0
CTRL_CORE_PAD_DCAN1_RX	RW	32	0x0000 17D4	0x4A00 37D4
RESERVED	R	32	0x0000 17D8	0x4A00 37D8
RESERVED	R	32	0x0000 17DC	0x4A00 37DC
CTRL_CORE_PAD_UART1_RXD	RW	32	0x0000 17E0	0x4A00 37E0
CTRL_CORE_PAD_UART1_TXD	RW	32	0x0000 17E4	0x4A00 37E4
CTRL_CORE_PAD_UART1_CTSN	RW	32	0x0000 17E8	0x4A00 37E8
CTRL_CORE_PAD_UART1_RTSN	RW	32	0x0000 17EC	0x4A00 37EC
CTRL_CORE_PAD_UART2_RXD	RW	32	0x0000 17F0	0x4A00 37F0
CTRL_CORE_PAD_UART2_TXD	RW	32	0x0000 17F4	0x4A00 37F4
CTRL_CORE_PAD_UART2_CTSN	RW	32	0x0000 17F8	0x4A00 37F8
CTRL_CORE_PAD_UART2_RTSN	RW	32	0x0000 17FC	0x4A00 37FC
CTRL_CORE_PAD_I2C1_SDA	RW	32	0x0000 1800	0x4A00 3800
CTRL_CORE_PAD_I2C1_SCL	RW	32	0x0000 1804	0x4A00 3804
CTRL_CORE_PAD_I2C2_SDA	RW	32	0x0000 1808	0x4A00 3808
CTRL_CORE_PAD_I2C2_SCL	RW	32	0x0000 180C	0x4A00 380C
RESERVED	R	32	0x0000 1810	0x4A00 3810
RESERVED	R	32	0x0000 1814	0x4A00 3814
CTRL_CORE_PAD_WAKEUP0	RW	32	0x0000 1818	0x4A00 3818
RESERVED	R	32	0x0000 181C	0x4A00 381C
RESERVED	R	32	0x0000 1820	0x4A00 3820
CTRL_CORE_PAD_WAKEUP3	RW	32	0x0000 1824	0x4A00 3824

Table 18-31. CTRL_MODULE_CORE Registers Mapping Summary (continued)

Register Name	Type	Register Width (Bits)	Address Offset	CTRL_MODULE_CORE Base Address
CTRL_CORE_PAD_ON_OFF	RW	32	0x0000 1828	0x4A00 3828
CTRL_CORE_PAD_RTC_PORZ	RW	32	0x0000 182C	0x4A00 382C
CTRL_CORE_PAD_TMS	RW	32	0x0000 1830	0x4A00 3830
CTRL_CORE_PAD_TDI	RW	32	0x0000 1834	0x4A00 3834
CTRL_CORE_PAD_TDO	RW	32	0x0000 1838	0x4A00 3838
CTRL_CORE_PAD_TCLK	RW	32	0x0000 183C	0x4A00 383C
CTRL_CORE_PAD_TRSTN	RW	32	0x0000 1840	0x4A00 3840
CTRL_CORE_PAD_RTCK	RW	32	0x0000 1844	0x4A00 3844
CTRL_CORE_PAD_EMU0	RW	32	0x0000 1848	0x4A00 3848
CTRL_CORE_PAD_EMU1	RW	32	0x0000 184C	0x4A00 384C
RESERVED	R	32	0x0000 1850	0x4A00 3850
RESERVED	R	32	0x0000 1854	0x4A00 3854
RESERVED	R	32	0x0000 1858	0x4A00 3858
CTRL_CORE_PAD_RESETN	RW	32	0x0000 185C	0x4A00 385C
CTRL_CORE_PAD_NMIN_DSP	RW	32	0x0000 1860	0x4A00 3860
CTRL_CORE_PAD_RSTOUTN	RW	32	0x0000 1864	0x4A00 3864
CTRL_CORE_PADCONF_WAKEUPEVENT_0	R	32	0x0000 1868	0x4A00 3868
CTRL_CORE_PADCONF_WAKEUPEVENT_1	R	32	0x0000 186C	0x4A00 386C
CTRL_CORE_PADCONF_WAKEUPEVENT_2	R	32	0x0000 1870	0x4A00 3870
CTRL_CORE_PADCONF_WAKEUPEVENT_3	R	32	0x0000 1874	0x4A00 3874
CTRL_CORE_PADCONF_WAKEUPEVENT_4	R	32	0x0000 1878	0x4A00 3878
CTRL_CORE_PADCONF_WAKEUPEVENT_5	R	32	0x0000 187C	0x4A00 387C
CTRL_CORE_PADCONF_WAKEUPEVENT_6	R	32	0x0000 1880	0x4A00 3880
CTRL_CORE_PADCONF_WAKEUPEVENT_7	R	32	0x0000 1884	0x4A00 3884
CTRL_CORE_PADCONF_WAKEUPEVENT_8	R	32	0x0000 1888	0x4A00 3888
RESERVED_j (j= 0 to 63)	R	32	0x0000 1A00 + (j*4)	0x4A00 3A00 + (j*4)
RESERVED	R	32	0x0000 1B00	0x4A00 3B00
RESERVED	R	32	0x0000 1B04	0x4A00 3B04
CTRL_CORE_STD_FUSE_OPP_VMIN_GPU_2	R	32	0x0000 1B08	0x4A00 3B08
CTRL_CORE_STD_FUSE_OPP_VMIN_GPU_3	R	32	0x0000 1B0C	0x4A00 3B0C
CTRL_CORE_STD_FUSE_OPP_VMIN_GPU_4	R	32	0x0000 1B10	0x4A00 3B10
CTRL_CORE_STD_FUSE_OPP_VMIN_GPU_5	R	32	0x0000 1B14	0x4A00 3B14
RESERVED	R	32	0x0000 1B18	0x4A00 3B18
CTRL_CORE_STD_FUSE_OPP_VMIN_MPU_1	R	32	0x0000 1B1C	0x4A00 3B1C
CTRL_CORE_STD_FUSE_OPP_VMIN_MPU_2	R	32	0x0000 1B20	0x4A00 3B20
CTRL_CORE_STD_FUSE_OPP_VMIN_MPU_3	R	32	0x0000 1B24	0x4A00 3B24
CTRL_CORE_STD_FUSE_OPP_VMIN_MPU_4	R	32	0x0000 1B28	0x4A00 3B28
CTRL_CORE_STD_FUSE_OPP_VMIN_MPU_5	R	32	0x0000 1B2C	0x4A00 3B2C
RESERVED	R	32	0x0000 1B30	0x4A00 3B30
RESERVED	R	32	0x0000 1B34	0x4A00 3B34
CTRL_CORE_STD_FUSE_OPP_VDD_DSPEVE_LVT_0	R	32	0x0000 1B38	0x4A00 3B38
CTRL_CORE_STD_FUSE_OPP_VDD_DSPEVE_LVT_1	R	32	0x0000 1B3C	0x4A00 3B3C
CTRL_CORE_STD_FUSE_OPP_VDD_DSPEVE_LVT_2	R	32	0x0000 1B40	0x4A00 3B40
CTRL_CORE_STD_FUSE_OPP_VDD_DSPEVE_LVT_3	R	32	0x0000 1B44	0x4A00 3B44
CTRL_CORE_STD_FUSE_OPP_VDD_DSPEVE_LVT_4	R	32	0x0000 1B48	0x4A00 3B48
CTRL_CORE_STD_FUSE_OPP_VDD_IVA_LVT_0	R	32	0x0000 1B4C	0x4A00 3B4C
CTRL_CORE_STD_FUSE_OPP_VDD_IVA_LVT_1	R	32	0x0000 1B50	0x4A00 3B50
CTRL_CORE_STD_FUSE_OPP_VDD_IVA_LVT_2	R	32	0x0000 1B54	0x4A00 3B54
CTRL_CORE_STD_FUSE_OPP_VDD_IVA_LVT_3	R	32	0x0000 1B58	0x4A00 3B58

Table 18-31. CTRL_MODULE_CORE Registers Mapping Summary (continued)

Register Name	Type	Register Width (Bits)	Address Offset	CTRL_MODULE_CORE Base Address
CTRL_CORE_STD_FUSE_OPP_VDD_IVA_LVT_4	R	32	0x0000 1B5C	0x4A00 3B5C
CTRL_CORE_STD_FUSE_OPP_VDD_CORE_LVT_0	R	32	0x0000 1B60	0x4A00 3B60
CTRL_CORE_STD_FUSE_OPP_VDD_CORE_LVT_1	R	32	0x0000 1B64	0x4A00 3B64
CTRL_CORE_STD_FUSE_OPP_VDD_CORE_LVT_2	R	32	0x0000 1B68	0x4A00 3B68
CTRL_CORE_STD_FUSE_OPP_VDD_CORE_LVT_3	R	32	0x0000 1B6C	0x4A00 3B6C
CTRL_CORE_STD_FUSE_OPP_VDD_CORE_LVT_4	R	32	0x0000 1B70	0x4A00 3B70
CTRL_CORE_LDOSRAM_CORE_4_VOLTAGE_CTRL	RW	32	0x0000 1B74	0x4A00 3B74
CTRL_CORE_LDOSRAM_CORE_5_VOLTAGE_CTRL	RW	32	0x0000 1B78	0x4A00 3B78
CTRL_CORE_LDOSRAM_DSPEVE_2_VOLTAGE_CTRL	RW	32	0x0000 1B7C	0x4A00 3B7C
RESERVED _i (i = 0 to 32)	R	32	0x0000 1B80 + (i*4)	0x4A00 3B80 + (i*4)
CTRL_CORE_SMA_SW_2	RW	32	0x0000 1C04	0x4A00 3C04
CTRL_CORE_SMA_SW_3	RW	32	0x0000 1C08	0x4A00 3C08
CTRL_CORE_SMA_SW_4 ⁽¹⁾	RW	32	0x0000 1C0C	0x4A00 3C0C
RESERVED	R	32	0x0000 1C10	0x4A00 3C10
CTRL_CORE_SMA_SW_6	RW	32	0x0000 1C14	0x4A00 3C14
CTRL_CORE_SMA_SW_7	RW	32	0x0000 1C18	0x4A00 3C18
CTRL_CORE_SMA_SW_8	RW	32	0x0000 1C1C	0x4A00 3C1C
CTRL_CORE_SMA_SW_9	RW	32	0x0000 1C20	0x4A00 3C20
CTRL_CORE_PCIESS1_PCS1	RW	32	0x0000 1C24	0x4A00 3C24
CTRL_CORE_PCIESS1_PCS2	RW	32	0x0000 1C28	0x4A00 3C28
CTRL_CORE_PCIESS2_PCS1	RW	32	0x0000 1C2C	0x4A00 3C2C
CTRL_CORE_PCIESS2_PCS2	RW	32	0x0000 1C30	0x4A00 3C30
CTRL_CORE_PCIE_PCS	RW	32	0x0000 1C34	0x4A00 3C34
CTRL_CORE_PCIE_PCS_REVISION	R	32	0x0000 1C38	0x4A00 3C38
CTRL_CORE_PCIE_CONTROL	RW	32	0x0000 1C3C	0x4A00 3C3C
CTRL_CORE_PHY_POWER_PCIESS1	RW	32	0x0000 1C40	0x4A00 3C40
CTRL_CORE_PHY_POWER_PCIESS2	RW	32	0x0000 1C44	0x4A00 3C44

18.5.2.2 CTRL_MODULE_CORE Register Description

Table 18-32. CTRL_CORE_MREQDOMAIN_EXP1

Address Offset	0x0000 0108	Instance	CTRL_MODULE_CORE
Physical Address	0x4A00 2108		
Description	MReqDomain value configuration register.		
Type	RW		

31	30	29	28	27	26	25	24	23	22	21	20	19	18	17	16	15	14	13	12	11	10	9	8	7	6	5	4	3	2	1	0
MREQDOMAIN_EXP1_LOCK	RESERVED		MREQDOMAIN_IPU2		RESERVED			MREQDOMAIN_GPU_P0		MREQDOMAIN_IPU1		RESERVED		MREQDOMAIN_IVAHD		MREQDOMAIN_DSS		MREQDOMAIN_DSP1_CFG		RESERVED											

Bits	Field Name	Description	Type	Reset
31	MREQDOMAIN_EXP1_LOCK	Lock bit. When high register cannot be written again	RW Woco	0x0
30	RESERVED		R	0x0
29:27	MREQDOMAIN_IPU2	This field allows to specify to which DOMAIN the initiator belongs to by configuring at initiator port level a fixed MReqDomain value such that: MreqDomain[2:0]= 0b000 = DOMAIN0 MreqDomain[2:0]= 0b001 = DOMAIN1 MreqDomain[2:0]= 0b010 = DOMAIN2 MreqDomain[2:0]= 0b011 = DOMAIN3 MreqDomain[2:0]= 0b100 = DOMAIN4 MreqDomain[2:0]= 0b110 = DOMAIN6 MreqDomain[2:0]= 0b111 = DOMAIN7	RW	0x0
26:24	RESERVED		R	0x0
23:21	MREQDOMAIN_GPU_P0	see MREQDOMAIN_IPU2 Description	RW	0x0
20:18	MREQDOMAIN_IPU1	see MREQDOMAIN_IPU2 Description	RW	0x0
17:15	RESERVED		R	0x0
14:12	MREQDOMAIN_IVAHD	see MREQDOMAIN_IPU2 Description	RW	0x0
11:9	MREQDOMAIN_DSS	see MREQDOMAIN_IPU2 Description	RW	0x0
8:6	MREQDOMAIN_DSP1_CFG	see MREQDOMAIN_IPU2 Description	RW	0x0
5:0	RESERVED		R	0x0

Table 18-33. Register Call Summary for Register CTRL_CORE_MREQDOMAIN_EXP1

Control Module Register Manual

- [CTRL_MODULE_CORE Register Summary: \[0\]](#)

Table 18-34. CTRL_CORE_MREQDOMAIN_EXP2

Address Offset	0x0000 010C	Instance	CTRL_MODULE_CORE
Physical Address	0x4A00 210C		
Description	MReqDomain value configuration register.		
Type	RW		

31	30	29	28	27	26	25	24	23	22	21	20	19	18	17	16	15	14	13	12	11	10	9	8	7	6	5	4	3	2	1	0
MREQDOMAIN_EXP2_LOCK	RESERVED							MREQDOMAIN_SATA	MREQDOMAIN_USB3	MREQDOMAIN_USB2	RESERVED	MREQDOMAIN_USB1	RESERVED					MREQDOMAIN_MMC2	MREQDOMAIN_MMC1												

Bits	Field Name	Description	Type	Reset
31	MREQDOMAIN_EXP2_LOCK	Lock bit. When high register cannot be written again	RW Woco	0x0
30:27	RESERVED		R	0x0

Bits	Field Name	Description	Type	Reset
26:24	MREQDOMAIN_SATA	This field allows to specify to which DOMAIN the initiator belongs to by configuring at initiator port level a fixed MReqDomain value such that: MreqDomain[2:0]= 0b000 = DOMAIN0 MreqDomain[2:0]= 0b001 = DOMAIN1 MreqDomain[2:0]= 0b010 = DOMAIN2 MreqDomain[2:0]= 0b011 = DOMAIN3 MreqDomain[2:0]= 0b100 = DOMAIN4 MreqDomain[2:0]= 0b110 = DOMAIN6 MreqDomain[2:0]= 0b111 = DOMAIN7	RW	0x0
23:21	MREQDOMAIN_USB3	see MREQDOMAIN_SATA Description	RW	0x0
20:18	MREQDOMAIN_USB2	see MREQDOMAIN_SATA Description	RW	0x0
17:15	RESERVED		R	0x0
14:12	MREQDOMAIN_USB1	see MREQDOMAIN_SATA Description	RW	0x0
11:6	RESERVED		R	0x0
5:3	MREQDOMAIN_MMC2	see MREQDOMAIN_SATA Description	RW	0x0
2:0	MREQDOMAIN_MMC1	see MREQDOMAIN_SATA Description	RW	0x0

Table 18-35. Register Call Summary for Register CTRL_CORE_MREQDOMAIN_EXP2

Control Module Register Manual

- [CTRL_MODULE_CORE Register Summary: \[0\]](#)

Table 18-36. CTRL_CORE_MREQDOMAIN_EXP3

Address Offset	0x0000 0110	Instance	CTRL_MODULE_CORE
Physical Address	0x4A00 2110		
Description	MReqDomain value configuration register.		
Type	RW		

31	30	29	28	27	26	25	24	23	22	21	20	19	18	17	16	15	14	13	12	11	10	9	8	7	6	5	4	3	2	1	0			
MREQDOMAIN_EXP3_LOCK	RESERVED																MREQDOMAIN_VIP1_P0			MREQDOMAIN_PRUSS2_PRU0			MREQDOMAIN_PRUSS1_PRU0			MREQDOMAIN_BB2D			RESERVED					

Bits	Field Name	Description	Type	Reset
31	MREQDOMAIN_EXP3_LOCK	Lock bit. When high register cannot be written again	RW Woco	0x0
30:18	RESERVED		R	0x0
17:15	MREQDOMAIN_VIP1_P0	This field allows to specify to which DOMAIN the initiator belongs to by configuring at initiator port level a fixed MReqDomain value such that: MreqDomain[2:0]= 0b000 = DOMAIN0 MreqDomain[2:0]= 0b001 = DOMAIN1 MreqDomain[2:0]= 0b010 = DOMAIN2 MreqDomain[2:0]= 0b011 = DOMAIN3 MreqDomain[2:0]= 0b100 = DOMAIN4 MreqDomain[2:0]= 0b101 = DOMAIN5 MreqDomain[2:0]= 0b110 = DOMAIN6 MreqDomain[2:0]= 0b111 = DOMAIN7	RW	0x0

Bits	Field Name	Description	Type	Reset
14:12	MREQDOMAIN_PRUSS2_PRU0	see MREQDOMAIN_VIP1_P0 Description	RW	0x0
11:9	MREQDOMAIN_PRUSS1_PRU0	see MREQDOMAIN_VIP1_P0 Description	RW	0x0
8:6	MREQDOMAIN_BB2D	see MREQDOMAIN_VIP1_P0 Description	RW	0x0
5:0	RESERVED		R	0x0

Table 18-37. Register Call Summary for Register CTRL_CORE_MREQDOMAIN_EXP3

Control Module Register Manual

- [CTRL_MODULE_CORE Register Summary: \[0\]](#)

Table 18-38. CTRL_CORE_STATUS

Address Offset	0x0000 0134	Instance	CTRL_MODULE_CORE
Physical Address	0x4A00 2134		
Description	Control Module Status Register		
Type	R		

31	30	29	28	27	26	25	24	23	22	21	20	19	18	17	16	15	14	13	12	11	10	9	8	7	6	5	4	3	2	1	0
RESERVED																DEVICE_TYPE		RESERVED													

Bits	Field Name	Description	Type	Reset
31:9	RESERVED		R	0x0
8:6	DEVICE_TYPE	Device type captured at reset time. Device type value sampled at power-on reset. Read 0x3 = General Purpose (GP)	R	0x3
5:0	RESERVED	Reserved	R	0x0

Table 18-39. Register Call Summary for Register CTRL_CORE_STATUS

Control Module Register Manual

- [CTRL_MODULE_CORE Register Summary: \[0\]](#)

Table 18-40. CTRL_CORE_SEC_ERR_STATUS_FUNC_1

Address Offset	0x0000 0148	Instance	CTRL_MODULE_CORE
Physical Address	0x4A00 2148		
Description	Firewall Error Status functional Register 1		
Type	RW		

31	30	29	28	27	26	25	24	23	22	21	20	19	18	17	16	15	14	13	12	11	10	9	8	7	6	5	4	3	2	1	0
RESERVED								BB2D_FW_ERROR	L4_WAKEUP_FW_ERROR	RESERVED			DEBUGSS_FW_ERROR	L4_CONFIG_FW_ERROR	L4_PERIPH1_FW_ERROR	RESERVED	DSS_FW_ERROR	GPU_FW_ERROR	RESERVED					IVAHD_SL2_FW_ERROR	IPU1_FW_ERROR	IVAHD_FW_ERROR	EMIF_FW_ERROR	GPMC_FW_ERROR	L3RAM1_FW_ERROR	RESERVED	

Bits	Field Name	Description	Type	Reset
31:24	RESERVED		R	0x0
23	BB2D_FW_ERROR	BB2D firewall 0x0 = No error from firewall 0x1 = Error from firewall	RW W1toClr	0x0
22	L4_WAKEUP_FW_ERROR	L4 wakeup firewall 0x0 = No error from firewall 0x1 = Error from firewall	RW W1toClr	0x0
21:19	RESERVED		R	0x0
18	DEBUGSS_FW_ERROR	DebugSS firewall 0x0 = No error from firewall 0x1 = Error from firewall	RW W1toClr	0x0
17	L4_CONFIG_FW_ERROR	L4 config firewall 0x0 = No error from firewall 0x1 = Error from firewall	RW W1toClr	0x0
16	L4_PERIPH1_FW_ERROR	L4 periph1 firewall 0x0 = No error from firewall 0x1 = Error from firewall	RW W1toClr	0x0
15	RESERVED		R	0x0
14	DSS_FW_ERROR	DSS firewall 0x0 = No error from firewall 0x1 = Error from firewall	RW W1toClr	0x0
13	GPU_FW_ERROR	GPU firewall 0x0 = No error from firewall 0x1 = Error from firewall	RW W1toClr	0x0
12:7	RESERVED		R	0x0
6	IVAHD_SL2_FW_ERROR	IVAHD SL2 firewall 0x0 = No error from firewall 0x1 = Error from firewall	RW W1toClr	0x0
5	IPU1_FW_ERROR	IPU1 firewall 0x0 = No error from firewall 0x1 = Error from firewall	RW W1toClr	0x0
4	IVAHD_FW_ERROR	IVAHD firewall 0x0 = No error from firewall 0x1 = Error from firewall	RW W1toClr	0x0

Bits	Field Name	Description	Type	Reset
3	EMIF_FW_ERROR	EMIF firewall 0x0 = No error from firewall 0x1 = Error from firewall	RW W1toClr	0x0
2	GPMC_FW_ERROR	GPMC firewall 0x0 = No error from firewall 0x1 = Error from firewall	RW W1toClr	0x0
1	L3RAM1_FW_ERROR	L3RAM1 firewall 0x0 = No error from firewall 0x1 = Error from firewall	RW W1toClr	0x0
0	RESERVED		R	0x0

Table 18-41. Register Call Summary for Register CTRL_CORE_SEC_ERR_STATUS_FUNC_1

Control Module Functional Description

- [Firewall Error Status Registers: \[0\]\[1\]](#)

Control Module Register Manual

- [CTRL_MODULE_CORE Register Summary: \[2\]](#)

Table 18-42. CTRL_CORE_SEC_ERR_STATUS_DEBUG_1

Address Offset	0x0000 0150	Instance	CTRL_MODULE_CORE
Physical Address	0x4A00 2150		
Description	Firewall Error Status Debug Register 1		
Type	RW		

31	30	29	28	27	26	25	24	23	22	21	20	19	18	17	16	15	14	13	12	11	10	9	8	7	6	5	4	3	2	1	0
RESERVED								BB2D_DBGFW_ERROR	L4_WAKEUP_DBGFW_ERROR	RESERVED				DEBUGSS_DBGFW_ERROR	L4_CONFIG_DBGFW_ERROR	L4_PERIPH1_DBGFW_ERROR	RESERVED	DSS_DBGFW_ERROR	GPU_DBGFW_ERROR	RESERVED					IVAHD_SL2_DBGFW_ERROR	IPU1_DBGFW_ERROR	IVAHD_DBGFW_ERROR	EMIF_DBGFW_ERROR	GPMC_DBGFW_ERROR	L3RAM1_DBGFW_ERROR	RESERVED

Bits	Field Name	Description	Type	Reset
31:24	RESERVED		R	0x0
23	BB2D_DBGFW_ERROR	BB2D firewall 0x0 = No error from firewall 0x1 = Error from firewall	RW W1toClr	0x0
22	L4_WAKEUP_DBGFW_ERROR	L4 wakeup firewall 0x0 = No error from firewall 0x1 = Error from firewall	RW W1toClr	0x0
21:19	RESERVED		R	0x0
18	DEBUGSS_DBGFW_ERROR	DebugSS firewall 0x0 = No error from firewall 0x1 = Error from firewall	RW W1toClr	0x0
17	L4_CONFIG_DBGFW_ERROR	L4 config firewall 0x0 = No error from firewall 0x1 = Error from firewall	RW W1toClr	0x0

Bits	Field Name	Description	Type	Reset
16	L4_PERIPH1_DBGFW_ERROR	L4 periph1 firewall 0x0 = No error from firewall 0x1 = Error from firewall	RW W1toClr	0x0
15	RESERVED		R	0x0
14	DSS_DBGFW_ERROR	DSS debug firewall 0x0 = No error from firewall 0x1 = Error from firewall	RW W1toClr	0x0
13	GPU_DBGFW_ERROR	GPU debug firewall 0x0 = No error from firewall 0x1 = Error from firewall	RW W1toClr	0x0
12:7	RESERVED		R	0x0
6	IVAHD_SL2_DBGFW_ERROR	IVAHD SL2 debug firewall 0x0 = No error from firewall 0x1 = Error from firewall	RW W1toClr	0x0
5	IPU1_DBGFW_ERROR	IPU1 debug firewall 0x0 = No error from firewall 0x1 = Error from firewall	RW W1toClr	0x0
4	IVAHD_DBGFW_ERROR	IVAHD debug firewall 0x0 = No error from firewall 0x1 = Error from firewall	RW W1toClr	0x0
3	EMIF_DBGFW_ERROR	EMIF debug firewall 0x0 = No error from firewall 0x1 = Error from firewall	RW W1toClr	0x0
2	GPMC_DBGFW_ERROR	GPMC debug firewall 0x0 = No error from firewall 0x1 = Error from firewall	RW W1toClr	0x0
1	L3RAM1_DBGFW_ERROR	L3RAM1 debug firewall 0x0 = No error from firewall 0x1 = Error from firewall	RW W1toClr	0x0
0	RESERVED		R	0x0

Table 18-43. Register Call Summary for Register CTRL_CORE_SEC_ERR_STATUS_DEBUG_1

Control Module Functional Description

- [Firewall Error Status Registers: \[0\]](#)

Control Module Register Manual

- [CTRL_MODULE_CORE Register Summary: \[1\]](#)

Table 18-44. CTRL_CORE_MPU_FORCEWRNP

Address Offset	0x0000 015C	Instance	CTRL_MODULE_CORE
Physical Address	0x4A00 215C		
Description	FORCE WRITE NON POSTED		
Type	RW		

31	30	29	28	27	26	25	24	23	22	21	20	19	18	17	16	15	14	13	12	11	10	9	8	7	6	5	4	3	2	1	0
RESERVED																															
MPU_FORCEWRNP																															

Bits	Field Name	Description	Type	Reset
31:1	RESERVED		R	0x0
0	MPU_FORCEWRNP	Force mpu write non posted transactions 0x0 = disable force wrnp 0x1 = force wrnp	RW	0x0

Table 18-45. Register Call Summary for Register CTRL_CORE_MPU_FORCEWRNP

- Control Module Functional Description
- [Force MPU Write Nonposted Transactions: \[0\]](#)
- Control Module Register Manual
- [CTRL_MODULE_CORE Register Summary: \[1\]](#)

Table 18-46. CTRL_CORE_STD_FUSE_OPP_VDD_GPU_0

Address Offset	0x0000 0194	Instance	CTRL_MODULE_CORE
Physical Address	0x4A00 2194		
Description	Standard Fuse OPP VDD_GPU [31:0]. Register shows part of the chip eFuse configuration on the OCP interface. Reading at the address of one of these registers provides a direct view into a part of the eFuse chain.		
Type	R		

31	30	29	28	27	26	25	24	23	22	21	20	19	18	17	16	15	14	13	12	11	10	9	8	7	6	5	4	3	2	1	0
STD_FUSE_OPP_VDD_GPU_0																															

Bits	Field Name	Description	Type	Reset
31:0	STD_FUSE_OPP_VDD_GPU_0		R	0x0

Table 18-47. Register Call Summary for Register CTRL_CORE_STD_FUSE_OPP_VDD_GPU_0

- Control Module Register Manual
- [CTRL_MODULE_CORE Register Summary: \[0\]](#)

Table 18-48. CTRL_CORE_STD_FUSE_OPP_VDD_GPU_1

Address Offset	0x0000 0198
Physical Address	0x4A00 2198 Instance CTRL_MODULE_CORE
Description	Standard Fuse OPP VDD_GPU [63:32]. Register shows part of the chip eFuse configuration on the OCP interface. Reading at the address of one of these registers provides a direct view into a part of the eFuse chain.
Type	R

31	30	29	28	27	26	25	24	23	22	21	20	19	18	17	16	15	14	13	12	11	10	9	8	7	6	5	4	3	2	1	0
STD_FUSE_OPP_VDD_GPU_1																															

Bits	Field Name	Description	Type	Reset
31:0	STD_FUSE_OPP_VDD_GPU_1		R	0x0

Table 18-49. Register Call Summary for Register CTRL_CORE_STD_FUSE_OPP_VDD_GPU_1

Control Module Register Manual

- [CTRL_MODULE_CORE Register Summary: \[0\]](#)

Table 18-50. CTRL_CORE_STD_FUSE_OPP_VDD_GPU_2

Address Offset	0x0000 019C
Physical Address	0x4A00 219C Instance CTRL_MODULE_CORE
Description	Standard Fuse OPP VDD_GPU [95:64]. Register shows part of the chip eFuse configuration on the OCP interface. Reading at the address of one of these registers provides a direct view into a part of the eFuse chain.
Type	R

31	30	29	28	27	26	25	24	23	22	21	20	19	18	17	16	15	14	13	12	11	10	9	8	7	6	5	4	3	2	1	0
STD_FUSE_OPP_VDD_GPU_2																															

Bits	Field Name	Description	Type	Reset
31:0	STD_FUSE_OPP_VDD_GPU_2		R	0x0

Table 18-51. Register Call Summary for Register CTRL_CORE_STD_FUSE_OPP_VDD_GPU_2

Control Module Register Manual

- [CTRL_MODULE_CORE Register Summary: \[0\]](#)

Table 18-52. CTRL_CORE_STD_FUSE_OPP_VDD_GPU_3

Address Offset	0x0000 01A0
Physical Address	0x4A00 21A0 Instance CTRL_MODULE_CORE
Description	Standard Fuse OPP VDD_GPU [127:96]. Register shows part of the chip eFuse configuration on the OCP interface. Reading at the address of one of these registers provides a direct view into a part of the eFuse chain.
Type	R

31	30	29	28	27	26	25	24	23	22	21	20	19	18	17	16	15	14	13	12	11	10	9	8	7	6	5	4	3	2	1	0
STD_FUSE_OPP_VDD_GPU_3																															

Bits	Field Name	Description	Type	Reset
31:0	STD_FUSE_OPP_VDD_GPU_3		R	0x0

Table 18-53. Register Call Summary for Register CTRL_CORE_STD_FUSE_OPP_VDD_GPU_3

Control Module Register Manual

- [CTRL_MODULE_CORE Register Summary: \[0\]](#)

Table 18-54. CTRL_CORE_STD_FUSE_OPP_VDD_GPU_4

Address Offset	0x0000 01A4	Instance	CTRL_MODULE_CORE
Physical Address	0x4A00 21A4		
Description	Standard Fuse OPP VDD_GPU [159:128]. Register shows part of the chip eFuse configuration on the OCP interface. Reading at the address of one of these registers provides a direct view into a part of the eFuse chain.		
Type	R		

31	30	29	28	27	26	25	24	23	22	21	20	19	18	17	16	15	14	13	12	11	10	9	8	7	6	5	4	3	2	1	0
STD_FUSE_OPP_VDD_GPU_4																															

Bits	Field Name	Description	Type	Reset
31:0	STD_FUSE_OPP_VDD_GPU_4		R	0x0

Table 18-55. Register Call Summary for Register CTRL_CORE_STD_FUSE_OPP_VDD_GPU_4

Control Module Register Manual

- [CTRL_MODULE_CORE Register Summary: \[0\]](#)

Table 18-56. CTRL_CORE_STD_FUSE_OPP_VDD_GPU_5

Address Offset	0x0000 01A8	Instance	CTRL_MODULE_CORE
Physical Address	0x4A00 21A8		
Description	Standard Fuse OPP VDD_GPU [191:160]. Register shows part of the chip eFuse configuration on the OCP interface. Reading at the address of one of these registers provides a direct view into a part of the eFuse chain.		
Type	R		

31	30	29	28	27	26	25	24	23	22	21	20	19	18	17	16	15	14	13	12	11	10	9	8	7	6	5	4	3	2	1	0
STD_FUSE_OPP_VDD_GPU_5																															

Bits	Field Name	Description	Type	Reset
31:0	STD_FUSE_OPP_VDD_GPU_5		R	0x0

Table 18-57. Register Call Summary for Register CTRL_CORE_STD_FUSE_OPP_VDD_GPU_5

Control Module Register Manual

- [CTRL_MODULE_CORE Register Summary: \[0\]](#)

Table 18-58. CTRL_CORE_STD_FUSE_OPP_VDD_MPU_0

Address Offset	0x0000 01AC
Physical Address	0x4A00 21AC Instance CTRL_MODULE_CORE
Description	Standard Fuse OPP VDD_MPU [31:0]. Register shows part of the chip eFuse configuration on the OCP interface. Reading at the address of one of these registers provides a direct view into a part of the eFuse chain.
Type	R

31	30	29	28	27	26	25	24	23	22	21	20	19	18	17	16	15	14	13	12	11	10	9	8	7	6	5	4	3	2	1	0
STD_FUSE_OPP_VDD_MPU_0																															

Bits	Field Name	Description	Type	Reset
31:0	STD_FUSE_OPP_VDD_MPU_0		R	0x0

Table 18-59. Register Call Summary for Register CTRL_CORE_STD_FUSE_OPP_VDD_MPU_0

Control Module Register Manual

- [CTRL_MODULE_CORE Register Summary: \[0\]](#)

Table 18-60. CTRL_CORE_STD_FUSE_OPP_VDD_MPU_1

Address Offset	0x0000 01B0
Physical Address	0x4A00 21B0 Instance CTRL_MODULE_CORE
Description	Standard Fuse OPP VDD_MPU [63:32]. Register shows part of the chip eFuse configuration on the OCP interface. Reading at the address of one of these registers provides a direct view into a part of the eFuse chain.
Type	R

31	30	29	28	27	26	25	24	23	22	21	20	19	18	17	16	15	14	13	12	11	10	9	8	7	6	5	4	3	2	1	0
STD_FUSE_OPP_VDD_MPU_1																															

Bits	Field Name	Description	Type	Reset
31:0	STD_FUSE_OPP_VDD_MPU_1		R	0x0

Table 18-61. Register Call Summary for Register CTRL_CORE_STD_FUSE_OPP_VDD_MPU_1

Control Module Register Manual

- [CTRL_MODULE_CORE Register Summary: \[0\]](#)

Table 18-62. CTRL_CORE_STD_FUSE_OPP_VDD_MPU_2

Address Offset	0x0000 01B4
Physical Address	0x4A00 21B4 Instance CTRL_MODULE_CORE
Description	Standard Fuse OPP VDD_MPU [95:64]. Register shows part of the chip eFuse configuration on the OCP interface. Reading at the address of one of these registers provides a direct view into a part of the eFuse chain.
Type	R

31	30	29	28	27	26	25	24	23	22	21	20	19	18	17	16	15	14	13	12	11	10	9	8	7	6	5	4	3	2	1	0
STD_FUSE_OPP_VDD_MPU_2																															

Bits	Field Name	Description	Type	Reset
31:0	STD_FUSE_OPP_VDD_MPU_2		R	0x0

Table 18-63. Register Call Summary for Register CTRL_CORE_STD_FUSE_OPP_VDD_MPU_2

Control Module Register Manual

- [CTRL_MODULE_CORE Register Summary: \[0\]](#)

Table 18-64. CTRL_CORE_STD_FUSE_OPP_VDD_MPU_3

Address Offset	0x0000 01B8	Instance	CTRL_MODULE_CORE
Physical Address	0x4A00 21B8		
Description	Standard Fuse OPP VDD_MPU [127:96]. Register shows part of the chip eFuse configuration on the OCP interface. Reading at the address of one of these registers provides a direct view into a part of the eFuse chain.		
Type	R		

31	30	29	28	27	26	25	24	23	22	21	20	19	18	17	16	15	14	13	12	11	10	9	8	7	6	5	4	3	2	1	0
STD_FUSE_OPP_VDD_MPU_3																															

Bits	Field Name	Description	Type	Reset
31:0	STD_FUSE_OPP_VDD_MPU_3		R	0x0

Table 18-65. Register Call Summary for Register CTRL_CORE_STD_FUSE_OPP_VDD_MPU_3

Control Module Register Manual

- [CTRL_MODULE_CORE Register Summary: \[0\]](#)

Table 18-66. CTRL_CORE_STD_FUSE_OPP_VDD_MPU_4

Address Offset	0x0000 01BC	Instance	CTRL_MODULE_CORE
Physical Address	0x4A00 21BC		
Description	Standard Fuse OPP VDD_MPU [159:128]. Register shows part of the chip eFuse configuration on the OCP interface. Reading at the address of one of these registers provides a direct view into a part of the eFuse chain.		
Type	R		

31	30	29	28	27	26	25	24	23	22	21	20	19	18	17	16	15	14	13	12	11	10	9	8	7	6	5	4	3	2	1	0
STD_FUSE_OPP_VDD_MPU_4																															

Bits	Field Name	Description	Type	Reset
31:0	STD_FUSE_OPP_VDD_MPU_4		R	0x0

Table 18-67. Register Call Summary for Register CTRL_CORE_STD_FUSE_OPP_VDD_MPU_4

Control Module Register Manual

- [CTRL_MODULE_CORE Register Summary: \[0\]](#)

Table 18-68. CTRL_CORE_STD_FUSE_OPP_VDD_MPU_5

Address Offset	0x0000 01C0
Physical Address	0x4A00 21C0 Instance CTRL_MODULE_CORE
Description	Standard Fuse OPP VDD_MPU [191:160]. Register shows part of the chip eFuse configuration on the OCP interface. Reading at the address of one of these registers provides a direct view into a part of the eFuse chain.
Type	R

31	30	29	28	27	26	25	24	23	22	21	20	19	18	17	16	15	14	13	12	11	10	9	8	7	6	5	4	3	2	1	0
STD_FUSE_OPP_VDD_MPU_5																															

Bits	Field Name	Description	Type	Reset
31:0	STD_FUSE_OPP_VDD_MPU_5		R	0x0

Table 18-69. Register Call Summary for Register CTRL_CORE_STD_FUSE_OPP_VDD_MPU_5

Control Module Register Manual

- [CTRL_MODULE_CORE Register Summary: \[0\]](#)

Table 18-70. CTRL_CORE_STD_FUSE_OPP_VDD_MPU_6

Address Offset	0x0000 01C4
Physical Address	0x4A00 21C4 Instance CTRL_MODULE_CORE
Description	Standard Fuse OPP VDD_MPU [223:192]. Register shows part of the chip eFuse configuration on the OCP interface. Reading at the address of one of these registers provides a direct view into a part of the eFuse chain.
Type	R

31	30	29	28	27	26	25	24	23	22	21	20	19	18	17	16	15	14	13	12	11	10	9	8	7	6	5	4	3	2	1	0
STD_FUSE_OPP_VDD_MPU_6																															

Bits	Field Name	Description	Type	Reset
31:0	STD_FUSE_OPP_VDD_MPU_6		R	0x0

Table 18-71. Register Call Summary for Register CTRL_CORE_STD_FUSE_OPP_VDD_MPU_6

Control Module Register Manual

- [CTRL_MODULE_CORE Register Summary: \[0\]](#)

Table 18-72. CTRL_CORE_STD_FUSE_OPP_VDD_MPU_7

Address Offset	0x0000 01C8
Physical Address	0x4A00 21C8 Instance CTRL_MODULE_CORE
Description	Standard Fuse OPP VDD_MPU [255:224]. Register shows part of the chip eFuse configuration on the OCP interface. Reading at the address of one of these registers provides a direct view into a part of the eFuse chain.
Type	R

31	30	29	28	27	26	25	24	23	22	21	20	19	18	17	16	15	14	13	12	11	10	9	8	7	6	5	4	3	2	1	0
STD_FUSE_OPP_VDD_MPU_7																															

Bits	Field Name	Description	Type	Reset
31:0	STD_FUSE_OPP_VDD_MPU_7		R	0x0

Table 18-73. Register Call Summary for Register CTRL_CORE_STD_FUSE_OPP_VDD_MPU_7

Control Module Register Manual

- [CTRL_MODULE_CORE Register Summary: \[0\]](#)

Table 18-74. CTRL_CORE_STD_FUSE_OPP_VDD_CORE_0

Address Offset	0x0000 01CC																																																														
Physical Address	0x4A00 21CC																Instance	CTRL_MODULE_CORE																																													
Description	Standard Fuse OPP VDD_CORE [31:0]. Register shows part of the chip eFuse configuration on the OCP interface. Reading at the address of one of these registers provides a direct view into a part of the eFuse chain.																																																														
Type	R																																																														
STD_FUSE_OPP_VDD_CORE_0																																																															
<table border="1" style="width: 100%; border-collapse: collapse;"> <tr> <td style="width: 2.5%;">31</td><td style="width: 2.5%;">30</td><td style="width: 2.5%;">29</td><td style="width: 2.5%;">28</td><td style="width: 2.5%;">27</td><td style="width: 2.5%;">26</td><td style="width: 2.5%;">25</td><td style="width: 2.5%;">24</td><td style="width: 2.5%;">23</td><td style="width: 2.5%;">22</td><td style="width: 2.5%;">21</td><td style="width: 2.5%;">20</td><td style="width: 2.5%;">19</td><td style="width: 2.5%;">18</td><td style="width: 2.5%;">17</td><td style="width: 2.5%;">16</td><td style="width: 2.5%;">15</td><td style="width: 2.5%;">14</td><td style="width: 2.5%;">13</td><td style="width: 2.5%;">12</td><td style="width: 2.5%;">11</td><td style="width: 2.5%;">10</td><td style="width: 2.5%;">9</td><td style="width: 2.5%;">8</td><td style="width: 2.5%;">7</td><td style="width: 2.5%;">6</td><td style="width: 2.5%;">5</td><td style="width: 2.5%;">4</td><td style="width: 2.5%;">3</td><td style="width: 2.5%;">2</td><td style="width: 2.5%;">1</td><td style="width: 2.5%;">0</td> </tr> </table>																																31	30	29	28	27	26	25	24	23	22	21	20	19	18	17	16	15	14	13	12	11	10	9	8	7	6	5	4	3	2	1	0
31	30	29	28	27	26	25	24	23	22	21	20	19	18	17	16	15	14	13	12	11	10	9	8	7	6	5	4	3	2	1	0																																

Bits	Field Name	Description	Type	Reset
31:0	STD_FUSE_OPP_VDD_CORE_0		R	0x0

Table 18-75. Register Call Summary for Register CTRL_CORE_STD_FUSE_OPP_VDD_CORE_0

Control Module Register Manual

- [CTRL_MODULE_CORE Register Summary: \[0\]](#)

Table 18-76. CTRL_CORE_STD_FUSE_OPP_VDD_CORE_1

Address Offset	0x0000 01D0																																																														
Physical Address	0x4A00 21D0																Instance	CTRL_MODULE_CORE																																													
Description	Standard Fuse OPP VDD_CORE [63:32]. Register shows part of the chip eFuse configuration on the OCP interface. Reading at the address of one of these registers provides a direct view into a part of the eFuse chain.																																																														
Type	R																																																														
STD_FUSE_OPP_VDD_CORE_1																																																															
<table border="1" style="width: 100%; border-collapse: collapse;"> <tr> <td style="width: 2.5%;">31</td><td style="width: 2.5%;">30</td><td style="width: 2.5%;">29</td><td style="width: 2.5%;">28</td><td style="width: 2.5%;">27</td><td style="width: 2.5%;">26</td><td style="width: 2.5%;">25</td><td style="width: 2.5%;">24</td><td style="width: 2.5%;">23</td><td style="width: 2.5%;">22</td><td style="width: 2.5%;">21</td><td style="width: 2.5%;">20</td><td style="width: 2.5%;">19</td><td style="width: 2.5%;">18</td><td style="width: 2.5%;">17</td><td style="width: 2.5%;">16</td><td style="width: 2.5%;">15</td><td style="width: 2.5%;">14</td><td style="width: 2.5%;">13</td><td style="width: 2.5%;">12</td><td style="width: 2.5%;">11</td><td style="width: 2.5%;">10</td><td style="width: 2.5%;">9</td><td style="width: 2.5%;">8</td><td style="width: 2.5%;">7</td><td style="width: 2.5%;">6</td><td style="width: 2.5%;">5</td><td style="width: 2.5%;">4</td><td style="width: 2.5%;">3</td><td style="width: 2.5%;">2</td><td style="width: 2.5%;">1</td><td style="width: 2.5%;">0</td> </tr> </table>																																31	30	29	28	27	26	25	24	23	22	21	20	19	18	17	16	15	14	13	12	11	10	9	8	7	6	5	4	3	2	1	0
31	30	29	28	27	26	25	24	23	22	21	20	19	18	17	16	15	14	13	12	11	10	9	8	7	6	5	4	3	2	1	0																																

Bits	Field Name	Description	Type	Reset
31:0	STD_FUSE_OPP_VDD_CORE_1		R	0x0

Table 18-77. Register Call Summary for Register CTRL_CORE_STD_FUSE_OPP_VDD_CORE_1

Control Module Register Manual

- [CTRL_MODULE_CORE Register Summary: \[0\]](#)

Table 18-78. CTRL_CORE_STD_FUSE_OPP_VDD_CORE_2

Address Offset	0x0000 01D4
Physical Address	0x4A00 21D4 Instance CTRL_MODULE_CORE
Description	Standard Fuse OPP VDD_CORE [95:64]. Register shows part of the chip eFuse configuration on the OCP interface. Reading at the address of one of these registers provides a direct view into a part of the eFuse chain.
Type	R

31	30	29	28	27	26	25	24	23	22	21	20	19	18	17	16	15	14	13	12	11	10	9	8	7	6	5	4	3	2	1	0
STD_FUSE_OPP_VDD_CORE_2																															

Bits	Field Name	Description	Type	Reset
31:0	STD_FUSE_OPP_VDD_CORE_2		R	0x0

Table 18-79. Register Call Summary for Register CTRL_CORE_STD_FUSE_OPP_VDD_CORE_2

Control Module Register Manual

- [CTRL_MODULE_CORE Register Summary: \[0\]](#)

Table 18-80. CTRL_CORE_STD_FUSE_OPP_VDD_CORE_3

Address Offset	0x0000 01D8
Physical Address	0x4A00 21D8 Instance CTRL_MODULE_CORE
Description	Standard Fuse OPP VDD_CORE [127:96]. Register shows part of the chip eFuse configuration on the OCP interface. Reading at the address of one of these registers provides a direct view into a part of the eFuse chain.
Type	R

31	30	29	28	27	26	25	24	23	22	21	20	19	18	17	16	15	14	13	12	11	10	9	8	7	6	5	4	3	2	1	0
STD_FUSE_OPP_VDD_CORE_3																															

Bits	Field Name	Description	Type	Reset
31:0	STD_FUSE_OPP_VDD_CORE_3		R	0x0

Table 18-81. Register Call Summary for Register CTRL_CORE_STD_FUSE_OPP_VDD_CORE_3

Control Module Register Manual

- [CTRL_MODULE_CORE Register Summary: \[0\]](#)

Table 18-82. CTRL_CORE_STD_FUSE_OPP_VDD_CORE_4

Address Offset	0x0000 01DC
Physical Address	0x4A00 21DC Instance CTRL_MODULE_CORE
Description	Standard Fuse OPP VDD_CORE [159:128]. Register shows part of the chip eFuse configuration on the OCP interface. Reading at the address of one of these registers provides a direct view into a part of the eFuse chain.
Type	R

31	30	29	28	27	26	25	24	23	22	21	20	19	18	17	16	15	14	13	12	11	10	9	8	7	6	5	4	3	2	1	0
STD_FUSE_OPP_VDD_CORE_4																															

Bits	Field Name	Description	Type	Reset
31:0	STD_FUSE_OPP_VDD_CORE_4		R	0x0

Table 18-83. Register Call Summary for Register CTRL_CORE_STD_FUSE_OPP_VDD_CORE_4

Control Module Register Manual

- [CTRL_MODULE_CORE Register Summary: \[0\]](#)

Table 18-84. CTRL_CORE_STD_FUSE_OPP_BGAP_GPU

Address Offset	0x0000 01E0	Instance	CTRL_MODULE_CORE
Physical Address	0x4A00 21E0		
Description	Trim values for GPU associated temperature sensor and bandgap. Contains TI Internal information, not intended for application use.		
Type	R		

31	30	29	28	27	26	25	24	23	22	21	20	19	18	17	16	15	14	13	12	11	10	9	8	7	6	5	4	3	2	1	0
STD_FUSE_OPP_BGAP_GPU_0								STD_FUSE_OPP_BGAP_GPU_1								STD_FUSE_OPP_BGAP_GPU_2								STD_FUSE_OPP_BGAP_GPU_3							

Bits	Field Name	Description	Type	Reset
31:24	STD_FUSE_OPP_BGAP_GPU_0	Trim values for GPU associated temperature sensor and bandgap. Contains TI Internal information, not intended for application use.	R	0x-
23:16	STD_FUSE_OPP_BGAP_GPU_1	Trim values for GPU associated temperature sensor and bandgap. Contains TI Internal information, not intended for application use.	R	0x-
15:8	STD_FUSE_OPP_BGAP_GPU_2	Trim values for GPU associated temperature sensor and bandgap. Contains TI Internal information, not intended for application use.	R	0x-
7:0	STD_FUSE_OPP_BGAP_GPU_3	Trim values for GPU associated temperature sensor and bandgap. Contains TI Internal information, not intended for application use.	R	0x-

Table 18-85. Register Call Summary for Register CTRL_CORE_STD_FUSE_OPP_BGAP_GPU

Control Module Register Manual

- [CTRL_MODULE_CORE Register Summary: \[0\]](#)

Table 18-86. CTRL_CORE_STD_FUSE_OPP_BGAP_MPU

Address Offset	0x0000 01E4	Instance	CTRL_MODULE_CORE
Physical Address	0x4A00 21E4		
Description	Trim values for MPU associated temperature sensor and bandgap. Contains TI Internal information, not intended for application use.		
Type	R		

31	30	29	28	27	26	25	24	23	22	21	20	19	18	17	16	15	14	13	12	11	10	9	8	7	6	5	4	3	2	1	0
STD_FUSE_OPP_BGAP_MPU_0								STD_FUSE_OPP_BGAP_MPU_1								STD_FUSE_OPP_BGAP_MPU_2								STD_FUSE_OPP_BGAP_MPU_3							

Bits	Field Name	Description	Type	Reset
31:24	STD_FUSE_OPP_BGAP_MPU_0	Trim values for MPU associated temperature sensor and bandgap. Contains TI Internal information, not intended for application use.	R	0x-
23:16	STD_FUSE_OPP_BGAP_MPU_1	Trim values for MPU associated temperature sensor and bandgap. Contains TI Internal information, not intended for application use.	R	0x-
15:8	STD_FUSE_OPP_BGAP_MPU_2	Trim values for MPU associated temperature sensor and bandgap. Contains TI Internal information, not intended for application use.	R	0x-
7:0	STD_FUSE_OPP_BGAP_MPU_3	Trim values for MPU associated temperature sensor and bandgap. Contains TI Internal information, not intended for application use.	R	0x-

Table 18-87. Register Call Summary for Register CTRL_CORE_STD_FUSE_OPP_BGAP_MPU

Control Module Register Manual

- [CTRL_MODULE_CORE Register Summary: \[0\]](#)

Table 18-88. CTRL_CORE_STD_FUSE_OPP_BGAP_CORE

Address Offset	0x0000 01E8	Instance	CTRL_MODULE_CORE
Physical Address	0x4A00 21E8		
Description	Trim values for CORE associated temperature sensor and bandgap. Contains TI Internal information, not intended for application use.		
Type	R		

31	30	29	28	27	26	25	24	23	22	21	20	19	18	17	16	15	14	13	12	11	10	9	8	7	6	5	4	3	2	1	0
STD_FUSE_OPP_BGAP_CORE_0								STD_FUSE_OPP_BGAP_CORE_1								STD_FUSE_OPP_BGAP_CORE_2								STD_FUSE_OPP_BGAP_CORE_3							

Bits	Field Name	Description	Type	Reset
31:24	STD_FUSE_OPP_BGAP_CORE_0	Trim values for CORE associated temperature sensor and bandgap. Contains TI Internal information, not intended for application use.	R	0x-
23:16	STD_FUSE_OPP_BGAP_CORE_1	Trim values for CORE associated temperature sensor and bandgap. Contains TI Internal information, not intended for application use.	R	0x-
15:8	STD_FUSE_OPP_BGAP_CORE_2	Trim values for CORE associated temperature sensor and bandgap. Contains TI Internal information, not intended for application use.	R	0x-
7:0	STD_FUSE_OPP_BGAP_CORE_3	Trim values for CORE associated temperature sensor and bandgap. Contains TI Internal information, not intended for application use.	R	0x-

Table 18-89. Register Call Summary for Register CTRL_CORE_STD_FUSE_OPP_BGAP_CORE

Control Module Register Manual

- [CTRL_MODULE_CORE Register Summary: \[0\]](#)

Table 18-90. CTRL_CORE_STD_FUSE_OPP_BGAP_MPU23

Address Offset	0x0000 01EC	Instance	CTRL_MODULE_CORE
Physical Address	0x4A00 21EC		
Description	Standard Fuse OPP BGAP. Register shows part of the chip eFuse configuration on the OCP interface. Reading at the address of one of these registers provides a direct view into a part of the eFuse chain.		
Type	R		

31	30	29	28	27	26	25	24	23	22	21	20	19	18	17	16	15	14	13	12	11	10	9	8	7	6	5	4	3	2	1	0
STD_FUSE_OPP_BGAP_MPU3																STD_FUSE_OPP_BGAP_MPU2															

Bits	Field Name	Description	Type	Reset
31:16	STD_FUSE_OPP_BGAP_MPU3		R	0x0
15:0	STD_FUSE_OPP_BGAP_MPU2		R	0x0

Table 18-91. Register Call Summary for Register CTRL_CORE_STD_FUSE_OPP_BGAP_MPU23

Control Module Register Manual

- [CTRL_MODULE_CORE Register Summary: \[0\]](#)

Table 18-92. CTRL_CORE_STD_FUSE_MPK_0

Address Offset	0x0000 0220	Instance	CTRL_MODULE_CORE
Physical Address	0x4A00 2220		
Description	Standard Fuse keys. Root_public_key_hash [31:0]. Register shows part of the chip eFuse configuration on the OCP interface. Reading at the address of one of these registers provides a direct view into a part of the eFuse chain.		
Type	R		

31	30	29	28	27	26	25	24	23	22	21	20	19	18	17	16	15	14	13	12	11	10	9	8	7	6	5	4	3	2	1	0
STD_FUSE_MPK_0																															

Bits	Field Name	Description	Type	Reset
31:0	STD_FUSE_MPK_0		R	0x0

Table 18-93. Register Call Summary for Register CTRL_CORE_STD_FUSE_MPK_0

Control Module Register Manual

- [CTRL_MODULE_CORE Register Summary: \[0\]](#)

Table 18-94. CTRL_CORE_STD_FUSE_MPK_1

Address Offset	0x0000 0224
Physical Address	0x4A00 2224
Instance	CTRL_MODULE_CORE
Description	Standard Fuse keys. Root_public_key_hash [63:32]. Register shows part of the chip eFuse configuration on the OCP interface. Reading at the address of one of these registers provides a direct view into a part of the eFuse chain.
Type	R

31	30	29	28	27	26	25	24	23	22	21	20	19	18	17	16	15	14	13	12	11	10	9	8	7	6	5	4	3	2	1	0
STD_FUSE_MPK_1																															

Bits	Field Name	Description	Type	Reset
31:0	STD_FUSE_MPK_1		R	0x0

Table 18-95. Register Call Summary for Register CTRL_CORE_STD_FUSE_MPK_1

Control Module Register Manual

- [CTRL_MODULE_CORE Register Summary: \[0\]](#)

Table 18-96. CTRL_CORE_STD_FUSE_MPK_2

Address Offset	0x0000 0228
Physical Address	0x4A00 2228
Instance	CTRL_MODULE_CORE
Description	Standard Fuse keys. Root_public_key_hash [95:64]. Register shows part of the chip eFuse configuration on the OCP interface. Reading at the address of one of these registers provides a direct view into a part of the eFuse chain.
Type	R

31	30	29	28	27	26	25	24	23	22	21	20	19	18	17	16	15	14	13	12	11	10	9	8	7	6	5	4	3	2	1	0
STD_FUSE_MPK_2																															

Bits	Field Name	Description	Type	Reset
31:0	STD_FUSE_MPK_2		R	0x0

Table 18-97. Register Call Summary for Register CTRL_CORE_STD_FUSE_MPK_2

Control Module Register Manual

- [CTRL_MODULE_CORE Register Summary: \[0\]](#)

Table 18-98. CTRL_CORE_STD_FUSE_MPK_3

Address Offset	0x0000 022C
Physical Address	0x4A00 222C
Instance	CTRL_MODULE_CORE
Description	Standard Fuse keys. Root_public_key_hash [127:96]. Register shows part of the chip eFuse configuration on the OCP interface. Reading at the address of one of these registers provides a direct view into a part of the eFuse chain.
Type	R

31	30	29	28	27	26	25	24	23	22	21	20	19	18	17	16	15	14	13	12	11	10	9	8	7	6	5	4	3	2	1	0
STD_FUSE_MPK_3																															

Bits	Field Name	Description	Type	Reset
31:0	STD_FUSE_MPK_3		R	0x0

Table 18-99. Register Call Summary for Register CTRL_CORE_STD_FUSE_MPK_3

Control Module Register Manual

- [CTRL_MODULE_CORE Register Summary: \[0\]](#)

Table 18-100. CTRL_CORE_STD_FUSE_MPK_4

Address Offset	0x0000 0230
Physical Address	0x4A00 2230
Description	Standard Fuse keys. Root_public_key_hash [159:128]. Register shows part of the chip eFuse configuration on the OCP interface. Reading at the address of one of these registers provides a direct view into a part of the eFuse chain.
Type	R

31	30	29	28	27	26	25	24	23	22	21	20	19	18	17	16	15	14	13	12	11	10	9	8	7	6	5	4	3	2	1	0
STD_FUSE_MPK_4																															

Bits	Field Name	Description	Type	Reset
31:0	STD_FUSE_MPK_4		R	0x0

Table 18-101. Register Call Summary for Register CTRL_CORE_STD_FUSE_MPK_4

Control Module Register Manual

- [CTRL_MODULE_CORE Register Summary: \[0\]](#)

Table 18-102. CTRL_CORE_STD_FUSE_MPK_5

Address Offset	0x0000 0234
Physical Address	0x4A00 2234
Description	Standard Fuse keys. Root_public_key_hash [191:160]. Register shows part of the chip eFuse configuration on the OCP interface. Reading at the address of one of these registers provides a direct view into a part of the eFuse chain.
Type	R

31	30	29	28	27	26	25	24	23	22	21	20	19	18	17	16	15	14	13	12	11	10	9	8	7	6	5	4	3	2	1	0
STD_FUSE_MPK_5																															

Bits	Field Name	Description	Type	Reset
31:0	STD_FUSE_MPK_5		R	0x0

Table 18-103. Register Call Summary for Register CTRL_CORE_STD_FUSE_MPK_5

Control Module Register Manual

- [CTRL_MODULE_CORE Register Summary: \[0\]](#)

Table 18-104. CTRL_CORE_STD_FUSE_MPK_6

Address Offset	0x0000 0238
Physical Address	0x4A00 2238 Instance CTRL_MODULE_CORE
Description	Standard Fuse keys. Root_public_key_hash [223:192]. Register shows part of the chip eFuse configuration on the OCP interface. Reading at the address of one of these registers provides a direct view into a part of the eFuse chain.
Type	R

31	30	29	28	27	26	25	24	23	22	21	20	19	18	17	16	15	14	13	12	11	10	9	8	7	6	5	4	3	2	1	0
STD_FUSE_MPK_6																															

Bits	Field Name	Description	Type	Reset
31:0	STD_FUSE_MPK_6		R	0x0

Table 18-105. Register Call Summary for Register CTRL_CORE_STD_FUSE_MPK_6

Control Module Register Manual

- [CTRL_MODULE_CORE Register Summary: \[0\]](#)

Table 18-106. CTRL_CORE_STD_FUSE_MPK_7

Address Offset	0x0000 023C
Physical Address	0x4A00 223C Instance CTRL_MODULE_CORE
Description	Standard Fuse keys. Root_public_key_hash [255:224]. Register shows part of the chip eFuse configuration on the OCP interface. Reading at the address of one of these registers provides a direct view into a part of the eFuse chain.
Type	R

31	30	29	28	27	26	25	24	23	22	21	20	19	18	17	16	15	14	13	12	11	10	9	8	7	6	5	4	3	2	1	0
STD_FUSE_MPK_7																															

Bits	Field Name	Description	Type	Reset
31:0	STD_FUSE_MPK_7		R	0x0

Table 18-107. Register Call Summary for Register CTRL_CORE_STD_FUSE_MPK_7

Control Module Register Manual

- [CTRL_MODULE_CORE Register Summary: \[0\]](#)

Table 18-108. CTRL_CORE_STD_FUSE_OPP_VDD_GPU_LVT_0

Address Offset	0x0000 0240
Physical Address	0x4A00 2240 Instance CTRL_MODULE_CORE
Description	Standard Fuse OPP VDD_GPU [31:0]. Register shows part of the chip eFuse configuration on the OCP interface. Reading at the address of one of these registers provides a direct view into a part of the eFuse chain.
Type	R

31	30	29	28	27	26	25	24	23	22	21	20	19	18	17	16	15	14	13	12	11	10	9	8	7	6	5	4	3	2	1	0
STD_FUSE_OPP_VDD_GPU_LVT_0																															

Bits	Field Name	Description	Type	Reset
31:0	STD_FUSE_OPP_VDD_GPU_LVT_0		R	0x0

Table 18-109. Register Call Summary for Register CTRL_CORE_STD_FUSE_OPP_VDD_GPU_LVT_0

Control Module Register Manual

- [CTRL_MODULE_CORE Register Summary: \[0\]](#)

Table 18-110. CTRL_CORE_STD_FUSE_OPP_VDD_GPU_LVT_1

Address Offset	0x0000 0244
Physical Address	0x4A00 2244
Instance	CTRL_MODULE_CORE
Description	Standard Fuse OPP VDD_GPU [63:32]. Register shows part of the chip eFuse configuration on the OCP interface. Reading at the address of one of these registers provides a direct view into a part of the eFuse chain.
Type	R

31	30	29	28	27	26	25	24	23	22	21	20	19	18	17	16	15	14	13	12	11	10	9	8	7	6	5	4	3	2	1	0
STD_FUSE_OPP_VDD_GPU_LVT_1																															

Bits	Field Name	Description	Type	Reset
31:0	STD_FUSE_OPP_VDD_GPU_LVT_1		R	0x0

Table 18-111. Register Call Summary for Register CTRL_CORE_STD_FUSE_OPP_VDD_GPU_LVT_1

Control Module Register Manual

- [CTRL_MODULE_CORE Register Summary: \[0\]](#)

Table 18-112. CTRL_CORE_STD_FUSE_OPP_VDD_GPU_LVT_2

Address Offset	0x0000 0248
Physical Address	0x4A00 2248
Instance	CTRL_MODULE_CORE
Description	Standard Fuse OPP VDD_GPU [95:64]. Register shows part of the chip eFuse configuration on the OCP interface. Reading at the address of one of these registers provides a direct view into a part of the eFuse chain.
Type	R

31	30	29	28	27	26	25	24	23	22	21	20	19	18	17	16	15	14	13	12	11	10	9	8	7	6	5	4	3	2	1	0
STD_FUSE_OPP_VDD_GPU_LVT_2																															

Bits	Field Name	Description	Type	Reset
31:0	STD_FUSE_OPP_VDD_GPU_LVT_2		R	0x0

Table 18-113. Register Call Summary for Register CTRL_CORE_STD_FUSE_OPP_VDD_GPU_LVT_2

Control Module Register Manual

- [CTRL_MODULE_CORE Register Summary: \[0\]](#)

Table 18-114. CTRL_CORE_STD_FUSE_OPP_VDD_GPU_LVT_3

Address Offset	0x0000 024C
Physical Address	0x4A00 224C
Instance	CTRL_MODULE_CORE
Description	Standard Fuse OPP VDD_GPU [127:96]. Register shows part of the chip eFuse configuration on the OCP interface. Reading at the address of one of these registers provides a direct view into a part of the eFuse chain.
Type	R

31	30	29	28	27	26	25	24	23	22	21	20	19	18	17	16	15	14	13	12	11	10	9	8	7	6	5	4	3	2	1	0
STD_FUSE_OPP_VDD_GPU_LVT_3																															

Bits	Field Name	Description	Type	Reset
31:0	STD_FUSE_OPP_VDD_GPU_LVT_3		R	0x0

Table 18-115. Register Call Summary for Register CTRL_CORE_STD_FUSE_OPP_VDD_GPU_LVT_3

Control Module Register Manual

- [CTRL_MODULE_CORE Register Summary: \[0\]](#)

Table 18-116. CTRL_CORE_STD_FUSE_OPP_VDD_GPU_LVT_4

Address Offset	0x0000 0250
Physical Address	0x4A00 2250
Instance	CTRL_MODULE_CORE
Description	Standard Fuse OPP VDD_GPU [159:128]. Register shows part of the chip eFuse configuration on the OCP interface. Reading at the address of one of these registers provides a direct view into a part of the eFuse chain.
Type	R

31	30	29	28	27	26	25	24	23	22	21	20	19	18	17	16	15	14	13	12	11	10	9	8	7	6	5	4	3	2	1	0
STD_FUSE_OPP_VDD_GPU_LVT_4																															

Bits	Field Name	Description	Type	Reset
31:0	STD_FUSE_OPP_VDD_GPU_LVT_4		R	0x0

Table 18-117. Register Call Summary for Register CTRL_CORE_STD_FUSE_OPP_VDD_GPU_LVT_4

Control Module Register Manual

- [CTRL_MODULE_CORE Register Summary: \[0\]](#)

Table 18-118. CTRL_CORE_STD_FUSE_OPP_VDD_GPU_LVT_5

Address Offset	0x0000 0254
Physical Address	0x4A00 2254
Instance	CTRL_MODULE_CORE
Description	Standard Fuse OPP VDD_GPU [191:160]. Register shows part of the chip eFuse configuration on the OCP interface. Reading at the address of one of these registers provides a direct view into a part of the eFuse chain.
Type	R

31	30	29	28	27	26	25	24	23	22	21	20	19	18	17	16	15	14	13	12	11	10	9	8	7	6	5	4	3	2	1	0
STD_FUSE_OPP_VDD_GPU_LVT_5																															

Bits	Field Name	Description	Type	Reset
31:0	STD_FUSE_OPP_VDD_GPU_LVT_5		R	0x0

Table 18-119. Register Call Summary for Register CTRL_CORE_STD_FUSE_OPP_VDD_GPU_LVT_5

Control Module Register Manual

- [CTRL_MODULE_CORE Register Summary: \[0\]](#)

Table 18-120. CTRL_CORE_STD_FUSE_OPP_VDD_MPU_LVT_0

Address Offset	0x0000 0258
Physical Address	0x4A00 2258
Instance	CTRL_MODULE_CORE
Description	Standard Fuse OPP VDD_MPU [31:0]. Register shows part of the chip eFuse configuration on the OCP interface. Reading at the address of one of these registers provides a direct view into a part of the eFuse chain.
Type	R

31	30	29	28	27	26	25	24	23	22	21	20	19	18	17	16	15	14	13	12	11	10	9	8	7	6	5	4	3	2	1	0
STD_FUSE_OPP_VDD_MPU_LVT_0																															

Bits	Field Name	Description	Type	Reset
31:0	STD_FUSE_OPP_VDD_MPU_LVT_0		R	0x0

Table 18-121. Register Call Summary for Register CTRL_CORE_STD_FUSE_OPP_VDD_MPU_LVT_0

Control Module Register Manual

- [CTRL_MODULE_CORE Register Summary: \[0\]](#)

Table 18-122. CTRL_CORE_STD_FUSE_OPP_VDD_MPU_LVT_1

Address Offset	0x0000 025C
Physical Address	0x4A00 225C
Instance	CTRL_MODULE_CORE
Description	Standard Fuse OPP VDD_MPU [63:32]. Register shows part of the chip eFuse configuration on the OCP interface. Reading at the address of one of these registers provides a direct view into a part of the eFuse chain.
Type	R

31	30	29	28	27	26	25	24	23	22	21	20	19	18	17	16	15	14	13	12	11	10	9	8	7	6	5	4	3	2	1	0
STD_FUSE_OPP_VDD_MPU_LVT_1																															

Bits	Field Name	Description	Type	Reset
31:0	STD_FUSE_OPP_VDD_MPU_LVT_1		R	0x0

Table 18-123. Register Call Summary for Register CTRL_CORE_STD_FUSE_OPP_VDD_MPU_LVT_1

Control Module Register Manual

- [CTRL_MODULE_CORE Register Summary: \[0\]](#)

Table 18-124. CTRL_CORE_STD_FUSE_OPP_VDD_MPU_LVT_2

Address Offset	0x0000 0260
Physical Address	0x4A00 2260 Instance CTRL_MODULE_CORE
Description	Standard Fuse OPP VDD_MPU [95:64]. Register shows part of the chip eFuse configuration on the OCP interface. Reading at the address of one of these registers provides a direct view into a part of the eFuse chain.
Type	R

31	30	29	28	27	26	25	24	23	22	21	20	19	18	17	16	15	14	13	12	11	10	9	8	7	6	5	4	3	2	1	0
STD_FUSE_OPP_VDD_MPU_LVT_2																															

Bits	Field Name	Description	Type	Reset
31:0	STD_FUSE_OPP_VDD_MPU_LVT_2		R	0x0

Table 18-125. Register Call Summary for Register CTRL_CORE_STD_FUSE_OPP_VDD_MPU_LVT_2

Control Module Register Manual

- [CTRL_MODULE_CORE Register Summary: \[0\]](#)

Table 18-126. CTRL_CORE_STD_FUSE_OPP_VDD_MPU_LVT_3

Address Offset	0x0000 0264
Physical Address	0x4A00 2264 Instance CTRL_MODULE_CORE
Description	Standard Fuse OPP VDD_MPU [127:96]. Register shows part of the chip eFuse configuration on the OCP interface. Reading at the address of one of these registers provides a direct view into a part of the eFuse chain.
Type	R

31	30	29	28	27	26	25	24	23	22	21	20	19	18	17	16	15	14	13	12	11	10	9	8	7	6	5	4	3	2	1	0
STD_FUSE_OPP_VDD_MPU_LVT_3																															

Bits	Field Name	Description	Type	Reset
31:0	STD_FUSE_OPP_VDD_MPU_LVT_3		R	0x0

Table 18-127. Register Call Summary for Register CTRL_CORE_STD_FUSE_OPP_VDD_MPU_LVT_3

Control Module Register Manual

- [CTRL_MODULE_CORE Register Summary: \[0\]](#)

Table 18-128. CTRL_CORE_STD_FUSE_OPP_VDD_MPU_LVT_4

Address Offset	0x0000 0268
Physical Address	0x4A00 2268 Instance CTRL_MODULE_CORE
Description	Standard Fuse OPP VDD_MPU [159:128]. Register shows part of the chip eFuse configuration on the OCP interface. Reading at the address of one of these registers provides a direct view into a part of the eFuse chain.
Type	R

31	30	29	28	27	26	25	24	23	22	21	20	19	18	17	16	15	14	13	12	11	10	9	8	7	6	5	4	3	2	1	0
STD_FUSE_OPP_VDD_MPU_LVT_4																															

Bits	Field Name	Description	Type	Reset
31:0	STD_FUSE_OPP_VDD_MPU_LVT_4		R	0x0

Table 18-129. Register Call Summary for Register CTRL_CORE_STD_FUSE_OPP_VDD_MPU_LVT_4

Control Module Register Manual

- [CTRL_MODULE_CORE Register Summary: \[0\]](#)

Table 18-130. CTRL_CORE_STD_FUSE_OPP_VDD_MPU_LVT_5

Address Offset	0x0000 026C	Instance	CTRL_MODULE_CORE
Physical Address	0x4A00 226C		
Description	Standard Fuse OPP VDD_MPU [191:160]. Register shows part of the chip eFuse configuration on the OCP interface. Reading at the address of one of these registers provides a direct view into a part of the eFuse chain.		
Type	R		

31	30	29	28	27	26	25	24	23	22	21	20	19	18	17	16	15	14	13	12	11	10	9	8	7	6	5	4	3	2	1	0
STD_FUSE_OPP_VDD_MPU_LVT_5																															

Bits	Field Name	Description	Type	Reset
31:0	STD_FUSE_OPP_VDD_MPU_LVT_5		R	0x0

Table 18-131. Register Call Summary for Register CTRL_CORE_STD_FUSE_OPP_VDD_MPU_LVT_5

Control Module Register Manual

- [CTRL_MODULE_CORE Register Summary: \[0\]](#)

Table 18-132. CTRL_CORE_STD_FUSE_OPP_VDD_MPU_LVT_6

Address Offset	0x0000 0270	Instance	CTRL_MODULE_CORE
Physical Address	0x4A00 2270		
Description	Standard Fuse OPP VDD_MPU [223:192]. Register shows part of the chip eFuse configuration on the OCP interface. Reading at the address of one of these registers provides a direct view into a part of the eFuse chain.		
Type	R		

31	30	29	28	27	26	25	24	23	22	21	20	19	18	17	16	15	14	13	12	11	10	9	8	7	6	5	4	3	2	1	0
STD_FUSE_OPP_VDD_MPU_LVT_6																															

Bits	Field Name	Description	Type	Reset
31:0	STD_FUSE_OPP_VDD_MPU_LVT_6		R	0x0

Table 18-133. Register Call Summary for Register CTRL_CORE_STD_FUSE_OPP_VDD_MPU_LVT_6

Control Module Register Manual

- [CTRL_MODULE_CORE Register Summary: \[0\]](#)

Table 18-134. CTRL_CORE_STD_FUSE_OPP_VDD_MPU_LVT_7

Address Offset	0x0000 0274
Physical Address	0x4A00 2274 Instance CTRL_MODULE_CORE
Description	Standard Fuse OPP VDD_MPU [255:224]. Register shows part of the chip eFuse configuration on the OCP interface. Reading at the address of one of these registers provides a direct view into a part of the eFuse chain.
Type	R

31	30	29	28	27	26	25	24	23	22	21	20	19	18	17	16	15	14	13	12	11	10	9	8	7	6	5	4	3	2	1	0
STD_FUSE_OPP_VDD_MPU_LVT_7																															

Bits	Field Name	Description	Type	Reset
31:0	STD_FUSE_OPP_VDD_MPU_LVT_7		R	0x0

Table 18-135. Register Call Summary for Register CTRL_CORE_STD_FUSE_OPP_VDD_MPU_LVT_7

Control Module Register Manual

- [CTRL_MODULE_CORE Register Summary: \[0\]](#)

Table 18-136. CTRL_CORE_CUST_FUSE_SWRV_0

Address Offset	0x0000 02BC
Physical Address	0x4A00 22BC Instance CTRL_MODULE_CORE
Description	Customer Fuse keys. Software Version Control [031:000] (16 bits upper Redundant field) [FIELD OVERFLOW]. Register shows part of the chip eFuse configuration on the OCP interface. Reading at the address of one of these registers provides a direct view into a part of the eFuse chain.
Type	R

31	30	29	28	27	26	25	24	23	22	21	20	19	18	17	16	15	14	13	12	11	10	9	8	7	6	5	4	3	2	1	0
CUST_FUSE_SWRV_0																															

Bits	Field Name	Description	Type	Reset
31:0	CUST_FUSE_SWRV_0		R	0x0

Table 18-137. Register Call Summary for Register CTRL_CORE_CUST_FUSE_SWRV_0

Control Module Register Manual

- [CTRL_MODULE_CORE Register Summary: \[0\]](#)

Table 18-138. CTRL_CORE_CUST_FUSE_SWRV_1

Address Offset	0x0000 02C0
Physical Address	0x4A00 22C0 Instance CTRL_MODULE_CORE
Description	Customer Fuse keys. Software Version Control [063:032] (16 bits upper Redundant field) [FIELD F]. Register shows part of the chip eFuse configuration on the OCP interface. Reading at the address of one of these registers provides a direct view into a part of the eFuse chain.
Type	R

31	30	29	28	27	26	25	24	23	22	21	20	19	18	17	16	15	14	13	12	11	10	9	8	7	6	5	4	3	2	1	0
CUST_FUSE_SWRV_1																															

Bits	Field Name	Description	Type	Reset
31:0	CUST_FUSE_SWRV_1		R	0x0

Table 18-139. Register Call Summary for Register CTRL_CORE_CUST_FUSE_SWRV_1

Control Module Register Manual

- [CTRL_MODULE_CORE Register Summary: \[0\]](#)

Table 18-140. CTRL_CORE_CUST_FUSE_SWRV_2

Address Offset	0x0000 02C4	Instance	CTRL_MODULE_CORE
Physical Address	0x4A00 22C4		
Description	Customer Fuse keys. Software Version Control [095:064] (16 bits upper Redundant field) [FIELD E]. Register shows part of the chip eFuse configuration on the OCP interface. Reading at the address of one of these registers provides a direct view into a part of the eFuse chain.		
Type	R		

31	30	29	28	27	26	25	24	23	22	21	20	19	18	17	16	15	14	13	12	11	10	9	8	7	6	5	4	3	2	1	0
CUST_FUSE_SWRV_2																															

Bits	Field Name	Description	Type	Reset
31:0	CUST_FUSE_SWRV_2		R	0x0

Table 18-141. Register Call Summary for Register CTRL_CORE_CUST_FUSE_SWRV_2

Control Module Register Manual

- [CTRL_MODULE_CORE Register Summary: \[0\]](#)

Table 18-142. CTRL_CORE_CUST_FUSE_SWRV_3

Address Offset	0x0000 02C8	Instance	CTRL_MODULE_CORE
Physical Address	0x4A00 22C8		
Description	Customer Fuse keys. Software Version Control [127:096] (16 bits upper Redundant field) [FIELD D]. Register shows part of the chip eFuse configuration on the OCP interface. Reading at the address of one of these registers provides a direct view into a part of the eFuse chain.		
Type	R		

31	30	29	28	27	26	25	24	23	22	21	20	19	18	17	16	15	14	13	12	11	10	9	8	7	6	5	4	3	2	1	0
CUST_FUSE_SWRV_3																															

Bits	Field Name	Description	Type	Reset
31:0	CUST_FUSE_SWRV_3		R	0x0

Table 18-143. Register Call Summary for Register CTRL_CORE_CUST_FUSE_SWRV_3

Control Module Register Manual

- [CTRL_MODULE_CORE Register Summary: \[0\]](#)

Table 18-144. CTRL_CORE_CUST_FUSE_SWRV_4

Address Offset	0x0000 02CC	Instance	CTRL_MODULE_CORE
Physical Address	0x4A00 22CC		
Description	Customer Fuse keys. Software Version Control [159:127] (16 bits upper Redundant field) [FIELD C]. Register shows part of the chip eFuse configuration on the OCP interface. Reading at the address of one of these registers provides a direct view into a part of the eFuse chain.		
Type	R		

31	30	29	28	27	26	25	24	23	22	21	20	19	18	17	16	15	14	13	12	11	10	9	8	7	6	5	4	3	2	1	0
CUST_FUSE_SWRV_4																															

Bits	Field Name	Description	Type	Reset
31:0	CUST_FUSE_SWRV_4		R	0x0

Table 18-145. Register Call Summary for Register CTRL_CORE_CUST_FUSE_SWRV_4

Control Module Register Manual

- [CTRL_MODULE_CORE Register Summary: \[0\]](#)

Table 18-146. CTRL_CORE_CUST_FUSE_SWRV_5

Address Offset	0x0000 02D0	Instance	CTRL_MODULE_CORE
Physical Address	0x4A00 22D0		
Description	Customer Fuse keys. Software Version Control [191:160] (16 bits upper Redundant field) [FIELD B]. Register shows part of the chip eFuse configuration on the OCP interface. Reading at the address of one of these registers provides a direct view into a part of the eFuse chain.		
Type	R		

31	30	29	28	27	26	25	24	23	22	21	20	19	18	17	16	15	14	13	12	11	10	9	8	7	6	5	4	3	2	1	0
CUST_FUSE_SWRV_5																															

Bits	Field Name	Description	Type	Reset
31:0	CUST_FUSE_SWRV_5		R	0x0

Table 18-147. Register Call Summary for Register CTRL_CORE_CUST_FUSE_SWRV_5

Control Module Register Manual

- [CTRL_MODULE_CORE Register Summary: \[0\]](#)

Table 18-148. CTRL_CORE_CUST_FUSE_SWRV_6

Address Offset	0x0000 02D4	Instance	CTRL_MODULE_CORE
Physical Address	0x4A00 22D4		
Description	Customer Fuse keys. Software Version Control [223:192] (16 bits upper Redundant field) [FIELD A]. Register shows part of the chip eFuse configuration on the OCP interface. Reading at the address of one of these registers provides a direct view into a part of the eFuse chain.		
Type	R		

31	30	29	28	27	26	25	24	23	22	21	20	19	18	17	16	15	14	13	12	11	10	9	8	7	6	5	4	3	2	1	0
CUST_FUSE_SWRV_6																															

Bits	Field Name	Description	Type	Reset
31:0	CUST_FUSE_SWRV_6		R	0x0

Table 18-149. Register Call Summary for Register CTRL_CORE_CUST_FUSE_SWRV_6

Control Module Register Manual

- [CTRL_MODULE_CORE Register Summary: \[0\]](#)

Table 18-150. CTRL_CORE_DEV_CONF

Address Offset	0x0000 0300	Instance	CTRL_MODULE_CORE
Physical Address	0x4A00 2300		
Description	This register is used to power down the USB2_PHY1		
Type	RW		

31	30	29	28	27	26	25	24	23	22	21	20	19	18	17	16	15	14	13	12	11	10	9	8	7	6	5	4	3	2	1	0
RESERVED																												USBPHY_PD			

Bits	Field Name	Description	Type	Reset
31:1	RESERVED	Reserved	R	0x0
0	USBPHY_PD	Power down the entire USB2_PHY1 (data, common module and UTMI). 0x0: Normal operation 0x1: Power down the USB2_PHY1	RW	0x0

Table 18-151. Register Call Summary for Register CTRL_CORE_DEV_CONF

Control Module Register Manual

- [CTRL_MODULE_CORE Register Summary: \[0\]](#)

Table 18-152. CTRL_CORE_TEMP_SENSOR_MPU

Address Offset	0x0000 032C	Instance	CTRL_MODULE_CORE
Physical Address	0x4A00 232C		
Description	Control VBGAPTS temperature sensor and thermal comparator shutdown register		
Type	R		

31	30	29	28	27	26	25	24	23	22	21	20	19	18	17	16	15	14	13	12	11	10	9	8	7	6	5	4	3	2	1	0
RESERVED												BGAP_TMPSOFF_MPU	BGAP_EOCZ_MPU	BGAP_DTEMP_MPU																	

Bits	Field Name	Description	Type	Reset
31:12	RESERVED		R	0x0
11	BGAP_TMPSOFF_MPU	This bit indicates the temperature sensor state. 0x0: temperature sensor is ON 0x1: temperature sensor is OFF NOTE: Software doesn't take care of this bit to get the temperature data. Only the BGAP_EOCZ_MPU bit is needed.	R	0x1

Bits	Field Name	Description	Type	Reset
10	BGAP_EOCZ_MPU	ADC End of Conversion. Active low, when BGAP_DTEMP_MPU is valid.	R	0x0
9:0	BGAP_DTEMP_MPU	Temperature data from the ADC. Valid if EOCZ is low.	R	0x0

Table 18-153. Register Call Summary for Register CTRL_CORE_TEMP_SENSOR_MPU

Control Module Functional Description

- [Summary Of The Thermal Management Related Registers: \[0\]](#)

Control Module Register Manual

- [CTRL_MODULE_CORE Register Summary: \[1\]](#)

Table 18-154. CTRL_CORE_TEMP_SENSOR_GPU

Address Offset	0x0000 0330	Instance	CTRL_MODULE_CORE
Physical Address	0x4A00 2330		
Description	Control VBGAPTS temperature sensor and thermal comparator shutdown register		
Type	R		

31	30	29	28	27	26	25	24	23	22	21	20	19	18	17	16	15	14	13	12	11	10	9	8	7	6	5	4	3	2	1	0
RESERVED																BGAP_TMPSOFF_GPU		BGAP_EOCZ_GPU		BGAP_DTEMP_GPU											

Bits	Field Name	Description	Type	Reset
31:12	RESERVED		R	0x0
11	BGAP_TMPSOFF_GPU	This bit indicates the temperature sensor state. 0x0: temperature sensor is ON 0x1: temperature sensor is OFF NOTE: Software doesn't take care of this bit to get the temperature data. Only the BGAP_EOCZ_GPU bit is needed.	R	0x1
10	BGAP_EOCZ_GPU	ADC End of Conversion. Active low, when BGAP_DTEMP_GPU is valid.	R	0x0
9:0	BGAP_DTEMP_GPU	Temperature data from the ADC. Valid if EOCZ is low.	R	0x0

Table 18-155. Register Call Summary for Register CTRL_CORE_TEMP_SENSOR_GPU

Control Module Functional Description

- [Summary Of The Thermal Management Related Registers: \[0\]](#)

Control Module Register Manual

- [CTRL_MODULE_CORE Register Summary: \[1\]](#)

Table 18-156. CTRL_CORE_TEMP_SENSOR_CORE

Address Offset	0x0000 0334	Instance	CTRL_MODULE_CORE
Physical Address	0x4A00 2334		
Description	Control VBGAPTS temperature sensor and thermal comparator shutdown register		
Type	R		

31	30	29	28	27	26	25	24	23	22	21	20	19	18	17	16	15	14	13	12	11	10	9	8	7	6	5	4	3	2	1	0
RESERVED																BGAP_TMPSOFF_CORE		BGAP_EOCZ_CORE		BGAP_DTEMP_CORE											

Bits	Field Name	Description	Type	Reset
31:12	RESERVED		R	0x0
11	BGAP_TMPSOFF_CORE	This bit indicates the temperature sensor state. 0x0: temperature sensor is ON 0x1: temperature sensor is OFF NOTE: Software doesn't take care of this bit to get the temperature data. Only the BGAP_EOCZ_CORE bit is needed.	R	0x1
10	BGAP_EOCZ_CORE	ADC End of Conversion. Active low, when BGAP_DTEMP_CORE is valid.	R	0x0
9:0	BGAP_DTEMP_CORE	Temperature data from the ADC. Valid if EOCZ is low.	R	0x0

Table 18-157. Register Call Summary for Register CTRL_CORE_TEMP_SENSOR_CORE

Control Module Functional Description

- [Summary Of The Thermal Management Related Registers: \[0\]](#)

Control Module Register Manual

- [CTRL_MODULE_CORE Register Summary: \[1\]](#)

Table 18-158. CTRL_CORE_CORTEX_M4_MMUADDRTRANSLTR

Address Offset	0x0000 0358	Instance	CTRL_MODULE_CORE
Physical Address	0x4A00 2358		
Description	Cortex M4 register		
Type	RW		

31	30	29	28	27	26	25	24	23	22	21	20	19	18	17	16	15	14	13	12	11	10	9	8	7	6	5	4	3	2	1	0
RESERVED												CORTEX_M4_MMUADDRTRANSLTR																			

Bits	Field Name	Description	Type	Reset
31:20	RESERVED		R	0x0
19:0	CORTEX_M4_MMUADDRTRANSLTR	Used to save the IPU AMMU translated/boot address	RW	0x0

Table 18-159. Register Call Summary for Register CTRL_CORE_CORTEX_M4_MMUADDRTRANSLTR

Control Module Register Manual

- [CTRL_MODULE_CORE Register Summary: \[0\]](#)

Table 18-160. CTRL_CORE_CORTEX_M4_MMUADDRLOGICTR

Address Offset	0x0000 035C	Instance	CTRL_MODULE_CORE
Physical Address	0x4A00 235C		
Description			
Type	RW		

31	30	29	28	27	26	25	24	23	22	21	20	19	18	17	16	15	14	13	12	11	10	9	8	7	6	5	4	3	2	1	0
RESERVED												CORTEX_M4_MMUADDRLOGICTR																			

Bits	Field Name	Description	Type	Reset
31:20	RESERVED		R	0x0
19:0	CORTEX_M4_MMUADDRLOGICTR	Used to save the IPU AMMU logical source address	RW	0x0

Table 18-161. Register Call Summary for Register CTRL_CORE_CORTEX_M4_MMUADDRLOGICTR

Control Module Register Manual

- [CTRL_MODULE_CORE Register Summary: \[0\]](#)

Table 18-162. CTRL_CORE_HWOBS_CONTROL

Address Offset	0x0000 0360	Instance	CTRL_MODULE_CORE
Physical Address	0x4A00 2360		
Description	HW observability control. This register enables or disables HW observability outputs (to save power primarily)		
Type	RW		

31	30	29	28	27	26	25	24	23	22	21	20	19	18	17	16	15	14	13	12	11	10	9	8	7	6	5	4	3	2	1	0
RESERVED												HWOBS_CLKDIV_SEL_2				HWOBS_CLKDIV_SEL_1				RESERVED	HWOBS_CLKDIV_SEL			HWOBS_ALL_ZERO_MODE	HWOBS_ALL_ONE_MODE	HWOBS_MACRO_ENABLE					

Bits	Field Name	Description	Type	Reset
31:19	RESERVED		R	0x0
18:14	HWOBS_CLKDIV_SEL_2	Clock divider selection on po_hwobs(2). 0x1 = output is not divided 0x2 = output is divided by 2 0x4 = output is divided by 4 0x8 = output is divided by 8 0x10 = output is divided by 16	RW	0x0

Bits	Field Name	Description	Type	Reset
13:9	HWOBS_CLKDIV_SEL_1	Clock divider selection on po_hwobs(1). 0x1 = output is not divided 0x2 = output is divided by 2 0x4 = output is divided by 4 0x8 = output is divided by 8 0x10 = output is divided by 16	RW	0x0
8	RESERVED		R	0x0
7:3	HWOBS_CLKDIV_SEL	Clock divider selection on po_hwobs(0). 0x1 = output is not divided 0x2 = output is divided by 2 0x4 = output is divided by 4 0x8 = output is divided by 8 0x10 = output is divided by 16	RW	0x0
2	HWOBS_ALL_ZERO_MODE	Used to gate observable signals. When set all outputs are set to zero (can be used to check the path from HW observability to external pads). 0x0 = hw observability ports are not gated 0x1 = hw observability ports are all set to 0	RW	0x0
1	HWOBS_ALL_ONE_MODE	Used to gate observable signals. When set all outputs are set to one (can be used to check the path from HW observability to external pads). 0x0 = hw observability ports are not gated 0x1 = hw observability ports are all set to 1	RW	0x0
0	HWOBS_MACRO_ENABLE	Used to gate observable signals coming from macros using the 32:bit HWOBS bus definition. When deasserted all outputs of the HWOBS busdef are set to zero. 0x0 = hw observability ports from macros are gated and set to zero 0x1 = hw observability ports from macros are not gated	RW	0x0

Table 18-163. Register Call Summary for Register CTRL_CORE_HWOBS_CONTROL

Control Module Register Manual

- [CTRL_MODULE_CORE Register Summary: \[0\]](#)

Table 18-164. CTRL_CORE_PHY_POWER_USB

Address Offset	0x0000 0370	
Physical Address	0x4A00 2370	Instance CTRL_MODULE_CORE
Description	phy_power_usb	
Type	RW	

31	30	29	28	27	26	25	24	23	22	21	20	19	18	17	16	15	14	13	12	11	10	9	8	7	6	5	4	3	2	1	0
USB_PWRCTL_CLK_FREQ								USB_PWRCTL_CLK_CMD								RESERVED															

Bits	Field Name	Description	Type	Reset
31:22	USB_PWRCTL_CLK_FR EQ	Frequency of SYSCLK1 in MHz (rounded). For example, for 20MHz, program 0x14.	RW	0x0
21:14	USB_PWRCTL_CLK_CMD	Powers up/down the USB3_PHY_TX and USB3_PHY_RX modules. This bit field is also used for partially power down these TX and RX modules. Each bit has the following meaning: Bit[14] - 0x1: Powers-up the USB3_PHY_RX Bit[15] - 0x1: Powers-up the USB3_PHY_TX Bit[16] - A don't care bit. Not used. Bit[17] - A don't care bit. Not used. Bit[18] - 0x1: Disables the synchronized power-up of USB3_PHY_TX with USB3_PHY_RX. The TX power-up is independent of the RX power-up. Bit[19] - 0x1: Disables the automatic power-cycling of USB3_PHY_RX in P3 power state when PLL_CLK stops and starts. Bit[20] - 0x1: Partially powers-down the USB3_PHY_RX when it is in P3 power state. DCC, Phase interpolator, Equalizer are disabled. Bit[21] - A don't care bit. Not used.	RW	0x0
13:0	RESERVED	Reserved	R	0x0

Table 18-165. Register Call Summary for Register CTRL_CORE_PHY_POWER_USB

Control Module Register Manual

- [CTRL_MODULE_CORE Register Summary: \[0\]](#)

Table 18-166. CTRL_CORE_PHY_POWER_SATA

Address Offset	0x0000 0374	Instance	CTRL_MODULE_CORE
Physical Address	0x4A00 2374		
Description	phy_power_sata		
	NOTE: SATA is not supported on the AM570x family of devices.		
Type	RW		

31	30	29	28	27	26	25	24	23	22	21	20	19	18	17	16	15	14	13	12	11	10	9	8	7	6	5	4	3	2	1	0
SATA_PWRCTL_CLK_FREQ								SATA_PWRCTL_CLK_CMD								RESERVED															

Bits	Field Name	Description	Type	Reset
31:22	SATA_PWRCTL_CLK_FR EQ	Frequency of SYSCLK1 in MHz (rounded). For example, for 20MHz, program 0x14.	RW	0x0
21:14	SATA_PWRCTL_CLK_CMD	Powers up/down the SATA_PHY_TX and SATA_PHY_RX modules. 0x0: Powers down SATA_PHY_TX and SATA_PHY_RX 0x1: Powers up SATA_PHY_RX 0x2: Powers up SATA_PHY_TX 0x3: Powers up SATA_PHY_TX and SATA_PHY_RX 0x4-0xFF: Reserved	RW	0x0
13:0	RESERVED	Reserved	R	0x0

Table 18-167. Register Call Summary for Register CTRL_CORE_PHY_POWER_SATA

Control Module Register Manual

- [CTRL_MODULE_CORE Register Summary: \[0\]](#)

Table 18-168. CTRL_CORE_BANDGAP_MASK_1

Address Offset	0x0000 0380	Instance	CTRL_MODULE_CORE
Physical Address	0x4A00 2380		
Description	bgap_mask		
Type	RW		

31	30	29	28	27	26	25	24	23	22	21	20	19	18	17	16	15	14	13	12	11	10	9	8	7	6	5	4	3	2	1	0
SIDLEMODE			COUNTER_DELAY			RESERVED			FREEZE_CORE	FREEZE_GPU	FREEZE_MPU	CLEAR_CORE	CLEAR_GPU	CLEAR_MPU	RESERVED										MASK_HOT_CORE	MASK_COLD_CORE	MASK_HOT_GPU	MASK_COLD_GPU	MASK_HOT_MPU	MASK_COLD_MPU	

Bits	Field Name	Description	Type	Reset
31:30	SIDLEMODE	sidlemode for bandgap 0x0 = No Idle 0x1 = Force Idle 0x2 = Smart Idle 0x3 = Reserved	RW	0x0
29:27	COUNTER_DELAY	Counter delay 0x0 = Immediat 0x1 = Delay of 1ms 0x2 = Delay of 10ms 0x3 = Delay of 100ms 0x4 = Delay of 250ms 0x5 = Delay of 500ms	RW	0x0
26:24	RESERVED		R	0x0
23	FREEZE_CORE	Freeze the FIFO CORE 0x0 = No operation 0x1 = Freeze the FIFO	RW	0x0
22	FREEZE_GPU	Freeze the FIFO GPU 0x0 = No operation 0x1 = Freeze the FIFO	RW	0x0
21	FREEZE_MPU	Freeze the FIFO MPU 0x0 = No operation 0x1 = Freeze the FIFO	RW	0x0
20	CLEAR_CORE	Reset the FIFO CORE 0x0 = No operation 0x1 = Reset the FIFO	RW	0x0
19	CLEAR_GPU	Reset the FIFO GPU 0x0 = No operation 0x1 = Reset the FIFO	RW	0x0
18	CLEAR_MPU	Reset the FIFO MPU 0x0 = No operation 0x1 = Reset the FIFO	RW	0x0
17:6	RESERVED		R	0x0
5	MASK_HOT_CORE	Mask for hot event CORE 0x0 = hot event is masked 0x1 = hot event is not masked	RW	0x0

Bits	Field Name	Description	Type	Reset
4	MASK_COLD_CORE	Mask for cold event CORE 0x0 = cold event is masked 0x1 = cold event is not masked	RW	0x0
3	MASK_HOT_GPU	Mask for hot event GPU 0x0 = hot event is masked 0x1 = hot event is not masked	RW	0x0
2	MASK_COLD_GPU	Mask for cold event GPU 0x0 = cold event is masked 0x1 = cold event is not masked	RW	0x0
1	MASK_HOT_MPU	Mask for hot event MPU 0x0 = hot event is masked 0x1 = hot event is not masked	RW	0x0
0	MASK_COLD_MPU	Mask for cold event MPU 0x0 = cold event is masked 0x1 = cold event is not masked	RW	0x0

Table 18-169. Register Call Summary for Register CTRL_CORE_BANDGAP_MASK_1

Control Module Functional Description

- [Control Module Clock Configuration: \[0\]](#)
- [Temperature Sensors Control Registers: \[1\]](#)
- [Registers For The Thermal Alert Comparators: \[3\]\[4\]](#)
- [Other Thermal Management Related Registers: \[5\]\[6\]\[7\]](#)
- [Summary Of The Thermal Management Related Registers: \[8\]](#)

Control Module Register Manual

- [CTRL_MODULE_CORE Register Summary: \[9\]](#)

Table 18-170. CTRL_CORE_BANDGAP_THRESHOLD_MPU

Address Offset	0x0000 0384	Instance	CTRL_MODULE_CORE
Physical Address	0x4A00 2384		
Description	BGAP THRESHOLD MPU		
Type	RW		

31	30	29	28	27	26	25	24	23	22	21	20	19	18	17	16	15	14	13	12	11	10	9	8	7	6	5	4	3	2	1	0
RESERVED								THOLD_HOT_MPU								RESERVED				THOLD_COLD_MPU											

Bits	Field Name	Description	Type	Reset
31:26	RESERVED		R	0x0
25:16	THOLD_HOT_MPU	Value for the high temperature threshold. The values for loading this bit field are listed in Table 18-13 .	RW	0x0
15:10	RESERVED		R	0x0
9:0	THOLD_COLD_MPU	Value for the low temperature threshold. The values for loading this bit field are listed in Table 18-13 .	RW	0x0

Table 18-171. Register Call Summary for Register CTRL_CORE_BANDGAP_THRESHOLD_MPU

Control Module Functional Description

- [Summary Of The Thermal Management Related Registers: \[0\]](#)

Control Module Register Manual

- [CTRL_MODULE_CORE Register Summary: \[1\]](#)

Table 18-172. CTRL_CORE_BANDGAP_THRESHOLD_GPU

Address Offset	0x0000 0388	
Physical Address	0x4A00 2388	Instance CTRL_MODULE_CORE
Description	BGAP THRESHOLD MM	
Type	RW	

31	30	29	28	27	26	25	24	23	22	21	20	19	18	17	16	15	14	13	12	11	10	9	8	7	6	5	4	3	2	1	0
RESERVED								THOLD_HOT_GPU								RESERVED								THOLD_COLD_GPU							

Bits	Field Name	Description	Type	Reset
31:26	RESERVED		R	0x0
25:16	THOLD_HOT_GPU	Value for the high temperature threshold. The values for loading this bit field are listed in Table 18-13 .	RW	0x0
15:10	RESERVED		R	0x0
9:0	THOLD_COLD_GPU	Value for the low temperature threshold. The values for loading this bit field are listed in Table 18-13 .	RW	0x0

Table 18-173. Register Call Summary for Register CTRL_CORE_BANDGAP_THRESHOLD_GPU

Control Module Functional Description

- [Summary Of The Thermal Management Related Registers: \[0\]](#)

Control Module Register Manual

- [CTRL_MODULE_CORE Register Summary: \[1\]](#)

Table 18-174. CTRL_CORE_BANDGAP_THRESHOLD_CORE

Address Offset	0x0000 038C	
Physical Address	0x4A00 238C	Instance CTRL_MODULE_CORE
Description	BGAP THRESHOLD CORE	
Type	RW	

31	30	29	28	27	26	25	24	23	22	21	20	19	18	17	16	15	14	13	12	11	10	9	8	7	6	5	4	3	2	1	0
RESERVED								THOLD_HOT_CORE								RESERVED								THOLD_COLD_CORE							

Bits	Field Name	Description	Type	Reset
31:26	RESERVED		R	0x0
25:16	THOLD_HOT_CORE	Value for the high temperature threshold. The values for loading this bit field are listed in Table 18-13 .	RW	0x0
15:10	RESERVED		R	0x0
9:0	THOLD_COLD_CORE	Value for the low temperature threshold. The values for loading this bit field are listed in Table 18-13 .	RW	0x0

Table 18-175. Register Call Summary for Register CTRL_CORE_BANDGAP_THRESHOLD_CORE

Control Module Functional Description

- [Summary Of The Thermal Management Related Registers: \[0\]](#)

Control Module Register Manual

- [CTRL_MODULE_CORE Register Summary: \[1\]](#)

Table 18-176. CTRL_CORE_BANDGAP_TSHUT_MPU

Address Offset	0x0000 0390	Instance	CTRL_MODULE_CORE
Physical Address	0x4A00 2390		
Description	BGAP TSHUT THRESHOLD MPU		
Type	R		

	31	30	29	28	27	26	25	24	23	22	21	20	19	18	17	16	15	14	13	12	11	10	9	8	7	6	5	4	3	2	1	0
TSHUT_MUXCTRL_MPU	RESERVED				TSHUT_HOT_MPU								RESERVED				TSHUT_COLD_MPU															

Bits	Field Name	Description	Type	Reset
31	TSHUT_MUXCTRL_MPU	Writing a '1' to this field allows SW to override the TSHUT_HOT and TSHUT_COLD values that are set by default in efuse.	RW	0x0
30:26	RESERVED		R	0x0
25:16	TSHUT_HOT_MPU	Controls the TSHUT_HOT reset threshold, which protects the device from thermal runaway and potential device damage. The register defaults to 123°C. Software override of this register value is not recommended, and should only be done with extreme caution as damage to the device can occur above the default setting.	RW	0x0
15:10	RESERVED		R	0x0
9:0	TSHUT_COLD_MPU	Controls the TSHUT_COLD reset threshold, which is the limit where the TSHUT comparator releases the device from reset after cooling from a TSHUT condition. The register defaults to 105°C. Software override of this register value is not recommended, and should only be done with extreme caution.	RW	0x0

Table 18-177. Register Call Summary for Register CTRL_CORE_BANDGAP_TSHUT_MPU

Control Module Functional Description

- [Summary Of The Thermal Management Related Registers: \[0\]](#)

Control Module Register Manual

- [CTRL_MODULE_CORE Register Summary: \[1\]](#)

Table 18-178. CTRL_CORE_BANDGAP_TSHUT_GPU

Address Offset	0x0000 0394	Instance	CTRL_MODULE_CORE
Physical Address	0x4A00 2394		
Description	BGAP TSHUT THRESHOLD GPU		
Type	R		

	31	30	29	28	27	26	25	24	23	22	21	20	19	18	17	16	15	14	13	12	11	10	9	8	7	6	5	4	3	2	1	0
TSHUT_MUXCTRL_GPU	RESERVED				TSHUT_HOT_GPU								RESERVED				TSHUT_COLD_GPU															

Bits	Field Name	Description	Type	Reset
31	TSHUT_MUXCTRL_GPU	Writing a '1' to this field allows SW to override the TSHUT_HOT and TSHUT_COLD values that are set by default in efuse.	RW	0x0
30:26	RESERVED		R	0x0
25:16	TSHUT_HOT_GPU	Controls the TSHUT_HOT reset threshold, which protects the device from thermal runaway and potential device damage. The register defaults to 123°C. Software override of this register value is not recommended, and should only be done with extreme caution as damage to the device can occur above the default setting.	RW	0x0
15:10	RESERVED		R	0x0
9:0	TSHUT_COLD_GPU	Controls the TSHUT_COLD reset threshold, which is the limit where the TSHUT comparator releases the device from reset after cooling from a TSHUT condition. The register defaults to 105°C. Software override of this register value is not recommended, and should only be done with extreme caution.	RW	0x0

Table 18-179. Register Call Summary for Register CTRL_CORE_BANDGAP_TSHUT_GPU

Control Module Functional Description

- [Summary Of The Thermal Management Related Registers: \[0\]](#)

Control Module Register Manual

- [CTRL_MODULE_CORE Register Summary: \[1\]](#)

Table 18-180. CTRL_CORE_BANDGAP_TSHUT_CORE

Address Offset	0x0000 0398	Instance	CTRL_MODULE_CORE
Physical Address	0x4A00 2398		
Description	BGAP TSHUT THRESHOLD CORE		
Type	R		

31	30	29	28	27	26	25	24	23	22	21	20	19	18	17	16	15	14	13	12	11	10	9	8	7	6	5	4	3	2	1	0
TSHUT_MUXCTRL_CORE	RESERVED				TSHUT_HOT_CORE								RESERVED				TSHUT_COLD_CORE														

Bits	Field Name	Description	Type	Reset
31	TSHUT_MUXCTRL_CORE	Writing a '1' to this field allows SW to override the TSHUT_HOT and TSHUT_COLD values that are set by default in efuse.	RW	0x0
30:26	RESERVED		R	0x0
25:16	TSHUT_HOT_CORE	Controls the TSHUT_HOT reset threshold, which protects the device from thermal runaway and potential device damage. The register defaults to 123°C. Software override of this register value is not recommended, and should only be done with extreme caution as damage to the device can occur above the default setting.	RW	0x0
15:10	RESERVED		R	0x0
9:0	TSHUT_COLD_CORE	Controls the TSHUT_COLD reset threshold, which is the limit where the TSHUT comparator releases the device from reset after cooling from a TSHUT condition. The register defaults to 105°C. Software override of this register value is not recommended, and should only be done with extreme caution.	RW	0x0

Table 18-181. Register Call Summary for Register CTRL_CORE_BANDGAP_TSHUT_CORE

Control Module Functional Description

- [Summary Of The Thermal Management Related Registers: \[0\]](#)

Control Module Register Manual

- [CTRL_MODULE_CORE Register Summary: \[1\]](#)

Table 18-182. CTRL_CORE_BANDGAP_STATUS_1

Address Offset	0x0000 03A8	Instance	CTRL_MODULE_CORE
Physical Address	0x4A00 23A8		
Description	BGAP STATUS		
Type	R		

31	30	29	28	27	26	25	24	23	22	21	20	19	18	17	16	15	14	13	12	11	10	9	8	7	6	5	4	3	2	1	0	
ALERT	RESERVED																										HOT_CORE	COLD_CORE	HOT_GPU	COLD_GPU	HOT_MPU	COLD_MPU

Bits	Field Name	Description	Type	Reset
31	ALERT	Alert temperature when '1'	R	0x0
30:6	RESERVED		R	0x0
5	HOT_CORE	Event for hot temperature mpu bandgap when '1' 0x0 = event not detected 0x1 = event detected	R	0x0
4	COLD_CORE	Event for cold temperature mpu bandgap when '1' 0x0 = event not detected 0x1 = event detected	R	0x0
3	HOT_GPU	Event for hot temperature gpu bandgap when '1' 0x0 = event not detected 0x1 = event detected	R	0x0
2	COLD_GPU	Event for cold temperature gpu bandgap when '1' 0x0 = event not detected 0x1 = event detected	R	0x0
1	HOT_MPU	Event for hot temperature core bandgap when '1' 0x0 = event not detected 0x1 = event detected	R	0x0
0	COLD_MPU	Event for cold temperature core bandgap when '1' 0x0 = event not detected 0x1 = event detected	R	0x0

Table 18-183. Register Call Summary for Register CTRL_CORE_BANDGAP_STATUS_1

Control Module Functional Description

- [Registers For The Thermal Alert Comparators: \[0\]\[1\]](#)
- [Summary Of The Thermal Management Related Registers: \[2\]](#)

Control Module Register Manual

- [CTRL_MODULE_CORE Register Summary: \[3\]](#)

Table 18-184. CTRL_CORE_SATA_EXT_MODE

Address Offset	0x0000 03AC	Instance	CTRL_MODULE_CORE
Physical Address	0x4A00 23AC		
Description	SATA EXTENDED MODE <i>NOTE: SATA is not supported on the AM570x family of devices.</i>		
Type	RW		

31	30	29	28	27	26	25	24	23	22	21	20	19	18	17	16	15	14	13	12	11	10	9	8	7	6	5	4	3	2	1	0
RESERVED																												SATA_EXTENDED_MODE			

Bits	Field Name	Description	Type	Reset
31:1	RESERVED		R	0x0
0	SATA_EXTENDED_MODE	sata extended mode 0x0 = no extended mode 0x1 = extended mode	RW	0x0

Table 18-185. Register Call Summary for Register CTRL_CORE_SATA_EXT_MODE

Control Module Register Manual

- [CTRL_MODULE_CORE Register Summary: \[0\]](#)

Table 18-186. CTRL_CORE_DTEMP_MPU_0

Address Offset	0x0000 03C0	Instance	CTRL_MODULE_CORE
Physical Address	0x4A00 23C0		
Description	TAGGED TEMPERATURE MPU DOMAIN. Most recent sample		
Type	R		

31	30	29	28	27	26	25	24	23	22	21	20	19	18	17	16	15	14	13	12	11	10	9	8	7	6	5	4	3	2	1	0
DTEMP_TAG_MPU_0														DTEMP_TEMPERATURE_MPU_0																	

Bits	Field Name	Description	Type	Reset
31:10	DTEMP_TAG_MPU_0	tag. Indicate number of times in the bgap state machine.	R	0x0
9:0	DTEMP_TEMPERATURE_MPU_0	temperature	R	0x0

Table 18-187. Register Call Summary for Register CTRL_CORE_DTEMP_MPU_0

Control Module Functional Description

- [Summary Of The Thermal Management Related Registers: \[0\]](#)

Control Module Register Manual

- [CTRL_MODULE_CORE Register Summary: \[1\]](#)

Table 18-188. CTRL_CORE_DTEMP_MPU_1

Address Offset	0x0000 03C4	
Physical Address	0x4A00 23C4	Instance CTRL_MODULE_CORE
Description	TAGGED TEMPERATURE MPU DOMAIN	
Type	R	

31	30	29	28	27	26	25	24	23	22	21	20	19	18	17	16	15	14	13	12	11	10	9	8	7	6	5	4	3	2	1	0
DTEMP_TAG_MPU_1																DTEMP_TEMPERATURE_MPU_1															

Bits	Field Name	Description	Type	Reset
31:10	DTEMP_TAG_MPU_1	tag. Indicate number of times in the bgap state machine.	R	0x0
9:0	DTEMP_TEMPERATURE_MPU_1	temperature	R	0x0

Table 18-189. Register Call Summary for Register CTRL_CORE_DTEMP_MPU_1

Control Module Functional Description

- [Summary Of The Thermal Management Related Registers: \[0\]](#)

Control Module Register Manual

- [CTRL_MODULE_CORE Register Summary: \[1\]](#)

Table 18-190. CTRL_CORE_DTEMP_MPU_2

Address Offset	0x0000 03C8	
Physical Address	0x4A00 23C8	Instance CTRL_MODULE_CORE
Description	TAGGED TEMPERATURE MPU DOMAIN	
Type	R	

31	30	29	28	27	26	25	24	23	22	21	20	19	18	17	16	15	14	13	12	11	10	9	8	7	6	5	4	3	2	1	0
DTEMP_TAG_MPU_2																DTEMP_TEMPERATURE_MPU_2															

Bits	Field Name	Description	Type	Reset
31:10	DTEMP_TAG_MPU_2	tag. Indicate number of times in the bgap state machine.	R	0x0
9:0	DTEMP_TEMPERATURE_MPU_2	temperature	R	0x0

Table 18-191. Register Call Summary for Register CTRL_CORE_DTEMP_MPU_2

Control Module Functional Description

- [Summary Of The Thermal Management Related Registers: \[0\]](#)

Control Module Register Manual

- [CTRL_MODULE_CORE Register Summary: \[1\]](#)

Table 18-192. CTRL_CORE_DTEMP_MPU_3

Address Offset	0x0000 03CC	
Physical Address	0x4A00 23CC	Instance CTRL_MODULE_CORE
Description	TAGGED TEMPERATURE MPU DOMAIN	
Type	R	

31	30	29	28	27	26	25	24	23	22	21	20	19	18	17	16	15	14	13	12	11	10	9	8	7	6	5	4	3	2	1	0
DTEMP_TAG_MPU_3																DTEMP_TEMPERATURE_MPU_3															

Bits	Field Name	Description	Type	Reset
31:10	DTEMP_TAG_MPU_3	tag. Indicate number of times in the bgap state machine.	R	0x0
9:0	DTEMP_TEMPERATURE_MPU_3	temperature	R	0x0

Table 18-193. Register Call Summary for Register CTRL_CORE_DTEMP_MPU_3

Control Module Functional Description

- [Summary Of The Thermal Management Related Registers: \[0\]](#)

Control Module Register Manual

- [CTRL_MODULE_CORE Register Summary: \[1\]](#)

Table 18-194. CTRL_CORE_DTEMP_MPU_4

Address Offset	0x0000 03D0	
Physical Address	0x4A00 23D0	Instance CTRL_MODULE_CORE
Description	TAGGED TEMPERATURE MPU DOMAIN. Oldest sample	
Type	R	

31	30	29	28	27	26	25	24	23	22	21	20	19	18	17	16	15	14	13	12	11	10	9	8	7	6	5	4	3	2	1	0
DTEMP_TAG_MPU_4																DTEMP_TEMPERATURE_MPU_4															

Bits	Field Name	Description	Type	Reset
31:10	DTEMP_TAG_MPU_4	tag. Indicate number of times in the bgap state machine.	R	0x0
9:0	DTEMP_TEMPERATURE_MPU_4	temperature	R	0x0

Table 18-195. Register Call Summary for Register CTRL_CORE_DTEMP_MPU_4

Control Module Functional Description

- [Summary Of The Thermal Management Related Registers: \[0\]](#)

Control Module Register Manual

- [CTRL_MODULE_CORE Register Summary: \[1\]](#)

Table 18-196. CTRL_CORE_DTEMP_GPU_0

Address Offset	0x0000 03D4	Instance	CTRL_MODULE_CORE
Physical Address	0x4A00 23D4		
Description	TAGGED TEMPERATURE GPU DOMAIN. Most recent sample.		
Type	R		

31	30	29	28	27	26	25	24	23	22	21	20	19	18	17	16	15	14	13	12	11	10	9	8	7	6	5	4	3	2	1	0
DTEMP_TAG_GPU_0																DTEMP_TEMPERATURE_GPU_0															

Bits	Field Name	Description	Type	Reset
31:10	DTEMP_TAG_GPU_0	tag. Indicate number of times in the bgap state machine.	R	0x0
9:0	DTEMP_TEMPERATURE_GPU_0	temperature	R	0x0

Table 18-197. Register Call Summary for Register CTRL_CORE_DTEMP_GPU_0

Control Module Functional Description

- [Summary Of The Thermal Management Related Registers: \[0\]](#)

Control Module Register Manual

- [CTRL_MODULE_CORE Register Summary: \[1\]](#)

Table 18-198. CTRL_CORE_DTEMP_GPU_1

Address Offset	0x0000 03D8	Instance	CTRL_MODULE_CORE
Physical Address	0x4A00 23D8		
Description	TAGGED TEMPERATURE GPU DOMAIN.		
Type	R		

31	30	29	28	27	26	25	24	23	22	21	20	19	18	17	16	15	14	13	12	11	10	9	8	7	6	5	4	3	2	1	0
DTEMP_TAG_GPU_1																DTEMP_TEMPERATURE_GPU_1															

Bits	Field Name	Description	Type	Reset
31:10	DTEMP_TAG_GPU_1	tag. Indicate number of times in the bgap state machine.	R	0x0
9:0	DTEMP_TEMPERATURE_GPU_1	temperature	R	0x0

Table 18-199. Register Call Summary for Register CTRL_CORE_DTEMP_GPU_1

Control Module Functional Description

- [Summary Of The Thermal Management Related Registers: \[0\]](#)

Control Module Register Manual

- [CTRL_MODULE_CORE Register Summary: \[1\]](#)

Table 18-200. CTRL_CORE_DTEMP_GPU_2

Address Offset	0x0000 03DC	
Physical Address	0x4A00 23DC	Instance CTRL_MODULE_CORE
Description	TAGGED TEMPERATURE GPU DOMAIN.	
Type	R	

31	30	29	28	27	26	25	24	23	22	21	20	19	18	17	16	15	14	13	12	11	10	9	8	7	6	5	4	3	2	1	0
DTEMP_TAG_GPU_2																DTEMP_TEMPERATURE_GPU_2															

Bits	Field Name	Description	Type	Reset
31:10	DTEMP_TAG_GPU_2	tag. Indicate number of times in the bgap state machine.	R	0x0
9:0	DTEMP_TEMPERATURE_GPU_2	temperature	R	0x0

Table 18-201. Register Call Summary for Register CTRL_CORE_DTEMP_GPU_2

Control Module Functional Description

- [Summary Of The Thermal Management Related Registers: \[0\]](#)

Control Module Register Manual

- [CTRL_MODULE_CORE Register Summary: \[1\]](#)

Table 18-202. CTRL_CORE_DTEMP_GPU_3

Address Offset	0x0000 03E0	
Physical Address	0x4A00 23E0	Instance CTRL_MODULE_CORE
Description	TAGGED TEMPERATURE GPU DOMAIN.	
Type	R	

31	30	29	28	27	26	25	24	23	22	21	20	19	18	17	16	15	14	13	12	11	10	9	8	7	6	5	4	3	2	1	0
DTEMP_TAG_GPU_3																DTEMP_TEMPERATURE_GPU_3															

Bits	Field Name	Description	Type	Reset
31:10	DTEMP_TAG_GPU_3	tag. Indicate number of times in the bgap state machine.	R	0x0
9:0	DTEMP_TEMPERATURE_GPU_3	temperature	R	0x0

Table 18-203. Register Call Summary for Register CTRL_CORE_DTEMP_GPU_3

Control Module Functional Description

- [Summary Of The Thermal Management Related Registers: \[0\]](#)

Control Module Register Manual

- [CTRL_MODULE_CORE Register Summary: \[1\]](#)

Table 18-204. CTRL_CORE_DTEMP_GPU_4

Address Offset	0x0000 03E4	
Physical Address	0x4A00 23E4	Instance CTRL_MODULE_CORE
Description	TAGGED TEMPERATURE GPU DOMAIN. Oldest sample.	
Type	R	

31	30	29	28	27	26	25	24	23	22	21	20	19	18	17	16	15	14	13	12	11	10	9	8	7	6	5	4	3	2	1	0
DTEMP_TAG_GPU_4																DTEMP_TEMPERATURE_GPU_4															

Bits	Field Name	Description	Type	Reset
31:10	DTEMP_TAG_GPU_4	tag. Indicate number of times in the bgap state machine.	R	0x0
9:0	DTEMP_TEMPERATURE_GPU_4	temperature	R	0x0

Table 18-205. Register Call Summary for Register CTRL_CORE_DTEMP_GPU_4

Control Module Functional Description

- [Summary Of The Thermal Management Related Registers: \[0\]](#)

Control Module Register Manual

- [CTRL_MODULE_CORE Register Summary: \[1\]](#)

Table 18-206. CTRL_CORE_DTEMP_CORE_0

Address Offset	0x0000 03E8	
Physical Address	0x4A00 23E8	Instance CTRL_MODULE_CORE
Description	TAGGED TEMPERATURE CORE DOMAIN. Most recent sample.	
Type	R	

31	30	29	28	27	26	25	24	23	22	21	20	19	18	17	16	15	14	13	12	11	10	9	8	7	6	5	4	3	2	1	0
DTEMP_TAG_CORE_0																DTEMP_TEMPERATURE_CORE_0															

Bits	Field Name	Description	Type	Reset
31:10	DTEMP_TAG_CORE_0	tag. Indicate number of times in the bgap state machine.	R	0x0
9:0	DTEMP_TEMPERATURE_CORE_0	temperature	R	0x0

Table 18-207. Register Call Summary for Register CTRL_CORE_DTEMP_CORE_0

Control Module Functional Description

- [Summary Of The Thermal Management Related Registers: \[0\]](#)

Control Module Register Manual

- [CTRL_MODULE_CORE Register Summary: \[1\]](#)

Table 18-208. CTRL_CORE_DTEMP_CORE_1

Address Offset	0x0000 03EC	Instance	CTRL_MODULE_CORE
Physical Address	0x4A00 23EC		
Description	TAGGED TEMPERATURE CORE DOMAIN		
Type	R		

31	30	29	28	27	26	25	24	23	22	21	20	19	18	17	16	15	14	13	12	11	10	9	8	7	6	5	4	3	2	1	0
DTEMP_TAG_CORE_1																DTEMP_TEMPERATURE_CORE_1															

Bits	Field Name	Description	Type	Reset
31:10	DTEMP_TAG_CORE_1	tag. Indicate number of times in the bgap state machine.	R	0x0
9:0	DTEMP_TEMPERATURE_CORE_1	temperature	R	0x0

Table 18-209. Register Call Summary for Register CTRL_CORE_DTEMP_CORE_1

Control Module Functional Description

- [Summary Of The Thermal Management Related Registers: \[0\]](#)

Control Module Register Manual

- [CTRL_MODULE_CORE Register Summary: \[1\]](#)

Table 18-210. CTRL_CORE_DTEMP_CORE_2

Address Offset	0x0000 03F0	Instance	CTRL_MODULE_CORE
Physical Address	0x4A00 23F0		
Description	TAGGED TEMPERATURE CORE DOMAIN		
Type	R		

31	30	29	28	27	26	25	24	23	22	21	20	19	18	17	16	15	14	13	12	11	10	9	8	7	6	5	4	3	2	1	0
DTEMP_TAG_CORE_2																DTEMP_TEMPERATURE_CORE_2															

Bits	Field Name	Description	Type	Reset
31:10	DTEMP_TAG_CORE_2	tag. Indicate number of times in the bgap state machine.	R	0x0
9:0	DTEMP_TEMPERATURE_CORE_2	temperature	R	0x0

Table 18-211. Register Call Summary for Register CTRL_CORE_DTEMP_CORE_2

Control Module Functional Description

- [Summary Of The Thermal Management Related Registers: \[0\]](#)

Control Module Register Manual

- [CTRL_MODULE_CORE Register Summary: \[1\]](#)

Table 18-212. CTRL_CORE_DTEMP_CORE_3

Address Offset	0x0000 03F4	Instance	CTRL_MODULE_CORE
Physical Address	0x4A00 23F4		
Description	TAGGED TEMPERATURE CORE DOMAIN		
Type	R		

31	30	29	28	27	26	25	24	23	22	21	20	19	18	17	16	15	14	13	12	11	10	9	8	7	6	5	4	3	2	1	0
DTEMP_TAG_CORE_3																DTEMP_TEMPERATURE_CORE_3															

Bits	Field Name	Description	Type	Reset
31:10	DTEMP_TAG_CORE_3	tag. Indicate number of times in the bgap state machine.	R	0x0
9:0	DTEMP_TEMPERATURE_CORE_3	temperature	R	0x0

Table 18-213. Register Call Summary for Register CTRL_CORE_DTEMP_CORE_3

Control Module Functional Description

- [Summary Of The Thermal Management Related Registers: \[0\]](#)

Control Module Register Manual

- [CTRL_MODULE_CORE Register Summary: \[1\]](#)

Table 18-214. CTRL_CORE_DTEMP_CORE_4

Address Offset	0x0000 03F8	Instance	CTRL_MODULE_CORE
Physical Address	0x4A00 23F8		
Description	TAGGED TEMPERATURE CORE DOMAIN. Oldest sample.		
Type	R		

31	30	29	28	27	26	25	24	23	22	21	20	19	18	17	16	15	14	13	12	11	10	9	8	7	6	5	4	3	2	1	0
DTEMP_TAG_CORE_4																DTEMP_TEMPERATURE_CORE_4															

Bits	Field Name	Description	Type	Reset
31:10	DTEMP_TAG_CORE_4	tag. Indicate number of times in the bgap state machine.	R	0x0
9:0	DTEMP_TEMPERATURE_CORE_4	temperature	R	0x0

Table 18-215. Register Call Summary for Register CTRL_CORE_DTEMP_CORE_4

Control Module Functional Description

- [Summary Of The Thermal Management Related Registers: \[0\]](#)

Control Module Register Manual

- [CTRL_MODULE_CORE Register Summary: \[1\]](#)

Table 18-216. CTRL_CORE_SMA_SW_0

Address Offset	0x0000 03FC	Instance	CTRL_MODULE_CORE
Physical Address	0x4A00 23FC		
Description	OCP Spare Register		
Type	RW		

31	30	29	28	27	26	25	24	23	22	21	20	19	18	17	16	15	14	13	12	11	10	9	8	7	6	5	4	3	2	1	0
RESERVED								SATA_PLL_SOFT_RESET	RESERVED								HWOBS_DCC_SDL2_SIG_OUT	I2C1_CLK_EN	ISO_CTRL_IO	RESERVED	CKE_GATING_CTRL										

Bits	Field Name	Description	Type	Reset
31:19	RESERVED		R	0x0
18	SATA_PLL_SOFT_RESET	Software reset control for SATA PLL. When this bit is set the SATA PLL goes into reset. NOTE: SATA is not supported on the AM570x family of devices. 0x0: Reset is not active for SATA controller 0x1: Reset is active for SATA controller	RW	0x0
17:5	RESERVED		R	0x0
4	HWOBS_DCC_SDL2_SIG_OUT	HWOBS select for DCC SDL2 output. 0x0: SDL2 clock output would not be sent to HWOBS pin. 0x1: SDL2 clock output would be sent to the DMM reset HWOBS pin.	RW	0x0
3	I2C1_CLK_EN	Enable I2C1 clock. 0x0: I2C1 clock depends on PRCM operation. 0x1: Enable I2C1 clock irrespective of I2C1 operation state.	RW	0x0
2	ISO_CTRL_IO	ISO control for the IO pads. 0x0: ISO enable for pads is not set 0x1: ISO enable for pads is set	RW	0x0
1	RESERVED		R	0x0
0	CKE_GATING_CTRL	Forces the EMIF1 CKE pad to tri-state. 0x0: The CKE pad is not in tri-state and can be controlled by EMIF1 0x1: The CKE pad is in tri-state	RW	0x0

Table 18-217. Register Call Summary for Register CTRL_CORE_SMA_SW_0

Control Module Functional Description

- [Isolation Requirements: \[0\]\[1\]\[2\]\[3\]](#)

Control Module Register Manual

- [CTRL_MODULE_CORE Register Summary: \[4\]](#)

Table 18-218. CTRL_CORE_MREQDOMAIN_EXP4

Address Offset	0x0000 0400	Instance	CTRL_MODULE_CORE
Physical Address	0x4A00 2400		
Description	MReqDomain value configuration register.		
Type	RW		

31	30	29	28	27	26	25	24	23	22	21	20	19	18	17	16	15	14	13	12	11	10	9	8	7	6	5	4	3	2	1	0
MREQDOMAIN_EXP4_LOCK	RESERVED						MREQDOMAIN_DSP1_MDMA	MREQDOMAIN_VPE_P0	MREQDOMAIN_GMACSW	MREQDOMAIN_MMU2	MREQDOMAIN_MMU1	MREQDOMAIN_PCIESS2	MREQDOMAIN_PCIESS1	RESERVED				MREQDOMAIN_MLB													

Bits	Field Name	Description	Type	Reset
31	MREQDOMAIN_EXP4_LOCK	Lock bit. When high register cannot be written again	RW Woco	0x0
30:27	RESERVED		R	0x0
26:24	MREQDOMAIN_DSP1_MDMA	This field allows to specify to which DOMAIN the initiator belongs to by configuring at initiator port level a fixed MReqDomain value such that: MreqDomain[2:0]= 0b000 = DOMAIN0 MreqDomain[2:0]= 0b001 = DOMAIN1 MreqDomain[2:0]= 0b010 = DOMAIN2 MreqDomain[2:0]= 0b011 = DOMAIN3 MreqDomain[2:0]= 0b100 = DOMAIN4 MreqDomain[2:0]= 0b101 = DOMAIN5 MreqDomain[2:0]= 0b110 = DOMAIN6 MreqDomain[2:0]= 0b111 = DOMAIN7	RW	0x0
23:21	MREQDOMAIN_VPE_P0	see MREQDOMAIN_DSP1_MDMA Description	RW	0x0
20:18	MREQDOMAIN_GMACSW	see MREQDOMAIN_DSP1_MDMA Description	RW	0x0
17:15	MREQDOMAIN_MMU2	see MREQDOMAIN_DSP1_MDMA Description	RW	0x0
14:12	MREQDOMAIN_MMU1	see MREQDOMAIN_DSP1_MDMA Description	RW	0x0
11:9	MREQDOMAIN_PCIESS2	see MREQDOMAIN_DSP1_MDMA Description	RW	0x0
8:6	MREQDOMAIN_PCIESS1	see MREQDOMAIN_DSP1_MDMA Description	RW	0x0
5:3	RESERVED		R	0x0
2:0	MREQDOMAIN_MLB	see MREQDOMAIN_DSP1_MDMA Description	RW	0x0

Table 18-219. Register Call Summary for Register CTRL_CORE_MREQDOMAIN_EXP4

Control Module Register Manual

- [CTRL_MODULE_CORE Register Summary: \[0\]](#)

Table 18-220. CTRL_CORE_MREQDOMAIN_EXP5

Address Offset	0x0000 0404	Instance	CTRL_MODULE_CORE
Physical Address	0x4A00 2404		
Description	MReqDomain value configuration register.		
Type	RW		

31	30	29	28	27	26	25	24	23	22	21	20	19	18	17	16	15	14	13	12	11	10	9	8	7	6	5	4	3	2	1	0				
RESERVED								MREQDOMAIN_PRUSS2_PRU1				MREQDOMAIN_PRUSS1_PRU1				MREQDOMAIN_GPU_P1				MREQDOMAIN_VPE_P1				RESERVED								MREQDOMAIN_VIP1_P1			

Bits	Field Name	Description	Type	Reset
31	MREQDOMAIN_EXP5_LOCK	Lock bit. When high register cannot be written again	RW Woco	0x0
30:21	RESERVED		R	0x0
20:18	MREQDOMAIN_PRUSS2_PRU1	This field allows to specify to which DOMAIN the initiator belongs to by configuring at initiator port level a fixed MReqDomain value such that: MreqDomain[2:0]= 0b000 = DOMAIN0 MreqDomain[2:0]= 0b001 = DOMAIN1 MreqDomain[2:0]= 0b010 = DOMAIN2 MreqDomain[2:0]= 0b011 = DOMAIN3 MreqDomain[2:0]= 0b100 = DOMAIN4 MreqDomain[2:0]= 0b101 = DOMAIN5 MreqDomain[2:0]= 0b110 = DOMAIN6 MreqDomain[2:0]= 0b111 = DOMAIN7	RW	0x0
17:15	MREQDOMAIN_PRUSS1_PRU1	see MREQDOMAIN_PRUSS2_PRU1 Description	RW	0x0
14:12	MREQDOMAIN_GPU_P1	see MREQDOMAIN_PRUSS2_PRU1 Description	RW	0x0
11:9	MREQDOMAIN_VPE_P1	see MREQDOMAIN_PRUSS2_PRU1 Description	RW	0x0
8:3	RESERVED		R	0x0
2:0	MREQDOMAIN_VIP1_P1	see MREQDOMAIN_PRUSS2_PRU1 Description	RW	0x0

Table 18-221. Register Call Summary for Register CTRL_CORE_MREQDOMAIN_EXP5

Control Module Register Manual

- [CTRL_MODULE_CORE Register Summary: \[0\]](#)

Table 18-222. CTRL_CORE_SEC_ERR_STATUS_FUNC_2

Address Offset 0x0000 0414
Physical Address 0x4A00 2414 **Instance** CTRL_MODULE_CORE
Description Firewall Error Status functional Register 2
Type RW

31	30	29	28	27	26	25	24	23	22	21	20	19	18	17	16	15	14	13	12	11	10	9	8	7	6	5	4	3	2	1	0
RESERVED				TC1_EDMA_FW_ERROR	RESERVED			QSPI_FW_ERROR	PRUSS2_FW_ERROR	PRUSS1_FW_ERROR	RESERVED		TPCC_EDMA_FW_ERROR	TC0_EDMA_FW_ERROR	RESERVED			MCASP3_FW_ERROR	MCASP2_FW_ERROR	MCASP1_FW_ERROR	VCP2_FW_ERROR	VCP1_FW_ERROR	PCIESS2_FW_ERROR	PCIESS1_FW_ERROR	IPU2_FW_ERROR	L4_PERIPH3_FW_ERROR	L4_PERIPH2_FW_ERROR	RESERVED			DSP1_FW_ERROR

Bits	Field Name	Description	Type	Reset
31:27	RESERVED		R	0x0
26	TC1_EDMA_FW_ERROR	EDMA TC1 firewall 0x0 = No error from firewall 0x1 = Error from firewall	RW W1toClr	0x0
25:23	RESERVED		R	0x0
22	QSPI_FW_ERROR	QSPI firewall 0x0 = No error from firewall 0x1 = Error from firewall	RW W1toClr	0x0
21	PRUSS2_FW_ERROR	PRU-ICSS2 firewall 0x0 = No error from firewall 0x1 = Error from firewall	RW W1toClr	0x0
20	PRUSS1_FW_ERROR	PRU-ICSS1 firewall 0x0 = No error from firewall 0x1 = Error from firewall	RW W1toClr	0x0
19:18	RESERVED		R	0x0
17	TPCC_EDMA_FW_ERROR	EDMA TPCC firewall 0x0 = No error from firewall 0x1 = Error from firewall	RW W1toClr	0x0
16	TC0_EDMA_FW_ERROR	EDMA TC0 firewall 0x0 = No error from firewall 0x1 = Error from firewall	RW W1toClr	0x0
15:14	RESERVED		R	0x0
13	MCASP3_FW_ERROR	McASP3 firewall 0x0 = No error from firewall 0x1 = Error from firewall	RW W1toClr	0x0
12	MCASP2_FW_ERROR	McASP2 firewall 0x0 = No error from firewall 0x1 = Error from firewall	RW W1toClr	0x0
11	MCASP1_FW_ERROR	McASP1 firewall 0x0 = No error from firewall 0x1 = Error from firewall	RW W1toClr	0x0

Bits	Field Name	Description	Type	Reset
10	VCP2_FW_ERROR	VCP2 firewall NOTE: VCP2 is not supported on the AM571x / AM570x family of devices. 0x0 = No error from firewall 0x1 = Error from firewall	RW W1toClr	0x0
9	VCP1_FW_ERROR	VCP1 firewall NOTE: VCP1 is not supported on the AM571x / AM570x family of devices. 0x0 = No error from firewall 0x1 = Error from firewall	RW W1toClr	0x0
8	PCIESS2_FW_ERROR	PCIESS2 firewall 0x0 = No error from firewall 0x1 = Error from firewall	RW W1toClr	0x0
7	PCIESS1_FW_ERROR	PCIESS1 firewall 0x0 = No error from firewall 0x1 = Error from firewall	RW W1toClr	0x0
6	IPU2_FW_ERROR	IPU2 firewall. 0x0 = No error from firewall 0x1 = Error from firewall	RW W1toClr	0x0
5	L4_PERIPH3_FW_ERROR	L4 periph3 init firewall 0x0 = No error from firewall 0x1 = Error from firewall	RW W1toClr	0x0
4	L4_PERIPH2_FW_ERROR	L4 periph2 init firewall 0x0 = No error from firewall 0x1 = Error from firewall	RW W1toClr	0x0
3:1	RESERVED		R	0x0
0	DSP1_FW_ERROR	DSP1 firewall 0x0 = No error from firewall 0x1 = Error from firewall	RW W1toClr	0x0

Table 18-223. Register Call Summary for Register CTRL_CORE_SEC_ERR_STATUS_FUNC_2

Control Module Functional Description

- [Firewall Error Status Registers: \[0\]\[1\]](#)

Control Module Register Manual

- [CTRL_MODULE_CORE Register Summary: \[2\]](#)

Table 18-224. CTRL_CORE_SEC_ERR_STATUS_DEBUG_2

Address Offset	0x0000 041C	Instance	CTRL_MODULE_CORE
Physical Address	0x4A00 241C		
Description	Firewall Error Status debug Register 2		
Type	RW		

31	30	29	28	27	26	25	24	23	22	21	20	19	18	17	16	15	14	13	12	11	10	9	8	7	6	5	4	3	2	1	0
RESERVED				TC1_EDMA_DBGFW_ERROR	RESERVED			QSPI_DBGFW_ERROR	PRUSS2_DBGFW_ERROR	PRUSS1_DBGFW_ERROR	RESERVED		TPCC_EDMA_DBGFW_ERROR	TC0_EDMA_DBGFW_ERROR	RESERVED			MCASP3_DBGFW_ERROR	MCASP2_DBGFW_ERROR	MCASP1_DBGFW_ERROR	VCP2_DBGFW_ERROR	VCP1_DBGFW_ERROR	PCIESS2_DBGFW_ERROR	PCIESS1_DBGFW_ERROR	IPU2_DBGFW_ERROR	L4_PERIPH3_DBGFW_ERROR	L4_PERIPH2_DBGFW_ERROR	RESERVED			DSP1_DBGFW_ERROR

Bits	Field Name	Description	Type	Reset
31:27	RESERVED		R	0x0
26	TC1_EDMA_DBGFW_ERROR	EDMA TC1 debug firewall 0x0 = No error from firewall 0x1 = Error from firewall	RW W1toClr	0x0
25:23	RESERVED		R	0x0
22	QSPI_DBGFW_ERROR	QSPI debug firewall 0x0 = No error from firewall 0x1 = Error from firewall	RW W1toClr	0x0
21	PRUSS2_DBGFW_ERROR	PRU-ICSS2 debug firewall 0x0 = No error from firewall 0x1 = Error from firewall	RW W1toClr	0x0
20	PRUSS1_DBGFW_ERROR	PRU-ICSS1 debug firewall 0x0 = No error from firewall 0x1 = Error from firewall	RW W1toClr	0x0
19:18	RESERVED		R	0x0
17	TPCC_EDMA_DBGFW_ERROR	EDMA TPCC debug firewall 0x0 = No error from firewall 0x1 = Error from firewall	RW W1toClr	0x0
16	TC0_EDMA_DBGFW_ERROR	EDMA TC0 debug firewall 0x0 = No error from firewall 0x1 = Error from firewall	RW W1toClr	0x0
15:14	RESERVED		R	0x0
13	MCASP3_DBGFW_ERROR	McASP3 debug firewall 0x0 = No error from firewall 0x1 = Error from firewall	RW W1toClr	0x0
12	MCASP2_DBGFW_ERROR	McASP2 debug firewall 0x0 = No error from firewall 0x1 = Error from firewall	RW W1toClr	0x0
11	MCASP1_DBGFW_ERROR	McASP1 debug firewall 0x0 = No error from firewall 0x1 = Error from firewall	RW W1toClr	0x0

Bits	Field Name	Description	Type	Reset
10	VCP2_DBGFW_ERROR	VCP2 debug firewall NOTE: VCP2 is not supported on the AM571x / AM570x family of devices. 0x0 = No error from firewall 0x1 = Error from firewall	RW W1toClr	0x0
9	VCP1_DBGFW_ERROR	VCP1 debug firewall NOTE: VCP1 is not supported on the AM571x / AM570x family of devices. 0x0 = No error from firewall 0x1 = Error from firewall	RW W1toClr	0x0
8	PCIESS2_DBGFW_ERROR	PCIESS2 debug firewall 0x0 = No error from firewall 0x1 = Error from firewall	RW W1toClr	0x0
7	PCIESS1_DBGFW_ERROR	PCIESS1 debug firewall 0x0 = No error from firewall 0x1 = Error from firewall	RW W1toClr	0x0
6	IPU2_DBGFW_ERROR	IPU2 debug firewall 0x0 = No error from firewall 0x1 = Error from firewall	RW W1toClr	0x0
5	L4_PERIPH3_DBGFW_ERROR	L4 periph3 init firewall 0x0 = No error from firewall 0x1 = Error from firewall	RW W1toClr	0x0
4	L4_PERIPH2_DBGFW_ERROR	L4 periph2 init firewall 0x0 = No error from firewall 0x1 = Error from firewall	RW W1toClr	0x0
3:1	RESERVED		R	0x0
0	DSP1_DBGFW_ERROR	DSP1 firewall 0x0 = No error from firewall 0x1 = Error from firewall	RW W1toClr	0x0

Table 18-225. Register Call Summary for Register CTRL_CORE_SEC_ERR_STATUS_DEBUG_2

Control Module Functional Description

- [Firewall Error Status Registers: \[0\]](#)

Control Module Register Manual

- [CTRL_MODULE_CORE Register Summary: \[1\]](#)

Table 18-226. CTRL_CORE_EMIF_INITIATOR_PRIORITY_1

Address Offset	0x0000 0420	Instance	CTRL_MODULE_CORE
Physical Address	0x4A00 2420		
Description	Register for priority settings for EMIF arbitration		
Type	RW		

31	30	29	28	27	26	25	24	23	22	21	20	19	18	17	16	15	14	13	12	11	10	9	8	7	6	5	4	3	2	1	0												
RESERVED				MPU_EMIF_PRIORITY				RESERVED								DSP1_MDMA_EMIF_PRIORITY				RESERVED				DSP1_CFG_EMIF_PRIORITY				RESERVED				DSP1_EDMA_EMIF_PRIORITY				RESERVED							

Bits	Field Name	Description	Type	Reset
31	RESERVED		R	0x0
30:28	MPU_EMIF_PRIORITY	MPU priority setting 0x0 = highest priority 0x7 = lowest priority	RW	0x4
27:19	RESERVED		R	0x88
18:16	DSP1_MDMA_EMIF_PRIORITY	DSP1 MDMA priority setting 0x0 = highest priority 0x7 = lowest priority	RW	0x4
15	RESERVED		R	0x0
14:12	DSP1_CFG_EMIF_PRIORITY	DSP1 CFG priority setting 0x0 = highest priority 0x7 = lowest priority	RW	0x4
11	RESERVED		R	0x0
10:8	DSP1_EDMA_EMIF_PRIORITY	DSP1 EDMA priority setting 0x0 = highest priority 0x7 = lowest priority	RW	0x4
7:0	RESERVED		R	0x44

Table 18-227. Register Call Summary for Register CTRL_CORE_EMIF_INITIATOR_PRIORITY_1

Control Module Functional Description

- [SDRAM Initiator Priority Registers: \[0\]\[1\]](#)

Control Module Register Manual

- [CTRL_MODULE_CORE Register Summary: \[2\]](#)

Table 18-228. CTRL_CORE_EMIF_INITIATOR_PRIORITY_2

Address Offset	0x0000 0424	Instance	CTRL_MODULE_CORE
Physical Address	0x4A00 2424		
Description	Register for priority settings for EMIF arbitration		
Type	RW		

31	30	29	28	27	26	25	24	23	22	21	20	19	18	17	16	15	14	13	12	11	10	9	8	7	6	5	4	3	2	1	0
RESERVED								RESERVED								RESERVED															
IVA_ICONT1_EMIF_PRIORITY																PRUSS1_PRU0_EMIF_PRIORITY															

Bits	Field Name	Description	Type	Reset
31:27	RESERVED		R	0x4
26:24	IVA_ICONT1_EMIF_PRIORITY	IVA ICONT1 priority setting 0x0 = highest priority 0x7 = lowest priority	RW	0x4
23:3	RESERVED		R	0x8888
2:0	PRUSS1_PRU0_EMIF_PRIORITY	PRU-ICSS1 PRU0 priority setting 0x0 = highest priority 0x7 = lowest priority	RW	0x4

Table 18-229. Register Call Summary for Register CTRL_CORE_EMIF_INITIATOR_PRIORITY_2

Control Module Register Manual

- [CTRL_MODULE_CORE Register Summary: \[0\]](#)

Table 18-230. CTRL_CORE_EMIF_INITIATOR_PRIORITY_3

Address Offset	0x0000 0428	Instance	CTRL_MODULE_CORE
Physical Address	0x4A00 2428		
Description	Register for priority settings for EMIF arbitration		
Type	RW		

31	30	29	28	27	26	25	24	23	22	21	20	19	18	17	16	15	14	13	12	11	10	9	8	7	6	5	4	3	2	1	0
RESERVED	PRUSS1_PRU1_EMIF_PRIORITY	RESERVED	PRUSS2_PRU0_EMIF_PRIORITY	RESERVED	PRUSS2_PRU1_EMIF_PRIORITY	RESERVED	IPU1_EMIF_PRIORITY	RESERVED	IPU2_EMIF_PRIORITY	RESERVED	DMA_SYSTEM_EMIF_PRIORITY	RESERVED				EDMA_TCO_EMIF_PRIORITY															

Bits	Field Name	Description	Type	Reset
31	RESERVED		R	0x0
30:28	PRUSS1_PRU1_EMIF_PRIORITY	PRU-ICSS1 PRU1 priority setting 0x0 = highest priority 0x7 = lowest priority	RW	0x4
27	RESERVED		R	0x0
26:24	PRUSS2_PRU0_EMIF_PRIORITY	PRU-ICSS2 PRU0 priority setting 0x0 = highest priority 0x7 = lowest priority	RW	0x4
23	RESERVED		R	0x0
22:20	PRUSS2_PRU1_EMIF_PRIORITY	PRU-ICSS2 PRU1 priority setting 0x0 = highest priority 0x7 = lowest priority	RW	0x4
19	RESERVED		R	0x0
18:16	IPU1_EMIF_PRIORITY	IPU1 priority setting 0x0 = highest priority 0x7 = lowest priority	RW	0x4
15	RESERVED		R	0x0
14:12	IPU2_EMIF_PRIORITY	IPU2 priority setting 0x0 = highest priority 0x7 = lowest priority	RW	0x4
11	RESERVED		R	0x0
10:8	DMA_SYSTEM_EMIF_PRIORITY	DMA SYSTEM priority setting 0x0 = highest priority 0x7 = lowest priority	RW	0x4
7:3	RESERVED		R	0x8
2:0	EDMA_TC0_EMIF_PRIORITY	EDMA TC0 priority setting 0x0 = highest priority 0x7 = lowest priority	RW	0x4

Table 18-231. Register Call Summary for Register CTRL_CORE_EMIF_INITIATOR_PRIORITY_3

Control Module Register Manual

- [CTRL_MODULE_CORE Register Summary: \[0\]](#)

Table 18-232. CTRL_CORE_EMIF_INITIATOR_PRIORITY_4

Address Offset	0x0000 042C	Instance	CTRL_MODULE_CORE
Physical Address	0x4A00 242C		
Description	Register for priority settings for EMIF arbitration		
Type	RW		

31	30	29	28	27	26	25	24	23	22	21	20	19	18	17	16	15	14	13	12	11	10	9	8	7	6	5	4	3	2	1	0	
RESERVED				RESERVED				RESERVED		MLB_MMU1_EMIF_PRIORITY		RESERVED		PCIESS1_EMIF_PRIORITY		RESERVED		PCIESS2_EMIF_PRIORITY		RESERVED		VIP1_P1_P2_EMIF_PRIORITY		RESERVED								

Bits	Field Name	Description	Type	Reset
31	RESERVED		R	0x0
30:28	VPE_P1_P2_EMIF_PRIORITY	VPE priority setting 0x0 = highest priority 0x7 = lowest priority	RW	0x4
27	RESERVED		R	0x0
26:24	MMC1_GPU_P1_EMIF_PRIORITY	MMC1, GPU P1 priority setting 0x0 = highest priority 0x7 = lowest priority	RW	0x4
23	RESERVED		R	0x0
22:20	MMC2_GPU_P2_EMIF_PRIORITY	MMC2, GPU P2 priority setting 0x0 = highest priority 0x7 = lowest priority	RW	0x4
19	RESERVED		R	0x0
18:16	BB2D_P1_P2_EMIF_PRIORITY	BB2D priority setting 0x0 = highest priority 0x7 = lowest priority	RW	0x4
15	RESERVED		R	0x0
14:12	GMAC_SW_EMIF_PRIORITY	GMAC_SW priority setting 0x0 = highest priority 0x7 = lowest priority	RW	0x4
11	RESERVED		R	0x0
10:8	USB1_EMIF_PRIORITY	USB1 priority setting 0x0 = highest priority 0x7 = lowest priority	RW	0x4
7	RESERVED		R	0x0
6:4	USB2_EMIF_PRIORITY	USB2 priority setting 0x0 = highest priority 0x7 = lowest priority	RW	0x4
3	RESERVED		R	0x0
2:0	USB3_EMIF_PRIORITY	USB3 priority setting NOTE: USB3(ULPI) is not supported on the AM571x / AM570x family of devices. 0x0 = highest priority 0x7 = lowest priority	RW	0x4

Table 18-235. Register Call Summary for Register CTRL_CORE_EMIF_INITIATOR_PRIORITY_5

Control Module Register Manual

- [CTRL_MODULE_CORE Register Summary: \[0\]](#)

Table 18-236. CTRL_CORE_EMIF_INITIATOR_PRIORITY_6

Address Offset	0x0000 0434	Instance	CTRL_MODULE_CORE
Physical Address	0x4A00 2434		
Description	Register for priority settings for EMIF arbitration		
Type	RW		

31	30	29	28	27	26	25	24	23	22	21	20	19	18	17	16	15	14	13	12	11	10	9	8	7	6	5	4	3	2	1	0
RESERVED																SATA_EMIF_PRIORITY		RESERVED													

Bits	Field Name	Description	Type	Reset
31:15	RESERVED		R	0x8888
14:12	SATA_EMIF_PRIORITY	SATA priority setting NOTE: SATA is not supported on the AM570x family of devices. 0x0 = highest priority 0x7 = lowest priority	RW	0x4
11:0	RESERVED		R	0x444

Table 18-237. Register Call Summary for Register CTRL_CORE_EMIF_INITIATOR_PRIORITY_6

Control Module Functional Description

- [SDRAM Initiator Priority Registers: \[0\]\[1\]](#)

Control Module Register Manual

- [CTRL_MODULE_CORE Register Summary: \[2\]](#)

Table 18-238. CTRL_CORE_L3_INITIATOR_PRESSURE_1

Address Offset	0x0000 043C	Instance	CTRL_MODULE_CORE
Physical Address	0x4A00 243C		
Description	Register for pressure settings for L3 arbitration		
Type	RW		

31	30	29	28	27	26	25	24	23	22	21	20	19	18	17	16	15	14	13	12	11	10	9	8	7	6	5	4	3	2	1	0
RESERVED				MPU_L3_PRESSURE				RESERVED				DSP1_CFG_L3_PRESSURE				RESERVED															

Bits	Field Name	Description	Type	Reset
31:28	RESERVED		R	0x0
27:26	MPU_L3_PRESSURE	MPU pressure setting 0x0 = lowest 0x3 = highest	RW	0x0
25:19	RESERVED		R	0x0
18:17	DSP1_CFG_L3_PRESSURE	DSP1 CFG pressure setting 0x0 = lowest 0x3 = highest	RW	0x0
16:0	RESERVED		R	0x0

Table 18-239. Register Call Summary for Register CTRL_CORE_L3_INITIATOR_PRESSURE_1

Control Module Functional Description

- [L3_MAIN Initiator Priority Registers: \[0\]](#)

Control Module Register Manual

- [CTRL_MODULE_CORE Register Summary: \[1\]](#)

Table 18-240. CTRL_CORE_L3_INITIATOR_PRESSURE_2

Address Offset	0x0000 0440	Instance	CTRL_MODULE_CORE
Physical Address	0x4A00 2440		
Description	Register for pressure settings for L3 arbitration		
Type	RW		

31	30	29	28	27	26	25	24	23	22	21	20	19	18	17	16	15	14	13	12	11	10	9	8	7	6	5	4	3	2	1	0						
RESERVED								CSI2_1_L3_PRESSURE				RESERVED		CSI2_2_L3_PRESSURE				RESERVED		IPU1_L3_PRESSURE		RESERVED		IPU2_L3_PRESSURE		RESERVED		PRUSS1_PRU0_L3_PRESSURE		RESERVED		PRUSS1_PRU1_L3_PRESSURE		RESERVED		PRUSS2_PRU0_L3_PRESSURE	

Bits	Field Name	Description	Type	Reset
31:20	RESERVED		R	0x0
19:18	CSI2_1_L3_PRESSURE	CSI2_1 pressure setting 0x0 = lowest 0x3 = highest	RW	0x0
17	RESERVED		R	0x0
16:15	CSI2_2_L3_PRESSURE	CSI2_2 pressure setting 0x0 = lowest 0x3 = highest	RW	0x0
14	RESERVED		R	0x0
13:12	IPU1_L3_PRESSURE	IPU1 pressure setting 0x0 = lowest 0x3 = highest	RW	0x0
11	RESERVED		R	0x0

Bits	Field Name	Description	Type	Reset
10:9	IPU2_L3_PRESSURE	IPU2 pressure setting 0x0 = lowest 0x3 = highest	RW	0x0
8	RESERVED		R	0x0
7:6	PRUSS1_PRU0_L3_PRES SURE	PRU-ICSS1 PRU0 pressure setting 0x0 = lowest 0x3 = highest	RW	0x0
5	RESERVED		R	0x0
4:3	PRUSS1_PRU1_L3_PRES SURE	PRU-ICSS1 PRU1 pressure setting 0x0 = lowest 0x3 = highest	RW	0x0
2	RESERVED		R	0x0
1:0	PRUSS2_PRU0_L3_PRES SURE	PRU-ICSS2 PRU0 pressure setting 0x0 = lowest 0x3 = highest	RW	0x0

Table 18-241. Register Call Summary for Register CTRL_CORE_L3_INITIATOR_PRESSURE_2

Control Module Register Manual

- [CTRL_MODULE_CORE Register Summary: \[0\]](#)

Table 18-242. CTRL_CORE_L3_INITIATOR_PRESSURE_3

Address Offset	0x0000 0444	Instance	CTRL_MODULE_CORE
Physical Address	0x4A00 2444		
Description	Register for pressure settings for L3 arbitration		
Type	RW		

31	30	29	28	27	26	25	24	23	22	21	20	19	18	17	16	15	14	13	12	11	10	9	8	7	6	5	4	3	2	1	0
RESERVED								RESERVED																							
								PRUSS2_PRU1_L3_PRESSURE																							

Bits	Field Name	Description	Type	Reset
31:28	RESERVED		R	0x0
27:26	PRUSS2_PRU1_L3_PRES SURE	PRU-ICSS2 PRU1 pressure setting 0x0 = lowest 0x3 = highest	RW	0x0
25:0	RESERVED		R	0x0

Table 18-243. Register Call Summary for Register CTRL_CORE_L3_INITIATOR_PRESSURE_3

Control Module Register Manual

- [CTRL_MODULE_CORE Register Summary: \[0\]](#)

Table 18-244. CTRL_CORE_L3_INITIATOR_PRESSURE_4

Address Offset	0x0000 0448	Instance	CTRL_MODULE_CORE
Physical Address	0x4A00 2448		
Description	Register for pressure settings for L3 arbitration		
Type	RW		

31	30	29	28	27	26	25	24	23	22	21	20	19	18	17	16	15	14	13	12	11	10	9	8	7	6	5	4	3	2	1	0
RESERVED								GPU_P1_L3_PRESSURE	RESERVED	GPU_P2_L3_PRESSURE	RESERVED																				

Bits	Field Name	Description	Type	Reset
31:25	RESERVED	Reserved	R	0x0
24:23	GPU_P1_L3_PRESSURE	GPU P1 pressure setting 0x0 = lowest 0x3 = highest	RW	0x0
22	RESERVED		R	0x0
21:20	GPU_P2_L3_PRESSURE	GPU P2 pressure setting 0x0 = lowest 0x3 = highest	RW	0x0
19:0	RESERVED		R	0x0

Table 18-245. Register Call Summary for Register CTRL_CORE_L3_INITIATOR_PRESSURE_4

Control Module Register Manual

- [CTRL_MODULE_CORE Register Summary: \[0\]](#)

Table 18-246. CTRL_CORE_L3_INITIATOR_PRESSURE_5

Address Offset	0x0000 044C	Instance	CTRL_MODULE_CORE
Physical Address	0x4A00 244C		
Description	Register for pressure settings for L3 arbitration		
Type	RW		

31	30	29	28	27	26	25	24	23	22	21	20	19	18	17	16	15	14	13	12	11	10	9	8	7	6	5	4	3	2	1	0
RESERVED																SATA_L3_PRESSURE	RESERVED	MMC1_L3_PRESSURE													

Bits	Field Name	Description	Type	Reset
31:5	RESERVED		R	0x0
4:3	SATA_L3_PRESSURE	SATA pressure setting NOTE: SATA is not supported on the AM570x family of devices. 0x0 = lowest 0x3 = highest	RW	0x0
2	RESERVED		R	0x0
1:0	MMC1_L3_PRESSURE	MMC1 pressure setting 0x0 = lowest 0x3 = highest	RW	0x0

Table 18-247. Register Call Summary for Register CTRL_CORE_L3_INITIATOR_PRESSURE_5

Control Module Register Manual

- [CTRL_MODULE_CORE Register Summary: \[0\]](#)

Table 18-248. CTRL_CORE_L3_INITIATOR_PRESSURE_6

Address Offset	0x0000 0450	Instance	CTRL_MODULE_CORE
Physical Address	0x4A00 2450		
Description	Register for pressure settings for L3 arbitration		
Type	RW		

31	30	29	28	27	26	25	24	23	22	21	20	19	18	17	16	15	14	13	12	11	10	9	8	7	6	5	4	3	2	1	0
RESERVED								MMC2_L3_PRESSURE				USB1_L3_PRESSURE		RESERVED		USB2_L3_PRESSURE		RESERVED		USB3_L3_PRESSURE				RESERVED							

Bits	Field Name	Description	Type	Reset
31:19	RESERVED		R	0x0
18:17	MMC2_L3_PRESSURE	MMC2 pressure setting 0x0 = lowest 0x3 = highest	RW	0x0
16:15	USB1_L3_PRESSURE	USB1 pressure setting 0x0 = lowest 0x3 = highest	RW	0x0
14	RESERVED		R	0x0
13:12	USB2_L3_PRESSURE	USB2 pressure setting 0x0 = lowest 0x3 = highest	RW	0x0
11	RESERVED		R	0x0
10:9	USB3_L3_PRESSURE	USB3 pressure setting NOTE: USB3(ULPI) is not supported on the AM571x / AM570x family of devices. 0x0 = lowest 0x3 = highest	RW	0x0
8:0	RESERVED		R	0x0

Table 18-249. Register Call Summary for Register CTRL_CORE_L3_INITIATOR_PRESSURE_6

Control Module Functional Description

- [L3_MAIN Initiator Priority Registers: \[0\]](#)

Control Module Register Manual

- [CTRL_MODULE_CORE Register Summary: \[1\]](#)

Table 18-250. CTRL_CORE_STD_FUSE_OPP_VDD_IVA_0

Address Offset	0x0000 0458	Instance	CTRL_MODULE_CORE
Physical Address	0x4A00 2458		
Description	Standard Fuse OPP VDD_iva [31:0]. Register shows part of the chip eFuse configuration on the OCP interface. Reading at the address of one of these registers provides a direct view into a part of the eFuse chain.		
Type	R		

31	30	29	28	27	26	25	24	23	22	21	20	19	18	17	16	15	14	13	12	11	10	9	8	7	6	5	4	3	2	1	0
STD_FUSE_OPP_VDD_IVA_0																															

Bits	Field Name	Description	Type	Reset
31:0	STD_FUSE_OPP_VDD_I VA_0		R	0x0

Table 18-251. Register Call Summary for Register CTRL_CORE_STD_FUSE_OPP_VDD_IVA_0

Control Module Register Manual

- [CTRL_MODULE_CORE Register Summary: \[0\]](#)

Table 18-252. CTRL_CORE_STD_FUSE_OPP_VDD_IVA_1

Address Offset	0x0000 045C	Instance	CTRL_MODULE_CORE
Physical Address	0x4A00 245C		
Description	Standard Fuse OPP VDD_iva [63:32]. Register shows part of the chip eFuse configuration on the OCP interface. Reading at the address of one of these registers provides a direct view into a part of the eFuse chain.		
Type	R		

31	30	29	28	27	26	25	24	23	22	21	20	19	18	17	16	15	14	13	12	11	10	9	8	7	6	5	4	3	2	1	0
STD_FUSE_OPP_VDD_IVA_1																															

Bits	Field Name	Description	Type	Reset
31:0	STD_FUSE_OPP_VDD_I VA_1		R	0x0

Table 18-253. Register Call Summary for Register CTRL_CORE_STD_FUSE_OPP_VDD_IVA_1

Control Module Register Manual

- [CTRL_MODULE_CORE Register Summary: \[0\]](#)

Table 18-254. CTRL_CORE_STD_FUSE_OPP_VDD_IVA_2

Address Offset	0x0000 0460
Physical Address	0x4A00 2460 Instance CTRL_MODULE_CORE
Description	Standard Fuse OPP VDD_iva [95:64]. Register shows part of the chip eFuse configuration on the OCP interface. Reading at the address of one of these registers provides a direct view into a part of the eFuse chain.
Type	R

31	30	29	28	27	26	25	24	23	22	21	20	19	18	17	16	15	14	13	12	11	10	9	8	7	6	5	4	3	2	1	0
STD_FUSE_OPP_VDD_IVA_2																															

Bits	Field Name	Description	Type	Reset
31:0	STD_FUSE_OPP_VDD_IVA_2		R	0x0

Table 18-255. Register Call Summary for Register CTRL_CORE_STD_FUSE_OPP_VDD_IVA_2

Control Module Register Manual

- [CTRL_MODULE_CORE Register Summary: \[0\]](#)

Table 18-256. CTRL_CORE_STD_FUSE_OPP_VDD_IVA_3

Address Offset	0x0000 0464
Physical Address	0x4A00 2464 Instance CTRL_MODULE_CORE
Description	Standard Fuse OPP VDD_iva [127:96]. Register shows part of the chip eFuse configuration on the OCP interface. Reading at the address of one of these registers provides a direct view into a part of the eFuse chain.
Type	R

31	30	29	28	27	26	25	24	23	22	21	20	19	18	17	16	15	14	13	12	11	10	9	8	7	6	5	4	3	2	1	0
STD_FUSE_OPP_VDD_IVA_3																															

Bits	Field Name	Description	Type	Reset
31:0	STD_FUSE_OPP_VDD_IVA_3		R	0x0

Table 18-257. Register Call Summary for Register CTRL_CORE_STD_FUSE_OPP_VDD_IVA_3

Control Module Register Manual

- [CTRL_MODULE_CORE Register Summary: \[0\]](#)

Table 18-258. CTRL_CORE_STD_FUSE_OPP_VDD_IVA_4

Address Offset	0x0000 0468
Physical Address	0x4A00 2468 Instance CTRL_MODULE_CORE
Description	Standard Fuse OPP VDD_iva [159:128]. Register shows part of the chip eFuse configuration on the OCP interface. Reading at the address of one of these registers provides a direct view into a part of the eFuse chain.
Type	R

31	30	29	28	27	26	25	24	23	22	21	20	19	18	17	16	15	14	13	12	11	10	9	8	7	6	5	4	3	2	1	0
STD_FUSE_OPP_VDD_IVA_4																															

Bits	Field Name	Description	Type	Reset
31:0	STD_FUSE_OPP_VDD_IVA_4		R	0x0

Table 18-259. Register Call Summary for Register CTRL_CORE_STD_FUSE_OPP_VDD_IVA_4

Control Module Register Manual

- [CTRL_MODULE_CORE Register Summary: \[0\]](#)

Table 18-260. CTRL_CORE_LDOVBB_DSPEVE_VOLTAGE_CTRL

Address Offset	0x0000 046C	Instance	CTRL_MODULE_CORE
Physical Address	0x4A00 246C		
Description	DSPEVE Voltage Body Bias LDO Control register		
Type	RW		

31	30	29	28	27	26	25	24	23	22	21	20	19	18	17	16	15	14	13	12	11	10	9	8	7	6	5	4	3	2	1	0
RESERVED																LDOVBBSPEVE_FBB_MUX_CTRL		LDOVBBSPEVE_FBB_VSET_IN				LDOVBBSPEVE_FBB_VSET_OUT									

Bits	Field Name	Description	Type	Reset
31:11	RESERVED		R	0x0
10	LDOVBBSPEVE_FBB_MUX_CTRL	Override control of EFUSE Forward Body Bias voltage value 0x0 = efuse value is used 0x1 = override value is used	RW	0x0
9:5	LDOVBBSPEVE_FBB_VSET_IN	EFUSE Forward Body Bias voltage value	R	0x0
4:0	LDOVBBSPEVE_FBB_VSET_OUT	Override value for Forward Body Bias voltage. If ABB is used, depending on the OPP this bit field should be loaded with a value read from one of the CTRL_CORE_STD_FUSE_OPP_VMIN_DSPEVE_x[24:20] VSETABB bit fields. This value applies if LDOVBBSPEVE_FBB_MUX_CTRL is set to 0x1.	RW	0x0

Table 18-261. Register Call Summary for Register CTRL_CORE_LDOVBB_DSPEVE_VOLTAGE_CTRL

Control Module Functional Description

- [ABB Associated Registers: \[0\]](#)

Control Module Register Manual

- [CTRL_MODULE_CORE Register Summary: \[1\]](#)
- [CTRL_MODULE_CORE Register Description: \[2\]\[3\]\[4\]\[5\]](#)

Table 18-262. CTRL_CORE_LDOVBB_IVA_VOLTAGE_CTRL

Address Offset	0x0000 0470	Instance	CTRL_MODULE_CORE
Physical Address	0x4A00 2470		
Description	IVA Voltage Body Bias LDO Control register		
Type	RW		

31	30	29	28	27	26	25	24	23	22	21	20	19	18	17	16	15	14	13	12	11	10	9	8	7	6	5	4	3	2	1	0
RESERVED																LDOVBBIVA_FBB_MUX_CTRL		LDOVBBIVA_FBB_VSET_IN			LDOVBBIVA_FBB_VSET_OUT										

Bits	Field Name	Description	Type	Reset
31:11	RESERVED		R	0x0
10	LDOVBBIVA_FBB_MUX_CTRL	Override control of EFUSE Forward Body Bias voltage value 0x0 = efuse value is used 0x1 = override value is used	RW	0x0
9:5	LDOVBBIVA_FBB_VSET_IN	EFUSE Forward Body Bias voltage value	R	0x0
4:0	LDOVBBIVA_FBB_VSET_OUT	Override value for Forward Body Bias voltage. If ABB is used, depending on the OPP this bit field should be loaded with a value read from one of the CTRL_CORE_STD_FUSE_OPP_VMIN_IVA_x[24:20] VSETABB bit fields. This value applies if LDOVBBIVA_FBB_MUX_CTRL is set to 0x1.	RW	0x0

Table 18-263. Register Call Summary for Register CTRL_CORE_LDOVBB_IVA_VOLTAGE_CTRL

Control Module Functional Description

- [ABB Associated Registers: \[0\]](#)

Control Module Register Manual

- [CTRL_MODULE_CORE Register Summary: \[1\]](#)
- [CTRL_MODULE_CORE Register Description: \[2\]\[3\]\[4\]\[5\]](#)

Table 18-264. CTRL_CORE_CUST_FUSE_UID_0

Address Offset	0x0000 04E8	Instance	CTRL_MODULE_CORE
Physical Address	0x4A00 24E8		
Description	Customer Fuse keys. UID [031:000] (16 bits upper Redundant field) [FIELD OVERFLOW]. Register shows part of the chip eFuse configuration on the OCP interface. Reading at the address of one of these registers provides a direct view into a part of the eFuse chain.		
Type	R		

31	30	29	28	27	26	25	24	23	22	21	20	19	18	17	16	15	14	13	12	11	10	9	8	7	6	5	4	3	2	1	0
CUST_FUSE_UID_0																															

Bits	Field Name	Description	Type	Reset
31:0	CUST_FUSE_UID_0		R	0x0

Table 18-265. Register Call Summary for Register CTRL_CORE_CUST_FUSE_UID_0

Control Module Register Manual

- [CTRL_MODULE_CORE Register Summary: \[0\]](#)

Table 18-266. CTRL_CORE_CUST_FUSE_UID_1

Address Offset	0x0000 04EC	Instance	CTRL_MODULE_CORE
Physical Address	0x4A00 24EC		
Description	Customer Fuse keys. UID [063:032] (16 bits upper Redundant field) [FIELD F]. Register shows part of the chip eFuse configuration on the OCP interface. Reading at the address of one of these registers provides a direct view into a part of the eFuse chain.		
Type	R		

31	30	29	28	27	26	25	24	23	22	21	20	19	18	17	16	15	14	13	12	11	10	9	8	7	6	5	4	3	2	1	0
CUST_FUSE_UID_1																															

Bits	Field Name	Description	Type	Reset
31:0	CUST_FUSE_UID_1		R	0x0

Table 18-267. Register Call Summary for Register CTRL_CORE_CUST_FUSE_UID_1

Control Module Register Manual

- [CTRL_MODULE_CORE Register Summary: \[0\]](#)

Table 18-268. CTRL_CORE_CUST_FUSE_UID_2

Address Offset	0x0000 04F0	Instance	CTRL_MODULE_CORE
Physical Address	0x4A00 24F0		
Description	Customer Fuse keys. UID [095:064] (16 bits upper Redundant field) [FIELD E]. Register shows part of the chip eFuse configuration on the OCP interface. Reading at the address of one of these registers provides a direct view into a part of the eFuse chain.		
Type	R		

31	30	29	28	27	26	25	24	23	22	21	20	19	18	17	16	15	14	13	12	11	10	9	8	7	6	5	4	3	2	1	0
CUST_FUSE_UID_2																															

Bits	Field Name	Description	Type	Reset
31:0	CUST_FUSE_UID_2		R	0x0

Table 18-269. Register Call Summary for Register CTRL_CORE_CUST_FUSE_UID_2

Control Module Register Manual

- [CTRL_MODULE_CORE Register Summary: \[0\]](#)

Table 18-270. CTRL_CORE_CUST_FUSE_UID_3

Address Offset	0x0000 04F4	Instance	CTRL_MODULE_CORE
Physical Address	0x4A00 24F4		
Description	Customer Fuse keys. UID [127:096] (16 bits upper Redundant field) [FIELD D]. Register shows part of the chip eFuse configuration on the OCP interface. Reading at the address of one of these registers provides a direct view into a part of the eFuse chain.		
Type	R		

31	30	29	28	27	26	25	24	23	22	21	20	19	18	17	16	15	14	13	12	11	10	9	8	7	6	5	4	3	2	1	0
CUST_FUSE_UID_3																															

Bits	Field Name	Description	Type	Reset
31:0	CUST_FUSE_UID_3		R	0x0

Table 18-271. Register Call Summary for Register CTRL_CORE_CUST_FUSE_UID_3

Control Module Register Manual

- [CTRL_MODULE_CORE Register Summary: \[0\]](#)

Table 18-272. CTRL_CORE_CUST_FUSE_UID_4

Address Offset	0x0000 04F8
Physical Address	0x4A00 24F8
Description	Customer Fuse keys. UID [159:127] (16 bits upper Redundant field) [FIELD C]. Register shows part of the chip eFuse configuration on the OCP interface. Reading at the address of one of these registers provides a direct view into a part of the eFuse chain.
Type	R

31	30	29	28	27	26	25	24	23	22	21	20	19	18	17	16	15	14	13	12	11	10	9	8	7	6	5	4	3	2	1	0
CUST_FUSE_UID_4																															

Bits	Field Name	Description	Type	Reset
31:0	CUST_FUSE_UID_4		R	0x0

Table 18-273. Register Call Summary for Register CTRL_CORE_CUST_FUSE_UID_4

Control Module Register Manual

- [CTRL_MODULE_CORE Register Summary: \[0\]](#)

Table 18-274. CTRL_CORE_CUST_FUSE_UID_5

Address Offset	0x0000 04FC
Physical Address	0x4A00 24FC
Description	Customer Fuse keys. UID [191:160] (16 bits upper Redundant field) [FIELD B]. Register shows part of the chip eFuse configuration on the OCP interface. Reading at the address of one of these registers provides a direct view into a part of the eFuse chain.
Type	R

31	30	29	28	27	26	25	24	23	22	21	20	19	18	17	16	15	14	13	12	11	10	9	8	7	6	5	4	3	2	1	0
CUST_FUSE_UID_5																															

Bits	Field Name	Description	Type	Reset
31:0	CUST_FUSE_UID_5		R	0x0

Table 18-275. Register Call Summary for Register CTRL_CORE_CUST_FUSE_UID_5

Control Module Register Manual

- [CTRL_MODULE_CORE Register Summary: \[0\]](#)

Table 18-276. CTRL_CORE_CUST_FUSE_UID_6

Address Offset	0x0000 0500
Physical Address	0x4A00 2500
Description	Customer Fuse keys. UID [223:192] (16 bits upper Redundant field) [FIELD A]. Register shows part of the chip eFuse configuration on the OCP interface. Reading at the address of one of these registers provides a direct view into a part of the eFuse chain.
Type	R

31	30	29	28	27	26	25	24	23	22	21	20	19	18	17	16	15	14	13	12	11	10	9	8	7	6	5	4	3	2	1	0
CUST_FUSE_UID_6																															

Bits	Field Name	Description	Type	Reset
31:0	CUST_FUSE_UID_6		R	0x0

Table 18-277. Register Call Summary for Register CTRL_CORE_CUST_FUSE_UID_6

Control Module Register Manual

- [CTRL_MODULE_CORE Register Summary: \[0\]](#)

Table 18-278. CTRL_CORE_CUST_FUSE_PCIE_ID_0

Address Offset	0x0000 0508
Physical Address	0x4A00 2508
Description	Customer Fuse keys. PCIe ID [031:000] (16 bits upper Redundant field) [FIELD OVERFLOW]. Register shows part of the chip eFuse configuration on the OCP interface. Reading at the address of one of these registers provides a direct view into a part of the eFuse chain.
Type	R

31	30	29	28	27	26	25	24	23	22	21	20	19	18	17	16	15	14	13	12	11	10	9	8	7	6	5	4	3	2	1	0
CUST_FUSE_PCIE_ID_0																															

Bits	Field Name	Description	Type	Reset
31:0	CUST_FUSE_PCIE_ID_0		R	0x0

Table 18-279. Register Call Summary for Register CTRL_CORE_CUST_FUSE_PCIE_ID_0

Control Module Register Manual

- [CTRL_MODULE_CORE Register Summary: \[0\]](#)

Table 18-280. CTRL_CORE_CUST_FUSE_USB_ID_0

Address Offset	0x0000 0510
Physical Address	0x4A00 2510
Description	Customer Fuse keys. USB ID [031:000] (16 bits upper Redundant field) [FIELD OVERFLOW]. Register shows part of the chip eFuse configuration on the OCP interface. Reading at the address of one of these registers provides a direct view into a part of the eFuse chain.
Type	R

31	30	29	28	27	26	25	24	23	22	21	20	19	18	17	16	15	14	13	12	11	10	9	8	7	6	5	4	3	2	1	0
CUST_FUSE_USB_ID_0																															

Bits	Field Name	Description	Type	Reset
31:0	CUST_FUSE_USB_ID_0		R	0x0

Table 18-281. Register Call Summary for Register CTRL_CORE_CUST_FUSE_USB_ID_0

Control Module Register Manual

- [CTRL_MODULE_CORE Register Summary: \[0\]](#)

Table 18-282. CTRL_CORE_MAC_ID_SW_0

Address Offset	0x0000 0514	Instance	CTRL_MODULE_CORE
Physical Address	0x4A00 2514		
Description	Standard Fuse keys, MAC ID_1 [63:32].		
Type	R		

31	30	29	28	27	26	25	24	23	22	21	20	19	18	17	16	15	14	13	12	11	10	9	8	7	6	5	4	3	2	1	0
RESERVED								STD_FUSE_MAC_ID_SW_0																							

Bits	Field Name	Description	Type	Reset
31:25	RESERVED		R	0x0
24:0	STD_FUSE_MAC_ID_SW_0	This bit field contains the last three octets (NIC specific) of the MAC address of the GMAC_SW port 0. Bits [23:16] contain the 4th octet of the MAC address. Bits [15:8] contain the 5th octet of the MAC address. Bits [7:0] contain the last (6th) octet of the MAC address.	R	0x0

Table 18-283. Register Call Summary for Register CTRL_CORE_MAC_ID_SW_0

Control Module Register Manual

- [CTRL_MODULE_CORE Register Summary: \[0\]](#)

Table 18-284. CTRL_CORE_MAC_ID_SW_1

Address Offset	0x0000 0518	Instance	CTRL_MODULE_CORE
Physical Address	0x4A00 2518		
Description	Standard Fuse keys, MAC ID_1 [31:0].		
Type	R		

31	30	29	28	27	26	25	24	23	22	21	20	19	18	17	16	15	14	13	12	11	10	9	8	7	6	5	4	3	2	1	0
RESERVED								STD_FUSE_MAC_ID_SW_1																							

Bits	Field Name	Description	Type	Reset
31:25	RESERVED		R	0x0
24:0	STD_FUSE_MAC_ID_SW_1	This bit field contains the first three octets (the OUI) of the MAC address of the GMAC_SW port 0. Bits [23:16] contain the first octet of the MAC address. Bits [15:8] contain the second octet of the MAC address. Bits [7:0] contain the third octet of the MAC address.	R	0x0

Table 18-285. Register Call Summary for Register CTRL_CORE_MAC_ID_SW_1

Control Module Register Manual

- [CTRL_MODULE_CORE Register Summary: \[0\]](#)

Table 18-286. CTRL_CORE_MAC_ID_SW_2

Address Offset	0x0000 051C	Instance	CTRL_MODULE_CORE
Physical Address	0x4A00 251C		
Description	Standard Fuse keys, MAC ID_2 [63:32].		
Type	R		

31	30	29	28	27	26	25	24	23	22	21	20	19	18	17	16	15	14	13	12	11	10	9	8	7	6	5	4	3	2	1	0
RESERVED								STD_FUSE_MAC_ID_SW_2																							

Bits	Field Name	Description	Type	Reset
31:25	RESERVED		R	0x0
24:0	STD_FUSE_MAC_ID_SW_2	This bit field contains the last three octets (NIC specific) of the MAC address of the GMAC_SW port 1. Bits [23:16] contain the 4th octet of the MAC address. Bits [15:8] contain the 5th octet of the MAC address. Bits [7:0] contain the last (6th) octet of the MAC address.	R	0x0

Table 18-287. Register Call Summary for Register CTRL_CORE_MAC_ID_SW_2

Control Module Register Manual

- [CTRL_MODULE_CORE Register Summary: \[0\]](#)

Table 18-288. CTRL_CORE_MAC_ID_SW_3

Address Offset	0x0000 0520	Instance	CTRL_MODULE_CORE
Physical Address	0x4A00 2520		
Description	Standard Fuse keys, MAC ID_2 [31:0].		
Type	R		

31	30	29	28	27	26	25	24	23	22	21	20	19	18	17	16	15	14	13	12	11	10	9	8	7	6	5	4	3	2	1	0
RESERVED								STD_FUSE_MAC_ID_SW_3																							

Bits	Field Name	Description	Type	Reset
31:25	RESERVED		R	0x0
24:0	STD_FUSE_MAC_ID_SW_3	This bit field contains the first three octets (the OUI) of the MAC address of the GMAC_SW port 1. Bits [23:16] contain the first octet of the MAC address. Bits [15:8] contain the second octet of the MAC address. Bits [7:0] contain the third octet of the MAC address.	R	0x0

Table 18-289. Register Call Summary for Register CTRL_CORE_MAC_ID_SW_3

Control Module Register Manual

- [CTRL_MODULE_CORE Register Summary: \[0\]](#)

Table 18-290. CTRL_CORE_SMA_SW_1

Address Offset	0x0000 0534	Instance	CTRL_MODULE_CORE
Physical Address	0x4A00 2534		
Description	OCP Spare Register		
Type	RW		

31	30	29	28	27	26	25	24	23	22	21	20	19	18	17	16	15	14	13	12	11	10	9	8	7	6	5	4	3	2	1	0						
RESERVED								RGMII2_ID_MODE_N	RGMII1_ID_MODE_N	DSS_CH2_ON_OFF	DSS_CH1_ON_OFF	DSS_CH0_ON_OFF	DSS_CH2_IPC	DSS_CH1_IPC	DSS_CH0_IPC	DSS_CH2_RF	DSS_CH1_RF	DSS_CH0_RF	RESERVED								VIP3_CLK_INV_PORT_1A	VIP3_CLK_INV_PORT_2A	VPE_CLK_DIV_BY_2_EN	VIP2_CLK_INV_PORT_2B	VIP2_CLK_INV_PORT_1B	VIP2_CLK_INV_PORT_2A	VIP2_CLK_INV_PORT_1A	VIP1_CLK_INV_PORT_2B	VIP1_CLK_INV_PORT_1B	VIP1_CLK_INV_PORT_2A	VIP1_CLK_INV_PORT_1A

Bits	Field Name	Description	Type	Reset
31:27	RESERVED		R	0x0
26	RGMII2_ID_MODE_N	Ethernet RGMII port 2 internal delay on transmit (SR2.x) 0x0: Internal delay enabled 0x1: Internal delay disabled	RW	0x0
25	RGMII1_ID_MODE_N	Ethernet RGMII port 1 internal delay on transmit (SR2.x) 0x0: Internal delay enabled 0x1: Internal delay disabled	RW	0x0
24	DSS_CH2_ON_OFF	DSS Channel 2 Pixel clock control On/Off 0x0: HSYNC and VSYNC are driven on opposite edges of pixel clock than pixel data 0x1: HSYNC and VSYNC are driven according to bit DSS_CH2_RF	RW	0x0
23	DSS_CH1_ON_OFF	DSS Channel 1 Pixel clock control On/Off 0x0: HSYNC and VSYNC are driven on opposite edges of pixel clock than pixel data 0x1: HSYNC and VSYNC are driven according to bit DSS_CH1_RF	RW	0x0
22	DSS_CH0_ON_OFF	DSS Channel 0 Pixel clock control On/Off 0x0: HSYNC and VSYNC are driven on opposite edges of pixel clock than pixel data 0x1: HSYNC and VSYNC are driven according to bit DSS_CH0_RF	RW	0x0
21	DSS_CH2_IPC	DSS Channel 2 IPC control 0x0: Data is driven on the LCD data lines on the rising edge of the pixel clock 0x1: Data is driven on the LCD data lines on the falling edge of the pixel clock	RW	0x0
20	DSS_CH1_IPC	DSS Channel 1 IPC control DSS Channel 2 IPC control 0x0: Data is driven on the LCD data lines on the rising edge of the pixel clock 0x1: Data is driven on the LCD data lines on the falling edge of the pixel clock	RW	0x0
19	DSS_CH0_IPC	DSS Channel 0 IPC control DSS Channel 2 IPC control 0x0: Data is driven on the LCD data lines on the rising edge of the pixel clock 0x1: Data is driven on the LCD data lines on the falling edge of the pixel clock	RW	0x0
18	DSS_CH2_RF	DSS Channel 2 Rise/Fall control 0x0: HSYNC and VSYNC are driven on falling edge of pixel clock (if bit DSS_CH2_ON_OFF set to 1) 0x1: HSYNC and VSYNC are driven on rising edge of pixel clock (if bit DSS_CH2_ON_OFF set to 1)	RW	0x0

Bits	Field Name	Description	Type	Reset
17	DSS_CH1_RF	DSS Channel 1 Rise/Fall control 0x0: HSYNC and VSYNC are driven on falling edge of pixel clock (if bit DSS_CH1_ON_OFF set to 1) 0x1: HSYNC and VSYNC are driven on rising edge of pixel clock (if bit DSS_CH1_ON_OFF set to 1)	RW	0x0
16	DSS_CH0_RF	DSS Channel 0 Rise/Fall control 0x0: HSYNC and VSYNC are driven on falling edge of pixel clock (if bit DSS_CH0_ON_OFF set to 1) 0x1: HSYNC and VSYNC are driven on rising edge of pixel clock (if bit DSS_CH0_ON_OFF set to 1)	RW	0x0
15:11	RESERVED		R	0x0
10	VIP3_CLK_INV_PORT_1A	Clock inversion enable for VIP1 clock signals when muxed on pads from GROUP5A. For more information, see Table 18-6, Additional Multiplexing of the VIP1 Signals . 0x0: Clock inversion is disabled 0x1: Clock inversion is enabled	RW	0x0
9	VIP3_CLK_INV_PORT_2A	Clock inversion enable for VIP1 clock signals when muxed on pads from GROUP6A. For more information, see Table 18-6, Additional Multiplexing of the VIP1 Signals . 0x0: Clock inversion is disabled 0x1: Clock inversion is enabled	RW	0x0
8	VPE_CLK_DIV_BY_2_EN	Selects alternative clock source for VPE. 0x0: Default clock source from DPLL_CORE is selected 0x1: Alternative clock source from DPLL_VIDEO1 is selected	RW	0x0
7	VIP2_CLK_INV_PORT_2B	Clock inversion enable for VIP1 clock signals when muxed on pads from GROUP4B. For more information, see Table 18-6, Additional Multiplexing of the VIP1 Signals . 0x0: Clock inversion is disabled 0x1: Clock inversion is enabled	RW	0x0
6	VIP2_CLK_INV_PORT_1B	Clock inversion enable for VIP1 clock signals when muxed on pads from GROUP3B. For more information, see Table 18-6, Additional Multiplexing of the VIP1 Signals . 0x0: Clock inversion is disabled 0x1: Clock inversion is enabled	RW	0x0
5	VIP2_CLK_INV_PORT_2A	Clock inversion enable for VIP1 clock signals when muxed on pads from GROUP4A. For more information, see Table 18-6, Additional Multiplexing of the VIP1 Signals . 0x0: Clock inversion is disabled 0x1: Clock inversion is enabled	RW	0x0
4	VIP2_CLK_INV_PORT_1A	Clock inversion enable for VIP1 clock signals when muxed on pads from GROUP3A. For more information, see Table 18-6, Additional Multiplexing of the VIP1 Signals . 0x0: Clock inversion is disabled 0x1: Clock inversion is enabled	RW	0x0
3	VIP1_CLK_INV_PORT_2B	VIP1 Slice 1 Clock inversion for Port B enable 0x0: Clock inversion is disabled 0x1: Clock inversion is enabled	RW	0x0
2	VIP1_CLK_INV_PORT_1B	VIP1 Slice 0 Clock inversion for Port B enable 0x0: Clock inversion is disabled 0x1: Clock inversion is enabled	RW	0x0
1	VIP1_CLK_INV_PORT_2A	VIP1 Slice 1 Clock inversion for Port A enable 0x0: Clock inversion is disabled 0x1: Clock inversion is enabled	RW	0x0
0	VIP1_CLK_INV_PORT_1A	VIP1 Slice 0 Clock inversion for Port A enable 0x0: Clock inversion is disabled 0x1: Clock inversion is enabled	RW	0x0

Table 18-291. Register Call Summary for Register CTRL_CORE_SMA_SW_1

Control Module Register Manual

- [CTRL_MODULE_CORE Register Summary: \[0\]](#)

Table 18-292. CTRL_CORE_DSS_PLL_CONTROL

Address Offset	0x0000 0538	Instance	CTRL_MODULE_CORE
Physical Address	0x4A00 2538		
Description	DSS PLLs Mux control register		
Type	RW		

31	30	29	28	27	26	25	24	23	22	21	20	19	18	17	16	15	14	13	12	11	10	9	8	7	6	5	4	3	2	1	0
RESERVED																SDVENC_CLK_SELECTION		DSI1_C_CLK1_SELECTION		DSI1_B_CLK1_SELECTION		DSI1_A_CLK1_SELECTION		PLL_HDMI_DSS_CONTROL_DISABLE		RESERVED		PLL_VIDEO1_DSS_CONTROL_DISABLE			

Bits	Field Name	Description	Type	Reset
31:11	RESERVED	Reserved	RW	0x0
10:9	SDVENC_CLK_SELECTION	SDVENC_CLK mux configuration 0x0 = HDMI_CLK 0x1 = DPLL_VIDEO1_HSDIVIDER_clkout3	RW	0x1
8:7	DSI1_C_CLK1_SELECTION	DSI1_C_CLK1 mux configuration 0x0 = Reserved 0x1 = DPLL_VIDEO1 0x2 = DPLL_HDMI	RW	0x1
6:5	DSI1_B_CLK1_SELECTION	DSI1_B_CLK1 mux configuration 0x0 = DPLL_VIDEO1 0x1 = Reserved 0x2 = DPLL_HDMI 0x3 = DPLL_ABE	RW	0x1
4:3	DSI1_A_CLK1_SELECTION	DSI1_A_CLK1 mux configuration 0x0 = DPLL_VIDEO1 0x1 = DPLL_HDMI	RW	0x1
2	PLL_HDMI_DSS_CONTROL_DISABLE	HDMI PLL disable 0x0 = PLL enabled 0x1 = PLL disabled	RW	0x1
1	RESERVED		R	0x1
0	PLL_VIDEO1_DSS_CONTROL_DISABLE	VIDEO1 PLL disable 0x0 = PLL enabled 0x1 = PLL disabled	RW	0x1

Table 18-293. Register Call Summary for Register CTRL_CORE_DSS_PLL_CONTROL

Control Module Register Manual

- [CTRL_MODULE_CORE Register Summary: \[0\]](#)

Table 18-294. CTRL_CORE_MMR_LOCK_1

Address Offset	0x0000 0540	Instance	CTRL_MODULE_CORE
Physical Address	0x4A00 2540		
Description	Register to lock memory region starting at address offset 0x0000 0100 and ending at address offset 0x0000 079F		
Type	RW		

31	30	29	28	27	26	25	24	23	22	21	20	19	18	17	16	15	14	13	12	11	10	9	8	7	6	5	4	3	2	1	0
MMR_LOCK_1																															

Bits	Field Name	Description	Type	Reset
31:0	MMR_LOCK_1	Lock value for region 0x0000 0100 to 0x0000 079F 0x1A1C8144 = lock value 0x2FF1AC2B = unlock value	RW	0x1A1C8144

Table 18-295. Register Call Summary for Register CTRL_CORE_MMR_LOCK_1

Control Module Functional Description

- [IO Delay Recalibration: \[0\]\[1\]](#)
- [Memory Region Lock Registers: \[2\]](#)

Control Module Register Manual

- [CTRL_MODULE_CORE Register Summary: \[3\]](#)

Table 18-296. CTRL_CORE_MMR_LOCK_2

Address Offset	0x0000 0544	Instance	CTRL_MODULE_CORE
Physical Address	0x4A00 2544		
Description	Register to lock memory region starting at address offset 0x0000 07A0 and ending at address offset 0x0000 0D9F		
Type	RW		

31	30	29	28	27	26	25	24	23	22	21	20	19	18	17	16	15	14	13	12	11	10	9	8	7	6	5	4	3	2	1	0
MMR_LOCK_2																															

Bits	Field Name	Description	Type	Reset
31:0	MMR_LOCK_2	Lock value for region 0x0000 07A0 to 0x0000 0D9F 0xFDF45530 = lock value 0xF757FDC0 = unlock value	RW	0xFDF45530

Table 18-297. Register Call Summary for Register CTRL_CORE_MMR_LOCK_2

Control Module Functional Description

- [Memory Region Lock Registers: \[0\]](#)

Control Module Register Manual

- [CTRL_MODULE_CORE Register Summary: \[1\]](#)

Table 18-298. CTRL_CORE_MMR_LOCK_3

Address Offset	0x0000 0548	Instance	CTRL_MODULE_CORE
Physical Address	0x4A00 2548		
Description	Register to lock memory region starting at address offset 0x0000 0DA0 and ending at address offset 0x0000 0FFF		
Type	RW		

31	30	29	28	27	26	25	24	23	22	21	20	19	18	17	16	15	14	13	12	11	10	9	8	7	6	5	4	3	2	1	0
MMR_LOCK_3																															

Bits	Field Name	Description	Type	Reset
31:0	MMR_LOCK_3	Lock value for region 0x0000 0DA0 to 0x0000 0FFF 0x1AE6E320 = lock value 0xE2BC3A6D = unlock value	RW	0x1AE6E320

Table 18-299. Register Call Summary for Register CTRL_CORE_MMR_LOCK_3

Control Module Functional Description

- [Memory Region Lock Registers: \[0\]](#)

Control Module Register Manual

- [CTRL_MODULE_CORE Register Summary: \[1\]](#)

Table 18-300. CTRL_CORE_MMR_LOCK_4

Address Offset	0x0000 054C	Instance	CTRL_MODULE_CORE
Physical Address	0x4A00 254C		
Description	Register to lock memory region starting at address offset 0x0000 1000 and ending at address offset 0x0000 13FF		
Type	RW		

31	30	29	28	27	26	25	24	23	22	21	20	19	18	17	16	15	14	13	12	11	10	9	8	7	6	5	4	3	2	1	0
MMR_LOCK_4																															

Bits	Field Name	Description	Type	Reset
31:0	MMR_LOCK_4	Lock value for region 0x0000 1000 to 0x0000 13FF 0x2FFA927C = lock value 0x1EBF131D = unlock value	RW	0x2FFA927C

Table 18-301. Register Call Summary for Register CTRL_CORE_MMR_LOCK_4

Control Module Functional Description

- [Memory Region Lock Registers: \[0\]](#)

Control Module Register Manual

- [CTRL_MODULE_CORE Register Summary: \[1\]](#)

Table 18-302. CTRL_CORE_MMR_LOCK_5

Address Offset	0x0000 0550	Instance	CTRL_MODULE_CORE
Physical Address	0x4A00 2550		
Description	Register to lock memory region starting at address offset 0x0000 1400 and ending at address offset 0x0000 1FFF		
Type	RW		

31	30	29	28	27	26	25	24	23	22	21	20	19	18	17	16	15	14	13	12	11	10	9	8	7	6	5	4	3	2	1	0
MMR_LOCK_5																															

Bits	Field Name	Description	Type	Reset
31:0	MMR_LOCK_5	Lock value for region 0x0000 1400 to 0x0000 1FFF 0x143F832C = lock value 0x6F361E05 = unlock value	RW	0x143F832C

Table 18-303. Register Call Summary for Register CTRL_CORE_MMR_LOCK_5

Control Module Functional Description

- [IO Delay Recalibration: \[0\]\[1\]](#)
- [Memory Region Lock Registers: \[2\]](#)

Control Module Register Manual

- [CTRL_MODULE_CORE Register Summary: \[3\]](#)

Table 18-304. CTRL_CORE_CONTROL_IO_1

Address Offset	0x0000 0554	Instance	CTRL_MODULE_CORE
Physical Address	0x4A00 2554		
Description	Register to configure some IP level signals		
Type	RW		

31	30	29	28	27	26	25	24	23	22	21	20	19	18	17	16	15	14	13	12	11	10	9	8	7	6	5	4	3	2	1	0		
RESERVED								MMU2_DISABLE	RESERVED				MMU1_DISABLE	RESERVED				TC1_DEFAULT_BURST_SIZE	RESERVED				TC0_DEFAULT_BURST_SIZE	RESERVED				GMI12_SEL	RESERVED				GMI11_SEL

Bits	Field Name	Description	Type	Reset
31:21	RESERVED		R	0x0
20	MMU2_DISABLE	MMU2 DISABLE setting	RW	0x0
19:17	RESERVED		R	0x0
16	MMU1_DISABLE	MMU1 DISABLE setting	RW	0x0
15:14	RESERVED		R	0x0
13:12	TC1_DEFAULT_BURST_SIZE	EDMA TC1 Default Burst Size (DBS) setting 0x0: 16 byte burst 0x1: 32 byte burst 0x2: 64 byte burst 0x3: 128 byte burst	RW	0x3

Bits	Field Name	Description	Type	Reset
11:10	RESERVED		R	0x0
9:8	TC0_DEFAULT_BURST_SIZE	EDMA TC0 Default Burst Size (DBS) setting 0x0: 16 byte burst 0x1: 32 byte burst 0x2: 64 byte burst 0x3: 128 byte burst	RW	0x3
7:6	RESERVED		R	0x0
5:4	GMII2_SEL	GMII2 selection setting 0x0: GMII/MII 0x1: RMII 0x2: RGMII 0x3: Reserved	RW	0x0
3:2	RESERVED		R	0x0
1:0	GMII1_SEL	GMII1 selection setting 0x0: GMII/MII 0x1: RMII 0x2: RGMII 0x3: Reserved	RW	0x0

Table 18-305. Register Call Summary for Register CTRL_CORE_CONTROL_IO_1

Control Module Functional Description

- [Settings Related To Different Peripheral Modules: \[0\]](#)

Control Module Register Manual

- [CTRL_MODULE_CORE Register Summary: \[1\]](#)

Table 18-306. CTRL_CORE_CONTROL_IO_2

Address Offset	0x0000 0558	Instance	CTRL_MODULE_CORE
Physical Address	0x4A00 2558		
Description	Register to configure some IP level signals		
Type	RW		

31	30	29	28	27	26	25	24	23	22	21	20	19	18	17	16	15	14	13	12	11	10	9	8	7	6	5	4	3	2	1	0	
RESERVED								GMAC_RESET_ISOLATION_ENABLE	PWMSS3_TBCLKEN	PWMSS2_TBCLKEN	PWMSS1_TBCLKEN	RESERVED					PCIE_1LANE_2LANE_SELECTION	RESERVED	QSPI_MEMMAPPED_CS	RESERVED	DCAN2_RAMINIT_START	DSS_DESHDCP_DISABLE	DCAN1_RAMINIT_START	DCAN2_RAMINIT_DONE	DCAN1_RAMINIT_DONE	DSS_DESHDCP_CLKEN						

Bits	Field Name	Description	Type	Reset
31:24	RESERVED		R	0x0
23	GMAC_RESET_ISOLATION_ENABLE	Reset isolation enable setting 0x0 = Reset is not isolated 0x1 = Reset is isolated	RW	0x0

Bits	Field Name	Description	Type	Reset
22	PWMSS3_TBCLKEN	PWMSS3 CLOCK ENABLE setting	RW	0x0
21	PWMSS2_TBCLKEN	PWMSS2 CLOCK ENABLE setting	RW	0x0
20	PWMSS1_TBCLKEN	PWMSS1 CLOCK ENABLE setting	RW	0x0
19:14	RESERVED		R	0x0
13	PCIE_1LANE_2LANE_SECTION	Reserved	RW	0x0
12:11	RESERVED		R	0x0
10:8	QSPI_MEMMAPPED_CS	QSPI CS MAPPING setting. 0x0: The QSPI configuration registers are accessed 0x1: An external device connected to CS0 is accessed 0x2: An external device connected to CS1 is accessed 0x3: An external device connected to CS2 is accessed 0x4-0x7: An external device connected to CS3 is accessed	RW	0x0
7:6	RESERVED		R	0x0
5	DCAN2_RAMINIT_START	DCAN2 RAM INIT START setting To initialize DCAN2 RAM, the bit should be set to 0x1. It is not auto cleared by hardware. Note: If DCAN RAMINIT sequence needs to be redone, this bit should be first cleared and then set again.	RW	0x0
4	DSS_DESHDCP_DISABLE	DSS DESHDCP DISABLE setting	RW	0x0
3	DCAN1_RAMINIT_START	DCAN1 RAM INIT START setting To initialize DCAN1 RAM, the bit should be set to 0x1. It is not auto cleared by hardware. Note: If DCAN RAMINIT sequence needs to be redone, this bit should be first cleared and then set again.	RW	0x0
2	DCAN2_RAMINIT_DONE	DCAN2 RAM INIT DONE status	RW	0x0
1	DCAN1_RAMINIT_DONE	DCAN1 RAM INIT DONE status	RW	0x0
0	DSS_DESHDCP_CLKEN	DSS DESHDCP CLOCK ENABLE setting	RW	0x0

Table 18-307. Register Call Summary for Register CTRL_CORE_CONTROL_IO_2

Control Module Functional Description

- [Settings Related To Different Peripheral Modules: \[0\]](#)

Control Module Register Manual

- [CTRL_MODULE_CORE Register Summary: \[1\]](#)

Table 18-308. CTRL_CORE_CONTROL_DSP1_RST_VECT

Address Offset	0x0000 055C	Instance	CTRL_MODULE_CORE
Physical Address	0x4A00 255C		
Description	Register for storing DSP1 reset vector		
Type	RW		

31	30	29	28	27	26	25	24	23	22	21	20	19	18	17	16	15	14	13	12	11	10	9	8	7	6	5	4	3	2	1	0
RESERVED								DSP1_NUM_MM		RESERVED		DSP1_RST_VECT																			

Bits	Field Name	Description	Type	Reset
31:27	RESERVED	Reserved	RW	0x0
26:24	DSP1_NUM_MM	Number of DSP instances in the SoC 0x1 = 1 0x2 = 2	RW	0x0
23:22	RESERVED		R	0x0
21:0	DSP1_RST_VECT	DSP1 reset vector address	RW	0x0

Table 18-309. Register Call Summary for Register CTRL_CORE_CONTROL_DSP1_RST_VECT

Control Module Register Manual

- [CTRL_MODULE_CORE Register Summary: \[0\]](#)

Table 18-310. CTRL_CORE_STD_FUSE_OPP_BGAP_DSPEVE

Address Offset	0x0000 0564	Instance	CTRL_MODULE_CORE
Physical Address	0x4A00 2564		
Description	Trim values for DSPEVE associated bandgap. Contains TI Internal information, not intended for application use.		
Type	R		

31	30	29	28	27	26	25	24	23	22	21	20	19	18	17	16	15	14	13	12	11	10	9	8	7	6	5	4	3	2	1	0
RESERVED																STD_FUSE_OPP_BGAP_DSPEVE_0						STD_FUSE_OPP_BGAP_DSPEVE_1									

Bits	Field Name	Description	Type	Reset
31:16	RESERVED		R	0x-
15:8	STD_FUSE_OPP_BGAP_DSPEVE_0	Trim values for DSPEVE associated bandgap. Contains TI Internal information, not intended for application use.	R	0x-
7:0	STD_FUSE_OPP_BGAP_DSPEVE_1	Trim values for DSPEVE associated bandgap. Contains TI Internal information, not intended for application use.	R	0x-

Table 18-311. Register Call Summary for Register CTRL_CORE_STD_FUSE_OPP_BGAP_DSPEVE

Control Module Register Manual

- [CTRL_MODULE_CORE Register Summary: \[0\]](#)

Table 18-312. CTRL_CORE_STD_FUSE_OPP_BGAP_IVA

Address Offset	0x0000 0568	Instance	CTRL_MODULE_CORE
Physical Address	0x4A00 2568		
Description	Trim values for IVA associated temperature sensor and bandgap. Contains TI Internal information, not intended for application use.		
Type	R		

31 30 29 28 27 26 25 24	23 22 21 20 19 18 17 16	15 14 13 12 11 10 9 8	7 6 5 4 3 2 1 0
STD_FUSE_OPP_BGAP_IVA_0	STD_FUSE_OPP_BGAP_IVA_1	STD_FUSE_OPP_BGAP_IVA_2	STD_FUSE_OPP_BGAP_IVA_3

Bits	Field Name	Description	Type	Reset
31:24	STD_FUSE_OPP_BGAP_IVA_0	Trim values for IVA associated temperature sensor and bandgap. Contains TI Internal information, not intended for application use.	R	0x-
23:16	STD_FUSE_OPP_BGAP_IVA_1	Trim values for IVA associated temperature sensor and bandgap. Contains TI Internal information, not intended for application use.	R	0x-
15:8	STD_FUSE_OPP_BGAP_IVA_2	Trim values for IVA associated temperature sensor and bandgap. Contains TI Internal information, not intended for application use.	R	0x-
7:0	STD_FUSE_OPP_BGAP_IVA_3	Trim values for IVA associated temperature sensor and bandgap. Contains TI Internal information, not intended for application use.	R	0x-

Table 18-313. Register Call Summary for Register CTRL_CORE_STD_FUSE_OPP_BGAP_IVA

Control Module Register Manual

- [CTRL_MODULE_CORE Register Summary: \[0\]](#)

Table 18-314. CTRL_CORE_LDOSRAM_DSPEVE_VOLTAGE_CTRL

Address Offset	0x0000 056C	Instance	CTRL_MODULE_CORE
Physical Address	0x4A00 256C		
Description	DSPEVE SRAM LDO Control register		
Type	RW		

31 30 29 28 27 26 25 24	23 22 21 20 19 18 17 16	15 14 13 12 11 10 9 8	7 6 5 4 3 2 1 0
RESERVED	LDOSRAMDSPEVE_RETMODE_MUX_CTRL LDOSRAMDSPEVE_RETMODE_VSET_IN LDOSRAMDSPEVE_RETMODE_VSET_OUT	RESERVED	LDOSRAMDSPEVE_ACTMODE_MUX_CTRL LDOSRAMDSPEVE_ACTMODE_VSET_IN LDOSRAMDSPEVE_ACTMODE_VSET_OUT

Bits	Field Name	Description	Type	Reset
31:27	RESERVED		R	0x0
26	LDOSRAMDSPEVE_RETMODE_MUX_CTRL	Override control of eFuse Retention Mode Voltage value 0x0: eFuse value is used 0x1: Override value is used	RW	0x0

Bits	Field Name	Description	Type	Reset
25:21	LDOSRAMDSPEVE_RETMODE_VSET_IN	EFUSE Retention Mode Voltage value (vset{9:5})	R	0x0
20:16	LDOSRAMDSPEVE_RETMODE_VSET_OUT	Override value for Retention Mode Voltage	RW	0x0
15:11	RESERVED		R	0x0
10	LDOSRAMDSPEVE_ACTMODE_MUX_CTRL	Override control of EFUSE Active Mode Voltage value 0x0: eFuse value is used 0x1: Override value is used	RW	0x0
9:5	LDOSRAMDSPEVE_ACTMODE_VSET_IN	EFUSE Active Mode Voltage value (vset{4:0})	R	0x0
4:0	LDOSRAMDSPEVE_ACTMODE_VSET_OUT	Override value for Active Mode Voltage value	RW	0x0

Table 18-315. Register Call Summary for Register CTRL_CORE_LDOSRAM_DSPEVE_VOLTAGE_CTRL

Control Module Register Manual

- [CTRL_MODULE_CORE Register Summary: \[0\]](#)

Table 18-316. CTRL_CORE_LDOSRAM_IVA_VOLTAGE_CTRL

Address Offset	0x0000 0570	Instance	CTRL_MODULE_CORE
Physical Address	0x4A00 2570		
Description	IVA SRAM LDO Control register		
Type	RW		

31	30	29	28	27	26	25	24	23	22	21	20	19	18	17	16	15	14	13	12	11	10	9	8	7	6	5	4	3	2	1	0
RESERVED								LDOSRAMIVA_RETMODE_VSET_IN			LDOSRAMIVA_RETMODE_VSET_OUT			RESERVED								LDOSRAMIVA_ACTMODE_VSET_IN			LDOSRAMIVA_ACTMODE_VSET_OUT						

Bits	Field Name	Description	Type	Reset
31:27	RESERVED		R	0x0
26	LDOSRAMIVA_RETMODE_MUX_CTRL	Override control of EFUSE Retention Mode Voltage value 0x0: eFuse value is used 0x1: Override value is used	RW	0x0
25:21	LDOSRAMIVA_RETMODE_VSET_IN	EFUSE Retention Mode Voltage value (vset{9:5})	R	0x0
20:16	LDOSRAMIVA_RETMODE_VSET_OUT	Override value for Retention Mode Voltage	RW	0x0
15:11	RESERVED		R	0x0

Bits	Field Name	Description	Type	Reset
10	LDOSRAMIVA_ACTMODE_MUX_CTRL	Override control of EFUSE Active Mode Voltage value 0x0: eFuse value is used 0x1: Override value is used	RW	0x0
9:5	LDOSRAMIVA_ACTMODE_VSE_T_IN	EFUSE Active Mode Voltage value (vset[4:0])	R	0x0
4:0	LDOSRAMIVA_ACTMODE_VSE_T_OUT	Override value for Active Mode Voltage value	RW	0x0

Table 18-317. Register Call Summary for Register CTRL_CORE_LDOSRAM_IVA_VOLTAGE_CTRL

Control Module Register Manual

- [CTRL_MODULE_CORE Register Summary: \[0\]](#)

Table 18-318. CTRL_CORE_TEMP_SENSOR_DSPEVE

Address Offset	0x0000 0574	Instance	CTRL_MODULE_CORE
Physical Address	0x4A00 2574	Description	Control VBGAPTS temperature sensor and thermal comparator shutdown register
Type	R		

31	30	29	28	27	26	25	24	23	22	21	20	19	18	17	16	15	14	13	12	11	10	9	8	7	6	5	4	3	2	1	0
RESERVED																BGAP_TMPSOFF_DSPEVE		BGAP_EOCZ_DSPEVE		BGAP_DTEMP_DSPEVE											

Bits	Field Name	Description	Type	Reset
31:12	RESERVED		R	0x0
11	BGAP_TMPSOFF_DSPEVE	This bit indicates the temperature sensor state. 0x0: temperature sensor is ON 0x1: temperature sensor is OFF NOTE: Software doesn't take care of this bit to get the temperature data. Only the BGAP_EOCZ_DSPEVE bit is needed.	R	0x1
10	BGAP_EOCZ_DSPEVE	ADC End of Conversion. Active low, when BGAP_DTEMP_DSPEVE is valid.	R	0x0
9:0	BGAP_DTEMP_DSPEVE	Temperature data from the ADC. Valid if EOCZ is low.	R	0x0

Table 18-319. Register Call Summary for Register CTRL_CORE_TEMP_SENSOR_DSPEVE

Control Module Functional Description

- [Summary Of The Thermal Management Related Registers: \[0\]](#)

Control Module Register Manual

- [CTRL_MODULE_CORE Register Summary: \[1\]](#)

Table 18-320. CTRL_CORE_TEMP_SENSOR_IVA

Address Offset	0x0000 0578	Instance	CTRL_MODULE_CORE
Physical Address	0x4A00 2578		
Description	Control VBGAPTS temperature sensor and thermal comparator shutdown register		
Type	R		

31	30	29	28	27	26	25	24	23	22	21	20	19	18	17	16	15	14	13	12	11	10	9	8	7	6	5	4	3	2	1	0
RESERVED																BGAP_TMPSOFF_IVA		BGAP_EOCZ_IVA		BGAP_DTEMP_IVA											

Bits	Field Name	Description	Type	Reset
31:12	RESERVED		R	0x0
11	BGAP_TMPSOFF_IVA	This bit indicates the temperature sensor state. 0x0: temperature sensor is ON 0x1: temperature sensor is OFF NOTE: Software doesn't take care of this bit to get the temperature data. Only the BGAP_EOCZ_IVA bit is needed.	R	0x1
10	BGAP_EOCZ_IVA	ADC End of Conversion. Active low, when BGAP_DTEMP_IVA is valid.	R	0x0
9:0	BGAP_DTEMP_IVA	Temperature data from the ADC. Valid if EOCZ is low.	R	0x0

Table 18-321. Register Call Summary for Register CTRL_CORE_TEMP_SENSOR_IVA

Control Module Functional Description

- [Summary Of The Thermal Management Related Registers: \[0\]](#)

Control Module Register Manual

- [CTRL_MODULE_CORE Register Summary: \[1\]](#)

Table 18-322. CTRL_CORE_BANDGAP_MASK_2

Address Offset	0x0000 057C	Instance	CTRL_MODULE_CORE
Physical Address	0x4A00 257C		
Description	bgap_mask		
Type	RW		

31	30	29	28	27	26	25	24	23	22	21	20	19	18	17	16	15	14	13	12	11	10	9	8	7	6	5	4	3	2	1	0												
RESERVED																FREEZE_IVA		FREEZE_DSPEVE		RESERVED		CLEAR_IVA		CLEAR_DSPEVE		RESERVED										MASK_HOT_IVA		MASK_COLD_IVA		MASK_HOT_DSPEVE		MASK_COLD_DSPEVE	

Bits	Field Name	Description	Type	Reset
31:23	RESERVED		R	0x0
22	FREEZE_IVA	Freeze the FIFO IVA 0x0 = No operation 0x1 = Freeze the FIFO	RW	0x0
21	FREEZE_DSPEVE	Freeze the FIFO DSPEVE 0x0 = No operation 0x1 = Freeze the FIFO	RW	0x0
20	RESERVED		R	0x0
19	CLEAR_IVA	Reset the FIFO IVA 0x0 = No operation 0x1 = Reset the FIFO	RW	0x0
18	CLEAR_DSPEVE	Reset the FIFO DSPEVE 0x0 = No operation 0x1 = Reset the FIFO	RW	0x0
17:4	RESERVED		R	0x0
3	MASK_HOT_IVA	Mask for hot event IVA 0x0 = hot event is masked 0x1 = hot event is not masked	RW	0x0
2	MASK_COLD_IVA	Mask for cold event IVA 0x0 = cold event is masked 0x1 = cold event is not masked	RW	0x0
1	MASK_HOT_DSPEVE	Mask for hot event DSPEVE 0x0 = hot event is masked 0x1 = hot event is not masked	RW	0x0
0	MASK_COLD_DSPEVE	Mask for cold event DSPEVE 0x0 = cold event is masked 0x1 = cold event is not masked	RW	0x0

Table 18-323. Register Call Summary for Register CTRL_CORE_BANDGAP_MASK_2

Control Module Functional Description

- [Registers For The Thermal Alert Comparators: \[0\]\[1\]](#)
- [Other Thermal Management Related Registers: \[2\]\[3\]](#)
- [Summary Of The Thermal Management Related Registers: \[4\]](#)

Control Module Register Manual

- [CTRL_MODULE_CORE Register Summary: \[5\]](#)

Table 18-324. CTRL_CORE_BANDGAP_THRESHOLD_DSPEVE

Address Offset	0x0000 0580	Instance	CTRL_MODULE_CORE
Physical Address	0x4A00 2580		
Description	BGAP THRESHOLD DSPEVE		
Type	RW		

31	30	29	28	27	26	25	24	23	22	21	20	19	18	17	16	15	14	13	12	11	10	9	8	7	6	5	4	3	2	1	0
RESERVED								THOLD_HOT_DSPEVE								RESERVED				THOLD_COLD_DSPEVE											

Bits	Field Name	Description	Type	Reset
31:26	RESERVED		R	0x0
25:16	THOLD_HOT_DSPEVE	Value for the high temperature threshold. The values for loading this bit field are listed in Table 18-13 .	RW	0x0
15:10	RESERVED		R	0x0

Bits	Field Name	Description	Type	Reset
9:0	THOLD_COLD_DSPEVE	Value for the low temperature threshold. The values for loading this bit field are listed in Table 18-13 .	RW	0x0

Table 18-325. Register Call Summary for Register CTRL_CORE_BANDGAP_THRESHOLD_DSPEVE

Control Module Functional Description

- [Summary Of The Thermal Management Related Registers: \[0\]](#)

Control Module Register Manual

- [CTRL_MODULE_CORE Register Summary: \[1\]](#)

Table 18-326. CTRL_CORE_BANDGAP_THRESHOLD_IVA

Address Offset	0x0000 0584	Instance	CTRL_MODULE_CORE
Physical Address	0x4A00 2584		
Description	BGAP THRESHOLD IVA		
Type	RW		

31	30	29	28	27	26	25	24	23	22	21	20	19	18	17	16	15	14	13	12	11	10	9	8	7	6	5	4	3	2	1	0
RESERVED								THOLD_HOT_IVA								RESERVED				THOLD_COLD_IVA											

Bits	Field Name	Description	Type	Reset
31:26	RESERVED		R	0x0
25:16	THOLD_HOT_IVA	Value for the high temperature threshold. The values for loading this bit field are listed in Table 18-13 .	RW	0x0
15:10	RESERVED		R	0x0
9:0	THOLD_COLD_IVA	Value for the low temperature threshold. The values for loading this bit field are listed in Table 18-13 .	RW	0x0

Table 18-327. Register Call Summary for Register CTRL_CORE_BANDGAP_THRESHOLD_IVA

Control Module Functional Description

- [Summary Of The Thermal Management Related Registers: \[0\]](#)

Control Module Register Manual

- [CTRL_MODULE_CORE Register Summary: \[1\]](#)

Table 18-328. CTRL_CORE_BANDGAP_TSHUT_DSPEVE

Address Offset	0x0000 0588	Instance	CTRL_MODULE_CORE
Physical Address	0x4A00 2588		
Description	BGAP TSHUT THRESHOLD IVA		
Type	R		

31	30	29	28	27	26	25	24	23	22	21	20	19	18	17	16	15	14	13	12	11	10	9	8	7	6	5	4	3	2	1	0
TSHUT_MUXCTRL_DSPEVE	RESERVED								TSHUT_HOT_DSPEVE								RESERVED				TSHUT_COLD_DSPEVE										

Bits	Field Name	Description	Type	Reset
31	TSHUT_MUXCTRL_DSP EVE	Writing a '1' to this field allows SW to override the TSHUT_HOT and TSHUT_COLD values that are set by default in efuse.	RW	0x0
30:26	RESERVED		R	0x0
25:16	TSHUT_HOT_DSPEVE	Controls the TSHUT_HOT reset threshold, which protects the device from thermal runaway and potential device damage. The register defaults to 123°C. Software override of this register value is not recommended, and should only be done with extreme caution as damage to the device can occur above the default setting.	RW	0x0
15:10	RESERVED		R	0x0
9:0	TSHUT_COLD_DSPEVE	Controls the TSHUT_COLD reset threshold, which is the limit where the TSHUT comparator releases the device from reset after cooling from a TSHUT condition. The register defaults to 105°C. Software override of this register value is not recommended, and should only be done with extreme caution.	RW	0x0

Table 18-329. Register Call Summary for Register CTRL_CORE_BANDGAP_TSHUT_DSPEVE

Control Module Functional Description

- [Summary Of The Thermal Management Related Registers: \[0\]](#)

Control Module Register Manual

- [CTRL_MODULE_CORE Register Summary: \[1\]](#)

Table 18-330. CTRL_CORE_BANDGAP_TSHUT_IVA

Address Offset	0x0000 058C	Instance	CTRL_MODULE_CORE
Physical Address	0x4A00 258C		
Description	BGAP TSHUT THRESHOLD IVA		
Type	R		

31	30	29	28	27	26	25	24	23	22	21	20	19	18	17	16	15	14	13	12	11	10	9	8	7	6	5	4	3	2	1	0
TSHUT_MUXCTRL_IVA	RESERVED							TSHUT_HOT_IVA								RESERVED							TSHUT_COLD_IVA								

Bits	Field Name	Description	Type	Reset
31	TSHUT_MUXCTRL_IVA	Writing a '1' to this field allows SW to override the TSHUT_HOT and TSHUT_COLD values that are set by default in efuse.	RW	0x0
30:26	RESERVED		R	0x0
25:16	TSHUT_HOT_IVA	Controls the TSHUT_HOT reset threshold, which protects the device from thermal runaway and potential device damage. The register defaults to 123°C. Software override of this register value is not recommended, and should only be done with extreme caution as damage to the device can occur above the default setting.	RW	0x0
15:10	RESERVED		R	0x0
9:0	TSHUT_COLD_IVA	Controls the TSHUT_COLD reset threshold, which is the limit where the TSHUT comparator releases the device from reset after cooling from a TSHUT condition. The register defaults to 105°C. Software override of this register value is not recommended, and should only be done with extreme caution.	RW	0x0

Table 18-331. Register Call Summary for Register CTRL_CORE_BANDGAP_TSHUT_IVA

Control Module Functional Description

- [Summary Of The Thermal Management Related Registers: \[0\]](#)

Control Module Register Manual

- [CTRL_MODULE_CORE Register Summary: \[1\]](#)

Table 18-332. CTRL_CORE_BANDGAP_STATUS_2

Address Offset	0x0000 0598	Instance	CTRL_MODULE_CORE
Physical Address	0x4A00 2598		
Description	BGAP STATUS		
Type	R		

31	30	29	28	27	26	25	24	23	22	21	20	19	18	17	16	15	14	13	12	11	10	9	8	7	6	5	4	3	2	1	0
RESERVED																HOT_IVA	COLD_IVA	HOT_DSPEVE	COLD_DSPEVE												

Bits	Field Name	Description	Type	Reset
31:4	RESERVED		R	0x0
3	HOT_IVA	Event for hot temperature iva bandgap when '1' 0x0 = event not detected 0x1 = event detected	R	0x0
2	COLD_IVA	Event for cold temperature iva bandgap when '1' 0x0 = event not detected 0x1 = event detected	R	0x0
1	HOT_DSPEVE	Event for hot temperature dspeve bandgap when '1' 0x0 = event not detected 0x1 = event detected	R	0x0
0	COLD_DSPEVE	Event for cold temperature dspeve bandgap when '1' 0x0 = event not detected 0x1 = event detected	R	0x0

Table 18-333. Register Call Summary for Register CTRL_CORE_BANDGAP_STATUS_2

Control Module Functional Description

- [Registers For The Thermal Alert Comparators: \[0\]](#)
- [Summary Of The Thermal Management Related Registers: \[1\]](#)

Control Module Register Manual

- [CTRL_MODULE_CORE Register Summary: \[2\]](#)

Table 18-334. CTRL_CORE_DTEMP_DSPEVE_0

Address Offset	0x0000 059C	Instance	CTRL_MODULE_CORE
Physical Address	0x4A00 259C		
Description	TAGGED TEMPERATURE DSPEVE DOMAIN. Most recent sample		
Type	R		

31	30	29	28	27	26	25	24	23	22	21	20	19	18	17	16	15	14	13	12	11	10	9	8	7	6	5	4	3	2	1	0
DTEMP_TAG_DSPEVE_0																DTEMP_TEMPERATURE_DSPEVE_0															

Bits	Field Name	Description	Type	Reset
31:10	DTEMP_TAG_DSPEVE_0	tag. Indicate number of times in the bgap state machine.	R	0x0
9:0	DTEMP_TEMPERATURE_DSPEVE_0	temperature	R	0x0

Table 18-335. Register Call Summary for Register CTRL_CORE_DTEMP_DSPEVE_0

Control Module Functional Description

- [Summary Of The Thermal Management Related Registers: \[0\]](#)

Control Module Register Manual

- [CTRL_MODULE_CORE Register Summary: \[1\]](#)

Table 18-336. CTRL_CORE_DTEMP_DSPEVE_1

Address Offset	0x0000 05A0	Instance	CTRL_MODULE_CORE
Physical Address	0x4A00 25A0		
Description	TAGGED TEMPERATURE DSPEVE DOMAIN		
Type	R		

31	30	29	28	27	26	25	24	23	22	21	20	19	18	17	16	15	14	13	12	11	10	9	8	7	6	5	4	3	2	1	0
DTEMP_TAG_DSPEVE_1																DTEMP_TEMPERATURE_DSPEVE_1															

Bits	Field Name	Description	Type	Reset
31:10	DTEMP_TAG_DSPEVE_1	tag. Indicate number of times in the bgap state machine.	R	0x0
9:0	DTEMP_TEMPERATURE_DSPEVE_1	temperature	R	0x0

Table 18-337. Register Call Summary for Register CTRL_CORE_DTEMP_DSPEVE_1

Control Module Functional Description

- [Summary Of The Thermal Management Related Registers: \[0\]](#)

Control Module Register Manual

- [CTRL_MODULE_CORE Register Summary: \[1\]](#)

Table 18-338. CTRL_CORE_DTEMP_DSPEVE_2

Address Offset	0x0000 05A4	Instance	CTRL_MODULE_CORE
Physical Address	0x4A00 25A4		
Description	TAGGED TEMPERATURE DSPEVE DOMAIN		
Type	R		

31	30	29	28	27	26	25	24	23	22	21	20	19	18	17	16	15	14	13	12	11	10	9	8	7	6	5	4	3	2	1	0
DTEMP_TAG_DSPEVE_2																DTEMP_TEMPERATURE_DSPEVE_2															

Bits	Field Name	Description	Type	Reset
31:10	DTEMP_TAG_DSPEVE_2	tag. Indicate number of times in the bgap state machine.	R	0x0
9:0	DTEMP_TEMPERATURE_DSPEVE_2	temperature	R	0x0

Table 18-339. Register Call Summary for Register CTRL_CORE_DTEMP_DSPEVE_2

Control Module Functional Description

- [Summary Of The Thermal Management Related Registers: \[0\]](#)

Control Module Register Manual

- [CTRL_MODULE_CORE Register Summary: \[1\]](#)

Table 18-340. CTRL_CORE_DTEMP_DSPEVE_3

Address Offset	0x0000 05A8	Instance	CTRL_MODULE_CORE
Physical Address	0x4A00 25A8		
Description	TAGGED TEMPERATURE DSPEVE DOMAIN		
Type	R		

31	30	29	28	27	26	25	24	23	22	21	20	19	18	17	16	15	14	13	12	11	10	9	8	7	6	5	4	3	2	1	0
DTEMP_TAG_DSPEVE_3																DTEMP_TEMPERATURE_DSPEVE_3															

Bits	Field Name	Description	Type	Reset
31:10	DTEMP_TAG_DSPEVE_3	tag. Indicate number of times in the bgap state machine.	R	0x0
9:0	DTEMP_TEMPERATURE_DSPEVE_3	temperature	R	0x0

Table 18-341. Register Call Summary for Register CTRL_CORE_DTEMP_DSPEVE_3

Control Module Functional Description

- [Summary Of The Thermal Management Related Registers: \[0\]](#)

Control Module Register Manual

- [CTRL_MODULE_CORE Register Summary: \[1\]](#)

Table 18-342. CTRL_CORE_DTEMP_DSPEVE_4

Address Offset	0x0000 05AC	Instance	CTRL_MODULE_CORE
Physical Address	0x4A00 25AC		
Description	TAGGED TEMPERATURE DSPEVE DOMAIN. Oldest sample		
Type	R		

31	30	29	28	27	26	25	24	23	22	21	20	19	18	17	16	15	14	13	12	11	10	9	8	7	6	5	4	3	2	1	0
DTEMP_TAG_DSPEVE_4																DTEMP_TEMPERATURE_DSPEVE_4															

Bits	Field Name	Description	Type	Reset
31:10	DTEMP_TAG_DSPEVE_4	tag. Indicate number of times in the bgap state machine.	R	0x0
9:0	DTEMP_TEMPERATURE_DSPEVE_4	temperature	R	0x0

Table 18-343. Register Call Summary for Register CTRL_CORE_DTEMP_DSPEVE_4

Control Module Functional Description

- [Summary Of The Thermal Management Related Registers: \[0\]](#)

Control Module Register Manual

- [CTRL_MODULE_CORE Register Summary: \[1\]](#)

Table 18-344. CTRL_CORE_DTEMP_IVA_0

Address Offset	0x0000 05B0	Instance	CTRL_MODULE_CORE
Physical Address	0x4A00 25B0		
Description	TAGGED TEMPERATURE IVA DOMAIN. Most recent sample		
Type	R		

31	30	29	28	27	26	25	24	23	22	21	20	19	18	17	16	15	14	13	12	11	10	9	8	7	6	5	4	3	2	1	0
DTEMP_TAG_IVA_0																DTEMP_TEMPERATURE_IVA_0															

Bits	Field Name	Description	Type	Reset
31:10	DTEMP_TAG_IVA_0	tag. Indicate number of times in the bgap state machine.	R	0x0
9:0	DTEMP_TEMPERATURE_IVA_0	temperature	R	0x0

Table 18-345. Register Call Summary for Register CTRL_CORE_DTEMP_IVA_0

Control Module Functional Description

- [Summary Of The Thermal Management Related Registers: \[0\]](#)

Control Module Register Manual

- [CTRL_MODULE_CORE Register Summary: \[1\]](#)

Table 18-346. CTRL_CORE_DTEMP_IVA_1

Address Offset	0x0000 05B4	Instance	CTRL_MODULE_CORE
Physical Address	0x4A00 25B4		
Description	TAGGED TEMPERATURE IVA DOMAIN		
Type	R		

31	30	29	28	27	26	25	24	23	22	21	20	19	18	17	16	15	14	13	12	11	10	9	8	7	6	5	4	3	2	1	0
DTEMP_TAG_IVA_1																DTEMP_TEMPERATURE_IVA_1															

Bits	Field Name	Description	Type	Reset
31:10	DTEMP_TAG_IVA_1	tag. Indicate number of times in the bgap state machine.	R	0x0
9:0	DTEMP_TEMPERATURE_IVA_1	temperature	R	0x0

Table 18-347. Register Call Summary for Register CTRL_CORE_DTEMP_IVA_1

Control Module Functional Description

- [Summary Of The Thermal Management Related Registers: \[0\]](#)

Control Module Register Manual

- [CTRL_MODULE_CORE Register Summary: \[1\]](#)

Table 18-348. CTRL_CORE_DTEMP_IVA_2

Address Offset	0x0000 05B8	Instance	CTRL_MODULE_CORE
Physical Address	0x4A00 25B8		
Description	TAGGED TEMPERATURE IVA DOMAIN		
Type	R		

31	30	29	28	27	26	25	24	23	22	21	20	19	18	17	16	15	14	13	12	11	10	9	8	7	6	5	4	3	2	1	0
DTEMP_TAG_IVA_2																DTEMP_TEMPERATURE_IVA_2															

Bits	Field Name	Description	Type	Reset
31:10	DTEMP_TAG_IVA_2	tag. Indicate number of times in the bgap state machine.	R	0x0
9:0	DTEMP_TEMPERATURE_IVA_2	temperature	R	0x0

Table 18-349. Register Call Summary for Register CTRL_CORE_DTEMP_IVA_2

Control Module Functional Description

- [Summary Of The Thermal Management Related Registers: \[0\]](#)

Control Module Register Manual

- [CTRL_MODULE_CORE Register Summary: \[1\]](#)

Table 18-350. CTRL_CORE_DTEMP_IVA_3

Address Offset	0x0000 05BC	Instance	CTRL_MODULE_CORE
Physical Address	0x4A00 25BC		
Description	TAGGED TEMPERATURE IVA DOMAIN		
Type	R		

31	30	29	28	27	26	25	24	23	22	21	20	19	18	17	16	15	14	13	12	11	10	9	8	7	6	5	4	3	2	1	0
DTEMP_TAG_IVA_3																DTEMP_TEMPERATURE_IVA_3															

Bits	Field Name	Description	Type	Reset
31:10	DTEMP_TAG_IVA_3	tag. Indicate number of times in the bgap state machine.	R	0x0
9:0	DTEMP_TEMPERATURE_IVA_3	temperature	R	0x0

Table 18-351. Register Call Summary for Register CTRL_CORE_DTEMP_IVA_3

Control Module Functional Description

- [Summary Of The Thermal Management Related Registers: \[0\]](#)

Control Module Register Manual

- [CTRL_MODULE_CORE Register Summary: \[1\]](#)

Table 18-352. CTRL_CORE_DTEMP_IVA_4

Address Offset	0x0000 05C0	Instance	CTRL_MODULE_CORE
Physical Address	0x4A00 25C0		
Description	TAGGED TEMPERATURE IVA DOMAIN. Oldest sample		
Type	R		

31	30	29	28	27	26	25	24	23	22	21	20	19	18	17	16	15	14	13	12	11	10	9	8	7	6	5	4	3	2	1	0
DTEMP_TAG_IVA_4																DTEMP_TEMPERATURE_IVA_4															

Bits	Field Name	Description	Type	Reset
31:10	DTEMP_TAG_IVA_4	tag. Indicate number of times in the bgap state machine.	R	0x0
9:0	DTEMP_TEMPERATURE_IVA_4	temperature	R	0x0

Table 18-353. Register Call Summary for Register CTRL_CORE_DTEMP_IVA_4

Control Module Functional Description

- [Summary Of The Thermal Management Related Registers: \[0\]](#)

Control Module Register Manual

- [CTRL_MODULE_CORE Register Summary: \[1\]](#)

Table 18-354. CTRL_CORE_STD_FUSE_OPP_VMIN_IVA_5

Address offset	0x0000 05C4
Physical Address	0x4A00 25C4
Instance	CTRL_MODULE_CORE
Description	This register contains the AVS Class 0 voltage value for the vdd_iva voltage rail when running at OPP_PLUS. This register also stores information about ABB configuration for that OPP.
Type	R

31	30	29	28	27	26	25	24	23	22	21	20	19	18	17	16	15	14	13	12	11	10	9	8	7	6	5	4	3	2	1	0
RESERVED							ABBEN	VSETABB				RESERVED						STD_FUSE_OPP_VMIN_IVA_5													

Bits	Field Name	Description	Type	Reset
31:26	RESERVED	Reserved	R	0x-
25	ABBEN	0x0: ABB is disabled 0x1: ABB is enabled	R	0x-
24:20	VSETABB	This bit field shows the ABB LDO target value for OPP_PLUS which has to be written to the CTRL_CORE_LDOVBB_IVA_VOLTAGE_CTRL [4:0] LDOVBIVA_FBB_VSET_OUT bit field, if ABB is enabled.	R	0x-
19:12	RESERVED	Reserved	R	0x-
11:0	STD_FUSE_OPP_VMIN_IVA_5	AVS Class 0 voltage value for the vdd_iva voltage rail when running at OPP_PLUS. To get the actual value in mV, the value read from this bit field must be converted to decimal value.	R	0x-

Table 18-355. Register Call Summary for Register CTRL_CORE_STD_FUSE_OPP_VMIN_IVA_5

Control Module Functional Description

- [AVS Class 0 Associated Registers: \[0\]](#)

Control Module Register Manual

- [CTRL_MODULE_CORE Register Summary: \[1\]](#)

Table 18-356. CTRL_CORE_STD_FUSE_OPP_VMIN_IVA_2

Address offset	0x0000 05CC
Physical Address	0x4A00 25CC
Instance	CTRL_MODULE_CORE
Description	This register contains the AVS Class 0 voltage value for the vdd_iva voltage rail when running at OPP_NOM. This register also stores information about ABB configuration for that OPP.
Type	R

31	30	29	28	27	26	25	24	23	22	21	20	19	18	17	16	15	14	13	12	11	10	9	8	7	6	5	4	3	2	1	0
RESERVED							ABBEN	VSETABB				RESERVED						STD_FUSE_OPP_VMIN_IVA_2													

Bits	Field Name	Description	Type	Reset
31:26	RESERVED	Reserved	R	0x-
25	ABBEN	0x0: ABB is disabled 0x1: ABB is enabled	R	0x-
24:20	VSETABB	This bit field shows the ABB LDO target value for OPP_NOM which has to be written to the CTRL_CORE_LDOVBB_IVA_VOLTAGE_CTRL [4:0] LDOVBIVA_FBB_VSET_OUT bit field, if ABB is enabled.	R	0x-
19:12	RESERVED	Reserved	R	0x-

Bits	Field Name	Description	Type	Reset
11:0	STD_FUSE_OPP_VMIN_I VA_2	AVS Class 0 voltage value for the vdd_iva voltage rail when running at OPP_NOM. To get the actual value in mV, the value read from this bit field must be converted to decimal value.	R	0x-

Table 18-357. Register Call Summary for Register CTRL_CORE_STD_FUSE_OPP_VMIN_IVA_2

Control Module Functional Description

- [AVS Class 0 Associated Registers: \[0\]](#)

Control Module Register Manual

- [CTRL_MODULE_CORE Register Summary: \[1\]](#)

Table 18-358. CTRL_CORE_STD_FUSE_OPP_VMIN_IVA_3

Address offset	0x0000 05D0	Instance	CTRL_MODULE_CORE
Physical Address	0x4A00 25D0		
Description	This register contains the AVS Class 0 voltage value for the vdd_iva voltage rail when running at OPP_OD. This register also stores information about ABB configuration for that OPP. Note: OPP_OD is not supported on the AM570x family of devices.		
Type	R		

31	30	29	28	27	26	25	24	23	22	21	20	19	18	17	16	15	14	13	12	11	10	9	8	7	6	5	4	3	2	1	0
RESERVED							ABBEN	VSETABB				RESERVED						STD_FUSE_OPP_VMIN_IVA_3													

Bits	Field Name	Description	Type	Reset
31:26	RESERVED	Reserved	R	0x-
25	ABBEN	0x0: ABB is disabled 0x1: ABB is enabled	R	0x-
24:20	VSETABB	This bit field shows the ABB LDO target value for OPP_OD which has to be written to the CTRL_CORE_LDOVBB_IVA_VOLTAGE_CTRL [4:0] LDOVBBIVA_FBB_VSET_OUT bit field, if ABB is enabled.	R	0x-
19:12	RESERVED	Reserved	R	0x-
11:0	STD_FUSE_OPP_VMIN_I VA_3	AVS Class 0 voltage value for the vdd_iva voltage rail when running at OPP_OD. To get the actual value in mV, the value read from this bit field must be converted to decimal value.	R	0x-

Table 18-359. Register Call Summary for Register CTRL_CORE_STD_FUSE_OPP_VMIN_IVA_3

Control Module Functional Description

- [AVS Class 0 Associated Registers: \[0\]](#)

Control Module Register Manual

- [CTRL_MODULE_CORE Register Summary: \[1\]](#)

Table 18-360. CTRL_CORE_STD_FUSE_OPP_VMIN_IVA_4

Address offset	0x0000 05D4	Instance	CTRL_MODULE_CORE
Physical Address	0x4A00 25D4		
Description	This register contains the AVS Class 0 voltage value for the vdd_iva voltage rail when running at OPP_HIGH. This register also stores information about ABB configuration for that OPP.		
Type	R		

31	30	29	28	27	26	25	24	23	22	21	20	19	18	17	16	15	14	13	12	11	10	9	8	7	6	5	4	3	2	1	0
RESERVED							ABBEN	VSETABB				RESERVED				STD_FUSE_OPP_VMIN_IVA_4															

Bits	Field Name	Description	Type	Reset
31:26	RESERVED	Reserved	R	0x-
25	ABBEN	0x0: ABB is disabled 0x1: ABB is enabled	R	0x-
24:20	VSETABB	This bit field shows the ABB LDO target value for OPP_HIGH which has to be written to the CTRL_CORE_LDOVBB_IVA_VOLTAGE_CTRL [4:0] LDOVBBIVA_FBB_VSET_OUT bit field, if ABB is enabled.	R	0x-
19:12	RESERVED	Reserved	R	0x-
11:0	STD_FUSE_OPP_VMIN_IVA_4	AVS Class 0 voltage value for the vdd_iva voltage rail when running at OPP_HIGH. To get the actual value in mV, the value read from this bit field must be converted to decimal value.	R	0x-

Table 18-361. Register Call Summary for Register CTRL_CORE_STD_FUSE_OPP_VMIN_IVA_4

Control Module Functional Description

- [AVS Class 0 Associated Registers: \[0\]](#)

Control Module Register Manual

- [CTRL_MODULE_CORE Register Summary: \[1\]](#)

Table 18-362. CTRL_CORE_STD_FUSE_OPP_VMIN_DSPEVE_5

Address offset	0x0000 05D8	Instance	CTRL_MODULE_CORE
Physical Address	0x4A00 25D8		
Description	This register contains the AVS Class 0 voltage value for the vdd_dsp voltage rail when running at OPP_PLUS. This register also stores information about ABB configuration for that OPP.		
Type	R		

31	30	29	28	27	26	25	24	23	22	21	20	19	18	17	16	15	14	13	12	11	10	9	8	7	6	5	4	3	2	1	0
RESERVED							ABBEN	VSETABB				RESERVED				STD_FUSE_OPP_VMIN_DSPEVE_5															

Bits	Field Name	Description	Type	Reset
31:26	RESERVED	Reserved	R	0x-
25	ABBEN	0x0: ABB is disabled 0x1: ABB is enabled	R	0x-
24:20	VSETABB	This bit field shows the ABB LDO target value for OPP_PLUS which has to be written to the CTRL_CORE_LDOVBB_DSPEVE_VOLTAGE_CTRL [4:0] LDOVBBDSPEVE_FBB_VSET_OUT bit field, if ABB is enabled.	R	0x-
19:12	RESERVED	Reserved	R	0x-

Bits	Field Name	Description	Type	Reset
11:0	STD_FUSE_OPP_VMIN_DSPEVE_5	AVS Class 0 voltage value for the vdd_dsp voltage rail when running at OPP_PLUS. To get the actual value in mV, the value read from this bit field must be converted to decimal value.	R	0x-

Table 18-363. Register Call Summary for Register CTRL_CORE_STD_FUSE_OPP_VMIN_DSPEVE_5

Control Module Functional Description

- [AVS Class 0 Associated Registers: \[0\]](#)

Control Module Register Manual

- [CTRL_MODULE_CORE Register Summary: \[1\]](#)

Table 18-364. CTRL_CORE_STD_FUSE_OPP_VMIN_DSPEVE_2

Address offset	0x0000 05E0	Instance	CTRL_MODULE_CORE
Physical Address	0x4A00 25E0		
Description	This register contains the AVS Class 0 voltage value for the vdd_dsp voltage rail when running at OPP_NOM. This register also stores information about ABB configuration for that OPP.		
Type	R		

31	30	29	28	27	26	25	24	23	22	21	20	19	18	17	16	15	14	13	12	11	10	9	8	7	6	5	4	3	2	1	0
RESERVED						ABBEN	VSETABB						RESERVED						STD_FUSE_OPP_VMIN_DSPEVE_2												

Bits	Field Name	Description	Type	Reset
31:26	RESERVED	Reserved	R	0x-
25	ABBEN	0x0: ABB is disabled 0x1: ABB is enabled	R	0x-
24:20	VSETABB	This bit field shows the ABB LDO target value for OPP_NOM which has to be written to the CTRL_CORE_LDOVBB_DSPEVE_VOLTAGE_CTRL [4:0] LDOVBBD SPEVE_FBB_VSET_OUT bit field, if ABB is enabled.	R	0x-
19:12	RESERVED	Reserved	R	0x-
11:0	STD_FUSE_OPP_VMIN_DSPEVE_2	AVS Class 0 voltage value for the vdd_dsp voltage rail when running at OPP_NOM. To get the actual value in mV, the value read from this bit field must be converted to decimal value.	R	0x-

Table 18-365. Register Call Summary for Register CTRL_CORE_STD_FUSE_OPP_VMIN_DSPEVE_2

Control Module Functional Description

- [AVS Class 0 Associated Registers: \[0\]](#)

Control Module Register Manual

- [CTRL_MODULE_CORE Register Summary: \[1\]](#)

Table 18-366. CTRL_CORE_STD_FUSE_OPP_VMIN_DSPEVE_3

Address offset	0x0000 05E4	
Physical Address	0x4A00 25E4	Instance CTRL_MODULE_CORE
Description	This register contains the AVS Class 0 voltage value for the vdd_dsp voltage rail when running at OPP_OD. This register also stores information about ABB configuration for that OPP. <i>Note: OPP_OD is not supported on the AM570x family of devices.</i>	
Type	R	

31	30	29	28	27	26	25	24	23	22	21	20	19	18	17	16	15	14	13	12	11	10	9	8	7	6	5	4	3	2	1	0
RESERVED							ABBEN	VSETABB				RESERVED				STD_FUSE_OPP_VMIN_DSPEVE_3															

Bits	Field Name	Description	Type	Reset
31:26	RESERVED	Reserved	R	0x-
25	ABBEN	0x0: ABB is disabled 0x1: ABB is enabled	R	0x-
24:20	VSETABB	This bit field shows the ABB LDO target value for OPP_OD which has to be written to the CTRL_CORE_LDOVBB_DSPEVE_VOLTAGE_CTRL [4:0] LDOVBBDSPPEVE_FBB_VSET_OUT bit field, if ABB is enabled.	R	0x-
19:12	RESERVED	Reserved	R	0x-
11:0	STD_FUSE_OPP_VMIN_DSPEVE_3	AVS Class 0 voltage value for the vdd_dsp voltage rail when running at OPP_OD. To get the actual value in mV, the value read from this bit field must be converted to decimal value.	R	0x-

Table 18-367. Register Call Summary for Register CTRL_CORE_STD_FUSE_OPP_VMIN_DSPEVE_3

Control Module Functional Description

- [AVS Class 0 Associated Registers: \[0\]](#)

Control Module Register Manual

- [CTRL_MODULE_CORE Register Summary: \[1\]](#)

Table 18-368. CTRL_CORE_STD_FUSE_OPP_VMIN_DSPEVE_4

Address offset	0x0000 05E8	
Physical Address	0x4A00 25E8	Instance CTRL_MODULE_CORE
Description	This register contains the AVS Class 0 voltage value for the vdd_dsp voltage rail when running at OPP_HIGH. This register also stores information about ABB configuration for that OPP.	
Type	R	

31	30	29	28	27	26	25	24	23	22	21	20	19	18	17	16	15	14	13	12	11	10	9	8	7	6	5	4	3	2	1	0
RESERVED							ABBEN	VSETABB				RESERVED				STD_FUSE_OPP_VMIN_DSPEVE_4															

Bits	Field Name	Description	Type	Reset
31:26	RESERVED	Reserved	R	0x-
25	ABBEN	0x0: ABB is disabled 0x1: ABB is enabled	R	0x-
24:20	VSETABB	This bit field shows the ABB LDO target value for OPP_HIGH which has to be written to the CTRL_CORE_LDOVBB_DSPEVE_VOLTAGE_CTRL [4:0] LDOVBBDSPPEVE_FBB_VSET_OUT bit field, if ABB is enabled.	R	0x-

Bits	Field Name	Description	Type	Reset
19:12	RESERVED	Reserved	R	0x-
11:0	STD_FUSE_OPP_VMIN_DSPEVE_4	AVS Class 0 voltage value for the vdd_dsp voltage rail when running at OPP_HIGH. To get the actual value in mV, the value read from this bit field must be converted to decimal value.	R	0x-

Table 18-369. Register Call Summary for Register CTRL_CORE_STD_FUSE_OPP_VMIN_DSPEVE_4

Control Module Functional Description

- [AVS Class 0 Associated Registers: \[0\]](#)

Control Module Register Manual

- [CTRL_MODULE_CORE Register Summary: \[1\]](#)

Table 18-370. CTRL_CORE_STD_FUSE_OPP_VMIN_CORE_2

Address Offset	0x0000 05F4	Instance	CTRL_MODULE_CORE
Physical Address	0x4A00 25F4		
Description	This register contains the AVS Class 0 voltage value for the vdd voltage rail when running at OPP_NOM.		
Type	R		

31	30	29	28	27	26	25	24	23	22	21	20	19	18	17	16	15	14	13	12	11	10	9	8	7	6	5	4	3	2	1	0
RESERVED																STD_FUSE_OPP_VMIN_CORE_2															

Bits	Field Name	Description	Type	Reset
31:12	RESERVED	Reserved	R	0x-
11:0	STD_FUSE_OPP_VMIN_CORE_2	AVS Class 0 voltage value for the vdd voltage rail when running at OPP_NOM. To get the actual value in mV, the value read from this bit field must be converted to decimal value.	R	0x-

Table 18-371. Register Call Summary for Register CTRL_CORE_STD_FUSE_OPP_VMIN_CORE_2

Control Module Functional Description

- [AVS Class 0 Associated Registers: \[0\]](#)

Control Module Register Manual

- [CTRL_MODULE_CORE Register Summary: \[1\]](#)

Table 18-372. CTRL_CORE_LDOSRAM_CORE_2_VOLTAGE_CTRL

Address Offset	0x0000 0680	Instance	CTRL_MODULE_CORE
Physical Address	0x4A00 2680		
Description	CORE 2nd SRAM LDO Control register		
Type	RW		

31	30	29	28	27	26	25	24	23	22	21	20	19	18	17	16	15	14	13	12	11	10	9	8	7	6	5	4	3	2	1	0
RESERVED						LDOSRAMCORE_2_RETMODE_MUX_CTRL		LDOSRAMCORE_2_RETMODE_VSET_IN				LDOSRAMCORE_2_RETMODE_VSET_OUT				RESERVED						LDOSRAMCORE_2_ACTMODE_MUX_CTRL		LDOSRAMCORE_2_ACTMODE_VSET_IN				LDOSRAMCORE_2_ACTMODE_VSET_OUT			

Bits	Field Name	Description	Type	Reset
31:27	RESERVED		R	0x0
26	LDOSRAMCORE_2_RETMODE_MUX_CTRL	Override control of EFUSE Retention Mode Voltage value 0x0: eFuse value is used 0x1: Override value is used	RW	0x0
25:21	LDOSRAMCORE_2_RETMODE_VSET_IN	EFUSE Retention Mode Voltage value (vset[9:5])	R	0x0
20:16	LDOSRAMCORE_2_RETMODE_VSET_OUT	Override value for Retention Mode Voltage	RW	0x0
15:11	RESERVED		R	0x0
10	LDOSRAMCORE_2_ACTMODE_MUX_CTRL	Override control of EFUSE Active Mode Voltage value 0x0: eFuse value is used 0x1: Override value is used	RW	0x0
9:5	LDOSRAMCORE_2_ACTMODE_VSET_IN	EFUSE Active Mode Voltage value (vset[4:0])	R	0x0
4:0	LDOSRAMCORE_2_ACTMODE_VSET_OUT	Override value for Active Mode Voltage value	RW	0x0

Table 18-373. Register Call Summary for Register CTRL_CORE_LDOSRAM_CORE_2_VOLTAGE_CTRL

Control Module Register Manual

- [CTRL_MODULE_CORE Register Summary: \[0\]](#)

Table 18-374. CTRL_CORE_LDOSRAM_CORE_3_VOLTAGE_CTRL

Address Offset	0x0000 0684	Instance	CTRL_MODULE_CORE
Physical Address	0x4A00 2684		
Description	CORE 3rd SRAM LDO Control register		
Type	RW		

31	30	29	28	27	26	25	24	23	22	21	20	19	18	17	16	15	14	13	12	11	10	9	8	7	6	5	4	3	2	1	0								
RESERVED								LDOSRAMCORE_3_RETMODE_MUX_CTRL				LDOSRAMCORE_3_RETMODE_VSET_IN				LDOSRAMCORE_3_RETMODE_VSET_OUT				RESERVED								LDOSRAMCORE_3_ACTMODE_MUX_CTRL				LDOSRAMCORE_3_ACTMODE_VSET_IN				LDOSRAMCORE_3_ACTMODE_VSET_OUT			

Bits	Field Name	Description	Type	Reset
31:27	RESERVED		R	0x0
26	LDOSRAMCORE_3_RETMODE_MUX_CTRL	Override control of EFUSE Retention Mode Voltage value 0x0: eFuse value is used 0x1: Override value is used	RW	0x0
25:21	LDOSRAMCORE_3_RETMODE_VSET_IN	EFUSE Retention Mode Voltage value (vset[9:5])	R	0x0
20:16	LDOSRAMCORE_3_RETMODE_VSET_OUT	Override value for Retention Mode Voltage	RW	0x0
15:11	RESERVED		R	0x0
10	LDOSRAMCORE_3_ACTMODE_MUX_CTRL	Override control of EFUSE Active Mode Voltage value 0x0: eFuse value is used 0x1: Override value is used	RW	0x0
9:5	LDOSRAMCORE_3_ACTMODE_VSET_IN	EFUSE Active Mode Voltage value (vset[4:0])	R	0x0
4:0	LDOSRAMCORE_3_ACTMODE_VSET_OUT	Override value for Active Mode Voltage value	RW	0x0

Table 18-375. Register Call Summary for Register CTRL_CORE_LDOSRAM_CORE_3_VOLTAGE_CTRL

Control Module Register Manual

- [CTRL_MODULE_CORE Register Summary: \[0\]](#)

Table 18-376. CTRL_CORE_NMI_DESTINATION_1

Address Offset	0x0000 068C	Instance	CTRL_MODULE_CORE
Physical Address	0x4A00 268C		
Description	Register for routing NMI interrupt to respective cores		
Type	RW		

31	30	29	28	27	26	25	24	23	22	21	20	19	18	17	16	15	14	13	12	11	10	9	8	7	6	5	4	3	2	1	0
RESERVED								IPU2_C1				IPU2_C0				IPU1_C1															

Bits	Field Name	Description	Type	Reset
31:24	RESERVED	Reserved	RW	0x0
23:16	IPU2_C1	Enable IPU2 CORE1 to receive the NMI interrupt 0x0 = NMI disabled 0x1 = NMI enabled	RW	0x0
15:8	IPU2_C0	Enable IPU2 CORE0 to receive the NMI interrupt 0x0 = NMI disabled 0x1 = NMI enabled	RW	0x0
7:0	IPU1_C1	Enable IPU1 CORE1 to receive the NMI interrupt 0x0 = NMI disabled 0x1 = NMI enabled	RW	0x0

Table 18-377. Register Call Summary for Register CTRL_CORE_NMI_DESTINATION_1

Control Module Functional Description

- [NMI Mapping To Respective Cores: \[0\]](#)

Control Module Register Manual

- [CTRL_MODULE_CORE Register Summary: \[1\]](#)

Table 18-378. CTRL_CORE_NMI_DESTINATION_2

Address Offset	0x0000 0690	Instance	CTRL_MODULE_CORE
Physical Address	0x4A00 2690		
Description	Register for routing NMI interrupt to respective cores		
Type	RW		

31	30	29	28	27	26	25	24	23	22	21	20	19	18	17	16	15	14	13	12	11	10	9	8	7	6	5	4	3	2	1	0
IPU1_C0								RESERVED								DSP1								MPU							

Bits	Field Name	Description	Type	Reset
31:24	IPU1_C0	Enable IPU1 CORE0 to receive the NMI interrupt 0x0 = NMI disabled 0x1 = NMI enabled	RW	0x0
23:16	RESERVED		R	0x0
15:8	DSP1	Enable DSP1 to receive the NMI interrupt 0x0 = NMI disabled 0x1 = NMI enabled	RW	0x0
7:0	MPU	Comes from Efuse (MPU_EN) 0x0 = NMI disabled 0x1 = NMI enabled	RW	0x0

Table 18-379. Register Call Summary for Register CTRL_CORE_NMI_DESTINATION_2

Control Module Functional Description

- [NMI Mapping To Respective Cores: \[0\]](#)

Control Module Register Manual

- [CTRL_MODULE_CORE Register Summary: \[1\]](#)

Table 18-380. CTRL_CORE_IP_PRESSURE

Address Offset	0x0000 0698	Instance	CTRL_MODULE_CORE
Physical Address	0x4A00 2698		
Description	Register to override the L3 pressure setting for the MLB module NOTE: MLB is not supported on the AM571x / AM570x family of devices.		
Type	RW		

31	30	29	28	27	26	25	24	23	22	21	20	19	18	17	16	15	14	13	12	11	10	9	8	7	6	5	4	3	2	1	0
RESERVED																MLB_L3_PRESSURE_ENABLE		MLB_L3_PRESSURE													

Bits	Field Name	Description	Type	Reset
31:3	RESERVED		R	0x0
2	MLB_L3_PRESSURE_ENABLE	Override enable for the MLB L3 pressure setting 0x0 = Overriding of the L3 pressure setting for the MLB module is disabled 0x1 = Overriding of the L3 pressure setting for the MLB module is enabled	RW	0x0
1:0	MLB_L3_PRESSURE	MLB L3 pressure setting 0x0 = Lowest 0x3 = Highest	RW	0x0

Table 18-381. Register Call Summary for Register CTRL_CORE_IP_PRESSURE

Control Module Register Manual

- [CTRL_MODULE_CORE Register Summary: \[0\]](#)

Table 18-382. CTRL_CORE_STD_FUSE_OPP_VDD_DSPEVE_0

Address Offset	0x0000 06A0	Instance	CTRL_MODULE_CORE
Physical Address	0x4A00 26A0		
Description	Standard Fuse OPP VDD_DSPEVE [31:0]. Register shows part of the chip eFuse configuration on the OCP interface. Reading at the address of one of these registers provides a direct view into a part of the eFuse chain.		
Type	R		

31	30	29	28	27	26	25	24	23	22	21	20	19	18	17	16	15	14	13	12	11	10	9	8	7	6	5	4	3	2	1	0
STD_FUSE_OPP_VDD_DSPEVE_0																															

Bits	Field Name	Description	Type	Reset
31:0	STD_FUSE_OPP_VDD_DSPEVE_0		R	0x0

Table 18-383. Register Call Summary for Register CTRL_CORE_STD_FUSE_OPP_VDD_DSPEVE_0

Control Module Register Manual

- [CTRL_MODULE_CORE Register Summary: \[0\]](#)

Table 18-384. CTRL_CORE_STD_FUSE_OPP_VDD_DSPEVE_1

Address Offset	0x0000 06A4	
Physical Address	0x4A00 26A4	Instance CTRL_MODULE_CORE
Description	Standard Fuse OPP VDD_DSPEVE [63:32]. Register shows part of the chip eFuse configuration on the OCP interface. Reading at the address of one of these registers provides a direct view into a part of the eFuse chain.	
Type	R	

31	30	29	28	27	26	25	24	23	22	21	20	19	18	17	16	15	14	13	12	11	10	9	8	7	6	5	4	3	2	1	0
STD_FUSE_OPP_VDD_DSPEVE_1																															

Bits	Field Name	Description	Type	Reset
31:0	STD_FUSE_OPP_VDD_D SPEVE_1		R	0x0

Table 18-385. Register Call Summary for Register CTRL_CORE_STD_FUSE_OPP_VDD_DSPEVE_1

Control Module Register Manual

- [CTRL_MODULE_CORE Register Summary: \[0\]](#)

Table 18-386. CTRL_CORE_STD_FUSE_OPP_VDD_DSPEVE_2

Address Offset	0x0000 06A8	
Physical Address	0x4A00 26A8	Instance CTRL_MODULE_CORE
Description	Standard Fuse OPP VDD_DSPEVE [95:64]. Register shows part of the chip eFuse configuration on the OCP interface. Reading at the address of one of these registers provides a direct view into a part of the eFuse chain.	
Type	R	

31	30	29	28	27	26	25	24	23	22	21	20	19	18	17	16	15	14	13	12	11	10	9	8	7	6	5	4	3	2	1	0
STD_FUSE_OPP_VDD_DSPEVE_2																															

Bits	Field Name	Description	Type	Reset
31:0	STD_FUSE_OPP_VDD_D SPEVE_2		R	0x0

Table 18-387. Register Call Summary for Register CTRL_CORE_STD_FUSE_OPP_VDD_DSPEVE_2

Control Module Register Manual

- [CTRL_MODULE_CORE Register Summary: \[0\]](#)

Table 18-388. CTRL_CORE_STD_FUSE_OPP_VDD_DSPEVE_3

Address Offset	0x0000 06AC	
Physical Address	0x4A00 26AC	Instance CTRL_MODULE_CORE
Description	Standard Fuse OPP VDD_DSPEVE [127:96]. Register shows part of the chip eFuse configuration on the OCP interface. Reading at the address of one of these registers provides a direct view into a part of the eFuse chain.	
Type	R	

31	30	29	28	27	26	25	24	23	22	21	20	19	18	17	16	15	14	13	12	11	10	9	8	7	6	5	4	3	2	1	0
STD_FUSE_OPP_VDD_DSPEVE_3																															

Bits	Field Name	Description	Type	Reset
31:0	STD_FUSE_OPP_VDD_D SPEVE_3		R	0x0

Table 18-389. Register Call Summary for Register CTRL_CORE_STD_FUSE_OPP_VDD_DSPEVE_3

Control Module Register Manual

- [CTRL_MODULE_CORE Register Summary: \[0\]](#)

Table 18-390. CTRL_CORE_STD_FUSE_OPP_VDD_DSPEVE_4

Address Offset	0x0000 06B0	Instance	CTRL_MODULE_CORE
Physical Address	0x4A00 26B0		
Description	Standard Fuse OPP VDD_DSPEVE [159:128]. Register shows part of the chip eFuse configuration on the OCP interface. Reading at the address of one of these registers provides a direct view into a part of the eFuse chain.		
Type	R		

31	30	29	28	27	26	25	24	23	22	21	20	19	18	17	16	15	14	13	12	11	10	9	8	7	6	5	4	3	2	1	0
STD_FUSE_OPP_VDD_DSPEVE_4																															

Bits	Field Name	Description	Type	Reset
31:0	STD_FUSE_OPP_VDD_D SPEVE_4		R	0x0

Table 18-391. Register Call Summary for Register CTRL_CORE_STD_FUSE_OPP_VDD_DSPEVE_4

Control Module Register Manual

- [CTRL_MODULE_CORE Register Summary: \[0\]](#)

Table 18-392. CTRL_CORE_CUST_FUSE_SWRV_7

Address Offset	0x0000 06B4	Instance	CTRL_MODULE_CORE
Physical Address	0x4A00 26B4		
Description	Customer Fuse keys. SWRV [31:0] (16 bits upper Redundant field) [FIELD A]. Register shows part of the chip eFuse configuration on the OCP interface. Reading at the address of one of these registers provides a direct view into a part of the eFuse chain.		
Type	R		

31	30	29	28	27	26	25	24	23	22	21	20	19	18	17	16	15	14	13	12	11	10	9	8	7	6	5	4	3	2	1	0
CUST_FUSE_SWRV_7																															

Bits	Field Name	Description	Type	Reset
31:0	CUST_FUSE_SWRV_7		R	0x0

Table 18-393. Register Call Summary for Register CTRL_CORE_CUST_FUSE_SWRV_7

Control Module Register Manual

- [CTRL_MODULE_CORE Register Summary: \[0\]](#)

Table 18-394. CTRL_CORE_STD_FUSE_CALIBRATION_OVERRIDE_VALUE_0

Address Offset	0x0000 06B8	Instance	CTRL_MODULE_CORE
Physical Address	0x4A00 26B8		
Description	Standard Fuse Calibration override value [31:0]. Register shows part of the chip eFuse configuration on the OCP interface. Reading at the address of one of these registers provides a direct view into a part of the eFuse chain.		
Type	R		

31	30	29	28	27	26	25	24	23	22	21	20	19	18	17	16	15	14	13	12	11	10	9	8	7	6	5	4	3	2	1	0
STD_FUSE_CALIBRATION_OVERRIDE_VALUE_0																															

Bits	Field Name	Description	Type	Reset
31:0	STD_FUSE_CALIBRATION_OVERRIDE_VALUE_0		R	0x0

Table 18-395. Register Call Summary for Register CTRL_CORE_STD_FUSE_CALIBRATION_OVERRIDE_VALUE_0

Control Module Register Manual

- [CTRL_MODULE_CORE Register Summary: \[0\]](#)

Table 18-396. CTRL_CORE_STD_FUSE_CALIBRATION_OVERRIDE_VALUE_1

Address Offset	0x0000 06BC	Instance	CTRL_MODULE_CORE
Physical Address	0x4A00 26BC		
Description	Standard Fuse Calibration override value [63:32]. Register shows part of the chip eFuse configuration on the OCP interface. Reading at the address of one of these registers provides a direct view into a part of the eFuse chain.		
Type	R		

31	30	29	28	27	26	25	24	23	22	21	20	19	18	17	16	15	14	13	12	11	10	9	8	7	6	5	4	3	2	1	0
STD_FUSE_CALIBRATION_OVERRIDE_VALUE_1																															

Bits	Field Name	Description	Type	Reset
31:0	STD_FUSE_CALIBRATION_OVERRIDE_VALUE_1		R	0x0

Table 18-397. Register Call Summary for Register CTRL_CORE_STD_FUSE_CALIBRATION_OVERRIDE_VALUE_1

Control Module Register Manual

- [CTRL_MODULE_CORE Register Summary: \[0\]](#)

Table 18-398. CTRL_CORE_PCIE_POWER_STATE

Address Offset	0x0000 06C0	Instance	CTRL_MODULE_CORE
Physical Address	0x4A00 26C0		
Description	Register to PCIe related controls		
Type	RW		

31	30	29	28	27	26	25	24	23	22	21	20	19	18	17	16	15	14	13	12	11	10	9	8	7	6	5	4	3	2	1	0
BYPASS_EN_APLL_PCIE	CLKOOUTEN_APLL_PCIE	RESERVED				EFUSE_TRIM_ACS_PCIE										EFUSE_TRIM_PCIE_PLL															

Bits	Field Name	Description	Type	Reset
31	BYPASS_EN_APLL_PCIE	Bypass enable bit setting for APLL_PCIE	RW	0x0
30	CLKOOUTEN_APLL_PCIE	Clock output enable bit setting for APLL_PCIE	RW	0x0
29:26	RESERVED		R	0x0
25:16	EFUSE_TRIM_ACS_PCIE	MMR override capability for ACS_PCIE efuse trim bits	RW	0x0
15:0	EFUSE_TRIM_PCIE_PLL	MMR override capability for PCIe PLL efuse trim bits	RW	0x0

Table 18-399. Register Call Summary for Register CTRL_CORE_PCIE_POWER_STATE

Control Module Register Manual

- [CTRL_MODULE_CORE Register Summary: \[0\]](#)

Table 18-400. CTRL_CORE_BOOTSTRAP

Address Offset	0x0000 06C4	Instance	CTRL_MODULE_CORE
Physical Address	0x4A00 26C4		
Description	Register to view all the sysboot settings		
Type	R		

31	30	29	28	27	26	25	24	23	22	21	20	19	18	17	16	15	14	13	12	11	10	9	8	7	6	5	4	3	2	1	0
RESERVED															DSP_CLOCK_DIVIDER	RESERVED	BOOTDEVICEMUX	MUXCODEDEVICE	BOOTWAITEN	SPEEDSELECT	SYSBOOT_76	BOOTMODE									

Bits	Field Name	Description	Type	Reset
31:16	RESERVED		R	0x0
15	DSP_CLOCK_DIVIDER	SR1.x Only: Divide factor for DSP clock 0x0: DSP_CLK2 is selected. Not supported on this SoC. 0x1: DSP_CLK3 is selected SR2.x Only: Permanently disables the internal PU/PD resistors on pads gpmc_a[27:24, 22:19]. 0x0: Internal pull-down resistors are permanently disabled 0x1: Internal pull-down resistors are enabled	R	0x0
14	RESERVED	For proper device operation, a value of 0 is required on sysboot14	R	0x0
13	BOOTDEVICESIZE	Select the size of the flash device on CS0. 0x0: 8-bit 0x1: 16-bit	R	0x0
12:11	MUXCS0DEVICE	Select IC boot sequence to be executed from a multiplexed address and data device attached to CS0. 0x0: Non-muxed device attached 0x1: Addr-Data Mux device attached 0x2: Reserved 0x3: Reserved	R	0x0
10	BOOTWAITEN	Enable the monitoring on CS0 of the wait pin at IC reset release time for read accesses. 0x0: Wait pin is not monitored for read accesses 0x1: Wait pin is monitored for read accesses	R	0x0
9:8	SPEEDSELECT	Indicates the SYS_CLK1 frequency (from osc0). Note that the internal FUNC_32K_CLK is equal to SYS_CLK1/610, which is nominally 32.7869 kHz with 20 MHz clock. 0x0: Reserved 0x1: 20 MHz 0x2: 27 MHz 0x3: 19.2 MHz	R	0x0
7:6	SYSBOOT_76	Sector offset for the location of the redundant SBL images in QSPI. 0x0: 64 KB offset 0x1: 128 KB offset 0x2: 256 KB offset 0x3: 512 KB offset	R	0x0
5:0	BOOTMODE	SYSBOOT mode	R	0x0

Table 18-401. Register Call Summary for Register CTRL_CORE_BOOTSTRAP

Control Module Functional Description

- [Control Module Initialization: \[0\]](#)
- [System Boot Status Settings: \[1\]](#)

Control Module Register Manual

- [CTRL_MODULE_CORE Register Summary: \[2\]](#)

Table 18-402. CTRL_CORE_MLB_SIG_IO_CTRL

Address Offset	0x0000 06C8	Instance	CTRL_MODULE_CORE
Physical Address	0x4A00 26C8		
Description	Register to set the MLB's SIG IO characteristics NOTE: MLB is not supported on the AM571x / AM570x family of devices.		
Type	RW		

31	30	29	28	27	26	25	24	23	22	21	20	19	18	17	16	15	14	13	12	11	10	9	8	7	6	5	4	3	2	1	0
RESERVED								SIG_RX_TRIM_EN	SIG_NC_IN								RESERVED	SIG_PC_IN								RESERVED	SIG_REMOVE_SKEW	SIG_PWRDNRX	SIG_PWRDNTX	SIG_EN_EXT_RES	RESERVED

Bits	Field Name	Description	Type	Reset
31:23	RESERVED		R	0x0
22	SIG_RX_TRIM_EN	0x0: Trimming is disabled 0x1: Trimming is enabled	RW	0x0
21:16	SIG_NC_IN	efuse trim for Nmos impedance	RW	0x0
15:14	RESERVED		R	0x0
13:8	SIG_PC_IN	efuse trim for Pmos impedance	RW	0x0
7	RESERVED		R	0x0
6	SIG_REMOVE_SKEW	Adjust for skew generated by the receiver due to asymmetric inputs. 0x0: skew compensation is disabled 0x1: skew compensation is enabled	RW	0x0
5	SIG_PWRDNRX	powerdown receiver, active high 0x0 = Powered ON 0x1 = Powered OFF	RW	0x1
4	SIG_PWRDNTX	powerdown transmitter, active high 0x0 = Powered ON 0x1 = Powered OFF	RW	0x1
3	SIG_EN_EXT_RES	disables internal resistors 0x0 = Disabled 0x1 = Enabled	RW	0x0
2:0	RESERVED		R	0x0

Table 18-403. Register Call Summary for Register CTRL_CORE_MLB_SIG_IO_CTRL

Control Module Register Manual

- [CTRL_MODULE_CORE Register Summary: \[0\]](#)

Table 18-404. CTRL_CORE_MLB_DAT_IO_CTRL

Address Offset	0x0000 06CC	Instance	CTRL_MODULE_CORE
Physical Address	0x4A00 26CC		
Description	Register to set the MLB's DAT IO characteristics NOTE: MLB is not supported on the AM571x / AM570x family of devices.		
Type	RW		

31	30	29	28	27	26	25	24	23	22	21	20	19	18	17	16	15	14	13	12	11	10	9	8	7	6	5	4	3	2	1	0
RESERVED								DAT_RX_TRIM_EN	DAT_NC_IN						RESERVED	DAT_PC_IN				RESERVED	DAT_REMOVE_SKEW	DAT_PWRDNRX	DAT_PWRDNTX	DAT_EN_EXT_RES	RESERVED						

Bits	Field Name	Description	Type	Reset
31:23	RESERVED		R	0x0
22	DAT_RX_TRIM_EN	0x0: Trimming is disabled 0x1: Trimming is enabled	RW	0x0
21:16	DAT_NC_IN	efuse trim for Nmos impedance	RW	0x0
15:14	RESERVED		R	0x0
13:8	DAT_PC_IN	efuse trim for Pmos impedance	RW	0x0
7	RESERVED		R	0x0
6	DAT_REMOVE_SKEW	Adjust for skew generated by the receiver due to asymmetric inputs. 0x0: skew compensation is disabled 0x1: skew compensation is enabled	RW	0x0
5	DAT_PWRDNRX	powerdown receiver, active high 0x0: Powered ON 0x1: Powered OFF	RW	0x1
4	DAT_PWRDNTX	powerdown transmitter, active high 0x0: Powered ON 0x1: Powered OFF	RW	0x1
3	DAT_EN_EXT_RES	Enable/disable internal resistors 0x0: Disabled 0x1: Enabled	RW	0x0
2:0	RESERVED		R	0x0

Table 18-405. Register Call Summary for Register CTRL_CORE_MLB_DAT_IO_CTRL

Control Module Register Manual

- [CTRL_MODULE_CORE Register Summary: \[0\]](#)

Table 18-406. CTRL_CORE_MLB_CLK_BG_CTRL

Address Offset	0x0000 06D0	Instance	CTRL_MODULE_CORE
Physical Address	0x4A00 26D0		
Description	Register to set the MLB's clock receiver IO and bandgap characteristics NOTE: MLB is not supported on the AM571x / AM570x family of devices.		
Type	RW		

31	30	29	28	27	26	25	24	23	22	21	20	19	18	17	16	15	14	13	12	11	10	9	8	7	6	5	4	3	2	1	0
RESERVED								RX_TRIM_EN	CLK_REMOVE_SKEW	CLK_PWRDNRX	RESERVED					T_HYSTERISIS_EN	RESERVED								BG_TRIM				BG_PWRDN	CLK_PWRDN	

Bits	Field Name	Description	Type	Reset
31:25	RESERVED		R	0x0
24	RX_TRIM_EN		RW	0x0
23	CLK_REMOVE_SKEW		RW	0x0
22	CLK_PWRDNRX		RW	0x1
21:17	RESERVED		R	0x0
16	T_HYSTERISIS_EN	Hysteresis enable 0x0 = Disabled 0x1 = Enabled	RW	0x0
15:8	RESERVED		R	0x0
7:2	BG_TRIM	Trim values for MLB bandgap	RW	0x0
1	BG_PWRDN	MLB bandgap cell enable. 0x0 = The MLB bandgap cell is powered (enabled) 0x1 = The MLB bandgap cell is disabled	RW	0x0
0	CLK_PWRDN	Enable the MLB differential clock receiver. 0x0 = MLB differential clock receiver is enabled 0x1 = MLB differential clock receiver is disabled	RW	0x1

Table 18-407. Register Call Summary for Register CTRL_CORE_MLB_CLK_BG_CTRL

Control Module Register Manual

- [CTRL_MODULE_CORE Register Summary: \[0\]](#)

Table 18-408. CTRL_CORE_CAL_REG

Address Offset	0x0000 0794	Instance	CTRL_MODULE_CORE
Physical Address	0x4A00 2794		
Description			
Type	RW		

31	30	29	28	27	26	25	24	23	22	21	20	19	18	17	16	15	14	13	12	11	10	9	8	7	6	5	4	3	2	1	0																				
RESERVED																CAL_PRIORITY				0	1	2	3	4	5	6	7	8	9	10	11	12	13	14	15	16	17	18	19	20	21	22	23	24	25	26	27	28	29	30	31

Bits	Field Name	Description	Type	Reset
31:4	RESERVED		R	0x0
3:1	CAL_PRIORITY	CAL priority setting when accessing the EMIF. 0x0: Highest priority 0x7: Lowest priority	RW	0x0
0	CAL_TILED_MEMORY_SPACE	This is the 33rd address bit on the L3_MAIN associated with CAL. This bit controls whether CAL performs an access to Q0-Q3 address range or to TILER_VIEW address range. 0x0: The lower 4GiB address space (Q0-Q3) is accessed. 0x1: The address space associated with the 8 TILER views is accessed.	RW	0x0

Table 18-409. Register Call Summary for Register CTRL_CORE_CAL_REG

Control Module Register Manual

- [CTRL_MODULE_CORE Register Summary: \[0\]](#)

Table 18-410. CTRL_CORE_MLB_DLL

Address Offset	0x0000 0798	Instance	CTRL_MODULE_CORE
Physical Address	0x4A00 2798		
Description	NOTE: MLB is not supported on the AM571x / AM570x family of devices.		
Type	RW		

31	30	29	28	27	26	25	24	23	22	21	20	19	18	17	16	15	14	13	12	11	10	9	8	7	6	5	4	3	2	1	0
RESERVED																DLL_CLOCK_DISABLE			DLL_LOCK		SDL_LOCK		DLL_RATIO								

Bits	Field Name	Description	Type	Reset
31:11	RESERVED		R	0x0
10	DLL_CLOCK_DISABLE	0x0: MDLL reference clock is enabled 0x1: MDLL reference clock is disabled	RW	0x0
9	DLL_LOCK	Value of 0x1 indicates that the MDLL has locked to its reference clock. This bit remains high till MDLL reset occurs.	RW	0x0
8	SDL_LOCK	Value of 0x1 indicates that the SDL has been updated with a code. This bit remains high till the SDL reset occurs.	RW	0x0
7:0	DLL_RATIO	The value which has to be loaded in this bit field is calculated based on the equation $DLL_RATIO = (2,5/MP) * 256$, where MP is the MDLL clock period measured in ns.	RW	0x0

Table 18-411. Register Call Summary for Register CTRL_CORE_MLB_DLL

Control Module Register Manual

- [CTRL_MODULE_CORE Register Summary: \[0\]](#)

Table 18-412. CTRL_CORE_MLB_CLK

Address Offset	0x0000 079C	Instance	CTRL_MODULE_CORE
Physical Address	0x4A00 279C		
Description	NOTE: MLB is not supported on the AM571x / AM570x family of devices.		
Type	RW		

31	30	29	28	27	26	25	24	23	22	21	20	19	18	17	16	15	14	13	12	11	10	9	8	7	6	5	4	3	2	1	0
RESERVED																												CLK_SEL_MLB			

Bits	Field Name	Description	Type	Reset
31:1	RESERVED		R	0x0
0	CLK_SEL_MLB	0x0: The frequency of the MLB clock line is not doubled (100MHz clock is used) 0x1: The frequency of the MLB clock line is doubled (200MHz clock is used)	RW	0x0

Table 18-413. Register Call Summary for Register CTRL_CORE_MLB_CLK

Control Module Register Manual

- [CTRL_MODULE_CORE Register Summary: \[0\]](#)

Table 18-414. CTRL_CORE_IPU1_IRQ_23_24

Address Offset	0x0000 07E0	Instance	CTRL_MODULE_CORE
Physical Address	0x4A00 27E0		
Description			
Type	RW		

31	30	29	28	27	26	25	24	23	22	21	20	19	18	17	16	15	14	13	12	11	10	9	8	7	6	5	4	3	2	1	0
RESERVED								IPU1_IRQ_24								RESERVED								IPU1_IRQ_23							

Bits	Field Name	Description	Type	Reset
31:25	RESERVED		R	0x0
24:16	IPU1_IRQ_24		RW	0x30
15:9	RESERVED		R	0x0
8:0	IPU1_IRQ_23		RW	0x14

Table 18-415. Register Call Summary for Register CTRL_CORE_IPU1_IRQ_23_24

Control Module Register Manual

- [CTRL_MODULE_CORE Register Summary: \[0\]](#)

Table 18-416. CTRL_CORE_IPU1_IRQ_25_26

Address Offset	0x0000 07E4	Instance	CTRL_MODULE_CORE
Physical Address	0x4A00 27E4		
Description			
Type	RW		

31	30	29	28	27	26	25	24	23	22	21	20	19	18	17	16	15	14	13	12	11	10	9	8	7	6	5	4	3	2	1	0
RESERVED								IPU1_IRQ_26								RESERVED								IPU1_IRQ_25							

Bits	Field Name	Description	Type	Reset
31:25	RESERVED		R	0x0
24:16	IPU1_IRQ_26		RW	0x60
15:9	RESERVED		R	0x0
8:0	IPU1_IRQ_25		RW	0x0

Table 18-417. Register Call Summary for Register CTRL_CORE_IPU1_IRQ_25_26

Control Module Register Manual

- [CTRL_MODULE_CORE Register Summary: \[0\]](#)

Table 18-418. CTRL_CORE_IPU1_IRQ_27_28

Address Offset	0x0000 07E8	Instance	CTRL_MODULE_CORE
Physical Address	0x4A00 27E8		
Description			
Type	RW		

31	30	29	28	27	26	25	24	23	22	21	20	19	18	17	16	15	14	13	12	11	10	9	8	7	6	5	4	3	2	1	0
RESERVED								IPU1_IRQ_28								RESERVED								IPU1_IRQ_27							

Bits	Field Name	Description	Type	Reset
31:25	RESERVED		R	0x0
24:16	IPU1_IRQ_28		RW	0x7F
15:9	RESERVED		R	0x0
8:0	IPU1_IRQ_27		RW	0x7E

Table 18-419. Register Call Summary for Register CTRL_CORE_IPU1_IRQ_27_28

Control Module Register Manual

- [CTRL_MODULE_CORE Register Summary: \[0\]](#)

Table 18-420. CTRL_CORE_IPU1_IRQ_29_30

Address Offset	0x0000 07EC		Instance	CTRL_MODULE_CORE	
Physical Address	0x4A00 27EC				
Description					
Type	RW				

31	30	29	28	27	26	25	24	23	22	21	20	19	18	17	16	15	14	13	12	11	10	9	8	7	6	5	4	3	2	1	0
RESERVED								IPU1_IRQ_30								RESERVED								IPU1_IRQ_29							

Bits	Field Name	Description	Type	Reset
31:25	RESERVED		R	0x0
24:16	IPU1_IRQ_30		RW	0x81
15:9	RESERVED		R	0x0
8:0	IPU1_IRQ_29		RW	0x80

Table 18-421. Register Call Summary for Register CTRL_CORE_IPU1_IRQ_29_30

Control Module Register Manual

- [CTRL_MODULE_CORE Register Summary: \[0\]](#)

Table 18-422. CTRL_CORE_IPU1_IRQ_31_32

Address Offset	0x0000 07F0		Instance	CTRL_MODULE_CORE	
Physical Address	0x4A00 27F0				
Description					
Type	RW				

31	30	29	28	27	26	25	24	23	22	21	20	19	18	17	16	15	14	13	12	11	10	9	8	7	6	5	4	3	2	1	0
RESERVED								IPU1_IRQ_32								RESERVED								IPU1_IRQ_31							

Bits	Field Name	Description	Type	Reset
31:25	RESERVED		R	0x0
24:16	IPU1_IRQ_32		RW	0x13
15:9	RESERVED		R	0x0
8:0	IPU1_IRQ_31		RW	0x82

Table 18-423. Register Call Summary for Register CTRL_CORE_IPU1_IRQ_31_32

Control Module Register Manual

- [CTRL_MODULE_CORE Register Summary: \[0\]](#)

Table 18-424. CTRL_CORE_IPU1_IRQ_33_34

Address Offset	0x0000 07F4	Instance	CTRL_MODULE_CORE
Physical Address	0x4A00 27F4		
Description			
Type	RW		

31	30	29	28	27	26	25	24	23	22	21	20	19	18	17	16	15	14	13	12	11	10	9	8	7	6	5	4	3	2	1	0
RESERVED								IPU1_IRQ_34								RESERVED								IPU1_IRQ_33							

Bits	Field Name	Description	Type	Reset
31:25	RESERVED		R	0x0
24:16	IPU1_IRQ_34		RW	0x7
15:9	RESERVED		R	0x0
8:0	IPU1_IRQ_33		RW	0x83

Table 18-425. Register Call Summary for Register CTRL_CORE_IPU1_IRQ_33_34

Control Module Register Manual

- [CTRL_MODULE_CORE Register Summary: \[0\]](#)

Table 18-426. CTRL_CORE_IPU1_IRQ_35_36

Address Offset	0x0000 07F8	Instance	CTRL_MODULE_CORE
Physical Address	0x4A00 27F8		
Description			
Type	RW		

31	30	29	28	27	26	25	24	23	22	21	20	19	18	17	16	15	14	13	12	11	10	9	8	7	6	5	4	3	2	1	0
RESERVED								IPU1_IRQ_36								RESERVED								IPU1_IRQ_35							

Bits	Field Name	Description	Type	Reset
31:25	RESERVED		R	0x0
24:16	IPU1_IRQ_36		RW	0x9
15:9	RESERVED		R	0x0
8:0	IPU1_IRQ_35		RW	0x8

Table 18-427. Register Call Summary for Register CTRL_CORE_IPU1_IRQ_35_36

Control Module Register Manual

- [CTRL_MODULE_CORE Register Summary: \[0\]](#)

Table 18-428. CTRL_CORE_IPU1_IRQ_37_38

Address Offset	0x0000 07FC	Instance	CTRL_MODULE_CORE
Physical Address	0x4A00 27FC		
Description			
Type	RW		

31	30	29	28	27	26	25	24	23	22	21	20	19	18	17	16	15	14	13	12	11	10	9	8	7	6	5	4	3	2	1	0
RESERVED								IPU1_IRQ_38								RESERVED								IPU1_IRQ_37							

Bits	Field Name	Description	Type	Reset
31:25	RESERVED		R	0x0
24:16	IPU1_IRQ_38		RW	0x84
15:9	RESERVED		R	0x0
8:0	IPU1_IRQ_37		RW	0xA

Table 18-429. Register Call Summary for Register CTRL_CORE_IPU1_IRQ_37_38

Control Module Register Manual

- [CTRL_MODULE_CORE Register Summary: \[0\]](#)

Table 18-430. CTRL_CORE_IPU1_IRQ_39_40

Address Offset	0x0000 0800	Instance	CTRL_MODULE_CORE
Physical Address	0x4A00 2800		
Description			
Type	RW		

31	30	29	28	27	26	25	24	23	22	21	20	19	18	17	16	15	14	13	12	11	10	9	8	7	6	5	4	3	2	1	0
RESERVED								IPU1_IRQ_40								RESERVED								IPU1_IRQ_39							

Bits	Field Name	Description	Type	Reset
31:25	RESERVED		R	0x0
24:16	IPU1_IRQ_40		RW	0x63
15:9	RESERVED		R	0x0
8:0	IPU1_IRQ_39		RW	0x62

Table 18-431. Register Call Summary for Register CTRL_CORE_IPU1_IRQ_39_40

Control Module Register Manual

- [CTRL_MODULE_CORE Register Summary: \[0\]](#)

Table 18-432. CTRL_CORE_IPU1_IRQ_41_42

Address Offset	0x0000 0804	Instance	CTRL_MODULE_CORE
Physical Address	0x4A00 2804		
Description			
Type	RW		

31	30	29	28	27	26	25	24	23	22	21	20	19	18	17	16	15	14	13	12	11	10	9	8	7	6	5	4	3	2	1	0
RESERVED								IPU1_IRQ_42								RESERVED								IPU1_IRQ_41							

Bits	Field Name	Description	Type	Reset
31:25	RESERVED		R	0x0
24:16	IPU1_IRQ_42		RW	0x34
15:9	RESERVED		R	0x0
8:0	IPU1_IRQ_41		RW	0x33

Table 18-433. Register Call Summary for Register CTRL_CORE_IPU1_IRQ_41_42

Control Module Register Manual

- [CTRL_MODULE_CORE Register Summary: \[0\]](#)

Table 18-434. CTRL_CORE_IPU1_IRQ_43_44

Address Offset	0x0000 0808	Instance	CTRL_MODULE_CORE
Physical Address	0x4A00 2808		
Description			
Type	RW		

31	30	29	28	27	26	25	24	23	22	21	20	19	18	17	16	15	14	13	12	11	10	9	8	7	6	5	4	3	2	1	0
RESERVED								IPU1_IRQ_44								RESERVED								IPU1_IRQ_43							

Bits	Field Name	Description	Type	Reset
31:25	RESERVED		R	0x0
24:16	IPU1_IRQ_44		RW	0x39
15:9	RESERVED		R	0x0
8:0	IPU1_IRQ_43		RW	0x38

Table 18-435. Register Call Summary for Register CTRL_CORE_IPU1_IRQ_43_44

Control Module Register Manual

- [CTRL_MODULE_CORE Register Summary: \[0\]](#)

Table 18-436. CTRL_CORE_IPU1_IRQ_45_46

Address Offset	0x0000 080C	Instance	CTRL_MODULE_CORE
Physical Address	0x4A00 280C		
Description			
Type	RW		

31	30	29	28	27	26	25	24	23	22	21	20	19	18	17	16	15	14	13	12	11	10	9	8	7	6	5	4	3	2	1	0
RESERVED								IPU1_IRQ_46								RESERVED								IPU1_IRQ_45							

Bits	Field Name	Description	Type	Reset
31:25	RESERVED		R	0x0
24:16	IPU1_IRQ_46		RW	0x5
15:9	RESERVED		R	0x0
8:0	IPU1_IRQ_45		RW	0x45

Table 18-437. Register Call Summary for Register CTRL_CORE_IPU1_IRQ_45_46

Control Module Register Manual

- [CTRL_MODULE_CORE Register Summary: \[0\]](#)

Table 18-438. CTRL_CORE_IPU1_IRQ_47_48

Address Offset	0x0000 0810	Instance	CTRL_MODULE_CORE
Physical Address	0x4A00 2810		
Description			
Type	RW		

31	30	29	28	27	26	25	24	23	22	21	20	19	18	17	16	15	14	13	12	11	10	9	8	7	6	5	4	3	2	1	0
RESERVED								IPU1_IRQ_48								RESERVED								IPU1_IRQ_47							

Bits	Field Name	Description	Type	Reset
31:25	RESERVED		R	0x0
24:16	IPU1_IRQ_48		RW	0xE
15:9	RESERVED		R	0x0
8:0	IPU1_IRQ_47		RW	0x85

Table 18-439. Register Call Summary for Register CTRL_CORE_IPU1_IRQ_47_48

Control Module Register Manual

- [CTRL_MODULE_CORE Register Summary: \[0\]](#)

Table 18-440. CTRL_CORE_IPU1_IRQ_49_50

Address Offset	0x0000 0814	Instance	CTRL_MODULE_CORE
Physical Address	0x4A00 2814		
Description			
Type	RW		

31	30	29	28	27	26	25	24	23	22	21	20	19	18	17	16	15	14	13	12	11	10	9	8	7	6	5	4	3	2	1	0
RESERVED								IPU1_IRQ_50								RESERVED								IPU1_IRQ_49							

Bits	Field Name	Description	Type	Reset
31:25	RESERVED		R	0x0
24:16	IPU1_IRQ_50		RW	0x86
15:9	RESERVED		R	0x0
8:0	IPU1_IRQ_49		RW	0x42

Table 18-441. Register Call Summary for Register CTRL_CORE_IPU1_IRQ_49_50

Control Module Register Manual

- [CTRL_MODULE_CORE Register Summary: \[0\]](#)

Table 18-442. CTRL_CORE_IPU1_IRQ_51_52

Address Offset	0x0000 0818	Instance	CTRL_MODULE_CORE
Physical Address	0x4A00 2818		
Description			
Type	RW		

31	30	29	28	27	26	25	24	23	22	21	20	19	18	17	16	15	14	13	12	11	10	9	8	7	6	5	4	3	2	1	0
RESERVED								IPU1_IRQ_52								RESERVED								IPU1_IRQ_51							

Bits	Field Name	Description	Type	Reset
31:25	RESERVED		R	0x0
24:16	IPU1_IRQ_52		RW	0x19
15:9	RESERVED		R	0x0
8:0	IPU1_IRQ_51		RW	0x18

Table 18-443. Register Call Summary for Register CTRL_CORE_IPU1_IRQ_51_52

Control Module Register Manual

- [CTRL_MODULE_CORE Register Summary: \[0\]](#)

Table 18-444. CTRL_CORE_IPU1_IRQ_53_54

Address Offset	0x0000 081C	Instance	CTRL_MODULE_CORE
Physical Address	0x4A00 281C		
Description			
Type	RW		

31	30	29	28	27	26	25	24	23	22	21	20	19	18	17	16	15	14	13	12	11	10	9	8	7	6	5	4	3	2	1	0
RESERVED								IPU1_IRQ_54								RESERVED								IPU1_IRQ_53							

Bits	Field Name	Description	Type	Reset
31:25	RESERVED		R	0x0
24:16	IPU1_IRQ_54		RW	0x23
15:9	RESERVED		R	0x0
8:0	IPU1_IRQ_53		RW	0x22

Table 18-445. Register Call Summary for Register CTRL_CORE_IPU1_IRQ_53_54

Control Module Register Manual

- [CTRL_MODULE_CORE Register Summary: \[0\]](#)

Table 18-446. CTRL_CORE_IPU1_IRQ_55_56

Address Offset	0x0000 0820	Instance	CTRL_MODULE_CORE
Physical Address	0x4A00 2820		
Description			
Type	RW		

31	30	29	28	27	26	25	24	23	22	21	20	19	18	17	16	15	14	13	12	11	10	9	8	7	6	5	4	3	2	1	0
RESERVED								IPU1_IRQ_56								RESERVED								IPU1_IRQ_55							

Bits	Field Name	Description	Type	Reset
31:25	RESERVED		R	0x0
24:16	IPU1_IRQ_56		RW	0x2A
15:9	RESERVED		R	0x0
8:0	IPU1_IRQ_55		RW	0x28

Table 18-447. Register Call Summary for Register CTRL_CORE_IPU1_IRQ_55_56

Control Module Register Manual

- [CTRL_MODULE_CORE Register Summary: \[0\]](#)

Table 18-448. CTRL_CORE_IPU1_IRQ_57_58

Address Offset	0x0000 0824	Instance	CTRL_MODULE_CORE
Physical Address	0x4A00 2824		
Description			
Type	RW		

31	30	29	28	27	26	25	24	23	22	21	20	19	18	17	16	15	14	13	12	11	10	9	8	7	6	5	4	3	2	1	0
RESERVED								IPU1_IRQ_58								RESERVED								IPU1_IRQ_57							

Bits	Field Name	Description	Type	Reset
31:25	RESERVED		R	0x0
24:16	IPU1_IRQ_58		RW	0x3D
15:9	RESERVED		R	0x0
8:0	IPU1_IRQ_57		RW	0x3C

Table 18-449. Register Call Summary for Register CTRL_CORE_IPU1_IRQ_57_58

Control Module Register Manual

- [CTRL_MODULE_CORE Register Summary: \[0\]](#)

Table 18-450. CTRL_CORE_IPU1_IRQ_59_60

Address Offset	0x0000 0828	Instance	CTRL_MODULE_CORE
Physical Address	0x4A00 2828		
Description			
Type	RW		

31	30	29	28	27	26	25	24	23	22	21	20	19	18	17	16	15	14	13	12	11	10	9	8	7	6	5	4	3	2	1	0
RESERVED								IPU1_IRQ_60								RESERVED								IPU1_IRQ_59							

Bits	Field Name	Description	Type	Reset
31:25	RESERVED		R	0x0
24:16	IPU1_IRQ_60		RW	0x0
15:9	RESERVED		R	0x0
8:0	IPU1_IRQ_59		RW	0x32

Table 18-451. Register Call Summary for Register CTRL_CORE_IPU1_IRQ_59_60

Control Module Register Manual

- [CTRL_MODULE_CORE Register Summary: \[0\]](#)

Table 18-452. CTRL_CORE_IPU1_IRQ_61_62

Address Offset	0x0000 082C	Instance	CTRL_MODULE_CORE
Physical Address	0x4A00 282C		
Description			
Type	RW		

31	30	29	28	27	26	25	24	23	22	21	20	19	18	17	16	15	14	13	12	11	10	9	8	7	6	5	4	3	2	1	0
RESERVED								IPU1_IRQ_62								RESERVED								IPU1_IRQ_61							

Bits	Field Name	Description	Type	Reset
31:25	RESERVED		R	0x0
24:16	IPU1_IRQ_62		RW	0x16
15:9	RESERVED		R	0x0
8:0	IPU1_IRQ_61		RW	0x0

Table 18-453. Register Call Summary for Register CTRL_CORE_IPU1_IRQ_61_62

Control Module Register Manual

- [CTRL_MODULE_CORE Register Summary: \[0\]](#)

Table 18-454. CTRL_CORE_IPU1_IRQ_63_64

Address Offset	0x0000 0830	Instance	CTRL_MODULE_CORE
Physical Address	0x4A00 2830		
Description			
Type	RW		

31	30	29	28	27	26	25	24	23	22	21	20	19	18	17	16	15	14	13	12	11	10	9	8	7	6	5	4	3	2	1	0
RESERVED								IPU1_IRQ_64								RESERVED								IPU1_IRQ_63							

Bits	Field Name	Description	Type	Reset
31:25	RESERVED		R	0x0
24:16	IPU1_IRQ_64		RW	0x6C
15:9	RESERVED		R	0x0
8:0	IPU1_IRQ_63		RW	0x53

Table 18-455. Register Call Summary for Register CTRL_CORE_IPU1_IRQ_63_64

Control Module Register Manual

- [CTRL_MODULE_CORE Register Summary: \[0\]](#)

Table 18-456. CTRL_CORE_IPU1_IRQ_65_66

Address Offset	0x0000 0834	Instance	CTRL_MODULE_CORE
Physical Address	0x4A00 2834		
Description			
Type	RW		

31	30	29	28	27	26	25	24	23	22	21	20	19	18	17	16	15	14	13	12	11	10	9	8	7	6	5	4	3	2	1	0
RESERVED								IPU1_IRQ_66								RESERVED								IPU1_IRQ_65							

Bits	Field Name	Description	Type	Reset
31:25	RESERVED		R	0x0
24:16	IPU1_IRQ_66		RW	0x4E
15:9	RESERVED		R	0x0
8:0	IPU1_IRQ_65		RW	0x78

Table 18-457. Register Call Summary for Register CTRL_CORE_IPU1_IRQ_65_66

Control Module Register Manual

- [CTRL_MODULE_CORE Register Summary: \[0\]](#)

Table 18-458. CTRL_CORE_IPU1_IRQ_67_68

Address Offset	0x0000 0838	Instance	CTRL_MODULE_CORE
Physical Address	0x4A00 2838		
Description			
Type	RW		

31	30	29	28	27	26	25	24	23	22	21	20	19	18	17	16	15	14	13	12	11	10	9	8	7	6	5	4	3	2	1	0
RESERVED								IPU1_IRQ_68								RESERVED								IPU1_IRQ_67							

Bits	Field Name	Description	Type	Reset
31:25	RESERVED		R	0x0
24:16	IPU1_IRQ_68		RW	0x59
15:9	RESERVED		R	0x0
8:0	IPU1_IRQ_67		RW	0x51

Table 18-459. Register Call Summary for Register CTRL_CORE_IPU1_IRQ_67_68

Control Module Register Manual

- [CTRL_MODULE_CORE Register Summary: \[0\]](#)

Table 18-460. CTRL_CORE_IPU1_IRQ_69_70

Address Offset	0x0000 083C	
Physical Address	0x4A00 283C	Instance CTRL_MODULE_CORE
Description		
Type	RW	

31	30	29	28	27	26	25	24	23	22	21	20	19	18	17	16	15	14	13	12	11	10	9	8	7	6	5	4	3	2	1	0
RESERVED								IPU1_IRQ_70								RESERVED								IPU1_IRQ_69							

Bits	Field Name	Description	Type	Reset
31:25	RESERVED		R	0x0
24:16	IPU1_IRQ_70		RW	0x0
15:9	RESERVED		R	0x0
8:0	IPU1_IRQ_69		RW	0x0

Table 18-461. Register Call Summary for Register CTRL_CORE_IPU1_IRQ_69_70

Control Module Register Manual

- [CTRL_MODULE_CORE Register Summary: \[0\]](#)

Table 18-462. CTRL_CORE_IPU1_IRQ_71_72

Address Offset	0x0000 0840	
Physical Address	0x4A00 2840	Instance CTRL_MODULE_CORE
Description		
Type	RW	

31	30	29	28	27	26	25	24	23	22	21	20	19	18	17	16	15	14	13	12	11	10	9	8	7	6	5	4	3	2	1	0
RESERVED								IPU1_IRQ_72								RESERVED								IPU1_IRQ_71							

Bits	Field Name	Description	Type	Reset
31:25	RESERVED		R	0x0
24:16	IPU1_IRQ_72		RW	0x76
15:9	RESERVED		R	0x0
8:0	IPU1_IRQ_71		RW	0x77

Table 18-463. Register Call Summary for Register CTRL_CORE_IPU1_IRQ_71_72

Control Module Register Manual

- [CTRL_MODULE_CORE Register Summary: \[0\]](#)

Table 18-464. CTRL_CORE_IPU1_IRQ_73_74

Address Offset	0x0000 0844	Instance	CTRL_MODULE_CORE
Physical Address	0x4A00 2844		
Description			
Type	RW		

31	30	29	28	27	26	25	24	23	22	21	20	19	18	17	16	15	14	13	12	11	10	9	8	7	6	5	4	3	2	1	0
RESERVED								IPU1_IRQ_74								RESERVED								IPU1_IRQ_73							

Bits	Field Name	Description	Type	Reset
31:25	RESERVED		R	0x0
24:16	IPU1_IRQ_74		RW	0x49
15:9	RESERVED		R	0x0
8:0	IPU1_IRQ_73		RW	0x48

Table 18-465. Register Call Summary for Register CTRL_CORE_IPU1_IRQ_73_74

Control Module Register Manual

- [CTRL_MODULE_CORE Register Summary: \[0\]](#)

Table 18-466. CTRL_CORE_IPU1_IRQ_75_76

Address Offset	0x0000 0848	Instance	CTRL_MODULE_CORE
Physical Address	0x4A00 2848		
Description			
Type	RW		

31	30	29	28	27	26	25	24	23	22	21	20	19	18	17	16	15	14	13	12	11	10	9	8	7	6	5	4	3	2	1	0
RESERVED								IPU1_IRQ_76								RESERVED								IPU1_IRQ_75							

Bits	Field Name	Description	Type	Reset
31:25	RESERVED		R	0x0
24:16	IPU1_IRQ_76		RW	0x57
15:9	RESERVED		R	0x0
8:0	IPU1_IRQ_75		RW	0x75

Table 18-467. Register Call Summary for Register CTRL_CORE_IPU1_IRQ_75_76

Control Module Register Manual

- [CTRL_MODULE_CORE Register Summary: \[0\]](#)

Table 18-468. CTRL_CORE_IPU1_IRQ_77_78

Address Offset	0x0000 084C	Instance	CTRL_MODULE_CORE
Physical Address	0x4A00 284C		
Description			
Type	RW		

31	30	29	28	27	26	25	24	23	22	21	20	19	18	17	16	15	14	13	12	11	10	9	8	7	6	5	4	3	2	1	0
RESERVED								IPU1_IRQ_78								RESERVED								IPU1_IRQ_77							

Bits	Field Name	Description	Type	Reset
31:25	RESERVED		R	0x0
24:16	IPU1_IRQ_78		RW	0x3E
15:9	RESERVED		R	0x0
8:0	IPU1_IRQ_77		RW	0x58

Table 18-469. Register Call Summary for Register CTRL_CORE_IPU1_IRQ_77_78

Control Module Register Manual

- [CTRL_MODULE_CORE Register Summary: \[0\]](#)

Table 18-470. CTRL_CORE_IPU1_IRQ_79_80

Address Offset	0x0000 0850	Instance	CTRL_MODULE_CORE
Physical Address	0x4A00 2850		
Description			
Type	RW		

31	30	29	28	27	26	25	24	23	22	21	20	19	18	17	16	15	14	13	12	11	10	9	8	7	6	5	4	3	2	1	0
RESERVED																IPU1_IRQ_79															

Bits	Field Name	Description	Type	Reset
31:9	RESERVED		R	0x0
8:0	IPU1_IRQ_79		RW	0x3F

Table 18-471. Register Call Summary for Register CTRL_CORE_IPU1_IRQ_79_80

Control Module Register Manual

- [CTRL_MODULE_CORE Register Summary: \[0\]](#)

Table 18-472. CTRL_CORE_IPU2_IRQ_23_24

Address Offset	0x0000 0854	Instance	CTRL_MODULE_CORE
Physical Address	0x4A00 2854		
Description			
Type	RW		

31	30	29	28	27	26	25	24	23	22	21	20	19	18	17	16	15	14	13	12	11	10	9	8	7	6	5	4	3	2	1	0
RESERVED								IPU2_IRQ_24								RESERVED								IPU2_IRQ_23							

Bits	Field Name	Description	Type	Reset
31:25	RESERVED		R	0x0
24:16	IPU2_IRQ_24		RW	0x30
15:9	RESERVED		R	0x0
8:0	IPU2_IRQ_23		RW	0x14

Table 18-473. Register Call Summary for Register CTRL_CORE_IPU2_IRQ_23_24

Control Module Register Manual

- [CTRL_MODULE_CORE Register Summary: \[0\]](#)

Table 18-474. CTRL_CORE_IPU2_IRQ_25_26

Address Offset	0x0000 0858	Instance	CTRL_MODULE_CORE
Physical Address	0x4A00 2858		
Description			
Type	RW		

31	30	29	28	27	26	25	24	23	22	21	20	19	18	17	16	15	14	13	12	11	10	9	8	7	6	5	4	3	2	1	0
RESERVED								IPU2_IRQ_26								RESERVED								IPU2_IRQ_25							

Bits	Field Name	Description	Type	Reset
31:25	RESERVED		R	0x0
24:16	IPU2_IRQ_26		RW	0x60
15:9	RESERVED		R	0x0
8:0	IPU2_IRQ_25		RW	0x0

Table 18-475. Register Call Summary for Register CTRL_CORE_IPU2_IRQ_25_26

Control Module Register Manual

- [CTRL_MODULE_CORE Register Summary: \[0\]](#)

Table 18-476. CTRL_CORE_IPU2_IRQ_27_28

Address Offset	0x0000 085C	Instance	CTRL_MODULE_CORE
Physical Address	0x4A00 285C		
Description			
Type	RW		

31	30	29	28	27	26	25	24	23	22	21	20	19	18	17	16	15	14	13	12	11	10	9	8	7	6	5	4	3	2	1	0
RESERVED								IPU2_IRQ_28								RESERVED								IPU2_IRQ_27							

Bits	Field Name	Description	Type	Reset
31:25	RESERVED		R	0x0
24:16	IPU2_IRQ_28		RW	0x7F
15:9	RESERVED		R	0x0
8:0	IPU2_IRQ_27		RW	0x7E

Table 18-477. Register Call Summary for Register CTRL_CORE_IPU2_IRQ_27_28

Control Module Register Manual

- [CTRL_MODULE_CORE Register Summary: \[0\]](#)

Table 18-478. CTRL_CORE_IPU2_IRQ_29_30

Address Offset	0x0000 0860	
Physical Address	0x4A00 2860	Instance CTRL_MODULE_CORE
Description		
Type	RW	

31	30	29	28	27	26	25	24	23	22	21	20	19	18	17	16	15	14	13	12	11	10	9	8	7	6	5	4	3	2	1	0
RESERVED								IPU2_IRQ_30								RESERVED								IPU2_IRQ_29							

Bits	Field Name	Description	Type	Reset
31:25	RESERVED		R	0x0
24:16	IPU2_IRQ_30		RW	0x81
15:9	RESERVED		R	0x0
8:0	IPU2_IRQ_29		RW	0x80

Table 18-479. Register Call Summary for Register CTRL_CORE_IPU2_IRQ_29_30

Control Module Register Manual

- [CTRL_MODULE_CORE Register Summary: \[0\]](#)

Table 18-480. CTRL_CORE_IPU2_IRQ_31_32

Address Offset	0x0000 0864	
Physical Address	0x4A00 2864	Instance CTRL_MODULE_CORE
Description		
Type	RW	

31	30	29	28	27	26	25	24	23	22	21	20	19	18	17	16	15	14	13	12	11	10	9	8	7	6	5	4	3	2	1	0
RESERVED								IPU2_IRQ_32								RESERVED								IPU2_IRQ_31							

Bits	Field Name	Description	Type	Reset
31:25	RESERVED		R	0x0
24:16	IPU2_IRQ_32		RW	0x13
15:9	RESERVED		R	0x0
8:0	IPU2_IRQ_31		RW	0x82

Table 18-481. Register Call Summary for Register CTRL_CORE_IPU2_IRQ_31_32

Control Module Register Manual

- [CTRL_MODULE_CORE Register Summary: \[0\]](#)

Table 18-482. CTRL_CORE_IPU2_IRQ_33_34

Address Offset	0x0000 0868	Instance	CTRL_MODULE_CORE
Physical Address	0x4A00 2868		
Description			
Type	RW		

31	30	29	28	27	26	25	24	23	22	21	20	19	18	17	16	15	14	13	12	11	10	9	8	7	6	5	4	3	2	1	0
RESERVED								IPU2_IRQ_34								RESERVED								IPU2_IRQ_33							

Bits	Field Name	Description	Type	Reset
31:25	RESERVED		R	0x0
24:16	IPU2_IRQ_34		RW	0x7
15:9	RESERVED		R	0x0
8:0	IPU2_IRQ_33		RW	0x83

Table 18-483. Register Call Summary for Register CTRL_CORE_IPU2_IRQ_33_34

Control Module Register Manual

- [CTRL_MODULE_CORE Register Summary: \[0\]](#)

Table 18-484. CTRL_CORE_IPU2_IRQ_35_36

Address Offset	0x0000 086C	Instance	CTRL_MODULE_CORE
Physical Address	0x4A00 286C		
Description			
Type	RW		

31	30	29	28	27	26	25	24	23	22	21	20	19	18	17	16	15	14	13	12	11	10	9	8	7	6	5	4	3	2	1	0
RESERVED								IPU2_IRQ_36								RESERVED								IPU2_IRQ_35							

Bits	Field Name	Description	Type	Reset
31:25	RESERVED		R	0x0
24:16	IPU2_IRQ_36		RW	0x9
15:9	RESERVED		R	0x0
8:0	IPU2_IRQ_35		RW	0x8

Table 18-485. Register Call Summary for Register CTRL_CORE_IPU2_IRQ_35_36

Control Module Register Manual

- [CTRL_MODULE_CORE Register Summary: \[0\]](#)

Table 18-486. CTRL_CORE_IPU2_IRQ_37_38

Address Offset	0x0000 0870	Instance	CTRL_MODULE_CORE
Physical Address	0x4A00 2870		
Description			
Type	RW		

31	30	29	28	27	26	25	24	23	22	21	20	19	18	17	16	15	14	13	12	11	10	9	8	7	6	5	4	3	2	1	0
RESERVED								IPU2_IRQ_38								RESERVED								IPU2_IRQ_37							

Bits	Field Name	Description	Type	Reset
31:25	RESERVED		R	0x0
24:16	IPU2_IRQ_38		RW	0x84
15:9	RESERVED		R	0x0
8:0	IPU2_IRQ_37		RW	0xA

Table 18-487. Register Call Summary for Register CTRL_CORE_IPU2_IRQ_37_38

Control Module Register Manual

- [CTRL_MODULE_CORE Register Summary: \[0\]](#)

Table 18-488. CTRL_CORE_IPU2_IRQ_39_40

Address Offset	0x0000 0874	Instance	CTRL_MODULE_CORE
Physical Address	0x4A00 2874		
Description			
Type	RW		

31	30	29	28	27	26	25	24	23	22	21	20	19	18	17	16	15	14	13	12	11	10	9	8	7	6	5	4	3	2	1	0
RESERVED								IPU2_IRQ_40								RESERVED								IPU2_IRQ_39							

Bits	Field Name	Description	Type	Reset
31:25	RESERVED		R	0x0
24:16	IPU2_IRQ_40		RW	0x63
15:9	RESERVED		R	0x0
8:0	IPU2_IRQ_39		RW	0x62

Table 18-489. Register Call Summary for Register CTRL_CORE_IPU2_IRQ_39_40

Control Module Register Manual

- [CTRL_MODULE_CORE Register Summary: \[0\]](#)

Table 18-490. CTRL_CORE_IPU2_IRQ_41_42

Address Offset	0x0000 0878	Instance	CTRL_MODULE_CORE
Physical Address	0x4A00 2878		
Description			
Type	RW		

31	30	29	28	27	26	25	24	23	22	21	20	19	18	17	16	15	14	13	12	11	10	9	8	7	6	5	4	3	2	1	0
RESERVED								IPU2_IRQ_42								RESERVED								IPU2_IRQ_41							

Bits	Field Name	Description	Type	Reset
31:25	RESERVED		R	0x0
24:16	IPU2_IRQ_42		RW	0x34
15:9	RESERVED		R	0x0
8:0	IPU2_IRQ_41		RW	0x33

Table 18-491. Register Call Summary for Register CTRL_CORE_IPU2_IRQ_41_42

Control Module Register Manual

- [CTRL_MODULE_CORE Register Summary: \[0\]](#)

Table 18-492. CTRL_CORE_IPU2_IRQ_43_44

Address Offset	0x0000 087C	Instance	CTRL_MODULE_CORE
Physical Address	0x4A00 287C		
Description			
Type	RW		

31	30	29	28	27	26	25	24	23	22	21	20	19	18	17	16	15	14	13	12	11	10	9	8	7	6	5	4	3	2	1	0
RESERVED								IPU2_IRQ_44								RESERVED								IPU2_IRQ_43							

Bits	Field Name	Description	Type	Reset
31:25	RESERVED		R	0x0
24:16	IPU2_IRQ_44		RW	0x39
15:9	RESERVED		R	0x0
8:0	IPU2_IRQ_43		RW	0x38

Table 18-493. Register Call Summary for Register CTRL_CORE_IPU2_IRQ_43_44

Control Module Register Manual

- [CTRL_MODULE_CORE Register Summary: \[0\]](#)

Table 18-494. CTRL_CORE_IPU2_IRQ_45_46

Address Offset	0x0000 0880	Instance	CTRL_MODULE_CORE
Physical Address	0x4A00 2880		
Description			
Type	RW		

31	30	29	28	27	26	25	24	23	22	21	20	19	18	17	16	15	14	13	12	11	10	9	8	7	6	5	4	3	2	1	0
RESERVED								IPU2_IRQ_46								RESERVED								IPU2_IRQ_45							

Bits	Field Name	Description	Type	Reset
31:25	RESERVED		R	0x0
24:16	IPU2_IRQ_46		RW	0x5
15:9	RESERVED		R	0x0
8:0	IPU2_IRQ_45		RW	0x45

Table 18-495. Register Call Summary for Register CTRL_CORE_IPU2_IRQ_45_46

Control Module Register Manual

- [CTRL_MODULE_CORE Register Summary: \[0\]](#)

Table 18-496. CTRL_CORE_IPU2_IRQ_47_48

Address Offset	0x0000 0884	Instance	CTRL_MODULE_CORE
Physical Address	0x4A00 2884		
Description			
Type	RW		

31	30	29	28	27	26	25	24	23	22	21	20	19	18	17	16	15	14	13	12	11	10	9	8	7	6	5	4	3	2	1	0
RESERVED								IPU2_IRQ_48								RESERVED								IPU2_IRQ_47							

Bits	Field Name	Description	Type	Reset
31:25	RESERVED		R	0x0
24:16	IPU2_IRQ_48		RW	0xE
15:9	RESERVED		R	0x0
8:0	IPU2_IRQ_47		RW	0x85

Table 18-497. Register Call Summary for Register CTRL_CORE_IPU2_IRQ_47_48

Control Module Register Manual

- [CTRL_MODULE_CORE Register Summary: \[0\]](#)

Table 18-498. CTRL_CORE_IPU2_IRQ_49_50

Address Offset	0x0000 0888	
Physical Address	0x4A00 2888	Instance CTRL_MODULE_CORE
Description		
Type	RW	

31	30	29	28	27	26	25	24	23	22	21	20	19	18	17	16	15	14	13	12	11	10	9	8	7	6	5	4	3	2	1	0
RESERVED								IPU2_IRQ_50								RESERVED								IPU2_IRQ_49							

Bits	Field Name	Description	Type	Reset
31:25	RESERVED		R	0x0
24:16	IPU2_IRQ_50		RW	0x86
15:9	RESERVED		R	0x0
8:0	IPU2_IRQ_49		RW	0x42

Table 18-499. Register Call Summary for Register CTRL_CORE_IPU2_IRQ_49_50

Control Module Register Manual

- [CTRL_MODULE_CORE Register Summary: \[0\]](#)

Table 18-500. CTRL_CORE_IPU2_IRQ_51_52

Address Offset	0x0000 088C	
Physical Address	0x4A00 288C	Instance CTRL_MODULE_CORE
Description		
Type	RW	

31	30	29	28	27	26	25	24	23	22	21	20	19	18	17	16	15	14	13	12	11	10	9	8	7	6	5	4	3	2	1	0
RESERVED								IPU2_IRQ_52								RESERVED								IPU2_IRQ_51							

Bits	Field Name	Description	Type	Reset
31:25	RESERVED		R	0x0
24:16	IPU2_IRQ_52		RW	0x19
15:9	RESERVED		R	0x0
8:0	IPU2_IRQ_51		RW	0x18

Table 18-501. Register Call Summary for Register CTRL_CORE_IPU2_IRQ_51_52

Control Module Register Manual

- [CTRL_MODULE_CORE Register Summary: \[0\]](#)

Table 18-502. CTRL_CORE_IPU2_IRQ_53_54

Address Offset	0x0000 0890	Instance	CTRL_MODULE_CORE
Physical Address	0x4A00 2890		
Description			
Type	RW		

31	30	29	28	27	26	25	24	23	22	21	20	19	18	17	16	15	14	13	12	11	10	9	8	7	6	5	4	3	2	1	0
RESERVED								IPU2_IRQ_54								RESERVED								IPU2_IRQ_53							

Bits	Field Name	Description	Type	Reset
31:25	RESERVED		R	0x0
24:16	IPU2_IRQ_54		RW	0x23
15:9	RESERVED		R	0x0
8:0	IPU2_IRQ_53		RW	0x22

Table 18-503. Register Call Summary for Register CTRL_CORE_IPU2_IRQ_53_54

Control Module Register Manual

- [CTRL_MODULE_CORE Register Summary: \[0\]](#)

Table 18-504. CTRL_CORE_IPU2_IRQ_55_56

Address Offset	0x0000 0894	Instance	CTRL_MODULE_CORE
Physical Address	0x4A00 2894		
Description			
Type	RW		

31	30	29	28	27	26	25	24	23	22	21	20	19	18	17	16	15	14	13	12	11	10	9	8	7	6	5	4	3	2	1	0
RESERVED								IPU2_IRQ_56								RESERVED								IPU2_IRQ_55							

Bits	Field Name	Description	Type	Reset
31:25	RESERVED		R	0x0
24:16	IPU2_IRQ_56		RW	0x2A
15:9	RESERVED		R	0x0
8:0	IPU2_IRQ_55		RW	0x28

Table 18-505. Register Call Summary for Register CTRL_CORE_IPU2_IRQ_55_56

Control Module Register Manual

- [CTRL_MODULE_CORE Register Summary: \[0\]](#)

Table 18-506. CTRL_CORE_IPU2_IRQ_57_58

Address Offset	0x0000 0898	Instance	CTRL_MODULE_CORE
Physical Address	0x4A00 2898		
Description			
Type	RW		

31	30	29	28	27	26	25	24	23	22	21	20	19	18	17	16	15	14	13	12	11	10	9	8	7	6	5	4	3	2	1	0
RESERVED								IPU2_IRQ_58								RESERVED								IPU2_IRQ_57							

Bits	Field Name	Description	Type	Reset
31:25	RESERVED		R	0x0
24:16	IPU2_IRQ_58		RW	0x3D
15:9	RESERVED		R	0x0
8:0	IPU2_IRQ_57		RW	0x3C

Table 18-507. Register Call Summary for Register CTRL_CORE_IPU2_IRQ_57_58

Control Module Register Manual

- [CTRL_MODULE_CORE Register Summary: \[0\]](#)

Table 18-508. CTRL_CORE_IPU2_IRQ_59_60

Address Offset	0x0000 089C	Instance	CTRL_MODULE_CORE
Physical Address	0x4A00 289C		
Description			
Type	RW		

31	30	29	28	27	26	25	24	23	22	21	20	19	18	17	16	15	14	13	12	11	10	9	8	7	6	5	4	3	2	1	0
RESERVED								IPU2_IRQ_60								RESERVED								IPU2_IRQ_59							

Bits	Field Name	Description	Type	Reset
31:25	RESERVED		R	0x0
24:16	IPU2_IRQ_60		RW	0x0
15:9	RESERVED		R	0x0
8:0	IPU2_IRQ_59		RW	0x32

Table 18-509. Register Call Summary for Register CTRL_CORE_IPU2_IRQ_59_60

Control Module Register Manual

- [CTRL_MODULE_CORE Register Summary: \[0\]](#)

Table 18-510. CTRL_CORE_IPU2_IRQ_61_62

Address Offset	0x0000 08A0	Instance	CTRL_MODULE_CORE
Physical Address	0x4A00 28A0		
Description			
Type	RW		

31	30	29	28	27	26	25	24	23	22	21	20	19	18	17	16	15	14	13	12	11	10	9	8	7	6	5	4	3	2	1	0
RESERVED								IPU2_IRQ_62								RESERVED								IPU2_IRQ_61							

Bits	Field Name	Description	Type	Reset
31:25	RESERVED		R	0x0
24:16	IPU2_IRQ_62		RW	0x16
15:9	RESERVED		R	0x0
8:0	IPU2_IRQ_61		RW	0x0

Table 18-511. Register Call Summary for Register CTRL_CORE_IPU2_IRQ_61_62

Control Module Register Manual

- [CTRL_MODULE_CORE Register Summary: \[0\]](#)

Table 18-512. CTRL_CORE_IPU2_IRQ_63_64

Address Offset	0x0000 08A4	Instance	CTRL_MODULE_CORE
Physical Address	0x4A00 28A4		
Description			
Type	RW		

31	30	29	28	27	26	25	24	23	22	21	20	19	18	17	16	15	14	13	12	11	10	9	8	7	6	5	4	3	2	1	0
RESERVED								IPU2_IRQ_64								RESERVED								IPU2_IRQ_63							

Bits	Field Name	Description	Type	Reset
31:25	RESERVED		R	0x0
24:16	IPU2_IRQ_64		RW	0x6C
15:9	RESERVED		R	0x0
8:0	IPU2_IRQ_63		RW	0x53

Table 18-513. Register Call Summary for Register CTRL_CORE_IPU2_IRQ_63_64

Control Module Register Manual

- [CTRL_MODULE_CORE Register Summary: \[0\]](#)

Table 18-514. CTRL_CORE_IPU2_IRQ_65_66

Address Offset	0x0000 08A8	Instance	CTRL_MODULE_CORE
Physical Address	0x4A00 28A8		
Description			
Type	RW		

31	30	29	28	27	26	25	24	23	22	21	20	19	18	17	16	15	14	13	12	11	10	9	8	7	6	5	4	3	2	1	0
RESERVED								IPU2_IRQ_66								RESERVED								IPU2_IRQ_65							

Bits	Field Name	Description	Type	Reset
31:25	RESERVED		R	0x0
24:16	IPU2_IRQ_66		RW	0x4E
15:9	RESERVED		R	0x0
8:0	IPU2_IRQ_65		RW	0x78

Table 18-515. Register Call Summary for Register CTRL_CORE_IPU2_IRQ_65_66

Control Module Register Manual

- [CTRL_MODULE_CORE Register Summary: \[0\]](#)

Table 18-516. CTRL_CORE_IPU2_IRQ_67_68

Address Offset	0x0000 08AC	Instance	CTRL_MODULE_CORE
Physical Address	0x4A00 28AC		
Description			
Type	RW		

31	30	29	28	27	26	25	24	23	22	21	20	19	18	17	16	15	14	13	12	11	10	9	8	7	6	5	4	3	2	1	0
RESERVED								IPU2_IRQ_68								RESERVED								IPU2_IRQ_67							

Bits	Field Name	Description	Type	Reset
31:25	RESERVED		R	0x0
24:16	IPU2_IRQ_68		RW	0x59
15:9	RESERVED		R	0x0
8:0	IPU2_IRQ_67		RW	0x51

Table 18-517. Register Call Summary for Register CTRL_CORE_IPU2_IRQ_67_68

Control Module Register Manual

- [CTRL_MODULE_CORE Register Summary: \[0\]](#)

Table 18-518. CTRL_CORE_IPU2_IRQ_69_70

Address Offset	0x0000 08B0	
Physical Address	0x4A00 28B0	Instance CTRL_MODULE_CORE
Description		
Type	RW	

31	30	29	28	27	26	25	24	23	22	21	20	19	18	17	16	15	14	13	12	11	10	9	8	7	6	5	4	3	2	1	0
RESERVED								IPU2_IRQ_70								RESERVED								IPU2_IRQ_69							

Bits	Field Name	Description	Type	Reset
31:25	RESERVED		R	0x0
24:16	IPU2_IRQ_70		RW	0x0
15:9	RESERVED		R	0x0
8:0	IPU2_IRQ_69		RW	0x0

Table 18-519. Register Call Summary for Register CTRL_CORE_IPU2_IRQ_69_70

Control Module Register Manual

- [CTRL_MODULE_CORE Register Summary: \[0\]](#)

Table 18-520. CTRL_CORE_IPU2_IRQ_71_72

Address Offset	0x0000 08B4	
Physical Address	0x4A00 28B4	Instance CTRL_MODULE_CORE
Description		
Type	RW	

31	30	29	28	27	26	25	24	23	22	21	20	19	18	17	16	15	14	13	12	11	10	9	8	7	6	5	4	3	2	1	0
RESERVED								IPU2_IRQ_72								RESERVED								IPU2_IRQ_71							

Bits	Field Name	Description	Type	Reset
31:25	RESERVED		R	0x0
24:16	IPU2_IRQ_72		RW	0x76
15:9	RESERVED		R	0x0
8:0	IPU2_IRQ_71		RW	0x77

Table 18-521. Register Call Summary for Register CTRL_CORE_IPU2_IRQ_71_72

Control Module Register Manual

- [CTRL_MODULE_CORE Register Summary: \[0\]](#)

Table 18-522. CTRL_CORE_IPU2_IRQ_73_74

Address Offset	0x0000 08B8	Instance	CTRL_MODULE_CORE
Physical Address	0x4A00 28B8		
Description			
Type	RW		

31	30	29	28	27	26	25	24	23	22	21	20	19	18	17	16	15	14	13	12	11	10	9	8	7	6	5	4	3	2	1	0
RESERVED								IPU2_IRQ_74								RESERVED								IPU2_IRQ_73							

Bits	Field Name	Description	Type	Reset
31:25	RESERVED		R	0x0
24:16	IPU2_IRQ_74		RW	0x49
15:9	RESERVED		R	0x0
8:0	IPU2_IRQ_73		RW	0x48

Table 18-523. Register Call Summary for Register CTRL_CORE_IPU2_IRQ_73_74

Control Module Register Manual

- [CTRL_MODULE_CORE Register Summary: \[0\]](#)

Table 18-524. CTRL_CORE_IPU2_IRQ_75_76

Address Offset	0x0000 08BC	Instance	CTRL_MODULE_CORE
Physical Address	0x4A00 28BC		
Description			
Type	RW		

31	30	29	28	27	26	25	24	23	22	21	20	19	18	17	16	15	14	13	12	11	10	9	8	7	6	5	4	3	2	1	0
RESERVED								IPU2_IRQ_76								RESERVED								IPU2_IRQ_75							

Bits	Field Name	Description	Type	Reset
31:25	RESERVED		R	0x0
24:16	IPU2_IRQ_76		RW	0x57
15:9	RESERVED		R	0x0
8:0	IPU2_IRQ_75		RW	0x75

Table 18-525. Register Call Summary for Register CTRL_CORE_IPU2_IRQ_75_76

Control Module Register Manual

- [CTRL_MODULE_CORE Register Summary: \[0\]](#)

Table 18-526. CTRL_CORE_IPU2_IRQ_77_78

Address Offset	0x0000 08C0	Instance	CTRL_MODULE_CORE
Physical Address	0x4A00 28C0		
Description			
Type	RW		

31	30	29	28	27	26	25	24	23	22	21	20	19	18	17	16	15	14	13	12	11	10	9	8	7	6	5	4	3	2	1	0
RESERVED								IPU2_IRQ_78								RESERVED								IPU2_IRQ_77							

Bits	Field Name	Description	Type	Reset
31:25	RESERVED		R	0x0
24:16	IPU2_IRQ_78		RW	0x3E
15:9	RESERVED		R	0x0
8:0	IPU2_IRQ_77		RW	0x58

Table 18-527. Register Call Summary for Register CTRL_CORE_IPU2_IRQ_77_78

Control Module Register Manual

- [CTRL_MODULE_CORE Register Summary: \[0\]](#)

Table 18-528. CTRL_CORE_IPU2_IRQ_79_80

Address Offset	0x0000 08C4	Instance	CTRL_MODULE_CORE
Physical Address	0x4A00 28C4		
Description			
Type	RW		

31	30	29	28	27	26	25	24	23	22	21	20	19	18	17	16	15	14	13	12	11	10	9	8	7	6	5	4	3	2	1	0
RESERVED																IPU2_IRQ_79															

Bits	Field Name	Description	Type	Reset
31:9	RESERVED		R	0x0
8:0	IPU2_IRQ_79		RW	0x3F

Table 18-529. Register Call Summary for Register CTRL_CORE_IPU2_IRQ_79_80

Control Module Register Manual

- [CTRL_MODULE_CORE Register Summary: \[0\]](#)

Table 18-530. CTRL_CORE_PRUSS1_IRQ_32_33

Address Offset	0x0000 08C8	Instance	CTRL_MODULE_CORE
Physical Address	0x4A00 28C8		
Description			
Type	RW		

31	30	29	28	27	26	25	24	23	22	21	20	19	18	17	16	15	14	13	12	11	10	9	8	7	6	5	4	3	2	1	0
RESERVED								PRUSS1_IRQ_33								RESERVED								PRUSS1_IRQ_32							

Bits	Field Name	Description	Type	Reset
31:25	RESERVED		R	0x0
24:16	PRUSS1_IRQ_33		RW	0x2
15:9	RESERVED		R	0x0
8:0	PRUSS1_IRQ_32		RW	0x1

Table 18-531. Register Call Summary for Register CTRL_CORE_PRUSS1_IRQ_32_33

Control Module Register Manual

- [CTRL_MODULE_CORE Register Summary: \[0\]](#)

Table 18-532. CTRL_CORE_PRUSS1_IRQ_34_35

Address Offset	0x0000 08CC	Instance	CTRL_MODULE_CORE
Physical Address	0x4A00 28CC		
Description			
Type	RW		

31	30	29	28	27	26	25	24	23	22	21	20	19	18	17	16	15	14	13	12	11	10	9	8	7	6	5	4	3	2	1	0
RESERVED								PRUSS1_IRQ_35								RESERVED								PRUSS1_IRQ_34							

Bits	Field Name	Description	Type	Reset
31:25	RESERVED		R	0x0
24:16	PRUSS1_IRQ_35		RW	0x4
15:9	RESERVED		R	0x0
8:0	PRUSS1_IRQ_34		RW	0x3

Table 18-533. Register Call Summary for Register CTRL_CORE_PRUSS1_IRQ_34_35

Control Module Register Manual

- [CTRL_MODULE_CORE Register Summary: \[0\]](#)

Table 18-534. CTRL_CORE_PRUSS1_IRQ_36_37

Address Offset	0x0000 08D0	Instance	CTRL_MODULE_CORE
Physical Address	0x4A00 28D0		
Description			
Type	RW		

31	30	29	28	27	26	25	24	23	22	21	20	19	18	17	16	15	14	13	12	11	10	9	8	7	6	5	4	3	2	1	0
RESERVED								PRUSS1_IRQ_37								RESERVED								PRUSS1_IRQ_36							

Bits	Field Name	Description	Type	Reset
31:25	RESERVED		R	0x0
24:16	PRUSS1_IRQ_37		RW	0x6
15:9	RESERVED		R	0x0
8:0	PRUSS1_IRQ_36		RW	0x5

Table 18-535. Register Call Summary for Register CTRL_CORE_PRUSS1_IRQ_36_37

Control Module Register Manual

- [CTRL_MODULE_CORE Register Summary: \[0\]](#)

Table 18-536. CTRL_CORE_PRUSS1_IRQ_38_39

Address Offset	0x0000 08D4	Instance	CTRL_MODULE_CORE
Physical Address	0x4A00 28D4		
Description			
Type	RW		

31	30	29	28	27	26	25	24	23	22	21	20	19	18	17	16	15	14	13	12	11	10	9	8	7	6	5	4	3	2	1	0
RESERVED								PRUSS1_IRQ_39								RESERVED								PRUSS1_IRQ_38							

Bits	Field Name	Description	Type	Reset
31:25	RESERVED		R	0x0
24:16	PRUSS1_IRQ_39		RW	0x8
15:9	RESERVED		R	0x0
8:0	PRUSS1_IRQ_38		RW	0x7

Table 18-537. Register Call Summary for Register CTRL_CORE_PRUSS1_IRQ_38_39

Control Module Register Manual

- [CTRL_MODULE_CORE Register Summary: \[0\]](#)

Table 18-538. CTRL_CORE_PRUSS1_IRQ_40_41

Address Offset	0x0000 08D8	Instance	CTRL_MODULE_CORE
Physical Address	0x4A00 28D8		
Description			
Type	RW		

31	30	29	28	27	26	25	24	23	22	21	20	19	18	17	16	15	14	13	12	11	10	9	8	7	6	5	4	3	2	1	0
RESERVED								PRUSS1_IRQ_41								RESERVED								PRUSS1_IRQ_40							

Bits	Field Name	Description	Type	Reset
31:25	RESERVED		R	0x0
24:16	PRUSS1_IRQ_41		RW	0xA
15:9	RESERVED		R	0x0
8:0	PRUSS1_IRQ_40		RW	0x9

Table 18-539. Register Call Summary for Register CTRL_CORE_PRUSS1_IRQ_40_41

Control Module Register Manual

- [CTRL_MODULE_CORE Register Summary: \[0\]](#)

Table 18-540. CTRL_CORE_PRUSS1_IRQ_42_43

Address Offset	0x0000 08DC	Instance	CTRL_MODULE_CORE
Physical Address	0x4A00 28DC		
Description			
Type	RW		

31	30	29	28	27	26	25	24	23	22	21	20	19	18	17	16	15	14	13	12	11	10	9	8	7	6	5	4	3	2	1	0
RESERVED								PRUSS1_IRQ_43								RESERVED								PRUSS1_IRQ_42							

Bits	Field Name	Description	Type	Reset
31:25	RESERVED		R	0x0
24:16	PRUSS1_IRQ_43		RW	0xC
15:9	RESERVED		R	0x0
8:0	PRUSS1_IRQ_42		RW	0xB

Table 18-541. Register Call Summary for Register CTRL_CORE_PRUSS1_IRQ_42_43

Control Module Register Manual

- [CTRL_MODULE_CORE Register Summary: \[0\]](#)

Table 18-542. CTRL_CORE_PRUSS1_IRQ_44_45

Address Offset	0x0000 08E0	Instance	CTRL_MODULE_CORE
Physical Address	0x4A00 28E0		
Description			
Type	RW		

31	30	29	28	27	26	25	24	23	22	21	20	19	18	17	16	15	14	13	12	11	10	9	8	7	6	5	4	3	2	1	0
RESERVED								PRUSS1_IRQ_45								RESERVED								PRUSS1_IRQ_44							

Bits	Field Name	Description	Type	Reset
31:25	RESERVED		R	0x0
24:16	PRUSS1_IRQ_45		RW	0xE
15:9	RESERVED		R	0x0
8:0	PRUSS1_IRQ_44		RW	0xD

Table 18-543. Register Call Summary for Register CTRL_CORE_PRUSS1_IRQ_44_45

Control Module Register Manual

- [CTRL_MODULE_CORE Register Summary: \[0\]](#)

Table 18-544. CTRL_CORE_PRUSS1_IRQ_46_47

Address Offset	0x0000 08E4	Instance	CTRL_MODULE_CORE
Physical Address	0x4A00 28E4		
Description			
Type	RW		

31	30	29	28	27	26	25	24	23	22	21	20	19	18	17	16	15	14	13	12	11	10	9	8	7	6	5	4	3	2	1	0
RESERVED								PRUSS1_IRQ_47								RESERVED								PRUSS1_IRQ_46							

Bits	Field Name	Description	Type	Reset
31:25	RESERVED		R	0x0
24:16	PRUSS1_IRQ_47		RW	0x10
15:9	RESERVED		R	0x0
8:0	PRUSS1_IRQ_46		RW	0xF

Table 18-545. Register Call Summary for Register CTRL_CORE_PRUSS1_IRQ_46_47

Control Module Register Manual

- [CTRL_MODULE_CORE Register Summary: \[0\]](#)

Table 18-546. CTRL_CORE_PRUSS1_IRQ_48_49

Address Offset	0x0000 08E8	Instance	CTRL_MODULE_CORE
Physical Address	0x4A00 28E8		
Description			
Type	RW		

31	30	29	28	27	26	25	24	23	22	21	20	19	18	17	16	15	14	13	12	11	10	9	8	7	6	5	4	3	2	1	0
RESERVED								PRUSS1_IRQ_49								RESERVED								PRUSS1_IRQ_48							

Bits	Field Name	Description	Type	Reset
31:25	RESERVED		R	0x0
24:16	PRUSS1_IRQ_49		RW	0x12
15:9	RESERVED		R	0x0
8:0	PRUSS1_IRQ_48		RW	0x11

Table 18-547. Register Call Summary for Register CTRL_CORE_PRUSS1_IRQ_48_49

Control Module Register Manual

- [CTRL_MODULE_CORE Register Summary: \[0\]](#)

Table 18-548. CTRL_CORE_PRUSS1_IRQ_50_51

Address Offset	0x0000 08EC	Instance	CTRL_MODULE_CORE
Physical Address	0x4A00 28EC		
Description			
Type	RW		

31	30	29	28	27	26	25	24	23	22	21	20	19	18	17	16	15	14	13	12	11	10	9	8	7	6	5	4	3	2	1	0
RESERVED								PRUSS1_IRQ_51								RESERVED								PRUSS1_IRQ_50							

Bits	Field Name	Description	Type	Reset
31:25	RESERVED		R	0x0
24:16	PRUSS1_IRQ_51		RW	0x14
15:9	RESERVED		R	0x0
8:0	PRUSS1_IRQ_50		RW	0x13

Table 18-549. Register Call Summary for Register CTRL_CORE_PRUSS1_IRQ_50_51

Control Module Register Manual

- [CTRL_MODULE_CORE Register Summary: \[0\]](#)

Table 18-550. CTRL_CORE_PRUSS1_IRQ_52_53

Address Offset	0x0000 08F0	Instance	CTRL_MODULE_CORE
Physical Address	0x4A00 28F0		
Description			
Type	RW		

31	30	29	28	27	26	25	24	23	22	21	20	19	18	17	16	15	14	13	12	11	10	9	8	7	6	5	4	3	2	1	0
RESERVED								PRUSS1_IRQ_53								RESERVED								PRUSS1_IRQ_52							

Bits	Field Name	Description	Type	Reset
31:25	RESERVED		R	0x0
24:16	PRUSS1_IRQ_53		RW	0x16
15:9	RESERVED		R	0x0
8:0	PRUSS1_IRQ_52		RW	0x15

Table 18-551. Register Call Summary for Register CTRL_CORE_PRUSS1_IRQ_52_53

Control Module Register Manual

- [CTRL_MODULE_CORE Register Summary: \[0\]](#)

Table 18-552. CTRL_CORE_PRUSS1_IRQ_54_55

Address Offset	0x0000 08F4	Instance	CTRL_MODULE_CORE
Physical Address	0x4A00 28F4		
Description			
Type	RW		

31	30	29	28	27	26	25	24	23	22	21	20	19	18	17	16	15	14	13	12	11	10	9	8	7	6	5	4	3	2	1	0
RESERVED								PRUSS1_IRQ_55								RESERVED								PRUSS1_IRQ_54							

Bits	Field Name	Description	Type	Reset
31:25	RESERVED		R	0x0
24:16	PRUSS1_IRQ_55		RW	0x18
15:9	RESERVED		R	0x0
8:0	PRUSS1_IRQ_54		RW	0x17

Table 18-553. Register Call Summary for Register CTRL_CORE_PRUSS1_IRQ_54_55

Control Module Register Manual

- [CTRL_MODULE_CORE Register Summary: \[0\]](#)

Table 18-554. CTRL_CORE_PRUSS1_IRQ_56_57

Address Offset	0x0000 08F8	Instance	CTRL_MODULE_CORE
Physical Address	0x4A00 28F8		
Description			
Type	RW		

31	30	29	28	27	26	25	24	23	22	21	20	19	18	17	16	15	14	13	12	11	10	9	8	7	6	5	4	3	2	1	0
RESERVED								PRUSS1_IRQ_57								RESERVED								PRUSS1_IRQ_56							

Bits	Field Name	Description	Type	Reset
31:25	RESERVED		R	0x0
24:16	PRUSS1_IRQ_57		RW	0x1A
15:9	RESERVED		R	0x0
8:0	PRUSS1_IRQ_56		RW	0x19

Table 18-555. Register Call Summary for Register CTRL_CORE_PRUSS1_IRQ_56_57

Control Module Register Manual

- [CTRL_MODULE_CORE Register Summary: \[0\]](#)

Table 18-556. CTRL_CORE_PRUSS1_IRQ_58_59

Address Offset	0x0000 08FC	Instance	CTRL_MODULE_CORE
Physical Address	0x4A00 28FC		
Description			
Type	RW		

31	30	29	28	27	26	25	24	23	22	21	20	19	18	17	16	15	14	13	12	11	10	9	8	7	6	5	4	3	2	1	0
RESERVED								PRUSS1_IRQ_59								RESERVED								PRUSS1_IRQ_58							

Bits	Field Name	Description	Type	Reset
31:25	RESERVED		R	0x0
24:16	PRUSS1_IRQ_59		RW	0x1C
15:9	RESERVED		R	0x0
8:0	PRUSS1_IRQ_58		RW	0x1B

Table 18-557. Register Call Summary for Register CTRL_CORE_PRUSS1_IRQ_58_59

Control Module Register Manual

- [CTRL_MODULE_CORE Register Summary: \[0\]](#)

Table 18-558. CTRL_CORE_PRUSS1_IRQ_60_61

Address Offset	0x0000 0900	Instance	CTRL_MODULE_CORE
Physical Address	0x4A00 2900		
Description			
Type	RW		

31	30	29	28	27	26	25	24	23	22	21	20	19	18	17	16	15	14	13	12	11	10	9	8	7	6	5	4	3	2	1	0
RESERVED								PRUSS1_IRQ_61								RESERVED								PRUSS1_IRQ_60							

Bits	Field Name	Description	Type	Reset
31:25	RESERVED		R	0x0
24:16	PRUSS1_IRQ_61		RW	0x1E
15:9	RESERVED		R	0x0
8:0	PRUSS1_IRQ_60		RW	0x1D

Table 18-559. Register Call Summary for Register CTRL_CORE_PRUSS1_IRQ_60_61

Control Module Register Manual

- [CTRL_MODULE_CORE Register Summary: \[0\]](#)

Table 18-560. CTRL_CORE_PRUSS1_IRQ_62_63

Address Offset	0x0000 0904	Instance	CTRL_MODULE_CORE
Physical Address	0x4A00 2904		
Description			
Type	RW		

31	30	29	28	27	26	25	24	23	22	21	20	19	18	17	16	15	14	13	12	11	10	9	8	7	6	5	4	3	2	1	0
RESERVED								PRUSS1_IRQ_63								RESERVED								PRUSS1_IRQ_62							

Bits	Field Name	Description	Type	Reset
31:25	RESERVED		R	0x0
24:16	PRUSS1_IRQ_63		RW	0x20
15:9	RESERVED		R	0x0
8:0	PRUSS1_IRQ_62		RW	0x1F

Table 18-561. Register Call Summary for Register CTRL_CORE_PRUSS1_IRQ_62_63

Control Module Register Manual

- [CTRL_MODULE_CORE Register Summary: \[0\]](#)

Table 18-562. CTRL_CORE_PRUSS2_IRQ_32_33

Address Offset	0x0000 0908	Instance	CTRL_MODULE_CORE
Physical Address	0x4A00 2908		
Description			
Type	RW		

31	30	29	28	27	26	25	24	23	22	21	20	19	18	17	16	15	14	13	12	11	10	9	8	7	6	5	4	3	2	1	0
RESERVED								PRUSS2_IRQ_33								RESERVED								PRUSS2_IRQ_32							

Bits	Field Name	Description	Type	Reset
31:25	RESERVED		R	0x0
24:16	PRUSS2_IRQ_33		RW	0x2
15:9	RESERVED		R	0x0
8:0	PRUSS2_IRQ_32		RW	0x1

Table 18-563. Register Call Summary for Register CTRL_CORE_PRUSS2_IRQ_32_33

Control Module Register Manual

- [CTRL_MODULE_CORE Register Summary: \[0\]](#)

Table 18-564. CTRL_CORE_PRUSS2_IRQ_34_35

Address Offset	0x0000 090C	Instance	CTRL_MODULE_CORE
Physical Address	0x4A00 290C		
Description			
Type	RW		

31	30	29	28	27	26	25	24	23	22	21	20	19	18	17	16	15	14	13	12	11	10	9	8	7	6	5	4	3	2	1	0
RESERVED								PRUSS2_IRQ_35								RESERVED								PRUSS2_IRQ_34							

Bits	Field Name	Description	Type	Reset
31:25	RESERVED		R	0x0
24:16	PRUSS2_IRQ_35		RW	0x4
15:9	RESERVED		R	0x0
8:0	PRUSS2_IRQ_34		RW	0x3

Table 18-565. Register Call Summary for Register CTRL_CORE_PRUSS2_IRQ_34_35

Control Module Register Manual

- [CTRL_MODULE_CORE Register Summary: \[0\]](#)

Table 18-566. CTRL_CORE_PRUSS2_IRQ_36_37

Address Offset	0x0000 0910	Instance	CTRL_MODULE_CORE
Physical Address	0x4A00 2910		
Description			
Type	RW		

31	30	29	28	27	26	25	24	23	22	21	20	19	18	17	16	15	14	13	12	11	10	9	8	7	6	5	4	3	2	1	0
RESERVED								PRUSS2_IRQ_37								RESERVED								PRUSS2_IRQ_36							

Bits	Field Name	Description	Type	Reset
31:25	RESERVED		R	0x0
24:16	PRUSS2_IRQ_37		RW	0x6
15:9	RESERVED		R	0x0
8:0	PRUSS2_IRQ_36		RW	0x5

Table 18-567. Register Call Summary for Register CTRL_CORE_PRUSS2_IRQ_36_37

Control Module Register Manual

- [CTRL_MODULE_CORE Register Summary: \[0\]](#)

Table 18-568. CTRL_CORE_PRUSS2_IRQ_38_39

Address Offset	0x0000 0914	Instance	CTRL_MODULE_CORE
Physical Address	0x4A00 2914		
Description			
Type	RW		

31	30	29	28	27	26	25	24	23	22	21	20	19	18	17	16	15	14	13	12	11	10	9	8	7	6	5	4	3	2	1	0
RESERVED								PRUSS2_IRQ_39								RESERVED								PRUSS2_IRQ_38							

Bits	Field Name	Description	Type	Reset
31:25	RESERVED		R	0x0
24:16	PRUSS2_IRQ_39		RW	0x8
15:9	RESERVED		R	0x0
8:0	PRUSS2_IRQ_38		RW	0x7

Table 18-569. Register Call Summary for Register CTRL_CORE_PRUSS2_IRQ_38_39

Control Module Register Manual

- [CTRL_MODULE_CORE Register Summary: \[0\]](#)

Table 18-570. CTRL_CORE_PRUSS2_IRQ_40_41

Address Offset	0x0000 0918	Instance	CTRL_MODULE_CORE
Physical Address	0x4A00 2918		
Description			
Type	RW		

31	30	29	28	27	26	25	24	23	22	21	20	19	18	17	16	15	14	13	12	11	10	9	8	7	6	5	4	3	2	1	0
RESERVED								PRUSS2_IRQ_41								RESERVED								PRUSS2_IRQ_40							

Bits	Field Name	Description	Type	Reset
31:25	RESERVED		R	0x0
24:16	PRUSS2_IRQ_41		RW	0xA
15:9	RESERVED		R	0x0
8:0	PRUSS2_IRQ_40		RW	0x9

Table 18-571. Register Call Summary for Register CTRL_CORE_PRUSS2_IRQ_40_41

Control Module Register Manual

- [CTRL_MODULE_CORE Register Summary: \[0\]](#)

Table 18-572. CTRL_CORE_PRUSS2_IRQ_42_43

Address Offset	0x0000 091C	Instance	CTRL_MODULE_CORE
Physical Address	0x4A00 291C		
Description			
Type	RW		

31	30	29	28	27	26	25	24	23	22	21	20	19	18	17	16	15	14	13	12	11	10	9	8	7	6	5	4	3	2	1	0
RESERVED								PRUSS2_IRQ_43								RESERVED								PRUSS2_IRQ_42							

Bits	Field Name	Description	Type	Reset
31:25	RESERVED		R	0x0
24:16	PRUSS2_IRQ_43		RW	0xC
15:9	RESERVED		R	0x0
8:0	PRUSS2_IRQ_42		RW	0xB

Table 18-573. Register Call Summary for Register CTRL_CORE_PRUSS2_IRQ_42_43

Control Module Register Manual

- [CTRL_MODULE_CORE Register Summary: \[0\]](#)

Table 18-574. CTRL_CORE_PRUSS2_IRQ_44_45

Address Offset	0x0000 0920	Instance	CTRL_MODULE_CORE
Physical Address	0x4A00 2920		
Description			
Type	RW		

31	30	29	28	27	26	25	24	23	22	21	20	19	18	17	16	15	14	13	12	11	10	9	8	7	6	5	4	3	2	1	0
RESERVED								PRUSS2_IRQ_45								RESERVED								PRUSS2_IRQ_44							

Bits	Field Name	Description	Type	Reset
31:25	RESERVED		R	0x0
24:16	PRUSS2_IRQ_45		RW	0xE
15:9	RESERVED		R	0x0
8:0	PRUSS2_IRQ_44		RW	0xD

Table 18-575. Register Call Summary for Register CTRL_CORE_PRUSS2_IRQ_44_45

Control Module Register Manual

- [CTRL_MODULE_CORE Register Summary: \[0\]](#)

Table 18-576. CTRL_CORE_PRUSS2_IRQ_46_47

Address Offset	0x0000 0924	Instance	CTRL_MODULE_CORE
Physical Address	0x4A00 2924		
Description			
Type	RW		

31	30	29	28	27	26	25	24	23	22	21	20	19	18	17	16	15	14	13	12	11	10	9	8	7	6	5	4	3	2	1	0
RESERVED								PRUSS2_IRQ_47								RESERVED								PRUSS2_IRQ_46							

Bits	Field Name	Description	Type	Reset
31:25	RESERVED		R	0x0
24:16	PRUSS2_IRQ_47		RW	0x10
15:9	RESERVED		R	0x0
8:0	PRUSS2_IRQ_46		RW	0xF

Table 18-577. Register Call Summary for Register CTRL_CORE_PRUSS2_IRQ_46_47

Control Module Register Manual

- [CTRL_MODULE_CORE Register Summary: \[0\]](#)

Table 18-578. CTRL_CORE_PRUSS2_IRQ_48_49

Address Offset	0x0000 0928	Instance	CTRL_MODULE_CORE
Physical Address	0x4A00 2928		
Description			
Type	RW		

31	30	29	28	27	26	25	24	23	22	21	20	19	18	17	16	15	14	13	12	11	10	9	8	7	6	5	4	3	2	1	0
RESERVED								PRUSS2_IRQ_49								RESERVED								PRUSS2_IRQ_48							

Bits	Field Name	Description	Type	Reset
31:25	RESERVED		R	0x0
24:16	PRUSS2_IRQ_49		RW	0x12
15:9	RESERVED		R	0x0
8:0	PRUSS2_IRQ_48		RW	0x11

Table 18-579. Register Call Summary for Register CTRL_CORE_PRUSS2_IRQ_48_49

Control Module Register Manual

- [CTRL_MODULE_CORE Register Summary: \[0\]](#)

Table 18-580. CTRL_CORE_PRUSS2_IRQ_50_51

Address Offset	0x0000 092C	Instance	CTRL_MODULE_CORE
Physical Address	0x4A00 292C		
Description			
Type	RW		

31	30	29	28	27	26	25	24	23	22	21	20	19	18	17	16	15	14	13	12	11	10	9	8	7	6	5	4	3	2	1	0
RESERVED								PRUSS2_IRQ_51								RESERVED								PRUSS2_IRQ_50							

Bits	Field Name	Description	Type	Reset
31:25	RESERVED		R	0x0
24:16	PRUSS2_IRQ_51		RW	0x14
15:9	RESERVED		R	0x0
8:0	PRUSS2_IRQ_50		RW	0x13

Table 18-581. Register Call Summary for Register CTRL_CORE_PRUSS2_IRQ_50_51

Control Module Register Manual

- [CTRL_MODULE_CORE Register Summary: \[0\]](#)

Table 18-582. CTRL_CORE_PRUSS2_IRQ_52_53

Address Offset	0x0000 0930	Instance	CTRL_MODULE_CORE
Physical Address	0x4A00 2930		
Description			
Type	RW		

31	30	29	28	27	26	25	24	23	22	21	20	19	18	17	16	15	14	13	12	11	10	9	8	7	6	5	4	3	2	1	0
RESERVED								PRUSS2_IRQ_53								RESERVED								PRUSS2_IRQ_52							

Bits	Field Name	Description	Type	Reset
31:25	RESERVED		R	0x0
24:16	PRUSS2_IRQ_53		RW	0x16
15:9	RESERVED		R	0x0
8:0	PRUSS2_IRQ_52		RW	0x15

Table 18-583. Register Call Summary for Register CTRL_CORE_PRUSS2_IRQ_52_53

Control Module Register Manual

- [CTRL_MODULE_CORE Register Summary: \[0\]](#)

Table 18-584. CTRL_CORE_PRUSS2_IRQ_54_55

Address Offset	0x0000 0934	Instance	CTRL_MODULE_CORE
Physical Address	0x4A00 2934		
Description			
Type	RW		

31	30	29	28	27	26	25	24	23	22	21	20	19	18	17	16	15	14	13	12	11	10	9	8	7	6	5	4	3	2	1	0
RESERVED								PRUSS2_IRQ_55								RESERVED								PRUSS2_IRQ_54							

Bits	Field Name	Description	Type	Reset
31:25	RESERVED		R	0x0
24:16	PRUSS2_IRQ_55		RW	0x18
15:9	RESERVED		R	0x0
8:0	PRUSS2_IRQ_54		RW	0x17

Table 18-585. Register Call Summary for Register CTRL_CORE_PRUSS2_IRQ_54_55

Control Module Register Manual

- [CTRL_MODULE_CORE Register Summary: \[0\]](#)

Table 18-586. CTRL_CORE_PRUSS2_IRQ_56_57

Address Offset	0x0000 0938	Instance	CTRL_MODULE_CORE
Physical Address	0x4A00 2938		
Description			
Type	RW		

31	30	29	28	27	26	25	24	23	22	21	20	19	18	17	16	15	14	13	12	11	10	9	8	7	6	5	4	3	2	1	0
RESERVED								PRUSS2_IRQ_57								RESERVED								PRUSS2_IRQ_56							

Bits	Field Name	Description	Type	Reset
31:25	RESERVED		R	0x0
24:16	PRUSS2_IRQ_57		RW	0x1A
15:9	RESERVED		R	0x0
8:0	PRUSS2_IRQ_56		RW	0x19

Table 18-587. Register Call Summary for Register CTRL_CORE_PRUSS2_IRQ_56_57

Control Module Register Manual

- [CTRL_MODULE_CORE Register Summary: \[0\]](#)

Table 18-588. CTRL_CORE_PRUSS2_IRQ_58_59

Address Offset	0x0000 093C	Instance	CTRL_MODULE_CORE
Physical Address	0x4A00 293C		
Description			
Type	RW		

31	30	29	28	27	26	25	24	23	22	21	20	19	18	17	16	15	14	13	12	11	10	9	8	7	6	5	4	3	2	1	0
RESERVED								PRUSS2_IRQ_59								RESERVED								PRUSS2_IRQ_58							

Bits	Field Name	Description	Type	Reset
31:25	RESERVED		R	0x0
24:16	PRUSS2_IRQ_59		RW	0x1C
15:9	RESERVED		R	0x0
8:0	PRUSS2_IRQ_58		RW	0x1B

Table 18-589. Register Call Summary for Register CTRL_CORE_PRUSS2_IRQ_58_59

Control Module Register Manual

- [CTRL_MODULE_CORE Register Summary: \[0\]](#)

Table 18-590. CTRL_CORE_PRUSS2_IRQ_60_61

Address Offset	0x0000 0940	Instance	CTRL_MODULE_CORE
Physical Address	0x4A00 2940		
Description			
Type	RW		

31	30	29	28	27	26	25	24	23	22	21	20	19	18	17	16	15	14	13	12	11	10	9	8	7	6	5	4	3	2	1	0
RESERVED								PRUSS2_IRQ_61								RESERVED								PRUSS2_IRQ_60							

Bits	Field Name	Description	Type	Reset
31:25	RESERVED		R	0x0
24:16	PRUSS2_IRQ_61		RW	0x1E
15:9	RESERVED		R	0x0
8:0	PRUSS2_IRQ_60		RW	0x1D

Table 18-591. Register Call Summary for Register CTRL_CORE_PRUSS2_IRQ_60_61

Control Module Register Manual

- [CTRL_MODULE_CORE Register Summary: \[0\]](#)

Table 18-592. CTRL_CORE_PRUSS2_IRQ_62_63

Address Offset	0x0000 0944	Instance	CTRL_MODULE_CORE
Physical Address	0x4A00 2944		
Description			
Type	RW		

31	30	29	28	27	26	25	24	23	22	21	20	19	18	17	16	15	14	13	12	11	10	9	8	7	6	5	4	3	2	1	0
RESERVED								PRUSS2_IRQ_63								RESERVED								PRUSS2_IRQ_62							

Bits	Field Name	Description	Type	Reset
31:25	RESERVED		R	0x0
24:16	PRUSS2_IRQ_63		RW	0x20
15:9	RESERVED		R	0x0
8:0	PRUSS2_IRQ_62		RW	0x1F

Table 18-593. Register Call Summary for Register CTRL_CORE_PRUSS2_IRQ_62_63

Control Module Register Manual

- [CTRL_MODULE_CORE Register Summary: \[0\]](#)

Table 18-594. CTRL_CORE_DSP1_IRQ_32_33

Address Offset	0x0000 0948	Instance	CTRL_MODULE_CORE
Physical Address	0x4A00 2948		
Description			
Type	RW		

31	30	29	28	27	26	25	24	23	22	21	20	19	18	17	16	15	14	13	12	11	10	9	8	7	6	5	4	3	2	1	0
RESERVED								DSP1_IRQ_33								RESERVED								DSP1_IRQ_32							

Bits	Field Name	Description	Type	Reset
31:25	RESERVED		R	0x0
24:16	DSP1_IRQ_33		RW	0x2
15:9	RESERVED		R	0x0
8:0	DSP1_IRQ_32		RW	0x1

Table 18-595. Register Call Summary for Register CTRL_CORE_DSP1_IRQ_32_33

Control Module Register Manual

- [CTRL_MODULE_CORE Register Summary: \[0\]](#)

Table 18-596. CTRL_CORE_DSP1_IRQ_34_35

Address Offset	0x0000 094C	Instance	CTRL_MODULE_CORE
Physical Address	0x4A00 294C		
Description			
Type	RW		

31	30	29	28	27	26	25	24	23	22	21	20	19	18	17	16	15	14	13	12	11	10	9	8	7	6	5	4	3	2	1	0
RESERVED								DSP1_IRQ_35								RESERVED								DSP1_IRQ_34							

Bits	Field Name	Description	Type	Reset
31:25	RESERVED		R	0x0
24:16	DSP1_IRQ_35		RW	0x4
15:9	RESERVED		R	0x0
8:0	DSP1_IRQ_34		RW	0x3

Table 18-597. Register Call Summary for Register CTRL_CORE_DSP1_IRQ_34_35

Control Module Register Manual

- [CTRL_MODULE_CORE Register Summary: \[0\]](#)

Table 18-598. CTRL_CORE_DSP1_IRQ_36_37

Address Offset	0x0000 0950	Instance	CTRL_MODULE_CORE
Physical Address	0x4A00 2950		
Description			
Type	RW		

31	30	29	28	27	26	25	24	23	22	21	20	19	18	17	16	15	14	13	12	11	10	9	8	7	6	5	4	3	2	1	0
RESERVED								DSP1_IRQ_37								RESERVED								DSP1_IRQ_36							

Bits	Field Name	Description	Type	Reset
31:25	RESERVED		R	0x0
24:16	DSP1_IRQ_37		RW	0x6
15:9	RESERVED		R	0x0
8:0	DSP1_IRQ_36		RW	0x5

Table 18-599. Register Call Summary for Register CTRL_CORE_DSP1_IRQ_36_37

Control Module Register Manual

- [CTRL_MODULE_CORE Register Summary: \[0\]](#)

Table 18-600. CTRL_CORE_DSP1_IRQ_38_39

Address Offset	0x0000 0954	Instance	CTRL_MODULE_CORE
Physical Address	0x4A00 2954		
Description			
Type	RW		

31	30	29	28	27	26	25	24	23	22	21	20	19	18	17	16	15	14	13	12	11	10	9	8	7	6	5	4	3	2	1	0
RESERVED								DSP1_IRQ_39								RESERVED								DSP1_IRQ_38							

Bits	Field Name	Description	Type	Reset
31:25	RESERVED		R	0x0
24:16	DSP1_IRQ_39		RW	0x8
15:9	RESERVED		R	0x0
8:0	DSP1_IRQ_38		RW	0x7

Table 18-601. Register Call Summary for Register CTRL_CORE_DSP1_IRQ_38_39

Control Module Register Manual

- [CTRL_MODULE_CORE Register Summary: \[0\]](#)

Table 18-602. CTRL_CORE_DSP1_IRQ_40_41

Address Offset	0x0000 0958	Instance	CTRL_MODULE_CORE
Physical Address	0x4A00 2958		
Description			
Type	RW		

31	30	29	28	27	26	25	24	23	22	21	20	19	18	17	16	15	14	13	12	11	10	9	8	7	6	5	4	3	2	1	0
RESERVED								DSP1_IRQ_41								RESERVED								DSP1_IRQ_40							

Bits	Field Name	Description	Type	Reset
31:25	RESERVED		R	0x0
24:16	DSP1_IRQ_41		RW	0xA
15:9	RESERVED		R	0x0
8:0	DSP1_IRQ_40		RW	0x9

Table 18-603. Register Call Summary for Register CTRL_CORE_DSP1_IRQ_40_41

Control Module Functional Description

- [IRQ_CROSSBAR Module Functional Description: \[0\]](#)

Control Module Register Manual

- [CTRL_MODULE_CORE Register Summary: \[1\]](#)

Table 18-604. CTRL_CORE_DSP1_IRQ_42_43

Address Offset	0x0000 095C	Instance	CTRL_MODULE_CORE
Physical Address	0x4A00 295C		
Description			
Type	RW		

31	30	29	28	27	26	25	24	23	22	21	20	19	18	17	16	15	14	13	12	11	10	9	8	7	6	5	4	3	2	1	0
RESERVED								DSP1_IRQ_43								RESERVED								DSP1_IRQ_42							

Bits	Field Name	Description	Type	Reset
31:25	RESERVED		R	0x0
24:16	DSP1_IRQ_43		RW	0xC
15:9	RESERVED		R	0x0
8:0	DSP1_IRQ_42		RW	0xB

Table 18-605. Register Call Summary for Register CTRL_CORE_DSP1_IRQ_42_43

Control Module Register Manual

- [CTRL_MODULE_CORE Register Summary: \[0\]](#)

Table 18-606. CTRL_CORE_DSP1_IRQ_44_45

Address Offset	0x0000 0960	Instance	CTRL_MODULE_CORE
Physical Address	0x4A00 2960		
Description			
Type	RW		

31	30	29	28	27	26	25	24	23	22	21	20	19	18	17	16	15	14	13	12	11	10	9	8	7	6	5	4	3	2	1	0
RESERVED								DSP1_IRQ_45								RESERVED								DSP1_IRQ_44							

Bits	Field Name	Description	Type	Reset
31:25	RESERVED		R	0x0
24:16	DSP1_IRQ_45		RW	0xE
15:9	RESERVED		R	0x0
8:0	DSP1_IRQ_44		RW	0xD

Table 18-607. Register Call Summary for Register CTRL_CORE_DSP1_IRQ_44_45

Control Module Register Manual

- [CTRL_MODULE_CORE Register Summary: \[0\]](#)

Table 18-608. CTRL_CORE_DSP1_IRQ_46_47

Address Offset	0x0000 0964	Instance	CTRL_MODULE_CORE
Physical Address	0x4A00 2964		
Description			
Type	RW		

31	30	29	28	27	26	25	24	23	22	21	20	19	18	17	16	15	14	13	12	11	10	9	8	7	6	5	4	3	2	1	0
RESERVED								DSP1_IRQ_47								RESERVED								DSP1_IRQ_46							

Bits	Field Name	Description	Type	Reset
31:25	RESERVED		R	0x0
24:16	DSP1_IRQ_47		RW	0x10
15:9	RESERVED		R	0x0
8:0	DSP1_IRQ_46		RW	0xF

Table 18-609. Register Call Summary for Register CTRL_CORE_DSP1_IRQ_46_47

Control Module Register Manual

- [CTRL_MODULE_CORE Register Summary: \[0\]](#)

Table 18-610. CTRL_CORE_DSP1_IRQ_48_49

Address Offset	0x0000 0968	Instance	CTRL_MODULE_CORE
Physical Address	0x4A00 2968		
Description			
Type	RW		

31	30	29	28	27	26	25	24	23	22	21	20	19	18	17	16	15	14	13	12	11	10	9	8	7	6	5	4	3	2	1	0
RESERVED								DSP1_IRQ_49								RESERVED								DSP1_IRQ_48							

Bits	Field Name	Description	Type	Reset
31:25	RESERVED		R	0x0
24:16	DSP1_IRQ_49		RW	0x12
15:9	RESERVED		R	0x0
8:0	DSP1_IRQ_48		RW	0x11

Table 18-611. Register Call Summary for Register CTRL_CORE_DSP1_IRQ_48_49

Control Module Register Manual

- [CTRL_MODULE_CORE Register Summary: \[0\]](#)

Table 18-612. CTRL_CORE_DSP1_IRQ_50_51

Address Offset	0x0000 096C	Instance	CTRL_MODULE_CORE
Physical Address	0x4A00 296C		
Description			
Type	RW		

31	30	29	28	27	26	25	24	23	22	21	20	19	18	17	16	15	14	13	12	11	10	9	8	7	6	5	4	3	2	1	0
RESERVED								DSP1_IRQ_51								RESERVED								DSP1_IRQ_50							

Bits	Field Name	Description	Type	Reset
31:25	RESERVED		R	0x0
24:16	DSP1_IRQ_51		RW	0x14
15:9	RESERVED		R	0x0
8:0	DSP1_IRQ_50		RW	0x13

Table 18-613. Register Call Summary for Register CTRL_CORE_DSP1_IRQ_50_51

Control Module Register Manual

- [CTRL_MODULE_CORE Register Summary: \[0\]](#)

Table 18-614. CTRL_CORE_DSP1_IRQ_52_53

Address Offset	0x0000 0970	Instance	CTRL_MODULE_CORE
Physical Address	0x4A00 2970		
Description			
Type	RW		

31	30	29	28	27	26	25	24	23	22	21	20	19	18	17	16	15	14	13	12	11	10	9	8	7	6	5	4	3	2	1	0
RESERVED								DSP1_IRQ_53								RESERVED								DSP1_IRQ_52							

Bits	Field Name	Description	Type	Reset
31:25	RESERVED		R	0x0
24:16	DSP1_IRQ_53		RW	0x16
15:9	RESERVED		R	0x0
8:0	DSP1_IRQ_52		RW	0x15

Table 18-615. Register Call Summary for Register CTRL_CORE_DSP1_IRQ_52_53

Control Module Register Manual

- [CTRL_MODULE_CORE Register Summary: \[0\]](#)

Table 18-616. CTRL_CORE_DSP1_IRQ_54_55

Address Offset	0x0000 0974	Instance	CTRL_MODULE_CORE
Physical Address	0x4A00 2974		
Description			
Type	RW		

31	30	29	28	27	26	25	24	23	22	21	20	19	18	17	16	15	14	13	12	11	10	9	8	7	6	5	4	3	2	1	0
RESERVED								DSP1_IRQ_55								RESERVED								DSP1_IRQ_54							

Bits	Field Name	Description	Type	Reset
31:25	RESERVED		R	0x0
24:16	DSP1_IRQ_55		RW	0x18
15:9	RESERVED		R	0x0
8:0	DSP1_IRQ_54		RW	0x17

Table 18-617. Register Call Summary for Register CTRL_CORE_DSP1_IRQ_54_55

Control Module Register Manual

- [CTRL_MODULE_CORE Register Summary: \[0\]](#)

Table 18-618. CTRL_CORE_DSP1_IRQ_56_57

Address Offset	0x0000 0978	Instance	CTRL_MODULE_CORE
Physical Address	0x4A00 2978		
Description			
Type	RW		

31	30	29	28	27	26	25	24	23	22	21	20	19	18	17	16	15	14	13	12	11	10	9	8	7	6	5	4	3	2	1	0
RESERVED								DSP1_IRQ_57								RESERVED								DSP1_IRQ_56							

Bits	Field Name	Description	Type	Reset
31:25	RESERVED		R	0x0
24:16	DSP1_IRQ_57		RW	0x1A
15:9	RESERVED		R	0x0
8:0	DSP1_IRQ_56		RW	0x19

Table 18-619. Register Call Summary for Register CTRL_CORE_DSP1_IRQ_56_57

Control Module Register Manual

- [CTRL_MODULE_CORE Register Summary: \[0\]](#)

Table 18-620. CTRL_CORE_DSP1_IRQ_58_59

Address Offset	0x0000 097C	Instance	CTRL_MODULE_CORE
Physical Address	0x4A00 297C		
Description			
Type	RW		

31	30	29	28	27	26	25	24	23	22	21	20	19	18	17	16	15	14	13	12	11	10	9	8	7	6	5	4	3	2	1	0
RESERVED								DSP1_IRQ_59								RESERVED								DSP1_IRQ_58							

Bits	Field Name	Description	Type	Reset
31:25	RESERVED		R	0x0
24:16	DSP1_IRQ_59		RW	0x1C
15:9	RESERVED		R	0x0
8:0	DSP1_IRQ_58		RW	0x1B

Table 18-621. Register Call Summary for Register CTRL_CORE_DSP1_IRQ_58_59

Control Module Register Manual

- [CTRL_MODULE_CORE Register Summary: \[0\]](#)

Table 18-622. CTRL_CORE_DSP1_IRQ_60_61

Address Offset	0x0000 0980	Instance	CTRL_MODULE_CORE
Physical Address	0x4A00 2980		
Description			
Type	RW		

31	30	29	28	27	26	25	24	23	22	21	20	19	18	17	16	15	14	13	12	11	10	9	8	7	6	5	4	3	2	1	0
RESERVED								DSP1_IRQ_61								RESERVED								DSP1_IRQ_60							

Bits	Field Name	Description	Type	Reset
31:25	RESERVED		R	0x0
24:16	DSP1_IRQ_61		RW	0x1E
15:9	RESERVED		R	0x0
8:0	DSP1_IRQ_60		RW	0x1D

Table 18-623. Register Call Summary for Register CTRL_CORE_DSP1_IRQ_60_61

Control Module Register Manual

- [CTRL_MODULE_CORE Register Summary: \[0\]](#)

Table 18-624. CTRL_CORE_DSP1_IRQ_62_63

Address Offset	0x0000 0984	Instance	CTRL_MODULE_CORE
Physical Address	0x4A00 2984		
Description			
Type	RW		

31	30	29	28	27	26	25	24	23	22	21	20	19	18	17	16	15	14	13	12	11	10	9	8	7	6	5	4	3	2	1	0
RESERVED								DSP1_IRQ_63								RESERVED								DSP1_IRQ_62							

Bits	Field Name	Description	Type	Reset
31:25	RESERVED		R	0x0
24:16	DSP1_IRQ_63		RW	0x20
15:9	RESERVED		R	0x0
8:0	DSP1_IRQ_62		RW	0x1F

Table 18-625. Register Call Summary for Register CTRL_CORE_DSP1_IRQ_62_63

Control Module Register Manual

- [CTRL_MODULE_CORE Register Summary: \[0\]](#)

Table 18-626. CTRL_CORE_DSP1_IRQ_64_65

Address Offset	0x0000 0988	Instance	CTRL_MODULE_CORE
Physical Address	0x4A00 2988		
Description			
Type	RW		

31	30	29	28	27	26	25	24	23	22	21	20	19	18	17	16	15	14	13	12	11	10	9	8	7	6	5	4	3	2	1	0
RESERVED								DSP1_IRQ_65								RESERVED								DSP1_IRQ_64							

Bits	Field Name	Description	Type	Reset
31:25	RESERVED		R	0x0
24:16	DSP1_IRQ_65		RW	0x22
15:9	RESERVED		R	0x0
8:0	DSP1_IRQ_64		RW	0x21

Table 18-627. Register Call Summary for Register CTRL_CORE_DSP1_IRQ_64_65

Control Module Register Manual

- [CTRL_MODULE_CORE Register Summary: \[0\]](#)

Table 18-628. CTRL_CORE_DSP1_IRQ_66_67

Address Offset	0x0000 098C	Instance	CTRL_MODULE_CORE
Physical Address	0x4A00 298C		
Description			
Type	RW		

31	30	29	28	27	26	25	24	23	22	21	20	19	18	17	16	15	14	13	12	11	10	9	8	7	6	5	4	3	2	1	0
RESERVED								DSP1_IRQ_67								RESERVED								DSP1_IRQ_66							

Bits	Field Name	Description	Type	Reset
31:25	RESERVED		R	0x0
24:16	DSP1_IRQ_67		RW	0x24
15:9	RESERVED		R	0x0
8:0	DSP1_IRQ_66		RW	0x23

Table 18-629. Register Call Summary for Register CTRL_CORE_DSP1_IRQ_66_67

Control Module Register Manual

- [CTRL_MODULE_CORE Register Summary: \[0\]](#)

Table 18-630. CTRL_CORE_DSP1_IRQ_68_69

Address Offset	0x0000 0990	Instance	CTRL_MODULE_CORE
Physical Address	0x4A00 2990		
Description			
Type	RW		

31	30	29	28	27	26	25	24	23	22	21	20	19	18	17	16	15	14	13	12	11	10	9	8	7	6	5	4	3	2	1	0
RESERVED								DSP1_IRQ_69								RESERVED								DSP1_IRQ_68							

Bits	Field Name	Description	Type	Reset
31:25	RESERVED		R	0x0
24:16	DSP1_IRQ_69		RW	0x26
15:9	RESERVED		R	0x0
8:0	DSP1_IRQ_68		RW	0x25

Table 18-631. Register Call Summary for Register CTRL_CORE_DSP1_IRQ_68_69

Control Module Register Manual

- [CTRL_MODULE_CORE Register Summary: \[0\]](#)

Table 18-632. CTRL_CORE_DSP1_IRQ_70_71

Address Offset	0x0000 0994	
Physical Address	0x4A00 2994	Instance CTRL_MODULE_CORE
Description		
Type	RW	

31	30	29	28	27	26	25	24	23	22	21	20	19	18	17	16	15	14	13	12	11	10	9	8	7	6	5	4	3	2	1	0
RESERVED								DSP1_IRQ_71								RESERVED								DSP1_IRQ_70							

Bits	Field Name	Description	Type	Reset
31:25	RESERVED		R	0x0
24:16	DSP1_IRQ_71		RW	0x28
15:9	RESERVED		R	0x0
8:0	DSP1_IRQ_70		RW	0x27

Table 18-633. Register Call Summary for Register CTRL_CORE_DSP1_IRQ_70_71

Control Module Register Manual

- [CTRL_MODULE_CORE Register Summary: \[0\]](#)

Table 18-634. CTRL_CORE_DSP1_IRQ_72_73

Address Offset	0x0000 0998	
Physical Address	0x4A00 2998	Instance CTRL_MODULE_CORE
Description		
Type	RW	

31	30	29	28	27	26	25	24	23	22	21	20	19	18	17	16	15	14	13	12	11	10	9	8	7	6	5	4	3	2	1	0
RESERVED								DSP1_IRQ_73								RESERVED								DSP1_IRQ_72							

Bits	Field Name	Description	Type	Reset
31:25	RESERVED		R	0x0
24:16	DSP1_IRQ_73		RW	0x2A
15:9	RESERVED		R	0x0
8:0	DSP1_IRQ_72		RW	0x29

Table 18-635. Register Call Summary for Register CTRL_CORE_DSP1_IRQ_72_73

Control Module Register Manual

- [CTRL_MODULE_CORE Register Summary: \[0\]](#)

Table 18-636. CTRL_CORE_DSP1_IRQ_74_75

Address Offset	0x0000 099C	Instance	CTRL_MODULE_CORE
Physical Address	0x4A00 299C		
Description			
Type	RW		

31	30	29	28	27	26	25	24	23	22	21	20	19	18	17	16	15	14	13	12	11	10	9	8	7	6	5	4	3	2	1	0
RESERVED								DSP1_IRQ_75								RESERVED								DSP1_IRQ_74							

Bits	Field Name	Description	Type	Reset
31:25	RESERVED		R	0x0
24:16	DSP1_IRQ_75		RW	0x2C
15:9	RESERVED		R	0x0
8:0	DSP1_IRQ_74		RW	0x2B

Table 18-637. Register Call Summary for Register CTRL_CORE_DSP1_IRQ_74_75

Control Module Register Manual

- [CTRL_MODULE_CORE Register Summary: \[0\]](#)

Table 18-638. CTRL_CORE_DSP1_IRQ_76_77

Address Offset	0x0000 09A0	Instance	CTRL_MODULE_CORE
Physical Address	0x4A00 29A0		
Description			
Type	RW		

31	30	29	28	27	26	25	24	23	22	21	20	19	18	17	16	15	14	13	12	11	10	9	8	7	6	5	4	3	2	1	0
RESERVED								DSP1_IRQ_77								RESERVED								DSP1_IRQ_76							

Bits	Field Name	Description	Type	Reset
31:25	RESERVED		R	0x0
24:16	DSP1_IRQ_77		RW	0x2E
15:9	RESERVED		R	0x0
8:0	DSP1_IRQ_76		RW	0x2D

Table 18-639. Register Call Summary for Register CTRL_CORE_DSP1_IRQ_76_77

Control Module Register Manual

- [CTRL_MODULE_CORE Register Summary: \[0\]](#)

Table 18-640. CTRL_CORE_DSP1_IRQ_78_79

Address Offset	0x0000 09A4	Instance	CTRL_MODULE_CORE
Physical Address	0x4A00 29A4		
Description			
Type	RW		

31	30	29	28	27	26	25	24	23	22	21	20	19	18	17	16	15	14	13	12	11	10	9	8	7	6	5	4	3	2	1	0
RESERVED								DSP1_IRQ_79								RESERVED								DSP1_IRQ_78							

Bits	Field Name	Description	Type	Reset
31:25	RESERVED		R	0x0
24:16	DSP1_IRQ_79		RW	0x30
15:9	RESERVED		R	0x0
8:0	DSP1_IRQ_78		RW	0x2F

Table 18-641. Register Call Summary for Register CTRL_CORE_DSP1_IRQ_78_79

Control Module Register Manual

- [CTRL_MODULE_CORE Register Summary: \[0\]](#)

Table 18-642. CTRL_CORE_DSP1_IRQ_80_81

Address Offset	0x0000 09A8	Instance	CTRL_MODULE_CORE
Physical Address	0x4A00 29A8		
Description			
Type	RW		

31	30	29	28	27	26	25	24	23	22	21	20	19	18	17	16	15	14	13	12	11	10	9	8	7	6	5	4	3	2	1	0
RESERVED								DSP1_IRQ_81								RESERVED								DSP1_IRQ_80							

Bits	Field Name	Description	Type	Reset
31:25	RESERVED		R	0x0
24:16	DSP1_IRQ_81		RW	0x32
15:9	RESERVED		R	0x0
8:0	DSP1_IRQ_80		RW	0x31

Table 18-643. Register Call Summary for Register CTRL_CORE_DSP1_IRQ_80_81

Control Module Register Manual

- [CTRL_MODULE_CORE Register Summary: \[0\]](#)

Table 18-644. CTRL_CORE_DSP1_IRQ_82_83

Address Offset	0x0000 09AC	Instance	CTRL_MODULE_CORE
Physical Address	0x4A00 29AC		
Description			
Type	RW		

31	30	29	28	27	26	25	24	23	22	21	20	19	18	17	16	15	14	13	12	11	10	9	8	7	6	5	4	3	2	1	0
RESERVED								DSP1_IRQ_83								RESERVED								DSP1_IRQ_82							

Bits	Field Name	Description	Type	Reset
31:25	RESERVED		R	0x0
24:16	DSP1_IRQ_83		RW	0x34
15:9	RESERVED		R	0x0
8:0	DSP1_IRQ_82		RW	0x33

Table 18-645. Register Call Summary for Register CTRL_CORE_DSP1_IRQ_82_83

Control Module Register Manual

- [CTRL_MODULE_CORE Register Summary: \[0\]](#)

Table 18-646. CTRL_CORE_DSP1_IRQ_84_85

Address Offset	0x0000 09B0	Instance	CTRL_MODULE_CORE
Physical Address	0x4A00 29B0		
Description			
Type	RW		

31	30	29	28	27	26	25	24	23	22	21	20	19	18	17	16	15	14	13	12	11	10	9	8	7	6	5	4	3	2	1	0
RESERVED								DSP1_IRQ_85								RESERVED								DSP1_IRQ_84							

Bits	Field Name	Description	Type	Reset
31:25	RESERVED		R	0x0
24:16	DSP1_IRQ_85		RW	0x36
15:9	RESERVED		R	0x0
8:0	DSP1_IRQ_84		RW	0x35

Table 18-647. Register Call Summary for Register CTRL_CORE_DSP1_IRQ_84_85

Control Module Register Manual

- [CTRL_MODULE_CORE Register Summary: \[0\]](#)

Table 18-648. CTRL_CORE_DSP1_IRQ_86_87

Address Offset	0x0000 09B4	Instance	CTRL_MODULE_CORE
Physical Address	0x4A00 29B4		
Description			
Type	RW		

31	30	29	28	27	26	25	24	23	22	21	20	19	18	17	16	15	14	13	12	11	10	9	8	7	6	5	4	3	2	1	0
RESERVED								DSP1_IRQ_87								RESERVED								DSP1_IRQ_86							

Bits	Field Name	Description	Type	Reset
31:25	RESERVED		R	0x0
24:16	DSP1_IRQ_87		RW	0x38
15:9	RESERVED		R	0x0
8:0	DSP1_IRQ_86		RW	0x37

Table 18-649. Register Call Summary for Register CTRL_CORE_DSP1_IRQ_86_87

Control Module Register Manual

- [CTRL_MODULE_CORE Register Summary: \[0\]](#)

Table 18-650. CTRL_CORE_DSP1_IRQ_88_89

Address Offset	0x0000 09B8	Instance	CTRL_MODULE_CORE
Physical Address	0x4A00 29B8		
Description			
Type	RW		

31	30	29	28	27	26	25	24	23	22	21	20	19	18	17	16	15	14	13	12	11	10	9	8	7	6	5	4	3	2	1	0
RESERVED								DSP1_IRQ_89								RESERVED								DSP1_IRQ_88							

Bits	Field Name	Description	Type	Reset
31:25	RESERVED		R	0x0
24:16	DSP1_IRQ_89		RW	0x3A
15:9	RESERVED		R	0x0
8:0	DSP1_IRQ_88		RW	0x39

Table 18-651. Register Call Summary for Register CTRL_CORE_DSP1_IRQ_88_89

Control Module Register Manual

- [CTRL_MODULE_CORE Register Summary: \[0\]](#)

Table 18-652. CTRL_CORE_DSP1_IRQ_90_91

Address Offset	0x0000 09BC	Instance	CTRL_MODULE_CORE
Physical Address	0x4A00 29BC		
Description			
Type	RW		

31	30	29	28	27	26	25	24	23	22	21	20	19	18	17	16	15	14	13	12	11	10	9	8	7	6	5	4	3	2	1	0
RESERVED								DSP1_IRQ_91								RESERVED								DSP1_IRQ_90							

Bits	Field Name	Description	Type	Reset
31:25	RESERVED		R	0x0
24:16	DSP1_IRQ_91		RW	0x3C
15:9	RESERVED		R	0x0
8:0	DSP1_IRQ_90		RW	0x3B

Table 18-653. Register Call Summary for Register CTRL_CORE_DSP1_IRQ_90_91

Control Module Register Manual

- [CTRL_MODULE_CORE Register Summary: \[0\]](#)

Table 18-654. CTRL_CORE_DSP1_IRQ_92_93

Address Offset	0x0000 09C0	Instance	CTRL_MODULE_CORE
Physical Address	0x4A00 29C0		
Description			
Type	RW		

31	30	29	28	27	26	25	24	23	22	21	20	19	18	17	16	15	14	13	12	11	10	9	8	7	6	5	4	3	2	1	0
RESERVED								DSP1_IRQ_93								RESERVED								DSP1_IRQ_92							

Bits	Field Name	Description	Type	Reset
31:25	RESERVED		R	0x0
24:16	DSP1_IRQ_93		RW	0x3E
15:9	RESERVED		R	0x0
8:0	DSP1_IRQ_92		RW	0x3D

Table 18-655. Register Call Summary for Register CTRL_CORE_DSP1_IRQ_92_93

Control Module Register Manual

- [CTRL_MODULE_CORE Register Summary: \[0\]](#)

Table 18-656. CTRL_CORE_DSP1_IRQ_94_95

Address Offset	0x0000 09C4	Instance	CTRL_MODULE_CORE
Physical Address	0x4A00 29C4		
Description			
Type	RW		

31	30	29	28	27	26	25	24	23	22	21	20	19	18	17	16	15	14	13	12	11	10	9	8	7	6	5	4	3	2	1	0
RESERVED								DSP1_IRQ_95								RESERVED								DSP1_IRQ_94							

Bits	Field Name	Description	Type	Reset
31:25	RESERVED		R	0x0
24:16	DSP1_IRQ_95		RW	0x40
15:9	RESERVED		R	0x0
8:0	DSP1_IRQ_94		RW	0x3F

Table 18-657. Register Call Summary for Register CTRL_CORE_DSP1_IRQ_94_95

Control Module Register Manual

- [CTRL_MODULE_CORE Register Summary: \[0\]](#)

Table 18-658. CTRL_CORE_MPU_IRQ_4_7

Address Offset	0x0000 0A48	Instance	CTRL_MODULE_CORE
Physical Address	0x4A00 2A48		
Description			
Type	RW		

31	30	29	28	27	26	25	24	23	22	21	20	19	18	17	16	15	14	13	12	11	10	9	8	7	6	5	4	3	2	1	0
RESERVED								MPU_IRQ_7								RESERVED								MPU_IRQ_4							

Bits	Field Name	Description	Type	Reset
31:25	RESERVED		R	0x0
24:16	MPU_IRQ_7		RW	0x2
15:9	RESERVED		R	0x0
8:0	MPU_IRQ_4		RW	0x1

Table 18-659. Register Call Summary for Register CTRL_CORE_MPU_IRQ_4_7

Control Module Register Manual

- [CTRL_MODULE_CORE Register Summary: \[0\]](#)

Table 18-660. CTRL_CORE_MPU_IRQ_8_9

Address Offset	0x0000 0A4C	Instance	CTRL_MODULE_CORE
Physical Address	0x4A00 2A4C		
Description			
Type	RW		

31	30	29	28	27	26	25	24	23	22	21	20	19	18	17	16	15	14	13	12	11	10	9	8	7	6	5	4	3	2	1	0
RESERVED								MPU_IRQ_9								RESERVED								MPU_IRQ_8							

Bits	Field Name	Description	Type	Reset
31:25	RESERVED		R	0x0
24:16	MPU_IRQ_9		RW	0x4
15:9	RESERVED		R	0x0
8:0	MPU_IRQ_8		RW	0x3

Table 18-661. Register Call Summary for Register CTRL_CORE_MPU_IRQ_8_9

Control Module Register Manual

- [CTRL_MODULE_CORE Register Summary: \[0\]](#)

Table 18-662. CTRL_CORE_MPU_IRQ_10_11

Address Offset	0x0000 0A50	Instance	CTRL_MODULE_CORE
Physical Address	0x4A00 2A50		
Description			
Type	RW		

31	30	29	28	27	26	25	24	23	22	21	20	19	18	17	16	15	14	13	12	11	10	9	8	7	6	5	4	3	2	1	0
RESERVED								MPU_IRQ_11								RESERVED								MPU_IRQ_10							

Bits	Field Name	Description	Type	Reset
31:25	RESERVED		R	0x0
24:16	MPU_IRQ_11		RW	0x6
15:9	RESERVED		R	0x0
8:0	MPU_IRQ_10	NOTE: This bit field is not functional	RW	0x5

Table 18-663. Register Call Summary for Register CTRL_CORE_MPU_IRQ_10_11

Control Module Register Manual

- [CTRL_MODULE_CORE Register Summary: \[0\]](#)

Table 18-664. CTRL_CORE_MPU_IRQ_12_13

Address Offset	0x0000 0A54	
Physical Address	0x4A00 2A54	Instance CTRL_MODULE_CORE
Description		
Type	RW	

31	30	29	28	27	26	25	24	23	22	21	20	19	18	17	16	15	14	13	12	11	10	9	8	7	6	5	4	3	2	1	0
RESERVED								MPU_IRQ_13								RESERVED								MPU_IRQ_12							

Bits	Field Name	Description	Type	Reset
31:25	RESERVED		R	0x0
24:16	MPU_IRQ_13		RW	0x8
15:9	RESERVED		R	0x0
8:0	MPU_IRQ_12		RW	0x7

Table 18-665. Register Call Summary for Register CTRL_CORE_MPU_IRQ_12_13

Control Module Register Manual

- [CTRL_MODULE_CORE Register Summary: \[0\]](#)

Table 18-666. CTRL_CORE_MPU_IRQ_14_15

Address Offset	0x0000 0A58	
Physical Address	0x4A00 2A58	Instance CTRL_MODULE_CORE
Description		
Type	RW	

31	30	29	28	27	26	25	24	23	22	21	20	19	18	17	16	15	14	13	12	11	10	9	8	7	6	5	4	3	2	1	0
RESERVED								MPU_IRQ_15								RESERVED								MPU_IRQ_14							

Bits	Field Name	Description	Type	Reset
31:25	RESERVED		R	0x0
24:16	MPU_IRQ_15		RW	0xA
15:9	RESERVED		R	0x0
8:0	MPU_IRQ_14		RW	0x9

Table 18-667. Register Call Summary for Register CTRL_CORE_MPU_IRQ_14_15

Control Module Register Manual

- [CTRL_MODULE_CORE Register Summary: \[0\]](#)

Table 18-668. CTRL_CORE_MPU_IRQ_16_17

Address Offset	0x0000 0A5C	Instance	CTRL_MODULE_CORE
Physical Address	0x4A00 2A5C		
Description			
Type	RW		

31	30	29	28	27	26	25	24	23	22	21	20	19	18	17	16	15	14	13	12	11	10	9	8	7	6	5	4	3	2	1	0
RESERVED								MPU_IRQ_17								RESERVED								MPU_IRQ_16							

Bits	Field Name	Description	Type	Reset
31:25	RESERVED		R	0x0
24:16	MPU_IRQ_17		RW	0xC
15:9	RESERVED		R	0x0
8:0	MPU_IRQ_16		RW	0xB

Table 18-669. Register Call Summary for Register CTRL_CORE_MPU_IRQ_16_17

Control Module Register Manual

- [CTRL_MODULE_CORE Register Summary: \[0\]](#)

Table 18-670. CTRL_CORE_MPU_IRQ_18_19

Address Offset	0x0000 0A60	Instance	CTRL_MODULE_CORE
Physical Address	0x4A00 2A60		
Description			
Type	RW		

31	30	29	28	27	26	25	24	23	22	21	20	19	18	17	16	15	14	13	12	11	10	9	8	7	6	5	4	3	2	1	0
RESERVED								MPU_IRQ_19								RESERVED								MPU_IRQ_18							

Bits	Field Name	Description	Type	Reset
31:25	RESERVED		R	0x0
24:16	MPU_IRQ_19		RW	0xE
15:9	RESERVED		R	0x0
8:0	MPU_IRQ_18		RW	0xD

Table 18-671. Register Call Summary for Register CTRL_CORE_MPU_IRQ_18_19

Control Module Register Manual

- [CTRL_MODULE_CORE Register Summary: \[0\]](#)

Table 18-672. CTRL_CORE_MPU_IRQ_20_21

Address Offset	0x0000 0A64	
Physical Address	0x4A00 2A64	Instance CTRL_MODULE_CORE
Description		
Type	RW	

31	30	29	28	27	26	25	24	23	22	21	20	19	18	17	16	15	14	13	12	11	10	9	8	7	6	5	4	3	2	1	0
RESERVED								MPU_IRQ_21								RESERVED								MPU_IRQ_20							

Bits	Field Name	Description	Type	Reset
31:25	RESERVED		R	0x0
24:16	MPU_IRQ_21		RW	0x10
15:9	RESERVED		R	0x0
8:0	MPU_IRQ_20		RW	0xF

Table 18-673. Register Call Summary for Register CTRL_CORE_MPU_IRQ_20_21

Control Module Register Manual

- [CTRL_MODULE_CORE Register Summary: \[0\]](#)

Table 18-674. CTRL_CORE_MPU_IRQ_22_23

Address Offset	0x0000 0A68	
Physical Address	0x4A00 2A68	Instance CTRL_MODULE_CORE
Description		
Type	RW	

31	30	29	28	27	26	25	24	23	22	21	20	19	18	17	16	15	14	13	12	11	10	9	8	7	6	5	4	3	2	1	0
RESERVED								MPU_IRQ_23								RESERVED								MPU_IRQ_22							

Bits	Field Name	Description	Type	Reset
31:25	RESERVED		R	0x0
24:16	MPU_IRQ_23		RW	0x12
15:9	RESERVED		R	0x0
8:0	MPU_IRQ_22		RW	0x11

Table 18-675. Register Call Summary for Register CTRL_CORE_MPU_IRQ_22_23

Control Module Register Manual

- [CTRL_MODULE_CORE Register Summary: \[0\]](#)

Table 18-676. CTRL_CORE_MPU_IRQ_24_25

Address Offset	0x0000 0A6C	Instance	CTRL_MODULE_CORE
Physical Address	0x4A00 2A6C		
Description			
Type	RW		

31	30	29	28	27	26	25	24	23	22	21	20	19	18	17	16	15	14	13	12	11	10	9	8	7	6	5	4	3	2	1	0
RESERVED								MPU_IRQ_25								RESERVED								MPU_IRQ_24							

Bits	Field Name	Description	Type	Reset
31:25	RESERVED		R	0x0
24:16	MPU_IRQ_25		RW	0x14
15:9	RESERVED		R	0x0
8:0	MPU_IRQ_24		RW	0x13

Table 18-677. Register Call Summary for Register CTRL_CORE_MPU_IRQ_24_25

Control Module Register Manual

- [CTRL_MODULE_CORE Register Summary: \[0\]](#)

Table 18-678. CTRL_CORE_MPU_IRQ_26_27

Address Offset	0x0000 0A70	Instance	CTRL_MODULE_CORE
Physical Address	0x4A00 2A70		
Description			
Type	RW		

31	30	29	28	27	26	25	24	23	22	21	20	19	18	17	16	15	14	13	12	11	10	9	8	7	6	5	4	3	2	1	0
RESERVED								MPU_IRQ_27								RESERVED								MPU_IRQ_26							

Bits	Field Name	Description	Type	Reset
31:25	RESERVED		R	0x0
24:16	MPU_IRQ_27		RW	0x16
15:9	RESERVED		R	0x0
8:0	MPU_IRQ_26		RW	0x15

Table 18-679. Register Call Summary for Register CTRL_CORE_MPU_IRQ_26_27

Control Module Register Manual

- [CTRL_MODULE_CORE Register Summary: \[0\]](#)

Table 18-680. CTRL_CORE_MPU_IRQ_28_29

Address Offset	0x0000 0A74	Instance	CTRL_MODULE_CORE
Physical Address	0x4A00 2A74		
Description			
Type	RW		

31	30	29	28	27	26	25	24	23	22	21	20	19	18	17	16	15	14	13	12	11	10	9	8	7	6	5	4	3	2	1	0
RESERVED								MPU_IRQ_29								RESERVED								MPU_IRQ_28							

Bits	Field Name	Description	Type	Reset
31:25	RESERVED		R	0x0
24:16	MPU_IRQ_29		RW	0x18
15:9	RESERVED		R	0x0
8:0	MPU_IRQ_28		RW	0x17

Table 18-681. Register Call Summary for Register CTRL_CORE_MPU_IRQ_28_29

Control Module Register Manual

- [CTRL_MODULE_CORE Register Summary: \[0\]](#)

Table 18-682. CTRL_CORE_MPU_IRQ_30_31

Address Offset	0x0000 0A78	Instance	CTRL_MODULE_CORE
Physical Address	0x4A00 2A78		
Description			
Type	RW		

31	30	29	28	27	26	25	24	23	22	21	20	19	18	17	16	15	14	13	12	11	10	9	8	7	6	5	4	3	2	1	0
RESERVED								MPU_IRQ_31								RESERVED								MPU_IRQ_30							

Bits	Field Name	Description	Type	Reset
31:25	RESERVED		R	0x0
24:16	MPU_IRQ_31		RW	0x1A
15:9	RESERVED		R	0x0
8:0	MPU_IRQ_30		RW	0x19

Table 18-683. Register Call Summary for Register CTRL_CORE_MPU_IRQ_30_31

Control Module Register Manual

- [CTRL_MODULE_CORE Register Summary: \[0\]](#)

Table 18-684. CTRL_CORE_MPU_IRQ_32_33

Address Offset	0x0000 0A7C	
Physical Address	0x4A00 2A7C	Instance CTRL_MODULE_CORE
Description		
Type	RW	

31	30	29	28	27	26	25	24	23	22	21	20	19	18	17	16	15	14	13	12	11	10	9	8	7	6	5	4	3	2	1	0
RESERVED								MPU_IRQ_33								RESERVED								MPU_IRQ_32							

Bits	Field Name	Description	Type	Reset
31:25	RESERVED		R	0x0
24:16	MPU_IRQ_33		RW	0x1C
15:9	RESERVED		R	0x0
8:0	MPU_IRQ_32		RW	0x1B

Table 18-685. Register Call Summary for Register CTRL_CORE_MPU_IRQ_32_33

Control Module Register Manual

- [CTRL_MODULE_CORE Register Summary: \[0\]](#)

Table 18-686. CTRL_CORE_MPU_IRQ_34_35

Address Offset	0x0000 0A80	
Physical Address	0x4A00 2A80	Instance CTRL_MODULE_CORE
Description		
Type	RW	

31	30	29	28	27	26	25	24	23	22	21	20	19	18	17	16	15	14	13	12	11	10	9	8	7	6	5	4	3	2	1	0
RESERVED								MPU_IRQ_35								RESERVED								MPU_IRQ_34							

Bits	Field Name	Description	Type	Reset
31:25	RESERVED		R	0x0
24:16	MPU_IRQ_35		RW	0x1E
15:9	RESERVED		R	0x0
8:0	MPU_IRQ_34		RW	0x1D

Table 18-687. Register Call Summary for Register CTRL_CORE_MPU_IRQ_34_35

Control Module Register Manual

- [CTRL_MODULE_CORE Register Summary: \[0\]](#)

Table 18-688. CTRL_CORE_MPU_IRQ_36_37

Address Offset	0x0000 0A84	Instance	CTRL_MODULE_CORE
Physical Address	0x4A00 2A84		
Description			
Type	RW		

31	30	29	28	27	26	25	24	23	22	21	20	19	18	17	16	15	14	13	12	11	10	9	8	7	6	5	4	3	2	1	0
RESERVED								MPU_IRQ_37								RESERVED								MPU_IRQ_36							

Bits	Field Name	Description	Type	Reset
31:25	RESERVED		R	0x0
24:16	MPU_IRQ_37		RW	0x20
15:9	RESERVED		R	0x0
8:0	MPU_IRQ_36		RW	0x1F

Table 18-689. Register Call Summary for Register CTRL_CORE_MPU_IRQ_36_37

Control Module Register Manual

- [CTRL_MODULE_CORE Register Summary: \[0\]](#)

Table 18-690. CTRL_CORE_MPU_IRQ_38_39

Address Offset	0x0000 0A88	Instance	CTRL_MODULE_CORE
Physical Address	0x4A00 2A88		
Description			
Type	RW		

31	30	29	28	27	26	25	24	23	22	21	20	19	18	17	16	15	14	13	12	11	10	9	8	7	6	5	4	3	2	1	0
RESERVED								MPU_IRQ_39								RESERVED								MPU_IRQ_38							

Bits	Field Name	Description	Type	Reset
31:25	RESERVED		R	0x0
24:16	MPU_IRQ_39		RW	0x22
15:9	RESERVED		R	0x0
8:0	MPU_IRQ_38		RW	0x21

Table 18-691. Register Call Summary for Register CTRL_CORE_MPU_IRQ_38_39

Control Module Register Manual

- [CTRL_MODULE_CORE Register Summary: \[0\]](#)

Table 18-692. CTRL_CORE_MPU_IRQ_40_41

Address Offset	0x0000 0A8C	Instance	CTRL_MODULE_CORE
Physical Address	0x4A00 2A8C		
Description			
Type	RW		

31	30	29	28	27	26	25	24	23	22	21	20	19	18	17	16	15	14	13	12	11	10	9	8	7	6	5	4	3	2	1	0
RESERVED								MPU_IRQ_41								RESERVED								MPU_IRQ_40							

Bits	Field Name	Description	Type	Reset
31:25	RESERVED		R	0x0
24:16	MPU_IRQ_41		RW	0x24
15:9	RESERVED		R	0x0
8:0	MPU_IRQ_40		RW	0x23

Table 18-693. Register Call Summary for Register CTRL_CORE_MPU_IRQ_40_41

Control Module Register Manual

- [CTRL_MODULE_CORE Register Summary: \[0\]](#)

Table 18-694. CTRL_CORE_MPU_IRQ_42_43

Address Offset	0x0000 0A90	Instance	CTRL_MODULE_CORE
Physical Address	0x4A00 2A90		
Description			
Type	RW		

31	30	29	28	27	26	25	24	23	22	21	20	19	18	17	16	15	14	13	12	11	10	9	8	7	6	5	4	3	2	1	0
RESERVED								MPU_IRQ_43								RESERVED								MPU_IRQ_42							

Bits	Field Name	Description	Type	Reset
31:25	RESERVED		R	0x0
24:16	MPU_IRQ_43		RW	0x26
15:9	RESERVED		R	0x0
8:0	MPU_IRQ_42		RW	0x25

Table 18-695. Register Call Summary for Register CTRL_CORE_MPU_IRQ_42_43

Control Module Register Manual

- [CTRL_MODULE_CORE Register Summary: \[0\]](#)

Table 18-696. CTRL_CORE_MPU_IRQ_44_45

Address Offset	0x0000 0A94	Instance	CTRL_MODULE_CORE
Physical Address	0x4A00 2A94		
Description			
Type	RW		

31	30	29	28	27	26	25	24	23	22	21	20	19	18	17	16	15	14	13	12	11	10	9	8	7	6	5	4	3	2	1	0
RESERVED								MPU_IRQ_45								RESERVED								MPU_IRQ_44							

Bits	Field Name	Description	Type	Reset
31:25	RESERVED		R	0x0
24:16	MPU_IRQ_45		RW	0x28
15:9	RESERVED		R	0x0
8:0	MPU_IRQ_44		RW	0x27

Table 18-697. Register Call Summary for Register CTRL_CORE_MPU_IRQ_44_45

Control Module Register Manual

- [CTRL_MODULE_CORE Register Summary: \[0\]](#)

Table 18-698. CTRL_CORE_MPU_IRQ_46_47

Address Offset	0x0000 0A98	Instance	CTRL_MODULE_CORE
Physical Address	0x4A00 2A98		
Description			
Type	RW		

31	30	29	28	27	26	25	24	23	22	21	20	19	18	17	16	15	14	13	12	11	10	9	8	7	6	5	4	3	2	1	0
RESERVED								MPU_IRQ_47								RESERVED								MPU_IRQ_46							

Bits	Field Name	Description	Type	Reset
31:25	RESERVED		R	0x0
24:16	MPU_IRQ_47		RW	0x2A
15:9	RESERVED		R	0x0
8:0	MPU_IRQ_46		RW	0x29

Table 18-699. Register Call Summary for Register CTRL_CORE_MPU_IRQ_46_47

Control Module Register Manual

- [CTRL_MODULE_CORE Register Summary: \[0\]](#)

Table 18-700. CTRL_CORE_MPU_IRQ_48_49

Address Offset	0x0000 0A9C	Instance	CTRL_MODULE_CORE
Physical Address	0x4A00 2A9C		
Description			
Type	RW		

31	30	29	28	27	26	25	24	23	22	21	20	19	18	17	16	15	14	13	12	11	10	9	8	7	6	5	4	3	2	1	0
RESERVED								MPU_IRQ_49								RESERVED								MPU_IRQ_48							

Bits	Field Name	Description	Type	Reset
31:25	RESERVED		R	0x0
24:16	MPU_IRQ_49		RW	0x2C
15:9	RESERVED		R	0x0
8:0	MPU_IRQ_48		RW	0x2B

Table 18-701. Register Call Summary for Register CTRL_CORE_MPU_IRQ_48_49

Control Module Register Manual

- [CTRL_MODULE_CORE Register Summary: \[0\]](#)

Table 18-702. CTRL_CORE_MPU_IRQ_50_51

Address Offset	0x0000 0AA0	Instance	CTRL_MODULE_CORE
Physical Address	0x4A00 2AA0		
Description			
Type	RW		

31	30	29	28	27	26	25	24	23	22	21	20	19	18	17	16	15	14	13	12	11	10	9	8	7	6	5	4	3	2	1	0
RESERVED								MPU_IRQ_51								RESERVED								MPU_IRQ_50							

Bits	Field Name	Description	Type	Reset
31:25	RESERVED		R	0x0
24:16	MPU_IRQ_51		RW	0x2E
15:9	RESERVED		R	0x0
8:0	MPU_IRQ_50		RW	0x2D

Table 18-703. Register Call Summary for Register CTRL_CORE_MPU_IRQ_50_51

Control Module Register Manual

- [CTRL_MODULE_CORE Register Summary: \[0\]](#)

Table 18-704. CTRL_CORE_MPU_IRQ_52_53

Address Offset	0x0000 0AA4	Instance	CTRL_MODULE_CORE
Physical Address	0x4A00 2AA8		
Description			
Type	RW		

31	30	29	28	27	26	25	24	23	22	21	20	19	18	17	16	15	14	13	12	11	10	9	8	7	6	5	4	3	2	1	0
RESERVED								MPU_IRQ_53								RESERVED								MPU_IRQ_52							

Bits	Field Name	Description	Type	Reset
31:25	RESERVED		R	0x0
24:16	MPU_IRQ_53		RW	0x30
15:9	RESERVED		R	0x0
8:0	MPU_IRQ_52		RW	0x2F

Table 18-705. Register Call Summary for Register CTRL_CORE_MPU_IRQ_52_53

Control Module Register Manual

- [CTRL_MODULE_CORE Register Summary: \[0\]](#)

Table 18-706. CTRL_CORE_MPU_IRQ_54_55

Address Offset	0x0000 0AA8	Instance	CTRL_MODULE_CORE
Physical Address	0x4A00 2AA8		
Description			
Type	RW		

31	30	29	28	27	26	25	24	23	22	21	20	19	18	17	16	15	14	13	12	11	10	9	8	7	6	5	4	3	2	1	0
RESERVED								MPU_IRQ_55								RESERVED								MPU_IRQ_54							

Bits	Field Name	Description	Type	Reset
31:25	RESERVED		R	0x0
24:16	MPU_IRQ_55		RW	0x32
15:9	RESERVED		R	0x0
8:0	MPU_IRQ_54		RW	0x31

Table 18-707. Register Call Summary for Register CTRL_CORE_MPU_IRQ_54_55

Control Module Register Manual

- [CTRL_MODULE_CORE Register Summary: \[0\]](#)

Table 18-708. CTRL_CORE_MPU_IRQ_56_57

Address Offset	0x0000 0AAC	Instance	CTRL_MODULE_CORE
Physical Address	0x4A00 2AAC		
Description			
Type	RW		

31	30	29	28	27	26	25	24	23	22	21	20	19	18	17	16	15	14	13	12	11	10	9	8	7	6	5	4	3	2	1	0
RESERVED								MPU_IRQ_57								RESERVED								MPU_IRQ_56							

Bits	Field Name	Description	Type	Reset
31:25	RESERVED		R	0x0
24:16	MPU_IRQ_57		RW	0x34
15:9	RESERVED		R	0x0
8:0	MPU_IRQ_56		RW	0x33

Table 18-709. Register Call Summary for Register CTRL_CORE_MPU_IRQ_56_57

Control Module Register Manual

- [CTRL_MODULE_CORE Register Summary: \[0\]](#)

Table 18-710. CTRL_CORE_MPU_IRQ_58_59

Address Offset	0x0000 0AB0	Instance	CTRL_MODULE_CORE
Physical Address	0x4A00 2AB0		
Description			
Type	RW		

31	30	29	28	27	26	25	24	23	22	21	20	19	18	17	16	15	14	13	12	11	10	9	8	7	6	5	4	3	2	1	0
RESERVED								MPU_IRQ_59								RESERVED								MPU_IRQ_58							

Bits	Field Name	Description	Type	Reset
31:25	RESERVED		R	0x0
24:16	MPU_IRQ_59		RW	0x36
15:9	RESERVED		R	0x0
8:0	MPU_IRQ_58		RW	0x35

Table 18-711. Register Call Summary for Register CTRL_CORE_MPU_IRQ_58_59

Control Module Register Manual

- [CTRL_MODULE_CORE Register Summary: \[0\]](#)

Table 18-712. CTRL_CORE_MPU_IRQ_60_61

Address Offset	0x0000 0AB4	Instance	CTRL_MODULE_CORE
Physical Address	0x4A00 2AB4		
Description			
Type	RW		

31	30	29	28	27	26	25	24	23	22	21	20	19	18	17	16	15	14	13	12	11	10	9	8	7	6	5	4	3	2	1	0
RESERVED								MPU_IRQ_61								RESERVED								MPU_IRQ_60							

Bits	Field Name	Description	Type	Reset
31:25	RESERVED		R	0x0
24:16	MPU_IRQ_61		RW	0x38
15:9	RESERVED		R	0x0
8:0	MPU_IRQ_60		RW	0x37

Table 18-713. Register Call Summary for Register CTRL_CORE_MPU_IRQ_60_61

Control Module Register Manual

- [CTRL_MODULE_CORE Register Summary: \[0\]](#)

Table 18-714. CTRL_CORE_MPU_IRQ_62_63

Address Offset	0x0000 0AB8	Instance	CTRL_MODULE_CORE
Physical Address	0x4A00 2AB8		
Description			
Type	RW		

31	30	29	28	27	26	25	24	23	22	21	20	19	18	17	16	15	14	13	12	11	10	9	8	7	6	5	4	3	2	1	0
RESERVED								MPU_IRQ_63								RESERVED								MPU_IRQ_62							

Bits	Field Name	Description	Type	Reset
31:25	RESERVED		R	0x0
24:16	MPU_IRQ_63		RW	0x3A
15:9	RESERVED		R	0x0
8:0	MPU_IRQ_62		RW	0x39

Table 18-715. Register Call Summary for Register CTRL_CORE_MPU_IRQ_62_63

Control Module Register Manual

- [CTRL_MODULE_CORE Register Summary: \[0\]](#)

Table 18-716. CTRL_CORE_MPU_IRQ_64_65

Address Offset	0x0000 0ABC	Instance	CTRL_MODULE_CORE
Physical Address	0x4A00 2ABC		
Description			
Type	RW		

31	30	29	28	27	26	25	24	23	22	21	20	19	18	17	16	15	14	13	12	11	10	9	8	7	6	5	4	3	2	1	0
RESERVED								MPU_IRQ_65								RESERVED								MPU_IRQ_64							

Bits	Field Name	Description	Type	Reset
31:25	RESERVED		R	0x0
24:16	MPU_IRQ_65		RW	0x3C
15:9	RESERVED		R	0x0
8:0	MPU_IRQ_64		RW	0x3B

Table 18-717. Register Call Summary for Register CTRL_CORE_MPU_IRQ_64_65

Control Module Register Manual

- [CTRL_MODULE_CORE Register Summary: \[0\]](#)

Table 18-718. CTRL_CORE_MPU_IRQ_66_67

Address Offset	0x0000 0AC0	Instance	CTRL_MODULE_CORE
Physical Address	0x4A00 2AC0		
Description			
Type	RW		

31	30	29	28	27	26	25	24	23	22	21	20	19	18	17	16	15	14	13	12	11	10	9	8	7	6	5	4	3	2	1	0
RESERVED								MPU_IRQ_67								RESERVED								MPU_IRQ_66							

Bits	Field Name	Description	Type	Reset
31:25	RESERVED		R	0x0
24:16	MPU_IRQ_67		RW	0x3E
15:9	RESERVED		R	0x0
8:0	MPU_IRQ_66		RW	0x3D

Table 18-719. Register Call Summary for Register CTRL_CORE_MPU_IRQ_66_67

Control Module Register Manual

- [CTRL_MODULE_CORE Register Summary: \[0\]](#)

Table 18-720. CTRL_CORE_MPU_IRQ_68_69

Address Offset	0x0000 0AC4	Instance	CTRL_MODULE_CORE
Physical Address	0x4A00 2AC8		
Description			
Type	RW		

31	30	29	28	27	26	25	24	23	22	21	20	19	18	17	16	15	14	13	12	11	10	9	8	7	6	5	4	3	2	1	0
RESERVED								MPU_IRQ_69								RESERVED								MPU_IRQ_68							

Bits	Field Name	Description	Type	Reset
31:25	RESERVED		R	0x0
24:16	MPU_IRQ_69		RW	0x40
15:9	RESERVED		R	0x0
8:0	MPU_IRQ_68		RW	0x3F

Table 18-721. Register Call Summary for Register CTRL_CORE_MPU_IRQ_68_69

Control Module Register Manual

- [CTRL_MODULE_CORE Register Summary: \[0\]](#)

Table 18-722. CTRL_CORE_MPU_IRQ_70_71

Address Offset	0x0000 0AC8	Instance	CTRL_MODULE_CORE
Physical Address	0x4A00 2AC8		
Description			
Type	RW		

31	30	29	28	27	26	25	24	23	22	21	20	19	18	17	16	15	14	13	12	11	10	9	8	7	6	5	4	3	2	1	0
RESERVED								MPU_IRQ_71								RESERVED								MPU_IRQ_70							

Bits	Field Name	Description	Type	Reset
31:25	RESERVED		R	0x0
24:16	MPU_IRQ_71		RW	0x42
15:9	RESERVED		R	0x0
8:0	MPU_IRQ_70		RW	0x41

Table 18-723. Register Call Summary for Register CTRL_CORE_MPU_IRQ_70_71

Control Module Register Manual

- [CTRL_MODULE_CORE Register Summary: \[0\]](#)

Table 18-724. CTRL_CORE_MPU_IRQ_72_73

Address Offset	0x0000 0ACC	Instance	CTRL_MODULE_CORE
Physical Address	0x4A00 2ACC		
Description			
Type	RW		

31	30	29	28	27	26	25	24	23	22	21	20	19	18	17	16	15	14	13	12	11	10	9	8	7	6	5	4	3	2	1	0
RESERVED								MPU_IRQ_73								RESERVED								MPU_IRQ_72							

Bits	Field Name	Description	Type	Reset
31:25	RESERVED		R	0x0
24:16	MPU_IRQ_73		RW	0x44
15:9	RESERVED		R	0x0
8:0	MPU_IRQ_72		RW	0x43

Table 18-725. Register Call Summary for Register CTRL_CORE_MPU_IRQ_72_73

Control Module Register Manual

- [CTRL_MODULE_CORE Register Summary: \[0\]](#)

Table 18-726. CTRL_CORE_MPU_IRQ_74_75

Address Offset	0x0000 0AD0	Instance	CTRL_MODULE_CORE
Physical Address	0x4A00 2AD0		
Description			
Type	RW		

31	30	29	28	27	26	25	24	23	22	21	20	19	18	17	16	15	14	13	12	11	10	9	8	7	6	5	4	3	2	1	0
RESERVED								MPU_IRQ_75								RESERVED								MPU_IRQ_74							

Bits	Field Name	Description	Type	Reset
31:25	RESERVED		R	0x0
24:16	MPU_IRQ_75		RW	0x46
15:9	RESERVED		R	0x0
8:0	MPU_IRQ_74		RW	0x45

Table 18-727. Register Call Summary for Register CTRL_CORE_MPU_IRQ_74_75

Control Module Functional Description

- [IRQ_CROSSBAR Module Functional Description: \[0\]\[1\]](#)

Control Module Register Manual

- [CTRL_MODULE_CORE Register Summary: \[2\]](#)

Table 18-728. CTRL_CORE_MPU_IRQ_76_77

Address Offset	0x0000 0AD4	Instance	CTRL_MODULE_CORE
Physical Address	0x4A00 2AD4		
Description			
Type	RW		

31	30	29	28	27	26	25	24	23	22	21	20	19	18	17	16	15	14	13	12	11	10	9	8	7	6	5	4	3	2	1	0
RESERVED								MPU_IRQ_77								RESERVED								MPU_IRQ_76							

Bits	Field Name	Description	Type	Reset
31:25	RESERVED		R	0x0
24:16	MPU_IRQ_77		RW	0x48
15:9	RESERVED		R	0x0
8:0	MPU_IRQ_76		RW	0x47

Table 18-729. Register Call Summary for Register CTRL_CORE_MPU_IRQ_76_77

Control Module Register Manual

- [CTRL_MODULE_CORE Register Summary: \[0\]](#)

Table 18-730. CTRL_CORE_MPU_IRQ_78_79

Address Offset	0x0000 0AD8	Instance	CTRL_MODULE_CORE
Physical Address	0x4A00 2AD8		
Description			
Type	RW		

31	30	29	28	27	26	25	24	23	22	21	20	19	18	17	16	15	14	13	12	11	10	9	8	7	6	5	4	3	2	1	0
RESERVED								MPU_IRQ_79								RESERVED								MPU_IRQ_78							

Bits	Field Name	Description	Type	Reset
31:25	RESERVED		R	0x0
24:16	MPU_IRQ_79		RW	0x4A
15:9	RESERVED		R	0x0
8:0	MPU_IRQ_78		RW	0x49

Table 18-731. Register Call Summary for Register CTRL_CORE_MPU_IRQ_78_79

Control Module Register Manual

- [CTRL_MODULE_CORE Register Summary: \[0\]](#)

Table 18-732. CTRL_CORE_MPU_IRQ_80_81

Address Offset	0x0000 0ADC	Instance	CTRL_MODULE_CORE
Physical Address	0x4A00 2ADC		
Description			
Type	RW		

31	30	29	28	27	26	25	24	23	22	21	20	19	18	17	16	15	14	13	12	11	10	9	8	7	6	5	4	3	2	1	0
RESERVED								MPU_IRQ_81								RESERVED								MPU_IRQ_80							

Bits	Field Name	Description	Type	Reset
31:25	RESERVED		R	0x0
24:16	MPU_IRQ_81		RW	0x4C
15:9	RESERVED		R	0x0
8:0	MPU_IRQ_80		RW	0x4B

Table 18-733. Register Call Summary for Register CTRL_CORE_MPU_IRQ_80_81

Control Module Register Manual

- [CTRL_MODULE_CORE Register Summary: \[0\]](#)

Table 18-734. CTRL_CORE_MPU_IRQ_82_83

Address Offset	0x0000 0AE0	Instance	CTRL_MODULE_CORE
Physical Address	0x4A00 2AE0		
Description			
Type	RW		

31	30	29	28	27	26	25	24	23	22	21	20	19	18	17	16	15	14	13	12	11	10	9	8	7	6	5	4	3	2	1	0
RESERVED								MPU_IRQ_83								RESERVED								MPU_IRQ_82							

Bits	Field Name	Description	Type	Reset
31:25	RESERVED		R	0x0
24:16	MPU_IRQ_83		RW	0x4E
15:9	RESERVED		R	0x0
8:0	MPU_IRQ_82		RW	0x4D

Table 18-735. Register Call Summary for Register CTRL_CORE_MPU_IRQ_82_83

Control Module Register Manual

- [CTRL_MODULE_CORE Register Summary: \[0\]](#)

Table 18-736. CTRL_CORE_MPU_IRQ_84_85

Address Offset	0x0000 0AE4	Instance	CTRL_MODULE_CORE
Physical Address	0x4A00 2AE4		
Description			
Type	RW		

31	30	29	28	27	26	25	24	23	22	21	20	19	18	17	16	15	14	13	12	11	10	9	8	7	6	5	4	3	2	1	0
RESERVED								MPU_IRQ_85								RESERVED								MPU_IRQ_84							

Bits	Field Name	Description	Type	Reset
31:25	RESERVED		R	0x0
24:16	MPU_IRQ_85		RW	0x50
15:9	RESERVED		R	0x0
8:0	MPU_IRQ_84		RW	0x4F

Table 18-737. Register Call Summary for Register CTRL_CORE_MPU_IRQ_84_85

Control Module Register Manual

- [CTRL_MODULE_CORE Register Summary: \[0\]](#)

Table 18-738. CTRL_CORE_MPU_IRQ_86_87

Address Offset	0x0000 0AE8	Instance	CTRL_MODULE_CORE
Physical Address	0x4A00 2AE8		
Description			
Type	RW		

31	30	29	28	27	26	25	24	23	22	21	20	19	18	17	16	15	14	13	12	11	10	9	8	7	6	5	4	3	2	1	0
RESERVED								MPU_IRQ_87								RESERVED								MPU_IRQ_86							

Bits	Field Name	Description	Type	Reset
31:25	RESERVED		R	0x0
24:16	MPU_IRQ_87		RW	0x52
15:9	RESERVED		R	0x0
8:0	MPU_IRQ_86		RW	0x51

Table 18-739. Register Call Summary for Register CTRL_CORE_MPU_IRQ_86_87

Control Module Register Manual

- [CTRL_MODULE_CORE Register Summary: \[0\]](#)

Table 18-740. CTRL_CORE_MPU_IRQ_88_89

Address Offset	0x0000 0AEC	Instance	CTRL_MODULE_CORE
Physical Address	0x4A00 2AEC		
Description			
Type	RW		

31	30	29	28	27	26	25	24	23	22	21	20	19	18	17	16	15	14	13	12	11	10	9	8	7	6	5	4	3	2	1	0
RESERVED								MPU_IRQ_89								RESERVED								MPU_IRQ_88							

Bits	Field Name	Description	Type	Reset
31:25	RESERVED		R	0x0
24:16	MPU_IRQ_89		RW	0x54
15:9	RESERVED		R	0x0
8:0	MPU_IRQ_88		RW	0x53

Table 18-741. Register Call Summary for Register CTRL_CORE_MPU_IRQ_88_89

Control Module Register Manual

- [CTRL_MODULE_CORE Register Summary: \[0\]](#)

Table 18-742. CTRL_CORE_MPU_IRQ_90_91

Address Offset	0x0000 0AF0	Instance	CTRL_MODULE_CORE
Physical Address	0x4A00 2AF0		
Description			
Type	RW		

31	30	29	28	27	26	25	24	23	22	21	20	19	18	17	16	15	14	13	12	11	10	9	8	7	6	5	4	3	2	1	0
RESERVED								MPU_IRQ_91								RESERVED								MPU_IRQ_90							

Bits	Field Name	Description	Type	Reset
31:25	RESERVED		R	0x0
24:16	MPU_IRQ_91		RW	0x56
15:9	RESERVED		R	0x0
8:0	MPU_IRQ_90		RW	0x55

Table 18-743. Register Call Summary for Register CTRL_CORE_MPU_IRQ_90_91

Control Module Register Manual

- [CTRL_MODULE_CORE Register Summary: \[0\]](#)

Table 18-744. CTRL_CORE_MPU_IRQ_92_93

Address Offset	0x0000 0AF4		Instance	CTRL_MODULE_CORE	
Physical Address	0x4A00 2AF8				
Description					
Type	RW				

31	30	29	28	27	26	25	24	23	22	21	20	19	18	17	16	15	14	13	12	11	10	9	8	7	6	5	4	3	2	1	0
RESERVED								MPU_IRQ_93								RESERVED								MPU_IRQ_92							

Bits	Field Name	Description	Type	Reset
31:25	RESERVED		R	0x0
24:16	MPU_IRQ_93		RW	0x58
15:9	RESERVED		R	0x0
8:0	MPU_IRQ_92		RW	0x57

Table 18-745. Register Call Summary for Register CTRL_CORE_MPU_IRQ_92_93

Control Module Register Manual

- [CTRL_MODULE_CORE Register Summary: \[0\]](#)

Table 18-746. CTRL_CORE_MPU_IRQ_94_95

Address Offset	0x0000 0AF8		Instance	CTRL_MODULE_CORE	
Physical Address	0x4A00 2AF8				
Description					
Type	RW				

31	30	29	28	27	26	25	24	23	22	21	20	19	18	17	16	15	14	13	12	11	10	9	8	7	6	5	4	3	2	1	0
RESERVED								MPU_IRQ_95								RESERVED								MPU_IRQ_94							

Bits	Field Name	Description	Type	Reset
31:25	RESERVED		R	0x0
24:16	MPU_IRQ_95		RW	0x5A
15:9	RESERVED		R	0x0
8:0	MPU_IRQ_94		RW	0x59

Table 18-747. Register Call Summary for Register CTRL_CORE_MPU_IRQ_94_95

Control Module Register Manual

- [CTRL_MODULE_CORE Register Summary: \[0\]](#)

Table 18-748. CTRL_CORE_MPU_IRQ_96_97

Address Offset	0x0000 0AFC	Instance	CTRL_MODULE_CORE
Physical Address	0x4A00 2AFC		
Description			
Type	RW		

31	30	29	28	27	26	25	24	23	22	21	20	19	18	17	16	15	14	13	12	11	10	9	8	7	6	5	4	3	2	1	0
RESERVED								MPU_IRQ_97								RESERVED								MPU_IRQ_96							

Bits	Field Name	Description	Type	Reset
31:25	RESERVED		R	0x0
24:16	MPU_IRQ_97		RW	0x5C
15:9	RESERVED		R	0x0
8:0	MPU_IRQ_96		RW	0x5B

Table 18-749. Register Call Summary for Register CTRL_CORE_MPU_IRQ_96_97

Control Module Register Manual

- [CTRL_MODULE_CORE Register Summary: \[0\]](#)

Table 18-750. CTRL_CORE_MPU_IRQ_98_99

Address Offset	0x0000 0B00	Instance	CTRL_MODULE_CORE
Physical Address	0x4A00 2B00		
Description			
Type	RW		

31	30	29	28	27	26	25	24	23	22	21	20	19	18	17	16	15	14	13	12	11	10	9	8	7	6	5	4	3	2	1	0
RESERVED								MPU_IRQ_99								RESERVED								MPU_IRQ_98							

Bits	Field Name	Description	Type	Reset
31:25	RESERVED		R	0x0
24:16	MPU_IRQ_99		RW	0x5E
15:9	RESERVED		R	0x0
8:0	MPU_IRQ_98		RW	0x5D

Table 18-751. Register Call Summary for Register CTRL_CORE_MPU_IRQ_98_99

Control Module Register Manual

- [CTRL_MODULE_CORE Register Summary: \[0\]](#)

Table 18-752. CTRL_CORE_MPU_IRQ_100_101

Address Offset	0x0000 0B04	Instance	CTRL_MODULE_CORE
Physical Address	0x4A00 2B04		
Description			
Type	RW		

31	30	29	28	27	26	25	24	23	22	21	20	19	18	17	16	15	14	13	12	11	10	9	8	7	6	5	4	3	2	1	0
RESERVED								MPU_IRQ_101								RESERVED								MPU_IRQ_100							

Bits	Field Name	Description	Type	Reset
31:25	RESERVED		R	0x0
24:16	MPU_IRQ_101		RW	0x60
15:9	RESERVED		R	0x0
8:0	MPU_IRQ_100		RW	0x18B

Table 18-753. Register Call Summary for Register CTRL_CORE_MPU_IRQ_100_101

Control Module Register Manual

- [CTRL_MODULE_CORE Register Summary: \[0\]](#)

Table 18-754. CTRL_CORE_MPU_IRQ_102_103

Address Offset	0x0000 0B08	Instance	CTRL_MODULE_CORE
Physical Address	0x4A00 2B08		
Description			
Type	RW		

31	30	29	28	27	26	25	24	23	22	21	20	19	18	17	16	15	14	13	12	11	10	9	8	7	6	5	4	3	2	1	0
RESERVED								MPU_IRQ_103								RESERVED								MPU_IRQ_102							

Bits	Field Name	Description	Type	Reset
31:25	RESERVED		R	0x0
24:16	MPU_IRQ_103		RW	0x62
15:9	RESERVED		R	0x0
8:0	MPU_IRQ_102		RW	0x61

Table 18-755. Register Call Summary for Register CTRL_CORE_MPU_IRQ_102_103

Control Module Register Manual

- [CTRL_MODULE_CORE Register Summary: \[0\]](#)

Table 18-756. CTRL_CORE_MPU_IRQ_104_105

Address Offset	0x0000 0B0C	Instance	CTRL_MODULE_CORE
Physical Address	0x4A00 2B0C		
Description			
Type	RW		

31	30	29	28	27	26	25	24	23	22	21	20	19	18	17	16	15	14	13	12	11	10	9	8	7	6	5	4	3	2	1	0
RESERVED								MPU_IRQ_105								RESERVED								MPU_IRQ_104							

Bits	Field Name	Description	Type	Reset
31:25	RESERVED		R	0x0
24:16	MPU_IRQ_105		RW	0x64
15:9	RESERVED		R	0x0
8:0	MPU_IRQ_104		RW	0x63

Table 18-757. Register Call Summary for Register CTRL_CORE_MPU_IRQ_104_105

Control Module Register Manual

- [CTRL_MODULE_CORE Register Summary: \[0\]](#)

Table 18-758. CTRL_CORE_MPU_IRQ_106_107

Address Offset	0x0000 0B10	Instance	CTRL_MODULE_CORE
Physical Address	0x4A00 2B10		
Description			
Type	RW		

31	30	29	28	27	26	25	24	23	22	21	20	19	18	17	16	15	14	13	12	11	10	9	8	7	6	5	4	3	2	1	0
RESERVED								MPU_IRQ_107								RESERVED								MPU_IRQ_106							

Bits	Field Name	Description	Type	Reset
31:25	RESERVED		R	0x0
24:16	MPU_IRQ_107		RW	0x66
15:9	RESERVED		R	0x0
8:0	MPU_IRQ_106		RW	0x65

Table 18-759. Register Call Summary for Register CTRL_CORE_MPU_IRQ_106_107

Control Module Register Manual

- [CTRL_MODULE_CORE Register Summary: \[0\]](#)

Table 18-760. CTRL_CORE_MPU_IRQ_108_109

Address Offset	0x0000 0B14	Instance	CTRL_MODULE_CORE
Physical Address	0x4A00 2B18		
Description			
Type	RW		

31	30	29	28	27	26	25	24	23	22	21	20	19	18	17	16	15	14	13	12	11	10	9	8	7	6	5	4	3	2	1	0
RESERVED								MPU_IRQ_109								RESERVED								MPU_IRQ_108							

Bits	Field Name	Description	Type	Reset
31:25	RESERVED		R	0x0
24:16	MPU_IRQ_109		RW	0x68
15:9	RESERVED		R	0x0
8:0	MPU_IRQ_108		RW	0x67

Table 18-761. Register Call Summary for Register CTRL_CORE_MPU_IRQ_108_109

Control Module Register Manual

- [CTRL_MODULE_CORE Register Summary: \[0\]](#)

Table 18-762. CTRL_CORE_MPU_IRQ_110_111

Address Offset	0x0000 0B18	Instance	CTRL_MODULE_CORE
Physical Address	0x4A00 2B18		
Description			
Type	RW		

31	30	29	28	27	26	25	24	23	22	21	20	19	18	17	16	15	14	13	12	11	10	9	8	7	6	5	4	3	2	1	0
RESERVED								MPU_IRQ_111								RESERVED								MPU_IRQ_110							

Bits	Field Name	Description	Type	Reset
31:25	RESERVED		R	0x0
24:16	MPU_IRQ_111		RW	0x6A
15:9	RESERVED		R	0x0
8:0	MPU_IRQ_110		RW	0x69

Table 18-763. Register Call Summary for Register CTRL_CORE_MPU_IRQ_110_111

Control Module Register Manual

- [CTRL_MODULE_CORE Register Summary: \[0\]](#)

Table 18-764. CTRL_CORE_MPU_IRQ_112_113

Address Offset	0x0000 0B1C	Instance	CTRL_MODULE_CORE
Physical Address	0x4A00 2B1C		
Description			
Type	RW		

31	30	29	28	27	26	25	24	23	22	21	20	19	18	17	16	15	14	13	12	11	10	9	8	7	6	5	4	3	2	1	0
RESERVED								MPU_IRQ_113								RESERVED								MPU_IRQ_112							

Bits	Field Name	Description	Type	Reset
31:25	RESERVED		R	0x0
24:16	MPU_IRQ_113		RW	0x6C
15:9	RESERVED		R	0x0
8:0	MPU_IRQ_112		RW	0x6B

Table 18-765. Register Call Summary for Register CTRL_CORE_MPU_IRQ_112_113

Control Module Register Manual

- [CTRL_MODULE_CORE Register Summary: \[0\]](#)

Table 18-766. CTRL_CORE_MPU_IRQ_114_115

Address Offset	0x0000 0B20	Instance	CTRL_MODULE_CORE
Physical Address	0x4A00 2B20		
Description			
Type	RW		

31	30	29	28	27	26	25	24	23	22	21	20	19	18	17	16	15	14	13	12	11	10	9	8	7	6	5	4	3	2	1	0
RESERVED								MPU_IRQ_115								RESERVED								MPU_IRQ_114							

Bits	Field Name	Description	Type	Reset
31:25	RESERVED		R	0x0
24:16	MPU_IRQ_115		RW	0x6E
15:9	RESERVED		R	0x0
8:0	MPU_IRQ_114		RW	0x6D

Table 18-767. Register Call Summary for Register CTRL_CORE_MPU_IRQ_114_115

Control Module Register Manual

- [CTRL_MODULE_CORE Register Summary: \[0\]](#)

Table 18-768. CTRL_CORE_MPU_IRQ_116_117

Address Offset	0x0000 0B24	Instance	CTRL_MODULE_CORE
Physical Address	0x4A00 2B24		
Description			
Type	RW		

31	30	29	28	27	26	25	24	23	22	21	20	19	18	17	16	15	14	13	12	11	10	9	8	7	6	5	4	3	2	1	0
RESERVED								MPU_IRQ_117								RESERVED								MPU_IRQ_116							

Bits	Field Name	Description	Type	Reset
31:25	RESERVED		R	0x0
24:16	MPU_IRQ_117		RW	0x70
15:9	RESERVED		R	0x0
8:0	MPU_IRQ_116		RW	0x6F

Table 18-769. Register Call Summary for Register CTRL_CORE_MPU_IRQ_116_117

Control Module Register Manual

- [CTRL_MODULE_CORE Register Summary: \[0\]](#)

Table 18-770. CTRL_CORE_MPU_IRQ_118_119

Address Offset	0x0000 0B28	Instance	CTRL_MODULE_CORE
Physical Address	0x4A00 2B28		
Description			
Type	RW		

31	30	29	28	27	26	25	24	23	22	21	20	19	18	17	16	15	14	13	12	11	10	9	8	7	6	5	4	3	2	1	0
RESERVED								MPU_IRQ_119								RESERVED								MPU_IRQ_118							

Bits	Field Name	Description	Type	Reset
31:25	RESERVED		R	0x0
24:16	MPU_IRQ_119		RW	0x72
15:9	RESERVED		R	0x0
8:0	MPU_IRQ_118		RW	0x71

Table 18-771. Register Call Summary for Register CTRL_CORE_MPU_IRQ_118_119

Control Module Register Manual

- [CTRL_MODULE_CORE Register Summary: \[0\]](#)

Table 18-772. CTRL_CORE_MPU_IRQ_120_121

Address Offset	0x0000 0B2C	Instance	CTRL_MODULE_CORE
Physical Address	0x4A00 2B2C		
Description			
Type	RW		

31	30	29	28	27	26	25	24	23	22	21	20	19	18	17	16	15	14	13	12	11	10	9	8	7	6	5	4	3	2	1	0
RESERVED								MPU_IRQ_121								RESERVED								MPU_IRQ_120							

Bits	Field Name	Description	Type	Reset
31:25	RESERVED		R	0x0
24:16	MPU_IRQ_121		RW	0x74
15:9	RESERVED		R	0x0
8:0	MPU_IRQ_120		RW	0x73

Table 18-773. Register Call Summary for Register CTRL_CORE_MPU_IRQ_120_121

Control Module Register Manual

- [CTRL_MODULE_CORE Register Summary: \[0\]](#)

Table 18-774. CTRL_CORE_MPU_IRQ_122_123

Address Offset	0x0000 0B30	Instance	CTRL_MODULE_CORE
Physical Address	0x4A00 2B30		
Description			
Type	RW		

31	30	29	28	27	26	25	24	23	22	21	20	19	18	17	16	15	14	13	12	11	10	9	8	7	6	5	4	3	2	1	0
RESERVED								MPU_IRQ_123								RESERVED								MPU_IRQ_122							

Bits	Field Name	Description	Type	Reset
31:25	RESERVED		R	0x0
24:16	MPU_IRQ_123		RW	0x76
15:9	RESERVED		R	0x0
8:0	MPU_IRQ_122		RW	0x75

Table 18-775. Register Call Summary for Register CTRL_CORE_MPU_IRQ_122_123

Control Module Register Manual

- [CTRL_MODULE_CORE Register Summary: \[0\]](#)

Table 18-776. CTRL_CORE_MPU_IRQ_124_125

Address Offset	0x0000 0B34	Instance	CTRL_MODULE_CORE
Physical Address	0x4A00 2B34		
Description			
Type	RW		

31	30	29	28	27	26	25	24	23	22	21	20	19	18	17	16	15	14	13	12	11	10	9	8	7	6	5	4	3	2	1	0
RESERVED								MPU_IRQ_125								RESERVED								MPU_IRQ_124							

Bits	Field Name	Description	Type	Reset
31:25	RESERVED		R	0x0
24:16	MPU_IRQ_125		RW	0x78
15:9	RESERVED		R	0x0
8:0	MPU_IRQ_124		RW	0x77

Table 18-777. Register Call Summary for Register CTRL_CORE_MPU_IRQ_124_125

Control Module Register Manual

- [CTRL_MODULE_CORE Register Summary: \[0\]](#)

Table 18-778. CTRL_CORE_MPU_IRQ_126_127

Address Offset	0x0000 0B38	Instance	CTRL_MODULE_CORE
Physical Address	0x4A00 2B38		
Description			
Type	RW		

31	30	29	28	27	26	25	24	23	22	21	20	19	18	17	16	15	14	13	12	11	10	9	8	7	6	5	4	3	2	1	0
RESERVED								MPU_IRQ_127								RESERVED								MPU_IRQ_126							

Bits	Field Name	Description	Type	Reset
31:25	RESERVED		R	0x0
24:16	MPU_IRQ_127		RW	0x7A
15:9	RESERVED		R	0x0
8:0	MPU_IRQ_126		RW	0x79

Table 18-779. Register Call Summary for Register CTRL_CORE_MPU_IRQ_126_127

Control Module Register Manual

- [CTRL_MODULE_CORE Register Summary: \[0\]](#)

Table 18-780. CTRL_CORE_MPU_IRQ_128_129

Address Offset	0x0000 0B3C	Instance	CTRL_MODULE_CORE
Physical Address	0x4A00 2B3C		
Description			
Type	RW		

31	30	29	28	27	26	25	24	23	22	21	20	19	18	17	16	15	14	13	12	11	10	9	8	7	6	5	4	3	2	1	0
RESERVED								MPU_IRQ_129								RESERVED								MPU_IRQ_128							

Bits	Field Name	Description	Type	Reset
31:25	RESERVED		R	0x0
24:16	MPU_IRQ_129		RW	0x7C
15:9	RESERVED		R	0x0
8:0	MPU_IRQ_128		RW	0x7B

Table 18-781. Register Call Summary for Register CTRL_CORE_MPU_IRQ_128_129

Control Module Register Manual

- [CTRL_MODULE_CORE Register Summary: \[0\]](#)

Table 18-782. CTRL_CORE_MPU_IRQ_130_133

Address Offset	0x0000 0B40	Instance	CTRL_MODULE_CORE
Physical Address	0x4A00 2B40		
Description			
Type	RW		

31	30	29	28	27	26	25	24	23	22	21	20	19	18	17	16	15	14	13	12	11	10	9	8	7	6	5	4	3	2	1	0
RESERVED								MPU_IRQ_133								RESERVED								MPU_IRQ_130							

Bits	Field Name	Description	Type	Reset
31:25	RESERVED		R	0x0
24:16	MPU_IRQ_133		RW	0x0
15:9	RESERVED		R	0x0
8:0	MPU_IRQ_130		RW	0x7D

Table 18-783. Register Call Summary for Register CTRL_CORE_MPU_IRQ_130_133

Control Module Register Manual

- [CTRL_MODULE_CORE Register Summary: \[0\]](#)

Table 18-784. CTRL_CORE_MPU_IRQ_134_135

Address Offset	0x0000 0B44	Instance	CTRL_MODULE_CORE
Physical Address	0x4A00 2B48		
Description			
Type	RW		

31	30	29	28	27	26	25	24	23	22	21	20	19	18	17	16	15	14	13	12	11	10	9	8	7	6	5	4	3	2	1	0
RESERVED								MPU_IRQ_135								RESERVED								MPU_IRQ_134							

Bits	Field Name	Description	Type	Reset
31:25	RESERVED		R	0x0
24:16	MPU_IRQ_135		RW	0x0
15:9	RESERVED		R	0x0
8:0	MPU_IRQ_134		RW	0x0

Table 18-785. Register Call Summary for Register CTRL_CORE_MPU_IRQ_134_135

Control Module Register Manual

- [CTRL_MODULE_CORE Register Summary: \[0\]](#)

Table 18-786. CTRL_CORE_MPU_IRQ_136_137

Address Offset	0x0000 0B48	Instance	CTRL_MODULE_CORE
Physical Address	0x4A00 2B48		
Description			
Type	RW		

31	30	29	28	27	26	25	24	23	22	21	20	19	18	17	16	15	14	13	12	11	10	9	8	7	6	5	4	3	2	1	0
RESERVED								MPU_IRQ_137								RESERVED								MPU_IRQ_136							

Bits	Field Name	Description	Type	Reset
31:25	RESERVED		R	0x0
24:16	MPU_IRQ_137		RW	0x0
15:9	RESERVED		R	0x0
8:0	MPU_IRQ_136		RW	0x0

Table 18-787. Register Call Summary for Register CTRL_CORE_MPU_IRQ_136_137

Control Module Register Manual

- [CTRL_MODULE_CORE Register Summary: \[0\]](#)

Table 18-788. CTRL_CORE_MPU_IRQ_138_139

Address Offset	0x0000 0B4C	Instance	CTRL_MODULE_CORE
Physical Address	0x4A00 2B4C		
Description			
Type	RW		

31	30	29	28	27	26	25	24	23	22	21	20	19	18	17	16	15	14	13	12	11	10	9	8	7	6	5	4	3	2	1	0
RESERVED								MPU_IRQ_139								RESERVED								MPU_IRQ_138							

Bits	Field Name	Description	Type	Reset
31:25	RESERVED		R	0x0
24:16	MPU_IRQ_139		RW	0x0
15:9	RESERVED		R	0x0
8:0	MPU_IRQ_138		RW	0x0

Table 18-789. Register Call Summary for Register CTRL_CORE_MPU_IRQ_138_139

Control Module Register Manual

- [CTRL_MODULE_CORE Register Summary: \[0\]](#)

Table 18-790. CTRL_CORE_MPU_IRQ_140_141

Address Offset	0x0000 0B50	Instance	CTRL_MODULE_CORE
Physical Address	0x4A00 2B50		
Description			
Type	RW		

31	30	29	28	27	26	25	24	23	22	21	20	19	18	17	16	15	14	13	12	11	10	9	8	7	6	5	4	3	2	1	0
RESERVED								MPU_IRQ_141								RESERVED								MPU_IRQ_140							

Bits	Field Name	Description	Type	Reset
31:25	RESERVED		R	0x0
24:16	MPU_IRQ_141		RW	0x0
15:9	RESERVED		R	0x0
8:0	MPU_IRQ_140		RW	0x0

Table 18-791. Register Call Summary for Register CTRL_CORE_MPU_IRQ_140_141

Control Module Register Manual

- [CTRL_MODULE_CORE Register Summary: \[0\]](#)

Table 18-792. CTRL_CORE_MPU_IRQ_142_143

Address Offset	0x0000 0B54	Instance	CTRL_MODULE_CORE
Physical Address	0x4A00 2B54		
Description			
Type	RW		

31	30	29	28	27	26	25	24	23	22	21	20	19	18	17	16	15	14	13	12	11	10	9	8	7	6	5	4	3	2	1	0
RESERVED								MPU_IRQ_143								RESERVED								MPU_IRQ_142							

Bits	Field Name	Description	Type	Reset
31:25	RESERVED		R	0x0
24:16	MPU_IRQ_143		RW	0x0
15:9	RESERVED		R	0x0
8:0	MPU_IRQ_142		RW	0x0

Table 18-793. Register Call Summary for Register CTRL_CORE_MPU_IRQ_142_143

Control Module Register Manual

- [CTRL_MODULE_CORE Register Summary: \[0\]](#)

Table 18-794. CTRL_CORE_MPU_IRQ_144_145

Address Offset	0x0000 0B58	Instance	CTRL_MODULE_CORE
Physical Address	0x4A00 2B58		
Description			
Type	RW		

31	30	29	28	27	26	25	24	23	22	21	20	19	18	17	16	15	14	13	12	11	10	9	8	7	6	5	4	3	2	1	0
RESERVED								MPU_IRQ_145								RESERVED								MPU_IRQ_144							

Bits	Field Name	Description	Type	Reset
31:25	RESERVED		R	0x0
24:16	MPU_IRQ_145		RW	0x0
15:9	RESERVED		R	0x0
8:0	MPU_IRQ_144		RW	0x0

Table 18-795. Register Call Summary for Register CTRL_CORE_MPU_IRQ_144_145

Control Module Register Manual

- [CTRL_MODULE_CORE Register Summary: \[0\]](#)

Table 18-796. CTRL_CORE_MPU_IRQ_146_147

Address Offset	0x0000 0B5C	Instance	CTRL_MODULE_CORE
Physical Address	0x4A00 2B5C		
Description			
Type	RW		

31	30	29	28	27	26	25	24	23	22	21	20	19	18	17	16	15	14	13	12	11	10	9	8	7	6	5	4	3	2	1	0
RESERVED								MPU_IRQ_147								RESERVED								MPU_IRQ_146							

Bits	Field Name	Description	Type	Reset
31:25	RESERVED		R	0x0
24:16	MPU_IRQ_147		RW	0x0
15:9	RESERVED		R	0x0
8:0	MPU_IRQ_146		RW	0x0

Table 18-797. Register Call Summary for Register CTRL_CORE_MPU_IRQ_146_147

Control Module Register Manual

- [CTRL_MODULE_CORE Register Summary: \[0\]](#)

Table 18-798. CTRL_CORE_MPU_IRQ_148_149

Address Offset	0x0000 0B60	Instance	CTRL_MODULE_CORE
Physical Address	0x4A00 2B60		
Description			
Type	RW		

31	30	29	28	27	26	25	24	23	22	21	20	19	18	17	16	15	14	13	12	11	10	9	8	7	6	5	4	3	2	1	0
RESERVED								MPU_IRQ_149								RESERVED								MPU_IRQ_148							

Bits	Field Name	Description	Type	Reset
31:25	RESERVED		R	0x0
24:16	MPU_IRQ_149		RW	0x0
15:9	RESERVED		R	0x0
8:0	MPU_IRQ_148		RW	0x0

Table 18-799. Register Call Summary for Register CTRL_CORE_MPU_IRQ_148_149

Control Module Register Manual

- [CTRL_MODULE_CORE Register Summary: \[0\]](#)

Table 18-800. CTRL_CORE_MPU_IRQ_150_151

Address Offset	0x0000 0B64	Instance	CTRL_MODULE_CORE
Physical Address	0x4A00 2B64		
Description			
Type	RW		

31	30	29	28	27	26	25	24	23	22	21	20	19	18	17	16	15	14	13	12	11	10	9	8	7	6	5	4	3	2	1	0
RESERVED								MPU_IRQ_151								RESERVED								MPU_IRQ_150							

Bits	Field Name	Description	Type	Reset
31:25	RESERVED		R	0x0
24:16	MPU_IRQ_151		RW	0x0
15:9	RESERVED		R	0x0
8:0	MPU_IRQ_150		RW	0x0

Table 18-801. Register Call Summary for Register CTRL_CORE_MPU_IRQ_150_151

Control Module Register Manual

- [CTRL_MODULE_CORE Register Summary: \[0\]](#)

Table 18-802. CTRL_CORE_MPU_IRQ_152_153

Address Offset	0x0000 0B68	Instance	CTRL_MODULE_CORE
Physical Address	0x4A00 2B68		
Description			
Type	RW		

31	30	29	28	27	26	25	24	23	22	21	20	19	18	17	16	15	14	13	12	11	10	9	8	7	6	5	4	3	2	1	0
RESERVED								MPU_IRQ_153								RESERVED								MPU_IRQ_152							

Bits	Field Name	Description	Type	Reset
31:25	RESERVED		R	0x0
24:16	MPU_IRQ_153		RW	0x0
15:9	RESERVED		R	0x0
8:0	MPU_IRQ_152		RW	0x0

Table 18-803. Register Call Summary for Register CTRL_CORE_MPU_IRQ_152_153

Control Module Register Manual

- [CTRL_MODULE_CORE Register Summary: \[0\]](#)

Table 18-804. CTRL_CORE_MPU_IRQ_154_155

Address Offset	0x0000 0B6C	Instance	CTRL_MODULE_CORE
Physical Address	0x4A00 2B6C		
Description			
Type	RW		

31	30	29	28	27	26	25	24	23	22	21	20	19	18	17	16	15	14	13	12	11	10	9	8	7	6	5	4	3	2	1	0
RESERVED								MPU_IRQ_155								RESERVED								MPU_IRQ_154							

Bits	Field Name	Description	Type	Reset
31:25	RESERVED		R	0x0
24:16	MPU_IRQ_155		RW	0x0
15:9	RESERVED		R	0x0
8:0	MPU_IRQ_154		RW	0x0

Table 18-805. Register Call Summary for Register CTRL_CORE_MPU_IRQ_154_155

Control Module Register Manual

- [CTRL_MODULE_CORE Register Summary: \[0\]](#)

Table 18-806. CTRL_CORE_MPU_IRQ_156_157

Address Offset	0x0000 0B70	Instance	CTRL_MODULE_CORE
Physical Address	0x4A00 2B70		
Description			
Type	RW		

31	30	29	28	27	26	25	24	23	22	21	20	19	18	17	16	15	14	13	12	11	10	9	8	7	6	5	4	3	2	1	0
RESERVED								MPU_IRQ_157								RESERVED								MPU_IRQ_156							

Bits	Field Name	Description	Type	Reset
31:25	RESERVED		R	0x0
24:16	MPU_IRQ_157		RW	0x0
15:9	RESERVED		R	0x0
8:0	MPU_IRQ_156		RW	0x0

Table 18-807. Register Call Summary for Register CTRL_CORE_MPU_IRQ_156_157

Control Module Register Manual

- [CTRL_MODULE_CORE Register Summary: \[0\]](#)

Table 18-808. CTRL_CORE_MPU_IRQ_158_159

Address Offset	0x0000 0B74	Instance	CTRL_MODULE_CORE
Physical Address	0x4A00 2B74		
Description			
Type	RW		

31	30	29	28	27	26	25	24	23	22	21	20	19	18	17	16	15	14	13	12	11	10	9	8	7	6	5	4	3	2	1	0
RESERVED								MPU_IRQ_159								RESERVED								MPU_IRQ_158							

Bits	Field Name	Description	Type	Reset
31:25	RESERVED		R	0x0
24:16	MPU_IRQ_159		RW	0x0
15:9	RESERVED		R	0x0
8:0	MPU_IRQ_158		RW	0x0

Table 18-809. Register Call Summary for Register CTRL_CORE_MPU_IRQ_158_159

Control Module Register Manual

- [CTRL_MODULE_CORE Register Summary: \[0\]](#)

Table 18-810. CTRL_CORE_DMA_SYSTEM_DREQ_0_1

Address Offset	0x0000 0B78	Instance	CTRL_MODULE_CORE
Physical Address	0x4A00 2B78		
Description			
Type	RW		

31	30	29	28	27	26	25	24	23	22	21	20	19	18	17	16	15	14	13	12	11	10	9	8	7	6	5	4	3	2	1	0
RESERVED								DMA_SYSTEM_DREQ_1_IRQ_1								RESERVED								DMA_SYSTEM_DREQ_0_IRQ_0							

Bits	Field Name	Description	Type	Reset
31:24	RESERVED		R	0x0
23:16	DMA_SYSTEM_DREQ_1_IRQ_1		RW	0x2
15:8	RESERVED		R	0x0
7:0	DMA_SYSTEM_DREQ_0_IRQ_0		RW	0x1

Table 18-811. Register Call Summary for Register CTRL_CORE_DMA_SYSTEM_DREQ_0_1

Control Module Register Manual

- [CTRL_MODULE_CORE Register Summary: \[0\]](#)

Table 18-812. CTRL_CORE_DMA_SYSTEM_DREQ_2_3

Address Offset	0x0000 0B7C	Instance	CTRL_MODULE_CORE
Physical Address	0x4A00 2B7C		
Description			
Type	RW		

31	30	29	28	27	26	25	24	23	22	21	20	19	18	17	16	15	14	13	12	11	10	9	8	7	6	5	4	3	2	1	0
RESERVED								DMA_SYSTEM_DREQ_3_IRQ_3								RESERVED								DMA_SYSTEM_DREQ_2_IRQ_2							

Bits	Field Name	Description	Type	Reset
31:24	RESERVED		R	0x0
23:16	DMA_SYSTEM_DREQ_3_IRQ_3		RW	0x4
15:8	RESERVED		R	0x0
7:0	DMA_SYSTEM_DREQ_2_IRQ_2		RW	0x3

Table 18-813. Register Call Summary for Register CTRL_CORE_DMA_SYSTEM_DREQ_2_3

Control Module Register Manual

- [CTRL_MODULE_CORE Register Summary: \[0\]](#)

Table 18-814. CTRL_CORE_DMA_SYSTEM_DREQ_4_5

Address Offset	0x0000 0B80	Instance	CTRL_MODULE_CORE
Physical Address	0x4A00 2B80		
Description			
Type	RW		

31	30	29	28	27	26	25	24	23	22	21	20	19	18	17	16	15	14	13	12	11	10	9	8	7	6	5	4	3	2	1	0
RESERVED								DMA_SYSTEM_DREQ_5_IRQ_5								RESERVED								DMA_SYSTEM_DREQ_4_IRQ_4							

Bits	Field Name	Description	Type	Reset
31:24	RESERVED		R	0x0
23:16	DMA_SYSTEM_DREQ_5_IRQ_5		RW	0x6
15:8	RESERVED		R	0x0
7:0	DMA_SYSTEM_DREQ_4_IRQ_4		RW	0x5

Table 18-815. Register Call Summary for Register CTRL_CORE_DMA_SYSTEM_DREQ_4_5

Control Module Register Manual

- [CTRL_MODULE_CORE Register Summary: \[0\]](#)

Table 18-816. CTRL_CORE_DMA_SYSTEM_DREQ_6_7

Address Offset	0x0000 0B84	Instance	CTRL_MODULE_CORE
Physical Address	0x4A00 2B84		
Description			
Type	RW		

31	30	29	28	27	26	25	24	23	22	21	20	19	18	17	16	15	14	13	12	11	10	9	8	7	6	5	4	3	2	1	0
RESERVED								DMA_SYSTEM_DREQ_7_IRQ_7								RESERVED								DMA_SYSTEM_DREQ_6_IRQ_6							

Bits	Field Name	Description	Type	Reset
31:24	RESERVED		R	0x0
23:16	DMA_SYSTEM_DREQ_7_IRQ_7		RW	0x8
15:8	RESERVED		R	0x0
7:0	DMA_SYSTEM_DREQ_6_IRQ_6		RW	0x7

Table 18-817. Register Call Summary for Register CTRL_CORE_DMA_SYSTEM_DREQ_6_7

Control Module Register Manual

- [CTRL_MODULE_CORE Register Summary: \[0\]](#)

Table 18-818. CTRL_CORE_DMA_SYSTEM_DREQ_8_9

Address Offset	0x0000 0B88	Instance	CTRL_MODULE_CORE
Physical Address	0x4A00 2B88		
Description			
Type	RW		

31	30	29	28	27	26	25	24	23	22	21	20	19	18	17	16	15	14	13	12	11	10	9	8	7	6	5	4	3	2	1	0
RESERVED								DMA_SYSTEM_DREQ_9_IRQ_9								RESERVED								DMA_SYSTEM_DREQ_8_IRQ_8							

Bits	Field Name	Description	Type	Reset
31:24	RESERVED		R	0x0
23:16	DMA_SYSTEM_DREQ_9_IRQ_9		RW	0xA
15:8	RESERVED		R	0x0
7:0	DMA_SYSTEM_DREQ_8_IRQ_8		RW	0x9

Table 18-819. Register Call Summary for Register CTRL_CORE_DMA_SYSTEM_DREQ_8_9

Control Module Register Manual

- [CTRL_MODULE_CORE Register Summary: \[0\]](#)

Table 18-820. CTRL_CORE_DMA_SYSTEM_DREQ_10_11

Address Offset	0x0000 0B8C	Instance	CTRL_MODULE_CORE
Physical Address	0x4A00 2B8C		
Description			
Type	RW		

31	30	29	28	27	26	25	24	23	22	21	20	19	18	17	16	15	14	13	12	11	10	9	8	7	6	5	4	3	2	1	0
RESERVED								DMA_SYSTEM_DREQ_11_IRQ_11								RESERVED								DMA_SYSTEM_DREQ_10_IRQ_10							

Bits	Field Name	Description	Type	Reset
31:24	RESERVED		R	0x0
23:16	DMA_SYSTEM_DREQ_11_IRQ_11		RW	0xC
15:8	RESERVED		R	0x0
7:0	DMA_SYSTEM_DREQ_10_IRQ_10		RW	0xB

Table 18-821. Register Call Summary for Register CTRL_CORE_DMA_SYSTEM_DREQ_10_11

Control Module Register Manual

- [CTRL_MODULE_CORE Register Summary: \[0\]](#)

Table 18-822. CTRL_CORE_DMA_SYSTEM_DREQ_12_13

Address Offset	0x0000 0B90	Instance	CTRL_MODULE_CORE
Physical Address	0x4A00 2B90		
Description			
Type	RW		

31	30	29	28	27	26	25	24	23	22	21	20	19	18	17	16	15	14	13	12	11	10	9	8	7	6	5	4	3	2	1	0
RESERVED								DMA_SYSTEM_DREQ_13_IRQ_13								RESERVED								DMA_SYSTEM_DREQ_12_IRQ_12							

Bits	Field Name	Description	Type	Reset
31:24	RESERVED		R	0x0
23:16	DMA_SYSTEM_DREQ_1 3_IRQ_13		RW	0xE
15:8	RESERVED		R	0x0
7:0	DMA_SYSTEM_DREQ_1 2_IRQ_12		RW	0xD

Table 18-823. Register Call Summary for Register CTRL_CORE_DMA_SYSTEM_DREQ_12_13

Control Module Register Manual

- [CTRL_MODULE_CORE Register Summary: \[0\]](#)

Table 18-824. CTRL_CORE_DMA_SYSTEM_DREQ_14_15

Address Offset	0x0000 0B94	Instance	CTRL_MODULE_CORE
Physical Address	0x4A00 2B94		
Description			
Type	RW		

31	30	29	28	27	26	25	24	23	22	21	20	19	18	17	16	15	14	13	12	11	10	9	8	7	6	5	4	3	2	1	0
RESERVED								DMA_SYSTEM_DREQ_15_IRQ_15								RESERVED								DMA_SYSTEM_DREQ_14_IRQ_14							

Bits	Field Name	Description	Type	Reset
31:24	RESERVED		R	0x0
23:16	DMA_SYSTEM_DREQ_1 5_IRQ_15		RW	0x10
15:8	RESERVED		R	0x0
7:0	DMA_SYSTEM_DREQ_1 4_IRQ_14		RW	0xF

Table 18-825. Register Call Summary for Register CTRL_CORE_DMA_SYSTEM_DREQ_14_15

Control Module Register Manual

- [CTRL_MODULE_CORE Register Summary: \[0\]](#)

Table 18-826. CTRL_CORE_DMA_SYSTEM_DREQ_16_17

Address Offset	0x0000 0B98	Instance	CTRL_MODULE_CORE
Physical Address	0x4A00 2B98		
Description			
Type	RW		

31	30	29	28	27	26	25	24	23	22	21	20	19	18	17	16	15	14	13	12	11	10	9	8	7	6	5	4	3	2	1	0
RESERVED								DMA_SYSTEM_DREQ_17_IRQ_17								RESERVED								DMA_SYSTEM_DREQ_16_IRQ_16							

Bits	Field Name	Description	Type	Reset
31:24	RESERVED		R	0x0
23:16	DMA_SYSTEM_DREQ_17_IRQ_17		RW	0x12
15:8	RESERVED		R	0x0
7:0	DMA_SYSTEM_DREQ_16_IRQ_16		RW	0x11

Table 18-827. Register Call Summary for Register CTRL_CORE_DMA_SYSTEM_DREQ_16_17

Control Module Register Manual

- [CTRL_MODULE_CORE Register Summary: \[0\]](#)

Table 18-828. CTRL_CORE_DMA_SYSTEM_DREQ_18_19

Address Offset	0x0000 0B9C	Instance	CTRL_MODULE_CORE
Physical Address	0x4A00 2B9C		
Description			
Type	RW		

31	30	29	28	27	26	25	24	23	22	21	20	19	18	17	16	15	14	13	12	11	10	9	8	7	6	5	4	3	2	1	0
RESERVED								DMA_SYSTEM_DREQ_19_IRQ_19								RESERVED								DMA_SYSTEM_DREQ_18_IRQ_18							

Bits	Field Name	Description	Type	Reset
31:24	RESERVED		R	0x0
23:16	DMA_SYSTEM_DREQ_1 9_IRQ_19		RW	0x14
15:8	RESERVED		R	0x0
7:0	DMA_SYSTEM_DREQ_1 8_IRQ_18		RW	0x13

Table 18-829. Register Call Summary for Register CTRL_CORE_DMA_SYSTEM_DREQ_18_19

Control Module Register Manual

- [CTRL_MODULE_CORE Register Summary: \[0\]](#)

Table 18-830. CTRL_CORE_DMA_SYSTEM_DREQ_20_21

Address Offset	0x0000 0BA0	Instance	CTRL_MODULE_CORE
Physical Address	0x4A00 2BA0		
Description			
Type	RW		

31	30	29	28	27	26	25	24	23	22	21	20	19	18	17	16	15	14	13	12	11	10	9	8	7	6	5	4	3	2	1	0
RESERVED								DMA_SYSTEM_DREQ_21_IRQ_21								RESERVED								DMA_SYSTEM_DREQ_20_IRQ_20							

Bits	Field Name	Description	Type	Reset
31:24	RESERVED		R	0x0
23:16	DMA_SYSTEM_DREQ_2 1_IRQ_21		RW	0x16
15:8	RESERVED		R	0x0
7:0	DMA_SYSTEM_DREQ_2 0_IRQ_20		RW	0x15

Table 18-831. Register Call Summary for Register CTRL_CORE_DMA_SYSTEM_DREQ_20_21

Control Module Register Manual

- [CTRL_MODULE_CORE Register Summary: \[0\]](#)

Table 18-832. CTRL_CORE_DMA_SYSTEM_DREQ_22_23

Address Offset	0x0000 0BA4	Instance	CTRL_MODULE_CORE
Physical Address	0x4A00 2BA4		
Description			
Type	RW		

31	30	29	28	27	26	25	24	23	22	21	20	19	18	17	16	15	14	13	12	11	10	9	8	7	6	5	4	3	2	1	0
RESERVED								DMA_SYSTEM_DREQ_23_IRQ_23								RESERVED								DMA_SYSTEM_DREQ_22_IRQ_22							

Bits	Field Name	Description	Type	Reset
31:24	RESERVED		R	0x0
23:16	DMA_SYSTEM_DREQ_23_IRQ_23		RW	0x18
15:8	RESERVED		R	0x0
7:0	DMA_SYSTEM_DREQ_22_IRQ_22		RW	0x17

Table 18-833. Register Call Summary for Register CTRL_CORE_DMA_SYSTEM_DREQ_22_23

Control Module Register Manual

- [CTRL_MODULE_CORE Register Summary: \[0\]](#)

Table 18-834. CTRL_CORE_DMA_SYSTEM_DREQ_24_25

Address Offset	0x0000 0BA8	Instance	CTRL_MODULE_CORE
Physical Address	0x4A00 2BA8		
Description			
Type	RW		

31	30	29	28	27	26	25	24	23	22	21	20	19	18	17	16	15	14	13	12	11	10	9	8	7	6	5	4	3	2	1	0
RESERVED								DMA_SYSTEM_DREQ_25_IRQ_25								RESERVED								DMA_SYSTEM_DREQ_24_IRQ_24							

Bits	Field Name	Description	Type	Reset
31:24	RESERVED		R	0x0
23:16	DMA_SYSTEM_DREQ_2 5_IRQ_25		RW	0x1A
15:8	RESERVED		R	0x0
7:0	DMA_SYSTEM_DREQ_2 4_IRQ_24		RW	0x19

Table 18-835. Register Call Summary for Register CTRL_CORE_DMA_SYSTEM_DREQ_24_25

Control Module Register Manual

- [CTRL_MODULE_CORE Register Summary: \[0\]](#)

Table 18-836. CTRL_CORE_DMA_SYSTEM_DREQ_26_27

Address Offset	0x0000 0BAC	Instance	CTRL_MODULE_CORE
Physical Address	0x4A00 2BAC		
Description			
Type	RW		

31	30	29	28	27	26	25	24	23	22	21	20	19	18	17	16	15	14	13	12	11	10	9	8	7	6	5	4	3	2	1	0
RESERVED								DMA_SYSTEM_DREQ_27_IRQ_27								RESERVED								DMA_SYSTEM_DREQ_26_IRQ_26							

Bits	Field Name	Description	Type	Reset
31:24	RESERVED		R	0x0
23:16	DMA_SYSTEM_DREQ_2 7_IRQ_27		RW	0x1C
15:8	RESERVED		R	0x0
7:0	DMA_SYSTEM_DREQ_2 6_IRQ_26		RW	0x1B

Table 18-837. Register Call Summary for Register CTRL_CORE_DMA_SYSTEM_DREQ_26_27

Control Module Register Manual

- [CTRL_MODULE_CORE Register Summary: \[0\]](#)

Table 18-838. CTRL_CORE_DMA_SYSTEM_DREQ_28_29

Address Offset	0x0000 0BB0	Instance	CTRL_MODULE_CORE
Physical Address	0x4A00 2BB0		
Description			
Type	RW		

31	30	29	28	27	26	25	24	23	22	21	20	19	18	17	16	15	14	13	12	11	10	9	8	7	6	5	4	3	2	1	0
RESERVED								DMA_SYSTEM_DREQ_29_IRQ_29								RESERVED								DMA_SYSTEM_DREQ_28_IRQ_28							

Bits	Field Name	Description	Type	Reset
31:24	RESERVED		R	0x0
23:16	DMA_SYSTEM_DREQ_29_IRQ_29		RW	0x1E
15:8	RESERVED		R	0x0
7:0	DMA_SYSTEM_DREQ_28_IRQ_28		RW	0x1D

Table 18-839. Register Call Summary for Register CTRL_CORE_DMA_SYSTEM_DREQ_28_29

Control Module Register Manual

- [CTRL_MODULE_CORE Register Summary: \[0\]](#)

Table 18-840. CTRL_CORE_DMA_SYSTEM_DREQ_30_31

Address Offset	0x0000 0BB4	Instance	CTRL_MODULE_CORE
Physical Address	0x4A00 2BB4		
Description			
Type	RW		

31	30	29	28	27	26	25	24	23	22	21	20	19	18	17	16	15	14	13	12	11	10	9	8	7	6	5	4	3	2	1	0
RESERVED								DMA_SYSTEM_DREQ_31_IRQ_31								RESERVED								DMA_SYSTEM_DREQ_30_IRQ_30							

Bits	Field Name	Description	Type	Reset
31:24	RESERVED		R	0x0
23:16	DMA_SYSTEM_DREQ_3_1_IRQ_31		RW	0x20
15:8	RESERVED		R	0x0
7:0	DMA_SYSTEM_DREQ_3_0_IRQ_30		RW	0x1F

Table 18-841. Register Call Summary for Register CTRL_CORE_DMA_SYSTEM_DREQ_30_31

Control Module Register Manual

- [CTRL_MODULE_CORE Register Summary: \[0\]](#)

Table 18-842. CTRL_CORE_DMA_SYSTEM_DREQ_32_33

Address Offset	0x0000 0BB8	Instance	CTRL_MODULE_CORE
Physical Address	0x4A00 2BB8		
Description			
Type	RW		

31	30	29	28	27	26	25	24	23	22	21	20	19	18	17	16	15	14	13	12	11	10	9	8	7	6	5	4	3	2	1	0
RESERVED								DMA_SYSTEM_DREQ_33_IRQ_33								RESERVED								DMA_SYSTEM_DREQ_32_IRQ_32							

Bits	Field Name	Description	Type	Reset
31:24	RESERVED		R	0x0
23:16	DMA_SYSTEM_DREQ_3_3_IRQ_33		RW	0x22
15:8	RESERVED		R	0x0
7:0	DMA_SYSTEM_DREQ_3_2_IRQ_32		RW	0x21

Table 18-843. Register Call Summary for Register CTRL_CORE_DMA_SYSTEM_DREQ_32_33

Control Module Register Manual

- [CTRL_MODULE_CORE Register Summary: \[0\]](#)

Table 18-844. CTRL_CORE_DMA_SYSTEM_DREQ_34_35

Address Offset	0x0000 0BBC	Instance	CTRL_MODULE_CORE
Physical Address	0x4A00 2BBC		
Description			
Type	RW		

31	30	29	28	27	26	25	24	23	22	21	20	19	18	17	16	15	14	13	12	11	10	9	8	7	6	5	4	3	2	1	0
RESERVED								DMA_SYSTEM_DREQ_35_IRQ_35								RESERVED								DMA_SYSTEM_DREQ_34_IRQ_34							

Bits	Field Name	Description	Type	Reset
31:24	RESERVED		R	0x0
23:16	DMA_SYSTEM_DREQ_35_IRQ_35		RW	0x24
15:8	RESERVED		R	0x0
7:0	DMA_SYSTEM_DREQ_34_IRQ_34		RW	0x23

Table 18-845. Register Call Summary for Register CTRL_CORE_DMA_SYSTEM_DREQ_34_35

Control Module Register Manual

- [CTRL_MODULE_CORE Register Summary: \[0\]](#)

Table 18-846. CTRL_CORE_DMA_SYSTEM_DREQ_36_37

Address Offset	0x0000 0BC0	Instance	CTRL_MODULE_CORE
Physical Address	0x4A00 2BC0		
Description			
Type	RW		

31	30	29	28	27	26	25	24	23	22	21	20	19	18	17	16	15	14	13	12	11	10	9	8	7	6	5	4	3	2	1	0
RESERVED								DMA_SYSTEM_DREQ_37_IRQ_37								RESERVED								DMA_SYSTEM_DREQ_36_IRQ_36							

Bits	Field Name	Description	Type	Reset
31:24	RESERVED		R	0x0
23:16	DMA_SYSTEM_DREQ_3 7_IRQ_37		RW	0x26
15:8	RESERVED		R	0x0
7:0	DMA_SYSTEM_DREQ_3 6_IRQ_36		RW	0x25

Table 18-847. Register Call Summary for Register CTRL_CORE_DMA_SYSTEM_DREQ_36_37

Control Module Register Manual

- [CTRL_MODULE_CORE Register Summary: \[0\]](#)

Table 18-848. CTRL_CORE_DMA_SYSTEM_DREQ_38_39

Address Offset	0x0000 0BC4	Instance	CTRL_MODULE_CORE
Physical Address	0x4A00 2BC4		
Description			
Type	RW		

31	30	29	28	27	26	25	24	23	22	21	20	19	18	17	16	15	14	13	12	11	10	9	8	7	6	5	4	3	2	1	0
RESERVED								DMA_SYSTEM_DREQ_39_IRQ_39								RESERVED								DMA_SYSTEM_DREQ_38_IRQ_38							

Bits	Field Name	Description	Type	Reset
31:24	RESERVED		R	0x0
23:16	DMA_SYSTEM_DREQ_3 9_IRQ_39		RW	0x28
15:8	RESERVED		R	0x0
7:0	DMA_SYSTEM_DREQ_3 8_IRQ_38		RW	0x27

Table 18-849. Register Call Summary for Register CTRL_CORE_DMA_SYSTEM_DREQ_38_39

Control Module Register Manual

- [CTRL_MODULE_CORE Register Summary: \[0\]](#)

Table 18-850. CTRL_CORE_DMA_SYSTEM_DREQ_40_41

Address Offset	0x0000 0BC8	Instance	CTRL_MODULE_CORE
Physical Address	0x4A00 2BC8		
Description			
Type	RW		

31	30	29	28	27	26	25	24	23	22	21	20	19	18	17	16	15	14	13	12	11	10	9	8	7	6	5	4	3	2	1	0
RESERVED								DMA_SYSTEM_DREQ_41_IRQ_41								RESERVED								DMA_SYSTEM_DREQ_40_IRQ_40							

Bits	Field Name	Description	Type	Reset
31:24	RESERVED		R	0x0
23:16	DMA_SYSTEM_DREQ_41_IRQ_41		RW	0x2A
15:8	RESERVED		R	0x0
7:0	DMA_SYSTEM_DREQ_40_IRQ_40		RW	0x29

Table 18-851. Register Call Summary for Register CTRL_CORE_DMA_SYSTEM_DREQ_40_41

Control Module Register Manual

- [CTRL_MODULE_CORE Register Summary: \[0\]](#)

Table 18-852. CTRL_CORE_DMA_SYSTEM_DREQ_42_43

Address Offset	0x0000 0BCC	Instance	CTRL_MODULE_CORE
Physical Address	0x4A00 2BCC		
Description			
Type	RW		

31	30	29	28	27	26	25	24	23	22	21	20	19	18	17	16	15	14	13	12	11	10	9	8	7	6	5	4	3	2	1	0
RESERVED								DMA_SYSTEM_DREQ_43_IRQ_43								RESERVED								DMA_SYSTEM_DREQ_42_IRQ_42							

Bits	Field Name	Description	Type	Reset
31:24	RESERVED		R	0x0
23:16	DMA_SYSTEM_DREQ_4_3_IRQ_43		RW	0x2C
15:8	RESERVED		R	0x0
7:0	DMA_SYSTEM_DREQ_4_2_IRQ_42		RW	0x2B

Table 18-853. Register Call Summary for Register CTRL_CORE_DMA_SYSTEM_DREQ_42_43

Control Module Register Manual

- [CTRL_MODULE_CORE Register Summary: \[0\]](#)

Table 18-854. CTRL_CORE_DMA_SYSTEM_DREQ_44_45

Address Offset	0x0000 0BD0	Instance	CTRL_MODULE_CORE
Physical Address	0x4A00 2BD0		
Description			
Type	RW		

31	30	29	28	27	26	25	24	23	22	21	20	19	18	17	16	15	14	13	12	11	10	9	8	7	6	5	4	3	2	1	0
RESERVED								DMA_SYSTEM_DREQ_45_IRQ_45								RESERVED								DMA_SYSTEM_DREQ_44_IRQ_44							

Bits	Field Name	Description	Type	Reset
31:24	RESERVED		R	0x0
23:16	DMA_SYSTEM_DREQ_4_5_IRQ_45		RW	0x2E
15:8	RESERVED		R	0x0
7:0	DMA_SYSTEM_DREQ_4_4_IRQ_44		RW	0x2D

Table 18-855. Register Call Summary for Register CTRL_CORE_DMA_SYSTEM_DREQ_44_45

Control Module Register Manual

- [CTRL_MODULE_CORE Register Summary: \[0\]](#)

Table 18-856. CTRL_CORE_DMA_SYSTEM_DREQ_46_47

Address Offset	0x0000 0BD4	Instance	CTRL_MODULE_CORE
Physical Address	0x4A00 2BD4		
Description			
Type	RW		

31	30	29	28	27	26	25	24	23	22	21	20	19	18	17	16	15	14	13	12	11	10	9	8	7	6	5	4	3	2	1	0
RESERVED								DMA_SYSTEM_DREQ_47_IRQ_47								RESERVED								DMA_SYSTEM_DREQ_46_IRQ_46							

Bits	Field Name	Description	Type	Reset
31:24	RESERVED		R	0x0
23:16	DMA_SYSTEM_DREQ_47_IRQ_47		RW	0x30
15:8	RESERVED		R	0x0
7:0	DMA_SYSTEM_DREQ_46_IRQ_46		RW	0x2F

Table 18-857. Register Call Summary for Register CTRL_CORE_DMA_SYSTEM_DREQ_46_47

Control Module Register Manual

- [CTRL_MODULE_CORE Register Summary: \[0\]](#)

Table 18-858. CTRL_CORE_DMA_SYSTEM_DREQ_48_49

Address Offset	0x0000 0BD8	Instance	CTRL_MODULE_CORE
Physical Address	0x4A00 2BD8		
Description			
Type	RW		

31	30	29	28	27	26	25	24	23	22	21	20	19	18	17	16	15	14	13	12	11	10	9	8	7	6	5	4	3	2	1	0
RESERVED								DMA_SYSTEM_DREQ_49_IRQ_49								RESERVED								DMA_SYSTEM_DREQ_48_IRQ_48							

Bits	Field Name	Description	Type	Reset
31:24	RESERVED		R	0x0
23:16	DMA_SYSTEM_DREQ_4_9_IRQ_49		RW	0x32
15:8	RESERVED		R	0x0
7:0	DMA_SYSTEM_DREQ_4_8_IRQ_48		RW	0x31

Table 18-859. Register Call Summary for Register CTRL_CORE_DMA_SYSTEM_DREQ_48_49

Control Module Register Manual

- [CTRL_MODULE_CORE Register Summary: \[0\]](#)

Table 18-860. CTRL_CORE_DMA_SYSTEM_DREQ_50_51

Address Offset	0x0000 0BDC	Instance	CTRL_MODULE_CORE
Physical Address	0x4A00 2BDC		
Description			
Type	RW		

31	30	29	28	27	26	25	24	23	22	21	20	19	18	17	16	15	14	13	12	11	10	9	8	7	6	5	4	3	2	1	0
RESERVED								DMA_SYSTEM_DREQ_51_IRQ_51								RESERVED								DMA_SYSTEM_DREQ_50_IRQ_50							

Bits	Field Name	Description	Type	Reset
31:24	RESERVED		R	0x0
23:16	DMA_SYSTEM_DREQ_5_1_IRQ_51		RW	0x34
15:8	RESERVED		R	0x0
7:0	DMA_SYSTEM_DREQ_5_0_IRQ_50		RW	0x33

Table 18-861. Register Call Summary for Register CTRL_CORE_DMA_SYSTEM_DREQ_50_51

Control Module Register Manual

- [CTRL_MODULE_CORE Register Summary: \[0\]](#)

Table 18-862. CTRL_CORE_DMA_SYSTEM_DREQ_52_53

Address Offset	0x0000 0BE0	Instance	CTRL_MODULE_CORE
Physical Address	0x4A00 2BE0		
Description			
Type	RW		

31	30	29	28	27	26	25	24	23	22	21	20	19	18	17	16	15	14	13	12	11	10	9	8	7	6	5	4	3	2	1	0
RESERVED								DMA_SYSTEM_DREQ_53_IRQ_53								RESERVED								DMA_SYSTEM_DREQ_52_IRQ_52							

Bits	Field Name	Description	Type	Reset
31:24	RESERVED		R	0x0
23:16	DMA_SYSTEM_DREQ_53_IRQ_53		RW	0x36
15:8	RESERVED		R	0x0
7:0	DMA_SYSTEM_DREQ_52_IRQ_52		RW	0x35

Table 18-863. Register Call Summary for Register CTRL_CORE_DMA_SYSTEM_DREQ_52_53

Control Module Register Manual

- [CTRL_MODULE_CORE Register Summary: \[0\]](#)

Table 18-864. CTRL_CORE_DMA_SYSTEM_DREQ_54_55

Address Offset	0x0000 0BE4	Instance	CTRL_MODULE_CORE
Physical Address	0x4A00 2BE4		
Description			
Type	RW		

31	30	29	28	27	26	25	24	23	22	21	20	19	18	17	16	15	14	13	12	11	10	9	8	7	6	5	4	3	2	1	0
RESERVED								DMA_SYSTEM_DREQ_55_IRQ_55								RESERVED								DMA_SYSTEM_DREQ_54_IRQ_54							

Bits	Field Name	Description	Type	Reset
31:24	RESERVED		R	0x0
23:16	DMA_SYSTEM_DREQ_5 5_IRQ_55		RW	0x38
15:8	RESERVED		R	0x0
7:0	DMA_SYSTEM_DREQ_5 4_IRQ_54		RW	0x37

Table 18-865. Register Call Summary for Register CTRL_CORE_DMA_SYSTEM_DREQ_54_55

Control Module Register Manual

- [CTRL_MODULE_CORE Register Summary: \[0\]](#)

Table 18-866. CTRL_CORE_DMA_SYSTEM_DREQ_56_57

Address Offset	0x0000 0BE8	Instance	CTRL_MODULE_CORE
Physical Address	0x4A00 2BE8		
Description			
Type	RW		

31	30	29	28	27	26	25	24	23	22	21	20	19	18	17	16	15	14	13	12	11	10	9	8	7	6	5	4	3	2	1	0
RESERVED								DMA_SYSTEM_DREQ_57_IRQ_57								RESERVED								DMA_SYSTEM_DREQ_56_IRQ_56							

Bits	Field Name	Description	Type	Reset
31:24	RESERVED		R	0x0
23:16	DMA_SYSTEM_DREQ_5 7_IRQ_57		RW	0x3A
15:8	RESERVED		R	0x0
7:0	DMA_SYSTEM_DREQ_5 6_IRQ_56		RW	0x39

Table 18-867. Register Call Summary for Register CTRL_CORE_DMA_SYSTEM_DREQ_56_57

Control Module Register Manual

- [CTRL_MODULE_CORE Register Summary: \[0\]](#)

Table 18-868. CTRL_CORE_DMA_SYSTEM_DREQ_58_59

Address Offset	0x0000 0BEC	Instance	CTRL_MODULE_CORE
Physical Address	0x4A00 2BEC		
Description			
Type	RW		

31	30	29	28	27	26	25	24	23	22	21	20	19	18	17	16	15	14	13	12	11	10	9	8	7	6	5	4	3	2	1	0
RESERVED								DMA_SYSTEM_DREQ_59_IRQ_59								RESERVED								DMA_SYSTEM_DREQ_58_IRQ_58							

Bits	Field Name	Description	Type	Reset
31:24	RESERVED		R	0x0
23:16	DMA_SYSTEM_DREQ_59_IRQ_59		RW	0x3C
15:8	RESERVED		R	0x0
7:0	DMA_SYSTEM_DREQ_58_IRQ_58		RW	0x3B

Table 18-869. Register Call Summary for Register CTRL_CORE_DMA_SYSTEM_DREQ_58_59

Control Module Register Manual

- [CTRL_MODULE_CORE Register Summary: \[0\]](#)

Table 18-870. CTRL_CORE_DMA_SYSTEM_DREQ_60_61

Address Offset	0x0000 0BF0	Instance	CTRL_MODULE_CORE
Physical Address	0x4A00 2BF0		
Description			
Type	RW		

31	30	29	28	27	26	25	24	23	22	21	20	19	18	17	16	15	14	13	12	11	10	9	8	7	6	5	4	3	2	1	0
RESERVED								DMA_SYSTEM_DREQ_61_IRQ_61								RESERVED								DMA_SYSTEM_DREQ_60_IRQ_60							

Bits	Field Name	Description	Type	Reset
31:24	RESERVED		R	0x0
23:16	DMA_SYSTEM_DREQ_6 1_IRQ_61		RW	0x3E
15:8	RESERVED		R	0x0
7:0	DMA_SYSTEM_DREQ_6 0_IRQ_60		RW	0x3D

Table 18-871. Register Call Summary for Register CTRL_CORE_DMA_SYSTEM_DREQ_60_61

Control Module Register Manual

- [CTRL_MODULE_CORE Register Summary: \[0\]](#)

Table 18-872. CTRL_CORE_DMA_SYSTEM_DREQ_62_63

Address Offset	0x0000 0BF4	Instance	CTRL_MODULE_CORE
Physical Address	0x4A00 2BF4		
Description			
Type	RW		

31	30	29	28	27	26	25	24	23	22	21	20	19	18	17	16	15	14	13	12	11	10	9	8	7	6	5	4	3	2	1	0
RESERVED								DMA_SYSTEM_DREQ_63_IRQ_63								RESERVED								DMA_SYSTEM_DREQ_62_IRQ_62							

Bits	Field Name	Description	Type	Reset
31:24	RESERVED		R	0x0
23:16	DMA_SYSTEM_DREQ_6 3_IRQ_63		RW	0x40
15:8	RESERVED		R	0x0
7:0	DMA_SYSTEM_DREQ_6 2_IRQ_62		RW	0x3F

Table 18-873. Register Call Summary for Register CTRL_CORE_DMA_SYSTEM_DREQ_62_63

Control Module Register Manual

- [CTRL_MODULE_CORE Register Summary: \[0\]](#)

Table 18-874. CTRL_CORE_DMA_SYSTEM_DREQ_64_65

Address Offset	0x0000 0BF8	Instance	CTRL_MODULE_CORE
Physical Address	0x4A00 2BF8		
Description			
Type	RW		

31	30	29	28	27	26	25	24	23	22	21	20	19	18	17	16	15	14	13	12	11	10	9	8	7	6	5	4	3	2	1	0
RESERVED								DMA_SYSTEM_DREQ_65_IRQ_65								RESERVED								DMA_SYSTEM_DREQ_64_IRQ_64							

Bits	Field Name	Description	Type	Reset
31:24	RESERVED		R	0x0
23:16	DMA_SYSTEM_DREQ_65_IRQ_65		RW	0x42
15:8	RESERVED		R	0x0
7:0	DMA_SYSTEM_DREQ_64_IRQ_64		RW	0x41

Table 18-875. Register Call Summary for Register CTRL_CORE_DMA_SYSTEM_DREQ_64_65

Control Module Register Manual

- [CTRL_MODULE_CORE Register Summary: \[0\]](#)

Table 18-876. CTRL_CORE_DMA_SYSTEM_DREQ_66_67

Address Offset	0x0000 0BFC	Instance	CTRL_MODULE_CORE
Physical Address	0x4A00 2BFC		
Description			
Type	RW		

31	30	29	28	27	26	25	24	23	22	21	20	19	18	17	16	15	14	13	12	11	10	9	8	7	6	5	4	3	2	1	0
RESERVED								DMA_SYSTEM_DREQ_67_IRQ_67								RESERVED								DMA_SYSTEM_DREQ_66_IRQ_66							

Bits	Field Name	Description	Type	Reset
31:24	RESERVED		R	0x0
23:16	DMA_SYSTEM_DREQ_6 7_IRQ_67		RW	0x44
15:8	RESERVED		R	0x0
7:0	DMA_SYSTEM_DREQ_6 6_IRQ_66		RW	0x43

Table 18-877. Register Call Summary for Register CTRL_CORE_DMA_SYSTEM_DREQ_66_67

Control Module Register Manual

- [CTRL_MODULE_CORE Register Summary: \[0\]](#)

Table 18-878. CTRL_CORE_DMA_SYSTEM_DREQ_68_69

Address Offset	0x0000 0C00	Instance	CTRL_MODULE_CORE
Physical Address	0x4A00 2C00		
Description			
Type	RW		

31	30	29	28	27	26	25	24	23	22	21	20	19	18	17	16	15	14	13	12	11	10	9	8	7	6	5	4	3	2	1	0
RESERVED								DMA_SYSTEM_DREQ_69_IRQ_69								RESERVED								DMA_SYSTEM_DREQ_68_IRQ_68							

Bits	Field Name	Description	Type	Reset
31:24	RESERVED		R	0x0
23:16	DMA_SYSTEM_DREQ_6 9_IRQ_69		RW	0x46
15:8	RESERVED		R	0x0
7:0	DMA_SYSTEM_DREQ_6 8_IRQ_68		RW	0x45

Table 18-879. Register Call Summary for Register CTRL_CORE_DMA_SYSTEM_DREQ_68_69

Control Module Register Manual

- [CTRL_MODULE_CORE Register Summary: \[0\]](#)

Table 18-880. CTRL_CORE_DMA_SYSTEM_DREQ_70_71

Address Offset	0x0000 0C04	Instance	CTRL_MODULE_CORE
Physical Address	0x4A00 2C04		
Description			
Type	RW		

31	30	29	28	27	26	25	24	23	22	21	20	19	18	17	16	15	14	13	12	11	10	9	8	7	6	5	4	3	2	1	0
RESERVED								DMA_SYSTEM_DREQ_71_IRQ_71								RESERVED								DMA_SYSTEM_DREQ_70_IRQ_70							

Bits	Field Name	Description	Type	Reset
31:24	RESERVED		R	0x0
23:16	DMA_SYSTEM_DREQ_71_IRQ_71		RW	0x48
15:8	RESERVED		R	0x0
7:0	DMA_SYSTEM_DREQ_70_IRQ_70		RW	0x47

Table 18-881. Register Call Summary for Register CTRL_CORE_DMA_SYSTEM_DREQ_70_71

Control Module Register Manual

- [CTRL_MODULE_CORE Register Summary: \[0\]](#)

Table 18-882. CTRL_CORE_DMA_SYSTEM_DREQ_72_73

Address Offset	0x0000 0C08	Instance	CTRL_MODULE_CORE
Physical Address	0x4A00 2C08		
Description			
Type	RW		

31	30	29	28	27	26	25	24	23	22	21	20	19	18	17	16	15	14	13	12	11	10	9	8	7	6	5	4	3	2	1	0
RESERVED								DMA_SYSTEM_DREQ_73_IRQ_73								RESERVED								DMA_SYSTEM_DREQ_72_IRQ_72							

Bits	Field Name	Description	Type	Reset
31:24	RESERVED		R	0x0
23:16	DMA_SYSTEM_DREQ_7_3_IRQ_73		RW	0x4A
15:8	RESERVED		R	0x0
7:0	DMA_SYSTEM_DREQ_7_2_IRQ_72		RW	0x49

Table 18-883. Register Call Summary for Register CTRL_CORE_DMA_SYSTEM_DREQ_72_73

Control Module Register Manual

- [CTRL_MODULE_CORE Register Summary: \[0\]](#)

Table 18-884. CTRL_CORE_DMA_SYSTEM_DREQ_74_75

Address Offset	0x0000 0C0C	Instance	CTRL_MODULE_CORE
Physical Address	0x4A00 2C0C		
Description			
Type	RW		

31	30	29	28	27	26	25	24	23	22	21	20	19	18	17	16	15	14	13	12	11	10	9	8	7	6	5	4	3	2	1	0
RESERVED								DMA_SYSTEM_DREQ_75_IRQ_75								RESERVED								DMA_SYSTEM_DREQ_74_IRQ_74							

Bits	Field Name	Description	Type	Reset
31:24	RESERVED		R	0x0
23:16	DMA_SYSTEM_DREQ_7_5_IRQ_75		RW	0x4C
15:8	RESERVED		R	0x0
7:0	DMA_SYSTEM_DREQ_7_4_IRQ_74		RW	0x4B

Table 18-885. Register Call Summary for Register CTRL_CORE_DMA_SYSTEM_DREQ_74_75

Control Module Register Manual

- [CTRL_MODULE_CORE Register Summary: \[0\]](#)

Table 18-886. CTRL_CORE_DMA_SYSTEM_DREQ_76_77

Address Offset	0x0000 0C10	Instance	CTRL_MODULE_CORE
Physical Address	0x4A00 2C10		
Description			
Type	RW		

31	30	29	28	27	26	25	24	23	22	21	20	19	18	17	16	15	14	13	12	11	10	9	8	7	6	5	4	3	2	1	0
RESERVED								DMA_SYSTEM_DREQ_77_IRQ_77								RESERVED								DMA_SYSTEM_DREQ_76_IRQ_76							

Bits	Field Name	Description	Type	Reset
31:24	RESERVED		R	0x0
23:16	DMA_SYSTEM_DREQ_77_IRQ_77		RW	0x4E
15:8	RESERVED		R	0x0
7:0	DMA_SYSTEM_DREQ_76_IRQ_76		RW	0x4D

Table 18-887. Register Call Summary for Register CTRL_CORE_DMA_SYSTEM_DREQ_76_77

Control Module Register Manual

- [CTRL_MODULE_CORE Register Summary: \[0\]](#)

Table 18-888. CTRL_CORE_DMA_SYSTEM_DREQ_78_79

Address Offset	0x0000 0C14	Instance	CTRL_MODULE_CORE
Physical Address	0x4A00 2C14		
Description			
Type	RW		

31	30	29	28	27	26	25	24	23	22	21	20	19	18	17	16	15	14	13	12	11	10	9	8	7	6	5	4	3	2	1	0
RESERVED								DMA_SYSTEM_DREQ_79_IRQ_79								RESERVED								DMA_SYSTEM_DREQ_78_IRQ_78							

Bits	Field Name	Description	Type	Reset
31:24	RESERVED		R	0x0
23:16	DMA_SYSTEM_DREQ_7_9_IRQ_79		RW	0x50
15:8	RESERVED		R	0x0
7:0	DMA_SYSTEM_DREQ_7_8_IRQ_78		RW	0x4F

Table 18-889. Register Call Summary for Register CTRL_CORE_DMA_SYSTEM_DREQ_78_79

Control Module Register Manual

- [CTRL_MODULE_CORE Register Summary: \[0\]](#)

Table 18-890. CTRL_CORE_DMA_SYSTEM_DREQ_80_81

Address Offset	0x0000 0C18	Instance	CTRL_MODULE_CORE
Physical Address	0x4A00 2C18		
Description			
Type	RW		

31	30	29	28	27	26	25	24	23	22	21	20	19	18	17	16	15	14	13	12	11	10	9	8	7	6	5	4	3	2	1	0
RESERVED								DMA_SYSTEM_DREQ_81_IRQ_81								RESERVED								DMA_SYSTEM_DREQ_80_IRQ_80							

Bits	Field Name	Description	Type	Reset
31:24	RESERVED		R	0x0
23:16	DMA_SYSTEM_DREQ_8_1_IRQ_81		RW	0x52
15:8	RESERVED		R	0x0
7:0	DMA_SYSTEM_DREQ_8_0_IRQ_80		RW	0x51

Table 18-891. Register Call Summary for Register CTRL_CORE_DMA_SYSTEM_DREQ_80_81

Control Module Register Manual

- [CTRL_MODULE_CORE Register Summary: \[0\]](#)

Table 18-892. CTRL_CORE_DMA_SYSTEM_DREQ_82_83

Address Offset	0x0000 0C1C	Instance	CTRL_MODULE_CORE
Physical Address	0x4A00 2C1C		
Description			
Type	RW		

31	30	29	28	27	26	25	24	23	22	21	20	19	18	17	16	15	14	13	12	11	10	9	8	7	6	5	4	3	2	1	0
RESERVED								DMA_SYSTEM_DREQ_83_IRQ_83								RESERVED								DMA_SYSTEM_DREQ_82_IRQ_82							

Bits	Field Name	Description	Type	Reset
31:24	RESERVED		R	0x0
23:16	DMA_SYSTEM_DREQ_83_IRQ_83		RW	0x54
15:8	RESERVED		R	0x0
7:0	DMA_SYSTEM_DREQ_82_IRQ_82		RW	0x53

Table 18-893. Register Call Summary for Register CTRL_CORE_DMA_SYSTEM_DREQ_82_83

Control Module Register Manual

- [CTRL_MODULE_CORE Register Summary: \[0\]](#)

Table 18-894. CTRL_CORE_DMA_SYSTEM_DREQ_84_85

Address Offset	0x0000 0C20	Instance	CTRL_MODULE_CORE
Physical Address	0x4A00 2C20		
Description			
Type	RW		

31	30	29	28	27	26	25	24	23	22	21	20	19	18	17	16	15	14	13	12	11	10	9	8	7	6	5	4	3	2	1	0
RESERVED								DMA_SYSTEM_DREQ_85_IRQ_85								RESERVED								DMA_SYSTEM_DREQ_84_IRQ_84							

Bits	Field Name	Description	Type	Reset
31:24	RESERVED		R	0x0
23:16	DMA_SYSTEM_DREQ_8 5_IRQ_85		RW	0x56
15:8	RESERVED		R	0x0
7:0	DMA_SYSTEM_DREQ_8 4_IRQ_84		RW	0x55

Table 18-895. Register Call Summary for Register CTRL_CORE_DMA_SYSTEM_DREQ_84_85

Control Module Register Manual

- [CTRL_MODULE_CORE Register Summary: \[0\]](#)

Table 18-896. CTRL_CORE_DMA_SYSTEM_DREQ_86_87

Address Offset	0x0000 0C24	Instance	CTRL_MODULE_CORE
Physical Address	0x4A00 2C24		
Description			
Type	RW		

31	30	29	28	27	26	25	24	23	22	21	20	19	18	17	16	15	14	13	12	11	10	9	8	7	6	5	4	3	2	1	0
RESERVED								DMA_SYSTEM_DREQ_87_IRQ_87								RESERVED								DMA_SYSTEM_DREQ_86_IRQ_86							

Bits	Field Name	Description	Type	Reset
31:24	RESERVED		R	0x0
23:16	DMA_SYSTEM_DREQ_8 7_IRQ_87		RW	0x58
15:8	RESERVED		R	0x0
7:0	DMA_SYSTEM_DREQ_8 6_IRQ_86		RW	0x57

Table 18-897. Register Call Summary for Register CTRL_CORE_DMA_SYSTEM_DREQ_86_87

Control Module Register Manual

- [CTRL_MODULE_CORE Register Summary: \[0\]](#)

Table 18-898. CTRL_CORE_DMA_SYSTEM_DREQ_88_89

Address Offset	0x0000 0C28	Instance	CTRL_MODULE_CORE
Physical Address	0x4A00 2C28		
Description			
Type	RW		

31	30	29	28	27	26	25	24	23	22	21	20	19	18	17	16	15	14	13	12	11	10	9	8	7	6	5	4	3	2	1	0
RESERVED								DMA_SYSTEM_DREQ_89_IRQ_89								RESERVED								DMA_SYSTEM_DREQ_88_IRQ_88							

Bits	Field Name	Description	Type	Reset
31:24	RESERVED		R	0x0
23:16	DMA_SYSTEM_DREQ_89_IRQ_89		RW	0x5A
15:8	RESERVED		R	0x0
7:0	DMA_SYSTEM_DREQ_88_IRQ_88		RW	0x59

Table 18-899. Register Call Summary for Register CTRL_CORE_DMA_SYSTEM_DREQ_88_89

Control Module Register Manual

- [CTRL_MODULE_CORE Register Summary: \[0\]](#)

Table 18-900. CTRL_CORE_DMA_SYSTEM_DREQ_90_91

Address Offset	0x0000 0C2C	Instance	CTRL_MODULE_CORE
Physical Address	0x4A00 2C2C		
Description			
Type	RW		

31	30	29	28	27	26	25	24	23	22	21	20	19	18	17	16	15	14	13	12	11	10	9	8	7	6	5	4	3	2	1	0
RESERVED								DMA_SYSTEM_DREQ_91_IRQ_91								RESERVED								DMA_SYSTEM_DREQ_90_IRQ_90							

Bits	Field Name	Description	Type	Reset
31:24	RESERVED		R	0x0
23:16	DMA_SYSTEM_DREQ_9 1_IRQ_91		RW	0x5C
15:8	RESERVED		R	0x0
7:0	DMA_SYSTEM_DREQ_9 0_IRQ_90		RW	0x5B

Table 18-901. Register Call Summary for Register CTRL_CORE_DMA_SYSTEM_DREQ_90_91

Control Module Register Manual

- [CTRL_MODULE_CORE Register Summary: \[0\]](#)

Table 18-902. CTRL_CORE_DMA_SYSTEM_DREQ_92_93

Address Offset	0x0000 0C30	Instance	CTRL_MODULE_CORE
Physical Address	0x4A00 2C30		
Description			
Type	RW		

31	30	29	28	27	26	25	24	23	22	21	20	19	18	17	16	15	14	13	12	11	10	9	8	7	6	5	4	3	2	1	0
RESERVED								DMA_SYSTEM_DREQ_93_IRQ_93								RESERVED								DMA_SYSTEM_DREQ_92_IRQ_92							

Bits	Field Name	Description	Type	Reset
31:24	RESERVED		R	0x0
23:16	DMA_SYSTEM_DREQ_9 3_IRQ_93		RW	0x5E
15:8	RESERVED		R	0x0
7:0	DMA_SYSTEM_DREQ_9 2_IRQ_92		RW	0x5D

Table 18-903. Register Call Summary for Register CTRL_CORE_DMA_SYSTEM_DREQ_92_93

Control Module Register Manual

- [CTRL_MODULE_CORE Register Summary: \[0\]](#)

Table 18-904. CTRL_CORE_DMA_SYSTEM_DREQ_94_95

Address Offset	0x0000 0C34	Instance	CTRL_MODULE_CORE
Physical Address	0x4A00 2C34		
Description			
Type	RW		

31	30	29	28	27	26	25	24	23	22	21	20	19	18	17	16	15	14	13	12	11	10	9	8	7	6	5	4	3	2	1	0
RESERVED								DMA_SYSTEM_DREQ_95_IRQ_95								RESERVED								DMA_SYSTEM_DREQ_94_IRQ_94							

Bits	Field Name	Description	Type	Reset
31:24	RESERVED		R	0x0
23:16	DMA_SYSTEM_DREQ_95_IRQ_95		RW	0x60
15:8	RESERVED		R	0x0
7:0	DMA_SYSTEM_DREQ_94_IRQ_94		RW	0x5F

Table 18-905. Register Call Summary for Register CTRL_CORE_DMA_SYSTEM_DREQ_94_95

Control Module Register Manual

- [CTRL_MODULE_CORE Register Summary: \[0\]](#)

Table 18-906. CTRL_CORE_DMA_SYSTEM_DREQ_96_97

Address Offset	0x0000 0C38	Instance	CTRL_MODULE_CORE
Physical Address	0x4A00 2C38		
Description			
Type	RW		

31	30	29	28	27	26	25	24	23	22	21	20	19	18	17	16	15	14	13	12	11	10	9	8	7	6	5	4	3	2	1	0
RESERVED								DMA_SYSTEM_DREQ_97_IRQ_97								RESERVED								DMA_SYSTEM_DREQ_96_IRQ_96							

Bits	Field Name	Description	Type	Reset
31:24	RESERVED		R	0x0
23:16	DMA_SYSTEM_DREQ_9 7_IRQ_97		RW	0x62
15:8	RESERVED		R	0x0
7:0	DMA_SYSTEM_DREQ_9 6_IRQ_96		RW	0x61

Table 18-907. Register Call Summary for Register CTRL_CORE_DMA_SYSTEM_DREQ_96_97

Control Module Register Manual

- [CTRL_MODULE_CORE Register Summary: \[0\]](#)

Table 18-908. CTRL_CORE_DMA_SYSTEM_DREQ_98_99

Address Offset	0x0000 0C3C	Instance	CTRL_MODULE_CORE
Physical Address	0x4A00 2C3C		
Description			
Type	RW		

31	30	29	28	27	26	25	24	23	22	21	20	19	18	17	16	15	14	13	12	11	10	9	8	7	6	5	4	3	2	1	0
RESERVED								DMA_SYSTEM_DREQ_99_IRQ_99								RESERVED								DMA_SYSTEM_DREQ_98_IRQ_98							

Bits	Field Name	Description	Type	Reset
31:24	RESERVED		R	0x0
23:16	DMA_SYSTEM_DREQ_9 9_IRQ_99		RW	0x64
15:8	RESERVED		R	0x0
7:0	DMA_SYSTEM_DREQ_9 8_IRQ_98		RW	0x63

Table 18-909. Register Call Summary for Register CTRL_CORE_DMA_SYSTEM_DREQ_98_99

Control Module Register Manual

- [CTRL_MODULE_CORE Register Summary: \[0\]](#)

Table 18-910. CTRL_CORE_DMA_SYSTEM_DREQ_100_101

Address Offset	0x0000 0C40	Instance	CTRL_MODULE_CORE
Physical Address	0x4A00 2C40		
Description			
Type	RW		

31	30	29	28	27	26	25	24	23	22	21	20	19	18	17	16	15	14	13	12	11	10	9	8	7	6	5	4	3	2	1	0
RESERVED								DMA_SYSTEM_DREQ_101_IRQ_101								RESERVED								DMA_SYSTEM_DREQ_100_IRQ_100							

Bits	Field Name	Description	Type	Reset
31:24	RESERVED		R	0x0
23:16	DMA_SYSTEM_DREQ_101_IRQ_101		RW	0x66
15:8	RESERVED		R	0x0
7:0	DMA_SYSTEM_DREQ_100_IRQ_100		RW	0x65

Table 18-911. Register Call Summary for Register CTRL_CORE_DMA_SYSTEM_DREQ_100_101

Control Module Register Manual

- [CTRL_MODULE_CORE Register Summary: \[0\]](#)

Table 18-912. CTRL_CORE_DMA_SYSTEM_DREQ_102_103

Address Offset	0x0000 0C44	Instance	CTRL_MODULE_CORE
Physical Address	0x4A00 2C44		
Description			
Type	RW		

31	30	29	28	27	26	25	24	23	22	21	20	19	18	17	16	15	14	13	12	11	10	9	8	7	6	5	4	3	2	1	0
RESERVED								DMA_SYSTEM_DREQ_103_IRQ_103								RESERVED								DMA_SYSTEM_DREQ_102_IRQ_102							

Bits	Field Name	Description	Type	Reset
31:24	RESERVED		R	0x0
23:16	DMA_SYSTEM_DREQ_1 03_IRQ_103		RW	0x68
15:8	RESERVED		R	0x0
7:0	DMA_SYSTEM_DREQ_1 02_IRQ_102		RW	0x67

Table 18-913. Register Call Summary for Register CTRL_CORE_DMA_SYSTEM_DREQ_102_103

Control Module Register Manual

- [CTRL_MODULE_CORE Register Summary: \[0\]](#)

Table 18-914. CTRL_CORE_DMA_SYSTEM_DREQ_104_105

Address Offset	0x0000 0C48	Instance	CTRL_MODULE_CORE
Physical Address	0x4A00 2C48		
Description			
Type	RW		

31	30	29	28	27	26	25	24	23	22	21	20	19	18	17	16	15	14	13	12	11	10	9	8	7	6	5	4	3	2	1	0
RESERVED								DMA_SYSTEM_DREQ_105_IRQ_105								RESERVED								DMA_SYSTEM_DREQ_104_IRQ_104							

Bits	Field Name	Description	Type	Reset
31:24	RESERVED		R	0x0
23:16	DMA_SYSTEM_DREQ_1 05_IRQ_105		RW	0x6A
15:8	RESERVED		R	0x0
7:0	DMA_SYSTEM_DREQ_1 04_IRQ_104		RW	0x69

Table 18-915. Register Call Summary for Register CTRL_CORE_DMA_SYSTEM_DREQ_104_105

Control Module Register Manual

- [CTRL_MODULE_CORE Register Summary: \[0\]](#)

Table 18-916. CTRL_CORE_DMA_SYSTEM_DREQ_106_107

Address Offset	0x0000 0C4C	Instance	CTRL_MODULE_CORE
Physical Address	0x4A00 2C4C		
Description			
Type	RW		

31	30	29	28	27	26	25	24	23	22	21	20	19	18	17	16	15	14	13	12	11	10	9	8	7	6	5	4	3	2	1	0
RESERVED								DMA_SYSTEM_DREQ_107_IRQ_107								RESERVED								DMA_SYSTEM_DREQ_106_IRQ_106							

Bits	Field Name	Description	Type	Reset
31:24	RESERVED		R	0x0
23:16	DMA_SYSTEM_DREQ_107_IRQ_107		RW	0x6C
15:8	RESERVED		R	0x0
7:0	DMA_SYSTEM_DREQ_106_IRQ_106		RW	0x6B

Table 18-917. Register Call Summary for Register CTRL_CORE_DMA_SYSTEM_DREQ_106_107

Control Module Register Manual

- [CTRL_MODULE_CORE Register Summary: \[0\]](#)

Table 18-918. CTRL_CORE_DMA_SYSTEM_DREQ_108_109

Address Offset	0x0000 0C50	Instance	CTRL_MODULE_CORE
Physical Address	0x4A00 2C50		
Description			
Type	RW		

31	30	29	28	27	26	25	24	23	22	21	20	19	18	17	16	15	14	13	12	11	10	9	8	7	6	5	4	3	2	1	0
RESERVED								DMA_SYSTEM_DREQ_109_IRQ_109								RESERVED								DMA_SYSTEM_DREQ_108_IRQ_108							

Bits	Field Name	Description	Type	Reset
31:24	RESERVED		R	0x0
23:16	DMA_SYSTEM_DREQ_1 09_IRQ_109		RW	0x6E
15:8	RESERVED		R	0x0
7:0	DMA_SYSTEM_DREQ_1 08_IRQ_108		RW	0x6D

Table 18-919. Register Call Summary for Register CTRL_CORE_DMA_SYSTEM_DREQ_108_109

Control Module Register Manual

- [CTRL_MODULE_CORE Register Summary: \[0\]](#)

Table 18-920. CTRL_CORE_DMA_SYSTEM_DREQ_110_111

Address Offset	0x0000 0C54	Instance	CTRL_MODULE_CORE
Physical Address	0x4A00 2C54		
Description			
Type	RW		

31	30	29	28	27	26	25	24	23	22	21	20	19	18	17	16	15	14	13	12	11	10	9	8	7	6	5	4	3	2	1	0
RESERVED								DMA_SYSTEM_DREQ_111_IRQ_111								RESERVED								DMA_SYSTEM_DREQ_110_IRQ_110							

Bits	Field Name	Description	Type	Reset
31:24	RESERVED		R	0x0
23:16	DMA_SYSTEM_DREQ_1 11_IRQ_111		RW	0x70
15:8	RESERVED		R	0x0
7:0	DMA_SYSTEM_DREQ_1 10_IRQ_110		RW	0x6F

Table 18-921. Register Call Summary for Register CTRL_CORE_DMA_SYSTEM_DREQ_110_111

Control Module Register Manual

- [CTRL_MODULE_CORE Register Summary: \[0\]](#)

Table 18-922. CTRL_CORE_DMA_SYSTEM_DREQ_112_113

Address Offset	0x0000 0C58	Instance	CTRL_MODULE_CORE
Physical Address	0x4A00 2C58		
Description			
Type	RW		

31	30	29	28	27	26	25	24	23	22	21	20	19	18	17	16	15	14	13	12	11	10	9	8	7	6	5	4	3	2	1	0
RESERVED								DMA_SYSTEM_DREQ_113_IRQ_113								RESERVED								DMA_SYSTEM_DREQ_112_IRQ_112							

Bits	Field Name	Description	Type	Reset
31:24	RESERVED		R	0x0
23:16	DMA_SYSTEM_DREQ_1 13_IRQ_113		RW	0x72
15:8	RESERVED		R	0x0
7:0	DMA_SYSTEM_DREQ_1 12_IRQ_112		RW	0x71

Table 18-923. Register Call Summary for Register CTRL_CORE_DMA_SYSTEM_DREQ_112_113

Control Module Register Manual

- [CTRL_MODULE_CORE Register Summary: \[0\]](#)

Table 18-924. CTRL_CORE_DMA_SYSTEM_DREQ_114_115

Address Offset	0x0000 0C5C	Instance	CTRL_MODULE_CORE
Physical Address	0x4A00 2C5C		
Description			
Type	RW		

31	30	29	28	27	26	25	24	23	22	21	20	19	18	17	16	15	14	13	12	11	10	9	8	7	6	5	4	3	2	1	0
RESERVED								DMA_SYSTEM_DREQ_115_IRQ_115								RESERVED								DMA_SYSTEM_DREQ_114_IRQ_114							

Bits	Field Name	Description	Type	Reset
31:24	RESERVED		R	0x0
23:16	DMA_SYSTEM_DREQ_1 15_IRQ_115		RW	0x74
15:8	RESERVED		R	0x0
7:0	DMA_SYSTEM_DREQ_1 14_IRQ_114		RW	0x73

Table 18-925. Register Call Summary for Register CTRL_CORE_DMA_SYSTEM_DREQ_114_115

Control Module Register Manual

- [CTRL_MODULE_CORE Register Summary: \[0\]](#)

Table 18-926. CTRL_CORE_DMA_SYSTEM_DREQ_116_117

Address Offset	0x0000 0C60	Instance	CTRL_MODULE_CORE
Physical Address	0x4A00 2C60		
Description			
Type	RW		

31	30	29	28	27	26	25	24	23	22	21	20	19	18	17	16	15	14	13	12	11	10	9	8	7	6	5	4	3	2	1	0
RESERVED								DMA_SYSTEM_DREQ_117_IRQ_117								RESERVED								DMA_SYSTEM_DREQ_116_IRQ_116							

Bits	Field Name	Description	Type	Reset
31:24	RESERVED		R	0x0
23:16	DMA_SYSTEM_DREQ_1 17_IRQ_117		RW	0x76
15:8	RESERVED		R	0x0
7:0	DMA_SYSTEM_DREQ_1 16_IRQ_116		RW	0x75

Table 18-927. Register Call Summary for Register CTRL_CORE_DMA_SYSTEM_DREQ_116_117

Control Module Register Manual

- [CTRL_MODULE_CORE Register Summary: \[0\]](#)

Table 18-928. CTRL_CORE_DMA_SYSTEM_DREQ_118_119

Address Offset	0x0000 0C64	Instance	CTRL_MODULE_CORE
Physical Address	0x4A00 2C64		
Description			
Type	RW		

31	30	29	28	27	26	25	24	23	22	21	20	19	18	17	16	15	14	13	12	11	10	9	8	7	6	5	4	3	2	1	0
RESERVED								DMA_SYSTEM_DREQ_119_IRQ_119								RESERVED								DMA_SYSTEM_DREQ_118_IRQ_118							

Bits	Field Name	Description	Type	Reset
31:24	RESERVED		R	0x0
23:16	DMA_SYSTEM_DREQ_1 19_IRQ_119		RW	0x78
15:8	RESERVED		R	0x0
7:0	DMA_SYSTEM_DREQ_1 18_IRQ_118		RW	0x77

Table 18-929. Register Call Summary for Register CTRL_CORE_DMA_SYSTEM_DREQ_118_119

Control Module Register Manual

- [CTRL_MODULE_CORE Register Summary: \[0\]](#)

Table 18-930. CTRL_CORE_DMA_SYSTEM_DREQ_120_121

Address Offset	0x0000 0C68	Instance	CTRL_MODULE_CORE
Physical Address	0x4A00 2C68		
Description			
Type	RW		

31	30	29	28	27	26	25	24	23	22	21	20	19	18	17	16	15	14	13	12	11	10	9	8	7	6	5	4	3	2	1	0
RESERVED								DMA_SYSTEM_DREQ_121_IRQ_121								RESERVED								DMA_SYSTEM_DREQ_120_IRQ_120							

Bits	Field Name	Description	Type	Reset
31:24	RESERVED		R	0x0
23:16	DMA_SYSTEM_DREQ_1 21_IRQ_121		RW	0x7A
15:8	RESERVED		R	0x0
7:0	DMA_SYSTEM_DREQ_1 20_IRQ_120		RW	0x79

Table 18-931. Register Call Summary for Register CTRL_CORE_DMA_SYSTEM_DREQ_120_121

Control Module Register Manual

- [CTRL_MODULE_CORE Register Summary: \[0\]](#)

Table 18-932. CTRL_CORE_DMA_SYSTEM_DREQ_122_123

Address Offset	0x0000 0C6C	Instance	CTRL_MODULE_CORE
Physical Address	0x4A00 2C6C		
Description			
Type	RW		

31	30	29	28	27	26	25	24	23	22	21	20	19	18	17	16	15	14	13	12	11	10	9	8	7	6	5	4	3	2	1	0
RESERVED								DMA_SYSTEM_DREQ_123_IRQ_123								RESERVED								DMA_SYSTEM_DREQ_122_IRQ_122							

Bits	Field Name	Description	Type	Reset
31:24	RESERVED		R	0x0
23:16	DMA_SYSTEM_DREQ_1 23_IRQ_123		RW	0x7C
15:8	RESERVED		R	0x0
7:0	DMA_SYSTEM_DREQ_1 22_IRQ_122		RW	0x7B

Table 18-933. Register Call Summary for Register CTRL_CORE_DMA_SYSTEM_DREQ_122_123

Control Module Register Manual

- [CTRL_MODULE_CORE Register Summary: \[0\]](#)

Table 18-934. CTRL_CORE_DMA_SYSTEM_DREQ_124_125

Address Offset	0x0000 0C70	Instance	CTRL_MODULE_CORE
Physical Address	0x4A00 2C70		
Description			
Type	RW		

31	30	29	28	27	26	25	24	23	22	21	20	19	18	17	16	15	14	13	12	11	10	9	8	7	6	5	4	3	2	1	0
RESERVED								DMA_SYSTEM_DREQ_125_IRQ_125								RESERVED								DMA_SYSTEM_DREQ_124_IRQ_124							

Bits	Field Name	Description	Type	Reset
31:24	RESERVED		R	0x0
23:16	DMA_SYSTEM_DREQ_1 25_IRQ_125		RW	0x7E
15:8	RESERVED		R	0x0
7:0	DMA_SYSTEM_DREQ_1 24_IRQ_124		RW	0x7D

Table 18-935. Register Call Summary for Register CTRL_CORE_DMA_SYSTEM_DREQ_124_125

Control Module Register Manual

- [CTRL_MODULE_CORE Register Summary: \[0\]](#)

Table 18-936. CTRL_CORE_DMA_SYSTEM_DREQ_126_127

Address Offset	0x0000 0C74	Instance	CTRL_MODULE_CORE
Physical Address	0x4A00 2C74		
Description			
Type	RW		

31	30	29	28	27	26	25	24	23	22	21	20	19	18	17	16	15	14	13	12	11	10	9	8	7	6	5	4	3	2	1	0
RESERVED																DMA_SYSTEM_DREQ_126_IRQ_126															

Bits	Field Name	Description	Type	Reset
31:8	RESERVED		R	0x0
7:0	DMA_SYSTEM_DREQ_1 26_IRQ_126		RW	0x7F

Table 18-937. Register Call Summary for Register CTRL_CORE_DMA_SYSTEM_DREQ_126_127

Control Module Register Manual

- [CTRL_MODULE_CORE Register Summary: \[0\]](#)

Table 18-938. CTRL_CORE_DMA_EDMA_DREQ_0_1

Address Offset	0x0000 0C78	Instance	CTRL_MODULE_CORE
Physical Address	0x4A00 2C78		
Description			
Type	RW		

31	30	29	28	27	26	25	24	23	22	21	20	19	18	17	16	15	14	13	12	11	10	9	8	7	6	5	4	3	2	1	0
RESERVED								DMA_EDMA_DREQ_1_IRQ_1								RESERVED								DMA_EDMA_DREQ_0_IRQ_0							

Bits	Field Name	Description	Type	Reset
31:24	RESERVED		R	0x0
23:16	DMA_EDMA_DREQ_1_IR Q_1		RW	0x2
15:8	RESERVED		R	0x0
7:0	DMA_EDMA_DREQ_0_IR Q_0		RW	0x1

Table 18-939. Register Call Summary for Register CTRL_CORE_DMA_EDMA_DREQ_0_1

Control Module Register Manual

- [CTRL_MODULE_CORE Register Summary: \[0\]](#)

Table 18-940. CTRL_CORE_DMA_EDMA_DREQ_2_3

Address Offset	0x0000 0C7C	Instance	CTRL_MODULE_CORE
Physical Address	0x4A00 2C7C		
Description			
Type	RW		

31	30	29	28	27	26	25	24	23	22	21	20	19	18	17	16	15	14	13	12	11	10	9	8	7	6	5	4	3	2	1	0
RESERVED								DMA_EDMA_DREQ_3_IRQ_3								RESERVED								DMA_EDMA_DREQ_2_IRQ_2							

Bits	Field Name	Description	Type	Reset
31:24	RESERVED		R	0x0
23:16	DMA_EDMA_DREQ_3_IR Q_3		RW	0x4
15:8	RESERVED		R	0x0
7:0	DMA_EDMA_DREQ_2_IR Q_2		RW	0x3

Table 18-941. Register Call Summary for Register CTRL_CORE_DMA_EDMA_DREQ_2_3

Control Module Register Manual

- [CTRL_MODULE_CORE Register Summary: \[0\]](#)

Table 18-942. CTRL_CORE_DMA_EDMA_DREQ_4_5

Address Offset	0x0000 0C80	Instance	CTRL_MODULE_CORE
Physical Address	0x4A00 2C80		
Description			
Type	RW		

31	30	29	28	27	26	25	24	23	22	21	20	19	18	17	16	15	14	13	12	11	10	9	8	7	6	5	4	3	2	1	0
RESERVED								DMA_EDMA_DREQ_5_IRQ_5								RESERVED								DMA_EDMA_DREQ_4_IRQ_4							

Bits	Field Name	Description	Type	Reset
31:24	RESERVED		R	0x0
23:16	DMA_EDMA_DREQ_5_IR Q_5		RW	0x6
15:8	RESERVED		R	0x0
7:0	DMA_EDMA_DREQ_4_IR Q_4		RW	0x5

Table 18-943. Register Call Summary for Register CTRL_CORE_DMA_EDMA_DREQ_4_5

Control Module Register Manual

- [CTRL_MODULE_CORE Register Summary: \[0\]](#)

Table 18-944. CTRL_CORE_DMA_EDMA_DREQ_6_7

Address Offset	0x0000 0C84	Instance	CTRL_MODULE_CORE
Physical Address	0x4A00 2C84		
Description			
Type	RW		

31	30	29	28	27	26	25	24	23	22	21	20	19	18	17	16	15	14	13	12	11	10	9	8	7	6	5	4	3	2	1	0
RESERVED								DMA_EDMA_DREQ_7_IRQ_7								RESERVED								DMA_EDMA_DREQ_6_IRQ_6							

Bits	Field Name	Description	Type	Reset
31:24	RESERVED		R	0x0
23:16	DMA_EDMA_DREQ_7_IR Q_7		RW	0x8
15:8	RESERVED		R	0x0
7:0	DMA_EDMA_DREQ_6_IR Q_6		RW	0x7

Table 18-945. Register Call Summary for Register CTRL_CORE_DMA_EDMA_DREQ_6_7

Control Module Register Manual

- [CTRL_MODULE_CORE Register Summary: \[0\]](#)

Table 18-946. CTRL_CORE_DMA_EDMA_DREQ_8_9

Address Offset	0x0000 0C88	Instance	CTRL_MODULE_CORE
Physical Address	0x4A00 2C88		
Description			
Type	RW		

31	30	29	28	27	26	25	24	23	22	21	20	19	18	17	16	15	14	13	12	11	10	9	8	7	6	5	4	3	2	1	0
RESERVED								DMA_EDMA_DREQ_9_IRQ_9								RESERVED								DMA_EDMA_DREQ_8_IRQ_8							

Bits	Field Name	Description	Type	Reset
31:24	RESERVED		R	0x0
23:16	DMA_EDMA_DREQ_9_IRQ_9		RW	0xA
15:8	RESERVED		R	0x0
7:0	DMA_EDMA_DREQ_8_IRQ_8		RW	0x9

Table 18-947. Register Call Summary for Register CTRL_CORE_DMA_EDMA_DREQ_8_9

Control Module Register Manual

- [CTRL_MODULE_CORE Register Summary: \[0\]](#)

Table 18-948. CTRL_CORE_DMA_EDMA_DREQ_10_11

Address Offset	0x0000 0C8C	Instance	CTRL_MODULE_CORE
Physical Address	0x4A00 2C8C		
Description			
Type	RW		

31	30	29	28	27	26	25	24	23	22	21	20	19	18	17	16	15	14	13	12	11	10	9	8	7	6	5	4	3	2	1	0
RESERVED								DMA_EDMA_DREQ_11_IRQ_11								RESERVED								DMA_EDMA_DREQ_10_IRQ_10							

Bits	Field Name	Description	Type	Reset
31:24	RESERVED		R	0x0
23:16	DMA_EDMA_DREQ_11_IRQ_11		RW	0xC
15:8	RESERVED		R	0x0
7:0	DMA_EDMA_DREQ_10_IRQ_10		RW	0xB

Table 18-949. Register Call Summary for Register CTRL_CORE_DMA_EDMA_DREQ_10_11

Control Module Register Manual

- [CTRL_MODULE_CORE Register Summary: \[0\]](#)

Table 18-950. CTRL_CORE_DMA_EDMA_DREQ_12_13

Address Offset	0x0000 0C90	Instance	CTRL_MODULE_CORE
Physical Address	0x4A00 2C90		
Description			
Type	RW		

31	30	29	28	27	26	25	24	23	22	21	20	19	18	17	16	15	14	13	12	11	10	9	8	7	6	5	4	3	2	1	0
RESERVED								DMA_EDMA_DREQ_13_IRQ_13								RESERVED								DMA_EDMA_DREQ_12_IRQ_12							

Bits	Field Name	Description	Type	Reset
31:24	RESERVED		R	0x0
23:16	DMA_EDMA_DREQ_13_I RQ_13		RW	0xE
15:8	RESERVED		R	0x0
7:0	DMA_EDMA_DREQ_12_I RQ_12		RW	0xD

Table 18-951. Register Call Summary for Register CTRL_CORE_DMA_EDMA_DREQ_12_13

Control Module Register Manual

- [CTRL_MODULE_CORE Register Summary: \[0\]](#)

Table 18-952. CTRL_CORE_DMA_EDMA_DREQ_14_15

Address Offset	0x0000 0C94	Instance	CTRL_MODULE_CORE
Physical Address	0x4A00 2C94		
Description			
Type	RW		

31	30	29	28	27	26	25	24	23	22	21	20	19	18	17	16	15	14	13	12	11	10	9	8	7	6	5	4	3	2	1	0
RESERVED								DMA_EDMA_DREQ_15_IRQ_15								RESERVED								DMA_EDMA_DREQ_14_IRQ_14							

Bits	Field Name	Description	Type	Reset
31:24	RESERVED		R	0x0
23:16	DMA_EDMA_DREQ_15_I RQ_15		RW	0x10
15:8	RESERVED		R	0x0
7:0	DMA_EDMA_DREQ_14_I RQ_14		RW	0xF

Table 18-953. Register Call Summary for Register CTRL_CORE_DMA_EDMA_DREQ_14_15

Control Module Register Manual

- [CTRL_MODULE_CORE Register Summary: \[0\]](#)

Table 18-954. CTRL_CORE_DMA_EDMA_DREQ_16_17

Address Offset	0x0000 0C98	Instance	CTRL_MODULE_CORE
Physical Address	0x4A00 2C98		
Description			
Type	RW		

31	30	29	28	27	26	25	24	23	22	21	20	19	18	17	16	15	14	13	12	11	10	9	8	7	6	5	4	3	2	1	0
RESERVED								DMA_EDMA_DREQ_17_IRQ_17								RESERVED								DMA_EDMA_DREQ_16_IRQ_16							

Bits	Field Name	Description	Type	Reset
31:24	RESERVED		R	0x0
23:16	DMA_EDMA_DREQ_17_I RQ_17		RW	0x12
15:8	RESERVED		R	0x0
7:0	DMA_EDMA_DREQ_16_I RQ_16		RW	0x11

Table 18-955. Register Call Summary for Register CTRL_CORE_DMA_EDMA_DREQ_16_17

Control Module Register Manual

- [CTRL_MODULE_CORE Register Summary: \[0\]](#)

Table 18-956. CTRL_CORE_DMA_EDMA_DREQ_18_19

Address Offset	0x0000 0C9C	Instance	CTRL_MODULE_CORE
Physical Address	0x4A00 2C9C		
Description			
Type	RW		

31	30	29	28	27	26	25	24	23	22	21	20	19	18	17	16	15	14	13	12	11	10	9	8	7	6	5	4	3	2	1	0
RESERVED								DMA_EDMA_DREQ_19_IRQ_19								RESERVED								DMA_EDMA_DREQ_18_IRQ_18							

Bits	Field Name	Description	Type	Reset
31:24	RESERVED		R	0x0
23:16	DMA_EDMA_DREQ_19_I RQ_19		RW	0x14
15:8	RESERVED		R	0x0
7:0	DMA_EDMA_DREQ_18_I RQ_18		RW	0x13

Table 18-957. Register Call Summary for Register CTRL_CORE_DMA_EDMA_DREQ_18_19

Control Module Register Manual

- [CTRL_MODULE_CORE Register Summary: \[0\]](#)

Table 18-958. CTRL_CORE_DMA_EDMA_DREQ_20_21

Address Offset	0x0000 0CA0	Instance	CTRL_MODULE_CORE
Physical Address	0x4A00 2CA0		
Description			
Type	RW		

31	30	29	28	27	26	25	24	23	22	21	20	19	18	17	16	15	14	13	12	11	10	9	8	7	6	5	4	3	2	1	0
RESERVED								DMA_EDMA_DREQ_21_IRQ_21								RESERVED								DMA_EDMA_DREQ_20_IRQ_20							

Bits	Field Name	Description	Type	Reset
31:24	RESERVED		R	0x0
23:16	DMA_EDMA_DREQ_21_I RQ_21		RW	0x16
15:8	RESERVED		R	0x0
7:0	DMA_EDMA_DREQ_20_I RQ_20		RW	0x15

Table 18-959. Register Call Summary for Register CTRL_CORE_DMA_EDMA_DREQ_20_21

Control Module Register Manual

- [CTRL_MODULE_CORE Register Summary: \[0\]](#)

Table 18-960. CTRL_CORE_DMA_EDMA_DREQ_22_23

Address Offset	0x0000 0CA4	Instance	CTRL_MODULE_CORE
Physical Address	0x4A00 2CA4		
Description			
Type	RW		

31	30	29	28	27	26	25	24	23	22	21	20	19	18	17	16	15	14	13	12	11	10	9	8	7	6	5	4	3	2	1	0
RESERVED								DMA_EDMA_DREQ_23_IRQ_23								RESERVED								DMA_EDMA_DREQ_22_IRQ_22							

Bits	Field Name	Description	Type	Reset
31:24	RESERVED		R	0x0
23:16	DMA_EDMA_DREQ_23_I RQ_23		RW	0x18
15:8	RESERVED		R	0x0
7:0	DMA_EDMA_DREQ_22_I RQ_22		RW	0x17

Table 18-961. Register Call Summary for Register CTRL_CORE_DMA_EDMA_DREQ_22_23

Control Module Register Manual

- [CTRL_MODULE_CORE Register Summary: \[0\]](#)

Table 18-962. CTRL_CORE_DMA_EDMA_DREQ_24_25

Address Offset	0x0000 0CA8	Instance	CTRL_MODULE_CORE
Physical Address	0x4A00 2CA8		
Description			
Type	RW		

31	30	29	28	27	26	25	24	23	22	21	20	19	18	17	16	15	14	13	12	11	10	9	8	7	6	5	4	3	2	1	0
RESERVED								DMA_EDMA_DREQ_25_IRQ_25								RESERVED								DMA_EDMA_DREQ_24_IRQ_24							

Bits	Field Name	Description	Type	Reset
31:24	RESERVED		R	0x0
23:16	DMA_EDMA_DREQ_25_I RQ_25		RW	0x1A
15:8	RESERVED		R	0x0
7:0	DMA_EDMA_DREQ_24_I RQ_24		RW	0x19

Table 18-963. Register Call Summary for Register CTRL_CORE_DMA_EDMA_DREQ_24_25

Control Module Register Manual

- [CTRL_MODULE_CORE Register Summary: \[0\]](#)

Table 18-964. CTRL_CORE_DMA_EDMA_DREQ_26_27

Address Offset	0x0000 0CAC	Instance	CTRL_MODULE_CORE
Physical Address	0x4A00 2CAC		
Description			
Type	RW		

31	30	29	28	27	26	25	24	23	22	21	20	19	18	17	16	15	14	13	12	11	10	9	8	7	6	5	4	3	2	1	0
RESERVED								DMA_EDMA_DREQ_27_IRQ_27								RESERVED								DMA_EDMA_DREQ_26_IRQ_26							

Bits	Field Name	Description	Type	Reset
31:24	RESERVED		R	0x0
23:16	DMA_EDMA_DREQ_27_I RQ_27		RW	0x1C
15:8	RESERVED		R	0x0
7:0	DMA_EDMA_DREQ_26_I RQ_26		RW	0x1B

Table 18-965. Register Call Summary for Register CTRL_CORE_DMA_EDMA_DREQ_26_27

Control Module Register Manual

- [CTRL_MODULE_CORE Register Summary: \[0\]](#)

Table 18-966. CTRL_CORE_DMA_EDMA_DREQ_28_29

Address Offset	0x0000 0CB0	Instance	CTRL_MODULE_CORE
Physical Address	0x4A00 2CB0		
Description			
Type	RW		

31	30	29	28	27	26	25	24	23	22	21	20	19	18	17	16	15	14	13	12	11	10	9	8	7	6	5	4	3	2	1	0
RESERVED								DMA_EDMA_DREQ_29_IRQ_29								RESERVED								DMA_EDMA_DREQ_28_IRQ_28							

Bits	Field Name	Description	Type	Reset
31:24	RESERVED		R	0x0
23:16	DMA_EDMA_DREQ_29_I RQ_29		RW	0x1E
15:8	RESERVED		R	0x0
7:0	DMA_EDMA_DREQ_28_I RQ_28		RW	0x1D

Table 18-967. Register Call Summary for Register CTRL_CORE_DMA_EDMA_DREQ_28_29

Control Module Register Manual

- [CTRL_MODULE_CORE Register Summary: \[0\]](#)

Table 18-968. CTRL_CORE_DMA_EDMA_DREQ_30_31

Address Offset	0x0000 0CB4	Instance	CTRL_MODULE_CORE
Physical Address	0x4A00 2CB4		
Description			
Type	RW		

31	30	29	28	27	26	25	24	23	22	21	20	19	18	17	16	15	14	13	12	11	10	9	8	7	6	5	4	3	2	1	0
RESERVED								DMA_EDMA_DREQ_31_IRQ_31								RESERVED								DMA_EDMA_DREQ_30_IRQ_30							

Bits	Field Name	Description	Type	Reset
31:24	RESERVED		R	0x0
23:16	DMA_EDMA_DREQ_31_I RQ_31		RW	0x20
15:8	RESERVED		R	0x0
7:0	DMA_EDMA_DREQ_30_I RQ_30		RW	0x1F

Table 18-969. Register Call Summary for Register CTRL_CORE_DMA_EDMA_DREQ_30_31

Control Module Functional Description

- [DMA_CROSSBAR Module Functional Description: \[0\]](#)

Control Module Register Manual

- [CTRL_MODULE_CORE Register Summary: \[1\]](#)

Table 18-970. CTRL_CORE_DMA_EDMA_DREQ_32_33

Address Offset	0x0000 0CB8	Instance	CTRL_MODULE_CORE
Physical Address	0x4A00 2CB8		
Description			
Type	RW		

31	30	29	28	27	26	25	24	23	22	21	20	19	18	17	16	15	14	13	12	11	10	9	8	7	6	5	4	3	2	1	0
RESERVED								DMA_EDMA_DREQ_33_IRQ_33								RESERVED								DMA_EDMA_DREQ_32_IRQ_32							

Bits	Field Name	Description	Type	Reset
31:24	RESERVED		R	0x0
23:16	DMA_EDMA_DREQ_33_I RQ_33		RW	0x22
15:8	RESERVED		R	0x0
7:0	DMA_EDMA_DREQ_32_I RQ_32		RW	0x21

Table 18-971. Register Call Summary for Register CTRL_CORE_DMA_EDMA_DREQ_32_33

Control Module Register Manual

- [CTRL_MODULE_CORE Register Summary: \[0\]](#)

Table 18-972. CTRL_CORE_DMA_EDMA_DREQ_34_35

Address Offset	0x0000 0CBC	Instance	CTRL_MODULE_CORE
Physical Address	0x4A00 2CBC		
Description			
Type	RW		

31	30	29	28	27	26	25	24	23	22	21	20	19	18	17	16	15	14	13	12	11	10	9	8	7	6	5	4	3	2	1	0
RESERVED								DMA_EDMA_DREQ_35_IRQ_35								RESERVED								DMA_EDMA_DREQ_34_IRQ_34							

Bits	Field Name	Description	Type	Reset
31:24	RESERVED		R	0x0
23:16	DMA_EDMA_DREQ_35_I RQ_35		RW	0x24
15:8	RESERVED		R	0x0
7:0	DMA_EDMA_DREQ_34_I RQ_34		RW	0x23

Table 18-973. Register Call Summary for Register CTRL_CORE_DMA_EDMA_DREQ_34_35

Control Module Register Manual

- [CTRL_MODULE_CORE Register Summary: \[0\]](#)

Table 18-974. CTRL_CORE_DMA_EDMA_DREQ_36_37

Address Offset	0x0000 0CC0	Instance	CTRL_MODULE_CORE
Physical Address	0x4A00 2CC0		
Description			
Type	RW		

31	30	29	28	27	26	25	24	23	22	21	20	19	18	17	16	15	14	13	12	11	10	9	8	7	6	5	4	3	2	1	0
RESERVED								DMA_EDMA_DREQ_37_IRQ_37								RESERVED								DMA_EDMA_DREQ_36_IRQ_36							

Bits	Field Name	Description	Type	Reset
31:24	RESERVED		R	0x0
23:16	DMA_EDMA_DREQ_37_I RQ_37		RW	0x26
15:8	RESERVED		R	0x0
7:0	DMA_EDMA_DREQ_36_I RQ_36		RW	0x25

Table 18-975. Register Call Summary for Register CTRL_CORE_DMA_EDMA_DREQ_36_37

Control Module Register Manual

- [CTRL_MODULE_CORE Register Summary: \[0\]](#)

Table 18-976. CTRL_CORE_DMA_EDMA_DREQ_38_39

Address Offset	0x0000 0CC4	Instance	CTRL_MODULE_CORE
Physical Address	0x4A00 2CC4		
Description			
Type	RW		

31	30	29	28	27	26	25	24	23	22	21	20	19	18	17	16	15	14	13	12	11	10	9	8	7	6	5	4	3	2	1	0
RESERVED								DMA_EDMA_DREQ_39_IRQ_39								RESERVED								DMA_EDMA_DREQ_38_IRQ_38							

Bits	Field Name	Description	Type	Reset
31:24	RESERVED		R	0x0
23:16	DMA_EDMA_DREQ_39_I RQ_39		RW	0x28
15:8	RESERVED		R	0x0
7:0	DMA_EDMA_DREQ_38_I RQ_38		RW	0x27

Table 18-977. Register Call Summary for Register CTRL_CORE_DMA_EDMA_DREQ_38_39

Control Module Register Manual

- [CTRL_MODULE_CORE Register Summary: \[0\]](#)

Table 18-978. CTRL_CORE_DMA_EDMA_DREQ_40_41

Address Offset	0x0000 0CC8	Instance	CTRL_MODULE_CORE
Physical Address	0x4A00 2CC8		
Description			
Type	RW		

31	30	29	28	27	26	25	24	23	22	21	20	19	18	17	16	15	14	13	12	11	10	9	8	7	6	5	4	3	2	1	0
RESERVED								DMA_EDMA_DREQ_41_IRQ_41								RESERVED								DMA_EDMA_DREQ_40_IRQ_40							

Bits	Field Name	Description	Type	Reset
31:24	RESERVED		R	0x0
23:16	DMA_EDMA_DREQ_41_I RQ_41		RW	0x2A
15:8	RESERVED		R	0x0
7:0	DMA_EDMA_DREQ_40_I RQ_40		RW	0x29

Table 18-979. Register Call Summary for Register CTRL_CORE_DMA_EDMA_DREQ_40_41

Control Module Register Manual

- [CTRL_MODULE_CORE Register Summary: \[0\]](#)

Table 18-980. CTRL_CORE_DMA_EDMA_DREQ_42_43

Address Offset	0x0000 0CCC	Instance	CTRL_MODULE_CORE
Physical Address	0x4A00 2CCC		
Description			
Type	RW		

31	30	29	28	27	26	25	24	23	22	21	20	19	18	17	16	15	14	13	12	11	10	9	8	7	6	5	4	3	2	1	0
RESERVED								DMA_EDMA_DREQ_43_IRQ_43								RESERVED								DMA_EDMA_DREQ_42_IRQ_42							

Bits	Field Name	Description	Type	Reset
31:24	RESERVED		R	0x0
23:16	DMA_EDMA_DREQ_43_I RQ_43		RW	0x2C
15:8	RESERVED		R	0x0
7:0	DMA_EDMA_DREQ_42_I RQ_42		RW	0x2B

Table 18-981. Register Call Summary for Register CTRL_CORE_DMA_EDMA_DREQ_42_43

Control Module Register Manual

- [CTRL_MODULE_CORE Register Summary: \[0\]](#)

Table 18-982. CTRL_CORE_DMA_EDMA_DREQ_44_45

Address Offset	0x0000 0CD0	Instance	CTRL_MODULE_CORE
Physical Address	0x4A00 2CD0		
Description			
Type	RW		

31	30	29	28	27	26	25	24	23	22	21	20	19	18	17	16	15	14	13	12	11	10	9	8	7	6	5	4	3	2	1	0
RESERVED								DMA_EDMA_DREQ_45_IRQ_45								RESERVED								DMA_EDMA_DREQ_44_IRQ_44							

Bits	Field Name	Description	Type	Reset
31:24	RESERVED		R	0x0
23:16	DMA_EDMA_DREQ_45_I RQ_45		RW	0x2E
15:8	RESERVED		R	0x0
7:0	DMA_EDMA_DREQ_44_I RQ_44		RW	0x2D

Table 18-983. Register Call Summary for Register CTRL_CORE_DMA_EDMA_DREQ_44_45

Control Module Register Manual

- [CTRL_MODULE_CORE Register Summary: \[0\]](#)

Table 18-984. CTRL_CORE_DMA_EDMA_DREQ_46_47

Address Offset	0x0000 0CD4	Instance	CTRL_MODULE_CORE
Physical Address	0x4A00 2CD4		
Description			
Type	RW		

31	30	29	28	27	26	25	24	23	22	21	20	19	18	17	16	15	14	13	12	11	10	9	8	7	6	5	4	3	2	1	0
RESERVED								DMA_EDMA_DREQ_47_IRQ_47								RESERVED								DMA_EDMA_DREQ_46_IRQ_46							

Bits	Field Name	Description	Type	Reset
31:24	RESERVED		R	0x0
23:16	DMA_EDMA_DREQ_47_I RQ_47		RW	0x30
15:8	RESERVED		R	0x0
7:0	DMA_EDMA_DREQ_46_I RQ_46		RW	0x2F

Table 18-985. Register Call Summary for Register CTRL_CORE_DMA_EDMA_DREQ_46_47

Control Module Register Manual

- [CTRL_MODULE_CORE Register Summary: \[0\]](#)

Table 18-986. CTRL_CORE_DMA_EDMA_DREQ_48_49

Address Offset	0x0000 0CD8	Instance	CTRL_MODULE_CORE
Physical Address	0x4A00 2CD8		
Description			
Type	RW		

31	30	29	28	27	26	25	24	23	22	21	20	19	18	17	16	15	14	13	12	11	10	9	8	7	6	5	4	3	2	1	0
RESERVED								DMA_EDMA_DREQ_49_IRQ_49								RESERVED								DMA_EDMA_DREQ_48_IRQ_48							

Bits	Field Name	Description	Type	Reset
31:24	RESERVED		R	0x0
23:16	DMA_EDMA_DREQ_49_I RQ_49		RW	0x32
15:8	RESERVED		R	0x0
7:0	DMA_EDMA_DREQ_48_I RQ_48		RW	0x31

Table 18-987. Register Call Summary for Register CTRL_CORE_DMA_EDMA_DREQ_48_49

Control Module Register Manual

- [CTRL_MODULE_CORE Register Summary: \[0\]](#)

Table 18-988. CTRL_CORE_DMA_EDMA_DREQ_50_51

Address Offset	0x0000 0CDC	Instance	CTRL_MODULE_CORE
Physical Address	0x4A00 2CDC		
Description			
Type	RW		

31	30	29	28	27	26	25	24	23	22	21	20	19	18	17	16	15	14	13	12	11	10	9	8	7	6	5	4	3	2	1	0
RESERVED								DMA_EDMA_DREQ_51_IRQ_51								RESERVED								DMA_EDMA_DREQ_50_IRQ_50							

Bits	Field Name	Description	Type	Reset
31:24	RESERVED		R	0x0
23:16	DMA_EDMA_DREQ_51_I RQ_51		RW	0x34
15:8	RESERVED		R	0x0
7:0	DMA_EDMA_DREQ_50_I RQ_50		RW	0x33

Table 18-989. Register Call Summary for Register CTRL_CORE_DMA_EDMA_DREQ_50_51

Control Module Register Manual

- [CTRL_MODULE_CORE Register Summary: \[0\]](#)

Table 18-990. CTRL_CORE_DMA_EDMA_DREQ_52_53

Address Offset	0x0000 0CE0	Instance	CTRL_MODULE_CORE
Physical Address	0x4A00 2CE0		
Description			
Type	RW		

31	30	29	28	27	26	25	24	23	22	21	20	19	18	17	16	15	14	13	12	11	10	9	8	7	6	5	4	3	2	1	0
RESERVED								DMA_EDMA_DREQ_53_IRQ_53								RESERVED								DMA_EDMA_DREQ_52_IRQ_52							

Bits	Field Name	Description	Type	Reset
31:24	RESERVED		R	0x0
23:16	DMA_EDMA_DREQ_53_I RQ_53		RW	0x36
15:8	RESERVED		R	0x0
7:0	DMA_EDMA_DREQ_52_I RQ_52		RW	0x35

Table 18-991. Register Call Summary for Register CTRL_CORE_DMA_EDMA_DREQ_52_53

Control Module Register Manual

- [CTRL_MODULE_CORE Register Summary: \[0\]](#)

Table 18-992. CTRL_CORE_DMA_EDMA_DREQ_54_55

Address Offset	0x0000 0CE4	Instance	CTRL_MODULE_CORE
Physical Address	0x4A00 2CE4		
Description			
Type	RW		

31	30	29	28	27	26	25	24	23	22	21	20	19	18	17	16	15	14	13	12	11	10	9	8	7	6	5	4	3	2	1	0
RESERVED								DMA_EDMA_DREQ_55_IRQ_55								RESERVED								DMA_EDMA_DREQ_54_IRQ_54							

Bits	Field Name	Description	Type	Reset
31:24	RESERVED		R	0x0
23:16	DMA_EDMA_DREQ_55_I RQ_55		RW	0x38
15:8	RESERVED		R	0x0
7:0	DMA_EDMA_DREQ_54_I RQ_54		RW	0x37

Table 18-993. Register Call Summary for Register CTRL_CORE_DMA_EDMA_DREQ_54_55

Control Module Register Manual

- [CTRL_MODULE_CORE Register Summary: \[0\]](#)

Table 18-994. CTRL_CORE_DMA_EDMA_DREQ_56_57

Address Offset	0x0000 0CE8	Instance	CTRL_MODULE_CORE
Physical Address	0x4A00 2CE8		
Description			
Type	RW		

31	30	29	28	27	26	25	24	23	22	21	20	19	18	17	16	15	14	13	12	11	10	9	8	7	6	5	4	3	2	1	0
RESERVED								DMA_EDMA_DREQ_57_IRQ_57								RESERVED								DMA_EDMA_DREQ_56_IRQ_56							

Bits	Field Name	Description	Type	Reset
31:24	RESERVED		R	0x0
23:16	DMA_EDMA_DREQ_57_I RQ_57		RW	0x3A
15:8	RESERVED		R	0x0
7:0	DMA_EDMA_DREQ_56_I RQ_56		RW	0x39

Table 18-995. Register Call Summary for Register CTRL_CORE_DMA_EDMA_DREQ_56_57

Control Module Register Manual

- [CTRL_MODULE_CORE Register Summary: \[0\]](#)

Table 18-996. CTRL_CORE_DMA_EDMA_DREQ_58_59

Address Offset	0x0000 0CEC	Instance	CTRL_MODULE_CORE
Physical Address	0x4A00 2CEC		
Description			
Type	RW		

31	30	29	28	27	26	25	24	23	22	21	20	19	18	17	16	15	14	13	12	11	10	9	8	7	6	5	4	3	2	1	0
RESERVED								DMA_EDMA_DREQ_59_IRQ_59								RESERVED								DMA_EDMA_DREQ_58_IRQ_58							

Bits	Field Name	Description	Type	Reset
31:24	RESERVED		R	0x0
23:16	DMA_EDMA_DREQ_59_I RQ_59		RW	0x3C
15:8	RESERVED		R	0x0
7:0	DMA_EDMA_DREQ_58_I RQ_58		RW	0x3B

Table 18-997. Register Call Summary for Register CTRL_CORE_DMA_EDMA_DREQ_58_59

Control Module Register Manual

- [CTRL_MODULE_CORE Register Summary: \[0\]](#)

Table 18-998. CTRL_CORE_DMA_EDMA_DREQ_60_61

Address Offset	0x0000 0CF0	Instance	CTRL_MODULE_CORE
Physical Address	0x4A00 2CF0		
Description			
Type	RW		

31	30	29	28	27	26	25	24	23	22	21	20	19	18	17	16	15	14	13	12	11	10	9	8	7	6	5	4	3	2	1	0
RESERVED								DMA_EDMA_DREQ_61_IRQ_61								RESERVED								DMA_EDMA_DREQ_60_IRQ_60							

Bits	Field Name	Description	Type	Reset
31:24	RESERVED		R	0x0
23:16	DMA_EDMA_DREQ_61_I RQ_61		RW	0x3E
15:8	RESERVED		R	0x0
7:0	DMA_EDMA_DREQ_60_I RQ_60		RW	0x3D

Table 18-999. Register Call Summary for Register CTRL_CORE_DMA_EDMA_DREQ_60_61

Control Module Register Manual

- [CTRL_MODULE_CORE Register Summary: \[0\]](#)

Table 18-1000. CTRL_CORE_DMA_EDMA_DREQ_62_63

Address Offset	0x0000 0CF4	Instance	CTRL_MODULE_CORE
Physical Address	0x4A00 2CF4		
Description			
Type	RW		

31	30	29	28	27	26	25	24	23	22	21	20	19	18	17	16	15	14	13	12	11	10	9	8	7	6	5	4	3	2	1	0
RESERVED								DMA_EDMA_DREQ_63_IRQ_63								RESERVED								DMA_EDMA_DREQ_62_IRQ_62							

Bits	Field Name	Description	Type	Reset
31:24	RESERVED		R	0x0
23:16	DMA_EDMA_DREQ_63_I RQ_63		RW	0x40
15:8	RESERVED		R	0x0
7:0	DMA_EDMA_DREQ_62_I RQ_62		RW	0x3F

Table 18-1001. Register Call Summary for Register CTRL_CORE_DMA_EDMA_DREQ_62_63

Control Module Functional Description

- [DMA_CROSSBAR Module Functional Description: \[0\]\[1\]](#)

Control Module Register Manual

- [CTRL_MODULE_CORE Register Summary: \[2\]](#)

Table 18-1002. CTRL_CORE_DMA_DSP1_DREQ_0_1

Address Offset	0x0000 0CF8	Instance	CTRL_MODULE_CORE
Physical Address	0x4A00 2CF8		
Description			
Type	RW		

31	30	29	28	27	26	25	24	23	22	21	20	19	18	17	16	15	14	13	12	11	10	9	8	7	6	5	4	3	2	1	0
RESERVED								DMA_DSP1_DREQ_1_IRQ_1								RESERVED								DMA_DSP1_DREQ_0_IRQ_0							

Bits	Field Name	Description	Type	Reset
31:24	RESERVED		R	0x0
23:16	DMA_DSP1_DREQ_1_IR Q_1		RW	0x81
15:8	RESERVED		R	0x0
7:0	DMA_DSP1_DREQ_0_IR Q_0		RW	0x80

Table 18-1003. Register Call Summary for Register CTRL_CORE_DMA_DSP1_DREQ_0_1

Control Module Register Manual

- [CTRL_MODULE_CORE Register Summary: \[0\]](#)

Table 18-1004. CTRL_CORE_DMA_DSP1_DREQ_2_3

Address Offset	0x0000 0CFC	Instance	CTRL_MODULE_CORE
Physical Address	0x4A00 2CFC		
Description			
Type	RW		

31	30	29	28	27	26	25	24	23	22	21	20	19	18	17	16	15	14	13	12	11	10	9	8	7	6	5	4	3	2	1	0
RESERVED								DMA_DSP1_DREQ_3_IRQ_3								RESERVED								DMA_DSP1_DREQ_2_IRQ_2							

Bits	Field Name	Description	Type	Reset
31:24	RESERVED		R	0x0
23:16	DMA_DSP1_DREQ_3_IR Q_3		RW	0x83
15:8	RESERVED		R	0x0
7:0	DMA_DSP1_DREQ_2_IR Q_2		RW	0x82

Table 18-1005. Register Call Summary for Register CTRL_CORE_DMA_DSP1_DREQ_2_3

Control Module Register Manual

- [CTRL_MODULE_CORE Register Summary: \[0\]](#)

Table 18-1006. CTRL_CORE_DMA_DSP1_DREQ_4_5

Address Offset	0x0000 0D00	Instance	CTRL_MODULE_CORE
Physical Address	0x4A00 2D00		
Description			
Type	RW		

31	30	29	28	27	26	25	24	23	22	21	20	19	18	17	16	15	14	13	12	11	10	9	8	7	6	5	4	3	2	1	0
RESERVED								DMA_DSP1_DREQ_5_IRQ_5								RESERVED								DMA_DSP1_DREQ_4_IRQ_4							

Bits	Field Name	Description	Type	Reset
31:24	RESERVED		R	0x0
23:16	DMA_DSP1_DREQ_5_IR Q_5		RW	0x85
15:8	RESERVED		R	0x0
7:0	DMA_DSP1_DREQ_4_IR Q_4		RW	0x84

Table 18-1007. Register Call Summary for Register CTRL_CORE_DMA_DSP1_DREQ_4_5

Control Module Register Manual

- [CTRL_MODULE_CORE Register Summary: \[0\]](#)

Table 18-1008. CTRL_CORE_DMA_DSP1_DREQ_6_7

Address Offset	0x0000 0D04	Instance	CTRL_MODULE_CORE
Physical Address	0x4A00 2D04		
Description			
Type	RW		

31	30	29	28	27	26	25	24	23	22	21	20	19	18	17	16	15	14	13	12	11	10	9	8	7	6	5	4	3	2	1	0
RESERVED								DMA_DSP1_DREQ_7_IRQ_7								RESERVED								DMA_DSP1_DREQ_6_IRQ_6							

Bits	Field Name	Description	Type	Reset
31:24	RESERVED		R	0x0
23:16	DMA_DSP1_DREQ_7_IR Q_7		RW	0x87
15:8	RESERVED		R	0x0
7:0	DMA_DSP1_DREQ_6_IR Q_6		RW	0x86

Table 18-1009. Register Call Summary for Register CTRL_CORE_DMA_DSP1_DREQ_6_7

Control Module Register Manual

- [CTRL_MODULE_CORE Register Summary: \[0\]](#)

Table 18-1010. CTRL_CORE_DMA_DSP1_DREQ_8_9

Address Offset	0x0000 0D08																
Physical Address	0x4A00 2D08								Instance	CTRL_MODULE_CORE							
Description																	
Type	RW																

31	30	29	28	27	26	25	24	23	22	21	20	19	18	17	16	15	14	13	12	11	10	9	8	7	6	5	4	3	2	1	0
RESERVED								DMA_DSP1_DREQ_9_IRQ_9								RESERVED								DMA_DSP1_DREQ_8_IRQ_8							

Bits	Field Name	Description	Type	Reset
31:24	RESERVED		R	0x0
23:16	DMA_DSP1_DREQ_9_IRQ_9		RW	0x89
15:8	RESERVED		R	0x0
7:0	DMA_DSP1_DREQ_8_IRQ_8		RW	0x88

Table 18-1011. Register Call Summary for Register CTRL_CORE_DMA_DSP1_DREQ_8_9

Control Module Register Manual

- [CTRL_MODULE_CORE Register Summary: \[0\]](#)

Table 18-1012. CTRL_CORE_DMA_DSP1_DREQ_10_11

Address Offset	0x0000 0D0C																
Physical Address	0x4A00 2D0C								Instance	CTRL_MODULE_CORE							
Description																	
Type	RW																

31	30	29	28	27	26	25	24	23	22	21	20	19	18	17	16	15	14	13	12	11	10	9	8	7	6	5	4	3	2	1	0
RESERVED								DMA_DSP1_DREQ_11_IRQ_11								RESERVED								DMA_DSP1_DREQ_10_IRQ_10							

Bits	Field Name	Description	Type	Reset
31:24	RESERVED		R	0x0
23:16	DMA_DSP1_DREQ_11_IRQ_11		RW	0x8B
15:8	RESERVED		R	0x0
7:0	DMA_DSP1_DREQ_10_IRQ_10		RW	0x8A

Table 18-1013. Register Call Summary for Register CTRL_CORE_DMA_DSP1_DREQ_10_11

Control Module Register Manual

- [CTRL_MODULE_CORE Register Summary: \[0\]](#)

Table 18-1014. CTRL_CORE_DMA_DSP1_DREQ_12_13

Address Offset	0x0000 0D10	Instance	CTRL_MODULE_CORE
Physical Address	0x4A00 2D10		
Description			
Type	RW		

31	30	29	28	27	26	25	24	23	22	21	20	19	18	17	16	15	14	13	12	11	10	9	8	7	6	5	4	3	2	1	0
RESERVED								DMA_DSP1_DREQ_13_IRQ_13								RESERVED								DMA_DSP1_DREQ_12_IRQ_12							

Bits	Field Name	Description	Type	Reset
31:24	RESERVED		R	0x0
23:16	DMA_DSP1_DREQ_13_I RQ_13		RW	0x8D
15:8	RESERVED		R	0x0
7:0	DMA_DSP1_DREQ_12_I RQ_12		RW	0x8C

Table 18-1015. Register Call Summary for Register CTRL_CORE_DMA_DSP1_DREQ_12_13

Control Module Register Manual

- [CTRL_MODULE_CORE Register Summary: \[0\]](#)

Table 18-1016. CTRL_CORE_DMA_DSP1_DREQ_14_15

Address Offset	0x0000 0D14	Instance	CTRL_MODULE_CORE
Physical Address	0x4A00 2D14		
Description			
Type	RW		

31	30	29	28	27	26	25	24	23	22	21	20	19	18	17	16	15	14	13	12	11	10	9	8	7	6	5	4	3	2	1	0
RESERVED								DMA_DSP1_DREQ_15_IRQ_15								RESERVED								DMA_DSP1_DREQ_14_IRQ_14							

Bits	Field Name	Description	Type	Reset
31:24	RESERVED		R	0x0
23:16	DMA_DSP1_DREQ_15_I RQ_15		RW	0x8F
15:8	RESERVED		R	0x0
7:0	DMA_DSP1_DREQ_14_I RQ_14		RW	0x8E

Table 18-1017. Register Call Summary for Register CTRL_CORE_DMA_DSP1_DREQ_14_15

Control Module Register Manual

- [CTRL_MODULE_CORE Register Summary: \[0\]](#)

Table 18-1018. CTRL_CORE_DMA_DSP1_DREQ_16_17

Address Offset	0x0000 0D18	Instance	CTRL_MODULE_CORE
Physical Address	0x4A00 2D18		
Description			
Type	RW		

31	30	29	28	27	26	25	24	23	22	21	20	19	18	17	16	15	14	13	12	11	10	9	8	7	6	5	4	3	2	1	0
RESERVED								DMA_DSP1_DREQ_17_IRQ_17								RESERVED								DMA_DSP1_DREQ_16_IRQ_16							

Bits	Field Name	Description	Type	Reset
31:24	RESERVED		R	0x0
23:16	DMA_DSP1_DREQ_17_I RQ_17		RW	0x9B
15:8	RESERVED		R	0x0
7:0	DMA_DSP1_DREQ_16_I RQ_16		RW	0x9A

Table 18-1019. Register Call Summary for Register CTRL_CORE_DMA_DSP1_DREQ_16_17

Control Module Register Manual

- [CTRL_MODULE_CORE Register Summary: \[0\]](#)

Table 18-1020. CTRL_CORE_DMA_DSP1_DREQ_18_19

Address Offset	0x0000 0D1C	Instance	CTRL_MODULE_CORE
Physical Address	0x4A00 2D1C		
Description			
Type	RW		

31	30	29	28	27	26	25	24	23	22	21	20	19	18	17	16	15	14	13	12	11	10	9	8	7	6	5	4	3	2	1	0
RESERVED								DMA_DSP1_DREQ_19_IRQ_19								RESERVED								DMA_DSP1_DREQ_18_IRQ_18							

Bits	Field Name	Description	Type	Reset
31:24	RESERVED		R	0x0
23:16	DMA_DSP1_DREQ_19_I RQ_19		RW	0x9D
15:8	RESERVED		R	0x0
7:0	DMA_DSP1_DREQ_18_I RQ_18		RW	0x9C

Table 18-1021. Register Call Summary for Register CTRL_CORE_DMA_DSP1_DREQ_18_19

Control Module Register Manual

- [CTRL_MODULE_CORE Register Summary: \[0\]](#)

Table 18-1022. CTRL_CORE_OVS_DMARQ_IO_MUX

Address Offset	0x0000 0D4C	Instance	CTRL_MODULE_CORE
Physical Address	0x4A00 2D4C		
Description			
Type	RW		

31	30	29	28	27	26	25	24	23	22	21	20	19	18	17	16	15	14	13	12	11	10	9	8	7	6	5	4	3	2	1	0
RESERVED												OVS_DMARQ_IO_MUX_2						OVS_DMARQ_IO_MUX_1													

Bits	Field Name	Description	Type	Reset
31:16	RESERVED		R	0x0
15:8	OVS_DMARQ_IO_MUX_2		RW	0x0
7:0	OVS_DMARQ_IO_MUX_1		RW	0x0

Table 18-1023. Register Call Summary for Register CTRL_CORE_OVS_DMARQ_IO_MUX

Control Module Functional Description

- [DMA_CROSSBAR Module Functional Description: \[0\]\[1\]\[2\]\[3\]](#)

Control Module Register Manual

- [CTRL_MODULE_CORE Register Summary: \[4\]](#)

Table 18-1024. CTRL_CORE_OVS_IRQ_IO_MUX

Address Offset	0x0000 0D50	Instance	CTRL_MODULE_CORE
Physical Address	0x4A00 2D50		
Description			
Type	RW		

31	30	29	28	27	26	25	24	23	22	21	20	19	18	17	16	15	14	13	12	11	10	9	8	7	6	5	4	3	2	1	0
RESERVED												OVS_IRQ_IO_MUX_2						OVS_IRQ_IO_MUX_1													

Bits	Field Name	Description	Type	Reset
31:18	RESERVED		R	0x0
17:9	OVS_IRQ_IO_MUX_2		RW	0x0
8:0	OVS_IRQ_IO_MUX_1		RW	0x0

Table 18-1025. Register Call Summary for Register CTRL_CORE_OVS_IRQ_IO_MUX

Control Module Functional Description

- [IRQ_CROSSBAR Module Functional Description: \[0\]\[1\]\[2\]\[3\]](#)

Control Module Register Manual

- [CTRL_MODULE_CORE Register Summary: \[4\]](#)

Table 18-1026. CTRL_CORE_CONTROL_PBIAS

Address Offset	0x0000 0E00	Instance	CTRL_MODULE_CORE
Physical Address	0x4A00 2E00		
Description	PBIASLITE control		
Type	RW		

31	30	29	28	27	26	25	24	23	22	21	20	19	18	17	16	15	14	13	12	11	10	9	8	7	6	5	4	3	2	1	0
RESERVED								SDCARD_BIAS_PWRDNZ	SDCARD_IO_PWRDNZ	SDCARD_BIAS_HIZ_MODE	SDCARD_BIAS_SUPPLY_HI_OUT	SDCARD_BIAS_VMODE_ERROR	RESERVED	SDCARD_BIAS_VMODE	RESERVED																

Bits	Field Name	Description	Type	Reset
31:28	RESERVED		R	0x0
27	SDCARD_BIAS_PWRDNZ	PWRDNZ control to SDCARD BIAS 0x0 = This signal is used to protect SDCARD BIAS when VDDS is not stable 0x1 = SW keep this bit to 1'b1 after VDDS stabilizing	RW	0x0
26	SDCARD_IO_PWRDNZ	PWRDNZ control to SDCARD IO 0x0 = This signal is used to protect SDCARD IOs when VDDS is not stable 0x1 = SW keep this bit to 1'b1 after VDDS stabilizing	RW	0x0
25	SDCARD_BIAS_HIZ_MODE	HIZ_MODE from SDCARD PBIAS 0x0 = PBIAS in normal operation mode 0x1 = PBIAS output is in high impedance state	RW	0x0
24	SDCARD_BIAS_SUPPLY_HI_OUT	SUPPLY_HI_OUT from SDCARD PBIAS 0x0 = VDDS = 1.8V 0x1 = VDDS = 3.3V	R	0x0
23	SDCARD_BIAS_VMODE_ERROR	VMODE ERROR from SDCARD PBIAS 0x0 = VMODE level is same as SUPPLY_HI_OUT 0x1 = VMODE level is not same as SUPPLY_HI_OUT	R	0x0
22	RESERVED		R	0x0
21	SDCARD_BIAS_VMODE	VMODE control to SDCARD PBIAS 0x0 = VDDS = 1.8V 0x1 = VDDS = 3.3V	RW	0x1
20:0	RESERVED		R	0x0

Table 18-1027. Register Call Summary for Register CTRL_CORE_CONTROL_PBIAS

Control Module Functional Description

- [Pad multiplexing: \[0\]\[1\]\[2\]](#)
- [Isolation Requirements: \[3\]\[4\]](#)
- [PBIAS Cell And MMC1 I/O Cells Control Registers: \[5\]\[6\]\[7\]\[8\]\[9\]\[10\]\[11\]\[12\]\[13\]\[14\]\[15\]\[16\]](#)

Control Module Register Manual

- [CTRL_MODULE_CORE Register Summary: \[17\]](#)

Table 18-1028. CTRL_CORE_CONTROL_HDMI_TX_PHY

Address Offset	0x0000 0E0C	Instance	CTRL_MODULE_CORE
Physical Address	0x4A00 2E0C		
Description	HDMI TX PHY control		
Type	RW		

31	30	29	28	27	26	25	24	23	22	21	20	19	18	17	16	15	14	13	12	11	10	9	8	7	6	5	4	3	2	1	0						
RESERVED																																					

Bits	Field Name	Description	Type	Reset
31	RESERVED		R	0x0
30	HDMITXPHY_TXVALID	0x1= Valid data on the HDMI_TXPHY input data interface , sampled on the rising edge of TMDSCCLK	RW	0x0
29	HDMITXPHY_ENBYPASS CLK	0x1 = Enables the HFBYPASSCLK to be used in place of the HFBITCLK	RW	0x0
28	HDMITXPHY_PD_PULLUP PDET	0x0 = Set this bit to 0x0 if RX connection is required to be detected, even when HDMI_TXPHY is powered down 0x1 = Disables the low power RX detection functionality	RW	0x1
27:0	RESERVED		R	0x0

Table 18-1029. Register Call Summary for Register CTRL_CORE_CONTROL_HDMI_TX_PHY

Control Module Register Manual

- [CTRL_MODULE_CORE Register Summary: \[0\]](#)

Table 18-1030. CTRL_CORE_CONTROL_USB2PHYCORE

Address Offset	0x0000 0E1C	Instance	CTRL_MODULE_CORE
Physical Address	0x4A00 2E1C		
Description	This register is related to the USB2_PHY1		
Type	RW		

31	30	29	28	27	26	25	24	23	22	21	20	19	18	17	16	15	14	13	12	11	10	9	8	7	6	5	4	3	2	1	0
USB2PHY_AUTORESUME_EN	USB2PHY_DISCHGDET	USB2PHY_GPIOMODE	USB2PHY_CHG_DET_EXT_CTL	USB2PHY_RDM_PD_CHGDET_EN	USB2PHY_RDP_PU_CHGDET_EN	USB2PHY_CHG_VSRC_EN	USB2PHY_CHG_ISINK_EN	USB2PHY_CHG_DET_STATUS	USB2PHY_CHG_DET_DM_COMP	USB2PHY_CHG_DET_DP_COMP	USB2PHY_DATADET	USB2PHY_SINKONDP	USB2PHY_SRCONDM	USB2PHY_RESTARTCHGDET	USB2PHY_CHGDETDONE	USB2PHY_CHGDETECTED	USB2PHY_MPCPUEN	USB2PHY_MPCMODEEN	USB2PHY_RESETDONEMCLK	USB2PHY_UTMIRESETDONE	RESERVED	USB2PHY_DATAPOLARITYN	USB2PHY_FREQLOCK	USB2PHY_RESETDONETCLK	RESERVED						

Bits	Field Name	Description	Type	Reset
31	USB2PHY_AUTORESUM E_EN	Auto resume enable 0x0 = disable autoresume 0x1 = enable autoresume	RW	0x0
30	USB2PHY_DISCHGDET	Disable charger detect 0x0 = charger detect function enabled 0x1 = charger detect function disabled	RW	0x1
29	USB2PHY_GPIOMODE	GPIO mode 0x0 = USB mode enabled 0x1 = GPIO mode enabled	RW	0x0
28	USB2PHY_CHG_DET_E XT_CTL	Charge detect external control 0x0 = charger detect internal state machine used 0x1 = charge detect statemachine is bypassed	RW	0x0
27	USB2PHY_RDM_PD_CH GDET_EN	DM Pull down control 0x0 = PD disabled 0x1 = PD enabled	RW	0x0
26	USB2PHY_RDP_PU_CH GDET_EN	DP Pull up control 0x0 = PU disabled 0x1 = PU enabled	RW	0x0
25	USB2PHY_CHG_VSRC_ EN	VSRC enable on DP line:Host charger case 0x0 = disable VSRC drive on DP 0x1 = drives VSRC 600mV on DP line	RW	0x0
24	USB2PHY_CHG_ISINK_E N	ISINK enable on DM line:Host charger case 0x0 = disable the isink on DM 0x1 = enables the ISINK (100uA) on DM line	RW	0x0
23:21	USB2PHY_CHG_DET_ST ATUS	Status of charger detection 0x0 = Wait state 0x1 = No contact 0x2 = PS/2 0x3 = Unknown error 0x4 = Dedicated charger 0x5 = HOST charger 0x6 = PC 0x7 = Interrupt	R	0x0
20	USB2PHY_CHG_DET_D M_COMP	Output of the comparator on DM during the resistor host detect protocol 0x0 = DM line is below 0.75V to 0.95V 0x1 = DM line is above 0.75V to 0.95V	R	0x0
19	USB2PHY_CHG_DET_D P_COMP	Output of the comparator on DP during the resistor host detect protocol 0x0 = DP line is below 0.75V to 0.95V 0x1 = DP line is above 0.75V to 0.95V	R	0x0
18	USB2PHY_DATADET	Output of the charger detect comparator 0x0 = DM line is below 0.25V to 0.4V 0x1 = DM line is above 0.25V to 0.4V	R	0x0
17	USB2PHY_SINKONDP	When '1' current sink is connected to DP instead of DM 0x0 = Default value 0x1 = enables the ISINK on DP instead of DM	RW	0x0
16	USB2PHY_SRCONDM	When '1' voltage source is connected to DP instead of DM 0x0 = Default value 0x1 = enable the VSRC on DM instead of DP	RW	0x0

Bits	Field Name	Description	Type	Reset
15	USB2PHY_RESTARTCHGDET	restartchgdet = '1' for 1 msec cause the CD_START to reset 0x0 = Default value 0x1 = a high pulse of 1 msec causes the charger detect to restart on negative edge of restartchgdet	RW	0x0
14	USB2PHY_CHGDETDONE	Status indicates that charger detection protocol is over 0x0 = charger detection protocol is not over 0x1 = charger detection protocol is over	R	0x0
13	USB2PHY_CHGDETECTED	Output of the charger detection protocol 0x0 = charger not detected 0x1 = charger detected	R	0x0
12	USB2PHY_MCPCPUEN	MCPC Pull up enable 0x0 = disable the MCPC pull up 0x1 = enable the 4.7K to 10K pull up on receive line DP when datapolarity is 0 and DM when datapolarity is 1	RW	0x0
11	USB2PHY_MCPCMODEEN	MCPC Mode enable 0x0 = disable MCPC mode 0x1 = enable MCPC mode	RW	0x0
10	USB2PHY_RESETDONE_MCLK	OCPC reset status 0x0 = OCP domain is in reset 0x1 = OCP domain is out of reset	R	0x0
9	USB2PHY_UTMIRESETDONE	UTMI FSM reset status 0x0 = UTMI FSMs are in reset 0x1 = UTMI FSMs are out of reset	R	0x0
8	RESERVED		R	0x0
7	USB2PHY_DATAPOLARITY	Data polarity 0x0 = DP functionality is on DP and DM functionality is on DM 0x1 = DP functionality is on DM and DM functionality is on DP	RW	0x0
6	USBPLL_FREQLOCK	Status from USB DPLL	R	0x0
5	USB2PHY_RESETDONE_TCLK	resetdonetclk status from USB2PHY	R	0x0
4:0	RESERVED		R	0x0

Table 18-1031. Register Call Summary for Register CTRL_CORE_CONTROL_USB2PHYCORE

Control Module Register Manual

- [CTRL_MODULE_CORE Register Summary: \[0\]](#)

Table 18-1032. CTRL_CORE_CONTROL_HDMI_1

Address Offset	0x0000 0E20	Instance	CTRL_MODULE_CORE
Physical Address	0x4A00 2E20		
Description	HDMI pads control 1		
Type	RW		

31	30	29	28	27	26	25	24	23	22	21	20	19	18	17	16	15	14	13	12	11	10	9	8	7	6	5	4	3	2	1	0
HDMI_DDC_SDA_GLFENB	HDMI_DDC_SDA_PULLUPRESX	HDMI_DDC_SCL_GLFENB	HDMI_DDC_SCL_PULLUPRESX	HDMI_DDC_SDA_HSMODE	HDMI_DDC_SCL_HSMODE	RESERVED																									

Bits	Field Name	Description	Type	Reset
31	HDMI_DDC_SDA_GLFENB	Active_high glitch free operation enable pin for hdmi_ddc_sda receiver 0x0: Disabled 0x1: Enabled	RW	0x0
30	HDMI_DDC_SDA_PULLUPRESX	Active_low internal pull_up resistor enabled for hdmi_ddc_sda 0x0: Enabled 0x1: Disabled	RW	0x0
29	HDMI_DDC_SCL_GLFENB	Active_high glitch free operation enable pin for hdmi_ddc_scl receiver 0x0: Disabled 0x1: Enabled	RW	0x0
28	HDMI_DDC_SCL_PULLUPRESX	Active_low internal pull_up resistor enabled for hdmi_ddc_scl 0x0: Enabled 0x1: Disabled	RW	0x0
27	HDMI_DDC_SDA_HSMODE	Active-high selection for I2C High-Speed mode 0x0: Disabled 0x1: Enabled	RW	0x0
26	HDMI_DDC_SCL_HSMODE	Active-high selection for I2C High-Speed mode 0x0: Disabled 0x1: Enabled	RW	0x0
25:0	RESERVED		R	0x0

Table 18-1033. Register Call Summary for Register CTRL_CORE_CONTROL_HDMI_1

Control Module Register Manual

- [CTRL_MODULE_CORE Register Summary: \[0\]](#)

Table 18-1034. CTRL_CORE_CONTROL_DDRCAH1_0

Address Offset	0x0000 0E30	Instance	CTRL_MODULE_CORE
Physical Address	0x4A00 2E30		
Description	ddrcaCH1 control		
Type	RW		

31	30	29	28	27	26	25	24	23	22	21	20	19	18	17	16	15	14	13	12	11	10	9	8	7	6	5	4	3	2	1	0				
DDRCH1_PART0_I			DDRCH1_PART0_SR			DDRCH1_PART0_WD			DDRCH1_PART5A_I			DDRCH1_PART5A_SR			DDRCH1_PART5A_WD			DDRCH1_PART5B_I			DDRCH1_PART5B_SR			DDRCH1_PART5B_WD			DDRCH1_PART6_I			DDRCH1_PART6_SR			DDRCH1_PART6_WD		

Bits	Field Name	Description	Type	Reset
31:29	DDRCH1_PART0_I	PART0 Impedance control I[2:0] 0x0: Imp80 0x1: Imp60 0x2: Imp48 0x3: Imp40 0x4: Imp34 0x5: Reserved 0x6: Reserved 0x7: Reserved	RW	0x2
28:26	DDRCH1_PART0_SR	PART0 Slew Rate control SR[2:0]. All 8 values are valid. 0x0: Fastest 0x7: Slowest	RW	0x2
25:24	DDRCH1_PART0_WD	PART0 Weak driver control WD[1:0] -For single-ended operation: 0x0: Pull logic is disabled 0x1: Pull-up selected 0x2: Pull-down selected 0x3: Maintain the previous output value -For differential pair operation: 0x0: Pull logic is disabled 0x1: Pull-up selected for padp, pull-down selected for padn 0x2: Pull-down selected for padp, pull-up selected for padn 0x3: Maintain the previous output value	RW	0x2
23:21	DDRCH1_PART5A_I	PART5A Impedance control I[2:0] 0x0: Imp80 0x1: Imp60 0x2: Imp48 0x3: Imp40 0x4: Imp34 0x5: Reserved 0x6: Reserved 0x7: Reserved	RW	0x2
20:18	DDRCH1_PART5A_SR	PART5A Slew Rate control SR[2:0]. All 8 values are valid. 0x0: Fastest 0x7: Slowest	RW	0x2

Bits	Field Name	Description	Type	Reset
17:16	DDRCH1_PART5A_WD	PART5A Weak driver control WD[1:0] -For single-ended operation: 0x0: Pull logic is disabled 0x1: Pull-up selected 0x2: Pull-down selected 0x3: Maintain the previous output value -For differential pair operation: 0x0: Pull logic is disabled 0x1: Pull-up selected for padp, pull-down selected for padn 0x2: Pull-down selected for padp, pull-up selected for padn 0x3: Maintain the previous output value	RW	0x2
15:13	DDRCH1_PART5B_I	PART5B Impedence control I[2:0] 0x0: Imp80 0x1: Imp60 0x2: Imp48 0x3: Imp40 0x4: Imp34 0x5: Reserved 0x6: Reserved 0x7: Reserved	RW	0x2
12:10	DDRCH1_PART5B_SR	PART5B Slew Rate control SR[2:0]. All 8 values are valid. 0x0: Fastest 0x7: Slowest	RW	0x2
9:8	DDRCH1_PART5B_WD	PART5B Weak driver control WD[1:0] -For single-ended operation: 0x0: Pull logic is disabled 0x1: Pull-up selected 0x2: Pull-down selected 0x3: Maintain the previous output value -For differential pair operation: 0x0: Pull logic is disabled 0x1: Pull-up selected for padp, pull-down selected for padn 0x2: Pull-down selected for padp, pull-up selected for padn 0x3: Maintain the previous output value	RW	0x2
7:5	DDRCH1_PART6_I	PART6 Impedence control I[2:0] 0x0: Imp80 0x1: Imp60 0x2: Imp48 0x3: Imp40 0x4: Imp34 0x5: Reserved 0x6: Reserved 0x7: Reserved	RW	0x2
4:2	DDRCH1_PART6_SR	PART6 Slew Rate control SR[2:0]. All 8 values are valid. 0x0: Fastest 0x7: Slowest	RW	0x2

Bits	Field Name	Description	Type	Reset
1:0	DDRCH1_PART6_WD	PART6 Weak driver control WD[1:0] -For single-ended operation: 0x0: Pull logic is disabled 0x1: Pull-up selected 0x2: Pull-down selected 0x3: Maintain the previous output value -For differential pair operation: 0x0: Pull logic is disabled 0x1: Pull-up selected for padp, pull-down selected for padn 0x2: Pull-down selected for padp, pull-up selected for padn 0x3: Maintain the previous output value	RW	0x2

Table 18-1035. Register Call Summary for Register CTRL_CORE_CONTROL_DDRCACH1_0

Control Module Functional Description

- [Software Controls for the DDR3 I/O Cells: \[0\]\[1\]\[2\]\[3\]\[4\]\[5\]\[6\]\[7\]\[8\]\[9\]\[10\]\[11\]\[12\]](#)

Control Module Register Manual

- [CTRL_MODULE_CORE Register Summary: \[13\]](#)

Table 18-1036. CTRL_CORE_CONTROL_DDRCH1_0

Address Offset	0x0000 0E38	Instance	CTRL_MODULE_CORE
Physical Address	0x4A00 2E38		
Description	DDRCH1 control 0		
Type	RW		

31	30	29	28	27	26	25	24	23	22	21	20	19	18	17	16	15	14	13	12	11	10	9	8	7	6	5	4	3	2	1	0	
DDRCH1_PART1A_I								DDRCH1_PART1B_I								DDRCH1_PART2A_I								DDRCH1_PART2B_I								
	DDRCH1_PART1A_SR								DDRCH1_PART1B_SR								DDRCH1_PART2A_SR									DDRCH1_PART2B_SR						
		DDRCH1_PART1A_WD								DDRCH1_PART1B_WD								DDRCH1_PART2A_WD								DDRCH1_PART2B_WD						

Bits	Field Name	Description	Type	Reset
31:29	DDRCH1_PART1A_I	PART1A Impedence control I[2:0] 0x0: Imp80 0x1: Imp60 0x2: Imp48 0x3: Imp40 0x4: Imp34 0x5: Reserved 0x6: Reserved 0x7: Reserved	RW	0x2
28:26	DDRCH1_PART1A_SR	PART1A Slew Rate control SR[2:0]. All 8 values are valid. 0x0: Fastest 0x7: Slowest	RW	0x2

Bits	Field Name	Description	Type	Reset
25:24	DDRCH1_PART1A_WD	PART1A Weak driver control WD[1:0] -For single-ended operation: 0x0: Pull logic is disabled 0x1: Pull-up selected 0x2: Pull-down selected 0x3: Maintain the previous output value -For differential pair operation: 0x0: Pull logic is disabled 0x1: Pull-up selected for padp, pull-down selected for padn 0x2: Pull-down selected for padp, pull-up selected for padn 0x3: Maintain the previous output value	RW	0x2
23:21	DDRCH1_PART1B_I	PART1B Impedence control I[2:0] 0x0: Imp80 0x1: Imp60 0x2: Imp48 0x3: Imp40 0x4: Imp34 0x5: Reserved 0x6: Reserved 0x7: Reserved	RW	0x2
20:18	DDRCH1_PART1B_SR	PART1B Slew Rate control SR[2:0]. All 8 values are valid. 0x0: Fastest 0x7: Slowest	RW	0x2
17:16	DDRCH1_PART1B_WD	PART1B Weak driver control WD[1:0] -For single-ended operation: 0x0: Pull logic is disabled 0x1: Pull-up selected 0x2: Pull-down selected 0x3: Maintain the previous output value -For differential pair operation: 0x0: Pull logic is disabled 0x1: Pull-up selected for padp, pull-down selected for padn 0x2: Pull-down selected for padp, pull-up selected for padn 0x3: Maintain the previous output value	RW	0x2
15:13	DDRCH1_PART2A_I	PART2A Impedence control I[2:0] 0x0: Imp80 0x1: Imp60 0x2: Imp48 0x3: Imp40 0x4: Imp34 0x5: Reserved 0x6: Reserved 0x7: Reserved	RW	0x2
12:10	DDRCH1_PART2A_SR	PART2A Slew Rate control SR[2:0]. All 8 values are valid. 0x0: Fastest 0x7: Slowest	RW	0x2

Bits	Field Name	Description	Type	Reset
9:8	DDRCH1_PART2A_WD	PART2A Weak driver control WD[1:0] -For single-ended operation: 0x0: Pull logic is disabled 0x1: Pull-up selected 0x2: Pull-down selected 0x3: Maintain the previous output value -For differential pair operation: 0x0: Pull logic is disabled 0x1: Pull-up selected for padp, pull-down selected for padn 0x2: Pull-down selected for padp, pull-up selected for padn 0x3: Maintain the previous output value	RW	0x2
7:5	DDRCH1_PART2B_I	PART2B Impedence control I[2:0] 0x0: Imp80 0x1: Imp60 0x2: Imp48 0x3: Imp40 0x4: Imp34 0x5: Reserved 0x6: Reserved 0x7: Reserved	RW	0x2
4:2	DDRCH1_PART2B_SR	PART2B Slew Rate control SR[2:0]. All 8 values are valid. 0x0: Fastest 0x7: Slowest	RW	0x2
1:0	DDRCH1_PART2B_WD	PART2B Weak driver control WD[1:0] -For single-ended operation: 0x0: Pull logic is disabled 0x1: Pull-up selected 0x2: Pull-down selected 0x3: Maintain the previous output value -For differential pair operation: 0x0: Pull logic is disabled 0x1: Pull-up selected for padp, pull-down selected for padn 0x2: Pull-down selected for padp, pull-up selected for padn 0x3: Maintain the previous output value	RW	0x2

Table 18-1037. Register Call Summary for Register CTRL_CORE_CONTROL_DDRCH1_0

Control Module Functional Description

- [Software Controls for the DDR3 I/O Cells: \[0\]\[1\]\[2\]\[3\]\[4\]\[5\]\[6\]\[7\]\[8\]\[9\]\[10\]\[11\]](#)

Control Module Register Manual

- [CTRL_MODULE_CORE Register Summary: \[12\]](#)

Table 18-1038. CTRL_CORE_CONTROL_DDRCH1_1

Address Offset	0x0000 0E3C	Instance	CTRL_MODULE_CORE
Physical Address	0x4A00 2E3C		
Description	DDRCH1 control 1		
Type	RW		

31	30	29	28	27	26	25	24	23	22	21	20	19	18	17	16	15	14	13	12	11	10	9	8	7	6	5	4	3	2	1	0				
DDRCH1_PART3A_I			DDRCH1_PART3A_SR			DDRCH1_PART3A_WD			DDRCH1_PART3B_I			DDRCH1_PART3B_SR			DDRCH1_PART3B_WD			DDRCH1_PART4A_I			DDRCH1_PART4A_SR			DDRCH1_PART4A_WD			DDRCH1_PART4B_I			DDRCH1_PART4B_SR			DDRCH1_PART4B_WD		

Bits	Field Name	Description	Type	Reset
31:29	DDRCH1_PART3A_I	PART3A Impedence control I[2:0] 0x0: Imp80 0x1: Imp60 0x2: Imp48 0x3: Imp40 0x4: Imp34 0x5: Reserved 0x6: Reserved 0x7: Reserved	RW	0x2
28:26	DDRCH1_PART3A_SR	PART3A Slew Rate control SR[2:0]. All 8 values are valid. 0x0: Fastest 0x7: Slowest	RW	0x2
25:24	DDRCH1_PART3A_WD	PART3A Weak driver control WD[1:0] -For single-ended operation: 0x0: Pull logic is disabled 0x1: Pull-up selected 0x2: Pull-down selected 0x3: Maintain the previous output value -For differential pair operation: 0x0: Pull logic is disabled 0x1: Pull-up selected for padp, pull-down selected for padn 0x2: Pull-down selected for padp, pull-up selected for padn 0x3: Maintain the previous output value	RW	0x2
23:21	DDRCH1_PART3B_I	PART3B Impedence control I[2:0] 0x0: Imp80 0x1: Imp60 0x2: Imp48 0x3: Imp40 0x4: Imp34 0x5: Reserved 0x6: Reserved 0x7: Reserved	RW	0x2
20:18	DDRCH1_PART3B_SR	PART3B Slew Rate control SR[2:0]. All 8 values are valid. 0x0: Fastest 0x7: Slowest	RW	0x2

Bits	Field Name	Description	Type	Reset
17:16	DDRCH1_PART3B_WD	PART3B Weak driver control WD[1:0] -For single-ended operation: 0x0: Pull logic is disabled 0x1: Pull-up selected 0x2: Pull-down selected 0x3: Maintain the previous output value -For differential pair operation: 0x0: Pull logic is disabled 0x1: Pull-up selected for padp, pull-down selected for padn 0x2: Pull-down selected for padp, pull-up selected for padn 0x3: Maintain the previous output value	RW	0x2
15:13	DDRCH1_PART4A_I	PART4A Impedence control I[2:0] 0x0: Imp80 0x1: Imp60 0x2: Imp48 0x3: Imp40 0x4: Imp34 0x5: Reserved 0x6: Reserved 0x7: Reserved	RW	0x2
12:10	DDRCH1_PART4A_SR	PART4A Slew Rate control SR[2:0]. All 8 values are valid. 0x0: Fastest 0x7: Slowest	RW	0x2
9:8	DDRCH1_PART4A_WD	PART4A Weak driver control WD[1:0] -For single-ended operation: 0x0: Pull logic is disabled 0x1: Pull-up selected 0x2: Pull-down selected 0x3: Maintain the previous output value -For differential pair operation: 0x0: Pull logic is disabled 0x1: Pull-up selected for padp, pull-down selected for padn 0x2: Pull-down selected for padp, pull-up selected for padn 0x3: Maintain the previous output value	RW	0x2
7:5	DDRCH1_PART4B_I	PART4B Impedence control I[2:0] 0x0: Imp80 0x1: Imp60 0x2: Imp48 0x3: Imp40 0x4: Imp34 0x5: Reserved 0x6: Reserved 0x7: Reserved	RW	0x2
4:2	DDRCH1_PART4B_SR	PART4B Slew Rate control SR[2:0]. All 8 values are valid. 0x0: Fastest 0x7: Slowest	RW	0x2

Bits	Field Name	Description	Type	Reset
1:0	DDRCH1_PART4B_WD	PART4B Weak driver control WD[1:0] -For single-ended operation 0x0: Pull logic is disabled 0x1: Pull-up selected 0x2: Pull-down selected 0x3: Maintain the previous output value -For differential pair operation: 0x0: Pull logic is disabled 0x1: Pull-up selected for padp, pull-down selected for padn 0x2: Pull-down selected for padp, pull-up selected for padn 0x3: Maintain the previous output value	RW	0x2

Table 18-1039. Register Call Summary for Register CTRL_CORE_CONTROL_DDRCH1_1

Control Module Functional Description

- [Software Controls for the DDR3 I/O Cells: \[0\]\[1\]\[2\]\[3\]\[4\]\[5\]\[6\]\[7\]\[8\]\[9\]\[10\]\[11\]](#)

Control Module Register Manual

- [CTRL_MODULE_CORE Register Summary: \[12\]](#)

Table 18-1040. CTRL_CORE_CONTROL_DDRCH1_2

Address Offset	0x0000 0E48	Instance	CTRL_MODULE_CORE
Physical Address	0x4A00 2E48		
Description			
Type	RW		

31	30	29	28	27	26	25	24	23	22	21	20	19	18	17	16	15	14	13	12	11	10	9	8	7	6	5	4	3	2	1	0
RESERVED								DDRCH1_PART7A_I	DDRCH1_PART7A_SR	DDRCH1_PART7A_WD	DDRCH1_PART7B_I	DDRCH1_PART7B_SR	DDRCH1_PART7B_WD	RESERVED																	

Bits	Field Name	Description	Type	Reset
31:24	RESERVED		R	0x0
23:21	DDRCH1_PART7A_I	PART7A Impedence control I[2:0] 0x0: Imp80 0x1: Imp60 0x2: Imp48 0x3: Imp40 0x4: Imp34 0x5: Reserved 0x6: Reserved 0x7: Reserved	RW	0x2
20:18	DDRCH1_PART7A_SR	PART7A Slew Rate control SR[2:0]. All 8 values are valid. 0x0: Fastest 0x7: Slowest	RW	0x2

Bits	Field Name	Description	Type	Reset
17:16	DDRCH1_PART7A_WD	PART7A Weak driver control WD[1:0] -For single-ended operation: 0x0: Pull logic is disabled 0x1: Pull-up selected 0x2: Pull-down selected 0x3: Maintain the previous output value -For differential pair operation: 0x0: Pull logic is disabled 0x1: Pull-up selected for padp, pull-down selected for padn 0x2: Pull-down selected for padp, pull-up selected for padn 0x3: Maintain the previous output value	RW	0x2
15:13	DDRCH1_PART7B_I	PART7B Impedence control I[2:0] 0x0: Imp80 0x1: Imp60 0x2: Imp48 0x3: Imp40 0x4: Imp34 0x5: Reserved 0x6: Reserved 0x7: Reserved	RW	0x2
12:10	DDRCH1_PART7B_SR	PART7B Slew Rate control SR[2:0]. All 8 values are valid. 0x0: Fastest 0x7: Slowest	RW	0x2
9:8	DDRCH1_PART7B_WD	PART7B Weak driver control WD[1:0] -For single-ended operation: 0x0: Pull logic is disabled 0x1: Pull-up selected 0x2: Pull-down selected 0x3: Maintain the previous output value -For differential pair operation: 0x0: Pull logic is disabled 0x1: Pull-up selected for padp, pull-down selected for padn 0x2: Pull-down selected for padp, pull-up selected for padn 0x3: Maintain the previous output value	RW	0x2
7:0	RESERVED		R	0x0

Table 18-1041. Register Call Summary for Register CTRL_CORE_CONTROL_DDRCH1_2

Control Module Functional Description

- [Software Controls for the DDR3 I/O Cells: \[0\]\[1\]\[2\]\[3\]\[4\]\[5\]](#)

Control Module Register Manual

- [CTRL_MODULE_CORE Register Summary: \[6\]](#)

Table 18-1042. CTRL_CORE_CONTROL_DDRIO_0

Address Offset	0x0000 0E50	Instance	CTRL_MODULE_CORE
Physical Address	0x4A00 2E50		
Description			
Type	RW		

31	30	29	28	27	26	25	24	23	22	21	20	19	18	17	16	15	14	13	12	11	10	9	8	7	6	5	4	3	2	1	0
RESERVED								DDRCH1_VREF_DQ0_INT_CCAPO DDRCH1_VREF_DQ0_INT_CCAP1 DDRCH1_VREF_DQ0_INT_TAPO DDRCH1_VREF_DQ0_INT_TAP1 DDRCH1_VREF_DQ0_INT_EN DDRCH1_VREF_DQ1_INT_CCAPO DDRCH1_VREF_DQ1_INT_CCAP1 DDRCH1_VREF_DQ1_INT_TAPO DDRCH1_VREF_DQ1_INT_TAP1 DDRCH1_VREF_DQ1_INT_EN								RESERVED															

Bits	Field Name	Description	Type	Reset
31:20	RESERVED		R	0x0
19	DDRCH1_VREF_DQ0_INT_CCA P0	Selection for coupling cap connection 0x0: Disabled 0x1: Enabled	RW	0x1
18	DDRCH1_VREF_DQ0_INT_CCA P1	Selection for coupling cap connection 0x0: Disabled 0x1: Enabled	RW	0x0
17	DDRCH1_VREF_DQ0_INT_TAP 0	Selection for internal reference voltage drive 0x0: Disabled 0x1: Enabled	RW	0x0
16	DDRCH1_VREF_DQ0_INT_TAP 1	Selection for internal reference voltage drive 0x0: Disabled 0x1: Enabled	RW	0x1
15	DDRCH1_VREF_DQ0_INT_EN	Enable 0x0: Disabled 0x1: Enabled	RW	0x1
14	DDRCH1_VREF_DQ1_INT_CCA P0	Selection for coupling cap connection 0x0: Disabled 0x1: Enabled	RW	0x1
13	DDRCH1_VREF_DQ1_INT_CCA P1	Selection for coupling cap connection 0x0: Disabled 0x1: Enabled	RW	0x0
12	DDRCH1_VREF_DQ1_INT_TAP 0	Selection for internal reference voltage drive 0x0: Disabled 0x1: Enabled	RW	0x0
11	DDRCH1_VREF_DQ1_INT_TAP 1	Selection for internal reference voltage drive 0x0: Disabled 0x1: Enabled	RW	0x1
10	DDRCH1_VREF_DQ1_INT_EN	Enable 0x0: Disabled 0x1: Enabled	RW	0x1
9:0	RESERVED		R	0x260

Table 18-1043. Register Call Summary for Register CTRL_CORE_CONTROL_DDRIO_0

Control Module Functional Description

- [Reference Voltage for the Device DDR3 Receivers: \[0\]\[1\]\[2\]\[3\]\[4\]\[5\]\[6\]\[7\]\[8\]\[9\]\[10\]\[11\]\[12\]](#)

Control Module Register Manual

- [CTRL_MODULE_CORE Register Summary: \[13\]](#)

Table 18-1044. CTRL_CORE_CONTROL_HYST_1

Address Offset	0x0000 0E5C	Instance	CTRL_MODULE_CORE
Physical Address	0x4A00 2E5C		
Description	Register for hysteresis and impedance control of the MMC1 pads. Effective when corresponding MUXMODE field is not configured for MMC operation.		
Type	RW		

31	30	29	28	27	26	25	24	23	22	21	20	19	18	17	16	15	14	13	12	11	10	9	8	7	6	5	4	3	2	1	0
SDCARD_HYST		SDCARD_IC		RESERVED																											

Bits	Field Name	Description	Type	Reset
31	SDCARD_HYST	Hysteresis control for sdc card 0x0 = Disabled 0x1 = Enabled	RW	0x1
30:29	SDCARD_IC	Drive strength control for MMC1 pads In 3.3V signaling mode: 0x0: 50 Ohms Drive Strength 0x1: 33 Ohms Drive Strength 0x2: 66 Ohms Drive Strength 0x3: Reserved In 1.8V signaling mode: 0x0: 44 Ohms Drive Strength 0x1: 33 Ohms Drive Strength 0x2: 58 Ohms Drive Strength 0x3: 100 Ohms Drive Strength	RW	0x0
28:0	RESERVED		R	0x0

Table 18-1045. Register Call Summary for Register CTRL_CORE_CONTROL_HYST_1

Control Module Functional Description

- [PBIAS Cell And MMC1 I/O Cells Control Registers: \[0\]\[1\]\[2\]\[3\]](#)

Control Module Register Manual

- [CTRL_MODULE_CORE Register Summary: \[4\]](#)

Table 18-1046. CTRL_CORE_SPARE_RW

Address Offset	0x0000 0E68	Instance	CTRL_MODULE_CORE
Physical Address	0x4A00 2E68		
Description			
Type	RW		

31	30	29	28	27	26	25	24	23	22	21	20	19	18	17	16	15	14	13	12	11	10	9	8	7	6	5	4	3	2	1	0
CORE_CONTROL_SPARE_RW_MMC1_LOOPBACK	CORE_CONTROL_SPARE_RW_MMC2_LOOPBACK	CORE_CONTROL_SPARE_RW																													

Bits	Field Name	Description	Type	Reset
31	CORE_CONTROL_SPARE_RW_MMC1_LOOPBACK	Selects the source of loopback clock for mmc1_clk. 0x0: Loopback clock from the I/O pad is selected 0x1: Internal loopback clock is selected	RW	0x0
30	CORE_CONTROL_SPARE_RW_MMC2_LOOPBACK	Selects the source of loopback clock for mmc2_clk. 0x0: Loopback clock from the I/O pad is selected 0x1: Internal loopback clock is selected	RW	0x0
29:0	CORE_CONTROL_SPARE_RW	Spare bits.	RW	0x0

Table 18-1047. Register Call Summary for Register CTRL_CORE_SPARE_RW

Control Module Register Manual

- [CTRL_MODULE_CORE Register Summary: \[0\]](#)

Table 18-1048. CTRL_CORE_SPARE_R

Address Offset	0x0000 0E6C	Instance	CTRL_MODULE_CORE
Physical Address	0x4A00 2E6C		
Description	This register is associated with signals of the circuit for doubling the MLB clock line frequency described in , <i>Doubling the MLB Clock Line Frequency</i> . NOTE: MLB is not supported on the AM571x / AM570x family of devices.		
Type	R		

31	30	29	28	27	26	25	24	23	22	21	20	19	18	17	16	15	14	13	12	11	10	9	8	7	6	5	4	3	2	1	0
CORE_CONTROL_SPARE_R_MDLL_CODE_RC								CORE_CONTROL_SPARE_R_MDLL_CODE_VAL_RC	CORE_CONTROL_SPARE_R_MDLL_CODE								CORE_CONTROL_SPARE_R_MDLL_CODE_VAL	CORE_CONTROL_SPARE_R_INP_CLK_SDL	CORE_CONTROL_SPARE_R_OUT_CLK_SDL	CORE_CONTROL_SPARE_R_200M_MLB_CLK	CORE_CONTROL_SPARE_R_SDL1_DBG_OUT	CORE_CONTROL_SPARE_R_SDL2_DBG_OUT	CORE_CONTROL_SPARE_R								

Bits	Field Name	Description	Type	Reset
31:23	CORE_CONTROL_SPARE_R_MDLL_CODE_RC	Master DLL code - post the ratio conversion.	R	0x0
22	CORE_CONTROL_SPARE_R_MDLL_CODE_VAL_RC	Post ratio conversion code update signal.	R	0x0
21:13	CORE_CONTROL_SPARE_R_MDLL_CODE	Master DLL code.	R	0x0
12	CORE_CONTROL_SPARE_R_MDLL_CODE_VAL	Master DLL code valid status.	R	0x0
11	CORE_CONTROL_SPARE_R_INP_CLK_SDL	Input clock to slave DLL.	R	0x0
10	CORE_CONTROL_SPARE_R_OUT_CLK_SDL	Output clock from slave DLL - quarter cycle shifted.	R	0x0
9	CORE_CONTROL_SPARE_R_200M_MLB_CLK	200MHz clock going to MLB.	R	0x0
8	CORE_CONTROL_SPARE_R_SDL1_DBG_OUT	Debug output from DCC SDL 1.	R	0x0
7	CORE_CONTROL_SPARE_R_SDL2_DBG_OUT	Debug output from DCC SDL 2.	R	0x0
6:0	CORE_CONTROL_SPARE_R	Reserved	R	0x0

Table 18-1049. Register Call Summary for Register CTRL_CORE_SPARE_R

Control Module Register Manual

- [CTRL_MODULE_CORE Register Summary: \[0\]](#)

Table 18-1050. CTRL_CORE_SRCOMP_NORTH_SIDE

Address Offset	0x0000 0E74	Instance	CTRL_MODULE_CORE
Physical Address	0x4A00 2E74		
Description	This register is related to the USB2_PHY2.		
Type	RW		

31	30	29	28	27	26	25	24	23	22	21	20	19	18	17	16	15	14	13	12	11	10	9	8	7	6	5	4	3	2	1	0
RESERVED	USB2PHY_AUTORESUME_EN	USB2PHY_DISCHGDET	USB2PHY_PD	RESERVED				USB2PHY_CHG_DET_DM_COMP	USB2PHY_CHG_DET_DP_COMP	USB2PHY_DATADET	USB2PHY_CHGDETDONE	USB2PHY_CHGDETECTED	USB2PHY_RESETDONEMCLK	USB2PHY_UTMIRESETDONE	USBPLL_FREQLOCK	USB2PHY_RESETDONETCLK	USB2PHY_GPIOMODE	USB2PHY_CHG_DET_EXT_CTL	USB2PHY_RDM_PD_CHGDET_EN	USB2PHY_RDP_PU_CHGDET_EN	USB2PHY_CHG_VSRC_EN	USB2PHY_CHG_ISINK_EN	USB2PHY_SINKONDP	USB2PHY_SRCONDN	USB2PHY_RESTARTCHGDET	USB2PHY_MCPCPUEN	USB2PHY_MCPCMODEEN	USB2PHY_DATAPOLARITYN			

Bits	Field Name	Description	Type	Reset
31	RESERVED		R	0x0
30	USB2PHY_AUTORESUME_EN	Auto resume enable 0x0: disable autoresume 0x1: enable autoresume	RW	0x0
29	USB2PHY_DISCHGDET	Disable charger detect 0x0: charger detect function enabled 0x1: charger detect function disabled	RW	0x1
28	USB2PHY_PD	Power down the entire USB2_PHY2 (data, common module and UTMI). 0x0: Normal operation 0x1: Power down the USB2_PHY2	RW	0x0
27:21	RESERVED		R	0x0
20	USB2PHY_CHG_DET_DM_COMP	Output of the comparator on DM during the resistor host detect protocol. 0x0: DM line is below 0.75V to 0.95V 0x1: DM line is above 0.75V to 0.95V	R	0x0
19	USB2PHY_CHG_DET_DP_COMP	Output of the comparator on DP during the resistor host detect protocol 0x0: DP line is below 0.75V to 0.95V 0x1: DP line is above 0.75V to 0.95V	R	0x0
18	USB2PHY_DATADET	Output of the charger detect comparator 0x0: DM line is below 0.25V to 0.4V 0x1: DM line is above 0.25V to 0.4V	R	0x0
17	USB2PHY_CHGDETDONE	Status indicates that charger detection protocol is over 0x0: charger detection protocol is not over 0x1: charger detection protocol is over	R	0x0
16	USB2PHY_CHGDETECTED	Output of the charger detection protocol 0x0: charger not detected 0x1: charger detected	R	0x0
15	USB2PHY_RESETDONEMCLK	OCP reset status 0x0: OCP domain is in reset 0x1: OCP domain is out of reset	R	0x0
14	USB2PHY_UTMIRESETDONE	UTMI FSM reset status 0x0: UTMI FSMs are in reset 0x1: UTMI FSMs are out of reset	R	0x0
13	USBPLL_FREQLOCK	Status from USB DPLL	R	0x0
12	USB2PHY_RESETDONETCLK	resetdonetclk status from USB2_PHY2	R	0x0

Bits	Field Name	Description	Type	Reset
11	USB2PHY_GPIOMODE	GPIO mode 0x0: USB mode enabled 0x1: GPIO mode enabled	RW	0x0
10	USB2PHY_CHG_DET_EXT_CTL	Charge detect external control 0x0: charger detect internal state machine used 0x1: charge detect statemachine is bypassed	RW	0x0
9	USB2PHY_RDM_PD_CHGDET_EN	DM Pull down control 0x0: PD disabled 0x1: PD enabled	RW	0x0
8	USB2PHY_RDP_PU_CHGDET_EN	DP Pull up control 0x0: PU disabled 0x1: PU enabled	RW	0x0
7	USB2PHY_CHG_VSRC_EN	VSRC enable on DP line: Host charger case 0x0: disable VSRC drive on DP 0x1: drives VSRC 600mV on DP line	RW	0x0
6	USB2PHY_CHG_ISINK_EN	ISINK enable on DM line: Host charger case 0x0: disable the ISINK on DM 0x1: enables the ISINK (100µA) on DM line	RW	0x0
5	USB2PHY_SINKONDP	When '1' current sink is connected to DP instead of DM 0x0: Default value 0x1: enables the ISINK on DP instead of DM	RW	0x0
4	USB2PHY_SRCONDM	When '1' voltage source is connected to DP instead of DM 0x0: Default value 0x1: enable the VSRC on DM instead of DP	RW	0x0
3	USB2PHY_RESTARTCHGDET	restartchgdet: '1' for 1 msec cause the CD_START to reset 0x0: Default value 0x1: a high pulse of 1 msec causes the charger detect to restart on negative edge of restartchgdet	RW	0x0
2	USB2PHY_MCPCPUEN	MCPC Pull up enable 0x0: disable the MCPC pull up 0x1: enable the 4.7K to10K pull up on receive line DP when datapolarity is 0 and DM when datapolarity is 1	RW	0x0
1	USB2PHY_MCPCMODEEN	MCPC Mode enable 0x0: disable MCPC mode 0x1: enable MCPC mode	RW	0x0
0	USB2PHY_DATAPOLARITYN	Data polarity 0x0: DP functionality is on DP and DM functionality is on DM 0x1: DP functionality is on DM and DM functionality is on DP	RW	0x0

Table 18-1051. Register Call Summary for Register CTRL_CORE_SRCOMP_NORTH_SIDE

Control Module Register Manual

- [CTRL_MODULE_CORE Register Summary: \[0\]](#)

Table 18-1052. CTRL_CORE_SRCOMP_SOUTH_SIDE

Address Offset	0x0000 0E78	Instance	CTRL_MODULE_CORE
Physical Address	0x4A00 2E78		
Description	This register is related to the USB2_PHY2.		
Type	R		

31	30	29	28	27	26	25	24	23	22	21	20	19	18	17	16	15	14	13	12	11	10	9	8	7	6	5	4	3	2	1	0
RESERVED																USB2PHY_CHG_DET_STATUS				RESERVED											

Bits	Field Name	Description	Type	Reset
31:15	RESERVED		R	0x0
14:12	USB2PHY_CHG_DET_STATUS	Status of charger detection 0x0: Wait state 0x1: No contact 0x2: PS/2 0x3: Unknown error 0x4: Dedicated charger 0x5: HOST charger 0x6: PC 0x7: Interrupt	R	0x0
11:0	RESERVED		R	0x0

Table 18-1053. Register Call Summary for Register CTRL_CORE_SRCOMP_SOUTH_SIDE

Control Module Register Manual

- [CTRL_MODULE_CORE Register Summary: \[0\]](#)

Table 18-1054. CTRL_CORE_VIP_MUX_SELECT

Address Offset	0x0000 0E8C	Instance	CTRL_MODULE_CORE
Physical Address	0x4A00 2E8C		
Description	Select the ports to be used with the VIP.		
Type	RW		

31	30	29	28	27	26	25	24	23	22	21	20	19	18	17	16	15	14	13	12	11	10	9	8	7	6	5	4	3	2	1	0
RESERVED																VIP_SEL_1A		VIP_SEL_1B		VIP_SEL_2A		VIP_SEL_2B									

Bits	Field Name	Description	Type	Reset
31:7	RESERVED		R	0x0
6:4	VIP_SEL_1A	Remaps the vin1a signals. 0x0: The vin1a signals are mapped to GROUP3A pads depending on the selected mux mode 0x1: The vin1a signals are mapped to GROUP5A pads depending on the selected mux mode 0x2: The vin1a signals are mapped to GROUP6A pads depending on the selected mux mode 0x3: The vin1a signals are mapped to GROUP4A pads depending on the selected mux mode 0x4-0x7: CAL Video Port signals are mapped to vin1a signals	RW	0x0

Bits	Field Name	Description	Type	Reset
3	VIP_SEL_1B	Remaps the vin1b signals. 0x0: The vin1b signals are mapped to GROUP4B pads depending on the selected mux mode 0x1: The vin1b signals are mapped to GROUP3B pads depending on the selected mux mode	RW	0x0
2:1	VIP_SEL_2A	Remaps the vin2a signals. 0x0: The vin2a signals are mapped to GROUP2A pads depending on the selected mux mode 0x1: The vin2a signals are mapped to GROUP4A pads depending on the selected mux mode 0x2-0x3: CAL Video Port signals are mapped to vin2a signals	RW	0x0
0	VIP_SEL_2B	Remaps the vin2b signals. 0x0: The vin2b signals are mapped to GROUP2B pads depending on the selected mux mode 0x1: The vin2b signals are mapped to GROUP3B pads depending on the selected mux mode	RW	0x0

Table 18-1055. Register Call Summary for Register CTRL_CORE_VIP_MUX_SELECT

Control Module Functional Description

- [Pad Configuration Registers:](#)
[\[0\]\[1\]\[2\]\[3\]\[4\]\[5\]\[6\]\[7\]\[8\]\[9\]\[10\]\[11\]\[12\]\[13\]\[14\]\[15\]\[16\]\[17\]\[18\]\[19\]\[20\]\[21\]\[22\]\[23\]\[24\]\[25\]\[26\]\[27\]\[28\]\[29\]\[30\]\[31\]\[32\]\[33\]](#)

Control Module Register Manual

- [CTRL_MODULE_CORE Register Summary:](#) [\[34\]](#)

Table 18-1056. CTRL_CORE_ALT_SELECT_MUX

Address Offset	0x0000 0E90	Instance	CTRL_MODULE_CORE
Physical Address	0x4A00 2E90		
Description			
Type	RW		

31	30	29	28	27	26	25	24	23	22	21	20	19	18	17	16	15	14	13	12	11	10	9	8	7	6	5	4	3	2	1	0
RESERVED																SEL_ALT_I2C6_SEL SEL_ALT_USB3_USB4 SEL_ALT_WAKEUP0_WAKEUP_2 SEL_ALT_WAKEUP3_WAKEUP_1 SEL_ALT_GROUP1 SEL_ALT_GROUP2 SEL_ALT_GROUP3 SEL_ALT_GROUP4															

Bits	Field Name	Description	Type	Reset
31:8	RESERVED		R	0x0
7	SEL_ALT_I2C6_SEL	0x0: The mcas4_axr[0:1] pads have normal behavior. This means, the signal mapped to these pads depends on the MUXMODE field. 0x1: The i2c6_scl and i2c6_sda signals are mapped to the mcas4_axr[0:1] pads, respectively. This setting overrides the MUXMODE setting. NOTE: I2C6 is not supported on the AM571x / AM570x family of devices.	RW	0x0

Bits	Field Name	Description	Type	Reset
6	SEL_ALT_USB3_USB4	0x0: The USB3 signals are mapped to USB_GROUP3 pads. 0x1: The USB3 signals are mapped to USB_GROUP4 pads. NOTE: USB3(ULPI) is not supported on the AM571x / AM570x family of devices.	RW	0x0
5	SEL_ALT_WAKEUP0_WAKEUP_2	0x0: The gpio1_0 signal is on the Wakeup0 pad when MUXMODE = 0xE. 0x1: The sys_nirq2 signal is on the Wakeup0 pad when MUXMODE = 0xE.	RW	0x0
4	SEL_ALT_WAKEUP3_WAKEUP_1	0x0: The gpio1_3 signal is on Wakeup3 pad when MUXMODE = 0xE. 0x1: The dcan2_rx signal is on the Wakeup3 pad when MUXMODE = 0xE.	RW	0x0
3	SEL_ALT_GROUP1	0x0: GPIO function is selected on the pads from GROUP1 0x1: New function is selected on the pads from GROUP1 as described in Table 18-8 and Figure 18-5	RW	0x0
2	SEL_ALT_GROUP2	Selects a signal as described in Table 18-8 and Figure 18-5	RW	0x0
1	SEL_ALT_GROUP3	0x0: GPIO function is selected on the pads from GROUP3 0x1: New function is selected on the pads from GROUP3 as described in Table 18-8 and Figure 18-5	RW	0x0
0	SEL_ALT_GROUP4	Selects a signal as described in Table 18-8 and Figure 18-5	RW	0x0

Table 18-1057. Register Call Summary for Register CTRL_CORE_ALT_SELECT_MUX

Control Module Functional Description

- [Pad Configuration Registers: \[0\]\[1\]\[2\]\[3\]\[4\]\[5\]\[6\]\[7\]\[8\]\[9\]\[10\]\[11\]\[12\]\[13\]\[14\]\[15\]\[16\]\[17\]\[18\]](#)

Control Module Register Manual

- [CTRL_MODULE_CORE Register Summary: \[19\]](#)

Table 18-1058. CTRL_CORE_CAMERRX_CONTROL

Address Offset	0x0000 0E94	Instance	CTRL_MODULE_CORE
Physical Address	0x4A00 2E94		
Description	CSI2 PHY control register. Bit-fields CSI0_* control CSI2_PHY1. Bit-fields CSI1_* control CSI2_PHY2. NOTE: CSI2_PHY2 is not supported on the AM570x family of devices.		
Type	RW		

31	30	29	28	27	26	25	24	23	22	21	20	19	18	17	16	15	14	13	12	11	10	9	8	7	6	5	4	3	2	1	0
RESERVED												CSI0_MODE	CSI0_LANEENABLE				CSI0_CAMMODE	CSI0_CTRLCLKEN	RESERVED				CSI1_MODE	CSI1_LANEENABLE				CSI1_CAMMODE	CSI1_CTRLCLKEN		

Bits	Field Name	Description	Type	Reset
31:18	RESERVED		R	0x0
17	CSI0_MODE	csi0 mode	RW	0x0
16:13	CSI0_LANEENABLE	csi0 camera lane enable 0x0: Lane module disabled 0x1: Lane module enabled	RW	0x0
12:11	CSI0_CAMMODE	csi0 camera mode 0x0: DPHY mode 0x1: Data/Strobe Transmission format 0x2: Data/Clock Transmission format 0x3: GPI mode	RW	0x0
10	CSI0_CTRLCLKEN	csi0 camera clock enable control 0x0: Disable for CTRLCLK 0x1: Active high enable for CTRLCLK	RW	0x0
9:6	RESERVED		R	0x0
5	CSI1_MODE	csi1 mode	RW	0x0
4:3	CSI1_LANEENABLE	csi1 camera lane enable 0x0: Lane module disabled 0x1: Lane module enabled	RW	0x0
2:1	CSI1_CAMMODE	csi1 camera mode 0x0: DPHY mode 0x1: Data/Strobe Transmission format 0x2: Data/Clock Transmission format 0x3: GPI mode	RW	0x0
0	CSI1_CTRLCLKEN	csi1 camera clock enable control 0x0: Disable for CTRLCLK 0x1: Active high enable for CTRLCLK	RW	0x0

Table 18-1059. Register Call Summary for Register CTRL_CORE_CAMERRX_CONTROL

Control Module Register Manual

- [CTRL_MODULE_CORE Register Summary: \[0\]](#)

Table 18-1060. CTRL_CORE_PAD_GPMC_ADO

Address Offset	0x0000 1400	Instance	CTRL_MODULE_CORE
Physical Address	0x4A00 3400		
Description			
Type	RW		

31	30	29	28	27	26	25	24	23	22	21	20	19	18	17	16	15	14	13	12	11	10	9	8	7	6	5	4	3	2	1	0												
RESERVED								RESERVED								RESERVED								GPMC_ADO_MODESELECT		GPMC_ADO_DELAYMODE				GPMC_ADO_MUXMODE													
				GPMC_ADO_WAKEUPEVENT				GPMC_ADO_WAKEUPEENABLE								GPMC_ADO_SLEWCONTROL				GPMC_ADO_INPUTENABLE				GPMC_ADO_PULLTYPESELECT				GPMC_ADO_PULLUDENABLE															

Bits	Field Name	Description	Type	Reset
31:26	RESERVED		R	0x0
25	GPMC_AD0_WAKEUPEVENT	0x0: No wakeup event detected 0x1: Wakeup event detected	R	0x0
24	GPMC_AD0_WAKEUPENABLE	0x0: Wakeup is disabled 0x1: Wakeup is enabled	RW	0x0
23:20	RESERVED		R	0x0
19	GPMC_AD0_SLEWCONTROL	0x0: Fast slew is selected 0x1: Slow slew is selected	RW	0x0
18	GPMC_AD0_INPUTENABLE	0x0: Receive mode is disabled 0x1: Receive mode is enabled	RW	0x1
17	GPMC_AD0_PULLTYPESELECTION	0x0: Pull Down is selected 0x1: Pull Up is selected	RW	0x0
16	GPMC_AD0_PULLUDENABLE	0x0: Enables weak Pull Up/Down 0x1: Disables weak Pull Up/Down	RW	0x1
15:9	RESERVED		R	0x0
8	GPMC_AD0_MODESELECT	Selects between the Default IO Timing Mode and a Virtual or Manual IO Timing Mode. Refer to the device Data Manual for definition of the required settings for a given mode of operation. When this bit is 0b1, a Virtual IO Timing Mode can be selected via the DELAYMODE field of this register, as described in Section 18.4.6.1.5 , Virtual IO Timing Modes. Manual IO Timing Modes are selected via the procedure described in Section 18.4.6.1.6 , Manual IO Timing Modes. 0x0: Default IO Timing Mode is used 0x1: A Virtual or Manual IO Timing Mode is used	RW	0x0
7:4	GPMC_AD0_DELAYMODE	This bit field selects the Virtual Timing Mode used when the MODESELECT bit is set to 0b1. See Section 18.4.6.1.5 , Virtual IO Timing Modes for details.	RW	0x0
3:0	GPMC_AD0_MUXMODE	0x0: gpmc_ad0 0x2: vin1a_d0 0x3: vout3_d0 0xE: gpio1_6 0xF: sysboot0	RW	0xF

Table 18-1061. Register Call Summary for Register CTRL_CORE_PAD_GPMC_AD0

Control Module Register Manual

- [CTRL_MODULE_CORE Register Summary: \[0\]](#)

Table 18-1062. CTRL_CORE_PAD_GPMC_AD1

Address Offset	0x0000 1404	Instance	CTRL_MODULE_CORE
Physical Address	0x4A00 3404		
Description			
Type	RW		

31	30	29	28	27	26	25	24	23	22	21	20	19	18	17	16	15	14	13	12	11	10	9	8	7	6	5	4	3	2	1	0			
RESERVED								GPMC_AD1_WAKEUPEVENT		GPMC_AD1_WAKEUPENABLE		RESERVED				GPMC_AD1_SLEWCONTROL		GPMC_AD1_INPUTENABLE		GPMC_AD1_PULLTYPESELECT		GPMC_AD1_PULLUDENABLE		RESERVED				GPMC_AD1_MODESELECT		GPMC_AD1_DELAYMODE			GPMC_AD1_MUXMODE	

Bits	Field Name	Description	Type	Reset
31:26	RESERVED		R	0x0
25	GPMC_AD1_WAKEUPEVENT	0x0: No wakeup event detected 0x1: Wakeup event detected	R	0x0
24	GPMC_AD1_WAKEUPENABLE	0x0: Wakeup is disabled 0x1: Wakeup is enabled	RW	0x0
23:20	RESERVED		R	0x0
19	GPMC_AD1_SLEWCONTROL	0x0: Fast slew is selected 0x1: Slow slew is selected	RW	0x0
18	GPMC_AD1_INPUTENABLE	0x0: Receive mode is disabled 0x1: Receive mode is enabled	RW	0x1
17	GPMC_AD1_PULLTYPESELECT	0x0: Pull Down is selected 0x1: Pull Up is selected	RW	0x0
16	GPMC_AD1_PULLUDENABLE	0x0: Enables weak Pull Up/Down 0x1: Disables weak Pull Up/Down	RW	0x1
15:9	RESERVED		R	0x0
8	GPMC_AD1_MODESELECT	Selects between the Default IO Timing Mode and a Virtual or Manual IO Timing Mode. Refer to the device Data Manual for definition of the required settings for a given mode of operation. When this bit is 0b1, a Virtual IO Timing Mode can be selected via the DELAYMODE field of this register, as described in Section 18.4.6.1.5 , Virtual IO Timing Modes. Manual IO Timing Modes are selected via the procedure described in Section 18.4.6.1.6 , Manual IO Timing Modes. 0x0: Default IO Timing Mode is used 0x1: A Virtual or Manual IO Timing Mode is used	RW	0x0
7:4	GPMC_AD1_DELAYMODE	This bit field selects the Virtual Timing Mode used when the MODESELECT bit is set to 0b1. See Section 18.4.6.1.5 , Virtual IO Timing Modes for details.	RW	0x0
3:0	GPMC_AD1_MUXMODE	0x0: gpmc_ad1 0x2: vin1a_d1 0x3: vout3_d1 0xE: gpio1_7 0xF: sysboot1	RW	0xF

Table 18-1063. Register Call Summary for Register CTRL_CORE_PAD_GPMC_AD1

Control Module Register Manual

- [CTRL_MODULE_CORE Register Summary: \[0\]](#)

Table 18-1064. CTRL_CORE_PAD_GPMC_AD2

Address Offset	0x0000 1408	Instance	CTRL_MODULE_CORE
Physical Address	0x4A00 3408		
Description			
Type	RW		

31	30	29	28	27	26	25	24	23	22	21	20	19	18	17	16	15	14	13	12	11	10	9	8	7	6	5	4	3	2	1	0												
RESERVED								RESERVED								RESERVED								GPMC_AD2_WAKEUPEVENT GPMC_AD2_WAKEUPENABLE				GPMC_AD2_SLEWCONTROL GPMC_AD2_INPUTENABLE GPMC_AD2_PULLTYPESELECT GPMC_AD2_PULLUDENABLE				GPMC_AD2_MODESELECT				GPMC_AD2_DELAYMODE				GPMC_AD2_MUXMODE			

Bits	Field Name	Description	Type	Reset
31:26	RESERVED		R	0x0
25	GPMC_AD2_WAKEUPEVENT	0x0: No wakeup event detected 0x1: Wakeup event detected	R	0x0
24	GPMC_AD2_WAKEUPENABLE	0x0: Wakeup is disabled 0x1: Wakeup is enabled	RW	0x0
23:20	RESERVED		R	0x0
19	GPMC_AD2_SLEWCONTROL	0x0: Fast slew is selected 0x1: Slow slew is selected	RW	0x0
18	GPMC_AD2_INPUTENABLE	0x0: Receive mode is disabled 0x1: Receive mode is enabled	RW	0x1
17	GPMC_AD2_PULLTYPESELECT	0x0: Pull Down is selected 0x1: Pull Up is selected	RW	0x0
16	GPMC_AD2_PULLUDENABLE	0x0: Enables weak Pull Up/Down 0x1: Disables weak Pull Up/Down	RW	0x1
15:9	RESERVED		R	0x0
8	GPMC_AD2_MODESELECT	Selects between the Default IO Timing Mode and a Virtual or Manual IO Timing Mode. Refer to the device Data Manual for definition of the required settings for a given mode of operation. When this bit is 0b1, a Virtual IO Timing Mode can be selected via the DELAYMODE field of this register, as described in Section 18.4.6.1.5 , Virtual IO Timing Modes. Manual IO Timing Modes are selected via the procedure described in Section 18.4.6.1.6 , Manual IO Timing Modes. 0x0: Default IO Timing Mode is used 0x1: A Virtual or Manual IO Timing Mode is used	RW	0x0
7:4	GPMC_AD2_DELAYMODE	This bit field selects the Virtual Timing Mode used when the MODESELECT bit is set to 0b1. See Section 18.4.6.1.5 , Virtual IO Timing Modes for details.	RW	0x0

Bits	Field Name	Description	Type	Reset
3:0	GPMC_AD2_MUXMODE	0x0: gpmc_ad2 0x2: vin1a_d2 0x3: vout3_d2 0xE: gpio1_8 0xF: sysboot2	RW	0xF

Table 18-1065. Register Call Summary for Register CTRL_CORE_PAD_GPMC_AD2

Control Module Register Manual

- [CTRL_MODULE_CORE Register Summary: \[0\]](#)

Table 18-1066. CTRL_CORE_PAD_GPMC_AD3

Address Offset	0x0000 140C	Instance	CTRL_MODULE_CORE
Physical Address	0x4A00 340C		
Description			
Type	RW		

31	30	29	28	27	26	25	24	23	22	21	20	19	18	17	16	15	14	13	12	11	10	9	8	7	6	5	4	3	2	1	0																
RESERVED								RESERVED								RESERVED								GPMC_AD3_MODESELECT				GPMC_AD3_DELAYMODE				GPMC_AD3_MUXMODE															
GPMC_AD3_WAKEUPEVENT								GPMC_AD3_WAKEUPENABLE								GPMC_AD3_SLEWCONTROL								GPMC_AD3_INPUTENABLE				GPMC_AD3_PULLTYPESELEC				GPMC_AD3_PULLUDENABLE				GPMC_AD3_MODESELECT				GPMC_AD3_DELAYMODE				GPMC_AD3_MUXMODE			

Bits	Field Name	Description	Type	Reset
31:26	RESERVED		R	0x0
25	GPMC_AD3_WAKEUPEVENT	0x0: No wakeup event detected 0x1: Wakeup event detected	R	0x0
24	GPMC_AD3_WAKEUPENABLE	0x0: Wakeup is disabled 0x1: Wakeup is enabled	RW	0x0
23:20	RESERVED		R	0x0
19	GPMC_AD3_SLEWCONTROL	0x0: Fast slew is selected 0x1: Slow slew is selected	RW	0x0
18	GPMC_AD3_INPUTENABLE	0x0: Receive mode is disabled 0x1: Receive mode is enabled	RW	0x1
17	GPMC_AD3_PULLTYPESELECTION	0x0: Pull Down is selected 0x1: Pull Up is selected	RW	0x0
16	GPMC_AD3_PULLUDENABLE	0x0: Enables weak Pull Up/Down 0x1: Disables weak Pull Up/Down	RW	0x1
15:9	RESERVED		R	0x0

Bits	Field Name	Description	Type	Reset
8	GPMC_AD3_MODESELECT	Selects between the Default IO Timing Mode and a Virtual or Manual IO Timing Mode. Refer to the device Data Manual for definition of the required settings for a given mode of operation. When this bit is 0b1, a Virtual IO Timing Mode can be selected via the DELAYMODE field of this register, as described in Section 18.4.6.1.5 , Virtual IO Timing Modes. Manual IO Timing Modes are selected via the procedure described in Section 18.4.6.1.6 , Manual IO Timing Modes. 0x0: Default IO Timing Mode is used 0x1: A Virtual or Manual IO Timing Mode is used	RW	0x0
7:4	GPMC_AD3_DELAYMODE	This bit field selects the Virtual Timing Mode used when the MODESELECT bit is set to 0b1. See Section 18.4.6.1.5 , Virtual IO Timing Modes for details.	RW	0x0
3:0	GPMC_AD3_MUXMODE	0x0: gpmc_ad3 0x2: vin1a_d3 0x3: vout3_d3 0xE: gpio1_9 0xF: sysboot3	RW	0xF

Table 18-1067. Register Call Summary for Register CTRL_CORE_PAD_GPMC_AD3

Control Module Register Manual

- [CTRL_MODULE_CORE Register Summary: \[0\]](#)

Table 18-1068. CTRL_CORE_PAD_GPMC_AD4

Address Offset	0x0000 1410	Instance	CTRL_MODULE_CORE
Physical Address	0x4A00 3410		
Description			
Type	RW		

31	30	29	28	27	26	25	24	23	22	21	20	19	18	17	16	15	14	13	12	11	10	9	8	7	6	5	4	3	2	1	0												
RESERVED								RESERVED								RESERVED								GPMC_AD4_MODESELECT				GPMC_AD4_DELAYMODE				GPMC_AD4_MUXMODE											
				GPMC_AD4_WAKEUPEVENT				GPMC_AD4_WAKEUPENABLE								GPMC_AD4_SLEWCONTROL				GPMC_AD4_INPUTENABLE				GPMC_AD4_PULLTYPESELECT				GPMC_AD4_PULLUDENABLE															

Bits	Field Name	Description	Type	Reset
31:26	RESERVED		R	0x0
25	GPMC_AD4_WAKEUPEVENT	0x0: No wakeup event detected 0x1: Wakeup event detected	R	0x0
24	GPMC_AD4_WAKEUPENABLE	0x0: Wakeup is disabled 0x1: Wakeup is enabled	RW	0x0
23:20	RESERVED		R	0x0

Bits	Field Name	Description	Type	Reset
19	GPMC_AD4_SLEWCONTROL	0x0: Fast slew is selected 0x1: Slow slew is selected	RW	0x0
18	GPMC_AD4_INPUTENABLE	0x0: Receive mode is disabled 0x1: Receive mode is enabled	RW	0x1
17	GPMC_AD4_PULLTYPESELECTION	0x0: Pull Down is selected 0x1: Pull Up is selected	RW	0x0
16	GPMC_AD4_PULLUDENABLE	0x0: Enables weak Pull Up/Down 0x1: Disables weak Pull Up/Down	RW	0x1
15:9	RESERVED		R	0x0
8	GPMC_AD4_MODESELECT	Selects between the Default IO Timing Mode and a Virtual or Manual IO Timing Mode. Refer to the device Data Manual for definition of the required settings for a given mode of operation. When this bit is 0b1, a Virtual IO Timing Mode can be selected via the DELAYMODE field of this register, as described in Section 18.4.6.1.5 , Virtual IO Timing Modes. Manual IO Timing Modes are selected via the procedure described in Section 18.4.6.1.6 , Manual IO Timing Modes. 0x0: Default IO Timing Mode is used 0x1: A Virtual or Manual IO Timing Mode is used	RW	0x0
7:4	GPMC_AD4_DELAYMODE	This bit field selects the Virtual Timing Mode used when the MODESELECT bit is set to 0b1. See Section 18.4.6.1.5 , Virtual IO Timing Modes for details.	RW	0x0
3:0	GPMC_AD4_MUXMODE	0x0: gpmc_ad4 0x2: vin1a_d4 0x3: vout3_d4 0xE: gpio1_10 0xF: sysboot4	RW	0xF

Table 18-1069. Register Call Summary for Register CTRL_CORE_PAD_GPMC_AD4

Control Module Register Manual

- [CTRL_MODULE_CORE Register Summary: \[0\]](#)

Table 18-1070. CTRL_CORE_PAD_GPMC_AD5

Address Offset	0x0000 1414	Instance	CTRL_MODULE_CORE
Physical Address	0x4A00 3414		
Description			
Type	RW		

31	30	29	28	27	26	25	24	23	22	21	20	19	18	17	16	15	14	13	12	11	10	9	8	7	6	5	4	3	2	1	0												
RESERVED								RESERVED								RESERVED								GPMC_AD5_MODESELECT	GPMC_AD5_DELAYMODE				GPMC_AD5_MUXMODE														
				GPMC_AD5_WAKEUPEVENT				GPMC_AD5_WAKEUPEENABLE								GPMC_AD5_SLEWCONTROL				GPMC_AD5_INPUTENABLE				GPMC_AD5_PULLTYPESELECTION				GPMC_AD5_PULLUDENABLE															

Bits	Field Name	Description	Type	Reset
31:26	RESERVED		R	0x0
25	GPMC_AD5_WAKEUPEVENT	0x0: No wakeup event detected 0x1: Wakeup event detected	R	0x0
24	GPMC_AD5_WAKEUPENABLE	0x0: Wakeup is disabled 0x1: Wakeup is enabled	RW	0x0
23:20	RESERVED		R	0x0
19	GPMC_AD5_SLEWCONTROL	0x0: Fast slew is selected 0x1: Slow slew is selected	RW	0x0
18	GPMC_AD5_INPUTENABLE	0x0: Receive mode is disabled 0x1: Receive mode is enabled	RW	0x1
17	GPMC_AD5_PULLTYPESELECTION	0x0: Pull Down is selected 0x1: Pull Up is selected	RW	0x0
16	GPMC_AD5_PULLUDENABLE	0x0: Enables weak Pull Up/Down 0x1: Disables weak Pull Up/Down	RW	0x1
15:9	RESERVED		R	0x0
8	GPMC_AD5_MODESELECT	Selects between the Default IO Timing Mode and a Virtual or Manual IO Timing Mode. Refer to the device Data Manual for definition of the required settings for a given mode of operation. When this bit is 0b1, a Virtual IO Timing Mode can be selected via the DELAYMODE field of this register, as described in Section 18.4.6.1.5 , Virtual IO Timing Modes. Manual IO Timing Modes are selected via the procedure described in Section 18.4.6.1.6 , Manual IO Timing Modes. 0x0: Default IO Timing Mode is used 0x1: A Virtual or Manual IO Timing Mode is used	RW	0x0
7:4	GPMC_AD5_DELAYMODE	This bit field selects the Virtual Timing Mode used when the MODESELECT bit is set to 0b1. See Section 18.4.6.1.5 , Virtual IO Timing Modes for details.	RW	0x0
3:0	GPMC_AD5_MUXMODE	0x0: gpmc_ad5 0x2: vin1a_d5 0x3: vout3_d5 0xE: gpio1_11 0xF: sysboot5	RW	0xF

Table 18-1071. Register Call Summary for Register CTRL_CORE_PAD_GPMC_AD5

Control Module Register Manual

- [CTRL_MODULE_CORE Register Summary: \[0\]](#)

Table 18-1072. CTRL_CORE_PAD_GPMC_AD6

Address Offset	0x0000 1418	Instance	CTRL_MODULE_CORE
Physical Address	0x4A00 3418		
Description			
Type	RW		

31	30	29	28	27	26	25	24	23	22	21	20	19	18	17	16	15	14	13	12	11	10	9	8	7	6	5	4	3	2	1	0												
RESERVED								RESERVED								RESERVED								GPMC_AD6_WAKEUPEVENT GPMC_AD6_WAKEUPENABLE				GPMC_AD6_SLEWCONTROL GPMC_AD6_INPUTENABLE GPMC_AD6_PULLTYPESELECT GPMC_AD6_PULLUDENABLE				GPMC_AD6_MODESELECT				GPMC_AD6_DELAYMODE				GPMC_AD6_MUXMODE			

Bits	Field Name	Description	Type	Reset
31:26	RESERVED		R	0x0
25	GPMC_AD6_WAKEUPEVENT	0x0: No wakeup event detected 0x1: Wakeup event detected	R	0x0
24	GPMC_AD6_WAKEUPENABLE	0x0: Wakeup is disabled 0x1: Wakeup is enabled	RW	0x0
23:20	RESERVED		R	0x0
19	GPMC_AD6_SLEWCONTROL	0x0: Fast slew is selected 0x1: Slow slew is selected	RW	0x0
18	GPMC_AD6_INPUTENABLE	0x0: Receive mode is disabled 0x1: Receive mode is enabled	RW	0x1
17	GPMC_AD6_PULLTYPESELECT	0x0: Pull Down is selected 0x1: Pull Up is selected	RW	0x0
16	GPMC_AD6_PULLUDENABLE	0x0: Enables weak Pull Up/Down 0x1: Disables weak Pull Up/Down	RW	0x1
15:9	RESERVED		R	0x0
8	GPMC_AD6_MODESELECT	Selects between the Default IO Timing Mode and a Virtual or Manual IO Timing Mode. Refer to the device Data Manual for definition of the required settings for a given mode of operation. When this bit is 0b1, a Virtual IO Timing Mode can be selected via the DELAYMODE field of this register, as described in Section 18.4.6.1.5 , Virtual IO Timing Modes. Manual IO Timing Modes are selected via the procedure described in Section 18.4.6.1.6 , Manual IO Timing Modes. 0x0: Default IO Timing Mode is used 0x1: A Virtual or Manual IO Timing Mode is used	RW	0x0
7:4	GPMC_AD6_DELAYMODE	This bit field selects the Virtual Timing Mode used when the MODESELECT bit is set to 0b1. See Section 18.4.6.1.5 , Virtual IO Timing Modes for details.	RW	0x0
3:0	GPMC_AD6_MUXMODE	0x0: gpmc_ad6 0x2: vin1a_d6 0x3: vout3_d6 0xE: gpio1_12 0xF: sysboot6	RW	0xF

Table 18-1073. Register Call Summary for Register CTRL_CORE_PAD_GPMC_AD6

Control Module Register Manual

- [CTRL_MODULE_CORE Register Summary: \[0\]](#)

Table 18-1074. CTRL_CORE_PAD_GPMC_AD7

Address Offset	0x0000 141C	Instance	CTRL_MODULE_CORE
Physical Address	0x4A00 341C		
Description			
Type	RW		

31	30	29	28	27	26	25	24	23	22	21	20	19	18	17	16	15	14	13	12	11	10	9	8	7	6	5	4	3	2	1	0												
RESERVED								RESERVED								RESERVED								GPMC_AD7_WAKEUPEVENT GPMC_AD7_WAKEUPENABLE				GPMC_AD7_SLEWCONTROL GPMC_AD7_INPUTENABLE GPMC_AD7_PULLTYPESELEC GPMC_AD7_PULLUDENABLE				GPMC_AD7_MODESELECT				GPMC_AD7_DELAYMODE				GPMC_AD7_MUXMODE			

Bits	Field Name	Description	Type	Reset
31:26	RESERVED		R	0x0
25	GPMC_AD7_WAKEUPEVENT	0x0: No wakeup event detected 0x1: Wakeup event detected	R	0x0
24	GPMC_AD7_WAKEUPENABLE	0x0: Wakeup is disabled 0x1: Wakeup is enabled	RW	0x0
23:20	RESERVED		R	0x0
19	GPMC_AD7_SLEWCONTROL	0x0: Fast slew is selected 0x1: Slow slew is selected	RW	0x0
18	GPMC_AD7_INPUTENABLE	0x0: Receive mode is disabled 0x1: Receive mode is enabled	RW	0x1
17	GPMC_AD7_PULLTYPESELECTION	0x0: Pull Down is selected 0x1: Pull Up is selected	RW	0x0
16	GPMC_AD7_PULLUDENABLE	0x0: Enables weak Pull Up/Down 0x1: Disables weak Pull Up/Down	RW	0x1
15:9	RESERVED		R	0x0
8	GPMC_AD7_MODESELECT	Selects between the Default IO Timing Mode and a Virtual or Manual IO Timing Mode. Refer to the device Data Manual for definition of the required settings for a given mode of operation. When this bit is 0b1, a Virtual IO Timing Mode can be selected via the DELAYMODE field of this register, as described in Section 18.4.6.1.5 , Virtual IO Timing Modes. Manual IO Timing Modes are selected via the procedure described in Section 18.4.6.1.6 , Manual IO Timing Modes. 0x0: Default IO Timing Mode is used 0x1: A Virtual or Manual IO Timing Mode is used	RW	0x0
7:4	GPMC_AD7_DELAYMODE	This bit field selects the Virtual Timing Mode used when the MODESELECT bit is set to 0b1. See Section 18.4.6.1.5 , Virtual IO Timing Modes for details.	RW	0x0

Bits	Field Name	Description	Type	Reset
3:0	GPMC_AD7_MUXMODE	0x0: gpmc_ad7 0x2: vin1a_d7 0x3: vout3_d7 0xE: gpio1_13 0xF: sysboot7	RW	0xF

Table 18-1075. Register Call Summary for Register CTRL_CORE_PAD_GPMC_AD7

Control Module Register Manual

- [CTRL_MODULE_CORE Register Summary: \[0\]](#)

Table 18-1076. CTRL_CORE_PAD_GPMC_AD8

Address Offset	0x0000 1420	Instance	CTRL_MODULE_CORE
Physical Address	0x4A00 3420		
Description			
Type	RW		

31	30	29	28	27	26	25	24	23	22	21	20	19	18	17	16	15	14	13	12	11	10	9	8	7	6	5	4	3	2	1	0																
RESERVED								RESERVED								RESERVED								GPMC_AD8_MODESELECT				GPMC_AD8_DELAYMODE				GPMC_AD8_MUXMODE															
GPMC_AD8_WAKEUPEVENT								GPMC_AD8_WAKEUPENABLE								GPMC_AD8_SLEWCONTROL								GPMC_AD8_INPUTENABLE				GPMC_AD8_PULLTYPESELEC				GPMC_AD8_PULLUDENABLE				GPMC_AD8_MODESELECT				GPMC_AD8_DELAYMODE				GPMC_AD8_MUXMODE			

Bits	Field Name	Description	Type	Reset
31:26	RESERVED		R	0x0
25	GPMC_AD8_WAKEUPEVENT	0x0: No wakeup event detected 0x1: Wakeup event detected	R	0x0
24	GPMC_AD8_WAKEUPENABLE	0x0: Wakeup is disabled 0x1: Wakeup is enabled	RW	0x0
23:20	RESERVED		R	0x0
19	GPMC_AD8_SLEWCONTROL	0x0: Fast slew is selected 0x1: Slow slew is selected	RW	0x0
18	GPMC_AD8_INPUTENABLE	0x0: Receive mode is disabled 0x1: Receive mode is enabled	RW	0x1
17	GPMC_AD8_PULLTYPESELECTION	0x0: Pull Down is selected 0x1: Pull Up is selected	RW	0x0
16	GPMC_AD8_PULLUDENABLE	0x0: Enables weak Pull Up/Down 0x1: Disables weak Pull Up/Down	RW	0x1
15:9	RESERVED		R	0x0

Bits	Field Name	Description	Type	Reset
8	GPMC_AD8_MODESELECT	Selects between the Default IO Timing Mode and a Virtual or Manual IO Timing Mode. Refer to the device Data Manual for definition of the required settings for a given mode of operation. When this bit is 0b1, a Virtual IO Timing Mode can be selected via the DELAYMODE field of this register, as described in Section 18.4.6.1.5 , Virtual IO Timing Modes. Manual IO Timing Modes are selected via the procedure described in Section 18.4.6.1.6 , Manual IO Timing Modes. 0x0: Default IO Timing Mode is used 0x1: A Virtual or Manual IO Timing Mode is used	RW	0x0
7:4	GPMC_AD8_DELAYMODE	This bit field selects the Virtual Timing Mode used when the MODESELECT bit is set to 0b1. See Section 18.4.6.1.5 , Virtual IO Timing Modes for details.	RW	0x0
3:0	GPMC_AD8_MUXMODE	0x0: gpmc_ad8 0x2: vin1a_d8 0x3: vout3_d8 0xE: gpio7_18 0xF: sysboot8	RW	0xF

Table 18-1077. Register Call Summary for Register CTRL_CORE_PAD_GPMC_AD8

Control Module Register Manual

- [CTRL_MODULE_CORE Register Summary: \[0\]](#)

Table 18-1078. CTRL_CORE_PAD_GPMC_AD9

Address Offset	0x0000 1424	Instance	CTRL_MODULE_CORE
Physical Address	0x4A00 3424		
Description			
Type	RW		

31	30	29	28	27	26	25	24	23	22	21	20	19	18	17	16	15	14	13	12	11	10	9	8	7	6	5	4	3	2	1	0												
RESERVED								RESERVED								RESERVED								GPMC_AD9_MODESELECT				GPMC_AD9_DELAYMODE				GPMC_AD9_MUXMODE											
GPMC_AD9_WAKEUPEVENT								GPMC_AD9_WAKEUPENABLE								GPMC_AD9_SLEWCONTROL				GPMC_AD9_INPUTENABLE				GPMC_AD9_PULLTYPESELECT				GPMC_AD9_PULLUDENABLE															

Bits	Field Name	Description	Type	Reset
31:26	RESERVED		R	0x0
25	GPMC_AD9_WAKEUPEVENT	0x0: No wakeup event detected 0x1: Wakeup event detected	R	0x0
24	GPMC_AD9_WAKEUPENABLE	0x0: Wakeup is disabled 0x1: Wakeup is enabled	RW	0x0
23:20	RESERVED		R	0x0

Bits	Field Name	Description	Type	Reset
19	GPMC_AD9_SLEWCONTROL	0x0: Fast slew is selected 0x1: Slow slew is selected	RW	0x0
18	GPMC_AD9_INPUTENABLE	0x0: Receive mode is disabled 0x1: Receive mode is enabled	RW	0x1
17	GPMC_AD9_PULLTYPESELECTION	0x0: Pull Down is selected 0x1: Pull Up is selected	RW	0x0
16	GPMC_AD9_PULLUDENABLE	0x0: Enables weak Pull Up/Down 0x1: Disables weak Pull Up/Down	RW	0x1
15:9	RESERVED		R	0x0
8	GPMC_AD9_MODESELECT	Selects between the Default IO Timing Mode and a Virtual or Manual IO Timing Mode. Refer to the device Data Manual for definition of the required settings for a given mode of operation. When this bit is 0b1, a Virtual IO Timing Mode can be selected via the DELAYMODE field of this register, as described in Section 18.4.6.1.5 , Virtual IO Timing Modes. Manual IO Timing Modes are selected via the procedure described in Section 18.4.6.1.6 , Manual IO Timing Modes. 0x0: Default IO Timing Mode is used 0x1: A Virtual or Manual IO Timing Mode is used	RW	0x0
7:4	GPMC_AD9_DELAYMODE	This bit field selects the Virtual Timing Mode used when the MODESELECT bit is set to 0b1. See Section 18.4.6.1.5 , Virtual IO Timing Modes for details.	RW	0x0
3:0	GPMC_AD9_MUXMODE	0x0: gpmc_ad9 0x2: vin1a_d9 0x3: vout3_d9 0xE: gpio7_19 0xF: sysboot9	RW	0xF

Table 18-1079. Register Call Summary for Register CTRL_CORE_PAD_GPMC_AD9

Control Module Register Manual

- [CTRL_MODULE_CORE Register Summary: \[0\]](#)

Table 18-1080. CTRL_CORE_PAD_GPMC_AD10

Address Offset	0x0000 1428	Instance	CTRL_MODULE_CORE
Physical Address	0x4A00 3428		
Description			
Type	RW		

31	30	29	28	27	26	25	24	23	22	21	20	19	18	17	16	15	14	13	12	11	10	9	8	7	6	5	4	3	2	1	0												
RESERVED								RESERVED								RESERVED								GPMC_AD10_MODESELECT				GPMC_AD10_DELAYMODE				GPMC_AD10_MUXMODE											
				GPMC_AD10_WAKEUPEVENT				GPMC_AD10_WAKEUPENABLE								GPMC_AD10_SLEWCONTROL				GPMC_AD10_INPUTENABLE				GPMC_AD10_PULLTYPESELECT				GPMC_AD10_PULLUDENABLE															

Bits	Field Name	Description	Type	Reset
31:26	RESERVED		R	0x0
25	GPMC_AD10_WAKEUPEVENT	0x0: No wakeup event detected 0x1: Wakeup event detected	R	0x0
24	GPMC_AD10_WAKEUPENABLE	0x0: Wakeup is disabled 0x1: Wakeup is enabled	RW	0x0
23:20	RESERVED		R	0x0
19	GPMC_AD10_SLEWCONTROL	0x0: Fast slew is selected 0x1: Slow slew is selected	RW	0x0
18	GPMC_AD10_INPUTENABLE	0x0: Receive mode is disabled 0x1: Receive mode is enabled	RW	0x1
17	GPMC_AD10_PULLTYPESELECT	0x0: Pull Down is selected 0x1: Pull Up is selected	RW	0x0
16	GPMC_AD10_PULLUDENABLE	0x0: Enables weak Pull Up/Down 0x1: Disables weak Pull Up/Down	RW	0x1
15:9	RESERVED		R	0x0
8	GPMC_AD10_MODESELECT	Selects between the Default IO Timing Mode and a Virtual or Manual IO Timing Mode. Refer to the device Data Manual for definition of the required settings for a given mode of operation. When this bit is 0b1, a Virtual IO Timing Mode can be selected via the DELAYMODE field of this register, as described in Section 18.4.6.1.5 , Virtual IO Timing Modes. Manual IO Timing Modes are selected via the procedure described in Section 18.4.6.1.6 , Manual IO Timing Modes. 0x0: Default IO Timing Mode is used 0x1: A Virtual or Manual IO Timing Mode is used	RW	0x0
7:4	GPMC_AD10_DELAYMODE	This bit field selects the Virtual Timing Mode used when the MODESELECT bit is set to 0b1. See Section 18.4.6.1.5 , Virtual IO Timing Modes for details.	RW	0x0
3:0	GPMC_AD10_MUXMODE	0x0: gpmc_ad10 0x2: vin1a_d10 0x3: vout3_d10 0xE: gpio7_28 0xF: sysboot10	RW	0xF

Table 18-1081. Register Call Summary for Register CTRL_CORE_PAD_GPMC_AD10

Control Module Register Manual

- [CTRL_MODULE_CORE Register Summary: \[0\]](#)

Table 18-1082. CTRL_CORE_PAD_GPMC_AD11

Address Offset	0x0000 142C	Instance	CTRL_MODULE_CORE
Physical Address	0x4A00 342C		
Description			
Type	RW		

31	30	29	28	27	26	25	24	23	22	21	20	19	18	17	16	15	14	13	12	11	10	9	8	7	6	5	4	3	2	1	0												
RESERVED								RESERVED								RESERVED								GPMC_AD11_MODESELECT				GPMC_AD11_DELAYMODE				GPMC_AD11_MUXMODE											
				GPMC_AD11_WAKEUPEVENT				GPMC_AD11_WAKEUPENABLE								GPMC_AD11_SLEWCONTROL				GPMC_AD11_INPUTENABLE				GPMC_AD11_PULLTYPESELECT				GPMC_AD11_PULLUDENABLE															

Bits	Field Name	Description	Type	Reset
31:26	RESERVED		R	0x0
25	GPMC_AD11_WAKEUPEVENT	0x0: No wakeup event detected 0x1: Wakeup event detected	R	0x0
24	GPMC_AD11_WAKEUPENABLE	0x0: Wakeup is disabled 0x1: Wakeup is enabled	RW	0x0
23:20	RESERVED		R	0x0
19	GPMC_AD11_SLEWCONTROL	0x0: Fast slew is selected 0x1: Slow slew is selected	RW	0x0
18	GPMC_AD11_INPUTENABLE	0x0: Receive mode is disabled 0x1: Receive mode is enabled	RW	0x1
17	GPMC_AD11_PULLTYPESELECT	0x0: Pull Down is selected 0x1: Pull Up is selected	RW	0x0
16	GPMC_AD11_PULLUDENABLE	0x0: Enables weak Pull Up/Down 0x1: Disables weak Pull Up/Down	RW	0x1
15:9	RESERVED		R	0x0
8	GPMC_AD11_MODESELECT	Selects between the Default IO Timing Mode and a Virtual or Manual IO Timing Mode. Refer to the device Data Manual for definition of the required settings for a given mode of operation. When this bit is 0b1, a Virtual IO Timing Mode can be selected via the DELAYMODE field of this register, as described in Section 18.4.6.1.5 , Virtual IO Timing Modes. Manual IO Timing Modes are selected via the procedure described in Section 18.4.6.1.6 , Manual IO Timing Modes. 0x0: Default IO Timing Mode is used 0x1: A Virtual or Manual IO Timing Mode is used	RW	0x0
7:4	GPMC_AD11_DELAYMODE	This bit field selects the Virtual Timing Mode used when the MODESELECT bit is set to 0b1. See Section 18.4.6.1.5 , Virtual IO Timing Modes for details.	RW	0x0

Bits	Field Name	Description	Type	Reset
3:0	GPMC_AD11_MUXMODE	0x0: gpmc_ad11 0x2: vin1a_d11 0x3: vout3_d11 0xE: gpio7_29 0xF: sysboot11	RW	0xF

Table 18-1083. Register Call Summary for Register CTRL_CORE_PAD_GPMC_AD11

Control Module Register Manual

- [CTRL_MODULE_CORE Register Summary: \[0\]](#)

Table 18-1084. CTRL_CORE_PAD_GPMC_AD12

Address Offset	0x0000 1430	Instance	CTRL_MODULE_CORE
Physical Address	0x4A00 3430		
Description			
Type	RW		

31	30	29	28	27	26	25	24	23	22	21	20	19	18	17	16	15	14	13	12	11	10	9	8	7	6	5	4	3	2	1	0												
RESERVED								RESERVED								RESERVED								GPMC_AD12_MODESELECT				GPMC_AD12_DELAYMODE				GPMC_AD12_MUXMODE											
GPMC_AD12_WAKEUPEVENT								GPMC_AD12_WAKEUPENABLE								GPMC_AD12_SLEWCONTROL				GPMC_AD12_INPUTENABLE				GPMC_AD12_PULLTYPESELECT				GPMC_AD12_PULLUDENABLE															

Bits	Field Name	Description	Type	Reset
31:26	RESERVED		R	0x0
25	GPMC_AD12_WAKEUPEVENT	0x0: No wakeup event detected 0x1: Wakeup event detected	R	0x0
24	GPMC_AD12_WAKEUPENABLE	0x0: Wakeup is disabled 0x1: Wakeup is enabled	RW	0x0
23:20	RESERVED		R	0x0
19	GPMC_AD12_SLEWCONTROL	0x0: Fast slew is selected 0x1: Slow slew is selected	RW	0x0
18	GPMC_AD12_INPUTENABLE	0x0: Receive mode is disabled 0x1: Receive mode is enabled	RW	0x1
17	GPMC_AD12_PULLTYPESELECT	0x0: Pull Down is selected 0x1: Pull Up is selected	RW	0x0
16	GPMC_AD12_PULLUDENABLE	0x0: Enables weak Pull Up/Down 0x1: Disables weak Pull Up/Down	RW	0x1
15:9	RESERVED		R	0x0

Bits	Field Name	Description	Type	Reset
8	GPMC_AD12_MODESELECT	Selects between the Default IO Timing Mode and a Virtual or Manual IO Timing Mode. Refer to the device Data Manual for definition of the required settings for a given mode of operation. When this bit is 0b1, a Virtual IO Timing Mode can be selected via the DELAYMODE field of this register, as described in Section 18.4.6.1.5 , Virtual IO Timing Modes. Manual IO Timing Modes are selected via the procedure described in Section 18.4.6.1.6 , Manual IO Timing Modes. 0x0: Default IO Timing Mode is used 0x1: A Virtual or Manual IO Timing Mode is used	RW	0x0
7:4	GPMC_AD12_DELAYMODE	This bit field selects the Virtual Timing Mode used when the MODESELECT bit is set to 0b1. See Section 18.4.6.1.5 , Virtual IO Timing Modes for details.	RW	0x0
3:0	GPMC_AD12_MUXMODE	0x0: gpmc_ad12 0x2: vin1a_d12 0x3: vout3_d12 0xE: gpio1_18 0xF: sysboot12	RW	0xF

Table 18-1085. Register Call Summary for Register CTRL_CORE_PAD_GPMC_AD12

Control Module Register Manual

- [CTRL_MODULE_CORE Register Summary: \[0\]](#)

Table 18-1086. CTRL_CORE_PAD_GPMC_AD13

Address Offset	0x0000 1434	Instance	CTRL_MODULE_CORE
Physical Address	0x4A00 3434		
Description			
Type	RW		

31	30	29	28	27	26	25	24	23	22	21	20	19	18	17	16	15	14	13	12	11	10	9	8	7	6	5	4	3	2	1	0												
RESERVED								RESERVED								RESERVED								GPMC_AD13_MODESELECT				GPMC_AD13_DELAYMODE				GPMC_AD13_MUXMODE											
				GPMC_AD13_WAKEUPEVENT				GPMC_AD13_WAKEUPENABLE								GPMC_AD13_SLEWCONTROL				GPMC_AD13_INPUTENABLE				GPMC_AD13_PULLEYSELECT				GPMC_AD13_PULLUDENABLE															

Bits	Field Name	Description	Type	Reset
31:26	RESERVED		R	0x0
25	GPMC_AD13_WAKEUPEVENT	0x0: No wakeup event detected 0x1: Wakeup event detected	R	0x0
24	GPMC_AD13_WAKEUPENABLE	0x0: Wakeup is disabled 0x1: Wakeup is enabled	RW	0x0
23:20	RESERVED		R	0x0

Bits	Field Name	Description	Type	Reset
19	GPMC_AD13_SLEWCONTROL	0x0: Fast slew is selected 0x1: Slow slew is selected	RW	0x0
18	GPMC_AD13_INPUTENABLE	0x0: Receive mode is disabled 0x1: Receive mode is enabled	RW	0x1
17	GPMC_AD13_PULLTYPESELE CT	0x0: Pull Down is selected 0x1: Pull Up is selected	RW	0x0
16	GPMC_AD13_PULLUDENABLE	0x0: Enables weak Pull Up/Down 0x1: Disables weak Pull Up/Down	RW	0x1
15:9	RESERVED		R	0x0
8	GPMC_AD13_MODESELECT	Selects between the Default IO Timing Mode and a Virtual or Manual IO Timing Mode. Refer to the device Data Manual for definition of the required settings for a given mode of operation. When this bit is 0b1, a Virtual IO Timing Mode can be selected via the DELAYMODE field of this register, as described in Section 18.4.6.1.5 , Virtual IO Timing Modes. Manual IO Timing Modes are selected via the procedure described in Section 18.4.6.1.6 , Manual IO Timing Modes. 0x0: Default IO Timing Mode is used 0x1: A Virtual or Manual IO Timing Mode is used	RW	0x0
7:4	GPMC_AD13_DELAYMODE	This bit field selects the Virtual Timing Mode used when the MODESELECT bit is set to 0b1. See Section 18.4.6.1.5 , Virtual IO Timing Modes for details.	RW	0x0
3:0	GPMC_AD13_MUXMODE	0x0: gpmc_ad13 0x2: vin1a_d13 0x3: vout3_d13 0xE: gpio1_19 0xF: sysboot13	RW	0xF

Table 18-1087. Register Call Summary for Register CTRL_CORE_PAD_GPMC_AD13

Control Module Register Manual

- [CTRL_MODULE_CORE Register Summary: \[0\]](#)

Table 18-1088. CTRL_CORE_PAD_GPMC_AD14

Address Offset	0x0000 1438	Instance	CTRL_MODULE_CORE
Physical Address	0x4A00 3438		
Description			
Type	RW		

31	30	29	28	27	26	25	24	23	22	21	20	19	18	17	16	15	14	13	12	11	10	9	8	7	6	5	4	3	2	1	0												
RESERVED								RESERVED								RESERVED								GPMC_AD14_MODESELECT				GPMC_AD14_DELAYMODE				GPMC_AD14_MUXMODE											
				GPMC_AD14_WAKEUPEVENT				GPMC_AD14_WAKEUPENABLE								GPMC_AD14_SLEWCONTROL				GPMC_AD14_INPUTENABLE				GPMC_AD14_PULLTYPESELECT				GPMC_AD14_PULLUDENABLE															

Bits	Field Name	Description	Type	Reset
31:26	RESERVED		R	0x0
25	GPMC_AD14_WAKEUPEVENT	0x0: No wakeup event detected 0x1: Wakeup event detected	R	0x0
24	GPMC_AD14_WAKEUPENABLE	0x0: Wakeup is disabled 0x1: Wakeup is enabled	RW	0x0
23:20	RESERVED		R	0x0
19	GPMC_AD14_SLEWCONTROL	0x0: Fast slew is selected 0x1: Slow slew is selected	RW	0x0
18	GPMC_AD14_INPUTENABLE	0x0: Receive mode is disabled 0x1: Receive mode is enabled	RW	0x1
17	GPMC_AD14_PULLTYPESELECT	0x0: Pull Down is selected 0x1: Pull Up is selected	RW	0x0
16	GPMC_AD14_PULLUDENABLE	0x0: Enables weak Pull Up/Down 0x1: Disables weak Pull Up/Down	RW	0x1
15:9	RESERVED		R	0x0
8	GPMC_AD14_MODESELECT	Selects between the Default IO Timing Mode and a Virtual or Manual IO Timing Mode. Refer to the device Data Manual for definition of the required settings for a given mode of operation. When this bit is 0b1, a Virtual IO Timing Mode can be selected via the DELAYMODE field of this register, as described in Section 18.4.6.1.5 , Virtual IO Timing Modes. Manual IO Timing Modes are selected via the procedure described in Section 18.4.6.1.6 , Manual IO Timing Modes. 0x0: Default IO Timing Mode is used 0x1: A Virtual or Manual IO Timing Mode is used	RW	0x0
7:4	GPMC_AD14_DELAYMODE	This bit field selects the Virtual Timing Mode used when the MODESELECT bit is set to 0b1. See Section 18.4.6.1.5 , Virtual IO Timing Modes for details.	RW	0x0
3:0	GPMC_AD14_MUXMODE	0x0: gpmc_ad14 0x2: vin1a_d14 0x3: vout3_d14 0xE: gpio1_20 0xF: sysboot14	RW	0xF

Table 18-1089. Register Call Summary for Register CTRL_CORE_PAD_GPMC_AD14

Control Module Register Manual

- [CTRL_MODULE_CORE Register Summary: \[0\]](#)

Table 18-1090. CTRL_CORE_PAD_GPMC_AD15

Address Offset	0x0000 143C	Instance	CTRL_MODULE_CORE
Physical Address	0x4A00 343C		
Description			
Type	RW		

31	30	29	28	27	26	25	24	23	22	21	20	19	18	17	16	15	14	13	12	11	10	9	8	7	6	5	4	3	2	1	0																
RESERVED								RESERVED								RESERVED								GPMC_AD15_MODESELECT				GPMC_AD15_DELAYMODE				GPMC_AD15_MUXMODE															
GPMC_AD15_WAKEUPEVENT								GPMC_AD15_WAKEUPENABLE								GPMC_AD15_SLEWCONTROL								GPMC_AD15_INPUTENABLE				GPMC_AD15_PULLTYPESELECT				GPMC_AD15_PULLUDENABLE															

Bits	Field Name	Description	Type	Reset
31:26	RESERVED		R	0x0
25	GPMC_AD15_WAKEUPEVENT	0x0: No wakeup event detected 0x1: Wakeup event detected	R	0x0
24	GPMC_AD15_WAKEUPENABLE	0x0: Wakeup is disabled 0x1: Wakeup is enabled	RW	0x0
23:20	RESERVED		R	0x0
19	GPMC_AD15_SLEWCONTROL	0x0: Fast slew is selected 0x1: Slow slew is selected	RW	0x0
18	GPMC_AD15_INPUTENABLE	0x0: Receive mode is disabled 0x1: Receive mode is enabled	RW	0x1
17	GPMC_AD15_PULLTYPESELECT	0x0: Pull Down is selected 0x1: Pull Up is selected	RW	0x0
16	GPMC_AD15_PULLUDENABLE	0x0: Enables weak Pull Up/Down 0x1: Disables weak Pull Up/Down	RW	0x1
15:9	RESERVED		R	0x0
8	GPMC_AD15_MODESELECT	Selects between the Default IO Timing Mode and a Virtual or Manual IO Timing Mode. Refer to the device Data Manual for definition of the required settings for a given mode of operation. When this bit is 0b1, a Virtual IO Timing Mode can be selected via the DELAYMODE field of this register, as described in Section 18.4.6.1.5 , Virtual IO Timing Modes. Manual IO Timing Modes are selected via the procedure described in Section 18.4.6.1.6 , Manual IO Timing Modes. 0x0: Default IO Timing Mode is used 0x1: A Virtual or Manual IO Timing Mode is used	RW	0x0
7:4	GPMC_AD15_DELAYMODE	This bit field selects the Virtual Timing Mode used when the MODESELECT bit is set to 0b1. See Section 18.4.6.1.5 , Virtual IO Timing Modes for details.	RW	0x0

Bits	Field Name	Description	Type	Reset
3:0	GPMC_AD15_MUXMODE	0x0: gpmc_ad15 0x2: vin1a_d15 0x3: vout3_d15 0xE: gpio1_21 0xF: sysboot15	RW	0xF

Table 18-1091. Register Call Summary for Register CTRL_CORE_PAD_GPMC_AD15

Control Module Register Manual

- [CTRL_MODULE_CORE Register Summary: \[0\]](#)

Table 18-1092. CTRL_CORE_PAD_GPMC_A0

Address Offset	0x0000 1440	Instance	CTRL_MODULE_CORE
Physical Address	0x4A00 3440		
Description			
Type	RW		

31	30	29	28	27	26	25	24	23	22	21	20	19	18	17	16	15	14	13	12	11	10	9	8	7	6	5	4	3	2	1	0										
RESERVED								RESERVED								RESERVED								GPMC_A0_MODESELECT		GPMC_A0_DELAYMODE				GPMC_A0_MUXMODE											
GPMC_A0_WAKEUPEVENT								GPMC_A0_WAKEUPENABLE								GPMC_A0_SLEWCONTROL				GPMC_A0_INPUTENABLE				GPMC_A0_PULLTYPESELECT				GPMC_A0_PULLUDENABLE													

Bits	Field Name	Description	Type	Reset
31:26	RESERVED		R	0x0
25	GPMC_A0_WAKEUPEVENT	0x0: No wakeup event detected 0x1: Wakeup event detected	R	0x0
24	GPMC_A0_WAKEUPENABLE	0x0: Wakeup is disabled 0x1: Wakeup is enabled	RW	0x0
23:20	RESERVED		R	0x0
19	GPMC_A0_SLEWCONTROL	0x0: Fast slew is selected 0x1: Slow slew is selected	RW	0x0
18	GPMC_A0_INPUTENABLE	0x0: Receive mode is disabled 0x1: Receive mode is enabled	RW	0x1
17	GPMC_A0_PULLTYPESELECT	0x0: Pull Down is selected 0x1: Pull Up is selected	RW	0x0
16	GPMC_A0_PULLUDENABLE	0x0: Enables weak Pull Up/Down 0x1: Disables weak Pull Up/Down	RW	0x0
15:9	RESERVED		R	0x0

Bits	Field Name	Description	Type	Reset
8	GPMC_A0_MODESELECT	Selects between the Default IO Timing Mode and a Virtual or Manual IO Timing Mode. Refer to the device Data Manual for definition of the required settings for a given mode of operation. When this bit is 0b1, a Virtual IO Timing Mode can be selected via the DELAYMODE field of this register, as described in Section 18.4.6.1.5 , Virtual IO Timing Modes. Manual IO Timing Modes are selected via the procedure described in Section 18.4.6.1.6 , Manual IO Timing Modes. 0x0: Default IO Timing Mode is used 0x1: A Virtual or Manual IO Timing Mode is used	RW	0x0
7:4	GPMC_A0_DELAYMODE	This bit field selects the Virtual Timing Mode used when the MODESELECT bit is set to 0b1. See Section 18.4.6.1.5 , Virtual IO Timing Modes for details.	RW	0x0
3:0	GPMC_A0_MUXMODE	0x0: gpmc_a0 0x2: vin1a_d16 0x3: vout3_d16 0x4: vin2a_d0 vin1a_d0 0x6: vin1b_d0 0x7: i2c4_scl 0x8: uart5_rxd 0xE: gpio7_3 gpmc_a26 gpmc_a16 0xF: Driver off	RW	0xF

Table 18-1093. Register Call Summary for Register CTRL_CORE_PAD_GPMC_A0

Control Module Register Manual

- [CTRL_MODULE_CORE Register Summary: \[0\]](#)

Table 18-1094. CTRL_CORE_PAD_GPMC_A1

Address Offset	0x0000 1444	Instance	CTRL_MODULE_CORE
Physical Address	0x4A00 3444		
Description			
Type	RW		

31	30	29	28	27	26	25	24	23	22	21	20	19	18	17	16	15	14	13	12	11	10	9	8	7	6	5	4	3	2	1	0				
RESERVED								RESERVED								RESERVED								GPMC_A1_MODESELECT		GPMC_A1_DELAYMODE			GPMC_A1_MUXMODE						
								GPMC_A1_WAKEUPEVENT		GPMC_A1_WAKEUPENABLE				GPMC_A1_SLEWCONTROL		GPMC_A1_INPUTENABLE		GPMC_A1_PULLTYPESELECT		GPMC_A1_PULLUDENABLE															

Bits	Field Name	Description	Type	Reset
31:26	RESERVED		R	0x0
25	GPMC_A1_WAKEUPEVENT	0x0: No wakeup event detected 0x1: Wakeup event detected	R	0x0

Bits	Field Name	Description	Type	Reset
24	GPMC_A1_WAKEUPENABLE	0x0: Wakeup is disabled 0x1: Wakeup is enabled	RW	0x0
23:20	RESERVED		R	0x0
19	GPMC_A1_SLEWCONTROL	0x0: Fast slew is selected 0x1: Slow slew is selected	RW	0x0
18	GPMC_A1_INPUTENABLE	0x0: Receive mode is disabled 0x1: Receive mode is enabled	RW	0x1
17	GPMC_A1_PULLTYPESELECT	0x0: Pull Down is selected 0x1: Pull Up is selected	RW	0x0
16	GPMC_A1_PULLUDENABLE	0x0: Enables weak Pull Up/Down 0x1: Disables weak Pull Up/Down	RW	0x0
15:9	RESERVED		R	0x0
8	GPMC_A1_MODESELECT	Selects between the Default IO Timing Mode and a Virtual or Manual IO Timing Mode. Refer to the device Data Manual for definition of the required settings for a given mode of operation. When this bit is 0b1, a Virtual IO Timing Mode can be selected via the DELAYMODE field of this register, as described in Section 18.4.6.1.5 , Virtual IO Timing Modes. Manual IO Timing Modes are selected via the procedure described in Section 18.4.6.1.6 , Manual IO Timing Modes. 0x0: Default IO Timing Mode is used 0x1: A Virtual or Manual IO Timing Mode is used	RW	0x0
7:4	GPMC_A1_DELAYMODE	This bit field selects the Virtual Timing Mode used when the MODESELECT bit is set to 0b1. See Section 18.4.6.1.5 , Virtual IO Timing Modes for details.	RW	0x0
3:0	GPMC_A1_MUXMODE	0x0: gpmc_a1 0x2: vin1a_d17 0x3: vout3_d17 0x4: vin2a_d1 vin1a_d1 0x6: vin1b_d1 0x7: i2c4_sda 0x8: uart5_txd 0xE: gpio7_4 0xF: Driver off	RW	0xF

Table 18-1095. Register Call Summary for Register CTRL_CORE_PAD_GPMC_A1

Control Module Register Manual

- [CTRL_MODULE_CORE Register Summary: \[0\]](#)

Table 18-1096. CTRL_CORE_PAD_GPMC_A2

Address Offset	0x0000 1448	Instance	CTRL_MODULE_CORE
Physical Address	0x4A00 3448		
Description			
Type	RW		

31	30	29	28	27	26	25	24	23	22	21	20	19	18	17	16	15	14	13	12	11	10	9	8	7	6	5	4	3	2	1	0
RESERVED						GPMC_A2_WAKEUPEVENT	GPMC_A2_WAKEUPENABLE	RESERVED				GPMC_A2_SLEWCONTROL	GPMC_A2_INPUTENABLE	GPMC_A2_PULLTYPESELECT	GPMC_A2_PULLUDENABLE	RESERVED						GPMC_A2_MODESELECT	GPMC_A2_DELAYMODE				GPMC_A2_MUXMODE				

Bits	Field Name	Description	Type	Reset
31:26	RESERVED		R	0x0
25	GPMC_A2_WAKEUPEVENT	0x0: No wakeup event detected 0x1: Wakeup event detected	R	0x0
24	GPMC_A2_WAKEUPENABLE	0x0: Wakeup is disabled 0x1: Wakeup is enabled	RW	0x0
23:20	RESERVED		R	0x0
19	GPMC_A2_SLEWCONTROL	0x0: Fast slew is selected 0x1: Slow slew is selected	RW	0x0
18	GPMC_A2_INPUTENABLE	0x0: Receive mode is disabled 0x1: Receive mode is enabled	RW	0x1
17	GPMC_A2_PULLTYPESELECT	0x0: Pull Down is selected 0x1: Pull Up is selected	RW	0x0
16	GPMC_A2_PULLUDENABLE	0x0: Enables weak Pull Up/Down 0x1: Disables weak Pull Up/Down	RW	0x0
15:9	RESERVED		R	0x0
8	GPMC_A2_MODESELECT	Selects between the Default IO Timing Mode and a Virtual or Manual IO Timing Mode. Refer to the device Data Manual for definition of the required settings for a given mode of operation. When this bit is 0b1, a Virtual IO Timing Mode can be selected via the DELAYMODE field of this register, as described in Section 18.4.6.1.5 , Virtual IO Timing Modes. Manual IO Timing Modes are selected via the procedure described in Section 18.4.6.1.6 , Manual IO Timing Modes. 0x0: Default IO Timing Mode is used 0x1: A Virtual or Manual IO Timing Mode is used	RW	0x0
7:4	GPMC_A2_DELAYMODE	This bit field selects the Virtual Timing Mode used when the MODESELECT bit is set to 0b1. See Section 18.4.6.1.5 , Virtual IO Timing Modes for details.	RW	0x0
3:0	GPMC_A2_MUXMODE	0x0: gpmc_a2 0x2: vin1a_d18 0x3: vout3_d18 0x4: vin2a_d2 vin1a_d2 0x6: vin1b_d2 0x7: uart7_rxd 0x8: uart5_ctsn 0xE: gpio7_5 0xF: Driver off	RW	0xF

Table 18-1097. Register Call Summary for Register CTRL_CORE_PAD_GPMC_A2

Control Module Register Manual

- [CTRL_MODULE_CORE Register Summary: \[0\]](#)

Table 18-1098. CTRL_CORE_PAD_GPMC_A3

Address Offset	0x0000 144C	Instance	CTRL_MODULE_CORE
Physical Address	0x4A00 344C		
Description			
Type	RW		

31	30	29	28	27	26	25	24	23	22	21	20	19	18	17	16	15	14	13	12	11	10	9	8	7	6	5	4	3	2	1	0												
RESERVED								RESERVED								RESERVED								GPMC_A3_MODESELECT				GPMC_A3_DELAYMODE				GPMC_A3_MUXMODE											
				GPMC_A3_WAKEUPEVENT				GPMC_A3_WAKEUPENABLE								GPMC_A3_SLEWCONTROL				GPMC_A3_INPUTENABLE				GPMC_A3_PULLTYPESELECT				GPMC_A3_PULLUDENABE															

Bits	Field Name	Description	Type	Reset
31:26	RESERVED		R	0x0
25	GPMC_A3_WAKEUPEVENT	0x0: No wakeup event detected 0x1: Wakeup event detected	R	0x0
24	GPMC_A3_WAKEUPENABLE	0x0: Wakeup is disabled 0x1: Wakeup is enabled	RW	0x0
23:20	RESERVED		R	0x0
19	GPMC_A3_SLEWCONTROL	0x0: Fast slew is selected 0x1: Slow slew is selected	RW	0x0
18	GPMC_A3_INPUTENABLE	0x0: Receive mode is disabled 0x1: Receive mode is enabled	RW	0x1
17	GPMC_A3_PULLTYPESELECT	0x0: Pull Down is selected 0x1: Pull Up is selected	RW	0x0
16	GPMC_A3_PULLUDENABE	0x0: Enables weak Pull Up/Down 0x1: Disables weak Pull Up/Down	RW	0x0
15:9	RESERVED		R	0x0
8	GPMC_A3_MODESELECT	Selects between the Default IO Timing Mode and a Virtual or Manual IO Timing Mode. Refer to the device Data Manual for definition of the required settings for a given mode of operation. When this bit is 0b1, a Virtual IO Timing Mode can be selected via the DELAYMODE field of this register, as described in Section 18.4.6.1.5 , Virtual IO Timing Modes. Manual IO Timing Modes are selected via the procedure described in Section 18.4.6.1.6 , Manual IO Timing Modes. 0x0: Default IO Timing Mode is used 0x1: A Virtual or Manual IO Timing Mode is used	RW	0x0

Bits	Field Name	Description	Type	Reset
7:4	GPMC_A3_DELAYMODE	This bit field selects the Virtual Timing Mode used when the MODESELECT bit is set to 0b1. See Section 18.4.6.1.5 , Virtual IO Timing Modes for details.	RW	0x0
3:0	GPMC_A3_MUXMODE	0x0: gpmc_a3 0x1: qspi1_cs2 0x2: vin1a_d19 0x3: vout3_d19 0x4: vin2a_d3 vin1a_d3 0x6: vin1b_d3 0x7: uart7_txd 0x8: uart5_rtsn 0xE: gpio7_6 0xF: Driver off	RW	0xF

Table 18-1099. Register Call Summary for Register CTRL_CORE_PAD_GPMC_A3

Control Module Register Manual

- [CTRL_MODULE_CORE Register Summary: \[0\]](#)

Table 18-1100. CTRL_CORE_PAD_GPMC_A4

Address Offset	0x0000 1450	Instance	CTRL_MODULE_CORE
Physical Address	0x4A00 3450		
Description			
Type	RW		

31	30	29	28	27	26	25	24	23	22	21	20	19	18	17	16	15	14	13	12	11	10	9	8	7	6	5	4	3	2	1	0												
RESERVED								RESERVED								RESERVED								GPMC_A4_MODESELECT	GPMC_A4_DELAYMODE				GPMC_A4_MUXMODE														
				GPMC_A4_WAKEUPEVENT				GPMC_A4_WAKEUPENABLE								GPMC_A4_SLEWCONTROL				GPMC_A4_INPUTENABLE				GPMC_A4_PULLTYPESELECT				GPMC_A4_PULLUDENABLE															

Bits	Field Name	Description	Type	Reset
31:26	RESERVED		R	0x0
25	GPMC_A4_WAKEUPEVENT	0x0: No wakeup event detected 0x1: Wakeup event detected	R	0x0
24	GPMC_A4_WAKEUPENABLE	0x0: Wakeup is disabled 0x1: Wakeup is enabled	RW	0x0
23:20	RESERVED		R	0x0
19	GPMC_A4_SLEWCONTROL	0x0: Fast slew is selected 0x1: Slow slew is selected	RW	0x0
18	GPMC_A4_INPUTENABLE	0x0: Receive mode is disabled 0x1: Receive mode is enabled	RW	0x1

Bits	Field Name	Description	Type	Reset
17	GPMC_A4_PULLTYPESELECT	0x0: Pull Down is selected 0x1: Pull Up is selected	RW	0x0
16	GPMC_A4_PULLUDENABLE	0x0: Enables weak Pull Up/Down 0x1: Disables weak Pull Up/Down	RW	0x0
15:9	RESERVED		R	0x0
8	GPMC_A4_MODESELECT	Selects between the Default IO Timing Mode and a Virtual or Manual IO Timing Mode. Refer to the device Data Manual for definition of the required settings for a given mode of operation. When this bit is 0b1, a Virtual IO Timing Mode can be selected via the DELAYMODE field of this register, as described in Section 18.4.6.1.5 , Virtual IO Timing Modes. Manual IO Timing Modes are selected via the procedure described in Section 18.4.6.1.6 , Manual IO Timing Modes. 0x0: Default IO Timing Mode is used 0x1: A Virtual or Manual IO Timing Mode is used	RW	0x0
7:4	GPMC_A4_DELAYMODE	This bit field selects the Virtual Timing Mode used when the MODESELECT bit is set to 0b1. See Section 18.4.6.1.5 , Virtual IO Timing Modes for details.	RW	0x0
3:0	GPMC_A4_MUXMODE	0x0: gpmc_a4 0x1: qspi1_cs3 0x2: vin1a_d20 0x3: vout3_d20 0x4: vin2a_d4 vin1a_d4 0x6: vin1b_d4 0x7: i2c5_scl 0x8: uart6_rxd 0xE: gpio1_26 0xF: Driver off	RW	0xF

Table 18-1101. Register Call Summary for Register CTRL_CORE_PAD_GPMC_A4

Control Module Register Manual

- [CTRL_MODULE_CORE Register Summary: \[0\]](#)

Table 18-1102. CTRL_CORE_PAD_GPMC_A5

Address Offset	0x0000 1454	Instance	CTRL_MODULE_CORE
Physical Address	0x4A00 3454		
Description			
Type	RW		

31	30	29	28	27	26	25	24	23	22	21	20	19	18	17	16	15	14	13	12	11	10	9	8	7	6	5	4	3	2	1	0																
RESERVED								RESERVED								RESERVED								GPMC_A5_MODESELECT				GPMC_A5_DELAYMODE				GPMC_A5_MUXMODE															
																								GPMC_A5_WAKEUPEVENT				GPMC_A5_WAKEUPENABLE				GPMC_A5_SLEWCONTROL				GPMC_A5_INPUTENABLE				GPMC_A5_PULLTYPESELECT				GPMC_A5_PULLUDENABLE			

Bits	Field Name	Description	Type	Reset
31:26	RESERVED		R	0x0
25	GPMC_A5_WAKEUPEVENT	0x0: No wakeup event detected 0x1: Wakeup event detected	R	0x0
24	GPMC_A5_WAKEUPENABLE	0x0: Wakeup is disabled 0x1: Wakeup is enabled	RW	0x0
23:20	RESERVED		R	0x0
19	GPMC_A5_SLEWCONTROL	0x0: Fast slew is selected 0x1: Slow slew is selected	RW	0x0
18	GPMC_A5_INPUTENABLE	0x0: Receive mode is disabled 0x1: Receive mode is enabled	RW	0x1
17	GPMC_A5_PULLTYPESELECT	0x0: Pull Down is selected 0x1: Pull Up is selected	RW	0x0
16	GPMC_A5_PULLUDENABLE	0x0: Enables weak Pull Up/Down 0x1: Disables weak Pull Up/Down	RW	0x0
15:9	RESERVED		R	0x0
8	GPMC_A5_MODESELECT	Selects between the Default IO Timing Mode and a Virtual or Manual IO Timing Mode. Refer to the device Data Manual for definition of the required settings for a given mode of operation. When this bit is 0b1, a Virtual IO Timing Mode can be selected via the DELAYMODE field of this register, as described in Section 18.4.6.1.5 , Virtual IO Timing Modes. Manual IO Timing Modes are selected via the procedure described in Section 18.4.6.1.6 , Manual IO Timing Modes. 0x0: Default IO Timing Mode is used 0x1: A Virtual or Manual IO Timing Mode is used	RW	0x0
7:4	GPMC_A5_DELAYMODE	This bit field selects the Virtual Timing Mode used when the MODESELECT bit is set to 0b1. See Section 18.4.6.1.5 , Virtual IO Timing Modes for details.	RW	0x0
3:0	GPMC_A5_MUXMODE	0x0: gpmc_a5 0x2: vin1a_d21 0x3: vout3_d21 0x4: vin2a_d5 vin1a_d5 0x6: vin1b_d5 0x7: i2c5_sda 0x8: uart6_txd 0xE: gpio1_27 0xF: Driver off	RW	0xF

Table 18-1103. Register Call Summary for Register CTRL_CORE_PAD_GPMC_A5

Control Module Register Manual

- [CTRL_MODULE_CORE Register Summary: \[0\]](#)

Table 18-1104. CTRL_CORE_PAD_GPMC_A6

Address Offset	0x0000 1458	Instance	CTRL_MODULE_CORE
Physical Address	0x4A00 3458		
Description			
Type	RW		

31	30	29	28	27	26	25	24	23	22	21	20	19	18	17	16	15	14	13	12	11	10	9	8	7	6	5	4	3	2	1	0								
RESERVED								GPMC_A6_WAKEUPEVENT		GPMC_A6_WAKEUPENABLE		RESERVED				GPMC_A6_SLEWCONTROL		GPMC_A6_INPUTENABLE		GPMC_A6_PULLTYPESELECT		GPMC_A6_PULLUDENABLE		RESERVED						GPMC_A6_MODESELECT		GPMC_A6_DELAYMODE				GPMC_A6_MUXMODE			

Bits	Field Name	Description	Type	Reset
31:26	RESERVED		R	0x0
25	GPMC_A6_WAKEUPEVENT	0x0: No wakeup event detected 0x1: Wakeup event detected	R	0x0
24	GPMC_A6_WAKEUPENABLE	0x0: Wakeup is disabled 0x1: Wakeup is enabled	RW	0x0
23:20	RESERVED		R	0x0
19	GPMC_A6_SLEWCONTROL	0x0: Fast slew is selected 0x1: Slow slew is selected	RW	0x0
18	GPMC_A6_INPUTENABLE	0x0: Receive mode is disabled 0x1: Receive mode is enabled	RW	0x1
17	GPMC_A6_PULLTYPESELECT	0x0: Pull Down is selected 0x1: Pull Up is selected	RW	0x0
16	GPMC_A6_PULLUDENABLE	0x0: Enables weak Pull Up/Down 0x1: Disables weak Pull Up/Down	RW	0x0
15:9	RESERVED		R	0x0
8	GPMC_A6_MODESELECT	Selects between the Default IO Timing Mode and a Virtual or Manual IO Timing Mode. Refer to the device Data Manual for definition of the required settings for a given mode of operation. When this bit is 0b1, a Virtual IO Timing Mode can be selected via the DELAYMODE field of this register, as described in Section 18.4.6.1.5 , Virtual IO Timing Modes. Manual IO Timing Modes are selected via the procedure described in Section 18.4.6.1.6 , Manual IO Timing Modes. 0x0: Default IO Timing Mode is used 0x1: A Virtual or Manual IO Timing Mode is used	RW	0x0
7:4	GPMC_A6_DELAYMODE	This bit field selects the Virtual Timing Mode used when the MODESELECT bit is set to 0b1. See Section 18.4.6.1.5 , Virtual IO Timing Modes for details.	RW	0x0
3:0	GPMC_A6_MUXMODE	0x0: gpmc_a6 0x2: vin1a_d22 0x3: vout3_d22 0x4: vin2a_d6 vin1a_d6 0x6: vin1b_d6 0x7: uart8_rxd 0x8: uart6_ctsn 0xE: gpio1_28 0xF: Driver off	RW	0xF

Table 18-1105. Register Call Summary for Register CTRL_CORE_PAD_GPMC_A6

Control Module Register Manual

- [CTRL_MODULE_CORE Register Summary: \[0\]](#)

Table 18-1106. CTRL_CORE_PAD_GPMC_A7

Address Offset	0x0000 145C	Instance	CTRL_MODULE_CORE
Physical Address	0x4A00 345C		
Description			
Type	RW		

31	30	29	28	27	26	25	24	23	22	21	20	19	18	17	16	15	14	13	12	11	10	9	8	7	6	5	4	3	2	1	0												
RESERVED								RESERVED								RESERVED								GPMC_A7_MODESELECT		GPMC_A7_DELAYMODE				GPMC_A7_MUXMODE													
				GPMC_A7_WAKEUPEVENT				GPMC_A7_WAKEUPENABLE								GPMC_A7_SLEWCONTROL				GPMC_A7_INPUTENABLE				GPMC_A7_PULLTYPESELECT				GPMC_A7_PULLUDENABE															

Bits	Field Name	Description	Type	Reset
31:26	RESERVED		R	0x0
25	GPMC_A7_WAKEUPEVENT	0x0: No wakeup event detected 0x1: Wakeup event detected	R	0x0
24	GPMC_A7_WAKEUPENABLE	0x0: Wakeup is disabled 0x1: Wakeup is enabled	RW	0x0
23:20	RESERVED		R	0x0
19	GPMC_A7_SLEWCONTROL	0x0: Fast slew is selected 0x1: Slow slew is selected	RW	0x0
18	GPMC_A7_INPUTENABLE	0x0: Receive mode is disabled 0x1: Receive mode is enabled	RW	0x1
17	GPMC_A7_PULLTYPESELECT	0x0: Pull Down is selected 0x1: Pull Up is selected	RW	0x0
16	GPMC_A7_PULLUDENABE	0x0: Enables weak Pull Up/Down 0x1: Disables weak Pull Up/Down	RW	0x0
15:9	RESERVED		R	0x0
8	GPMC_A7_MODESELECT	Selects between the Default IO Timing Mode and a Virtual or Manual IO Timing Mode. Refer to the device Data Manual for definition of the required settings for a given mode of operation. When this bit is 0b1, a Virtual IO Timing Mode can be selected via the DELAYMODE field of this register, as described in Section 18.4.6.1.5 , Virtual IO Timing Modes. Manual IO Timing Modes are selected via the procedure described in Section 18.4.6.1.6 , Manual IO Timing Modes. 0x0: Default IO Timing Mode is used 0x1: A Virtual or Manual IO Timing Mode is used	RW	0x0

Bits	Field Name	Description	Type	Reset
7:4	GPMC_A7_DELAYMODE	This bit field selects the Virtual Timing Mode used when the MODESELECT bit is set to 0b1. See Section 18.4.6.1.5 , Virtual IO Timing Modes for details.	RW	0x0
3:0	GPMC_A7_MUXMODE	0x0: gpmc_a7 0x2: vin1a_d23 0x3: vout3_d23 0x4: vin2a_d7 vin1a_d7 0x6: vin1b_d7 0x7: uart8_txd 0x8: uart6_rtsn 0xE: gpio1_29 0xF: Driver off	RW	0xF

Table 18-1107. Register Call Summary for Register CTRL_CORE_PAD_GPMC_A7

Control Module Register Manual

- [CTRL_MODULE_CORE Register Summary: \[0\]](#)

Table 18-1108. CTRL_CORE_PAD_GPMC_A8

Address Offset	0x0000 1460	Instance	CTRL_MODULE_CORE
Physical Address	0x4A00 3460		
Description			
Type	RW		

31	30	29	28	27	26	25	24	23	22	21	20	19	18	17	16	15	14	13	12	11	10	9	8	7	6	5	4	3	2	1	0												
RESERVED								RESERVED								RESERVED								GPMC_A8_MODESELECT		GPMC_A8_DELAYMODE				GPMC_A8_MUXMODE													
				GPMC_A8_WAKEUPEVENT				GPMC_A8_WAKEUPENABLE								GPMC_A8_SLEWCONTROL				GPMC_A8_INPUTENABLE				GPMC_A8_PULLTYPESELECT				GPMC_A8_PULLUDENABLE															

Bits	Field Name	Description	Type	Reset
31:26	RESERVED		R	0x0
25	GPMC_A8_WAKEUPEVENT	0x0: No wakeup event detected 0x1: Wakeup event detected	R	0x0
24	GPMC_A8_WAKEUPENABLE	0x0: Wakeup is disabled 0x1: Wakeup is enabled	RW	0x0
23:20	RESERVED		R	0x0
19	GPMC_A8_SLEWCONTROL	0x0: Fast slew is selected 0x1: Slow slew is selected	RW	0x0
18	GPMC_A8_INPUTENABLE	0x0: Receive mode is disabled 0x1: Receive mode is enabled	RW	0x1

Bits	Field Name	Description	Type	Reset
17	GPMC_A8_PULLTYPESELECT	0x0: Pull Down is selected 0x1: Pull Up is selected	RW	0x0
16	GPMC_A8_PULLUDENABLE	0x0: Enables weak Pull Up/Down 0x1: Disables weak Pull Up/Down	RW	0x0
15:9	RESERVED		R	0x0
8	GPMC_A8_MODESELECT	Selects between the Default IO Timing Mode and a Virtual or Manual IO Timing Mode. Refer to the device Data Manual for definition of the required settings for a given mode of operation. When this bit is 0b1, a Virtual IO Timing Mode can be selected via the DELAYMODE field of this register, as described in Section 18.4.6.1.5 , Virtual IO Timing Modes. Manual IO Timing Modes are selected via the procedure described in Section 18.4.6.1.6 , Manual IO Timing Modes. 0x0: Default IO Timing Mode is used 0x1: A Virtual or Manual IO Timing Mode is used	RW	0x0
7:4	GPMC_A8_DELAYMODE	This bit field selects the Virtual Timing Mode used when the MODESELECT bit is set to 0b1. See Section 18.4.6.1.5 , Virtual IO Timing Modes for details.	RW	0x0
3:0	GPMC_A8_MUXMODE	0x0: gpmc_a8 0x2: vin1a_hsync0 0x3: vout3_hsync 0x6: vin1b_hsync1 0x7: timer12 0x8: spi4_sclk 0xE: gpio1_30 0xF: Driver off	RW	0xF

Table 18-1109. Register Call Summary for Register CTRL_CORE_PAD_GPMC_A8

Control Module Register Manual

- [CTRL_MODULE_CORE Register Summary: \[0\]](#)

Table 18-1110. CTRL_CORE_PAD_GPMC_A9

Address Offset	0x0000 1464	Instance	CTRL_MODULE_CORE
Physical Address	0x4A00 3464		
Description			
Type	RW		

31	30	29	28	27	26	25	24	23	22	21	20	19	18	17	16	15	14	13	12	11	10	9	8	7	6	5	4	3	2	1	0								
RESERVED								RESERVED								RESERVED								GPMC_A9_MODESELECT				GPMC_A9_DELAYMODE				GPMC_A9_MUXMODE							
GPMC_A9_WAKEUPEVENT								GPMC_A9_WAKEUPENABLE								GPMC_A9_SLEWCONTROL				GPMC_A9_INPUTENABLE				GPMC_A9_PULLTYPESELECT				GPMC_A9_PULLUDENABLE											

Bits	Field Name	Description	Type	Reset
31:26	RESERVED		R	0x0
25	GPMC_A9_WAKEUPEVENT	0x0: No wakeup event detected 0x1: Wakeup event detected	R	0x0
24	GPMC_A9_WAKEUPENABLE	0x0: Wakeup is disabled 0x1: Wakeup is enabled	RW	0x0
23:20	RESERVED		R	0x0
19	GPMC_A9_SLEWCONTROL	0x0: Fast slew is selected 0x1: Slow slew is selected	RW	0x0
18	GPMC_A9_INPUTENABLE	0x0: Receive mode is disabled 0x1: Receive mode is enabled	RW	0x1
17	GPMC_A9_PULLTYPESELECT	0x0: Pull Down is selected 0x1: Pull Up is selected	RW	0x0
16	GPMC_A9_PULLUDENABLE	0x0: Enables weak Pull Up/Down 0x1: Disables weak Pull Up/Down	RW	0x0
15:9	RESERVED		R	0x0
8	GPMC_A9_MODESELECT	Selects between the Default IO Timing Mode and a Virtual or Manual IO Timing Mode. Refer to the device Data Manual for definition of the required settings for a given mode of operation. When this bit is 0b1, a Virtual IO Timing Mode can be selected via the DELAYMODE field of this register, as described in Section 18.4.6.1.5 , Virtual IO Timing Modes. Manual IO Timing Modes are selected via the procedure described in Section 18.4.6.1.6 , Manual IO Timing Modes. 0x0: Default IO Timing Mode is used 0x1: A Virtual or Manual IO Timing Mode is used	RW	0x0
7:4	GPMC_A9_DELAYMODE	This bit field selects the Virtual Timing Mode used when the MODESELECT bit is set to 0b1. See Section 18.4.6.1.5 , Virtual IO Timing Modes for details.	RW	0x0
3:0	GPMC_A9_MUXMODE	0x0: gpmc_a9 0x2: vin1a_vsync0 0x3: vout3_vsync 0x6: vin1b_vsync1 0x7: timer11 0x8: spi4_d1 0xE: gpio1_31 0xF: Driver off	RW	0xF

Table 18-1111. Register Call Summary for Register CTRL_CORE_PAD_GPMC_A9

Control Module Register Manual

- [CTRL_MODULE_CORE Register Summary: \[0\]](#)

Table 18-1112. CTRL_CORE_PAD_GPMC_A10

Address Offset	0x0000 1468	Instance	CTRL_MODULE_CORE
Physical Address	0x4A00 3468		
Description			
Type	RW		

31	30	29	28	27	26	25	24	23	22	21	20	19	18	17	16	15	14	13	12	11	10	9	8	7	6	5	4	3	2	1	0												
RESERVED								RESERVED								RESERVED								GPMC_A10_WAKEUPEVENT GPMC_A10_WAKEUPENABLE				GPMC_A10_SLEWCONTROL GPMC_A10_INPUTENABLE GPMC_A10_PULLTYPESELECT GPMC_A10_PULLUDENABLE				GPMC_A10_MODESELECT				GPMC_A10_DELAYMODE				GPMC_A10_MUXMODE			

Bits	Field Name	Description	Type	Reset
31:26	RESERVED		R	0x0
25	GPMC_A10_WAKEUPEVENT	0x0: No wakeup event detected 0x1: Wakeup event detected	R	0x0
24	GPMC_A10_WAKEUPENABLE	0x0: Wakeup is disabled 0x1: Wakeup is enabled	RW	0x0
23:20	RESERVED		R	0x0
19	GPMC_A10_SLEWCONTROL	0x0: Fast slew is selected 0x1: Slow slew is selected	RW	0x0
18	GPMC_A10_INPUTENABLE	0x0: Receive mode is disabled 0x1: Receive mode is enabled	RW	0x1
17	GPMC_A10_PULLTYPESELECT	0x0: Pull Down is selected 0x1: Pull Up is selected	RW	0x0
16	GPMC_A10_PULLUDENABLE	0x0: Enables weak Pull Up/Down 0x1: Disables weak Pull Up/Down	RW	0x0
15:9	RESERVED		R	0x0
8	GPMC_A10_MODESELECT	Selects between the Default IO Timing Mode and a Virtual or Manual IO Timing Mode. Refer to the device Data Manual for definition of the required settings for a given mode of operation. When this bit is 0b1, a Virtual IO Timing Mode can be selected via the DELAYMODE field of this register, as described in Section 18.4.6.1.5 , Virtual IO Timing Modes. Manual IO Timing Modes are selected via the procedure described in Section 18.4.6.1.6 , Manual IO Timing Modes. 0x0: Default IO Timing Mode is used 0x1: A Virtual or Manual IO Timing Mode is used	RW	0x0
7:4	GPMC_A10_DELAYMODE	This bit field selects the Virtual Timing Mode used when the MODESELECT bit is set to 0b1. See Section 18.4.6.1.5 , Virtual IO Timing Modes for details.	RW	0x0
3:0	GPMC_A10_MUXMODE	0x0: gpmc_a10 0x2: vin1a_de0 0x3: vout3_de 0x6: vin1b_clk1 0x7: timer10 0x8: spi4_d0 0xE: gpio2_0 0xF: Driver off	RW	0xF

Table 18-1113. Register Call Summary for Register CTRL_CORE_PAD_GPMC_A10

Control Module Register Manual

- [CTRL_MODULE_CORE Register Summary: \[0\]](#)

Table 18-1114. CTRL_CORE_PAD_GPMC_A11

Address Offset	0x0000 146C	Instance	CTRL_MODULE_CORE
Physical Address	0x4A00 346C		
Description			
Type	RW		

31	30	29	28	27	26	25	24	23	22	21	20	19	18	17	16	15	14	13	12	11	10	9	8	7	6	5	4	3	2	1	0						
RESERVED								RESERVED								RESERVED								GPMC_A11_MODESELECT		GPMC_A11_DELAYMODE				GPMC_A11_MUXMODE							
								GPMC_A11_WAKEUPEVENT		GPMC_A11_WAKEUPENABLE		GPMC_A11_SLEWCONTROL		GPMC_A11_INPUTENABLE		GPMC_A11_PULLTYPESELECT		GPMC_A11_PULLUDENABLE																			

Bits	Field Name	Description	Type	Reset
31:26	RESERVED		R	0x0
25	GPMC_A11_WAKEUPEVENT	0x0: No wakeup event detected 0x1: Wakeup event detected	R	0x0
24	GPMC_A11_WAKEUPENABLE	0x0: Wakeup is disabled 0x1: Wakeup is enabled	RW	0x0
23:20	RESERVED		R	0x0
19	GPMC_A11_SLEWCONTROL	0x0: Fast slew is selected 0x1: Slow slew is selected	RW	0x0
18	GPMC_A11_INPUTENABLE	0x0: Receive mode is disabled 0x1: Receive mode is enabled	RW	0x1
17	GPMC_A11_PULLTYPESELECT	0x0: Pull Down is selected 0x1: Pull Up is selected	RW	0x0
16	GPMC_A11_PULLUDENABLE	0x0: Enables weak Pull Up/Down 0x1: Disables weak Pull Up/Down	RW	0x0
15:9	RESERVED		R	0x0
8	GPMC_A11_MODESELECT	Selects between the Default IO Timing Mode and a Virtual or Manual IO Timing Mode. Refer to the device Data Manual for definition of the required settings for a given mode of operation. When this bit is 0b1, a Virtual IO Timing Mode can be selected via the DELAYMODE field of this register, as described in Section 18.4.6.1.5 , Virtual IO Timing Modes. Manual IO Timing Modes are selected via the procedure described in Section 18.4.6.1.6 , Manual IO Timing Modes. 0x0: Default IO Timing Mode is used 0x1: A Virtual or Manual IO Timing Mode is used	RW	0x0

Bits	Field Name	Description	Type	Reset
7:4	GPMC_A11_DELAYMODE	This bit field selects the Virtual Timing Mode used when the MODESELECT bit is set to 0b1. See Section 18.4.6.1.5 , Virtual IO Timing Modes for details.	RW	0x0
3:0	GPMC_A11_MUXMODE	0x0: gpmc_a11 0x2: vin1a_fld0 0x3: vout3_fld 0x4: vin2a_fld0 vin1a_fld0 0x6: vin1b_de1 0x7: timer9 0x8: spi4_cs0 0xE: gpio2_1 0xF: Driver off	RW	0xF

Table 18-1115. Register Call Summary for Register CTRL_CORE_PAD_GPMC_A11

Control Module Register Manual

- [CTRL_MODULE_CORE Register Summary: \[0\]](#)

Table 18-1116. CTRL_CORE_PAD_GPMC_A12

Address Offset	0x0000 1470	Instance	CTRL_MODULE_CORE
Physical Address	0x4A00 3470		
Description			
Type	RW		

31	30	29	28	27	26	25	24	23	22	21	20	19	18	17	16	15	14	13	12	11	10	9	8	7	6	5	4	3	2	1	0												
RESERVED								RESERVED								RESERVED								GPMC_A12_MODESELECT		GPMC_A12_DELAYMODE				GPMC_A12_MUXMODE													
				GPMC_A12_WAKEUPEVENT				GPMC_A12_WAKEUPENABLE								GPMC_A12_SLEWCONTROL				GPMC_A12_INPUTENABLE				GPMC_A12_PULLTYPESELECT				GPMC_A12_PULLUDENABLE															

Bits	Field Name	Description	Type	Reset
31:26	RESERVED		R	0x0
25	GPMC_A12_WAKEUPEVENT	0x0: No wakeup event detected 0x1: Wakeup event detected	R	0x0
24	GPMC_A12_WAKEUPENABLE	0x0: Wakeup is disabled 0x1: Wakeup is enabled	RW	0x0
23:20	RESERVED		R	0x0
19	GPMC_A12_SLEWCONTROL	0x0: Fast slew is selected 0x1: Slow slew is selected	RW	0x0
18	GPMC_A12_INPUTENABLE	0x0: Receive mode is disabled 0x1: Receive mode is enabled	RW	0x1

Bits	Field Name	Description	Type	Reset
17	GPMC_A12_PULLTYPESELECT	0x0: Pull Down is selected 0x1: Pull Up is selected	RW	0x0
16	GPMC_A12_PULLUDENABLE	0x0: Enables weak Pull Up/Down 0x1: Disables weak Pull Up/Down	RW	0x0
15:9	RESERVED		R	0x0
8	GPMC_A12_MODESELECT	Selects between the Default IO Timing Mode and a Virtual or Manual IO Timing Mode. Refer to the device Data Manual for definition of the required settings for a given mode of operation. When this bit is 0b1, a Virtual IO Timing Mode can be selected via the DELAYMODE field of this register, as described in Section 18.4.6.1.5 , Virtual IO Timing Modes. Manual IO Timing Modes are selected via the procedure described in Section 18.4.6.1.6 , Manual IO Timing Modes. 0x0: Default IO Timing Mode is used 0x1: A Virtual or Manual IO Timing Mode is used	RW	0x0
7:4	GPMC_A12_DELAYMODE	This bit field selects the Virtual Timing Mode used when the MODESELECT bit is set to 0b1. See Section 18.4.6.1.5 , Virtual IO Timing Modes for details.	RW	0x0
3:0	GPMC_A12_MUXMODE	0x0: gpmc_a12 0x4: vin2a_clk0 vin1a_clk0 0x5: gpmc_a0 0x6: vin1b_fld1 0x7: timer8 0x8: spi4_cs1 0x9: dma_evt1 0xE: gpio2_2 0xF: Driver off	RW	0xF

Table 18-1117. Register Call Summary for Register CTRL_CORE_PAD_GPMC_A12

Control Module Register Manual

- [CTRL_MODULE_CORE Register Summary: \[0\]](#)

Table 18-1118. CTRL_CORE_PAD_GPMC_A13

Address Offset	0x0000 1474	Instance	CTRL_MODULE_CORE
Physical Address	0x4A00 3474		
Description			
Type	RW		

31	30	29	28	27	26	25	24	23	22	21	20	19	18	17	16	15	14	13	12	11	10	9	8	7	6	5	4	3	2	1	0																
RESERVED								RESERVED								RESERVED								GPMC_A13_MODESELECT				GPMC_A13_DELAYMODE				GPMC_A13_MUXMODE															
																								GPMC_A13_WAKEUPEVENT				GPMC_A13_WAKEUPENABLE				GPMC_A13_SLEWCONTROL				GPMC_A13_INPUTENABLE				GPMC_A13_PULLTYPESELECT				GPMC_A13_PULLUDENABLE			

Bits	Field Name	Description	Type	Reset
31:26	RESERVED		R	0x0
25	GPMC_A13_WAKEUPEVENT	0x0: No wakeup event detected 0x1: Wakeup event detected	R	0x0
24	GPMC_A13_WAKEUPENABLE	0x0: Wakeup is disabled 0x1: Wakeup is enabled	RW	0x0
23:20	RESERVED		R	0x0
19	GPMC_A13_SLEWCONTROL	0x0: Fast slew is selected 0x1: Slow slew is selected	RW	0x0
18	GPMC_A13_INPUTENABLE	0x0: Receive mode is disabled 0x1: Receive mode is enabled	RW	0x1
17	GPMC_A13_PULLTYPESELECT	0x0: Pull Down is selected 0x1: Pull Up is selected	RW	0x0
16	GPMC_A13_PULLUDENABLE	0x0: Enables weak Pull Up/Down 0x1: Disables weak Pull Up/Down	RW	0x0
15:9	RESERVED		R	0x0
8	GPMC_A13_MODESELECT	Selects between the Default IO Timing Mode and a Virtual or Manual IO Timing Mode. Refer to the device Data Manual for definition of the required settings for a given mode of operation. When this bit is 0b1, a Virtual IO Timing Mode can be selected via the DELAYMODE field of this register, as described in Section 18.4.6.1.5 , Virtual IO Timing Modes. Manual IO Timing Modes are selected via the procedure described in Section 18.4.6.1.6 , Manual IO Timing Modes. 0x0: Default IO Timing Mode is used 0x1: A Virtual or Manual IO Timing Mode is used	RW	0x0
7:4	GPMC_A13_DELAYMODE	This bit field selects the Virtual Timing Mode used when the MODESELECT bit is set to 0b1. See Section 18.4.6.1.5 , Virtual IO Timing Modes for details.	RW	0x0
3:0	GPMC_A13_MUXMODE	0x0: gpmc_a13 0x1: qspi1_rtcclk 0x4: vin2a_hsync0 vin1a_hsync0 0x7: timer7 0x8: spi4_cs2 0x9: dma_evt2 0xE: gpio2_3 0xF: Driver off	RW	0xF

Table 18-1119. Register Call Summary for Register CTRL_CORE_PAD_GPMC_A13

Control Module Register Manual

- [CTRL_MODULE_CORE Register Summary: \[0\]](#)

Table 18-1120. CTRL_CORE_PAD_GPMC_A14

Address Offset	0x0000 1478	Instance	CTRL_MODULE_CORE
Physical Address	0x4A00 3478		
Description			
Type	RW		

31	30	29	28	27	26	25	24	23	22	21	20	19	18	17	16	15	14	13	12	11	10	9	8	7	6	5	4	3	2	1	0							
RESERVED								GPMC_A14_WAKEUPEVENT		GPMC_A14_WAKEUPENABLE		RESERVED		GPMC_A14_SLEWCONTROL		GPMC_A14_INPUTENABLE		GPMC_A14_PULLTYPESELECT		GPMC_A14_PULLUDENABLE		RESERVED								GPMC_A14_MODESELECT		GPMC_A14_DELAYMODE				GPMC_A14_MUXMODE		

Bits	Field Name	Description	Type	Reset
31:26	RESERVED		R	0x0
25	GPMC_A14_WAKEUPEVENT	0x0: No wakeup event detected 0x1: Wakeup event detected	R	0x0
24	GPMC_A14_WAKEUPENABLE	0x0: Wakeup is disabled 0x1: Wakeup is enabled	RW	0x0
23:20	RESERVED		R	0x0
19	GPMC_A14_SLEWCONTROL	0x0: Fast slew is selected 0x1: Slow slew is selected	RW	0x0
18	GPMC_A14_INPUTENABLE	0x0: Receive mode is disabled 0x1: Receive mode is enabled	RW	0x1
17	GPMC_A14_PULLTYPESELECT	0x0: Pull Down is selected 0x1: Pull Up is selected	RW	0x0
16	GPMC_A14_PULLUDENABLE	0x0: Enables weak Pull Up/Down 0x1: Disables weak Pull Up/Down	RW	0x0
15:9	RESERVED		R	0x0
8	GPMC_A14_MODESELECT	Selects between the Default IO Timing Mode and a Virtual or Manual IO Timing Mode. Refer to the device Data Manual for definition of the required settings for a given mode of operation. When this bit is 0b1, a Virtual IO Timing Mode can be selected via the DELAYMODE field of this register, as described in Section 18.4.6.1.5 , Virtual IO Timing Modes. Manual IO Timing Modes are selected via the procedure described in Section 18.4.6.1.6 , Manual IO Timing Modes. 0x0: Default IO Timing Mode is used 0x1: A Virtual or Manual IO Timing Mode is used	RW	0x0
7:4	GPMC_A14_DELAYMODE	This bit field selects the Virtual Timing Mode used when the MODESELECT bit is set to 0b1. See Section 18.4.6.1.5 , Virtual IO Timing Modes for details.	RW	0x0
3:0	GPMC_A14_MUXMODE	0x0: gpmc_a14 0x1: qspi1_d3 0x4: vin2a_vsync0 vin1a_vsync0 0x7: timer6 0x8: spi4_cs3 0xE: gpio2_4 0xF: Driver off	RW	0xF

Table 18-1121. Register Call Summary for Register CTRL_CORE_PAD_GPMC_A14

Control Module Register Manual

- [CTRL_MODULE_CORE Register Summary: \[0\]](#)

Table 18-1122. CTRL_CORE_PAD_GPMC_A15

Address Offset	0x0000 147C	Instance	CTRL_MODULE_CORE
Physical Address	0x4A00 347C		
Description			
Type	RW		

31	30	29	28	27	26	25	24	23	22	21	20	19	18	17	16	15	14	13	12	11	10	9	8	7	6	5	4	3	2	1	0						
RESERVED								RESERVED								RESERVED								GPMC_A15_MODESELECT		GPMC_A15_DELAYMODE				GPMC_A15_MUXMODE							
																								GPMC_A15_WAKEUPEVENT		GPMC_A15_WAKEUPENABLE											
																								GPMC_A15_SLEWCONTROL		GPMC_A15_INPUTENABLE				GPMC_A15_PULLTYPESELECT				GPMC_A15_PULLUDENABLE			

Bits	Field Name	Description	Type	Reset
31:26	RESERVED		R	0x0
25	GPMC_A15_WAKEUPEVENT	0x0: No wakeup event detected 0x1: Wakeup event detected	R	0x0
24	GPMC_A15_WAKEUPENABLE	0x0: Wakeup is disabled 0x1: Wakeup is enabled	RW	0x0
23:20	RESERVED		R	0x0
19	GPMC_A15_SLEWCONTROL	0x0: Fast slew is selected 0x1: Slow slew is selected	RW	0x0
18	GPMC_A15_INPUTENABLE	0x0: Receive mode is disabled 0x1: Receive mode is enabled	RW	0x1
17	GPMC_A15_PULLTYPESELECT	0x0: Pull Down is selected 0x1: Pull Up is selected	RW	0x0
16	GPMC_A15_PULLUDENABLE	0x0: Enables weak Pull Up/Down 0x1: Disables weak Pull Up/Down	RW	0x0
15:9	RESERVED		R	0x0
8	GPMC_A15_MODESELECT	Selects between the Default IO Timing Mode and a Virtual or Manual IO Timing Mode. Refer to the device Data Manual for definition of the required settings for a given mode of operation. When this bit is 0b1, a Virtual IO Timing Mode can be selected via the DELAYMODE field of this register, as described in Section 18.4.6.1.5 , Virtual IO Timing Modes. Manual IO Timing Modes are selected via the procedure described in Section 18.4.6.1.6 , Manual IO Timing Modes. 0x0: Default IO Timing Mode is used 0x1: A Virtual or Manual IO Timing Mode is used	RW	0x0

Bits	Field Name	Description	Type	Reset
7:4	GPMC_A15_DELAYMODE	This bit field selects the Virtual Timing Mode used when the MODESELECT bit is set to 0b1. See Section 18.4.6.1.5 , Virtual IO Timing Modes for details.	RW	0x0
3:0	GPMC_A15_MUXMODE	0x0: gpmc_a15 0x1: qspi1_d2 0x4: vin2a_d8 vin1a_d8 0x7: timer5 0xE: gpio2_5 0xF: Driver off	RW	0xF

Table 18-1123. Register Call Summary for Register CTRL_CORE_PAD_GPMC_A15

Control Module Register Manual

- [CTRL_MODULE_CORE Register Summary: \[0\]](#)

Table 18-1124. CTRL_CORE_PAD_GPMC_A16

Address Offset	0x0000 1480	Instance	CTRL_MODULE_CORE
Physical Address	0x4A00 3480		
Description			
Type	RW		

31	30	29	28	27	26	25	24	23	22	21	20	19	18	17	16	15	14	13	12	11	10	9	8	7	6	5	4	3	2	1	0	
RESERVED						GPMC_A16_WAKEUPEVENT	GPMC_A16_WAKEUPENABLE	RESERVED						GPMC_A16_SLEWCONTROL	GPMC_A16_INPUTENABLE	GPMC_A16_PULLTYPESELECT	GPMC_A16_PULLUDENABLE	RESERVED						GPMC_A16_MODESELECT	GPMC_A16_DELAYMODE				GPMC_A16_MUXMODE			

Bits	Field Name	Description	Type	Reset
31:26	RESERVED		R	0x0
25	GPMC_A16_WAKEUPEVENT	0x0: No wakeup event detected 0x1: Wakeup event detected	R	0x0
24	GPMC_A16_WAKEUPENABLE	0x0: Wakeup is disabled 0x1: Wakeup is enabled	RW	0x0
23:20	RESERVED		R	0x0
19	GPMC_A16_SLEWCONTROL	0x0: Fast slew is selected 0x1: Slow slew is selected	RW	0x0
18	GPMC_A16_INPUTENABLE	0x0: Receive mode is disabled 0x1: Receive mode is enabled	RW	0x1
17	GPMC_A16_PULLTYPESELECT	0x0: Pull Down is selected 0x1: Pull Up is selected	RW	0x0

Bits	Field Name	Description	Type	Reset
16	GPMC_A16_PULLUDENABLE	0x0: Enables weak Pull Up/Down 0x1: Disables weak Pull Up/Down	RW	0x0
15:9	RESERVED		R	0x0
8	GPMC_A16_MODESELECT	Selects between the Default IO Timing Mode and a Virtual or Manual IO Timing Mode. Refer to the device Data Manual for definition of the required settings for a given mode of operation. When this bit is 0b1, a Virtual IO Timing Mode can be selected via the DELAYMODE field of this register, as described in Section 18.4.6.1.5 , Virtual IO Timing Modes. Manual IO Timing Modes are selected via the procedure described in Section 18.4.6.1.6 , Manual IO Timing Modes. 0x0: Default IO Timing Mode is used 0x1: A Virtual or Manual IO Timing Mode is used	RW	0x0
7:4	GPMC_A16_DELAYMODE	This bit field selects the Virtual Timing Mode used when the MODESELECT bit is set to 0b1. See Section 18.4.6.1.5 , Virtual IO Timing Modes for details.	RW	0x0
3:0	GPMC_A16_MUXMODE	0x0: gpmc_a16 0x1: qspi1_d0 0x4: vin2a_d9 vin1a_d9 0xE: gpio2_6 0xF: Driver off	RW	0xF

Table 18-1125. Register Call Summary for Register CTRL_CORE_PAD_GPMC_A16

Control Module Register Manual

- [CTRL_MODULE_CORE Register Summary: \[0\]](#)

Table 18-1126. CTRL_CORE_PAD_GPMC_A17

Address Offset	0x0000 1484	Instance	CTRL_MODULE_CORE
Physical Address	0x4A00 3484		
Description			
Type	RW		

31	30	29	28	27	26	25	24	23	22	21	20	19	18	17	16	15	14	13	12	11	10	9	8	7	6	5	4	3	2	1	0												
RESERVED								RESERVED								RESERVED								GPMC_A17_MODESELECT				GPMC_A17_DELAYMODE				GPMC_A17_MUXMODE											
				GPMC_A17_WAKEUPEVENT				GPMC_A17_WAKEUPENABLE								GPMC_A17_SLEWCONTROL				GPMC_A17_INPUTENABLE				GPMC_A17_PULLEYSELECT				GPMC_A17_PULLUDENABLE															

Bits	Field Name	Description	Type	Reset
31:26	RESERVED		R	0x0
25	GPMC_A17_WAKEUPEVENT	0x0: No wakeup event detected 0x1: Wakeup event detected	R	0x0

Bits	Field Name	Description	Type	Reset
24	GPMC_A17_WAKEUPENABLE	0x0: Wakeup is disabled 0x1: Wakeup is enabled	RW	0x0
23:20	RESERVED		R	0x0
19	GPMC_A17_SLEWCONTROL	0x0: Fast slew is selected 0x1: Slow slew is selected	RW	0x0
18	GPMC_A17_INPUTENABLE	0x0: Receive mode is disabled 0x1: Receive mode is enabled	RW	0x1
17	GPMC_A17_PULLTYPESELECT	0x0: Pull Down is selected 0x1: Pull Up is selected	RW	0x0
16	GPMC_A17_PULLUDENABLE	0x0: Enables weak Pull Up/Down 0x1: Disables weak Pull Up/Down	RW	0x0
15:9	RESERVED		R	0x0
8	GPMC_A17_MODESELECT	Selects between the Default IO Timing Mode and a Virtual or Manual IO Timing Mode. Refer to the device Data Manual for definition of the required settings for a given mode of operation. When this bit is 0b1, a Virtual IO Timing Mode can be selected via the DELAYMODE field of this register, as described in Section 18.4.6.1.5 , Virtual IO Timing Modes. Manual IO Timing Modes are selected via the procedure described in Section 18.4.6.1.6 , Manual IO Timing Modes. 0x0: Default IO Timing Mode is used 0x1: A Virtual or Manual IO Timing Mode is used	RW	0x0
7:4	GPMC_A17_DELAYMODE	This bit field selects the Virtual Timing Mode used when the MODESELECT bit is set to 0b1. See Section 18.4.6.1.5 , Virtual IO Timing Modes for details.	RW	0x0
3:0	GPMC_A17_MUXMODE	0x0: gpmc_a17 0x1: qspi1_d1 0x4: vin2a_d10 vin1a_d10 0xE: gpio2_7 0xF: Driver off	RW	0xF

Table 18-1127. Register Call Summary for Register CTRL_CORE_PAD_GPMC_A17

Control Module Register Manual

- [CTRL_MODULE_CORE Register Summary: \[0\]](#)

Table 18-1128. CTRL_CORE_PAD_GPMC_A18

Address Offset	0x0000 1488	Instance	CTRL_MODULE_CORE
Physical Address	0x4A00 3488		
Description			
Type	RW		

31	30	29	28	27	26	25	24	23	22	21	20	19	18	17	16	15	14	13	12	11	10	9	8	7	6	5	4	3	2	1	0
RESERVED						GPMC_A18_WAKEUPEVENT	GPMC_A18_WAKEUPENABLE	RESERVED				GPMC_A18_SLEWCONTROL	GPMC_A18_INPUTENABLE	GPMC_A18_PULLTYPESELECT	GPMC_A18_PULLUDENABLE	RESERVED						GPMC_A18_MODESELECT	GPMC_A18_DELAYMODE				GPMC_A18_MUXMODE				

Bits	Field Name	Description	Type	Reset
31:26	RESERVED		R	0x0
25	GPMC_A18_WAKEUPEVENT	0x0: No wakeup event detected 0x1: Wakeup event detected	R	0x0
24	GPMC_A18_WAKEUPENABLE	0x0: Wakeup is disabled 0x1: Wakeup is enabled	RW	0x0
23:20	RESERVED		R	0x0
19	GPMC_A18_SLEWCONTROL	0x0: Fast slew is selected 0x1: Slow slew is selected	RW	0x0
18	GPMC_A18_INPUTENABLE	0x0: Receive mode is disabled 0x1: Receive mode is enabled	RW	0x1
17	GPMC_A18_PULLTYPESELECT	0x0: Pull Down is selected 0x1: Pull Up is selected	RW	0x0
16	GPMC_A18_PULLUDENABLE	0x0: Enables weak Pull Up/Down 0x1: Disables weak Pull Up/Down	RW	0x0
15:9	RESERVED		R	0x0
8	GPMC_A18_MODESELECT	Selects between the Default IO Timing Mode and a Virtual or Manual IO Timing Mode. Refer to the device Data Manual for definition of the required settings for a given mode of operation. When this bit is 0b1, a Virtual IO Timing Mode can be selected via the DELAYMODE field of this register, as described in Section 18.4.6.1.5 , Virtual IO Timing Modes. Manual IO Timing Modes are selected via the procedure described in Section 18.4.6.1.6 , Manual IO Timing Modes. 0x0: Default IO Timing Mode is used 0x1: A Virtual or Manual IO Timing Mode is used	RW	0x0
7:4	GPMC_A18_DELAYMODE	This bit field selects the Virtual Timing Mode used when the MODESELECT bit is set to 0b1. See Section 18.4.6.1.5 , Virtual IO Timing Modes for details.	RW	0x0
3:0	GPMC_A18_MUXMODE	0x0: gpmc_a18 0x1: qspi1_sclk 0x4: vin2a_d11 vin1a_d11 0xE: gpio2_8 0xF: Driver off	RW	0xF

Table 18-1129. Register Call Summary for Register CTRL_CORE_PAD_GPMC_A18

Control Module Register Manual

- [CTRL_MODULE_CORE Register Summary: \[0\]](#)

Table 18-1130. CTRL_CORE_PAD_GPMC_A19

Address Offset	0x0000 148C	Instance	CTRL_MODULE_CORE
Physical Address	0x4A00 348C		
Description			
Type	RW		

31	30	29	28	27	26	25	24	23	22	21	20	19	18	17	16	15	14	13	12	11	10	9	8	7	6	5	4	3	2	1	0												
RESERVED								RESERVED								RESERVED								GPMC_A19_WAKEUPEVENT GPMC_A19_WAKEUPENABLE				GPMC_A19_SLEWCONTROL GPMC_A19_INPUTENABLE GPMC_A19_PULLTYPESELECT GPMC_A19_PULLUDENABLE				GPMC_A19_MODESELECT				GPMC_A19_DELAYMODE				GPMC_A19_MUXMODE			

Bits	Field Name	Description	Type	Reset
31:26	RESERVED		R	0x0
25	GPMC_A19_WAKEUPEVENT	0x0: No wakeup event detected 0x1: Wakeup event detected	R	0x0
24	GPMC_A19_WAKEUPENABLE	0x0: Wakeup is disabled 0x1: Wakeup is enabled	RW	0x0
23:20	RESERVED		R	0x0
19	GPMC_A19_SLEWCONTROL	0x0: Fast slew is selected 0x1: Slow slew is selected	RW	0x0
18	GPMC_A19_INPUTENABLE	0x0: Receive mode is disabled 0x1: Receive mode is enabled	RW	0x1
17	GPMC_A19_PULLTYPESELECT	0x0: Pull Down is selected 0x1: Pull Up is selected	RW	0x0
16	GPMC_A19_PULLUDENABLE	0x0: Enables weak Pull Up/Down 0x1: Disables weak Pull Up/Down	RW	0x0
15:9	RESERVED		R	0x0
8	GPMC_A19_MODESELECT	Selects between the Default IO Timing Mode and a Virtual or Manual IO Timing Mode. Refer to the device Data Manual for definition of the required settings for a given mode of operation. When this bit is 0b1, a Virtual IO Timing Mode can be selected via the DELAYMODE field of this register, as described in Section 18.4.6.1.5 , Virtual IO Timing Modes. Manual IO Timing Modes are selected via the procedure described in Section 18.4.6.1.6 , Manual IO Timing Modes. 0x0: Default IO Timing Mode is used 0x1: A Virtual or Manual IO Timing Mode is used	RW	0x0
7:4	GPMC_A19_DELAYMODE	This bit field selects the Virtual Timing Mode used when the MODESELECT bit is set to 0b1. See Section 18.4.6.1.5 , Virtual IO Timing Modes for details.	RW	0x0

Bits	Field Name	Description	Type	Reset
3:0	GPMC_A19_MUXMODE	0x0: gpmc_a19 0x1: mmc2_dat4 0x2: gpmc_a13 0x4: vin2a_d12 vin1a_d12 0x6: vin2b_d0 vin1b_d0 0xE: gpio2_9 0xF: Driver off	RW	0xF

Table 18-1131. Register Call Summary for Register CTRL_CORE_PAD_GPMC_A19

Control Module Register Manual

- [CTRL_MODULE_CORE Register Summary: \[0\]](#)

Table 18-1132. CTRL_CORE_PAD_GPMC_A20

Address Offset	0x0000 1490	Instance	CTRL_MODULE_CORE
Physical Address	0x4A00 3490		
Description			
Type	RW		

31	30	29	28	27	26	25	24	23	22	21	20	19	18	17	16	15	14	13	12	11	10	9	8	7	6	5	4	3	2	1	0
RESERVED						GPMC_A20_WAKEUPEVENT	GPMC_A20_WAKEUPENABLE	RESERVED						GPMC_A20_SLEWCONTROL	GPMC_A20_INPUTENABLE	GPMC_A20_PULLTYPESELECT	GPMC_A20_PULLUDENABLE	RESERVED						GPMC_A20_MODESELECT	GPMC_A20_DELAYMODE				GPMC_A20_MUXMODE		

Bits	Field Name	Description	Type	Reset
31:26	RESERVED		R	0x0
25	GPMC_A20_WAKEUPEVENT	0x0: No wakeup event detected 0x1: Wakeup event detected	R	0x0
24	GPMC_A20_WAKEUPENABLE	0x0: Wakeup is disabled 0x1: Wakeup is enabled	RW	0x0
23:20	RESERVED		R	0x0
19	GPMC_A20_SLEWCONTROL	0x0: Fast slew is selected 0x1: Slow slew is selected	RW	0x0
18	GPMC_A20_INPUTENABLE	0x0: Receive mode is disabled 0x1: Receive mode is enabled	RW	0x1
17	GPMC_A20_PULLTYPESELECT	0x0: Pull Down is selected 0x1: Pull Up is selected	RW	0x0
16	GPMC_A20_PULLUDENABLE	0x0: Enables weak Pull Up/Down 0x1: Disables weak Pull Up/Down	RW	0x0
15:9	RESERVED		R	0x0

Bits	Field Name	Description	Type	Reset
8	GPMC_A20_MODESELECT	Selects between the Default IO Timing Mode and a Virtual or Manual IO Timing Mode. Refer to the device Data Manual for definition of the required settings for a given mode of operation. When this bit is 0b1, a Virtual IO Timing Mode can be selected via the DELAYMODE field of this register, as described in Section 18.4.6.1.5 , Virtual IO Timing Modes. Manual IO Timing Modes are selected via the procedure described in Section 18.4.6.1.6 , Manual IO Timing Modes. 0x0: Default IO Timing Mode is used 0x1: A Virtual or Manual IO Timing Mode is used	RW	0x0
7:4	GPMC_A20_DELAYMODE	This bit field selects the Virtual Timing Mode used when the MODESELECT bit is set to 0b1. See Section 18.4.6.1.5 , Virtual IO Timing Modes for details.	RW	0x0
3:0	GPMC_A20_MUXMODE	0x0: gpmc_a20 0x1: mmc2_dat5 0x2: gpmc_a14 0x4: vin2a_d13 vin1a_d13 0x6: vin2b_d1 vin1b_d1 0xE: gpio2_10 0xF: Driver off	RW	0xF

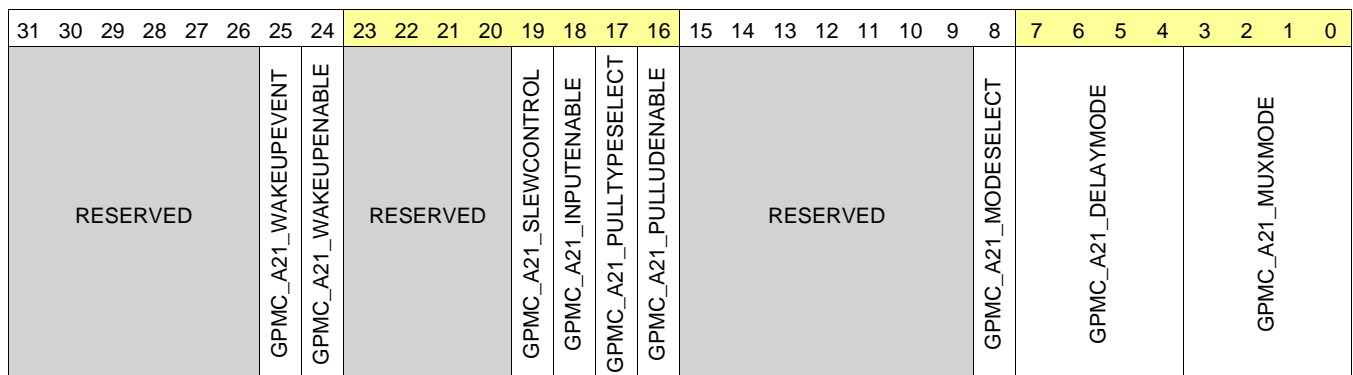
Table 18-1133. Register Call Summary for Register CTRL_CORE_PAD_GPMC_A20

Control Module Register Manual

- [CTRL_MODULE_CORE Register Summary: \[0\]](#)

Table 18-1134. CTRL_CORE_PAD_GPMC_A21

Address Offset	0x0000 1494	Instance	CTRL_MODULE_CORE
Physical Address	0x4A00 3494		
Description			
Type	RW		



Bits	Field Name	Description	Type	Reset
31:26	RESERVED		R	0x0
25	GPMC_A21_WAKEUPEVENT	0x0: No wakeup event detected 0x1: Wakeup event detected	R	0x0
24	GPMC_A21_WAKEUPENABLE	0x0: Wakeup is disabled 0x1: Wakeup is enabled	RW	0x0

Bits	Field Name	Description	Type	Reset
23:20	RESERVED		R	0x0
19	GPMC_A21_SLEWCONTROL	0x0: Fast slew is selected 0x1: Slow slew is selected	RW	0x0
18	GPMC_A21_INPUTENABLE	0x0: Receive mode is disabled 0x1: Receive mode is enabled	RW	0x1
17	GPMC_A21_PULLTYPESELECT	0x0: Pull Down is selected 0x1: Pull Up is selected	RW	0x0
16	GPMC_A21_PULLUDENABLE	0x0: Enables weak Pull Up/Down 0x1: Disables weak Pull Up/Down	RW	0x0
15:9	RESERVED		R	0x0
8	GPMC_A21_MODESELECT	Selects between the Default IO Timing Mode and a Virtual or Manual IO Timing Mode. Refer to the device Data Manual for definition of the required settings for a given mode of operation. When this bit is 0b1, a Virtual IO Timing Mode can be selected via the DELAYMODE field of this register, as described in Section 18.4.6.1.5 , Virtual IO Timing Modes. Manual IO Timing Modes are selected via the procedure described in Section 18.4.6.1.6 , Manual IO Timing Modes. 0x0: Default IO Timing Mode is used 0x1: A Virtual or Manual IO Timing Mode is used	RW	0x0
7:4	GPMC_A21_DELAYMODE	This bit field selects the Virtual Timing Mode used when the MODESELECT bit is set to 0b1. See Section 18.4.6.1.5 , Virtual IO Timing Modes for details.	RW	0x0
3:0	GPMC_A21_MUXMODE	0x0: gpmc_a21 0x1: mmc2_dat6 0x2: gpmc_a15 0x4: vin2a_d14 vin1a_d14 0x6: vin2b_d2 vin1b_d2 0xE: gpio2_11 0xF: Driver off	RW	0xF

Table 18-1135. Register Call Summary for Register CTRL_CORE_PAD_GPMC_A21

Control Module Register Manual

- [CTRL_MODULE_CORE Register Summary: \[0\]](#)

Table 18-1136. CTRL_CORE_PAD_GPMC_A22

Address Offset	0x0000 1498	Instance	CTRL_MODULE_CORE
Physical Address	0x4A00 3498		
Description			
Type	RW		

31	30	29	28	27	26	25	24	23	22	21	20	19	18	17	16	15	14	13	12	11	10	9	8	7	6	5	4	3	2	1	0				
RESERVED								GPMC_A22_WAKEUPEVENT		GPMC_A22_WAKEUPENABLE		RESERVED		GPMC_A22_SLEWCONTROL		GPMC_A22_INPUTENABLE		GPMC_A22_PULLTYPESELECT		GPMC_A22_PULLUDENABLE		RESERVED						GPMC_A22_MODESELECT		GPMC_A22_DELAYMODE				GPMC_A22_MUXMODE	

Bits	Field Name	Description	Type	Reset
31:26	RESERVED		R	0x0
25	GPMC_A22_WAKEUPEVENT	0x0: No wakeup event detected 0x1: Wakeup event detected	R	0x0
24	GPMC_A22_WAKEUPENABLE	0x0: Wakeup is disabled 0x1: Wakeup is enabled	RW	0x0
23:20	RESERVED		R	0x0
19	GPMC_A22_SLEWCONTROL	0x0: Fast slew is selected 0x1: Slow slew is selected	RW	0x0
18	GPMC_A22_INPUTENABLE	0x0: Receive mode is disabled 0x1: Receive mode is enabled	RW	0x1
17	GPMC_A22_PULLTYPESELECT	0x0: Pull Down is selected 0x1: Pull Up is selected	RW	0x0
16	GPMC_A22_PULLUDENABLE	0x0: Enables weak Pull Up/Down 0x1: Disables weak Pull Up/Down	RW	0x0
15:9	RESERVED		R	0x0
8	GPMC_A22_MODESELECT	Selects between the Default IO Timing Mode and a Virtual or Manual IO Timing Mode. Refer to the device Data Manual for definition of the required settings for a given mode of operation. When this bit is 0b1, a Virtual IO Timing Mode can be selected via the DELAYMODE field of this register, as described in Section 18.4.6.1.5 , Virtual IO Timing Modes. Manual IO Timing Modes are selected via the procedure described in Section 18.4.6.1.6 , Manual IO Timing Modes. 0x0: Default IO Timing Mode is used 0x1: A Virtual or Manual IO Timing Mode is used	RW	0x0
7:4	GPMC_A22_DELAYMODE	This bit field selects the Virtual Timing Mode used when the MODESELECT bit is set to 0b1. See Section 18.4.6.1.5 , Virtual IO Timing Modes for details.	RW	0x0
3:0	GPMC_A22_MUXMODE	0x0: gpmc_a22 0x1: mmc2_dat7 0x2: gpmc_a16 0x4: vin2a_d15 vin1a_d15 0x6: vin2b_d3 vin1b_d3 0xE: gpio2_12 0xF: Driver off	RW	0xF

Table 18-1137. Register Call Summary for Register CTRL_CORE_PAD_GPMC_A22

Control Module Register Manual

- [CTRL_MODULE_CORE Register Summary: \[0\]](#)

Table 18-1138. CTRL_CORE_PAD_GPMC_A23

Address Offset	0x0000 149C	Instance	CTRL_MODULE_CORE
Physical Address	0x4A00 349C		
Description			
Type	RW		

31	30	29	28	27	26	25	24	23	22	21	20	19	18	17	16	15	14	13	12	11	10	9	8	7	6	5	4	3	2	1	0	
RESERVED								RESERVED								RESERVED								GPMC_A23_WAKEUPEVENT	GPMC_A23_WAKEUPENABLE	GPMC_A23_SLEWCONTROL	GPMC_A23_INPUTENABLE	GPMC_A23_PULLTYPESELECT	GPMC_A23_PULLUDENABLE	GPMC_A23_MODESELECT	GPMC_A23_DELAYMODE	GPMC_A23_MUXMODE

Bits	Field Name	Description	Type	Reset
31:26	RESERVED		R	0x0
25	GPMC_A23_WAKEUPEVENT	0x0: No wakeup event detected 0x1: Wakeup event detected	R	0x0
24	GPMC_A23_WAKEUPENABLE	0x0: Wakeup is disabled 0x1: Wakeup is enabled	RW	0x0
23:20	RESERVED		R	0x0
19	GPMC_A23_SLEWCONTROL	0x0: Fast slew is selected 0x1: Slow slew is selected	RW	0x0
18	GPMC_A23_INPUTENABLE	0x0: Receive mode is disabled 0x1: Receive mode is enabled	RW	0x1
17	GPMC_A23_PULLTYPESELECT	0x0: Pull Down is selected 0x1: Pull Up is selected	RW	0x0
16	GPMC_A23_PULLUDENABLE	0x0: Enables weak Pull Up/Down 0x1: Disables weak Pull Up/Down	RW	0x0
15:9	RESERVED		R	0x0
8	GPMC_A23_MODESELECT	Selects between the Default IO Timing Mode and a Virtual or Manual IO Timing Mode. Refer to the device Data Manual for definition of the required settings for a given mode of operation. When this bit is 0b1, a Virtual IO Timing Mode can be selected via the DELAYMODE field of this register, as described in Section 18.4.6.1.5 , Virtual IO Timing Modes. Manual IO Timing Modes are selected via the procedure described in Section 18.4.6.1.6 , Manual IO Timing Modes. 0x0: Default IO Timing Mode is used 0x1: A Virtual or Manual IO Timing Mode is used	RW	0x0

Bits	Field Name	Description	Type	Reset
7:4	GPMC_A23_DELAYMODE	This bit field selects the Virtual Timing Mode used when the MODESELECT bit is set to 0b1. See Section 18.4.6.1.5 , Virtual IO Timing Modes for details.	RW	0x0
3:0	GPMC_A23_MUXMODE	0x0: gpmc_a23 0x1: mmc2_clk 0x2: gpmc_a17 0x4: vin2a_fld0 vin1a_fld0 0x6: vin2b_d4 vin1b_d4 0xE: gpio2_13 0xF: Driver off	RW	0xF

Table 18-1139. Register Call Summary for Register CTRL_CORE_PAD_GPMC_A23

Control Module Register Manual

- [CTRL_MODULE_CORE Register Summary: \[0\]](#)

Table 18-1140. CTRL_CORE_PAD_GPMC_A24

Address Offset	0x0000 14A0	Instance	CTRL_MODULE_CORE
Physical Address	0x4A00 34A0		
Description			
Type	RW		

31	30	29	28	27	26	25	24	23	22	21	20	19	18	17	16	15	14	13	12	11	10	9	8	7	6	5	4	3	2	1	0																
RESERVED								RESERVED								RESERVED								GPMC_A24_MODESELECT				GPMC_A24_DELAYMODE				GPMC_A24_MUXMODE															
																								GPMC_A24_WAKEUPEVENT				GPMC_A24_WAKEUPENABLE				GPMC_A24_SLEWCONTROL				GPMC_A24_INPUTENABLE				GPMC_A24_PULLTYPESELECT				GPMC_A24_PULLLDENABLE			

Bits	Field Name	Description	Type	Reset
31:26	RESERVED		R	0x0
25	GPMC_A24_WAKEUPEVENT	0x0: No wakeup event detected 0x1: Wakeup event detected	R	0x0
24	GPMC_A24_WAKEUPENABLE	0x0: Wakeup is disabled 0x1: Wakeup is enabled	RW	0x0
23:20	RESERVED		R	0x0
19	GPMC_A24_SLEWCONTROL	0x0: Fast slew is selected 0x1: Slow slew is selected	RW	0x0
18	GPMC_A24_INPUTENABLE	0x0: Receive mode is disabled 0x1: Receive mode is enabled	RW	0x1
17	GPMC_A24_PULLTYPESELECT	0x0: Pull Down is selected 0x1: Pull Up is selected	RW	0x0

Bits	Field Name	Description	Type	Reset
16	GPMC_A24_PULLUDENABLE	0x0: Enables weak Pull Up/Down 0x1: Disables weak Pull Up/Down	RW	0x0
15:9	RESERVED		R	0x0
8	GPMC_A24_MODESELECT	Selects between the Default IO Timing Mode and a Virtual or Manual IO Timing Mode. Refer to the device Data Manual for definition of the required settings for a given mode of operation. When this bit is 0b1, a Virtual IO Timing Mode can be selected via the DELAYMODE field of this register, as described in Section 18.4.6.1.5 , Virtual IO Timing Modes. Manual IO Timing Modes are selected via the procedure described in Section 18.4.6.1.6 , Manual IO Timing Modes. 0x0: Default IO Timing Mode is used 0x1: A Virtual or Manual IO Timing Mode is used	RW	0x0
7:4	GPMC_A24_DELAYMODE	This bit field selects the Virtual Timing Mode used when the MODESELECT bit is set to 0b1. See Section 18.4.6.1.5 , Virtual IO Timing Modes for details.	RW	0x0
3:0	GPMC_A24_MUXMODE	0x0: gpmc_a24 0x1: mmc2_dat0 0x2: gpmc_a18 0x4: vin1a_d8 0x6: vin2b_d5 vin1b_d5 0xE: gpio2_14 0xF: Driver off	RW	0xF

Table 18-1141. Register Call Summary for Register CTRL_CORE_PAD_GPMC_A24

Control Module Register Manual

- [CTRL_MODULE_CORE Register Summary: \[0\]](#)

Table 18-1142. CTRL_CORE_PAD_GPMC_A25

Address Offset	0x0000 14A4	Instance	CTRL_MODULE_CORE
Physical Address	0x4A00 34A4		
Description			
Type	RW		

31	30	29	28	27	26	25	24	23	22	21	20	19	18	17	16	15	14	13	12	11	10	9	8	7	6	5	4	3	2	1	0	
RESERVED								RESERVED								RESERVED								GPMC_A25_MODESELECT	GPMC_A25_DELAYMODE				GPMC_A25_MUXMODE			
GPMC_A25_WAKEUPEVENT		GPMC_A25_WAKEUPENABLE		GPMC_A25_SLEWCONTROL		GPMC_A25_INPUTENABLE		GPMC_A25_PULTYPESELECT		GPMC_A25_PULLUDENABLE		GPMC_A25_MODESELECT		GPMC_A25_DELAYMODE				GPMC_A25_MUXMODE														

Bits	Field Name	Description	Type	Reset
31:26	RESERVED		R	0x0
25	GPMC_A25_WAKEUPEVENT	0x0: No wakeup event detected 0x1: Wakeup event detected	R	0x0
24	GPMC_A25_WAKEUPENABLE	0x0: Wakeup is disabled 0x1: Wakeup is enabled	RW	0x0
23:20	RESERVED		R	0x0
19	GPMC_A25_SLEWCONTROL	0x0: Fast slew is selected 0x1: Slow slew is selected	RW	0x0
18	GPMC_A25_INPUTENABLE	0x0: Receive mode is disabled 0x1: Receive mode is enabled	RW	0x1
17	GPMC_A25_PULLTYPESELECT	0x0: Pull Down is selected 0x1: Pull Up is selected	RW	0x0
16	GPMC_A25_PULLUDENABLE	0x0: Enables weak Pull Up/Down 0x1: Disables weak Pull Up/Down	RW	0x0
15:9	RESERVED		R	0x0
8	GPMC_A25_MODESELECT	Selects between the Default IO Timing Mode and a Virtual or Manual IO Timing Mode. Refer to the device Data Manual for definition of the required settings for a given mode of operation. When this bit is 0b1, a Virtual IO Timing Mode can be selected via the DELAYMODE field of this register, as described in Section 18.4.6.1.5 , Virtual IO Timing Modes. Manual IO Timing Modes are selected via the procedure described in Section 18.4.6.1.6 , Manual IO Timing Modes. 0x0: Default IO Timing Mode is used 0x1: A Virtual or Manual IO Timing Mode is used	RW	0x0
7:4	GPMC_A25_DELAYMODE	This bit field selects the Virtual Timing Mode used when the MODESELECT bit is set to 0b1. See Section 18.4.6.1.5 , Virtual IO Timing Modes for details.	RW	0x0
3:0	GPMC_A25_MUXMODE	0x0: gpmc_a25 0x1: mmc2_dat1 0x2: gpmc_a19 0x4: vin1a_d9 0x6: vin2b_d6 vin1b_d6 0xE: gpio2_15 0xF: Driver off	RW	0xF

Table 18-1143. Register Call Summary for Register CTRL_CORE_PAD_GPMC_A25

Control Module Register Manual

- [CTRL_MODULE_CORE Register Summary: \[0\]](#)

Table 18-1144. CTRL_CORE_PAD_GPMC_A26

Address Offset	0x0000 14A8	Instance	CTRL_MODULE_CORE
Physical Address	0x4A00 34A8		
Description			
Type	RW		

31	30	29	28	27	26	25	24	23	22	21	20	19	18	17	16	15	14	13	12	11	10	9	8	7	6	5	4	3	2	1	0
RESERVED						GPMC_A26_WAKEUPEVENT	GPMC_A26_WAKEUPENABLE	RESERVED				GPMC_A26_SLEWCONTROL	GPMC_A26_INPUTENABLE	GPMC_A26_PULLTYPESELECT	GPMC_A26_PULLUDENABLE	RESERVED						GPMC_A26_MODESELECT	GPMC_A26_DELAYMODE				GPMC_A26_MUXMODE				

Bits	Field Name	Description	Type	Reset
31:26	RESERVED		R	0x0
25	GPMC_A26_WAKEUPEVENT	0x0: No wakeup event detected 0x1: Wakeup event detected	R	0x0
24	GPMC_A26_WAKEUPENABLE	0x0: Wakeup is disabled 0x1: Wakeup is enabled	RW	0x0
23:20	RESERVED		R	0x0
19	GPMC_A26_SLEWCONTROL	0x0: Fast slew is selected 0x1: Slow slew is selected	RW	0x0
18	GPMC_A26_INPUTENABLE	0x0: Receive mode is disabled 0x1: Receive mode is enabled	RW	0x1
17	GPMC_A26_PULLTYPESELECT	0x0: Pull Down is selected 0x1: Pull Up is selected	RW	0x0
16	GPMC_A26_PULLUDENABLE	0x0: Enables weak Pull Up/Down 0x1: Disables weak Pull Up/Down	RW	0x0
15:9	RESERVED		R	0x0
8	GPMC_A26_MODESELECT	Selects between the Default IO Timing Mode and a Virtual or Manual IO Timing Mode. Refer to the device Data Manual for definition of the required settings for a given mode of operation. When this bit is 0b1, a Virtual IO Timing Mode can be selected via the DELAYMODE field of this register, as described in Section 18.4.6.1.5 , Virtual IO Timing Modes. Manual IO Timing Modes are selected via the procedure described in Section 18.4.6.1.6 , Manual IO Timing Modes. 0x0: Default IO Timing Mode is used 0x1: A Virtual or Manual IO Timing Mode is used	RW	0x0
7:4	GPMC_A26_DELAYMODE	This bit field selects the Virtual Timing Mode used when the MODESELECT bit is set to 0b1. See Section 18.4.6.1.5 , Virtual IO Timing Modes for details.	RW	0x0
3:0	GPMC_A26_MUXMODE	0x0: gpmc_a26 0x1: mmc2_dat2 0x2: gpmc_a20 0x4: vin1a_d10 0x6: vin2b_d7 vin1b_d7 0xE: gpio2_16 0xF: Driver off	RW	0xF

Table 18-1145. Register Call Summary for Register CTRL_CORE_PAD_GPMC_A26

Control Module Register Manual

- [CTRL_MODULE_CORE Register Summary: \[0\]](#)

Table 18-1146. CTRL_CORE_PAD_GPMC_A27

Address Offset	0x0000 14AC	Instance	CTRL_MODULE_CORE
Physical Address	0x4A00 34AC		
Description			
Type	RW		

31	30	29	28	27	26	25	24	23	22	21	20	19	18	17	16	15	14	13	12	11	10	9	8	7	6	5	4	3	2	1	0										
RESERVED								RESERVED								RESERVED								GPMC_A27_MODESELECT		GPMC_A27_DELAYMODE				GPMC_A27_MUXMODE											
								GPMC_A27_WAKEUPEVENT				GPMC_A27_WAKEUPENABLE				GPMC_A27_SLEWCONTROL				GPMC_A27_INPUTENABLE				GPMC_A27_PULLTYPESELECT				GPMC_A27_PULLUDENABLE													

Bits	Field Name	Description	Type	Reset
31:26	RESERVED		R	0x0
25	GPMC_A27_WAKEUPEVENT	0x0: No wakeup event detected 0x1: Wakeup event detected	R	0x0
24	GPMC_A27_WAKEUPENABLE	0x0: Wakeup is disabled 0x1: Wakeup is enabled	RW	0x0
23:20	RESERVED		R	0x0
19	GPMC_A27_SLEWCONTROL	0x0: Fast slew is selected 0x1: Slow slew is selected	RW	0x0
18	GPMC_A27_INPUTENABLE	0x0: Receive mode is disabled 0x1: Receive mode is enabled	RW	0x1
17	GPMC_A27_PULLTYPESELECT	0x0: Pull Down is selected 0x1: Pull Up is selected	RW	0x0
16	GPMC_A27_PULLUDENABLE	0x0: Enables weak Pull Up/Down 0x1: Disables weak Pull Up/Down	RW	0x0
15:9	RESERVED		R	0x0
8	GPMC_A27_MODESELECT	Selects between the Default IO Timing Mode and a Virtual or Manual IO Timing Mode. Refer to the device Data Manual for definition of the required settings for a given mode of operation. When this bit is 0b1, a Virtual IO Timing Mode can be selected via the DELAYMODE field of this register, as described in Section 18.4.6.1.5 , Virtual IO Timing Modes. Manual IO Timing Modes are selected via the procedure described in Section 18.4.6.1.6 , Manual IO Timing Modes. 0x0: Default IO Timing Mode is used 0x1: A Virtual or Manual IO Timing Mode is used	RW	0x0

Bits	Field Name	Description	Type	Reset
7:4	GPMC_A27_DELAYMODE	This bit field selects the Virtual Timing Mode used when the MODESELECT bit is set to 0b1. See Section 18.4.6.1.5 , Virtual IO Timing Modes for details.	RW	0x0
3:0	GPMC_A27_MUXMODE	0x0: gpmc_a27 0x1: mmc2_dat3 0x2: gpmc_a21 0x4: vin1a_d11 0x6: vin2b_hsync1 vin1b_hsync1 0xE: gpio2_17 0xF: Driver off	RW	0xF

Table 18-1147. Register Call Summary for Register CTRL_CORE_PAD_GPMC_A27

Control Module Register Manual

- [CTRL_MODULE_CORE Register Summary: \[0\]](#)

Table 18-1148. CTRL_CORE_PAD_GPMC_CS1

Address Offset	0x0000 14B0	Instance	CTRL_MODULE_CORE
Physical Address	0x4A00 34B0		
Description			
Type	RW		

31	30	29	28	27	26	25	24	23	22	21	20	19	18	17	16	15	14	13	12	11	10	9	8	7	6	5	4	3	2	1	0												
RESERVED								RESERVED								RESERVED								GPMC_CS1_MODESELECT				GPMC_CS1_DELAYMODE				GPMC_CS1_MUXMODE											
				GPMC_CS1_WAKEUPEVENT				GPMC_CS1_WAKEUPENABLE								GPMC_CS1_SLEWCONTROL				GPMC_CS1_INPUTENABLE				GPMC_CS1_PULLTYPESELECT				GPMC_CS1_PULLUDENABLE															

Bits	Field Name	Description	Type	Reset
31:26	RESERVED		R	0x0
25	GPMC_CS1_WAKEUPEVENT	0x0: No wakeup event detected 0x1: Wakeup event detected	R	0x0
24	GPMC_CS1_WAKEUPENABLE	0x0: Wakeup is disabled 0x1: Wakeup is enabled	RW	0x0
23:20	RESERVED		R	0x0
19	GPMC_CS1_SLEWCONTROL	0x0: Fast slew is selected 0x1: Slow slew is selected	RW	0x0
18	GPMC_CS1_INPUTENABLE	0x0: Receive mode is disabled 0x1: Receive mode is enabled	RW	0x1
17	GPMC_CS1_PULLTYPESELECT	0x0: Pull Down is selected 0x1: Pull Up is selected	RW	0x1

Bits	Field Name	Description	Type	Reset
16	GPMC_CS1_PULLUDENABLE	0x0: Enables weak Pull Up/Down 0x1: Disables weak Pull Up/Down	RW	0x0
15:9	RESERVED		R	0x0
8	GPMC_CS1_MODESELECT	Selects between the Default IO Timing Mode and a Virtual or Manual IO Timing Mode. Refer to the device Data Manual for definition of the required settings for a given mode of operation. When this bit is 0b1, a Virtual IO Timing Mode can be selected via the DELAYMODE field of this register, as described in Section 18.4.6.1.5 , Virtual IO Timing Modes. Manual IO Timing Modes are selected via the procedure described in Section 18.4.6.1.6 , Manual IO Timing Modes. 0x0: Default IO Timing Mode is used 0x1: A Virtual or Manual IO Timing Mode is used	RW	0x0
7:4	GPMC_CS1_DELAYMODE	This bit field selects the Virtual Timing Mode used when the MODESELECT bit is set to 0b1. See Section 18.4.6.1.5 , Virtual IO Timing Modes for details.	RW	0x0
3:0	GPMC_CS1_MUXMODE	0x0: gpmc_cs1 0x1: mmc2_cmd 0x2: gpmc_a22 0x4: vin2a_de0 vin1a_de0 0x6: vin2b_vsync1 vin1b_vsync1 0xE: gpio2_18 0xF: Driver off	RW	0xF

Table 18-1149. Register Call Summary for Register CTRL_CORE_PAD_GPMC_CS1

Control Module Register Manual

- [CTRL_MODULE_CORE Register Summary: \[0\]](#)

Table 18-1150. CTRL_CORE_PAD_GPMC_CS0

Address Offset	0x0000 14B4	Instance	CTRL_MODULE_CORE
Physical Address	0x4A00 34B4		
Description			
Type	RW		

31	30	29	28	27	26	25	24	23	22	21	20	19	18	17	16	15	14	13	12	11	10	9	8	7	6	5	4	3	2	1	0		
RESERVED				GPMC_CS0_WAKEUPEVENT		GPMC_CS0_WAKEUPENABLE		RESERVED				GPMC_CS0_SLEWCONTROL		GPMC_CS0_INPUTENABLE		GPMC_CS0_PULYPESELECT		GPMC_CS0_PULLUDENABLE		RESERVED				GPMC_CS0_MODESELECT		GPMC_CS0_DELAYMODE				GPMC_CS0_MUXMODE			

Bits	Field Name	Description	Type	Reset
31:26	RESERVED		R	0x0
25	GPMC_CS0_WAKEUPEVENT	0x0: No wakeup event detected 0x1: Wakeup event detected	R	0x0
24	GPMC_CS0_WAKEUPENABLE	0x0: Wakeup is disabled 0x1: Wakeup is enabled	RW	0x0
23:20	RESERVED		R	0x0
19	GPMC_CS0_SLEWCONTROL	0x0: Fast slew is selected 0x1: Slow slew is selected	RW	0x0
18	GPMC_CS0_INPUTENABLE	0x0: Receive mode is disabled 0x1: Receive mode is enabled	RW	0x1
17	GPMC_CS0_PULLTYPESELECTION	0x0: Pull Down is selected 0x1: Pull Up is selected	RW	0x1
16	GPMC_CS0_PULLUDENABLE	0x0: Enables weak Pull Up/Down 0x1: Disables weak Pull Up/Down	RW	0x0
15:9	RESERVED		R	0x0
8	GPMC_CS0_MODESELECT	Selects between the Default IO Timing Mode and a Virtual or Manual IO Timing Mode. Refer to the device Data Manual for definition of the required settings for a given mode of operation. When this bit is 0b1, a Virtual IO Timing Mode can be selected via the DELAYMODE field of this register, as described in Section 18.4.6.1.5 , Virtual IO Timing Modes. Manual IO Timing Modes are selected via the procedure described in Section 18.4.6.1.6 , Manual IO Timing Modes. 0x0: Default IO Timing Mode is used 0x1: A Virtual or Manual IO Timing Mode is used	RW	0x0
7:4	GPMC_CS0_DELAYMODE	This bit field selects the Virtual Timing Mode used when the MODESELECT bit is set to 0b1. See Section 18.4.6.1.5 , Virtual IO Timing Modes for details.	RW	0x0
3:0	GPMC_CS0_MUXMODE	0x0: gpmc_cs0 0xE: gpio2_19 0xF: Driver off	RW	0xF

Table 18-1151. Register Call Summary for Register CTRL_CORE_PAD_GPMC_CS0

Control Module Register Manual

- [CTRL_MODULE_CORE Register Summary: \[0\]](#)

Table 18-1152. CTRL_CORE_PAD_GPMC_CS2

Address Offset	0x0000 14B8	Instance	CTRL_MODULE_CORE
Physical Address	0x4A00 34B8		
Description			
Type	RW		

31	30	29	28	27	26	25	24	23	22	21	20	19	18	17	16	15	14	13	12	11	10	9	8	7	6	5	4	3	2	1	0		
RESERVED								GPMC_CS2_WAKEUPEVENT	GPMC_CS2_WAKEUPENABLE	RESERVED				GPMC_CS2_SLEWCONTROL	GPMC_CS2_INPUTENABLE	GPMC_CS2_PULLTYPESELECT	GPMC_CS2_PULLUDENABLE	RESERVED							GPMC_CS2_MODESELECT	GPMC_CS2_DELAYMODE				GPMC_CS2_MUXMODE			

Bits	Field Name	Description	Type	Reset
31:26	RESERVED		R	0x0
25	GPMC_CS2_WAKEUPEVENT	0x0: No wakeup event detected 0x1: Wakeup event detected	R	0x0
24	GPMC_CS2_WAKEUPENABLE	0x0: Wakeup is disabled 0x1: Wakeup is enabled	RW	0x0
23:20	RESERVED		R	0x0
19	GPMC_CS2_SLEWCONTROL	0x0: Fast slew is selected 0x1: Slow slew is selected	RW	0x0
18	GPMC_CS2_INPUTENABLE	0x0: Receive mode is disabled 0x1: Receive mode is enabled	RW	0x1
17	GPMC_CS2_PULLTYPESELECT	0x0: Pull Down is selected 0x1: Pull Up is selected	RW	0x1
16	GPMC_CS2_PULLUDENABLE	0x0: Enables weak Pull Up/Down 0x1: Disables weak Pull Up/Down	RW	0x0
15:9	RESERVED		R	0x0
8	GPMC_CS2_MODESELECT	Selects between the Default IO Timing Mode and a Virtual or Manual IO Timing Mode. Refer to the device Data Manual for definition of the required settings for a given mode of operation. When this bit is 0b1, a Virtual IO Timing Mode can be selected via the DELAYMODE field of this register, as described in Section 18.4.6.1.5 , Virtual IO Timing Modes. Manual IO Timing Modes are selected via the procedure described in Section 18.4.6.1.6 , Manual IO Timing Modes. 0x0: Default IO Timing Mode is used 0x1: A Virtual or Manual IO Timing Mode is used	RW	0x0
7:4	GPMC_CS2_DELAYMODE	This bit field selects the Virtual Timing Mode used when the MODESELECT bit is set to 0b1. See Section 18.4.6.1.5 , Virtual IO Timing Modes for details.	RW	0x0
3:0	GPMC_CS2_MUXMODE	0x0: gpmc_cs2 0x1: qspi1_cs0 0xE: gpio2_20 gpmc_a23 gpmc_a13 0xF: Driver off	RW	0xF

Table 18-1153. Register Call Summary for Register CTRL_CORE_PAD_GPMC_CS2

Control Module Register Manual

- [CTRL_MODULE_CORE Register Summary: \[0\]](#)

Table 18-1154. CTRL_CORE_PAD_GPMC_CS3

Address Offset	0x0000 14BC	Instance	CTRL_MODULE_CORE
Physical Address	0x4A00 34BC		
Description			
Type	RW		

31	30	29	28	27	26	25	24	23	22	21	20	19	18	17	16	15	14	13	12	11	10	9	8	7	6	5	4	3	2	1	0												
RESERVED								RESERVED								RESERVED								GPMC_CS3_WAKEUPEVENT GPMC_CS3_WAKEUPENABLE				GPMC_CS3_SLEWCONTROL GPMC_CS3_INPUTENABLE GPMC_CS3_PULLTYPESELEC GPMC_CS3_PULLUDENABLE				GPMC_CS3_MODESELECT				GPMC_CS3_DELAYMODE				GPMC_CS3_MUXMODE			

Bits	Field Name	Description	Type	Reset
31:26	RESERVED		R	0x0
25	GPMC_CS3_WAKEUPEVENT	0x0: No wakeup event detected 0x1: Wakeup event detected	R	0x0
24	GPMC_CS3_WAKEUPENABLE	0x0: Wakeup is disabled 0x1: Wakeup is enabled	RW	0x0
23:20	RESERVED		R	0x0
19	GPMC_CS3_SLEWCONTROL	0x0: Fast slew is selected 0x1: Slow slew is selected	RW	0x0
18	GPMC_CS3_INPUTENABLE	0x0: Receive mode is disabled 0x1: Receive mode is enabled	RW	0x1
17	GPMC_CS3_PULLTYPESELECTION	0x0: Pull Down is selected 0x1: Pull Up is selected	RW	0x1
16	GPMC_CS3_PULLUDENABLE	0x0: Enables weak Pull Up/Down 0x1: Disables weak Pull Up/Down	RW	0x0
15:9	RESERVED		R	0x0
8	GPMC_CS3_MODESELECT	Selects between the Default IO Timing Mode and a Virtual or Manual IO Timing Mode. Refer to the device Data Manual for definition of the required settings for a given mode of operation. When this bit is 0b1, a Virtual IO Timing Mode can be selected via the DELAYMODE field of this register, as described in Section 18.4.6.1.5 , Virtual IO Timing Modes. Manual IO Timing Modes are selected via the procedure described in Section 18.4.6.1.6 , Manual IO Timing Modes. 0x0: Default IO Timing Mode is used 0x1: A Virtual or Manual IO Timing Mode is used	RW	0x0
7:4	GPMC_CS3_DELAYMODE	This bit field selects the Virtual Timing Mode used when the MODESELECT bit is set to 0b1. See Section 18.4.6.1.5 , Virtual IO Timing Modes for details.	RW	0x0

Bits	Field Name	Description	Type	Reset
3:0	GPMC_CS3_MUXMODE	0x0: gpmc_cs3 0x1: qspi1_cs1 0x2: vin1a_clk0 0x3: vout3_clk 0x5: gpmc_a1 0xE: gpio2_21 gpmc_a24 gpmc_a14 0xF: Driver off	RW	0xF

Table 18-1155. Register Call Summary for Register CTRL_CORE_PAD_GPMC_CS3

Control Module Functional Description

- [Pad Configuration Registers: \[0\]](#)

Control Module Register Manual

- [CTRL_MODULE_CORE Register Summary: \[1\]](#)

Table 18-1156. CTRL_CORE_PAD_GPMC_CLK

Address Offset	0x0000 14C0	Instance	CTRL_MODULE_CORE
Physical Address	0x4A00 34C0		
Description			
Type	RW		

31	30	29	28	27	26	25	24	23	22	21	20	19	18	17	16	15	14	13	12	11	10	9	8	7	6	5	4	3	2	1	0		
RESERVED								RESERVED								RESERVED								GPMC_CLK_WAKEUPEVENT GPMC_CLK_WAKEUPENABLE		GPMC_CLK_SLEWCONTROL GPMC_CLK_INPUTENABLE GPMC_CLK_PULLTYPESELECT GPMC_CLK_PULLUDENABE		GPMC_CLK_MODESELECT		GPMC_CLK_DELAYMODE		GPMC_CLK_MUXMODE	

Bits	Field Name	Description	Type	Reset
31:26	RESERVED		R	0x0
25	GPMC_CLK_WAKEUPEVENT	0x0: No wakeup event detected 0x1: Wakeup event detected	R	0x0
24	GPMC_CLK_WAKEUPENABLE	0x0: Wakeup is disabled 0x1: Wakeup is enabled	RW	0x0
23:20	RESERVED		R	0x0
19	GPMC_CLK_SLEWCONTROL	0x0: Fast slew is selected 0x1: Slow slew is selected	RW	0x0
18	GPMC_CLK_INPUTENABLE	0x0: Receive mode is disabled 0x1: Receive mode is enabled	RW	0x1
17	GPMC_CLK_PULLTYPESELECT	0x0: Pull Down is selected 0x1: Pull Up is selected	RW	0x1

Bits	Field Name	Description	Type	Reset
16	GPMC_CLK_PULLUDENABLE	0x0: Enables weak Pull Up/Down 0x1: Disables weak Pull Up/Down	RW	0x0
15:9	RESERVED		R	0x0
8	GPMC_CLK_MODESELECT	Selects between the Default IO Timing Mode and a Virtual or Manual IO Timing Mode. Refer to the device Data Manual for definition of the required settings for a given mode of operation. When this bit is 0b1, a Virtual IO Timing Mode can be selected via the DELAYMODE field of this register, as described in Section 18.4.6.1.5 , Virtual IO Timing Modes. Manual IO Timing Modes are selected via the procedure described in Section 18.4.6.1.6 , Manual IO Timing Modes. 0x0: Default IO Timing Mode is used 0x1: A Virtual or Manual IO Timing Mode is used	RW	0x0
7:4	GPMC_CLK_DELAYMODE	This bit field selects the Virtual Timing Mode used when the MODESELECT bit is set to 0b1. See Section 18.4.6.1.5 , Virtual IO Timing Modes for details.	RW	0x0
3:0	GPMC_CLK_MUXMODE	0x0: gpmc_clk 0x1: gpmc_cs7 0x2: clkout1 0x3: gpmc_wait1 0x4: vin2a_hsync0 vin1a_hsync0 0x5: vin2a_de0 vin1a_de0 0x6: vin2b_clk1 vin1b_clk1 0x7: timer4 0x8: i2c3_scl 0x9: dma_evt1 0xE: gpio2_22 gpmc_a20 0xF: Driver off	RW	0xF

Table 18-1157. Register Call Summary for Register CTRL_CORE_PAD_GPMC_CLK

Control Module Register Manual

- [CTRL_MODULE_CORE Register Summary: \[0\]](#)

Table 18-1158. CTRL_CORE_PAD_GPMC_ADV_N_ALE

Address Offset	0x0000 14C4	Instance	CTRL_MODULE_CORE
Physical Address	0x4A00 34C4		
Description			
Type	RW		

31	30	29	28	27	26	25	24	23	22	21	20	19	18	17	16	15	14	13	12	11	10	9	8	7	6	5	4	3	2	1	0	
RESERVED							GPMC_ADV_N_ALE_WAKEUPEVENT	GPMC_ADV_N_ALE_WAKEUPENABLE	RESERVED				GPMC_ADV_N_ALE_SLEWCONTROL	GPMC_ADV_N_ALE_INPUTENABLE	GPMC_ADV_N_ALE_PULLTYPESELECT	GPMC_ADV_N_ALE_PULLUDENABLE	RESERVED							GPMC_ADV_N_ALE_MODESELECT	GPMC_ADV_N_ALE_DELAYMODE				GPMC_ADV_N_ALE_MUXMODE			

Bits	Field Name	Description	Type	Reset
31:26	RESERVED		R	0x0
25	GPMC_ADV_N_ALE_WAKEUPEVENT	0x0: No wakeup event detected 0x1: Wakeup event detected	R	0x0
24	GPMC_ADV_N_ALE_WAKEUPENABLE	0x0: Wakeup is disabled 0x1: Wakeup is enabled	RW	0x0
23:20	RESERVED		R	0x0
19	GPMC_ADV_N_ALE_SLEWCONTROL	0x0: Fast slew is selected 0x1: Slow slew is selected	RW	0x0
18	GPMC_ADV_N_ALE_INPUTENABLE	0x0: Receive mode is disabled 0x1: Receive mode is enabled	RW	0x1
17	GPMC_ADV_N_ALE_PULLTYPESELECT	0x0: Pull Down is selected 0x1: Pull Up is selected	RW	0x1
16	GPMC_ADV_N_ALE_PULLUDENABLE	0x0: Enables weak Pull Up/Down 0x1: Disables weak Pull Up/Down	RW	0x0
15:9	RESERVED		R	0x0
8	GPMC_ADV_N_ALE_MODESELECT	Selects between the Default IO Timing Mode and a Virtual or Manual IO Timing Mode. Refer to the device Data Manual for definition of the required settings for a given mode of operation. When this bit is 0b1, a Virtual IO Timing Mode can be selected via the DELAYMODE field of this register, as described in Section 18.4.6.1.5 , Virtual IO Timing Modes. Manual IO Timing Modes are selected via the procedure described in Section 18.4.6.1.6 , Manual IO Timing Modes. 0x0: Default IO Timing Mode is used 0x1: A Virtual or Manual IO Timing Mode is used	RW	0x0
7:4	GPMC_ADV_N_ALE_DELAYMODE	This bit field selects the Virtual Timing Mode used when the MODESELECT bit is set to 0b1. See Section 18.4.6.1.5 , Virtual IO Timing Modes for details.	RW	0x0

Bits	Field Name	Description	Type	Reset
3:0	GPMC_ADV_N_ALE_MUXMODE	0x0: gpmc_advn_ale 0x1: gpmc_cs6 0x2: clkout2 0x3: gpmc_wait1 0x4: vin2a_vsync0 vin1a_vsync0 0x5: gpmc_a2 0x6: gpmc_a23 0x7: timer3 0x8: i2c3_sda 0x9: dma_evt2 0xE: gpio2_23 gpmc_a19 0xF: Driver off	RW	0xF

Table 18-1159. Register Call Summary for Register CTRL_CORE_PAD_GPMC_ADV_N_ALE

Control Module Register Manual

- [CTRL_MODULE_CORE Register Summary: \[0\]](#)

Table 18-1160. CTRL_CORE_PAD_GPMC_OEN_REN

Address Offset	0x0000 14C8	Instance	CTRL_MODULE_CORE
Physical Address	0x4A00 34C8		
Description			
Type	RW		

31	30	29	28	27	26	25	24	23	22	21	20	19	18	17	16	15	14	13	12	11	10	9	8	7	6	5	4	3	2	1	0												
RESERVED								RESERVED								RESERVED								GPMC_OEN_REN_MODESELECT		GPMC_OEN_REN_DELAYMODE				GPMC_OEN_REN_MUXMODE													
				GPMC_OEN_REN_WAKEUPEVENT				GPMC_OEN_REN_WAKEUPENABLE								GPMC_OEN_REN_SLEWCONTROL				GPMC_OEN_REN_INPUTENABLE				GPMC_OEN_REN_PULLTYPESELECT				GPMC_OEN_REN_PULLUDENABLE															

Bits	Field Name	Description	Type	Reset
31:26	RESERVED		R	0x0
25	GPMC_OEN_REN_WAKEUPEVENT	0x0: No wakeup event detected 0x1: Wakeup event detected	R	0x0
24	GPMC_OEN_REN_WAKEUPENABLE	0x0: Wakeup is disabled 0x1: Wakeup is enabled	RW	0x0
23:20	RESERVED		R	0x0
19	GPMC_OEN_REN_SLEWCONTROL	0x0: Fast slew is selected 0x1: Slow slew is selected	RW	0x0

Bits	Field Name	Description	Type	Reset
18	GPMC_OEN_REN_INPUTENABLE	0x0: Receive mode is disabled 0x1: Receive mode is enabled	RW	0x1
17	GPMC_OEN_REN_PULLTYPESELECT	0x0: Pull Down is selected 0x1: Pull Up is selected	RW	0x1
16	GPMC_OEN_REN_PULLUDENABLE	0x0: Enables weak Pull Up/Down 0x1: Disables weak Pull Up/Down	RW	0x0
15:9	RESERVED		R	0x0
8	GPMC_OEN_REN_MODESELECT	Selects between the Default IO Timing Mode and a Virtual or Manual IO Timing Mode. Refer to the device Data Manual for definition of the required settings for a given mode of operation. When this bit is 0b1, a Virtual IO Timing Mode can be selected via the DELAYMODE field of this register, as described in Section 18.4.6.1.5 , Virtual IO Timing Modes. Manual IO Timing Modes are selected via the procedure described in Section 18.4.6.1.6 , Manual IO Timing Modes. 0x0: Default IO Timing Mode is used 0x1: A Virtual or Manual IO Timing Mode is used	RW	0x0
7:4	GPMC_OEN_REN_DELAYMODE	This bit field selects the Virtual Timing Mode used when the MODESELECT bit is set to 0b1. See Section 18.4.6.1.5 , Virtual IO Timing Modes for details.	RW	0x0
3:0	GPMC_OEN_REN_MUXMODE	0x0: gpmc_oen_ren 0xE: gpio2_24 0xF: Driver off	RW	0xF

Table 18-1161. Register Call Summary for Register CTRL_CORE_PAD_GPMC_OEN_REN

Control Module Register Manual

- [CTRL_MODULE_CORE Register Summary: \[0\]](#)

Table 18-1162. CTRL_CORE_PAD_GPMC_WEN

Address Offset	0x0000 14CC	Instance	CTRL_MODULE_CORE
Physical Address	0x4A00 34CC		
Description			
Type	RW		

31	30	29	28	27	26	25	24	23	22	21	20	19	18	17	16	15	14	13	12	11	10	9	8	7	6	5	4	3	2	1	0																
RESERVED								RESERVED								RESERVED								GPMC_WEN_MODESELECT				GPMC_WEN_DELAYMODE				GPMC_WEN_MUXMODE															
GPMC_WEN_WAKEUPEVENT								GPMC_WEN_WAKEUPENABLE								GPMC_WEN_SLEWCONTROL								GPMC_WEN_INPUTENABLE				GPMC_WEN_PULLTYPESELECT				GPMC_WEN_PULLUDENABLE				GPMC_WEN_MODESELECT				GPMC_WEN_DELAYMODE				GPMC_WEN_MUXMODE			

Bits	Field Name	Description	Type	Reset
31:26	RESERVED		R	0x0
25	GPMC_WEN_WAKEUPEVENT	0x0: No wakeup event detected 0x1: Wakeup event detected	R	0x0
24	GPMC_WEN_WAKEUPENABLE	0x0: Wakeup is disabled 0x1: Wakeup is enabled	RW	0x0
23:20	RESERVED		R	0x0
19	GPMC_WEN_SLEWCONTROL	0x0: Fast slew is selected 0x1: Slow slew is selected	RW	0x0
18	GPMC_WEN_INPUTENABLE	0x0: Receive mode is disabled 0x1: Receive mode is enabled	RW	0x1
17	GPMC_WEN_PULLTYPESELECTION	0x0: Pull Down is selected 0x1: Pull Up is selected	RW	0x1
16	GPMC_WEN_PULLUDENABLE	0x0: Enables weak Pull Up/Down 0x1: Disables weak Pull Up/Down	RW	0x0
15:9	RESERVED		R	0x0
8	GPMC_WEN_MODESELECT	Selects between the Default IO Timing Mode and a Virtual or Manual IO Timing Mode. Refer to the device Data Manual for definition of the required settings for a given mode of operation. When this bit is 0b1, a Virtual IO Timing Mode can be selected via the DELAYMODE field of this register, as described in Section 18.4.6.1.5 , Virtual IO Timing Modes. Manual IO Timing Modes are selected via the procedure described in Section 18.4.6.1.6 , Manual IO Timing Modes. 0x0: Default IO Timing Mode is used 0x1: A Virtual or Manual IO Timing Mode is used	RW	0x0
7:4	GPMC_WEN_DELAYMODE	This bit field selects the Virtual Timing Mode used when the MODESELECT bit is set to 0b1. See Section 18.4.6.1.5 , Virtual IO Timing Modes for details.	RW	0x0
3:0	GPMC_WEN_MUXMODE	0x0: gpmc_wen 0xE: gpio2_25 0xF: Driver off	RW	0xF

Table 18-1163. Register Call Summary for Register CTRL_CORE_PAD_GPMC_WEN

Control Module Register Manual

- [CTRL_MODULE_CORE Register Summary: \[0\]](#)

Table 18-1164. CTRL_CORE_PAD_GPMC_BEN0

Address Offset	0x0000 14D0	Instance	CTRL_MODULE_CORE
Physical Address	0x4A00 34D0		
Description			
Type	RW		

31	30	29	28	27	26	25	24	23	22	21	20	19	18	17	16	15	14	13	12	11	10	9	8	7	6	5	4	3	2	1	0
RESERVED						GPMC_BEN0_WAKEUPEVENT	GPMC_BEN0_WAKEUPENABLE	RESERVED				GPMC_BEN0_SLEWCONTROL	GPMC_BEN0_INPUTENABLE	GPMC_BEN0_PULLTYPESELECT	GPMC_BEN0_PULLUDENABLE	RESERVED						GPMC_BEN0_MODESELECT	GPMC_BEN0_DELAYMODE				GPMC_BEN0_MUXMODE				

Bits	Field Name	Description	Type	Reset
31:26	RESERVED		R	0x0
25	GPMC_BEN0_WAKEUPEVENT	0x0: No wakeup event detected 0x1: Wakeup event detected	R	0x0
24	GPMC_BEN0_WAKEUPENABLE	0x0: Wakeup is disabled 0x1: Wakeup is enabled	RW	0x0
23:20	RESERVED		R	0x0
19	GPMC_BEN0_SLEWCONTROL	0x0: Fast slew is selected 0x1: Slow slew is selected	RW	0x0
18	GPMC_BEN0_INPUTENABLE	0x0: Receive mode is disabled 0x1: Receive mode is enabled	RW	0x1
17	GPMC_BEN0_PULLTYPESELECT	0x0: Pull Down is selected 0x1: Pull Up is selected	RW	0x1
16	GPMC_BEN0_PULLUDENABLE	0x0: Enables weak Pull Up/Down 0x1: Disables weak Pull Up/Down	RW	0x0
15:9	RESERVED		R	0x0
8	GPMC_BEN0_MODESELECT	Selects between the Default IO Timing Mode and a Virtual or Manual IO Timing Mode. Refer to the device Data Manual for definition of the required settings for a given mode of operation. When this bit is 0b1, a Virtual IO Timing Mode can be selected via the DELAYMODE field of this register, as described in Section 18.4.6.1.5 , Virtual IO Timing Modes. Manual IO Timing Modes are selected via the procedure described in Section 18.4.6.1.6 , Manual IO Timing Modes. 0x0: Default IO Timing Mode is used 0x1: A Virtual or Manual IO Timing Mode is used	RW	0x0
7:4	GPMC_BEN0_DELAYMODE	This bit field selects the Virtual Timing Mode used when the MODESELECT bit is set to 0b1. See Section 18.4.6.1.5 , Virtual IO Timing Modes for details.	RW	0x0
3:0	GPMC_BEN0_MUXMODE	0x0: gpmc_ben0 0x1: gpmc_cs4 0x6: vin2b_de1 vin1b_de1 0x7: timer2 0x9: dma_evt3 0xE: gpio2_26 gpmc_a21 0xF: Driver off	RW	0xF

Table 18-1165. Register Call Summary for Register CTRL_CORE_PAD_GPMC_BEN0

Control Module Register Manual

- [CTRL_MODULE_CORE Register Summary: \[0\]](#)

Table 18-1166. CTRL_CORE_PAD_GPMC_BEN1

Address Offset	0x0000 14D4	Instance	CTRL_MODULE_CORE
Physical Address	0x4A00 34D4		
Description			
Type	RW		

31	30	29	28	27	26	25	24	23	22	21	20	19	18	17	16	15	14	13	12	11	10	9	8	7	6	5	4	3	2	1	0												
RESERVED								RESERVED								RESERVED								GPMC_BEN1_MODESELECT				GPMC_BEN1_DELAYMODE				GPMC_BEN1_MUXMODE											
GPMC_BEN1_WAKEUPEVENT								GPMC_BEN1_WAKEUPENABLE								GPMC_BEN1_SLEWCONTROL				GPMC_BEN1_INPUTENABLE				GPMC_BEN1_PULLTYPESELECT				GPMC_BEN1_PULLUDENABLE				GPMC_BEN1_MODESELECT				GPMC_BEN1_DELAYMODE				GPMC_BEN1_MUXMODE			

Bits	Field Name	Description	Type	Reset
31:26	RESERVED		R	0x0
25	GPMC_BEN1_WAKEUPEVENT	0x0: No wakeup event detected 0x1: Wakeup event detected	R	0x0
24	GPMC_BEN1_WAKEUPENABLE	0x0: Wakeup is disabled 0x1: Wakeup is enabled	RW	0x0
23:20	RESERVED		R	0x0
19	GPMC_BEN1_SLEWCONTROL	0x0: Fast slew is selected 0x1: Slow slew is selected	RW	0x0
18	GPMC_BEN1_INPUTENABLE	0x0: Receive mode is disabled 0x1: Receive mode is enabled	RW	0x1
17	GPMC_BEN1_PULLTYPESELECT	0x0: Pull Down is selected 0x1: Pull Up is selected	RW	0x1
16	GPMC_BEN1_PULLUDENABLE	0x0: Enables weak Pull Up/Down 0x1: Disables weak Pull Up/Down	RW	0x0
15:9	RESERVED		R	0x0
8	GPMC_BEN1_MODESELECT	Selects between the Default IO Timing Mode and a Virtual or Manual IO Timing Mode. Refer to the device Data Manual for definition of the required settings for a given mode of operation. When this bit is 0b1, a Virtual IO Timing Mode can be selected via the DELAYMODE field of this register, as described in Section 18.4.6.1.5 , Virtual IO Timing Modes. Manual IO Timing Modes are selected via the procedure described in Section 18.4.6.1.6 , Manual IO Timing Modes. 0x0: Default IO Timing Mode is used 0x1: A Virtual or Manual IO Timing Mode is used	RW	0x0

Bits	Field Name	Description	Type	Reset
7:4	GPMC_BEN1_DELAYMODE	This bit field selects the Virtual Timing Mode used when the MODESELECT bit is set to 0b1. See Section 18.4.6.1.5 , Virtual IO Timing Modes for details.	RW	0x0
3:0	GPMC_BEN1_MUXMODE	0x0: gpmc_ben1 0x1: gpmc_cs5 0x4: vin2b_clk1 vin1b_clk1 0x5: gpmc_a3 0x6: vin2b_fld1 vin1b_fld1 0x7: timer1 0x9: dma_evt4 0xE: gpio2_27 gpmc_a22 0xF: Driver off	RW	0xF

Table 18-1167. Register Call Summary for Register CTRL_CORE_PAD_GPMC_BEN1

Control Module Register Manual

- [CTRL_MODULE_CORE Register Summary: \[0\]](#)

Table 18-1168. CTRL_CORE_PAD_GPMC_WAIT0

Address Offset	0x0000 14D8	Instance	CTRL_MODULE_CORE
Physical Address	0x4A00 34D8		
Description			
Type	RW		

31	30	29	28	27	26	25	24	23	22	21	20	19	18	17	16	15	14	13	12	11	10	9	8	7	6	5	4	3	2	1	0								
RESERVED								RESERVED								RESERVED								GPMC_WAIT0_MODESELECT	GPMC_WAIT0_DELAYMODE				GPMC_WAIT0_MUXMODE										
				GPMC_WAIT0_WAKEUPEVENT				GPMC_WAIT0_WAKEUPENABLE								GPMC_WAIT0_SLEWCONTROL				GPMC_WAIT0_INPUTENABLE				GPMC_WAIT0_PULTYPESELECT				GPMC_WAIT0_PULLUDENABLE											

Bits	Field Name	Description	Type	Reset
31:26	RESERVED		R	0x0
25	GPMC_WAIT0_WAKEUPEVENT	0x0: No wakeup event detected 0x1: Wakeup event detected	R	0x0
24	GPMC_WAIT0_WAKEUPENABLE	0x0: Wakeup is disabled 0x1: Wakeup is enabled	RW	0x0
23:20	RESERVED		R	0x0
19	GPMC_WAIT0_SLEWCONTROL	0x0: Fast slew is selected 0x1: Slow slew is selected	RW	0x1
18	GPMC_WAIT0_INPUTENABLE	0x0: Receive mode is disabled 0x1: Receive mode is enabled	RW	0x1

Bits	Field Name	Description	Type	Reset
17	GPMC_WAIT0_PULLTYPESELECT	0x0: Pull Down is selected 0x1: Pull Up is selected	RW	0x1
16	GPMC_WAIT0_PULLUDENABLE	0x0: Enables weak Pull Up/Down 0x1: Disables weak Pull Up/Down	RW	0x0
15:9	RESERVED		R	0x0
8	GPMC_WAIT0_MODESELECT	Selects between the Default IO Timing Mode and a Virtual or Manual IO Timing Mode. Refer to the device Data Manual for definition of the required settings for a given mode of operation. When this bit is 0b1, a Virtual IO Timing Mode can be selected via the DELAYMODE field of this register, as described in Section 18.4.6.1.5 , Virtual IO Timing Modes. Manual IO Timing Modes are selected via the procedure described in Section 18.4.6.1.6 , Manual IO Timing Modes. 0x0: Default IO Timing Mode is used 0x1: A Virtual or Manual IO Timing Mode is used	RW	0x0
7:4	GPMC_WAIT0_DELAYMODE	This bit field selects the Virtual Timing Mode used when the MODESELECT bit is set to 0b1. See Section 18.4.6.1.5 , Virtual IO Timing Modes for details.	RW	0x0
3:0	GPMC_WAIT0_MUXMODE	0x0: gpmc_wait0 0xE: gpio2_28 gpmc_a25 gpmc_a15 0xF: Driver off	RW	0xF

Table 18-1169. Register Call Summary for Register CTRL_CORE_PAD_GPMC_WAIT0

Control Module Register Manual

- [CTRL_MODULE_CORE Register Summary: \[0\]](#)

Table 18-1170. CTRL_CORE_PAD_VIN2A_CLK0

Address Offset	0x0000 1554	Instance	CTRL_MODULE_CORE
Physical Address	0x4A00 3554		
Description			
Type	RW		

31	30	29	28	27	26	25	24	23	22	21	20	19	18	17	16	15	14	13	12	11	10	9	8	7	6	5	4	3	2	1	0				
RESERVED								RESERVED								RESERVED								VIN2A_CLK0_MODESELECT				VIN2A_CLK0_DELAYMODE				VIN2A_CLK0_MUXMODE			
VIN2A_CLK0_WAKEUPEVENT				VIN2A_CLK0_WAKEUPENABLE				VIN2A_CLK0_SLEWCONTROL				VIN2A_CLK0_INPUTENABLE				VIN2A_CLK0_PULLTYPESELECT				VIN2A_CLK0_PULLUDENABLE															

Bits	Field Name	Description	Type	Reset
31:26	RESERVED		R	0x0
25	VIN2A_CLK0_WAKEUPEVENT	0x0: No wakeup event detected 0x1: Wakeup event detected	R	0x0

Bits	Field Name	Description	Type	Reset
24	VIN2A_CLK0_WAKEUPENABLE	0x0: Wakeup is disabled 0x1: Wakeup is enabled	RW	0x0
23:20	RESERVED		R	0x0
19	VIN2A_CLK0_SLEWCONTROL	0x0: Fast slew is selected 0x1: Slow slew is selected	RW	0x0
18	VIN2A_CLK0_INPUTENABLE	0x0: Receive mode is disabled 0x1: Receive mode is enabled	RW	0x1
17	VIN2A_CLK0_PULLTYPESELECTION	0x0: Pull Down is selected 0x1: Pull Up is selected	RW	0x0
16	VIN2A_CLK0_PULLUDENABLE	0x0: Enables weak Pull Up/Down 0x1: Disables weak Pull Up/Down	RW	0x0
15:9	RESERVED		R	0x0
8	VIN2A_CLK0_MODESELECT	Selects between the Default IO Timing Mode and a Virtual or Manual IO Timing Mode. Refer to the device Data Manual for definition of the required settings for a given mode of operation. When this bit is 0b1, a Virtual IO Timing Mode can be selected via the DELAYMODE field of this register, as described in Section 18.4.6.1.5 , Virtual IO Timing Modes. Manual IO Timing Modes are selected via the procedure described in Section 18.4.6.1.6 , Manual IO Timing Modes. 0x0: Default IO Timing Mode is used 0x1: A Virtual or Manual IO Timing Mode is used	RW	0x0
7:4	VIN2A_CLK0_DELAYMODE	This bit field selects the Virtual Timing Mode used when the MODESELECT bit is set to 0b1. See Section 18.4.6.1.5 , Virtual IO Timing Modes for details.	RW	0x0
3:0	VIN2A_CLK0_MUXMODE	0x0: vin2a_clk0 0x4: vout2_fld 0x5: emu5 0x9: kbd_row0 0xA: eQEP1A_in 0xC: pr1_edio_data_in0 0xD: pr1_edio_data_out0 0xE: gpio3_28 gpmc_a27 gpmc_a17 0xF: Driver off	RW	0xF

Table 18-1171. Register Call Summary for Register CTRL_CORE_PAD_VIN2A_CLK0

Control Module Register Manual

- [CTRL_MODULE_CORE Register Summary: \[0\]](#)

Table 18-1172. CTRL_CORE_PAD_VIN2A_DE0

Address Offset	0x0000 1558	Instance	CTRL_MODULE_CORE
Physical Address	0x4A00 3558		
Description			
Type	RW		

31	30	29	28	27	26	25	24	23	22	21	20	19	18	17	16	15	14	13	12	11	10	9	8	7	6	5	4	3	2	1	0
RESERVED						VIN2A_DE0_WAKEUPEVENT	VIN2A_DE0_WAKEUPENABLE	RESERVED				VIN2A_DE0_SLEWCONTROL	VIN2A_DE0_INPUTENABLE	VIN2A_DE0_PULLTYPESELECT	VIN2A_DE0_PULLUDENABLE	RESERVED						VIN2A_DE0_MODESELECT	VIN2A_DE0_DELAYMODE				VIN2A_DE0_MUXMODE				

Bits	Field Name	Description	Type	Reset
31:26	RESERVED		R	0x0
25	VIN2A_DE0_WAKEUPEVENT	0x0: No wakeup event detected 0x1: Wakeup event detected	R	0x0
24	VIN2A_DE0_WAKEUPENABLE	0x0: Wakeup is disabled 0x1: Wakeup is enabled	RW	0x0
23:20	RESERVED		R	0x0
19	VIN2A_DE0_SLEWCONTROL	0x0: Fast slew is selected 0x1: Slow slew is selected	RW	0x0
18	VIN2A_DE0_INPUTENABLE	0x0: Receive mode is disabled 0x1: Receive mode is enabled	RW	0x1
17	VIN2A_DE0_PULLTYPESELECT	0x0: Pull Down is selected 0x1: Pull Up is selected	RW	0x0
16	VIN2A_DE0_PULLUDENABLE	0x0: Enables weak Pull Up/Down 0x1: Disables weak Pull Up/Down	RW	0x0
15:9	RESERVED		R	0x0
8	VIN2A_DE0_MODESELECT	Selects between the Default IO Timing Mode and a Virtual or Manual IO Timing Mode. Refer to the device Data Manual for definition of the required settings for a given mode of operation. When this bit is 0b1, a Virtual IO Timing Mode can be selected via the DELAYMODE field of this register, as described in Section 18.4.6.1.5 , Virtual IO Timing Modes. Manual IO Timing Modes are selected via the procedure described in Section 18.4.6.1.6 , Manual IO Timing Modes. 0x0: Default IO Timing Mode is used 0x1: A Virtual or Manual IO Timing Mode is used	RW	0x0
7:4	VIN2A_DE0_DELAYMODE	This bit field selects the Virtual Timing Mode used when the MODESELECT bit is set to 0b1. See Section 18.4.6.1.5 , Virtual IO Timing Modes for details.	RW	0x0

Bits	Field Name	Description	Type	Reset
3:0	VIN2A_DE0_MUXMODE	0x0: vin2a_de0 0x1: vin2a_fld0 0x2: vin2b_fld1 0x3: vin2b_de1 0x4: vout2_de 0x5: emu6 0x9: kbd_row1 0xA: eQEP1B_in 0xC: pr1_edio_data_in1 0xD: pr1_edio_data_out1 0xE: gpio3_29 0xF: Driver off	RW	0xF

Table 18-1173. Register Call Summary for Register CTRL_CORE_PAD_VIN2A_DE0

Control Module Register Manual

- [CTRL_MODULE_CORE Register Summary: \[0\]](#)

Table 18-1174. CTRL_CORE_PAD_VIN2A_FLD0

Address Offset	0x0000 155C	Instance	CTRL_MODULE_CORE
Physical Address	0x4A00 355C		
Description			
Type	RW		

31	30	29	28	27	26	25	24	23	22	21	20	19	18	17	16	15	14	13	12	11	10	9	8	7	6	5	4	3	2	1	0	
RESERVED								RESERVED								RESERVED								VIN2A_FLD0_WAKEUPEVENT	VIN2A_FLD0_WAKEUPENABLE	VIN2A_FLD0_SLEWCONTROL	VIN2A_FLD0_INPUTENABLE	VIN2A_FLD0_PULLTYPESELECT	VIN2A_FLD0_PULLUDENABLE	VIN2A_FLD0_MODESELECT	VIN2A_FLD0_DELAYMODE	VIN2A_FLD0_MUXMODE

Bits	Field Name	Description	Type	Reset
31:26	RESERVED		R	0x0
25	VIN2A_FLD0_WAKEUPEVENT	0x0: No wakeup event detected 0x1: Wakeup event detected	R	0x0
24	VIN2A_FLD0_WAKEUPENABLE	0x0: Wakeup is disabled 0x1: Wakeup is enabled	RW	0x0
23:20	RESERVED		R	0x0
19	VIN2A_FLD0_SLEWCONTROL	0x0: Fast slew is selected 0x1: Slow slew is selected	RW	0x0
18	VIN2A_FLD0_INPUTENABLE	0x0: Receive mode is disabled 0x1: Receive mode is enabled	RW	0x1

Bits	Field Name	Description	Type	Reset
17	VIN2A_FLD0_PULLTYPESELECT	0x0: Pull Down is selected 0x1: Pull Up is selected	RW	0x0
16	VIN2A_FLD0_PULLUDENABLE	0x0: Enables weak Pull Up/Down 0x1: Disables weak Pull Up/Down	RW	0x0
15:9	RESERVED		R	0x0
8	VIN2A_FLD0_MODESELECT	Selects between the Default IO Timing Mode and a Virtual or Manual IO Timing Mode. Refer to the device Data Manual for definition of the required settings for a given mode of operation. When this bit is 0b1, a Virtual IO Timing Mode can be selected via the DELAYMODE field of this register, as described in Section 18.4.6.1.5 , Virtual IO Timing Modes. Manual IO Timing Modes are selected via the procedure described in Section 18.4.6.1.6 , Manual IO Timing Modes. 0x0: Default IO Timing Mode is used 0x1: A Virtual or Manual IO Timing Mode is used	RW	0x0
7:4	VIN2A_FLD0_DELAYMODE	This bit field selects the Virtual Timing Mode used when the MODESELECT bit is set to 0b1. See Section 18.4.6.1.5 , Virtual IO Timing Modes for details.	RW	0x0
3:0	VIN2A_FLD0_MUXMODE	0x0: vin2a_fld0 0x2: vin2b_clk1 0x4: vout2_clk 0x5: emu7 0xA: eQEP1_index 0xC: pr1_edio_data_in2 0xD: pr1_edio_data_out2 0xE: gpio3_30 gpmc_a27 gpmc_a18 0xF: Driver off	RW	0xF

Table 18-1175. Register Call Summary for Register CTRL_CORE_PAD_VIN2A_FLD0

Control Module Register Manual

- [CTRL_MODULE_CORE Register Summary: \[0\]](#)

Table 18-1176. CTRL_CORE_PAD_VIN2A_HSYNCO

Address Offset	0x0000 1560	Instance	CTRL_MODULE_CORE
Physical Address	0x4A00 3560		
Description			
Type	RW		

31	30	29	28	27	26	25	24	23	22	21	20	19	18	17	16	15	14	13	12	11	10	9	8	7	6	5	4	3	2	1	0												
RESERVED								RESERVED								RESERVED								VIN2A_HSYNC0_WAKEUPEVENT VIN2A_HSYNC0_WAKEUPENABLE				VIN2A_HSYNC0_SLEWCONTROL VIN2A_HSYNC0_INPUTENABLE VIN2A_HSYNC0_PULLTYPESELECT VIN2A_HSYNC0_PULLUDENABLE				VIN2A_HSYNC0_MODESELECT				VIN2A_HSYNC0_DELAYMODE				VIN2A_HSYNC0_MUXMODE			

Bits	Field Name	Description	Type	Reset
31:26	RESERVED		R	0x0
25	VIN2A_HSYNC0_WAKEUPEVENT	0x0: No wakeup event detected 0x1: Wakeup event detected	R	0x0
24	VIN2A_HSYNC0_WAKEUPENABLE	0x0: Wakeup is disabled 0x1: Wakeup is enabled	RW	0x0
23:20	RESERVED		R	0x0
19	VIN2A_HSYNC0_SLEWCONTROL	0x0: Fast slew is selected 0x1: Slow slew is selected	RW	0x0
18	VIN2A_HSYNC0_INPUTENABLE	0x0: Receive mode is disabled 0x1: Receive mode is enabled	RW	0x1
17	VIN2A_HSYNC0_PULLTYPESELECT	0x0: Pull Down is selected 0x1: Pull Up is selected	RW	0x0
16	VIN2A_HSYNC0_PULLUDENABLE	0x0: Enables weak Pull Up/Down 0x1: Disables weak Pull Up/Down	RW	0x0
15:9	RESERVED		R	0x0
8	VIN2A_HSYNC0_MODESELECT	Selects between the Default IO Timing Mode and a Virtual or Manual IO Timing Mode. Refer to the device Data Manual for definition of the required settings for a given mode of operation. When this bit is 0b1, a Virtual IO Timing Mode can be selected via the DELAYMODE field of this register, as described in Section 18.4.6.1.5 , Virtual IO Timing Modes. Manual IO Timing Modes are selected via the procedure described in Section 18.4.6.1.6 , Manual IO Timing Modes. 0x0: Default IO Timing Mode is used 0x1: A Virtual or Manual IO Timing Mode is used	RW	0x0
7:4	VIN2A_HSYNC0_DELAYMODE	This bit field selects the Virtual Timing Mode used when the MODESELECT bit is set to 0b1. See Section 18.4.6.1.5 , Virtual IO Timing Modes for details.	RW	0x0

Bits	Field Name	Description	Type	Reset
3:0	VIN2A_HSYNC0_MUXMODE	0x0: vin2a_hsync0 0x3: vin2b_hsync1 0x4: vout2_hsync 0x5: emu8 0x7: uart9_rxd 0x8: spi4_sclk 0x9: kbd_row2 0xA: eQEP1_strobe 0xB: pr1_uart0_cts_n 0xC: pr1_edio_data_in3 0xD: pr1_edio_data_out3 0xE: gpio3_31 gpmc_a27 0xF: Driver off	RW	0xF

Table 18-1177. Register Call Summary for Register CTRL_CORE_PAD_VIN2A_HSYNC0

Control Module Register Manual

- [CTRL_MODULE_CORE Register Summary: \[0\]](#)

Table 18-1178. CTRL_CORE_PAD_VIN2A_VSYNC0

Address Offset	0x0000 1564	Instance	CTRL_MODULE_CORE
Physical Address	0x4A00 3564		
Description			
Type	RW		

31	30	29	28	27	26	25	24	23	22	21	20	19	18	17	16	15	14	13	12	11	10	9	8	7	6	5	4	3	2	1	0				
RESERVED							VIN2A_VSYNC0_WAKEUPEVENT	VIN2A_VSYNC0_WAKEUPENABLE	RESERVED							VIN2A_VSYNC0_SLEWCONTROL	VIN2A_VSYNC0_INPUTENABLE	VIN2A_VSYNC0_PULLTYPESELECT	VIN2A_VSYNC0_PULLLDENABLE	RESERVED							VIN2A_VSYNC0_MODESELECT	VIN2A_VSYNC0_DELAYMODE				VIN2A_VSYNC0_MUXMODE			

Bits	Field Name	Description	Type	Reset
31:26	RESERVED		R	0x0
25	VIN2A_VSYNC0_WAKEUPEVENT	0x0: No wakeup event detected 0x1: Wakeup event detected	R	0x0
24	VIN2A_VSYNC0_WAKEUPENABLE	0x0: Wakeup is disabled 0x1: Wakeup is enabled	RW	0x0
23:20	RESERVED		R	0x0
19	VIN2A_VSYNC0_SLEWCONTROL	0x0: Fast slew is selected 0x1: Slow slew is selected	RW	0x0

Bits	Field Name	Description	Type	Reset
18	VIN2A_VSYNC0_INPUTENABLE	0x0: Receive mode is disabled 0x1: Receive mode is enabled	RW	0x1
17	VIN2A_VSYNC0_PULLTYPESELECT	0x0: Pull Down is selected 0x1: Pull Up is selected	RW	0x0
16	VIN2A_VSYNC0_PULLUDENABLE	0x0: Enables weak Pull Up/Down 0x1: Disables weak Pull Up/Down	RW	0x0
15:9	RESERVED		R	0x0
8	VIN2A_VSYNC0_MODESELECT	Selects between the Default IO Timing Mode and a Virtual or Manual IO Timing Mode. Refer to the device Data Manual for definition of the required settings for a given mode of operation. When this bit is 0b1, a Virtual IO Timing Mode can be selected via the DELAYMODE field of this register, as described in Section 18.4.6.1.5 , Virtual IO Timing Modes. Manual IO Timing Modes are selected via the procedure described in Section 18.4.6.1.6 , Manual IO Timing Modes. 0x0: Default IO Timing Mode is used 0x1: A Virtual or Manual IO Timing Mode is used	RW	0x0
7:4	VIN2A_VSYNC0_DELAYMODE	This bit field selects the Virtual Timing Mode used when the MODESELECT bit is set to 0b1. See Section 18.4.6.1.5 , Virtual IO Timing Modes for details.	RW	0x0
3:0	VIN2A_VSYNC0_MUXMODE	0x0: vin2a_vsync0 0x3: vin2b_vsync1 0x4: vout2_vsync 0x5: emu9 0x7: uart9_txd 0x8: spi4_d1 0x9: kbd_row3 0xA: ehrpwm1A 0xB: pr1_uart0_rts_n 0xC: pr1_edio_data_in4 0xD: pr1_edio_data_out4 0xE: gpio4_0 0xF: Driver off	RW	0xF

Table 18-1179. Register Call Summary for Register CTRL_CORE_PAD_VIN2A_VSYNC0

Control Module Register Manual

- [CTRL_MODULE_CORE Register Summary: \[0\]](#)

Table 18-1180. CTRL_CORE_PAD_VIN2A_D0

Address Offset	0x0000 1568	Instance	CTRL_MODULE_CORE
Physical Address	0x4A00 3568		
Description			
Type	RW		

31	30	29	28	27	26	25	24	23	22	21	20	19	18	17	16	15	14	13	12	11	10	9	8	7	6	5	4	3	2	1	0
RESERVED						VIN2A_D0_WAKEUPEVENT	VIN2A_D0_WAKEUPENABLE	RESERVED				VIN2A_D0_SLEWCONTROL	VIN2A_D0_INPUTENABLE	VIN2A_D0_PULLTYPESELECT	VIN2A_D0_PULLUDENABLE	RESERVED						VIN2A_D0_MODESELECT	VIN2A_D0_DELAYMODE				VIN2A_D0_MUXMODE				

Bits	Field Name	Description	Type	Reset
31:26	RESERVED		R	0x0
25	VIN2A_D0_WAKEUPEVENT	0x0: No wakeup event detected 0x1: Wakeup event detected	R	0x0
24	VIN2A_D0_WAKEUPENABLE	0x0: Wakeup is disabled 0x1: Wakeup is enabled	RW	0x0
23:20	RESERVED		R	0x0
19	VIN2A_D0_SLEWCONTROL	0x0: Fast slew is selected 0x1: Slow slew is selected	RW	0x0
18	VIN2A_D0_INPUTENABLE	0x0: Receive mode is disabled 0x1: Receive mode is enabled	RW	0x1
17	VIN2A_D0_PULLTYPESELECT	0x0: Pull Down is selected 0x1: Pull Up is selected	RW	0x0
16	VIN2A_D0_PULLUDENABLE	0x0: Enables weak Pull Up/Down 0x1: Disables weak Pull Up/Down	RW	0x0
15:9	RESERVED		R	0x0
8	VIN2A_D0_MODESELECT	Selects between the Default IO Timing Mode and a Virtual or Manual IO Timing Mode. Refer to the device Data Manual for definition of the required settings for a given mode of operation. When this bit is 0b1, a Virtual IO Timing Mode can be selected via the DELAYMODE field of this register, as described in Section 18.4.6.1.5 , Virtual IO Timing Modes. Manual IO Timing Modes are selected via the procedure described in Section 18.4.6.1.6 , Manual IO Timing Modes. 0x0: Default IO Timing Mode is used 0x1: A Virtual or Manual IO Timing Mode is used	RW	0x0
7:4	VIN2A_D0_DELAYMODE	This bit field selects the Virtual Timing Mode used when the MODESELECT bit is set to 0b1. See Section 18.4.6.1.5 , Virtual IO Timing Modes for details.	RW	0x0

Bits	Field Name	Description	Type	Reset
3:0	VIN2A_D0_MUXMODE	0x0: vin2a_d0 0x4: vout2_d23 0x5: emu10 0x7: uart9_ctsn 0x8: spi4_d0 0x9: kbd_row4 0xA: ehrpwm1B 0xB: pr1_uart0_rxd 0xC: pr1_edio_data_in5 0xD: pr1_edio_data_out5 0xE: gpio4_1 0xF: Driver off	RW	0xF

Table 18-1181. Register Call Summary for Register CTRL_CORE_PAD_VIN2A_D0

Control Module Register Manual

- [CTRL_MODULE_CORE Register Summary: \[0\]](#)

Table 18-1182. CTRL_CORE_PAD_VIN2A_D1

Address Offset	0x0000 156C	Instance	CTRL_MODULE_CORE
Physical Address	0x4A00 356C		
Description			
Type	RW		

31	30	29	28	27	26	25	24	23	22	21	20	19	18	17	16	15	14	13	12	11	10	9	8	7	6	5	4	3	2	1	0
RESERVED						VIN2A_D1_WAKEUPEVENT	VIN2A_D1_WAKEUPENABLE	RESERVED				VIN2A_D1_SLEWCONTROL	VIN2A_D1_INPUTENABLE	VIN2A_D1_PULLTYPESELECT	VIN2A_D1_PULLUDENABLE	RESERVED						VIN2A_D1_MODESELECT	VIN2A_D1_DELAYMODE				VIN2A_D1_MUXMODE				

Bits	Field Name	Description	Type	Reset
31:26	RESERVED		R	0x0
25	VIN2A_D1_WAKEUPEVENT	0x0: No wakeup event detected 0x1: Wakeup event detected	R	0x0
24	VIN2A_D1_WAKEUPENABLE	0x0: Wakeup is disabled 0x1: Wakeup is enabled	RW	0x0
23:20	RESERVED		R	0x0
19	VIN2A_D1_SLEWCONTROL	0x0: Fast slew is selected 0x1: Slow slew is selected	RW	0x0
18	VIN2A_D1_INPUTENABLE	0x0: Receive mode is disabled 0x1: Receive mode is enabled	RW	0x1

Bits	Field Name	Description	Type	Reset
17	VIN2A_D1_PULLTYPESELECT	0x0: Pull Down is selected 0x1: Pull Up is selected	RW	0x0
16	VIN2A_D1_PULLUDENABLE	0x0: Enables weak Pull Up/Down 0x1: Disables weak Pull Up/Down	RW	0x0
15:9	RESERVED		R	0x0
8	VIN2A_D1_MODESELECT	Selects between the Default IO Timing Mode and a Virtual or Manual IO Timing Mode. Refer to the device Data Manual for definition of the required settings for a given mode of operation. When this bit is 0b1, a Virtual IO Timing Mode can be selected via the DELAYMODE field of this register, as described in Section 18.4.6.1.5 , Virtual IO Timing Modes. Manual IO Timing Modes are selected via the procedure described in Section 18.4.6.1.6 , Manual IO Timing Modes. 0x0: Default IO Timing Mode is used 0x1: A Virtual or Manual IO Timing Mode is used	RW	0x0
7:4	VIN2A_D1_DELAYMODE	This bit field selects the Virtual Timing Mode used when the MODESELECT bit is set to 0b1. See Section 18.4.6.1.5 , Virtual IO Timing Modes for details.	RW	0x0
3:0	VIN2A_D1_MUXMODE	0x0: vin2a_d1 0x4: vout2_d22 0x5: emu11 0x7: uart9_rtsn 0x8: spi4_cs0 0x9: kbd_row5 0xA: ehrpwm1_tripzone_input 0xB: pr1_uart0_txd 0xC: pr1_edio_data_in6 0xD: pr1_edio_data_out6 0xE: gpio4_2 0xF: Driver off	RW	0xF

Table 18-1183. Register Call Summary for Register CTRL_CORE_PAD_VIN2A_D1

Control Module Register Manual

- [CTRL_MODULE_CORE Register Summary: \[0\]](#)

Table 18-1184. CTRL_CORE_PAD_VIN2A_D2

Address Offset	0x0000 1570	Instance	CTRL_MODULE_CORE
Physical Address	0x4A00 3570		
Description			
Type	RW		

31	30	29	28	27	26	25	24	23	22	21	20	19	18	17	16	15	14	13	12	11	10	9	8	7	6	5	4	3	2	1	0												
RESERVED								RESERVED								RESERVED								VIN2A_D2_WAKEUPEVENT VIN2A_D2_WAKEUPENABLE				VIN2A_D2_SLEWCONTROL VIN2A_D2_INPUTENABLE VIN2A_D2_PULLTYPESELECT VIN2A_D2_PULLUDENABLE				VIN2A_D2_MODESELECT				VIN2A_D2_DELAYMODE				VIN2A_D2_MUXMODE			

Bits	Field Name	Description	Type	Reset
31:26	RESERVED		R	0x0
25	VIN2A_D2_WAKEUPEVENT	0x0: No wakeup event detected 0x1: Wakeup event detected	R	0x0
24	VIN2A_D2_WAKEUPENABLE	0x0: Wakeup is disabled 0x1: Wakeup is enabled	RW	0x0
23:20	RESERVED		R	0x0
19	VIN2A_D2_SLEWCONTROL	0x0: Fast slew is selected 0x1: Slow slew is selected	RW	0x0
18	VIN2A_D2_INPUTENABLE	0x0: Receive mode is disabled 0x1: Receive mode is enabled	RW	0x1
17	VIN2A_D2_PULLTYPESELECT	0x0: Pull Down is selected 0x1: Pull Up is selected	RW	0x0
16	VIN2A_D2_PULLUDENABLE	0x0: Enables weak Pull Up/Down 0x1: Disables weak Pull Up/Down	RW	0x0
15:9	RESERVED		R	0x0
8	VIN2A_D2_MODESELECT	Selects between the Default IO Timing Mode and a Virtual or Manual IO Timing Mode. Refer to the device Data Manual for definition of the required settings for a given mode of operation. When this bit is 0b1, a Virtual IO Timing Mode can be selected via the DELAYMODE field of this register, as described in Section 18.4.6.1.5 , Virtual IO Timing Modes. Manual IO Timing Modes are selected via the procedure described in Section 18.4.6.1.6 , Manual IO Timing Modes. 0x0: Default IO Timing Mode is used 0x1: A Virtual or Manual IO Timing Mode is used	RW	0x0
7:4	VIN2A_D2_DELAYMODE	This bit field selects the Virtual Timing Mode used when the MODESELECT bit is set to 0b1. See Section 18.4.6.1.5 , Virtual IO Timing Modes for details.	RW	0x0

Bits	Field Name	Description	Type	Reset
3:0	VIN2A_D2_MUXMODE	0x0: vin2a_d2 0x4: vout2_d21 0x5: emu12 0x8: uart10_rxd 0x9: kbd_row6 0xA: eCAP1_in_PWM1_out 0xB: pr1_ecap0_ecap_capin_apwm_o 0xC: pr1_edio_data_in7 0xD: pr1_edio_data_out7 0xE: gpio4_3 0xF: Driver off	RW	0xF

Table 18-1185. Register Call Summary for Register CTRL_CORE_PAD_VIN2A_D2

Control Module Register Manual

- [CTRL_MODULE_CORE Register Summary: \[0\]](#)

Table 18-1186. CTRL_CORE_PAD_VIN2A_D3

Address Offset	0x0000 1574	Instance	CTRL_MODULE_CORE
Physical Address	0x4A00 3574		
Description			
Type	RW		

31	30	29	28	27	26	25	24	23	22	21	20	19	18	17	16	15	14	13	12	11	10	9	8	7	6	5	4	3	2	1	0
RESERVED						VIN2A_D3_WAKEUPEVENT	VIN2A_D3_WAKEUPENABLE	RESERVED				VIN2A_D3_SLEWCONTROL	VIN2A_D3_INPUTENABLE	VIN2A_D3_PULLTYPESELECT	VIN2A_D3_PULLUDENABLE	RESERVED						VIN2A_D3_MODESELECT	VIN2A_D3_DELAYMODE				VIN2A_D3_MUXMODE				

Bits	Field Name	Description	Type	Reset
31:26	RESERVED		R	0x0
25	VIN2A_D3_WAKEUPEVENT	0x0: No wakeup event detected 0x1: Wakeup event detected	R	0x0
24	VIN2A_D3_WAKEUPENABLE	0x0: Wakeup is disabled 0x1: Wakeup is enabled	RW	0x0
23:20	RESERVED		R	0x0
19	VIN2A_D3_SLEWCONTROL	0x0: Fast slew is selected 0x1: Slow slew is selected	RW	0x0
18	VIN2A_D3_INPUTENABLE	0x0: Receive mode is disabled 0x1: Receive mode is enabled	RW	0x1
17	VIN2A_D3_PULLTYPESELECT	0x0: Pull Down is selected 0x1: Pull Up is selected	RW	0x0

Bits	Field Name	Description	Type	Reset
16	VIN2A_D3_PULLUDENABLE	0x0: Enables weak Pull Up/Down 0x1: Disables weak Pull Up/Down	RW	0x0
15:9	RESERVED		R	0x0
8	VIN2A_D3_MODESELECT	Selects between the Default IO Timing Mode and a Virtual or Manual IO Timing Mode. Refer to the device Data Manual for definition of the required settings for a given mode of operation. When this bit is 0b1, a Virtual IO Timing Mode can be selected via the DELAYMODE field of this register, as described in Section 18.4.6.1.5 , Virtual IO Timing Modes. Manual IO Timing Modes are selected via the procedure described in Section 18.4.6.1.6 , Manual IO Timing Modes. 0x0: Default IO Timing Mode is used 0x1: A Virtual or Manual IO Timing Mode is used	RW	0x0
7:4	VIN2A_D3_DELAYMODE	This bit field selects the Virtual Timing Mode used when the MODESELECT bit is set to 0b1. See Section 18.4.6.1.5 , Virtual IO Timing Modes for details.	RW	0x0
3:0	VIN2A_D3_MUXMODE	0x0: vin2a_d3 0x4: vout2_d20 0x5: emu13 0x8: uart10_txd 0x9: kbd_col0 0xA: ehrpwm1_syncl 0xB: pr1_edc_latch0_in 0xC: pr1_pru1_gpi0 0xD: pr1_pru1_gpo0 0xE: gpio4_4 0xF: Driver off	RW	0xF

Table 18-1187. Register Call Summary for Register CTRL_CORE_PAD_VIN2A_D3

Control Module Register Manual

- [CTRL_MODULE_CORE Register Summary: \[0\]](#)

Table 18-1188. CTRL_CORE_PAD_VIN2A_D4

Address Offset	0x0000 1578	Instance	CTRL_MODULE_CORE
Physical Address	0x4A00 3578		
Description			
Type	RW		

31	30	29	28	27	26	25	24	23	22	21	20	19	18	17	16	15	14	13	12	11	10	9	8	7	6	5	4	3	2	1	0				
RESERVED								RESERVED								RESERVED								VIN2A_D4_MODESELECT	VIN2A_D4_DELAYMODE				VIN2A_D4_MUXMODE						
VIN2A_D4_WAKEUPEVENT				VIN2A_D4_WAKEUPENABLE				VIN2A_D4_SLEWCONTROL				VIN2A_D4_INPUTENABLE				VIN2A_D4_PULLTYPESELECT				VIN2A_D4_PULLUDENABLE															

Bits	Field Name	Description	Type	Reset
31:26	RESERVED		R	0x0
25	VIN2A_D4_WAKEUPEVENT	0x0: No wakeup event detected 0x1: Wakeup event detected	R	0x0
24	VIN2A_D4_WAKEUPENABLE	0x0: Wakeup is disabled 0x1: Wakeup is enabled	RW	0x0
23:20	RESERVED		R	0x0
19	VIN2A_D4_SLEWCONTROL	0x0: Fast slew is selected 0x1: Slow slew is selected	RW	0x0
18	VIN2A_D4_INPUTENABLE	0x0: Receive mode is disabled 0x1: Receive mode is enabled	RW	0x1
17	VIN2A_D4_PULLTYPESELECT	0x0: Pull Down is selected 0x1: Pull Up is selected	RW	0x0
16	VIN2A_D4_PULLUDENABLE	0x0: Enables weak Pull Up/Down 0x1: Disables weak Pull Up/Down	RW	0x0
15:9	RESERVED		R	0x0
8	VIN2A_D4_MODESELECT	Selects between the Default IO Timing Mode and a Virtual or Manual IO Timing Mode. Refer to the device Data Manual for definition of the required settings for a given mode of operation. When this bit is 0b1, a Virtual IO Timing Mode can be selected via the DELAYMODE field of this register, as described in Section 18.4.6.1.5 , Virtual IO Timing Modes. Manual IO Timing Modes are selected via the procedure described in Section 18.4.6.1.6 , Manual IO Timing Modes. 0x0: Default IO Timing Mode is used 0x1: A Virtual or Manual IO Timing Mode is used	RW	0x0
7:4	VIN2A_D4_DELAYMODE	This bit field selects the Virtual Timing Mode used when the MODESELECT bit is set to 0b1. See Section 18.4.6.1.5 , Virtual IO Timing Modes for details.	RW	0x0
3:0	VIN2A_D4_MUXMODE	0x0: vin2a_d4 0x4: vout2_d19 0x5: emu14 0x8: uart10_ctsn 0x9: kbd_col1 0xA: ehrpwm1_synco 0xB: pr1_edc_sync0_out 0xC: pr1_pru1_gpi1 0xD: pr1_pru1_gpo1 0xE: gpio4_5 0xF: Driver off	RW	0xF

Table 18-1189. Register Call Summary for Register CTRL_CORE_PAD_VIN2A_D4

Control Module Register Manual

- [CTRL_MODULE_CORE Register Summary: \[0\]](#)

Table 18-1190. CTRL_CORE_PAD_VIN2A_D5

Address Offset	0x0000 157C	Instance	CTRL_MODULE_CORE
Physical Address	0x4A00 357C		
Description			

Table 18-1190. CTRL_CORE_PAD_VIN2A_D5 (continued)

Type		RW																														
31	30	29	28	27	26	25	24	23	22	21	20	19	18	17	16	15	14	13	12	11	10	9	8	7	6	5	4	3	2	1	0	
RESERVED							VIN2A_D5_WAKEUPEVENT	VIN2A_D5_WAKEUPENABLE	RESERVED				VIN2A_D5_SLEWCONTROL	VIN2A_D5_INPUTENABLE	VIN2A_D5_PULLTYPESELECT	VIN2A_D5_PULLUDENABLE	RESERVED							VIN2A_D5_MODESELECT	VIN2A_D5_DELAYMODE				VIN2A_D5_MUXMODE			

Bits	Field Name	Description	Type	Reset
31:26	RESERVED		R	0x0
25	VIN2A_D5_WAKEUPEVENT	0x0: No wakeup event detected 0x1: Wakeup event detected	R	0x0
24	VIN2A_D5_WAKEUPENABLE	0x0: Wakeup is disabled 0x1: Wakeup is enabled	RW	0x0
23:20	RESERVED		R	0x0
19	VIN2A_D5_SLEWCONTROL	0x0: Fast slew is selected 0x1: Slow slew is selected	RW	0x0
18	VIN2A_D5_INPUTENABLE	0x0: Receive mode is disabled 0x1: Receive mode is enabled	RW	0x1
17	VIN2A_D5_PULLTYPESELECT	0x0: Pull Down is selected 0x1: Pull Up is selected	RW	0x0
16	VIN2A_D5_PULLUDENABLE	0x0: Enables weak Pull Up/Down 0x1: Disables weak Pull Up/Down	RW	0x0
15:9	RESERVED		R	0x0
8	VIN2A_D5_MODESELECT	Selects between the Default IO Timing Mode and a Virtual or Manual IO Timing Mode. Refer to the device Data Manual for definition of the required settings for a given mode of operation. When this bit is 0b1, a Virtual IO Timing Mode can be selected via the DELAYMODE field of this register, as described in Section 18.4.6.1.5 , Virtual IO Timing Modes. Manual IO Timing Modes are selected via the procedure described in Section 18.4.6.1.6 , Manual IO Timing Modes. 0x0: Default IO Timing Mode is used 0x1: A Virtual or Manual IO Timing Mode is used	RW	0x0
7:4	VIN2A_D5_DELAYMODE	This bit field selects the Virtual Timing Mode used when the MODESELECT bit is set to 0b1. See Section 18.4.6.1.5 , Virtual IO Timing Modes for details.	RW	0x0

Bits	Field Name	Description	Type	Reset
3:0	VIN2A_D5_MUXMODE	0x0: vin2a_d5 0x4: vout2_d18 0x5: emu15 0x8: uart10_rtsn 0x9: kbd_col2 0xA: eQEP2A_in 0xB: pr1_edio_sof 0xC: pr1_pru1_gpi2 0xD: pr1_pru1_gpo2 0xE: gpio4_6 0xF: Driver off	RW	0xF

Table 18-1191. Register Call Summary for Register CTRL_CORE_PAD_VIN2A_D5

Control Module Register Manual

- [CTRL_MODULE_CORE Register Summary: \[0\]](#)

Table 18-1192. CTRL_CORE_PAD_VIN2A_D6

Address Offset	0x0000 1580	Instance	CTRL_MODULE_CORE
Physical Address	0x4A00 3580		
Description			
Type	RW		

31	30	29	28	27	26	25	24	23	22	21	20	19	18	17	16	15	14	13	12	11	10	9	8	7	6	5	4	3	2	1	0
RESERVED						VIN2A_D6_WAKEUPEVENT	VIN2A_D6_WAKEUPENABLE	RESERVED				VIN2A_D6_SLEWCONTROL	VIN2A_D6_INPUTENABLE	VIN2A_D6_PULLTYPESELECT	VIN2A_D6_PULLUDENABLE	RESERVED						VIN2A_D6_MODESELECT	VIN2A_D6_DELAYMODE				VIN2A_D6_MUXMODE				

Bits	Field Name	Description	Type	Reset
31:26	RESERVED		R	0x0
25	VIN2A_D6_WAKEUPEVENT	0x0: No wakeup event detected 0x1: Wakeup event detected	R	0x0
24	VIN2A_D6_WAKEUPENABLE	0x0: Wakeup is disabled 0x1: Wakeup is enabled	RW	0x0
23:20	RESERVED		R	0x0
19	VIN2A_D6_SLEWCONTROL	0x0: Fast slew is selected 0x1: Slow slew is selected	RW	0x0
18	VIN2A_D6_INPUTENABLE	0x0: Receive mode is disabled 0x1: Receive mode is enabled	RW	0x1
17	VIN2A_D6_PULLTYPESELECT	0x0: Pull Down is selected 0x1: Pull Up is selected	RW	0x0

Bits	Field Name	Description	Type	Reset
16	VIN2A_D6_PULLUDENABLE	0x0: Enables weak Pull Up/Down 0x1: Disables weak Pull Up/Down	RW	0x0
15:9	RESERVED		R	0x0
8	VIN2A_D6_MODESELECT	Selects between the Default IO Timing Mode and a Virtual or Manual IO Timing Mode. Refer to the device Data Manual for definition of the required settings for a given mode of operation. When this bit is 0b1, a Virtual IO Timing Mode can be selected via the DELAYMODE field of this register, as described in Section 18.4.6.1.5 , Virtual IO Timing Modes. Manual IO Timing Modes are selected via the procedure described in Section 18.4.6.1.6 , Manual IO Timing Modes. 0x0: Default IO Timing Mode is used 0x1: A Virtual or Manual IO Timing Mode is used	RW	0x0
7:4	VIN2A_D6_DELAYMODE	This bit field selects the Virtual Timing Mode used when the MODESELECT bit is set to 0b1. See Section 18.4.6.1.5 , Virtual IO Timing Modes for details.	RW	0x0
3:0	VIN2A_D6_MUXMODE	0x0: vin2a_d6 0x4: vout2_d17 0x5: emu16 0x8: mii1_rxd1 0x9: kbd_col3 0xA: eQEP2B_in 0xB: pr1_mii_mt1_clk 0xC: pr1_pru1_gpi3 0xD: pr1_pru1_gpo3 0xE: gpio4_7 0xF: Driver off	RW	0xF

Table 18-1193. Register Call Summary for Register CTRL_CORE_PAD_VIN2A_D6

Control Module Register Manual

- [CTRL_MODULE_CORE Register Summary: \[0\]](#)

Table 18-1194. CTRL_CORE_PAD_VIN2A_D7

Address Offset	0x0000 1584	Instance	CTRL_MODULE_CORE
Physical Address	0x4A00 3584		
Description			
Type	RW		

31	30	29	28	27	26	25	24	23	22	21	20	19	18	17	16	15	14	13	12	11	10	9	8	7	6	5	4	3	2	1	0				
RESERVED								RESERVED								RESERVED								VIN2A_D7_MODESELECT	VIN2A_D7_DELAYMODE				VIN2A_D7_MUXMODE						
VIN2A_D7_WAKEUPEVENT				VIN2A_D7_WAKEUPENABLE				VIN2A_D7_SLEWCONTROL				VIN2A_D7_INPUTENABLE				VIN2A_D7_PULLTYPESELECT				VIN2A_D7_PULLUDENABLE															

Bits	Field Name	Description	Type	Reset
31:26	RESERVED		R	0x0
25	VIN2A_D7_WAKEUPEVENT	0x0: No wakeup event detected 0x1: Wakeup event detected	R	0x0
24	VIN2A_D7_WAKEUPENABLE	0x0: Wakeup is disabled 0x1: Wakeup is enabled	RW	0x0
23:20	RESERVED		R	0x0
19	VIN2A_D7_SLEWCONTROL	0x0: Fast slew is selected 0x1: Slow slew is selected	RW	0x0
18	VIN2A_D7_INPUTENABLE	0x0: Receive mode is disabled 0x1: Receive mode is enabled	RW	0x1
17	VIN2A_D7_PULLTYPESELECT	0x0: Pull Down is selected 0x1: Pull Up is selected	RW	0x0
16	VIN2A_D7_PULLUDENABLE	0x0: Enables weak Pull Up/Down 0x1: Disables weak Pull Up/Down	RW	0x0
15:9	RESERVED		R	0x0
8	VIN2A_D7_MODESELECT	Selects between the Default IO Timing Mode and a Virtual or Manual IO Timing Mode. Refer to the device Data Manual for definition of the required settings for a given mode of operation. When this bit is 0b1, a Virtual IO Timing Mode can be selected via the DELAYMODE field of this register, as described in Section 18.4.6.1.5 , Virtual IO Timing Modes. Manual IO Timing Modes are selected via the procedure described in Section 18.4.6.1.6 , Manual IO Timing Modes. 0x0: Default IO Timing Mode is used 0x1: A Virtual or Manual IO Timing Mode is used	RW	0x0
7:4	VIN2A_D7_DELAYMODE	This bit field selects the Virtual Timing Mode used when the MODESELECT bit is set to 0b1. See Section 18.4.6.1.5 , Virtual IO Timing Modes for details.	RW	0x0
3:0	VIN2A_D7_MUXMODE	0x0: vin2a_d7 0x4: vout2_d16 0x5: emu17 0x8: mii1_rxd2 0x9: kbd_col4 0xA: eQEP2_index 0xB: pr1_mii1_txen 0xC: pr1_pru1_gpi4 0xD: pr1_pru1_gpo4 0xE: gpio4_8 0xF: Driver off	RW	0xF

Table 18-1195. Register Call Summary for Register CTRL_CORE_PAD_VIN2A_D7

Control Module Register Manual

- [CTRL_MODULE_CORE Register Summary: \[0\]](#)

Table 18-1196. CTRL_CORE_PAD_VIN2A_D8

Address Offset	0x0000 1588	Instance	CTRL_MODULE_CORE
Physical Address	0x4A00 3588		
Description			

Table 18-1196. CTRL_CORE_PAD_VIN2A_D8 (continued)

Type		RW																													
31	30	29	28	27	26	25	24	23	22	21	20	19	18	17	16	15	14	13	12	11	10	9	8	7	6	5	4	3	2	1	0
RESERVED							VIN2A_D8_WAKEUPEVENT	VIN2A_D8_WAKEUPENABLE	RESERVED				VIN2A_D8_SLEWCONTROL	VIN2A_D8_INPUTENABLE	VIN2A_D8_PULLTYPESELECT	VIN2A_D8_PULLUDENABLE	RESERVED						VIN2A_D8_MODESELECT	VIN2A_D8_DELAYMODE				VIN2A_D8_MUXMODE			

Bits	Field Name	Description	Type	Reset
31:26	RESERVED		R	0x0
25	VIN2A_D8_WAKEUPEVENT	0x0: No wakeup event detected 0x1: Wakeup event detected	R	0x0
24	VIN2A_D8_WAKEUPENABLE	0x0: Wakeup is disabled 0x1: Wakeup is enabled	RW	0x0
23:20	RESERVED		R	0x0
19	VIN2A_D8_SLEWCONTROL	0x0: Fast slew is selected 0x1: Slow slew is selected	RW	0x0
18	VIN2A_D8_INPUTENABLE	0x0: Receive mode is disabled 0x1: Receive mode is enabled	RW	0x1
17	VIN2A_D8_PULLTYPESELECT	0x0: Pull Down is selected 0x1: Pull Up is selected	RW	0x0
16	VIN2A_D8_PULLUDENABLE	0x0: Enables weak Pull Up/Down 0x1: Disables weak Pull Up/Down	RW	0x0
15:9	RESERVED		R	0x0
8	VIN2A_D8_MODESELECT	Selects between the Default IO Timing Mode and a Virtual or Manual IO Timing Mode. Refer to the device Data Manual for definition of the required settings for a given mode of operation. When this bit is 0b1, a Virtual IO Timing Mode can be selected via the DELAYMODE field of this register, as described in Section 18.4.6.1.5 , Virtual IO Timing Modes. Manual IO Timing Modes are selected via the procedure described in Section 18.4.6.1.6 , Manual IO Timing Modes. 0x0: Default IO Timing Mode is used 0x1: A Virtual or Manual IO Timing Mode is used	RW	0x0
7:4	VIN2A_D8_DELAYMODE	This bit field selects the Virtual Timing Mode used when the MODESELECT bit is set to 0b1. See Section 18.4.6.1.5 , Virtual IO Timing Modes for details.	RW	0x0

Bits	Field Name	Description	Type	Reset
3:0	VIN2A_D8_MUXMODE	0x0: vin2a_d8 0x4: vout2_d15 0x5: emu18 0x8: mii1_rxd3 0x9: kbd_col5 0xA: eQEP2_strobe 0xB: pr1_mii1_txd3 0xC: pr1_pru1_gpi5 0xD: pr1_pru1_gpo5 0xE: gpio4_9 gpmc_a26 0xF: Driver off	RW	0xF

Table 18-1197. Register Call Summary for Register CTRL_CORE_PAD_VIN2A_D8

Control Module Register Manual

- [CTRL_MODULE_CORE Register Summary: \[0\]](#)

Table 18-1198. CTRL_CORE_PAD_VIN2A_D9

Address Offset	0x0000 158C	Instance	CTRL_MODULE_CORE
Physical Address	0x4A00 358C		
Description			
Type	RW		

31	30	29	28	27	26	25	24	23	22	21	20	19	18	17	16	15	14	13	12	11	10	9	8	7	6	5	4	3	2	1	0
RESERVED						VIN2A_D9_WAKEUPEVENT	VIN2A_D9_WAKEUPENABLE	RESERVED				VIN2A_D9_SLEWCONTROL	VIN2A_D9_INPUTENABLE	VIN2A_D9_PULLTYPESELECT	VIN2A_D9_PULLUDENABLE	RESERVED						VIN2A_D9_MODESELECT	VIN2A_D9_DELAYMODE				VIN2A_D9_MUXMODE				

Bits	Field Name	Description	Type	Reset
31:26	RESERVED		R	0x0
25	VIN2A_D9_WAKEUPEVENT	0x0: No wakeup event detected 0x1: Wakeup event detected	R	0x0
24	VIN2A_D9_WAKEUPENABLE	0x0: Wakeup is disabled 0x1: Wakeup is enabled	RW	0x0
23:20	RESERVED		R	0x0
19	VIN2A_D9_SLEWCONTROL	0x0: Fast slew is selected 0x1: Slow slew is selected	RW	0x0
18	VIN2A_D9_INPUTENABLE	0x0: Receive mode is disabled 0x1: Receive mode is enabled	RW	0x1
17	VIN2A_D9_PULLTYPESELECT	0x0: Pull Down is selected 0x1: Pull Up is selected	RW	0x0

Bits	Field Name	Description	Type	Reset
16	VIN2A_D9_PULLUDENABLE	0x0: Enables weak Pull Up/Down 0x1: Disables weak Pull Up/Down	RW	0x0
15:9	RESERVED		R	0x0
8	VIN2A_D9_MODESELECT	Selects between the Default IO Timing Mode and a Virtual or Manual IO Timing Mode. Refer to the device Data Manual for definition of the required settings for a given mode of operation. When this bit is 0b1, a Virtual IO Timing Mode can be selected via the DELAYMODE field of this register, as described in Section 18.4.6.1.5 , Virtual IO Timing Modes. Manual IO Timing Modes are selected via the procedure described in Section 18.4.6.1.6 , Manual IO Timing Modes. 0x0: Default IO Timing Mode is used 0x1: A Virtual or Manual IO Timing Mode is used	RW	0x0
7:4	VIN2A_D9_DELAYMODE	This bit field selects the Virtual Timing Mode used when the MODESELECT bit is set to 0b1. See Section 18.4.6.1.5 , Virtual IO Timing Modes for details.	RW	0x0
3:0	VIN2A_D9_MUXMODE	0x0: vin2a_d9 0x4: vout2_d14 0x5: emu19 0x8: mii1_rxd0 0x9: kbd_col6 0xA: ehrpwm2A 0xB: pr1_mii1_txd2 0xC: pr1_pru1_gpi6 0xD: pr1_pru1_gpo6 0xE: gpio4_10 gpmc_a25 0xF: Driver off	RW	0xF

Table 18-1199. Register Call Summary for Register CTRL_CORE_PAD_VIN2A_D9

Control Module Register Manual

- [CTRL_MODULE_CORE Register Summary: \[0\]](#)

Table 18-1200. CTRL_CORE_PAD_VIN2A_D10

Address Offset	0x0000 1590	Instance	CTRL_MODULE_CORE
Physical Address	0x4A00 3590		
Description			
Type	RW		

31	30	29	28	27	26	25	24	23	22	21	20	19	18	17	16	15	14	13	12	11	10	9	8	7	6	5	4	3	2	1	0												
RESERVED								RESERVED								RESERVED								VIN2A_D10_MODESELECT				VIN2A_D10_DELAYMODE				VIN2A_D10_MUXMODE											
VIN2A_D10_WAKEUPEVENT								VIN2A_D10_WAKEUPENABLE								VIN2A_D10_SLEWCONTROL				VIN2A_D10_INPUTENABLE				VIN2A_D10_PULLTYPESELECT				VIN2A_D10_PULLUDENABLE															

Bits	Field Name	Description	Type	Reset
31:26	RESERVED		R	0x0
25	VIN2A_D10_WAKEUPEVENT	0x0: No wakeup event detected 0x1: Wakeup event detected	R	0x0
24	VIN2A_D10_WAKEUPENABLE	0x0: Wakeup is disabled 0x1: Wakeup is enabled	RW	0x0
23:20	RESERVED		R	0x0
19	VIN2A_D10_SLEWCONTROL	0x0: Fast slew is selected 0x1: Slow slew is selected	RW	0x0
18	VIN2A_D10_INPUTENABLE	0x0: Receive mode is disabled 0x1: Receive mode is enabled	RW	0x1
17	VIN2A_D10_PULLTYPESELECT	0x0: Pull Down is selected 0x1: Pull Up is selected	RW	0x0
16	VIN2A_D10_PULLUDENABLE	0x0: Enables weak Pull Up/Down 0x1: Disables weak Pull Up/Down	RW	0x0
15:9	RESERVED		R	0x0
8	VIN2A_D10_MODESELECT	Selects between the Default IO Timing Mode and a Virtual or Manual IO Timing Mode. Refer to the device Data Manual for definition of the required settings for a given mode of operation. When this bit is 0b1, a Virtual IO Timing Mode can be selected via the DELAYMODE field of this register, as described in Section 18.4.6.1.5 , Virtual IO Timing Modes. Manual IO Timing Modes are selected via the procedure described in Section 18.4.6.1.6 , Manual IO Timing Modes. 0x0: Default IO Timing Mode is used 0x1: A Virtual or Manual IO Timing Mode is used	RW	0x0
7:4	VIN2A_D10_DELAYMODE	This bit field selects the Virtual Timing Mode used when the MODESELECT bit is set to 0b1. See Section 18.4.6.1.5 , Virtual IO Timing Modes for details.	RW	0x0
3:0	VIN2A_D10_MUXMODE	0x0: vin2a_d10 0x3: mdio_mclk 0x4: vout2_d13 0x9: kbd_col7 0xA: ehprwm2B 0xB: pr1_mdio_mdclk 0xC: pr1_pru1_gpi7 0xD: pr1_pru1_gpo7 0xE: gpio4_11 gpmc_a24 0xF: Driver off	RW	0xF

Table 18-1201. Register Call Summary for Register CTRL_CORE_PAD_VIN2A_D10

Control Module Register Manual

- [CTRL_MODULE_CORE Register Summary: \[0\]](#)

Table 18-1202. CTRL_CORE_PAD_VIN2A_D11

Address Offset	0x0000 1594	Instance	CTRL_MODULE_CORE
Physical Address	0x4A00 3594		
Description			
Type	RW		

31	30	29	28	27	26	25	24	23	22	21	20	19	18	17	16	15	14	13	12	11	10	9	8	7	6	5	4	3	2	1	0												
RESERVED								RESERVED								RESERVED								VIN2A_D11_WAKEUPEVENT VIN2A_D11_WAKEUPENABLE				VIN2A_D11_SLEWCONTROL VIN2A_D11_INPUTENABLE VIN2A_D11_PULLTYPESELECT VIN2A_D11_PULLUDENABLE				VIN2A_D11_MODESELECT				VIN2A_D11_DELAYMODE				VIN2A_D11_MUXMODE			

Bits	Field Name	Description	Type	Reset
31:26	RESERVED		R	0x0
25	VIN2A_D11_WAKEUPEVENT	0x0: No wakeup event detected 0x1: Wakeup event detected	R	0x0
24	VIN2A_D11_WAKEUPENABLE	0x0: Wakeup is disabled 0x1: Wakeup is enabled	RW	0x0
23:20	RESERVED		R	0x0
19	VIN2A_D11_SLEWCONTROL	0x0: Fast slew is selected 0x1: Slow slew is selected	RW	0x0
18	VIN2A_D11_INPUTENABLE	0x0: Receive mode is disabled 0x1: Receive mode is enabled	RW	0x1
17	VIN2A_D11_PULLTYPESELECT	0x0: Pull Down is selected 0x1: Pull Up is selected	RW	0x0
16	VIN2A_D11_PULLUDENABLE	0x0: Enables weak Pull Up/Down 0x1: Disables weak Pull Up/Down	RW	0x0
15:9	RESERVED		R	0x0
8	VIN2A_D11_MODESELECT	Selects between the Default IO Timing Mode and a Virtual or Manual IO Timing Mode. Refer to the device Data Manual for definition of the required settings for a given mode of operation. When this bit is 0b1, a Virtual IO Timing Mode can be selected via the DELAYMODE field of this register, as described in Section 18.4.6.1.5 , Virtual IO Timing Modes. Manual IO Timing Modes are selected via the procedure described in Section 18.4.6.1.6 , Manual IO Timing Modes. 0x0: Default IO Timing Mode is used 0x1: A Virtual or Manual IO Timing Mode is used	RW	0x0
7:4	VIN2A_D11_DELAYMODE	This bit field selects the Virtual Timing Mode used when the MODESELECT bit is set to 0b1. See Section 18.4.6.1.5 , Virtual IO Timing Modes for details.	RW	0x0

Bits	Field Name	Description	Type	Reset
3:0	VIN2A_D11_MUXMODE	0x0: vin2a_d11 0x3: mdio_d 0x4: vout2_d12 0x9: kbd_row7 0xA: ehrpwm2_tripzone_input 0xB: pr1_mdio_data 0xC: pr1_pru1_gpi8 0xD: pr1_pru1_gpo8 0xE: gpio4_12 gpmc_a23 0xF: Driver off	RW	0xF

Table 18-1203. Register Call Summary for Register CTRL_CORE_PAD_VIN2A_D11

Control Module Register Manual

- [CTRL_MODULE_CORE Register Summary: \[0\]](#)

Table 18-1204. CTRL_CORE_PAD_VIN2A_D12

Address Offset	0x0000 1598	Instance	CTRL_MODULE_CORE
Physical Address	0x4A00 3598		
Description			
Type	RW		

31	30	29	28	27	26	25	24	23	22	21	20	19	18	17	16	15	14	13	12	11	10	9	8	7	6	5	4	3	2	1	0												
RESERVED								RESERVED								RESERVED								VIN2A_D12_WAKEUPEVENT VIN2A_D12_WAKEUPENABLE				VIN2A_D12_SLEWCONTROL VIN2A_D12_INPUTENABLE VIN2A_D12_PULLTYPESELECT VIN2A_D12_PULLUDENABLE				VIN2A_D12_MODESELECT				VIN2A_D12_DELAYMODE				VIN2A_D12_MUXMODE			

Bits	Field Name	Description	Type	Reset
31:26	RESERVED		R	0x0
25	VIN2A_D12_WAKEUPEVENT	0x0: No wakeup event detected 0x1: Wakeup event detected	R	0x0
24	VIN2A_D12_WAKEUPENABLE	0x0: Wakeup is disabled 0x1: Wakeup is enabled	RW	0x0
23:20	RESERVED		R	0x0
19	VIN2A_D12_SLEWCONTROL	0x0: Fast slew is selected 0x1: Slow slew is selected	RW	0x0
18	VIN2A_D12_INPUTENABLE	0x0: Receive mode is disabled 0x1: Receive mode is enabled	RW	0x1
17	VIN2A_D12_PULLTYPESELECT	0x0: Pull Down is selected 0x1: Pull Up is selected	RW	0x0

Bits	Field Name	Description	Type	Reset
16	VIN2A_D12_PULLUDENABLE	0x0: Enables weak Pull Up/Down 0x1: Disables weak Pull Up/Down	RW	0x0
15:9	RESERVED		R	0x0
8	VIN2A_D12_MODESELECT	Selects between the Default IO Timing Mode and a Virtual or Manual IO Timing Mode. Refer to the device Data Manual for definition of the required settings for a given mode of operation. When this bit is 0b1, a Virtual IO Timing Mode can be selected via the DELAYMODE field of this register, as described in Section 18.4.6.1.5 , Virtual IO Timing Modes. Manual IO Timing Modes are selected via the procedure described in Section 18.4.6.1.6 , Manual IO Timing Modes. 0x0: Default IO Timing Mode is used 0x1: A Virtual or Manual IO Timing Mode is used	RW	0x0
7:4	VIN2A_D12_DELAYMODE	This bit field selects the Virtual Timing Mode used when the MODESELECT bit is set to 0b1. See Section 18.4.6.1.5 , Virtual IO Timing Modes for details.	RW	0x0
3:0	VIN2A_D12_MUXMODE	0x0: vin2a_d12 0x3: rgmii1_txc 0x4: vout2_d11 0x8: mii1_rxclk 0x9: kbd_col8 0xA: eCAP2_in_PWM2_out 0xB: pr1_mii1_txd1 0xC: pr1_pru1_gpi9 0xD: pr1_pru1_gpo9 0xE: gpio4_13 0xF: Driver off	RW	0xF

Table 18-1205. Register Call Summary for Register CTRL_CORE_PAD_VIN2A_D12

Control Module Register Manual

- [CTRL_MODULE_CORE Register Summary: \[0\]](#)

Table 18-1206. CTRL_CORE_PAD_VIN2A_D13

Address Offset	0x0000 159C	Instance	CTRL_MODULE_CORE
Physical Address	0x4A00 359C		
Description			
Type	RW		

31	30	29	28	27	26	25	24	23	22	21	20	19	18	17	16	15	14	13	12	11	10	9	8	7	6	5	4	3	2	1	0	
RESERVED							VIN2A_D13_WAKEUPEVENT	VIN2A_D13_WAKEUPENABLE	RESERVED				VIN2A_D13_SLEWCONTROL	VIN2A_D13_INPUTENABLE	VIN2A_D13_PULLTYPESELECT	VIN2A_D13_PULLUDENABLE	RESERVED							VIN2A_D13_MODESELECT	VIN2A_D13_DELAYMODE				VIN2A_D13_MUXMODE			

Bits	Field Name	Description	Type	Reset
31:26	RESERVED		R	0x0
25	VIN2A_D13_WAKEUPEVENT	0x0: No wakeup event detected 0x1: Wakeup event detected	R	0x0
24	VIN2A_D13_WAKEUPENABLE	0x0: Wakeup is disabled 0x1: Wakeup is enabled	RW	0x0
23:20	RESERVED		R	0x0
19	VIN2A_D13_SLEWCONTROL	0x0: Fast slew is selected 0x1: Slow slew is selected	RW	0x0
18	VIN2A_D13_INPUTENABLE	0x0: Receive mode is disabled 0x1: Receive mode is enabled	RW	0x1
17	VIN2A_D13_PULLTYPESELECT	0x0: Pull Down is selected 0x1: Pull Up is selected	RW	0x0
16	VIN2A_D13_PULLUDENABLE	0x0: Enables weak Pull Up/Down 0x1: Disables weak Pull Up/Down	RW	0x0
15:9	RESERVED		R	0x0
8	VIN2A_D13_MODESELECT	Selects between the Default IO Timing Mode and a Virtual or Manual IO Timing Mode. Refer to the device Data Manual for definition of the required settings for a given mode of operation. When this bit is 0b1, a Virtual IO Timing Mode can be selected via the DELAYMODE field of this register, as described in Section 18.4.6.1.5 , Virtual IO Timing Modes. Manual IO Timing Modes are selected via the procedure described in Section 18.4.6.1.6 , Manual IO Timing Modes. 0x0: Default IO Timing Mode is used 0x1: A Virtual or Manual IO Timing Mode is used	RW	0x0
7:4	VIN2A_D13_DELAYMODE	This bit field selects the Virtual Timing Mode used when the MODESELECT bit is set to 0b1. See Section 18.4.6.1.5 , Virtual IO Timing Modes for details.	RW	0x0
3:0	VIN2A_D13_MUXMODE	0x0: vin2a_d13 0x3: rgmii1_txctl 0x4: vout2_d10 0x8: mii1_rxdv 0x9: kbd_row8 0xA: eQEP3A_in 0xB: pr1_mii1_txd0 0xC: pr1_pru1_gpi10 0xD: pr1_pru1_gpo10 0xE: gpio4_14 0xF: Driver off	RW	0xF

Table 18-1207. Register Call Summary for Register CTRL_CORE_PAD_VIN2A_D13

Control Module Register Manual

- [CTRL_MODULE_CORE Register Summary: \[0\]](#)

Table 18-1208. CTRL_CORE_PAD_VIN2A_D14

Address Offset	0x0000 15A0	Instance	CTRL_MODULE_CORE
Physical Address	0x4A00 35A0		
Description			

Table 18-1208. CTRL_CORE_PAD_VIN2A_D14 (continued)

Type		RW																														
31	30	29	28	27	26	25	24	23	22	21	20	19	18	17	16	15	14	13	12	11	10	9	8	7	6	5	4	3	2	1	0	
RESERVED							VIN2A_D14_WAKEUPEVENT	VIN2A_D14_WAKEUPENABLE	RESERVED				VIN2A_D14_SLEWCONTROL	VIN2A_D14_INPUTENABLE	VIN2A_D14_PULLTYPESELECT	VIN2A_D14_PULLUDENABLE	RESERVED							VIN2A_D14_MODESELECT	VIN2A_D14_DELAYMODE				VIN2A_D14_MUXMODE			

Bits	Field Name	Description	Type	Reset
31:26	RESERVED		R	0x0
25	VIN2A_D14_WAKEUPEVENT	0x0: No wakeup event detected 0x1: Wakeup event detected	R	0x0
24	VIN2A_D14_WAKEUPENABLE	0x0: Wakeup is disabled 0x1: Wakeup is enabled	RW	0x0
23:20	RESERVED		R	0x0
19	VIN2A_D14_SLEWCONTROL	0x0: Fast slew is selected 0x1: Slow slew is selected	RW	0x0
18	VIN2A_D14_INPUTENABLE	0x0: Receive mode is disabled 0x1: Receive mode is enabled	RW	0x1
17	VIN2A_D14_PULLTYPESELECT	0x0: Pull Down is selected 0x1: Pull Up is selected	RW	0x0
16	VIN2A_D14_PULLUDENABLE	0x0: Enables weak Pull Up/Down 0x1: Disables weak Pull Up/Down	RW	0x0
15:9	RESERVED		R	0x0
8	VIN2A_D14_MODESELECT	Selects between the Default IO Timing Mode and a Virtual or Manual IO Timing Mode. Refer to the device Data Manual for definition of the required settings for a given mode of operation. When this bit is 0b1, a Virtual IO Timing Mode can be selected via the DELAYMODE field of this register, as described in Section 18.4.6.1.5 , Virtual IO Timing Modes. Manual IO Timing Modes are selected via the procedure described in Section 18.4.6.1.6 , Manual IO Timing Modes. 0x0: Default IO Timing Mode is used 0x1: A Virtual or Manual IO Timing Mode is used	RW	0x0
7:4	VIN2A_D14_DELAYMODE	This bit field selects the Virtual Timing Mode used when the MODESELECT bit is set to 0b1. See Section 18.4.6.1.5 , Virtual IO Timing Modes for details.	RW	0x0

Bits	Field Name	Description	Type	Reset
3:0	VIN2A_D14_MUXMODE	0x0: vin2a_d14 0x3: rgmii1_txd3 0x4: vout2_d9 0x8: mii1_txclk 0xA: eQEP3B_in 0xB: pr1_mii_mr1_clk 0xC: pr1_pru1_gpi11 0xD: pr1_pru1_gpo11 0xE: gpio4_15 0xF: Driver off	RW	0xF

Table 18-1209. Register Call Summary for Register CTRL_CORE_PAD_VIN2A_D14

Control Module Register Manual

- [CTRL_MODULE_CORE Register Summary: \[0\]](#)

Table 18-1210. CTRL_CORE_PAD_VIN2A_D15

Address Offset	0x0000 15A4	Instance	CTRL_MODULE_CORE
Physical Address	0x4A00 35A4		
Description			
Type	RW		

31	30	29	28	27	26	25	24	23	22	21	20	19	18	17	16	15	14	13	12	11	10	9	8	7	6	5	4	3	2	1	0																
RESERVED								RESERVED								RESERVED								VIN2A_D15_MODESELECT				VIN2A_D15_DELAYMODE				VIN2A_D15_MUXMODE															
VIN2A_D15_WAKEUPEVENT								VIN2A_D15_WAKEUPENABLE								VIN2A_D15_SLEWCONTROL								VIN2A_D15_INPUTENABLE				VIN2A_D15_PULLTYPESELECT				VIN2A_D15_PULLUDENABLE				VIN2A_D15_MODESELECT				VIN2A_D15_DELAYMODE				VIN2A_D15_MUXMODE			

Bits	Field Name	Description	Type	Reset
31:26	RESERVED		R	0x0
25	VIN2A_D15_WAKEUPEVENT	0x0: No wakeup event detected 0x1: Wakeup event detected	R	0x0
24	VIN2A_D15_WAKEUPENABLE	0x0: Wakeup is disabled 0x1: Wakeup is enabled	RW	0x0
23:20	RESERVED		R	0x0
19	VIN2A_D15_SLEWCONTROL	0x0: Fast slew is selected 0x1: Slow slew is selected	RW	0x0
18	VIN2A_D15_INPUTENABLE	0x0: Receive mode is disabled 0x1: Receive mode is enabled	RW	0x1
17	VIN2A_D15_PULLTYPESELECT	0x0: Pull Down is selected 0x1: Pull Up is selected	RW	0x0

Bits	Field Name	Description	Type	Reset
16	VIN2A_D15_PULLUDENABLE	0x0: Enables weak Pull Up/Down 0x1: Disables weak Pull Up/Down	RW	0x0
15:9	RESERVED		R	0x0
8	VIN2A_D15_MODESELECT	Selects between the Default IO Timing Mode and a Virtual or Manual IO Timing Mode. Refer to the device Data Manual for definition of the required settings for a given mode of operation. When this bit is 0b1, a Virtual IO Timing Mode can be selected via the DELAYMODE field of this register, as described in Section 18.4.6.1.5 , Virtual IO Timing Modes. Manual IO Timing Modes are selected via the procedure described in Section 18.4.6.1.6 , Manual IO Timing Modes. 0x0: Default IO Timing Mode is used 0x1: A Virtual or Manual IO Timing Mode is used	RW	0x0
7:4	VIN2A_D15_DELAYMODE	This bit field selects the Virtual Timing Mode used when the MODESELECT bit is set to 0b1. See Section 18.4.6.1.5 , Virtual IO Timing Modes for details.	RW	0x0
3:0	VIN2A_D15_MUXMODE	0x0: vin2a_d15 0x3: rgmii1_txd2 0x4: vout2_d8 0x8: mii1_txd0 0xA: eQEP3_index 0xB: pr1_mii1_rxdv 0xC: pr1_pru1_gpi12 0xD: pr1_pru1_gpo12 0xE: gpio4_16 0xF: Driver off	RW	0xF

Table 18-1211. Register Call Summary for Register CTRL_CORE_PAD_VIN2A_D15

Control Module Register Manual

- [CTRL_MODULE_CORE Register Summary: \[0\]](#)

Table 18-1212. CTRL_CORE_PAD_VIN2A_D16

Address Offset	0x0000 15A8	Instance	CTRL_MODULE_CORE
Physical Address	0x4A00 35A8		
Description			
Type	RW		

31	30	29	28	27	26	25	24	23	22	21	20	19	18	17	16	15	14	13	12	11	10	9	8	7	6	5	4	3	2	1	0								
RESERVED								RESERVED								RESERVED								VIN2A_D16_MODESELECT	VIN2A_D16_DELAYMODE				VIN2A_D16_MUXMODE										
				VIN2A_D16_WAKEUPEVENT				VIN2A_D16_WAKEUPENABLE								VIN2A_D16_SLEWCONTROL				VIN2A_D16_INPUTENABLE				VIN2A_D16_PULLTYPESELECT				VIN2A_D16_PULLUDENABLE											

Bits	Field Name	Description	Type	Reset
31:26	RESERVED		R	0x0
25	VIN2A_D16_WAKEUPEVENT	0x0: No wakeup event detected 0x1: Wakeup event detected	R	0x0
24	VIN2A_D16_WAKEUPENABLE	0x0: Wakeup is disabled 0x1: Wakeup is enabled	RW	0x0
23:20	RESERVED		R	0x0
19	VIN2A_D16_SLEWCONTROL	0x0: Fast slew is selected 0x1: Slow slew is selected	RW	0x0
18	VIN2A_D16_INPUTENABLE	0x0: Receive mode is disabled 0x1: Receive mode is enabled	RW	0x1
17	VIN2A_D16_PULLTYPESELECT	0x0: Pull Down is selected 0x1: Pull Up is selected	RW	0x0
16	VIN2A_D16_PULLUDENABLE	0x0: Enables weak Pull Up/Down 0x1: Disables weak Pull Up/Down	RW	0x0
15:9	RESERVED		R	0x0
8	VIN2A_D16_MODESELECT	Selects between the Default IO Timing Mode and a Virtual or Manual IO Timing Mode. Refer to the device Data Manual for definition of the required settings for a given mode of operation. When this bit is 0b1, a Virtual IO Timing Mode can be selected via the DELAYMODE field of this register, as described in Section 18.4.6.1.5 , Virtual IO Timing Modes. Manual IO Timing Modes are selected via the procedure described in Section 18.4.6.1.6 , Manual IO Timing Modes. 0x0: Default IO Timing Mode is used 0x1: A Virtual or Manual IO Timing Mode is used	RW	0x0
7:4	VIN2A_D16_DELAYMODE	This bit field selects the Virtual Timing Mode used when the MODESELECT bit is set to 0b1. See Section 18.4.6.1.5 , Virtual IO Timing Modes for details.	RW	0x0
3:0	VIN2A_D16_MUXMODE	0x0: vin2a_d16 0x2: vin2b_d7 0x3: rgmii1_txd1 0x4: vout2_d7 0x8: mii1_txd1 0xA: eQEP3_strobe 0xB: pr1_mii1_rxd3 0xC: pr1_pru1_gpi13 0xD: pr1_pru1_gpo13 0xE: gpio4_24 0xF: Driver off	RW	0xF

Table 18-1213. Register Call Summary for Register CTRL_CORE_PAD_VIN2A_D16

Control Module Register Manual

- [CTRL_MODULE_CORE Register Summary: \[0\]](#)

Table 18-1214. CTRL_CORE_PAD_VIN2A_D17

Address Offset	Physical Address	Description	Instance
0x0000 15AC	0x4A00 35AC		CTRL_MODULE_CORE

Table 18-1214. CTRL_CORE_PAD_VIN2A_D17 (continued)

Type		RW																													
31	30	29	28	27	26	25	24	23	22	21	20	19	18	17	16	15	14	13	12	11	10	9	8	7	6	5	4	3	2	1	0
RESERVED				VIN2A_D17_WAKEUPEVENT	VIN2A_D17_WAKEUPENABLE	RESERVED				VIN2A_D17_SLEWCONTROL	VIN2A_D17_INPUTENABLE	VIN2A_D17_PULLTYPESELECT	VIN2A_D17_PULLUDENABLE	RESERVED				VIN2A_D17_MODESELECT	VIN2A_D17_DELAYMODE				VIN2A_D17_MUXMODE								

Bits	Field Name	Description	Type	Reset
31:26	RESERVED		R	0x0
25	VIN2A_D17_WAKEUPEVENT	0x0: No wakeup event detected 0x1: Wakeup event detected	R	0x0
24	VIN2A_D17_WAKEUPENABLE	0x0: Wakeup is disabled 0x1: Wakeup is enabled	RW	0x0
23:20	RESERVED		R	0x0
19	VIN2A_D17_SLEWCONTROL	0x0: Fast slew is selected 0x1: Slow slew is selected	RW	0x0
18	VIN2A_D17_INPUTENABLE	0x0: Receive mode is disabled 0x1: Receive mode is enabled	RW	0x1
17	VIN2A_D17_PULLTYPESELECT	0x0: Pull Down is selected 0x1: Pull Up is selected	RW	0x0
16	VIN2A_D17_PULLUDENABLE	0x0: Enables weak Pull Up/Down 0x1: Disables weak Pull Up/Down	RW	0x0
15:9	RESERVED		R	0x0
8	VIN2A_D17_MODESELECT	Selects between the Default IO Timing Mode and a Virtual or Manual IO Timing Mode. Refer to the device Data Manual for definition of the required settings for a given mode of operation. When this bit is 0b1, a Virtual IO Timing Mode can be selected via the DELAYMODE field of this register, as described in Section 18.4.6.1.5 , Virtual IO Timing Modes. Manual IO Timing Modes are selected via the procedure described in Section 18.4.6.1.6 , Manual IO Timing Modes. 0x0: Default IO Timing Mode is used 0x1: A Virtual or Manual IO Timing Mode is used	RW	0x0
7:4	VIN2A_D17_DELAYMODE	This bit field selects the Virtual Timing Mode used when the MODESELECT bit is set to 0b1. See Section 18.4.6.1.5 , Virtual IO Timing Modes for details.	RW	0x0

Bits	Field Name	Description	Type	Reset
3:0	VIN2A_D17_MUXMODE	0x0: vin2a_d17 0x2: vin2b_d6 0x3: rgmii1_txd0 0x4: vout2_d6 0x8: mii1_txd2 0xA: ehrrpm3A 0xB: pr1_mii1_rxd2 0xC: pr1_pru1_gpi14 0xD: pr1_pru1_gpo14 0xE: gpio4_25 0xF: Driver off	RW	0xF

Table 18-1215. Register Call Summary for Register CTRL_CORE_PAD_VIN2A_D17

Control Module Register Manual

- [CTRL_MODULE_CORE Register Summary: \[0\]](#)

Table 18-1216. CTRL_CORE_PAD_VIN2A_D18

Address Offset	0x0000 15B0	Instance	CTRL_MODULE_CORE
Physical Address	0x4A00 35B0		
Description			
Type	RW		

31	30	29	28	27	26	25	24	23	22	21	20	19	18	17	16	15	14	13	12	11	10	9	8	7	6	5	4	3	2	1	0				
RESERVED							VIN2A_D18_WAKEUPEVENT	VIN2A_D18_WAKEUPENABLE	RESERVED							VIN2A_D18_SLEWCONTROL	VIN2A_D18_INPUTENABLE	VIN2A_D18_PULLTYPESELECT	VIN2A_D18_PULLUDENABLE	RESERVED							VIN2A_D18_MODESELECT	VIN2A_D18_DELAYMODE				VIN2A_D18_MUXMODE			

Bits	Field Name	Description	Type	Reset
31:26	RESERVED		R	0x0
25	VIN2A_D18_WAKEUPEVENT	0x0: No wakeup event detected 0x1: Wakeup event detected	R	0x0
24	VIN2A_D18_WAKEUPENABLE	0x0: Wakeup is disabled 0x1: Wakeup is enabled	RW	0x0
23:20	RESERVED		R	0x0
19	VIN2A_D18_SLEWCONTROL	0x0: Fast slew is selected 0x1: Slow slew is selected	RW	0x0
18	VIN2A_D18_INPUTENABLE	0x0: Receive mode is disabled 0x1: Receive mode is enabled	RW	0x1

Bits	Field Name	Description	Type	Reset
17	VIN2A_D18_PULLTYPESELECT	0x0: Pull Down is selected 0x1: Pull Up is selected	RW	0x0
16	VIN2A_D18_PULLUDENABLE	0x0: Enables weak Pull Up/Down 0x1: Disables weak Pull Up/Down	RW	0x0
15:9	RESERVED		R	0x0
8	VIN2A_D18_MODESELECT	Selects between the Default IO Timing Mode and a Virtual or Manual IO Timing Mode. Refer to the device Data Manual for definition of the required settings for a given mode of operation. When this bit is 0b1, a Virtual IO Timing Mode can be selected via the DELAYMODE field of this register, as described in Section 18.4.6.1.5 , Virtual IO Timing Modes. Manual IO Timing Modes are selected via the procedure described in Section 18.4.6.1.6 , Manual IO Timing Modes. 0x0: Default IO Timing Mode is used 0x1: A Virtual or Manual IO Timing Mode is used	RW	0x0
7:4	VIN2A_D18_DELAYMODE	This bit field selects the Virtual Timing Mode used when the MODESELECT bit is set to 0b1. See Section 18.4.6.1.5 , Virtual IO Timing Modes for details.	RW	0x0
3:0	VIN2A_D18_MUXMODE	0x0: vin2a_d18 0x2: vin2b_d5 0x3: rgmii1_rxc 0x4: vout2_d5 0x8: mii1_txd3 0xA: ehrpwm3B 0xB: pr1_mii1_rxd1 0xC: pr1_pru1_gpi15 0xD: pr1_pru1_gpo15 0xE: gpio4_26 0xF: Driver off	RW	0xF

Table 18-1217. Register Call Summary for Register CTRL_CORE_PAD_VIN2A_D18

Control Module Register Manual

- [CTRL_MODULE_CORE Register Summary: \[0\]](#)

Table 18-1218. CTRL_CORE_PAD_VIN2A_D19

Address Offset	0x0000 15B4	Instance	CTRL_MODULE_CORE
Physical Address	0x4A00 35B4		
Description			
Type	RW		

31	30	29	28	27	26	25	24	23	22	21	20	19	18	17	16	15	14	13	12	11	10	9	8	7	6	5	4	3	2	1	0		
RESERVED				VIN2A_D19_WAKEUPEVENT		VIN2A_D19_WAKEUPENABLE		RESERVED				VIN2A_D19_SLEWCONTROL		VIN2A_D19_INPUTENABLE		VIN2A_D19_PULLTYPESELECT		VIN2A_D19_PULLUDENABLE		RESERVED						VIN2A_D19_MODESELECT		VIN2A_D19_DELAYMODE				VIN2A_D19_MUXMODE	

Bits	Field Name	Description	Type	Reset
31:26	RESERVED		R	0x0
25	VIN2A_D19_WAKEUPEVENT	0x0: No wakeup event detected 0x1: Wakeup event detected	R	0x0
24	VIN2A_D19_WAKEUPENABLE	0x0: Wakeup is disabled 0x1: Wakeup is enabled	RW	0x0
23:20	RESERVED		R	0x0
19	VIN2A_D19_SLEWCONTROL	0x0: Fast slew is selected 0x1: Slow slew is selected	RW	0x0
18	VIN2A_D19_INPUTENABLE	0x0: Receive mode is disabled 0x1: Receive mode is enabled	RW	0x1
17	VIN2A_D19_PULLTYPESELECT	0x0: Pull Down is selected 0x1: Pull Up is selected	RW	0x0
16	VIN2A_D19_PULLUDENABLE	0x0: Enables weak Pull Up/Down 0x1: Disables weak Pull Up/Down	RW	0x0
15:9	RESERVED		R	0x0
8	VIN2A_D19_MODESELECT	Selects between the Default IO Timing Mode and a Virtual or Manual IO Timing Mode. Refer to the device Data Manual for definition of the required settings for a given mode of operation. When this bit is 0b1, a Virtual IO Timing Mode can be selected via the DELAYMODE field of this register, as described in Section 18.4.6.1.5 , Virtual IO Timing Modes. Manual IO Timing Modes are selected via the procedure described in Section 18.4.6.1.6 , Manual IO Timing Modes. 0x0: Default IO Timing Mode is used 0x1: A Virtual or Manual IO Timing Mode is used	RW	0x0
7:4	VIN2A_D19_DELAYMODE	This bit field selects the Virtual Timing Mode used when the MODESELECT bit is set to 0b1. See Section 18.4.6.1.5 , Virtual IO Timing Modes for details.	RW	0x0

Bits	Field Name	Description	Type	Reset
3:0	VIN2A_D19_MUXMODE	0x0: vin2a_d19 0x2: vin2b_d4 0x3: rgmii1_rxctl 0x4: vout2_d4 0x8: mii1_txer 0xA: ehrpwm3_tripzone_input 0xB: pr1_mii1_rxd0 0xC: pr1_pru1_gpi16 0xD: pr1_pru1_gpo16 0xE: gpio4_27 0xF: Driver off	RW	0xF

Table 18-1219. Register Call Summary for Register CTRL_CORE_PAD_VIN2A_D19

Control Module Register Manual

- [CTRL_MODULE_CORE Register Summary: \[0\]](#)

Table 18-1220. CTRL_CORE_PAD_VIN2A_D20

Address Offset	0x0000 15B8	Instance	CTRL_MODULE_CORE
Physical Address	0x4A00 35B8		
Description			
Type	RW		

31	30	29	28	27	26	25	24	23	22	21	20	19	18	17	16	15	14	13	12	11	10	9	8	7	6	5	4	3	2	1	0	
RESERVED							VIN2A_D20_WAKEUPEVENT	VIN2A_D20_WAKEUPENABLE	RESERVED						VIN2A_D20_SLEWCONTROL	VIN2A_D20_INPUTENABLE	VIN2A_D20_PULLTYPESELECT	VIN2A_D20_PULLUDENABE	RESERVED						VIN2A_D20_MODESELECT	VIN2A_D20_DELAYMODE				VIN2A_D20_MUXMODE		

Bits	Field Name	Description	Type	Reset
31:26	RESERVED		R	0x0
25	VIN2A_D20_WAKEUPEVENT	0x0: No wakeup event detected 0x1: Wakeup event detected	R	0x0
24	VIN2A_D20_WAKEUPENABLE	0x0: Wakeup is disabled 0x1: Wakeup is enabled	RW	0x0
23:20	RESERVED		R	0x0
19	VIN2A_D20_SLEWCONTROL	0x0: Fast slew is selected 0x1: Slow slew is selected	RW	0x0
18	VIN2A_D20_INPUTENABLE	0x0: Receive mode is disabled 0x1: Receive mode is enabled	RW	0x1

Bits	Field Name	Description	Type	Reset
17	VIN2A_D20_PULLTYPESELECT	0x0: Pull Down is selected 0x1: Pull Up is selected	RW	0x0
16	VIN2A_D20_PULLUDENABLE	0x0: Enables weak Pull Up/Down 0x1: Disables weak Pull Up/Down	RW	0x0
15:9	RESERVED		R	0x0
8	VIN2A_D20_MODESELECT	Selects between the Default IO Timing Mode and a Virtual or Manual IO Timing Mode. Refer to the device Data Manual for definition of the required settings for a given mode of operation. When this bit is 0b1, a Virtual IO Timing Mode can be selected via the DELAYMODE field of this register, as described in Section 18.4.6.1.5 , Virtual IO Timing Modes. Manual IO Timing Modes are selected via the procedure described in Section 18.4.6.1.6 , Manual IO Timing Modes. 0x0: Default IO Timing Mode is used 0x1: A Virtual or Manual IO Timing Mode is used	RW	0x0
7:4	VIN2A_D20_DELAYMODE	This bit field selects the Virtual Timing Mode used when the MODESELECT bit is set to 0b1. See Section 18.4.6.1.5 , Virtual IO Timing Modes for details.	RW	0x0
3:0	VIN2A_D20_MUXMODE	0x0: vin2a_d20 0x2: vin2b_d3 0x3: rgmii1_rxd3 0x4: vout2_d3 0x8: mii1_rxer 0xA: eCAP3_in_PWM3_out 0xB: pr1_mii1_rxer 0xC: pr1_pru1_gpi17 0xD: pr1_pru1_gpo17 0xE: gpio4_28 0xF: Driver off	RW	0xF

Table 18-1221. Register Call Summary for Register CTRL_CORE_PAD_VIN2A_D20

Control Module Register Manual

- [CTRL_MODULE_CORE Register Summary: \[0\]](#)

Table 18-1222. CTRL_CORE_PAD_VIN2A_D21

Address Offset	0x0000 15BC	Instance	CTRL_MODULE_CORE
Physical Address	0x4A00 35BC		
Description			
Type	RW		

31	30	29	28	27	26	25	24	23	22	21	20	19	18	17	16	15	14	13	12	11	10	9	8	7	6	5	4	3	2	1	0												
RESERVED								RESERVED								RESERVED								VIN2A_D21_WAKEUPEVENT VIN2A_D21_WAKEUPENABLE				VIN2A_D21_SLEWCONTROL VIN2A_D21_INPUTENABLE VIN2A_D21_PULLTYPESELECT VIN2A_D21_PULLUDENABLE				VIN2A_D21_MODESELECT				VIN2A_D21_DELAYMODE				VIN2A_D21_MUXMODE			

Bits	Field Name	Description	Type	Reset
31:26	RESERVED		R	0x0
25	VIN2A_D21_WAKEUPEVENT	0x0: No wakeup event detected 0x1: Wakeup event detected	R	0x0
24	VIN2A_D21_WAKEUPENABLE	0x0: Wakeup is disabled 0x1: Wakeup is enabled	RW	0x0
23:20	RESERVED		R	0x0
19	VIN2A_D21_SLEWCONTROL	0x0: Fast slew is selected 0x1: Slow slew is selected	RW	0x0
18	VIN2A_D21_INPUTENABLE	0x0: Receive mode is disabled 0x1: Receive mode is enabled	RW	0x1
17	VIN2A_D21_PULLTYPESELECT	0x0: Pull Down is selected 0x1: Pull Up is selected	RW	0x0
16	VIN2A_D21_PULLUDENABLE	0x0: Enables weak Pull Up/Down 0x1: Disables weak Pull Up/Down	RW	0x0
15:9	RESERVED		R	0x0
8	VIN2A_D21_MODESELECT	Selects between the Default IO Timing Mode and a Virtual or Manual IO Timing Mode. Refer to the device Data Manual for definition of the required settings for a given mode of operation. When this bit is 0b1, a Virtual IO Timing Mode can be selected via the DELAYMODE field of this register, as described in Section 18.4.6.1.5 , Virtual IO Timing Modes. Manual IO Timing Modes are selected via the procedure described in Section 18.4.6.1.6 , Manual IO Timing Modes. 0x0: Default IO Timing Mode is used 0x1: A Virtual or Manual IO Timing Mode is used	RW	0x0
7:4	VIN2A_D21_DELAYMODE	This bit field selects the Virtual Timing Mode used when the MODESELECT bit is set to 0b1. See Section 18.4.6.1.5 , Virtual IO Timing Modes for details.	RW	0x0

Bits	Field Name	Description	Type	Reset
3:0	VIN2A_D21_MUXMODE	0x0: vin2a_d21 0x2: vin2b_d2 0x3: rgmii1_rxd2 0x4: vout2_d2 0x8: mii1_col 0xB: pr1_mii1_rxlk 0xC: pr1_pru1_gpi18 0xD: pr1_pru1_gpo18 0xE: gpio4_29 0xF: Driver off	RW	0xF

Table 18-1223. Register Call Summary for Register CTRL_CORE_PAD_VIN2A_D21

Control Module Register Manual

- [CTRL_MODULE_CORE Register Summary: \[0\]](#)

Table 18-1224. CTRL_CORE_PAD_VIN2A_D22

Address Offset	0x0000 15C0	Instance	CTRL_MODULE_CORE
Physical Address	0x4A00 35C0		
Description			
Type	RW		

31	30	29	28	27	26	25	24	23	22	21	20	19	18	17	16	15	14	13	12	11	10	9	8	7	6	5	4	3	2	1	0								
RESERVED								RESERVED								RESERVED								VIN2A_D22_MODESELECT				VIN2A_D22_DELAYMODE				VIN2A_D22_MUXMODE							
RESERVED								RESERVED								RESERVED								VIN2A_D22_WAKEUPEVENT				VIN2A_D22_WAKEUPENABLE				RESERVED							
RESERVED								RESERVED								RESERVED								VIN2A_D22_SLEWCONTROL				VIN2A_D22_INPUTENABLE				VIN2A_D22_PULLTYPESELECT				VIN2A_D22_PULLUDENABLE			

Bits	Field Name	Description	Type	Reset
31:26	RESERVED		R	0x0
25	VIN2A_D22_WAKEUPEVENT	0x0: No wakeup event detected 0x1: Wakeup event detected	R	0x0
24	VIN2A_D22_WAKEUPENABLE	0x0: Wakeup is disabled 0x1: Wakeup is enabled	RW	0x0
23:20	RESERVED		R	0x0
19	VIN2A_D22_SLEWCONTROL	0x0: Fast slew is selected 0x1: Slow slew is selected	RW	0x0
18	VIN2A_D22_INPUTENABLE	0x0: Receive mode is disabled 0x1: Receive mode is enabled	RW	0x1
17	VIN2A_D22_PULLTYPESELECT	0x0: Pull Down is selected 0x1: Pull Up is selected	RW	0x0

Bits	Field Name	Description	Type	Reset
16	VIN2A_D22_PULLUDENABLE	0x0: Enables weak Pull Up/Down 0x1: Disables weak Pull Up/Down	RW	0x0
15:9	RESERVED		R	0x0
8	VIN2A_D22_MODESELECT	Selects between the Default IO Timing Mode and a Virtual or Manual IO Timing Mode. Refer to the device Data Manual for definition of the required settings for a given mode of operation. When this bit is 0b1, a Virtual IO Timing Mode can be selected via the DELAYMODE field of this register, as described in Section 18.4.6.1.5 , Virtual IO Timing Modes. Manual IO Timing Modes are selected via the procedure described in Section 18.4.6.1.6 , Manual IO Timing Modes. 0x0: Default IO Timing Mode is used 0x1: A Virtual or Manual IO Timing Mode is used	RW	0x0
7:4	VIN2A_D22_DELAYMODE	This bit field selects the Virtual Timing Mode used when the MODESELECT bit is set to 0b1. See Section 18.4.6.1.5 , Virtual IO Timing Modes for details.	RW	0x0
3:0	VIN2A_D22_MUXMODE	0x0: vin2a_d22 0x2: vin2b_d1 0x3: rgmii1_rxd1 0x4: vout2_d1 0x8: mii1_crs 0xB: pr1_mii1_col 0xC: pr1_pru1_gpi19 0xD: pr1_pru1_gpo19 0xE: gpio4_30 0xF: Driver off	RW	0xF

Table 18-1225. Register Call Summary for Register CTRL_CORE_PAD_VIN2A_D22

Control Module Register Manual

- [CTRL_MODULE_CORE Register Summary: \[0\]](#)

Table 18-1226. CTRL_CORE_PAD_VIN2A_D23

Address Offset	0x0000 15C4	Instance	CTRL_MODULE_CORE
Physical Address	0x4A00 35C4		
Description			
Type	RW		

31	30	29	28	27	26	25	24	23	22	21	20	19	18	17	16	15	14	13	12	11	10	9	8	7	6	5	4	3	2	1	0								
RESERVED								RESERVED								RESERVED								VIN2A_D23_MODESELECT	VIN2A_D23_DELAYMODE				VIN2A_D23_MUXMODE										
				VIN2A_D23_WAKEUPEVENT				VIN2A_D23_WAKEUPENABLE								VIN2A_D23_SLEWCONTROL				VIN2A_D23_INPUTENABLE				VIN2A_D23_PULLTYPESELECT				VIN2A_D23_PULLUDENABLE											

Bits	Field Name	Description	Type	Reset
31:26	RESERVED		R	0x0
25	VIN2A_D23_WAKEUPEVENT	0x0: No wakeup event detected 0x1: Wakeup event detected	R	0x0
24	VIN2A_D23_WAKEUPENABLE	0x0: Wakeup is disabled 0x1: Wakeup is enabled	RW	0x0
23:20	RESERVED		R	0x0
19	VIN2A_D23_SLEWCONTROL	0x0: Fast slew is selected 0x1: Slow slew is selected	RW	0x0
18	VIN2A_D23_INPUTENABLE	0x0: Receive mode is disabled 0x1: Receive mode is enabled	RW	0x1
17	VIN2A_D23_PULLTYPESELECT	0x0: Pull Down is selected 0x1: Pull Up is selected	RW	0x0
16	VIN2A_D23_PULLUDENABLE	0x0: Enables weak Pull Up/Down 0x1: Disables weak Pull Up/Down	RW	0x0
15:9	RESERVED		R	0x0
8	VIN2A_D23_MODESELECT	Selects between the Default IO Timing Mode and a Virtual or Manual IO Timing Mode. Refer to the device Data Manual for definition of the required settings for a given mode of operation. When this bit is 0b1, a Virtual IO Timing Mode can be selected via the DELAYMODE field of this register, as described in Section 18.4.6.1.5 , Virtual IO Timing Modes. Manual IO Timing Modes are selected via the procedure described in Section 18.4.6.1.6 , Manual IO Timing Modes. 0x0: Default IO Timing Mode is used 0x1: A Virtual or Manual IO Timing Mode is used	RW	0x0
7:4	VIN2A_D23_DELAYMODE	This bit field selects the Virtual Timing Mode used when the MODESELECT bit is set to 0b1. See Section 18.4.6.1.5 , Virtual IO Timing Modes for details.	RW	0x0
3:0	VIN2A_D23_MUXMODE	0x0: vin2a_d23 0x2: vin2b_d0 0x3: rgmii1_rxd0 0x4: vout2_d0 0x8: mii1_txen 0xB: pr1_mii1_crs 0xC: pr1_pru1_gpi20 0xD: pr1_pru1_gpo20 0xE: gpio4_31 0xF: Driver off	RW	0xF

Table 18-1227. Register Call Summary for Register CTRL_CORE_PAD_VIN2A_D23

Control Module Register Manual

- [CTRL_MODULE_CORE Register Summary: \[0\]](#)

Table 18-1228. CTRL_CORE_PAD_VOUT1_CLK

Address Offset	0x0000 15C8	Instance	CTRL_MODULE_CORE
Physical Address	0x4A00 35C8		
Description			
Type	RW		

31	30	29	28	27	26	25	24	23	22	21	20	19	18	17	16	15	14	13	12	11	10	9	8	7	6	5	4	3	2	1	0												
RESERVED								RESERVED								RESERVED								VOUT1_CLK_WAKEUPEVENT VOUT1_CLK_WAKEUPENABLE				VOUT1_CLK_SLEWCONTROL VOUT1_CLK_INPUTENABLE VOUT1_CLK_PULLTYPESELECT VOUT1_CLK_PULLUDENABLE				VOUT1_CLK_MODESELECT				VOUT1_CLK_DELAYMODE				VOUT1_CLK_MUXMODE			

Bits	Field Name	Description	Type	Reset
31:26	RESERVED		R	0x0
25	VOUT1_CLK_WAKEUPEVENT	0x0: No wakeup event detected 0x1: Wakeup event detected	R	0x0
24	VOUT1_CLK_WAKEUPENABLE	0x0: Wakeup is disabled 0x1: Wakeup is enabled	RW	0x0
23:20	RESERVED		R	0x0
19	VOUT1_CLK_SLEWCONTROL	0x0: Fast slew is selected 0x1: Slow slew is selected	RW	0x0
18	VOUT1_CLK_INPUTENABLE	0x0: Receive mode is disabled 0x1: Receive mode is enabled	RW	0x1
17	VOUT1_CLK_PULLTYPESELECT	0x0: Pull Down is selected 0x1: Pull Up is selected	RW	0x0
16	VOUT1_CLK_PULLUDENABLE	0x0: Enables weak Pull Up/Down 0x1: Disables weak Pull Up/Down	RW	0x0
15:9	RESERVED		R	0x0
8	VOUT1_CLK_MODESELECT	Selects between the Default IO Timing Mode and a Virtual or Manual IO Timing Mode. Refer to the device Data Manual for definition of the required settings for a given mode of operation. When this bit is 0b1, a Virtual IO Timing Mode can be selected via the DELAYMODE field of this register, as described in Section 18.4.6.1.5 , Virtual IO Timing Modes. Manual IO Timing Modes are selected via the procedure described in Section 18.4.6.1.6 , Manual IO Timing Modes. 0x0: Default IO Timing Mode is used 0x1: A Virtual or Manual IO Timing Mode is used	RW	0x0
7:4	VOUT1_CLK_DELAYMODE	This bit field selects the Virtual Timing Mode used when the MODESELECT bit is set to 0b1. See Section 18.4.6.1.5 , Virtual IO Timing Modes for details.	RW	0x0
3:0	VOUT1_CLK_MUXMODE	0x0: vout1_clk 0x3: vin2a_fld0 vin1a_fld0 0x4: vin1a_fld0 0x8: spi3_cs0 0xE: gpio4_19 0xF: Driver off	RW	0xF

Table 18-1229. Register Call Summary for Register CTRL_CORE_PAD_VOUT1_CLK

Control Module Register Manual

- [CTRL_MODULE_CORE Register Summary: \[0\]](#)

Table 18-1230. CTRL_CORE_PAD_VOUT1_DE

Address Offset	0x0000 15CC	Instance	CTRL_MODULE_CORE
Physical Address	0x4A00 35CC		
Description			
Type	RW		

31	30	29	28	27	26	25	24	23	22	21	20	19	18	17	16	15	14	13	12	11	10	9	8	7	6	5	4	3	2	1	0												
RESERVED								RESERVED								RESERVED								VOUT1_DE_WAKEUPEVENT VOUT1_DE_WAKEUPENABLE				VOUT1_DE_SLEWCONTROL VOUT1_DE_INPUTENABLE VOUT1_DE_PULLTYPESELECT VOUT1_DE_PULLUDENABLE				VOUT1_DE_MODESELECT				VOUT1_DE_DELAYMODE				VOUT1_DE_MUXMODE			

Bits	Field Name	Description	Type	Reset
31:26	RESERVED		R	0x0
25	VOUT1_DE_WAKEUPEVENT	0x0: No wakeup event detected 0x1: Wakeup event detected	R	0x0
24	VOUT1_DE_WAKEUPENABLE	0x0: Wakeup is disabled 0x1: Wakeup is enabled	RW	0x0
23:20	RESERVED		R	0x0
19	VOUT1_DE_SLEWCONTROL	0x0: Fast slew is selected 0x1: Slow slew is selected	RW	0x0
18	VOUT1_DE_INPUTENABLE	0x0: Receive mode is disabled 0x1: Receive mode is enabled	RW	0x1
17	VOUT1_DE_PULLTYPESELECT	0x0: Pull Down is selected 0x1: Pull Up is selected	RW	0x0
16	VOUT1_DE_PULLUDENABLE	0x0: Enables weak Pull Up/Down 0x1: Disables weak Pull Up/Down	RW	0x0
15:9	RESERVED		R	0x0
8	VOUT1_DE_MODESELECT	Selects between the Default IO Timing Mode and a Virtual or Manual IO Timing Mode. Refer to the device Data Manual for definition of the required settings for a given mode of operation. When this bit is 0b1, a Virtual IO Timing Mode can be selected via the DELAYMODE field of this register, as described in Section 18.4.6.1.5 , Virtual IO Timing Modes. Manual IO Timing Modes are selected via the procedure described in Section 18.4.6.1.6 , Manual IO Timing Modes. 0x0: Default IO Timing Mode is used 0x1: A Virtual or Manual IO Timing Mode is used	RW	0x0

Bits	Field Name	Description	Type	Reset
7:4	VOUT1_DE_DELAYMODE	This bit field selects the Virtual Timing Mode used when the MODESELECT bit is set to 0b1. See Section 18.4.6.1.5 , Virtual IO Timing Modes for details.	RW	0x0
3:0	VOUT1_DE_MUXMODE	0x0: vout1_de 0x3: vin2a_de0 vin1a_de0 0x4: vin1a_de0 0x8: spi3_d1 0xE: gpio4_20 0xF: Driver off	RW	0xF

Table 18-1231. Register Call Summary for Register CTRL_CORE_PAD_VOUT1_DE

Control Module Register Manual

- [CTRL_MODULE_CORE Register Summary: \[0\]](#)

Table 18-1232. CTRL_CORE_PAD_VOUT1_FLD

Address Offset	0x0000 15D0	Instance	CTRL_MODULE_CORE
Physical Address	0x4A00 35D0		
Description			
Type	RW		

31	30	29	28	27	26	25	24	23	22	21	20	19	18	17	16	15	14	13	12	11	10	9	8	7	6	5	4	3	2	1	0	
RESERVED						VOUT1_FLD_WAKEUPEVENT	VOUT1_FLD_WAKEUPENABLE	RESERVED						VOUT1_FLD_SLEWCONTROL	VOUT1_FLD_INPUTENABLE	VOUT1_FLD_PULLTYPESELEC	VOUT1_FLD_PULLUDENABLE	RESERVED						VOUT1_FLD_MODESELECT	VOUT1_FLD_DELAYMODE				VOUT1_FLD_MUXMODE			

Bits	Field Name	Description	Type	Reset
31:26	RESERVED		R	0x0
25	VOUT1_FLD_WAKEUPEVENT	0x0: No wakeup event detected 0x1: Wakeup event detected	R	0x0
24	VOUT1_FLD_WAKEUPENABLE	0x0: Wakeup is disabled 0x1: Wakeup is enabled	RW	0x0
23:20	RESERVED		R	0x0
19	VOUT1_FLD_SLEWCONTROL	0x0: Fast slew is selected 0x1: Slow slew is selected	RW	0x0
18	VOUT1_FLD_INPUTENABLE	0x0: Receive mode is disabled 0x1: Receive mode is enabled	RW	0x1
17	VOUT1_FLD_PULLTYPESELEC T	0x0: Pull Down is selected 0x1: Pull Up is selected	RW	0x0

Bits	Field Name	Description	Type	Reset
16	VOUT1_FLD_PULLUDENABLE	0x0: Enables weak Pull Up/Down 0x1: Disables weak Pull Up/Down	RW	0x0
15:9	RESERVED		R	0x0
8	VOUT1_FLD_MODESELECT	Selects between the Default IO Timing Mode and a Virtual or Manual IO Timing Mode. Refer to the device Data Manual for definition of the required settings for a given mode of operation. When this bit is 0b1, a Virtual IO Timing Mode can be selected via the DELAYMODE field of this register, as described in Section 18.4.6.1.5 , Virtual IO Timing Modes. Manual IO Timing Modes are selected via the procedure described in Section 18.4.6.1.6 , Manual IO Timing Modes. 0x0: Default IO Timing Mode is used 0x1: A Virtual or Manual IO Timing Mode is used	RW	0x0
7:4	VOUT1_FLD_DELAYMODE	This bit field selects the Virtual Timing Mode used when the MODESELECT bit is set to 0b1. See Section 18.4.6.1.5 , Virtual IO Timing Modes for details.	RW	0x0
3:0	VOUT1_FLD_MUXMODE	0x0: vout1_fld 0x3: vin2a_clk0 vin1a_clk0 0x4: vin1a_clk0 0x8: spi3_cs1 0xE: gpio4_21 0xF: Driver off	RW	0xF

Table 18-1233. Register Call Summary for Register CTRL_CORE_PAD_VOUT1_FLD

Control Module Functional Description

- [Pad Configuration Registers: \[0\]](#)

Control Module Register Manual

- [CTRL_MODULE_CORE Register Summary: \[1\]](#)

Table 18-1234. CTRL_CORE_PAD_VOUT1_HSYNC

Address Offset	0x0000 15D4	Instance	CTRL_MODULE_CORE
Physical Address	0x4A00 35D4		
Description			
Type	RW		

31	30	29	28	27	26	25	24	23	22	21	20	19	18	17	16	15	14	13	12	11	10	9	8	7	6	5	4	3	2	1	0				
RESERVED								RESERVED								RESERVED								VOUT1_HSYNC_MODESELECT	VOUT1_HSYNC_DELAYMODE				VOUT1_HSYNC_MUXMODE						
				VOUT1_HSYNC_WAKEUPEVENT				VOUT1_HSYNC_WAKEUPENABLE								VOUT1_HSYNC_SLEWCONTROL				VOUT1_HSYNC_INPUTENABLE				VOUT1_HSYNC_PULLTYPESELECT				VOUT1_HSYNC_PULLUDENABLE							

Bits	Field Name	Description	Type	Reset
31:26	RESERVED		R	0x0
25	VOUT1_HSYNC_WAKEUPEVENT	0x0: No wakeup event detected 0x1: Wakeup event detected	R	0x0
24	VOUT1_HSYNC_WAKEUPENABLE	0x0: Wakeup is disabled 0x1: Wakeup is enabled	RW	0x0
23:20	RESERVED		R	0x0
19	VOUT1_HSYNC_SLEWCONTROL	0x0: Fast slew is selected 0x1: Slow slew is selected	RW	0x0
18	VOUT1_HSYNC_INPUTENABLE	0x0: Receive mode is disabled 0x1: Receive mode is enabled	RW	0x1
17	VOUT1_HSYNC_PULLTYPESELECT	0x0: Pull Down is selected 0x1: Pull Up is selected	RW	0x0
16	VOUT1_HSYNC_PULLUDENABLE	0x0: Enables weak Pull Up/Down 0x1: Disables weak Pull Up/Down	RW	0x0
15:9	RESERVED		R	0x0
8	VOUT1_HSYNC_MODESELECT	Selects between the Default IO Timing Mode and a Virtual or Manual IO Timing Mode. Refer to the device Data Manual for definition of the required settings for a given mode of operation. When this bit is 0b1, a Virtual IO Timing Mode can be selected via the DELAYMODE field of this register, as described in Section 18.4.6.1.5 , Virtual IO Timing Modes. Manual IO Timing Modes are selected via the procedure described in Section 18.4.6.1.6 , Manual IO Timing Modes. 0x0: Default IO Timing Mode is used 0x1: A Virtual or Manual IO Timing Mode is used	RW	0x0
7:4	VOUT1_HSYNC_DELAYMODE	This bit field selects the Virtual Timing Mode used when the MODESELECT bit is set to 0b1. See Section 18.4.6.1.5 , Virtual IO Timing Modes for details.	RW	0x0
3:0	VOUT1_HSYNC_MUXMODE	0x0: vout1_hsync 0x3: vin2a_hsync0 vin1a_hsync0 0x4: vin1a_hsync0 0x8: spi3_d0 0xE: gpio4_22 0xF: Driver off	RW	0xF

Table 18-1235. Register Call Summary for Register CTRL_CORE_PAD_VOUT1_HSYNC

Control Module Register Manual

- [CTRL_MODULE_CORE Register Summary: \[0\]](#)

Table 18-1236. CTRL_CORE_PAD_VOUT1_VSYNC

Address Offset	0x0000 15D8	Instance	CTRL_MODULE_CORE
Physical Address	0x4A00 35D8		
Description			
Type	RW		

31	30	29	28	27	26	25	24	23	22	21	20	19	18	17	16	15	14	13	12	11	10	9	8	7	6	5	4	3	2	1	0												
RESERVED								RESERVED								RESERVED								VOUT1_VSYNC_WAKEUPEVENT VOUT1_VSYNC_WAKEUPENABLE				VOUT1_VSYNC_SLEWCONTROL VOUT1_VSYNC_INPUTENABLE VOUT1_VSYNC_PULLTYPESELECT VOUT1_VSYNC_PULLUDENABLE				VOUT1_VSYNC_MODESELECT				VOUT1_VSYNC_DELAYMODE				VOUT1_VSYNC_MUXMODE			

Bits	Field Name	Description	Type	Reset
31:26	RESERVED		R	0x0
25	VOUT1_VSYNC_WAKEUPEVENT	0x0: No wakeup event detected 0x1: Wakeup event detected	R	0x0
24	VOUT1_VSYNC_WAKEUPENABLE	0x0: Wakeup is disabled 0x1: Wakeup is enabled	RW	0x0
23:20	RESERVED		R	0x0
19	VOUT1_VSYNC_SLEWCONTROL	0x0: Fast slew is selected 0x1: Slow slew is selected	RW	0x0
18	VOUT1_VSYNC_INPUTENABLE	0x0: Receive mode is disabled 0x1: Receive mode is enabled	RW	0x1
17	VOUT1_VSYNC_PULLTYPESELECT	0x0: Pull Down is selected 0x1: Pull Up is selected	RW	0x0
16	VOUT1_VSYNC_PULLUDENABLE	0x0: Enables weak Pull Up/Down 0x1: Disables weak Pull Up/Down	RW	0x0
15:9	RESERVED		R	0x0
8	VOUT1_VSYNC_MODESELECT	Selects between the Default IO Timing Mode and a Virtual or Manual IO Timing Mode. Refer to the device Data Manual for definition of the required settings for a given mode of operation. When this bit is 0b1, a Virtual IO Timing Mode can be selected via the DELAYMODE field of this register, as described in Section 18.4.6.1.5 , Virtual IO Timing Modes. Manual IO Timing Modes are selected via the procedure described in Section 18.4.6.1.6 , Manual IO Timing Modes. 0x0: Default IO Timing Mode is used 0x1: A Virtual or Manual IO Timing Mode is used	RW	0x0
7:4	VOUT1_VSYNC_DELAYMODE	This bit field selects the Virtual Timing Mode used when the MODESELECT bit is set to 0b1. See Section 18.4.6.1.5 , Virtual IO Timing Modes for details.	RW	0x0
3:0	VOUT1_VSYNC_MUXMODE	0x0: vout1_vsinc 0x3: vin2a_vsinc0 vin1a_vsinc0 0x4: vin1a_vsinc0 0x8: spi3_sclk 0xC: pr2_pru1_gpi17 0xD: pr2_pru1_gpo17 0xE: gpio4_23 0xF: Driver off	RW	0xF

Table 18-1237. Register Call Summary for Register CTRL_CORE_PAD_VOUT1_VSYNC

Control Module Register Manual

- [CTRL_MODULE_CORE Register Summary: \[0\]](#)

Table 18-1238. CTRL_CORE_PAD_VOUT1_D0

Address Offset	0x0000 15DC	Instance	CTRL_MODULE_CORE
Physical Address	0x4A00 35DC		
Description			
Type	RW		

31	30	29	28	27	26	25	24	23	22	21	20	19	18	17	16	15	14	13	12	11	10	9	8	7	6	5	4	3	2	1	0																
RESERVED								RESERVED								RESERVED								VOUT1_D0_MODESELECT				VOUT1_D0_DELAYMODE				VOUT1_D0_MUXMODE															
								VOUT1_D0_WAKEUPEVENT				VOUT1_D0_WAKEUPENABLE								VOUT1_D0_SLEWCONTROL				VOUT1_D0_INPUTENABLE				VOUT1_D0_PULLTYPESELECT				VOUT1_D0_PULLUDENABLE															

Bits	Field Name	Description	Type	Reset
31:26	RESERVED		R	0x0
25	VOUT1_D0_WAKEUPEVENT	0x0: No wakeup event detected 0x1: Wakeup event detected	R	0x0
24	VOUT1_D0_WAKEUPENABLE	0x0: Wakeup is disabled 0x1: Wakeup is enabled	RW	0x0
23:20	RESERVED		R	0x0
19	VOUT1_D0_SLEWCONTROL	0x0: Fast slew is selected 0x1: Slow slew is selected	RW	0x0
18	VOUT1_D0_INPUTENABLE	0x0: Receive mode is disabled 0x1: Receive mode is enabled	RW	0x1
17	VOUT1_D0_PULLTYPESELECT	0x0: Pull Down is selected 0x1: Pull Up is selected	RW	0x0
16	VOUT1_D0_PULLUDENABLE	0x0: Enables weak Pull Up/Down 0x1: Disables weak Pull Up/Down	RW	0x0
15:9	RESERVED		R	0x0
8	VOUT1_D0_MODESELECT	Selects between the Default IO Timing Mode and a Virtual or Manual IO Timing Mode. Refer to the device Data Manual for definition of the required settings for a given mode of operation. When this bit is 0b1, a Virtual IO Timing Mode can be selected via the DELAYMODE field of this register, as described in Section 18.4.6.1.5 , Virtual IO Timing Modes. Manual IO Timing Modes are selected via the procedure described in Section 18.4.6.1.6 , Manual IO Timing Modes. 0x0: Default IO Timing Mode is used 0x1: A Virtual or Manual IO Timing Mode is used	RW	0x0

Bits	Field Name	Description	Type	Reset
7:4	VOUT1_D0_DELAYMODE	This bit field selects the Virtual Timing Mode used when the MODESELECT bit is set to 0b1. See Section 18.4.6.1.5 , Virtual IO Timing Modes for details.	RW	0x0
3:0	VOUT1_D0_MUXMODE	0x0: vout1_d0 0x2: uart5_rxd 0x3: vin2a_d16 vin1a_d16 0x4: vin1a_d16 0x8: spi3_cs2 0xA: pr1_uart0_cts_n 0xC: pr2_pru1_gpi18 0xD: pr2_pru1_gpo18 0xE: gpio8_0 0xF: Driver off	RW	0xF

Table 18-1239. Register Call Summary for Register CTRL_CORE_PAD_VOUT1_D0

Control Module Register Manual

- [CTRL_MODULE_CORE Register Summary: \[0\]](#)

Table 18-1240. CTRL_CORE_PAD_VOUT1_D1

Address Offset	0x0000 15E0	Instance	CTRL_MODULE_CORE
Physical Address	0x4A00 35E0		
Description			
Type	RW		

31	30	29	28	27	26	25	24	23	22	21	20	19	18	17	16	15	14	13	12	11	10	9	8	7	6	5	4	3	2	1	0												
RESERVED								RESERVED								RESERVED								VOUT1_D1_MODESELECT	VOUT1_D1_DELAYMODE				VOUT1_D1_MUXMODE														
				VOUT1_D1_WAKEUPEVENT				VOUT1_D1_WAKEUPENABLE								VOUT1_D1_SLEWCONTROL				VOUT1_D1_INPUTENABLE				VOUT1_D1_PULLTYPESELECT				VOUT1_D1_PULLUDENABLE															

Bits	Field Name	Description	Type	Reset
31:26	RESERVED		R	0x0
25	VOUT1_D1_WAKEUPEVENT	0x0: No wakeup event detected 0x1: Wakeup event detected	R	0x0
24	VOUT1_D1_WAKEUPENABLE	0x0: Wakeup is disabled 0x1: Wakeup is enabled	RW	0x0
23:20	RESERVED		R	0x0
19	VOUT1_D1_SLEWCONTROL	0x0: Fast slew is selected 0x1: Slow slew is selected	RW	0x0
18	VOUT1_D1_INPUTENABLE	0x0: Receive mode is disabled 0x1: Receive mode is enabled	RW	0x1

Bits	Field Name	Description	Type	Reset
17	VOUT1_D1_PULLTYPESELECT	0x0: Pull Down is selected 0x1: Pull Up is selected	RW	0x0
16	VOUT1_D1_PULLUDENABLE	0x0: Enables weak Pull Up/Down 0x1: Disables weak Pull Up/Down	RW	0x0
15:9	RESERVED		R	0x0
8	VOUT1_D1_MODESELECT	Selects between the Default IO Timing Mode and a Virtual or Manual IO Timing Mode. Refer to the device Data Manual for definition of the required settings for a given mode of operation. When this bit is 0b1, a Virtual IO Timing Mode can be selected via the DELAYMODE field of this register, as described in Section 18.4.6.1.5 , Virtual IO Timing Modes. Manual IO Timing Modes are selected via the procedure described in Section 18.4.6.1.6 , Manual IO Timing Modes. 0x0: Default IO Timing Mode is used 0x1: A Virtual or Manual IO Timing Mode is used	RW	0x0
7:4	VOUT1_D1_DELAYMODE	This bit field selects the Virtual Timing Mode used when the MODESELECT bit is set to 0b1. See Section 18.4.6.1.5 , Virtual IO Timing Modes for details.	RW	0x0
3:0	VOUT1_D1_MUXMODE	0x0: vout1_d1 0x2: uart5_txd 0x3: vin2a_d17 vin1a_d17 0x4: vin1a_d17 0xA: pr1_uart0_rts_n 0xC: pr2_pru1_gpi19 0xD: pr2_pru1_gpo19 0xE: gpio8_1 0xF: Driver off	RW	0xF

Table 18-1241. Register Call Summary for Register CTRL_CORE_PAD_VOUT1_D1

Control Module Register Manual

- [CTRL_MODULE_CORE Register Summary: \[0\]](#)

Table 18-1242. CTRL_CORE_PAD_VOUT1_D2

Address Offset	0x0000 15E4	Instance	CTRL_MODULE_CORE
Physical Address	0x4A00 35E4		
Description			
Type	RW		

31	30	29	28	27	26	25	24	23	22	21	20	19	18	17	16	15	14	13	12	11	10	9	8	7	6	5	4	3	2	1	0				
RESERVED								RESERVED								RESERVED								VOUT1_D2_MODESELECT				VOUT1_D2_DELAYMODE				VOUT1_D2_MUXMODE			
VOUT1_D2_WAKEUPEVENT VOUT1_D2_WAKEUPENABLE								VOUT1_D2_SLEWCONTROL VOUT1_D2_INPUTENABLE VOUT1_D2_PULLTYPESELECT VOUT1_D2_PULLUDENABLE																											

Bits	Field Name	Description	Type	Reset
31:26	RESERVED		R	0x0
25	VOUT1_D2_WAKEUPEVENT	0x0: No wakeup event detected 0x1: Wakeup event detected	R	0x0
24	VOUT1_D2_WAKEUPENABLE	0x0: Wakeup is disabled 0x1: Wakeup is enabled	RW	0x0
23:20	RESERVED		R	0x0
19	VOUT1_D2_SLEWCONTROL	0x0: Fast slew is selected 0x1: Slow slew is selected	RW	0x0
18	VOUT1_D2_INPUTENABLE	0x0: Receive mode is disabled 0x1: Receive mode is enabled	RW	0x1
17	VOUT1_D2_PULLTYPESELECT	0x0: Pull Down is selected 0x1: Pull Up is selected	RW	0x0
16	VOUT1_D2_PULLUDENABLE	0x0: Enables weak Pull Up/Down 0x1: Disables weak Pull Up/Down	RW	0x0
15:9	RESERVED		R	0x0
8	VOUT1_D2_MODESELECT	Selects between the Default IO Timing Mode and a Virtual or Manual IO Timing Mode. Refer to the device Data Manual for definition of the required settings for a given mode of operation. When this bit is 0b1, a Virtual IO Timing Mode can be selected via the DELAYMODE field of this register, as described in Section 18.4.6.1.5 , Virtual IO Timing Modes. Manual IO Timing Modes are selected via the procedure described in Section 18.4.6.1.6 , Manual IO Timing Modes. 0x0: Default IO Timing Mode is used 0x1: A Virtual or Manual IO Timing Mode is used	RW	0x0
7:4	VOUT1_D2_DELAYMODE	This bit field selects the Virtual Timing Mode used when the MODESELECT bit is set to 0b1. See Section 18.4.6.1.5 , Virtual IO Timing Modes for details.	RW	0x0
3:0	VOUT1_D2_MUXMODE	0x0: vout1_d2 0x2: emu2 0x3: vin2a_d18 vin1a_d18 0x4: vin1a_d18 0x5: obs0 0x6: obs16 0x7: obs_irq1 0xA: pr1_uart0_rxd 0xC: pr2_pru1_gpi20 0xD: pr2_pru1_gpo20 0xE: gpio8_2 0xF: Driver off	RW	0xF

Table 18-1243. Register Call Summary for Register CTRL_CORE_PAD_VOUT1_D2

Control Module Register Manual

- [CTRL_MODULE_CORE Register Summary: \[0\]](#)

Table 18-1244. CTRL_CORE_PAD_VOUT1_D3

Address Offset	0x0000 15E8	Instance	CTRL_MODULE_CORE
Physical Address	0x4A00 35E8		
Description			
Type	RW		

31	30	29	28	27	26	25	24	23	22	21	20	19	18	17	16	15	14	13	12	11	10	9	8	7	6	5	4	3	2	1	0												
RESERVED								RESERVED								RESERVED								VOUT1_D3_WAKEUPEVENT VOUT1_D3_WAKEUPENABLE				VOUT1_D3_SLEWCONTROL VOUT1_D3_INPUTENABLE VOUT1_D3_PULLTYPESELECT VOUT1_D3_PULLUDENABLE				VOUT1_D3_MODESELECT				VOUT1_D3_DELAYMODE				VOUT1_D3_MUXMODE			

Bits	Field Name	Description	Type	Reset
31:26	RESERVED		R	0x0
25	VOUT1_D3_WAKEUPEVENT	0x0: No wakeup event detected 0x1: Wakeup event detected	R	0x0
24	VOUT1_D3_WAKEUPENABLE	0x0: Wakeup is disabled 0x1: Wakeup is enabled	RW	0x0
23:20	RESERVED		R	0x0
19	VOUT1_D3_SLEWCONTROL	0x0: Fast slew is selected 0x1: Slow slew is selected	RW	0x0
18	VOUT1_D3_INPUTENABLE	0x0: Receive mode is disabled 0x1: Receive mode is enabled	RW	0x1
17	VOUT1_D3_PULLTYPESELECT	0x0: Pull Down is selected 0x1: Pull Up is selected	RW	0x0
16	VOUT1_D3_PULLUDENABLE	0x0: Enables weak Pull Up/Down 0x1: Disables weak Pull Up/Down	RW	0x0
15:9	RESERVED		R	0x0
8	VOUT1_D3_MODESELECT	Selects between the Default IO Timing Mode and a Virtual or Manual IO Timing Mode. Refer to the device Data Manual for definition of the required settings for a given mode of operation. When this bit is 0b1, a Virtual IO Timing Mode can be selected via the DELAYMODE field of this register, as described in Section 18.4.6.1.5 , Virtual IO Timing Modes. Manual IO Timing Modes are selected via the procedure described in Section 18.4.6.1.6 , Manual IO Timing Modes. 0x0: Default IO Timing Mode is used 0x1: A Virtual or Manual IO Timing Mode is used	RW	0x0
7:4	VOUT1_D3_DELAYMODE	This bit field selects the Virtual Timing Mode used when the MODESELECT bit is set to 0b1. See Section 18.4.6.1.5 , Virtual IO Timing Modes for details.	RW	0x0

Bits	Field Name	Description	Type	Reset
3:0	VOUT1_D3_MUXMODE	0x0: vout1_d3 0x2: emu5 0x3: vin2a_d19 vin1a_d19 0x4: vin1a_d19 0x5: obs1 0x6: obs17 0x7: obs_dmarq1 0xA: pr1_uart0_txd 0xC: pr2_pru0_gpi0 0xD: pr2_pru0_gpo0 0xE: gpio8_3 0xF: Driver off	RW	0xF

Table 18-1245. Register Call Summary for Register CTRL_CORE_PAD_VOUT1_D3

Control Module Register Manual

- [CTRL_MODULE_CORE Register Summary: \[0\]](#)

Table 18-1246. CTRL_CORE_PAD_VOUT1_D4

Address Offset	0x0000 15EC	Instance	CTRL_MODULE_CORE
Physical Address	0x4A00 35EC		
Description			
Type	RW		

31	30	29	28	27	26	25	24	23	22	21	20	19	18	17	16	15	14	13	12	11	10	9	8	7	6	5	4	3	2	1	0												
RESERVED								RESERVED								RESERVED								VOUT1_D4_MODESELECT	VOUT1_D4_DELAYMODE				VOUT1_D4_MUXMODE														
				VOUT1_D4_WAKEUPEVENT				VOUT1_D4_WAKEUPENABLE								VOUT1_D4_SLEWCONTROL				VOUT1_D4_INPUTENABLE				VOUT1_D4_PULLEYSELECT				VOUT1_D4_PULLUDENABLE															

Bits	Field Name	Description	Type	Reset
31:26	RESERVED		R	0x0
25	VOUT1_D4_WAKEUPEVENT	0x0: No wakeup event detected 0x1: Wakeup event detected	R	0x0
24	VOUT1_D4_WAKEUPENABLE	0x0: Wakeup is disabled 0x1: Wakeup is enabled	RW	0x0
23:20	RESERVED		R	0x0
19	VOUT1_D4_SLEWCONTROL	0x0: Fast slew is selected 0x1: Slow slew is selected	RW	0x0
18	VOUT1_D4_INPUTENABLE	0x0: Receive mode is disabled 0x1: Receive mode is enabled	RW	0x1

Bits	Field Name	Description	Type	Reset
17	VOUT1_D4_PULLTYPESELECT	0x0: Pull Down is selected 0x1: Pull Up is selected	RW	0x0
16	VOUT1_D4_PULLUDENABLE	0x0: Enables weak Pull Up/Down 0x1: Disables weak Pull Up/Down	RW	0x0
15:9	RESERVED		R	0x0
8	VOUT1_D4_MODESELECT	Selects between the Default IO Timing Mode and a Virtual or Manual IO Timing Mode. Refer to the device Data Manual for definition of the required settings for a given mode of operation. When this bit is 0b1, a Virtual IO Timing Mode can be selected via the DELAYMODE field of this register, as described in Section 18.4.6.1.5 , Virtual IO Timing Modes. Manual IO Timing Modes are selected via the procedure described in Section 18.4.6.1.6 , Manual IO Timing Modes. 0x0: Default IO Timing Mode is used 0x1: A Virtual or Manual IO Timing Mode is used	RW	0x0
7:4	VOUT1_D4_DELAYMODE	This bit field selects the Virtual Timing Mode used when the MODESELECT bit is set to 0b1. See Section 18.4.6.1.5 , Virtual IO Timing Modes for details.	RW	0x0
3:0	VOUT1_D4_MUXMODE	0x0: vout1_d4 0x2: emu6 0x3: vin2a_d20 vin1a_d20 0x4: vin1a_d20 0x5: obs2 0x6: obs18 0xA: pr1_ecap0_ecap_capin_apwm_o 0xC: pr2_pru0_gpi1 0xD: pr2_pru0_gpo1 0xE: gpio8_4 0xF: Driver off	RW	0xF

Table 18-1247. Register Call Summary for Register CTRL_CORE_PAD_VOUT1_D4

Control Module Register Manual

- [CTRL_MODULE_CORE Register Summary: \[0\]](#)

Table 18-1248. CTRL_CORE_PAD_VOUT1_D5

Address Offset	0x0000 15F0	Instance	CTRL_MODULE_CORE
Physical Address	0x4A00 35F0		
Description			
Type	RW		

31	30	29	28	27	26	25	24	23	22	21	20	19	18	17	16	15	14	13	12	11	10	9	8	7	6	5	4	3	2	1	0
RESERVED						VOUT1_D5_WAKEUPEVENT	VOUT1_D5_WAKEUPENABLE	RESERVED				VOUT1_D5_SLEWCONTROL	VOUT1_D5_INPUTENABLE	VOUT1_D5_PULLTYPESELECT	VOUT1_D5_PULLUDENABLE	RESERVED						VOUT1_D5_MODESELECT	VOUT1_D5_DELAYMODE				VOUT1_D5_MUXMODE				

Bits	Field Name	Description	Type	Reset
31:26	RESERVED		R	0x0
25	VOUT1_D5_WAKEUPEVENT	0x0: No wakeup event detected 0x1: Wakeup event detected	R	0x0
24	VOUT1_D5_WAKEUPENABLE	0x0: Wakeup is disabled 0x1: Wakeup is enabled	RW	0x0
23:20	RESERVED		R	0x0
19	VOUT1_D5_SLEWCONTROL	0x0: Fast slew is selected 0x1: Slow slew is selected	RW	0x0
18	VOUT1_D5_INPUTENABLE	0x0: Receive mode is disabled 0x1: Receive mode is enabled	RW	0x1
17	VOUT1_D5_PULLTYPESELECT	0x0: Pull Down is selected 0x1: Pull Up is selected	RW	0x0
16	VOUT1_D5_PULLUDENABLE	0x0: Enables weak Pull Up/Down 0x1: Disables weak Pull Up/Down	RW	0x0
15:9	RESERVED		R	0x0
8	VOUT1_D5_MODESELECT	Selects between the Default IO Timing Mode and a Virtual or Manual IO Timing Mode. Refer to the device Data Manual for definition of the required settings for a given mode of operation. When this bit is 0b1, a Virtual IO Timing Mode can be selected via the DELAYMODE field of this register, as described in Section 18.4.6.1.5 , Virtual IO Timing Modes. Manual IO Timing Modes are selected via the procedure described in Section 18.4.6.1.6 , Manual IO Timing Modes. 0x0: Default IO Timing Mode is used 0x1: A Virtual or Manual IO Timing Mode is used	RW	0x0
7:4	VOUT1_D5_DELAYMODE	This bit field selects the Virtual Timing Mode used when the MODESELECT bit is set to 0b1. See Section 18.4.6.1.5 , Virtual IO Timing Modes for details.	RW	0x0

Bits	Field Name	Description	Type	Reset
3:0	VOUT1_D5_MUXMODE	0x0: vout1_d5 0x2: emu7 0x3: vin2a_d21 vin1a_d21 0x4: vin1a_d21 0x5: obs3 0x6: obs19 0xA: pr2_edc_latch0_in 0xC: pr2_pru0_gpi2 0xD: pr2_pru0_gpo2 0xE: gpio8_5 0xF: Driver off	RW	0xF

Table 18-1249. Register Call Summary for Register CTRL_CORE_PAD_VOUT1_D5

Control Module Register Manual

- [CTRL_MODULE_CORE Register Summary: \[0\]](#)

Table 18-1250. CTRL_CORE_PAD_VOUT1_D6

Address Offset	0x0000 15F4	Instance	CTRL_MODULE_CORE
Physical Address	0x4A00 35F4		
Description			
Type	RW		

31	30	29	28	27	26	25	24	23	22	21	20	19	18	17	16	15	14	13	12	11	10	9	8	7	6	5	4	3	2	1	0
RESERVED						VOUT1_D6_WAKEUPEVENT	VOUT1_D6_WAKEUPENABLE	RESERVED				VOUT1_D6_SLEWCONTROL	VOUT1_D6_INPUTENABLE	VOUT1_D6_PULLTYPESELECT	VOUT1_D6_PULLUDENABE	RESERVED						VOUT1_D6_MODESELECT	VOUT1_D6_DELAYMODE				VOUT1_D6_MUXMODE				

Bits	Field Name	Description	Type	Reset
31:26	RESERVED		R	0x0
25	VOUT1_D6_WAKEUPEVENT	0x0: No wakeup event detected 0x1: Wakeup event detected	R	0x0
24	VOUT1_D6_WAKEUPENABLE	0x0: Wakeup is disabled 0x1: Wakeup is enabled	RW	0x0
23:20	RESERVED		R	0x0
19	VOUT1_D6_SLEWCONTROL	0x0: Fast slew is selected 0x1: Slow slew is selected	RW	0x0
18	VOUT1_D6_INPUTENABLE	0x0: Receive mode is disabled 0x1: Receive mode is enabled	RW	0x1

Bits	Field Name	Description	Type	Reset
17	VOUT1_D6_PULLTYPESELECT	0x0: Pull Down is selected 0x1: Pull Up is selected	RW	0x0
16	VOUT1_D6_PULLUDENABLE	0x0: Enables weak Pull Up/Down 0x1: Disables weak Pull Up/Down	RW	0x0
15:9	RESERVED		R	0x0
8	VOUT1_D6_MODESELECT	Selects between the Default IO Timing Mode and a Virtual or Manual IO Timing Mode. Refer to the device Data Manual for definition of the required settings for a given mode of operation. When this bit is 0b1, a Virtual IO Timing Mode can be selected via the DELAYMODE field of this register, as described in Section 18.4.6.1.5 , Virtual IO Timing Modes. Manual IO Timing Modes are selected via the procedure described in Section 18.4.6.1.6 , Manual IO Timing Modes. 0x0: Default IO Timing Mode is used 0x1: A Virtual or Manual IO Timing Mode is used	RW	0x0
7:4	VOUT1_D6_DELAYMODE	This bit field selects the Virtual Timing Mode used when the MODESELECT bit is set to 0b1. See Section 18.4.6.1.5 , Virtual IO Timing Modes for details.	RW	0x0
3:0	VOUT1_D6_MUXMODE	0x0: vout1_d6 0x2: emu8 0x3: vin2a_d22 vin1a_d22 0x4: vin1a_d22 0x5: obs4 0x6: obs20 0xA: pr2_edc_latch1_in 0xC: pr2_pru0_gpi3 0xD: pr2_pru0_gpo3 0xE: gpio8_6 0xF: Driver off	RW	0xF

Table 18-1251. Register Call Summary for Register CTRL_CORE_PAD_VOUT1_D6

Control Module Register Manual

- [CTRL_MODULE_CORE Register Summary: \[0\]](#)

Table 18-1252. CTRL_CORE_PAD_VOUT1_D7

Address Offset	0x0000 15F8	Instance	CTRL_MODULE_CORE
Physical Address	0x4A00 35F8		
Description			
Type	RW		

31	30	29	28	27	26	25	24	23	22	21	20	19	18	17	16	15	14	13	12	11	10	9	8	7	6	5	4	3	2	1	0
RESERVED								RESERVED				RESERVED				VOUT1_D7_MODESELECT	VOUT1_D7_DELAYMODE				VOUT1_D7_MUXMODE										
																VOUT1_D7_WAKEUPEVENT															
																VOUT1_D7_WAKEUPENABLE															
																VOUT1_D7_SLEWCONTROL															
																VOUT1_D7_INPUTENABLE															
																VOUT1_D7_PULLTYPESELECT															
																VOUT1_D7_PULLUDENABLE															

Bits	Field Name	Description	Type	Reset
31:26	RESERVED		R	0x0
25	VOUT1_D7_WAKEUPEVENT	0x0: No wakeup event detected 0x1: Wakeup event detected	R	0x0
24	VOUT1_D7_WAKEUPENABLE	0x0: Wakeup is disabled 0x1: Wakeup is enabled	RW	0x0
23:20	RESERVED		R	0x0
19	VOUT1_D7_SLEWCONTROL	0x0: Fast slew is selected 0x1: Slow slew is selected	RW	0x0
18	VOUT1_D7_INPUTENABLE	0x0: Receive mode is disabled 0x1: Receive mode is enabled	RW	0x1
17	VOUT1_D7_PULLTYPESELECT	0x0: Pull Down is selected 0x1: Pull Up is selected	RW	0x0
16	VOUT1_D7_PULLUDENABLE	0x0: Enables weak Pull Up/Down 0x1: Disables weak Pull Up/Down	RW	0x0
15:9	RESERVED		R	0x0
8	VOUT1_D7_MODESELECT	Selects between the Default IO Timing Mode and a Virtual or Manual IO Timing Mode. Refer to the device Data Manual for definition of the required settings for a given mode of operation. When this bit is 0b1, a Virtual IO Timing Mode can be selected via the DELAYMODE field of this register, as described in Section 18.4.6.1.5 , Virtual IO Timing Modes. Manual IO Timing Modes are selected via the procedure described in Section 18.4.6.1.6 , Manual IO Timing Modes. 0x0: Default IO Timing Mode is used 0x1: A Virtual or Manual IO Timing Mode is used	RW	0x0
7:4	VOUT1_D7_DELAYMODE	This bit field selects the Virtual Timing Mode used when the MODESELECT bit is set to 0b1. See Section 18.4.6.1.5 , Virtual IO Timing Modes for details.	RW	0x0
3:0	VOUT1_D7_MUXMODE	0x0: vout1_d7 0x2: emu9 0x3: vin2a_d23 vin1a_d23 0x4: vin1a_d23 0xA: pr2_edc_sync0_out 0xC: pr2_pru0_gpi4 0xD: pr2_pru0_gpo4 0xE: gpio8_7 0xF: Driver off	RW	0xF

Table 18-1253. Register Call Summary for Register CTRL_CORE_PAD_VOUT1_D7

Control Module Register Manual

- [CTRL_MODULE_CORE Register Summary: \[0\]](#)

Table 18-1254. CTRL_CORE_PAD_VOUT1_D8

Address Offset	0x0000 15FC	Instance	CTRL_MODULE_CORE
Physical Address	0x4A00 35FC		
Description			
Type	RW		

31	30	29	28	27	26	25	24	23	22	21	20	19	18	17	16	15	14	13	12	11	10	9	8	7	6	5	4	3	2	1	0								
RESERVED								RESERVED								RESERVED								VOUT1_D8_WAKEUPENABLE				VOUT1_D8_WAKEUPEVENT				VOUT1_D8_MUXMODE							
																								VOUT1_D8_PULLUDENABE				VOUT1_D8_PULLETYPESELECT				VOUT1_D8_INPUTENABLE				VOUT1_D8_SLEWCONTROL			
																								VOUT1_D8_MODESELECT				VOUT1_D8_DELAYMODE											

Bits	Field Name	Description	Type	Reset
31:26	RESERVED		R	0x0
25	VOUT1_D8_WAKEUPEVENT	0x0: No wakeup event detected 0x1: Wakeup event detected	R	0x0
24	VOUT1_D8_WAKEUPENABLE	0x0: Wakeup is disabled 0x1: Wakeup is enabled	RW	0x0
23:20	RESERVED		R	0x0
19	VOUT1_D8_SLEWCONTROL	0x0: Fast slew is selected 0x1: Slow slew is selected	RW	0x0
18	VOUT1_D8_INPUTENABLE	0x0: Receive mode is disabled 0x1: Receive mode is enabled	RW	0x1
17	VOUT1_D8_PULLETYPESELECT	0x0: Pull Down is selected 0x1: Pull Up is selected	RW	0x0
16	VOUT1_D8_PULLUDENABE	0x0: Enables weak Pull Up/Down 0x1: Disables weak Pull Up/Down	RW	0x0
15:9	RESERVED		R	0x0
8	VOUT1_D8_MODESELECT	Selects between the Default IO Timing Mode and a Virtual or Manual IO Timing Mode. Refer to the device Data Manual for definition of the required settings for a given mode of operation. When this bit is 0b1, a Virtual IO Timing Mode can be selected via the DELAYMODE field of this register, as described in Section 18.4.6.1.5 , Virtual IO Timing Modes. Manual IO Timing Modes are selected via the procedure described in Section 18.4.6.1.6 , Manual IO Timing Modes. 0x0: Default IO Timing Mode is used 0x1: A Virtual or Manual IO Timing Mode is used	RW	0x0

Bits	Field Name	Description	Type	Reset
7:4	VOUT1_D8_DELAYMODE	This bit field selects the Virtual Timing Mode used when the MODESELECT bit is set to 0b1. See Section 18.4.6.1.5 , Virtual IO Timing Modes for details.	RW	0x0
3:0	VOUT1_D8_MUXMODE	0x0: vout1_d8 0x2: uart6_rxd 0x3: vin2a_d8 vin1a_d8 0x4: vin1a_d8 0xA: pr2_edc_sync1_out 0xC: pr2_pru0_gpi5 0xD: pr2_pru0_gpo5 0xE: gpio8_8 0xF: Driver off	RW	0xF

Table 18-1255. Register Call Summary for Register CTRL_CORE_PAD_VOUT1_D8

Control Module Register Manual

- [CTRL_MODULE_CORE Register Summary: \[0\]](#)

Table 18-1256. CTRL_CORE_PAD_VOUT1_D9

Address Offset	0x0000 1600	Instance	CTRL_MODULE_CORE
Physical Address	0x4A00 3600		
Description			
Type	RW		

31	30	29	28	27	26	25	24	23	22	21	20	19	18	17	16	15	14	13	12	11	10	9	8	7	6	5	4	3	2	1	0												
RESERVED								RESERVED								RESERVED								VOUT1_D9_MODESELECT				VOUT1_D9_DELAYMODE				VOUT1_D9_MUXMODE											
VOUT1_D9_WAKEUPEVENT								VOUT1_D9_WAKEUPENABLE								VOUT1_D9_SLEWCONTROL								VOUT1_D9_INPUTENABLE				VOUT1_D9_PULTYPESELECT				VOUT1_D9_PULLUDENABLE											

Bits	Field Name	Description	Type	Reset
31:26	RESERVED		R	0x0
25	VOUT1_D9_WAKEUPEVENT	0x0: No wakeup event detected 0x1: Wakeup event detected	R	0x0
24	VOUT1_D9_WAKEUPENABLE	0x0: Wakeup is disabled 0x1: Wakeup is enabled	RW	0x0
23:20	RESERVED		R	0x0
19	VOUT1_D9_SLEWCONTROL	0x0: Fast slew is selected 0x1: Slow slew is selected	RW	0x0
18	VOUT1_D9_INPUTENABLE	0x0: Receive mode is disabled 0x1: Receive mode is enabled	RW	0x1

Bits	Field Name	Description	Type	Reset
17	VOUT1_D9_PULLTYPESELECT	0x0: Pull Down is selected 0x1: Pull Up is selected	RW	0x0
16	VOUT1_D9_PULLUDENABLE	0x0: Enables weak Pull Up/Down 0x1: Disables weak Pull Up/Down	RW	0x0
15:9	RESERVED		R	0x0
8	VOUT1_D9_MODESELECT	Selects between the Default IO Timing Mode and a Virtual or Manual IO Timing Mode. Refer to the device Data Manual for definition of the required settings for a given mode of operation. When this bit is 0b1, a Virtual IO Timing Mode can be selected via the DELAYMODE field of this register, as described in Section 18.4.6.1.5 , Virtual IO Timing Modes. Manual IO Timing Modes are selected via the procedure described in Section 18.4.6.1.6 , Manual IO Timing Modes. 0x0: Default IO Timing Mode is used 0x1: A Virtual or Manual IO Timing Mode is used	RW	0x0
7:4	VOUT1_D9_DELAYMODE	This bit field selects the Virtual Timing Mode used when the MODESELECT bit is set to 0b1. See Section 18.4.6.1.5 , Virtual IO Timing Modes for details.	RW	0x0
3:0	VOUT1_D9_MUXMODE	0x0: vout1_d9 0x2: uart6_txd 0x3: vin2a_d9 vin1a_d9 0x4: vin1a_d9 0xA: pr2_edio_latch_in 0xC: pr2_pru0_gpi6 0xD: pr2_pru0_gpo6 0xE: gpio8_9 0xF: Driver off	RW	0xF

Table 18-1257. Register Call Summary for Register CTRL_CORE_PAD_VOUT1_D9

Control Module Register Manual

- [CTRL_MODULE_CORE Register Summary: \[0\]](#)

Table 18-1258. CTRL_CORE_PAD_VOUT1_D10

Address Offset	0x0000 1604	Instance	CTRL_MODULE_CORE
Physical Address	0x4A00 3604		
Description			
Type	RW		

31	30	29	28	27	26	25	24	23	22	21	20	19	18	17	16	15	14	13	12	11	10	9	8	7	6	5	4	3	2	1	0																
RESERVED								RESERVED								RESERVED								VOUT1_D10_MODESELECT				VOUT1_D10_DELAYMODE				VOUT1_D10_MUXMODE															
RESERVED								RESERVED								RESERVED								VOUT1_D10_WAKEUPEVENT				VOUT1_D10_WAKEUPENABLE				VOUT1_D10_SLEWCONTROL				VOUT1_D10_INPUTENABLE				VOUT1_D10_PULLTYPESELECT				VOUT1_D10_PULLUDENABLE			

Bits	Field Name	Description	Type	Reset
31:26	RESERVED		R	0x0
25	VOUT1_D10_WAKEUPEVENT	0x0: No wakeup event detected 0x1: Wakeup event detected	R	0x0
24	VOUT1_D10_WAKEUPENABLE	0x0: Wakeup is disabled 0x1: Wakeup is enabled	RW	0x0
23:20	RESERVED		R	0x0
19	VOUT1_D10_SLEWCONTROL	0x0: Fast slew is selected 0x1: Slow slew is selected	RW	0x0
18	VOUT1_D10_INPUTENABLE	0x0: Receive mode is disabled 0x1: Receive mode is enabled	RW	0x1
17	VOUT1_D10_PULLTYPESELECTION	0x0: Pull Down is selected 0x1: Pull Up is selected	RW	0x0
16	VOUT1_D10_PULLUDENABLE	0x0: Enables weak Pull Up/Down 0x1: Disables weak Pull Up/Down	RW	0x0
15:9	RESERVED		R	0x0
8	VOUT1_D10_MODESELECT	Selects between the Default IO Timing Mode and a Virtual or Manual IO Timing Mode. Refer to the device Data Manual for definition of the required settings for a given mode of operation. When this bit is 0b1, a Virtual IO Timing Mode can be selected via the DELAYMODE field of this register, as described in Section 18.4.6.1.5 , Virtual IO Timing Modes. Manual IO Timing Modes are selected via the procedure described in Section 18.4.6.1.6 , Manual IO Timing Modes. 0x0: Default IO Timing Mode is used 0x1: A Virtual or Manual IO Timing Mode is used	RW	0x0
7:4	VOUT1_D10_DELAYMODE	This bit field selects the Virtual Timing Mode used when the MODESELECT bit is set to 0b1. See Section 18.4.6.1.5 , Virtual IO Timing Modes for details.	RW	0x0
3:0	VOUT1_D10_MUXMODE	0x0: vout1_d10 0x2: emu3 0x3: vin2a_d10 vin1a_d10 0x4: vin1a_d10 0x5: obs5 0x6: obs21 0x7: obs_irq2 0xA: pr2_edio_sof 0xC: pr2_pru0_gpi7 0xD: pr2_pru0_gpo7 0xE: gpio8_10 0xF: Driver off	RW	0xF

Table 18-1259. Register Call Summary for Register CTRL_CORE_PAD_VOUT1_D10

Control Module Register Manual

- [CTRL_MODULE_CORE Register Summary: \[0\]](#)

Table 18-1260. CTRL_CORE_PAD_VOUT1_D11

Address Offset	0x0000 1608	Instance	CTRL_MODULE_CORE
Physical Address	0x4A00 3608		
Description			
Type	RW		

31	30	29	28	27	26	25	24	23	22	21	20	19	18	17	16	15	14	13	12	11	10	9	8	7	6	5	4	3	2	1	0												
RESERVED								RESERVED								RESERVED								VOUT1_D11_WAKEUPEVENT VOUT1_D11_WAKEUPENABLE				VOUT1_D11_SLEWCONTROL VOUT1_D11_INPUTENABLE VOUT1_D11_PULLTYPESELECT VOUT1_D11_PULLUDENABLE				VOUT1_D11_MODESELECT				VOUT1_D11_DELAYMODE				VOUT1_D11_MUXMODE			

Bits	Field Name	Description	Type	Reset
31:26	RESERVED		R	0x0
25	VOUT1_D11_WAKEUPEVENT	0x0: No wakeup event detected 0x1: Wakeup event detected	R	0x0
24	VOUT1_D11_WAKEUPENABLE	0x0: Wakeup is disabled 0x1: Wakeup is enabled	RW	0x0
23:20	RESERVED		R	0x0
19	VOUT1_D11_SLEWCONTROL	0x0: Fast slew is selected 0x1: Slow slew is selected	RW	0x0
18	VOUT1_D11_INPUTENABLE	0x0: Receive mode is disabled 0x1: Receive mode is enabled	RW	0x1
17	VOUT1_D11_PULLTYPESELECT	0x0: Pull Down is selected 0x1: Pull Up is selected	RW	0x0
16	VOUT1_D11_PULLUDENABLE	0x0: Enables weak Pull Up/Down 0x1: Disables weak Pull Up/Down	RW	0x0
15:9	RESERVED		R	0x0
8	VOUT1_D11_MODESELECT	Selects between the Default IO Timing Mode and a Virtual or Manual IO Timing Mode. Refer to the device Data Manual for definition of the required settings for a given mode of operation. When this bit is 0b1, a Virtual IO Timing Mode can be selected via the DELAYMODE field of this register, as described in Section 18.4.6.1.5 , Virtual IO Timing Modes. Manual IO Timing Modes are selected via the procedure described in Section 18.4.6.1.6 , Manual IO Timing Modes. 0x0: Default IO Timing Mode is used 0x1: A Virtual or Manual IO Timing Mode is used	RW	0x0
7:4	VOUT1_D11_DELAYMODE	This bit field selects the Virtual Timing Mode used when the MODESELECT bit is set to 0b1. See Section 18.4.6.1.5 , Virtual IO Timing Modes for details.	RW	0x0

Bits	Field Name	Description	Type	Reset
3:0	VOUT1_D11_MUXMODE	0x0: vout1_d11 0x2: emu10 0x3: vin2a_d11 vin1a_d11 0x4: vin1a_d11 0x5: obs6 0x6: obs22 0x7: obs_dmarq2 0xA: pr2_uart0_cts_n 0xC: pr2_pru0_gpi8 0xD: pr2_pru0_gpo8 0xE: gpio8_11 0xF: Driver off	RW	0xF

Table 18-1261. Register Call Summary for Register CTRL_CORE_PAD_VOUT1_D11

Control Module Register Manual

- [CTRL_MODULE_CORE Register Summary: \[0\]](#)

Table 18-1262. CTRL_CORE_PAD_VOUT1_D12

Address Offset	0x0000 160C	Instance	CTRL_MODULE_CORE
Physical Address	0x4A00 360C		
Description			
Type	RW		

31	30	29	28	27	26	25	24	23	22	21	20	19	18	17	16	15	14	13	12	11	10	9	8	7	6	5	4	3	2	1	0
RESERVED						VOUT1_D12_WAKEUPEVENT	VOUT1_D12_WAKEUPENABLE	RESERVED				VOUT1_D12_SLEWCONTROL	VOUT1_D12_INPUTENABLE	VOUT1_D12_PULLTYPESELECT	VOUT1_D12_PULLUDENABLE	RESERVED						VOUT1_D12_MODESELECT	VOUT1_D12_DELAYMODE				VOUT1_D12_MUXMODE				

Bits	Field Name	Description	Type	Reset
31:26	RESERVED		R	0x0
25	VOUT1_D12_WAKEUPEVENT	0x0: No wakeup event detected 0x1: Wakeup event detected	R	0x0
24	VOUT1_D12_WAKEUPENABLE	0x0: Wakeup is disabled 0x1: Wakeup is enabled	RW	0x0
23:20	RESERVED		R	0x0
19	VOUT1_D12_SLEWCONTROL	0x0: Fast slew is selected 0x1: Slow slew is selected	RW	0x0
18	VOUT1_D12_INPUTENABLE	0x0: Receive mode is disabled 0x1: Receive mode is enabled	RW	0x1

Bits	Field Name	Description	Type	Reset
17	VOUT1_D12_PULLTYPESELECT	0x0: Pull Down is selected 0x1: Pull Up is selected	RW	0x0
16	VOUT1_D12_PULLUDENABLE	0x0: Enables weak Pull Up/Down 0x1: Disables weak Pull Up/Down	RW	0x0
15:9	RESERVED		R	0x0
8	VOUT1_D12_MODESELECT	Selects between the Default IO Timing Mode and a Virtual or Manual IO Timing Mode. Refer to the device Data Manual for definition of the required settings for a given mode of operation. When this bit is 0b1, a Virtual IO Timing Mode can be selected via the DELAYMODE field of this register, as described in Section 18.4.6.1.5 , Virtual IO Timing Modes. Manual IO Timing Modes are selected via the procedure described in Section 18.4.6.1.6 , Manual IO Timing Modes. 0x0: Default IO Timing Mode is used 0x1: A Virtual or Manual IO Timing Mode is used	RW	0x0
7:4	VOUT1_D12_DELAYMODE	This bit field selects the Virtual Timing Mode used when the MODESELECT bit is set to 0b1. See Section 18.4.6.1.5 , Virtual IO Timing Modes for details.	RW	0x0
3:0	VOUT1_D12_MUXMODE	0x0: vout1_d12 0x2: emu11 0x3: vin2a_d12 vin1a_d12 0x4: vin1a_d12 0x5: obs7 0x6: obs23 0xA: pr2_uart0_rts_n 0xC: pr2_pru0_gpi9 0xD: pr2_pru0_gpo9 0xE: gpio8_12 0xF: Driver off	RW	0xF

Table 18-1263. Register Call Summary for Register CTRL_CORE_PAD_VOUT1_D12

Control Module Register Manual

- [CTRL_MODULE_CORE Register Summary: \[0\]](#)

Table 18-1264. CTRL_CORE_PAD_VOUT1_D13

Address Offset	0x0000 1610	Instance	CTRL_MODULE_CORE
Physical Address	0x4A00 3610		
Description			
Type	RW		

31	30	29	28	27	26	25	24	23	22	21	20	19	18	17	16	15	14	13	12	11	10	9	8	7	6	5	4	3	2	1	0	
RESERVED							VOUT1_D13_WAKEUPEVENT	VOUT1_D13_WAKEUPENABLE	RESERVED				VOUT1_D13_SLEWCONTROL	VOUT1_D13_INPUTENABLE	VOUT1_D13_PULLTYPESELECT	VOUT1_D13_PULLUDENABLE	RESERVED							VOUT1_D13_MODESELECT	VOUT1_D13_DELAYMODE				VOUT1_D13_MUXMODE			

Bits	Field Name	Description	Type	Reset
31:26	RESERVED		R	0x0
25	VOUT1_D13_WAKEUPEVENT	0x0: No wakeup event detected 0x1: Wakeup event detected	R	0x0
24	VOUT1_D13_WAKEUPENABLE	0x0: Wakeup is disabled 0x1: Wakeup is enabled	RW	0x0
23:20	RESERVED		R	0x0
19	VOUT1_D13_SLEWCONTROL	0x0: Fast slew is selected 0x1: Slow slew is selected	RW	0x0
18	VOUT1_D13_INPUTENABLE	0x0: Receive mode is disabled 0x1: Receive mode is enabled	RW	0x1
17	VOUT1_D13_PULLTYPESELECT	0x0: Pull Down is selected 0x1: Pull Up is selected	RW	0x0
16	VOUT1_D13_PULLUDENABLE	0x0: Enables weak Pull Up/Down 0x1: Disables weak Pull Up/Down	RW	0x0
15:9	RESERVED		R	0x0
8	VOUT1_D13_MODESELECT	Selects between the Default IO Timing Mode and a Virtual or Manual IO Timing Mode. Refer to the device Data Manual for definition of the required settings for a given mode of operation. When this bit is 0b1, a Virtual IO Timing Mode can be selected via the DELAYMODE field of this register, as described in Section 18.4.6.1.5 , Virtual IO Timing Modes. Manual IO Timing Modes are selected via the procedure described in Section 18.4.6.1.6 , Manual IO Timing Modes. 0x0: Default IO Timing Mode is used 0x1: A Virtual or Manual IO Timing Mode is used	RW	0x0
7:4	VOUT1_D13_DELAYMODE	This bit field selects the Virtual Timing Mode used when the MODESELECT bit is set to 0b1. See Section 18.4.6.1.5 , Virtual IO Timing Modes for details.	RW	0x0

Bits	Field Name	Description	Type	Reset
3:0	VOUT1_D13_MUXMODE	0x0: vout1_d13 0x2: emu12 0x3: vin2a_d13 vin1a_d13 0x4: vin1a_d13 0x5: obs8 0x6: obs24 0xA: pr2_uart0_rxd 0xC: pr2_pru0_gpi10 0xD: pr2_pru0_gpo10 0xE: gpio8_13 0xF: Driver off	RW	0xF

Table 18-1265. Register Call Summary for Register CTRL_CORE_PAD_VOUT1_D13

Control Module Register Manual

- [CTRL_MODULE_CORE Register Summary: \[0\]](#)

Table 18-1266. CTRL_CORE_PAD_VOUT1_D14

Address Offset	0x0000 1614	Instance	CTRL_MODULE_CORE
Physical Address	0x4A00 3614		
Description			
Type	RW		

31	30	29	28	27	26	25	24	23	22	21	20	19	18	17	16	15	14	13	12	11	10	9	8	7	6	5	4	3	2	1	0
RESERVED						VOUT1_D14_WAKEUPEVENT	VOUT1_D14_WAKEUPENABLE	RESERVED				VOUT1_D14_SLEWCONTROL	VOUT1_D14_INPUTENABLE	VOUT1_D14_PULLTYPESELECT	VOUT1_D14_PULLUDENABLE	RESERVED						VOUT1_D14_MODESELECT	VOUT1_D14_DELAYMODE			VOUT1_D14_MUXMODE					

Bits	Field Name	Description	Type	Reset
31:26	RESERVED		R	0x0
25	VOUT1_D14_WAKEUPEVENT	0x0: No wakeup event detected 0x1: Wakeup event detected	R	0x0
24	VOUT1_D14_WAKEUPENABLE	0x0: Wakeup is disabled 0x1: Wakeup is enabled	RW	0x0
23:20	RESERVED		R	0x0
19	VOUT1_D14_SLEWCONTROL	0x0: Fast slew is selected 0x1: Slow slew is selected	RW	0x0
18	VOUT1_D14_INPUTENABLE	0x0: Receive mode is disabled 0x1: Receive mode is enabled	RW	0x1

Bits	Field Name	Description	Type	Reset
17	VOUT1_D14_PULLTYPESELECTION	0x0: Pull Down is selected 0x1: Pull Up is selected	RW	0x0
16	VOUT1_D14_PULLUDENABLE	0x0: Enables weak Pull Up/Down 0x1: Disables weak Pull Up/Down	RW	0x0
15:9	RESERVED		R	0x0
8	VOUT1_D14_MODESELECT	Selects between the Default IO Timing Mode and a Virtual or Manual IO Timing Mode. Refer to the device Data Manual for definition of the required settings for a given mode of operation. When this bit is 0b1, a Virtual IO Timing Mode can be selected via the DELAYMODE field of this register, as described in Section 18.4.6.1.5 , Virtual IO Timing Modes. Manual IO Timing Modes are selected via the procedure described in Section 18.4.6.1.6 , Manual IO Timing Modes. 0x0: Default IO Timing Mode is used 0x1: A Virtual or Manual IO Timing Mode is used	RW	0x0
7:4	VOUT1_D14_DELAYMODE	This bit field selects the Virtual Timing Mode used when the MODESELECT bit is set to 0b1. See Section 18.4.6.1.5 , Virtual IO Timing Modes for details.	RW	0x0
3:0	VOUT1_D14_MUXMODE	0x0: vout1_d14 0x2: emu13 0x3: vin2a_d14 vin1a_d14 0x4: vin1a_d14 0x5: obs9 0x6: obs25 0xA: pr2_uart0_txd 0xC: pr2_pru0_gpi11 0xD: pr2_pru0_gpo11 0xE: gpio8_14 0xF: Driver off	RW	0xF

Table 18-1267. Register Call Summary for Register CTRL_CORE_PAD_VOUT1_D14

Control Module Register Manual

- [CTRL_MODULE_CORE Register Summary: \[0\]](#)

Table 18-1268. CTRL_CORE_PAD_VOUT1_D15

Address Offset	0x0000 1618	Instance	CTRL_MODULE_CORE
Physical Address	0x4A00 3618		
Description			
Type	RW		

31	30	29	28	27	26	25	24	23	22	21	20	19	18	17	16	15	14	13	12	11	10	9	8	7	6	5	4	3	2	1	0				
RESERVED								VOUT1_D15_WAKEUPEVENT		VOUT1_D15_WAKEUPENABLE		RESERVED		VOUT1_D15_SLEWCONTROL		VOUT1_D15_INPUTENABLE		VOUT1_D15_PULLTYPESELECT		VOUT1_D15_PULLUDENABLE		RESERVED						VOUT1_D15_MODESELECT		VOUT1_D15_DELAYMODE				VOUT1_D15_MUXMODE	

Bits	Field Name	Description	Type	Reset
31:26	RESERVED		R	0x0
25	VOUT1_D15_WAKEUPEVENT	0x0: No wakeup event detected 0x1: Wakeup event detected	R	0x0
24	VOUT1_D15_WAKEUPENABLE	0x0: Wakeup is disabled 0x1: Wakeup is enabled	RW	0x0
23:20	RESERVED		R	0x0
19	VOUT1_D15_SLEWCONTROL	0x0: Fast slew is selected 0x1: Slow slew is selected	RW	0x0
18	VOUT1_D15_INPUTENABLE	0x0: Receive mode is disabled 0x1: Receive mode is enabled	RW	0x1
17	VOUT1_D15_PULLTYPESELECT	0x0: Pull Down is selected 0x1: Pull Up is selected	RW	0x0
16	VOUT1_D15_PULLUDENABLE	0x0: Enables weak Pull Up/Down 0x1: Disables weak Pull Up/Down	RW	0x0
15:9	RESERVED		R	0x0
8	VOUT1_D15_MODESELECT	Selects between the Default IO Timing Mode and a Virtual or Manual IO Timing Mode. Refer to the device Data Manual for definition of the required settings for a given mode of operation. When this bit is 0b1, a Virtual IO Timing Mode can be selected via the DELAYMODE field of this register, as described in Section 18.4.6.1.5 , Virtual IO Timing Modes. Manual IO Timing Modes are selected via the procedure described in Section 18.4.6.1.6 , Manual IO Timing Modes. 0x0: Default IO Timing Mode is used 0x1: A Virtual or Manual IO Timing Mode is used	RW	0x0
7:4	VOUT1_D15_DELAYMODE	This bit field selects the Virtual Timing Mode used when the MODESELECT bit is set to 0b1. See Section 18.4.6.1.5 , Virtual IO Timing Modes for details.	RW	0x0

Bits	Field Name	Description	Type	Reset
3:0	VOUT1_D15_MUXMODE	0x0: vout1_d15 0x2: emu14 0x3: vin2a_d15 vin1a_d15 0x4: vin1a_d15 0x5: obs10 0x6: obs26 0xA: pr2_ecap0_ecap_capin_apwm_o 0xC: pr2_pru0_gpi12 0xD: pr2_pru0_gpo12 0xE: gpio8_15 0xF: Driver off	RW	0xF

Table 18-1269. Register Call Summary for Register CTRL_CORE_PAD_VOUT1_D15

Control Module Register Manual

- [CTRL_MODULE_CORE Register Summary: \[0\]](#)

Table 18-1270. CTRL_CORE_PAD_VOUT1_D16

Address Offset	0x0000 161C	Instance	CTRL_MODULE_CORE
Physical Address	0x4A00 361C		
Description			
Type	RW		

31	30	29	28	27	26	25	24	23	22	21	20	19	18	17	16	15	14	13	12	11	10	9	8	7	6	5	4	3	2	1	0
RESERVED						VOUT1_D16_WAKEUPEVENT	VOUT1_D16_WAKEUPENABLE	RESERVED				VOUT1_D16_SLEWCONTROL	VOUT1_D16_INPUTENABLE	VOUT1_D16_PULTYPESELECT	VOUT1_D16_PULLUDENABLE	RESERVED						VOUT1_D16_MODESELECT	VOUT1_D16_DELAYMODE				VOUT1_D16_MUXMODE				

Bits	Field Name	Description	Type	Reset
31:26	RESERVED		R	0x0
25	VOUT1_D16_WAKEUPEVENT	0x0: No wakeup event detected 0x1: Wakeup event detected	R	0x0
24	VOUT1_D16_WAKEUPENABLE	0x0: Wakeup is disabled 0x1: Wakeup is enabled	RW	0x0
23:20	RESERVED		R	0x0
19	VOUT1_D16_SLEWCONTROL	0x0: Fast slew is selected 0x1: Slow slew is selected	RW	0x0
18	VOUT1_D16_INPUTENABLE	0x0: Receive mode is disabled 0x1: Receive mode is enabled	RW	0x1

Bits	Field Name	Description	Type	Reset
17	VOUT1_D16_PULLTYPESELECTION	0x0: Pull Down is selected 0x1: Pull Up is selected	RW	0x0
16	VOUT1_D16_PULLUDENABLE	0x0: Enables weak Pull Up/Down 0x1: Disables weak Pull Up/Down	RW	0x0
15:9	RESERVED		R	0x0
8	VOUT1_D16_MODESELECT	Selects between the Default IO Timing Mode and a Virtual or Manual IO Timing Mode. Refer to the device Data Manual for definition of the required settings for a given mode of operation. When this bit is 0b1, a Virtual IO Timing Mode can be selected via the DELAYMODE field of this register, as described in Section 18.4.6.1.5 , Virtual IO Timing Modes. Manual IO Timing Modes are selected via the procedure described in Section 18.4.6.1.6 , Manual IO Timing Modes. 0x0: Default IO Timing Mode is used 0x1: A Virtual or Manual IO Timing Mode is used	RW	0x0
7:4	VOUT1_D16_DELAYMODE	This bit field selects the Virtual Timing Mode used when the MODESELECT bit is set to 0b1. See Section 18.4.6.1.5 , Virtual IO Timing Modes for details.	RW	0x0
3:0	VOUT1_D16_MUXMODE	0x0: vout1_d16 0x2: uart7_rxd 0x3: vin2a_d0 vin1a_d0 0x4: vin1a_d0 0xA: pr2_edio_data_in0 0xB: pr2_edio_data_out0 0xC: pr2_pru0_gpi13 0xD: pr2_pru0_gpo13 0xE: gpio8_16 0xF: Driver off	RW	0xF

Table 18-1271. Register Call Summary for Register CTRL_CORE_PAD_VOUT1_D16

Control Module Register Manual

- [CTRL_MODULE_CORE Register Summary: \[0\]](#)

Table 18-1272. CTRL_CORE_PAD_VOUT1_D17

Address Offset	0x0000 1620	Instance	CTRL_MODULE_CORE
Physical Address	0x4A00 3620		
Description			
Type	RW		

31	30	29	28	27	26	25	24	23	22	21	20	19	18	17	16	15	14	13	12	11	10	9	8	7	6	5	4	3	2	1	0						
RESERVED								VOUT1_D17_WAKEUPEVENT		VOUT1_D17_WAKEUPENABLE		RESERVED		VOUT1_D17_SLEWCONTROL		VOUT1_D17_INPUTENABLE		VOUT1_D17_PULLTYPESELECT		VOUT1_D17_PULLUDENABLE		RESERVED								VOUT1_D17_MODESELECT		VOUT1_D17_DELAYMODE				VOUT1_D17_MUXMODE	

Bits	Field Name	Description	Type	Reset
31:26	RESERVED		R	0x0
25	VOUT1_D17_WAKEUPEVENT	0x0: No wakeup event detected 0x1: Wakeup event detected	R	0x0
24	VOUT1_D17_WAKEUPENABLE	0x0: Wakeup is disabled 0x1: Wakeup is enabled	RW	0x0
23:20	RESERVED		R	0x0
19	VOUT1_D17_SLEWCONTROL	0x0: Fast slew is selected 0x1: Slow slew is selected	RW	0x0
18	VOUT1_D17_INPUTENABLE	0x0: Receive mode is disabled 0x1: Receive mode is enabled	RW	0x1
17	VOUT1_D17_PULLTYPESELECT	0x0: Pull Down is selected 0x1: Pull Up is selected	RW	0x0
16	VOUT1_D17_PULLUDENABLE	0x0: Enables weak Pull Up/Down 0x1: Disables weak Pull Up/Down	RW	0x0
15:9	RESERVED		R	0x0
8	VOUT1_D17_MODESELECT	Selects between the Default IO Timing Mode and a Virtual or Manual IO Timing Mode. Refer to the device Data Manual for definition of the required settings for a given mode of operation. When this bit is 0b1, a Virtual IO Timing Mode can be selected via the DELAYMODE field of this register, as described in Section 18.4.6.1.5 , Virtual IO Timing Modes. Manual IO Timing Modes are selected via the procedure described in Section 18.4.6.1.6 , Manual IO Timing Modes. 0x0: Default IO Timing Mode is used 0x1: A Virtual or Manual IO Timing Mode is used	RW	0x0
7:4	VOUT1_D17_DELAYMODE	This bit field selects the Virtual Timing Mode used when the MODESELECT bit is set to 0b1. See Section 18.4.6.1.5 , Virtual IO Timing Modes for details.	RW	0x0

Bits	Field Name	Description	Type	Reset
3:0	VOUT1_D17_MUXMODE	0x0: vout1_d17 0x2: uart7_txd 0x3: vin2a_d1 vin1a_d1 0x4: vin1a_d1 0xA: pr2_edio_data_in1 0xB: pr2_edio_data_out1 0xC: pr2_pru0_gpi14 0xD: pr2_pru0_gpo14 0xE: gpio8_17 0xF: Driver off	RW	0xF

Table 18-1273. Register Call Summary for Register CTRL_CORE_PAD_VOUT1_D17

Control Module Register Manual

- [CTRL_MODULE_CORE Register Summary: \[0\]](#)

Table 18-1274. CTRL_CORE_PAD_VOUT1_D18

Address Offset	0x0000 1624	Instance	CTRL_MODULE_CORE
Physical Address	0x4A00 3624		
Description			
Type	RW		

31	30	29	28	27	26	25	24	23	22	21	20	19	18	17	16	15	14	13	12	11	10	9	8	7	6	5	4	3	2	1	0												
RESERVED								RESERVED								RESERVED								VOUT1_D18_WAKEUPEVENT VOUT1_D18_WAKEUPENABLE				VOUT1_D18_SLEWCONTROL VOUT1_D18_INPUTENABLE VOUT1_D18_PULLTYPESELECT VOUT1_D18_PULLUDENABLE				VOUT1_D18_MODESELECT				VOUT1_D18_DELAYMODE				VOUT1_D18_MUXMODE			

Bits	Field Name	Description	Type	Reset
31:26	RESERVED		R	0x0
25	VOUT1_D18_WAKEUPEVENT	0x0: No wakeup event detected 0x1: Wakeup event detected	R	0x0
24	VOUT1_D18_WAKEUPENABLE	0x0: Wakeup is disabled 0x1: Wakeup is enabled	RW	0x0
23:20	RESERVED		R	0x0
19	VOUT1_D18_SLEWCONTROL	0x0: Fast slew is selected 0x1: Slow slew is selected	RW	0x0
18	VOUT1_D18_INPUTENABLE	0x0: Receive mode is disabled 0x1: Receive mode is enabled	RW	0x1
17	VOUT1_D18_PULLTYPESELECT	0x0: Pull Down is selected 0x1: Pull Up is selected	RW	0x0

Bits	Field Name	Description	Type	Reset
16	VOUT1_D18_PULLUDENABLE	0x0: Enables weak Pull Up/Down 0x1: Disables weak Pull Up/Down	RW	0x0
15:9	RESERVED		R	0x0
8	VOUT1_D18_MODESELECT	Selects between the Default IO Timing Mode and a Virtual or Manual IO Timing Mode. Refer to the device Data Manual for definition of the required settings for a given mode of operation. When this bit is 0b1, a Virtual IO Timing Mode can be selected via the DELAYMODE field of this register, as described in Section 18.4.6.1.5 , Virtual IO Timing Modes. Manual IO Timing Modes are selected via the procedure described in Section 18.4.6.1.6 , Manual IO Timing Modes. 0x0: Default IO Timing Mode is used 0x1: A Virtual or Manual IO Timing Mode is used	RW	0x0
7:4	VOUT1_D18_DELAYMODE	This bit field selects the Virtual Timing Mode used when the MODESELECT bit is set to 0b1. See Section 18.4.6.1.5 , Virtual IO Timing Modes for details.	RW	0x0
3:0	VOUT1_D18_MUXMODE	0x0: vout1_d18 0x2: emu4 0x3: vin2a_d2 vin1a_d2 0x4: vin1a_d2 0x5: obs11 0x6: obs27 0xA: pr2_edio_data_in2 0xB: pr2_edio_data_out2 0xC: pr2_pru0_gpi15 0xD: pr2_pru0_gpo15 0xE: gpio8_18 0xF: Driver off	RW	0xF

Table 18-1275. Register Call Summary for Register CTRL_CORE_PAD_VOUT1_D18

Control Module Register Manual

- [CTRL_MODULE_CORE Register Summary: \[0\]](#)

Table 18-1276. CTRL_CORE_PAD_VOUT1_D19

Address Offset	0x0000 1628	Instance	CTRL_MODULE_CORE
Physical Address	0x4A00 3628		
Description			
Type	RW		

31	30	29	28	27	26	25	24	23	22	21	20	19	18	17	16	15	14	13	12	11	10	9	8	7	6	5	4	3	2	1	0				
RESERVED								RESERVED								RESERVED								VOUT1_D19_MODESELECT		VOUT1_D19_DELAYMODE				VOUT1_D19_MUXMODE					
VOUT1_D19_WAKEUPEVENT				VOUT1_D19_WAKEUPENABLE				VOUT1_D19_SLEWCONTROL				VOUT1_D19_INPUTENABLE				VOUT1_D19_PULLEYSELECT				VOUT1_D19_PULLUDENABLE															

Bits	Field Name	Description	Type	Reset
31:26	RESERVED		R	0x0
25	VOUT1_D19_WAKEUPEVENT	0x0: No wakeup event detected 0x1: Wakeup event detected	R	0x0
24	VOUT1_D19_WAKEUPENABLE	0x0: Wakeup is disabled 0x1: Wakeup is enabled	RW	0x0
23:20	RESERVED		R	0x0
19	VOUT1_D19_SLEWCONTROL	0x0: Fast slew is selected 0x1: Slow slew is selected	RW	0x0
18	VOUT1_D19_INPUTENABLE	0x0: Receive mode is disabled 0x1: Receive mode is enabled	RW	0x1
17	VOUT1_D19_PULLTYPESELECTION	0x0: Pull Down is selected 0x1: Pull Up is selected	RW	0x0
16	VOUT1_D19_PULLUDENABLE	0x0: Enables weak Pull Up/Down 0x1: Disables weak Pull Up/Down	RW	0x0
15:9	RESERVED		R	0x0
8	VOUT1_D19_MODESELECT	Selects between the Default IO Timing Mode and a Virtual or Manual IO Timing Mode. Refer to the device Data Manual for definition of the required settings for a given mode of operation. When this bit is 0b1, a Virtual IO Timing Mode can be selected via the DELAYMODE field of this register, as described in Section 18.4.6.1.5 , Virtual IO Timing Modes. Manual IO Timing Modes are selected via the procedure described in Section 18.4.6.1.6 , Manual IO Timing Modes. 0x0: Default IO Timing Mode is used 0x1: A Virtual or Manual IO Timing Mode is used	RW	0x0
7:4	VOUT1_D19_DELAYMODE	This bit field selects the Virtual Timing Mode used when the MODESELECT bit is set to 0b1. See Section 18.4.6.1.5 , Virtual IO Timing Modes for details.	RW	0x0
3:0	VOUT1_D19_MUXMODE	0x0: vout1_d19 0x2: emu15 0x3: vin2a_d3 vin1a_d3 0x4: vin1a_d3 0x5: obs12 0x6: obs28 0xA: pr2_edio_data_in3 0xB: pr2_edio_data_out3 0xC: pr2_pru0_gpi16 0xD: pr2_pru0_gpo16 0xE: gpio8_19 0xF: Driver off	RW	0xF

Table 18-1277. Register Call Summary for Register CTRL_CORE_PAD_VOUT1_D19

Control Module Register Manual

- [CTRL_MODULE_CORE Register Summary: \[0\]](#)

Table 18-1278. CTRL_CORE_PAD_VOUT1_D20

Address Offset	0x0000 162C	Instance	CTRL_MODULE_CORE
Physical Address	0x4A00 362C		
Description			
Type	RW		

31	30	29	28	27	26	25	24	23	22	21	20	19	18	17	16	15	14	13	12	11	10	9	8	7	6	5	4	3	2	1	0												
RESERVED								RESERVED								RESERVED								VOUT1_D20_WAKEUPEVENT VOUT1_D20_WAKEUPENABLE				VOUT1_D20_SLEWCONTROL VOUT1_D20_INPUTENABLE VOUT1_D20_PULLTYPESELEC T VOUT1_D20_PULLUDENABLE				VOUT1_D20_MODESELECT				VOUT1_D20_DELAYMODE				VOUT1_D20_MUXMODE			

Bits	Field Name	Description	Type	Reset
31:26	RESERVED		R	0x0
25	VOUT1_D20_WAKEUPEVENT	0x0: No wakeup event detected 0x1: Wakeup event detected	R	0x0
24	VOUT1_D20_WAKEUPENABLE	0x0: Wakeup is disabled 0x1: Wakeup is enabled	RW	0x0
23:20	RESERVED		R	0x0
19	VOUT1_D20_SLEWCONTROL	0x0: Fast slew is selected 0x1: Slow slew is selected	RW	0x0
18	VOUT1_D20_INPUTENABLE	0x0: Receive mode is disabled 0x1: Receive mode is enabled	RW	0x1
17	VOUT1_D20_PULLTYPESELEC T	0x0: Pull Down is selected 0x1: Pull Up is selected	RW	0x0
16	VOUT1_D20_PULLUDENABLE	0x0: Enables weak Pull Up/Down 0x1: Disables weak Pull Up/Down	RW	0x0
15:9	RESERVED		R	0x0
8	VOUT1_D20_MODESELECT	Selects between the Default IO Timing Mode and a Virtual or Manual IO Timing Mode. Refer to the device Data Manual for definition of the required settings for a given mode of operation. When this bit is 0b1, a Virtual IO Timing Mode can be selected via the DELAYMODE field of this register, as described in Section 18.4.6.1.5 , Virtual IO Timing Modes. Manual IO Timing Modes are selected via the procedure described in Section 18.4.6.1.6 , Manual IO Timing Modes. 0x0: Default IO Timing Mode is used 0x1: A Virtual or Manual IO Timing Mode is used	RW	0x0
7:4	VOUT1_D20_DELAYMODE	This bit field selects the Virtual Timing Mode used when the MODESELECT bit is set to 0b1. See Section 18.4.6.1.5 , Virtual IO Timing Modes for details.	RW	0x0

Bits	Field Name	Description	Type	Reset
3:0	VOUT1_D20_MUXMODE	0x0: vout1_d20 0x2: emu16 0x3: vin2a_d4 vin1a_d4 0x4: vin1a_d4 0x5: obs13 0x6: obs29 0xA: pr2_edio_data_in4 0xB: pr2_edio_data_out4 0xC: pr2_pru0_gpi17 0xD: pr2_pru0_gpo17 0xE: gpio8_20 0xF: Driver off	RW	0xF

Table 18-1279. Register Call Summary for Register CTRL_CORE_PAD_VOUT1_D20

Control Module Register Manual

- [CTRL_MODULE_CORE Register Summary: \[0\]](#)

Table 18-1280. CTRL_CORE_PAD_VOUT1_D21

Address Offset	0x0000 1630	Instance	CTRL_MODULE_CORE
Physical Address	0x4A00 3630		
Description			
Type	RW		

31	30	29	28	27	26	25	24	23	22	21	20	19	18	17	16	15	14	13	12	11	10	9	8	7	6	5	4	3	2	1	0
RESERVED						VOUT1_D21_WAKEUPEVENT	VOUT1_D21_WAKEUPENABLE	RESERVED				VOUT1_D21_SLEWCONTROL	VOUT1_D21_INPUTENABLE	VOUT1_D21_PULLEYSELECT	VOUT1_D21_PULLUDENABLE	RESERVED						VOUT1_D21_MODESELECT	VOUT1_D21_DELAYMODE				VOUT1_D21_MUXMODE				

Bits	Field Name	Description	Type	Reset
31:26	RESERVED		R	0x0
25	VOUT1_D21_WAKEUPEVENT	0x0: No wakeup event detected 0x1: Wakeup event detected	R	0x0
24	VOUT1_D21_WAKEUPENABLE	0x0: Wakeup is disabled 0x1: Wakeup is enabled	RW	0x0
23:20	RESERVED		R	0x0
19	VOUT1_D21_SLEWCONTROL	0x0: Fast slew is selected 0x1: Slow slew is selected	RW	0x0
18	VOUT1_D21_INPUTENABLE	0x0: Receive mode is disabled 0x1: Receive mode is enabled	RW	0x1

Bits	Field Name	Description	Type	Reset
17	VOUT1_D21_PULLTYPESELECTION	0x0: Pull Down is selected 0x1: Pull Up is selected	RW	0x0
16	VOUT1_D21_PULLUDENABLE	0x0: Enables weak Pull Up/Down 0x1: Disables weak Pull Up/Down	RW	0x0
15:9	RESERVED		R	0x0
8	VOUT1_D21_MODESELECT	Selects between the Default IO Timing Mode and a Virtual or Manual IO Timing Mode. Refer to the device Data Manual for definition of the required settings for a given mode of operation. When this bit is 0b1, a Virtual IO Timing Mode can be selected via the DELAYMODE field of this register, as described in Section 18.4.6.1.5 , Virtual IO Timing Modes. Manual IO Timing Modes are selected via the procedure described in Section 18.4.6.1.6 , Manual IO Timing Modes. 0x0: Default IO Timing Mode is used 0x1: A Virtual or Manual IO Timing Mode is used	RW	0x0
7:4	VOUT1_D21_DELAYMODE	This bit field selects the Virtual Timing Mode used when the MODESELECT bit is set to 0b1. See Section 18.4.6.1.5 , Virtual IO Timing Modes for details.	RW	0x0
3:0	VOUT1_D21_MUXMODE	0x0: vout1_d21 0x2: emu17 0x3: vin2a_d5 vin1a_d5 0x4: vin1a_d5 0x5: obs14 0x6: obs30 0xA: pr2_edio_data_in5 0xB: pr2_edio_data_out5 0xC: pr2_pru0_gpi18 0xD: pr2_pru0_gpo18 0xE: gpio8_21 0xF: Driver off	RW	0xF

Table 18-1281. Register Call Summary for Register CTRL_CORE_PAD_VOUT1_D21

Control Module Register Manual

- [CTRL_MODULE_CORE Register Summary: \[0\]](#)

Table 18-1282. CTRL_CORE_PAD_VOUT1_D22

Address Offset	0x0000 1634	Instance	CTRL_MODULE_CORE
Physical Address	0x4A00 3634		
Description			
Type	RW		

31	30	29	28	27	26	25	24	23	22	21	20	19	18	17	16	15	14	13	12	11	10	9	8	7	6	5	4	3	2	1	0						
RESERVED								VOUT1_D22_WAKEUPEVENT		VOUT1_D22_WAKEUPENABLE		RESERVED				VOUT1_D22_SLEWCONTROL		VOUT1_D22_INPUTENABLE		VOUT1_D22_PULLTYPESELECT		VOUT1_D22_PULLUDENABLE		RESERVED				VOUT1_D22_MODESELECT		VOUT1_D22_DELAYMODE				VOUT1_D22_MUXMODE			

Bits	Field Name	Description	Type	Reset
31:26	RESERVED		R	0x0
25	VOUT1_D22_WAKEUPEVENT	0x0: No wakeup event detected 0x1: Wakeup event detected	R	0x0
24	VOUT1_D22_WAKEUPENABLE	0x0: Wakeup is disabled 0x1: Wakeup is enabled	RW	0x0
23:20	RESERVED		R	0x0
19	VOUT1_D22_SLEWCONTROL	0x0: Fast slew is selected 0x1: Slow slew is selected	RW	0x0
18	VOUT1_D22_INPUTENABLE	0x0: Receive mode is disabled 0x1: Receive mode is enabled	RW	0x1
17	VOUT1_D22_PULLTYPESELECT	0x0: Pull Down is selected 0x1: Pull Up is selected	RW	0x0
16	VOUT1_D22_PULLUDENABLE	0x0: Enables weak Pull Up/Down 0x1: Disables weak Pull Up/Down	RW	0x0
15:9	RESERVED		R	0x0
8	VOUT1_D22_MODESELECT	Selects between the Default IO Timing Mode and a Virtual or Manual IO Timing Mode. Refer to the device Data Manual for definition of the required settings for a given mode of operation. When this bit is 0b1, a Virtual IO Timing Mode can be selected via the DELAYMODE field of this register, as described in Section 18.4.6.1.5 , Virtual IO Timing Modes. Manual IO Timing Modes are selected via the procedure described in Section 18.4.6.1.6 , Manual IO Timing Modes. 0x0: Default IO Timing Mode is used 0x1: A Virtual or Manual IO Timing Mode is used	RW	0x0
7:4	VOUT1_D22_DELAYMODE	This bit field selects the Virtual Timing Mode used when the MODESELECT bit is set to 0b1. See Section 18.4.6.1.5 , Virtual IO Timing Modes for details.	RW	0x0

Bits	Field Name	Description	Type	Reset
3:0	VOUT1_D22_MUXMODE	0x0: vout1_d22 0x2: emu18 0x3: vin2a_d6 vin1a_d6 0x4: vin1a_d6 0x5: obs15 0x6: obs31 0xA: pr2_edio_data_in6 0xB: pr2_edio_data_out6 0xC: pr2_pru0_gpi19 0xD: pr2_pru0_gpo19 0xE: gpio8_22 0xF: Driver off	RW	0xF

Table 18-1283. Register Call Summary for Register CTRL_CORE_PAD_VOUT1_D22

Control Module Register Manual

- [CTRL_MODULE_CORE Register Summary: \[0\]](#)

Table 18-1284. CTRL_CORE_PAD_VOUT1_D23

Address Offset	0x0000 1638	Instance	CTRL_MODULE_CORE
Physical Address	0x4A00 3638		
Description			
Type	RW		

31	30	29	28	27	26	25	24	23	22	21	20	19	18	17	16	15	14	13	12	11	10	9	8	7	6	5	4	3	2	1	0
RESERVED						VOUT1_D23_WAKEUPEVENT	VOUT1_D23_WAKEUPENABLE	RESERVED				VOUT1_D23_SLEWCONTROL	VOUT1_D23_INPUTENABLE	VOUT1_D23_PULLEYSELECT	VOUT1_D23_PULLUDENABLE	RESERVED						VOUT1_D23_MODESELECT	VOUT1_D23_DELAYMODE				VOUT1_D23_MUXMODE				

Bits	Field Name	Description	Type	Reset
31:26	RESERVED		R	0x0
25	VOUT1_D23_WAKEUPEVENT	0x0: No wakeup event detected 0x1: Wakeup event detected	R	0x0
24	VOUT1_D23_WAKEUPENABLE	0x0: Wakeup is disabled 0x1: Wakeup is enabled	RW	0x0
23:20	RESERVED		R	0x0
19	VOUT1_D23_SLEWCONTROL	0x0: Fast slew is selected 0x1: Slow slew is selected	RW	0x0
18	VOUT1_D23_INPUTENABLE	0x0: Receive mode is disabled 0x1: Receive mode is enabled	RW	0x1

Bits	Field Name	Description	Type	Reset
17	VOUT1_D23_PULLTYPESELECT	0x0: Pull Down is selected 0x1: Pull Up is selected	RW	0x0
16	VOUT1_D23_PULLUDENABLE	0x0: Enables weak Pull Up/Down 0x1: Disables weak Pull Up/Down	RW	0x0
15:9	RESERVED		R	0x0
8	VOUT1_D23_MODESELECT	Selects between the Default IO Timing Mode and a Virtual or Manual IO Timing Mode. Refer to the device Data Manual for definition of the required settings for a given mode of operation. When this bit is 0b1, a Virtual IO Timing Mode can be selected via the DELAYMODE field of this register, as described in Section 18.4.6.1.5 , Virtual IO Timing Modes. Manual IO Timing Modes are selected via the procedure described in Section 18.4.6.1.6 , Manual IO Timing Modes. 0x0: Default IO Timing Mode is used 0x1: A Virtual or Manual IO Timing Mode is used	RW	0x0
7:4	VOUT1_D23_DELAYMODE	This bit field selects the Virtual Timing Mode used when the MODESELECT bit is set to 0b1. See Section 18.4.6.1.5 , Virtual IO Timing Modes for details.	RW	0x0
3:0	VOUT1_D23_MUXMODE	0x0: vout1_d23 0x2: emu19 0x3: vin2a_d7 vin2a_d7 0x4: vin1a_d7 0x8: spi3_cs3 0xA: pr2_edio_data_in7 0xB: pr2_edio_data_out7 0xC: pr2_pru0_gpi20 0xD: pr2_pru0_gpo20 0xE: gpio8_23 0xF: Driver off	RW	0xF

Table 18-1285. Register Call Summary for Register CTRL_CORE_PAD_VOUT1_D23

Control Module Register Manual

- [CTRL_MODULE_CORE Register Summary: \[0\]](#)

Table 18-1286. CTRL_CORE_PAD_MDIO_MCLK

Address Offset	0x0000 163C	Instance	CTRL_MODULE_CORE
Physical Address	0x4A00 363C		
Description			
Type	RW		

31	30	29	28	27	26	25	24	23	22	21	20	19	18	17	16	15	14	13	12	11	10	9	8	7	6	5	4	3	2	1	0												
RESERVED								RESERVED								RESERVED								MDIO_MCLK_WAKEUPEVENT MDIO_MCLK_WAKEUPENABLE				MDIO_MCLK_SLEWCONTROL MDIO_MCLK_INPUTENABLE MDIO_MCLK_PULLTYPESELECT MDIO_MCLK_PULLUDENABLE				MDIO_MCLK_MODESELECT				MDIO_MCLK_DELAYMODE				MDIO_MCLK_MUXMODE			

Bits	Field Name	Description	Type	Reset
31:26	RESERVED		R	0x0
25	MDIO_MCLK_WAKEUPEVENT	0x0: No wakeup event detected 0x1: Wakeup event detected	R	0x0
24	MDIO_MCLK_WAKEUPENABLE	0x0: Wakeup is disabled 0x1: Wakeup is enabled	RW	0x0
23:20	RESERVED		R	0x0
19	MDIO_MCLK_SLEWCONTROL	0x0: Fast slew is selected 0x1: Slow slew is selected	RW	0x1
18	MDIO_MCLK_INPUTENABLE	0x0: Receive mode is disabled 0x1: Receive mode is enabled	RW	0x1
17	MDIO_MCLK_PULLTYPESELECT	0x0: Pull Down is selected 0x1: Pull Up is selected	RW	0x1
16	MDIO_MCLK_PULLUDENABLE	0x0: Enables weak Pull Up/Down 0x1: Disables weak Pull Up/Down	RW	0x0
15:9	RESERVED		R	0x0
8	MDIO_MCLK_MODESELECT	Selects between the Default IO Timing Mode and a Virtual or Manual IO Timing Mode. Refer to the device Data Manual for definition of the required settings for a given mode of operation. When this bit is 0b1, a Virtual IO Timing Mode can be selected via the DELAYMODE field of this register, as described in Section 18.4.6.1.5 , Virtual IO Timing Modes. Manual IO Timing Modes are selected via the procedure described in Section 18.4.6.1.6 , Manual IO Timing Modes. 0x0: Default IO Timing Mode is used 0x1: A Virtual or Manual IO Timing Mode is used	RW	0x0
7:4	MDIO_MCLK_DELAYMODE	This bit field selects the Virtual Timing Mode used when the MODESELECT bit is set to 0b1. See Section 18.4.6.1.5 , Virtual IO Timing Modes for details.	RW	0x0

Bits	Field Name	Description	Type	Reset
3:0	MDIO_MCLK_MUXMODE	0x0: mdio_mclk 0x1: uart3_rtsn 0x3: mii0_col 0x4: vin2a_clk0 0x5: vin1b_clk1 0xB: pr1_mii0_col 0xC: pr2_pru1_gpi0 0xD: pr2_pru1_gpo0 0xE: gpio5_15 0xF: Driver off	RW	0xF

Table 18-1287. Register Call Summary for Register CTRL_CORE_PAD_MDIO_MCLK

Control Module Register Manual

- [CTRL_MODULE_CORE Register Summary: \[0\]](#)

Table 18-1288. CTRL_CORE_PAD_MDIO_D

Address Offset	0x0000 1640	Instance	CTRL_MODULE_CORE
Physical Address	0x4A00 3640		
Description			
Type	RW		

31	30	29	28	27	26	25	24	23	22	21	20	19	18	17	16	15	14	13	12	11	10	9	8	7	6	5	4	3	2	1	0												
RESERVED								RESERVED								RESERVED								MDIO_D_MODESELECT				MDIO_D_DELAYMODE				MDIO_D_MUXMODE											
MDIO_D_WAKEUPEVENT								MDIO_D_WAKEUPENABLE								MDIO_D_SLEWCONTROL				MDIO_D_INPUTENABLE				MDIO_D_PULLTYPESELECT				MDIO_D_PULLUDENABLE															

Bits	Field Name	Description	Type	Reset
31:26	RESERVED		R	0x0
25	MDIO_D_WAKEUPEVENT	0x0: No wakeup event detected 0x1: Wakeup event detected	R	0x0
24	MDIO_D_WAKEUPENABLE	0x0: Wakeup is disabled 0x1: Wakeup is enabled	RW	0x0
23:20	RESERVED		R	0x0
19	MDIO_D_SLEWCONTROL	0x0: Fast slew is selected 0x1: Slow slew is selected	RW	0x1
18	MDIO_D_INPUTENABLE	0x0: Receive mode is disabled 0x1: Receive mode is enabled	RW	0x1
17	MDIO_D_PULLTYPESELECT	0x0: Pull Down is selected 0x1: Pull Up is selected	RW	0x1

Bits	Field Name	Description	Type	Reset
16	MDIO_D_PULLUDENABLE	0x0: Enables weak Pull Up/Down 0x1: Disables weak Pull Up/Down	RW	0x0
15:9	RESERVED		R	0x0
8	MDIO_D_MODESELECT	Selects between the Default IO Timing Mode and a Virtual or Manual IO Timing Mode. Refer to the device Data Manual for definition of the required settings for a given mode of operation. When this bit is 0b1, a Virtual IO Timing Mode can be selected via the DELAYMODE field of this register, as described in Section 18.4.6.1.5 , Virtual IO Timing Modes. Manual IO Timing Modes are selected via the procedure described in Section 18.4.6.1.6 , Manual IO Timing Modes. 0x0: Default IO Timing Mode is used 0x1: A Virtual or Manual IO Timing Mode is used	RW	0x0
7:4	MDIO_D_DELAYMODE	This bit field selects the Virtual Timing Mode used when the MODESELECT bit is set to 0b1. See Section 18.4.6.1.5 , Virtual IO Timing Modes for details.	RW	0x0
3:0	MDIO_D_MUXMODE	0x0: mdio_d 0x1: uart3_ctsn 0x3: mii0_txer 0x4: vin2a_d0 0x5: vin1b_d0 0xB: pr1_mii0_rmlink 0xC: pr2_pru1_gpi1 0xD: pr2_pru1_gpo1 0xE: gpio5_16 0xF: Driver off	RW	0xF

Table 18-1289. Register Call Summary for Register CTRL_CORE_PAD_MDIO_D

Control Module Register Manual

- [CTRL_MODULE_CORE Register Summary: \[0\]](#)

Table 18-1290. CTRL_CORE_PAD_RMII_MHZ_50_CLK

Address Offset	0x0000 1644	Instance	CTRL_MODULE_CORE
Physical Address	0x4A00 3644		
Description			
Type	RW		

31	30	29	28	27	26	25	24	23	22	21	20	19	18	17	16	15	14	13	12	11	10	9	8	7	6	5	4	3	2	1	0
RESERVED				RMII_MHZ_50_CLK_WAKEUPEVENT		RMII_MHZ_50_CLK_WAKEUPENABLE		RESERVED				RMII_MHZ_50_CLK_SLEWCONTROL		RMII_MHZ_50_CLK_INPUTENABLE		RMII_MHZ_50_CLK_PULLTYPESELECT		RMII_MHZ_50_CLK_PULLUDENABLE		RESERVED				RMII_MHZ_50_CLK_MODESELECT		RMII_MHZ_50_CLK_DELAYMODE			RMII_MHZ_50_CLK_MUXMODE		

Bits	Field Name	Description	Type	Reset
31:26	RESERVED		R	0x0
25	RMII_MHZ_50_CLK_WAKEUPEVENT	0x0: No wakeup event detected 0x1: Wakeup event detected	R	0x0
24	RMII_MHZ_50_CLK_WAKEUPEENABLE	0x0: Wakeup is disabled 0x1: Wakeup is enabled	RW	0x0
23:20	RESERVED		R	0x0
19	RMII_MHZ_50_CLK_SLEWCONTROL	0x0: Fast slew is selected 0x1: Slow slew is selected	RW	0x0
18	RMII_MHZ_50_CLK_INPUTENABLE	0x0: Receive mode is disabled 0x1: Receive mode is enabled	RW	0x1
17	RMII_MHZ_50_CLK_PULLTYPESELECT	0x0: Pull Down is selected 0x1: Pull Up is selected	RW	0x0
16	RMII_MHZ_50_CLK_PULLUDENABLE	0x0: Enables weak Pull Up/Down 0x1: Disables weak Pull Up/Down	RW	0x0
15:9	RESERVED		R	0x0
8	RMII_MHZ_50_CLK_MODESELECT	Selects between the Default IO Timing Mode and a Virtual or Manual IO Timing Mode. Refer to the device Data Manual for definition of the required settings for a given mode of operation. When this bit is 0b1, a Virtual IO Timing Mode can be selected via the DELAYMODE field of this register, as described in Section 18.4.6.1.5 , Virtual IO Timing Modes. Manual IO Timing Modes are selected via the procedure described in Section 18.4.6.1.6 , Manual IO Timing Modes. 0x0: Default IO Timing Mode is used 0x1: A Virtual or Manual IO Timing Mode is used	RW	0x0
7:4	RMII_MHZ_50_CLK_DELAYMODE	This bit field selects the Virtual Timing Mode used when the MODESELECT bit is set to 0b1. See Section 18.4.6.1.5 , Virtual IO Timing Modes for details.	RW	0x0
3:0	RMII_MHZ_50_CLK_MUXMODE	0x0: RMII_MHZ_50_CLK 0x4: vin2a_d11 0xC: pr2_pru1_gpi2 0xD: pr2_pru1_gpo2 0xE: gpio5_17 0xF: Driver off	RW	0xF

Table 18-1291. Register Call Summary for Register CTRL_CORE_PAD_RMII_MHZ_50_CLK

Control Module Register Manual

- [CTRL_MODULE_CORE Register Summary: \[0\]](#)

Table 18-1292. CTRL_CORE_PAD_UART3_RXD

Address Offset	0x0000 1648	Instance	CTRL_MODULE_CORE
Physical Address	0x4A00 3648		
Description			
Type	RW		

31	30	29	28	27	26	25	24	23	22	21	20	19	18	17	16	15	14	13	12	11	10	9	8	7	6	5	4	3	2	1	0												
RESERVED								RESERVED								RESERVED								UART3_RXD_WAKEUPEVENT UART3_RXD_WAKEUPENABLE				UART3_RXD_SLEWCONTROL UART3_RXD_INPUTENABLE UART3_RXD_PULLTYPESELECT UART3_RXD_PULLUDENABLE				UART3_RXD_MODESELECT				UART3_RXD_DELAYMODE				UART3_RXD_MUXMODE			

Bits	Field Name	Description	Type	Reset
31:26	RESERVED		R	0x0
25	UART3_RXD_WAKEUPEVENT	0x0: No wakeup event detected 0x1: Wakeup event detected	R	0x0
24	UART3_RXD_WAKEUPENABLE	0x0: Wakeup is disabled 0x1: Wakeup is enabled	RW	0x0
23:20	RESERVED		R	0x0
19	UART3_RXD_SLEWCONTROL	0x0: Fast slew is selected 0x1: Slow slew is selected	RW	0x1
18	UART3_RXD_INPUTENABLE	0x0: Receive mode is disabled 0x1: Receive mode is enabled	RW	0x1
17	UART3_RXD_PULLTYPESELECT	0x0: Pull Down is selected 0x1: Pull Up is selected	RW	0x0
16	UART3_RXD_PULLUDENABLE	0x0: Enables weak Pull Up/Down 0x1: Disables weak Pull Up/Down	RW	0x0
15:9	RESERVED		R	0x0
8	UART3_RXD_MODESELECT	Selects between the Default IO Timing Mode and a Virtual or Manual IO Timing Mode. Refer to the device Data Manual for definition of the required settings for a given mode of operation. When this bit is 0b1, a Virtual IO Timing Mode can be selected via the DELAYMODE field of this register, as described in Section 18.4.6.1.5 , Virtual IO Timing Modes. Manual IO Timing Modes are selected via the procedure described in Section 18.4.6.1.6 , Manual IO Timing Modes. 0x0: Default IO Timing Mode is used 0x1: A Virtual or Manual IO Timing Mode is used	RW	0x0
7:4	UART3_RXD_DELAYMODE	This bit field selects the Virtual Timing Mode used when the MODESELECT bit is set to 0b1. See Section 18.4.6.1.5 , Virtual IO Timing Modes for details.	RW	0x0

Bits	Field Name	Description	Type	Reset
3:0	UART3_RXD_MUXMODE	0x0: uart3_rxd 0x2: rmii1_crs 0x3: mii0_rxdv 0x4: vin2a_d1 0x5: vin1b_d1 0x7: spi3_sclk 0xB: pr1_mii0_rxdv 0xC: pr2_pru1_gpi3 0xD: pr2_pru1_gpo3 0xE: gpio5_18 0xF: Driver off	RW	0xF

Table 18-1293. Register Call Summary for Register CTRL_CORE_PAD_UART3_RXD

Control Module Register Manual

- [CTRL_MODULE_CORE Register Summary: \[0\]](#)

Table 18-1294. CTRL_CORE_PAD_UART3_TXD

Address Offset	0x0000 164C	Instance	CTRL_MODULE_CORE
Physical Address	0x4A00 364C		
Description			
Type	RW		

31	30	29	28	27	26	25	24	23	22	21	20	19	18	17	16	15	14	13	12	11	10	9	8	7	6	5	4	3	2	1	0
RESERVED						UART3_TXD_WAKEUPEVENT	UART3_TXD_WAKEUPENABLE	RESERVED				UART3_TXD_SLEWCONTROL	UART3_TXD_INPUTENABLE	UART3_TXD_PULLTYPESELECT	UART3_TXD_PULLUDENABLE	RESERVED						UART3_TXD_MODESELECT	UART3_TXD_DELAYMODE			UART3_TXD_MUXMODE					

Bits	Field Name	Description	Type	Reset
31:26	RESERVED		R	0x0
25	UART3_TXD_WAKEUPEVENT	0x0: No wakeup event detected 0x1: Wakeup event detected	R	0x0
24	UART3_TXD_WAKEUPENABLE	0x0: Wakeup is disabled 0x1: Wakeup is enabled	RW	0x0
23:20	RESERVED		R	0x0
19	UART3_TXD_SLEWCONTROL	0x0: Fast slew is selected 0x1: Slow slew is selected	RW	0x1
18	UART3_TXD_INPUTENABLE	0x0: Receive mode is disabled 0x1: Receive mode is enabled	RW	0x1

Bits	Field Name	Description	Type	Reset
17	UART3_TXD_PULLTYPESELECTION	0x0: Pull Down is selected 0x1: Pull Up is selected	RW	0x0
16	UART3_TXD_PULLUDENABLE	0x0: Enables weak Pull Up/Down 0x1: Disables weak Pull Up/Down	RW	0x0
15:9	RESERVED		R	0x0
8	UART3_TXD_MODESELECT	Selects between the Default IO Timing Mode and a Virtual or Manual IO Timing Mode. Refer to the device Data Manual for definition of the required settings for a given mode of operation. When this bit is 0b1, a Virtual IO Timing Mode can be selected via the DELAYMODE field of this register, as described in Section 18.4.6.1.5 , Virtual IO Timing Modes. Manual IO Timing Modes are selected via the procedure described in Section 18.4.6.1.6 , Manual IO Timing Modes. 0x0: Default IO Timing Mode is used 0x1: A Virtual or Manual IO Timing Mode is used	RW	0x0
7:4	UART3_TXD_DELAYMODE	This bit field selects the Virtual Timing Mode used when the MODESELECT bit is set to 0b1. See Section 18.4.6.1.5 , Virtual IO Timing Modes for details.	RW	0x0
3:0	UART3_TXD_MUXMODE	0x0: uart3_txd 0x2: rmii1_rxer 0x3: mii0_rxclk 0x4: vin2a_d2 0x5: vin1b_d2 0x7: spi3_d1 0x8: spi4_cs1 0xB: pr1_mii_mr0_clk 0xC: pr2_pru1_gpi4 0xD: pr2_pru1_gpo4 0xE: gpio5_19 0xF: Driver off	RW	0xF

Table 18-1295. Register Call Summary for Register CTRL_CORE_PAD_UART3_TXD

Control Module Register Manual

- [CTRL_MODULE_CORE Register Summary: \[0\]](#)

Table 18-1296. CTRL_CORE_PAD_RGMII0_TXC

Address Offset	0x0000 1650	Instance	CTRL_MODULE_CORE
Physical Address	0x4A00 3650		
Description			
Type	RW		

31	30	29	28	27	26	25	24	23	22	21	20	19	18	17	16	15	14	13	12	11	10	9	8	7	6	5	4	3	2	1	0
RESERVED						RGMII0_TXC_WAKEUPEVENT	RGMII0_TXC_WAKEUPENABLE	RESERVED				RGMII0_TXC_SLEWCONTROL	RGMII0_TXC_INPUTENABLE	RGMII0_TXC_PULLTYPESELECT	RGMII0_TXC_PULLUDENABLE	RESERVED						RGMII0_TXC_MODESELECT	RGMII0_TXC_DELAYMODE				RGMII0_TXC_MUXMODE				

Bits	Field Name	Description	Type	Reset
31:26	RESERVED		R	0x0
25	RGMII0_TXC_WAKEUPEVENT	0x0: No wakeup event detected 0x1: Wakeup event detected	R	0x0
24	RGMII0_TXC_WAKEUPENABLE	0x0: Wakeup is disabled 0x1: Wakeup is enabled	RW	0x0
23:20	RESERVED		R	0x0
19	RGMII0_TXC_SLEWCONTROL	0x0: Fast slew is selected 0x1: Slow slew is selected	RW	0x0
18	RGMII0_TXC_INPUTENABLE	0x0: Receive mode is disabled 0x1: Receive mode is enabled	RW	0x1
17	RGMII0_TXC_PULLTYPESELECT	0x0: Pull Down is selected 0x1: Pull Up is selected	RW	0x0
16	RGMII0_TXC_PULLUDENABLE	0x0: Enables weak Pull Up/Down 0x1: Disables weak Pull Up/Down	RW	0x0
15:9	RESERVED		R	0x0
8	RGMII0_TXC_MODESELECT	Selects between the Default IO Timing Mode and a Virtual or Manual IO Timing Mode. Refer to the device Data Manual for definition of the required settings for a given mode of operation. When this bit is 0b1, a Virtual IO Timing Mode can be selected via the DELAYMODE field of this register, as described in Section 18.4.6.1.5 , Virtual IO Timing Modes. Manual IO Timing Modes are selected via the procedure described in Section 18.4.6.1.6 , Manual IO Timing Modes. 0x0: Default IO Timing Mode is used 0x1: A Virtual or Manual IO Timing Mode is used	RW	0x0
7:4	RGMII0_TXC_DELAYMODE	This bit field selects the Virtual Timing Mode used when the MODESELECT bit is set to 0b1. See Section 18.4.6.1.5 , Virtual IO Timing Modes for details.	RW	0x0

Bits	Field Name	Description	Type	Reset
3:0	RGMIIO_TXC_MUXMODE	0x0: rgmii0_txc 0x1: uart3_ctsn 0x2: rmii1_rxd1 0x3: mii0_rxd3 0x4: vin2a_d3 0x5: vin1b_d3 0x7: spi3_d0 0x8: spi4_cs2 0xB: pr1_mii0_rxd3 0xC: pr2_pru1_gpi5 0xD: pr2_pru1_gpo5 0xE: gpio5_20 0xF: Driver off	RW	0xF

Table 18-1297. Register Call Summary for Register CTRL_CORE_PAD_RGMIIO_TXC

Control Module Register Manual

- [CTRL_MODULE_CORE Register Summary: \[0\]](#)

Table 18-1298. CTRL_CORE_PAD_RGMIIO_TXCTL

Address Offset	0x0000 1654	Instance	CTRL_MODULE_CORE
Physical Address	0x4A00 3654		
Description			
Type	RW		

31	30	29	28	27	26	25	24	23	22	21	20	19	18	17	16	15	14	13	12	11	10	9	8	7	6	5	4	3	2	1	0												
RESERVED								RESERVED								RESERVED								RGMIIO_TXCTL_MODESELECT				RGMIIO_TXCTL_DELAYMODE				RGMIIO_TXCTL_MUXMODE											
RGMIIO_TXCTL_WAKEUPEVENT								RGMIIO_TXCTL_WAKEUPENABLE								RGMIIO_TXCTL_SLEWCONTROL				RGMIIO_TXCTL_INPUTENABLE				RGMIIO_TXCTL_PULLTYPESELECT				RGMIIO_TXCTL_PULLDENABLE				RGMIIO_TXCTL_MODESELECT				RGMIIO_TXCTL_DELAYMODE				RGMIIO_TXCTL_MUXMODE			

Bits	Field Name	Description	Type	Reset
31:26	RESERVED		R	0x0
25	RGMIIO_TXCTL_WAKEUPEVENT	0x0: No wakeup event detected 0x1: Wakeup event detected	R	0x0
24	RGMIIO_TXCTL_WAKEUPENABLE	0x0: Wakeup is disabled 0x1: Wakeup is enabled	RW	0x0
23:20	RESERVED		R	0x0
19	RGMIIO_TXCTL_SLEWCONTROL	0x0: Fast slew is selected 0x1: Slow slew is selected	RW	0x0

Bits	Field Name	Description	Type	Reset
18	RGMIIO_TXCTL_INPUTENABLE	0x0: Receive mode is disabled 0x1: Receive mode is enabled	RW	0x1
17	RGMIIO_TXCTL_PULLTYPESELECT	0x0: Pull Down is selected 0x1: Pull Up is selected	RW	0x0
16	RGMIIO_TXCTL_PULLUDENABLER	0x0: Enables weak Pull Up/Down 0x1: Disables weak Pull Up/Down	RW	0x0
15:9	RESERVED		R	0x0
8	RGMIIO_TXCTL_MODESELECT	Selects between the Default IO Timing Mode and a Virtual or Manual IO Timing Mode. Refer to the device Data Manual for definition of the required settings for a given mode of operation. When this bit is 0b1, a Virtual IO Timing Mode can be selected via the DELAYMODE field of this register, as described in Section 18.4.6.1.5 , Virtual IO Timing Modes. Manual IO Timing Modes are selected via the procedure described in Section 18.4.6.1.6 , Manual IO Timing Modes. 0x0: Default IO Timing Mode is used 0x1: A Virtual or Manual IO Timing Mode is used	RW	0x0
7:4	RGMIIO_TXCTL_DELAYMODE	This bit field selects the Virtual Timing Mode used when the MODESELECT bit is set to 0b1. See Section 18.4.6.1.5 , Virtual IO Timing Modes for details.	RW	0x0
3:0	RGMIIO_TXCTL_MUXMODE	0x0: rgmii0_txctl 0x1: uart3_rtsn 0x2: rmii1_rxd0 0x3: mii0_rxd2 0x4: vin2a_d4 0x5: vin1b_d4 0x7: spi3_cs0 0x8: spi4_cs3 0xB: pr1_mii0_rxd2 0xC: pr2_pru1_gpi6 0xD: pr2_pru1_gpo6 0xE: gpio5_21 0xF: Driver off	RW	0xF

Table 18-1299. Register Call Summary for Register CTRL_CORE_PAD_RGMIIO_TXCTL

Control Module Register Manual

- [CTRL_MODULE_CORE Register Summary: \[0\]](#)

Table 18-1300. CTRL_CORE_PAD_RGMIIO_TXD3

Address Offset	0x0000 1658	Instance	CTRL_MODULE_CORE
Physical Address	0x4A00 3658		
Description			
Type	RW		

31	30	29	28	27	26	25	24	23	22	21	20	19	18	17	16	15	14	13	12	11	10	9	8	7	6	5	4	3	2	1	0
RESERVED						RGMII0_TXD3_WAKEUPEVENT	RGMII0_TXD3_WAKEUPENABLE	RESERVED				RGMII0_TXD3_SLEWCONTROL	RGMII0_TXD3_INPUTENABLE	RGMII0_TXD3_PULLTYPESELECT	RGMII0_TXD3_PULLUDENABLE	RESERVED						RGMII0_TXD3_MODESELECT	RGMII0_TXD3_DELAYMODE				RGMII0_TXD3_MUXMODE				

Bits	Field Name	Description	Type	Reset
31:26	RESERVED		R	0x0
25	RGMII0_TXD3_WAKEUPEVENT	0x0: No wakeup event detected 0x1: Wakeup event detected	R	0x0
24	RGMII0_TXD3_WAKEUPENABLE	0x0: Wakeup is disabled 0x1: Wakeup is enabled	RW	0x0
23:20	RESERVED		R	0x0
19	RGMII0_TXD3_SLEWCONTROL	0x0: Fast slew is selected 0x1: Slow slew is selected	RW	0x0
18	RGMII0_TXD3_INPUTENABLE	0x0: Receive mode is disabled 0x1: Receive mode is enabled	RW	0x1
17	RGMII0_TXD3_PULLTYPESELECT	0x0: Pull Down is selected 0x1: Pull Up is selected	RW	0x0
16	RGMII0_TXD3_PULLUDENABLE	0x0: Enables weak Pull Up/Down 0x1: Disables weak Pull Up/Down	RW	0x0
15:9	RESERVED		R	0x0
8	RGMII0_TXD3_MODESELECT	Selects between the Default IO Timing Mode and a Virtual or Manual IO Timing Mode. Refer to the device Data Manual for definition of the required settings for a given mode of operation. When this bit is 0b1, a Virtual IO Timing Mode can be selected via the DELAYMODE field of this register, as described in Section 18.4.6.1.5 , Virtual IO Timing Modes. Manual IO Timing Modes are selected via the procedure described in Section 18.4.6.1.6 , Manual IO Timing Modes. 0x0: Default IO Timing Mode is used 0x1: A Virtual or Manual IO Timing Mode is used	RW	0x0
7:4	RGMII0_TXD3_DELAYMODE	This bit field selects the Virtual Timing Mode used when the MODESELECT bit is set to 0b1. See Section 18.4.6.1.5 , Virtual IO Timing Modes for details.	RW	0x0

Bits	Field Name	Description	Type	Reset
3:0	RGMIIO_TXD3_MUXMODE	0x0: rgmii0_txd3 0x1: rmii0_crs 0x3: mii0_crs 0x4: vin2a_de0 0x5: vin1b_de1 0x7: spi4_sclk 0x8: uart4_rxd 0xB: pr1_mii0_crs 0xC: pr2_pru1_gpi7 0xD: pr2_pru1_gpo7 0xE: gpio5_22 0xF: Driver off	RW	0xF

Table 18-1301. Register Call Summary for Register CTRL_CORE_PAD_RGMIIO_TXD3

Control Module Register Manual

- [CTRL_MODULE_CORE Register Summary: \[0\]](#)

Table 18-1302. CTRL_CORE_PAD_RGMIIO_TXD2

Address Offset	0x0000 165C	Instance	CTRL_MODULE_CORE
Physical Address	0x4A00 365C		
Description			
Type	RW		

31	30	29	28	27	26	25	24	23	22	21	20	19	18	17	16	15	14	13	12	11	10	9	8	7	6	5	4	3	2	1	0
RESERVED						RGMIIO_TXD2_WAKEUPEVENT	RGMIIO_TXD2_WAKEUPENABLE	RESERVED						RGMIIO_TXD2_SLEWCONTROL	RGMIIO_TXD2_INPUTENABLE	RGMIIO_TXD2_PULLTYPESELECT	RGMIIO_TXD2_PULLUDENABLE	RESERVED						RGMIIO_TXD2_MODESELECT	RGMIIO_TXD2_DELAYMODE				RGMIIO_TXD2_MUXMODE		

Bits	Field Name	Description	Type	Reset
31:26	RESERVED		R	0x0
25	RGMIIO_TXD2_WAKEUPEVENT	0x0: No wakeup event detected 0x1: Wakeup event detected	R	0x0
24	RGMIIO_TXD2_WAKEUPENABLE	0x0: Wakeup is disabled 0x1: Wakeup is enabled	RW	0x0
23:20	RESERVED		R	0x0
19	RGMIIO_TXD2_SLEWCONTROL	0x0: Fast slew is selected 0x1: Slow slew is selected	RW	0x0
18	RGMIIO_TXD2_INPUTENABLE	0x0: Receive mode is disabled 0x1: Receive mode is enabled	RW	0x1

Bits	Field Name	Description	Type	Reset
17	RGMII0_TXD2_PULLTYPESELECT	0x0: Pull Down is selected 0x1: Pull Up is selected	RW	0x0
16	RGMII0_TXD2_PULLUDENABLE	0x0: Enables weak Pull Up/Down 0x1: Disables weak Pull Up/Down	RW	0x0
15:9	RESERVED		R	0x0
8	RGMII0_TXD2_MODESELECT	Selects between the Default IO Timing Mode and a Virtual or Manual IO Timing Mode. Refer to the device Data Manual for definition of the required settings for a given mode of operation. When this bit is 0b1, a Virtual IO Timing Mode can be selected via the DELAYMODE field of this register, as described in Section 18.4.6.1.5 , Virtual IO Timing Modes. Manual IO Timing Modes are selected via the procedure described in Section 18.4.6.1.6 , Manual IO Timing Modes. 0x0: Default IO Timing Mode is used 0x1: A Virtual or Manual IO Timing Mode is used	RW	0x0
7:4	RGMII0_TXD2_DELAYMODE	This bit field selects the Virtual Timing Mode used when the MODESELECT bit is set to 0b1. See Section 18.4.6.1.5 , Virtual IO Timing Modes for details.	RW	0x0
3:0	RGMII0_TXD2_MUXMODE	0x0: rgmii0_txd2 0x1: rmii0_rxer 0x3: mii0_rxer 0x4: vin2a_hsync0 0x5: vin1b_hsync1 0x7: spi4_d1 0x8: uart4_txd 0xB: pr1_mii0_rxer 0xC: pr2_pru1_gpi8 0xD: pr2_pru1_gpo8 0xE: gpio5_23 0xF: Driver off	RW	0xF

Table 18-1303. Register Call Summary for Register CTRL_CORE_PAD_RGMII0_TXD2

Control Module Register Manual

- [CTRL_MODULE_CORE Register Summary: \[0\]](#)

Table 18-1304. CTRL_CORE_PAD_RGMII0_TXD1

Address Offset	0x0000 1660	Instance	CTRL_MODULE_CORE
Physical Address	0x4A00 3660		
Description			
Type	RW		

31	30	29	28	27	26	25	24	23	22	21	20	19	18	17	16	15	14	13	12	11	10	9	8	7	6	5	4	3	2	1	0
RESERVED						RGMII0_TXD1_WAKEUPEVENT	RGMII0_TXD1_WAKEUPENABLE	RESERVED				RGMII0_TXD1_SLEWCONTROL	RGMII0_TXD1_INPUTENABLE	RGMII0_TXD1_PULLTYPESELECT	RGMII0_TXD1_PULLUDENENABLE	RESERVED						RGMII0_TXD1_MODESELECT	RGMII0_TXD1_DELAYMODE				RGMII0_TXD1_MUXMODE				

Bits	Field Name	Description	Type	Reset
31:26	RESERVED		R	0x0
25	RGMII0_TXD1_WAKEUPEVENT	0x0: No wakeup event detected 0x1: Wakeup event detected	R	0x0
24	RGMII0_TXD1_WAKEUPENABLE	0x0: Wakeup is disabled 0x1: Wakeup is enabled	RW	0x0
23:20	RESERVED		R	0x0
19	RGMII0_TXD1_SLEWCONTROL	0x0: Fast slew is selected 0x1: Slow slew is selected	RW	0x0
18	RGMII0_TXD1_INPUTENABLE	0x0: Receive mode is disabled 0x1: Receive mode is enabled	RW	0x1
17	RGMII0_TXD1_PULLTYPESELECT	0x0: Pull Down is selected 0x1: Pull Up is selected	RW	0x0
16	RGMII0_TXD1_PULLUDENENABLE	0x0: Enables weak Pull Up/Down 0x1: Disables weak Pull Up/Down	RW	0x0
15:9	RESERVED		R	0x0
8	RGMII0_TXD1_MODESELECT	Selects between the Default IO Timing Mode and a Virtual or Manual IO Timing Mode. Refer to the device Data Manual for definition of the required settings for a given mode of operation. When this bit is 0b1, a Virtual IO Timing Mode can be selected via the DELAYMODE field of this register, as described in Section 18.4.6.1.5 , Virtual IO Timing Modes. Manual IO Timing Modes are selected via the procedure described in Section 18.4.6.1.6 , Manual IO Timing Modes. 0x0: Default IO Timing Mode is used 0x1: A Virtual or Manual IO Timing Mode is used	RW	0x0
7:4	RGMII0_TXD1_DELAYMODE	This bit field selects the Virtual Timing Mode used when the MODESELECT bit is set to 0b1. See Section 18.4.6.1.5 , Virtual IO Timing Modes for details.	RW	0x0

Bits	Field Name	Description	Type	Reset
3:0	RGMIIO_TXD1_MUXMODE	0x0: rgmii0_txd1 0x1: rmii0_rxd1 0x3: mii0_rxd1 0x4: vin2a_vsync0 0x5: vin1b_vsync1 0x7: spi4_d0 0x8: uart4_ctsn 0xB: pr1_mii0_rxd1 0xC: pr2_pru1_gpi9 0xD: pr2_pru1_gpo9 0xE: gpio5_24 0xF: Driver off	RW	0xF

Table 18-1305. Register Call Summary for Register CTRL_CORE_PAD_RGMIIO_TXD1

Control Module Register Manual

- [CTRL_MODULE_CORE Register Summary: \[0\]](#)

Table 18-1306. CTRL_CORE_PAD_RGMIIO_TXD0

Address Offset	0x0000 1664	Instance	CTRL_MODULE_CORE
Physical Address	0x4A00 3664		
Description			
Type	RW		

31	30	29	28	27	26	25	24	23	22	21	20	19	18	17	16	15	14	13	12	11	10	9	8	7	6	5	4	3	2	1	0
RESERVED						RGMIIO_TXD0_WAKEUPEVENT	RGMIIO_TXD0_WAKEUPENABLE	RESERVED						RGMIIO_TXD0_SLEWCONTROL	RGMIIO_TXD0_INPUTENABLE	RGMIIO_TXD0_PULLTYPESELECT	RGMIIO_TXD0_PULLUDENABLE	RESERVED						RGMIIO_TXD0_MODESELECT	RGMIIO_TXD0_DELAYMODE				RGMIIO_TXD0_MUXMODE		

Bits	Field Name	Description	Type	Reset
31:26	RESERVED		R	0x0
25	RGMIIO_TXD0_WAKEUPEVENT	0x0: No wakeup event detected 0x1: Wakeup event detected	R	0x0
24	RGMIIO_TXD0_WAKEUPENABLE	0x0: Wakeup is disabled 0x1: Wakeup is enabled	RW	0x0
23:20	RESERVED		R	0x0
19	RGMIIO_TXD0_SLEWCONTROL	0x0: Fast slew is selected 0x1: Slow slew is selected	RW	0x0
18	RGMIIO_TXD0_INPUTENABLE	0x0: Receive mode is disabled 0x1: Receive mode is enabled	RW	0x1

Bits	Field Name	Description	Type	Reset
17	RGMII0_TXD0_PULLTYPESELE CT	0x0: Pull Down is selected 0x1: Pull Up is selected	RW	0x0
16	RGMII0_TXD0_PULLUDENABL E	0x0: Enables weak Pull Up/Down 0x1: Disables weak Pull Up/Down	RW	0x0
15:9	RESERVED		R	0x0
8	RGMII0_TXD0_MODESELECT	Selects between the Default IO Timing Mode and a Virtual or Manual IO Timing Mode. Refer to the device Data Manual for definition of the required settings for a given mode of operation. When this bit is 0b1, a Virtual IO Timing Mode can be selected via the DELAYMODE field of this register, as described in Section 18.4.6.1.5 , Virtual IO Timing Modes. Manual IO Timing Modes are selected via the procedure described in Section 18.4.6.1.6 , Manual IO Timing Modes. 0x0: Default IO Timing Mode is used 0x1: A Virtual or Manual IO Timing Mode is used	RW	0x0
7:4	RGMII0_TXD0_DELAYMODE	This bit field selects the Virtual Timing Mode used when the MODESELECT bit is set to 0b1. See Section 18.4.6.1.5 , Virtual IO Timing Modes for details.	RW	0x0
3:0	RGMII0_TXD0_MUXMODE	0x0: rgmii0_txd0 0x1: rmii0_rxd0 0x3: mii0_rxd0 0x4: vin2a_d10 0x7: spi4_cs0 0x8: uart4_rtsn 0xB: pr1_mii0_rxd0 0xC: pr2_pru1_gpi10 0xD: pr2_pru1_gpo10 0xE: gpio5_25 0xF: Driver off	RW	0xF

Table 18-1307. Register Call Summary for Register CTRL_CORE_PAD_RGMII0_TXD0

Control Module Register Manual

- [CTRL_MODULE_CORE Register Summary: \[0\]](#)

Table 18-1308. CTRL_CORE_PAD_RGMII0_RXC

Address Offset	0x0000 1668	Instance	CTRL_MODULE_CORE
Physical Address	0x4A00 3668		
Description			
Type	RW		

31	30	29	28	27	26	25	24	23	22	21	20	19	18	17	16	15	14	13	12	11	10	9	8	7	6	5	4	3	2	1	0								
RESERVED								RESERVED								RESERVED								RGMII0_RXC_MODESELECT				RGMII0_RXC_DELAYMODE				RGMII0_RXC_MUXMODE							
																								RGMII0_RXC_WAKEUPEVENT RGMII0_RXC_WAKEUPENABLE				RGMII0_RXC_SLEWCONTROL RGMII0_RXC_INPUTENABLE RGMII0_RXC_PULLTYPESELECT RGMII0_RXC_PULLUDENABLE											

Bits	Field Name	Description	Type	Reset
31:26	RESERVED		R	0x0
25	RGMII0_RXC_WAKEUPEVENT	0x0: No wakeup event detected 0x1: Wakeup event detected	R	0x0
24	RGMII0_RXC_WAKEUPENABLE	0x0: Wakeup is disabled 0x1: Wakeup is enabled	RW	0x0
23:20	RESERVED		R	0x0
19	RGMII0_RXC_SLEWCONTROL	0x0: Fast slew is selected 0x1: Slow slew is selected	RW	0x0
18	RGMII0_RXC_INPUTENABLE	0x0: Receive mode is disabled 0x1: Receive mode is enabled	RW	0x1
17	RGMII0_RXC_PULLTYPESELECT	0x0: Pull Down is selected 0x1: Pull Up is selected	RW	0x0
16	RGMII0_RXC_PULLUDENABLE	0x0: Enables weak Pull Up/Down 0x1: Disables weak Pull Up/Down	RW	0x0
15:9	RESERVED		R	0x0
8	RGMII0_RXC_MODESELECT	Selects between the Default IO Timing Mode and a Virtual or Manual IO Timing Mode. Refer to the device Data Manual for definition of the required settings for a given mode of operation. When this bit is 0b1, a Virtual IO Timing Mode can be selected via the DELAYMODE field of this register, as described in Section 18.4.6.1.5 , Virtual IO Timing Modes. Manual IO Timing Modes are selected via the procedure described in Section 18.4.6.1.6 , Manual IO Timing Modes. 0x0: Default IO Timing Mode is used 0x1: A Virtual or Manual IO Timing Mode is used	RW	0x0
7:4	RGMII0_RXC_DELAYMODE	This bit field selects the Virtual Timing Mode used when the MODESELECT bit is set to 0b1. See Section 18.4.6.1.5 , Virtual IO Timing Modes for details.	RW	0x0

Bits	Field Name	Description	Type	Reset
3:0	RGMIIO_RXC_MUXMODE	0x0: rgmii0_rxc 0x2: rmii1_txen 0x3: mii0_txclk 0x4: vin2a_d5 0x5: vin1b_d5 0xB: pr1_mii_mt0_clk 0xC: pr2_pru1_gpi11 0xD: pr2_pru1_gpo11 0xE: gpio5_26 0xF: Driver off	RW	0xF

Table 18-1309. Register Call Summary for Register CTRL_CORE_PAD_RGMIIO_RXC

Control Module Register Manual

- [CTRL_MODULE_CORE Register Summary: \[0\]](#)

Table 18-1310. CTRL_CORE_PAD_RGMIIO_RXCTL

Address Offset	0x0000 166C	Instance	CTRL_MODULE_CORE
Physical Address	0x4A00 366C		
Description			
Type	RW		

31	30	29	28	27	26	25	24	23	22	21	20	19	18	17	16	15	14	13	12	11	10	9	8	7	6	5	4	3	2	1	0																												
RESERVED								RESERVED								RESERVED								RGMIIO_RXCTL_WAKEUPEVENT				RGMIIO_RXCTL_WAKEUPENABLE				RGMIIO_RXCTL_SLEWCONTROL				RGMIIO_RXCTL_INPUTENABLE				RGMIIO_RXCTL_PULLTYPESELECT				RGMIIO_RXCTL_PULLUDENABE				RGMIIO_RXCTL_MODESELECT				RGMIIO_RXCTL_DELAYMODE				RGMIIO_RXCTL_MUXMODE			

Bits	Field Name	Description	Type	Reset
31:26	RESERVED		R	0x0
25	RGMIIO_RXCTL_WAKEUPEVENT	0x0: No wakeup event detected 0x1: Wakeup event detected	R	0x0
24	RGMIIO_RXCTL_WAKEUPENABLE	0x0: Wakeup is disabled 0x1: Wakeup is enabled	RW	0x0
23:20	RESERVED		R	0x0
19	RGMIIO_RXCTL_SLEWCONTROL	0x0: Fast slew is selected 0x1: Slow slew is selected	RW	0x0
18	RGMIIO_RXCTL_INPUTENABLE	0x0: Receive mode is disabled 0x1: Receive mode is enabled	RW	0x1

Bits	Field Name	Description	Type	Reset
17	RGMIIO_RXCTL_PULLTYPESELECT	0x0: Pull Down is selected 0x1: Pull Up is selected	RW	0x0
16	RGMIIO_RXCTL_PULLUDENABLE	0x0: Enables weak Pull Up/Down 0x1: Disables weak Pull Up/Down	RW	0x0
15:9	RESERVED		R	0x0
8	RGMIIO_RXCTL_MODESELECT	Selects between the Default IO Timing Mode and a Virtual or Manual IO Timing Mode. Refer to the device Data Manual for definition of the required settings for a given mode of operation. When this bit is 0b1, a Virtual IO Timing Mode can be selected via the DELAYMODE field of this register, as described in Section 18.4.6.1.5 , Virtual IO Timing Modes. Manual IO Timing Modes are selected via the procedure described in Section 18.4.6.1.6 , Manual IO Timing Modes. 0x0: Default IO Timing Mode is used 0x1: A Virtual or Manual IO Timing Mode is used	RW	0x0
7:4	RGMIIO_RXCTL_DELAYMODE	This bit field selects the Virtual Timing Mode used when the MODESELECT bit is set to 0b1. See Section 18.4.6.1.5 , Virtual IO Timing Modes for details.	RW	0x0
3:0	RGMIIO_RXCTL_MUXMODE	0x0: rgmii0_rxctl 0x2: rmii1_txd1 0x3: mii0_txd3 0x4: vin2a_d6 0x5: vin1b_d6 0xB: pr1_mii0_txd3 0xC: pr2_pru1_gpi12 0xD: pr2_pru1_gpo12 0xE: gpio5_27 0xF: Driver off	RW	0xF

Table 18-1311. Register Call Summary for Register CTRL_CORE_PAD_RGMIIO_RXCTL

Control Module Register Manual

- [CTRL_MODULE_CORE Register Summary: \[0\]](#)

Table 18-1312. CTRL_CORE_PAD_RGMIIO_RXD3

Address Offset	0x0000 1670	Instance	CTRL_MODULE_CORE
Physical Address	0x4A00 3670		
Description			
Type	RW		

31	30	29	28	27	26	25	24	23	22	21	20	19	18	17	16	15	14	13	12	11	10	9	8	7	6	5	4	3	2	1	0												
RESERVED								RESERVED								RESERVED								RGMII0_RXD3_MODESELECT				RGMII0_RXD3_DELAYMODE				RGMII0_RXD3_MUXMODE											
				RGMII0_RXD3_WAKEUPEVENT				RGMII0_RXD3_WAKEUPENABLE								RGMII0_RXD3_SLEWCONTROL				RGMII0_RXD3_INPUTENABLE				RGMII0_RXD3_PULLTYPESELECT				RGMII0_RXD3_PULLUDENENABLE															

Bits	Field Name	Description	Type	Reset
31:26	RESERVED		R	0x0
25	RGMII0_RXD3_WAKEUPEVENT	0x0: No wakeup event detected 0x1: Wakeup event detected	R	0x0
24	RGMII0_RXD3_WAKEUPENABLE	0x0: Wakeup is disabled 0x1: Wakeup is enabled	RW	0x0
23:20	RESERVED		R	0x0
19	RGMII0_RXD3_SLEWCONTROL	0x0: Fast slew is selected 0x1: Slow slew is selected	RW	0x0
18	RGMII0_RXD3_INPUTENABLE	0x0: Receive mode is disabled 0x1: Receive mode is enabled	RW	0x1
17	RGMII0_RXD3_PULLTYPESELECT	0x0: Pull Down is selected 0x1: Pull Up is selected	RW	0x0
16	RGMII0_RXD3_PULLUDENENABLE	0x0: Enables weak Pull Up/Down 0x1: Disables weak Pull Up/Down	RW	0x0
15:9	RESERVED		R	0x0
8	RGMII0_RXD3_MODESELECT	Selects between the Default IO Timing Mode and a Virtual or Manual IO Timing Mode. Refer to the device Data Manual for definition of the required settings for a given mode of operation. When this bit is 0b1, a Virtual IO Timing Mode can be selected via the DELAYMODE field of this register, as described in Section 18.4.6.1.5 , Virtual IO Timing Modes. Manual IO Timing Modes are selected via the procedure described in Section 18.4.6.1.6 , Manual IO Timing Modes. 0x0: Default IO Timing Mode is used 0x1: A Virtual or Manual IO Timing Mode is used	RW	0x0
7:4	RGMII0_RXD3_DELAYMODE	This bit field selects the Virtual Timing Mode used when the MODESELECT bit is set to 0b1. See Section 18.4.6.1.5 , Virtual IO Timing Modes for details.	RW	0x0

Bits	Field Name	Description	Type	Reset
3:0	RGMIIO_RXD3_MUXMODE	0x0: rgmii0_rxd3 0x2: rmii1_txd0 0x3: mii0_txd2 0x4: vin2a_d7 0x5: vin1b_d7 0xB: pr1_mii0_txd2 0xC: pr2_pru1_gpi13 0xD: pr2_pru1_gpo13 0xE: gpio5_28 0xF: Driver off	RW	0xF

Table 18-1313. Register Call Summary for Register CTRL_CORE_PAD_RGMIIO_RXD3

Control Module Register Manual

- [CTRL_MODULE_CORE Register Summary: \[0\]](#)

Table 18-1314. CTRL_CORE_PAD_RGMIIO_RXD2

Address Offset	0x0000 1674	Instance	CTRL_MODULE_CORE
Physical Address	0x4A00 3674		
Description			
Type	RW		

31	30	29	28	27	26	25	24	23	22	21	20	19	18	17	16	15	14	13	12	11	10	9	8	7	6	5	4	3	2	1	0																
RESERVED								RESERVED								RESERVED								RGMIIO_RXD2_MODESELECT				RGMIIO_RXD2_DELAYMODE				RGMIIO_RXD2_MUXMODE															
RGMIIO_RXD2_WAKEUPEVENT								RGMIIO_RXD2_WAKEUPENABLE								RGMIIO_RXD2_SLEWCONTROL								RGMIIO_RXD2_INPUTENABLE				RGMIIO_RXD2_PULLEYSELECT				RGMIIO_RXD2_PULLUDENABE				RGMIIO_RXD2_MODESELECT				RGMIIO_RXD2_DELAYMODE				RGMIIO_RXD2_MUXMODE			

Bits	Field Name	Description	Type	Reset
31:26	RESERVED		R	0x0
25	RGMIIO_RXD2_WAKEUPEVENT	0x0: No wakeup event detected 0x1: Wakeup event detected	R	0x0
24	RGMIIO_RXD2_WAKEUPENABLE	0x0: Wakeup is disabled 0x1: Wakeup is enabled	RW	0x0
23:20	RESERVED		R	0x0
19	RGMIIO_RXD2_SLEWCONTROL	0x0: Fast slew is selected 0x1: Slow slew is selected	RW	0x0
18	RGMIIO_RXD2_INPUTENABLE	0x0: Receive mode is disabled 0x1: Receive mode is enabled	RW	0x1

Bits	Field Name	Description	Type	Reset
17	RGMIIO_RXD2_PULLTYPESELE CT	0x0: Pull Down is selected 0x1: Pull Up is selected	RW	0x0
16	RGMIIO_RXD2_PULLUDENABL E	0x0: Enables weak Pull Up/Down 0x1: Disables weak Pull Up/Down	RW	0x0
15:9	RESERVED		R	0x0
8	RGMIIO_RXD2_MODESELECT	Selects between the Default IO Timing Mode and a Virtual or Manual IO Timing Mode. Refer to the device Data Manual for definition of the required settings for a given mode of operation. When this bit is 0b1, a Virtual IO Timing Mode can be selected via the DELAYMODE field of this register, as described in Section 18.4.6.1.5 , Virtual IO Timing Modes. Manual IO Timing Modes are selected via the procedure described in Section 18.4.6.1.6 , Manual IO Timing Modes. 0x0: Default IO Timing Mode is used 0x1: A Virtual or Manual IO Timing Mode is used	RW	0x0
7:4	RGMIIO_RXD2_DELAYMODE	This bit field selects the Virtual Timing Mode used when the MODESELECT bit is set to 0b1. See Section 18.4.6.1.5 , Virtual IO Timing Modes for details.	RW	0x0
3:0	RGMIIO_RXD2_MUXMODE	0x0: rgmii0_rxd2 0x1: rmii0_txen 0x3: mii0_txen 0x4: vin2a_d8 0xB: pr1_mii0_txen 0xC: pr2_pru1_gpi14 0xD: pr2_pru1_gpo14 0xE: gpio5_29 0xF: Driver off	RW	0xF

Table 18-1315. Register Call Summary for Register CTRL_CORE_PAD_RGMIIO_RXD2

Control Module Register Manual

- [CTRL_MODULE_CORE Register Summary: \[0\]](#)

Table 18-1316. CTRL_CORE_PAD_RGMIIO_RXD1

Address Offset	0x0000 1678	Instance	CTRL_MODULE_CORE
Physical Address	0x4A00 3678		
Description			
Type	RW		

31	30	29	28	27	26	25	24	23	22	21	20	19	18	17	16	15	14	13	12	11	10	9	8	7	6	5	4	3	2	1	0				
RESERVED								RESERVED								RESERVED								RGMIIO_RXD1_MODESELECT				RGMIIO_RXD1_DELAYMODE				RGMIIO_RXD1_MUXMODE			
RGMIIO_RXD1_WAKEUPEVENT								RGMIIO_RXD1_SLEWCONTROL								RGMIIO_RXD1_PULLTYPESELE								RGMIIO_RXD1_WAKEUPENABLE				RGMIIO_RXD1_INPUTENABLE				RGMIIO_RXD1_PULLUDENABLE			

Bits	Field Name	Description	Type	Reset
31:26	RESERVED		R	0x0
25	RGMIIO_RXD1_WAKEUPEVENT	0x0: No wakeup event detected 0x1: Wakeup event detected	R	0x0
24	RGMIIO_RXD1_WAKEUPENABLE	0x0: Wakeup is disabled 0x1: Wakeup is enabled	RW	0x0
23:20	RESERVED		R	0x0
19	RGMIIO_RXD1_SLEWCONTROL	0x0: Fast slew is selected 0x1: Slow slew is selected	RW	0x0
18	RGMIIO_RXD1_INPUTENABLE	0x0: Receive mode is disabled 0x1: Receive mode is enabled	RW	0x1
17	RGMIIO_RXD1_PULLTYPESELECT	0x0: Pull Down is selected 0x1: Pull Up is selected	RW	0x0
16	RGMIIO_RXD1_PULLUDENABLE	0x0: Enables weak Pull Up/Down 0x1: Disables weak Pull Up/Down	RW	0x0
15:9	RESERVED		R	0x0
8	RGMIIO_RXD1_MODESELECT	Selects between the Default IO Timing Mode and a Virtual or Manual IO Timing Mode. Refer to the device Data Manual for definition of the required settings for a given mode of operation. When this bit is 0b1, a Virtual IO Timing Mode can be selected via the DELAYMODE field of this register, as described in Section 18.4.6.1.5 , Virtual IO Timing Modes. Manual IO Timing Modes are selected via the procedure described in Section 18.4.6.1.6 , Manual IO Timing Modes. 0x0: Default IO Timing Mode is used 0x1: A Virtual or Manual IO Timing Mode is used	RW	0x0
7:4	RGMIIO_RXD1_DELAYMODE	This bit field selects the Virtual Timing Mode used when the MODESELECT bit is set to 0b1. See Section 18.4.6.1.5 , Virtual IO Timing Modes for details.	RW	0x0
3:0	RGMIIO_RXD1_MUXMODE	0x0: rgmii0_rxd1 0x1: rmii0_txd1 0x3: mii0_txd1 0x4: vin2a_d9 0xB: pr1_mii0_txd1 0xC: pr2_pru1_gpi15 0xD: pr2_pru1_gpo15 0xE: gpio5_30 0xF: Driver off	RW	0xF

Table 18-1317. Register Call Summary for Register CTRL_CORE_PAD_RGMII0_RXD1

Control Module Register Manual

- [CTRL_MODULE_CORE Register Summary: \[0\]](#)

Table 18-1318. CTRL_CORE_PAD_RGMII0_RXD0

Address Offset	0x0000 167C	Instance	CTRL_MODULE_CORE
Physical Address	0x4A00 367C		
Description			
Type	RW		

31	30	29	28	27	26	25	24	23	22	21	20	19	18	17	16	15	14	13	12	11	10	9	8	7	6	5	4	3	2	1	0
RESERVED						RGMII0_RXD0_WAKEUPEVENT	RGMII0_RXD0_WAKEUPENABLE	RESERVED				RGMII0_RXD0_SLEWCONTROL	RGMII0_RXD0_INPUTENABLE	RGMII0_RXD0_PULLTYPESELECT	RGMII0_RXD0_PULLUDENENABLE	RESERVED						RGMII0_RXD0_MODESELECT	RGMII0_RXD0_DELAYMODE				RGMII0_RXD0_MUXMODE				

Bits	Field Name	Description	Type	Reset
31:26	RESERVED		R	0x0
25	RGMII0_RXD0_WAKEUPEVENT	0x0: No wakeup event detected 0x1: Wakeup event detected	R	0x0
24	RGMII0_RXD0_WAKEUPENABLE	0x0: Wakeup is disabled 0x1: Wakeup is enabled	RW	0x0
23:20	RESERVED		R	0x0
19	RGMII0_RXD0_SLEWCONTROL	0x0: Fast slew is selected 0x1: Slow slew is selected	RW	0x0
18	RGMII0_RXD0_INPUTENABLE	0x0: Receive mode is disabled 0x1: Receive mode is enabled	RW	0x1
17	RGMII0_RXD0_PULLTYPESELECT	0x0: Pull Down is selected 0x1: Pull Up is selected	RW	0x0
16	RGMII0_RXD0_PULLUDENENABLE	0x0: Enables weak Pull Up/Down 0x1: Disables weak Pull Up/Down	RW	0x0
15:9	RESERVED		R	0x0
8	RGMII0_RXD0_MODESELECT	Selects between the Default IO Timing Mode and a Virtual or Manual IO Timing Mode. Refer to the device Data Manual for definition of the required settings for a given mode of operation. When this bit is 0b1, a Virtual IO Timing Mode can be selected via the DELAYMODE field of this register, as described in Section 18.4.6.1.5 , Virtual IO Timing Modes. Manual IO Timing Modes are selected via the procedure described in Section 18.4.6.1.6 , Manual IO Timing Modes. 0x0: Default IO Timing Mode is used 0x1: A Virtual or Manual IO Timing Mode is used	RW	0x0
7:4	RGMII0_RXD0_DELAYMODE	This bit field selects the Virtual Timing Mode used when the MODESELECT bit is set to 0b1. See Section 18.4.6.1.5 , Virtual IO Timing Modes for details.	RW	0x0

Bits	Field Name	Description	Type	Reset
3:0	RGMIIO_RXD0_MUXMODE	0x0: rgmii0_rxd0 0x1: rmii0_txd0 0x3: mii0_txd0 0x4: vin2a_fld0 0x5: vin1b_fld1 0xB: pr1_mii0_txd0 0xC: pr2_pru1_gpi16 0xD: pr2_pru1_gpo16 0xE: gpio5_31 0xF: Driver off	RW	0xF

Table 18-1319. Register Call Summary for Register CTRL_CORE_PAD_RGMII0_RXD0

Control Module Register Manual

- [CTRL_MODULE_CORE Register Summary: \[0\]](#)

Table 18-1320. CTRL_CORE_PAD_USB1_DRVVBUS

Address Offset	0x0000 1680	Instance	CTRL_MODULE_CORE
Physical Address	0x4A00 3680		
Description			
Type	RW		

31	30	29	28	27	26	25	24	23	22	21	20	19	18	17	16	15	14	13	12	11	10	9	8	7	6	5	4	3	2	1	0													
RESERVED								RESERVED								RESERVED								USB1_DRVVBUS_MODESELECT	USB1_DRVVBUS_DELAYMODE				USB1_DRVVBUS_MUXMODE															
RESERVED								RESERVED								RESERVED								USB1_DRVVBUS_WAKEUPEVENT	USB1_DRVVBUS_WAKEUPENABLE				USB1_DRVVBUS_SLEWCONTROL				USB1_DRVVBUS_INPUTENABLE				USB1_DRVVBUS_PULLEYSELECT				USB1_DRVVBUS_PULLUDENABLE			

Bits	Field Name	Description	Type	Reset
31:26	RESERVED		R	0x0
25	USB1_DRVVBUS_WAKEUPEVENT	0x0: No wakeup event detected 0x1: Wakeup event detected	R	0x0
24	USB1_DRVVBUS_WAKEUPENABLE	0x0: Wakeup is disabled 0x1: Wakeup is enabled	RW	0x0
23:20	RESERVED		R	0x0
19	USB1_DRVVBUS_SLEWCONTROL	0x0: Fast slew is selected 0x1: Slow slew is selected	RW	0x1
18	USB1_DRVVBUS_INPUTENABLE	0x0: Receive mode is disabled 0x1: Receive mode is enabled	RW	0x1

Bits	Field Name	Description	Type	Reset
17	USB1_DRVVBUS_PULLTYPES ELECT	0x0: Pull Down is selected 0x1: Pull Up is selected	RW	0x0
16	USB1_DRVVBUS_PULLUDENA BLE	0x0: Enables weak Pull Up/Down 0x1: Disables weak Pull Up/Down	RW	0x0
15:9	RESERVED		R	0x0
8	USB1_DRVVBUS_MODESELEC T	Selects between the Default IO Timing Mode and a Virtual or Manual IO Timing Mode. Refer to the device Data Manual for definition of the required settings for a given mode of operation. When this bit is 0b1, a Virtual IO Timing Mode can be selected via the DELAYMODE field of this register, as described in Section 18.4.6.1.5 , Virtual IO Timing Modes. Manual IO Timing Modes are selected via the procedure described in Section 18.4.6.1.6 , Manual IO Timing Modes. 0x0: Default IO Timing Mode is used 0x1: A Virtual or Manual IO Timing Mode is used	RW	0x0
7:4	USB1_DRVVBUS_DELAYMODE	This bit field selects the Virtual Timing Mode used when the MODESELECT bit is set to 0b1. See Section 18.4.6.1.5 , Virtual IO Timing Modes for details.	RW	0x0
3:0	USB1_DRVVBUS_MUXMODE	0x0: usb1_drvvbus 0x7: timer16 0xE: gpio6_12 0xF: Driver off	RW	0xF

Table 18-1321. Register Call Summary for Register CTRL_CORE_PAD_USB1_DRVVBUS

Control Module Register Manual

- [CTRL_MODULE_CORE Register Summary: \[0\]](#)

Table 18-1322. CTRL_CORE_PAD_USB2_DRVVBUS

Address Offset	0x0000 1684	Instance	CTRL_MODULE_CORE
Physical Address	0x4A00 3684		
Description			
Type	RW		

31	30	29	28	27	26	25	24	23	22	21	20	19	18	17	16	15	14	13	12	11	10	9	8	7	6	5	4	3	2	1	0				
RESERVED								RESERVED								RESERVED								USB2_DRVVBUS_MODESELECT	USB2_DRVVBUS_DELAYMODE				USB2_DRVVBUS_MUXMODE						
				USB2_DRVVBUS_WAKEUPEVENT				USB2_DRVVBUS_WAKEUPENABLE								USB2_DRVVBUS_SLEWCONTROL				USB2_DRVVBUS_INPUTENABLE				USB2_DRVVBUS_PULLTYPESELECT				USB2_DRVVBUS_PULLUDENABLE							

Bits	Field Name	Description	Type	Reset
31:26	RESERVED		R	0x0
25	USB2_DRVVBUS_WAKEUPEVENT	0x0: No wakeup event detected 0x1: Wakeup event detected	R	0x0
24	USB2_DRVVBUS_WAKEUPENABLE	0x0: Wakeup is disabled 0x1: Wakeup is enabled	RW	0x0
23:20	RESERVED		R	0x0
19	USB2_DRVVBUS_SLEWCONTROL	0x0: Fast slew is selected 0x1: Slow slew is selected	RW	0x1
18	USB2_DRVVBUS_INPUTENABLE	0x0: Receive mode is disabled 0x1: Receive mode is enabled	RW	0x1
17	USB2_DRVVBUS_PULLTYPESELECT	0x0: Pull Down is selected 0x1: Pull Up is selected	RW	0x0
16	USB2_DRVVBUS_PULLUDENABLE	0x0: Enables weak Pull Up/Down 0x1: Disables weak Pull Up/Down	RW	0x0
15:9	RESERVED		R	0x0
8	USB2_DRVVBUS_MODESELECT	Selects between the Default IO Timing Mode and a Virtual or Manual IO Timing Mode. Refer to the device Data Manual for definition of the required settings for a given mode of operation. When this bit is 0b1, a Virtual IO Timing Mode can be selected via the DELAYMODE field of this register, as described in Section 18.4.6.1.5 , Virtual IO Timing Modes. Manual IO Timing Modes are selected via the procedure described in Section 18.4.6.1.6 , Manual IO Timing Modes. 0x0: Default IO Timing Mode is used 0x1: A Virtual or Manual IO Timing Mode is used	RW	0x0
7:4	USB2_DRVVBUS_DELAYMODE	This bit field selects the Virtual Timing Mode used when the MODESELECT bit is set to 0b1. See Section 18.4.6.1.5 , Virtual IO Timing Modes for details.	RW	0x0
3:0	USB2_DRVVBUS_MUXMODE	0x0: usb2_drvvbus 0x7: timer15 0xE: gpio6_13 0xF: Driver off	RW	0xF

Table 18-1323. Register Call Summary for Register CTRL_CORE_PAD_USB2_DRVVBUS

Control Module Register Manual

- [CTRL_MODULE_CORE Register Summary: \[0\]](#)

Table 18-1324. CTRL_CORE_PAD_GPIO6_14

Address Offset	0x0000 1688	Instance	CTRL_MODULE_CORE
Physical Address	0x4A00 3688		
Description			
Type	RW		

31	30	29	28	27	26	25	24	23	22	21	20	19	18	17	16	15	14	13	12	11	10	9	8	7	6	5	4	3	2	1	0
RESERVED						GPIO6_14_WAKEUPEVENT GPIO6_14_WAKEUPENABLE		RESERVED						GPIO6_14_SLEWCONTROL GPIO6_14_INPUTENABLE GPIO6_14_PULLTYPESELECT GPIO6_14_PULLUDENABLE		RESERVED						GPIO6_14_MODESELECT		GPIO6_14_DELAYMODE				GPIO6_14_MUXMODE			

Bits	Field Name	Description	Type	Reset
31:26	RESERVED		R	0x0
25	GPIO6_14_WAKEUPEVENT	0x0: No wakeup event detected 0x1: Wakeup event detected	R	0x0
24	GPIO6_14_WAKEUPENABLE	0x0: Wakeup is disabled 0x1: Wakeup is enabled	RW	0x0
23:20	RESERVED		R	0x0
19	GPIO6_14_SLEWCONTROL	0x0: Fast slew is selected 0x1: Slow slew is selected	RW	0x0
18	GPIO6_14_INPUTENABLE	0x0: Receive mode is disabled 0x1: Receive mode is enabled	RW	0x1
17	GPIO6_14_PULLTYPESELECT	0x0: Pull Down is selected 0x1: Pull Up is selected	RW	0x1
16	GPIO6_14_PULLUDENABLE	0x0: Enables weak Pull Up/Down 0x1: Disables weak Pull Up/Down	RW	0x0
15:9	RESERVED		R	0x0
8	GPIO6_14_MODESELECT	Selects between the Default IO Timing Mode and a Virtual or Manual IO Timing Mode. Refer to the device Data Manual for definition of the required settings for a given mode of operation. When this bit is 0b1, a Virtual IO Timing Mode can be selected via the DELAYMODE field of this register, as described in Section 18.4.6.1.5 , Virtual IO Timing Modes. Manual IO Timing Modes are selected via the procedure described in Section 18.4.6.1.6 , Manual IO Timing Modes. 0x0: Default IO Timing Mode is used 0x1: A Virtual or Manual IO Timing Mode is used	RW	0x0
7:4	GPIO6_14_DELAYMODE	This bit field selects the Virtual Timing Mode used when the MODESELECT bit is set to 0b1. See Section 18.4.6.1.5 , Virtual IO Timing Modes for details.	RW	0x0
3:0	GPIO6_14_MUXMODE	0x0: gpio6_14 0x1: mcasep1_axr8 0x2: dcan2_tx 0x3: uart10_rxd 0x6: vout2_hsync 0x8: vin2a_hsync0 vin1a_hsync0 0x9: i2c3_sda 0xA: timer1 0xE: gpio6_14 0xF: Driver off	RW	0xF

Table 18-1325. Register Call Summary for Register CTRL_CORE_PAD_GPIO6_14

Control Module Register Manual

- [CTRL_MODULE_CORE Register Summary: \[0\]](#)

Table 18-1326. CTRL_CORE_PAD_GPIO6_15

Address Offset	0x0000 168C	Instance	CTRL_MODULE_CORE
Physical Address	0x4A00 368C		
Description			
Type	RW		

31	30	29	28	27	26	25	24	23	22	21	20	19	18	17	16	15	14	13	12	11	10	9	8	7	6	5	4	3	2	1	0										
RESERVED								RESERVED								RESERVED								GPIO6_15_WAKEUPEVENT		GPIO6_15_WAKEUPENABLE		GPIO6_15_SLEWCONTROL		GPIO6_15_INPUTENABLE		GPIO6_15_PULLTYPESELECT		GPIO6_15_PULLUDENABLE		GPIO6_15_MODESELECT		GPIO6_15_DELAYMODE		GPIO6_15_MUXMODE	

Bits	Field Name	Description	Type	Reset
31:26	RESERVED		R	0x0
25	GPIO6_15_WAKEUPEVENT	0x0: No wakeup event detected 0x1: Wakeup event detected	R	0x0
24	GPIO6_15_WAKEUPENABLE	0x0: Wakeup is disabled 0x1: Wakeup is enabled	RW	0x0
23:20	RESERVED		R	0x0
19	GPIO6_15_SLEWCONTROL	0x0: Fast slew is selected 0x1: Slow slew is selected	RW	0x0
18	GPIO6_15_INPUTENABLE	0x0: Receive mode is disabled 0x1: Receive mode is enabled	RW	0x1
17	GPIO6_15_PULLTYPESELECT	0x0: Pull Down is selected 0x1: Pull Up is selected	RW	0x1
16	GPIO6_15_PULLUDENABLE	0x0: Enables weak Pull Up/Down 0x1: Disables weak Pull Up/Down	RW	0x0
15:9	RESERVED		R	0x0
8	GPIO6_15_MODESELECT	Selects between the Default IO Timing Mode and a Virtual or Manual IO Timing Mode. Refer to the device Data Manual for definition of the required settings for a given mode of operation. When this bit is 0b1, a Virtual IO Timing Mode can be selected via the DELAYMODE field of this register, as described in Section 18.4.6.1.5 , Virtual IO Timing Modes. Manual IO Timing Modes are selected via the procedure described in Section 18.4.6.1.6 , Manual IO Timing Modes. 0x0: Default IO Timing Mode is used 0x1: A Virtual or Manual IO Timing Mode is used	RW	0x0

Bits	Field Name	Description	Type	Reset
7:4	GPIO6_15_DELAYMODE	This bit field selects the Virtual Timing Mode used when the MODESELECT bit is set to 0b1. See Section 18.4.6.1.5 , Virtual IO Timing Modes for details.	RW	0x0
3:0	GPIO6_15_MUXMODE	0x0: gpio6_15 0x1: mcasp1_axr9 0x2: dcan2_rx 0x3: uart10_txd 0x6: vout2_vsync 0x8: vin2a_vsync0 vin1a_vsync0 0x9: i2c3_scl 0xA: timer2 0xE: gpio6_15 0xF: Driver off	RW	0xF

Table 18-1327. Register Call Summary for Register CTRL_CORE_PAD_GPIO6_15

Control Module Register Manual

- [CTRL_MODULE_CORE Register Summary: \[0\]](#)

Table 18-1328. CTRL_CORE_PAD_GPIO6_16

Address Offset	0x0000 1690	Instance	CTRL_MODULE_CORE
Physical Address	0x4A00 3690		
Description			
Type	RW		

31	30	29	28	27	26	25	24	23	22	21	20	19	18	17	16	15	14	13	12	11	10	9	8	7	6	5	4	3	2	1	0		
RESERVED								RESERVED								RESERVED								GPIO6_16_MODESELECT		GPIO6_16_DELAYMODE				GPIO6_16_MUXMODE			
GPIO6_16_WAKEUPEVENT		GPIO6_16_WAKEUPENABLE		GPIO6_16_SLEWCONTROL		GPIO6_16_INPUTENABLE		GPIO6_16_PULLTYPESELECT		GPIO6_16_PULLUDENABLE																							

Bits	Field Name	Description	Type	Reset
31:26	RESERVED		R	0x0
25	GPIO6_16_WAKEUPEVENT	0x0: No wakeup event detected 0x1: Wakeup event detected	R	0x0
24	GPIO6_16_WAKEUPENABLE	0x0: Wakeup is disabled 0x1: Wakeup is enabled	RW	0x0
23:20	RESERVED		R	0x0
19	GPIO6_16_SLEWCONTROL	0x0: Fast slew is selected 0x1: Slow slew is selected	RW	0x0
18	GPIO6_16_INPUTENABLE	0x0: Receive mode is disabled 0x1: Receive mode is enabled	RW	0x1

Bits	Field Name	Description	Type	Reset
17	GPIO6_16_PULLTYPESELECT	0x0: Pull Down is selected 0x1: Pull Up is selected	RW	0x1
16	GPIO6_16_PULLUDENABLE	0x0: Enables weak Pull Up/Down 0x1: Disables weak Pull Up/Down	RW	0x0
15:9	RESERVED		R	0x0
8	GPIO6_16_MODESELECT	Selects between the Default IO Timing Mode and a Virtual or Manual IO Timing Mode. Refer to the device Data Manual for definition of the required settings for a given mode of operation. When this bit is 0b1, a Virtual IO Timing Mode can be selected via the DELAYMODE field of this register, as described in Section 18.4.6.1.5 , Virtual IO Timing Modes. Manual IO Timing Modes are selected via the procedure described in Section 18.4.6.1.6 , Manual IO Timing Modes. 0x0: Default IO Timing Mode is used 0x1: A Virtual or Manual IO Timing Mode is used	RW	0x0
7:4	GPIO6_16_DELAYMODE	This bit field selects the Virtual Timing Mode used when the MODESELECT bit is set to 0b1. See Section 18.4.6.1.5 , Virtual IO Timing Modes for details.	RW	0x0
3:0	GPIO6_16_MUXMODE	0x0: gpio6_16 0x1: mcasp1_axr10 0x6: vout2_fld 0x8: vin2a_fld0 vin1a_fld0 0x9: clkout1 0xA: timer3 0xE: gpio6_16 0xF: Driver off	RW	0xF

Table 18-1329. Register Call Summary for Register CTRL_CORE_PAD_GPIO6_16

Control Module Register Manual

- [CTRL_MODULE_CORE Register Summary: \[0\]](#)

Table 18-1330. CTRL_CORE_PAD_XREF_CLK0

Address Offset	0x0000 1694	Instance	CTRL_MODULE_CORE
Physical Address	0x4A00 3694		
Description			
Type	RW		

31	30	29	28	27	26	25	24	23	22	21	20	19	18	17	16	15	14	13	12	11	10	9	8	7	6	5	4	3	2	1	0				
RESERVED								RESERVED								RESERVED								XREF_CLK0_MODESELECT	XREF_CLK0_DELAYMODE				XREF_CLK0_MUXMODE						
XREF_CLK0_WAKEUPEVENT				XREF_CLK0_WAKEUPENABLE				XREF_CLK0_SLEWCONTROL				XREF_CLK0_INPUTENABLE				XREF_CLK0_PULLTYPESELECT				XREF_CLK0_PULLUDENABLE															

Bits	Field Name	Description	Type	Reset
31:26	RESERVED		R	0x0
25	XREF_CLK0_WAKEUPEVENT	0x0: No wakeup event detected 0x1: Wakeup event detected	R	0x0
24	XREF_CLK0_WAKEUPENABLE	0x0: Wakeup is disabled 0x1: Wakeup is enabled	RW	0x0
23:20	RESERVED		R	0x0
19	XREF_CLK0_SLEWCONTROL	0x0: Fast slew is selected 0x1: Slow slew is selected	RW	0x0
18	XREF_CLK0_INPUTENABLE	0x0: Receive mode is disabled 0x1: Receive mode is enabled	RW	0x1
17	XREF_CLK0_PULLTYPESELECTION	0x0: Pull Down is selected 0x1: Pull Up is selected	RW	0x0
16	XREF_CLK0_PULLUDENABLE	0x0: Enables weak Pull Up/Down 0x1: Disables weak Pull Up/Down	RW	0x0
15:9	RESERVED		R	0x0
8	XREF_CLK0_MODESELECT	Selects between the Default IO Timing Mode and a Virtual or Manual IO Timing Mode. Refer to the device Data Manual for definition of the required settings for a given mode of operation. When this bit is 0b1, a Virtual IO Timing Mode can be selected via the DELAYMODE field of this register, as described in Section 18.4.6.1.5 , Virtual IO Timing Modes. Manual IO Timing Modes are selected via the procedure described in Section 18.4.6.1.6 , Manual IO Timing Modes. 0x0: Default IO Timing Mode is used 0x1: A Virtual or Manual IO Timing Mode is used	RW	0x0
7:4	XREF_CLK0_DELAYMODE	This bit field selects the Virtual Timing Mode used when the MODESELECT bit is set to 0b1. See Section 18.4.6.1.5 , Virtual IO Timing Modes for details.	RW	0x0
3:0	XREF_CLK0_MUXMODE	0x0: xref_clk0 0x1: mcasep2_axr8 0x2: mcasep1_axr4 0x3: mcasep1_ahclkx 0x4: mcasep5_ahclkx 0x7: vin1a_d0 0x8: hdq0 0x9: clkout2 0xA: timer13 0xB: pr2_mii1_col 0xC: pr2_pru1_gpi5 0xD: pr2_pru1_gpo5 0xE: gpio6_17 0xF: Driver off	RW	0xF

Table 18-1331. Register Call Summary for Register CTRL_CORE_PAD_XREF_CLK0

Control Module Register Manual

- [CTRL_MODULE_CORE Register Summary: \[0\]](#)

Table 18-1332. CTRL_CORE_PAD_XREF_CLK1

Address Offset	0x0000 1698	Instance	CTRL_MODULE_CORE
Physical Address	0x4A00 3698		
Description			
Type	RW		

31	30	29	28	27	26	25	24	23	22	21	20	19	18	17	16	15	14	13	12	11	10	9	8	7	6	5	4	3	2	1	0												
RESERVED								RESERVED								RESERVED								XREF_CLK1_WAKEUPEVENT XREF_CLK1_WAKEUPENABLE				XREF_CLK1_SLEWCONTROL XREF_CLK1_INPUTENABLE XREF_CLK1_PULLTYPESELECT XREF_CLK1_PULLUDENABLE				XREF_CLK1_MODESELECT				XREF_CLK1_DELAYMODE				XREF_CLK1_MUXMODE			

Bits	Field Name	Description	Type	Reset
31:26	RESERVED		R	0x0
25	XREF_CLK1_WAKEUPEVENT	0x0: No wakeup event detected 0x1: Wakeup event detected	R	0x0
24	XREF_CLK1_WAKEUPENABLE	0x0: Wakeup is disabled 0x1: Wakeup is enabled	RW	0x0
23:20	RESERVED		R	0x0
19	XREF_CLK1_SLEWCONTROL	0x0: Fast slew is selected 0x1: Slow slew is selected	RW	0x0
18	XREF_CLK1_INPUTENABLE	0x0: Receive mode is disabled 0x1: Receive mode is enabled	RW	0x1
17	XREF_CLK1_PULLTYPESELECT	0x0: Pull Down is selected 0x1: Pull Up is selected	RW	0x0
16	XREF_CLK1_PULLUDENABLE	0x0: Enables weak Pull Up/Down 0x1: Disables weak Pull Up/Down	RW	0x0
15:9	RESERVED		R	0x0
8	XREF_CLK1_MODESELECT	Selects between the Default IO Timing Mode and a Virtual or Manual IO Timing Mode. Refer to the device Data Manual for definition of the required settings for a given mode of operation. When this bit is 0b1, a Virtual IO Timing Mode can be selected via the DELAYMODE field of this register, as described in Section 18.4.6.1.5 , Virtual IO Timing Modes. Manual IO Timing Modes are selected via the procedure described in Section 18.4.6.1.6 , Manual IO Timing Modes. 0x0: Default IO Timing Mode is used 0x1: A Virtual or Manual IO Timing Mode is used	RW	0x0
7:4	XREF_CLK1_DELAYMODE	This bit field selects the Virtual Timing Mode used when the MODESELECT bit is set to 0b1. See Section 18.4.6.1.5 , Virtual IO Timing Modes for details.	RW	0x0

Bits	Field Name	Description	Type	Reset
3:0	XREF_CLK1_MUXMODE	0x0: xref_clk1 0x1: mcasp2_axr9 0x2: mcasp1_axr5 0x3: mcasp2_ahclkx 0x4: mcasp6_ahclkx 0x7: vin1a_clk0 0xA: timer14 0xB: pr2_mii1_crs 0xC: pr2_pru1_gpi6 0xD: pr2_pru1_gpo6 0xE: gpio6_18 0xF: Driver off	RW	0xF

Table 18-1333. Register Call Summary for Register CTRL_CORE_PAD_XREF_CLK1

Control Module Functional Description

- [Pad Configuration Registers: \[0\]](#)

Control Module Register Manual

- [CTRL_MODULE_CORE Register Summary: \[1\]](#)

Table 18-1334. CTRL_CORE_PAD_XREF_CLK2

Address Offset	0x0000 169C	Instance	CTRL_MODULE_CORE
Physical Address	0x4A00 369C		
Description			
Type	RW		

31	30	29	28	27	26	25	24	23	22	21	20	19	18	17	16	15	14	13	12	11	10	9	8	7	6	5	4	3	2	1	0
RESERVED						XREF_CLK2_WAKEUPEVENT	XREF_CLK2_WAKEUPENABLE	RESERVED						XREF_CLK2_SLEWCONTROL	XREF_CLK2_INPUTENABLE	XREF_CLK2_PULLTYPESELECT	XREF_CLK2_PULLLENABLE	RESERVED						XREF_CLK2_MODESELECT	XREF_CLK2_DELAYMODE				XREF_CLK2_MUXMODE		

Bits	Field Name	Description	Type	Reset
31:26	RESERVED		R	0x0
25	XREF_CLK2_WAKEUPEVENT	0x0: No wakeup event detected 0x1: Wakeup event detected	R	0x0
24	XREF_CLK2_WAKEUPENABLE	0x0: Wakeup is disabled 0x1: Wakeup is enabled	RW	0x0
23:20	RESERVED		R	0x0
19	XREF_CLK2_SLEWCONTROL	0x0: Fast slew is selected 0x1: Slow slew is selected	RW	0x0

Bits	Field Name	Description	Type	Reset
18	XREF_CLK2_INPUTENABLE	0x0: Receive mode is disabled 0x1: Receive mode is enabled	RW	0x1
17	XREF_CLK2_PULLTYPESELECTION	0x0: Pull Down is selected 0x1: Pull Up is selected	RW	0x0
16	XREF_CLK2_PULLUDENABLE	0x0: Enables weak Pull Up/Down 0x1: Disables weak Pull Up/Down	RW	0x0
15:9	RESERVED		R	0x0
8	XREF_CLK2_MODESELECT	Selects between the Default IO Timing Mode and a Virtual or Manual IO Timing Mode. Refer to the device Data Manual for definition of the required settings for a given mode of operation. When this bit is 0b1, a Virtual IO Timing Mode can be selected via the DELAYMODE field of this register, as described in Section 18.4.6.1.5 , Virtual IO Timing Modes. Manual IO Timing Modes are selected via the procedure described in Section 18.4.6.1.6 , Manual IO Timing Modes. 0x0: Default IO Timing Mode is used 0x1: A Virtual or Manual IO Timing Mode is used	RW	0x0
7:4	XREF_CLK2_DELAYMODE	This bit field selects the Virtual Timing Mode used when the MODESELECT bit is set to 0b1. See Section 18.4.6.1.5 , Virtual IO Timing Modes for details.	RW	0x0
3:0	XREF_CLK2_MUXMODE	0x0: xref_clk2 0x1: mcasep2_axr10 0x2: mcasep1_axr6 0x3: mcasep3_ahclkx 0x4: mcasep7_ahclkx 0x6: vout2_clk 0x8: vin2a_clk0 vin1a_clk0 0xA: timer15 0xE: gpio6_19 0xF: Driver off	RW	0xF

Table 18-1335. Register Call Summary for Register CTRL_CORE_PAD_XREF_CLK2

Control Module Register Manual

- [CTRL_MODULE_CORE Register Summary: \[0\]](#)

Table 18-1336. CTRL_CORE_PAD_XREF_CLK3

Address Offset	0x0000 16A0	Instance	CTRL_MODULE_CORE
Physical Address	0x4A00 36A0		
Description			
Type	RW		

31	30	29	28	27	26	25	24	23	22	21	20	19	18	17	16	15	14	13	12	11	10	9	8	7	6	5	4	3	2	1	0												
RESERVED								RESERVED								RESERVED								XREF_CLK3_WAKEUPEVENT XREF_CLK3_WAKEUPENABLE				XREF_CLK3_SLEWCONTROL XREF_CLK3_INPUTENABLE XREF_CLK3_PULLTYPESELEC XREF_CLK3_PULLUDENABLE				XREF_CLK3_MODESELECT				XREF_CLK3_DELAYMODE				XREF_CLK3_MUXMODE			

Bits	Field Name	Description	Type	Reset
31:26	RESERVED		R	0x0
25	XREF_CLK3_WAKEUPEVENT	0x0: No wakeup event detected 0x1: Wakeup event detected	R	0x0
24	XREF_CLK3_WAKEUPENABLE	0x0: Wakeup is disabled 0x1: Wakeup is enabled	RW	0x0
23:20	RESERVED		R	0x0
19	XREF_CLK3_SLEWCONTROL	0x0: Fast slew is selected 0x1: Slow slew is selected	RW	0x0
18	XREF_CLK3_INPUTENABLE	0x0: Receive mode is disabled 0x1: Receive mode is enabled	RW	0x1
17	XREF_CLK3_PULLTYPESELECTION	0x0: Pull Down is selected 0x1: Pull Up is selected	RW	0x0
16	XREF_CLK3_PULLUDENABLE	0x0: Enables weak Pull Up/Down 0x1: Disables weak Pull Up/Down	RW	0x0
15:9	RESERVED		R	0x0
8	XREF_CLK3_MODESELECT	Selects between the Default IO Timing Mode and a Virtual or Manual IO Timing Mode. Refer to the device Data Manual for definition of the required settings for a given mode of operation. When this bit is 0b1, a Virtual IO Timing Mode can be selected via the DELAYMODE field of this register, as described in Section 18.4.6.1.5 , Virtual IO Timing Modes. Manual IO Timing Modes are selected via the procedure described in Section 18.4.6.1.6 , Manual IO Timing Modes. 0x0: Default IO Timing Mode is used 0x1: A Virtual or Manual IO Timing Mode is used	RW	0x0
7:4	XREF_CLK3_DELAYMODE	This bit field selects the Virtual Timing Mode used when the MODESELECT bit is set to 0b1. See Section 18.4.6.1.5 , Virtual IO Timing Modes for details.	RW	0x0

Bits	Field Name	Description	Type	Reset
3:0	XREF_CLK3_MUXMODE	0x0: xref_clk3 0x1: mcasp2_axr11 0x2: mcasp1_axr7 0x3: mcasp4_ahclkx 0x4: mcasp8_ahclkx 0x6: vout2_de 0x7: hdq0 0x8: vin2a_de0 vin1a_de0 0x9: clkout3 0xA: timer16 0xE: gpio6_20 0xF: Driver off	RW	0xF

Table 18-1337. Register Call Summary for Register CTRL_CORE_PAD_XREF_CLK3

Control Module Register Manual

- [CTRL_MODULE_CORE Register Summary: \[0\]](#)

Table 18-1338. CTRL_CORE_PAD_MCASP1_ACLKX

Address Offset	0x0000 16A4	Instance	CTRL_MODULE_CORE
Physical Address	0x4A00 36A4		
Description			
Type	RW		

31	30	29	28	27	26	25	24	23	22	21	20	19	18	17	16	15	14	13	12	11	10	9	8	7	6	5	4	3	2	1	0
RESERVED						MCASP1_ACLKX_WAKEUPEVENT	MCASP1_ACLKX_WAKEUPENABLE	RESERVED						MCASP1_ACLKX_SLEWCONTROL	MCASP1_ACLKX_INPUTENABLE	MCASP1_ACLKX_PULLTYPESELECT	MCASP1_ACLKX_PULLUDENABLE	RESERVED						MCASP1_ACLKX_MODESELECT	MCASP1_ACLKX_DELAYMODE				MCASP1_ACLKX_MUXMODE		

Bits	Field Name	Description	Type	Reset
31:26	RESERVED		R	0x0
25	MCASP1_ACLKX_WAKEUPEVENT	0x0: No wakeup event detected 0x1: Wakeup event detected	R	0x0
24	MCASP1_ACLKX_WAKEUPENABLE	0x0: Wakeup is disabled 0x1: Wakeup is enabled	RW	0x0
23:20	RESERVED		R	0x0
19	MCASP1_ACLKX_SLEWCONTROL	0x0: Fast slew is selected 0x1: Slow slew is selected	RW	0x0

Bits	Field Name	Description	Type	Reset
18	MCASP1_ACLKX_INPUTENABLE	0x0: Receive mode is disabled 0x1: Receive mode is enabled	RW	0x1
17	MCASP1_ACLKX_PULLTYPESELECT	0x0: Pull Down is selected 0x1: Pull Up is selected	RW	0x0
16	MCASP1_ACLKX_PULLUDENABLE	0x0: Enables weak Pull Up/Down 0x1: Disables weak Pull Up/Down	RW	0x0
15:9	RESERVED		R	0x0
8	MCASP1_ACLKX_MODESELECT	Selects between the Default IO Timing Mode and a Virtual or Manual IO Timing Mode. Refer to the device Data Manual for definition of the required settings for a given mode of operation. When this bit is 0b1, a Virtual IO Timing Mode can be selected via the DELAYMODE field of this register, as described in Section 18.4.6.1.5 , Virtual IO Timing Modes. Manual IO Timing Modes are selected via the procedure described in Section 18.4.6.1.6 , Manual IO Timing Modes. 0x0: Default IO Timing Mode is used 0x1: A Virtual or Manual IO Timing Mode is used	RW	0x0
7:4	MCASP1_ACLKX_DELAYMODE	This bit field selects the Virtual Timing Mode used when the MODESELECT bit is set to 0b1. See Section 18.4.6.1.5 , Virtual IO Timing Modes for details.	RW	0x0
3:0	MCASP1_ACLKX_MUXMODE	0x0: mcaspl1_aclkx 0x7: vin1a_fld0 0xA: i2c3_sda 0xB: pr2_mdio_mdclk 0xC: pr2_pru1_gpi7 0xD: pr2_pru1_gpo7 0xE: gpio7_31 0xF: Driver off	RW	0xF

Table 18-1339. Register Call Summary for Register CTRL_CORE_PAD_MCASP1_ACLKX

Control Module Register Manual

- [CTRL_MODULE_CORE Register Summary: \[0\]](#)

Table 18-1340. CTRL_CORE_PAD_MCASP1_FSX

Address Offset	0x0000 16A8	Instance	CTRL_MODULE_CORE
Physical Address	0x4A00 36A8		
Description			
Type	RW		

31	30	29	28	27	26	25	24	23	22	21	20	19	18	17	16	15	14	13	12	11	10	9	8	7	6	5	4	3	2	1	0
RESERVED						MCASP1_FSX_WAKEUPEVENT	MCASP1_FSX_WAKEUPENABLE	RESERVED				MCASP1_FSX_SLEWCONTROL	MCASP1_FSX_INPUTENABLE	MCASP1_FSX_PULLTYPESELECT	MCASP1_FSX_PULLUDENENABLE	RESERVED						MCASP1_FSX_MODESELECT	MCASP1_FSX_DELAYMODE				MCASP1_FSX_MUXMODE				

Bits	Field Name	Description	Type	Reset
31:26	RESERVED		R	0x0
25	MCASP1_FSX_WAKEUPEVENT	0x0: No wakeup event detected 0x1: Wakeup event detected	R	0x0
24	MCASP1_FSX_WAKEUPENABLE	0x0: Wakeup is disabled 0x1: Wakeup is enabled	RW	0x0
23:20	RESERVED		R	0x0
19	MCASP1_FSX_SLEWCONTROL	0x0: Fast slew is selected 0x1: Slow slew is selected	RW	0x1
18	MCASP1_FSX_INPUTENABLE	0x0: Receive mode is disabled 0x1: Receive mode is enabled	RW	0x1
17	MCASP1_FSX_PULLTYPESELECT	0x0: Pull Down is selected 0x1: Pull Up is selected	RW	0x0
16	MCASP1_FSX_PULLUDENENABLE	0x0: Enables weak Pull Up/Down 0x1: Disables weak Pull Up/Down	RW	0x0
15:9	RESERVED		R	0x0
8	MCASP1_FSX_MODESELECT	Selects between the Default IO Timing Mode and a Virtual or Manual IO Timing Mode. Refer to the device Data Manual for definition of the required settings for a given mode of operation. When this bit is 0b1, a Virtual IO Timing Mode can be selected via the DELAYMODE field of this register, as described in Section 18.4.6.1.5 , Virtual IO Timing Modes. Manual IO Timing Modes are selected via the procedure described in Section 18.4.6.1.6 , Manual IO Timing Modes. 0x0: Default IO Timing Mode is used 0x1: A Virtual or Manual IO Timing Mode is used	RW	0x0
7:4	MCASP1_FSX_DELAYMODE	This bit field selects the Virtual Timing Mode used when the MODESELECT bit is set to 0b1. See Section 18.4.6.1.5 , Virtual IO Timing Modes for details.	RW	0x0
3:0	MCASP1_FSX_MUXMODE	0x0: mcasep1_fsx 0x7: vin1a_de0 0xA: i2c3_scl 0xB: pr2_mdio_data 0xE: gpio7_30 0xF: Driver off	RW	0xF

Table 18-1341. Register Call Summary for Register CTRL_CORE_PAD_MCASP1_FSX

Control Module Register Manual

- [CTRL_MODULE_CORE Register Summary: \[0\]](#)

Table 18-1342. CTRL_CORE_PAD_MCASP1_ACLKR

Address Offset	0x0000 16AC	Instance	CTRL_MODULE_CORE
Physical Address	0x4A00 36AC		
Description			
Type	RW		

31	30	29	28	27	26	25	24	23	22	21	20	19	18	17	16	15	14	13	12	11	10	9	8	7	6	5	4	3	2	1	0												
RESERVED								RESERVED								RESERVED								MCASP1_ACLKR_MODESELECT	MCASP1_ACLKR_DELAYMODE				MCASP1_ACLKR_MUXMODE														
				MCASP1_ACLKR_WAKEUPEVENT				MCASP1_ACLKR_WAKEUPENABLE								MCASP1_ACLKR_SLEWCONTROL				MCASP1_ACLKR_INPUTENABLE				MCASP1_ACLKR_PULLTYPESELECT				MCASP1_ACLKR_PULLUDENABLE															

Bits	Field Name	Description	Type	Reset
31:26	RESERVED		R	0x0
25	MCASP1_ACLKR_WAKEUPEVENT	0x0: No wakeup event detected 0x1: Wakeup event detected	R	0x0
24	MCASP1_ACLKR_WAKEUPENABLE	0x0: Wakeup is disabled 0x1: Wakeup is enabled	RW	0x0
23:20	RESERVED		R	0x0
19	MCASP1_ACLKR_SLEWCONTROL	0x0: Fast slew is selected 0x1: Slow slew is selected	RW	0x0
18	MCASP1_ACLKR_INPUTENABLE	0x0: Receive mode is disabled 0x1: Receive mode is enabled	RW	0x1
17	MCASP1_ACLKR_PULLTYPESELECT	0x0: Pull Down is selected 0x1: Pull Up is selected	RW	0x0
16	MCASP1_ACLKR_PULLUDENABLE	0x0: Enables weak Pull Up/Down 0x1: Disables weak Pull Up/Down	RW	0x0
15:9	RESERVED		R	0x0

Bits	Field Name	Description	Type	Reset
8	MCASP1_ACLKR_MODESELECT	<p>Selects between the Default IO Timing Mode and a Virtual or Manual IO Timing Mode. Refer to the device Data Manual for definition of the required settings for a given mode of operation. When this bit is 0b1, a Virtual IO Timing Mode can be selected via the DELAYMODE field of this register, as described in Section 18.4.6.1.5, Virtual IO Timing Modes. Manual IO Timing Modes are selected via the procedure described in Section 18.4.6.1.6, Manual IO Timing Modes.</p> <p>0x0: Default IO Timing Mode is used</p> <p>0x1: A Virtual or Manual IO Timing Mode is used</p>	RW	0x0
7:4	MCASP1_ACLKR_DELAYMODE	<p>This bit field selects the Virtual Timing Mode used when the MODESELECT bit is set to 0b1. See Section 18.4.6.1.5, Virtual IO Timing Modes for details.</p>	RW	0x0
3:0	MCASP1_ACLKR_MUXMODE	<p>0x0: mcaspl_aclkr</p> <p>0x1: mcaspl7_axr2</p> <p>0x6: vout2_d0</p> <p>0x8: vin2a_d0 vin1a_d0</p> <p>0xA: i2c4_sda</p> <p>0xE: gpio5_0</p> <p>0xF: Driver off</p>	RW	0xF

Table 18-1343. Register Call Summary for Register CTRL_CORE_PAD_MCASP1_ACLKR

Control Module Register Manual

- [CTRL_MODULE_CORE Register Summary: \[0\]](#)

Table 18-1344. CTRL_CORE_PAD_MCASP1_FSR

Address Offset	0x0000 16B0	Instance	CTRL_MODULE_CORE
Physical Address	0x4A00 36B0		
Description			
Type	RW		

31	30	29	28	27	26	25	24	23	22	21	20	19	18	17	16	15	14	13	12	11	10	9	8	7	6	5	4	3	2	1	0												
RESERVED								RESERVED								RESERVED								MCASP1_FSR_MODESELECT	MCASP1_FSR_DELAYMODE				MCASP1_FSR_MUXMODE														
				MCASP1_FSR_WAKEUPEVENT				MCASP1_FSR_WAKEUPENABLE								MCASP1_FSR_SLEWCONTROL				MCASP1_FSR_INPUTENABLE				MCASP1_FSR_PULLTYPESELECT				MCASP1_FSR_PULLUDENABE															

Bits	Field Name	Description	Type	Reset
31:26	RESERVED		R	0x0
25	MCASP1_FSR_WAKEUPEVENT	<p>0x0: No wakeup event detected</p> <p>0x1: Wakeup event detected</p>	R	0x0

Bits	Field Name	Description	Type	Reset
24	MCASP1_FSR_WAKEUPENABLE	0x0: Wakeup is disabled 0x1: Wakeup is enabled	RW	0x0
23:20	RESERVED		R	0x0
19	MCASP1_FSR_SLEWCONTROL	0x0: Fast slew is selected 0x1: Slow slew is selected	RW	0x0
18	MCASP1_FSR_INPUTENABLE	0x0: Receive mode is disabled 0x1: Receive mode is enabled	RW	0x1
17	MCASP1_FSR_PULLTYPESELECT	0x0: Pull Down is selected 0x1: Pull Up is selected	RW	0x0
16	MCASP1_FSR_PULLUDENABLE	0x0: Enables weak Pull Up/Down 0x1: Disables weak Pull Up/Down	RW	0x0
15:9	RESERVED		R	0x0
8	MCASP1_FSR_MODESELECT	Selects between the Default IO Timing Mode and a Virtual or Manual IO Timing Mode. Refer to the device Data Manual for definition of the required settings for a given mode of operation. When this bit is 0b1, a Virtual IO Timing Mode can be selected via the DELAYMODE field of this register, as described in Section 18.4.6.1.5 , Virtual IO Timing Modes. Manual IO Timing Modes are selected via the procedure described in Section 18.4.6.1.6 , Manual IO Timing Modes. 0x0: Default IO Timing Mode is used 0x1: A Virtual or Manual IO Timing Mode is used	RW	0x0
7:4	MCASP1_FSR_DELAYMODE	This bit field selects the Virtual Timing Mode used when the MODESELECT bit is set to 0b1. See Section 18.4.6.1.5 , Virtual IO Timing Modes for details.	RW	0x0
3:0	MCASP1_FSR_MUXMODE	0x0: mcaspl_fsr 0x1: mcaspl_axr3 0x6: vout2_d1 0x8: vin2a_d1 vin1a_d1 0xA: i2c4_scl 0xE: gpio5_1 0xF: Driver off	RW	0xF

Table 18-1345. Register Call Summary for Register CTRL_CORE_PAD_MCASP1_FSR

Control Module Register Manual

- [CTRL_MODULE_CORE Register Summary: \[0\]](#)

Table 18-1346. CTRL_CORE_PAD_MCASP1_AXR0

Address Offset	0x0000 16B4	Instance	CTRL_MODULE_CORE
Physical Address	0x4A00 36B4		
Description			
Type	RW		

31	30	29	28	27	26	25	24	23	22	21	20	19	18	17	16	15	14	13	12	11	10	9	8	7	6	5	4	3	2	1	0										
RESERVED								MCASP1_AXR0_WAKEUPEVENT		MCASP1_AXR0_WAKEUPENABLE		RESERVED		MCASP1_AXR0_SLEWCONTROL		MCASP1_AXR0_INPUTENABLE		MCASP1_AXR0_PULLTYPESELECT		MCASP1_AXR0_PULLUDENABLE		RESERVED								MCASP1_AXR0_MODESELECT				MCASP1_AXR0_DELAYMODE				MCASP1_AXR0_MUXMODE			

Bits	Field Name	Description	Type	Reset
31:26	RESERVED		R	0x0
25	MCASP1_AXR0_WAKEUPEVENT	0x0: No wakeup event detected 0x1: Wakeup event detected	R	0x0
24	MCASP1_AXR0_WAKEUPENABLE	0x0: Wakeup is disabled 0x1: Wakeup is enabled	RW	0x0
23:20	RESERVED		R	0x0
19	MCASP1_AXR0_SLEWCONTROL	0x0: Fast slew is selected 0x1: Slow slew is selected	RW	0x1
18	MCASP1_AXR0_INPUTENABLE	0x0: Receive mode is disabled 0x1: Receive mode is enabled	RW	0x1
17	MCASP1_AXR0_PULLTYPESELECT	0x0: Pull Down is selected 0x1: Pull Up is selected	RW	0x0
16	MCASP1_AXR0_PULLUDENABLE	0x0: Enables weak Pull Up/Down 0x1: Disables weak Pull Up/Down	RW	0x0
15:9	RESERVED		R	0x0
8	MCASP1_AXR0_MODESELECT	Selects between the Default IO Timing Mode and a Virtual or Manual IO Timing Mode. Refer to the device Data Manual for definition of the required settings for a given mode of operation. When this bit is 0b1, a Virtual IO Timing Mode can be selected via the DELAYMODE field of this register, as described in Section 18.4.6.1.5 , Virtual IO Timing Modes. Manual IO Timing Modes are selected via the procedure described in Section 18.4.6.1.6 , Manual IO Timing Modes. 0x0: Default IO Timing Mode is used 0x1: A Virtual or Manual IO Timing Mode is used	RW	0x0
7:4	MCASP1_AXR0_DELAYMODE	This bit field selects the Virtual Timing Mode used when the MODESELECT bit is set to 0b1. See Section 18.4.6.1.5 , Virtual IO Timing Modes for details.	RW	0x0

Bits	Field Name	Description	Type	Reset
3:0	MCASP1_AXR0_MUXMODE	0x0: mcasp1_axr0 0x3: uart6_rxd 0x7: vin1a_vsync0 0xA: i2c5_sda 0xB: pr2_mii0_rxr 0xC: pr2_pru1_gpi8 0xD: pr2_pru1_gpo8 0xE: gpio5_2 0xF: Driver off	RW	0xF

Table 18-1347. Register Call Summary for Register CTRL_CORE_PAD_MCASP1_AXR0

Control Module Register Manual

- [CTRL_MODULE_CORE Register Summary: \[0\]](#)

Table 18-1348. CTRL_CORE_PAD_MCASP1_AXR1

Address Offset	0x0000 16B8	Instance	CTRL_MODULE_CORE
Physical Address	0x4A00 36B8		
Description			
Type	RW		

31	30	29	28	27	26	25	24	23	22	21	20	19	18	17	16	15	14	13	12	11	10	9	8	7	6	5	4	3	2	1	0												
RESERVED								RESERVED								RESERVED								MCASP1_AXR1_MODESELECT	MCASP1_AXR1_DELAYMODE				MCASP1_AXR1_MUXMODE														
				MCASP1_AXR1_WAKEUPEVENT				MCASP1_AXR1_WAKEUPENABLE								MCASP1_AXR1_SLEWCONTROL				MCASP1_AXR1_INPUTENABLE				MCASP1_AXR1_PULLTYPESELECT				MCASP1_AXR1_PULLUDENABLE															

Bits	Field Name	Description	Type	Reset
31:26	RESERVED		R	0x0
25	MCASP1_AXR1_WAKEUPEVENT	0x0: No wakeup event detected 0x1: Wakeup event detected	R	0x0
24	MCASP1_AXR1_WAKEUPENABLE	0x0: Wakeup is disabled 0x1: Wakeup is enabled	RW	0x0
23:20	RESERVED		R	0x0
19	MCASP1_AXR1_SLEWCONTROL	0x0: Fast slew is selected 0x1: Slow slew is selected	RW	0x1
18	MCASP1_AXR1_INPUTENABLE	0x0: Receive mode is disabled 0x1: Receive mode is enabled	RW	0x1
17	MCASP1_AXR1_PULLTYPESELECT	0x0: Pull Down is selected 0x1: Pull Up is selected	RW	0x0

Bits	Field Name	Description	Type	Reset
16	MCASP1_AXR1_PULLUDENABLE	0x0: Enables weak Pull Up/Down 0x1: Disables weak Pull Up/Down	RW	0x0
15:9	RESERVED		R	0x0
8	MCASP1_AXR1_MODESELECT	Selects between the Default IO Timing Mode and a Virtual or Manual IO Timing Mode. Refer to the device Data Manual for definition of the required settings for a given mode of operation. When this bit is 0b1, a Virtual IO Timing Mode can be selected via the DELAYMODE field of this register, as described in Section 18.4.6.1.5 , Virtual IO Timing Modes. Manual IO Timing Modes are selected via the procedure described in Section 18.4.6.1.6 , Manual IO Timing Modes. 0x0: Default IO Timing Mode is used 0x1: A Virtual or Manual IO Timing Mode is used	RW	0x0
7:4	MCASP1_AXR1_DELAYMODE	This bit field selects the Virtual Timing Mode used when the MODESELECT bit is set to 0b1. See Section 18.4.6.1.5 , Virtual IO Timing Modes for details.	RW	0x0
3:0	MCASP1_AXR1_MUXMODE	0x0: mcasp1_axr1 0x3: uart6_txd 0x7: vin1a_hsync0 0xA: i2c5_scl 0xB: pr2_mii_mt0_clk 0xC: pr2_pru1_gpi9 0xD: pr2_pru1_gpo9 0xE: gpio5_3 0xF: Driver off	RW	0xF

Table 18-1349. Register Call Summary for Register CTRL_CORE_PAD_MCASP1_AXR1

Control Module Register Manual

- [CTRL_MODULE_CORE Register Summary: \[0\]](#)

Table 18-1350. CTRL_CORE_PAD_MCASP1_AXR2

Address Offset	0x0000 16BC	Instance	CTRL_MODULE_CORE
Physical Address	0x4A00 36BC		
Description			
Type	RW		

31	30	29	28	27	26	25	24	23	22	21	20	19	18	17	16	15	14	13	12	11	10	9	8	7	6	5	4	3	2	1	0				
RESERVED								RESERVED								RESERVED								MCASP1_AXR2_MODESELECT	MCASP1_AXR2_DELAYMODE				MCASP1_AXR2_MUXMODE						
MCASP1_AXR2_WAKEUPEVENT				MCASP1_AXR2_WAKEUPENABLE				MCASP1_AXR2_SLEWCONTROL				MCASP1_AXR2_INPUTENABLE				MCASP1_AXR2_PULLTYPESELECT				MCASP1_AXR2_PULLUDENABLE															

Bits	Field Name	Description	Type	Reset
31:26	RESERVED		R	0x0
25	MCASP1_AXR2_WAKEUPEVENT	0x0: No wakeup event detected 0x1: Wakeup event detected	R	0x0
24	MCASP1_AXR2_WAKEUPENABLE	0x0: Wakeup is disabled 0x1: Wakeup is enabled	RW	0x0
23:20	RESERVED		R	0x0
19	MCASP1_AXR2_SLEWCONTROL	0x0: Fast slew is selected 0x1: Slow slew is selected	RW	0x0
18	MCASP1_AXR2_INPUTENABLE	0x0: Receive mode is disabled 0x1: Receive mode is enabled	RW	0x1
17	MCASP1_AXR2_PULLTYPESELECT	0x0: Pull Down is selected 0x1: Pull Up is selected	RW	0x0
16	MCASP1_AXR2_PULLUDENABLE	0x0: Enables weak Pull Up/Down 0x1: Disables weak Pull Up/Down	RW	0x0
15:9	RESERVED		R	0x0
8	MCASP1_AXR2_MODESELECT	Selects between the Default IO Timing Mode and a Virtual or Manual IO Timing Mode. Refer to the device Data Manual for definition of the required settings for a given mode of operation. When this bit is 0b1, a Virtual IO Timing Mode can be selected via the DELAYMODE field of this register, as described in Section 18.4.6.1.5 , Virtual IO Timing Modes. Manual IO Timing Modes are selected via the procedure described in Section 18.4.6.1.6 , Manual IO Timing Modes. 0x0: Default IO Timing Mode is used 0x1: A Virtual or Manual IO Timing Mode is used	RW	0x0
7:4	MCASP1_AXR2_DELAYMODE	This bit field selects the Virtual Timing Mode used when the MODESELECT bit is set to 0b1. See Section 18.4.6.1.5 , Virtual IO Timing Modes for details.	RW	0x0
3:0	MCASP1_AXR2_MUXMODE	0x0: mcaspp1_axr2 0x1: mcaspp6_axr2 0x3: uart6_ctsn 0x6: vout2_d2 0x8: vin2a_d2 vin1a_d2 0xE: gpio5_4 0xF: Driver off	RW	0xF

Table 18-1351. Register Call Summary for Register CTRL_CORE_PAD_MCASP1_AXR2

Control Module Register Manual

- [CTRL_MODULE_CORE Register Summary: \[0\]](#)

Table 18-1352. CTRL_CORE_PAD_MCASP1_AXR3

Address Offset	0x0000 16C0	Instance	CTRL_MODULE_CORE
Physical Address	0x4A00 36C0		
Description			
Type	RW		

31	30	29	28	27	26	25	24	23	22	21	20	19	18	17	16	15	14	13	12	11	10	9	8	7	6	5	4	3	2	1	0												
RESERVED								RESERVED								RESERVED								MCASP1_AXR3_WAKEUPEVENT MCASP1_AXR3_WAKEUPENABLE				MCASP1_AXR3_SLEWCONTROL MCASP1_AXR3_INPUTENABLE MCASP1_AXR3_PULLTYPESELECT MCASP1_AXR3_PULLUDENABLE				MCASP1_AXR3_MODESELECT				MCASP1_AXR3_DELAYMODE				MCASP1_AXR3_MUXMODE			

Bits	Field Name	Description	Type	Reset
31:26	RESERVED		R	0x0
25	MCASP1_AXR3_WAKEUPEVENT	0x0: No wakeup event detected 0x1: Wakeup event detected	R	0x0
24	MCASP1_AXR3_WAKEUPENABLE	0x0: Wakeup is disabled 0x1: Wakeup is enabled	RW	0x0
23:20	RESERVED		R	0x0
19	MCASP1_AXR3_SLEWCONTROL	0x0: Fast slew is selected 0x1: Slow slew is selected	RW	0x0
18	MCASP1_AXR3_INPUTENABLE	0x0: Receive mode is disabled 0x1: Receive mode is enabled	RW	0x1
17	MCASP1_AXR3_PULLTYPESELECT	0x0: Pull Down is selected 0x1: Pull Up is selected	RW	0x0
16	MCASP1_AXR3_PULLUDENABLE	0x0: Enables weak Pull Up/Down 0x1: Disables weak Pull Up/Down	RW	0x0
15:9	RESERVED		R	0x0
8	MCASP1_AXR3_MODESELECT	Selects between the Default IO Timing Mode and a Virtual or Manual IO Timing Mode. Refer to the device Data Manual for definition of the required settings for a given mode of operation. When this bit is 0b1, a Virtual IO Timing Mode can be selected via the DELAYMODE field of this register, as described in Section 18.4.6.1.5 , Virtual IO Timing Modes. Manual IO Timing Modes are selected via the procedure described in Section 18.4.6.1.6 , Manual IO Timing Modes. 0x0: Default IO Timing Mode is used 0x1: A Virtual or Manual IO Timing Mode is used	RW	0x0
7:4	MCASP1_AXR3_DELAYMODE	This bit field selects the Virtual Timing Mode used when the MODESELECT bit is set to 0b1. See Section 18.4.6.1.5 , Virtual IO Timing Modes for details.	RW	0x0
3:0	MCASP1_AXR3_MUXMODE	0x0: mcaspl_axr3 0x1: mcaspl6_axr3 0x3: uart6_rtsn 0x6: vout2_d3 0x8: vin2a_d3 vin1a_d3 0xE: gpio5_5 0xF: Driver off	RW	0xF

Table 18-1353. Register Call Summary for Register CTRL_CORE_PAD_MCASP1_AXR3

Control Module Register Manual

- [CTRL_MODULE_CORE Register Summary: \[0\]](#)

Table 18-1354. CTRL_CORE_PAD_MCASP1_AXR4

Address Offset	0x0000 16C4	Instance	CTRL_MODULE_CORE
Physical Address	0x4A00 36C4		
Description			
Type	RW		

31	30	29	28	27	26	25	24	23	22	21	20	19	18	17	16	15	14	13	12	11	10	9	8	7	6	5	4	3	2	1	0																																								
RESERVED								RESERVED								RESERVED								MCASP1_AXR4_MODESELECT				MCASP1_AXR4_DELAYMODE				MCASP1_AXR4_MUXMODE																																							
MCASP1_AXR4_WAKEUPEVENT								MCASP1_AXR4_WAKEUPENABLE								MCASP1_AXR4_SLEWCONTROL								MCASP1_AXR4_INPUTENABLE				MCASP1_AXR4_PULLTYPESELECT				MCASP1_AXR4_PULLUDENAB				MCASP1_AXR4_WAKEUPEVENT				MCASP1_AXR4_WAKEUPENABLE				MCASP1_AXR4_SLEWCONTROL				MCASP1_AXR4_INPUTENABLE				MCASP1_AXR4_PULLTYPESELECT				MCASP1_AXR4_PULLUDENAB				MCASP1_AXR4_MODESELECT				MCASP1_AXR4_DELAYMODE				MCASP1_AXR4_MUXMODE			

Bits	Field Name	Description	Type	Reset
31:26	RESERVED		R	0x0
25	MCASP1_AXR4_WAKEUPEVENT	0x0: No wakeup event detected 0x1: Wakeup event detected	R	0x0
24	MCASP1_AXR4_WAKEUPENABLE	0x0: Wakeup is disabled 0x1: Wakeup is enabled	RW	0x0
23:20	RESERVED		R	0x0
19	MCASP1_AXR4_SLEWCONTROL	0x0: Fast slew is selected 0x1: Slow slew is selected	RW	0x0
18	MCASP1_AXR4_INPUTENABLE	0x0: Receive mode is disabled 0x1: Receive mode is enabled	RW	0x1
17	MCASP1_AXR4_PULLTYPESELECT	0x0: Pull Down is selected 0x1: Pull Up is selected	RW	0x0
16	MCASP1_AXR4_PULLUDENAB	0x0: Enables weak Pull Up/Down 0x1: Disables weak Pull Up/Down	RW	0x0
15:9	RESERVED		R	0x0

Bits	Field Name	Description	Type	Reset
8	MCASP1_AXR4_MODESELECT	<p>Selects between the Default IO Timing Mode and a Virtual or Manual IO Timing Mode. Refer to the device Data Manual for definition of the required settings for a given mode of operation. When this bit is 0b1, a Virtual IO Timing Mode can be selected via the DELAYMODE field of this register, as described in Section 18.4.6.1.5, Virtual IO Timing Modes. Manual IO Timing Modes are selected via the procedure described in Section 18.4.6.1.6, Manual IO Timing Modes.</p> <p>0x0: Default IO Timing Mode is used</p> <p>0x1: A Virtual or Manual IO Timing Mode is used</p>	RW	0x0
7:4	MCASP1_AXR4_DELAYMODE	<p>This bit field selects the Virtual Timing Mode used when the MODESELECT bit is set to 0b1. See Section 18.4.6.1.5, Virtual IO Timing Modes for details.</p>	RW	0x0
3:0	MCASP1_AXR4_MUXMODE	<p>0x0: mcaspl_axr4</p> <p>0x1: mcaspl_axr2</p> <p>0x6: vout2_d4</p> <p>0x8: vin2a_d4 vin1a_d4</p> <p>0xE: gpio5_6</p> <p>0xF: Driver off</p>	RW	0xF

Table 18-1355. Register Call Summary for Register CTRL_CORE_PAD_MCASP1_AXR4

Control Module Register Manual

- [CTRL_MODULE_CORE Register Summary: \[0\]](#)

Table 18-1356. CTRL_CORE_PAD_MCASP1_AXR5

Address Offset	0x0000 16C8	Instance	CTRL_MODULE_CORE
Physical Address	0x4A00 36C8		
Description			
Type	RW		

31	30	29	28	27	26	25	24	23	22	21	20	19	18	17	16	15	14	13	12	11	10	9	8	7	6	5	4	3	2	1	0								
RESERVED								RESERVED								RESERVED								MCASP1_AXR5_MODESELECT	MCASP1_AXR5_DELAYMODE				MCASP1_AXR5_MUXMODE										
				MCASP1_AXR5_WAKEUPEVENT				MCASP1_AXR5_WAKEUPENABLE								MCASP1_AXR5_SLEWCONTROL				MCASP1_AXR5_INPUTENABLE				MCASP1_AXR5_PULLTYPESELECT				MCASP1_AXR5_PULLUDENABLE											

Bits	Field Name	Description	Type	Reset
31:26	RESERVED		R	0x0
25	MCASP1_AXR5_WAKEUPEVENT	<p>0x0: No wakeup event detected</p> <p>0x1: Wakeup event detected</p>	R	0x0
24	MCASP1_AXR5_WAKEUPENABLE	<p>0x0: Wakeup is disabled</p> <p>0x1: Wakeup is enabled</p>	RW	0x0

Bits	Field Name	Description	Type	Reset
23:20	RESERVED		R	0x0
19	MCASP1_AXR5_SLEWCONTR OL	0x0: Fast slew is selected 0x1: Slow slew is selected	RW	0x0
18	MCASP1_AXR5_INPUTENABLE	0x0: Receive mode is disabled 0x1: Receive mode is enabled	RW	0x1
17	MCASP1_AXR5_PULLTYPESEL ECT	0x0: Pull Down is selected 0x1: Pull Up is selected	RW	0x0
16	MCASP1_AXR5_PULLUDENAB LE	0x0: Enables weak Pull Up/Down 0x1: Disables weak Pull Up/Down	RW	0x0
15:9	RESERVED		R	0x0
8	MCASP1_AXR5_MODESELECT	Selects between the Default IO Timing Mode and a Virtual or Manual IO Timing Mode. Refer to the device Data Manual for definition of the required settings for a given mode of operation. When this bit is 0b1, a Virtual IO Timing Mode can be selected via the DELAYMODE field of this register, as described in Section 18.4.6.1.5 , Virtual IO Timing Modes. Manual IO Timing Modes are selected via the procedure described in Section 18.4.6.1.6 , Manual IO Timing Modes. 0x0: Default IO Timing Mode is used 0x1: A Virtual or Manual IO Timing Mode is used	RW	0x0
7:4	MCASP1_AXR5_DELAYMODE	This bit field selects the Virtual Timing Mode used when the MODESELECT bit is set to 0b1. See Section 18.4.6.1.5 , Virtual IO Timing Modes for details.	RW	0x0
3:0	MCASP1_AXR5_MUXMODE	0x0: mcasep1_axr5 0x1: mcasep4_axr3 0x6: vout2_d5 0x8: vin2a_d5 vin1a_d5 0xE: gpio5_7 0xF: Driver off	RW	0xF

Table 18-1357. Register Call Summary for Register CTRL_CORE_PAD_MCASP1_AXR5

Control Module Register Manual

- [CTRL_MODULE_CORE Register Summary: \[0\]](#)

Table 18-1358. CTRL_CORE_PAD_MCASP1_AXR6

Address Offset	0x0000 16CC	Instance	CTRL_MODULE_CORE
Physical Address	0x4A00 36CC		
Description			
Type	RW		

31	30	29	28	27	26	25	24	23	22	21	20	19	18	17	16	15	14	13	12	11	10	9	8	7	6	5	4	3	2	1	0																
RESERVED								RESERVED								RESERVED								MCASP1_AXR6_MODESELECT				MCASP1_AXR6_DELAYMODE				MCASP1_AXR6_MUXMODE															
								MCASP1_AXR6_WAKEUPEVENT				MCASP1_AXR6_WAKEUPENABLE								MCASP1_AXR6_SLEWCONTROL				MCASP1_AXR6_INPUTENABLE				MCASP1_AXR6_PULLTYPESELECT				MCASP1_AXR6_PULLUDENABLE															

Bits	Field Name	Description	Type	Reset
31:26	RESERVED		R	0x0
25	MCASP1_AXR6_WAKEUPEVENT	0x0: No wakeup event detected 0x1: Wakeup event detected	R	0x0
24	MCASP1_AXR6_WAKEUPENABLE	0x0: Wakeup is disabled 0x1: Wakeup is enabled	RW	0x0
23:20	RESERVED		R	0x0
19	MCASP1_AXR6_SLEWCONTROL	0x0: Fast slew is selected 0x1: Slow slew is selected	RW	0x0
18	MCASP1_AXR6_INPUTENABLE	0x0: Receive mode is disabled 0x1: Receive mode is enabled	RW	0x1
17	MCASP1_AXR6_PULLTYPESELECT	0x0: Pull Down is selected 0x1: Pull Up is selected	RW	0x0
16	MCASP1_AXR6_PULLUDENABLE	0x0: Enables weak Pull Up/Down 0x1: Disables weak Pull Up/Down	RW	0x0
15:9	RESERVED		R	0x0
8	MCASP1_AXR6_MODESELECT	Selects between the Default IO Timing Mode and a Virtual or Manual IO Timing Mode. Refer to the device Data Manual for definition of the required settings for a given mode of operation. When this bit is 0b1, a Virtual IO Timing Mode can be selected via the DELAYMODE field of this register, as described in Section 18.4.6.1.5 , Virtual IO Timing Modes. Manual IO Timing Modes are selected via the procedure described in Section 18.4.6.1.6 , Manual IO Timing Modes. 0x0: Default IO Timing Mode is used 0x1: A Virtual or Manual IO Timing Mode is used	RW	0x0
7:4	MCASP1_AXR6_DELAYMODE	This bit field selects the Virtual Timing Mode used when the MODESELECT bit is set to 0b1. See Section 18.4.6.1.5 , Virtual IO Timing Modes for details.	RW	0x0
3:0	MCASP1_AXR6_MUXMODE	0x0: mcas1_axr6 0x1: mcas5_axr2 0x6: vout2_d6 0x8: vin2a_d6 vin1a_d6 0xE: gpio5_8 0xF: Driver off	RW	0xF

Table 18-1359. Register Call Summary for Register CTRL_CORE_PAD_MCASP1_AXR6

Control Module Register Manual

- [CTRL_MODULE_CORE Register Summary: \[0\]](#)

Table 18-1360. CTRL_CORE_PAD_MCASP1_AXR7

Address Offset	0x0000 16D0	Instance	CTRL_MODULE_CORE
Physical Address	0x4A00 36D0		
Description			
Type	RW		

31	30	29	28	27	26	25	24	23	22	21	20	19	18	17	16	15	14	13	12	11	10	9	8	7	6	5	4	3	2	1	0												
RESERVED								RESERVED								RESERVED								MCASP1_AXR7_MODESELECT	MCASP1_AXR7_DELAYMODE				MCASP1_AXR7_MUXMODE														
				MCASP1_AXR7_WAKEUPEVENT				MCASP1_AXR7_WAKEUPENABLE								MCASP1_AXR7_SLEWCONTROL				MCASP1_AXR7_INPUTENABLE				MCASP1_AXR7_PULLTYPESELECT				MCASP1_AXR7_PULLUDENABLE															

Bits	Field Name	Description	Type	Reset
31:26	RESERVED		R	0x0
25	MCASP1_AXR7_WAKEUPEVENT	0x0: No wakeup event detected 0x1: Wakeup event detected	R	0x0
24	MCASP1_AXR7_WAKEUPENABLE	0x0: Wakeup is disabled 0x1: Wakeup is enabled	RW	0x0
23:20	RESERVED		R	0x0
19	MCASP1_AXR7_SLEWCONTROL	0x0: Fast slew is selected 0x1: Slow slew is selected	RW	0x0
18	MCASP1_AXR7_INPUTENABLE	0x0: Receive mode is disabled 0x1: Receive mode is enabled	RW	0x1
17	MCASP1_AXR7_PULLTYPESELECT	0x0: Pull Down is selected 0x1: Pull Up is selected	RW	0x0
16	MCASP1_AXR7_PULLUDENABLE	0x0: Enables weak Pull Up/Down 0x1: Disables weak Pull Up/Down	RW	0x0
15:9	RESERVED		R	0x0

Bits	Field Name	Description	Type	Reset
8	MCASP1_AXR7_MODESELECT	<p>Selects between the Default IO Timing Mode and a Virtual or Manual IO Timing Mode. Refer to the device Data Manual for definition of the required settings for a given mode of operation. When this bit is 0b1, a Virtual IO Timing Mode can be selected via the DELAYMODE field of this register, as described in Section 18.4.6.1.5, Virtual IO Timing Modes. Manual IO Timing Modes are selected via the procedure described in Section 18.4.6.1.6, Manual IO Timing Modes.</p> <p>0x0: Default IO Timing Mode is used</p> <p>0x1: A Virtual or Manual IO Timing Mode is used</p>	RW	0x0
7:4	MCASP1_AXR7_DELAYMODE	<p>This bit field selects the Virtual Timing Mode used when the MODESELECT bit is set to 0b1. See Section 18.4.6.1.5, Virtual IO Timing Modes for details.</p>	RW	0x0
3:0	MCASP1_AXR7_MUXMODE	<p>0x0: mcaspl_axr7</p> <p>0x1: mcaspl_axr3</p> <p>0x6: vout2_d7</p> <p>0x8: vin2a_d7 vin1a_d7</p> <p>0xA: timer4</p> <p>0xE: gpio5_9</p> <p>0xF: Driver off</p>	RW	0xF

Table 18-1361. Register Call Summary for Register CTRL_CORE_PAD_MCASP1_AXR7

Control Module Register Manual

- [CTRL_MODULE_CORE Register Summary: \[0\]](#)

Table 18-1362. CTRL_CORE_PAD_MCASP1_AXR8

Address Offset	0x0000 16D4	Instance	CTRL_MODULE_CORE
Physical Address	0x4A00 36D4		
Description			
Type	RW		

31	30	29	28	27	26	25	24	23	22	21	20	19	18	17	16	15	14	13	12	11	10	9	8	7	6	5	4	3	2	1	0												
RESERVED								RESERVED								RESERVED								MCASP1_AXR8_MODESELECT	MCASP1_AXR8_DELAYMODE				MCASP1_AXR8_MUXMODE														
				MCASP1_AXR8_WAKEUPEVENT				MCASP1_AXR8_WAKEUPENABLE								MCASP1_AXR8_SLEWCONTROL				MCASP1_AXR8_INPUTENABLE				MCASP1_AXR8_PULLTYPESELECT				MCASP1_AXR8_PULLUDENABLE															

Bits	Field Name	Description	Type	Reset
31:26	RESERVED		R	0x0
25	MCASP1_AXR8_WAKEUPEVENT	<p>0x0: No wakeup event detected</p> <p>0x1: Wakeup event detected</p>	R	0x0

Bits	Field Name	Description	Type	Reset
24	MCASP1_AXR8_WAKEUPENABLE	0x0: Wakeup is disabled 0x1: Wakeup is enabled	RW	0x0
23:20	RESERVED		R	0x0
19	MCASP1_AXR8_SLEWCONTROL	0x0: Fast slew is selected 0x1: Slow slew is selected	RW	0x1
18	MCASP1_AXR8_INPUTENABLE	0x0: Receive mode is disabled 0x1: Receive mode is enabled	RW	0x1
17	MCASP1_AXR8_PULLTYPESELECT	0x0: Pull Down is selected 0x1: Pull Up is selected	RW	0x0
16	MCASP1_AXR8_PULLUDENABLE	0x0: Enables weak Pull Up/Down 0x1: Disables weak Pull Up/Down	RW	0x0
15:9	RESERVED		R	0x0
8	MCASP1_AXR8_MODESELECT	Selects between the Default IO Timing Mode and a Virtual or Manual IO Timing Mode. Refer to the device Data Manual for definition of the required settings for a given mode of operation. When this bit is 0b1, a Virtual IO Timing Mode can be selected via the DELAYMODE field of this register, as described in Section 18.4.6.1.5 , Virtual IO Timing Modes. Manual IO Timing Modes are selected via the procedure described in Section 18.4.6.1.6 , Manual IO Timing Modes. 0x0: Default IO Timing Mode is used 0x1: A Virtual or Manual IO Timing Mode is used	RW	0x0
7:4	MCASP1_AXR8_DELAYMODE	This bit field selects the Virtual Timing Mode used when the MODESELECT bit is set to 0b1. See Section 18.4.6.1.5 , Virtual IO Timing Modes for details.	RW	0x0
3:0	MCASP1_AXR8_MUXMODE	0x0: mcaspl1_axr8 0x1: mcaspl6_axr0 0x3: spi3_sclk 0x7: vin1a_d15 0xA: timer5 0xB: pr2_mii0_txen 0xC: pr2_pru1_gpi10 0xD: pr2_pru1_gpo10 0xE: gpio5_10 0xF: Driver off	RW	0xF

Table 18-1363. Register Call Summary for Register CTRL_CORE_PAD_MCASP1_AXR8

Control Module Register Manual

- [CTRL_MODULE_CORE Register Summary: \[0\]](#)

Table 18-1364. CTRL_CORE_PAD_MCASP1_AXR9

Address Offset	0x0000 16D8	Instance	CTRL_MODULE_CORE
Physical Address	0x4A00 36D8		
Description			
Type	RW		

31	30	29	28	27	26	25	24	23	22	21	20	19	18	17	16	15	14	13	12	11	10	9	8	7	6	5	4	3	2	1	0
RESERVED						MCASP1_AXR9_WAKEUPEVENT	MCASP1_AXR9_WAKEUPENABLE	RESERVED				MCASP1_AXR9_SLEWCONTROL	MCASP1_AXR9_INPUTENABLE	MCASP1_AXR9_PULLTYPESELECT	MCASP1_AXR9_PULLUDENABLE	RESERVED						MCASP1_AXR9_MODESELECT	MCASP1_AXR9_DELAYMODE				MCASP1_AXR9_MUXMODE				

Bits	Field Name	Description	Type	Reset
31:26	RESERVED		R	0x0
25	MCASP1_AXR9_WAKEUPEVENT	0x0: No wakeup event detected 0x1: Wakeup event detected	R	0x0
24	MCASP1_AXR9_WAKEUPENABLE	0x0: Wakeup is disabled 0x1: Wakeup is enabled	RW	0x0
23:20	RESERVED		R	0x0
19	MCASP1_AXR9_SLEWCONTROL	0x0: Fast slew is selected 0x1: Slow slew is selected	RW	0x1
18	MCASP1_AXR9_INPUTENABLE	0x0: Receive mode is disabled 0x1: Receive mode is enabled	RW	0x1
17	MCASP1_AXR9_PULLTYPESELECT	0x0: Pull Down is selected 0x1: Pull Up is selected	RW	0x0
16	MCASP1_AXR9_PULLUDENABLE	0x0: Enables weak Pull Up/Down 0x1: Disables weak Pull Up/Down	RW	0x0
15:9	RESERVED		R	0x0
8	MCASP1_AXR9_MODESELECT	Selects between the Default IO Timing Mode and a Virtual or Manual IO Timing Mode. Refer to the device Data Manual for definition of the required settings for a given mode of operation. When this bit is 0b1, a Virtual IO Timing Mode can be selected via the DELAYMODE field of this register, as described in Section 18.4.6.1.5 , Virtual IO Timing Modes. Manual IO Timing Modes are selected via the procedure described in Section 18.4.6.1.6 , Manual IO Timing Modes. 0x0: Default IO Timing Mode is used 0x1: A Virtual or Manual IO Timing Mode is used	RW	0x0
7:4	MCASP1_AXR9_DELAYMODE	This bit field selects the Virtual Timing Mode used when the MODESELECT bit is set to 0b1. See Section 18.4.6.1.5 , Virtual IO Timing Modes for details.	RW	0x0

Bits	Field Name	Description	Type	Reset
3:0	MCASP1_AXR9_MUXMODE	0x0: mcasep1_axr9 0x1: mcasep6_axr1 0x3: spi3_d1 0x7: vin1a_d14 0xA: timer6 0xB: pr2_mii0_txd3 0xC: pr2_pru1_gpi11 0xD: pr2_pru1_gpo11 0xE: gpio5_11 0xF: Driver off	RW	0xF

Table 18-1365. Register Call Summary for Register CTRL_CORE_PAD_MCASP1_AXR9

Control Module Register Manual

- [CTRL_MODULE_CORE Register Summary: \[0\]](#)

Table 18-1366. CTRL_CORE_PAD_MCASP1_AXR10

Address Offset	0x0000 16DC	Instance	CTRL_MODULE_CORE
Physical Address	0x4A00 36DC		
Description			
Type	RW		

31	30	29	28	27	26	25	24	23	22	21	20	19	18	17	16	15	14	13	12	11	10	9	8	7	6	5	4	3	2	1	0																								
RESERVED								RESERVED								RESERVED								MCASP1_AXR10_MODESELECT				MCASP1_AXR10_DELAYMODE				MCASP1_AXR10_MUXMODE																							
								MCASP1_AXR10_WAKEUPEVENT								MCASP1_AXR10_WAKEUPENABLE								MCASP1_AXR10_SLEWCONTROL								MCASP1_AXR10_INPUTENABLE				MCASP1_AXR10_PULLTYPESELECT				MCASP1_AXR10_PULLUDENABLE															

Bits	Field Name	Description	Type	Reset
31:26	RESERVED		R	0x0
25	MCASP1_AXR10_WAKEUPEVENT	0x0: No wakeup event detected 0x1: Wakeup event detected	R	0x0
24	MCASP1_AXR10_WAKEUPENABLE	0x0: Wakeup is disabled 0x1: Wakeup is enabled	RW	0x0
23:20	RESERVED		R	0x0
19	MCASP1_AXR10_SLEWCONTROL	0x0: Fast slew is selected 0x1: Slow slew is selected	RW	0x1
18	MCASP1_AXR10_INPUTENABLE	0x0: Receive mode is disabled 0x1: Receive mode is enabled	RW	0x1

Bits	Field Name	Description	Type	Reset
17	MCASP1_AXR10_PULLTYPESELECT	0x0: Pull Down is selected 0x1: Pull Up is selected	RW	0x0
16	MCASP1_AXR10_PULLUDENABLE	0x0: Enables weak Pull Up/Down 0x1: Disables weak Pull Up/Down	RW	0x0
15:9	RESERVED		R	0x0
8	MCASP1_AXR10_MODESELECT	Selects between the Default IO Timing Mode and a Virtual or Manual IO Timing Mode. Refer to the device Data Manual for definition of the required settings for a given mode of operation. When this bit is 0b1, a Virtual IO Timing Mode can be selected via the DELAYMODE field of this register, as described in Section 18.4.6.1.5 , Virtual IO Timing Modes. Manual IO Timing Modes are selected via the procedure described in Section 18.4.6.1.6 , Manual IO Timing Modes. 0x0: Default IO Timing Mode is used 0x1: A Virtual or Manual IO Timing Mode is used	RW	0x0
7:4	MCASP1_AXR10_DELAYMODE	This bit field selects the Virtual Timing Mode used when the MODESELECT bit is set to 0b1. See Section 18.4.6.1.5 , Virtual IO Timing Modes for details.	RW	0x0
3:0	MCASP1_AXR10_MUXMODE	0x0: mcasep1_axr10 0x1: mcasep6_aclkx 0x2: mcasep6_aclkr 0x3: spi3_d0 0x7: vin1a_d13 0xA: timer7 0xB: pr2_mii0_txd2 0xC: pr2_pru1_gpi12 0xD: pr2_pru1_gpo12 0xE: gpio5_12 0xF: Driver off	RW	0xF

Table 18-1367. Register Call Summary for Register CTRL_CORE_PAD_MCASP1_AXR10

Control Module Register Manual

- [CTRL_MODULE_CORE Register Summary: \[0\]](#)

Table 18-1368. CTRL_CORE_PAD_MCASP1_AXR11

Address Offset	0x0000 16E0	Instance	CTRL_MODULE_CORE
Physical Address	0x4A00 36E0		
Description			
Type	RW		

31	30	29	28	27	26	25	24	23	22	21	20	19	18	17	16	15	14	13	12	11	10	9	8	7	6	5	4	3	2	1	0
RESERVED						MCASP1_AXR11_WAKEUPEVENT	MCASP1_AXR11_WAKEUPENABLE	RESERVED						MCASP1_AXR11_SLEWCONTROL	MCASP1_AXR11_INPUTENABLE	MCASP1_AXR11_PULLTYPESELECT	MCASP1_AXR11_PULLUDENABLE	RESERVED						MCASP1_AXR11_MODESELECT	MCASP1_AXR11_DELAYMODE				MCASP1_AXR11_MUXMODE		

Bits	Field Name	Description	Type	Reset
31:26	RESERVED		R	0x0
25	MCASP1_AXR11_WAKEUPEVENT	0x0: No wakeup event detected 0x1: Wakeup event detected	R	0x0
24	MCASP1_AXR11_WAKEUPENABLE	0x0: Wakeup is disabled 0x1: Wakeup is enabled	RW	0x0
23:20	RESERVED		R	0x0
19	MCASP1_AXR11_SLEWCONTROL	0x0: Fast slew is selected 0x1: Slow slew is selected	RW	0x1
18	MCASP1_AXR11_INPUTENABLE	0x0: Receive mode is disabled 0x1: Receive mode is enabled	RW	0x1
17	MCASP1_AXR11_PULLTYPESELECT	0x0: Pull Down is selected 0x1: Pull Up is selected	RW	0x0
16	MCASP1_AXR11_PULLUDENABLE	0x0: Enables weak Pull Up/Down 0x1: Disables weak Pull Up/Down	RW	0x0
15:9	RESERVED		R	0x0
8	MCASP1_AXR11_MODESELECT	Selects between the Default IO Timing Mode and a Virtual or Manual IO Timing Mode. Refer to the device Data Manual for definition of the required settings for a given mode of operation. When this bit is 0b1, a Virtual IO Timing Mode can be selected via the DELAYMODE field of this register, as described in Section 18.4.6.1.5 , Virtual IO Timing Modes. Manual IO Timing Modes are selected via the procedure described in Section 18.4.6.1.6 , Manual IO Timing Modes. 0x0: Default IO Timing Mode is used 0x1: A Virtual or Manual IO Timing Mode is used	RW	0x0
7:4	MCASP1_AXR11_DELAYMODE	This bit field selects the Virtual Timing Mode used when the MODESELECT bit is set to 0b1. See Section 18.4.6.1.5 , Virtual IO Timing Modes for details.	RW	0x0

Bits	Field Name	Description	Type	Reset
3:0	MCASP1_AXR11_MUXMODE	0x0: mcasp1_axr11 0x1: mcasp6_fsx 0x2: mcasp6_fsr 0x3: spi3_cs0 0x7: vin1a_d12 0xA: timer8 0xB: pr2_mii0_txd1 0xC: pr2_pru1_gpi13 0xD: pr2_pru1_gpo13 0xE: gpio4_17 0xF: Driver off	RW	0xF

Table 18-1369. Register Call Summary for Register CTRL_CORE_PAD_MCASP1_AXR11

Control Module Register Manual

- [CTRL_MODULE_CORE Register Summary: \[0\]](#)

Table 18-1370. CTRL_CORE_PAD_MCASP1_AXR12

Address Offset	0x0000 16E4	Instance	CTRL_MODULE_CORE
Physical Address	0x4A00 36E4		
Description			
Type	RW		

31	30	29	28	27	26	25	24	23	22	21	20	19	18	17	16	15	14	13	12	11	10	9	8	7	6	5	4	3	2	1	0												
RESERVED								RESERVED								RESERVED								MCASP1_AXR12_MODESELECT	MCASP1_AXR12_DELAYMODE				MCASP1_AXR12_MUXMODE														
				MCASP1_AXR12_WAKEUPEVENT				MCASP1_AXR12_WAKEUPENABLE								MCASP1_AXR12_SLEWCONTROL				MCASP1_AXR12_INPUTENABLE				MCASP1_AXR12_PULLTYPESELECT				MCASP1_AXR12_PULLUDENABLE															

Bits	Field Name	Description	Type	Reset
31:26	RESERVED		R	0x0
25	MCASP1_AXR12_WAKEUPEVENT	0x0: No wakeup event detected 0x1: Wakeup event detected	R	0x0
24	MCASP1_AXR12_WAKEUPENABLE	0x0: Wakeup is disabled 0x1: Wakeup is enabled	RW	0x0
23:20	RESERVED		R	0x0
19	MCASP1_AXR12_SLEWCONTROL	0x0: Fast slew is selected 0x1: Slow slew is selected	RW	0x1
18	MCASP1_AXR12_INPUTENABLE	0x0: Receive mode is disabled 0x1: Receive mode is enabled	RW	0x1

Bits	Field Name	Description	Type	Reset
17	MCASP1_AXR12_PULLTYPESELECT	0x0: Pull Down is selected 0x1: Pull Up is selected	RW	0x0
16	MCASP1_AXR12_PULLUDENABLE	0x0: Enables weak Pull Up/Down 0x1: Disables weak Pull Up/Down	RW	0x0
15:9	RESERVED		R	0x0
8	MCASP1_AXR12_MODESELECT	Selects between the Default IO Timing Mode and a Virtual or Manual IO Timing Mode. Refer to the device Data Manual for definition of the required settings for a given mode of operation. When this bit is 0b1, a Virtual IO Timing Mode can be selected via the DELAYMODE field of this register, as described in Section 18.4.6.1.5 , Virtual IO Timing Modes. Manual IO Timing Modes are selected via the procedure described in Section 18.4.6.1.6 , Manual IO Timing Modes. 0x0: Default IO Timing Mode is used 0x1: A Virtual or Manual IO Timing Mode is used	RW	0x0
7:4	MCASP1_AXR12_DELAYMODE	This bit field selects the Virtual Timing Mode used when the MODESELECT bit is set to 0b1. See Section 18.4.6.1.5 , Virtual IO Timing Modes for details.	RW	0x0
3:0	MCASP1_AXR12_MUXMODE	0x0: mcasep1_axr12 0x1: mcasep7_axr0 0x3: spi3_cs1 0x7: vin1a_d11 0xA: timer9 0xB: pr2_mii0_txd0 0xC: pr2_pru1_gpi14 0xD: pr2_pru1_gpo14 0xE: gpio4_18 0xF: Driver off	RW	0xF

Table 18-1371. Register Call Summary for Register CTRL_CORE_PAD_MCASP1_AXR12

Control Module Register Manual

- [CTRL_MODULE_CORE Register Summary: \[0\]](#)

Table 18-1372. CTRL_CORE_PAD_MCASP1_AXR13

Address Offset	0x0000 16E8	Instance	CTRL_MODULE_CORE
Physical Address	0x4A00 36E8		
Description			
Type	RW		

31	30	29	28	27	26	25	24	23	22	21	20	19	18	17	16	15	14	13	12	11	10	9	8	7	6	5	4	3	2	1	0
RESERVED						MCASP1_AXR13_WAKEUPEVENT	MCASP1_AXR13_WAKEUPENABLE	RESERVED				MCASP1_AXR13_SLEWCONTROL	MCASP1_AXR13_INPUTENABLE	MCASP1_AXR13_PULLTYPESELECT	MCASP1_AXR13_PULLUDENABLE	RESERVED						MCASP1_AXR13_MODESELECT	MCASP1_AXR13_DELAYMODE				MCASP1_AXR13_MUXMODE				

Bits	Field Name	Description	Type	Reset
31:26	RESERVED		R	0x0
25	MCASP1_AXR13_WAKEUPEVENT	0x0: No wakeup event detected 0x1: Wakeup event detected	R	0x0
24	MCASP1_AXR13_WAKEUPENABLE	0x0: Wakeup is disabled 0x1: Wakeup is enabled	RW	0x0
23:20	RESERVED		R	0x0
19	MCASP1_AXR13_SLEWCONTROL	0x0: Fast slew is selected 0x1: Slow slew is selected	RW	0x1
18	MCASP1_AXR13_INPUTENABLE	0x0: Receive mode is disabled 0x1: Receive mode is enabled	RW	0x1
17	MCASP1_AXR13_PULLTYPESELECT	0x0: Pull Down is selected 0x1: Pull Up is selected	RW	0x0
16	MCASP1_AXR13_PULLUDENABLE	0x0: Enables weak Pull Up/Down 0x1: Disables weak Pull Up/Down	RW	0x0
15:9	RESERVED		R	0x0
8	MCASP1_AXR13_MODESELECT	Selects between the Default IO Timing Mode and a Virtual or Manual IO Timing Mode. Refer to the device Data Manual for definition of the required settings for a given mode of operation. When this bit is 0b1, a Virtual IO Timing Mode can be selected via the DELAYMODE field of this register, as described in Section 18.4.6.1.5 , Virtual IO Timing Modes. Manual IO Timing Modes are selected via the procedure described in Section 18.4.6.1.6 , Manual IO Timing Modes. 0x0: Default IO Timing Mode is used 0x1: A Virtual or Manual IO Timing Mode is used	RW	0x0
7:4	MCASP1_AXR13_DELAYMODE	This bit field selects the Virtual Timing Mode used when the MODESELECT bit is set to 0b1. See Section 18.4.6.1.5 , Virtual IO Timing Modes for details.	RW	0x0

Bits	Field Name	Description	Type	Reset
3:0	MCASP1_AXR13_MUXMODE	0x0: mcasp1_axr13 0x1: mcasp7_axr1 0x7: vin1a_d10 0xA: timer10 0xB: pr2_mii_mr0_clk 0xC: pr2_pru1_gpi15 0xD: pr2_pru1_gpo15 0xE: gpio6_4 0xF: Driver off	RW	0xF

Table 18-1373. Register Call Summary for Register CTRL_CORE_PAD_MCASP1_AXR13

Control Module Register Manual

- [CTRL_MODULE_CORE Register Summary: \[0\]](#)

Table 18-1374. CTRL_CORE_PAD_MCASP1_AXR14

Address Offset	0x0000 16EC	Instance	CTRL_MODULE_CORE
Physical Address	0x4A00 36EC		
Description			
Type	RW		

31	30	29	28	27	26	25	24	23	22	21	20	19	18	17	16	15	14	13	12	11	10	9	8	7	6	5	4	3	2	1	0
RESERVED				MCASP1_AXR14_WAKEUPEVENT		MCASP1_AXR14_WAKEUPENABLE		RESERVED				MCASP1_AXR14_SLEWCONTROL		MCASP1_AXR14_INPUTENABLE		MCASP1_AXR14_PULLTYPESELECT		MCASP1_AXR14_PULLUDENABE		RESERVED				MCASP1_AXR14_MODESELECT		MCASP1_AXR14_DELAYMODE			MCASP1_AXR14_MUXMODE		

Bits	Field Name	Description	Type	Reset
31:26	RESERVED		R	0x0
25	MCASP1_AXR14_WAKEUPEVENT	0x0: No wakeup event detected 0x1: Wakeup event detected	R	0x0
24	MCASP1_AXR14_WAKEUPENABLE	0x0: Wakeup is disabled 0x1: Wakeup is enabled	RW	0x0
23:20	RESERVED		R	0x0
19	MCASP1_AXR14_SLEWCONTROL	0x0: Fast slew is selected 0x1: Slow slew is selected	RW	0x1
18	MCASP1_AXR14_INPUTENABLE	0x0: Receive mode is disabled 0x1: Receive mode is enabled	RW	0x1
17	MCASP1_AXR14_PULLTYPESELECT	0x0: Pull Down is selected 0x1: Pull Up is selected	RW	0x0

Bits	Field Name	Description	Type	Reset
16	MCASP1_AXR14_PULLUDENABLE	0x0: Enables weak Pull Up/Down 0x1: Disables weak Pull Up/Down	RW	0x0
15:9	RESERVED		R	0x0
8	MCASP1_AXR14_MODESELECT	Selects between the Default IO Timing Mode and a Virtual or Manual IO Timing Mode. Refer to the device Data Manual for definition of the required settings for a given mode of operation. When this bit is 0b1, a Virtual IO Timing Mode can be selected via the DELAYMODE field of this register, as described in Section 18.4.6.1.5 , Virtual IO Timing Modes. Manual IO Timing Modes are selected via the procedure described in Section 18.4.6.1.6 , Manual IO Timing Modes. 0x0: Default IO Timing Mode is used 0x1: A Virtual or Manual IO Timing Mode is used	RW	0x0
7:4	MCASP1_AXR14_DELAYMODE	This bit field selects the Virtual Timing Mode used when the MODESELECT bit is set to 0b1. See Section 18.4.6.1.5 , Virtual IO Timing Modes for details.	RW	0x0
3:0	MCASP1_AXR14_MUXMODE	0x0: mcasep1_axr14 0x1: mcasep7_aclkx 0x2: mcasep7_aclkr 0x7: vin1a_d9 0xA: timer11 0xB: pr2_mii0_rxdv 0xC: pr2_pru1_gpi16 0xD: pr2_pru1_gpo16 0xE: gpio6_5 0xF: Driver off	RW	0xF

Table 18-1375. Register Call Summary for Register CTRL_CORE_PAD_MCASP1_AXR14

Control Module Register Manual

- [CTRL_MODULE_CORE Register Summary: \[0\]](#)

Table 18-1376. CTRL_CORE_PAD_MCASP1_AXR15

Address Offset	0x0000 16F0	Instance	CTRL_MODULE_CORE
Physical Address	0x4A00 36F0		
Description			
Type	RW		

31	30	29	28	27	26	25	24	23	22	21	20	19	18	17	16	15	14	13	12	11	10	9	8	7	6	5	4	3	2	1	0				
RESERVED								RESERVED								RESERVED								MCASP1_AXR15_MODESELECT	MCASP1_AXR15_DELAYMODE				MCASP1_AXR15_MUXMODE						
MCASP1_AXR15_WAKEUPEVENT				MCASP1_AXR15_WAKEUPENABLE				MCASP1_AXR15_SLEWCONTROL				MCASP1_AXR15_INPUTENABLE				MCASP1_AXR15_PULLTYPESELECT				MCASP1_AXR15_PULLUDENABLE															

Bits	Field Name	Description	Type	Reset
31:26	RESERVED		R	0x0
25	MCASP1_AXR15_WAKEUPEVENT	0x0: No wakeup event detected 0x1: Wakeup event detected	R	0x0
24	MCASP1_AXR15_WAKEUPENABLE	0x0: Wakeup is disabled 0x1: Wakeup is enabled	RW	0x0
23:20	RESERVED		R	0x0
19	MCASP1_AXR15_SLEWCONTROL	0x0: Fast slew is selected 0x1: Slow slew is selected	RW	0x1
18	MCASP1_AXR15_INPUTENABLE	0x0: Receive mode is disabled 0x1: Receive mode is enabled	RW	0x1
17	MCASP1_AXR15_PULLTYPESELECT	0x0: Pull Down is selected 0x1: Pull Up is selected	RW	0x0
16	MCASP1_AXR15_PULLUDENABLE	0x0: Enables weak Pull Up/Down 0x1: Disables weak Pull Up/Down	RW	0x0
15:9	RESERVED		R	0x0
8	MCASP1_AXR15_MODESELECT	Selects between the Default IO Timing Mode and a Virtual or Manual IO Timing Mode. Refer to the device Data Manual for definition of the required settings for a given mode of operation. When this bit is 0b1, a Virtual IO Timing Mode can be selected via the DELAYMODE field of this register, as described in Section 18.4.6.1.5 , Virtual IO Timing Modes. Manual IO Timing Modes are selected via the procedure described in Section 18.4.6.1.6 , Manual IO Timing Modes. 0x0: Default IO Timing Mode is used 0x1: A Virtual or Manual IO Timing Mode is used	RW	0x0
7:4	MCASP1_AXR15_DELAYMODE	This bit field selects the Virtual Timing Mode used when the MODESELECT bit is set to 0b1. See Section 18.4.6.1.5 , Virtual IO Timing Modes for details.	RW	0x0
3:0	MCASP1_AXR15_MUXMODE	0x0: mcasep1_axr15 0x1: mcasep7_fsx 0x2: mcasep7_fsr 0x7: vin1a_d8 0xA: timer12 0xB: pr2_mii0_rxd3 0xC: pr2_pru0_gpi20 0xD: pr2_pru0_gpo20 0xE: gpio6_6 0xF: Driver off	RW	0xF

Table 18-1377. Register Call Summary for Register CTRL_CORE_PAD_MCASP1_AXR15

Control Module Register Manual

- [CTRL_MODULE_CORE Register Summary: \[0\]](#)

Table 18-1378. CTRL_CORE_PAD_MCASP2_ACLKX

Address Offset	0x0000 16F4	Instance	CTRL_MODULE_CORE
Physical Address	0x4A00 36F4		
Description			
Type	RW		

31	30	29	28	27	26	25	24	23	22	21	20	19	18	17	16	15	14	13	12	11	10	9	8	7	6	5	4	3	2	1	0												
RESERVED								RESERVED								RESERVED								MCASP2_ACLKX_MODESELECT				MCASP2_ACLKX_DELAYMODE				MCASP2_ACLKX_MUXMODE											
				MCASP2_ACLKX_WAKEUPEVENT				MCASP2_ACLKX_WAKEUPENABLE								MCASP2_ACLKX_SLEWCONTROL				MCASP2_ACLKX_INPUTENABLE				MCASP2_ACLKX_PULLTYPESELECT				MCASP2_ACLKX_PULLUDENABLE															

Bits	Field Name	Description	Type	Reset
31:26	RESERVED		R	0x0
25	MCASP2_ACLKX_WAKEUPEVENT	0x0: No wakeup event detected 0x1: Wakeup event detected	R	0x0
24	MCASP2_ACLKX_WAKEUPENABLE	0x0: Wakeup is disabled 0x1: Wakeup is enabled	RW	0x0
23:20	RESERVED		R	0x0
19	MCASP2_ACLKX_SLEWCONTROL	0x0: Fast slew is selected 0x1: Slow slew is selected	RW	0x0
18	MCASP2_ACLKX_INPUTENABLE	0x0: Receive mode is disabled 0x1: Receive mode is enabled	RW	0x1
17	MCASP2_ACLKX_PULLTYPESELECT	0x0: Pull Down is selected 0x1: Pull Up is selected	RW	0x0
16	MCASP2_ACLKX_PULLUDENABLE	0x0: Enables weak Pull Up/Down 0x1: Disables weak Pull Up/Down	RW	0x0
15:9	RESERVED		R	0x0
8	MCASP2_ACLKX_MODESELECT	Selects between the Default IO Timing Mode and a Virtual or Manual IO Timing Mode. Refer to the device Data Manual for definition of the required settings for a given mode of operation. When this bit is 0b1, a Virtual IO Timing Mode can be selected via the DELAYMODE field of this register, as described in Section 18.4.6.1.5 , Virtual IO Timing Modes. Manual IO Timing Modes are selected via the procedure described in Section 18.4.6.1.6 , Manual IO Timing Modes. 0x0: Default IO Timing Mode is used 0x1: A Virtual or Manual IO Timing Mode is used	RW	0x0
7:4	MCASP2_ACLKX_DELAYMODE	This bit field selects the Virtual Timing Mode used when the MODESELECT bit is set to 0b1. See Section 18.4.6.1.5 , Virtual IO Timing Modes for details.	RW	0x0
3:0	MCASP2_ACLKX_MUXMODE	0x0: mcas2_aclkx 0x7: vin1a_d7 0xB: pr2_mii0_rxd2 0xC: pr2_pru0_gpi18 0xD: pr2_pru0_gpo18 0xF: Driver off	RW	0xF

Table 18-1379. Register Call Summary for Register CTRL_CORE_PAD_MCASP2_ACLKX

Control Module Register Manual

- [CTRL_MODULE_CORE Register Summary: \[0\]](#)

Table 18-1380. CTRL_CORE_PAD_MCASP2_FSX

Address Offset	0x0000 16F8	Instance	CTRL_MODULE_CORE
Physical Address	0x4A00 36F8		
Description			
Type	RW		

31	30	29	28	27	26	25	24	23	22	21	20	19	18	17	16	15	14	13	12	11	10	9	8	7	6	5	4	3	2	1	0												
RESERVED								RESERVED								RESERVED								MCASP2_FSX_MODESELECT	MCASP2_FSX_DELAYMODE				MCASP2_FSX_MUXMODE														
				MCASP2_FSX_WAKEUPEVENT				MCASP2_FSX_WAKEUPENABLE								MCASP2_FSX_SLEWCONTROL				MCASP2_FSX_INPUTENABLE				MCASP2_FSX_PULLTYPESELECT				MCASP2_FSX_PULLUDENABLE															

Bits	Field Name	Description	Type	Reset
31:26	RESERVED		R	0x0
25	MCASP2_FSX_WAKEUPEVENT	0x0: No wakeup event detected 0x1: Wakeup event detected	R	0x0
24	MCASP2_FSX_WAKEUPENABLE	0x0: Wakeup is disabled 0x1: Wakeup is enabled	RW	0x0
23:20	RESERVED		R	0x0
19	MCASP2_FSX_SLEWCONTROL	0x0: Fast slew is selected 0x1: Slow slew is selected	RW	0x1
18	MCASP2_FSX_INPUTENABLE	0x0: Receive mode is disabled 0x1: Receive mode is enabled	RW	0x1
17	MCASP2_FSX_PULLTYPESELECT	0x0: Pull Down is selected 0x1: Pull Up is selected	RW	0x0
16	MCASP2_FSX_PULLUDENABLE	0x0: Enables weak Pull Up/Down 0x1: Disables weak Pull Up/Down	RW	0x0
15:9	RESERVED		R	0x0
8	MCASP2_FSX_MODESELECT	Selects between the Default IO Timing Mode and a Virtual or Manual IO Timing Mode. Refer to the device Data Manual for definition of the required settings for a given mode of operation. When this bit is 0b1, a Virtual IO Timing Mode can be selected via the DELAYMODE field of this register, as described in Section 18.4.6.1.5 , Virtual IO Timing Modes. Manual IO Timing Modes are selected via the procedure described in Section 18.4.6.1.6 , Manual IO Timing Modes. 0x0: Default IO Timing Mode is used 0x1: A Virtual or Manual IO Timing Mode is used	RW	0x0

Bits	Field Name	Description	Type	Reset
7:4	MCASP2_FSX_DELAYMODE	This bit field selects the Virtual Timing Mode used when the MODESELECT bit is set to 0b1. See Section 18.4.6.1.5 , Virtual IO Timing Modes for details.	RW	0x0
3:0	MCASP2_FSX_MUXMODE	0x0: mcasep2_fsx 0x7: vin1a_d6 0xB: pr2_mii0_rxd1 0xC: pr2_pru0_gpi19 0xD: pr2_pru0_gpo19 0xF: Driver off	RW	0xF

Table 18-1381. Register Call Summary for Register CTRL_CORE_PAD_MCASP2_FSX

Control Module Register Manual

- [CTRL_MODULE_CORE Register Summary: \[0\]](#)

Table 18-1382. CTRL_CORE_PAD_MCASP2_ACLKR

Address Offset	0x0000 16FC	Instance	CTRL_MODULE_CORE
Physical Address	0x4A00 36FC		
Description			
Type	RW		

31	30	29	28	27	26	25	24	23	22	21	20	19	18	17	16	15	14	13	12	11	10	9	8	7	6	5	4	3	2	1	0
RESERVED						MCASP2_ACLKR_WAKEUPEVENT	MCASP2_ACLKR_WAKEUPENABLE	RESERVED						MCASP2_ACLKR_SLEWCONTROL	MCASP2_ACLKR_INPUTENABLE	MCASP2_ACLKR_PULLTYPESELECT	MCASP2_ACLKR_PULLUDENABLE	RESERVED						MCASP2_ACLKR_MODESELECT	MCASP2_ACLKR_DELAYMODE				MCASP2_ACLKR_MUXMODE		

Bits	Field Name	Description	Type	Reset
31:26	RESERVED		R	0x0
25	MCASP2_ACLKR_WAKEUPEVENT	0x0: No wakeup event detected 0x1: Wakeup event detected	R	0x0
24	MCASP2_ACLKR_WAKEUPENABLE	0x0: Wakeup is disabled 0x1: Wakeup is enabled	RW	0x0
23:20	RESERVED		R	0x0
19	MCASP2_ACLKR_SLEWCONTROL	0x0: Fast slew is selected 0x1: Slow slew is selected	RW	0x0
18	MCASP2_ACLKR_INPUTENABLE	0x0: Receive mode is disabled 0x1: Receive mode is enabled	RW	0x1
17	MCASP2_ACLKR_PULLTYPESELECT	0x0: Pull Down is selected 0x1: Pull Up is selected	RW	0x0

Bits	Field Name	Description	Type	Reset
16	MCASP2_ACLKR_PULLUDENABLE	0x0: Enables weak Pull Up/Down 0x1: Disables weak Pull Up/Down	RW	0x0
15:9	RESERVED		R	0x0
8	MCASP2_ACLKR_MODESELECT	Selects between the Default IO Timing Mode and a Virtual or Manual IO Timing Mode. Refer to the device Data Manual for definition of the required settings for a given mode of operation. When this bit is 0b1, a Virtual IO Timing Mode can be selected via the DELAYMODE field of this register, as described in Section 18.4.6.1.5 , Virtual IO Timing Modes. Manual IO Timing Modes are selected via the procedure described in Section 18.4.6.1.6 , Manual IO Timing Modes. 0x0: Default IO Timing Mode is used 0x1: A Virtual or Manual IO Timing Mode is used	RW	0x0
7:4	MCASP2_ACLKR_DELAYMODE	This bit field selects the Virtual Timing Mode used when the MODESELECT bit is set to 0b1. See Section 18.4.6.1.5 , Virtual IO Timing Modes for details.	RW	0x0
3:0	MCASP2_ACLKR_MUXMODE	0x0: mcaspp2_aclkr 0x1: mcaspp8_axr2 0x6: vout2_d8 0x8: vin2a_d8 vin1a_d8 0xF: Driver off	RW	0xF

Table 18-1383. Register Call Summary for Register CTRL_CORE_PAD_MCASP2_ACLKR

Control Module Register Manual

- [CTRL_MODULE_CORE Register Summary: \[0\]](#)

Table 18-1384. CTRL_CORE_PAD_MCASP2_FSR

Address Offset	0x0000 1700	Instance	CTRL_MODULE_CORE
Physical Address	0x4A00 3700		
Description			
Type	RW		

31	30	29	28	27	26	25	24	23	22	21	20	19	18	17	16	15	14	13	12	11	10	9	8	7	6	5	4	3	2	1	0				
RESERVED								RESERVED								RESERVED								MCASP2_FSR_MODESELECT				MCASP2_FSR_DELAYMODE				MCASP2_FSR_MUXMODE			
				MCASP2_FSR_WAKEUPEVENT				MCASP2_FSR_WAKEUPENABLE								MCASP2_FSR_SLEWCONTROL				MCASP2_FSR_INPUTENABLE				MCASP2_FSR_PULYPESELECT				MCASP2_FSR_PULLUDENABLE							

Bits	Field Name	Description	Type	Reset
31:26	RESERVED		R	0x0
25	MCASP2_FSR_WAKEUPEVENT	0x0: No wakeup event detected 0x1: Wakeup event detected	R	0x0

Bits	Field Name	Description	Type	Reset
24	MCASP2_FSR_WAKEUPENABLE	0x0: Wakeup is disabled 0x1: Wakeup is enabled	RW	0x0
23:20	RESERVED		R	0x0
19	MCASP2_FSR_SLEWCONTROL	0x0: Fast slew is selected 0x1: Slow slew is selected	RW	0x0
18	MCASP2_FSR_INPUTENABLE	0x0: Receive mode is disabled 0x1: Receive mode is enabled	RW	0x1
17	MCASP2_FSR_PULLTYPESELECT	0x0: Pull Down is selected 0x1: Pull Up is selected	RW	0x0
16	MCASP2_FSR_PULLUDENABLE	0x0: Enables weak Pull Up/Down 0x1: Disables weak Pull Up/Down	RW	0x0
15:9	RESERVED		R	0x0
8	MCASP2_FSR_MODESELECT	Selects between the Default IO Timing Mode and a Virtual or Manual IO Timing Mode. Refer to the device Data Manual for definition of the required settings for a given mode of operation. When this bit is 0b1, a Virtual IO Timing Mode can be selected via the DELAYMODE field of this register, as described in Section 18.4.6.1.5 , Virtual IO Timing Modes. Manual IO Timing Modes are selected via the procedure described in Section 18.4.6.1.6 , Manual IO Timing Modes. 0x0: Default IO Timing Mode is used 0x1: A Virtual or Manual IO Timing Mode is used	RW	0x0
7:4	MCASP2_FSR_DELAYMODE	This bit field selects the Virtual Timing Mode used when the MODESELECT bit is set to 0b1. See Section 18.4.6.1.5 , Virtual IO Timing Modes for details.	RW	0x0
3:0	MCASP2_FSR_MUXMODE	0x0: mcas2_fsr 0x1: mcas2_axr3 0x6: vout2_d9 0x8: vin2a_d9 vin1a_d9 0xF: Driver off	RW	0xF

Table 18-1385. Register Call Summary for Register CTRL_CORE_PAD_MCASP2_FSR

Control Module Register Manual

- [CTRL_MODULE_CORE Register Summary: \[0\]](#)

Table 18-1386. CTRL_CORE_PAD_MCASP2_AXR0

Address Offset	0x0000 1704	Instance	CTRL_MODULE_CORE
Physical Address	0x4A00 3704		
Description			
Type	RW		

31	30	29	28	27	26	25	24	23	22	21	20	19	18	17	16	15	14	13	12	11	10	9	8	7	6	5	4	3	2	1	0												
RESERVED								RESERVED								RESERVED								MCASP2_AXR0_WAKEUPEVENT MCASP2_AXR0_WAKEUPENABLE				MCASP2_AXR0_SLEWCONTROL MCASP2_AXR0_INPUTENABLE MCASP2_AXR0_PULLTYPESELECT MCASP2_AXR0_PULLUDENAB LE				MCASP2_AXR0_MODESELECT				MCASP2_AXR0_DELAYMODE				MCASP2_AXR0_MUXMODE			

Bits	Field Name	Description	Type	Reset
31:26	RESERVED		R	0x0
25	MCASP2_AXR0_WAKEUPEVENT	0x0: No wakeup event detected 0x1: Wakeup event detected	R	0x0
24	MCASP2_AXR0_WAKEUPENABLE	0x0: Wakeup is disabled 0x1: Wakeup is enabled	RW	0x0
23:20	RESERVED		R	0x0
19	MCASP2_AXR0_SLEWCONTROL	0x0: Fast slew is selected 0x1: Slow slew is selected	RW	0x0
18	MCASP2_AXR0_INPUTENABLE	0x0: Receive mode is disabled 0x1: Receive mode is enabled	RW	0x1
17	MCASP2_AXR0_PULLTYPESELECT	0x0: Pull Down is selected 0x1: Pull Up is selected	RW	0x0
16	MCASP2_AXR0_PULLUDENAB LE	0x0: Enables weak Pull Up/Down 0x1: Disables weak Pull Up/Down	RW	0x0
15:9	RESERVED		R	0x0
8	MCASP2_AXR0_MODESELECT	Selects between the Default IO Timing Mode and a Virtual or Manual IO Timing Mode. Refer to the device Data Manual for definition of the required settings for a given mode of operation. When this bit is 0b1, a Virtual IO Timing Mode can be selected via the DELAYMODE field of this register, as described in Section 18.4.6.1.5 , Virtual IO Timing Modes. Manual IO Timing Modes are selected via the procedure described in Section 18.4.6.1.6 , Manual IO Timing Modes. 0x0: Default IO Timing Mode is used 0x1: A Virtual or Manual IO Timing Mode is used	RW	0x0
7:4	MCASP2_AXR0_DELAYMODE	This bit field selects the Virtual Timing Mode used when the MODESELECT bit is set to 0b1. See Section 18.4.6.1.5 , Virtual IO Timing Modes for details.	RW	0x0
3:0	MCASP2_AXR0_MUXMODE	0x0: mcasep2_axr0 0x6: vout2_d10 0x8: vin2a_d10 vin1a_d10 0xF: Driver off	RW	0xF

Table 18-1387. Register Call Summary for Register CTRL_CORE_PAD_MCASP2_AXR0

Control Module Register Manual

- [CTRL_MODULE_CORE Register Summary: \[0\]](#)

Table 18-1388. CTRL_CORE_PAD_MCASP2_AXR1

Address Offset	0x0000 1708	Instance	CTRL_MODULE_CORE
Physical Address	0x4A00 3708		
Description			
Type	RW		

31	30	29	28	27	26	25	24	23	22	21	20	19	18	17	16	15	14	13	12	11	10	9	8	7	6	5	4	3	2	1	0								
RESERVED								RESERVED								RESERVED								MCASP2_AXR1_MODESELECT	MCASP2_AXR1_DELAYMODE				MCASP2_AXR1_MUXMODE										
MCASP2_AXR1_WAKEUPEVENT								MCASP2_AXR1_WAKEUPENABLE								MCASP2_AXR1_SLEWCONTROL				MCASP2_AXR1_INPUTENABLE				MCASP2_AXR1_PULLTYPESELECT				MCASP2_AXR1_PULLUDENABLE											

Bits	Field Name	Description	Type	Reset
31:26	RESERVED		R	0x0
25	MCASP2_AXR1_WAKEUPEVENT	0x0: No wakeup event detected 0x1: Wakeup event detected	R	0x0
24	MCASP2_AXR1_WAKEUPENABLE	0x0: Wakeup is disabled 0x1: Wakeup is enabled	RW	0x0
23:20	RESERVED		R	0x0
19	MCASP2_AXR1_SLEWCONTROL	0x0: Fast slew is selected 0x1: Slow slew is selected	RW	0x0
18	MCASP2_AXR1_INPUTENABLE	0x0: Receive mode is disabled 0x1: Receive mode is enabled	RW	0x1
17	MCASP2_AXR1_PULLTYPESELECT	0x0: Pull Down is selected 0x1: Pull Up is selected	RW	0x0
16	MCASP2_AXR1_PULLUDENABLE	0x0: Enables weak Pull Up/Down 0x1: Disables weak Pull Up/Down	RW	0x0
15:9	RESERVED		R	0x0
8	MCASP2_AXR1_MODESELECT	Selects between the Default IO Timing Mode and a Virtual or Manual IO Timing Mode. Refer to the device Data Manual for definition of the required settings for a given mode of operation. When this bit is 0b1, a Virtual IO Timing Mode can be selected via the DELAYMODE field of this register, as described in Section 18.4.6.1.5 , Virtual IO Timing Modes. Manual IO Timing Modes are selected via the procedure described in Section 18.4.6.1.6 , Manual IO Timing Modes. 0x0: Default IO Timing Mode is used 0x1: A Virtual or Manual IO Timing Mode is used	RW	0x0
7:4	MCASP2_AXR1_DELAYMODE	This bit field selects the Virtual Timing Mode used when the MODESELECT bit is set to 0b1. See Section 18.4.6.1.5 , Virtual IO Timing Modes for details.	RW	0x0

Bits	Field Name	Description	Type	Reset
3:0	MCASP2_AXR1_MUXMODE	0x0: mcasp2_axr1 0x6: vout2_d11 0x8: vin2a_d11 vin1a_d11 0xF: Driver off	RW	0xF

Table 18-1389. Register Call Summary for Register CTRL_CORE_PAD_MCASP2_AXR1

Control Module Register Manual

- [CTRL_MODULE_CORE Register Summary: \[0\]](#)

Table 18-1390. CTRL_CORE_PAD_MCASP2_AXR2

Address Offset	0x0000 170C	Instance	CTRL_MODULE_CORE
Physical Address	0x4A00 370C		
Description			
Type	RW		

31	30	29	28	27	26	25	24	23	22	21	20	19	18	17	16	15	14	13	12	11	10	9	8	7	6	5	4	3	2	1	0												
RESERVED								RESERVED								RESERVED								MCASP2_AXR2_MODESELECT		MCASP2_AXR2_DELAYMODE				MCASP2_AXR2_MUXMODE													
				MCASP2_AXR2_WAKEUPEVENT				MCASP2_AXR2_WAKEUPENABLE								MCASP2_AXR2_SLEWCONTROL				MCASP2_AXR2_INPUTENABLE				MCASP2_AXR2_PULLTYPESELECT				MCASP2_AXR2_PULLUDENAB															

Bits	Field Name	Description	Type	Reset
31:26	RESERVED		R	0x0
25	MCASP2_AXR2_WAKEUPEVENT	0x0: No wakeup event detected 0x1: Wakeup event detected	R	0x0
24	MCASP2_AXR2_WAKEUPENABLE	0x0: Wakeup is disabled 0x1: Wakeup is enabled	RW	0x0
23:20	RESERVED		R	0x0
19	MCASP2_AXR2_SLEWCONTROL	0x0: Fast slew is selected 0x1: Slow slew is selected	RW	0x1
18	MCASP2_AXR2_INPUTENABLE	0x0: Receive mode is disabled 0x1: Receive mode is enabled	RW	0x1
17	MCASP2_AXR2_PULLTYPESELECT	0x0: Pull Down is selected 0x1: Pull Up is selected	RW	0x0
16	MCASP2_AXR2_PULLUDENAB	0x0: Enables weak Pull Up/Down 0x1: Disables weak Pull Up/Down	RW	0x0
15:9	RESERVED		R	0x0

Bits	Field Name	Description	Type	Reset
8	MCASP2_AXR2_MODESELECT	Selects between the Default IO Timing Mode and a Virtual or Manual IO Timing Mode. Refer to the device Data Manual for definition of the required settings for a given mode of operation. When this bit is 0b1, a Virtual IO Timing Mode can be selected via the DELAYMODE field of this register, as described in Section 18.4.6.1.5 , Virtual IO Timing Modes. Manual IO Timing Modes are selected via the procedure described in Section 18.4.6.1.6 , Manual IO Timing Modes. 0x0: Default IO Timing Mode is used 0x1: A Virtual or Manual IO Timing Mode is used	RW	0x0
7:4	MCASP2_AXR2_DELAYMODE	This bit field selects the Virtual Timing Mode used when the MODESELECT bit is set to 0b1. See Section 18.4.6.1.5 , Virtual IO Timing Modes for details.	RW	0x0
3:0	MCASP2_AXR2_MUXMODE	0x0: mcas2_axr2 0x1: mcas3_axr2 0x7: vin1a_d5 0xB: pr2_mii0_rxd0 0xC: pr2_pru0_gpi16 0xD: pr2_pru0_gpo16 0xE: gpio6_8 0xF: Driver off	RW	0xF

Table 18-1391. Register Call Summary for Register CTRL_CORE_PAD_MCASP2_AXR2

Control Module Register Manual

- [CTRL_MODULE_CORE Register Summary: \[0\]](#)

Table 18-1392. CTRL_CORE_PAD_MCASP2_AXR3

Address Offset	0x0000 1710	Instance	CTRL_MODULE_CORE
Physical Address	0x4A00 3710		
Description			
Type	RW		

31	30	29	28	27	26	25	24	23	22	21	20	19	18	17	16	15	14	13	12	11	10	9	8	7	6	5	4	3	2	1	0												
RESERVED								RESERVED								RESERVED								MCASP2_AXR3_MODESELECT	MCASP2_AXR3_DELAYMODE				MCASP2_AXR3_MUXMODE														
				MCASP2_AXR3_WAKEUPEVENT				MCASP2_AXR3_WAKEUPENABLE								MCASP2_AXR3_SLEWCONTROL				MCASP2_AXR3_INPUTENABLE				MCASP2_AXR3_PULLTYPESELECT				MCASP2_AXR3_PULLUDENABLE															

Bits	Field Name	Description	Type	Reset
31:26	RESERVED		R	0x0
25	MCASP2_AXR3_WAKEUPEVENT	0x0: No wakeup event detected 0x1: Wakeup event detected	R	0x0

Bits	Field Name	Description	Type	Reset
24	MCASP2_AXR3_WAKEUPENABLE	0x0: Wakeup is disabled 0x1: Wakeup is enabled	RW	0x0
23:20	RESERVED		R	0x0
19	MCASP2_AXR3_SLEWCONTROL	0x0: Fast slew is selected 0x1: Slow slew is selected	RW	0x1
18	MCASP2_AXR3_INPUTENABLE	0x0: Receive mode is disabled 0x1: Receive mode is enabled	RW	0x1
17	MCASP2_AXR3_PULLTYPESELECT	0x0: Pull Down is selected 0x1: Pull Up is selected	RW	0x0
16	MCASP2_AXR3_PULLUDENABLE	0x0: Enables weak Pull Up/Down 0x1: Disables weak Pull Up/Down	RW	0x0
15:9	RESERVED		R	0x0
8	MCASP2_AXR3_MODESELECT	Selects between the Default IO Timing Mode and a Virtual or Manual IO Timing Mode. Refer to the device Data Manual for definition of the required settings for a given mode of operation. When this bit is 0b1, a Virtual IO Timing Mode can be selected via the DELAYMODE field of this register, as described in Section 18.4.6.1.5 , Virtual IO Timing Modes. Manual IO Timing Modes are selected via the procedure described in Section 18.4.6.1.6 , Manual IO Timing Modes. 0x0: Default IO Timing Mode is used 0x1: A Virtual or Manual IO Timing Mode is used	RW	0x0
7:4	MCASP2_AXR3_DELAYMODE	This bit field selects the Virtual Timing Mode used when the MODESELECT bit is set to 0b1. See Section 18.4.6.1.5 , Virtual IO Timing Modes for details.	RW	0x0
3:0	MCASP2_AXR3_MUXMODE	0x0: mcas2_axr3 0x1: mcas3_axr3 0x7: vin1a_d4 0xB: pr2_mii0_rxlink 0xC: pr2_pru0_gpi17 0xD: pr2_pru0_gpo17 0xE: gpio6_9 0xF: Driver off	RW	0xF

Table 18-1393. Register Call Summary for Register CTRL_CORE_PAD_MCASP2_AXR3

Control Module Register Manual

- [CTRL_MODULE_CORE Register Summary: \[0\]](#)

Table 18-1394. CTRL_CORE_PAD_MCASP2_AXR4

Address Offset	0x0000 1714	Instance	CTRL_MODULE_CORE
Physical Address	0x4A00 3714		
Description			
Type	RW		

31	30	29	28	27	26	25	24	23	22	21	20	19	18	17	16	15	14	13	12	11	10	9	8	7	6	5	4	3	2	1	0																
RESERVED								RESERVED								RESERVED								MCASP2_AXR4_MODESELECT				MCASP2_AXR4_DELAYMODE				MCASP2_AXR4_MUXMODE															
								MCASP2_AXR4_WAKEUPEVENT				MCASP2_AXR4_WAKEUPENABLE								MCASP2_AXR4_SLEWCONTROL				MCASP2_AXR4_INPUTENABLE				MCASP2_AXR4_PULLTYPESELECT				MCASP2_AXR4_PULLUDENABLE															

Bits	Field Name	Description	Type	Reset
31:26	RESERVED		R	0x0
25	MCASP2_AXR4_WAKEUPEVENT	0x0: No wakeup event detected 0x1: Wakeup event detected	R	0x0
24	MCASP2_AXR4_WAKEUPENABLE	0x0: Wakeup is disabled 0x1: Wakeup is enabled	RW	0x0
23:20	RESERVED		R	0x0
19	MCASP2_AXR4_SLEWCONTROL	0x0: Fast slew is selected 0x1: Slow slew is selected	RW	0x0
18	MCASP2_AXR4_INPUTENABLE	0x0: Receive mode is disabled 0x1: Receive mode is enabled	RW	0x1
17	MCASP2_AXR4_PULLTYPESELECT	0x0: Pull Down is selected 0x1: Pull Up is selected	RW	0x0
16	MCASP2_AXR4_PULLUDENABLE	0x0: Enables weak Pull Up/Down 0x1: Disables weak Pull Up/Down	RW	0x0
15:9	RESERVED		R	0x0
8	MCASP2_AXR4_MODESELECT	Selects between the Default IO Timing Mode and a Virtual or Manual IO Timing Mode. Refer to the device Data Manual for definition of the required settings for a given mode of operation. When this bit is 0b1, a Virtual IO Timing Mode can be selected via the DELAYMODE field of this register, as described in Section 18.4.6.1.5 , Virtual IO Timing Modes. Manual IO Timing Modes are selected via the procedure described in Section 18.4.6.1.6 , Manual IO Timing Modes. 0x0: Default IO Timing Mode is used 0x1: A Virtual or Manual IO Timing Mode is used	RW	0x0
7:4	MCASP2_AXR4_DELAYMODE	This bit field selects the Virtual Timing Mode used when the MODESELECT bit is set to 0b1. See Section 18.4.6.1.5 , Virtual IO Timing Modes for details.	RW	0x0
3:0	MCASP2_AXR4_MUXMODE	0x0: mcas2_axr4 0x1: mcas8_axr0 0x6: vout2_d12 0x8: vin2a_d12 vin1a_d12 0xE: gpio1_4 0xF: Driver off	RW	0xF

Table 18-1395. Register Call Summary for Register CTRL_CORE_PAD_MCASP2_AXR4

Control Module Register Manual

- [CTRL_MODULE_CORE Register Summary: \[0\]](#)

Table 18-1396. CTRL_CORE_PAD_MCASP2_AXR5

Address Offset	0x0000 1718	Instance	CTRL_MODULE_CORE
Physical Address	0x4A00 3718		
Description			
Type	RW		

31	30	29	28	27	26	25	24	23	22	21	20	19	18	17	16	15	14	13	12	11	10	9	8	7	6	5	4	3	2	1	0																
RESERVED								RESERVED								RESERVED								MCASP2_AXR5_MODESELECT				MCASP2_AXR5_DELAYMODE				MCASP2_AXR5_MUXMODE															
MCASP2_AXR5_WAKEUPEVENT								MCASP2_AXR5_WAKEUPENABLE								MCASP2_AXR5_SLEWCONTROL								MCASP2_AXR5_INPUTENABLE				MCASP2_AXR5_PULLTYPESELECT				MCASP2_AXR5_PULLUDENAB				MCASP2_AXR5_MODESELECT				MCASP2_AXR5_DELAYMODE				MCASP2_AXR5_MUXMODE			

Bits	Field Name	Description	Type	Reset
31:26	RESERVED		R	0x0
25	MCASP2_AXR5_WAKEUPEVENT	0x0: No wakeup event detected 0x1: Wakeup event detected	R	0x0
24	MCASP2_AXR5_WAKEUPENABLE	0x0: Wakeup is disabled 0x1: Wakeup is enabled	RW	0x0
23:20	RESERVED		R	0x0
19	MCASP2_AXR5_SLEWCONTROL	0x0: Fast slew is selected 0x1: Slow slew is selected	RW	0x0
18	MCASP2_AXR5_INPUTENABLE	0x0: Receive mode is disabled 0x1: Receive mode is enabled	RW	0x1
17	MCASP2_AXR5_PULLTYPESELECT	0x0: Pull Down is selected 0x1: Pull Up is selected	RW	0x0
16	MCASP2_AXR5_PULLUDENAB	0x0: Enables weak Pull Up/Down 0x1: Disables weak Pull Up/Down	RW	0x0
15:9	RESERVED		R	0x0

Bits	Field Name	Description	Type	Reset
8	MCASP2_AXR5_MODESELECT	<p>Selects between the Default IO Timing Mode and a Virtual or Manual IO Timing Mode. Refer to the device Data Manual for definition of the required settings for a given mode of operation. When this bit is 0b1, a Virtual IO Timing Mode can be selected via the DELAYMODE field of this register, as described in Section 18.4.6.1.5, Virtual IO Timing Modes. Manual IO Timing Modes are selected via the procedure described in Section 18.4.6.1.6, Manual IO Timing Modes.</p> <p>0x0: Default IO Timing Mode is used</p> <p>0x1: A Virtual or Manual IO Timing Mode is used</p>	RW	0x0
7:4	MCASP2_AXR5_DELAYMODE	<p>This bit field selects the Virtual Timing Mode used when the MODESELECT bit is set to 0b1. See Section 18.4.6.1.5, Virtual IO Timing Modes for details.</p>	RW	0x0
3:0	MCASP2_AXR5_MUXMODE	<p>0x0: mcas2_axr5</p> <p>0x1: mcas8_axr1</p> <p>0x6: vout2_d13</p> <p>0x8: vin2a_d13 vin1a_d13</p> <p>0xE: gpio6_7</p> <p>0xF: Driver off</p>	RW	0xF

Table 18-1397. Register Call Summary for Register CTRL_CORE_PAD_MCASP2_AXR5

Control Module Register Manual

- [CTRL_MODULE_CORE Register Summary: \[0\]](#)

Table 18-1398. CTRL_CORE_PAD_MCASP2_AXR6

Address Offset	0x0000 171C	Instance	CTRL_MODULE_CORE
Physical Address	0x4A00 371C		
Description			
Type	RW		

31	30	29	28	27	26	25	24	23	22	21	20	19	18	17	16	15	14	13	12	11	10	9	8	7	6	5	4	3	2	1	0												
RESERVED								RESERVED								RESERVED								MCASP2_AXR6_MODESELECT	MCASP2_AXR6_DELAYMODE				MCASP2_AXR6_MUXMODE														
				MCASP2_AXR6_WAKEUPEVENT				MCASP2_AXR6_WAKEUPENABLE								MCASP2_AXR6_SLEWCONTROL				MCASP2_AXR6_INPUTENABLE				MCASP2_AXR6_PULLTYPESELECT				MCASP2_AXR6_PULLUDENABLE															

Bits	Field Name	Description	Type	Reset
31:26	RESERVED		R	0x0
25	MCASP2_AXR6_WAKEUPEVENT	<p>0x0: No wakeup event detected</p> <p>0x1: Wakeup event detected</p>	R	0x0
24	MCASP2_AXR6_WAKEUPENABLE	<p>0x0: Wakeup is disabled</p> <p>0x1: Wakeup is enabled</p>	RW	0x0

Bits	Field Name	Description	Type	Reset
23:20	RESERVED		R	0x0
19	MCASP2_AXR6_SLEWCONTR OL	0x0: Fast slew is selected 0x1: Slow slew is selected	RW	0x0
18	MCASP2_AXR6_INPUTENABLE	0x0: Receive mode is disabled 0x1: Receive mode is enabled	RW	0x1
17	MCASP2_AXR6_PULLTYPESEL ECT	0x0: Pull Down is selected 0x1: Pull Up is selected	RW	0x0
16	MCASP2_AXR6_PULLUDENAB LE	0x0: Enables weak Pull Up/Down 0x1: Disables weak Pull Up/Down	RW	0x0
15:9	RESERVED		R	0x0
8	MCASP2_AXR6_MODESELECT	Selects between the Default IO Timing Mode and a Virtual or Manual IO Timing Mode. Refer to the device Data Manual for definition of the required settings for a given mode of operation. When this bit is 0b1, a Virtual IO Timing Mode can be selected via the DELAYMODE field of this register, as described in Section 18.4.6.1.5 , Virtual IO Timing Modes. Manual IO Timing Modes are selected via the procedure described in Section 18.4.6.1.6 , Manual IO Timing Modes. 0x0: Default IO Timing Mode is used 0x1: A Virtual or Manual IO Timing Mode is used	RW	0x0
7:4	MCASP2_AXR6_DELAYMODE	This bit field selects the Virtual Timing Mode used when the MODESELECT bit is set to 0b1. See Section 18.4.6.1.5 , Virtual IO Timing Modes for details.	RW	0x0
3:0	MCASP2_AXR6_MUXMODE	0x0: mcas2_axr6 0x1: mcas8_aclkx 0x2: mcas8_aclkr 0x6: vout2_d14 0x8: vin2a_d14 vin1a_d14 0xE: gpio2_29 0xF: Driver off	RW	0xF

Table 18-1399. Register Call Summary for Register CTRL_CORE_PAD_MCASP2_AXR6

Control Module Register Manual

- [CTRL_MODULE_CORE Register Summary: \[0\]](#)

Table 18-1400. CTRL_CORE_PAD_MCASP2_AXR7

Address Offset	0x0000 1720	Instance	CTRL_MODULE_CORE
Physical Address	0x4A00 3720		
Description			
Type	RW		

31	30	29	28	27	26	25	24	23	22	21	20	19	18	17	16	15	14	13	12	11	10	9	8	7	6	5	4	3	2	1	0												
RESERVED								RESERVED								RESERVED								MCASP2_AXR7_MODESELECT				MCASP2_AXR7_DELAYMODE				MCASP2_AXR7_MUXMODE											
				MCASP2_AXR7_WAKEUPEVENT				MCASP2_AXR7_WAKEUPENABLE								MCASP2_AXR7_SLEWCONTROL				MCASP2_AXR7_INPUTENABLE				MCASP2_AXR7_PULLTYPESELECT				MCASP2_AXR7_PULLUDENABLE															

Bits	Field Name	Description	Type	Reset
31:26	RESERVED		R	0x0
25	MCASP2_AXR7_WAKEUPEVENT	0x0: No wakeup event detected 0x1: Wakeup event detected	R	0x0
24	MCASP2_AXR7_WAKEUPENABLE	0x0: Wakeup is disabled 0x1: Wakeup is enabled	RW	0x0
23:20	RESERVED		R	0x0
19	MCASP2_AXR7_SLEWCONTROL	0x0: Fast slew is selected 0x1: Slow slew is selected	RW	0x0
18	MCASP2_AXR7_INPUTENABLE	0x0: Receive mode is disabled 0x1: Receive mode is enabled	RW	0x1
17	MCASP2_AXR7_PULLTYPESELECT	0x0: Pull Down is selected 0x1: Pull Up is selected	RW	0x0
16	MCASP2_AXR7_PULLUDENABLE	0x0: Enables weak Pull Up/Down 0x1: Disables weak Pull Up/Down	RW	0x0
15:9	RESERVED		R	0x0
8	MCASP2_AXR7_MODESELECT	Selects between the Default IO Timing Mode and a Virtual or Manual IO Timing Mode. Refer to the device Data Manual for definition of the required settings for a given mode of operation. When this bit is 0b1, a Virtual IO Timing Mode can be selected via the DELAYMODE field of this register, as described in Section 18.4.6.1.5 , Virtual IO Timing Modes. Manual IO Timing Modes are selected via the procedure described in Section 18.4.6.1.6 , Manual IO Timing Modes. 0x0: Default IO Timing Mode is used 0x1: A Virtual or Manual IO Timing Mode is used	RW	0x0
7:4	MCASP2_AXR7_DELAYMODE	This bit field selects the Virtual Timing Mode used when the MODESELECT bit is set to 0b1. See Section 18.4.6.1.5 , Virtual IO Timing Modes for details.	RW	0x0
3:0	MCASP2_AXR7_MUXMODE	0x0: mcas2_axr7 0x1: mcas8_fsx 0x2: mcas8_fsr 0x6: vout2_d15 0x8: vin2a_d15 vin1a_d15 0xE: gpio1_5 0xF: Driver off	RW	0xF

Table 18-1401. Register Call Summary for Register CTRL_CORE_PAD_MCASP2_AXR7

Control Module Register Manual

- [CTRL_MODULE_CORE Register Summary: \[0\]](#)

Table 18-1402. CTRL_CORE_PAD_MCASP3_ACLKX

Address Offset	0x0000 1724	Instance	CTRL_MODULE_CORE
Physical Address	0x4A00 3724		
Description			
Type	RW		

31	30	29	28	27	26	25	24	23	22	21	20	19	18	17	16	15	14	13	12	11	10	9	8	7	6	5	4	3	2	1	0												
RESERVED								RESERVED								RESERVED								MCASP3_ACLKX_MODESELECT	MCASP3_ACLKX_DELAYMODE				MCASP3_ACLKX_MUXMODE														
				MCASP3_ACLKX_WAKEUPEVENT				MCASP3_ACLKX_WAKEUPENABLE								MCASP3_ACLKX_SLEWCONTROL				MCASP3_ACLKX_INPUTENABLE				MCASP3_ACLKX_PULLTYPESELECT				MCASP3_ACLKX_PULLUDENABLE															

Bits	Field Name	Description	Type	Reset
31:26	RESERVED		R	0x0
25	MCASP3_ACLKX_WAKEUPEVENT	0x0: No wakeup event detected 0x1: Wakeup event detected	R	0x0
24	MCASP3_ACLKX_WAKEUPENABLE	0x0: Wakeup is disabled 0x1: Wakeup is enabled	RW	0x0
23:20	RESERVED		R	0x0
19	MCASP3_ACLKX_SLEWCONTROL	0x0: Fast slew is selected 0x1: Slow slew is selected	RW	0x0
18	MCASP3_ACLKX_INPUTENABLE	0x0: Receive mode is disabled 0x1: Receive mode is enabled	RW	0x1
17	MCASP3_ACLKX_PULLTYPESELECT	0x0: Pull Down is selected 0x1: Pull Up is selected	RW	0x0
16	MCASP3_ACLKX_PULLUDENABLE	0x0: Enables weak Pull Up/Down 0x1: Disables weak Pull Up/Down	RW	0x0
15:9	RESERVED		R	0x0

Bits	Field Name	Description	Type	Reset
8	MCASP3_ACLKX_MODESELECT	<p>Selects between the Default IO Timing Mode and a Virtual or Manual IO Timing Mode. Refer to the device Data Manual for definition of the required settings for a given mode of operation. When this bit is 0b1, a Virtual IO Timing Mode can be selected via the DELAYMODE field of this register, as described in Section 18.4.6.1.5, Virtual IO Timing Modes. Manual IO Timing Modes are selected via the procedure described in Section 18.4.6.1.6, Manual IO Timing Modes.</p> <p>0x0: Default IO Timing Mode is used</p> <p>0x1: A Virtual or Manual IO Timing Mode is used</p>	RW	0x0
7:4	MCASP3_ACLKX_DELAYMODE	<p>This bit field selects the Virtual Timing Mode used when the MODESELECT bit is set to 0b1. See Section 18.4.6.1.5, Virtual IO Timing Modes for details.</p>	RW	0x0
3:0	MCASP3_ACLKX_MUXMODE	<p>0x0: mcasep3_aclkx</p> <p>0x1: mcasep3_aclkr</p> <p>0x2: mcasep2_axr12</p> <p>0x3: uart7_rxd</p> <p>0x7: vin1a_d3</p> <p>0xB: pr2_mii0_crs</p> <p>0xC: pr2_pru0_gpi12</p> <p>0xD: pr2_pru0_gpo12</p> <p>0xE: gpio5_13</p> <p>0xF: Driver off</p>	RW	0xF

Table 18-1403. Register Call Summary for Register CTRL_CORE_PAD_MCASP3_ACLKX

Control Module Register Manual

- [CTRL_MODULE_CORE Register Summary: \[0\]](#)

Table 18-1404. CTRL_CORE_PAD_MCASP3_FSX

Address Offset	0x0000 1728	Instance	CTRL_MODULE_CORE
Physical Address	0x4A00 3728		
Description			
Type	RW		

31	30	29	28	27	26	25	24	23	22	21	20	19	18	17	16	15	14	13	12	11	10	9	8	7	6	5	4	3	2	1	0				
RESERVED								RESERVED								RESERVED								MCASP3_FSX_MODESELECT	MCASP3_FSX_DELAYMODE				MCASP3_FSX_MUXMODE						
MCASP3_FSX_WAKEUPEVENT				MCASP3_FSX_WAKEUPENABLE				MCASP3_FSX_SLEWCONTROL				MCASP3_FSX_INPUTENABLE				MCASP3_FSX_PULLTYPESELECT				MCASP3_FSX_PULLUDENABLE															

Bits	Field Name	Description	Type	Reset
31:26	RESERVED		R	0x0
25	MCASP3_FSX_WAKEUPEVENT	0x0: No wakeup event detected 0x1: Wakeup event detected	R	0x0
24	MCASP3_FSX_WAKEUPENABLE	0x0: Wakeup is disabled 0x1: Wakeup is enabled	RW	0x0
23:20	RESERVED		R	0x0
19	MCASP3_FSX_SLEWCONTROL	0x0: Fast slew is selected 0x1: Slow slew is selected	RW	0x1
18	MCASP3_FSX_INPUTENABLE	0x0: Receive mode is disabled 0x1: Receive mode is enabled	RW	0x1
17	MCASP3_FSX_PULLTYPESELECT	0x0: Pull Down is selected 0x1: Pull Up is selected	RW	0x0
16	MCASP3_FSX_PULLUDENABLE	0x0: Enables weak Pull Up/Down 0x1: Disables weak Pull Up/Down	RW	0x0
15:9	RESERVED		R	0x0
8	MCASP3_FSX_MODESELECT	Selects between the Default IO Timing Mode and a Virtual or Manual IO Timing Mode. Refer to the device Data Manual for definition of the required settings for a given mode of operation. When this bit is 0b1, a Virtual IO Timing Mode can be selected via the DELAYMODE field of this register, as described in Section 18.4.6.1.5 , Virtual IO Timing Modes. Manual IO Timing Modes are selected via the procedure described in Section 18.4.6.1.6 , Manual IO Timing Modes. 0x0: Default IO Timing Mode is used 0x1: A Virtual or Manual IO Timing Mode is used	RW	0x0
7:4	MCASP3_FSX_DELAYMODE	This bit field selects the Virtual Timing Mode used when the MODESELECT bit is set to 0b1. See Section 18.4.6.1.5 , Virtual IO Timing Modes for details.	RW	0x0
3:0	MCASP3_FSX_MUXMODE	0x0: mcasep3_fsx 0x1: mcasep3_fsr 0x2: mcasep2_axr13 0x3: uart7_txd 0x7: vin1a_d2 0xB: pr2_mii0_col 0xC: pr2_pru0_gpi13 0xD: pr2_pru0_gpo13 0xE: gpio5_14 0xF: Driver off	RW	0xF

Table 18-1405. Register Call Summary for Register CTRL_CORE_PAD_MCASP3_FSX

Control Module Register Manual

- [CTRL_MODULE_CORE Register Summary: \[0\]](#)

Table 18-1406. CTRL_CORE_PAD_MCASP3_AXR0

Address Offset	0x0000 172C	Instance	CTRL_MODULE_CORE
Physical Address	0x4A00 372C		
Description			
Type	RW		

31	30	29	28	27	26	25	24	23	22	21	20	19	18	17	16	15	14	13	12	11	10	9	8	7	6	5	4	3	2	1	0																
RESERVED								RESERVED								RESERVED								MCASP3_AXR0_MODESELECT				MCASP3_AXR0_DELAYMODE				MCASP3_AXR0_MUXMODE															
								MCASP3_AXR0_WAKEUPEVENT				MCASP3_AXR0_WAKEUPENABLE								MCASP3_AXR0_SLEWCONTROL				MCASP3_AXR0_INPUTENABLE				MCASP3_AXR0_PULLTYPESELECT				MCASP3_AXR0_PULLUDENABLE															

Bits	Field Name	Description	Type	Reset
31:26	RESERVED		R	0x0
25	MCASP3_AXR0_WAKEUPEVENT	0x0: No wakeup event detected 0x1: Wakeup event detected	R	0x0
24	MCASP3_AXR0_WAKEUPENABLE	0x0: Wakeup is disabled 0x1: Wakeup is enabled	RW	0x0
23:20	RESERVED		R	0x0
19	MCASP3_AXR0_SLEWCONTROL	0x0: Fast slew is selected 0x1: Slow slew is selected	RW	0x1
18	MCASP3_AXR0_INPUTENABLE	0x0: Receive mode is disabled 0x1: Receive mode is enabled	RW	0x1
17	MCASP3_AXR0_PULLTYPESELECT	0x0: Pull Down is selected 0x1: Pull Up is selected	RW	0x0
16	MCASP3_AXR0_PULLUDENABLE	0x0: Enables weak Pull Up/Down 0x1: Disables weak Pull Up/Down	RW	0x0
15:9	RESERVED		R	0x0
8	MCASP3_AXR0_MODESELECT	Selects between the Default IO Timing Mode and a Virtual or Manual IO Timing Mode. Refer to the device Data Manual for definition of the required settings for a given mode of operation. When this bit is 0b1, a Virtual IO Timing Mode can be selected via the DELAYMODE field of this register, as described in Section 18.4.6.1.5 , Virtual IO Timing Modes. Manual IO Timing Modes are selected via the procedure described in Section 18.4.6.1.6 , Manual IO Timing Modes. 0x0: Default IO Timing Mode is used 0x1: A Virtual or Manual IO Timing Mode is used	RW	0x0
7:4	MCASP3_AXR0_DELAYMODE	This bit field selects the Virtual Timing Mode used when the MODESELECT bit is set to 0b1. See Section 18.4.6.1.5 , Virtual IO Timing Modes for details.	RW	0x0

Bits	Field Name	Description	Type	Reset
3:0	MCASP3_AXR0_MUXMODE	0x0: mcasep3_axr0 0x2: mcasep2_axr14 0x3: uart7_ctsn 0x4: uart5_rxd 0x7: vin1a_d1 0xB: pr2_mii1_rxr 0xC: pr2_pru0_gpi14 0xD: pr2_pru0_gpo14 0xF: Driver off	RW	0xF

Table 18-1407. Register Call Summary for Register CTRL_CORE_PAD_MCASP3_AXR0

Control Module Register Manual

- [CTRL_MODULE_CORE Register Summary: \[0\]](#)

Table 18-1408. CTRL_CORE_PAD_MCASP3_AXR1

Address Offset	0x0000 1730	Instance	CTRL_MODULE_CORE
Physical Address	0x4A00 3730		
Description			
Type	RW		

31	30	29	28	27	26	25	24	23	22	21	20	19	18	17	16	15	14	13	12	11	10	9	8	7	6	5	4	3	2	1	0		
RESERVED								RESERVED								RESERVED								MCASP3_AXR1_MODESELECT		MCASP3_AXR1_DELAYMODE				MCASP3_AXR1_MUXMODE			
		MCASP3_AXR1_WAKEUPEVENT				MCASP3_AXR1_WAKEUPENABLE						MCASP3_AXR1_SLEWCONTROL		MCASP3_AXR1_INPUTENABLE		MCASP3_AXR1_PULLTYPESELECT		MCASP3_AXR1_PULLUDENABLE															

Bits	Field Name	Description	Type	Reset
31:26	RESERVED		R	0x0
25	MCASP3_AXR1_WAKEUPEVENT	0x0: No wakeup event detected 0x1: Wakeup event detected	R	0x0
24	MCASP3_AXR1_WAKEUPENABLE	0x0: Wakeup is disabled 0x1: Wakeup is enabled	RW	0x0
23:20	RESERVED		R	0x0
19	MCASP3_AXR1_SLEWCONTROL	0x0: Fast slew is selected 0x1: Slow slew is selected	RW	0x1
18	MCASP3_AXR1_INPUTENABLE	0x0: Receive mode is disabled 0x1: Receive mode is enabled	RW	0x1
17	MCASP3_AXR1_PULLTYPESELECT	0x0: Pull Down is selected 0x1: Pull Up is selected	RW	0x0

Bits	Field Name	Description	Type	Reset
16	MCASP3_AXR1_PULLUDENABLE	0x0: Enables weak Pull Up/Down 0x1: Disables weak Pull Up/Down	RW	0x0
15:9	RESERVED		R	0x0
8	MCASP3_AXR1_MODESELECT	Selects between the Default IO Timing Mode and a Virtual or Manual IO Timing Mode. Refer to the device Data Manual for definition of the required settings for a given mode of operation. When this bit is 0b1, a Virtual IO Timing Mode can be selected via the DELAYMODE field of this register, as described in Section 18.4.6.1.5 , Virtual IO Timing Modes. Manual IO Timing Modes are selected via the procedure described in Section 18.4.6.1.6 , Manual IO Timing Modes. 0x0: Default IO Timing Mode is used 0x1: A Virtual or Manual IO Timing Mode is used	RW	0x0
7:4	MCASP3_AXR1_DELAYMODE	This bit field selects the Virtual Timing Mode used when the MODESELECT bit is set to 0b1. See Section 18.4.6.1.5 , Virtual IO Timing Modes for details.	RW	0x0
3:0	MCASP3_AXR1_MUXMODE	0x0: mcasep3_axr1 0x2: mcasep2_axr15 0x3: uart7_rtsn 0x4: uart5_txd 0x7: vin1a_d0 0x9: vin1a_fld0 0xB: pr2_mii1_rlink 0xC: pr2_pru0_gpi15 0xD: pr2_pru0_gpo15 0xF: Driver off	RW	0xF

Table 18-1409. Register Call Summary for Register CTRL_CORE_PAD_MCASP3_AXR1

Control Module Register Manual

- [CTRL_MODULE_CORE Register Summary: \[0\]](#)

Table 18-1410. CTRL_CORE_PAD_MCASP4_ACLKX

Address Offset	0x0000 1734	Instance	CTRL_MODULE_CORE
Physical Address	0x4A00 3734		
Description			
Type	RW		

31	30	29	28	27	26	25	24	23	22	21	20	19	18	17	16	15	14	13	12	11	10	9	8	7	6	5	4	3	2	1	0				
RESERVED								RESERVED								RESERVED								MCASP4_ACLKX_MODESELECT	MCASP4_ACLKX_DELAYMODE				MCASP4_ACLKX_MUXMODE						
MCASP4_ACLKX_WAKEUPEVENT				MCASP4_ACLKX_WAKEUPENABLE				MCASP4_ACLKX_SLEWCONTROL				MCASP4_ACLKX_INPUTENABLE				MCASP4_ACLKX_PULLTYPESELECT				MCASP4_ACLKX_PULLUDENABLE															

Bits	Field Name	Description	Type	Reset
31:26	RESERVED		R	0x0
25	MCASP4_ACLKX_WAKEUPEVENT	0x0: No wakeup event detected 0x1: Wakeup event detected	R	0x0
24	MCASP4_ACLKX_WAKEUPENABLE	0x0: Wakeup is disabled 0x1: Wakeup is enabled	RW	0x0
23:20	RESERVED		R	0x0
19	MCASP4_ACLKX_SLEWCONTROL	0x0: Fast slew is selected 0x1: Slow slew is selected	RW	0x0
18	MCASP4_ACLKX_INPUTENABLE	0x0: Receive mode is disabled 0x1: Receive mode is enabled	RW	0x1
17	MCASP4_ACLKX_PULLTYPESELECT	0x0: Pull Down is selected 0x1: Pull Up is selected	RW	0x0
16	MCASP4_ACLKX_PULLUDENABLE	0x0: Enables weak Pull Up/Down 0x1: Disables weak Pull Up/Down	RW	0x0
15:9	RESERVED		R	0x0
8	MCASP4_ACLKX_MODESELECT	Selects between the Default IO Timing Mode and a Virtual or Manual IO Timing Mode. Refer to the device Data Manual for definition of the required settings for a given mode of operation. When this bit is 0b1, a Virtual IO Timing Mode can be selected via the DELAYMODE field of this register, as described in Section 18.4.6.1.5 , Virtual IO Timing Modes. Manual IO Timing Modes are selected via the procedure described in Section 18.4.6.1.6 , Manual IO Timing Modes. 0x0: Default IO Timing Mode is used 0x1: A Virtual or Manual IO Timing Mode is used	RW	0x0
7:4	MCASP4_ACLKX_DELAYMODE	This bit field selects the Virtual Timing Mode used when the MODESELECT bit is set to 0b1. See Section 18.4.6.1.5 , Virtual IO Timing Modes for details.	RW	0x0
3:0	MCASP4_ACLKX_MUXMODE	0x0: mcaspp4_aclkx 0x1: mcaspp4_aclkr 0x2: spi3_sclk 0x3: uart8_rxd 0x4: i2c4_sda 0x6: vout2_d16 0x8: vin2a_d16 vin1a_d16 0x9: vin1a_d15 0xF: Driver off	RW	0xF

Table 18-1411. Register Call Summary for Register CTRL_CORE_PAD_MCASP4_ACLKX

Control Module Register Manual

- [CTRL_MODULE_CORE Register Summary: \[0\]](#)

Table 18-1412. CTRL_CORE_PAD_MCASP4_FSX

Address Offset	0x0000 1738	Instance	CTRL_MODULE_CORE
Physical Address	0x4A00 3738		
Description			
Type	RW		

31	30	29	28	27	26	25	24	23	22	21	20	19	18	17	16	15	14	13	12	11	10	9	8	7	6	5	4	3	2	1	0
RESERVED						MCASP4_FSX_WAKEUPEVENT	MCASP4_FSX_WAKEUPENABLE	RESERVED				MCASP4_FSX_SLEWCONTROL	MCASP4_FSX_INPUTENABLE	MCASP4_FSX_PULLTYPESELECT	MCASP4_FSX_PULLUDENENABLE	RESERVED							MCASP4_FSX_MODESELECT	MCASP4_FSX_DELAYMODE				MCASP4_FSX_MUXMODE			

Bits	Field Name	Description	Type	Reset
31:26	RESERVED		R	0x0
25	MCASP4_FSX_WAKEUPEVENT	0x0: No wakeup event detected 0x1: Wakeup event detected	R	0x0
24	MCASP4_FSX_WAKEUPENABLE	0x0: Wakeup is disabled 0x1: Wakeup is enabled	RW	0x0
23:20	RESERVED		R	0x0
19	MCASP4_FSX_SLEWCONTROL	0x0: Fast slew is selected 0x1: Slow slew is selected	RW	0x0
18	MCASP4_FSX_INPUTENABLE	0x0: Receive mode is disabled 0x1: Receive mode is enabled	RW	0x1
17	MCASP4_FSX_PULLTYPESELECT	0x0: Pull Down is selected 0x1: Pull Up is selected	RW	0x0
16	MCASP4_FSX_PULLUDENENABLE	0x0: Enables weak Pull Up/Down 0x1: Disables weak Pull Up/Down	RW	0x0
15:9	RESERVED		R	0x0
8	MCASP4_FSX_MODESELECT	Selects between the Default IO Timing Mode and a Virtual or Manual IO Timing Mode. Refer to the device Data Manual for definition of the required settings for a given mode of operation. When this bit is 0b1, a Virtual IO Timing Mode can be selected via the DELAYMODE field of this register, as described in Section 18.4.6.1.5 , Virtual IO Timing Modes. Manual IO Timing Modes are selected via the procedure described in Section 18.4.6.1.6 , Manual IO Timing Modes. 0x0: Default IO Timing Mode is used 0x1: A Virtual or Manual IO Timing Mode is used	RW	0x0
7:4	MCASP4_FSX_DELAYMODE	This bit field selects the Virtual Timing Mode used when the MODESELECT bit is set to 0b1. See Section 18.4.6.1.5 , Virtual IO Timing Modes for details.	RW	0x0
3:0	MCASP4_FSX_MUXMODE	0x0: mcaspp4_fsx 0x1: mcaspp4_fsr 0x2: spi3_d1 0x3: uart8_txd 0x4: i2c4_scl 0x6: vout2_d17 0x8: vin2a_d17 vin1a_d17 0x9: vin1a_d14 0xF: Driver off	RW	0xF

Table 18-1413. Register Call Summary for Register CTRL_CORE_PAD_MCASP4_FSX

Control Module Register Manual

- [CTRL_MODULE_CORE Register Summary: \[0\]](#)

Table 18-1414. CTRL_CORE_PAD_MCASP4_AXR0

Address Offset	0x0000 173C	Instance	CTRL_MODULE_CORE
Physical Address	0x4A00 373C		
Description			
Type	RW		

31	30	29	28	27	26	25	24	23	22	21	20	19	18	17	16	15	14	13	12	11	10	9	8	7	6	5	4	3	2	1	0																
RESERVED								RESERVED								RESERVED								MCASP4_AXR0_MODESELECT				MCASP4_AXR0_DELAYMODE				MCASP4_AXR0_MUXMODE															
MCASP4_AXR0_WAKEUPEVENT								MCASP4_AXR0_WAKEUPENABLE								MCASP4_AXR0_SLEWCONTROL								MCASP4_AXR0_INPUTENABLE				MCASP4_AXR0_PULLTYPESELECT				MCASP4_AXR0_PULLUDENABLE				MCASP4_AXR0_MODESELECT				MCASP4_AXR0_DELAYMODE				MCASP4_AXR0_MUXMODE			

Bits	Field Name	Description	Type	Reset
31:26	RESERVED		R	0x0
25	MCASP4_AXR0_WAKEUPEVENT	0x0: No wakeup event detected 0x1: Wakeup event detected	R	0x0
24	MCASP4_AXR0_WAKEUPENABLE	0x0: Wakeup is disabled 0x1: Wakeup is enabled	RW	0x0
23:20	RESERVED		R	0x0
19	MCASP4_AXR0_SLEWCONTROL	0x0: Fast slew is selected 0x1: Slow slew is selected	RW	0x0
18	MCASP4_AXR0_INPUTENABLE	0x0: Receive mode is disabled 0x1: Receive mode is enabled	RW	0x1
17	MCASP4_AXR0_PULLTYPESELECT	0x0: Pull Down is selected 0x1: Pull Up is selected	RW	0x0
16	MCASP4_AXR0_PULLUDENABLE	0x0: Enables weak Pull Up/Down 0x1: Disables weak Pull Up/Down	RW	0x0
15:9	RESERVED		R	0x0

Bits	Field Name	Description	Type	Reset
8	MCASP4_AXR0_MODESELECT	Selects between the Default IO Timing Mode and a Virtual or Manual IO Timing Mode. Refer to the device Data Manual for definition of the required settings for a given mode of operation. When this bit is 0b1, a Virtual IO Timing Mode can be selected via the DELAYMODE field of this register, as described in Section 18.4.6.1.5 , Virtual IO Timing Modes. Manual IO Timing Modes are selected via the procedure described in Section 18.4.6.1.6 , Manual IO Timing Modes. 0x0: Default IO Timing Mode is used 0x1: A Virtual or Manual IO Timing Mode is used	RW	0x0
7:4	MCASP4_AXR0_DELAYMODE	This bit field selects the Virtual Timing Mode used when the MODESELECT bit is set to 0b1. See Section 18.4.6.1.5 , Virtual IO Timing Modes for details.	RW	0x0
3:0	MCASP4_AXR0_MUXMODE	0x0: mcaspp4_axr0 0x2: spi3_d0 0x3: uart8_ctsn 0x4: uart4_rxd 0x6: vout2_d18 0x8: vin2a_d18 vin1a_d18 0x9: vin1a_d13 0xF: Driver off	RW	0xF

Table 18-1415. Register Call Summary for Register CTRL_CORE_PAD_MCASP4_AXR0

Control Module Register Manual

- [CTRL_MODULE_CORE Register Summary: \[0\]](#)

Table 18-1416. CTRL_CORE_PAD_MCASP4_AXR1

Address Offset	0x0000 1740	Instance	CTRL_MODULE_CORE
Physical Address	0x4A00 3740		
Description			
Type	RW		

31	30	29	28	27	26	25	24	23	22	21	20	19	18	17	16	15	14	13	12	11	10	9	8	7	6	5	4	3	2	1	0												
RESERVED								RESERVED								RESERVED								MCASP4_AXR1_MODESELECT				MCASP4_AXR1_DELAYMODE				MCASP4_AXR1_MUXMODE											
				MCASP4_AXR1_WAKEUPEVENT				MCASP4_AXR1_WAKEUPENABLE								MCASP4_AXR1_SLEWCONTROL				MCASP4_AXR1_INPUTENABLE				MCASP4_AXR1_PULLTYPESELECT				MCASP4_AXR1_PULLUDENABE															

Bits	Field Name	Description	Type	Reset
31:26	RESERVED		R	0x0
25	MCASP4_AXR1_WAKEUPEVENT	0x0: No wakeup event detected 0x1: Wakeup event detected	R	0x0

Bits	Field Name	Description	Type	Reset
24	MCASP4_AXR1_WAKEUPENABLE	0x0: Wakeup is disabled 0x1: Wakeup is enabled	RW	0x0
23:20	RESERVED		R	0x0
19	MCASP4_AXR1_SLEWCONTROL	0x0: Fast slew is selected 0x1: Slow slew is selected	RW	0x0
18	MCASP4_AXR1_INPUTENABLE	0x0: Receive mode is disabled 0x1: Receive mode is enabled	RW	0x1
17	MCASP4_AXR1_PULLTYPESELECT	0x0: Pull Down is selected 0x1: Pull Up is selected	RW	0x0
16	MCASP4_AXR1_PULLUDENABLE	0x0: Enables weak Pull Up/Down 0x1: Disables weak Pull Up/Down	RW	0x0
15:9	RESERVED		R	0x0
8	MCASP4_AXR1_MODESELECT	Selects between the Default IO Timing Mode and a Virtual or Manual IO Timing Mode. Refer to the device Data Manual for definition of the required settings for a given mode of operation. When this bit is 0b1, a Virtual IO Timing Mode can be selected via the DELAYMODE field of this register, as described in Section 18.4.6.1.5 , Virtual IO Timing Modes. Manual IO Timing Modes are selected via the procedure described in Section 18.4.6.1.6 , Manual IO Timing Modes. 0x0: Default IO Timing Mode is used 0x1: A Virtual or Manual IO Timing Mode is used	RW	0x0
7:4	MCASP4_AXR1_DELAYMODE	This bit field selects the Virtual Timing Mode used when the MODESELECT bit is set to 0b1. See Section 18.4.6.1.5 , Virtual IO Timing Modes for details.	RW	0x0
3:0	MCASP4_AXR1_MUXMODE	0x0: mcas4_axr1 0x2: spi3_cs0 0x3: uart8_rtsn 0x4: uart4_txd 0x6: vout2_d19 0x8: vin2a_d19 vin1a_d19 0x9: vin1a_d12 0xC: pr2_pru1_gpi0 0xD: pr2_pru1_gpo0 0xF: Driver off	RW	0xF

Table 18-1417. Register Call Summary for Register CTRL_CORE_PAD_MCASP4_AXR1

Control Module Register Manual

- [CTRL_MODULE_CORE Register Summary: \[0\]](#)

Table 18-1418. CTRL_CORE_PAD_MCASP5_ACLKX

Address Offset	0x0000 1744	Instance	CTRL_MODULE_CORE
Physical Address	0x4A00 3744		
Description			
Type	RW		

31	30	29	28	27	26	25	24	23	22	21	20	19	18	17	16	15	14	13	12	11	10	9	8	7	6	5	4	3	2	1	0												
RESERVED								RESERVED								RESERVED								MCASP5_ACLKX_WAKEUPEVENT MCASP5_ACLKX_WAKEUPENABLE				MCASP5_ACLKX_SLEWCONTROL MCASP5_ACLKX_INPUTENABLE MCASP5_ACLKX_PULLTYPESELECT MCASP5_ACLKX_PULLUDENABLE				MCASP5_ACLKX_MODESELECT				MCASP5_ACLKX_DELAYMODE				MCASP5_ACLKX_MUXMODE			

Bits	Field Name	Description	Type	Reset
31:26	RESERVED		R	0x0
25	MCASP5_ACLKX_WAKEUPEVENT	0x0: No wakeup event detected 0x1: Wakeup event detected	R	0x0
24	MCASP5_ACLKX_WAKEUPENABLE	0x0: Wakeup is disabled 0x1: Wakeup is enabled	RW	0x0
23:20	RESERVED		R	0x0
19	MCASP5_ACLKX_SLEWCONTROL	0x0: Fast slew is selected 0x1: Slow slew is selected	RW	0x0
18	MCASP5_ACLKX_INPUTENABLE	0x0: Receive mode is disabled 0x1: Receive mode is enabled	RW	0x1
17	MCASP5_ACLKX_PULLTYPESELECT	0x0: Pull Down is selected 0x1: Pull Up is selected	RW	0x0
16	MCASP5_ACLKX_PULLUDENABLE	0x0: Enables weak Pull Up/Down 0x1: Disables weak Pull Up/Down	RW	0x0
15:9	RESERVED		R	0x0
8	MCASP5_ACLKX_MODESELECT	Selects between the Default IO Timing Mode and a Virtual or Manual IO Timing Mode. Refer to the device Data Manual for definition of the required settings for a given mode of operation. When this bit is 0b1, a Virtual IO Timing Mode can be selected via the DELAYMODE field of this register, as described in Section 18.4.6.1.5 , Virtual IO Timing Modes. Manual IO Timing Modes are selected via the procedure described in Section 18.4.6.1.6 , Manual IO Timing Modes. 0x0: Default IO Timing Mode is used 0x1: A Virtual or Manual IO Timing Mode is used	RW	0x0
7:4	MCASP5_ACLKX_DELAYMODE	This bit field selects the Virtual Timing Mode used when the MODESELECT bit is set to 0b1. See Section 18.4.6.1.5 , Virtual IO Timing Modes for details.	RW	0x0

Bits	Field Name	Description	Type	Reset
3:0	MCASP5_ACLKX_MUXMODE	0x0: mcasp5_aclkx 0x1: mcasp5_aclkr 0x2: spi4_sclk 0x3: uart9_rxd 0x4: i2c5_sda 0x6: vout2_d20 0x8: vin2a_d20 vin1a_d20 0x9: vin1a_d11 0xC: pr2_pru1_gpi1 0xD: pr2_pru1_gpo1 0xF: Driver off	RW	0xF

Table 18-1419. Register Call Summary for Register CTRL_CORE_PAD_MCASP5_ACLKX

Control Module Register Manual

- [CTRL_MODULE_CORE Register Summary: \[0\]](#)

Table 18-1420. CTRL_CORE_PAD_MCASP5_FSX

Address Offset	0x0000 1748	Instance	CTRL_MODULE_CORE
Physical Address	0x4A00 3748		
Description			
Type	RW		

31	30	29	28	27	26	25	24	23	22	21	20	19	18	17	16	15	14	13	12	11	10	9	8	7	6	5	4	3	2	1	0	
RESERVED							MCASP5_FSX_WAKEUPEVENT	MCASP5_FSX_WAKEUPENABLE	RESERVED						MCASP5_FSX_SLEWCONTROL	MCASP5_FSX_INPUTENABLE	MCASP5_FSX_PULLTYPESELECT	MCASP5_FSX_PULLUDENABLE	RESERVED						MCASP5_FSX_MODESELECT	MCASP5_FSX_DELAYMODE				MCASP5_FSX_MUXMODE		

Bits	Field Name	Description	Type	Reset
31:26	RESERVED		R	0x0
25	MCASP5_FSX_WAKEUPEVENT	0x0: No wakeup event detected 0x1: Wakeup event detected	R	0x0
24	MCASP5_FSX_WAKEUPENABLE	0x0: Wakeup is disabled 0x1: Wakeup is enabled	RW	0x0
23:20	RESERVED		R	0x0
19	MCASP5_FSX_SLEWCONTROL	0x0: Fast slew is selected 0x1: Slow slew is selected	RW	0x0
18	MCASP5_FSX_INPUTENABLE	0x0: Receive mode is disabled 0x1: Receive mode is enabled	RW	0x1

Bits	Field Name	Description	Type	Reset
17	MCASP5_FSX_PULLTYPESELE CT	0x0: Pull Down is selected 0x1: Pull Up is selected	RW	0x0
16	MCASP5_FSX_PULLUDENABL E	0x0: Enables weak Pull Up/Down 0x1: Disables weak Pull Up/Down	RW	0x0
15:9	RESERVED		R	0x0
8	MCASP5_FSX_MODESELECT	Selects between the Default IO Timing Mode and a Virtual or Manual IO Timing Mode. Refer to the device Data Manual for definition of the required settings for a given mode of operation. When this bit is 0b1, a Virtual IO Timing Mode can be selected via the DELAYMODE field of this register, as described in Section 18.4.6.1.5 , Virtual IO Timing Modes. Manual IO Timing Modes are selected via the procedure described in Section 18.4.6.1.6 , Manual IO Timing Modes. 0x0: Default IO Timing Mode is used 0x1: A Virtual or Manual IO Timing Mode is used	RW	0x0
7:4	MCASP5_FSX_DELAYMODE	This bit field selects the Virtual Timing Mode used when the MODESELECT bit is set to 0b1. See Section 18.4.6.1.5 , Virtual IO Timing Modes for details.	RW	0x0
3:0	MCASP5_FSX_MUXMODE	0x0: mcas5_fsx 0x1: mcas5_fsr 0x2: spi4_d1 0x3: uart9_txd 0x4: i2c5_scl 0x6: vout2_d21 0x8: vin2a_d21 vin1a_d21 0x9: vin1a_d10 0xC: pr2_pru1_gpi2 0xD: pr2_pru1_gpo2 0xF: Driver off	RW	0xF

Table 18-1421. Register Call Summary for Register CTRL_CORE_PAD_MCASP5_FSX

Control Module Register Manual

- [CTRL_MODULE_CORE Register Summary: \[0\]](#)

Table 18-1422. CTRL_CORE_PAD_MCASP5_AXR0

Address Offset	0x0000 174C	Instance	CTRL_MODULE_CORE
Physical Address	0x4A00 374C		
Description			
Type	RW		

31	30	29	28	27	26	25	24	23	22	21	20	19	18	17	16	15	14	13	12	11	10	9	8	7	6	5	4	3	2	1	0
RESERVED						MCASP5_AXR0_WAKEUPEVENT	MCASP5_AXR0_WAKEUPENABLE	RESERVED				MCASP5_AXR0_SLEWCONTROL	MCASP5_AXR0_INPUTENABLE	MCASP5_AXR0_PULLTYPESELECT	MCASP5_AXR0_PULLUDENABLE	RESERVED						MCASP5_AXR0_MODESELECT	MCASP5_AXR0_DELAYMODE				MCASP5_AXR0_MUXMODE				

Bits	Field Name	Description	Type	Reset
31:26	RESERVED		R	0x0
25	MCASP5_AXR0_WAKEUPEVENT	0x0: No wakeup event detected 0x1: Wakeup event detected	R	0x0
24	MCASP5_AXR0_WAKEUPENABLE	0x0: Wakeup is disabled 0x1: Wakeup is enabled	RW	0x0
23:20	RESERVED		R	0x0
19	MCASP5_AXR0_SLEWCONTROL	0x0: Fast slew is selected 0x1: Slow slew is selected	RW	0x0
18	MCASP5_AXR0_INPUTENABLE	0x0: Receive mode is disabled 0x1: Receive mode is enabled	RW	0x1
17	MCASP5_AXR0_PULLTYPESELECT	0x0: Pull Down is selected 0x1: Pull Up is selected	RW	0x0
16	MCASP5_AXR0_PULLUDENABLE	0x0: Enables weak Pull Up/Down 0x1: Disables weak Pull Up/Down	RW	0x0
15:9	RESERVED		R	0x0
8	MCASP5_AXR0_MODESELECT	Selects between the Default IO Timing Mode and a Virtual or Manual IO Timing Mode. Refer to the device Data Manual for definition of the required settings for a given mode of operation. When this bit is 0b1, a Virtual IO Timing Mode can be selected via the DELAYMODE field of this register, as described in Section 18.4.6.1.5 , Virtual IO Timing Modes. Manual IO Timing Modes are selected via the procedure described in Section 18.4.6.1.6 , Manual IO Timing Modes. 0x0: Default IO Timing Mode is used 0x1: A Virtual or Manual IO Timing Mode is used	RW	0x0
7:4	MCASP5_AXR0_DELAYMODE	This bit field selects the Virtual Timing Mode used when the MODESELECT bit is set to 0b1. See Section 18.4.6.1.5 , Virtual IO Timing Modes for details.	RW	0x0

Bits	Field Name	Description	Type	Reset
3:0	MCASP5_AXR0_MUXMODE	0x0: mcasp5_axr0 0x2: spi4_d0 0x3: uart9_ctsn 0x4: uart3_rxd 0x6: vout2_d22 0x8: vin2a_d22 vin1a_d22 0x9: vin1a_d9 0xB: pr2_mdio_mdclk 0xC: pr2_pru1_gpi3 0xD: pr2_pru1_gpo3 0xF: Driver off	RW	0xF

Table 18-1423. Register Call Summary for Register CTRL_CORE_PAD_MCASP5_AXR0

Control Module Register Manual

- [CTRL_MODULE_CORE Register Summary: \[0\]](#)

Table 18-1424. CTRL_CORE_PAD_MCASP5_AXR1

Address Offset	0x0000 1750	Instance	CTRL_MODULE_CORE
Physical Address	0x4A00 3750		
Description			
Type	RW		

31	30	29	28	27	26	25	24	23	22	21	20	19	18	17	16	15	14	13	12	11	10	9	8	7	6	5	4	3	2	1	0					
RESERVED								RESERVED								RESERVED								MCASP5_AXR1_MODESELECT	MCASP5_AXR1_DELAYMODE				MCASP5_AXR1_MUXMODE							
								MCASP5_AXR1_WAKEUPEVENT									MCASP5_AXR1_SLEWCONTROL	MCASP5_AXR1_INPUTENABLE	MCASP5_AXR1_PULLTYPESELECT	MCASP5_AXR1_PULLUDENABE																

Bits	Field Name	Description	Type	Reset
31:26	RESERVED		R	0x0
25	MCASP5_AXR1_WAKEUPEVENT	0x0: No wakeup event detected 0x1: Wakeup event detected	R	0x0
24	MCASP5_AXR1_WAKEUPENABLE	0x0: Wakeup is disabled 0x1: Wakeup is enabled	RW	0x0
23:20	RESERVED		R	0x0
19	MCASP5_AXR1_SLEWCONTROL	0x0: Fast slew is selected 0x1: Slow slew is selected	RW	0x0
18	MCASP5_AXR1_INPUTENABLE	0x0: Receive mode is disabled 0x1: Receive mode is enabled	RW	0x1

Bits	Field Name	Description	Type	Reset
17	MCASP5_AXR1_PULLTYPESELECT	0x0: Pull Down is selected 0x1: Pull Up is selected	RW	0x0
16	MCASP5_AXR1_PULLUDENABLE	0x0: Enables weak Pull Up/Down 0x1: Disables weak Pull Up/Down	RW	0x0
15:9	RESERVED		R	0x0
8	MCASP5_AXR1_MODESELECT	Selects between the Default IO Timing Mode and a Virtual or Manual IO Timing Mode. Refer to the device Data Manual for definition of the required settings for a given mode of operation. When this bit is 0b1, a Virtual IO Timing Mode can be selected via the DELAYMODE field of this register, as described in Section 18.4.6.1.5 , Virtual IO Timing Modes. Manual IO Timing Modes are selected via the procedure described in Section 18.4.6.1.6 , Manual IO Timing Modes. 0x0: Default IO Timing Mode is used 0x1: A Virtual or Manual IO Timing Mode is used	RW	0x0
7:4	MCASP5_AXR1_DELAYMODE	This bit field selects the Virtual Timing Mode used when the MODESELECT bit is set to 0b1. See Section 18.4.6.1.5 , Virtual IO Timing Modes for details.	RW	0x0
3:0	MCASP5_AXR1_MUXMODE	0x0: mcas5_axr1 0x2: spi4_cs0 0x3: uart9_rtsn 0x4: uart3_txd 0x6: vout2_d23 0x8: vin2a_d23 vin1a_d23 0x9: vin1a_d8 0xB: pr2_mdio_data 0xC: pr2_pru1_gpi4 0xD: pr2_pru1_gpo4 0xF: Driver off	RW	0xF

Table 18-1425. Register Call Summary for Register CTRL_CORE_PAD_MCASP5_AXR1

Control Module Register Manual

- [CTRL_MODULE_CORE Register Summary: \[0\]](#)

Table 18-1426. CTRL_CORE_PAD_MMC1_CLK

Address Offset	0x0000 1754	Instance	CTRL_MODULE_CORE
Physical Address	0x4A00 3754		
Description			
Type	RW		

31	30	29	28	27	26	25	24	23	22	21	20	19	18	17	16	15	14	13	12	11	10	9	8	7	6	5	4	3	2	1	0
RESERVED						MMC1_CLK_WAKEUPEVENT	MMC1_CLK_WAKEUPENABLE	RESERVED						MMC1_CLK_ACTIVE	MMC1_CLK_PULLTYPESELEC T	MMC1_CLK_PULLUDENABLE	RESERVED						MMC1_CLK_MODESELECT	MMC1_CLK_DELAYMODE				MMC1_CLK_MUXMODE			

Bits	Field Name	Description	Type	Reset
31:26	RESERVED		R	0x0
25	MMC1_CLK_WAKEUPEVENT	0x0: No wakeup event detected 0x1: Wakeup event detected	R	0x0
24	MMC1_CLK_WAKEUPENABLE	0x0: Wakeup is disabled 0x1: Wakeup is enabled	RW	0x0
23:19	RESERVED		R	0x0
18	MMC1_CLK_ACTIVE	Controls enabling/disabling of the input buffer. 0x0: Input buffer is disabled 0x1: Input buffer is enabled	RW	0x1
17	MMC1_CLK_PULLTYPESELEC T	0x0: Pull Down is selected 0x1: Pull Up is selected	RW	0x1
16	MMC1_CLK_PULLUDENABLE	0x0: Enables weak Pull Up/Down 0x1: Disables weak Pull Up/Down	RW	0x0
15:9	RESERVED		R	0x0
8	MMC1_CLK_MODESELECT	Selects between the Default IO Timing Mode and a Virtual or Manual IO Timing Mode. Refer to the device Data Manual for definition of the required settings for a given mode of operation. When this bit is 0b1, a Virtual IO Timing Mode can be selected via the DELAYMODE field of this register, as described in Section 18.4.6.1.5 , Virtual IO Timing Modes. Manual IO Timing Modes are selected via the procedure described in Section 18.4.6.1.6 , Manual IO Timing Modes. 0x0: Default IO Timing Mode is used 0x1: A Virtual or Manual IO Timing Mode is used	RW	0x0
7:4	MMC1_CLK_DELAYMODE	This bit field selects the Virtual Timing Mode used when the MODESELECT bit is set to 0b1. See Section 18.4.6.1.5 , Virtual IO Timing Modes for details.	RW	0x0
3:0	MMC1_CLK_MUXMODE	0x0: mmc1_clk 0xE: gpio6_21 0xF: Driver off	RW	0xF

Table 18-1427. Register Call Summary for Register CTRL_CORE_PAD_MMC1_CLK

Control Module Register Manual

- [CTRL_MODULE_CORE Register Summary: \[0\]](#)

Table 18-1428. CTRL_CORE_PAD_MMC1_CMD

Address Offset	0x0000 1758	Instance	CTRL_MODULE_CORE
Physical Address	0x4A00 3758		
Description			
Type	RW		

31	30	29	28	27	26	25	24	23	22	21	20	19	18	17	16	15	14	13	12	11	10	9	8	7	6	5	4	3	2	1	0												
RESERVED								RESERVED								RESERVED								MMC1_CMD_WAKEUPEVENT MMC1_CMD_WAKEUPENABLE				MMC1_CMD_ACTIVE MMC1_CMD_PULLTYPESELECT MMC1_CMD_PULLUDENABLE				MMC1_CMD_MODESELECT				MMC1_CMD_DELAYMODE				MMC1_CMD_MUXMODE			

Bits	Field Name	Description	Type	Reset
31:26	RESERVED		R	0x0
25	MMC1_CMD_WAKEUPEVENT	0x0: No wakeup event detected 0x1: Wakeup event detected	R	0x0
24	MMC1_CMD_WAKEUPENABLE	0x0: Wakeup is disabled 0x1: Wakeup is enabled	RW	0x0
23:19	RESERVED		R	0x0
18	MMC1_CMD_ACTIVE	Controls enabling/disabling of the input buffer. 0x0: Input buffer is disabled 0x1: Input buffer is enabled	RW	0x1
17	MMC1_CMD_PULLTYPESELECT	0x0: Pull Down is selected 0x1: Pull Up is selected	RW	0x1
16	MMC1_CMD_PULLUDENABLE	0x0: Enables weak Pull Up/Down 0x1: Disables weak Pull Up/Down	RW	0x0
15:9	RESERVED		R	0x0
8	MMC1_CMD_MODESELECT	Selects between the Default IO Timing Mode and a Virtual or Manual IO Timing Mode. Refer to the device Data Manual for definition of the required settings for a given mode of operation. When this bit is 0b1, a Virtual IO Timing Mode can be selected via the DELAYMODE field of this register, as described in Section 18.4.6.1.5 , Virtual IO Timing Modes. Manual IO Timing Modes are selected via the procedure described in Section 18.4.6.1.6 , Manual IO Timing Modes. 0x0: Default IO Timing Mode is used 0x1: A Virtual or Manual IO Timing Mode is used	RW	0x0
7:4	MMC1_CMD_DELAYMODE	This bit field selects the Virtual Timing Mode used when the MODESELECT bit is set to 0b1. See Section 18.4.6.1.5 , Virtual IO Timing Modes for details.	RW	0x0
3:0	MMC1_CMD_MUXMODE	0x0: mmc1_cmd 0xE: gpio6_22 0xF: Driver off	RW	0xF

Table 18-1429. Register Call Summary for Register CTRL_CORE_PAD_MMC1_CMD

Control Module Register Manual

- [CTRL_MODULE_CORE Register Summary: \[0\]](#)

Table 18-1430. CTRL_CORE_PAD_MMC1_DAT0

Address Offset	0x0000 175C	Instance	CTRL_MODULE_CORE
Physical Address	0x4A00 375C		
Description			
Type	RW		

31	30	29	28	27	26	25	24	23	22	21	20	19	18	17	16	15	14	13	12	11	10	9	8	7	6	5	4	3	2	1	0												
RESERVED								RESERVED								RESERVED								MMC1_DAT0_WAKEUPEVENT MMC1_DAT0_WAKEUPENABLE				MMC1_DAT0_ACTIVE MMC1_DAT0_PULLTYPESELECT MMC1_DAT0_PULLUDENABE				MMC1_DAT0_MODESELECT				MMC1_DAT0_DELAYMODE				MMC1_DAT0_MUXMODE			

Bits	Field Name	Description	Type	Reset
31:26	RESERVED		R	0x0
25	MMC1_DAT0_WAKEUPEVENT	0x0: No wakeup event detected 0x1: Wakeup event detected	R	0x0
24	MMC1_DAT0_WAKEUPENABLE	0x0: Wakeup is disabled 0x1: Wakeup is enabled	RW	0x0
23:19	RESERVED		R	0x0
18	MMC1_DAT0_ACTIVE	Controls enabling/disabling of the input buffer. 0x0: Input buffer is disabled 0x1: Input buffer is enabled	RW	0x1
17	MMC1_DAT0_PULLTYPESELECT	0x0: Pull Down is selected 0x1: Pull Up is selected	RW	0x1
16	MMC1_DAT0_PULLUDENABE	0x0: Enables weak Pull Up/Down 0x1: Disables weak Pull Up/Down	RW	0x0
15:9	RESERVED		R	0x0
8	MMC1_DAT0_MODESELECT	Selects between the Default IO Timing Mode and a Virtual or Manual IO Timing Mode. Refer to the device Data Manual for definition of the required settings for a given mode of operation. When this bit is 0b1, a Virtual IO Timing Mode can be selected via the DELAYMODE field of this register, as described in Section 18.4.6.1.5 , Virtual IO Timing Modes. Manual IO Timing Modes are selected via the procedure described in Section 18.4.6.1.6 , Manual IO Timing Modes. 0x0: Default IO Timing Mode is used 0x1: A Virtual or Manual IO Timing Mode is used	RW	0x0
7:4	MMC1_DAT0_DELAYMODE	This bit field selects the Virtual Timing Mode used when the MODESELECT bit is set to 0b1. See Section 18.4.6.1.5 , Virtual IO Timing Modes for details.	RW	0x0

Bits	Field Name	Description	Type	Reset
3:0	MMC1_DAT0_MUXMODE	0x0: mmc1_dat0 0xE: gpio6_23 0xF: Driver off	RW	0xF

Table 18-1431. Register Call Summary for Register CTRL_CORE_PAD_MMC1_DAT0

Control Module Register Manual

- [CTRL_MODULE_CORE Register Summary: \[0\]](#)

Table 18-1432. CTRL_CORE_PAD_MMC1_DAT1

Address Offset	0x0000 1760	Instance	CTRL_MODULE_CORE
Physical Address	0x4A00 3760		
Description			
Type	RW		

31	30	29	28	27	26	25	24	23	22	21	20	19	18	17	16	15	14	13	12	11	10	9	8	7	6	5	4	3	2	1	0
RESERVED						MMC1_DAT1_WAKEUPEVENT	MMC1_DAT1_WAKEUPENABLE	RESERVED						MMC1_DAT1_ACTIVE	MMC1_DAT1_PULLTYPESELECT	MMC1_DAT1_PULLUDENABLE	RESERVED						MMC1_DAT1_MODESELECT	MMC1_DAT1_DELAYMODE				MMC1_DAT1_MUXMODE			

Bits	Field Name	Description	Type	Reset
31:26	RESERVED		R	0x0
25	MMC1_DAT1_WAKEUPEVENT	0x0: No wakeup event detected 0x1: Wakeup event detected	R	0x0
24	MMC1_DAT1_WAKEUPENABLE	0x0: Wakeup is disabled 0x1: Wakeup is enabled	RW	0x0
23:19	RESERVED		R	0x0
18	MMC1_DAT1_ACTIVE	Controls enabling/disabling of the input buffer. 0x0: Input buffer is disabled 0x1: Input buffer is enabled	RW	0x1
17	MMC1_DAT1_PULLTYPESELECT	0x0: Pull Down is selected 0x1: Pull Up is selected	RW	0x1
16	MMC1_DAT1_PULLUDENABLE	0x0: Enables weak Pull Up/Down 0x1: Disables weak Pull Up/Down	RW	0x0
15:9	RESERVED		R	0x0

Bits	Field Name	Description	Type	Reset
8	MMC1_DAT1_MODESELECT	<p>Selects between the Default IO Timing Mode and a Virtual or Manual IO Timing Mode. Refer to the device Data Manual for definition of the required settings for a given mode of operation. When this bit is 0b1, a Virtual IO Timing Mode can be selected via the DELAYMODE field of this register, as described in Section 18.4.6.1.5, Virtual IO Timing Modes. Manual IO Timing Modes are selected via the procedure described in Section 18.4.6.1.6, Manual IO Timing Modes.</p> <p>0x0: Default IO Timing Mode is used</p> <p>0x1: A Virtual or Manual IO Timing Mode is used</p>	RW	0x0
7:4	MMC1_DAT1_DELAYMODE	<p>This bit field selects the Virtual Timing Mode used when the MODESELECT bit is set to 0b1. See Section 18.4.6.1.5, Virtual IO Timing Modes for details.</p>	RW	0x0
3:0	MMC1_DAT1_MUXMODE	<p>0x0: mmc1_dat1</p> <p>0xE: gpio6_24</p> <p>0xF: Driver off</p>	RW	0xF

Table 18-1433. Register Call Summary for Register CTRL_CORE_PAD_MMC1_DAT1

Control Module Register Manual

- [CTRL_MODULE_CORE Register Summary: \[0\]](#)

Table 18-1434. CTRL_CORE_PAD_MMC1_DAT2

Address Offset	0x0000 1764	Instance	CTRL_MODULE_CORE
Physical Address	0x4A00 3764		
Description			
Type	RW		

31	30	29	28	27	26	25	24	23	22	21	20	19	18	17	16	15	14	13	12	11	10	9	8	7	6	5	4	3	2	1	0
RESERVED						MMC1_DAT2_WAKEUPEVENT	MMC1_DAT2_WAKEUPENABLE	RESERVED						MMC1_DAT2_ACTIVE	MMC1_DAT2_PULLTYPESELECT	MMC1_DAT2_PULLUDENABLE	RESERVED						MMC1_DAT2_MODESELECT	MMC1_DAT2_DELAYMODE				MMC1_DAT2_MUXMODE			

Bits	Field Name	Description	Type	Reset
31:26	RESERVED		R	0x0
25	MMC1_DAT2_WAKEUPEVENT	<p>0x0: No wakeup event detected</p> <p>0x1: Wakeup event detected</p>	R	0x0
24	MMC1_DAT2_WAKEUPENABLE	<p>0x0: Wakeup is disabled</p> <p>0x1: Wakeup is enabled</p>	RW	0x0
23:19	RESERVED		R	0x0
18	MMC1_DAT2_ACTIVE	<p>Controls enabling/disabling of the input buffer.</p> <p>0x0: Input buffer is disabled</p> <p>0x1: Input buffer is enabled</p>	RW	0x1

Bits	Field Name	Description	Type	Reset
17	MMC1_DAT2_PULLTYPESELE CT	0x0: Pull Down is selected 0x1: Pull Up is selected	RW	0x1
16	MMC1_DAT2_PULLUDENABLE	0x0: Enables weak Pull Up/Down 0x1: Disables weak Pull Up/Down	RW	0x0
15:9	RESERVED		R	0x0
8	MMC1_DAT2_MODESELECT	Selects between the Default IO Timing Mode and a Virtual or Manual IO Timing Mode. Refer to the device Data Manual for definition of the required settings for a given mode of operation. When this bit is 0b1, a Virtual IO Timing Mode can be selected via the DELAYMODE field of this register, as described in Section 18.4.6.1.5 , Virtual IO Timing Modes. Manual IO Timing Modes are selected via the procedure described in Section 18.4.6.1.6 , Manual IO Timing Modes. 0x0: Default IO Timing Mode is used 0x1: A Virtual or Manual IO Timing Mode is used	RW	0x0
7:4	MMC1_DAT2_DELAYMODE	This bit field selects the Virtual Timing Mode used when the MODESELECT bit is set to 0b1. See Section 18.4.6.1.5 , Virtual IO Timing Modes for details.	RW	0x0
3:0	MMC1_DAT2_MUXMODE	0x0: mmc1_dat2 0xE: gpio6_25 0xF: Driver off	RW	0xF

Table 18-1435. Register Call Summary for Register CTRL_CORE_PAD_MMC1_DAT2

Control Module Register Manual

- [CTRL_MODULE_CORE Register Summary: \[0\]](#)

Table 18-1436. CTRL_CORE_PAD_MMC1_DAT3

Address Offset	0x0000 1768	Instance	CTRL_MODULE_CORE
Physical Address	0x4A00 3768		
Description			
Type	RW		

31	30	29	28	27	26	25	24	23	22	21	20	19	18	17	16	15	14	13	12	11	10	9	8	7	6	5	4	3	2	1	0				
RESERVED								RESERVED								RESERVED								MMC1_DAT3_DELAYMODE				MMC1_DAT3_MUXMODE							
				MMC1_DAT3_WAKEUPEVENT				MMC1_DAT3_WAKEUPENABLE								MMC1_DAT3_ACTIVE				MMC1_DAT3_PULLTYPESELE CT				MMC1_DAT3_PULLUDENABLE								MMC1_DAT3_MODESELECT			

Bits	Field Name	Description	Type	Reset
31:26	RESERVED		R	0x0
25	MMC1_DAT3_WAKEUPEVENT	0x0: No wakeup event detected 0x1: Wakeup event detected	R	0x0

Bits	Field Name	Description	Type	Reset
24	MMC1_DAT3_WAKEUPENABLE	0x0: Wakeup is disabled 0x1: Wakeup is enabled	RW	0x0
23:19	RESERVED		R	0x0
18	MMC1_DAT3_ACTIVE	Controls enabling/disabling of the input buffer. 0x0: Input buffer is disabled 0x1: Input buffer is enabled	RW	0x1
17	MMC1_DAT3_PULLTYPESELE CT	0x0: Pull Down is selected 0x1: Pull Up is selected	RW	0x1
16	MMC1_DAT3_PULLUDENABLE	0x0: Enables weak Pull Up/Down 0x1: Disables weak Pull Up/Down	RW	0x0
15:9	RESERVED		R	0x0
8	MMC1_DAT3_MODESELECT	Selects between the Default IO Timing Mode and a Virtual or Manual IO Timing Mode. Refer to the device Data Manual for definition of the required settings for a given mode of operation. When this bit is 0b1, a Virtual IO Timing Mode can be selected via the DELAYMODE field of this register, as described in Section 18.4.6.1.5 , Virtual IO Timing Modes. Manual IO Timing Modes are selected via the procedure described in Section 18.4.6.1.6 , Manual IO Timing Modes. 0x0: Default IO Timing Mode is used 0x1: A Virtual or Manual IO Timing Mode is used	RW	0x0
7:4	MMC1_DAT3_DELAYMODE	This bit field selects the Virtual Timing Mode used when the MODESELECT bit is set to 0b1. See Section 18.4.6.1.5 , Virtual IO Timing Modes for details.	RW	0x0
3:0	MMC1_DAT3_MUXMODE	0x0: mmc1_dat3 0xE: gpio6_26 0xF: Driver off	RW	0xF

Table 18-1437. Register Call Summary for Register CTRL_CORE_PAD_MMC1_DAT3

Control Module Register Manual

- [CTRL_MODULE_CORE Register Summary: \[0\]](#)

Table 18-1438. CTRL_CORE_PAD_MMC1_SDCD

Address Offset	0x0000 176C	Instance	CTRL_MODULE_CORE
Physical Address	0x4A00 376C		
Description			
Type	RW		

31	30	29	28	27	26	25	24	23	22	21	20	19	18	17	16	15	14	13	12	11	10	9	8	7	6	5	4	3	2	1	0												
RESERVED								RESERVED								RESERVED								MMC1_SDCD_MODESELECT	MMC1_SDCD_DELAYMODE				MMC1_SDCD_MUXMODE														
				MMC1_SDCD_WAKEUPEVENT				MMC1_SDCD_WAKEUPENABLE								MMC1_SDCD_SLEWCONTROL				MMC1_SDCD_INPUTENABLE				MMC1_SDCD_PULLTYPESELECT				MMC1_SDCD_PULLUDENABLE															

Bits	Field Name	Description	Type	Reset
31:26	RESERVED		R	0x0
25	MMC1_SDCD_WAKEUPEVENT	0x0: No wakeup event detected 0x1: Wakeup event detected	R	0x0
24	MMC1_SDCD_WAKEUPENABLE	0x0: Wakeup is disabled 0x1: Wakeup is enabled	RW	0x0
23:20	RESERVED		R	0x0
19	MMC1_SDCD_SLEWCONTROL	0x0: Fast slew is selected 0x1: Slow slew is selected	RW	0x1
18	MMC1_SDCD_INPUTENABLE	0x0: Receive mode is disabled 0x1: Receive mode is enabled	RW	0x1
17	MMC1_SDCD_PULLTYPESELECT	0x0: Pull Down is selected 0x1: Pull Up is selected	RW	0x1
16	MMC1_SDCD_PULLUDENABLE	0x0: Enables weak Pull Up/Down 0x1: Disables weak Pull Up/Down	RW	0x0
15:9	RESERVED		R	0x0
8	MMC1_SDCD_MODESELECT	Selects between the Default IO Timing Mode and a Virtual or Manual IO Timing Mode. Refer to the device Data Manual for definition of the required settings for a given mode of operation. When this bit is 0b1, a Virtual IO Timing Mode can be selected via the DELAYMODE field of this register, as described in Section 18.4.6.1.5 , Virtual IO Timing Modes. Manual IO Timing Modes are selected via the procedure described in Section 18.4.6.1.6 , Manual IO Timing Modes. 0x0: Default IO Timing Mode is used 0x1: A Virtual or Manual IO Timing Mode is used	RW	0x0
7:4	MMC1_SDCD_DELAYMODE	This bit field selects the Virtual Timing Mode used when the MODESELECT bit is set to 0b1. See Section 18.4.6.1.5 , Virtual IO Timing Modes for details.	RW	0x0
3:0	MMC1_SDCD_MUXMODE	0x0: mmc1_sdcd 0x3: uart6_rxd 0x4: i2c4_sda 0xE: gpio6_27 0xF: Driver off	RW	0xF

Table 18-1439. Register Call Summary for Register CTRL_CORE_PAD_MMC1_SDCD

Control Module Register Manual

- [CTRL_MODULE_CORE Register Summary: \[0\]](#)

Table 18-1440. CTRL_CORE_PAD_MMC1_SDWP

Address Offset	0x0000 1770	Instance	CTRL_MODULE_CORE
Physical Address	0x4A00 3770		
Description			
Type	RW		

31	30	29	28	27	26	25	24	23	22	21	20	19	18	17	16	15	14	13	12	11	10	9	8	7	6	5	4	3	2	1	0
RESERVED						MMC1_SDWP_WAKEUPEVENT	MMC1_SDWP_WAKEUPENABLE	RESERVED				MMC1_SDWP_SLEWCONTROL	MMC1_SDWP_INPUTENABLE	MMC1_SDWP_PULLTYPESELECT	MMC1_SDWP_PULLUDENABLE	RESERVED						MMC1_SDWP_MODESELECT	MMC1_SDWP_DELAYMODE			MMC1_SDWP_MUXMODE					

Bits	Field Name	Description	Type	Reset
31:26	RESERVED		R	0x0
25	MMC1_SDWP_WAKEUPEVENT	0x0: No wakeup event detected 0x1: Wakeup event detected	R	0x0
24	MMC1_SDWP_WAKEUPENABLE	0x0: Wakeup is disabled 0x1: Wakeup is enabled	RW	0x0
23:20	RESERVED		R	0x0
19	MMC1_SDWP_SLEWCONTROL	0x0: Fast slew is selected 0x1: Slow slew is selected	RW	0x1
18	MMC1_SDWP_INPUTENABLE	0x0: Receive mode is disabled 0x1: Receive mode is enabled	RW	0x1
17	MMC1_SDWP_PULLTYPESELECT	0x0: Pull Down is selected 0x1: Pull Up is selected	RW	0x0
16	MMC1_SDWP_PULLUDENABLE	0x0: Enables weak Pull Up/Down 0x1: Disables weak Pull Up/Down	RW	0x0
15:9	RESERVED		R	0x0
8	MMC1_SDWP_MODESELECT	Selects between the Default IO Timing Mode and a Virtual or Manual IO Timing Mode. Refer to the device Data Manual for definition of the required settings for a given mode of operation. When this bit is 0b1, a Virtual IO Timing Mode can be selected via the DELAYMODE field of this register, as described in Section 18.4.6.1.5 , Virtual IO Timing Modes. Manual IO Timing Modes are selected via the procedure described in Section 18.4.6.1.6 , Manual IO Timing Modes. 0x0: Default IO Timing Mode is used 0x1: A Virtual or Manual IO Timing Mode is used	RW	0x0
7:4	MMC1_SDWP_DELAYMODE	This bit field selects the Virtual Timing Mode used when the MODESELECT bit is set to 0b1. See Section 18.4.6.1.5 , Virtual IO Timing Modes for details.	RW	0x0
3:0	MMC1_SDWP_MUXMODE	0x0: mmc1_sdwp 0x3: uart6_txd 0x4: i2c4_scl 0xE: gpio6_28 0xF: Driver off	RW	0xF

Table 18-1441. Register Call Summary for Register CTRL_CORE_PAD_MMC1_SDWP

Control Module Register Manual

- [CTRL_MODULE_CORE Register Summary: \[0\]](#)

Table 18-1442. CTRL_CORE_PAD_GPIO6_10

Address Offset	0x0000 1774	Instance	CTRL_MODULE_CORE
Physical Address	0x4A00 3774		
Description			
Type	RW		

31	30	29	28	27	26	25	24	23	22	21	20	19	18	17	16	15	14	13	12	11	10	9	8	7	6	5	4	3	2	1	0												
RESERVED								RESERVED								RESERVED								GPIO6_10_WAKEUPEVENT GPIO6_10_WAKEUPENABLE				GPIO6_10_SLEWCONTROL GPIO6_10_INPUTENABLE GPIO6_10_PULLTYPESELECT GPIO6_10_PULLUDENABLE				GPIO6_10_MODESELECT				GPIO6_10_DELAYMODE				GPIO6_10_MUXMODE			

Bits	Field Name	Description	Type	Reset
31:26	RESERVED		R	0x0
25	GPIO6_10_WAKEUPEVENT	0x0: No wakeup event detected 0x1: Wakeup event detected	R	0x0
24	GPIO6_10_WAKEUPENABLE	0x0: Wakeup is disabled 0x1: Wakeup is enabled	RW	0x0
23:20	RESERVED		R	0x0
19	GPIO6_10_SLEWCONTROL	0x0: Fast slew is selected 0x1: Slow slew is selected	RW	0x0
18	GPIO6_10_INPUTENABLE	0x0: Receive mode is disabled 0x1: Receive mode is enabled	RW	0x1
17	GPIO6_10_PULLTYPESELECT	0x0: Pull Down is selected 0x1: Pull Up is selected	RW	0x1
16	GPIO6_10_PULLUDENABLE	0x0: Enables weak Pull Up/Down 0x1: Disables weak Pull Up/Down	RW	0x0
15:9	RESERVED		R	0x0
8	GPIO6_10_MODESELECT	Selects between the Default IO Timing Mode and a Virtual or Manual IO Timing Mode. Refer to the device Data Manual for definition of the required settings for a given mode of operation. When this bit is 0b1, a Virtual IO Timing Mode can be selected via the DELAYMODE field of this register, as described in Section 18.4.6.1.5 , Virtual IO Timing Modes. Manual IO Timing Modes are selected via the procedure described in Section 18.4.6.1.6 , Manual IO Timing Modes. 0x0: Default IO Timing Mode is used 0x1: A Virtual or Manual IO Timing Mode is used	RW	0x0

Bits	Field Name	Description	Type	Reset
7:4	GPIO6_10_DELAYMODE	This bit field selects the Virtual Timing Mode used when the MODESELECT bit is set to 0b1. See Section 18.4.6.1.5 , Virtual IO Timing Modes for details.	RW	0x0
3:0	GPIO6_10_MUXMODE	0x0: gpio6_10 0x1: mdio_mclk 0x2: i2c3_sda 0x4: vin2b_hsync1 0x9: vin1a_clk0 0xA: ehrpwm2A 0xB: pr2_mii_mt1_clk 0xC: pr2_pru0_gpi0 0xD: pr2_pru0_gpo0 0xE: gpio6_10 0xF: Driver off	RW	0xF

Table 18-1443. Register Call Summary for Register CTRL_CORE_PAD_GPIO6_10

Control Module Functional Description

- [Pad Configuration Registers: \[0\]](#)

Control Module Register Manual

- [CTRL_MODULE_CORE Register Summary: \[1\]](#)

Table 18-1444. CTRL_CORE_PAD_GPIO6_11

Address Offset	0x0000 1778	Instance	CTRL_MODULE_CORE
Physical Address	0x4A00 3778		
Description			
Type	RW		

31	30	29	28	27	26	25	24	23	22	21	20	19	18	17	16	15	14	13	12	11	10	9	8	7	6	5	4	3	2	1	0				
RESERVED								RESERVED								RESERVED								GPIO6_11_MODESELECT		GPIO6_11_DELAYMODE				GPIO6_11_MUXMODE					
				GPIO6_11_WAKEUPEVENT				GPIO6_11_WAKEUPENABLE								GPIO6_11_SLEWCONTROL				GPIO6_11_INPUTENABLE				GPIO6_11_PULLEYSELECT				GPIO6_11_PULLUDENABE							

Bits	Field Name	Description	Type	Reset
31:26	RESERVED		R	0x0
25	GPIO6_11_WAKEUPEVENT	0x0: No wakeup event detected 0x1: Wakeup event detected	R	0x0
24	GPIO6_11_WAKEUPENABLE	0x0: Wakeup is disabled 0x1: Wakeup is enabled	RW	0x0
23:20	RESERVED		R	0x0
19	GPIO6_11_SLEWCONTROL	0x0: Fast slew is selected 0x1: Slow slew is selected	RW	0x0

Bits	Field Name	Description	Type	Reset
18	GPIO6_11_INPUTENABLE	0x0: Receive mode is disabled 0x1: Receive mode is enabled	RW	0x1
17	GPIO6_11_PULLTYPESELECT	0x0: Pull Down is selected 0x1: Pull Up is selected	RW	0x1
16	GPIO6_11_PULLUDENABLE	0x0: Enables weak Pull Up/Down 0x1: Disables weak Pull Up/Down	RW	0x0
15:9	RESERVED		R	0x0
8	GPIO6_11_MODESELECT	Selects between the Default IO Timing Mode and a Virtual or Manual IO Timing Mode. Refer to the device Data Manual for definition of the required settings for a given mode of operation. When this bit is 0b1, a Virtual IO Timing Mode can be selected via the DELAYMODE field of this register, as described in Section 18.4.6.1.5 , Virtual IO Timing Modes. Manual IO Timing Modes are selected via the procedure described in Section 18.4.6.1.6 , Manual IO Timing Modes. 0x0: Default IO Timing Mode is used 0x1: A Virtual or Manual IO Timing Mode is used	RW	0x0
7:4	GPIO6_11_DELAYMODE	This bit field selects the Virtual Timing Mode used when the MODESELECT bit is set to 0b1. See Section 18.4.6.1.5 , Virtual IO Timing Modes for details.	RW	0x0
3:0	GPIO6_11_MUXMODE	0x0: gpio6_11 0x1: mdio_d 0x2: i2c3_scl 0x4: vin2b_vsync1 0x9: vin1a_de0 0xA: ehrpwm2B 0xB: pr2_mii1_txen 0xC: pr2_pru0_gpi1 0xD: pr2_pru0_gpo1 0xE: gpio6_11 0xF: Driver off	RW	0xF

Table 18-1445. Register Call Summary for Register CTRL_CORE_PAD_GPIO6_11

Control Module Register Manual

- [CTRL_MODULE_CORE Register Summary: \[0\]](#)

Table 18-1446. CTRL_CORE_PAD_MMC3_CLK

Address Offset	0x0000 177C	Instance	CTRL_MODULE_CORE
Physical Address	0x4A00 377C		
Description			
Type	RW		

31	30	29	28	27	26	25	24	23	22	21	20	19	18	17	16	15	14	13	12	11	10	9	8	7	6	5	4	3	2	1	0
RESERVED						MMC3_CLK_WAKEUPEVENT	MMC3_CLK_WAKEUPENABLE	RESERVED				MMC3_CLK_SLEWCONTROL	MMC3_CLK_INPUTENABLE	MMC3_CLK_PULLTYPESELECT	MMC3_CLK_PULLUDENABLE	RESERVED						MMC3_CLK_MODESELECT	MMC3_CLK_DELAYMODE				MMC3_CLK_MUXMODE				

Bits	Field Name	Description	Type	Reset
31:26	RESERVED		R	0x0
25	MMC3_CLK_WAKEUPEVENT	0x0: No wakeup event detected 0x1: Wakeup event detected	R	0x0
24	MMC3_CLK_WAKEUPENABLE	0x0: Wakeup is disabled 0x1: Wakeup is enabled	RW	0x0
23:20	RESERVED		R	0x0
19	MMC3_CLK_SLEWCONTROL	0x0: Fast slew is selected 0x1: Slow slew is selected	RW	0x0
18	MMC3_CLK_INPUTENABLE	0x0: Receive mode is disabled 0x1: Receive mode is enabled	RW	0x1
17	MMC3_CLK_PULLTYPESELECT	0x0: Pull Down is selected 0x1: Pull Up is selected	RW	0x1
16	MMC3_CLK_PULLUDENABLE	0x0: Enables weak Pull Up/Down 0x1: Disables weak Pull Up/Down	RW	0x0
15:9	RESERVED		R	0x0
8	MMC3_CLK_MODESELECT	Selects between the Default IO Timing Mode and a Virtual or Manual IO Timing Mode. Refer to the device Data Manual for definition of the required settings for a given mode of operation. When this bit is 0b1, a Virtual IO Timing Mode can be selected via the DELAYMODE field of this register, as described in Section 18.4.6.1.5 , Virtual IO Timing Modes. Manual IO Timing Modes are selected via the procedure described in Section 18.4.6.1.6 , Manual IO Timing Modes. 0x0: Default IO Timing Mode is used 0x1: A Virtual or Manual IO Timing Mode is used	RW	0x0
7:4	MMC3_CLK_DELAYMODE	This bit field selects the Virtual Timing Mode used when the MODESELECT bit is set to 0b1. See Section 18.4.6.1.5 , Virtual IO Timing Modes for details.	RW	0x0
3:0	MMC3_CLK_MUXMODE	0x0: mmc3_clk 0x4: vin2b_d7 0x9: vin1a_d7 0xA: ehrpwm2_tripzone_input 0xB: pr2_mii1_txd3 0xC: pr2_pru0_gpi2 0xD: pr2_pru0_gpo2 0xE: gpio6_29 0xF: Driver off	RW	0xF

Table 18-1447. Register Call Summary for Register CTRL_CORE_PAD_MMC3_CLK

Control Module Register Manual

- [CTRL_MODULE_CORE Register Summary: \[0\]](#)

Table 18-1448. CTRL_CORE_PAD_MMC3_CMD

Address Offset	0x0000 1780	Instance	CTRL_MODULE_CORE
Physical Address	0x4A00 3780		
Description			
Type	RW		

31	30	29	28	27	26	25	24	23	22	21	20	19	18	17	16	15	14	13	12	11	10	9	8	7	6	5	4	3	2	1	0				
RESERVED								RESERVED								RESERVED								MMC3_CMD_MODESELECT				MMC3_CMD_DELAYMODE				MMC3_CMD_MUXMODE			
								MMC3_CMD_WAKEUPEVENT				MMC3_CMD_WAKEUPENABLE																							
								MMC3_CMD_SLEWCONTROL				MMC3_CMD_INPUTENABLE				MMC3_CMD_PULLTYPESELECT				MMC3_CMD_PULLUDENABLE															

Bits	Field Name	Description	Type	Reset
31:26	RESERVED		R	0x0
25	MMC3_CMD_WAKEUPEVENT	0x0: No wakeup event detected 0x1: Wakeup event detected	R	0x0
24	MMC3_CMD_WAKEUPENABLE	0x0: Wakeup is disabled 0x1: Wakeup is enabled	RW	0x0
23:20	RESERVED		R	0x0
19	MMC3_CMD_SLEWCONTROL	0x0: Fast slew is selected 0x1: Slow slew is selected	RW	0x0
18	MMC3_CMD_INPUTENABLE	0x0: Receive mode is disabled 0x1: Receive mode is enabled	RW	0x1
17	MMC3_CMD_PULLTYPESELECT	0x0: Pull Down is selected 0x1: Pull Up is selected	RW	0x1
16	MMC3_CMD_PULLUDENABLE	0x0: Enables weak Pull Up/Down 0x1: Disables weak Pull Up/Down	RW	0x0
15:9	RESERVED		R	0x0
8	MMC3_CMD_MODESELECT	Selects between the Default IO Timing Mode and a Virtual or Manual IO Timing Mode. Refer to the device Data Manual for definition of the required settings for a given mode of operation. When this bit is 0b1, a Virtual IO Timing Mode can be selected via the DELAYMODE field of this register, as described in Section 18.4.6.1.5 , Virtual IO Timing Modes. Manual IO Timing Modes are selected via the procedure described in Section 18.4.6.1.6 , Manual IO Timing Modes. 0x0: Default IO Timing Mode is used 0x1: A Virtual or Manual IO Timing Mode is used	RW	0x0

Bits	Field Name	Description	Type	Reset
7:4	MMC3_CMD_DELAYMODE	This bit field selects the Virtual Timing Mode used when the MODESELECT bit is set to 0b1. See Section 18.4.6.1.5 , Virtual IO Timing Modes for details.	RW	0x0
3:0	MMC3_CMD_MUXMODE	0x0: mmc3_cmd 0x1: spi3_sclk 0x4: vin2b_d6 0x9: vin1a_d6 0xA: eCAP2_in_PWM2_out 0xB: pr2_mii1_txd2 0xC: pr2_pru0_gpi3 0xD: pr2_pru0_gpo3 0xE: gpio6_30 0xF: Driver off	RW	0xF

Table 18-1449. Register Call Summary for Register CTRL_CORE_PAD_MMC3_CMD

Control Module Register Manual

- [CTRL_MODULE_CORE Register Summary: \[0\]](#)

Table 18-1450. CTRL_CORE_PAD_MMC3_DAT0

Address Offset	0x0000 1784	Instance	CTRL_MODULE_CORE
Physical Address	0x4A00 3784		
Description			
Type	RW		

31	30	29	28	27	26	25	24	23	22	21	20	19	18	17	16	15	14	13	12	11	10	9	8	7	6	5	4	3	2	1	0	
RESERVED								RESERVED								RESERVED								MMC3_DAT0_MODESELECT	MMC3_DAT0_DELAYMODE				MMC3_DAT0_MUXMODE			
MMC3_DAT0_WAKEUPEVENT		MMC3_DAT0_WAKEUPENABLE		MMC3_DAT0_SLEWCONTROL		MMC3_DAT0_INPUTENABLE		MMC3_DAT0_PULLTYPESELECT		MMC3_DAT0_PULLUDENABLE		MMC3_DAT0_MODESELECT		MMC3_DAT0_DELAYMODE				MMC3_DAT0_MUXMODE														

Bits	Field Name	Description	Type	Reset
31:26	RESERVED		R	0x0
25	MMC3_DAT0_WAKEUPEVENT	0x0: No wakeup event detected 0x1: Wakeup event detected	R	0x0
24	MMC3_DAT0_WAKEUPENABLE	0x0: Wakeup is disabled 0x1: Wakeup is enabled	RW	0x0
23:20	RESERVED		R	0x0
19	MMC3_DAT0_SLEWCONTROL	0x0: Fast slew is selected 0x1: Slow slew is selected	RW	0x0
18	MMC3_DAT0_INPUTENABLE	0x0: Receive mode is disabled 0x1: Receive mode is enabled	RW	0x1

Bits	Field Name	Description	Type	Reset
17	MMC3_DAT0_PULLTYPESELE CT	0x0: Pull Down is selected 0x1: Pull Up is selected	RW	0x1
16	MMC3_DAT0_PULLUDENABLE	0x0: Enables weak Pull Up/Down 0x1: Disables weak Pull Up/Down	RW	0x0
15:9	RESERVED		R	0x0
8	MMC3_DAT0_MODESELECT	Selects between the Default IO Timing Mode and a Virtual or Manual IO Timing Mode. Refer to the device Data Manual for definition of the required settings for a given mode of operation. When this bit is 0b1, a Virtual IO Timing Mode can be selected via the DELAYMODE field of this register, as described in Section 18.4.6.1.5 , Virtual IO Timing Modes. Manual IO Timing Modes are selected via the procedure described in Section 18.4.6.1.6 , Manual IO Timing Modes. 0x0: Default IO Timing Mode is used 0x1: A Virtual or Manual IO Timing Mode is used	RW	0x0
7:4	MMC3_DAT0_DELAYMODE	This bit field selects the Virtual Timing Mode used when the MODESELECT bit is set to 0b1. See Section 18.4.6.1.5 , Virtual IO Timing Modes for details.	RW	0x0
3:0	MMC3_DAT0_MUXMODE	0x0: mmc3_dat0 0x1: spi3_d1 0x2: uart5_rxd 0x4: vin2b_d5 0x9: vin1a_d5 0xA: eQEP3A_in 0xB: pr2_mii1_txd1 0xC: pr2_pru0_gpi4 0xD: pr2_pru0_gpo4 0xE: gpio6_31 0xF: Driver off	RW	0xF

Table 18-1451. Register Call Summary for Register CTRL_CORE_PAD_MMC3_DAT0

Control Module Register Manual

- [CTRL_MODULE_CORE Register Summary: \[0\]](#)

Table 18-1452. CTRL_CORE_PAD_MMC3_DAT1

Address Offset	0x0000 1788	Instance	CTRL_MODULE_CORE
Physical Address	0x4A00 3788		
Description			
Type	RW		

31	30	29	28	27	26	25	24	23	22	21	20	19	18	17	16	15	14	13	12	11	10	9	8	7	6	5	4	3	2	1	0												
RESERVED								RESERVED								RESERVED								MMC3_DAT1_WAKEUPEVENT MMC3_DAT1_WAKEUPENABLE				MMC3_DAT1_SLEWCONTROL MMC3_DAT1_INPUTENABLE MMC3_DAT1_PULLTYPESELECT MMC3_DAT1_PULLUDENABLE				MMC3_DAT1_MODESELECT				MMC3_DAT1_DELAYMODE				MMC3_DAT1_MUXMODE			

Bits	Field Name	Description	Type	Reset
31:26	RESERVED		R	0x0
25	MMC3_DAT1_WAKEUPEVENT	0x0: No wakeup event detected 0x1: Wakeup event detected	R	0x0
24	MMC3_DAT1_WAKEUPENABLE	0x0: Wakeup is disabled 0x1: Wakeup is enabled	RW	0x0
23:20	RESERVED		R	0x0
19	MMC3_DAT1_SLEWCONTROL	0x0: Fast slew is selected 0x1: Slow slew is selected	RW	0x0
18	MMC3_DAT1_INPUTENABLE	0x0: Receive mode is disabled 0x1: Receive mode is enabled	RW	0x1
17	MMC3_DAT1_PULLTYPESELECT	0x0: Pull Down is selected 0x1: Pull Up is selected	RW	0x1
16	MMC3_DAT1_PULLUDENABLE	0x0: Enables weak Pull Up/Down 0x1: Disables weak Pull Up/Down	RW	0x0
15:9	RESERVED		R	0x0
8	MMC3_DAT1_MODESELECT	Selects between the Default IO Timing Mode and a Virtual or Manual IO Timing Mode. Refer to the device Data Manual for definition of the required settings for a given mode of operation. When this bit is 0b1, a Virtual IO Timing Mode can be selected via the DELAYMODE field of this register, as described in Section 18.4.6.1.5 , Virtual IO Timing Modes. Manual IO Timing Modes are selected via the procedure described in Section 18.4.6.1.6 , Manual IO Timing Modes. 0x0: Default IO Timing Mode is used 0x1: A Virtual or Manual IO Timing Mode is used	RW	0x0
7:4	MMC3_DAT1_DELAYMODE	This bit field selects the Virtual Timing Mode used when the MODESELECT bit is set to 0b1. See Section 18.4.6.1.5 , Virtual IO Timing Modes for details.	RW	0x0

Bits	Field Name	Description	Type	Reset
3:0	MMC3_DAT1_MUXMODE	0x0: mmc3_dat1 0x1: spi3_d0 0x2: uart5_txd 0x4: vin2b_d4 0x9: vin1a_d4 0xA: eQEP3B_in 0xB: pr2_mii1_txd0 0xC: pr2_pru0_gpi5 0xD: pr2_pru0_gpo5 0xE: gpio7_0 0xF: Driver off	RW	0xF

Table 18-1453. Register Call Summary for Register CTRL_CORE_PAD_MMC3_DAT1

Control Module Register Manual

- [CTRL_MODULE_CORE Register Summary: \[0\]](#)

Table 18-1454. CTRL_CORE_PAD_MMC3_DAT2

Address Offset	0x0000 178C	Instance	CTRL_MODULE_CORE
Physical Address	0x4A00 378C		
Description			
Type	RW		

31	30	29	28	27	26	25	24	23	22	21	20	19	18	17	16	15	14	13	12	11	10	9	8	7	6	5	4	3	2	1	0
RESERVED						MMC3_DAT2_WAKEUPEVENT	MMC3_DAT2_WAKEUPENABLE	RESERVED				MMC3_DAT2_SLEWCONTROL	MMC3_DAT2_INPUTENABLE	MMC3_DAT2_PULLTYPESELECT	MMC3_DAT2_PULLUDENABLE	RESERVED						MMC3_DAT2_MODESELECT	MMC3_DAT2_DELAYMODE				MMC3_DAT2_MUXMODE				

Bits	Field Name	Description	Type	Reset
31:26	RESERVED		R	0x0
25	MMC3_DAT2_WAKEUPEVENT	0x0: No wakeup event detected 0x1: Wakeup event detected	R	0x0
24	MMC3_DAT2_WAKEUPENABLE	0x0: Wakeup is disabled 0x1: Wakeup is enabled	RW	0x0
23:20	RESERVED		R	0x0
19	MMC3_DAT2_SLEWCONTROL	0x0: Fast slew is selected 0x1: Slow slew is selected	RW	0x0
18	MMC3_DAT2_INPUTENABLE	0x0: Receive mode is disabled 0x1: Receive mode is enabled	RW	0x1

Bits	Field Name	Description	Type	Reset
17	MMC3_DAT2_PULLTYPESELE CT	0x0: Pull Down is selected 0x1: Pull Up is selected	RW	0x1
16	MMC3_DAT2_PULLUDENABLE	0x0: Enables weak Pull Up/Down 0x1: Disables weak Pull Up/Down	RW	0x0
15:9	RESERVED		R	0x0
8	MMC3_DAT2_MODESELECT	Selects between the Default IO Timing Mode and a Virtual or Manual IO Timing Mode. Refer to the device Data Manual for definition of the required settings for a given mode of operation. When this bit is 0b1, a Virtual IO Timing Mode can be selected via the DELAYMODE field of this register, as described in Section 18.4.6.1.5 , Virtual IO Timing Modes. Manual IO Timing Modes are selected via the procedure described in Section 18.4.6.1.6 , Manual IO Timing Modes. 0x0: Default IO Timing Mode is used 0x1: A Virtual or Manual IO Timing Mode is used	RW	0x0
7:4	MMC3_DAT2_DELAYMODE	This bit field selects the Virtual Timing Mode used when the MODESELECT bit is set to 0b1. See Section 18.4.6.1.5 , Virtual IO Timing Modes for details.	RW	0x0
3:0	MMC3_DAT2_MUXMODE	0x0: mmc3_dat2 0x1: spi3_cs0 0x2: uart5_ctsn 0x4: vin2b_d3 0x9: vin1a_d3 0xA: eQEP3_index 0xB: pr2_mii_mr1_clk 0xC: pr2_pru0_gpi6 0xD: pr2_pru0_gpo6 0xE: gpio7_1 0xF: Driver off	RW	0xF

Table 18-1455. Register Call Summary for Register CTRL_CORE_PAD_MMC3_DAT2

Control Module Register Manual

- [CTRL_MODULE_CORE Register Summary: \[0\]](#)

Table 18-1456. CTRL_CORE_PAD_MMC3_DAT3

Address Offset	0x0000 1790		
Physical Address	0x4A00 3790	Instance	CTRL_MODULE_CORE
Description			
Type	RW		

31	30	29	28	27	26	25	24	23	22	21	20	19	18	17	16	15	14	13	12	11	10	9	8	7	6	5	4	3	2	1	0												
RESERVED								RESERVED								RESERVED								MMC3_DAT3_WAKEUPEVENT MMC3_DAT3_WAKEUPENABLE				MMC3_DAT3_SLEWCONTROL MMC3_DAT3_INPUTENABLE MMC3_DAT3_PULLTYPESELECT MMC3_DAT3_PULLUDENABLE				MMC3_DAT3_MODESELECT				MMC3_DAT3_DELAYMODE				MMC3_DAT3_MUXMODE			

Bits	Field Name	Description	Type	Reset
31:26	RESERVED		R	0x0
25	MMC3_DAT3_WAKEUPEVENT	0x0: No wakeup event detected 0x1: Wakeup event detected	R	0x0
24	MMC3_DAT3_WAKEUPENABLE	0x0: Wakeup is disabled 0x1: Wakeup is enabled	RW	0x0
23:20	RESERVED		R	0x0
19	MMC3_DAT3_SLEWCONTROL	0x0: Fast slew is selected 0x1: Slow slew is selected	RW	0x0
18	MMC3_DAT3_INPUTENABLE	0x0: Receive mode is disabled 0x1: Receive mode is enabled	RW	0x1
17	MMC3_DAT3_PULLTYPESELECT	0x0: Pull Down is selected 0x1: Pull Up is selected	RW	0x1
16	MMC3_DAT3_PULLUDENABLE	0x0: Enables weak Pull Up/Down 0x1: Disables weak Pull Up/Down	RW	0x0
15:9	RESERVED		R	0x0
8	MMC3_DAT3_MODESELECT	Selects between the Default IO Timing Mode and a Virtual or Manual IO Timing Mode. Refer to the device Data Manual for definition of the required settings for a given mode of operation. When this bit is 0b1, a Virtual IO Timing Mode can be selected via the DELAYMODE field of this register, as described in Section 18.4.6.1.5 , Virtual IO Timing Modes. Manual IO Timing Modes are selected via the procedure described in Section 18.4.6.1.6 , Manual IO Timing Modes. 0x0: Default IO Timing Mode is used 0x1: A Virtual or Manual IO Timing Mode is used	RW	0x0
7:4	MMC3_DAT3_DELAYMODE	This bit field selects the Virtual Timing Mode used when the MODESELECT bit is set to 0b1. See Section 18.4.6.1.5 , Virtual IO Timing Modes for details.	RW	0x0

Bits	Field Name	Description	Type	Reset
3:0	MMC3_DAT3_MUXMODE	0x0: mmc3_dat3 0x1: spi3_cs1 0x2: uart5_rtsn 0x4: vin2b_d2 0x9: vin1a_d2 0xA: eQEP3_strobe 0xB: pr2_mii1_rxdv 0xC: pr2_pru0_gpi7 0xD: pr2_pru0_gpo7 0xE: gpio7_2 0xF: Driver off	RW	0xF

Table 18-1457. Register Call Summary for Register CTRL_CORE_PAD_MMC3_DAT3

Control Module Register Manual

- [CTRL_MODULE_CORE Register Summary: \[0\]](#)

Table 18-1458. CTRL_CORE_PAD_MMC3_DAT4

Address Offset	0x0000 1794	Instance	CTRL_MODULE_CORE
Physical Address	0x4A00 3794		
Description			
Type	RW		

31	30	29	28	27	26	25	24	23	22	21	20	19	18	17	16	15	14	13	12	11	10	9	8	7	6	5	4	3	2	1	0			
RESERVED							MMC3_DAT4_WAKEUPEVENT	MMC3_DAT4_WAKEUPENABLE	RESERVED							MMC3_DAT4_SLEWCONTROL	MMC3_DAT4_INPUTENABLE	MMC3_DAT4_PULLTYPESELECT	MMC3_DAT4_PULLUDENABLE	RESERVED							MMC3_DAT4_MODESELECT	MMC3_DAT4_DELAYMODE				MMC3_DAT4_MUXMODE		

Bits	Field Name	Description	Type	Reset
31:26	RESERVED		R	0x0
25	MMC3_DAT4_WAKEUPEVENT	0x0: No wakeup event detected 0x1: Wakeup event detected	R	0x0
24	MMC3_DAT4_WAKEUPENABLE	0x0: Wakeup is disabled 0x1: Wakeup is enabled	RW	0x0
23:20	RESERVED		R	0x0
19	MMC3_DAT4_SLEWCONTROL	0x0: Fast slew is selected 0x1: Slow slew is selected	RW	0x0
18	MMC3_DAT4_INPUTENABLE	0x0: Receive mode is disabled 0x1: Receive mode is enabled	RW	0x1

Bits	Field Name	Description	Type	Reset
17	MMC3_DAT4_PULLTYPESELE CT	0x0: Pull Down is selected 0x1: Pull Up is selected	RW	0x1
16	MMC3_DAT4_PULLUDENABLE	0x0: Enables weak Pull Up/Down 0x1: Disables weak Pull Up/Down	RW	0x0
15:9	RESERVED		R	0x0
8	MMC3_DAT4_MODESELECT	Selects between the Default IO Timing Mode and a Virtual or Manual IO Timing Mode. Refer to the device Data Manual for definition of the required settings for a given mode of operation. When this bit is 0b1, a Virtual IO Timing Mode can be selected via the DELAYMODE field of this register, as described in Section 18.4.6.1.5 , Virtual IO Timing Modes. Manual IO Timing Modes are selected via the procedure described in Section 18.4.6.1.6 , Manual IO Timing Modes. 0x0: Default IO Timing Mode is used 0x1: A Virtual or Manual IO Timing Mode is used	RW	0x0
7:4	MMC3_DAT4_DELAYMODE	This bit field selects the Virtual Timing Mode used when the MODESELECT bit is set to 0b1. See Section 18.4.6.1.5 , Virtual IO Timing Modes for details.	RW	0x0
3:0	MMC3_DAT4_MUXMODE	0x0: mmc3_dat4 0x1: spi4_sclk 0x2: uart10_rxd 0x4: vin2b_d1 0x9: vin1a_d1 0xA: ehrpwm3A 0xB: pr2_mii1_rxd3 0xC: pr2_pru0_gpi8 0xD: pr2_pru0_gpo8 0xE: gpio1_22 0xF: Driver off	RW	0xF

Table 18-1459. Register Call Summary for Register CTRL_CORE_PAD_MMC3_DAT4

Control Module Register Manual

- [CTRL_MODULE_CORE Register Summary: \[0\]](#)

Table 18-1460. CTRL_CORE_PAD_MMC3_DAT5

Address Offset	0x0000 1798	Instance	CTRL_MODULE_CORE
Physical Address	0x4A00 3798		
Description			
Type	RW		

31	30	29	28	27	26	25	24	23	22	21	20	19	18	17	16	15	14	13	12	11	10	9	8	7	6	5	4	3	2	1	0												
RESERVED								RESERVED								RESERVED								MMC3_DAT5_WAKEUPEVENT MMC3_DAT5_WAKEUPENABLE				MMC3_DAT5_SLEWCONTROL MMC3_DAT5_INPUTENABLE MMC3_DAT5_PULLTYPESELECT MMC3_DAT5_PULLUDENABLE				MMC3_DAT5_MODESELECT				MMC3_DAT5_DELAYMODE				MMC3_DAT5_MUXMODE			

Bits	Field Name	Description	Type	Reset
31:26	RESERVED		R	0x0
25	MMC3_DAT5_WAKEUPEVENT	0x0: No wakeup event detected 0x1: Wakeup event detected	R	0x0
24	MMC3_DAT5_WAKEUPENABLE	0x0: Wakeup is disabled 0x1: Wakeup is enabled	RW	0x0
23:20	RESERVED		R	0x0
19	MMC3_DAT5_SLEWCONTROL	0x0: Fast slew is selected 0x1: Slow slew is selected	RW	0x0
18	MMC3_DAT5_INPUTENABLE	0x0: Receive mode is disabled 0x1: Receive mode is enabled	RW	0x1
17	MMC3_DAT5_PULLTYPESELECT	0x0: Pull Down is selected 0x1: Pull Up is selected	RW	0x1
16	MMC3_DAT5_PULLUDENABLE	0x0: Enables weak Pull Up/Down 0x1: Disables weak Pull Up/Down	RW	0x0
15:9	RESERVED		R	0x0
8	MMC3_DAT5_MODESELECT	Selects between the Default IO Timing Mode and a Virtual or Manual IO Timing Mode. Refer to the device Data Manual for definition of the required settings for a given mode of operation. When this bit is 0b1, a Virtual IO Timing Mode can be selected via the DELAYMODE field of this register, as described in Section 18.4.6.1.5 , Virtual IO Timing Modes. Manual IO Timing Modes are selected via the procedure described in Section 18.4.6.1.6 , Manual IO Timing Modes. 0x0: Default IO Timing Mode is used 0x1: A Virtual or Manual IO Timing Mode is used	RW	0x0
7:4	MMC3_DAT5_DELAYMODE	This bit field selects the Virtual Timing Mode used when the MODESELECT bit is set to 0b1. See Section 18.4.6.1.5 , Virtual IO Timing Modes for details.	RW	0x0

Bits	Field Name	Description	Type	Reset
3:0	MMC3_DAT5_MUXMODE	0x0: mmc3_dat5 0x1: spi4_d1 0x2: uart10_txd 0x4: vin2b_d0 0x9: vin1a_d0 0xA: ehrpwm3B 0xB: pr2_mii1_rxd2 0xC: pr2_pru0_gpi9 0xD: pr2_pru0_gpo9 0xE: gpio1_23 0xF: Driver off	RW	0xF

Table 18-1461. Register Call Summary for Register CTRL_CORE_PAD_MMC3_DAT5

Control Module Register Manual

- [CTRL_MODULE_CORE Register Summary: \[0\]](#)

Table 18-1462. CTRL_CORE_PAD_MMC3_DAT6

Address Offset	0x0000 179C	Instance	CTRL_MODULE_CORE
Physical Address	0x4A00 379C		
Description			
Type	RW		

31	30	29	28	27	26	25	24	23	22	21	20	19	18	17	16	15	14	13	12	11	10	9	8	7	6	5	4	3	2	1	0
RESERVED						MMC3_DAT6_WAKEUPEVENT	MMC3_DAT6_WAKEUPENABLE	RESERVED						MMC3_DAT6_SLEWCONTROL	MMC3_DAT6_INPUTENABLE	MMC3_DAT6_PULLTYPESELECT	MMC3_DAT6_PULLUDENABLE	RESERVED						MMC3_DAT6_MODESELECT	MMC3_DAT6_DELAYMODE				MMC3_DAT6_MUXMODE		

Bits	Field Name	Description	Type	Reset
31:26	RESERVED		R	0x0
25	MMC3_DAT6_WAKEUPEVENT	0x0: No wakeup event detected 0x1: Wakeup event detected	R	0x0
24	MMC3_DAT6_WAKEUPENABLE	0x0: Wakeup is disabled 0x1: Wakeup is enabled	RW	0x0
23:20	RESERVED		R	0x0
19	MMC3_DAT6_SLEWCONTROL	0x0: Fast slew is selected 0x1: Slow slew is selected	RW	0x0
18	MMC3_DAT6_INPUTENABLE	0x0: Receive mode is disabled 0x1: Receive mode is enabled	RW	0x1

Bits	Field Name	Description	Type	Reset
17	MMC3_DAT6_PULLTYPESELE CT	0x0: Pull Down is selected 0x1: Pull Up is selected	RW	0x1
16	MMC3_DAT6_PULLUDENABLE	0x0: Enables weak Pull Up/Down 0x1: Disables weak Pull Up/Down	RW	0x0
15:9	RESERVED		R	0x0
8	MMC3_DAT6_MODESELECT	Selects between the Default IO Timing Mode and a Virtual or Manual IO Timing Mode. Refer to the device Data Manual for definition of the required settings for a given mode of operation. When this bit is 0b1, a Virtual IO Timing Mode can be selected via the DELAYMODE field of this register, as described in Section 18.4.6.1.5 , Virtual IO Timing Modes. Manual IO Timing Modes are selected via the procedure described in Section 18.4.6.1.6 , Manual IO Timing Modes. 0x0: Default IO Timing Mode is used 0x1: A Virtual or Manual IO Timing Mode is used	RW	0x0
7:4	MMC3_DAT6_DELAYMODE	This bit field selects the Virtual Timing Mode used when the MODESELECT bit is set to 0b1. See Section 18.4.6.1.5 , Virtual IO Timing Modes for details.	RW	0x0
3:0	MMC3_DAT6_MUXMODE	0x0: mmc3_dat6 0x1: spi4_d0 0x2: uart10_ctsn 0x4: vin2b_de1 0x9: vin1a_hsync0 0xA: ehrpwm3_tripzone_input 0xB: pr2_mii1_rxd1 0xC: pr2_pru0_gpi10 0xD: pr2_pru0_gpo10 0xE: gpio1_24 0xF: Driver off	RW	0xF

Table 18-1463. Register Call Summary for Register CTRL_CORE_PAD_MMC3_DAT6

Control Module Register Manual

- [CTRL_MODULE_CORE Register Summary: \[0\]](#)

Table 18-1464. CTRL_CORE_PAD_MMC3_DAT7

Address Offset	0x0000 17A0	Instance	CTRL_MODULE_CORE
Physical Address	0x4A00 37A0		
Description			
Type	RW		

31	30	29	28	27	26	25	24	23	22	21	20	19	18	17	16	15	14	13	12	11	10	9	8	7	6	5	4	3	2	1	0												
RESERVED								RESERVED								RESERVED								MMC3_DAT7_WAKEUPEVENT MMC3_DAT7_WAKEUPENABLE				MMC3_DAT7_SLEWCONTROL MMC3_DAT7_INPUTENABLE MMC3_DAT7_PULLTYPESELECT MMC3_DAT7_PULLUDENABLE				MMC3_DAT7_MODESELECT				MMC3_DAT7_DELAYMODE				MMC3_DAT7_MUXMODE			

Bits	Field Name	Description	Type	Reset
31:26	RESERVED		R	0x0
25	MMC3_DAT7_WAKEUPEVENT	0x0: No wakeup event detected 0x1: Wakeup event detected	R	0x0
24	MMC3_DAT7_WAKEUPENABLE	0x0: Wakeup is disabled 0x1: Wakeup is enabled	RW	0x0
23:20	RESERVED		R	0x0
19	MMC3_DAT7_SLEWCONTROL	0x0: Fast slew is selected 0x1: Slow slew is selected	RW	0x0
18	MMC3_DAT7_INPUTENABLE	0x0: Receive mode is disabled 0x1: Receive mode is enabled	RW	0x1
17	MMC3_DAT7_PULLTYPESELECT	0x0: Pull Down is selected 0x1: Pull Up is selected	RW	0x1
16	MMC3_DAT7_PULLUDENABLE	0x0: Enables weak Pull Up/Down 0x1: Disables weak Pull Up/Down	RW	0x0
15:9	RESERVED		R	0x0
8	MMC3_DAT7_MODESELECT	Selects between the Default IO Timing Mode and a Virtual or Manual IO Timing Mode. Refer to the device Data Manual for definition of the required settings for a given mode of operation. When this bit is 0b1, a Virtual IO Timing Mode can be selected via the DELAYMODE field of this register, as described in Section 18.4.6.1.5 , Virtual IO Timing Modes. Manual IO Timing Modes are selected via the procedure described in Section 18.4.6.1.6 , Manual IO Timing Modes. 0x0: Default IO Timing Mode is used 0x1: A Virtual or Manual IO Timing Mode is used	RW	0x0
7:4	MMC3_DAT7_DELAYMODE	This bit field selects the Virtual Timing Mode used when the MODESELECT bit is set to 0b1. See Section 18.4.6.1.5 , Virtual IO Timing Modes for details.	RW	0x0

Bits	Field Name	Description	Type	Reset
3:0	MMC3_DAT7_MUXMODE	0x0: mmc3_dat7 0x1: spi4_cs0 0x2: uart10_rtsn 0x4: vin2b_clk1 0x9: vin1a_vsync0 0xA: eCAP3_in_PWM3_out 0xB: pr2_mii1_rxd0 0xC: pr2_pru0_gpi11 0xD: pr2_pru0_gpo11 0xE: gpio1_25 0xF: Driver off	RW	0xF

Table 18-1465. Register Call Summary for Register CTRL_CORE_PAD_MMC3_DAT7

Control Module Register Manual

- [CTRL_MODULE_CORE Register Summary: \[0\]](#)

Table 18-1466. CTRL_CORE_PAD_SPI1_SCLK

Address Offset	0x0000 17A4	Instance	CTRL_MODULE_CORE
Physical Address	0x4A00 37A4		
Description			
Type	RW		

31	30	29	28	27	26	25	24	23	22	21	20	19	18	17	16	15	14	13	12	11	10	9	8	7	6	5	4	3	2	1	0			
RESERVED							SPI1_SCLK_WAKEUPEVENT	SPI1_SCLK_WAKEUPENABLE	RESERVED							SPI1_SCLK_SLEWCONTROL	SPI1_SCLK_INPUTENABLE	SPI1_SCLK_PULLTYPESELECT	SPI1_SCLK_PULLUDENABLE	RESERVED							SPI1_SCLK_MODESELECT	SPI1_SCLK_DELAYMODE				SPI1_SCLK_MUXMODE		

Bits	Field Name	Description	Type	Reset
31:26	RESERVED		R	0x0
25	SPI1_SCLK_WAKEUPEVENT	0x0: No wakeup event detected 0x1: Wakeup event detected	R	0x0
24	SPI1_SCLK_WAKEUPENABLE	0x0: Wakeup is disabled 0x1: Wakeup is enabled	RW	0x0
23:20	RESERVED		R	0x0
19	SPI1_SCLK_SLEWCONTROL	0x0: Fast slew is selected 0x1: Slow slew is selected	RW	0x0
18	SPI1_SCLK_INPUTENABLE	0x0: Receive mode is disabled 0x1: Receive mode is enabled	RW	0x1

Bits	Field Name	Description	Type	Reset
17	SPI1_SCLK_PULLTYPESELECT	0x0: Pull Down is selected 0x1: Pull Up is selected	RW	0x0
16	SPI1_SCLK_PULLUDENABLE	0x0: Enables weak Pull Up/Down 0x1: Disables weak Pull Up/Down	RW	0x0
15:9	RESERVED		R	0x0
8	SPI1_SCLK_MODESELECT	Selects between the Default IO Timing Mode and a Virtual or Manual IO Timing Mode. Refer to the device Data Manual for definition of the required settings for a given mode of operation. When this bit is 0b1, a Virtual IO Timing Mode can be selected via the DELAYMODE field of this register, as described in Section 18.4.6.1.5 , Virtual IO Timing Modes. Manual IO Timing Modes are selected via the procedure described in Section 18.4.6.1.6 , Manual IO Timing Modes. 0x0: Default IO Timing Mode is used 0x1: A Virtual or Manual IO Timing Mode is used	RW	0x0
7:4	SPI1_SCLK_DELAYMODE	This bit field selects the Virtual Timing Mode used when the MODESELECT bit is set to 0b1. See Section 18.4.6.1.5 , Virtual IO Timing Modes for details.	RW	0x0
3:0	SPI1_SCLK_MUXMODE	0x0: spi1_sclk 0xE: gpio7_7 0xF: Driver off	RW	0xF

Table 18-1467. Register Call Summary for Register CTRL_CORE_PAD_SPI1_SCLK

Control Module Register Manual

- [CTRL_MODULE_CORE Register Summary: \[0\]](#)

Table 18-1468. CTRL_CORE_PAD_SPI1_D1

Address Offset	0x0000 17A8	Instance	CTRL_MODULE_CORE
Physical Address	0x4A00 37A8		
Description			
Type	RW		

31	30	29	28	27	26	25	24	23	22	21	20	19	18	17	16	15	14	13	12	11	10	9	8	7	6	5	4	3	2	1	0												
RESERVED								RESERVED								RESERVED								SPI1_D1_MODESELECT				SPI1_D1_DELAYMODE				SPI1_D1_MUXMODE											
				SPI1_D1_WAKEUPEVENT				SPI1_D1_WAKEUPENABLE								SPI1_D1_SLEWCONTROL				SPI1_D1_INPUTENABLE				SPI1_D1_PULLTYPESELECT				SPI1_D1_PULLUDENABLE															

Bits	Field Name	Description	Type	Reset
31:26	RESERVED		R	0x0
25	SPI1_D1_WAKEUPEVENT	0x0: No wakeup event detected 0x1: Wakeup event detected	R	0x0

Bits	Field Name	Description	Type	Reset
24	SPI1_D1_WAKEUPENABLE	0x0: Wakeup is disabled 0x1: Wakeup is enabled	RW	0x0
23:20	RESERVED		R	0x0
19	SPI1_D1_SLEWCONTROL	0x0: Fast slew is selected 0x1: Slow slew is selected	RW	0x0
18	SPI1_D1_INPUTENABLE	0x0: Receive mode is disabled 0x1: Receive mode is enabled	RW	0x1
17	SPI1_D1_PULLTYPESELECT	0x0: Pull Down is selected 0x1: Pull Up is selected	RW	0x0
16	SPI1_D1_PULLUDENABLE	0x0: Enables weak Pull Up/Down 0x1: Disables weak Pull Up/Down	RW	0x0
15:9	RESERVED		R	0x0
8	SPI1_D1_MODESELECT	Selects between the Default IO Timing Mode and a Virtual or Manual IO Timing Mode. Refer to the device Data Manual for definition of the required settings for a given mode of operation. When this bit is 0b1, a Virtual IO Timing Mode can be selected via the DELAYMODE field of this register, as described in Section 18.4.6.1.5 , Virtual IO Timing Modes. Manual IO Timing Modes are selected via the procedure described in Section 18.4.6.1.6 , Manual IO Timing Modes. 0x0: Default IO Timing Mode is used 0x1: A Virtual or Manual IO Timing Mode is used	RW	0x0
7:4	SPI1_D1_DELAYMODE	This bit field selects the Virtual Timing Mode used when the MODESELECT bit is set to 0b1. See Section 18.4.6.1.5 , Virtual IO Timing Modes for details.	RW	0x0
3:0	SPI1_D1_MUXMODE	0x0: spi1_d1 0xE: gpio7_8 0xF: Driver off	RW	0xF

Table 18-1469. Register Call Summary for Register CTRL_CORE_PAD_SPI1_D1

Control Module Register Manual

- [CTRL_MODULE_CORE Register Summary: \[0\]](#)

Table 18-1470. CTRL_CORE_PAD_SPI1_D0

Address Offset	0x0000 17AC	Instance	CTRL_MODULE_CORE
Physical Address	0x4A00 37AC		
Description			
Type	RW		

31	30	29	28	27	26	25	24	23	22	21	20	19	18	17	16	15	14	13	12	11	10	9	8	7	6	5	4	3	2	1	0		
RESERVED				SPI1_D0_WAKEUPEVENT		SPI1_D0_WAKEUPENABLE		RESERVED				SPI1_D0_SLEWCONTROL		SPI1_D0_INPUTENABLE		SPI1_D0_PULLTYPESELECT		SPI1_D0_PULLUDENABLE		RESERVED						SPI1_D0_MODESELECT		SPI1_D0_DELAYMODE			SPI1_D0_MUXMODE		

Bits	Field Name	Description	Type	Reset
31:26	RESERVED		R	0x0
25	SPI1_D0_WAKEUPEVENT	0x0: No wakeup event detected 0x1: Wakeup event detected	R	0x0
24	SPI1_D0_WAKEUPENABLE	0x0: Wakeup is disabled 0x1: Wakeup is enabled	RW	0x0
23:20	RESERVED		R	0x0
19	SPI1_D0_SLEWCONTROL	0x0: Fast slew is selected 0x1: Slow slew is selected	RW	0x0
18	SPI1_D0_INPUTENABLE	0x0: Receive mode is disabled 0x1: Receive mode is enabled	RW	0x1
17	SPI1_D0_PULLTYPESELECT	0x0: Pull Down is selected 0x1: Pull Up is selected	RW	0x0
16	SPI1_D0_PULLUDENABLE	0x0: Enables weak Pull Up/Down 0x1: Disables weak Pull Up/Down	RW	0x0
15:9	RESERVED		R	0x0
8	SPI1_D0_MODESELECT	Selects between the Default IO Timing Mode and a Virtual or Manual IO Timing Mode. Refer to the device Data Manual for definition of the required settings for a given mode of operation. When this bit is 0b1, a Virtual IO Timing Mode can be selected via the DELAYMODE field of this register, as described in Section 18.4.6.1.5 , Virtual IO Timing Modes. Manual IO Timing Modes are selected via the procedure described in Section 18.4.6.1.6 , Manual IO Timing Modes. 0x0: Default IO Timing Mode is used 0x1: A Virtual or Manual IO Timing Mode is used	RW	0x0
7:4	SPI1_D0_DELAYMODE	This bit field selects the Virtual Timing Mode used when the MODESELECT bit is set to 0b1. See Section 18.4.6.1.5 , Virtual IO Timing Modes for details.	RW	0x0
3:0	SPI1_D0_MUXMODE	0x0: spi1_d0 0xE: gpio7_9 0xF: Driver off	RW	0xF

Table 18-1471. Register Call Summary for Register CTRL_CORE_PAD_SPI1_D0

Control Module Register Manual

- [CTRL_MODULE_CORE Register Summary: \[0\]](#)

Table 18-1472. CTRL_CORE_PAD_SPI1_CS0

Address Offset	0x0000 17B0	Instance	CTRL_MODULE_CORE
Physical Address	0x4A00 37B0		
Description			
Type	RW		

31	30	29	28	27	26	25	24	23	22	21	20	19	18	17	16	15	14	13	12	11	10	9	8	7	6	5	4	3	2	1	0				
RESERVED								RESERVED								RESERVED								SPI1_CS0_MODESELECT				SPI1_CS0_DELAYMODE				SPI1_CS0_MUXMODE			
SPI1_CS0_WAKEUPEVENT								SPI1_CS0_SLEWCONTROL								SPI1_CS0_PULLTYPESELECT																			
SPI1_CS0_WAKEUPENABLE								SPI1_CS0_INPUTENABLE								SPI1_CS0_PULLUDENABLE																			

Bits	Field Name	Description	Type	Reset
31:26	RESERVED		R	0x0
25	SPI1_CS0_WAKEUPEVENT	0x0: No wakeup event detected 0x1: Wakeup event detected	R	0x0
24	SPI1_CS0_WAKEUPENABLE	0x0: Wakeup is disabled 0x1: Wakeup is enabled	RW	0x0
23:20	RESERVED		R	0x0
19	SPI1_CS0_SLEWCONTROL	0x0: Fast slew is selected 0x1: Slow slew is selected	RW	0x0
18	SPI1_CS0_INPUTENABLE	0x0: Receive mode is disabled 0x1: Receive mode is enabled	RW	0x1
17	SPI1_CS0_PULLTYPESELECT	0x0: Pull Down is selected 0x1: Pull Up is selected	RW	0x1
16	SPI1_CS0_PULLUDENABLE	0x0: Enables weak Pull Up/Down 0x1: Disables weak Pull Up/Down	RW	0x0
15:9	RESERVED		R	0x0
8	SPI1_CS0_MODESELECT	Selects between the Default IO Timing Mode and a Virtual or Manual IO Timing Mode. Refer to the device Data Manual for definition of the required settings for a given mode of operation. When this bit is 0b1, a Virtual IO Timing Mode can be selected via the DELAYMODE field of this register, as described in Section 18.4.6.1.5 , Virtual IO Timing Modes. Manual IO Timing Modes are selected via the procedure described in Section 18.4.6.1.6 , Manual IO Timing Modes. 0x0: Default IO Timing Mode is used 0x1: A Virtual or Manual IO Timing Mode is used	RW	0x0
7:4	SPI1_CS0_DELAYMODE	This bit field selects the Virtual Timing Mode used when the MODESELECT bit is set to 0b1. See Section 18.4.6.1.5 , Virtual IO Timing Modes for details.	RW	0x0
3:0	SPI1_CS0_MUXMODE	0x0: spi1_cs0 0xE: gpio7_10 0xF: Driver off	RW	0xF

Table 18-1473. Register Call Summary for Register CTRL_CORE_PAD_SPI1_CS0

Control Module Register Manual

- [CTRL_MODULE_CORE Register Summary: \[0\]](#)

Table 18-1474. CTRL_CORE_PAD_SPI1_CS1

Address Offset	0x0000 17B4	Instance	CTRL_MODULE_CORE
Physical Address	0x4A00 37B4		
Description			
Type	RW		

31	30	29	28	27	26	25	24	23	22	21	20	19	18	17	16	15	14	13	12	11	10	9	8	7	6	5	4	3	2	1	0						
RESERVED								RESERVED								RESERVED								SPI1_CS1_MODESELECT		SPI1_CS1_DELAYMODE			SPI1_CS1_MUXMODE								
								SPI1_CS1_WAKEUPEVENT		SPI1_CS1_WAKEUPENABLE				SPI1_CS1_SLEWCONTROL		SPI1_CS1_INPUTENABLE		SPI1_CS1_PULLTYPESELECT		SPI1_CS1_PULLUDENABLE																	

Bits	Field Name	Description	Type	Reset
31:26	RESERVED		R	0x0
25	SPI1_CS1_WAKEUPEVENT	0x0: No wakeup event detected 0x1: Wakeup event detected	R	0x0
24	SPI1_CS1_WAKEUPENABLE	0x0: Wakeup is disabled 0x1: Wakeup is enabled	RW	0x0
23:20	RESERVED		R	0x0
19	SPI1_CS1_SLEWCONTROL	0x0: Fast slew is selected 0x1: Slow slew is selected	RW	0x0
18	SPI1_CS1_INPUTENABLE	0x0: Receive mode is disabled 0x1: Receive mode is enabled	RW	0x1
17	SPI1_CS1_PULLTYPESELECT	0x0: Pull Down is selected 0x1: Pull Up is selected	RW	0x1
16	SPI1_CS1_PULLUDENABLE	0x0: Enables weak Pull Up/Down 0x1: Disables weak Pull Up/Down	RW	0x0
15:9	RESERVED		R	0x0
8	SPI1_CS1_MODESELECT	Selects between the Default IO Timing Mode and a Virtual or Manual IO Timing Mode. Refer to the device Data Manual for definition of the required settings for a given mode of operation. When this bit is 0b1, a Virtual IO Timing Mode can be selected via the DELAYMODE field of this register, as described in Section 18.4.6.1.5 , Virtual IO Timing Modes. Manual IO Timing Modes are selected via the procedure described in Section 18.4.6.1.6 , Manual IO Timing Modes. 0x0: Default IO Timing Mode is used 0x1: A Virtual or Manual IO Timing Mode is used	RW	0x0

Bits	Field Name	Description	Type	Reset
7:4	SPI1_CS1_DELAYMODE	This bit field selects the Virtual Timing Mode used when the MODESELECT bit is set to 0b1. See Section 18.4.6.1.5 , Virtual IO Timing Modes for details.	RW	0x0
3:0	SPI1_CS1_MUXMODE	0x0: spi1_cs1 0x2: sata1_led NOTE: SATA is not supported on the AM570x family of devices. 0x3: spi2_cs1 0xE: gpio7_11 0xF: Driver off	RW	0xF

Table 18-1475. Register Call Summary for Register CTRL_CORE_PAD_SPI1_CS1

Control Module Register Manual

- [CTRL_MODULE_CORE Register Summary: \[0\]](#)

Table 18-1476. CTRL_CORE_PAD_SPI1_CS2

Address Offset	0x0000 17B8	Instance	CTRL_MODULE_CORE
Physical Address	0x4A00 37B8		
Description			
Type	RW		

31	30	29	28	27	26	25	24	23	22	21	20	19	18	17	16	15	14	13	12	11	10	9	8	7	6	5	4	3	2	1	0
RESERVED								RESERVED								RESERVED								SPI1_CS2_MODESELECT		SPI1_CS2_DELAYMODE		SPI1_CS2_MUXMODE			
SPI1_CS2_WAKEUPEVENT		SPI1_CS2_WAKEUPENABLE		SPI1_CS2_SLEWCONTROL		SPI1_CS2_INPUTENABLE		SPI1_CS2_PULLTYPESELECT		SPI1_CS2_PULLUDENABLE		SPI1_CS2_WAKEUPEVENT		SPI1_CS2_WAKEUPENABLE		SPI1_CS2_SLEWCONTROL		SPI1_CS2_INPUTENABLE		SPI1_CS2_PULLTYPESELECT		SPI1_CS2_PULLUDENABLE		SPI1_CS2_MODESELECT		SPI1_CS2_DELAYMODE		SPI1_CS2_MUXMODE			

Bits	Field Name	Description	Type	Reset
31:26	RESERVED		R	0x0
25	SPI1_CS2_WAKEUPEVENT	0x0: No wakeup event detected 0x1: Wakeup event detected	R	0x0
24	SPI1_CS2_WAKEUPENABLE	0x0: Wakeup is disabled 0x1: Wakeup is enabled	RW	0x0
23:20	RESERVED		R	0x0
19	SPI1_CS2_SLEWCONTROL	0x0: Fast slew is selected 0x1: Slow slew is selected	RW	0x1
18	SPI1_CS2_INPUTENABLE	0x0: Receive mode is disabled 0x1: Receive mode is enabled	RW	0x1
17	SPI1_CS2_PULLTYPESELECT	0x0: Pull Down is selected 0x1: Pull Up is selected	RW	0x1

Bits	Field Name	Description	Type	Reset
16	SPI1_CS2_PULLUDENABLE	0x0: Enables weak Pull Up/Down 0x1: Disables weak Pull Up/Down	RW	0x0
15:9	RESERVED		R	0x0
8	SPI1_CS2_MODESELECT	Selects between the Default IO Timing Mode and a Virtual or Manual IO Timing Mode. Refer to the device Data Manual for definition of the required settings for a given mode of operation. When this bit is 0b1, a Virtual IO Timing Mode can be selected via the DELAYMODE field of this register, as described in Section 18.4.6.1.5 , Virtual IO Timing Modes. Manual IO Timing Modes are selected via the procedure described in Section 18.4.6.1.6 , Manual IO Timing Modes. 0x0: Default IO Timing Mode is used 0x1: A Virtual or Manual IO Timing Mode is used	RW	0x0
7:4	SPI1_CS2_DELAYMODE	This bit field selects the Virtual Timing Mode used when the MODESELECT bit is set to 0b1. See Section 18.4.6.1.5 , Virtual IO Timing Modes for details.	RW	0x0
3:0	SPI1_CS2_MUXMODE	0x0: spi1_cs2 0x1: uart4_rxd 0x2: mmc3_sdcd 0x3: spi2_cs2 0x4: dcan2_tx 0x5: mdio_mclk 0x6: hdmi1_hpd 0xE: gpio7_12 0xF: Driver off	RW	0xF

Table 18-1477. Register Call Summary for Register CTRL_CORE_PAD_SPI1_CS2

Control Module Register Manual

- [CTRL_MODULE_CORE Register Summary: \[0\]](#)

Table 18-1478. CTRL_CORE_PAD_SPI1_CS3

Address Offset	0x0000 17BC	Instance	CTRL_MODULE_CORE
Physical Address	0x4A00 37BC		
Description			
Type	RW		

31	30	29	28	27	26	25	24	23	22	21	20	19	18	17	16	15	14	13	12	11	10	9	8	7	6	5	4	3	2	1	0				
RESERVED								RESERVED								RESERVED								SPI1_CS3_MODESELECT				SPI1_CS3_DELAYMODE				SPI1_CS3_MUXMODE			
SPI1_CS3_WAKEUPEVENT SPI1_CS3_WAKEUPENABLE								SPI1_CS3_SLEWCONTROL SPI1_CS3_INPUTENABLE SPI1_CS3_PULTYPESELECT SPI1_CS3_PULLUDENABLE																											

Bits	Field Name	Description	Type	Reset
31:26	RESERVED		R	0x0
25	SPI1_CS3_WAKEUPEVENT	0x0: No wakeup event detected 0x1: Wakeup event detected	R	0x0
24	SPI1_CS3_WAKEUPENABLE	0x0: Wakeup is disabled 0x1: Wakeup is enabled	RW	0x0
23:20	RESERVED		R	0x0
19	SPI1_CS3_SLEWCONTROL	0x0: Fast slew is selected 0x1: Slow slew is selected	RW	0x1
18	SPI1_CS3_INPUTENABLE	0x0: Receive mode is disabled 0x1: Receive mode is enabled	RW	0x1
17	SPI1_CS3_PULLTYPESELECT	0x0: Pull Down is selected 0x1: Pull Up is selected	RW	0x1
16	SPI1_CS3_PULLUDENABLE	0x0: Enables weak Pull Up/Down 0x1: Disables weak Pull Up/Down	RW	0x0
15:9	RESERVED		R	0x0
8	SPI1_CS3_MODESELECT	Selects between the Default IO Timing Mode and a Virtual or Manual IO Timing Mode. Refer to the device Data Manual for definition of the required settings for a given mode of operation. When this bit is 0b1, a Virtual IO Timing Mode can be selected via the DELAYMODE field of this register, as described in Section 18.4.6.1.5 , Virtual IO Timing Modes. Manual IO Timing Modes are selected via the procedure described in Section 18.4.6.1.6 , Manual IO Timing Modes. 0x0: Default IO Timing Mode is used 0x1: A Virtual or Manual IO Timing Mode is used	RW	0x0
7:4	SPI1_CS3_DELAYMODE	This bit field selects the Virtual Timing Mode used when the MODESELECT bit is set to 0b1. See Section 18.4.6.1.5 , Virtual IO Timing Modes for details.	RW	0x0
3:0	SPI1_CS3_MUXMODE	0x0: spi1_cs3 0x1: uart4_txd 0x2: mmc3_sdwp 0x3: spi2_cs3 0x4: dcan2_rx 0x5: mdio_d 0x6: hdmi1_cec 0xE: gpio7_13 0xF: Driver off	RW	0xF

Table 18-1479. Register Call Summary for Register CTRL_CORE_PAD_SPI1_CS3

Control Module Register Manual

- [CTRL_MODULE_CORE Register Summary: \[0\]](#)

Table 18-1480. CTRL_CORE_PAD_SPI2_SCLK

Address Offset	0x0000 17C0	Instance	CTRL_MODULE_CORE
Physical Address	0x4A00 37C0		
Description			
Type	RW		

31	30	29	28	27	26	25	24	23	22	21	20	19	18	17	16	15	14	13	12	11	10	9	8	7	6	5	4	3	2	1	0
RESERVED						SPI2_SCLK_WAKEUPEVENT	SPI2_SCLK_WAKEUPENABLE	RESERVED				SPI2_SCLK_SLEWCONTROL	SPI2_SCLK_INPUTENABLE	SPI2_SCLK_PULLTYPESELECT	SPI2_SCLK_PULLUDENABLE	RESERVED						SPI2_SCLK_MODESELECT	SPI2_SCLK_DELAYMODE				SPI2_SCLK_MUXMODE				

Bits	Field Name	Description	Type	Reset
31:26	RESERVED		R	0x0
25	SPI2_SCLK_WAKEUPEVENT	0x0: No wakeup event detected 0x1: Wakeup event detected	R	0x0
24	SPI2_SCLK_WAKEUPENABLE	0x0: Wakeup is disabled 0x1: Wakeup is enabled	RW	0x0
23:20	RESERVED		R	0x0
19	SPI2_SCLK_SLEWCONTROL	0x0: Fast slew is selected 0x1: Slow slew is selected	RW	0x0
18	SPI2_SCLK_INPUTENABLE	0x0: Receive mode is disabled 0x1: Receive mode is enabled	RW	0x1
17	SPI2_SCLK_PULLTYPESELECT	0x0: Pull Down is selected 0x1: Pull Up is selected	RW	0x0
16	SPI2_SCLK_PULLUDENABLE	0x0: Enables weak Pull Up/Down 0x1: Disables weak Pull Up/Down	RW	0x0
15:9	RESERVED		R	0x0
8	SPI2_SCLK_MODESELECT	Selects between the Default IO Timing Mode and a Virtual or Manual IO Timing Mode. Refer to the device Data Manual for definition of the required settings for a given mode of operation. When this bit is 0b1, a Virtual IO Timing Mode can be selected via the DELAYMODE field of this register, as described in Section 18.4.6.1.5 , Virtual IO Timing Modes. Manual IO Timing Modes are selected via the procedure described in Section 18.4.6.1.6 , Manual IO Timing Modes. 0x0: Default IO Timing Mode is used 0x1: A Virtual or Manual IO Timing Mode is used	RW	0x0
7:4	SPI2_SCLK_DELAYMODE	This bit field selects the Virtual Timing Mode used when the MODESELECT bit is set to 0b1. See Section 18.4.6.1.5 , Virtual IO Timing Modes for details.	RW	0x0
3:0	SPI2_SCLK_MUXMODE	0x0: spi2_sclk 0x1: uart3_rxd 0xE: gpio7_14 0xF: Driver off	RW	0xF

Table 18-1481. Register Call Summary for Register CTRL_CORE_PAD_SPI2_SCLK

Control Module Register Manual

- [CTRL_MODULE_CORE Register Summary: \[0\]](#)

Table 18-1482. CTRL_CORE_PAD_SPI2_D1

Address Offset	0x0000 17C4	Instance	CTRL_MODULE_CORE
Physical Address	0x4A00 37C4		
Description			
Type	RW		

31	30	29	28	27	26	25	24	23	22	21	20	19	18	17	16	15	14	13	12	11	10	9	8	7	6	5	4	3	2	1	0												
RESERVED								RESERVED								RESERVED								SPI2_D1_WAKEUPEVENT SPI2_D1_WAKEUPENABLE				SPI2_D1_SLEWCONTROL SPI2_D1_INPUTENABLE SPI2_D1_PULLTYPESELECT SPI2_D1_PULLUDENABLE				SPI2_D1_MODESELECT				SPI2_D1_DELAYMODE				SPI2_D1_MUXMODE			

Bits	Field Name	Description	Type	Reset
31:26	RESERVED		R	0x0
25	SPI2_D1_WAKEUPEVENT	0x0: No wakeup event detected 0x1: Wakeup event detected	R	0x0
24	SPI2_D1_WAKEUPENABLE	0x0: Wakeup is disabled 0x1: Wakeup is enabled	RW	0x0
23:20	RESERVED		R	0x0
19	SPI2_D1_SLEWCONTROL	0x0: Fast slew is selected 0x1: Slow slew is selected	RW	0x1
18	SPI2_D1_INPUTENABLE	0x0: Receive mode is disabled 0x1: Receive mode is enabled	RW	0x1
17	SPI2_D1_PULLTYPESELECT	0x0: Pull Down is selected 0x1: Pull Up is selected	RW	0x0
16	SPI2_D1_PULLUDENABLE	0x0: Enables weak Pull Up/Down 0x1: Disables weak Pull Up/Down	RW	0x0
15:9	RESERVED		R	0x0
8	SPI2_D1_MODESELECT	Selects between the Default IO Timing Mode and a Virtual or Manual IO Timing Mode. Refer to the device Data Manual for definition of the required settings for a given mode of operation. When this bit is 0b1, a Virtual IO Timing Mode can be selected via the DELAYMODE field of this register, as described in Section 18.4.6.1.5 , Virtual IO Timing Modes. Manual IO Timing Modes are selected via the procedure described in Section 18.4.6.1.6 , Manual IO Timing Modes. 0x0: Default IO Timing Mode is used 0x1: A Virtual or Manual IO Timing Mode is used	RW	0x0
7:4	SPI2_D1_DELAYMODE	This bit field selects the Virtual Timing Mode used when the MODESELECT bit is set to 0b1. See Section 18.4.6.1.5 , Virtual IO Timing Modes for details.	RW	0x0

Bits	Field Name	Description	Type	Reset
3:0	SPI2_D1_MUXMODE	0x0: spi2_d1 0x1: uart3_txd 0xE: gpio7_15 0xF: Driver off	RW	0xF

Table 18-1483. Register Call Summary for Register CTRL_CORE_PAD_SPI2_D1

Control Module Register Manual

- [CTRL_MODULE_CORE Register Summary: \[0\]](#)

Table 18-1484. CTRL_CORE_PAD_SPI2_D0

Address Offset	0x0000 17C8	Instance	CTRL_MODULE_CORE
Physical Address	0x4A00 37C8		
Description			
Type	RW		

31	30	29	28	27	26	25	24	23	22	21	20	19	18	17	16	15	14	13	12	11	10	9	8	7	6	5	4	3	2	1	0				
RESERVED							SPI2_D0_WAKEUPEVENT	SPI2_D0_WAKEUPENABLE	RESERVED							SPI2_D0_SLEWCONTROL	SPI2_D0_INPUTENABLE	SPI2_D0_PULLTYPESELECT	SPI2_D0_PULLUDENABLE	RESERVED							SPI2_D0_MODESELECT	SPI2_D0_DELAYMODE				SPI2_D0_MUXMODE			

Bits	Field Name	Description	Type	Reset
31:26	RESERVED		R	0x0
25	SPI2_D0_WAKEUPEVENT	0x0: No wakeup event detected 0x1: Wakeup event detected	R	0x0
24	SPI2_D0_WAKEUPENABLE	0x0: Wakeup is disabled 0x1: Wakeup is enabled	RW	0x0
23:20	RESERVED		R	0x0
19	SPI2_D0_SLEWCONTROL	0x0: Fast slew is selected 0x1: Slow slew is selected	RW	0x1
18	SPI2_D0_INPUTENABLE	0x0: Receive mode is disabled 0x1: Receive mode is enabled	RW	0x1
17	SPI2_D0_PULLTYPESELECT	0x0: Pull Down is selected 0x1: Pull Up is selected	RW	0x0
16	SPI2_D0_PULLUDENABLE	0x0: Enables weak Pull Up/Down 0x1: Disables weak Pull Up/Down	RW	0x0
15:9	RESERVED		R	0x0

Bits	Field Name	Description	Type	Reset
8	SPI2_D0_MODESELECT	Selects between the Default IO Timing Mode and a Virtual or Manual IO Timing Mode. Refer to the device Data Manual for definition of the required settings for a given mode of operation. When this bit is 0b1, a Virtual IO Timing Mode can be selected via the DELAYMODE field of this register, as described in Section 18.4.6.1.5 , Virtual IO Timing Modes. Manual IO Timing Modes are selected via the procedure described in Section 18.4.6.1.6 , Manual IO Timing Modes. 0x0: Default IO Timing Mode is used 0x1: A Virtual or Manual IO Timing Mode is used	RW	0x0
7:4	SPI2_D0_DELAYMODE	This bit field selects the Virtual Timing Mode used when the MODESELECT bit is set to 0b1. See Section 18.4.6.1.5 , Virtual IO Timing Modes for details.	RW	0x0
3:0	SPI2_D0_MUXMODE	0x0: spi2_d0 0x1: uart3_ctsn 0x2: uart5_rxd 0xE: gpio7_16 0xF: Driver off	RW	0xF

Table 18-1485. Register Call Summary for Register CTRL_CORE_PAD_SPI2_D0

Control Module Register Manual

- [CTRL_MODULE_CORE Register Summary: \[0\]](#)

Table 18-1486. CTRL_CORE_PAD_SPI2_CS0

Address Offset	0x0000 17CC	Instance	CTRL_MODULE_CORE
Physical Address	0x4A00 37CC		
Description			
Type	RW		

31	30	29	28	27	26	25	24	23	22	21	20	19	18	17	16	15	14	13	12	11	10	9	8	7	6	5	4	3	2	1	0
RESERVED						SPI2_CS0_WAKEUPEVENT	SPI2_CS0_WAKEUPENABLE	RESERVED						SPI2_CS0_SLEWCONTROL	SPI2_CS0_INPUTENABLE	SPI2_CS0_PULTYPESELECT	SPI2_CS0_PULLUDENABLE	RESERVED						SPI2_CS0_MODESELECT	SPI2_CS0_DELAYMODE				SPI2_CS0_MUXMODE		

Bits	Field Name	Description	Type	Reset
31:26	RESERVED		R	0x0
25	SPI2_CS0_WAKEUPEVENT	0x0: No wakeup event detected 0x1: Wakeup event detected	R	0x0
24	SPI2_CS0_WAKEUPENABLE	0x0: Wakeup is disabled 0x1: Wakeup is enabled	RW	0x0
23:20	RESERVED		R	0x0

Bits	Field Name	Description	Type	Reset
19	SPI2_CS0_SLEWCONTROL	0x0: Fast slew is selected 0x1: Slow slew is selected	RW	0x1
18	SPI2_CS0_INPUTENABLE	0x0: Receive mode is disabled 0x1: Receive mode is enabled	RW	0x1
17	SPI2_CS0_PULLTYPESELECT	0x0: Pull Down is selected 0x1: Pull Up is selected	RW	0x1
16	SPI2_CS0_PULLUDENABLE	0x0: Enables weak Pull Up/Down 0x1: Disables weak Pull Up/Down	RW	0x0
15:9	RESERVED		R	0x0
8	SPI2_CS0_MODESELECT	Selects between the Default IO Timing Mode and a Virtual or Manual IO Timing Mode. Refer to the device Data Manual for definition of the required settings for a given mode of operation. When this bit is 0b1, a Virtual IO Timing Mode can be selected via the DELAYMODE field of this register, as described in Section 18.4.6.1.5 , Virtual IO Timing Modes. Manual IO Timing Modes are selected via the procedure described in Section 18.4.6.1.6 , Manual IO Timing Modes. 0x0: Default IO Timing Mode is used 0x1: A Virtual or Manual IO Timing Mode is used	RW	0x0
7:4	SPI2_CS0_DELAYMODE	This bit field selects the Virtual Timing Mode used when the MODESELECT bit is set to 0b1. See Section 18.4.6.1.5 , Virtual IO Timing Modes for details.	RW	0x0
3:0	SPI2_CS0_MUXMODE	0x0: spi2_cs0 0x1: uart3_rtsn 0x2: uart5_txd 0xE: gpio7_17 0xF: Driver off	RW	0xF

Table 18-1487. Register Call Summary for Register CTRL_CORE_PAD_SPI2_CS0

Control Module Register Manual

- [CTRL_MODULE_CORE Register Summary: \[0\]](#)

Table 18-1488. CTRL_CORE_PAD_DCAN1_TX

Address Offset	0x0000 17D0	Instance	CTRL_MODULE_CORE
Physical Address	0x4A00 37D0		
Description			
Type	RW		

31	30	29	28	27	26	25	24	23	22	21	20	19	18	17	16	15	14	13	12	11	10	9	8	7	6	5	4	3	2	1	0	
RESERVED								RESERVED								RESERVED								DCAN1_TX_WAKEUPEVENT	DCAN1_TX_WAKEUPENABLE	DCAN1_TX_SLEWCONTROL	DCAN1_TX_INPUTENABLE	DCAN1_TX_PULLTYPESELECT	DCAN1_TX_PULLUDENABLE	DCAN1_TX_MODESELECT	DCAN1_TX_DELAYMODE	DCAN1_TX_MUXMODE

Bits	Field Name	Description	Type	Reset
31:26	RESERVED		R	0x0
25	DCAN1_TX_WAKEUPEVENT	0x0: No wakeup event detected 0x1: Wakeup event detected	R	0x0
24	DCAN1_TX_WAKEUPENABLE	0x0: Wakeup is disabled 0x1: Wakeup is enabled	RW	0x0
23:20	RESERVED		R	0x0
19	DCAN1_TX_SLEWCONTROL	0x0: Fast slew is selected 0x1: Slow slew is selected	RW	0x1
18	DCAN1_TX_INPUTENABLE	0x0: Receive mode is disabled 0x1: Receive mode is enabled	RW	0x1
17	DCAN1_TX_PULLTYPESELECT	0x0: Pull Down is selected 0x1: Pull Up is selected	RW	0x1
16	DCAN1_TX_PULLUDENABLE	0x0: Enables weak Pull Up/Down 0x1: Disables weak Pull Up/Down	RW	0x0
15:9	RESERVED		R	0x0
8	DCAN1_TX_MODESELECT	Selects between the Default IO Timing Mode and a Virtual or Manual IO Timing Mode. Refer to the device Data Manual for definition of the required settings for a given mode of operation. When this bit is 0b1, a Virtual IO Timing Mode can be selected via the DELAYMODE field of this register, as described in Section 18.4.6.1.5 , Virtual IO Timing Modes. Manual IO Timing Modes are selected via the procedure described in Section 18.4.6.1.6 , Manual IO Timing Modes. 0x0: Default IO Timing Mode is used 0x1: A Virtual or Manual IO Timing Mode is used	RW	0x0
7:4	DCAN1_TX_DELAYMODE	This bit field selects the Virtual Timing Mode used when the MODESELECT bit is set to 0b1. See Section 18.4.6.1.5 , Virtual IO Timing Modes for details.	RW	0x0
3:0	DCAN1_TX_MUXMODE	0x0: dcan1_tx 0x2: uart8_rxd 0x3: mmc2_sdcd 0x6: hdmi1_hpd 0xE: gpio1_14 0xF: Driver off	RW	0xF

Table 18-1489. Register Call Summary for Register CTRL_CORE_PAD_DCAN1_TX

Control Module Register Manual

- [CTRL_MODULE_CORE Register Summary: \[0\]](#)

Table 18-1490. CTRL_CORE_PAD_DCAN1_RX

Address Offset	0x0000 17D4	Instance	CTRL_MODULE_CORE
Physical Address	0x4A00 37D4		
Description			
Type	RW		

31	30	29	28	27	26	25	24	23	22	21	20	19	18	17	16	15	14	13	12	11	10	9	8	7	6	5	4	3	2	1	0
RESERVED						DCAN1_RX_WAKEUPEVENT	DCAN1_RX_WAKEUPENABLE	RESERVED				DCAN1_RX_SLEWCONTROL	DCAN1_RX_INPUTENABLE	DCAN1_RX_PULLTYPESELECT	DCAN1_RX_PULLUDENABLE	RESERVED						DCAN1_RX_MODESELECT	DCAN1_RX_DELAYMODE				DCAN1_RX_MUXMODE				

Bits	Field Name	Description	Type	Reset
31:26	RESERVED		R	0x0
25	DCAN1_RX_WAKEUPEVENT	0x0: No wakeup event detected 0x1: Wakeup event detected	R	0x0
24	DCAN1_RX_WAKEUPENABLE	0x0: Wakeup is disabled 0x1: Wakeup is enabled	RW	0x0
23:20	RESERVED		R	0x0
19	DCAN1_RX_SLEWCONTROL	0x0: Fast slew is selected 0x1: Slow slew is selected	RW	0x1
18	DCAN1_RX_INPUTENABLE	0x0: Receive mode is disabled 0x1: Receive mode is enabled	RW	0x1
17	DCAN1_RX_PULLTYPESELECT	0x0: Pull Down is selected 0x1: Pull Up is selected	RW	0x1
16	DCAN1_RX_PULLUDENABLE	0x0: Enables weak Pull Up/Down 0x1: Disables weak Pull Up/Down	RW	0x0
15:9	RESERVED		R	0x0
8	DCAN1_RX_MODESELECT	Selects between the Default IO Timing Mode and a Virtual or Manual IO Timing Mode. Refer to the device Data Manual for definition of the required settings for a given mode of operation. When this bit is 0b1, a Virtual IO Timing Mode can be selected via the DELAYMODE field of this register, as described in Section 18.4.6.1.5 , Virtual IO Timing Modes. Manual IO Timing Modes are selected via the procedure described in Section 18.4.6.1.6 , Manual IO Timing Modes. 0x0: Default IO Timing Mode is used 0x1: A Virtual or Manual IO Timing Mode is used	RW	0x0
7:4	DCAN1_RX_DELAYMODE	This bit field selects the Virtual Timing Mode used when the MODESELECT bit is set to 0b1. See Section 18.4.6.1.5 , Virtual IO Timing Modes for details.	RW	0x0
3:0	DCAN1_RX_MUXMODE	0x0: dcan1_rx 0x2: uart8_txd 0x3: mmc2_sdwp 0x4: sata1_led NOTE: SATA is not supported on the AM570x family of devices. 0x6: hdmi1_cec 0xE: gpio1_15 0xF: Driver off	RW	0xF

Table 18-1491. Register Call Summary for Register CTRL_CORE_PAD_DCAN1_RX

Control Module Register Manual

- [CTRL_MODULE_CORE Register Summary: \[0\]](#)

Table 18-1492. CTRL_CORE_PAD_UART1_RXD

Address Offset	0x0000 17E0	Instance	CTRL_MODULE_CORE
Physical Address	0x4A00 37E0		
Description			
Type	RW		

31	30	29	28	27	26	25	24	23	22	21	20	19	18	17	16	15	14	13	12	11	10	9	8	7	6	5	4	3	2	1	0																
RESERVED								RESERVED								RESERVED								UART1_RXD_MODESELECT				UART1_RXD_DELAYMODE				UART1_RXD_MUXMODE															
UART1_RXD_WAKEUPEVENT								UART1_RXD_WAKEUPENABLE								UART1_RXD_SLEWCONTROL								UART1_RXD_INPUTENABLE				UART1_RXD_PULLTYPESELECT				UART1_RXD_PULLUDENABLE				UART1_RXD_MODESELECT				UART1_RXD_DELAYMODE				UART1_RXD_MUXMODE			

Bits	Field Name	Description	Type	Reset
31:26	RESERVED		R	0x0
25	UART1_RXD_WAKEUPEVENT	0x0: No wakeup event detected 0x1: Wakeup event detected	R	0x0
24	UART1_RXD_WAKEUPENABLE	0x0: Wakeup is disabled 0x1: Wakeup is enabled	RW	0x0
23:20	RESERVED		R	0x0
19	UART1_RXD_SLEWCONTROL	0x0: Fast slew is selected 0x1: Slow slew is selected	RW	0x1
18	UART1_RXD_INPUTENABLE	0x0: Receive mode is disabled 0x1: Receive mode is enabled	RW	0x1
17	UART1_RXD_PULLTYPESELECT	0x0: Pull Down is selected 0x1: Pull Up is selected	RW	0x1
16	UART1_RXD_PULLUDENABLE	0x0: Enables weak Pull Up/Down 0x1: Disables weak Pull Up/Down	RW	0x0
15:9	RESERVED		R	0x0
8	UART1_RXD_MODESELECT	Selects between the Default IO Timing Mode and a Virtual or Manual IO Timing Mode. Refer to the device Data Manual for definition of the required settings for a given mode of operation. When this bit is 0b1, a Virtual IO Timing Mode can be selected via the DELAYMODE field of this register, as described in Section 18.4.6.1.5 , Virtual IO Timing Modes. Manual IO Timing Modes are selected via the procedure described in Section 18.4.6.1.6 , Manual IO Timing Modes. 0x0: Default IO Timing Mode is used 0x1: A Virtual or Manual IO Timing Mode is used	RW	0x0

Bits	Field Name	Description	Type	Reset
7:4	UART1_RXD_DELAYMODE	This bit field selects the Virtual Timing Mode used when the MODESELECT bit is set to 0b1. See Section 18.4.6.1.5 , Virtual IO Timing Modes for details.	RW	0x0
3:0	UART1_RXD_MUXMODE	0x0: uart1_rxd 0x3: mmc4_sdcd 0xE: gpio7_22 0xF: Driver off	RW	0xF

Table 18-1493. Register Call Summary for Register CTRL_CORE_PAD_UART1_RXD

Control Module Register Manual

- [CTRL_MODULE_CORE Register Summary: \[0\]](#)

Table 18-1494. CTRL_CORE_PAD_UART1_TXD

Address Offset	0x0000 17E4	Instance	CTRL_MODULE_CORE
Physical Address	0x4A00 37E4		
Description			
Type	RW		

31	30	29	28	27	26	25	24	23	22	21	20	19	18	17	16	15	14	13	12	11	10	9	8	7	6	5	4	3	2	1	0																
RESERVED								RESERVED								RESERVED								UART1_TXD_MODESELECT				UART1_TXD_DELAYMODE				UART1_TXD_MUXMODE															
RESERVED								RESERVED								RESERVED								UART1_TXD_WAKEUPEVENT				UART1_TXD_WAKEUPENABLE				UART1_TXD_SLEWCONTROL				UART1_TXD_INPUTENABLE				UART1_TXD_PULLTYPESELECT				UART1_TXD_PULLUDENABLE			

Bits	Field Name	Description	Type	Reset
31:26	RESERVED		R	0x0
25	UART1_TXD_WAKEUPEVENT	0x0: No wakeup event detected 0x1: Wakeup event detected	R	0x0
24	UART1_TXD_WAKEUPENABLE	0x0: Wakeup is disabled 0x1: Wakeup is enabled	RW	0x0
23:20	RESERVED		R	0x0
19	UART1_TXD_SLEWCONTROL	0x0: Fast slew is selected 0x1: Slow slew is selected	RW	0x1
18	UART1_TXD_INPUTENABLE	0x0: Receive mode is disabled 0x1: Receive mode is enabled	RW	0x1
17	UART1_TXD_PULLTYPESELECT	0x0: Pull Down is selected 0x1: Pull Up is selected	RW	0x1
16	UART1_TXD_PULLUDENABLE	0x0: Enables weak Pull Up/Down 0x1: Disables weak Pull Up/Down	RW	0x0
15:9	RESERVED		R	0x0

Bits	Field Name	Description	Type	Reset
8	UART1_TXD_MODESELECT	<p>Selects between the Default IO Timing Mode and a Virtual or Manual IO Timing Mode. Refer to the device Data Manual for definition of the required settings for a given mode of operation. When this bit is 0b1, a Virtual IO Timing Mode can be selected via the DELAYMODE field of this register, as described in Section 18.4.6.1.5, Virtual IO Timing Modes. Manual IO Timing Modes are selected via the procedure described in Section 18.4.6.1.6, Manual IO Timing Modes.</p> <p>0x0: Default IO Timing Mode is used</p> <p>0x1: A Virtual or Manual IO Timing Mode is used</p>	RW	0x0
7:4	UART1_TXD_DELAYMODE	<p>This bit field selects the Virtual Timing Mode used when the MODESELECT bit is set to 0b1. See Section 18.4.6.1.5, Virtual IO Timing Modes for details.</p>	RW	0x0
3:0	UART1_TXD_MUXMODE	<p>0x0: uart1_txd</p> <p>0x3: mmc4_sdwp</p> <p>0xE: gpio7_23</p> <p>0xF: Driver off</p>	RW	0xF

Table 18-1495. Register Call Summary for Register CTRL_CORE_PAD_UART1_TXD

Control Module Register Manual

- [CTRL_MODULE_CORE Register Summary: \[0\]](#)

Table 18-1496. CTRL_CORE_PAD_UART1_CTSN

Address Offset	0x0000 17E8	Instance	CTRL_MODULE_CORE
Physical Address	0x4A00 37E8		
Description			
Type	RW		

31	30	29	28	27	26	25	24	23	22	21	20	19	18	17	16	15	14	13	12	11	10	9	8	7	6	5	4	3	2	1	0												
RESERVED								RESERVED								RESERVED								UART1_CTSN_MODESELECT				UART1_CTSN_DELAYMODE				UART1_CTSN_MUXMODE											
				UART1_CTSN_WAKEUPEVENT				UART1_CTSN_WAKEUPENABLE								UART1_CTSN_SLEWCONTROL				UART1_CTSN_INPUTENABLE				UART1_CTSN_PULLEYPESELECT				UART1_CTSN_PULLUDENABLE															

Bits	Field Name	Description	Type	Reset
31:26	RESERVED		R	0x0
25	UART1_CTSN_WAKEUPEVENT	<p>0x0: No wakeup event detected</p> <p>0x1: Wakeup event detected</p>	R	0x0
24	UART1_CTSN_WAKEUPENABLE	<p>0x0: Wakeup is disabled</p> <p>0x1: Wakeup is enabled</p>	RW	0x0
23:20	RESERVED		R	0x0

Bits	Field Name	Description	Type	Reset
19	UART1_CTSN_SLEWCONTROL	0x0: Fast slew is selected 0x1: Slow slew is selected	RW	0x0
18	UART1_CTSN_INPUTENABLE	0x0: Receive mode is disabled 0x1: Receive mode is enabled	RW	0x1
17	UART1_CTSN_PULLTYPESELE CT	0x0: Pull Down is selected 0x1: Pull Up is selected	RW	0x1
16	UART1_CTSN_PULLUDENABL E	0x0: Enables weak Pull Up/Down 0x1: Disables weak Pull Up/Down	RW	0x0
15:9	RESERVED		R	0x0
8	UART1_CTSN_MODESELECT	Selects between the Default IO Timing Mode and a Virtual or Manual IO Timing Mode. Refer to the device Data Manual for definition of the required settings for a given mode of operation. When this bit is 0b1, a Virtual IO Timing Mode can be selected via the DELAYMODE field of this register, as described in Section 18.4.6.1.5 , Virtual IO Timing Modes. Manual IO Timing Modes are selected via the procedure described in Section 18.4.6.1.6 , Manual IO Timing Modes. 0x0: Default IO Timing Mode is used 0x1: A Virtual or Manual IO Timing Mode is used	RW	0x0
7:4	UART1_CTSN_DELAYMODE	This bit field selects the Virtual Timing Mode used when the MODESELECT bit is set to 0b1. See Section 18.4.6.1.5 , Virtual IO Timing Modes for details.	RW	0x0
3:0	UART1_CTSN_MUXMODE	0x0: uart1_ctsn 0x2: uart9_rxd 0x3: mmc4_clk 0xE: gpio7_24 0xF: Driver off	RW	0xF

Table 18-1497. Register Call Summary for Register CTRL_CORE_PAD_UART1_CTSN

Control Module Register Manual

- [CTRL_MODULE_CORE Register Summary: \[0\]](#)

Table 18-1498. CTRL_CORE_PAD_UART1_RTSN

Address Offset	0x0000 17EC	Instance	CTRL_MODULE_CORE
Physical Address	0x4A00 37EC		
Description			
Type	RW		

31	30	29	28	27	26	25	24	23	22	21	20	19	18	17	16	15	14	13	12	11	10	9	8	7	6	5	4	3	2	1	0
RESERVED						UART1_RTSN_WAKEUPEVENT	UART1_RTSN_WAKEUPENABLE	RESERVED				UART1_RTSN_SLEWCONTROL	UART1_RTSN_INPUTENABLE	UART1_RTSN_PULLTYPESELECT	UART1_RTSN_PULLUDENABLE	RESERVED							UART1_RTSN_MODESELECT	UART1_RTSN_DELAYMODE			UART1_RTSN_MUXMODE				

Bits	Field Name	Description	Type	Reset
31:26	RESERVED		R	0x0
25	UART1_RTSN_WAKEUPEVENT	0x0: No wakeup event detected 0x1: Wakeup event detected	R	0x0
24	UART1_RTSN_WAKEUPENABLE	0x0: Wakeup is disabled 0x1: Wakeup is enabled	RW	0x0
23:20	RESERVED		R	0x0
19	UART1_RTSN_SLEWCONTROL	0x0: Fast slew is selected 0x1: Slow slew is selected	RW	0x0
18	UART1_RTSN_INPUTENABLE	0x0: Receive mode is disabled 0x1: Receive mode is enabled	RW	0x1
17	UART1_RTSN_PULLTYPESELECT	0x0: Pull Down is selected 0x1: Pull Up is selected	RW	0x1
16	UART1_RTSN_PULLUDENABLE	0x0: Enables weak Pull Up/Down 0x1: Disables weak Pull Up/Down	RW	0x0
15:9	RESERVED		R	0x0
8	UART1_RTSN_MODESELECT	Selects between the Default IO Timing Mode and a Virtual or Manual IO Timing Mode. Refer to the device Data Manual for definition of the required settings for a given mode of operation. When this bit is 0b1, a Virtual IO Timing Mode can be selected via the DELAYMODE field of this register, as described in Section 18.4.6.1.5 , Virtual IO Timing Modes. Manual IO Timing Modes are selected via the procedure described in Section 18.4.6.1.6 , Manual IO Timing Modes. 0x0: Default IO Timing Mode is used 0x1: A Virtual or Manual IO Timing Mode is used	RW	0x0
7:4	UART1_RTSN_DELAYMODE	This bit field selects the Virtual Timing Mode used when the MODESELECT bit is set to 0b1. See Section 18.4.6.1.5 , Virtual IO Timing Modes for details.	RW	0x0
3:0	UART1_RTSN_MUXMODE	0x0: uart1_rtsn 0x2: uart9_txd 0x3: mmc4_cmd 0xE: gpio7_25 0xF: Driver off	RW	0xF

Table 18-1499. Register Call Summary for Register CTRL_CORE_PAD_UART1_RTSN

Control Module Register Manual

- [CTRL_MODULE_CORE Register Summary: \[0\]](#)

Table 18-1500. CTRL_CORE_PAD_UART2_RXD

Address Offset	0x0000 17F0	Instance	CTRL_MODULE_CORE
Physical Address	0x4A00 37F0		
Description			
Type	RW		

31	30	29	28	27	26	25	24	23	22	21	20	19	18	17	16	15	14	13	12	11	10	9	8	7	6	5	4	3	2	1	0												
RESERVED								RESERVED								RESERVED								UART2_RXD_MODESELECT				UART2_RXD_DELAYMODE				UART2_RXD_MUXMODE											
				UART2_RXD_WAKEUPEVENT				UART2_RXD_WAKEUPENABLE								UART2_RXD_SLEWCONTROL				UART2_RXD_INPUTENABLE				UART2_RXD_PULLTYPESELECT				UART2_RXD_PULLUDENABLE															

Bits	Field Name	Description	Type	Reset
31:26	RESERVED		R	0x0
25	UART2_RXD_WAKEUPEVENT	0x0: No wakeup event detected 0x1: Wakeup event detected	R	0x0
24	UART2_RXD_WAKEUPENABLE	0x0: Wakeup is disabled 0x1: Wakeup is enabled	RW	0x0
23:20	RESERVED		R	0x0
19	UART2_RXD_SLEWCONTROL	0x0: Fast slew is selected 0x1: Slow slew is selected	RW	0x0
18	UART2_RXD_INPUTENABLE	0x0: Receive mode is disabled 0x1: Receive mode is enabled	RW	0x1
17	UART2_RXD_PULLTYPESELECT	0x0: Pull Down is selected 0x1: Pull Up is selected	RW	0x1
16	UART2_RXD_PULLUDENABLE	0x0: Enables weak Pull Up/Down 0x1: Disables weak Pull Up/Down	RW	0x0
15:9	RESERVED		R	0x0
8	UART2_RXD_MODESELECT	Selects between the Default IO Timing Mode and a Virtual or Manual IO Timing Mode. Refer to the device Data Manual for definition of the required settings for a given mode of operation. When this bit is 0b1, a Virtual IO Timing Mode can be selected via the DELAYMODE field of this register, as described in Section 18.4.6.1.5 , Virtual IO Timing Modes. Manual IO Timing Modes are selected via the procedure described in Section 18.4.6.1.6 , Manual IO Timing Modes. 0x0: Default IO Timing Mode is used 0x1: A Virtual or Manual IO Timing Mode is used	RW	0x0

Bits	Field Name	Description	Type	Reset
7:4	UART2_RXD_DELAYMODE	This bit field selects the Virtual Timing Mode used when the MODESELECT bit is set to 0b1. See Section 18.4.6.1.5 , Virtual IO Timing Modes for details.	RW	0x0
3:0	UART2_RXD_MUXMODE	0x0: uart2_rxd 0x1: uart3_ctsn 0x2: uart3_rctx 0x3: mmc4_dat0 0x4: uart2_rxd 0x5: uart1_dcdn 0xE: gpio7_26 0xF: Driver off	RW	0xF

Table 18-1501. Register Call Summary for Register CTRL_CORE_PAD_UART2_RXD

Control Module Register Manual

- [CTRL_MODULE_CORE Register Summary: \[0\]](#)

Table 18-1502. CTRL_CORE_PAD_UART2_TXD

Address Offset	0x0000 17F4	Instance	CTRL_MODULE_CORE
Physical Address	0x4A00 37F4		
Description			
Type	RW		

31	30	29	28	27	26	25	24	23	22	21	20	19	18	17	16	15	14	13	12	11	10	9	8	7	6	5	4	3	2	1	0												
RESERVED								RESERVED								RESERVED								UART2_TXD_MODESELECT				UART2_TXD_DELAYMODE				UART2_TXD_MUXMODE											
				UART2_TXD_WAKEUPEVENT				UART2_TXD_WAKEUPENABLE								UART2_TXD_SLEWCONTROL				UART2_TXD_INPUTENABLE				UART2_TXD_PULLTYPESELECT				UART2_TXD_PULLUDENABLE															

Bits	Field Name	Description	Type	Reset
31:26	RESERVED		R	0x0
25	UART2_TXD_WAKEUPEVENT	0x0: No wakeup event detected 0x1: Wakeup event detected	R	0x0
24	UART2_TXD_WAKEUPENABLE	0x0: Wakeup is disabled 0x1: Wakeup is enabled	RW	0x0
23:20	RESERVED		R	0x0
19	UART2_TXD_SLEWCONTROL	0x0: Fast slew is selected 0x1: Slow slew is selected	RW	0x0
18	UART2_TXD_INPUTENABLE	0x0: Receive mode is disabled 0x1: Receive mode is enabled	RW	0x1

Bits	Field Name	Description	Type	Reset
17	UART2_TXD_PULLTYPESELECT	0x0: Pull Down is selected 0x1: Pull Up is selected	RW	0x1
16	UART2_TXD_PULLUDENABLE	0x0: Enables weak Pull Up/Down 0x1: Disables weak Pull Up/Down	RW	0x0
15:9	RESERVED		R	0x0
8	UART2_TXD_MODESELECT	Selects between the Default IO Timing Mode and a Virtual or Manual IO Timing Mode. Refer to the device Data Manual for definition of the required settings for a given mode of operation. When this bit is 0b1, a Virtual IO Timing Mode can be selected via the DELAYMODE field of this register, as described in Section 18.4.6.1.5 , Virtual IO Timing Modes. Manual IO Timing Modes are selected via the procedure described in Section 18.4.6.1.6 , Manual IO Timing Modes. 0x0: Default IO Timing Mode is used 0x1: A Virtual or Manual IO Timing Mode is used	RW	0x0
7:4	UART2_TXD_DELAYMODE	This bit field selects the Virtual Timing Mode used when the MODESELECT bit is set to 0b1. See Section 18.4.6.1.5 , Virtual IO Timing Modes for details.	RW	0x0
3:0	UART2_TXD_MUXMODE	0x0: uart2_txd 0x1: uart3_rtsn 0x2: uart3_sd 0x3: mmc4_dat1 0x4: uart2_txd 0x5: uart1_dsrn 0xE: gpio7_27 0xF: Driver off	RW	0xF

Table 18-1503. Register Call Summary for Register CTRL_CORE_PAD_UART2_TXD

Control Module Register Manual

- [CTRL_MODULE_CORE Register Summary: \[0\]](#)

Table 18-1504. CTRL_CORE_PAD_UART2_CTSN

Address Offset	0x0000 17F8	Instance	CTRL_MODULE_CORE
Physical Address	0x4A00 37F8		
Description			
Type	RW		

31	30	29	28	27	26	25	24	23	22	21	20	19	18	17	16	15	14	13	12	11	10	9	8	7	6	5	4	3	2	1	0												
RESERVED								RESERVED								RESERVED								UART2_CTSN_MODESELECT				UART2_CTSN_DELAYMODE				UART2_CTSN_MUXMODE											
UART2_CTSN_WAKEUPEVENT								UART2_CTSN_WAKEUPENABLE								UART2_CTSN_SLEWCONTROL				UART2_CTSN_INPUTENABLE				UART2_CTSN_PULLTYPESELECT				UART2_CTSN_PULLUDENABLE															

Bits	Field Name	Description	Type	Reset
31:26	RESERVED		R	0x0
25	UART2_CTSN_WAKEUPEVENT	0x0: No wakeup event detected 0x1: Wakeup event detected	R	0x0
24	UART2_CTSN_WAKEUPENABLE	0x0: Wakeup is disabled 0x1: Wakeup is enabled	RW	0x0
23:20	RESERVED		R	0x0
19	UART2_CTSN_SLEWCONTROL	0x0: Fast slew is selected 0x1: Slow slew is selected	RW	0x0
18	UART2_CTSN_INPUTENABLE	0x0: Receive mode is disabled 0x1: Receive mode is enabled	RW	0x1
17	UART2_CTSN_PULLTYPESELECT	0x0: Pull Down is selected 0x1: Pull Up is selected	RW	0x1
16	UART2_CTSN_PULLUDENABLE	0x0: Enables weak Pull Up/Down 0x1: Disables weak Pull Up/Down	RW	0x0
15:9	RESERVED		R	0x0
8	UART2_CTSN_MODESELECT	Selects between the Default IO Timing Mode and a Virtual or Manual IO Timing Mode. Refer to the device Data Manual for definition of the required settings for a given mode of operation. When this bit is 0b1, a Virtual IO Timing Mode can be selected via the DELAYMODE field of this register, as described in Section 18.4.6.1.5 , Virtual IO Timing Modes. Manual IO Timing Modes are selected via the procedure described in Section 18.4.6.1.6 , Manual IO Timing Modes. 0x0: Default IO Timing Mode is used 0x1: A Virtual or Manual IO Timing Mode is used	RW	0x0
7:4	UART2_CTSN_DELAYMODE	This bit field selects the Virtual Timing Mode used when the MODESELECT bit is set to 0b1. See Section 18.4.6.1.5 , Virtual IO Timing Modes for details.	RW	0x0
3:0	UART2_CTSN_MUXMODE	0x0: uart2_ctsn 0x2: uart3_rxd 0x3: mmc4_dat2 0x4: uart10_rxd 0x5: uart1_dtrn 0xE: gpio1_16 0xF: Driver off	RW	0xF

Table 18-1505. Register Call Summary for Register CTRL_CORE_PAD_UART2_CTSN

Control Module Register Manual

- [CTRL_MODULE_CORE Register Summary: \[0\]](#)

Table 18-1506. CTRL_CORE_PAD_UART2_RTSN

Address Offset	0x0000 17FC	Instance	CTRL_MODULE_CORE
Physical Address	0x4A00 37FC		
Description			
Type	RW		

31	30	29	28	27	26	25	24	23	22	21	20	19	18	17	16	15	14	13	12	11	10	9	8	7	6	5	4	3	2	1	0
RESERVED						UART2_RTSN_WAKEUPEVENT	UART2_RTSN_WAKEUPENABLE	RESERVED				UART2_RTSN_SLEWCONTROL	UART2_RTSN_INPUTENABLE	UART2_RTSN_PULLTYPESELECT	UART2_RTSN_PULLUDENABLE	RESERVED						UART2_RTSN_MODESELECT	UART2_RTSN_DELAYMODE			UART2_RTSN_MUXMODE					

Bits	Field Name	Description	Type	Reset
31:26	RESERVED		R	0x0
25	UART2_RTSN_WAKEUPEVENT	0x0: No wakeup event detected 0x1: Wakeup event detected	R	0x0
24	UART2_RTSN_WAKEUPENABLE	0x0: Wakeup is disabled 0x1: Wakeup is enabled	RW	0x0
23:20	RESERVED		R	0x0
19	UART2_RTSN_SLEWCONTROL	0x0: Fast slew is selected 0x1: Slow slew is selected	RW	0x0
18	UART2_RTSN_INPUTENABLE	0x0: Receive mode is disabled 0x1: Receive mode is enabled	RW	0x1
17	UART2_RTSN_PULLTYPESELECT	0x0: Pull Down is selected 0x1: Pull Up is selected	RW	0x1
16	UART2_RTSN_PULLUDENABLE	0x0: Enables weak Pull Up/Down 0x1: Disables weak Pull Up/Down	RW	0x0
15:9	RESERVED		R	0x0
8	UART2_RTSN_MODESELECT	Selects between the Default IO Timing Mode and a Virtual or Manual IO Timing Mode. Refer to the device Data Manual for definition of the required settings for a given mode of operation. When this bit is 0b1, a Virtual IO Timing Mode can be selected via the DELAYMODE field of this register, as described in Section 18.4.6.1.5 , Virtual IO Timing Modes. Manual IO Timing Modes are selected via the procedure described in Section 18.4.6.1.6 , Manual IO Timing Modes. 0x0: Default IO Timing Mode is used 0x1: A Virtual or Manual IO Timing Mode is used	RW	0x0
7:4	UART2_RTSN_DELAYMODE	This bit field selects the Virtual Timing Mode used when the MODESELECT bit is set to 0b1. See Section 18.4.6.1.5 , Virtual IO Timing Modes for details.	RW	0x0
3:0	UART2_RTSN_MUXMODE	0x0: uart2_rtsn 0x1: uart3_txd 0x2: uart3_irtx 0x3: mmc4_dat3 0x4: uart10_txd 0x5: uart1_rin 0xE: gpio1_17 0xF: Driver off	RW	0xF

Table 18-1507. Register Call Summary for Register CTRL_CORE_PAD_UART2_RTSN

Control Module Register Manual

- [CTRL_MODULE_CORE Register Summary: \[0\]](#)

Table 18-1508. CTRL_CORE_PAD_I2C1_SDA

Address Offset	0x0000 1800	Instance	CTRL_MODULE_CORE
Physical Address	0x4A00 3800		
Description			
Type	RW		

31	30	29	28	27	26	25	24	23	22	21	20	19	18	17	16	15	14	13	12	11	10	9	8	7	6	5	4	3	2	1	0
RESERVED							I2C1_SDA_WAKEUPEVENT	I2C1_SDA_WAKEUPENABLE	RESERVED					I2C1_SDA_INPUTENABLE	I2C1_SDA_PULLTYPESELECT	I2C1_SDA_PULLUDENABLE	RESERVED														

Bits	Field Name	Description	Type	Reset
31:26	RESERVED		R	0x0
25	I2C1_SDA_WAKEUPEVENT	0x0: No wakeup event detected 0x1: Wakeup event detected	R	0x0
24	I2C1_SDA_WAKEUPENABLE	0x0: Wakeup is disabled 0x1: Wakeup is enabled	RW	0x0
23:19	RESERVED		R	0x0
18	I2C1_SDA_INPUTENABLE	0x0: Receive mode is disabled 0x1: Receive mode is enabled	RW	0x1
17	I2C1_SDA_PULLTYPESELECT	0x0: Pull Down is selected 0x1: Pull Up is selected	RW	0x1
16	I2C1_SDA_PULLUDENABLE	0x0: Enables weak Pull Up/Down 0x1: Disables weak Pull Up/Down	RW	0x0
15:0	RESERVED		R	0x0

Table 18-1509. Register Call Summary for Register CTRL_CORE_PAD_I2C1_SDA

Control Module Register Manual

- [CTRL_MODULE_CORE Register Summary: \[0\]](#)

Table 18-1510. CTRL_CORE_PAD_I2C1_SCL

Address Offset	0x0000 1804	Instance	CTRL_MODULE_CORE
Physical Address	0x4A00 3804		
Description			
Type	RW		

31	30	29	28	27	26	25	24	23	22	21	20	19	18	17	16	15	14	13	12	11	10	9	8	7	6	5	4	3	2	1	0
RESERVED						I2C1_SCL_WAKEUPEVENT	I2C1_SCL_WAKEUPENABLE	RESERVED						I2C1_SCL_INPUTENABLE	I2C1_SCL_PULLTYPESELECT	I2C1_SCL_PULLUDENABLE	RESERVED														

Bits	Field Name	Description	Type	Reset
31:26	RESERVED		R	0x0
25	I2C1_SCL_WAKEUPEVENT	0x0: No wakeup event detected 0x1: Wakeup event detected	R	0x0
24	I2C1_SCL_WAKEUPENABLE	0x0: Wakeup is disabled 0x1: Wakeup is enabled	RW	0x0
23:19	RESERVED		R	0x0
18	I2C1_SCL_INPUTENABLE	0x0: Receive mode is disabled 0x1: Receive mode is enabled	RW	0x1
17	I2C1_SCL_PULLTYPESELECT	0x0: Pull Down is selected 0x1: Pull Up is selected	RW	0x1
16	I2C1_SCL_PULLUDENABLE	0x0: Enables weak Pull Up/Down 0x1: Disables weak Pull Up/Down	RW	0x0
15:0	RESERVED		R	0x0

Table 18-1511. Register Call Summary for Register CTRL_CORE_PAD_I2C1_SCL

Control Module Register Manual

- [CTRL_MODULE_CORE Register Summary: \[0\]](#)

Table 18-1512. CTRL_CORE_PAD_I2C2_SDA

Address Offset	0x0000 1808	Instance	CTRL_MODULE_CORE
Physical Address	0x4A00 3808		
Description			
Type	RW		

31	30	29	28	27	26	25	24	23	22	21	20	19	18	17	16	15	14	13	12	11	10	9	8	7	6	5	4	3	2	1	0
RESERVED						I2C2_SDA_WAKEUPEVENT	I2C2_SDA_WAKEUPENABLE	RESERVED						I2C2_SDA_INPUTENABLE	I2C2_SDA_PULLTYPESELECT	I2C2_SDA_PULLUDENABLE	RESERVED												I2C2_SDA_MUXMODE		

Bits	Field Name	Description	Type	Reset
31:26	RESERVED		R	0x0
25	I2C2_SDA_WAKEUPEVENT	0x0: No wakeup event detected 0x1: Wakeup event detected	R	0x0
24	I2C2_SDA_WAKEUPENABLE	0x0: Wakeup is disabled 0x1: Wakeup is enabled	RW	0x0
23:19	RESERVED		R	0x0
18	I2C2_SDA_INPUTENABLE	0x0: Receive mode is disabled 0x1: Receive mode is enabled	RW	0x1
17	I2C2_SDA_PULLTYPESELECT	0x0: Pull Down is selected 0x1: Pull Up is selected	RW	0x1
16	I2C2_SDA_PULLUDENABLE	0x0: Enables weak Pull Up/Down 0x1: Disables weak Pull Up/Down	RW	0x0
15:4	RESERVED		R	0x0
3:0	I2C2_SDA_MUXMODE	0x0: i2c2_sda 0x1: hdmi1_ddc_scl 0xF: Driver off	RW	0xF

Table 18-1513. Register Call Summary for Register CTRL_CORE_PAD_I2C2_SDA

Control Module Register Manual

- [CTRL_MODULE_CORE Register Summary: \[0\]](#)

Table 18-1514. CTRL_CORE_PAD_I2C2_SCL

Address Offset	0x0000 180C	Instance	CTRL_MODULE_CORE
Physical Address	0x4A00 380C		
Description			
Type	RW		

31	30	29	28	27	26	25	24	23	22	21	20	19	18	17	16	15	14	13	12	11	10	9	8	7	6	5	4	3	2	1	0
RESERVED						I2C2_SCL_WAKEUPEVENT	I2C2_SCL_WAKEUPENABLE	RESERVED						I2C2_SCL_INPUTENABLE	I2C2_SCL_PULLTYPESELECT	I2C2_SCL_PULLUDENABLE	RESERVED											I2C2_SCL_MUXMODE			

Bits	Field Name	Description	Type	Reset
31:26	RESERVED		R	0x0
25	I2C2_SCL_WAKEUPEVENT	0x0: No wakeup event detected 0x1: Wakeup event detected	R	0x0
24	I2C2_SCL_WAKEUPENABLE	0x0: Wakeup is disabled 0x1: Wakeup is enabled	RW	0x0
23:19	RESERVED		R	0x0

Bits	Field Name	Description	Type	Reset
18	I2C2_SCL_INPUTENABLE	0x0: Receive mode is disabled 0x1: Receive mode is enabled	RW	0x1
17	I2C2_SCL_PULLTYPESELECT	0x0: Pull Down is selected 0x1: Pull Up is selected	RW	0x1
16	I2C2_SCL_PULLUDENABLE	0x0: Enables weak Pull Up/Down 0x1: Disables weak Pull Up/Down	RW	0x0
15:4	RESERVED		R	0x0
3:0	I2C2_SCL_MUXMODE	0x0: i2c2_scl 0x1: hdmi1_ddc_sda 0xF: Driver off	RW	0xF

Table 18-1515. Register Call Summary for Register CTRL_CORE_PAD_I2C2_SCL

Control Module Register Manual

- [CTRL_MODULE_CORE Register Summary: \[0\]](#)

Table 18-1516. CTRL_CORE_PAD_WAKEUP0

Address Offset	0x0000 1818	Instance	CTRL_MODULE_CORE
Physical Address	0x4A00 3818		
Description			
Type	RW		

31	30	29	28	27	26	25	24	23	22	21	20	19	18	17	16	15	14	13	12	11	10	9	8	7	6	5	4	3	2	1	0												
RESERVED								RESERVED								RESERVED								WAKEUP0_MODESELECT				WAKEUP0_DELAYMODE				WAKEUP0_MUXMODE											
WAKEUP0_WAKEUPEVENT								WAKEUP0_WAKEUPENABLE								WAKEUP0_PULLTYPESELECT								WAKEUP0_PULLUDENABLE								WAKEUP0_MODESELECT				WAKEUP0_DELAYMODE				WAKEUP0_MUXMODE			

Bits	Field Name	Description	Type	Reset
31:26	RESERVED		R	0x0
25	WAKEUP0_WAKEUPEVENT	0x0: No wakeup event detected 0x1: Wakeup event detected	R	0x0
24	WAKEUP0_WAKEUPENABLE	0x0: Wakeup is disabled 0x1: Wakeup is enabled	RW	0x0
23:18	RESERVED		R	0x0
17	WAKEUP0_PULLTYPESELECT	0x0: Pull Down is selected 0x1: Pull Up is selected	RW	0x0
16	WAKEUP0_PULLUDENABLE	0x0: Enables weak Pull Up/Down 0x1: Disables weak Pull Up/Down	RW	0x1
15:9	RESERVED		R	0x0

Bits	Field Name	Description	Type	Reset
8	WAKEUP0_MODESELECT	Selects between the Default IO Timing Mode and a Virtual or Manual IO Timing Mode. Refer to the device Data Manual for definition of the required settings for a given mode of operation. When this bit is 0b1, a Virtual IO Timing Mode can be selected via the DELAYMODE field of this register, as described in Section 18.4.6.1.5 , Virtual IO Timing Modes. Manual IO Timing Modes are selected via the procedure described in Section 18.4.6.1.6 , Manual IO Timing Modes. 0x0: Default IO Timing Mode is used 0x1: A Virtual or Manual IO Timing Mode is used	RW	0x0
7:4	WAKEUP0_DELAYMODE	This bit field selects the Virtual Timing Mode used when the MODESELECT bit is set to 0b1. See Section 18.4.6.1.5 , Virtual IO Timing Modes for details.	RW	0x0
3:0	WAKEUP0_MUXMODE	0x0: Wakeup0 0x1: dcan1_rx 0xE: gpio1_0 sys_nirq2 0xF: Driver off	RW	0xF

Table 18-1517. Register Call Summary for Register CTRL_CORE_PAD_WAKEUP0

Control Module Register Manual

- [CTRL_MODULE_CORE Register Summary: \[0\]](#)

Table 18-1518. CTRL_CORE_PAD_WAKEUP3

Address Offset	0x0000 1824	Instance	CTRL_MODULE_CORE
Physical Address	0x4A00 3824		
Description			
Type	RW		

31	30	29	28	27	26	25	24	23	22	21	20	19	18	17	16	15	14	13	12	11	10	9	8	7	6	5	4	3	2	1	0				
RESERVED								RESERVED								RESERVED								WAKEUP3_MODESELECT				WAKEUP3_DELAYMODE				WAKEUP3_MUXMODE			
WAKEUP3_WAKEUPEVENT				WAKEUP3_WAKEUPENABLE				WAKEUP3_PULLTYPESELECT				WAKEUP3_PULLLDENABLE				WAKEUP3_MODESELECT				WAKEUP3_DELAYMODE				WAKEUP3_MUXMODE											

Bits	Field Name	Description	Type	Reset
31:26	RESERVED		R	0x0
25	WAKEUP3_WAKEUPEVENT	0x0: No wakeup event detected 0x1: Wakeup event detected	R	0x0
24	WAKEUP3_WAKEUPENABLE	0x0: Wakeup is disabled 0x1: Wakeup is enabled	RW	0x0
23:18	RESERVED		R	0x0
17	WAKEUP3_PULLTYPESELECT	0x0: Pull Down is selected 0x1: Pull Up is selected	RW	0x0

Bits	Field Name	Description	Type	Reset
16	WAKEUP3_PULLUDENABLE	0x0: Enables weak Pull Up/Down 0x1: Disables weak Pull Up/Down	RW	0x1
15:9	RESERVED		R	0x0
8	WAKEUP3_MODESELECT	Selects between the Default IO Timing Mode and a Virtual or Manual IO Timing Mode. Refer to the device Data Manual for definition of the required settings for a given mode of operation. When this bit is 0b1, a Virtual IO Timing Mode can be selected via the DELAYMODE field of this register, as described in Section 18.4.6.1.5 , Virtual IO Timing Modes. Manual IO Timing Modes are selected via the procedure described in Section 18.4.6.1.6 , Manual IO Timing Modes. 0x0: Default IO Timing Mode is used 0x1: A Virtual or Manual IO Timing Mode is used	RW	0x0
7:4	WAKEUP3_DELAYMODE	This bit field selects the Virtual Timing Mode used when the MODESELECT bit is set to 0b1. See Section 18.4.6.1.5 , Virtual IO Timing Modes for details.	RW	0x0
3:0	WAKEUP3_MUXMODE	0x0: Wakeup3 0x1: sys_nirq1 0xE: gpio1_3_dcan2_rx 0xF: Driver off	RW	0xF

Table 18-1519. Register Call Summary for Register CTRL_CORE_PAD_WAKEUP3

Control Module Register Manual

- [CTRL_MODULE_CORE Register Summary: \[0\]](#)

Table 18-1520. CTRL_CORE_PAD_ON_OFF

Address Offset	0x0000 1828	Instance	CTRL_MODULE_CORE
Physical Address	0x4A00 3828		
Description			
Type	RW		

31	30	29	28	27	26	25	24	23	22	21	20	19	18	17	16	15	14	13	12	11	10	9	8	7	6	5	4	3	2	1	0
RESERVED								ON_OFF_PULLTYPESELECT		ON_OFF_PULLUDENABLE		RESERVED																			

Bits	Field Name	Description	Type	Reset
31:18	RESERVED		R	0x0
17	ON_OFF_PULLTYPESELECT	0x0: Pull Down is selected 0x1: Pull Up is selected	RW	0x1
16	ON_OFF_PULLUDENABLE	0x0: Enables weak Pull Up/Down 0x1: Disables weak Pull Up/Down	RW	0x0
15:0	RESERVED		R	0x0

Table 18-1521. Register Call Summary for Register CTRL_CORE_PAD_ON_OFF

Control Module Register Manual

- [CTRL_MODULE_CORE Register Summary: \[0\]](#)

Table 18-1522. CTRL_CORE_PAD_RTC_PORZ

Address Offset	0x0000 182C	Instance	CTRL_MODULE_CORE
Physical Address	0x4A00 382C		
Description	NOTE: RTC is not supported on the AM570x family of devices.		
Type	RW		

31	30	29	28	27	26	25	24	23	22	21	20	19	18	17	16	15	14	13	12	11	10	9	8	7	6	5	4	3	2	1	0
RESERVED														RTC_PORZ_PULLTYPESELECT		RTC_PORZ_PULLUDENABLE		RESERVED													

Bits	Field Name	Description	Type	Reset
31:18	RESERVED		R	0x0
17	RTC_PORZ_PULLTYPESELECT	0x0: Pull Down is selected 0x1: Pull Up is selected	RW	0x0
16	RTC_PORZ_PULLUDENABLE	0x0: Enables weak Pull Up/Down 0x1: Disables weak Pull Up/Down	RW	0x1
15:0	RESERVED		R	0x0

Table 18-1523. Register Call Summary for Register CTRL_CORE_PAD_RTC_PORZ

Control Module Register Manual

- [CTRL_MODULE_CORE Register Summary: \[0\]](#)

Table 18-1524. CTRL_CORE_PAD_TMS

Address Offset	0x0000 1830	Instance	CTRL_MODULE_CORE
Physical Address	0x4A00 3830		
Description			
Type	RW		

31	30	29	28	27	26	25	24	23	22	21	20	19	18	17	16	15	14	13	12	11	10	9	8	7	6	5	4	3	2	1	0
RESERVED								TMS_SLEWCONTROL	TMS_INPUTENABLE	TMS_PULLTYPESELECT	TMS_PULLUDENABLE	RESERVED																			

Bits	Field Name	Description	Type	Reset
31:20	RESERVED		R	0x0
19	TMS_SLEWCONTROL	0x0: Fast slew is selected 0x1: Slow slew is selected	RW	0x0
18	TMS_INPUTENABLE	0x0: Receive mode is disabled 0x1: Receive mode is enabled	RW	0x1
17	TMS_PULLTYPESELECT	0x0: Pull Down is selected 0x1: Pull Up is selected	RW	0x1
16	TMS_PULLUDENABLE	0x0: Enables weak Pull Up/Down 0x1: Disables weak Pull Up/Down	RW	0x0
15:0	RESERVED		R	0x0

Table 18-1525. Register Call Summary for Register CTRL_CORE_PAD_TMS

Control Module Register Manual

- [CTRL_MODULE_CORE Register Summary: \[0\]](#)

Table 18-1526. CTRL_CORE_PAD_TDI

Address Offset	0x0000 1834	Instance	CTRL_MODULE_CORE
Physical Address	0x4A00 3834		
Description			
Type	RW		

31	30	29	28	27	26	25	24	23	22	21	20	19	18	17	16	15	14	13	12	11	10	9	8	7	6	5	4	3	2	1	0
RESERVED				TDI_WAKEUPEVENT	TDI_WAKEUPENABLE	RESERVED				TDI_SLEWCONTROL	TDI_INPUTENABLE	TDI_PULLTYPESELECT	TDI_PULLUDENABLE	RESERVED				TDI_MODESELECT	TDI_DELAYMODE			TDI_MUXMODE									

Bits	Field Name	Description	Type	Reset
31:26	RESERVED		R	0x0
25	TDI_WAKEUPEVENT	0x0: No wakeup event detected 0x1: Wakeup event detected	R	0x0
24	TDI_WAKEUPENABLE	0x0: Wakeup is disabled 0x1: Wakeup is enabled	RW	0x0

Bits	Field Name	Description	Type	Reset
23:20	RESERVED		R	0x0
19	TDI_SLEWCONTROL	0x0: Fast slew is selected 0x1: Slow slew is selected	RW	0x1
18	TDI_INPUTENABLE	0x0: Receive mode is disabled 0x1: Receive mode is enabled	RW	0x1
17	TDI_PULLTYPESELECT	0x0: Pull Down is selected 0x1: Pull Up is selected	RW	0x1
16	TDI_PULLUDENABLE	0x0: Enables weak Pull Up/Down 0x1: Disables weak Pull Up/Down	RW	0x0
15:9	RESERVED		R	0x0
8	TDI_MODESELECT	Selects between the Default IO Timing Mode and a Virtual or Manual IO Timing Mode. Refer to the device Data Manual for definition of the required settings for a given mode of operation. When this bit is 0b1, a Virtual IO Timing Mode can be selected via the DELAYMODE field of this register, as described in Section 18.4.6.1.5 , Virtual IO Timing Modes. Manual IO Timing Modes are selected via the procedure described in Section 18.4.6.1.6 , Manual IO Timing Modes. 0x0: Default IO Timing Mode is used 0x1: A Virtual or Manual IO Timing Mode is used	RW	0x0
7:4	TDI_DELAYMODE	This bit field selects the Virtual Timing Mode used when the MODESELECT bit is set to 0b1. See Section 18.4.6.1.5 , Virtual IO Timing Modes for details.	RW	0x0
3:0	TDI_MUXMODE	0x0: tdi 0xE: gpio8_27	RW	0x0

Table 18-1527. Register Call Summary for Register CTRL_CORE_PAD_TDI

Control Module Register Manual

- [CTRL_MODULE_CORE Register Summary: \[0\]](#)

Table 18-1528. CTRL_CORE_PAD_TDO

Address Offset	0x0000 1838	Instance	CTRL_MODULE_CORE
Physical Address	0x4A00 3838		
Description			
Type	RW		

31	30	29	28	27	26	25	24	23	22	21	20	19	18	17	16	15	14	13	12	11	10	9	8	7	6	5	4	3	2	1	0												
RESERVED								RESERVED								RESERVED								TDO_MODESELECT	TDO_DELAYMODE				TDO_MUXMODE														
				TDO_WAKEUPEVENT				TDO_WAKEUPENABLE								TDO_SLEWCONTROL				TDO_INPUTENABLE				TDO_PULLTYPESELECT				TDO_PULLUDENABLE															

Bits	Field Name	Description	Type	Reset
31:26	RESERVED		R	0x0
25	TDO_WAKEUPEVENT	0x0: No wakeup event detected 0x1: Wakeup event detected	R	0x0
24	TDO_WAKEUPENABLE	0x0: Wakeup is disabled 0x1: Wakeup is enabled	RW	0x0
23:20	RESERVED		R	0x0
19	TDO_SLEWCONTROL	0x0: Fast slew is selected 0x1: Slow slew is selected	RW	0x0
18	TDO_INPUTENABLE	0x0: Receive mode is disabled 0x1: Receive mode is enabled	RW	0x1
17	TDO_PULLTYPESELECT	0x0: Pull Down is selected 0x1: Pull Up is selected	RW	0x1
16	TDO_PULLUDENABLE	0x0: Enables weak Pull Up/Down 0x1: Disables weak Pull Up/Down	RW	0x0
15:9	RESERVED		R	0x0
8	TDO_MODESELECT	Selects between the Default IO Timing Mode and a Virtual or Manual IO Timing Mode. Refer to the device Data Manual for definition of the required settings for a given mode of operation. When this bit is 0b1, a Virtual IO Timing Mode can be selected via the DELAYMODE field of this register, as described in Section 18.4.6.1.5 , Virtual IO Timing Modes. Manual IO Timing Modes are selected via the procedure described in Section 18.4.6.1.6 , Manual IO Timing Modes. 0x0: Default IO Timing Mode is used 0x1: A Virtual or Manual IO Timing Mode is used	RW	0x0
7:4	TDO_DELAYMODE	This bit field selects the Virtual Timing Mode used when the MODESELECT bit is set to 0b1. See Section 18.4.6.1.5 , Virtual IO Timing Modes for details.	RW	0x0
3:0	TDO_MUXMODE	0x0: tdo 0xE: gpio8_28	RW	0x0

Table 18-1529. Register Call Summary for Register CTRL_CORE_PAD_TDO

Control Module Register Manual

- [CTRL_MODULE_CORE Register Summary: \[0\]](#)

Table 18-1530. CTRL_CORE_PAD_TCLK

Address Offset	0x0000 183C	Instance	CTRL_MODULE_CORE
Physical Address	0x4A00 383C		
Description			
Type	RW		

31	30	29	28	27	26	25	24	23	22	21	20	19	18	17	16	15	14	13	12	11	10	9	8	7	6	5	4	3	2	1	0					
RESERVED													TCLK_INPUTENABLE			TCLK_PULLTYPESELECT			TCLK_PULLUDENABLE			RESERVED														

Bits	Field Name	Description	Type	Reset
31:19	RESERVED		R	0x0
18	TCLK_INPUTENABLE	0x0: Receive mode is disabled 0x1: Receive mode is enabled	RW	0x1
17	TCLK_PULLTYPESELECT	0x0: Pull Down is selected 0x1: Pull Up is selected	RW	0x1
16	TCLK_PULLUDENABLE	0x0: Enables weak Pull Up/Down 0x1: Disables weak Pull Up/Down	RW	0x0
15:0	RESERVED		R	0x0

Table 18-1531. Register Call Summary for Register CTRL_CORE_PAD_TCLK

Control Module Register Manual

- [CTRL_MODULE_CORE Register Summary: \[0\]](#)

Table 18-1532. CTRL_CORE_PAD_TRSTN

Address Offset	0x0000 1840	Instance	CTRL_MODULE_CORE
Physical Address	0x4A00 3840		
Description			
Type	RW		

31	30	29	28	27	26	25	24	23	22	21	20	19	18	17	16	15	14	13	12	11	10	9	8	7	6	5	4	3	2	1	0												
RESERVED													TRSTN_SLEWCONTROL				TRSTN_INPUTENABLE				TRSTN_PULLTYPESELECT				TRSTN_PULLUDENABLE				RESERVED														

Bits	Field Name	Description	Type	Reset
31:20	RESERVED		R	0x0
19	TRSTN_SLEWCONTROL	0x0: Fast slew is selected 0x1: Slow slew is selected	RW	0x0
18	TRSTN_INPUTENABLE	0x0: Receive mode is disabled 0x1: Receive mode is enabled	RW	0x1

Bits	Field Name	Description	Type	Reset
17	TRSTN_PULLTYPESELECT	0x0: Pull Down is selected 0x1: Pull Up is selected	RW	0x0
16	TRSTN_PULLUDENABLE	0x0: Enables weak Pull Up/Down 0x1: Disables weak Pull Up/Down	RW	0x0
15:0	RESERVED		R	0x0

Table 18-1533. Register Call Summary for Register CTRL_CORE_PAD_TRSTN

Control Module Register Manual

- [CTRL_MODULE_CORE Register Summary: \[0\]](#)

Table 18-1534. CTRL_CORE_PAD_RTCK

Address Offset	0x0000 1844	Instance	CTRL_MODULE_CORE
Physical Address	0x4A00 3844		
Description			
Type	RW		

31	30	29	28	27	26	25	24	23	22	21	20	19	18	17	16	15	14	13	12	11	10	9	8	7	6	5	4	3	2	1	0												
RESERVED								RESERVED								RESERVED								RTCK_MODESELECT		RTCK_DELAYMODE				RTCK_MUXMODE													
				RTCK_WAKEUPEVENT				RTCK_WAKEUPENABLE								RTCK_SLEWCONTROL				RTCK_INPUTENABLE				RTCK_PULLTYPESELECT				RTCK_PULLUDENABLE															

Bits	Field Name	Description	Type	Reset
31:26	RESERVED		R	0x0
25	RTCK_WAKEUPEVENT	0x0: No wakeup event detected 0x1: Wakeup event detected	R	0x0
24	RTCK_WAKEUPENABLE	0x0: Wakeup is disabled 0x1: Wakeup is enabled	RW	0x0
23:20	RESERVED		R	0x0
19	RTCK_SLEWCONTROL	0x0: Fast slew is selected 0x1: Slow slew is selected	RW	0x0
18	RTCK_INPUTENABLE	0x0: Receive mode is disabled 0x1: Receive mode is enabled	RW	0x1
17	RTCK_PULLTYPESELECT	0x0: Pull Down is selected 0x1: Pull Up is selected	RW	0x0
16	RTCK_PULLUDENABLE	0x0: Enables weak Pull Up/Down 0x1: Disables weak Pull Up/Down	RW	0x1
15:9	RESERVED		R	0x0

Bits	Field Name	Description	Type	Reset
8	RTCK_MODESELECT	Selects between the Default IO Timing Mode and a Virtual or Manual IO Timing Mode. Refer to the device Data Manual for definition of the required settings for a given mode of operation. When this bit is 0b1, a Virtual IO Timing Mode can be selected via the DELAYMODE field of this register, as described in Section 18.4.6.1.5 , Virtual IO Timing Modes. Manual IO Timing Modes are selected via the procedure described in Section 18.4.6.1.6 , Manual IO Timing Modes. 0x0: Default IO Timing Mode is used 0x1: A Virtual or Manual IO Timing Mode is used	RW	0x0
7:4	RTCK_DELAYMODE	This bit field selects the Virtual Timing Mode used when the MODESELECT bit is set to 0b1. See Section 18.4.6.1.5 , Virtual IO Timing Modes for details.	RW	0x0
3:0	RTCK_MUXMODE	0x0: rtck 0xE: gpio8_29	RW	0x0

Table 18-1535. Register Call Summary for Register CTRL_CORE_PAD_RTCK

Control Module Register Manual

- [CTRL_MODULE_CORE Register Summary](#): [0]

Table 18-1536. CTRL_CORE_PAD_EMU0

Address Offset	0x0000 1848	Instance	CTRL_MODULE_CORE
Physical Address	0x4A00 3848		
Description			
Type	RW		

31	30	29	28	27	26	25	24	23	22	21	20	19	18	17	16	15	14	13	12	11	10	9	8	7	6	5	4	3	2	1	0		
RESERVED				EMU0_WAKEUPEVENT		EMU0_WAKEUPENABLE		RESERVED				EMU0_SLEWCONTROL				EMU0_INPUTENABLE		EMU0_PULLTYPESELECT		EMU0_PULLUDENABLE		RESERVED				EMU0_MODESELECT		EMU0_DELAYMODE				EMU0_MUXMODE	

Bits	Field Name	Description	Type	Reset
31:26	RESERVED		R	0x0
25	EMU0_WAKEUPEVENT	0x0: No wakeup event detected 0x1: Wakeup event detected	R	0x0
24	EMU0_WAKEUPENABLE	0x0: Wakeup is disabled 0x1: Wakeup is enabled	RW	0x0
23:20	RESERVED		R	0x0
19	EMU0_SLEWCONTROL	0x0: Fast slew is selected 0x1: Slow slew is selected	RW	0x0
18	EMU0_INPUTENABLE	0x0: Receive mode is disabled 0x1: Receive mode is enabled	RW	0x1

Bits	Field Name	Description	Type	Reset
17	EMU0_PULLTYPESELECT	0x0: Pull Down is selected 0x1: Pull Up is selected	RW	0x1
16	EMU0_PULLUDENABLE	0x0: Enables weak Pull Up/Down 0x1: Disables weak Pull Up/Down	RW	0x0
15:9	RESERVED		R	0x0
8	EMU0_MODESELECT	Selects between the Default IO Timing Mode and a Virtual or Manual IO Timing Mode. Refer to the device Data Manual for definition of the required settings for a given mode of operation. When this bit is 0b1, a Virtual IO Timing Mode can be selected via the DELAYMODE field of this register, as described in Section 18.4.6.1.5 , Virtual IO Timing Modes. Manual IO Timing Modes are selected via the procedure described in Section 18.4.6.1.6 , Manual IO Timing Modes. 0x0: Default IO Timing Mode is used 0x1: A Virtual or Manual IO Timing Mode is used	RW	0x0
7:4	EMU0_DELAYMODE	This bit field selects the Virtual Timing Mode used when the MODESELECT bit is set to 0b1. See Section 18.4.6.1.5 , Virtual IO Timing Modes for details.	RW	0x0
3:0	EMU0_MUXMODE	0x0: emu0 0xE: gpio8_30	RW	0x0

Table 18-1537. Register Call Summary for Register CTRL_CORE_PAD_EMU0

Control Module Register Manual

- [CTRL_MODULE_CORE Register Summary: \[0\]](#)

Table 18-1538. CTRL_CORE_PAD_EMU1

Address Offset	0x0000 184C	Instance	CTRL_MODULE_CORE
Physical Address	0x4A00 384C		
Description			
Type	RW		

31	30	29	28	27	26	25	24	23	22	21	20	19	18	17	16	15	14	13	12	11	10	9	8	7	6	5	4	3	2	1	0
RESERVED				EMU1_WAKEUPEVENT	EMU1_WAKEUPENABLE	RESERVED				EMU1_SLEWCONTROL	EMU1_INPUTENABLE	EMU1_PULLTYPESELECT	EMU1_PULLUDENABLE	RESERVED				EMU1_MODESELECT	EMU1_DELAYMODE				EMU1_MUXMODE								

Bits	Field Name	Description	Type	Reset
31:26	RESERVED		R	0x0
25	EMU1_WAKEUPEVENT	0x0: No wakeup event detected 0x1: Wakeup event detected	R	0x0
24	EMU1_WAKEUPENABLE	0x0: Wakeup is disabled 0x1: Wakeup is enabled	RW	0x0
23:20	RESERVED		R	0x0

Bits	Field Name	Description	Type	Reset
19	EMU1_SLEWCONTROL	0x0: Fast slew is selected 0x1: Slow slew is selected	RW	0x0
18	EMU1_INPUTENABLE	0x0: Receive mode is disabled 0x1: Receive mode is enabled	RW	0x1
17	EMU1_PULLTYPESELECT	0x0: Pull Down is selected 0x1: Pull Up is selected	RW	0x1
16	EMU1_PULLUDENABLE	0x0: Enables weak Pull Up/Down 0x1: Disables weak Pull Up/Down	RW	0x0
15:9	RESERVED		R	0x0
8	EMU1_MODESELECT	Selects between the Default IO Timing Mode and a Virtual or Manual IO Timing Mode. Refer to the device Data Manual for definition of the required settings for a given mode of operation. When this bit is 0b1, a Virtual IO Timing Mode can be selected via the DELAYMODE field of this register, as described in Section 18.4.6.1.5 , Virtual IO Timing Modes. Manual IO Timing Modes are selected via the procedure described in Section 18.4.6.1.6 , Manual IO Timing Modes. 0x0: Default IO Timing Mode is used 0x1: A Virtual or Manual IO Timing Mode is used	RW	0x0
7:4	EMU1_DELAYMODE	This bit field selects the Virtual Timing Mode used when the MODESELECT bit is set to 0b1. See Section 18.4.6.1.5 , Virtual IO Timing Modes for details.	RW	0x0
3:0	EMU1_MUXMODE	0x0: emu1 0xE: gpio8_31	RW	0x0

Table 18-1539. Register Call Summary for Register CTRL_CORE_PAD_EMU1

Control Module Register Manual

- [CTRL_MODULE_CORE Register Summary: \[0\]](#)

Table 18-1540. CTRL_CORE_PAD_RESETN

Address Offset	0x0000 185C	Instance	CTRL_MODULE_CORE
Physical Address	0x4A00 385C		
Description			
Type	RW		

31	30	29	28	27	26	25	24	23	22	21	20	19	18	17	16	15	14	13	12	11	10	9	8	7	6	5	4	3	2	1	0				
RESERVED																RESETN_PULLTYPESELECT		RESETN_PULLUDENABLE		RESERVED															

Bits	Field Name	Description	Type	Reset
31:18	RESERVED		R	0x0
17	RESETN_PULLTYPESELECT	0x0: Pull Down is selected 0x1: Pull Up is selected	RW	0x1
16	RESETN_PULLUDENABLE	0x0: Enables weak Pull Up/Down 0x1: Disables weak Pull Up/Down	RW	0x0
15:0	RESERVED		R	0x0

Table 18-1541. Register Call Summary for Register CTRL_CORE_PAD_RESETN

Control Module Register Manual

- [CTRL_MODULE_CORE Register Summary: \[0\]](#)

Table 18-1542. CTRL_CORE_PAD_NMIN_DSP

Address Offset	0x0000 1860	Instance	CTRL_MODULE_CORE
Physical Address	0x4A00 3860		
Description			
Type	RW		

31	30	29	28	27	26	25	24	23	22	21	20	19	18	17	16	15	14	13	12	11	10	9	8	7	6	5	4	3	2	1	0
RESERVED						NMIN_WAKEUPEVENT	NMIN_WAKEUPENABLE	RESERVED						NMIN_PULLTYPESELECT	NMIN_PULLUDENABLE	RESERVED															

Bits	Field Name	Description	Type	Reset
31:26	RESERVED		R	0x0
25	NMIN_WAKEUPEVENT	0x0: No wakeup event detected 0x1: Wakeup event detected	R	0x0
24	NMIN_WAKEUPENABLE	0x0: Wakeup is disabled 0x1: Wakeup is enabled	RW	0x0
23:18	RESERVED		R	0x0
17	NMIN_PULLTYPESELECT	0x0: Pull Down is selected 0x1: Pull Up is selected	RW	0x0
16	NMIN_PULLUDENABLE	0x0: Enables weak Pull Up/Down 0x1: Disables weak Pull Up/Down	RW	0x0
15:0	RESERVED		R	0x0

Table 18-1543. Register Call Summary for Register CTRL_CORE_PAD_NMIN_DSP

Control Module Register Manual

- [CTRL_MODULE_CORE Register Summary: \[0\]](#)

Table 18-1544. CTRL_CORE_PAD_RSTOUTN

Address Offset	0x0000 1864	Instance	CTRL_MODULE_CORE
Physical Address	0x4A00 3864		
Description			
Type	RW		

31	30	29	28	27	26	25	24	23	22	21	20	19	18	17	16	15	14	13	12	11	10	9	8	7	6	5	4	3	2	1	0		
RESERVED																RESERVED																	
																RSTOUTN_PULLTYPESELECT	RSTOUTN_PULLUDENABLE																

Bits	Field Name	Description	Type	Reset
31:18	RESERVED		R	0x0
17	RSTOUTN_PULLTYPESELECT	0x0: Pull Down is selected 0x1: Pull Up is selected	RW	0x0
16	RSTOUTN_PULLUDENABLE	0x0: Enables weak Pull Up/Down 0x1: Disables weak Pull Up/Down	RW	0x0
15:0	RESERVED		R	0x0

Table 18-1545. Register Call Summary for Register CTRL_CORE_PAD_RSTOUTN

Control Module Register Manual

- [CTRL_MODULE_CORE Register Summary: \[0\]](#)

Table 18-1546. CTRL_CORE_PADCONF_WAKEUPEVENT_0

Address Offset	0x0000 1868	Instance	CTRL_MODULE_CORE
Physical Address	0x4A00 3868		
Description			
Type	R		

31	30	29	28	27	26	25	24	23	22	21	20	19	18	17	16	15	14	13	12	11	10	9	8	7	6	5	4	3	2	1	0
GPMC_A15_DUPLICATEWAKEUPEVENT	GPMC_A14_DUPLICATEWAKEUPEVENT	GPMC_A13_DUPLICATEWAKEUPEVENT	GPMC_A12_DUPLICATEWAKEUPEVENT	GPMC_A11_DUPLICATEWAKEUPEVENT	GPMC_A10_DUPLICATEWAKEUPEVENT	GPMC_A9_DUPLICATEWAKEUPEVENT	GPMC_A8_DUPLICATEWAKEUPEVENT	GPMC_A7_DUPLICATEWAKEUPEVENT	GPMC_A6_DUPLICATEWAKEUPEVENT	GPMC_A5_DUPLICATEWAKEUPEVENT	GPMC_A4_DUPLICATEWAKEUPEVENT	GPMC_A3_DUPLICATEWAKEUPEVENT	GPMC_A2_DUPLICATEWAKEUPEVENT	GPMC_A1_DUPLICATEWAKEUPEVENT	GPMC_A0_DUPLICATEWAKEUPEVENT	GPMC_AD15_DUPLICATEWAKEUPEVENT	GPMC_AD14_DUPLICATEWAKEUPEVENT	GPMC_AD13_DUPLICATEWAKEUPEVENT	GPMC_AD12_DUPLICATEWAKEUPEVENT	GPMC_AD11_DUPLICATEWAKEUPEVENT	GPMC_AD10_DUPLICATEWAKEUPEVENT	GPMC_AD9_DUPLICATEWAKEUPEVENT	GPMC_AD8_DUPLICATEWAKEUPEVENT	GPMC_AD7_DUPLICATEWAKEUPEVENT	GPMC_AD6_DUPLICATEWAKEUPEVENT	GPMC_AD5_DUPLICATEWAKEUPEVENT	GPMC_AD4_DUPLICATEWAKEUPEVENT	GPMC_AD3_DUPLICATEWAKEUPEVENT	GPMC_AD2_DUPLICATEWAKEUPEVENT	GPMC_AD1_DUPLICATEWAKEUPEVENT	GPMC_AD0_DUPLICATEWAKEUPEVENT

Bits	Field Name	Description	Type	Reset
31	GPMC_A15_DUPLICATE WAKEUPEVENT		R	0x0
30	GPMC_A14_DUPLICATE WAKEUPEVENT		R	0x0
29	GPMC_A13_DUPLICATE WAKEUPEVENT		R	0x0
28	GPMC_A12_DUPLICATE WAKEUPEVENT		R	0x0
27	GPMC_A11_DUPLICATE WAKEUPEVENT		R	0x0
26	GPMC_A10_DUPLICATE WAKEUPEVENT		R	0x0
25	GPMC_A9_DUPLICATE WAKEUPEVENT		R	0x0
24	GPMC_A8_DUPLICATE WAKEUPEVENT		R	0x0
23	GPMC_A7_DUPLICATE WAKEUPEVENT		R	0x0
22	GPMC_A6_DUPLICATE WAKEUPEVENT		R	0x0
21	GPMC_A5_DUPLICATE WAKEUPEVENT		R	0x0
20	GPMC_A4_DUPLICATE WAKEUPEVENT		R	0x0
19	GPMC_A3_DUPLICATE WAKEUPEVENT		R	0x0
18	GPMC_A2_DUPLICATE WAKEUPEVENT		R	0x0
17	GPMC_A1_DUPLICATE WAKEUPEVENT		R	0x0
16	GPMC_A0_DUPLICATE WAKEUPEVENT		R	0x0

Bits	Field Name	Description	Type	Reset
15	GPMC_AD15_DUPLICAT EWAKEUPEVENT		R	0x0
14	GPMC_AD14_DUPLICAT EWAKEUPEVENT		R	0x0
13	GPMC_AD13_DUPLICAT EWAKEUPEVENT		R	0x0
12	GPMC_AD12_DUPLICAT EWAKEUPEVENT		R	0x0
11	GPMC_AD11_DUPLICAT EWAKEUPEVENT		R	0x0
10	GPMC_AD10_DUPLICAT EWAKEUPEVENT		R	0x0
9	GPMC_AD9_DUPLICATE WAKEUPEVENT		R	0x0
8	GPMC_AD8_DUPLICATE WAKEUPEVENT		R	0x0
7	GPMC_AD7_DUPLICATE WAKEUPEVENT		R	0x0
6	GPMC_AD6_DUPLICATE WAKEUPEVENT		R	0x0
5	GPMC_AD5_DUPLICATE WAKEUPEVENT		R	0x0
4	GPMC_AD4_DUPLICATE WAKEUPEVENT		R	0x0
3	GPMC_AD3_DUPLICATE WAKEUPEVENT		R	0x0
2	GPMC_AD2_DUPLICATE WAKEUPEVENT		R	0x0
1	GPMC_AD1_DUPLICATE WAKEUPEVENT		R	0x0
0	GPMC_AD0_DUPLICATE WAKEUPEVENT		R	0x0

Table 18-1547. Register Call Summary for Register CTRL_CORE_PADCONF_WAKEUPEVENT_0

Control Module Register Manual

- [CTRL_MODULE_CORE Register Summary: \[0\]](#)

Table 18-1548. CTRL_CORE_PADCONF_WAKEUPEVENT_1

Address Offset	0x0000 186C	Instance	CTRL_MODULE_CORE
Physical Address	0x4A00 386C		
Description			
Type	R		

31	30	29	28	27	26	25	24	23	22	21	20	19	18	17	16	15	14	13	12	11	10	9	8	7	6	5	4	3	2	1	0
RESERVED								GPMC_WAIT0_DUPLICATEWAKEUPEVENT	GPMC_BEN1_DUPLICATEWAKEUPEVENT	GPMC_BEN0_DUPLICATEWAKEUPEVENT	GPMC_WEN_DUPLICATEWAKEUPEVENT	GPMC_OEN_REN_DUPLICATEWAKEUPEVENT	GPMC_ADV_N_ALE_DUPLICATEWAKEUPEVENT	GPMC_CLK_DUPLICATEWAKEUPEVENT	GPMC_CS3_DUPLICATEWAKEUPEVENT	GPMC_CS2_DUPLICATEWAKEUPEVENT	GPMC_CS0_DUPLICATEWAKEUPEVENT	GPMC_CS1_DUPLICATEWAKEUPEVENT	GPMC_A27_DUPLICATEWAKEUPEVENT	GPMC_A26_DUPLICATEWAKEUPEVENT	GPMC_A25_DUPLICATEWAKEUPEVENT	GPMC_A24_DUPLICATEWAKEUPEVENT	GPMC_A23_DUPLICATEWAKEUPEVENT	GPMC_A22_DUPLICATEWAKEUPEVENT	GPMC_A21_DUPLICATEWAKEUPEVENT	GPMC_A20_DUPLICATEWAKEUPEVENT	GPMC_A19_DUPLICATEWAKEUPEVENT	GPMC_A18_DUPLICATEWAKEUPEVENT	GPMC_A17_DUPLICATEWAKEUPEVENT	GPMC_A16_DUPLICATEWAKEUPEVENT	

Bits	Field Name	Description	Type	Reset
31:23	RESERVED		R	0x0
22	GPMC_WAIT0_DUPLICATEWAKEUPEVENT		R	0x0
21	GPMC_BEN1_DUPLICATEWAKEUPEVENT		R	0x0
20	GPMC_BEN0_DUPLICATEWAKEUPEVENT		R	0x0
19	GPMC_WEN_DUPLICATEWAKEUPEVENT		R	0x0
18	GPMC_OEN_REN_DUPLICATEWAKEUPEVENT		R	0x0
17	GPMC_ADV_N_ALE_DUPLICATEWAKEUPEVENT		R	0x0
16	GPMC_CLK_DUPLICATEWAKEUPEVENT		R	0x0
15	GPMC_CS3_DUPLICATEWAKEUPEVENT		R	0x0
14	GPMC_CS2_DUPLICATEWAKEUPEVENT		R	0x0
13	GPMC_CS0_DUPLICATEWAKEUPEVENT		R	0x0
12	GPMC_CS1_DUPLICATEWAKEUPEVENT		R	0x0
11	GPMC_A27_DUPLICATEWAKEUPEVENT		R	0x0
10	GPMC_A26_DUPLICATEWAKEUPEVENT		R	0x0
9	GPMC_A25_DUPLICATEWAKEUPEVENT		R	0x0
8	GPMC_A24_DUPLICATEWAKEUPEVENT		R	0x0

Bits	Field Name	Description	Type	Reset
7	GPMC_A23_DUPLICATE WAKEUPEVENT		R	0x0
6	GPMC_A22_DUPLICATE WAKEUPEVENT		R	0x0
5	GPMC_A21_DUPLICATE WAKEUPEVENT		R	0x0
4	GPMC_A20_DUPLICATE WAKEUPEVENT		R	0x0
3	GPMC_A19_DUPLICATE WAKEUPEVENT		R	0x0
2	GPMC_A18_DUPLICATE WAKEUPEVENT		R	0x0
1	GPMC_A17_DUPLICATE WAKEUPEVENT		R	0x0
0	GPMC_A16_DUPLICATE WAKEUPEVENT		R	0x0

Table 18-1549. Register Call Summary for Register CTRL_CORE_PADCONF_WAKEUPEVENT_1

Control Module Register Manual

- [CTRL_MODULE_CORE Register Summary: \[0\]](#)

Table 18-1550. CTRL_CORE_PADCONF_WAKEUPEVENT_2

Address Offset	0x0000 1870	Instance	CTRL_MODULE_CORE
Physical Address	0x4A00 3870		
Description			
Type	R		

31	30	29	28	27	26	25	24	23	22	21	20	19	18	17	16	15	14	13	12	11	10	9	8	7	6	5	4	3	2	1	0
VIN2A_D5_DUPLICATEWAKEUPEVENT	VIN2A_D4_DUPLICATEWAKEUPEVENT	VIN2A_D3_DUPLICATEWAKEUPEVENT	VIN2A_D2_DUPLICATEWAKEUPEVENT	VIN2A_D1_DUPLICATEWAKEUPEVENT	VIN2A_D0_DUPLICATEWAKEUPEVENT	VIN2A_VSYNCO_DUPLICATEWAKEUPEVENT	VIN2A_HSYNCO_DUPLICATEWAKEUPEVENT	VIN2A_FLD0_DUPLICATEWAKEUPEVENT	VIN2A_DE0_DUPLICATEWAKEUPEVENT	VIN2A_CLK0_DUPLICATEWAKEUPEVENT	RESERVED																				

Bits	Field Name	Description	Type	Reset
31	VIN2A_D5_DUPLICATEW AKEUPEVENT		R	0x0
30	VIN2A_D4_DUPLICATEW AKEUPEVENT		R	0x0
29	VIN2A_D3_DUPLICATEW AKEUPEVENT		R	0x0
28	VIN2A_D2_DUPLICATEW AKEUPEVENT		R	0x0

Bits	Field Name	Description	Type	Reset
27	VIN2A_D1_DUPLICATEWAKEUPEVENT		R	0x0
26	VIN2A_D0_DUPLICATEWAKEUPEVENT		R	0x0
25	VIN2A_VSYNC0_DUPLICATEWAKEUPEVENT		R	0x0
24	VIN2A_HSYNC0_DUPLICATEWAKEUPEVENT		R	0x0
23	VIN2A_FLD0_DUPLICATEWAKEUPEVENT		R	0x0
22	VIN2A_DE0_DUPLICATEWAKEUPEVENT		R	0x0
21	VIN2A_CLK0_DUPLICATEWAKEUPEVENT		R	0x0
20:0	RESERVED		R	0x0

Table 18-1551. Register Call Summary for Register CTRL_CORE_PADCONF_WAKEUPEVENT_2

Control Module Register Manual

- [CTRL_MODULE_CORE Register Summary: \[0\]](#)

Table 18-1552. CTRL_CORE_PADCONF_WAKEUPEVENT_3

Address Offset	0x0000 1874	Instance	CTRL_MODULE_CORE
Physical Address	0x4A00 3874		
Description			
Type	R		

31	30	29	28	27	26	25	24	23	22	21	20	19	18	17	16	15	14	13	12	11	10	9	8	7	6	5	4	3	2	1	0
VOUT1_D8_DUPLICATEWAKEUPEVENT	VOUT1_D7_DUPLICATEWAKEUPEVENT	VOUT1_D6_DUPLICATEWAKEUPEVENT	VOUT1_D5_DUPLICATEWAKEUPEVENT	VOUT1_D4_DUPLICATEWAKEUPEVENT	VOUT1_D3_DUPLICATEWAKEUPEVENT	VOUT1_D2_DUPLICATEWAKEUPEVENT	VOUT1_D1_DUPLICATEWAKEUPEVENT	VOUT1_D0_DUPLICATEWAKEUPEVENT	VOUT1_VSYNC_DUPLICATEWAKEUPEVENT	VOUT1_HSYNC_DUPLICATEWAKEUPEVENT	VOUT1_FLD_DUPLICATEWAKEUPEVENT	VOUT1_DE_DUPLICATEWAKEUPEVENT	VOUT1_CLK_DUPLICATEWAKEUPEVENT	VIN2A_D23_DUPLICATEWAKEUPEVENT	VIN2A_D22_DUPLICATEWAKEUPEVENT	VIN2A_D21_DUPLICATEWAKEUPEVENT	VIN2A_D20_DUPLICATEWAKEUPEVENT	VIN2A_D19_DUPLICATEWAKEUPEVENT	VIN2A_D18_DUPLICATEWAKEUPEVENT	VIN2A_D17_DUPLICATEWAKEUPEVENT	VIN2A_D16_DUPLICATEWAKEUPEVENT	VIN2A_D15_DUPLICATEWAKEUPEVENT	VIN2A_D14_DUPLICATEWAKEUPEVENT	VIN2A_D13_DUPLICATEWAKEUPEVENT	VIN2A_D12_DUPLICATEWAKEUPEVENT	VIN2A_D11_DUPLICATEWAKEUPEVENT	VIN2A_D10_DUPLICATEWAKEUPEVENT	VIN2A_D9_DUPLICATEWAKEUPEVENT	VIN2A_D8_DUPLICATEWAKEUPEVENT	VIN2A_D7_DUPLICATEWAKEUPEVENT	VIN2A_D6_DUPLICATEWAKEUPEVENT

Bits	Field Name	Description	Type	Reset
31	VOUT1_D8_DUPLICATEWAKEUPEVENT		R	0x0
30	VOUT1_D7_DUPLICATEWAKEUPEVENT		R	0x0
29	VOUT1_D6_DUPLICATEWAKEUPEVENT		R	0x0
28	VOUT1_D5_DUPLICATEWAKEUPEVENT		R	0x0

Bits	Field Name	Description	Type	Reset
27	VOUT1_D4_DUPLICATE WAKEUPEVENT		R	0x0
26	VOUT1_D3_DUPLICATE WAKEUPEVENT		R	0x0
25	VOUT1_D2_DUPLICATE WAKEUPEVENT		R	0x0
24	VOUT1_D1_DUPLICATE WAKEUPEVENT		R	0x0
23	VOUT1_D0_DUPLICATE WAKEUPEVENT		R	0x0
22	VOUT1_VSYNC_DUPLIC ATEWAKEUPEVENT		R	0x0
21	VOUT1_HSYNC_DUPLIC ATEWAKEUPEVENT		R	0x0
20	VOUT1_FLD_DUPLICAT EWAKEUPEVENT		R	0x0
19	VOUT1_DE_DUPLICATE WAKEUPEVENT		R	0x0
18	VOUT1_CLK_DUPLICAT EWAKEUPEVENT		R	0x0
17	VIN2A_D23_DUPLICATE WAKEUPEVENT		R	0x0
16	VIN2A_D22_DUPLICATE WAKEUPEVENT		R	0x0
15	VIN2A_D21_DUPLICATE WAKEUPEVENT		R	0x0
14	VIN2A_D20_DUPLICATE WAKEUPEVENT		R	0x0
13	VIN2A_D19_DUPLICATE WAKEUPEVENT		R	0x0
12	VIN2A_D18_DUPLICATE WAKEUPEVENT		R	0x0
11	VIN2A_D17_DUPLICATE WAKEUPEVENT		R	0x0
10	VIN2A_D16_DUPLICATE WAKEUPEVENT		R	0x0
9	VIN2A_D15_DUPLICATE WAKEUPEVENT		R	0x0
8	VIN2A_D14_DUPLICATE WAKEUPEVENT		R	0x0
7	VIN2A_D13_DUPLICATE WAKEUPEVENT		R	0x0
6	VIN2A_D12_DUPLICATE WAKEUPEVENT		R	0x0
5	VIN2A_D11_DUPLICATE WAKEUPEVENT		R	0x0
4	VIN2A_D10_DUPLICATE WAKEUPEVENT		R	0x0
3	VIN2A_D9_DUPLICATEW AKEUPEVENT		R	0x0
2	VIN2A_D8_DUPLICATEW AKEUPEVENT		R	0x0
1	VIN2A_D7_DUPLICATEW AKEUPEVENT		R	0x0
0	VIN2A_D6_DUPLICATEW AKEUPEVENT		R	0x0

Table 18-1553. Register Call Summary for Register CTRL_CORE_PADCONF_WAKEUPEVENT_3

Control Module Register Manual

- [CTRL_MODULE_CORE Register Summary: \[0\]](#)

Table 18-1554. CTRL_CORE_PADCONF_WAKEUPEVENT_4

Address Offset 0x0000 1878
Physical Address 0x4A00 3878 **Instance** CTRL_MODULE_CORE
Description
Type R

31	30	29	28	27	26	25	24	23	22	21	20	19	18	17	16	15	14	13	12	11	10	9	8	7	6	5	4	3	2	1	0
RGMII0_RXD0_DUPLICATEWAKEUPEVENT	RGMII0_RXD1_DUPLICATEWAKEUPEVENT	RGMII0_RXD2_DUPLICATEWAKEUPEVENT	RGMII0_RXD3_DUPLICATEWAKEUPEVENT	RGMII0_RXCTL_DUPLICATEWAKEUPEVENT	RGMII0_RXC_DUPLICATEWAKEUPEVENT	RGMII0_TXD0_DUPLICATEWAKEUPEVENT	RGMII0_TXD1_DUPLICATEWAKEUPEVENT	RGMII0_TXD2_DUPLICATEWAKEUPEVENT	RGMII0_TXD3_DUPLICATEWAKEUPEVENT	RGMII0_TXCTL_DUPLICATEWAKEUPEVENT	RGMII0_TXC_DUPLICATEWAKEUPEVENT	UART3_TXD_DUPLICATEWAKEUPEVENT	UART3_RXD_DUPLICATEWAKEUPEVENT	RMII_MHZ_50_CLK_DUPLICATEWAKEUPEVENT	MDIO_D_DUPLICATEWAKEUPEVENT	MDIO_MCLK_DUPLICATEWAKEUPEVENT	VOUT1_D23_DUPLICATEWAKEUPEVENT	VOUT1_D22_DUPLICATEWAKEUPEVENT	VOUT1_D21_DUPLICATEWAKEUPEVENT	VOUT1_D20_DUPLICATEWAKEUPEVENT	VOUT1_D19_DUPLICATEWAKEUPEVENT	VOUT1_D18_DUPLICATEWAKEUPEVENT	VOUT1_D17_DUPLICATEWAKEUPEVENT	VOUT1_D16_DUPLICATEWAKEUPEVENT	VOUT1_D15_DUPLICATEWAKEUPEVENT	VOUT1_D14_DUPLICATEWAKEUPEVENT	VOUT1_D13_DUPLICATEWAKEUPEVENT	VOUT1_D12_DUPLICATEWAKEUPEVENT	VOUT1_D11_DUPLICATEWAKEUPEVENT	VOUT1_D10_DUPLICATEWAKEUPEVENT	VOUT1_D9_DUPLICATEWAKEUPEVENT

Bits	Field Name	Description	Type	Reset
31	RGMII0_RXD0_DUPLICATEWAKEUPEVENT		R	0x0
30	RGMII0_RXD1_DUPLICATEWAKEUPEVENT		R	0x0
29	RGMII0_RXD2_DUPLICATEWAKEUPEVENT		R	0x0
28	RGMII0_RXD3_DUPLICATEWAKEUPEVENT		R	0x0
27	RGMII0_RXCTL_DUPLICATEWAKEUPEVENT		R	0x0
26	RGMII0_RXC_DUPLICATEWAKEUPEVENT		R	0x0
25	RGMII0_TXD0_DUPLICATEWAKEUPEVENT		R	0x0
24	RGMII0_TXD1_DUPLICATEWAKEUPEVENT		R	0x0
23	RGMII0_TXD2_DUPLICATEWAKEUPEVENT		R	0x0
22	RGMII0_TXD3_DUPLICATEWAKEUPEVENT		R	0x0
21	RGMII0_TXCTL_DUPLICATEWAKEUPEVENT		R	0x0
20	RGMII0_TXC_DUPLICATEWAKEUPEVENT		R	0x0
19	UART3_TXD_DUPLICATEWAKEUPEVENT		R	0x0

Bits	Field Name	Description	Type	Reset
18	UART3_RXD_DUPLICAT EWAKEUPEVENT		R	0x0
17	RMII_MHZ_50_CLK_DUP LICATEWAKEUPEVENT		R	0x0
16	MDIO_D_DUPLICATEWA KEUPEVENT		R	0x0
15	MDIO_MCLK_DUPLICAT EWAKEUPEVENT		R	0x0
14	VOUT1_D23_DUPLICAT EWAKEUPEVENT		R	0x0
13	VOUT1_D22_DUPLICAT EWAKEUPEVENT		R	0x0
12	VOUT1_D21_DUPLICAT EWAKEUPEVENT		R	0x0
11	VOUT1_D20_DUPLICAT EWAKEUPEVENT		R	0x0
10	VOUT1_D19_DUPLICAT EWAKEUPEVENT		R	0x0
9	VOUT1_D18_DUPLICAT EWAKEUPEVENT		R	0x0
8	VOUT1_D17_DUPLICAT EWAKEUPEVENT		R	0x0
7	VOUT1_D16_DUPLICAT EWAKEUPEVENT		R	0x0
6	VOUT1_D15_DUPLICAT EWAKEUPEVENT		R	0x0
5	VOUT1_D14_DUPLICAT EWAKEUPEVENT		R	0x0
4	VOUT1_D13_DUPLICAT EWAKEUPEVENT		R	0x0
3	VOUT1_D12_DUPLICAT EWAKEUPEVENT		R	0x0
2	VOUT1_D11_DUPLICAT EWAKEUPEVENT		R	0x0
1	VOUT1_D10_DUPLICAT EWAKEUPEVENT		R	0x0
0	VOUT1_D9_DUPLICATE WAKEUPEVENT		R	0x0

Table 18-1555. Register Call Summary for Register CTRL_CORE_PADCONF_WAKEUPEVENT_4

Control Module Register Manual

- [CTRL_MODULE_CORE Register Summary: \[0\]](#)

Table 18-1556. CTRL_CORE_PADCONF_WAKEUPEVENT_5

Address Offset	0x0000 187C	Instance	CTRL_MODULE_CORE
Physical Address	0x4A00 387C		
Description			
Type	R		

31	30	29	28	27	26	25	24	23	22	21	20	19	18	17	16	15	14	13	12	11	10	9	8	7	6	5	4	3	2	1	0
MCASP2_ACLKR_DUPLICATEWAKEUPEVENT	MCASP2_FSX_DUPLICATEWAKEUPEVENT	MCASP2_ACLKX_DUPLICATEWAKEUPEVENT	MCASP1_AXR15_DUPLICATEWAKEUPEVENT	MCASP1_AXR14_DUPLICATEWAKEUPEVENT	MCASP1_AXR13_DUPLICATEWAKEUPEVENT	MCASP1_AXR12_DUPLICATEWAKEUPEVENT	MCASP1_AXR11_DUPLICATEWAKEUPEVENT	MCASP1_AXR10_DUPLICATEWAKEUPEVENT	MCASP1_AXR9_DUPLICATEWAKEUPEVENT	MCASP1_AXR8_DUPLICATEWAKEUPEVENT	MCASP1_AXR7_DUPLICATEWAKEUPEVENT	MCASP1_AXR6_DUPLICATEWAKEUPEVENT	MCASP1_AXR5_DUPLICATEWAKEUPEVENT	MCASP1_AXR4_DUPLICATEWAKEUPEVENT	MCASP1_AXR3_DUPLICATEWAKEUPEVENT	MCASP1_AXR2_DUPLICATEWAKEUPEVENT	MCASP1_AXR1_DUPLICATEWAKEUPEVENT	MCASP1_AXR0_DUPLICATEWAKEUPEVENT	MCASP1_FSR_DUPLICATEWAKEUPEVENT	MCASP1_ACLKR_DUPLICATEWAKEUPEVENT	MCASP1_FSX_DUPLICATEWAKEUPEVENT	MCASP1_ACLKX_DUPLICATEWAKEUPEVENT	XREF_CLK3_DUPLICATEWAKEUPEVENT	XREF_CLK2_DUPLICATEWAKEUPEVENT	XREF_CLK1_DUPLICATEWAKEUPEVENT	XREF_CLK0_DUPLICATEWAKEUPEVENT	GPIO6_16_DUPLICATEWAKEUPEVENT	GPIO6_15_DUPLICATEWAKEUPEVENT	GPIO6_14_DUPLICATEWAKEUPEVENT	USB2_DRVVBUS_DUPLICATEWAKEUPEVENT	USB1_DRVVBUS_DUPLICATEWAKEUPEVENT

Bits	Field Name	Description	Type	Reset
31	MCASP2_ACLKR_DUPLICATEWAKEUPEVENT	MCASP2_ACLKR_DUPLICATEWAKEUPEVENT	R	0x0
30	MCASP2_FSX_DUPLICATEWAKEUPEVENT	MCASP2_FSX_DUPLICATEWAKEUPEVENT	R	0x0
29	MCASP2_ACLKX_DUPLICATEWAKEUPEVENT	MCASP2_ACLKX_DUPLICATEWAKEUPEVENT	R	0x0
28	MCASP1_AXR15_DUPLICATEWAKEUPEVENT	MCASP1_AXR15_DUPLICATEWAKEUPEVENT	R	0x0
27	MCASP1_AXR14_DUPLICATEWAKEUPEVENT	MCASP1_AXR14_DUPLICATEWAKEUPEVENT	R	0x0
26	MCASP1_AXR13_DUPLICATEWAKEUPEVENT	MCASP1_AXR13_DUPLICATEWAKEUPEVENT	R	0x0
25	MCASP1_AXR12_DUPLICATEWAKEUPEVENT	MCASP1_AXR12_DUPLICATEWAKEUPEVENT	R	0x0
24	MCASP1_AXR11_DUPLICATEWAKEUPEVENT	MCASP1_AXR11_DUPLICATEWAKEUPEVENT	R	0x0
23	MCASP1_AXR10_DUPLICATEWAKEUPEVENT	MCASP1_AXR10_DUPLICATEWAKEUPEVENT	R	0x0
22	MCASP1_AXR9_DUPLICATEWAKEUPEVENT	MCASP1_AXR9_DUPLICATEWAKEUPEVENT	R	0x0
21	MCASP1_AXR8_DUPLICATEWAKEUPEVENT	MCASP1_AXR8_DUPLICATEWAKEUPEVENT	R	0x0
20	MCASP1_AXR7_DUPLICATEWAKEUPEVENT	MCASP1_AXR7_DUPLICATEWAKEUPEVENT	R	0x0
19	MCASP1_AXR6_DUPLICATEWAKEUPEVENT	MCASP1_AXR6_DUPLICATEWAKEUPEVENT	R	0x0
18	MCASP1_AXR5_DUPLICATEWAKEUPEVENT	MCASP1_AXR5_DUPLICATEWAKEUPEVENT	R	0x0
17	MCASP1_AXR4_DUPLICATEWAKEUPEVENT	MCASP1_AXR4_DUPLICATEWAKEUPEVENT	R	0x0
16	MCASP1_AXR3_DUPLICATEWAKEUPEVENT	MCASP1_AXR3_DUPLICATEWAKEUPEVENT	R	0x0

Bits	Field Name	Description	Type	Reset
15	MCASP1_AXR2_DUPLIC ATEWAKEUPEVENT		R	0x0
14	MCASP1_AXR1_DUPLIC ATEWAKEUPEVENT		R	0x0
13	MCASP1_AXR0_DUPLIC ATEWAKEUPEVENT		R	0x0
12	MCASP1_FSR_DUPLICA TEWAKEUPEVENT		R	0x0
11	MCASP1_ACLKR_DUPLI CATEWAKEUPEVENT		R	0x0
10	MCASP1_FSX_DUPLICA TEWAKEUPEVENT		R	0x0
9	MCASP1_ACLKX_DUPLI CATEWAKEUPEVENT		R	0x0
8	XREF_CLK3_DUPLICAT EWAKEUPEVENT		R	0x0
7	XREF_CLK2_DUPLICAT EWAKEUPEVENT		R	0x0
6	XREF_CLK1_DUPLICAT EWAKEUPEVENT		R	0x0
5	XREF_CLK0_DUPLICAT EWAKEUPEVENT		R	0x0
4	GPIO6_16_DUPLICATEW AKEUPEVENT		R	0x0
3	GPIO6_15_DUPLICATEW AKEUPEVENT		R	0x0
2	GPIO6_14_DUPLICATEW AKEUPEVENT		R	0x0
1	USB2_DRVVBUS_DUPLI CATEWAKEUPEVENT		R	0x0
0	USB1_DRVVBUS_DUPLI CATEWAKEUPEVENT		R	0x0

Table 18-1557. Register Call Summary for Register CTRL_CORE_PADCONF_WAKEUPEVENT_5

Control Module Register Manual

- [CTRL_MODULE_CORE Register Summary: \[0\]](#)

Table 18-1558. CTRL_CORE_PADCONF_WAKEUPEVENT_6

Address Offset	0x0000 1880	Instance	CTRL_MODULE_CORE
Physical Address	0x4A00 3880		
Description			
Type	R		

31	30	29	28	27	26	25	24	23	22	21	20	19	18	17	16	15	14	13	12	11	10	9	8	7	6	5	4	3	2	1	0
MMC3_CLK_DUPLICATEWAKEUPEVENT	GPIO6_11_DUPLICATEWAKEUPEVENT	GPIO6_10_DUPLICATEWAKEUPEVENT	MMC1_SDWP_DUPLICATEWAKEUPEVENT	MMC1_SDCD_DUPLICATEWAKEUPEVENT	MMC1_DAT3_DUPLICATEWAKEUPEVENT	MMC1_DAT2_DUPLICATEWAKEUPEVENT	MMC1_DAT1_DUPLICATEWAKEUPEVENT	MMC1_DAT0_DUPLICATEWAKEUPEVENT	MMC1_CMD_DUPLICATEWAKEUPEVENT	MMC1_CLK_DUPLICATEWAKEUPEVENT	MCASP5_AXR1_DUPLICATEWAKEUPEVENT	MCASP5_AXR0_DUPLICATEWAKEUPEVENT	MCASP5_FSX_DUPLICATEWAKEUPEVENT	MCASP5_ACLKX_DUPLICATEWAKEUPEVENT	MCASP4_AXR1_DUPLICATEWAKEUPEVENT	MCASP4_AXR0_DUPLICATEWAKEUPEVENT	MCASP4_FSX_DUPLICATEWAKEUPEVENT	MCASP4_ACLKX_DUPLICATEWAKEUPEVENT	MCASP3_AXR1_DUPLICATEWAKEUPEVENT	MCASP3_AXR0_DUPLICATEWAKEUPEVENT	MCASP3_FSX_DUPLICATEWAKEUPEVENT	MCASP3_ACLKX_DUPLICATEWAKEUPEVENT	MCASP2_AXR7_DUPLICATEWAKEUPEVENT	MCASP2_AXR6_DUPLICATEWAKEUPEVENT	MCASP2_AXR5_DUPLICATEWAKEUPEVENT	MCASP2_AXR4_DUPLICATEWAKEUPEVENT	MCASP2_AXR3_DUPLICATEWAKEUPEVENT	MCASP2_AXR2_DUPLICATEWAKEUPEVENT	MCASP2_AXR1_DUPLICATEWAKEUPEVENT	MCASP2_AXR0_DUPLICATEWAKEUPEVENT	MCASP2_FSR_DUPLICATEWAKEUPEVENT

Bits	Field Name	Description	Type	Reset
31	MMC3_CLK_DUPLICATEWAKEUPEVENT		R	0x0
30	GPIO6_11_DUPLICATEWAKEUPEVENT		R	0x0
29	GPIO6_10_DUPLICATEWAKEUPEVENT		R	0x0
28	MMC1_SDWP_DUPLICATEWAKEUPEVENT		R	0x0
27	MMC1_SDCD_DUPLICATEWAKEUPEVENT		R	0x0
26	MMC1_DAT3_DUPLICATEWAKEUPEVENT		R	0x0
25	MMC1_DAT2_DUPLICATEWAKEUPEVENT		R	0x0
24	MMC1_DAT1_DUPLICATEWAKEUPEVENT		R	0x0
23	MMC1_DAT0_DUPLICATEWAKEUPEVENT		R	0x0
22	MMC1_CMD_DUPLICATEWAKEUPEVENT		R	0x0
21	MMC1_CLK_DUPLICATEWAKEUPEVENT		R	0x0
20	MCASP5_AXR1_DUPLICATEWAKEUPEVENT		R	0x0
19	MCASP5_AXR0_DUPLICATEWAKEUPEVENT		R	0x0
18	MCASP5_FSX_DUPLICATEWAKEUPEVENT		R	0x0
17	MCASP5_ACLKX_DUPLICATEWAKEUPEVENT		R	0x0
16	MCASP4_AXR1_DUPLICATEWAKEUPEVENT		R	0x0

Bits	Field Name	Description	Type	Reset
15	MCASP4_AXR0_DUPLIC ATEWAKEUPEVENT		R	0x0
14	MCASP4_FSX_DUPLICA TEWAKEUPEVENT		R	0x0
13	MCASP4_ACLKX_DUPLI CATEWAKEUPEVENT		R	0x0
12	MCASP3_AXR1_DUPLIC ATEWAKEUPEVENT		R	0x0
11	MCASP3_AXR0_DUPLIC ATEWAKEUPEVENT		R	0x0
10	MCASP3_FSX_DUPLICA TEWAKEUPEVENT		R	0x0
9	MCASP3_ACLKX_DUPLI CATEWAKEUPEVENT		R	0x0
8	MCASP2_AXR7_DUPLIC ATEWAKEUPEVENT		R	0x0
7	MCASP2_AXR6_DUPLIC ATEWAKEUPEVENT		R	0x0
6	MCASP2_AXR5_DUPLIC ATEWAKEUPEVENT		R	0x0
5	MCASP2_AXR4_DUPLIC ATEWAKEUPEVENT		R	0x0
4	MCASP2_AXR3_DUPLIC ATEWAKEUPEVENT		R	0x0
3	MCASP2_AXR2_DUPLIC ATEWAKEUPEVENT		R	0x0
2	MCASP2_AXR1_DUPLIC ATEWAKEUPEVENT		R	0x0
1	MCASP2_AXR0_DUPLIC ATEWAKEUPEVENT		R	0x0
0	MCASP2_FSR_DUPLICA TEWAKEUPEVENT		R	0x0

Table 18-1559. Register Call Summary for Register CTRL_CORE_PADCONF_WAKEUPEVENT_6

Control Module Register Manual

- [CTRL_MODULE_CORE Register Summary: \[0\]](#)

Table 18-1560. CTRL_CORE_PADCONF_WAKEUPEVENT_7

Address Offset	0x0000 1884	Instance	CTRL_MODULE_CORE
Physical Address	0x4A00 3884		
Description			
Type	R		

31	30	29	28	27	26	25	24	23	22	21	20	19	18	17	16	15	14	13	12	11	10	9	8	7	6	5	4	3	2	1	0
UART2_RTSN_DUPLICATEWAKEUPEVENT	UART2_CTSN_DUPLICATEWAKEUPEVENT	UART2_TXD_DUPLICATEWAKEUPEVENT	UART2_RXD_DUPLICATEWAKEUPEVENT	UART1_RTSN_DUPLICATEWAKEUPEVENT	UART1_CTSN_DUPLICATEWAKEUPEVENT	UART1_TXD_DUPLICATEWAKEUPEVENT	UART1_RXD_DUPLICATEWAKEUPEVENT	DCAN2_RX_DUPLICATEWAKEUPEVENT	DCAN2_TX_DUPLICATEWAKEUPEVENT	DCAN1_RX_DUPLICATEWAKEUPEVENT	DCAN1_TX_DUPLICATEWAKEUPEVENT	SPI2_CS0_DUPLICATEWAKEUPEVENT	SPI2_D0_DUPLICATEWAKEUPEVENT	SPI2_D1_DUPLICATEWAKEUPEVENT	SPI2_SCLK_DUPLICATEWAKEUPEVENT	SPI1_CS3_DUPLICATEWAKEUPEVENT	SPI1_CS2_DUPLICATEWAKEUPEVENT	SPI1_CS1_DUPLICATEWAKEUPEVENT	SPI1_CS0_DUPLICATEWAKEUPEVENT	SPI1_D0_DUPLICATEWAKEUPEVENT	SPI1_D1_DUPLICATEWAKEUPEVENT	SPI1_SCLK_DUPLICATEWAKEUPEVENT	MMC3_DAT7_DUPLICATEWAKEUPEVENT	MMC3_DAT6_DUPLICATEWAKEUPEVENT	MMC3_DAT5_DUPLICATEWAKEUPEVENT	MMC3_DAT4_DUPLICATEWAKEUPEVENT	MMC3_DAT3_DUPLICATEWAKEUPEVENT	MMC3_DAT2_DUPLICATEWAKEUPEVENT	MMC3_DAT1_DUPLICATEWAKEUPEVENT	MMC3_DAT0_DUPLICATEWAKEUPEVENT	MMC3_CMD_DUPLICATEWAKEUPEVENT

Bits	Field Name	Description	Type	Reset
31	UART2_RTSN_DUPLICATEWAKEUPEVENT		R	0x0
30	UART2_CTSN_DUPLICATEWAKEUPEVENT		R	0x0
29	UART2_TXD_DUPLICATEWAKEUPEVENT		R	0x0
28	UART2_RXD_DUPLICATEWAKEUPEVENT		R	0x0
27	UART1_RTSN_DUPLICATEWAKEUPEVENT		R	0x0
26	UART1_CTSN_DUPLICATEWAKEUPEVENT		R	0x0
25	UART1_TXD_DUPLICATEWAKEUPEVENT		R	0x0
24	UART1_RXD_DUPLICATEWAKEUPEVENT		R	0x0
23	DCAN2_RX_DUPLICATEWAKEUPEVENT		R	0x0
22	DCAN2_TX_DUPLICATEWAKEUPEVENT		R	0x0
21	DCAN1_RX_DUPLICATEWAKEUPEVENT		R	0x0
20	DCAN1_TX_DUPLICATEWAKEUPEVENT		R	0x0
19	SPI2_CS0_DUPLICATEWAKEUPEVENT		R	0x0
18	SPI2_D0_DUPLICATEWAKEUPEVENT		R	0x0
17	SPI2_D1_DUPLICATEWAKEUPEVENT		R	0x0
16	SPI2_SCLK_DUPLICATEWAKEUPEVENT		R	0x0

Bits	Field Name	Description	Type	Reset
15	SPI1_CS3_DUPLICATEWAKEUPEVENT		R	0x0
14	SPI1_CS2_DUPLICATEWAKEUPEVENT		R	0x0
13	SPI1_CS1_DUPLICATEWAKEUPEVENT		R	0x0
12	SPI1_CS0_DUPLICATEWAKEUPEVENT		R	0x0
11	SPI1_D0_DUPLICATEWAKEUPEVENT		R	0x0
10	SPI1_D1_DUPLICATEWAKEUPEVENT		R	0x0
9	SPI1_SCLK_DUPLICATEWAKEUPEVENT		R	0x0
8	MMC3_DAT7_DUPLICATEWAKEUPEVENT		R	0x0
7	MMC3_DAT6_DUPLICATEWAKEUPEVENT		R	0x0
6	MMC3_DAT5_DUPLICATEWAKEUPEVENT		R	0x0
5	MMC3_DAT4_DUPLICATEWAKEUPEVENT		R	0x0
4	MMC3_DAT3_DUPLICATEWAKEUPEVENT		R	0x0
3	MMC3_DAT2_DUPLICATEWAKEUPEVENT		R	0x0
2	MMC3_DAT1_DUPLICATEWAKEUPEVENT		R	0x0
1	MMC3_DAT0_DUPLICATEWAKEUPEVENT		R	0x0
0	MMC3_CMD_DUPLICATEWAKEUPEVENT		R	0x0

Table 18-1561. Register Call Summary for Register CTRL_CORE_PADCONF_WAKEUPEVENT_7

Control Module Register Manual

- [CTRL_MODULE_CORE Register Summary: \[0\]](#)

Table 18-1562. CTRL_CORE_PADCONF_WAKEUPEVENT_8

Address Offset	0x0000 1888	Instance	CTRL_MODULE_CORE
Physical Address	0x4A00 3888		
Description			
Type	R		

31	30	29	28	27	26	25	24	23	22	21	20	19	18	17	16	15	14	13	12	11	10	9	8	7	6	5	4	3	2	1	0
RESERVED								NMIN_DUPLICATEWAKEUPEVENT EMU4_DUPLICATEWAKEUPEVENT EMU3_DUPLICATEWAKEUPEVENT EMU2_DUPLICATEWAKEUPEVENT EMU1_DUPLICATEWAKEUPEVENT EMU0_DUPLICATEWAKEUPEVENT RTCK_DUPLICATEWAKEUPEVENT TDO_DUPLICATEWAKEUPEVENT TDI_DUPLICATEWAKEUPEVENT WAKEUP3_DUPLICATEWAKEUPEVENT								RESERVED WAKEUP0_DUPLICATEWAKEUPEVENT I2C3_SCL_DUPLICATEWAKEUPEVENT I2C3_SDA_DUPLICATEWAKEUPEVENT I2C2_SCL_DUPLICATEWAKEUPEVENT I2C2_SDA_DUPLICATEWAKEUPEVENT I2C1_SCL_DUPLICATEWAKEUPEVENT I2C1_SDA_DUPLICATEWAKEUPEVENT															

Bits	Field Name	Description	Type	Reset
31:19	RESERVED		R	0x0
18	NMIN_DUPLICATEWAKEUPEVENT		R	0x0
17	EMU4_DUPLICATEWAKEUPEVENT		R	0x0
16	EMU3_DUPLICATEWAKEUPEVENT		R	0x0
15	EMU2_DUPLICATEWAKEUPEVENT		R	0x0
14	EMU1_DUPLICATEWAKEUPEVENT		R	0x0
13	EMU0_DUPLICATEWAKEUPEVENT		R	0x0
12	RTCK_DUPLICATEWAKEUPEVENT		R	0x0
11	TDO_DUPLICATEWAKEUPEVENT		R	0x0
10	TDI_DUPLICATEWAKEUPEVENT		R	0x0
9	WAKEUP3_DUPLICATEWAKEUPEVENT		R	0x0
8:7	RESERVED		R	0x0
6	WAKEUP0_DUPLICATEWAKEUPEVENT		R	0x0
5	I2C3_SCL_DUPLICATEWAKEUPEVENT		R	0x0
4	I2C3_SDA_DUPLICATEWAKEUPEVENT		R	0x0
3	I2C2_SCL_DUPLICATEWAKEUPEVENT		R	0x0
2	I2C2_SDA_DUPLICATEWAKEUPEVENT		R	0x0
1	I2C1_SCL_DUPLICATEWAKEUPEVENT		R	0x0

Bits	Field Name	Description	Type	Reset
0	I2C1_SDA_DUPLICATEWAKEUPEVENT		R	0x0

Table 18-1563. Register Call Summary for Register CTRL_CORE_PADCONF_WAKEUPEVENT_8

Control Module Register Manual

- [CTRL_MODULE_CORE Register Summary: \[0\]](#)

Table 18-1564. CTRL_CORE_STD_FUSE_OPP_VMIN_GPU_2

Address offset	0x0000 1B08	Instance	CTRL_MODULE_CORE
Physical Address	0x4A00 3B08		
Description	This register contains the AVS Class 0 voltage value for the vdd_gpu voltage rail when running at OPP_NOM. This register also stores information about ABB configuration for that OPP.		
Type	R		

31	30	29	28	27	26	25	24	23	22	21	20	19	18	17	16	15	14	13	12	11	10	9	8	7	6	5	4	3	2	1	0
RESERVED							ABBEN	VSETABB								RESERVED								STD_FUSE_OPP_VMIN_GPU_2							

Bits	Field Name	Description	Type	Reset
31:26	RESERVED	Reserved	R	0x-
25	ABBEN	0x0: ABB is disabled 0x1: ABB is enabled	R	0x-
24:20	VSETABB	This bit field shows the ABB LDO target value for OPP_NOM which has to be written to the CTRL_WKUP_LDOVBB_GPU_VOLTAGE_CTRL [4:0] LDOVBBGPU_FBB_VSET_OUT bit field, if ABB is enabled.	R	0x-
19:12	RESERVED	Reserved	R	0x-
11:0	STD_FUSE_OPP_VMIN_GPU_2	AVS Class 0 voltage value for the vdd_gpu voltage rail when running at OPP_NOM. To get the actual value in mV, the value read from this bit field must be converted to decimal value.	R	0x-

Table 18-1565. Register Call Summary for Register CTRL_CORE_STD_FUSE_OPP_VMIN_GPU_2

Control Module Functional Description

- [AVS Class 0 Associated Registers: \[0\]](#)

Control Module Register Manual

- [CTRL_MODULE_CORE Register Summary: \[1\]](#)

Table 18-1566. CTRL_CORE_STD_FUSE_OPP_VMIN_GPU_3

Address offset	0x0000 1B0C	Instance	CTRL_MODULE_CORE
Physical Address	0x4A00 3B0C		
Description	This register contains the AVS Class 0 voltage value for the vdd_gpu voltage rail when running at OPP_OD. This register also stores information about ABB configuration for that OPP. Note: OPP_OD is not supported on the AM570x family of devices.		
Type	R		

31	30	29	28	27	26	25	24	23	22	21	20	19	18	17	16	15	14	13	12	11	10	9	8	7	6	5	4	3	2	1	0
RESERVED							ABBEN	VSETABB								RESERVED								STD_FUSE_OPP_VMIN_GPU_3							

Bits	Field Name	Description	Type	Reset
31:26	RESERVED	Reserved	R	0x-
25	ABBEN	0x0: ABB is disabled 0x1: ABB is enabled	R	0x-
24:20	VSETABB	This bit field shows the ABB LDO target value for OPP_OD which has to be written to the CTRL_WKUP_LDOVBB_GPU_VOLTAGE_CTRL [4:0] LDOVBBGPU_FBB_VSET_OUT bit field, if ABB is enabled.	R	0x-
19:12	RESERVED	Reserved	R	0x-
11:0	STD_FUSE_OPP_VMIN_GPU_3	AVS Class 0 voltage value for the vdd_gpu voltage rail when running at OPP_OD. To get the actual value in mV, the value read from this bit field must be converted to decimal value.	R	0x-

Table 18-1567. Register Call Summary for Register CTRL_CORE_STD_FUSE_OPP_VMIN_GPU_3

Control Module Functional Description

- [AVS Class 0 Associated Registers: \[0\]](#)

Control Module Register Manual

- [CTRL_MODULE_CORE Register Summary: \[1\]](#)

Table 18-1568. CTRL_CORE_STD_FUSE_OPP_VMIN_GPU_4

Address Offset	0x0000 1B10	Instance	CTRL_MODULE_CORE
Physical Address	0x4A00 3B10		
Description	This register contains the AVS Class 0 voltage value for the vdd_gpu voltage rail when running at OPP_HIGH. This register also stores information about ABB configuration for that OPP. Note: OPP_HIGH is not supported for GPU on the AM570x family of devices.		
Type	R		

31	30	29	28	27	26	25	24	23	22	21	20	19	18	17	16	15	14	13	12	11	10	9	8	7	6	5	4	3	2	1	0
RESERVED						ABBEN	VSETABB						RESERVED						STD_FUSE_OPP_VMIN_GPU_4												

Bits	Field Name	Description	Type	Reset
31:26	RESERVED	Reserved	R	0x-
25	ABBEN	0x0: ABB is disabled 0x1: ABB is enabled	R	0x-
24:20	VSETABB	This bit field shows the ABB LDO target value for OPP_HIGH which has to be written to the CTRL_WKUP_LDOVBB_GPU_VOLTAGE_CTRL [4:0] LDOVBBGPU_FBB_VSET_OUT bit field, if ABB is enabled.	R	0x-
19:12	RESERVED	Reserved	R	0x-
11:0	STD_FUSE_OPP_VMIN_GPU_4	AVS Class 0 voltage value for the vdd_gpu voltage rail when running at OPP_HIGH. To get the actual value in mV, the value read from this bit field must be converted to decimal value.	R	0x-

Table 18-1569. Register Call Summary for Register CTRL_CORE_STD_FUSE_OPP_VMIN_GPU_4

Control Module Functional Description

- [AVS Class 0 Associated Registers: \[0\]](#)

Control Module Register Manual

- [CTRL_MODULE_CORE Register Summary: \[1\]](#)

Table 18-1570. CTRL_CORE_STD_FUSE_OPP_VMIN_GPU_5

Address Offset	0x0000 1B14	Instance	CTRL_MODULE_CORE
Physical Address	0x4A00 3B14		
Description	This register contains the AVS Class 0 voltage value for the vdd_gpu voltage rail when running at OPP_PLUS. This register also stores information about ABB configuration for that OPP.		
Type	R		

31	30	29	28	27	26	25	24	23	22	21	20	19	18	17	16	15	14	13	12	11	10	9	8	7	6	5	4	3	2	1	0
RESERVED							ABBEN	VSETABB				RESERVED				STD_FUSE_OPP_VMIN_GPU_5															

Bits	Field Name	Description	Type	Reset
31:26	RESERVED	Reserved	R	0x-
25	ABBEN	0x0: ABB is disabled 0x1: ABB is enabled	R	0x-
24:20	VSETABB	This bit field shows the ABB LDO target value for OPP_PLUS which has to be written to the CTRL_WKUP_LDOVBB_GPU_VOLTAGE_CTRL [4:0] LDOVBBGPU_FBB_VSET_OUT bit field, if ABB is enabled.	R	0x-
19:12	RESERVED	Reserved	R	0x-
11:0	STD_FUSE_OPP_VMIN_GPU_5	AVS Class 0 voltage value for the vdd_gpu voltage rail when running at OPP_PLUS. To get the actual value in mV, the value read from this bit field must be converted to decimal value.	R	0x-

Table 18-1571. Register Call Summary for Register CTRL_CORE_STD_FUSE_OPP_VMIN_GPU_5

Control Module Functional Description

- [AVS Class 0 Associated Registers: \[0\]](#)

Control Module Register Manual

- [CTRL_MODULE_CORE Register Summary: \[1\]](#)

Table 18-1572. CTRL_CORE_STD_FUSE_OPP_VMIN_MPU_1

Address offset	0x0000 1B1C	Instance	CTRL_MODULE_CORE
Physical Address	0x4A00 3B1C		
Description	This register contains the AVS Class 0 voltage value for the vdd_mpu voltage rail when running at OPP_LOW. This register also stores information about ABB configuration for that OPP.		
Type	R		

31	30	29	28	27	26	25	24	23	22	21	20	19	18	17	16	15	14	13	12	11	10	9	8	7	6	5	4	3	2	1	0
RESERVED							ABBEN	VSETABB				RESERVED				STD_FUSE_OPP_VMIN_MPU_2															

Bits	Field Name	Description	Type	Reset
31:26	RESERVED	Reserved	R	0x-
25	ABBEN	0x0: ABB is disabled 0x1: ABB is enabled	R	0x-
24:20	VSETABB	This bit field shows the ABB LDO target value for OPP_LOW which has to be written to the CTRL_WKUP_LDOVBB_MPU_VOLTAGE_CTRL [4:0] LDOVBBMPU_FBB_VSET_OUT bit field, if ABB is enabled.	R	0x-

Bits	Field Name	Description	Type	Reset
19:12	RESERVED	Reserved	R	0x-
11:0	STD_FUSE_OPP_VMIN_MPU_1	AVS Class 0 voltage value for the vdd_mpu voltage rail when running at OPP_LOW. To get the actual value in mV, the value read from this bit field must be converted to decimal value.	R	0x-

Table 18-1573. Register Call Summary for Register CTRL_CORE_STD_FUSE_OPP_VMIN_MPU_1

Control Module Functional Description

- [AVS Class 0 Associated Registers: \[0\]](#)

Control Module Register Manual

- [CTRL_MODULE_CORE Register Summary: \[1\]](#)

Table 18-1574. CTRL_CORE_STD_FUSE_OPP_VMIN_MPU_2

Address offset	0x0000 1B20	Instance	CTRL_MODULE_CORE
Physical Address	0x4A00 3B20		
Description	This register contains the AVS Class 0 voltage value for the vdd_mpu voltage rail when running at OPP_NOM. This register also stores information about ABB configuration for that OPP.		
Type	R		

31	30	29	28	27	26	25	24	23	22	21	20	19	18	17	16	15	14	13	12	11	10	9	8	7	6	5	4	3	2	1	0
RESERVED						ABBEN	VSETABB				RESERVED				STD_FUSE_OPP_VMIN_MPU_2																

Bits	Field Name	Description	Type	Reset
31:26	RESERVED	Reserved	R	0x-
25	ABBEN	0x0: ABB is disabled 0x1: ABB is enabled	R	0x-
24:20	VSETABB	This bit field shows the ABB LDO target value for OPP_NOM which has to be written to the CTRL_WKUP_LDOVBB_MPU_VOLTAGE_CTRL [4:0] LDOVBBMPU_FBB_VSET_OUT bit field, if ABB is enabled.	R	0x-
19:12	RESERVED	Reserved	R	0x-
11:0	STD_FUSE_OPP_VMIN_MPU_2	AVS Class 0 voltage value for the vdd_mpu voltage rail when running at OPP_NOM. To get the actual value in mV, the value read from this bit field must be converted to decimal value.	R	0x-

Table 18-1575. Register Call Summary for Register CTRL_CORE_STD_FUSE_OPP_VMIN_MPU_2

Control Module Functional Description

- [AVS Class 0 Associated Registers: \[0\]\[1\]](#)
- [ABB Associated Registers: \[2\]](#)

Control Module Register Manual

- [CTRL_MODULE_CORE Register Summary: \[3\]](#)

Table 18-1576. CTRL_CORE_STD_FUSE_OPP_VMIN_MPU_3

Address offset	0x0000 1B24
Physical Address	0x4A00 3B24
Instance	CTRL_MODULE_CORE
Description	This register contains the AVS Class 0 voltage value for the vdd_mpu voltage rail when running at OPP_OD. This register also stores information about ABB configuration for that OPP. Note: OPP_OD is not supported on the AM570x family of devices.
Type	R

31	30	29	28	27	26	25	24	23	22	21	20	19	18	17	16	15	14	13	12	11	10	9	8	7	6	5	4	3	2	1	0
RESERVED							ABBEN	VSETABB				RESERVED				STD_FUSE_OPP_VMIN_MPU_3															

Bits	Field Name	Description	Type	Reset
31:26	RESERVED	Reserved	R	0x-
25	ABBEN	0x0: ABB is disabled 0x1: ABB is enabled	R	0x-
24:20	VSETABB	This bit field shows the ABB LDO target value for OPP_OD which has to be written to the CTRL_WKUP_LDOVBB_MPU_VOLTAGE_CTRL [4:0] LDOVBBMPU_FBB_VSET_OUT bit field, if ABB is enabled.	R	0x-
19:12	RESERVED	Reserved	R	0x-
11:0	STD_FUSE_OPP_VMIN_MPU_3	AVS Class 0 voltage value for the vdd_mpu voltage rail when running at OPP_OD. To get the actual value in mV, the value read from this bit field must be converted to decimal value.	R	0x-

Table 18-1577. Register Call Summary for Register CTRL_CORE_STD_FUSE_OPP_VMIN_MPU_3

Control Module Functional Description

- [AVS Class 0 Associated Registers: \[0\]](#)
- [ABB Associated Registers: \[1\]](#)

Control Module Register Manual

- [CTRL_MODULE_CORE Register Summary: \[2\]](#)

Table 18-1578. CTRL_CORE_STD_FUSE_OPP_VMIN_MPU_4

Address Offset	0x0000 1B28
Physical Address	0x4A00 3B28
Instance	CTRL_MODULE_CORE
Description	This register contains the AVS Class 0 voltage value for the vdd_mpu voltage rail when running at OPP_HIGH. This register also stores information about ABB configuration for that OPP. Note: OPP_HIGH is not supported for MPU on the AM570x family of devices.
Type	R

31	30	29	28	27	26	25	24	23	22	21	20	19	18	17	16	15	14	13	12	11	10	9	8	7	6	5	4	3	2	1	0
RESERVED							ABBEN	VSETABB				RESERVED				STD_FUSE_OPP_VMIN_MPU_4															

Bits	Field Name	Description	Type	Reset
31:26	RESERVED	Reserved	R	0x-
25	ABBEN	0x0: ABB is disabled 0x1: ABB is enabled	R	0x-

Bits	Field Name	Description	Type	Reset
24:20	VSETABB	This bit field shows the ABB LDO target value for OPP_HIGH which has to be written to the CTRL_WKUP_LDOVBB_MPU_VOLTAGE_CTRL [4:0] LDOVBBMPU_FBB_VSET_OUT bit field, if ABB is enabled.	R	0x-
19:12	RESERVED	Reserved	R	0x-
11:0	STD_FUSE_OPP_VMIN_MPU_4	AVS Class 0 voltage value for the vdd_mpu voltage rail when running at OPP_HIGH. To get the actual value in mV, the value read from this bit field must be converted to decimal value.	R	0x-

Table 18-1579. Register Call Summary for Register CTRL_CORE_STD_FUSE_OPP_VMIN_MPU_4

Control Module Functional Description

- [AVS Class 0 Associated Registers: \[0\]](#)

Control Module Register Manual

- [CTRL_MODULE_CORE Register Summary: \[1\]](#)

Table 18-1580. CTRL_CORE_STD_FUSE_OPP_VMIN_MPU_5

Address Offset	0x0000 1B2C	Instance	CTRL_MODULE_CORE
Physical Address	0x4A00 3B2C		
Description	This register contains the AVS Class 0 voltage value for the vdd_mpu voltage rail when running at OPP_PLUS. This register also stores information about ABB configuration for that OPP.		
Type	R		

31	30	29	28	27	26	25	24	23	22	21	20	19	18	17	16	15	14	13	12	11	10	9	8	7	6	5	4	3	2	1	0
RESERVED							ABBEN	VSETABB					RESERVED					STD_FUSE_OPP_VMIN_MPU_5													

Bits	Field Name	Description	Type	Reset
31:26	RESERVED	Reserved	R	0x-
25	ABBEN	0x0: ABB is disabled 0x1: ABB is enabled	R	0x-
24:20	VSETABB	This bit field shows the ABB LDO target value for OPP_PLUS which has to be written to the CTRL_WKUP_LDOVBB_MPU_VOLTAGE_CTRL [4:0] LDOVBBMPU_FBB_VSET_OUT bit field, if ABB is enabled.	R	0x-
19:12	RESERVED	Reserved	R	0x-
11:0	STD_FUSE_OPP_VMIN_MPU_5	AVS Class 0 voltage value for the vdd_mpu voltage rail when running at OPP_PLUS. To get the actual value in mV, the value read from this bit field must be converted to decimal value.	R	0x-

Table 18-1581. Register Call Summary for Register CTRL_CORE_STD_FUSE_OPP_VMIN_MPU_5

Control Module Functional Description

- [AVS Class 0 Associated Registers: \[0\]](#)

Control Module Register Manual

- [CTRL_MODULE_CORE Register Summary: \[1\]](#)

Table 18-1582. CTRL_CORE_STD_FUSE_OPP_VDD_DSPEVE_LVT_0

Address Offset	0x0000 1B38
Physical Address	0x4A00 3B38 Instance CTRL_MODULE_CORE
Description	Standard Fuse OPP VDD_GPU [31:0]. Register shows part of the chip eFuse configuration on the OCP interface. Reading at the address of one of these registers provides a direct view into a part of the eFuse chain.
Type	R

31	30	29	28	27	26	25	24	23	22	21	20	19	18	17	16	15	14	13	12	11	10	9	8	7	6	5	4	3	2	1	0
STD_FUSE_OPP_VDD_DSPEVE_LVT_0																															

Bits	Field Name	Description	Type	Reset
31:0	STD_FUSE_OPP_VDD_D SPEVE_LVT_0		R	0x0

**Table 18-1583. Register Call Summary for Register
CTRL_CORE_STD_FUSE_OPP_VDD_DSPEVE_LVT_0**

Control Module Register Manual

- [CTRL_MODULE_CORE Register Summary: \[0\]](#)

Table 18-1584. CTRL_CORE_STD_FUSE_OPP_VDD_DSPEVE_LVT_1

Address Offset	0x0000 1B3C
Physical Address	0x4A00 3B3C Instance CTRL_MODULE_CORE
Description	Standard Fuse OPP VDD_GPU [63:32]. Register shows part of the chip eFuse configuration on the OCP interface. Reading at the address of one of these registers provides a direct view into a part of the eFuse chain.
Type	R

31	30	29	28	27	26	25	24	23	22	21	20	19	18	17	16	15	14	13	12	11	10	9	8	7	6	5	4	3	2	1	0
STD_FUSE_OPP_VDD_DSPEVE_LVT_1																															

Bits	Field Name	Description	Type	Reset
31:0	STD_FUSE_OPP_VDD_D SPEVE_LVT_1		R	0x0

**Table 18-1585. Register Call Summary for Register
CTRL_CORE_STD_FUSE_OPP_VDD_DSPEVE_LVT_1**

Control Module Register Manual

- [CTRL_MODULE_CORE Register Summary: \[0\]](#)

Table 18-1586. CTRL_CORE_STD_FUSE_OPP_VDD_DSPEVE_LVT_2

Address Offset	0x0000 1B40
Physical Address	0x4A00 3B40 Instance CTRL_MODULE_CORE
Description	Standard Fuse OPP VDD_GPU [95:64]. Register shows part of the chip eFuse configuration on the OCP interface. Reading at the address of one of these registers provides a direct view into a part of the eFuse chain.
Type	R

31	30	29	28	27	26	25	24	23	22	21	20	19	18	17	16	15	14	13	12	11	10	9	8	7	6	5	4	3	2	1	0
STD_FUSE_OPP_VDD_DSPEVE_LVT_2																															

Bits	Field Name	Description	Type	Reset
31:0	STD_FUSE_OPP_VDD_D SPEVE_LVT_2		R	0x0

**Table 18-1587. Register Call Summary for Register
CTRL_CORE_STD_FUSE_OPP_VDD_DSPEVE_LVT_2**

Control Module Register Manual

- [CTRL_MODULE_CORE Register Summary: \[0\]](#)

Table 18-1588. CTRL_CORE_STD_FUSE_OPP_VDD_DSPEVE_LVT_3

Address Offset	0x0000 1B44	
Physical Address	0x4A00 3B44	Instance CTRL_MODULE_CORE
Description	Standard Fuse OPP VDD_GPU [127:96]. Register shows part of the chip eFuse configuration on the OCP interface. Reading at the address of one of these registers provides a direct view into a part of the eFuse chain.	
Type	R	

31	30	29	28	27	26	25	24	23	22	21	20	19	18	17	16	15	14	13	12	11	10	9	8	7	6	5	4	3	2	1	0
STD_FUSE_OPP_VDD_DSPEVE_LVT_3																															

Bits	Field Name	Description	Type	Reset
31:0	STD_FUSE_OPP_VDD_D SPEVE_LVT_3		R	0x0

**Table 18-1589. Register Call Summary for Register
CTRL_CORE_STD_FUSE_OPP_VDD_DSPEVE_LVT_3**

Control Module Register Manual

- [CTRL_MODULE_CORE Register Summary: \[0\]](#)

Table 18-1590. CTRL_CORE_STD_FUSE_OPP_VDD_DSPEVE_LVT_4

Address Offset	0x0000 1B48	
Physical Address	0x4A00 3B48	Instance CTRL_MODULE_CORE
Description	Standard Fuse OPP VDD_GPU [159:128]. Register shows part of the chip eFuse configuration on the OCP interface. Reading at the address of one of these registers provides a direct view into a part of the eFuse chain.	
Type	R	

31	30	29	28	27	26	25	24	23	22	21	20	19	18	17	16	15	14	13	12	11	10	9	8	7	6	5	4	3	2	1	0
STD_FUSE_OPP_VDD_DSPEVE_LVT_4																															

Bits	Field Name	Description	Type	Reset
31:0	STD_FUSE_OPP_VDD_D SPEVE_LVT_4		R	0x0

**Table 18-1591. Register Call Summary for Register
CTRL_CORE_STD_FUSE_OPP_VDD_DSPEVE_LVT_4**

Control Module Register Manual

- [CTRL_MODULE_CORE Register Summary: \[0\]](#)

Table 18-1592. CTRL_CORE_STD_FUSE_OPP_VDD_IVA_LVT_0

Address Offset	0x0000 1B4C
Physical Address	0x4A00 3B4C Instance CTRL_MODULE_CORE
Description	Standard Fuse OPP VDD_IVA [31:0]. Register shows part of the chip eFuse configuration on the OCP interface. Reading at the address of one of these registers provides a direct view into a part of the eFuse chain.
Type	R

31	30	29	28	27	26	25	24	23	22	21	20	19	18	17	16	15	14	13	12	11	10	9	8	7	6	5	4	3	2	1	0
STD_FUSE_OPP_VDD_IVA_LVT_0																															

Bits	Field Name	Description	Type	Reset
31:0	STD_FUSE_OPP_VDD_IVA_LVT_0		R	0x0

Table 18-1593. Register Call Summary for Register CTRL_CORE_STD_FUSE_OPP_VDD_IVA_LVT_0

Control Module Register Manual

- [CTRL_MODULE_CORE Register Summary: \[0\]](#)

Table 18-1594. CTRL_CORE_STD_FUSE_OPP_VDD_IVA_LVT_1

Address Offset	0x0000 1B50
Physical Address	0x4A00 3B50 Instance CTRL_MODULE_CORE
Description	Standard Fuse OPP VDD_IVA [63:32]. Register shows part of the chip eFuse configuration on the OCP interface. Reading at the address of one of these registers provides a direct view into a part of the eFuse chain.
Type	R

31	30	29	28	27	26	25	24	23	22	21	20	19	18	17	16	15	14	13	12	11	10	9	8	7	6	5	4	3	2	1	0
STD_FUSE_OPP_VDD_IVA_LVT_1																															

Bits	Field Name	Description	Type	Reset
31:0	STD_FUSE_OPP_VDD_IVA_LVT_1		R	0x0

Table 18-1595. Register Call Summary for Register CTRL_CORE_STD_FUSE_OPP_VDD_IVA_LVT_1

Control Module Register Manual

- [CTRL_MODULE_CORE Register Summary: \[0\]](#)

Table 18-1596. CTRL_CORE_STD_FUSE_OPP_VDD_IVA_LVT_2

Address Offset	0x0000 1B54
Physical Address	0x4A00 3B54 Instance CTRL_MODULE_CORE
Description	Standard Fuse OPP VDD_IVA [95:64]. Register shows part of the chip eFuse configuration on the OCP interface. Reading at the address of one of these registers provides a direct view into a part of the eFuse chain.
Type	R

31	30	29	28	27	26	25	24	23	22	21	20	19	18	17	16	15	14	13	12	11	10	9	8	7	6	5	4	3	2	1	0
STD_FUSE_OPP_VDD_IVA_LVT_2																															

Bits	Field Name	Description	Type	Reset
31:0	STD_FUSE_OPP_VDD_IVA_LVT_2		R	0x0

Table 18-1597. Register Call Summary for Register CTRL_CORE_STD_FUSE_OPP_VDD_IVA_LVT_2

Control Module Register Manual

- [CTRL_MODULE_CORE Register Summary: \[0\]](#)

Table 18-1598. CTRL_CORE_STD_FUSE_OPP_VDD_IVA_LVT_3

Address Offset	0x0000 1B58
Physical Address	0x4A00 3B58
Instance	CTRL_MODULE_CORE
Description	Standard Fuse OPP VDD_IVA [127:96]. Register shows part of the chip eFuse configuration on the OCP interface. Reading at the address of one of these registers provides a direct view into a part of the eFuse chain.
Type	R

31	30	29	28	27	26	25	24	23	22	21	20	19	18	17	16	15	14	13	12	11	10	9	8	7	6	5	4	3	2	1	0
STD_FUSE_OPP_VDD_IVA_LVT_3																															

Bits	Field Name	Description	Type	Reset
31:0	STD_FUSE_OPP_VDD_IVA_LVT_3		R	0x0

Table 18-1599. Register Call Summary for Register CTRL_CORE_STD_FUSE_OPP_VDD_IVA_LVT_3

Control Module Register Manual

- [CTRL_MODULE_CORE Register Summary: \[0\]](#)

Table 18-1600. CTRL_CORE_STD_FUSE_OPP_VDD_IVA_LVT_4

Address Offset	0x0000 1B5C
Physical Address	0x4A00 3B5C
Instance	CTRL_MODULE_CORE
Description	Standard Fuse OPP VDD_IVA [159:128]. Register shows part of the chip eFuse configuration on the OCP interface. Reading at the address of one of these registers provides a direct view into a part of the eFuse chain.
Type	R

31	30	29	28	27	26	25	24	23	22	21	20	19	18	17	16	15	14	13	12	11	10	9	8	7	6	5	4	3	2	1	0
STD_FUSE_OPP_VDD_IVA_LVT_4																															

Bits	Field Name	Description	Type	Reset
31:0	STD_FUSE_OPP_VDD_IVA_LVT_4		R	0x0

Table 18-1601. Register Call Summary for Register CTRL_CORE_STD_FUSE_OPP_VDD_IVA_LVT_4

Control Module Register Manual

- [CTRL_MODULE_CORE Register Summary: \[0\]](#)

Table 18-1602. CTRL_CORE_STD_FUSE_OPP_VDD_CORE_LVT_0

Address Offset	0x0000 1B60
Physical Address	0x4A00 3B60 Instance CTRL_MODULE_CORE
Description	Standard Fuse OPP VDD_CORE [31:0]. Register shows part of the chip eFuse configuration on the OCP interface. Reading at the address of one of these registers provides a direct view into a part of the eFuse chain.
Type	R

31	30	29	28	27	26	25	24	23	22	21	20	19	18	17	16	15	14	13	12	11	10	9	8	7	6	5	4	3	2	1	0
STD_FUSE_OPP_VDD_CORE_LVT_0																															

Bits	Field Name	Description	Type	Reset
31:0	STD_FUSE_OPP_VDD_CORE_LVT_0		R	0x0

Table 18-1603. Register Call Summary for Register CTRL_CORE_STD_FUSE_OPP_VDD_CORE_LVT_0

Control Module Register Manual

- [CTRL_MODULE_CORE Register Summary: \[0\]](#)

Table 18-1604. CTRL_CORE_STD_FUSE_OPP_VDD_CORE_LVT_1

Address Offset	0x0000 1B64
Physical Address	0x4A00 3B64 Instance CTRL_MODULE_CORE
Description	Standard Fuse OPP VDD_CORE [63:32]. Register shows part of the chip eFuse configuration on the OCP interface. Reading at the address of one of these registers provides a direct view into a part of the eFuse chain.
Type	R

31	30	29	28	27	26	25	24	23	22	21	20	19	18	17	16	15	14	13	12	11	10	9	8	7	6	5	4	3	2	1	0
STD_FUSE_OPP_VDD_CORE_LVT_1																															

Bits	Field Name	Description	Type	Reset
31:0	STD_FUSE_OPP_VDD_CORE_LVT_1		R	0x0

Table 18-1605. Register Call Summary for Register CTRL_CORE_STD_FUSE_OPP_VDD_CORE_LVT_1

Control Module Register Manual

- [CTRL_MODULE_CORE Register Summary: \[0\]](#)

Table 18-1606. CTRL_CORE_STD_FUSE_OPP_VDD_CORE_LVT_2

Address Offset	0x0000 1B68
Physical Address	0x4A00 3B68 Instance CTRL_MODULE_CORE
Description	Standard Fuse OPP VDD_CORE [95:64]. Register shows part of the chip eFuse configuration on the OCP interface. Reading at the address of one of these registers provides a direct view into a part of the eFuse chain.
Type	R

31	30	29	28	27	26	25	24	23	22	21	20	19	18	17	16	15	14	13	12	11	10	9	8	7	6	5	4	3	2	1	0
STD_FUSE_OPP_VDD_CORE_LVT_2																															

Bits	Field Name	Description	Type	Reset
31:0	STD_FUSE_OPP_VDD_C ORE_LVT_2		R	0x0

**Table 18-1607. Register Call Summary for Register
CTRL_CORE_STD_FUSE_OPP_VDD_CORE_LVT_2**

Control Module Register Manual

- [CTRL_MODULE_CORE Register Summary: \[0\]](#)

Table 18-1608. CTRL_CORE_STD_FUSE_OPP_VDD_CORE_LVT_3

Address Offset	0x0000 1B6C	Instance	CTRL_MODULE_CORE
Physical Address	0x4A00 3B6C		
Description	Standard Fuse OPP VDD_CORE [127:96]. Register shows part of the chip eFuse configuration on the OCP interface. Reading at the address of one of these registers provides a direct view into a part of the eFuse chain.		
Type	R		

31	30	29	28	27	26	25	24	23	22	21	20	19	18	17	16	15	14	13	12	11	10	9	8	7	6	5	4	3	2	1	0
STD_FUSE_OPP_VDD_CORE_LVT_3																															

Bits	Field Name	Description	Type	Reset
31:0	STD_FUSE_OPP_VDD_C ORE_LVT_3		R	0x0

**Table 18-1609. Register Call Summary for Register
CTRL_CORE_STD_FUSE_OPP_VDD_CORE_LVT_3**

Control Module Register Manual

- [CTRL_MODULE_CORE Register Summary: \[0\]](#)

Table 18-1610. CTRL_CORE_STD_FUSE_OPP_VDD_CORE_LVT_4

Address Offset	0x0000 1B70	Instance	CTRL_MODULE_CORE
Physical Address	0x4A00 3B70		
Description	Standard Fuse OPP VDD_CORE [159:128]. Register shows part of the chip eFuse configuration on the OCP interface. Reading at the address of one of these registers provides a direct view into a part of the eFuse chain.		
Type	R		

31	30	29	28	27	26	25	24	23	22	21	20	19	18	17	16	15	14	13	12	11	10	9	8	7	6	5	4	3	2	1	0
STD_FUSE_OPP_VDD_CORE_LVT_4																															

Bits	Field Name	Description	Type	Reset
31:0	STD_FUSE_OPP_VDD_C ORE_LVT_4		R	0x0

**Table 18-1611. Register Call Summary for Register
CTRL_CORE_STD_FUSE_OPP_VDD_CORE_LVT_4**

Control Module Register Manual

- [CTRL_MODULE_CORE Register Summary: \[0\]](#)

Table 18-1612. CTRL_CORE_LDOSRAM_CORE_4_VOLTAGE_CTRL

Address Offset	0x0000 1B74	Instance	CTRL_MODULE_CORE
Physical Address	0x4A00 3B74		
Description	CORE 4th SRAM LDO Control register		
Type	RW		

31	30	29	28	27	26	25	24	23	22	21	20	19	18	17	16	15	14	13	12	11	10	9	8	7	6	5	4	3	2	1	0
RESERVED						LDOSRAMCORE_4_RETMODE_MUX_CTRL		LDOSRAMCORE_4_RETMODE_VSET_IN				LDOSRAMCORE_4_RETMODE_VSET_OUT				RESERVED						LDOSRAMCORE_4_ACTMODE_MUX_CTRL		LDOSRAMCORE_4_ACTMODE_VSET_IN				LDOSRAMCORE_4_ACTMODE_VSET_OUT			

Bits	Field Name	Description	Type	Reset
31:27	RESERVED		R	0x0
26	LDOSRAMCORE_4_RETMODE_MUX_CTRL	Override control of EFUSE Retention Mode Voltage value 0x0: eFuse value is used 0x1: Override value is used	RW	0x0
25:21	LDOSRAMCORE_4_RETMODE_VSET_IN	EFUSE Retention Mode Voltage value (vset[9:5])	R	0x0
20:16	LDOSRAMCORE_4_RETMODE_VSET_OUT	Override value for Retention Mode Voltage	RW	0x0
15:11	RESERVED		R	0x0
10	LDOSRAMCORE_4_ACTMODE_MUX_CTRL	Override control of EFUSE Active Mode Voltage value 0x0: eFuse value is used 0x1: Override value is used	RW	0x0
9:5	LDOSRAMCORE_4_ACTMODE_VSET_IN	EFUSE Active Mode Voltage value (vset[4:0])	R	0x0
4:0	LDOSRAMCORE_4_ACTMODE_VSET_OUT	Override value for Active Mode Voltage value	RW	0x0

Table 18-1613. Register Call Summary for Register CTRL_CORE_LDOSRAM_CORE_4_VOLTAGE_CTRL

Control Module Register Manual

- [CTRL_MODULE_CORE Register Summary: \[0\]](#)

Table 18-1614. CTRL_CORE_LDOSRAM_CORE_5_VOLTAGE_CTRL

Address Offset	0x0000 1B78	Instance	CTRL_MODULE_CORE
Physical Address	0x4A00 3B78		
Description	CORE 5th SRAM LDO Control register		
Type	RW		

31	30	29	28	27	26	25	24	23	22	21	20	19	18	17	16	15	14	13	12	11	10	9	8	7	6	5	4	3	2	1	0								
RESERVED								LDOSRAMCORE_5_RETMODE_MUX_CTRL				LDOSRAMCORE_5_RETMODE_VSET_IN				LDOSRAMCORE_5_RETMODE_VSET_OUT				RESERVED								LDOSRAMCORE_5_ACTMODE_MUX_CTRL				LDOSRAMCORE_5_ACTMODE_VSET_IN				LDOSRAMCORE_5_ACTMODE_VSET_OUT			

Bits	Field Name	Description	Type	Reset
31:27	RESERVED		R	0x0
26	LDOSRAMCORE_5_RETMODE_MUX_CTRL	Override control of EFUSE Retention Mode Voltage value 0x0: eFuse value is used 0x1: Override value is used	RW	0x0
25:21	LDOSRAMCORE_5_RETMODE_VSET_IN	EFUSE Retention Mode Voltage value (vset[9:5])	R	0x0
20:16	LDOSRAMCORE_5_RETMODE_VSET_OUT	Override value for Retention Mode Voltage	RW	0x0
15:11	RESERVED		R	0x0
10	LDOSRAMCORE_5_ACTMODE_MUX_CTRL	Override control of EFUSE Active Mode Voltage value 0x0: eFuse value is used 0x1: Override value is used	RW	0x0
9:5	LDOSRAMCORE_5_ACTMODE_VSET_IN	EFUSE Active Mode Voltage value (vset[4:0])	R	0x0
4:0	LDOSRAMCORE_5_ACTMODE_VSET_OUT	Override value for Active Mode Voltage value	RW	0x0

Table 18-1615. Register Call Summary for Register CTRL_CORE_LDOSRAM_CORE_5_VOLTAGE_CTRL

Control Module Register Manual

- [CTRL_MODULE_CORE Register Summary: \[0\]](#)

Table 18-1616. CTRL_CORE_LDOSRAM_DSPEVE_2_VOLTAGE_CTRL

Address Offset	0x0000 1B7C	Instance	CTRL_MODULE_CORE
Physical Address	0x4A00 3B7C		
Description	DSPEVE 2nd SRAM LDO Control register		
Type	RW		

31	30	29	28	27	26	25	24	23	22	21	20	19	18	17	16	15	14	13	12	11	10	9	8	7	6	5	4	3	2	1	0
RESERVED				LDOSRAMDSPEVE_2_RETMODE_MUX_CTRL				LDOSRAMDSPEVE_2_RETMODE_VSET_IN				LDOSRAMDSPEVE_2_RETMODE_VSET_OUT				RESERVED				LDOSRAMDSPEVE_2_ACTMODE_MUX_CTRL				LDOSRAMDSPEVE_2_ACTMODE_VSET_IN				LDOSRAMDSPEVE_2_ACTMODE_VSET_OUT			

Bits	Field Name	Description	Type	Reset
31:27	RESERVED		R	0x0
26	LDOSRAMDSPEVE_2_RETMODE_MUX_CTRL	Override control of EFUSE Retention Mode Voltage value 0x0: eFuse value is used 0x1: Override value is used	RW	0x0
25:21	LDOSRAMDSPEVE_2_RETMODE_VSET_IN	EFUSE Retention Mode Voltage value (vset[9:5])	R	0x0
20:16	LDOSRAMDSPEVE_2_RETMODE_VSET_OUT	Override value for Retention Mode Voltage	RW	0x0
15:11	RESERVED		R	0x0
10	LDOSRAMDSPEVE_2_ACTMODE_MUX_CTRL	Override control of EFUSE Active Mode Voltage value 0x0: eFuse value is used 0x1: Override value is used	RW	0x0
9:5	LDOSRAMDSPEVE_2_ACTMODE_VSET_IN	EFUSE Active Mode Voltage value (vset[4:0])	R	0x0
4:0	LDOSRAMDSPEVE_2_ACTMODE_VSET_OUT	Override value for Active Mode Voltage value	RW	0x0

Table 18-1617. Register Call Summary for Register CTRL_CORE_LDOSRAM_DSPEVE_2_VOLTAGE_CTRL

Control Module Register Manual

- [CTRL_MODULE_CORE Register Summary: \[0\]](#)

Table 18-1618. CTRL_CORE_SMA_SW_2

Address Offset	0x0000 1C04	Instance	CTRL_MODULE_CORE
Physical Address	0x4A00 3C04		
Description	OCP Spare Register		
Type	RW		

31	30	29	28	27	26	25	24	23	22	21	20	19	18	17	16	15	14	13	12	11	10	9	8	7	6	5	4	3	2	1	0
SMA_SW_2																															

Bits	Field Name	Description	Type	Reset
31:0	SMA_SW_2	OCP spare register	RW	0x0

Table 18-1619. Register Call Summary for Register CTRL_CORE_SMA_SW_2

Control Module Register Manual

- [CTRL_MODULE_CORE Register Summary: \[0\]](#)

Table 18-1620. CTRL_CORE_SMA_SW_3

Address Offset	0x0000 1C08	
Physical Address	0x4A00 3C08	Instance CTRL_MODULE_CORE
Description	OCP Spare Register	
Type	RW	

31	30	29	28	27	26	25	24	23	22	21	20	19	18	17	16	15	14	13	12	11	10	9	8	7	6	5	4	3	2	1	0
SMA_SW_3																															

Bits	Field Name	Description	Type	Reset
31:0	SMA_SW_3	OCP spare register	RW	0x0

Table 18-1621. Register Call Summary for Register CTRL_CORE_SMA_SW_3

Control Module Register Manual

- [CTRL_MODULE_CORE Register Summary: \[0\]](#)

Table 18-1622. CTRL_CORE_SMA_SW_4

Address Offset	0x0000 1C0C	
Physical Address	0x4A00 3C0C	Instance CTRL_MODULE_CORE
Description	MReqDomain value configuration register.	
Type	RW	

31	30	29	28	27	26	25	24	23	22	21	20	19	18	17	16	15	14	13	12	11	10	9	8	7	6	5	4	3	2	1	0
MREQDOMAIN_EXP7_LOCK	RESERVED																												MREQDOMAIN_DSP1_EDMA		

Bits	Field Name	Description	Type	Reset
31	MREQDOMAIN_EXP7_LOCK	Lock bit. When high register cannot be written again	RW Woco	0x0
30:3	RESERVED		R	0x0
2:0	MREQDOMAIN_DSP1_EDMA	This field allows to specify to which DOMAIN the initiator belongs to by configuring at initiator port level a fixed MReqDomain value such that: MreqDomain[2:0]= 0b000 = DOMAIN0 MreqDomain[2:0]= 0b001 = DOMAIN1 MreqDomain[2:0]= 0b010 = DOMAIN2 MreqDomain[2:0]= 0b011 = DOMAIN3 MreqDomain[2:0]= 0b100 = DOMAIN4 MreqDomain[2:0]= 0b110 = DOMAIN6 MreqDomain[2:0]= 0b111 = DOMAIN7	RW	0x0

Table 18-1623. Register Call Summary for Register CTRL_CORE_SMA_SW_4

Control Module Register Manual

- [CTRL_MODULE_CORE Register Summary: \[0\]](#)

Table 18-1624. CTRL_CORE_SMA_SW_6

Address Offset	0x0000 1C14	Instance	CTRL_MODULE_CORE
Physical Address	0x4A00 3C14		
Description	OCP Spare Register		
Type	RW		

31	30	29	28	27	26	25	24	23	22	21	20	19	18	17	16	15	14	13	12	11	10	9	8	7	6	5	4	3	2	1	0	
RESERVED				PLLEN_CONTROL		RESERVED										PCIE_TX_RX_CONTROL		RESERVED						RMII_CLK_SETTING		RESERVED						MUXSEL_32K_CLKIN

Bits	Field Name	Description	Type	Reset
31:29	RESERVED		R	0x0
28:27	PLLEN_CONTROL	PLL control setting. Bit [28] – Controls the CLKOUT of DPLL_USB_OTG. 0x0: CLKOUT is disabled 0x1: CLKOUT is enabled Bit [27] – Controls the CLKOUT of DPLL_SATA NOTE: SATA is not supported on the AM570x family of devices. 0x0: CLKOUT is disabled 0x1: CLKOUT is enabled	RW	0x0
26:18	RESERVED		R	0x0
17:16	PCIE_TX_RX_CONTROL	PCIe RX and TX control of ACSPCie. 0x0: ACSPCie Power Down Mode 0x1: ACSPCie TX Mode 0x2: ACSPCie RX Mode 0x3: Reserved	RW	0x0
15:9	RESERVED		R	0x0
8	RMII_CLK_SETTING	RMII CLK setting 0x0: Internal clock from DPLL_GMAC 0x1: External clock from RMII_MHZ_50_CLK pin	RW	0x0
7:1	RESERVED		R	0x0
0	MUXSEL_32K_CLKIN	Setting for mux to select 32KHz clock input to PRCM. This bit must NOT be modified by software. The 32KHz clock selection is done through the device sysboot[9:8] signals.	RW	0x0

Table 18-1625. Register Call Summary for Register CTRL_CORE_SMA_SW_6

Control Module Register Manual

- [CTRL_MODULE_CORE Register Summary: \[0\]](#)

Table 18-1626. CTRL_CORE_SMA_SW_7

Address Offset	0x0000 1C18	Instance	CTRL_MODULE_CORE
Physical Address	0x4A00 3C18		
Description	OCP Spare Register		
Type	RW		

31	30	29	28	27	26	25	24	23	22	21	20	19	18	17	16	15	14	13	12	11	10	9	8	7	6	5	4	3	2	1	0		
RESERVED								MMU1_ABORT_ENABLE		MMU2_ABORT_ENABLE		RESERVED		EDMA_TC1_WR_MMU_ROUTE_ENABLE		EDMA_TC1_RD_MMU_ROUTE_ENABLE		EDMA_TC0_WR_MMU_ROUTE_ENABLE		EDMA_TC0_RD_MMU_ROUTE_ENABLE		PCIE_SS2_MMU_ROUTE_ENABLE		PCIE_SS1_MMU_ROUTE_ENABLE		RESERVED				PCIE_SS2_AXI2OCP_LEGACY_MODE_ENABLE		PCIE_SS1_AXI2OCP_LEGACY_MODE_ENABLE	

Bits	Field Name	Description	Type	Reset
31:18	RESERVED		R	0x0
17	MMU1_ABORT_ENABLE	MMU1 abort enable	RW	0x0
16	MMU2_ABORT_ENABLE	MMU2 abort enable	RW	0x0
15:14	RESERVED		R	0x0
13	EDMA_TC1_WR_MMU_ROUTE_ENABLE	EDMA TC1 WR traffic MMU route enable	RW	0x0
12	EDMA_TC1_RD_MMU_ROUTE_ENABLE	EDMA TC1 RD traffic MMU route enable	RW	0x0
11	EDMA_TC0_WR_MMU_ROUTE_ENABLE	EDMA TC0 WR traffic MMU route enable	RW	0x0
10	EDMA_TC0_RD_MMU_ROUTE_ENABLE	EDMA TC0 RD traffic MMU route enable	RW	0x0
9	PCIE_SS2_MMU_ROUTE_ENABLE	PCIE_SS2 MMU route enable	RW	0x0
8	PCIE_SS1_MMU_ROUTE_ENABLE	PCIE_SS1 MMU route enable	RW	0x0
7:2	RESERVED		R	0x0
1	PCIE_SS2_AXI2OCP_LEGACY_MODE_ENABLE	PCIE_SS2 AXI2OCP legacy mode enable	RW	0x0
0	PCIE_SS1_AXI2OCP_LEGACY_MODE_ENABLE	PCIE_SS1 AXI2OCP legacy mode enable	RW	0x0

Table 18-1627. Register Call Summary for Register CTRL_CORE_SMA_SW_7

Control Module Register Manual

- [CTRL_MODULE_CORE Register Summary: \[0\]](#)

Table 18-1628. CTRL_CORE_SMA_SW_8

Address Offset	0x0000 1C1C	Instance	CTRL_MODULE_CORE
Physical Address	0x4A00 3C1C		
Description	Test control inputs used by the module		
Type	RW		

31	30	29	28	27	26	25	24	23	22	21	20	19	18	17	16	15	14	13	12	11	10	9	8	7	6	5	4	3	2	1	0
PCIE_PLL_TEST_INPUT_1																															

Bits	Field Name	Description	Type	Reset
31:0	PCIE_PLL_TEST_INPUT_1	Test control inputs used by the module	RW	0x0

Table 18-1629. Register Call Summary for Register CTRL_CORE_SMA_SW_8

Control Module Register Manual

- [CTRL_MODULE_CORE Register Summary: \[0\]](#)

Table 18-1630. CTRL_CORE_SMA_SW_9

Address Offset	0x0000 1C20	Instance	CTRL_MODULE_CORE
Physical Address	0x4A00 3C20		
Description	Test control inputs used by the module		
Type	RW		

31	30	29	28	27	26	25	24	23	22	21	20	19	18	17	16	15	14	13	12	11	10	9	8	7	6	5	4	3	2	1	0
PCIE_PLL_TEST_INPUT_2																															

Bits	Field Name	Description	Type	Reset
31:0	PCIE_PLL_TEST_INPUT_2	Test control inputs used by the module	RW	0x0

Table 18-1631. Register Call Summary for Register CTRL_CORE_SMA_SW_9

Control Module Register Manual

- [CTRL_MODULE_CORE Register Summary: \[0\]](#)

Table 18-1632. CTRL_CORE_PCIESS1_PCS1

Address Offset	0x0000 1C24	Instance	CTRL_MODULE_CORE
Physical Address	0x4A00 3C24		
Description			
Type	RW		

31	30	29	28	27	26	25	24	23	22	21	20	19	18	17	16	15	14	13	12	11	10	9	8	7	6	5	4	3	2	1	0
PCIESS1_PCS_TEST_TXDATA								PCIESS1_PCS_ERR_BIT_EN								PCIESS1_PCS_CFG_HOLDOFF								PCIESS1_PCS_DET_DELAY							

Bits	Field Name	Description	Type	Reset
31:22	PCIESS1_PCS_TEST_TX DATA		RW	0x0
21:12	PCIESS1_PCS_ERR_BIT _EN		RW	0x0
11:4	PCIESS1_PCS_CFG_HO LDOFF		RW	0x0
3:0	PCIESS1_PCS_DET_DE LAY		RW	0x1

Table 18-1633. Register Call Summary for Register CTRL_CORE_PCIESS1_PCS1

Control Module Register Manual

- [CTRL_MODULE_CORE Register Summary: \[0\]](#)

Table 18-1634. CTRL_CORE_PCIESS1_PCS2

Address Offset	0x0000 1C28	Instance	CTRL_MODULE_CORE
Physical Address	0x4A00 3C28		
Description			
Type	RW		

31	30	29	28	27	26	25	24	23	22	21	20	19	18	17	16	15	14	13	12	11	10	9	8	7	6	5	4	3	2	1	0																																												
PCIESS1_PCS_CFG_SYNC								PCIESS1_PCS_CFG_EQ_FUNC								PCIESS1_PCS_CFG_EQ_HOLD								PCIESS1_PCS_CFG_EQ_INIT								PCIESS1_PCS_TEST_OSEL								RESERVED				PCIESS1_PCS_TEST_LSEL				RESERVED				PCIESS1_PCS_ERR_MODE				PCIESS1_PCS_L1_SLEEP				PCIESS1_PCS_TEST_MODE				PCIESS1_PCS_ERR_LN_EN				RESERVED				PCIESS1_PCS_SHORT_TIMES			

Bits	Field Name	Description	Type	Reset
31:27	PCIESS1_PCS_CFG_SY NC		RW	0x0
26:23	PCIESS1_PCS_CFG_EQ _FUNC		RW	0x0
22:19	PCIESS1_PCS_CFG_EQ _HOLD		RW	0x0
18:15	PCIESS1_PCS_CFG_EQ _INIT		RW	0x0
14:12	PCIESS1_PCS_TEST_O SEL		RW	0x0
11:10	RESERVED		R	0x0
9	PCIESS1_PCS_TEST_LS EL		RW	0x0
8	RESERVED		R	0x0
7:6	PCIESS1_PCS_ERR_MO DE		RW	0x0
5	PCIESS1_PCS_L1_SLEE P		RW	0x0
4	PCIESS1_PCS_TEST_M ODE		RW	0x0
3:2	PCIESS1_PCS_ERR_LN _EN		RW	0x0
1	RESERVED		R	0x0
0	PCIESS1_PCS_SHORT_ TIMES		RW	0x0

Table 18-1635. Register Call Summary for Register CTRL_CORE_PCIESS1_PCS2

Control Module Register Manual

- [CTRL_MODULE_CORE Register Summary: \[0\]](#)

Table 18-1636. CTRL_CORE_PCIESS2_PCS1

Address Offset	0x0000 1C2C	Instance	CTRL_MODULE_CORE
Physical Address	0x4A00 3C2C		
Description			
Type	RW		

31	30	29	28	27	26	25	24	23	22	21	20	19	18	17	16	15	14	13	12	11	10	9	8	7	6	5	4	3	2	1	0
PCIESS2_PCS_TEST_TXDATA								PCIESS2_PCS_ERR_BIT_EN								PCIESS2_PCS_CFG_HOLDOFF								PCIESS2_PCS_DET_DELAY							

Bits	Field Name	Description	Type	Reset
31:22	PCIESS2_PCS_TEST_TX DATA		RW	0x0
21:12	PCIESS2_PCS_ERR_BIT _EN		RW	0x0

Bits	Field Name	Description	Type	Reset
11:4	PCIESS2_PCS_CFG_HO LDOFF		RW	0x0
3:0	PCIESS2_PCS_DET_DE LAY		RW	0x1

Table 18-1637. Register Call Summary for Register CTRL_CORE_PCIESS2_PCS1

Control Module Register Manual

- [CTRL_MODULE_CORE Register Summary: \[0\]](#)

Table 18-1638. CTRL_CORE_PCIESS2_PCS2

Address Offset	0x0000 1C30	Instance	CTRL_MODULE_CORE
Physical Address	0x4A00 3C30		
Description			
Type	RW		

31	30	29	28	27	26	25	24	23	22	21	20	19	18	17	16	15	14	13	12	11	10	9	8	7	6	5	4	3	2	1	0						
PCIESS2_PCS_CFG_SYNC				PCIESS2_PCS_CFG_EQ_FUNC				PCIESS2_PCS_CFG_EQ_HOLD				PCIESS2_PCS_CFG_EQ_INIT				PCIESS2_PCS_TEST_OSEL				RESERVED		PCIESS2_PCS_TEST_LSEL		RESERVED		PCIESS2_PCS_ERR_MODE		PCIESS2_PCS_L1_SLEEP		PCIESS2_PCS_TEST_MODE		PCIESS2_PCS_ERR_LN_EN		RESERVED		PCIESS2_PCS_SHORT_TIMES	

Bits	Field Name	Description	Type	Reset
31:27	PCIESS2_PCS_CFG_SYNC		RW	0x0
26:23	PCIESS2_PCS_CFG_EQ_FUNC		RW	0x0
22:19	PCIESS2_PCS_CFG_EQ_HOLD		RW	0x0
18:15	PCIESS2_PCS_CFG_EQ_INIT		RW	0x0
14:12	PCIESS2_PCS_TEST_OSEL		RW	0x0
11:10	RESERVED		R	0x0
9	PCIESS2_PCS_TEST_LSEL		RW	0x0
8	RESERVED		R	0x0
7:6	PCIESS2_PCS_ERR_MODE		RW	0x0
5	PCIESS2_PCS_L1_SLEEP		RW	0x0
4	PCIESS2_PCS_TEST_MODE		RW	0x0
3:2	PCIESS2_PCS_ERR_LN_EN		RW	0x0
1	RESERVED		R	0x0
0	PCIESS2_PCS_SHORT_TIMES		RW	0x0

Table 18-1639. Register Call Summary for Register CTRL_CORE_PCIESS2_PCS2

Control Module Register Manual

- [CTRL_MODULE_CORE Register Summary: \[0\]](#)

Table 18-1640. CTRL_CORE_PCIE_PCS

Address Offset	0x0000 1C34	Instance	CTRL_MODULE_CORE
Physical Address	0x4A00 3C34		
Description			
Type	RW		

31	30	29	28	27	26	25	24	23	22	21	20	19	18	17	16	15	14	13	12	11	10	9	8	7	6	5	4	3	2	1	0
RESERVED								PCIESS_PCS_RC_DELAY_COUNT								RESERVED															

Bits	Field Name	Description	Type	Reset
31:24	RESERVED		R	0x0
23:16	PCIESS_PCS_RC_DELAY_COUNT	Set to 0x96 for proper functional and compliance-mode behavior on both PCIESS1 and PCIESS2.	RW	0x0
15:0	RESERVED		R	0x0

Table 18-1641. Register Call Summary for Register CTRL_CORE_PCIE_PCS

Control Module Register Manual

- [CTRL_MODULE_CORE Register Summary: \[0\]](#)

Table 18-1642. CTRL_CORE_PCIE_PCS_REVISION

Address Offset	0x0000 1C38	Instance	CTRL_MODULE_CORE
Physical Address	0x4A00 3C38		
Description	pcs_revision		
Type	R		

31	30	29	28	27	26	25	24	23	22	21	20	19	18	17	16	15	14	13	12	11	10	9	8	7	6	5	4	3	2	1	0
RESERVED								PCIESS2_PCS_REVISION				PCIESS1_PCS_REVISION				RESERVED															

Bits	Field Name	Description	Type	Reset
31:26	RESERVED		R	0x0
25:23	PCIESS2_PCS_REVISION		R	0x0
22:20	PCIESS1_PCS_REVISION		R	0x0
19:0	RESERVED		R	0x0

Table 18-1643. Register Call Summary for Register CTRL_CORE_PCIE_PCS_REVISION

Control Module Register Manual

- [CTRL_MODULE_CORE Register Summary: \[0\]](#)

Table 18-1644. CTRL_CORE_PCIE_CONTROL

Address Offset	0x0000 1C3C	Instance	CTRL_MODULE_CORE
Physical Address	0x4A00 3C3C		
Description			
Type	RW		

31	30	29	28	27	26	25	24	23	22	21	20	19	18	17	16	15	14	13	12	11	10	9	8	7	6	5	4	3	2	1	0
RESERVED																PCIE_B1C0_MODE_SEL			RESERVED		PCIE_B0_B1_TSYNCEN										

Bits	Field Name	Description	Type	Reset
31:4	RESERVED		R	0x0
3:2	PCIE_B1C0_MODE_SEL	0x0: PCIESS1 x1 Mode and/or PCIESS2 x1 Mode 0x1: PCIESS1 x2 Mode, PCIESS2 Unused 0x2: USB1 (SuperSpeed) 0x3: USB1 (SuperSpeed)	RW	0x2
1	RESERVED		R	0x0
0	PCIE_B0_B1_TSYNCEN	0x0: PCIESS1 x1 Mode and/or PCIESS2 x1 Mode 0x1: PCIESS1 x2 Mode, PCIESS2 Unused	RW	0x0

Table 18-1645. Register Call Summary for Register CTRL_CORE_PCIE_CONTROL

Control Module Register Manual

- [CTRL_MODULE_CORE Register Summary: \[0\]](#)

Table 18-1646. CTRL_CORE_PHY_POWER_PCIESS1

Address Offset	0x0000 1C40	
Physical Address	0x4A00 3C40	Instance CTRL_MODULE_CORE
Description		
Type	RW	

31	30	29	28	27	26	25	24	23	22	21	20	19	18	17	16	15	14	13	12	11	10	9	8	7	6	5	4	3	2	1	0
PCIESS1_PWRCTL_CLKFREQ								PCIESS1_PWRCTL_CMD								RESERVED															

Bits	Field Name	Description	Type	Reset
31:22	PCIESS1_PWRCTL_CLK FREQ	Frequency of SYSCLK1 in MHz (rounded). For example, for 20MHz, program 0x14.	RW	0x0
21:14	PCIESS1_PWRCTL_CMD	Powers up/down the PCIESS1_PHY_TX and PCIESS1_PHY_RX modules. 0x0: Powers down PCIESS1_PHY_TX and PCIESS1_PHY_RX 0x1: Powers up PCIESS1_PHY_RX 0x2: Powers up PCIESS1_PHY_TX 0x3: Powers up PCIESS1_PHY_TX and PCIESS1_PHY_RX 0x4-0xFF: Reserved	RW	0x0
13:0	RESERVED	Reserved	R	0x0

Table 18-1647. Register Call Summary for Register CTRL_CORE_PHY_POWER_PCIESS1

Control Module Register Manual

- [CTRL_MODULE_CORE Register Summary: \[0\]](#)

Table 18-1648. CTRL_CORE_PHY_POWER_PCIESS2

Address Offset	0x0000 1C44	
Physical Address	0x4A00 3C44	Instance CTRL_MODULE_CORE
Description		
Type	RW	

31	30	29	28	27	26	25	24	23	22	21	20	19	18	17	16	15	14	13	12	11	10	9	8	7	6	5	4	3	2	1	0
PCIESS2_PWRCTL_CLKFREQ								PCIESS2_PWRCTL_CMD								RESERVED															

Bits	Field Name	Description	Type	Reset
31:22	PCIESS2_PWRCTL_CLK FREQ	Frequency of SYSCLK1 in MHz (rounded). For example, for 20MHz, program 0x14.	RW	0x0
21:14	PCIESS2_PWRCTL_CMD	Powers up/down the PCIESS2_PHY_TX and PCIESS2_PHY_RX modules. 0x0: Powers down PCIESS2_PHY_TX and PCIESS2_PHY_RX 0x1: Powers up PCIESS2_PHY_RX 0x2: Powers up PCIESS2_PHY_TX 0x3: Powers up PCIESS2_PHY_TX and PCIESS2_PHY_RX 0x4-0xFF: Reserved	RW	0x0
13:0	RESERVED	Reserved	R	0x0

Table 18-1649. Register Call Summary for Register CTRL_CORE_PHY_POWER_PCIESS2

Control Module Register Manual

- [CTRL_MODULE_CORE Register Summary: \[0\]](#)

18.5.3 CTRL_MODULE_WKUP Registers

18.5.3.1 CTRL_MODULE_WKUP Register Summary

Table 18-1650. CTRL_MODULE_WKUP Registers Mapping Summary

Register Name	Type	Register Width (Bits)	Address Offset	CTRL_MODULE_WKUP Base Address
RESERVED_a (a = 0 to 63)	R	32	0x0000 0000 + (a*4)	0x4AE0 C000 + (a*4)
CTRL_WKUP_SEC_CTRL	RW	32	0x0000 0100	0x4AE0 C100
RESERVED	R	32	0x0000 0104	0x4AE0 C104
CTRL_WKUP_SEC_TAP	RW	32	0x0000 0108	0x4AE0 C108
CTRL_WKUP_OCPREG_SPARE	RW	32	0x0000 010C	0x4AE0 C10C
CTRL_WKUP_SECURE_EMIF1_SDRAM_CONFIG	RW	32	0x0000 0110	0x4AE0 C110
RESERVED_i (i = 0 to 8)	R	32	0x0000 0114 + (i*4)	0x4AE0 C114 + (i*4)
CTRL_WKUP_STD_FUSE_USB_CONF	R	32	0x0000 0138	0x4AE0 C138
CTRL_WKUP_STD_FUSE_CONF	R	32	0x0000 013C	0x4AE0 C13C
RESERVED	R	32	0x0000 0140	0x4AE0 C140
CTRL_WKUP_EMIF1_SDRAM_CONFIG_EXT	RW	32	0x0000 0144	0x4AE0 C144
RESERVED	R	32	0x0000 0148	0x4AE0 C148
CTRL_WKUP_EMIF1_SDRAM_CONFIG_EXT_1	R	32	0x0000 014C	0x4AE0 C14C
RESERVED	R	32	0x0000 0150	0x4AE0 C150
CTRL_WKUP_LDOVBB_GPU_VOLTAGE_CTRL	RW	32	0x0000 0154	0x4AE0 C154
CTRL_WKUP_LDOVBB_MPU_VOLTAGE_CTRL	RW	32	0x0000 0158	0x4AE0 C158
CTRL_WKUP_LDOSRAM_GPU_VOLTAGE_CTRL	RW	32	0x0000 015C	0x4AE0 C15C
CTRL_WKUP_LDOSRAM_MPU_VOLTAGE_CTRL	RW	32	0x0000 0160	0x4AE0 C160
CTRL_WKUP_LDOSRAM_CORE_VOLTAGE_CTRL	RW	32	0x0000 0164	0x4AE0 C164
RESERVED_j (j = 0 to 37)	R	32	0x0000 0168 + (j*4)	0x4AE0 C168 + (j*4)
CTRL_WKUP_STD_FUSE_DIE_ID_0	R	32	0x0000 0200	0x4AE0 C200
CTRL_WKUP_ID_CODE	R	32	0x0000 0204	0x4AE0 C204
CTRL_WKUP_STD_FUSE_DIE_ID_1	R	32	0x0000 0208	0x4AE0 C208
CTRL_WKUP_STD_FUSE_DIE_ID_2	R	32	0x0000 020C	0x4AE0 C20C
CTRL_WKUP_STD_FUSE_DIE_ID_3	R	32	0x0000 0210	0x4AE0 C210
CTRL_WKUP_STD_FUSE_PROD_ID_0	R	32	0x0000 0214	0x4AE0 C214
RESERVED_k (k = 0 to 292)	R	32	0x0000 0218 + (k*4)	0x4AE0 C218 + (k*4)
CTRL_WKUP_CONTROL_XTAL_OSCILLATOR	RW	32	0x0000 05AC	0x4AE0 C5AC
RESERVED	R	32	0x0000 05B0	0x4AE0 C5B0
RESERVED	R	32	0x0000 05B4	0x4AE0 C5B4
RESERVED	R	32	0x0000 05B8	0x4AE0 C5B8
RESERVED	R	32	0x0000 05BC	0x4AE0 C5BC
RESERVED	R	32	0x0000 05C0	0x4AE0 C5C0
RESERVED	R	32	0x0000 05C4	0x4AE0 C5C4
CTRL_WKUP_EFUSE_1	RW	32	0x0000 05C8	0x4AE0 C5C8
CTRL_WKUP_EFUSE_2	RW	32	0x0000 05CC	0x4AE0 C5CC
CTRL_WKUP_EFUSE_3	RW	32	0x0000 05D0	0x4AE0 C5D0
CTRL_WKUP_EFUSE_4	RW	32	0x0000 05D4	0x4AE0 C5D4
RESERVED_m (m = 0 to 7)	R	32	0x0000 05D8 + (m*4)	0x4AE0 C5D8 + (m*4)

Table 18-1650. CTRL_MODULE_WKUP Registers Mapping Summary (continued)

Register Name	Type	Register Width (Bits)	Address Offset	CTRL_MODULE_WKUP Base Address
CTRL_WKUP_EFUSE_13	RW	32	0x0000 05F8	0x4AE0 C5F8

18.5.3.2 CTRL_MODULE_WKUP Register Description
Table 18-1651. CTRL_WKUP_SEC_CTRL

Address Offset	0x0000 0100	Instance	CTRL_MODULE_WKUP
Physical Address	0x4AE0 C100		
Description	Control Register		
Type	RW		

31	30	29	28	27	26	25	24	23	22	21	20	19	18	17	16	15	14	13	12	11	10	9	8	7	6	5	4	3	2	1	0
SECCTRLWRDISABLE	RESERVED																SECURE_EMIF_CONFIG_RO_EN	RESERVED													

Bits	Field Name	Description	Type	Reset
31	SECCTRLWRDISABLE	Control Register write disable control. 0x0 = Write in this register is allowed 0x1 = Write in this register is forbidden	RW	0x0
30:5	RESERVED		R	0x0
4	SECURE_EMIF_CONFIG_RO_EN	Access mode for register CTRL_WKUP_EMIF1_SDRAM_CONFIG. 0x0 = This register is RW 0x1 = This register is RO	RW	0x0
3:0	RESERVED		R	0x0

Table 18-1652. Register Call Summary for Register CTRL_WKUP_SEC_CTRL

Control Module Register Manual

- [CTRL_MODULE_WKUP Register Summary: \[0\]](#)
- [CTRL_MODULE_WKUP Register Description: \[1\]](#)

Table 18-1653. CTRL_WKUP_SEC_TAP

Address Offset	0x0000 0108	Instance	CTRL_MODULE_WKUP
Physical Address	0x4AE0 C108		
Description	TAP controllers register.		
Type	RW		

31	30	29	28	27	26	25	24	23	22	21	20	19	18	17	16	15	14	13	12	11	10	9	8	7	6	5	4	3	2	1	0
SECTAPWR_DISABLE	RESERVED					RESERVED	RESERVED										IPU2_TAPENABLE	RESERVED	JTAGEXT_TAPENABLE	IVA_TAPENABLE	MPUGLOBALDEBUG_ENABLE	RESERVED			IEEE1500_ENABLE	P1500_ENABLE	IPU1_TAPENABLE	DSP1_TAPENABLE	DAP_TAPENABLE		

Bits	Field Name	Description	Type	Reset
31	SECTAPWR_DISABLE	TAP controllers register write disable control 0x0: Write in this register is allowed 0x1: Write in this register is forbidden	RW Woco	0x0
30:27	RESERVED		R	0x0
26	RESERVED	Reserved. This bit must not be modified.	RW	0x1
25:14	RESERVED		R	0x0
13	IPU2_TAPENABLE	IPU2 TAP control 0x0: IPU2 TAP controller is disabled 0x1: IPU2 TAP controller is enabled	RW	0x1
12	RESERVED		R	0x1
11	JTAGEXT_TAPENABLE	External JTAG expansion TAP control. 0x0: external JTAG TAP controller is disabled 0x1: external JTAG TAP controller is enabled	RW	0x1
10	IVA_TAPENABLE	IVA TAP control 0x0: IVA TAP controller is disabled 0x1: IVA TAP controller is enabled	RW	0x1
9	MPUGLOBALDEBUG_ENABLE	MPU TAP control 0x0: MPU TAP controller is disabled 0x1: MPU TAP controller is enabled	RW	0x1
8:5	RESERVED		R	0x0
4	IEEE1500_ENABLE	IEEE1500 and P1500 access enable 0x0: P1500 controller is disabled 0x1: P1500 controller is enabled	RW W1toClr	0x1
3	P1500_ENABLE	P1500 access enable 0x0: P1500 controller is disabled 0x1: P1500 controller is enabled	RW	0x1
2	IPU1_TAPENABLE	IPU1 TAP control 0x0: IPU1 TAP controller is disabled 0x1: IPU1 TAP controller is enabled	RW	0x1
1	DSP1_TAPENABLE	DSP1 TAP control 0x0: DSP1 TAP controller is disabled 0x1: DSP1 TAP controller is enabled	RW	0x1
0	DAP_TAPENABLE	DAP TAP control 0x0: DAP TAP controller is disabled 0x1: DAP TAP controller is enabled	RW	0x1

Table 18-1654. Register Call Summary for Register CTRL_WKUP_SEC_TAP

Control Module Register Manual

- [CTRL_MODULE_WKUP Register Summary: \[0\]](#)

Table 18-1655. CTRL_WKUP_OCPREG_SPARE

Address Offset	0x0000 010C	Instance	CTRL_MODULE_WKUP
Physical Address	0x4AE0 C10C		
Description	OCP Spare Register		
Type	RW		

31	30	29	28	27	26	25	24	23	22	21	20	19	18	17	16	15	14	13	12	11	10	9	8	7	6	5	4	3	2	1	0
OCPPREG_SPARE31	OCPPREG_SPARE30	OCPPREG_SPARE29	OCPPREG_SPARE28	OCPPREG_SPARE27	OCPPREG_SPARE26	OCPPREG_SPARE25	OCPPREG_SPARE24	OCPPREG_SPARE23	OCPPREG_SPARE22	OCPPREG_SPARE21	OCPPREG_SPARE20	OCPPREG_SPARE19	OCPPREG_SPARE18	OCPPREG_SPARE17	OCPPREG_SPARE16	OCPPREG_SPARE15	OCPPREG_SPARE14	OCPPREG_SPARE13	OCPPREG_SPARE12	OCPPREG_SPARE11	OCPPREG_SPARE10	OCPPREG_SPARE9	OCPPREG_SPARE8	OCPPREG_SPARE7	OCPPREG_SPARE6	OCPPREG_SPARE5	OCPPREG_SPARE4	OCPPREG_SPARE3	OCPPREG_SPARE2	OCPPREG_SPARE1	RESERVED

Bits	Field Name	Description	Type	Reset
31	OCPPREG_SPARE31	OCP spare register 31	RW	0x0
30	OCPPREG_SPARE30	OCP spare register 30	RW	0x0
29	OCPPREG_SPARE29	OCP spare register 29	RW	0x0
28	OCPPREG_SPARE28	OCP spare register 28	RW	0x0
27	OCPPREG_SPARE27	OCP spare register 27	RW	0x0
26	OCPPREG_SPARE26	OCP spare register 26	RW	0x0
25	OCPPREG_SPARE25	OCP spare register 25	RW	0x0
24	OCPPREG_SPARE24	OCP spare register 24	RW	0x0
23	OCPPREG_SPARE23	OCP spare register 23	RW	0x0
22	OCPPREG_SPARE22	OCP spare register 22	RW	0x0
21	OCPPREG_SPARE21	OCP spare register 21	RW	0x0
20	OCPPREG_SPARE20	OCP spare register 20	RW	0x0
19	OCPPREG_SPARE19	OCP spare register 19	RW	0x0
18	OCPPREG_SPARE18	OCP spare register 18	RW	0x0
17	OCPPREG_SPARE17	OCP spare register 17	RW	0x0
16	OCPPREG_SPARE16	OCP spare register 16	RW	0x0
15	OCPPREG_SPARE15	OCP spare register 15	RW	0x0
14	OCPPREG_SPARE14	OCP spare register 14	RW	0x0
13	OCPPREG_SPARE13	OCP spare register 13	RW	0x0
12	OCPPREG_SPARE12	OCP spare register 12	RW	0x0
11	OCPPREG_SPARE11	OCP spare register 11	RW	0x0
10	OCPPREG_SPARE10	OCP spare register 10	RW	0x0
9	OCPPREG_SPARE9	OCP spare register 9	RW	0x0
8	OCPPREG_SPARE8	OCP spare register 8	RW	0x0
7	OCPPREG_SPARE7	OCP spare register 7	RW	0x0

Bits	Field Name	Description	Type	Reset
6	OCPPREG_SPARE6	OCP spare register 6	RW	0x0
5	OCPPREG_SPARE5	OCP spare register 5	RW	0x0
4	OCPPREG_SPARE4	OCP spare register 4	RW	0x0
3	OCPPREG_SPARE3	OCP spare register 3	RW	0x0
2	OCPPREG_SPARE2	OCP spare register 2	RW	0x0
1	OCPPREG_SPARE1	OCP spare register 1	RW	0x0
0	RESERVED		R	0x0

Table 18-1656. Register Call Summary for Register CTRL_WKUP_OCPREG_SPARE

Control Module Register Manual

- [CTRL_MODULE_WKUP Register Summary: \[0\]](#)

Table 18-1657. CTRL_WKUP_SECURE_EMIF1_SDRAM_CONFIG

Address Offset	0x0000 0110	Instance	CTRL_MODULE_WKUP
Physical Address	0x4AE0 C110		
Description	EMIF1 SDRAM configuration register. Its values are exported to EMIF_SDRAM_CONFIG register at POR. For bit field descriptions see EMIF_SDRAM_CONFIG register in Section 15.3, EMIF Controller , in Chapter 15, Memory Subsystem . Write to this register is allowed if the CTRL_WKUP_SEC_CTRL[4] SECURE_EMIF_CONFIG_RO_EN bit is set to 0x0 (default).		
Type	RW		

31	30	29	28	27	26	25	24	23	22	21	20	19	18	17	16	15	14	13	12	11	10	9	8	7	6	5	4	3	2	1	0
RESERVED			EMIF1_SDRAM_IBANK_POS		EMIF1_SDRAM_DDR_TERM		EMIF1_SDRAM_DDR2_DDQS	EMIF1_SDRAM_DYN_ODT	EMIF1_SDRAM_DDR_DISABLE_DLL	EMIF1_SDRAM_DRIVE		EMIF1_SDRAM_CWL		RESERVED		EMIF1_SDRAM_CL			EMIF1_SDRAM_ROW_SIZE			EMIF1_SDRAM_IBANK		RESERVED	EMIF1_SDRAM_PAGE_SIZE						

Bits	Field Name	Description	Type	Reset
31:29	RESERVED		R	0x0
28:27	EMIF1_SDRAM_IBANK_POS	Internal bank position.	RW	0x0
26:24	EMIF1_SDRAM_DDR_TERM	DDR3 termination resistor value.	RW	0x0
23	EMIF1_SDRAM_DDR2_DDQS	Differential DQS enable. (Not supported).	RW	0x1
22:21	EMIF1_SDRAM_DYN_ODT	DDR3 Dynamic ODT.	RW	0x0
20	EMIF1_SDRAM_DDR_DISABLE_DLL	Disable DLL select.	RW	0x0
19:18	EMIF1_SDRAM_DRIVE	SDRAM drive strength.	RW	0x0
17:16	EMIF1_SDRAM_CWL	DDR3 CAS Write latency.	RW	0x0
15:14	RESERVED		R	0x0

Bits	Field Name	Description	Type	Reset
13:10	EMIF1_SDRAM_CL	CAS Latency.	RW	0x0
9:7	EMIF1_SDRAM_ROWSIZE	Row Size.	RW	0x0
6:4	EMIF1_SDRAM_IBANK	Internal Bank setup.	RW	0x0
3	RESERVED		R	0x0
2:0	EMIF1_SDRAM_PAGESIZE	Page Size.	RW	0x0

Table 18-1658. Register Call Summary for Register CTRL_WKUP_SECURE_EMIF1_SDRAM_CONFIG

Control Module Functional Description

- [Registers For Basic EMIF configuration: \[0\]\[1\]](#)

Control Module Register Manual

- [CTRL_MODULE_WKUP Register Summary: \[2\]](#)

Table 18-1659. CTRL_WKUP_STD_FUSE_USB_CONF

Address Offset	0x0000 0138	Instance	CTRL_MODULE_WKUP
Physical Address	0x4AE0 C138		
Description	Standard Fuse conf [31:0]. Register shows part of the chip eFuse configuration on the OCP interface. Reading at the address of one of these registers provides a direct view into a part of the eFuse chain.		
Type	R		

31	30	29	28	27	26	25	24	23	22	21	20	19	18	17	16	15	14	13	12	11	10	9	8	7	6	5	4	3	2	1	0
USB_PROD_ID																USB_VENDOR_ID															

Bits	Field Name	Description	Type	Reset
31:16	USB_PROD_ID	USB Product Identification	R	0x0
15:0	USB_VENDOR_ID	USB Vendor Identification	R	0x0

Table 18-1660. Register Call Summary for Register CTRL_WKUP_STD_FUSE_USB_CONF

Control Module Register Manual

- [CTRL_MODULE_WKUP Register Summary: \[0\]](#)

Table 18-1661. CTRL_WKUP_STD_FUSE_CONF

Address Offset	0x0000 013C	Instance	CTRL_MODULE_WKUP
Physical Address	0x4AE0 C13C		
Description	Standard Fuse conf [63:32]. Register shows part of the chip eFuse configuration on the OCP interface. Reading at the address of one of these registers provides a direct view into a part of the eFuse chain.		
Type	R		

31	30	29	28	27	26	25	24	23	22	21	20	19	18	17	16	15	14	13	12	11	10	9	8	7	6	5	4	3	2	1	0
RESERVED								STD_FUSE_EMIF1_INITREF_DEF_DIS		STD_FUSE_EMIF1_DDR3_LPDDR2N		RESERVED		STD_FUSE_HDCP_ENABLE		RESERVED		RESERVED						STD_FUSE_SGX540_3D_CLOCK_SOURCE		STD_FUSE_SGX540_3D_DISABLE		RESERVED			

Bits	Field Name	Description	Type	Reset
31:20	RESERVED		R	0x:
19	STD_FUSE_EMIF1_INITREF_DEF_DIS	Disable EMIF1 DDR refresh and initialization sequence 0x1 = refresh and initialization sequence are disabled 0x0 = refresh and initialization sequence are enabled	R	0x:
18	STD_FUSE_EMIF1_DDR3_LPDDR2N	EMIF1 DDR3 0x1= DDR3 configured 0x0 = reserved	R	0x:
17	RESERVED		R	0x:
16	STD_FUSE_HDCP_ENABLE	Enable hdcp 0x0 = enables hdcp 0x1 = disables hdcp	R	0x:
15:13	RESERVED		R	0x:
12	STD_FUSE_CH_SPEEDUP_DISABLE	ROM code settings for configuration header block and speedup block. Only SW access (no hardware access). 0x0 = enables CH and speedup 0x1 = disables CH and speedup	R	0x:
11:5	RESERVED		R	0x:
4	STD_FUSE_SGX540_3D_CLOCK_SOURCE	Functional clock selection for the 3D accelerator engine 0x0 = GPU is fully enabled (DPLL_CORE/PER) 0x1 = GPU is partially enabled (DPLL_PER/8 max)	R	0x:
3	STD_FUSE_SGX540_3D_DISABLE	Disable the 3D accelerator engine 0x1 = SGX is disabled 0x0 = SGX is enable	R	0x:
2:0	RESERVED		R	0x:

Table 18-1662. Register Call Summary for Register CTRL_WKUP_STD_FUSE_CONF

Control Module Register Manual

- [CTRL_MODULE_WKUP Register Summary: \[0\]](#)

Table 18-1663. CTRL_WKUP_EMIF1_SDRAM_CONFIG_EXT

Address Offset	0x0000 0144	Instance	CTRL_MODULE_WKUP
Physical Address	0x4AE0 C144		
Description	SLICE register for emif1		
Type	RW		

31	30	29	28	27	26	25	24	23	22	21	20	19	18	17	16	15	14	13	12	11	10	9	8	7	6	5	4	3	2	1	0						
RESERVED								EMIF1_NARROW_ONLY		EMIF1_EN_ECC		EMIF1_REG_PHY_NUM_OF_SAMPLES				EMIF1_REG_PHY_SEL_LOGIC		EMIF1_REG_PHY_ALL_DQ_MPR_RD_RESP		EMIF1_REG_PHY_OUTPUT_STATUS_SELECT		RESERVED		EMIF1_SDRAM_DISABLE_RESET		EMIF1_PHY_RD_LOCAL_ODT		RESERVED		EMIF1_DFI_CLOCK_PHASE_CTRL		EMIF1_EN_SLICE_2		EMIF1_EN_SLICE_1		EMIF1_EN_SLICE_0	

Bits	Field Name	Description	Type	Reset
31:18	RESERVED		R	0x0
17	EMIF1_NARROW_ONLY	EMIF1 operates in narrow mode, to allow for data macros to be powered down to save power 0x0 = narrow mode disabled 0x1 = narrow mode enabled	RW	0x0
16	EMIF1_EN_ECC	EMIF1 ECC enable 0x0 = ECC is disabled 0x1 = ECC is enabled	RW	0x0
15:14	EMIF1_REG_PHY_NUM_OF_SAMPLES	Controls the number of DQ samples required for read leveling. The recommended setting for full leveling is 0x3 (128 samples) and for incremental leveling is 0x0 (4 samples). 0x0 = 4 samples 0x1 = 8 samples. 0x2 = 16 samples 0x3 = 128 samples	RW	0x0
13	EMIF1_REG_PHY_SEL_LOGIC	Selects an algorithm for read leveling. The use of algorithm 1 (set by default) is recommended. 0x0 = Algorithm 1 is used 0x1 = Algorithm 2 is used	RW	0x0
12	EMIF1_REG_PHY_ALL_DQ_MPR_RD_RESP	Analysis method of DQ bits during read leveling. 0x0: if the DRAM provides a read response on only one DQ bit (this can be any bit, since in this mode all 8 DQ bits are OR-ed together). This is the default setting and works with all memory types (memories send responses on all DQ bits or on a single DQ bit). 0x1: if the DRAM provides a read response on all DQ bits.	RW	0x0
11:9	EMIF1_REG_PHY_OUTPUT_STATUS_SELECT	Selects the status to be observed on the outputs of the DDR PHYs through CTRL_WKUP_EMIF1_SDRAM_CONFIG_EXT_1 register. 0x0 = selects phy_reg_rdlvl_start_ratio[7:0] 0x1 = selects phy_reg_rdlvl_start_ratio[15:8] 0x2 = selects phy_reg_rdlvl_end_ratio[7:0] 0x3 = selects phy_reg_rdlvl_end_ratio[15:8]	RW	0x0

Bits	Field Name	Description	Type	Reset
8	RESERVED		R	0x1
7	EMIF1_SDRAM_DISABLE_RESET	DDR3 SDRAM reset disable. 0x0 = DDR3 SDRAM reset signal is enabled. It can be asserted by EMIF 0x1 = DDR3 SDRAM reset signal is disabled. It is forbidden to EMIF to assert it.	RW	0x0
6:5	EMIF1_PHY_RD_LOCAL_ODT	Control of ODT (on – die termination) settings for the device DDR I/Os. ODT is enabled only during read operations when termination is required. 0x0 = ODT disabled 0x1= 60 Ohms 0x2 = 80 Ohms 0x3 =120 Ohms	RW	0x0
4	RESERVED		RW	0x0
3	EMIF1_DFI_CLOCK_PHASE_CTRL	EMIF_FICLK clock phase control (shifting by 180°). For normal operation this bit must always be set to 0x0 (disabled).	RW	0x0
2	EMIF1_EN_SLICE_2	Enable command PHY 2. When using DDR3 this bit can be set to 0x0 or 0x1. For lower power consumption 0x0 is used.	RW	0x1
1	EMIF1_EN_SLICE_1	Enable command PHY 1. 0x1 is the mandatory setting if DDR3 is used. EMIF1_EN_SLICE_0 and EMIF1_EN_SLICE_1 have to be programmed with the same value.	RW	0x1
0	EMIF1_EN_SLICE_0	Enable command PHY 0. 0x1 is the mandatory setting if DDR3 is used. EMIF1_EN_SLICE_0 and EMIF1_EN_SLICE_1 have to be programmed with the same value.	RW	0x1

Table 18-1664. Register Call Summary for Register CTRL_WKUP_EMIF1_SDRAM_CONFIG_EXT

Control Module Functional Description

- [Registers For Basic EMIF configuration: \[0\]](#)

Control Module Register Manual

- [CTRL_MODULE_WKUP Register Summary: \[1\]](#)

Table 18-1665. CTRL_WKUP_EMIF1_SDRAM_CONFIG_EXT_1

Address Offset	0x0000 014C	Instance	CTRL_MODULE_WKUP																																																																
Physical Address	0x4AE0 C14C																																																																		
Description																																																																			
Type	R																																																																		
<table border="1" style="width:100%; text-align:center;"> <tr> <td>31</td><td>30</td><td>29</td><td>28</td><td>27</td><td>26</td><td>25</td><td>24</td> <td>23</td><td>22</td><td>21</td><td>20</td><td>19</td><td>18</td><td>17</td><td>16</td> <td>15</td><td>14</td><td>13</td><td>12</td><td>11</td><td>10</td><td>9</td><td>8</td> <td>7</td><td>6</td><td>5</td><td>4</td><td>3</td><td>2</td><td>1</td><td>0</td> </tr> <tr> <td colspan="32">EMIF1_PHY_REG_READ_DATA_EYE_LVL</td> </tr> </table>				31	30	29	28	27	26	25	24	23	22	21	20	19	18	17	16	15	14	13	12	11	10	9	8	7	6	5	4	3	2	1	0	EMIF1_PHY_REG_READ_DATA_EYE_LVL																															
31	30	29	28	27	26	25	24	23	22	21	20	19	18	17	16	15	14	13	12	11	10	9	8	7	6	5	4	3	2	1	0																																				
EMIF1_PHY_REG_READ_DATA_EYE_LVL																																																																			
Bits	Field Name	Description	Type Reset																																																																
31:0	EMIF1_PHY_REG_READ_DATA_EYE_LVL		R 0x0																																																																

Table 18-1666. Register Call Summary for Register CTRL_WKUP_EMIF1_SDRAM_CONFIG_EXT_1

Control Module Register Manual

- [CTRL_MODULE_WKUP Register Summary: \[0\]](#)
- [CTRL_MODULE_WKUP Register Description: \[1\]](#)

Table 18-1667. CTRL_WKUP_LDOVBB_GPU_VOLTAGE_CTRL

Address Offset	0x0000 0154	Instance	CTRL_MODULE_WKUP
Physical Address	0x4AE0 C154		
Description	GPU Voltage Body Bias LDO Control register		
Type	RW		

31	30	29	28	27	26	25	24	23	22	21	20	19	18	17	16	15	14	13	12	11	10	9	8	7	6	5	4	3	2	1	0
RESERVED																LDOVBBGPU_FBB_MUX_CTRL		LDOVBBGPU_FBB_VSET_IN				LDOVBBGPU_FBB_VSET_OUT									

Bits	Field Name	Description	Type	Reset
31:11	RESERVED		R	0x0
10	LDOVBBGPU_FBB_MUX_CTRL	Override control of EFUSE Forward Body Bias voltage value 0x0 = efuse value is used 0x1 = override value is used	RW	0x0
9:5	LDOVBBGPU_FBB_VSET_IN	EFUSE Forward Body Bias voltage value	R	0x0
4:0	LDOVBBGPU_FBB_VSET_OUT	Override value for Forward Body Bias voltage. If ABB is used, depending on the OPP this bit field should be loaded with a value read from one of the CTRL_CORE_STD_FUSE_OPP_VMIN_GPU_x[24:20] VSETABB bit fields. This value applies if LDOVBBGPU_FBB_MUX_CTRL is set to 0x1.	RW	0x0

Table 18-1668. Register Call Summary for Register CTRL_WKUP_LDOVBB_GPU_VOLTAGE_CTRL

Control Module Functional Description

- [ABB Associated Registers: \[0\]](#)

Control Module Register Manual

- [CTRL_MODULE_CORE Register Description: \[1\]\[2\]\[3\]\[4\]](#)
- [CTRL_MODULE_WKUP Register Summary: \[5\]](#)

Table 18-1669. CTRL_WKUP_LDOVBB_MPU_VOLTAGE_CTRL

Address Offset	0x0000 0158	Instance	CTRL_MODULE_WKUP
Physical Address	0x4AE0 C158		
Description	MPU Voltage Body Bias LDO Control register		
Type	RW		

31	30	29	28	27	26	25	24	23	22	21	20	19	18	17	16	15	14	13	12	11	10	9	8	7	6	5	4	3	2	1	0
RESERVED																LDOVBBMPU_FBB_MUX_CTRL		LDOVBBMPU_FBB_VSET_IN				LDOVBBMPU_FBB_VSET_OUT									

Bits	Field Name	Description	Type	Reset
31:11	RESERVED		R	0x0
10	LDOVBBMPU_FBB_MUX_CTRL	Override control of EFUSE Forward Body Bias voltage value 0x0 = efuse value is used 0x1 = override value is used	RW	0x0
9:5	LDOVBBMPU_FBB_VSET_IN	EFUSE Forward Body Bias voltage value	R	0x0
4:0	LDOVBBMPU_FBB_VSET_OUT	Override value for Forward Body Bias voltage. If ABB is used, depending on the OPP this bit field should be loaded with a value read from one of the CTRL_CORE_STD_FUSE_OPP_VMIN_MPU_x[24:20] VSETABB bit fields. This value applies if LDOVBBMPU_FBB_MUX_CTRL is set to 0x1.	RW	0x0

Table 18-1670. Register Call Summary for Register CTRL_WKUP_LDOVBB_MPU_VOLTAGE_CTRL

Control Module Functional Description

- [ABB Associated Registers: \[0\]](#)

Control Module Register Manual

- [CTRL_MODULE_CORE Register Description: \[1\] \[2\]\[3\]\[4\]\[5\]](#)
- [CTRL_MODULE_WKUP Register Summary: \[6\]](#)

Table 18-1671. CTRL_WKUP_LDOSRAM_GPU_VOLTAGE_CTRL

Address Offset	0x0000 015C	Instance	CTRL_MODULE_WKUP
Physical Address	0x4AE0 C15C		
Description	GPU SRAM LDO Control register		
Type	RW		

31	30	29	28	27	26	25	24	23	22	21	20	19	18	17	16	15	14	13	12	11	10	9	8	7	6	5	4	3	2	1	0
RESERVED				LDOSRAMGPU_RETMODE_MUX_CTRL			LDOSRAMGPU_RETMODE_VSET_IN			LDOSRAMGPU_RETMODE_VSET_OUT			RESERVED				LDOSRAMGPU_ACTMODE_MUX_CTRL			LDOSRAMGPU_ACTMODE_VSET_IN			LDOSRAMGPU_ACTMODE_VSET_OUT								

Bits	Field Name	Description	Type	Reset
31:27	RESERVED		R	0x0
26	LDOSRAMGPU_RETMODE_MUX_CTRL	Override control of EFUSE Retention Mode Voltage value 0x0: eFuse value is used 0x1: Override value is used	RW	0x0
25:21	LDOSRAMGPU_RETMODE_VSET_IN	EFUSE Retention Mode Voltage value (vset[9:5])	R	0x0
20:16	LDOSRAMGPU_RETMODE_VSET_OUT	Override value for Retention Mode Voltage	RW	0x0
15:11	RESERVED		R	0x0
10	LDOSRAMGPU_ACTMODE_MUX_CTRL	Override control of EFUSE Active Mode Voltage value 0x0: eFuse value is used 0x1: Override value is used	RW	0x0
9:5	LDOSRAMGPU_ACTMODE_VSET_IN	EFUSE Active Mode Voltage value (vset[4:0])	R	0x0
4:0	LDOSRAMGPU_ACTMODE_VSET_OUT	Override value for Active Mode Voltage value	RW	0x0

Table 18-1672. Register Call Summary for Register CTRL_WKUP_LDOSRAM_GPU_VOLTAGE_CTRL

Control Module Register Manual

- [CTRL_MODULE_WKUP Register Summary: \[0\]](#)

Table 18-1673. CTRL_WKUP_LDOSRAM_MPU_VOLTAGE_CTRL

Address Offset	0x0000 0160	Instance	CTRL_MODULE_WKUP
Physical Address	0x4AE0 C160		
Description	MPU SRAM LDO Control register		
Type	RW		

31	30	29	28	27	26	25	24	23	22	21	20	19	18	17	16	15	14	13	12	11	10	9	8	7	6	5	4	3	2	1	0
RESERVED							LDSRAMMPU_RETMODE_MUX_CTRL	LDSRAMMPU_RETMODE_VSET_IN				LDSRAMMPU_RETMODE_VSET_OUT				RESERVED							LDSRAMMPU_ACTMODE_MUX_CTRL	LDSRAMMPU_ACTMODE_VSET_IN				LDSRAMMPU_ACTMODE_VSET_OUT			

Bits	Field Name	Description	Type	Reset
31:27	RESERVED		R	0x0
26	LDSRAMMPU_RETMODE_MUX_CTRL	Override control of eFUSE Retention Mode Voltage value 0x0: eFuse value is used 0x1: Override value is used	RW	0x0
25:21	LDSRAMMPU_RETMODE_VSET_IN	EFUSE Retention Mode Voltage value (vset[9:5])	R	0x0
20:16	LDSRAMMPU_RETMODE_VSET_OUT	Override value for Retention Mode Voltage	RW	0x0
15:11	RESERVED		R	0x0
10	LDSRAMMPU_ACTMODE_MUX_CTRL	Override control of eFUSE Active Mode Voltage value 0x0: eFuse value is used 0x1: Override value is used	RW	0x0
9:5	LDSRAMMPU_ACTMODE_VSET_IN	EFUSE Active Mode Voltage value (vset[4:0])	R	0x0
4:0	LDSRAMMPU_ACTMODE_VSET_OUT	Override value for Active Mode Voltage value	RW	0x0

Table 18-1674. Register Call Summary for Register CTRL_WKUP_LDOSRAM_MPU_VOLTAGE_CTRL

Control Module Register Manual

- [CTRL_MODULE_WKUP Register Summary: \[0\]](#)

Table 18-1675. CTRL_WKUP_LDOSRAM_CORE_VOLTAGE_CTRL

Address Offset	0x0000 0164	Instance	CTRL_MODULE_WKUP
Physical Address	0x4AE0 C164		
Description	Core SRAM LDO Control register		
Type	RW		

31	30	29	28	27	26	25	24	23	22	21	20	19	18	17	16	15	14	13	12	11	10	9	8	7	6	5	4	3	2	1	0		
RESERVED								LDOSRAMCORE_RETMODE_MUX_CTRL	LDOSRAMCORE_RETMODE_VSET_IN				LDOSRAMCORE_RETMODE_VSET_OUT				RESERVED								LDOSRAMCORE_ACTMODE_MUX_CTRL	LDOSRAMCORE_ACTMODE_VSET_IN				LDOSRAMCORE_ACTMODE_VSET_OUT			

Bits	Field Name	Description	Type	Reset
31:27	RESERVED		R	0x0
26	LDOSRAMCORE_RETMODE_MUX_CTRL	Override control of EFUSE Retention Mode Voltage value 0x0: eFuse value is used 0x1: Override value is used	RW	0x0
25:21	LDOSRAMCORE_RETMODE_VSET_IN	EFUSE Retention Mode Voltage value (vset[9:5])	R	0x0
20:16	LDOSRAMCORE_RETMODE_VSET_OUT	Override value for Retention Mode Voltage	RW	0x0
15:11	RESERVED		R	0x0
10	LDOSRAMCORE_ACTMODE_MUX_CTRL	Override control of EFUSE Active Mode Voltage value 0x0: eFuse value is used 0x1: Override value is used	RW	0x0
9:5	LDOSRAMCORE_ACTMODE_VSET_IN	EFUSE Active Mode Voltage value (vset[4:0])	R	0x0
4:0	LDOSRAMCORE_ACTMODE_VSET_OUT	Override value for Active Mode Voltage value	RW	0x0

Table 18-1676. Register Call Summary for Register CTRL_WKUP_LDOSRAM_CORE_VOLTAGE_CTRL

Control Module Register Manual

- [CTRL_MODULE_WKUP Register Summary: \[0\]](#)

Table 18-1677. CTRL_WKUP_STD_FUSE_DIE_ID_0

Address Offset	0x0000 0200
Physical Address	0x4AE0 C200
Instance	CTRL_MODULE_WKUP
Description	Die ID Register : Part 0. Register shows part of the chip eFuse configuration on the OCP interface. Reading at the address of one of these registers provides a direct view into a part of the eFuse chain.
Type	R

31	30	29	28	27	26	25	24	23	22	21	20	19	18	17	16	15	14	13	12	11	10	9	8	7	6	5	4	3	2	1	0
STD_FUSE_DIE_ID_0																															

Bits	Field Name	Description	Type	Reset
31:0	STD_FUSE_DIE_ID_0		R	0x0

Table 18-1678. Register Call Summary for Register CTRL_WKUP_STD_FUSE_DIE_ID_0

Control Module Register Manual

- [CTRL_MODULE_WKUP Register Summary: \[0\]](#)

Table 18-1679. CTRL_WKUP_ID_CODE

Address Offset	0x0000 0204	Instance	CTRL_MODULE_WKUP
Physical Address	0x4AE0 C204		
Description	ID_CODE Key Register		
Type	R		

31	30	29	28	27	26	25	24	23	22	21	20	19	18	17	16	15	14	13	12	11	10	9	8	7	6	5	4	3	2	1	0
STD_FUSE_IDCODE																															

Bits	Field Name	Description	Type	Reset
31:0	STD_FUSE_IDCODE		R	0x0

Table 18-1680. Register Call Summary for Register CTRL_WKUP_ID_CODE

Control Module Register Manual

- [CTRL_MODULE_WKUP Register Summary: \[0\]](#)

Table 18-1681. CTRL_WKUP_STD_FUSE_DIE_ID_1

Address Offset	0x0000 0208	Instance	CTRL_MODULE_WKUP
Physical Address	0x4AE0 C208		
Description	Die ID Register : Part 1. Register shows part of the chip eFuse configuration on the OCP interface. Reading at the address of one of these registers provides a direct view into a part of the eFuse chain.		
Type	R		

31	30	29	28	27	26	25	24	23	22	21	20	19	18	17	16	15	14	13	12	11	10	9	8	7	6	5	4	3	2	1	0
STD_FUSE_DIE_ID_1																															

Bits	Field Name	Description	Type	Reset
31:0	STD_FUSE_DIE_ID_1		R	0x0

Table 18-1682. Register Call Summary for Register CTRL_WKUP_STD_FUSE_DIE_ID_1

Control Module Register Manual

- [CTRL_MODULE_WKUP Register Summary: \[0\]](#)

Table 18-1683. CTRL_WKUP_STD_FUSE_DIE_ID_2

Address Offset	0x0000 020C
Physical Address	0x4AE0 C20C
Instance	CTRL_MODULE_WKUP
Description	Die ID Register : Part 2. Register shows part of the chip eFuse configuration on the OCP interface. Reading at the address of one of these registers provides a direct view into a part of the eFuse chain.
Type	R

31	30	29	28	27	26	25	24	23	22	21	20	19	18	17	16	15	14	13	12	11	10	9	8	7	6	5	4	3	2	1	0
STD_FUSE_DIE_ID_2																															

Bits	Field Name	Description	Type	Reset
31:0	STD_FUSE_DIE_ID_2		R	0x0

Table 18-1684. Register Call Summary for Register CTRL_WKUP_STD_FUSE_DIE_ID_2

Control Module Register Manual

- [CTRL_MODULE_WKUP Register Summary: \[0\]](#)

Table 18-1685. CTRL_WKUP_STD_FUSE_DIE_ID_3

Address Offset	0x0000 0210
Physical Address	0x4AE0 C210
Instance	CTRL_MODULE_WKUP
Description	Die ID Register : Part 3. Register shows part of the chip eFuse configuration on the OCP interface. Reading at the address of one of these registers provides a direct view into a part of the eFuse chain.
Type	R

31	30	29	28	27	26	25	24	23	22	21	20	19	18	17	16	15	14	13	12	11	10	9	8	7	6	5	4	3	2	1	0
STD_FUSE_DIE_ID_3																															

Bits	Field Name	Description	Type	Reset
31:0	STD_FUSE_DIE_ID_3		R	0x0

Table 18-1686. Register Call Summary for Register CTRL_WKUP_STD_FUSE_DIE_ID_3

Control Module Register Manual

- [CTRL_MODULE_WKUP Register Summary: \[0\]](#)

Table 18-1687. CTRL_WKUP_STD_FUSE_PROD_ID_0

Address Offset	0x0000 0214
Physical Address	0x4AE0 C214
Instance	CTRL_MODULE_WKUP
Description	Prod ID Register : Part 0. Register shows part of the chip eFuse configuration on the OCP interface. Reading at the address of one of these registers provides a direct view into a part of the eFuse chain.
Type	R

31	30	29	28	27	26	25	24	23	22	21	20	19	18	17	16	15	14	13	12	11	10	9	8	7	6	5	4	3	2	1	0
STD_FUSE_PROD_ID																															

Bits	Field Name	Description	Type	Reset
31:0	STD_FUSE_PROD_ID		R	0x0

Table 18-1688. Register Call Summary for Register CTRL_WKUP_STD_FUSE_PROD_ID_0

Control Module Register Manual

- [CTRL_MODULE_WKUP Register Summary: \[0\]](#)

Table 18-1689. CTRL_WKUP_CONTROL_XTAL_OSCILLATOR

Address Offset	0x0000 05AC	Instance	CTRL_MODULE_WKUP
Physical Address	0x4AE0 C5AC		
Description	XTAL OSCILLATOR control		
Type	RW		

31	30	29	28	27	26	25	24	23	22	21	20	19	18	17	16	15	14	13	12	11	10	9	8	7	6	5	4	3	2	1	0
OSCILLATOR0_BOOST	OSCILLATOR0_OS_OUT	OSCILLATOR1_BOOST	OSCILLATOR1_OS_OUT	RESERVED																											

Bits	Field Name	Description	Type	Reset
31	OSCILLATOR0_BOOST	Fast startup control of OSC0 0x0 = Fast startup is disabled 0x1 = Fast startup is enabled	RW	0x1
30	OSCILLATOR0_OS_OUT	Oscillator output of OSC0 0x0 = low to high transition in BOOST mode 0x1 = BOOST is disabled	R	0x0
29	OSCILLATOR1_BOOST	Fast startup control of OSC1 0x0 = Fast startup is disabled 0x1 = Fast startup is enabled	RW	0x1
28	OSCILLATOR1_OS_OUT	Oscillator output of OSC1 0x0 = low to high transition in BOOST mode 0x1 = BOOST is disabled	R	0x0
27:0	RESERVED		R	0x0

Table 18-1690. Register Call Summary for Register CTRL_WKUP_CONTROL_XTAL_OSCILLATOR

Control Module Register Manual

- [CTRL_MODULE_WKUP Register Summary: \[0\]](#)

Table 18-1691. CTRL_WKUP_EFUSE_1

Address Offset	0x0000 05C8	Instance	CTRL_MODULE_WKUP
Physical Address	0x4AE0 C5C8		
Description	EFUSE compensation 1		
Type	RW		

31	30	29	28	27	26	25	24	23	22	21	20	19	18	17	16	15	14	13	12	11	10	9	8	7	6	5	4	3	2	1	0						
DDRDIFF_PTV_NORTH_SIDE_N5	DDRDIFF_PTV_NORTH_SIDE_N4	DDRDIFF_PTV_NORTH_SIDE_N3	DDRDIFF_PTV_NORTH_SIDE_N2	DDRDIFF_PTV_NORTH_SIDE_N1	DDRDIFF_PTV_NORTH_SIDE_N0	DDRDIFF_PTV_NORTH_SIDE_P5	DDRDIFF_PTV_NORTH_SIDE_P4	DDRDIFF_PTV_NORTH_SIDE_P3	DDRDIFF_PTV_NORTH_SIDE_P2	DDRDIFF_PTV_NORTH_SIDE_P1	DDRDIFF_PTV_NORTH_SIDE_P0	DDRDIFF_PTV_EAST_SIDE_N5	DDRDIFF_PTV_EAST_SIDE_N4	DDRDIFF_PTV_EAST_SIDE_N3	DDRDIFF_PTV_EAST_SIDE_N2	DDRDIFF_PTV_EAST_SIDE_N1	DDRDIFF_PTV_EAST_SIDE_N0	DDRDIFF_PTV_EAST_SIDE_P5	DDRDIFF_PTV_EAST_SIDE_P4	DDRDIFF_PTV_EAST_SIDE_P3	DDRDIFF_PTV_EAST_SIDE_P2	DDRDIFF_PTV_EAST_SIDE_P1	DDRDIFF_PTV_EAST_SIDE_P0	RESERVED													

Bits	Field Name	Description	Type	Reset
31	DDRDIFF_PTV_NORTH_SIDE_N5		RW	0x0
30	DDRDIFF_PTV_NORTH_SIDE_N4		RW	0x0
29	DDRDIFF_PTV_NORTH_SIDE_N3		RW	0x0
28	DDRDIFF_PTV_NORTH_SIDE_N2		RW	0x0
27	DDRDIFF_PTV_NORTH_SIDE_N1		RW	0x0
26	DDRDIFF_PTV_NORTH_SIDE_N0		RW	0x0
25	DDRDIFF_PTV_NORTH_SIDE_P5		RW	0x0
24	DDRDIFF_PTV_NORTH_SIDE_P4		RW	0x0
23	DDRDIFF_PTV_NORTH_SIDE_P3		RW	0x0
22	DDRDIFF_PTV_NORTH_SIDE_P2		RW	0x0
21	DDRDIFF_PTV_NORTH_SIDE_P1		RW	0x0
20	DDRDIFF_PTV_NORTH_SIDE_P0		RW	0x0
19	DDRDIFF_PTV_EAST_SIDE_N5		RW	0x0
18	DDRDIFF_PTV_EAST_SIDE_N4		RW	0x0
17	DDRDIFF_PTV_EAST_SIDE_N3		RW	0x0
16	DDRDIFF_PTV_EAST_SIDE_N2		RW	0x0
15	DDRDIFF_PTV_EAST_SIDE_N1		RW	0x0
14	DDRDIFF_PTV_EAST_SIDE_N0		RW	0x0

Bits	Field Name	Description	Type	Reset
13	DDRDIFP_TV_EAST_SI DE_P5		RW	0x0
12	DDRDIFP_TV_EAST_SI DE_P4		RW	0x0
11	DDRDIFP_TV_EAST_SI DE_P3		RW	0x0
10	DDRDIFP_TV_EAST_SI DE_P2		RW	0x0
9	DDRDIFP_TV_EAST_SI DE_P1		RW	0x0
8	DDRDIFP_TV_EAST_SI DE_P0		RW	0x0
7:0	RESERVED		R	0x0

Table 18-1692. Register Call Summary for Register CTRL_WKUP_EFUSE_1

Control Module Register Manual

- [CTRL_MODULE_WKUP Register Summary: \[0\]](#)

Table 18-1693. CTRL_WKUP_EFUSE_2

Address Offset	0x0000 05CC	Instance	CTRL_MODULE_WKUP
Physical Address	0x4AE0 C5CC		
Description	EFUSE compensation 2		
Type	RW		

31	30	29	28	27	26	25	24	23	22	21	20	19	18	17	16	15	14	13	12	11	10	9	8	7	6	5	4	3	2	1	0						
DDRDIFP_TV_SOUTH_SIDE_N5	DDRDIFP_TV_SOUTH_SIDE_N4	DDRDIFP_TV_SOUTH_SIDE_N3	DDRDIFP_TV_SOUTH_SIDE_N2	DDRDIFP_TV_SOUTH_SIDE_N1	DDRDIFP_TV_SOUTH_SIDE_N0	DDRDIFP_TV_SOUTH_SIDE_P5	DDRDIFP_TV_SOUTH_SIDE_P4	DDRDIFP_TV_SOUTH_SIDE_P3	DDRDIFP_TV_SOUTH_SIDE_P2	DDRDIFP_TV_SOUTH_SIDE_P1	DDRDIFP_TV_SOUTH_SIDE_P0	DDRDIFP_TV_WEST_SIDE_N5	DDRDIFP_TV_WEST_SIDE_N4	DDRDIFP_TV_WEST_SIDE_N3	DDRDIFP_TV_WEST_SIDE_N2	DDRDIFP_TV_WEST_SIDE_N1	DDRDIFP_TV_WEST_SIDE_N0	DDRDIFP_TV_WEST_SIDE_P5	DDRDIFP_TV_WEST_SIDE_P4	DDRDIFP_TV_WEST_SIDE_P3	DDRDIFP_TV_WEST_SIDE_P2	DDRDIFP_TV_WEST_SIDE_P1	DDRDIFP_TV_WEST_SIDE_P0	RESERVED													

Bits	Field Name	Description	Type	Reset
31	DDRDIFP_TV_SOUTH_SIDE_N5		RW	0x0
30	DDRDIFP_TV_SOUTH_SIDE_N4		RW	0x0
29	DDRDIFP_TV_SOUTH_SIDE_N3		RW	0x0
28	DDRDIFP_TV_SOUTH_SIDE_N2		RW	0x0
27	DDRDIFP_TV_SOUTH_SIDE_N1		RW	0x0
26	DDRDIFP_TV_SOUTH_SIDE_N0		RW	0x0
25	DDRDIFP_TV_SOUTH_SIDE_P5		RW	0x0
24	DDRDIFP_TV_SOUTH_SIDE_P4		RW	0x0

Bits	Field Name	Description	Type	Reset
23	DDRDIFP_PTV_SOUTH_SIDE_P3		RW	0x0
22	DDRDIFP_PTV_SOUTH_SIDE_P2		RW	0x0
21	DDRDIFP_PTV_SOUTH_SIDE_P1		RW	0x0
20	DDRDIFP_PTV_SOUTH_SIDE_P0		RW	0x0
19	DDRDIFP_PTV_WEST_SIDE_N5		RW	0x0
18	DDRDIFP_PTV_WEST_SIDE_N4		RW	0x0
17	DDRDIFP_PTV_WEST_SIDE_N3		RW	0x0
16	DDRDIFP_PTV_WEST_SIDE_N2		RW	0x0
15	DDRDIFP_PTV_WEST_SIDE_N1		RW	0x0
14	DDRDIFP_PTV_WEST_SIDE_N0		RW	0x0
13	DDRDIFP_PTV_WEST_SIDE_P5		RW	0x0
12	DDRDIFP_PTV_WEST_SIDE_P4		RW	0x0
11	DDRDIFP_PTV_WEST_SIDE_P3		RW	0x0
10	DDRDIFP_PTV_WEST_SIDE_P2		RW	0x0
9	DDRDIFP_PTV_WEST_SIDE_P1		RW	0x0
8	DDRDIFP_PTV_WEST_SIDE_P0		RW	0x0
7:0	RESERVED		R	0x0

Table 18-1694. Register Call Summary for Register CTRL_WKUP_EFUSE_2

Control Module Register Manual

- [CTRL_MODULE_WKUP Register Summary: \[0\]](#)

Table 18-1695. CTRL_WKUP_EFUSE_3

Address Offset	0x0000 05D0	Instance	CTRL_MODULE_WKUP
Physical Address	0x4AE0 C5D0		
Description	EFUSE compensation 3		
Type	RW		

31	30	29	28	27	26	25	24	23	22	21	20	19	18	17	16	15	14	13	12	11	10	9	8	7	6	5	4	3	2	1	0						
DDRSE_PTV_NORTH_SIDE_N5	DDRSE_PTV_NORTH_SIDE_N4	DDRSE_PTV_NORTH_SIDE_N3	DDRSE_PTV_NORTH_SIDE_N2	DDRSE_PTV_NORTH_SIDE_N1	DDRSE_PTV_NORTH_SIDE_N0	DDRSE_PTV_NORTH_SIDE_P5	DDRSE_PTV_NORTH_SIDE_P4	DDRSE_PTV_NORTH_SIDE_P3	DDRSE_PTV_NORTH_SIDE_P2	DDRSE_PTV_NORTH_SIDE_P1	DDRSE_PTV_NORTH_SIDE_P0	DDRSE_PTV_EAST_SIDE_N5	DDRSE_PTV_EAST_SIDE_N4	DDRSE_PTV_EAST_SIDE_N3	DDRSE_PTV_EAST_SIDE_N2	DDRSE_PTV_EAST_SIDE_N1	DDRSE_PTV_EAST_SIDE_N0	DDRSE_PTV_EAST_SIDE_P5	DDRSE_PTV_EAST_SIDE_P4	DDRSE_PTV_EAST_SIDE_P3	DDRSE_PTV_EAST_SIDE_P2	DDRSE_PTV_EAST_SIDE_P1	DDRSE_PTV_EAST_SIDE_P0	RESERVED													

Bits	Field Name	Description	Type	Reset
31	DDRSE_PTV_NORTH_SIDE_N5	DDRSE_PTV_NORTH_SIDE_N5	RW	0x0
30	DDRSE_PTV_NORTH_SIDE_N4	DDRSE_PTV_NORTH_SIDE_N4	RW	0x0
29	DDRSE_PTV_NORTH_SIDE_N3	DDRSE_PTV_NORTH_SIDE_N3	RW	0x0
28	DDRSE_PTV_NORTH_SIDE_N2	DDRSE_PTV_NORTH_SIDE_N2	RW	0x0
27	DDRSE_PTV_NORTH_SIDE_N1	DDRSE_PTV_NORTH_SIDE_N1	RW	0x0
26	DDRSE_PTV_NORTH_SIDE_N0	DDRSE_PTV_NORTH_SIDE_N0	RW	0x0
25	DDRSE_PTV_NORTH_SIDE_P5	DDRSE_PTV_NORTH_SIDE_P5	RW	0x0
24	DDRSE_PTV_NORTH_SIDE_P4	DDRSE_PTV_NORTH_SIDE_P4	RW	0x0
23	DDRSE_PTV_NORTH_SIDE_P3	DDRSE_PTV_NORTH_SIDE_P3	RW	0x0
22	DDRSE_PTV_NORTH_SIDE_P2	DDRSE_PTV_NORTH_SIDE_P2	RW	0x0
21	DDRSE_PTV_NORTH_SIDE_P1	DDRSE_PTV_NORTH_SIDE_P1	RW	0x0
20	DDRSE_PTV_NORTH_SIDE_P0	DDRSE_PTV_NORTH_SIDE_P0	RW	0x0
19	DDRSE_PTV_EAST_SIDE_N5	DDRSE_PTV_EAST_SIDE_N5	RW	0x0
18	DDRSE_PTV_EAST_SIDE_N4	DDRSE_PTV_EAST_SIDE_N4	RW	0x0
17	DDRSE_PTV_EAST_SIDE_N3	DDRSE_PTV_EAST_SIDE_N3	RW	0x0
16	DDRSE_PTV_EAST_SIDE_N2	DDRSE_PTV_EAST_SIDE_N2	RW	0x0
15	DDRSE_PTV_EAST_SIDE_N1	DDRSE_PTV_EAST_SIDE_N1	RW	0x0
14	DDRSE_PTV_EAST_SIDE_N0	DDRSE_PTV_EAST_SIDE_N0	RW	0x0

Bits	Field Name	Description	Type	Reset
13	DDRSE_PTV_EAST_SID E_P5		RW	0x0
12	DDRSE_PTV_EAST_SID E_P4		RW	0x0
11	DDRSE_PTV_EAST_SID E_P3		RW	0x0
10	DDRSE_PTV_EAST_SID E_P2		RW	0x0
9	DDRSE_PTV_EAST_SID E_P1		RW	0x0
8	DDRSE_PTV_EAST_SID E_P0		RW	0x0
7:0	RESERVED		R	0x0

Table 18-1696. Register Call Summary for Register CTRL_WKUP_EFUSE_3

Control Module Register Manual

- [CTRL_MODULE_WKUP Register Summary: \[0\]](#)

Table 18-1697. CTRL_WKUP_EFUSE_4

Address Offset	0x0000 05D4	Instance	CTRL_MODULE_WKUP
Physical Address	0x4AE0 C5D4		
Description	EFUSE compensation 4		
Type	RW		

31	30	29	28	27	26	25	24	23	22	21	20	19	18	17	16	15	14	13	12	11	10	9	8	7	6	5	4	3	2	1	0			
DDRSE_PTV_SOUTH_SIDE_N5	DDRSE_PTV_SOUTH_SIDE_N4	DDRSE_PTV_SOUTH_SIDE_N3	DDRSE_PTV_SOUTH_SIDE_N2	DDRSE_PTV_SOUTH_SIDE_N1	DDRSE_PTV_SOUTH_SIDE_N0	DDRSE_PTV_SOUTH_SIDE_P5	DDRSE_PTV_SOUTH_SIDE_P4	DDRSE_PTV_SOUTH_SIDE_P3	DDRSE_PTV_SOUTH_SIDE_P2	DDRSE_PTV_SOUTH_SIDE_P1	DDRSE_PTV_SOUTH_SIDE_P0	DDRSE_PTV_WEST_SIDE_N5	DDRSE_PTV_WEST_SIDE_N4	DDRSE_PTV_WEST_SIDE_N3	DDRSE_PTV_WEST_SIDE_N2	DDRSE_PTV_WEST_SIDE_N1	DDRSE_PTV_WEST_SIDE_N0	DDRSE_PTV_WEST_SIDE_P5	DDRSE_PTV_WEST_SIDE_P4	DDRSE_PTV_WEST_SIDE_P3	DDRSE_PTV_WEST_SIDE_P2	DDRSE_PTV_WEST_SIDE_P1	DDRSE_PTV_WEST_SIDE_P0	RESERVED										

Bits	Field Name	Description	Type	Reset
31	DDRSE_PTV_SOUTH_SI DE_N5		RW	0x0
30	DDRSE_PTV_SOUTH_SI DE_N4		RW	0x0
29	DDRSE_PTV_SOUTH_SI DE_N3		RW	0x0
28	DDRSE_PTV_SOUTH_SI DE_N2		RW	0x0
27	DDRSE_PTV_SOUTH_SI DE_N1		RW	0x0
26	DDRSE_PTV_SOUTH_SI DE_N0		RW	0x0
25	DDRSE_PTV_SOUTH_SI DE_P5		RW	0x0
24	DDRSE_PTV_SOUTH_SI DE_P4		RW	0x0

Bits	Field Name	Description	Type	Reset
23	DDRSE_PTV_SOUTH_SIDE_P3		RW	0x0
22	DDRSE_PTV_SOUTH_SIDE_P2		RW	0x0
21	DDRSE_PTV_SOUTH_SIDE_P1		RW	0x0
20	DDRSE_PTV_SOUTH_SIDE_P0		RW	0x0
19	DDRSE_PTV_WEST_SIDE_E_N5		RW	0x0
18	DDRSE_PTV_WEST_SIDE_E_N4		RW	0x0
17	DDRSE_PTV_WEST_SIDE_E_N3		RW	0x0
16	DDRSE_PTV_WEST_SIDE_E_N2		RW	0x0
15	DDRSE_PTV_WEST_SIDE_E_N1		RW	0x0
14	DDRSE_PTV_WEST_SIDE_E_N0		RW	0x0
13	DDRSE_PTV_WEST_SIDE_E_P5		RW	0x0
12	DDRSE_PTV_WEST_SIDE_E_P4		RW	0x0
11	DDRSE_PTV_WEST_SIDE_E_P3		RW	0x0
10	DDRSE_PTV_WEST_SIDE_E_P2		RW	0x0
9	DDRSE_PTV_WEST_SIDE_E_P1		RW	0x0
8	DDRSE_PTV_WEST_SIDE_E_P0		RW	0x0
7:0	RESERVED		R	0x0

Table 18-1698. Register Call Summary for Register CTRL_WKUP_EFUSE_4

Control Module Register Manual

- [CTRL_MODULE_WKUP Register Summary: \[0\]](#)

Table 18-1699. CTRL_WKUP_EFUSE_13

Address Offset	0x0000 05F8	Instance	CTRL_MODULE_WKUP
Physical Address	0x4AE0 C5F8		
Description			
Type	RW		

31	30	29	28	27	26	25	24	23	22	21	20	19	18	17	16	15	14	13	12	11	10	9	8	7	6	5	4	3	2	1	0							
SDIO1833_PTV_N5	SDIO1833_PTV_N4	SDIO1833_PTV_N3	SDIO1833_PTV_N2	SDIO1833_PTV_N1	SDIO1833_PTV_N0	SDIO1833_PTV_P5	SDIO1833_PTV_P4	SDIO1833_PTV_P3	SDIO1833_PTV_P2	SDIO1833_PTV_P1	SDIO1833_PTV_P0	RESERVED																										

Bits	Field Name	Description	Type	Reset
31	SDIO1833_PTV_N5		RW	0x0
30	SDIO1833_PTV_N4		RW	0x0
29	SDIO1833_PTV_N3		RW	0x0
28	SDIO1833_PTV_N2		RW	0x0
27	SDIO1833_PTV_N1		RW	0x0
26	SDIO1833_PTV_N0		RW	0x0
25	SDIO1833_PTV_P5		RW	0x0
24	SDIO1833_PTV_P4		RW	0x0
23	SDIO1833_PTV_P3		RW	0x0
22	SDIO1833_PTV_P2		RW	0x0
21	SDIO1833_PTV_P1		RW	0x0
20	SDIO1833_PTV_P0		RW	0x0
19:0	RESERVED		R	0x0

Table 18-1700. Register Call Summary for Register CTRL_WKUP_EFUSE_13

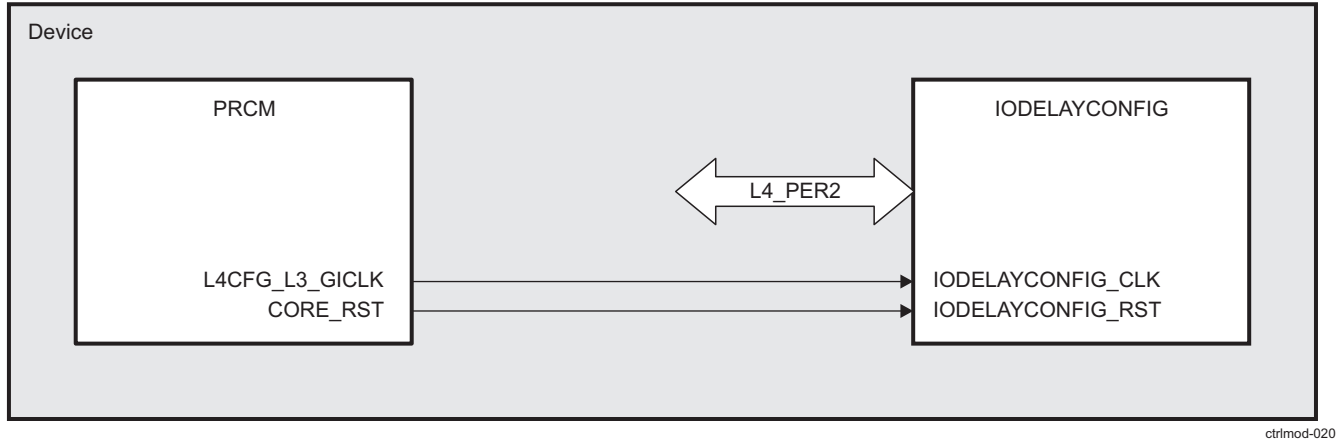
Control Module Register Manual

- [CTRL_MODULE_WKUP Register Summary: \[0\]](#)

18.6 IODELAYCONFIG Module Integration

Figure 18-15 shows the integration of the IODELAYCONFIG module in the device.

Figure 18-15. IODELAYCONFIG Integration



ctrlmod-020

Table 18-1701 and Table 18-1702 summarize the integration of the IODELAYCONFIG module in the device.

Table 18-1701. IODELAYCONFIG Integration Attributes

Module Instance	Attributes	
	Power Domain	Interconnect
IODELAYCONFIG	PD_COREAON	L4_PER2

Table 18-1702. IODELAYCONFIG Clocks and Resets

Clocks					
Module Instance	Destination Signal Name	Source Signal Name	Source	Description	
IODELAYCONFIG	IODELAYCONFIG_CLK	L4CFG_L3_GICLK	PRCM	IODELAYCONFIG module clock	
Resets					
IODELAYCONFIG	IODELAYCONFIG_RST	CORE_RST	PRCM	IODELAYCONFIG module reset	

18.7 IODELAYCONFIG Module Register Manual

18.7.1 IODELAYCONFIG Module Instance Summary

Table 18-1703. IODELAYCONFIG Module Instance Summary

Module Name	Module Base Address	Size
IODELAYCONFIG	0x4844 A000	4KiB

18.7.2 IODELAYCONFIG Registers

18.7.2.1 IODELAYCONFIG Register Summary

Table 18-1704. IODELAYCONFIG Registers Mapping Summary

Register Name	Type	Register Width (Bits)	Address Offset	IODELAYCONFIG Base Address
RESERVED	R	32	0x0000 0000	0x4844 A000
RESERVED	R	32	0x0000 0004	0x4844 A004
RESERVED	R	32	0x0000 0008	0x4844 A008
CONFIG_REG_0	RW	32	0x0000 000C	0x4844 A00C
RESERVED	R	32	0x0000 0010	0x4844 A010
CONFIG_REG_2	RW	32	0x0000 0014	0x4844 A014
CONFIG_REG_3	RW	32	0x0000 0018	0x4844 A018
CONFIG_REG_4	RW	32	0x0000 001C	0x4844 A01C
RESERVED	R	32	0x0000 0020	0x4844 A020
RESERVED	R	32	0x0000 0024	0x4844 A024
RESERVED	R	32	0x0000 0028	0x4844 A028
CONFIG_REG_8	RW	32	0x0000 002C	0x4844 A02C
CFG_RMII_MHZ_50_CLK_IN	RW	32	0x0000 0030	0x4844 A030
CFG_RMII_MHZ_50_CLK_OEN	RW	32	0x0000 0034	0x4844 A034
CFG_RMII_MHZ_50_CLK_OUT	RW	32	0x0000 0038	0x4844 A038
CFG_WAKEUP0_IN	RW	32	0x0000 003C	0x4844 A03C
CFG_WAKEUP0_OEN	RW	32	0x0000 0040	0x4844 A040
CFG_WAKEUP0_OUT	RW	32	0x0000 0044	0x4844 A044
CFG_WAKEUP1_IN	RW	32	0x0000 0048	0x4844 A048
CFG_WAKEUP1_OEN	RW	32	0x0000 004C	0x4844 A04C
CFG_WAKEUP1_OUT	RW	32	0x0000 0050	0x4844 A050
CFG_WAKEUP2_IN	RW	32	0x0000 0054	0x4844 A054
CFG_WAKEUP2_OEN	RW	32	0x0000 0058	0x4844 A058
CFG_WAKEUP2_OUT	RW	32	0x0000 005C	0x4844 A05C
CFG_WAKEUP3_IN	RW	32	0x0000 0060	0x4844 A060
CFG_WAKEUP3_OEN	RW	32	0x0000 0064	0x4844 A064
CFG_WAKEUP3_OUT	RW	32	0x0000 0068	0x4844 A068
CFG_DCAN1_RX_IN	RW	32	0x0000 006C	0x4844 A06C
CFG_DCAN1_RX_OEN	RW	32	0x0000 0070	0x4844 A070
CFG_DCAN1_RX_OUT	RW	32	0x0000 0074	0x4844 A074
CFG_DCAN1_TX_IN	RW	32	0x0000 0078	0x4844 A078
CFG_DCAN1_TX_OEN	RW	32	0x0000 007C	0x4844 A07C
CFG_DCAN1_TX_OUT	RW	32	0x0000 0080	0x4844 A080
CFG_DCAN2_RX_IN	RW	32	0x0000 0084	0x4844 A084
CFG_DCAN2_RX_OEN	RW	32	0x0000 0088	0x4844 A088
CFG_DCAN2_RX_OUT	RW	32	0x0000 008C	0x4844 A08C

Table 18-1704. IODELAYCONFIG Registers Mapping Summary (continued)

Register Name	Type	Register Width (Bits)	Address Offset	IODELAYCONFIG Base Address
CFG_DCAN2_TX_IN	RW	32	0x0000 0090	0x4844 A090
CFG_DCAN2_TX_OEN	RW	32	0x0000 0094	0x4844 A094
CFG_DCAN2_TX_OUT	RW	32	0x0000 0098	0x4844 A098
CFG_EMU0_IN	RW	32	0x0000 009C	0x4844 A09C
CFG_EMU0_OEN	RW	32	0x0000 00A0	0x4844 A0A0
CFG_EMU0_OUT	RW	32	0x0000 00A4	0x4844 A0A4
CFG_EMU1_IN	RW	32	0x0000 00A8	0x4844 A0A8
CFG_EMU1_OEN	RW	32	0x0000 00AC	0x4844 A0AC
CFG_EMU1_OUT	RW	32	0x0000 00B0	0x4844 A0B0
CFG_EMU2_IN	RW	32	0x0000 00B4	0x4844 A0B4
CFG_EMU2_OEN	RW	32	0x0000 00B8	0x4844 A0B8
CFG_EMU2_OUT	RW	32	0x0000 00BC	0x4844 A0BC
CFG_EMU3_IN	RW	32	0x0000 00C0	0x4844 A0C0
CFG_EMU3_OEN	RW	32	0x0000 00C4	0x4844 A0C4
CFG_EMU3_OUT	RW	32	0x0000 00C8	0x4844 A0C8
CFG_EMU4_IN	RW	32	0x0000 00CC	0x4844 A0CC
CFG_EMU4_OEN	RW	32	0x0000 00D0	0x4844 A0D0
CFG_EMU4_OUT	RW	32	0x0000 00D4	0x4844 A0D4
CFG_GPIO6_10_IN	RW	32	0x0000 00D8	0x4844 A0D8
CFG_GPIO6_10_OEN	RW	32	0x0000 00DC	0x4844 A0DC
CFG_GPIO6_10_OUT	RW	32	0x0000 00E0	0x4844 A0E0
CFG_GPIO6_11_IN	RW	32	0x0000 00E4	0x4844 A0E4
CFG_GPIO6_11_OEN	RW	32	0x0000 00E8	0x4844 A0E8
CFG_GPIO6_11_OUT	RW	32	0x0000 00EC	0x4844 A0EC
CFG_GPIO6_14_IN	RW	32	0x0000 00F0	0x4844 A0F0
CFG_GPIO6_14_OEN	RW	32	0x0000 00F4	0x4844 A0F4
CFG_GPIO6_14_OUT	RW	32	0x0000 00F8	0x4844 A0F8
CFG_GPIO6_15_IN	RW	32	0x0000 00FC	0x4844 A0FC
CFG_GPIO6_15_OEN	RW	32	0x0000 0100	0x4844 A100
CFG_GPIO6_15_OUT	RW	32	0x0000 0104	0x4844 A104
CFG_GPIO6_16_IN	RW	32	0x0000 0108	0x4844 A108
CFG_GPIO6_16_OEN	RW	32	0x0000 010C	0x4844 A10C
CFG_GPIO6_16_OUT	RW	32	0x0000 0110	0x4844 A110
CFG_GPMC_A0_IN	RW	32	0x0000 0114	0x4844 A114
CFG_GPMC_A0_OEN	RW	32	0x0000 0118	0x4844 A118
CFG_GPMC_A0_OUT	RW	32	0x0000 011C	0x4844 A11C
CFG_GPMC_A10_IN	RW	32	0x0000 0120	0x4844 A120
CFG_GPMC_A10_OEN	RW	32	0x0000 0124	0x4844 A124
CFG_GPMC_A10_OUT	RW	32	0x0000 0128	0x4844 A128
CFG_GPMC_A11_IN	RW	32	0x0000 012C	0x4844 A12C
CFG_GPMC_A11_OEN	RW	32	0x0000 0130	0x4844 A130
CFG_GPMC_A11_OUT	RW	32	0x0000 0134	0x4844 A134
CFG_GPMC_A12_IN	RW	32	0x0000 0138	0x4844 A138
CFG_GPMC_A12_OEN	RW	32	0x0000 013C	0x4844 A13C
CFG_GPMC_A12_OUT	RW	32	0x0000 0140	0x4844 A140
CFG_GPMC_A13_IN	RW	32	0x0000 0144	0x4844 A144
CFG_GPMC_A13_OEN	RW	32	0x0000 0148	0x4844 A148
CFG_GPMC_A13_OUT	RW	32	0x0000 014C	0x4844 A14C
CFG_GPMC_A14_IN	RW	32	0x0000 0150	0x4844 A150
CFG_GPMC_A14_OEN	RW	32	0x0000 0154	0x4844 A154

Table 18-1704. IODELAYCONFIG Registers Mapping Summary (continued)

Register Name	Type	Register Width (Bits)	Address Offset	IODELAYCONFIG Base Address
CFG_GPMC_A14_OUT	RW	32	0x0000 0158	0x4844 A158
CFG_GPMC_A15_IN	RW	32	0x0000 015C	0x4844 A15C
CFG_GPMC_A15_OEN	RW	32	0x0000 0160	0x4844 A160
CFG_GPMC_A15_OUT	RW	32	0x0000 0164	0x4844 A164
CFG_GPMC_A16_IN	RW	32	0x0000 0168	0x4844 A168
CFG_GPMC_A16_OEN	RW	32	0x0000 016C	0x4844 A16C
CFG_GPMC_A16_OUT	RW	32	0x0000 0170	0x4844 A170
CFG_GPMC_A17_IN	RW	32	0x0000 0174	0x4844 A174
CFG_GPMC_A17_OEN	RW	32	0x0000 0178	0x4844 A178
CFG_GPMC_A17_OUT	RW	32	0x0000 017C	0x4844 A17C
CFG_GPMC_A18_IN	RW	32	0x0000 0180	0x4844 A180
CFG_GPMC_A18_OEN	RW	32	0x0000 0184	0x4844 A184
CFG_GPMC_A18_OUT	RW	32	0x0000 0188	0x4844 A188
CFG_GPMC_A19_IN	RW	32	0x0000 018C	0x4844 A18C
CFG_GPMC_A19_OEN	RW	32	0x0000 0190	0x4844 A190
CFG_GPMC_A19_OUT	RW	32	0x0000 0194	0x4844 A194
CFG_GPMC_A1_IN	RW	32	0x0000 0198	0x4844 A198
CFG_GPMC_A1_OEN	RW	32	0x0000 019C	0x4844 A19C
CFG_GPMC_A1_OUT	RW	32	0x0000 01A0	0x4844 A1A0
CFG_GPMC_A20_IN	RW	32	0x0000 01A4	0x4844 A1A4
CFG_GPMC_A20_OEN	RW	32	0x0000 01A8	0x4844 A1A8
CFG_GPMC_A20_OUT	RW	32	0x0000 01AC	0x4844 A1AC
CFG_GPMC_A21_IN	RW	32	0x0000 01B0	0x4844 A1B0
CFG_GPMC_A21_OEN	RW	32	0x0000 01B4	0x4844 A1B4
CFG_GPMC_A21_OUT	RW	32	0x0000 01B8	0x4844 A1B8
CFG_GPMC_A22_IN	RW	32	0x0000 01BC	0x4844 A1BC
CFG_GPMC_A22_OEN	RW	32	0x0000 01C0	0x4844 A1C0
CFG_GPMC_A22_OUT	RW	32	0x0000 01C4	0x4844 A1C4
CFG_GPMC_A23_IN	RW	32	0x0000 01C8	0x4844 A1C8
CFG_GPMC_A23_OEN	RW	32	0x0000 01CC	0x4844 A1CC
CFG_GPMC_A23_OUT	RW	32	0x0000 01D0	0x4844 A1D0
CFG_GPMC_A24_IN	RW	32	0x0000 01D4	0x4844 A1D4
CFG_GPMC_A24_OEN	RW	32	0x0000 01D8	0x4844 A1D8
CFG_GPMC_A24_OUT	RW	32	0x0000 01DC	0x4844 A1DC
CFG_GPMC_A25_IN	RW	32	0x0000 01E0	0x4844 A1E0
CFG_GPMC_A25_OEN	RW	32	0x0000 01E4	0x4844 A1E4
CFG_GPMC_A25_OUT	RW	32	0x0000 01E8	0x4844 A1E8
CFG_GPMC_A26_IN	RW	32	0x0000 01EC	0x4844 A1EC
CFG_GPMC_A26_OEN	RW	32	0x0000 01F0	0x4844 A1F0
CFG_GPMC_A26_OUT	RW	32	0x0000 01F4	0x4844 A1F4
CFG_GPMC_A27_IN	RW	32	0x0000 01F8	0x4844 A1F8
CFG_GPMC_A27_OEN	RW	32	0x0000 01FC	0x4844 A1FC
CFG_GPMC_A27_OUT	RW	32	0x0000 0200	0x4844 A200
CFG_GPMC_A2_IN	RW	32	0x0000 0204	0x4844 A204
CFG_GPMC_A2_OEN	RW	32	0x0000 0208	0x4844 A208
CFG_GPMC_A2_OUT	RW	32	0x0000 020C	0x4844 A20C
CFG_GPMC_A3_IN	RW	32	0x0000 0210	0x4844 A210
CFG_GPMC_A3_OEN	RW	32	0x0000 0214	0x4844 A214
CFG_GPMC_A3_OUT	RW	32	0x0000 0218	0x4844 A218
CFG_GPMC_A4_IN	RW	32	0x0000 021C	0x4844 A21C

Table 18-1704. IODELAYCONFIG Registers Mapping Summary (continued)

Register Name	Type	Register Width (Bits)	Address Offset	IODELAYCONFIG Base Address
CFG_GPMC_A4_OEN	RW	32	0x0000 0220	0x4844 A220
CFG_GPMC_A4_OUT	RW	32	0x0000 0224	0x4844 A224
CFG_GPMC_A5_IN	RW	32	0x0000 0228	0x4844 A228
CFG_GPMC_A5_OEN	RW	32	0x0000 022C	0x4844 A22C
CFG_GPMC_A5_OUT	RW	32	0x0000 0230	0x4844 A230
CFG_GPMC_A6_IN	RW	32	0x0000 0234	0x4844 A234
CFG_GPMC_A6_OEN	RW	32	0x0000 0238	0x4844 A238
CFG_GPMC_A6_OUT	RW	32	0x0000 023C	0x4844 A23C
CFG_GPMC_A7_IN	RW	32	0x0000 0240	0x4844 A240
CFG_GPMC_A7_OEN	RW	32	0x0000 0244	0x4844 A244
CFG_GPMC_A7_OUT	RW	32	0x0000 0248	0x4844 A248
CFG_GPMC_A8_IN	RW	32	0x0000 024C	0x4844 A24C
CFG_GPMC_A8_OEN	RW	32	0x0000 0250	0x4844 A250
CFG_GPMC_A8_OUT	RW	32	0x0000 0254	0x4844 A254
CFG_GPMC_A9_IN	RW	32	0x0000 0258	0x4844 A258
CFG_GPMC_A9_OEN	RW	32	0x0000 025C	0x4844 A25C
CFG_GPMC_A9_OUT	RW	32	0x0000 0260	0x4844 A260
CFG_GPMC_AD0_IN	RW	32	0x0000 0264	0x4844 A264
CFG_GPMC_AD0_OEN	RW	32	0x0000 0268	0x4844 A268
CFG_GPMC_AD0_OUT	RW	32	0x0000 026C	0x4844 A26C
CFG_GPMC_AD10_IN	RW	32	0x0000 0270	0x4844 A270
CFG_GPMC_AD10_OEN	RW	32	0x0000 0274	0x4844 A274
CFG_GPMC_AD10_OUT	RW	32	0x0000 0278	0x4844 A278
CFG_GPMC_AD11_IN	RW	32	0x0000 027C	0x4844 A27C
CFG_GPMC_AD11_OEN	RW	32	0x0000 0280	0x4844 A280
CFG_GPMC_AD11_OUT	RW	32	0x0000 0284	0x4844 A284
CFG_GPMC_AD12_IN	RW	32	0x0000 0288	0x4844 A288
CFG_GPMC_AD12_OEN	RW	32	0x0000 028C	0x4844 A28C
CFG_GPMC_AD12_OUT	RW	32	0x0000 0290	0x4844 A290
CFG_GPMC_AD13_IN	RW	32	0x0000 0294	0x4844 A294
CFG_GPMC_AD13_OEN	RW	32	0x0000 0298	0x4844 A298
CFG_GPMC_AD13_OUT	RW	32	0x0000 029C	0x4844 A29C
CFG_GPMC_AD14_IN	RW	32	0x0000 02A0	0x4844 A2A0
CFG_GPMC_AD14_OEN	RW	32	0x0000 02A4	0x4844 A2A4
CFG_GPMC_AD14_OUT	RW	32	0x0000 02A8	0x4844 A2A8
CFG_GPMC_AD15_IN	RW	32	0x0000 02AC	0x4844 A2AC
CFG_GPMC_AD15_OEN	RW	32	0x0000 02B0	0x4844 A2B0
CFG_GPMC_AD15_OUT	RW	32	0x0000 02B4	0x4844 A2B4
CFG_GPMC_AD1_IN	RW	32	0x0000 02B8	0x4844 A2B8
CFG_GPMC_AD1_OEN	RW	32	0x0000 02BC	0x4844 A2BC
CFG_GPMC_AD1_OUT	RW	32	0x0000 02C0	0x4844 A2C0
CFG_GPMC_AD2_IN	RW	32	0x0000 02C4	0x4844 A2C4
CFG_GPMC_AD2_OEN	RW	32	0x0000 02C8	0x4844 A2C8
CFG_GPMC_AD2_OUT	RW	32	0x0000 02CC	0x4844 A2CC
CFG_GPMC_AD3_IN	RW	32	0x0000 02D0	0x4844 A2D0
CFG_GPMC_AD3_OEN	RW	32	0x0000 02D4	0x4844 A2D4
CFG_GPMC_AD3_OUT	RW	32	0x0000 02D8	0x4844 A2D8
CFG_GPMC_AD4_IN	RW	32	0x0000 02DC	0x4844 A2DC
CFG_GPMC_AD4_OEN	RW	32	0x0000 02E0	0x4844 A2E0
CFG_GPMC_AD4_OUT	RW	32	0x0000 02E4	0x4844 A2E4

Table 18-1704. IODELAYCONFIG Registers Mapping Summary (continued)

Register Name	Type	Register Width (Bits)	Address Offset	IODELAYCONFIG Base Address
CFG_GPMC_AD5_IN	RW	32	0x0000 02E8	0x4844 A2E8
CFG_GPMC_AD5_OEN	RW	32	0x0000 02EC	0x4844 A2EC
CFG_GPMC_AD5_OUT	RW	32	0x0000 02F0	0x4844 A2F0
CFG_GPMC_AD6_IN	RW	32	0x0000 02F4	0x4844 A2F4
CFG_GPMC_AD6_OEN	RW	32	0x0000 02F8	0x4844 A2F8
CFG_GPMC_AD6_OUT	RW	32	0x0000 02FC	0x4844 A2FC
CFG_GPMC_AD7_IN	RW	32	0x0000 0300	0x4844 A300
CFG_GPMC_AD7_OEN	RW	32	0x0000 0304	0x4844 A304
CFG_GPMC_AD7_OUT	RW	32	0x0000 0308	0x4844 A308
CFG_GPMC_AD8_IN	RW	32	0x0000 030C	0x4844 A30C
CFG_GPMC_AD8_OEN	RW	32	0x0000 0310	0x4844 A310
CFG_GPMC_AD8_OUT	RW	32	0x0000 0314	0x4844 A314
CFG_GPMC_AD9_IN	RW	32	0x0000 0318	0x4844 A318
CFG_GPMC_AD9_OEN	RW	32	0x0000 031C	0x4844 A31C
CFG_GPMC_AD9_OUT	RW	32	0x0000 0320	0x4844 A320
CFG_GPMC_ADVN_ALE_IN	RW	32	0x0000 0324	0x4844 A324
CFG_GPMC_ADVN_ALE_OEN	RW	32	0x0000 0328	0x4844 A328
CFG_GPMC_ADVN_ALE_OUT	RW	32	0x0000 032C	0x4844 A32C
CFG_GPMC_BEN0_IN	RW	32	0x0000 0330	0x4844 A330
CFG_GPMC_BEN0_OEN	RW	32	0x0000 0334	0x4844 A334
CFG_GPMC_BEN0_OUT	RW	32	0x0000 0338	0x4844 A338
CFG_GPMC_BEN1_IN	RW	32	0x0000 033C	0x4844 A33C
CFG_GPMC_BEN1_OEN	RW	32	0x0000 0340	0x4844 A340
CFG_GPMC_BEN1_OUT	RW	32	0x0000 0344	0x4844 A344
CFG_GPMC_CLK_IN	RW	32	0x0000 0348	0x4844 A348
CFG_GPMC_CLK_OEN	RW	32	0x0000 034C	0x4844 A34C
CFG_GPMC_CLK_OUT	RW	32	0x0000 0350	0x4844 A350
CFG_GPMC_CS0_IN	RW	32	0x0000 0354	0x4844 A354
CFG_GPMC_CS0_OEN	RW	32	0x0000 0358	0x4844 A358
CFG_GPMC_CS0_OUT	RW	32	0x0000 035C	0x4844 A35C
CFG_GPMC_CS1_IN	RW	32	0x0000 0360	0x4844 A360
CFG_GPMC_CS1_OEN	RW	32	0x0000 0364	0x4844 A364
CFG_GPMC_CS1_OUT	RW	32	0x0000 0368	0x4844 A368
CFG_GPMC_CS2_IN	RW	32	0x0000 036C	0x4844 A36C
CFG_GPMC_CS2_OEN	RW	32	0x0000 0370	0x4844 A370
CFG_GPMC_CS2_OUT	RW	32	0x0000 0374	0x4844 A374
CFG_GPMC_CS3_IN	RW	32	0x0000 0378	0x4844 A378
CFG_GPMC_CS3_OEN	RW	32	0x0000 037C	0x4844 A37C
CFG_GPMC_CS3_OUT	RW	32	0x0000 0380	0x4844 A380
CFG_GPMC_OEN_REN_IN	RW	32	0x0000 0384	0x4844 A384
CFG_GPMC_OEN_REN_OEN	RW	32	0x0000 0388	0x4844 A388
CFG_GPMC_OEN_REN_OUT	RW	32	0x0000 038C	0x4844 A38C
CFG_GPMC_WAIT0_IN	RW	32	0x0000 0390	0x4844 A390
CFG_GPMC_WAIT0_OEN	RW	32	0x0000 0394	0x4844 A394
CFG_GPMC_WAIT0_OUT	RW	32	0x0000 0398	0x4844 A398
CFG_GPMC_WEN_IN	RW	32	0x0000 039C	0x4844 A39C
CFG_GPMC_WEN_OEN	RW	32	0x0000 03A0	0x4844 A3A0
CFG_GPMC_WEN_OUT	RW	32	0x0000 03A4	0x4844 A3A4
CFG_MCASP1_ACLKR_IN	RW	32	0x0000 03A8	0x4844 A3A8
CFG_MCASP1_ACLKR_OEN	RW	32	0x0000 03AC	0x4844 A3AC

Table 18-1704. IODELAYCONFIG Registers Mapping Summary (continued)

Register Name	Type	Register Width (Bits)	Address Offset	IODELAYCONFIG Base Address
CFG_MCASP1_ACLKR_OUT	RW	32	0x0000 03B0	0x4844 A3B0
CFG_MCASP1_ACLKX_IN	RW	32	0x0000 03B4	0x4844 A3B4
CFG_MCASP1_ACLKX_OEN	RW	32	0x0000 03B8	0x4844 A3B8
CFG_MCASP1_ACLKX_OUT	RW	32	0x0000 03BC	0x4844 A3BC
CFG_MCASP1_AXR0_IN	RW	32	0x0000 03C0	0x4844 A3C0
CFG_MCASP1_AXR0_OEN	RW	32	0x0000 03C4	0x4844 A3C4
CFG_MCASP1_AXR0_OUT	RW	32	0x0000 03C8	0x4844 A3C8
CFG_MCASP1_AXR10_IN	RW	32	0x0000 03CC	0x4844 A3CC
CFG_MCASP1_AXR10_OEN	RW	32	0x0000 03D0	0x4844 A3D0
CFG_MCASP1_AXR10_OUT	RW	32	0x0000 03D4	0x4844 A3D4
CFG_MCASP1_AXR11_IN	RW	32	0x0000 03D8	0x4844 A3D8
CFG_MCASP1_AXR11_OEN	RW	32	0x0000 03DC	0x4844 A3DC
CFG_MCASP1_AXR11_OUT	RW	32	0x0000 03E0	0x4844 A3E0
CFG_MCASP1_AXR12_IN	RW	32	0x0000 03E4	0x4844 A3E4
CFG_MCASP1_AXR12_OEN	RW	32	0x0000 03E8	0x4844 A3E8
CFG_MCASP1_AXR12_OUT	RW	32	0x0000 03EC	0x4844 A3EC
CFG_MCASP1_AXR13_IN	RW	32	0x0000 03F0	0x4844 A3F0
CFG_MCASP1_AXR13_OEN	RW	32	0x0000 03F4	0x4844 A3F4
CFG_MCASP1_AXR13_OUT	RW	32	0x0000 03F8	0x4844 A3F8
CFG_MCASP1_AXR14_IN	RW	32	0x0000 03FC	0x4844 A3FC
CFG_MCASP1_AXR14_OEN	RW	32	0x0000 0400	0x4844 A400
CFG_MCASP1_AXR14_OUT	RW	32	0x0000 0404	0x4844 A404
CFG_MCASP1_AXR15_IN	RW	32	0x0000 0408	0x4844 A408
CFG_MCASP1_AXR15_OEN	RW	32	0x0000 040C	0x4844 A40C
CFG_MCASP1_AXR15_OUT	RW	32	0x0000 0410	0x4844 A410
CFG_MCASP1_AXR1_IN	RW	32	0x0000 0414	0x4844 A414
CFG_MCASP1_AXR1_OEN	RW	32	0x0000 0418	0x4844 A418
CFG_MCASP1_AXR1_OUT	RW	32	0x0000 041C	0x4844 A41C
CFG_MCASP1_AXR2_IN	RW	32	0x0000 0420	0x4844 A420
CFG_MCASP1_AXR2_OEN	RW	32	0x0000 0424	0x4844 A424
CFG_MCASP1_AXR2_OUT	RW	32	0x0000 0428	0x4844 A428
CFG_MCASP1_AXR3_IN	RW	32	0x0000 042C	0x4844 A42C
CFG_MCASP1_AXR3_OEN	RW	32	0x0000 0430	0x4844 A430
CFG_MCASP1_AXR3_OUT	RW	32	0x0000 0434	0x4844 A434
CFG_MCASP1_AXR4_IN	RW	32	0x0000 0438	0x4844 A438
CFG_MCASP1_AXR4_OEN	RW	32	0x0000 043C	0x4844 A43C
CFG_MCASP1_AXR4_OUT	RW	32	0x0000 0440	0x4844 A440
CFG_MCASP1_AXR5_IN	RW	32	0x0000 0444	0x4844 A444
CFG_MCASP1_AXR5_OEN	RW	32	0x0000 0448	0x4844 A448
CFG_MCASP1_AXR5_OUT	RW	32	0x0000 044C	0x4844 A44C
CFG_MCASP1_AXR6_IN	RW	32	0x0000 0450	0x4844 A450
CFG_MCASP1_AXR6_OEN	RW	32	0x0000 0454	0x4844 A454
CFG_MCASP1_AXR6_OUT	RW	32	0x0000 0458	0x4844 A458
CFG_MCASP1_AXR7_IN	RW	32	0x0000 045C	0x4844 A45C
CFG_MCASP1_AXR7_OEN	RW	32	0x0000 0460	0x4844 A460
CFG_MCASP1_AXR7_OUT	RW	32	0x0000 0464	0x4844 A464
CFG_MCASP1_AXR8_IN	RW	32	0x0000 0468	0x4844 A468
CFG_MCASP1_AXR8_OEN	RW	32	0x0000 046C	0x4844 A46C
CFG_MCASP1_AXR8_OUT	RW	32	0x0000 0470	0x4844 A470
CFG_MCASP1_AXR9_IN	RW	32	0x0000 0474	0x4844 A474

Table 18-1704. IODELAYCONFIG Registers Mapping Summary (continued)

Register Name	Type	Register Width (Bits)	Address Offset	IODELAYCONFIG Base Address
CFG_MCASP1_AXR9_OEN	RW	32	0x0000 0478	0x4844 A478
CFG_MCASP1_AXR9_OUT	RW	32	0x0000 047C	0x4844 A47C
CFG_MCASP1_FSR_IN	RW	32	0x0000 0480	0x4844 A480
CFG_MCASP1_FSR_OEN	RW	32	0x0000 0484	0x4844 A484
CFG_MCASP1_FSR_OUT	RW	32	0x0000 0488	0x4844 A488
CFG_MCASP1_FSX_IN	RW	32	0x0000 048C	0x4844 A48C
CFG_MCASP1_FSX_OEN	RW	32	0x0000 0490	0x4844 A490
CFG_MCASP1_FSX_OUT	RW	32	0x0000 0494	0x4844 A494
CFG_MCASP2_ACLKR_IN	RW	32	0x0000 0498	0x4844 A498
CFG_MCASP2_ACLKR_OEN	RW	32	0x0000 049C	0x4844 A49C
CFG_MCASP2_ACLKR_OUT	RW	32	0x0000 04A0	0x4844 A4A0
CFG_MCASP2_ACLKX_IN	RW	32	0x0000 04A4	0x4844 A4A4
CFG_MCASP2_ACLKX_OEN	RW	32	0x0000 04A8	0x4844 A4A8
CFG_MCASP2_ACLKX_OUT	RW	32	0x0000 04AC	0x4844 A4AC
CFG_MCASP2_AXR0_IN	RW	32	0x0000 04B0	0x4844 A4B0
CFG_MCASP2_AXR0_OEN	RW	32	0x0000 04B4	0x4844 A4B4
CFG_MCASP2_AXR0_OUT	RW	32	0x0000 04B8	0x4844 A4B8
CFG_MCASP2_AXR1_IN	RW	32	0x0000 04BC	0x4844 A4BC
CFG_MCASP2_AXR1_OEN	RW	32	0x0000 04C0	0x4844 A4C0
CFG_MCASP2_AXR1_OUT	RW	32	0x0000 04C4	0x4844 A4C4
CFG_MCASP2_AXR2_IN	RW	32	0x0000 04C8	0x4844 A4C8
CFG_MCASP2_AXR2_OEN	RW	32	0x0000 04CC	0x4844 A4CC
CFG_MCASP2_AXR2_OUT	RW	32	0x0000 04D0	0x4844 A4D0
CFG_MCASP2_AXR3_IN	RW	32	0x0000 04D4	0x4844 A4D4
CFG_MCASP2_AXR3_OEN	RW	32	0x0000 04D8	0x4844 A4D8
CFG_MCASP2_AXR3_OUT	RW	32	0x0000 04DC	0x4844 A4DC
CFG_MCASP2_AXR4_IN	RW	32	0x0000 04E0	0x4844 A4E0
CFG_MCASP2_AXR4_OEN	RW	32	0x0000 04E4	0x4844 A4E4
CFG_MCASP2_AXR4_OUT	RW	32	0x0000 04E8	0x4844 A4E8
CFG_MCASP2_AXR5_IN	RW	32	0x0000 04EC	0x4844 A4EC
CFG_MCASP2_AXR5_OEN	RW	32	0x0000 04F0	0x4844 A4F0
CFG_MCASP2_AXR5_OUT	RW	32	0x0000 04F4	0x4844 A4F4
CFG_MCASP2_AXR6_IN	RW	32	0x0000 04F8	0x4844 A4F8
CFG_MCASP2_AXR6_OEN	RW	32	0x0000 04FC	0x4844 A4FC
CFG_MCASP2_AXR6_OUT	RW	32	0x0000 0500	0x4844 A500
CFG_MCASP2_AXR7_IN	RW	32	0x0000 0504	0x4844 A504
CFG_MCASP2_AXR7_OEN	RW	32	0x0000 0508	0x4844 A508
CFG_MCASP2_AXR7_OUT	RW	32	0x0000 050C	0x4844 A50C
CFG_MCASP2_FSR_IN	RW	32	0x0000 0510	0x4844 A510
CFG_MCASP2_FSR_OEN	RW	32	0x0000 0514	0x4844 A514
CFG_MCASP2_FSR_OUT	RW	32	0x0000 0518	0x4844 A518
CFG_MCASP2_FSX_IN	RW	32	0x0000 051C	0x4844 A51C
CFG_MCASP2_FSX_OEN	RW	32	0x0000 0520	0x4844 A520
CFG_MCASP2_FSX_OUT	RW	32	0x0000 0524	0x4844 A524
CFG_MCASP3_ACLKX_IN	RW	32	0x0000 0528	0x4844 A528
CFG_MCASP3_ACLKX_OEN	RW	32	0x0000 052C	0x4844 A52C
CFG_MCASP3_ACLKX_OUT	RW	32	0x0000 0530	0x4844 A530
CFG_MCASP3_AXR0_IN	RW	32	0x0000 0534	0x4844 A534
CFG_MCASP3_AXR0_OEN	RW	32	0x0000 0538	0x4844 A538
CFG_MCASP3_AXR0_OUT	RW	32	0x0000 053C	0x4844 A53C

Table 18-1704. IODELAYCONFIG Registers Mapping Summary (continued)

Register Name	Type	Register Width (Bits)	Address Offset	IODELAYCONFIG Base Address
CFG_MCASP3_AXR1_IN	RW	32	0x0000 0540	0x4844 A540
CFG_MCASP3_AXR1_OEN	RW	32	0x0000 0544	0x4844 A544
CFG_MCASP3_AXR1_OUT	RW	32	0x0000 0548	0x4844 A548
CFG_MCASP3_FSX_IN	RW	32	0x0000 054C	0x4844 A54C
CFG_MCASP3_FSX_OEN	RW	32	0x0000 0550	0x4844 A550
CFG_MCASP3_FSX_OUT	RW	32	0x0000 0554	0x4844 A554
CFG_MCASP4_ACLKX_IN	RW	32	0x0000 0558	0x4844 A558
CFG_MCASP4_ACLKX_OEN	RW	32	0x0000 055C	0x4844 A55C
CFG_MCASP4_ACLKX_OUT	RW	32	0x0000 0560	0x4844 A560
CFG_MCASP4_AXR0_IN	RW	32	0x0000 0564	0x4844 A564
CFG_MCASP4_AXR0_OEN	RW	32	0x0000 0568	0x4844 A568
CFG_MCASP4_AXR0_OUT	RW	32	0x0000 056C	0x4844 A56C
CFG_MCASP4_AXR1_IN	RW	32	0x0000 0570	0x4844 A570
CFG_MCASP4_AXR1_OEN	RW	32	0x0000 0574	0x4844 A574
CFG_MCASP4_AXR1_OUT	RW	32	0x0000 0578	0x4844 A578
CFG_MCASP4_FSX_IN	RW	32	0x0000 057C	0x4844 A57C
CFG_MCASP4_FSX_OEN	RW	32	0x0000 0580	0x4844 A580
CFG_MCASP4_FSX_OUT	RW	32	0x0000 0584	0x4844 A584
CFG_MCASP5_ACLKX_IN	RW	32	0x0000 0588	0x4844 A588
CFG_MCASP5_ACLKX_OEN	RW	32	0x0000 058C	0x4844 A58C
CFG_MCASP5_ACLKX_OUT	RW	32	0x0000 0590	0x4844 A590
CFG_MCASP5_AXR0_IN	RW	32	0x0000 0594	0x4844 A594
CFG_MCASP5_AXR0_OEN	RW	32	0x0000 0598	0x4844 A598
CFG_MCASP5_AXR0_OUT	RW	32	0x0000 059C	0x4844 A59C
CFG_MCASP5_AXR1_IN	RW	32	0x0000 05A0	0x4844 A5A0
CFG_MCASP5_AXR1_OEN	RW	32	0x0000 05A4	0x4844 A5A4
CFG_MCASP5_AXR1_OUT	RW	32	0x0000 05A8	0x4844 A5A8
CFG_MCASP5_FSX_IN	RW	32	0x0000 05AC	0x4844 A5AC
CFG_MCASP5_FSX_OEN	RW	32	0x0000 05B0	0x4844 A5B0
CFG_MCASP5_FSX_OUT	RW	32	0x0000 05B4	0x4844 A5B4
CFG_MDIO_D_IN	RW	32	0x0000 05B8	0x4844 A5B8
CFG_MDIO_D_OEN	RW	32	0x0000 05BC	0x4844 A5BC
CFG_MDIO_D_OUT	RW	32	0x0000 05C0	0x4844 A5C0
CFG_MDIO_MCLK_IN	RW	32	0x0000 05C4	0x4844 A5C4
CFG_MDIO_MCLK_OEN	RW	32	0x0000 05C8	0x4844 A5C8
CFG_MDIO_MCLK_OUT	RW	32	0x0000 05CC	0x4844 A5CC
CFG_MLBP_CLK_N_IN	RW	32	0x0000 05D0	0x4844 A5D0
CFG_MLBP_CLK_N_OEN	RW	32	0x0000 05D4	0x4844 A5D4
CFG_MLBP_CLK_N_OUT	RW	32	0x0000 05D8	0x4844 A5D8
CFG_MLBP_CLK_P_IN	RW	32	0x0000 05DC	0x4844 A5DC
CFG_MLBP_CLK_P_OEN	RW	32	0x0000 05E0	0x4844 A5E0
CFG_MLBP_CLK_P_OUT	RW	32	0x0000 05E4	0x4844 A5E4
CFG_MLBP_DAT_N_IN	RW	32	0x0000 05E8	0x4844 A5E8
CFG_MLBP_DAT_N_OEN	RW	32	0x0000 05EC	0x4844 A5EC
CFG_MLBP_DAT_N_OUT	RW	32	0x0000 05F0	0x4844 A5F0
CFG_MLBP_DAT_P_IN	RW	32	0x0000 05F4	0x4844 A5F4
CFG_MLBP_DAT_P_OEN	RW	32	0x0000 05F8	0x4844 A5F8
CFG_MLBP_DAT_P_OUT	RW	32	0x0000 05FC	0x4844 A5FC
CFG_MLBP_SIG_N_IN	RW	32	0x0000 0600	0x4844 A600
CFG_MLBP_SIG_N_OEN	RW	32	0x0000 0604	0x4844 A604

Table 18-1704. IODELAYCONFIG Registers Mapping Summary (continued)

Register Name	Type	Register Width (Bits)	Address Offset	IODELAYCONFIG Base Address
CFG_MLBP_SIG_N_OUT	RW	32	0x0000 0608	0x4844 A608
CFG_MLBP_SIG_P_IN	RW	32	0x0000 060C	0x4844 A60C
CFG_MLBP_SIG_P_OEN	RW	32	0x0000 0610	0x4844 A610
CFG_MLBP_SIG_P_OUT	RW	32	0x0000 0614	0x4844 A614
CFG_MMC1_CLK_IN	RW	32	0x0000 0618	0x4844 A618
CFG_MMC1_CLK_OEN	RW	32	0x0000 061C	0x4844 A61C
CFG_MMC1_CLK_OUT	RW	32	0x0000 0620	0x4844 A620
CFG_MMC1_CMD_IN	RW	32	0x0000 0624	0x4844 A624
CFG_MMC1_CMD_OEN	RW	32	0x0000 0628	0x4844 A628
CFG_MMC1_CMD_OUT	RW	32	0x0000 062C	0x4844 A62C
CFG_MMC1_DAT0_IN	RW	32	0x0000 0630	0x4844 A630
CFG_MMC1_DAT0_OEN	RW	32	0x0000 0634	0x4844 A634
CFG_MMC1_DAT0_OUT	RW	32	0x0000 0638	0x4844 A638
CFG_MMC1_DAT1_IN	RW	32	0x0000 063C	0x4844 A63C
CFG_MMC1_DAT1_OEN	RW	32	0x0000 0640	0x4844 A640
CFG_MMC1_DAT1_OUT	RW	32	0x0000 0644	0x4844 A644
CFG_MMC1_DAT2_IN	RW	32	0x0000 0648	0x4844 A648
CFG_MMC1_DAT2_OEN	RW	32	0x0000 064C	0x4844 A64C
CFG_MMC1_DAT2_OUT	RW	32	0x0000 0650	0x4844 A650
CFG_MMC1_DAT3_IN	RW	32	0x0000 0654	0x4844 A654
CFG_MMC1_DAT3_OEN	RW	32	0x0000 0658	0x4844 A658
CFG_MMC1_DAT3_OUT	RW	32	0x0000 065C	0x4844 A65C
CFG_MMC1_SDCD_IN	RW	32	0x0000 0660	0x4844 A660
CFG_MMC1_SDCD_OEN	RW	32	0x0000 0664	0x4844 A664
CFG_MMC1_SDCD_OUT	RW	32	0x0000 0668	0x4844 A668
CFG_MMC1_SDWP_IN	RW	32	0x0000 066C	0x4844 A66C
CFG_MMC1_SDWP_OEN	RW	32	0x0000 0670	0x4844 A670
CFG_MMC1_SDWP_OUT	RW	32	0x0000 0674	0x4844 A674
CFG_MMC3_CLK_IN	RW	32	0x0000 0678	0x4844 A678
CFG_MMC3_CLK_OEN	RW	32	0x0000 067C	0x4844 A67C
CFG_MMC3_CLK_OUT	RW	32	0x0000 0680	0x4844 A680
CFG_MMC3_CMD_IN	RW	32	0x0000 0684	0x4844 A684
CFG_MMC3_CMD_OEN	RW	32	0x0000 0688	0x4844 A688
CFG_MMC3_CMD_OUT	RW	32	0x0000 068C	0x4844 A68C
CFG_MMC3_DAT0_IN	RW	32	0x0000 0690	0x4844 A690
CFG_MMC3_DAT0_OEN	RW	32	0x0000 0694	0x4844 A694
CFG_MMC3_DAT0_OUT	RW	32	0x0000 0698	0x4844 A698
CFG_MMC3_DAT1_IN	RW	32	0x0000 069C	0x4844 A69C
CFG_MMC3_DAT1_OEN	RW	32	0x0000 06A0	0x4844 A6A0
CFG_MMC3_DAT1_OUT	RW	32	0x0000 06A4	0x4844 A6A4
CFG_MMC3_DAT2_IN	RW	32	0x0000 06A8	0x4844 A6A8
CFG_MMC3_DAT2_OEN	RW	32	0x0000 06AC	0x4844 A6AC
CFG_MMC3_DAT2_OUT	RW	32	0x0000 06B0	0x4844 A6B0
CFG_MMC3_DAT3_IN	RW	32	0x0000 06B4	0x4844 A6B4
CFG_MMC3_DAT3_OEN	RW	32	0x0000 06B8	0x4844 A6B8
CFG_MMC3_DAT3_OUT	RW	32	0x0000 06BC	0x4844 A6BC
CFG_MMC3_DAT4_IN	RW	32	0x0000 06C0	0x4844 A6C0
CFG_MMC3_DAT4_OEN	RW	32	0x0000 06C4	0x4844 A6C4
CFG_MMC3_DAT4_OUT	RW	32	0x0000 06C8	0x4844 A6C8
CFG_MMC3_DAT5_IN	RW	32	0x0000 06CC	0x4844 A6CC

Table 18-1704. IODELAYCONFIG Registers Mapping Summary (continued)

Register Name	Type	Register Width (Bits)	Address Offset	IODELAYCONFIG Base Address
CFG_MMC3_DAT5_OEN	RW	32	0x0000 06D0	0x4844 A6D0
CFG_MMC3_DAT5_OUT	RW	32	0x0000 06D4	0x4844 A6D4
CFG_MMC3_DAT6_IN	RW	32	0x0000 06D8	0x4844 A6D8
CFG_MMC3_DAT6_OEN	RW	32	0x0000 06DC	0x4844 A6DC
CFG_MMC3_DAT6_OUT	RW	32	0x0000 06E0	0x4844 A6E0
CFG_MMC3_DAT7_IN	RW	32	0x0000 06E4	0x4844 A6E4
CFG_MMC3_DAT7_OEN	RW	32	0x0000 06E8	0x4844 A6E8
CFG_MMC3_DAT7_OUT	RW	32	0x0000 06EC	0x4844 A6EC
CFG_RGMII0_RXC_IN	RW	32	0x0000 06F0	0x4844 A6F0
CFG_RGMII0_RXC_OEN	RW	32	0x0000 06F4	0x4844 A6F4
CFG_RGMII0_RXC_OUT	RW	32	0x0000 06F8	0x4844 A6F8
CFG_RGMII0_RXCTL_IN	RW	32	0x0000 06FC	0x4844 A6FC
CFG_RGMII0_RXCTL_OEN	RW	32	0x0000 0700	0x4844 A700
CFG_RGMII0_RXCTL_OUT	RW	32	0x0000 0704	0x4844 A704
CFG_RGMII0_RXD0_IN	RW	32	0x0000 0708	0x4844 A708
CFG_RGMII0_RXD0_OEN	RW	32	0x0000 070C	0x4844 A70C
CFG_RGMII0_RXD0_OUT	RW	32	0x0000 0710	0x4844 A710
CFG_RGMII0_RXD1_IN	RW	32	0x0000 0714	0x4844 A714
CFG_RGMII0_RXD1_OEN	RW	32	0x0000 0718	0x4844 A718
CFG_RGMII0_RXD1_OUT	RW	32	0x0000 071C	0x4844 A71C
CFG_RGMII0_RXD2_IN	RW	32	0x0000 0720	0x4844 A720
CFG_RGMII0_RXD2_OEN	RW	32	0x0000 0724	0x4844 A724
CFG_RGMII0_RXD2_OUT	RW	32	0x0000 0728	0x4844 A728
CFG_RGMII0_RXD3_IN	RW	32	0x0000 072C	0x4844 A72C
CFG_RGMII0_RXD3_OEN	RW	32	0x0000 0730	0x4844 A730
CFG_RGMII0_RXD3_OUT	RW	32	0x0000 0734	0x4844 A734
CFG_RGMII0_TXC_IN	RW	32	0x0000 0738	0x4844 A738
CFG_RGMII0_TXC_OEN	RW	32	0x0000 073C	0x4844 A73C
CFG_RGMII0_TXC_OUT	RW	32	0x0000 0740	0x4844 A740
CFG_RGMII0_TXCTL_IN	RW	32	0x0000 0744	0x4844 A744
CFG_RGMII0_TXCTL_OEN	RW	32	0x0000 0748	0x4844 A748
CFG_RGMII0_TXCTL_OUT	RW	32	0x0000 074C	0x4844 A74C
CFG_RGMII0_TXD0_IN	RW	32	0x0000 0750	0x4844 A750
CFG_RGMII0_TXD0_OEN	RW	32	0x0000 0754	0x4844 A754
CFG_RGMII0_TXD0_OUT	RW	32	0x0000 0758	0x4844 A758
CFG_RGMII0_TXD1_IN	RW	32	0x0000 075C	0x4844 A75C
CFG_RGMII0_TXD1_OEN	RW	32	0x0000 0760	0x4844 A760
CFG_RGMII0_TXD1_OUT	RW	32	0x0000 0764	0x4844 A764
CFG_RGMII0_TXD2_IN	RW	32	0x0000 0768	0x4844 A768
CFG_RGMII0_TXD2_OEN	RW	32	0x0000 076C	0x4844 A76C
CFG_RGMII0_TXD2_OUT	RW	32	0x0000 0770	0x4844 A770
CFG_RGMII0_TXD3_IN	RW	32	0x0000 0774	0x4844 A774
CFG_RGMII0_TXD3_OEN	RW	32	0x0000 0778	0x4844 A778
CFG_RGMII0_TXD3_OUT	RW	32	0x0000 077C	0x4844 A77C
CFG_RTCK_IN	RW	32	0x0000 0780	0x4844 A780
CFG_RTCK_OEN	RW	32	0x0000 0784	0x4844 A784
CFG_RTCK_OUT	RW	32	0x0000 0788	0x4844 A788
CFG_SPI1_CS0_IN	RW	32	0x0000 078C	0x4844 A78C
CFG_SPI1_CS0_OEN	RW	32	0x0000 0790	0x4844 A790
CFG_SPI1_CS0_OUT	RW	32	0x0000 0794	0x4844 A794

Table 18-1704. IODELAYCONFIG Registers Mapping Summary (continued)

Register Name	Type	Register Width (Bits)	Address Offset	IODELAYCONFIG Base Address
CFG_SPI1_CS1_IN	RW	32	0x0000 0798	0x4844 A798
CFG_SPI1_CS1_OEN	RW	32	0x0000 079C	0x4844 A79C
CFG_SPI1_CS1_OUT	RW	32	0x0000 07A0	0x4844 A7A0
CFG_SPI1_CS2_IN	RW	32	0x0000 07A4	0x4844 A7A4
CFG_SPI1_CS2_OEN	RW	32	0x0000 07A8	0x4844 A7A8
CFG_SPI1_CS2_OUT	RW	32	0x0000 07AC	0x4844 A7AC
CFG_SPI1_CS3_IN	RW	32	0x0000 07B0	0x4844 A7B0
CFG_SPI1_CS3_OEN	RW	32	0x0000 07B4	0x4844 A7B4
CFG_SPI1_CS3_OUT	RW	32	0x0000 07B8	0x4844 A7B8
CFG_SPI1_D0_IN	RW	32	0x0000 07BC	0x4844 A7BC
CFG_SPI1_D0_OEN	RW	32	0x0000 07C0	0x4844 A7C0
CFG_SPI1_D0_OUT	RW	32	0x0000 07C4	0x4844 A7C4
CFG_SPI1_D1_IN	RW	32	0x0000 07C8	0x4844 A7C8
CFG_SPI1_D1_OEN	RW	32	0x0000 07CC	0x4844 A7CC
CFG_SPI1_D1_OUT	RW	32	0x0000 07D0	0x4844 A7D0
CFG_SPI1_SCLK_IN	RW	32	0x0000 07D4	0x4844 A7D4
CFG_SPI1_SCLK_OEN	RW	32	0x0000 07D8	0x4844 A7D8
CFG_SPI1_SCLK_OUT	RW	32	0x0000 07DC	0x4844 A7DC
CFG_SPI2_CS0_IN	RW	32	0x0000 07E0	0x4844 A7E0
CFG_SPI2_CS0_OEN	RW	32	0x0000 07E4	0x4844 A7E4
CFG_SPI2_CS0_OUT	RW	32	0x0000 07E8	0x4844 A7E8
CFG_SPI2_D0_IN	RW	32	0x0000 07EC	0x4844 A7EC
CFG_SPI2_D0_OEN	RW	32	0x0000 07F0	0x4844 A7F0
CFG_SPI2_D0_OUT	RW	32	0x0000 07F4	0x4844 A7F4
CFG_SPI2_D1_IN	RW	32	0x0000 07F8	0x4844 A7F8
CFG_SPI2_D1_OEN	RW	32	0x0000 07FC	0x4844 A7FC
CFG_SPI2_D1_OUT	RW	32	0x0000 0800	0x4844 A800
CFG_SPI2_SCLK_IN	RW	32	0x0000 0804	0x4844 A804
CFG_SPI2_SCLK_OEN	RW	32	0x0000 0808	0x4844 A808
CFG_SPI2_SCLK_OUT	RW	32	0x0000 080C	0x4844 A80C
CFG_TDI_IN	RW	32	0x0000 0810	0x4844 A810
CFG_TDI_OEN	RW	32	0x0000 0814	0x4844 A814
CFG_TDI_OUT	RW	32	0x0000 0818	0x4844 A818
CFG_TDO_IN	RW	32	0x0000 081C	0x4844 A81C
CFG_TDO_OEN	RW	32	0x0000 0820	0x4844 A820
CFG_TDO_OUT	RW	32	0x0000 0824	0x4844 A824
CFG_TMS_IN	RW	32	0x0000 0828	0x4844 A828
CFG_TMS_OEN	RW	32	0x0000 082C	0x4844 A82C
CFG_TMS_OUT	RW	32	0x0000 0830	0x4844 A830
CFG_TRSTN_IN	RW	32	0x0000 0834	0x4844 A834
CFG_TRSTN_OEN	RW	32	0x0000 0838	0x4844 A838
CFG_TRSTN_OUT	RW	32	0x0000 083C	0x4844 A83C
CFG_UART1_CTSN_IN	RW	32	0x0000 0840	0x4844 A840
CFG_UART1_CTSN_OEN	RW	32	0x0000 0844	0x4844 A844
CFG_UART1_CTSN_OUT	RW	32	0x0000 0848	0x4844 A848
CFG_UART1_RTSN_IN	RW	32	0x0000 084C	0x4844 A84C
CFG_UART1_RTSN_OEN	RW	32	0x0000 0850	0x4844 A850
CFG_UART1_RTSN_OUT	RW	32	0x0000 0854	0x4844 A854
CFG_UART1_RXD_IN	RW	32	0x0000 0858	0x4844 A858
CFG_UART1_RXD_OEN	RW	32	0x0000 085C	0x4844 A85C

Table 18-1704. IODELAYCONFIG Registers Mapping Summary (continued)

Register Name	Type	Register Width (Bits)	Address Offset	IODELAYCONFIG Base Address
CFG_UART1_RXD_OUT	RW	32	0x0000 0860	0x4844 A860
CFG_UART1_TXD_IN	RW	32	0x0000 0864	0x4844 A864
CFG_UART1_TXD_OEN	RW	32	0x0000 0868	0x4844 A868
CFG_UART1_TXD_OUT	RW	32	0x0000 086C	0x4844 A86C
CFG_UART2_CTSN_IN	RW	32	0x0000 0870	0x4844 A870
CFG_UART2_CTSN_OEN	RW	32	0x0000 0874	0x4844 A874
CFG_UART2_CTSN_OUT	RW	32	0x0000 0878	0x4844 A878
CFG_UART2_RTSN_IN	RW	32	0x0000 087C	0x4844 A87C
CFG_UART2_RTSN_OEN	RW	32	0x0000 0880	0x4844 A880
CFG_UART2_RTSN_OUT	RW	32	0x0000 0884	0x4844 A884
CFG_UART2_RXD_IN	RW	32	0x0000 0888	0x4844 A888
CFG_UART2_RXD_OEN	RW	32	0x0000 088C	0x4844 A88C
CFG_UART2_RXD_OUT	RW	32	0x0000 0890	0x4844 A890
CFG_UART2_TXD_IN	RW	32	0x0000 0894	0x4844 A894
CFG_UART2_TXD_OEN	RW	32	0x0000 0898	0x4844 A898
CFG_UART2_TXD_OUT	RW	32	0x0000 089C	0x4844 A89C
CFG_UART3_RXD_IN	RW	32	0x0000 08A0	0x4844 A8A0
CFG_UART3_RXD_OEN	RW	32	0x0000 08A4	0x4844 A8A4
CFG_UART3_RXD_OUT	RW	32	0x0000 08A8	0x4844 A8A8
CFG_UART3_TXD_IN	RW	32	0x0000 08AC	0x4844 A8AC
CFG_UART3_TXD_OEN	RW	32	0x0000 08B0	0x4844 A8B0
CFG_UART3_TXD_OUT	RW	32	0x0000 08B4	0x4844 A8B4
CFG_USB1_DRVVBUS_IN	RW	32	0x0000 08B8	0x4844 A8B8
CFG_USB1_DRVVBUS_OEN	RW	32	0x0000 08BC	0x4844 A8BC
CFG_USB1_DRVVBUS_OUT	RW	32	0x0000 08C0	0x4844 A8C0
CFG_USB2_DRVVBUS_IN	RW	32	0x0000 08C4	0x4844 A8C4
CFG_USB2_DRVVBUS_OEN	RW	32	0x0000 08C8	0x4844 A8C8
CFG_USB2_DRVVBUS_OUT	RW	32	0x0000 08CC	0x4844 A8CC
CFG_VIN1A_CLK0_IN	RW	32	0x0000 08D0	0x4844 A8D0
CFG_VIN1A_CLK0_OEN	RW	32	0x0000 08D4	0x4844 A8D4
CFG_VIN1A_CLK0_OUT	RW	32	0x0000 08D8	0x4844 A8D8
CFG_VIN1A_D0_IN	RW	32	0x0000 08DC	0x4844 A8DC
CFG_VIN1A_D0_OEN	RW	32	0x0000 08E0	0x4844 A8E0
CFG_VIN1A_D0_OUT	RW	32	0x0000 08E4	0x4844 A8E4
CFG_VIN1A_D10_IN	RW	32	0x0000 08E8	0x4844 A8E8
CFG_VIN1A_D10_OEN	RW	32	0x0000 08EC	0x4844 A8EC
CFG_VIN1A_D10_OUT	RW	32	0x0000 08F0	0x4844 A8F0
CFG_VIN1A_D11_IN	RW	32	0x0000 08F4	0x4844 A8F4
CFG_VIN1A_D11_OEN	RW	32	0x0000 08F8	0x4844 A8F8
CFG_VIN1A_D11_OUT	RW	32	0x0000 08FC	0x4844 A8FC
CFG_VIN1A_D12_IN	RW	32	0x0000 0900	0x4844 A900
CFG_VIN1A_D12_OEN	RW	32	0x0000 0904	0x4844 A904
CFG_VIN1A_D12_OUT	RW	32	0x0000 0908	0x4844 A908
CFG_VIN1A_D13_IN	RW	32	0x0000 090C	0x4844 A90C
CFG_VIN1A_D13_OEN	RW	32	0x0000 0910	0x4844 A910
CFG_VIN1A_D13_OUT	RW	32	0x0000 0914	0x4844 A914
CFG_VIN1A_D14_IN	RW	32	0x0000 0918	0x4844 A918
CFG_VIN1A_D14_OEN	RW	32	0x0000 091C	0x4844 A91C
CFG_VIN1A_D14_OUT	RW	32	0x0000 0920	0x4844 A920
CFG_VIN1A_D15_IN	RW	32	0x0000 0924	0x4844 A924

Table 18-1704. IODELAYCONFIG Registers Mapping Summary (continued)

Register Name	Type	Register Width (Bits)	Address Offset	IODELAYCONFIG Base Address
CFG_VIN1A_D15_OEN	RW	32	0x0000 0928	0x4844 A928
CFG_VIN1A_D15_OUT	RW	32	0x0000 092C	0x4844 A92C
CFG_VIN1A_D16_IN	RW	32	0x0000 0930	0x4844 A930
CFG_VIN1A_D16_OEN	RW	32	0x0000 0934	0x4844 A934
CFG_VIN1A_D16_OUT	RW	32	0x0000 0938	0x4844 A938
CFG_VIN1A_D17_IN	RW	32	0x0000 093C	0x4844 A93C
CFG_VIN1A_D17_OEN	RW	32	0x0000 0940	0x4844 A940
CFG_VIN1A_D17_OUT	RW	32	0x0000 0944	0x4844 A944
CFG_VIN1A_D18_IN	RW	32	0x0000 0948	0x4844 A948
CFG_VIN1A_D18_OEN	RW	32	0x0000 094C	0x4844 A94C
CFG_VIN1A_D18_OUT	RW	32	0x0000 0950	0x4844 A950
CFG_VIN1A_D19_IN	RW	32	0x0000 0954	0x4844 A954
CFG_VIN1A_D19_OEN	RW	32	0x0000 0958	0x4844 A958
CFG_VIN1A_D19_OUT	RW	32	0x0000 095C	0x4844 A95C
CFG_VIN1A_D1_IN	RW	32	0x0000 0960	0x4844 A960
CFG_VIN1A_D1_OEN	RW	32	0x0000 0964	0x4844 A964
CFG_VIN1A_D1_OUT	RW	32	0x0000 0968	0x4844 A968
CFG_VIN1A_D20_IN	RW	32	0x0000 096C	0x4844 A96C
CFG_VIN1A_D20_OEN	RW	32	0x0000 0970	0x4844 A970
CFG_VIN1A_D20_OUT	RW	32	0x0000 0974	0x4844 A974
CFG_VIN1A_D21_IN	RW	32	0x0000 0978	0x4844 A978
CFG_VIN1A_D21_OEN	RW	32	0x0000 097C	0x4844 A97C
CFG_VIN1A_D21_OUT	RW	32	0x0000 0980	0x4844 A980
CFG_VIN1A_D22_IN	RW	32	0x0000 0984	0x4844 A984
CFG_VIN1A_D22_OEN	RW	32	0x0000 0988	0x4844 A988
CFG_VIN1A_D22_OUT	RW	32	0x0000 098C	0x4844 A98C
CFG_VIN1A_D23_IN	RW	32	0x0000 0990	0x4844 A990
CFG_VIN1A_D23_OEN	RW	32	0x0000 0994	0x4844 A994
CFG_VIN1A_D23_OUT	RW	32	0x0000 0998	0x4844 A998
CFG_VIN1A_D2_IN	RW	32	0x0000 099C	0x4844 A99C
CFG_VIN1A_D2_OEN	RW	32	0x0000 09A0	0x4844 A9A0
CFG_VIN1A_D2_OUT	RW	32	0x0000 09A4	0x4844 A9A4
CFG_VIN1A_D3_IN	RW	32	0x0000 09A8	0x4844 A9A8
CFG_VIN1A_D3_OEN	RW	32	0x0000 09AC	0x4844 A9AC
CFG_VIN1A_D3_OUT	RW	32	0x0000 09B0	0x4844 A9B0
CFG_VIN1A_D4_IN	RW	32	0x0000 09B4	0x4844 A9B4
CFG_VIN1A_D4_OEN	RW	32	0x0000 09B8	0x4844 A9B8
CFG_VIN1A_D4_OUT	RW	32	0x0000 09BC	0x4844 A9BC
CFG_VIN1A_D5_IN	RW	32	0x0000 09C0	0x4844 A9C0
CFG_VIN1A_D5_OEN	RW	32	0x0000 09C4	0x4844 A9C4
CFG_VIN1A_D5_OUT	RW	32	0x0000 09C8	0x4844 A9C8
CFG_VIN1A_D6_IN	RW	32	0x0000 09CC	0x4844 A9CC
CFG_VIN1A_D6_OEN	RW	32	0x0000 09D0	0x4844 A9D0
CFG_VIN1A_D6_OUT	RW	32	0x0000 09D4	0x4844 A9D4
CFG_VIN1A_D7_IN	RW	32	0x0000 09D8	0x4844 A9D8
CFG_VIN1A_D7_OEN	RW	32	0x0000 09DC	0x4844 A9DC
CFG_VIN1A_D7_OUT	RW	32	0x0000 09E0	0x4844 A9E0
CFG_VIN1A_D8_IN	RW	32	0x0000 09E4	0x4844 A9E4
CFG_VIN1A_D8_OEN	RW	32	0x0000 09E8	0x4844 A9E8
CFG_VIN1A_D8_OUT	RW	32	0x0000 09EC	0x4844 A9EC

Table 18-1704. IODELAYCONFIG Registers Mapping Summary (continued)

Register Name	Type	Register Width (Bits)	Address Offset	IODELAYCONFIG Base Address
CFG_VIN1A_D9_IN	RW	32	0x0000 09F0	0x4844 A9F0
CFG_VIN1A_D9_OEN	RW	32	0x0000 09F4	0x4844 A9F4
CFG_VIN1A_D9_OUT	RW	32	0x0000 09F8	0x4844 A9F8
CFG_VIN1A_DE0_IN	RW	32	0x0000 09FC	0x4844 A9FC
CFG_VIN1A_DE0_OEN	RW	32	0x0000 0A00	0x4844 AA00
CFG_VIN1A_DE0_OUT	RW	32	0x0000 0A04	0x4844 AA04
CFG_VIN1A_FLD0_IN	RW	32	0x0000 0A08	0x4844 AA08
CFG_VIN1A_FLD0_OEN	RW	32	0x0000 0A0C	0x4844 AA0C
CFG_VIN1A_FLD0_OUT	RW	32	0x0000 0A10	0x4844 AA10
CFG_VIN1A_HSYNC0_IN	RW	32	0x0000 0A14	0x4844 AA14
CFG_VIN1A_HSYNC0_OEN	RW	32	0x0000 0A18	0x4844 AA18
CFG_VIN1A_HSYNC0_OUT	RW	32	0x0000 0A1C	0x4844 AA1C
CFG_VIN1A_VSYNC0_IN	RW	32	0x0000 0A20	0x4844 AA20
CFG_VIN1A_VSYNC0_OEN	RW	32	0x0000 0A24	0x4844 AA24
CFG_VIN1A_VSYNC0_OUT	RW	32	0x0000 0A28	0x4844 AA28
CFG_VIN1B_CLK1_IN	RW	32	0x0000 0A2C	0x4844 AA2C
CFG_VIN1B_CLK1_OEN	RW	32	0x0000 0A30	0x4844 AA30
CFG_VIN1B_CLK1_OUT	RW	32	0x0000 0A34	0x4844 AA34
CFG_VIN2A_CLK0_IN	RW	32	0x0000 0A38	0x4844 AA38
CFG_VIN2A_CLK0_OEN	RW	32	0x0000 0A3C	0x4844 AA3C
CFG_VIN2A_CLK0_OUT	RW	32	0x0000 0A40	0x4844 AA40
CFG_VIN2A_D0_IN	RW	32	0x0000 0A44	0x4844 AA44
CFG_VIN2A_D0_OEN	RW	32	0x0000 0A48	0x4844 AA48
CFG_VIN2A_D0_OUT	RW	32	0x0000 0A4C	0x4844 AA4C
CFG_VIN2A_D10_IN	RW	32	0x0000 0A50	0x4844 AA50
CFG_VIN2A_D10_OEN	RW	32	0x0000 0A54	0x4844 AA54
CFG_VIN2A_D10_OUT	RW	32	0x0000 0A58	0x4844 AA58
CFG_VIN2A_D11_IN	RW	32	0x0000 0A5C	0x4844 AA5C
CFG_VIN2A_D11_OEN	RW	32	0x0000 0A60	0x4844 AA60
CFG_VIN2A_D11_OUT	RW	32	0x0000 0A64	0x4844 AA64
CFG_VIN2A_D12_IN	RW	32	0x0000 0A68	0x4844 AA68
CFG_VIN2A_D12_OEN	RW	32	0x0000 0A6C	0x4844 AA6C
CFG_VIN2A_D12_OUT	RW	32	0x0000 0A70	0x4844 AA70
CFG_VIN2A_D13_IN	RW	32	0x0000 0A74	0x4844 AA74
CFG_VIN2A_D13_OEN	RW	32	0x0000 0A78	0x4844 AA78
CFG_VIN2A_D13_OUT	RW	32	0x0000 0A7C	0x4844 AA7C
CFG_VIN2A_D14_IN	RW	32	0x0000 0A80	0x4844 AA80
CFG_VIN2A_D14_OEN	RW	32	0x0000 0A84	0x4844 AA84
CFG_VIN2A_D14_OUT	RW	32	0x0000 0A88	0x4844 AA88
CFG_VIN2A_D15_IN	RW	32	0x0000 0A8C	0x4844 AA8C
CFG_VIN2A_D15_OEN	RW	32	0x0000 0A90	0x4844 AA90
CFG_VIN2A_D15_OUT	RW	32	0x0000 0A94	0x4844 AA94
CFG_VIN2A_D16_IN	RW	32	0x0000 0A98	0x4844 AA98
CFG_VIN2A_D16_OEN	RW	32	0x0000 0A9C	0x4844 AA9C
CFG_VIN2A_D16_OUT	RW	32	0x0000 0AA0	0x4844 AAA0
CFG_VIN2A_D17_IN	RW	32	0x0000 0AA4	0x4844 AAA4
CFG_VIN2A_D17_OEN	RW	32	0x0000 0AA8	0x4844 AAA8
CFG_VIN2A_D17_OUT	RW	32	0x0000 0AAC	0x4844 AAAC
CFG_VIN2A_D18_IN	RW	32	0x0000 0AB0	0x4844 AAB0
CFG_VIN2A_D18_OEN	RW	32	0x0000 0AB4	0x4844 AAB4

Table 18-1704. IODELAYCONFIG Registers Mapping Summary (continued)

Register Name	Type	Register Width (Bits)	Address Offset	IODELAYCONFIG Base Address
CFG_VIN2A_D18_OUT	RW	32	0x0000 0AB8	0x4844 AAB8
CFG_VIN2A_D19_IN	RW	32	0x0000 0ABC	0x4844 AABC
CFG_VIN2A_D19_OEN	RW	32	0x0000 0AC0	0x4844 AAC0
CFG_VIN2A_D19_OUT	RW	32	0x0000 0AC4	0x4844 AAC4
CFG_VIN2A_D1_IN	RW	32	0x0000 0AC8	0x4844 AAC8
CFG_VIN2A_D1_OEN	RW	32	0x0000 0ACC	0x4844 AACC
CFG_VIN2A_D1_OUT	RW	32	0x0000 0AD0	0x4844 AAD0
CFG_VIN2A_D20_IN	RW	32	0x0000 0AD4	0x4844 AAD4
CFG_VIN2A_D20_OEN	RW	32	0x0000 0AD8	0x4844 AAD8
CFG_VIN2A_D20_OUT	RW	32	0x0000 0ADC	0x4844 AADC
CFG_VIN2A_D21_IN	RW	32	0x0000 0AE0	0x4844 AAE0
CFG_VIN2A_D21_OEN	RW	32	0x0000 0AE4	0x4844 AAE4
CFG_VIN2A_D21_OUT	RW	32	0x0000 0AE8	0x4844 AAE8
CFG_VIN2A_D22_IN	RW	32	0x0000 0AEC	0x4844 AAEC
CFG_VIN2A_D22_OEN	RW	32	0x0000 0AF0	0x4844 AAF0
CFG_VIN2A_D22_OUT	RW	32	0x0000 0AF4	0x4844 AAF4
CFG_VIN2A_D23_IN	RW	32	0x0000 0AF8	0x4844 AAF8
CFG_VIN2A_D23_OEN	RW	32	0x0000 0AFC	0x4844 A AFC
CFG_VIN2A_D23_OUT	RW	32	0x0000 0B00	0x4844 AB00
CFG_VIN2A_D2_IN	RW	32	0x0000 0B04	0x4844 AB04
CFG_VIN2A_D2_OEN	RW	32	0x0000 0B08	0x4844 AB08
CFG_VIN2A_D2_OUT	RW	32	0x0000 0B0C	0x4844 AB0C
CFG_VIN2A_D3_IN	RW	32	0x0000 0B10	0x4844 AB10
CFG_VIN2A_D3_OEN	RW	32	0x0000 0B14	0x4844 AB14
CFG_VIN2A_D3_OUT	RW	32	0x0000 0B18	0x4844 AB18
CFG_VIN2A_D4_IN	RW	32	0x0000 0B1C	0x4844 AB1C
CFG_VIN2A_D4_OEN	RW	32	0x0000 0B20	0x4844 AB20
CFG_VIN2A_D4_OUT	RW	32	0x0000 0B24	0x4844 AB24
CFG_VIN2A_D5_IN	RW	32	0x0000 0B28	0x4844 AB28
CFG_VIN2A_D5_OEN	RW	32	0x0000 0B2C	0x4844 AB2C
CFG_VIN2A_D5_OUT	RW	32	0x0000 0B30	0x4844 AB30
CFG_VIN2A_D6_IN	RW	32	0x0000 0B34	0x4844 AB34
CFG_VIN2A_D6_OEN	RW	32	0x0000 0B38	0x4844 AB38
CFG_VIN2A_D6_OUT	RW	32	0x0000 0B3C	0x4844 AB3C
CFG_VIN2A_D7_IN	RW	32	0x0000 0B40	0x4844 AB40
CFG_VIN2A_D7_OEN	RW	32	0x0000 0B44	0x4844 AB44
CFG_VIN2A_D7_OUT	RW	32	0x0000 0B48	0x4844 AB48
CFG_VIN2A_D8_IN	RW	32	0x0000 0B4C	0x4844 AB4C
CFG_VIN2A_D8_OEN	RW	32	0x0000 0B50	0x4844 AB50
CFG_VIN2A_D8_OUT	RW	32	0x0000 0B54	0x4844 AB54
CFG_VIN2A_D9_IN	RW	32	0x0000 0B58	0x4844 AB58
CFG_VIN2A_D9_OEN	RW	32	0x0000 0B5C	0x4844 AB5C
CFG_VIN2A_D9_OUT	RW	32	0x0000 0B60	0x4844 AB60
CFG_VIN2A_DE0_IN	RW	32	0x0000 0B64	0x4844 AB64
CFG_VIN2A_DE0_OEN	RW	32	0x0000 0B68	0x4844 AB68
CFG_VIN2A_DE0_OUT	RW	32	0x0000 0B6C	0x4844 AB6C
CFG_VIN2A_FLD0_IN	RW	32	0x0000 0B70	0x4844 AB70
CFG_VIN2A_FLD0_OEN	RW	32	0x0000 0B74	0x4844 AB74
CFG_VIN2A_FLD0_OUT	RW	32	0x0000 0B78	0x4844 AB78
CFG_VIN2A_HSYNC0_IN	RW	32	0x0000 0B7C	0x4844 AB7C

Table 18-1704. IODELAYCONFIG Registers Mapping Summary (continued)

Register Name	Type	Register Width (Bits)	Address Offset	IODELAYCONFIG Base Address
CFG_VIN2A_HSYNC0_OEN	RW	32	0x0000 0B80	0x4844 AB80
CFG_VIN2A_HSYNC0_OUT	RW	32	0x0000 0B84	0x4844 AB84
CFG_VIN2A_VSYNC0_IN	RW	32	0x0000 0B88	0x4844 AB88
CFG_VIN2A_VSYNC0_OEN	RW	32	0x0000 0B8C	0x4844 AB8C
CFG_VIN2A_VSYNC0_OUT	RW	32	0x0000 0B90	0x4844 AB90
CFG_VOUT1_CLK_IN	RW	32	0x0000 0B94	0x4844 AB94
CFG_VOUT1_CLK_OEN	RW	32	0x0000 0B98	0x4844 AB98
CFG_VOUT1_CLK_OUT	RW	32	0x0000 0B9C	0x4844 AB9C
CFG_VOUT1_D0_IN	RW	32	0x0000 0BA0	0x4844 ABA0
CFG_VOUT1_D0_OEN	RW	32	0x0000 0BA4	0x4844 ABA4
CFG_VOUT1_D0_OUT	RW	32	0x0000 0BA8	0x4844 ABA8
CFG_VOUT1_D10_IN	RW	32	0x0000 0BAC	0x4844 ABAC
CFG_VOUT1_D10_OEN	RW	32	0x0000 0BB0	0x4844 ABB0
CFG_VOUT1_D10_OUT	RW	32	0x0000 0BB4	0x4844 ABB4
CFG_VOUT1_D11_IN	RW	32	0x0000 0BB8	0x4844 ABB8
CFG_VOUT1_D11_OEN	RW	32	0x0000 0BBC	0x4844 ABBC
CFG_VOUT1_D11_OUT	RW	32	0x0000 0BC0	0x4844 ABC0
CFG_VOUT1_D12_IN	RW	32	0x0000 0BC4	0x4844 ABC4
CFG_VOUT1_D12_OEN	RW	32	0x0000 0BC8	0x4844 ABC8
CFG_VOUT1_D12_OUT	RW	32	0x0000 0BCC	0x4844 ABCC
CFG_VOUT1_D13_IN	RW	32	0x0000 0BD0	0x4844 ABD0
CFG_VOUT1_D13_OEN	RW	32	0x0000 0BD4	0x4844 ABD4
CFG_VOUT1_D13_OUT	RW	32	0x0000 0BD8	0x4844 ABD8
CFG_VOUT1_D14_IN	RW	32	0x0000 0BDC	0x4844 ABDC
CFG_VOUT1_D14_OEN	RW	32	0x0000 0BE0	0x4844 ABE0
CFG_VOUT1_D14_OUT	RW	32	0x0000 0BE4	0x4844 ABE4
CFG_VOUT1_D15_IN	RW	32	0x0000 0BE8	0x4844 ABE8
CFG_VOUT1_D15_OEN	RW	32	0x0000 0BEC	0x4844 ABEC
CFG_VOUT1_D15_OUT	RW	32	0x0000 0BF0	0x4844 ABF0
CFG_VOUT1_D16_IN	RW	32	0x0000 0BF4	0x4844 ABF4
CFG_VOUT1_D16_OEN	RW	32	0x0000 0BF8	0x4844 ABF8
CFG_VOUT1_D16_OUT	RW	32	0x0000 0BFC	0x4844 ABFC
CFG_VOUT1_D17_IN	RW	32	0x0000 0C00	0x4844 AC00
CFG_VOUT1_D17_OEN	RW	32	0x0000 0C04	0x4844 AC04
CFG_VOUT1_D17_OUT	RW	32	0x0000 0C08	0x4844 AC08
CFG_VOUT1_D18_IN	RW	32	0x0000 0C0C	0x4844 AC0C
CFG_VOUT1_D18_OEN	RW	32	0x0000 0C10	0x4844 AC10
CFG_VOUT1_D18_OUT	RW	32	0x0000 0C14	0x4844 AC14
CFG_VOUT1_D19_IN	RW	32	0x0000 0C18	0x4844 AC18
CFG_VOUT1_D19_OEN	RW	32	0x0000 0C1C	0x4844 AC1C
CFG_VOUT1_D19_OUT	RW	32	0x0000 0C20	0x4844 AC20
CFG_VOUT1_D1_IN	RW	32	0x0000 0C24	0x4844 AC24
CFG_VOUT1_D1_OEN	RW	32	0x0000 0C28	0x4844 AC28
CFG_VOUT1_D1_OUT	RW	32	0x0000 0C2C	0x4844 AC2C
CFG_VOUT1_D20_IN	RW	32	0x0000 0C30	0x4844 AC30
CFG_VOUT1_D20_OEN	RW	32	0x0000 0C34	0x4844 AC34
CFG_VOUT1_D20_OUT	RW	32	0x0000 0C38	0x4844 AC38
CFG_VOUT1_D21_IN	RW	32	0x0000 0C3C	0x4844 AC3C
CFG_VOUT1_D21_OEN	RW	32	0x0000 0C40	0x4844 AC40
CFG_VOUT1_D21_OUT	RW	32	0x0000 0C44	0x4844 AC44

Table 18-1704. IODELAYCONFIG Registers Mapping Summary (continued)

Register Name	Type	Register Width (Bits)	Address Offset	IODELAYCONFIG Base Address
CFG_VOUT1_D22_IN	RW	32	0x0000 0C48	0x4844 AC48
CFG_VOUT1_D22_OEN	RW	32	0x0000 0C4C	0x4844 AC4C
CFG_VOUT1_D22_OUT	RW	32	0x0000 0C50	0x4844 AC50
CFG_VOUT1_D23_IN	RW	32	0x0000 0C54	0x4844 AC54
CFG_VOUT1_D23_OEN	RW	32	0x0000 0C58	0x4844 AC58
CFG_VOUT1_D23_OUT	RW	32	0x0000 0C5C	0x4844 AC5C
CFG_VOUT1_D2_IN	RW	32	0x0000 0C60	0x4844 AC60
CFG_VOUT1_D2_OEN	RW	32	0x0000 0C64	0x4844 AC64
CFG_VOUT1_D2_OUT	RW	32	0x0000 0C68	0x4844 AC68
CFG_VOUT1_D3_IN	RW	32	0x0000 0C6C	0x4844 AC6C
CFG_VOUT1_D3_OEN	RW	32	0x0000 0C70	0x4844 AC70
CFG_VOUT1_D3_OUT	RW	32	0x0000 0C74	0x4844 AC74
CFG_VOUT1_D4_IN	RW	32	0x0000 0C78	0x4844 AC78
CFG_VOUT1_D4_OEN	RW	32	0x0000 0C7C	0x4844 AC7C
CFG_VOUT1_D4_OUT	RW	32	0x0000 0C80	0x4844 AC80
CFG_VOUT1_D5_IN	RW	32	0x0000 0C84	0x4844 AC84
CFG_VOUT1_D5_OEN	RW	32	0x0000 0C88	0x4844 AC88
CFG_VOUT1_D5_OUT	RW	32	0x0000 0C8C	0x4844 AC8C
CFG_VOUT1_D6_IN	RW	32	0x0000 0C90	0x4844 AC90
CFG_VOUT1_D6_OEN	RW	32	0x0000 0C94	0x4844 AC94
CFG_VOUT1_D6_OUT	RW	32	0x0000 0C98	0x4844 AC98
CFG_VOUT1_D7_IN	RW	32	0x0000 0C9C	0x4844 AC9C
CFG_VOUT1_D7_OEN	RW	32	0x0000 0CA0	0x4844 ACA0
CFG_VOUT1_D7_OUT	RW	32	0x0000 0CA4	0x4844 ACA4
CFG_VOUT1_D8_IN	RW	32	0x0000 0CA8	0x4844 ACA8
CFG_VOUT1_D8_OEN	RW	32	0x0000 0CAC	0x4844 ACAC
CFG_VOUT1_D8_OUT	RW	32	0x0000 0CB0	0x4844 ACB0
CFG_VOUT1_D9_IN	RW	32	0x0000 0CB4	0x4844 ACB4
CFG_VOUT1_D9_OEN	RW	32	0x0000 0CB8	0x4844 ACB8
CFG_VOUT1_D9_OUT	RW	32	0x0000 0CBC	0x4844 ACBC
CFG_VOUT1_DE_IN	RW	32	0x0000 0CC0	0x4844 ACC0
CFG_VOUT1_DE_OEN	RW	32	0x0000 0CC4	0x4844 ACC4
CFG_VOUT1_DE_OUT	RW	32	0x0000 0CC8	0x4844 ACC8
CFG_VOUT1_FLD_IN	RW	32	0x0000 0CCC	0x4844 ACCC
CFG_VOUT1_FLD_OEN	RW	32	0x0000 0CD0	0x4844 ACD0
CFG_VOUT1_FLD_OUT	RW	32	0x0000 0CD4	0x4844 ACD4
CFG_VOUT1_HSYNC_IN	RW	32	0x0000 0CD8	0x4844 ACD8
CFG_VOUT1_HSYNC_OEN	RW	32	0x0000 0CDC	0x4844 ACDC
CFG_VOUT1_HSYNC_OUT	RW	32	0x0000 0CE0	0x4844 ACE0
CFG_VOUT1_VSYNC_IN	RW	32	0x0000 0CE4	0x4844 ACE4
CFG_VOUT1_VSYNC_OEN	RW	32	0x0000 0CE8	0x4844 ACE8
CFG_VOUT1_VSYNC_OUT	RW	32	0x0000 0CEC	0x4844 ACEC
CFG_XREF_CLK0_IN	RW	32	0x0000 0CF0	0x4844 ACF0
CFG_XREF_CLK0_OEN	RW	32	0x0000 0CF4	0x4844 ACF4
CFG_XREF_CLK0_OUT	RW	32	0x0000 0CF8	0x4844 ACF8
CFG_XREF_CLK1_IN	RW	32	0x0000 0CFC	0x4844 ACFC
CFG_XREF_CLK1_OEN	RW	32	0x0000 0D00	0x4844 AD00
CFG_XREF_CLK1_OUT	RW	32	0x0000 0D04	0x4844 AD04
CFG_XREF_CLK2_IN	RW	32	0x0000 0D08	0x4844 AD08
CFG_XREF_CLK2_OEN	RW	32	0x0000 0D0C	0x4844 AD0C

Table 18-1704. IODELAYCONFIG Registers Mapping Summary (continued)

Register Name	Type	Register Width (Bits)	Address Offset	IODELAYCONFIG Base Address
CFG_XREF_CLK2_OUT	RW	32	0x0000 0D10	0x4844 AD10
CFG_XREF_CLK3_IN	RW	32	0x0000 0D14	0x4844 AD14
CFG_XREF_CLK3_OEN	RW	32	0x0000 0D18	0x4844 AD18
CFG_XREF_CLK3_OUT	RW	32	0x0000 0D1C	0x4844 AD1C

18.7.2.2 IODELAYCONFIG Register Description

Table 18-1705. CONFIG_REG_0

Address Offset	0x0000 000C	Instance	IODELAYCONFIG
Physical Address	0x4844 A00C		
Description	Calibration Control Register		
Type	RW		

31	30	29	28	27	26	25	24	23	22	21	20	19	18	17	16	15	14	13	12	11	10	9	8	7	6	5	4	3	2	1	0
RESERVED																ROM_READ		CALIBRATION_START													

Bits	Field Name	Description	Type	Reset
31:2	RESERVED		R	0x0
1	ROM_READ	Triggers complete ROM read when '1' is written. Cleared when ROM read is complete.	RW	0x0
0	CALIBRATION_START	Triggers hardware calibration when '1' is written. Cleared when hardware completes calibration.	RW	0x0

Table 18-1706. Register Call Summary for Register CONFIG_REG_0

Control Module Functional Description

- [IO Delay Recalibration: \[0\]\[1\]\[2\]\[3\]](#)

IODELAYCONFIG Module Register Manual

- [IODELAYCONFIG Register Summary: \[4\]](#)

Table 18-1707. CONFIG_REG_2

Address Offset	0x0000 0014	Instance	IODELAYCONFIG
Physical Address	0x4844 A014		
Description	Reference Clock Period Register.		
Type	RW		

31	30	29	28	27	26	25	24	23	22	21	20	19	18	17	16	15	14	13	12	11	10	9	8	7	6	5	4	3	2	1	0
RESERVED																REFCLK_PERIOD															

Bits	Field Name	Description	Type	Reset
31:16	RESERVED		R	0x0
15:0	REFCLK_PERIOD	15:0 stores the binary equivalent of reference clock period in units of 10ps. This value (along with calibration results) is used for computing the coarse/fine element delay Example: 0xF0 means 2400ps.	RW	0x21D2

Table 18-1708. Register Call Summary for Register CONFIG_REG_2

Control Module Functional Description

- [IO Delay Recalibration: \[0\]](#)

IODELAYCONFIG Module Register Manual

- [IODELAYCONFIG Register Summary: \[1\]](#)

Table 18-1709. CONFIG_REG_3

Address Offset	0x0000 0018	Instance	IODELAYCONFIG
Physical Address	0x4844 A018		
Description	coarse calibration results register		
Type	RW		

31	30	29	28	27	26	25	24	23	22	21	20	19	18	17	16	15	14	13	12	11	10	9	8	7	6	5	4	3	2	1	0
COARSE_DELAY_COUNT																COARSE_REF_COUNT															

Bits	Field Name	Description	Type	Reset
31:16	COARSE_DELAY_COUNT	Results of 16 bit counter clocked by "delay line oscillator" clock during calibration.	RW	0x0
15:0	COARSE_REF_COUNT	Results of 16 bit counter clocked by "reference" clock during coarse calibration.	RW	0x0

Table 18-1710. Register Call Summary for Register CONFIG_REG_3

IODELAYCONFIG Module Register Manual

- [IODELAYCONFIG Register Summary: \[0\]](#)

Table 18-1711. CONFIG_REG_4

Address Offset	0x0000 001C	Instance	IODELAYCONFIG
Physical Address	0x4844 A01C		
Description	fine calibration results register		
Type	RW		

31	30	29	28	27	26	25	24	23	22	21	20	19	18	17	16	15	14	13	12	11	10	9	8	7	6	5	4	3	2	1	0
FINE_DELAY_COUNT																FINE_REF_COUNT															

Bits	Field Name	Description	Type	Reset
31:16	FINE_DELAY_COUNT	Results of 16 bit counter clocked by "delay line oscillator" clock during fine calibration.	RW	0x0
15:0	FINE_REF_COUNT	Results of 16 bit counter clocked by "reference" clock during fine calibration.	RW	0x0

Table 18-1712. Register Call Summary for Register CONFIG_REG_4

IODELAYCONFIG Module Register Manual

- [IODELAYCONFIG Register Summary: \[0\]](#)

Table 18-1713. CONFIG_REG_8

Address Offset	0x0000 002C	Instance	IODELAYCONFIG
Physical Address	0x4844 A02C		
Description	Global Lock Register.		
Type	RW		

31	30	29	28	27	26	25	24	23	22	21	20	19	18	17	16	15	14	13	12	11	10	9	8	7	6	5	4	3	2	1	0
RESERVED																GLOBAL_LOCK_BIT															

Bits	Field Name	Description	Type	Reset
31:1	RESERVED		R	0x0
0	GLOBAL_LOCK_BIT	Global Lock Bit Register. A '1' in this bit protects the writes to MMRs that store delay line select values. A '0' in this bit indicates that MMRs that store delay line select values are writeable. To write a '0' to this bit, signature of 0x5555 must be used on the MSB bits 16:1 of mdata.	RW	0x1

Table 18-1714. Register Call Summary for Register CONFIG_REG_8

Control Module Functional Description

- [IO Delay Recalibration: \[0\]\[1\]](#)

IODELAYCONFIG Module Register Manual

- [IODELAYCONFIG Register Summary: \[2\]](#)

Table 18-1715. CFG_RMII_MHZ_50_CLK_IN

Address Offset	0x0000 0030	Instance	IODELAYCONFIG
Physical Address	0x4844 A030		
Description	Delay Select Value in binary coded form for cfg_RMII_MHZ_50_CLK_in interface		
Type	RW		

31	30	29	28	27	26	25	24	23	22	21	20	19	18	17	16	15	14	13	12	11	10	9	8	7	6	5	4	3	2	1	0
RESERVED												SIGNATURE			RESERVED	LOCK_BIT	BINARY_DELAY														

Bits	Field Name	Description	Type	Reset
31:18	RESERVED		R	0x0
17:12	SIGNATURE	Write to this register will succeed only if data on these bits carries a signature of 6'h29 (6'b101001)	RW	0x0
11	RESERVED		R	0x0

Bits	Field Name	Description	Type	Reset
10	LOCK_BIT	When '1', prevents HW update to this MMR. When '0', allows HW update of this MMR.	RW	0x0
9:0	BINARY_DELAY	Delay Select Value in binary coded form. Indicates the number of coarse (9:5) and fine (4:0) delay elements to be used on the delay line connected to this pad.	RW	0x0

Table 18-1716. Register Call Summary for Register CFG_RMII_MHZ_50_CLK_IN

IODELAYCONFIG Module Register Manual

- [IODELAYCONFIG Register Summary: \[0\]](#)

Table 18-1717. CFG_RMII_MHZ_50_CLK_OEN

Address Offset	0x0000 0034	Instance	IODELAYCONFIG
Physical Address	0x4844 A034		
Description	Delay Select Value in binary coded form for cfg_rmii_mhz_50_clk_oen interface		
Type	RW		

31	30	29	28	27	26	25	24	23	22	21	20	19	18	17	16	15	14	13	12	11	10	9	8	7	6	5	4	3	2	1	0
RESERVED								SIGNATURE								RESERVED	LOCK_BIT	BINARY_DELAY													

Bits	Field Name	Description	Type	Reset
31:18	RESERVED		R	0x0
17:12	SIGNATURE	Write to this register will succeed only if data on these bits carries a signature of 6'h29 (6'b101001)	RW	0x0
11	RESERVED		R	0x0
10	LOCK_BIT	When '1', prevents HW update to this MMR. When '0', allows HW update of this MMR.	RW	0x0
9:0	BINARY_DELAY	Delay Select Value in binary coded form. Indicates the number of coarse (9:5) and fine (4:0) delay elements to be used on the delay line connected to this pad.	RW	0x0

Table 18-1718. Register Call Summary for Register CFG_RMII_MHZ_50_CLK_OEN

IODELAYCONFIG Module Register Manual

- [IODELAYCONFIG Register Summary: \[0\]](#)

Table 18-1719. CFG_RMII_MHZ_50_CLK_OUT

Address Offset	0x0000 0038	Instance	IODELAYCONFIG
Physical Address	0x4844 A038		
Description	Delay Select Value in binary coded form for cfg_rmii_mhz_50_clk_out interface		
Type	RW		

31	30	29	28	27	26	25	24	23	22	21	20	19	18	17	16	15	14	13	12	11	10	9	8	7	6	5	4	3	2	1	0
RESERVED								SIGNATURE								RESERVED	LOCK_BIT	BINARY_DELAY													

Bits	Field Name	Description	Type	Reset
31:18	RESERVED		R	0x0
17:12	SIGNATURE	Write to this register will succeed only if data on these bits carries a signature of 6'h29 (6'b101001)	RW	0x0
11	RESERVED		R	0x0
10	LOCK_BIT	When '1', prevents HW update to this MMR. When '0', allows HW update of this MMR.	RW	0x0
9:0	BINARY_DELAY	Delay Select Value in binary coded form. Indicates the number of coarse (9:5) and fine (4:0) delay elements to be used on the delay line connected to this pad.	RW	0x0

Table 18-1720. Register Call Summary for Register CFG_RMII_MHZ_50_CLK_OUT

IODELAYCONFIG Module Register Manual

- [IODELAYCONFIG Register Summary: \[0\]](#)

Table 18-1721. CFG_WAKEUP0_IN

Address Offset	0x0000 003C	Instance	IODELAYCONFIG
Physical Address	0x4844 A03C		
Description	Delay Select Value in binary coded form for cfg_Wakeup0_in interface		
Type	RW		

31	30	29	28	27	26	25	24	23	22	21	20	19	18	17	16	15	14	13	12	11	10	9	8	7	6	5	4	3	2	1	0
RESERVED								SIGNATURE				RESERVED	LOCK_BIT	BINARY_DELAY																	

Bits	Field Name	Description	Type	Reset
31:18	RESERVED		R	0x0
17:12	SIGNATURE	Write to this register will succeed only if data on these bits carries a signature of 6'h29 (6'b101001)	RW	0x0
11	RESERVED		R	0x0
10	LOCK_BIT	When '1', prevents HW update to this MMR. When '0', allows HW update of this MMR.	RW	0x0
9:0	BINARY_DELAY	Delay Select Value in binary coded form. Indicates the number of coarse (9:5) and fine (4:0) delay elements to be used on the delay line connected to this pad.	RW	0x0

Table 18-1722. Register Call Summary for Register CFG_WAKEUP0_IN

IODELAYCONFIG Module Register Manual

- [IODELAYCONFIG Register Summary: \[0\]](#)

Table 18-1723. CFG_WAKEUP0_OEN

Address Offset	0x0000 0040	Instance	IODELAYCONFIG
Physical Address	0x4844 A040		
Description	Delay Select Value in binary coded form for cfg_Wakeup0_oen interface		
Type	RW		

31	30	29	28	27	26	25	24	23	22	21	20	19	18	17	16	15	14	13	12	11	10	9	8	7	6	5	4	3	2	1	0
RESERVED								SIGNATURE				RESERVED	LOCK_BIT	BINARY_DELAY																	

Bits	Field Name	Description	Type	Reset
31:18	RESERVED		R	0x0
17:12	SIGNATURE	Write to this register will succeed only if data on these bits carries a signature of 6'h29 (6'b101001)	RW	0x0
11	RESERVED		R	0x0
10	LOCK_BIT	When '1', prevents HW update to this MMR. When '0', allows HW update of this MMR.	RW	0x0
9:0	BINARY_DELAY	Delay Select Value in binary coded form. Indicates the number of coarse (9:5) and fine (4:0) delay elements to be used on the delay line connected to this pad.	RW	0x0

Table 18-1724. Register Call Summary for Register CFG_WAKEUP0_OEN

IODELAYCONFIG Module Register Manual

- [IODELAYCONFIG Register Summary: \[0\]](#)

Table 18-1725. CFG_WAKEUP0_OUT

Address Offset	0x0000 0044	Instance	IODELAYCONFIG
Physical Address	0x4844 A044		
Description	Delay Select Value in binary coded form for cfg_Wakeup0_out interface		
Type	RW		

31	30	29	28	27	26	25	24	23	22	21	20	19	18	17	16	15	14	13	12	11	10	9	8	7	6	5	4	3	2	1	0
RESERVED								SIGNATURE				RESERVED	LOCK_BIT	BINARY_DELAY																	

Bits	Field Name	Description	Type	Reset
31:18	RESERVED		R	0x0
17:12	SIGNATURE	Write to this register will succeed only if data on these bits carries a signature of 6'h29 (6'b101001)	RW	0x0
11	RESERVED		R	0x0
10	LOCK_BIT	When '1', prevents HW update to this MMR. When '0', allows HW update of this MMR.	RW	0x0
9:0	BINARY_DELAY	Delay Select Value in binary coded form. Indicates the number of coarse (9:5) and fine (4:0) delay elements to be used on the delay line connected to this pad.	RW	0x0

Table 18-1726. Register Call Summary for Register CFG_WAKEUP0_OUT

IODELAYCONFIG Module Register Manual

- [IODELAYCONFIG Register Summary: \[0\]](#)

Table 18-1727. CFG_WAKEUP1_IN

Address Offset	0x0000 0048	Instance	IODELAYCONFIG
Physical Address	0x4844 A048		
Description	Delay Select Value in binary coded form for cfg_Wakeup1_in interface		
Type	RW		

31	30	29	28	27	26	25	24	23	22	21	20	19	18	17	16	15	14	13	12	11	10	9	8	7	6	5	4	3	2	1	0
RESERVED														SIGNATURE				RESERVED	LOCK_BIT	BINARY_DELAY											

Bits	Field Name	Description	Type	Reset
31:18	RESERVED		R	0x0
17:12	SIGNATURE	Write to this register will succeed only if data on these bits carries a signature of 6'h29 (6'b101001)	RW	0x0
11	RESERVED		R	0x0
10	LOCK_BIT	When '1', prevents HW update to this MMR. When '0', allows HW update of this MMR.	RW	0x0
9:0	BINARY_DELAY	Delay Select Value in binary coded form. Indicates the number of coarse (9:5) and fine (4:0) delay elements to be used on the delay line connected to this pad.	RW	0x0

Table 18-1728. Register Call Summary for Register CFG_WAKEUP1_IN

IODELAYCONFIG Module Register Manual

- [IODELAYCONFIG Register Summary: \[0\]](#)

Table 18-1729. CFG_WAKEUP1_OEN

Address Offset	0x0000 004C	Instance	IODELAYCONFIG
Physical Address	0x4844 A04C		
Description	Delay Select Value in binary coded form for cfg_Wakeup1_oen interface		
Type	RW		

31	30	29	28	27	26	25	24	23	22	21	20	19	18	17	16	15	14	13	12	11	10	9	8	7	6	5	4	3	2	1	0
RESERVED														SIGNATURE				RESERVED	LOCK_BIT	BINARY_DELAY											

Bits	Field Name	Description	Type	Reset
31:18	RESERVED		R	0x0
17:12	SIGNATURE	Write to this register will succeed only if data on these bits carries a signature of 6'h29 (6'b101001)	RW	0x0
11	RESERVED		R	0x0
10	LOCK_BIT	When '1', prevents HW update to this MMR. When '0', allows HW update of this MMR.	RW	0x0
9:0	BINARY_DELAY	Delay Select Value in binary coded form. Indicates the number of coarse (9:5) and fine (4:0) delay elements to be used on the delay line connected to this pad.	RW	0x0

Table 18-1730. Register Call Summary for Register CFG_WAKEUP1_OEN

IODELAYCONFIG Module Register Manual

- [IODELAYCONFIG Register Summary: \[0\]](#)

Table 18-1731. CFG_WAKEUP1_OUT

Address Offset	0x0000 0050	Instance	IODELAYCONFIG
Physical Address	0x4844 A050		
Description	Delay Select Value in binary coded form for cfg_Wakeup1_out interface		
Type	RW		

31	30	29	28	27	26	25	24	23	22	21	20	19	18	17	16	15	14	13	12	11	10	9	8	7	6	5	4	3	2	1	0
RESERVED														SIGNATURE				RESERVED	LOCK_BIT	BINARY_DELAY											

Bits	Field Name	Description	Type	Reset
31:18	RESERVED		R	0x0
17:12	SIGNATURE	Write to this register will succeed only if data on these bits carries a signature of 6'h29 (6'b101001)	RW	0x0
11	RESERVED		R	0x0
10	LOCK_BIT	When '1', prevents HW update to this MMR. When '0', allows HW update of this MMR.	RW	0x0
9:0	BINARY_DELAY	Delay Select Value in binary coded form. Indicates the number of coarse (9:5) and fine (4:0) delay elements to be used on the delay line connected to this pad.	RW	0x0

Table 18-1732. Register Call Summary for Register CFG_WAKEUP1_OUT

IODELAYCONFIG Module Register Manual

- [IODELAYCONFIG Register Summary: \[0\]](#)

Table 18-1733. CFG_WAKEUP2_IN

Address Offset	0x0000 0054	Instance	IODELAYCONFIG
Physical Address	0x4844 A054		
Description	Delay Select Value in binary coded form for cfg_Wakeup2_in interface		
Type	RW		

31	30	29	28	27	26	25	24	23	22	21	20	19	18	17	16	15	14	13	12	11	10	9	8	7	6	5	4	3	2	1	0
RESERVED														SIGNATURE				RESERVED	LOCK_BIT	BINARY_DELAY											

Bits	Field Name	Description	Type	Reset
31:18	RESERVED		R	0x0
17:12	SIGNATURE	Write to this register will succeed only if data on these bits carries a signature of 6'h29 (6'b101001)	RW	0x0
11	RESERVED		R	0x0

Bits	Field Name	Description	Type	Reset
10	LOCK_BIT	When '1', prevents HW update to this MMR. When '0', allows HW update of this MMR.	RW	0x0
9:0	BINARY_DELAY	Delay Select Value in binary coded form. Indicates the number of coarse (9:5) and fine (4:0) delay elements to be used on the delay line connected to this pad.	RW	0x0

Table 18-1734. Register Call Summary for Register CFG_WAKEUP2_IN

IODELAYCONFIG Module Register Manual

- [IODELAYCONFIG Register Summary: \[0\]](#)

Table 18-1735. CFG_WAKEUP2_OEN

Address Offset	0x0000 0058	Instance	IODELAYCONFIG
Physical Address	0x4844 A058		
Description	Delay Select Value in binary coded form for cfg_Wakeup2_oen interface		
Type	RW		

31	30	29	28	27	26	25	24	23	22	21	20	19	18	17	16	15	14	13	12	11	10	9	8	7	6	5	4	3	2	1	0	
RESERVED																SIGNATURE				RESERVED	LOCK_BIT	BINARY_DELAY										

Bits	Field Name	Description	Type	Reset
31:18	RESERVED		R	0x0
17:12	SIGNATURE	Write to this register will succeed only if data on these bits carries a signature of 6'h29 (6'b101001)	RW	0x0
11	RESERVED		R	0x0
10	LOCK_BIT	When '1', prevents HW update to this MMR. When '0', allows HW update of this MMR.	RW	0x0
9:0	BINARY_DELAY	Delay Select Value in binary coded form. Indicates the number of coarse (9:5) and fine (4:0) delay elements to be used on the delay line connected to this pad.	RW	0x0

Table 18-1736. Register Call Summary for Register CFG_WAKEUP2_OEN

IODELAYCONFIG Module Register Manual

- [IODELAYCONFIG Register Summary: \[0\]](#)

Table 18-1737. CFG_WAKEUP2_OUT

Address Offset	0x0000 005C	Instance	IODELAYCONFIG
Physical Address	0x4844 A05C		
Description	Delay Select Value in binary coded form for cfg_Wakeup2_out interface		
Type	RW		

31	30	29	28	27	26	25	24	23	22	21	20	19	18	17	16	15	14	13	12	11	10	9	8	7	6	5	4	3	2	1	0	
RESERVED																SIGNATURE				RESERVED	LOCK_BIT	BINARY_DELAY										

Bits	Field Name	Description	Type	Reset
31:18	RESERVED		R	0x0
17:12	SIGNATURE	Write to this register will succeed only if data on these bits carries a signature of 6'h29 (6'b101001)	RW	0x0
11	RESERVED		R	0x0
10	LOCK_BIT	When '1', prevents HW update to this MMR. When '0', allows HW update of this MMR.	RW	0x0
9:0	BINARY_DELAY	Delay Select Value in binary coded form. Indicates the number of coarse (9:5) and fine (4:0) delay elements to be used on the delay line connected to this pad.	RW	0x0

Table 18-1738. Register Call Summary for Register CFG_WAKEUP2_OUT

IODELAYCONFIG Module Register Manual

- [IODELAYCONFIG Register Summary: \[0\]](#)

Table 18-1739. CFG_WAKEUP3_IN

Address Offset	0x0000 0060	Instance	IODELAYCONFIG
Physical Address	0x4844 A060		
Description	Delay Select Value in binary coded form for cfg_Wakeup3_in interface		
Type	RW		

31	30	29	28	27	26	25	24	23	22	21	20	19	18	17	16	15	14	13	12	11	10	9	8	7	6	5	4	3	2	1	0
RESERVED								SIGNATURE				RESERVED	LOCK_BIT	BINARY_DELAY																	

Bits	Field Name	Description	Type	Reset
31:18	RESERVED		R	0x0
17:12	SIGNATURE	Write to this register will succeed only if data on these bits carries a signature of 6'h29 (6'b101001)	RW	0x0
11	RESERVED		R	0x0
10	LOCK_BIT	When '1', prevents HW update to this MMR. When '0', allows HW update of this MMR.	RW	0x0
9:0	BINARY_DELAY	Delay Select Value in binary coded form. Indicates the number of coarse (9:5) and fine (4:0) delay elements to be used on the delay line connected to this pad.	RW	0x0

Table 18-1740. Register Call Summary for Register CFG_WAKEUP3_IN

IODELAYCONFIG Module Register Manual

- [IODELAYCONFIG Register Summary: \[0\]](#)

Table 18-1741. CFG_WAKEUP3_OEN

Address Offset	0x0000 0064	Instance	IODELAYCONFIG
Physical Address	0x4844 A064		
Description	Delay Select Value in binary coded form for cfg_Wakeup3_oen interface		
Type	RW		

31	30	29	28	27	26	25	24	23	22	21	20	19	18	17	16	15	14	13	12	11	10	9	8	7	6	5	4	3	2	1	0
RESERVED														SIGNATURE				RESERVED	LOCK_BIT	BINARY_DELAY											

Bits	Field Name	Description	Type	Reset
31:18	RESERVED		R	0x0
17:12	SIGNATURE	Write to this register will succeed only if data on these bits carries a signature of 6'h29 (6'b101001)	RW	0x0
11	RESERVED		R	0x0
10	LOCK_BIT	When '1', prevents HW update to this MMR. When '0', allows HW update of this MMR.	RW	0x0
9:0	BINARY_DELAY	Delay Select Value in binary coded form. Indicates the number of coarse (9:5) and fine (4:0) delay elements to be used on the delay line connected to this pad.	RW	0x0

Table 18-1742. Register Call Summary for Register CFG_WAKEUP3_OEN

IODELAYCONFIG Module Register Manual

- [IODELAYCONFIG Register Summary: \[0\]](#)

Table 18-1743. CFG_WAKEUP3_OUT

Address Offset	0x0000 0068	Instance	IODELAYCONFIG
Physical Address	0x4844 A068		
Description	Delay Select Value in binary coded form for cfg_Wakeup3_out interface		
Type	RW		

31	30	29	28	27	26	25	24	23	22	21	20	19	18	17	16	15	14	13	12	11	10	9	8	7	6	5	4	3	2	1	0
RESERVED														SIGNATURE				RESERVED	LOCK_BIT	BINARY_DELAY											

Bits	Field Name	Description	Type	Reset
31:18	RESERVED		R	0x0
17:12	SIGNATURE	Write to this register will succeed only if data on these bits carries a signature of 6'h29 (6'b101001)	RW	0x0
11	RESERVED		R	0x0
10	LOCK_BIT	When '1', prevents HW update to this MMR. When '0', allows HW update of this MMR.	RW	0x0
9:0	BINARY_DELAY	Delay Select Value in binary coded form. Indicates the number of coarse (9:5) and fine (4:0) delay elements to be used on the delay line connected to this pad.	RW	0x0

Table 18-1744. Register Call Summary for Register CFG_WAKEUP3_OUT

IODELAYCONFIG Module Register Manual

- [IODELAYCONFIG Register Summary: \[0\]](#)

Table 18-1745. CFG_DCAN1_RX_IN

Address Offset	0x0000 006C	Instance	IODELAYCONFIG
Physical Address	0x4844 A06C		
Description	Delay Select Value in binary coded form for cfg_dcan1_rx_in interface		
Type	RW		

31	30	29	28	27	26	25	24	23	22	21	20	19	18	17	16	15	14	13	12	11	10	9	8	7	6	5	4	3	2	1	0
RESERVED														SIGNATURE				RESERVED	LOCK_BIT	BINARY_DELAY											

Bits	Field Name	Description	Type	Reset
31:18	RESERVED		R	0x0
17:12	SIGNATURE	Write to this register will succeed only if data on these bits carries a signature of 6'h29 (6'b101001)	RW	0x0
11	RESERVED		R	0x0
10	LOCK_BIT	When '1', prevents HW update to this MMR. When '0', allows HW update of this MMR.	RW	0x0
9:0	BINARY_DELAY	Delay Select Value in binary coded form. Indicates the number of coarse (9:5) and fine (4:0) delay elements to be used on the delay line connected to this pad.	RW	0x0

Table 18-1746. Register Call Summary for Register CFG_DCAN1_RX_IN

IODELAYCONFIG Module Register Manual

- [IODELAYCONFIG Register Summary: \[0\]](#)

Table 18-1747. CFG_DCAN1_RX_OEN

Address Offset	0x0000 0070	Instance	IODELAYCONFIG
Physical Address	0x4844 A070		
Description	Delay Select Value in binary coded form for cfg_dcan1_rx_oen interface		
Type	RW		

31	30	29	28	27	26	25	24	23	22	21	20	19	18	17	16	15	14	13	12	11	10	9	8	7	6	5	4	3	2	1	0
RESERVED														SIGNATURE				RESERVED	LOCK_BIT	BINARY_DELAY											

Bits	Field Name	Description	Type	Reset
31:18	RESERVED		R	0x0
17:12	SIGNATURE	Write to this register will succeed only if data on these bits carries a signature of 6'h29 (6'b101001)	RW	0x0
11	RESERVED		R	0x0
10	LOCK_BIT	When '1', prevents HW update to this MMR. When '0', allows HW update of this MMR.	RW	0x0
9:0	BINARY_DELAY	Delay Select Value in binary coded form. Indicates the number of coarse (9:5) and fine (4:0) delay elements to be used on the delay line connected to this pad.	RW	0x0

Table 18-1748. Register Call Summary for Register CFG_DCAN1_RX_OEN

IODELAYCONFIG Module Register Manual
• [IODELAYCONFIG Register Summary: \[0\]](#)

Table 18-1749. CFG_DCAN1_RX_OUT

Address Offset	0x0000 0074	Instance	IODELAYCONFIG
Physical Address	0x4844 A074		
Description	Delay Select Value in binary coded form for cfg_dcan1_rx_out interface		
Type	RW		

31	30	29	28	27	26	25	24	23	22	21	20	19	18	17	16	15	14	13	12	11	10	9	8	7	6	5	4	3	2	1	0			
RESERVED																SIGNATURE						RESERVED	LOCK_BIT	BINARY_DELAY										

Bits	Field Name	Description	Type	Reset
31:18	RESERVED		R	0x0
17:12	SIGNATURE	Write to this register will succeed only if data on these bits carries a signature of 6'h29 (6'b101001)	RW	0x0
11	RESERVED		R	0x0
10	LOCK_BIT	When '1', prevents HW update to this MMR. When '0', allows HW update of this MMR.	RW	0x0
9:0	BINARY_DELAY	Delay Select Value in binary coded form. Indicates the number of coarse (9:5) and fine (4:0) delay elements to be used on the delay line connected to this pad.	RW	0x0

Table 18-1750. Register Call Summary for Register CFG_DCAN1_RX_OUT

IODELAYCONFIG Module Register Manual
• [IODELAYCONFIG Register Summary: \[0\]](#)

Table 18-1751. CFG_DCAN1_TX_IN

Address Offset	0x0000 0078	Instance	IODELAYCONFIG
Physical Address	0x4844 A078		
Description	Delay Select Value in binary coded form for cfg_dcan1_tx_in interface		
Type	RW		

31	30	29	28	27	26	25	24	23	22	21	20	19	18	17	16	15	14	13	12	11	10	9	8	7	6	5	4	3	2	1	0			
RESERVED																SIGNATURE						RESERVED	LOCK_BIT	BINARY_DELAY										

Bits	Field Name	Description	Type	Reset
31:18	RESERVED		R	0x0
17:12	SIGNATURE	Write to this register will succeed only if data on these bits carries a signature of 6'h29 (6'b101001)	RW	0x0
11	RESERVED		R	0x0

Bits	Field Name	Description	Type	Reset
10	LOCK_BIT	When '1', prevents HW update to this MMR. When '0', allows HW update of this MMR.	RW	0x0
9:0	BINARY_DELAY	Delay Select Value in binary coded form. Indicates the number of coarse (9:5) and fine (4:0) delay elements to be used on the delay line connected to this pad.	RW	0x0

Table 18-1752. Register Call Summary for Register CFG_DCAN1_TX_IN

IODELAYCONFIG Module Register Manual

- [IODELAYCONFIG Register Summary: \[0\]](#)

Table 18-1753. CFG_DCAN1_TX_OEN

Address Offset	0x0000 007C	Instance	IODELAYCONFIG
Physical Address	0x4844 A07C		
Description	Delay Select Value in binary coded form for cfg_dcan1_tx_oen interface		
Type	RW		

31	30	29	28	27	26	25	24	23	22	21	20	19	18	17	16	15	14	13	12	11	10	9	8	7	6	5	4	3	2	1	0
RESERVED								SIGNATURE								RESERVED	LOCK_BIT	BINARY_DELAY													

Bits	Field Name	Description	Type	Reset
31:18	RESERVED		R	0x0
17:12	SIGNATURE	Write to this register will succeed only if data on these bits carries a signature of 6'h29 (6'b101001)	RW	0x0
11	RESERVED		R	0x0
10	LOCK_BIT	When '1', prevents HW update to this MMR. When '0', allows HW update of this MMR.	RW	0x0
9:0	BINARY_DELAY	Delay Select Value in binary coded form. Indicates the number of coarse (9:5) and fine (4:0) delay elements to be used on the delay line connected to this pad.	RW	0x0

Table 18-1754. Register Call Summary for Register CFG_DCAN1_TX_OEN

IODELAYCONFIG Module Register Manual

- [IODELAYCONFIG Register Summary: \[0\]](#)

Table 18-1755. CFG_DCAN1_TX_OUT

Address Offset	0x0000 0080	Instance	IODELAYCONFIG
Physical Address	0x4844 A080		
Description	Delay Select Value in binary coded form for cfg_dcan1_tx_out interface		
Type	RW		

31	30	29	28	27	26	25	24	23	22	21	20	19	18	17	16	15	14	13	12	11	10	9	8	7	6	5	4	3	2	1	0
RESERVED								SIGNATURE								RESERVED	LOCK_BIT	BINARY_DELAY													

Bits	Field Name	Description	Type	Reset
31:18	RESERVED		R	0x0
17:12	SIGNATURE	Write to this register will succeed only if data on these bits carries a signature of 6'h29 (6'b101001)	RW	0x0
11	RESERVED		R	0x0
10	LOCK_BIT	When '1', prevents HW update to this MMR. When '0', allows HW update of this MMR.	RW	0x0
9:0	BINARY_DELAY	Delay Select Value in binary coded form. Indicates the number of coarse (9:5) and fine (4:0) delay elements to be used on the delay line connected to this pad.	RW	0x0

Table 18-1756. Register Call Summary for Register CFG_DCAN1_TX_OUT

IODELAYCONFIG Module Register Manual

- [IODELAYCONFIG Register Summary: \[0\]](#)

Table 18-1757. CFG_DCAN2_RX_IN

Address Offset	0x0000 0084	Instance	IODELAYCONFIG
Physical Address	0x4844 A084		
Description	Delay Select Value in binary coded form for cfg_dcan2_rx_in interface		
Type	RW		

31	30	29	28	27	26	25	24	23	22	21	20	19	18	17	16	15	14	13	12	11	10	9	8	7	6	5	4	3	2	1	0
RESERVED								SIGNATURE				RESERVED	LOCK_BIT	BINARY_DELAY																	

Bits	Field Name	Description	Type	Reset
31:18	RESERVED		R	0x0
17:12	SIGNATURE	Write to this register will succeed only if data on these bits carries a signature of 6'h29 (6'b101001)	RW	0x0
11	RESERVED		R	0x0
10	LOCK_BIT	When '1', prevents HW update to this MMR. When '0', allows HW update of this MMR.	RW	0x0
9:0	BINARY_DELAY	Delay Select Value in binary coded form. Indicates the number of coarse (9:5) and fine (4:0) delay elements to be used on the delay line connected to this pad.	RW	0x0

Table 18-1758. Register Call Summary for Register CFG_DCAN2_RX_IN

IODELAYCONFIG Module Register Manual

- [IODELAYCONFIG Register Summary: \[0\]](#)

Table 18-1759. CFG_DCAN2_RX_OEN

Address Offset	0x0000 0088	Instance	IODELAYCONFIG
Physical Address	0x4844 A088		
Description	Delay Select Value in binary coded form for cfg_dcan2_rx_oen interface		
Type	RW		

31	30	29	28	27	26	25	24	23	22	21	20	19	18	17	16	15	14	13	12	11	10	9	8	7	6	5	4	3	2	1	0
RESERVED														SIGNATURE				RESERVED	LOCK_BIT	BINARY_DELAY											

Bits	Field Name	Description	Type	Reset
31:18	RESERVED		R	0x0
17:12	SIGNATURE	Write to this register will succeed only if data on these bits carries a signature of 6'h29 (6'b101001)	RW	0x0
11	RESERVED		R	0x0
10	LOCK_BIT	When '1', prevents HW update to this MMR. When '0', allows HW update of this MMR.	RW	0x0
9:0	BINARY_DELAY	Delay Select Value in binary coded form. Indicates the number of coarse (9:5) and fine (4:0) delay elements to be used on the delay line connected to this pad.	RW	0x0

Table 18-1760. Register Call Summary for Register CFG_DCAN2_RX_OEN

IODELAYCONFIG Module Register Manual

- [IODELAYCONFIG Register Summary: \[0\]](#)

Table 18-1761. CFG_DCAN2_RX_OUT

Address Offset	0x0000 008C	Instance	IODELAYCONFIG
Physical Address	0x4844 A08C		
Description	Delay Select Value in binary coded form for cfg_dcan2_rx_out interface		
Type	RW		

31	30	29	28	27	26	25	24	23	22	21	20	19	18	17	16	15	14	13	12	11	10	9	8	7	6	5	4	3	2	1	0
RESERVED														SIGNATURE				RESERVED	LOCK_BIT	BINARY_DELAY											

Bits	Field Name	Description	Type	Reset
31:18	RESERVED		R	0x0
17:12	SIGNATURE	Write to this register will succeed only if data on these bits carries a signature of 6'h29 (6'b101001)	RW	0x0
11	RESERVED		R	0x0
10	LOCK_BIT	When '1', prevents HW update to this MMR. When '0', allows HW update of this MMR.	RW	0x0
9:0	BINARY_DELAY	Delay Select Value in binary coded form. Indicates the number of coarse (9:5) and fine (4:0) delay elements to be used on the delay line connected to this pad.	RW	0x0

Table 18-1762. Register Call Summary for Register CFG_DCAN2_RX_OUT

IODELAYCONFIG Module Register Manual

- [IODELAYCONFIG Register Summary: \[0\]](#)

Table 18-1763. CFG_DCAN2_TX_IN

Address Offset	0x0000 0090	Instance	IODELAYCONFIG
Physical Address	0x4844 A090		
Description	Delay Select Value in binary coded form for cfg_dcan2_tx_in interface		
Type	RW		

31	30	29	28	27	26	25	24	23	22	21	20	19	18	17	16	15	14	13	12	11	10	9	8	7	6	5	4	3	2	1	0
RESERVED														SIGNATURE				RESERVED	LOCK_BIT	BINARY_DELAY											

Bits	Field Name	Description	Type	Reset
31:18	RESERVED		R	0x0
17:12	SIGNATURE	Write to this register will succeed only if data on these bits carries a signature of 6'h29 (6'b101001)	RW	0x0
11	RESERVED		R	0x0
10	LOCK_BIT	When '1', prevents HW update to this MMR. When '0', allows HW update of this MMR.	RW	0x0
9:0	BINARY_DELAY	Delay Select Value in binary coded form. Indicates the number of coarse (9:5) and fine (4:0) delay elements to be used on the delay line connected to this pad.	RW	0x0

Table 18-1764. Register Call Summary for Register CFG_DCAN2_TX_IN

IODELAYCONFIG Module Register Manual

- [IODELAYCONFIG Register Summary: \[0\]](#)

Table 18-1765. CFG_DCAN2_TX_OEN

Address Offset	0x0000 0094	Instance	IODELAYCONFIG
Physical Address	0x4844 A094		
Description	Delay Select Value in binary coded form for cfg_dcan2_tx_oen interface		
Type	RW		

31	30	29	28	27	26	25	24	23	22	21	20	19	18	17	16	15	14	13	12	11	10	9	8	7	6	5	4	3	2	1	0
RESERVED														SIGNATURE				RESERVED	LOCK_BIT	BINARY_DELAY											

Bits	Field Name	Description	Type	Reset
31:18	RESERVED		R	0x0
17:12	SIGNATURE	Write to this register will succeed only if data on these bits carries a signature of 6'h29 (6'b101001)	RW	0x0
11	RESERVED		R	0x0
10	LOCK_BIT	When '1', prevents HW update to this MMR. When '0', allows HW update of this MMR.	RW	0x0
9:0	BINARY_DELAY	Delay Select Value in binary coded form. Indicates the number of coarse (9:5) and fine (4:0) delay elements to be used on the delay line connected to this pad.	RW	0x0

Table 18-1766. Register Call Summary for Register CFG_DCAN2_TX_OEN

IODELAYCONFIG Module Register Manual

- [IODELAYCONFIG Register Summary: \[0\]](#)

Table 18-1767. CFG_DCAN2_TX_OUT

Address Offset	0x0000 0098	Instance	IODELAYCONFIG
Physical Address	0x4844 A098		
Description	Delay Select Value in binary coded form for cfg_dcan2_tx_out interface		
Type	RW		

31	30	29	28	27	26	25	24	23	22	21	20	19	18	17	16	15	14	13	12	11	10	9	8	7	6	5	4	3	2	1	0
RESERVED																SIGNATURE						RESERVED	LOCK_BIT	BINARY_DELAY							

Bits	Field Name	Description	Type	Reset
31:18	RESERVED		R	0x0
17:12	SIGNATURE	Write to this register will succeed only if data on these bits carries a signature of 6'h29 (6'b101001)	RW	0x0
11	RESERVED		R	0x0
10	LOCK_BIT	When '1', prevents HW update to this MMR. When '0', allows HW update of this MMR.	RW	0x0
9:0	BINARY_DELAY	Delay Select Value in binary coded form. Indicates the number of coarse (9:5) and fine (4:0) delay elements to be used on the delay line connected to this pad.	RW	0x0

Table 18-1768. Register Call Summary for Register CFG_DCAN2_TX_OUT

IODELAYCONFIG Module Register Manual

- [IODELAYCONFIG Register Summary: \[0\]](#)

Table 18-1769. CFG_EMU0_IN

Address Offset	0x0000 009C	Instance	IODELAYCONFIG
Physical Address	0x4844 A09C		
Description	Delay Select Value in binary coded form for cfg_emu0_in interface		
Type	RW		

31	30	29	28	27	26	25	24	23	22	21	20	19	18	17	16	15	14	13	12	11	10	9	8	7	6	5	4	3	2	1	0
RESERVED																SIGNATURE						RESERVED	LOCK_BIT	BINARY_DELAY							

Bits	Field Name	Description	Type	Reset
31:18	RESERVED		R	0x0
17:12	SIGNATURE	Write to this register will succeed only if data on these bits carries a signature of 6'h29 (6'b101001)	RW	0x0
11	RESERVED		R	0x0

Bits	Field Name	Description	Type	Reset
10	LOCK_BIT	When '1', prevents HW update to this MMR. When '0', allows HW update of this MMR.	RW	0x0
9:0	BINARY_DELAY	Delay Select Value in binary coded form. Indicates the number of coarse (9:5) and fine (4:0) delay elements to be used on the delay line connected to this pad.	RW	0x0

Table 18-1770. Register Call Summary for Register CFG_EMU0_IN

IODELAYCONFIG Module Register Manual

- [IODELAYCONFIG Register Summary: \[0\]](#)

Table 18-1771. CFG_EMU0_OEN

Address Offset	0x0000 00A0	Instance	IODELAYCONFIG
Physical Address	0x4844 A0A0		
Description	Delay Select Value in binary coded form for cfg_emu0_oen interface		
Type	RW		

31	30	29	28	27	26	25	24	23	22	21	20	19	18	17	16	15	14	13	12	11	10	9	8	7	6	5	4	3	2	1	0
RESERVED														SIGNATURE				RESERVED	LOCK_BIT	BINARY_DELAY											

Bits	Field Name	Description	Type	Reset
31:18	RESERVED		R	0x0
17:12	SIGNATURE	Write to this register will succeed only if data on these bits carries a signature of 6'h29 (6'b101001)	RW	0x0
11	RESERVED		R	0x0
10	LOCK_BIT	When '1', prevents HW update to this MMR. When '0', allows HW update of this MMR.	RW	0x0
9:0	BINARY_DELAY	Delay Select Value in binary coded form. Indicates the number of coarse (9:5) and fine (4:0) delay elements to be used on the delay line connected to this pad.	RW	0x0

Table 18-1772. Register Call Summary for Register CFG_EMU0_OEN

IODELAYCONFIG Module Register Manual

- [IODELAYCONFIG Register Summary: \[0\]](#)

Table 18-1773. CFG_EMU0_OUT

Address Offset	0x0000 00A4	Instance	IODELAYCONFIG
Physical Address	0x4844 A0A4		
Description	Delay Select Value in binary coded form for cfg_emu0_out interface		
Type	RW		

31	30	29	28	27	26	25	24	23	22	21	20	19	18	17	16	15	14	13	12	11	10	9	8	7	6	5	4	3	2	1	0
RESERVED														SIGNATURE				RESERVED	LOCK_BIT	BINARY_DELAY											

Bits	Field Name	Description	Type	Reset
31:18	RESERVED		R	0x0
17:12	SIGNATURE	Write to this register will succeed only if data on these bits carries a signature of 6'h29 (6'b101001)	RW	0x0
11	RESERVED		R	0x0
10	LOCK_BIT	When '1', prevents HW update to this MMR. When '0', allows HW update of this MMR.	RW	0x0
9:0	BINARY_DELAY	Delay Select Value in binary coded form. Indicates the number of coarse (9:5) and fine (4:0) delay elements to be used on the delay line connected to this pad.	RW	0x0

Table 18-1774. Register Call Summary for Register CFG_EMU0_OUT

IODELAYCONFIG Module Register Manual

- [IODELAYCONFIG Register Summary: \[0\]](#)

Table 18-1775. CFG_EMU1_IN

Address Offset	0x0000 00A8	Instance	IODELAYCONFIG
Physical Address	0x4844 A0A8		
Description	Delay Select Value in binary coded form for cfg_emu1_in interface		
Type	RW		

31	30	29	28	27	26	25	24	23	22	21	20	19	18	17	16	15	14	13	12	11	10	9	8	7	6	5	4	3	2	1	0
RESERVED								SIGNATURE				RESERVED	LOCK_BIT	BINARY_DELAY																	

Bits	Field Name	Description	Type	Reset
31:18	RESERVED		R	0x0
17:12	SIGNATURE	Write to this register will succeed only if data on these bits carries a signature of 6'h29 (6'b101001)	RW	0x0
11	RESERVED		R	0x0
10	LOCK_BIT	When '1', prevents HW update to this MMR. When '0', allows HW update of this MMR.	RW	0x0
9:0	BINARY_DELAY	Delay Select Value in binary coded form. Indicates the number of coarse (9:5) and fine (4:0) delay elements to be used on the delay line connected to this pad.	RW	0x0

Table 18-1776. Register Call Summary for Register CFG_EMU1_IN

IODELAYCONFIG Module Register Manual

- [IODELAYCONFIG Register Summary: \[0\]](#)

Table 18-1777. CFG_EMU1_OEN

Address Offset	0x0000 00AC	Instance	IODELAYCONFIG
Physical Address	0x4844 A0AC		
Description	Delay Select Value in binary coded form for cfg_emu1_oen interface		
Type	RW		

31	30	29	28	27	26	25	24	23	22	21	20	19	18	17	16	15	14	13	12	11	10	9	8	7	6	5	4	3	2	1	0
RESERVED														SIGNATURE				RESERVED	LOCK_BIT	BINARY_DELAY											

Bits	Field Name	Description	Type	Reset
31:18	RESERVED		R	0x0
17:12	SIGNATURE	Write to this register will succeed only if data on these bits carries a signature of 6'h29 (6'b101001)	RW	0x0
11	RESERVED		R	0x0
10	LOCK_BIT	When '1', prevents HW update to this MMR. When '0', allows HW update of this MMR.	RW	0x0
9:0	BINARY_DELAY	Delay Select Value in binary coded form. Indicates the number of coarse (9:5) and fine (4:0) delay elements to be used on the delay line connected to this pad.	RW	0x0

Table 18-1778. Register Call Summary for Register CFG_EMU1_OEN

IODELAYCONFIG Module Register Manual

- [IODELAYCONFIG Register Summary: \[0\]](#)

Table 18-1779. CFG_EMU1_OUT

Address Offset	0x0000 00B0	Instance	IODELAYCONFIG
Physical Address	0x4844 A0B0		
Description	Delay Select Value in binary coded form for cfg_emu1_out interface		
Type	RW		

31	30	29	28	27	26	25	24	23	22	21	20	19	18	17	16	15	14	13	12	11	10	9	8	7	6	5	4	3	2	1	0
RESERVED														SIGNATURE				RESERVED	LOCK_BIT	BINARY_DELAY											

Bits	Field Name	Description	Type	Reset
31:18	RESERVED		R	0x0
17:12	SIGNATURE	Write to this register will succeed only if data on these bits carries a signature of 6'h29 (6'b101001)	RW	0x0
11	RESERVED		R	0x0
10	LOCK_BIT	When '1', prevents HW update to this MMR. When '0', allows HW update of this MMR.	RW	0x0
9:0	BINARY_DELAY	Delay Select Value in binary coded form. Indicates the number of coarse (9:5) and fine (4:0) delay elements to be used on the delay line connected to this pad.	RW	0x0

Table 18-1780. Register Call Summary for Register CFG_EMU1_OUT

IODELAYCONFIG Module Register Manual

- [IODELAYCONFIG Register Summary: \[0\]](#)

Table 18-1781. CFG_EMU2_IN

Address Offset	0x0000 00B4	Instance	IODELAYCONFIG
Physical Address	0x4844 A0B4		
Description	Delay Select Value in binary coded form for cfg_emu2_in interface		
Type	RW		

31	30	29	28	27	26	25	24	23	22	21	20	19	18	17	16	15	14	13	12	11	10	9	8	7	6	5	4	3	2	1	0
RESERVED														SIGNATURE				RESERVED	LOCK_BIT	BINARY_DELAY											

Bits	Field Name	Description	Type	Reset
31:18	RESERVED		R	0x0
17:12	SIGNATURE	Write to this register will succeed only if data on these bits carries a signature of 6'h29 (6'b101001)	RW	0x0
11	RESERVED		R	0x0
10	LOCK_BIT	When '1', prevents HW update to this MMR. When '0', allows HW update of this MMR.	RW	0x0
9:0	BINARY_DELAY	Delay Select Value in binary coded form. Indicates the number of coarse (9:5) and fine (4:0) delay elements to be used on the delay line connected to this pad.	RW	0x0

Table 18-1782. Register Call Summary for Register CFG_EMU2_IN

IODELAYCONFIG Module Register Manual

- [IODELAYCONFIG Register Summary: \[0\]](#)

Table 18-1783. CFG_EMU2_OEN

Address Offset	0x0000 00B8	Instance	IODELAYCONFIG
Physical Address	0x4844 A0B8		
Description	Delay Select Value in binary coded form for cfg_emu2_oen interface		
Type	RW		

31	30	29	28	27	26	25	24	23	22	21	20	19	18	17	16	15	14	13	12	11	10	9	8	7	6	5	4	3	2	1	0
RESERVED														SIGNATURE				RESERVED	LOCK_BIT	BINARY_DELAY											

Bits	Field Name	Description	Type	Reset
31:18	RESERVED		R	0x0
17:12	SIGNATURE	Write to this register will succeed only if data on these bits carries a signature of 6'h29 (6'b101001)	RW	0x0
11	RESERVED		R	0x0
10	LOCK_BIT	When '1', prevents HW update to this MMR. When '0', allows HW update of this MMR.	RW	0x0
9:0	BINARY_DELAY	Delay Select Value in binary coded form. Indicates the number of coarse (9:5) and fine (4:0) delay elements to be used on the delay line connected to this pad.	RW	0x0

Table 18-1784. Register Call Summary for Register CFG_EMU2_OEN

 IODELAYCONFIG Module Register Manual
 • [IODELAYCONFIG Register Summary: \[0\]](#)
Table 18-1785. CFG_EMU2_OUT

Address Offset	0x0000 00BC	Instance	IODELAYCONFIG
Physical Address	0x4844 A0BC		
Description	Delay Select Value in binary coded form for cfg_emu2_out interface		
Type	RW		

31	30	29	28	27	26	25	24	23	22	21	20	19	18	17	16	15	14	13	12	11	10	9	8	7	6	5	4	3	2	1	0		
RESERVED																SIGNATURE						RESERVED	LOCK_BIT	BINARY_DELAY									

Bits	Field Name	Description	Type	Reset
31:18	RESERVED		R	0x0
17:12	SIGNATURE	Write to this register will succeed only if data on these bits carries a signature of 6'h29 (6'b101001)	RW	0x0
11	RESERVED		R	0x0
10	LOCK_BIT	When '1', prevents HW update to this MMR. When '0', allows HW update of this MMR.	RW	0x0
9:0	BINARY_DELAY	Delay Select Value in binary coded form. Indicates the number of coarse (9:5) and fine (4:0) delay elements to be used on the delay line connected to this pad.	RW	0x0

Table 18-1786. Register Call Summary for Register CFG_EMU2_OUT

 IODELAYCONFIG Module Register Manual
 • [IODELAYCONFIG Register Summary: \[0\]](#)
Table 18-1787. CFG_EMU3_IN

Address Offset	0x0000 00C0	Instance	IODELAYCONFIG
Physical Address	0x4844 A0C0		
Description	Delay Select Value in binary coded form for cfg_emu3_in interface		
Type	RW		

31	30	29	28	27	26	25	24	23	22	21	20	19	18	17	16	15	14	13	12	11	10	9	8	7	6	5	4	3	2	1	0		
RESERVED																SIGNATURE						RESERVED	LOCK_BIT	BINARY_DELAY									

Bits	Field Name	Description	Type	Reset
31:18	RESERVED		R	0x0
17:12	SIGNATURE	Write to this register will succeed only if data on these bits carries a signature of 6'h29 (6'b101001)	RW	0x0
11	RESERVED		R	0x0

Bits	Field Name	Description	Type	Reset
10	LOCK_BIT	When '1', prevents HW update to this MMR. When '0', allows HW update of this MMR.	RW	0x0
9:0	BINARY_DELAY	Delay Select Value in binary coded form. Indicates the number of coarse (9:5) and fine (4:0) delay elements to be used on the delay line connected to this pad.	RW	0x0

Table 18-1788. Register Call Summary for Register CFG_EMU3_IN

IODELAYCONFIG Module Register Manual

- [IODELAYCONFIG Register Summary: \[0\]](#)

Table 18-1789. CFG_EMU3_OEN

Address Offset	0x0000 00C4	Instance	IODELAYCONFIG
Physical Address	0x4844 A0C4		
Description	Delay Select Value in binary coded form for cfg_emu3_oen interface		
Type	RW		

31	30	29	28	27	26	25	24	23	22	21	20	19	18	17	16	15	14	13	12	11	10	9	8	7	6	5	4	3	2	1	0
RESERVED								SIGNATURE								RESERVED	LOCK_BIT	BINARY_DELAY													

Bits	Field Name	Description	Type	Reset
31:18	RESERVED		R	0x0
17:12	SIGNATURE	Write to this register will succeed only if data on these bits carries a signature of 6'h29 (6'b101001)	RW	0x0
11	RESERVED		R	0x0
10	LOCK_BIT	When '1', prevents HW update to this MMR. When '0', allows HW update of this MMR.	RW	0x0
9:0	BINARY_DELAY	Delay Select Value in binary coded form. Indicates the number of coarse (9:5) and fine (4:0) delay elements to be used on the delay line connected to this pad.	RW	0x0

Table 18-1790. Register Call Summary for Register CFG_EMU3_OEN

IODELAYCONFIG Module Register Manual

- [IODELAYCONFIG Register Summary: \[0\]](#)

Table 18-1791. CFG_EMU3_OUT

Address Offset	0x0000 00C8	Instance	IODELAYCONFIG
Physical Address	0x4844 A0C8		
Description	Delay Select Value in binary coded form for cfg_emu3_out interface		
Type	RW		

31	30	29	28	27	26	25	24	23	22	21	20	19	18	17	16	15	14	13	12	11	10	9	8	7	6	5	4	3	2	1	0
RESERVED								SIGNATURE								RESERVED	LOCK_BIT	BINARY_DELAY													

Bits	Field Name	Description	Type	Reset
31:18	RESERVED		R	0x0
17:12	SIGNATURE	Write to this register will succeed only if data on these bits carries a signature of 6'h29 (6'b101001)	RW	0x0
11	RESERVED		R	0x0
10	LOCK_BIT	When '1', prevents HW update to this MMR. When '0', allows HW update of this MMR.	RW	0x0
9:0	BINARY_DELAY	Delay Select Value in binary coded form. Indicates the number of coarse (9:5) and fine (4:0) delay elements to be used on the delay line connected to this pad.	RW	0x0

Table 18-1792. Register Call Summary for Register CFG_EMU3_OUT

IODELAYCONFIG Module Register Manual

- [IODELAYCONFIG Register Summary: \[0\]](#)

Table 18-1793. CFG_EMU4_IN

Address Offset	0x0000 00CC	Instance	IODELAYCONFIG
Physical Address	0x4844 A0CC		
Description	Delay Select Value in binary coded form for cfg_emu4_in interface		
Type	RW		

31	30	29	28	27	26	25	24	23	22	21	20	19	18	17	16	15	14	13	12	11	10	9	8	7	6	5	4	3	2	1	0
RESERVED								SIGNATURE				RESERVED	LOCK_BIT	BINARY_DELAY																	

Bits	Field Name	Description	Type	Reset
31:18	RESERVED		R	0x0
17:12	SIGNATURE	Write to this register will succeed only if data on these bits carries a signature of 6'h29 (6'b101001)	RW	0x0
11	RESERVED		R	0x0
10	LOCK_BIT	When '1', prevents HW update to this MMR. When '0', allows HW update of this MMR.	RW	0x0
9:0	BINARY_DELAY	Delay Select Value in binary coded form. Indicates the number of coarse (9:5) and fine (4:0) delay elements to be used on the delay line connected to this pad.	RW	0x0

Table 18-1794. Register Call Summary for Register CFG_EMU4_IN

IODELAYCONFIG Module Register Manual

- [IODELAYCONFIG Register Summary: \[0\]](#)

Table 18-1795. CFG_EMU4_OEN

Address Offset	0x0000 00D0	Instance	IODELAYCONFIG
Physical Address	0x4844 A0D0		
Description	Delay Select Value in binary coded form for cfg_emu4_oen interface		
Type	RW		

31	30	29	28	27	26	25	24	23	22	21	20	19	18	17	16	15	14	13	12	11	10	9	8	7	6	5	4	3	2	1	0
RESERVED														SIGNATURE				RESERVED	LOCK_BIT	BINARY_DELAY											

Bits	Field Name	Description	Type	Reset
31:18	RESERVED		R	0x0
17:12	SIGNATURE	Write to this register will succeed only if data on these bits carries a signature of 6'h29 (6'b101001)	RW	0x0
11	RESERVED		R	0x0
10	LOCK_BIT	When '1', prevents HW update to this MMR. When '0', allows HW update of this MMR.	RW	0x0
9:0	BINARY_DELAY	Delay Select Value in binary coded form. Indicates the number of coarse (9:5) and fine (4:0) delay elements to be used on the delay line connected to this pad.	RW	0x0

Table 18-1796. Register Call Summary for Register CFG_EMU4_OEN

IODELAYCONFIG Module Register Manual

- [IODELAYCONFIG Register Summary: \[0\]](#)

Table 18-1797. CFG_EMU4_OUT

Address Offset	0x0000 00D4	Instance	IODELAYCONFIG
Physical Address	0x4844 A0D4		
Description	Delay Select Value in binary coded form for cfg_emu4_out interface		
Type	RW		

31	30	29	28	27	26	25	24	23	22	21	20	19	18	17	16	15	14	13	12	11	10	9	8	7	6	5	4	3	2	1	0
RESERVED														SIGNATURE				RESERVED	LOCK_BIT	BINARY_DELAY											

Bits	Field Name	Description	Type	Reset
31:18	RESERVED		R	0x0
17:12	SIGNATURE	Write to this register will succeed only if data on these bits carries a signature of 6'h29 (6'b101001)	RW	0x0
11	RESERVED		R	0x0
10	LOCK_BIT	When '1', prevents HW update to this MMR. When '0', allows HW update of this MMR.	RW	0x0
9:0	BINARY_DELAY	Delay Select Value in binary coded form. Indicates the number of coarse (9:5) and fine (4:0) delay elements to be used on the delay line connected to this pad.	RW	0x0

Table 18-1798. Register Call Summary for Register CFG_EMU4_OUT

IODELAYCONFIG Module Register Manual

- [IODELAYCONFIG Register Summary: \[0\]](#)

Table 18-1799. CFG_GPIO6_10_IN

Address Offset	0x0000 00D8	Instance	IODELAYCONFIG
Physical Address	0x4844 A0D8		
Description	Delay Select Value in binary coded form for cfg_gpio6_10_in interface		
Type	RW		

31	30	29	28	27	26	25	24	23	22	21	20	19	18	17	16	15	14	13	12	11	10	9	8	7	6	5	4	3	2	1	0
RESERVED														SIGNATURE				RESERVED	LOCK_BIT	BINARY_DELAY											

Bits	Field Name	Description	Type	Reset
31:18	RESERVED		R	0x0
17:12	SIGNATURE	Write to this register will succeed only if data on these bits carries a signature of 6'h29 (6'b101001)	RW	0x0
11	RESERVED		R	0x0
10	LOCK_BIT	When '1', prevents HW update to this MMR. When '0', allows HW update of this MMR.	RW	0x0
9:0	BINARY_DELAY	Delay Select Value in binary coded form. Indicates the number of coarse (9:5) and fine (4:0) delay elements to be used on the delay line connected to this pad.	RW	0x0

Table 18-1800. Register Call Summary for Register CFG_GPIO6_10_IN

IODELAYCONFIG Module Register Manual

- [IODELAYCONFIG Register Summary: \[0\]](#)

Table 18-1801. CFG_GPIO6_10_OEN

Address Offset	0x0000 00DC	Instance	IODELAYCONFIG
Physical Address	0x4844 A0DC		
Description	Delay Select Value in binary coded form for cfg_gpio6_10_oen interface		
Type	RW		

31	30	29	28	27	26	25	24	23	22	21	20	19	18	17	16	15	14	13	12	11	10	9	8	7	6	5	4	3	2	1	0
RESERVED														SIGNATURE				RESERVED	LOCK_BIT	BINARY_DELAY											

Bits	Field Name	Description	Type	Reset
31:18	RESERVED		R	0x0
17:12	SIGNATURE	Write to this register will succeed only if data on these bits carries a signature of 6'h29 (6'b101001)	RW	0x0
11	RESERVED		R	0x0
10	LOCK_BIT	When '1', prevents HW update to this MMR. When '0', allows HW update of this MMR.	RW	0x0
9:0	BINARY_DELAY	Delay Select Value in binary coded form. Indicates the number of coarse (9:5) and fine (4:0) delay elements to be used on the delay line connected to this pad.	RW	0x0

Table 18-1802. Register Call Summary for Register CFG_GPIO6_10_OEN

IODELAYCONFIG Module Register Manual

- [IODELAYCONFIG Register Summary: \[0\]](#)

Table 18-1803. CFG_GPIO6_10_OUT

Address Offset	0x0000 00E0	Instance	IODELAYCONFIG
Physical Address	0x4844 A0E0		
Description	Delay Select Value in binary coded form for cfg_gpio6_10_out interface		
Type	RW		

31	30	29	28	27	26	25	24	23	22	21	20	19	18	17	16	15	14	13	12	11	10	9	8	7	6	5	4	3	2	1	0
RESERVED														SIGNATURE				RESERVED	LOCK_BIT	BINARY_DELAY											

Bits	Field Name	Description	Type	Reset
31:18	RESERVED		R	0x0
17:12	SIGNATURE	Write to this register will succeed only if data on these bits carries a signature of 6'h29 (6'b101001)	RW	0x0
11	RESERVED		R	0x0
10	LOCK_BIT	When '1', prevents HW update to this MMR. When '0', allows HW update of this MMR.	RW	0x0
9:0	BINARY_DELAY	Delay Select Value in binary coded form. Indicates the number of coarse (9:5) and fine (4:0) delay elements to be used on the delay line connected to this pad.	RW	0x0

Table 18-1804. Register Call Summary for Register CFG_GPIO6_10_OUT

IODELAYCONFIG Module Register Manual

- [IODELAYCONFIG Register Summary: \[0\]](#)

Table 18-1805. CFG_GPIO6_11_IN

Address Offset	0x0000 00E4	Instance	IODELAYCONFIG
Physical Address	0x4844 A0E4		
Description	Delay Select Value in binary coded form for cfg_gpio6_11_in interface		
Type	RW		

31	30	29	28	27	26	25	24	23	22	21	20	19	18	17	16	15	14	13	12	11	10	9	8	7	6	5	4	3	2	1	0
RESERVED														SIGNATURE				RESERVED	LOCK_BIT	BINARY_DELAY											

Bits	Field Name	Description	Type	Reset
31:18	RESERVED		R	0x0
17:12	SIGNATURE	Write to this register will succeed only if data on these bits carries a signature of 6'h29 (6'b101001)	RW	0x0
11	RESERVED		R	0x0

Bits	Field Name	Description	Type	Reset
10	LOCK_BIT	When '1', prevents HW update to this MMR. When '0', allows HW update of this MMR.	RW	0x0
9:0	BINARY_DELAY	Delay Select Value in binary coded form. Indicates the number of coarse (9:5) and fine (4:0) delay elements to be used on the delay line connected to this pad.	RW	0x0

Table 18-1806. Register Call Summary for Register CFG_GPIO6_11_IN

IODELAYCONFIG Module Register Manual

- [IODELAYCONFIG Register Summary: \[0\]](#)

Table 18-1807. CFG_GPIO6_11_OEN

Address Offset	0x0000 00E8	Instance	IODELAYCONFIG
Physical Address	0x4844 A0E8		
Description	Delay Select Value in binary coded form for cfg_gpio6_11_oen interface		
Type	RW		

31	30	29	28	27	26	25	24	23	22	21	20	19	18	17	16	15	14	13	12	11	10	9	8	7	6	5	4	3	2	1	0
RESERVED								SIGNATURE								RESERVED	LOCK_BIT	BINARY_DELAY													

Bits	Field Name	Description	Type	Reset
31:18	RESERVED		R	0x0
17:12	SIGNATURE	Write to this register will succeed only if data on these bits carries a signature of 6'h29 (6'b101001)	RW	0x0
11	RESERVED		R	0x0
10	LOCK_BIT	When '1', prevents HW update to this MMR. When '0', allows HW update of this MMR.	RW	0x0
9:0	BINARY_DELAY	Delay Select Value in binary coded form. Indicates the number of coarse (9:5) and fine (4:0) delay elements to be used on the delay line connected to this pad.	RW	0x0

Table 18-1808. Register Call Summary for Register CFG_GPIO6_11_OEN

IODELAYCONFIG Module Register Manual

- [IODELAYCONFIG Register Summary: \[0\]](#)

Table 18-1809. CFG_GPIO6_11_OUT

Address Offset	0x0000 00EC	Instance	IODELAYCONFIG
Physical Address	0x4844 A0EC		
Description	Delay Select Value in binary coded form for cfg_gpio6_11_out interface		
Type	RW		

31	30	29	28	27	26	25	24	23	22	21	20	19	18	17	16	15	14	13	12	11	10	9	8	7	6	5	4	3	2	1	0
RESERVED								SIGNATURE								RESERVED	LOCK_BIT	BINARY_DELAY													

Bits	Field Name	Description	Type	Reset
31:18	RESERVED		R	0x0
17:12	SIGNATURE	Write to this register will succeed only if data on these bits carries a signature of 6'h29 (6'b101001)	RW	0x0
11	RESERVED		R	0x0
10	LOCK_BIT	When '1', prevents HW update to this MMR. When '0', allows HW update of this MMR.	RW	0x0
9:0	BINARY_DELAY	Delay Select Value in binary coded form. Indicates the number of coarse (9:5) and fine (4:0) delay elements to be used on the delay line connected to this pad.	RW	0x0

Table 18-1810. Register Call Summary for Register CFG_GPIO6_11_OUT

IODELAYCONFIG Module Register Manual

- [IODELAYCONFIG Register Summary: \[0\]](#)

Table 18-1811. CFG_GPIO6_14_IN

Address Offset	0x0000 00F0	Instance	IODELAYCONFIG
Physical Address	0x4844 A0F0		
Description	Delay Select Value in binary coded form for cfg_gpio6_14_in interface		
Type	RW		

31	30	29	28	27	26	25	24	23	22	21	20	19	18	17	16	15	14	13	12	11	10	9	8	7	6	5	4	3	2	1	0
RESERVED								SIGNATURE				RESERVED	LOCK_BIT	BINARY_DELAY																	

Bits	Field Name	Description	Type	Reset
31:18	RESERVED		R	0x0
17:12	SIGNATURE	Write to this register will succeed only if data on these bits carries a signature of 6'h29 (6'b101001)	RW	0x0
11	RESERVED		R	0x0
10	LOCK_BIT	When '1', prevents HW update to this MMR. When '0', allows HW update of this MMR.	RW	0x0
9:0	BINARY_DELAY	Delay Select Value in binary coded form. Indicates the number of coarse (9:5) and fine (4:0) delay elements to be used on the delay line connected to this pad.	RW	0x0

Table 18-1812. Register Call Summary for Register CFG_GPIO6_14_IN

IODELAYCONFIG Module Register Manual

- [IODELAYCONFIG Register Summary: \[0\]](#)

Table 18-1813. CFG_GPIO6_14_OEN

Address Offset	0x0000 00F4	Instance	IODELAYCONFIG
Physical Address	0x4844 A0F4		
Description	Delay Select Value in binary coded form for cfg_gpio6_14_oen interface		
Type	RW		

31	30	29	28	27	26	25	24	23	22	21	20	19	18	17	16	15	14	13	12	11	10	9	8	7	6	5	4	3	2	1	0
RESERVED								SIGNATURE								RESERVED	LOCK_BIT	BINARY_DELAY													

Bits	Field Name	Description	Type	Reset
31:18	RESERVED		R	0x0
17:12	SIGNATURE	Write to this register will succeed only if data on these bits carries a signature of 6'h29 (6'b101001)	RW	0x0
11	RESERVED		R	0x0
10	LOCK_BIT	When '1', prevents HW update to this MMR. When '0', allows HW update of this MMR.	RW	0x0
9:0	BINARY_DELAY	Delay Select Value in binary coded form. Indicates the number of coarse (9:5) and fine (4:0) delay elements to be used on the delay line connected to this pad.	RW	0x0

Table 18-1814. Register Call Summary for Register CFG_GPIO6_14_OEN

IODELAYCONFIG Module Register Manual

- [IODELAYCONFIG Register Summary: \[0\]](#)

Table 18-1815. CFG_GPIO6_14_OUT

Address Offset	0x0000 00F8	Instance	IODELAYCONFIG
Physical Address	0x4844 A0F8		
Description	Delay Select Value in binary coded form for cfg_gpio6_14_out interface		
Type	RW		

31	30	29	28	27	26	25	24	23	22	21	20	19	18	17	16	15	14	13	12	11	10	9	8	7	6	5	4	3	2	1	0
RESERVED								SIGNATURE								RESERVED	LOCK_BIT	BINARY_DELAY													

Bits	Field Name	Description	Type	Reset
31:18	RESERVED		R	0x0
17:12	SIGNATURE	Write to this register will succeed only if data on these bits carries a signature of 6'h29 (6'b101001)	RW	0x0
11	RESERVED		R	0x0
10	LOCK_BIT	When '1', prevents HW update to this MMR. When '0', allows HW update of this MMR.	RW	0x0
9:0	BINARY_DELAY	Delay Select Value in binary coded form. Indicates the number of coarse (9:5) and fine (4:0) delay elements to be used on the delay line connected to this pad.	RW	0x0

Table 18-1816. Register Call Summary for Register CFG_GPIO6_14_OUT

IODELAYCONFIG Module Register Manual

- [IODELAYCONFIG Register Summary: \[0\]](#)

Table 18-1817. CFG_GPIO6_15_IN

Address Offset	0x0000 00FC	Instance	IODELAYCONFIG
Physical Address	0x4844 A0FC		
Description	Delay Select Value in binary coded form for cfg_gpio6_15_in interface		
Type	RW		

31	30	29	28	27	26	25	24	23	22	21	20	19	18	17	16	15	14	13	12	11	10	9	8	7	6	5	4	3	2	1	0
RESERVED														SIGNATURE				RESERVED	LOCK_BIT	BINARY_DELAY											

Bits	Field Name	Description	Type	Reset
31:18	RESERVED		R	0x0
17:12	SIGNATURE	Write to this register will succeed only if data on these bits carries a signature of 6'h29 (6'b101001)	RW	0x0
11	RESERVED		R	0x0
10	LOCK_BIT	When '1', prevents HW update to this MMR. When '0', allows HW update of this MMR.	RW	0x0
9:0	BINARY_DELAY	Delay Select Value in binary coded form. Indicates the number of coarse (9:5) and fine (4:0) delay elements to be used on the delay line connected to this pad.	RW	0x0

Table 18-1818. Register Call Summary for Register CFG_GPIO6_15_IN

IODELAYCONFIG Module Register Manual

- [IODELAYCONFIG Register Summary: \[0\]](#)

Table 18-1819. CFG_GPIO6_15_OEN

Address Offset	0x0000 0100	Instance	IODELAYCONFIG
Physical Address	0x4844 A100		
Description	Delay Select Value in binary coded form for cfg_gpio6_15_oen interface		
Type	RW		

31	30	29	28	27	26	25	24	23	22	21	20	19	18	17	16	15	14	13	12	11	10	9	8	7	6	5	4	3	2	1	0
RESERVED														SIGNATURE				RESERVED	LOCK_BIT	BINARY_DELAY											

Bits	Field Name	Description	Type	Reset
31:18	RESERVED		R	0x0
17:12	SIGNATURE	Write to this register will succeed only if data on these bits carries a signature of 6'h29 (6'b101001)	RW	0x0
11	RESERVED		R	0x0
10	LOCK_BIT	When '1', prevents HW update to this MMR. When '0', allows HW update of this MMR.	RW	0x0
9:0	BINARY_DELAY	Delay Select Value in binary coded form. Indicates the number of coarse (9:5) and fine (4:0) delay elements to be used on the delay line connected to this pad.	RW	0x0

Table 18-1820. Register Call Summary for Register CFG_GPIO6_15_OEN

IODELAYCONFIG Module Register Manual

- [IODELAYCONFIG Register Summary: \[0\]](#)

Table 18-1821. CFG_GPIO6_15_OUT

Address Offset	0x0000 0104	Instance	IODELAYCONFIG
Physical Address	0x4844 A104		
Description	Delay Select Value in binary coded form for cfg_gpio6_15_out interface		
Type	RW		

31	30	29	28	27	26	25	24	23	22	21	20	19	18	17	16	15	14	13	12	11	10	9	8	7	6	5	4	3	2	1	0
RESERVED														SIGNATURE				RESERVED	LOCK_BIT	BINARY_DELAY											

Bits	Field Name	Description	Type	Reset
31:18	RESERVED		R	0x0
17:12	SIGNATURE	Write to this register will succeed only if data on these bits carries a signature of 6'h29 (6'b101001)	RW	0x0
11	RESERVED		R	0x0
10	LOCK_BIT	When '1', prevents HW update to this MMR. When '0', allows HW update of this MMR.	RW	0x0
9:0	BINARY_DELAY	Delay Select Value in binary coded form. Indicates the number of coarse (9:5) and fine (4:0) delay elements to be used on the delay line connected to this pad.	RW	0x0

Table 18-1822. Register Call Summary for Register CFG_GPIO6_15_OUT

IODELAYCONFIG Module Register Manual

- [IODELAYCONFIG Register Summary: \[0\]](#)

Table 18-1823. CFG_GPIO6_16_IN

Address Offset	0x0000 0108	Instance	IODELAYCONFIG
Physical Address	0x4844 A108		
Description	Delay Select Value in binary coded form for cfg_gpio6_16_in interface		
Type	RW		

31	30	29	28	27	26	25	24	23	22	21	20	19	18	17	16	15	14	13	12	11	10	9	8	7	6	5	4	3	2	1	0
RESERVED														SIGNATURE				RESERVED	LOCK_BIT	BINARY_DELAY											

Bits	Field Name	Description	Type	Reset
31:18	RESERVED		R	0x0
17:12	SIGNATURE	Write to this register will succeed only if data on these bits carries a signature of 6'h29 (6'b101001)	RW	0x0
11	RESERVED		R	0x0

Bits	Field Name	Description	Type	Reset
10	LOCK_BIT	When '1', prevents HW update to this MMR. When '0', allows HW update of this MMR.	RW	0x0
9:0	BINARY_DELAY	Delay Select Value in binary coded form. Indicates the number of coarse (9:5) and fine (4:0) delay elements to be used on the delay line connected to this pad.	RW	0x0

Table 18-1824. Register Call Summary for Register CFG_GPIO6_16_IN

IODELAYCONFIG Module Register Manual

- [IODELAYCONFIG Register Summary: \[0\]](#)

Table 18-1825. CFG_GPIO6_16_OEN

Address Offset	0x0000 010C	Instance	IODELAYCONFIG
Physical Address	0x4844 A10C		
Description	Delay Select Value in binary coded form for cfg_gpio6_16_oen interface		
Type	RW		

31	30	29	28	27	26	25	24	23	22	21	20	19	18	17	16	15	14	13	12	11	10	9	8	7	6	5	4	3	2	1	0
RESERVED								SIGNATURE								RESERVED	LOCK_BIT	BINARY_DELAY													

Bits	Field Name	Description	Type	Reset
31:18	RESERVED		R	0x0
17:12	SIGNATURE	Write to this register will succeed only if data on these bits carries a signature of 6'h29 (6'b101001)	RW	0x0
11	RESERVED		R	0x0
10	LOCK_BIT	When '1', prevents HW update to this MMR. When '0', allows HW update of this MMR.	RW	0x0
9:0	BINARY_DELAY	Delay Select Value in binary coded form. Indicates the number of coarse (9:5) and fine (4:0) delay elements to be used on the delay line connected to this pad.	RW	0x0

Table 18-1826. Register Call Summary for Register CFG_GPIO6_16_OEN

IODELAYCONFIG Module Register Manual

- [IODELAYCONFIG Register Summary: \[0\]](#)

Table 18-1827. CFG_GPIO6_16_OUT

Address Offset	0x0000 0110	Instance	IODELAYCONFIG
Physical Address	0x4844 A110		
Description	Delay Select Value in binary coded form for cfg_gpio6_16_out interface		
Type	RW		

31	30	29	28	27	26	25	24	23	22	21	20	19	18	17	16	15	14	13	12	11	10	9	8	7	6	5	4	3	2	1	0
RESERVED								SIGNATURE								RESERVED	LOCK_BIT	BINARY_DELAY													

Bits	Field Name	Description	Type	Reset
31:18	RESERVED		R	0x0
17:12	SIGNATURE	Write to this register will succeed only if data on these bits carries a signature of 6'h29 (6'b101001)	RW	0x0
11	RESERVED		R	0x0
10	LOCK_BIT	When '1', prevents HW update to this MMR. When '0', allows HW update of this MMR.	RW	0x0
9:0	BINARY_DELAY	Delay Select Value in binary coded form. Indicates the number of coarse (9:5) and fine (4:0) delay elements to be used on the delay line connected to this pad.	RW	0x0

Table 18-1828. Register Call Summary for Register CFG_GPIO6_16_OUT

IODELAYCONFIG Module Register Manual

- [IODELAYCONFIG Register Summary: \[0\]](#)

Table 18-1829. CFG_GPMC_A0_IN

Address Offset	0x0000 0114	Instance	IODELAYCONFIG
Physical Address	0x4844 A114		
Description	Delay Select Value in binary coded form for cfg_gpmc_a0_in interface		
Type	RW		

31	30	29	28	27	26	25	24	23	22	21	20	19	18	17	16	15	14	13	12	11	10	9	8	7	6	5	4	3	2	1	0
RESERVED								SIGNATURE				RESERVED	LOCK_BIT	BINARY_DELAY																	

Bits	Field Name	Description	Type	Reset
31:18	RESERVED		R	0x0
17:12	SIGNATURE	Write to this register will succeed only if data on these bits carries a signature of 6'h29 (6'b101001)	RW	0x0
11	RESERVED		R	0x0
10	LOCK_BIT	When '1', prevents HW update to this MMR. When '0', allows HW update of this MMR.	RW	0x0
9:0	BINARY_DELAY	Delay Select Value in binary coded form. Indicates the number of coarse (9:5) and fine (4:0) delay elements to be used on the delay line connected to this pad.	RW	0x0

Table 18-1830. Register Call Summary for Register CFG_GPMC_A0_IN

IODELAYCONFIG Module Register Manual

- [IODELAYCONFIG Register Summary: \[0\]](#)

Table 18-1831. CFG_GPMC_A0_OEN

Address Offset	0x0000 0118	Instance	IODELAYCONFIG
Physical Address	0x4844 A118		
Description	Delay Select Value in binary coded form for cfg_gpmc_a0_oen interface		
Type	RW		

31	30	29	28	27	26	25	24	23	22	21	20	19	18	17	16	15	14	13	12	11	10	9	8	7	6	5	4	3	2	1	0
RESERVED														SIGNATURE				RESERVED	LOCK_BIT	BINARY_DELAY											

Bits	Field Name	Description	Type	Reset
31:18	RESERVED		R	0x0
17:12	SIGNATURE	Write to this register will succeed only if data on these bits carries a signature of 6'h29 (6'b101001)	RW	0x0
11	RESERVED		R	0x0
10	LOCK_BIT	When '1', prevents HW update to this MMR. When '0', allows HW update of this MMR.	RW	0x0
9:0	BINARY_DELAY	Delay Select Value in binary coded form. Indicates the number of coarse (9:5) and fine (4:0) delay elements to be used on the delay line connected to this pad.	RW	0x0

Table 18-1832. Register Call Summary for Register CFG_GPMC_A0_OEN

IODELAYCONFIG Module Register Manual

- [IODELAYCONFIG Register Summary: \[0\]](#)

Table 18-1833. CFG_GPMC_A0_OUT

Address Offset	0x0000 011C	Instance	IODELAYCONFIG
Physical Address	0x4844 A11C		
Description	Delay Select Value in binary coded form for cfg_gpmc_a0_out interface		
Type	RW		

31	30	29	28	27	26	25	24	23	22	21	20	19	18	17	16	15	14	13	12	11	10	9	8	7	6	5	4	3	2	1	0
RESERVED														SIGNATURE				RESERVED	LOCK_BIT	BINARY_DELAY											

Bits	Field Name	Description	Type	Reset
31:18	RESERVED		R	0x0
17:12	SIGNATURE	Write to this register will succeed only if data on these bits carries a signature of 6'h29 (6'b101001)	RW	0x0
11	RESERVED		R	0x0
10	LOCK_BIT	When '1', prevents HW update to this MMR. When '0', allows HW update of this MMR.	RW	0x0
9:0	BINARY_DELAY	Delay Select Value in binary coded form. Indicates the number of coarse (9:5) and fine (4:0) delay elements to be used on the delay line connected to this pad.	RW	0x0

Table 18-1834. Register Call Summary for Register CFG_GPMC_A0_OUT

IODELAYCONFIG Module Register Manual

- [IODELAYCONFIG Register Summary: \[0\]](#)

Table 18-1835. CFG_GPMC_A10_IN

Address Offset	0x0000 0120	Instance	IODELAYCONFIG
Physical Address	0x4844 A120		
Description	Delay Select Value in binary coded form for cfg_gpmc_a10_in interface		
Type	RW		

31	30	29	28	27	26	25	24	23	22	21	20	19	18	17	16	15	14	13	12	11	10	9	8	7	6	5	4	3	2	1	0
RESERVED														SIGNATURE				RESERVED	LOCK_BIT	BINARY_DELAY											

Bits	Field Name	Description	Type	Reset
31:18	RESERVED		R	0x0
17:12	SIGNATURE	Write to this register will succeed only if data on these bits carries a signature of 6'h29 (6'b101001)	RW	0x0
11	RESERVED		R	0x0
10	LOCK_BIT	When '1', prevents HW update to this MMR. When '0', allows HW update of this MMR.	RW	0x0
9:0	BINARY_DELAY	Delay Select Value in binary coded form. Indicates the number of coarse (9:5) and fine (4:0) delay elements to be used on the delay line connected to this pad.	RW	0x0

Table 18-1836. Register Call Summary for Register CFG_GPMC_A10_IN

IODELAYCONFIG Module Register Manual

- [IODELAYCONFIG Register Summary: \[0\]](#)

Table 18-1837. CFG_GPMC_A10_OEN

Address Offset	0x0000 0124	Instance	IODELAYCONFIG
Physical Address	0x4844 A124		
Description	Delay Select Value in binary coded form for cfg_gpmc_a10_oen interface		
Type	RW		

31	30	29	28	27	26	25	24	23	22	21	20	19	18	17	16	15	14	13	12	11	10	9	8	7	6	5	4	3	2	1	0
RESERVED														SIGNATURE				RESERVED	LOCK_BIT	BINARY_DELAY											

Bits	Field Name	Description	Type	Reset
31:18	RESERVED		R	0x0
17:12	SIGNATURE	Write to this register will succeed only if data on these bits carries a signature of 6'h29 (6'b101001)	RW	0x0
11	RESERVED		R	0x0
10	LOCK_BIT	When '1', prevents HW update to this MMR. When '0', allows HW update of this MMR.	RW	0x0
9:0	BINARY_DELAY	Delay Select Value in binary coded form. Indicates the number of coarse (9:5) and fine (4:0) delay elements to be used on the delay line connected to this pad.	RW	0x0

Table 18-1838. Register Call Summary for Register CFG_GPMC_A10_OEN

IODELAYCONFIG Module Register Manual

- [IODELAYCONFIG Register Summary: \[0\]](#)

Table 18-1839. CFG_GPMC_A10_OUT

Address Offset	0x0000 0128	Instance	IODELAYCONFIG
Physical Address	0x4844 A128		
Description	Delay Select Value in binary coded form for cfg_gpmc_a10_out interface		
Type	RW		

31	30	29	28	27	26	25	24	23	22	21	20	19	18	17	16	15	14	13	12	11	10	9	8	7	6	5	4	3	2	1	0
RESERVED																SIGNATURE						RESERVED	LOCK_BIT	BINARY_DELAY							

Bits	Field Name	Description	Type	Reset
31:18	RESERVED		R	0x0
17:12	SIGNATURE	Write to this register will succeed only if data on these bits carries a signature of 6'h29 (6'b101001)	RW	0x0
11	RESERVED		R	0x0
10	LOCK_BIT	When '1', prevents HW update to this MMR. When '0', allows HW update of this MMR.	RW	0x0
9:0	BINARY_DELAY	Delay Select Value in binary coded form. Indicates the number of coarse (9:5) and fine (4:0) delay elements to be used on the delay line connected to this pad.	RW	0x0

Table 18-1840. Register Call Summary for Register CFG_GPMC_A10_OUT

IODELAYCONFIG Module Register Manual

- [IODELAYCONFIG Register Summary: \[0\]](#)

Table 18-1841. CFG_GPMC_A11_IN

Address Offset	0x0000 012C	Instance	IODELAYCONFIG
Physical Address	0x4844 A12C		
Description	Delay Select Value in binary coded form for cfg_gpmc_a11_in interface		
Type	RW		

31	30	29	28	27	26	25	24	23	22	21	20	19	18	17	16	15	14	13	12	11	10	9	8	7	6	5	4	3	2	1	0
RESERVED																SIGNATURE						RESERVED	LOCK_BIT	BINARY_DELAY							

Bits	Field Name	Description	Type	Reset
31:18	RESERVED		R	0x0
17:12	SIGNATURE	Write to this register will succeed only if data on these bits carries a signature of 6'h29 (6'b101001)	RW	0x0
11	RESERVED		R	0x0

Bits	Field Name	Description	Type	Reset
10	LOCK_BIT	When '1', prevents HW update to this MMR. When '0', allows HW update of this MMR.	RW	0x0
9:0	BINARY_DELAY	Delay Select Value in binary coded form. Indicates the number of coarse (9:5) and fine (4:0) delay elements to be used on the delay line connected to this pad.	RW	0x0

Table 18-1842. Register Call Summary for Register CFG_GPMC_A11_IN

IODELAYCONFIG Module Register Manual

- [IODELAYCONFIG Register Summary: \[0\]](#)

Table 18-1843. CFG_GPMC_A11_OEN

Address Offset	0x0000 0130	Instance	IODELAYCONFIG
Physical Address	0x4844 A130		
Description	Delay Select Value in binary coded form for cfg_gpmc_a11_oen interface		
Type	RW		

31	30	29	28	27	26	25	24	23	22	21	20	19	18	17	16	15	14	13	12	11	10	9	8	7	6	5	4	3	2	1	0
RESERVED								SIGNATURE								RESERVED	LOCK_BIT	BINARY_DELAY													

Bits	Field Name	Description	Type	Reset
31:18	RESERVED		R	0x0
17:12	SIGNATURE	Write to this register will succeed only if data on these bits carries a signature of 6'h29 (6'b101001)	RW	0x0
11	RESERVED		R	0x0
10	LOCK_BIT	When '1', prevents HW update to this MMR. When '0', allows HW update of this MMR.	RW	0x0
9:0	BINARY_DELAY	Delay Select Value in binary coded form. Indicates the number of coarse (9:5) and fine (4:0) delay elements to be used on the delay line connected to this pad.	RW	0x0

Table 18-1844. Register Call Summary for Register CFG_GPMC_A11_OEN

IODELAYCONFIG Module Register Manual

- [IODELAYCONFIG Register Summary: \[0\]](#)

Table 18-1845. CFG_GPMC_A11_OUT

Address Offset	0x0000 0134	Instance	IODELAYCONFIG
Physical Address	0x4844 A134		
Description	Delay Select Value in binary coded form for cfg_gpmc_a11_out interface		
Type	RW		

31	30	29	28	27	26	25	24	23	22	21	20	19	18	17	16	15	14	13	12	11	10	9	8	7	6	5	4	3	2	1	0
RESERVED								SIGNATURE								RESERVED	LOCK_BIT	BINARY_DELAY													

Bits	Field Name	Description	Type	Reset
31:18	RESERVED		R	0x0
17:12	SIGNATURE	Write to this register will succeed only if data on these bits carries a signature of 6'h29 (6'b101001)	RW	0x0
11	RESERVED		R	0x0
10	LOCK_BIT	When '1', prevents HW update to this MMR. When '0', allows HW update of this MMR.	RW	0x0
9:0	BINARY_DELAY	Delay Select Value in binary coded form. Indicates the number of coarse (9:5) and fine (4:0) delay elements to be used on the delay line connected to this pad.	RW	0x0

Table 18-1846. Register Call Summary for Register CFG_GPMC_A11_OUT

IODELAYCONFIG Module Register Manual

- [IODELAYCONFIG Register Summary: \[0\]](#)

Table 18-1847. CFG_GPMC_A12_IN

Address Offset	0x0000 0138	Instance	IODELAYCONFIG
Physical Address	0x4844 A138		
Description	Delay Select Value in binary coded form for cfg_gpmc_a12_in interface		
Type	RW		

31	30	29	28	27	26	25	24	23	22	21	20	19	18	17	16	15	14	13	12	11	10	9	8	7	6	5	4	3	2	1	0
RESERVED								SIGNATURE				RESERVED	LOCK_BIT	BINARY_DELAY																	

Bits	Field Name	Description	Type	Reset
31:18	RESERVED		R	0x0
17:12	SIGNATURE	Write to this register will succeed only if data on these bits carries a signature of 6'h29 (6'b101001)	RW	0x0
11	RESERVED		R	0x0
10	LOCK_BIT	When '1', prevents HW update to this MMR. When '0', allows HW update of this MMR.	RW	0x0
9:0	BINARY_DELAY	Delay Select Value in binary coded form. Indicates the number of coarse (9:5) and fine (4:0) delay elements to be used on the delay line connected to this pad.	RW	0x0

Table 18-1848. Register Call Summary for Register CFG_GPMC_A12_IN

IODELAYCONFIG Module Register Manual

- [IODELAYCONFIG Register Summary: \[0\]](#)

Table 18-1849. CFG_GPMC_A12_OEN

Address Offset	0x0000 013C	Instance	IODELAYCONFIG
Physical Address	0x4844 A13C		
Description	Delay Select Value in binary coded form for cfg_gpmc_a12_oen interface		
Type	RW		

31	30	29	28	27	26	25	24	23	22	21	20	19	18	17	16	15	14	13	12	11	10	9	8	7	6	5	4	3	2	1	0
RESERVED								SIGNATURE				RESERVED	LOCK_BIT	BINARY_DELAY																	

Bits	Field Name	Description	Type	Reset
31:18	RESERVED		R	0x0
17:12	SIGNATURE	Write to this register will succeed only if data on these bits carries a signature of 6'h29 (6'b101001)	RW	0x0
11	RESERVED		R	0x0
10	LOCK_BIT	When '1', prevents HW update to this MMR. When '0', allows HW update of this MMR.	RW	0x0
9:0	BINARY_DELAY	Delay Select Value in binary coded form. Indicates the number of coarse (9:5) and fine (4:0) delay elements to be used on the delay line connected to this pad.	RW	0x0

Table 18-1850. Register Call Summary for Register CFG_GPMC_A12_OEN

IODELAYCONFIG Module Register Manual

- [IODELAYCONFIG Register Summary: \[0\]](#)

Table 18-1851. CFG_GPMC_A12_OUT

Address Offset	0x0000 0140	Instance	IODELAYCONFIG
Physical Address	0x4844 A140		
Description	Delay Select Value in binary coded form for cfg_gpmc_a12_out interface		
Type	RW		

31	30	29	28	27	26	25	24	23	22	21	20	19	18	17	16	15	14	13	12	11	10	9	8	7	6	5	4	3	2	1	0
RESERVED								SIGNATURE				RESERVED	LOCK_BIT	BINARY_DELAY																	

Bits	Field Name	Description	Type	Reset
31:18	RESERVED		R	0x0
17:12	SIGNATURE	Write to this register will succeed only if data on these bits carries a signature of 6'h29 (6'b101001)	RW	0x0
11	RESERVED		R	0x0
10	LOCK_BIT	When '1', prevents HW update to this MMR. When '0', allows HW update of this MMR.	RW	0x0
9:0	BINARY_DELAY	Delay Select Value in binary coded form. Indicates the number of coarse (9:5) and fine (4:0) delay elements to be used on the delay line connected to this pad.	RW	0x0

Table 18-1852. Register Call Summary for Register CFG_GPMC_A12_OUT

IODELAYCONFIG Module Register Manual

- [IODELAYCONFIG Register Summary: \[0\]](#)

Table 18-1853. CFG_GPMC_A13_IN

Address Offset	0x0000 0144	Instance	IODELAYCONFIG
Physical Address	0x4844 A144		
Description	Delay Select Value in binary coded form for cfg_gpmc_a13_in interface		
Type	RW		

31	30	29	28	27	26	25	24	23	22	21	20	19	18	17	16	15	14	13	12	11	10	9	8	7	6	5	4	3	2	1	0
RESERVED														SIGNATURE				RESERVED	LOCK_BIT	BINARY_DELAY											

Bits	Field Name	Description	Type	Reset
31:18	RESERVED		R	0x0
17:12	SIGNATURE	Write to this register will succeed only if data on these bits carries a signature of 6'h29 (6'b101001)	RW	0x0
11	RESERVED		R	0x0
10	LOCK_BIT	When '1', prevents HW update to this MMR. When '0', allows HW update of this MMR.	RW	0x0
9:0	BINARY_DELAY	Delay Select Value in binary coded form. Indicates the number of coarse (9:5) and fine (4:0) delay elements to be used on the delay line connected to this pad.	RW	0x0

Table 18-1854. Register Call Summary for Register CFG_GPMC_A13_IN

IODELAYCONFIG Module Register Manual

- [IODELAYCONFIG Register Summary: \[0\]](#)

Table 18-1855. CFG_GPMC_A13_OEN

Address Offset	0x0000 0148	Instance	IODELAYCONFIG
Physical Address	0x4844 A148		
Description	Delay Select Value in binary coded form for cfg_gpmc_a13_oen interface		
Type	RW		

31	30	29	28	27	26	25	24	23	22	21	20	19	18	17	16	15	14	13	12	11	10	9	8	7	6	5	4	3	2	1	0
RESERVED														SIGNATURE				RESERVED	LOCK_BIT	BINARY_DELAY											

Bits	Field Name	Description	Type	Reset
31:18	RESERVED		R	0x0
17:12	SIGNATURE	Write to this register will succeed only if data on these bits carries a signature of 6'h29 (6'b101001)	RW	0x0
11	RESERVED		R	0x0
10	LOCK_BIT	When '1', prevents HW update to this MMR. When '0', allows HW update of this MMR.	RW	0x0
9:0	BINARY_DELAY	Delay Select Value in binary coded form. Indicates the number of coarse (9:5) and fine (4:0) delay elements to be used on the delay line connected to this pad.	RW	0x0

Table 18-1856. Register Call Summary for Register CFG_GPMC_A13_OEN

IODELAYCONFIG Module Register Manual

- [IODELAYCONFIG Register Summary: \[0\]](#)

Table 18-1857. CFG_GPMC_A13_OUT

Address Offset	0x0000 014C	Instance	IODELAYCONFIG
Physical Address	0x4844 A14C		
Description	Delay Select Value in binary coded form for cfg_gpmc_a13_out interface		
Type	RW		

31	30	29	28	27	26	25	24	23	22	21	20	19	18	17	16	15	14	13	12	11	10	9	8	7	6	5	4	3	2	1	0			
RESERVED																SIGNATURE						RESERVED	LOCK_BIT	BINARY_DELAY										

Bits	Field Name	Description	Type	Reset
31:18	RESERVED		R	0x0
17:12	SIGNATURE	Write to this register will succeed only if data on these bits carries a signature of 6'h29 (6'b101001)	RW	0x0
11	RESERVED		R	0x0
10	LOCK_BIT	When '1', prevents HW update to this MMR. When '0', allows HW update of this MMR.	RW	0x0
9:0	BINARY_DELAY	Delay Select Value in binary coded form. Indicates the number of coarse (9:5) and fine (4:0) delay elements to be used on the delay line connected to this pad.	RW	0x0

Table 18-1858. Register Call Summary for Register CFG_GPMC_A13_OUT

IODELAYCONFIG Module Register Manual

- [IODELAYCONFIG Register Summary: \[0\]](#)

Table 18-1859. CFG_GPMC_A14_IN

Address Offset	0x0000 0150	Instance	IODELAYCONFIG
Physical Address	0x4844 A150		
Description	Delay Select Value in binary coded form for cfg_gpmc_a14_in interface		
Type	RW		

31	30	29	28	27	26	25	24	23	22	21	20	19	18	17	16	15	14	13	12	11	10	9	8	7	6	5	4	3	2	1	0			
RESERVED																SIGNATURE						RESERVED	LOCK_BIT	BINARY_DELAY										

Bits	Field Name	Description	Type	Reset
31:18	RESERVED		R	0x0
17:12	SIGNATURE	Write to this register will succeed only if data on these bits carries a signature of 6'h29 (6'b101001)	RW	0x0
11	RESERVED		R	0x0

Bits	Field Name	Description	Type	Reset
10	LOCK_BIT	When '1', prevents HW update to this MMR. When '0', allows HW update of this MMR.	RW	0x0
9:0	BINARY_DELAY	Delay Select Value in binary coded form. Indicates the number of coarse (9:5) and fine (4:0) delay elements to be used on the delay line connected to this pad.	RW	0x0

Table 18-1860. Register Call Summary for Register CFG_GPMC_A14_IN

IODELAYCONFIG Module Register Manual

- [IODELAYCONFIG Register Summary: \[0\]](#)

Table 18-1861. CFG_GPMC_A14_OEN

Address Offset	0x0000 0154	Instance	IODELAYCONFIG
Physical Address	0x4844 A154		
Description	Delay Select Value in binary coded form for cfg_gpmc_a14_oen interface		
Type	RW		

31	30	29	28	27	26	25	24	23	22	21	20	19	18	17	16	15	14	13	12	11	10	9	8	7	6	5	4	3	2	1	0
RESERVED								SIGNATURE								RESERVED	LOCK_BIT	BINARY_DELAY													

Bits	Field Name	Description	Type	Reset
31:18	RESERVED		R	0x0
17:12	SIGNATURE	Write to this register will succeed only if data on these bits carries a signature of 6'h29 (6'b101001)	RW	0x0
11	RESERVED		R	0x0
10	LOCK_BIT	When '1', prevents HW update to this MMR. When '0', allows HW update of this MMR.	RW	0x0
9:0	BINARY_DELAY	Delay Select Value in binary coded form. Indicates the number of coarse (9:5) and fine (4:0) delay elements to be used on the delay line connected to this pad.	RW	0x0

Table 18-1862. Register Call Summary for Register CFG_GPMC_A14_OEN

IODELAYCONFIG Module Register Manual

- [IODELAYCONFIG Register Summary: \[0\]](#)

Table 18-1863. CFG_GPMC_A14_OUT

Address Offset	0x0000 0158	Instance	IODELAYCONFIG
Physical Address	0x4844 A158		
Description	Delay Select Value in binary coded form for cfg_gpmc_a14_out interface		
Type	RW		

31	30	29	28	27	26	25	24	23	22	21	20	19	18	17	16	15	14	13	12	11	10	9	8	7	6	5	4	3	2	1	0
RESERVED								SIGNATURE								RESERVED	LOCK_BIT	BINARY_DELAY													

Bits	Field Name	Description	Type	Reset
31:18	RESERVED		R	0x0
17:12	SIGNATURE	Write to this register will succeed only if data on these bits carries a signature of 6'h29 (6'b101001)	RW	0x0
11	RESERVED		R	0x0
10	LOCK_BIT	When '1', prevents HW update to this MMR. When '0', allows HW update of this MMR.	RW	0x0
9:0	BINARY_DELAY	Delay Select Value in binary coded form. Indicates the number of coarse (9:5) and fine (4:0) delay elements to be used on the delay line connected to this pad.	RW	0x0

Table 18-1864. Register Call Summary for Register CFG_GPMC_A14_OUT

IODELAYCONFIG Module Register Manual

- [IODELAYCONFIG Register Summary: \[0\]](#)

Table 18-1865. CFG_GPMC_A15_IN

Address Offset	0x0000 015C	Instance	IODELAYCONFIG
Physical Address	0x4844 A15C		
Description	Delay Select Value in binary coded form for cfg_gpmc_a15_in interface		
Type	RW		

31	30	29	28	27	26	25	24	23	22	21	20	19	18	17	16	15	14	13	12	11	10	9	8	7	6	5	4	3	2	1	0
RESERVED								SIGNATURE				RESERVED	LOCK_BIT	BINARY_DELAY																	

Bits	Field Name	Description	Type	Reset
31:18	RESERVED		R	0x0
17:12	SIGNATURE	Write to this register will succeed only if data on these bits carries a signature of 6'h29 (6'b101001)	RW	0x0
11	RESERVED		R	0x0
10	LOCK_BIT	When '1', prevents HW update to this MMR. When '0', allows HW update of this MMR.	RW	0x0
9:0	BINARY_DELAY	Delay Select Value in binary coded form. Indicates the number of coarse (9:5) and fine (4:0) delay elements to be used on the delay line connected to this pad.	RW	0x0

Table 18-1866. Register Call Summary for Register CFG_GPMC_A15_IN

IODELAYCONFIG Module Register Manual

- [IODELAYCONFIG Register Summary: \[0\]](#)

Table 18-1867. CFG_GPMC_A15_OEN

Address Offset	0x0000 0160	Instance	IODELAYCONFIG
Physical Address	0x4844 A160		
Description	Delay Select Value in binary coded form for cfg_gpmc_a15_oen interface		
Type	RW		

31	30	29	28	27	26	25	24	23	22	21	20	19	18	17	16	15	14	13	12	11	10	9	8	7	6	5	4	3	2	1	0
RESERVED														SIGNATURE				RESERVED	LOCK_BIT	BINARY_DELAY											

Bits	Field Name	Description	Type	Reset
31:18	RESERVED		R	0x0
17:12	SIGNATURE	Write to this register will succeed only if data on these bits carries a signature of 6'h29 (6'b101001)	RW	0x0
11	RESERVED		R	0x0
10	LOCK_BIT	When '1', prevents HW update to this MMR. When '0', allows HW update of this MMR.	RW	0x0
9:0	BINARY_DELAY	Delay Select Value in binary coded form. Indicates the number of coarse (9:5) and fine (4:0) delay elements to be used on the delay line connected to this pad.	RW	0x0

Table 18-1868. Register Call Summary for Register CFG_GPMC_A15_OEN

IODELAYCONFIG Module Register Manual

- [IODELAYCONFIG Register Summary: \[0\]](#)

Table 18-1869. CFG_GPMC_A15_OUT

Address Offset	0x0000 0164	Instance	IODELAYCONFIG
Physical Address	0x4844 A164		
Description	Delay Select Value in binary coded form for cfg_gpmc_a15_out interface		
Type	RW		

31	30	29	28	27	26	25	24	23	22	21	20	19	18	17	16	15	14	13	12	11	10	9	8	7	6	5	4	3	2	1	0
RESERVED														SIGNATURE				RESERVED	LOCK_BIT	BINARY_DELAY											

Bits	Field Name	Description	Type	Reset
31:18	RESERVED		R	0x0
17:12	SIGNATURE	Write to this register will succeed only if data on these bits carries a signature of 6'h29 (6'b101001)	RW	0x0
11	RESERVED		R	0x0
10	LOCK_BIT	When '1', prevents HW update to this MMR. When '0', allows HW update of this MMR.	RW	0x0
9:0	BINARY_DELAY	Delay Select Value in binary coded form. Indicates the number of coarse (9:5) and fine (4:0) delay elements to be used on the delay line connected to this pad.	RW	0x0

Table 18-1870. Register Call Summary for Register CFG_GPMC_A15_OUT

IODELAYCONFIG Module Register Manual

- [IODELAYCONFIG Register Summary: \[0\]](#)

Table 18-1871. CFG_GPMC_A16_IN

Address Offset	0x0000 0168	Instance	IODELAYCONFIG
Physical Address	0x4844 A168		
Description	Delay Select Value in binary coded form for cfg_gpmc_a16_in interface		
Type	RW		

31	30	29	28	27	26	25	24	23	22	21	20	19	18	17	16	15	14	13	12	11	10	9	8	7	6	5	4	3	2	1	0
RESERVED														SIGNATURE				RESERVED	LOCK_BIT	BINARY_DELAY											

Bits	Field Name	Description	Type	Reset
31:18	RESERVED		R	0x0
17:12	SIGNATURE	Write to this register will succeed only if data on these bits carries a signature of 6'h29 (6'b101001)	RW	0x0
11	RESERVED		R	0x0
10	LOCK_BIT	When '1', prevents HW update to this MMR. When '0', allows HW update of this MMR.	RW	0x0
9:0	BINARY_DELAY	Delay Select Value in binary coded form. Indicates the number of coarse (9:5) and fine (4:0) delay elements to be used on the delay line connected to this pad.	RW	0x0

Table 18-1872. Register Call Summary for Register CFG_GPMC_A16_IN

IODELAYCONFIG Module Register Manual

- [IODELAYCONFIG Register Summary: \[0\]](#)

Table 18-1873. CFG_GPMC_A16_OEN

Address Offset	0x0000 016C	Instance	IODELAYCONFIG
Physical Address	0x4844 A16C		
Description	Delay Select Value in binary coded form for cfg_gpmc_a16_oen interface		
Type	RW		

31	30	29	28	27	26	25	24	23	22	21	20	19	18	17	16	15	14	13	12	11	10	9	8	7	6	5	4	3	2	1	0
RESERVED														SIGNATURE				RESERVED	LOCK_BIT	BINARY_DELAY											

Bits	Field Name	Description	Type	Reset
31:18	RESERVED		R	0x0
17:12	SIGNATURE	Write to this register will succeed only if data on these bits carries a signature of 6'h29 (6'b101001)	RW	0x0
11	RESERVED		R	0x0
10	LOCK_BIT	When '1', prevents HW update to this MMR. When '0', allows HW update of this MMR.	RW	0x0
9:0	BINARY_DELAY	Delay Select Value in binary coded form. Indicates the number of coarse (9:5) and fine (4:0) delay elements to be used on the delay line connected to this pad.	RW	0x0

Table 18-1874. Register Call Summary for Register CFG_GPMC_A16_OEN

IODELAYCONFIG Module Register Manual

- [IODELAYCONFIG Register Summary: \[0\]](#)

Table 18-1875. CFG_GPMC_A16_OUT

Address Offset	0x0000 0170	Instance	IODELAYCONFIG
Physical Address	0x4844 A170		
Description	Delay Select Value in binary coded form for cfg_gpmc_a16_out interface		
Type	RW		

31	30	29	28	27	26	25	24	23	22	21	20	19	18	17	16	15	14	13	12	11	10	9	8	7	6	5	4	3	2	1	0
RESERVED																SIGNATURE						RESERVED	LOCK_BIT	BINARY_DELAY							

Bits	Field Name	Description	Type	Reset
31:18	RESERVED		R	0x0
17:12	SIGNATURE	Write to this register will succeed only if data on these bits carries a signature of 6'h29 (6'b101001)	RW	0x0
11	RESERVED		R	0x0
10	LOCK_BIT	When '1', prevents HW update to this MMR. When '0', allows HW update of this MMR.	RW	0x0
9:0	BINARY_DELAY	Delay Select Value in binary coded form. Indicates the number of coarse (9:5) and fine (4:0) delay elements to be used on the delay line connected to this pad.	RW	0x0

Table 18-1876. Register Call Summary for Register CFG_GPMC_A16_OUT

IODELAYCONFIG Module Register Manual

- [IODELAYCONFIG Register Summary: \[0\]](#)

Table 18-1877. CFG_GPMC_A17_IN

Address Offset	0x0000 0174	Instance	IODELAYCONFIG
Physical Address	0x4844 A174		
Description	Delay Select Value in binary coded form for cfg_gpmc_a17_in interface		
Type	RW		

31	30	29	28	27	26	25	24	23	22	21	20	19	18	17	16	15	14	13	12	11	10	9	8	7	6	5	4	3	2	1	0
RESERVED																SIGNATURE						RESERVED	LOCK_BIT	BINARY_DELAY							

Bits	Field Name	Description	Type	Reset
31:18	RESERVED		R	0x0
17:12	SIGNATURE	Write to this register will succeed only if data on these bits carries a signature of 6'h29 (6'b101001)	RW	0x0
11	RESERVED		R	0x0

Bits	Field Name	Description	Type	Reset
10	LOCK_BIT	When '1', prevents HW update to this MMR. When '0', allows HW update of this MMR.	RW	0x0
9:0	BINARY_DELAY	Delay Select Value in binary coded form. Indicates the number of coarse (9:5) and fine (4:0) delay elements to be used on the delay line connected to this pad.	RW	0x0

Table 18-1878. Register Call Summary for Register CFG_GPMC_A17_IN

IODELAYCONFIG Module Register Manual

- [IODELAYCONFIG Register Summary: \[0\]](#)

Table 18-1879. CFG_GPMC_A17_OEN

Address Offset	0x0000 0178	Instance	IODELAYCONFIG
Physical Address	0x4844 A178		
Description	Delay Select Value in binary coded form for cfg_gpmc_a17_oen interface		
Type	RW		

31	30	29	28	27	26	25	24	23	22	21	20	19	18	17	16	15	14	13	12	11	10	9	8	7	6	5	4	3	2	1	0
RESERVED								SIGNATURE								RESERVED	LOCK_BIT	BINARY_DELAY													

Bits	Field Name	Description	Type	Reset
31:18	RESERVED		R	0x0
17:12	SIGNATURE	Write to this register will succeed only if data on these bits carries a signature of 6'h29 (6'b101001)	RW	0x0
11	RESERVED		R	0x0
10	LOCK_BIT	When '1', prevents HW update to this MMR. When '0', allows HW update of this MMR.	RW	0x0
9:0	BINARY_DELAY	Delay Select Value in binary coded form. Indicates the number of coarse (9:5) and fine (4:0) delay elements to be used on the delay line connected to this pad.	RW	0x0

Table 18-1880. Register Call Summary for Register CFG_GPMC_A17_OEN

IODELAYCONFIG Module Register Manual

- [IODELAYCONFIG Register Summary: \[0\]](#)

Table 18-1881. CFG_GPMC_A17_OUT

Address Offset	0x0000 017C	Instance	IODELAYCONFIG
Physical Address	0x4844 A17C		
Description	Delay Select Value in binary coded form for cfg_gpmc_a17_out interface		
Type	RW		

31	30	29	28	27	26	25	24	23	22	21	20	19	18	17	16	15	14	13	12	11	10	9	8	7	6	5	4	3	2	1	0
RESERVED								SIGNATURE								RESERVED	LOCK_BIT	BINARY_DELAY													

Bits	Field Name	Description	Type	Reset
31:18	RESERVED		R	0x0
17:12	SIGNATURE	Write to this register will succeed only if data on these bits carries a signature of 6'h29 (6'b101001)	RW	0x0
11	RESERVED		R	0x0
10	LOCK_BIT	When '1', prevents HW update to this MMR. When '0', allows HW update of this MMR.	RW	0x0
9:0	BINARY_DELAY	Delay Select Value in binary coded form. Indicates the number of coarse (9:5) and fine (4:0) delay elements to be used on the delay line connected to this pad.	RW	0x0

Table 18-1882. Register Call Summary for Register CFG_GPMC_A17_OUT

IODELAYCONFIG Module Register Manual

- [IODELAYCONFIG Register Summary: \[0\]](#)

Table 18-1883. CFG_GPMC_A18_IN

Address Offset	0x0000 0180	Instance	IODELAYCONFIG
Physical Address	0x4844 A180		
Description	Delay Select Value in binary coded form for cfg_gpmc_a18_in interface		
Type	RW		

31	30	29	28	27	26	25	24	23	22	21	20	19	18	17	16	15	14	13	12	11	10	9	8	7	6	5	4	3	2	1	0
RESERVED								SIGNATURE				RESERVED	LOCK_BIT	BINARY_DELAY																	

Bits	Field Name	Description	Type	Reset
31:18	RESERVED		R	0x0
17:12	SIGNATURE	Write to this register will succeed only if data on these bits carries a signature of 6'h29 (6'b101001)	RW	0x0
11	RESERVED		R	0x0
10	LOCK_BIT	When '1', prevents HW update to this MMR. When '0', allows HW update of this MMR.	RW	0x0
9:0	BINARY_DELAY	Delay Select Value in binary coded form. Indicates the number of coarse (9:5) and fine (4:0) delay elements to be used on the delay line connected to this pad.	RW	0x0

Table 18-1884. Register Call Summary for Register CFG_GPMC_A18_IN

IODELAYCONFIG Module Register Manual

- [IODELAYCONFIG Register Summary: \[0\]](#)

Table 18-1885. CFG_GPMC_A18_OEN

Address Offset	0x0000 0184	Instance	IODELAYCONFIG
Physical Address	0x4844 A184		
Description	Delay Select Value in binary coded form for cfg_gpmc_a18_oen interface		
Type	RW		

31	30	29	28	27	26	25	24	23	22	21	20	19	18	17	16	15	14	13	12	11	10	9	8	7	6	5	4	3	2	1	0
RESERVED														SIGNATURE				RESERVED	LOCK_BIT	BINARY_DELAY											

Bits	Field Name	Description	Type	Reset
31:18	RESERVED		R	0x0
17:12	SIGNATURE	Write to this register will succeed only if data on these bits carries a signature of 6'h29 (6'b101001)	RW	0x0
11	RESERVED		R	0x0
10	LOCK_BIT	When '1', prevents HW update to this MMR. When '0', allows HW update of this MMR.	RW	0x0
9:0	BINARY_DELAY	Delay Select Value in binary coded form. Indicates the number of coarse (9:5) and fine (4:0) delay elements to be used on the delay line connected to this pad.	RW	0x0

Table 18-1886. Register Call Summary for Register CFG_GPMC_A18_OEN

IODELAYCONFIG Module Register Manual

- [IODELAYCONFIG Register Summary: \[0\]](#)

Table 18-1887. CFG_GPMC_A18_OUT

Address Offset	0x0000 0188	Instance	IODELAYCONFIG
Physical Address	0x4844 A188		
Description	Delay Select Value in binary coded form for cfg_gpmc_a18_out interface		
Type	RW		

31	30	29	28	27	26	25	24	23	22	21	20	19	18	17	16	15	14	13	12	11	10	9	8	7	6	5	4	3	2	1	0
RESERVED														SIGNATURE				RESERVED	LOCK_BIT	BINARY_DELAY											

Bits	Field Name	Description	Type	Reset
31:18	RESERVED		R	0x0
17:12	SIGNATURE	Write to this register will succeed only if data on these bits carries a signature of 6'h29 (6'b101001)	RW	0x0
11	RESERVED		R	0x0
10	LOCK_BIT	When '1', prevents HW update to this MMR. When '0', allows HW update of this MMR.	RW	0x0
9:0	BINARY_DELAY	Delay Select Value in binary coded form. Indicates the number of coarse (9:5) and fine (4:0) delay elements to be used on the delay line connected to this pad.	RW	0x0

Table 18-1888. Register Call Summary for Register CFG_GPMC_A18_OUT

IODELAYCONFIG Module Register Manual

- [IODELAYCONFIG Register Summary: \[0\]](#)

Table 18-1889. CFG_GPMC_A19_IN

Address Offset	0x0000 018C	Instance	IODELAYCONFIG
Physical Address	0x4844 A18C		
Description	Delay Select Value in binary coded form for cfg_gpmc_a19_in interface		
Type	RW		

31	30	29	28	27	26	25	24	23	22	21	20	19	18	17	16	15	14	13	12	11	10	9	8	7	6	5	4	3	2	1	0
RESERVED														SIGNATURE				RESERVED	LOCK_BIT	BINARY_DELAY											

Bits	Field Name	Description	Type	Reset
31:18	RESERVED		R	0x0
17:12	SIGNATURE	Write to this register will succeed only if data on these bits carries a signature of 6'h29 (6'b101001)	RW	0x0
11	RESERVED		R	0x0
10	LOCK_BIT	When '1', prevents HW update to this MMR. When '0', allows HW update of this MMR.	RW	0x0
9:0	BINARY_DELAY	Delay Select Value in binary coded form. Indicates the number of coarse (9:5) and fine (4:0) delay elements to be used on the delay line connected to this pad.	RW	0x0

Table 18-1890. Register Call Summary for Register CFG_GPMC_A19_IN

IODELAYCONFIG Module Register Manual

- [IODELAYCONFIG Register Summary: \[0\]](#)

Table 18-1891. CFG_GPMC_A19_OEN

Address Offset	0x0000 0190	Instance	IODELAYCONFIG
Physical Address	0x4844 A190		
Description	Delay Select Value in binary coded form for cfg_gpmc_a19_oen interface		
Type	RW		

31	30	29	28	27	26	25	24	23	22	21	20	19	18	17	16	15	14	13	12	11	10	9	8	7	6	5	4	3	2	1	0
RESERVED														SIGNATURE				RESERVED	LOCK_BIT	BINARY_DELAY											

Bits	Field Name	Description	Type	Reset
31:18	RESERVED		R	0x0
17:12	SIGNATURE	Write to this register will succeed only if data on these bits carries a signature of 6'h29 (6'b101001)	RW	0x0
11	RESERVED		R	0x0
10	LOCK_BIT	When '1', prevents HW update to this MMR. When '0', allows HW update of this MMR.	RW	0x0
9:0	BINARY_DELAY	Delay Select Value in binary coded form. Indicates the number of coarse (9:5) and fine (4:0) delay elements to be used on the delay line connected to this pad.	RW	0x0

Table 18-1892. Register Call Summary for Register CFG_GPMC_A19_OEN

IODELAYCONFIG Module Register Manual

- [IODELAYCONFIG Register Summary: \[0\]](#)

Table 18-1893. CFG_GPMC_A19_OUT

Address Offset	0x0000 0194	Instance	IODELAYCONFIG
Physical Address	0x4844 A194		
Description	Delay Select Value in binary coded form for cfg_gpmc_a19_out interface		
Type	RW		

31	30	29	28	27	26	25	24	23	22	21	20	19	18	17	16	15	14	13	12	11	10	9	8	7	6	5	4	3	2	1	0		
RESERVED																SIGNATURE						RESERVED	LOCK_BIT	BINARY_DELAY									

Bits	Field Name	Description	Type	Reset
31:18	RESERVED		R	0x0
17:12	SIGNATURE	Write to this register will succeed only if data on these bits carries a signature of 6'h29 (6'b101001)	RW	0x0
11	RESERVED		R	0x0
10	LOCK_BIT	When '1', prevents HW update to this MMR. When '0', allows HW update of this MMR.	RW	0x0
9:0	BINARY_DELAY	Delay Select Value in binary coded form. Indicates the number of coarse (9:5) and fine (4:0) delay elements to be used on the delay line connected to this pad.	RW	0x0

Table 18-1894. Register Call Summary for Register CFG_GPMC_A19_OUT

IODELAYCONFIG Module Register Manual

- [IODELAYCONFIG Register Summary: \[0\]](#)

Table 18-1895. CFG_GPMC_A1_IN

Address Offset	0x0000 0198	Instance	IODELAYCONFIG
Physical Address	0x4844 A198		
Description	Delay Select Value in binary coded form for cfg_gpmc_a1_in interface		
Type	RW		

31	30	29	28	27	26	25	24	23	22	21	20	19	18	17	16	15	14	13	12	11	10	9	8	7	6	5	4	3	2	1	0		
RESERVED																SIGNATURE						RESERVED	LOCK_BIT	BINARY_DELAY									

Bits	Field Name	Description	Type	Reset
31:18	RESERVED		R	0x0
17:12	SIGNATURE	Write to this register will succeed only if data on these bits carries a signature of 6'h29 (6'b101001)	RW	0x0
11	RESERVED		R	0x0

Bits	Field Name	Description	Type	Reset
10	LOCK_BIT	When '1', prevents HW update to this MMR. When '0', allows HW update of this MMR.	RW	0x0
9:0	BINARY_DELAY	Delay Select Value in binary coded form. Indicates the number of coarse (9:5) and fine (4:0) delay elements to be used on the delay line connected to this pad.	RW	0x0

Table 18-1896. Register Call Summary for Register CFG_GPMC_A1_IN

IODELAYCONFIG Module Register Manual

- [IODELAYCONFIG Register Summary: \[0\]](#)

Table 18-1897. CFG_GPMC_A1_OEN

Address Offset	0x0000 019C	Instance	IODELAYCONFIG
Physical Address	0x4844 A19C		
Description	Delay Select Value in binary coded form for cfg_gpmc_a1_oen interface		
Type	RW		

31	30	29	28	27	26	25	24	23	22	21	20	19	18	17	16	15	14	13	12	11	10	9	8	7	6	5	4	3	2	1	0
RESERVED								SIGNATURE								RESERVED	LOCK_BIT	BINARY_DELAY													

Bits	Field Name	Description	Type	Reset
31:18	RESERVED		R	0x0
17:12	SIGNATURE	Write to this register will succeed only if data on these bits carries a signature of 6'h29 (6'b101001)	RW	0x0
11	RESERVED		R	0x0
10	LOCK_BIT	When '1', prevents HW update to this MMR. When '0', allows HW update of this MMR.	RW	0x0
9:0	BINARY_DELAY	Delay Select Value in binary coded form. Indicates the number of coarse (9:5) and fine (4:0) delay elements to be used on the delay line connected to this pad.	RW	0x0

Table 18-1898. Register Call Summary for Register CFG_GPMC_A1_OEN

IODELAYCONFIG Module Register Manual

- [IODELAYCONFIG Register Summary: \[0\]](#)

Table 18-1899. CFG_GPMC_A1_OUT

Address Offset	0x0000 01A0	Instance	IODELAYCONFIG
Physical Address	0x4844 A1A0		
Description	Delay Select Value in binary coded form for cfg_gpmc_a1_out interface		
Type	RW		

31	30	29	28	27	26	25	24	23	22	21	20	19	18	17	16	15	14	13	12	11	10	9	8	7	6	5	4	3	2	1	0
RESERVED								SIGNATURE								RESERVED	LOCK_BIT	BINARY_DELAY													

Bits	Field Name	Description	Type	Reset
31:18	RESERVED		R	0x0
17:12	SIGNATURE	Write to this register will succeed only if data on these bits carries a signature of 6'h29 (6'b101001)	RW	0x0
11	RESERVED		R	0x0
10	LOCK_BIT	When '1', prevents HW update to this MMR. When '0', allows HW update of this MMR.	RW	0x0
9:0	BINARY_DELAY	Delay Select Value in binary coded form. Indicates the number of coarse (9:5) and fine (4:0) delay elements to be used on the delay line connected to this pad.	RW	0x0

Table 18-1900. Register Call Summary for Register CFG_GPMC_A1_OUT

IODELAYCONFIG Module Register Manual

- [IODELAYCONFIG Register Summary: \[0\]](#)

Table 18-1901. CFG_GPMC_A20_IN

Address Offset	0x0000 01A4	Instance	IODELAYCONFIG
Physical Address	0x4844 A1A4		
Description	Delay Select Value in binary coded form for cfg_gpmc_a20_in interface		
Type	RW		

31	30	29	28	27	26	25	24	23	22	21	20	19	18	17	16	15	14	13	12	11	10	9	8	7	6	5	4	3	2	1	0
RESERVED								SIGNATURE				RESERVED	LOCK_BIT	BINARY_DELAY																	

Bits	Field Name	Description	Type	Reset
31:18	RESERVED		R	0x0
17:12	SIGNATURE	Write to this register will succeed only if data on these bits carries a signature of 6'h29 (6'b101001)	RW	0x0
11	RESERVED		R	0x0
10	LOCK_BIT	When '1', prevents HW update to this MMR. When '0', allows HW update of this MMR.	RW	0x0
9:0	BINARY_DELAY	Delay Select Value in binary coded form. Indicates the number of coarse (9:5) and fine (4:0) delay elements to be used on the delay line connected to this pad.	RW	0x0

Table 18-1902. Register Call Summary for Register CFG_GPMC_A20_IN

IODELAYCONFIG Module Register Manual

- [IODELAYCONFIG Register Summary: \[0\]](#)

Table 18-1903. CFG_GPMC_A20_OEN

Address Offset	0x0000 01A8	Instance	IODELAYCONFIG
Physical Address	0x4844 A1A8		
Description	Delay Select Value in binary coded form for cfg_gpmc_a20_oen interface		
Type	RW		

31	30	29	28	27	26	25	24	23	22	21	20	19	18	17	16	15	14	13	12	11	10	9	8	7	6	5	4	3	2	1	0
RESERVED								SIGNATURE				RESERVED	LOCK_BIT	BINARY_DELAY																	

Bits	Field Name	Description	Type	Reset
31:18	RESERVED		R	0x0
17:12	SIGNATURE	Write to this register will succeed only if data on these bits carries a signature of 6'h29 (6'b101001)	RW	0x0
11	RESERVED		R	0x0
10	LOCK_BIT	When '1', prevents HW update to this MMR. When '0', allows HW update of this MMR.	RW	0x0
9:0	BINARY_DELAY	Delay Select Value in binary coded form. Indicates the number of coarse (9:5) and fine (4:0) delay elements to be used on the delay line connected to this pad.	RW	0x0

Table 18-1904. Register Call Summary for Register CFG_GPMC_A20_OEN

IODELAYCONFIG Module Register Manual

- [IODELAYCONFIG Register Summary: \[0\]](#)

Table 18-1905. CFG_GPMC_A20_OUT

Address Offset	0x0000 01AC	Instance	IODELAYCONFIG
Physical Address	0x4844 A1AC		
Description	Delay Select Value in binary coded form for cfg_gpmc_a20_out interface		
Type	RW		

31	30	29	28	27	26	25	24	23	22	21	20	19	18	17	16	15	14	13	12	11	10	9	8	7	6	5	4	3	2	1	0
RESERVED								SIGNATURE				RESERVED	LOCK_BIT	BINARY_DELAY																	

Bits	Field Name	Description	Type	Reset
31:18	RESERVED		R	0x0
17:12	SIGNATURE	Write to this register will succeed only if data on these bits carries a signature of 6'h29 (6'b101001)	RW	0x0
11	RESERVED		R	0x0
10	LOCK_BIT	When '1', prevents HW update to this MMR. When '0', allows HW update of this MMR.	RW	0x0
9:0	BINARY_DELAY	Delay Select Value in binary coded form. Indicates the number of coarse (9:5) and fine (4:0) delay elements to be used on the delay line connected to this pad.	RW	0x0

Table 18-1906. Register Call Summary for Register CFG_GPMC_A20_OUT

IODELAYCONFIG Module Register Manual

- [IODELAYCONFIG Register Summary: \[0\]](#)

Table 18-1907. CFG_GPMC_A21_IN

Address Offset	0x0000 01B0	Instance	IODELAYCONFIG
Physical Address	0x4844 A1B0		
Description	Delay Select Value in binary coded form for cfg_gpmc_a21_in interface		
Type	RW		

31	30	29	28	27	26	25	24	23	22	21	20	19	18	17	16	15	14	13	12	11	10	9	8	7	6	5	4	3	2	1	0
RESERVED														SIGNATURE				RESERVED	LOCK_BIT	BINARY_DELAY											

Bits	Field Name	Description	Type	Reset
31:18	RESERVED		R	0x0
17:12	SIGNATURE	Write to this register will succeed only if data on these bits carries a signature of 6'h29 (6'b101001)	RW	0x0
11	RESERVED		R	0x0
10	LOCK_BIT	When '1', prevents HW update to this MMR. When '0', allows HW update of this MMR.	RW	0x0
9:0	BINARY_DELAY	Delay Select Value in binary coded form. Indicates the number of coarse (9:5) and fine (4:0) delay elements to be used on the delay line connected to this pad.	RW	0x0

Table 18-1908. Register Call Summary for Register CFG_GPMC_A21_IN

IODELAYCONFIG Module Register Manual

- [IODELAYCONFIG Register Summary: \[0\]](#)

Table 18-1909. CFG_GPMC_A21_OEN

Address Offset	0x0000 01B4	Instance	IODELAYCONFIG
Physical Address	0x4844 A1B4		
Description	Delay Select Value in binary coded form for cfg_gpmc_a21_oen interface		
Type	RW		

31	30	29	28	27	26	25	24	23	22	21	20	19	18	17	16	15	14	13	12	11	10	9	8	7	6	5	4	3	2	1	0
RESERVED														SIGNATURE				RESERVED	LOCK_BIT	BINARY_DELAY											

Bits	Field Name	Description	Type	Reset
31:18	RESERVED		R	0x0
17:12	SIGNATURE	Write to this register will succeed only if data on these bits carries a signature of 6'h29 (6'b101001)	RW	0x0
11	RESERVED		R	0x0
10	LOCK_BIT	When '1', prevents HW update to this MMR. When '0', allows HW update of this MMR.	RW	0x0
9:0	BINARY_DELAY	Delay Select Value in binary coded form. Indicates the number of coarse (9:5) and fine (4:0) delay elements to be used on the delay line connected to this pad.	RW	0x0

Table 18-1910. Register Call Summary for Register CFG_GPMC_A21_OEN

IODELAYCONFIG Module Register Manual

- [IODELAYCONFIG Register Summary: \[0\]](#)

Table 18-1911. CFG_GPMC_A21_OUT

Address Offset	0x0000 01B8	Instance	IODELAYCONFIG
Physical Address	0x4844 A1B8		
Description	Delay Select Value in binary coded form for cfg_gpmc_a21_out interface		
Type	RW		

31	30	29	28	27	26	25	24	23	22	21	20	19	18	17	16	15	14	13	12	11	10	9	8	7	6	5	4	3	2	1	0		
RESERVED																SIGNATURE						RESERVED	LOCK_BIT	BINARY_DELAY									

Bits	Field Name	Description	Type	Reset
31:18	RESERVED		R	0x0
17:12	SIGNATURE	Write to this register will succeed only if data on these bits carries a signature of 6'h29 (6'b101001)	RW	0x0
11	RESERVED		R	0x0
10	LOCK_BIT	When '1', prevents HW update to this MMR. When '0', allows HW update of this MMR.	RW	0x0
9:0	BINARY_DELAY	Delay Select Value in binary coded form. Indicates the number of coarse (9:5) and fine (4:0) delay elements to be used on the delay line connected to this pad.	RW	0x0

Table 18-1912. Register Call Summary for Register CFG_GPMC_A21_OUT

IODELAYCONFIG Module Register Manual

- [IODELAYCONFIG Register Summary: \[0\]](#)

Table 18-1913. CFG_GPMC_A22_IN

Address Offset	0x0000 01BC	Instance	IODELAYCONFIG
Physical Address	0x4844 A1BC		
Description	Delay Select Value in binary coded form for cfg_gpmc_a22_in interface		
Type	RW		

31	30	29	28	27	26	25	24	23	22	21	20	19	18	17	16	15	14	13	12	11	10	9	8	7	6	5	4	3	2	1	0		
RESERVED																SIGNATURE						RESERVED	LOCK_BIT	BINARY_DELAY									

Bits	Field Name	Description	Type	Reset
31:18	RESERVED		R	0x0
17:12	SIGNATURE	Write to this register will succeed only if data on these bits carries a signature of 6'h29 (6'b101001)	RW	0x0
11	RESERVED		R	0x0

Bits	Field Name	Description	Type	Reset
10	LOCK_BIT	When '1', prevents HW update to this MMR. When '0', allows HW update of this MMR.	RW	0x0
9:0	BINARY_DELAY	Delay Select Value in binary coded form. Indicates the number of coarse (9:5) and fine (4:0) delay elements to be used on the delay line connected to this pad.	RW	0x0

Table 18-1914. Register Call Summary for Register CFG_GPMC_A22_IN

IODELAYCONFIG Module Register Manual

- [IODELAYCONFIG Register Summary: \[0\]](#)

Table 18-1915. CFG_GPMC_A22_OEN

Address Offset	0x0000 01C0	Instance	IODELAYCONFIG
Physical Address	0x4844 A1C0		
Description	Delay Select Value in binary coded form for cfg_gpmc_a22_oen interface		
Type	RW		

31	30	29	28	27	26	25	24	23	22	21	20	19	18	17	16	15	14	13	12	11	10	9	8	7	6	5	4	3	2	1	0		
RESERVED																SIGNATURE				RESERVED	LOCK_BIT	BINARY_DELAY											

Bits	Field Name	Description	Type	Reset
31:18	RESERVED		R	0x0
17:12	SIGNATURE	Write to this register will succeed only if data on these bits carries a signature of 6'h29 (6'b101001)	RW	0x0
11	RESERVED		R	0x0
10	LOCK_BIT	When '1', prevents HW update to this MMR. When '0', allows HW update of this MMR.	RW	0x0
9:0	BINARY_DELAY	Delay Select Value in binary coded form. Indicates the number of coarse (9:5) and fine (4:0) delay elements to be used on the delay line connected to this pad.	RW	0x0

Table 18-1916. Register Call Summary for Register CFG_GPMC_A22_OEN

IODELAYCONFIG Module Register Manual

- [IODELAYCONFIG Register Summary: \[0\]](#)

Table 18-1917. CFG_GPMC_A22_OUT

Address Offset	0x0000 01C4	Instance	IODELAYCONFIG
Physical Address	0x4844 A1C4		
Description	Delay Select Value in binary coded form for cfg_gpmc_a22_out interface		
Type	RW		

31	30	29	28	27	26	25	24	23	22	21	20	19	18	17	16	15	14	13	12	11	10	9	8	7	6	5	4	3	2	1	0		
RESERVED																SIGNATURE				RESERVED	LOCK_BIT	BINARY_DELAY											

Bits	Field Name	Description	Type	Reset
31:18	RESERVED		R	0x0
17:12	SIGNATURE	Write to this register will succeed only if data on these bits carries a signature of 6'h29 (6'b101001)	RW	0x0
11	RESERVED		R	0x0
10	LOCK_BIT	When '1', prevents HW update to this MMR. When '0', allows HW update of this MMR.	RW	0x0
9:0	BINARY_DELAY	Delay Select Value in binary coded form. Indicates the number of coarse (9:5) and fine (4:0) delay elements to be used on the delay line connected to this pad.	RW	0x0

Table 18-1918. Register Call Summary for Register CFG_GPMC_A22_OUT

IODELAYCONFIG Module Register Manual

- [IODELAYCONFIG Register Summary: \[0\]](#)

Table 18-1919. CFG_GPMC_A23_IN

Address Offset	0x0000 01C8	Instance	IODELAYCONFIG
Physical Address	0x4844 A1C8		
Description	Delay Select Value in binary coded form for cfg_gpmc_a23_in interface		
Type	RW		

31	30	29	28	27	26	25	24	23	22	21	20	19	18	17	16	15	14	13	12	11	10	9	8	7	6	5	4	3	2	1	0
RESERVED								SIGNATURE				RESERVED	LOCK_BIT	BINARY_DELAY																	

Bits	Field Name	Description	Type	Reset
31:18	RESERVED		R	0x0
17:12	SIGNATURE	Write to this register will succeed only if data on these bits carries a signature of 6'h29 (6'b101001)	RW	0x0
11	RESERVED		R	0x0
10	LOCK_BIT	When '1', prevents HW update to this MMR. When '0', allows HW update of this MMR.	RW	0x0
9:0	BINARY_DELAY	Delay Select Value in binary coded form. Indicates the number of coarse (9:5) and fine (4:0) delay elements to be used on the delay line connected to this pad.	RW	0x0

Table 18-1920. Register Call Summary for Register CFG_GPMC_A23_IN

IODELAYCONFIG Module Register Manual

- [IODELAYCONFIG Register Summary: \[0\]](#)

Table 18-1921. CFG_GPMC_A23_OEN

Address Offset	0x0000 01CC	Instance	IODELAYCONFIG
Physical Address	0x4844 A1CC		
Description	Delay Select Value in binary coded form for cfg_gpmc_a23_oen interface		
Type	RW		

31	30	29	28	27	26	25	24	23	22	21	20	19	18	17	16	15	14	13	12	11	10	9	8	7	6	5	4	3	2	1	0
RESERVED														SIGNATURE				RESERVED	LOCK_BIT	BINARY_DELAY											

Bits	Field Name	Description	Type	Reset
31:18	RESERVED		R	0x0
17:12	SIGNATURE	Write to this register will succeed only if data on these bits carries a signature of 6'h29 (6'b101001)	RW	0x0
11	RESERVED		R	0x0
10	LOCK_BIT	When '1', prevents HW update to this MMR. When '0', allows HW update of this MMR.	RW	0x0
9:0	BINARY_DELAY	Delay Select Value in binary coded form. Indicates the number of coarse (9:5) and fine (4:0) delay elements to be used on the delay line connected to this pad.	RW	0x0

Table 18-1922. Register Call Summary for Register CFG_GPMC_A23_OEN

IODELAYCONFIG Module Register Manual

- [IODELAYCONFIG Register Summary: \[0\]](#)

Table 18-1923. CFG_GPMC_A23_OUT

Address Offset	0x0000 01D0	Instance	IODELAYCONFIG
Physical Address	0x4844 A1D0		
Description	Delay Select Value in binary coded form for cfg_gpmc_a23_out interface		
Type	RW		

31	30	29	28	27	26	25	24	23	22	21	20	19	18	17	16	15	14	13	12	11	10	9	8	7	6	5	4	3	2	1	0
RESERVED														SIGNATURE				RESERVED	LOCK_BIT	BINARY_DELAY											

Bits	Field Name	Description	Type	Reset
31:18	RESERVED		R	0x0
17:12	SIGNATURE	Write to this register will succeed only if data on these bits carries a signature of 6'h29 (6'b101001)	RW	0x0
11	RESERVED		R	0x0
10	LOCK_BIT	When '1', prevents HW update to this MMR. When '0', allows HW update of this MMR.	RW	0x0
9:0	BINARY_DELAY	Delay Select Value in binary coded form. Indicates the number of coarse (9:5) and fine (4:0) delay elements to be used on the delay line connected to this pad.	RW	0x0

Table 18-1924. Register Call Summary for Register CFG_GPMC_A23_OUT

IODELAYCONFIG Module Register Manual

- [IODELAYCONFIG Register Summary: \[0\]](#)

Table 18-1925. CFG_GPMC_A24_IN

Address Offset	0x0000 01D4	Instance	IODELAYCONFIG
Physical Address	0x4844 A1D4		
Description	Delay Select Value in binary coded form for cfg_gpmc_a24_in interface		
Type	RW		

31	30	29	28	27	26	25	24	23	22	21	20	19	18	17	16	15	14	13	12	11	10	9	8	7	6	5	4	3	2	1	0
RESERVED														SIGNATURE				RESERVED	LOCK_BIT	BINARY_DELAY											

Bits	Field Name	Description	Type	Reset
31:18	RESERVED		R	0x0
17:12	SIGNATURE	Write to this register will succeed only if data on these bits carries a signature of 6'h29 (6'b101001)	RW	0x0
11	RESERVED		R	0x0
10	LOCK_BIT	When '1', prevents HW update to this MMR. When '0', allows HW update of this MMR.	RW	0x0
9:0	BINARY_DELAY	Delay Select Value in binary coded form. Indicates the number of coarse (9:5) and fine (4:0) delay elements to be used on the delay line connected to this pad.	RW	0x0

Table 18-1926. Register Call Summary for Register CFG_GPMC_A24_IN

IODELAYCONFIG Module Register Manual

- [IODELAYCONFIG Register Summary: \[0\]](#)

Table 18-1927. CFG_GPMC_A24_OEN

Address Offset	0x0000 01D8	Instance	IODELAYCONFIG
Physical Address	0x4844 A1D8		
Description	Delay Select Value in binary coded form for cfg_gpmc_a24_oen interface		
Type	RW		

31	30	29	28	27	26	25	24	23	22	21	20	19	18	17	16	15	14	13	12	11	10	9	8	7	6	5	4	3	2	1	0
RESERVED														SIGNATURE				RESERVED	LOCK_BIT	BINARY_DELAY											

Bits	Field Name	Description	Type	Reset
31:18	RESERVED		R	0x0
17:12	SIGNATURE	Write to this register will succeed only if data on these bits carries a signature of 6'h29 (6'b101001)	RW	0x0
11	RESERVED		R	0x0
10	LOCK_BIT	When '1', prevents HW update to this MMR. When '0', allows HW update of this MMR.	RW	0x0
9:0	BINARY_DELAY	Delay Select Value in binary coded form. Indicates the number of coarse (9:5) and fine (4:0) delay elements to be used on the delay line connected to this pad.	RW	0x0

Table 18-1928. Register Call Summary for Register CFG_GPMC_A24_OEN

IODELAYCONFIG Module Register Manual

- [IODELAYCONFIG Register Summary: \[0\]](#)

Table 18-1929. CFG_GPMC_A24_OUT

Address Offset	0x0000 01DC	Instance	IODELAYCONFIG
Physical Address	0x4844 A1DC		
Description	Delay Select Value in binary coded form for cfg_gpmc_a24_out interface		
Type	RW		

31	30	29	28	27	26	25	24	23	22	21	20	19	18	17	16	15	14	13	12	11	10	9	8	7	6	5	4	3	2	1	0		
RESERVED																SIGNATURE						RESERVED	LOCK_BIT	BINARY_DELAY									

Bits	Field Name	Description	Type	Reset
31:18	RESERVED		R	0x0
17:12	SIGNATURE	Write to this register will succeed only if data on these bits carries a signature of 6'h29 (6'b101001)	RW	0x0
11	RESERVED		R	0x0
10	LOCK_BIT	When '1', prevents HW update to this MMR. When '0', allows HW update of this MMR.	RW	0x0
9:0	BINARY_DELAY	Delay Select Value in binary coded form. Indicates the number of coarse (9:5) and fine (4:0) delay elements to be used on the delay line connected to this pad.	RW	0x0

Table 18-1930. Register Call Summary for Register CFG_GPMC_A24_OUT

IODELAYCONFIG Module Register Manual

- [IODELAYCONFIG Register Summary: \[0\]](#)

Table 18-1931. CFG_GPMC_A25_IN

Address Offset	0x0000 01E0	Instance	IODELAYCONFIG
Physical Address	0x4844 A1E0		
Description	Delay Select Value in binary coded form for cfg_gpmc_a25_in interface		
Type	RW		

31	30	29	28	27	26	25	24	23	22	21	20	19	18	17	16	15	14	13	12	11	10	9	8	7	6	5	4	3	2	1	0		
RESERVED																SIGNATURE						RESERVED	LOCK_BIT	BINARY_DELAY									

Bits	Field Name	Description	Type	Reset
31:18	RESERVED		R	0x0
17:12	SIGNATURE	Write to this register will succeed only if data on these bits carries a signature of 6'h29 (6'b101001)	RW	0x0
11	RESERVED		R	0x0

Bits	Field Name	Description	Type	Reset
10	LOCK_BIT	When '1', prevents HW update to this MMR. When '0', allows HW update of this MMR.	RW	0x0
9:0	BINARY_DELAY	Delay Select Value in binary coded form. Indicates the number of coarse (9:5) and fine (4:0) delay elements to be used on the delay line connected to this pad.	RW	0x0

Table 18-1932. Register Call Summary for Register CFG_GPMC_A25_IN

IODELAYCONFIG Module Register Manual

- [IODELAYCONFIG Register Summary: \[0\]](#)

Table 18-1933. CFG_GPMC_A25_OEN

Address Offset	0x0000 01E4	Instance	IODELAYCONFIG
Physical Address	0x4844 A1E4		
Description	Delay Select Value in binary coded form for cfg_gpmc_a25_oen interface		
Type	RW		

31	30	29	28	27	26	25	24	23	22	21	20	19	18	17	16	15	14	13	12	11	10	9	8	7	6	5	4	3	2	1	0
RESERVED								SIGNATURE								RESERVED	LOCK_BIT	BINARY_DELAY													

Bits	Field Name	Description	Type	Reset
31:18	RESERVED		R	0x0
17:12	SIGNATURE	Write to this register will succeed only if data on these bits carries a signature of 6'h29 (6'b101001)	RW	0x0
11	RESERVED		R	0x0
10	LOCK_BIT	When '1', prevents HW update to this MMR. When '0', allows HW update of this MMR.	RW	0x0
9:0	BINARY_DELAY	Delay Select Value in binary coded form. Indicates the number of coarse (9:5) and fine (4:0) delay elements to be used on the delay line connected to this pad.	RW	0x0

Table 18-1934. Register Call Summary for Register CFG_GPMC_A25_OEN

IODELAYCONFIG Module Register Manual

- [IODELAYCONFIG Register Summary: \[0\]](#)

Table 18-1935. CFG_GPMC_A25_OUT

Address Offset	0x0000 01E8	Instance	IODELAYCONFIG
Physical Address	0x4844 A1E8		
Description	Delay Select Value in binary coded form for cfg_gpmc_a25_out interface		
Type	RW		

31	30	29	28	27	26	25	24	23	22	21	20	19	18	17	16	15	14	13	12	11	10	9	8	7	6	5	4	3	2	1	0
RESERVED								SIGNATURE								RESERVED	LOCK_BIT	BINARY_DELAY													

Bits	Field Name	Description	Type	Reset
31:18	RESERVED		R	0x0
17:12	SIGNATURE	Write to this register will succeed only if data on these bits carries a signature of 6'h29 (6'b101001)	RW	0x0
11	RESERVED		R	0x0
10	LOCK_BIT	When '1', prevents HW update to this MMR. When '0', allows HW update of this MMR.	RW	0x0
9:0	BINARY_DELAY	Delay Select Value in binary coded form. Indicates the number of coarse (9:5) and fine (4:0) delay elements to be used on the delay line connected to this pad.	RW	0x0

Table 18-1936. Register Call Summary for Register CFG_GPMC_A25_OUT

IODELAYCONFIG Module Register Manual

- [IODELAYCONFIG Register Summary: \[0\]](#)

Table 18-1937. CFG_GPMC_A26_IN

Address Offset	0x0000 01EC	Instance	IODELAYCONFIG
Physical Address	0x4844 A1EC		
Description	Delay Select Value in binary coded form for cfg_gpmc_a26_in interface		
Type	RW		

31	30	29	28	27	26	25	24	23	22	21	20	19	18	17	16	15	14	13	12	11	10	9	8	7	6	5	4	3	2	1	0
RESERVED								SIGNATURE				RESERVED	LOCK_BIT	BINARY_DELAY																	

Bits	Field Name	Description	Type	Reset
31:18	RESERVED		R	0x0
17:12	SIGNATURE	Write to this register will succeed only if data on these bits carries a signature of 6'h29 (6'b101001)	RW	0x0
11	RESERVED		R	0x0
10	LOCK_BIT	When '1', prevents HW update to this MMR. When '0', allows HW update of this MMR.	RW	0x0
9:0	BINARY_DELAY	Delay Select Value in binary coded form. Indicates the number of coarse (9:5) and fine (4:0) delay elements to be used on the delay line connected to this pad.	RW	0x0

Table 18-1938. Register Call Summary for Register CFG_GPMC_A26_IN

IODELAYCONFIG Module Register Manual

- [IODELAYCONFIG Register Summary: \[0\]](#)

Table 18-1939. CFG_GPMC_A26_OEN

Address Offset	0x0000 01F0	Instance	IODELAYCONFIG
Physical Address	0x4844 A1F0		
Description	Delay Select Value in binary coded form for cfg_gpmc_a26_oen interface		
Type	RW		

31	30	29	28	27	26	25	24	23	22	21	20	19	18	17	16	15	14	13	12	11	10	9	8	7	6	5	4	3	2	1	0
RESERVED								SIGNATURE				RESERVED	LOCK_BIT	BINARY_DELAY																	

Bits	Field Name	Description	Type	Reset
31:18	RESERVED		R	0x0
17:12	SIGNATURE	Write to this register will succeed only if data on these bits carries a signature of 6'h29 (6'b101001)	RW	0x0
11	RESERVED		R	0x0
10	LOCK_BIT	When '1', prevents HW update to this MMR. When '0', allows HW update of this MMR.	RW	0x0
9:0	BINARY_DELAY	Delay Select Value in binary coded form. Indicates the number of coarse (9:5) and fine (4:0) delay elements to be used on the delay line connected to this pad.	RW	0x0

Table 18-1940. Register Call Summary for Register CFG_GPMC_A26_OEN

IODELAYCONFIG Module Register Manual

- [IODELAYCONFIG Register Summary: \[0\]](#)

Table 18-1941. CFG_GPMC_A26_OUT

Address Offset	0x0000 01F4	Instance	IODELAYCONFIG
Physical Address	0x4844 A1F4		
Description	Delay Select Value in binary coded form for cfg_gpmc_a26_out interface		
Type	RW		

31	30	29	28	27	26	25	24	23	22	21	20	19	18	17	16	15	14	13	12	11	10	9	8	7	6	5	4	3	2	1	0
RESERVED								SIGNATURE				RESERVED	LOCK_BIT	BINARY_DELAY																	

Bits	Field Name	Description	Type	Reset
31:18	RESERVED		R	0x0
17:12	SIGNATURE	Write to this register will succeed only if data on these bits carries a signature of 6'h29 (6'b101001)	RW	0x0
11	RESERVED		R	0x0
10	LOCK_BIT	When '1', prevents HW update to this MMR. When '0', allows HW update of this MMR.	RW	0x0
9:0	BINARY_DELAY	Delay Select Value in binary coded form. Indicates the number of coarse (9:5) and fine (4:0) delay elements to be used on the delay line connected to this pad.	RW	0x0

Table 18-1942. Register Call Summary for Register CFG_GPMC_A26_OUT

IODELAYCONFIG Module Register Manual

- [IODELAYCONFIG Register Summary: \[0\]](#)

Table 18-1943. CFG_GPMC_A27_IN

Address Offset	0x0000 01F8	Instance	IODELAYCONFIG
Physical Address	0x4844 A1F8		
Description	Delay Select Value in binary coded form for cfg_gpmc_a27_in interface		
Type	RW		

31	30	29	28	27	26	25	24	23	22	21	20	19	18	17	16	15	14	13	12	11	10	9	8	7	6	5	4	3	2	1	0
RESERVED														SIGNATURE				RESERVED	LOCK_BIT	BINARY_DELAY											

Bits	Field Name	Description	Type	Reset
31:18	RESERVED		R	0x0
17:12	SIGNATURE	Write to this register will succeed only if data on these bits carries a signature of 6'h29 (6'b101001)	RW	0x0
11	RESERVED		R	0x0
10	LOCK_BIT	When '1', prevents HW update to this MMR. When '0', allows HW update of this MMR.	RW	0x0
9:0	BINARY_DELAY	Delay Select Value in binary coded form. Indicates the number of coarse (9:5) and fine (4:0) delay elements to be used on the delay line connected to this pad.	RW	0x0

Table 18-1944. Register Call Summary for Register CFG_GPMC_A27_IN

IODELAYCONFIG Module Register Manual

- [IODELAYCONFIG Register Summary: \[0\]](#)

Table 18-1945. CFG_GPMC_A27_OEN

Address Offset	0x0000 01FC	Instance	IODELAYCONFIG
Physical Address	0x4844 A1FC		
Description	Delay Select Value in binary coded form for cfg_gpmc_a27_oen interface		
Type	RW		

31	30	29	28	27	26	25	24	23	22	21	20	19	18	17	16	15	14	13	12	11	10	9	8	7	6	5	4	3	2	1	0
RESERVED														SIGNATURE				RESERVED	LOCK_BIT	BINARY_DELAY											

Bits	Field Name	Description	Type	Reset
31:18	RESERVED		R	0x0
17:12	SIGNATURE	Write to this register will succeed only if data on these bits carries a signature of 6'h29 (6'b101001)	RW	0x0
11	RESERVED		R	0x0
10	LOCK_BIT	When '1', prevents HW update to this MMR. When '0', allows HW update of this MMR.	RW	0x0
9:0	BINARY_DELAY	Delay Select Value in binary coded form. Indicates the number of coarse (9:5) and fine (4:0) delay elements to be used on the delay line connected to this pad.	RW	0x0

Table 18-1946. Register Call Summary for Register CFG_GPMC_A27_OEN

IODELAYCONFIG Module Register Manual

- [IODELAYCONFIG Register Summary: \[0\]](#)

Table 18-1947. CFG_GPMC_A27_OUT

Address Offset	0x0000 0200	Instance	IODELAYCONFIG
Physical Address	0x4844 A200		
Description	Delay Select Value in binary coded form for cfg_gpmc_a27_out interface		
Type	RW		

31	30	29	28	27	26	25	24	23	22	21	20	19	18	17	16	15	14	13	12	11	10	9	8	7	6	5	4	3	2	1	0
RESERVED														SIGNATURE				RESERVED	LOCK_BIT	BINARY_DELAY											

Bits	Field Name	Description	Type	Reset
31:18	RESERVED		R	0x0
17:12	SIGNATURE	Write to this register will succeed only if data on these bits carries a signature of 6'h29 (6'b101001)	RW	0x0
11	RESERVED		R	0x0
10	LOCK_BIT	When '1', prevents HW update to this MMR. When '0', allows HW update of this MMR.	RW	0x0
9:0	BINARY_DELAY	Delay Select Value in binary coded form. Indicates the number of coarse (9:5) and fine (4:0) delay elements to be used on the delay line connected to this pad.	RW	0x0

Table 18-1948. Register Call Summary for Register CFG_GPMC_A27_OUT

IODELAYCONFIG Module Register Manual

- [IODELAYCONFIG Register Summary: \[0\]](#)

Table 18-1949. CFG_GPMC_A2_IN

Address Offset	0x0000 0204	Instance	IODELAYCONFIG
Physical Address	0x4844 A204		
Description	Delay Select Value in binary coded form for cfg_gpmc_a2_in interface		
Type	RW		

31	30	29	28	27	26	25	24	23	22	21	20	19	18	17	16	15	14	13	12	11	10	9	8	7	6	5	4	3	2	1	0
RESERVED														SIGNATURE				RESERVED	LOCK_BIT	BINARY_DELAY											

Bits	Field Name	Description	Type	Reset
31:18	RESERVED		R	0x0
17:12	SIGNATURE	Write to this register will succeed only if data on these bits carries a signature of 6'h29 (6'b101001)	RW	0x0
11	RESERVED		R	0x0

Bits	Field Name	Description	Type	Reset
10	LOCK_BIT	When '1', prevents HW update to this MMR. When '0', allows HW update of this MMR.	RW	0x0
9:0	BINARY_DELAY	Delay Select Value in binary coded form. Indicates the number of coarse (9:5) and fine (4:0) delay elements to be used on the delay line connected to this pad.	RW	0x0

Table 18-1950. Register Call Summary for Register CFG_GPMC_A2_IN

IODELAYCONFIG Module Register Manual

- [IODELAYCONFIG Register Summary: \[0\]](#)

Table 18-1951. CFG_GPMC_A2_OEN

Address Offset	0x0000 0208	Instance	IODELAYCONFIG
Physical Address	0x4844 A208		
Description	Delay Select Value in binary coded form for cfg_gpmc_a2_oen interface		
Type	RW		

31	30	29	28	27	26	25	24	23	22	21	20	19	18	17	16	15	14	13	12	11	10	9	8	7	6	5	4	3	2	1	0
RESERVED								SIGNATURE								RESERVED	LOCK_BIT	BINARY_DELAY													

Bits	Field Name	Description	Type	Reset
31:18	RESERVED		R	0x0
17:12	SIGNATURE	Write to this register will succeed only if data on these bits carries a signature of 6'h29 (6'b101001)	RW	0x0
11	RESERVED		R	0x0
10	LOCK_BIT	When '1', prevents HW update to this MMR. When '0', allows HW update of this MMR.	RW	0x0
9:0	BINARY_DELAY	Delay Select Value in binary coded form. Indicates the number of coarse (9:5) and fine (4:0) delay elements to be used on the delay line connected to this pad.	RW	0x0

Table 18-1952. Register Call Summary for Register CFG_GPMC_A2_OEN

IODELAYCONFIG Module Register Manual

- [IODELAYCONFIG Register Summary: \[0\]](#)

Table 18-1953. CFG_GPMC_A2_OUT

Address Offset	0x0000 020C	Instance	IODELAYCONFIG
Physical Address	0x4844 A20C		
Description	Delay Select Value in binary coded form for cfg_gpmc_a2_out interface		
Type	RW		

31	30	29	28	27	26	25	24	23	22	21	20	19	18	17	16	15	14	13	12	11	10	9	8	7	6	5	4	3	2	1	0
RESERVED								SIGNATURE								RESERVED	LOCK_BIT	BINARY_DELAY													

Bits	Field Name	Description	Type	Reset
31:18	RESERVED		R	0x0
17:12	SIGNATURE	Write to this register will succeed only if data on these bits carries a signature of 6'h29 (6'b101001)	RW	0x0
11	RESERVED		R	0x0
10	LOCK_BIT	When '1', prevents HW update to this MMR. When '0', allows HW update of this MMR.	RW	0x0
9:0	BINARY_DELAY	Delay Select Value in binary coded form. Indicates the number of coarse (9:5) and fine (4:0) delay elements to be used on the delay line connected to this pad.	RW	0x0

Table 18-1954. Register Call Summary for Register CFG_GPMC_A2_OUT

IODELAYCONFIG Module Register Manual

- [IODELAYCONFIG Register Summary: \[0\]](#)

Table 18-1955. CFG_GPMC_A3_IN

Address Offset	0x0000 0210	Instance	IODELAYCONFIG
Physical Address	0x4844 A210		
Description	Delay Select Value in binary coded form for cfg_gpmc_a3_in interface		
Type	RW		

31	30	29	28	27	26	25	24	23	22	21	20	19	18	17	16	15	14	13	12	11	10	9	8	7	6	5	4	3	2	1	0
RESERVED								SIGNATURE				RESERVED	LOCK_BIT	BINARY_DELAY																	

Bits	Field Name	Description	Type	Reset
31:18	RESERVED		R	0x0
17:12	SIGNATURE	Write to this register will succeed only if data on these bits carries a signature of 6'h29 (6'b101001)	RW	0x0
11	RESERVED		R	0x0
10	LOCK_BIT	When '1', prevents HW update to this MMR. When '0', allows HW update of this MMR.	RW	0x0
9:0	BINARY_DELAY	Delay Select Value in binary coded form. Indicates the number of coarse (9:5) and fine (4:0) delay elements to be used on the delay line connected to this pad.	RW	0x0

Table 18-1956. Register Call Summary for Register CFG_GPMC_A3_IN

IODELAYCONFIG Module Register Manual

- [IODELAYCONFIG Register Summary: \[0\]](#)

Table 18-1957. CFG_GPMC_A3_OEN

Address Offset	0x0000 0214	Instance	IODELAYCONFIG
Physical Address	0x4844 A214		
Description	Delay Select Value in binary coded form for cfg_gpmc_a3_oen interface		
Type	RW		

31	30	29	28	27	26	25	24	23	22	21	20	19	18	17	16	15	14	13	12	11	10	9	8	7	6	5	4	3	2	1	0
RESERVED														SIGNATURE				RESERVED	LOCK_BIT	BINARY_DELAY											

Bits	Field Name	Description	Type	Reset
31:18	RESERVED		R	0x0
17:12	SIGNATURE	Write to this register will succeed only if data on these bits carries a signature of 6'h29 (6'b101001)	RW	0x0
11	RESERVED		R	0x0
10	LOCK_BIT	When '1', prevents HW update to this MMR. When '0', allows HW update of this MMR.	RW	0x0
9:0	BINARY_DELAY	Delay Select Value in binary coded form. Indicates the number of coarse (9:5) and fine (4:0) delay elements to be used on the delay line connected to this pad.	RW	0x0

Table 18-1958. Register Call Summary for Register CFG_GPMC_A3_OEN

IODELAYCONFIG Module Register Manual

- [IODELAYCONFIG Register Summary: \[0\]](#)

Table 18-1959. CFG_GPMC_A3_OUT

Address Offset	0x0000 0218	Instance	IODELAYCONFIG
Physical Address	0x4844 A218		
Description	Delay Select Value in binary coded form for cfg_gpmc_a3_out interface		
Type	RW		

31	30	29	28	27	26	25	24	23	22	21	20	19	18	17	16	15	14	13	12	11	10	9	8	7	6	5	4	3	2	1	0
RESERVED														SIGNATURE				RESERVED	LOCK_BIT	BINARY_DELAY											

Bits	Field Name	Description	Type	Reset
31:18	RESERVED		R	0x0
17:12	SIGNATURE	Write to this register will succeed only if data on these bits carries a signature of 6'h29 (6'b101001)	RW	0x0
11	RESERVED		R	0x0
10	LOCK_BIT	When '1', prevents HW update to this MMR. When '0', allows HW update of this MMR.	RW	0x0
9:0	BINARY_DELAY	Delay Select Value in binary coded form. Indicates the number of coarse (9:5) and fine (4:0) delay elements to be used on the delay line connected to this pad.	RW	0x0

Table 18-1960. Register Call Summary for Register CFG_GPMC_A3_OUT

IODELAYCONFIG Module Register Manual

- [IODELAYCONFIG Register Summary: \[0\]](#)

Table 18-1961. CFG_GPMC_A4_IN

Address Offset	0x0000 021C	Instance	IODELAYCONFIG
Physical Address	0x4844 A21C		
Description	Delay Select Value in binary coded form for cfg_gpmc_a4_in interface		
Type	RW		

31	30	29	28	27	26	25	24	23	22	21	20	19	18	17	16	15	14	13	12	11	10	9	8	7	6	5	4	3	2	1	0
RESERVED														SIGNATURE				RESERVED	LOCK_BIT	BINARY_DELAY											

Bits	Field Name	Description	Type	Reset
31:18	RESERVED		R	0x0
17:12	SIGNATURE	Write to this register will succeed only if data on these bits carries a signature of 6'h29 (6'b101001)	RW	0x0
11	RESERVED		R	0x0
10	LOCK_BIT	When '1', prevents HW update to this MMR. When '0', allows HW update of this MMR.	RW	0x0
9:0	BINARY_DELAY	Delay Select Value in binary coded form. Indicates the number of coarse (9:5) and fine (4:0) delay elements to be used on the delay line connected to this pad.	RW	0x0

Table 18-1962. Register Call Summary for Register CFG_GPMC_A4_IN

IODELAYCONFIG Module Register Manual

- [IODELAYCONFIG Register Summary: \[0\]](#)

Table 18-1963. CFG_GPMC_A4_OEN

Address Offset	0x0000 0220	Instance	IODELAYCONFIG
Physical Address	0x4844 A220		
Description	Delay Select Value in binary coded form for cfg_gpmc_a4_oen interface		
Type	RW		

31	30	29	28	27	26	25	24	23	22	21	20	19	18	17	16	15	14	13	12	11	10	9	8	7	6	5	4	3	2	1	0
RESERVED														SIGNATURE				RESERVED	LOCK_BIT	BINARY_DELAY											

Bits	Field Name	Description	Type	Reset
31:18	RESERVED		R	0x0
17:12	SIGNATURE	Write to this register will succeed only if data on these bits carries a signature of 6'h29 (6'b101001)	RW	0x0
11	RESERVED		R	0x0
10	LOCK_BIT	When '1', prevents HW update to this MMR. When '0', allows HW update of this MMR.	RW	0x0
9:0	BINARY_DELAY	Delay Select Value in binary coded form. Indicates the number of coarse (9:5) and fine (4:0) delay elements to be used on the delay line connected to this pad.	RW	0x0

Table 18-1964. Register Call Summary for Register CFG_GPMC_A4_OEN

IODELAYCONFIG Module Register Manual

- [IODELAYCONFIG Register Summary: \[0\]](#)

Table 18-1965. CFG_GPMC_A4_OUT

Address Offset	0x0000 0224	Instance	IODELAYCONFIG
Physical Address	0x4844 A224		
Description	Delay Select Value in binary coded form for cfg_gpmc_a4_out interface		
Type	RW		

31	30	29	28	27	26	25	24	23	22	21	20	19	18	17	16	15	14	13	12	11	10	9	8	7	6	5	4	3	2	1	0
RESERVED														SIGNATURE				RESERVED	LOCK_BIT	BINARY_DELAY											

Bits	Field Name	Description	Type	Reset
31:18	RESERVED		R	0x0
17:12	SIGNATURE	Write to this register will succeed only if data on these bits carries a signature of 6'h29 (6'b101001)	RW	0x0
11	RESERVED		R	0x0
10	LOCK_BIT	When '1', prevents HW update to this MMR. When '0', allows HW update of this MMR.	RW	0x0
9:0	BINARY_DELAY	Delay Select Value in binary coded form. Indicates the number of coarse (9:5) and fine (4:0) delay elements to be used on the delay line connected to this pad.	RW	0x0

Table 18-1966. Register Call Summary for Register CFG_GPMC_A4_OUT

IODELAYCONFIG Module Register Manual

- [IODELAYCONFIG Register Summary: \[0\]](#)

Table 18-1967. CFG_GPMC_A5_IN

Address Offset	0x0000 0228	Instance	IODELAYCONFIG
Physical Address	0x4844 A228		
Description	Delay Select Value in binary coded form for cfg_gpmc_a5_in interface		
Type	RW		

31	30	29	28	27	26	25	24	23	22	21	20	19	18	17	16	15	14	13	12	11	10	9	8	7	6	5	4	3	2	1	0
RESERVED														SIGNATURE				RESERVED	LOCK_BIT	BINARY_DELAY											

Bits	Field Name	Description	Type	Reset
31:18	RESERVED		R	0x0
17:12	SIGNATURE	Write to this register will succeed only if data on these bits carries a signature of 6'h29 (6'b101001)	RW	0x0
11	RESERVED		R	0x0

Bits	Field Name	Description	Type	Reset
10	LOCK_BIT	When '1', prevents HW update to this MMR. When '0', allows HW update of this MMR.	RW	0x0
9:0	BINARY_DELAY	Delay Select Value in binary coded form. Indicates the number of coarse (9:5) and fine (4:0) delay elements to be used on the delay line connected to this pad.	RW	0x0

Table 18-1968. Register Call Summary for Register CFG_GPMC_A5_IN

IODELAYCONFIG Module Register Manual

- [IODELAYCONFIG Register Summary: \[0\]](#)

Table 18-1969. CFG_GPMC_A5_OEN

Address Offset	0x0000 022C	Instance	IODELAYCONFIG
Physical Address	0x4844 A22C		
Description	Delay Select Value in binary coded form for cfg_gpmc_a5_oen interface		
Type	RW		

31	30	29	28	27	26	25	24	23	22	21	20	19	18	17	16	15	14	13	12	11	10	9	8	7	6	5	4	3	2	1	0
RESERVED								SIGNATURE								RESERVED	LOCK_BIT	BINARY_DELAY													

Bits	Field Name	Description	Type	Reset
31:18	RESERVED		R	0x0
17:12	SIGNATURE	Write to this register will succeed only if data on these bits carries a signature of 6'h29 (6'b101001)	RW	0x0
11	RESERVED		R	0x0
10	LOCK_BIT	When '1', prevents HW update to this MMR. When '0', allows HW update of this MMR.	RW	0x0
9:0	BINARY_DELAY	Delay Select Value in binary coded form. Indicates the number of coarse (9:5) and fine (4:0) delay elements to be used on the delay line connected to this pad.	RW	0x0

Table 18-1970. Register Call Summary for Register CFG_GPMC_A5_OEN

IODELAYCONFIG Module Register Manual

- [IODELAYCONFIG Register Summary: \[0\]](#)

Table 18-1971. CFG_GPMC_A5_OUT

Address Offset	0x0000 0230	Instance	IODELAYCONFIG
Physical Address	0x4844 A230		
Description	Delay Select Value in binary coded form for cfg_gpmc_a5_out interface		
Type	RW		

31	30	29	28	27	26	25	24	23	22	21	20	19	18	17	16	15	14	13	12	11	10	9	8	7	6	5	4	3	2	1	0
RESERVED								SIGNATURE								RESERVED	LOCK_BIT	BINARY_DELAY													

Bits	Field Name	Description	Type	Reset
31:18	RESERVED		R	0x0
17:12	SIGNATURE	Write to this register will succeed only if data on these bits carries a signature of 6'h29 (6'b101001)	RW	0x0
11	RESERVED		R	0x0
10	LOCK_BIT	When '1', prevents HW update to this MMR. When '0', allows HW update of this MMR.	RW	0x0
9:0	BINARY_DELAY	Delay Select Value in binary coded form. Indicates the number of coarse (9:5) and fine (4:0) delay elements to be used on the delay line connected to this pad.	RW	0x0

Table 18-1972. Register Call Summary for Register CFG_GPMC_A5_OUT

IODELAYCONFIG Module Register Manual

- [IODELAYCONFIG Register Summary: \[0\]](#)

Table 18-1973. CFG_GPMC_A6_IN

Address Offset	0x0000 0234	Instance	IODELAYCONFIG
Physical Address	0x4844 A234		
Description	Delay Select Value in binary coded form for cfg_gpmc_a6_in interface		
Type	RW		

31	30	29	28	27	26	25	24	23	22	21	20	19	18	17	16	15	14	13	12	11	10	9	8	7	6	5	4	3	2	1	0
RESERVED								SIGNATURE				RESERVED	LOCK_BIT	BINARY_DELAY																	

Bits	Field Name	Description	Type	Reset
31:18	RESERVED		R	0x0
17:12	SIGNATURE	Write to this register will succeed only if data on these bits carries a signature of 6'h29 (6'b101001)	RW	0x0
11	RESERVED		R	0x0
10	LOCK_BIT	When '1', prevents HW update to this MMR. When '0', allows HW update of this MMR.	RW	0x0
9:0	BINARY_DELAY	Delay Select Value in binary coded form. Indicates the number of coarse (9:5) and fine (4:0) delay elements to be used on the delay line connected to this pad.	RW	0x0

Table 18-1974. Register Call Summary for Register CFG_GPMC_A6_IN

IODELAYCONFIG Module Register Manual

- [IODELAYCONFIG Register Summary: \[0\]](#)

Table 18-1975. CFG_GPMC_A6_OEN

Address Offset	0x0000 0238	Instance	IODELAYCONFIG
Physical Address	0x4844 A238		
Description	Delay Select Value in binary coded form for cfg_gpmc_a6_oen interface		
Type	RW		

31	30	29	28	27	26	25	24	23	22	21	20	19	18	17	16	15	14	13	12	11	10	9	8	7	6	5	4	3	2	1	0
RESERVED								SIGNATURE				RESERVED	LOCK_BIT	BINARY_DELAY																	

Bits	Field Name	Description	Type	Reset
31:18	RESERVED		R	0x0
17:12	SIGNATURE	Write to this register will succeed only if data on these bits carries a signature of 6'h29 (6'b101001)	RW	0x0
11	RESERVED		R	0x0
10	LOCK_BIT	When '1', prevents HW update to this MMR. When '0', allows HW update of this MMR.	RW	0x0
9:0	BINARY_DELAY	Delay Select Value in binary coded form. Indicates the number of coarse (9:5) and fine (4:0) delay elements to be used on the delay line connected to this pad.	RW	0x0

Table 18-1976. Register Call Summary for Register CFG_GPMC_A6_OEN

IODELAYCONFIG Module Register Manual

- [IODELAYCONFIG Register Summary: \[0\]](#)

Table 18-1977. CFG_GPMC_A6_OUT

Address Offset	0x0000 023C	Instance	IODELAYCONFIG
Physical Address	0x4844 A23C		
Description	Delay Select Value in binary coded form for cfg_gpmc_a6_out interface		
Type	RW		

31	30	29	28	27	26	25	24	23	22	21	20	19	18	17	16	15	14	13	12	11	10	9	8	7	6	5	4	3	2	1	0
RESERVED								SIGNATURE				RESERVED	LOCK_BIT	BINARY_DELAY																	

Bits	Field Name	Description	Type	Reset
31:18	RESERVED		R	0x0
17:12	SIGNATURE	Write to this register will succeed only if data on these bits carries a signature of 6'h29 (6'b101001)	RW	0x0
11	RESERVED		R	0x0
10	LOCK_BIT	When '1', prevents HW update to this MMR. When '0', allows HW update of this MMR.	RW	0x0
9:0	BINARY_DELAY	Delay Select Value in binary coded form. Indicates the number of coarse (9:5) and fine (4:0) delay elements to be used on the delay line connected to this pad.	RW	0x0

Table 18-1978. Register Call Summary for Register CFG_GPMC_A6_OUT

IODELAYCONFIG Module Register Manual

- [IODELAYCONFIG Register Summary: \[0\]](#)

Table 18-1979. CFG_GPMC_A7_IN

Address Offset	0x0000 0240	Instance	IODELAYCONFIG
Physical Address	0x4844 A240		
Description	Delay Select Value in binary coded form for cfg_gpmc_a7_in interface		
Type	RW		

31	30	29	28	27	26	25	24	23	22	21	20	19	18	17	16	15	14	13	12	11	10	9	8	7	6	5	4	3	2	1	0
RESERVED														SIGNATURE				RESERVED	LOCK_BIT	BINARY_DELAY											

Bits	Field Name	Description	Type	Reset
31:18	RESERVED		R	0x0
17:12	SIGNATURE	Write to this register will succeed only if data on these bits carries a signature of 6'h29 (6'b101001)	RW	0x0
11	RESERVED		R	0x0
10	LOCK_BIT	When '1', prevents HW update to this MMR. When '0', allows HW update of this MMR.	RW	0x0
9:0	BINARY_DELAY	Delay Select Value in binary coded form. Indicates the number of coarse (9:5) and fine (4:0) delay elements to be used on the delay line connected to this pad.	RW	0x0

Table 18-1980. Register Call Summary for Register CFG_GPMC_A7_IN

IODELAYCONFIG Module Register Manual

- [IODELAYCONFIG Register Summary: \[0\]](#)

Table 18-1981. CFG_GPMC_A7_OEN

Address Offset	0x0000 0244	Instance	IODELAYCONFIG
Physical Address	0x4844 A244		
Description	Delay Select Value in binary coded form for cfg_gpmc_a7_oen interface		
Type	RW		

31	30	29	28	27	26	25	24	23	22	21	20	19	18	17	16	15	14	13	12	11	10	9	8	7	6	5	4	3	2	1	0
RESERVED														SIGNATURE				RESERVED	LOCK_BIT	BINARY_DELAY											

Bits	Field Name	Description	Type	Reset
31:18	RESERVED		R	0x0
17:12	SIGNATURE	Write to this register will succeed only if data on these bits carries a signature of 6'h29 (6'b101001)	RW	0x0
11	RESERVED		R	0x0
10	LOCK_BIT	When '1', prevents HW update to this MMR. When '0', allows HW update of this MMR.	RW	0x0
9:0	BINARY_DELAY	Delay Select Value in binary coded form. Indicates the number of coarse (9:5) and fine (4:0) delay elements to be used on the delay line connected to this pad.	RW	0x0

Table 18-1982. Register Call Summary for Register CFG_GPMC_A7_OEN

IODELAYCONFIG Module Register Manual

- [IODELAYCONFIG Register Summary: \[0\]](#)

Table 18-1983. CFG_GPMC_A7_OUT

Address Offset	0x0000 0248	Instance	IODELAYCONFIG
Physical Address	0x4844 A248		
Description	Delay Select Value in binary coded form for cfg_gpmc_a7_out interface		
Type	RW		

31	30	29	28	27	26	25	24	23	22	21	20	19	18	17	16	15	14	13	12	11	10	9	8	7	6	5	4	3	2	1	0
RESERVED														SIGNATURE				RESERVED	LOCK_BIT	BINARY_DELAY											

Bits	Field Name	Description	Type	Reset
31:18	RESERVED		R	0x0
17:12	SIGNATURE	Write to this register will succeed only if data on these bits carries a signature of 6'h29 (6'b101001)	RW	0x0
11	RESERVED		R	0x0
10	LOCK_BIT	When '1', prevents HW update to this MMR. When '0', allows HW update of this MMR.	RW	0x0
9:0	BINARY_DELAY	Delay Select Value in binary coded form. Indicates the number of coarse (9:5) and fine (4:0) delay elements to be used on the delay line connected to this pad.	RW	0x0

Table 18-1984. Register Call Summary for Register CFG_GPMC_A7_OUT

IODELAYCONFIG Module Register Manual

- [IODELAYCONFIG Register Summary: \[0\]](#)

Table 18-1985. CFG_GPMC_A8_IN

Address Offset	0x0000 024C	Instance	IODELAYCONFIG
Physical Address	0x4844 A24C		
Description	Delay Select Value in binary coded form for cfg_gpmc_a8_in interface		
Type	RW		

31	30	29	28	27	26	25	24	23	22	21	20	19	18	17	16	15	14	13	12	11	10	9	8	7	6	5	4	3	2	1	0
RESERVED														SIGNATURE				RESERVED	LOCK_BIT	BINARY_DELAY											

Bits	Field Name	Description	Type	Reset
31:18	RESERVED		R	0x0
17:12	SIGNATURE	Write to this register will succeed only if data on these bits carries a signature of 6'h29 (6'b101001)	RW	0x0
11	RESERVED		R	0x0

Bits	Field Name	Description	Type	Reset
10	LOCK_BIT	When '1', prevents HW update to this MMR. When '0', allows HW update of this MMR.	RW	0x0
9:0	BINARY_DELAY	Delay Select Value in binary coded form. Indicates the number of coarse (9:5) and fine (4:0) delay elements to be used on the delay line connected to this pad.	RW	0x0

Table 18-1986. Register Call Summary for Register CFG_GPMC_A8_IN

IODELAYCONFIG Module Register Manual

- [IODELAYCONFIG Register Summary: \[0\]](#)

Table 18-1987. CFG_GPMC_A8_OEN

Address Offset	0x0000 0250	Instance	IODELAYCONFIG
Physical Address	0x4844 A250		
Description	Delay Select Value in binary coded form for cfg_gpmc_a8_oen interface		
Type	RW		

31	30	29	28	27	26	25	24	23	22	21	20	19	18	17	16	15	14	13	12	11	10	9	8	7	6	5	4	3	2	1	0
RESERVED								SIGNATURE								RESERVED	LOCK_BIT	BINARY_DELAY													

Bits	Field Name	Description	Type	Reset
31:18	RESERVED		R	0x0
17:12	SIGNATURE	Write to this register will succeed only if data on these bits carries a signature of 6'h29 (6'b101001)	RW	0x0
11	RESERVED		R	0x0
10	LOCK_BIT	When '1', prevents HW update to this MMR. When '0', allows HW update of this MMR.	RW	0x0
9:0	BINARY_DELAY	Delay Select Value in binary coded form. Indicates the number of coarse (9:5) and fine (4:0) delay elements to be used on the delay line connected to this pad.	RW	0x0

Table 18-1988. Register Call Summary for Register CFG_GPMC_A8_OEN

IODELAYCONFIG Module Register Manual

- [IODELAYCONFIG Register Summary: \[0\]](#)

Table 18-1989. CFG_GPMC_A8_OUT

Address Offset	0x0000 0254	Instance	IODELAYCONFIG
Physical Address	0x4844 A254		
Description	Delay Select Value in binary coded form for cfg_gpmc_a8_out interface		
Type	RW		

31	30	29	28	27	26	25	24	23	22	21	20	19	18	17	16	15	14	13	12	11	10	9	8	7	6	5	4	3	2	1	0
RESERVED								SIGNATURE								RESERVED	LOCK_BIT	BINARY_DELAY													

Bits	Field Name	Description	Type	Reset
31:18	RESERVED		R	0x0
17:12	SIGNATURE	Write to this register will succeed only if data on these bits carries a signature of 6'h29 (6'b101001)	RW	0x0
11	RESERVED		R	0x0
10	LOCK_BIT	When '1', prevents HW update to this MMR. When '0', allows HW update of this MMR.	RW	0x0
9:0	BINARY_DELAY	Delay Select Value in binary coded form. Indicates the number of coarse (9:5) and fine (4:0) delay elements to be used on the delay line connected to this pad.	RW	0x0

Table 18-1990. Register Call Summary for Register CFG_GPMC_A8_OUT

IODELAYCONFIG Module Register Manual

- [IODELAYCONFIG Register Summary: \[0\]](#)

Table 18-1991. CFG_GPMC_A9_IN

Address Offset	0x0000 0258	Instance	IODELAYCONFIG
Physical Address	0x4844 A258		
Description	Delay Select Value in binary coded form for cfg_gpmc_a9_in interface		
Type	RW		

31	30	29	28	27	26	25	24	23	22	21	20	19	18	17	16	15	14	13	12	11	10	9	8	7	6	5	4	3	2	1	0
RESERVED								SIGNATURE				RESERVED	LOCK_BIT	BINARY_DELAY																	

Bits	Field Name	Description	Type	Reset
31:18	RESERVED		R	0x0
17:12	SIGNATURE	Write to this register will succeed only if data on these bits carries a signature of 6'h29 (6'b101001)	RW	0x0
11	RESERVED		R	0x0
10	LOCK_BIT	When '1', prevents HW update to this MMR. When '0', allows HW update of this MMR.	RW	0x0
9:0	BINARY_DELAY	Delay Select Value in binary coded form. Indicates the number of coarse (9:5) and fine (4:0) delay elements to be used on the delay line connected to this pad.	RW	0x0

Table 18-1992. Register Call Summary for Register CFG_GPMC_A9_IN

IODELAYCONFIG Module Register Manual

- [IODELAYCONFIG Register Summary: \[0\]](#)

Table 18-1993. CFG_GPMC_A9_OEN

Address Offset	0x0000 025C	Instance	IODELAYCONFIG
Physical Address	0x4844 A25C		
Description	Delay Select Value in binary coded form for cfg_gpmc_a9_oen interface		
Type	RW		

31	30	29	28	27	26	25	24	23	22	21	20	19	18	17	16	15	14	13	12	11	10	9	8	7	6	5	4	3	2	1	0
RESERVED								SIGNATURE				RESERVED	LOCK_BIT	BINARY_DELAY																	

Bits	Field Name	Description	Type	Reset
31:18	RESERVED		R	0x0
17:12	SIGNATURE	Write to this register will succeed only if data on these bits carries a signature of 6'h29 (6'b101001)	RW	0x0
11	RESERVED		R	0x0
10	LOCK_BIT	When '1', prevents HW update to this MMR. When '0', allows HW update of this MMR.	RW	0x0
9:0	BINARY_DELAY	Delay Select Value in binary coded form. Indicates the number of coarse (9:5) and fine (4:0) delay elements to be used on the delay line connected to this pad.	RW	0x0

Table 18-1994. Register Call Summary for Register CFG_GPMC_A9_OEN

IODELAYCONFIG Module Register Manual

- [IODELAYCONFIG Register Summary: \[0\]](#)

Table 18-1995. CFG_GPMC_A9_OUT

Address Offset	0x0000 0260	Instance	IODELAYCONFIG
Physical Address	0x4844 A260		
Description	Delay Select Value in binary coded form for cfg_gpmc_a9_out interface		
Type	RW		

31	30	29	28	27	26	25	24	23	22	21	20	19	18	17	16	15	14	13	12	11	10	9	8	7	6	5	4	3	2	1	0
RESERVED								SIGNATURE				RESERVED	LOCK_BIT	BINARY_DELAY																	

Bits	Field Name	Description	Type	Reset
31:18	RESERVED		R	0x0
17:12	SIGNATURE	Write to this register will succeed only if data on these bits carries a signature of 6'h29 (6'b101001)	RW	0x0
11	RESERVED		R	0x0
10	LOCK_BIT	When '1', prevents HW update to this MMR. When '0', allows HW update of this MMR.	RW	0x0
9:0	BINARY_DELAY	Delay Select Value in binary coded form. Indicates the number of coarse (9:5) and fine (4:0) delay elements to be used on the delay line connected to this pad.	RW	0x0

Table 18-1996. Register Call Summary for Register CFG_GPMC_A9_OUT

IODELAYCONFIG Module Register Manual

- [IODELAYCONFIG Register Summary: \[0\]](#)

Table 18-1997. CFG_GPMC_AD0_IN

Address Offset	0x0000 0264	Instance	IODELAYCONFIG
Physical Address	0x4844 A264		
Description	Delay Select Value in binary coded form for cfg_gpmc_ad0_in interface		
Type	RW		

31	30	29	28	27	26	25	24	23	22	21	20	19	18	17	16	15	14	13	12	11	10	9	8	7	6	5	4	3	2	1	0
RESERVED														SIGNATURE				RESERVED	LOCK_BIT	BINARY_DELAY											

Bits	Field Name	Description	Type	Reset
31:18	RESERVED		R	0x0
17:12	SIGNATURE	Write to this register will succeed only if data on these bits carries a signature of 6'h29 (6'b101001)	RW	0x0
11	RESERVED		R	0x0
10	LOCK_BIT	When '1', prevents HW update to this MMR. When '0', allows HW update of this MMR.	RW	0x0
9:0	BINARY_DELAY	Delay Select Value in binary coded form. Indicates the number of coarse (9:5) and fine (4:0) delay elements to be used on the delay line connected to this pad.	RW	0x0

Table 18-1998. Register Call Summary for Register CFG_GPMC_AD0_IN

IODELAYCONFIG Module Register Manual

- [IODELAYCONFIG Register Summary: \[0\]](#)

Table 18-1999. CFG_GPMC_AD0_OEN

Address Offset	0x0000 0268	Instance	IODELAYCONFIG
Physical Address	0x4844 A268		
Description	Delay Select Value in binary coded form for cfg_gpmc_ad0_oen interface		
Type	RW		

31	30	29	28	27	26	25	24	23	22	21	20	19	18	17	16	15	14	13	12	11	10	9	8	7	6	5	4	3	2	1	0
RESERVED														SIGNATURE				RESERVED	LOCK_BIT	BINARY_DELAY											

Bits	Field Name	Description	Type	Reset
31:18	RESERVED		R	0x0
17:12	SIGNATURE	Write to this register will succeed only if data on these bits carries a signature of 6'h29 (6'b101001)	RW	0x0
11	RESERVED		R	0x0
10	LOCK_BIT	When '1', prevents HW update to this MMR. When '0', allows HW update of this MMR.	RW	0x0
9:0	BINARY_DELAY	Delay Select Value in binary coded form. Indicates the number of coarse (9:5) and fine (4:0) delay elements to be used on the delay line connected to this pad.	RW	0x0

Table 18-2000. Register Call Summary for Register CFG_GPMC_AD0_OEN

IODELAYCONFIG Module Register Manual

- [IODELAYCONFIG Register Summary: \[0\]](#)

Table 18-2001. CFG_GPMC_AD0_OUT

Address Offset	0x0000 026C	Instance	IODELAYCONFIG
Physical Address	0x4844 A26C		
Description	Delay Select Value in binary coded form for cfg_gpmc_ad0_out interface		
Type	RW		

31	30	29	28	27	26	25	24	23	22	21	20	19	18	17	16	15	14	13	12	11	10	9	8	7	6	5	4	3	2	1	0		
RESERVED																SIGNATURE						RESERVED	LOCK_BIT	BINARY_DELAY									

Bits	Field Name	Description	Type	Reset
31:18	RESERVED		R	0x0
17:12	SIGNATURE	Write to this register will succeed only if data on these bits carries a signature of 6'h29 (6'b101001)	RW	0x0
11	RESERVED		R	0x0
10	LOCK_BIT	When '1', prevents HW update to this MMR. When '0', allows HW update of this MMR.	RW	0x0
9:0	BINARY_DELAY	Delay Select Value in binary coded form. Indicates the number of coarse (9:5) and fine (4:0) delay elements to be used on the delay line connected to this pad.	RW	0x0

Table 18-2002. Register Call Summary for Register CFG_GPMC_AD0_OUT

IODELAYCONFIG Module Register Manual

- [IODELAYCONFIG Register Summary: \[0\]](#)

Table 18-2003. CFG_GPMC_AD10_IN

Address Offset	0x0000 0270	Instance	IODELAYCONFIG
Physical Address	0x4844 A270		
Description	Delay Select Value in binary coded form for cfg_gpmc_ad10_in interface		
Type	RW		

31	30	29	28	27	26	25	24	23	22	21	20	19	18	17	16	15	14	13	12	11	10	9	8	7	6	5	4	3	2	1	0		
RESERVED																SIGNATURE						RESERVED	LOCK_BIT	BINARY_DELAY									

Bits	Field Name	Description	Type	Reset
31:18	RESERVED		R	0x0
17:12	SIGNATURE	Write to this register will succeed only if data on these bits carries a signature of 6'h29 (6'b101001)	RW	0x0
11	RESERVED		R	0x0

Bits	Field Name	Description	Type	Reset
10	LOCK_BIT	When '1', prevents HW update to this MMR. When '0', allows HW update of this MMR.	RW	0x0
9:0	BINARY_DELAY	Delay Select Value in binary coded form. Indicates the number of coarse (9:5) and fine (4:0) delay elements to be used on the delay line connected to this pad.	RW	0x0

Table 18-2004. Register Call Summary for Register CFG_GPMC_AD10_IN

IODELAYCONFIG Module Register Manual

- [IODELAYCONFIG Register Summary: \[0\]](#)

Table 18-2005. CFG_GPMC_AD10_OEN

Address Offset	0x0000 0274	Instance	IODELAYCONFIG
Physical Address	0x4844 A274		
Description	Delay Select Value in binary coded form for cfg_gpmc_ad10_oen interface		
Type	RW		

31	30	29	28	27	26	25	24	23	22	21	20	19	18	17	16	15	14	13	12	11	10	9	8	7	6	5	4	3	2	1	0
RESERVED								SIGNATURE								RESERVED	LOCK_BIT	BINARY_DELAY													

Bits	Field Name	Description	Type	Reset
31:18	RESERVED		R	0x0
17:12	SIGNATURE	Write to this register will succeed only if data on these bits carries a signature of 6'h29 (6'b101001)	RW	0x0
11	RESERVED		R	0x0
10	LOCK_BIT	When '1', prevents HW update to this MMR. When '0', allows HW update of this MMR.	RW	0x0
9:0	BINARY_DELAY	Delay Select Value in binary coded form. Indicates the number of coarse (9:5) and fine (4:0) delay elements to be used on the delay line connected to this pad.	RW	0x0

Table 18-2006. Register Call Summary for Register CFG_GPMC_AD10_OEN

IODELAYCONFIG Module Register Manual

- [IODELAYCONFIG Register Summary: \[0\]](#)

Table 18-2007. CFG_GPMC_AD10_OUT

Address Offset	0x0000 0278	Instance	IODELAYCONFIG
Physical Address	0x4844 A278		
Description	Delay Select Value in binary coded form for cfg_gpmc_ad10_out interface		
Type	RW		

31	30	29	28	27	26	25	24	23	22	21	20	19	18	17	16	15	14	13	12	11	10	9	8	7	6	5	4	3	2	1	0
RESERVED								SIGNATURE								RESERVED	LOCK_BIT	BINARY_DELAY													

Bits	Field Name	Description	Type	Reset
31:18	RESERVED		R	0x0
17:12	SIGNATURE	Write to this register will succeed only if data on these bits carries a signature of 6'h29 (6'b101001)	RW	0x0
11	RESERVED		R	0x0
10	LOCK_BIT	When '1', prevents HW update to this MMR. When '0', allows HW update of this MMR.	RW	0x0
9:0	BINARY_DELAY	Delay Select Value in binary coded form. Indicates the number of coarse (9:5) and fine (4:0) delay elements to be used on the delay line connected to this pad.	RW	0x0

Table 18-2008. Register Call Summary for Register CFG_GPMC_AD10_OUT

IODELAYCONFIG Module Register Manual

- [IODELAYCONFIG Register Summary: \[0\]](#)

Table 18-2009. CFG_GPMC_AD11_IN

Address Offset	0x0000 027C	Instance	IODELAYCONFIG
Physical Address	0x4844 A27C		
Description	Delay Select Value in binary coded form for cfg_gpmc_ad11_in interface		
Type	RW		

31	30	29	28	27	26	25	24	23	22	21	20	19	18	17	16	15	14	13	12	11	10	9	8	7	6	5	4	3	2	1	0
RESERVED								SIGNATURE				RESERVED	LOCK_BIT	BINARY_DELAY																	

Bits	Field Name	Description	Type	Reset
31:18	RESERVED		R	0x0
17:12	SIGNATURE	Write to this register will succeed only if data on these bits carries a signature of 6'h29 (6'b101001)	RW	0x0
11	RESERVED		R	0x0
10	LOCK_BIT	When '1', prevents HW update to this MMR. When '0', allows HW update of this MMR.	RW	0x0
9:0	BINARY_DELAY	Delay Select Value in binary coded form. Indicates the number of coarse (9:5) and fine (4:0) delay elements to be used on the delay line connected to this pad.	RW	0x0

Table 18-2010. Register Call Summary for Register CFG_GPMC_AD11_IN

IODELAYCONFIG Module Register Manual

- [IODELAYCONFIG Register Summary: \[0\]](#)

Table 18-2011. CFG_GPMC_AD11_OEN

Address Offset	0x0000 0280	Instance	IODELAYCONFIG
Physical Address	0x4844 A280		
Description	Delay Select Value in binary coded form for cfg_gpmc_ad11_oen interface		
Type	RW		

31	30	29	28	27	26	25	24	23	22	21	20	19	18	17	16	15	14	13	12	11	10	9	8	7	6	5	4	3	2	1	0
RESERVED														SIGNATURE				RESERVED	LOCK_BIT	BINARY_DELAY											

Bits	Field Name	Description	Type	Reset
31:18	RESERVED		R	0x0
17:12	SIGNATURE	Write to this register will succeed only if data on these bits carries a signature of 6'h29 (6'b101001)	RW	0x0
11	RESERVED		R	0x0
10	LOCK_BIT	When '1', prevents HW update to this MMR. When '0', allows HW update of this MMR.	RW	0x0
9:0	BINARY_DELAY	Delay Select Value in binary coded form. Indicates the number of coarse (9:5) and fine (4:0) delay elements to be used on the delay line connected to this pad.	RW	0x0

Table 18-2012. Register Call Summary for Register CFG_GPMC_AD11_OEN

IODELAYCONFIG Module Register Manual

- [IODELAYCONFIG Register Summary: \[0\]](#)

Table 18-2013. CFG_GPMC_AD11_OUT

Address Offset	0x0000 0284	Instance	IODELAYCONFIG
Physical Address	0x4844 A284		
Description	Delay Select Value in binary coded form for cfg_gpmc_ad11_out interface		
Type	RW		

31	30	29	28	27	26	25	24	23	22	21	20	19	18	17	16	15	14	13	12	11	10	9	8	7	6	5	4	3	2	1	0
RESERVED														SIGNATURE				RESERVED	LOCK_BIT	BINARY_DELAY											

Bits	Field Name	Description	Type	Reset
31:18	RESERVED		R	0x0
17:12	SIGNATURE	Write to this register will succeed only if data on these bits carries a signature of 6'h29 (6'b101001)	RW	0x0
11	RESERVED		R	0x0
10	LOCK_BIT	When '1', prevents HW update to this MMR. When '0', allows HW update of this MMR.	RW	0x0
9:0	BINARY_DELAY	Delay Select Value in binary coded form. Indicates the number of coarse (9:5) and fine (4:0) delay elements to be used on the delay line connected to this pad.	RW	0x0

Table 18-2014. Register Call Summary for Register CFG_GPMC_AD11_OUT

IODELAYCONFIG Module Register Manual

- [IODELAYCONFIG Register Summary: \[0\]](#)

Table 18-2015. CFG_GPMC_AD12_IN

Address Offset	0x0000 0288	Instance	IODELAYCONFIG
Physical Address	0x4844 A288		
Description	Delay Select Value in binary coded form for cfg_gpmc_ad12_in interface		
Type	RW		

31	30	29	28	27	26	25	24	23	22	21	20	19	18	17	16	15	14	13	12	11	10	9	8	7	6	5	4	3	2	1	0
RESERVED														SIGNATURE				RESERVED	LOCK_BIT	BINARY_DELAY											

Bits	Field Name	Description	Type	Reset
31:18	RESERVED		R	0x0
17:12	SIGNATURE	Write to this register will succeed only if data on these bits carries a signature of 6'h29 (6'b101001)	RW	0x0
11	RESERVED		R	0x0
10	LOCK_BIT	When '1', prevents HW update to this MMR. When '0', allows HW update of this MMR.	RW	0x0
9:0	BINARY_DELAY	Delay Select Value in binary coded form. Indicates the number of coarse (9:5) and fine (4:0) delay elements to be used on the delay line connected to this pad.	RW	0x0

Table 18-2016. Register Call Summary for Register CFG_GPMC_AD12_IN

IODELAYCONFIG Module Register Manual

- [IODELAYCONFIG Register Summary: \[0\]](#)

Table 18-2017. CFG_GPMC_AD12_OEN

Address Offset	0x0000 028C	Instance	IODELAYCONFIG
Physical Address	0x4844 A28C		
Description	Delay Select Value in binary coded form for cfg_gpmc_ad12_oen interface		
Type	RW		

31	30	29	28	27	26	25	24	23	22	21	20	19	18	17	16	15	14	13	12	11	10	9	8	7	6	5	4	3	2	1	0
RESERVED														SIGNATURE				RESERVED	LOCK_BIT	BINARY_DELAY											

Bits	Field Name	Description	Type	Reset
31:18	RESERVED		R	0x0
17:12	SIGNATURE	Write to this register will succeed only if data on these bits carries a signature of 6'h29 (6'b101001)	RW	0x0
11	RESERVED		R	0x0
10	LOCK_BIT	When '1', prevents HW update to this MMR. When '0', allows HW update of this MMR.	RW	0x0
9:0	BINARY_DELAY	Delay Select Value in binary coded form. Indicates the number of coarse (9:5) and fine (4:0) delay elements to be used on the delay line connected to this pad.	RW	0x0

Table 18-2018. Register Call Summary for Register CFG_GPMC_AD12_OEN

IODELAYCONFIG Module Register Manual

- [IODELAYCONFIG Register Summary: \[0\]](#)

Table 18-2019. CFG_GPMC_AD12_OUT

Address Offset	0x0000 0290	Instance	IODELAYCONFIG
Physical Address	0x4844 A290		
Description	Delay Select Value in binary coded form for cfg_gpmc_ad12_out interface		
Type	RW		

31	30	29	28	27	26	25	24	23	22	21	20	19	18	17	16	15	14	13	12	11	10	9	8	7	6	5	4	3	2	1	0
RESERVED														SIGNATURE				RESERVED	LOCK_BIT	BINARY_DELAY											

Bits	Field Name	Description	Type	Reset
31:18	RESERVED		R	0x0
17:12	SIGNATURE	Write to this register will succeed only if data on these bits carries a signature of 6'h29 (6'b101001)	RW	0x0
11	RESERVED		R	0x0
10	LOCK_BIT	When '1', prevents HW update to this MMR. When '0', allows HW update of this MMR.	RW	0x0
9:0	BINARY_DELAY	Delay Select Value in binary coded form. Indicates the number of coarse (9:5) and fine (4:0) delay elements to be used on the delay line connected to this pad.	RW	0x0

Table 18-2020. Register Call Summary for Register CFG_GPMC_AD12_OUT

IODELAYCONFIG Module Register Manual

- [IODELAYCONFIG Register Summary: \[0\]](#)

Table 18-2021. CFG_GPMC_AD13_IN

Address Offset	0x0000 0294	Instance	IODELAYCONFIG
Physical Address	0x4844 A294		
Description	Delay Select Value in binary coded form for cfg_gpmc_ad13_in interface		
Type	RW		

31	30	29	28	27	26	25	24	23	22	21	20	19	18	17	16	15	14	13	12	11	10	9	8	7	6	5	4	3	2	1	0
RESERVED														SIGNATURE				RESERVED	LOCK_BIT	BINARY_DELAY											

Bits	Field Name	Description	Type	Reset
31:18	RESERVED		R	0x0
17:12	SIGNATURE	Write to this register will succeed only if data on these bits carries a signature of 6'h29 (6'b101001)	RW	0x0
11	RESERVED		R	0x0

Bits	Field Name	Description	Type	Reset
10	LOCK_BIT	When '1', prevents HW update to this MMR. When '0', allows HW update of this MMR.	RW	0x0
9:0	BINARY_DELAY	Delay Select Value in binary coded form. Indicates the number of coarse (9:5) and fine (4:0) delay elements to be used on the delay line connected to this pad.	RW	0x0

Table 18-2022. Register Call Summary for Register CFG_GPMC_AD13_IN

IODELAYCONFIG Module Register Manual

- [IODELAYCONFIG Register Summary: \[0\]](#)

Table 18-2023. CFG_GPMC_AD13_OEN

Address Offset	0x0000 0298	Instance	IODELAYCONFIG
Physical Address	0x4844 A298		
Description	Delay Select Value in binary coded form for cfg_gpmc_ad13_oen interface		
Type	RW		

31	30	29	28	27	26	25	24	23	22	21	20	19	18	17	16	15	14	13	12	11	10	9	8	7	6	5	4	3	2	1	0
RESERVED								SIGNATURE								RESERVED	LOCK_BIT	BINARY_DELAY													

Bits	Field Name	Description	Type	Reset
31:18	RESERVED		R	0x0
17:12	SIGNATURE	Write to this register will succeed only if data on these bits carries a signature of 6'h29 (6'b101001)	RW	0x0
11	RESERVED		R	0x0
10	LOCK_BIT	When '1', prevents HW update to this MMR. When '0', allows HW update of this MMR.	RW	0x0
9:0	BINARY_DELAY	Delay Select Value in binary coded form. Indicates the number of coarse (9:5) and fine (4:0) delay elements to be used on the delay line connected to this pad.	RW	0x0

Table 18-2024. Register Call Summary for Register CFG_GPMC_AD13_OEN

IODELAYCONFIG Module Register Manual

- [IODELAYCONFIG Register Summary: \[0\]](#)

Table 18-2025. CFG_GPMC_AD13_OUT

Address Offset	0x0000 029C	Instance	IODELAYCONFIG
Physical Address	0x4844 A29C		
Description	Delay Select Value in binary coded form for cfg_gpmc_ad13_out interface		
Type	RW		

31	30	29	28	27	26	25	24	23	22	21	20	19	18	17	16	15	14	13	12	11	10	9	8	7	6	5	4	3	2	1	0
RESERVED								SIGNATURE								RESERVED	LOCK_BIT	BINARY_DELAY													

Bits	Field Name	Description	Type	Reset
31:18	RESERVED		R	0x0
17:12	SIGNATURE	Write to this register will succeed only if data on these bits carries a signature of 6'h29 (6'b101001)	RW	0x0
11	RESERVED		R	0x0
10	LOCK_BIT	When '1', prevents HW update to this MMR. When '0', allows HW update of this MMR.	RW	0x0
9:0	BINARY_DELAY	Delay Select Value in binary coded form. Indicates the number of coarse (9:5) and fine (4:0) delay elements to be used on the delay line connected to this pad.	RW	0x0

Table 18-2026. Register Call Summary for Register CFG_GPMC_AD13_OUT

IODELAYCONFIG Module Register Manual

- [IODELAYCONFIG Register Summary: \[0\]](#)

Table 18-2027. CFG_GPMC_AD14_IN

Address Offset	0x0000 02A0	Instance	IODELAYCONFIG
Physical Address	0x4844 A2A0		
Description	Delay Select Value in binary coded form for cfg_gpmc_ad14_in interface		
Type	RW		

31	30	29	28	27	26	25	24	23	22	21	20	19	18	17	16	15	14	13	12	11	10	9	8	7	6	5	4	3	2	1	0
RESERVED								SIGNATURE				RESERVED	LOCK_BIT	BINARY_DELAY																	

Bits	Field Name	Description	Type	Reset
31:18	RESERVED		R	0x0
17:12	SIGNATURE	Write to this register will succeed only if data on these bits carries a signature of 6'h29 (6'b101001)	RW	0x0
11	RESERVED		R	0x0
10	LOCK_BIT	When '1', prevents HW update to this MMR. When '0', allows HW update of this MMR.	RW	0x0
9:0	BINARY_DELAY	Delay Select Value in binary coded form. Indicates the number of coarse (9:5) and fine (4:0) delay elements to be used on the delay line connected to this pad.	RW	0x0

Table 18-2028. Register Call Summary for Register CFG_GPMC_AD14_IN

IODELAYCONFIG Module Register Manual

- [IODELAYCONFIG Register Summary: \[0\]](#)

Table 18-2029. CFG_GPMC_AD14_OEN

Address Offset	0x0000 02A4	Instance	IODELAYCONFIG
Physical Address	0x4844 A2A4		
Description	Delay Select Value in binary coded form for cfg_gpmc_ad14_oen interface		
Type	RW		

31	30	29	28	27	26	25	24	23	22	21	20	19	18	17	16	15	14	13	12	11	10	9	8	7	6	5	4	3	2	1	0
RESERVED								SIGNATURE								RESERVED	LOCK_BIT	BINARY_DELAY													

Bits	Field Name	Description	Type	Reset
31:18	RESERVED		R	0x0
17:12	SIGNATURE	Write to this register will succeed only if data on these bits carries a signature of 6'h29 (6'b101001)	RW	0x0
11	RESERVED		R	0x0
10	LOCK_BIT	When '1', prevents HW update to this MMR. When '0', allows HW update of this MMR.	RW	0x0
9:0	BINARY_DELAY	Delay Select Value in binary coded form. Indicates the number of coarse (9:5) and fine (4:0) delay elements to be used on the delay line connected to this pad.	RW	0x0

Table 18-2030. Register Call Summary for Register CFG_GPMC_AD14_OEN

IODELAYCONFIG Module Register Manual

- [IODELAYCONFIG Register Summary: \[0\]](#)

Table 18-2031. CFG_GPMC_AD14_OUT

Address Offset	0x0000 02A8	Instance	IODELAYCONFIG
Physical Address	0x4844 A2A8		
Description	Delay Select Value in binary coded form for cfg_gpmc_ad14_out interface		
Type	RW		

31	30	29	28	27	26	25	24	23	22	21	20	19	18	17	16	15	14	13	12	11	10	9	8	7	6	5	4	3	2	1	0
RESERVED								SIGNATURE								RESERVED	LOCK_BIT	BINARY_DELAY													

Bits	Field Name	Description	Type	Reset
31:18	RESERVED		R	0x0
17:12	SIGNATURE	Write to this register will succeed only if data on these bits carries a signature of 6'h29 (6'b101001)	RW	0x0
11	RESERVED		R	0x0
10	LOCK_BIT	When '1', prevents HW update to this MMR. When '0', allows HW update of this MMR.	RW	0x0
9:0	BINARY_DELAY	Delay Select Value in binary coded form. Indicates the number of coarse (9:5) and fine (4:0) delay elements to be used on the delay line connected to this pad.	RW	0x0

Table 18-2032. Register Call Summary for Register CFG_GPMC_AD14_OUT

IODELAYCONFIG Module Register Manual

- [IODELAYCONFIG Register Summary: \[0\]](#)

Table 18-2033. CFG_GPMC_AD15_IN

Address Offset	0x0000 02AC	Instance	IODELAYCONFIG
Physical Address	0x4844 A2AC		
Description	Delay Select Value in binary coded form for cfg_gpmc_ad15_in interface		
Type	RW		

31	30	29	28	27	26	25	24	23	22	21	20	19	18	17	16	15	14	13	12	11	10	9	8	7	6	5	4	3	2	1	0
RESERVED														SIGNATURE				RESERVED	LOCK_BIT	BINARY_DELAY											

Bits	Field Name	Description	Type	Reset
31:18	RESERVED		R	0x0
17:12	SIGNATURE	Write to this register will succeed only if data on these bits carries a signature of 6'h29 (6'b101001)	RW	0x0
11	RESERVED		R	0x0
10	LOCK_BIT	When '1', prevents HW update to this MMR. When '0', allows HW update of this MMR.	RW	0x0
9:0	BINARY_DELAY	Delay Select Value in binary coded form. Indicates the number of coarse (9:5) and fine (4:0) delay elements to be used on the delay line connected to this pad.	RW	0x0

Table 18-2034. Register Call Summary for Register CFG_GPMC_AD15_IN

IODELAYCONFIG Module Register Manual

- [IODELAYCONFIG Register Summary: \[0\]](#)

Table 18-2035. CFG_GPMC_AD15_OEN

Address Offset	0x0000 02B0	Instance	IODELAYCONFIG
Physical Address	0x4844 A2B0		
Description	Delay Select Value in binary coded form for cfg_gpmc_ad15_oen interface		
Type	RW		

31	30	29	28	27	26	25	24	23	22	21	20	19	18	17	16	15	14	13	12	11	10	9	8	7	6	5	4	3	2	1	0
RESERVED														SIGNATURE				RESERVED	LOCK_BIT	BINARY_DELAY											

Bits	Field Name	Description	Type	Reset
31:18	RESERVED		R	0x0
17:12	SIGNATURE	Write to this register will succeed only if data on these bits carries a signature of 6'h29 (6'b101001)	RW	0x0
11	RESERVED		R	0x0
10	LOCK_BIT	When '1', prevents HW update to this MMR. When '0', allows HW update of this MMR.	RW	0x0
9:0	BINARY_DELAY	Delay Select Value in binary coded form. Indicates the number of coarse (9:5) and fine (4:0) delay elements to be used on the delay line connected to this pad.	RW	0x0

Table 18-2036. Register Call Summary for Register CFG_GPMC_AD15_OEN

IODELAYCONFIG Module Register Manual

- [IODELAYCONFIG Register Summary: \[0\]](#)

Table 18-2037. CFG_GPMC_AD15_OUT

Address Offset	0x0000 02B4	Instance	IODELAYCONFIG
Physical Address	0x4844 A2B4		
Description	Delay Select Value in binary coded form for cfg_gpmc_ad15_out interface		
Type	RW		

31	30	29	28	27	26	25	24	23	22	21	20	19	18	17	16	15	14	13	12	11	10	9	8	7	6	5	4	3	2	1	0		
RESERVED																SIGNATURE						RESERVED	LOCK_BIT	BINARY_DELAY									

Bits	Field Name	Description	Type	Reset
31:18	RESERVED		R	0x0
17:12	SIGNATURE	Write to this register will succeed only if data on these bits carries a signature of 6'h29 (6'b101001)	RW	0x0
11	RESERVED		R	0x0
10	LOCK_BIT	When '1', prevents HW update to this MMR. When '0', allows HW update of this MMR.	RW	0x0
9:0	BINARY_DELAY	Delay Select Value in binary coded form. Indicates the number of coarse (9:5) and fine (4:0) delay elements to be used on the delay line connected to this pad.	RW	0x0

Table 18-2038. Register Call Summary for Register CFG_GPMC_AD15_OUT

IODELAYCONFIG Module Register Manual

- [IODELAYCONFIG Register Summary: \[0\]](#)

Table 18-2039. CFG_GPMC_AD1_IN

Address Offset	0x0000 02B8	Instance	IODELAYCONFIG
Physical Address	0x4844 A2B8		
Description	Delay Select Value in binary coded form for cfg_gpmc_ad1_in interface		
Type	RW		

31	30	29	28	27	26	25	24	23	22	21	20	19	18	17	16	15	14	13	12	11	10	9	8	7	6	5	4	3	2	1	0		
RESERVED																SIGNATURE						RESERVED	LOCK_BIT	BINARY_DELAY									

Bits	Field Name	Description	Type	Reset
31:18	RESERVED		R	0x0
17:12	SIGNATURE	Write to this register will succeed only if data on these bits carries a signature of 6'h29 (6'b101001)	RW	0x0
11	RESERVED		R	0x0

Bits	Field Name	Description	Type	Reset
10	LOCK_BIT	When '1', prevents HW update to this MMR. When '0', allows HW update of this MMR.	RW	0x0
9:0	BINARY_DELAY	Delay Select Value in binary coded form. Indicates the number of coarse (9:5) and fine (4:0) delay elements to be used on the delay line connected to this pad.	RW	0x0

Table 18-2040. Register Call Summary for Register CFG_GPMC_AD1_IN

IODELAYCONFIG Module Register Manual

- [IODELAYCONFIG Register Summary: \[0\]](#)

Table 18-2041. CFG_GPMC_AD1_OEN

Address Offset	0x0000 02BC	Instance	IODELAYCONFIG
Physical Address	0x4844 A2BC		
Description	Delay Select Value in binary coded form for cfg_gpmc_ad1_oen interface		
Type	RW		

31	30	29	28	27	26	25	24	23	22	21	20	19	18	17	16	15	14	13	12	11	10	9	8	7	6	5	4	3	2	1	0
RESERVED								SIGNATURE								RESERVED	LOCK_BIT	BINARY_DELAY													

Bits	Field Name	Description	Type	Reset
31:18	RESERVED		R	0x0
17:12	SIGNATURE	Write to this register will succeed only if data on these bits carries a signature of 6'h29 (6'b101001)	RW	0x0
11	RESERVED		R	0x0
10	LOCK_BIT	When '1', prevents HW update to this MMR. When '0', allows HW update of this MMR.	RW	0x0
9:0	BINARY_DELAY	Delay Select Value in binary coded form. Indicates the number of coarse (9:5) and fine (4:0) delay elements to be used on the delay line connected to this pad.	RW	0x0

Table 18-2042. Register Call Summary for Register CFG_GPMC_AD1_OEN

IODELAYCONFIG Module Register Manual

- [IODELAYCONFIG Register Summary: \[0\]](#)

Table 18-2043. CFG_GPMC_AD1_OUT

Address Offset	0x0000 02C0	Instance	IODELAYCONFIG
Physical Address	0x4844 A2C0		
Description	Delay Select Value in binary coded form for cfg_gpmc_ad1_out interface		
Type	RW		

31	30	29	28	27	26	25	24	23	22	21	20	19	18	17	16	15	14	13	12	11	10	9	8	7	6	5	4	3	2	1	0
RESERVED								SIGNATURE								RESERVED	LOCK_BIT	BINARY_DELAY													

Bits	Field Name	Description	Type	Reset
31:18	RESERVED		R	0x0
17:12	SIGNATURE	Write to this register will succeed only if data on these bits carries a signature of 6'h29 (6'b101001)	RW	0x0
11	RESERVED		R	0x0
10	LOCK_BIT	When '1', prevents HW update to this MMR. When '0', allows HW update of this MMR.	RW	0x0
9:0	BINARY_DELAY	Delay Select Value in binary coded form. Indicates the number of coarse (9:5) and fine (4:0) delay elements to be used on the delay line connected to this pad.	RW	0x0

Table 18-2044. Register Call Summary for Register CFG_GPMC_AD1_OUT

IODELAYCONFIG Module Register Manual

- [IODELAYCONFIG Register Summary: \[0\]](#)

Table 18-2045. CFG_GPMC_AD2_IN

Address Offset	0x0000 02C4	Instance	IODELAYCONFIG
Physical Address	0x4844 A2C4		
Description	Delay Select Value in binary coded form for cfg_gpmc_ad2_in interface		
Type	RW		

31	30	29	28	27	26	25	24	23	22	21	20	19	18	17	16	15	14	13	12	11	10	9	8	7	6	5	4	3	2	1	0
RESERVED								SIGNATURE				RESERVED	LOCK_BIT	BINARY_DELAY																	

Bits	Field Name	Description	Type	Reset
31:18	RESERVED		R	0x0
17:12	SIGNATURE	Write to this register will succeed only if data on these bits carries a signature of 6'h29 (6'b101001)	RW	0x0
11	RESERVED		R	0x0
10	LOCK_BIT	When '1', prevents HW update to this MMR. When '0', allows HW update of this MMR.	RW	0x0
9:0	BINARY_DELAY	Delay Select Value in binary coded form. Indicates the number of coarse (9:5) and fine (4:0) delay elements to be used on the delay line connected to this pad.	RW	0x0

Table 18-2046. Register Call Summary for Register CFG_GPMC_AD2_IN

IODELAYCONFIG Module Register Manual

- [IODELAYCONFIG Register Summary: \[0\]](#)

Table 18-2047. CFG_GPMC_AD2_OEN

Address Offset	0x0000 02C8	Instance	IODELAYCONFIG
Physical Address	0x4844 A2C8		
Description	Delay Select Value in binary coded form for cfg_gpmc_ad2_oen interface		
Type	RW		

31	30	29	28	27	26	25	24	23	22	21	20	19	18	17	16	15	14	13	12	11	10	9	8	7	6	5	4	3	2	1	0
RESERVED								SIGNATURE				RESERVED	LOCK_BIT	BINARY_DELAY																	

Bits	Field Name	Description	Type	Reset
31:18	RESERVED		R	0x0
17:12	SIGNATURE	Write to this register will succeed only if data on these bits carries a signature of 6'h29 (6'b101001)	RW	0x0
11	RESERVED		R	0x0
10	LOCK_BIT	When '1', prevents HW update to this MMR. When '0', allows HW update of this MMR.	RW	0x0
9:0	BINARY_DELAY	Delay Select Value in binary coded form. Indicates the number of coarse (9:5) and fine (4:0) delay elements to be used on the delay line connected to this pad.	RW	0x0

Table 18-2048. Register Call Summary for Register CFG_GPMC_AD2_OEN

IODELAYCONFIG Module Register Manual

- [IODELAYCONFIG Register Summary: \[0\]](#)

Table 18-2049. CFG_GPMC_AD2_OUT

Address Offset	0x0000 02CC	Instance	IODELAYCONFIG
Physical Address	0x4844 A2CC		
Description	Delay Select Value in binary coded form for cfg_gpmc_ad2_out interface		
Type	RW		

31	30	29	28	27	26	25	24	23	22	21	20	19	18	17	16	15	14	13	12	11	10	9	8	7	6	5	4	3	2	1	0
RESERVED								SIGNATURE				RESERVED	LOCK_BIT	BINARY_DELAY																	

Bits	Field Name	Description	Type	Reset
31:18	RESERVED		R	0x0
17:12	SIGNATURE	Write to this register will succeed only if data on these bits carries a signature of 6'h29 (6'b101001)	RW	0x0
11	RESERVED		R	0x0
10	LOCK_BIT	When '1', prevents HW update to this MMR. When '0', allows HW update of this MMR.	RW	0x0
9:0	BINARY_DELAY	Delay Select Value in binary coded form. Indicates the number of coarse (9:5) and fine (4:0) delay elements to be used on the delay line connected to this pad.	RW	0x0

Table 18-2050. Register Call Summary for Register CFG_GPMC_AD2_OUT

IODELAYCONFIG Module Register Manual

- [IODELAYCONFIG Register Summary: \[0\]](#)

Table 18-2051. CFG_GPMC_AD3_IN

Address Offset	0x0000 02D0	Instance	IODELAYCONFIG
Physical Address	0x4844 A2D0		
Description	Delay Select Value in binary coded form for cfg_gpmc_ad3_in interface		
Type	RW		

31	30	29	28	27	26	25	24	23	22	21	20	19	18	17	16	15	14	13	12	11	10	9	8	7	6	5	4	3	2	1	0
RESERVED														SIGNATURE				RESERVED	LOCK_BIT	BINARY_DELAY											

Bits	Field Name	Description	Type	Reset
31:18	RESERVED		R	0x0
17:12	SIGNATURE	Write to this register will succeed only if data on these bits carries a signature of 6'h29 (6'b101001)	RW	0x0
11	RESERVED		R	0x0
10	LOCK_BIT	When '1', prevents HW update to this MMR. When '0', allows HW update of this MMR.	RW	0x0
9:0	BINARY_DELAY	Delay Select Value in binary coded form. Indicates the number of coarse (9:5) and fine (4:0) delay elements to be used on the delay line connected to this pad.	RW	0x0

Table 18-2052. Register Call Summary for Register CFG_GPMC_AD3_IN

IODELAYCONFIG Module Register Manual

- [IODELAYCONFIG Register Summary: \[0\]](#)

Table 18-2053. CFG_GPMC_AD3_OEN

Address Offset	0x0000 02D4	Instance	IODELAYCONFIG
Physical Address	0x4844 A2D4		
Description	Delay Select Value in binary coded form for cfg_gpmc_ad3_oen interface		
Type	RW		

31	30	29	28	27	26	25	24	23	22	21	20	19	18	17	16	15	14	13	12	11	10	9	8	7	6	5	4	3	2	1	0
RESERVED														SIGNATURE				RESERVED	LOCK_BIT	BINARY_DELAY											

Bits	Field Name	Description	Type	Reset
31:18	RESERVED		R	0x0
17:12	SIGNATURE	Write to this register will succeed only if data on these bits carries a signature of 6'h29 (6'b101001)	RW	0x0
11	RESERVED		R	0x0
10	LOCK_BIT	When '1', prevents HW update to this MMR. When '0', allows HW update of this MMR.	RW	0x0
9:0	BINARY_DELAY	Delay Select Value in binary coded form. Indicates the number of coarse (9:5) and fine (4:0) delay elements to be used on the delay line connected to this pad.	RW	0x0

Table 18-2054. Register Call Summary for Register CFG_GPMC_AD3_OEN

IODELAYCONFIG Module Register Manual

- [IODELAYCONFIG Register Summary: \[0\]](#)

Table 18-2055. CFG_GPMC_AD3_OUT

Address Offset	0x0000 02D8	Instance	IODELAYCONFIG
Physical Address	0x4844 A2D8		
Description	Delay Select Value in binary coded form for cfg_gpmc_ad3_out interface		
Type	RW		

31	30	29	28	27	26	25	24	23	22	21	20	19	18	17	16	15	14	13	12	11	10	9	8	7	6	5	4	3	2	1	0
RESERVED																SIGNATURE						RESERVED	LOCK_BIT	BINARY_DELAY							

Bits	Field Name	Description	Type	Reset
31:18	RESERVED		R	0x0
17:12	SIGNATURE	Write to this register will succeed only if data on these bits carries a signature of 6'h29 (6'b101001)	RW	0x0
11	RESERVED		R	0x0
10	LOCK_BIT	When '1', prevents HW update to this MMR. When '0', allows HW update of this MMR.	RW	0x0
9:0	BINARY_DELAY	Delay Select Value in binary coded form. Indicates the number of coarse (9:5) and fine (4:0) delay elements to be used on the delay line connected to this pad.	RW	0x0

Table 18-2056. Register Call Summary for Register CFG_GPMC_AD3_OUT

IODELAYCONFIG Module Register Manual

- [IODELAYCONFIG Register Summary: \[0\]](#)

Table 18-2057. CFG_GPMC_AD4_IN

Address Offset	0x0000 02DC	Instance	IODELAYCONFIG
Physical Address	0x4844 A2DC		
Description	Delay Select Value in binary coded form for cfg_gpmc_ad4_in interface		
Type	RW		

31	30	29	28	27	26	25	24	23	22	21	20	19	18	17	16	15	14	13	12	11	10	9	8	7	6	5	4	3	2	1	0
RESERVED																SIGNATURE						RESERVED	LOCK_BIT	BINARY_DELAY							

Bits	Field Name	Description	Type	Reset
31:18	RESERVED		R	0x0
17:12	SIGNATURE	Write to this register will succeed only if data on these bits carries a signature of 6'h29 (6'b101001)	RW	0x0
11	RESERVED		R	0x0

Bits	Field Name	Description	Type	Reset
10	LOCK_BIT	When '1', prevents HW update to this MMR. When '0', allows HW update of this MMR.	RW	0x0
9:0	BINARY_DELAY	Delay Select Value in binary coded form. Indicates the number of coarse (9:5) and fine (4:0) delay elements to be used on the delay line connected to this pad.	RW	0x0

Table 18-2058. Register Call Summary for Register CFG_GPMC_AD4_IN

IODELAYCONFIG Module Register Manual

- [IODELAYCONFIG Register Summary: \[0\]](#)

Table 18-2059. CFG_GPMC_AD4_OEN

Address Offset	0x0000 02E0	Instance	IODELAYCONFIG
Physical Address	0x4844 A2E0		
Description	Delay Select Value in binary coded form for cfg_gpmc_ad4_oen interface		
Type	RW		

31	30	29	28	27	26	25	24	23	22	21	20	19	18	17	16	15	14	13	12	11	10	9	8	7	6	5	4	3	2	1	0
RESERVED								SIGNATURE								RESERVED	LOCK_BIT	BINARY_DELAY													

Bits	Field Name	Description	Type	Reset
31:18	RESERVED		R	0x0
17:12	SIGNATURE	Write to this register will succeed only if data on these bits carries a signature of 6'h29 (6'b101001)	RW	0x0
11	RESERVED		R	0x0
10	LOCK_BIT	When '1', prevents HW update to this MMR. When '0', allows HW update of this MMR.	RW	0x0
9:0	BINARY_DELAY	Delay Select Value in binary coded form. Indicates the number of coarse (9:5) and fine (4:0) delay elements to be used on the delay line connected to this pad.	RW	0x0

Table 18-2060. Register Call Summary for Register CFG_GPMC_AD4_OEN

IODELAYCONFIG Module Register Manual

- [IODELAYCONFIG Register Summary: \[0\]](#)

Table 18-2061. CFG_GPMC_AD4_OUT

Address Offset	0x0000 02E4	Instance	IODELAYCONFIG
Physical Address	0x4844 A2E4		
Description	Delay Select Value in binary coded form for cfg_gpmc_ad4_out interface		
Type	RW		

31	30	29	28	27	26	25	24	23	22	21	20	19	18	17	16	15	14	13	12	11	10	9	8	7	6	5	4	3	2	1	0
RESERVED								SIGNATURE								RESERVED	LOCK_BIT	BINARY_DELAY													

Bits	Field Name	Description	Type	Reset
31:18	RESERVED		R	0x0
17:12	SIGNATURE	Write to this register will succeed only if data on these bits carries a signature of 6'h29 (6'b101001)	RW	0x0
11	RESERVED		R	0x0
10	LOCK_BIT	When '1', prevents HW update to this MMR. When '0', allows HW update of this MMR.	RW	0x0
9:0	BINARY_DELAY	Delay Select Value in binary coded form. Indicates the number of coarse (9:5) and fine (4:0) delay elements to be used on the delay line connected to this pad.	RW	0x0

Table 18-2062. Register Call Summary for Register CFG_GPMC_AD4_OUT

IODELAYCONFIG Module Register Manual

- [IODELAYCONFIG Register Summary: \[0\]](#)

Table 18-2063. CFG_GPMC_AD5_IN

Address Offset	0x0000 02E8	Instance	IODELAYCONFIG
Physical Address	0x4844 A2E8		
Description	Delay Select Value in binary coded form for cfg_gpmc_ad5_in interface		
Type	RW		

31	30	29	28	27	26	25	24	23	22	21	20	19	18	17	16	15	14	13	12	11	10	9	8	7	6	5	4	3	2	1	0
RESERVED								SIGNATURE				RESERVED	LOCK_BIT	BINARY_DELAY																	

Bits	Field Name	Description	Type	Reset
31:18	RESERVED		R	0x0
17:12	SIGNATURE	Write to this register will succeed only if data on these bits carries a signature of 6'h29 (6'b101001)	RW	0x0
11	RESERVED		R	0x0
10	LOCK_BIT	When '1', prevents HW update to this MMR. When '0', allows HW update of this MMR.	RW	0x0
9:0	BINARY_DELAY	Delay Select Value in binary coded form. Indicates the number of coarse (9:5) and fine (4:0) delay elements to be used on the delay line connected to this pad.	RW	0x0

Table 18-2064. Register Call Summary for Register CFG_GPMC_AD5_IN

IODELAYCONFIG Module Register Manual

- [IODELAYCONFIG Register Summary: \[0\]](#)

Table 18-2065. CFG_GPMC_AD5_OEN

Address Offset	0x0000 02EC	Instance	IODELAYCONFIG
Physical Address	0x4844 A2EC		
Description	Delay Select Value in binary coded form for cfg_gpmc_ad5_oen interface		
Type	RW		

31	30	29	28	27	26	25	24	23	22	21	20	19	18	17	16	15	14	13	12	11	10	9	8	7	6	5	4	3	2	1	0
RESERVED								SIGNATURE				RESERVED	LOCK_BIT	BINARY_DELAY																	

Bits	Field Name	Description	Type	Reset
31:18	RESERVED		R	0x0
17:12	SIGNATURE	Write to this register will succeed only if data on these bits carries a signature of 6'h29 (6'b101001)	RW	0x0
11	RESERVED		R	0x0
10	LOCK_BIT	When '1', prevents HW update to this MMR. When '0', allows HW update of this MMR.	RW	0x0
9:0	BINARY_DELAY	Delay Select Value in binary coded form. Indicates the number of coarse (9:5) and fine (4:0) delay elements to be used on the delay line connected to this pad.	RW	0x0

Table 18-2066. Register Call Summary for Register CFG_GPMC_AD5_OEN

IODELAYCONFIG Module Register Manual

- [IODELAYCONFIG Register Summary: \[0\]](#)

Table 18-2067. CFG_GPMC_AD5_OUT

Address Offset	0x0000 02F0	Instance	IODELAYCONFIG
Physical Address	0x4844 A2F0		
Description	Delay Select Value in binary coded form for cfg_gpmc_ad5_out interface		
Type	RW		

31	30	29	28	27	26	25	24	23	22	21	20	19	18	17	16	15	14	13	12	11	10	9	8	7	6	5	4	3	2	1	0
RESERVED								SIGNATURE				RESERVED	LOCK_BIT	BINARY_DELAY																	

Bits	Field Name	Description	Type	Reset
31:18	RESERVED		R	0x0
17:12	SIGNATURE	Write to this register will succeed only if data on these bits carries a signature of 6'h29 (6'b101001)	RW	0x0
11	RESERVED		R	0x0
10	LOCK_BIT	When '1', prevents HW update to this MMR. When '0', allows HW update of this MMR.	RW	0x0
9:0	BINARY_DELAY	Delay Select Value in binary coded form. Indicates the number of coarse (9:5) and fine (4:0) delay elements to be used on the delay line connected to this pad.	RW	0x0

Table 18-2068. Register Call Summary for Register CFG_GPMC_AD5_OUT

IODELAYCONFIG Module Register Manual

- [IODELAYCONFIG Register Summary: \[0\]](#)

Table 18-2069. CFG_GPMC_AD6_IN

Address Offset	0x0000 02F4	Instance	IODELAYCONFIG
Physical Address	0x4844 A2F4		
Description	Delay Select Value in binary coded form for cfg_gpmc_ad6_in interface		
Type	RW		

31	30	29	28	27	26	25	24	23	22	21	20	19	18	17	16	15	14	13	12	11	10	9	8	7	6	5	4	3	2	1	0
RESERVED														SIGNATURE				RESERVED	LOCK_BIT	BINARY_DELAY											

Bits	Field Name	Description	Type	Reset
31:18	RESERVED		R	0x0
17:12	SIGNATURE	Write to this register will succeed only if data on these bits carries a signature of 6'h29 (6'b101001)	RW	0x0
11	RESERVED		R	0x0
10	LOCK_BIT	When '1', prevents HW update to this MMR. When '0', allows HW update of this MMR.	RW	0x0
9:0	BINARY_DELAY	Delay Select Value in binary coded form. Indicates the number of coarse (9:5) and fine (4:0) delay elements to be used on the delay line connected to this pad.	RW	0x0

Table 18-2070. Register Call Summary for Register CFG_GPMC_AD6_IN

IODELAYCONFIG Module Register Manual

- [IODELAYCONFIG Register Summary: \[0\]](#)

Table 18-2071. CFG_GPMC_AD6_OEN

Address Offset	0x0000 02F8	Instance	IODELAYCONFIG
Physical Address	0x4844 A2F8		
Description	Delay Select Value in binary coded form for cfg_gpmc_ad6_oen interface		
Type	RW		

31	30	29	28	27	26	25	24	23	22	21	20	19	18	17	16	15	14	13	12	11	10	9	8	7	6	5	4	3	2	1	0
RESERVED														SIGNATURE				RESERVED	LOCK_BIT	BINARY_DELAY											

Bits	Field Name	Description	Type	Reset
31:18	RESERVED		R	0x0
17:12	SIGNATURE	Write to this register will succeed only if data on these bits carries a signature of 6'h29 (6'b101001)	RW	0x0
11	RESERVED		R	0x0
10	LOCK_BIT	When '1', prevents HW update to this MMR. When '0', allows HW update of this MMR.	RW	0x0
9:0	BINARY_DELAY	Delay Select Value in binary coded form. Indicates the number of coarse (9:5) and fine (4:0) delay elements to be used on the delay line connected to this pad.	RW	0x0

Table 18-2072. Register Call Summary for Register CFG_GPMC_AD6_OEN

IODELAYCONFIG Module Register Manual

- [IODELAYCONFIG Register Summary: \[0\]](#)

Table 18-2073. CFG_GPMC_AD6_OUT

Address Offset	0x0000 02FC	Instance	IODELAYCONFIG
Physical Address	0x4844 A2FC		
Description	Delay Select Value in binary coded form for cfg_gpmc_ad6_out interface		
Type	RW		

31	30	29	28	27	26	25	24	23	22	21	20	19	18	17	16	15	14	13	12	11	10	9	8	7	6	5	4	3	2	1	0		
RESERVED																SIGNATURE						RESERVED	LOCK_BIT	BINARY_DELAY									

Bits	Field Name	Description	Type	Reset
31:18	RESERVED		R	0x0
17:12	SIGNATURE	Write to this register will succeed only if data on these bits carries a signature of 6'h29 (6'b101001)	RW	0x0
11	RESERVED		R	0x0
10	LOCK_BIT	When '1', prevents HW update to this MMR. When '0', allows HW update of this MMR.	RW	0x0
9:0	BINARY_DELAY	Delay Select Value in binary coded form. Indicates the number of coarse (9:5) and fine (4:0) delay elements to be used on the delay line connected to this pad.	RW	0x0

Table 18-2074. Register Call Summary for Register CFG_GPMC_AD6_OUT

IODELAYCONFIG Module Register Manual

- [IODELAYCONFIG Register Summary: \[0\]](#)

Table 18-2075. CFG_GPMC_AD7_IN

Address Offset	0x0000 0300	Instance	IODELAYCONFIG
Physical Address	0x4844 A300		
Description	Delay Select Value in binary coded form for cfg_gpmc_ad7_in interface		
Type	RW		

31	30	29	28	27	26	25	24	23	22	21	20	19	18	17	16	15	14	13	12	11	10	9	8	7	6	5	4	3	2	1	0		
RESERVED																SIGNATURE						RESERVED	LOCK_BIT	BINARY_DELAY									

Bits	Field Name	Description	Type	Reset
31:18	RESERVED		R	0x0
17:12	SIGNATURE	Write to this register will succeed only if data on these bits carries a signature of 6'h29 (6'b101001)	RW	0x0
11	RESERVED		R	0x0

Bits	Field Name	Description	Type	Reset
10	LOCK_BIT	When '1', prevents HW update to this MMR. When '0', allows HW update of this MMR.	RW	0x0
9:0	BINARY_DELAY	Delay Select Value in binary coded form. Indicates the number of coarse (9:5) and fine (4:0) delay elements to be used on the delay line connected to this pad.	RW	0x0

Table 18-2076. Register Call Summary for Register CFG_GPMC_AD7_IN

IODELAYCONFIG Module Register Manual

- [IODELAYCONFIG Register Summary: \[0\]](#)

Table 18-2077. CFG_GPMC_AD7_OEN

Address Offset	0x0000 0304	Instance	IODELAYCONFIG
Physical Address	0x4844 A304		
Description	Delay Select Value in binary coded form for cfg_gpmc_ad7_oen interface		
Type	RW		

31	30	29	28	27	26	25	24	23	22	21	20	19	18	17	16	15	14	13	12	11	10	9	8	7	6	5	4	3	2	1	0
RESERVED								SIGNATURE								RESERVED	LOCK_BIT	BINARY_DELAY													

Bits	Field Name	Description	Type	Reset
31:18	RESERVED		R	0x0
17:12	SIGNATURE	Write to this register will succeed only if data on these bits carries a signature of 6'h29 (6'b101001)	RW	0x0
11	RESERVED		R	0x0
10	LOCK_BIT	When '1', prevents HW update to this MMR. When '0', allows HW update of this MMR.	RW	0x0
9:0	BINARY_DELAY	Delay Select Value in binary coded form. Indicates the number of coarse (9:5) and fine (4:0) delay elements to be used on the delay line connected to this pad.	RW	0x0

Table 18-2078. Register Call Summary for Register CFG_GPMC_AD7_OEN

IODELAYCONFIG Module Register Manual

- [IODELAYCONFIG Register Summary: \[0\]](#)

Table 18-2079. CFG_GPMC_AD7_OUT

Address Offset	0x0000 0308	Instance	IODELAYCONFIG
Physical Address	0x4844 A308		
Description	Delay Select Value in binary coded form for cfg_gpmc_ad7_out interface		
Type	RW		

31	30	29	28	27	26	25	24	23	22	21	20	19	18	17	16	15	14	13	12	11	10	9	8	7	6	5	4	3	2	1	0
RESERVED								SIGNATURE								RESERVED	LOCK_BIT	BINARY_DELAY													

Bits	Field Name	Description	Type	Reset
31:18	RESERVED		R	0x0
17:12	SIGNATURE	Write to this register will succeed only if data on these bits carries a signature of 6'h29 (6'b101001)	RW	0x0
11	RESERVED		R	0x0
10	LOCK_BIT	When '1', prevents HW update to this MMR. When '0', allows HW update of this MMR.	RW	0x0
9:0	BINARY_DELAY	Delay Select Value in binary coded form. Indicates the number of coarse (9:5) and fine (4:0) delay elements to be used on the delay line connected to this pad.	RW	0x0

Table 18-2080. Register Call Summary for Register CFG_GPMC_AD7_OUT

IODELAYCONFIG Module Register Manual

- [IODELAYCONFIG Register Summary: \[0\]](#)

Table 18-2081. CFG_GPMC_AD8_IN

Address Offset	0x0000 030C	Instance	IODELAYCONFIG
Physical Address	0x4844 A30C		
Description	Delay Select Value in binary coded form for cfg_gpmc_ad8_in interface		
Type	RW		

31	30	29	28	27	26	25	24	23	22	21	20	19	18	17	16	15	14	13	12	11	10	9	8	7	6	5	4	3	2	1	0
RESERVED								SIGNATURE				RESERVED	LOCK_BIT	BINARY_DELAY																	

Bits	Field Name	Description	Type	Reset
31:18	RESERVED		R	0x0
17:12	SIGNATURE	Write to this register will succeed only if data on these bits carries a signature of 6'h29 (6'b101001)	RW	0x0
11	RESERVED		R	0x0
10	LOCK_BIT	When '1', prevents HW update to this MMR. When '0', allows HW update of this MMR.	RW	0x0
9:0	BINARY_DELAY	Delay Select Value in binary coded form. Indicates the number of coarse (9:5) and fine (4:0) delay elements to be used on the delay line connected to this pad.	RW	0x0

Table 18-2082. Register Call Summary for Register CFG_GPMC_AD8_IN

IODELAYCONFIG Module Register Manual

- [IODELAYCONFIG Register Summary: \[0\]](#)

Table 18-2083. CFG_GPMC_AD8_OEN

Address Offset	0x0000 0310	Instance	IODELAYCONFIG
Physical Address	0x4844 A310		
Description	Delay Select Value in binary coded form for cfg_gpmc_ad8_oen interface		
Type	RW		

31	30	29	28	27	26	25	24	23	22	21	20	19	18	17	16	15	14	13	12	11	10	9	8	7	6	5	4	3	2	1	0
RESERVED								SIGNATURE				RESERVED	LOCK_BIT	BINARY_DELAY																	

Bits	Field Name	Description	Type	Reset
31:18	RESERVED		R	0x0
17:12	SIGNATURE	Write to this register will succeed only if data on these bits carries a signature of 6'h29 (6'b101001)	RW	0x0
11	RESERVED		R	0x0
10	LOCK_BIT	When '1', prevents HW update to this MMR. When '0', allows HW update of this MMR.	RW	0x0
9:0	BINARY_DELAY	Delay Select Value in binary coded form. Indicates the number of coarse (9:5) and fine (4:0) delay elements to be used on the delay line connected to this pad.	RW	0x0

Table 18-2084. Register Call Summary for Register CFG_GPMC_AD8_OEN

IODELAYCONFIG Module Register Manual

- [IODELAYCONFIG Register Summary: \[0\]](#)

Table 18-2085. CFG_GPMC_AD8_OUT

Address Offset	0x0000 0314	Instance	IODELAYCONFIG
Physical Address	0x4844 A314		
Description	Delay Select Value in binary coded form for cfg_gpmc_ad8_out interface		
Type	RW		

31	30	29	28	27	26	25	24	23	22	21	20	19	18	17	16	15	14	13	12	11	10	9	8	7	6	5	4	3	2	1	0
RESERVED								SIGNATURE				RESERVED	LOCK_BIT	BINARY_DELAY																	

Bits	Field Name	Description	Type	Reset
31:18	RESERVED		R	0x0
17:12	SIGNATURE	Write to this register will succeed only if data on these bits carries a signature of 6'h29 (6'b101001)	RW	0x0
11	RESERVED		R	0x0
10	LOCK_BIT	When '1', prevents HW update to this MMR. When '0', allows HW update of this MMR.	RW	0x0
9:0	BINARY_DELAY	Delay Select Value in binary coded form. Indicates the number of coarse (9:5) and fine (4:0) delay elements to be used on the delay line connected to this pad.	RW	0x0

Table 18-2086. Register Call Summary for Register CFG_GPMC_AD8_OUT

IODELAYCONFIG Module Register Manual

- [IODELAYCONFIG Register Summary: \[0\]](#)

Table 18-2087. CFG_GPMC_AD9_IN

Address Offset	0x0000 0318	Instance	IODELAYCONFIG
Physical Address	0x4844 A318		
Description	Delay Select Value in binary coded form for cfg_gpmc_ad9_in interface		
Type	RW		

31	30	29	28	27	26	25	24	23	22	21	20	19	18	17	16	15	14	13	12	11	10	9	8	7	6	5	4	3	2	1	0
RESERVED														SIGNATURE				RESERVED	LOCK_BIT	BINARY_DELAY											

Bits	Field Name	Description	Type	Reset
31:18	RESERVED		R	0x0
17:12	SIGNATURE	Write to this register will succeed only if data on these bits carries a signature of 6'h29 (6'b101001)	RW	0x0
11	RESERVED		R	0x0
10	LOCK_BIT	When '1', prevents HW update to this MMR. When '0', allows HW update of this MMR.	RW	0x0
9:0	BINARY_DELAY	Delay Select Value in binary coded form. Indicates the number of coarse (9:5) and fine (4:0) delay elements to be used on the delay line connected to this pad.	RW	0x0

Table 18-2088. Register Call Summary for Register CFG_GPMC_AD9_IN

IODELAYCONFIG Module Register Manual

- [IODELAYCONFIG Register Summary: \[0\]](#)

Table 18-2089. CFG_GPMC_AD9_OEN

Address Offset	0x0000 031C	Instance	IODELAYCONFIG
Physical Address	0x4844 A31C		
Description	Delay Select Value in binary coded form for cfg_gpmc_ad9_oen interface		
Type	RW		

31	30	29	28	27	26	25	24	23	22	21	20	19	18	17	16	15	14	13	12	11	10	9	8	7	6	5	4	3	2	1	0
RESERVED														SIGNATURE				RESERVED	LOCK_BIT	BINARY_DELAY											

Bits	Field Name	Description	Type	Reset
31:18	RESERVED		R	0x0
17:12	SIGNATURE	Write to this register will succeed only if data on these bits carries a signature of 6'h29 (6'b101001)	RW	0x0
11	RESERVED		R	0x0
10	LOCK_BIT	When '1', prevents HW update to this MMR. When '0', allows HW update of this MMR.	RW	0x0
9:0	BINARY_DELAY	Delay Select Value in binary coded form. Indicates the number of coarse (9:5) and fine (4:0) delay elements to be used on the delay line connected to this pad.	RW	0x0

Table 18-2090. Register Call Summary for Register CFG_GPMC_AD9_OEN

IODELAYCONFIG Module Register Manual

- [IODELAYCONFIG Register Summary: \[0\]](#)

Table 18-2091. CFG_GPMC_AD9_OUT

Address Offset	0x0000 0320	Instance	IODELAYCONFIG
Physical Address	0x4844 A320		
Description	Delay Select Value in binary coded form for cfg_gpmc_ad9_out interface		
Type	RW		

31	30	29	28	27	26	25	24	23	22	21	20	19	18	17	16	15	14	13	12	11	10	9	8	7	6	5	4	3	2	1	0
RESERVED														SIGNATURE				RESERVED	LOCK_BIT	BINARY_DELAY											

Bits	Field Name	Description	Type	Reset
31:18	RESERVED		R	0x0
17:12	SIGNATURE	Write to this register will succeed only if data on these bits carries a signature of 6'h29 (6'b101001)	RW	0x0
11	RESERVED		R	0x0
10	LOCK_BIT	When '1', prevents HW update to this MMR. When '0', allows HW update of this MMR.	RW	0x0
9:0	BINARY_DELAY	Delay Select Value in binary coded form. Indicates the number of coarse (9:5) and fine (4:0) delay elements to be used on the delay line connected to this pad.	RW	0x0

Table 18-2092. Register Call Summary for Register CFG_GPMC_AD9_OUT

IODELAYCONFIG Module Register Manual

- [IODELAYCONFIG Register Summary: \[0\]](#)

Table 18-2093. CFG_GPMC_ADV_N_ALE_IN

Address Offset	0x0000 0324	Instance	IODELAYCONFIG
Physical Address	0x4844 A324		
Description	Delay Select Value in binary coded form for cfg_gpmc_adv_n_ale_in interface		
Type	RW		

31	30	29	28	27	26	25	24	23	22	21	20	19	18	17	16	15	14	13	12	11	10	9	8	7	6	5	4	3	2	1	0
RESERVED														SIGNATURE				RESERVED	LOCK_BIT	BINARY_DELAY											

Bits	Field Name	Description	Type	Reset
31:18	RESERVED		R	0x0
17:12	SIGNATURE	Write to this register will succeed only if data on these bits carries a signature of 6'h29 (6'b101001)	RW	0x0
11	RESERVED		R	0x0

Bits	Field Name	Description	Type	Reset
10	LOCK_BIT	When '1', prevents HW update to this MMR. When '0', allows HW update of this MMR.	RW	0x0
9:0	BINARY_DELAY	Delay Select Value in binary coded form. Indicates the number of coarse (9:5) and fine (4:0) delay elements to be used on the delay line connected to this pad.	RW	0x0

Table 18-2094. Register Call Summary for Register CFG_GPMC_ADV_N_ALE_IN

IODELAYCONFIG Module Register Manual

- [IODELAYCONFIG Register Summary: \[0\]](#)

Table 18-2095. CFG_GPMC_ADV_N_ALE_OEN

Address Offset	0x0000 0328	Instance	IODELAYCONFIG
Physical Address	0x4844 A328		
Description	Delay Select Value in binary coded form for cfg_gpmc_adv_n_ale_oen interface		
Type	RW		

31	30	29	28	27	26	25	24	23	22	21	20	19	18	17	16	15	14	13	12	11	10	9	8	7	6	5	4	3	2	1	0
RESERVED								SIGNATURE								RESERVED	LOCK_BIT	BINARY_DELAY													

Bits	Field Name	Description	Type	Reset
31:18	RESERVED		R	0x0
17:12	SIGNATURE	Write to this register will succeed only if data on these bits carries a signature of 6'h29 (6'b101001)	RW	0x0
11	RESERVED		R	0x0
10	LOCK_BIT	When '1', prevents HW update to this MMR. When '0', allows HW update of this MMR.	RW	0x0
9:0	BINARY_DELAY	Delay Select Value in binary coded form. Indicates the number of coarse (9:5) and fine (4:0) delay elements to be used on the delay line connected to this pad.	RW	0x0

Table 18-2096. Register Call Summary for Register CFG_GPMC_ADV_N_ALE_OEN

IODELAYCONFIG Module Register Manual

- [IODELAYCONFIG Register Summary: \[0\]](#)

Table 18-2097. CFG_GPMC_ADV_N_ALE_OUT

Address Offset	0x0000 032C	Instance	IODELAYCONFIG
Physical Address	0x4844 A32C		
Description	Delay Select Value in binary coded form for cfg_gpmc_adv_n_ale_out interface		
Type	RW		

31	30	29	28	27	26	25	24	23	22	21	20	19	18	17	16	15	14	13	12	11	10	9	8	7	6	5	4	3	2	1	0
RESERVED								SIGNATURE								RESERVED	LOCK_BIT	BINARY_DELAY													

Bits	Field Name	Description	Type	Reset
31:18	RESERVED		R	0x0
17:12	SIGNATURE	Write to this register will succeed only if data on these bits carries a signature of 6'h29 (6'b101001)	RW	0x0
11	RESERVED		R	0x0
10	LOCK_BIT	When '1', prevents HW update to this MMR. When '0', allows HW update of this MMR.	RW	0x0
9:0	BINARY_DELAY	Delay Select Value in binary coded form. Indicates the number of coarse (9:5) and fine (4:0) delay elements to be used on the delay line connected to this pad.	RW	0x0

Table 18-2098. Register Call Summary for Register CFG_GPMC_ADV_NALE_OUT

IODELAYCONFIG Module Register Manual

- [IODELAYCONFIG Register Summary: \[0\]](#)

Table 18-2099. CFG_GPMC_BEN0_IN

Address Offset	0x0000 0330	Instance	IODELAYCONFIG
Physical Address	0x4844 A330		
Description	Delay Select Value in binary coded form for cfg_gpmc_ben0_in interface		
Type	RW		

31	30	29	28	27	26	25	24	23	22	21	20	19	18	17	16	15	14	13	12	11	10	9	8	7	6	5	4	3	2	1	0
RESERVED								SIGNATURE				RESERVED	LOCK_BIT	BINARY_DELAY																	

Bits	Field Name	Description	Type	Reset
31:18	RESERVED		R	0x0
17:12	SIGNATURE	Write to this register will succeed only if data on these bits carries a signature of 6'h29 (6'b101001)	RW	0x0
11	RESERVED		R	0x0
10	LOCK_BIT	When '1', prevents HW update to this MMR. When '0', allows HW update of this MMR.	RW	0x0
9:0	BINARY_DELAY	Delay Select Value in binary coded form. Indicates the number of coarse (9:5) and fine (4:0) delay elements to be used on the delay line connected to this pad.	RW	0x0

Table 18-2100. Register Call Summary for Register CFG_GPMC_BEN0_IN

IODELAYCONFIG Module Register Manual

- [IODELAYCONFIG Register Summary: \[0\]](#)

Table 18-2101. CFG_GPMC_BEN0_OEN

Address Offset	0x0000 0334	Instance	IODELAYCONFIG
Physical Address	0x4844 A334		
Description	Delay Select Value in binary coded form for cfg_gpmc_ben0_oen interface		
Type	RW		

31	30	29	28	27	26	25	24	23	22	21	20	19	18	17	16	15	14	13	12	11	10	9	8	7	6	5	4	3	2	1	0
RESERVED														SIGNATURE				RESERVED	LOCK_BIT	BINARY_DELAY											

Bits	Field Name	Description	Type	Reset
31:18	RESERVED		R	0x0
17:12	SIGNATURE	Write to this register will succeed only if data on these bits carries a signature of 6'h29 (6'b101001)	RW	0x0
11	RESERVED		R	0x0
10	LOCK_BIT	When '1', prevents HW update to this MMR. When '0', allows HW update of this MMR.	RW	0x0
9:0	BINARY_DELAY	Delay Select Value in binary coded form. Indicates the number of coarse (9:5) and fine (4:0) delay elements to be used on the delay line connected to this pad.	RW	0x0

Table 18-2102. Register Call Summary for Register CFG_GPMC_BEN0_OEN

IODELAYCONFIG Module Register Manual

- [IODELAYCONFIG Register Summary: \[0\]](#)

Table 18-2103. CFG_GPMC_BEN0_OUT

Address Offset	0x0000 0338	Instance	IODELAYCONFIG
Physical Address	0x4844 A338		
Description	Delay Select Value in binary coded form for cfg_gpmc_ben0_out interface		
Type	RW		

31	30	29	28	27	26	25	24	23	22	21	20	19	18	17	16	15	14	13	12	11	10	9	8	7	6	5	4	3	2	1	0
RESERVED														SIGNATURE				RESERVED	LOCK_BIT	BINARY_DELAY											

Bits	Field Name	Description	Type	Reset
31:18	RESERVED		R	0x0
17:12	SIGNATURE	Write to this register will succeed only if data on these bits carries a signature of 6'h29 (6'b101001)	RW	0x0
11	RESERVED		R	0x0
10	LOCK_BIT	When '1', prevents HW update to this MMR. When '0', allows HW update of this MMR.	RW	0x0
9:0	BINARY_DELAY	Delay Select Value in binary coded form. Indicates the number of coarse (9:5) and fine (4:0) delay elements to be used on the delay line connected to this pad.	RW	0x0

Table 18-2104. Register Call Summary for Register CFG_GPMC_BEN0_OUT

IODELAYCONFIG Module Register Manual

- [IODELAYCONFIG Register Summary: \[0\]](#)

Table 18-2105. CFG_GPMC_BEN1_IN

Address Offset	0x0000 033C	Instance	IODELAYCONFIG
Physical Address	0x4844 A33C		
Description	Delay Select Value in binary coded form for cfg_gpmc_ben1_in interface		
Type	RW		

31	30	29	28	27	26	25	24	23	22	21	20	19	18	17	16	15	14	13	12	11	10	9	8	7	6	5	4	3	2	1	0
RESERVED														SIGNATURE				RESERVED	LOCK_BIT	BINARY_DELAY											

Bits	Field Name	Description	Type	Reset
31:18	RESERVED		R	0x0
17:12	SIGNATURE	Write to this register will succeed only if data on these bits carries a signature of 6'h29 (6'b101001)	RW	0x0
11	RESERVED		R	0x0
10	LOCK_BIT	When '1', prevents HW update to this MMR. When '0', allows HW update of this MMR.	RW	0x0
9:0	BINARY_DELAY	Delay Select Value in binary coded form. Indicates the number of coarse (9:5) and fine (4:0) delay elements to be used on the delay line connected to this pad.	RW	0x0

Table 18-2106. Register Call Summary for Register CFG_GPMC_BEN1_IN

IODELAYCONFIG Module Register Manual

- [IODELAYCONFIG Register Summary: \[0\]](#)

Table 18-2107. CFG_GPMC_BEN1_OEN

Address Offset	0x0000 0340	Instance	IODELAYCONFIG
Physical Address	0x4844 A340		
Description	Delay Select Value in binary coded form for cfg_gpmc_ben1_oen interface		
Type	RW		

31	30	29	28	27	26	25	24	23	22	21	20	19	18	17	16	15	14	13	12	11	10	9	8	7	6	5	4	3	2	1	0
RESERVED														SIGNATURE				RESERVED	LOCK_BIT	BINARY_DELAY											

Bits	Field Name	Description	Type	Reset
31:18	RESERVED		R	0x0
17:12	SIGNATURE	Write to this register will succeed only if data on these bits carries a signature of 6'h29 (6'b101001)	RW	0x0
11	RESERVED		R	0x0
10	LOCK_BIT	When '1', prevents HW update to this MMR. When '0', allows HW update of this MMR.	RW	0x0
9:0	BINARY_DELAY	Delay Select Value in binary coded form. Indicates the number of coarse (9:5) and fine (4:0) delay elements to be used on the delay line connected to this pad.	RW	0x0

Table 18-2108. Register Call Summary for Register CFG_GPMC_BEN1_OEN

IODELAYCONFIG Module Register Manual

- [IODELAYCONFIG Register Summary: \[0\]](#)

Table 18-2109. CFG_GPMC_BEN1_OUT

Address Offset	0x0000 0344	Instance	IODELAYCONFIG
Physical Address	0x4844 A344		
Description	Delay Select Value in binary coded form for cfg_gpmc_ben1_out interface		
Type	RW		

31	30	29	28	27	26	25	24	23	22	21	20	19	18	17	16	15	14	13	12	11	10	9	8	7	6	5	4	3	2	1	0
RESERVED														SIGNATURE				RESERVED	LOCK_BIT	BINARY_DELAY											

Bits	Field Name	Description	Type	Reset
31:18	RESERVED		R	0x0
17:12	SIGNATURE	Write to this register will succeed only if data on these bits carries a signature of 6'h29 (6'b101001)	RW	0x0
11	RESERVED		R	0x0
10	LOCK_BIT	When '1', prevents HW update to this MMR. When '0', allows HW update of this MMR.	RW	0x0
9:0	BINARY_DELAY	Delay Select Value in binary coded form. Indicates the number of coarse (9:5) and fine (4:0) delay elements to be used on the delay line connected to this pad.	RW	0x0

Table 18-2110. Register Call Summary for Register CFG_GPMC_BEN1_OUT

IODELAYCONFIG Module Register Manual

- [IODELAYCONFIG Register Summary: \[0\]](#)

Table 18-2111. CFG_GPMC_CLK_IN

Address Offset	0x0000 0348	Instance	IODELAYCONFIG
Physical Address	0x4844 A348		
Description	Delay Select Value in binary coded form for cfg_gpmc_clk_in interface		
Type	RW		

31	30	29	28	27	26	25	24	23	22	21	20	19	18	17	16	15	14	13	12	11	10	9	8	7	6	5	4	3	2	1	0
RESERVED														SIGNATURE				RESERVED	LOCK_BIT	BINARY_DELAY											

Bits	Field Name	Description	Type	Reset
31:18	RESERVED		R	0x0
17:12	SIGNATURE	Write to this register will succeed only if data on these bits carries a signature of 6'h29 (6'b101001)	RW	0x0
11	RESERVED		R	0x0

Bits	Field Name	Description	Type	Reset
10	LOCK_BIT	When '1', prevents HW update to this MMR. When '0', allows HW update of this MMR.	RW	0x0
9:0	BINARY_DELAY	Delay Select Value in binary coded form. Indicates the number of coarse (9:5) and fine (4:0) delay elements to be used on the delay line connected to this pad.	RW	0x0

Table 18-2112. Register Call Summary for Register CFG_GPMC_CLK_IN

IODELAYCONFIG Module Register Manual

- [IODELAYCONFIG Register Summary: \[0\]](#)

Table 18-2113. CFG_GPMC_CLK_OEN

Address Offset	0x0000 034C	Instance	IODELAYCONFIG
Physical Address	0x4844 A34C		
Description	Delay Select Value in binary coded form for cfg_gpmc_clk_oen interface		
Type	RW		

31	30	29	28	27	26	25	24	23	22	21	20	19	18	17	16	15	14	13	12	11	10	9	8	7	6	5	4	3	2	1	0
RESERVED								SIGNATURE								RESERVED	LOCK_BIT	BINARY_DELAY													

Bits	Field Name	Description	Type	Reset
31:18	RESERVED		R	0x0
17:12	SIGNATURE	Write to this register will succeed only if data on these bits carries a signature of 6'h29 (6'b101001)	RW	0x0
11	RESERVED		R	0x0
10	LOCK_BIT	When '1', prevents HW update to this MMR. When '0', allows HW update of this MMR.	RW	0x0
9:0	BINARY_DELAY	Delay Select Value in binary coded form. Indicates the number of coarse (9:5) and fine (4:0) delay elements to be used on the delay line connected to this pad.	RW	0x0

Table 18-2114. Register Call Summary for Register CFG_GPMC_CLK_OEN

IODELAYCONFIG Module Register Manual

- [IODELAYCONFIG Register Summary: \[0\]](#)

Table 18-2115. CFG_GPMC_CLK_OUT

Address Offset	0x0000 0350	Instance	IODELAYCONFIG
Physical Address	0x4844 A350		
Description	Delay Select Value in binary coded form for cfg_gpmc_clk_out interface		
Type	RW		

31	30	29	28	27	26	25	24	23	22	21	20	19	18	17	16	15	14	13	12	11	10	9	8	7	6	5	4	3	2	1	0
RESERVED								SIGNATURE								RESERVED	LOCK_BIT	BINARY_DELAY													

Bits	Field Name	Description	Type	Reset
31:18	RESERVED		R	0x0
17:12	SIGNATURE	Write to this register will succeed only if data on these bits carries a signature of 6'h29 (6'b101001)	RW	0x0
11	RESERVED		R	0x0
10	LOCK_BIT	When '1', prevents HW update to this MMR. When '0', allows HW update of this MMR.	RW	0x0
9:0	BINARY_DELAY	Delay Select Value in binary coded form. Indicates the number of coarse (9:5) and fine (4:0) delay elements to be used on the delay line connected to this pad.	RW	0x0

Table 18-2116. Register Call Summary for Register CFG_GPMC_CLK_OUT

IODELAYCONFIG Module Register Manual

- [IODELAYCONFIG Register Summary: \[0\]](#)

Table 18-2117. CFG_GPMC_CS0_IN

Address Offset	0x0000 0354	Instance	IODELAYCONFIG
Physical Address	0x4844 A354		
Description	Delay Select Value in binary coded form for cfg_gpmc_cs0_in interface		
Type	RW		

31	30	29	28	27	26	25	24	23	22	21	20	19	18	17	16	15	14	13	12	11	10	9	8	7	6	5	4	3	2	1	0
RESERVED								SIGNATURE				RESERVED	LOCK_BIT	BINARY_DELAY																	

Bits	Field Name	Description	Type	Reset
31:18	RESERVED		R	0x0
17:12	SIGNATURE	Write to this register will succeed only if data on these bits carries a signature of 6'h29 (6'b101001)	RW	0x0
11	RESERVED		R	0x0
10	LOCK_BIT	When '1', prevents HW update to this MMR. When '0', allows HW update of this MMR.	RW	0x0
9:0	BINARY_DELAY	Delay Select Value in binary coded form. Indicates the number of coarse (9:5) and fine (4:0) delay elements to be used on the delay line connected to this pad.	RW	0x0

Table 18-2118. Register Call Summary for Register CFG_GPMC_CS0_IN

IODELAYCONFIG Module Register Manual

- [IODELAYCONFIG Register Summary: \[0\]](#)

Table 18-2119. CFG_GPMC_CS0_OEN

Address Offset	0x0000 0358	Instance	IODELAYCONFIG
Physical Address	0x4844 A358		
Description	Delay Select Value in binary coded form for cfg_gpmc_cs0_oen interface		
Type	RW		

31	30	29	28	27	26	25	24	23	22	21	20	19	18	17	16	15	14	13	12	11	10	9	8	7	6	5	4	3	2	1	0
RESERVED								SIGNATURE				RESERVED	LOCK_BIT	BINARY_DELAY																	

Bits	Field Name	Description	Type	Reset
31:18	RESERVED		R	0x0
17:12	SIGNATURE	Write to this register will succeed only if data on these bits carries a signature of 6'h29 (6'b101001)	RW	0x0
11	RESERVED		R	0x0
10	LOCK_BIT	When '1', prevents HW update to this MMR. When '0', allows HW update of this MMR.	RW	0x0
9:0	BINARY_DELAY	Delay Select Value in binary coded form. Indicates the number of coarse (9:5) and fine (4:0) delay elements to be used on the delay line connected to this pad.	RW	0x0

Table 18-2120. Register Call Summary for Register CFG_GPMC_CS0_OEN

IODELAYCONFIG Module Register Manual

- [IODELAYCONFIG Register Summary: \[0\]](#)

Table 18-2121. CFG_GPMC_CS0_OUT

Address Offset	0x0000 035C	Instance	IODELAYCONFIG
Physical Address	0x4844 A35C		
Description	Delay Select Value in binary coded form for cfg_gpmc_cs0_out interface		
Type	RW		

31	30	29	28	27	26	25	24	23	22	21	20	19	18	17	16	15	14	13	12	11	10	9	8	7	6	5	4	3	2	1	0
RESERVED								SIGNATURE				RESERVED	LOCK_BIT	BINARY_DELAY																	

Bits	Field Name	Description	Type	Reset
31:18	RESERVED		R	0x0
17:12	SIGNATURE	Write to this register will succeed only if data on these bits carries a signature of 6'h29 (6'b101001)	RW	0x0
11	RESERVED		R	0x0
10	LOCK_BIT	When '1', prevents HW update to this MMR. When '0', allows HW update of this MMR.	RW	0x0
9:0	BINARY_DELAY	Delay Select Value in binary coded form. Indicates the number of coarse (9:5) and fine (4:0) delay elements to be used on the delay line connected to this pad.	RW	0x0

Table 18-2122. Register Call Summary for Register CFG_GPMC_CS0_OUT

IODELAYCONFIG Module Register Manual

- [IODELAYCONFIG Register Summary: \[0\]](#)

Table 18-2123. CFG_GPMC_CS1_IN

Address Offset	0x0000 0360	Instance	IODELAYCONFIG
Physical Address	0x4844 A360		
Description	Delay Select Value in binary coded form for cfg_gpmc_cs1_in interface		
Type	RW		

31	30	29	28	27	26	25	24	23	22	21	20	19	18	17	16	15	14	13	12	11	10	9	8	7	6	5	4	3	2	1	0
RESERVED														SIGNATURE				RESERVED	LOCK_BIT	BINARY_DELAY											

Bits	Field Name	Description	Type	Reset
31:18	RESERVED		R	0x0
17:12	SIGNATURE	Write to this register will succeed only if data on these bits carries a signature of 6'h29 (6'b101001)	RW	0x0
11	RESERVED		R	0x0
10	LOCK_BIT	When '1', prevents HW update to this MMR. When '0', allows HW update of this MMR.	RW	0x0
9:0	BINARY_DELAY	Delay Select Value in binary coded form. Indicates the number of coarse (9:5) and fine (4:0) delay elements to be used on the delay line connected to this pad.	RW	0x0

Table 18-2124. Register Call Summary for Register CFG_GPMC_CS1_IN

IODELAYCONFIG Module Register Manual

- [IODELAYCONFIG Register Summary: \[0\]](#)

Table 18-2125. CFG_GPMC_CS1_OEN

Address Offset	0x0000 0364	Instance	IODELAYCONFIG
Physical Address	0x4844 A364		
Description	Delay Select Value in binary coded form for cfg_gpmc_cs1_oen interface		
Type	RW		

31	30	29	28	27	26	25	24	23	22	21	20	19	18	17	16	15	14	13	12	11	10	9	8	7	6	5	4	3	2	1	0
RESERVED														SIGNATURE				RESERVED	LOCK_BIT	BINARY_DELAY											

Bits	Field Name	Description	Type	Reset
31:18	RESERVED		R	0x0
17:12	SIGNATURE	Write to this register will succeed only if data on these bits carries a signature of 6'h29 (6'b101001)	RW	0x0
11	RESERVED		R	0x0
10	LOCK_BIT	When '1', prevents HW update to this MMR. When '0', allows HW update of this MMR.	RW	0x0
9:0	BINARY_DELAY	Delay Select Value in binary coded form. Indicates the number of coarse (9:5) and fine (4:0) delay elements to be used on the delay line connected to this pad.	RW	0x0

Table 18-2126. Register Call Summary for Register CFG_GPMC_CS1_OEN

IODELAYCONFIG Module Register Manual

- [IODELAYCONFIG Register Summary: \[0\]](#)

Table 18-2127. CFG_GPMC_CS1_OUT

Address Offset	0x0000 0368	Instance	IODELAYCONFIG
Physical Address	0x4844 A368		
Description	Delay Select Value in binary coded form for cfg_gpmc_cs1_out interface		
Type	RW		

31	30	29	28	27	26	25	24	23	22	21	20	19	18	17	16	15	14	13	12	11	10	9	8	7	6	5	4	3	2	1	0
RESERVED														SIGNATURE				RESERVED	LOCK_BIT	BINARY_DELAY											

Bits	Field Name	Description	Type	Reset
31:18	RESERVED		R	0x0
17:12	SIGNATURE	Write to this register will succeed only if data on these bits carries a signature of 6'h29 (6'b101001)	RW	0x0
11	RESERVED		R	0x0
10	LOCK_BIT	When '1', prevents HW update to this MMR. When '0', allows HW update of this MMR.	RW	0x0
9:0	BINARY_DELAY	Delay Select Value in binary coded form. Indicates the number of coarse (9:5) and fine (4:0) delay elements to be used on the delay line connected to this pad.	RW	0x0

Table 18-2128. Register Call Summary for Register CFG_GPMC_CS1_OUT

IODELAYCONFIG Module Register Manual

- [IODELAYCONFIG Register Summary: \[0\]](#)

Table 18-2129. CFG_GPMC_CS2_IN

Address Offset	0x0000 036C	Instance	IODELAYCONFIG
Physical Address	0x4844 A36C		
Description	Delay Select Value in binary coded form for cfg_gpmc_cs2_in interface		
Type	RW		

31	30	29	28	27	26	25	24	23	22	21	20	19	18	17	16	15	14	13	12	11	10	9	8	7	6	5	4	3	2	1	0
RESERVED														SIGNATURE				RESERVED	LOCK_BIT	BINARY_DELAY											

Bits	Field Name	Description	Type	Reset
31:18	RESERVED		R	0x0
17:12	SIGNATURE	Write to this register will succeed only if data on these bits carries a signature of 6'h29 (6'b101001)	RW	0x0
11	RESERVED		R	0x0

Bits	Field Name	Description	Type	Reset
10	LOCK_BIT	When '1', prevents HW update to this MMR. When '0', allows HW update of this MMR.	RW	0x0
9:0	BINARY_DELAY	Delay Select Value in binary coded form. Indicates the number of coarse (9:5) and fine (4:0) delay elements to be used on the delay line connected to this pad.	RW	0x0

Table 18-2130. Register Call Summary for Register CFG_GPMC_CS2_IN

IODELAYCONFIG Module Register Manual

- [IODELAYCONFIG Register Summary: \[0\]](#)

Table 18-2131. CFG_GPMC_CS2_OEN

Address Offset	0x0000 0370	Instance	IODELAYCONFIG
Physical Address	0x4844 A370		
Description	Delay Select Value in binary coded form for cfg_gpmc_cs2_oen interface		
Type	RW		

31	30	29	28	27	26	25	24	23	22	21	20	19	18	17	16	15	14	13	12	11	10	9	8	7	6	5	4	3	2	1	0
RESERVED								SIGNATURE								RESERVED	LOCK_BIT	BINARY_DELAY													

Bits	Field Name	Description	Type	Reset
31:18	RESERVED		R	0x0
17:12	SIGNATURE	Write to this register will succeed only if data on these bits carries a signature of 6'h29 (6'b101001)	RW	0x0
11	RESERVED		R	0x0
10	LOCK_BIT	When '1', prevents HW update to this MMR. When '0', allows HW update of this MMR.	RW	0x0
9:0	BINARY_DELAY	Delay Select Value in binary coded form. Indicates the number of coarse (9:5) and fine (4:0) delay elements to be used on the delay line connected to this pad.	RW	0x0

Table 18-2132. Register Call Summary for Register CFG_GPMC_CS2_OEN

IODELAYCONFIG Module Register Manual

- [IODELAYCONFIG Register Summary: \[0\]](#)

Table 18-2133. CFG_GPMC_CS2_OUT

Address Offset	0x0000 0374	Instance	IODELAYCONFIG
Physical Address	0x4844 A374		
Description	Delay Select Value in binary coded form for cfg_gpmc_cs2_out interface		
Type	RW		

31	30	29	28	27	26	25	24	23	22	21	20	19	18	17	16	15	14	13	12	11	10	9	8	7	6	5	4	3	2	1	0
RESERVED								SIGNATURE								RESERVED	LOCK_BIT	BINARY_DELAY													

Bits	Field Name	Description	Type	Reset
31:18	RESERVED		R	0x0
17:12	SIGNATURE	Write to this register will succeed only if data on these bits carries a signature of 6'h29 (6'b101001)	RW	0x0
11	RESERVED		R	0x0
10	LOCK_BIT	When '1', prevents HW update to this MMR. When '0', allows HW update of this MMR.	RW	0x0
9:0	BINARY_DELAY	Delay Select Value in binary coded form. Indicates the number of coarse (9:5) and fine (4:0) delay elements to be used on the delay line connected to this pad.	RW	0x0

Table 18-2134. Register Call Summary for Register CFG_GPMC_CS2_OUT

IODELAYCONFIG Module Register Manual

- [IODELAYCONFIG Register Summary: \[0\]](#)

Table 18-2135. CFG_GPMC_CS3_IN

Address Offset	0x0000 0378	Instance	IODELAYCONFIG
Physical Address	0x4844 A378		
Description	Delay Select Value in binary coded form for cfg_gpmc_cs3_in interface		
Type	RW		

31	30	29	28	27	26	25	24	23	22	21	20	19	18	17	16	15	14	13	12	11	10	9	8	7	6	5	4	3	2	1	0
RESERVED								SIGNATURE				RESERVED	LOCK_BIT	BINARY_DELAY																	

Bits	Field Name	Description	Type	Reset
31:18	RESERVED		R	0x0
17:12	SIGNATURE	Write to this register will succeed only if data on these bits carries a signature of 6'h29 (6'b101001)	RW	0x0
11	RESERVED		R	0x0
10	LOCK_BIT	When '1', prevents HW update to this MMR. When '0', allows HW update of this MMR.	RW	0x0
9:0	BINARY_DELAY	Delay Select Value in binary coded form. Indicates the number of coarse (9:5) and fine (4:0) delay elements to be used on the delay line connected to this pad.	RW	0x0

Table 18-2136. Register Call Summary for Register CFG_GPMC_CS3_IN

IODELAYCONFIG Module Register Manual

- [IODELAYCONFIG Register Summary: \[0\]](#)

Table 18-2137. CFG_GPMC_CS3_OEN

Address Offset	0x0000 037C	Instance	IODELAYCONFIG
Physical Address	0x4844 A37C		
Description	Delay Select Value in binary coded form for cfg_gpmc_cs3_oen interface		
Type	RW		

31	30	29	28	27	26	25	24	23	22	21	20	19	18	17	16	15	14	13	12	11	10	9	8	7	6	5	4	3	2	1	0
RESERVED														SIGNATURE				RESERVED	LOCK_BIT	BINARY_DELAY											

Bits	Field Name	Description	Type	Reset
31:18	RESERVED		R	0x0
17:12	SIGNATURE	Write to this register will succeed only if data on these bits carries a signature of 6'h29 (6'b101001)	RW	0x0
11	RESERVED		R	0x0
10	LOCK_BIT	When '1', prevents HW update to this MMR. When '0', allows HW update of this MMR.	RW	0x0
9:0	BINARY_DELAY	Delay Select Value in binary coded form. Indicates the number of coarse (9:5) and fine (4:0) delay elements to be used on the delay line connected to this pad.	RW	0x0

Table 18-2138. Register Call Summary for Register CFG_GPMC_CS3_OEN

IODELAYCONFIG Module Register Manual

- [IODELAYCONFIG Register Summary: \[0\]](#)

Table 18-2139. CFG_GPMC_CS3_OUT

Address Offset	0x0000 0380	Instance	IODELAYCONFIG
Physical Address	0x4844 A380		
Description	Delay Select Value in binary coded form for cfg_gpmc_cs3_out interface		
Type	RW		

31	30	29	28	27	26	25	24	23	22	21	20	19	18	17	16	15	14	13	12	11	10	9	8	7	6	5	4	3	2	1	0
RESERVED														SIGNATURE				RESERVED	LOCK_BIT	BINARY_DELAY											

Bits	Field Name	Description	Type	Reset
31:18	RESERVED		R	0x0
17:12	SIGNATURE	Write to this register will succeed only if data on these bits carries a signature of 6'h29 (6'b101001)	RW	0x0
11	RESERVED		R	0x0
10	LOCK_BIT	When '1', prevents HW update to this MMR. When '0', allows HW update of this MMR.	RW	0x0
9:0	BINARY_DELAY	Delay Select Value in binary coded form. Indicates the number of coarse (9:5) and fine (4:0) delay elements to be used on the delay line connected to this pad.	RW	0x0

Table 18-2140. Register Call Summary for Register CFG_GPMC_CS3_OUT

IODELAYCONFIG Module Register Manual

- [IODELAYCONFIG Register Summary: \[0\]](#)

Table 18-2141. CFG_GPMC_OEN_REN_IN

Address Offset	0x0000 0384	Instance	IODELAYCONFIG
Physical Address	0x4844 A384		
Description	Delay Select Value in binary coded form for cfg_gpmc_oen_ren_in interface		
Type	RW		

31	30	29	28	27	26	25	24	23	22	21	20	19	18	17	16	15	14	13	12	11	10	9	8	7	6	5	4	3	2	1	0
RESERVED														SIGNATURE				RESERVED	LOCK_BIT	BINARY_DELAY											

Bits	Field Name	Description	Type	Reset
31:18	RESERVED		R	0x0
17:12	SIGNATURE	Write to this register will succeed only if data on these bits carries a signature of 6'h29 (6'b101001)	RW	0x0
11	RESERVED		R	0x0
10	LOCK_BIT	When '1', prevents HW update to this MMR. When '0', allows HW update of this MMR.	RW	0x0
9:0	BINARY_DELAY	Delay Select Value in binary coded form. Indicates the number of coarse (9:5) and fine (4:0) delay elements to be used on the delay line connected to this pad.	RW	0x0

Table 18-2142. Register Call Summary for Register CFG_GPMC_OEN_REN_IN

IODELAYCONFIG Module Register Manual

- [IODELAYCONFIG Register Summary: \[0\]](#)

Table 18-2143. CFG_GPMC_OEN_REN_OEN

Address Offset	0x0000 0388	Instance	IODELAYCONFIG
Physical Address	0x4844 A388		
Description	Delay Select Value in binary coded form for cfg_gpmc_oen_ren_oen interface		
Type	RW		

31	30	29	28	27	26	25	24	23	22	21	20	19	18	17	16	15	14	13	12	11	10	9	8	7	6	5	4	3	2	1	0
RESERVED														SIGNATURE				RESERVED	LOCK_BIT	BINARY_DELAY											

Bits	Field Name	Description	Type	Reset
31:18	RESERVED		R	0x0
17:12	SIGNATURE	Write to this register will succeed only if data on these bits carries a signature of 6'h29 (6'b101001)	RW	0x0
11	RESERVED		R	0x0
10	LOCK_BIT	When '1', prevents HW update to this MMR. When '0', allows HW update of this MMR.	RW	0x0
9:0	BINARY_DELAY	Delay Select Value in binary coded form. Indicates the number of coarse (9:5) and fine (4:0) delay elements to be used on the delay line connected to this pad.	RW	0x0

Table 18-2144. Register Call Summary for Register CFG_GPMC_OEN_REN_OEN

IODELAYCONFIG Module Register Manual

- [IODELAYCONFIG Register Summary: \[0\]](#)

Table 18-2145. CFG_GPMC_OEN_REN_OUT

Address Offset	0x0000 038C	Instance	IODELAYCONFIG
Physical Address	0x4844 A38C		
Description	Delay Select Value in binary coded form for cfg_gpmc_oen_ren_out interface		
Type	RW		

31	30	29	28	27	26	25	24	23	22	21	20	19	18	17	16	15	14	13	12	11	10	9	8	7	6	5	4	3	2	1	0
RESERVED														SIGNATURE				RESERVED	LOCK_BIT	BINARY_DELAY											

Bits	Field Name	Description	Type	Reset
31:18	RESERVED		R	0x0
17:12	SIGNATURE	Write to this register will succeed only if data on these bits carries a signature of 6'h29 (6'b101001)	RW	0x0
11	RESERVED		R	0x0
10	LOCK_BIT	When '1', prevents HW update to this MMR. When '0', allows HW update of this MMR.	RW	0x0
9:0	BINARY_DELAY	Delay Select Value in binary coded form. Indicates the number of coarse (9:5) and fine (4:0) delay elements to be used on the delay line connected to this pad.	RW	0x0

Table 18-2146. Register Call Summary for Register CFG_GPMC_OEN_REN_OUT

IODELAYCONFIG Module Register Manual

- [IODELAYCONFIG Register Summary: \[0\]](#)

Table 18-2147. CFG_GPMC_WAIT0_IN

Address Offset	0x0000 0390	Instance	IODELAYCONFIG
Physical Address	0x4844 A390		
Description	Delay Select Value in binary coded form for cfg_gpmc_wait0_in interface		
Type	RW		

31	30	29	28	27	26	25	24	23	22	21	20	19	18	17	16	15	14	13	12	11	10	9	8	7	6	5	4	3	2	1	0
RESERVED														SIGNATURE				RESERVED	LOCK_BIT	BINARY_DELAY											

Bits	Field Name	Description	Type	Reset
31:18	RESERVED		R	0x0
17:12	SIGNATURE	Write to this register will succeed only if data on these bits carries a signature of 6'h29 (6'b101001)	RW	0x0
11	RESERVED		R	0x0

Bits	Field Name	Description	Type	Reset
10	LOCK_BIT	When '1', prevents HW update to this MMR. When '0', allows HW update of this MMR.	RW	0x0
9:0	BINARY_DELAY	Delay Select Value in binary coded form. Indicates the number of coarse (9:5) and fine (4:0) delay elements to be used on the delay line connected to this pad.	RW	0x0

Table 18-2148. Register Call Summary for Register CFG_GPMC_WAIT0_IN

IODELAYCONFIG Module Register Manual

- [IODELAYCONFIG Register Summary: \[0\]](#)

Table 18-2149. CFG_GPMC_WAIT0_OEN

Address Offset	0x0000 0394	Instance	IODELAYCONFIG
Physical Address	0x4844 A394		
Description	Delay Select Value in binary coded form for cfg_gpmc_wait0_oen interface		
Type	RW		

31	30	29	28	27	26	25	24	23	22	21	20	19	18	17	16	15	14	13	12	11	10	9	8	7	6	5	4	3	2	1	0
RESERVED								SIGNATURE				RESERVED	LOCK_BIT	BINARY_DELAY																	

Bits	Field Name	Description	Type	Reset
31:18	RESERVED		R	0x0
17:12	SIGNATURE	Write to this register will succeed only if data on these bits carries a signature of 6'h29 (6'b101001)	RW	0x0
11	RESERVED		R	0x0
10	LOCK_BIT	When '1', prevents HW update to this MMR. When '0', allows HW update of this MMR.	RW	0x0
9:0	BINARY_DELAY	Delay Select Value in binary coded form. Indicates the number of coarse (9:5) and fine (4:0) delay elements to be used on the delay line connected to this pad.	RW	0x0

Table 18-2150. Register Call Summary for Register CFG_GPMC_WAIT0_OEN

IODELAYCONFIG Module Register Manual

- [IODELAYCONFIG Register Summary: \[0\]](#)

Table 18-2151. CFG_GPMC_WAIT0_OUT

Address Offset	0x0000 0398	Instance	IODELAYCONFIG
Physical Address	0x4844 A398		
Description	Delay Select Value in binary coded form for cfg_gpmc_wait0_out interface		
Type	RW		

31	30	29	28	27	26	25	24	23	22	21	20	19	18	17	16	15	14	13	12	11	10	9	8	7	6	5	4	3	2	1	0
RESERVED								SIGNATURE				RESERVED	LOCK_BIT	BINARY_DELAY																	

Bits	Field Name	Description	Type	Reset
31:18	RESERVED		R	0x0
17:12	SIGNATURE	Write to this register will succeed only if data on these bits carries a signature of 6'h29 (6'b101001)	RW	0x0
11	RESERVED		R	0x0
10	LOCK_BIT	When '1', prevents HW update to this MMR. When '0', allows HW update of this MMR.	RW	0x0
9:0	BINARY_DELAY	Delay Select Value in binary coded form. Indicates the number of coarse (9:5) and fine (4:0) delay elements to be used on the delay line connected to this pad.	RW	0x0

Table 18-2152. Register Call Summary for Register CFG_GPMC_WAIT0_OUT

IODELAYCONFIG Module Register Manual

- [IODELAYCONFIG Register Summary: \[0\]](#)

Table 18-2153. CFG_GPMC_WEN_IN

Address Offset	0x0000 039C	Instance	IODELAYCONFIG
Physical Address	0x4844 A39C		
Description	Delay Select Value in binary coded form for cfg_gpmc_wen_in interface		
Type	RW		

31	30	29	28	27	26	25	24	23	22	21	20	19	18	17	16	15	14	13	12	11	10	9	8	7	6	5	4	3	2	1	0
RESERVED								SIGNATURE				RESERVED	LOCK_BIT	BINARY_DELAY																	

Bits	Field Name	Description	Type	Reset
31:18	RESERVED		R	0x0
17:12	SIGNATURE	Write to this register will succeed only if data on these bits carries a signature of 6'h29 (6'b101001)	RW	0x0
11	RESERVED		R	0x0
10	LOCK_BIT	When '1', prevents HW update to this MMR. When '0', allows HW update of this MMR.	RW	0x0
9:0	BINARY_DELAY	Delay Select Value in binary coded form. Indicates the number of coarse (9:5) and fine (4:0) delay elements to be used on the delay line connected to this pad.	RW	0x0

Table 18-2154. Register Call Summary for Register CFG_GPMC_WEN_IN

IODELAYCONFIG Module Register Manual

- [IODELAYCONFIG Register Summary: \[0\]](#)

Table 18-2155. CFG_GPMC_WEN_OEN

Address Offset	0x0000 03A0	Instance	IODELAYCONFIG
Physical Address	0x4844 A3A0		
Description	Delay Select Value in binary coded form for cfg_gpmc_wen_oen interface		
Type	RW		

31	30	29	28	27	26	25	24	23	22	21	20	19	18	17	16	15	14	13	12	11	10	9	8	7	6	5	4	3	2	1	0
RESERVED														SIGNATURE				RESERVED	LOCK_BIT	BINARY_DELAY											

Bits	Field Name	Description	Type	Reset
31:18	RESERVED		R	0x0
17:12	SIGNATURE	Write to this register will succeed only if data on these bits carries a signature of 6'h29 (6'b101001)	RW	0x0
11	RESERVED		R	0x0
10	LOCK_BIT	When '1', prevents HW update to this MMR. When '0', allows HW update of this MMR.	RW	0x0
9:0	BINARY_DELAY	Delay Select Value in binary coded form. Indicates the number of coarse (9:5) and fine (4:0) delay elements to be used on the delay line connected to this pad.	RW	0x0

Table 18-2156. Register Call Summary for Register CFG_GPMC_WEN_OEN

IODELAYCONFIG Module Register Manual

- [IODELAYCONFIG Register Summary: \[0\]](#)

Table 18-2157. CFG_GPMC_WEN_OUT

Address Offset	0x0000 03A4	Instance	IODELAYCONFIG
Physical Address	0x4844 A3A4		
Description	Delay Select Value in binary coded form for cfg_gpmc_wen_out interface		
Type	RW		

31	30	29	28	27	26	25	24	23	22	21	20	19	18	17	16	15	14	13	12	11	10	9	8	7	6	5	4	3	2	1	0
RESERVED														SIGNATURE				RESERVED	LOCK_BIT	BINARY_DELAY											

Bits	Field Name	Description	Type	Reset
31:18	RESERVED		R	0x0
17:12	SIGNATURE	Write to this register will succeed only if data on these bits carries a signature of 6'h29 (6'b101001)	RW	0x0
11	RESERVED		R	0x0
10	LOCK_BIT	When '1', prevents HW update to this MMR. When '0', allows HW update of this MMR.	RW	0x0
9:0	BINARY_DELAY	Delay Select Value in binary coded form. Indicates the number of coarse (9:5) and fine (4:0) delay elements to be used on the delay line connected to this pad.	RW	0x0

Table 18-2158. Register Call Summary for Register CFG_GPMC_WEN_OUT

IODELAYCONFIG Module Register Manual

- [IODELAYCONFIG Register Summary: \[0\]](#)

Table 18-2159. CFG_MCASP1_ACLKR_IN

Address Offset	0x0000 03A8	Instance	IODELAYCONFIG
Physical Address	0x4844 A3A8		
Description	Delay Select Value in binary coded form for cfg_mcasp1_aclkr_in interface		
Type	RW		

31	30	29	28	27	26	25	24	23	22	21	20	19	18	17	16	15	14	13	12	11	10	9	8	7	6	5	4	3	2	1	0
RESERVED														SIGNATURE				RESERVED	LOCK_BIT	BINARY_DELAY											

Bits	Field Name	Description	Type	Reset
31:18	RESERVED		R	0x0
17:12	SIGNATURE	Write to this register will succeed only if data on these bits carries a signature of 6'h29 (6'b101001)	RW	0x0
11	RESERVED		R	0x0
10	LOCK_BIT	When '1', prevents HW update to this MMR. When '0', allows HW update of this MMR.	RW	0x0
9:0	BINARY_DELAY	Delay Select Value in binary coded form. Indicates the number of coarse (9:5) and fine (4:0) delay elements to be used on the delay line connected to this pad.	RW	0x0

Table 18-2160. Register Call Summary for Register CFG_MCASP1_ACLKR_IN

IODELAYCONFIG Module Register Manual

- [IODELAYCONFIG Register Summary: \[0\]](#)

Table 18-2161. CFG_MCASP1_ACLKR_OEN

Address Offset	0x0000 03AC	Instance	IODELAYCONFIG
Physical Address	0x4844 A3AC		
Description	Delay Select Value in binary coded form for cfg_mcasp1_aclkr_oen interface		
Type	RW		

31	30	29	28	27	26	25	24	23	22	21	20	19	18	17	16	15	14	13	12	11	10	9	8	7	6	5	4	3	2	1	0
RESERVED														SIGNATURE				RESERVED	LOCK_BIT	BINARY_DELAY											

Bits	Field Name	Description	Type	Reset
31:18	RESERVED		R	0x0
17:12	SIGNATURE	Write to this register will succeed only if data on these bits carries a signature of 6'h29 (6'b101001)	RW	0x0
11	RESERVED		R	0x0
10	LOCK_BIT	When '1', prevents HW update to this MMR. When '0', allows HW update of this MMR.	RW	0x0
9:0	BINARY_DELAY	Delay Select Value in binary coded form. Indicates the number of coarse (9:5) and fine (4:0) delay elements to be used on the delay line connected to this pad.	RW	0x0

Table 18-2162. Register Call Summary for Register CFG_MCASP1_ACLKR_OEN

IODELAYCONFIG Module Register Manual

- [IODELAYCONFIG Register Summary: \[0\]](#)

Table 18-2163. CFG_MCASP1_ACLKR_OUT

Address Offset	0x0000 03B0	Instance	IODELAYCONFIG
Physical Address	0x4844 A3B0		
Description	Delay Select Value in binary coded form for cfg_mcasp1_aclkr_out interface		
Type	RW		

31	30	29	28	27	26	25	24	23	22	21	20	19	18	17	16	15	14	13	12	11	10	9	8	7	6	5	4	3	2	1	0
RESERVED														SIGNATURE				RESERVED	LOCK_BIT	BINARY_DELAY											

Bits	Field Name	Description	Type	Reset
31:18	RESERVED		R	0x0
17:12	SIGNATURE	Write to this register will succeed only if data on these bits carries a signature of 6'h29 (6'b101001)	RW	0x0
11	RESERVED		R	0x0
10	LOCK_BIT	When '1', prevents HW update to this MMR. When '0', allows HW update of this MMR.	RW	0x0
9:0	BINARY_DELAY	Delay Select Value in binary coded form. Indicates the number of coarse (9:5) and fine (4:0) delay elements to be used on the delay line connected to this pad.	RW	0x0

Table 18-2164. Register Call Summary for Register CFG_MCASP1_ACLKR_OUT

IODELAYCONFIG Module Register Manual

- [IODELAYCONFIG Register Summary: \[0\]](#)

Table 18-2165. CFG_MCASP1_ACLKX_IN

Address Offset	0x0000 03B4	Instance	IODELAYCONFIG
Physical Address	0x4844 A3B4		
Description	Delay Select Value in binary coded form for cfg_mcasp1_aclkx_in interface		
Type	RW		

31	30	29	28	27	26	25	24	23	22	21	20	19	18	17	16	15	14	13	12	11	10	9	8	7	6	5	4	3	2	1	0
RESERVED														SIGNATURE				RESERVED	LOCK_BIT	BINARY_DELAY											

Bits	Field Name	Description	Type	Reset
31:18	RESERVED		R	0x0
17:12	SIGNATURE	Write to this register will succeed only if data on these bits carries a signature of 6'h29 (6'b101001)	RW	0x0
11	RESERVED		R	0x0

Bits	Field Name	Description	Type	Reset
10	LOCK_BIT	When '1', prevents HW update to this MMR. When '0', allows HW update of this MMR.	RW	0x0
9:0	BINARY_DELAY	Delay Select Value in binary coded form. Indicates the number of coarse (9:5) and fine (4:0) delay elements to be used on the delay line connected to this pad.	RW	0x0

Table 18-2166. Register Call Summary for Register CFG_MCASP1_ACLKX_IN

IODELAYCONFIG Module Register Manual

- [IODELAYCONFIG Register Summary: \[0\]](#)

Table 18-2167. CFG_MCASP1_ACLKX_OEN

Address Offset	0x0000 03B8	Instance	IODELAYCONFIG
Physical Address	0x4844 A3B8		
Description	Delay Select Value in binary coded form for cfg_mcasp1_aclkx_oen interface		
Type	RW		

31	30	29	28	27	26	25	24	23	22	21	20	19	18	17	16	15	14	13	12	11	10	9	8	7	6	5	4	3	2	1	0		
RESERVED																SIGNATURE				RESERVED	LOCK_BIT	BINARY_DELAY											

Bits	Field Name	Description	Type	Reset
31:18	RESERVED		R	0x0
17:12	SIGNATURE	Write to this register will succeed only if data on these bits carries a signature of 6'h29 (6'b101001)	RW	0x0
11	RESERVED		R	0x0
10	LOCK_BIT	When '1', prevents HW update to this MMR. When '0', allows HW update of this MMR.	RW	0x0
9:0	BINARY_DELAY	Delay Select Value in binary coded form. Indicates the number of coarse (9:5) and fine (4:0) delay elements to be used on the delay line connected to this pad.	RW	0x0

Table 18-2168. Register Call Summary for Register CFG_MCASP1_ACLKX_OEN

IODELAYCONFIG Module Register Manual

- [IODELAYCONFIG Register Summary: \[0\]](#)

Table 18-2169. CFG_MCASP1_ACLKX_OUT

Address Offset	0x0000 03BC	Instance	IODELAYCONFIG
Physical Address	0x4844 A3BC		
Description	Delay Select Value in binary coded form for cfg_mcasp1_aclkx_out interface		
Type	RW		

31	30	29	28	27	26	25	24	23	22	21	20	19	18	17	16	15	14	13	12	11	10	9	8	7	6	5	4	3	2	1	0		
RESERVED																SIGNATURE				RESERVED	LOCK_BIT	BINARY_DELAY											

Bits	Field Name	Description	Type	Reset
31:18	RESERVED		R	0x0
17:12	SIGNATURE	Write to this register will succeed only if data on these bits carries a signature of 6'h29 (6'b101001)	RW	0x0
11	RESERVED		R	0x0
10	LOCK_BIT	When '1', prevents HW update to this MMR. When '0', allows HW update of this MMR.	RW	0x0
9:0	BINARY_DELAY	Delay Select Value in binary coded form. Indicates the number of coarse (9:5) and fine (4:0) delay elements to be used on the delay line connected to this pad.	RW	0x0

Table 18-2170. Register Call Summary for Register CFG_MCASP1_ACLKX_OUT

IODELAYCONFIG Module Register Manual

- [IODELAYCONFIG Register Summary: \[0\]](#)

Table 18-2171. CFG_MCASP1_AXR0_IN

Address Offset	0x0000 03C0	Instance	IODELAYCONFIG
Physical Address	0x4844 A3C0		
Description	Delay Select Value in binary coded form for cfg_mcaspl_axr0_in interface		
Type	RW		

31	30	29	28	27	26	25	24	23	22	21	20	19	18	17	16	15	14	13	12	11	10	9	8	7	6	5	4	3	2	1	0
RESERVED								SIGNATURE				RESERVED	LOCK_BIT	BINARY_DELAY																	

Bits	Field Name	Description	Type	Reset
31:18	RESERVED		R	0x0
17:12	SIGNATURE	Write to this register will succeed only if data on these bits carries a signature of 6'h29 (6'b101001)	RW	0x0
11	RESERVED		R	0x0
10	LOCK_BIT	When '1', prevents HW update to this MMR. When '0', allows HW update of this MMR.	RW	0x0
9:0	BINARY_DELAY	Delay Select Value in binary coded form. Indicates the number of coarse (9:5) and fine (4:0) delay elements to be used on the delay line connected to this pad.	RW	0x0

Table 18-2172. Register Call Summary for Register CFG_MCASP1_AXR0_IN

IODELAYCONFIG Module Register Manual

- [IODELAYCONFIG Register Summary: \[0\]](#)

Table 18-2173. CFG_MCASP1_AXR0_OEN

Address Offset	0x0000 03C4	Instance	IODELAYCONFIG
Physical Address	0x4844 A3C4		
Description	Delay Select Value in binary coded form for cfg_mcaspl_axr0_oen interface		
Type	RW		

31	30	29	28	27	26	25	24	23	22	21	20	19	18	17	16	15	14	13	12	11	10	9	8	7	6	5	4	3	2	1	0
RESERVED								SIGNATURE				RESERVED	LOCK_BIT	BINARY_DELAY																	

Bits	Field Name	Description	Type	Reset
31:18	RESERVED		R	0x0
17:12	SIGNATURE	Write to this register will succeed only if data on these bits carries a signature of 6'h29 (6'b101001)	RW	0x0
11	RESERVED		R	0x0
10	LOCK_BIT	When '1', prevents HW update to this MMR. When '0', allows HW update of this MMR.	RW	0x0
9:0	BINARY_DELAY	Delay Select Value in binary coded form. Indicates the number of coarse (9:5) and fine (4:0) delay elements to be used on the delay line connected to this pad.	RW	0x0

Table 18-2174. Register Call Summary for Register CFG_MCASP1_AXR0_OEN

IODELAYCONFIG Module Register Manual

- [IODELAYCONFIG Register Summary: \[0\]](#)

Table 18-2175. CFG_MCASP1_AXR0_OUT

Address Offset	0x0000 03C8	Instance	IODELAYCONFIG
Physical Address	0x4844 A3C8		
Description	Delay Select Value in binary coded form for cfg_mcaspl_axr0_out interface		
Type	RW		

31	30	29	28	27	26	25	24	23	22	21	20	19	18	17	16	15	14	13	12	11	10	9	8	7	6	5	4	3	2	1	0
RESERVED								SIGNATURE				RESERVED	LOCK_BIT	BINARY_DELAY																	

Bits	Field Name	Description	Type	Reset
31:18	RESERVED		R	0x0
17:12	SIGNATURE	Write to this register will succeed only if data on these bits carries a signature of 6'h29 (6'b101001)	RW	0x0
11	RESERVED		R	0x0
10	LOCK_BIT	When '1', prevents HW update to this MMR. When '0', allows HW update of this MMR.	RW	0x0
9:0	BINARY_DELAY	Delay Select Value in binary coded form. Indicates the number of coarse (9:5) and fine (4:0) delay elements to be used on the delay line connected to this pad.	RW	0x0

Table 18-2176. Register Call Summary for Register CFG_MCASP1_AXR0_OUT

IODELAYCONFIG Module Register Manual

- [IODELAYCONFIG Register Summary: \[0\]](#)

Table 18-2177. CFG_MCASP1_AXR10_IN

Address Offset	0x0000 03CC	Instance	IODELAYCONFIG
Physical Address	0x4844 A3CC		
Description	Delay Select Value in binary coded form for cfg_mcasp1_axr10_in interface		
Type	RW		

31	30	29	28	27	26	25	24	23	22	21	20	19	18	17	16	15	14	13	12	11	10	9	8	7	6	5	4	3	2	1	0
RESERVED														SIGNATURE				RESERVED	LOCK_BIT	BINARY_DELAY											

Bits	Field Name	Description	Type	Reset
31:18	RESERVED		R	0x0
17:12	SIGNATURE	Write to this register will succeed only if data on these bits carries a signature of 6'h29 (6'b101001)	RW	0x0
11	RESERVED		R	0x0
10	LOCK_BIT	When '1', prevents HW update to this MMR. When '0', allows HW update of this MMR.	RW	0x0
9:0	BINARY_DELAY	Delay Select Value in binary coded form. Indicates the number of coarse (9:5) and fine (4:0) delay elements to be used on the delay line connected to this pad.	RW	0x0

Table 18-2178. Register Call Summary for Register CFG_MCASP1_AXR10_IN

IODELAYCONFIG Module Register Manual

- [IODELAYCONFIG Register Summary: \[0\]](#)

Table 18-2179. CFG_MCASP1_AXR10_OEN

Address Offset	0x0000 03D0	Instance	IODELAYCONFIG
Physical Address	0x4844 A3D0		
Description	Delay Select Value in binary coded form for cfg_mcasp1_axr10_oen interface		
Type	RW		

31	30	29	28	27	26	25	24	23	22	21	20	19	18	17	16	15	14	13	12	11	10	9	8	7	6	5	4	3	2	1	0
RESERVED														SIGNATURE				RESERVED	LOCK_BIT	BINARY_DELAY											

Bits	Field Name	Description	Type	Reset
31:18	RESERVED		R	0x0
17:12	SIGNATURE	Write to this register will succeed only if data on these bits carries a signature of 6'h29 (6'b101001)	RW	0x0
11	RESERVED		R	0x0
10	LOCK_BIT	When '1', prevents HW update to this MMR. When '0', allows HW update of this MMR.	RW	0x0
9:0	BINARY_DELAY	Delay Select Value in binary coded form. Indicates the number of coarse (9:5) and fine (4:0) delay elements to be used on the delay line connected to this pad.	RW	0x0

Table 18-2180. Register Call Summary for Register CFG_MCASP1_AXR10_OEN

IODELAYCONFIG Module Register Manual
 • [IODELAYCONFIG Register Summary: \[0\]](#)

Table 18-2181. CFG_MCASP1_AXR10_OUT

Address Offset	0x0000 03D4	Instance	IODELAYCONFIG
Physical Address	0x4844 A3D4		
Description	Delay Select Value in binary coded form for cfg_mcasp1_axr10_out interface		
Type	RW		

31	30	29	28	27	26	25	24	23	22	21	20	19	18	17	16	15	14	13	12	11	10	9	8	7	6	5	4	3	2	1	0
RESERVED														SIGNATURE				RESERVED	LOCK_BIT	BINARY_DELAY											

Bits	Field Name	Description	Type	Reset
31:18	RESERVED		R	0x0
17:12	SIGNATURE	Write to this register will succeed only if data on these bits carries a signature of 6'h29 (6'b101001)	RW	0x0
11	RESERVED		R	0x0
10	LOCK_BIT	When '1', prevents HW update to this MMR. When '0', allows HW update of this MMR.	RW	0x0
9:0	BINARY_DELAY	Delay Select Value in binary coded form. Indicates the number of coarse (9:5) and fine (4:0) delay elements to be used on the delay line connected to this pad.	RW	0x0

Table 18-2182. Register Call Summary for Register CFG_MCASP1_AXR10_OUT

IODELAYCONFIG Module Register Manual
 • [IODELAYCONFIG Register Summary: \[0\]](#)

Table 18-2183. CFG_MCASP1_AXR11_IN

Address Offset	0x0000 03D8	Instance	IODELAYCONFIG
Physical Address	0x4844 A3D8		
Description	Delay Select Value in binary coded form for cfg_mcasp1_axr11_in interface		
Type	RW		

31	30	29	28	27	26	25	24	23	22	21	20	19	18	17	16	15	14	13	12	11	10	9	8	7	6	5	4	3	2	1	0
RESERVED														SIGNATURE				RESERVED	LOCK_BIT	BINARY_DELAY											

Bits	Field Name	Description	Type	Reset
31:18	RESERVED		R	0x0
17:12	SIGNATURE	Write to this register will succeed only if data on these bits carries a signature of 6'h29 (6'b101001)	RW	0x0
11	RESERVED		R	0x0

Bits	Field Name	Description	Type	Reset
10	LOCK_BIT	When '1', prevents HW update to this MMR. When '0', allows HW update of this MMR.	RW	0x0
9:0	BINARY_DELAY	Delay Select Value in binary coded form. Indicates the number of coarse (9:5) and fine (4:0) delay elements to be used on the delay line connected to this pad.	RW	0x0

Table 18-2184. Register Call Summary for Register CFG_MCASP1_AXR11_IN

IODELAYCONFIG Module Register Manual

- [IODELAYCONFIG Register Summary: \[0\]](#)

Table 18-2185. CFG_MCASP1_AXR11_OEN

Address Offset	0x0000 03DC	Instance	IODELAYCONFIG
Physical Address	0x4844 A3DC		
Description	Delay Select Value in binary coded form for cfg_mcasp1_axr11_oen interface		
Type	RW		

31	30	29	28	27	26	25	24	23	22	21	20	19	18	17	16	15	14	13	12	11	10	9	8	7	6	5	4	3	2	1	0	
RESERVED																SIGNATURE				RESERVED	LOCK_BIT	BINARY_DELAY										

Bits	Field Name	Description	Type	Reset
31:18	RESERVED		R	0x0
17:12	SIGNATURE	Write to this register will succeed only if data on these bits carries a signature of 6'h29 (6'b101001)	RW	0x0
11	RESERVED		R	0x0
10	LOCK_BIT	When '1', prevents HW update to this MMR. When '0', allows HW update of this MMR.	RW	0x0
9:0	BINARY_DELAY	Delay Select Value in binary coded form. Indicates the number of coarse (9:5) and fine (4:0) delay elements to be used on the delay line connected to this pad.	RW	0x0

Table 18-2186. Register Call Summary for Register CFG_MCASP1_AXR11_OEN

IODELAYCONFIG Module Register Manual

- [IODELAYCONFIG Register Summary: \[0\]](#)

Table 18-2187. CFG_MCASP1_AXR11_OUT

Address Offset	0x0000 03E0	Instance	IODELAYCONFIG
Physical Address	0x4844 A3E0		
Description	Delay Select Value in binary coded form for cfg_mcasp1_axr11_out interface		
Type	RW		

31	30	29	28	27	26	25	24	23	22	21	20	19	18	17	16	15	14	13	12	11	10	9	8	7	6	5	4	3	2	1	0	
RESERVED																SIGNATURE				RESERVED	LOCK_BIT	BINARY_DELAY										

Bits	Field Name	Description	Type	Reset
31:18	RESERVED		R	0x0
17:12	SIGNATURE	Write to this register will succeed only if data on these bits carries a signature of 6'h29 (6'b101001)	RW	0x0
11	RESERVED		R	0x0
10	LOCK_BIT	When '1', prevents HW update to this MMR. When '0', allows HW update of this MMR.	RW	0x0
9:0	BINARY_DELAY	Delay Select Value in binary coded form. Indicates the number of coarse (9:5) and fine (4:0) delay elements to be used on the delay line connected to this pad.	RW	0x0

Table 18-2188. Register Call Summary for Register CFG_MCASP1_AXR11_OUT

IODELAYCONFIG Module Register Manual

- [IODELAYCONFIG Register Summary: \[0\]](#)

Table 18-2189. CFG_MCASP1_AXR12_IN

Address Offset	0x0000 03E4	Instance	IODELAYCONFIG
Physical Address	0x4844 A3E4		
Description	Delay Select Value in binary coded form for cfg_mcasp1_axr12_in interface		
Type	RW		

31	30	29	28	27	26	25	24	23	22	21	20	19	18	17	16	15	14	13	12	11	10	9	8	7	6	5	4	3	2	1	0
RESERVED								SIGNATURE				RESERVED	LOCK_BIT	BINARY_DELAY																	

Bits	Field Name	Description	Type	Reset
31:18	RESERVED		R	0x0
17:12	SIGNATURE	Write to this register will succeed only if data on these bits carries a signature of 6'h29 (6'b101001)	RW	0x0
11	RESERVED		R	0x0
10	LOCK_BIT	When '1', prevents HW update to this MMR. When '0', allows HW update of this MMR.	RW	0x0
9:0	BINARY_DELAY	Delay Select Value in binary coded form. Indicates the number of coarse (9:5) and fine (4:0) delay elements to be used on the delay line connected to this pad.	RW	0x0

Table 18-2190. Register Call Summary for Register CFG_MCASP1_AXR12_IN

IODELAYCONFIG Module Register Manual

- [IODELAYCONFIG Register Summary: \[0\]](#)

Table 18-2191. CFG_MCASP1_AXR12_OEN

Address Offset	0x0000 03E8	Instance	IODELAYCONFIG
Physical Address	0x4844 A3E8		
Description	Delay Select Value in binary coded form for cfg_mcasp1_axr12_oen interface		
Type	RW		

31	30	29	28	27	26	25	24	23	22	21	20	19	18	17	16	15	14	13	12	11	10	9	8	7	6	5	4	3	2	1	0
RESERVED														SIGNATURE				RESERVED	LOCK_BIT	BINARY_DELAY											

Bits	Field Name	Description	Type	Reset
31:18	RESERVED		R	0x0
17:12	SIGNATURE	Write to this register will succeed only if data on these bits carries a signature of 6'h29 (6'b101001)	RW	0x0
11	RESERVED		R	0x0
10	LOCK_BIT	When '1', prevents HW update to this MMR. When '0', allows HW update of this MMR.	RW	0x0
9:0	BINARY_DELAY	Delay Select Value in binary coded form. Indicates the number of coarse (9:5) and fine (4:0) delay elements to be used on the delay line connected to this pad.	RW	0x0

Table 18-2192. Register Call Summary for Register CFG_MCASP1_AXR12_OEN

IODELAYCONFIG Module Register Manual

- [IODELAYCONFIG Register Summary: \[0\]](#)

Table 18-2193. CFG_MCASP1_AXR12_OUT

Address Offset	0x0000 03EC	Instance	IODELAYCONFIG
Physical Address	0x4844 A3EC		
Description	Delay Select Value in binary coded form for cfg_mcasp1_axr12_out interface		
Type	RW		

31	30	29	28	27	26	25	24	23	22	21	20	19	18	17	16	15	14	13	12	11	10	9	8	7	6	5	4	3	2	1	0
RESERVED														SIGNATURE				RESERVED	LOCK_BIT	BINARY_DELAY											

Bits	Field Name	Description	Type	Reset
31:18	RESERVED		R	0x0
17:12	SIGNATURE	Write to this register will succeed only if data on these bits carries a signature of 6'h29 (6'b101001)	RW	0x0
11	RESERVED		R	0x0
10	LOCK_BIT	When '1', prevents HW update to this MMR. When '0', allows HW update of this MMR.	RW	0x0
9:0	BINARY_DELAY	Delay Select Value in binary coded form. Indicates the number of coarse (9:5) and fine (4:0) delay elements to be used on the delay line connected to this pad.	RW	0x0

Table 18-2194. Register Call Summary for Register CFG_MCASP1_AXR12_OUT

IODELAYCONFIG Module Register Manual

- [IODELAYCONFIG Register Summary: \[0\]](#)

Table 18-2195. CFG_MCASP1_AXR13_IN

Address Offset	0x0000 03F0	Instance	IODELAYCONFIG
Physical Address	0x4844 A3F0		
Description	Delay Select Value in binary coded form for cfg_mcasp1_axr13_in interface		
Type	RW		

31	30	29	28	27	26	25	24	23	22	21	20	19	18	17	16	15	14	13	12	11	10	9	8	7	6	5	4	3	2	1	0
RESERVED														SIGNATURE				RESERVED	LOCK_BIT	BINARY_DELAY											

Bits	Field Name	Description	Type	Reset
31:18	RESERVED		R	0x0
17:12	SIGNATURE	Write to this register will succeed only if data on these bits carries a signature of 6'h29 (6'b101001)	RW	0x0
11	RESERVED		R	0x0
10	LOCK_BIT	When '1', prevents HW update to this MMR. When '0', allows HW update of this MMR.	RW	0x0
9:0	BINARY_DELAY	Delay Select Value in binary coded form. Indicates the number of coarse (9:5) and fine (4:0) delay elements to be used on the delay line connected to this pad.	RW	0x0

Table 18-2196. Register Call Summary for Register CFG_MCASP1_AXR13_IN

IODELAYCONFIG Module Register Manual

- [IODELAYCONFIG Register Summary: \[0\]](#)

Table 18-2197. CFG_MCASP1_AXR13_OEN

Address Offset	0x0000 03F4	Instance	IODELAYCONFIG
Physical Address	0x4844 A3F4		
Description	Delay Select Value in binary coded form for cfg_mcasp1_axr13_oen interface		
Type	RW		

31	30	29	28	27	26	25	24	23	22	21	20	19	18	17	16	15	14	13	12	11	10	9	8	7	6	5	4	3	2	1	0
RESERVED														SIGNATURE				RESERVED	LOCK_BIT	BINARY_DELAY											

Bits	Field Name	Description	Type	Reset
31:18	RESERVED		R	0x0
17:12	SIGNATURE	Write to this register will succeed only if data on these bits carries a signature of 6'h29 (6'b101001)	RW	0x0
11	RESERVED		R	0x0
10	LOCK_BIT	When '1', prevents HW update to this MMR. When '0', allows HW update of this MMR.	RW	0x0
9:0	BINARY_DELAY	Delay Select Value in binary coded form. Indicates the number of coarse (9:5) and fine (4:0) delay elements to be used on the delay line connected to this pad.	RW	0x0

Table 18-2198. Register Call Summary for Register CFG_MCASP1_AXR13_OEN

IODELAYCONFIG Module Register Manual

- [IODELAYCONFIG Register Summary: \[0\]](#)

Table 18-2199. CFG_MCASP1_AXR13_OUT

Address Offset	0x0000 03F8	Instance	IODELAYCONFIG
Physical Address	0x4844 A3F8		
Description	Delay Select Value in binary coded form for cfg_mcasp1_axr13_out interface		
Type	RW		

31	30	29	28	27	26	25	24	23	22	21	20	19	18	17	16	15	14	13	12	11	10	9	8	7	6	5	4	3	2	1	0		
RESERVED																SIGNATURE						RESERVED	LOCK_BIT	BINARY_DELAY									

Bits	Field Name	Description	Type	Reset
31:18	RESERVED		R	0x0
17:12	SIGNATURE	Write to this register will succeed only if data on these bits carries a signature of 6'h29 (6'b101001)	RW	0x0
11	RESERVED		R	0x0
10	LOCK_BIT	When '1', prevents HW update to this MMR. When '0', allows HW update of this MMR.	RW	0x0
9:0	BINARY_DELAY	Delay Select Value in binary coded form. Indicates the number of coarse (9:5) and fine (4:0) delay elements to be used on the delay line connected to this pad.	RW	0x0

Table 18-2200. Register Call Summary for Register CFG_MCASP1_AXR13_OUT

IODELAYCONFIG Module Register Manual

- [IODELAYCONFIG Register Summary: \[0\]](#)

Table 18-2201. CFG_MCASP1_AXR14_IN

Address Offset	0x0000 03FC	Instance	IODELAYCONFIG
Physical Address	0x4844 A3FC		
Description	Delay Select Value in binary coded form for cfg_mcasp1_axr14_in interface		
Type	RW		

31	30	29	28	27	26	25	24	23	22	21	20	19	18	17	16	15	14	13	12	11	10	9	8	7	6	5	4	3	2	1	0		
RESERVED																SIGNATURE						RESERVED	LOCK_BIT	BINARY_DELAY									

Bits	Field Name	Description	Type	Reset
31:18	RESERVED		R	0x0
17:12	SIGNATURE	Write to this register will succeed only if data on these bits carries a signature of 6'h29 (6'b101001)	RW	0x0
11	RESERVED		R	0x0

Bits	Field Name	Description	Type	Reset
10	LOCK_BIT	When '1', prevents HW update to this MMR. When '0', allows HW update of this MMR.	RW	0x0
9:0	BINARY_DELAY	Delay Select Value in binary coded form. Indicates the number of coarse (9:5) and fine (4:0) delay elements to be used on the delay line connected to this pad.	RW	0x0

Table 18-2202. Register Call Summary for Register CFG_MCASP1_AXR14_IN

IODELAYCONFIG Module Register Manual

- [IODELAYCONFIG Register Summary: \[0\]](#)

Table 18-2203. CFG_MCASP1_AXR14_OEN

Address Offset	0x0000 0400	Instance	IODELAYCONFIG
Physical Address	0x4844 A400		
Description	Delay Select Value in binary coded form for cfg_mcasp1_axr14_oen interface		
Type	RW		

31	30	29	28	27	26	25	24	23	22	21	20	19	18	17	16	15	14	13	12	11	10	9	8	7	6	5	4	3	2	1	0
RESERVED								SIGNATURE								RESERVED	LOCK_BIT	BINARY_DELAY													

Bits	Field Name	Description	Type	Reset
31:18	RESERVED		R	0x0
17:12	SIGNATURE	Write to this register will succeed only if data on these bits carries a signature of 6'h29 (6'b101001)	RW	0x0
11	RESERVED		R	0x0
10	LOCK_BIT	When '1', prevents HW update to this MMR. When '0', allows HW update of this MMR.	RW	0x0
9:0	BINARY_DELAY	Delay Select Value in binary coded form. Indicates the number of coarse (9:5) and fine (4:0) delay elements to be used on the delay line connected to this pad.	RW	0x0

Table 18-2204. Register Call Summary for Register CFG_MCASP1_AXR14_OEN

IODELAYCONFIG Module Register Manual

- [IODELAYCONFIG Register Summary: \[0\]](#)

Table 18-2205. CFG_MCASP1_AXR14_OUT

Address Offset	0x0000 0404	Instance	IODELAYCONFIG
Physical Address	0x4844 A404		
Description	Delay Select Value in binary coded form for cfg_mcasp1_axr14_out interface		
Type	RW		

31	30	29	28	27	26	25	24	23	22	21	20	19	18	17	16	15	14	13	12	11	10	9	8	7	6	5	4	3	2	1	0
RESERVED								SIGNATURE								RESERVED	LOCK_BIT	BINARY_DELAY													

Bits	Field Name	Description	Type	Reset
31:18	RESERVED		R	0x0
17:12	SIGNATURE	Write to this register will succeed only if data on these bits carries a signature of 6'h29 (6'b101001)	RW	0x0
11	RESERVED		R	0x0
10	LOCK_BIT	When '1', prevents HW update to this MMR. When '0', allows HW update of this MMR.	RW	0x0
9:0	BINARY_DELAY	Delay Select Value in binary coded form. Indicates the number of coarse (9:5) and fine (4:0) delay elements to be used on the delay line connected to this pad.	RW	0x0

Table 18-2206. Register Call Summary for Register CFG_MCASP1_AXR14_OUT

IODELAYCONFIG Module Register Manual

- [IODELAYCONFIG Register Summary: \[0\]](#)

Table 18-2207. CFG_MCASP1_AXR15_IN

Address Offset	0x0000 0408	Instance	IODELAYCONFIG
Physical Address	0x4844 A408		
Description	Delay Select Value in binary coded form for cfg_mcasp1_axr15_in interface		
Type	RW		

31	30	29	28	27	26	25	24	23	22	21	20	19	18	17	16	15	14	13	12	11	10	9	8	7	6	5	4	3	2	1	0
RESERVED								SIGNATURE				RESERVED	LOCK_BIT	BINARY_DELAY																	

Bits	Field Name	Description	Type	Reset
31:18	RESERVED		R	0x0
17:12	SIGNATURE	Write to this register will succeed only if data on these bits carries a signature of 6'h29 (6'b101001)	RW	0x0
11	RESERVED		R	0x0
10	LOCK_BIT	When '1', prevents HW update to this MMR. When '0', allows HW update of this MMR.	RW	0x0
9:0	BINARY_DELAY	Delay Select Value in binary coded form. Indicates the number of coarse (9:5) and fine (4:0) delay elements to be used on the delay line connected to this pad.	RW	0x0

Table 18-2208. Register Call Summary for Register CFG_MCASP1_AXR15_IN

IODELAYCONFIG Module Register Manual

- [IODELAYCONFIG Register Summary: \[0\]](#)

Table 18-2209. CFG_MCASP1_AXR15_OEN

Address Offset	0x0000 040C	Instance	IODELAYCONFIG
Physical Address	0x4844 A40C		
Description	Delay Select Value in binary coded form for cfg_mcasp1_axr15_oen interface		
Type	RW		

31	30	29	28	27	26	25	24	23	22	21	20	19	18	17	16	15	14	13	12	11	10	9	8	7	6	5	4	3	2	1	0
RESERVED														SIGNATURE				RESERVED	LOCK_BIT	BINARY_DELAY											

Bits	Field Name	Description	Type	Reset
31:18	RESERVED		R	0x0
17:12	SIGNATURE	Write to this register will succeed only if data on these bits carries a signature of 6'h29 (6'b101001)	RW	0x0
11	RESERVED		R	0x0
10	LOCK_BIT	When '1', prevents HW update to this MMR. When '0', allows HW update of this MMR.	RW	0x0
9:0	BINARY_DELAY	Delay Select Value in binary coded form. Indicates the number of coarse (9:5) and fine (4:0) delay elements to be used on the delay line connected to this pad.	RW	0x0

Table 18-2210. Register Call Summary for Register CFG_MCASP1_AXR15_OEN

IODELAYCONFIG Module Register Manual

- [IODELAYCONFIG Register Summary: \[0\]](#)

Table 18-2211. CFG_MCASP1_AXR15_OUT

Address Offset	0x0000 0410	Instance	IODELAYCONFIG
Physical Address	0x4844 A410		
Description	Delay Select Value in binary coded form for cfg_mcaspl1_axr15_out interface		
Type	RW		

31	30	29	28	27	26	25	24	23	22	21	20	19	18	17	16	15	14	13	12	11	10	9	8	7	6	5	4	3	2	1	0
RESERVED														SIGNATURE				RESERVED	LOCK_BIT	BINARY_DELAY											

Bits	Field Name	Description	Type	Reset
31:18	RESERVED		R	0x0
17:12	SIGNATURE	Write to this register will succeed only if data on these bits carries a signature of 6'h29 (6'b101001)	RW	0x0
11	RESERVED		R	0x0
10	LOCK_BIT	When '1', prevents HW update to this MMR. When '0', allows HW update of this MMR.	RW	0x0
9:0	BINARY_DELAY	Delay Select Value in binary coded form. Indicates the number of coarse (9:5) and fine (4:0) delay elements to be used on the delay line connected to this pad.	RW	0x0

Table 18-2212. Register Call Summary for Register CFG_MCASP1_AXR15_OUT

IODELAYCONFIG Module Register Manual

- [IODELAYCONFIG Register Summary: \[0\]](#)

Table 18-2213. CFG_MCASP1_AXR1_IN

Address Offset	0x0000 0414	Instance	IODELAYCONFIG
Physical Address	0x4844 A414		
Description	Delay Select Value in binary coded form for cfg_mcasp1_axr1_in interface		
Type	RW		

31	30	29	28	27	26	25	24	23	22	21	20	19	18	17	16	15	14	13	12	11	10	9	8	7	6	5	4	3	2	1	0
RESERVED														SIGNATURE				RESERVED	LOCK_BIT	BINARY_DELAY											

Bits	Field Name	Description	Type	Reset
31:18	RESERVED		R	0x0
17:12	SIGNATURE	Write to this register will succeed only if data on these bits carries a signature of 6'h29 (6'b101001)	RW	0x0
11	RESERVED		R	0x0
10	LOCK_BIT	When '1', prevents HW update to this MMR. When '0', allows HW update of this MMR.	RW	0x0
9:0	BINARY_DELAY	Delay Select Value in binary coded form. Indicates the number of coarse (9:5) and fine (4:0) delay elements to be used on the delay line connected to this pad.	RW	0x0

Table 18-2214. Register Call Summary for Register CFG_MCASP1_AXR1_IN

- IODELAYCONFIG Module Register Manual
- [IODELAYCONFIG Register Summary: \[0\]](#)

Table 18-2215. CFG_MCASP1_AXR1_OEN

Address Offset	0x0000 0418	Instance	IODELAYCONFIG
Physical Address	0x4844 A418		
Description	Delay Select Value in binary coded form for cfg_mcasp1_axr1_oen interface		
Type	RW		

31	30	29	28	27	26	25	24	23	22	21	20	19	18	17	16	15	14	13	12	11	10	9	8	7	6	5	4	3	2	1	0
RESERVED														SIGNATURE				RESERVED	LOCK_BIT	BINARY_DELAY											

Bits	Field Name	Description	Type	Reset
31:18	RESERVED		R	0x0
17:12	SIGNATURE	Write to this register will succeed only if data on these bits carries a signature of 6'h29 (6'b101001)	RW	0x0
11	RESERVED		R	0x0
10	LOCK_BIT	When '1', prevents HW update to this MMR. When '0', allows HW update of this MMR.	RW	0x0
9:0	BINARY_DELAY	Delay Select Value in binary coded form. Indicates the number of coarse (9:5) and fine (4:0) delay elements to be used on the delay line connected to this pad.	RW	0x0

Table 18-2216. Register Call Summary for Register CFG_MCASP1_AXR1_OEN

IODELAYCONFIG Module Register Manual

- [IODELAYCONFIG Register Summary: \[0\]](#)

Table 18-2217. CFG_MCASP1_AXR1_OUT

Address Offset	0x0000 041C	Instance	IODELAYCONFIG
Physical Address	0x4844 A41C		
Description	Delay Select Value in binary coded form for cfg_mcasp1_axr1_out interface		
Type	RW		

31	30	29	28	27	26	25	24	23	22	21	20	19	18	17	16	15	14	13	12	11	10	9	8	7	6	5	4	3	2	1	0		
RESERVED																SIGNATURE						RESERVED	LOCK_BIT	BINARY_DELAY									

Bits	Field Name	Description	Type	Reset
31:18	RESERVED		R	0x0
17:12	SIGNATURE	Write to this register will succeed only if data on these bits carries a signature of 6'h29 (6'b101001)	RW	0x0
11	RESERVED		R	0x0
10	LOCK_BIT	When '1', prevents HW update to this MMR. When '0', allows HW update of this MMR.	RW	0x0
9:0	BINARY_DELAY	Delay Select Value in binary coded form. Indicates the number of coarse (9:5) and fine (4:0) delay elements to be used on the delay line connected to this pad.	RW	0x0

Table 18-2218. Register Call Summary for Register CFG_MCASP1_AXR1_OUT

IODELAYCONFIG Module Register Manual

- [IODELAYCONFIG Register Summary: \[0\]](#)

Table 18-2219. CFG_MCASP1_AXR2_IN

Address Offset	0x0000 0420	Instance	IODELAYCONFIG
Physical Address	0x4844 A420		
Description	Delay Select Value in binary coded form for cfg_mcasp1_axr2_in interface		
Type	RW		

31	30	29	28	27	26	25	24	23	22	21	20	19	18	17	16	15	14	13	12	11	10	9	8	7	6	5	4	3	2	1	0		
RESERVED																SIGNATURE						RESERVED	LOCK_BIT	BINARY_DELAY									

Bits	Field Name	Description	Type	Reset
31:18	RESERVED		R	0x0
17:12	SIGNATURE	Write to this register will succeed only if data on these bits carries a signature of 6'h29 (6'b101001)	RW	0x0
11	RESERVED		R	0x0

Bits	Field Name	Description	Type	Reset
10	LOCK_BIT	When '1', prevents HW update to this MMR. When '0', allows HW update of this MMR.	RW	0x0
9:0	BINARY_DELAY	Delay Select Value in binary coded form. Indicates the number of coarse (9:5) and fine (4:0) delay elements to be used on the delay line connected to this pad.	RW	0x0

Table 18-2220. Register Call Summary for Register CFG_MCASP1_AXR2_IN

IODELAYCONFIG Module Register Manual

- [IODELAYCONFIG Register Summary: \[0\]](#)

Table 18-2221. CFG_MCASP1_AXR2_OEN

Address Offset	0x0000 0424	Instance	IODELAYCONFIG
Physical Address	0x4844 A424		
Description	Delay Select Value in binary coded form for cfg_mcasp1_axr2_oen interface		
Type	RW		

31	30	29	28	27	26	25	24	23	22	21	20	19	18	17	16	15	14	13	12	11	10	9	8	7	6	5	4	3	2	1	0
RESERVED								SIGNATURE								RESERVED	LOCK_BIT	BINARY_DELAY													

Bits	Field Name	Description	Type	Reset
31:18	RESERVED		R	0x0
17:12	SIGNATURE	Write to this register will succeed only if data on these bits carries a signature of 6'h29 (6'b101001)	RW	0x0
11	RESERVED		R	0x0
10	LOCK_BIT	When '1', prevents HW update to this MMR. When '0', allows HW update of this MMR.	RW	0x0
9:0	BINARY_DELAY	Delay Select Value in binary coded form. Indicates the number of coarse (9:5) and fine (4:0) delay elements to be used on the delay line connected to this pad.	RW	0x0

Table 18-2222. Register Call Summary for Register CFG_MCASP1_AXR2_OEN

IODELAYCONFIG Module Register Manual

- [IODELAYCONFIG Register Summary: \[0\]](#)

Table 18-2223. CFG_MCASP1_AXR2_OUT

Address Offset	0x0000 0428	Instance	IODELAYCONFIG
Physical Address	0x4844 A428		
Description	Delay Select Value in binary coded form for cfg_mcasp1_axr2_out interface		
Type	RW		

31	30	29	28	27	26	25	24	23	22	21	20	19	18	17	16	15	14	13	12	11	10	9	8	7	6	5	4	3	2	1	0
RESERVED								SIGNATURE								RESERVED	LOCK_BIT	BINARY_DELAY													

Bits	Field Name	Description	Type	Reset
31:18	RESERVED		R	0x0
17:12	SIGNATURE	Write to this register will succeed only if data on these bits carries a signature of 6'h29 (6'b101001)	RW	0x0
11	RESERVED		R	0x0
10	LOCK_BIT	When '1', prevents HW update to this MMR. When '0', allows HW update of this MMR.	RW	0x0
9:0	BINARY_DELAY	Delay Select Value in binary coded form. Indicates the number of coarse (9:5) and fine (4:0) delay elements to be used on the delay line connected to this pad.	RW	0x0

Table 18-2224. Register Call Summary for Register CFG_MCASP1_AXR2_OUT

IODELAYCONFIG Module Register Manual

- [IODELAYCONFIG Register Summary: \[0\]](#)

Table 18-2225. CFG_MCASP1_AXR3_IN

Address Offset	0x0000 042C	Instance	IODELAYCONFIG
Physical Address	0x4844 A42C		
Description	Delay Select Value in binary coded form for cfg_mcasp1_axr3_in interface		
Type	RW		

31	30	29	28	27	26	25	24	23	22	21	20	19	18	17	16	15	14	13	12	11	10	9	8	7	6	5	4	3	2	1	0
RESERVED								SIGNATURE				RESERVED	LOCK_BIT	BINARY_DELAY																	

Bits	Field Name	Description	Type	Reset
31:18	RESERVED		R	0x0
17:12	SIGNATURE	Write to this register will succeed only if data on these bits carries a signature of 6'h29 (6'b101001)	RW	0x0
11	RESERVED		R	0x0
10	LOCK_BIT	When '1', prevents HW update to this MMR. When '0', allows HW update of this MMR.	RW	0x0
9:0	BINARY_DELAY	Delay Select Value in binary coded form. Indicates the number of coarse (9:5) and fine (4:0) delay elements to be used on the delay line connected to this pad.	RW	0x0

Table 18-2226. Register Call Summary for Register CFG_MCASP1_AXR3_IN

IODELAYCONFIG Module Register Manual

- [IODELAYCONFIG Register Summary: \[0\]](#)

Table 18-2227. CFG_MCASP1_AXR3_OEN

Address Offset	0x0000 0430	Instance	IODELAYCONFIG
Physical Address	0x4844 A430		
Description	Delay Select Value in binary coded form for cfg_mcasp1_axr3_oen interface		
Type	RW		

31	30	29	28	27	26	25	24	23	22	21	20	19	18	17	16	15	14	13	12	11	10	9	8	7	6	5	4	3	2	1	0
RESERVED								SIGNATURE				RESERVED	LOCK_BIT	BINARY_DELAY																	

Bits	Field Name	Description	Type	Reset
31:18	RESERVED		R	0x0
17:12	SIGNATURE	Write to this register will succeed only if data on these bits carries a signature of 6'h29 (6'b101001)	RW	0x0
11	RESERVED		R	0x0
10	LOCK_BIT	When '1', prevents HW update to this MMR. When '0', allows HW update of this MMR.	RW	0x0
9:0	BINARY_DELAY	Delay Select Value in binary coded form. Indicates the number of coarse (9:5) and fine (4:0) delay elements to be used on the delay line connected to this pad.	RW	0x0

Table 18-2228. Register Call Summary for Register CFG_MCASP1_AXR3_OEN

IODELAYCONFIG Module Register Manual

- [IODELAYCONFIG Register Summary: \[0\]](#)

Table 18-2229. CFG_MCASP1_AXR3_OUT

Address Offset	0x0000 0434	Instance	IODELAYCONFIG
Physical Address	0x4844 A434		
Description	Delay Select Value in binary coded form for cfg_mcaspl_axr3_out interface		
Type	RW		

31	30	29	28	27	26	25	24	23	22	21	20	19	18	17	16	15	14	13	12	11	10	9	8	7	6	5	4	3	2	1	0
RESERVED								SIGNATURE				RESERVED	LOCK_BIT	BINARY_DELAY																	

Bits	Field Name	Description	Type	Reset
31:18	RESERVED		R	0x0
17:12	SIGNATURE	Write to this register will succeed only if data on these bits carries a signature of 6'h29 (6'b101001)	RW	0x0
11	RESERVED		R	0x0
10	LOCK_BIT	When '1', prevents HW update to this MMR. When '0', allows HW update of this MMR.	RW	0x0
9:0	BINARY_DELAY	Delay Select Value in binary coded form. Indicates the number of coarse (9:5) and fine (4:0) delay elements to be used on the delay line connected to this pad.	RW	0x0

Table 18-2230. Register Call Summary for Register CFG_MCASP1_AXR3_OUT

IODELAYCONFIG Module Register Manual

- [IODELAYCONFIG Register Summary: \[0\]](#)

Table 18-2231. CFG_MCASP1_AXR4_IN

Address Offset	0x0000 0438	Instance	IODELAYCONFIG
Physical Address	0x4844 A438		
Description	Delay Select Value in binary coded form for cfg_mcasp1_axr4_in interface		
Type	RW		

31	30	29	28	27	26	25	24	23	22	21	20	19	18	17	16	15	14	13	12	11	10	9	8	7	6	5	4	3	2	1	0
RESERVED														SIGNATURE				RESERVED	LOCK_BIT	BINARY_DELAY											

Bits	Field Name	Description	Type	Reset
31:18	RESERVED		R	0x0
17:12	SIGNATURE	Write to this register will succeed only if data on these bits carries a signature of 6'h29 (6'b101001)	RW	0x0
11	RESERVED		R	0x0
10	LOCK_BIT	When '1', prevents HW update to this MMR. When '0', allows HW update of this MMR.	RW	0x0
9:0	BINARY_DELAY	Delay Select Value in binary coded form. Indicates the number of coarse (9:5) and fine (4:0) delay elements to be used on the delay line connected to this pad.	RW	0x0

Table 18-2232. Register Call Summary for Register CFG_MCASP1_AXR4_IN

IODELAYCONFIG Module Register Manual

- [IODELAYCONFIG Register Summary: \[0\]](#)

Table 18-2233. CFG_MCASP1_AXR4_OEN

Address Offset	0x0000 043C	Instance	IODELAYCONFIG
Physical Address	0x4844 A43C		
Description	Delay Select Value in binary coded form for cfg_mcasp1_axr4_oen interface		
Type	RW		

31	30	29	28	27	26	25	24	23	22	21	20	19	18	17	16	15	14	13	12	11	10	9	8	7	6	5	4	3	2	1	0
RESERVED														SIGNATURE				RESERVED	LOCK_BIT	BINARY_DELAY											

Bits	Field Name	Description	Type	Reset
31:18	RESERVED		R	0x0
17:12	SIGNATURE	Write to this register will succeed only if data on these bits carries a signature of 6'h29 (6'b101001)	RW	0x0
11	RESERVED		R	0x0
10	LOCK_BIT	When '1', prevents HW update to this MMR. When '0', allows HW update of this MMR.	RW	0x0
9:0	BINARY_DELAY	Delay Select Value in binary coded form. Indicates the number of coarse (9:5) and fine (4:0) delay elements to be used on the delay line connected to this pad.	RW	0x0

Table 18-2234. Register Call Summary for Register CFG_MCASP1_AXR4_OEN

IODELAYCONFIG Module Register Manual

- [IODELAYCONFIG Register Summary: \[0\]](#)

Table 18-2235. CFG_MCASP1_AXR4_OUT

Address Offset	0x0000 0440	Instance	IODELAYCONFIG
Physical Address	0x4844 A440		
Description	Delay Select Value in binary coded form for cfg_mcasp1_axr4_out interface		
Type	RW		

31	30	29	28	27	26	25	24	23	22	21	20	19	18	17	16	15	14	13	12	11	10	9	8	7	6	5	4	3	2	1	0		
RESERVED																SIGNATURE						RESERVED	LOCK_BIT	BINARY_DELAY									

Bits	Field Name	Description	Type	Reset
31:18	RESERVED		R	0x0
17:12	SIGNATURE	Write to this register will succeed only if data on these bits carries a signature of 6'h29 (6'b101001)	RW	0x0
11	RESERVED		R	0x0
10	LOCK_BIT	When '1', prevents HW update to this MMR. When '0', allows HW update of this MMR.	RW	0x0
9:0	BINARY_DELAY	Delay Select Value in binary coded form. Indicates the number of coarse (9:5) and fine (4:0) delay elements to be used on the delay line connected to this pad.	RW	0x0

Table 18-2236. Register Call Summary for Register CFG_MCASP1_AXR4_OUT

IODELAYCONFIG Module Register Manual

- [IODELAYCONFIG Register Summary: \[0\]](#)

Table 18-2237. CFG_MCASP1_AXR5_IN

Address Offset	0x0000 0444	Instance	IODELAYCONFIG
Physical Address	0x4844 A444		
Description	Delay Select Value in binary coded form for cfg_mcasp1_axr5_in interface		
Type	RW		

31	30	29	28	27	26	25	24	23	22	21	20	19	18	17	16	15	14	13	12	11	10	9	8	7	6	5	4	3	2	1	0		
RESERVED																SIGNATURE						RESERVED	LOCK_BIT	BINARY_DELAY									

Bits	Field Name	Description	Type	Reset
31:18	RESERVED		R	0x0
17:12	SIGNATURE	Write to this register will succeed only if data on these bits carries a signature of 6'h29 (6'b101001)	RW	0x0
11	RESERVED		R	0x0

Bits	Field Name	Description	Type	Reset
10	LOCK_BIT	When '1', prevents HW update to this MMR. When '0', allows HW update of this MMR.	RW	0x0
9:0	BINARY_DELAY	Delay Select Value in binary coded form. Indicates the number of coarse (9:5) and fine (4:0) delay elements to be used on the delay line connected to this pad.	RW	0x0

Table 18-2238. Register Call Summary for Register CFG_MCASP1_AXR5_IN

IODELAYCONFIG Module Register Manual

- [IODELAYCONFIG Register Summary: \[0\]](#)

Table 18-2239. CFG_MCASP1_AXR5_OEN

Address Offset	0x0000 0448	Instance	IODELAYCONFIG
Physical Address	0x4844 A448		
Description	Delay Select Value in binary coded form for cfg_mcasp1_axr5_oen interface		
Type	RW		

31	30	29	28	27	26	25	24	23	22	21	20	19	18	17	16	15	14	13	12	11	10	9	8	7	6	5	4	3	2	1	0		
RESERVED																SIGNATURE				RESERVED	LOCK_BIT	BINARY_DELAY											

Bits	Field Name	Description	Type	Reset
31:18	RESERVED		R	0x0
17:12	SIGNATURE	Write to this register will succeed only if data on these bits carries a signature of 6'h29 (6'b101001)	RW	0x0
11	RESERVED		R	0x0
10	LOCK_BIT	When '1', prevents HW update to this MMR. When '0', allows HW update of this MMR.	RW	0x0
9:0	BINARY_DELAY	Delay Select Value in binary coded form. Indicates the number of coarse (9:5) and fine (4:0) delay elements to be used on the delay line connected to this pad.	RW	0x0

Table 18-2240. Register Call Summary for Register CFG_MCASP1_AXR5_OEN

IODELAYCONFIG Module Register Manual

- [IODELAYCONFIG Register Summary: \[0\]](#)

Table 18-2241. CFG_MCASP1_AXR5_OUT

Address Offset	0x0000 044C	Instance	IODELAYCONFIG
Physical Address	0x4844 A44C		
Description	Delay Select Value in binary coded form for cfg_mcasp1_axr5_out interface		
Type	RW		

31	30	29	28	27	26	25	24	23	22	21	20	19	18	17	16	15	14	13	12	11	10	9	8	7	6	5	4	3	2	1	0		
RESERVED																SIGNATURE				RESERVED	LOCK_BIT	BINARY_DELAY											

Bits	Field Name	Description	Type	Reset
31:18	RESERVED		R	0x0
17:12	SIGNATURE	Write to this register will succeed only if data on these bits carries a signature of 6'h29 (6'b101001)	RW	0x0
11	RESERVED		R	0x0
10	LOCK_BIT	When '1', prevents HW update to this MMR. When '0', allows HW update of this MMR.	RW	0x0
9:0	BINARY_DELAY	Delay Select Value in binary coded form. Indicates the number of coarse (9:5) and fine (4:0) delay elements to be used on the delay line connected to this pad.	RW	0x0

Table 18-2242. Register Call Summary for Register CFG_MCASP1_AXR5_OUT

IODELAYCONFIG Module Register Manual

- [IODELAYCONFIG Register Summary: \[0\]](#)

Table 18-2243. CFG_MCASP1_AXR6_IN

Address Offset	0x0000 0450	Instance	IODELAYCONFIG
Physical Address	0x4844 A450		
Description	Delay Select Value in binary coded form for cfg_mcasp1_axr6_in interface		
Type	RW		

31	30	29	28	27	26	25	24	23	22	21	20	19	18	17	16	15	14	13	12	11	10	9	8	7	6	5	4	3	2	1	0
RESERVED								SIGNATURE				RESERVED	LOCK_BIT	BINARY_DELAY																	

Bits	Field Name	Description	Type	Reset
31:18	RESERVED		R	0x0
17:12	SIGNATURE	Write to this register will succeed only if data on these bits carries a signature of 6'h29 (6'b101001)	RW	0x0
11	RESERVED		R	0x0
10	LOCK_BIT	When '1', prevents HW update to this MMR. When '0', allows HW update of this MMR.	RW	0x0
9:0	BINARY_DELAY	Delay Select Value in binary coded form. Indicates the number of coarse (9:5) and fine (4:0) delay elements to be used on the delay line connected to this pad.	RW	0x0

Table 18-2244. Register Call Summary for Register CFG_MCASP1_AXR6_IN

IODELAYCONFIG Module Register Manual

- [IODELAYCONFIG Register Summary: \[0\]](#)

Table 18-2245. CFG_MCASP1_AXR6_OEN

Address Offset	0x0000 0454	Instance	IODELAYCONFIG
Physical Address	0x4844 A454		
Description	Delay Select Value in binary coded form for cfg_mcasp1_axr6_oen interface		
Type	RW		

31	30	29	28	27	26	25	24	23	22	21	20	19	18	17	16	15	14	13	12	11	10	9	8	7	6	5	4	3	2	1	0
RESERVED														SIGNATURE				RESERVED	LOCK_BIT	BINARY_DELAY											

Bits	Field Name	Description	Type	Reset
31:18	RESERVED		R	0x0
17:12	SIGNATURE	Write to this register will succeed only if data on these bits carries a signature of 6'h29 (6'b101001)	RW	0x0
11	RESERVED		R	0x0
10	LOCK_BIT	When '1', prevents HW update to this MMR. When '0', allows HW update of this MMR.	RW	0x0
9:0	BINARY_DELAY	Delay Select Value in binary coded form. Indicates the number of coarse (9:5) and fine (4:0) delay elements to be used on the delay line connected to this pad.	RW	0x0

Table 18-2246. Register Call Summary for Register CFG_MCASP1_AXR6_OEN

IODELAYCONFIG Module Register Manual

- [IODELAYCONFIG Register Summary: \[0\]](#)

Table 18-2247. CFG_MCASP1_AXR6_OUT

Address Offset	0x0000 0458	Instance	IODELAYCONFIG
Physical Address	0x4844 A458		
Description	Delay Select Value in binary coded form for cfg_mcaspl1_axr6_out interface		
Type	RW		

31	30	29	28	27	26	25	24	23	22	21	20	19	18	17	16	15	14	13	12	11	10	9	8	7	6	5	4	3	2	1	0
RESERVED														SIGNATURE				RESERVED	LOCK_BIT	BINARY_DELAY											

Bits	Field Name	Description	Type	Reset
31:18	RESERVED		R	0x0
17:12	SIGNATURE	Write to this register will succeed only if data on these bits carries a signature of 6'h29 (6'b101001)	RW	0x0
11	RESERVED		R	0x0
10	LOCK_BIT	When '1', prevents HW update to this MMR. When '0', allows HW update of this MMR.	RW	0x0
9:0	BINARY_DELAY	Delay Select Value in binary coded form. Indicates the number of coarse (9:5) and fine (4:0) delay elements to be used on the delay line connected to this pad.	RW	0x0

Table 18-2248. Register Call Summary for Register CFG_MCASP1_AXR6_OUT

IODELAYCONFIG Module Register Manual

- [IODELAYCONFIG Register Summary: \[0\]](#)

Table 18-2249. CFG_MCASP1_AXR7_IN

Address Offset	0x0000 045C	Instance	IODELAYCONFIG
Physical Address	0x4844 A45C		
Description	Delay Select Value in binary coded form for cfg_mcasp1_axr7_in interface		
Type	RW		

31	30	29	28	27	26	25	24	23	22	21	20	19	18	17	16	15	14	13	12	11	10	9	8	7	6	5	4	3	2	1	0
RESERVED														SIGNATURE				RESERVED	LOCK_BIT	BINARY_DELAY											

Bits	Field Name	Description	Type	Reset
31:18	RESERVED		R	0x0
17:12	SIGNATURE	Write to this register will succeed only if data on these bits carries a signature of 6'h29 (6'b101001)	RW	0x0
11	RESERVED		R	0x0
10	LOCK_BIT	When '1', prevents HW update to this MMR. When '0', allows HW update of this MMR.	RW	0x0
9:0	BINARY_DELAY	Delay Select Value in binary coded form. Indicates the number of coarse (9:5) and fine (4:0) delay elements to be used on the delay line connected to this pad.	RW	0x0

Table 18-2250. Register Call Summary for Register CFG_MCASP1_AXR7_IN

IODELAYCONFIG Module Register Manual

- [IODELAYCONFIG Register Summary: \[0\]](#)

Table 18-2251. CFG_MCASP1_AXR7_OEN

Address Offset	0x0000 0460	Instance	IODELAYCONFIG
Physical Address	0x4844 A460		
Description	Delay Select Value in binary coded form for cfg_mcasp1_axr7_oen interface		
Type	RW		

31	30	29	28	27	26	25	24	23	22	21	20	19	18	17	16	15	14	13	12	11	10	9	8	7	6	5	4	3	2	1	0
RESERVED														SIGNATURE				RESERVED	LOCK_BIT	BINARY_DELAY											

Bits	Field Name	Description	Type	Reset
31:18	RESERVED		R	0x0
17:12	SIGNATURE	Write to this register will succeed only if data on these bits carries a signature of 6'h29 (6'b101001)	RW	0x0
11	RESERVED		R	0x0
10	LOCK_BIT	When '1', prevents HW update to this MMR. When '0', allows HW update of this MMR.	RW	0x0
9:0	BINARY_DELAY	Delay Select Value in binary coded form. Indicates the number of coarse (9:5) and fine (4:0) delay elements to be used on the delay line connected to this pad.	RW	0x0

Table 18-2252. Register Call Summary for Register CFG_MCASP1_AXR7_OEN

IODELAYCONFIG Module Register Manual
 • [IODELAYCONFIG Register Summary: \[0\]](#)

Table 18-2253. CFG_MCASP1_AXR7_OUT

Address Offset	0x0000 0464	Instance	IODELAYCONFIG
Physical Address	0x4844 A464		
Description	Delay Select Value in binary coded form for cfg_mcasp1_axr7_out interface		
Type	RW		

31	30	29	28	27	26	25	24	23	22	21	20	19	18	17	16	15	14	13	12	11	10	9	8	7	6	5	4	3	2	1	0
RESERVED														SIGNATURE				RESERVED	LOCK_BIT	BINARY_DELAY											

Bits	Field Name	Description	Type	Reset
31:18	RESERVED		R	0x0
17:12	SIGNATURE	Write to this register will succeed only if data on these bits carries a signature of 6'h29 (6'b101001)	RW	0x0
11	RESERVED		R	0x0
10	LOCK_BIT	When '1', prevents HW update to this MMR. When '0', allows HW update of this MMR.	RW	0x0
9:0	BINARY_DELAY	Delay Select Value in binary coded form. Indicates the number of coarse (9:5) and fine (4:0) delay elements to be used on the delay line connected to this pad.	RW	0x0

Table 18-2254. Register Call Summary for Register CFG_MCASP1_AXR7_OUT

IODELAYCONFIG Module Register Manual
 • [IODELAYCONFIG Register Summary: \[0\]](#)

Table 18-2255. CFG_MCASP1_AXR8_IN

Address Offset	0x0000 0468	Instance	IODELAYCONFIG
Physical Address	0x4844 A468		
Description	Delay Select Value in binary coded form for cfg_mcasp1_axr8_in interface		
Type	RW		

31	30	29	28	27	26	25	24	23	22	21	20	19	18	17	16	15	14	13	12	11	10	9	8	7	6	5	4	3	2	1	0
RESERVED														SIGNATURE				RESERVED	LOCK_BIT	BINARY_DELAY											

Bits	Field Name	Description	Type	Reset
31:18	RESERVED		R	0x0
17:12	SIGNATURE	Write to this register will succeed only if data on these bits carries a signature of 6'h29 (6'b101001)	RW	0x0
11	RESERVED		R	0x0

Bits	Field Name	Description	Type	Reset
10	LOCK_BIT	When '1', prevents HW update to this MMR. When '0', allows HW update of this MMR.	RW	0x0
9:0	BINARY_DELAY	Delay Select Value in binary coded form. Indicates the number of coarse (9:5) and fine (4:0) delay elements to be used on the delay line connected to this pad.	RW	0x0

Table 18-2256. Register Call Summary for Register CFG_MCASP1_AXR8_IN

IODELAYCONFIG Module Register Manual

- [IODELAYCONFIG Register Summary: \[0\]](#)

Table 18-2257. CFG_MCASP1_AXR8_OEN

Address Offset	0x0000 046C	Instance	IODELAYCONFIG
Physical Address	0x4844 A46C		
Description	Delay Select Value in binary coded form for cfg_mcasp1_axr8_oen interface		
Type	RW		

31	30	29	28	27	26	25	24	23	22	21	20	19	18	17	16	15	14	13	12	11	10	9	8	7	6	5	4	3	2	1	0
RESERVED								SIGNATURE								RESERVED	LOCK_BIT	BINARY_DELAY													

Bits	Field Name	Description	Type	Reset
31:18	RESERVED		R	0x0
17:12	SIGNATURE	Write to this register will succeed only if data on these bits carries a signature of 6'h29 (6'b101001)	RW	0x0
11	RESERVED		R	0x0
10	LOCK_BIT	When '1', prevents HW update to this MMR. When '0', allows HW update of this MMR.	RW	0x0
9:0	BINARY_DELAY	Delay Select Value in binary coded form. Indicates the number of coarse (9:5) and fine (4:0) delay elements to be used on the delay line connected to this pad.	RW	0x0

Table 18-2258. Register Call Summary for Register CFG_MCASP1_AXR8_OEN

IODELAYCONFIG Module Register Manual

- [IODELAYCONFIG Register Summary: \[0\]](#)

Table 18-2259. CFG_MCASP1_AXR8_OUT

Address Offset	0x0000 0470	Instance	IODELAYCONFIG
Physical Address	0x4844 A470		
Description	Delay Select Value in binary coded form for cfg_mcasp1_axr8_out interface		
Type	RW		

31	30	29	28	27	26	25	24	23	22	21	20	19	18	17	16	15	14	13	12	11	10	9	8	7	6	5	4	3	2	1	0
RESERVED								SIGNATURE								RESERVED	LOCK_BIT	BINARY_DELAY													

Bits	Field Name	Description	Type	Reset
31:18	RESERVED		R	0x0
17:12	SIGNATURE	Write to this register will succeed only if data on these bits carries a signature of 6'h29 (6'b101001)	RW	0x0
11	RESERVED		R	0x0
10	LOCK_BIT	When '1', prevents HW update to this MMR. When '0', allows HW update of this MMR.	RW	0x0
9:0	BINARY_DELAY	Delay Select Value in binary coded form. Indicates the number of coarse (9:5) and fine (4:0) delay elements to be used on the delay line connected to this pad.	RW	0x0

Table 18-2260. Register Call Summary for Register CFG_MCASP1_AXR8_OUT

IODELAYCONFIG Module Register Manual

- [IODELAYCONFIG Register Summary: \[0\]](#)

Table 18-2261. CFG_MCASP1_AXR9_IN

Address Offset	0x0000 0474	Instance	IODELAYCONFIG
Physical Address	0x4844 A474		
Description	Delay Select Value in binary coded form for cfg_mcaspl1_axr9_in interface		
Type	RW		

31	30	29	28	27	26	25	24	23	22	21	20	19	18	17	16	15	14	13	12	11	10	9	8	7	6	5	4	3	2	1	0
RESERVED								SIGNATURE				RESERVED	LOCK_BIT	BINARY_DELAY																	

Bits	Field Name	Description	Type	Reset
31:18	RESERVED		R	0x0
17:12	SIGNATURE	Write to this register will succeed only if data on these bits carries a signature of 6'h29 (6'b101001)	RW	0x0
11	RESERVED		R	0x0
10	LOCK_BIT	When '1', prevents HW update to this MMR. When '0', allows HW update of this MMR.	RW	0x0
9:0	BINARY_DELAY	Delay Select Value in binary coded form. Indicates the number of coarse (9:5) and fine (4:0) delay elements to be used on the delay line connected to this pad.	RW	0x0

Table 18-2262. Register Call Summary for Register CFG_MCASP1_AXR9_IN

IODELAYCONFIG Module Register Manual

- [IODELAYCONFIG Register Summary: \[0\]](#)

Table 18-2263. CFG_MCASP1_AXR9_OEN

Address Offset	0x0000 0478	Instance	IODELAYCONFIG
Physical Address	0x4844 A478		
Description	Delay Select Value in binary coded form for cfg_mcaspl1_axr9_oen interface		
Type	RW		

31	30	29	28	27	26	25	24	23	22	21	20	19	18	17	16	15	14	13	12	11	10	9	8	7	6	5	4	3	2	1	0
RESERVED								SIGNATURE				RESERVED	LOCK_BIT	BINARY_DELAY																	

Bits	Field Name	Description	Type	Reset
31:18	RESERVED		R	0x0
17:12	SIGNATURE	Write to this register will succeed only if data on these bits carries a signature of 6'h29 (6'b101001)	RW	0x0
11	RESERVED		R	0x0
10	LOCK_BIT	When '1', prevents HW update to this MMR. When '0', allows HW update of this MMR.	RW	0x0
9:0	BINARY_DELAY	Delay Select Value in binary coded form. Indicates the number of coarse (9:5) and fine (4:0) delay elements to be used on the delay line connected to this pad.	RW	0x0

Table 18-2264. Register Call Summary for Register CFG_MCASP1_AXR9_OEN

IODELAYCONFIG Module Register Manual

- [IODELAYCONFIG Register Summary: \[0\]](#)

Table 18-2265. CFG_MCASP1_AXR9_OUT

Address Offset	0x0000 047C	Instance	IODELAYCONFIG
Physical Address	0x4844 A47C		
Description	Delay Select Value in binary coded form for cfg_mcaspl_axr9_out interface		
Type	RW		

31	30	29	28	27	26	25	24	23	22	21	20	19	18	17	16	15	14	13	12	11	10	9	8	7	6	5	4	3	2	1	0
RESERVED								SIGNATURE				RESERVED	LOCK_BIT	BINARY_DELAY																	

Bits	Field Name	Description	Type	Reset
31:18	RESERVED		R	0x0
17:12	SIGNATURE	Write to this register will succeed only if data on these bits carries a signature of 6'h29 (6'b101001)	RW	0x0
11	RESERVED		R	0x0
10	LOCK_BIT	When '1', prevents HW update to this MMR. When '0', allows HW update of this MMR.	RW	0x0
9:0	BINARY_DELAY	Delay Select Value in binary coded form. Indicates the number of coarse (9:5) and fine (4:0) delay elements to be used on the delay line connected to this pad.	RW	0x0

Table 18-2266. Register Call Summary for Register CFG_MCASP1_AXR9_OUT

IODELAYCONFIG Module Register Manual

- [IODELAYCONFIG Register Summary: \[0\]](#)

Table 18-2267. CFG_MCASP1_FSR_IN

Address Offset	0x0000 0480	Instance	IODELAYCONFIG
Physical Address	0x4844 A480		
Description	Delay Select Value in binary coded form for cfg_mcasp1_fsr_in interface		
Type	RW		

31	30	29	28	27	26	25	24	23	22	21	20	19	18	17	16	15	14	13	12	11	10	9	8	7	6	5	4	3	2	1	0
RESERVED														SIGNATURE				RESERVED	LOCK_BIT	BINARY_DELAY											

Bits	Field Name	Description	Type	Reset
31:18	RESERVED		R	0x0
17:12	SIGNATURE	Write to this register will succeed only if data on these bits carries a signature of 6'h29 (6'b101001)	RW	0x0
11	RESERVED		R	0x0
10	LOCK_BIT	When '1', prevents HW update to this MMR. When '0', allows HW update of this MMR.	RW	0x0
9:0	BINARY_DELAY	Delay Select Value in binary coded form. Indicates the number of coarse (9:5) and fine (4:0) delay elements to be used on the delay line connected to this pad.	RW	0x0

Table 18-2268. Register Call Summary for Register CFG_MCASP1_FSR_IN

IODELAYCONFIG Module Register Manual

- [IODELAYCONFIG Register Summary: \[0\]](#)

Table 18-2269. CFG_MCASP1_FSR_OEN

Address Offset	0x0000 0484	Instance	IODELAYCONFIG
Physical Address	0x4844 A484		
Description	Delay Select Value in binary coded form for cfg_mcasp1_fsr_oen interface		
Type	RW		

31	30	29	28	27	26	25	24	23	22	21	20	19	18	17	16	15	14	13	12	11	10	9	8	7	6	5	4	3	2	1	0
RESERVED														SIGNATURE				RESERVED	LOCK_BIT	BINARY_DELAY											

Bits	Field Name	Description	Type	Reset
31:18	RESERVED		R	0x0
17:12	SIGNATURE	Write to this register will succeed only if data on these bits carries a signature of 6'h29 (6'b101001)	RW	0x0
11	RESERVED		R	0x0
10	LOCK_BIT	When '1', prevents HW update to this MMR. When '0', allows HW update of this MMR.	RW	0x0
9:0	BINARY_DELAY	Delay Select Value in binary coded form. Indicates the number of coarse (9:5) and fine (4:0) delay elements to be used on the delay line connected to this pad.	RW	0x0

Table 18-2270. Register Call Summary for Register CFG_MCASP1_FSR_OEN

IODELAYCONFIG Module Register Manual

- [IODELAYCONFIG Register Summary: \[0\]](#)

Table 18-2271. CFG_MCASP1_FSR_OUT

Address Offset	0x0000 0488	Instance	IODELAYCONFIG
Physical Address	0x4844 A488		
Description	Delay Select Value in binary coded form for cfg_mcasp1_fsr_out interface		
Type	RW		

31	30	29	28	27	26	25	24	23	22	21	20	19	18	17	16	15	14	13	12	11	10	9	8	7	6	5	4	3	2	1	0
RESERVED														SIGNATURE				RESERVED	LOCK_BIT	BINARY_DELAY											

Bits	Field Name	Description	Type	Reset
31:18	RESERVED		R	0x0
17:12	SIGNATURE	Write to this register will succeed only if data on these bits carries a signature of 6'h29 (6'b101001)	RW	0x0
11	RESERVED		R	0x0
10	LOCK_BIT	When '1', prevents HW update to this MMR. When '0', allows HW update of this MMR.	RW	0x0
9:0	BINARY_DELAY	Delay Select Value in binary coded form. Indicates the number of coarse (9:5) and fine (4:0) delay elements to be used on the delay line connected to this pad.	RW	0x0

Table 18-2272. Register Call Summary for Register CFG_MCASP1_FSR_OUT

IODELAYCONFIG Module Register Manual

- [IODELAYCONFIG Register Summary: \[0\]](#)

Table 18-2273. CFG_MCASP1_FSX_IN

Address Offset	0x0000 048C	Instance	IODELAYCONFIG
Physical Address	0x4844 A48C		
Description	Delay Select Value in binary coded form for cfg_mcasp1_fsx_in interface		
Type	RW		

31	30	29	28	27	26	25	24	23	22	21	20	19	18	17	16	15	14	13	12	11	10	9	8	7	6	5	4	3	2	1	0
RESERVED														SIGNATURE				RESERVED	LOCK_BIT	BINARY_DELAY											

Bits	Field Name	Description	Type	Reset
31:18	RESERVED		R	0x0
17:12	SIGNATURE	Write to this register will succeed only if data on these bits carries a signature of 6'h29 (6'b101001)	RW	0x0
11	RESERVED		R	0x0

Bits	Field Name	Description	Type	Reset
10	LOCK_BIT	When '1', prevents HW update to this MMR. When '0', allows HW update of this MMR.	RW	0x0
9:0	BINARY_DELAY	Delay Select Value in binary coded form. Indicates the number of coarse (9:5) and fine (4:0) delay elements to be used on the delay line connected to this pad.	RW	0x0

Table 18-2274. Register Call Summary for Register CFG_MCASP1_FSX_IN

IODELAYCONFIG Module Register Manual

- [IODELAYCONFIG Register Summary: \[0\]](#)

Table 18-2275. CFG_MCASP1_FSX_OEN

Address Offset	0x0000 0490	Instance	IODELAYCONFIG
Physical Address	0x4844 A490		
Description	Delay Select Value in binary coded form for cfg_mcasp1_fsx_oen interface		
Type	RW		

31	30	29	28	27	26	25	24	23	22	21	20	19	18	17	16	15	14	13	12	11	10	9	8	7	6	5	4	3	2	1	0
RESERVED								SIGNATURE								RESERVED	LOCK_BIT	BINARY_DELAY													

Bits	Field Name	Description	Type	Reset
31:18	RESERVED		R	0x0
17:12	SIGNATURE	Write to this register will succeed only if data on these bits carries a signature of 6'h29 (6'b101001)	RW	0x0
11	RESERVED		R	0x0
10	LOCK_BIT	When '1', prevents HW update to this MMR. When '0', allows HW update of this MMR.	RW	0x0
9:0	BINARY_DELAY	Delay Select Value in binary coded form. Indicates the number of coarse (9:5) and fine (4:0) delay elements to be used on the delay line connected to this pad.	RW	0x0

Table 18-2276. Register Call Summary for Register CFG_MCASP1_FSX_OEN

IODELAYCONFIG Module Register Manual

- [IODELAYCONFIG Register Summary: \[0\]](#)

Table 18-2277. CFG_MCASP1_FSX_OUT

Address Offset	0x0000 0494	Instance	IODELAYCONFIG
Physical Address	0x4844 A494		
Description	Delay Select Value in binary coded form for cfg_mcasp1_fsx_out interface		
Type	RW		

31	30	29	28	27	26	25	24	23	22	21	20	19	18	17	16	15	14	13	12	11	10	9	8	7	6	5	4	3	2	1	0
RESERVED								SIGNATURE								RESERVED	LOCK_BIT	BINARY_DELAY													

Bits	Field Name	Description	Type	Reset
31:18	RESERVED		R	0x0
17:12	SIGNATURE	Write to this register will succeed only if data on these bits carries a signature of 6'h29 (6'b101001)	RW	0x0
11	RESERVED		R	0x0
10	LOCK_BIT	When '1', prevents HW update to this MMR. When '0', allows HW update of this MMR.	RW	0x0
9:0	BINARY_DELAY	Delay Select Value in binary coded form. Indicates the number of coarse (9:5) and fine (4:0) delay elements to be used on the delay line connected to this pad.	RW	0x0

Table 18-2278. Register Call Summary for Register CFG_MCASP1_FSX_OUT

IODELAYCONFIG Module Register Manual

- [IODELAYCONFIG Register Summary: \[0\]](#)

Table 18-2279. CFG_MCASP2_ACLKR_IN

Address Offset	0x0000 0498	Instance	IODELAYCONFIG
Physical Address	0x4844 A498		
Description	Delay Select Value in binary coded form for cfg_mcasp2_aclkr_in interface		
Type	RW		

31	30	29	28	27	26	25	24	23	22	21	20	19	18	17	16	15	14	13	12	11	10	9	8	7	6	5	4	3	2	1	0
RESERVED								SIGNATURE				RESERVED	LOCK_BIT	BINARY_DELAY																	

Bits	Field Name	Description	Type	Reset
31:18	RESERVED		R	0x0
17:12	SIGNATURE	Write to this register will succeed only if data on these bits carries a signature of 6'h29 (6'b101001)	RW	0x0
11	RESERVED		R	0x0
10	LOCK_BIT	When '1', prevents HW update to this MMR. When '0', allows HW update of this MMR.	RW	0x0
9:0	BINARY_DELAY	Delay Select Value in binary coded form. Indicates the number of coarse (9:5) and fine (4:0) delay elements to be used on the delay line connected to this pad.	RW	0x0

Table 18-2280. Register Call Summary for Register CFG_MCASP2_ACLKR_IN

IODELAYCONFIG Module Register Manual

- [IODELAYCONFIG Register Summary: \[0\]](#)

Table 18-2281. CFG_MCASP2_ACLKR_OEN

Address Offset	0x0000 049C	Instance	IODELAYCONFIG
Physical Address	0x4844 A49C		
Description	Delay Select Value in binary coded form for cfg_mcasp2_aclkr_oen interface		
Type	RW		

31	30	29	28	27	26	25	24	23	22	21	20	19	18	17	16	15	14	13	12	11	10	9	8	7	6	5	4	3	2	1	0
RESERVED														SIGNATURE				RESERVED	LOCK_BIT	BINARY_DELAY											

Bits	Field Name	Description	Type	Reset
31:18	RESERVED		R	0x0
17:12	SIGNATURE	Write to this register will succeed only if data on these bits carries a signature of 6'h29 (6'b101001)	RW	0x0
11	RESERVED		R	0x0
10	LOCK_BIT	When '1', prevents HW update to this MMR. When '0', allows HW update of this MMR.	RW	0x0
9:0	BINARY_DELAY	Delay Select Value in binary coded form. Indicates the number of coarse (9:5) and fine (4:0) delay elements to be used on the delay line connected to this pad.	RW	0x0

Table 18-2282. Register Call Summary for Register CFG_MCASP2_ACLKR_OEN

IODELAYCONFIG Module Register Manual

- [IODELAYCONFIG Register Summary: \[0\]](#)

Table 18-2283. CFG_MCASP2_ACLKR_OUT

Address Offset	0x0000 04A0	Instance	IODELAYCONFIG
Physical Address	0x4844 A4A0		
Description	Delay Select Value in binary coded form for cfg_mcasp2_aclkr_out interface		
Type	RW		

31	30	29	28	27	26	25	24	23	22	21	20	19	18	17	16	15	14	13	12	11	10	9	8	7	6	5	4	3	2	1	0
RESERVED														SIGNATURE				RESERVED	LOCK_BIT	BINARY_DELAY											

Bits	Field Name	Description	Type	Reset
31:18	RESERVED		R	0x0
17:12	SIGNATURE	Write to this register will succeed only if data on these bits carries a signature of 6'h29 (6'b101001)	RW	0x0
11	RESERVED		R	0x0
10	LOCK_BIT	When '1', prevents HW update to this MMR. When '0', allows HW update of this MMR.	RW	0x0
9:0	BINARY_DELAY	Delay Select Value in binary coded form. Indicates the number of coarse (9:5) and fine (4:0) delay elements to be used on the delay line connected to this pad.	RW	0x0

Table 18-2284. Register Call Summary for Register CFG_MCASP2_ACLKR_OUT

IODELAYCONFIG Module Register Manual

- [IODELAYCONFIG Register Summary: \[0\]](#)

Table 18-2285. CFG_MCASP2_ACLKX_IN

Address Offset	0x0000 04A4	Instance	IODELAYCONFIG
Physical Address	0x4844 A4A4		
Description	Delay Select Value in binary coded form for cfg_mcasp2_aclkx_in interface		
Type	RW		

31	30	29	28	27	26	25	24	23	22	21	20	19	18	17	16	15	14	13	12	11	10	9	8	7	6	5	4	3	2	1	0
RESERVED														SIGNATURE				RESERVED	LOCK_BIT	BINARY_DELAY											

Bits	Field Name	Description	Type	Reset
31:18	RESERVED		R	0x0
17:12	SIGNATURE	Write to this register will succeed only if data on these bits carries a signature of 6'h29 (6'b101001)	RW	0x0
11	RESERVED		R	0x0
10	LOCK_BIT	When '1', prevents HW update to this MMR. When '0', allows HW update of this MMR.	RW	0x0
9:0	BINARY_DELAY	Delay Select Value in binary coded form. Indicates the number of coarse (9:5) and fine (4:0) delay elements to be used on the delay line connected to this pad.	RW	0x0

Table 18-2286. Register Call Summary for Register CFG_MCASP2_ACLKX_IN

IODELAYCONFIG Module Register Manual

- [IODELAYCONFIG Register Summary: \[0\]](#)

Table 18-2287. CFG_MCASP2_ACLKX_OEN

Address Offset	0x0000 04A8	Instance	IODELAYCONFIG
Physical Address	0x4844 A4A8		
Description	Delay Select Value in binary coded form for cfg_mcasp2_aclkx_oen interface		
Type	RW		

31	30	29	28	27	26	25	24	23	22	21	20	19	18	17	16	15	14	13	12	11	10	9	8	7	6	5	4	3	2	1	0
RESERVED														SIGNATURE				RESERVED	LOCK_BIT	BINARY_DELAY											

Bits	Field Name	Description	Type	Reset
31:18	RESERVED		R	0x0
17:12	SIGNATURE	Write to this register will succeed only if data on these bits carries a signature of 6'h29 (6'b101001)	RW	0x0
11	RESERVED		R	0x0
10	LOCK_BIT	When '1', prevents HW update to this MMR. When '0', allows HW update of this MMR.	RW	0x0
9:0	BINARY_DELAY	Delay Select Value in binary coded form. Indicates the number of coarse (9:5) and fine (4:0) delay elements to be used on the delay line connected to this pad.	RW	0x0

Table 18-2288. Register Call Summary for Register CFG_MCASP2_ACLKX_OEN

IODELAYCONFIG Module Register Manual
 • [IODELAYCONFIG Register Summary: \[0\]](#)

Table 18-2289. CFG_MCASP2_ACLKX_OUT

Address Offset	0x0000 04AC	Instance	IODELAYCONFIG
Physical Address	0x4844 A4AC		
Description	Delay Select Value in binary coded form for cfg_mcasp2_aclkx_out interface		
Type	RW		

31	30	29	28	27	26	25	24	23	22	21	20	19	18	17	16	15	14	13	12	11	10	9	8	7	6	5	4	3	2	1	0
RESERVED														SIGNATURE				RESERVED	LOCK_BIT	BINARY_DELAY											

Bits	Field Name	Description	Type	Reset
31:18	RESERVED		R	0x0
17:12	SIGNATURE	Write to this register will succeed only if data on these bits carries a signature of 6'h29 (6'b101001)	RW	0x0
11	RESERVED		R	0x0
10	LOCK_BIT	When '1', prevents HW update to this MMR. When '0', allows HW update of this MMR.	RW	0x0
9:0	BINARY_DELAY	Delay Select Value in binary coded form. Indicates the number of coarse (9:5) and fine (4:0) delay elements to be used on the delay line connected to this pad.	RW	0x0

Table 18-2290. Register Call Summary for Register CFG_MCASP2_ACLKX_OUT

IODELAYCONFIG Module Register Manual
 • [IODELAYCONFIG Register Summary: \[0\]](#)

Table 18-2291. CFG_MCASP2_AXR0_IN

Address Offset	0x0000 04B0	Instance	IODELAYCONFIG
Physical Address	0x4844 A4B0		
Description	Delay Select Value in binary coded form for cfg_mcasp2_axr0_in interface		
Type	RW		

31	30	29	28	27	26	25	24	23	22	21	20	19	18	17	16	15	14	13	12	11	10	9	8	7	6	5	4	3	2	1	0
RESERVED														SIGNATURE				RESERVED	LOCK_BIT	BINARY_DELAY											

Bits	Field Name	Description	Type	Reset
31:18	RESERVED		R	0x0
17:12	SIGNATURE	Write to this register will succeed only if data on these bits carries a signature of 6'h29 (6'b101001)	RW	0x0
11	RESERVED		R	0x0

Bits	Field Name	Description	Type	Reset
10	LOCK_BIT	When '1', prevents HW update to this MMR. When '0', allows HW update of this MMR.	RW	0x0
9:0	BINARY_DELAY	Delay Select Value in binary coded form. Indicates the number of coarse (9:5) and fine (4:0) delay elements to be used on the delay line connected to this pad.	RW	0x0

Table 18-2292. Register Call Summary for Register CFG_MCASP2_AXR0_IN

IODELAYCONFIG Module Register Manual

- [IODELAYCONFIG Register Summary: \[0\]](#)

Table 18-2293. CFG_MCASP2_AXR0_OEN

Address Offset	0x0000 04B4	Instance	IODELAYCONFIG
Physical Address	0x4844 A4B4		
Description	Delay Select Value in binary coded form for cfg_mcasp2_axr0_oen interface		
Type	RW		

31	30	29	28	27	26	25	24	23	22	21	20	19	18	17	16	15	14	13	12	11	10	9	8	7	6	5	4	3	2	1	0
RESERVED								SIGNATURE								RESERVED	LOCK_BIT	BINARY_DELAY													

Bits	Field Name	Description	Type	Reset
31:18	RESERVED		R	0x0
17:12	SIGNATURE	Write to this register will succeed only if data on these bits carries a signature of 6'h29 (6'b101001)	RW	0x0
11	RESERVED		R	0x0
10	LOCK_BIT	When '1', prevents HW update to this MMR. When '0', allows HW update of this MMR.	RW	0x0
9:0	BINARY_DELAY	Delay Select Value in binary coded form. Indicates the number of coarse (9:5) and fine (4:0) delay elements to be used on the delay line connected to this pad.	RW	0x0

Table 18-2294. Register Call Summary for Register CFG_MCASP2_AXR0_OEN

IODELAYCONFIG Module Register Manual

- [IODELAYCONFIG Register Summary: \[0\]](#)

Table 18-2295. CFG_MCASP2_AXR0_OUT

Address Offset	0x0000 04B8	Instance	IODELAYCONFIG
Physical Address	0x4844 A4B8		
Description	Delay Select Value in binary coded form for cfg_mcasp2_axr0_out interface		
Type	RW		

31	30	29	28	27	26	25	24	23	22	21	20	19	18	17	16	15	14	13	12	11	10	9	8	7	6	5	4	3	2	1	0
RESERVED								SIGNATURE								RESERVED	LOCK_BIT	BINARY_DELAY													

Bits	Field Name	Description	Type	Reset
31:18	RESERVED		R	0x0
17:12	SIGNATURE	Write to this register will succeed only if data on these bits carries a signature of 6'h29 (6'b101001)	RW	0x0
11	RESERVED		R	0x0
10	LOCK_BIT	When '1', prevents HW update to this MMR. When '0', allows HW update of this MMR.	RW	0x0
9:0	BINARY_DELAY	Delay Select Value in binary coded form. Indicates the number of coarse (9:5) and fine (4:0) delay elements to be used on the delay line connected to this pad.	RW	0x0

Table 18-2296. Register Call Summary for Register CFG_MCASP2_AXR0_OUT

IODELAYCONFIG Module Register Manual

- [IODELAYCONFIG Register Summary: \[0\]](#)

Table 18-2297. CFG_MCASP2_AXR1_IN

Address Offset	0x0000 04BC	Instance	IODELAYCONFIG
Physical Address	0x4844 A4BC		
Description	Delay Select Value in binary coded form for cfg_mcas2_axr1_in interface		
Type	RW		

31	30	29	28	27	26	25	24	23	22	21	20	19	18	17	16	15	14	13	12	11	10	9	8	7	6	5	4	3	2	1	0
RESERVED								SIGNATURE				RESERVED	LOCK_BIT	BINARY_DELAY																	

Bits	Field Name	Description	Type	Reset
31:18	RESERVED		R	0x0
17:12	SIGNATURE	Write to this register will succeed only if data on these bits carries a signature of 6'h29 (6'b101001)	RW	0x0
11	RESERVED		R	0x0
10	LOCK_BIT	When '1', prevents HW update to this MMR. When '0', allows HW update of this MMR.	RW	0x0
9:0	BINARY_DELAY	Delay Select Value in binary coded form. Indicates the number of coarse (9:5) and fine (4:0) delay elements to be used on the delay line connected to this pad.	RW	0x0

Table 18-2298. Register Call Summary for Register CFG_MCASP2_AXR1_IN

IODELAYCONFIG Module Register Manual

- [IODELAYCONFIG Register Summary: \[0\]](#)

Table 18-2299. CFG_MCASP2_AXR1_OEN

Address Offset	0x0000 04C0	Instance	IODELAYCONFIG
Physical Address	0x4844 A4C0		
Description	Delay Select Value in binary coded form for cfg_mcas2_axr1_oen interface		
Type	RW		

31	30	29	28	27	26	25	24	23	22	21	20	19	18	17	16	15	14	13	12	11	10	9	8	7	6	5	4	3	2	1	0
RESERVED														SIGNATURE				RESERVED	LOCK_BIT	BINARY_DELAY											

Bits	Field Name	Description	Type	Reset
31:18	RESERVED		R	0x0
17:12	SIGNATURE	Write to this register will succeed only if data on these bits carries a signature of 6'h29 (6'b101001)	RW	0x0
11	RESERVED		R	0x0
10	LOCK_BIT	When '1', prevents HW update to this MMR. When '0', allows HW update of this MMR.	RW	0x0
9:0	BINARY_DELAY	Delay Select Value in binary coded form. Indicates the number of coarse (9:5) and fine (4:0) delay elements to be used on the delay line connected to this pad.	RW	0x0

Table 18-2300. Register Call Summary for Register CFG_MCASP2_AXR1_OEN

IODELAYCONFIG Module Register Manual

- [IODELAYCONFIG Register Summary: \[0\]](#)

Table 18-2301. CFG_MCASP2_AXR1_OUT

Address Offset	0x0000 04C4	Instance	IODELAYCONFIG
Physical Address	0x4844 A4C4		
Description	Delay Select Value in binary coded form for cfg_mcas2_axr1_out interface		
Type	RW		

31	30	29	28	27	26	25	24	23	22	21	20	19	18	17	16	15	14	13	12	11	10	9	8	7	6	5	4	3	2	1	0
RESERVED														SIGNATURE				RESERVED	LOCK_BIT	BINARY_DELAY											

Bits	Field Name	Description	Type	Reset
31:18	RESERVED		R	0x0
17:12	SIGNATURE	Write to this register will succeed only if data on these bits carries a signature of 6'h29 (6'b101001)	RW	0x0
11	RESERVED		R	0x0
10	LOCK_BIT	When '1', prevents HW update to this MMR. When '0', allows HW update of this MMR.	RW	0x0
9:0	BINARY_DELAY	Delay Select Value in binary coded form. Indicates the number of coarse (9:5) and fine (4:0) delay elements to be used on the delay line connected to this pad.	RW	0x0

Table 18-2302. Register Call Summary for Register CFG_MCASP2_AXR1_OUT

IODELAYCONFIG Module Register Manual

- [IODELAYCONFIG Register Summary: \[0\]](#)

Table 18-2303. CFG_MCASP2_AXR2_IN

Address Offset	0x0000 04C8	Instance	IODELAYCONFIG
Physical Address	0x4844 A4C8		
Description	Delay Select Value in binary coded form for cfg_mcasp2_axr2_in interface		
Type	RW		

31	30	29	28	27	26	25	24	23	22	21	20	19	18	17	16	15	14	13	12	11	10	9	8	7	6	5	4	3	2	1	0
RESERVED														SIGNATURE				RESERVED	LOCK_BIT	BINARY_DELAY											

Bits	Field Name	Description	Type	Reset
31:18	RESERVED		R	0x0
17:12	SIGNATURE	Write to this register will succeed only if data on these bits carries a signature of 6'h29 (6'b101001)	RW	0x0
11	RESERVED		R	0x0
10	LOCK_BIT	When '1', prevents HW update to this MMR. When '0', allows HW update of this MMR.	RW	0x0
9:0	BINARY_DELAY	Delay Select Value in binary coded form. Indicates the number of coarse (9:5) and fine (4:0) delay elements to be used on the delay line connected to this pad.	RW	0x0

Table 18-2304. Register Call Summary for Register CFG_MCASP2_AXR2_IN

IODELAYCONFIG Module Register Manual

- [IODELAYCONFIG Register Summary: \[0\]](#)

Table 18-2305. CFG_MCASP2_AXR2_OEN

Address Offset	0x0000 04CC	Instance	IODELAYCONFIG
Physical Address	0x4844 A4CC		
Description	Delay Select Value in binary coded form for cfg_mcasp2_axr2_oen interface		
Type	RW		

31	30	29	28	27	26	25	24	23	22	21	20	19	18	17	16	15	14	13	12	11	10	9	8	7	6	5	4	3	2	1	0
RESERVED														SIGNATURE				RESERVED	LOCK_BIT	BINARY_DELAY											

Bits	Field Name	Description	Type	Reset
31:18	RESERVED		R	0x0
17:12	SIGNATURE	Write to this register will succeed only if data on these bits carries a signature of 6'h29 (6'b101001)	RW	0x0
11	RESERVED		R	0x0
10	LOCK_BIT	When '1', prevents HW update to this MMR. When '0', allows HW update of this MMR.	RW	0x0
9:0	BINARY_DELAY	Delay Select Value in binary coded form. Indicates the number of coarse (9:5) and fine (4:0) delay elements to be used on the delay line connected to this pad.	RW	0x0

Table 18-2306. Register Call Summary for Register CFG_MCASP2_AXR2_OEN

IODELAYCONFIG Module Register Manual

- [IODELAYCONFIG Register Summary: \[0\]](#)

Table 18-2307. CFG_MCASP2_AXR2_OUT

Address Offset	0x0000 04D0	Instance	IODELAYCONFIG
Physical Address	0x4844 A4D0		
Description	Delay Select Value in binary coded form for cfg_mcasp2_axr2_out interface		
Type	RW		

31	30	29	28	27	26	25	24	23	22	21	20	19	18	17	16	15	14	13	12	11	10	9	8	7	6	5	4	3	2	1	0		
RESERVED																SIGNATURE						RESERVED	LOCK_BIT	BINARY_DELAY									

Bits	Field Name	Description	Type	Reset
31:18	RESERVED		R	0x0
17:12	SIGNATURE	Write to this register will succeed only if data on these bits carries a signature of 6'h29 (6'b101001)	RW	0x0
11	RESERVED		R	0x0
10	LOCK_BIT	When '1', prevents HW update to this MMR. When '0', allows HW update of this MMR.	RW	0x0
9:0	BINARY_DELAY	Delay Select Value in binary coded form. Indicates the number of coarse (9:5) and fine (4:0) delay elements to be used on the delay line connected to this pad.	RW	0x0

Table 18-2308. Register Call Summary for Register CFG_MCASP2_AXR2_OUT

IODELAYCONFIG Module Register Manual

- [IODELAYCONFIG Register Summary: \[0\]](#)

Table 18-2309. CFG_MCASP2_AXR3_IN

Address Offset	0x0000 04D4	Instance	IODELAYCONFIG
Physical Address	0x4844 A4D4		
Description	Delay Select Value in binary coded form for cfg_mcasp2_axr3_in interface		
Type	RW		

31	30	29	28	27	26	25	24	23	22	21	20	19	18	17	16	15	14	13	12	11	10	9	8	7	6	5	4	3	2	1	0		
RESERVED																SIGNATURE						RESERVED	LOCK_BIT	BINARY_DELAY									

Bits	Field Name	Description	Type	Reset
31:18	RESERVED		R	0x0
17:12	SIGNATURE	Write to this register will succeed only if data on these bits carries a signature of 6'h29 (6'b101001)	RW	0x0
11	RESERVED		R	0x0

Bits	Field Name	Description	Type	Reset
10	LOCK_BIT	When '1', prevents HW update to this MMR. When '0', allows HW update of this MMR.	RW	0x0
9:0	BINARY_DELAY	Delay Select Value in binary coded form. Indicates the number of coarse (9:5) and fine (4:0) delay elements to be used on the delay line connected to this pad.	RW	0x0

Table 18-2310. Register Call Summary for Register CFG_MCASP2_AXR3_IN

IODELAYCONFIG Module Register Manual

- [IODELAYCONFIG Register Summary: \[0\]](#)

Table 18-2311. CFG_MCASP2_AXR3_OEN

Address Offset	0x0000 04D8	Instance	IODELAYCONFIG
Physical Address	0x4844 A4D8		
Description	Delay Select Value in binary coded form for cfg_mcasp2_axr3_oen interface		
Type	RW		

31	30	29	28	27	26	25	24	23	22	21	20	19	18	17	16	15	14	13	12	11	10	9	8	7	6	5	4	3	2	1	0
RESERVED								SIGNATURE								RESERVED	LOCK_BIT	BINARY_DELAY													

Bits	Field Name	Description	Type	Reset
31:18	RESERVED		R	0x0
17:12	SIGNATURE	Write to this register will succeed only if data on these bits carries a signature of 6'h29 (6'b101001)	RW	0x0
11	RESERVED		R	0x0
10	LOCK_BIT	When '1', prevents HW update to this MMR. When '0', allows HW update of this MMR.	RW	0x0
9:0	BINARY_DELAY	Delay Select Value in binary coded form. Indicates the number of coarse (9:5) and fine (4:0) delay elements to be used on the delay line connected to this pad.	RW	0x0

Table 18-2312. Register Call Summary for Register CFG_MCASP2_AXR3_OEN

IODELAYCONFIG Module Register Manual

- [IODELAYCONFIG Register Summary: \[0\]](#)

Table 18-2313. CFG_MCASP2_AXR3_OUT

Address Offset	0x0000 04DC	Instance	IODELAYCONFIG
Physical Address	0x4844 A4DC		
Description	Delay Select Value in binary coded form for cfg_mcasp2_axr3_out interface		
Type	RW		

31	30	29	28	27	26	25	24	23	22	21	20	19	18	17	16	15	14	13	12	11	10	9	8	7	6	5	4	3	2	1	0
RESERVED								SIGNATURE								RESERVED	LOCK_BIT	BINARY_DELAY													

Bits	Field Name	Description	Type	Reset
31:18	RESERVED		R	0x0
17:12	SIGNATURE	Write to this register will succeed only if data on these bits carries a signature of 6'h29 (6'b101001)	RW	0x0
11	RESERVED		R	0x0
10	LOCK_BIT	When '1', prevents HW update to this MMR. When '0', allows HW update of this MMR.	RW	0x0
9:0	BINARY_DELAY	Delay Select Value in binary coded form. Indicates the number of coarse (9:5) and fine (4:0) delay elements to be used on the delay line connected to this pad.	RW	0x0

Table 18-2314. Register Call Summary for Register CFG_MCASP2_AXR3_OUT

IODELAYCONFIG Module Register Manual

- [IODELAYCONFIG Register Summary: \[0\]](#)

Table 18-2315. CFG_MCASP2_AXR4_IN

Address Offset	0x0000 04E0	Instance	IODELAYCONFIG
Physical Address	0x4844 A4E0		
Description	Delay Select Value in binary coded form for cfg_mcasp2_axr4_in interface		
Type	RW		

31	30	29	28	27	26	25	24	23	22	21	20	19	18	17	16	15	14	13	12	11	10	9	8	7	6	5	4	3	2	1	0
RESERVED								SIGNATURE				RESERVED	LOCK_BIT	BINARY_DELAY																	

Bits	Field Name	Description	Type	Reset
31:18	RESERVED		R	0x0
17:12	SIGNATURE	Write to this register will succeed only if data on these bits carries a signature of 6'h29 (6'b101001)	RW	0x0
11	RESERVED		R	0x0
10	LOCK_BIT	When '1', prevents HW update to this MMR. When '0', allows HW update of this MMR.	RW	0x0
9:0	BINARY_DELAY	Delay Select Value in binary coded form. Indicates the number of coarse (9:5) and fine (4:0) delay elements to be used on the delay line connected to this pad.	RW	0x0

Table 18-2316. Register Call Summary for Register CFG_MCASP2_AXR4_IN

IODELAYCONFIG Module Register Manual

- [IODELAYCONFIG Register Summary: \[0\]](#)

Table 18-2317. CFG_MCASP2_AXR4_OEN

Address Offset	0x0000 04E4	Instance	IODELAYCONFIG
Physical Address	0x4844 A4E4		
Description	Delay Select Value in binary coded form for cfg_mcasp2_axr4_oen interface		
Type	RW		

31	30	29	28	27	26	25	24	23	22	21	20	19	18	17	16	15	14	13	12	11	10	9	8	7	6	5	4	3	2	1	0
RESERVED														SIGNATURE				RESERVED	LOCK_BIT	BINARY_DELAY											

Bits	Field Name	Description	Type	Reset
31:18	RESERVED		R	0x0
17:12	SIGNATURE	Write to this register will succeed only if data on these bits carries a signature of 6'h29 (6'b101001)	RW	0x0
11	RESERVED		R	0x0
10	LOCK_BIT	When '1', prevents HW update to this MMR. When '0', allows HW update of this MMR.	RW	0x0
9:0	BINARY_DELAY	Delay Select Value in binary coded form. Indicates the number of coarse (9:5) and fine (4:0) delay elements to be used on the delay line connected to this pad.	RW	0x0

Table 18-2318. Register Call Summary for Register CFG_MCASP2_AXR4_OEN

IODELAYCONFIG Module Register Manual

- [IODELAYCONFIG Register Summary: \[0\]](#)

Table 18-2319. CFG_MCASP2_AXR4_OUT

Address Offset	0x0000 04E8	Instance	IODELAYCONFIG
Physical Address	0x4844 A4E8		
Description	Delay Select Value in binary coded form for cfg_mcasp2_axr4_out interface		
Type	RW		

31	30	29	28	27	26	25	24	23	22	21	20	19	18	17	16	15	14	13	12	11	10	9	8	7	6	5	4	3	2	1	0
RESERVED														SIGNATURE				RESERVED	LOCK_BIT	BINARY_DELAY											

Bits	Field Name	Description	Type	Reset
31:18	RESERVED		R	0x0
17:12	SIGNATURE	Write to this register will succeed only if data on these bits carries a signature of 6'h29 (6'b101001)	RW	0x0
11	RESERVED		R	0x0
10	LOCK_BIT	When '1', prevents HW update to this MMR. When '0', allows HW update of this MMR.	RW	0x0
9:0	BINARY_DELAY	Delay Select Value in binary coded form. Indicates the number of coarse (9:5) and fine (4:0) delay elements to be used on the delay line connected to this pad.	RW	0x0

Table 18-2320. Register Call Summary for Register CFG_MCASP2_AXR4_OUT

IODELAYCONFIG Module Register Manual

- [IODELAYCONFIG Register Summary: \[0\]](#)

Table 18-2321. CFG_MCASP2_AXR5_IN

Address Offset	0x0000 04EC	Instance	IODELAYCONFIG
Physical Address	0x4844 A4EC		
Description	Delay Select Value in binary coded form for cfg_mcasp2_axr5_in interface		
Type	RW		

31	30	29	28	27	26	25	24	23	22	21	20	19	18	17	16	15	14	13	12	11	10	9	8	7	6	5	4	3	2	1	0
RESERVED														SIGNATURE				RESERVED	LOCK_BIT	BINARY_DELAY											

Bits	Field Name	Description	Type	Reset
31:18	RESERVED		R	0x0
17:12	SIGNATURE	Write to this register will succeed only if data on these bits carries a signature of 6'h29 (6'b101001)	RW	0x0
11	RESERVED		R	0x0
10	LOCK_BIT	When '1', prevents HW update to this MMR. When '0', allows HW update of this MMR.	RW	0x0
9:0	BINARY_DELAY	Delay Select Value in binary coded form. Indicates the number of coarse (9:5) and fine (4:0) delay elements to be used on the delay line connected to this pad.	RW	0x0

Table 18-2322. Register Call Summary for Register CFG_MCASP2_AXR5_IN

IODELAYCONFIG Module Register Manual

- [IODELAYCONFIG Register Summary: \[0\]](#)

Table 18-2323. CFG_MCASP2_AXR5_OEN

Address Offset	0x0000 04F0	Instance	IODELAYCONFIG
Physical Address	0x4844 A4F0		
Description	Delay Select Value in binary coded form for cfg_mcasp2_axr5_oen interface		
Type	RW		

31	30	29	28	27	26	25	24	23	22	21	20	19	18	17	16	15	14	13	12	11	10	9	8	7	6	5	4	3	2	1	0
RESERVED														SIGNATURE				RESERVED	LOCK_BIT	BINARY_DELAY											

Bits	Field Name	Description	Type	Reset
31:18	RESERVED		R	0x0
17:12	SIGNATURE	Write to this register will succeed only if data on these bits carries a signature of 6'h29 (6'b101001)	RW	0x0
11	RESERVED		R	0x0
10	LOCK_BIT	When '1', prevents HW update to this MMR. When '0', allows HW update of this MMR.	RW	0x0
9:0	BINARY_DELAY	Delay Select Value in binary coded form. Indicates the number of coarse (9:5) and fine (4:0) delay elements to be used on the delay line connected to this pad.	RW	0x0

Table 18-2324. Register Call Summary for Register CFG_MCASP2_AXR5_OEN

IODELAYCONFIG Module Register Manual
 • [IODELAYCONFIG Register Summary: \[0\]](#)

Table 18-2325. CFG_MCASP2_AXR5_OUT

Address Offset	0x0000 04F4	Instance	IODELAYCONFIG
Physical Address	0x4844 A4F4		
Description	Delay Select Value in binary coded form for cfg_mcasp2_axr5_out interface		
Type	RW		

31	30	29	28	27	26	25	24	23	22	21	20	19	18	17	16	15	14	13	12	11	10	9	8	7	6	5	4	3	2	1	0
RESERVED														SIGNATURE				RESERVED	LOCK_BIT	BINARY_DELAY											

Bits	Field Name	Description	Type	Reset
31:18	RESERVED		R	0x0
17:12	SIGNATURE	Write to this register will succeed only if data on these bits carries a signature of 6'h29 (6'b101001)	RW	0x0
11	RESERVED		R	0x0
10	LOCK_BIT	When '1', prevents HW update to this MMR. When '0', allows HW update of this MMR.	RW	0x0
9:0	BINARY_DELAY	Delay Select Value in binary coded form. Indicates the number of coarse (9:5) and fine (4:0) delay elements to be used on the delay line connected to this pad.	RW	0x0

Table 18-2326. Register Call Summary for Register CFG_MCASP2_AXR5_OUT

IODELAYCONFIG Module Register Manual
 • [IODELAYCONFIG Register Summary: \[0\]](#)

Table 18-2327. CFG_MCASP2_AXR6_IN

Address Offset	0x0000 04F8	Instance	IODELAYCONFIG
Physical Address	0x4844 A4F8		
Description	Delay Select Value in binary coded form for cfg_mcasp2_axr6_in interface		
Type	RW		

31	30	29	28	27	26	25	24	23	22	21	20	19	18	17	16	15	14	13	12	11	10	9	8	7	6	5	4	3	2	1	0
RESERVED														SIGNATURE				RESERVED	LOCK_BIT	BINARY_DELAY											

Bits	Field Name	Description	Type	Reset
31:18	RESERVED		R	0x0
17:12	SIGNATURE	Write to this register will succeed only if data on these bits carries a signature of 6'h29 (6'b101001)	RW	0x0
11	RESERVED		R	0x0

Bits	Field Name	Description	Type	Reset
10	LOCK_BIT	When '1', prevents HW update to this MMR. When '0', allows HW update of this MMR.	RW	0x0
9:0	BINARY_DELAY	Delay Select Value in binary coded form. Indicates the number of coarse (9:5) and fine (4:0) delay elements to be used on the delay line connected to this pad.	RW	0x0

Table 18-2328. Register Call Summary for Register CFG_MCASP2_AXR6_IN

IODELAYCONFIG Module Register Manual

- [IODELAYCONFIG Register Summary: \[0\]](#)

Table 18-2329. CFG_MCASP2_AXR6_OEN

Address Offset	0x0000 04FC	Instance	IODELAYCONFIG
Physical Address	0x4844 A4FC		
Description	Delay Select Value in binary coded form for cfg_mcasp2_axr6_oen interface		
Type	RW		

31	30	29	28	27	26	25	24	23	22	21	20	19	18	17	16	15	14	13	12	11	10	9	8	7	6	5	4	3	2	1	0
RESERVED								SIGNATURE								RESERVED	LOCK_BIT	BINARY_DELAY													

Bits	Field Name	Description	Type	Reset
31:18	RESERVED		R	0x0
17:12	SIGNATURE	Write to this register will succeed only if data on these bits carries a signature of 6'h29 (6'b101001)	RW	0x0
11	RESERVED		R	0x0
10	LOCK_BIT	When '1', prevents HW update to this MMR. When '0', allows HW update of this MMR.	RW	0x0
9:0	BINARY_DELAY	Delay Select Value in binary coded form. Indicates the number of coarse (9:5) and fine (4:0) delay elements to be used on the delay line connected to this pad.	RW	0x0

Table 18-2330. Register Call Summary for Register CFG_MCASP2_AXR6_OEN

IODELAYCONFIG Module Register Manual

- [IODELAYCONFIG Register Summary: \[0\]](#)

Table 18-2331. CFG_MCASP2_AXR6_OUT

Address Offset	0x0000 0500	Instance	IODELAYCONFIG
Physical Address	0x4844 A500		
Description	Delay Select Value in binary coded form for cfg_mcasp2_axr6_out interface		
Type	RW		

31	30	29	28	27	26	25	24	23	22	21	20	19	18	17	16	15	14	13	12	11	10	9	8	7	6	5	4	3	2	1	0
RESERVED								SIGNATURE								RESERVED	LOCK_BIT	BINARY_DELAY													

Bits	Field Name	Description	Type	Reset
31:18	RESERVED		R	0x0
17:12	SIGNATURE	Write to this register will succeed only if data on these bits carries a signature of 6'h29 (6'b101001)	RW	0x0
11	RESERVED		R	0x0
10	LOCK_BIT	When '1', prevents HW update to this MMR. When '0', allows HW update of this MMR.	RW	0x0
9:0	BINARY_DELAY	Delay Select Value in binary coded form. Indicates the number of coarse (9:5) and fine (4:0) delay elements to be used on the delay line connected to this pad.	RW	0x0

Table 18-2332. Register Call Summary for Register CFG_MCASP2_AXR6_OUT

IODELAYCONFIG Module Register Manual

- [IODELAYCONFIG Register Summary: \[0\]](#)

Table 18-2333. CFG_MCASP2_AXR7_IN

Address Offset	0x0000 0504	Instance	IODELAYCONFIG
Physical Address	0x4844 A504		
Description	Delay Select Value in binary coded form for cfg_mcas2_axr7_in interface		
Type	RW		

31	30	29	28	27	26	25	24	23	22	21	20	19	18	17	16	15	14	13	12	11	10	9	8	7	6	5	4	3	2	1	0
RESERVED								SIGNATURE				RESERVED	LOCK_BIT	BINARY_DELAY																	

Bits	Field Name	Description	Type	Reset
31:18	RESERVED		R	0x0
17:12	SIGNATURE	Write to this register will succeed only if data on these bits carries a signature of 6'h29 (6'b101001)	RW	0x0
11	RESERVED		R	0x0
10	LOCK_BIT	When '1', prevents HW update to this MMR. When '0', allows HW update of this MMR.	RW	0x0
9:0	BINARY_DELAY	Delay Select Value in binary coded form. Indicates the number of coarse (9:5) and fine (4:0) delay elements to be used on the delay line connected to this pad.	RW	0x0

Table 18-2334. Register Call Summary for Register CFG_MCASP2_AXR7_IN

IODELAYCONFIG Module Register Manual

- [IODELAYCONFIG Register Summary: \[0\]](#)

Table 18-2335. CFG_MCASP2_AXR7_OEN

Address Offset	0x0000 0508	Instance	IODELAYCONFIG
Physical Address	0x4844 A508		
Description	Delay Select Value in binary coded form for cfg_mcas2_axr7_oen interface		
Type	RW		

31	30	29	28	27	26	25	24	23	22	21	20	19	18	17	16	15	14	13	12	11	10	9	8	7	6	5	4	3	2	1	0
RESERVED														SIGNATURE				RESERVED	LOCK_BIT	BINARY_DELAY											

Bits	Field Name	Description	Type	Reset
31:18	RESERVED		R	0x0
17:12	SIGNATURE	Write to this register will succeed only if data on these bits carries a signature of 6'h29 (6'b101001)	RW	0x0
11	RESERVED		R	0x0
10	LOCK_BIT	When '1', prevents HW update to this MMR. When '0', allows HW update of this MMR.	RW	0x0
9:0	BINARY_DELAY	Delay Select Value in binary coded form. Indicates the number of coarse (9:5) and fine (4:0) delay elements to be used on the delay line connected to this pad.	RW	0x0

Table 18-2336. Register Call Summary for Register CFG_MCASP2_AXR7_OEN

IODELAYCONFIG Module Register Manual

- [IODELAYCONFIG Register Summary: \[0\]](#)

Table 18-2337. CFG_MCASP2_AXR7_OUT

Address Offset	0x0000 050C	Instance	IODELAYCONFIG
Physical Address	0x4844 A50C		
Description	Delay Select Value in binary coded form for cfg_mcasp2_axr7_out interface		
Type	RW		

31	30	29	28	27	26	25	24	23	22	21	20	19	18	17	16	15	14	13	12	11	10	9	8	7	6	5	4	3	2	1	0
RESERVED														SIGNATURE				RESERVED	LOCK_BIT	BINARY_DELAY											

Bits	Field Name	Description	Type	Reset
31:18	RESERVED		R	0x0
17:12	SIGNATURE	Write to this register will succeed only if data on these bits carries a signature of 6'h29 (6'b101001)	RW	0x0
11	RESERVED		R	0x0
10	LOCK_BIT	When '1', prevents HW update to this MMR. When '0', allows HW update of this MMR.	RW	0x0
9:0	BINARY_DELAY	Delay Select Value in binary coded form. Indicates the number of coarse (9:5) and fine (4:0) delay elements to be used on the delay line connected to this pad.	RW	0x0

Table 18-2338. Register Call Summary for Register CFG_MCASP2_AXR7_OUT

IODELAYCONFIG Module Register Manual

- [IODELAYCONFIG Register Summary: \[0\]](#)

Table 18-2339. CFG_MCASP2_FSR_IN

Address Offset	0x0000 0510	Instance	IODELAYCONFIG
Physical Address	0x4844 A510		
Description	Delay Select Value in binary coded form for cfg_mcasp2_fsr_in interface		
Type	RW		

31	30	29	28	27	26	25	24	23	22	21	20	19	18	17	16	15	14	13	12	11	10	9	8	7	6	5	4	3	2	1	0
RESERVED														SIGNATURE				RESERVED	LOCK_BIT	BINARY_DELAY											

Bits	Field Name	Description	Type	Reset
31:18	RESERVED		R	0x0
17:12	SIGNATURE	Write to this register will succeed only if data on these bits carries a signature of 6'h29 (6'b101001)	RW	0x0
11	RESERVED		R	0x0
10	LOCK_BIT	When '1', prevents HW update to this MMR. When '0', allows HW update of this MMR.	RW	0x0
9:0	BINARY_DELAY	Delay Select Value in binary coded form. Indicates the number of coarse (9:5) and fine (4:0) delay elements to be used on the delay line connected to this pad.	RW	0x0

Table 18-2340. Register Call Summary for Register CFG_MCASP2_FSR_IN

IODELAYCONFIG Module Register Manual

- [IODELAYCONFIG Register Summary: \[0\]](#)

Table 18-2341. CFG_MCASP2_FSR_OEN

Address Offset	0x0000 0514	Instance	IODELAYCONFIG
Physical Address	0x4844 A514		
Description	Delay Select Value in binary coded form for cfg_mcasp2_fsr_oen interface		
Type	RW		

31	30	29	28	27	26	25	24	23	22	21	20	19	18	17	16	15	14	13	12	11	10	9	8	7	6	5	4	3	2	1	0
RESERVED														SIGNATURE				RESERVED	LOCK_BIT	BINARY_DELAY											

Bits	Field Name	Description	Type	Reset
31:18	RESERVED		R	0x0
17:12	SIGNATURE	Write to this register will succeed only if data on these bits carries a signature of 6'h29 (6'b101001)	RW	0x0
11	RESERVED		R	0x0
10	LOCK_BIT	When '1', prevents HW update to this MMR. When '0', allows HW update of this MMR.	RW	0x0
9:0	BINARY_DELAY	Delay Select Value in binary coded form. Indicates the number of coarse (9:5) and fine (4:0) delay elements to be used on the delay line connected to this pad.	RW	0x0

Table 18-2342. Register Call Summary for Register CFG_MCASP2_FSR_OEN

IODELAYCONFIG Module Register Manual

- [IODELAYCONFIG Register Summary: \[0\]](#)

Table 18-2343. CFG_MCASP2_FSR_OUT

Address Offset	0x0000 0518	Instance	IODELAYCONFIG
Physical Address	0x4844 A518		
Description	Delay Select Value in binary coded form for cfg_mcasp2_fsr_out interface		
Type	RW		

31	30	29	28	27	26	25	24	23	22	21	20	19	18	17	16	15	14	13	12	11	10	9	8	7	6	5	4	3	2	1	0
RESERVED														SIGNATURE				RESERVED	LOCK_BIT	BINARY_DELAY											

Bits	Field Name	Description	Type	Reset
31:18	RESERVED		R	0x0
17:12	SIGNATURE	Write to this register will succeed only if data on these bits carries a signature of 6'h29 (6'b101001)	RW	0x0
11	RESERVED		R	0x0
10	LOCK_BIT	When '1', prevents HW update to this MMR. When '0', allows HW update of this MMR.	RW	0x0
9:0	BINARY_DELAY	Delay Select Value in binary coded form. Indicates the number of coarse (9:5) and fine (4:0) delay elements to be used on the delay line connected to this pad.	RW	0x0

Table 18-2344. Register Call Summary for Register CFG_MCASP2_FSR_OUT

IODELAYCONFIG Module Register Manual

- [IODELAYCONFIG Register Summary: \[0\]](#)

Table 18-2345. CFG_MCASP2_FSX_IN

Address Offset	0x0000 051C	Instance	IODELAYCONFIG
Physical Address	0x4844 A51C		
Description	Delay Select Value in binary coded form for cfg_mcasp2_fsx_in interface		
Type	RW		

31	30	29	28	27	26	25	24	23	22	21	20	19	18	17	16	15	14	13	12	11	10	9	8	7	6	5	4	3	2	1	0
RESERVED														SIGNATURE				RESERVED	LOCK_BIT	BINARY_DELAY											

Bits	Field Name	Description	Type	Reset
31:18	RESERVED		R	0x0
17:12	SIGNATURE	Write to this register will succeed only if data on these bits carries a signature of 6'h29 (6'b101001)	RW	0x0
11	RESERVED		R	0x0

Bits	Field Name	Description	Type	Reset
10	LOCK_BIT	When '1', prevents HW update to this MMR. When '0', allows HW update of this MMR.	RW	0x0
9:0	BINARY_DELAY	Delay Select Value in binary coded form. Indicates the number of coarse (9:5) and fine (4:0) delay elements to be used on the delay line connected to this pad.	RW	0x0

Table 18-2346. Register Call Summary for Register CFG_MCASP2_FSX_IN

IODELAYCONFIG Module Register Manual

- [IODELAYCONFIG Register Summary: \[0\]](#)

Table 18-2347. CFG_MCASP2_FSX_OEN

Address Offset	0x0000 0520	Instance	IODELAYCONFIG
Physical Address	0x4844 A520		
Description	Delay Select Value in binary coded form for cfg_mcasp2_fsx_oen interface		
Type	RW		

31	30	29	28	27	26	25	24	23	22	21	20	19	18	17	16	15	14	13	12	11	10	9	8	7	6	5	4	3	2	1	0		
RESERVED																SIGNATURE				RESERVED	LOCK_BIT	BINARY_DELAY											

Bits	Field Name	Description	Type	Reset
31:18	RESERVED		R	0x0
17:12	SIGNATURE	Write to this register will succeed only if data on these bits carries a signature of 6'h29 (6'b101001)	RW	0x0
11	RESERVED		R	0x0
10	LOCK_BIT	When '1', prevents HW update to this MMR. When '0', allows HW update of this MMR.	RW	0x0
9:0	BINARY_DELAY	Delay Select Value in binary coded form. Indicates the number of coarse (9:5) and fine (4:0) delay elements to be used on the delay line connected to this pad.	RW	0x0

Table 18-2348. Register Call Summary for Register CFG_MCASP2_FSX_OEN

IODELAYCONFIG Module Register Manual

- [IODELAYCONFIG Register Summary: \[0\]](#)

Table 18-2349. CFG_MCASP2_FSX_OUT

Address Offset	0x0000 0524	Instance	IODELAYCONFIG
Physical Address	0x4844 A524		
Description	Delay Select Value in binary coded form for cfg_mcasp2_fsx_out interface		
Type	RW		

31	30	29	28	27	26	25	24	23	22	21	20	19	18	17	16	15	14	13	12	11	10	9	8	7	6	5	4	3	2	1	0		
RESERVED																SIGNATURE				RESERVED	LOCK_BIT	BINARY_DELAY											

Bits	Field Name	Description	Type	Reset
31:18	RESERVED		R	0x0
17:12	SIGNATURE	Write to this register will succeed only if data on these bits carries a signature of 6'h29 (6'b101001)	RW	0x0
11	RESERVED		R	0x0
10	LOCK_BIT	When '1', prevents HW update to this MMR. When '0', allows HW update of this MMR.	RW	0x0
9:0	BINARY_DELAY	Delay Select Value in binary coded form. Indicates the number of coarse (9:5) and fine (4:0) delay elements to be used on the delay line connected to this pad.	RW	0x0

Table 18-2350. Register Call Summary for Register CFG_MCASP2_FSX_OUT

IODELAYCONFIG Module Register Manual

- [IODELAYCONFIG Register Summary: \[0\]](#)

Table 18-2351. CFG_MCASP3_ACLKX_IN

Address Offset	0x0000 0528	Instance	IODELAYCONFIG
Physical Address	0x4844 A528		
Description	Delay Select Value in binary coded form for cfg_mcasp3_aclkx_in interface		
Type	RW		

31	30	29	28	27	26	25	24	23	22	21	20	19	18	17	16	15	14	13	12	11	10	9	8	7	6	5	4	3	2	1	0
RESERVED								SIGNATURE				RESERVED	LOCK_BIT	BINARY_DELAY																	

Bits	Field Name	Description	Type	Reset
31:18	RESERVED		R	0x0
17:12	SIGNATURE	Write to this register will succeed only if data on these bits carries a signature of 6'h29 (6'b101001)	RW	0x0
11	RESERVED		R	0x0
10	LOCK_BIT	When '1', prevents HW update to this MMR. When '0', allows HW update of this MMR.	RW	0x0
9:0	BINARY_DELAY	Delay Select Value in binary coded form. Indicates the number of coarse (9:5) and fine (4:0) delay elements to be used on the delay line connected to this pad.	RW	0x0

Table 18-2352. Register Call Summary for Register CFG_MCASP3_ACLKX_IN

IODELAYCONFIG Module Register Manual

- [IODELAYCONFIG Register Summary: \[0\]](#)

Table 18-2353. CFG_MCASP3_ACLKX_OEN

Address Offset	0x0000 052C	Instance	IODELAYCONFIG
Physical Address	0x4844 A52C		
Description	Delay Select Value in binary coded form for cfg_mcasp3_aclkx_oen interface		
Type	RW		

31	30	29	28	27	26	25	24	23	22	21	20	19	18	17	16	15	14	13	12	11	10	9	8	7	6	5	4	3	2	1	0
RESERVED														SIGNATURE				RESERVED	LOCK_BIT	BINARY_DELAY											

Bits	Field Name	Description	Type	Reset
31:18	RESERVED		R	0x0
17:12	SIGNATURE	Write to this register will succeed only if data on these bits carries a signature of 6'h29 (6'b101001)	RW	0x0
11	RESERVED		R	0x0
10	LOCK_BIT	When '1', prevents HW update to this MMR. When '0', allows HW update of this MMR.	RW	0x0
9:0	BINARY_DELAY	Delay Select Value in binary coded form. Indicates the number of coarse (9:5) and fine (4:0) delay elements to be used on the delay line connected to this pad.	RW	0x0

Table 18-2354. Register Call Summary for Register CFG_MCASP3_ACLKX_OEN

IODELAYCONFIG Module Register Manual

- [IODELAYCONFIG Register Summary: \[0\]](#)

Table 18-2355. CFG_MCASP3_ACLKX_OUT

Address Offset	0x0000 0530	Instance	IODELAYCONFIG
Physical Address	0x4844 A530		
Description	Delay Select Value in binary coded form for cfg_mcasp3_aclkx_out interface		
Type	RW		

31	30	29	28	27	26	25	24	23	22	21	20	19	18	17	16	15	14	13	12	11	10	9	8	7	6	5	4	3	2	1	0
RESERVED														SIGNATURE				RESERVED	LOCK_BIT	BINARY_DELAY											

Bits	Field Name	Description	Type	Reset
31:18	RESERVED		R	0x0
17:12	SIGNATURE	Write to this register will succeed only if data on these bits carries a signature of 6'h29 (6'b101001)	RW	0x0
11	RESERVED		R	0x0
10	LOCK_BIT	When '1', prevents HW update to this MMR. When '0', allows HW update of this MMR.	RW	0x0
9:0	BINARY_DELAY	Delay Select Value in binary coded form. Indicates the number of coarse (9:5) and fine (4:0) delay elements to be used on the delay line connected to this pad.	RW	0x0

Table 18-2356. Register Call Summary for Register CFG_MCASP3_ACLKX_OUT

IODELAYCONFIG Module Register Manual

- [IODELAYCONFIG Register Summary: \[0\]](#)

Table 18-2357. CFG_MCASP3_AXR0_IN

Address Offset	0x0000 0534	Instance	IODELAYCONFIG
Physical Address	0x4844 A534		
Description	Delay Select Value in binary coded form for cfg_mcasp3_axr0_in interface		
Type	RW		

31	30	29	28	27	26	25	24	23	22	21	20	19	18	17	16	15	14	13	12	11	10	9	8	7	6	5	4	3	2	1	0
RESERVED														SIGNATURE				RESERVED	LOCK_BIT	BINARY_DELAY											

Bits	Field Name	Description	Type	Reset
31:18	RESERVED		R	0x0
17:12	SIGNATURE	Write to this register will succeed only if data on these bits carries a signature of 6'h29 (6'b101001)	RW	0x0
11	RESERVED		R	0x0
10	LOCK_BIT	When '1', prevents HW update to this MMR. When '0', allows HW update of this MMR.	RW	0x0
9:0	BINARY_DELAY	Delay Select Value in binary coded form. Indicates the number of coarse (9:5) and fine (4:0) delay elements to be used on the delay line connected to this pad.	RW	0x0

Table 18-2358. Register Call Summary for Register CFG_MCASP3_AXR0_IN

IODELAYCONFIG Module Register Manual

- [IODELAYCONFIG Register Summary: \[0\]](#)

Table 18-2359. CFG_MCASP3_AXR0_OEN

Address Offset	0x0000 0538	Instance	IODELAYCONFIG
Physical Address	0x4844 A538		
Description	Delay Select Value in binary coded form for cfg_mcasp3_axr0_oen interface		
Type	RW		

31	30	29	28	27	26	25	24	23	22	21	20	19	18	17	16	15	14	13	12	11	10	9	8	7	6	5	4	3	2	1	0
RESERVED														SIGNATURE				RESERVED	LOCK_BIT	BINARY_DELAY											

Bits	Field Name	Description	Type	Reset
31:18	RESERVED		R	0x0
17:12	SIGNATURE	Write to this register will succeed only if data on these bits carries a signature of 6'h29 (6'b101001)	RW	0x0
11	RESERVED		R	0x0
10	LOCK_BIT	When '1', prevents HW update to this MMR. When '0', allows HW update of this MMR.	RW	0x0
9:0	BINARY_DELAY	Delay Select Value in binary coded form. Indicates the number of coarse (9:5) and fine (4:0) delay elements to be used on the delay line connected to this pad.	RW	0x0

Table 18-2360. Register Call Summary for Register CFG_MCASP3_AXR0_OEN

IODELAYCONFIG Module Register Manual

- [IODELAYCONFIG Register Summary: \[0\]](#)

Table 18-2361. CFG_MCASP3_AXR0_OUT

Address Offset	0x0000 053C	Instance	IODELAYCONFIG
Physical Address	0x4844 A53C		
Description	Delay Select Value in binary coded form for cfg_mcasp3_axr0_out interface		
Type	RW		

31	30	29	28	27	26	25	24	23	22	21	20	19	18	17	16	15	14	13	12	11	10	9	8	7	6	5	4	3	2	1	0				
RESERVED																SIGNATURE						RESERVED	LOCK_BIT	BINARY_DELAY											

Bits	Field Name	Description	Type	Reset
31:18	RESERVED		R	0x0
17:12	SIGNATURE	Write to this register will succeed only if data on these bits carries a signature of 6'h29 (6'b101001)	RW	0x0
11	RESERVED		R	0x0
10	LOCK_BIT	When '1', prevents HW update to this MMR. When '0', allows HW update of this MMR.	RW	0x0
9:0	BINARY_DELAY	Delay Select Value in binary coded form. Indicates the number of coarse (9:5) and fine (4:0) delay elements to be used on the delay line connected to this pad.	RW	0x0

Table 18-2362. Register Call Summary for Register CFG_MCASP3_AXR0_OUT

IODELAYCONFIG Module Register Manual

- [IODELAYCONFIG Register Summary: \[0\]](#)

Table 18-2363. CFG_MCASP3_AXR1_IN

Address Offset	0x0000 0540	Instance	IODELAYCONFIG
Physical Address	0x4844 A540		
Description	Delay Select Value in binary coded form for cfg_mcasp3_axr1_in interface		
Type	RW		

31	30	29	28	27	26	25	24	23	22	21	20	19	18	17	16	15	14	13	12	11	10	9	8	7	6	5	4	3	2	1	0				
RESERVED																SIGNATURE						RESERVED	LOCK_BIT	BINARY_DELAY											

Bits	Field Name	Description	Type	Reset
31:18	RESERVED		R	0x0
17:12	SIGNATURE	Write to this register will succeed only if data on these bits carries a signature of 6'h29 (6'b101001)	RW	0x0
11	RESERVED		R	0x0

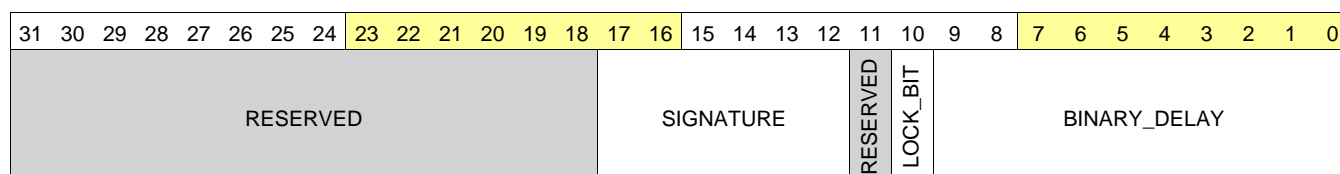
Bits	Field Name	Description	Type	Reset
10	LOCK_BIT	When '1', prevents HW update to this MMR. When '0', allows HW update of this MMR.	RW	0x0
9:0	BINARY_DELAY	Delay Select Value in binary coded form. Indicates the number of coarse (9:5) and fine (4:0) delay elements to be used on the delay line connected to this pad.	RW	0x0

Table 18-2364. Register Call Summary for Register CFG_MCASP3_AXR1_IN

IODELAYCONFIG Module Register Manual
 • [IODELAYCONFIG Register Summary: \[0\]](#)

Table 18-2365. CFG_MCASP3_AXR1_OEN

Address Offset	0x0000 0544	Instance	IODELAYCONFIG
Physical Address	0x4844 A544		
Description	Delay Select Value in binary coded form for cfg_mcasp3_axr1_oen interface		
Type	RW		



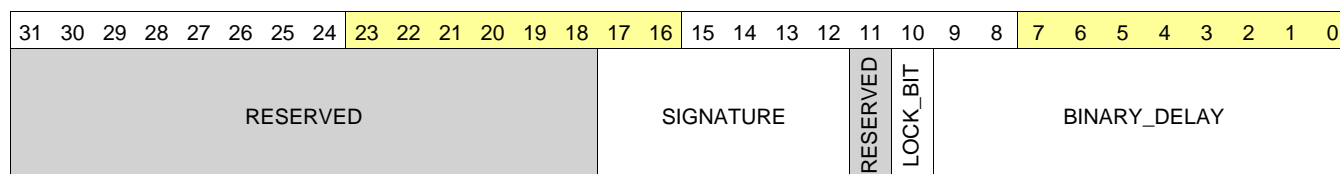
Bits	Field Name	Description	Type	Reset
31:18	RESERVED		R	0x0
17:12	SIGNATURE	Write to this register will succeed only if data on these bits carries a signature of 6'h29 (6'b101001)	RW	0x0
11	RESERVED		R	0x0
10	LOCK_BIT	When '1', prevents HW update to this MMR. When '0', allows HW update of this MMR.	RW	0x0
9:0	BINARY_DELAY	Delay Select Value in binary coded form. Indicates the number of coarse (9:5) and fine (4:0) delay elements to be used on the delay line connected to this pad.	RW	0x0

Table 18-2366. Register Call Summary for Register CFG_MCASP3_AXR1_OEN

IODELAYCONFIG Module Register Manual
 • [IODELAYCONFIG Register Summary: \[0\]](#)

Table 18-2367. CFG_MCASP3_AXR1_OUT

Address Offset	0x0000 0548	Instance	IODELAYCONFIG
Physical Address	0x4844 A548		
Description	Delay Select Value in binary coded form for cfg_mcasp3_axr1_out interface		
Type	RW		



Bits	Field Name	Description	Type	Reset
31:18	RESERVED		R	0x0
17:12	SIGNATURE	Write to this register will succeed only if data on these bits carries a signature of 6'h29 (6'b101001)	RW	0x0
11	RESERVED		R	0x0
10	LOCK_BIT	When '1', prevents HW update to this MMR. When '0', allows HW update of this MMR.	RW	0x0
9:0	BINARY_DELAY	Delay Select Value in binary coded form. Indicates the number of coarse (9:5) and fine (4:0) delay elements to be used on the delay line connected to this pad.	RW	0x0

Table 18-2368. Register Call Summary for Register CFG_MCASP3_AXR1_OUT

IODELAYCONFIG Module Register Manual

- [IODELAYCONFIG Register Summary: \[0\]](#)

Table 18-2369. CFG_MCASP3_FSX_IN

Address Offset	0x0000 054C	Instance	IODELAYCONFIG
Physical Address	0x4844 A54C		
Description	Delay Select Value in binary coded form for cfg_mcasp3_fsx_in interface		
Type	RW		

31	30	29	28	27	26	25	24	23	22	21	20	19	18	17	16	15	14	13	12	11	10	9	8	7	6	5	4	3	2	1	0
RESERVED								SIGNATURE								RESERVED	LOCK_BIT	BINARY_DELAY													

Bits	Field Name	Description	Type	Reset
31:18	RESERVED		R	0x0
17:12	SIGNATURE	Write to this register will succeed only if data on these bits carries a signature of 6'h29 (6'b101001)	RW	0x0
11	RESERVED		R	0x0
10	LOCK_BIT	When '1', prevents HW update to this MMR. When '0', allows HW update of this MMR.	RW	0x0
9:0	BINARY_DELAY	Delay Select Value in binary coded form. Indicates the number of coarse (9:5) and fine (4:0) delay elements to be used on the delay line connected to this pad.	RW	0x0

Table 18-2370. Register Call Summary for Register CFG_MCASP3_FSX_IN

IODELAYCONFIG Module Register Manual

- [IODELAYCONFIG Register Summary: \[0\]](#)

Table 18-2371. CFG_MCASP3_FSX_OEN

Address Offset	0x0000 0550	Instance	IODELAYCONFIG
Physical Address	0x4844 A550		
Description	Delay Select Value in binary coded form for cfg_mcasp3_fsx_oen interface		
Type	RW		

31	30	29	28	27	26	25	24	23	22	21	20	19	18	17	16	15	14	13	12	11	10	9	8	7	6	5	4	3	2	1	0
RESERVED														SIGNATURE				RESERVED	LOCK_BIT	BINARY_DELAY											

Bits	Field Name	Description	Type	Reset
31:18	RESERVED		R	0x0
17:12	SIGNATURE	Write to this register will succeed only if data on these bits carries a signature of 6'h29 (6'b101001)	RW	0x0
11	RESERVED		R	0x0
10	LOCK_BIT	When '1', prevents HW update to this MMR. When '0', allows HW update of this MMR.	RW	0x0
9:0	BINARY_DELAY	Delay Select Value in binary coded form. Indicates the number of coarse (9:5) and fine (4:0) delay elements to be used on the delay line connected to this pad.	RW	0x0

Table 18-2372. Register Call Summary for Register CFG_MCASP3_FSX_OEN

IODELAYCONFIG Module Register Manual

- [IODELAYCONFIG Register Summary: \[0\]](#)

Table 18-2373. CFG_MCASP3_FSX_OUT

Address Offset	0x0000 0554	Instance	IODELAYCONFIG
Physical Address	0x4844 A554		
Description	Delay Select Value in binary coded form for cfg_mcasp3_fsx_out interface		
Type	RW		

31	30	29	28	27	26	25	24	23	22	21	20	19	18	17	16	15	14	13	12	11	10	9	8	7	6	5	4	3	2	1	0
RESERVED														SIGNATURE				RESERVED	LOCK_BIT	BINARY_DELAY											

Bits	Field Name	Description	Type	Reset
31:18	RESERVED		R	0x0
17:12	SIGNATURE	Write to this register will succeed only if data on these bits carries a signature of 6'h29 (6'b101001)	RW	0x0
11	RESERVED		R	0x0
10	LOCK_BIT	When '1', prevents HW update to this MMR. When '0', allows HW update of this MMR.	RW	0x0
9:0	BINARY_DELAY	Delay Select Value in binary coded form. Indicates the number of coarse (9:5) and fine (4:0) delay elements to be used on the delay line connected to this pad.	RW	0x0

Table 18-2374. Register Call Summary for Register CFG_MCASP3_FSX_OUT

IODELAYCONFIG Module Register Manual

- [IODELAYCONFIG Register Summary: \[0\]](#)

Table 18-2375. CFG_MCASP4_ACLKX_IN

Address Offset	0x0000 0558	Instance	IODELAYCONFIG
Physical Address	0x4844 A558		
Description	Delay Select Value in binary coded form for cfg_mcasp4_aclkx_in interface		
Type	RW		

31	30	29	28	27	26	25	24	23	22	21	20	19	18	17	16	15	14	13	12	11	10	9	8	7	6	5	4	3	2	1	0
RESERVED														SIGNATURE				RESERVED	LOCK_BIT	BINARY_DELAY											

Bits	Field Name	Description	Type	Reset
31:18	RESERVED		R	0x0
17:12	SIGNATURE	Write to this register will succeed only if data on these bits carries a signature of 6'h29 (6'b101001)	RW	0x0
11	RESERVED		R	0x0
10	LOCK_BIT	When '1', prevents HW update to this MMR. When '0', allows HW update of this MMR.	RW	0x0
9:0	BINARY_DELAY	Delay Select Value in binary coded form. Indicates the number of coarse (9:5) and fine (4:0) delay elements to be used on the delay line connected to this pad.	RW	0x0

Table 18-2376. Register Call Summary for Register CFG_MCASP4_ACLKX_IN

IODELAYCONFIG Module Register Manual

- [IODELAYCONFIG Register Summary: \[0\]](#)

Table 18-2377. CFG_MCASP4_ACLKX_OEN

Address Offset	0x0000 055C	Instance	IODELAYCONFIG
Physical Address	0x4844 A55C		
Description	Delay Select Value in binary coded form for cfg_mcasp4_aclkx_oen interface		
Type	RW		

31	30	29	28	27	26	25	24	23	22	21	20	19	18	17	16	15	14	13	12	11	10	9	8	7	6	5	4	3	2	1	0
RESERVED														SIGNATURE				RESERVED	LOCK_BIT	BINARY_DELAY											

Bits	Field Name	Description	Type	Reset
31:18	RESERVED		R	0x0
17:12	SIGNATURE	Write to this register will succeed only if data on these bits carries a signature of 6'h29 (6'b101001)	RW	0x0
11	RESERVED		R	0x0
10	LOCK_BIT	When '1', prevents HW update to this MMR. When '0', allows HW update of this MMR.	RW	0x0
9:0	BINARY_DELAY	Delay Select Value in binary coded form. Indicates the number of coarse (9:5) and fine (4:0) delay elements to be used on the delay line connected to this pad.	RW	0x0

Table 18-2378. Register Call Summary for Register CFG_MCASP4_ACLKX_OEN

IODELAYCONFIG Module Register Manual

- [IODELAYCONFIG Register Summary: \[0\]](#)

Table 18-2379. CFG_MCASP4_ACLKX_OUT

Address Offset	0x0000 0560	Instance	IODELAYCONFIG
Physical Address	0x4844 A560		
Description	Delay Select Value in binary coded form for cfg_mcasp4_aclkx_out interface		
Type	RW		

31	30	29	28	27	26	25	24	23	22	21	20	19	18	17	16	15	14	13	12	11	10	9	8	7	6	5	4	3	2	1	0		
RESERVED																SIGNATURE						RESERVED	LOCK_BIT	BINARY_DELAY									

Bits	Field Name	Description	Type	Reset
31:18	RESERVED		R	0x0
17:12	SIGNATURE	Write to this register will succeed only if data on these bits carries a signature of 6'h29 (6'b101001)	RW	0x0
11	RESERVED		R	0x0
10	LOCK_BIT	When '1', prevents HW update to this MMR. When '0', allows HW update of this MMR.	RW	0x0
9:0	BINARY_DELAY	Delay Select Value in binary coded form. Indicates the number of coarse (9:5) and fine (4:0) delay elements to be used on the delay line connected to this pad.	RW	0x0

Table 18-2380. Register Call Summary for Register CFG_MCASP4_ACLKX_OUT

IODELAYCONFIG Module Register Manual

- [IODELAYCONFIG Register Summary: \[0\]](#)

Table 18-2381. CFG_MCASP4_AXR0_IN

Address Offset	0x0000 0564	Instance	IODELAYCONFIG
Physical Address	0x4844 A564		
Description	Delay Select Value in binary coded form for cfg_mcasp4_axr0_in interface		
Type	RW		

31	30	29	28	27	26	25	24	23	22	21	20	19	18	17	16	15	14	13	12	11	10	9	8	7	6	5	4	3	2	1	0		
RESERVED																SIGNATURE						RESERVED	LOCK_BIT	BINARY_DELAY									

Bits	Field Name	Description	Type	Reset
31:18	RESERVED		R	0x0
17:12	SIGNATURE	Write to this register will succeed only if data on these bits carries a signature of 6'h29 (6'b101001)	RW	0x0
11	RESERVED		R	0x0

Bits	Field Name	Description	Type	Reset
10	LOCK_BIT	When '1', prevents HW update to this MMR. When '0', allows HW update of this MMR.	RW	0x0
9:0	BINARY_DELAY	Delay Select Value in binary coded form. Indicates the number of coarse (9:5) and fine (4:0) delay elements to be used on the delay line connected to this pad.	RW	0x0

Table 18-2382. Register Call Summary for Register CFG_MCASP4_AXR0_IN

IODELAYCONFIG Module Register Manual

- [IODELAYCONFIG Register Summary: \[0\]](#)

Table 18-2383. CFG_MCASP4_AXR0_OEN

Address Offset	0x0000 0568	Instance	IODELAYCONFIG
Physical Address	0x4844 A568		
Description	Delay Select Value in binary coded form for cfg_mcaspp4_axr0_oen interface		
Type	RW		

31	30	29	28	27	26	25	24	23	22	21	20	19	18	17	16	15	14	13	12	11	10	9	8	7	6	5	4	3	2	1	0
RESERVED								SIGNATURE								RESERVED	LOCK_BIT	BINARY_DELAY													

Bits	Field Name	Description	Type	Reset
31:18	RESERVED		R	0x0
17:12	SIGNATURE	Write to this register will succeed only if data on these bits carries a signature of 6'h29 (6'b101001)	RW	0x0
11	RESERVED		R	0x0
10	LOCK_BIT	When '1', prevents HW update to this MMR. When '0', allows HW update of this MMR.	RW	0x0
9:0	BINARY_DELAY	Delay Select Value in binary coded form. Indicates the number of coarse (9:5) and fine (4:0) delay elements to be used on the delay line connected to this pad.	RW	0x0

Table 18-2384. Register Call Summary for Register CFG_MCASP4_AXR0_OEN

IODELAYCONFIG Module Register Manual

- [IODELAYCONFIG Register Summary: \[0\]](#)

Table 18-2385. CFG_MCASP4_AXR0_OUT

Address Offset	0x0000 056C	Instance	IODELAYCONFIG
Physical Address	0x4844 A56C		
Description	Delay Select Value in binary coded form for cfg_mcaspp4_axr0_out interface		
Type	RW		

31	30	29	28	27	26	25	24	23	22	21	20	19	18	17	16	15	14	13	12	11	10	9	8	7	6	5	4	3	2	1	0
RESERVED								SIGNATURE								RESERVED	LOCK_BIT	BINARY_DELAY													

Bits	Field Name	Description	Type	Reset
31:18	RESERVED		R	0x0
17:12	SIGNATURE	Write to this register will succeed only if data on these bits carries a signature of 6'h29 (6'b101001)	RW	0x0
11	RESERVED		R	0x0
10	LOCK_BIT	When '1', prevents HW update to this MMR. When '0', allows HW update of this MMR.	RW	0x0
9:0	BINARY_DELAY	Delay Select Value in binary coded form. Indicates the number of coarse (9:5) and fine (4:0) delay elements to be used on the delay line connected to this pad.	RW	0x0

Table 18-2386. Register Call Summary for Register CFG_MCASP4_AXR0_OUT

IODELAYCONFIG Module Register Manual

- [IODELAYCONFIG Register Summary: \[0\]](#)

Table 18-2387. CFG_MCASP4_AXR1_IN

Address Offset	0x0000 0570	Instance	IODELAYCONFIG
Physical Address	0x4844 A570		
Description	Delay Select Value in binary coded form for cfg_mcaspp4_axr1_in interface		
Type	RW		

31	30	29	28	27	26	25	24	23	22	21	20	19	18	17	16	15	14	13	12	11	10	9	8	7	6	5	4	3	2	1	0
RESERVED								SIGNATURE				RESERVED	LOCK_BIT	BINARY_DELAY																	

Bits	Field Name	Description	Type	Reset
31:18	RESERVED		R	0x0
17:12	SIGNATURE	Write to this register will succeed only if data on these bits carries a signature of 6'h29 (6'b101001)	RW	0x0
11	RESERVED		R	0x0
10	LOCK_BIT	When '1', prevents HW update to this MMR. When '0', allows HW update of this MMR.	RW	0x0
9:0	BINARY_DELAY	Delay Select Value in binary coded form. Indicates the number of coarse (9:5) and fine (4:0) delay elements to be used on the delay line connected to this pad.	RW	0x0

Table 18-2388. Register Call Summary for Register CFG_MCASP4_AXR1_IN

IODELAYCONFIG Module Register Manual

- [IODELAYCONFIG Register Summary: \[0\]](#)

Table 18-2389. CFG_MCASP4_AXR1_OEN

Address Offset	0x0000 0574	Instance	IODELAYCONFIG
Physical Address	0x4844 A574		
Description	Delay Select Value in binary coded form for cfg_mcaspp4_axr1_oen interface		
Type	RW		

31	30	29	28	27	26	25	24	23	22	21	20	19	18	17	16	15	14	13	12	11	10	9	8	7	6	5	4	3	2	1	0
RESERVED														SIGNATURE				RESERVED	LOCK_BIT	BINARY_DELAY											

Bits	Field Name	Description	Type	Reset
31:18	RESERVED		R	0x0
17:12	SIGNATURE	Write to this register will succeed only if data on these bits carries a signature of 6'h29 (6'b101001)	RW	0x0
11	RESERVED		R	0x0
10	LOCK_BIT	When '1', prevents HW update to this MMR. When '0', allows HW update of this MMR.	RW	0x0
9:0	BINARY_DELAY	Delay Select Value in binary coded form. Indicates the number of coarse (9:5) and fine (4:0) delay elements to be used on the delay line connected to this pad.	RW	0x0

Table 18-2390. Register Call Summary for Register CFG_MCASP4_AXR1_OEN

IODELAYCONFIG Module Register Manual

- [IODELAYCONFIG Register Summary: \[0\]](#)

Table 18-2391. CFG_MCASP4_AXR1_OUT

Address Offset	0x0000 0578	Instance	IODELAYCONFIG
Physical Address	0x4844 A578		
Description	Delay Select Value in binary coded form for cfg_mcaspp4_axr1_out interface		
Type	RW		

31	30	29	28	27	26	25	24	23	22	21	20	19	18	17	16	15	14	13	12	11	10	9	8	7	6	5	4	3	2	1	0
RESERVED														SIGNATURE				RESERVED	LOCK_BIT	BINARY_DELAY											

Bits	Field Name	Description	Type	Reset
31:18	RESERVED		R	0x0
17:12	SIGNATURE	Write to this register will succeed only if data on these bits carries a signature of 6'h29 (6'b101001)	RW	0x0
11	RESERVED		R	0x0
10	LOCK_BIT	When '1', prevents HW update to this MMR. When '0', allows HW update of this MMR.	RW	0x0
9:0	BINARY_DELAY	Delay Select Value in binary coded form. Indicates the number of coarse (9:5) and fine (4:0) delay elements to be used on the delay line connected to this pad.	RW	0x0

Table 18-2392. Register Call Summary for Register CFG_MCASP4_AXR1_OUT

IODELAYCONFIG Module Register Manual

- [IODELAYCONFIG Register Summary: \[0\]](#)

Table 18-2393. CFG_MCASP4_FSX_IN

Address Offset	0x0000 057C	Instance	IODELAYCONFIG
Physical Address	0x4844 A57C		
Description	Delay Select Value in binary coded form for cfg_mcasp4_fsx_in interface		
Type	RW		

31	30	29	28	27	26	25	24	23	22	21	20	19	18	17	16	15	14	13	12	11	10	9	8	7	6	5	4	3	2	1	0
RESERVED														SIGNATURE				RESERVED	LOCK_BIT	BINARY_DELAY											

Bits	Field Name	Description	Type	Reset
31:18	RESERVED		R	0x0
17:12	SIGNATURE	Write to this register will succeed only if data on these bits carries a signature of 6'h29 (6'b101001)	RW	0x0
11	RESERVED		R	0x0
10	LOCK_BIT	When '1', prevents HW update to this MMR. When '0', allows HW update of this MMR.	RW	0x0
9:0	BINARY_DELAY	Delay Select Value in binary coded form. Indicates the number of coarse (9:5) and fine (4:0) delay elements to be used on the delay line connected to this pad.	RW	0x0

Table 18-2394. Register Call Summary for Register CFG_MCASP4_FSX_IN

- IODELAYCONFIG Module Register Manual
- [IODELAYCONFIG Register Summary: \[0\]](#)

Table 18-2395. CFG_MCASP4_FSX_OEN

Address Offset	0x0000 0580	Instance	IODELAYCONFIG
Physical Address	0x4844 A580		
Description	Delay Select Value in binary coded form for cfg_mcasp4_fsx_oen interface		
Type	RW		

31	30	29	28	27	26	25	24	23	22	21	20	19	18	17	16	15	14	13	12	11	10	9	8	7	6	5	4	3	2	1	0
RESERVED														SIGNATURE				RESERVED	LOCK_BIT	BINARY_DELAY											

Bits	Field Name	Description	Type	Reset
31:18	RESERVED		R	0x0
17:12	SIGNATURE	Write to this register will succeed only if data on these bits carries a signature of 6'h29 (6'b101001)	RW	0x0
11	RESERVED		R	0x0
10	LOCK_BIT	When '1', prevents HW update to this MMR. When '0', allows HW update of this MMR.	RW	0x0
9:0	BINARY_DELAY	Delay Select Value in binary coded form. Indicates the number of coarse (9:5) and fine (4:0) delay elements to be used on the delay line connected to this pad.	RW	0x0

Table 18-2396. Register Call Summary for Register CFG_MCASP4_FSX_OEN

IODELAYCONFIG Module Register Manual
 • [IODELAYCONFIG Register Summary: \[0\]](#)

Table 18-2397. CFG_MCASP4_FSX_OUT

Address Offset	0x0000 0584	Instance	IODELAYCONFIG
Physical Address	0x4844 A584		
Description	Delay Select Value in binary coded form for cfg_mcasp4_fsx_out interface		
Type	RW		

31	30	29	28	27	26	25	24	23	22	21	20	19	18	17	16	15	14	13	12	11	10	9	8	7	6	5	4	3	2	1	0
RESERVED														SIGNATURE				RESERVED	LOCK_BIT	BINARY_DELAY											

Bits	Field Name	Description	Type	Reset
31:18	RESERVED		R	0x0
17:12	SIGNATURE	Write to this register will succeed only if data on these bits carries a signature of 6'h29 (6'b101001)	RW	0x0
11	RESERVED		R	0x0
10	LOCK_BIT	When '1', prevents HW update to this MMR. When '0', allows HW update of this MMR.	RW	0x0
9:0	BINARY_DELAY	Delay Select Value in binary coded form. Indicates the number of coarse (9:5) and fine (4:0) delay elements to be used on the delay line connected to this pad.	RW	0x0

Table 18-2398. Register Call Summary for Register CFG_MCASP4_FSX_OUT

IODELAYCONFIG Module Register Manual
 • [IODELAYCONFIG Register Summary: \[0\]](#)

Table 18-2399. CFG_MCASP5_ACLKX_IN

Address Offset	0x0000 0588	Instance	IODELAYCONFIG
Physical Address	0x4844 A588		
Description	Delay Select Value in binary coded form for cfg_mcasp5_aclkx_in interface		
Type	RW		

31	30	29	28	27	26	25	24	23	22	21	20	19	18	17	16	15	14	13	12	11	10	9	8	7	6	5	4	3	2	1	0
RESERVED														SIGNATURE				RESERVED	LOCK_BIT	BINARY_DELAY											

Bits	Field Name	Description	Type	Reset
31:18	RESERVED		R	0x0
17:12	SIGNATURE	Write to this register will succeed only if data on these bits carries a signature of 6'h29 (6'b101001)	RW	0x0
11	RESERVED		R	0x0

Bits	Field Name	Description	Type	Reset
10	LOCK_BIT	When '1', prevents HW update to this MMR. When '0', allows HW update of this MMR.	RW	0x0
9:0	BINARY_DELAY	Delay Select Value in binary coded form. Indicates the number of coarse (9:5) and fine (4:0) delay elements to be used on the delay line connected to this pad.	RW	0x0

Table 18-2400. Register Call Summary for Register CFG_MCASP5_ACLKX_IN

IODELAYCONFIG Module Register Manual

- [IODELAYCONFIG Register Summary: \[0\]](#)

Table 18-2401. CFG_MCASP5_ACLKX_OEN

Address Offset	0x0000 058C	Instance	IODELAYCONFIG
Physical Address	0x4844 A58C		
Description	Delay Select Value in binary coded form for cfg_mcasp5_aclkx_oen interface		
Type	RW		

31	30	29	28	27	26	25	24	23	22	21	20	19	18	17	16	15	14	13	12	11	10	9	8	7	6	5	4	3	2	1	0
RESERVED								SIGNATURE								RESERVED	LOCK_BIT	BINARY_DELAY													

Bits	Field Name	Description	Type	Reset
31:18	RESERVED		R	0x0
17:12	SIGNATURE	Write to this register will succeed only if data on these bits carries a signature of 6'h29 (6'b101001)	RW	0x0
11	RESERVED		R	0x0
10	LOCK_BIT	When '1', prevents HW update to this MMR. When '0', allows HW update of this MMR.	RW	0x0
9:0	BINARY_DELAY	Delay Select Value in binary coded form. Indicates the number of coarse (9:5) and fine (4:0) delay elements to be used on the delay line connected to this pad.	RW	0x0

Table 18-2402. Register Call Summary for Register CFG_MCASP5_ACLKX_OEN

IODELAYCONFIG Module Register Manual

- [IODELAYCONFIG Register Summary: \[0\]](#)

Table 18-2403. CFG_MCASP5_ACLKX_OUT

Address Offset	0x0000 0590	Instance	IODELAYCONFIG
Physical Address	0x4844 A590		
Description	Delay Select Value in binary coded form for cfg_mcasp5_aclkx_out interface		
Type	RW		

31	30	29	28	27	26	25	24	23	22	21	20	19	18	17	16	15	14	13	12	11	10	9	8	7	6	5	4	3	2	1	0
RESERVED								SIGNATURE								RESERVED	LOCK_BIT	BINARY_DELAY													

Bits	Field Name	Description	Type	Reset
31:18	RESERVED		R	0x0
17:12	SIGNATURE	Write to this register will succeed only if data on these bits carries a signature of 6'h29 (6'b101001)	RW	0x0
11	RESERVED		R	0x0
10	LOCK_BIT	When '1', prevents HW update to this MMR. When '0', allows HW update of this MMR.	RW	0x0
9:0	BINARY_DELAY	Delay Select Value in binary coded form. Indicates the number of coarse (9:5) and fine (4:0) delay elements to be used on the delay line connected to this pad.	RW	0x0

Table 18-2404. Register Call Summary for Register CFG_MCASP5_ACLKX_OUT

IODELAYCONFIG Module Register Manual

- [IODELAYCONFIG Register Summary: \[0\]](#)

Table 18-2405. CFG_MCASP5_AXR0_IN

Address Offset	0x0000 0594	Instance	IODELAYCONFIG
Physical Address	0x4844 A594		
Description	Delay Select Value in binary coded form for cfg_mcasps5_axr0_in interface		
Type	RW		

31	30	29	28	27	26	25	24	23	22	21	20	19	18	17	16	15	14	13	12	11	10	9	8	7	6	5	4	3	2	1	0
RESERVED								SIGNATURE				RESERVED	LOCK_BIT	BINARY_DELAY																	

Bits	Field Name	Description	Type	Reset
31:18	RESERVED		R	0x0
17:12	SIGNATURE	Write to this register will succeed only if data on these bits carries a signature of 6'h29 (6'b101001)	RW	0x0
11	RESERVED		R	0x0
10	LOCK_BIT	When '1', prevents HW update to this MMR. When '0', allows HW update of this MMR.	RW	0x0
9:0	BINARY_DELAY	Delay Select Value in binary coded form. Indicates the number of coarse (9:5) and fine (4:0) delay elements to be used on the delay line connected to this pad.	RW	0x0

Table 18-2406. Register Call Summary for Register CFG_MCASP5_AXR0_IN

IODELAYCONFIG Module Register Manual

- [IODELAYCONFIG Register Summary: \[0\]](#)

Table 18-2407. CFG_MCASP5_AXR0_OEN

Address Offset	0x0000 0598	Instance	IODELAYCONFIG
Physical Address	0x4844 A598		
Description	Delay Select Value in binary coded form for cfg_mcasps5_axr0_oen interface		
Type	RW		

31	30	29	28	27	26	25	24	23	22	21	20	19	18	17	16	15	14	13	12	11	10	9	8	7	6	5	4	3	2	1	0
RESERVED														SIGNATURE				RESERVED	LOCK_BIT	BINARY_DELAY											

Bits	Field Name	Description	Type	Reset
31:18	RESERVED		R	0x0
17:12	SIGNATURE	Write to this register will succeed only if data on these bits carries a signature of 6'h29 (6'b101001)	RW	0x0
11	RESERVED		R	0x0
10	LOCK_BIT	When '1', prevents HW update to this MMR. When '0', allows HW update of this MMR.	RW	0x0
9:0	BINARY_DELAY	Delay Select Value in binary coded form. Indicates the number of coarse (9:5) and fine (4:0) delay elements to be used on the delay line connected to this pad.	RW	0x0

Table 18-2408. Register Call Summary for Register CFG_MCASP5_AXR0_OEN

IODELAYCONFIG Module Register Manual

- [IODELAYCONFIG Register Summary: \[0\]](#)

Table 18-2409. CFG_MCASP5_AXR0_OUT

Address Offset	0x0000 059C	Instance	IODELAYCONFIG
Physical Address	0x4844 A59C		
Description	Delay Select Value in binary coded form for cfg_mcasps5_axr0_out interface		
Type	RW		

31	30	29	28	27	26	25	24	23	22	21	20	19	18	17	16	15	14	13	12	11	10	9	8	7	6	5	4	3	2	1	0
RESERVED														SIGNATURE				RESERVED	LOCK_BIT	BINARY_DELAY											

Bits	Field Name	Description	Type	Reset
31:18	RESERVED		R	0x0
17:12	SIGNATURE	Write to this register will succeed only if data on these bits carries a signature of 6'h29 (6'b101001)	RW	0x0
11	RESERVED		R	0x0
10	LOCK_BIT	When '1', prevents HW update to this MMR. When '0', allows HW update of this MMR.	RW	0x0
9:0	BINARY_DELAY	Delay Select Value in binary coded form. Indicates the number of coarse (9:5) and fine (4:0) delay elements to be used on the delay line connected to this pad.	RW	0x0

Table 18-2410. Register Call Summary for Register CFG_MCASP5_AXR0_OUT

IODELAYCONFIG Module Register Manual

- [IODELAYCONFIG Register Summary: \[0\]](#)

Table 18-2411. CFG_MCASP5_AXR1_IN

Address Offset	0x0000 05A0	Instance	IODELAYCONFIG
Physical Address	0x4844 A5A0		
Description	Delay Select Value in binary coded form for cfg_mcasp5_axr1_in interface		
Type	RW		

31	30	29	28	27	26	25	24	23	22	21	20	19	18	17	16	15	14	13	12	11	10	9	8	7	6	5	4	3	2	1	0
RESERVED														SIGNATURE				RESERVED	LOCK_BIT	BINARY_DELAY											

Bits	Field Name	Description	Type	Reset
31:18	RESERVED		R	0x0
17:12	SIGNATURE	Write to this register will succeed only if data on these bits carries a signature of 6'h29 (6'b101001)	RW	0x0
11	RESERVED		R	0x0
10	LOCK_BIT	When '1', prevents HW update to this MMR. When '0', allows HW update of this MMR.	RW	0x0
9:0	BINARY_DELAY	Delay Select Value in binary coded form. Indicates the number of coarse (9:5) and fine (4:0) delay elements to be used on the delay line connected to this pad.	RW	0x0

Table 18-2412. Register Call Summary for Register CFG_MCASP5_AXR1_IN

IODELAYCONFIG Module Register Manual

- [IODELAYCONFIG Register Summary: \[0\]](#)

Table 18-2413. CFG_MCASP5_AXR1_OEN

Address Offset	0x0000 05A4	Instance	IODELAYCONFIG
Physical Address	0x4844 A5A4		
Description	Delay Select Value in binary coded form for cfg_mcasp5_axr1_oen interface		
Type	RW		

31	30	29	28	27	26	25	24	23	22	21	20	19	18	17	16	15	14	13	12	11	10	9	8	7	6	5	4	3	2	1	0
RESERVED														SIGNATURE				RESERVED	LOCK_BIT	BINARY_DELAY											

Bits	Field Name	Description	Type	Reset
31:18	RESERVED		R	0x0
17:12	SIGNATURE	Write to this register will succeed only if data on these bits carries a signature of 6'h29 (6'b101001)	RW	0x0
11	RESERVED		R	0x0
10	LOCK_BIT	When '1', prevents HW update to this MMR. When '0', allows HW update of this MMR.	RW	0x0
9:0	BINARY_DELAY	Delay Select Value in binary coded form. Indicates the number of coarse (9:5) and fine (4:0) delay elements to be used on the delay line connected to this pad.	RW	0x0

Table 18-2414. Register Call Summary for Register CFG_MCASP5_AXR1_OEN

IODELAYCONFIG Module Register Manual

- [IODELAYCONFIG Register Summary: \[0\]](#)

Table 18-2415. CFG_MCASP5_AXR1_OUT

Address Offset	0x0000 05A8	Instance	IODELAYCONFIG
Physical Address	0x4844 A5A8		
Description	Delay Select Value in binary coded form for cfg_mcasp5_axr1_out interface		
Type	RW		

31	30	29	28	27	26	25	24	23	22	21	20	19	18	17	16	15	14	13	12	11	10	9	8	7	6	5	4	3	2	1	0
RESERVED														SIGNATURE				RESERVED	LOCK_BIT	BINARY_DELAY											

Bits	Field Name	Description	Type	Reset
31:18	RESERVED		R	0x0
17:12	SIGNATURE	Write to this register will succeed only if data on these bits carries a signature of 6'h29 (6'b101001)	RW	0x0
11	RESERVED		R	0x0
10	LOCK_BIT	When '1', prevents HW update to this MMR. When '0', allows HW update of this MMR.	RW	0x0
9:0	BINARY_DELAY	Delay Select Value in binary coded form. Indicates the number of coarse (9:5) and fine (4:0) delay elements to be used on the delay line connected to this pad.	RW	0x0

Table 18-2416. Register Call Summary for Register CFG_MCASP5_AXR1_OUT

IODELAYCONFIG Module Register Manual

- [IODELAYCONFIG Register Summary: \[0\]](#)

Table 18-2417. CFG_MCASP5_FSX_IN

Address Offset	0x0000 05AC	Instance	IODELAYCONFIG
Physical Address	0x4844 A5AC		
Description	Delay Select Value in binary coded form for cfg_mcasp5_fsx_in interface		
Type	RW		

31	30	29	28	27	26	25	24	23	22	21	20	19	18	17	16	15	14	13	12	11	10	9	8	7	6	5	4	3	2	1	0
RESERVED														SIGNATURE				RESERVED	LOCK_BIT	BINARY_DELAY											

Bits	Field Name	Description	Type	Reset
31:18	RESERVED		R	0x0
17:12	SIGNATURE	Write to this register will succeed only if data on these bits carries a signature of 6'h29 (6'b101001)	RW	0x0
11	RESERVED		R	0x0

Bits	Field Name	Description	Type	Reset
10	LOCK_BIT	When '1', prevents HW update to this MMR. When '0', allows HW update of this MMR.	RW	0x0
9:0	BINARY_DELAY	Delay Select Value in binary coded form. Indicates the number of coarse (9:5) and fine (4:0) delay elements to be used on the delay line connected to this pad.	RW	0x0

Table 18-2418. Register Call Summary for Register CFG_MCASP5_FSX_IN

IODELAYCONFIG Module Register Manual

- [IODELAYCONFIG Register Summary: \[0\]](#)

Table 18-2419. CFG_MCASP5_FSX_OEN

Address Offset	0x0000 05B0	Instance	IODELAYCONFIG
Physical Address	0x4844 A5B0		
Description	Delay Select Value in binary coded form for cfg_mcasp5_fsx_oen interface		
Type	RW		

31	30	29	28	27	26	25	24	23	22	21	20	19	18	17	16	15	14	13	12	11	10	9	8	7	6	5	4	3	2	1	0
RESERVED								SIGNATURE								RESERVED	LOCK_BIT	BINARY_DELAY													

Bits	Field Name	Description	Type	Reset
31:18	RESERVED		R	0x0
17:12	SIGNATURE	Write to this register will succeed only if data on these bits carries a signature of 6'h29 (6'b101001)	RW	0x0
11	RESERVED		R	0x0
10	LOCK_BIT	When '1', prevents HW update to this MMR. When '0', allows HW update of this MMR.	RW	0x0
9:0	BINARY_DELAY	Delay Select Value in binary coded form. Indicates the number of coarse (9:5) and fine (4:0) delay elements to be used on the delay line connected to this pad.	RW	0x0

Table 18-2420. Register Call Summary for Register CFG_MCASP5_FSX_OEN

IODELAYCONFIG Module Register Manual

- [IODELAYCONFIG Register Summary: \[0\]](#)

Table 18-2421. CFG_MCASP5_FSX_OUT

Address Offset	0x0000 05B4	Instance	IODELAYCONFIG
Physical Address	0x4844 A5B4		
Description	Delay Select Value in binary coded form for cfg_mcasp5_fsx_out interface		
Type	RW		

31	30	29	28	27	26	25	24	23	22	21	20	19	18	17	16	15	14	13	12	11	10	9	8	7	6	5	4	3	2	1	0
RESERVED								SIGNATURE								RESERVED	LOCK_BIT	BINARY_DELAY													

Bits	Field Name	Description	Type	Reset
31:18	RESERVED		R	0x0
17:12	SIGNATURE	Write to this register will succeed only if data on these bits carries a signature of 6'h29 (6'b101001)	RW	0x0
11	RESERVED		R	0x0
10	LOCK_BIT	When '1', prevents HW update to this MMR. When '0', allows HW update of this MMR.	RW	0x0
9:0	BINARY_DELAY	Delay Select Value in binary coded form. Indicates the number of coarse (9:5) and fine (4:0) delay elements to be used on the delay line connected to this pad.	RW	0x0

Table 18-2422. Register Call Summary for Register CFG_MCASP5_FSX_OUT

IODELAYCONFIG Module Register Manual

- [IODELAYCONFIG Register Summary: \[0\]](#)

Table 18-2423. CFG_MDIO_D_IN

Address Offset	0x0000 05B8	Instance	IODELAYCONFIG
Physical Address	0x4844 A5B8		
Description	Delay Select Value in binary coded form for cfg_mdio_d_in interface		
Type	RW		

31	30	29	28	27	26	25	24	23	22	21	20	19	18	17	16	15	14	13	12	11	10	9	8	7	6	5	4	3	2	1	0
RESERVED								SIGNATURE				RESERVED	LOCK_BIT	BINARY_DELAY																	

Bits	Field Name	Description	Type	Reset
31:18	RESERVED		R	0x0
17:12	SIGNATURE	Write to this register will succeed only if data on these bits carries a signature of 6'h29 (6'b101001)	RW	0x0
11	RESERVED		R	0x0
10	LOCK_BIT	When '1', prevents HW update to this MMR. When '0', allows HW update of this MMR.	RW	0x0
9:0	BINARY_DELAY	Delay Select Value in binary coded form. Indicates the number of coarse (9:5) and fine (4:0) delay elements to be used on the delay line connected to this pad.	RW	0x0

Table 18-2424. Register Call Summary for Register CFG_MDIO_D_IN

IODELAYCONFIG Module Register Manual

- [IODELAYCONFIG Register Summary: \[0\]](#)

Table 18-2425. CFG_MDIO_D_OEN

Address Offset	0x0000 05BC	Instance	IODELAYCONFIG
Physical Address	0x4844 A5BC		
Description	Delay Select Value in binary coded form for cfg_mdio_d_oen interface		
Type	RW		

31	30	29	28	27	26	25	24	23	22	21	20	19	18	17	16	15	14	13	12	11	10	9	8	7	6	5	4	3	2	1	0
RESERVED														SIGNATURE				RESERVED	LOCK_BIT	BINARY_DELAY											

Bits	Field Name	Description	Type	Reset
31:18	RESERVED		R	0x0
17:12	SIGNATURE	Write to this register will succeed only if data on these bits carries a signature of 6'h29 (6'b101001)	RW	0x0
11	RESERVED		R	0x0
10	LOCK_BIT	When '1', prevents HW update to this MMR. When '0', allows HW update of this MMR.	RW	0x0
9:0	BINARY_DELAY	Delay Select Value in binary coded form. Indicates the number of coarse (9:5) and fine (4:0) delay elements to be used on the delay line connected to this pad.	RW	0x0

Table 18-2426. Register Call Summary for Register CFG_MDIO_D_OEN

IODELAYCONFIG Module Register Manual

- [IODELAYCONFIG Register Summary: \[0\]](#)

Table 18-2427. CFG_MDIO_D_OUT

Address Offset	0x0000 05C0	Instance	IODELAYCONFIG
Physical Address	0x4844 A5C0		
Description	Delay Select Value in binary coded form for cfg_mdio_d_out interface		
Type	RW		

31	30	29	28	27	26	25	24	23	22	21	20	19	18	17	16	15	14	13	12	11	10	9	8	7	6	5	4	3	2	1	0
RESERVED														SIGNATURE				RESERVED	LOCK_BIT	BINARY_DELAY											

Bits	Field Name	Description	Type	Reset
31:18	RESERVED		R	0x0
17:12	SIGNATURE	Write to this register will succeed only if data on these bits carries a signature of 6'h29 (6'b101001)	RW	0x0
11	RESERVED		R	0x0
10	LOCK_BIT	When '1', prevents HW update to this MMR. When '0', allows HW update of this MMR.	RW	0x0
9:0	BINARY_DELAY	Delay Select Value in binary coded form. Indicates the number of coarse (9:5) and fine (4:0) delay elements to be used on the delay line connected to this pad.	RW	0x0

Table 18-2428. Register Call Summary for Register CFG_MDIO_D_OUT

IODELAYCONFIG Module Register Manual

- [IODELAYCONFIG Register Summary: \[0\]](#)

Table 18-2429. CFG_MDIO_MCLK_IN

Address Offset	0x0000 05C4	Instance	IODELAYCONFIG
Physical Address	0x4844 A5C4		
Description	Delay Select Value in binary coded form for cfg_mdio_mclk_in interface		
Type	RW		

31	30	29	28	27	26	25	24	23	22	21	20	19	18	17	16	15	14	13	12	11	10	9	8	7	6	5	4	3	2	1	0
RESERVED														SIGNATURE				RESERVED	LOCK_BIT	BINARY_DELAY											

Bits	Field Name	Description	Type	Reset
31:18	RESERVED		R	0x0
17:12	SIGNATURE	Write to this register will succeed only if data on these bits carries a signature of 6'h29 (6'b101001)	RW	0x0
11	RESERVED		R	0x0
10	LOCK_BIT	When '1', prevents HW update to this MMR. When '0', allows HW update of this MMR.	RW	0x0
9:0	BINARY_DELAY	Delay Select Value in binary coded form. Indicates the number of coarse (9:5) and fine (4:0) delay elements to be used on the delay line connected to this pad.	RW	0x0

Table 18-2430. Register Call Summary for Register CFG_MDIO_MCLK_IN

IODELAYCONFIG Module Register Manual

- [IODELAYCONFIG Register Summary: \[0\]](#)

Table 18-2431. CFG_MDIO_MCLK_OEN

Address Offset	0x0000 05C8	Instance	IODELAYCONFIG
Physical Address	0x4844 A5C8		
Description	Delay Select Value in binary coded form for cfg_mdio_mclk_oen interface		
Type	RW		

31	30	29	28	27	26	25	24	23	22	21	20	19	18	17	16	15	14	13	12	11	10	9	8	7	6	5	4	3	2	1	0
RESERVED														SIGNATURE				RESERVED	LOCK_BIT	BINARY_DELAY											

Bits	Field Name	Description	Type	Reset
31:18	RESERVED		R	0x0
17:12	SIGNATURE	Write to this register will succeed only if data on these bits carries a signature of 6'h29 (6'b101001)	RW	0x0
11	RESERVED		R	0x0
10	LOCK_BIT	When '1', prevents HW update to this MMR. When '0', allows HW update of this MMR.	RW	0x0
9:0	BINARY_DELAY	Delay Select Value in binary coded form. Indicates the number of coarse (9:5) and fine (4:0) delay elements to be used on the delay line connected to this pad.	RW	0x0

Table 18-2432. Register Call Summary for Register CFG_MDIO_MCLK_OEN

IODELAYCONFIG Module Register Manual

- [IODELAYCONFIG Register Summary: \[0\]](#)

Table 18-2433. CFG_MDIO_MCLK_OUT

Address Offset	0x0000 05CC	Instance	IODELAYCONFIG
Physical Address	0x4844 A5CC		
Description	Delay Select Value in binary coded form for cfg_mdio_mclk_out interface		
Type	RW		

31	30	29	28	27	26	25	24	23	22	21	20	19	18	17	16	15	14	13	12	11	10	9	8	7	6	5	4	3	2	1	0
RESERVED														SIGNATURE				RESERVED	LOCK_BIT	BINARY_DELAY											

Bits	Field Name	Description	Type	Reset
31:18	RESERVED		R	0x0
17:12	SIGNATURE	Write to this register will succeed only if data on these bits carries a signature of 6'h29 (6'b101001)	RW	0x0
11	RESERVED		R	0x0
10	LOCK_BIT	When '1', prevents HW update to this MMR. When '0', allows HW update of this MMR.	RW	0x0
9:0	BINARY_DELAY	Delay Select Value in binary coded form. Indicates the number of coarse (9:5) and fine (4:0) delay elements to be used on the delay line connected to this pad.	RW	0x0

Table 18-2434. Register Call Summary for Register CFG_MDIO_MCLK_OUT

IODELAYCONFIG Module Register Manual

- [IODELAYCONFIG Register Summary: \[0\]](#)

Table 18-2435. CFG_MLBP_CLK_N_IN

Address Offset	0x0000 05D0	Instance	IODELAYCONFIG
Physical Address	0x4844 A5D0		
Description	Delay Select Value in binary coded form for cfg_mlbp_clk_n_in interface		
Type	RW		

31	30	29	28	27	26	25	24	23	22	21	20	19	18	17	16	15	14	13	12	11	10	9	8	7	6	5	4	3	2	1	0
RESERVED														SIGNATURE				RESERVED	LOCK_BIT	BINARY_DELAY											

Bits	Field Name	Description	Type	Reset
31:18	RESERVED		R	0x0
17:12	SIGNATURE	Write to this register will succeed only if data on these bits carries a signature of 6'h29 (6'b101001)	RW	0x0
11	RESERVED		R	0x0

Bits	Field Name	Description	Type	Reset
10	LOCK_BIT	When '1', prevents HW update to this MMR. When '0', allows HW update of this MMR.	RW	0x0
9:0	BINARY_DELAY	Delay Select Value in binary coded form. Indicates the number of coarse (9:5) and fine (4:0) delay elements to be used on the delay line connected to this pad.	RW	0x0

Table 18-2436. Register Call Summary for Register CFG_MLBP_CLK_N_IN

IODELAYCONFIG Module Register Manual

- [IODELAYCONFIG Register Summary: \[0\]](#)

Table 18-2437. CFG_MLBP_CLK_N_OEN

Address Offset	0x0000 05D4	Instance	IODELAYCONFIG
Physical Address	0x4844 A5D4		
Description	Delay Select Value in binary coded form for cfg_mlbp_clk_n_oen interface		
Type	RW		

31	30	29	28	27	26	25	24	23	22	21	20	19	18	17	16	15	14	13	12	11	10	9	8	7	6	5	4	3	2	1	0
RESERVED								SIGNATURE								RESERVED	LOCK_BIT	BINARY_DELAY													

Bits	Field Name	Description	Type	Reset
31:18	RESERVED		R	0x0
17:12	SIGNATURE	Write to this register will succeed only if data on these bits carries a signature of 6'h29 (6'b101001)	RW	0x0
11	RESERVED		R	0x0
10	LOCK_BIT	When '1', prevents HW update to this MMR. When '0', allows HW update of this MMR.	RW	0x0
9:0	BINARY_DELAY	Delay Select Value in binary coded form. Indicates the number of coarse (9:5) and fine (4:0) delay elements to be used on the delay line connected to this pad.	RW	0x0

Table 18-2438. Register Call Summary for Register CFG_MLBP_CLK_N_OEN

IODELAYCONFIG Module Register Manual

- [IODELAYCONFIG Register Summary: \[0\]](#)

Table 18-2439. CFG_MLBP_CLK_N_OUT

Address Offset	0x0000 05D8	Instance	IODELAYCONFIG
Physical Address	0x4844 A5D8		
Description	Delay Select Value in binary coded form for cfg_mlbp_clk_n_out interface		
Type	RW		

31	30	29	28	27	26	25	24	23	22	21	20	19	18	17	16	15	14	13	12	11	10	9	8	7	6	5	4	3	2	1	0
RESERVED								SIGNATURE								RESERVED	LOCK_BIT	BINARY_DELAY													

Bits	Field Name	Description	Type	Reset
31:18	RESERVED		R	0x0
17:12	SIGNATURE	Write to this register will succeed only if data on these bits carries a signature of 6'h29 (6'b101001)	RW	0x0
11	RESERVED		R	0x0
10	LOCK_BIT	When '1', prevents HW update to this MMR. When '0', allows HW update of this MMR.	RW	0x0
9:0	BINARY_DELAY	Delay Select Value in binary coded form. Indicates the number of coarse (9:5) and fine (4:0) delay elements to be used on the delay line connected to this pad.	RW	0x0

Table 18-2440. Register Call Summary for Register CFG_MLBP_CLK_N_OUT

IODELAYCONFIG Module Register Manual

- [IODELAYCONFIG Register Summary: \[0\]](#)

Table 18-2441. CFG_MLBP_CLK_P_IN

Address Offset	0x0000 05DC	Instance	IODELAYCONFIG
Physical Address	0x4844 A5DC		
Description	Delay Select Value in binary coded form for cfg_mlbp_clk_p_in interface		
Type	RW		

31	30	29	28	27	26	25	24	23	22	21	20	19	18	17	16	15	14	13	12	11	10	9	8	7	6	5	4	3	2	1	0
RESERVED								SIGNATURE				RESERVED	LOCK_BIT	BINARY_DELAY																	

Bits	Field Name	Description	Type	Reset
31:18	RESERVED		R	0x0
17:12	SIGNATURE	Write to this register will succeed only if data on these bits carries a signature of 6'h29 (6'b101001)	RW	0x0
11	RESERVED		R	0x0
10	LOCK_BIT	When '1', prevents HW update to this MMR. When '0', allows HW update of this MMR.	RW	0x0
9:0	BINARY_DELAY	Delay Select Value in binary coded form. Indicates the number of coarse (9:5) and fine (4:0) delay elements to be used on the delay line connected to this pad.	RW	0x0

Table 18-2442. Register Call Summary for Register CFG_MLBP_CLK_P_IN

IODELAYCONFIG Module Register Manual

- [IODELAYCONFIG Register Summary: \[0\]](#)

Table 18-2443. CFG_MLBP_CLK_P_OEN

Address Offset	0x0000 05E0	Instance	IODELAYCONFIG
Physical Address	0x4844 A5E0		
Description	Delay Select Value in binary coded form for cfg_mlbp_clk_p_oen interface		
Type	RW		

31	30	29	28	27	26	25	24	23	22	21	20	19	18	17	16	15	14	13	12	11	10	9	8	7	6	5	4	3	2	1	0
RESERVED														SIGNATURE				RESERVED	LOCK_BIT	BINARY_DELAY											

Bits	Field Name	Description	Type	Reset
31:18	RESERVED		R	0x0
17:12	SIGNATURE	Write to this register will succeed only if data on these bits carries a signature of 6'h29 (6'b101001)	RW	0x0
11	RESERVED		R	0x0
10	LOCK_BIT	When '1', prevents HW update to this MMR. When '0', allows HW update of this MMR.	RW	0x0
9:0	BINARY_DELAY	Delay Select Value in binary coded form. Indicates the number of coarse (9:5) and fine (4:0) delay elements to be used on the delay line connected to this pad.	RW	0x0

Table 18-2444. Register Call Summary for Register CFG_MLBP_CLK_P_OEN

IODELAYCONFIG Module Register Manual
 • [IODELAYCONFIG Register Summary: \[0\]](#)

Table 18-2445. CFG_MLBP_CLK_P_OUT

Address Offset	0x0000 05E4	Instance	IODELAYCONFIG
Physical Address	0x4844 A5E4		
Description	Delay Select Value in binary coded form for cfg_mlbp_clk_p_out interface		
Type	RW		

31	30	29	28	27	26	25	24	23	22	21	20	19	18	17	16	15	14	13	12	11	10	9	8	7	6	5	4	3	2	1	0
RESERVED														SIGNATURE				RESERVED	LOCK_BIT	BINARY_DELAY											

Bits	Field Name	Description	Type	Reset
31:18	RESERVED		R	0x0
17:12	SIGNATURE	Write to this register will succeed only if data on these bits carries a signature of 6'h29 (6'b101001)	RW	0x0
11	RESERVED		R	0x0
10	LOCK_BIT	When '1', prevents HW update to this MMR. When '0', allows HW update of this MMR.	RW	0x0
9:0	BINARY_DELAY	Delay Select Value in binary coded form. Indicates the number of coarse (9:5) and fine (4:0) delay elements to be used on the delay line connected to this pad.	RW	0x0

Table 18-2446. Register Call Summary for Register CFG_MLBP_CLK_P_OUT

IODELAYCONFIG Module Register Manual
 • [IODELAYCONFIG Register Summary: \[0\]](#)

Table 18-2447. CFG_MLBP_DAT_N_IN

Address Offset	0x0000 05E8	Instance	IODELAYCONFIG
Physical Address	0x4844 A5E8		
Description	Delay Select Value in binary coded form for cfg_mlbp_dat_n_in interface		
Type	RW		

31	30	29	28	27	26	25	24	23	22	21	20	19	18	17	16	15	14	13	12	11	10	9	8	7	6	5	4	3	2	1	0
RESERVED														SIGNATURE				RESERVED	LOCK_BIT	BINARY_DELAY											

Bits	Field Name	Description	Type	Reset
31:18	RESERVED		R	0x0
17:12	SIGNATURE	Write to this register will succeed only if data on these bits carries a signature of 6'h29 (6'b101001)	RW	0x0
11	RESERVED		R	0x0
10	LOCK_BIT	When '1', prevents HW update to this MMR. When '0', allows HW update of this MMR.	RW	0x0
9:0	BINARY_DELAY	Delay Select Value in binary coded form. Indicates the number of coarse (9:5) and fine (4:0) delay elements to be used on the delay line connected to this pad.	RW	0x0

Table 18-2448. Register Call Summary for Register CFG_MLBP_DAT_N_IN

IODELAYCONFIG Module Register Manual

- [IODELAYCONFIG Register Summary: \[0\]](#)

Table 18-2449. CFG_MLBP_DAT_N_OEN

Address Offset	0x0000 05EC	Instance	IODELAYCONFIG
Physical Address	0x4844 A5EC		
Description	Delay Select Value in binary coded form for cfg_mlbp_dat_n_oen interface		
Type	RW		

31	30	29	28	27	26	25	24	23	22	21	20	19	18	17	16	15	14	13	12	11	10	9	8	7	6	5	4	3	2	1	0
RESERVED														SIGNATURE				RESERVED	LOCK_BIT	BINARY_DELAY											

Bits	Field Name	Description	Type	Reset
31:18	RESERVED		R	0x0
17:12	SIGNATURE	Write to this register will succeed only if data on these bits carries a signature of 6'h29 (6'b101001)	RW	0x0
11	RESERVED		R	0x0
10	LOCK_BIT	When '1', prevents HW update to this MMR. When '0', allows HW update of this MMR.	RW	0x0
9:0	BINARY_DELAY	Delay Select Value in binary coded form. Indicates the number of coarse (9:5) and fine (4:0) delay elements to be used on the delay line connected to this pad.	RW	0x0

Table 18-2450. Register Call Summary for Register CFG_MLBP_DAT_N_OEN

IODELAYCONFIG Module Register Manual
 • [IODELAYCONFIG Register Summary: \[0\]](#)

Table 18-2451. CFG_MLBP_DAT_N_OUT

Address Offset	0x0000 05F0	Instance	IODELAYCONFIG
Physical Address	0x4844 A5F0		
Description	Delay Select Value in binary coded form for cfg_mlbp_dat_n_out interface		
Type	RW		

31	30	29	28	27	26	25	24	23	22	21	20	19	18	17	16	15	14	13	12	11	10	9	8	7	6	5	4	3	2	1	0
RESERVED														SIGNATURE				RESERVED	LOCK_BIT	BINARY_DELAY											

Bits	Field Name	Description	Type	Reset
31:18	RESERVED		R	0x0
17:12	SIGNATURE	Write to this register will succeed only if data on these bits carries a signature of 6'h29 (6'b101001)	RW	0x0
11	RESERVED		R	0x0
10	LOCK_BIT	When '1', prevents HW update to this MMR. When '0', allows HW update of this MMR.	RW	0x0
9:0	BINARY_DELAY	Delay Select Value in binary coded form. Indicates the number of coarse (9:5) and fine (4:0) delay elements to be used on the delay line connected to this pad.	RW	0x0

Table 18-2452. Register Call Summary for Register CFG_MLBP_DAT_N_OUT

IODELAYCONFIG Module Register Manual
 • [IODELAYCONFIG Register Summary: \[0\]](#)

Table 18-2453. CFG_MLBP_DAT_P_IN

Address Offset	0x0000 05F4	Instance	IODELAYCONFIG
Physical Address	0x4844 A5F4		
Description	Delay Select Value in binary coded form for cfg_mlbp_dat_p_in interface		
Type	RW		

31	30	29	28	27	26	25	24	23	22	21	20	19	18	17	16	15	14	13	12	11	10	9	8	7	6	5	4	3	2	1	0
RESERVED														SIGNATURE				RESERVED	LOCK_BIT	BINARY_DELAY											

Bits	Field Name	Description	Type	Reset
31:18	RESERVED		R	0x0
17:12	SIGNATURE	Write to this register will succeed only if data on these bits carries a signature of 6'h29 (6'b101001)	RW	0x0
11	RESERVED		R	0x0

Bits	Field Name	Description	Type	Reset
10	LOCK_BIT	When '1', prevents HW update to this MMR. When '0', allows HW update of this MMR.	RW	0x0
9:0	BINARY_DELAY	Delay Select Value in binary coded form. Indicates the number of coarse (9:5) and fine (4:0) delay elements to be used on the delay line connected to this pad.	RW	0x0

Table 18-2454. Register Call Summary for Register CFG_MLBP_DAT_P_IN

IODELAYCONFIG Module Register Manual

- [IODELAYCONFIG Register Summary: \[0\]](#)

Table 18-2455. CFG_MLBP_DAT_P_OEN

Address Offset	0x0000 05F8	Instance	IODELAYCONFIG
Physical Address	0x4844 A5F8		
Description	Delay Select Value in binary coded form for cfg_mlbp_dat_p_oen interface		
Type	RW		

31	30	29	28	27	26	25	24	23	22	21	20	19	18	17	16	15	14	13	12	11	10	9	8	7	6	5	4	3	2	1	0
RESERVED								SIGNATURE								RESERVED	LOCK_BIT	BINARY_DELAY													

Bits	Field Name	Description	Type	Reset
31:18	RESERVED		R	0x0
17:12	SIGNATURE	Write to this register will succeed only if data on these bits carries a signature of 6'h29 (6'b101001)	RW	0x0
11	RESERVED		R	0x0
10	LOCK_BIT	When '1', prevents HW update to this MMR. When '0', allows HW update of this MMR.	RW	0x0
9:0	BINARY_DELAY	Delay Select Value in binary coded form. Indicates the number of coarse (9:5) and fine (4:0) delay elements to be used on the delay line connected to this pad.	RW	0x0

Table 18-2456. Register Call Summary for Register CFG_MLBP_DAT_P_OEN

IODELAYCONFIG Module Register Manual

- [IODELAYCONFIG Register Summary: \[0\]](#)

Table 18-2457. CFG_MLBP_DAT_P_OUT

Address Offset	0x0000 05FC	Instance	IODELAYCONFIG
Physical Address	0x4844 A5FC		
Description	Delay Select Value in binary coded form for cfg_mlbp_dat_p_out interface		
Type	RW		

31	30	29	28	27	26	25	24	23	22	21	20	19	18	17	16	15	14	13	12	11	10	9	8	7	6	5	4	3	2	1	0
RESERVED								SIGNATURE								RESERVED	LOCK_BIT	BINARY_DELAY													

Bits	Field Name	Description	Type	Reset
31:18	RESERVED		R	0x0
17:12	SIGNATURE	Write to this register will succeed only if data on these bits carries a signature of 6'h29 (6'b101001)	RW	0x0
11	RESERVED		R	0x0
10	LOCK_BIT	When '1', prevents HW update to this MMR. When '0', allows HW update of this MMR.	RW	0x0
9:0	BINARY_DELAY	Delay Select Value in binary coded form. Indicates the number of coarse (9:5) and fine (4:0) delay elements to be used on the delay line connected to this pad.	RW	0x0

Table 18-2458. Register Call Summary for Register CFG_MLBP_DAT_P_OUT

IODELAYCONFIG Module Register Manual

- [IODELAYCONFIG Register Summary: \[0\]](#)

Table 18-2459. CFG_MLBP_SIG_N_IN

Address Offset	0x0000 0600	Instance	IODELAYCONFIG
Physical Address	0x4844 A600		
Description	Delay Select Value in binary coded form for cfg_mlbp_sig_n_in interface		
Type	RW		

31	30	29	28	27	26	25	24	23	22	21	20	19	18	17	16	15	14	13	12	11	10	9	8	7	6	5	4	3	2	1	0
RESERVED								SIGNATURE				RESERVED	LOCK_BIT	BINARY_DELAY																	

Bits	Field Name	Description	Type	Reset
31:18	RESERVED		R	0x0
17:12	SIGNATURE	Write to this register will succeed only if data on these bits carries a signature of 6'h29 (6'b101001)	RW	0x0
11	RESERVED		R	0x0
10	LOCK_BIT	When '1', prevents HW update to this MMR. When '0', allows HW update of this MMR.	RW	0x0
9:0	BINARY_DELAY	Delay Select Value in binary coded form. Indicates the number of coarse (9:5) and fine (4:0) delay elements to be used on the delay line connected to this pad.	RW	0x0

Table 18-2460. Register Call Summary for Register CFG_MLBP_SIG_N_IN

IODELAYCONFIG Module Register Manual

- [IODELAYCONFIG Register Summary: \[0\]](#)

Table 18-2461. CFG_MLBP_SIG_N_OEN

Address Offset	0x0000 0604	Instance	IODELAYCONFIG
Physical Address	0x4844 A604		
Description	Delay Select Value in binary coded form for cfg_mlbp_sig_n_oen interface		
Type	RW		

31	30	29	28	27	26	25	24	23	22	21	20	19	18	17	16	15	14	13	12	11	10	9	8	7	6	5	4	3	2	1	0
RESERVED								SIGNATURE								RESERVED	LOCK_BIT	BINARY_DELAY													

Bits	Field Name	Description	Type	Reset
31:18	RESERVED		R	0x0
17:12	SIGNATURE	Write to this register will succeed only if data on these bits carries a signature of 6'h29 (6'b101001)	RW	0x0
11	RESERVED		R	0x0
10	LOCK_BIT	When '1', prevents HW update to this MMR. When '0', allows HW update of this MMR.	RW	0x0
9:0	BINARY_DELAY	Delay Select Value in binary coded form. Indicates the number of coarse (9:5) and fine (4:0) delay elements to be used on the delay line connected to this pad.	RW	0x0

Table 18-2462. Register Call Summary for Register CFG_MLBP_SIG_N_OEN

IODELAYCONFIG Module Register Manual

- [IODELAYCONFIG Register Summary: \[0\]](#)

Table 18-2463. CFG_MLBP_SIG_N_OUT

Address Offset	0x0000 0608	Instance	IODELAYCONFIG
Physical Address	0x4844 A608		
Description	Delay Select Value in binary coded form for cfg_mlbp_sig_n_out interface		
Type	RW		

31	30	29	28	27	26	25	24	23	22	21	20	19	18	17	16	15	14	13	12	11	10	9	8	7	6	5	4	3	2	1	0
RESERVED								SIGNATURE								RESERVED	LOCK_BIT	BINARY_DELAY													

Bits	Field Name	Description	Type	Reset
31:18	RESERVED		R	0x0
17:12	SIGNATURE	Write to this register will succeed only if data on these bits carries a signature of 6'h29 (6'b101001)	RW	0x0
11	RESERVED		R	0x0
10	LOCK_BIT	When '1', prevents HW update to this MMR. When '0', allows HW update of this MMR.	RW	0x0
9:0	BINARY_DELAY	Delay Select Value in binary coded form. Indicates the number of coarse (9:5) and fine (4:0) delay elements to be used on the delay line connected to this pad.	RW	0x0

Table 18-2464. Register Call Summary for Register CFG_MLBP_SIG_N_OUT

IODELAYCONFIG Module Register Manual

- [IODELAYCONFIG Register Summary: \[0\]](#)

Table 18-2465. CFG_MLBP_SIG_P_IN

Address Offset	0x0000 060C	Instance	IODELAYCONFIG
Physical Address	0x4844 A60C		
Description	Delay Select Value in binary coded form for cfg_mlbp_sig_p_in interface		
Type	RW		

31	30	29	28	27	26	25	24	23	22	21	20	19	18	17	16	15	14	13	12	11	10	9	8	7	6	5	4	3	2	1	0
RESERVED														SIGNATURE				RESERVED	LOCK_BIT	BINARY_DELAY											

Bits	Field Name	Description	Type	Reset
31:18	RESERVED		R	0x0
17:12	SIGNATURE	Write to this register will succeed only if data on these bits carries a signature of 6'h29 (6'b101001)	RW	0x0
11	RESERVED		R	0x0
10	LOCK_BIT	When '1', prevents HW update to this MMR. When '0', allows HW update of this MMR.	RW	0x0
9:0	BINARY_DELAY	Delay Select Value in binary coded form. Indicates the number of coarse (9:5) and fine (4:0) delay elements to be used on the delay line connected to this pad.	RW	0x0

Table 18-2466. Register Call Summary for Register CFG_MLBP_SIG_P_IN

IODELAYCONFIG Module Register Manual

- [IODELAYCONFIG Register Summary: \[0\]](#)

Table 18-2467. CFG_MLBP_SIG_P_OEN

Address Offset	0x0000 0610	Instance	IODELAYCONFIG
Physical Address	0x4844 A610		
Description	Delay Select Value in binary coded form for cfg_mlbp_sig_p_oen interface		
Type	RW		

31	30	29	28	27	26	25	24	23	22	21	20	19	18	17	16	15	14	13	12	11	10	9	8	7	6	5	4	3	2	1	0
RESERVED														SIGNATURE				RESERVED	LOCK_BIT	BINARY_DELAY											

Bits	Field Name	Description	Type	Reset
31:18	RESERVED		R	0x0
17:12	SIGNATURE	Write to this register will succeed only if data on these bits carries a signature of 6'h29 (6'b101001)	RW	0x0
11	RESERVED		R	0x0
10	LOCK_BIT	When '1', prevents HW update to this MMR. When '0', allows HW update of this MMR.	RW	0x0
9:0	BINARY_DELAY	Delay Select Value in binary coded form. Indicates the number of coarse (9:5) and fine (4:0) delay elements to be used on the delay line connected to this pad.	RW	0x0

Table 18-2468. Register Call Summary for Register CFG_MLBP_SIG_P_OEN

IODELAYCONFIG Module Register Manual

- [IODELAYCONFIG Register Summary: \[0\]](#)

Table 18-2469. CFG_MLBP_SIG_P_OUT

Address Offset	0x0000 0614	Instance	IODELAYCONFIG
Physical Address	0x4844 A614		
Description	Delay Select Value in binary coded form for cfg_mlbp_sig_p_out interface		
Type	RW		

31	30	29	28	27	26	25	24	23	22	21	20	19	18	17	16	15	14	13	12	11	10	9	8	7	6	5	4	3	2	1	0		
RESERVED																SIGNATURE						RESERVED	LOCK_BIT	BINARY_DELAY									

Bits	Field Name	Description	Type	Reset
31:18	RESERVED		R	0x0
17:12	SIGNATURE	Write to this register will succeed only if data on these bits carries a signature of 6'h29 (6'b101001)	RW	0x0
11	RESERVED		R	0x0
10	LOCK_BIT	When '1', prevents HW update to this MMR. When '0', allows HW update of this MMR.	RW	0x0
9:0	BINARY_DELAY	Delay Select Value in binary coded form. Indicates the number of coarse (9:5) and fine (4:0) delay elements to be used on the delay line connected to this pad.	RW	0x0

Table 18-2470. Register Call Summary for Register CFG_MLBP_SIG_P_OUT

IODELAYCONFIG Module Register Manual

- [IODELAYCONFIG Register Summary: \[0\]](#)

Table 18-2471. CFG_MMC1_CLK_IN

Address Offset	0x0000 0618	Instance	IODELAYCONFIG
Physical Address	0x4844 A618		
Description	Delay Select Value in binary coded form for cfg_mmc1_clk_in interface		
Type	RW		

31	30	29	28	27	26	25	24	23	22	21	20	19	18	17	16	15	14	13	12	11	10	9	8	7	6	5	4	3	2	1	0		
RESERVED																SIGNATURE						RESERVED	LOCK_BIT	BINARY_DELAY									

Bits	Field Name	Description	Type	Reset
31:18	RESERVED		R	0x0
17:12	SIGNATURE	Write to this register will succeed only if data on these bits carries a signature of 6'h29 (6'b101001)	RW	0x0
11	RESERVED		R	0x0

Bits	Field Name	Description	Type	Reset
10	LOCK_BIT	When '1', prevents HW update to this MMR. When '0', allows HW update of this MMR.	RW	0x0
9:0	BINARY_DELAY	Delay Select Value in binary coded form. Indicates the number of coarse (9:5) and fine (4:0) delay elements to be used on the delay line connected to this pad.	RW	0x0

Table 18-2472. Register Call Summary for Register CFG_MMC1_CLK_IN

IODELAYCONFIG Module Register Manual

- [IODELAYCONFIG Register Summary: \[0\]](#)

Table 18-2473. CFG_MMC1_CLK_OEN

Address Offset	0x0000 061C	Instance	IODELAYCONFIG
Physical Address	0x4844 A61C		
Description	Delay Select Value in binary coded form for cfg_mmc1_clk_oen interface		
Type	RW		

31	30	29	28	27	26	25	24	23	22	21	20	19	18	17	16	15	14	13	12	11	10	9	8	7	6	5	4	3	2	1	0
RESERVED								SIGNATURE								RESERVED	LOCK_BIT	BINARY_DELAY													

Bits	Field Name	Description	Type	Reset
31:18	RESERVED		R	0x0
17:12	SIGNATURE	Write to this register will succeed only if data on these bits carries a signature of 6'h29 (6'b101001)	RW	0x0
11	RESERVED		R	0x0
10	LOCK_BIT	When '1', prevents HW update to this MMR. When '0', allows HW update of this MMR.	RW	0x0
9:0	BINARY_DELAY	Delay Select Value in binary coded form. Indicates the number of coarse (9:5) and fine (4:0) delay elements to be used on the delay line connected to this pad.	RW	0x0

Table 18-2474. Register Call Summary for Register CFG_MMC1_CLK_OEN

IODELAYCONFIG Module Register Manual

- [IODELAYCONFIG Register Summary: \[0\]](#)

Table 18-2475. CFG_MMC1_CLK_OUT

Address Offset	0x0000 0620	Instance	IODELAYCONFIG
Physical Address	0x4844 A620		
Description	Delay Select Value in binary coded form for cfg_mmc1_clk_out interface		
Type	RW		

31	30	29	28	27	26	25	24	23	22	21	20	19	18	17	16	15	14	13	12	11	10	9	8	7	6	5	4	3	2	1	0
RESERVED								SIGNATURE								RESERVED	LOCK_BIT	BINARY_DELAY													

Bits	Field Name	Description	Type	Reset
31:18	RESERVED		R	0x0
17:12	SIGNATURE	Write to this register will succeed only if data on these bits carries a signature of 6'h29 (6'b101001)	RW	0x0
11	RESERVED		R	0x0
10	LOCK_BIT	When '1', prevents HW update to this MMR. When '0', allows HW update of this MMR.	RW	0x0
9:0	BINARY_DELAY	Delay Select Value in binary coded form. Indicates the number of coarse (9:5) and fine (4:0) delay elements to be used on the delay line connected to this pad.	RW	0x0

Table 18-2476. Register Call Summary for Register CFG_MMC1_CLK_OUT

IODELAYCONFIG Module Register Manual

- [IODELAYCONFIG Register Summary: \[0\]](#)

Table 18-2477. CFG_MMC1_CMD_IN

Address Offset	0x0000 0624	Instance	IODELAYCONFIG
Physical Address	0x4844 A624		
Description	Delay Select Value in binary coded form for cfg_mmc1_cmd_in interface		
Type	RW		

31	30	29	28	27	26	25	24	23	22	21	20	19	18	17	16	15	14	13	12	11	10	9	8	7	6	5	4	3	2	1	0
RESERVED								SIGNATURE								RESERVED	LOCK_BIT	BINARY_DELAY													

Bits	Field Name	Description	Type	Reset
31:18	RESERVED		R	0x0
17:12	SIGNATURE	Write to this register will succeed only if data on these bits carries a signature of 6'h29 (6'b101001)	RW	0x0
11	RESERVED		R	0x0
10	LOCK_BIT	When '1', prevents HW update to this MMR. When '0', allows HW update of this MMR.	RW	0x0
9:0	BINARY_DELAY	Delay Select Value in binary coded form. Indicates the number of coarse (9:5) and fine (4:0) delay elements to be used on the delay line connected to this pad.	RW	0x0

Table 18-2478. Register Call Summary for Register CFG_MMC1_CMD_IN

IODELAYCONFIG Module Register Manual

- [IODELAYCONFIG Register Summary: \[0\]](#)

Table 18-2479. CFG_MMC1_CMD_OEN

Address Offset	0x0000 0628	Instance	IODELAYCONFIG
Physical Address	0x4844 A628		
Description	Delay Select Value in binary coded form for cfg_mmc1_cmd_oen interface		
Type	RW		

31	30	29	28	27	26	25	24	23	22	21	20	19	18	17	16	15	14	13	12	11	10	9	8	7	6	5	4	3	2	1	0
RESERVED														SIGNATURE				RESERVED	LOCK_BIT	BINARY_DELAY											

Bits	Field Name	Description	Type	Reset
31:18	RESERVED		R	0x0
17:12	SIGNATURE	Write to this register will succeed only if data on these bits carries a signature of 6'h29 (6'b101001)	RW	0x0
11	RESERVED		R	0x0
10	LOCK_BIT	When '1', prevents HW update to this MMR. When '0', allows HW update of this MMR.	RW	0x0
9:0	BINARY_DELAY	Delay Select Value in binary coded form. Indicates the number of coarse (9:5) and fine (4:0) delay elements to be used on the delay line connected to this pad.	RW	0x0

Table 18-2480. Register Call Summary for Register CFG_MMC1_CMD_OEN

IODELAYCONFIG Module Register Manual

- [IODELAYCONFIG Register Summary: \[0\]](#)

Table 18-2481. CFG_MMC1_CMD_OUT

Address Offset	0x0000 062C	Instance	IODELAYCONFIG
Physical Address	0x4844 A62C		
Description	Delay Select Value in binary coded form for cfg_mmc1_cmd_out interface		
Type	RW		

31	30	29	28	27	26	25	24	23	22	21	20	19	18	17	16	15	14	13	12	11	10	9	8	7	6	5	4	3	2	1	0
RESERVED														SIGNATURE				RESERVED	LOCK_BIT	BINARY_DELAY											

Bits	Field Name	Description	Type	Reset
31:18	RESERVED		R	0x0
17:12	SIGNATURE	Write to this register will succeed only if data on these bits carries a signature of 6'h29 (6'b101001)	RW	0x0
11	RESERVED		R	0x0
10	LOCK_BIT	When '1', prevents HW update to this MMR. When '0', allows HW update of this MMR.	RW	0x0
9:0	BINARY_DELAY	Delay Select Value in binary coded form. Indicates the number of coarse (9:5) and fine (4:0) delay elements to be used on the delay line connected to this pad.	RW	0x0

Table 18-2482. Register Call Summary for Register CFG_MMC1_CMD_OUT

IODELAYCONFIG Module Register Manual

- [IODELAYCONFIG Register Summary: \[0\]](#)

Table 18-2483. CFG_MMC1_DAT0_IN

Address Offset	0x0000 0630	Instance	IODELAYCONFIG
Physical Address	0x4844 A630		
Description	Delay Select Value in binary coded form for cfg_mmc1_dat0_in interface		
Type	RW		

31	30	29	28	27	26	25	24	23	22	21	20	19	18	17	16	15	14	13	12	11	10	9	8	7	6	5	4	3	2	1	0
RESERVED														SIGNATURE				RESERVED	LOCK_BIT	BINARY_DELAY											

Bits	Field Name	Description	Type	Reset
31:18	RESERVED		R	0x0
17:12	SIGNATURE	Write to this register will succeed only if data on these bits carries a signature of 6'h29 (6'b101001)	RW	0x0
11	RESERVED		R	0x0
10	LOCK_BIT	When '1', prevents HW update to this MMR. When '0', allows HW update of this MMR.	RW	0x0
9:0	BINARY_DELAY	Delay Select Value in binary coded form. Indicates the number of coarse (9:5) and fine (4:0) delay elements to be used on the delay line connected to this pad.	RW	0x0

Table 18-2484. Register Call Summary for Register CFG_MMC1_DAT0_IN

IODELAYCONFIG Module Register Manual

- [IODELAYCONFIG Register Summary: \[0\]](#)

Table 18-2485. CFG_MMC1_DAT0_OEN

Address Offset	0x0000 0634	Instance	IODELAYCONFIG
Physical Address	0x4844 A634		
Description	Delay Select Value in binary coded form for cfg_mmc1_dat0_oen interface		
Type	RW		

31	30	29	28	27	26	25	24	23	22	21	20	19	18	17	16	15	14	13	12	11	10	9	8	7	6	5	4	3	2	1	0
RESERVED														SIGNATURE				RESERVED	LOCK_BIT	BINARY_DELAY											

Bits	Field Name	Description	Type	Reset
31:18	RESERVED		R	0x0
17:12	SIGNATURE	Write to this register will succeed only if data on these bits carries a signature of 6'h29 (6'b101001)	RW	0x0
11	RESERVED		R	0x0
10	LOCK_BIT	When '1', prevents HW update to this MMR. When '0', allows HW update of this MMR.	RW	0x0
9:0	BINARY_DELAY	Delay Select Value in binary coded form. Indicates the number of coarse (9:5) and fine (4:0) delay elements to be used on the delay line connected to this pad.	RW	0x0

Table 18-2486. Register Call Summary for Register CFG_MMC1_DAT0_OEN

IODELAYCONFIG Module Register Manual

- [IODELAYCONFIG Register Summary: \[0\]](#)

Table 18-2487. CFG_MMC1_DAT0_OUT

Address Offset	0x0000 0638	Instance	IODELAYCONFIG
Physical Address	0x4844 A638		
Description	Delay Select Value in binary coded form for cfg_mmc1_dat0_out interface		
Type	RW		

31	30	29	28	27	26	25	24	23	22	21	20	19	18	17	16	15	14	13	12	11	10	9	8	7	6	5	4	3	2	1	0
RESERVED														SIGNATURE				RESERVED	LOCK_BIT	BINARY_DELAY											

Bits	Field Name	Description	Type	Reset
31:18	RESERVED		R	0x0
17:12	SIGNATURE	Write to this register will succeed only if data on these bits carries a signature of 6'h29 (6'b101001)	RW	0x0
11	RESERVED		R	0x0
10	LOCK_BIT	When '1', prevents HW update to this MMR. When '0', allows HW update of this MMR.	RW	0x0
9:0	BINARY_DELAY	Delay Select Value in binary coded form. Indicates the number of coarse (9:5) and fine (4:0) delay elements to be used on the delay line connected to this pad.	RW	0x0

Table 18-2488. Register Call Summary for Register CFG_MMC1_DAT0_OUT

IODELAYCONFIG Module Register Manual

- [IODELAYCONFIG Register Summary: \[0\]](#)

Table 18-2489. CFG_MMC1_DAT1_IN

Address Offset	0x0000 063C	Instance	IODELAYCONFIG
Physical Address	0x4844 A63C		
Description	Delay Select Value in binary coded form for cfg_mmc1_dat1_in interface		
Type	RW		

31	30	29	28	27	26	25	24	23	22	21	20	19	18	17	16	15	14	13	12	11	10	9	8	7	6	5	4	3	2	1	0
RESERVED														SIGNATURE				RESERVED	LOCK_BIT	BINARY_DELAY											

Bits	Field Name	Description	Type	Reset
31:18	RESERVED		R	0x0
17:12	SIGNATURE	Write to this register will succeed only if data on these bits carries a signature of 6'h29 (6'b101001)	RW	0x0
11	RESERVED		R	0x0

Bits	Field Name	Description	Type	Reset
10	LOCK_BIT	When '1', prevents HW update to this MMR. When '0', allows HW update of this MMR.	RW	0x0
9:0	BINARY_DELAY	Delay Select Value in binary coded form. Indicates the number of coarse (9:5) and fine (4:0) delay elements to be used on the delay line connected to this pad.	RW	0x0

Table 18-2490. Register Call Summary for Register CFG_MMC1_DAT1_IN

IODELAYCONFIG Module Register Manual

- [IODELAYCONFIG Register Summary: \[0\]](#)

Table 18-2491. CFG_MMC1_DAT1_OEN

Address Offset	0x0000 0640	Instance	IODELAYCONFIG
Physical Address	0x4844 A640		
Description	Delay Select Value in binary coded form for cfg_mmc1_dat1_oen interface		
Type	RW		

31	30	29	28	27	26	25	24	23	22	21	20	19	18	17	16	15	14	13	12	11	10	9	8	7	6	5	4	3	2	1	0
RESERVED								SIGNATURE								RESERVED	LOCK_BIT	BINARY_DELAY													

Bits	Field Name	Description	Type	Reset
31:18	RESERVED		R	0x0
17:12	SIGNATURE	Write to this register will succeed only if data on these bits carries a signature of 6'h29 (6'b101001)	RW	0x0
11	RESERVED		R	0x0
10	LOCK_BIT	When '1', prevents HW update to this MMR. When '0', allows HW update of this MMR.	RW	0x0
9:0	BINARY_DELAY	Delay Select Value in binary coded form. Indicates the number of coarse (9:5) and fine (4:0) delay elements to be used on the delay line connected to this pad.	RW	0x0

Table 18-2492. Register Call Summary for Register CFG_MMC1_DAT1_OEN

IODELAYCONFIG Module Register Manual

- [IODELAYCONFIG Register Summary: \[0\]](#)

Table 18-2493. CFG_MMC1_DAT1_OUT

Address Offset	0x0000 0644	Instance	IODELAYCONFIG
Physical Address	0x4844 A644		
Description	Delay Select Value in binary coded form for cfg_mmc1_dat1_out interface		
Type	RW		

31	30	29	28	27	26	25	24	23	22	21	20	19	18	17	16	15	14	13	12	11	10	9	8	7	6	5	4	3	2	1	0
RESERVED								SIGNATURE								RESERVED	LOCK_BIT	BINARY_DELAY													

Bits	Field Name	Description	Type	Reset
31:18	RESERVED		R	0x0
17:12	SIGNATURE	Write to this register will succeed only if data on these bits carries a signature of 6'h29 (6'b101001)	RW	0x0
11	RESERVED		R	0x0
10	LOCK_BIT	When '1', prevents HW update to this MMR. When '0', allows HW update of this MMR.	RW	0x0
9:0	BINARY_DELAY	Delay Select Value in binary coded form. Indicates the number of coarse (9:5) and fine (4:0) delay elements to be used on the delay line connected to this pad.	RW	0x0

Table 18-2494. Register Call Summary for Register CFG_MMC1_DAT1_OUT

IODELAYCONFIG Module Register Manual

- [IODELAYCONFIG Register Summary: \[0\]](#)

Table 18-2495. CFG_MMC1_DAT2_IN

Address Offset	0x0000 0648	Instance	IODELAYCONFIG
Physical Address	0x4844 A648		
Description	Delay Select Value in binary coded form for cfg_mmc1_dat2_in interface		
Type	RW		

31	30	29	28	27	26	25	24	23	22	21	20	19	18	17	16	15	14	13	12	11	10	9	8	7	6	5	4	3	2	1	0
RESERVED								SIGNATURE				RESERVED	LOCK_BIT	BINARY_DELAY																	

Bits	Field Name	Description	Type	Reset
31:18	RESERVED		R	0x0
17:12	SIGNATURE	Write to this register will succeed only if data on these bits carries a signature of 6'h29 (6'b101001)	RW	0x0
11	RESERVED		R	0x0
10	LOCK_BIT	When '1', prevents HW update to this MMR. When '0', allows HW update of this MMR.	RW	0x0
9:0	BINARY_DELAY	Delay Select Value in binary coded form. Indicates the number of coarse (9:5) and fine (4:0) delay elements to be used on the delay line connected to this pad.	RW	0x0

Table 18-2496. Register Call Summary for Register CFG_MMC1_DAT2_IN

IODELAYCONFIG Module Register Manual

- [IODELAYCONFIG Register Summary: \[0\]](#)

Table 18-2497. CFG_MMC1_DAT2_OEN

Address Offset	0x0000 064C	Instance	IODELAYCONFIG
Physical Address	0x4844 A64C		
Description	Delay Select Value in binary coded form for cfg_mmc1_dat2_oen interface		
Type	RW		

31	30	29	28	27	26	25	24	23	22	21	20	19	18	17	16	15	14	13	12	11	10	9	8	7	6	5	4	3	2	1	0
RESERVED														SIGNATURE				RESERVED	LOCK_BIT	BINARY_DELAY											

Bits	Field Name	Description	Type	Reset
31:18	RESERVED		R	0x0
17:12	SIGNATURE	Write to this register will succeed only if data on these bits carries a signature of 6'h29 (6'b101001)	RW	0x0
11	RESERVED		R	0x0
10	LOCK_BIT	When '1', prevents HW update to this MMR. When '0', allows HW update of this MMR.	RW	0x0
9:0	BINARY_DELAY	Delay Select Value in binary coded form. Indicates the number of coarse (9:5) and fine (4:0) delay elements to be used on the delay line connected to this pad.	RW	0x0

Table 18-2498. Register Call Summary for Register CFG_MMC1_DAT2_OEN

IODELAYCONFIG Module Register Manual

- [IODELAYCONFIG Register Summary: \[0\]](#)

Table 18-2499. CFG_MMC1_DAT2_OUT

Address Offset	0x0000 0650	Instance	IODELAYCONFIG
Physical Address	0x4844 A650		
Description	Delay Select Value in binary coded form for cfg_mmc1_dat2_out interface		
Type	RW		

31	30	29	28	27	26	25	24	23	22	21	20	19	18	17	16	15	14	13	12	11	10	9	8	7	6	5	4	3	2	1	0
RESERVED														SIGNATURE				RESERVED	LOCK_BIT	BINARY_DELAY											

Bits	Field Name	Description	Type	Reset
31:18	RESERVED		R	0x0
17:12	SIGNATURE	Write to this register will succeed only if data on these bits carries a signature of 6'h29 (6'b101001)	RW	0x0
11	RESERVED		R	0x0
10	LOCK_BIT	When '1', prevents HW update to this MMR. When '0', allows HW update of this MMR.	RW	0x0
9:0	BINARY_DELAY	Delay Select Value in binary coded form. Indicates the number of coarse (9:5) and fine (4:0) delay elements to be used on the delay line connected to this pad.	RW	0x0

Table 18-2500. Register Call Summary for Register CFG_MMC1_DAT2_OUT

IODELAYCONFIG Module Register Manual

- [IODELAYCONFIG Register Summary: \[0\]](#)

Table 18-2501. CFG_MMC1_DAT3_IN

Address Offset	0x0000 0654	Instance	IODELAYCONFIG
Physical Address	0x4844 A654		
Description	Delay Select Value in binary coded form for cfg_mmc1_dat3_in interface		
Type	RW		

31	30	29	28	27	26	25	24	23	22	21	20	19	18	17	16	15	14	13	12	11	10	9	8	7	6	5	4	3	2	1	0
RESERVED														SIGNATURE				RESERVED	LOCK_BIT	BINARY_DELAY											

Bits	Field Name	Description	Type	Reset
31:18	RESERVED		R	0x0
17:12	SIGNATURE	Write to this register will succeed only if data on these bits carries a signature of 6'h29 (6'b101001)	RW	0x0
11	RESERVED		R	0x0
10	LOCK_BIT	When '1', prevents HW update to this MMR. When '0', allows HW update of this MMR.	RW	0x0
9:0	BINARY_DELAY	Delay Select Value in binary coded form. Indicates the number of coarse (9:5) and fine (4:0) delay elements to be used on the delay line connected to this pad.	RW	0x0

Table 18-2502. Register Call Summary for Register CFG_MMC1_DAT3_IN

IODELAYCONFIG Module Register Manual

- [IODELAYCONFIG Register Summary: \[0\]](#)

Table 18-2503. CFG_MMC1_DAT3_OEN

Address Offset	0x0000 0658	Instance	IODELAYCONFIG
Physical Address	0x4844 A658		
Description	Delay Select Value in binary coded form for cfg_mmc1_dat3_oen interface		
Type	RW		

31	30	29	28	27	26	25	24	23	22	21	20	19	18	17	16	15	14	13	12	11	10	9	8	7	6	5	4	3	2	1	0
RESERVED														SIGNATURE				RESERVED	LOCK_BIT	BINARY_DELAY											

Bits	Field Name	Description	Type	Reset
31:18	RESERVED		R	0x0
17:12	SIGNATURE	Write to this register will succeed only if data on these bits carries a signature of 6'h29 (6'b101001)	RW	0x0
11	RESERVED		R	0x0
10	LOCK_BIT	When '1', prevents HW update to this MMR. When '0', allows HW update of this MMR.	RW	0x0
9:0	BINARY_DELAY	Delay Select Value in binary coded form. Indicates the number of coarse (9:5) and fine (4:0) delay elements to be used on the delay line connected to this pad.	RW	0x0

Table 18-2504. Register Call Summary for Register CFG_MMC1_DAT3_OEN

IODELAYCONFIG Module Register Manual

- [IODELAYCONFIG Register Summary: \[0\]](#)

Table 18-2505. CFG_MMC1_DAT3_OUT

Address Offset	0x0000 065C	Instance	IODELAYCONFIG
Physical Address	0x4844 A65C		
Description	Delay Select Value in binary coded form for cfg_mmc1_dat3_out interface		
Type	RW		

31	30	29	28	27	26	25	24	23	22	21	20	19	18	17	16	15	14	13	12	11	10	9	8	7	6	5	4	3	2	1	0		
RESERVED																SIGNATURE						RESERVED	LOCK_BIT	BINARY_DELAY									

Bits	Field Name	Description	Type	Reset
31:18	RESERVED		R	0x0
17:12	SIGNATURE	Write to this register will succeed only if data on these bits carries a signature of 6'h29 (6'b101001)	RW	0x0
11	RESERVED		R	0x0
10	LOCK_BIT	When '1', prevents HW update to this MMR. When '0', allows HW update of this MMR.	RW	0x0
9:0	BINARY_DELAY	Delay Select Value in binary coded form. Indicates the number of coarse (9:5) and fine (4:0) delay elements to be used on the delay line connected to this pad.	RW	0x0

Table 18-2506. Register Call Summary for Register CFG_MMC1_DAT3_OUT

IODELAYCONFIG Module Register Manual

- [IODELAYCONFIG Register Summary: \[0\]](#)

Table 18-2507. CFG_MMC1_SDCD_IN

Address Offset	0x0000 0660	Instance	IODELAYCONFIG
Physical Address	0x4844 A660		
Description	Delay Select Value in binary coded form for cfg_mmc1_sdc_d_in interface		
Type	RW		

31	30	29	28	27	26	25	24	23	22	21	20	19	18	17	16	15	14	13	12	11	10	9	8	7	6	5	4	3	2	1	0		
RESERVED																SIGNATURE						RESERVED	LOCK_BIT	BINARY_DELAY									

Bits	Field Name	Description	Type	Reset
31:18	RESERVED		R	0x0
17:12	SIGNATURE	Write to this register will succeed only if data on these bits carries a signature of 6'h29 (6'b101001)	RW	0x0
11	RESERVED		R	0x0

Bits	Field Name	Description	Type	Reset
10	LOCK_BIT	When '1', prevents HW update to this MMR. When '0', allows HW update of this MMR.	RW	0x0
9:0	BINARY_DELAY	Delay Select Value in binary coded form. Indicates the number of coarse (9:5) and fine (4:0) delay elements to be used on the delay line connected to this pad.	RW	0x0

Table 18-2508. Register Call Summary for Register CFG_MMC1_SDCD_IN

IODELAYCONFIG Module Register Manual

- [IODELAYCONFIG Register Summary: \[0\]](#)

Table 18-2509. CFG_MMC1_SDCD_OEN

Address Offset	0x0000 0664	Instance	IODELAYCONFIG
Physical Address	0x4844 A664		
Description	Delay Select Value in binary coded form for cfg_mmc1_sdc_d_oen interface		
Type	RW		

31	30	29	28	27	26	25	24	23	22	21	20	19	18	17	16	15	14	13	12	11	10	9	8	7	6	5	4	3	2	1	0
RESERVED								SIGNATURE								RESERVED	LOCK_BIT	BINARY_DELAY													

Bits	Field Name	Description	Type	Reset
31:18	RESERVED		R	0x0
17:12	SIGNATURE	Write to this register will succeed only if data on these bits carries a signature of 6'h29 (6'b101001)	RW	0x0
11	RESERVED		R	0x0
10	LOCK_BIT	When '1', prevents HW update to this MMR. When '0', allows HW update of this MMR.	RW	0x0
9:0	BINARY_DELAY	Delay Select Value in binary coded form. Indicates the number of coarse (9:5) and fine (4:0) delay elements to be used on the delay line connected to this pad.	RW	0x0

Table 18-2510. Register Call Summary for Register CFG_MMC1_SDCD_OEN

IODELAYCONFIG Module Register Manual

- [IODELAYCONFIG Register Summary: \[0\]](#)

Table 18-2511. CFG_MMC1_SDCD_OUT

Address Offset	0x0000 0668	Instance	IODELAYCONFIG
Physical Address	0x4844 A668		
Description	Delay Select Value in binary coded form for cfg_mmc1_sdc_d_out interface		
Type	RW		

31	30	29	28	27	26	25	24	23	22	21	20	19	18	17	16	15	14	13	12	11	10	9	8	7	6	5	4	3	2	1	0
RESERVED								SIGNATURE								RESERVED	LOCK_BIT	BINARY_DELAY													

Bits	Field Name	Description	Type	Reset
31:18	RESERVED		R	0x0
17:12	SIGNATURE	Write to this register will succeed only if data on these bits carries a signature of 6'h29 (6'b101001)	RW	0x0
11	RESERVED		R	0x0
10	LOCK_BIT	When '1', prevents HW update to this MMR. When '0', allows HW update of this MMR.	RW	0x0
9:0	BINARY_DELAY	Delay Select Value in binary coded form. Indicates the number of coarse (9:5) and fine (4:0) delay elements to be used on the delay line connected to this pad.	RW	0x0

Table 18-2512. Register Call Summary for Register CFG_MMC1_SDCD_OUT

IODELAYCONFIG Module Register Manual

- [IODELAYCONFIG Register Summary: \[0\]](#)

Table 18-2513. CFG_MMC1_SDWP_IN

Address Offset	0x0000 066C	Instance	IODELAYCONFIG
Physical Address	0x4844 A66C		
Description	Delay Select Value in binary coded form for cfg_mmc1_sdwp_in interface		
Type	RW		

31	30	29	28	27	26	25	24	23	22	21	20	19	18	17	16	15	14	13	12	11	10	9	8	7	6	5	4	3	2	1	0
RESERVED								SIGNATURE				RESERVED	LOCK_BIT	BINARY_DELAY																	

Bits	Field Name	Description	Type	Reset
31:18	RESERVED		R	0x0
17:12	SIGNATURE	Write to this register will succeed only if data on these bits carries a signature of 6'h29 (6'b101001)	RW	0x0
11	RESERVED		R	0x0
10	LOCK_BIT	When '1', prevents HW update to this MMR. When '0', allows HW update of this MMR.	RW	0x0
9:0	BINARY_DELAY	Delay Select Value in binary coded form. Indicates the number of coarse (9:5) and fine (4:0) delay elements to be used on the delay line connected to this pad.	RW	0x0

Table 18-2514. Register Call Summary for Register CFG_MMC1_SDWP_IN

IODELAYCONFIG Module Register Manual

- [IODELAYCONFIG Register Summary: \[0\]](#)

Table 18-2515. CFG_MMC1_SDWP_OEN

Address Offset	0x0000 0670	Instance	IODELAYCONFIG
Physical Address	0x4844 A670		
Description	Delay Select Value in binary coded form for cfg_mmc1_sdwp_oen interface		
Type	RW		

31	30	29	28	27	26	25	24	23	22	21	20	19	18	17	16	15	14	13	12	11	10	9	8	7	6	5	4	3	2	1	0
RESERVED														SIGNATURE				RESERVED	LOCK_BIT	BINARY_DELAY											

Bits	Field Name	Description	Type	Reset
31:18	RESERVED		R	0x0
17:12	SIGNATURE	Write to this register will succeed only if data on these bits carries a signature of 6'h29 (6'b101001)	RW	0x0
11	RESERVED		R	0x0
10	LOCK_BIT	When '1', prevents HW update to this MMR. When '0', allows HW update of this MMR.	RW	0x0
9:0	BINARY_DELAY	Delay Select Value in binary coded form. Indicates the number of coarse (9:5) and fine (4:0) delay elements to be used on the delay line connected to this pad.	RW	0x0

Table 18-2516. Register Call Summary for Register CFG_MMC1_SDWP_OEN

IODELAYCONFIG Module Register Manual

- [IODELAYCONFIG Register Summary: \[0\]](#)

Table 18-2517. CFG_MMC1_SDWP_OUT

Address Offset	0x0000 0674	Instance	IODELAYCONFIG
Physical Address	0x4844 A674		
Description	Delay Select Value in binary coded form for cfg_mmc1_sdwp_out interface		
Type	RW		

31	30	29	28	27	26	25	24	23	22	21	20	19	18	17	16	15	14	13	12	11	10	9	8	7	6	5	4	3	2	1	0
RESERVED														SIGNATURE				RESERVED	LOCK_BIT	BINARY_DELAY											

Bits	Field Name	Description	Type	Reset
31:18	RESERVED		R	0x0
17:12	SIGNATURE	Write to this register will succeed only if data on these bits carries a signature of 6'h29 (6'b101001)	RW	0x0
11	RESERVED		R	0x0
10	LOCK_BIT	When '1', prevents HW update to this MMR. When '0', allows HW update of this MMR.	RW	0x0
9:0	BINARY_DELAY	Delay Select Value in binary coded form. Indicates the number of coarse (9:5) and fine (4:0) delay elements to be used on the delay line connected to this pad.	RW	0x0

Table 18-2518. Register Call Summary for Register CFG_MMC1_SDWP_OUT

IODELAYCONFIG Module Register Manual

- [IODELAYCONFIG Register Summary: \[0\]](#)

Table 18-2519. CFG_MMC3_CLK_IN

Address Offset	0x0000 0678	Instance	IODELAYCONFIG
Physical Address	0x4844 A678		
Description	Delay Select Value in binary coded form for cfg_mmc3_clk_in interface		
Type	RW		

31	30	29	28	27	26	25	24	23	22	21	20	19	18	17	16	15	14	13	12	11	10	9	8	7	6	5	4	3	2	1	0
RESERVED														SIGNATURE				RESERVED	LOCK_BIT	BINARY_DELAY											

Bits	Field Name	Description	Type	Reset
31:18	RESERVED		R	0x0
17:12	SIGNATURE	Write to this register will succeed only if data on these bits carries a signature of 6'h29 (6'b101001)	RW	0x0
11	RESERVED		R	0x0
10	LOCK_BIT	When '1', prevents HW update to this MMR. When '0', allows HW update of this MMR.	RW	0x0
9:0	BINARY_DELAY	Delay Select Value in binary coded form. Indicates the number of coarse (9:5) and fine (4:0) delay elements to be used on the delay line connected to this pad.	RW	0x0

Table 18-2520. Register Call Summary for Register CFG_MMC3_CLK_IN

IODELAYCONFIG Module Register Manual

- [IODELAYCONFIG Register Summary: \[0\]](#)

Table 18-2521. CFG_MMC3_CLK_OEN

Address Offset	0x0000 067C	Instance	IODELAYCONFIG
Physical Address	0x4844 A67C		
Description	Delay Select Value in binary coded form for cfg_mmc3_clk_oen interface		
Type	RW		

31	30	29	28	27	26	25	24	23	22	21	20	19	18	17	16	15	14	13	12	11	10	9	8	7	6	5	4	3	2	1	0
RESERVED														SIGNATURE				RESERVED	LOCK_BIT	BINARY_DELAY											

Bits	Field Name	Description	Type	Reset
31:18	RESERVED		R	0x0
17:12	SIGNATURE	Write to this register will succeed only if data on these bits carries a signature of 6'h29 (6'b101001)	RW	0x0
11	RESERVED		R	0x0
10	LOCK_BIT	When '1', prevents HW update to this MMR. When '0', allows HW update of this MMR.	RW	0x0
9:0	BINARY_DELAY	Delay Select Value in binary coded form. Indicates the number of coarse (9:5) and fine (4:0) delay elements to be used on the delay line connected to this pad.	RW	0x0

Table 18-2522. Register Call Summary for Register CFG_MMC3_CLK_OEN

IODELAYCONFIG Module Register Manual

- [IODELAYCONFIG Register Summary: \[0\]](#)

Table 18-2523. CFG_MMC3_CLK_OUT

Address Offset	0x0000 0680	Instance	IODELAYCONFIG
Physical Address	0x4844 A680		
Description	Delay Select Value in binary coded form for cfg_mmc3_clk_out interface		
Type	RW		

31	30	29	28	27	26	25	24	23	22	21	20	19	18	17	16	15	14	13	12	11	10	9	8	7	6	5	4	3	2	1	0
RESERVED														SIGNATURE				RESERVED	LOCK_BIT	BINARY_DELAY											

Bits	Field Name	Description	Type	Reset
31:18	RESERVED		R	0x0
17:12	SIGNATURE	Write to this register will succeed only if data on these bits carries a signature of 6'h29 (6'b101001)	RW	0x0
11	RESERVED		R	0x0
10	LOCK_BIT	When '1', prevents HW update to this MMR. When '0', allows HW update of this MMR.	RW	0x0
9:0	BINARY_DELAY	Delay Select Value in binary coded form. Indicates the number of coarse (9:5) and fine (4:0) delay elements to be used on the delay line connected to this pad.	RW	0x0

Table 18-2524. Register Call Summary for Register CFG_MMC3_CLK_OUT

IODELAYCONFIG Module Register Manual

- [IODELAYCONFIG Register Summary: \[0\]](#)

Table 18-2525. CFG_MMC3_CMD_IN

Address Offset	0x0000 0684	Instance	IODELAYCONFIG
Physical Address	0x4844 A684		
Description	Delay Select Value in binary coded form for cfg_mmc3_cmd_in interface		
Type	RW		

31	30	29	28	27	26	25	24	23	22	21	20	19	18	17	16	15	14	13	12	11	10	9	8	7	6	5	4	3	2	1	0
RESERVED														SIGNATURE				RESERVED	LOCK_BIT	BINARY_DELAY											

Bits	Field Name	Description	Type	Reset
31:18	RESERVED		R	0x0
17:12	SIGNATURE	Write to this register will succeed only if data on these bits carries a signature of 6'h29 (6'b101001)	RW	0x0
11	RESERVED		R	0x0

Bits	Field Name	Description	Type	Reset
10	LOCK_BIT	When '1', prevents HW update to this MMR. When '0', allows HW update of this MMR.	RW	0x0
9:0	BINARY_DELAY	Delay Select Value in binary coded form. Indicates the number of coarse (9:5) and fine (4:0) delay elements to be used on the delay line connected to this pad.	RW	0x0

Table 18-2526. Register Call Summary for Register CFG_MMC3_CMD_IN

IODELAYCONFIG Module Register Manual

- [IODELAYCONFIG Register Summary: \[0\]](#)

Table 18-2527. CFG_MMC3_CMD_OEN

Address Offset	0x0000 0688	Instance	IODELAYCONFIG
Physical Address	0x4844 A688		
Description	Delay Select Value in binary coded form for cfg_mmc3_cmd_oen interface		
Type	RW		

31	30	29	28	27	26	25	24	23	22	21	20	19	18	17	16	15	14	13	12	11	10	9	8	7	6	5	4	3	2	1	0
RESERVED								SIGNATURE								RESERVED	LOCK_BIT	BINARY_DELAY													

Bits	Field Name	Description	Type	Reset
31:18	RESERVED		R	0x0
17:12	SIGNATURE	Write to this register will succeed only if data on these bits carries a signature of 6'h29 (6'b101001)	RW	0x0
11	RESERVED		R	0x0
10	LOCK_BIT	When '1', prevents HW update to this MMR. When '0', allows HW update of this MMR.	RW	0x0
9:0	BINARY_DELAY	Delay Select Value in binary coded form. Indicates the number of coarse (9:5) and fine (4:0) delay elements to be used on the delay line connected to this pad.	RW	0x0

Table 18-2528. Register Call Summary for Register CFG_MMC3_CMD_OEN

IODELAYCONFIG Module Register Manual

- [IODELAYCONFIG Register Summary: \[0\]](#)

Table 18-2529. CFG_MMC3_CMD_OUT

Address Offset	0x0000 068C	Instance	IODELAYCONFIG
Physical Address	0x4844 A68C		
Description	Delay Select Value in binary coded form for cfg_mmc3_cmd_out interface		
Type	RW		

31	30	29	28	27	26	25	24	23	22	21	20	19	18	17	16	15	14	13	12	11	10	9	8	7	6	5	4	3	2	1	0
RESERVED								SIGNATURE								RESERVED	LOCK_BIT	BINARY_DELAY													

Bits	Field Name	Description	Type	Reset
31:18	RESERVED		R	0x0
17:12	SIGNATURE	Write to this register will succeed only if data on these bits carries a signature of 6'h29 (6'b101001)	RW	0x0
11	RESERVED		R	0x0
10	LOCK_BIT	When '1', prevents HW update to this MMR. When '0', allows HW update of this MMR.	RW	0x0
9:0	BINARY_DELAY	Delay Select Value in binary coded form. Indicates the number of coarse (9:5) and fine (4:0) delay elements to be used on the delay line connected to this pad.	RW	0x0

Table 18-2530. Register Call Summary for Register CFG_MMC3_CMD_OUT

IODELAYCONFIG Module Register Manual

- [IODELAYCONFIG Register Summary: \[0\]](#)

Table 18-2531. CFG_MMC3_DAT0_IN

Address Offset	0x0000 0690	Instance	IODELAYCONFIG
Physical Address	0x4844 A690		
Description	Delay Select Value in binary coded form for cfg_mmc3_dat0_in interface		
Type	RW		

31	30	29	28	27	26	25	24	23	22	21	20	19	18	17	16	15	14	13	12	11	10	9	8	7	6	5	4	3	2	1	0
RESERVED								SIGNATURE				RESERVED	LOCK_BIT	BINARY_DELAY																	

Bits	Field Name	Description	Type	Reset
31:18	RESERVED		R	0x0
17:12	SIGNATURE	Write to this register will succeed only if data on these bits carries a signature of 6'h29 (6'b101001)	RW	0x0
11	RESERVED		R	0x0
10	LOCK_BIT	When '1', prevents HW update to this MMR. When '0', allows HW update of this MMR.	RW	0x0
9:0	BINARY_DELAY	Delay Select Value in binary coded form. Indicates the number of coarse (9:5) and fine (4:0) delay elements to be used on the delay line connected to this pad.	RW	0x0

Table 18-2532. Register Call Summary for Register CFG_MMC3_DAT0_IN

IODELAYCONFIG Module Register Manual

- [IODELAYCONFIG Register Summary: \[0\]](#)

Table 18-2533. CFG_MMC3_DAT0_OEN

Address Offset	0x0000 0694	Instance	IODELAYCONFIG
Physical Address	0x4844 A694		
Description	Delay Select Value in binary coded form for cfg_mmc3_dat0_oen interface		
Type	RW		

31	30	29	28	27	26	25	24	23	22	21	20	19	18	17	16	15	14	13	12	11	10	9	8	7	6	5	4	3	2	1	0
RESERVED								SIGNATURE								RESERVED	LOCK_BIT	BINARY_DELAY													

Bits	Field Name	Description	Type	Reset
31:18	RESERVED		R	0x0
17:12	SIGNATURE	Write to this register will succeed only if data on these bits carries a signature of 6'h29 (6'b101001)	RW	0x0
11	RESERVED		R	0x0
10	LOCK_BIT	When '1', prevents HW update to this MMR. When '0', allows HW update of this MMR.	RW	0x0
9:0	BINARY_DELAY	Delay Select Value in binary coded form. Indicates the number of coarse (9:5) and fine (4:0) delay elements to be used on the delay line connected to this pad.	RW	0x0

Table 18-2534. Register Call Summary for Register CFG_MMC3_DAT0_OEN

IODELAYCONFIG Module Register Manual

- [IODELAYCONFIG Register Summary: \[0\]](#)

Table 18-2535. CFG_MMC3_DAT0_OUT

Address Offset	0x0000 0698	Instance	IODELAYCONFIG
Physical Address	0x4844 A698		
Description	Delay Select Value in binary coded form for cfg_mmc3_dat0_out interface		
Type	RW		

31	30	29	28	27	26	25	24	23	22	21	20	19	18	17	16	15	14	13	12	11	10	9	8	7	6	5	4	3	2	1	0
RESERVED								SIGNATURE								RESERVED	LOCK_BIT	BINARY_DELAY													

Bits	Field Name	Description	Type	Reset
31:18	RESERVED		R	0x0
17:12	SIGNATURE	Write to this register will succeed only if data on these bits carries a signature of 6'h29 (6'b101001)	RW	0x0
11	RESERVED		R	0x0
10	LOCK_BIT	When '1', prevents HW update to this MMR. When '0', allows HW update of this MMR.	RW	0x0
9:0	BINARY_DELAY	Delay Select Value in binary coded form. Indicates the number of coarse (9:5) and fine (4:0) delay elements to be used on the delay line connected to this pad.	RW	0x0

Table 18-2536. Register Call Summary for Register CFG_MMC3_DAT0_OUT

IODELAYCONFIG Module Register Manual

- [IODELAYCONFIG Register Summary: \[0\]](#)

Table 18-2537. CFG_MMC3_DAT1_IN

Address Offset	0x0000 069C	Instance	IODELAYCONFIG
Physical Address	0x4844 A69C		
Description	Delay Select Value in binary coded form for cfg_mmc3_dat1_in interface		
Type	RW		

31	30	29	28	27	26	25	24	23	22	21	20	19	18	17	16	15	14	13	12	11	10	9	8	7	6	5	4	3	2	1	0
RESERVED														SIGNATURE				RESERVED	LOCK_BIT	BINARY_DELAY											

Bits	Field Name	Description	Type	Reset
31:18	RESERVED		R	0x0
17:12	SIGNATURE	Write to this register will succeed only if data on these bits carries a signature of 6'h29 (6'b101001)	RW	0x0
11	RESERVED		R	0x0
10	LOCK_BIT	When '1', prevents HW update to this MMR. When '0', allows HW update of this MMR.	RW	0x0
9:0	BINARY_DELAY	Delay Select Value in binary coded form. Indicates the number of coarse (9:5) and fine (4:0) delay elements to be used on the delay line connected to this pad.	RW	0x0

Table 18-2538. Register Call Summary for Register CFG_MMC3_DAT1_IN

- IODELAYCONFIG Module Register Manual
- [IODELAYCONFIG Register Summary: \[0\]](#)

Table 18-2539. CFG_MMC3_DAT1_OEN

Address Offset	0x0000 06A0	Instance	IODELAYCONFIG
Physical Address	0x4844 A6A0		
Description	Delay Select Value in binary coded form for cfg_mmc3_dat1_oen interface		
Type	RW		

31	30	29	28	27	26	25	24	23	22	21	20	19	18	17	16	15	14	13	12	11	10	9	8	7	6	5	4	3	2	1	0
RESERVED														SIGNATURE				RESERVED	LOCK_BIT	BINARY_DELAY											

Bits	Field Name	Description	Type	Reset
31:18	RESERVED		R	0x0
17:12	SIGNATURE	Write to this register will succeed only if data on these bits carries a signature of 6'h29 (6'b101001)	RW	0x0
11	RESERVED		R	0x0
10	LOCK_BIT	When '1', prevents HW update to this MMR. When '0', allows HW update of this MMR.	RW	0x0
9:0	BINARY_DELAY	Delay Select Value in binary coded form. Indicates the number of coarse (9:5) and fine (4:0) delay elements to be used on the delay line connected to this pad.	RW	0x0

Table 18-2540. Register Call Summary for Register CFG_MMC3_DAT1_OEN

IODELAYCONFIG Module Register Manual
 • [IODELAYCONFIG Register Summary: \[0\]](#)

Table 18-2541. CFG_MMC3_DAT1_OUT

Address Offset	0x0000 06A4	Instance	IODELAYCONFIG
Physical Address	0x4844 A6A4		
Description	Delay Select Value in binary coded form for cfg_mmc3_dat1_out interface		
Type	RW		

31	30	29	28	27	26	25	24	23	22	21	20	19	18	17	16	15	14	13	12	11	10	9	8	7	6	5	4	3	2	1	0		
RESERVED																SIGNATURE						RESERVED	LOCK_BIT	BINARY_DELAY									

Bits	Field Name	Description	Type	Reset
31:18	RESERVED		R	0x0
17:12	SIGNATURE	Write to this register will succeed only if data on these bits carries a signature of 6'h29 (6'b101001)	RW	0x0
11	RESERVED		R	0x0
10	LOCK_BIT	When '1', prevents HW update to this MMR. When '0', allows HW update of this MMR.	RW	0x0
9:0	BINARY_DELAY	Delay Select Value in binary coded form. Indicates the number of coarse (9:5) and fine (4:0) delay elements to be used on the delay line connected to this pad.	RW	0x0

Table 18-2542. Register Call Summary for Register CFG_MMC3_DAT1_OUT

IODELAYCONFIG Module Register Manual
 • [IODELAYCONFIG Register Summary: \[0\]](#)

Table 18-2543. CFG_MMC3_DAT2_IN

Address Offset	0x0000 06A8	Instance	IODELAYCONFIG
Physical Address	0x4844 A6A8		
Description	Delay Select Value in binary coded form for cfg_mmc3_dat2_in interface		
Type	RW		

31	30	29	28	27	26	25	24	23	22	21	20	19	18	17	16	15	14	13	12	11	10	9	8	7	6	5	4	3	2	1	0		
RESERVED																SIGNATURE						RESERVED	LOCK_BIT	BINARY_DELAY									

Bits	Field Name	Description	Type	Reset
31:18	RESERVED		R	0x0
17:12	SIGNATURE	Write to this register will succeed only if data on these bits carries a signature of 6'h29 (6'b101001)	RW	0x0
11	RESERVED		R	0x0

Bits	Field Name	Description	Type	Reset
10	LOCK_BIT	When '1', prevents HW update to this MMR. When '0', allows HW update of this MMR.	RW	0x0
9:0	BINARY_DELAY	Delay Select Value in binary coded form. Indicates the number of coarse (9:5) and fine (4:0) delay elements to be used on the delay line connected to this pad.	RW	0x0

Table 18-2544. Register Call Summary for Register CFG_MMC3_DAT2_IN

IODELAYCONFIG Module Register Manual

- [IODELAYCONFIG Register Summary: \[0\]](#)

Table 18-2545. CFG_MMC3_DAT2_OEN

Address Offset	0x0000 06AC	Instance	IODELAYCONFIG
Physical Address	0x4844 A6AC		
Description	Delay Select Value in binary coded form for cfg_mmc3_dat2_oen interface		
Type	RW		

31	30	29	28	27	26	25	24	23	22	21	20	19	18	17	16	15	14	13	12	11	10	9	8	7	6	5	4	3	2	1	0
RESERVED								SIGNATURE								RESERVED	LOCK_BIT	BINARY_DELAY													

Bits	Field Name	Description	Type	Reset
31:18	RESERVED		R	0x0
17:12	SIGNATURE	Write to this register will succeed only if data on these bits carries a signature of 6'h29 (6'b101001)	RW	0x0
11	RESERVED		R	0x0
10	LOCK_BIT	When '1', prevents HW update to this MMR. When '0', allows HW update of this MMR.	RW	0x0
9:0	BINARY_DELAY	Delay Select Value in binary coded form. Indicates the number of coarse (9:5) and fine (4:0) delay elements to be used on the delay line connected to this pad.	RW	0x0

Table 18-2546. Register Call Summary for Register CFG_MMC3_DAT2_OEN

IODELAYCONFIG Module Register Manual

- [IODELAYCONFIG Register Summary: \[0\]](#)

Table 18-2547. CFG_MMC3_DAT2_OUT

Address Offset	0x0000 06B0	Instance	IODELAYCONFIG
Physical Address	0x4844 A6B0		
Description	Delay Select Value in binary coded form for cfg_mmc3_dat2_out interface		
Type	RW		

31	30	29	28	27	26	25	24	23	22	21	20	19	18	17	16	15	14	13	12	11	10	9	8	7	6	5	4	3	2	1	0
RESERVED								SIGNATURE								RESERVED	LOCK_BIT	BINARY_DELAY													

Bits	Field Name	Description	Type	Reset
31:18	RESERVED		R	0x0
17:12	SIGNATURE	Write to this register will succeed only if data on these bits carries a signature of 6'h29 (6'b101001)	RW	0x0
11	RESERVED		R	0x0
10	LOCK_BIT	When '1', prevents HW update to this MMR. When '0', allows HW update of this MMR.	RW	0x0
9:0	BINARY_DELAY	Delay Select Value in binary coded form. Indicates the number of coarse (9:5) and fine (4:0) delay elements to be used on the delay line connected to this pad.	RW	0x0

Table 18-2548. Register Call Summary for Register CFG_MMC3_DAT2_OUT

IODELAYCONFIG Module Register Manual

- [IODELAYCONFIG Register Summary: \[0\]](#)

Table 18-2549. CFG_MMC3_DAT3_IN

Address Offset	0x0000 06B4	Instance	IODELAYCONFIG
Physical Address	0x4844 A6B4		
Description	Delay Select Value in binary coded form for cfg_mmc3_dat3_in interface		
Type	RW		

31	30	29	28	27	26	25	24	23	22	21	20	19	18	17	16	15	14	13	12	11	10	9	8	7	6	5	4	3	2	1	0
RESERVED								SIGNATURE				RESERVED	LOCK_BIT	BINARY_DELAY																	

Bits	Field Name	Description	Type	Reset
31:18	RESERVED		R	0x0
17:12	SIGNATURE	Write to this register will succeed only if data on these bits carries a signature of 6'h29 (6'b101001)	RW	0x0
11	RESERVED		R	0x0
10	LOCK_BIT	When '1', prevents HW update to this MMR. When '0', allows HW update of this MMR.	RW	0x0
9:0	BINARY_DELAY	Delay Select Value in binary coded form. Indicates the number of coarse (9:5) and fine (4:0) delay elements to be used on the delay line connected to this pad.	RW	0x0

Table 18-2550. Register Call Summary for Register CFG_MMC3_DAT3_IN

IODELAYCONFIG Module Register Manual

- [IODELAYCONFIG Register Summary: \[0\]](#)

Table 18-2551. CFG_MMC3_DAT3_OEN

Address Offset	0x0000 06B8	Instance	IODELAYCONFIG
Physical Address	0x4844 A6B8		
Description	Delay Select Value in binary coded form for cfg_mmc3_dat3_oen interface		
Type	RW		

31	30	29	28	27	26	25	24	23	22	21	20	19	18	17	16	15	14	13	12	11	10	9	8	7	6	5	4	3	2	1	0
RESERVED								SIGNATURE				RESERVED	LOCK_BIT	BINARY_DELAY																	

Bits	Field Name	Description	Type	Reset
31:18	RESERVED		R	0x0
17:12	SIGNATURE	Write to this register will succeed only if data on these bits carries a signature of 6'h29 (6'b101001)	RW	0x0
11	RESERVED		R	0x0
10	LOCK_BIT	When '1', prevents HW update to this MMR. When '0', allows HW update of this MMR.	RW	0x0
9:0	BINARY_DELAY	Delay Select Value in binary coded form. Indicates the number of coarse (9:5) and fine (4:0) delay elements to be used on the delay line connected to this pad.	RW	0x0

Table 18-2552. Register Call Summary for Register CFG_MMC3_DAT3_OEN

IODELAYCONFIG Module Register Manual

- [IODELAYCONFIG Register Summary: \[0\]](#)

Table 18-2553. CFG_MMC3_DAT3_OUT

Address Offset	0x0000 06BC	Instance	IODELAYCONFIG
Physical Address	0x4844 A6BC		
Description	Delay Select Value in binary coded form for cfg_mmc3_dat3_out interface		
Type	RW		

31	30	29	28	27	26	25	24	23	22	21	20	19	18	17	16	15	14	13	12	11	10	9	8	7	6	5	4	3	2	1	0
RESERVED								SIGNATURE				RESERVED	LOCK_BIT	BINARY_DELAY																	

Bits	Field Name	Description	Type	Reset
31:18	RESERVED		R	0x0
17:12	SIGNATURE	Write to this register will succeed only if data on these bits carries a signature of 6'h29 (6'b101001)	RW	0x0
11	RESERVED		R	0x0
10	LOCK_BIT	When '1', prevents HW update to this MMR. When '0', allows HW update of this MMR.	RW	0x0
9:0	BINARY_DELAY	Delay Select Value in binary coded form. Indicates the number of coarse (9:5) and fine (4:0) delay elements to be used on the delay line connected to this pad.	RW	0x0

Table 18-2554. Register Call Summary for Register CFG_MMC3_DAT3_OUT

IODELAYCONFIG Module Register Manual

- [IODELAYCONFIG Register Summary: \[0\]](#)

Table 18-2555. CFG_MMC3_DAT4_IN

Address Offset	0x0000 06C0	Instance	IODELAYCONFIG
Physical Address	0x4844 A6C0		
Description	Delay Select Value in binary coded form for cfg_mmc3_dat4_in interface		
Type	RW		

31	30	29	28	27	26	25	24	23	22	21	20	19	18	17	16	15	14	13	12	11	10	9	8	7	6	5	4	3	2	1	0
RESERVED														SIGNATURE				RESERVED	LOCK_BIT	BINARY_DELAY											

Bits	Field Name	Description	Type	Reset
31:18	RESERVED		R	0x0
17:12	SIGNATURE	Write to this register will succeed only if data on these bits carries a signature of 6'h29 (6'b101001)	RW	0x0
11	RESERVED		R	0x0
10	LOCK_BIT	When '1', prevents HW update to this MMR. When '0', allows HW update of this MMR.	RW	0x0
9:0	BINARY_DELAY	Delay Select Value in binary coded form. Indicates the number of coarse (9:5) and fine (4:0) delay elements to be used on the delay line connected to this pad.	RW	0x0

Table 18-2556. Register Call Summary for Register CFG_MMC3_DAT4_IN

IODELAYCONFIG Module Register Manual

- [IODELAYCONFIG Register Summary: \[0\]](#)

Table 18-2557. CFG_MMC3_DAT4_OEN

Address Offset	0x0000 06C4	Instance	IODELAYCONFIG
Physical Address	0x4844 A6C4		
Description	Delay Select Value in binary coded form for cfg_mmc3_dat4_oen interface		
Type	RW		

31	30	29	28	27	26	25	24	23	22	21	20	19	18	17	16	15	14	13	12	11	10	9	8	7	6	5	4	3	2	1	0
RESERVED														SIGNATURE				RESERVED	LOCK_BIT	BINARY_DELAY											

Bits	Field Name	Description	Type	Reset
31:18	RESERVED		R	0x0
17:12	SIGNATURE	Write to this register will succeed only if data on these bits carries a signature of 6'h29 (6'b101001)	RW	0x0
11	RESERVED		R	0x0
10	LOCK_BIT	When '1', prevents HW update to this MMR. When '0', allows HW update of this MMR.	RW	0x0
9:0	BINARY_DELAY	Delay Select Value in binary coded form. Indicates the number of coarse (9:5) and fine (4:0) delay elements to be used on the delay line connected to this pad.	RW	0x0

Table 18-2558. Register Call Summary for Register CFG_MMC3_DAT4_OEN

IODELAYCONFIG Module Register Manual

- [IODELAYCONFIG Register Summary: \[0\]](#)

Table 18-2559. CFG_MMC3_DAT4_OUT

Address Offset	0x0000 06C8	Instance	IODELAYCONFIG
Physical Address	0x4844 A6C8		
Description	Delay Select Value in binary coded form for cfg_mmc3_dat4_out interface		
Type	RW		

31	30	29	28	27	26	25	24	23	22	21	20	19	18	17	16	15	14	13	12	11	10	9	8	7	6	5	4	3	2	1	0
RESERVED																SIGNATURE						RESERVED	LOCK_BIT	BINARY_DELAY							

Bits	Field Name	Description	Type	Reset
31:18	RESERVED		R	0x0
17:12	SIGNATURE	Write to this register will succeed only if data on these bits carries a signature of 6'h29 (6'b101001)	RW	0x0
11	RESERVED		R	0x0
10	LOCK_BIT	When '1', prevents HW update to this MMR. When '0', allows HW update of this MMR.	RW	0x0
9:0	BINARY_DELAY	Delay Select Value in binary coded form. Indicates the number of coarse (9:5) and fine (4:0) delay elements to be used on the delay line connected to this pad.	RW	0x0

Table 18-2560. Register Call Summary for Register CFG_MMC3_DAT4_OUT

IODELAYCONFIG Module Register Manual

- [IODELAYCONFIG Register Summary: \[0\]](#)

Table 18-2561. CFG_MMC3_DAT5_IN

Address Offset	0x0000 06CC	Instance	IODELAYCONFIG
Physical Address	0x4844 A6CC		
Description	Delay Select Value in binary coded form for cfg_mmc3_dat5_in interface		
Type	RW		

31	30	29	28	27	26	25	24	23	22	21	20	19	18	17	16	15	14	13	12	11	10	9	8	7	6	5	4	3	2	1	0
RESERVED																SIGNATURE						RESERVED	LOCK_BIT	BINARY_DELAY							

Bits	Field Name	Description	Type	Reset
31:18	RESERVED		R	0x0
17:12	SIGNATURE	Write to this register will succeed only if data on these bits carries a signature of 6'h29 (6'b101001)	RW	0x0
11	RESERVED		R	0x0

Bits	Field Name	Description	Type	Reset
10	LOCK_BIT	When '1', prevents HW update to this MMR. When '0', allows HW update of this MMR.	RW	0x0
9:0	BINARY_DELAY	Delay Select Value in binary coded form. Indicates the number of coarse (9:5) and fine (4:0) delay elements to be used on the delay line connected to this pad.	RW	0x0

Table 18-2562. Register Call Summary for Register CFG_MMC3_DAT5_IN

IODELAYCONFIG Module Register Manual

- [IODELAYCONFIG Register Summary: \[0\]](#)

Table 18-2563. CFG_MMC3_DAT5_OEN

Address Offset	0x0000 06D0	Instance	IODELAYCONFIG
Physical Address	0x4844 A6D0		
Description	Delay Select Value in binary coded form for cfg_mmc3_dat5_oen interface		
Type	RW		

31	30	29	28	27	26	25	24	23	22	21	20	19	18	17	16	15	14	13	12	11	10	9	8	7	6	5	4	3	2	1	0		
RESERVED																SIGNATURE				RESERVED	LOCK_BIT	BINARY_DELAY											

Bits	Field Name	Description	Type	Reset
31:18	RESERVED		R	0x0
17:12	SIGNATURE	Write to this register will succeed only if data on these bits carries a signature of 6'h29 (6'b101001)	RW	0x0
11	RESERVED		R	0x0
10	LOCK_BIT	When '1', prevents HW update to this MMR. When '0', allows HW update of this MMR.	RW	0x0
9:0	BINARY_DELAY	Delay Select Value in binary coded form. Indicates the number of coarse (9:5) and fine (4:0) delay elements to be used on the delay line connected to this pad.	RW	0x0

Table 18-2564. Register Call Summary for Register CFG_MMC3_DAT5_OEN

IODELAYCONFIG Module Register Manual

- [IODELAYCONFIG Register Summary: \[0\]](#)

Table 18-2565. CFG_MMC3_DAT5_OUT

Address Offset	0x0000 06D4	Instance	IODELAYCONFIG
Physical Address	0x4844 A6D4		
Description	Delay Select Value in binary coded form for cfg_mmc3_dat5_out interface		
Type	RW		

31	30	29	28	27	26	25	24	23	22	21	20	19	18	17	16	15	14	13	12	11	10	9	8	7	6	5	4	3	2	1	0		
RESERVED																SIGNATURE				RESERVED	LOCK_BIT	BINARY_DELAY											

Bits	Field Name	Description	Type	Reset
31:18	RESERVED		R	0x0
17:12	SIGNATURE	Write to this register will succeed only if data on these bits carries a signature of 6'h29 (6'b101001)	RW	0x0
11	RESERVED		R	0x0
10	LOCK_BIT	When '1', prevents HW update to this MMR. When '0', allows HW update of this MMR.	RW	0x0
9:0	BINARY_DELAY	Delay Select Value in binary coded form. Indicates the number of coarse (9:5) and fine (4:0) delay elements to be used on the delay line connected to this pad.	RW	0x0

Table 18-2566. Register Call Summary for Register CFG_MMC3_DAT5_OUT

IODELAYCONFIG Module Register Manual

- [IODELAYCONFIG Register Summary: \[0\]](#)

Table 18-2567. CFG_MMC3_DAT6_IN

Address Offset	0x0000 06D8	Instance	IODELAYCONFIG
Physical Address	0x4844 A6D8		
Description	Delay Select Value in binary coded form for cfg_mmc3_dat6_in interface		
Type	RW		

31	30	29	28	27	26	25	24	23	22	21	20	19	18	17	16	15	14	13	12	11	10	9	8	7	6	5	4	3	2	1	0
RESERVED								SIGNATURE				RESERVED	LOCK_BIT	BINARY_DELAY																	

Bits	Field Name	Description	Type	Reset
31:18	RESERVED		R	0x0
17:12	SIGNATURE	Write to this register will succeed only if data on these bits carries a signature of 6'h29 (6'b101001)	RW	0x0
11	RESERVED		R	0x0
10	LOCK_BIT	When '1', prevents HW update to this MMR. When '0', allows HW update of this MMR.	RW	0x0
9:0	BINARY_DELAY	Delay Select Value in binary coded form. Indicates the number of coarse (9:5) and fine (4:0) delay elements to be used on the delay line connected to this pad.	RW	0x0

Table 18-2568. Register Call Summary for Register CFG_MMC3_DAT6_IN

IODELAYCONFIG Module Register Manual

- [IODELAYCONFIG Register Summary: \[0\]](#)

Table 18-2569. CFG_MMC3_DAT6_OEN

Address Offset	0x0000 06DC	Instance	IODELAYCONFIG
Physical Address	0x4844 A6DC		
Description	Delay Select Value in binary coded form for cfg_mmc3_dat6_oen interface		
Type	RW		

31	30	29	28	27	26	25	24	23	22	21	20	19	18	17	16	15	14	13	12	11	10	9	8	7	6	5	4	3	2	1	0
RESERVED														SIGNATURE				RESERVED	LOCK_BIT	BINARY_DELAY											

Bits	Field Name	Description	Type	Reset
31:18	RESERVED		R	0x0
17:12	SIGNATURE	Write to this register will succeed only if data on these bits carries a signature of 6'h29 (6'b101001)	RW	0x0
11	RESERVED		R	0x0
10	LOCK_BIT	When '1', prevents HW update to this MMR. When '0', allows HW update of this MMR.	RW	0x0
9:0	BINARY_DELAY	Delay Select Value in binary coded form. Indicates the number of coarse (9:5) and fine (4:0) delay elements to be used on the delay line connected to this pad.	RW	0x0

Table 18-2570. Register Call Summary for Register CFG_MMC3_DAT6_OEN

IODELAYCONFIG Module Register Manual

- [IODELAYCONFIG Register Summary: \[0\]](#)

Table 18-2571. CFG_MMC3_DAT6_OUT

Address Offset	0x0000 06E0	Instance	IODELAYCONFIG
Physical Address	0x4844 A6E0		
Description	Delay Select Value in binary coded form for cfg_mmc3_dat6_out interface		
Type	RW		

31	30	29	28	27	26	25	24	23	22	21	20	19	18	17	16	15	14	13	12	11	10	9	8	7	6	5	4	3	2	1	0
RESERVED														SIGNATURE				RESERVED	LOCK_BIT	BINARY_DELAY											

Bits	Field Name	Description	Type	Reset
31:18	RESERVED		R	0x0
17:12	SIGNATURE	Write to this register will succeed only if data on these bits carries a signature of 6'h29 (6'b101001)	RW	0x0
11	RESERVED		R	0x0
10	LOCK_BIT	When '1', prevents HW update to this MMR. When '0', allows HW update of this MMR.	RW	0x0
9:0	BINARY_DELAY	Delay Select Value in binary coded form. Indicates the number of coarse (9:5) and fine (4:0) delay elements to be used on the delay line connected to this pad.	RW	0x0

Table 18-2572. Register Call Summary for Register CFG_MMC3_DAT6_OUT

IODELAYCONFIG Module Register Manual

- [IODELAYCONFIG Register Summary: \[0\]](#)

Table 18-2573. CFG_MMC3_DAT7_IN

Address Offset	0x0000 06E4	Instance	IODELAYCONFIG
Physical Address	0x4844 A6E4		
Description	Delay Select Value in binary coded form for cfg_mmc3_dat7_in interface		
Type	RW		

31	30	29	28	27	26	25	24	23	22	21	20	19	18	17	16	15	14	13	12	11	10	9	8	7	6	5	4	3	2	1	0
RESERVED														SIGNATURE				RESERVED	LOCK_BIT	BINARY_DELAY											

Bits	Field Name	Description	Type	Reset
31:18	RESERVED		R	0x0
17:12	SIGNATURE	Write to this register will succeed only if data on these bits carries a signature of 6'h29 (6'b101001)	RW	0x0
11	RESERVED		R	0x0
10	LOCK_BIT	When '1', prevents HW update to this MMR. When '0', allows HW update of this MMR.	RW	0x0
9:0	BINARY_DELAY	Delay Select Value in binary coded form. Indicates the number of coarse (9:5) and fine (4:0) delay elements to be used on the delay line connected to this pad.	RW	0x0

Table 18-2574. Register Call Summary for Register CFG_MMC3_DAT7_IN

IODELAYCONFIG Module Register Manual

- [IODELAYCONFIG Register Summary: \[0\]](#)

Table 18-2575. CFG_MMC3_DAT7_OEN

Address Offset	0x0000 06E8	Instance	IODELAYCONFIG
Physical Address	0x4844 A6E8		
Description	Delay Select Value in binary coded form for cfg_mmc3_dat7_oen interface		
Type	RW		

31	30	29	28	27	26	25	24	23	22	21	20	19	18	17	16	15	14	13	12	11	10	9	8	7	6	5	4	3	2	1	0
RESERVED														SIGNATURE				RESERVED	LOCK_BIT	BINARY_DELAY											

Bits	Field Name	Description	Type	Reset
31:18	RESERVED		R	0x0
17:12	SIGNATURE	Write to this register will succeed only if data on these bits carries a signature of 6'h29 (6'b101001)	RW	0x0
11	RESERVED		R	0x0
10	LOCK_BIT	When '1', prevents HW update to this MMR. When '0', allows HW update of this MMR.	RW	0x0
9:0	BINARY_DELAY	Delay Select Value in binary coded form. Indicates the number of coarse (9:5) and fine (4:0) delay elements to be used on the delay line connected to this pad.	RW	0x0

Table 18-2576. Register Call Summary for Register CFG_MMC3_DAT7_OEN

IODELAYCONFIG Module Register Manual

- [IODELAYCONFIG Register Summary: \[0\]](#)

Table 18-2577. CFG_MMC3_DAT7_OUT

Address Offset	0x0000 06EC	Instance	IODELAYCONFIG
Physical Address	0x4844 A6EC		
Description	Delay Select Value in binary coded form for cfg_mmc3_dat7_out interface		
Type	RW		

31	30	29	28	27	26	25	24	23	22	21	20	19	18	17	16	15	14	13	12	11	10	9	8	7	6	5	4	3	2	1	0
RESERVED														SIGNATURE				RESERVED	LOCK_BIT	BINARY_DELAY											

Bits	Field Name	Description	Type	Reset
31:18	RESERVED		R	0x0
17:12	SIGNATURE	Write to this register will succeed only if data on these bits carries a signature of 6'h29 (6'b101001)	RW	0x0
11	RESERVED		R	0x0
10	LOCK_BIT	When '1', prevents HW update to this MMR. When '0', allows HW update of this MMR.	RW	0x0
9:0	BINARY_DELAY	Delay Select Value in binary coded form. Indicates the number of coarse (9:5) and fine (4:0) delay elements to be used on the delay line connected to this pad.	RW	0x0

Table 18-2578. Register Call Summary for Register CFG_MMC3_DAT7_OUT

IODELAYCONFIG Module Register Manual

- [IODELAYCONFIG Register Summary: \[0\]](#)

Table 18-2579. CFG_RGMII0_RXC_IN

Address Offset	0x0000 06F0	Instance	IODELAYCONFIG
Physical Address	0x4844 A6F0		
Description	Delay Select Value in binary coded form for cfg_rgmii0_rxc_in interface		
Type	RW		

31	30	29	28	27	26	25	24	23	22	21	20	19	18	17	16	15	14	13	12	11	10	9	8	7	6	5	4	3	2	1	0
RESERVED														SIGNATURE				RESERVED	LOCK_BIT	BINARY_DELAY											

Bits	Field Name	Description	Type	Reset
31:18	RESERVED		R	0x0
17:12	SIGNATURE	Write to this register will succeed only if data on these bits carries a signature of 6'h29 (6'b101001)	RW	0x0
11	RESERVED		R	0x0

Bits	Field Name	Description	Type	Reset
10	LOCK_BIT	When '1', prevents HW update to this MMR. When '0', allows HW update of this MMR.	RW	0x0
9:0	BINARY_DELAY	Delay Select Value in binary coded form. Indicates the number of coarse (9:5) and fine (4:0) delay elements to be used on the delay line connected to this pad.	RW	0x0

Table 18-2580. Register Call Summary for Register CFG_RGMII0_RXC_IN

IODELAYCONFIG Module Register Manual

- [IODELAYCONFIG Register Summary: \[0\]](#)

Table 18-2581. CFG_RGMII0_RXC_OEN

Address Offset	0x0000 06F4	Instance	IODELAYCONFIG
Physical Address	0x4844 A6F4		
Description	Delay Select Value in binary coded form for cfg_rgmii0_rxc_oen interface		
Type	RW		

31	30	29	28	27	26	25	24	23	22	21	20	19	18	17	16	15	14	13	12	11	10	9	8	7	6	5	4	3	2	1	0
RESERVED								SIGNATURE								RESERVED	LOCK_BIT	BINARY_DELAY													

Bits	Field Name	Description	Type	Reset
31:18	RESERVED		R	0x0
17:12	SIGNATURE	Write to this register will succeed only if data on these bits carries a signature of 6'h29 (6'b101001)	RW	0x0
11	RESERVED		R	0x0
10	LOCK_BIT	When '1', prevents HW update to this MMR. When '0', allows HW update of this MMR.	RW	0x0
9:0	BINARY_DELAY	Delay Select Value in binary coded form. Indicates the number of coarse (9:5) and fine (4:0) delay elements to be used on the delay line connected to this pad.	RW	0x0

Table 18-2582. Register Call Summary for Register CFG_RGMII0_RXC_OEN

IODELAYCONFIG Module Register Manual

- [IODELAYCONFIG Register Summary: \[0\]](#)

Table 18-2583. CFG_RGMII0_RXC_OUT

Address Offset	0x0000 06F8	Instance	IODELAYCONFIG
Physical Address	0x4844 A6F8		
Description	Delay Select Value in binary coded form for cfg_rgmii0_rxc_out interface		
Type	RW		

31	30	29	28	27	26	25	24	23	22	21	20	19	18	17	16	15	14	13	12	11	10	9	8	7	6	5	4	3	2	1	0
RESERVED								SIGNATURE								RESERVED	LOCK_BIT	BINARY_DELAY													

Bits	Field Name	Description	Type	Reset
31:18	RESERVED		R	0x0
17:12	SIGNATURE	Write to this register will succeed only if data on these bits carries a signature of 6'h29 (6'b101001)	RW	0x0
11	RESERVED		R	0x0
10	LOCK_BIT	When '1', prevents HW update to this MMR. When '0', allows HW update of this MMR.	RW	0x0
9:0	BINARY_DELAY	Delay Select Value in binary coded form. Indicates the number of coarse (9:5) and fine (4:0) delay elements to be used on the delay line connected to this pad.	RW	0x0

Table 18-2584. Register Call Summary for Register CFG_RGMII0_RXC_OUT

IODELAYCONFIG Module Register Manual

- [IODELAYCONFIG Register Summary: \[0\]](#)

Table 18-2585. CFG_RGMII0_RXCTL_IN

Address Offset	0x0000 06FC	Instance	IODELAYCONFIG
Physical Address	0x4844 A6FC		
Description	Delay Select Value in binary coded form for cfg_rgmii0_rxctl_in interface		
Type	RW		

31	30	29	28	27	26	25	24	23	22	21	20	19	18	17	16	15	14	13	12	11	10	9	8	7	6	5	4	3	2	1	0
RESERVED								SIGNATURE				RESERVED	LOCK_BIT	BINARY_DELAY																	

Bits	Field Name	Description	Type	Reset
31:18	RESERVED		R	0x0
17:12	SIGNATURE	Write to this register will succeed only if data on these bits carries a signature of 6'h29 (6'b101001)	RW	0x0
11	RESERVED		R	0x0
10	LOCK_BIT	When '1', prevents HW update to this MMR. When '0', allows HW update of this MMR.	RW	0x0
9:0	BINARY_DELAY	Delay Select Value in binary coded form. Indicates the number of coarse (9:5) and fine (4:0) delay elements to be used on the delay line connected to this pad.	RW	0x0

Table 18-2586. Register Call Summary for Register CFG_RGMII0_RXCTL_IN

IODELAYCONFIG Module Register Manual

- [IODELAYCONFIG Register Summary: \[0\]](#)

Table 18-2587. CFG_RGMII0_RXCTL_OEN

Address Offset	0x0000 0700	Instance	IODELAYCONFIG
Physical Address	0x4844 A700		
Description	Delay Select Value in binary coded form for cfg_rgmii0_rxctl_oen interface		
Type	RW		

31	30	29	28	27	26	25	24	23	22	21	20	19	18	17	16	15	14	13	12	11	10	9	8	7	6	5	4	3	2	1	0
RESERVED														SIGNATURE				RESERVED	LOCK_BIT	BINARY_DELAY											

Bits	Field Name	Description	Type	Reset
31:18	RESERVED		R	0x0
17:12	SIGNATURE	Write to this register will succeed only if data on these bits carries a signature of 6'h29 (6'b101001)	RW	0x0
11	RESERVED		R	0x0
10	LOCK_BIT	When '1', prevents HW update to this MMR. When '0', allows HW update of this MMR.	RW	0x0
9:0	BINARY_DELAY	Delay Select Value in binary coded form. Indicates the number of coarse (9:5) and fine (4:0) delay elements to be used on the delay line connected to this pad.	RW	0x0

Table 18-2588. Register Call Summary for Register CFG_RGMII0_RXCTL_OEN

IODELAYCONFIG Module Register Manual

- [IODELAYCONFIG Register Summary: \[0\]](#)

Table 18-2589. CFG_RGMII0_RXCTL_OUT

Address Offset	0x0000 0704	Instance	IODELAYCONFIG
Physical Address	0x4844 A704		
Description	Delay Select Value in binary coded form for cfg_rgmii0_rxctl_out interface		
Type	RW		

31	30	29	28	27	26	25	24	23	22	21	20	19	18	17	16	15	14	13	12	11	10	9	8	7	6	5	4	3	2	1	0
RESERVED														SIGNATURE				RESERVED	LOCK_BIT	BINARY_DELAY											

Bits	Field Name	Description	Type	Reset
31:18	RESERVED		R	0x0
17:12	SIGNATURE	Write to this register will succeed only if data on these bits carries a signature of 6'h29 (6'b101001)	RW	0x0
11	RESERVED		R	0x0
10	LOCK_BIT	When '1', prevents HW update to this MMR. When '0', allows HW update of this MMR.	RW	0x0
9:0	BINARY_DELAY	Delay Select Value in binary coded form. Indicates the number of coarse (9:5) and fine (4:0) delay elements to be used on the delay line connected to this pad.	RW	0x0

Table 18-2590. Register Call Summary for Register CFG_RGMII0_RXCTL_OUT

IODELAYCONFIG Module Register Manual

- [IODELAYCONFIG Register Summary: \[0\]](#)

Table 18-2591. CFG_RGMII0_RXD0_IN

Address Offset	0x0000 0708	Instance	IODELAYCONFIG
Physical Address	0x4844 A708		
Description	Delay Select Value in binary coded form for cfg_rgmii0_rxd0_in interface		
Type	RW		

31	30	29	28	27	26	25	24	23	22	21	20	19	18	17	16	15	14	13	12	11	10	9	8	7	6	5	4	3	2	1	0
RESERVED														SIGNATURE				RESERVED	LOCK_BIT	BINARY_DELAY											

Bits	Field Name	Description	Type	Reset
31:18	RESERVED		R	0x0
17:12	SIGNATURE	Write to this register will succeed only if data on these bits carries a signature of 6'h29 (6'b101001)	RW	0x0
11	RESERVED		R	0x0
10	LOCK_BIT	When '1', prevents HW update to this MMR. When '0', allows HW update of this MMR.	RW	0x0
9:0	BINARY_DELAY	Delay Select Value in binary coded form. Indicates the number of coarse (9:5) and fine (4:0) delay elements to be used on the delay line connected to this pad.	RW	0x0

Table 18-2592. Register Call Summary for Register CFG_RGMII0_RXD0_IN

IODELAYCONFIG Module Register Manual

- [IODELAYCONFIG Register Summary: \[0\]](#)

Table 18-2593. CFG_RGMII0_RXD0_OEN

Address Offset	0x0000 070C	Instance	IODELAYCONFIG
Physical Address	0x4844 A70C		
Description	Delay Select Value in binary coded form for cfg_rgmii0_rxd0_oen interface		
Type	RW		

31	30	29	28	27	26	25	24	23	22	21	20	19	18	17	16	15	14	13	12	11	10	9	8	7	6	5	4	3	2	1	0
RESERVED														SIGNATURE				RESERVED	LOCK_BIT	BINARY_DELAY											

Bits	Field Name	Description	Type	Reset
31:18	RESERVED		R	0x0
17:12	SIGNATURE	Write to this register will succeed only if data on these bits carries a signature of 6'h29 (6'b101001)	RW	0x0
11	RESERVED		R	0x0
10	LOCK_BIT	When '1', prevents HW update to this MMR. When '0', allows HW update of this MMR.	RW	0x0
9:0	BINARY_DELAY	Delay Select Value in binary coded form. Indicates the number of coarse (9:5) and fine (4:0) delay elements to be used on the delay line connected to this pad.	RW	0x0

Table 18-2594. Register Call Summary for Register CFG_RGMII0_RXD0_OEN

IODELAYCONFIG Module Register Manual

- [IODELAYCONFIG Register Summary: \[0\]](#)

Table 18-2595. CFG_RGMII0_RXD0_OUT

Address Offset	0x0000 0710	Instance	IODELAYCONFIG
Physical Address	0x4844 A710		
Description	Delay Select Value in binary coded form for cfg_rgmii0_rxd0_out interface		
Type	RW		

31	30	29	28	27	26	25	24	23	22	21	20	19	18	17	16	15	14	13	12	11	10	9	8	7	6	5	4	3	2	1	0
RESERVED														SIGNATURE				RESERVED	LOCK_BIT	BINARY_DELAY											

Bits	Field Name	Description	Type	Reset
31:18	RESERVED		R	0x0
17:12	SIGNATURE	Write to this register will succeed only if data on these bits carries a signature of 6'h29 (6'b101001)	RW	0x0
11	RESERVED		R	0x0
10	LOCK_BIT	When '1', prevents HW update to this MMR. When '0', allows HW update of this MMR.	RW	0x0
9:0	BINARY_DELAY	Delay Select Value in binary coded form. Indicates the number of coarse (9:5) and fine (4:0) delay elements to be used on the delay line connected to this pad.	RW	0x0

Table 18-2596. Register Call Summary for Register CFG_RGMII0_RXD0_OUT

IODELAYCONFIG Module Register Manual

- [IODELAYCONFIG Register Summary: \[0\]](#)

Table 18-2597. CFG_RGMII0_RXD1_IN

Address Offset	0x0000 0714	Instance	IODELAYCONFIG
Physical Address	0x4844 A714		
Description	Delay Select Value in binary coded form for cfg_rgmii0_rxd1_in interface		
Type	RW		

31	30	29	28	27	26	25	24	23	22	21	20	19	18	17	16	15	14	13	12	11	10	9	8	7	6	5	4	3	2	1	0
RESERVED														SIGNATURE				RESERVED	LOCK_BIT	BINARY_DELAY											

Bits	Field Name	Description	Type	Reset
31:18	RESERVED		R	0x0
17:12	SIGNATURE	Write to this register will succeed only if data on these bits carries a signature of 6'h29 (6'b101001)	RW	0x0
11	RESERVED		R	0x0

Bits	Field Name	Description	Type	Reset
10	LOCK_BIT	When '1', prevents HW update to this MMR. When '0', allows HW update of this MMR.	RW	0x0
9:0	BINARY_DELAY	Delay Select Value in binary coded form. Indicates the number of coarse (9:5) and fine (4:0) delay elements to be used on the delay line connected to this pad.	RW	0x0

Table 18-2598. Register Call Summary for Register CFG_RGMII0_RXD1_IN

IODELAYCONFIG Module Register Manual

- [IODELAYCONFIG Register Summary: \[0\]](#)

Table 18-2599. CFG_RGMII0_RXD1_OEN

Address Offset	0x0000 0718	Instance	IODELAYCONFIG
Physical Address	0x4844 A718		
Description	Delay Select Value in binary coded form for cfg_rgmii0_rxd1_oen interface		
Type	RW		

31	30	29	28	27	26	25	24	23	22	21	20	19	18	17	16	15	14	13	12	11	10	9	8	7	6	5	4	3	2	1	0
RESERVED								SIGNATURE								RESERVED	LOCK_BIT	BINARY_DELAY													

Bits	Field Name	Description	Type	Reset
31:18	RESERVED		R	0x0
17:12	SIGNATURE	Write to this register will succeed only if data on these bits carries a signature of 6'h29 (6'b101001)	RW	0x0
11	RESERVED		R	0x0
10	LOCK_BIT	When '1', prevents HW update to this MMR. When '0', allows HW update of this MMR.	RW	0x0
9:0	BINARY_DELAY	Delay Select Value in binary coded form. Indicates the number of coarse (9:5) and fine (4:0) delay elements to be used on the delay line connected to this pad.	RW	0x0

Table 18-2600. Register Call Summary for Register CFG_RGMII0_RXD1_OEN

IODELAYCONFIG Module Register Manual

- [IODELAYCONFIG Register Summary: \[0\]](#)

Table 18-2601. CFG_RGMII0_RXD1_OUT

Address Offset	0x0000 071C	Instance	IODELAYCONFIG
Physical Address	0x4844 A71C		
Description	Delay Select Value in binary coded form for cfg_rgmii0_rxd1_out interface		
Type	RW		

31	30	29	28	27	26	25	24	23	22	21	20	19	18	17	16	15	14	13	12	11	10	9	8	7	6	5	4	3	2	1	0
RESERVED								SIGNATURE								RESERVED	LOCK_BIT	BINARY_DELAY													

Bits	Field Name	Description	Type	Reset
31:18	RESERVED		R	0x0
17:12	SIGNATURE	Write to this register will succeed only if data on these bits carries a signature of 6'h29 (6'b101001)	RW	0x0
11	RESERVED		R	0x0
10	LOCK_BIT	When '1', prevents HW update to this MMR. When '0', allows HW update of this MMR.	RW	0x0
9:0	BINARY_DELAY	Delay Select Value in binary coded form. Indicates the number of coarse (9:5) and fine (4:0) delay elements to be used on the delay line connected to this pad.	RW	0x0

Table 18-2602. Register Call Summary for Register CFG_RGMII0_RXD1_OUT

IODELAYCONFIG Module Register Manual

- [IODELAYCONFIG Register Summary: \[0\]](#)

Table 18-2603. CFG_RGMII0_RXD2_IN

Address Offset	0x0000 0720	Instance	IODELAYCONFIG
Physical Address	0x4844 A720		
Description	Delay Select Value in binary coded form for cfg_rgmii0_rxd2_in interface		
Type	RW		

31	30	29	28	27	26	25	24	23	22	21	20	19	18	17	16	15	14	13	12	11	10	9	8	7	6	5	4	3	2	1	0
RESERVED								SIGNATURE				RESERVED	LOCK_BIT	BINARY_DELAY																	

Bits	Field Name	Description	Type	Reset
31:18	RESERVED		R	0x0
17:12	SIGNATURE	Write to this register will succeed only if data on these bits carries a signature of 6'h29 (6'b101001)	RW	0x0
11	RESERVED		R	0x0
10	LOCK_BIT	When '1', prevents HW update to this MMR. When '0', allows HW update of this MMR.	RW	0x0
9:0	BINARY_DELAY	Delay Select Value in binary coded form. Indicates the number of coarse (9:5) and fine (4:0) delay elements to be used on the delay line connected to this pad.	RW	0x0

Table 18-2604. Register Call Summary for Register CFG_RGMII0_RXD2_IN

IODELAYCONFIG Module Register Manual

- [IODELAYCONFIG Register Summary: \[0\]](#)

Table 18-2605. CFG_RGMII0_RXD2_OEN

Address Offset	0x0000 0724	Instance	IODELAYCONFIG
Physical Address	0x4844 A724		
Description	Delay Select Value in binary coded form for cfg_rgmii0_rxd2_oen interface		
Type	RW		

31	30	29	28	27	26	25	24	23	22	21	20	19	18	17	16	15	14	13	12	11	10	9	8	7	6	5	4	3	2	1	0
RESERVED														SIGNATURE				RESERVED	LOCK_BIT	BINARY_DELAY											

Bits	Field Name	Description	Type	Reset
31:18	RESERVED		R	0x0
17:12	SIGNATURE	Write to this register will succeed only if data on these bits carries a signature of 6'h29 (6'b101001)	RW	0x0
11	RESERVED		R	0x0
10	LOCK_BIT	When '1', prevents HW update to this MMR. When '0', allows HW update of this MMR.	RW	0x0
9:0	BINARY_DELAY	Delay Select Value in binary coded form. Indicates the number of coarse (9:5) and fine (4:0) delay elements to be used on the delay line connected to this pad.	RW	0x0

Table 18-2606. Register Call Summary for Register CFG_RGMII0_RXD2_OEN

IODELAYCONFIG Module Register Manual

- [IODELAYCONFIG Register Summary: \[0\]](#)

Table 18-2607. CFG_RGMII0_RXD2_OUT

Address Offset	0x0000 0728	Instance	IODELAYCONFIG
Physical Address	0x4844 A728		
Description	Delay Select Value in binary coded form for cfg_rgmii0_rxd2_out interface		
Type	RW		

31	30	29	28	27	26	25	24	23	22	21	20	19	18	17	16	15	14	13	12	11	10	9	8	7	6	5	4	3	2	1	0
RESERVED														SIGNATURE				RESERVED	LOCK_BIT	BINARY_DELAY											

Bits	Field Name	Description	Type	Reset
31:18	RESERVED		R	0x0
17:12	SIGNATURE	Write to this register will succeed only if data on these bits carries a signature of 6'h29 (6'b101001)	RW	0x0
11	RESERVED		R	0x0
10	LOCK_BIT	When '1', prevents HW update to this MMR. When '0', allows HW update of this MMR.	RW	0x0
9:0	BINARY_DELAY	Delay Select Value in binary coded form. Indicates the number of coarse (9:5) and fine (4:0) delay elements to be used on the delay line connected to this pad.	RW	0x0

Table 18-2608. Register Call Summary for Register CFG_RGMII0_RXD2_OUT

IODELAYCONFIG Module Register Manual

- [IODELAYCONFIG Register Summary: \[0\]](#)

Table 18-2609. CFG_RGMII0_RXD3_IN

Address Offset	0x0000 072C	Instance	IODELAYCONFIG
Physical Address	0x4844 A72C		
Description	Delay Select Value in binary coded form for cfg_rgmii0_rxd3_in interface		
Type	RW		

31	30	29	28	27	26	25	24	23	22	21	20	19	18	17	16	15	14	13	12	11	10	9	8	7	6	5	4	3	2	1	0
RESERVED														SIGNATURE				RESERVED	LOCK_BIT	BINARY_DELAY											

Bits	Field Name	Description	Type	Reset
31:18	RESERVED		R	0x0
17:12	SIGNATURE	Write to this register will succeed only if data on these bits carries a signature of 6'h29 (6'b101001)	RW	0x0
11	RESERVED		R	0x0
10	LOCK_BIT	When '1', prevents HW update to this MMR. When '0', allows HW update of this MMR.	RW	0x0
9:0	BINARY_DELAY	Delay Select Value in binary coded form. Indicates the number of coarse (9:5) and fine (4:0) delay elements to be used on the delay line connected to this pad.	RW	0x0

Table 18-2610. Register Call Summary for Register CFG_RGMII0_RXD3_IN

IODELAYCONFIG Module Register Manual

- [IODELAYCONFIG Register Summary: \[0\]](#)

Table 18-2611. CFG_RGMII0_RXD3_OEN

Address Offset	0x0000 0730	Instance	IODELAYCONFIG
Physical Address	0x4844 A730		
Description	Delay Select Value in binary coded form for cfg_rgmii0_rxd3_oen interface		
Type	RW		

31	30	29	28	27	26	25	24	23	22	21	20	19	18	17	16	15	14	13	12	11	10	9	8	7	6	5	4	3	2	1	0
RESERVED														SIGNATURE				RESERVED	LOCK_BIT	BINARY_DELAY											

Bits	Field Name	Description	Type	Reset
31:18	RESERVED		R	0x0
17:12	SIGNATURE	Write to this register will succeed only if data on these bits carries a signature of 6'h29 (6'b101001)	RW	0x0
11	RESERVED		R	0x0
10	LOCK_BIT	When '1', prevents HW update to this MMR. When '0', allows HW update of this MMR.	RW	0x0
9:0	BINARY_DELAY	Delay Select Value in binary coded form. Indicates the number of coarse (9:5) and fine (4:0) delay elements to be used on the delay line connected to this pad.	RW	0x0

Table 18-2612. Register Call Summary for Register CFG_RGMII0_RXD3_OEN

IODELAYCONFIG Module Register Manual
 • [IODELAYCONFIG Register Summary: \[0\]](#)

Table 18-2613. CFG_RGMII0_RXD3_OUT

Address Offset	0x0000 0734	Instance	IODELAYCONFIG
Physical Address	0x4844 A734		
Description	Delay Select Value in binary coded form for cfg_rgmii0_rxd3_out interface		
Type	RW		

31	30	29	28	27	26	25	24	23	22	21	20	19	18	17	16	15	14	13	12	11	10	9	8	7	6	5	4	3	2	1	0		
RESERVED																SIGNATURE						RESERVED	LOCK_BIT	BINARY_DELAY									

Bits	Field Name	Description	Type	Reset
31:18	RESERVED		R	0x0
17:12	SIGNATURE	Write to this register will succeed only if data on these bits carries a signature of 6'h29 (6'b101001)	RW	0x0
11	RESERVED		R	0x0
10	LOCK_BIT	When '1', prevents HW update to this MMR. When '0', allows HW update of this MMR.	RW	0x0
9:0	BINARY_DELAY	Delay Select Value in binary coded form. Indicates the number of coarse (9:5) and fine (4:0) delay elements to be used on the delay line connected to this pad.	RW	0x0

Table 18-2614. Register Call Summary for Register CFG_RGMII0_RXD3_OUT

IODELAYCONFIG Module Register Manual
 • [IODELAYCONFIG Register Summary: \[0\]](#)

Table 18-2615. CFG_RGMII0_TXC_IN

Address Offset	0x0000 0738	Instance	IODELAYCONFIG
Physical Address	0x4844 A738		
Description	Delay Select Value in binary coded form for cfg_rgmii0_txc_in interface		
Type	RW		

31	30	29	28	27	26	25	24	23	22	21	20	19	18	17	16	15	14	13	12	11	10	9	8	7	6	5	4	3	2	1	0		
RESERVED																SIGNATURE						RESERVED	LOCK_BIT	BINARY_DELAY									

Bits	Field Name	Description	Type	Reset
31:18	RESERVED		R	0x0
17:12	SIGNATURE	Write to this register will succeed only if data on these bits carries a signature of 6'h29 (6'b101001)	RW	0x0
11	RESERVED		R	0x0

Bits	Field Name	Description	Type	Reset
10	LOCK_BIT	When '1', prevents HW update to this MMR. When '0', allows HW update of this MMR.	RW	0x0
9:0	BINARY_DELAY	Delay Select Value in binary coded form. Indicates the number of coarse (9:5) and fine (4:0) delay elements to be used on the delay line connected to this pad.	RW	0x0

Table 18-2616. Register Call Summary for Register CFG_RGMII0_TXC_IN

IODELAYCONFIG Module Register Manual

- [IODELAYCONFIG Register Summary: \[0\]](#)

Table 18-2617. CFG_RGMII0_TXC_OEN

Address Offset	0x0000 073C	Instance	IODELAYCONFIG
Physical Address	0x4844 A73C		
Description	Delay Select Value in binary coded form for cfg_rgmii0_txc_oen interface		
Type	RW		

31	30	29	28	27	26	25	24	23	22	21	20	19	18	17	16	15	14	13	12	11	10	9	8	7	6	5	4	3	2	1	0
RESERVED								SIGNATURE								RESERVED	LOCK_BIT	BINARY_DELAY													

Bits	Field Name	Description	Type	Reset
31:18	RESERVED		R	0x0
17:12	SIGNATURE	Write to this register will succeed only if data on these bits carries a signature of 6'h29 (6'b101001)	RW	0x0
11	RESERVED		R	0x0
10	LOCK_BIT	When '1', prevents HW update to this MMR. When '0', allows HW update of this MMR.	RW	0x0
9:0	BINARY_DELAY	Delay Select Value in binary coded form. Indicates the number of coarse (9:5) and fine (4:0) delay elements to be used on the delay line connected to this pad.	RW	0x0

Table 18-2618. Register Call Summary for Register CFG_RGMII0_TXC_OEN

IODELAYCONFIG Module Register Manual

- [IODELAYCONFIG Register Summary: \[0\]](#)

Table 18-2619. CFG_RGMII0_TXC_OUT

Address Offset	0x0000 0740	Instance	IODELAYCONFIG
Physical Address	0x4844 A740		
Description	Delay Select Value in binary coded form for cfg_rgmii0_txc_out interface		
Type	RW		

31	30	29	28	27	26	25	24	23	22	21	20	19	18	17	16	15	14	13	12	11	10	9	8	7	6	5	4	3	2	1	0
RESERVED								SIGNATURE								RESERVED	LOCK_BIT	BINARY_DELAY													

Bits	Field Name	Description	Type	Reset
31:18	RESERVED		R	0x0
17:12	SIGNATURE	Write to this register will succeed only if data on these bits carries a signature of 6'h29 (6'b101001)	RW	0x0
11	RESERVED		R	0x0
10	LOCK_BIT	When '1', prevents HW update to this MMR. When '0', allows HW update of this MMR.	RW	0x0
9:0	BINARY_DELAY	Delay Select Value in binary coded form. Indicates the number of coarse (9:5) and fine (4:0) delay elements to be used on the delay line connected to this pad.	RW	0x0

Table 18-2620. Register Call Summary for Register CFG_RGMII0_TXC_OUT

IODELAYCONFIG Module Register Manual

- [IODELAYCONFIG Register Summary: \[0\]](#)

Table 18-2621. CFG_RGMII0_TXCTL_IN

Address Offset	0x0000 0744	Instance	IODELAYCONFIG
Physical Address	0x4844 A744		
Description	Delay Select Value in binary coded form for cfg_rgmii0_txctl_in interface		
Type	RW		

31	30	29	28	27	26	25	24	23	22	21	20	19	18	17	16	15	14	13	12	11	10	9	8	7	6	5	4	3	2	1	0
RESERVED								SIGNATURE				RESERVED	LOCK_BIT	BINARY_DELAY																	

Bits	Field Name	Description	Type	Reset
31:18	RESERVED		R	0x0
17:12	SIGNATURE	Write to this register will succeed only if data on these bits carries a signature of 6'h29 (6'b101001)	RW	0x0
11	RESERVED		R	0x0
10	LOCK_BIT	When '1', prevents HW update to this MMR. When '0', allows HW update of this MMR.	RW	0x0
9:0	BINARY_DELAY	Delay Select Value in binary coded form. Indicates the number of coarse (9:5) and fine (4:0) delay elements to be used on the delay line connected to this pad.	RW	0x0

Table 18-2622. Register Call Summary for Register CFG_RGMII0_TXCTL_IN

IODELAYCONFIG Module Register Manual

- [IODELAYCONFIG Register Summary: \[0\]](#)

Table 18-2623. CFG_RGMII0_TXCTL_OEN

Address Offset	0x0000 0748	Instance	IODELAYCONFIG
Physical Address	0x4844 A748		
Description	Delay Select Value in binary coded form for cfg_rgmii0_txctl_oen interface		
Type	RW		

31	30	29	28	27	26	25	24	23	22	21	20	19	18	17	16	15	14	13	12	11	10	9	8	7	6	5	4	3	2	1	0
RESERVED								SIGNATURE				RESERVED	LOCK_BIT	BINARY_DELAY																	

Bits	Field Name	Description	Type	Reset
31:18	RESERVED		R	0x0
17:12	SIGNATURE	Write to this register will succeed only if data on these bits carries a signature of 6'h29 (6'b101001)	RW	0x0
11	RESERVED		R	0x0
10	LOCK_BIT	When '1', prevents HW update to this MMR. When '0', allows HW update of this MMR.	RW	0x0
9:0	BINARY_DELAY	Delay Select Value in binary coded form. Indicates the number of coarse (9:5) and fine (4:0) delay elements to be used on the delay line connected to this pad.	RW	0x0

Table 18-2624. Register Call Summary for Register CFG_RGMII0_TXCTL_OEN

IODELAYCONFIG Module Register Manual

- [IODELAYCONFIG Register Summary: \[0\]](#)

Table 18-2625. CFG_RGMII0_TXCTL_OUT

Address Offset	0x0000 074C	Instance	IODELAYCONFIG
Physical Address	0x4844 A74C		
Description	Delay Select Value in binary coded form for cfg_rgmii0_txctl_out interface		
Type	RW		

31	30	29	28	27	26	25	24	23	22	21	20	19	18	17	16	15	14	13	12	11	10	9	8	7	6	5	4	3	2	1	0
RESERVED								SIGNATURE				RESERVED	LOCK_BIT	BINARY_DELAY																	

Bits	Field Name	Description	Type	Reset
31:18	RESERVED		R	0x0
17:12	SIGNATURE	Write to this register will succeed only if data on these bits carries a signature of 6'h29 (6'b101001)	RW	0x0
11	RESERVED		R	0x0
10	LOCK_BIT	When '1', prevents HW update to this MMR. When '0', allows HW update of this MMR.	RW	0x0
9:0	BINARY_DELAY	Delay Select Value in binary coded form. Indicates the number of coarse (9:5) and fine (4:0) delay elements to be used on the delay line connected to this pad.	RW	0x0

Table 18-2626. Register Call Summary for Register CFG_RGMII0_TXCTL_OUT

IODELAYCONFIG Module Register Manual

- [IODELAYCONFIG Register Summary: \[0\]](#)

Table 18-2627. CFG_RGMII0_TXD0_IN

Address Offset	0x0000 0750	Instance	IODELAYCONFIG
Physical Address	0x4844 A750		
Description	Delay Select Value in binary coded form for cfg_rgmii0_txd0_in interface		
Type	RW		

31	30	29	28	27	26	25	24	23	22	21	20	19	18	17	16	15	14	13	12	11	10	9	8	7	6	5	4	3	2	1	0
RESERVED														SIGNATURE				RESERVED	LOCK_BIT	BINARY_DELAY											

Bits	Field Name	Description	Type	Reset
31:18	RESERVED		R	0x0
17:12	SIGNATURE	Write to this register will succeed only if data on these bits carries a signature of 6'h29 (6'b101001)	RW	0x0
11	RESERVED		R	0x0
10	LOCK_BIT	When '1', prevents HW update to this MMR. When '0', allows HW update of this MMR.	RW	0x0
9:0	BINARY_DELAY	Delay Select Value in binary coded form. Indicates the number of coarse (9:5) and fine (4:0) delay elements to be used on the delay line connected to this pad.	RW	0x0

Table 18-2628. Register Call Summary for Register CFG_RGMII0_TXD0_IN

IODELAYCONFIG Module Register Manual

- [IODELAYCONFIG Register Summary: \[0\]](#)

Table 18-2629. CFG_RGMII0_TXD0_OEN

Address Offset	0x0000 0754	Instance	IODELAYCONFIG
Physical Address	0x4844 A754		
Description	Delay Select Value in binary coded form for cfg_rgmii0_txd0_oen interface		
Type	RW		

31	30	29	28	27	26	25	24	23	22	21	20	19	18	17	16	15	14	13	12	11	10	9	8	7	6	5	4	3	2	1	0
RESERVED														SIGNATURE				RESERVED	LOCK_BIT	BINARY_DELAY											

Bits	Field Name	Description	Type	Reset
31:18	RESERVED		R	0x0
17:12	SIGNATURE	Write to this register will succeed only if data on these bits carries a signature of 6'h29 (6'b101001)	RW	0x0
11	RESERVED		R	0x0
10	LOCK_BIT	When '1', prevents HW update to this MMR. When '0', allows HW update of this MMR.	RW	0x0
9:0	BINARY_DELAY	Delay Select Value in binary coded form. Indicates the number of coarse (9:5) and fine (4:0) delay elements to be used on the delay line connected to this pad.	RW	0x0

Table 18-2630. Register Call Summary for Register CFG_RGMII0_TXD0_OEN

IODELAYCONFIG Module Register Manual

- [IODELAYCONFIG Register Summary: \[0\]](#)

Table 18-2631. CFG_RGMII0_TXD0_OUT

Address Offset	0x0000 0758	Instance	IODELAYCONFIG
Physical Address	0x4844 A758		
Description	Delay Select Value in binary coded form for cfg_rgmii0_txd0_out interface		
Type	RW		

31	30	29	28	27	26	25	24	23	22	21	20	19	18	17	16	15	14	13	12	11	10	9	8	7	6	5	4	3	2	1	0
RESERVED														SIGNATURE				RESERVED	LOCK_BIT	BINARY_DELAY											

Bits	Field Name	Description	Type	Reset
31:18	RESERVED		R	0x0
17:12	SIGNATURE	Write to this register will succeed only if data on these bits carries a signature of 6'h29 (6'b101001)	RW	0x0
11	RESERVED		R	0x0
10	LOCK_BIT	When '1', prevents HW update to this MMR. When '0', allows HW update of this MMR.	RW	0x0
9:0	BINARY_DELAY	Delay Select Value in binary coded form. Indicates the number of coarse (9:5) and fine (4:0) delay elements to be used on the delay line connected to this pad.	RW	0x0

Table 18-2632. Register Call Summary for Register CFG_RGMII0_TXD0_OUT

IODELAYCONFIG Module Register Manual

- [IODELAYCONFIG Register Summary: \[0\]](#)

Table 18-2633. CFG_RGMII0_TXD1_IN

Address Offset	0x0000 075C	Instance	IODELAYCONFIG
Physical Address	0x4844 A75C		
Description	Delay Select Value in binary coded form for cfg_rgmii0_txd1_in interface		
Type	RW		

31	30	29	28	27	26	25	24	23	22	21	20	19	18	17	16	15	14	13	12	11	10	9	8	7	6	5	4	3	2	1	0
RESERVED														SIGNATURE				RESERVED	LOCK_BIT	BINARY_DELAY											

Bits	Field Name	Description	Type	Reset
31:18	RESERVED		R	0x0
17:12	SIGNATURE	Write to this register will succeed only if data on these bits carries a signature of 6'h29 (6'b101001)	RW	0x0
11	RESERVED		R	0x0

Bits	Field Name	Description	Type	Reset
10	LOCK_BIT	When '1', prevents HW update to this MMR. When '0', allows HW update of this MMR.	RW	0x0
9:0	BINARY_DELAY	Delay Select Value in binary coded form. Indicates the number of coarse (9:5) and fine (4:0) delay elements to be used on the delay line connected to this pad.	RW	0x0

Table 18-2634. Register Call Summary for Register CFG_RGMII0_TXD1_IN

IODELAYCONFIG Module Register Manual

- [IODELAYCONFIG Register Summary: \[0\]](#)

Table 18-2635. CFG_RGMII0_TXD1_OEN

Address Offset	0x0000 0760	Instance	IODELAYCONFIG
Physical Address	0x4844 A760		
Description	Delay Select Value in binary coded form for cfg_rgmii0_txd1_oen interface		
Type	RW		

31	30	29	28	27	26	25	24	23	22	21	20	19	18	17	16	15	14	13	12	11	10	9	8	7	6	5	4	3	2	1	0
RESERVED								SIGNATURE								RESERVED	LOCK_BIT	BINARY_DELAY													

Bits	Field Name	Description	Type	Reset
31:18	RESERVED		R	0x0
17:12	SIGNATURE	Write to this register will succeed only if data on these bits carries a signature of 6'h29 (6'b101001)	RW	0x0
11	RESERVED		R	0x0
10	LOCK_BIT	When '1', prevents HW update to this MMR. When '0', allows HW update of this MMR.	RW	0x0
9:0	BINARY_DELAY	Delay Select Value in binary coded form. Indicates the number of coarse (9:5) and fine (4:0) delay elements to be used on the delay line connected to this pad.	RW	0x0

Table 18-2636. Register Call Summary for Register CFG_RGMII0_TXD1_OEN

IODELAYCONFIG Module Register Manual

- [IODELAYCONFIG Register Summary: \[0\]](#)

Table 18-2637. CFG_RGMII0_TXD1_OUT

Address Offset	0x0000 0764	Instance	IODELAYCONFIG
Physical Address	0x4844 A764		
Description	Delay Select Value in binary coded form for cfg_rgmii0_txd1_out interface		
Type	RW		

31	30	29	28	27	26	25	24	23	22	21	20	19	18	17	16	15	14	13	12	11	10	9	8	7	6	5	4	3	2	1	0
RESERVED								SIGNATURE								RESERVED	LOCK_BIT	BINARY_DELAY													

Bits	Field Name	Description	Type	Reset
31:18	RESERVED		R	0x0
17:12	SIGNATURE	Write to this register will succeed only if data on these bits carries a signature of 6'h29 (6'b101001)	RW	0x0
11	RESERVED		R	0x0
10	LOCK_BIT	When '1', prevents HW update to this MMR. When '0', allows HW update of this MMR.	RW	0x0
9:0	BINARY_DELAY	Delay Select Value in binary coded form. Indicates the number of coarse (9:5) and fine (4:0) delay elements to be used on the delay line connected to this pad.	RW	0x0

Table 18-2638. Register Call Summary for Register CFG_RGMII0_TXD1_OUT

IODELAYCONFIG Module Register Manual

- [IODELAYCONFIG Register Summary: \[0\]](#)

Table 18-2639. CFG_RGMII0_TXD2_IN

Address Offset	0x0000 0768	Instance	IODELAYCONFIG
Physical Address	0x4844 A768		
Description	Delay Select Value in binary coded form for cfg_rgmii0_txd2_in interface		
Type	RW		

31	30	29	28	27	26	25	24	23	22	21	20	19	18	17	16	15	14	13	12	11	10	9	8	7	6	5	4	3	2	1	0
RESERVED								SIGNATURE				RESERVED	LOCK_BIT	BINARY_DELAY																	

Bits	Field Name	Description	Type	Reset
31:18	RESERVED		R	0x0
17:12	SIGNATURE	Write to this register will succeed only if data on these bits carries a signature of 6'h29 (6'b101001)	RW	0x0
11	RESERVED		R	0x0
10	LOCK_BIT	When '1', prevents HW update to this MMR. When '0', allows HW update of this MMR.	RW	0x0
9:0	BINARY_DELAY	Delay Select Value in binary coded form. Indicates the number of coarse (9:5) and fine (4:0) delay elements to be used on the delay line connected to this pad.	RW	0x0

Table 18-2640. Register Call Summary for Register CFG_RGMII0_TXD2_IN

IODELAYCONFIG Module Register Manual

- [IODELAYCONFIG Register Summary: \[0\]](#)

Table 18-2641. CFG_RGMII0_TXD2_OEN

Address Offset	0x0000 076C	Instance	IODELAYCONFIG
Physical Address	0x4844 A76C		
Description	Delay Select Value in binary coded form for cfg_rgmii0_txd2_oen interface		
Type	RW		

31	30	29	28	27	26	25	24	23	22	21	20	19	18	17	16	15	14	13	12	11	10	9	8	7	6	5	4	3	2	1	0
RESERVED								SIGNATURE								RESERVED	LOCK_BIT	BINARY_DELAY													

Bits	Field Name	Description	Type	Reset
31:18	RESERVED		R	0x0
17:12	SIGNATURE	Write to this register will succeed only if data on these bits carries a signature of 6'h29 (6'b101001)	RW	0x0
11	RESERVED		R	0x0
10	LOCK_BIT	When '1', prevents HW update to this MMR. When '0', allows HW update of this MMR.	RW	0x0
9:0	BINARY_DELAY	Delay Select Value in binary coded form. Indicates the number of coarse (9:5) and fine (4:0) delay elements to be used on the delay line connected to this pad.	RW	0x0

Table 18-2642. Register Call Summary for Register CFG_RGMII0_TXD2_OEN

IODELAYCONFIG Module Register Manual

- [IODELAYCONFIG Register Summary: \[0\]](#)

Table 18-2643. CFG_RGMII0_TXD2_OUT

Address Offset	0x0000 0770	Instance	IODELAYCONFIG
Physical Address	0x4844 A770		
Description	Delay Select Value in binary coded form for cfg_rgmii0_txd2_out interface		
Type	RW		

31	30	29	28	27	26	25	24	23	22	21	20	19	18	17	16	15	14	13	12	11	10	9	8	7	6	5	4	3	2	1	0
RESERVED								SIGNATURE								RESERVED	LOCK_BIT	BINARY_DELAY													

Bits	Field Name	Description	Type	Reset
31:18	RESERVED		R	0x0
17:12	SIGNATURE	Write to this register will succeed only if data on these bits carries a signature of 6'h29 (6'b101001)	RW	0x0
11	RESERVED		R	0x0
10	LOCK_BIT	When '1', prevents HW update to this MMR. When '0', allows HW update of this MMR.	RW	0x0
9:0	BINARY_DELAY	Delay Select Value in binary coded form. Indicates the number of coarse (9:5) and fine (4:0) delay elements to be used on the delay line connected to this pad.	RW	0x0

Table 18-2644. Register Call Summary for Register CFG_RGMII0_TXD2_OUT

IODELAYCONFIG Module Register Manual

- [IODELAYCONFIG Register Summary: \[0\]](#)

Table 18-2645. CFG_RGMII0_TXD3_IN

Address Offset	0x0000 0774	Instance	IODELAYCONFIG
Physical Address	0x4844 A774		
Description	Delay Select Value in binary coded form for cfg_rgmii0_txd3_in interface		
Type	RW		

31	30	29	28	27	26	25	24	23	22	21	20	19	18	17	16	15	14	13	12	11	10	9	8	7	6	5	4	3	2	1	0
RESERVED														SIGNATURE				RESERVED	LOCK_BIT	BINARY_DELAY											

Bits	Field Name	Description	Type	Reset
31:18	RESERVED		R	0x0
17:12	SIGNATURE	Write to this register will succeed only if data on these bits carries a signature of 6'h29 (6'b101001)	RW	0x0
11	RESERVED		R	0x0
10	LOCK_BIT	When '1', prevents HW update to this MMR. When '0', allows HW update of this MMR.	RW	0x0
9:0	BINARY_DELAY	Delay Select Value in binary coded form. Indicates the number of coarse (9:5) and fine (4:0) delay elements to be used on the delay line connected to this pad.	RW	0x0

Table 18-2646. Register Call Summary for Register CFG_RGMII0_TXD3_IN

IODELAYCONFIG Module Register Manual

- [IODELAYCONFIG Register Summary: \[0\]](#)

Table 18-2647. CFG_RGMII0_TXD3_OEN

Address Offset	0x0000 0778	Instance	IODELAYCONFIG
Physical Address	0x4844 A778		
Description	Delay Select Value in binary coded form for cfg_rgmii0_txd3_oen interface		
Type	RW		

31	30	29	28	27	26	25	24	23	22	21	20	19	18	17	16	15	14	13	12	11	10	9	8	7	6	5	4	3	2	1	0
RESERVED														SIGNATURE				RESERVED	LOCK_BIT	BINARY_DELAY											

Bits	Field Name	Description	Type	Reset
31:18	RESERVED		R	0x0
17:12	SIGNATURE	Write to this register will succeed only if data on these bits carries a signature of 6'h29 (6'b101001)	RW	0x0
11	RESERVED		R	0x0
10	LOCK_BIT	When '1', prevents HW update to this MMR. When '0', allows HW update of this MMR.	RW	0x0
9:0	BINARY_DELAY	Delay Select Value in binary coded form. Indicates the number of coarse (9:5) and fine (4:0) delay elements to be used on the delay line connected to this pad.	RW	0x0

Table 18-2648. Register Call Summary for Register CFG_RGMII0_TXD3_OEN

IODELAYCONFIG Module Register Manual

- [IODELAYCONFIG Register Summary: \[0\]](#)

Table 18-2649. CFG_RGMII0_TXD3_OUT

Address Offset	0x0000 077C	Instance	IODELAYCONFIG
Physical Address	0x4844 A77C		
Description	Delay Select Value in binary coded form for cfg_rgmii0_txd3_out interface		
Type	RW		

31	30	29	28	27	26	25	24	23	22	21	20	19	18	17	16	15	14	13	12	11	10	9	8	7	6	5	4	3	2	1	0
RESERVED														SIGNATURE				RESERVED	LOCK_BIT	BINARY_DELAY											

Bits	Field Name	Description	Type	Reset
31:18	RESERVED		R	0x0
17:12	SIGNATURE	Write to this register will succeed only if data on these bits carries a signature of 6'h29 (6'b101001)	RW	0x0
11	RESERVED		R	0x0
10	LOCK_BIT	When '1', prevents HW update to this MMR. When '0', allows HW update of this MMR.	RW	0x0
9:0	BINARY_DELAY	Delay Select Value in binary coded form. Indicates the number of coarse (9:5) and fine (4:0) delay elements to be used on the delay line connected to this pad.	RW	0x0

Table 18-2650. Register Call Summary for Register CFG_RGMII0_TXD3_OUT

IODELAYCONFIG Module Register Manual

- [IODELAYCONFIG Register Summary: \[0\]](#)

Table 18-2651. CFG_RTCK_IN

Address Offset	0x0000 0780	Instance	IODELAYCONFIG
Physical Address	0x4844 A780		
Description	Delay Select Value in binary coded form for cfg_rtck_in interface		
Type	RW		

31	30	29	28	27	26	25	24	23	22	21	20	19	18	17	16	15	14	13	12	11	10	9	8	7	6	5	4	3	2	1	0
RESERVED														SIGNATURE				RESERVED	LOCK_BIT	BINARY_DELAY											

Bits	Field Name	Description	Type	Reset
31:18	RESERVED		R	0x0
17:12	SIGNATURE	Write to this register will succeed only if data on these bits carries a signature of 6'h29 (6'b101001)	RW	0x0
11	RESERVED		R	0x0

Bits	Field Name	Description	Type	Reset
10	LOCK_BIT	When '1', prevents HW update to this MMR. When '0', allows HW update of this MMR.	RW	0x0
9:0	BINARY_DELAY	Delay Select Value in binary coded form. Indicates the number of coarse (9:5) and fine (4:0) delay elements to be used on the delay line connected to this pad.	RW	0x0

Table 18-2652. Register Call Summary for Register CFG_RTCK_IN

IODELAYCONFIG Module Register Manual

- [IODELAYCONFIG Register Summary: \[0\]](#)

Table 18-2653. CFG_RTCK_OEN

Address Offset	0x0000 0784	Instance	IODELAYCONFIG
Physical Address	0x4844 A784		
Description	Delay Select Value in binary coded form for cfg_rtck_oen interface		
Type	RW		

31	30	29	28	27	26	25	24	23	22	21	20	19	18	17	16	15	14	13	12	11	10	9	8	7	6	5	4	3	2	1	0
RESERVED								SIGNATURE								RESERVED	LOCK_BIT	BINARY_DELAY													

Bits	Field Name	Description	Type	Reset
31:18	RESERVED		R	0x0
17:12	SIGNATURE	Write to this register will succeed only if data on these bits carries a signature of 6'h29 (6'b101001)	RW	0x0
11	RESERVED		R	0x0
10	LOCK_BIT	When '1', prevents HW update to this MMR. When '0', allows HW update of this MMR.	RW	0x0
9:0	BINARY_DELAY	Delay Select Value in binary coded form. Indicates the number of coarse (9:5) and fine (4:0) delay elements to be used on the delay line connected to this pad.	RW	0x0

Table 18-2654. Register Call Summary for Register CFG_RTCK_OEN

IODELAYCONFIG Module Register Manual

- [IODELAYCONFIG Register Summary: \[0\]](#)

Table 18-2655. CFG_RTCK_OUT

Address Offset	0x0000 0788	Instance	IODELAYCONFIG
Physical Address	0x4844 A788		
Description	Delay Select Value in binary coded form for cfg_rtck_out interface		
Type	RW		

31	30	29	28	27	26	25	24	23	22	21	20	19	18	17	16	15	14	13	12	11	10	9	8	7	6	5	4	3	2	1	0
RESERVED								SIGNATURE								RESERVED	LOCK_BIT	BINARY_DELAY													

Bits	Field Name	Description	Type	Reset
31:18	RESERVED		R	0x0
17:12	SIGNATURE	Write to this register will succeed only if data on these bits carries a signature of 6'h29 (6'b101001)	RW	0x0
11	RESERVED		R	0x0
10	LOCK_BIT	When '1', prevents HW update to this MMR. When '0', allows HW update of this MMR.	RW	0x0
9:0	BINARY_DELAY	Delay Select Value in binary coded form. Indicates the number of coarse (9:5) and fine (4:0) delay elements to be used on the delay line connected to this pad.	RW	0x0

Table 18-2656. Register Call Summary for Register CFG_RTCK_OUT

IODELAYCONFIG Module Register Manual

- [IODELAYCONFIG Register Summary: \[0\]](#)

Table 18-2657. CFG_SPI1_CS0_IN

Address Offset	0x0000 078C	Instance	IODELAYCONFIG
Physical Address	0x4844 A78C		
Description	Delay Select Value in binary coded form for cfg_spi1_cs0_in interface		
Type	RW		

31	30	29	28	27	26	25	24	23	22	21	20	19	18	17	16	15	14	13	12	11	10	9	8	7	6	5	4	3	2	1	0
RESERVED								SIGNATURE				RESERVED	LOCK_BIT	BINARY_DELAY																	

Bits	Field Name	Description	Type	Reset
31:18	RESERVED		R	0x0
17:12	SIGNATURE	Write to this register will succeed only if data on these bits carries a signature of 6'h29 (6'b101001)	RW	0x0
11	RESERVED		R	0x0
10	LOCK_BIT	When '1', prevents HW update to this MMR. When '0', allows HW update of this MMR.	RW	0x0
9:0	BINARY_DELAY	Delay Select Value in binary coded form. Indicates the number of coarse (9:5) and fine (4:0) delay elements to be used on the delay line connected to this pad.	RW	0x0

Table 18-2658. Register Call Summary for Register CFG_SPI1_CS0_IN

IODELAYCONFIG Module Register Manual

- [IODELAYCONFIG Register Summary: \[0\]](#)

Table 18-2659. CFG_SPI1_CS0_OEN

Address Offset	0x0000 0790	Instance	IODELAYCONFIG
Physical Address	0x4844 A790		
Description	Delay Select Value in binary coded form for cfg_spi1_cs0_oen interface		
Type	RW		

31	30	29	28	27	26	25	24	23	22	21	20	19	18	17	16	15	14	13	12	11	10	9	8	7	6	5	4	3	2	1	0
RESERVED														SIGNATURE				RESERVED	LOCK_BIT	BINARY_DELAY											

Bits	Field Name	Description	Type	Reset
31:18	RESERVED		R	0x0
17:12	SIGNATURE	Write to this register will succeed only if data on these bits carries a signature of 6'h29 (6'b101001)	RW	0x0
11	RESERVED		R	0x0
10	LOCK_BIT	When '1', prevents HW update to this MMR. When '0', allows HW update of this MMR.	RW	0x0
9:0	BINARY_DELAY	Delay Select Value in binary coded form. Indicates the number of coarse (9:5) and fine (4:0) delay elements to be used on the delay line connected to this pad.	RW	0x0

Table 18-2660. Register Call Summary for Register CFG_SPI1_CS0_OEN

IODELAYCONFIG Module Register Manual

- [IODELAYCONFIG Register Summary: \[0\]](#)

Table 18-2661. CFG_SPI1_CS0_OUT

Address Offset	0x0000 0794	Instance	IODELAYCONFIG
Physical Address	0x4844 A794		
Description	Delay Select Value in binary coded form for cfg_spi1_cs0_out interface		
Type	RW		

31	30	29	28	27	26	25	24	23	22	21	20	19	18	17	16	15	14	13	12	11	10	9	8	7	6	5	4	3	2	1	0
RESERVED														SIGNATURE				RESERVED	LOCK_BIT	BINARY_DELAY											

Bits	Field Name	Description	Type	Reset
31:18	RESERVED		R	0x0
17:12	SIGNATURE	Write to this register will succeed only if data on these bits carries a signature of 6'h29 (6'b101001)	RW	0x0
11	RESERVED		R	0x0
10	LOCK_BIT	When '1', prevents HW update to this MMR. When '0', allows HW update of this MMR.	RW	0x0
9:0	BINARY_DELAY	Delay Select Value in binary coded form. Indicates the number of coarse (9:5) and fine (4:0) delay elements to be used on the delay line connected to this pad.	RW	0x0

Table 18-2662. Register Call Summary for Register CFG_SPI1_CS0_OUT

IODELAYCONFIG Module Register Manual

- [IODELAYCONFIG Register Summary: \[0\]](#)

Table 18-2663. CFG_SPI1_CS1_IN

Address Offset	0x0000 0798	Instance	IODELAYCONFIG
Physical Address	0x4844 A798		
Description	Delay Select Value in binary coded form for cfg_spi1_cs1_in interface		
Type	RW		

31	30	29	28	27	26	25	24	23	22	21	20	19	18	17	16	15	14	13	12	11	10	9	8	7	6	5	4	3	2	1	0
RESERVED														SIGNATURE				RESERVED	LOCK_BIT	BINARY_DELAY											

Bits	Field Name	Description	Type	Reset
31:18	RESERVED		R	0x0
17:12	SIGNATURE	Write to this register will succeed only if data on these bits carries a signature of 6'h29 (6'b101001)	RW	0x0
11	RESERVED		R	0x0
10	LOCK_BIT	When '1', prevents HW update to this MMR. When '0', allows HW update of this MMR.	RW	0x0
9:0	BINARY_DELAY	Delay Select Value in binary coded form. Indicates the number of coarse (9:5) and fine (4:0) delay elements to be used on the delay line connected to this pad.	RW	0x0

Table 18-2664. Register Call Summary for Register CFG_SPI1_CS1_IN

IODELAYCONFIG Module Register Manual

- [IODELAYCONFIG Register Summary: \[0\]](#)

Table 18-2665. CFG_SPI1_CS1_OEN

Address Offset	0x0000 079C	Instance	IODELAYCONFIG
Physical Address	0x4844 A79C		
Description	Delay Select Value in binary coded form for cfg_spi1_cs1_oen interface		
Type	RW		

31	30	29	28	27	26	25	24	23	22	21	20	19	18	17	16	15	14	13	12	11	10	9	8	7	6	5	4	3	2	1	0
RESERVED														SIGNATURE				RESERVED	LOCK_BIT	BINARY_DELAY											

Bits	Field Name	Description	Type	Reset
31:18	RESERVED		R	0x0
17:12	SIGNATURE	Write to this register will succeed only if data on these bits carries a signature of 6'h29 (6'b101001)	RW	0x0
11	RESERVED		R	0x0
10	LOCK_BIT	When '1', prevents HW update to this MMR. When '0', allows HW update of this MMR.	RW	0x0
9:0	BINARY_DELAY	Delay Select Value in binary coded form. Indicates the number of coarse (9:5) and fine (4:0) delay elements to be used on the delay line connected to this pad.	RW	0x0

Table 18-2666. Register Call Summary for Register CFG_SPI1_CS1_OEN

IODELAYCONFIG Module Register Manual

- [IODELAYCONFIG Register Summary: \[0\]](#)

Table 18-2667. CFG_SPI1_CS1_OUT

Address Offset	0x0000 07A0	Instance	IODELAYCONFIG
Physical Address	0x4844 A7A0		
Description	Delay Select Value in binary coded form for cfg_spi1_cs1_out interface		
Type	RW		

31	30	29	28	27	26	25	24	23	22	21	20	19	18	17	16	15	14	13	12	11	10	9	8	7	6	5	4	3	2	1	0
RESERVED														SIGNATURE				RESERVED	LOCK_BIT	BINARY_DELAY											

Bits	Field Name	Description	Type	Reset
31:18	RESERVED		R	0x0
17:12	SIGNATURE	Write to this register will succeed only if data on these bits carries a signature of 6'h29 (6'b101001)	RW	0x0
11	RESERVED		R	0x0
10	LOCK_BIT	When '1', prevents HW update to this MMR. When '0', allows HW update of this MMR.	RW	0x0
9:0	BINARY_DELAY	Delay Select Value in binary coded form. Indicates the number of coarse (9:5) and fine (4:0) delay elements to be used on the delay line connected to this pad.	RW	0x0

Table 18-2668. Register Call Summary for Register CFG_SPI1_CS1_OUT

IODELAYCONFIG Module Register Manual

- [IODELAYCONFIG Register Summary: \[0\]](#)

Table 18-2669. CFG_SPI1_CS2_IN

Address Offset	0x0000 07A4	Instance	IODELAYCONFIG
Physical Address	0x4844 A7A4		
Description	Delay Select Value in binary coded form for cfg_spi1_cs2_in interface		
Type	RW		

31	30	29	28	27	26	25	24	23	22	21	20	19	18	17	16	15	14	13	12	11	10	9	8	7	6	5	4	3	2	1	0
RESERVED														SIGNATURE				RESERVED	LOCK_BIT	BINARY_DELAY											

Bits	Field Name	Description	Type	Reset
31:18	RESERVED		R	0x0
17:12	SIGNATURE	Write to this register will succeed only if data on these bits carries a signature of 6'h29 (6'b101001)	RW	0x0
11	RESERVED		R	0x0

Bits	Field Name	Description	Type	Reset
10	LOCK_BIT	When '1', prevents HW update to this MMR. When '0', allows HW update of this MMR.	RW	0x0
9:0	BINARY_DELAY	Delay Select Value in binary coded form. Indicates the number of coarse (9:5) and fine (4:0) delay elements to be used on the delay line connected to this pad.	RW	0x0

Table 18-2670. Register Call Summary for Register CFG_SPI1_CS2_IN

IODELAYCONFIG Module Register Manual

- [IODELAYCONFIG Register Summary: \[0\]](#)

Table 18-2671. CFG_SPI1_CS2_OEN

Address Offset	0x0000 07A8	Instance	IODELAYCONFIG
Physical Address	0x4844 A7A8		
Description	Delay Select Value in binary coded form for cfg_spi1_cs2_oen interface		
Type	RW		

31	30	29	28	27	26	25	24	23	22	21	20	19	18	17	16	15	14	13	12	11	10	9	8	7	6	5	4	3	2	1	0
RESERVED								SIGNATURE								RESERVED	LOCK_BIT	BINARY_DELAY													

Bits	Field Name	Description	Type	Reset
31:18	RESERVED		R	0x0
17:12	SIGNATURE	Write to this register will succeed only if data on these bits carries a signature of 6'h29 (6'b101001)	RW	0x0
11	RESERVED		R	0x0
10	LOCK_BIT	When '1', prevents HW update to this MMR. When '0', allows HW update of this MMR.	RW	0x0
9:0	BINARY_DELAY	Delay Select Value in binary coded form. Indicates the number of coarse (9:5) and fine (4:0) delay elements to be used on the delay line connected to this pad.	RW	0x0

Table 18-2672. Register Call Summary for Register CFG_SPI1_CS2_OEN

IODELAYCONFIG Module Register Manual

- [IODELAYCONFIG Register Summary: \[0\]](#)

Table 18-2673. CFG_SPI1_CS2_OUT

Address Offset	0x0000 07AC	Instance	IODELAYCONFIG
Physical Address	0x4844 A7AC		
Description	Delay Select Value in binary coded form for cfg_spi1_cs2_out interface		
Type	RW		

31	30	29	28	27	26	25	24	23	22	21	20	19	18	17	16	15	14	13	12	11	10	9	8	7	6	5	4	3	2	1	0
RESERVED								SIGNATURE								RESERVED	LOCK_BIT	BINARY_DELAY													

Bits	Field Name	Description	Type	Reset
31:18	RESERVED		R	0x0
17:12	SIGNATURE	Write to this register will succeed only if data on these bits carries a signature of 6'h29 (6'b101001)	RW	0x0
11	RESERVED		R	0x0
10	LOCK_BIT	When '1', prevents HW update to this MMR. When '0', allows HW update of this MMR.	RW	0x0
9:0	BINARY_DELAY	Delay Select Value in binary coded form. Indicates the number of coarse (9:5) and fine (4:0) delay elements to be used on the delay line connected to this pad.	RW	0x0

Table 18-2674. Register Call Summary for Register CFG_SPI1_CS2_OUT

IODELAYCONFIG Module Register Manual

- [IODELAYCONFIG Register Summary: \[0\]](#)

Table 18-2675. CFG_SPI1_CS3_IN

Address Offset	0x0000 07B0	Instance	IODELAYCONFIG
Physical Address	0x4844 A7B0		
Description	Delay Select Value in binary coded form for cfg_spi1_cs3_in interface		
Type	RW		

31	30	29	28	27	26	25	24	23	22	21	20	19	18	17	16	15	14	13	12	11	10	9	8	7	6	5	4	3	2	1	0
RESERVED								SIGNATURE				RESERVED	LOCK_BIT	BINARY_DELAY																	

Bits	Field Name	Description	Type	Reset
31:18	RESERVED		R	0x0
17:12	SIGNATURE	Write to this register will succeed only if data on these bits carries a signature of 6'h29 (6'b101001)	RW	0x0
11	RESERVED		R	0x0
10	LOCK_BIT	When '1', prevents HW update to this MMR. When '0', allows HW update of this MMR.	RW	0x0
9:0	BINARY_DELAY	Delay Select Value in binary coded form. Indicates the number of coarse (9:5) and fine (4:0) delay elements to be used on the delay line connected to this pad.	RW	0x0

Table 18-2676. Register Call Summary for Register CFG_SPI1_CS3_IN

IODELAYCONFIG Module Register Manual

- [IODELAYCONFIG Register Summary: \[0\]](#)

Table 18-2677. CFG_SPI1_CS3_OEN

Address Offset	0x0000 07B4	Instance	IODELAYCONFIG
Physical Address	0x4844 A7B4		
Description	Delay Select Value in binary coded form for cfg_spi1_cs3_oen interface		
Type	RW		

31	30	29	28	27	26	25	24	23	22	21	20	19	18	17	16	15	14	13	12	11	10	9	8	7	6	5	4	3	2	1	0
RESERVED														SIGNATURE				RESERVED	LOCK_BIT	BINARY_DELAY											

Bits	Field Name	Description	Type	Reset
31:18	RESERVED		R	0x0
17:12	SIGNATURE	Write to this register will succeed only if data on these bits carries a signature of 6'h29 (6'b101001)	RW	0x0
11	RESERVED		R	0x0
10	LOCK_BIT	When '1', prevents HW update to this MMR. When '0', allows HW update of this MMR.	RW	0x0
9:0	BINARY_DELAY	Delay Select Value in binary coded form. Indicates the number of coarse (9:5) and fine (4:0) delay elements to be used on the delay line connected to this pad.	RW	0x0

Table 18-2678. Register Call Summary for Register CFG_SPI1_CS3_OEN

IODELAYCONFIG Module Register Manual

- [IODELAYCONFIG Register Summary: \[0\]](#)

Table 18-2679. CFG_SPI1_CS3_OUT

Address Offset	0x0000 07B8	Instance	IODELAYCONFIG
Physical Address	0x4844 A7B8		
Description	Delay Select Value in binary coded form for cfg_spi1_cs3_out interface		
Type	RW		

31	30	29	28	27	26	25	24	23	22	21	20	19	18	17	16	15	14	13	12	11	10	9	8	7	6	5	4	3	2	1	0
RESERVED														SIGNATURE				RESERVED	LOCK_BIT	BINARY_DELAY											

Bits	Field Name	Description	Type	Reset
31:18	RESERVED		R	0x0
17:12	SIGNATURE	Write to this register will succeed only if data on these bits carries a signature of 6'h29 (6'b101001)	RW	0x0
11	RESERVED		R	0x0
10	LOCK_BIT	When '1', prevents HW update to this MMR. When '0', allows HW update of this MMR.	RW	0x0
9:0	BINARY_DELAY	Delay Select Value in binary coded form. Indicates the number of coarse (9:5) and fine (4:0) delay elements to be used on the delay line connected to this pad.	RW	0x0

Table 18-2680. Register Call Summary for Register CFG_SPI1_CS3_OUT

IODELAYCONFIG Module Register Manual

- [IODELAYCONFIG Register Summary: \[0\]](#)

Table 18-2681. CFG_SPI1_D0_IN

Address Offset	0x0000 07BC	Instance	IODELAYCONFIG
Physical Address	0x4844 A7BC		
Description	Delay Select Value in binary coded form for cfg_spi1_d0_in interface		
Type	RW		

31	30	29	28	27	26	25	24	23	22	21	20	19	18	17	16	15	14	13	12	11	10	9	8	7	6	5	4	3	2	1	0
RESERVED														SIGNATURE				RESERVED	LOCK_BIT	BINARY_DELAY											

Bits	Field Name	Description	Type	Reset
31:18	RESERVED		R	0x0
17:12	SIGNATURE	Write to this register will succeed only if data on these bits carries a signature of 6'h29 (6'b101001)	RW	0x0
11	RESERVED		R	0x0
10	LOCK_BIT	When '1', prevents HW update to this MMR. When '0', allows HW update of this MMR.	RW	0x0
9:0	BINARY_DELAY	Delay Select Value in binary coded form. Indicates the number of coarse (9:5) and fine (4:0) delay elements to be used on the delay line connected to this pad.	RW	0x0

Table 18-2682. Register Call Summary for Register CFG_SPI1_D0_IN

IODELAYCONFIG Module Register Manual

- [IODELAYCONFIG Register Summary: \[0\]](#)

Table 18-2683. CFG_SPI1_D0_OEN

Address Offset	0x0000 07C0	Instance	IODELAYCONFIG
Physical Address	0x4844 A7C0		
Description	Delay Select Value in binary coded form for cfg_spi1_d0_oen interface		
Type	RW		

31	30	29	28	27	26	25	24	23	22	21	20	19	18	17	16	15	14	13	12	11	10	9	8	7	6	5	4	3	2	1	0
RESERVED														SIGNATURE				RESERVED	LOCK_BIT	BINARY_DELAY											

Bits	Field Name	Description	Type	Reset
31:18	RESERVED		R	0x0
17:12	SIGNATURE	Write to this register will succeed only if data on these bits carries a signature of 6'h29 (6'b101001)	RW	0x0
11	RESERVED		R	0x0
10	LOCK_BIT	When '1', prevents HW update to this MMR. When '0', allows HW update of this MMR.	RW	0x0
9:0	BINARY_DELAY	Delay Select Value in binary coded form. Indicates the number of coarse (9:5) and fine (4:0) delay elements to be used on the delay line connected to this pad.	RW	0x0

Table 18-2684. Register Call Summary for Register CFG_SPI1_D0_OEN

IODELAYCONFIG Module Register Manual
• [IODELAYCONFIG Register Summary: \[0\]](#)

Table 18-2685. CFG_SPI1_D0_OUT

Address Offset	0x0000 07C4	Instance	IODELAYCONFIG
Physical Address	0x4844 A7C4		
Description	Delay Select Value in binary coded form for cfg_spi1_d0_out interface		
Type	RW		

31	30	29	28	27	26	25	24	23	22	21	20	19	18	17	16	15	14	13	12	11	10	9	8	7	6	5	4	3	2	1	0			
RESERVED																SIGNATURE						RESERVED	LOCK_BIT	BINARY_DELAY										

Bits	Field Name	Description	Type	Reset
31:18	RESERVED		R	0x0
17:12	SIGNATURE	Write to this register will succeed only if data on these bits carries a signature of 6'h29 (6'b101001)	RW	0x0
11	RESERVED		R	0x0
10	LOCK_BIT	When '1', prevents HW update to this MMR. When '0', allows HW update of this MMR.	RW	0x0
9:0	BINARY_DELAY	Delay Select Value in binary coded form. Indicates the number of coarse (9:5) and fine (4:0) delay elements to be used on the delay line connected to this pad.	RW	0x0

Table 18-2686. Register Call Summary for Register CFG_SPI1_D0_OUT

IODELAYCONFIG Module Register Manual
• [IODELAYCONFIG Register Summary: \[0\]](#)

Table 18-2687. CFG_SPI1_D1_IN

Address Offset	0x0000 07C8	Instance	IODELAYCONFIG
Physical Address	0x4844 A7C8		
Description	Delay Select Value in binary coded form for cfg_spi1_d1_in interface		
Type	RW		

31	30	29	28	27	26	25	24	23	22	21	20	19	18	17	16	15	14	13	12	11	10	9	8	7	6	5	4	3	2	1	0			
RESERVED																SIGNATURE						RESERVED	LOCK_BIT	BINARY_DELAY										

Bits	Field Name	Description	Type	Reset
31:18	RESERVED		R	0x0
17:12	SIGNATURE	Write to this register will succeed only if data on these bits carries a signature of 6'h29 (6'b101001)	RW	0x0
11	RESERVED		R	0x0

Bits	Field Name	Description	Type	Reset
10	LOCK_BIT	When '1', prevents HW update to this MMR. When '0', allows HW update of this MMR.	RW	0x0
9:0	BINARY_DELAY	Delay Select Value in binary coded form. Indicates the number of coarse (9:5) and fine (4:0) delay elements to be used on the delay line connected to this pad.	RW	0x0

Table 18-2688. Register Call Summary for Register CFG_SPI1_D1_IN

IODELAYCONFIG Module Register Manual

- [IODELAYCONFIG Register Summary: \[0\]](#)

Table 18-2689. CFG_SPI1_D1_OEN

Address Offset	0x0000 07CC	Instance	IODELAYCONFIG
Physical Address	0x4844 A7CC		
Description	Delay Select Value in binary coded form for cfg_spi1_d1_oen interface		
Type	RW		

31	30	29	28	27	26	25	24	23	22	21	20	19	18	17	16	15	14	13	12	11	10	9	8	7	6	5	4	3	2	1	0
RESERVED								SIGNATURE								RESERVED	LOCK_BIT	BINARY_DELAY													

Bits	Field Name	Description	Type	Reset
31:18	RESERVED		R	0x0
17:12	SIGNATURE	Write to this register will succeed only if data on these bits carries a signature of 6'h29 (6'b101001)	RW	0x0
11	RESERVED		R	0x0
10	LOCK_BIT	When '1', prevents HW update to this MMR. When '0', allows HW update of this MMR.	RW	0x0
9:0	BINARY_DELAY	Delay Select Value in binary coded form. Indicates the number of coarse (9:5) and fine (4:0) delay elements to be used on the delay line connected to this pad.	RW	0x0

Table 18-2690. Register Call Summary for Register CFG_SPI1_D1_OEN

IODELAYCONFIG Module Register Manual

- [IODELAYCONFIG Register Summary: \[0\]](#)

Table 18-2691. CFG_SPI1_D1_OUT

Address Offset	0x0000 07D0	Instance	IODELAYCONFIG
Physical Address	0x4844 A7D0		
Description	Delay Select Value in binary coded form for cfg_spi1_d1_out interface		
Type	RW		

31	30	29	28	27	26	25	24	23	22	21	20	19	18	17	16	15	14	13	12	11	10	9	8	7	6	5	4	3	2	1	0
RESERVED								SIGNATURE								RESERVED	LOCK_BIT	BINARY_DELAY													

Bits	Field Name	Description	Type	Reset
31:18	RESERVED		R	0x0
17:12	SIGNATURE	Write to this register will succeed only if data on these bits carries a signature of 6'h29 (6'b101001)	RW	0x0
11	RESERVED		R	0x0
10	LOCK_BIT	When '1', prevents HW update to this MMR. When '0', allows HW update of this MMR.	RW	0x0
9:0	BINARY_DELAY	Delay Select Value in binary coded form. Indicates the number of coarse (9:5) and fine (4:0) delay elements to be used on the delay line connected to this pad.	RW	0x0

Table 18-2692. Register Call Summary for Register CFG_SPI1_D1_OUT

IODELAYCONFIG Module Register Manual

- [IODELAYCONFIG Register Summary: \[0\]](#)

Table 18-2693. CFG_SPI1_SCLK_IN

Address Offset	0x0000 07D4	Instance	IODELAYCONFIG
Physical Address	0x4844 A7D4		
Description	Delay Select Value in binary coded form for cfg_spi1_sclk_in interface		
Type	RW		

31	30	29	28	27	26	25	24	23	22	21	20	19	18	17	16	15	14	13	12	11	10	9	8	7	6	5	4	3	2	1	0
RESERVED								SIGNATURE				RESERVED	LOCK_BIT	BINARY_DELAY																	

Bits	Field Name	Description	Type	Reset
31:18	RESERVED		R	0x0
17:12	SIGNATURE	Write to this register will succeed only if data on these bits carries a signature of 6'h29 (6'b101001)	RW	0x0
11	RESERVED		R	0x0
10	LOCK_BIT	When '1', prevents HW update to this MMR. When '0', allows HW update of this MMR.	RW	0x0
9:0	BINARY_DELAY	Delay Select Value in binary coded form. Indicates the number of coarse (9:5) and fine (4:0) delay elements to be used on the delay line connected to this pad.	RW	0x0

Table 18-2694. Register Call Summary for Register CFG_SPI1_SCLK_IN

IODELAYCONFIG Module Register Manual

- [IODELAYCONFIG Register Summary: \[0\]](#)

Table 18-2695. CFG_SPI1_SCLK_OEN

Address Offset	0x0000 07D8	Instance	IODELAYCONFIG
Physical Address	0x4844 A7D8		
Description	Delay Select Value in binary coded form for cfg_spi1_sclk_oen interface		
Type	RW		

31	30	29	28	27	26	25	24	23	22	21	20	19	18	17	16	15	14	13	12	11	10	9	8	7	6	5	4	3	2	1	0
RESERVED														SIGNATURE				RESERVED	LOCK_BIT	BINARY_DELAY											

Bits	Field Name	Description	Type	Reset
31:18	RESERVED		R	0x0
17:12	SIGNATURE	Write to this register will succeed only if data on these bits carries a signature of 6'h29 (6'b101001)	RW	0x0
11	RESERVED		R	0x0
10	LOCK_BIT	When '1', prevents HW update to this MMR. When '0', allows HW update of this MMR.	RW	0x0
9:0	BINARY_DELAY	Delay Select Value in binary coded form. Indicates the number of coarse (9:5) and fine (4:0) delay elements to be used on the delay line connected to this pad.	RW	0x0

Table 18-2696. Register Call Summary for Register CFG_SPI1_SCLK_OEN

IODELAYCONFIG Module Register Manual

- [IODELAYCONFIG Register Summary: \[0\]](#)

Table 18-2697. CFG_SPI1_SCLK_OUT

Address Offset	0x0000 07DC	Instance	IODELAYCONFIG
Physical Address	0x4844 A7DC		
Description	Delay Select Value in binary coded form for cfg_spi1_sclk_out interface		
Type	RW		

31	30	29	28	27	26	25	24	23	22	21	20	19	18	17	16	15	14	13	12	11	10	9	8	7	6	5	4	3	2	1	0
RESERVED														SIGNATURE				RESERVED	LOCK_BIT	BINARY_DELAY											

Bits	Field Name	Description	Type	Reset
31:18	RESERVED		R	0x0
17:12	SIGNATURE	Write to this register will succeed only if data on these bits carries a signature of 6'h29 (6'b101001)	RW	0x0
11	RESERVED		R	0x0
10	LOCK_BIT	When '1', prevents HW update to this MMR. When '0', allows HW update of this MMR.	RW	0x0
9:0	BINARY_DELAY	Delay Select Value in binary coded form. Indicates the number of coarse (9:5) and fine (4:0) delay elements to be used on the delay line connected to this pad.	RW	0x0

Table 18-2698. Register Call Summary for Register CFG_SPI1_SCLK_OUT

IODELAYCONFIG Module Register Manual

- [IODELAYCONFIG Register Summary: \[0\]](#)

Table 18-2699. CFG_SPI2_CS0_IN

Address Offset	0x0000 07E0	Instance	IODELAYCONFIG
Physical Address	0x4844 A7E0		
Description	Delay Select Value in binary coded form for cfg_spi2_cs0_in interface		
Type	RW		

31	30	29	28	27	26	25	24	23	22	21	20	19	18	17	16	15	14	13	12	11	10	9	8	7	6	5	4	3	2	1	0
RESERVED														SIGNATURE				RESERVED	LOCK_BIT	BINARY_DELAY											

Bits	Field Name	Description	Type	Reset
31:18	RESERVED		R	0x0
17:12	SIGNATURE	Write to this register will succeed only if data on these bits carries a signature of 6'h29 (6'b101001)	RW	0x0
11	RESERVED		R	0x0
10	LOCK_BIT	When '1', prevents HW update to this MMR. When '0', allows HW update of this MMR.	RW	0x0
9:0	BINARY_DELAY	Delay Select Value in binary coded form. Indicates the number of coarse (9:5) and fine (4:0) delay elements to be used on the delay line connected to this pad.	RW	0x0

Table 18-2700. Register Call Summary for Register CFG_SPI2_CS0_IN

IODELAYCONFIG Module Register Manual

- [IODELAYCONFIG Register Summary: \[0\]](#)

Table 18-2701. CFG_SPI2_CS0_OEN

Address Offset	0x0000 07E4	Instance	IODELAYCONFIG
Physical Address	0x4844 A7E4		
Description	Delay Select Value in binary coded form for cfg_spi2_cs0_oen interface		
Type	RW		

31	30	29	28	27	26	25	24	23	22	21	20	19	18	17	16	15	14	13	12	11	10	9	8	7	6	5	4	3	2	1	0
RESERVED														SIGNATURE				RESERVED	LOCK_BIT	BINARY_DELAY											

Bits	Field Name	Description	Type	Reset
31:18	RESERVED		R	0x0
17:12	SIGNATURE	Write to this register will succeed only if data on these bits carries a signature of 6'h29 (6'b101001)	RW	0x0
11	RESERVED		R	0x0
10	LOCK_BIT	When '1', prevents HW update to this MMR. When '0', allows HW update of this MMR.	RW	0x0
9:0	BINARY_DELAY	Delay Select Value in binary coded form. Indicates the number of coarse (9:5) and fine (4:0) delay elements to be used on the delay line connected to this pad.	RW	0x0

Table 18-2702. Register Call Summary for Register CFG_SPI2_CS0_OEN

IODELAYCONFIG Module Register Manual

- [IODELAYCONFIG Register Summary: \[0\]](#)

Table 18-2703. CFG_SPI2_CS0_OUT

Address Offset	0x0000 07E8	Instance	IODELAYCONFIG
Physical Address	0x4844 A7E8		
Description	Delay Select Value in binary coded form for cfg_spi2_cs0_out interface		
Type	RW		

31	30	29	28	27	26	25	24	23	22	21	20	19	18	17	16	15	14	13	12	11	10	9	8	7	6	5	4	3	2	1	0
RESERVED																SIGNATURE						RESERVED	LOCK_BIT	BINARY_DELAY							

Bits	Field Name	Description	Type	Reset
31:18	RESERVED		R	0x0
17:12	SIGNATURE	Write to this register will succeed only if data on these bits carries a signature of 6'h29 (6'b101001)	RW	0x0
11	RESERVED		R	0x0
10	LOCK_BIT	When '1', prevents HW update to this MMR. When '0', allows HW update of this MMR.	RW	0x0
9:0	BINARY_DELAY	Delay Select Value in binary coded form. Indicates the number of coarse (9:5) and fine (4:0) delay elements to be used on the delay line connected to this pad.	RW	0x0

Table 18-2704. Register Call Summary for Register CFG_SPI2_CS0_OUT

IODELAYCONFIG Module Register Manual

- [IODELAYCONFIG Register Summary: \[0\]](#)

Table 18-2705. CFG_SPI2_D0_IN

Address Offset	0x0000 07EC	Instance	IODELAYCONFIG
Physical Address	0x4844 A7EC		
Description	Delay Select Value in binary coded form for cfg_spi2_d0_in interface		
Type	RW		

31	30	29	28	27	26	25	24	23	22	21	20	19	18	17	16	15	14	13	12	11	10	9	8	7	6	5	4	3	2	1	0
RESERVED																SIGNATURE						RESERVED	LOCK_BIT	BINARY_DELAY							

Bits	Field Name	Description	Type	Reset
31:18	RESERVED		R	0x0
17:12	SIGNATURE	Write to this register will succeed only if data on these bits carries a signature of 6'h29 (6'b101001)	RW	0x0
11	RESERVED		R	0x0

Bits	Field Name	Description	Type	Reset
10	LOCK_BIT	When '1', prevents HW update to this MMR. When '0', allows HW update of this MMR.	RW	0x0
9:0	BINARY_DELAY	Delay Select Value in binary coded form. Indicates the number of coarse (9:5) and fine (4:0) delay elements to be used on the delay line connected to this pad.	RW	0x0

Table 18-2706. Register Call Summary for Register CFG_SPI2_D0_IN

IODELAYCONFIG Module Register Manual

- [IODELAYCONFIG Register Summary: \[0\]](#)

Table 18-2707. CFG_SPI2_D0_OEN

Address Offset	0x0000 07F0	Instance	IODELAYCONFIG
Physical Address	0x4844 A7F0		
Description	Delay Select Value in binary coded form for cfg_spi2_d0_oen interface		
Type	RW		

31	30	29	28	27	26	25	24	23	22	21	20	19	18	17	16	15	14	13	12	11	10	9	8	7	6	5	4	3	2	1	0
RESERVED								SIGNATURE								RESERVED	LOCK_BIT	BINARY_DELAY													

Bits	Field Name	Description	Type	Reset
31:18	RESERVED		R	0x0
17:12	SIGNATURE	Write to this register will succeed only if data on these bits carries a signature of 6'h29 (6'b101001)	RW	0x0
11	RESERVED		R	0x0
10	LOCK_BIT	When '1', prevents HW update to this MMR. When '0', allows HW update of this MMR.	RW	0x0
9:0	BINARY_DELAY	Delay Select Value in binary coded form. Indicates the number of coarse (9:5) and fine (4:0) delay elements to be used on the delay line connected to this pad.	RW	0x0

Table 18-2708. Register Call Summary for Register CFG_SPI2_D0_OEN

IODELAYCONFIG Module Register Manual

- [IODELAYCONFIG Register Summary: \[0\]](#)

Table 18-2709. CFG_SPI2_D0_OUT

Address Offset	0x0000 07F4	Instance	IODELAYCONFIG
Physical Address	0x4844 A7F4		
Description	Delay Select Value in binary coded form for cfg_spi2_d0_out interface		
Type	RW		

31	30	29	28	27	26	25	24	23	22	21	20	19	18	17	16	15	14	13	12	11	10	9	8	7	6	5	4	3	2	1	0
RESERVED								SIGNATURE								RESERVED	LOCK_BIT	BINARY_DELAY													

Bits	Field Name	Description	Type	Reset
31:18	RESERVED		R	0x0
17:12	SIGNATURE	Write to this register will succeed only if data on these bits carries a signature of 6'h29 (6'b101001)	RW	0x0
11	RESERVED		R	0x0
10	LOCK_BIT	When '1', prevents HW update to this MMR. When '0', allows HW update of this MMR.	RW	0x0
9:0	BINARY_DELAY	Delay Select Value in binary coded form. Indicates the number of coarse (9:5) and fine (4:0) delay elements to be used on the delay line connected to this pad.	RW	0x0

Table 18-2710. Register Call Summary for Register CFG_SPI2_D0_OUT

IODELAYCONFIG Module Register Manual

- [IODELAYCONFIG Register Summary: \[0\]](#)

Table 18-2711. CFG_SPI2_D1_IN

Address Offset	0x0000 07F8	Instance	IODELAYCONFIG
Physical Address	0x4844 A7F8		
Description	Delay Select Value in binary coded form for cfg_spi2_d1_in interface		
Type	RW		

31	30	29	28	27	26	25	24	23	22	21	20	19	18	17	16	15	14	13	12	11	10	9	8	7	6	5	4	3	2	1	0
RESERVED								SIGNATURE				RESERVED	LOCK_BIT	BINARY_DELAY																	

Bits	Field Name	Description	Type	Reset
31:18	RESERVED		R	0x0
17:12	SIGNATURE	Write to this register will succeed only if data on these bits carries a signature of 6'h29 (6'b101001)	RW	0x0
11	RESERVED		R	0x0
10	LOCK_BIT	When '1', prevents HW update to this MMR. When '0', allows HW update of this MMR.	RW	0x0
9:0	BINARY_DELAY	Delay Select Value in binary coded form. Indicates the number of coarse (9:5) and fine (4:0) delay elements to be used on the delay line connected to this pad.	RW	0x0

Table 18-2712. Register Call Summary for Register CFG_SPI2_D1_IN

IODELAYCONFIG Module Register Manual

- [IODELAYCONFIG Register Summary: \[0\]](#)

Table 18-2713. CFG_SPI2_D1_OEN

Address Offset	0x0000 07FC	Instance	IODELAYCONFIG
Physical Address	0x4844 A7FC		
Description	Delay Select Value in binary coded form for cfg_spi2_d1_oen interface		
Type	RW		

31	30	29	28	27	26	25	24	23	22	21	20	19	18	17	16	15	14	13	12	11	10	9	8	7	6	5	4	3	2	1	0
RESERVED								SIGNATURE								RESERVED	LOCK_BIT	BINARY_DELAY													

Bits	Field Name	Description	Type	Reset
31:18	RESERVED		R	0x0
17:12	SIGNATURE	Write to this register will succeed only if data on these bits carries a signature of 6'h29 (6'b101001)	RW	0x0
11	RESERVED		R	0x0
10	LOCK_BIT	When '1', prevents HW update to this MMR. When '0', allows HW update of this MMR.	RW	0x0
9:0	BINARY_DELAY	Delay Select Value in binary coded form. Indicates the number of coarse (9:5) and fine (4:0) delay elements to be used on the delay line connected to this pad.	RW	0x0

Table 18-2714. Register Call Summary for Register CFG_SPI2_D1_OEN

IODELAYCONFIG Module Register Manual

- [IODELAYCONFIG Register Summary: \[0\]](#)

Table 18-2715. CFG_SPI2_D1_OUT

Address Offset	0x0000 0800	Instance	IODELAYCONFIG
Physical Address	0x4844 A800		
Description	Delay Select Value in binary coded form for cfg_spi2_d1_out interface		
Type	RW		

31	30	29	28	27	26	25	24	23	22	21	20	19	18	17	16	15	14	13	12	11	10	9	8	7	6	5	4	3	2	1	0
RESERVED								SIGNATURE								RESERVED	LOCK_BIT	BINARY_DELAY													

Bits	Field Name	Description	Type	Reset
31:18	RESERVED		R	0x0
17:12	SIGNATURE	Write to this register will succeed only if data on these bits carries a signature of 6'h29 (6'b101001)	RW	0x0
11	RESERVED		R	0x0
10	LOCK_BIT	When '1', prevents HW update to this MMR. When '0', allows HW update of this MMR.	RW	0x0
9:0	BINARY_DELAY	Delay Select Value in binary coded form. Indicates the number of coarse (9:5) and fine (4:0) delay elements to be used on the delay line connected to this pad.	RW	0x0

Table 18-2716. Register Call Summary for Register CFG_SPI2_D1_OUT

IODELAYCONFIG Module Register Manual

- [IODELAYCONFIG Register Summary: \[0\]](#)

Table 18-2717. CFG_SPI2_SCLK_IN

Address Offset	0x0000 0804	Instance	IODELAYCONFIG
Physical Address	0x4844 A804		
Description	Delay Select Value in binary coded form for cfg_spi2_sclk_in interface		
Type	RW		

31	30	29	28	27	26	25	24	23	22	21	20	19	18	17	16	15	14	13	12	11	10	9	8	7	6	5	4	3	2	1	0
RESERVED														SIGNATURE				RESERVED	LOCK_BIT	BINARY_DELAY											

Bits	Field Name	Description	Type	Reset
31:18	RESERVED		R	0x0
17:12	SIGNATURE	Write to this register will succeed only if data on these bits carries a signature of 6'h29 (6'b101001)	RW	0x0
11	RESERVED		R	0x0
10	LOCK_BIT	When '1', prevents HW update to this MMR. When '0', allows HW update of this MMR.	RW	0x0
9:0	BINARY_DELAY	Delay Select Value in binary coded form. Indicates the number of coarse (9:5) and fine (4:0) delay elements to be used on the delay line connected to this pad.	RW	0x0

Table 18-2718. Register Call Summary for Register CFG_SPI2_SCLK_IN

IODELAYCONFIG Module Register Manual

- [IODELAYCONFIG Register Summary: \[0\]](#)

Table 18-2719. CFG_SPI2_SCLK_OEN

Address Offset	0x0000 0808	Instance	IODELAYCONFIG
Physical Address	0x4844 A808		
Description	Delay Select Value in binary coded form for cfg_spi2_sclk_oen interface		
Type	RW		

31	30	29	28	27	26	25	24	23	22	21	20	19	18	17	16	15	14	13	12	11	10	9	8	7	6	5	4	3	2	1	0
RESERVED														SIGNATURE				RESERVED	LOCK_BIT	BINARY_DELAY											

Bits	Field Name	Description	Type	Reset
31:18	RESERVED		R	0x0
17:12	SIGNATURE	Write to this register will succeed only if data on these bits carries a signature of 6'h29 (6'b101001)	RW	0x0
11	RESERVED		R	0x0
10	LOCK_BIT	When '1', prevents HW update to this MMR. When '0', allows HW update of this MMR.	RW	0x0
9:0	BINARY_DELAY	Delay Select Value in binary coded form. Indicates the number of coarse (9:5) and fine (4:0) delay elements to be used on the delay line connected to this pad.	RW	0x0

Table 18-2720. Register Call Summary for Register CFG_SPI2_SCLK_OEN

IODELAYCONFIG Module Register Manual

- [IODELAYCONFIG Register Summary: \[0\]](#)

Table 18-2721. CFG_SPI2_SCLK_OUT

Address Offset	0x0000 080C	Instance	IODELAYCONFIG
Physical Address	0x4844 A80C		
Description	Delay Select Value in binary coded form for cfg_spi2_sclk_out interface		
Type	RW		

31	30	29	28	27	26	25	24	23	22	21	20	19	18	17	16	15	14	13	12	11	10	9	8	7	6	5	4	3	2	1	0
RESERVED														SIGNATURE				RESERVED	LOCK_BIT	BINARY_DELAY											

Bits	Field Name	Description	Type	Reset
31:18	RESERVED		R	0x0
17:12	SIGNATURE	Write to this register will succeed only if data on these bits carries a signature of 6'h29 (6'b101001)	RW	0x0
11	RESERVED		R	0x0
10	LOCK_BIT	When '1', prevents HW update to this MMR. When '0', allows HW update of this MMR.	RW	0x0
9:0	BINARY_DELAY	Delay Select Value in binary coded form. Indicates the number of coarse (9:5) and fine (4:0) delay elements to be used on the delay line connected to this pad.	RW	0x0

Table 18-2722. Register Call Summary for Register CFG_SPI2_SCLK_OUT

IODELAYCONFIG Module Register Manual

- [IODELAYCONFIG Register Summary: \[0\]](#)

Table 18-2723. CFG_TDI_IN

Address Offset	0x0000 0810	Instance	IODELAYCONFIG
Physical Address	0x4844 A810		
Description	Delay Select Value in binary coded form for cfg_tdi_in interface		
Type	RW		

31	30	29	28	27	26	25	24	23	22	21	20	19	18	17	16	15	14	13	12	11	10	9	8	7	6	5	4	3	2	1	0
RESERVED														SIGNATURE				RESERVED	LOCK_BIT	BINARY_DELAY											

Bits	Field Name	Description	Type	Reset
31:18	RESERVED		R	0x0
17:12	SIGNATURE	Write to this register will succeed only if data on these bits carries a signature of 6'h29 (6'b101001)	RW	0x0
11	RESERVED		R	0x0

Bits	Field Name	Description	Type	Reset
10	LOCK_BIT	When '1', prevents HW update to this MMR. When '0', allows HW update of this MMR.	RW	0x0
9:0	BINARY_DELAY	Delay Select Value in binary coded form. Indicates the number of coarse (9:5) and fine (4:0) delay elements to be used on the delay line connected to this pad.	RW	0x0

Table 18-2724. Register Call Summary for Register CFG_TDI_IN

IODELAYCONFIG Module Register Manual

- [IODELAYCONFIG Register Summary: \[0\]](#)

Table 18-2725. CFG_TDI_OEN

Address Offset	0x0000 0814	Instance	IODELAYCONFIG
Physical Address	0x4844 A814		
Description	Delay Select Value in binary coded form for cfg_tdi_oen interface		
Type	RW		

31	30	29	28	27	26	25	24	23	22	21	20	19	18	17	16	15	14	13	12	11	10	9	8	7	6	5	4	3	2	1	0
RESERVED								SIGNATURE								RESERVED	LOCK_BIT	BINARY_DELAY													

Bits	Field Name	Description	Type	Reset
31:18	RESERVED		R	0x0
17:12	SIGNATURE	Write to this register will succeed only if data on these bits carries a signature of 6'h29 (6'b101001)	RW	0x0
11	RESERVED		R	0x0
10	LOCK_BIT	When '1', prevents HW update to this MMR. When '0', allows HW update of this MMR.	RW	0x0
9:0	BINARY_DELAY	Delay Select Value in binary coded form. Indicates the number of coarse (9:5) and fine (4:0) delay elements to be used on the delay line connected to this pad.	RW	0x0

Table 18-2726. Register Call Summary for Register CFG_TDI_OEN

IODELAYCONFIG Module Register Manual

- [IODELAYCONFIG Register Summary: \[0\]](#)

Table 18-2727. CFG_TDI_OUT

Address Offset	0x0000 0818	Instance	IODELAYCONFIG
Physical Address	0x4844 A818		
Description	Delay Select Value in binary coded form for cfg_tdi_out interface		
Type	RW		

31	30	29	28	27	26	25	24	23	22	21	20	19	18	17	16	15	14	13	12	11	10	9	8	7	6	5	4	3	2	1	0
RESERVED								SIGNATURE								RESERVED	LOCK_BIT	BINARY_DELAY													

Bits	Field Name	Description	Type	Reset
31:18	RESERVED		R	0x0
17:12	SIGNATURE	Write to this register will succeed only if data on these bits carries a signature of 6'h29 (6'b101001)	RW	0x0
11	RESERVED		R	0x0
10	LOCK_BIT	When '1', prevents HW update to this MMR. When '0', allows HW update of this MMR.	RW	0x0
9:0	BINARY_DELAY	Delay Select Value in binary coded form. Indicates the number of coarse (9:5) and fine (4:0) delay elements to be used on the delay line connected to this pad.	RW	0x0

Table 18-2728. Register Call Summary for Register CFG_TDI_OUT

IODELAYCONFIG Module Register Manual

- [IODELAYCONFIG Register Summary: \[0\]](#)

Table 18-2729. CFG_TDO_IN

Address Offset	0x0000 081C	Instance	IODELAYCONFIG
Physical Address	0x4844 A81C		
Description	Delay Select Value in binary coded form for cfg_tdo_in interface		
Type	RW		

31	30	29	28	27	26	25	24	23	22	21	20	19	18	17	16	15	14	13	12	11	10	9	8	7	6	5	4	3	2	1	0
RESERVED								SIGNATURE				RESERVED	LOCK_BIT	BINARY_DELAY																	

Bits	Field Name	Description	Type	Reset
31:18	RESERVED		R	0x0
17:12	SIGNATURE	Write to this register will succeed only if data on these bits carries a signature of 6'h29 (6'b101001)	RW	0x0
11	RESERVED		R	0x0
10	LOCK_BIT	When '1', prevents HW update to this MMR. When '0', allows HW update of this MMR.	RW	0x0
9:0	BINARY_DELAY	Delay Select Value in binary coded form. Indicates the number of coarse (9:5) and fine (4:0) delay elements to be used on the delay line connected to this pad.	RW	0x0

Table 18-2730. Register Call Summary for Register CFG_TDO_IN

IODELAYCONFIG Module Register Manual

- [IODELAYCONFIG Register Summary: \[0\]](#)

Table 18-2731. CFG_TDO_OEN

Address Offset	0x0000 0820	Instance	IODELAYCONFIG
Physical Address	0x4844 A820		
Description	Delay Select Value in binary coded form for cfg_tdo_oen interface		
Type	RW		

31	30	29	28	27	26	25	24	23	22	21	20	19	18	17	16	15	14	13	12	11	10	9	8	7	6	5	4	3	2	1	0
RESERVED														SIGNATURE				RESERVED	LOCK_BIT	BINARY_DELAY											

Bits	Field Name	Description	Type	Reset
31:18	RESERVED		R	0x0
17:12	SIGNATURE	Write to this register will succeed only if data on these bits carries a signature of 6'h29 (6'b101001)	RW	0x0
11	RESERVED		R	0x0
10	LOCK_BIT	When '1', prevents HW update to this MMR. When '0', allows HW update of this MMR.	RW	0x0
9:0	BINARY_DELAY	Delay Select Value in binary coded form. Indicates the number of coarse (9:5) and fine (4:0) delay elements to be used on the delay line connected to this pad.	RW	0x0

Table 18-2732. Register Call Summary for Register CFG_TDO_OEN

IODELAYCONFIG Module Register Manual

- [IODELAYCONFIG Register Summary: \[0\]](#)

Table 18-2733. CFG_TDO_OUT

Address Offset	0x0000 0824	Instance	IODELAYCONFIG
Physical Address	0x4844 A824		
Description	Delay Select Value in binary coded form for cfg_tdo_out interface		
Type	RW		

31	30	29	28	27	26	25	24	23	22	21	20	19	18	17	16	15	14	13	12	11	10	9	8	7	6	5	4	3	2	1	0
RESERVED														SIGNATURE				RESERVED	LOCK_BIT	BINARY_DELAY											

Bits	Field Name	Description	Type	Reset
31:18	RESERVED		R	0x0
17:12	SIGNATURE	Write to this register will succeed only if data on these bits carries a signature of 6'h29 (6'b101001)	RW	0x0
11	RESERVED		R	0x0
10	LOCK_BIT	When '1', prevents HW update to this MMR. When '0', allows HW update of this MMR.	RW	0x0
9:0	BINARY_DELAY	Delay Select Value in binary coded form. Indicates the number of coarse (9:5) and fine (4:0) delay elements to be used on the delay line connected to this pad.	RW	0x0

Table 18-2734. Register Call Summary for Register CFG_TDO_OUT

IODELAYCONFIG Module Register Manual

- [IODELAYCONFIG Register Summary: \[0\]](#)

Table 18-2735. CFG_TMS_IN

Address Offset	0x0000 0828	Instance	IODELAYCONFIG
Physical Address	0x4844 A828		
Description	Delay Select Value in binary coded form for cfg_tms_in interface		
Type	RW		

31	30	29	28	27	26	25	24	23	22	21	20	19	18	17	16	15	14	13	12	11	10	9	8	7	6	5	4	3	2	1	0
RESERVED														SIGNATURE				RESERVED	LOCK_BIT	BINARY_DELAY											

Bits	Field Name	Description	Type	Reset
31:18	RESERVED		R	0x0
17:12	SIGNATURE	Write to this register will succeed only if data on these bits carries a signature of 6'h29 (6'b101001)	RW	0x0
11	RESERVED		R	0x0
10	LOCK_BIT	When '1', prevents HW update to this MMR. When '0', allows HW update of this MMR.	RW	0x0
9:0	BINARY_DELAY	Delay Select Value in binary coded form. Indicates the number of coarse (9:5) and fine (4:0) delay elements to be used on the delay line connected to this pad.	RW	0x0

Table 18-2736. Register Call Summary for Register CFG_TMS_IN

IODELAYCONFIG Module Register Manual

- [IODELAYCONFIG Register Summary: \[0\]](#)

Table 18-2737. CFG_TMS_OEN

Address Offset	0x0000 082C	Instance	IODELAYCONFIG
Physical Address	0x4844 A82C		
Description	Delay Select Value in binary coded form for cfg_tms_oen interface		
Type	RW		

31	30	29	28	27	26	25	24	23	22	21	20	19	18	17	16	15	14	13	12	11	10	9	8	7	6	5	4	3	2	1	0
RESERVED														SIGNATURE				RESERVED	LOCK_BIT	BINARY_DELAY											

Bits	Field Name	Description	Type	Reset
31:18	RESERVED		R	0x0
17:12	SIGNATURE	Write to this register will succeed only if data on these bits carries a signature of 6'h29 (6'b101001)	RW	0x0
11	RESERVED		R	0x0
10	LOCK_BIT	When '1', prevents HW update to this MMR. When '0', allows HW update of this MMR.	RW	0x0
9:0	BINARY_DELAY	Delay Select Value in binary coded form. Indicates the number of coarse (9:5) and fine (4:0) delay elements to be used on the delay line connected to this pad.	RW	0x0

Table 18-2738. Register Call Summary for Register CFG_TMS_OEN

IODELAYCONFIG Module Register Manual

- [IODELAYCONFIG Register Summary: \[0\]](#)

Table 18-2739. CFG_TMS_OUT

Address Offset	0x0000 0830	Instance	IODELAYCONFIG
Physical Address	0x4844 A830		
Description	Delay Select Value in binary coded form for cfg_tms_out interface		
Type	RW		

31	30	29	28	27	26	25	24	23	22	21	20	19	18	17	16	15	14	13	12	11	10	9	8	7	6	5	4	3	2	1	0
RESERVED														SIGNATURE				RESERVED	LOCK_BIT	BINARY_DELAY											

Bits	Field Name	Description	Type	Reset
31:18	RESERVED		R	0x0
17:12	SIGNATURE	Write to this register will succeed only if data on these bits carries a signature of 6'h29 (6'b101001)	RW	0x0
11	RESERVED		R	0x0
10	LOCK_BIT	When '1', prevents HW update to this MMR. When '0', allows HW update of this MMR.	RW	0x0
9:0	BINARY_DELAY	Delay Select Value in binary coded form. Indicates the number of coarse (9:5) and fine (4:0) delay elements to be used on the delay line connected to this pad.	RW	0x0

Table 18-2740. Register Call Summary for Register CFG_TMS_OUT

IODELAYCONFIG Module Register Manual

- [IODELAYCONFIG Register Summary: \[0\]](#)

Table 18-2741. CFG_TRSTN_IN

Address Offset	0x0000 0834	Instance	IODELAYCONFIG
Physical Address	0x4844 A834		
Description	Delay Select Value in binary coded form for cfg_trstn_in interface		
Type	RW		

31	30	29	28	27	26	25	24	23	22	21	20	19	18	17	16	15	14	13	12	11	10	9	8	7	6	5	4	3	2	1	0
RESERVED														SIGNATURE				RESERVED	LOCK_BIT	BINARY_DELAY											

Bits	Field Name	Description	Type	Reset
31:18	RESERVED		R	0x0
17:12	SIGNATURE	Write to this register will succeed only if data on these bits carries a signature of 6'h29 (6'b101001)	RW	0x0
11	RESERVED		R	0x0

Bits	Field Name	Description	Type	Reset
10	LOCK_BIT	When '1', prevents HW update to this MMR. When '0', allows HW update of this MMR.	RW	0x0
9:0	BINARY_DELAY	Delay Select Value in binary coded form. Indicates the number of coarse (9:5) and fine (4:0) delay elements to be used on the delay line connected to this pad.	RW	0x0

Table 18-2742. Register Call Summary for Register CFG_TRSTN_IN

IODELAYCONFIG Module Register Manual

- [IODELAYCONFIG Register Summary: \[0\]](#)

Table 18-2743. CFG_TRSTN_OEN

Address Offset	0x0000 0838	Instance	IODELAYCONFIG
Physical Address	0x4844 A838		
Description	Delay Select Value in binary coded form for cfg_trstn_oen interface		
Type	RW		

31	30	29	28	27	26	25	24	23	22	21	20	19	18	17	16	15	14	13	12	11	10	9	8	7	6	5	4	3	2	1	0
RESERVED								SIGNATURE								RESERVED	LOCK_BIT	BINARY_DELAY													

Bits	Field Name	Description	Type	Reset
31:18	RESERVED		R	0x0
17:12	SIGNATURE	Write to this register will succeed only if data on these bits carries a signature of 6'h29 (6'b101001)	RW	0x0
11	RESERVED		R	0x0
10	LOCK_BIT	When '1', prevents HW update to this MMR. When '0', allows HW update of this MMR.	RW	0x0
9:0	BINARY_DELAY	Delay Select Value in binary coded form. Indicates the number of coarse (9:5) and fine (4:0) delay elements to be used on the delay line connected to this pad.	RW	0x0

Table 18-2744. Register Call Summary for Register CFG_TRSTN_OEN

IODELAYCONFIG Module Register Manual

- [IODELAYCONFIG Register Summary: \[0\]](#)

Table 18-2745. CFG_TRSTN_OUT

Address Offset	0x0000 083C	Instance	IODELAYCONFIG
Physical Address	0x4844 A83C		
Description	Delay Select Value in binary coded form for cfg_trstn_out interface		
Type	RW		

31	30	29	28	27	26	25	24	23	22	21	20	19	18	17	16	15	14	13	12	11	10	9	8	7	6	5	4	3	2	1	0
RESERVED								SIGNATURE								RESERVED	LOCK_BIT	BINARY_DELAY													

Bits	Field Name	Description	Type	Reset
31:18	RESERVED		R	0x0
17:12	SIGNATURE	Write to this register will succeed only if data on these bits carries a signature of 6'h29 (6'b101001)	RW	0x0
11	RESERVED		R	0x0
10	LOCK_BIT	When '1', prevents HW update to this MMR. When '0', allows HW update of this MMR.	RW	0x0
9:0	BINARY_DELAY	Delay Select Value in binary coded form. Indicates the number of coarse (9:5) and fine (4:0) delay elements to be used on the delay line connected to this pad.	RW	0x0

Table 18-2746. Register Call Summary for Register CFG_TRSTN_OUT

IODELAYCONFIG Module Register Manual

- [IODELAYCONFIG Register Summary: \[0\]](#)

Table 18-2747. CFG_UART1_CTSN_IN

Address Offset	0x0000 0840	Instance	IODELAYCONFIG
Physical Address	0x4844 A840		
Description	Delay Select Value in binary coded form for cfg_uart1_ctsn_in interface		
Type	RW		

31	30	29	28	27	26	25	24	23	22	21	20	19	18	17	16	15	14	13	12	11	10	9	8	7	6	5	4	3	2	1	0
RESERVED								SIGNATURE				RESERVED	LOCK_BIT	BINARY_DELAY																	

Bits	Field Name	Description	Type	Reset
31:18	RESERVED		R	0x0
17:12	SIGNATURE	Write to this register will succeed only if data on these bits carries a signature of 6'h29 (6'b101001)	RW	0x0
11	RESERVED		R	0x0
10	LOCK_BIT	When '1', prevents HW update to this MMR. When '0', allows HW update of this MMR.	RW	0x0
9:0	BINARY_DELAY	Delay Select Value in binary coded form. Indicates the number of coarse (9:5) and fine (4:0) delay elements to be used on the delay line connected to this pad.	RW	0x0

Table 18-2748. Register Call Summary for Register CFG_UART1_CTSN_IN

IODELAYCONFIG Module Register Manual

- [IODELAYCONFIG Register Summary: \[0\]](#)

Table 18-2749. CFG_UART1_CTSN_OEN

Address Offset	0x0000 0844	Instance	IODELAYCONFIG
Physical Address	0x4844 A844		
Description	Delay Select Value in binary coded form for cfg_uart1_ctsn_oen interface		
Type	RW		

31	30	29	28	27	26	25	24	23	22	21	20	19	18	17	16	15	14	13	12	11	10	9	8	7	6	5	4	3	2	1	0
RESERVED														SIGNATURE				RESERVED	LOCK_BIT	BINARY_DELAY											

Bits	Field Name	Description	Type	Reset
31:18	RESERVED		R	0x0
17:12	SIGNATURE	Write to this register will succeed only if data on these bits carries a signature of 6'h29 (6'b101001)	RW	0x0
11	RESERVED		R	0x0
10	LOCK_BIT	When '1', prevents HW update to this MMR. When '0', allows HW update of this MMR.	RW	0x0
9:0	BINARY_DELAY	Delay Select Value in binary coded form. Indicates the number of coarse (9:5) and fine (4:0) delay elements to be used on the delay line connected to this pad.	RW	0x0

Table 18-2750. Register Call Summary for Register CFG_UART1_CTSN_OEN

IODELAYCONFIG Module Register Manual

- [IODELAYCONFIG Register Summary: \[0\]](#)

Table 18-2751. CFG_UART1_CTSN_OUT

Address Offset	0x0000 0848	Instance	IODELAYCONFIG
Physical Address	0x4844 A848		
Description	Delay Select Value in binary coded form for cfg_uart1_ctsn_out interface		
Type	RW		

31	30	29	28	27	26	25	24	23	22	21	20	19	18	17	16	15	14	13	12	11	10	9	8	7	6	5	4	3	2	1	0
RESERVED														SIGNATURE				RESERVED	LOCK_BIT	BINARY_DELAY											

Bits	Field Name	Description	Type	Reset
31:18	RESERVED		R	0x0
17:12	SIGNATURE	Write to this register will succeed only if data on these bits carries a signature of 6'h29 (6'b101001)	RW	0x0
11	RESERVED		R	0x0
10	LOCK_BIT	When '1', prevents HW update to this MMR. When '0', allows HW update of this MMR.	RW	0x0
9:0	BINARY_DELAY	Delay Select Value in binary coded form. Indicates the number of coarse (9:5) and fine (4:0) delay elements to be used on the delay line connected to this pad.	RW	0x0

Table 18-2752. Register Call Summary for Register CFG_UART1_CTSN_OUT

IODELAYCONFIG Module Register Manual

- [IODELAYCONFIG Register Summary: \[0\]](#)

Table 18-2753. CFG_UART1_RTSN_IN

Address Offset	0x0000 084C	Instance	IODELAYCONFIG
Physical Address	0x4844 A84C		
Description	Delay Select Value in binary coded form for cfg_uart1_rtsn_in interface		
Type	RW		

31	30	29	28	27	26	25	24	23	22	21	20	19	18	17	16	15	14	13	12	11	10	9	8	7	6	5	4	3	2	1	0
RESERVED														SIGNATURE				RESERVED	LOCK_BIT	BINARY_DELAY											

Bits	Field Name	Description	Type	Reset
31:18	RESERVED		R	0x0
17:12	SIGNATURE	Write to this register will succeed only if data on these bits carries a signature of 6'h29 (6'b101001)	RW	0x0
11	RESERVED		R	0x0
10	LOCK_BIT	When '1', prevents HW update to this MMR. When '0', allows HW update of this MMR.	RW	0x0
9:0	BINARY_DELAY	Delay Select Value in binary coded form. Indicates the number of coarse (9:5) and fine (4:0) delay elements to be used on the delay line connected to this pad.	RW	0x0

Table 18-2754. Register Call Summary for Register CFG_UART1_RTSN_IN

IODELAYCONFIG Module Register Manual

- [IODELAYCONFIG Register Summary: \[0\]](#)

Table 18-2755. CFG_UART1_RTSN_OEN

Address Offset	0x0000 0850	Instance	IODELAYCONFIG
Physical Address	0x4844 A850		
Description	Delay Select Value in binary coded form for cfg_uart1_rtsn_oen interface		
Type	RW		

31	30	29	28	27	26	25	24	23	22	21	20	19	18	17	16	15	14	13	12	11	10	9	8	7	6	5	4	3	2	1	0
RESERVED														SIGNATURE				RESERVED	LOCK_BIT	BINARY_DELAY											

Bits	Field Name	Description	Type	Reset
31:18	RESERVED		R	0x0
17:12	SIGNATURE	Write to this register will succeed only if data on these bits carries a signature of 6'h29 (6'b101001)	RW	0x0
11	RESERVED		R	0x0
10	LOCK_BIT	When '1', prevents HW update to this MMR. When '0', allows HW update of this MMR.	RW	0x0
9:0	BINARY_DELAY	Delay Select Value in binary coded form. Indicates the number of coarse (9:5) and fine (4:0) delay elements to be used on the delay line connected to this pad.	RW	0x0

Table 18-2756. Register Call Summary for Register CFG_UART1_RTSN_OEN

IODELAYCONFIG Module Register Manual
 • [IODELAYCONFIG Register Summary: \[0\]](#)

Table 18-2757. CFG_UART1_RTSN_OUT

Address Offset	0x0000 0854	Instance	IODELAYCONFIG
Physical Address	0x4844 A854		
Description	Delay Select Value in binary coded form for cfg_uart1_rtsn_out interface		
Type	RW		

31	30	29	28	27	26	25	24	23	22	21	20	19	18	17	16	15	14	13	12	11	10	9	8	7	6	5	4	3	2	1	0
RESERVED														SIGNATURE				RESERVED	LOCK_BIT	BINARY_DELAY											

Bits	Field Name	Description	Type	Reset
31:18	RESERVED		R	0x0
17:12	SIGNATURE	Write to this register will succeed only if data on these bits carries a signature of 6'h29 (6'b101001)	RW	0x0
11	RESERVED		R	0x0
10	LOCK_BIT	When '1', prevents HW update to this MMR. When '0', allows HW update of this MMR.	RW	0x0
9:0	BINARY_DELAY	Delay Select Value in binary coded form. Indicates the number of coarse (9:5) and fine (4:0) delay elements to be used on the delay line connected to this pad.	RW	0x0

Table 18-2758. Register Call Summary for Register CFG_UART1_RTSN_OUT

IODELAYCONFIG Module Register Manual
 • [IODELAYCONFIG Register Summary: \[0\]](#)

Table 18-2759. CFG_UART1_RXD_IN

Address Offset	0x0000 0858	Instance	IODELAYCONFIG
Physical Address	0x4844 A858		
Description	Delay Select Value in binary coded form for cfg_uart1_rxd_in interface		
Type	RW		

31	30	29	28	27	26	25	24	23	22	21	20	19	18	17	16	15	14	13	12	11	10	9	8	7	6	5	4	3	2	1	0
RESERVED														SIGNATURE				RESERVED	LOCK_BIT	BINARY_DELAY											

Bits	Field Name	Description	Type	Reset
31:18	RESERVED		R	0x0
17:12	SIGNATURE	Write to this register will succeed only if data on these bits carries a signature of 6'h29 (6'b101001)	RW	0x0
11	RESERVED		R	0x0

Bits	Field Name	Description	Type	Reset
10	LOCK_BIT	When '1', prevents HW update to this MMR. When '0', allows HW update of this MMR.	RW	0x0
9:0	BINARY_DELAY	Delay Select Value in binary coded form. Indicates the number of coarse (9:5) and fine (4:0) delay elements to be used on the delay line connected to this pad.	RW	0x0

Table 18-2760. Register Call Summary for Register CFG_UART1_RXD_IN

IODELAYCONFIG Module Register Manual

- [IODELAYCONFIG Register Summary: \[0\]](#)

Table 18-2761. CFG_UART1_RXD_OEN

Address Offset	0x0000 085C	Instance	IODELAYCONFIG
Physical Address	0x4844 A85C		
Description	Delay Select Value in binary coded form for cfg_uart1_rxd_oen interface		
Type	RW		

31	30	29	28	27	26	25	24	23	22	21	20	19	18	17	16	15	14	13	12	11	10	9	8	7	6	5	4	3	2	1	0
RESERVED								SIGNATURE								RESERVED	LOCK_BIT	BINARY_DELAY													

Bits	Field Name	Description	Type	Reset
31:18	RESERVED		R	0x0
17:12	SIGNATURE	Write to this register will succeed only if data on these bits carries a signature of 6'h29 (6'b101001)	RW	0x0
11	RESERVED		R	0x0
10	LOCK_BIT	When '1', prevents HW update to this MMR. When '0', allows HW update of this MMR.	RW	0x0
9:0	BINARY_DELAY	Delay Select Value in binary coded form. Indicates the number of coarse (9:5) and fine (4:0) delay elements to be used on the delay line connected to this pad.	RW	0x0

Table 18-2762. Register Call Summary for Register CFG_UART1_RXD_OEN

IODELAYCONFIG Module Register Manual

- [IODELAYCONFIG Register Summary: \[0\]](#)

Table 18-2763. CFG_UART1_RXD_OUT

Address Offset	0x0000 0860	Instance	IODELAYCONFIG
Physical Address	0x4844 A860		
Description	Delay Select Value in binary coded form for cfg_uart1_rxd_out interface		
Type	RW		

31	30	29	28	27	26	25	24	23	22	21	20	19	18	17	16	15	14	13	12	11	10	9	8	7	6	5	4	3	2	1	0
RESERVED								SIGNATURE								RESERVED	LOCK_BIT	BINARY_DELAY													

Bits	Field Name	Description	Type	Reset
31:18	RESERVED		R	0x0
17:12	SIGNATURE	Write to this register will succeed only if data on these bits carries a signature of 6'h29 (6'b101001)	RW	0x0
11	RESERVED		R	0x0
10	LOCK_BIT	When '1', prevents HW update to this MMR. When '0', allows HW update of this MMR.	RW	0x0
9:0	BINARY_DELAY	Delay Select Value in binary coded form. Indicates the number of coarse (9:5) and fine (4:0) delay elements to be used on the delay line connected to this pad.	RW	0x0

Table 18-2764. Register Call Summary for Register CFG_UART1_RXD_OUT

IODELAYCONFIG Module Register Manual

- [IODELAYCONFIG Register Summary: \[0\]](#)

Table 18-2765. CFG_UART1_TXD_IN

Address Offset	0x0000 0864	Instance	IODELAYCONFIG
Physical Address	0x4844 A864		
Description	Delay Select Value in binary coded form for cfg_uart1_txd_in interface		
Type	RW		

31	30	29	28	27	26	25	24	23	22	21	20	19	18	17	16	15	14	13	12	11	10	9	8	7	6	5	4	3	2	1	0
RESERVED								SIGNATURE				RESERVED	LOCK_BIT	BINARY_DELAY																	

Bits	Field Name	Description	Type	Reset
31:18	RESERVED		R	0x0
17:12	SIGNATURE	Write to this register will succeed only if data on these bits carries a signature of 6'h29 (6'b101001)	RW	0x0
11	RESERVED		R	0x0
10	LOCK_BIT	When '1', prevents HW update to this MMR. When '0', allows HW update of this MMR.	RW	0x0
9:0	BINARY_DELAY	Delay Select Value in binary coded form. Indicates the number of coarse (9:5) and fine (4:0) delay elements to be used on the delay line connected to this pad.	RW	0x0

Table 18-2766. Register Call Summary for Register CFG_UART1_TXD_IN

IODELAYCONFIG Module Register Manual

- [IODELAYCONFIG Register Summary: \[0\]](#)

Table 18-2767. CFG_UART1_TXD_OEN

Address Offset	0x0000 0868	Instance	IODELAYCONFIG
Physical Address	0x4844 A868		
Description	Delay Select Value in binary coded form for cfg_uart1_txd_oen interface		
Type	RW		

31	30	29	28	27	26	25	24	23	22	21	20	19	18	17	16	15	14	13	12	11	10	9	8	7	6	5	4	3	2	1	0
RESERVED								SIGNATURE				RESERVED	LOCK_BIT	BINARY_DELAY																	

Bits	Field Name	Description	Type	Reset
31:18	RESERVED		R	0x0
17:12	SIGNATURE	Write to this register will succeed only if data on these bits carries a signature of 6'h29 (6'b101001)	RW	0x0
11	RESERVED		R	0x0
10	LOCK_BIT	When '1', prevents HW update to this MMR. When '0', allows HW update of this MMR.	RW	0x0
9:0	BINARY_DELAY	Delay Select Value in binary coded form. Indicates the number of coarse (9:5) and fine (4:0) delay elements to be used on the delay line connected to this pad.	RW	0x0

Table 18-2768. Register Call Summary for Register CFG_UART1_TXD_OEN

IODELAYCONFIG Module Register Manual

- [IODELAYCONFIG Register Summary: \[0\]](#)

Table 18-2769. CFG_UART1_TXD_OUT

Address Offset	0x0000 086C	Instance	IODELAYCONFIG
Physical Address	0x4844 A86C		
Description	Delay Select Value in binary coded form for cfg_uart1_txd_out interface		
Type	RW		

31	30	29	28	27	26	25	24	23	22	21	20	19	18	17	16	15	14	13	12	11	10	9	8	7	6	5	4	3	2	1	0
RESERVED								SIGNATURE				RESERVED	LOCK_BIT	BINARY_DELAY																	

Bits	Field Name	Description	Type	Reset
31:18	RESERVED		R	0x0
17:12	SIGNATURE	Write to this register will succeed only if data on these bits carries a signature of 6'h29 (6'b101001)	RW	0x0
11	RESERVED		R	0x0
10	LOCK_BIT	When '1', prevents HW update to this MMR. When '0', allows HW update of this MMR.	RW	0x0
9:0	BINARY_DELAY	Delay Select Value in binary coded form. Indicates the number of coarse (9:5) and fine (4:0) delay elements to be used on the delay line connected to this pad.	RW	0x0

Table 18-2770. Register Call Summary for Register CFG_UART1_TXD_OUT

IODELAYCONFIG Module Register Manual

- [IODELAYCONFIG Register Summary: \[0\]](#)

Table 18-2771. CFG_UART2_CTSN_IN

Address Offset	0x0000 0870	Instance	IODELAYCONFIG
Physical Address	0x4844 A870		
Description	Delay Select Value in binary coded form for cfg_uart2_ctsn_in interface		
Type	RW		

31	30	29	28	27	26	25	24	23	22	21	20	19	18	17	16	15	14	13	12	11	10	9	8	7	6	5	4	3	2	1	0
RESERVED														SIGNATURE				RESERVED	LOCK_BIT	BINARY_DELAY											

Bits	Field Name	Description	Type	Reset
31:18	RESERVED		R	0x0
17:12	SIGNATURE	Write to this register will succeed only if data on these bits carries a signature of 6'h29 (6'b101001)	RW	0x0
11	RESERVED		R	0x0
10	LOCK_BIT	When '1', prevents HW update to this MMR. When '0', allows HW update of this MMR.	RW	0x0
9:0	BINARY_DELAY	Delay Select Value in binary coded form. Indicates the number of coarse (9:5) and fine (4:0) delay elements to be used on the delay line connected to this pad.	RW	0x0

Table 18-2772. Register Call Summary for Register CFG_UART2_CTSN_IN

IODELAYCONFIG Module Register Manual

- [IODELAYCONFIG Register Summary: \[0\]](#)

Table 18-2773. CFG_UART2_CTSN_OEN

Address Offset	0x0000 0874	Instance	IODELAYCONFIG
Physical Address	0x4844 A874		
Description	Delay Select Value in binary coded form for cfg_uart2_ctsn_oen interface		
Type	RW		

31	30	29	28	27	26	25	24	23	22	21	20	19	18	17	16	15	14	13	12	11	10	9	8	7	6	5	4	3	2	1	0
RESERVED														SIGNATURE				RESERVED	LOCK_BIT	BINARY_DELAY											

Bits	Field Name	Description	Type	Reset
31:18	RESERVED		R	0x0
17:12	SIGNATURE	Write to this register will succeed only if data on these bits carries a signature of 6'h29 (6'b101001)	RW	0x0
11	RESERVED		R	0x0
10	LOCK_BIT	When '1', prevents HW update to this MMR. When '0', allows HW update of this MMR.	RW	0x0
9:0	BINARY_DELAY	Delay Select Value in binary coded form. Indicates the number of coarse (9:5) and fine (4:0) delay elements to be used on the delay line connected to this pad.	RW	0x0

Table 18-2774. Register Call Summary for Register CFG_UART2_CTSN_OEN

IODELAYCONFIG Module Register Manual

- [IODELAYCONFIG Register Summary: \[0\]](#)

Table 18-2775. CFG_UART2_CTSN_OUT

Address Offset	0x0000 0878	Instance	IODELAYCONFIG
Physical Address	0x4844 A878		
Description	Delay Select Value in binary coded form for cfg_uart2_ctsn_out interface		
Type	RW		

31	30	29	28	27	26	25	24	23	22	21	20	19	18	17	16	15	14	13	12	11	10	9	8	7	6	5	4	3	2	1	0
RESERVED																SIGNATURE						RESERVED	LOCK_BIT	BINARY_DELAY							

Bits	Field Name	Description	Type	Reset
31:18	RESERVED		R	0x0
17:12	SIGNATURE	Write to this register will succeed only if data on these bits carries a signature of 6'h29 (6'b101001)	RW	0x0
11	RESERVED		R	0x0
10	LOCK_BIT	When '1', prevents HW update to this MMR. When '0', allows HW update of this MMR.	RW	0x0
9:0	BINARY_DELAY	Delay Select Value in binary coded form. Indicates the number of coarse (9:5) and fine (4:0) delay elements to be used on the delay line connected to this pad.	RW	0x0

Table 18-2776. Register Call Summary for Register CFG_UART2_CTSN_OUT

IODELAYCONFIG Module Register Manual

- [IODELAYCONFIG Register Summary: \[0\]](#)

Table 18-2777. CFG_UART2_RTSN_IN

Address Offset	0x0000 087C	Instance	IODELAYCONFIG
Physical Address	0x4844 A87C		
Description	Delay Select Value in binary coded form for cfg_uart2_rtsn_in interface		
Type	RW		

31	30	29	28	27	26	25	24	23	22	21	20	19	18	17	16	15	14	13	12	11	10	9	8	7	6	5	4	3	2	1	0
RESERVED																SIGNATURE						RESERVED	LOCK_BIT	BINARY_DELAY							

Bits	Field Name	Description	Type	Reset
31:18	RESERVED		R	0x0
17:12	SIGNATURE	Write to this register will succeed only if data on these bits carries a signature of 6'h29 (6'b101001)	RW	0x0
11	RESERVED		R	0x0

Bits	Field Name	Description	Type	Reset
10	LOCK_BIT	When '1', prevents HW update to this MMR. When '0', allows HW update of this MMR.	RW	0x0
9:0	BINARY_DELAY	Delay Select Value in binary coded form. Indicates the number of coarse (9:5) and fine (4:0) delay elements to be used on the delay line connected to this pad.	RW	0x0

Table 18-2778. Register Call Summary for Register CFG_UART2_RTSN_IN

IODELAYCONFIG Module Register Manual

- [IODELAYCONFIG Register Summary: \[0\]](#)

Table 18-2779. CFG_UART2_RTSN_OEN

Address Offset	0x0000 0880	Instance	IODELAYCONFIG
Physical Address	0x4844 A880		
Description	Delay Select Value in binary coded form for cfg_uart2_rtsn_oen interface		
Type	RW		

31	30	29	28	27	26	25	24	23	22	21	20	19	18	17	16	15	14	13	12	11	10	9	8	7	6	5	4	3	2	1	0
RESERVED								SIGNATURE								RESERVED	LOCK_BIT	BINARY_DELAY													

Bits	Field Name	Description	Type	Reset
31:18	RESERVED		R	0x0
17:12	SIGNATURE	Write to this register will succeed only if data on these bits carries a signature of 6'h29 (6'b101001)	RW	0x0
11	RESERVED		R	0x0
10	LOCK_BIT	When '1', prevents HW update to this MMR. When '0', allows HW update of this MMR.	RW	0x0
9:0	BINARY_DELAY	Delay Select Value in binary coded form. Indicates the number of coarse (9:5) and fine (4:0) delay elements to be used on the delay line connected to this pad.	RW	0x0

Table 18-2780. Register Call Summary for Register CFG_UART2_RTSN_OEN

IODELAYCONFIG Module Register Manual

- [IODELAYCONFIG Register Summary: \[0\]](#)

Table 18-2781. CFG_UART2_RTSN_OUT

Address Offset	0x0000 0884	Instance	IODELAYCONFIG
Physical Address	0x4844 A884		
Description	Delay Select Value in binary coded form for cfg_uart2_rtsn_out interface		
Type	RW		

31	30	29	28	27	26	25	24	23	22	21	20	19	18	17	16	15	14	13	12	11	10	9	8	7	6	5	4	3	2	1	0
RESERVED								SIGNATURE								RESERVED	LOCK_BIT	BINARY_DELAY													

Bits	Field Name	Description	Type	Reset
31:18	RESERVED		R	0x0
17:12	SIGNATURE	Write to this register will succeed only if data on these bits carries a signature of 6'h29 (6'b101001)	RW	0x0
11	RESERVED		R	0x0
10	LOCK_BIT	When '1', prevents HW update to this MMR. When '0', allows HW update of this MMR.	RW	0x0
9:0	BINARY_DELAY	Delay Select Value in binary coded form. Indicates the number of coarse (9:5) and fine (4:0) delay elements to be used on the delay line connected to this pad.	RW	0x0

Table 18-2782. Register Call Summary for Register CFG_UART2_RTSN_OUT

IODELAYCONFIG Module Register Manual

- [IODELAYCONFIG Register Summary: \[0\]](#)

Table 18-2783. CFG_UART2_RXD_IN

Address Offset	0x0000 0888	Instance	IODELAYCONFIG
Physical Address	0x4844 A888		
Description	Delay Select Value in binary coded form for cfg_uart2_rxd_in interface		
Type	RW		

31	30	29	28	27	26	25	24	23	22	21	20	19	18	17	16	15	14	13	12	11	10	9	8	7	6	5	4	3	2	1	0
RESERVED								SIGNATURE				RESERVED	LOCK_BIT	BINARY_DELAY																	

Bits	Field Name	Description	Type	Reset
31:18	RESERVED		R	0x0
17:12	SIGNATURE	Write to this register will succeed only if data on these bits carries a signature of 6'h29 (6'b101001)	RW	0x0
11	RESERVED		R	0x0
10	LOCK_BIT	When '1', prevents HW update to this MMR. When '0', allows HW update of this MMR.	RW	0x0
9:0	BINARY_DELAY	Delay Select Value in binary coded form. Indicates the number of coarse (9:5) and fine (4:0) delay elements to be used on the delay line connected to this pad.	RW	0x0

Table 18-2784. Register Call Summary for Register CFG_UART2_RXD_IN

IODELAYCONFIG Module Register Manual

- [IODELAYCONFIG Register Summary: \[0\]](#)

Table 18-2785. CFG_UART2_RXD_OEN

Address Offset	0x0000 088C	Instance	IODELAYCONFIG
Physical Address	0x4844 A88C		
Description	Delay Select Value in binary coded form for cfg_uart2_rxd_oen interface		
Type	RW		

31	30	29	28	27	26	25	24	23	22	21	20	19	18	17	16	15	14	13	12	11	10	9	8	7	6	5	4	3	2	1	0
RESERVED														SIGNATURE				RESERVED	LOCK_BIT	BINARY_DELAY											

Bits	Field Name	Description	Type	Reset
31:18	RESERVED		R	0x0
17:12	SIGNATURE	Write to this register will succeed only if data on these bits carries a signature of 6'h29 (6'b101001)	RW	0x0
11	RESERVED		R	0x0
10	LOCK_BIT	When '1', prevents HW update to this MMR. When '0', allows HW update of this MMR.	RW	0x0
9:0	BINARY_DELAY	Delay Select Value in binary coded form. Indicates the number of coarse (9:5) and fine (4:0) delay elements to be used on the delay line connected to this pad.	RW	0x0

Table 18-2786. Register Call Summary for Register CFG_UART2_RXD_OEN

IODELAYCONFIG Module Register Manual

- [IODELAYCONFIG Register Summary: \[0\]](#)

Table 18-2787. CFG_UART2_RXD_OUT

Address Offset	0x0000 0890	Instance	IODELAYCONFIG
Physical Address	0x4844 A890		
Description	Delay Select Value in binary coded form for cfg_uart2_rxd_out interface		
Type	RW		

31	30	29	28	27	26	25	24	23	22	21	20	19	18	17	16	15	14	13	12	11	10	9	8	7	6	5	4	3	2	1	0
RESERVED														SIGNATURE				RESERVED	LOCK_BIT	BINARY_DELAY											

Bits	Field Name	Description	Type	Reset
31:18	RESERVED		R	0x0
17:12	SIGNATURE	Write to this register will succeed only if data on these bits carries a signature of 6'h29 (6'b101001)	RW	0x0
11	RESERVED		R	0x0
10	LOCK_BIT	When '1', prevents HW update to this MMR. When '0', allows HW update of this MMR.	RW	0x0
9:0	BINARY_DELAY	Delay Select Value in binary coded form. Indicates the number of coarse (9:5) and fine (4:0) delay elements to be used on the delay line connected to this pad.	RW	0x0

Table 18-2788. Register Call Summary for Register CFG_UART2_RXD_OUT

IODELAYCONFIG Module Register Manual

- [IODELAYCONFIG Register Summary: \[0\]](#)

Table 18-2789. CFG_UART2_TXD_IN

Address Offset	0x0000 0894	Instance	IODELAYCONFIG
Physical Address	0x4844 A894		
Description	Delay Select Value in binary coded form for cfg_uart2_txd_in interface		
Type	RW		

31	30	29	28	27	26	25	24	23	22	21	20	19	18	17	16	15	14	13	12	11	10	9	8	7	6	5	4	3	2	1	0
RESERVED														SIGNATURE				RESERVED	LOCK_BIT	BINARY_DELAY											

Bits	Field Name	Description	Type	Reset
31:18	RESERVED		R	0x0
17:12	SIGNATURE	Write to this register will succeed only if data on these bits carries a signature of 6'h29 (6'b101001)	RW	0x0
11	RESERVED		R	0x0
10	LOCK_BIT	When '1', prevents HW update to this MMR. When '0', allows HW update of this MMR.	RW	0x0
9:0	BINARY_DELAY	Delay Select Value in binary coded form. Indicates the number of coarse (9:5) and fine (4:0) delay elements to be used on the delay line connected to this pad.	RW	0x0

Table 18-2790. Register Call Summary for Register CFG_UART2_TXD_IN

- IODELAYCONFIG Module Register Manual
- [IODELAYCONFIG Register Summary: \[0\]](#)

Table 18-2791. CFG_UART2_TXD_OEN

Address Offset	0x0000 0898	Instance	IODELAYCONFIG
Physical Address	0x4844 A898		
Description	Delay Select Value in binary coded form for cfg_uart2_txd_oen interface		
Type	RW		

31	30	29	28	27	26	25	24	23	22	21	20	19	18	17	16	15	14	13	12	11	10	9	8	7	6	5	4	3	2	1	0
RESERVED														SIGNATURE				RESERVED	LOCK_BIT	BINARY_DELAY											

Bits	Field Name	Description	Type	Reset
31:18	RESERVED		R	0x0
17:12	SIGNATURE	Write to this register will succeed only if data on these bits carries a signature of 6'h29 (6'b101001)	RW	0x0
11	RESERVED		R	0x0
10	LOCK_BIT	When '1', prevents HW update to this MMR. When '0', allows HW update of this MMR.	RW	0x0
9:0	BINARY_DELAY	Delay Select Value in binary coded form. Indicates the number of coarse (9:5) and fine (4:0) delay elements to be used on the delay line connected to this pad.	RW	0x0

Table 18-2792. Register Call Summary for Register CFG_UART2_TXD_OEN

IODELAYCONFIG Module Register Manual

- [IODELAYCONFIG Register Summary: \[0\]](#)

Table 18-2793. CFG_UART2_TXD_OUT

Address Offset	0x0000 089C	Instance	IODELAYCONFIG
Physical Address	0x4844 A89C		
Description	Delay Select Value in binary coded form for cfg_uart2_txd_out interface		
Type	RW		

31	30	29	28	27	26	25	24	23	22	21	20	19	18	17	16	15	14	13	12	11	10	9	8	7	6	5	4	3	2	1	0		
RESERVED																SIGNATURE						RESERVED	LOCK_BIT	BINARY_DELAY									

Bits	Field Name	Description	Type	Reset
31:18	RESERVED		R	0x0
17:12	SIGNATURE	Write to this register will succeed only if data on these bits carries a signature of 6'h29 (6'b101001)	RW	0x0
11	RESERVED		R	0x0
10	LOCK_BIT	When '1', prevents HW update to this MMR. When '0', allows HW update of this MMR.	RW	0x0
9:0	BINARY_DELAY	Delay Select Value in binary coded form. Indicates the number of coarse (9:5) and fine (4:0) delay elements to be used on the delay line connected to this pad.	RW	0x0

Table 18-2794. Register Call Summary for Register CFG_UART2_TXD_OUT

IODELAYCONFIG Module Register Manual

- [IODELAYCONFIG Register Summary: \[0\]](#)

Table 18-2795. CFG_UART3_RXD_IN

Address Offset	0x0000 08A0	Instance	IODELAYCONFIG
Physical Address	0x4844 A8A0		
Description	Delay Select Value in binary coded form for cfg_uart3_rxd_in interface		
Type	RW		

31	30	29	28	27	26	25	24	23	22	21	20	19	18	17	16	15	14	13	12	11	10	9	8	7	6	5	4	3	2	1	0		
RESERVED																SIGNATURE						RESERVED	LOCK_BIT	BINARY_DELAY									

Bits	Field Name	Description	Type	Reset
31:18	RESERVED		R	0x0
17:12	SIGNATURE	Write to this register will succeed only if data on these bits carries a signature of 6'h29 (6'b101001)	RW	0x0
11	RESERVED		R	0x0

Bits	Field Name	Description	Type	Reset
10	LOCK_BIT	When '1', prevents HW update to this MMR. When '0', allows HW update of this MMR.	RW	0x0
9:0	BINARY_DELAY	Delay Select Value in binary coded form. Indicates the number of coarse (9:5) and fine (4:0) delay elements to be used on the delay line connected to this pad.	RW	0x0

Table 18-2796. Register Call Summary for Register CFG_UART3_RXD_IN

IODELAYCONFIG Module Register Manual

- [IODELAYCONFIG Register Summary: \[0\]](#)

Table 18-2797. CFG_UART3_RXD_OEN

Address Offset	0x0000 08A4	Instance	IODELAYCONFIG
Physical Address	0x4844 A8A4		
Description	Delay Select Value in binary coded form for cfg_uart3_rxd_oen interface		
Type	RW		

31	30	29	28	27	26	25	24	23	22	21	20	19	18	17	16	15	14	13	12	11	10	9	8	7	6	5	4	3	2	1	0
RESERVED								SIGNATURE								RESERVED	LOCK_BIT	BINARY_DELAY													

Bits	Field Name	Description	Type	Reset
31:18	RESERVED		R	0x0
17:12	SIGNATURE	Write to this register will succeed only if data on these bits carries a signature of 6'h29 (6'b101001)	RW	0x0
11	RESERVED		R	0x0
10	LOCK_BIT	When '1', prevents HW update to this MMR. When '0', allows HW update of this MMR.	RW	0x0
9:0	BINARY_DELAY	Delay Select Value in binary coded form. Indicates the number of coarse (9:5) and fine (4:0) delay elements to be used on the delay line connected to this pad.	RW	0x0

Table 18-2798. Register Call Summary for Register CFG_UART3_RXD_OEN

IODELAYCONFIG Module Register Manual

- [IODELAYCONFIG Register Summary: \[0\]](#)

Table 18-2799. CFG_UART3_RXD_OUT

Address Offset	0x0000 08A8	Instance	IODELAYCONFIG
Physical Address	0x4844 A8A8		
Description	Delay Select Value in binary coded form for cfg_uart3_rxd_out interface		
Type	RW		

31	30	29	28	27	26	25	24	23	22	21	20	19	18	17	16	15	14	13	12	11	10	9	8	7	6	5	4	3	2	1	0
RESERVED								SIGNATURE								RESERVED	LOCK_BIT	BINARY_DELAY													

Bits	Field Name	Description	Type	Reset
31:18	RESERVED		R	0x0
17:12	SIGNATURE	Write to this register will succeed only if data on these bits carries a signature of 6'h29 (6'b101001)	RW	0x0
11	RESERVED		R	0x0
10	LOCK_BIT	When '1', prevents HW update to this MMR. When '0', allows HW update of this MMR.	RW	0x0
9:0	BINARY_DELAY	Delay Select Value in binary coded form. Indicates the number of coarse (9:5) and fine (4:0) delay elements to be used on the delay line connected to this pad.	RW	0x0

Table 18-2800. Register Call Summary for Register CFG_UART3_RXD_OUT

IODELAYCONFIG Module Register Manual

- [IODELAYCONFIG Register Summary: \[0\]](#)

Table 18-2801. CFG_UART3_TXD_IN

Address Offset	0x0000 08AC	Instance	IODELAYCONFIG
Physical Address	0x4844 A8AC		
Description	Delay Select Value in binary coded form for cfg_uart3_txd_in interface		
Type	RW		

31	30	29	28	27	26	25	24	23	22	21	20	19	18	17	16	15	14	13	12	11	10	9	8	7	6	5	4	3	2	1	0
RESERVED								SIGNATURE				RESERVED	LOCK_BIT	BINARY_DELAY																	

Bits	Field Name	Description	Type	Reset
31:18	RESERVED		R	0x0
17:12	SIGNATURE	Write to this register will succeed only if data on these bits carries a signature of 6'h29 (6'b101001)	RW	0x0
11	RESERVED		R	0x0
10	LOCK_BIT	When '1', prevents HW update to this MMR. When '0', allows HW update of this MMR.	RW	0x0
9:0	BINARY_DELAY	Delay Select Value in binary coded form. Indicates the number of coarse (9:5) and fine (4:0) delay elements to be used on the delay line connected to this pad.	RW	0x0

Table 18-2802. Register Call Summary for Register CFG_UART3_TXD_IN

IODELAYCONFIG Module Register Manual

- [IODELAYCONFIG Register Summary: \[0\]](#)

Table 18-2803. CFG_UART3_TXD_OEN

Address Offset	0x0000 08B0	Instance	IODELAYCONFIG
Physical Address	0x4844 A8B0		
Description	Delay Select Value in binary coded form for cfg_uart3_txd_oen interface		
Type	RW		

31	30	29	28	27	26	25	24	23	22	21	20	19	18	17	16	15	14	13	12	11	10	9	8	7	6	5	4	3	2	1	0
RESERVED														SIGNATURE				RESERVED	LOCK_BIT	BINARY_DELAY											

Bits	Field Name	Description	Type	Reset
31:18	RESERVED		R	0x0
17:12	SIGNATURE	Write to this register will succeed only if data on these bits carries a signature of 6'h29 (6'b101001)	RW	0x0
11	RESERVED		R	0x0
10	LOCK_BIT	When '1', prevents HW update to this MMR. When '0', allows HW update of this MMR.	RW	0x0
9:0	BINARY_DELAY	Delay Select Value in binary coded form. Indicates the number of coarse (9:5) and fine (4:0) delay elements to be used on the delay line connected to this pad.	RW	0x0

Table 18-2804. Register Call Summary for Register CFG_UART3_TXD_OEN

IODELAYCONFIG Module Register Manual

- [IODELAYCONFIG Register Summary: \[0\]](#)

Table 18-2805. CFG_UART3_TXD_OUT

Address Offset	0x0000 08B4	Instance	IODELAYCONFIG
Physical Address	0x4844 A8B4		
Description	Delay Select Value in binary coded form for cfg_uart3_txd_out interface		
Type	RW		

31	30	29	28	27	26	25	24	23	22	21	20	19	18	17	16	15	14	13	12	11	10	9	8	7	6	5	4	3	2	1	0
RESERVED														SIGNATURE				RESERVED	LOCK_BIT	BINARY_DELAY											

Bits	Field Name	Description	Type	Reset
31:18	RESERVED		R	0x0
17:12	SIGNATURE	Write to this register will succeed only if data on these bits carries a signature of 6'h29 (6'b101001)	RW	0x0
11	RESERVED		R	0x0
10	LOCK_BIT	When '1', prevents HW update to this MMR. When '0', allows HW update of this MMR.	RW	0x0
9:0	BINARY_DELAY	Delay Select Value in binary coded form. Indicates the number of coarse (9:5) and fine (4:0) delay elements to be used on the delay line connected to this pad.	RW	0x0

Table 18-2806. Register Call Summary for Register CFG_UART3_TXD_OUT

IODELAYCONFIG Module Register Manual

- [IODELAYCONFIG Register Summary: \[0\]](#)

Table 18-2807. CFG_USB1_DRVVBUS_IN

Address Offset	0x0000 08B8	Instance	IODELAYCONFIG
Physical Address	0x4844 A8B8		
Description	Delay Select Value in binary coded form for cfg_usb1_drvvbus_in interface		
Type	RW		

31	30	29	28	27	26	25	24	23	22	21	20	19	18	17	16	15	14	13	12	11	10	9	8	7	6	5	4	3	2	1	0
RESERVED														SIGNATURE				RESERVED	LOCK_BIT	BINARY_DELAY											

Bits	Field Name	Description	Type	Reset
31:18	RESERVED		R	0x0
17:12	SIGNATURE	Write to this register will succeed only if data on these bits carries a signature of 6'h29 (6'b101001)	RW	0x0
11	RESERVED		R	0x0
10	LOCK_BIT	When '1', prevents HW update to this MMR. When '0', allows HW update of this MMR.	RW	0x0
9:0	BINARY_DELAY	Delay Select Value in binary coded form. Indicates the number of coarse (9:5) and fine (4:0) delay elements to be used on the delay line connected to this pad.	RW	0x0

Table 18-2808. Register Call Summary for Register CFG_USB1_DRVVBUS_IN

IODELAYCONFIG Module Register Manual

- [IODELAYCONFIG Register Summary: \[0\]](#)

Table 18-2809. CFG_USB1_DRVVBUS_OEN

Address Offset	0x0000 08BC	Instance	IODELAYCONFIG
Physical Address	0x4844 A8BC		
Description	Delay Select Value in binary coded form for cfg_usb1_drvvbus_oen interface		
Type	RW		

31	30	29	28	27	26	25	24	23	22	21	20	19	18	17	16	15	14	13	12	11	10	9	8	7	6	5	4	3	2	1	0
RESERVED														SIGNATURE				RESERVED	LOCK_BIT	BINARY_DELAY											

Bits	Field Name	Description	Type	Reset
31:18	RESERVED		R	0x0
17:12	SIGNATURE	Write to this register will succeed only if data on these bits carries a signature of 6'h29 (6'b101001)	RW	0x0
11	RESERVED		R	0x0
10	LOCK_BIT	When '1', prevents HW update to this MMR. When '0', allows HW update of this MMR.	RW	0x0
9:0	BINARY_DELAY	Delay Select Value in binary coded form. Indicates the number of coarse (9:5) and fine (4:0) delay elements to be used on the delay line connected to this pad.	RW	0x0

Table 18-2810. Register Call Summary for Register CFG_USB1_DRVVBUS_OEN

IODELAYCONFIG Module Register Manual
 • [IODELAYCONFIG Register Summary: \[0\]](#)

Table 18-2811. CFG_USB1_DRVVBUS_OUT

Address Offset	0x0000 08C0	Instance	IODELAYCONFIG
Physical Address	0x4844 A8C0		
Description	Delay Select Value in binary coded form for cfg_usb1_drvvbus_out interface		
Type	RW		

31	30	29	28	27	26	25	24	23	22	21	20	19	18	17	16	15	14	13	12	11	10	9	8	7	6	5	4	3	2	1	0
RESERVED														SIGNATURE				RESERVED	LOCK_BIT	BINARY_DELAY											

Bits	Field Name	Description	Type	Reset
31:18	RESERVED		R	0x0
17:12	SIGNATURE	Write to this register will succeed only if data on these bits carries a signature of 6'h29 (6'b101001)	RW	0x0
11	RESERVED		R	0x0
10	LOCK_BIT	When '1', prevents HW update to this MMR. When '0', allows HW update of this MMR.	RW	0x0
9:0	BINARY_DELAY	Delay Select Value in binary coded form. Indicates the number of coarse (9:5) and fine (4:0) delay elements to be used on the delay line connected to this pad.	RW	0x0

Table 18-2812. Register Call Summary for Register CFG_USB1_DRVVBUS_OUT

IODELAYCONFIG Module Register Manual
 • [IODELAYCONFIG Register Summary: \[0\]](#)

Table 18-2813. CFG_USB2_DRVVBUS_IN

Address Offset	0x0000 08C4	Instance	IODELAYCONFIG
Physical Address	0x4844 A8C4		
Description	Delay Select Value in binary coded form for cfg_usb2_drvvbus_in interface		
Type	RW		

31	30	29	28	27	26	25	24	23	22	21	20	19	18	17	16	15	14	13	12	11	10	9	8	7	6	5	4	3	2	1	0
RESERVED														SIGNATURE				RESERVED	LOCK_BIT	BINARY_DELAY											

Bits	Field Name	Description	Type	Reset
31:18	RESERVED		R	0x0
17:12	SIGNATURE	Write to this register will succeed only if data on these bits carries a signature of 6'h29 (6'b101001)	RW	0x0
11	RESERVED		R	0x0

Bits	Field Name	Description	Type	Reset
10	LOCK_BIT	When '1', prevents HW update to this MMR. When '0', allows HW update of this MMR.	RW	0x0
9:0	BINARY_DELAY	Delay Select Value in binary coded form. Indicates the number of coarse (9:5) and fine (4:0) delay elements to be used on the delay line connected to this pad.	RW	0x0

Table 18-2814. Register Call Summary for Register CFG_USB2_DRVVBUS_IN

IODELAYCONFIG Module Register Manual

- [IODELAYCONFIG Register Summary: \[0\]](#)

Table 18-2815. CFG_USB2_DRVVBUS_OEN

Address Offset	0x0000 08C8	Instance	IODELAYCONFIG
Physical Address	0x4844 A8C8		
Description	Delay Select Value in binary coded form for cfg_usb2_drvvbus_oen interface		
Type	RW		

31	30	29	28	27	26	25	24	23	22	21	20	19	18	17	16	15	14	13	12	11	10	9	8	7	6	5	4	3	2	1	0		
RESERVED																SIGNATURE				RESERVED	LOCK_BIT	BINARY_DELAY											

Bits	Field Name	Description	Type	Reset
31:18	RESERVED		R	0x0
17:12	SIGNATURE	Write to this register will succeed only if data on these bits carries a signature of 6'h29 (6'b101001)	RW	0x0
11	RESERVED		R	0x0
10	LOCK_BIT	When '1', prevents HW update to this MMR. When '0', allows HW update of this MMR.	RW	0x0
9:0	BINARY_DELAY	Delay Select Value in binary coded form. Indicates the number of coarse (9:5) and fine (4:0) delay elements to be used on the delay line connected to this pad.	RW	0x0

Table 18-2816. Register Call Summary for Register CFG_USB2_DRVVBUS_OEN

IODELAYCONFIG Module Register Manual

- [IODELAYCONFIG Register Summary: \[0\]](#)

Table 18-2817. CFG_USB2_DRVVBUS_OUT

Address Offset	0x0000 08CC	Instance	IODELAYCONFIG
Physical Address	0x4844 A8CC		
Description	Delay Select Value in binary coded form for cfg_usb2_drvvbus_out interface		
Type	RW		

31	30	29	28	27	26	25	24	23	22	21	20	19	18	17	16	15	14	13	12	11	10	9	8	7	6	5	4	3	2	1	0		
RESERVED																SIGNATURE				RESERVED	LOCK_BIT	BINARY_DELAY											

Bits	Field Name	Description	Type	Reset
31:18	RESERVED		R	0x0
17:12	SIGNATURE	Write to this register will succeed only if data on these bits carries a signature of 6'h29 (6'b101001)	RW	0x0
11	RESERVED		R	0x0
10	LOCK_BIT	When '1', prevents HW update to this MMR. When '0', allows HW update of this MMR.	RW	0x0
9:0	BINARY_DELAY	Delay Select Value in binary coded form. Indicates the number of coarse (9:5) and fine (4:0) delay elements to be used on the delay line connected to this pad.	RW	0x0

Table 18-2818. Register Call Summary for Register CFG_USB2_DRVVBUS_OUT

IODELAYCONFIG Module Register Manual

- [IODELAYCONFIG Register Summary: \[0\]](#)

Table 18-2819. CFG_VIN1A_CLK0_IN

Address Offset	0x0000 08D0	Instance	IODELAYCONFIG
Physical Address	0x4844 A8D0		
Description	Delay Select Value in binary coded form for cfg_vin1a_clk0_in interface		
Type	RW		

31	30	29	28	27	26	25	24	23	22	21	20	19	18	17	16	15	14	13	12	11	10	9	8	7	6	5	4	3	2	1	0
RESERVED								SIGNATURE				RESERVED	LOCK_BIT	BINARY_DELAY																	

Bits	Field Name	Description	Type	Reset
31:18	RESERVED		R	0x0
17:12	SIGNATURE	Write to this register will succeed only if data on these bits carries a signature of 6'h29 (6'b101001)	RW	0x0
11	RESERVED		R	0x0
10	LOCK_BIT	When '1', prevents HW update to this MMR. When '0', allows HW update of this MMR.	RW	0x0
9:0	BINARY_DELAY	Delay Select Value in binary coded form. Indicates the number of coarse (9:5) and fine (4:0) delay elements to be used on the delay line connected to this pad.	RW	0x0

Table 18-2820. Register Call Summary for Register CFG_VIN1A_CLK0_IN

IODELAYCONFIG Module Register Manual

- [IODELAYCONFIG Register Summary: \[0\]](#)

Table 18-2821. CFG_VIN1A_CLK0_OEN

Address Offset	0x0000 08D4	Instance	IODELAYCONFIG
Physical Address	0x4844 A8D4		
Description	Delay Select Value in binary coded form for cfg_vin1a_clk0_oen interface		
Type	RW		

31	30	29	28	27	26	25	24	23	22	21	20	19	18	17	16	15	14	13	12	11	10	9	8	7	6	5	4	3	2	1	0
RESERVED								SIGNATURE				RESERVED	LOCK_BIT	BINARY_DELAY																	

Bits	Field Name	Description	Type	Reset
31:18	RESERVED		R	0x0
17:12	SIGNATURE	Write to this register will succeed only if data on these bits carries a signature of 6'h29 (6'b101001)	RW	0x0
11	RESERVED		R	0x0
10	LOCK_BIT	When '1', prevents HW update to this MMR. When '0', allows HW update of this MMR.	RW	0x0
9:0	BINARY_DELAY	Delay Select Value in binary coded form. Indicates the number of coarse (9:5) and fine (4:0) delay elements to be used on the delay line connected to this pad.	RW	0x0

Table 18-2822. Register Call Summary for Register CFG_VIN1A_CLK0_OEN

IODELAYCONFIG Module Register Manual

- [IODELAYCONFIG Register Summary: \[0\]](#)

Table 18-2823. CFG_VIN1A_CLK0_OUT

Address Offset	0x0000 08D8	Instance	IODELAYCONFIG
Physical Address	0x4844 A8D8		
Description	Delay Select Value in binary coded form for cfg_vin1a_clk0_out interface		
Type	RW		

31	30	29	28	27	26	25	24	23	22	21	20	19	18	17	16	15	14	13	12	11	10	9	8	7	6	5	4	3	2	1	0
RESERVED								SIGNATURE				RESERVED	LOCK_BIT	BINARY_DELAY																	

Bits	Field Name	Description	Type	Reset
31:18	RESERVED		R	0x0
17:12	SIGNATURE	Write to this register will succeed only if data on these bits carries a signature of 6'h29 (6'b101001)	RW	0x0
11	RESERVED		R	0x0
10	LOCK_BIT	When '1', prevents HW update to this MMR. When '0', allows HW update of this MMR.	RW	0x0
9:0	BINARY_DELAY	Delay Select Value in binary coded form. Indicates the number of coarse (9:5) and fine (4:0) delay elements to be used on the delay line connected to this pad.	RW	0x0

Table 18-2824. Register Call Summary for Register CFG_VIN1A_CLK0_OUT

IODELAYCONFIG Module Register Manual

- [IODELAYCONFIG Register Summary: \[0\]](#)

Table 18-2825. CFG_VIN1A_D0_IN

Address Offset	0x0000 08DC	Instance	IODELAYCONFIG
Physical Address	0x4844 A8DC		
Description	Delay Select Value in binary coded form for cfg_vin1a_d0_in interface		
Type	RW		

31	30	29	28	27	26	25	24	23	22	21	20	19	18	17	16	15	14	13	12	11	10	9	8	7	6	5	4	3	2	1	0
RESERVED														SIGNATURE				RESERVED	LOCK_BIT	BINARY_DELAY											

Bits	Field Name	Description	Type	Reset
31:18	RESERVED		R	0x0
17:12	SIGNATURE	Write to this register will succeed only if data on these bits carries a signature of 6'h29 (6'b101001)	RW	0x0
11	RESERVED		R	0x0
10	LOCK_BIT	When '1', prevents HW update to this MMR. When '0', allows HW update of this MMR.	RW	0x0
9:0	BINARY_DELAY	Delay Select Value in binary coded form. Indicates the number of coarse (9:5) and fine (4:0) delay elements to be used on the delay line connected to this pad.	RW	0x0

Table 18-2826. Register Call Summary for Register CFG_VIN1A_D0_IN

IODELAYCONFIG Module Register Manual

- [IODELAYCONFIG Register Summary: \[0\]](#)

Table 18-2827. CFG_VIN1A_D0_OEN

Address Offset	0x0000 08E0	Instance	IODELAYCONFIG
Physical Address	0x4844 A8E0		
Description	Delay Select Value in binary coded form for cfg_vin1a_d0_oen interface		
Type	RW		

31	30	29	28	27	26	25	24	23	22	21	20	19	18	17	16	15	14	13	12	11	10	9	8	7	6	5	4	3	2	1	0
RESERVED														SIGNATURE				RESERVED	LOCK_BIT	BINARY_DELAY											

Bits	Field Name	Description	Type	Reset
31:18	RESERVED		R	0x0
17:12	SIGNATURE	Write to this register will succeed only if data on these bits carries a signature of 6'h29 (6'b101001)	RW	0x0
11	RESERVED		R	0x0
10	LOCK_BIT	When '1', prevents HW update to this MMR. When '0', allows HW update of this MMR.	RW	0x0
9:0	BINARY_DELAY	Delay Select Value in binary coded form. Indicates the number of coarse (9:5) and fine (4:0) delay elements to be used on the delay line connected to this pad.	RW	0x0

Table 18-2828. Register Call Summary for Register CFG_VIN1A_D0_OEN

IODELAYCONFIG Module Register Manual
 • [IODELAYCONFIG Register Summary: \[0\]](#)

Table 18-2829. CFG_VIN1A_D0_OUT

Address Offset	0x0000 08E4	Instance	IODELAYCONFIG
Physical Address	0x4844 A8E4		
Description	Delay Select Value in binary coded form for cfg_vin1a_d0_out interface		
Type	RW		

31	30	29	28	27	26	25	24	23	22	21	20	19	18	17	16	15	14	13	12	11	10	9	8	7	6	5	4	3	2	1	0
RESERVED														SIGNATURE				RESERVED	LOCK_BIT	BINARY_DELAY											

Bits	Field Name	Description	Type	Reset
31:18	RESERVED		R	0x0
17:12	SIGNATURE	Write to this register will succeed only if data on these bits carries a signature of 6'h29 (6'b101001)	RW	0x0
11	RESERVED		R	0x0
10	LOCK_BIT	When '1', prevents HW update to this MMR. When '0', allows HW update of this MMR.	RW	0x0
9:0	BINARY_DELAY	Delay Select Value in binary coded form. Indicates the number of coarse (9:5) and fine (4:0) delay elements to be used on the delay line connected to this pad.	RW	0x0

Table 18-2830. Register Call Summary for Register CFG_VIN1A_D0_OUT

IODELAYCONFIG Module Register Manual
 • [IODELAYCONFIG Register Summary: \[0\]](#)

Table 18-2831. CFG_VIN1A_D10_IN

Address Offset	0x0000 08E8	Instance	IODELAYCONFIG
Physical Address	0x4844 A8E8		
Description	Delay Select Value in binary coded form for cfg_vin1a_d10_in interface		
Type	RW		

31	30	29	28	27	26	25	24	23	22	21	20	19	18	17	16	15	14	13	12	11	10	9	8	7	6	5	4	3	2	1	0
RESERVED														SIGNATURE				RESERVED	LOCK_BIT	BINARY_DELAY											

Bits	Field Name	Description	Type	Reset
31:18	RESERVED		R	0x0
17:12	SIGNATURE	Write to this register will succeed only if data on these bits carries a signature of 6'h29 (6'b101001)	RW	0x0
11	RESERVED		R	0x0

Bits	Field Name	Description	Type	Reset
10	LOCK_BIT	When '1', prevents HW update to this MMR. When '0', allows HW update of this MMR.	RW	0x0
9:0	BINARY_DELAY	Delay Select Value in binary coded form. Indicates the number of coarse (9:5) and fine (4:0) delay elements to be used on the delay line connected to this pad.	RW	0x0

Table 18-2832. Register Call Summary for Register CFG_VIN1A_D10_IN

IODELAYCONFIG Module Register Manual

- [IODELAYCONFIG Register Summary: \[0\]](#)

Table 18-2833. CFG_VIN1A_D10_OEN

Address Offset	0x0000 08EC	Instance	IODELAYCONFIG
Physical Address	0x4844 A8EC		
Description	Delay Select Value in binary coded form for cfg_vin1a_d10_oen interface		
Type	RW		

31	30	29	28	27	26	25	24	23	22	21	20	19	18	17	16	15	14	13	12	11	10	9	8	7	6	5	4	3	2	1	0
RESERVED								SIGNATURE								RESERVED	LOCK_BIT	BINARY_DELAY													

Bits	Field Name	Description	Type	Reset
31:18	RESERVED		R	0x0
17:12	SIGNATURE	Write to this register will succeed only if data on these bits carries a signature of 6'h29 (6'b101001)	RW	0x0
11	RESERVED		R	0x0
10	LOCK_BIT	When '1', prevents HW update to this MMR. When '0', allows HW update of this MMR.	RW	0x0
9:0	BINARY_DELAY	Delay Select Value in binary coded form. Indicates the number of coarse (9:5) and fine (4:0) delay elements to be used on the delay line connected to this pad.	RW	0x0

Table 18-2834. Register Call Summary for Register CFG_VIN1A_D10_OEN

IODELAYCONFIG Module Register Manual

- [IODELAYCONFIG Register Summary: \[0\]](#)

Table 18-2835. CFG_VIN1A_D10_OUT

Address Offset	0x0000 08F0	Instance	IODELAYCONFIG
Physical Address	0x4844 A8F0		
Description	Delay Select Value in binary coded form for cfg_vin1a_d10_out interface		
Type	RW		

31	30	29	28	27	26	25	24	23	22	21	20	19	18	17	16	15	14	13	12	11	10	9	8	7	6	5	4	3	2	1	0
RESERVED								SIGNATURE								RESERVED	LOCK_BIT	BINARY_DELAY													

Bits	Field Name	Description	Type	Reset
31:18	RESERVED		R	0x0
17:12	SIGNATURE	Write to this register will succeed only if data on these bits carries a signature of 6'h29 (6'b101001)	RW	0x0
11	RESERVED		R	0x0
10	LOCK_BIT	When '1', prevents HW update to this MMR. When '0', allows HW update of this MMR.	RW	0x0
9:0	BINARY_DELAY	Delay Select Value in binary coded form. Indicates the number of coarse (9:5) and fine (4:0) delay elements to be used on the delay line connected to this pad.	RW	0x0

Table 18-2836. Register Call Summary for Register CFG_VIN1A_D10_OUT

IODELAYCONFIG Module Register Manual

- [IODELAYCONFIG Register Summary: \[0\]](#)

Table 18-2837. CFG_VIN1A_D11_IN

Address Offset	0x0000 08F4	Instance	IODELAYCONFIG
Physical Address	0x4844 A8F4		
Description	Delay Select Value in binary coded form for cfg_vin1a_d11_in interface		
Type	RW		

31	30	29	28	27	26	25	24	23	22	21	20	19	18	17	16	15	14	13	12	11	10	9	8	7	6	5	4	3	2	1	0
RESERVED								SIGNATURE				RESERVED	LOCK_BIT	BINARY_DELAY																	

Bits	Field Name	Description	Type	Reset
31:18	RESERVED		R	0x0
17:12	SIGNATURE	Write to this register will succeed only if data on these bits carries a signature of 6'h29 (6'b101001)	RW	0x0
11	RESERVED		R	0x0
10	LOCK_BIT	When '1', prevents HW update to this MMR. When '0', allows HW update of this MMR.	RW	0x0
9:0	BINARY_DELAY	Delay Select Value in binary coded form. Indicates the number of coarse (9:5) and fine (4:0) delay elements to be used on the delay line connected to this pad.	RW	0x0

Table 18-2838. Register Call Summary for Register CFG_VIN1A_D11_IN

IODELAYCONFIG Module Register Manual

- [IODELAYCONFIG Register Summary: \[0\]](#)

Table 18-2839. CFG_VIN1A_D11_OEN

Address Offset	0x0000 08F8	Instance	IODELAYCONFIG
Physical Address	0x4844 A8F8		
Description	Delay Select Value in binary coded form for cfg_vin1a_d11_oen interface		
Type	RW		

31	30	29	28	27	26	25	24	23	22	21	20	19	18	17	16	15	14	13	12	11	10	9	8	7	6	5	4	3	2	1	0
RESERVED								SIGNATURE				RESERVED	LOCK_BIT	BINARY_DELAY																	

Bits	Field Name	Description	Type	Reset
31:18	RESERVED		R	0x0
17:12	SIGNATURE	Write to this register will succeed only if data on these bits carries a signature of 6'h29 (6'b101001)	RW	0x0
11	RESERVED		R	0x0
10	LOCK_BIT	When '1', prevents HW update to this MMR. When '0', allows HW update of this MMR.	RW	0x0
9:0	BINARY_DELAY	Delay Select Value in binary coded form. Indicates the number of coarse (9:5) and fine (4:0) delay elements to be used on the delay line connected to this pad.	RW	0x0

Table 18-2840. Register Call Summary for Register CFG_VIN1A_D11_OEN

IODELAYCONFIG Module Register Manual

- [IODELAYCONFIG Register Summary: \[0\]](#)

Table 18-2841. CFG_VIN1A_D11_OUT

Address Offset	0x0000 08FC	Instance	IODELAYCONFIG
Physical Address	0x4844 A8FC		
Description	Delay Select Value in binary coded form for cfg_vin1a_d11_out interface		
Type	RW		

31	30	29	28	27	26	25	24	23	22	21	20	19	18	17	16	15	14	13	12	11	10	9	8	7	6	5	4	3	2	1	0
RESERVED								SIGNATURE				RESERVED	LOCK_BIT	BINARY_DELAY																	

Bits	Field Name	Description	Type	Reset
31:18	RESERVED		R	0x0
17:12	SIGNATURE	Write to this register will succeed only if data on these bits carries a signature of 6'h29 (6'b101001)	RW	0x0
11	RESERVED		R	0x0
10	LOCK_BIT	When '1', prevents HW update to this MMR. When '0', allows HW update of this MMR.	RW	0x0
9:0	BINARY_DELAY	Delay Select Value in binary coded form. Indicates the number of coarse (9:5) and fine (4:0) delay elements to be used on the delay line connected to this pad.	RW	0x0

Table 18-2842. Register Call Summary for Register CFG_VIN1A_D11_OUT

IODELAYCONFIG Module Register Manual

- [IODELAYCONFIG Register Summary: \[0\]](#)

Table 18-2843. CFG_VIN1A_D12_IN

Address Offset	0x0000 0900	Instance	IODELAYCONFIG
Physical Address	0x4844 A900		
Description	Delay Select Value in binary coded form for cfg_vin1a_d12_in interface		
Type	RW		

31	30	29	28	27	26	25	24	23	22	21	20	19	18	17	16	15	14	13	12	11	10	9	8	7	6	5	4	3	2	1	0
RESERVED														SIGNATURE				RESERVED	LOCK_BIT	BINARY_DELAY											

Bits	Field Name	Description	Type	Reset
31:18	RESERVED		R	0x0
17:12	SIGNATURE	Write to this register will succeed only if data on these bits carries a signature of 6'h29 (6'b101001)	RW	0x0
11	RESERVED		R	0x0
10	LOCK_BIT	When '1', prevents HW update to this MMR. When '0', allows HW update of this MMR.	RW	0x0
9:0	BINARY_DELAY	Delay Select Value in binary coded form. Indicates the number of coarse (9:5) and fine (4:0) delay elements to be used on the delay line connected to this pad.	RW	0x0

Table 18-2844. Register Call Summary for Register CFG_VIN1A_D12_IN

IODELAYCONFIG Module Register Manual

- [IODELAYCONFIG Register Summary: \[0\]](#)

Table 18-2845. CFG_VIN1A_D12_OEN

Address Offset	0x0000 0904	Instance	IODELAYCONFIG
Physical Address	0x4844 A904		
Description	Delay Select Value in binary coded form for cfg_vin1a_d12_oen interface		
Type	RW		

31	30	29	28	27	26	25	24	23	22	21	20	19	18	17	16	15	14	13	12	11	10	9	8	7	6	5	4	3	2	1	0
RESERVED														SIGNATURE				RESERVED	LOCK_BIT	BINARY_DELAY											

Bits	Field Name	Description	Type	Reset
31:18	RESERVED		R	0x0
17:12	SIGNATURE	Write to this register will succeed only if data on these bits carries a signature of 6'h29 (6'b101001)	RW	0x0
11	RESERVED		R	0x0
10	LOCK_BIT	When '1', prevents HW update to this MMR. When '0', allows HW update of this MMR.	RW	0x0
9:0	BINARY_DELAY	Delay Select Value in binary coded form. Indicates the number of coarse (9:5) and fine (4:0) delay elements to be used on the delay line connected to this pad.	RW	0x0

Table 18-2846. Register Call Summary for Register CFG_VIN1A_D12_OEN

IODELAYCONFIG Module Register Manual

- [IODELAYCONFIG Register Summary: \[0\]](#)

Table 18-2847. CFG_VIN1A_D12_OUT

Address Offset	0x0000 0908	Instance	IODELAYCONFIG
Physical Address	0x4844 A908		
Description	Delay Select Value in binary coded form for cfg_vin1a_d12_out interface		
Type	RW		

31	30	29	28	27	26	25	24	23	22	21	20	19	18	17	16	15	14	13	12	11	10	9	8	7	6	5	4	3	2	1	0
RESERVED														SIGNATURE				RESERVED	LOCK_BIT	BINARY_DELAY											

Bits	Field Name	Description	Type	Reset
31:18	RESERVED		R	0x0
17:12	SIGNATURE	Write to this register will succeed only if data on these bits carries a signature of 6'h29 (6'b101001)	RW	0x0
11	RESERVED		R	0x0
10	LOCK_BIT	When '1', prevents HW update to this MMR. When '0', allows HW update of this MMR.	RW	0x0
9:0	BINARY_DELAY	Delay Select Value in binary coded form. Indicates the number of coarse (9:5) and fine (4:0) delay elements to be used on the delay line connected to this pad.	RW	0x0

Table 18-2848. Register Call Summary for Register CFG_VIN1A_D12_OUT

IODELAYCONFIG Module Register Manual

- [IODELAYCONFIG Register Summary: \[0\]](#)

Table 18-2849. CFG_VIN1A_D13_IN

Address Offset	0x0000 090C	Instance	IODELAYCONFIG
Physical Address	0x4844 A90C		
Description	Delay Select Value in binary coded form for cfg_vin1a_d13_in interface		
Type	RW		

31	30	29	28	27	26	25	24	23	22	21	20	19	18	17	16	15	14	13	12	11	10	9	8	7	6	5	4	3	2	1	0
RESERVED														SIGNATURE				RESERVED	LOCK_BIT	BINARY_DELAY											

Bits	Field Name	Description	Type	Reset
31:18	RESERVED		R	0x0
17:12	SIGNATURE	Write to this register will succeed only if data on these bits carries a signature of 6'h29 (6'b101001)	RW	0x0
11	RESERVED		R	0x0

Bits	Field Name	Description	Type	Reset
10	LOCK_BIT	When '1', prevents HW update to this MMR. When '0', allows HW update of this MMR.	RW	0x0
9:0	BINARY_DELAY	Delay Select Value in binary coded form. Indicates the number of coarse (9:5) and fine (4:0) delay elements to be used on the delay line connected to this pad.	RW	0x0

Table 18-2850. Register Call Summary for Register CFG_VIN1A_D13_IN

IODELAYCONFIG Module Register Manual

- [IODELAYCONFIG Register Summary: \[0\]](#)

Table 18-2851. CFG_VIN1A_D13_OEN

Address Offset	0x0000 0910	Instance	IODELAYCONFIG
Physical Address	0x4844 A910		
Description	Delay Select Value in binary coded form for cfg_vin1a_d13_oen interface		
Type	RW		

31	30	29	28	27	26	25	24	23	22	21	20	19	18	17	16	15	14	13	12	11	10	9	8	7	6	5	4	3	2	1	0
RESERVED								SIGNATURE								RESERVED	LOCK_BIT	BINARY_DELAY													

Bits	Field Name	Description	Type	Reset
31:18	RESERVED		R	0x0
17:12	SIGNATURE	Write to this register will succeed only if data on these bits carries a signature of 6'h29 (6'b101001)	RW	0x0
11	RESERVED		R	0x0
10	LOCK_BIT	When '1', prevents HW update to this MMR. When '0', allows HW update of this MMR.	RW	0x0
9:0	BINARY_DELAY	Delay Select Value in binary coded form. Indicates the number of coarse (9:5) and fine (4:0) delay elements to be used on the delay line connected to this pad.	RW	0x0

Table 18-2852. Register Call Summary for Register CFG_VIN1A_D13_OEN

IODELAYCONFIG Module Register Manual

- [IODELAYCONFIG Register Summary: \[0\]](#)

Table 18-2853. CFG_VIN1A_D13_OUT

Address Offset	0x0000 0914	Instance	IODELAYCONFIG
Physical Address	0x4844 A914		
Description	Delay Select Value in binary coded form for cfg_vin1a_d13_out interface		
Type	RW		

31	30	29	28	27	26	25	24	23	22	21	20	19	18	17	16	15	14	13	12	11	10	9	8	7	6	5	4	3	2	1	0
RESERVED								SIGNATURE								RESERVED	LOCK_BIT	BINARY_DELAY													

Bits	Field Name	Description	Type	Reset
31:18	RESERVED		R	0x0
17:12	SIGNATURE	Write to this register will succeed only if data on these bits carries a signature of 6'h29 (6'b101001)	RW	0x0
11	RESERVED		R	0x0
10	LOCK_BIT	When '1', prevents HW update to this MMR. When '0', allows HW update of this MMR.	RW	0x0
9:0	BINARY_DELAY	Delay Select Value in binary coded form. Indicates the number of coarse (9:5) and fine (4:0) delay elements to be used on the delay line connected to this pad.	RW	0x0

Table 18-2854. Register Call Summary for Register CFG_VIN1A_D13_OUT

IODELAYCONFIG Module Register Manual

- [IODELAYCONFIG Register Summary: \[0\]](#)

Table 18-2855. CFG_VIN1A_D14_IN

Address Offset	0x0000 0918	Instance	IODELAYCONFIG
Physical Address	0x4844 A918		
Description	Delay Select Value in binary coded form for cfg_vin1a_d14_in interface		
Type	RW		

31	30	29	28	27	26	25	24	23	22	21	20	19	18	17	16	15	14	13	12	11	10	9	8	7	6	5	4	3	2	1	0
RESERVED								SIGNATURE				RESERVED	LOCK_BIT	BINARY_DELAY																	

Bits	Field Name	Description	Type	Reset
31:18	RESERVED		R	0x0
17:12	SIGNATURE	Write to this register will succeed only if data on these bits carries a signature of 6'h29 (6'b101001)	RW	0x0
11	RESERVED		R	0x0
10	LOCK_BIT	When '1', prevents HW update to this MMR. When '0', allows HW update of this MMR.	RW	0x0
9:0	BINARY_DELAY	Delay Select Value in binary coded form. Indicates the number of coarse (9:5) and fine (4:0) delay elements to be used on the delay line connected to this pad.	RW	0x0

Table 18-2856. Register Call Summary for Register CFG_VIN1A_D14_IN

IODELAYCONFIG Module Register Manual

- [IODELAYCONFIG Register Summary: \[0\]](#)

Table 18-2857. CFG_VIN1A_D14_OEN

Address Offset	0x0000 091C	Instance	IODELAYCONFIG
Physical Address	0x4844 A91C		
Description	Delay Select Value in binary coded form for cfg_vin1a_d14_oen interface		
Type	RW		

31	30	29	28	27	26	25	24	23	22	21	20	19	18	17	16	15	14	13	12	11	10	9	8	7	6	5	4	3	2	1	0
RESERVED														SIGNATURE				RESERVED	LOCK_BIT	BINARY_DELAY											

Bits	Field Name	Description	Type	Reset
31:18	RESERVED		R	0x0
17:12	SIGNATURE	Write to this register will succeed only if data on these bits carries a signature of 6'h29 (6'b101001)	RW	0x0
11	RESERVED		R	0x0
10	LOCK_BIT	When '1', prevents HW update to this MMR. When '0', allows HW update of this MMR.	RW	0x0
9:0	BINARY_DELAY	Delay Select Value in binary coded form. Indicates the number of coarse (9:5) and fine (4:0) delay elements to be used on the delay line connected to this pad.	RW	0x0

Table 18-2858. Register Call Summary for Register CFG_VIN1A_D14_OEN

IODELAYCONFIG Module Register Manual

- [IODELAYCONFIG Register Summary: \[0\]](#)

Table 18-2859. CFG_VIN1A_D14_OUT

Address Offset	0x0000 0920	Instance	IODELAYCONFIG
Physical Address	0x4844 A920		
Description	Delay Select Value in binary coded form for cfg_vin1a_d14_out interface		
Type	RW		

31	30	29	28	27	26	25	24	23	22	21	20	19	18	17	16	15	14	13	12	11	10	9	8	7	6	5	4	3	2	1	0
RESERVED														SIGNATURE				RESERVED	LOCK_BIT	BINARY_DELAY											

Bits	Field Name	Description	Type	Reset
31:18	RESERVED		R	0x0
17:12	SIGNATURE	Write to this register will succeed only if data on these bits carries a signature of 6'h29 (6'b101001)	RW	0x0
11	RESERVED		R	0x0
10	LOCK_BIT	When '1', prevents HW update to this MMR. When '0', allows HW update of this MMR.	RW	0x0
9:0	BINARY_DELAY	Delay Select Value in binary coded form. Indicates the number of coarse (9:5) and fine (4:0) delay elements to be used on the delay line connected to this pad.	RW	0x0

Table 18-2860. Register Call Summary for Register CFG_VIN1A_D14_OUT

IODELAYCONFIG Module Register Manual

- [IODELAYCONFIG Register Summary: \[0\]](#)

Table 18-2861. CFG_VIN1A_D15_IN

Address Offset	0x0000 0924	Instance	IODELAYCONFIG
Physical Address	0x4844 A924		
Description	Delay Select Value in binary coded form for cfg_vin1a_d15_in interface		
Type	RW		

31	30	29	28	27	26	25	24	23	22	21	20	19	18	17	16	15	14	13	12	11	10	9	8	7	6	5	4	3	2	1	0
RESERVED														SIGNATURE				RESERVED	LOCK_BIT	BINARY_DELAY											

Bits	Field Name	Description	Type	Reset
31:18	RESERVED		R	0x0
17:12	SIGNATURE	Write to this register will succeed only if data on these bits carries a signature of 6'h29 (6'b101001)	RW	0x0
11	RESERVED		R	0x0
10	LOCK_BIT	When '1', prevents HW update to this MMR. When '0', allows HW update of this MMR.	RW	0x0
9:0	BINARY_DELAY	Delay Select Value in binary coded form. Indicates the number of coarse (9:5) and fine (4:0) delay elements to be used on the delay line connected to this pad.	RW	0x0

Table 18-2862. Register Call Summary for Register CFG_VIN1A_D15_IN

- IODELAYCONFIG Module Register Manual
- [IODELAYCONFIG Register Summary: \[0\]](#)

Table 18-2863. CFG_VIN1A_D15_OEN

Address Offset	0x0000 0928	Instance	IODELAYCONFIG
Physical Address	0x4844 A928		
Description	Delay Select Value in binary coded form for cfg_vin1a_d15_oen interface		
Type	RW		

31	30	29	28	27	26	25	24	23	22	21	20	19	18	17	16	15	14	13	12	11	10	9	8	7	6	5	4	3	2	1	0
RESERVED														SIGNATURE				RESERVED	LOCK_BIT	BINARY_DELAY											

Bits	Field Name	Description	Type	Reset
31:18	RESERVED		R	0x0
17:12	SIGNATURE	Write to this register will succeed only if data on these bits carries a signature of 6'h29 (6'b101001)	RW	0x0
11	RESERVED		R	0x0
10	LOCK_BIT	When '1', prevents HW update to this MMR. When '0', allows HW update of this MMR.	RW	0x0
9:0	BINARY_DELAY	Delay Select Value in binary coded form. Indicates the number of coarse (9:5) and fine (4:0) delay elements to be used on the delay line connected to this pad.	RW	0x0

Table 18-2864. Register Call Summary for Register CFG_VIN1A_D15_OEN

IODELAYCONFIG Module Register Manual

- [IODELAYCONFIG Register Summary: \[0\]](#)

Table 18-2865. CFG_VIN1A_D15_OUT

Address Offset	0x0000 092C	Instance	IODELAYCONFIG
Physical Address	0x4844 A92C		
Description	Delay Select Value in binary coded form for cfg_vin1a_d15_out interface		
Type	RW		

31	30	29	28	27	26	25	24	23	22	21	20	19	18	17	16	15	14	13	12	11	10	9	8	7	6	5	4	3	2	1	0		
RESERVED																SIGNATURE						RESERVED	LOCK_BIT	BINARY_DELAY									

Bits	Field Name	Description	Type	Reset
31:18	RESERVED		R	0x0
17:12	SIGNATURE	Write to this register will succeed only if data on these bits carries a signature of 6'h29 (6'b101001)	RW	0x0
11	RESERVED		R	0x0
10	LOCK_BIT	When '1', prevents HW update to this MMR. When '0', allows HW update of this MMR.	RW	0x0
9:0	BINARY_DELAY	Delay Select Value in binary coded form. Indicates the number of coarse (9:5) and fine (4:0) delay elements to be used on the delay line connected to this pad.	RW	0x0

Table 18-2866. Register Call Summary for Register CFG_VIN1A_D15_OUT

IODELAYCONFIG Module Register Manual

- [IODELAYCONFIG Register Summary: \[0\]](#)

Table 18-2867. CFG_VIN1A_D16_IN

Address Offset	0x0000 0930	Instance	IODELAYCONFIG
Physical Address	0x4844 A930		
Description	Delay Select Value in binary coded form for cfg_vin1a_d16_in interface		
Type	RW		

31	30	29	28	27	26	25	24	23	22	21	20	19	18	17	16	15	14	13	12	11	10	9	8	7	6	5	4	3	2	1	0		
RESERVED																SIGNATURE						RESERVED	LOCK_BIT	BINARY_DELAY									

Bits	Field Name	Description	Type	Reset
31:18	RESERVED		R	0x0
17:12	SIGNATURE	Write to this register will succeed only if data on these bits carries a signature of 6'h29 (6'b101001)	RW	0x0
11	RESERVED		R	0x0

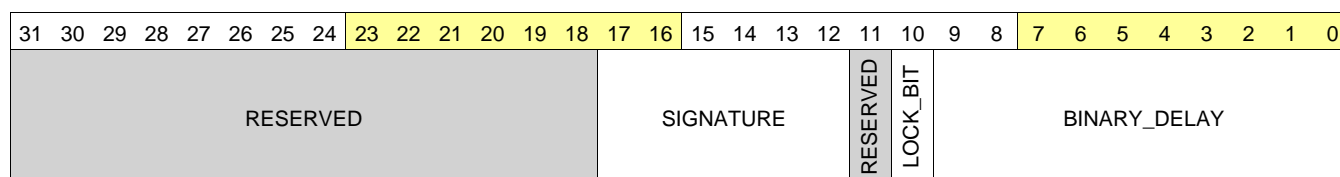
Bits	Field Name	Description	Type	Reset
10	LOCK_BIT	When '1', prevents HW update to this MMR. When '0', allows HW update of this MMR.	RW	0x0
9:0	BINARY_DELAY	Delay Select Value in binary coded form. Indicates the number of coarse (9:5) and fine (4:0) delay elements to be used on the delay line connected to this pad.	RW	0x0

Table 18-2868. Register Call Summary for Register CFG_VIN1A_D16_IN

IODELAYCONFIG Module Register Manual
 • [IODELAYCONFIG Register Summary: \[0\]](#)

Table 18-2869. CFG_VIN1A_D16_OEN

Address Offset	0x0000 0934	Instance	IODELAYCONFIG
Physical Address	0x4844 A934		
Description	Delay Select Value in binary coded form for cfg_vin1a_d16_oen interface		
Type	RW		



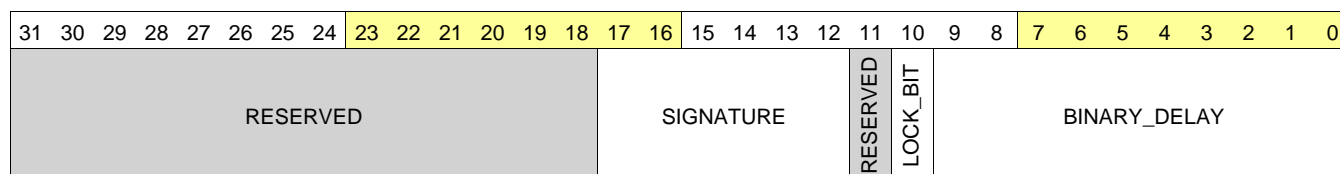
Bits	Field Name	Description	Type	Reset
31:18	RESERVED		R	0x0
17:12	SIGNATURE	Write to this register will succeed only if data on these bits carries a signature of 6'h29 (6'b101001)	RW	0x0
11	RESERVED		R	0x0
10	LOCK_BIT	When '1', prevents HW update to this MMR. When '0', allows HW update of this MMR.	RW	0x0
9:0	BINARY_DELAY	Delay Select Value in binary coded form. Indicates the number of coarse (9:5) and fine (4:0) delay elements to be used on the delay line connected to this pad.	RW	0x0

Table 18-2870. Register Call Summary for Register CFG_VIN1A_D16_OEN

IODELAYCONFIG Module Register Manual
 • [IODELAYCONFIG Register Summary: \[0\]](#)

Table 18-2871. CFG_VIN1A_D16_OUT

Address Offset	0x0000 0938	Instance	IODELAYCONFIG
Physical Address	0x4844 A938		
Description	Delay Select Value in binary coded form for cfg_vin1a_d16_out interface		
Type	RW		



Bits	Field Name	Description	Type	Reset
31:18	RESERVED		R	0x0
17:12	SIGNATURE	Write to this register will succeed only if data on these bits carries a signature of 6'h29 (6'b101001)	RW	0x0
11	RESERVED		R	0x0
10	LOCK_BIT	When '1', prevents HW update to this MMR. When '0', allows HW update of this MMR.	RW	0x0
9:0	BINARY_DELAY	Delay Select Value in binary coded form. Indicates the number of coarse (9:5) and fine (4:0) delay elements to be used on the delay line connected to this pad.	RW	0x0

Table 18-2872. Register Call Summary for Register CFG_VIN1A_D16_OUT

IODELAYCONFIG Module Register Manual

- [IODELAYCONFIG Register Summary: \[0\]](#)

Table 18-2873. CFG_VIN1A_D17_IN

Address Offset	0x0000 093C	Instance	IODELAYCONFIG
Physical Address	0x4844 A93C		
Description	Delay Select Value in binary coded form for cfg_vin1a_d17_in interface		
Type	RW		

31	30	29	28	27	26	25	24	23	22	21	20	19	18	17	16	15	14	13	12	11	10	9	8	7	6	5	4	3	2	1	0
RESERVED								SIGNATURE				RESERVED	LOCK_BIT	BINARY_DELAY																	

Bits	Field Name	Description	Type	Reset
31:18	RESERVED		R	0x0
17:12	SIGNATURE	Write to this register will succeed only if data on these bits carries a signature of 6'h29 (6'b101001)	RW	0x0
11	RESERVED		R	0x0
10	LOCK_BIT	When '1', prevents HW update to this MMR. When '0', allows HW update of this MMR.	RW	0x0
9:0	BINARY_DELAY	Delay Select Value in binary coded form. Indicates the number of coarse (9:5) and fine (4:0) delay elements to be used on the delay line connected to this pad.	RW	0x0

Table 18-2874. Register Call Summary for Register CFG_VIN1A_D17_IN

IODELAYCONFIG Module Register Manual

- [IODELAYCONFIG Register Summary: \[0\]](#)

Table 18-2875. CFG_VIN1A_D17_OEN

Address Offset	0x0000 0940	Instance	IODELAYCONFIG
Physical Address	0x4844 A940		
Description	Delay Select Value in binary coded form for cfg_vin1a_d17_oen interface		
Type	RW		

31	30	29	28	27	26	25	24	23	22	21	20	19	18	17	16	15	14	13	12	11	10	9	8	7	6	5	4	3	2	1	0
RESERVED								SIGNATURE				RESERVED	LOCK_BIT	BINARY_DELAY																	

Bits	Field Name	Description	Type	Reset
31:18	RESERVED		R	0x0
17:12	SIGNATURE	Write to this register will succeed only if data on these bits carries a signature of 6'h29 (6'b101001)	RW	0x0
11	RESERVED		R	0x0
10	LOCK_BIT	When '1', prevents HW update to this MMR. When '0', allows HW update of this MMR.	RW	0x0
9:0	BINARY_DELAY	Delay Select Value in binary coded form. Indicates the number of coarse (9:5) and fine (4:0) delay elements to be used on the delay line connected to this pad.	RW	0x0

Table 18-2876. Register Call Summary for Register CFG_VIN1A_D17_OEN

IODELAYCONFIG Module Register Manual

- [IODELAYCONFIG Register Summary: \[0\]](#)

Table 18-2877. CFG_VIN1A_D17_OUT

Address Offset	0x0000 0944	Instance	IODELAYCONFIG
Physical Address	0x4844 A944		
Description	Delay Select Value in binary coded form for cfg_vin1a_d17_out interface		
Type	RW		

31	30	29	28	27	26	25	24	23	22	21	20	19	18	17	16	15	14	13	12	11	10	9	8	7	6	5	4	3	2	1	0
RESERVED								SIGNATURE				RESERVED	LOCK_BIT	BINARY_DELAY																	

Bits	Field Name	Description	Type	Reset
31:18	RESERVED		R	0x0
17:12	SIGNATURE	Write to this register will succeed only if data on these bits carries a signature of 6'h29 (6'b101001)	RW	0x0
11	RESERVED		R	0x0
10	LOCK_BIT	When '1', prevents HW update to this MMR. When '0', allows HW update of this MMR.	RW	0x0
9:0	BINARY_DELAY	Delay Select Value in binary coded form. Indicates the number of coarse (9:5) and fine (4:0) delay elements to be used on the delay line connected to this pad.	RW	0x0

Table 18-2878. Register Call Summary for Register CFG_VIN1A_D17_OUT

IODELAYCONFIG Module Register Manual

- [IODELAYCONFIG Register Summary: \[0\]](#)

Table 18-2879. CFG_VIN1A_D18_IN

Address Offset	0x0000 0948	Instance	IODELAYCONFIG
Physical Address	0x4844 A948		
Description	Delay Select Value in binary coded form for cfg_vin1a_d18_in interface		
Type	RW		

31	30	29	28	27	26	25	24	23	22	21	20	19	18	17	16	15	14	13	12	11	10	9	8	7	6	5	4	3	2	1	0
RESERVED														SIGNATURE				RESERVED	LOCK_BIT	BINARY_DELAY											

Bits	Field Name	Description	Type	Reset
31:18	RESERVED		R	0x0
17:12	SIGNATURE	Write to this register will succeed only if data on these bits carries a signature of 6'h29 (6'b101001)	RW	0x0
11	RESERVED		R	0x0
10	LOCK_BIT	When '1', prevents HW update to this MMR. When '0', allows HW update of this MMR.	RW	0x0
9:0	BINARY_DELAY	Delay Select Value in binary coded form. Indicates the number of coarse (9:5) and fine (4:0) delay elements to be used on the delay line connected to this pad.	RW	0x0

Table 18-2880. Register Call Summary for Register CFG_VIN1A_D18_IN

IODELAYCONFIG Module Register Manual

- [IODELAYCONFIG Register Summary: \[0\]](#)

Table 18-2881. CFG_VIN1A_D18_OEN

Address Offset	0x0000 094C	Instance	IODELAYCONFIG
Physical Address	0x4844 A94C		
Description	Delay Select Value in binary coded form for cfg_vin1a_d18_oen interface		
Type	RW		

31	30	29	28	27	26	25	24	23	22	21	20	19	18	17	16	15	14	13	12	11	10	9	8	7	6	5	4	3	2	1	0
RESERVED														SIGNATURE				RESERVED	LOCK_BIT	BINARY_DELAY											

Bits	Field Name	Description	Type	Reset
31:18	RESERVED		R	0x0
17:12	SIGNATURE	Write to this register will succeed only if data on these bits carries a signature of 6'h29 (6'b101001)	RW	0x0
11	RESERVED		R	0x0
10	LOCK_BIT	When '1', prevents HW update to this MMR. When '0', allows HW update of this MMR.	RW	0x0
9:0	BINARY_DELAY	Delay Select Value in binary coded form. Indicates the number of coarse (9:5) and fine (4:0) delay elements to be used on the delay line connected to this pad.	RW	0x0

Table 18-2882. Register Call Summary for Register CFG_VIN1A_D18_OEN

IODELAYCONFIG Module Register Manual

- [IODELAYCONFIG Register Summary: \[0\]](#)

Table 18-2883. CFG_VIN1A_D18_OUT

Address Offset	0x0000 0950	Instance	IODELAYCONFIG
Physical Address	0x4844 A950		
Description	Delay Select Value in binary coded form for cfg_vin1a_d18_out interface		
Type	RW		

31	30	29	28	27	26	25	24	23	22	21	20	19	18	17	16	15	14	13	12	11	10	9	8	7	6	5	4	3	2	1	0
RESERVED																SIGNATURE						RESERVED	LOCK_BIT	BINARY_DELAY							

Bits	Field Name	Description	Type	Reset
31:18	RESERVED		R	0x0
17:12	SIGNATURE	Write to this register will succeed only if data on these bits carries a signature of 6'h29 (6'b101001)	RW	0x0
11	RESERVED		R	0x0
10	LOCK_BIT	When '1', prevents HW update to this MMR. When '0', allows HW update of this MMR.	RW	0x0
9:0	BINARY_DELAY	Delay Select Value in binary coded form. Indicates the number of coarse (9:5) and fine (4:0) delay elements to be used on the delay line connected to this pad.	RW	0x0

Table 18-2884. Register Call Summary for Register CFG_VIN1A_D18_OUT

IODELAYCONFIG Module Register Manual

- [IODELAYCONFIG Register Summary: \[0\]](#)

Table 18-2885. CFG_VIN1A_D19_IN

Address Offset	0x0000 0954	Instance	IODELAYCONFIG
Physical Address	0x4844 A954		
Description	Delay Select Value in binary coded form for cfg_vin1a_d19_in interface		
Type	RW		

31	30	29	28	27	26	25	24	23	22	21	20	19	18	17	16	15	14	13	12	11	10	9	8	7	6	5	4	3	2	1	0
RESERVED																SIGNATURE						RESERVED	LOCK_BIT	BINARY_DELAY							

Bits	Field Name	Description	Type	Reset
31:18	RESERVED		R	0x0
17:12	SIGNATURE	Write to this register will succeed only if data on these bits carries a signature of 6'h29 (6'b101001)	RW	0x0
11	RESERVED		R	0x0

Bits	Field Name	Description	Type	Reset
10	LOCK_BIT	When '1', prevents HW update to this MMR. When '0', allows HW update of this MMR.	RW	0x0
9:0	BINARY_DELAY	Delay Select Value in binary coded form. Indicates the number of coarse (9:5) and fine (4:0) delay elements to be used on the delay line connected to this pad.	RW	0x0

Table 18-2886. Register Call Summary for Register CFG_VIN1A_D19_IN

IODELAYCONFIG Module Register Manual

- [IODELAYCONFIG Register Summary: \[0\]](#)

Table 18-2887. CFG_VIN1A_D19_OEN

Address Offset	0x0000 0958	Instance	IODELAYCONFIG
Physical Address	0x4844 A958		
Description	Delay Select Value in binary coded form for cfg_vin1a_d19_oen interface		
Type	RW		

31	30	29	28	27	26	25	24	23	22	21	20	19	18	17	16	15	14	13	12	11	10	9	8	7	6	5	4	3	2	1	0
RESERVED								SIGNATURE								RESERVED	LOCK_BIT	BINARY_DELAY													

Bits	Field Name	Description	Type	Reset
31:18	RESERVED		R	0x0
17:12	SIGNATURE	Write to this register will succeed only if data on these bits carries a signature of 6'h29 (6'b101001)	RW	0x0
11	RESERVED		R	0x0
10	LOCK_BIT	When '1', prevents HW update to this MMR. When '0', allows HW update of this MMR.	RW	0x0
9:0	BINARY_DELAY	Delay Select Value in binary coded form. Indicates the number of coarse (9:5) and fine (4:0) delay elements to be used on the delay line connected to this pad.	RW	0x0

Table 18-2888. Register Call Summary for Register CFG_VIN1A_D19_OEN

IODELAYCONFIG Module Register Manual

- [IODELAYCONFIG Register Summary: \[0\]](#)

Table 18-2889. CFG_VIN1A_D19_OUT

Address Offset	0x0000 095C	Instance	IODELAYCONFIG
Physical Address	0x4844 A95C		
Description	Delay Select Value in binary coded form for cfg_vin1a_d19_out interface		
Type	RW		

31	30	29	28	27	26	25	24	23	22	21	20	19	18	17	16	15	14	13	12	11	10	9	8	7	6	5	4	3	2	1	0
RESERVED								SIGNATURE								RESERVED	LOCK_BIT	BINARY_DELAY													

Bits	Field Name	Description	Type	Reset
31:18	RESERVED		R	0x0
17:12	SIGNATURE	Write to this register will succeed only if data on these bits carries a signature of 6'h29 (6'b101001)	RW	0x0
11	RESERVED		R	0x0
10	LOCK_BIT	When '1', prevents HW update to this MMR. When '0', allows HW update of this MMR.	RW	0x0
9:0	BINARY_DELAY	Delay Select Value in binary coded form. Indicates the number of coarse (9:5) and fine (4:0) delay elements to be used on the delay line connected to this pad.	RW	0x0

Table 18-2890. Register Call Summary for Register CFG_VIN1A_D19_OUT

IODELAYCONFIG Module Register Manual

- [IODELAYCONFIG Register Summary: \[0\]](#)

Table 18-2891. CFG_VIN1A_D1_IN

Address Offset	0x0000 0960	Instance	IODELAYCONFIG
Physical Address	0x4844 A960		
Description	Delay Select Value in binary coded form for cfg_vin1a_d1_in interface		
Type	RW		

31	30	29	28	27	26	25	24	23	22	21	20	19	18	17	16	15	14	13	12	11	10	9	8	7	6	5	4	3	2	1	0
RESERVED								SIGNATURE				RESERVED	LOCK_BIT	BINARY_DELAY																	

Bits	Field Name	Description	Type	Reset
31:18	RESERVED		R	0x0
17:12	SIGNATURE	Write to this register will succeed only if data on these bits carries a signature of 6'h29 (6'b101001)	RW	0x0
11	RESERVED		R	0x0
10	LOCK_BIT	When '1', prevents HW update to this MMR. When '0', allows HW update of this MMR.	RW	0x0
9:0	BINARY_DELAY	Delay Select Value in binary coded form. Indicates the number of coarse (9:5) and fine (4:0) delay elements to be used on the delay line connected to this pad.	RW	0x0

Table 18-2892. Register Call Summary for Register CFG_VIN1A_D1_IN

IODELAYCONFIG Module Register Manual

- [IODELAYCONFIG Register Summary: \[0\]](#)

Table 18-2893. CFG_VIN1A_D1_OEN

Address Offset	0x0000 0964	Instance	IODELAYCONFIG
Physical Address	0x4844 A964		
Description	Delay Select Value in binary coded form for cfg_vin1a_d1_oen interface		
Type	RW		

31	30	29	28	27	26	25	24	23	22	21	20	19	18	17	16	15	14	13	12	11	10	9	8	7	6	5	4	3	2	1	0
RESERVED														SIGNATURE				RESERVED	LOCK_BIT	BINARY_DELAY											

Bits	Field Name	Description	Type	Reset
31:18	RESERVED		R	0x0
17:12	SIGNATURE	Write to this register will succeed only if data on these bits carries a signature of 6'h29 (6'b101001)	RW	0x0
11	RESERVED		R	0x0
10	LOCK_BIT	When '1', prevents HW update to this MMR. When '0', allows HW update of this MMR.	RW	0x0
9:0	BINARY_DELAY	Delay Select Value in binary coded form. Indicates the number of coarse (9:5) and fine (4:0) delay elements to be used on the delay line connected to this pad.	RW	0x0

Table 18-2894. Register Call Summary for Register CFG_VIN1A_D1_OEN

IODELAYCONFIG Module Register Manual

- [IODELAYCONFIG Register Summary: \[0\]](#)

Table 18-2895. CFG_VIN1A_D1_OUT

Address Offset	0x0000 0968	Instance	IODELAYCONFIG
Physical Address	0x4844 A968		
Description	Delay Select Value in binary coded form for cfg_vin1a_d1_out interface		
Type	RW		

31	30	29	28	27	26	25	24	23	22	21	20	19	18	17	16	15	14	13	12	11	10	9	8	7	6	5	4	3	2	1	0
RESERVED														SIGNATURE				RESERVED	LOCK_BIT	BINARY_DELAY											

Bits	Field Name	Description	Type	Reset
31:18	RESERVED		R	0x0
17:12	SIGNATURE	Write to this register will succeed only if data on these bits carries a signature of 6'h29 (6'b101001)	RW	0x0
11	RESERVED		R	0x0
10	LOCK_BIT	When '1', prevents HW update to this MMR. When '0', allows HW update of this MMR.	RW	0x0
9:0	BINARY_DELAY	Delay Select Value in binary coded form. Indicates the number of coarse (9:5) and fine (4:0) delay elements to be used on the delay line connected to this pad.	RW	0x0

Table 18-2896. Register Call Summary for Register CFG_VIN1A_D1_OUT

IODELAYCONFIG Module Register Manual

- [IODELAYCONFIG Register Summary: \[0\]](#)

Table 18-2897. CFG_VIN1A_D20_IN

Address Offset	0x0000 096C	Instance	IODELAYCONFIG
Physical Address	0x4844 A96C		
Description	Delay Select Value in binary coded form for cfg_vin1a_d20_in interface		
Type	RW		

31	30	29	28	27	26	25	24	23	22	21	20	19	18	17	16	15	14	13	12	11	10	9	8	7	6	5	4	3	2	1	0
RESERVED														SIGNATURE				RESERVED	LOCK_BIT	BINARY_DELAY											

Bits	Field Name	Description	Type	Reset
31:18	RESERVED		R	0x0
17:12	SIGNATURE	Write to this register will succeed only if data on these bits carries a signature of 6'h29 (6'b101001)	RW	0x0
11	RESERVED		R	0x0
10	LOCK_BIT	When '1', prevents HW update to this MMR. When '0', allows HW update of this MMR.	RW	0x0
9:0	BINARY_DELAY	Delay Select Value in binary coded form. Indicates the number of coarse (9:5) and fine (4:0) delay elements to be used on the delay line connected to this pad.	RW	0x0

Table 18-2898. Register Call Summary for Register CFG_VIN1A_D20_IN

IODELAYCONFIG Module Register Manual

- [IODELAYCONFIG Register Summary: \[0\]](#)

Table 18-2899. CFG_VIN1A_D20_OEN

Address Offset	0x0000 0970	Instance	IODELAYCONFIG
Physical Address	0x4844 A970		
Description	Delay Select Value in binary coded form for cfg_vin1a_d20_oen interface		
Type	RW		

31	30	29	28	27	26	25	24	23	22	21	20	19	18	17	16	15	14	13	12	11	10	9	8	7	6	5	4	3	2	1	0
RESERVED														SIGNATURE				RESERVED	LOCK_BIT	BINARY_DELAY											

Bits	Field Name	Description	Type	Reset
31:18	RESERVED		R	0x0
17:12	SIGNATURE	Write to this register will succeed only if data on these bits carries a signature of 6'h29 (6'b101001)	RW	0x0
11	RESERVED		R	0x0
10	LOCK_BIT	When '1', prevents HW update to this MMR. When '0', allows HW update of this MMR.	RW	0x0
9:0	BINARY_DELAY	Delay Select Value in binary coded form. Indicates the number of coarse (9:5) and fine (4:0) delay elements to be used on the delay line connected to this pad.	RW	0x0

Table 18-2900. Register Call Summary for Register CFG_VIN1A_D20_OEN

IODELAYCONFIG Module Register Manual

- [IODELAYCONFIG Register Summary: \[0\]](#)

Table 18-2901. CFG_VIN1A_D20_OUT

Address Offset	0x0000 0974	Instance	IODELAYCONFIG
Physical Address	0x4844 A974		
Description	Delay Select Value in binary coded form for cfg_vin1a_d20_out interface		
Type	RW		

31	30	29	28	27	26	25	24	23	22	21	20	19	18	17	16	15	14	13	12	11	10	9	8	7	6	5	4	3	2	1	0
RESERVED														SIGNATURE				RESERVED	LOCK_BIT	BINARY_DELAY											

Bits	Field Name	Description	Type	Reset
31:18	RESERVED		R	0x0
17:12	SIGNATURE	Write to this register will succeed only if data on these bits carries a signature of 6'h29 (6'b101001)	RW	0x0
11	RESERVED		R	0x0
10	LOCK_BIT	When '1', prevents HW update to this MMR. When '0', allows HW update of this MMR.	RW	0x0
9:0	BINARY_DELAY	Delay Select Value in binary coded form. Indicates the number of coarse (9:5) and fine (4:0) delay elements to be used on the delay line connected to this pad.	RW	0x0

Table 18-2902. Register Call Summary for Register CFG_VIN1A_D20_OUT

IODELAYCONFIG Module Register Manual

- [IODELAYCONFIG Register Summary: \[0\]](#)

Table 18-2903. CFG_VIN1A_D21_IN

Address Offset	0x0000 0978	Instance	IODELAYCONFIG
Physical Address	0x4844 A978		
Description	Delay Select Value in binary coded form for cfg_vin1a_d21_in interface		
Type	RW		

31	30	29	28	27	26	25	24	23	22	21	20	19	18	17	16	15	14	13	12	11	10	9	8	7	6	5	4	3	2	1	0
RESERVED														SIGNATURE				RESERVED	LOCK_BIT	BINARY_DELAY											

Bits	Field Name	Description	Type	Reset
31:18	RESERVED		R	0x0
17:12	SIGNATURE	Write to this register will succeed only if data on these bits carries a signature of 6'h29 (6'b101001)	RW	0x0
11	RESERVED		R	0x0

Bits	Field Name	Description	Type	Reset
10	LOCK_BIT	When '1', prevents HW update to this MMR. When '0', allows HW update of this MMR.	RW	0x0
9:0	BINARY_DELAY	Delay Select Value in binary coded form. Indicates the number of coarse (9:5) and fine (4:0) delay elements to be used on the delay line connected to this pad.	RW	0x0

Table 18-2904. Register Call Summary for Register CFG_VIN1A_D21_IN

IODELAYCONFIG Module Register Manual
 • [IODELAYCONFIG Register Summary: \[0\]](#)

Table 18-2905. CFG_VIN1A_D21_OEN

Address Offset	0x0000 097C	Instance	IODELAYCONFIG
Physical Address	0x4844 A97C		
Description	Delay Select Value in binary coded form for cfg_vin1a_d21_oen interface		
Type	RW		

31	30	29	28	27	26	25	24	23	22	21	20	19	18	17	16	15	14	13	12	11	10	9	8	7	6	5	4	3	2	1	0
RESERVED																SIGNATURE						RESERVED	LOCK_BIT	BINARY_DELAY							

Bits	Field Name	Description	Type	Reset
31:18	RESERVED		R	0x0
17:12	SIGNATURE	Write to this register will succeed only if data on these bits carries a signature of 6'h29 (6'b101001)	RW	0x0
11	RESERVED		R	0x0
10	LOCK_BIT	When '1', prevents HW update to this MMR. When '0', allows HW update of this MMR.	RW	0x0
9:0	BINARY_DELAY	Delay Select Value in binary coded form. Indicates the number of coarse (9:5) and fine (4:0) delay elements to be used on the delay line connected to this pad.	RW	0x0

Table 18-2906. Register Call Summary for Register CFG_VIN1A_D21_OEN

IODELAYCONFIG Module Register Manual
 • [IODELAYCONFIG Register Summary: \[0\]](#)

Table 18-2907. CFG_VIN1A_D21_OUT

Address Offset	0x0000 0980	Instance	IODELAYCONFIG
Physical Address	0x4844 A980		
Description	Delay Select Value in binary coded form for cfg_vin1a_d21_out interface		
Type	RW		

31	30	29	28	27	26	25	24	23	22	21	20	19	18	17	16	15	14	13	12	11	10	9	8	7	6	5	4	3	2	1	0
RESERVED																SIGNATURE						RESERVED	LOCK_BIT	BINARY_DELAY							

Bits	Field Name	Description	Type	Reset
31:18	RESERVED		R	0x0
17:12	SIGNATURE	Write to this register will succeed only if data on these bits carries a signature of 6'h29 (6'b101001)	RW	0x0
11	RESERVED		R	0x0
10	LOCK_BIT	When '1', prevents HW update to this MMR. When '0', allows HW update of this MMR.	RW	0x0
9:0	BINARY_DELAY	Delay Select Value in binary coded form. Indicates the number of coarse (9:5) and fine (4:0) delay elements to be used on the delay line connected to this pad.	RW	0x0

Table 18-2908. Register Call Summary for Register CFG_VIN1A_D21_OUT

IODELAYCONFIG Module Register Manual

- [IODELAYCONFIG Register Summary: \[0\]](#)

Table 18-2909. CFG_VIN1A_D22_IN

Address Offset	0x0000 0984	Instance	IODELAYCONFIG
Physical Address	0x4844 A984		
Description	Delay Select Value in binary coded form for cfg_vin1a_d22_in interface		
Type	RW		

31	30	29	28	27	26	25	24	23	22	21	20	19	18	17	16	15	14	13	12	11	10	9	8	7	6	5	4	3	2	1	0
RESERVED								SIGNATURE				RESERVED	LOCK_BIT	BINARY_DELAY																	

Bits	Field Name	Description	Type	Reset
31:18	RESERVED		R	0x0
17:12	SIGNATURE	Write to this register will succeed only if data on these bits carries a signature of 6'h29 (6'b101001)	RW	0x0
11	RESERVED		R	0x0
10	LOCK_BIT	When '1', prevents HW update to this MMR. When '0', allows HW update of this MMR.	RW	0x0
9:0	BINARY_DELAY	Delay Select Value in binary coded form. Indicates the number of coarse (9:5) and fine (4:0) delay elements to be used on the delay line connected to this pad.	RW	0x0

Table 18-2910. Register Call Summary for Register CFG_VIN1A_D22_IN

IODELAYCONFIG Module Register Manual

- [IODELAYCONFIG Register Summary: \[0\]](#)

Table 18-2911. CFG_VIN1A_D22_OEN

Address Offset	0x0000 0988	Instance	IODELAYCONFIG
Physical Address	0x4844 A988		
Description	Delay Select Value in binary coded form for cfg_vin1a_d22_oen interface		
Type	RW		

31	30	29	28	27	26	25	24	23	22	21	20	19	18	17	16	15	14	13	12	11	10	9	8	7	6	5	4	3	2	1	0
RESERVED														SIGNATURE				RESERVED	LOCK_BIT	BINARY_DELAY											

Bits	Field Name	Description	Type	Reset
31:18	RESERVED		R	0x0
17:12	SIGNATURE	Write to this register will succeed only if data on these bits carries a signature of 6'h29 (6'b101001)	RW	0x0
11	RESERVED		R	0x0
10	LOCK_BIT	When '1', prevents HW update to this MMR. When '0', allows HW update of this MMR.	RW	0x0
9:0	BINARY_DELAY	Delay Select Value in binary coded form. Indicates the number of coarse (9:5) and fine (4:0) delay elements to be used on the delay line connected to this pad.	RW	0x0

Table 18-2912. Register Call Summary for Register CFG_VIN1A_D22_OEN

IODELAYCONFIG Module Register Manual

- [IODELAYCONFIG Register Summary: \[0\]](#)

Table 18-2913. CFG_VIN1A_D22_OUT

Address Offset	0x0000 098C	Instance	IODELAYCONFIG
Physical Address	0x4844 A98C		
Description	Delay Select Value in binary coded form for cfg_vin1a_d22_out interface		
Type	RW		

31	30	29	28	27	26	25	24	23	22	21	20	19	18	17	16	15	14	13	12	11	10	9	8	7	6	5	4	3	2	1	0
RESERVED														SIGNATURE				RESERVED	LOCK_BIT	BINARY_DELAY											

Bits	Field Name	Description	Type	Reset
31:18	RESERVED		R	0x0
17:12	SIGNATURE	Write to this register will succeed only if data on these bits carries a signature of 6'h29 (6'b101001)	RW	0x0
11	RESERVED		R	0x0
10	LOCK_BIT	When '1', prevents HW update to this MMR. When '0', allows HW update of this MMR.	RW	0x0
9:0	BINARY_DELAY	Delay Select Value in binary coded form. Indicates the number of coarse (9:5) and fine (4:0) delay elements to be used on the delay line connected to this pad.	RW	0x0

Table 18-2914. Register Call Summary for Register CFG_VIN1A_D22_OUT

IODELAYCONFIG Module Register Manual

- [IODELAYCONFIG Register Summary: \[0\]](#)

Table 18-2915. CFG_VIN1A_D23_IN

Address Offset	0x0000 0990	Instance	IODELAYCONFIG
Physical Address	0x4844 A990		
Description	Delay Select Value in binary coded form for cfg_vin1a_d23_in interface		
Type	RW		

31	30	29	28	27	26	25	24	23	22	21	20	19	18	17	16	15	14	13	12	11	10	9	8	7	6	5	4	3	2	1	0
RESERVED														SIGNATURE				RESERVED	LOCK_BIT	BINARY_DELAY											

Bits	Field Name	Description	Type	Reset
31:18	RESERVED		R	0x0
17:12	SIGNATURE	Write to this register will succeed only if data on these bits carries a signature of 6'h29 (6'b101001)	RW	0x0
11	RESERVED		R	0x0
10	LOCK_BIT	When '1', prevents HW update to this MMR. When '0', allows HW update of this MMR.	RW	0x0
9:0	BINARY_DELAY	Delay Select Value in binary coded form. Indicates the number of coarse (9:5) and fine (4:0) delay elements to be used on the delay line connected to this pad.	RW	0x0

Table 18-2916. Register Call Summary for Register CFG_VIN1A_D23_IN

IODELAYCONFIG Module Register Manual

- [IODELAYCONFIG Register Summary: \[0\]](#)

Table 18-2917. CFG_VIN1A_D23_OEN

Address Offset	0x0000 0994	Instance	IODELAYCONFIG
Physical Address	0x4844 A994		
Description	Delay Select Value in binary coded form for cfg_vin1a_d23_oen interface		
Type	RW		

31	30	29	28	27	26	25	24	23	22	21	20	19	18	17	16	15	14	13	12	11	10	9	8	7	6	5	4	3	2	1	0
RESERVED														SIGNATURE				RESERVED	LOCK_BIT	BINARY_DELAY											

Bits	Field Name	Description	Type	Reset
31:18	RESERVED		R	0x0
17:12	SIGNATURE	Write to this register will succeed only if data on these bits carries a signature of 6'h29 (6'b101001)	RW	0x0
11	RESERVED		R	0x0
10	LOCK_BIT	When '1', prevents HW update to this MMR. When '0', allows HW update of this MMR.	RW	0x0
9:0	BINARY_DELAY	Delay Select Value in binary coded form. Indicates the number of coarse (9:5) and fine (4:0) delay elements to be used on the delay line connected to this pad.	RW	0x0

Table 18-2918. Register Call Summary for Register CFG_VIN1A_D23_OEN

IODELAYCONFIG Module Register Manual

- [IODELAYCONFIG Register Summary: \[0\]](#)

Table 18-2919. CFG_VIN1A_D23_OUT

Address Offset	0x0000 0998	Instance	IODELAYCONFIG
Physical Address	0x4844 A998		
Description	Delay Select Value in binary coded form for cfg_vin1a_d23_out interface		
Type	RW		

31	30	29	28	27	26	25	24	23	22	21	20	19	18	17	16	15	14	13	12	11	10	9	8	7	6	5	4	3	2	1	0		
RESERVED																SIGNATURE						RESERVED	LOCK_BIT	BINARY_DELAY									

Bits	Field Name	Description	Type	Reset
31:18	RESERVED		R	0x0
17:12	SIGNATURE	Write to this register will succeed only if data on these bits carries a signature of 6'h29 (6'b101001)	RW	0x0
11	RESERVED		R	0x0
10	LOCK_BIT	When '1', prevents HW update to this MMR. When '0', allows HW update of this MMR.	RW	0x0
9:0	BINARY_DELAY	Delay Select Value in binary coded form. Indicates the number of coarse (9:5) and fine (4:0) delay elements to be used on the delay line connected to this pad.	RW	0x0

Table 18-2920. Register Call Summary for Register CFG_VIN1A_D23_OUT

IODELAYCONFIG Module Register Manual

- [IODELAYCONFIG Register Summary: \[0\]](#)

Table 18-2921. CFG_VIN1A_D2_IN

Address Offset	0x0000 099C	Instance	IODELAYCONFIG
Physical Address	0x4844 A99C		
Description	Delay Select Value in binary coded form for cfg_vin1a_d2_in interface		
Type	RW		

31	30	29	28	27	26	25	24	23	22	21	20	19	18	17	16	15	14	13	12	11	10	9	8	7	6	5	4	3	2	1	0		
RESERVED																SIGNATURE						RESERVED	LOCK_BIT	BINARY_DELAY									

Bits	Field Name	Description	Type	Reset
31:18	RESERVED		R	0x0
17:12	SIGNATURE	Write to this register will succeed only if data on these bits carries a signature of 6'h29 (6'b101001)	RW	0x0
11	RESERVED		R	0x0

Bits	Field Name	Description	Type	Reset
10	LOCK_BIT	When '1', prevents HW update to this MMR. When '0', allows HW update of this MMR.	RW	0x0
9:0	BINARY_DELAY	Delay Select Value in binary coded form. Indicates the number of coarse (9:5) and fine (4:0) delay elements to be used on the delay line connected to this pad.	RW	0x0

Table 18-2922. Register Call Summary for Register CFG_VIN1A_D2_IN

IODELAYCONFIG Module Register Manual

- [IODELAYCONFIG Register Summary: \[0\]](#)

Table 18-2923. CFG_VIN1A_D2_OEN

Address Offset	0x0000 09A0	Instance	IODELAYCONFIG
Physical Address	0x4844 A9A0		
Description	Delay Select Value in binary coded form for cfg_vin1a_d2_oen interface		
Type	RW		

31	30	29	28	27	26	25	24	23	22	21	20	19	18	17	16	15	14	13	12	11	10	9	8	7	6	5	4	3	2	1	0
RESERVED								SIGNATURE								RESERVED	LOCK_BIT	BINARY_DELAY													

Bits	Field Name	Description	Type	Reset
31:18	RESERVED		R	0x0
17:12	SIGNATURE	Write to this register will succeed only if data on these bits carries a signature of 6'h29 (6'b101001)	RW	0x0
11	RESERVED		R	0x0
10	LOCK_BIT	When '1', prevents HW update to this MMR. When '0', allows HW update of this MMR.	RW	0x0
9:0	BINARY_DELAY	Delay Select Value in binary coded form. Indicates the number of coarse (9:5) and fine (4:0) delay elements to be used on the delay line connected to this pad.	RW	0x0

Table 18-2924. Register Call Summary for Register CFG_VIN1A_D2_OEN

IODELAYCONFIG Module Register Manual

- [IODELAYCONFIG Register Summary: \[0\]](#)

Table 18-2925. CFG_VIN1A_D2_OUT

Address Offset	0x0000 09A4	Instance	IODELAYCONFIG
Physical Address	0x4844 A9A4		
Description	Delay Select Value in binary coded form for cfg_vin1a_d2_out interface		
Type	RW		

31	30	29	28	27	26	25	24	23	22	21	20	19	18	17	16	15	14	13	12	11	10	9	8	7	6	5	4	3	2	1	0
RESERVED								SIGNATURE								RESERVED	LOCK_BIT	BINARY_DELAY													

Bits	Field Name	Description	Type	Reset
31:18	RESERVED		R	0x0
17:12	SIGNATURE	Write to this register will succeed only if data on these bits carries a signature of 6'h29 (6'b101001)	RW	0x0
11	RESERVED		R	0x0
10	LOCK_BIT	When '1', prevents HW update to this MMR. When '0', allows HW update of this MMR.	RW	0x0
9:0	BINARY_DELAY	Delay Select Value in binary coded form. Indicates the number of coarse (9:5) and fine (4:0) delay elements to be used on the delay line connected to this pad.	RW	0x0

Table 18-2926. Register Call Summary for Register CFG_VIN1A_D2_OUT

IODELAYCONFIG Module Register Manual

- [IODELAYCONFIG Register Summary: \[0\]](#)

Table 18-2927. CFG_VIN1A_D3_IN

Address Offset	0x0000 09A8	Instance	IODELAYCONFIG
Physical Address	0x4844 A9A8		
Description	Delay Select Value in binary coded form for cfg_vin1a_d3_in interface		
Type	RW		

31	30	29	28	27	26	25	24	23	22	21	20	19	18	17	16	15	14	13	12	11	10	9	8	7	6	5	4	3	2	1	0
RESERVED								SIGNATURE				RESERVED	LOCK_BIT	BINARY_DELAY																	

Bits	Field Name	Description	Type	Reset
31:18	RESERVED		R	0x0
17:12	SIGNATURE	Write to this register will succeed only if data on these bits carries a signature of 6'h29 (6'b101001)	RW	0x0
11	RESERVED		R	0x0
10	LOCK_BIT	When '1', prevents HW update to this MMR. When '0', allows HW update of this MMR.	RW	0x0
9:0	BINARY_DELAY	Delay Select Value in binary coded form. Indicates the number of coarse (9:5) and fine (4:0) delay elements to be used on the delay line connected to this pad.	RW	0x0

Table 18-2928. Register Call Summary for Register CFG_VIN1A_D3_IN

IODELAYCONFIG Module Register Manual

- [IODELAYCONFIG Register Summary: \[0\]](#)

Table 18-2929. CFG_VIN1A_D3_OEN

Address Offset	0x0000 09AC	Instance	IODELAYCONFIG
Physical Address	0x4844 A9AC		
Description	Delay Select Value in binary coded form for cfg_vin1a_d3_oen interface		
Type	RW		

31	30	29	28	27	26	25	24	23	22	21	20	19	18	17	16	15	14	13	12	11	10	9	8	7	6	5	4	3	2	1	0
RESERVED														SIGNATURE				RESERVED	LOCK_BIT	BINARY_DELAY											

Bits	Field Name	Description	Type	Reset
31:18	RESERVED		R	0x0
17:12	SIGNATURE	Write to this register will succeed only if data on these bits carries a signature of 6'h29 (6'b101001)	RW	0x0
11	RESERVED		R	0x0
10	LOCK_BIT	When '1', prevents HW update to this MMR. When '0', allows HW update of this MMR.	RW	0x0
9:0	BINARY_DELAY	Delay Select Value in binary coded form. Indicates the number of coarse (9:5) and fine (4:0) delay elements to be used on the delay line connected to this pad.	RW	0x0

Table 18-2930. Register Call Summary for Register CFG_VIN1A_D3_OEN

IODELAYCONFIG Module Register Manual

- [IODELAYCONFIG Register Summary: \[0\]](#)

Table 18-2931. CFG_VIN1A_D3_OUT

Address Offset	0x0000 09B0	Instance	IODELAYCONFIG
Physical Address	0x4844 A9B0		
Description	Delay Select Value in binary coded form for cfg_vin1a_d3_out interface		
Type	RW		

31	30	29	28	27	26	25	24	23	22	21	20	19	18	17	16	15	14	13	12	11	10	9	8	7	6	5	4	3	2	1	0
RESERVED														SIGNATURE				RESERVED	LOCK_BIT	BINARY_DELAY											

Bits	Field Name	Description	Type	Reset
31:18	RESERVED		R	0x0
17:12	SIGNATURE	Write to this register will succeed only if data on these bits carries a signature of 6'h29 (6'b101001)	RW	0x0
11	RESERVED		R	0x0
10	LOCK_BIT	When '1', prevents HW update to this MMR. When '0', allows HW update of this MMR.	RW	0x0
9:0	BINARY_DELAY	Delay Select Value in binary coded form. Indicates the number of coarse (9:5) and fine (4:0) delay elements to be used on the delay line connected to this pad.	RW	0x0

Table 18-2932. Register Call Summary for Register CFG_VIN1A_D3_OUT

IODELAYCONFIG Module Register Manual

- [IODELAYCONFIG Register Summary: \[0\]](#)

Table 18-2933. CFG_VIN1A_D4_IN

Address Offset	0x0000 09B4	Instance	IODELAYCONFIG
Physical Address	0x4844 A9B4		
Description	Delay Select Value in binary coded form for cfg_vin1a_d4_in interface		
Type	RW		

31	30	29	28	27	26	25	24	23	22	21	20	19	18	17	16	15	14	13	12	11	10	9	8	7	6	5	4	3	2	1	0
RESERVED														SIGNATURE				RESERVED	LOCK_BIT	BINARY_DELAY											

Bits	Field Name	Description	Type	Reset
31:18	RESERVED		R	0x0
17:12	SIGNATURE	Write to this register will succeed only if data on these bits carries a signature of 6'h29 (6'b101001)	RW	0x0
11	RESERVED		R	0x0
10	LOCK_BIT	When '1', prevents HW update to this MMR. When '0', allows HW update of this MMR.	RW	0x0
9:0	BINARY_DELAY	Delay Select Value in binary coded form. Indicates the number of coarse (9:5) and fine (4:0) delay elements to be used on the delay line connected to this pad.	RW	0x0

Table 18-2934. Register Call Summary for Register CFG_VIN1A_D4_IN

IODELAYCONFIG Module Register Manual

- [IODELAYCONFIG Register Summary: \[0\]](#)

Table 18-2935. CFG_VIN1A_D4_OEN

Address Offset	0x0000 09B8	Instance	IODELAYCONFIG
Physical Address	0x4844 A9B8		
Description	Delay Select Value in binary coded form for cfg_vin1a_d4_oen interface		
Type	RW		

31	30	29	28	27	26	25	24	23	22	21	20	19	18	17	16	15	14	13	12	11	10	9	8	7	6	5	4	3	2	1	0
RESERVED														SIGNATURE				RESERVED	LOCK_BIT	BINARY_DELAY											

Bits	Field Name	Description	Type	Reset
31:18	RESERVED		R	0x0
17:12	SIGNATURE	Write to this register will succeed only if data on these bits carries a signature of 6'h29 (6'b101001)	RW	0x0
11	RESERVED		R	0x0
10	LOCK_BIT	When '1', prevents HW update to this MMR. When '0', allows HW update of this MMR.	RW	0x0
9:0	BINARY_DELAY	Delay Select Value in binary coded form. Indicates the number of coarse (9:5) and fine (4:0) delay elements to be used on the delay line connected to this pad.	RW	0x0

Table 18-2936. Register Call Summary for Register CFG_VIN1A_D4_OEN

IODELAYCONFIG Module Register Manual

- [IODELAYCONFIG Register Summary: \[0\]](#)

Table 18-2937. CFG_VIN1A_D4_OUT

Address Offset	0x0000 09BC	Instance	IODELAYCONFIG
Physical Address	0x4844 A9BC		
Description	Delay Select Value in binary coded form for cfg_vin1a_d4_out interface		
Type	RW		

31	30	29	28	27	26	25	24	23	22	21	20	19	18	17	16	15	14	13	12	11	10	9	8	7	6	5	4	3	2	1	0		
RESERVED																SIGNATURE						RESERVED	LOCK_BIT	BINARY_DELAY									

Bits	Field Name	Description	Type	Reset
31:18	RESERVED		R	0x0
17:12	SIGNATURE	Write to this register will succeed only if data on these bits carries a signature of 6'h29 (6'b101001)	RW	0x0
11	RESERVED		R	0x0
10	LOCK_BIT	When '1', prevents HW update to this MMR. When '0', allows HW update of this MMR.	RW	0x0
9:0	BINARY_DELAY	Delay Select Value in binary coded form. Indicates the number of coarse (9:5) and fine (4:0) delay elements to be used on the delay line connected to this pad.	RW	0x0

Table 18-2938. Register Call Summary for Register CFG_VIN1A_D4_OUT

IODELAYCONFIG Module Register Manual

- [IODELAYCONFIG Register Summary: \[0\]](#)

Table 18-2939. CFG_VIN1A_D5_IN

Address Offset	0x0000 09C0	Instance	IODELAYCONFIG
Physical Address	0x4844 A9C0		
Description	Delay Select Value in binary coded form for cfg_vin1a_d5_in interface		
Type	RW		

31	30	29	28	27	26	25	24	23	22	21	20	19	18	17	16	15	14	13	12	11	10	9	8	7	6	5	4	3	2	1	0		
RESERVED																SIGNATURE						RESERVED	LOCK_BIT	BINARY_DELAY									

Bits	Field Name	Description	Type	Reset
31:18	RESERVED		R	0x0
17:12	SIGNATURE	Write to this register will succeed only if data on these bits carries a signature of 6'h29 (6'b101001)	RW	0x0
11	RESERVED		R	0x0

Bits	Field Name	Description	Type	Reset
10	LOCK_BIT	When '1', prevents HW update to this MMR. When '0', allows HW update of this MMR.	RW	0x0
9:0	BINARY_DELAY	Delay Select Value in binary coded form. Indicates the number of coarse (9:5) and fine (4:0) delay elements to be used on the delay line connected to this pad.	RW	0x0

Table 18-2940. Register Call Summary for Register CFG_VIN1A_D5_IN

IODELAYCONFIG Module Register Manual

- [IODELAYCONFIG Register Summary: \[0\]](#)

Table 18-2941. CFG_VIN1A_D5_OEN

Address Offset	0x0000 09C4	Instance	IODELAYCONFIG
Physical Address	0x4844 A9C4		
Description	Delay Select Value in binary coded form for cfg_vin1a_d5_oen interface		
Type	RW		

31	30	29	28	27	26	25	24	23	22	21	20	19	18	17	16	15	14	13	12	11	10	9	8	7	6	5	4	3	2	1	0
RESERVED								SIGNATURE								RESERVED	LOCK_BIT	BINARY_DELAY													

Bits	Field Name	Description	Type	Reset
31:18	RESERVED		R	0x0
17:12	SIGNATURE	Write to this register will succeed only if data on these bits carries a signature of 6'h29 (6'b101001)	RW	0x0
11	RESERVED		R	0x0
10	LOCK_BIT	When '1', prevents HW update to this MMR. When '0', allows HW update of this MMR.	RW	0x0
9:0	BINARY_DELAY	Delay Select Value in binary coded form. Indicates the number of coarse (9:5) and fine (4:0) delay elements to be used on the delay line connected to this pad.	RW	0x0

Table 18-2942. Register Call Summary for Register CFG_VIN1A_D5_OEN

IODELAYCONFIG Module Register Manual

- [IODELAYCONFIG Register Summary: \[0\]](#)

Table 18-2943. CFG_VIN1A_D5_OUT

Address Offset	0x0000 09C8	Instance	IODELAYCONFIG
Physical Address	0x4844 A9C8		
Description	Delay Select Value in binary coded form for cfg_vin1a_d5_out interface		
Type	RW		

31	30	29	28	27	26	25	24	23	22	21	20	19	18	17	16	15	14	13	12	11	10	9	8	7	6	5	4	3	2	1	0
RESERVED								SIGNATURE								RESERVED	LOCK_BIT	BINARY_DELAY													

Bits	Field Name	Description	Type	Reset
31:18	RESERVED		R	0x0
17:12	SIGNATURE	Write to this register will succeed only if data on these bits carries a signature of 6'h29 (6'b101001)	RW	0x0
11	RESERVED		R	0x0
10	LOCK_BIT	When '1', prevents HW update to this MMR. When '0', allows HW update of this MMR.	RW	0x0
9:0	BINARY_DELAY	Delay Select Value in binary coded form. Indicates the number of coarse (9:5) and fine (4:0) delay elements to be used on the delay line connected to this pad.	RW	0x0

Table 18-2944. Register Call Summary for Register CFG_VIN1A_D5_OUT

IODELAYCONFIG Module Register Manual

- [IODELAYCONFIG Register Summary: \[0\]](#)

Table 18-2945. CFG_VIN1A_D6_IN

Address Offset	0x0000 09CC	Instance	IODELAYCONFIG
Physical Address	0x4844 A9CC		
Description	Delay Select Value in binary coded form for cfg_vin1a_d6_in interface		
Type	RW		

31	30	29	28	27	26	25	24	23	22	21	20	19	18	17	16	15	14	13	12	11	10	9	8	7	6	5	4	3	2	1	0
RESERVED								SIGNATURE				RESERVED	LOCK_BIT	BINARY_DELAY																	

Bits	Field Name	Description	Type	Reset
31:18	RESERVED		R	0x0
17:12	SIGNATURE	Write to this register will succeed only if data on these bits carries a signature of 6'h29 (6'b101001)	RW	0x0
11	RESERVED		R	0x0
10	LOCK_BIT	When '1', prevents HW update to this MMR. When '0', allows HW update of this MMR.	RW	0x0
9:0	BINARY_DELAY	Delay Select Value in binary coded form. Indicates the number of coarse (9:5) and fine (4:0) delay elements to be used on the delay line connected to this pad.	RW	0x0

Table 18-2946. Register Call Summary for Register CFG_VIN1A_D6_IN

IODELAYCONFIG Module Register Manual

- [IODELAYCONFIG Register Summary: \[0\]](#)

Table 18-2947. CFG_VIN1A_D6_OEN

Address Offset	0x0000 09D0	Instance	IODELAYCONFIG
Physical Address	0x4844 A9D0		
Description	Delay Select Value in binary coded form for cfg_vin1a_d6_oen interface		
Type	RW		

31	30	29	28	27	26	25	24	23	22	21	20	19	18	17	16	15	14	13	12	11	10	9	8	7	6	5	4	3	2	1	0
RESERVED														SIGNATURE				RESERVED	LOCK_BIT	BINARY_DELAY											

Bits	Field Name	Description	Type	Reset
31:18	RESERVED		R	0x0
17:12	SIGNATURE	Write to this register will succeed only if data on these bits carries a signature of 6'h29 (6'b101001)	RW	0x0
11	RESERVED		R	0x0
10	LOCK_BIT	When '1', prevents HW update to this MMR. When '0', allows HW update of this MMR.	RW	0x0
9:0	BINARY_DELAY	Delay Select Value in binary coded form. Indicates the number of coarse (9:5) and fine (4:0) delay elements to be used on the delay line connected to this pad.	RW	0x0

Table 18-2948. Register Call Summary for Register CFG_VIN1A_D6_OEN

IODELAYCONFIG Module Register Manual

- [IODELAYCONFIG Register Summary: \[0\]](#)

Table 18-2949. CFG_VIN1A_D6_OUT

Address Offset	0x0000 09D4	Instance	IODELAYCONFIG
Physical Address	0x4844 A9D4		
Description	Delay Select Value in binary coded form for cfg_vin1a_d6_out interface		
Type	RW		

31	30	29	28	27	26	25	24	23	22	21	20	19	18	17	16	15	14	13	12	11	10	9	8	7	6	5	4	3	2	1	0
RESERVED														SIGNATURE				RESERVED	LOCK_BIT	BINARY_DELAY											

Bits	Field Name	Description	Type	Reset
31:18	RESERVED		R	0x0
17:12	SIGNATURE	Write to this register will succeed only if data on these bits carries a signature of 6'h29 (6'b101001)	RW	0x0
11	RESERVED		R	0x0
10	LOCK_BIT	When '1', prevents HW update to this MMR. When '0', allows HW update of this MMR.	RW	0x0
9:0	BINARY_DELAY	Delay Select Value in binary coded form. Indicates the number of coarse (9:5) and fine (4:0) delay elements to be used on the delay line connected to this pad.	RW	0x0

Table 18-2950. Register Call Summary for Register CFG_VIN1A_D6_OUT

IODELAYCONFIG Module Register Manual

- [IODELAYCONFIG Register Summary: \[0\]](#)

Table 18-2951. CFG_VIN1A_D7_IN

Address Offset	0x0000 09D8	Instance	IODELAYCONFIG
Physical Address	0x4844 A9D8		
Description	Delay Select Value in binary coded form for cfg_vin1a_d7_in interface		
Type	RW		

31	30	29	28	27	26	25	24	23	22	21	20	19	18	17	16	15	14	13	12	11	10	9	8	7	6	5	4	3	2	1	0
RESERVED														SIGNATURE				RESERVED	LOCK_BIT	BINARY_DELAY											

Bits	Field Name	Description	Type	Reset
31:18	RESERVED		R	0x0
17:12	SIGNATURE	Write to this register will succeed only if data on these bits carries a signature of 6'h29 (6'b101001)	RW	0x0
11	RESERVED		R	0x0
10	LOCK_BIT	When '1', prevents HW update to this MMR. When '0', allows HW update of this MMR.	RW	0x0
9:0	BINARY_DELAY	Delay Select Value in binary coded form. Indicates the number of coarse (9:5) and fine (4:0) delay elements to be used on the delay line connected to this pad.	RW	0x0

Table 18-2952. Register Call Summary for Register CFG_VIN1A_D7_IN

IODELAYCONFIG Module Register Manual

- [IODELAYCONFIG Register Summary: \[0\]](#)

Table 18-2953. CFG_VIN1A_D7_OEN

Address Offset	0x0000 09DC	Instance	IODELAYCONFIG
Physical Address	0x4844 A9DC		
Description	Delay Select Value in binary coded form for cfg_vin1a_d7_oen interface		
Type	RW		

31	30	29	28	27	26	25	24	23	22	21	20	19	18	17	16	15	14	13	12	11	10	9	8	7	6	5	4	3	2	1	0
RESERVED														SIGNATURE				RESERVED	LOCK_BIT	BINARY_DELAY											

Bits	Field Name	Description	Type	Reset
31:18	RESERVED		R	0x0
17:12	SIGNATURE	Write to this register will succeed only if data on these bits carries a signature of 6'h29 (6'b101001)	RW	0x0
11	RESERVED		R	0x0
10	LOCK_BIT	When '1', prevents HW update to this MMR. When '0', allows HW update of this MMR.	RW	0x0
9:0	BINARY_DELAY	Delay Select Value in binary coded form. Indicates the number of coarse (9:5) and fine (4:0) delay elements to be used on the delay line connected to this pad.	RW	0x0

Table 18-2954. Register Call Summary for Register CFG_VIN1A_D7_OEN

IODELAYCONFIG Module Register Manual

- [IODELAYCONFIG Register Summary: \[0\]](#)

Table 18-2955. CFG_VIN1A_D7_OUT

Address Offset	0x0000 09E0	Instance	IODELAYCONFIG
Physical Address	0x4844 A9E0		
Description	Delay Select Value in binary coded form for cfg_vin1a_d7_out interface		
Type	RW		

31	30	29	28	27	26	25	24	23	22	21	20	19	18	17	16	15	14	13	12	11	10	9	8	7	6	5	4	3	2	1	0
RESERVED														SIGNATURE				RESERVED	LOCK_BIT	BINARY_DELAY											

Bits	Field Name	Description	Type	Reset
31:18	RESERVED		R	0x0
17:12	SIGNATURE	Write to this register will succeed only if data on these bits carries a signature of 6'h29 (6'b101001)	RW	0x0
11	RESERVED		R	0x0
10	LOCK_BIT	When '1', prevents HW update to this MMR. When '0', allows HW update of this MMR.	RW	0x0
9:0	BINARY_DELAY	Delay Select Value in binary coded form. Indicates the number of coarse (9:5) and fine (4:0) delay elements to be used on the delay line connected to this pad.	RW	0x0

Table 18-2956. Register Call Summary for Register CFG_VIN1A_D7_OUT

IODELAYCONFIG Module Register Manual

- [IODELAYCONFIG Register Summary: \[0\]](#)

Table 18-2957. CFG_VIN1A_D8_IN

Address Offset	0x0000 09E4	Instance	IODELAYCONFIG
Physical Address	0x4844 A9E4		
Description	Delay Select Value in binary coded form for cfg_vin1a_d8_in interface		
Type	RW		

31	30	29	28	27	26	25	24	23	22	21	20	19	18	17	16	15	14	13	12	11	10	9	8	7	6	5	4	3	2	1	0
RESERVED														SIGNATURE				RESERVED	LOCK_BIT	BINARY_DELAY											

Bits	Field Name	Description	Type	Reset
31:18	RESERVED		R	0x0
17:12	SIGNATURE	Write to this register will succeed only if data on these bits carries a signature of 6'h29 (6'b101001)	RW	0x0
11	RESERVED		R	0x0

Bits	Field Name	Description	Type	Reset
10	LOCK_BIT	When '1', prevents HW update to this MMR. When '0', allows HW update of this MMR.	RW	0x0
9:0	BINARY_DELAY	Delay Select Value in binary coded form. Indicates the number of coarse (9:5) and fine (4:0) delay elements to be used on the delay line connected to this pad.	RW	0x0

Table 18-2958. Register Call Summary for Register CFG_VIN1A_D8_IN

IODELAYCONFIG Module Register Manual

- [IODELAYCONFIG Register Summary: \[0\]](#)

Table 18-2959. CFG_VIN1A_D8_OEN

Address Offset	0x0000 09E8	Instance	IODELAYCONFIG
Physical Address	0x4844 A9E8		
Description	Delay Select Value in binary coded form for cfg_vin1a_d8_oen interface		
Type	RW		

31	30	29	28	27	26	25	24	23	22	21	20	19	18	17	16	15	14	13	12	11	10	9	8	7	6	5	4	3	2	1	0		
RESERVED																SIGNATURE				RESERVED	LOCK_BIT	BINARY_DELAY											

Bits	Field Name	Description	Type	Reset
31:18	RESERVED		R	0x0
17:12	SIGNATURE	Write to this register will succeed only if data on these bits carries a signature of 6'h29 (6'b101001)	RW	0x0
11	RESERVED		R	0x0
10	LOCK_BIT	When '1', prevents HW update to this MMR. When '0', allows HW update of this MMR.	RW	0x0
9:0	BINARY_DELAY	Delay Select Value in binary coded form. Indicates the number of coarse (9:5) and fine (4:0) delay elements to be used on the delay line connected to this pad.	RW	0x0

Table 18-2960. Register Call Summary for Register CFG_VIN1A_D8_OEN

IODELAYCONFIG Module Register Manual

- [IODELAYCONFIG Register Summary: \[0\]](#)

Table 18-2961. CFG_VIN1A_D8_OUT

Address Offset	0x0000 09EC	Instance	IODELAYCONFIG
Physical Address	0x4844 A9EC		
Description	Delay Select Value in binary coded form for cfg_vin1a_d8_out interface		
Type	RW		

31	30	29	28	27	26	25	24	23	22	21	20	19	18	17	16	15	14	13	12	11	10	9	8	7	6	5	4	3	2	1	0		
RESERVED																SIGNATURE				RESERVED	LOCK_BIT	BINARY_DELAY											

Bits	Field Name	Description	Type	Reset
31:18	RESERVED		R	0x0
17:12	SIGNATURE	Write to this register will succeed only if data on these bits carries a signature of 6'h29 (6'b101001)	RW	0x0
11	RESERVED		R	0x0
10	LOCK_BIT	When '1', prevents HW update to this MMR. When '0', allows HW update of this MMR.	RW	0x0
9:0	BINARY_DELAY	Delay Select Value in binary coded form. Indicates the number of coarse (9:5) and fine (4:0) delay elements to be used on the delay line connected to this pad.	RW	0x0

Table 18-2962. Register Call Summary for Register CFG_VIN1A_D8_OUT

IODELAYCONFIG Module Register Manual

- [IODELAYCONFIG Register Summary: \[0\]](#)

Table 18-2963. CFG_VIN1A_D9_IN

Address Offset	0x0000 09F0	Instance	IODELAYCONFIG
Physical Address	0x4844 A9F0		
Description	Delay Select Value in binary coded form for cfg_vin1a_d9_in interface		
Type	RW		

31	30	29	28	27	26	25	24	23	22	21	20	19	18	17	16	15	14	13	12	11	10	9	8	7	6	5	4	3	2	1	0
RESERVED								SIGNATURE				RESERVED	LOCK_BIT	BINARY_DELAY																	

Bits	Field Name	Description	Type	Reset
31:18	RESERVED		R	0x0
17:12	SIGNATURE	Write to this register will succeed only if data on these bits carries a signature of 6'h29 (6'b101001)	RW	0x0
11	RESERVED		R	0x0
10	LOCK_BIT	When '1', prevents HW update to this MMR. When '0', allows HW update of this MMR.	RW	0x0
9:0	BINARY_DELAY	Delay Select Value in binary coded form. Indicates the number of coarse (9:5) and fine (4:0) delay elements to be used on the delay line connected to this pad.	RW	0x0

Table 18-2964. Register Call Summary for Register CFG_VIN1A_D9_IN

IODELAYCONFIG Module Register Manual

- [IODELAYCONFIG Register Summary: \[0\]](#)

Table 18-2965. CFG_VIN1A_D9_OEN

Address Offset	0x0000 09F4	Instance	IODELAYCONFIG
Physical Address	0x4844 A9F4		
Description	Delay Select Value in binary coded form for cfg_vin1a_d9_oen interface		
Type	RW		

31	30	29	28	27	26	25	24	23	22	21	20	19	18	17	16	15	14	13	12	11	10	9	8	7	6	5	4	3	2	1	0
RESERVED														SIGNATURE				RESERVED	LOCK_BIT	BINARY_DELAY											

Bits	Field Name	Description	Type	Reset
31:18	RESERVED		R	0x0
17:12	SIGNATURE	Write to this register will succeed only if data on these bits carries a signature of 6'h29 (6'b101001)	RW	0x0
11	RESERVED		R	0x0
10	LOCK_BIT	When '1', prevents HW update to this MMR. When '0', allows HW update of this MMR.	RW	0x0
9:0	BINARY_DELAY	Delay Select Value in binary coded form. Indicates the number of coarse (9:5) and fine (4:0) delay elements to be used on the delay line connected to this pad.	RW	0x0

Table 18-2966. Register Call Summary for Register CFG_VIN1A_D9_OEN

IODELAYCONFIG Module Register Manual

- [IODELAYCONFIG Register Summary: \[0\]](#)

Table 18-2967. CFG_VIN1A_D9_OUT

Address Offset	0x0000 09F8	Instance	IODELAYCONFIG
Physical Address	0x4844 A9F8		
Description	Delay Select Value in binary coded form for cfg_vin1a_d9_out interface		
Type	RW		

31	30	29	28	27	26	25	24	23	22	21	20	19	18	17	16	15	14	13	12	11	10	9	8	7	6	5	4	3	2	1	0
RESERVED														SIGNATURE				RESERVED	LOCK_BIT	BINARY_DELAY											

Bits	Field Name	Description	Type	Reset
31:18	RESERVED		R	0x0
17:12	SIGNATURE	Write to this register will succeed only if data on these bits carries a signature of 6'h29 (6'b101001)	RW	0x0
11	RESERVED		R	0x0
10	LOCK_BIT	When '1', prevents HW update to this MMR. When '0', allows HW update of this MMR.	RW	0x0
9:0	BINARY_DELAY	Delay Select Value in binary coded form. Indicates the number of coarse (9:5) and fine (4:0) delay elements to be used on the delay line connected to this pad.	RW	0x0

Table 18-2968. Register Call Summary for Register CFG_VIN1A_D9_OUT

IODELAYCONFIG Module Register Manual

- [IODELAYCONFIG Register Summary: \[0\]](#)

Table 18-2969. CFG_VIN1A_DE0_IN

Address Offset	0x0000 09FC	Instance	IODELAYCONFIG
Physical Address	0x4844 A9FC		
Description	Delay Select Value in binary coded form for cfg_vin1a_de0_in interface		
Type	RW		

31	30	29	28	27	26	25	24	23	22	21	20	19	18	17	16	15	14	13	12	11	10	9	8	7	6	5	4	3	2	1	0
RESERVED														SIGNATURE				RESERVED	LOCK_BIT	BINARY_DELAY											

Bits	Field Name	Description	Type	Reset
31:18	RESERVED		R	0x0
17:12	SIGNATURE	Write to this register will succeed only if data on these bits carries a signature of 6'h29 (6'b101001)	RW	0x0
11	RESERVED		R	0x0
10	LOCK_BIT	When '1', prevents HW update to this MMR. When '0', allows HW update of this MMR.	RW	0x0
9:0	BINARY_DELAY	Delay Select Value in binary coded form. Indicates the number of coarse (9:5) and fine (4:0) delay elements to be used on the delay line connected to this pad.	RW	0x0

Table 18-2970. Register Call Summary for Register CFG_VIN1A_DE0_IN

IODELAYCONFIG Module Register Manual

- [IODELAYCONFIG Register Summary: \[0\]](#)

Table 18-2971. CFG_VIN1A_DE0_OEN

Address Offset	0x0000 0A00	Instance	IODELAYCONFIG
Physical Address	0x4844 AA00		
Description	Delay Select Value in binary coded form for cfg_vin1a_de0_oen interface		
Type	RW		

31	30	29	28	27	26	25	24	23	22	21	20	19	18	17	16	15	14	13	12	11	10	9	8	7	6	5	4	3	2	1	0
RESERVED														SIGNATURE				RESERVED	LOCK_BIT	BINARY_DELAY											

Bits	Field Name	Description	Type	Reset
31:18	RESERVED		R	0x0
17:12	SIGNATURE	Write to this register will succeed only if data on these bits carries a signature of 6'h29 (6'b101001)	RW	0x0
11	RESERVED		R	0x0
10	LOCK_BIT	When '1', prevents HW update to this MMR. When '0', allows HW update of this MMR.	RW	0x0
9:0	BINARY_DELAY	Delay Select Value in binary coded form. Indicates the number of coarse (9:5) and fine (4:0) delay elements to be used on the delay line connected to this pad.	RW	0x0

Table 18-2972. Register Call Summary for Register CFG_VIN1A_DE0_OEN

IODELAYCONFIG Module Register Manual

- [IODELAYCONFIG Register Summary: \[0\]](#)

Table 18-2973. CFG_VIN1A_DE0_OUT

Address Offset	0x0000 0A04	Instance	IODELAYCONFIG
Physical Address	0x4844 AA04		
Description	Delay Select Value in binary coded form for cfg_vin1a_de0_out interface		
Type	RW		

31	30	29	28	27	26	25	24	23	22	21	20	19	18	17	16	15	14	13	12	11	10	9	8	7	6	5	4	3	2	1	0		
RESERVED																SIGNATURE						RESERVED	LOCK_BIT	BINARY_DELAY									

Bits	Field Name	Description	Type	Reset
31:18	RESERVED		R	0x0
17:12	SIGNATURE	Write to this register will succeed only if data on these bits carries a signature of 6'h29 (6'b101001)	RW	0x0
11	RESERVED		R	0x0
10	LOCK_BIT	When '1', prevents HW update to this MMR. When '0', allows HW update of this MMR.	RW	0x0
9:0	BINARY_DELAY	Delay Select Value in binary coded form. Indicates the number of coarse (9:5) and fine (4:0) delay elements to be used on the delay line connected to this pad.	RW	0x0

Table 18-2974. Register Call Summary for Register CFG_VIN1A_DE0_OUT

IODELAYCONFIG Module Register Manual

- [IODELAYCONFIG Register Summary: \[0\]](#)

Table 18-2975. CFG_VIN1A_FLD0_IN

Address Offset	0x0000 0A08	Instance	IODELAYCONFIG
Physical Address	0x4844 AA08		
Description	Delay Select Value in binary coded form for cfg_vin1a_fld0_in interface		
Type	RW		

31	30	29	28	27	26	25	24	23	22	21	20	19	18	17	16	15	14	13	12	11	10	9	8	7	6	5	4	3	2	1	0		
RESERVED																SIGNATURE						RESERVED	LOCK_BIT	BINARY_DELAY									

Bits	Field Name	Description	Type	Reset
31:18	RESERVED		R	0x0
17:12	SIGNATURE	Write to this register will succeed only if data on these bits carries a signature of 6'h29 (6'b101001)	RW	0x0
11	RESERVED		R	0x0

Bits	Field Name	Description	Type	Reset
10	LOCK_BIT	When '1', prevents HW update to this MMR. When '0', allows HW update of this MMR.	RW	0x0
9:0	BINARY_DELAY	Delay Select Value in binary coded form. Indicates the number of coarse (9:5) and fine (4:0) delay elements to be used on the delay line connected to this pad.	RW	0x0

Table 18-2976. Register Call Summary for Register CFG_VIN1A_FLD0_IN

IODELAYCONFIG Module Register Manual

- [IODELAYCONFIG Register Summary: \[0\]](#)

Table 18-2977. CFG_VIN1A_FLD0_OEN

Address Offset	0x0000 0A0C	Instance	IODELAYCONFIG
Physical Address	0x4844 AA0C		
Description	Delay Select Value in binary coded form for cfg_vin1a_fld0_oen interface		
Type	RW		

31	30	29	28	27	26	25	24	23	22	21	20	19	18	17	16	15	14	13	12	11	10	9	8	7	6	5	4	3	2	1	0
RESERVED								SIGNATURE								RESERVED	LOCK_BIT	BINARY_DELAY													

Bits	Field Name	Description	Type	Reset
31:18	RESERVED		R	0x0
17:12	SIGNATURE	Write to this register will succeed only if data on these bits carries a signature of 6'h29 (6'b101001)	RW	0x0
11	RESERVED		R	0x0
10	LOCK_BIT	When '1', prevents HW update to this MMR. When '0', allows HW update of this MMR.	RW	0x0
9:0	BINARY_DELAY	Delay Select Value in binary coded form. Indicates the number of coarse (9:5) and fine (4:0) delay elements to be used on the delay line connected to this pad.	RW	0x0

Table 18-2978. Register Call Summary for Register CFG_VIN1A_FLD0_OEN

IODELAYCONFIG Module Register Manual

- [IODELAYCONFIG Register Summary: \[0\]](#)

Table 18-2979. CFG_VIN1A_FLD0_OUT

Address Offset	0x0000 0A10	Instance	IODELAYCONFIG
Physical Address	0x4844 AA10		
Description	Delay Select Value in binary coded form for cfg_vin1a_fld0_out interface		
Type	RW		

31	30	29	28	27	26	25	24	23	22	21	20	19	18	17	16	15	14	13	12	11	10	9	8	7	6	5	4	3	2	1	0
RESERVED								SIGNATURE								RESERVED	LOCK_BIT	BINARY_DELAY													

Bits	Field Name	Description	Type	Reset
31:18	RESERVED		R	0x0
17:12	SIGNATURE	Write to this register will succeed only if data on these bits carries a signature of 6'h29 (6'b101001)	RW	0x0
11	RESERVED		R	0x0
10	LOCK_BIT	When '1', prevents HW update to this MMR. When '0', allows HW update of this MMR.	RW	0x0
9:0	BINARY_DELAY	Delay Select Value in binary coded form. Indicates the number of coarse (9:5) and fine (4:0) delay elements to be used on the delay line connected to this pad.	RW	0x0

Table 18-2980. Register Call Summary for Register CFG_VIN1A_FLD0_OUT

IODELAYCONFIG Module Register Manual

- [IODELAYCONFIG Register Summary: \[0\]](#)

Table 18-2981. CFG_VIN1A_HSYNC0_IN

Address Offset	0x0000 0A14	Instance	IODELAYCONFIG
Physical Address	0x4844 AA14		
Description	Delay Select Value in binary coded form for cfg_vin1a_hsync0_in interface		
Type	RW		

31	30	29	28	27	26	25	24	23	22	21	20	19	18	17	16	15	14	13	12	11	10	9	8	7	6	5	4	3	2	1	0
RESERVED								SIGNATURE				RESERVED	LOCK_BIT	BINARY_DELAY																	

Bits	Field Name	Description	Type	Reset
31:18	RESERVED		R	0x0
17:12	SIGNATURE	Write to this register will succeed only if data on these bits carries a signature of 6'h29 (6'b101001)	RW	0x0
11	RESERVED		R	0x0
10	LOCK_BIT	When '1', prevents HW update to this MMR. When '0', allows HW update of this MMR.	RW	0x0
9:0	BINARY_DELAY	Delay Select Value in binary coded form. Indicates the number of coarse (9:5) and fine (4:0) delay elements to be used on the delay line connected to this pad.	RW	0x0

Table 18-2982. Register Call Summary for Register CFG_VIN1A_HSYNC0_IN

IODELAYCONFIG Module Register Manual

- [IODELAYCONFIG Register Summary: \[0\]](#)

Table 18-2983. CFG_VIN1A_HSYNC0_OEN

Address Offset	0x0000 0A18	Instance	IODELAYCONFIG
Physical Address	0x4844 AA18		
Description	Delay Select Value in binary coded form for cfg_vin1a_hsync0_oen interface		
Type	RW		

31	30	29	28	27	26	25	24	23	22	21	20	19	18	17	16	15	14	13	12	11	10	9	8	7	6	5	4	3	2	1	0
RESERVED														SIGNATURE				RESERVED	LOCK_BIT	BINARY_DELAY											

Bits	Field Name	Description	Type	Reset
31:18	RESERVED		R	0x0
17:12	SIGNATURE	Write to this register will succeed only if data on these bits carries a signature of 6'h29 (6'b101001)	RW	0x0
11	RESERVED		R	0x0
10	LOCK_BIT	When '1', prevents HW update to this MMR. When '0', allows HW update of this MMR.	RW	0x0
9:0	BINARY_DELAY	Delay Select Value in binary coded form. Indicates the number of coarse (9:5) and fine (4:0) delay elements to be used on the delay line connected to this pad.	RW	0x0

Table 18-2984. Register Call Summary for Register CFG_VIN1A_HSYNC0_OEN

IODELAYCONFIG Module Register Manual

- [IODELAYCONFIG Register Summary: \[0\]](#)

Table 18-2985. CFG_VIN1A_HSYNC0_OUT

Address Offset	0x0000 0A1C	Instance	IODELAYCONFIG
Physical Address	0x4844 AA1C		
Description	Delay Select Value in binary coded form for cfg_vin1a_hsync0_out interface		
Type	RW		

31	30	29	28	27	26	25	24	23	22	21	20	19	18	17	16	15	14	13	12	11	10	9	8	7	6	5	4	3	2	1	0
RESERVED														SIGNATURE				RESERVED	LOCK_BIT	BINARY_DELAY											

Bits	Field Name	Description	Type	Reset
31:18	RESERVED		R	0x0
17:12	SIGNATURE	Write to this register will succeed only if data on these bits carries a signature of 6'h29 (6'b101001)	RW	0x0
11	RESERVED		R	0x0
10	LOCK_BIT	When '1', prevents HW update to this MMR. When '0', allows HW update of this MMR.	RW	0x0
9:0	BINARY_DELAY	Delay Select Value in binary coded form. Indicates the number of coarse (9:5) and fine (4:0) delay elements to be used on the delay line connected to this pad.	RW	0x0

Table 18-2986. Register Call Summary for Register CFG_VIN1A_HSYNC0_OUT

IODELAYCONFIG Module Register Manual

- [IODELAYCONFIG Register Summary: \[0\]](#)

Table 18-2987. CFG_VIN1A_VSYNC0_IN

Address Offset	0x0000 0A20	Instance	IODELAYCONFIG
Physical Address	0x4844 AA20		
Description	Delay Select Value in binary coded form for cfg_vin1a_vsync0_in interface		
Type	RW		

31	30	29	28	27	26	25	24	23	22	21	20	19	18	17	16	15	14	13	12	11	10	9	8	7	6	5	4	3	2	1	0
RESERVED														SIGNATURE				RESERVED	LOCK_BIT	BINARY_DELAY											

Bits	Field Name	Description	Type	Reset
31:18	RESERVED		R	0x0
17:12	SIGNATURE	Write to this register will succeed only if data on these bits carries a signature of 6'h29 (6'b101001)	RW	0x0
11	RESERVED		R	0x0
10	LOCK_BIT	When '1', prevents HW update to this MMR. When '0', allows HW update of this MMR.	RW	0x0
9:0	BINARY_DELAY	Delay Select Value in binary coded form. Indicates the number of coarse (9:5) and fine (4:0) delay elements to be used on the delay line connected to this pad.	RW	0x0

Table 18-2988. Register Call Summary for Register CFG_VIN1A_VSYNC0_IN

IODELAYCONFIG Module Register Manual

- [IODELAYCONFIG Register Summary: \[0\]](#)

Table 18-2989. CFG_VIN1A_VSYNC0_OEN

Address Offset	0x0000 0A24	Instance	IODELAYCONFIG
Physical Address	0x4844 AA24		
Description	Delay Select Value in binary coded form for cfg_vin1a_vsync0_oen interface		
Type	RW		

31	30	29	28	27	26	25	24	23	22	21	20	19	18	17	16	15	14	13	12	11	10	9	8	7	6	5	4	3	2	1	0
RESERVED														SIGNATURE				RESERVED	LOCK_BIT	BINARY_DELAY											

Bits	Field Name	Description	Type	Reset
31:18	RESERVED		R	0x0
17:12	SIGNATURE	Write to this register will succeed only if data on these bits carries a signature of 6'h29 (6'b101001)	RW	0x0
11	RESERVED		R	0x0
10	LOCK_BIT	When '1', prevents HW update to this MMR. When '0', allows HW update of this MMR.	RW	0x0
9:0	BINARY_DELAY	Delay Select Value in binary coded form. Indicates the number of coarse (9:5) and fine (4:0) delay elements to be used on the delay line connected to this pad.	RW	0x0

Table 18-2990. Register Call Summary for Register CFG_VIN1A_VSYNC0_OEN

IODELAYCONFIG Module Register Manual

- [IODELAYCONFIG Register Summary: \[0\]](#)

Table 18-2991. CFG_VIN1A_VSYNC0_OUT

Address Offset	0x0000 0A28	Instance	IODELAYCONFIG
Physical Address	0x4844 AA28		
Description	Delay Select Value in binary coded form for cfg_vin1a_vsync0_out interface		
Type	RW		

31	30	29	28	27	26	25	24	23	22	21	20	19	18	17	16	15	14	13	12	11	10	9	8	7	6	5	4	3	2	1	0
RESERVED														SIGNATURE				RESERVED	LOCK_BIT	BINARY_DELAY											

Bits	Field Name	Description	Type	Reset
31:18	RESERVED		R	0x0
17:12	SIGNATURE	Write to this register will succeed only if data on these bits carries a signature of 6'h29 (6'b101001)	RW	0x0
11	RESERVED		R	0x0
10	LOCK_BIT	When '1', prevents HW update to this MMR. When '0', allows HW update of this MMR.	RW	0x0
9:0	BINARY_DELAY	Delay Select Value in binary coded form. Indicates the number of coarse (9:5) and fine (4:0) delay elements to be used on the delay line connected to this pad.	RW	0x0

Table 18-2992. Register Call Summary for Register CFG_VIN1A_VSYNC0_OUT

IODELAYCONFIG Module Register Manual

- [IODELAYCONFIG Register Summary: \[0\]](#)

Table 18-2993. CFG_VIN1B_CLK1_IN

Address Offset	0x0000 0A2C	Instance	IODELAYCONFIG
Physical Address	0x4844 AA2C		
Description	Delay Select Value in binary coded form for cfg_vin1b_clk1_in interface		
Type	RW		

31	30	29	28	27	26	25	24	23	22	21	20	19	18	17	16	15	14	13	12	11	10	9	8	7	6	5	4	3	2	1	0
RESERVED														SIGNATURE				RESERVED	LOCK_BIT	BINARY_DELAY											

Bits	Field Name	Description	Type	Reset
31:18	RESERVED		R	0x0
17:12	SIGNATURE	Write to this register will succeed only if data on these bits carries a signature of 6'h29 (6'b101001)	RW	0x0
11	RESERVED		R	0x0

Bits	Field Name	Description	Type	Reset
10	LOCK_BIT	When '1', prevents HW update to this MMR. When '0', allows HW update of this MMR.	RW	0x0
9:0	BINARY_DELAY	Delay Select Value in binary coded form. Indicates the number of coarse (9:5) and fine (4:0) delay elements to be used on the delay line connected to this pad.	RW	0x0

Table 18-2994. Register Call Summary for Register CFG_VIN1B_CLK1_IN

IODELAYCONFIG Module Register Manual

- [IODELAYCONFIG Register Summary: \[0\]](#)

Table 18-2995. CFG_VIN1B_CLK1_OEN

Address Offset	0x0000 0A30	Instance	IODELAYCONFIG
Physical Address	0x4844 AA30		
Description	Delay Select Value in binary coded form for cfg_vin1b_clk1_oen interface		
Type	RW		

31	30	29	28	27	26	25	24	23	22	21	20	19	18	17	16	15	14	13	12	11	10	9	8	7	6	5	4	3	2	1	0
RESERVED														SIGNATURE				RESERVED	LOCK_BIT	BINARY_DELAY											

Bits	Field Name	Description	Type	Reset
31:18	RESERVED		R	0x0
17:12	SIGNATURE	Write to this register will succeed only if data on these bits carries a signature of 6'h29 (6'b101001)	RW	0x0
11	RESERVED		R	0x0
10	LOCK_BIT	When '1', prevents HW update to this MMR. When '0', allows HW update of this MMR.	RW	0x0
9:0	BINARY_DELAY	Delay Select Value in binary coded form. Indicates the number of coarse (9:5) and fine (4:0) delay elements to be used on the delay line connected to this pad.	RW	0x0

Table 18-2996. Register Call Summary for Register CFG_VIN1B_CLK1_OEN

IODELAYCONFIG Module Register Manual

- [IODELAYCONFIG Register Summary: \[0\]](#)

Table 18-2997. CFG_VIN1B_CLK1_OUT

Address Offset	0x0000 0A34	Instance	IODELAYCONFIG
Physical Address	0x4844 AA34		
Description	Delay Select Value in binary coded form for cfg_vin1b_clk1_out interface		
Type	RW		

31	30	29	28	27	26	25	24	23	22	21	20	19	18	17	16	15	14	13	12	11	10	9	8	7	6	5	4	3	2	1	0
RESERVED														SIGNATURE				RESERVED	LOCK_BIT	BINARY_DELAY											

Bits	Field Name	Description	Type	Reset
31:18	RESERVED		R	0x0
17:12	SIGNATURE	Write to this register will succeed only if data on these bits carries a signature of 6'h29 (6'b101001)	RW	0x0
11	RESERVED		R	0x0
10	LOCK_BIT	When '1', prevents HW update to this MMR. When '0', allows HW update of this MMR.	RW	0x0
9:0	BINARY_DELAY	Delay Select Value in binary coded form. Indicates the number of coarse (9:5) and fine (4:0) delay elements to be used on the delay line connected to this pad.	RW	0x0

Table 18-2998. Register Call Summary for Register CFG_VIN1B_CLK1_OUT

IODELAYCONFIG Module Register Manual

- [IODELAYCONFIG Register Summary: \[0\]](#)

Table 18-2999. CFG_VIN2A_CLK0_IN

Address Offset	0x0000 0A38	Instance	IODELAYCONFIG
Physical Address	0x4844 AA38		
Description	Delay Select Value in binary coded form for cfg_vin2a_clk0_in interface		
Type	RW		

31	30	29	28	27	26	25	24	23	22	21	20	19	18	17	16	15	14	13	12	11	10	9	8	7	6	5	4	3	2	1	0
RESERVED								SIGNATURE				RESERVED	LOCK_BIT	BINARY_DELAY																	

Bits	Field Name	Description	Type	Reset
31:18	RESERVED		R	0x0
17:12	SIGNATURE	Write to this register will succeed only if data on these bits carries a signature of 6'h29 (6'b101001)	RW	0x0
11	RESERVED		R	0x0
10	LOCK_BIT	When '1', prevents HW update to this MMR. When '0', allows HW update of this MMR.	RW	0x0
9:0	BINARY_DELAY	Delay Select Value in binary coded form. Indicates the number of coarse (9:5) and fine (4:0) delay elements to be used on the delay line connected to this pad.	RW	0x0

Table 18-3000. Register Call Summary for Register CFG_VIN2A_CLK0_IN

IODELAYCONFIG Module Register Manual

- [IODELAYCONFIG Register Summary: \[0\]](#)

Table 18-3001. CFG_VIN2A_CLK0_OEN

Address Offset	0x0000 0A3C	Instance	IODELAYCONFIG
Physical Address	0x4844 AA3C		
Description	Delay Select Value in binary coded form for cfg_vin2a_clk0_oen interface		
Type	RW		

31	30	29	28	27	26	25	24	23	22	21	20	19	18	17	16	15	14	13	12	11	10	9	8	7	6	5	4	3	2	1	0
RESERVED								SIGNATURE				RESERVED	LOCK_BIT	BINARY_DELAY																	

Bits	Field Name	Description	Type	Reset
31:18	RESERVED		R	0x0
17:12	SIGNATURE	Write to this register will succeed only if data on these bits carries a signature of 6'h29 (6'b101001)	RW	0x0
11	RESERVED		R	0x0
10	LOCK_BIT	When '1', prevents HW update to this MMR. When '0', allows HW update of this MMR.	RW	0x0
9:0	BINARY_DELAY	Delay Select Value in binary coded form. Indicates the number of coarse (9:5) and fine (4:0) delay elements to be used on the delay line connected to this pad.	RW	0x0

Table 18-3002. Register Call Summary for Register CFG_VIN2A_CLK0_OEN

IODELAYCONFIG Module Register Manual

- [IODELAYCONFIG Register Summary: \[0\]](#)

Table 18-3003. CFG_VIN2A_CLK0_OUT

Address Offset	0x0000 0A40	Instance	IODELAYCONFIG
Physical Address	0x4844 AA40		
Description	Delay Select Value in binary coded form for cfg_vin2a_clk0_out interface		
Type	RW		

31	30	29	28	27	26	25	24	23	22	21	20	19	18	17	16	15	14	13	12	11	10	9	8	7	6	5	4	3	2	1	0
RESERVED								SIGNATURE				RESERVED	LOCK_BIT	BINARY_DELAY																	

Bits	Field Name	Description	Type	Reset
31:18	RESERVED		R	0x0
17:12	SIGNATURE	Write to this register will succeed only if data on these bits carries a signature of 6'h29 (6'b101001)	RW	0x0
11	RESERVED		R	0x0
10	LOCK_BIT	When '1', prevents HW update to this MMR. When '0', allows HW update of this MMR.	RW	0x0
9:0	BINARY_DELAY	Delay Select Value in binary coded form. Indicates the number of coarse (9:5) and fine (4:0) delay elements to be used on the delay line connected to this pad.	RW	0x0

Table 18-3004. Register Call Summary for Register CFG_VIN2A_CLK0_OUT

IODELAYCONFIG Module Register Manual

- [IODELAYCONFIG Register Summary: \[0\]](#)

Table 18-3005. CFG_VIN2A_D0_IN

Address Offset	0x0000 0A44	Instance	IODELAYCONFIG
Physical Address	0x4844 AA44		
Description	Delay Select Value in binary coded form for cfg_vin2a_d0_in interface		
Type	RW		

31	30	29	28	27	26	25	24	23	22	21	20	19	18	17	16	15	14	13	12	11	10	9	8	7	6	5	4	3	2	1	0
RESERVED														SIGNATURE				RESERVED	LOCK_BIT	BINARY_DELAY											

Bits	Field Name	Description	Type	Reset
31:18	RESERVED		R	0x0
17:12	SIGNATURE	Write to this register will succeed only if data on these bits carries a signature of 6'h29 (6'b101001)	RW	0x0
11	RESERVED		R	0x0
10	LOCK_BIT	When '1', prevents HW update to this MMR. When '0', allows HW update of this MMR.	RW	0x0
9:0	BINARY_DELAY	Delay Select Value in binary coded form. Indicates the number of coarse (9:5) and fine (4:0) delay elements to be used on the delay line connected to this pad.	RW	0x0

Table 18-3006. Register Call Summary for Register CFG_VIN2A_D0_IN

IODELAYCONFIG Module Register Manual

- [IODELAYCONFIG Register Summary: \[0\]](#)

Table 18-3007. CFG_VIN2A_D0_OEN

Address Offset	0x0000 0A48	Instance	IODELAYCONFIG
Physical Address	0x4844 AA48		
Description	Delay Select Value in binary coded form for cfg_vin2a_d0_oen interface		
Type	RW		

31	30	29	28	27	26	25	24	23	22	21	20	19	18	17	16	15	14	13	12	11	10	9	8	7	6	5	4	3	2	1	0
RESERVED														SIGNATURE				RESERVED	LOCK_BIT	BINARY_DELAY											

Bits	Field Name	Description	Type	Reset
31:18	RESERVED		R	0x0
17:12	SIGNATURE	Write to this register will succeed only if data on these bits carries a signature of 6'h29 (6'b101001)	RW	0x0
11	RESERVED		R	0x0
10	LOCK_BIT	When '1', prevents HW update to this MMR. When '0', allows HW update of this MMR.	RW	0x0
9:0	BINARY_DELAY	Delay Select Value in binary coded form. Indicates the number of coarse (9:5) and fine (4:0) delay elements to be used on the delay line connected to this pad.	RW	0x0

Table 18-3008. Register Call Summary for Register CFG_VIN2A_D0_OEN

IODELAYCONFIG Module Register Manual

- [IODELAYCONFIG Register Summary: \[0\]](#)

Table 18-3009. CFG_VIN2A_D0_OUT

Address Offset	0x0000 0A4C	Instance	IODELAYCONFIG
Physical Address	0x4844 AA4C		
Description	Delay Select Value in binary coded form for cfg_vin2a_d0_out interface		
Type	RW		

31	30	29	28	27	26	25	24	23	22	21	20	19	18	17	16	15	14	13	12	11	10	9	8	7	6	5	4	3	2	1	0
RESERVED																SIGNATURE						RESERVED	LOCK_BIT	BINARY_DELAY							

Bits	Field Name	Description	Type	Reset
31:18	RESERVED		R	0x0
17:12	SIGNATURE	Write to this register will succeed only if data on these bits carries a signature of 6'h29 (6'b101001)	RW	0x0
11	RESERVED		R	0x0
10	LOCK_BIT	When '1', prevents HW update to this MMR. When '0', allows HW update of this MMR.	RW	0x0
9:0	BINARY_DELAY	Delay Select Value in binary coded form. Indicates the number of coarse (9:5) and fine (4:0) delay elements to be used on the delay line connected to this pad.	RW	0x0

Table 18-3010. Register Call Summary for Register CFG_VIN2A_D0_OUT

IODELAYCONFIG Module Register Manual

- [IODELAYCONFIG Register Summary: \[0\]](#)

Table 18-3011. CFG_VIN2A_D10_IN

Address Offset	0x0000 0A50	Instance	IODELAYCONFIG
Physical Address	0x4844 AA50		
Description	Delay Select Value in binary coded form for cfg_vin2a_d10_in interface		
Type	RW		

31	30	29	28	27	26	25	24	23	22	21	20	19	18	17	16	15	14	13	12	11	10	9	8	7	6	5	4	3	2	1	0
RESERVED																SIGNATURE						RESERVED	LOCK_BIT	BINARY_DELAY							

Bits	Field Name	Description	Type	Reset
31:18	RESERVED		R	0x0
17:12	SIGNATURE	Write to this register will succeed only if data on these bits carries a signature of 6'h29 (6'b101001)	RW	0x0
11	RESERVED		R	0x0

Bits	Field Name	Description	Type	Reset
10	LOCK_BIT	When '1', prevents HW update to this MMR. When '0', allows HW update of this MMR.	RW	0x0
9:0	BINARY_DELAY	Delay Select Value in binary coded form. Indicates the number of coarse (9:5) and fine (4:0) delay elements to be used on the delay line connected to this pad.	RW	0x0

Table 18-3012. Register Call Summary for Register CFG_VIN2A_D10_IN

IODELAYCONFIG Module Register Manual
 • [IODELAYCONFIG Register Summary: \[0\]](#)

Table 18-3013. CFG_VIN2A_D10_OEN

Address Offset	0x0000 0A54	Instance	IODELAYCONFIG
Physical Address	0x4844 AA54		
Description	Delay Select Value in binary coded form for cfg_vin2a_d10_oen interface		
Type	RW		

31	30	29	28	27	26	25	24	23	22	21	20	19	18	17	16	15	14	13	12	11	10	9	8	7	6	5	4	3	2	1	0		
RESERVED																SIGNATURE				RESERVED	LOCK_BIT	BINARY_DELAY											

Bits	Field Name	Description	Type	Reset
31:18	RESERVED		R	0x0
17:12	SIGNATURE	Write to this register will succeed only if data on these bits carries a signature of 6'h29 (6'b101001)	RW	0x0
11	RESERVED		R	0x0
10	LOCK_BIT	When '1', prevents HW update to this MMR. When '0', allows HW update of this MMR.	RW	0x0
9:0	BINARY_DELAY	Delay Select Value in binary coded form. Indicates the number of coarse (9:5) and fine (4:0) delay elements to be used on the delay line connected to this pad.	RW	0x0

Table 18-3014. Register Call Summary for Register CFG_VIN2A_D10_OEN

IODELAYCONFIG Module Register Manual
 • [IODELAYCONFIG Register Summary: \[0\]](#)

Table 18-3015. CFG_VIN2A_D10_OUT

Address Offset	0x0000 0A58	Instance	IODELAYCONFIG
Physical Address	0x4844 AA58		
Description	Delay Select Value in binary coded form for cfg_vin2a_d10_out interface		
Type	RW		

31	30	29	28	27	26	25	24	23	22	21	20	19	18	17	16	15	14	13	12	11	10	9	8	7	6	5	4	3	2	1	0		
RESERVED																SIGNATURE				RESERVED	LOCK_BIT	BINARY_DELAY											

Bits	Field Name	Description	Type	Reset
31:18	RESERVED		R	0x0
17:12	SIGNATURE	Write to this register will succeed only if data on these bits carries a signature of 6'h29 (6'b101001)	RW	0x0
11	RESERVED		R	0x0
10	LOCK_BIT	When '1', prevents HW update to this MMR. When '0', allows HW update of this MMR.	RW	0x0
9:0	BINARY_DELAY	Delay Select Value in binary coded form. Indicates the number of coarse (9:5) and fine (4:0) delay elements to be used on the delay line connected to this pad.	RW	0x0

Table 18-3016. Register Call Summary for Register CFG_VIN2A_D10_OUT

IODELAYCONFIG Module Register Manual

- [IODELAYCONFIG Register Summary: \[0\]](#)

Table 18-3017. CFG_VIN2A_D11_IN

Address Offset	0x0000 0A5C	Instance	IODELAYCONFIG
Physical Address	0x4844 AA5C		
Description	Delay Select Value in binary coded form for cfg_vin2a_d11_in interface		
Type	RW		

31	30	29	28	27	26	25	24	23	22	21	20	19	18	17	16	15	14	13	12	11	10	9	8	7	6	5	4	3	2	1	0
RESERVED								SIGNATURE				RESERVED	LOCK_BIT	BINARY_DELAY																	

Bits	Field Name	Description	Type	Reset
31:18	RESERVED		R	0x0
17:12	SIGNATURE	Write to this register will succeed only if data on these bits carries a signature of 6'h29 (6'b101001)	RW	0x0
11	RESERVED		R	0x0
10	LOCK_BIT	When '1', prevents HW update to this MMR. When '0', allows HW update of this MMR.	RW	0x0
9:0	BINARY_DELAY	Delay Select Value in binary coded form. Indicates the number of coarse (9:5) and fine (4:0) delay elements to be used on the delay line connected to this pad.	RW	0x0

Table 18-3018. Register Call Summary for Register CFG_VIN2A_D11_IN

IODELAYCONFIG Module Register Manual

- [IODELAYCONFIG Register Summary: \[0\]](#)

Table 18-3019. CFG_VIN2A_D11_OEN

Address Offset	0x0000 0A60	Instance	IODELAYCONFIG
Physical Address	0x4844 AA60		
Description	Delay Select Value in binary coded form for cfg_vin2a_d11_oen interface		
Type	RW		

31	30	29	28	27	26	25	24	23	22	21	20	19	18	17	16	15	14	13	12	11	10	9	8	7	6	5	4	3	2	1	0
RESERVED														SIGNATURE				RESERVED	LOCK_BIT	BINARY_DELAY											

Bits	Field Name	Description	Type	Reset
31:18	RESERVED		R	0x0
17:12	SIGNATURE	Write to this register will succeed only if data on these bits carries a signature of 6'h29 (6'b101001)	RW	0x0
11	RESERVED		R	0x0
10	LOCK_BIT	When '1', prevents HW update to this MMR. When '0', allows HW update of this MMR.	RW	0x0
9:0	BINARY_DELAY	Delay Select Value in binary coded form. Indicates the number of coarse (9:5) and fine (4:0) delay elements to be used on the delay line connected to this pad.	RW	0x0

Table 18-3020. Register Call Summary for Register CFG_VIN2A_D11_OEN

IODELAYCONFIG Module Register Manual

- [IODELAYCONFIG Register Summary: \[0\]](#)

Table 18-3021. CFG_VIN2A_D11_OUT

Address Offset	0x0000 0A64	Instance	IODELAYCONFIG
Physical Address	0x4844 AA64		
Description	Delay Select Value in binary coded form for cfg_vin2a_d11_out interface		
Type	RW		

31	30	29	28	27	26	25	24	23	22	21	20	19	18	17	16	15	14	13	12	11	10	9	8	7	6	5	4	3	2	1	0
RESERVED														SIGNATURE				RESERVED	LOCK_BIT	BINARY_DELAY											

Bits	Field Name	Description	Type	Reset
31:18	RESERVED		R	0x0
17:12	SIGNATURE	Write to this register will succeed only if data on these bits carries a signature of 6'h29 (6'b101001)	RW	0x0
11	RESERVED		R	0x0
10	LOCK_BIT	When '1', prevents HW update to this MMR. When '0', allows HW update of this MMR.	RW	0x0
9:0	BINARY_DELAY	Delay Select Value in binary coded form. Indicates the number of coarse (9:5) and fine (4:0) delay elements to be used on the delay line connected to this pad.	RW	0x0

Table 18-3022. Register Call Summary for Register CFG_VIN2A_D11_OUT

IODELAYCONFIG Module Register Manual

- [IODELAYCONFIG Register Summary: \[0\]](#)

Table 18-3023. CFG_VIN2A_D12_IN

Address Offset	0x0000 0A68	Instance	IODELAYCONFIG
Physical Address	0x4844 AA68		
Description	Delay Select Value in binary coded form for cfg_vin2a_d12_in interface		
Type	RW		

31	30	29	28	27	26	25	24	23	22	21	20	19	18	17	16	15	14	13	12	11	10	9	8	7	6	5	4	3	2	1	0
RESERVED														SIGNATURE				RESERVED	LOCK_BIT	BINARY_DELAY											

Bits	Field Name	Description	Type	Reset
31:18	RESERVED		R	0x0
17:12	SIGNATURE	Write to this register will succeed only if data on these bits carries a signature of 6'h29 (6'b101001)	RW	0x0
11	RESERVED		R	0x0
10	LOCK_BIT	When '1', prevents HW update to this MMR. When '0', allows HW update of this MMR.	RW	0x0
9:0	BINARY_DELAY	Delay Select Value in binary coded form. Indicates the number of coarse (9:5) and fine (4:0) delay elements to be used on the delay line connected to this pad.	RW	0x0

Table 18-3024. Register Call Summary for Register CFG_VIN2A_D12_IN

IODELAYCONFIG Module Register Manual

- [IODELAYCONFIG Register Summary: \[0\]](#)

Table 18-3025. CFG_VIN2A_D12_OEN

Address Offset	0x0000 0A6C	Instance	IODELAYCONFIG
Physical Address	0x4844 AA6C		
Description	Delay Select Value in binary coded form for cfg_vin2a_d12_oen interface		
Type	RW		

31	30	29	28	27	26	25	24	23	22	21	20	19	18	17	16	15	14	13	12	11	10	9	8	7	6	5	4	3	2	1	0
RESERVED														SIGNATURE				RESERVED	LOCK_BIT	BINARY_DELAY											

Bits	Field Name	Description	Type	Reset
31:18	RESERVED		R	0x0
17:12	SIGNATURE	Write to this register will succeed only if data on these bits carries a signature of 6'h29 (6'b101001)	RW	0x0
11	RESERVED		R	0x0
10	LOCK_BIT	When '1', prevents HW update to this MMR. When '0', allows HW update of this MMR.	RW	0x0
9:0	BINARY_DELAY	Delay Select Value in binary coded form. Indicates the number of coarse (9:5) and fine (4:0) delay elements to be used on the delay line connected to this pad.	RW	0x0

Table 18-3026. Register Call Summary for Register CFG_VIN2A_D12_OEN

IODELAYCONFIG Module Register Manual

- [IODELAYCONFIG Register Summary: \[0\]](#)

Table 18-3027. CFG_VIN2A_D12_OUT

Address Offset	0x0000 0A70	Instance	IODELAYCONFIG
Physical Address	0x4844 AA70		
Description	Delay Select Value in binary coded form for cfg_vin2a_d12_out interface		
Type	RW		

31	30	29	28	27	26	25	24	23	22	21	20	19	18	17	16	15	14	13	12	11	10	9	8	7	6	5	4	3	2	1	0		
RESERVED																SIGNATURE						RESERVED	LOCK_BIT	BINARY_DELAY									

Bits	Field Name	Description	Type	Reset
31:18	RESERVED		R	0x0
17:12	SIGNATURE	Write to this register will succeed only if data on these bits carries a signature of 6'h29 (6'b101001)	RW	0x0
11	RESERVED		R	0x0
10	LOCK_BIT	When '1', prevents HW update to this MMR. When '0', allows HW update of this MMR.	RW	0x0
9:0	BINARY_DELAY	Delay Select Value in binary coded form. Indicates the number of coarse (9:5) and fine (4:0) delay elements to be used on the delay line connected to this pad.	RW	0x0

Table 18-3028. Register Call Summary for Register CFG_VIN2A_D12_OUT

IODELAYCONFIG Module Register Manual

- [IODELAYCONFIG Register Summary: \[0\]](#)

Table 18-3029. CFG_VIN2A_D13_IN

Address Offset	0x0000 0A74	Instance	IODELAYCONFIG
Physical Address	0x4844 AA74		
Description	Delay Select Value in binary coded form for cfg_vin2a_d13_in interface		
Type	RW		

31	30	29	28	27	26	25	24	23	22	21	20	19	18	17	16	15	14	13	12	11	10	9	8	7	6	5	4	3	2	1	0		
RESERVED																SIGNATURE						RESERVED	LOCK_BIT	BINARY_DELAY									

Bits	Field Name	Description	Type	Reset
31:18	RESERVED		R	0x0
17:12	SIGNATURE	Write to this register will succeed only if data on these bits carries a signature of 6'h29 (6'b101001)	RW	0x0
11	RESERVED		R	0x0

Bits	Field Name	Description	Type	Reset
10	LOCK_BIT	When '1', prevents HW update to this MMR. When '0', allows HW update of this MMR.	RW	0x0
9:0	BINARY_DELAY	Delay Select Value in binary coded form. Indicates the number of coarse (9:5) and fine (4:0) delay elements to be used on the delay line connected to this pad.	RW	0x0

Table 18-3030. Register Call Summary for Register CFG_VIN2A_D13_IN

IODELAYCONFIG Module Register Manual

- [IODELAYCONFIG Register Summary: \[0\]](#)

Table 18-3031. CFG_VIN2A_D13_OEN

Address Offset	0x0000 0A78	Instance	IODELAYCONFIG
Physical Address	0x4844 AA78		
Description	Delay Select Value in binary coded form for cfg_vin2a_d13_oen interface		
Type	RW		

31	30	29	28	27	26	25	24	23	22	21	20	19	18	17	16	15	14	13	12	11	10	9	8	7	6	5	4	3	2	1	0
RESERVED								SIGNATURE								RESERVED	LOCK_BIT	BINARY_DELAY													

Bits	Field Name	Description	Type	Reset
31:18	RESERVED		R	0x0
17:12	SIGNATURE	Write to this register will succeed only if data on these bits carries a signature of 6'h29 (6'b101001)	RW	0x0
11	RESERVED		R	0x0
10	LOCK_BIT	When '1', prevents HW update to this MMR. When '0', allows HW update of this MMR.	RW	0x0
9:0	BINARY_DELAY	Delay Select Value in binary coded form. Indicates the number of coarse (9:5) and fine (4:0) delay elements to be used on the delay line connected to this pad.	RW	0x0

Table 18-3032. Register Call Summary for Register CFG_VIN2A_D13_OEN

IODELAYCONFIG Module Register Manual

- [IODELAYCONFIG Register Summary: \[0\]](#)

Table 18-3033. CFG_VIN2A_D13_OUT

Address Offset	0x0000 0A7C	Instance	IODELAYCONFIG
Physical Address	0x4844 AA7C		
Description	Delay Select Value in binary coded form for cfg_vin2a_d13_out interface		
Type	RW		

31	30	29	28	27	26	25	24	23	22	21	20	19	18	17	16	15	14	13	12	11	10	9	8	7	6	5	4	3	2	1	0
RESERVED								SIGNATURE								RESERVED	LOCK_BIT	BINARY_DELAY													

Bits	Field Name	Description	Type	Reset
31:18	RESERVED		R	0x0
17:12	SIGNATURE	Write to this register will succeed only if data on these bits carries a signature of 6'h29 (6'b101001)	RW	0x0
11	RESERVED		R	0x0
10	LOCK_BIT	When '1', prevents HW update to this MMR. When '0', allows HW update of this MMR.	RW	0x0
9:0	BINARY_DELAY	Delay Select Value in binary coded form. Indicates the number of coarse (9:5) and fine (4:0) delay elements to be used on the delay line connected to this pad.	RW	0x0

Table 18-3034. Register Call Summary for Register CFG_VIN2A_D13_OUT

IODELAYCONFIG Module Register Manual

- [IODELAYCONFIG Register Summary: \[0\]](#)

Table 18-3035. CFG_VIN2A_D14_IN

Address Offset	0x0000 0A80	Instance	IODELAYCONFIG
Physical Address	0x4844 AA80		
Description	Delay Select Value in binary coded form for cfg_vin2a_d14_in interface		
Type	RW		

31	30	29	28	27	26	25	24	23	22	21	20	19	18	17	16	15	14	13	12	11	10	9	8	7	6	5	4	3	2	1	0
RESERVED								SIGNATURE				RESERVED	LOCK_BIT	BINARY_DELAY																	

Bits	Field Name	Description	Type	Reset
31:18	RESERVED		R	0x0
17:12	SIGNATURE	Write to this register will succeed only if data on these bits carries a signature of 6'h29 (6'b101001)	RW	0x0
11	RESERVED		R	0x0
10	LOCK_BIT	When '1', prevents HW update to this MMR. When '0', allows HW update of this MMR.	RW	0x0
9:0	BINARY_DELAY	Delay Select Value in binary coded form. Indicates the number of coarse (9:5) and fine (4:0) delay elements to be used on the delay line connected to this pad.	RW	0x0

Table 18-3036. Register Call Summary for Register CFG_VIN2A_D14_IN

IODELAYCONFIG Module Register Manual

- [IODELAYCONFIG Register Summary: \[0\]](#)

Table 18-3037. CFG_VIN2A_D14_OEN

Address Offset	0x0000 0A84	Instance	IODELAYCONFIG
Physical Address	0x4844 AA84		
Description	Delay Select Value in binary coded form for cfg_vin2a_d14_oen interface		
Type	RW		

31	30	29	28	27	26	25	24	23	22	21	20	19	18	17	16	15	14	13	12	11	10	9	8	7	6	5	4	3	2	1	0
RESERVED								SIGNATURE								RESERVED	LOCK_BIT	BINARY_DELAY													

Bits	Field Name	Description	Type	Reset
31:18	RESERVED		R	0x0
17:12	SIGNATURE	Write to this register will succeed only if data on these bits carries a signature of 6'h29 (6'b101001)	RW	0x0
11	RESERVED		R	0x0
10	LOCK_BIT	When '1', prevents HW update to this MMR. When '0', allows HW update of this MMR.	RW	0x0
9:0	BINARY_DELAY	Delay Select Value in binary coded form. Indicates the number of coarse (9:5) and fine (4:0) delay elements to be used on the delay line connected to this pad.	RW	0x0

Table 18-3038. Register Call Summary for Register CFG_VIN2A_D14_OEN

IODELAYCONFIG Module Register Manual

- [IODELAYCONFIG Register Summary: \[0\]](#)

Table 18-3039. CFG_VIN2A_D14_OUT

Address Offset	0x0000 0A88	Instance	IODELAYCONFIG
Physical Address	0x4844 AA88		
Description	Delay Select Value in binary coded form for cfg_vin2a_d14_out interface		
Type	RW		

31	30	29	28	27	26	25	24	23	22	21	20	19	18	17	16	15	14	13	12	11	10	9	8	7	6	5	4	3	2	1	0
RESERVED								SIGNATURE								RESERVED	LOCK_BIT	BINARY_DELAY													

Bits	Field Name	Description	Type	Reset
31:18	RESERVED		R	0x0
17:12	SIGNATURE	Write to this register will succeed only if data on these bits carries a signature of 6'h29 (6'b101001)	RW	0x0
11	RESERVED		R	0x0
10	LOCK_BIT	When '1', prevents HW update to this MMR. When '0', allows HW update of this MMR.	RW	0x0
9:0	BINARY_DELAY	Delay Select Value in binary coded form. Indicates the number of coarse (9:5) and fine (4:0) delay elements to be used on the delay line connected to this pad.	RW	0x0

Table 18-3040. Register Call Summary for Register CFG_VIN2A_D14_OUT

IODELAYCONFIG Module Register Manual

- [IODELAYCONFIG Register Summary: \[0\]](#)

Table 18-3041. CFG_VIN2A_D15_IN

Address Offset	0x0000 0A8C	Instance	IODELAYCONFIG
Physical Address	0x4844 AA8C		
Description	Delay Select Value in binary coded form for cfg_vin2a_d15_in interface		
Type	RW		

31	30	29	28	27	26	25	24	23	22	21	20	19	18	17	16	15	14	13	12	11	10	9	8	7	6	5	4	3	2	1	0
RESERVED														SIGNATURE				RESERVED	LOCK_BIT	BINARY_DELAY											

Bits	Field Name	Description	Type	Reset
31:18	RESERVED		R	0x0
17:12	SIGNATURE	Write to this register will succeed only if data on these bits carries a signature of 6'h29 (6'b101001)	RW	0x0
11	RESERVED		R	0x0
10	LOCK_BIT	When '1', prevents HW update to this MMR. When '0', allows HW update of this MMR.	RW	0x0
9:0	BINARY_DELAY	Delay Select Value in binary coded form. Indicates the number of coarse (9:5) and fine (4:0) delay elements to be used on the delay line connected to this pad.	RW	0x0

Table 18-3042. Register Call Summary for Register CFG_VIN2A_D15_IN

IODELAYCONFIG Module Register Manual

- [IODELAYCONFIG Register Summary: \[0\]](#)

Table 18-3043. CFG_VIN2A_D15_OEN

Address Offset	0x0000 0A90	Instance	IODELAYCONFIG
Physical Address	0x4844 AA90		
Description	Delay Select Value in binary coded form for cfg_vin2a_d15_oen interface		
Type	RW		

31	30	29	28	27	26	25	24	23	22	21	20	19	18	17	16	15	14	13	12	11	10	9	8	7	6	5	4	3	2	1	0
RESERVED														SIGNATURE				RESERVED	LOCK_BIT	BINARY_DELAY											

Bits	Field Name	Description	Type	Reset
31:18	RESERVED		R	0x0
17:12	SIGNATURE	Write to this register will succeed only if data on these bits carries a signature of 6'h29 (6'b101001)	RW	0x0
11	RESERVED		R	0x0
10	LOCK_BIT	When '1', prevents HW update to this MMR. When '0', allows HW update of this MMR.	RW	0x0
9:0	BINARY_DELAY	Delay Select Value in binary coded form. Indicates the number of coarse (9:5) and fine (4:0) delay elements to be used on the delay line connected to this pad.	RW	0x0

Table 18-3044. Register Call Summary for Register CFG_VIN2A_D15_OEN

IODELAYCONFIG Module Register Manual

- [IODELAYCONFIG Register Summary: \[0\]](#)

Table 18-3045. CFG_VIN2A_D15_OUT

Address Offset	0x0000 0A94	Instance	IODELAYCONFIG
Physical Address	0x4844 AA94		
Description	Delay Select Value in binary coded form for cfg_vin2a_d15_out interface		
Type	RW		

31	30	29	28	27	26	25	24	23	22	21	20	19	18	17	16	15	14	13	12	11	10	9	8	7	6	5	4	3	2	1	0
RESERVED														SIGNATURE				RESERVED	LOCK_BIT	BINARY_DELAY											

Bits	Field Name	Description	Type	Reset
31:18	RESERVED		R	0x0
17:12	SIGNATURE	Write to this register will succeed only if data on these bits carries a signature of 6'h29 (6'b101001)	RW	0x0
11	RESERVED		R	0x0
10	LOCK_BIT	When '1', prevents HW update to this MMR. When '0', allows HW update of this MMR.	RW	0x0
9:0	BINARY_DELAY	Delay Select Value in binary coded form. Indicates the number of coarse (9:5) and fine (4:0) delay elements to be used on the delay line connected to this pad.	RW	0x0

Table 18-3046. Register Call Summary for Register CFG_VIN2A_D15_OUT

IODELAYCONFIG Module Register Manual

- [IODELAYCONFIG Register Summary: \[0\]](#)

Table 18-3047. CFG_VIN2A_D16_IN

Address Offset	0x0000 0A98	Instance	IODELAYCONFIG
Physical Address	0x4844 AA98		
Description	Delay Select Value in binary coded form for cfg_vin2a_d16_in interface		
Type	RW		

31	30	29	28	27	26	25	24	23	22	21	20	19	18	17	16	15	14	13	12	11	10	9	8	7	6	5	4	3	2	1	0
RESERVED														SIGNATURE				RESERVED	LOCK_BIT	BINARY_DELAY											

Bits	Field Name	Description	Type	Reset
31:18	RESERVED		R	0x0
17:12	SIGNATURE	Write to this register will succeed only if data on these bits carries a signature of 6'h29 (6'b101001)	RW	0x0
11	RESERVED		R	0x0

Bits	Field Name	Description	Type	Reset
10	LOCK_BIT	When '1', prevents HW update to this MMR. When '0', allows HW update of this MMR.	RW	0x0
9:0	BINARY_DELAY	Delay Select Value in binary coded form. Indicates the number of coarse (9:5) and fine (4:0) delay elements to be used on the delay line connected to this pad.	RW	0x0

Table 18-3048. Register Call Summary for Register CFG_VIN2A_D16_IN

IODELAYCONFIG Module Register Manual
 • [IODELAYCONFIG Register Summary: \[0\]](#)

Table 18-3049. CFG_VIN2A_D16_OEN

Address Offset	0x0000 0A9C	Instance	IODELAYCONFIG
Physical Address	0x4844 AA9C		
Description	Delay Select Value in binary coded form for cfg_vin2a_d16_oen interface		
Type	RW		

31	30	29	28	27	26	25	24	23	22	21	20	19	18	17	16	15	14	13	12	11	10	9	8	7	6	5	4	3	2	1	0		
RESERVED																SIGNATURE						RESERVED	LOCK_BIT	BINARY_DELAY									

Bits	Field Name	Description	Type	Reset
31:18	RESERVED		R	0x0
17:12	SIGNATURE	Write to this register will succeed only if data on these bits carries a signature of 6'h29 (6'b101001)	RW	0x0
11	RESERVED		R	0x0
10	LOCK_BIT	When '1', prevents HW update to this MMR. When '0', allows HW update of this MMR.	RW	0x0
9:0	BINARY_DELAY	Delay Select Value in binary coded form. Indicates the number of coarse (9:5) and fine (4:0) delay elements to be used on the delay line connected to this pad.	RW	0x0

Table 18-3050. Register Call Summary for Register CFG_VIN2A_D16_OEN

IODELAYCONFIG Module Register Manual
 • [IODELAYCONFIG Register Summary: \[0\]](#)

Table 18-3051. CFG_VIN2A_D16_OUT

Address Offset	0x0000 0AA0	Instance	IODELAYCONFIG
Physical Address	0x4844 AAA0		
Description	Delay Select Value in binary coded form for cfg_vin2a_d16_out interface		
Type	RW		

31	30	29	28	27	26	25	24	23	22	21	20	19	18	17	16	15	14	13	12	11	10	9	8	7	6	5	4	3	2	1	0		
RESERVED																SIGNATURE						RESERVED	LOCK_BIT	BINARY_DELAY									

Bits	Field Name	Description	Type	Reset
31:18	RESERVED		R	0x0
17:12	SIGNATURE	Write to this register will succeed only if data on these bits carries a signature of 6'h29 (6'b101001)	RW	0x0
11	RESERVED		R	0x0
10	LOCK_BIT	When '1', prevents HW update to this MMR. When '0', allows HW update of this MMR.	RW	0x0
9:0	BINARY_DELAY	Delay Select Value in binary coded form. Indicates the number of coarse (9:5) and fine (4:0) delay elements to be used on the delay line connected to this pad.	RW	0x0

Table 18-3052. Register Call Summary for Register CFG_VIN2A_D16_OUT

IODELAYCONFIG Module Register Manual

- [IODELAYCONFIG Register Summary: \[0\]](#)

Table 18-3053. CFG_VIN2A_D17_IN

Address Offset	0x0000 0AA4	Instance	IODELAYCONFIG
Physical Address	0x4844 AAA4		
Description	Delay Select Value in binary coded form for cfg_vin2a_d17_in interface		
Type	RW		

31	30	29	28	27	26	25	24	23	22	21	20	19	18	17	16	15	14	13	12	11	10	9	8	7	6	5	4	3	2	1	0
RESERVED								SIGNATURE				RESERVED	LOCK_BIT	BINARY_DELAY																	

Bits	Field Name	Description	Type	Reset
31:18	RESERVED		R	0x0
17:12	SIGNATURE	Write to this register will succeed only if data on these bits carries a signature of 6'h29 (6'b101001)	RW	0x0
11	RESERVED		R	0x0
10	LOCK_BIT	When '1', prevents HW update to this MMR. When '0', allows HW update of this MMR.	RW	0x0
9:0	BINARY_DELAY	Delay Select Value in binary coded form. Indicates the number of coarse (9:5) and fine (4:0) delay elements to be used on the delay line connected to this pad.	RW	0x0

Table 18-3054. Register Call Summary for Register CFG_VIN2A_D17_IN

IODELAYCONFIG Module Register Manual

- [IODELAYCONFIG Register Summary: \[0\]](#)

Table 18-3055. CFG_VIN2A_D17_OEN

Address Offset	0x0000 0AA8	Instance	IODELAYCONFIG
Physical Address	0x4844 AAA8		
Description	Delay Select Value in binary coded form for cfg_vin2a_d17_oen interface		
Type	RW		

31	30	29	28	27	26	25	24	23	22	21	20	19	18	17	16	15	14	13	12	11	10	9	8	7	6	5	4	3	2	1	0
RESERVED														SIGNATURE				RESERVED	LOCK_BIT	BINARY_DELAY											

Bits	Field Name	Description	Type	Reset
31:18	RESERVED		R	0x0
17:12	SIGNATURE	Write to this register will succeed only if data on these bits carries a signature of 6'h29 (6'b101001)	RW	0x0
11	RESERVED		R	0x0
10	LOCK_BIT	When '1', prevents HW update to this MMR. When '0', allows HW update of this MMR.	RW	0x0
9:0	BINARY_DELAY	Delay Select Value in binary coded form. Indicates the number of coarse (9:5) and fine (4:0) delay elements to be used on the delay line connected to this pad.	RW	0x0

Table 18-3056. Register Call Summary for Register CFG_VIN2A_D17_OEN

IODELAYCONFIG Module Register Manual

- [IODELAYCONFIG Register Summary: \[0\]](#)

Table 18-3057. CFG_VIN2A_D17_OUT

Address Offset	0x0000 0AAC	Instance	IODELAYCONFIG
Physical Address	0x4844 AAAC		
Description	Delay Select Value in binary coded form for cfg_vin2a_d17_out interface		
Type	RW		

31	30	29	28	27	26	25	24	23	22	21	20	19	18	17	16	15	14	13	12	11	10	9	8	7	6	5	4	3	2	1	0
RESERVED														SIGNATURE				RESERVED	LOCK_BIT	BINARY_DELAY											

Bits	Field Name	Description	Type	Reset
31:18	RESERVED		R	0x0
17:12	SIGNATURE	Write to this register will succeed only if data on these bits carries a signature of 6'h29 (6'b101001)	RW	0x0
11	RESERVED		R	0x0
10	LOCK_BIT	When '1', prevents HW update to this MMR. When '0', allows HW update of this MMR.	RW	0x0
9:0	BINARY_DELAY	Delay Select Value in binary coded form. Indicates the number of coarse (9:5) and fine (4:0) delay elements to be used on the delay line connected to this pad.	RW	0x0

Table 18-3058. Register Call Summary for Register CFG_VIN2A_D17_OUT

IODELAYCONFIG Module Register Manual

- [IODELAYCONFIG Register Summary: \[0\]](#)

Table 18-3059. CFG_VIN2A_D18_IN

Address Offset	0x0000 0AB0	Instance	IODELAYCONFIG
Physical Address	0x4844 AAB0		
Description	Delay Select Value in binary coded form for cfg_vin2a_d18_in interface		
Type	RW		

31	30	29	28	27	26	25	24	23	22	21	20	19	18	17	16	15	14	13	12	11	10	9	8	7	6	5	4	3	2	1	0
RESERVED														SIGNATURE				RESERVED	LOCK_BIT	BINARY_DELAY											

Bits	Field Name	Description	Type	Reset
31:18	RESERVED		R	0x0
17:12	SIGNATURE	Write to this register will succeed only if data on these bits carries a signature of 6'h29 (6'b101001)	RW	0x0
11	RESERVED		R	0x0
10	LOCK_BIT	When '1', prevents HW update to this MMR. When '0', allows HW update of this MMR.	RW	0x0
9:0	BINARY_DELAY	Delay Select Value in binary coded form. Indicates the number of coarse (9:5) and fine (4:0) delay elements to be used on the delay line connected to this pad.	RW	0x0

Table 18-3060. Register Call Summary for Register CFG_VIN2A_D18_IN

IODELAYCONFIG Module Register Manual

- [IODELAYCONFIG Register Summary: \[0\]](#)

Table 18-3061. CFG_VIN2A_D18_OEN

Address Offset	0x0000 0AB4	Instance	IODELAYCONFIG
Physical Address	0x4844 AAB4		
Description	Delay Select Value in binary coded form for cfg_vin2a_d18_oen interface		
Type	RW		

31	30	29	28	27	26	25	24	23	22	21	20	19	18	17	16	15	14	13	12	11	10	9	8	7	6	5	4	3	2	1	0
RESERVED														SIGNATURE				RESERVED	LOCK_BIT	BINARY_DELAY											

Bits	Field Name	Description	Type	Reset
31:18	RESERVED		R	0x0
17:12	SIGNATURE	Write to this register will succeed only if data on these bits carries a signature of 6'h29 (6'b101001)	RW	0x0
11	RESERVED		R	0x0
10	LOCK_BIT	When '1', prevents HW update to this MMR. When '0', allows HW update of this MMR.	RW	0x0
9:0	BINARY_DELAY	Delay Select Value in binary coded form. Indicates the number of coarse (9:5) and fine (4:0) delay elements to be used on the delay line connected to this pad.	RW	0x0

Table 18-3062. Register Call Summary for Register CFG_VIN2A_D18_OEN

IODELAYCONFIG Module Register Manual

- [IODELAYCONFIG Register Summary: \[0\]](#)

Table 18-3063. CFG_VIN2A_D18_OUT

Address Offset	0x0000 0AB8	Instance	IODELAYCONFIG
Physical Address	0x4844 AAB8		
Description	Delay Select Value in binary coded form for cfg_vin2a_d18_out interface		
Type	RW		

31	30	29	28	27	26	25	24	23	22	21	20	19	18	17	16	15	14	13	12	11	10	9	8	7	6	5	4	3	2	1	0
RESERVED																SIGNATURE						RESERVED	LOCK_BIT	BINARY_DELAY							

Bits	Field Name	Description	Type	Reset
31:18	RESERVED		R	0x0
17:12	SIGNATURE	Write to this register will succeed only if data on these bits carries a signature of 6'h29 (6'b101001)	RW	0x0
11	RESERVED		R	0x0
10	LOCK_BIT	When '1', prevents HW update to this MMR. When '0', allows HW update of this MMR.	RW	0x0
9:0	BINARY_DELAY	Delay Select Value in binary coded form. Indicates the number of coarse (9:5) and fine (4:0) delay elements to be used on the delay line connected to this pad.	RW	0x0

Table 18-3064. Register Call Summary for Register CFG_VIN2A_D18_OUT

IODELAYCONFIG Module Register Manual

- [IODELAYCONFIG Register Summary: \[0\]](#)

Table 18-3065. CFG_VIN2A_D19_IN

Address Offset	0x0000 0ABC	Instance	IODELAYCONFIG
Physical Address	0x4844 AABC		
Description	Delay Select Value in binary coded form for cfg_vin2a_d19_in interface		
Type	RW		

31	30	29	28	27	26	25	24	23	22	21	20	19	18	17	16	15	14	13	12	11	10	9	8	7	6	5	4	3	2	1	0
RESERVED																SIGNATURE						RESERVED	LOCK_BIT	BINARY_DELAY							

Bits	Field Name	Description	Type	Reset
31:18	RESERVED		R	0x0
17:12	SIGNATURE	Write to this register will succeed only if data on these bits carries a signature of 6'h29 (6'b101001)	RW	0x0
11	RESERVED		R	0x0

Bits	Field Name	Description	Type	Reset
10	LOCK_BIT	When '1', prevents HW update to this MMR. When '0', allows HW update of this MMR.	RW	0x0
9:0	BINARY_DELAY	Delay Select Value in binary coded form. Indicates the number of coarse (9:5) and fine (4:0) delay elements to be used on the delay line connected to this pad.	RW	0x0

Table 18-3066. Register Call Summary for Register CFG_VIN2A_D19_IN

IODELAYCONFIG Module Register Manual

- [IODELAYCONFIG Register Summary: \[0\]](#)

Table 18-3067. CFG_VIN2A_D19_OEN

Address Offset	0x0000 0AC0	Instance	IODELAYCONFIG
Physical Address	0x4844 AAC0		
Description	Delay Select Value in binary coded form for cfg_vin2a_d19_oen interface		
Type	RW		

31	30	29	28	27	26	25	24	23	22	21	20	19	18	17	16	15	14	13	12	11	10	9	8	7	6	5	4	3	2	1	0	
RESERVED																SIGNATURE				RESERVED	LOCK_BIT	BINARY_DELAY										

Bits	Field Name	Description	Type	Reset
31:18	RESERVED		R	0x0
17:12	SIGNATURE	Write to this register will succeed only if data on these bits carries a signature of 6'h29 (6'b101001)	RW	0x0
11	RESERVED		R	0x0
10	LOCK_BIT	When '1', prevents HW update to this MMR. When '0', allows HW update of this MMR.	RW	0x0
9:0	BINARY_DELAY	Delay Select Value in binary coded form. Indicates the number of coarse (9:5) and fine (4:0) delay elements to be used on the delay line connected to this pad.	RW	0x0

Table 18-3068. Register Call Summary for Register CFG_VIN2A_D19_OEN

IODELAYCONFIG Module Register Manual

- [IODELAYCONFIG Register Summary: \[0\]](#)

Table 18-3069. CFG_VIN2A_D19_OUT

Address Offset	0x0000 0AC4	Instance	IODELAYCONFIG
Physical Address	0x4844 AAC4		
Description	Delay Select Value in binary coded form for cfg_vin2a_d19_out interface		
Type	RW		

31	30	29	28	27	26	25	24	23	22	21	20	19	18	17	16	15	14	13	12	11	10	9	8	7	6	5	4	3	2	1	0	
RESERVED																SIGNATURE				RESERVED	LOCK_BIT	BINARY_DELAY										

Bits	Field Name	Description	Type	Reset
31:18	RESERVED		R	0x0
17:12	SIGNATURE	Write to this register will succeed only if data on these bits carries a signature of 6'h29 (6'b101001)	RW	0x0
11	RESERVED		R	0x0
10	LOCK_BIT	When '1', prevents HW update to this MMR. When '0', allows HW update of this MMR.	RW	0x0
9:0	BINARY_DELAY	Delay Select Value in binary coded form. Indicates the number of coarse (9:5) and fine (4:0) delay elements to be used on the delay line connected to this pad.	RW	0x0

Table 18-3070. Register Call Summary for Register CFG_VIN2A_D19_OUT

IODELAYCONFIG Module Register Manual

- [IODELAYCONFIG Register Summary: \[0\]](#)

Table 18-3071. CFG_VIN2A_D1_IN

Address Offset	0x0000 0AC8	Instance	IODELAYCONFIG
Physical Address	0x4844 AAC8		
Description	Delay Select Value in binary coded form for cfg_vin2a_d1_in interface		
Type	RW		

31	30	29	28	27	26	25	24	23	22	21	20	19	18	17	16	15	14	13	12	11	10	9	8	7	6	5	4	3	2	1	0
RESERVED								SIGNATURE				RESERVED	LOCK_BIT	BINARY_DELAY																	

Bits	Field Name	Description	Type	Reset
31:18	RESERVED		R	0x0
17:12	SIGNATURE	Write to this register will succeed only if data on these bits carries a signature of 6'h29 (6'b101001)	RW	0x0
11	RESERVED		R	0x0
10	LOCK_BIT	When '1', prevents HW update to this MMR. When '0', allows HW update of this MMR.	RW	0x0
9:0	BINARY_DELAY	Delay Select Value in binary coded form. Indicates the number of coarse (9:5) and fine (4:0) delay elements to be used on the delay line connected to this pad.	RW	0x0

Table 18-3072. Register Call Summary for Register CFG_VIN2A_D1_IN

IODELAYCONFIG Module Register Manual

- [IODELAYCONFIG Register Summary: \[0\]](#)

Table 18-3073. CFG_VIN2A_D1_OEN

Address Offset	0x0000 0ACC	Instance	IODELAYCONFIG
Physical Address	0x4844 AAC8		
Description	Delay Select Value in binary coded form for cfg_vin2a_d1_oen interface		
Type	RW		

31	30	29	28	27	26	25	24	23	22	21	20	19	18	17	16	15	14	13	12	11	10	9	8	7	6	5	4	3	2	1	0
RESERVED														SIGNATURE				RESERVED	LOCK_BIT	BINARY_DELAY											

Bits	Field Name	Description	Type	Reset
31:18	RESERVED		R	0x0
17:12	SIGNATURE	Write to this register will succeed only if data on these bits carries a signature of 6'h29 (6'b101001)	RW	0x0
11	RESERVED		R	0x0
10	LOCK_BIT	When '1', prevents HW update to this MMR. When '0', allows HW update of this MMR.	RW	0x0
9:0	BINARY_DELAY	Delay Select Value in binary coded form. Indicates the number of coarse (9:5) and fine (4:0) delay elements to be used on the delay line connected to this pad.	RW	0x0

Table 18-3074. Register Call Summary for Register CFG_VIN2A_D1_OEN

IODELAYCONFIG Module Register Manual

- [IODELAYCONFIG Register Summary: \[0\]](#)

Table 18-3075. CFG_VIN2A_D1_OUT

Address Offset	0x0000 0AD0	Instance	IODELAYCONFIG
Physical Address	0x4844 AAD0		
Description	Delay Select Value in binary coded form for cfg_vin2a_d1_out interface		
Type	RW		

31	30	29	28	27	26	25	24	23	22	21	20	19	18	17	16	15	14	13	12	11	10	9	8	7	6	5	4	3	2	1	0
RESERVED														SIGNATURE				RESERVED	LOCK_BIT	BINARY_DELAY											

Bits	Field Name	Description	Type	Reset
31:18	RESERVED		R	0x0
17:12	SIGNATURE	Write to this register will succeed only if data on these bits carries a signature of 6'h29 (6'b101001)	RW	0x0
11	RESERVED		R	0x0
10	LOCK_BIT	When '1', prevents HW update to this MMR. When '0', allows HW update of this MMR.	RW	0x0
9:0	BINARY_DELAY	Delay Select Value in binary coded form. Indicates the number of coarse (9:5) and fine (4:0) delay elements to be used on the delay line connected to this pad.	RW	0x0

Table 18-3076. Register Call Summary for Register CFG_VIN2A_D1_OUT

IODELAYCONFIG Module Register Manual

- [IODELAYCONFIG Register Summary: \[0\]](#)

Table 18-3077. CFG_VIN2A_D20_IN

Address Offset	0x0000 0AD4	Instance	IODELAYCONFIG
Physical Address	0x4844 AAD4		
Description	Delay Select Value in binary coded form for cfg_vin2a_d20_in interface		
Type	RW		

31	30	29	28	27	26	25	24	23	22	21	20	19	18	17	16	15	14	13	12	11	10	9	8	7	6	5	4	3	2	1	0
RESERVED														SIGNATURE				RESERVED	LOCK_BIT	BINARY_DELAY											

Bits	Field Name	Description	Type	Reset
31:18	RESERVED		R	0x0
17:12	SIGNATURE	Write to this register will succeed only if data on these bits carries a signature of 6'h29 (6'b101001)	RW	0x0
11	RESERVED		R	0x0
10	LOCK_BIT	When '1', prevents HW update to this MMR. When '0', allows HW update of this MMR.	RW	0x0
9:0	BINARY_DELAY	Delay Select Value in binary coded form. Indicates the number of coarse (9:5) and fine (4:0) delay elements to be used on the delay line connected to this pad.	RW	0x0

Table 18-3078. Register Call Summary for Register CFG_VIN2A_D20_IN

IODELAYCONFIG Module Register Manual

- [IODELAYCONFIG Register Summary: \[0\]](#)

Table 18-3079. CFG_VIN2A_D20_OEN

Address Offset	0x0000 0AD8	Instance	IODELAYCONFIG
Physical Address	0x4844 AAD8		
Description	Delay Select Value in binary coded form for cfg_vin2a_d20_oen interface		
Type	RW		

31	30	29	28	27	26	25	24	23	22	21	20	19	18	17	16	15	14	13	12	11	10	9	8	7	6	5	4	3	2	1	0
RESERVED														SIGNATURE				RESERVED	LOCK_BIT	BINARY_DELAY											

Bits	Field Name	Description	Type	Reset
31:18	RESERVED		R	0x0
17:12	SIGNATURE	Write to this register will succeed only if data on these bits carries a signature of 6'h29 (6'b101001)	RW	0x0
11	RESERVED		R	0x0
10	LOCK_BIT	When '1', prevents HW update to this MMR. When '0', allows HW update of this MMR.	RW	0x0
9:0	BINARY_DELAY	Delay Select Value in binary coded form. Indicates the number of coarse (9:5) and fine (4:0) delay elements to be used on the delay line connected to this pad.	RW	0x0

Table 18-3080. Register Call Summary for Register CFG_VIN2A_D20_OEN

IODELAYCONFIG Module Register Manual

- [IODELAYCONFIG Register Summary: \[0\]](#)

Table 18-3081. CFG_VIN2A_D20_OUT

Address Offset	0x0000 0ADC	Instance	IODELAYCONFIG
Physical Address	0x4844 AADC		
Description	Delay Select Value in binary coded form for cfg_vin2a_d20_out interface		
Type	RW		

31	30	29	28	27	26	25	24	23	22	21	20	19	18	17	16	15	14	13	12	11	10	9	8	7	6	5	4	3	2	1	0		
RESERVED																SIGNATURE						RESERVED	LOCK_BIT	BINARY_DELAY									

Bits	Field Name	Description	Type	Reset
31:18	RESERVED		R	0x0
17:12	SIGNATURE	Write to this register will succeed only if data on these bits carries a signature of 6'h29 (6'b101001)	RW	0x0
11	RESERVED		R	0x0
10	LOCK_BIT	When '1', prevents HW update to this MMR. When '0', allows HW update of this MMR.	RW	0x0
9:0	BINARY_DELAY	Delay Select Value in binary coded form. Indicates the number of coarse (9:5) and fine (4:0) delay elements to be used on the delay line connected to this pad.	RW	0x0

Table 18-3082. Register Call Summary for Register CFG_VIN2A_D20_OUT

IODELAYCONFIG Module Register Manual

- [IODELAYCONFIG Register Summary: \[0\]](#)

Table 18-3083. CFG_VIN2A_D21_IN

Address Offset	0x0000 0AEO	Instance	IODELAYCONFIG
Physical Address	0x4844 AAE0		
Description	Delay Select Value in binary coded form for cfg_vin2a_d21_in interface		
Type	RW		

31	30	29	28	27	26	25	24	23	22	21	20	19	18	17	16	15	14	13	12	11	10	9	8	7	6	5	4	3	2	1	0		
RESERVED																SIGNATURE						RESERVED	LOCK_BIT	BINARY_DELAY									

Bits	Field Name	Description	Type	Reset
31:18	RESERVED		R	0x0
17:12	SIGNATURE	Write to this register will succeed only if data on these bits carries a signature of 6'h29 (6'b101001)	RW	0x0
11	RESERVED		R	0x0

Bits	Field Name	Description	Type	Reset
10	LOCK_BIT	When '1', prevents HW update to this MMR. When '0', allows HW update of this MMR.	RW	0x0
9:0	BINARY_DELAY	Delay Select Value in binary coded form. Indicates the number of coarse (9:5) and fine (4:0) delay elements to be used on the delay line connected to this pad.	RW	0x0

Table 18-3084. Register Call Summary for Register CFG_VIN2A_D21_IN

IODELAYCONFIG Module Register Manual

- [IODELAYCONFIG Register Summary: \[0\]](#)

Table 18-3085. CFG_VIN2A_D21_OEN

Address Offset	0x0000 0AE4	Instance	IODELAYCONFIG
Physical Address	0x4844 AAE4		
Description	Delay Select Value in binary coded form for cfg_vin2a_d21_oen interface		
Type	RW		

31	30	29	28	27	26	25	24	23	22	21	20	19	18	17	16	15	14	13	12	11	10	9	8	7	6	5	4	3	2	1	0
RESERVED								SIGNATURE								RESERVED	LOCK_BIT	BINARY_DELAY													

Bits	Field Name	Description	Type	Reset
31:18	RESERVED		R	0x0
17:12	SIGNATURE	Write to this register will succeed only if data on these bits carries a signature of 6'h29 (6'b101001)	RW	0x0
11	RESERVED		R	0x0
10	LOCK_BIT	When '1', prevents HW update to this MMR. When '0', allows HW update of this MMR.	RW	0x0
9:0	BINARY_DELAY	Delay Select Value in binary coded form. Indicates the number of coarse (9:5) and fine (4:0) delay elements to be used on the delay line connected to this pad.	RW	0x0

Table 18-3086. Register Call Summary for Register CFG_VIN2A_D21_OEN

IODELAYCONFIG Module Register Manual

- [IODELAYCONFIG Register Summary: \[0\]](#)

Table 18-3087. CFG_VIN2A_D21_OUT

Address Offset	0x0000 0AE8	Instance	IODELAYCONFIG
Physical Address	0x4844 AAE8		
Description	Delay Select Value in binary coded form for cfg_vin2a_d21_out interface		
Type	RW		

31	30	29	28	27	26	25	24	23	22	21	20	19	18	17	16	15	14	13	12	11	10	9	8	7	6	5	4	3	2	1	0
RESERVED								SIGNATURE								RESERVED	LOCK_BIT	BINARY_DELAY													

Bits	Field Name	Description	Type	Reset
31:18	RESERVED		R	0x0
17:12	SIGNATURE	Write to this register will succeed only if data on these bits carries a signature of 6'h29 (6'b101001)	RW	0x0
11	RESERVED		R	0x0
10	LOCK_BIT	When '1', prevents HW update to this MMR. When '0', allows HW update of this MMR.	RW	0x0
9:0	BINARY_DELAY	Delay Select Value in binary coded form. Indicates the number of coarse (9:5) and fine (4:0) delay elements to be used on the delay line connected to this pad.	RW	0x0

Table 18-3088. Register Call Summary for Register CFG_VIN2A_D21_OUT

IODELAYCONFIG Module Register Manual

- [IODELAYCONFIG Register Summary: \[0\]](#)

Table 18-3089. CFG_VIN2A_D22_IN

Address Offset	0x0000 0AEC	Instance	IODELAYCONFIG
Physical Address	0x4844 AAEC		
Description	Delay Select Value in binary coded form for cfg_vin2a_d22_in interface		
Type	RW		

31	30	29	28	27	26	25	24	23	22	21	20	19	18	17	16	15	14	13	12	11	10	9	8	7	6	5	4	3	2	1	0
RESERVED								SIGNATURE				RESERVED	LOCK_BIT	BINARY_DELAY																	

Bits	Field Name	Description	Type	Reset
31:18	RESERVED		R	0x0
17:12	SIGNATURE	Write to this register will succeed only if data on these bits carries a signature of 6'h29 (6'b101001)	RW	0x0
11	RESERVED		R	0x0
10	LOCK_BIT	When '1', prevents HW update to this MMR. When '0', allows HW update of this MMR.	RW	0x0
9:0	BINARY_DELAY	Delay Select Value in binary coded form. Indicates the number of coarse (9:5) and fine (4:0) delay elements to be used on the delay line connected to this pad.	RW	0x0

Table 18-3090. Register Call Summary for Register CFG_VIN2A_D22_IN

IODELAYCONFIG Module Register Manual

- [IODELAYCONFIG Register Summary: \[0\]](#)

Table 18-3091. CFG_VIN2A_D22_OEN

Address Offset	0x0000 0AF0	Instance	IODELAYCONFIG
Physical Address	0x4844 AAF0		
Description	Delay Select Value in binary coded form for cfg_vin2a_d22_oen interface		
Type	RW		

31	30	29	28	27	26	25	24	23	22	21	20	19	18	17	16	15	14	13	12	11	10	9	8	7	6	5	4	3	2	1	0
RESERVED								SIGNATURE				RESERVED	LOCK_BIT	BINARY_DELAY																	

Bits	Field Name	Description	Type	Reset
31:18	RESERVED		R	0x0
17:12	SIGNATURE	Write to this register will succeed only if data on these bits carries a signature of 6'h29 (6'b101001)	RW	0x0
11	RESERVED		R	0x0
10	LOCK_BIT	When '1', prevents HW update to this MMR. When '0', allows HW update of this MMR.	RW	0x0
9:0	BINARY_DELAY	Delay Select Value in binary coded form. Indicates the number of coarse (9:5) and fine (4:0) delay elements to be used on the delay line connected to this pad.	RW	0x0

Table 18-3092. Register Call Summary for Register CFG_VIN2A_D22_OEN

IODELAYCONFIG Module Register Manual

- [IODELAYCONFIG Register Summary: \[0\]](#)

Table 18-3093. CFG_VIN2A_D22_OUT

Address Offset	0x0000 0AF4	Instance	IODELAYCONFIG
Physical Address	0x4844 AAF4		
Description	Delay Select Value in binary coded form for cfg_vin2a_d22_out interface		
Type	RW		

31	30	29	28	27	26	25	24	23	22	21	20	19	18	17	16	15	14	13	12	11	10	9	8	7	6	5	4	3	2	1	0
RESERVED								SIGNATURE				RESERVED	LOCK_BIT	BINARY_DELAY																	

Bits	Field Name	Description	Type	Reset
31:18	RESERVED		R	0x0
17:12	SIGNATURE	Write to this register will succeed only if data on these bits carries a signature of 6'h29 (6'b101001)	RW	0x0
11	RESERVED		R	0x0
10	LOCK_BIT	When '1', prevents HW update to this MMR. When '0', allows HW update of this MMR.	RW	0x0
9:0	BINARY_DELAY	Delay Select Value in binary coded form. Indicates the number of coarse (9:5) and fine (4:0) delay elements to be used on the delay line connected to this pad.	RW	0x0

Table 18-3094. Register Call Summary for Register CFG_VIN2A_D22_OUT

IODELAYCONFIG Module Register Manual

- [IODELAYCONFIG Register Summary: \[0\]](#)

Table 18-3095. CFG_VIN2A_D23_IN

Address Offset	0x0000 0AF8	Instance	IODELAYCONFIG
Physical Address	0x4844 AAF8		
Description	Delay Select Value in binary coded form for cfg_vin2a_d23_in interface		
Type	RW		

31	30	29	28	27	26	25	24	23	22	21	20	19	18	17	16	15	14	13	12	11	10	9	8	7	6	5	4	3	2	1	0
RESERVED														SIGNATURE				RESERVED	LOCK_BIT	BINARY_DELAY											

Bits	Field Name	Description	Type	Reset
31:18	RESERVED		R	0x0
17:12	SIGNATURE	Write to this register will succeed only if data on these bits carries a signature of 6'h29 (6'b101001)	RW	0x0
11	RESERVED		R	0x0
10	LOCK_BIT	When '1', prevents HW update to this MMR. When '0', allows HW update of this MMR.	RW	0x0
9:0	BINARY_DELAY	Delay Select Value in binary coded form. Indicates the number of coarse (9:5) and fine (4:0) delay elements to be used on the delay line connected to this pad.	RW	0x0

Table 18-3096. Register Call Summary for Register CFG_VIN2A_D23_IN

IODELAYCONFIG Module Register Manual

- [IODELAYCONFIG Register Summary: \[0\]](#)

Table 18-3097. CFG_VIN2A_D23_OEN

Address Offset	0x0000 0AFC	Instance	IODELAYCONFIG
Physical Address	0x4844 AAFC		
Description	Delay Select Value in binary coded form for cfg_vin2a_d23_oen interface		
Type	RW		

31	30	29	28	27	26	25	24	23	22	21	20	19	18	17	16	15	14	13	12	11	10	9	8	7	6	5	4	3	2	1	0
RESERVED														SIGNATURE				RESERVED	LOCK_BIT	BINARY_DELAY											

Bits	Field Name	Description	Type	Reset
31:18	RESERVED		R	0x0
17:12	SIGNATURE	Write to this register will succeed only if data on these bits carries a signature of 6'h29 (6'b101001)	RW	0x0
11	RESERVED		R	0x0
10	LOCK_BIT	When '1', prevents HW update to this MMR. When '0', allows HW update of this MMR.	RW	0x0
9:0	BINARY_DELAY	Delay Select Value in binary coded form. Indicates the number of coarse (9:5) and fine (4:0) delay elements to be used on the delay line connected to this pad.	RW	0x0

Table 18-3098. Register Call Summary for Register CFG_VIN2A_D23_OEN

IODELAYCONFIG Module Register Manual

- [IODELAYCONFIG Register Summary: \[0\]](#)

Table 18-3099. CFG_VIN2A_D23_OUT

Address Offset	0x0000 0B00	Instance	IODELAYCONFIG
Physical Address	0x4844 AB00		
Description	Delay Select Value in binary coded form for cfg_vin2a_d23_out interface		
Type	RW		

31	30	29	28	27	26	25	24	23	22	21	20	19	18	17	16	15	14	13	12	11	10	9	8	7	6	5	4	3	2	1	0
RESERVED														SIGNATURE				RESERVED	LOCK_BIT	BINARY_DELAY											

Bits	Field Name	Description	Type	Reset
31:18	RESERVED		R	0x0
17:12	SIGNATURE	Write to this register will succeed only if data on these bits carries a signature of 6'h29 (6'b101001)	RW	0x0
11	RESERVED		R	0x0
10	LOCK_BIT	When '1', prevents HW update to this MMR. When '0', allows HW update of this MMR.	RW	0x0
9:0	BINARY_DELAY	Delay Select Value in binary coded form. Indicates the number of coarse (9:5) and fine (4:0) delay elements to be used on the delay line connected to this pad.	RW	0x0

Table 18-3100. Register Call Summary for Register CFG_VIN2A_D23_OUT

IODELAYCONFIG Module Register Manual

- [IODELAYCONFIG Register Summary: \[0\]](#)

Table 18-3101. CFG_VIN2A_D2_IN

Address Offset	0x0000 0B04	Instance	IODELAYCONFIG
Physical Address	0x4844 AB04		
Description	Delay Select Value in binary coded form for cfg_vin2a_d2_in interface		
Type	RW		

31	30	29	28	27	26	25	24	23	22	21	20	19	18	17	16	15	14	13	12	11	10	9	8	7	6	5	4	3	2	1	0
RESERVED														SIGNATURE				RESERVED	LOCK_BIT	BINARY_DELAY											

Bits	Field Name	Description	Type	Reset
31:18	RESERVED		R	0x0
17:12	SIGNATURE	Write to this register will succeed only if data on these bits carries a signature of 6'h29 (6'b101001)	RW	0x0
11	RESERVED		R	0x0

Bits	Field Name	Description	Type	Reset
10	LOCK_BIT	When '1', prevents HW update to this MMR. When '0', allows HW update of this MMR.	RW	0x0
9:0	BINARY_DELAY	Delay Select Value in binary coded form. Indicates the number of coarse (9:5) and fine (4:0) delay elements to be used on the delay line connected to this pad.	RW	0x0

Table 18-3102. Register Call Summary for Register CFG_VIN2A_D2_IN

IODELAYCONFIG Module Register Manual

- [IODELAYCONFIG Register Summary: \[0\]](#)

Table 18-3103. CFG_VIN2A_D2_OEN

Address Offset	0x0000 0B08	Instance	IODELAYCONFIG
Physical Address	0x4844 AB08		
Description	Delay Select Value in binary coded form for cfg_vin2a_d2_oen interface		
Type	RW		

31	30	29	28	27	26	25	24	23	22	21	20	19	18	17	16	15	14	13	12	11	10	9	8	7	6	5	4	3	2	1	0
RESERVED								SIGNATURE								RESERVED	LOCK_BIT	BINARY_DELAY													

Bits	Field Name	Description	Type	Reset
31:18	RESERVED		R	0x0
17:12	SIGNATURE	Write to this register will succeed only if data on these bits carries a signature of 6'h29 (6'b101001)	RW	0x0
11	RESERVED		R	0x0
10	LOCK_BIT	When '1', prevents HW update to this MMR. When '0', allows HW update of this MMR.	RW	0x0
9:0	BINARY_DELAY	Delay Select Value in binary coded form. Indicates the number of coarse (9:5) and fine (4:0) delay elements to be used on the delay line connected to this pad.	RW	0x0

Table 18-3104. Register Call Summary for Register CFG_VIN2A_D2_OEN

IODELAYCONFIG Module Register Manual

- [IODELAYCONFIG Register Summary: \[0\]](#)

Table 18-3105. CFG_VIN2A_D2_OUT

Address Offset	0x0000 0B0C	Instance	IODELAYCONFIG
Physical Address	0x4844 AB0C		
Description	Delay Select Value in binary coded form for cfg_vin2a_d2_out interface		
Type	RW		

31	30	29	28	27	26	25	24	23	22	21	20	19	18	17	16	15	14	13	12	11	10	9	8	7	6	5	4	3	2	1	0
RESERVED								SIGNATURE								RESERVED	LOCK_BIT	BINARY_DELAY													

Bits	Field Name	Description	Type	Reset
31:18	RESERVED		R	0x0
17:12	SIGNATURE	Write to this register will succeed only if data on these bits carries a signature of 6'h29 (6'b101001)	RW	0x0
11	RESERVED		R	0x0
10	LOCK_BIT	When '1', prevents HW update to this MMR. When '0', allows HW update of this MMR.	RW	0x0
9:0	BINARY_DELAY	Delay Select Value in binary coded form. Indicates the number of coarse (9:5) and fine (4:0) delay elements to be used on the delay line connected to this pad.	RW	0x0

Table 18-3106. Register Call Summary for Register CFG_VIN2A_D2_OUT

IODELAYCONFIG Module Register Manual

- [IODELAYCONFIG Register Summary: \[0\]](#)

Table 18-3107. CFG_VIN2A_D3_IN

Address Offset	0x0000 0B10	Instance	IODELAYCONFIG
Physical Address	0x4844 AB10		
Description	Delay Select Value in binary coded form for cfg_vin2a_d3_in interface		
Type	RW		

31	30	29	28	27	26	25	24	23	22	21	20	19	18	17	16	15	14	13	12	11	10	9	8	7	6	5	4	3	2	1	0
RESERVED								SIGNATURE				RESERVED	LOCK_BIT	BINARY_DELAY																	

Bits	Field Name	Description	Type	Reset
31:18	RESERVED		R	0x0
17:12	SIGNATURE	Write to this register will succeed only if data on these bits carries a signature of 6'h29 (6'b101001)	RW	0x0
11	RESERVED		R	0x0
10	LOCK_BIT	When '1', prevents HW update to this MMR. When '0', allows HW update of this MMR.	RW	0x0
9:0	BINARY_DELAY	Delay Select Value in binary coded form. Indicates the number of coarse (9:5) and fine (4:0) delay elements to be used on the delay line connected to this pad.	RW	0x0

Table 18-3108. Register Call Summary for Register CFG_VIN2A_D3_IN

IODELAYCONFIG Module Register Manual

- [IODELAYCONFIG Register Summary: \[0\]](#)

Table 18-3109. CFG_VIN2A_D3_OEN

Address Offset	0x0000 0B14	Instance	IODELAYCONFIG
Physical Address	0x4844 AB14		
Description	Delay Select Value in binary coded form for cfg_vin2a_d3_oen interface		
Type	RW		

31	30	29	28	27	26	25	24	23	22	21	20	19	18	17	16	15	14	13	12	11	10	9	8	7	6	5	4	3	2	1	0
RESERVED														SIGNATURE				RESERVED	LOCK_BIT	BINARY_DELAY											

Bits	Field Name	Description	Type	Reset
31:18	RESERVED		R	0x0
17:12	SIGNATURE	Write to this register will succeed only if data on these bits carries a signature of 6'h29 (6'b101001)	RW	0x0
11	RESERVED		R	0x0
10	LOCK_BIT	When '1', prevents HW update to this MMR. When '0', allows HW update of this MMR.	RW	0x0
9:0	BINARY_DELAY	Delay Select Value in binary coded form. Indicates the number of coarse (9:5) and fine (4:0) delay elements to be used on the delay line connected to this pad.	RW	0x0

Table 18-3110. Register Call Summary for Register CFG_VIN2A_D3_OEN

IODELAYCONFIG Module Register Manual

- [IODELAYCONFIG Register Summary: \[0\]](#)

Table 18-3111. CFG_VIN2A_D3_OUT

Address Offset	0x0000 0B18	Instance	IODELAYCONFIG
Physical Address	0x4844 AB18		
Description	Delay Select Value in binary coded form for cfg_vin2a_d3_out interface		
Type	RW		

31	30	29	28	27	26	25	24	23	22	21	20	19	18	17	16	15	14	13	12	11	10	9	8	7	6	5	4	3	2	1	0
RESERVED														SIGNATURE				RESERVED	LOCK_BIT	BINARY_DELAY											

Bits	Field Name	Description	Type	Reset
31:18	RESERVED		R	0x0
17:12	SIGNATURE	Write to this register will succeed only if data on these bits carries a signature of 6'h29 (6'b101001)	RW	0x0
11	RESERVED		R	0x0
10	LOCK_BIT	When '1', prevents HW update to this MMR. When '0', allows HW update of this MMR.	RW	0x0
9:0	BINARY_DELAY	Delay Select Value in binary coded form. Indicates the number of coarse (9:5) and fine (4:0) delay elements to be used on the delay line connected to this pad.	RW	0x0

Table 18-3112. Register Call Summary for Register CFG_VIN2A_D3_OUT

IODELAYCONFIG Module Register Manual

- [IODELAYCONFIG Register Summary: \[0\]](#)

Table 18-3113. CFG_VIN2A_D4_IN

Address Offset	0x0000 0B1C	Instance	IODELAYCONFIG
Physical Address	0x4844 AB1C		
Description	Delay Select Value in binary coded form for cfg_vin2a_d4_in interface		
Type	RW		

31	30	29	28	27	26	25	24	23	22	21	20	19	18	17	16	15	14	13	12	11	10	9	8	7	6	5	4	3	2	1	0
RESERVED														SIGNATURE				RESERVED	LOCK_BIT	BINARY_DELAY											

Bits	Field Name	Description	Type	Reset
31:18	RESERVED		R	0x0
17:12	SIGNATURE	Write to this register will succeed only if data on these bits carries a signature of 6'h29 (6'b101001)	RW	0x0
11	RESERVED		R	0x0
10	LOCK_BIT	When '1', prevents HW update to this MMR. When '0', allows HW update of this MMR.	RW	0x0
9:0	BINARY_DELAY	Delay Select Value in binary coded form. Indicates the number of coarse (9:5) and fine (4:0) delay elements to be used on the delay line connected to this pad.	RW	0x0

Table 18-3114. Register Call Summary for Register CFG_VIN2A_D4_IN

IODELAYCONFIG Module Register Manual

- [IODELAYCONFIG Register Summary: \[0\]](#)

Table 18-3115. CFG_VIN2A_D4_OEN

Address Offset	0x0000 0B20	Instance	IODELAYCONFIG
Physical Address	0x4844 AB20		
Description	Delay Select Value in binary coded form for cfg_vin2a_d4_oen interface		
Type	RW		

31	30	29	28	27	26	25	24	23	22	21	20	19	18	17	16	15	14	13	12	11	10	9	8	7	6	5	4	3	2	1	0
RESERVED														SIGNATURE				RESERVED	LOCK_BIT	BINARY_DELAY											

Bits	Field Name	Description	Type	Reset
31:18	RESERVED		R	0x0
17:12	SIGNATURE	Write to this register will succeed only if data on these bits carries a signature of 6'h29 (6'b101001)	RW	0x0
11	RESERVED		R	0x0
10	LOCK_BIT	When '1', prevents HW update to this MMR. When '0', allows HW update of this MMR.	RW	0x0
9:0	BINARY_DELAY	Delay Select Value in binary coded form. Indicates the number of coarse (9:5) and fine (4:0) delay elements to be used on the delay line connected to this pad.	RW	0x0

Table 18-3116. Register Call Summary for Register CFG_VIN2A_D4_OEN

IODELAYCONFIG Module Register Manual

- [IODELAYCONFIG Register Summary: \[0\]](#)

Table 18-3117. CFG_VIN2A_D4_OUT

Address Offset	0x0000 0B24	Instance	IODELAYCONFIG
Physical Address	0x4844 AB24		
Description	Delay Select Value in binary coded form for cfg_vin2a_d4_out interface		
Type	RW		

31	30	29	28	27	26	25	24	23	22	21	20	19	18	17	16	15	14	13	12	11	10	9	8	7	6	5	4	3	2	1	0		
RESERVED																SIGNATURE						RESERVED	LOCK_BIT	BINARY_DELAY									

Bits	Field Name	Description	Type	Reset
31:18	RESERVED		R	0x0
17:12	SIGNATURE	Write to this register will succeed only if data on these bits carries a signature of 6'h29 (6'b101001)	RW	0x0
11	RESERVED		R	0x0
10	LOCK_BIT	When '1', prevents HW update to this MMR. When '0', allows HW update of this MMR.	RW	0x0
9:0	BINARY_DELAY	Delay Select Value in binary coded form. Indicates the number of coarse (9:5) and fine (4:0) delay elements to be used on the delay line connected to this pad.	RW	0x0

Table 18-3118. Register Call Summary for Register CFG_VIN2A_D4_OUT

IODELAYCONFIG Module Register Manual

- [IODELAYCONFIG Register Summary: \[0\]](#)

Table 18-3119. CFG_VIN2A_D5_IN

Address Offset	0x0000 0B28	Instance	IODELAYCONFIG
Physical Address	0x4844 AB28		
Description	Delay Select Value in binary coded form for cfg_vin2a_d5_in interface		
Type	RW		

31	30	29	28	27	26	25	24	23	22	21	20	19	18	17	16	15	14	13	12	11	10	9	8	7	6	5	4	3	2	1	0		
RESERVED																SIGNATURE						RESERVED	LOCK_BIT	BINARY_DELAY									

Bits	Field Name	Description	Type	Reset
31:18	RESERVED		R	0x0
17:12	SIGNATURE	Write to this register will succeed only if data on these bits carries a signature of 6'h29 (6'b101001)	RW	0x0
11	RESERVED		R	0x0

Bits	Field Name	Description	Type	Reset
10	LOCK_BIT	When '1', prevents HW update to this MMR. When '0', allows HW update of this MMR.	RW	0x0
9:0	BINARY_DELAY	Delay Select Value in binary coded form. Indicates the number of coarse (9:5) and fine (4:0) delay elements to be used on the delay line connected to this pad.	RW	0x0

Table 18-3120. Register Call Summary for Register CFG_VIN2A_D5_IN

IODELAYCONFIG Module Register Manual

- [IODELAYCONFIG Register Summary: \[0\]](#)

Table 18-3121. CFG_VIN2A_D5_OEN

Address Offset	0x0000 0B2C	Instance	IODELAYCONFIG
Physical Address	0x4844 AB2C		
Description	Delay Select Value in binary coded form for cfg_vin2a_d5_oen interface		
Type	RW		

31	30	29	28	27	26	25	24	23	22	21	20	19	18	17	16	15	14	13	12	11	10	9	8	7	6	5	4	3	2	1	0
RESERVED								SIGNATURE								RESERVED	LOCK_BIT	BINARY_DELAY													

Bits	Field Name	Description	Type	Reset
31:18	RESERVED		R	0x0
17:12	SIGNATURE	Write to this register will succeed only if data on these bits carries a signature of 6'h29 (6'b101001)	RW	0x0
11	RESERVED		R	0x0
10	LOCK_BIT	When '1', prevents HW update to this MMR. When '0', allows HW update of this MMR.	RW	0x0
9:0	BINARY_DELAY	Delay Select Value in binary coded form. Indicates the number of coarse (9:5) and fine (4:0) delay elements to be used on the delay line connected to this pad.	RW	0x0

Table 18-3122. Register Call Summary for Register CFG_VIN2A_D5_OEN

IODELAYCONFIG Module Register Manual

- [IODELAYCONFIG Register Summary: \[0\]](#)

Table 18-3123. CFG_VIN2A_D5_OUT

Address Offset	0x0000 0B30	Instance	IODELAYCONFIG
Physical Address	0x4844 AB30		
Description	Delay Select Value in binary coded form for cfg_vin2a_d5_out interface		
Type	RW		

31	30	29	28	27	26	25	24	23	22	21	20	19	18	17	16	15	14	13	12	11	10	9	8	7	6	5	4	3	2	1	0
RESERVED								SIGNATURE								RESERVED	LOCK_BIT	BINARY_DELAY													

Bits	Field Name	Description	Type	Reset
31:18	RESERVED		R	0x0
17:12	SIGNATURE	Write to this register will succeed only if data on these bits carries a signature of 6'h29 (6'b101001)	RW	0x0
11	RESERVED		R	0x0
10	LOCK_BIT	When '1', prevents HW update to this MMR. When '0', allows HW update of this MMR.	RW	0x0
9:0	BINARY_DELAY	Delay Select Value in binary coded form. Indicates the number of coarse (9:5) and fine (4:0) delay elements to be used on the delay line connected to this pad.	RW	0x0

Table 18-3124. Register Call Summary for Register CFG_VIN2A_D5_OUT

IODELAYCONFIG Module Register Manual

- [IODELAYCONFIG Register Summary: \[0\]](#)

Table 18-3125. CFG_VIN2A_D6_IN

Address Offset	0x0000 0B34	Instance	IODELAYCONFIG
Physical Address	0x4844 AB34		
Description	Delay Select Value in binary coded form for cfg_vin2a_d6_in interface		
Type	RW		

31	30	29	28	27	26	25	24	23	22	21	20	19	18	17	16	15	14	13	12	11	10	9	8	7	6	5	4	3	2	1	0
RESERVED								SIGNATURE				RESERVED	LOCK_BIT	BINARY_DELAY																	

Bits	Field Name	Description	Type	Reset
31:18	RESERVED		R	0x0
17:12	SIGNATURE	Write to this register will succeed only if data on these bits carries a signature of 6'h29 (6'b101001)	RW	0x0
11	RESERVED		R	0x0
10	LOCK_BIT	When '1', prevents HW update to this MMR. When '0', allows HW update of this MMR.	RW	0x0
9:0	BINARY_DELAY	Delay Select Value in binary coded form. Indicates the number of coarse (9:5) and fine (4:0) delay elements to be used on the delay line connected to this pad.	RW	0x0

Table 18-3126. Register Call Summary for Register CFG_VIN2A_D6_IN

IODELAYCONFIG Module Register Manual

- [IODELAYCONFIG Register Summary: \[0\]](#)

Table 18-3127. CFG_VIN2A_D6_OEN

Address Offset	0x0000 0B38	Instance	IODELAYCONFIG
Physical Address	0x4844 AB38		
Description	Delay Select Value in binary coded form for cfg_vin2a_d6_oen interface		
Type	RW		

31	30	29	28	27	26	25	24	23	22	21	20	19	18	17	16	15	14	13	12	11	10	9	8	7	6	5	4	3	2	1	0
RESERVED														SIGNATURE				RESERVED	LOCK_BIT	BINARY_DELAY											

Bits	Field Name	Description	Type	Reset
31:18	RESERVED		R	0x0
17:12	SIGNATURE	Write to this register will succeed only if data on these bits carries a signature of 6'h29 (6'b101001)	RW	0x0
11	RESERVED		R	0x0
10	LOCK_BIT	When '1', prevents HW update to this MMR. When '0', allows HW update of this MMR.	RW	0x0
9:0	BINARY_DELAY	Delay Select Value in binary coded form. Indicates the number of coarse (9:5) and fine (4:0) delay elements to be used on the delay line connected to this pad.	RW	0x0

Table 18-3128. Register Call Summary for Register CFG_VIN2A_D6_OEN

IODELAYCONFIG Module Register Manual

- [IODELAYCONFIG Register Summary: \[0\]](#)

Table 18-3129. CFG_VIN2A_D6_OUT

Address Offset	0x0000 0B3C	Instance	IODELAYCONFIG
Physical Address	0x4844 AB3C		
Description	Delay Select Value in binary coded form for cfg_vin2a_d6_out interface		
Type	RW		

31	30	29	28	27	26	25	24	23	22	21	20	19	18	17	16	15	14	13	12	11	10	9	8	7	6	5	4	3	2	1	0
RESERVED														SIGNATURE				RESERVED	LOCK_BIT	BINARY_DELAY											

Bits	Field Name	Description	Type	Reset
31:18	RESERVED		R	0x0
17:12	SIGNATURE	Write to this register will succeed only if data on these bits carries a signature of 6'h29 (6'b101001)	RW	0x0
11	RESERVED		R	0x0
10	LOCK_BIT	When '1', prevents HW update to this MMR. When '0', allows HW update of this MMR.	RW	0x0
9:0	BINARY_DELAY	Delay Select Value in binary coded form. Indicates the number of coarse (9:5) and fine (4:0) delay elements to be used on the delay line connected to this pad.	RW	0x0

Table 18-3130. Register Call Summary for Register CFG_VIN2A_D6_OUT

IODELAYCONFIG Module Register Manual

- [IODELAYCONFIG Register Summary: \[0\]](#)

Table 18-3131. CFG_VIN2A_D7_IN

Address Offset	0x0000 0B40	Instance	IODELAYCONFIG
Physical Address	0x4844 AB40		
Description	Delay Select Value in binary coded form for cfg_vin2a_d7_in interface		
Type	RW		

31	30	29	28	27	26	25	24	23	22	21	20	19	18	17	16	15	14	13	12	11	10	9	8	7	6	5	4	3	2	1	0
RESERVED														SIGNATURE				RESERVED	LOCK_BIT	BINARY_DELAY											

Bits	Field Name	Description	Type	Reset
31:18	RESERVED		R	0x0
17:12	SIGNATURE	Write to this register will succeed only if data on these bits carries a signature of 6'h29 (6'b101001)	RW	0x0
11	RESERVED		R	0x0
10	LOCK_BIT	When '1', prevents HW update to this MMR. When '0', allows HW update of this MMR.	RW	0x0
9:0	BINARY_DELAY	Delay Select Value in binary coded form. Indicates the number of coarse (9:5) and fine (4:0) delay elements to be used on the delay line connected to this pad.	RW	0x0

Table 18-3132. Register Call Summary for Register CFG_VIN2A_D7_IN

IODELAYCONFIG Module Register Manual

- [IODELAYCONFIG Register Summary: \[0\]](#)

Table 18-3133. CFG_VIN2A_D7_OEN

Address Offset	0x0000 0B44	Instance	IODELAYCONFIG
Physical Address	0x4844 AB44		
Description	Delay Select Value in binary coded form for cfg_vin2a_d7_oen interface		
Type	RW		

31	30	29	28	27	26	25	24	23	22	21	20	19	18	17	16	15	14	13	12	11	10	9	8	7	6	5	4	3	2	1	0
RESERVED														SIGNATURE				RESERVED	LOCK_BIT	BINARY_DELAY											

Bits	Field Name	Description	Type	Reset
31:18	RESERVED		R	0x0
17:12	SIGNATURE	Write to this register will succeed only if data on these bits carries a signature of 6'h29 (6'b101001)	RW	0x0
11	RESERVED		R	0x0
10	LOCK_BIT	When '1', prevents HW update to this MMR. When '0', allows HW update of this MMR.	RW	0x0
9:0	BINARY_DELAY	Delay Select Value in binary coded form. Indicates the number of coarse (9:5) and fine (4:0) delay elements to be used on the delay line connected to this pad.	RW	0x0

Table 18-3134. Register Call Summary for Register CFG_VIN2A_D7_OEN

IODELAYCONFIG Module Register Manual

- [IODELAYCONFIG Register Summary: \[0\]](#)

Table 18-3135. CFG_VIN2A_D7_OUT

Address Offset	0x0000 0B48	Instance	IODELAYCONFIG
Physical Address	0x4844 AB48		
Description	Delay Select Value in binary coded form for cfg_vin2a_d7_out interface		
Type	RW		

31	30	29	28	27	26	25	24	23	22	21	20	19	18	17	16	15	14	13	12	11	10	9	8	7	6	5	4	3	2	1	0
RESERVED														SIGNATURE				RESERVED	LOCK_BIT	BINARY_DELAY											

Bits	Field Name	Description	Type	Reset
31:18	RESERVED		R	0x0
17:12	SIGNATURE	Write to this register will succeed only if data on these bits carries a signature of 6'h29 (6'b101001)	RW	0x0
11	RESERVED		R	0x0
10	LOCK_BIT	When '1', prevents HW update to this MMR. When '0', allows HW update of this MMR.	RW	0x0
9:0	BINARY_DELAY	Delay Select Value in binary coded form. Indicates the number of coarse (9:5) and fine (4:0) delay elements to be used on the delay line connected to this pad.	RW	0x0

Table 18-3136. Register Call Summary for Register CFG_VIN2A_D7_OUT

IODELAYCONFIG Module Register Manual

- [IODELAYCONFIG Register Summary: \[0\]](#)

Table 18-3137. CFG_VIN2A_D8_IN

Address Offset	0x0000 0B4C	Instance	IODELAYCONFIG
Physical Address	0x4844 AB4C		
Description	Delay Select Value in binary coded form for cfg_vin2a_d8_in interface		
Type	RW		

31	30	29	28	27	26	25	24	23	22	21	20	19	18	17	16	15	14	13	12	11	10	9	8	7	6	5	4	3	2	1	0
RESERVED														SIGNATURE				RESERVED	LOCK_BIT	BINARY_DELAY											

Bits	Field Name	Description	Type	Reset
31:18	RESERVED		R	0x0
17:12	SIGNATURE	Write to this register will succeed only if data on these bits carries a signature of 6'h29 (6'b101001)	RW	0x0
11	RESERVED		R	0x0

Bits	Field Name	Description	Type	Reset
10	LOCK_BIT	When '1', prevents HW update to this MMR. When '0', allows HW update of this MMR.	RW	0x0
9:0	BINARY_DELAY	Delay Select Value in binary coded form. Indicates the number of coarse (9:5) and fine (4:0) delay elements to be used on the delay line connected to this pad.	RW	0x0

Table 18-3138. Register Call Summary for Register CFG_VIN2A_D8_IN

IODELAYCONFIG Module Register Manual

- [IODELAYCONFIG Register Summary: \[0\]](#)

Table 18-3139. CFG_VIN2A_D8_OEN

Address Offset	0x0000 0B50	Instance	IODELAYCONFIG
Physical Address	0x4844 AB50		
Description	Delay Select Value in binary coded form for cfg_vin2a_d8_oen interface		
Type	RW		

31	30	29	28	27	26	25	24	23	22	21	20	19	18	17	16	15	14	13	12	11	10	9	8	7	6	5	4	3	2	1	0		
RESERVED																SIGNATURE				RESERVED	LOCK_BIT	BINARY_DELAY											

Bits	Field Name	Description	Type	Reset
31:18	RESERVED		R	0x0
17:12	SIGNATURE	Write to this register will succeed only if data on these bits carries a signature of 6'h29 (6'b101001)	RW	0x0
11	RESERVED		R	0x0
10	LOCK_BIT	When '1', prevents HW update to this MMR. When '0', allows HW update of this MMR.	RW	0x0
9:0	BINARY_DELAY	Delay Select Value in binary coded form. Indicates the number of coarse (9:5) and fine (4:0) delay elements to be used on the delay line connected to this pad.	RW	0x0

Table 18-3140. Register Call Summary for Register CFG_VIN2A_D8_OEN

IODELAYCONFIG Module Register Manual

- [IODELAYCONFIG Register Summary: \[0\]](#)

Table 18-3141. CFG_VIN2A_D8_OUT

Address Offset	0x0000 0B54	Instance	IODELAYCONFIG
Physical Address	0x4844 AB54		
Description	Delay Select Value in binary coded form for cfg_vin2a_d8_out interface		
Type	RW		

31	30	29	28	27	26	25	24	23	22	21	20	19	18	17	16	15	14	13	12	11	10	9	8	7	6	5	4	3	2	1	0		
RESERVED																SIGNATURE				RESERVED	LOCK_BIT	BINARY_DELAY											

Bits	Field Name	Description	Type	Reset
31:18	RESERVED		R	0x0
17:12	SIGNATURE	Write to this register will succeed only if data on these bits carries a signature of 6'h29 (6'b101001)	RW	0x0
11	RESERVED		R	0x0
10	LOCK_BIT	When '1', prevents HW update to this MMR. When '0', allows HW update of this MMR.	RW	0x0
9:0	BINARY_DELAY	Delay Select Value in binary coded form. Indicates the number of coarse (9:5) and fine (4:0) delay elements to be used on the delay line connected to this pad.	RW	0x0

Table 18-3142. Register Call Summary for Register CFG_VIN2A_D8_OUT

IODELAYCONFIG Module Register Manual

- [IODELAYCONFIG Register Summary: \[0\]](#)

Table 18-3143. CFG_VIN2A_D9_IN

Address Offset	0x0000 0B58	Instance	IODELAYCONFIG
Physical Address	0x4844 AB58		
Description	Delay Select Value in binary coded form for cfg_vin2a_d9_in interface		
Type	RW		

31	30	29	28	27	26	25	24	23	22	21	20	19	18	17	16	15	14	13	12	11	10	9	8	7	6	5	4	3	2	1	0
RESERVED								SIGNATURE				RESERVED	LOCK_BIT	BINARY_DELAY																	

Bits	Field Name	Description	Type	Reset
31:18	RESERVED		R	0x0
17:12	SIGNATURE	Write to this register will succeed only if data on these bits carries a signature of 6'h29 (6'b101001)	RW	0x0
11	RESERVED		R	0x0
10	LOCK_BIT	When '1', prevents HW update to this MMR. When '0', allows HW update of this MMR.	RW	0x0
9:0	BINARY_DELAY	Delay Select Value in binary coded form. Indicates the number of coarse (9:5) and fine (4:0) delay elements to be used on the delay line connected to this pad.	RW	0x0

Table 18-3144. Register Call Summary for Register CFG_VIN2A_D9_IN

IODELAYCONFIG Module Register Manual

- [IODELAYCONFIG Register Summary: \[0\]](#)

Table 18-3145. CFG_VIN2A_D9_OEN

Address Offset	0x0000 0B5C	Instance	IODELAYCONFIG
Physical Address	0x4844 AB5C		
Description	Delay Select Value in binary coded form for cfg_vin2a_d9_oen interface		
Type	RW		

31	30	29	28	27	26	25	24	23	22	21	20	19	18	17	16	15	14	13	12	11	10	9	8	7	6	5	4	3	2	1	0
RESERVED														SIGNATURE				RESERVED	LOCK_BIT	BINARY_DELAY											

Bits	Field Name	Description	Type	Reset
31:18	RESERVED		R	0x0
17:12	SIGNATURE	Write to this register will succeed only if data on these bits carries a signature of 6'h29 (6'b101001)	RW	0x0
11	RESERVED		R	0x0
10	LOCK_BIT	When '1', prevents HW update to this MMR. When '0', allows HW update of this MMR.	RW	0x0
9:0	BINARY_DELAY	Delay Select Value in binary coded form. Indicates the number of coarse (9:5) and fine (4:0) delay elements to be used on the delay line connected to this pad.	RW	0x0

Table 18-3146. Register Call Summary for Register CFG_VIN2A_D9_OEN

IODELAYCONFIG Module Register Manual

- [IODELAYCONFIG Register Summary: \[0\]](#)

Table 18-3147. CFG_VIN2A_D9_OUT

Address Offset	0x0000 0B60	Instance	IODELAYCONFIG
Physical Address	0x4844 AB60		
Description	Delay Select Value in binary coded form for cfg_vin2a_d9_out interface		
Type	RW		

31	30	29	28	27	26	25	24	23	22	21	20	19	18	17	16	15	14	13	12	11	10	9	8	7	6	5	4	3	2	1	0
RESERVED														SIGNATURE				RESERVED	LOCK_BIT	BINARY_DELAY											

Bits	Field Name	Description	Type	Reset
31:18	RESERVED		R	0x0
17:12	SIGNATURE	Write to this register will succeed only if data on these bits carries a signature of 6'h29 (6'b101001)	RW	0x0
11	RESERVED		R	0x0
10	LOCK_BIT	When '1', prevents HW update to this MMR. When '0', allows HW update of this MMR.	RW	0x0
9:0	BINARY_DELAY	Delay Select Value in binary coded form. Indicates the number of coarse (9:5) and fine (4:0) delay elements to be used on the delay line connected to this pad.	RW	0x0

Table 18-3148. Register Call Summary for Register CFG_VIN2A_D9_OUT

IODELAYCONFIG Module Register Manual

- [IODELAYCONFIG Register Summary: \[0\]](#)

Table 18-3149. CFG_VIN2A_DE0_IN

Address Offset	0x0000 0B64	Instance	IODELAYCONFIG
Physical Address	0x4844 AB64		
Description	Delay Select Value in binary coded form for cfg_vin2a_de0_in interface		
Type	RW		

31	30	29	28	27	26	25	24	23	22	21	20	19	18	17	16	15	14	13	12	11	10	9	8	7	6	5	4	3	2	1	0
RESERVED														SIGNATURE				RESERVED	LOCK_BIT	BINARY_DELAY											

Bits	Field Name	Description	Type	Reset
31:18	RESERVED		R	0x0
17:12	SIGNATURE	Write to this register will succeed only if data on these bits carries a signature of 6'h29 (6'b101001)	RW	0x0
11	RESERVED		R	0x0
10	LOCK_BIT	When '1', prevents HW update to this MMR. When '0', allows HW update of this MMR.	RW	0x0
9:0	BINARY_DELAY	Delay Select Value in binary coded form. Indicates the number of coarse (9:5) and fine (4:0) delay elements to be used on the delay line connected to this pad.	RW	0x0

Table 18-3150. Register Call Summary for Register CFG_VIN2A_DE0_IN

IODELAYCONFIG Module Register Manual

- [IODELAYCONFIG Register Summary: \[0\]](#)

Table 18-3151. CFG_VIN2A_DE0_OEN

Address Offset	0x0000 0B68	Instance	IODELAYCONFIG
Physical Address	0x4844 AB68		
Description	Delay Select Value in binary coded form for cfg_vin2a_de0_oen interface		
Type	RW		

31	30	29	28	27	26	25	24	23	22	21	20	19	18	17	16	15	14	13	12	11	10	9	8	7	6	5	4	3	2	1	0
RESERVED														SIGNATURE				RESERVED	LOCK_BIT	BINARY_DELAY											

Bits	Field Name	Description	Type	Reset
31:18	RESERVED		R	0x0
17:12	SIGNATURE	Write to this register will succeed only if data on these bits carries a signature of 6'h29 (6'b101001)	RW	0x0
11	RESERVED		R	0x0
10	LOCK_BIT	When '1', prevents HW update to this MMR. When '0', allows HW update of this MMR.	RW	0x0
9:0	BINARY_DELAY	Delay Select Value in binary coded form. Indicates the number of coarse (9:5) and fine (4:0) delay elements to be used on the delay line connected to this pad.	RW	0x0

Table 18-3152. Register Call Summary for Register CFG_VIN2A_DE0_OEN

IODELAYCONFIG Module Register Manual

- [IODELAYCONFIG Register Summary: \[0\]](#)

Table 18-3153. CFG_VIN2A_DE0_OUT

Address Offset	0x0000 0B6C	Instance	IODELAYCONFIG
Physical Address	0x4844 AB6C		
Description	Delay Select Value in binary coded form for cfg_vin2a_de0_out interface		
Type	RW		

31	30	29	28	27	26	25	24	23	22	21	20	19	18	17	16	15	14	13	12	11	10	9	8	7	6	5	4	3	2	1	0
RESERVED																SIGNATURE						RESERVED	LOCK_BIT	BINARY_DELAY							

Bits	Field Name	Description	Type	Reset
31:18	RESERVED		R	0x0
17:12	SIGNATURE	Write to this register will succeed only if data on these bits carries a signature of 6'h29 (6'b101001)	RW	0x0
11	RESERVED		R	0x0
10	LOCK_BIT	When '1', prevents HW update to this MMR. When '0', allows HW update of this MMR.	RW	0x0
9:0	BINARY_DELAY	Delay Select Value in binary coded form. Indicates the number of coarse (9:5) and fine (4:0) delay elements to be used on the delay line connected to this pad.	RW	0x0

Table 18-3154. Register Call Summary for Register CFG_VIN2A_DE0_OUT

IODELAYCONFIG Module Register Manual

- [IODELAYCONFIG Register Summary: \[0\]](#)

Table 18-3155. CFG_VIN2A_FLD0_IN

Address Offset	0x0000 0B70	Instance	IODELAYCONFIG
Physical Address	0x4844 AB70		
Description	Delay Select Value in binary coded form for cfg_vin2a_fld0_in interface		
Type	RW		

31	30	29	28	27	26	25	24	23	22	21	20	19	18	17	16	15	14	13	12	11	10	9	8	7	6	5	4	3	2	1	0
RESERVED																SIGNATURE						RESERVED	LOCK_BIT	BINARY_DELAY							

Bits	Field Name	Description	Type	Reset
31:18	RESERVED		R	0x0
17:12	SIGNATURE	Write to this register will succeed only if data on these bits carries a signature of 6'h29 (6'b101001)	RW	0x0
11	RESERVED		R	0x0

Bits	Field Name	Description	Type	Reset
10	LOCK_BIT	When '1', prevents HW update to this MMR. When '0', allows HW update of this MMR.	RW	0x0
9:0	BINARY_DELAY	Delay Select Value in binary coded form. Indicates the number of coarse (9:5) and fine (4:0) delay elements to be used on the delay line connected to this pad.	RW	0x0

Table 18-3156. Register Call Summary for Register CFG_VIN2A_FLD0_IN

IODELAYCONFIG Module Register Manual

- [IODELAYCONFIG Register Summary: \[0\]](#)

Table 18-3157. CFG_VIN2A_FLD0_OEN

Address Offset	0x0000 0B74	Instance	IODELAYCONFIG
Physical Address	0x4844 AB74		
Description	Delay Select Value in binary coded form for cfg_vin2a_fld0_oen interface		
Type	RW		

31	30	29	28	27	26	25	24	23	22	21	20	19	18	17	16	15	14	13	12	11	10	9	8	7	6	5	4	3	2	1	0
RESERVED								SIGNATURE								RESERVED	LOCK_BIT	BINARY_DELAY													

Bits	Field Name	Description	Type	Reset
31:18	RESERVED		R	0x0
17:12	SIGNATURE	Write to this register will succeed only if data on these bits carries a signature of 6'h29 (6'b101001)	RW	0x0
11	RESERVED		R	0x0
10	LOCK_BIT	When '1', prevents HW update to this MMR. When '0', allows HW update of this MMR.	RW	0x0
9:0	BINARY_DELAY	Delay Select Value in binary coded form. Indicates the number of coarse (9:5) and fine (4:0) delay elements to be used on the delay line connected to this pad.	RW	0x0

Table 18-3158. Register Call Summary for Register CFG_VIN2A_FLD0_OEN

IODELAYCONFIG Module Register Manual

- [IODELAYCONFIG Register Summary: \[0\]](#)

Table 18-3159. CFG_VIN2A_FLD0_OUT

Address Offset	0x0000 0B78	Instance	IODELAYCONFIG
Physical Address	0x4844 AB78		
Description	Delay Select Value in binary coded form for cfg_vin2a_fld0_out interface		
Type	RW		

31	30	29	28	27	26	25	24	23	22	21	20	19	18	17	16	15	14	13	12	11	10	9	8	7	6	5	4	3	2	1	0
RESERVED								SIGNATURE								RESERVED	LOCK_BIT	BINARY_DELAY													

Bits	Field Name	Description	Type	Reset
31:18	RESERVED		R	0x0
17:12	SIGNATURE	Write to this register will succeed only if data on these bits carries a signature of 6'h29 (6'b101001)	RW	0x0
11	RESERVED		R	0x0
10	LOCK_BIT	When '1', prevents HW update to this MMR. When '0', allows HW update of this MMR.	RW	0x0
9:0	BINARY_DELAY	Delay Select Value in binary coded form. Indicates the number of coarse (9:5) and fine (4:0) delay elements to be used on the delay line connected to this pad.	RW	0x0

Table 18-3160. Register Call Summary for Register CFG_VIN2A_FLD0_OUT

IODELAYCONFIG Module Register Manual

- [IODELAYCONFIG Register Summary: \[0\]](#)

Table 18-3161. CFG_VIN2A_HSYNC0_IN

Address Offset	0x0000 0B7C	Instance	IODELAYCONFIG
Physical Address	0x4844 AB7C		
Description	Delay Select Value in binary coded form for cfg_vin2a_hsync0_in interface		
Type	RW		

31	30	29	28	27	26	25	24	23	22	21	20	19	18	17	16	15	14	13	12	11	10	9	8	7	6	5	4	3	2	1	0
RESERVED								SIGNATURE				RESERVED	LOCK_BIT	BINARY_DELAY																	

Bits	Field Name	Description	Type	Reset
31:18	RESERVED		R	0x0
17:12	SIGNATURE	Write to this register will succeed only if data on these bits carries a signature of 6'h29 (6'b101001)	RW	0x0
11	RESERVED		R	0x0
10	LOCK_BIT	When '1', prevents HW update to this MMR. When '0', allows HW update of this MMR.	RW	0x0
9:0	BINARY_DELAY	Delay Select Value in binary coded form. Indicates the number of coarse (9:5) and fine (4:0) delay elements to be used on the delay line connected to this pad.	RW	0x0

Table 18-3162. Register Call Summary for Register CFG_VIN2A_HSYNC0_IN

IODELAYCONFIG Module Register Manual

- [IODELAYCONFIG Register Summary: \[0\]](#)

Table 18-3163. CFG_VIN2A_HSYNC0_OEN

Address Offset	0x0000 0B80	Instance	IODELAYCONFIG
Physical Address	0x4844 AB80		
Description	Delay Select Value in binary coded form for cfg_vin2a_hsync0_oen interface		
Type	RW		

31	30	29	28	27	26	25	24	23	22	21	20	19	18	17	16	15	14	13	12	11	10	9	8	7	6	5	4	3	2	1	0
RESERVED														SIGNATURE				RESERVED	LOCK_BIT	BINARY_DELAY											

Bits	Field Name	Description	Type	Reset
31:18	RESERVED		R	0x0
17:12	SIGNATURE	Write to this register will succeed only if data on these bits carries a signature of 6'h29 (6'b101001)	RW	0x0
11	RESERVED		R	0x0
10	LOCK_BIT	When '1', prevents HW update to this MMR. When '0', allows HW update of this MMR.	RW	0x0
9:0	BINARY_DELAY	Delay Select Value in binary coded form. Indicates the number of coarse (9:5) and fine (4:0) delay elements to be used on the delay line connected to this pad.	RW	0x0

Table 18-3164. Register Call Summary for Register CFG_VIN2A_HSYNC0_OEN

IODELAYCONFIG Module Register Manual

- [IODELAYCONFIG Register Summary: \[0\]](#)

Table 18-3165. CFG_VIN2A_HSYNC0_OUT

Address Offset	0x0000 0B84	Instance	IODELAYCONFIG
Physical Address	0x4844 AB84		
Description	Delay Select Value in binary coded form for cfg_vin2a_hsync0_out interface		
Type	RW		

31	30	29	28	27	26	25	24	23	22	21	20	19	18	17	16	15	14	13	12	11	10	9	8	7	6	5	4	3	2	1	0
RESERVED														SIGNATURE				RESERVED	LOCK_BIT	BINARY_DELAY											

Bits	Field Name	Description	Type	Reset
31:18	RESERVED		R	0x0
17:12	SIGNATURE	Write to this register will succeed only if data on these bits carries a signature of 6'h29 (6'b101001)	RW	0x0
11	RESERVED		R	0x0
10	LOCK_BIT	When '1', prevents HW update to this MMR. When '0', allows HW update of this MMR.	RW	0x0
9:0	BINARY_DELAY	Delay Select Value in binary coded form. Indicates the number of coarse (9:5) and fine (4:0) delay elements to be used on the delay line connected to this pad.	RW	0x0

Table 18-3166. Register Call Summary for Register CFG_VIN2A_HSYNC0_OUT

IODELAYCONFIG Module Register Manual

- [IODELAYCONFIG Register Summary: \[0\]](#)

Table 18-3167. CFG_VIN2A_VSYNC0_IN

Address Offset	0x0000 0B88	Instance	IODELAYCONFIG
Physical Address	0x4844 AB88		
Description	Delay Select Value in binary coded form for cfg_vin2a_vsync0_in interface		
Type	RW		

31	30	29	28	27	26	25	24	23	22	21	20	19	18	17	16	15	14	13	12	11	10	9	8	7	6	5	4	3	2	1	0
RESERVED														SIGNATURE				RESERVED	LOCK_BIT	BINARY_DELAY											

Bits	Field Name	Description	Type	Reset
31:18	RESERVED		R	0x0
17:12	SIGNATURE	Write to this register will succeed only if data on these bits carries a signature of 6'h29 (6'b101001)	RW	0x0
11	RESERVED		R	0x0
10	LOCK_BIT	When '1', prevents HW update to this MMR. When '0', allows HW update of this MMR.	RW	0x0
9:0	BINARY_DELAY	Delay Select Value in binary coded form. Indicates the number of coarse (9:5) and fine (4:0) delay elements to be used on the delay line connected to this pad.	RW	0x0

Table 18-3168. Register Call Summary for Register CFG_VIN2A_VSYNC0_IN

IODELAYCONFIG Module Register Manual

- [IODELAYCONFIG Register Summary: \[0\]](#)

Table 18-3169. CFG_VIN2A_VSYNC0_OEN

Address Offset	0x0000 0B8C	Instance	IODELAYCONFIG
Physical Address	0x4844 AB8C		
Description	Delay Select Value in binary coded form for cfg_vin2a_vsync0_oen interface		
Type	RW		

31	30	29	28	27	26	25	24	23	22	21	20	19	18	17	16	15	14	13	12	11	10	9	8	7	6	5	4	3	2	1	0
RESERVED														SIGNATURE				RESERVED	LOCK_BIT	BINARY_DELAY											

Bits	Field Name	Description	Type	Reset
31:18	RESERVED		R	0x0
17:12	SIGNATURE	Write to this register will succeed only if data on these bits carries a signature of 6'h29 (6'b101001)	RW	0x0
11	RESERVED		R	0x0
10	LOCK_BIT	When '1', prevents HW update to this MMR. When '0', allows HW update of this MMR.	RW	0x0
9:0	BINARY_DELAY	Delay Select Value in binary coded form. Indicates the number of coarse (9:5) and fine (4:0) delay elements to be used on the delay line connected to this pad.	RW	0x0

Table 18-3170. Register Call Summary for Register CFG_VIN2A_VSYNC0_OEN

IODELAYCONFIG Module Register Manual

- [IODELAYCONFIG Register Summary: \[0\]](#)

Table 18-3171. CFG_VIN2A_VSYNC0_OUT

Address Offset	0x0000 0B90	Instance	IODELAYCONFIG
Physical Address	0x4844 AB90		
Description	Delay Select Value in binary coded form for cfg_vin2a_vsync0_out interface		
Type	RW		

31	30	29	28	27	26	25	24	23	22	21	20	19	18	17	16	15	14	13	12	11	10	9	8	7	6	5	4	3	2	1	0
RESERVED														SIGNATURE				RESERVED	LOCK_BIT	BINARY_DELAY											

Bits	Field Name	Description	Type	Reset
31:18	RESERVED		R	0x0
17:12	SIGNATURE	Write to this register will succeed only if data on these bits carries a signature of 6'h29 (6'b101001)	RW	0x0
11	RESERVED		R	0x0
10	LOCK_BIT	When '1', prevents HW update to this MMR. When '0', allows HW update of this MMR.	RW	0x0
9:0	BINARY_DELAY	Delay Select Value in binary coded form. Indicates the number of coarse (9:5) and fine (4:0) delay elements to be used on the delay line connected to this pad.	RW	0x0

Table 18-3172. Register Call Summary for Register CFG_VIN2A_VSYNC0_OUT

IODELAYCONFIG Module Register Manual

- [IODELAYCONFIG Register Summary: \[0\]](#)

Table 18-3173. CFG_VOUT1_CLK_IN

Address Offset	0x0000 0B94	Instance	IODELAYCONFIG
Physical Address	0x4844 AB94		
Description	Delay Select Value in binary coded form for cfg_vout1_clk_in interface		
Type	RW		

31	30	29	28	27	26	25	24	23	22	21	20	19	18	17	16	15	14	13	12	11	10	9	8	7	6	5	4	3	2	1	0
RESERVED														SIGNATURE				RESERVED	LOCK_BIT	BINARY_DELAY											

Bits	Field Name	Description	Type	Reset
31:18	RESERVED		R	0x0
17:12	SIGNATURE	Write to this register will succeed only if data on these bits carries a signature of 6'h29 (6'b101001)	RW	0x0
11	RESERVED		R	0x0

Bits	Field Name	Description	Type	Reset
10	LOCK_BIT	When '1', prevents HW update to this MMR. When '0', allows HW update of this MMR.	RW	0x0
9:0	BINARY_DELAY	Delay Select Value in binary coded form. Indicates the number of coarse (9:5) and fine (4:0) delay elements to be used on the delay line connected to this pad.	RW	0x0

Table 18-3174. Register Call Summary for Register CFG_VOUT1_CLK_IN

IODELAYCONFIG Module Register Manual

- [IODELAYCONFIG Register Summary: \[0\]](#)

Table 18-3175. CFG_VOUT1_CLK_OEN

Address Offset	0x0000 0B98	Instance	IODELAYCONFIG
Physical Address	0x4844 AB98		
Description	Delay Select Value in binary coded form for cfg_vout1_clk_oen interface		
Type	RW		

31	30	29	28	27	26	25	24	23	22	21	20	19	18	17	16	15	14	13	12	11	10	9	8	7	6	5	4	3	2	1	0
RESERVED														SIGNATURE				RESERVED	LOCK_BIT	BINARY_DELAY											

Bits	Field Name	Description	Type	Reset
31:18	RESERVED		R	0x0
17:12	SIGNATURE	Write to this register will succeed only if data on these bits carries a signature of 6'h29 (6'b101001)	RW	0x0
11	RESERVED		R	0x0
10	LOCK_BIT	When '1', prevents HW update to this MMR. When '0', allows HW update of this MMR.	RW	0x0
9:0	BINARY_DELAY	Delay Select Value in binary coded form. Indicates the number of coarse (9:5) and fine (4:0) delay elements to be used on the delay line connected to this pad.	RW	0x0

Table 18-3176. Register Call Summary for Register CFG_VOUT1_CLK_OEN

IODELAYCONFIG Module Register Manual

- [IODELAYCONFIG Register Summary: \[0\]](#)

Table 18-3177. CFG_VOUT1_CLK_OUT

Address Offset	0x0000 0B9C	Instance	IODELAYCONFIG
Physical Address	0x4844 AB9C		
Description	Delay Select Value in binary coded form for cfg_vout1_clk_out interface		
Type	RW		

31	30	29	28	27	26	25	24	23	22	21	20	19	18	17	16	15	14	13	12	11	10	9	8	7	6	5	4	3	2	1	0
RESERVED														SIGNATURE				RESERVED	LOCK_BIT	BINARY_DELAY											

Bits	Field Name	Description	Type	Reset
31:18	RESERVED		R	0x0
17:12	SIGNATURE	Write to this register will succeed only if data on these bits carries a signature of 6'h29 (6'b101001)	RW	0x0
11	RESERVED		R	0x0
10	LOCK_BIT	When '1', prevents HW update to this MMR. When '0', allows HW update of this MMR.	RW	0x0
9:0	BINARY_DELAY	Delay Select Value in binary coded form. Indicates the number of coarse (9:5) and fine (4:0) delay elements to be used on the delay line connected to this pad.	RW	0x0

Table 18-3178. Register Call Summary for Register CFG_VOUT1_CLK_OUT

IODELAYCONFIG Module Register Manual

- [IODELAYCONFIG Register Summary: \[0\]](#)

Table 18-3179. CFG_VOUT1_D0_IN

Address Offset	0x0000 0BA0	Instance	IODELAYCONFIG
Physical Address	0x4844 ABA0		
Description	Delay Select Value in binary coded form for cfg_vout1_d0_in interface		
Type	RW		

31	30	29	28	27	26	25	24	23	22	21	20	19	18	17	16	15	14	13	12	11	10	9	8	7	6	5	4	3	2	1	0
RESERVED								SIGNATURE				RESERVED	LOCK_BIT	BINARY_DELAY																	

Bits	Field Name	Description	Type	Reset
31:18	RESERVED		R	0x0
17:12	SIGNATURE	Write to this register will succeed only if data on these bits carries a signature of 6'h29 (6'b101001)	RW	0x0
11	RESERVED		R	0x0
10	LOCK_BIT	When '1', prevents HW update to this MMR. When '0', allows HW update of this MMR.	RW	0x0
9:0	BINARY_DELAY	Delay Select Value in binary coded form. Indicates the number of coarse (9:5) and fine (4:0) delay elements to be used on the delay line connected to this pad.	RW	0x0

Table 18-3180. Register Call Summary for Register CFG_VOUT1_D0_IN

IODELAYCONFIG Module Register Manual

- [IODELAYCONFIG Register Summary: \[0\]](#)

Table 18-3181. CFG_VOUT1_D0_OEN

Address Offset	0x0000 0BA4	Instance	IODELAYCONFIG
Physical Address	0x4844 ABA4		
Description	Delay Select Value in binary coded form for cfg_vout1_d0_oen interface		
Type	RW		

31	30	29	28	27	26	25	24	23	22	21	20	19	18	17	16	15	14	13	12	11	10	9	8	7	6	5	4	3	2	1	0
RESERVED								SIGNATURE								RESERVED	LOCK_BIT	BINARY_DELAY													

Bits	Field Name	Description	Type	Reset
31:18	RESERVED		R	0x0
17:12	SIGNATURE	Write to this register will succeed only if data on these bits carries a signature of 6'h29 (6'b101001)	RW	0x0
11	RESERVED		R	0x0
10	LOCK_BIT	When '1', prevents HW update to this MMR. When '0', allows HW update of this MMR.	RW	0x0
9:0	BINARY_DELAY	Delay Select Value in binary coded form. Indicates the number of coarse (9:5) and fine (4:0) delay elements to be used on the delay line connected to this pad.	RW	0x0

Table 18-3182. Register Call Summary for Register CFG_VOUT1_D0_OEN

IODELAYCONFIG Module Register Manual

- [IODELAYCONFIG Register Summary: \[0\]](#)

Table 18-3183. CFG_VOUT1_D0_OUT

Address Offset	0x0000 0BA8	Instance	IODELAYCONFIG
Physical Address	0x4844 ABA8		
Description	Delay Select Value in binary coded form for cfg_vout1_d0_out interface		
Type	RW		

31	30	29	28	27	26	25	24	23	22	21	20	19	18	17	16	15	14	13	12	11	10	9	8	7	6	5	4	3	2	1	0
RESERVED								SIGNATURE								RESERVED	LOCK_BIT	BINARY_DELAY													

Bits	Field Name	Description	Type	Reset
31:18	RESERVED		R	0x0
17:12	SIGNATURE	Write to this register will succeed only if data on these bits carries a signature of 6'h29 (6'b101001)	RW	0x0
11	RESERVED		R	0x0
10	LOCK_BIT	When '1', prevents HW update to this MMR. When '0', allows HW update of this MMR.	RW	0x0
9:0	BINARY_DELAY	Delay Select Value in binary coded form. Indicates the number of coarse (9:5) and fine (4:0) delay elements to be used on the delay line connected to this pad.	RW	0x0

Table 18-3184. Register Call Summary for Register CFG_VOUT1_D0_OUT

IODELAYCONFIG Module Register Manual

- [IODELAYCONFIG Register Summary: \[0\]](#)

Table 18-3185. CFG_VOUT1_D10_IN

Address Offset	0x0000 0BAC	Instance	IODELAYCONFIG
Physical Address	0x4844 ABAC		
Description	Delay Select Value in binary coded form for cfg_vout1_d10_in interface		
Type	RW		

31	30	29	28	27	26	25	24	23	22	21	20	19	18	17	16	15	14	13	12	11	10	9	8	7	6	5	4	3	2	1	0
RESERVED														SIGNATURE				RESERVED	LOCK_BIT	BINARY_DELAY											

Bits	Field Name	Description	Type	Reset
31:18	RESERVED		R	0x0
17:12	SIGNATURE	Write to this register will succeed only if data on these bits carries a signature of 6'h29 (6'b101001)	RW	0x0
11	RESERVED		R	0x0
10	LOCK_BIT	When '1', prevents HW update to this MMR. When '0', allows HW update of this MMR.	RW	0x0
9:0	BINARY_DELAY	Delay Select Value in binary coded form. Indicates the number of coarse (9:5) and fine (4:0) delay elements to be used on the delay line connected to this pad.	RW	0x0

Table 18-3186. Register Call Summary for Register CFG_VOUT1_D10_IN

IODELAYCONFIG Module Register Manual

- [IODELAYCONFIG Register Summary: \[0\]](#)

Table 18-3187. CFG_VOUT1_D10_OEN

Address Offset	0x0000 0BB0	Instance	IODELAYCONFIG
Physical Address	0x4844 ABB0		
Description	Delay Select Value in binary coded form for cfg_vout1_d10_oen interface		
Type	RW		

31	30	29	28	27	26	25	24	23	22	21	20	19	18	17	16	15	14	13	12	11	10	9	8	7	6	5	4	3	2	1	0
RESERVED														SIGNATURE				RESERVED	LOCK_BIT	BINARY_DELAY											

Bits	Field Name	Description	Type	Reset
31:18	RESERVED		R	0x0
17:12	SIGNATURE	Write to this register will succeed only if data on these bits carries a signature of 6'h29 (6'b101001)	RW	0x0
11	RESERVED		R	0x0
10	LOCK_BIT	When '1', prevents HW update to this MMR. When '0', allows HW update of this MMR.	RW	0x0
9:0	BINARY_DELAY	Delay Select Value in binary coded form. Indicates the number of coarse (9:5) and fine (4:0) delay elements to be used on the delay line connected to this pad.	RW	0x0

Table 18-3188. Register Call Summary for Register CFG_VOUT1_D10_OEN

IODELAYCONFIG Module Register Manual

- [IODELAYCONFIG Register Summary: \[0\]](#)

Table 18-3189. CFG_VOUT1_D10_OUT

Address Offset	0x0000 0BB4	Instance	IODELAYCONFIG
Physical Address	0x4844 ABB4		
Description	Delay Select Value in binary coded form for cfg_vout1_d10_out interface		
Type	RW		

31	30	29	28	27	26	25	24	23	22	21	20	19	18	17	16	15	14	13	12	11	10	9	8	7	6	5	4	3	2	1	0		
RESERVED																SIGNATURE						RESERVED	LOCK_BIT	BINARY_DELAY									

Bits	Field Name	Description	Type	Reset
31:18	RESERVED		R	0x0
17:12	SIGNATURE	Write to this register will succeed only if data on these bits carries a signature of 6'h29 (6'b101001)	RW	0x0
11	RESERVED		R	0x0
10	LOCK_BIT	When '1', prevents HW update to this MMR. When '0', allows HW update of this MMR.	RW	0x0
9:0	BINARY_DELAY	Delay Select Value in binary coded form. Indicates the number of coarse (9:5) and fine (4:0) delay elements to be used on the delay line connected to this pad.	RW	0x0

Table 18-3190. Register Call Summary for Register CFG_VOUT1_D10_OUT

IODELAYCONFIG Module Register Manual

- [IODELAYCONFIG Register Summary: \[0\]](#)

Table 18-3191. CFG_VOUT1_D11_IN

Address Offset	0x0000 0BB8	Instance	IODELAYCONFIG
Physical Address	0x4844 ABB8		
Description	Delay Select Value in binary coded form for cfg_vout1_d11_in interface		
Type	RW		

31	30	29	28	27	26	25	24	23	22	21	20	19	18	17	16	15	14	13	12	11	10	9	8	7	6	5	4	3	2	1	0		
RESERVED																SIGNATURE						RESERVED	LOCK_BIT	BINARY_DELAY									

Bits	Field Name	Description	Type	Reset
31:18	RESERVED		R	0x0
17:12	SIGNATURE	Write to this register will succeed only if data on these bits carries a signature of 6'h29 (6'b101001)	RW	0x0
11	RESERVED		R	0x0

Bits	Field Name	Description	Type	Reset
10	LOCK_BIT	When '1', prevents HW update to this MMR. When '0', allows HW update of this MMR.	RW	0x0
9:0	BINARY_DELAY	Delay Select Value in binary coded form. Indicates the number of coarse (9:5) and fine (4:0) delay elements to be used on the delay line connected to this pad.	RW	0x0

Table 18-3192. Register Call Summary for Register CFG_VOUT1_D11_IN

IODELAYCONFIG Module Register Manual

- [IODELAYCONFIG Register Summary: \[0\]](#)

Table 18-3193. CFG_VOUT1_D11_OEN

Address Offset	0x0000 0BBC	Instance	IODELAYCONFIG
Physical Address	0x4844 ABBC		
Description	Delay Select Value in binary coded form for cfg_vout1_d11_oen interface		
Type	RW		

31	30	29	28	27	26	25	24	23	22	21	20	19	18	17	16	15	14	13	12	11	10	9	8	7	6	5	4	3	2	1	0
RESERVED								SIGNATURE								RESERVED	LOCK_BIT	BINARY_DELAY													

Bits	Field Name	Description	Type	Reset
31:18	RESERVED		R	0x0
17:12	SIGNATURE	Write to this register will succeed only if data on these bits carries a signature of 6'h29 (6'b101001)	RW	0x0
11	RESERVED		R	0x0
10	LOCK_BIT	When '1', prevents HW update to this MMR. When '0', allows HW update of this MMR.	RW	0x0
9:0	BINARY_DELAY	Delay Select Value in binary coded form. Indicates the number of coarse (9:5) and fine (4:0) delay elements to be used on the delay line connected to this pad.	RW	0x0

Table 18-3194. Register Call Summary for Register CFG_VOUT1_D11_OEN

IODELAYCONFIG Module Register Manual

- [IODELAYCONFIG Register Summary: \[0\]](#)

Table 18-3195. CFG_VOUT1_D11_OUT

Address Offset	0x0000 0BC0	Instance	IODELAYCONFIG
Physical Address	0x4844 ABC0		
Description	Delay Select Value in binary coded form for cfg_vout1_d11_out interface		
Type	RW		

31	30	29	28	27	26	25	24	23	22	21	20	19	18	17	16	15	14	13	12	11	10	9	8	7	6	5	4	3	2	1	0
RESERVED								SIGNATURE								RESERVED	LOCK_BIT	BINARY_DELAY													

Bits	Field Name	Description	Type	Reset
31:18	RESERVED		R	0x0
17:12	SIGNATURE	Write to this register will succeed only if data on these bits carries a signature of 6'h29 (6'b101001)	RW	0x0
11	RESERVED		R	0x0
10	LOCK_BIT	When '1', prevents HW update to this MMR. When '0', allows HW update of this MMR.	RW	0x0
9:0	BINARY_DELAY	Delay Select Value in binary coded form. Indicates the number of coarse (9:5) and fine (4:0) delay elements to be used on the delay line connected to this pad.	RW	0x0

Table 18-3196. Register Call Summary for Register CFG_VOUT1_D11_OUT

IODELAYCONFIG Module Register Manual

- [IODELAYCONFIG Register Summary: \[0\]](#)

Table 18-3197. CFG_VOUT1_D12_IN

Address Offset	0x0000 0BC4	Instance	IODELAYCONFIG
Physical Address	0x4844 ABC4		
Description	Delay Select Value in binary coded form for cfg_vout1_d12_in interface		
Type	RW		

31	30	29	28	27	26	25	24	23	22	21	20	19	18	17	16	15	14	13	12	11	10	9	8	7	6	5	4	3	2	1	0
RESERVED								SIGNATURE				RESERVED	LOCK_BIT	BINARY_DELAY																	

Bits	Field Name	Description	Type	Reset
31:18	RESERVED		R	0x0
17:12	SIGNATURE	Write to this register will succeed only if data on these bits carries a signature of 6'h29 (6'b101001)	RW	0x0
11	RESERVED		R	0x0
10	LOCK_BIT	When '1', prevents HW update to this MMR. When '0', allows HW update of this MMR.	RW	0x0
9:0	BINARY_DELAY	Delay Select Value in binary coded form. Indicates the number of coarse (9:5) and fine (4:0) delay elements to be used on the delay line connected to this pad.	RW	0x0

Table 18-3198. Register Call Summary for Register CFG_VOUT1_D12_IN

IODELAYCONFIG Module Register Manual

- [IODELAYCONFIG Register Summary: \[0\]](#)

Table 18-3199. CFG_VOUT1_D12_OEN

Address Offset	0x0000 0BC8	Instance	IODELAYCONFIG
Physical Address	0x4844 ABC8		
Description	Delay Select Value in binary coded form for cfg_vout1_d12_oen interface		
Type	RW		

31	30	29	28	27	26	25	24	23	22	21	20	19	18	17	16	15	14	13	12	11	10	9	8	7	6	5	4	3	2	1	0
RESERVED														SIGNATURE				RESERVED	LOCK_BIT	BINARY_DELAY											

Bits	Field Name	Description	Type	Reset
31:18	RESERVED		R	0x0
17:12	SIGNATURE	Write to this register will succeed only if data on these bits carries a signature of 6'h29 (6'b101001)	RW	0x0
11	RESERVED		R	0x0
10	LOCK_BIT	When '1', prevents HW update to this MMR. When '0', allows HW update of this MMR.	RW	0x0
9:0	BINARY_DELAY	Delay Select Value in binary coded form. Indicates the number of coarse (9:5) and fine (4:0) delay elements to be used on the delay line connected to this pad.	RW	0x0

Table 18-3200. Register Call Summary for Register CFG_VOUT1_D12_OEN

IODELAYCONFIG Module Register Manual

- [IODELAYCONFIG Register Summary: \[0\]](#)

Table 18-3201. CFG_VOUT1_D12_OUT

Address Offset	0x0000 0BCC	Instance	IODELAYCONFIG
Physical Address	0x4844 ABCC		
Description	Delay Select Value in binary coded form for cfg_vout1_d12_out interface		
Type	RW		

31	30	29	28	27	26	25	24	23	22	21	20	19	18	17	16	15	14	13	12	11	10	9	8	7	6	5	4	3	2	1	0
RESERVED														SIGNATURE				RESERVED	LOCK_BIT	BINARY_DELAY											

Bits	Field Name	Description	Type	Reset
31:18	RESERVED		R	0x0
17:12	SIGNATURE	Write to this register will succeed only if data on these bits carries a signature of 6'h29 (6'b101001)	RW	0x0
11	RESERVED		R	0x0
10	LOCK_BIT	When '1', prevents HW update to this MMR. When '0', allows HW update of this MMR.	RW	0x0
9:0	BINARY_DELAY	Delay Select Value in binary coded form. Indicates the number of coarse (9:5) and fine (4:0) delay elements to be used on the delay line connected to this pad.	RW	0x0

Table 18-3202. Register Call Summary for Register CFG_VOUT1_D12_OUT

IODELAYCONFIG Module Register Manual

- [IODELAYCONFIG Register Summary: \[0\]](#)

Table 18-3203. CFG_VOUT1_D13_IN

Address Offset	0x0000 0BD0	Instance	IODELAYCONFIG
Physical Address	0x4844 ABD0		
Description	Delay Select Value in binary coded form for cfg_vout1_d13_in interface		
Type	RW		

31	30	29	28	27	26	25	24	23	22	21	20	19	18	17	16	15	14	13	12	11	10	9	8	7	6	5	4	3	2	1	0
RESERVED														SIGNATURE				RESERVED	LOCK_BIT	BINARY_DELAY											

Bits	Field Name	Description	Type	Reset
31:18	RESERVED		R	0x0
17:12	SIGNATURE	Write to this register will succeed only if data on these bits carries a signature of 6'h29 (6'b101001)	RW	0x0
11	RESERVED		R	0x0
10	LOCK_BIT	When '1', prevents HW update to this MMR. When '0', allows HW update of this MMR.	RW	0x0
9:0	BINARY_DELAY	Delay Select Value in binary coded form. Indicates the number of coarse (9:5) and fine (4:0) delay elements to be used on the delay line connected to this pad.	RW	0x0

Table 18-3204. Register Call Summary for Register CFG_VOUT1_D13_IN

IODELAYCONFIG Module Register Manual

- [IODELAYCONFIG Register Summary: \[0\]](#)

Table 18-3205. CFG_VOUT1_D13_OEN

Address Offset	0x0000 0BD4	Instance	IODELAYCONFIG
Physical Address	0x4844 ABD4		
Description	Delay Select Value in binary coded form for cfg_vout1_d13_oen interface		
Type	RW		

31	30	29	28	27	26	25	24	23	22	21	20	19	18	17	16	15	14	13	12	11	10	9	8	7	6	5	4	3	2	1	0
RESERVED														SIGNATURE				RESERVED	LOCK_BIT	BINARY_DELAY											

Bits	Field Name	Description	Type	Reset
31:18	RESERVED		R	0x0
17:12	SIGNATURE	Write to this register will succeed only if data on these bits carries a signature of 6'h29 (6'b101001)	RW	0x0
11	RESERVED		R	0x0
10	LOCK_BIT	When '1', prevents HW update to this MMR. When '0', allows HW update of this MMR.	RW	0x0
9:0	BINARY_DELAY	Delay Select Value in binary coded form. Indicates the number of coarse (9:5) and fine (4:0) delay elements to be used on the delay line connected to this pad.	RW	0x0

Table 18-3206. Register Call Summary for Register CFG_VOUT1_D13_OEN

IODELAYCONFIG Module Register Manual

- [IODELAYCONFIG Register Summary: \[0\]](#)

Table 18-3207. CFG_VOUT1_D13_OUT

Address Offset	0x0000 0BD8	Instance	IODELAYCONFIG
Physical Address	0x4844 ABD8		
Description	Delay Select Value in binary coded form for cfg_vout1_d13_out interface		
Type	RW		

31	30	29	28	27	26	25	24	23	22	21	20	19	18	17	16	15	14	13	12	11	10	9	8	7	6	5	4	3	2	1	0
RESERVED														SIGNATURE				RESERVED	LOCK_BIT	BINARY_DELAY											

Bits	Field Name	Description	Type	Reset
31:18	RESERVED		R	0x0
17:12	SIGNATURE	Write to this register will succeed only if data on these bits carries a signature of 6'h29 (6'b101001)	RW	0x0
11	RESERVED		R	0x0
10	LOCK_BIT	When '1', prevents HW update to this MMR. When '0', allows HW update of this MMR.	RW	0x0
9:0	BINARY_DELAY	Delay Select Value in binary coded form. Indicates the number of coarse (9:5) and fine (4:0) delay elements to be used on the delay line connected to this pad.	RW	0x0

Table 18-3208. Register Call Summary for Register CFG_VOUT1_D13_OUT

IODELAYCONFIG Module Register Manual

- [IODELAYCONFIG Register Summary: \[0\]](#)

Table 18-3209. CFG_VOUT1_D14_IN

Address Offset	0x0000 0BDC	Instance	IODELAYCONFIG
Physical Address	0x4844 ABDC		
Description	Delay Select Value in binary coded form for cfg_vout1_d14_in interface		
Type	RW		

31	30	29	28	27	26	25	24	23	22	21	20	19	18	17	16	15	14	13	12	11	10	9	8	7	6	5	4	3	2	1	0
RESERVED														SIGNATURE				RESERVED	LOCK_BIT	BINARY_DELAY											

Bits	Field Name	Description	Type	Reset
31:18	RESERVED		R	0x0
17:12	SIGNATURE	Write to this register will succeed only if data on these bits carries a signature of 6'h29 (6'b101001)	RW	0x0
11	RESERVED		R	0x0

Bits	Field Name	Description	Type	Reset
10	LOCK_BIT	When '1', prevents HW update to this MMR. When '0', allows HW update of this MMR.	RW	0x0
9:0	BINARY_DELAY	Delay Select Value in binary coded form. Indicates the number of coarse (9:5) and fine (4:0) delay elements to be used on the delay line connected to this pad.	RW	0x0

Table 18-3210. Register Call Summary for Register CFG_VOUT1_D14_IN

IODELAYCONFIG Module Register Manual

- [IODELAYCONFIG Register Summary: \[0\]](#)

Table 18-3211. CFG_VOUT1_D14_OEN

Address Offset	0x0000 0BE0	Instance	IODELAYCONFIG
Physical Address	0x4844 ABE0		
Description	Delay Select Value in binary coded form for cfg_vout1_d14_oen interface		
Type	RW		

31	30	29	28	27	26	25	24	23	22	21	20	19	18	17	16	15	14	13	12	11	10	9	8	7	6	5	4	3	2	1	0
RESERVED								SIGNATURE								RESERVED	LOCK_BIT	BINARY_DELAY													

Bits	Field Name	Description	Type	Reset
31:18	RESERVED		R	0x0
17:12	SIGNATURE	Write to this register will succeed only if data on these bits carries a signature of 6'h29 (6'b101001)	RW	0x0
11	RESERVED		R	0x0
10	LOCK_BIT	When '1', prevents HW update to this MMR. When '0', allows HW update of this MMR.	RW	0x0
9:0	BINARY_DELAY	Delay Select Value in binary coded form. Indicates the number of coarse (9:5) and fine (4:0) delay elements to be used on the delay line connected to this pad.	RW	0x0

Table 18-3212. Register Call Summary for Register CFG_VOUT1_D14_OEN

IODELAYCONFIG Module Register Manual

- [IODELAYCONFIG Register Summary: \[0\]](#)

Table 18-3213. CFG_VOUT1_D14_OUT

Address Offset	0x0000 0BE4	Instance	IODELAYCONFIG
Physical Address	0x4844 ABE4		
Description	Delay Select Value in binary coded form for cfg_vout1_d14_out interface		
Type	RW		

31	30	29	28	27	26	25	24	23	22	21	20	19	18	17	16	15	14	13	12	11	10	9	8	7	6	5	4	3	2	1	0
RESERVED								SIGNATURE								RESERVED	LOCK_BIT	BINARY_DELAY													

Bits	Field Name	Description	Type	Reset
31:18	RESERVED		R	0x0
17:12	SIGNATURE	Write to this register will succeed only if data on these bits carries a signature of 6'h29 (6'b101001)	RW	0x0
11	RESERVED		R	0x0
10	LOCK_BIT	When '1', prevents HW update to this MMR. When '0', allows HW update of this MMR.	RW	0x0
9:0	BINARY_DELAY	Delay Select Value in binary coded form. Indicates the number of coarse (9:5) and fine (4:0) delay elements to be used on the delay line connected to this pad.	RW	0x0

Table 18-3214. Register Call Summary for Register CFG_VOUT1_D14_OUT

IODELAYCONFIG Module Register Manual

- [IODELAYCONFIG Register Summary: \[0\]](#)

Table 18-3215. CFG_VOUT1_D15_IN

Address Offset	0x0000 0BE8	Instance	IODELAYCONFIG
Physical Address	0x4844 ABE8		
Description	Delay Select Value in binary coded form for cfg_vout1_d15_in interface		
Type	RW		

31	30	29	28	27	26	25	24	23	22	21	20	19	18	17	16	15	14	13	12	11	10	9	8	7	6	5	4	3	2	1	0
RESERVED								SIGNATURE				RESERVED	LOCK_BIT	BINARY_DELAY																	

Bits	Field Name	Description	Type	Reset
31:18	RESERVED		R	0x0
17:12	SIGNATURE	Write to this register will succeed only if data on these bits carries a signature of 6'h29 (6'b101001)	RW	0x0
11	RESERVED		R	0x0
10	LOCK_BIT	When '1', prevents HW update to this MMR. When '0', allows HW update of this MMR.	RW	0x0
9:0	BINARY_DELAY	Delay Select Value in binary coded form. Indicates the number of coarse (9:5) and fine (4:0) delay elements to be used on the delay line connected to this pad.	RW	0x0

Table 18-3216. Register Call Summary for Register CFG_VOUT1_D15_IN

IODELAYCONFIG Module Register Manual

- [IODELAYCONFIG Register Summary: \[0\]](#)

Table 18-3217. CFG_VOUT1_D15_OEN

Address Offset	0x0000 0BEC	Instance	IODELAYCONFIG
Physical Address	0x4844 ABEC		
Description	Delay Select Value in binary coded form for cfg_vout1_d15_oen interface		
Type	RW		

31	30	29	28	27	26	25	24	23	22	21	20	19	18	17	16	15	14	13	12	11	10	9	8	7	6	5	4	3	2	1	0
RESERVED														SIGNATURE				RESERVED	LOCK_BIT	BINARY_DELAY											

Bits	Field Name	Description	Type	Reset
31:18	RESERVED		R	0x0
17:12	SIGNATURE	Write to this register will succeed only if data on these bits carries a signature of 6'h29 (6'b101001)	RW	0x0
11	RESERVED		R	0x0
10	LOCK_BIT	When '1', prevents HW update to this MMR. When '0', allows HW update of this MMR.	RW	0x0
9:0	BINARY_DELAY	Delay Select Value in binary coded form. Indicates the number of coarse (9:5) and fine (4:0) delay elements to be used on the delay line connected to this pad.	RW	0x0

Table 18-3218. Register Call Summary for Register CFG_VOUT1_D15_OEN

IODELAYCONFIG Module Register Manual

- [IODELAYCONFIG Register Summary: \[0\]](#)

Table 18-3219. CFG_VOUT1_D15_OUT

Address Offset	0x0000 0BF0	Instance	IODELAYCONFIG
Physical Address	0x4844 ABF0		
Description	Delay Select Value in binary coded form for cfg_vout1_d15_out interface		
Type	RW		

31	30	29	28	27	26	25	24	23	22	21	20	19	18	17	16	15	14	13	12	11	10	9	8	7	6	5	4	3	2	1	0
RESERVED														SIGNATURE				RESERVED	LOCK_BIT	BINARY_DELAY											

Bits	Field Name	Description	Type	Reset
31:18	RESERVED		R	0x0
17:12	SIGNATURE	Write to this register will succeed only if data on these bits carries a signature of 6'h29 (6'b101001)	RW	0x0
11	RESERVED		R	0x0
10	LOCK_BIT	When '1', prevents HW update to this MMR. When '0', allows HW update of this MMR.	RW	0x0
9:0	BINARY_DELAY	Delay Select Value in binary coded form. Indicates the number of coarse (9:5) and fine (4:0) delay elements to be used on the delay line connected to this pad.	RW	0x0

Table 18-3220. Register Call Summary for Register CFG_VOUT1_D15_OUT

IODELAYCONFIG Module Register Manual

- [IODELAYCONFIG Register Summary: \[0\]](#)

Table 18-3221. CFG_VOUT1_D16_IN

Address Offset	0x0000 0BF4	Instance	IODELAYCONFIG
Physical Address	0x4844 ABF4		
Description	Delay Select Value in binary coded form for cfg_vout1_d16_in interface		
Type	RW		

31	30	29	28	27	26	25	24	23	22	21	20	19	18	17	16	15	14	13	12	11	10	9	8	7	6	5	4	3	2	1	0
RESERVED														SIGNATURE				RESERVED	LOCK_BIT	BINARY_DELAY											

Bits	Field Name	Description	Type	Reset
31:18	RESERVED		R	0x0
17:12	SIGNATURE	Write to this register will succeed only if data on these bits carries a signature of 6'h29 (6'b101001)	RW	0x0
11	RESERVED		R	0x0
10	LOCK_BIT	When '1', prevents HW update to this MMR. When '0', allows HW update of this MMR.	RW	0x0
9:0	BINARY_DELAY	Delay Select Value in binary coded form. Indicates the number of coarse (9:5) and fine (4:0) delay elements to be used on the delay line connected to this pad.	RW	0x0

Table 18-3222. Register Call Summary for Register CFG_VOUT1_D16_IN

IODELAYCONFIG Module Register Manual

- [IODELAYCONFIG Register Summary: \[0\]](#)

Table 18-3223. CFG_VOUT1_D16_OEN

Address Offset	0x0000 0BF8	Instance	IODELAYCONFIG
Physical Address	0x4844 ABF8		
Description	Delay Select Value in binary coded form for cfg_vout1_d16_oen interface		
Type	RW		

31	30	29	28	27	26	25	24	23	22	21	20	19	18	17	16	15	14	13	12	11	10	9	8	7	6	5	4	3	2	1	0
RESERVED														SIGNATURE				RESERVED	LOCK_BIT	BINARY_DELAY											

Bits	Field Name	Description	Type	Reset
31:18	RESERVED		R	0x0
17:12	SIGNATURE	Write to this register will succeed only if data on these bits carries a signature of 6'h29 (6'b101001)	RW	0x0
11	RESERVED		R	0x0
10	LOCK_BIT	When '1', prevents HW update to this MMR. When '0', allows HW update of this MMR.	RW	0x0
9:0	BINARY_DELAY	Delay Select Value in binary coded form. Indicates the number of coarse (9:5) and fine (4:0) delay elements to be used on the delay line connected to this pad.	RW	0x0

Table 18-3224. Register Call Summary for Register CFG_VOUT1_D16_OEN

IODELAYCONFIG Module Register Manual
 • [IODELAYCONFIG Register Summary: \[0\]](#)

Table 18-3225. CFG_VOUT1_D16_OUT

Address Offset	0x0000 0BFC	Instance	IODELAYCONFIG
Physical Address	0x4844 ABFC		
Description	Delay Select Value in binary coded form for cfg_vout1_d16_out interface		
Type	RW		

31	30	29	28	27	26	25	24	23	22	21	20	19	18	17	16	15	14	13	12	11	10	9	8	7	6	5	4	3	2	1	0		
RESERVED																SIGNATURE						RESERVED	LOCK_BIT	BINARY_DELAY									

Bits	Field Name	Description	Type	Reset
31:18	RESERVED		R	0x0
17:12	SIGNATURE	Write to this register will succeed only if data on these bits carries a signature of 6'h29 (6'b101001)	RW	0x0
11	RESERVED		R	0x0
10	LOCK_BIT	When '1', prevents HW update to this MMR. When '0', allows HW update of this MMR.	RW	0x0
9:0	BINARY_DELAY	Delay Select Value in binary coded form. Indicates the number of coarse (9:5) and fine (4:0) delay elements to be used on the delay line connected to this pad.	RW	0x0

Table 18-3226. Register Call Summary for Register CFG_VOUT1_D16_OUT

IODELAYCONFIG Module Register Manual
 • [IODELAYCONFIG Register Summary: \[0\]](#)

Table 18-3227. CFG_VOUT1_D17_IN

Address Offset	0x0000 0C00	Instance	IODELAYCONFIG
Physical Address	0x4844 AC00		
Description	Delay Select Value in binary coded form for cfg_vout1_d17_in interface		
Type	RW		

31	30	29	28	27	26	25	24	23	22	21	20	19	18	17	16	15	14	13	12	11	10	9	8	7	6	5	4	3	2	1	0		
RESERVED																SIGNATURE						RESERVED	LOCK_BIT	BINARY_DELAY									

Bits	Field Name	Description	Type	Reset
31:18	RESERVED		R	0x0
17:12	SIGNATURE	Write to this register will succeed only if data on these bits carries a signature of 6'h29 (6'b101001)	RW	0x0
11	RESERVED		R	0x0

Bits	Field Name	Description	Type	Reset
10	LOCK_BIT	When '1', prevents HW update to this MMR. When '0', allows HW update of this MMR.	RW	0x0
9:0	BINARY_DELAY	Delay Select Value in binary coded form. Indicates the number of coarse (9:5) and fine (4:0) delay elements to be used on the delay line connected to this pad.	RW	0x0

Table 18-3228. Register Call Summary for Register CFG_VOUT1_D17_IN

IODELAYCONFIG Module Register Manual

- [IODELAYCONFIG Register Summary: \[0\]](#)

Table 18-3229. CFG_VOUT1_D17_OEN

Address Offset	0x0000 0C04	Instance	IODELAYCONFIG
Physical Address	0x4844 AC04		
Description	Delay Select Value in binary coded form for cfg_vout1_d17_oen interface		
Type	RW		

31	30	29	28	27	26	25	24	23	22	21	20	19	18	17	16	15	14	13	12	11	10	9	8	7	6	5	4	3	2	1	0
RESERVED								SIGNATURE								RESERVED	LOCK_BIT	BINARY_DELAY													

Bits	Field Name	Description	Type	Reset
31:18	RESERVED		R	0x0
17:12	SIGNATURE	Write to this register will succeed only if data on these bits carries a signature of 6'h29 (6'b101001)	RW	0x0
11	RESERVED		R	0x0
10	LOCK_BIT	When '1', prevents HW update to this MMR. When '0', allows HW update of this MMR.	RW	0x0
9:0	BINARY_DELAY	Delay Select Value in binary coded form. Indicates the number of coarse (9:5) and fine (4:0) delay elements to be used on the delay line connected to this pad.	RW	0x0

Table 18-3230. Register Call Summary for Register CFG_VOUT1_D17_OEN

IODELAYCONFIG Module Register Manual

- [IODELAYCONFIG Register Summary: \[0\]](#)

Table 18-3231. CFG_VOUT1_D17_OUT

Address Offset	0x0000 0C08	Instance	IODELAYCONFIG
Physical Address	0x4844 AC08		
Description	Delay Select Value in binary coded form for cfg_vout1_d17_out interface		
Type	RW		

31	30	29	28	27	26	25	24	23	22	21	20	19	18	17	16	15	14	13	12	11	10	9	8	7	6	5	4	3	2	1	0
RESERVED								SIGNATURE								RESERVED	LOCK_BIT	BINARY_DELAY													

Bits	Field Name	Description	Type	Reset
31:18	RESERVED		R	0x0
17:12	SIGNATURE	Write to this register will succeed only if data on these bits carries a signature of 6'h29 (6'b101001)	RW	0x0
11	RESERVED		R	0x0
10	LOCK_BIT	When '1', prevents HW update to this MMR. When '0', allows HW update of this MMR.	RW	0x0
9:0	BINARY_DELAY	Delay Select Value in binary coded form. Indicates the number of coarse (9:5) and fine (4:0) delay elements to be used on the delay line connected to this pad.	RW	0x0

Table 18-3232. Register Call Summary for Register CFG_VOUT1_D17_OUT

IODELAYCONFIG Module Register Manual

- [IODELAYCONFIG Register Summary: \[0\]](#)

Table 18-3233. CFG_VOUT1_D18_IN

Address Offset	0x0000 0C0C	Instance	IODELAYCONFIG
Physical Address	0x4844 AC0C		
Description	Delay Select Value in binary coded form for cfg_vout1_d18_in interface		
Type	RW		

31	30	29	28	27	26	25	24	23	22	21	20	19	18	17	16	15	14	13	12	11	10	9	8	7	6	5	4	3	2	1	0
RESERVED								SIGNATURE				RESERVED	LOCK_BIT	BINARY_DELAY																	

Bits	Field Name	Description	Type	Reset
31:18	RESERVED		R	0x0
17:12	SIGNATURE	Write to this register will succeed only if data on these bits carries a signature of 6'h29 (6'b101001)	RW	0x0
11	RESERVED		R	0x0
10	LOCK_BIT	When '1', prevents HW update to this MMR. When '0', allows HW update of this MMR.	RW	0x0
9:0	BINARY_DELAY	Delay Select Value in binary coded form. Indicates the number of coarse (9:5) and fine (4:0) delay elements to be used on the delay line connected to this pad.	RW	0x0

Table 18-3234. Register Call Summary for Register CFG_VOUT1_D18_IN

IODELAYCONFIG Module Register Manual

- [IODELAYCONFIG Register Summary: \[0\]](#)

Table 18-3235. CFG_VOUT1_D18_OEN

Address Offset	0x0000 0C10	Instance	IODELAYCONFIG
Physical Address	0x4844 AC10		
Description	Delay Select Value in binary coded form for cfg_vout1_d18_oen interface		
Type	RW		

31	30	29	28	27	26	25	24	23	22	21	20	19	18	17	16	15	14	13	12	11	10	9	8	7	6	5	4	3	2	1	0
RESERVED														SIGNATURE				RESERVED	LOCK_BIT	BINARY_DELAY											

Bits	Field Name	Description	Type	Reset
31:18	RESERVED		R	0x0
17:12	SIGNATURE	Write to this register will succeed only if data on these bits carries a signature of 6'h29 (6'b101001)	RW	0x0
11	RESERVED		R	0x0
10	LOCK_BIT	When '1', prevents HW update to this MMR. When '0', allows HW update of this MMR.	RW	0x0
9:0	BINARY_DELAY	Delay Select Value in binary coded form. Indicates the number of coarse (9:5) and fine (4:0) delay elements to be used on the delay line connected to this pad.	RW	0x0

Table 18-3236. Register Call Summary for Register CFG_VOUT1_D18_OEN

IODELAYCONFIG Module Register Manual

- [IODELAYCONFIG Register Summary: \[0\]](#)

Table 18-3237. CFG_VOUT1_D18_OUT

Address Offset	0x0000 0C14	Instance	IODELAYCONFIG
Physical Address	0x4844 AC14		
Description	Delay Select Value in binary coded form for cfg_vout1_d18_out interface		
Type	RW		

31	30	29	28	27	26	25	24	23	22	21	20	19	18	17	16	15	14	13	12	11	10	9	8	7	6	5	4	3	2	1	0
RESERVED														SIGNATURE				RESERVED	LOCK_BIT	BINARY_DELAY											

Bits	Field Name	Description	Type	Reset
31:18	RESERVED		R	0x0
17:12	SIGNATURE	Write to this register will succeed only if data on these bits carries a signature of 6'h29 (6'b101001)	RW	0x0
11	RESERVED		R	0x0
10	LOCK_BIT	When '1', prevents HW update to this MMR. When '0', allows HW update of this MMR.	RW	0x0
9:0	BINARY_DELAY	Delay Select Value in binary coded form. Indicates the number of coarse (9:5) and fine (4:0) delay elements to be used on the delay line connected to this pad.	RW	0x0

Table 18-3238. Register Call Summary for Register CFG_VOUT1_D18_OUT

IODELAYCONFIG Module Register Manual

- [IODELAYCONFIG Register Summary: \[0\]](#)

Table 18-3239. CFG_VOUT1_D19_IN

Address Offset	0x0000 0C18	Instance	IODELAYCONFIG
Physical Address	0x4844 AC18		
Description	Delay Select Value in binary coded form for cfg_vout1_d19_in interface		
Type	RW		

31	30	29	28	27	26	25	24	23	22	21	20	19	18	17	16	15	14	13	12	11	10	9	8	7	6	5	4	3	2	1	0
RESERVED														SIGNATURE				RESERVED	LOCK_BIT	BINARY_DELAY											

Bits	Field Name	Description	Type	Reset
31:18	RESERVED		R	0x0
17:12	SIGNATURE	Write to this register will succeed only if data on these bits carries a signature of 6'h29 (6'b101001)	RW	0x0
11	RESERVED		R	0x0
10	LOCK_BIT	When '1', prevents HW update to this MMR. When '0', allows HW update of this MMR.	RW	0x0
9:0	BINARY_DELAY	Delay Select Value in binary coded form. Indicates the number of coarse (9:5) and fine (4:0) delay elements to be used on the delay line connected to this pad.	RW	0x0

Table 18-3240. Register Call Summary for Register CFG_VOUT1_D19_IN

IODELAYCONFIG Module Register Manual

- [IODELAYCONFIG Register Summary: \[0\]](#)

Table 18-3241. CFG_VOUT1_D19_OEN

Address Offset	0x0000 0C1C	Instance	IODELAYCONFIG
Physical Address	0x4844 AC1C		
Description	Delay Select Value in binary coded form for cfg_vout1_d19_oen interface		
Type	RW		

31	30	29	28	27	26	25	24	23	22	21	20	19	18	17	16	15	14	13	12	11	10	9	8	7	6	5	4	3	2	1	0
RESERVED														SIGNATURE				RESERVED	LOCK_BIT	BINARY_DELAY											

Bits	Field Name	Description	Type	Reset
31:18	RESERVED		R	0x0
17:12	SIGNATURE	Write to this register will succeed only if data on these bits carries a signature of 6'h29 (6'b101001)	RW	0x0
11	RESERVED		R	0x0
10	LOCK_BIT	When '1', prevents HW update to this MMR. When '0', allows HW update of this MMR.	RW	0x0
9:0	BINARY_DELAY	Delay Select Value in binary coded form. Indicates the number of coarse (9:5) and fine (4:0) delay elements to be used on the delay line connected to this pad.	RW	0x0

Table 18-3242. Register Call Summary for Register CFG_VOUT1_D19_OEN

IODELAYCONFIG Module Register Manual

- [IODELAYCONFIG Register Summary: \[0\]](#)

Table 18-3243. CFG_VOUT1_D19_OUT

Address Offset	0x0000 0C20	Instance	IODELAYCONFIG
Physical Address	0x4844 AC20		
Description	Delay Select Value in binary coded form for cfg_vout1_d19_out interface		
Type	RW		

31	30	29	28	27	26	25	24	23	22	21	20	19	18	17	16	15	14	13	12	11	10	9	8	7	6	5	4	3	2	1	0
RESERVED														SIGNATURE				RESERVED	LOCK_BIT	BINARY_DELAY											

Bits	Field Name	Description	Type	Reset
31:18	RESERVED		R	0x0
17:12	SIGNATURE	Write to this register will succeed only if data on these bits carries a signature of 6'h29 (6'b101001)	RW	0x0
11	RESERVED		R	0x0
10	LOCK_BIT	When '1', prevents HW update to this MMR. When '0', allows HW update of this MMR.	RW	0x0
9:0	BINARY_DELAY	Delay Select Value in binary coded form. Indicates the number of coarse (9:5) and fine (4:0) delay elements to be used on the delay line connected to this pad.	RW	0x0

Table 18-3244. Register Call Summary for Register CFG_VOUT1_D19_OUT

IODELAYCONFIG Module Register Manual

- [IODELAYCONFIG Register Summary: \[0\]](#)

Table 18-3245. CFG_VOUT1_D1_IN

Address Offset	0x0000 0C24	Instance	IODELAYCONFIG
Physical Address	0x4844 AC24		
Description	Delay Select Value in binary coded form for cfg_vout1_d1_in interface		
Type	RW		

31	30	29	28	27	26	25	24	23	22	21	20	19	18	17	16	15	14	13	12	11	10	9	8	7	6	5	4	3	2	1	0
RESERVED														SIGNATURE				RESERVED	LOCK_BIT	BINARY_DELAY											

Bits	Field Name	Description	Type	Reset
31:18	RESERVED		R	0x0
17:12	SIGNATURE	Write to this register will succeed only if data on these bits carries a signature of 6'h29 (6'b101001)	RW	0x0
11	RESERVED		R	0x0

Bits	Field Name	Description	Type	Reset
10	LOCK_BIT	When '1', prevents HW update to this MMR. When '0', allows HW update of this MMR.	RW	0x0
9:0	BINARY_DELAY	Delay Select Value in binary coded form. Indicates the number of coarse (9:5) and fine (4:0) delay elements to be used on the delay line connected to this pad.	RW	0x0

Table 18-3246. Register Call Summary for Register CFG_VOUT1_D1_IN

IODELAYCONFIG Module Register Manual

- [IODELAYCONFIG Register Summary: \[0\]](#)

Table 18-3247. CFG_VOUT1_D1_OEN

Address Offset	0x0000 0C28	Instance	IODELAYCONFIG
Physical Address	0x4844 AC28		
Description	Delay Select Value in binary coded form for cfg_vout1_d1_oen interface		
Type	RW		

31	30	29	28	27	26	25	24	23	22	21	20	19	18	17	16	15	14	13	12	11	10	9	8	7	6	5	4	3	2	1	0
RESERVED								SIGNATURE								RESERVED	LOCK_BIT	BINARY_DELAY													

Bits	Field Name	Description	Type	Reset
31:18	RESERVED		R	0x0
17:12	SIGNATURE	Write to this register will succeed only if data on these bits carries a signature of 6'h29 (6'b101001)	RW	0x0
11	RESERVED		R	0x0
10	LOCK_BIT	When '1', prevents HW update to this MMR. When '0', allows HW update of this MMR.	RW	0x0
9:0	BINARY_DELAY	Delay Select Value in binary coded form. Indicates the number of coarse (9:5) and fine (4:0) delay elements to be used on the delay line connected to this pad.	RW	0x0

Table 18-3248. Register Call Summary for Register CFG_VOUT1_D1_OEN

IODELAYCONFIG Module Register Manual

- [IODELAYCONFIG Register Summary: \[0\]](#)

Table 18-3249. CFG_VOUT1_D1_OUT

Address Offset	0x0000 0C2C	Instance	IODELAYCONFIG
Physical Address	0x4844 AC2C		
Description	Delay Select Value in binary coded form for cfg_vout1_d1_out interface		
Type	RW		

31	30	29	28	27	26	25	24	23	22	21	20	19	18	17	16	15	14	13	12	11	10	9	8	7	6	5	4	3	2	1	0
RESERVED								SIGNATURE								RESERVED	LOCK_BIT	BINARY_DELAY													

Bits	Field Name	Description	Type	Reset
31:18	RESERVED		R	0x0
17:12	SIGNATURE	Write to this register will succeed only if data on these bits carries a signature of 6'h29 (6'b101001)	RW	0x0
11	RESERVED		R	0x0
10	LOCK_BIT	When '1', prevents HW update to this MMR. When '0', allows HW update of this MMR.	RW	0x0
9:0	BINARY_DELAY	Delay Select Value in binary coded form. Indicates the number of coarse (9:5) and fine (4:0) delay elements to be used on the delay line connected to this pad.	RW	0x0

Table 18-3250. Register Call Summary for Register CFG_VOUT1_D1_OUT

IODELAYCONFIG Module Register Manual

- [IODELAYCONFIG Register Summary: \[0\]](#)

Table 18-3251. CFG_VOUT1_D20_IN

Address Offset	0x0000 0C30	Instance	IODELAYCONFIG
Physical Address	0x4844 AC30		
Description	Delay Select Value in binary coded form for cfg_vout1_d20_in interface		
Type	RW		

31	30	29	28	27	26	25	24	23	22	21	20	19	18	17	16	15	14	13	12	11	10	9	8	7	6	5	4	3	2	1	0
RESERVED								SIGNATURE				RESERVED	LOCK_BIT	BINARY_DELAY																	

Bits	Field Name	Description	Type	Reset
31:18	RESERVED		R	0x0
17:12	SIGNATURE	Write to this register will succeed only if data on these bits carries a signature of 6'h29 (6'b101001)	RW	0x0
11	RESERVED		R	0x0
10	LOCK_BIT	When '1', prevents HW update to this MMR. When '0', allows HW update of this MMR.	RW	0x0
9:0	BINARY_DELAY	Delay Select Value in binary coded form. Indicates the number of coarse (9:5) and fine (4:0) delay elements to be used on the delay line connected to this pad.	RW	0x0

Table 18-3252. Register Call Summary for Register CFG_VOUT1_D20_IN

IODELAYCONFIG Module Register Manual

- [IODELAYCONFIG Register Summary: \[0\]](#)

Table 18-3253. CFG_VOUT1_D20_OEN

Address Offset	0x0000 0C34	Instance	IODELAYCONFIG
Physical Address	0x4844 AC34		
Description	Delay Select Value in binary coded form for cfg_vout1_d20_oen interface		
Type	RW		

31	30	29	28	27	26	25	24	23	22	21	20	19	18	17	16	15	14	13	12	11	10	9	8	7	6	5	4	3	2	1	0
RESERVED														SIGNATURE				RESERVED	LOCK_BIT	BINARY_DELAY											

Bits	Field Name	Description	Type	Reset
31:18	RESERVED		R	0x0
17:12	SIGNATURE	Write to this register will succeed only if data on these bits carries a signature of 6'h29 (6'b101001)	RW	0x0
11	RESERVED		R	0x0
10	LOCK_BIT	When '1', prevents HW update to this MMR. When '0', allows HW update of this MMR.	RW	0x0
9:0	BINARY_DELAY	Delay Select Value in binary coded form. Indicates the number of coarse (9:5) and fine (4:0) delay elements to be used on the delay line connected to this pad.	RW	0x0

Table 18-3254. Register Call Summary for Register CFG_VOUT1_D20_OEN

IODELAYCONFIG Module Register Manual

- [IODELAYCONFIG Register Summary: \[0\]](#)

Table 18-3255. CFG_VOUT1_D20_OUT

Address Offset	0x0000 0C38	Instance	IODELAYCONFIG
Physical Address	0x4844 AC38		
Description	Delay Select Value in binary coded form for cfg_vout1_d20_out interface		
Type	RW		

31	30	29	28	27	26	25	24	23	22	21	20	19	18	17	16	15	14	13	12	11	10	9	8	7	6	5	4	3	2	1	0
RESERVED														SIGNATURE				RESERVED	LOCK_BIT	BINARY_DELAY											

Bits	Field Name	Description	Type	Reset
31:18	RESERVED		R	0x0
17:12	SIGNATURE	Write to this register will succeed only if data on these bits carries a signature of 6'h29 (6'b101001)	RW	0x0
11	RESERVED		R	0x0
10	LOCK_BIT	When '1', prevents HW update to this MMR. When '0', allows HW update of this MMR.	RW	0x0
9:0	BINARY_DELAY	Delay Select Value in binary coded form. Indicates the number of coarse (9:5) and fine (4:0) delay elements to be used on the delay line connected to this pad.	RW	0x0

Table 18-3256. Register Call Summary for Register CFG_VOUT1_D20_OUT

IODELAYCONFIG Module Register Manual

- [IODELAYCONFIG Register Summary: \[0\]](#)

Table 18-3257. CFG_VOUT1_D21_IN

Address Offset	0x0000 0C3C	Instance	IODELAYCONFIG
Physical Address	0x4844 AC3C		
Description	Delay Select Value in binary coded form for cfg_vout1_d21_in interface		
Type	RW		

31	30	29	28	27	26	25	24	23	22	21	20	19	18	17	16	15	14	13	12	11	10	9	8	7	6	5	4	3	2	1	0
RESERVED														SIGNATURE				RESERVED	LOCK_BIT	BINARY_DELAY											

Bits	Field Name	Description	Type	Reset
31:18	RESERVED		R	0x0
17:12	SIGNATURE	Write to this register will succeed only if data on these bits carries a signature of 6'h29 (6'b101001)	RW	0x0
11	RESERVED		R	0x0
10	LOCK_BIT	When '1', prevents HW update to this MMR. When '0', allows HW update of this MMR.	RW	0x0
9:0	BINARY_DELAY	Delay Select Value in binary coded form. Indicates the number of coarse (9:5) and fine (4:0) delay elements to be used on the delay line connected to this pad.	RW	0x0

Table 18-3258. Register Call Summary for Register CFG_VOUT1_D21_IN

IODELAYCONFIG Module Register Manual

- [IODELAYCONFIG Register Summary: \[0\]](#)

Table 18-3259. CFG_VOUT1_D21_OEN

Address Offset	0x0000 0C40	Instance	IODELAYCONFIG
Physical Address	0x4844 AC40		
Description	Delay Select Value in binary coded form for cfg_vout1_d21_oen interface		
Type	RW		

31	30	29	28	27	26	25	24	23	22	21	20	19	18	17	16	15	14	13	12	11	10	9	8	7	6	5	4	3	2	1	0
RESERVED														SIGNATURE				RESERVED	LOCK_BIT	BINARY_DELAY											

Bits	Field Name	Description	Type	Reset
31:18	RESERVED		R	0x0
17:12	SIGNATURE	Write to this register will succeed only if data on these bits carries a signature of 6'h29 (6'b101001)	RW	0x0
11	RESERVED		R	0x0
10	LOCK_BIT	When '1', prevents HW update to this MMR. When '0', allows HW update of this MMR.	RW	0x0
9:0	BINARY_DELAY	Delay Select Value in binary coded form. Indicates the number of coarse (9:5) and fine (4:0) delay elements to be used on the delay line connected to this pad.	RW	0x0

Table 18-3260. Register Call Summary for Register CFG_VOUT1_D21_OEN

IODELAYCONFIG Module Register Manual

- [IODELAYCONFIG Register Summary: \[0\]](#)

Table 18-3261. CFG_VOUT1_D21_OUT

Address Offset	0x0000 0C44	Instance	IODELAYCONFIG
Physical Address	0x4844 AC44		
Description	Delay Select Value in binary coded form for cfg_vout1_d21_out interface		
Type	RW		

31	30	29	28	27	26	25	24	23	22	21	20	19	18	17	16	15	14	13	12	11	10	9	8	7	6	5	4	3	2	1	0		
RESERVED																SIGNATURE						RESERVED	LOCK_BIT	BINARY_DELAY									

Bits	Field Name	Description	Type	Reset
31:18	RESERVED		R	0x0
17:12	SIGNATURE	Write to this register will succeed only if data on these bits carries a signature of 6'h29 (6'b101001)	RW	0x0
11	RESERVED		R	0x0
10	LOCK_BIT	When '1', prevents HW update to this MMR. When '0', allows HW update of this MMR.	RW	0x0
9:0	BINARY_DELAY	Delay Select Value in binary coded form. Indicates the number of coarse (9:5) and fine (4:0) delay elements to be used on the delay line connected to this pad.	RW	0x0

Table 18-3262. Register Call Summary for Register CFG_VOUT1_D21_OUT

IODELAYCONFIG Module Register Manual

- [IODELAYCONFIG Register Summary: \[0\]](#)

Table 18-3263. CFG_VOUT1_D22_IN

Address Offset	0x0000 0C48	Instance	IODELAYCONFIG
Physical Address	0x4844 AC48		
Description	Delay Select Value in binary coded form for cfg_vout1_d22_in interface		
Type	RW		

31	30	29	28	27	26	25	24	23	22	21	20	19	18	17	16	15	14	13	12	11	10	9	8	7	6	5	4	3	2	1	0		
RESERVED																SIGNATURE						RESERVED	LOCK_BIT	BINARY_DELAY									

Bits	Field Name	Description	Type	Reset
31:18	RESERVED		R	0x0
17:12	SIGNATURE	Write to this register will succeed only if data on these bits carries a signature of 6'h29 (6'b101001)	RW	0x0
11	RESERVED		R	0x0

Bits	Field Name	Description	Type	Reset
10	LOCK_BIT	When '1', prevents HW update to this MMR. When '0', allows HW update of this MMR.	RW	0x0
9:0	BINARY_DELAY	Delay Select Value in binary coded form. Indicates the number of coarse (9:5) and fine (4:0) delay elements to be used on the delay line connected to this pad.	RW	0x0

Table 18-3264. Register Call Summary for Register CFG_VOUT1_D22_IN

IODELAYCONFIG Module Register Manual

- [IODELAYCONFIG Register Summary: \[0\]](#)

Table 18-3265. CFG_VOUT1_D22_OEN

Address Offset	0x0000 0C4C	Instance	IODELAYCONFIG
Physical Address	0x4844 AC4C		
Description	Delay Select Value in binary coded form for cfg_vout1_d22_oen interface		
Type	RW		

31	30	29	28	27	26	25	24	23	22	21	20	19	18	17	16	15	14	13	12	11	10	9	8	7	6	5	4	3	2	1	0
RESERVED								SIGNATURE								RESERVED	LOCK_BIT	BINARY_DELAY													

Bits	Field Name	Description	Type	Reset
31:18	RESERVED		R	0x0
17:12	SIGNATURE	Write to this register will succeed only if data on these bits carries a signature of 6'h29 (6'b101001)	RW	0x0
11	RESERVED		R	0x0
10	LOCK_BIT	When '1', prevents HW update to this MMR. When '0', allows HW update of this MMR.	RW	0x0
9:0	BINARY_DELAY	Delay Select Value in binary coded form. Indicates the number of coarse (9:5) and fine (4:0) delay elements to be used on the delay line connected to this pad.	RW	0x0

Table 18-3266. Register Call Summary for Register CFG_VOUT1_D22_OEN

IODELAYCONFIG Module Register Manual

- [IODELAYCONFIG Register Summary: \[0\]](#)

Table 18-3267. CFG_VOUT1_D22_OUT

Address Offset	0x0000 0C50	Instance	IODELAYCONFIG
Physical Address	0x4844 AC50		
Description	Delay Select Value in binary coded form for cfg_vout1_d22_out interface		
Type	RW		

31	30	29	28	27	26	25	24	23	22	21	20	19	18	17	16	15	14	13	12	11	10	9	8	7	6	5	4	3	2	1	0
RESERVED								SIGNATURE								RESERVED	LOCK_BIT	BINARY_DELAY													

Bits	Field Name	Description	Type	Reset
31:18	RESERVED		R	0x0
17:12	SIGNATURE	Write to this register will succeed only if data on these bits carries a signature of 6'h29 (6'b101001)	RW	0x0
11	RESERVED		R	0x0
10	LOCK_BIT	When '1', prevents HW update to this MMR. When '0', allows HW update of this MMR.	RW	0x0
9:0	BINARY_DELAY	Delay Select Value in binary coded form. Indicates the number of coarse (9:5) and fine (4:0) delay elements to be used on the delay line connected to this pad.	RW	0x0

Table 18-3268. Register Call Summary for Register CFG_VOUT1_D22_OUT

IODELAYCONFIG Module Register Manual

- [IODELAYCONFIG Register Summary: \[0\]](#)

Table 18-3269. CFG_VOUT1_D23_IN

Address Offset	0x0000 0C54	Instance	IODELAYCONFIG
Physical Address	0x4844 AC54		
Description	Delay Select Value in binary coded form for cfg_vout1_d23_in interface		
Type	RW		

31	30	29	28	27	26	25	24	23	22	21	20	19	18	17	16	15	14	13	12	11	10	9	8	7	6	5	4	3	2	1	0
RESERVED								SIGNATURE				RESERVED	LOCK_BIT	BINARY_DELAY																	

Bits	Field Name	Description	Type	Reset
31:18	RESERVED		R	0x0
17:12	SIGNATURE	Write to this register will succeed only if data on these bits carries a signature of 6'h29 (6'b101001)	RW	0x0
11	RESERVED		R	0x0
10	LOCK_BIT	When '1', prevents HW update to this MMR. When '0', allows HW update of this MMR.	RW	0x0
9:0	BINARY_DELAY	Delay Select Value in binary coded form. Indicates the number of coarse (9:5) and fine (4:0) delay elements to be used on the delay line connected to this pad.	RW	0x0

Table 18-3270. Register Call Summary for Register CFG_VOUT1_D23_IN

IODELAYCONFIG Module Register Manual

- [IODELAYCONFIG Register Summary: \[0\]](#)

Table 18-3271. CFG_VOUT1_D23_OEN

Address Offset	0x0000 0C58	Instance	IODELAYCONFIG
Physical Address	0x4844 AC58		
Description	Delay Select Value in binary coded form for cfg_vout1_d23_oen interface		
Type	RW		

31	30	29	28	27	26	25	24	23	22	21	20	19	18	17	16	15	14	13	12	11	10	9	8	7	6	5	4	3	2	1	0
RESERVED														SIGNATURE				RESERVED	LOCK_BIT	BINARY_DELAY											

Bits	Field Name	Description	Type	Reset
31:18	RESERVED		R	0x0
17:12	SIGNATURE	Write to this register will succeed only if data on these bits carries a signature of 6'h29 (6'b101001)	RW	0x0
11	RESERVED		R	0x0
10	LOCK_BIT	When '1', prevents HW update to this MMR. When '0', allows HW update of this MMR.	RW	0x0
9:0	BINARY_DELAY	Delay Select Value in binary coded form. Indicates the number of coarse (9:5) and fine (4:0) delay elements to be used on the delay line connected to this pad.	RW	0x0

Table 18-3272. Register Call Summary for Register CFG_VOUT1_D23_OEN

IODELAYCONFIG Module Register Manual

- [IODELAYCONFIG Register Summary: \[0\]](#)

Table 18-3273. CFG_VOUT1_D23_OUT

Address Offset	0x0000 0C5C	Instance	IODELAYCONFIG
Physical Address	0x4844 AC5C		
Description	Delay Select Value in binary coded form for cfg_vout1_d23_out interface		
Type	RW		

31	30	29	28	27	26	25	24	23	22	21	20	19	18	17	16	15	14	13	12	11	10	9	8	7	6	5	4	3	2	1	0
RESERVED														SIGNATURE				RESERVED	LOCK_BIT	BINARY_DELAY											

Bits	Field Name	Description	Type	Reset
31:18	RESERVED		R	0x0
17:12	SIGNATURE	Write to this register will succeed only if data on these bits carries a signature of 6'h29 (6'b101001)	RW	0x0
11	RESERVED		R	0x0
10	LOCK_BIT	When '1', prevents HW update to this MMR. When '0', allows HW update of this MMR.	RW	0x0
9:0	BINARY_DELAY	Delay Select Value in binary coded form. Indicates the number of coarse (9:5) and fine (4:0) delay elements to be used on the delay line connected to this pad.	RW	0x0

Table 18-3274. Register Call Summary for Register CFG_VOUT1_D23_OUT

IODELAYCONFIG Module Register Manual

- [IODELAYCONFIG Register Summary: \[0\]](#)

Table 18-3275. CFG_VOUT1_D2_IN

Address Offset	0x0000 0C60	Instance	IODELAYCONFIG
Physical Address	0x4844 AC60		
Description	Delay Select Value in binary coded form for cfg_vout1_d2_in interface		
Type	RW		

31	30	29	28	27	26	25	24	23	22	21	20	19	18	17	16	15	14	13	12	11	10	9	8	7	6	5	4	3	2	1	0
RESERVED														SIGNATURE				RESERVED	LOCK_BIT	BINARY_DELAY											

Bits	Field Name	Description	Type	Reset
31:18	RESERVED		R	0x0
17:12	SIGNATURE	Write to this register will succeed only if data on these bits carries a signature of 6'h29 (6'b101001)	RW	0x0
11	RESERVED		R	0x0
10	LOCK_BIT	When '1', prevents HW update to this MMR. When '0', allows HW update of this MMR.	RW	0x0
9:0	BINARY_DELAY	Delay Select Value in binary coded form. Indicates the number of coarse (9:5) and fine (4:0) delay elements to be used on the delay line connected to this pad.	RW	0x0

Table 18-3276. Register Call Summary for Register CFG_VOUT1_D2_IN

IODELAYCONFIG Module Register Manual

- [IODELAYCONFIG Register Summary: \[0\]](#)

Table 18-3277. CFG_VOUT1_D2_OEN

Address Offset	0x0000 0C64	Instance	IODELAYCONFIG
Physical Address	0x4844 AC64		
Description	Delay Select Value in binary coded form for cfg_vout1_d2_oen interface		
Type	RW		

31	30	29	28	27	26	25	24	23	22	21	20	19	18	17	16	15	14	13	12	11	10	9	8	7	6	5	4	3	2	1	0
RESERVED														SIGNATURE				RESERVED	LOCK_BIT	BINARY_DELAY											

Bits	Field Name	Description	Type	Reset
31:18	RESERVED		R	0x0
17:12	SIGNATURE	Write to this register will succeed only if data on these bits carries a signature of 6'h29 (6'b101001)	RW	0x0
11	RESERVED		R	0x0
10	LOCK_BIT	When '1', prevents HW update to this MMR. When '0', allows HW update of this MMR.	RW	0x0
9:0	BINARY_DELAY	Delay Select Value in binary coded form. Indicates the number of coarse (9:5) and fine (4:0) delay elements to be used on the delay line connected to this pad.	RW	0x0

Table 18-3278. Register Call Summary for Register CFG_VOUT1_D2_OEN

IODELAYCONFIG Module Register Manual

- [IODELAYCONFIG Register Summary: \[0\]](#)

Table 18-3279. CFG_VOUT1_D2_OUT

Address Offset	0x0000 0C68	Instance	IODELAYCONFIG
Physical Address	0x4844 AC68		
Description	Delay Select Value in binary coded form for cfg_vout1_d2_out interface		
Type	RW		

31	30	29	28	27	26	25	24	23	22	21	20	19	18	17	16	15	14	13	12	11	10	9	8	7	6	5	4	3	2	1	0
RESERVED														SIGNATURE				RESERVED	LOCK_BIT	BINARY_DELAY											

Bits	Field Name	Description	Type	Reset
31:18	RESERVED		R	0x0
17:12	SIGNATURE	Write to this register will succeed only if data on these bits carries a signature of 6'h29 (6'b101001)	RW	0x0
11	RESERVED		R	0x0
10	LOCK_BIT	When '1', prevents HW update to this MMR. When '0', allows HW update of this MMR.	RW	0x0
9:0	BINARY_DELAY	Delay Select Value in binary coded form. Indicates the number of coarse (9:5) and fine (4:0) delay elements to be used on the delay line connected to this pad.	RW	0x0

Table 18-3280. Register Call Summary for Register CFG_VOUT1_D2_OUT

IODELAYCONFIG Module Register Manual

- [IODELAYCONFIG Register Summary: \[0\]](#)

Table 18-3281. CFG_VOUT1_D3_IN

Address Offset	0x0000 0C6C	Instance	IODELAYCONFIG
Physical Address	0x4844 AC6C		
Description	Delay Select Value in binary coded form for cfg_vout1_d3_in interface		
Type	RW		

31	30	29	28	27	26	25	24	23	22	21	20	19	18	17	16	15	14	13	12	11	10	9	8	7	6	5	4	3	2	1	0
RESERVED														SIGNATURE				RESERVED	LOCK_BIT	BINARY_DELAY											

Bits	Field Name	Description	Type	Reset
31:18	RESERVED		R	0x0
17:12	SIGNATURE	Write to this register will succeed only if data on these bits carries a signature of 6'h29 (6'b101001)	RW	0x0
11	RESERVED		R	0x0

Bits	Field Name	Description	Type	Reset
10	LOCK_BIT	When '1', prevents HW update to this MMR. When '0', allows HW update of this MMR.	RW	0x0
9:0	BINARY_DELAY	Delay Select Value in binary coded form. Indicates the number of coarse (9:5) and fine (4:0) delay elements to be used on the delay line connected to this pad.	RW	0x0

Table 18-3282. Register Call Summary for Register CFG_VOUT1_D3_IN

IODELAYCONFIG Module Register Manual

- [IODELAYCONFIG Register Summary: \[0\]](#)

Table 18-3283. CFG_VOUT1_D3_OEN

Address Offset	0x0000 0C70	Instance	IODELAYCONFIG
Physical Address	0x4844 AC70		
Description	Delay Select Value in binary coded form for cfg_vout1_d3_oen interface		
Type	RW		

31	30	29	28	27	26	25	24	23	22	21	20	19	18	17	16	15	14	13	12	11	10	9	8	7	6	5	4	3	2	1	0
RESERVED								SIGNATURE								RESERVED	LOCK_BIT	BINARY_DELAY													

Bits	Field Name	Description	Type	Reset
31:18	RESERVED		R	0x0
17:12	SIGNATURE	Write to this register will succeed only if data on these bits carries a signature of 6'h29 (6'b101001)	RW	0x0
11	RESERVED		R	0x0
10	LOCK_BIT	When '1', prevents HW update to this MMR. When '0', allows HW update of this MMR.	RW	0x0
9:0	BINARY_DELAY	Delay Select Value in binary coded form. Indicates the number of coarse (9:5) and fine (4:0) delay elements to be used on the delay line connected to this pad.	RW	0x0

Table 18-3284. Register Call Summary for Register CFG_VOUT1_D3_OEN

IODELAYCONFIG Module Register Manual

- [IODELAYCONFIG Register Summary: \[0\]](#)

Table 18-3285. CFG_VOUT1_D3_OUT

Address Offset	0x0000 0C74	Instance	IODELAYCONFIG
Physical Address	0x4844 AC74		
Description	Delay Select Value in binary coded form for cfg_vout1_d3_out interface		
Type	RW		

31	30	29	28	27	26	25	24	23	22	21	20	19	18	17	16	15	14	13	12	11	10	9	8	7	6	5	4	3	2	1	0
RESERVED								SIGNATURE								RESERVED	LOCK_BIT	BINARY_DELAY													

Bits	Field Name	Description	Type	Reset
31:18	RESERVED		R	0x0
17:12	SIGNATURE	Write to this register will succeed only if data on these bits carries a signature of 6'h29 (6'b101001)	RW	0x0
11	RESERVED		R	0x0
10	LOCK_BIT	When '1', prevents HW update to this MMR. When '0', allows HW update of this MMR.	RW	0x0
9:0	BINARY_DELAY	Delay Select Value in binary coded form. Indicates the number of coarse (9:5) and fine (4:0) delay elements to be used on the delay line connected to this pad.	RW	0x0

Table 18-3286. Register Call Summary for Register CFG_VOUT1_D3_OUT

IODELAYCONFIG Module Register Manual

- [IODELAYCONFIG Register Summary: \[0\]](#)

Table 18-3287. CFG_VOUT1_D4_IN

Address Offset	0x0000 0C78	Instance	IODELAYCONFIG
Physical Address	0x4844 AC78		
Description	Delay Select Value in binary coded form for cfg_vout1_d4_in interface		
Type	RW		

31	30	29	28	27	26	25	24	23	22	21	20	19	18	17	16	15	14	13	12	11	10	9	8	7	6	5	4	3	2	1	0
RESERVED								SIGNATURE				RESERVED	LOCK_BIT	BINARY_DELAY																	

Bits	Field Name	Description	Type	Reset
31:18	RESERVED		R	0x0
17:12	SIGNATURE	Write to this register will succeed only if data on these bits carries a signature of 6'h29 (6'b101001)	RW	0x0
11	RESERVED		R	0x0
10	LOCK_BIT	When '1', prevents HW update to this MMR. When '0', allows HW update of this MMR.	RW	0x0
9:0	BINARY_DELAY	Delay Select Value in binary coded form. Indicates the number of coarse (9:5) and fine (4:0) delay elements to be used on the delay line connected to this pad.	RW	0x0

Table 18-3288. Register Call Summary for Register CFG_VOUT1_D4_IN

IODELAYCONFIG Module Register Manual

- [IODELAYCONFIG Register Summary: \[0\]](#)

Table 18-3289. CFG_VOUT1_D4_OEN

Address Offset	0x0000 0C7C	Instance	IODELAYCONFIG
Physical Address	0x4844 AC7C		
Description	Delay Select Value in binary coded form for cfg_vout1_d4_oen interface		
Type	RW		

31	30	29	28	27	26	25	24	23	22	21	20	19	18	17	16	15	14	13	12	11	10	9	8	7	6	5	4	3	2	1	0
RESERVED														SIGNATURE				RESERVED	LOCK_BIT	BINARY_DELAY											

Bits	Field Name	Description	Type	Reset
31:18	RESERVED		R	0x0
17:12	SIGNATURE	Write to this register will succeed only if data on these bits carries a signature of 6'h29 (6'b101001)	RW	0x0
11	RESERVED		R	0x0
10	LOCK_BIT	When '1', prevents HW update to this MMR. When '0', allows HW update of this MMR.	RW	0x0
9:0	BINARY_DELAY	Delay Select Value in binary coded form. Indicates the number of coarse (9:5) and fine (4:0) delay elements to be used on the delay line connected to this pad.	RW	0x0

Table 18-3290. Register Call Summary for Register CFG_VOUT1_D4_OEN

IODELAYCONFIG Module Register Manual

- [IODELAYCONFIG Register Summary: \[0\]](#)

Table 18-3291. CFG_VOUT1_D4_OUT

Address Offset	0x0000 0C80	Instance	IODELAYCONFIG
Physical Address	0x4844 AC80		
Description	Delay Select Value in binary coded form for cfg_vout1_d4_out interface		
Type	RW		

31	30	29	28	27	26	25	24	23	22	21	20	19	18	17	16	15	14	13	12	11	10	9	8	7	6	5	4	3	2	1	0
RESERVED														SIGNATURE				RESERVED	LOCK_BIT	BINARY_DELAY											

Bits	Field Name	Description	Type	Reset
31:18	RESERVED		R	0x0
17:12	SIGNATURE	Write to this register will succeed only if data on these bits carries a signature of 6'h29 (6'b101001)	RW	0x0
11	RESERVED		R	0x0
10	LOCK_BIT	When '1', prevents HW update to this MMR. When '0', allows HW update of this MMR.	RW	0x0
9:0	BINARY_DELAY	Delay Select Value in binary coded form. Indicates the number of coarse (9:5) and fine (4:0) delay elements to be used on the delay line connected to this pad.	RW	0x0

Table 18-3292. Register Call Summary for Register CFG_VOUT1_D4_OUT

IODELAYCONFIG Module Register Manual

- [IODELAYCONFIG Register Summary: \[0\]](#)

Table 18-3293. CFG_VOUT1_D5_IN

Address Offset	0x0000 0C84	Instance	IODELAYCONFIG
Physical Address	0x4844 AC84		
Description	Delay Select Value in binary coded form for cfg_vout1_d5_in interface		
Type	RW		

31	30	29	28	27	26	25	24	23	22	21	20	19	18	17	16	15	14	13	12	11	10	9	8	7	6	5	4	3	2	1	0
RESERVED														SIGNATURE				RESERVED	LOCK_BIT	BINARY_DELAY											

Bits	Field Name	Description	Type	Reset
31:18	RESERVED		R	0x0
17:12	SIGNATURE	Write to this register will succeed only if data on these bits carries a signature of 6'h29 (6'b101001)	RW	0x0
11	RESERVED		R	0x0
10	LOCK_BIT	When '1', prevents HW update to this MMR. When '0', allows HW update of this MMR.	RW	0x0
9:0	BINARY_DELAY	Delay Select Value in binary coded form. Indicates the number of coarse (9:5) and fine (4:0) delay elements to be used on the delay line connected to this pad.	RW	0x0

Table 18-3294. Register Call Summary for Register CFG_VOUT1_D5_IN

IODELAYCONFIG Module Register Manual

- [IODELAYCONFIG Register Summary: \[0\]](#)

Table 18-3295. CFG_VOUT1_D5_OEN

Address Offset	0x0000 0C88	Instance	IODELAYCONFIG
Physical Address	0x4844 AC88		
Description	Delay Select Value in binary coded form for cfg_vout1_d5_oen interface		
Type	RW		

31	30	29	28	27	26	25	24	23	22	21	20	19	18	17	16	15	14	13	12	11	10	9	8	7	6	5	4	3	2	1	0
RESERVED														SIGNATURE				RESERVED	LOCK_BIT	BINARY_DELAY											

Bits	Field Name	Description	Type	Reset
31:18	RESERVED		R	0x0
17:12	SIGNATURE	Write to this register will succeed only if data on these bits carries a signature of 6'h29 (6'b101001)	RW	0x0
11	RESERVED		R	0x0
10	LOCK_BIT	When '1', prevents HW update to this MMR. When '0', allows HW update of this MMR.	RW	0x0
9:0	BINARY_DELAY	Delay Select Value in binary coded form. Indicates the number of coarse (9:5) and fine (4:0) delay elements to be used on the delay line connected to this pad.	RW	0x0

Table 18-3296. Register Call Summary for Register CFG_VOUT1_D5_OEN

IODELAYCONFIG Module Register Manual

- [IODELAYCONFIG Register Summary: \[0\]](#)

Table 18-3297. CFG_VOUT1_D5_OUT

Address Offset	0x0000 0C8C	Instance	IODELAYCONFIG
Physical Address	0x4844 AC8C		
Description	Delay Select Value in binary coded form for cfg_vout1_d5_out interface		
Type	RW		

31	30	29	28	27	26	25	24	23	22	21	20	19	18	17	16	15	14	13	12	11	10	9	8	7	6	5	4	3	2	1	0
RESERVED														SIGNATURE				RESERVED	LOCK_BIT	BINARY_DELAY											

Bits	Field Name	Description	Type	Reset
31:18	RESERVED		R	0x0
17:12	SIGNATURE	Write to this register will succeed only if data on these bits carries a signature of 6'h29 (6'b101001)	RW	0x0
11	RESERVED		R	0x0
10	LOCK_BIT	When '1', prevents HW update to this MMR. When '0', allows HW update of this MMR.	RW	0x0
9:0	BINARY_DELAY	Delay Select Value in binary coded form. Indicates the number of coarse (9:5) and fine (4:0) delay elements to be used on the delay line connected to this pad.	RW	0x0

Table 18-3298. Register Call Summary for Register CFG_VOUT1_D5_OUT

IODELAYCONFIG Module Register Manual

- [IODELAYCONFIG Register Summary: \[0\]](#)

Table 18-3299. CFG_VOUT1_D6_IN

Address Offset	0x0000 0C90	Instance	IODELAYCONFIG
Physical Address	0x4844 AC90		
Description	Delay Select Value in binary coded form for cfg_vout1_d6_in interface		
Type	RW		

31	30	29	28	27	26	25	24	23	22	21	20	19	18	17	16	15	14	13	12	11	10	9	8	7	6	5	4	3	2	1	0
RESERVED														SIGNATURE				RESERVED	LOCK_BIT	BINARY_DELAY											

Bits	Field Name	Description	Type	Reset
31:18	RESERVED		R	0x0
17:12	SIGNATURE	Write to this register will succeed only if data on these bits carries a signature of 6'h29 (6'b101001)	RW	0x0
11	RESERVED		R	0x0

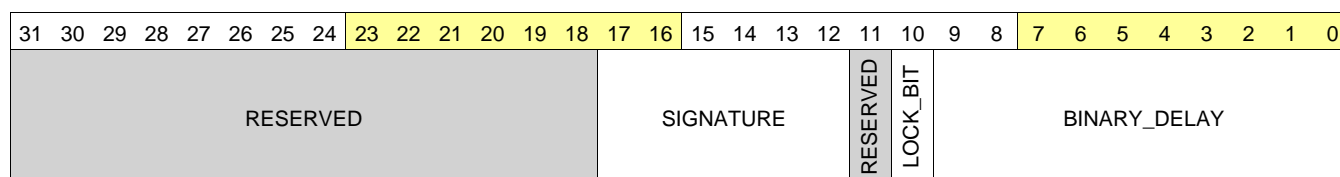
Bits	Field Name	Description	Type	Reset
10	LOCK_BIT	When '1', prevents HW update to this MMR. When '0', allows HW update of this MMR.	RW	0x0
9:0	BINARY_DELAY	Delay Select Value in binary coded form. Indicates the number of coarse (9:5) and fine (4:0) delay elements to be used on the delay line connected to this pad.	RW	0x0

Table 18-3300. Register Call Summary for Register CFG_VOUT1_D6_IN

IODELAYCONFIG Module Register Manual
 • [IODELAYCONFIG Register Summary: \[0\]](#)

Table 18-3301. CFG_VOUT1_D6_OEN

Address Offset	0x0000 0C94	Instance	IODELAYCONFIG
Physical Address	0x4844 AC94		
Description	Delay Select Value in binary coded form for cfg_vout1_d6_oen interface		
Type	RW		



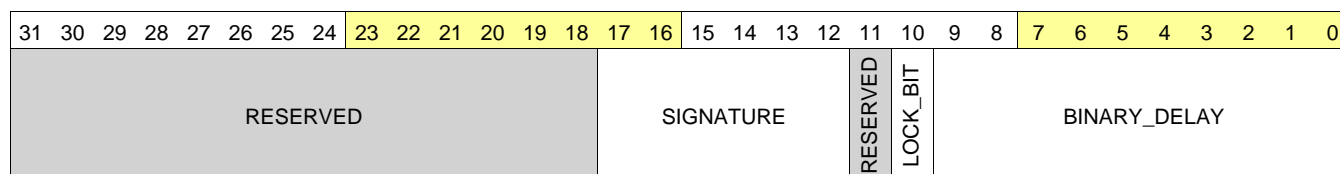
Bits	Field Name	Description	Type	Reset
31:18	RESERVED		R	0x0
17:12	SIGNATURE	Write to this register will succeed only if data on these bits carries a signature of 6'h29 (6'b101001)	RW	0x0
11	RESERVED		R	0x0
10	LOCK_BIT	When '1', prevents HW update to this MMR. When '0', allows HW update of this MMR.	RW	0x0
9:0	BINARY_DELAY	Delay Select Value in binary coded form. Indicates the number of coarse (9:5) and fine (4:0) delay elements to be used on the delay line connected to this pad.	RW	0x0

Table 18-3302. Register Call Summary for Register CFG_VOUT1_D6_OEN

IODELAYCONFIG Module Register Manual
 • [IODELAYCONFIG Register Summary: \[0\]](#)

Table 18-3303. CFG_VOUT1_D6_OUT

Address Offset	0x0000 0C98	Instance	IODELAYCONFIG
Physical Address	0x4844 AC98		
Description	Delay Select Value in binary coded form for cfg_vout1_d6_out interface		
Type	RW		



Bits	Field Name	Description	Type	Reset
31:18	RESERVED		R	0x0
17:12	SIGNATURE	Write to this register will succeed only if data on these bits carries a signature of 6'h29 (6'b101001)	RW	0x0
11	RESERVED		R	0x0
10	LOCK_BIT	When '1', prevents HW update to this MMR. When '0', allows HW update of this MMR.	RW	0x0
9:0	BINARY_DELAY	Delay Select Value in binary coded form. Indicates the number of coarse (9:5) and fine (4:0) delay elements to be used on the delay line connected to this pad.	RW	0x0

Table 18-3304. Register Call Summary for Register CFG_VOUT1_D6_OUT

IODELAYCONFIG Module Register Manual

- [IODELAYCONFIG Register Summary: \[0\]](#)

Table 18-3305. CFG_VOUT1_D7_IN

Address Offset	0x0000 0C9C	Instance	IODELAYCONFIG
Physical Address	0x4844 AC9C		
Description	Delay Select Value in binary coded form for cfg_vout1_d7_in interface		
Type	RW		

31	30	29	28	27	26	25	24	23	22	21	20	19	18	17	16	15	14	13	12	11	10	9	8	7	6	5	4	3	2	1	0
RESERVED								SIGNATURE				RESERVED	LOCK_BIT	BINARY_DELAY																	

Bits	Field Name	Description	Type	Reset
31:18	RESERVED		R	0x0
17:12	SIGNATURE	Write to this register will succeed only if data on these bits carries a signature of 6'h29 (6'b101001)	RW	0x0
11	RESERVED		R	0x0
10	LOCK_BIT	When '1', prevents HW update to this MMR. When '0', allows HW update of this MMR.	RW	0x0
9:0	BINARY_DELAY	Delay Select Value in binary coded form. Indicates the number of coarse (9:5) and fine (4:0) delay elements to be used on the delay line connected to this pad.	RW	0x0

Table 18-3306. Register Call Summary for Register CFG_VOUT1_D7_IN

IODELAYCONFIG Module Register Manual

- [IODELAYCONFIG Register Summary: \[0\]](#)

Table 18-3307. CFG_VOUT1_D7_OEN

Address Offset	0x0000 0CA0	Instance	IODELAYCONFIG
Physical Address	0x4844 ACA0		
Description	Delay Select Value in binary coded form for cfg_vout1_d7_oen interface		
Type	RW		

31	30	29	28	27	26	25	24	23	22	21	20	19	18	17	16	15	14	13	12	11	10	9	8	7	6	5	4	3	2	1	0
RESERVED														SIGNATURE				RESERVED	LOCK_BIT	BINARY_DELAY											

Bits	Field Name	Description	Type	Reset
31:18	RESERVED		R	0x0
17:12	SIGNATURE	Write to this register will succeed only if data on these bits carries a signature of 6'h29 (6'b101001)	RW	0x0
11	RESERVED		R	0x0
10	LOCK_BIT	When '1', prevents HW update to this MMR. When '0', allows HW update of this MMR.	RW	0x0
9:0	BINARY_DELAY	Delay Select Value in binary coded form. Indicates the number of coarse (9:5) and fine (4:0) delay elements to be used on the delay line connected to this pad.	RW	0x0

Table 18-3308. Register Call Summary for Register CFG_VOUT1_D7_OEN

IODELAYCONFIG Module Register Manual

- [IODELAYCONFIG Register Summary: \[0\]](#)

Table 18-3309. CFG_VOUT1_D7_OUT

Address Offset	0x0000 0CA4	Instance	IODELAYCONFIG
Physical Address	0x4844 ACA4		
Description	Delay Select Value in binary coded form for cfg_vout1_d7_out interface		
Type	RW		

31	30	29	28	27	26	25	24	23	22	21	20	19	18	17	16	15	14	13	12	11	10	9	8	7	6	5	4	3	2	1	0
RESERVED														SIGNATURE				RESERVED	LOCK_BIT	BINARY_DELAY											

Bits	Field Name	Description	Type	Reset
31:18	RESERVED		R	0x0
17:12	SIGNATURE	Write to this register will succeed only if data on these bits carries a signature of 6'h29 (6'b101001)	RW	0x0
11	RESERVED		R	0x0
10	LOCK_BIT	When '1', prevents HW update to this MMR. When '0', allows HW update of this MMR.	RW	0x0
9:0	BINARY_DELAY	Delay Select Value in binary coded form. Indicates the number of coarse (9:5) and fine (4:0) delay elements to be used on the delay line connected to this pad.	RW	0x0

Table 18-3310. Register Call Summary for Register CFG_VOUT1_D7_OUT

IODELAYCONFIG Module Register Manual

- [IODELAYCONFIG Register Summary: \[0\]](#)

Table 18-3311. CFG_VOUT1_D8_IN

Address Offset	0x0000 0CA8	Instance	IODELAYCONFIG
Physical Address	0x4844 ACA8		
Description	Delay Select Value in binary coded form for cfg_vout1_d8_in interface		
Type	RW		

31	30	29	28	27	26	25	24	23	22	21	20	19	18	17	16	15	14	13	12	11	10	9	8	7	6	5	4	3	2	1	0
RESERVED														SIGNATURE				RESERVED	LOCK_BIT	BINARY_DELAY											

Bits	Field Name	Description	Type	Reset
31:18	RESERVED		R	0x0
17:12	SIGNATURE	Write to this register will succeed only if data on these bits carries a signature of 6'h29 (6'b101001)	RW	0x0
11	RESERVED		R	0x0
10	LOCK_BIT	When '1', prevents HW update to this MMR. When '0', allows HW update of this MMR.	RW	0x0
9:0	BINARY_DELAY	Delay Select Value in binary coded form. Indicates the number of coarse (9:5) and fine (4:0) delay elements to be used on the delay line connected to this pad.	RW	0x0

Table 18-3312. Register Call Summary for Register CFG_VOUT1_D8_IN

IODELAYCONFIG Module Register Manual

- [IODELAYCONFIG Register Summary: \[0\]](#)

Table 18-3313. CFG_VOUT1_D8_OEN

Address Offset	0x0000 0CAC	Instance	IODELAYCONFIG
Physical Address	0x4844 ACAC		
Description	Delay Select Value in binary coded form for cfg_vout1_d8_oen interface		
Type	RW		

31	30	29	28	27	26	25	24	23	22	21	20	19	18	17	16	15	14	13	12	11	10	9	8	7	6	5	4	3	2	1	0
RESERVED														SIGNATURE				RESERVED	LOCK_BIT	BINARY_DELAY											

Bits	Field Name	Description	Type	Reset
31:18	RESERVED		R	0x0
17:12	SIGNATURE	Write to this register will succeed only if data on these bits carries a signature of 6'h29 (6'b101001)	RW	0x0
11	RESERVED		R	0x0
10	LOCK_BIT	When '1', prevents HW update to this MMR. When '0', allows HW update of this MMR.	RW	0x0
9:0	BINARY_DELAY	Delay Select Value in binary coded form. Indicates the number of coarse (9:5) and fine (4:0) delay elements to be used on the delay line connected to this pad.	RW	0x0

Table 18-3314. Register Call Summary for Register CFG_VOUT1_D8_OEN

IODELAYCONFIG Module Register Manual

- [IODELAYCONFIG Register Summary: \[0\]](#)

Table 18-3315. CFG_VOUT1_D8_OUT

Address Offset	0x0000 0CB0	Instance	IODELAYCONFIG
Physical Address	0x4844 ACB0		
Description	Delay Select Value in binary coded form for cfg_vout1_d8_out interface		
Type	RW		

31	30	29	28	27	26	25	24	23	22	21	20	19	18	17	16	15	14	13	12	11	10	9	8	7	6	5	4	3	2	1	0		
RESERVED																SIGNATURE						RESERVED	LOCK_BIT	BINARY_DELAY									

Bits	Field Name	Description	Type	Reset
31:18	RESERVED		R	0x0
17:12	SIGNATURE	Write to this register will succeed only if data on these bits carries a signature of 6'h29 (6'b101001)	RW	0x0
11	RESERVED		R	0x0
10	LOCK_BIT	When '1', prevents HW update to this MMR. When '0', allows HW update of this MMR.	RW	0x0
9:0	BINARY_DELAY	Delay Select Value in binary coded form. Indicates the number of coarse (9:5) and fine (4:0) delay elements to be used on the delay line connected to this pad.	RW	0x0

Table 18-3316. Register Call Summary for Register CFG_VOUT1_D8_OUT

IODELAYCONFIG Module Register Manual

- [IODELAYCONFIG Register Summary: \[0\]](#)

Table 18-3317. CFG_VOUT1_D9_IN

Address Offset	0x0000 0CB4	Instance	IODELAYCONFIG
Physical Address	0x4844 ACB4		
Description	Delay Select Value in binary coded form for cfg_vout1_d9_in interface		
Type	RW		

31	30	29	28	27	26	25	24	23	22	21	20	19	18	17	16	15	14	13	12	11	10	9	8	7	6	5	4	3	2	1	0		
RESERVED																SIGNATURE						RESERVED	LOCK_BIT	BINARY_DELAY									

Bits	Field Name	Description	Type	Reset
31:18	RESERVED		R	0x0
17:12	SIGNATURE	Write to this register will succeed only if data on these bits carries a signature of 6'h29 (6'b101001)	RW	0x0
11	RESERVED		R	0x0

Bits	Field Name	Description	Type	Reset
10	LOCK_BIT	When '1', prevents HW update to this MMR. When '0', allows HW update of this MMR.	RW	0x0
9:0	BINARY_DELAY	Delay Select Value in binary coded form. Indicates the number of coarse (9:5) and fine (4:0) delay elements to be used on the delay line connected to this pad.	RW	0x0

Table 18-3318. Register Call Summary for Register CFG_VOUT1_D9_IN

IODELAYCONFIG Module Register Manual

- [IODELAYCONFIG Register Summary: \[0\]](#)

Table 18-3319. CFG_VOUT1_D9_OEN

Address Offset	0x0000 0CB8	Instance	IODELAYCONFIG
Physical Address	0x4844 ACB8		
Description	Delay Select Value in binary coded form for cfg_vout1_d9_oen interface		
Type	RW		

31	30	29	28	27	26	25	24	23	22	21	20	19	18	17	16	15	14	13	12	11	10	9	8	7	6	5	4	3	2	1	0
RESERVED								SIGNATURE								RESERVED	LOCK_BIT	BINARY_DELAY													

Bits	Field Name	Description	Type	Reset
31:18	RESERVED		R	0x0
17:12	SIGNATURE	Write to this register will succeed only if data on these bits carries a signature of 6'h29 (6'b101001)	RW	0x0
11	RESERVED		R	0x0
10	LOCK_BIT	When '1', prevents HW update to this MMR. When '0', allows HW update of this MMR.	RW	0x0
9:0	BINARY_DELAY	Delay Select Value in binary coded form. Indicates the number of coarse (9:5) and fine (4:0) delay elements to be used on the delay line connected to this pad.	RW	0x0

Table 18-3320. Register Call Summary for Register CFG_VOUT1_D9_OEN

IODELAYCONFIG Module Register Manual

- [IODELAYCONFIG Register Summary: \[0\]](#)

Table 18-3321. CFG_VOUT1_D9_OUT

Address Offset	0x0000 0CBC	Instance	IODELAYCONFIG
Physical Address	0x4844 ACBC		
Description	Delay Select Value in binary coded form for cfg_vout1_d9_out interface		
Type	RW		

31	30	29	28	27	26	25	24	23	22	21	20	19	18	17	16	15	14	13	12	11	10	9	8	7	6	5	4	3	2	1	0
RESERVED								SIGNATURE								RESERVED	LOCK_BIT	BINARY_DELAY													

Bits	Field Name	Description	Type	Reset
31:18	RESERVED		R	0x0
17:12	SIGNATURE	Write to this register will succeed only if data on these bits carries a signature of 6'h29 (6'b101001)	RW	0x0
11	RESERVED		R	0x0
10	LOCK_BIT	When '1', prevents HW update to this MMR. When '0', allows HW update of this MMR.	RW	0x0
9:0	BINARY_DELAY	Delay Select Value in binary coded form. Indicates the number of coarse (9:5) and fine (4:0) delay elements to be used on the delay line connected to this pad.	RW	0x0

Table 18-3322. Register Call Summary for Register CFG_VOUT1_D9_OUT

IODELAYCONFIG Module Register Manual

- [IODELAYCONFIG Register Summary: \[0\]](#)

Table 18-3323. CFG_VOUT1_DE_IN

Address Offset	0x0000 OCC0	Instance	IODELAYCONFIG
Physical Address	0x4844 ACC0		
Description	Delay Select Value in binary coded form for cfg_vout1_de_in interface		
Type	RW		

31	30	29	28	27	26	25	24	23	22	21	20	19	18	17	16	15	14	13	12	11	10	9	8	7	6	5	4	3	2	1	0
RESERVED								SIGNATURE				RESERVED	LOCK_BIT	BINARY_DELAY																	

Bits	Field Name	Description	Type	Reset
31:18	RESERVED		R	0x0
17:12	SIGNATURE	Write to this register will succeed only if data on these bits carries a signature of 6'h29 (6'b101001)	RW	0x0
11	RESERVED		R	0x0
10	LOCK_BIT	When '1', prevents HW update to this MMR. When '0', allows HW update of this MMR.	RW	0x0
9:0	BINARY_DELAY	Delay Select Value in binary coded form. Indicates the number of coarse (9:5) and fine (4:0) delay elements to be used on the delay line connected to this pad.	RW	0x0

Table 18-3324. Register Call Summary for Register CFG_VOUT1_DE_IN

IODELAYCONFIG Module Register Manual

- [IODELAYCONFIG Register Summary: \[0\]](#)

Table 18-3325. CFG_VOUT1_DE_OEN

Address Offset	0x0000 OCC4	Instance	IODELAYCONFIG
Physical Address	0x4844 ACC4		
Description	Delay Select Value in binary coded form for cfg_vout1_de_oen interface		
Type	RW		

31	30	29	28	27	26	25	24	23	22	21	20	19	18	17	16	15	14	13	12	11	10	9	8	7	6	5	4	3	2	1	0
RESERVED														SIGNATURE				RESERVED	LOCK_BIT	BINARY_DELAY											

Bits	Field Name	Description	Type	Reset
31:18	RESERVED		R	0x0
17:12	SIGNATURE	Write to this register will succeed only if data on these bits carries a signature of 6'h29 (6'b101001)	RW	0x0
11	RESERVED		R	0x0
10	LOCK_BIT	When '1', prevents HW update to this MMR. When '0', allows HW update of this MMR.	RW	0x0
9:0	BINARY_DELAY	Delay Select Value in binary coded form. Indicates the number of coarse (9:5) and fine (4:0) delay elements to be used on the delay line connected to this pad.	RW	0x0

Table 18-3326. Register Call Summary for Register CFG_VOUT1_DE_OEN

IODELAYCONFIG Module Register Manual

- [IODELAYCONFIG Register Summary: \[0\]](#)

Table 18-3327. CFG_VOUT1_DE_OUT

Address Offset	0x0000 0CC8	Instance	IODELAYCONFIG
Physical Address	0x4844 ACC8		
Description	Delay Select Value in binary coded form for cfg_vout1_de_out interface		
Type	RW		

31	30	29	28	27	26	25	24	23	22	21	20	19	18	17	16	15	14	13	12	11	10	9	8	7	6	5	4	3	2	1	0
RESERVED														SIGNATURE				RESERVED	LOCK_BIT	BINARY_DELAY											

Bits	Field Name	Description	Type	Reset
31:18	RESERVED		R	0x0
17:12	SIGNATURE	Write to this register will succeed only if data on these bits carries a signature of 6'h29 (6'b101001)	RW	0x0
11	RESERVED		R	0x0
10	LOCK_BIT	When '1', prevents HW update to this MMR. When '0', allows HW update of this MMR.	RW	0x0
9:0	BINARY_DELAY	Delay Select Value in binary coded form. Indicates the number of coarse (9:5) and fine (4:0) delay elements to be used on the delay line connected to this pad.	RW	0x0

Table 18-3328. Register Call Summary for Register CFG_VOUT1_DE_OUT

IODELAYCONFIG Module Register Manual

- [IODELAYCONFIG Register Summary: \[0\]](#)

Table 18-3329. CFG_VOUT1_FLD_IN

Address Offset	0x0000 0CCC	Instance	IODELAYCONFIG
Physical Address	0x4844 ACCC		
Description	Delay Select Value in binary coded form for cfg_vout1_fld_in interface		
Type	RW		

31	30	29	28	27	26	25	24	23	22	21	20	19	18	17	16	15	14	13	12	11	10	9	8	7	6	5	4	3	2	1	0
RESERVED														SIGNATURE				RESERVED	LOCK_BIT	BINARY_DELAY											

Bits	Field Name	Description	Type	Reset
31:18	RESERVED		R	0x0
17:12	SIGNATURE	Write to this register will succeed only if data on these bits carries a signature of 6'h29 (6'b101001)	RW	0x0
11	RESERVED		R	0x0
10	LOCK_BIT	When '1', prevents HW update to this MMR. When '0', allows HW update of this MMR.	RW	0x0
9:0	BINARY_DELAY	Delay Select Value in binary coded form. Indicates the number of coarse (9:5) and fine (4:0) delay elements to be used on the delay line connected to this pad.	RW	0x0

Table 18-3330. Register Call Summary for Register CFG_VOUT1_FLD_IN

IODELAYCONFIG Module Register Manual

- [IODELAYCONFIG Register Summary: \[0\]](#)

Table 18-3331. CFG_VOUT1_FLD_OEN

Address Offset	0x0000 0CD0	Instance	IODELAYCONFIG
Physical Address	0x4844 ACD0		
Description	Delay Select Value in binary coded form for cfg_vout1_fld_oen interface		
Type	RW		

31	30	29	28	27	26	25	24	23	22	21	20	19	18	17	16	15	14	13	12	11	10	9	8	7	6	5	4	3	2	1	0
RESERVED														SIGNATURE				RESERVED	LOCK_BIT	BINARY_DELAY											

Bits	Field Name	Description	Type	Reset
31:18	RESERVED		R	0x0
17:12	SIGNATURE	Write to this register will succeed only if data on these bits carries a signature of 6'h29 (6'b101001)	RW	0x0
11	RESERVED		R	0x0
10	LOCK_BIT	When '1', prevents HW update to this MMR. When '0', allows HW update of this MMR.	RW	0x0
9:0	BINARY_DELAY	Delay Select Value in binary coded form. Indicates the number of coarse (9:5) and fine (4:0) delay elements to be used on the delay line connected to this pad.	RW	0x0

Table 18-3332. Register Call Summary for Register CFG_VOUT1_FLD_OEN

IODELAYCONFIG Module Register Manual

- [IODELAYCONFIG Register Summary: \[0\]](#)

Table 18-3333. CFG_VOUT1_FLD_OUT

Address Offset	0x0000 OCD4	Instance	IODELAYCONFIG
Physical Address	0x4844 ACD4		
Description	Delay Select Value in binary coded form for cfg_vout1 fld_out interface		
Type	RW		

31	30	29	28	27	26	25	24	23	22	21	20	19	18	17	16	15	14	13	12	11	10	9	8	7	6	5	4	3	2	1	0		
RESERVED																SIGNATURE						RESERVED	LOCK_BIT	BINARY_DELAY									

Bits	Field Name	Description	Type	Reset
31:18	RESERVED		R	0x0
17:12	SIGNATURE	Write to this register will succeed only if data on these bits carries a signature of 6'h29 (6'b101001)	RW	0x0
11	RESERVED		R	0x0
10	LOCK_BIT	When '1', prevents HW update to this MMR. When '0', allows HW update of this MMR.	RW	0x0
9:0	BINARY_DELAY	Delay Select Value in binary coded form. Indicates the number of coarse (9:5) and fine (4:0) delay elements to be used on the delay line connected to this pad.	RW	0x0

Table 18-3334. Register Call Summary for Register CFG_VOUT1_FLD_OUT

IODELAYCONFIG Module Register Manual

- [IODELAYCONFIG Register Summary: \[0\]](#)

Table 18-3335. CFG_VOUT1_HSYNC_IN

Address Offset	0x0000 OCD8	Instance	IODELAYCONFIG
Physical Address	0x4844 ACD8		
Description	Delay Select Value in binary coded form for cfg_vout1_hsync_in interface		
Type	RW		

31	30	29	28	27	26	25	24	23	22	21	20	19	18	17	16	15	14	13	12	11	10	9	8	7	6	5	4	3	2	1	0		
RESERVED																SIGNATURE						RESERVED	LOCK_BIT	BINARY_DELAY									

Bits	Field Name	Description	Type	Reset
31:18	RESERVED		R	0x0
17:12	SIGNATURE	Write to this register will succeed only if data on these bits carries a signature of 6'h29 (6'b101001)	RW	0x0
11	RESERVED		R	0x0

Bits	Field Name	Description	Type	Reset
10	LOCK_BIT	When '1', prevents HW update to this MMR. When '0', allows HW update of this MMR.	RW	0x0
9:0	BINARY_DELAY	Delay Select Value in binary coded form. Indicates the number of coarse (9:5) and fine (4:0) delay elements to be used on the delay line connected to this pad.	RW	0x0

Table 18-3336. Register Call Summary for Register CFG_VOUT1_HSYNC_IN

IODELAYCONFIG Module Register Manual

- [IODELAYCONFIG Register Summary: \[0\]](#)

Table 18-3337. CFG_VOUT1_HSYNC_OEN

Address Offset	0x0000 0CDC	Instance	IODELAYCONFIG
Physical Address	0x4844 ACDC		
Description	Delay Select Value in binary coded form for cfg_vout1_hsync_oen interface		
Type	RW		

31	30	29	28	27	26	25	24	23	22	21	20	19	18	17	16	15	14	13	12	11	10	9	8	7	6	5	4	3	2	1	0
RESERVED								SIGNATURE								RESERVED	LOCK_BIT	BINARY_DELAY													

Bits	Field Name	Description	Type	Reset
31:18	RESERVED		R	0x0
17:12	SIGNATURE	Write to this register will succeed only if data on these bits carries a signature of 6'h29 (6'b101001)	RW	0x0
11	RESERVED		R	0x0
10	LOCK_BIT	When '1', prevents HW update to this MMR. When '0', allows HW update of this MMR.	RW	0x0
9:0	BINARY_DELAY	Delay Select Value in binary coded form. Indicates the number of coarse (9:5) and fine (4:0) delay elements to be used on the delay line connected to this pad.	RW	0x0

Table 18-3338. Register Call Summary for Register CFG_VOUT1_HSYNC_OEN

IODELAYCONFIG Module Register Manual

- [IODELAYCONFIG Register Summary: \[0\]](#)

Table 18-3339. CFG_VOUT1_HSYNC_OUT

Address Offset	0x0000 0CE0	Instance	IODELAYCONFIG
Physical Address	0x4844 ACE0		
Description	Delay Select Value in binary coded form for cfg_vout1_hsync_out interface		
Type	RW		

31	30	29	28	27	26	25	24	23	22	21	20	19	18	17	16	15	14	13	12	11	10	9	8	7	6	5	4	3	2	1	0
RESERVED								SIGNATURE								RESERVED	LOCK_BIT	BINARY_DELAY													

Bits	Field Name	Description	Type	Reset
31:18	RESERVED		R	0x0
17:12	SIGNATURE	Write to this register will succeed only if data on these bits carries a signature of 6'h29 (6'b101001)	RW	0x0
11	RESERVED		R	0x0
10	LOCK_BIT	When '1', prevents HW update to this MMR. When '0', allows HW update of this MMR.	RW	0x0
9:0	BINARY_DELAY	Delay Select Value in binary coded form. Indicates the number of coarse (9:5) and fine (4:0) delay elements to be used on the delay line connected to this pad.	RW	0x0

Table 18-3340. Register Call Summary for Register CFG_VOUT1_HSYNC_OUT

IODELAYCONFIG Module Register Manual

- [IODELAYCONFIG Register Summary: \[0\]](#)

Table 18-3341. CFG_VOUT1_VSYNC_IN

Address Offset	0x0000 0CE4	Instance	IODELAYCONFIG
Physical Address	0x4844 ACE4		
Description	Delay Select Value in binary coded form for cfg_vout1_vsync_in interface		
Type	RW		

31	30	29	28	27	26	25	24	23	22	21	20	19	18	17	16	15	14	13	12	11	10	9	8	7	6	5	4	3	2	1	0
RESERVED								SIGNATURE				RESERVED	LOCK_BIT	BINARY_DELAY																	

Bits	Field Name	Description	Type	Reset
31:18	RESERVED		R	0x0
17:12	SIGNATURE	Write to this register will succeed only if data on these bits carries a signature of 6'h29 (6'b101001)	RW	0x0
11	RESERVED		R	0x0
10	LOCK_BIT	When '1', prevents HW update to this MMR. When '0', allows HW update of this MMR.	RW	0x0
9:0	BINARY_DELAY	Delay Select Value in binary coded form. Indicates the number of coarse (9:5) and fine (4:0) delay elements to be used on the delay line connected to this pad.	RW	0x0

Table 18-3342. Register Call Summary for Register CFG_VOUT1_VSYNC_IN

IODELAYCONFIG Module Register Manual

- [IODELAYCONFIG Register Summary: \[0\]](#)

Table 18-3343. CFG_VOUT1_VSYNC_OEN

Address Offset	0x0000 0CE8	Instance	IODELAYCONFIG
Physical Address	0x4844 ACE8		
Description	Delay Select Value in binary coded form for cfg_vout1_vsync_oen interface		
Type	RW		

31	30	29	28	27	26	25	24	23	22	21	20	19	18	17	16	15	14	13	12	11	10	9	8	7	6	5	4	3	2	1	0
RESERVED								SIGNATURE				RESERVED	LOCK_BIT	BINARY_DELAY																	

Bits	Field Name	Description	Type	Reset
31:18	RESERVED		R	0x0
17:12	SIGNATURE	Write to this register will succeed only if data on these bits carries a signature of 6'h29 (6'b101001)	RW	0x0
11	RESERVED		R	0x0
10	LOCK_BIT	When '1', prevents HW update to this MMR. When '0', allows HW update of this MMR.	RW	0x0
9:0	BINARY_DELAY	Delay Select Value in binary coded form. Indicates the number of coarse (9:5) and fine (4:0) delay elements to be used on the delay line connected to this pad.	RW	0x0

Table 18-3344. Register Call Summary for Register CFG_VOUT1_VSYNC_OEN

IODELAYCONFIG Module Register Manual

- [IODELAYCONFIG Register Summary: \[0\]](#)

Table 18-3345. CFG_VOUT1_VSYNC_OUT

Address Offset	0x0000 OCEC	Instance	IODELAYCONFIG
Physical Address	0x4844 ACEC		
Description	Delay Select Value in binary coded form for cfg_vout1_vsync_out interface		
Type	RW		

31	30	29	28	27	26	25	24	23	22	21	20	19	18	17	16	15	14	13	12	11	10	9	8	7	6	5	4	3	2	1	0
RESERVED								SIGNATURE				RESERVED	LOCK_BIT	BINARY_DELAY																	

Bits	Field Name	Description	Type	Reset
31:18	RESERVED		R	0x0
17:12	SIGNATURE	Write to this register will succeed only if data on these bits carries a signature of 6'h29 (6'b101001)	RW	0x0
11	RESERVED		R	0x0
10	LOCK_BIT	When '1', prevents HW update to this MMR. When '0', allows HW update of this MMR.	RW	0x0
9:0	BINARY_DELAY	Delay Select Value in binary coded form. Indicates the number of coarse (9:5) and fine (4:0) delay elements to be used on the delay line connected to this pad.	RW	0x0

Table 18-3346. Register Call Summary for Register CFG_VOUT1_VSYNC_OUT

IODELAYCONFIG Module Register Manual

- [IODELAYCONFIG Register Summary: \[0\]](#)

Table 18-3347. CFG_XREF_CLK0_IN

Address Offset	0x0000 0CF0	Instance	IODELAYCONFIG
Physical Address	0x4844 ACF0		
Description	Delay Select Value in binary coded form for cfg_xref_clk0_in interface		
Type	RW		

31	30	29	28	27	26	25	24	23	22	21	20	19	18	17	16	15	14	13	12	11	10	9	8	7	6	5	4	3	2	1	0
RESERVED														SIGNATURE				RESERVED	LOCK_BIT	BINARY_DELAY											

Bits	Field Name	Description	Type	Reset
31:18	RESERVED		R	0x0
17:12	SIGNATURE	Write to this register will succeed only if data on these bits carries a signature of 6'h29 (6'b101001)	RW	0x0
11	RESERVED		R	0x0
10	LOCK_BIT	When '1', prevents HW update to this MMR. When '0', allows HW update of this MMR.	RW	0x0
9:0	BINARY_DELAY	Delay Select Value in binary coded form. Indicates the number of coarse (9:5) and fine (4:0) delay elements to be used on the delay line connected to this pad.	RW	0x0

Table 18-3348. Register Call Summary for Register CFG_XREF_CLK0_IN

IODELAYCONFIG Module Register Manual

- [IODELAYCONFIG Register Summary: \[0\]](#)

Table 18-3349. CFG_XREF_CLK0_OEN

Address Offset	0x0000 0CF4	Instance	IODELAYCONFIG
Physical Address	0x4844 ACF4		
Description	Delay Select Value in binary coded form for cfg_xref_clk0_oen interface		
Type	RW		

31	30	29	28	27	26	25	24	23	22	21	20	19	18	17	16	15	14	13	12	11	10	9	8	7	6	5	4	3	2	1	0
RESERVED														SIGNATURE				RESERVED	LOCK_BIT	BINARY_DELAY											

Bits	Field Name	Description	Type	Reset
31:18	RESERVED		R	0x0
17:12	SIGNATURE	Write to this register will succeed only if data on these bits carries a signature of 6'h29 (6'b101001)	RW	0x0
11	RESERVED		R	0x0
10	LOCK_BIT	When '1', prevents HW update to this MMR. When '0', allows HW update of this MMR.	RW	0x0
9:0	BINARY_DELAY	Delay Select Value in binary coded form. Indicates the number of coarse (9:5) and fine (4:0) delay elements to be used on the delay line connected to this pad.	RW	0x0

Table 18-3350. Register Call Summary for Register CFG_XREF_CLK0_OEN

IODELAYCONFIG Module Register Manual

- [IODELAYCONFIG Register Summary: \[0\]](#)

Table 18-3351. CFG_XREF_CLK0_OUT

Address Offset	0x0000 0CF8	Instance	IODELAYCONFIG
Physical Address	0x4844 ACF8		
Description	Delay Select Value in binary coded form for cfg_xref_clk0_out interface		
Type	RW		

31	30	29	28	27	26	25	24	23	22	21	20	19	18	17	16	15	14	13	12	11	10	9	8	7	6	5	4	3	2	1	0
RESERVED														SIGNATURE				RESERVED	LOCK_BIT	BINARY_DELAY											

Bits	Field Name	Description	Type	Reset
31:18	RESERVED		R	0x0
17:12	SIGNATURE	Write to this register will succeed only if data on these bits carries a signature of 6'h29 (6'b101001)	RW	0x0
11	RESERVED		R	0x0
10	LOCK_BIT	When '1', prevents HW update to this MMR. When '0', allows HW update of this MMR.	RW	0x0
9:0	BINARY_DELAY	Delay Select Value in binary coded form. Indicates the number of coarse (9:5) and fine (4:0) delay elements to be used on the delay line connected to this pad.	RW	0x0

Table 18-3352. Register Call Summary for Register CFG_XREF_CLK0_OUT

IODELAYCONFIG Module Register Manual

- [IODELAYCONFIG Register Summary: \[0\]](#)

Table 18-3353. CFG_XREF_CLK1_IN

Address Offset	0x0000 0CFC	Instance	IODELAYCONFIG
Physical Address	0x4844 ACF8		
Description	Delay Select Value in binary coded form for cfg_xref_clk1_in interface		
Type	RW		

31	30	29	28	27	26	25	24	23	22	21	20	19	18	17	16	15	14	13	12	11	10	9	8	7	6	5	4	3	2	1	0
RESERVED														SIGNATURE				RESERVED	LOCK_BIT	BINARY_DELAY											

Bits	Field Name	Description	Type	Reset
31:18	RESERVED		R	0x0
17:12	SIGNATURE	Write to this register will succeed only if data on these bits carries a signature of 6'h29 (6'b101001)	RW	0x0
11	RESERVED		R	0x0

Bits	Field Name	Description	Type	Reset
10	LOCK_BIT	When '1', prevents HW update to this MMR. When '0', allows HW update of this MMR.	RW	0x0
9:0	BINARY_DELAY	Delay Select Value in binary coded form. Indicates the number of coarse (9:5) and fine (4:0) delay elements to be used on the delay line connected to this pad.	RW	0x0

Table 18-3354. Register Call Summary for Register CFG_XREF_CLK1_IN

IODELAYCONFIG Module Register Manual

- [IODELAYCONFIG Register Summary: \[0\]](#)

Table 18-3355. CFG_XREF_CLK1_OEN

Address Offset	0x0000 0D00	Instance	IODELAYCONFIG
Physical Address	0x4844 AD00		
Description	Delay Select Value in binary coded form for cfg_xref_clk1_oen interface		
Type	RW		

31	30	29	28	27	26	25	24	23	22	21	20	19	18	17	16	15	14	13	12	11	10	9	8	7	6	5	4	3	2	1	0
RESERVED								SIGNATURE								RESERVED	LOCK_BIT	BINARY_DELAY													

Bits	Field Name	Description	Type	Reset
31:18	RESERVED		R	0x0
17:12	SIGNATURE	Write to this register will succeed only if data on these bits carries a signature of 6'h29 (6'b101001)	RW	0x0
11	RESERVED		R	0x0
10	LOCK_BIT	When '1', prevents HW update to this MMR. When '0', allows HW update of this MMR.	RW	0x0
9:0	BINARY_DELAY	Delay Select Value in binary coded form. Indicates the number of coarse (9:5) and fine (4:0) delay elements to be used on the delay line connected to this pad.	RW	0x0

Table 18-3356. Register Call Summary for Register CFG_XREF_CLK1_OEN

IODELAYCONFIG Module Register Manual

- [IODELAYCONFIG Register Summary: \[0\]](#)

Table 18-3357. CFG_XREF_CLK1_OUT

Address Offset	0x0000 0D04	Instance	IODELAYCONFIG
Physical Address	0x4844 AD04		
Description	Delay Select Value in binary coded form for cfg_xref_clk1_out interface		
Type	RW		

31	30	29	28	27	26	25	24	23	22	21	20	19	18	17	16	15	14	13	12	11	10	9	8	7	6	5	4	3	2	1	0
RESERVED								SIGNATURE								RESERVED	LOCK_BIT	BINARY_DELAY													

Bits	Field Name	Description	Type	Reset
31:18	RESERVED		R	0x0
17:12	SIGNATURE	Write to this register will succeed only if data on these bits carries a signature of 6'h29 (6'b101001)	RW	0x0
11	RESERVED		R	0x0
10	LOCK_BIT	When '1', prevents HW update to this MMR. When '0', allows HW update of this MMR.	RW	0x0
9:0	BINARY_DELAY	Delay Select Value in binary coded form. Indicates the number of coarse (9:5) and fine (4:0) delay elements to be used on the delay line connected to this pad.	RW	0x0

Table 18-3358. Register Call Summary for Register CFG_XREF_CLK1_OUT

IODELAYCONFIG Module Register Manual

- [IODELAYCONFIG Register Summary: \[0\]](#)

Table 18-3359. CFG_XREF_CLK2_IN

Address Offset	0x0000 0D08	Instance	IODELAYCONFIG
Physical Address	0x4844 AD08		
Description	Delay Select Value in binary coded form for cfg_xref_clk2_in interface		
Type	RW		

31	30	29	28	27	26	25	24	23	22	21	20	19	18	17	16	15	14	13	12	11	10	9	8	7	6	5	4	3	2	1	0
RESERVED								SIGNATURE				RESERVED	LOCK_BIT	BINARY_DELAY																	

Bits	Field Name	Description	Type	Reset
31:18	RESERVED		R	0x0
17:12	SIGNATURE	Write to this register will succeed only if data on these bits carries a signature of 6'h29 (6'b101001)	RW	0x0
11	RESERVED		R	0x0
10	LOCK_BIT	When '1', prevents HW update to this MMR. When '0', allows HW update of this MMR.	RW	0x0
9:0	BINARY_DELAY	Delay Select Value in binary coded form. Indicates the number of coarse (9:5) and fine (4:0) delay elements to be used on the delay line connected to this pad.	RW	0x0

Table 18-3360. Register Call Summary for Register CFG_XREF_CLK2_IN

IODELAYCONFIG Module Register Manual

- [IODELAYCONFIG Register Summary: \[0\]](#)

Table 18-3361. CFG_XREF_CLK2_OEN

Address Offset	0x0000 0D0C	Instance	IODELAYCONFIG
Physical Address	0x4844 AD0C		
Description	Delay Select Value in binary coded form for cfg_xref_clk2_oen interface		
Type	RW		

31	30	29	28	27	26	25	24	23	22	21	20	19	18	17	16	15	14	13	12	11	10	9	8	7	6	5	4	3	2	1	0
RESERVED								SIGNATURE				RESERVED	LOCK_BIT	BINARY_DELAY																	

Bits	Field Name	Description	Type	Reset
31:18	RESERVED		R	0x0
17:12	SIGNATURE	Write to this register will succeed only if data on these bits carries a signature of 6'h29 (6'b101001)	RW	0x0
11	RESERVED		R	0x0
10	LOCK_BIT	When '1', prevents HW update to this MMR. When '0', allows HW update of this MMR.	RW	0x0
9:0	BINARY_DELAY	Delay Select Value in binary coded form. Indicates the number of coarse (9:5) and fine (4:0) delay elements to be used on the delay line connected to this pad.	RW	0x0

Table 18-3362. Register Call Summary for Register CFG_XREF_CLK2_OEN

IODELAYCONFIG Module Register Manual

- [IODELAYCONFIG Register Summary: \[0\]](#)

Table 18-3363. CFG_XREF_CLK2_OUT

Address Offset	0x0000 0D10	Instance	IODELAYCONFIG
Physical Address	0x4844 AD10		
Description	Delay Select Value in binary coded form for cfg_xref_clk2_out interface		
Type	RW		

31	30	29	28	27	26	25	24	23	22	21	20	19	18	17	16	15	14	13	12	11	10	9	8	7	6	5	4	3	2	1	0
RESERVED								SIGNATURE				RESERVED	LOCK_BIT	BINARY_DELAY																	

Bits	Field Name	Description	Type	Reset
31:18	RESERVED		R	0x0
17:12	SIGNATURE	Write to this register will succeed only if data on these bits carries a signature of 6'h29 (6'b101001)	RW	0x0
11	RESERVED		R	0x0
10	LOCK_BIT	When '1', prevents HW update to this MMR. When '0', allows HW update of this MMR.	RW	0x0
9:0	BINARY_DELAY	Delay Select Value in binary coded form. Indicates the number of coarse (9:5) and fine (4:0) delay elements to be used on the delay line connected to this pad.	RW	0x0

Table 18-3364. Register Call Summary for Register CFG_XREF_CLK2_OUT

IODELAYCONFIG Module Register Manual

- [IODELAYCONFIG Register Summary: \[0\]](#)

Table 18-3365. CFG_XREF_CLK3_IN

Address Offset	0x0000 0D14	Instance	IODELAYCONFIG
Physical Address	0x4844 AD14		
Description	Delay Select Value in binary coded form for cfg_xref_clk3_in interface		
Type	RW		

31	30	29	28	27	26	25	24	23	22	21	20	19	18	17	16	15	14	13	12	11	10	9	8	7	6	5	4	3	2	1	0
RESERVED														SIGNATURE				RESERVED	LOCK_BIT	BINARY_DELAY											

Bits	Field Name	Description	Type	Reset
31:18	RESERVED		R	0x0
17:12	SIGNATURE	Write to this register will succeed only if data on these bits carries a signature of 6'h29 (6'b101001)	RW	0x0
11	RESERVED		R	0x0
10	LOCK_BIT	When '1', prevents HW update to this MMR. When '0', allows HW update of this MMR.	RW	0x0
9:0	BINARY_DELAY	Delay Select Value in binary coded form. Indicates the number of coarse (9:5) and fine (4:0) delay elements to be used on the delay line connected to this pad.	RW	0x0

Table 18-3366. Register Call Summary for Register CFG_XREF_CLK3_IN

IODELAYCONFIG Module Register Manual

- [IODELAYCONFIG Register Summary: \[0\]](#)

Table 18-3367. CFG_XREF_CLK3_OEN

Address Offset	0x0000 0D18	Instance	IODELAYCONFIG
Physical Address	0x4844 AD18		
Description	Delay Select Value in binary coded form for cfg_xref_clk3_oen interface		
Type	RW		

31	30	29	28	27	26	25	24	23	22	21	20	19	18	17	16	15	14	13	12	11	10	9	8	7	6	5	4	3	2	1	0
RESERVED														SIGNATURE				RESERVED	LOCK_BIT	BINARY_DELAY											

Bits	Field Name	Description	Type	Reset
31:18	RESERVED		R	0x0
17:12	SIGNATURE	Write to this register will succeed only if data on these bits carries a signature of 6'h29 (6'b101001)	RW	0x0
11	RESERVED		R	0x0
10	LOCK_BIT	When '1', prevents HW update to this MMR. When '0', allows HW update of this MMR.	RW	0x0
9:0	BINARY_DELAY	Delay Select Value in binary coded form. Indicates the number of coarse (9:5) and fine (4:0) delay elements to be used on the delay line connected to this pad.	RW	0x0

Table 18-3368. Register Call Summary for Register CFG_XREF_CLK3_OEN

IODELAYCONFIG Module Register Manual
 • [IODELAYCONFIG Register Summary: \[0\]](#)

Table 18-3369. CFG_XREF_CLK3_OUT

Address Offset	0x0000 0D1C	Instance	IODELAYCONFIG
Physical Address	0x4844 AD1C		
Description	Delay Select Value in binary coded form for cfg_xref_clk3_out interface		
Type	RW		

31	30	29	28	27	26	25	24	23	22	21	20	19	18	17	16	15	14	13	12	11	10	9	8	7	6	5	4	3	2	1	0
RESERVED														SIGNATURE				RESERVED	LOCK_BIT	BINARY_DELAY											

Bits	Field Name	Description	Type	Reset
31:18	RESERVED		R	0x0
17:12	SIGNATURE	Write to this register will succeed only if data on these bits carries a signature of 6'h29 (6'b101001)	RW	0x0
11	RESERVED		R	0x0
10	LOCK_BIT	When '1', prevents HW update to this MMR. When '0', allows HW update of this MMR.	RW	0x0
9:0	BINARY_DELAY	Delay Select Value in binary coded form. Indicates the number of coarse (9:5) and fine (4:0) delay elements to be used on the delay line connected to this pad.	RW	0x0

Table 18-3370. Register Call Summary for Register CFG_XREF_CLK3_OUT

IODELAYCONFIG Module Register Manual
 • [IODELAYCONFIG Register Summary: \[0\]](#)

Mailbox

This chapter describes the mailbox module in the device.

Topic	Page
19.1 Mailbox Overview	5353
19.2 Mailbox Integration	5353
19.3 Mailbox Functional Description	5359
19.4 Mailbox Programming Guide	5365
19.5 Mailbox Register Manual	5368

19.1 Mailbox Overview

Communication between the on-chip processors of the device uses a queued mailbox-interrupt mechanism.

The queued mailbox-interrupt mechanism allows the software to establish a communication channel between two processors through a set of registers and associated interrupt signals by sending and receiving messages (mailboxes).

The device implements the following mailbox types:

- System mailbox:
 - Number of instances: 13
 - Used for communication between: MPU, DSP1, IPU1, IPU2, PRU-ICSS1, and PRU-ICSS2 subsystems
 - Reference name: MAILBOX(1..13)
- IVA mailbox:
 - Number of instances: 1
 - Used for communication between: IVA local user (ICONT1, or ICONT2) and three external users (selected among MPU, DSP1, IPU1, IPU2, PRU-ICSS1, and PRU-ICSS2 subsystems)
 - Reference name: IVA_MBOX

Each mailbox module supports the following features:

- Parameters configurable at design time (see [Table 19-1](#)):
 - Number of users
 - Number of mailbox message queues
 - Number of messages (FIFO depth) for each message queue
- 32-bit message width
- Message reception and queue-not-full notification using interrupts
- Support of 16-/32-bit addressing scheme
- Power management support

[Table 19-1](#) shows the configuration of the mailbox modules in the device.

Table 19-1. Mailbox Configuration in the Device

Module Parameters	Mailbox Type		
	System Mailbox		IVA Mailbox
	MAILBOX1	MAILBOX2..13	
Number of users	3	4	4
Number of mailbox message queues	8	12	6
Number of messages (FIFO depth) for each message queue	4		4

19.2 Mailbox Integration

This section describes the mailbox integration in the device, including information about clocks, resets, and hardware requests.

19.2.1 System MAILBOX Integration

The integration of MAILBOX1 in the device differs from the integration of the rest of the system mailboxes (MAILBOX2..13). [Figure 19-1](#) and [Figure 19-2](#) show the MAILBOX1 and MAILBOX2..13 integration, respectively.

Figure 19-1. MAILBOX1 Integration

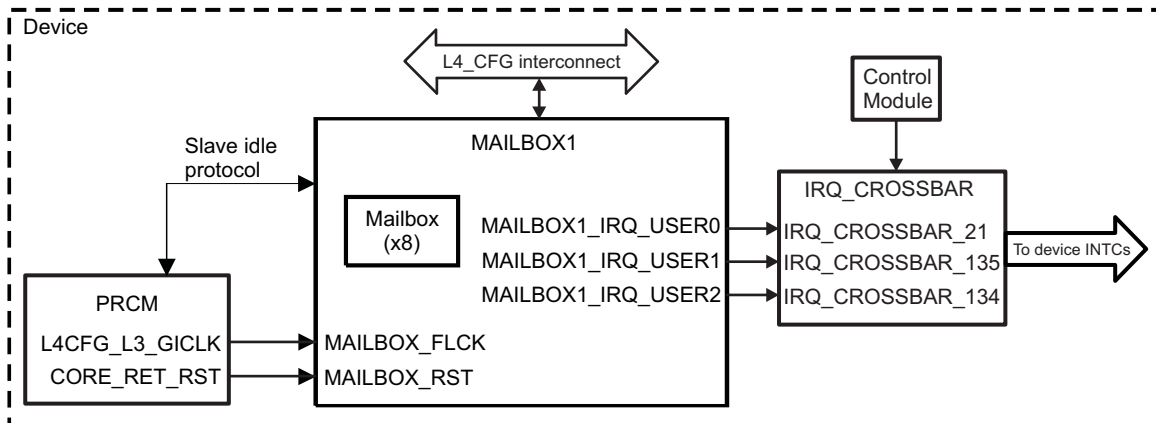
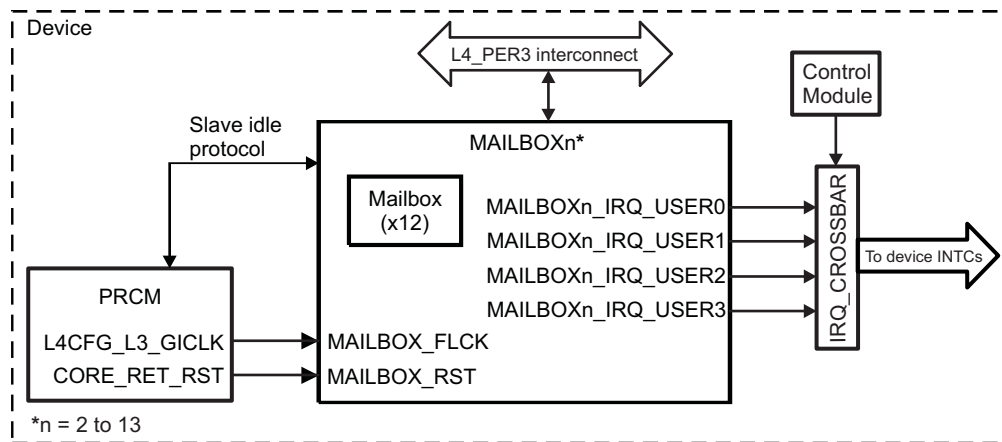


Figure 19-2. MAILBOX2..13 Integration



NOTE: For more information about the Slave idle protocol, see [Section 3.1.1.1.2, Module-Level Clock Management](#) in [Chapter 3, Power, Reset, and Clock Management](#).

Table 19-2 through Table 19-4 summarize the MAILBOX(1..13) integration in the device.

Table 19-2. MAILBOX Integration Attributes

Module Instance	Attributes		
	Power Domain	Wake-Up Capability	Interconnect
MAILBOX1	PD_COREAON	N/A	L4_CFG
MAILBOX2..13	PD_COREAON	N/A	L4_PER3

Table 19-3. MAILBOX Clocks and Resets

Clocks				
Module Instance	Destination Signal Name	Source Signal Name	Source	Description
MAILBOX	MAILBOX_FCLK	L4CFG_L3_GICLK	PRCM	MAILBOX interface clock. This clock is used for all interface and functional operations.
Resets				
Module Instance	Destination Signal Name	Source Signal Name	Source	Description

Table 19-3. MAILBOX Clocks and Resets (continued)

MAILBOX	MAILBOX_RST	CORE_RET_RST	PRCM	MAILBOX hardware reset. This reset is asynchronously applied to the MAILBOX registers.
---------	-------------	--------------	------	--

Table 19-4. MAILBOX Hardware Requests

Module Instance	Interrupt Name (Source)	Interrupt Requests			Description
		IRQ_CROSSBAR Input (Destination)	Default Mapping		
MAILBOX1	MAILBOX1_IRQ_USER0	IRQ_CROSSBAR_21	MPU_IRQ_26; DSP1_IRQ_52;	MAILBOX1 request.	user 0 interrupt
	MAILBOX1_IRQ_USER1	IRQ_CROSSBAR_135	–	MAILBOX1 request.	user 1 interrupt
	MAILBOX1_IRQ_USER2	IRQ_CROSSBAR_134	IPU1_IRQ_50; IPU2_IRQ_50;	MAILBOX1 request.	user 2 interrupt
MAILBOX2	MAILBOX2_IRQ_USER0	IRQ_CROSSBAR_237	–	MAILBOX2 request.	user 0 interrupt
	MAILBOX2_IRQ_USER1	IRQ_CROSSBAR_238	–	MAILBOX2 request.	user 1 interrupt
	MAILBOX2_IRQ_USER2	IRQ_CROSSBAR_239	–	MAILBOX2 request.	user 2 interrupt
	MAILBOX2_IRQ_USER3	IRQ_CROSSBAR_240	–	MAILBOX2 request.	user 3 interrupt
MAILBOX3	MAILBOX3_IRQ_USER0	IRQ_CROSSBAR_241	–	MAILBOX3 request.	user 0 interrupt
	MAILBOX3_IRQ_USER1	IRQ_CROSSBAR_242	–	MAILBOX3 request.	user 1 interrupt
	MAILBOX3_IRQ_USER2	IRQ_CROSSBAR_243	–	MAILBOX3 request.	user 2 interrupt
	MAILBOX3_IRQ_USER3	IRQ_CROSSBAR_244	–	MAILBOX3 request.	user 3 interrupt
MAILBOX4	MAILBOX4_IRQ_USER0	IRQ_CROSSBAR_245	–	MAILBOX4 request.	user 0 interrupt
	MAILBOX4_IRQ_USER1	IRQ_CROSSBAR_246	–	MAILBOX4 request.	user 1 interrupt
	MAILBOX4_IRQ_USER2	IRQ_CROSSBAR_247	–	MAILBOX4 request.	user 2 interrupt
	MAILBOX4_IRQ_USER3	IRQ_CROSSBAR_248	–	MAILBOX4 request.	user 3 interrupt
MAILBOX5	MAILBOX5_IRQ_USER0	IRQ_CROSSBAR_249	–	MAILBOX5 request.	user 0 interrupt
	MAILBOX5_IRQ_USER1	IRQ_CROSSBAR_250	–	MAILBOX5 request.	user 1 interrupt
	MAILBOX5_IRQ_USER2	IRQ_CROSSBAR_251	–	MAILBOX5 request.	user 2 interrupt
	MAILBOX5_IRQ_USER3	IRQ_CROSSBAR_252	–	MAILBOX5 request.	user 3 interrupt
MAILBOX6	MAILBOX6_IRQ_USER0	IRQ_CROSSBAR_253	–	MAILBOX6 request.	user 0 interrupt
	MAILBOX6_IRQ_USER1	IRQ_CROSSBAR_254	–	MAILBOX6 request.	user 1 interrupt
	MAILBOX6_IRQ_USER2	IRQ_CROSSBAR_255	–	MAILBOX6 request.	user 2 interrupt
	MAILBOX6_IRQ_USER3	IRQ_CROSSBAR_256	–	MAILBOX6 request.	user 3 interrupt
MAILBOX7	MAILBOX7_IRQ_USER0	IRQ_CROSSBAR_257	–	MAILBOX7 request.	user 0 interrupt

Table 19-4. MAILBOX Hardware Requests (continued)

	MAILBOX7_IRQ_USER1	IRQ_CROSSBAR_258	–	MAILBOX7 request.	user	1	interrupt
	MAILBOX7_IRQ_USER2	IRQ_CROSSBAR_259	–	MAILBOX7 request.	user	2	interrupt
	MAILBOX7_IRQ_USER3	IRQ_CROSSBAR_260	–	MAILBOX7 request.	user	3	interrupt
MAILBOX8	MAILBOX8_IRQ_USER0	IRQ_CROSSBAR_261	–	MAILBOX8 request.	user	0	interrupt
	MAILBOX8_IRQ_USER1	IRQ_CROSSBAR_262	–	MAILBOX8 request.	user	1	interrupt
	MAILBOX8_IRQ_USER2	IRQ_CROSSBAR_263	–	MAILBOX8 request.	user	2	interrupt
	MAILBOX8_IRQ_USER3	IRQ_CROSSBAR_264	–	MAILBOX8 request.	user	3	interrupt
MAILBOX9	MAILBOX9_IRQ_USER0	IRQ_CROSSBAR_265	–	MAILBOX9 request.	user	0	interrupt
	MAILBOX9_IRQ_USER1	IRQ_CROSSBAR_266	–	MAILBOX9 request.	user	1	interrupt
	MAILBOX9_IRQ_USER2	IRQ_CROSSBAR_267	–	MAILBOX9 request.	user	2	interrupt
	MAILBOX9_IRQ_USER3	IRQ_CROSSBAR_268	–	MAILBOX9 request.	user	3	interrupt
MAILBOX10	MAILBOX10_IRQ_USER0	IRQ_CROSSBAR_269	–	MAILBOX10 request.	user	0	interrupt
	MAILBOX10_IRQ_USER1	IRQ_CROSSBAR_270	–	MAILBOX10 request.	user	1	interrupt
	MAILBOX10_IRQ_USER2	IRQ_CROSSBAR_271	–	MAILBOX10 request.	user	2	interrupt
	MAILBOX10_IRQ_USER3	IRQ_CROSSBAR_272	–	MAILBOX10 request.	user	3	interrupt
MAILBOX11	MAILBOX11_IRQ_USER0	IRQ_CROSSBAR_273	–	MAILBOX11 request.	user	0	interrupt
	MAILBOX11_IRQ_USER1	IRQ_CROSSBAR_274	–	MAILBOX11 request.	user	1	interrupt
	MAILBOX11_IRQ_USER2	IRQ_CROSSBAR_275	–	MAILBOX11 request.	user	2	interrupt
	MAILBOX11_IRQ_USER3	IRQ_CROSSBAR_276	–	MAILBOX11 request.	user	3	interrupt
MAILBOX12	MAILBOX12_IRQ_USER0	IRQ_CROSSBAR_277	–	MAILBOX12 request.	user	0	interrupt
	MAILBOX12_IRQ_USER1	IRQ_CROSSBAR_278	–	MAILBOX12 request.	user	1	interrupt
	MAILBOX12_IRQ_USER2	IRQ_CROSSBAR_279	–	MAILBOX12 request.	user	2	interrupt
	MAILBOX12_IRQ_USER3	IRQ_CROSSBAR_280	–	MAILBOX12 request.	user	3	interrupt
MAILBOX13	MAILBOX13_IRQ_USER0	IRQ_CROSSBAR_379	–	MAILBOX13 request.	user	0	interrupt
	MAILBOX13_IRQ_USER1	IRQ_CROSSBAR_380	–	MAILBOX13 request.	user	1	interrupt
	MAILBOX13_IRQ_USER2	IRQ_CROSSBAR_381	–	MAILBOX13 request.	user	2	interrupt
	MAILBOX13_IRQ_USER3	IRQ_CROSSBAR_382	–	MAILBOX13 request.	user	3	interrupt
No DMA Requests							

NOTE: The “Default Mapping” column in [Table 19-4](#), [Table 19-7](#), and shows the default mapping of module interrupts. These interrupts can also be mapped to other input lines of each device interrupt controller through the IRQ_CROSSBAR module.

For more information about the IRQ_CROSSBAR module, see [Chapter 18, Control Module](#).

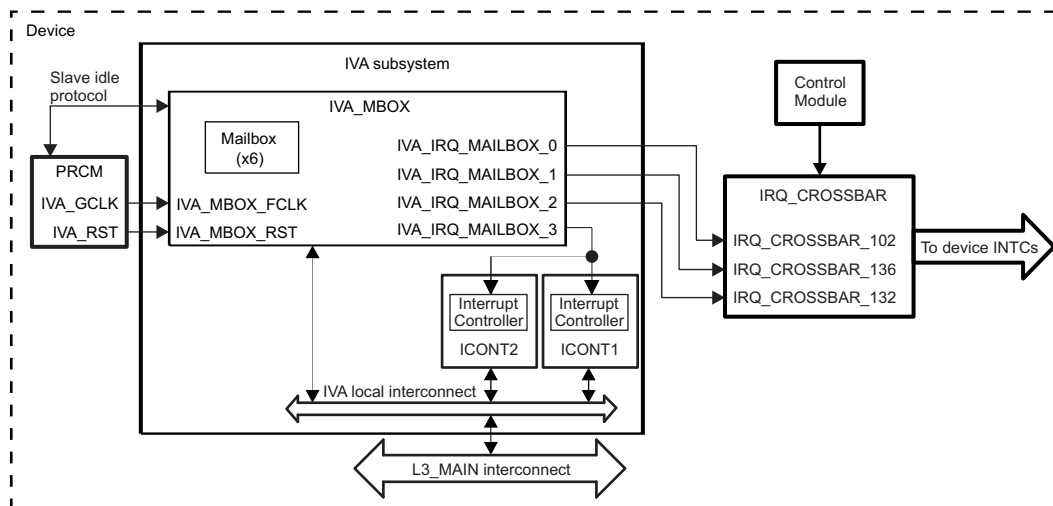
For more information about the device interrupt controllers, see [Chapter 17, Interrupt Controllers](#).

NOTE: For information about interrupt source description, see [Section 19.3.4, Mailbox Interrupt Requests](#).

19.2.2 IVA Mailbox Integration

Figure 19-3 shows the IVA mailbox integration.

Figure 19-3. IVA Mailbox Integration



NOTE: The IVA_IRQ_MAILBOX_3 interrupt is mapped on both ICONT1 and ICONT2 interrupt controllers. It is recommended that this interrupt is unmasked at only one one interrupt controller at a time.

[Table 19-5](#) through [Table 19-7](#) summarize the IVA_MBOX integration in the device.

Table 19-5. IVA_MBOX Integration Attributes

Module Instance	Attributes		
	Power Domain	Wake-Up Capability	Interconnect
IVA_MBOX	PD_IVA	N/A	IVA local interconnect

Table 19-6. IVA_MBOX Clocks and Resets

Clocks				
Module Instance	Destination Signal Name	Source Signal Name	Source	Description
IVA_MBOX	IVA_MBOX_FCLK	IVA_GCLK	PRCM	IVA_MBOX interface clock. This clock is used for all interface and functional operations.

Resets				
--------	--	--	--	--

Table 19-6. IVA_MBOX Clocks and Resets (continued)

Module Instance	Destination Signal Name	Source Signal Name	Source	Description
IVA_MBOX	IVA_MBOX_RST	IVA_RST	PRCM	IVA_MBOX hardware reset. This reset is asynchronously applied to the IVA_MBOX registers.

Table 19-7. IVA_MBOX Hardware Requests

Interrupt Requests				
Module Instance	Interrupt Name (Source)	IRQ_CROSSBAR Input (Destination)	Default Mapping	Description
IVA_MBOX	IVA_IRQ_MAILBOX_0	IRQ_CROSSBAR_102	MPU_IRQ_107	IVA_MBOX user 0 interrupt request.
	IVA_IRQ_MAILBOX_1	IRQ_CROSSBAR_136	–	IVA_MBOX user 1 interrupt request.
	IVA_IRQ_MAILBOX_2	IRQ_CROSSBAR_132	IPU1_IRQ_38; IPU2_IRQ_38	IVA_MBOX user 2 interrupt request.
	IVA_IRQ_MAILBOX_3	–	ICONT1_IRQ_11; ICONT2_IRQ_11	IVA_MBOX user 3 interrupt request.
No DMA Requests				

19.3 Mailbox Functional Description

NOTE: The functionality of all mailbox instances in the device is the same and is described in this section.

NOTE: In this chapter, u is the user number and m is the mailbox number as follows:

- For MAILBOX1: $u = 0$ to 2 and $m = 0$ to 7;
 - For MAILBOX2..13: $u = 0$ to 3 and $m = 0$ to 11;
 - For IVA_MBOX: $u = 0$ to 3 and $m = 0$ to 5;
-

The mailbox module provides a means of communication through message queues among the users. The individual mailbox modules, or FIFOs, can associate (or de-associate) with any of the processors using the [MAILBOX_IRQENABLE_SET_u](#) (or [MAILBOX_IRQENABLE_CLR_u](#)) register.

[Table 19-8](#) shows the potential users of the mailbox modules in the device.

Table 19-8. Mailbox Users in the Device

Mailbox Type		Users			
		User 0	User 1	User 2	User 3
System Mailbox	MAILBOX1	Any of: MPU, DSP1, IPU1, IPU2, PRU-ICSS1, PRU-ICSS2			–
	MAILBOX2..13	Any of: MPU, DSP1, IPU1, IPU2, PRU-ICSS1, PRU-ICSS2			
IVA Mailbox		Any of: MPU, DSP1, IPU1, IPU2, PRU-ICSS1, PRU-ICSS2			IVA local - ICONT, or ICONT2

NOTE: It is software responsibility to select a user by mapping (via [IRQ_CROSSBAR](#)) the corresponding mailbox interrupt to the interrupt controller of the appropriate processor subsystem.

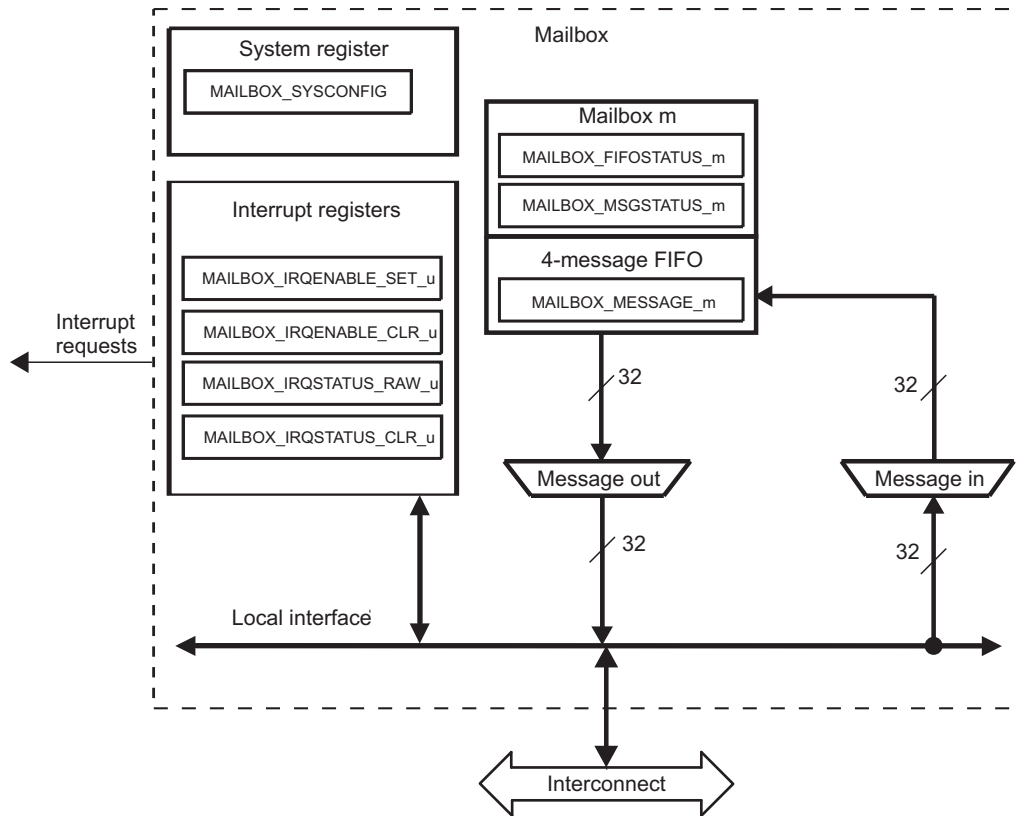
Each user has a dedicated interrupt signal from the corresponding mailbox module instance and dedicated interrupt enabling and status registers.

Each [MAILBOX_IRQSTATUS_RAW_u](#)/[MAILBOX_IRQSTATUS_CLR_u](#) interrupt status register corresponds to a particular user.

19.3.1 Mailbox Block Diagram

Figure 19-4 shows the mailbox block diagram.

Figure 19-4. Mailbox Block Diagram



19.3.2 Mailbox Software Reset

The mailbox module supports a software reset through the `MAILBOX_SYSCONFIG[0]` SOFTRESET bit. Setting this bit to 1 enables an active software reset that is functionally equivalent to a hardware reset. Reading the `MAILBOX_SYSCONFIG[0]` SOFTRESET bit gives the status of the software reset:

- Read 1: the software reset is on-going.
- Read 0: the software reset is complete.

The software must ensure that the software reset completes before doing mailbox operations.

19.3.3 Mailbox Power Management

Table 19-9 describes power-management features available for the mailbox module.

Table 19-9. Local Power Management Features

Feature	Registers	Description
Clock autogating	N/A	Feature not available
Slave idle modes	<code>MAILBOX_SYSCONFIG[3:2]</code> SIDLEMODE bit field	Force-idle, no-idle and smart-idle modes are available
Clock activity	N/A	Feature not available
Master standby modes	N/A	Feature not available
Global wake-up enable	N/A	Feature not available
Wake-up sources enable	N/A	Feature not available

The mailbox module can be configured using the [MAILBOX_SYSCONFIG\[3:2\]](#) SIDLEMODE bit field to one of the following acknowledgment modes:

- Force-idle mode (SIDLEMODE = 0x0): The mailbox module immediately enters the idle state on receiving a low-power-mode request from the PRCM module. In this mode, the software must ensure that there are no asserted output interrupts before requesting this mode to go into the idle state.
- No-idle mode (SIDLEMODE = 0x1): The mailbox module never enters the idle state.
- Smart-idle mode (SIDLEMODE = 0x2): After receiving a low-power-mode request from the PRCM module, the mailbox module enters the idle state only after all asserted output interrupts are acknowledged.

19.3.4 Mailbox Interrupt Requests

An interrupt request allows the user of the mailbox to be notified when a message is received or when the message queue is not full. There is one interrupt per user.

[Table 19-10](#) lists the event flags, and their mask, that can cause module interrupts.

Table 19-10. Interrupt Events

Non-Maskable Event Flag ⁽¹⁾	Maskable Event Flag	Event Mask Bit	Event Unmask Bit	Description
MAILBOX_IRQSTATUS_RAW_u[0+m*2] NEWMSGSTATUSUUM Bm	MAILBOX_IRQSTATUS_CLR_u[0+m*2] NEWMSGSTATUSUUM Bm	MAILBOX_IRQENABLE_CLR_u[0+m*2] NEWMSGSTATUSUUM Bm	MAILBOX_IRQENABLE_SET_u[0+m*2] NEWMSGSTATUSUUM Bm	Mailbox <i>m</i> receives a new message.
MAILBOX_IRQSTATUS_RAW_u[1+m*2] NOTFULLSTATUSUUM Bm	MAILBOX_IRQSTATUS_CLR_u[1+m*2] NOTFULLSTATUSUUM Bm	MAILBOX_IRQENABLE_CLR_u[1+m*2] NOTFULLSTATUSUUM Bm	MAILBOX_IRQENABLE_SET_u[1+m*2] NOTFULLSTATUSUUM Bm	Mailbox <i>m</i> message queue is not full.

⁽¹⁾ [MAILBOX_IRQSTATUS_RAW_u](#) register is mostly used for debug purposes.

CAUTION

Once an event generating the interrupt request has been processed by the software, it must be cleared by writing a logical 1 in the corresponding bit of the [MAILBOX_IRQSTATUS_CLR_u](#) register.

Writing a logical 1 in a bit of the [MAILBOX_IRQSTATUS_CLR_u](#) register will also clear to 0 the corresponding bit in the appropriate [MAILBOX_IRQSTATUS_RAW_u](#) register.

An event can generate an interrupt request when a logical 1 is written to the corresponding unmask bit in the [MAILBOX_IRQENABLE_SET_u](#) register. Events are reported in the appropriate [MAILBOX_IRQSTATUS_CLR_u](#) and [MAILBOX_IRQSTATUS_RAW_u](#) registers.

An event stops generating interrupt requests when a logical 1 is written to the corresponding mask bit in the [MAILBOX_IRQENABLE_CLR_u](#) register. Events are only reported in the appropriate [MAILBOX_IRQSTATUS_RAW_u](#) register.

In case of the [MAILBOX_IRQSTATUS_RAW_u](#) register, the event is reported in the corresponding bit even if the interrupt request generation is disabled for this event.

19.3.5 Mailbox Assignment

19.3.5.1 Description

To assign a receiver to a mailbox, set the new message interrupt enable bit corresponding to the desired mailbox in the [MAILBOX_IRQENABLE_SET_u](#) register. The receiver reads the [MAILBOX_MESSAGE_m](#) register to retrieve a message from the mailbox.

An alternate method for the receiver that does not use the interrupts is to poll the [MAILBOX_FIFOSTATUS_m](#) and/or [MAILBOX_MSGSTATUS_m](#) registers to know when to send or retrieve a message to or from the mailbox. This method does not require assigning a receiver to a mailbox. Because this method does not include the explicit assignment of the mailbox, the software must avoid having multiple receivers use the same mailbox, which can result in incoherency.

To assign a sender to a mailbox, set the queue-not-full interrupt enable bit of the desired mailbox in the [MAILBOX_IRQENABLE_SET_u](#) register, where *u* is the number of the sending user. However, direct allocation of a mailbox to a sender is not recommended because it can cause the sending processor to be constantly interrupted.

It is recommended that register polling be used to:

- Check the status of either the [MAILBOX_FIFOSTATUS_m](#) or [MAILBOX_MSGSTATUS_m](#) registers
- Write the message to the corresponding [MAILBOX_MESSAGE_m](#) register, if space is available.

The sender might use the queue-not-full interrupt when the initial mailbox status check indicates the mailbox is full. In this case, the sender can enable the queue-not-full interrupt for its mailbox in the appropriate [MAILBOX_IRQENABLE_SET_u](#) register. This allows the sender to be notified by interrupt only when a FIFO queue has at least one available entry.

Reading the [MAILBOX_IRQSTATUS_CLR_u](#) register determines the status of the new message and the queue-not-full interrupts for a particular user. Writing 1 to the corresponding bit in the [MAILBOX_IRQSTATUS_CLR_u](#) register acknowledges, and subsequently clears, an interrupt.

CAUTION

Assigning multiple senders or multiple receivers to the same mailbox is not recommended.

19.3.6 Sending and Receiving Messages

19.3.6.1 Description

When a 32-bit message is written to the [MAILBOX_MESSAGE_m](#) register, the message is appended into the FIFO queue. This queue holds four messages. If the queue is full, the message is discarded.

Queue overflow can be avoided by first reading the [MAILBOX_FIFOSTATUS_m](#) register to check that the mailbox message queue is not full before writing a new message to it.

Reading the [MAILBOX_MESSAGE_m](#) register returns the message at the beginning of the FIFO queue and removes it from the queue. If the FIFO queue is empty when the [MAILBOX_MESSAGE_m](#) register is read, the value 0 is returned.

The new message interrupt is asserted when at least one message is in the mailbox message FIFO queue. To determine the number of messages in the mailbox message FIFO queue, read the [MAILBOX_MSGSTATUS_m](#) register.

19.3.7 16-Bit Register Access

19.3.7.1 Description

So that 16-bit processors can access the mailbox module, the module allows 16-bit register read and write access, with restrictions for the [MAILBOX_MESSAGE_m](#) registers. The 16-bit half-words are organized in little endian fashion; that is, the least-significant 16 bits are at the low address and the most-significant 16 bits are at the high address (low address + 0x02).

All mailbox module registers can be read or written to directly using individual 16-bit accesses with no restriction on interleaving, except the [MAILBOX_MESSAGE_m](#) registers, which must always be accessed by either single 32-bit accesses or two consecutive 16-bit accesses.

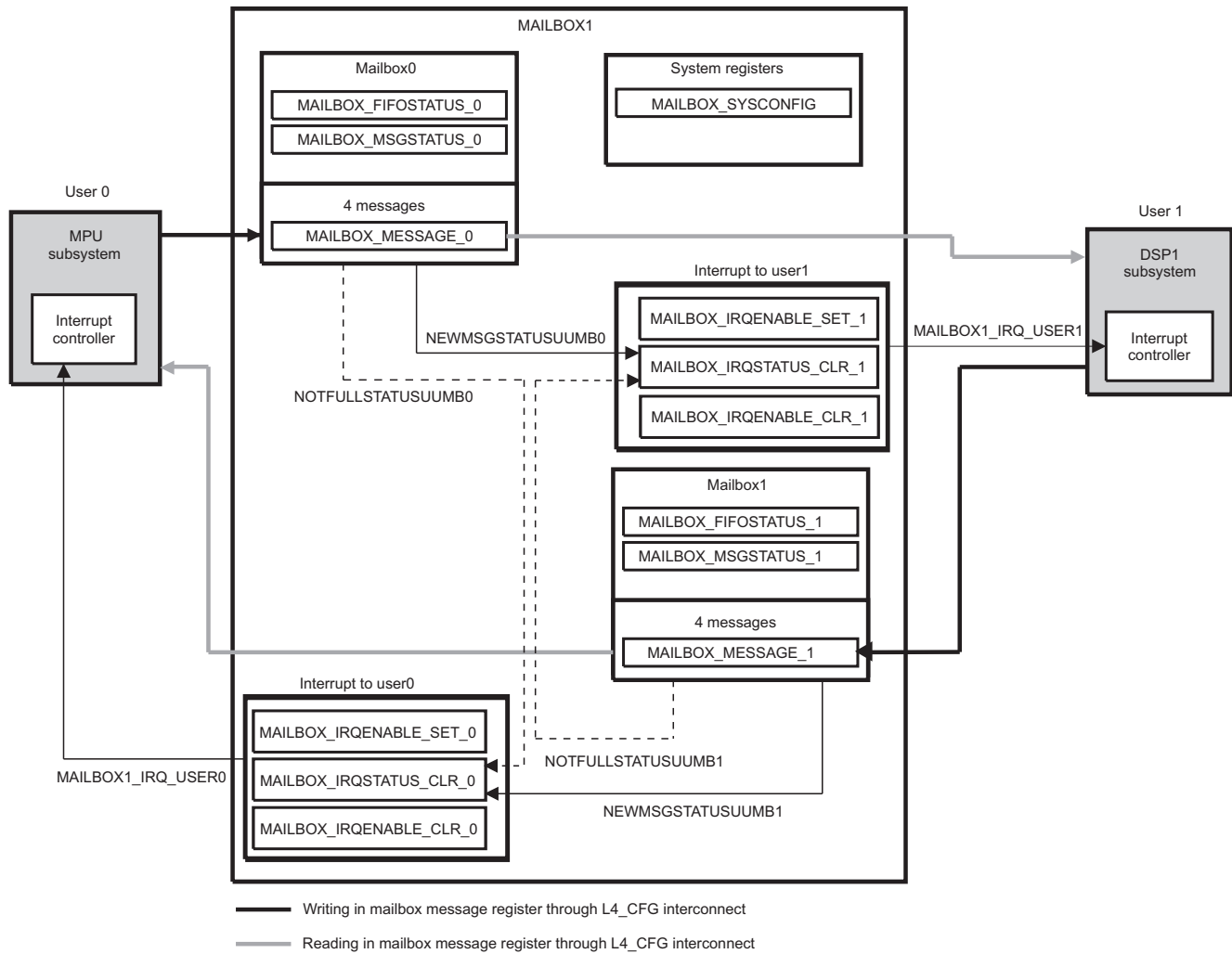
CAUTION

When using 16-bit accesses to the [MAILBOX_MESSAGE_m](#) registers, the order of access must be the least-significant half-word first (low address) and the most-significant half-word last (high address). This requirement is because of the update operation by the message FIFO of the [MAILBOX_MSGSTATUS_m](#) registers. The update of the FIFO queue contents and the associated status registers and possible interrupt generation occurs only when the most-significant 16 bits of a [MAILBOX_MESSAGE_m](#) are accessed.

19.3.8 Example of Communication

Figure 19-5 shows an example of communication between MPU and DSP1 subsystems.

Figure 19-5. Example of Communication



19.4 Mailbox Programming Guide

19.4.1 Mailbox Low-level Programming Models

This section covers the low-level hardware programming sequences for configuration and usage of the mailbox module.

19.4.1.1 Global Initialization

19.4.1.1.1 Surrounding Modules Global Initialization

This section identifies the requirements of initializing the surrounding modules when the mailbox module is to be used for the first time after a device reset. This initialization of surrounding modules is based on the integration of the mailbox.

See [Section 19.2, Mailbox Integration](#), for further information.

Table 19-11. Global Initialization of Surrounding Modules for MAILBOX

Surrounding Modules	Comments
PRCM	MAILBOX functional/interface clock must be enabled.
Interrupt Controllers	MPU, or IPU1, or IPU2, or DSP1, or PRU-ICSS1, or PRU-ICSS2 interrupt controller must be configured to enable the interrupt request generation to the corresponding subsystem.
IRQ_CROSSBAR	IRQ_CROSSBAR configuration must be done to allow module IRQs to be mapped to certain device INTC line. For more information see Section 18.4.6.4, IRQ_CROSSBAR Module Functional Description , in Chapter 18, Control Module .

Table 19-12. Global Initialization of Surrounding Modules for IVA_MBOX

Surrounding Modules	Comments
PRCM	IVA_MBOX functional/interface clock must be enabled.
Interrupt Controllers	MPU, or IPU1, or IPU2, or DSP1, or PRU-ICSS1, or PRU-ICSS2, or IVA ICNT1/ICNT2 interrupt controller must be configured to enable the interrupt request generation to the corresponding subsystem.
IRQ_CROSSBAR	IRQ_CROSSBAR configuration must be done to allow module IRQs to be mapped to certain device INTC line. For more information see Section 18.4.6.4, IRQ_CROSSBAR Module Functional Description , in Chapter 18, Control Module .

19.4.1.1.2 Mailbox Global Initialization

19.4.1.1.2.1 Main Sequence - Mailbox Global Initialization

This procedure initializes the mailbox module after a power-on or software reset.

Table 19-13. Mailbox Global Initialization

Step	Register/ Bit Field / Programming Model	Value
Perform a software reset	MAILBOX_SYSCONFIG[0] SOFTRESET	0x1
Wait until reset is complete	MAILBOX_SYSCONFIG[0] SOFTRESET	= 0x0
Set idle mode configuration	MAILBOX_SYSCONFIG[3:2] SIDLEMODE	0x-

19.4.1.2 Mailbox Operational Modes Configuration

19.4.1.2.1 Mailbox Processing modes

19.4.1.2.1.1 Main Sequence - Sending a Message (Polling Method)

Table 19-14. Sending a Message (Polling Method)

Step	Register/ Bit Field / Programming Model	Value
IF : Is FIFO full ?	MAILBOX_FIFOSTATUS_m[0] FIFOFULLMB	= 0x1
Wait until at least one message slot is available	MAILBOX_FIFOSTATUS_m[0] FIFOFULLMB	= 0x0
ELSE		
Write message	MAILBOX_MESSAGE_m[31:0] MESSAGEVALUEMBM	0x----
ENDIF		

19.4.1.2.1.2 Main Sequence - Sending a Message (Interrupt Method)

Table 19-15. Sending a Message (Interrupt Method)

Step	Register/ Bit Field / Programming Model	Value
IF : Is FIFO full ?	MAILBOX_FIFOSTATUS_m[0] FIFOFULLMB	= 0x1
Enable interrupt event	MAILBOX_IRQENABLE_SET_u[1+ m*2]	0x1
User (processor) can perform another task until interrupt occurs See Section 19.4.1.3.1 for interrupt handling in sending mode		
ELSE		
Write message	MAILBOX_MESSAGE_m[31:0] MESSAGEVALUEMBM	0x----
ENDIF		

19.4.1.2.1.3 Main Sequence - Receiving a Message (Polling Method)

Table 19-16. Receiving a Message (Polling Method)

Step	Register/ Bit Field / Programming Model	Value
IF : Number of messages is not equal to 0	MAILBOX_MSGSTATUS_m[2:0] NBOFMSGMB	!= 0x0
Read message	MAILBOX_MESSAGE_m[31:0] MESSAGEVALUEMBM	0x----
ENDIF		

19.4.1.2.1.4 Main Sequence - Receiving a Message (Interrupt Method)

Table 19-17. Receiving a Message (Interrupt Method)

Step	Register/ Bit Field / Programming Model	Value
Enable interrupt event	MAILBOX_IRQENABLE_SET_u[0 + m*2]	0x1
User (processor) can perform another task until interrupt occurs See Section 19.4.1.3.2 for interrupt handling in receiving mode		

19.4.1.3 Mailbox Events Servicing

19.4.1.3.1 Events Servicing in Sending Mode

Table 19-18 describes the events servicing in sending mode.

Table 19-18. Events Servicing in Sending Mode

Step	Register/ Bit Field / Programming Model	Value
Read interrupt status bit	MAILBOX_IRQSTATUS_CLR_u[1 + m*2]	0x1
Write message	MAILBOX_MESSAGE_m[31:0] MESSAGEVALUEMBM	0x----
Write 1 to acknowledge interrupt	MAILBOX_IRQSTATUS_CLR_u[1 + m*2]	0x1

19.4.1.3.2 Events Servicing in Receiving Mode

Table 19-19 describes the events servicing in receiving mode.

Table 19-19. Events Servicing in Receiving Mode

Step	Register/ Bit Field / Programming Model	Value
Read interrupt status bit	MAILBOX_IRQSTATUS_CLR_u[0 + m*2]	0x1
IF : Number of messages is not equal to 0 ?	MAILBOX_MSGSTATUS_m[2:0] NBOFMSGMB	!= 0x0
Read message	MAILBOX_MESSAGE_m[31:0] MESSAGEVALUEMBM	0x----
ELSE		
Write 1 to acknowledge interrupt	MAILBOX_IRQSTATUS_CLR_u[0 + m*2]	0x1
ENDIF		

19.5 Mailbox Register Manual

19.5.1 Mailbox Instance Summary

Table 19-20. Mailbox Instance Summary

Module Name	L3_MAIN Base Address	L4_CFG Base Address	L4_PER3 Base Address	Size
MAILBOX1	–	0x4A0F 4000	–	4 KiB
MAILBOX2	–	–	0x4883 A000	4 KiB
MAILBOX3	–	–	0x4883 C000	4 KiB
MAILBOX4	–	–	0x4883 E000	4 KiB
MAILBOX5	–	–	0x4884 0000	4 KiB
MAILBOX6	–	–	0x4884 2000	4 KiB
MAILBOX7	–	–	0x4884 4000	4 KiB
MAILBOX8	–	–	0x4884 6000	4 KiB
MAILBOX9	–	–	0x4885 E000	4 KiB
MAILBOX10	–	–	0x4886 0000	4 KiB
MAILBOX11	–	–	0x4886 2000	4 KiB
MAILBOX12	–	–	0x4886 4000	4 KiB
MAILBOX13	–	–	0x4880 2000	4 KiB
IVA_MBOX	0x5A05 A800	–	–	4 KiB

19.5.2 Mailbox Registers

19.5.2.1 Mailbox Register Summary

Table 19-21. MAILBOX Registers Mapping Summary (1/5)

Register Name	Type	Register Width (Bits)	Address Offset	MAILBOX1 L4_CFG Physical Address
MAILBOX_REVISION	R	32	0x0000 0000	0x4A0F 4000
MAILBOX_SYSCONFIG	RW	32	0x0000 0010	0x4A0F 4010
MAILBOX_MESSAGE_m⁽¹⁾	RW	32	0x0000 0040 + (0x4 * m)	0x4A0F 4040 + (0x4 * m)
MAILBOX_FIFOSTATUS_m⁽¹⁾	R	32	0x0000 0080 + (0x4 * m)	0x4A0F 4080 + (0x4 * m)
MAILBOX_MSGSTATUS_m⁽¹⁾	R	32	0x0000 00C0 + (0x4 * m)	0x4A0F 40C0 + (0x4 * m)
MAILBOX_IRQSTATUS_RAW_u⁽²⁾	RW	32	0x0000 0100 + (0x10 * u)	0x4A0F 4100 + (0x10 * u)
MAILBOX_IRQSTATUS_CLR_u⁽²⁾	RW	32	0x0000 0104 + (0x10 * u)	0x4A0F 4104 + (0x10 * u)
MAILBOX_IRQENABLE_SET_u⁽²⁾	RW	32	0x0000 0108 + (0x10 * u)	0x4A0F 4108 + (0x10 * u)
MAILBOX_IRQENABLE_CLR_u⁽²⁾	RW	32	0x0000 010C + (0x10 * u)	0x4A0F 410C + (0x10 * u)
MAILBOX_IRQ_EOI	W	32	0x0000 0140	0x4A0F 4140

⁽¹⁾ m = 0 to 7

⁽²⁾ u = 0 to 2

Table 19-22. MAILBOX Registers Mapping Summary (2/5)

Register Name	Type	Register Width (Bits)	Address Offset	MAILBOX2 L4_PER3 Physical Address	MAILBOX3 L4_PER3 Physical Address	MAILBOX4 L4_PER3 Physical Address
MAILBOX_REVISION	R	32	0x0000 0000	0x4883 A000	0x4883 C000	0x4883 E000
MAILBOX_SYSCONFIG	RW	32	0x0000 0010	0x4883 A010	0x4883 C010	0x4883 E010

Table 19-22. MAILBOX Registers Mapping Summary (2/5) (continued)

Register Name	Type	Register Width (Bits)	Address Offset	MAILBOX2 L4_PER3 Physical Address	MAILBOX3 L4_PER3 Physical Address	MAILBOX4 L4_PER3 Physical Address
MAILBOX_MESSAGE_m ⁽¹⁾	RW	32	0x0000 0040 + (0x4 * m)	0x4883 A040 + (0x4 * m)	0x4883 C040 + (0x4 * m)	0x4883 E040 + (0x4 * m)
MAILBOX_FIFOSTATUS_m ⁽¹⁾	R	32	0x0000 0080 + (0x4 * m)	0x4883 A080 + (0x4 * m)	0x4883 C080 + (0x4 * m)	0x4883 E080 + (0x4 * m)
MAILBOX_MSGSTATUS_m ⁽¹⁾	R	32	0x0000 00C0 + (0x4 * m)	0x4883 A0C0 + (0x4 * m)	0x4883 C0C0 + (0x4 * m)	0x4883 E0C0 + (0x4 * m)
MAILBOX_IRQSTATUS_RAW_u ⁽²⁾	RW	32	0x0000 0100 + (0x10 * u)	0x4883 A100 + (0x10 * u)	0x4883 C100 + (0x10 * u)	0x4883 E100 + (0x10 * u)
MAILBOX_IRQSTATUS_CLR_u ⁽²⁾	RW	32	0x0000 0104 + (0x10 * u)	0x4883 A104 + (0x10 * u)	0x4883 C104 + (0x10 * u)	0x4883 E104 + (0x10 * u)
MAILBOX_IRQENABLE_SET_u ⁽²⁾	RW	32	0x0000 0108 + (0x10 * u)	0x4883 A108 + (0x10 * u)	0x4883 C108 + (0x10 * u)	0x4883 E108 + (0x10 * u)
MAILBOX_IRQENABLE_CLR_u ⁽²⁾	RW	32	0x0000 010C + (0x10 * u)	0x4883 A10C + (0x10 * u)	0x4883 C10C + (0x10 * u)	0x4883 E10C + (0x10 * u)
MAILBOX_IRQ_EOI	W	32	0x0000 0140	0x4883 A140	0x4883 C140	0x4883 E140

⁽¹⁾ m = 0 to 11⁽²⁾ u = 0 to 3**Table 19-23. MAILBOX Registers Mapping Summary (3/5)**

Register Name	Type	Register Width (Bits)	Address Offset	MAILBOX5 L4_PER3 Physical Address	MAILBOX6 L4_PER3 Physical Address	MAILBOX7 L4_PER3 Physical Address
MAILBOX_REVISION	R	32	0x0000 0000	0x4884 0000	0x4884 2000	0x4884 4000
MAILBOX_SYSCONFIG	RW	32	0x0000 0010	0x4884 0010	0x4884 2010	0x4884 4010
MAILBOX_MESSAGE_m ⁽¹⁾	RW	32	0x0000 0040 + (0x4 * m)	0x4884 0040 + (0x4 * m)	0x4884 2040 + (0x4 * m)	0x4884 4040 + (0x4 * m)
MAILBOX_FIFOSTATUS_m ⁽¹⁾	R	32	0x0000 0080 + (0x4 * m)	0x4884 0080 + (0x4 * m)	0x4884 2080 + (0x4 * m)	0x4884 4080 + (0x4 * m)
MAILBOX_MSGSTATUS_m ⁽¹⁾	R	32	0x0000 00C0 + (0x4 * m)	0x4884 00C0 + (0x4 * m)	0x4884 20C0 + (0x4 * m)	0x4884 40C0 + (0x4 * m)
MAILBOX_IRQSTATUS_RAW_u ⁽²⁾	RW	32	0x0000 0100 + (0x10 * u)	0x4884 0100 + (0x10 * u)	0x4884 2100 + (0x10 * u)	0x4884 4100 + (0x10 * u)
MAILBOX_IRQSTATUS_CLR_u ⁽²⁾	RW	32	0x0000 0104 + (0x10 * u)	0x4884 0104 + (0x10 * u)	0x4884 2104 + (0x10 * u)	0x4884 4104 + (0x10 * u)
MAILBOX_IRQENABLE_SET_u ⁽²⁾	RW	32	0x0000 0108 + (0x10 * u)	0x4884 0108 + (0x10 * u)	0x4884 2108 + (0x10 * u)	0x4884 4108 + (0x10 * u)
MAILBOX_IRQENABLE_CLR_u ⁽²⁾	RW	32	0x0000 010C + (0x10 * u)	0x4884 010C + (0x10 * u)	0x4884 210C + (0x10 * u)	0x4884 410C + (0x10 * u)
MAILBOX_IRQ_EOI	W	32	0x0000 0140	0x4884 0140	0x4884 2140	0x4884 4140

⁽¹⁾ m = 0 to 11⁽²⁾ u = 0 to 3**Table 19-24. MAILBOX Registers Mapping Summary (4/5)**

Register Name	Type	Register Width (Bits)	Address Offset	MAILBOX8 L4_PER3 Physical Address	MAILBOX9 L4_PER3 Physical Address	MAILBOX10 L4_PER3 Physical Address
MAILBOX_REVISION	R	32	0x0000 0000	0x4884 6000	0x4885 E000	0x4886 0000
MAILBOX_SYSCONFIG	RW	32	0x0000 0010	0x4884 6010	0x4885 E010	0x4886 0010
MAILBOX_MESSAGE_m ⁽¹⁾	RW	32	0x0000 0040 + (0x4 * m)	0x4884 6040 + (0x4 * m)	0x4885 E040 + (0x4 * m)	0x4886 0040 + (0x4 * m)

⁽¹⁾ m = 0 to 11

Table 19-24. MAILBOX Registers Mapping Summary (4/5) (continued)

Register Name	Type	Register Width (Bits)	Address Offset	MAILBOX8 L4_PER3 Physical Address	MAILBOX9 L4_PER3 Physical Address	MAILBOX10 L4_PER3 Physical Address
MAILBOX_FIFOSTATUS_m ⁽¹⁾	R	32	0x0000 0080 + (0x4 * m)	0x4884 6080 + (0x4 * m)	0x4885 E080 + (0x4 * m)	0x4886 0080 + (0x4 * m)
MAILBOX_MSGSTATUS_m ⁽¹⁾	R	32	0x0000 00C0 + (0x4 * m)	0x4884 60C0 + (0x4 * m)	0x4885 E0C0 + (0x4 * m)	0x4886 00C0 + (0x4 * m)
MAILBOX_IRQSTATUS_RAW_u ⁽²⁾	RW	32	0x0000 0100 + (0x10 * u)	0x4884 6100 + (0x10 * u)	0x4885 E100 + (0x10 * u)	0x4886 0100 + (0x10 * u)
MAILBOX_IRQSTATUS_CLR_u ⁽²⁾	RW	32	0x0000 0104 + (0x10 * u)	0x4884 6104 + (0x10 * u)	0x4885 E104 + (0x10 * u)	0x4886 0104 + (0x10 * u)
MAILBOX_IRQENABLE_SET_u ⁽²⁾	RW	32	0x0000 0108 + (0x10 * u)	0x4884 6108 + (0x10 * u)	0x4885 E108 + (0x10 * u)	0x4886 0108 + (0x10 * u)
MAILBOX_IRQENABLE_CLR_u ⁽²⁾	RW	32	0x0000 010C + (0x10 * u)	0x4884 610C + (0x10 * u)	0x4885 E10C + (0x10 * u)	0x4886 010C + (0x10 * u)
MAILBOX_IRQ_EOI	W	32	0x0000 0140	0x4884 6140	0x4885 E140	0x4886 0140

⁽²⁾ u = 0 to 3

Table 19-25. MAILBOX Registers Mapping Summary (5/5)

Register Name	Type	Register Width (Bits)	Address Offset	MAILBOX11 L4_PER3 Physical Address	MAILBOX12 L4_PER3 Physical Address	MAILBOX13 L4_PER3 Physical Address
MAILBOX_REVISION	R	32	0x0000 0000	0x4886 2000	0x4886 4000	0x4880 2000
MAILBOX_SYSCONFIG	RW	32	0x0000 0010	0x4886 2010	0x4886 4010	0x4880 2010
MAILBOX_MESSAGE_m ⁽¹⁾	RW	32	0x0000 0040 + (0x4 * m)	0x4886 2040 + (0x4 * m)	0x4886 4040 + (0x4 * m)	0x4880 2040 + (0x4 * m)
MAILBOX_FIFOSTATUS_m ⁽¹⁾	R	32	0x0000 0080 + (0x4 * m)	0x4886 2080 + (0x4 * m)	0x4886 4080 + (0x4 * m)	0x4880 2080 + (0x4 * m)
MAILBOX_MSGSTATUS_m ⁽¹⁾	R	32	0x0000 00C0 + (0x4 * m)	0x4886 20C0 + (0x4 * m)	0x4886 40C0 + (0x4 * m)	0x4880 20C0 + (0x4 * m)
MAILBOX_IRQSTATUS_RAW_u ⁽²⁾	RW	32	0x0000 0100 + (0x10 * u)	0x4886 2100 + (0x10 * u)	0x4886 4100 + (0x10 * u)	0x4880 2100 + (0x10 * u)
MAILBOX_IRQSTATUS_CLR_u ⁽²⁾	RW	32	0x0000 0104 + (0x10 * u)	0x4886 2104 + (0x10 * u)	0x4886 4104 + (0x10 * u)	0x4880 2104 + (0x10 * u)
MAILBOX_IRQENABLE_SET_u ⁽²⁾	RW	32	0x0000 0108 + (0x10 * u)	0x4886 2108 + (0x10 * u)	0x4886 4108 + (0x10 * u)	0x4880 2108 + (0x10 * u)
MAILBOX_IRQENABLE_CLR_u ⁽²⁾	RW	32	0x0000 010C + (0x10 * u)	0x4886 210C + (0x10 * u)	0x4886 410C + (0x10 * u)	0x4880 210C + (0x10 * u)
MAILBOX_IRQ_EOI	W	32	0x0000 0140	0x4886 2140	0x4886 4140	0x4880 2140

⁽¹⁾ m = 0 to 11

⁽²⁾ u = 0 to 3

Table 19-26. IVA_MBOX Registers Mapping Summary

Register Name	Type	Register Width (Bits)	Address Offset	IVA_MBOX L3_MAIN Physical Address
MAILBOX_REVISION	R	32	0x0000 0000	0x5A05 A800
MAILBOX_SYSCONFIG	RW	32	0x0000 0010	0x5A05 A810
MAILBOX_MESSAGE_m ⁽¹⁾	RW	32	0x0000 0040 + (0x4 * m)	0x5A05 A840 + (0x4 * m)
MAILBOX_FIFOSTATUS_m ⁽¹⁾	R	32	0x0000 0080 + (0x4 * m)	0x5A05 A880 + (0x4 * m)
MAILBOX_MSGSTATUS_m ⁽¹⁾	R	32	0x0000 00C0 + (0x4 * m)	0x5A05 A8C0 + (0x4 * m)
MAILBOX_IRQSTATUS_RAW_u ⁽²⁾	RW	32	0x0000 0100 + (0x10 * u)	0x5A05 A900 + (0x10 * u)

⁽¹⁾ m = 0 to 5

⁽²⁾ u = 0 to 3

Table 19-26. IVA_MBOX Registers Mapping Summary (continued)

Register Name	Type	Register Width (Bits)	Address Offset	IVA_MBOX L3_MAIN Physical Address
MAILBOX_IRQSTATUS_CLR_u ⁽²⁾	RW	32	0x0000 0104 + (0x10 * u)	0x5A05 A904 + (0x10 * u)
MAILBOX_IRQENABLE_SET_u ⁽²⁾	RW	32	0x0000 0108 + (0x10 * u)	0x5A05 A908 + (0x10 * u)
MAILBOX_IRQENABLE_CLR_u ⁽²⁾	RW	32	0x0000 010C + (0x10 * u)	0x5A05 A90C + (0x10 * u)
MAILBOX_IRQ_EOI	W	32	0x0000 0140	0x5A05 A940

19.5.2.2 Mailbox Register Description

Table 19-27. MAILBOX_REVISION

Address Offset	0x0000 0000	Instance	MAILBOX1_CFG_L4 IVA_MBOX_MAIN_L3
Physical Address	0x4A0F 4000 0x5A05 A800		
Description	This register contains the IP revision code		
Type	R		

31	30	29	28	27	26	25	24	23	22	21	20	19	18	17	16	15	14	13	12	11	10	9	8	7	6	5	4	3	2	1	0
REVISION																															

Bits	Field Name	Description	Type	Reset
31:0	REVISION	IP Revision	R	TI internal data

Table 19-28. Register Call Summary for Register MAILBOX_REVISION

Mailbox Register Manual

- [Mailbox Register Summary: \[0\]\[1\]\[2\]\[3\]\[4\]\[5\]](#)

Table 19-29. MAILBOX_SYSCONFIG

Address Offset	0x0000 0010	Instance	MAILBOX1_CFG_L4 IVA_MBOX_MAIN_L3
Physical Address	0x4A0F 4010 0x5A05 A810		
Description	This register controls the various parameters of the communication interface		
Type	RW		

31	30	29	28	27	26	25	24	23	22	21	20	19	18	17	16	15	14	13	12	11	10	9	8	7	6	5	4	3	2	1	0
RESERVED																												SIDLEMODE	RESERVED	SOFTRESET	

Bits	Field Name	Description	Type	Reset
31:4	RESERVED	Reserved	RW	0x0000000
3:2	SIDLEMODE	Idle Mode 0x0: Force-idle. An idle request is acknowledged unconditionally 0x1: No-idle. An idle request is never acknowledged 0x2: Smart-idle. Acknowledgement to an idle request is given based on the internal activity of the module based on the internal activity of the module 0x3: reserved do not use	RW	0x2
1	RESERVED	Reserved	RW	0
0	SOFTRESET	Softreset Read 0x0: Soft/Hard reset done Write 0x0: No action Read 0x1: Reset is ongoing Write 0x1: Start the soft reset sequence	RW	0

Table 19-30. Register Call Summary for Register MAILBOX_SYSCONFIG

Mailbox Functional Description

- [Mailbox Software Reset: \[0\]\[1\]](#)
- [Mailbox Power Management: \[2\]\[3\]](#)

Mailbox Programming Guide

- [Global Initialization: \[4\]\[5\]\[6\]](#)

Mailbox Register Manual

- [Mailbox Register Summary: \[7\]\[8\]\[9\]\[10\]\[11\]\[12\]](#)

Table 19-31. MAILBOX_MESSAGE_m

Address Offset	0x0000 0040 + (0x4 * m)	Index	m = 0 to 7 (MAILBOX1), or m = 0 to 11 (MAILBOX2..13), or m = 0 to 5 (IVA_MBOX)
Physical Address	0x4A0F 4040 + (0x4 * m) 0x5A05 A840 + (0x4 * m)	Instance	MAILBOX1_CFG_L4 IVA_MBOX_MAIN_L3
Description	The message register stores the next to be read message of the mailbox. Reads remove the message from the FIFO queue.		
Type	RW		

31	30	29	28	27	26	25	24	23	22	21	20	19	18	17	16	15	14	13	12	11	10	9	8	7	6	5	4	3	2	1	0	
MESSAGEVALUEMBM																																

Bits	Field Name	Description	Type	Reset
31:0	MESSAGEVALUEMBM	Message in Mailbox	RW	0x0000 0000

Table 19-32. Register Call Summary for Register MAILBOX_MESSAGE_m

Mailbox Functional Description

- [Description: \[0\]\[1\]](#)
- [Description: \[2\]\[3\]\[4\]](#)
- [Description: \[5\]\[6\]\[7\]\[8\]](#)

Mailbox Programming Guide

- [Mailbox Operational Modes Configuration: \[9\]\[10\]\[11\]](#)
- [Mailbox Events Servicing: \[12\]\[13\]](#)

Mailbox Register Manual

- [Mailbox Register Summary: \[14\]\[15\]\[16\]\[17\]\[18\]\[19\]](#)

Table 19-33. MAILBOX_FIFOSTATUS_m

Address Offset	0x0000 0080 + (0x4 * m)	Index	m = 0 to 7 (MAILBOX1), or m = 0 to 11 (MAILBOX2..13), or m = 0 to 5 (IVA_MBOX)
Physical Address	0x4A0F 4080 + (0x4 * m) 0x5A05 A880 + (0x4 * m)	Instance	MAILBOX1_CFG_L4 IVA_MBOX_MAIN_L3
Description	The FIFO status register has the status related to the mailbox internal FIFO		
Type	R		

31	30	29	28	27	26	25	24	23	22	21	20	19	18	17	16	15	14	13	12	11	10	9	8	7	6	5	4	3	2	1	0
RESERVED																												FIFOFULLMBM			

Bits	Field Name	Description	Type	Reset
31:1	RESERVED	Reads returns 0	R	0x0000 0000
0	FIFOFULLMBM	Full flag for Mailbox Read 0x0: Mailbox FIFO is not full Read 0x1: Mailbox FIFO is full	R	0

Table 19-34. Register Call Summary for Register MAILBOX_FIFOSTATUS_m

Mailbox Functional Description

- [Description: \[0\]\[1\]](#)
- [Description: \[2\]](#)

Mailbox Programming Guide

- [Mailbox Operational Modes Configuration: \[3\]\[4\]\[5\]](#)

Mailbox Register Manual

- [Mailbox Register Summary: \[6\]\[7\]\[8\]\[9\]\[10\]\[11\]](#)

Table 19-35. MAILBOX_MSGSTATUS_m

Address Offset	0x0000 00C0 + (0x4 * m)	Index	m = 0 to 7 (MAILBOX1), or m = 0 to 11 (MAILBOX2..13), or m = 0 to 5 (IVA_MBOX)
Physical Address	0x4A0F 40C0 + (0x4 * m) 0x5A05 A8C0 + (0x4 * m)	Instance	MAILBOX1_CFG_L4 IVA_MBOX_MAIN_L3
Description	The message status register has the status of the messages in the mailbox.		
Type	R		

31	30	29	28	27	26	25	24	23	22	21	20	19	18	17	16	15	14	13	12	11	10	9	8	7	6	5	4	3	2	1	0
RESERVED																												NBOFMSGMBM			

Bits	Field Name	Description	Type	Reset
31:3	RESERVED	Reserved. Read returns 0	R	0x0000 0000
2:0	NBOFMSGMBM	Number of unread messages in Mailbox Note: Limited to four messages per mailbox.	R	0x00

Table 19-36. Register Call Summary for Register MAILBOX_MSGSTATUS_m

Mailbox Functional Description	<ul style="list-style-type: none"> • Description: [0][1] • Description: [2] • Description: [3]
Mailbox Programming Guide	<ul style="list-style-type: none"> • Mailbox Operational Modes Configuration: [4] • Mailbox Events Servicing: [5]
Mailbox Register Manual	<ul style="list-style-type: none"> • Mailbox Register Summary: [6][7][8][9][10][11]

Table 19-37. MAILBOX_IRQSTATUS_RAW_u

Address Offset	0x0000 0100 + (0x10 * u)	Index	u = 0 to 2 (MAILBOX1), or u = 0 to 3 (MAILBOX2..13, IVA_MBOX)
Physical Address	0x4A0F 4100 + (0x10 * u) 0x5A05 A900 + (0x10 * u)	Instance	MAILBOX1_CFG_L4 IVA_MBOX_MAIN_L3
Description	The interrupt status register has the raw status for each event that may be responsible for the generation of an interrupt to the corresponding user - write 1 to a given bit sets this bit. This register is mainly used for debug purpose.		
Type	RW		

31	30	29	28	27	26	25	24	23	22	21	20	19	18	17	16	15	14	13	12	11	10	9	8	7	6	5	4	3	2	1	0
RESERVED								NOTFULLSTATUSUUMB11	NEWMSGSTATUSUUMB11	NOTFULLSTATUSUUMB10	NEWMSGSTATUSUUMB10	NOTFULLSTATUSUUMB9	NEWMSGSTATUSUUMB9	NOTFULLSTATUSUUMB8	NEWMSGSTATUSUUMB8	NOTFULLSTATUSUUMB7	NEWMSGSTATUSUUMB7	NOTFULLSTATUSUUMB6	NEWMSGSTATUSUUMB6	NOTFULLSTATUSUUMB5	NEWMSGSTATUSUUMB5	NOTFULLSTATUSUUMB4	NEWMSGSTATUSUUMB4	NOTFULLSTATUSUUMB3	NEWMSGSTATUSUUMB3	NOTFULLSTATUSUUMB2	NEWMSGSTATUSUUMB2	NOTFULLSTATUSUUMB1	NEWMSGSTATUSUUMB1	NOTFULLSTATUSUUMB0	NEWMSGSTATUSUUMB0

Bits	Field Name	Description	Type	Reset
31:24	RESERVED	Reserved. Read returns 0	R	0
23	NOTFULLSTATUSUUMB11	NotFull Status bit for User u, Mailbox 11 Read 0x0: No event pending (message queue full) Write 0x0: No action Read 0x1: Event pending (message queue not full) Write 0x1: Set the event (for debug)	RW	1
22	NEWMSGSTATUSUUMB11	NewMessage Status bit for User u, Mailbox 11 Read 0x0: No event (message) pending Write 0x0: No action Read 0x1: Event (message) pending Write 0x1: Set the event (for debug)	RW	0
21	NOTFULLSTATUSUUMB10	NotFull Status bit for User u, Mailbox 10 Read 0x0: No event pending (message queue full) Write 0x0: No action Read 0x1: Event pending (message queue not full) Write 0x1: Set the event (for debug)	RW	1

Bits	Field Name	Description	Type	Reset
20	NEWMSGSTATUSUUMB10	NewMessage Status bit for User u, Mailbox 10 Read 0x0: No event (message) pending Write 0x0: No action Read 0x1: Event (message) pending Write 0x1: Set the event (for debug)	RW	0
19	NOTFULLSTATUSUUMB9	NotFull Status bit for User u, Mailbox 9 Read 0x0: No event pending (message queue full) Write 0x0: No action Read 0x1: Event pending (message queue not full) Write 0x1: Set the event (for debug)	RW	1
18	NEWMSGSTATUSUUMB9	NewMessage Status bit for User u, Mailbox 9 Read 0x0: No event (message) pending Write 0x0: No action Read 0x1: Event (message) pending Write 0x1: Set the event (for debug)	RW	0
17	NOTFULLSTATUSUUMB8	NotFull Status bit for User u, Mailbox 8 Read 0x0: No event pending (message queue full) Write 0x0: No action Read 0x1: Event pending (message queue not full) Write 0x1: Set the event (for debug)	RW	1
16	NEWMSGSTATUSUUMB8	NewMessage Status bit for User u, Mailbox 8 Read 0x0: No event (message) pending Write 0x0: No action Read 0x1: Event (message) pending Write 0x1: Set the event (for debug)	RW	0
15	NOTFULLSTATUSUUMB7	NotFull Status bit for User u, Mailbox 7 Read 0x0: No event pending (message queue full) Write 0x0: No action Read 0x1: Event pending (message queue not full) Write 0x1: Set the event (for debug)	RW	1
14	NEWMSGSTATUSUUMB7	NewMessage Status bit for User u, Mailbox 7 Read 0x0: No event (message) pending Write 0x0: No action Read 0x1: Event (message) pending Write 0x1: Set the event (for debug)	RW	0
13	NOTFULLSTATUSUUMB6	NotFull Status bit for User u, Mailbox 6 Read 0x0: No event pending (message queue full) Write 0x0: No action Read 0x1: Event pending (message queue not full) Write 0x1: Set the event (for debug)	RW	1
12	NEWMSGSTATUSUUMB6	NewMessage Status bit for User u, Mailbox 6 Read 0x0: No event (message) pending Write 0x0: No action Read 0x1: Event (message) pending Write 0x1: Set the event (for debug)	RW	0

Bits	Field Name	Description	Type	Reset
11	NOTFULLSTATUSUUMB5	NotFull Status bit for User u, Mailbox 5 Read 0x0: No event pending (message queue full) Write 0x0: No action Read 0x1: Event pending (message queue not full) Write 0x1: Set the event (for debug)	RW	1
10	NEWMSGSTATUSUUMB5	NewMessage Status bit for User u, Mailbox 5 Read 0x0: No event (message) pending Write 0x0: No action Read 0x1: Event (message) pending Write 0x1: Set the event (for debug)	RW	0
9	NOTFULLSTATUSUUMB4	NotFull Status bit for User u, Mailbox 4 Read 0x0: No event pending (message queue full) Write 0x0: No action Read 0x1: Event pending (message queue not full) Write 0x1: Set the event (for debug)	RW	1
8	NEWMSGSTATUSUUMB4	NewMessage Status bit for User u, Mailbox 4 Read 0x0: No event (message) pending Write 0x0: No action Read 0x1: Event (message) pending Write 0x1: Set the event (for debug)	RW	0
7	NOTFULLSTATUSUUMB3	NotFull Status bit for User u, Mailbox 3 Read 0x0: No event pending (message queue full) Write 0x0: No action Read 0x1: Event pending (message queue not full) Write 0x1: Set the event (for debug)	RW	1
6	NEWMSGSTATUSUUMB3	NewMessage Status bit for User u, Mailbox 3 Read 0x0: No event (message) pending Write 0x0: No action Read 0x1: Event (message) pending Write 0x1: Set the event (for debug)	RW	0
5	NOTFULLSTATUSUUMB2	NotFull Status bit for User u, Mailbox 2 Read 0x0: No event pending (message queue full) Write 0x0: No action Read 0x1: Event pending (message queue not full) Write 0x1: Set the event (for debug)	RW	1
4	NEWMSGSTATUSUUMB2	NewMessage Status bit for User u, Mailbox 2 Read 0x0: No event (message) pending Write 0x0: No action Read 0x1: Event (message) pending Write 0x1: Set the event (for debug)	RW	0
3	NOTFULLSTATUSUUMB1	NotFull Status bit for User u, Mailbox 1 Read 0x0: No event pending (message queue full) Write 0x0: No action Read 0x1: Event pending (message queue not full) Write 0x1: Set the event (for debug)	RW	1

Bits	Field Name	Description	Type	Reset
2	NEWMSGSTATUSUUMB1	NewMessage Status bit for User u, Mailbox 1 Read 0x0: No event (message) pending Write 0x0: No action Read 0x1: Event (message) pending Write 0x1: Set the event (for debug)	RW	0
1	NOTFULLSTATUSUUMB0	NotFull Status bit for User u, Mailbox 0 Read 0x0: No event pending (message queue full) Write 0x0: No action Read 0x1: Event pending (message queue not full) Write 0x1: Set the event (for debug)	RW	1
0	NEWMSGSTATUSUUMB0	NewMessage Status bit for User u, Mailbox 0 Read 0x0: No event (message) pending Write 0x0: No action Read 0x1: Event (message) pending Write 0x1: Set the event (for debug)	RW	0

Table 19-38. Register Call Summary for Register MAILBOX_IRQSTATUS_RAW_u

Mailbox Functional Description

- [Mailbox Functional Description: \[0\]](#)
- [Mailbox Interrupt Requests: \[1\]\[2\]\[3\]\[4\]\[5\]\[6\]\[7\]](#)

Mailbox Register Manual

- [Mailbox Register Summary: \[8\]\[9\]\[10\]\[11\]\[12\]\[13\]](#)
- [Mailbox Register Description: \[16\]](#)

Table 19-39. MAILBOX_IRQSTATUS_CLR_u

Address Offset	0x0000 0104 + (0x10 * u)	Index	u = 0 to 2 (MAILBOX1), or u = 0 to 3 (MAILBOX2..13, IVA_MBOX)
Physical Address	0x4A0F 4104 + (0x10 * u) 0x5A05 A904 + (0x10 * u)	Instance	MAILBOX1_CFG_L4 IVA_MBOX_MAIN_L3
Description	The interrupt status register has the status combined with irq-enable for each event that may be responsible for the generation of an interrupt to the corresponding user - write 1 to a given bit resets this bit		
Type	RW		

31	30	29	28	27	26	25	24	23	22	21	20	19	18	17	16	15	14	13	12	11	10	9	8	7	6	5	4	3	2	1	0
RESERVED								NOTFULLSTATUSENUUMB11	NEWMSGSTATUSENUUMB11	NOTFULLSTATUSENUUMB10	NEWMSGSTATUSENUUMB10	NOTFULLSTATUSENUUMB9	NEWMSGSTATUSENUUMB9	NOTFULLSTATUSENUUMB8	NEWMSGSTATUSENUUMB8	NOTFULLSTATUSENUUMB7	NEWMSGSTATUSENUUMB7	NOTFULLSTATUSENUUMB6	NEWMSGSTATUSENUUMB6	NOTFULLSTATUSENUUMB5	NEWMSGSTATUSENUUMB5	NOTFULLSTATUSENUUMB4	NEWMSGSTATUSENUUMB4	NOTFULLSTATUSENUUMB3	NEWMSGSTATUSENUUMB3	NOTFULLSTATUSENUUMB2	NEWMSGSTATUSENUUMB2	NOTFULLSTATUSENUUMB1	NEWMSGSTATUSENUUMB1	NOTFULLSTATUSENUUMB0	NEWMSGSTATUSENUUMB0

Bits	Field Name	Description	Type	Reset
31:24	RESERVED	Reserved. Read returns 0	R	0
23	NOTFULLSTATUSUUMB11	NotFull Status bit for User u, Mailbox 11 Read 0x0: No event pending (message queue full) Write 0x0: No action Read 0x1: Event pending (message queue not full) Write 0x1: Clear pending event, if any	RW	0
22	NEWMSGSTATUSUUMB11	NewMessage Status bit for User u, Mailbox 11 Read 0x0: No event (message) pending Write 0x0: No action Read 0x1: Event (message) pending Write 0x1: Clear pending event, if any	RW	0
21	NOTFULLSTATUSUUMB10	NotFull Status bit for User u, Mailbox 10 Read 0x0: No event pending (message queue full) Write 0x0: No action Read 0x1: Event pending (message queue not full) Write 0x1: Clear pending event, if any	RW	0
20	NEWMSGSTATUSUUMB10	NewMessage Status bit for User u, Mailbox 10 Read 0x0: No event (message) pending Write 0x0: No action Read 0x1: Event (message) pending Write 0x1: Clear pending event, if any	RW	0
19	NOTFULLSTATUSUUMB9	NotFull Status bit for User u, Mailbox 9 Read 0x0: No event pending (message queue full) Write 0x0: No action Read 0x1: Event pending (message queue not full) Write 0x1: Clear pending event, if any	RW	0
18	NEWMSGSTATUSUUMB9	NewMessage Status bit for User u, Mailbox 9 Read 0x0: No event (message) pending Write 0x0: No action Read 0x1: Event (message) pending Write 0x1: Clear pending event, if any	RW	0
17	NOTFULLSTATUSUUMB8	NotFull Status bit for User u, Mailbox 8 Read 0x0: No event pending (message queue full) Write 0x0: No action Read 0x1: Event pending (message queue not full) Write 0x1: Clear pending event, if any	RW	0
16	NEWMSGSTATUSUUMB8	NewMessage Status bit for User u, Mailbox 8 Read 0x0: No event (message) pending Write 0x0: No action Read 0x1: Event (message) pending Write 0x1: Clear pending event, if any	RW	0
15	NOTFULLSTATUSUUMB7	NotFull Status bit for User u, Mailbox 7 Read 0x0: No event pending (message queue full) Write 0x0: No action Read 0x1: Event pending (message queue not full) Write 0x1: Clear pending event, if any	RW	0

Bits	Field Name	Description	Type	Reset
14	NEWMSGSTATUSENUUMB7	NewMessage Status bit for User u, Mailbox 7 Read 0x0: No event (message) pending Write 0x0: No action Read 0x1: Event (message) pending Write 0x1: Clear pending event, if any	RW	0
13	NOTFULLSTATUSENUUMB6	NotFull Status bit for User u, Mailbox 6 Read 0x0: No event pending (message queue full) Write 0x0: No action Read 0x1: Event pending (message queue not full) Write 0x1: Clear pending event, if any	RW	0
12	NEWMSGSTATUSENUUMB6	NewMessage Status bit for User u, Mailbox 6 Read 0x0: No event (message) pending Write 0x0: No action Read 0x1: Event (message) pending Write 0x1: Clear pending event, if any	RW	0
11	NOTFULLSTATUSENUUMB5	NotFull Status bit for User u, Mailbox 5 Read 0x0: No event pending (message queue full) Write 0x0: No action Read 0x1: Event pending (message queue not full) Write 0x1: Clear pending event, if any	RW	0
10	NEWMSGSTATUSENUUMB5	NewMessage Status bit for User u, Mailbox 5 Read 0x0: No event (message) pending Write 0x0: No action Read 0x1: Event (message) pending Write 0x1: Clear pending event, if any	RW	0
9	NOTFULLSTATUSENUUMB4	NotFull Status bit for User u, Mailbox 4 Read 0x0: No event pending (message queue full) Write 0x0: No action Read 0x1: Event pending (message queue not full) Write 0x1: Clear pending event, if any	RW	0
8	NEWMSGSTATUSENUUMB4	NewMessage Status bit for User u, Mailbox 4 Read 0x0: No event (message) pending Write 0x0: No action Read 0x1: Event (message) pending Write 0x1: Clear pending event, if any	RW	0
7	NOTFULLSTATUSENUUMB3	NotFull Status bit for User u, Mailbox 3 Read 0x0: No event pending (message queue full) Write 0x0: No action Read 0x1: Event pending (message queue not full) Write 0x1: Clear pending event, if any	RW	0
6	NEWMSGSTATUSENUUMB3	NewMessage Status bit for User u, Mailbox 3 Read 0x0: No event (message) pending Write 0x0: No action Read 0x1: Event (message) pending Write 0x1: Clear pending event, if any	RW	0

Bits	Field Name	Description	Type	Reset
5	NOTFULLSTATUSENUUMB2	NotFull Status bit for User u, Mailbox 2 Read 0x0: No event pending (message queue full) Write 0x0: No action Read 0x1: Event pending (message queue not full) Write 0x1: Clear pending event, if any	RW	0
4	NEWMSGSTATUSENUUMB2	NewMessage Status bit for User u, Mailbox 2 Read 0x0: No event (message) pending Write 0x0: No action Read 0x1: Event (message) pending Write 0x1: Clear pending event, if any	RW	0
3	NOTFULLSTATUSENUUMB1	NotFull Status bit for User u, Mailbox 1 Read 0x0: No event pending (message queue full) Write 0x0: No action Read 0x1: Event pending (message queue not full) Write 0x1: Clear pending event, if any	RW	0
2	NEWMSGSTATUSENUUMB1	NewMessage Status bit for User u, Mailbox 1 Read 0x0: No event (message) pending Write 0x0: No action Read 0x1: Event (message) pending Write 0x1: Clear pending event, if any	RW	0
1	NOTFULLSTATUSENUUMB0	NotFull Status bit for User u, Mailbox 0 Read 0x0: No event pending (message queue full) Write 0x0: No action Read 0x1: Event pending (message queue not full) Write 0x1: Clear pending event, if any	RW	0
0	NEWMSGSTATUSENUUMB0	NewMessage Status bit for User u, Mailbox 0 Read 0x0: No event (message) pending Write 0x0: No action Read 0x1: Event (message) pending Write 0x1: Clear pending event, if any	RW	0

Table 19-40. Register Call Summary for Register MAILBOX_IRQSTATUS_CLR_u

Mailbox Functional Description

- [Mailbox Functional Description: \[0\]](#)
- [Mailbox Interrupt Requests: \[1\]\[2\]\[3\]\[4\]\[5\]](#)
- [Description: \[6\]\[7\]](#)

Mailbox Programming Guide

- [Mailbox Events Servicing: \[8\]\[9\]\[10\]\[11\]](#)

Mailbox Register Manual

- [Mailbox Register Summary: \[12\]\[13\]\[14\]\[15\]\[16\]\[17\]](#)
 - [Mailbox Register Description: \[20\]](#)
-

Table 19-41. MAILBOX_IRQENABLE_SET_u

Address Offset	0x0000 0108 + (0x10 * u)	Index	u = 0 to 2 (MAILBOX1), or u = 0 to 3 (MAILBOX2..13, IVA_MBOX)
Physical Address	0x4A0F 4108 + (0x10 * u) 0x5A05 A908 + (0x10 * u)	Instance	MAILBOX1_CFG_L4 IVA_MBOX_MAIN_L3
Description	The interrupt enable register enables to unmask the module internal source of interrupt to the corresponding user. This register is write 1 to set.		
Type	RW		

31	30	29	28	27	26	25	24	23	22	21	20	19	18	17	16	15	14	13	12	11	10	9	8	7	6	5	4	3	2	1	0
RESERVED								NOTFULLENABLEUUMB11	NEWMSGENABLEUUMB11	NOTFULLENABLEUUMB10	NEWMSGENABLEUUMB10	NOTFULLENABLEUUMB9	NEWMSGENABLEUUMB9	NOTFULLENABLEUUMB8	NEWMSGENABLEUUMB8	NOTFULLENABLEUUMB7	NEWMSGENABLEUUMB7	NOTFULLENABLEUUMB6	NEWMSGENABLEUUMB6	NOTFULLENABLEUUMB5	NEWMSGENABLEUUMB5	NOTFULLENABLEUUMB4	NEWMSGENABLEUUMB4	NOTFULLENABLEUUMB3	NEWMSGENABLEUUMB3	NOTFULLENABLEUUMB2	NEWMSGENABLEUUMB2	NOTFULLENABLEUUMB1	NEWMSGENABLEUUMB1	NOTFULLENABLEUUMB0	NEWMSGENABLEUUMB0

Bits	Field Name	Description	Type	Reset
31:24	RESERVED	Reserved. Read returns 0	R	0
23	NOTFULLENABLEUUMB11	NotFull Enable bit for User u, Mailbox 11 Read 0x0: Interrupt disabled Write 0x0: No action Read 0x1: Interrupt enabled Write 0x1: Enable interrupt	RW	0
22	NEWMSGENABLEUUMB11	NewMessage Enable bit for User u, Mailbox 11 Read 0x0: Interrupt disabled Write 0x0: No action Read 0x1: Interrupt enabled Write 0x1: Enable interrupt	RW	0
21	NOTFULLENABLEUUMB10	NotFull Enable bit for User u, Mailbox 10 Read 0x0: Interrupt disabled Write 0x0: No action Read 0x1: Interrupt enabled Write 0x1: Enable interrupt	RW	0
20	NEWMSGENABLEUUMB10	NewMessage Enable bit for User u, Mailbox 10 Read 0x0: Interrupt disabled Write 0x0: No action Read 0x1: Interrupt enabled Write 0x1: Enable interrupt	RW	0
19	NOTFULLENABLEUUMB9	NotFull Enable bit for User u, Mailbox 9 Read 0x0: Interrupt disabled Write 0x0: No action Read 0x1: Interrupt enabled Write 0x1: Enable interrupt	RW	0

Bits	Field Name	Description	Type	Reset
18	NEWMSGENABLEUUMB9	NewMessage Enable bit for User u, Mailbox 9 Read 0x0: Interrupt disabled Write 0x0: No action Read 0x1: Interrupt enabled Write 0x1: Enable interrupt	RW	0
17	NOTFULLENABLEUUMB8	NotFull Enable bit for User u, Mailbox 8 Read 0x0: Interrupt disabled Write 0x0: No action Read 0x1: Interrupt enabled Write 0x1: Enable interrupt	RW	0
16	NEWMSGENABLEUUMB8	NewMessage Enable bit for User u, Mailbox 8 Read 0x0: Interrupt disabled Write 0x0: No action Read 0x1: Interrupt enabled Write 0x1: Enable interrupt	RW	0
15	NOTFULLENABLEUUMB7	NotFull Enable bit for User u, Mailbox 7 Read 0x0: Interrupt disabled Write 0x0: No action Read 0x1: Interrupt enabled Write 0x1: Enable interrupt	RW	0
14	NEWMSGENABLEUUMB7	NewMessage Enable bit for User u, Mailbox 7 Read 0x0: Interrupt disabled Write 0x0: No action Read 0x1: Interrupt enabled Write 0x1: Enable interrupt	RW	0
13	NOTFULLENABLEUUMB6	NotFull Enable bit for User u, Mailbox 6 Read 0x0: Interrupt disabled Write 0x0: No action Read 0x1: Interrupt enabled Write 0x1: Enable interrupt	RW	0
12	NEWMSGENABLEUUMB6	NewMessage Enable bit for User u, Mailbox 6 Read 0x0: Interrupt disabled Write 0x0: No action Read 0x1: Interrupt enabled Write 0x1: Enable interrupt	RW	0
11	NOTFULLENABLEUUMB5	NotFull Enable bit for User u, Mailbox 5 Read 0x0: Interrupt disabled Write 0x0: No action Read 0x1: Interrupt enabled Write 0x1: Enable interrupt	RW	0
10	NEWMSGENABLEUUMB5	NewMessage Enable bit for User u, Mailbox 5 Read 0x0: Interrupt disabled Write 0x0: No action Read 0x1: Interrupt enabled Write 0x1: Enable interrupt	RW	0

Bits	Field Name	Description	Type	Reset
9	NOTFULLENABLEUUMB4	NotFull Enable bit for User u, Mailbox 4 Read 0x0: Interrupt disabled Write 0x0: No action Read 0x1: Interrupt enabled Write 0x1: Enable interrupt	RW	0
8	NEWMSGENABLEUUMB4	NewMessage Enable bit for User u, Mailbox 4 Read 0x0: Interrupt disabled Write 0x0: No action Read 0x1: Interrupt enabled Write 0x1: Enable interrupt	RW	0
7	NOTFULLENABLEUUMB3	NotFull Enable bit for User u, Mailbox 3 Read 0x0: Interrupt disabled Write 0x0: No action Read 0x1: Interrupt enabled Write 0x1: Enable interrupt	RW	0
6	NEWMSGENABLEUUMB3	NewMessage Enable bit for User u, Mailbox 3 Read 0x0: Interrupt disabled Write 0x0: No action Read 0x1: Interrupt enabled Write 0x1: Enable interrupt	RW	0
5	NOTFULLENABLEUUMB2	NotFull Enable bit for User u, Mailbox 2 Read 0x0: Interrupt disabled Write 0x0: No action Read 0x1: Interrupt enabled Write 0x1: Enable interrupt	RW	0
4	NEWMSGENABLEUUMB2	NewMessage Enable bit for User u, Mailbox 2 Read 0x0: Interrupt disabled Write 0x0: No action Read 0x1: Interrupt enabled Write 0x1: Enable interrupt	RW	0
3	NOTFULLENABLEUUMB1	NotFull Enable bit for User u, Mailbox 1 Read 0x0: Interrupt disabled Write 0x0: No action Read 0x1: Interrupt enabled Write 0x1: Enable interrupt	RW	0
2	NEWMSGENABLEUUMB1	NewMessage Enable bit for User u, Mailbox 1 Read 0x0: Interrupt disabled Write 0x0: No action Read 0x1: Interrupt enabled Write 0x1: Enable interrupt	RW	0
1	NOTFULLENABLEUUMB0	NotFull Enable bit for User u, Mailbox 0 Read 0x0: Interrupt disabled Write 0x0: No action Read 0x1: Interrupt enabled Write 0x1: Enable interrupt	RW	0

Bits	Field Name	Description	Type	Reset
0	NEWMSGENABLEUUMBO	NewMessage Enable bit for User u, Mailbox 0 Read 0x0: Interrupt disabled Write 0x0: No action Read 0x1: Interrupt enabled Write 0x1: Enable interrupt	RW	0

Table 19-42. Register Call Summary for Register MAILBOX_IRQENABLE_SET_u

Mailbox Functional Description

- [Mailbox Functional Description: \[0\]](#)
- [Mailbox Interrupt Requests: \[1\]\[2\]\[3\]](#)
- [Description: \[4\]\[5\]\[6\]](#)

Mailbox Programming Guide

- [Mailbox Operational Modes Configuration: \[7\]\[8\]](#)

Mailbox Register Manual

- [Mailbox Register Summary: \[9\]\[10\]\[11\]\[12\]\[13\]\[14\]](#)
- [Mailbox Register Description: \[17\]](#)

Table 19-43. MAILBOX_IRQENABLE_CLR_u

Address Offset	0x0000 010C + (0x10 * u)	Index	u = 0 to 2 (MAILBOX1), or u = 0 to 3 (MAILBOX2..13, IVA_MBOX)
Physical Address	0x4A0F 410C + (0x10 * u) 0x5A05 A90C + (0x10 * u)	Instance	MAILBOX1_CFG_L4 IVA_MBOX_MAIN_L3
Description	The interrupt enable register enables to mask the module internal source of interrupt to the corresponding user. This register is write 1 to clear.		
Type	RW		

31	30	29	28	27	26	25	24	23	22	21	20	19	18	17	16	15	14	13	12	11	10	9	8	7	6	5	4	3	2	1	0
RESERVED								NOTFULLENABLEUUMB11	NEWMSGENABLEUUMB11	NOTFULLENABLEUUMB10	NEWMSGENABLEUUMB10	NOTFULLENABLEUUMB9	NEWMSGENABLEUUMB9	NOTFULLENABLEUUMB8	NEWMSGENABLEUUMB8	NOTFULLENABLEUUMB7	NEWMSGENABLEUUMB7	NOTFULLENABLEUUMB6	NEWMSGENABLEUUMB6	NOTFULLENABLEUUMB5	NEWMSGENABLEUUMB5	NOTFULLENABLEUUMB4	NEWMSGENABLEUUMB4	NOTFULLENABLEUUMB3	NEWMSGENABLEUUMB3	NOTFULLENABLEUUMB2	NEWMSGENABLEUUMB2	NOTFULLENABLEUUMB1	NEWMSGENABLEUUMB1	NOTFULLENABLEUUMB0	NEWMSGENABLEUUMB0

Bits	Field Name	Description	Type	Reset
31:24	RESERVED	Reserved. Read returns 0	R	0
23	NOTFULLENABLEUUMB11	NotFull Enable bit for User u, Mailbox 11 Read 0x0: Interrupt disabled Write 0x0: No action Read 0x1: Interrupt enabled Write 0x1: Disable interrupt	RW	0
22	NEWMSGENABLEUUMB11	NewMessage Enable bit for User u, Mailbox 11 Read 0x0: Interrupt disabled Write 0x0: No action Read 0x1: Interrupt enabled Write 0x1: Disable interrupt	RW	0

Bits	Field Name	Description	Type	Reset
21	NOTFULLENABLEUUMB10	NotFull Enable bit for User u, Mailbox 10 Read 0x0: Interrupt disabled Write 0x0: No action Read 0x1: Interrupt enabled Write 0x1: Disable interrupt	RW	0
20	NEWMSGENABLEUUMB10	NewMessage Enable bit for User u, Mailbox 10 Read 0x0: Interrupt disabled Write 0x0: No action Read 0x1: Interrupt enabled Write 0x1: Disable interrupt	RW	0
19	NOTFULLENABLEUUMB9	NotFull Enable bit for User u, Mailbox 9 Read 0x0: Interrupt disabled Write 0x0: No action Read 0x1: Interrupt enabled Write 0x1: Disable interrupt	RW	0
18	NEWMSGENABLEUUMB9	NewMessage Enable bit for User u, Mailbox 9 Read 0x0: Interrupt disabled Write 0x0: No action Read 0x1: Interrupt enabled Write 0x1: Disable interrupt	RW	0
17	NOTFULLENABLEUUMB8	NotFull Enable bit for User u, Mailbox 8 Read 0x0: Interrupt disabled Write 0x0: No action Read 0x1: Interrupt enabled Write 0x1: Disable interrupt	RW	0
16	NEWMSGENABLEUUMB8	NewMessage Enable bit for User u, Mailbox 8 Read 0x0: Interrupt disabled Write 0x0: No action Read 0x1: Interrupt enabled Write 0x1: Disable interrupt	RW	0
15	NOTFULLENABLEUUMB7	NotFull Enable bit for User u, Mailbox 7 Read 0x0: Interrupt disabled Write 0x0: No action Read 0x1: Interrupt enabled Write 0x1: Disable interrupt	RW	0
14	NEWMSGENABLEUUMB7	NewMessage Enable bit for User u, Mailbox 7 Read 0x0: Interrupt disabled Write 0x0: No action Read 0x1: Interrupt enabled Write 0x1: Disable interrupt	RW	0
13	NOTFULLENABLEUUMB6	NotFull Enable bit for User u, Mailbox 6 Read 0x0: Interrupt disabled Write 0x0: No action Read 0x1: Interrupt enabled Write 0x1: Disable interrupt	RW	0

Bits	Field Name	Description	Type	Reset
12	NEWMSGENABLEUUMB6	NewMessage Enable bit for User u, Mailbox 6 Read 0x0: Interrupt disabled Write 0x0: No action Read 0x1: Interrupt enabled Write 0x1: Disable interrupt	RW	0
11	NOTFULLENABLEUUMB5	NotFull Enable bit for User u, Mailbox 5 Read 0x0: Interrupt disabled Write 0x0: No action Read 0x1: Interrupt enabled Write 0x1: Disable interrupt	RW	0
10	NEWMSGENABLEUUMB5	NewMessage Enable bit for User u, Mailbox 5 Read 0x0: Interrupt disabled Write 0x0: No action Read 0x1: Interrupt enabled Write 0x1: Disable interrupt	RW	0
9	NOTFULLENABLEUUMB4	NotFull Enable bit for User u, Mailbox 4 Read 0x0: Interrupt disabled Write 0x0: No action Read 0x1: Interrupt enabled Write 0x1: Disable interrupt	RW	0
8	NEWMSGENABLEUUMB4	NewMessage Enable bit for User u, Mailbox 4 Read 0x0: Interrupt disabled Write 0x0: No action Read 0x1: Interrupt enabled Write 0x1: Disable interrupt	RW	0
7	NOTFULLENABLEUUMB3	NotFull Enable bit for User u, Mailbox 3 Read 0x0: Interrupt disabled Write 0x0: No action Read 0x1: Interrupt enabled Write 0x1: Disable interrupt	RW	0
6	NEWMSGENABLEUUMB3	NewMessage Enable bit for User u, Mailbox 3 Read 0x0: Interrupt disabled Write 0x0: No action Read 0x1: Interrupt enabled Write 0x1: Disable interrupt	RW	0
5	NOTFULLENABLEUUMB2	NotFull Enable bit for User u, Mailbox 2 Read 0x0: Interrupt disabled Write 0x0: No action Read 0x1: Interrupt enabled Write 0x1: Disable interrupt	RW	0
4	NEWMSGENABLEUUMB2	NewMessage Enable bit for User u, Mailbox 2 Read 0x0: Interrupt disabled Write 0x0: No action Read 0x1: Interrupt enabled Write 0x1: Disable interrupt	RW	0

Bits	Field Name	Description	Type	Reset
3	NOTFULLENABLEUUMB1	NotFull Enable bit for User u, Mailbox 1 Read 0x0: Interrupt disabled Write 0x0: No action Read 0x1: Interrupt enabled Write 0x1: Disable interrupt	RW	0
2	NEWMSGENABLEUUMB1	NewMessage Enable bit for User u, Mailbox 1 Read 0x0: Interrupt disabled Write 0x0: No action Read 0x1: Interrupt enabled Write 0x1: Disable interrupt	RW	0
1	NOTFULLENABLEUUMB0	NotFull Enable bit for User u, Mailbox 0 Read 0x0: Interrupt disabled Write 0x0: No action Read 0x1: Interrupt enabled Write 0x1: Disable interrupt	RW	0
0	NEWMSGENABLEUUMB0	NewMessage Enable bit for User u, Mailbox 0 Read 0x0: Interrupt disabled Write 0x0: No action Read 0x1: Interrupt enabled Write 0x1: Disable interrupt	RW	0

Table 19-44. Register Call Summary for Register MAILBOX_IRQENABLE_CLR_u

Mailbox Functional Description

- [Mailbox Functional Description: \[0\]](#)
- [Mailbox Interrupt Requests: \[1\]\[2\]\[3\]](#)

Mailbox Register Manual

- [Mailbox Register Summary: \[4\]\[5\]\[6\]\[7\]\[8\]\[9\]](#)
- [Mailbox Register Description: \[12\]](#)

NOTE: For each interrupt status and enable register ([MAILBOX_IRQSTATUS_RAW_u](#), [MAILBOX_IRQSTATUS_CLR_u](#), [MAILBOX_IRQENABLE_SET_u](#) and [MAILBOX_IRQENABLE_CLR_u](#)):

- Bits [31:24] are RESERVED for the MAILBOX2..13 instances.
- Bits [31:16] are RESERVED for the MAILBOX1 instance.
- Bits [31:12] are RESERVED for the IVA_MBOX instance.

Table 19-45. MAILBOX_IRQ_EOI

Address Offset	0x0000 0140	Instance	MAILBOX1_CFG_L4 IVA_MBOX_MAIN_L3
Physical Address	0x4A0F 4140 0x5A05 A940		
Description	This register is used for the software EOI clearance of the pulse. This register being write only gives 0 on read.		
Type	W		

31	30	29	28	27	26	25	24	23	22	21	20	19	18	17	16	15	14	13	12	11	10	9	8	7	6	5	4	3	2	1	0
RESERVED																EOI															

Bits	Field Name	Description	Type	Reset
31:2	RESERVED	Write 0's for future compatibility. Reads returns 0	W	0x0
1:0	EOIVAL	EOI value 0x0: EOI val first bit 0x1: EOI val second bit	W	0x0

Table 19-46. Register Call Summary for Register MAILBOX_IRQ_EOI

Mailbox Register Manual

- [Mailbox Register Summary: \[0\]\[1\]\[2\]\[3\]\[4\]\[5\]](#)

Memory Management Units

This chapter describes the memory management units (MMUs) in the device.

Topic	Page
20.1 MMU Overview.....	5390
20.2 MMU Integration	5393
20.3 MMU Functional Description	5395
20.4 MMU Low-level Programming Models.....	5407
20.5 MMU Register Manual.....	5411

20.1 MMU Overview

A memory management unit (MMU) is a hardware component responsible for handling accesses to memory requested by a processing unit, DMA controller, or other bus requestor. MMU functions include:

- Translation of initiator internal (virtual) addresses to physical addresses (that is, virtual memory management)
- Preventing an initiator from making accesses to unmapped pages of the system memory

This device includes the following MMUs:

- Two top-level (system) MMUs:
 - MMU1 dedicated to EDMA Transfer Controller 0 (TC0), and EDMA Transfer Controller 1 (TC1)
 - MMU2 dedicated to PCIe_SS1, and PCIeSS2
- One MMU inside the MPU (single Cortex®-A15) subsystem – MPU_MMU. This MMU is integrated in the Cortex-A15 processor.
- Two MMUs inside the DSP1 subsystem: DSP1_MMU0, and DSP1_MMU1
- Two MMUs inside each of the IPU1, and IPU2 subsystems:
 - L1 uncache MMU – IPU1_UNICACHE_MMU, and IPU2_UNICACHE_MMU
 - L2 MMU – IPU1_MMU, and IPU2_MMU
- One MMU inside the 3D GPU (single SGX544 core) subsystem
- One MMU inside the BB2D subsystem

NOTE: There is a Physical Address Translator (PAT) module in the Dynamic Memory Manager (DMM), which has similar to the MMU functionality. For more information about this module, see [Section 15.2, Dynamic Memory Manager](#).

NOTE: This chapter provides a detailed description of the following MMUs:

- System MMUs
- DSP MMUs
- IPU L2 MMU

System MMUs and DSP MMUs are fully identical from functional perspective. IPU L2 MMU is different in that it does not support “bypass” functionality.

For more information about:

- Cortex-A15 MMU, see the Arm® *Cortex®-A15 Technical Reference Manual* (available at infocenter.arm.com/help/index.jsp).
 - IPU uncache MMU, see [Chapter 7, Dual Cortex-M4 IPU Subsystem](#).
-

[Figure 20-1](#) and [Figure 20-2](#) show an overview of system MMU1 and MMU2, respectively. In summary, requests initiated by a given requestor (EDMA TC0 and TC1 [both read and write ports] for system MMU1; PCIe_SS1 and PCIe_SS2 for system MMU2) can optionally be routed through the corresponding system MMU. Each requestor’s use (or not) of the MMU is independently controllable via the Control Module CTRL_CORE_SMA_SW_7 register bitfields. It is recommended that this register is set during system initialization and remain static.

If the MMU loopback path is enabled for a given requestor, requests will be routed via the L3_MAIN interconnect to the MMU and will again go through the L3 interconnect to the requested physical address. If the MMU loopback path is disabled for a given requestor, those bus requests go directly through the L3_MAIN interconnect to the requested physical address, thus minimizing bus request latency.

Figure 20-1. System MMU1 Overview

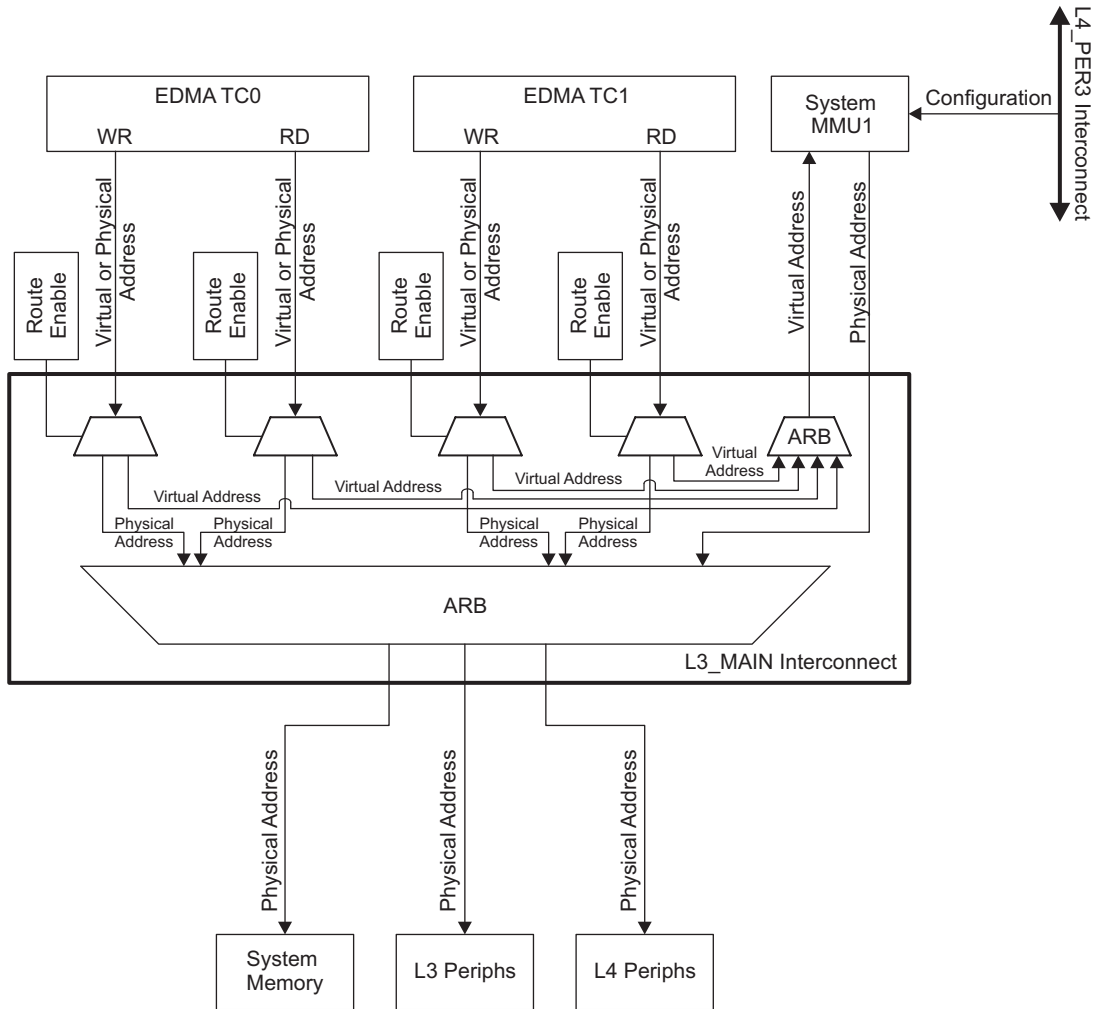
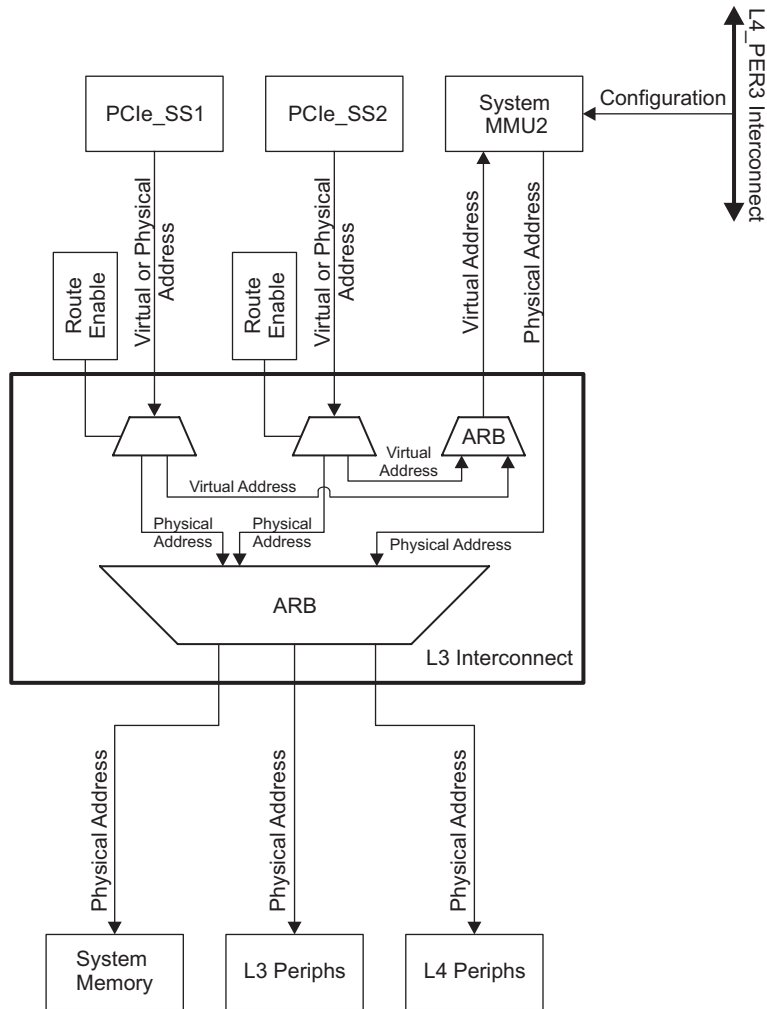


Figure 20-2. System MMU2 Overview



20.2 MMU Integration

This section describes the system MMUs integration in the device, including information about clocks, resets, and hardware requests. For more information about DSP, and IPU MMUs integration, refer to their respective chapters.

Figure 20-3 and Figure 20-4 show system MMU1, and MMU2 integration, respectively.

Figure 20-3. System MMU1 Integration

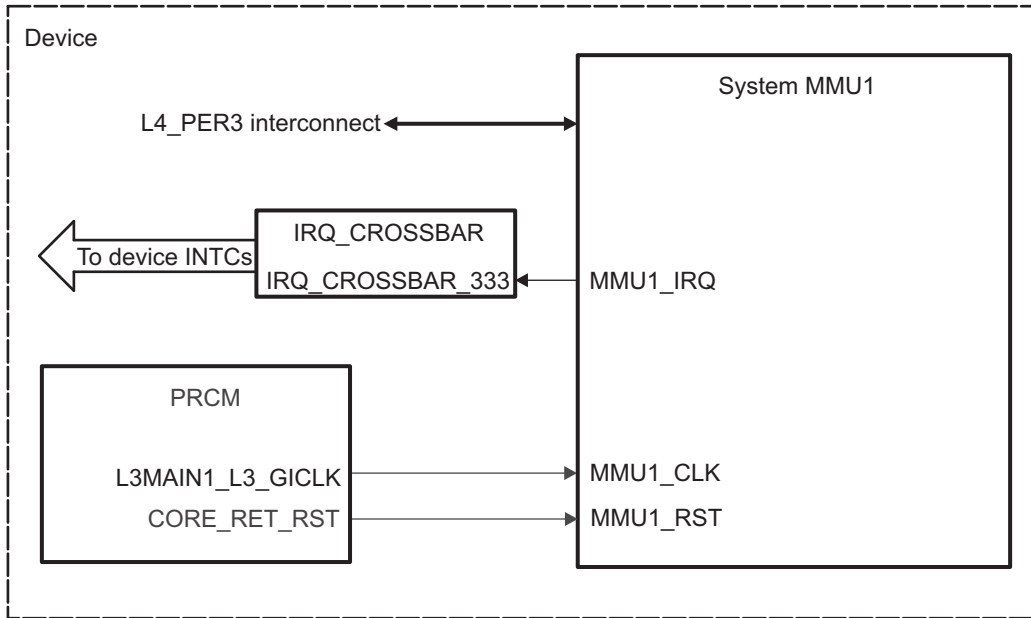


Figure 20-4. System MMU2 Integration

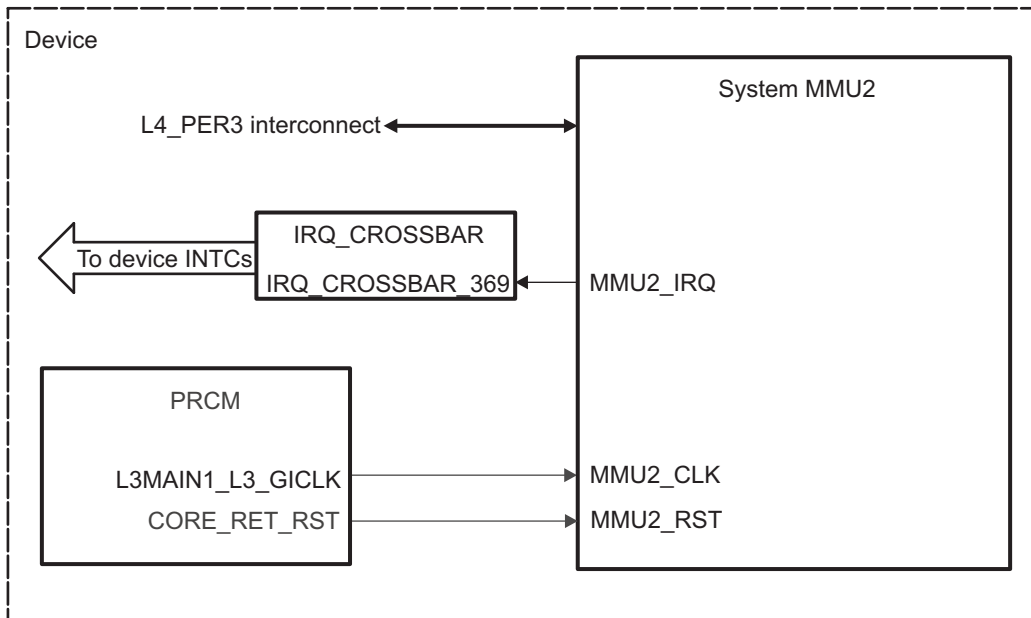


Table 20-1 through Table 20-3 summarize the system MMUs integration.

Table 20-1. MMU Integration Attributes

Module Instance	Attributes	
	Power Domain	Interconnect
System MMU1	PD_COREAON	L4_PER3
System MMU2	PD_COREAON	L4_PER3

Table 20-2. MMU Clocks and Resets

Clocks				
Module Instance	Destination Signal Name	Source Signal Name	Source	Description
System MMU1	MMU1_CLK	L3MAIN1_L3_GICLK	PRCM	System MMU1 interface/functional clock. This clock is used for all interface and functional operations.
System MMU2	MMU2_CLK	L3MAIN1_L3_GICLK	PRCM	System MMU2 interface/functional clock. This clock is used for all interface and functional operations.
Resets				
Module Instance	Destination Signal Name	Source Signal Name	Source	Description
System MMU1	MMU1_RST	CORE_RET_RST	PRCM	System MMU1 hardware reset. This reset is asynchronously applied to the MMU1 internal registers.
System MMU2	MMU2_RST	CORE_RET_RST	PRCM	System MMU2 hardware reset. This reset is asynchronously applied to the MMU2 internal registers.

Table 20-3. MMU Hardware Requests

Interrupt Requests				
Module Instance	Interrupt Name (Source)	IRQ_CROSSBAR Input (Destination)	Default Mapping	Description
System MMU1	MMU1_IRQ	IRQ_CROSSBAR_333	–	System MMU1 interrupt.
System MMU2	MMU2_IRQ	IRQ_CROSSBAR_369	–	System MMU2 interrupt.

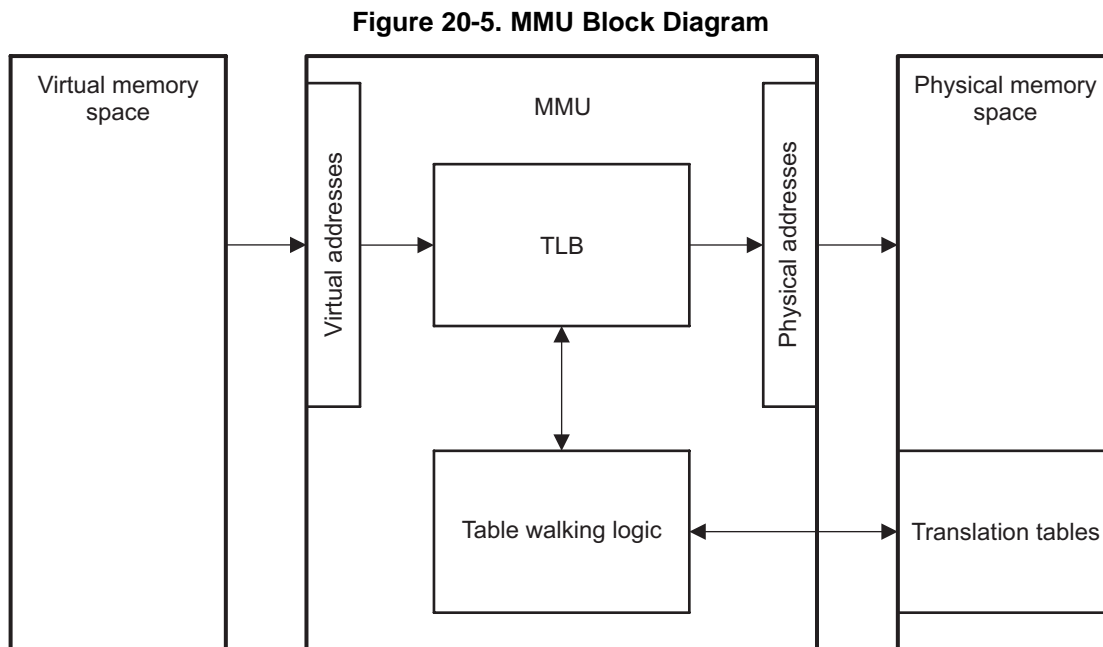
No DMA Requests

NOTE: For a description of the interrupt sources, see [Section 20.3.4, MMU Interrupt Requests](#).

20.3 MMU Functional Description

20.3.1 MMU Block Diagram

The MMU manages the virtual to physical address translation for external addresses. [Figure 20-5](#) shows the MMU block diagram.



Each table entry describes the translation of one contiguous memory region. For a description of the structure of these tables, see [Section 20.3.1.2, Translation Tables](#).

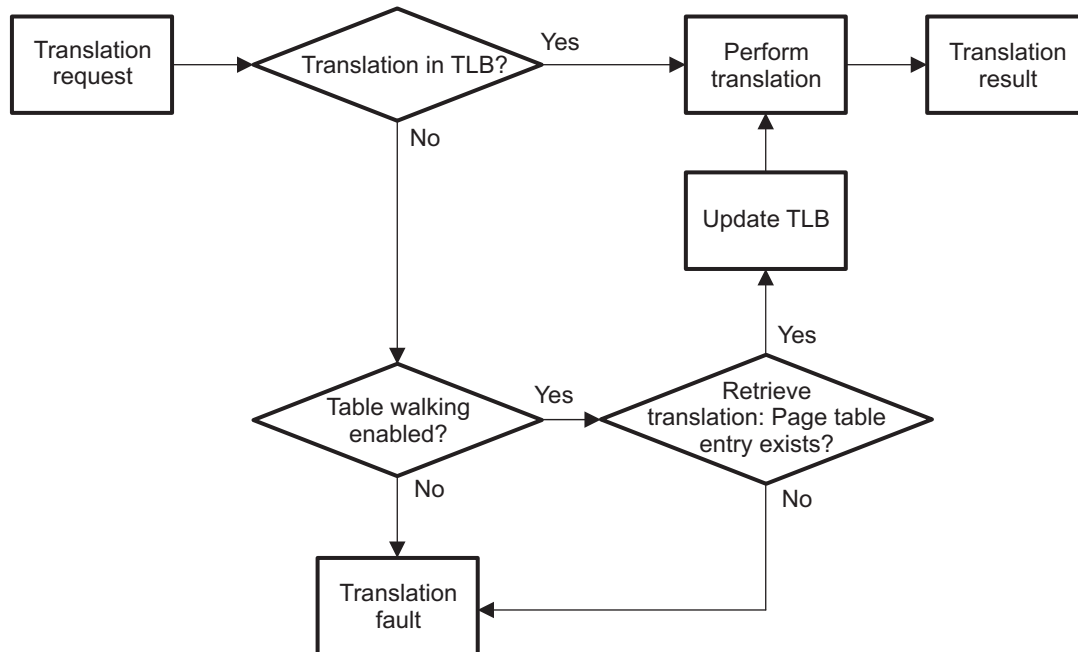
Two major functional units exist in the MMU to provide address translation automatically based on the table entries:

- The table walker automatically retrieves the correct translation table entry for a requested translation. If two-level translation is used (for the translation of small memory pages), the table walker also automatically reads the required second-level translation table entry. The two-level translation is described later in the chapter.
- The translation look-aside buffer (TLB) stores recently used translation entries, acting like a cache of the translation table.

20.3.1.1 MMU Address Translation Process

Whenever an address translation is requested (that is, for every access with the MMU enabled), the MMU first checks whether the translation is contained in the TLB, which acts like a cache storing recent translations. The TLB can also be programmed manually to ensure that time-critical data can be translated without delay.

If the requested translation is not in the TLB, the table-walking logic retrieves this translation from the translation table(s), and then updates the TLB. The address translation is then performed. [Figure 20-6](#) summarizes the process.

Figure 20-6. Translation Process


20.3.1.2 Translation Tables

The translation of virtual to physical addresses is based on entries in translation tables that define the following properties:

- Address translation, that is, the correspondence between virtual and physical addresses
- Size of the memory region the entry translates

The virtual addresses index the translation tables. Each virtual address corresponds to exactly one entry in the translation table.

20.3.1.2.1 Translation Table Hierarchy

When developing a table-based address translation scheme, one of the most important design parameters is the memory page size described by each translation table entry. MMU instances support 4-KiB and 64-KiB pages, a 1-MiB section, and a 16-MiB supersection. Using bigger page sizes means a smaller translation table.

Using a smaller page size greatly increases the efficiency of dynamic memory allocation and defragmentation. That is why many operating systems (OSs) can operate on memory blocks as small as 4 KiB; however, the smaller size implies a more complex table structure.

A quick calculation shows that using 4 KiB memory pages with one translation table would require one million entries to span the entire 4-GiB address range. The table itself would be 32 MiB, a size that is not feasible.

However, using bigger pages reduces the flexibility of typical OS memory management. Implementing a two-level hierarchy reconciles these two requirements. Within this hierarchy, one first-level translation table describes the translation properties based on 1 MiB memory regions.

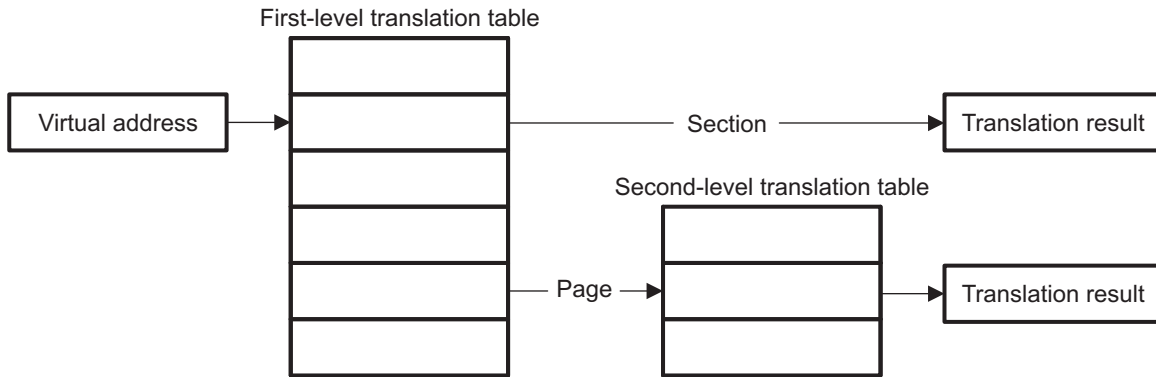
Each of the entries in this first-level translation table can specify the following:

- The translation properties for a big memory section. This memory section can be either 1 MiB (section) or 16 MiB (supersection). In this case, all translation parameters are specified in the first-level translation table entry.
- A pointer to a second-level translation table that specifies individual translation properties based on smaller pages within the 1-MiB page of memory. These pages can be either 64 KiB (large page) or 4

KiB (small page). In this case, the actual translation parameters are specified in the second-level translation table entry. The first-level translation table entry specifies only the base address of the second-level translation table.

This hierarchical approach means that additional translation information for smaller pages must be provided only when the pages are actually used. Figure 20-7 shows the hierarchy.

Figure 20-7. Translation Hierarchy



The structure of the first and second-level translation tables and their entries are described in more detail in Section 20.3.1.2.2, *First-Level Translation Table*, and Section 20.3.1.2.3, *Two-Level Translation*.

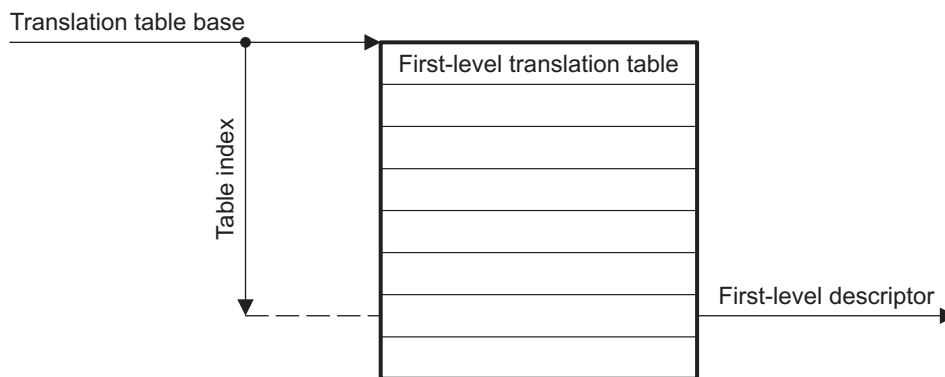
20.3.1.2.2 First-Level Translation Table

The first-level translation table describes the translation properties for 1-MiB sections. To describe a 4-GiB address range requires 4096 32-bit entries (so-called first-level descriptors).

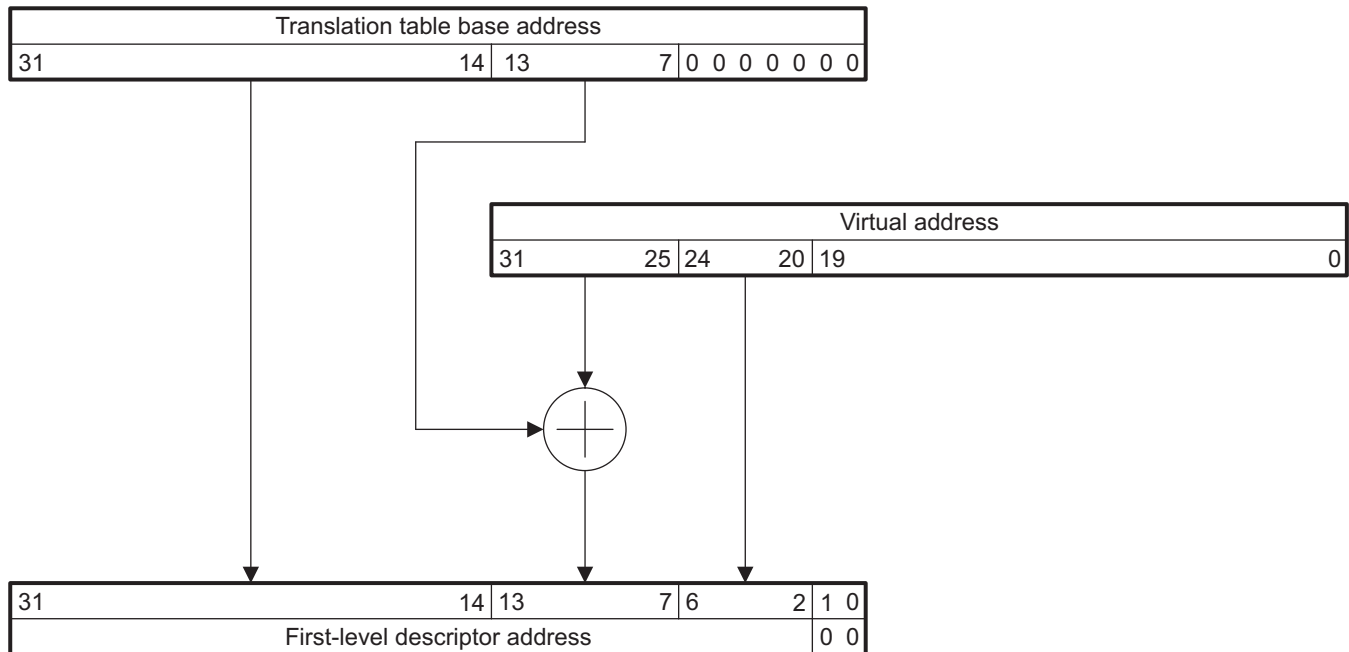
The first-level translation table start address must be aligned on a multiple of the table size with a 128-byte minimum. Consequently, an alignment of at least 16K bytes is required for a complete 4096-entry table; that is, at least the last fourteen address bits must be zero.

The start address of the first-level translation table is specified by the so-called translation table base. The table is indexed by the upper 12-bits of the virtual address. Figure 20-8 shows this mechanism.

Figure 20-8. First-level Descriptor Address Calculation



To summarize, the translation table base and the translation table index together define the first-level descriptor address. Figure 20-9 outlines the precise mechanism used to calculate this address.

Figure 20-9. Detailed First-Level Descriptor Address Calculation


As an example of this mechanism, consider a translation table base address of 0x8000:0000 and a virtual address of 0x1234:5678. In this case, the first-level descriptor address is $0x8000:0000 + (0x123 \ll 2) = 0x8000:048C$.

20.3.1.2.2.1 First-Level Descriptor Format

Each first-level descriptor provides either the complete address translation for 1-MiB or 16-MiB sections or provides a pointer to a second-level translation table for 4 KiB or 64 KiB pages. Table 20-4 shows the first-level descriptor format.

Table 20-4. First-Level Descriptor Format

First-Level Descriptor Format									
31:24	23:20	19	18	17:10	9:2	1	0		
X							0	0	Fault
Second-Level Translation Table Base Address					X	0	1	Page	
Section Base Address		X	0	X		1	0	Section	
Supersection Base Address		X		1	X		1	0	Supersection
X							1	1	Fault

X = Don't care. Set to 0 for future compatibility.

20.3.1.2.2.2 First-Level Page Descriptor Format

If a translation granularity smaller than 1 MiB is required, a two-level translation process is used. In this case, the first-level block descriptor specifies only the start address of a second-level translation table. The second-level translation table entries specify the actual translation properties.

20.3.1.2.2.3 First-Level Section Descriptor Format

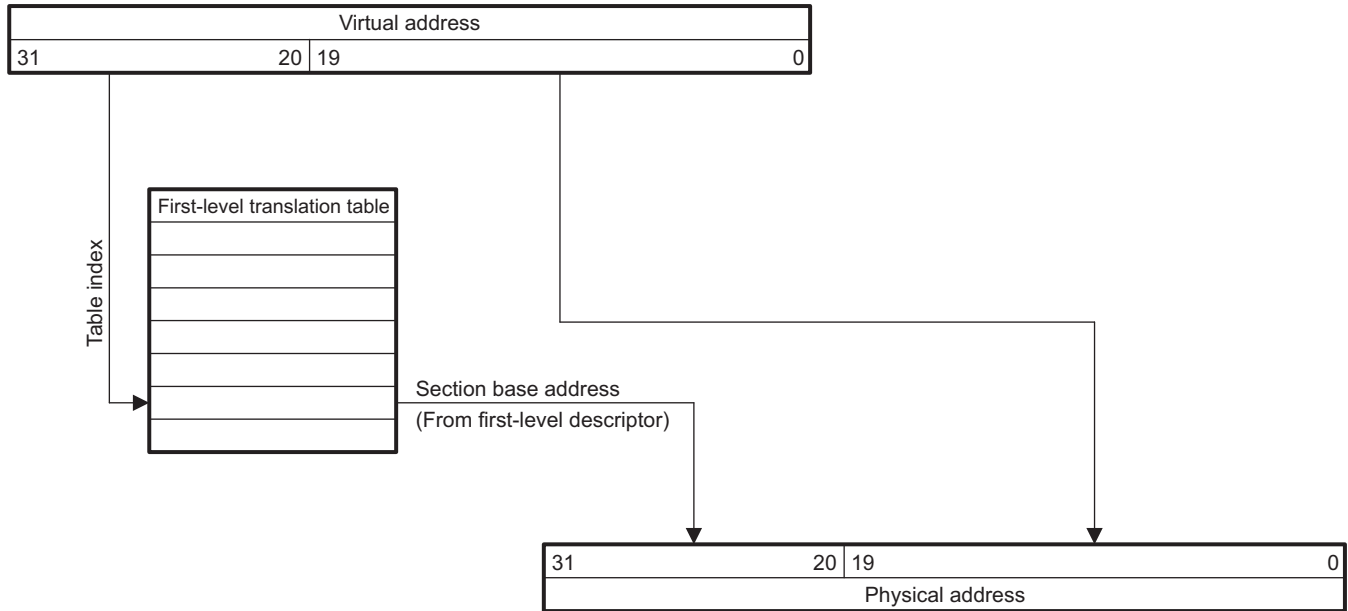
Each section descriptor in the first-level translation table specifies the complete translation properties for a 1-MiB section or a 16-MiB supersection.

NOTE: Supersection descriptors must be repeated 16 times, because each descriptor in the first-level translation table describes 1 MiB of memory. If an access points to a descriptor that is not initialized, the MMU will behave in an unpredictable way.

20.3.1.2.2.4 Section Translation Summary

Sections and supersections can be translated based solely on the information in the first-level translation table. Figure 20-10 summarizes the address translation process for a section.

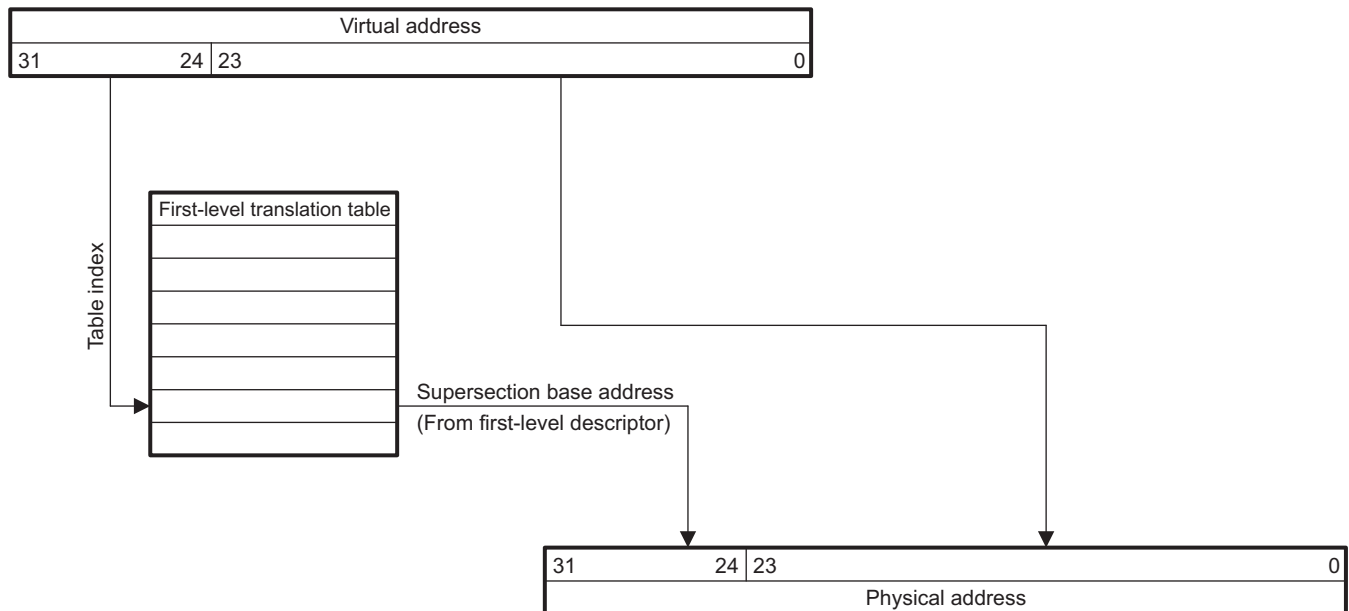
Figure 20-10. Section Translation Summary



20.3.1.2.2.5 Supersection Translation Summary

The translation of a supersection is similar to the translation of a section. The difference is that for a supersection only bits 31 to 24 index into the first-level translation table. The last four bits of the table index are implicitly assumed to be zero as there are 16 identical consecutive entries for a supersection.

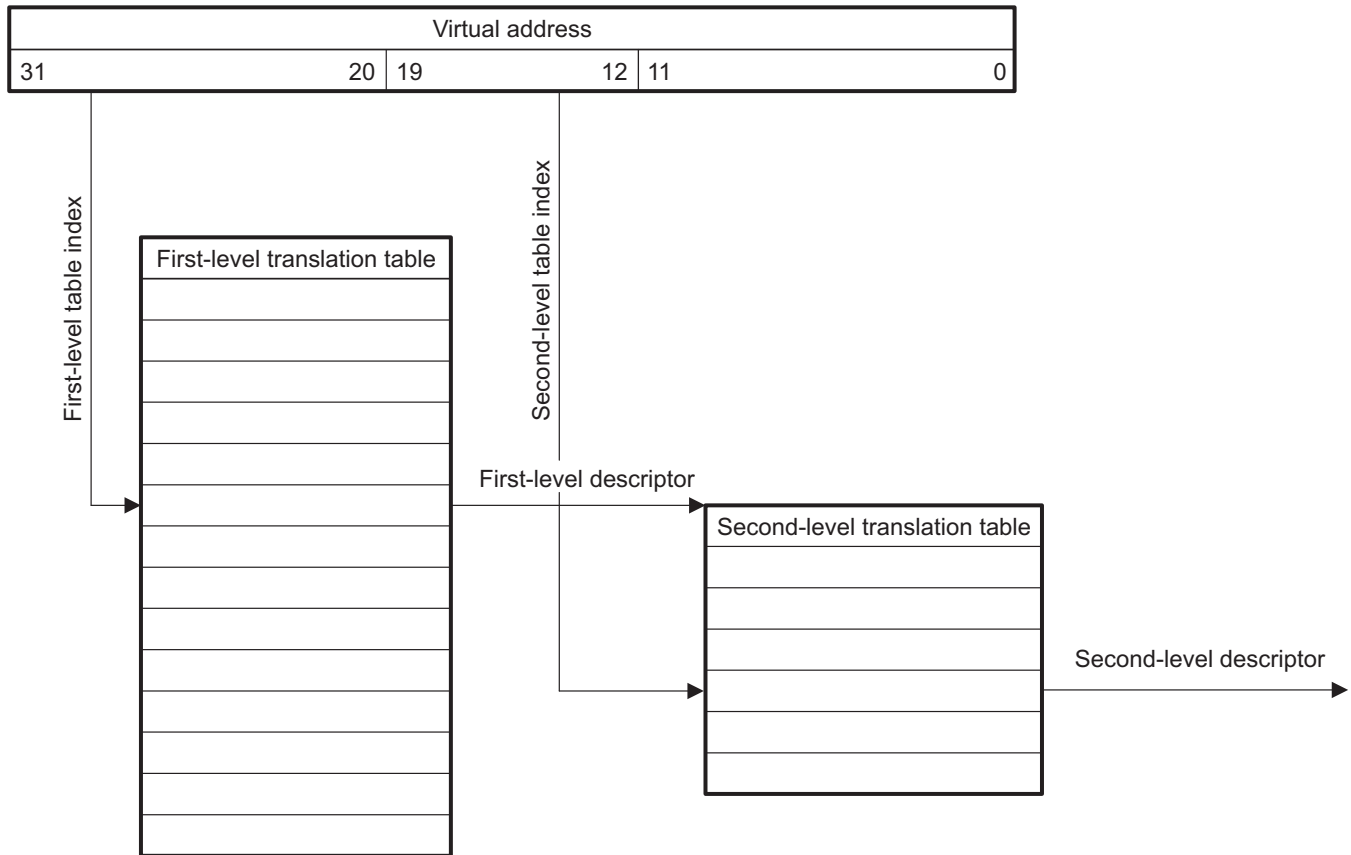
Figure 20-11 shows the translation mechanism for a supersection.

Figure 20-11. Supersection Translation Summary


20.3.1.2.3 Two-Level Translation

Two-level translation is used when fine-grain granularity is required, that is, when memory sections smaller than 1 MiB are needed. In this case, the first-level descriptor provides a pointer to the base address of a second-level translation table. This second-level table is indexed by bits 19 to 12 of the virtual address. [Figure 20-12](#) shows this indexing mechanism.

Figure 20-12. Two-Level Translation



Each second-level translation table describes the translation of 1 MiB of address space in pages of 64 KiB (large page) or 4 KiB (small page). It consists of 256 second-level descriptors describing 4 KiB each.

NOTE: In the case of a large page, the same descriptor must be repeated 16 times. If an access points to a descriptor that is not initialized, the MMU will behave in an unpredictable way.

20.3.1.2.3.1 Second-Level Descriptor Format

Similar to first-level section descriptors, second-level descriptors provide all of the necessary information for the translation of a large or small page. Table 20-5 shows the format of second-level descriptors.

Table 20-5. Second-Level Descriptor Format

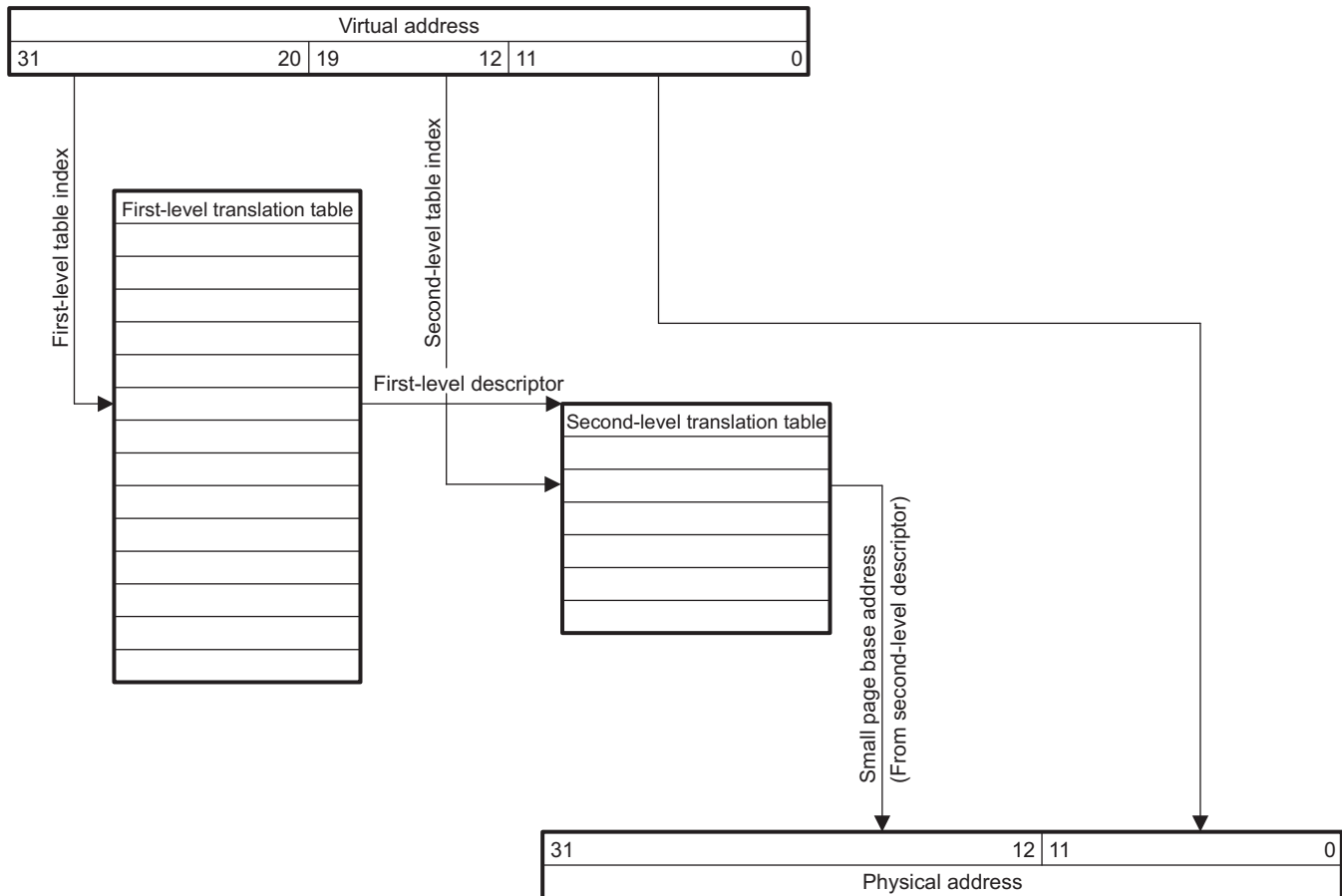
Second-Level Descriptor Format					
31:16	15:12	11:2	1	0	
X				0	0
Large Page Base Address				0	1
Small Page Base Address				1	X
					Fault
					Large Page
					Small Page

X = Don't care. Set to 0 for future compatibility.

20.3.1.2.3.2 Small Page Translation Summary

Figure 20-13 summarizes the translation process for small pages.

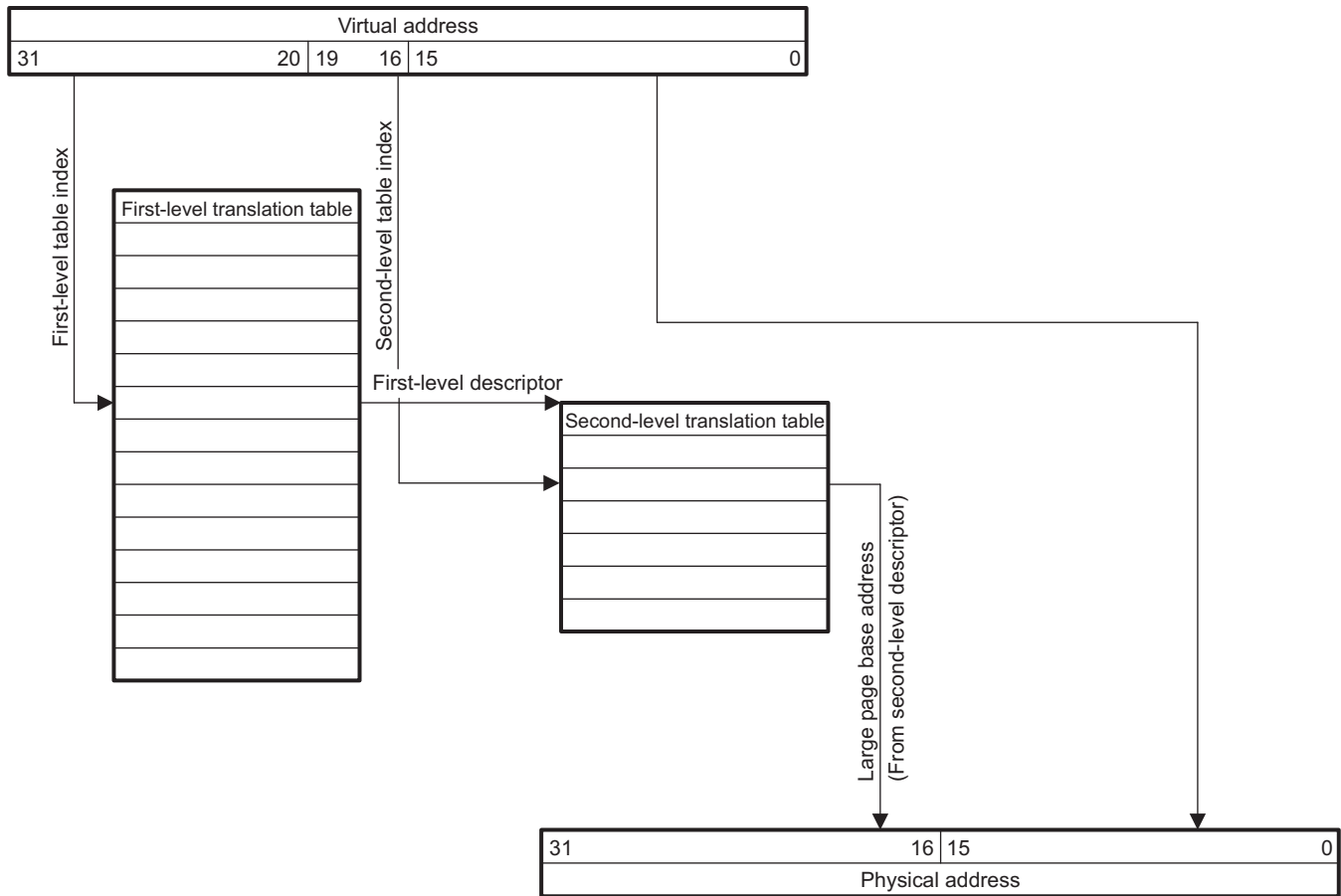
Figure 20-13. Small Page Translation Summary



20.3.1.2.3.3 Large Page Translation Summary

The translation of a large page is similar to the translation of a small page. The difference is that, for a large page, only bits 19 to 16 index into the second-level translation table. The last four bits of the table index are implicitly assumed to be zero as there are 16 identical consecutive entries for a large page. This is shown in Figure 20-14.

Figure 20-14. Large Page Translation Summary



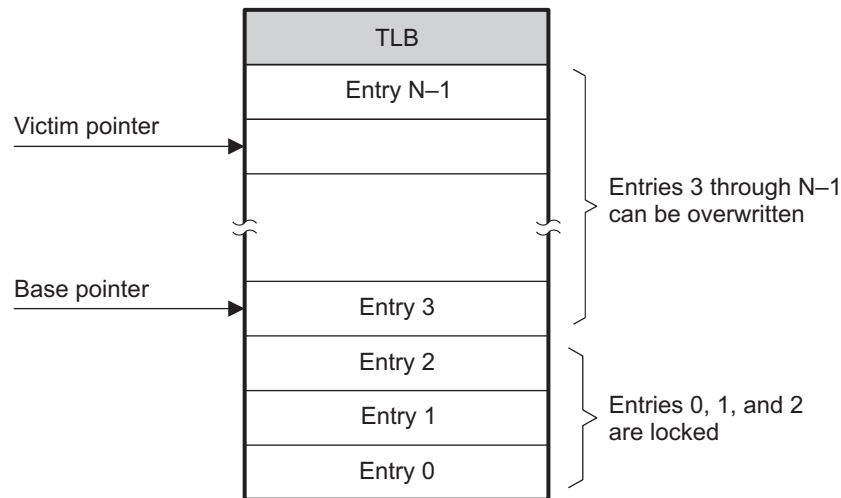
20.3.1.3 Translation Lookaside Buffer

Translating virtual addresses to physical addresses is required for each memory access in systems using an MMU. To accelerate this translation process, a cache, or TLB, holds the result of recent translations.

For every translation, the MMU internal logic first checks whether the requested translation is already cached in the TLB. If the translation is cached, this translation is used; otherwise the translation is retrieved from the translation tables and the TLB is updated. If the TLB is full, one of its entries must be replaced. This entry is selected on a random basis.

The first n TLB entries, where $n < \text{Total Number } N \text{ of TLB Entries}$, can be protected (locked) against being overwritten by setting the TLB base pointer to n . When this mechanism is used, only unprotected entries can be overwritten. The victim pointer indicates the next TLB entry to be written. Figure 20-15 shows an example of the TLB with N TLB entries (ranging from 0 to $N-1$). The base pointer contains the value "3" protecting Entry 0, Entry 1, and Entry 2 and the victim pointer points to the next TLB entry to be updated.

NOTE: The last TLB entry (Entry $N-1$) always remains unprotected.

Figure 20-15. TLB Entry Lock Mechanism


The table walking logic automatically writes the TLB entries. The entries can also be manually written, which is done typically to ensure that the translation of time-critical data accesses is already present in the TLB so that they execute as fast as possible. The entries must be locked to prevent them from being overwritten.

20.3.1.3.1 TLB Entry Format

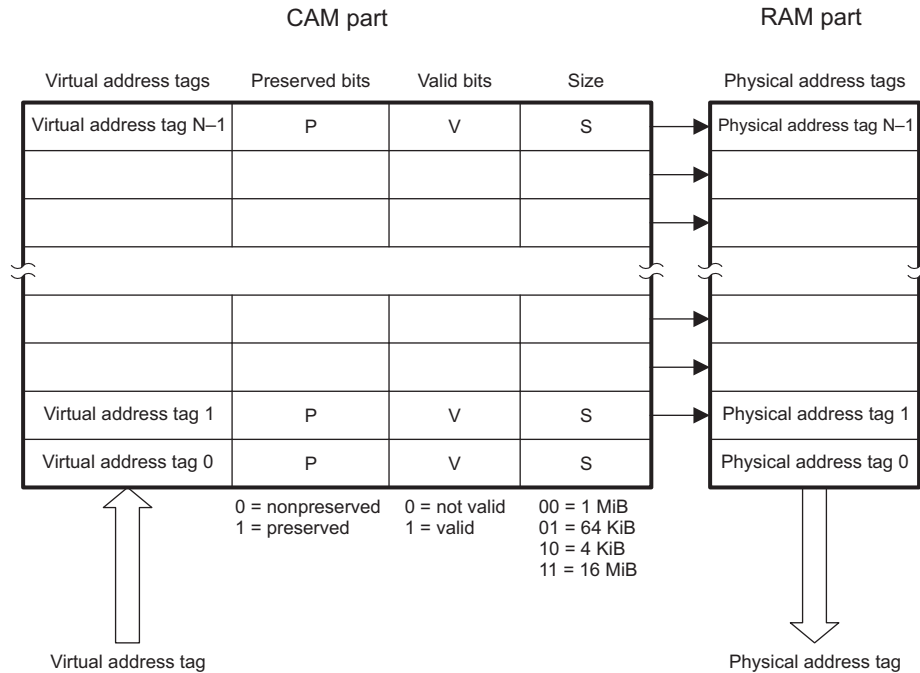
TLB entries consist of two parts:

- The Content Addressable Memory (CAM) part contains the virtual address tag used to determine if a virtual address translation is in the TLB. The TLB acts like a fully associative cache addressed by the virtual address tag. The CAM part also contains the section/page size, as well as the preserved and the valid parameters. See the [MMU_CAM](#) register table for more details.
- The Random Addressable Memory (RAM) part contains the address translation that belongs to the virtual address tag. See the [MMU_RAM](#) register table for more details.

The valid parameter specifies whether an entry is valid or not. The preserved parameter determines the behavior of an entry in the event of a TLB flush. If an entry is set as preserved, it is not deleted when a TLB is flushed, that is, when [MMU_GFLUSH\[0\]](#) GLOBALFLUSH is set to 1. Preserved entries must be deleted manually. [Section 20.3.1.2.2, First-Level Translation Table](#) describes the procedure to delete TLB entries.

[Figure 20-17](#) shows the TLB entry structure.

Figure 20-16. TLB Entry Structure



20.3.1.4 No Translation (Bypass) Regions

The MMU provides support for up to four user programmable regions where there is no address translation. Any access to a region specified by the MMU_BYPASS_REGIONx_ADDR and MMU_BYPASS_REGIONx_SIZE registers (where x = 1 to 4) will have no virtual to physical address translation.

20.3.2 MMU Software Reset

To perform a software reset, write 1 in the MMU_SYSCONFIG[1] SOFTRESET bit. The MMU_SYSSTATUS[0] RESETDONE bit indicates that the software reset is complete when its value is 1. When the software reset completes, the MMU_SYSCONFIG[1] SOFTRESET bit is automatically reset. The software must ensure that the software reset completes before doing MMU operations. When an MMU instance is released from reset, its TLB is empty and the MMU is disabled.

20.3.3 MMU Power Management

Table 20-6 describes the power-management features available for the MMU modules.

Table 20-6. MMU Local Power Management Features

Feature	Register
Idle modes	MMU_SYSCONFIG[4:3] IDLEMODE
Clock activity	MMU_SYSCONFIG[9:8] CLOCKACTIVITY
Clock autogating	MMU_SYSCONFIG[0] AUTOIDLE

NOTE: The MMU_SYSCONFIG[9:8] CLOCKACTIVITY bit field is read only.

20.3.4 MMU Interrupt Requests

Table 20-7. MMU Events

Event Flag	Event Mask	Description
MMU_IRQSTATUS[4] MULTIHITFAULT	MMU_IRQENABLE[4] MULTIHITFAULT	Error due to multiple matches in the TLB
MMU_IRQSTATUS[3] TABLEWALKFAULT	MMU_IRQENABLE[3] TABLEWALKFAULT	Error due to error response received during a Table Walk
MMU_IRQSTATUS[2] EMUMISS	MMU_IRQENABLE[2] EMUMISS	Error due to unrecoverable TLB miss during debug (hardware TWL disabled)
MMU_IRQSTATUS[1] TRANSLATIONFAULT	MMU_IRQENABLE[1] TRANSLATIONFAULT	Error due to invalid descriptor in the translation tables (translation fault)
MMU_IRQSTATUS[0] TLBMISS	MMU_IRQENABLE[0] TLBMISS	Error due to unrecoverable TLB miss (hardware TWL disabled)

20.3.5 MMU Error Handling

Table 20-8 summarizes the intended operation for real and potential error conditions.

Table 20-8. Error Handling

Item	Condition	Action
1	Table-walk read has an error response.	Treat generally the same as a translation fault, but set the TableWalkFault interrupt status bit to aid in diagnosis
2	MMU is disabled during table-walk.	Not permitted; can result in loss of the current transaction but must not deadlock the MMU. Avoid this condition by first disabling the table-walk logic and then polling the TWLRunning bit to ensure that no table walk is pending
3	MMU is disabled during an address translation.	Not permitted; can result in access to an unintended location, but must not deadlock MMU. This condition should be avoided by ensuring that no accesses are pending.
4	TLB is accessed during an address translation or a table walk.	Reading permitted; write should be done with care to ensure that the TLB is self-consistent at all times that a translation can occur.
5	TLB is flushed during address translation or a table walk.	Permitted; the flush is processed first, followed by the TWL update.
6	MMU is disabled while an interrupt is pending.	Not permitted; all pending interrupts should be processed before disabling the MMU.
7	Interrupt is not enabled and a fault/miss happens during translation.	If MMU_GPR[0] FAULT_INTR_DIS = 1 : Error response is sent back. If MMU_GPR[0] FAULT_INTR_DIS = 0 : <ul style="list-style-type: none"> Mreqdebug = 1 (debug access) : Error response is sent back Mreqdebug = 0 (application access) : Error response is not sent. MMU is waiting for TLB to be updated through config port. But since the interrupt is not asserted, system does not know there was a fault. This results in deadlock. Software must take care of this by enabling interrupts.

20.4 MMU Low-level Programming Models

This section covers the low-level hardware programming sequences for configuration and usage of the module.

20.4.1 Global Initialization

20.4.1.1 Surrounding Modules Global Initialization

This section identifies the requirements of initializing the surrounding modules when the MMU module is to be used for the first time after a device reset. This initialization of surrounding modules is based on the integration and environment of the MMU. For more information, see [Section 20.2, MMU Module Integration](#).

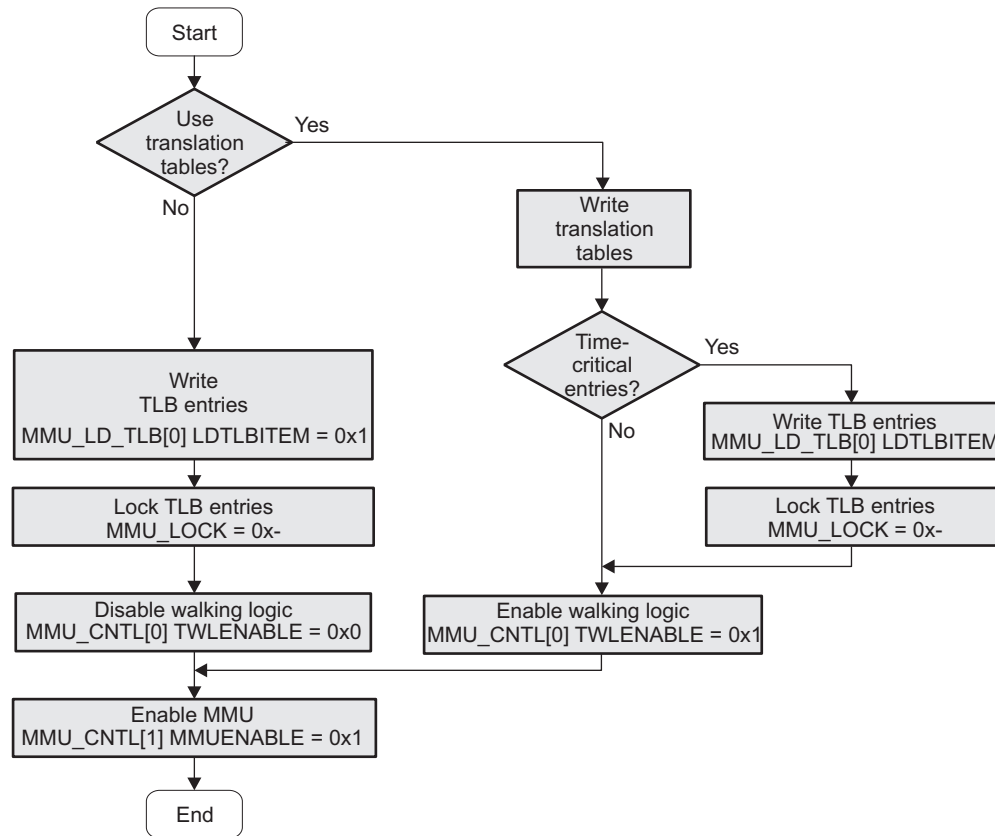
Table 20-9. Global Initialization of Surrounding Modules

Surrounding Modules	Comments
PRCM	Enable MMU interface/functional clock.
(optional) Interrupt controller(s)	Configure device interrupt controller(s) to enable the interrupts from MMU.
IRQ_CROSSBAR	IRQ_CROSSBAR configuration must be done to allow module IRQs to be mapped to certain device INTC line. For more information see Section 18.4.6.4, IRQ_CROSSBAR Module Functional Description , in Chapter 18, Control Module .

20.4.1.2 MMU Global Initialization

20.4.1.2.1 Main Sequence - MMU Global Initialization

[Figure 20-17](#) shows the procedure to initialize the MMU after a power-on or software reset.

Figure 20-17. MMU Global Initialization


20.4.1.2.2 Subsequence - Configure a TLB entry

Table 20-10. Configure a TLB Entry

Step	Register / Bit Field / Programming Model	Value
Load the Virtual Address Tag	MMU_CAM[31:12] VATAG	0x-
Protect the TLB entry against flush	MMU_CAM[3] P	0x1
Validate the TLB entry	MMU_CAM[2] V	0x1
Define the page size	MMU_CAM[1:0] PAGESIZE	0x-

20.4.1.3 Operational Modes Configuration

20.4.1.3.1 Main Sequence - Writing TLB Entries Statically

Writing TLB entries statically avoids the need to write translation tables in memory and is commonly used for relatively small address spaces. This method ensures that the translation of time-critical data accesses execute as fast as possible with entries already present in the TLB. These entries must be locked to prevent them from being overwritten.

Table 20-11. MMU Writing TLB Entries Statically

Step	Register/ Bit Field / Programming Model	Value
Execute software reset	MMU_SYSCONFIG[1] SOFTRESET	0x1
Wait for reset to complete	MMU_SYSSTATUS[0] RESETDONE	=0x1
Enable power saving via automatic interface clock gating	MMU_SYSCONFIG[0] AUTOIDLE	0x1
Configure TLB entries	See Table 20-10	
Load the physical Address of the page	MMU_RAM[31:12] PHYSICALADDRESS	0x-
Specify the TLB entry you want to write	MMU_LOCK[8:4] CURRENTVICTIM	0x-
Load the specified entry in the TLB	MMU_LD_TLB[0] LDTLBITEM	0x1
Enable multihit fault and TLB miss	MMU_IRQENABLE[4] MULTIHITFAULT	0x1
	MMU_IRQENABLE[0] TLBMISS	0x1
Enable memory translations	MMU_CNTL[1] MMUENABLE	0x1

20.4.1.3.2 Main Sequence - Protecting TLB Entries

The first n TLB entries (with $n <$ total number of TLB entries) can be protected from being overwritten with new translations. This is useful to ensure that certain commonly used or time-critical translations are always in the TLB and do not require retrieval using the table walking process.

Table 20-12. Protecting TLB Entries

Step	Register/Bit Field/Programming Model	Value
Locks the TLB entries	MMU_LOCK[14:10] BASEVALUE	0x-

20.4.1.3.3 Main Sequence - Deleting TLB Entries

Two mechanisms exist to delete TLB entries. All unpreserved TLB entries, that is, TLB entries written with the preserved bit set to zero, can be deleted by invoking a TLB flush. The preserved bit should only be used on protected TLB entries, as it does not prevent replacement by the table walking logic.

Table 20-13. Deleting TLB Entries

Step	Register / Bit Field / Programming Model	Value
Flush all nonprotected TLB entries	MMU_GFLUSH[0] GLOBALFLUSH	0x1
Flush all TLB entries specified by the CAM register	MMU_FLUSH_ENTRY[0] FLUSHENTRY	0x1

20.4.1.3.4 Main Sequence - Read TLB Entries

TLB entries can be read by the programmer to determine the TLB content at runtime.

Table 20-14. Read TLB Entries

Step	Register / Bit Field / Programming Model	Value
Set the current victim pointer	MMU_LOCK[8:4] CURRENTVICTIM	0x-
Read RAM parts of the TLB entry	MMU_READ_RAM	

Table 20-14. Read TLB Entries (continued)

Step	Register / Bit Field / Programming Model	Value
Read CAM parts of the TLB entry	MMU_READ_CAM	

20.5 MMU Register Manual

20.5.1 MMU Instance Summary

Table 20-15. MMU Instance Summary

Module Name	Base Address (L3/L4 Access)	Base Address (CPU Private Access)	Size
System MMU1	0x4881 C000	–	176 Bytes
System MMU2	0x4881 E000	–	176 Bytes
DSP1_MMU0	0x40D0 1000	0x01D0 1000	176 Bytes
DSP1_MMU1	0x40D0 2000	0x01D0 2000	176 Bytes
IPU1_MMU	0x5888 2000	0x5508 2000	176 Bytes
IPU2_MMU	0x5508 2000	0x5508 2000	176 Bytes

20.5.2 MMU Registers

20.5.2.1 MMU Register Summary

Table 20-16. System MMU Register Mapping Summary

Register Name	Type	Register Width (Bits)	Address Offset	System MMU1 Physical Address (L4_PER3 Access)	System MMU2 Physical Address (L4_PER3 Access)
MMU_REVISION	R	32	0x0000 0000	0x4881 C000	0x4881 E000
MMU_SYSCONFIG	RW	32	0x0000 0010	0x4881 C010	0x4881 E010
MMU_SYSSTATUS	R	32	0x0000 0014	0x4881 C014	0x4881 E014
MMU_IRQSTATUS	RW	32	0x0000 0018	0x4881 C018	0x4881 E018
MMU_IRQENABLE	RW	32	0x0000 001C	0x4881 C01C	0x4881 E01C
MMU_WALKING_ST	R	32	0x0000 0040	0x4881 C040	0x4881 E040
MMU_CNTL	RW	32	0x0000 0044	0x4881 C044	0x4881 E044
MMU_FAULT_AD	R	32	0x0000 0048	0x4881 C048	0x4881 E048
MMU_TTB	RW	32	0x0000 004C	0x4881 C04C	0x4881 E04C
MMU_LOCK	RW	32	0x0000 0050	0x4881 C050	0x4881 E050
MMU_LD_TLB	RW	32	0x0000 0054	0x4881 C054	0x4881 E054
MMU_CAM	RW	32	0x0000 0058	0x4881 C058	0x4881 E058
MMU_RAM	RW	32	0x0000 005C	0x4881 C05C	0x4881 E05C
MMU_GFLUSH	RW	32	0x0000 0060	0x4881 C060	0x4881 E060
MMU_FLUSH_ENTRY	RW	32	0x0000 0064	0x4881 C064	0x4881 E064
MMU_READ_CAM	R	32	0x0000 0068	0x4881 C068	0x4881 E068
MMU_READ_RAM	R	32	0x0000 006C	0x4881 C06C	0x4881 E06C
MMU_EMU_FAULT_AD	R	32	0x0000 0070	0x4881 C070	0x4881 E070
RESERVED	R	32	0x0000 0074	0x4881 C074	0x4881 E074
RESERVED	R	32	0x0000 0078	0x4881 C078	0x4881 E078
RESERVED	R	32	0x0000 007C	0x4881 C07C	0x4881 E07C
MMU_FAULT_PC	R	32	0x0000 0080	0x4881 C080	0x4881 E080
MMU_FAULT_STATUS	RW	32	0x0000 0084	0x4881 C084	0x4881 E084
MMU_GPR	RW	32	0x0000 0088	0x4881 C088	0x4881 E088
MMU_BYPASS_REGION1_ADDR	RW	32	0x0000 0090	0x4881 C090	0x4881 E090
MMU_BYPASS_REGION1_SIZE	RW	32	0x0000 0094	0x4881 C094	0x4881 E094

Table 20-16. System MMU Register Mapping Summary (continued)

Register Name	Type	Register Width (Bits)	Address Offset	System MMU1 Physical Address (L4_PER3 Access)	System MMU2 Physical Address (L4_PER3 Access)
MMU_BYPASS_REGION2_ADDR	RW	32	0x0000 0098	0x4881 C098	0x4881 E098
MMU_BYPASS_REGION2_SIZE	RW	32	0x0000 009C	0x4881 C09C	0x4881 E09C
MMU_BYPASS_REGION3_ADDR	RW	32	0x0000 00A0	0x4881 C0A0	0x4881 E0A0
MMU_BYPASS_REGION3_SIZE	RW	32	0x0000 00A4	0x4881 C0A4	0x4881 E0A4
MMU_BYPASS_REGION4_ADDR	RW	32	0x0000 00A8	0x4881 C0A8	0x4881 E0A8
MMU_BYPASS_REGION4_SIZE	RW	32	0x0000 00AC	0x4881 C0AC	0x4881 E0AC

Table 20-17. DSP1 MMU Register Mapping Summary

Register Name	Type	Register Width (Bits)	Address Offset	DSP1_MMU0 Physical Address (L3_MAIN Access)	DSP1_MMU0 Physical Address (DSP1 Private Access)	DSP1_MMU1 Physical Address (L3_MAIN Access)	DSP1_MMU1 Physical Address (DSP1 Private Access)
MMU_REVISION	R	32	0x0000 0000	0x40D0 1000	0x01D0 1000	0x40D0 2000	0x01D0 2000
MMU_SYSCONFIG	RW	32	0x0000 0010	0x40D0 1010	0x01D0 1010	0x40D0 2010	0x01D0 2010
MMU_SYSSTATUS	R	32	0x0000 0014	0x40D0 1014	0x01D0 1014	0x40D0 2014	0x01D0 2014
MMU_IRQSTATUS	RW	32	0x0000 0018	0x40D0 1018	0x01D0 1018	0x40D0 2018	0x01D0 2018
MMU_IRQENABLE	RW	32	0x0000 001C	0x40D0 101C	0x01D0 101C	0x40D0 201C	0x01D0 201C
MMU_WALKING_ST	R	32	0x0000 0040	0x40D0 1040	0x01D0 1040	0x40D0 2040	0x01D0 2040
MMU_CNTL	RW	32	0x0000 0044	0x40D0 1044	0x01D0 1044	0x40D0 2044	0x01D0 2044
MMU_FAULT_AD	R	32	0x0000 0048	0x40D0 1048	0x01D0 1048	0x40D0 2048	0x01D0 2048
MMU_TTB	RW	32	0x0000 004C	0x40D0 104C	0x01D0 104C	0x40D0 204C	0x01D0 204C
MMU_LOCK	RW	32	0x0000 0050	0x40D0 1050	0x01D0 1050	0x40D0 2050	0x01D0 2050
MMU_LD_TLB	RW	32	0x0000 0054	0x40D0 1054	0x01D0 1054	0x40D0 2054	0x01D0 2054
MMU_CAM	RW	32	0x0000 0058	0x40D0 1058	0x01D0 1058	0x40D0 2058	0x01D0 2058
MMU_RAM	RW	32	0x0000 005C	0x40D0 105C	0x01D0 105C	0x40D0 205C	0x01D0 205C
MMU_GFLUSH	RW	32	0x0000 0060	0x40D0 1060	0x01D0 1060	0x40D0 2060	0x01D0 2060
MMU_FLUSH_ENTRY	RW	32	0x0000 0064	0x40D0 1064	0x01D0 1064	0x40D0 2064	0x01D0 2064
MMU_READ_CAM	R	32	0x0000 0068	0x40D0 1068	0x01D0 1068	0x40D0 2068	0x01D0 2068
MMU_READ_RAM	R	32	0x0000 006C	0x40D0 106C	0x01D0 106C	0x40D0 206C	0x01D0 206C
MMU_EMU_FAULT_AD	R	32	0x0000 0070	0x40D0 1070	0x01D0 1070	0x40D0 2070	0x01D0 2070
RESERVED	R	32	0x0000 0074	0x40D0 1074	0x01D0 1074	0x40D0 2074	0x01D0 2074
RESERVED	R	32	0x0000 0078	0x40D0 1078	0x01D0 1078	0x40D0 2078	0x01D0 2078
RESERVED	R	32	0x0000 007C	0x40D0 107C	0x01D0 107C	0x40D0 207C	0x01D0 207C
MMU_FAULT_PC	R	32	0x0000 0080	0x40D0 1080	0x01D0 1080	0x40D0 2080	0x01D0 2080
MMU_FAULT_STATUS	RW	32	0x0000 0084	0x40D0 1084	0x01D0 1084	0x40D0 2084	0x01D0 2084
MMU_GPR	RW	32	0x0000 0088	0x40D0 1088	0x01D0 1088	0x40D0 2088	0x01D0 2088
MMU_BYPASS_REGION1_ADDR	RW	32	0x0000 0090	0x40D0 1090	0x01D0 1090	0x40D0 2090	0x01D0 2090
MMU_BYPASS_REGION1_SIZE	RW	32	0x0000 0094	0x40D0 1094	0x01D0 1094	0x40D0 2094	0x01D0 2094
MMU_BYPASS_REGION2_ADDR	RW	32	0x0000 0098	0x40D0 1098	0x01D0 1098	0x40D0 2098	0x01D0 2098
MMU_BYPASS_REGION2_SIZE	RW	32	0x0000 009C	0x40D0 109C	0x01D0 109C	0x40D0 209C	0x01D0 209C
MMU_BYPASS_REGION3_ADDR	RW	32	0x0000 00A0	0x40D0 10A0	0x01D0 10A0	0x40D0 20A0	0x01D0 20A0
MMU_BYPASS_REGION3_SIZE	RW	32	0x0000 00A4	0x40D0 10A4	0x01D0 10A4	0x40D0 20A4	0x01D0 20A4
MMU_BYPASS_REGION4_ADDR	RW	32	0x0000 00A8	0x40D0 10A8	0x01D0 10A8	0x40D0 20A8	0x01D0 20A8

Table 20-17. DSP1 MMU Register Mapping Summary (continued)

Register Name	Type	Register Width (Bits)	Address Offset	DSP1_MMU0 Physical Address (L3_MAIN Access)	DSP1_MMU0 Physical Address (DSP1 Private Access)	DSP1_MMU1 Physical Address (L3_MAIN Access)	DSP1_MMU1 Physical Address (DSP1 Private Access)
MMU_BYPASS_REGION4_SIZE	RW	32	0x0000 00AC	0x40D0 10AC	0x01D0 10AC	0x40D0 20AC	0x01D0 20AC

Table 20-18. IPU MMU Register Mapping Summary

Register Name	Type	Register Width (Bits)	Address Offset	IPU1_MMU Physical Address (L3_MAIN Access)	IPU1_MMU Physical Address (IPU1 Private Access)	IPU2_MMU Physical Address (L3_MAIN Access)	IPU2_MMU Physical Address (IPU2 Private Access)
MMU_REVISION	R	32	0x0000 0000	0x5888 2000	0x5508 2000	0x5508 2000	0x5508 2000
MMU_SYSCONFIG	RW	32	0x0000 0010	0x5888 2010	0x5508 2010	0x5508 2010	0x5508 2010
MMU_SYSSTATUS	R	32	0x0000 0014	0x5888 2014	0x5508 2014	0x5508 2014	0x5508 2014
MMU_IRQSTATUS	RW	32	0x0000 0018	0x5888 2018	0x5508 2018	0x5508 2018	0x5508 2018
MMU_IRQENABLE	RW	32	0x0000 001C	0x5888 201C	0x5508 201C	0x5508 201C	0x5508 201C
MMU_WALKING_ST	R	32	0x0000 0040	0x5888 2040	0x5508 2040	0x5508 2040	0x5508 2040
MMU_CNTL	RW	32	0x0000 0044	0x5888 2044	0x5508 2044	0x5508 2044	0x5508 2044
MMU_FAULT_AD	R	32	0x0000 0048	0x5888 2048	0x5508 2048	0x5508 2048	0x5508 2048
MMU_TTB	RW	32	0x0000 004C	0x5888 204C	0x5508 204C	0x5508 204C	0x5508 204C
MMU_LOCK	RW	32	0x0000 0050	0x5888 2050	0x5508 2050	0x5508 2050	0x5508 2050
MMU_LD_TLB	RW	32	0x0000 0054	0x5888 2054	0x5508 2054	0x5508 2054	0x5508 2054
MMU_CAM	RW	32	0x0000 0058	0x5888 2058	0x5508 2058	0x5508 2058	0x5508 2058
MMU_RAM	RW	32	0x0000 005C	0x5888 205C	0x5508 205C	0x5508 205C	0x5508 205C
MMU_GFLUSH	RW	32	0x0000 0060	0x5888 2060	0x5508 2060	0x5508 2060	0x5508 2060
MMU_FLUSH_ENTRY	RW	32	0x0000 0064	0x5888 2064	0x5508 2064	0x5508 2064	0x5508 2064
MMU_READ_CAM	R	32	0x0000 0068	0x5888 2068	0x5508 2068	0x5508 2068	0x5508 2068
MMU_READ_RAM	R	32	0x0000 006C	0x5888 206C	0x5508 206C	0x5508 206C	0x5508 206C
MMU_EMU_FAULT_AD	R	32	0x0000 0070	0x5888 2070	0x5508 2070	0x5508 2070	0x5508 2070
RESERVED	R	32	0x0000 0074	0x5888 2074	0x5508 2074	0x5508 2074	0x5508 2074
RESERVED	R	32	0x0000 0078	0x5888 2078	0x5508 2078	0x5508 2078	0x5508 2078
RESERVED	R	32	0x0000 007C	0x5888 207C	0x5508 207C	0x5508 207C	0x5508 207C
MMU_FAULT_PC	R	32	0x0000 0080	0x5888 2080	0x5508 2080	0x5508 2080	0x5508 2080
MMU_FAULT_STATUS	RW	32	0x0000 0084	0x5888 2084	0x5508 2084	0x5508 2084	0x5508 2084
MMU_GPR	RW	32	0x0000 0088	0x5888 2088	0x5508 2088	0x5508 2088	0x5508 2088

20.5.2.2 MMU Register Description

Table 20-19. MMU_REVISION

Address Offset	0x0000 0000		
Physical Address	See Section 20.5.2.1	Instance	See Table 20-15
Description	This register contains the IP revision code		
Type	R		

31	30	29	28	27	26	25	24	23	22	21	20	19	18	17	16	15	14	13	12	11	10	9	8	7	6	5	4	3	2	1	0
REVISION																															

Bits	Field Name	Description	Type	Reset
31:0	REVISION	IP Revision	R	See ⁽¹⁾

⁽¹⁾ TI internal data

Table 20-20. Register Call Summary for Register MMU_REVISION

MMU Register Manual

- [MMU Register Summary: \[0\]\[1\]\[7\]](#)

Table 20-21. MMU_SYSCONFIG

Address Offset	0x0000 0010		
Physical Address	See Section 20.5.2.1	Instance	See Table 20-15
Description	This register controls the various parameters of the OCP interface		
Type	RW		

31	30	29	28	27	26	25	24	23	22	21	20	19	18	17	16	15	14	13	12	11	10	9	8	7	6	5	4	3	2	1	0
RESERVED																CLOCKACTIVITY	RESERVED	IDLEMODE	RESERVED	SOFTRESET	AUTOIDLE										

Bits	Field Name	Description	Type	Reset
31:10	RESERVED	Write 0's for future compatibility. Reads return 0	R	0x0000000
9:8	CLOCKACTIVITY	Clock activity during wake-up mode 0x0: Functional and OCP clocks can be switched off	R	0x0
7:5	RESERVED	Write 0's for future compatibility Reads returns 0	R	0x0
4:3	IDLEMODE	Idle mode 0x0: Force-idle. An idle request is acknowledged unconditionally 0x1: No-idle. An idle request is never acknowledged 0x2: Smart-idle. Acknowledgement to an idle request is given based on the internal activity of the module 0x3: Reserved. Do not use	RW	0x0
2	RESERVED	Write 0's for future compatibility Reads returns 0	R	0x0
1	SOFTRESET	Software reset. This bit is automatically reset by the hardware. During reads, it always return 0 Write 0x0: No functional effect Write 0x1: The module is reset	W	0x0

Bits	Field Name	Description	Type	Reset
0	AUTOIDLE	Internal OCP clock gating strategy 0x0: OCP clock is free-running 0x1: Automatic interconnect clock gating strategy is applied, based on the interconnect interface activity	RW	0x0

Table 20-22. Register Call Summary for Register MMU_SYSCONFIG

MMU Functional Description

- [MMU Software Reset: \[0\]\[1\]](#)
- [MMU Power Management: \[2\]\[3\]\[4\]\[5\]](#)

MMU Low-level Programming Models

- [Operational Modes Configuration: \[6\]\[7\]](#)

MMU Register Manual

- [MMU Register Summary: \[8\]\[9\]\[15\]](#)

Table 20-23. MMU_SYSSTATUS

Address Offset	0x0000 0014	Instance	See Table 20-15
Physical Address	See Section 20.5.2.1		
Description	This register provides status information about the module, excluding the interrupt status information		
Type	R		

31	30	29	28	27	26	25	24	23	22	21	20	19	18	17	16	15	14	13	12	11	10	9	8	7	6	5	4	3	2	1	0
RESERVED																															RESETDONE

Bits	Field Name	Description	Type	Reset
31:1	RESERVED	Reads returns 0	R	0x000000
0	RESETDONE	Internal reset monitoring Read 0x0: Internal module reset in on-going Read 0x1: Reset completed	R	-

Table 20-24. Register Call Summary for Register MMU_SYSSTATUS

MMU Functional Description

- [MMU Software Reset: \[0\]](#)

MMU Low-level Programming Models

- [Operational Modes Configuration: \[1\]](#)

MMU Register Manual

- [MMU Register Summary: \[2\]\[3\]\[9\]](#)

Table 20-25. MMU_IRQSTATUS

Address Offset	0x0000 0018
Physical Address	See Section 20.5.2.1
Description	This interrupt status register regroups all the status of the module internal events that can generate an interrupt.
Type	RW

31	30	29	28	27	26	25	24	23	22	21	20	19	18	17	16	15	14	13	12	11	10	9	8	7	6	5	4	3	2	1	0	
RESERVED																												MULTIHITFAULT	TABLEWALKFAULT	EMUMISS	TRANSLATIONFAULT	TLBMISS

Bits	Field Name	Description	Type	Reset
31:5	RESERVED	Write 0's for future compatibility. Read returns 0	R	0x0000000
4	MULTIHITFAULT	Error due to multiple matches in the TLB Read 0x0: MultiHitFault false Write 0x0: MultiHitFault status bit unchanged Write 0x1: MultiHitFault status bit is reset Read 0x1: MultiHitFault is true ('pending')	RW (W1toClr)	0x0
3	TABLEWALKFAULT	Error response received during a Table Walk Read 0x0: TableWalkFault false Write 0x0: TableWalkFault status bit unchanged Write 0x1: TableWalkFault status bit is reset Read 0x1: TableWalkFault is true ('pending')	RW (W1toClr)	0x0
2	EMUMISS	Unrecoverable TLB miss during debug (hardware TWL disabled) Read 0x0: EMUMiss false Write 0x0: EMUMiss status bit unchanged Write 0x1: EMUMiss status bit is reset Read 0x1: EMUMiss is true ('pending')	RW (W1toClr)	0x0
1	TRANSLATIONFAULT	Invalid descriptor in translation tables (translation fault) Read 0x0: TranslationFault false Write 0x0: TranslationFault status bit unchanged Write 0x1: TranslationFault status bit is reset Read 0x1: TranslationFault is true ('pending')	RW (W1toClr)	0x0
0	TLBMISS	Unrecoverable TLB miss (hardware TWL disabled) Read 0x0: TLBMiss false Write 0x0: TLBMiss status bit unchanged Write 0x1: TLBMiss status bit is reset Read 0x1: TLBMiss is true ('pending')	RW (W1toClr)	0x0

Table 20-26. Register Call Summary for Register MMU_IRQSTATUS

MMU Functional Description

- [MMU Interrupt Requests: \[0\]\[1\]\[2\]\[3\]\[4\]](#)

MMU Register Manual

- [MMU Register Summary: \[5\]\[6\]\[12\]](#)

Table 20-27. MMU_IRQENABLE

Address Offset	0x0000 001C
Physical Address	See Section 20.5.2.1
Description	The interrupt enable register allows to mask/unmask the module internal sources of interrupt, on a event-by-event basis.
Type	RW

31	30	29	28	27	26	25	24	23	22	21	20	19	18	17	16	15	14	13	12	11	10	9	8	7	6	5	4	3	2	1	0	
RESERVED																												MULTIHITFAULT	TABLEWALKFAULT	EMUMISS	TRANSLATIONFAULT	TLBMISS

Bits	Field Name	Description	Type	Reset
31:5	RESERVED	Write 0's for future compatibility Read returns 0	R	0x00000000
4	MULTIHITFAULT	Error due to multiple matches in the TLB 0x0: MultiHitFault is masked 0x1: MultiHitFault event generates an interrupt if occurs	RW	0x0
3	TABLEWALKFAULT	Error response received during a Table Walk 0x0: TableWalkFault is masked 0x1: TableWalkFault event generates an interrupt if occurs	RW	0x0
2	EMUMISS	Unrecoverable TLB miss during debug (hardware TWL disabled) 0x0: EMUMiss interrupt is masked 0x1: EMUMiss event generates an interrupt when it occurs	RW	0x0
1	TRANSLATIONFAULT	Invalid descriptor in translation tables (translation fault) 0x0: TranslationFault is masked 0x1: TranslationFault event generates an interrupt if occurs	RW	0x0
0	TLBMISS	Unrecoverable TLB miss (hardware TWL disabled) 0x0: TLBMiss interrupt is masked 0x1: TLBMiss event generates an interrupt when if occurs	RW	0x0

Table 20-28. Register Call Summary for Register MMU_IRQENABLE

MMU Functional Description

- [MMU Interrupt Requests: \[0\]\[1\]\[2\]\[3\]\[4\]](#)

MMU Low-level Programming Models

- [Operational Modes Configuration: \[5\]\[6\]](#)

MMU Register Manual

- [MMU Register Summary: \[7\]\[8\]\[14\]](#)

Table 20-29. MMU_WALKING_ST

Address Offset	0x0000 0040
Physical Address	See Section 20.5.2.1
Instance	See Table 20-15
Description	This register provides status information about the table walking logic
Type	R

31	30	29	28	27	26	25	24	23	22	21	20	19	18	17	16	15	14	13	12	11	10	9	8	7	6	5	4	3	2	1	0
RESERVED																TWLRUNNING															

Bits	Field Name	Description	Type	Reset
31:1	RESERVED	Reads return 0	R	0x0000 0000
0	TWLRUNNING	Table Walking Logic is running Read 0x0: TWL Completed Read 0x1: TWL Running	R	0x0

Table 20-30. Register Call Summary for Register MMU_WALKING_ST

MMU Register Manual

- [MMU Register Summary: \[0\]\[1\]\[7\]](#)

Table 20-31. MMU_CNTL

Address Offset	0x0000 0044
Physical Address	See Section 20.5.2.1
Instance	See Table 20-15
Description	This register programs the MMU features
Type	RW

31	30	29	28	27	26	25	24	23	22	21	20	19	18	17	16	15	14	13	12	11	10	9	8	7	6	5	4	3	2	1	0
RESERVED																EMUTLBUPDATE	TWLENABLE	MMUENABLE	RESERVED												

Bits	Field Name	Description	Type	Reset
31:4	RESERVED	Write 0's for future compatibility. Reads return 0	R	0x00000000
3	EMUTLBUPDATE	Enable TLB update on emulator table walk 0x0: Emulator TLB update disabled 0x1: Emulator TLB update enabled	RW	0x0
2	TWLENABLE	Table Walking Logic enable 0x0: TWL disabled 0x1: TWL enabled	RW	0x0
1	MMUENABLE	MMU enable 0x0: MMU disabled 0x1: MMU enabled	RW	0x0
0	RESERVED	Write 0's for future compatibility. Reads return 0	R	0x0

Table 20-32. Register Call Summary for Register MMU_CNTL

MMU Low-level Programming Models

- [Operational Modes Configuration: \[0\]](#)

MMU Register Manual

- [MMU Register Summary: \[1\]\[2\]\[8\]](#)

Table 20-33. MMU_FAULT_AD

Address Offset	0x0000 0048
Physical Address	See Section 20.5.2.1 Instance See Table 20-15
Description	This register contains the virtual address that generated the interrupt
Type	R

31	30	29	28	27	26	25	24	23	22	21	20	19	18	17	16	15	14	13	12	11	10	9	8	7	6	5	4	3	2	1	0
FAULTADDRESS																															

Bits	Field Name	Description	Type	Reset
31:0	FAULTADDRESS	Virtual address of the access that generated a fault	R	0x0000 0000

Table 20-34. Register Call Summary for Register MMU_FAULT_AD

MMU Register Manual

- [MMU Register Summary: \[0\]\[1\]\[7\]](#)

Table 20-35. MMU_TTB

Address Offset	0x0000 004C
Physical Address	See Section 20.5.2.1 Instance See Table 20-15
Description	This register contains the Translation Table Base address
Type	RW

31	30	29	28	27	26	25	24	23	22	21	20	19	18	17	16	15	14	13	12	11	10	9	8	7	6	5	4	3	2	1	0
TTBADDRESS																RESERVED															

Bits	Field Name	Description	Type	Reset
31:7	TTBADDRESS	Translation Table Base Address	RW	0x00000000
6:0	RESERVED	Write 0's for future compatibility. Reads return 0	R	0x00

Table 20-36. Register Call Summary for Register MMU_TTB

MMU Register Manual

- [MMU Register Summary: \[0\]\[1\]\[7\]](#)

Table 20-37. MMU_LOCK

Address Offset	0x0000 0050		
Physical Address	See Section 20.5.2.1	Instance	See Table 20-15
Description	This register locks some of the TLB entries		
Type	RW		

31	30	29	28	27	26	25	24	23	22	21	20	19	18	17	16	15	14	13	12	11	10	9	8	7	6	5	4	3	2	1	0
RESERVED																BASEVALUE				RESERVED	CURRENTVICTIM				RESERVED						

Bits	Field Name	Description	Type	Reset
31:15	RESERVED	Write 0's for future compatibility. Reads return 0	R	0x00000
14:10	BASEVALUE	Locked entries base value.	RW	0x00
9	RESERVED	Write 0's for future compatibility. Reads return 0	R	0x0
8:4	CURRENTVICTIM	Current entry to be updated either by the TWL or by the software. Write value : TLB entry to be updated by software Read value : TLB entry that will be updated by table walk logic. This will be same as BASEVALUE when there are no tablewalks.	RW	0x00
3:0	RESERVED	Write 0's for future compatibility. Reads return 0	R	0x0

Table 20-38. Register Call Summary for Register MMU_LOCK

MMU Low-level Programming Models

- [Operational Modes Configuration: \[0\]\[1\]\[2\]](#)

MMU Register Manual

- [MMU Register Summary: \[3\]\[4\]\[10\]](#)
- [MMU Register Description: \[12\]\[13\]](#)

Table 20-39. MMU_LD_TLB

Address Offset	0x0000 0054		
Physical Address	See Section 20.5.2.1	Instance	See Table 20-15
Description	This register loads a TLB entry (CAM+RAM)		
Type	RW		

31	30	29	28	27	26	25	24	23	22	21	20	19	18	17	16	15	14	13	12	11	10	9	8	7	6	5	4	3	2	1	0
RESERVED																	LDTLBITEM														

Bits	Field Name	Description	Type	Reset
31:1	RESERVED	Write 0's for future compatibility. Reads return 0	R	0x0000 0000
0	LDTLBITEM	Write (load) data in the TLB. Reads return 0. Write 0x0: No functional effect Write 0x1: Load TLB data	W	0x0

Table 20-40. Register Call Summary for Register MMU_LD_TLB

-
- MMU Low-level Programming Models
- [Operational Modes Configuration: \[0\]](#)
-
- MMU Register Manual
- [MMU Register Summary: \[1\]\[2\]\[8\]](#)
-

Table 20-41. MMU_CAM

Address Offset	0x0000 0058	Instance	See Table 20-15
Physical Address	See Section 20.5.2.1		
Description	This register holds a CAM entry		
Type	RW		

31	30	29	28	27	26	25	24	23	22	21	20	19	18	17	16	15	14	13	12	11	10	9	8	7	6	5	4	3	2	1	0
VATAG																RESERVED								P	V	PAGESIZE					

Bits	Field Name	Description	Type	Reset
31:12	VATAG	Virtual address tag	RW	0x00000
11:4	RESERVED	Write 0's for future compatibility. Reads return 0	R	0x00
3	P	Preserved bit 0x0: TLB entry may be flushed 0x1: TLB entry is protected against flush	RW	0x0
2	V	Valid bit 0x0: TLB entry is invalid 0x1: TLB entry is valid	RW	0x0
1:0	PAGESIZE	Page size 0x0: Section (1 MiB) 0x1: Large page (64 KiB) 0x2: Small page (4 KiB) 0x3: Supersection (16 MiB)	RW	0x0

Table 20-42. Register Call Summary for Register MMU_CAM

-
- MMU Functional Description
- [Translation Lookaside Buffer: \[0\]](#)
-
- MMU Low-level Programming Models
- [MMU Global Initialization: \[1\]\[2\]\[3\]\[4\]](#)
-
- MMU Register Manual
- [MMU Register Summary: \[5\]\[6\]\[12\]](#)
 - [MMU Register Description: \[14\]](#)
-

Table 20-43. MMU_RAM

Address Offset	0x0000 005C
Physical Address	See Section 20.5.2.1 Instance See Table 20-15
Description	This register contains bits [31:12] of the physical address to be written to a TLB entry pointed to by CURRENTVICTIM field of MMU_LOCK register.
Type	RW

31	30	29	28	27	26	25	24	23	22	21	20	19	18	17	16	15	14	13	12	11	10	9	8	7	6	5	4	3	2	1	0
PHYSICALADDRESS																RESERVED															

Bits	Field Name	Description	Type	Reset
31:12	PHYSICALADDRESS	Physical address of the page	RW	0x00000
11:0	RESERVED	Write 0's for future compatibility. Reads return 0	R	0x0

Table 20-44. Register Call Summary for Register MMU_RAM

MMU Functional Description

- [Translation Lookaside Buffer: \[0\]](#)

MMU Low-level Programming Models

- [Operational Modes Configuration: \[1\]](#)

MMU Register Manual

- [MMU Register Summary: \[2\]\[3\]\[9\]](#)

Table 20-45. MMU_GFLUSH

Address Offset	0x0000 0060
Physical Address	See Section 20.5.2.1 Instance See Table 20-15
Description	This register flushes all the non-protected TLB entries
Type	RW

31	30	29	28	27	26	25	24	23	22	21	20	19	18	17	16	15	14	13	12	11	10	9	8	7	6	5	4	3	2	1	0
RESERVED																															GLOBALFLUSH

Bits	Field Name	Description	Type	Reset
31:1	RESERVED	Write 0's for future compatibility. Reads return 0	R	0x0000 0000
0	GLOBALFLUSH	Flush all the non-protected TLB entries when set. Reads return 0. Write 0x0: No functional effect Write 0x1: Flush all the non-protected TLB entries	W	0x0

Table 20-46. Register Call Summary for Register MMU_GFLUSH

MMU Functional Description

- [Translation Lookaside Buffer: \[0\]](#)

MMU Low-level Programming Models

- [Operational Modes Configuration: \[1\]](#)

MMU Register Manual

- [MMU Register Summary: \[2\]\[3\]\[9\]](#)

Table 20-47. MMU_FLUSH_ENTRY

Address Offset	0x0000 0064
Physical Address	See Section 20.5.2.1 Instance See Table 20-15
Description	This register flushes the entry pointed to by the CAM virtual address
Type	RW

31	30	29	28	27	26	25	24	23	22	21	20	19	18	17	16	15	14	13	12	11	10	9	8	7	6	5	4	3	2	1	0
RESERVED																												FLUSHENTRY			

Bits	Field Name	Description	Type	Reset
31:1	RESERVED	Write 0's for future compatibility. Reads return 0	R	0x0000 0000
0	FLUSHENTRY	Flush the TLB entry pointed by the virtual address (VATag) in MMU_CAM register, even if this entry is set protected. Reads return 0. Write 0x0: No functional effect Write 0x1: Flush all the TLB entries specified by the CAM register	W	0x0

Table 20-48. Register Call Summary for Register MMU_FLUSH_ENTRY

MMU Low-level Programming Models

- [Operational Modes Configuration: \[0\]](#)

MMU Register Manual

- [MMU Register Summary: \[1\]\[2\]\[8\]](#)

Table 20-49. MMU_READ_CAM

Address Offset	0x0000 0068
Physical Address	See Section 20.5.2.1 Instance See Table 20-15
Description	This register reads CAM data from a CAM entry
Type	R

31	30	29	28	27	26	25	24	23	22	21	20	19	18	17	16	15	14	13	12	11	10	9	8	7	6	5	4	3	2	1	0
VATAG																RESERVED						P	V	PAGESIZE							

Bits	Field Name	Description	Type	Reset
31:12	VATAG	Virtual address tag	R	0x00000
11:4	RESERVED	Reads return 0	R	0x00
3	P	Preserved bit Read 0x0: TLB entry may be flushed Read 0x1: TLB entry is protected against flush	R	0x0
2	V	Valid bit Read 0x0: TLB entry is invalid Read 0x1: TLB entry is valid	R	0x0

Bits	Field Name	Description	Type	Reset
1:0	PAGESIZE	Page size Read 0x0: Section (1 MiB) Read 0x1: Large page (64 KiB) Read 0x2: Small page (4 KiB) Read 0x3: Supersection (16 MiB)	R	0x0

Table 20-50. Register Call Summary for Register MMU_READ_CAM

MMU Low-level Programming Models

- [Operational Modes Configuration: \[0\]](#)

MMU Register Manual

- [MMU Register Summary: \[1\]\[2\]\[8\]](#)

Table 20-51. MMU_READ_RAM

Address Offset	0x0000 006C		
Physical Address	See Section 20.5.2.1	Instance	See Table 20-15
Description	This register reads bits [31:12] of the physical address from the TLB entry pointed to by CURRENTVICTIM field of the MMU_LOCK register.		
Type	R		

31	30	29	28	27	26	25	24	23	22	21	20	19	18	17	16	15	14	13	12	11	10	9	8	7	6	5	4	3	2	1	0
PHYSICALADDRESS																RESERVED															

Bits	Field Name	Description	Type	Reset
31:12	PHYSICALADDRESS	Physical address of the page	R	0x00000
11:0	RESERVED	Reads return 0	R	0x0

Table 20-52. Register Call Summary for Register MMU_READ_RAM

MMU Low-level Programming Models

- [Operational Modes Configuration: \[0\]](#)

MMU Register Manual

- [MMU Register Summary: \[1\]\[2\]\[8\]](#)

Table 20-53. MMU_EMU_FAULT_AD

Address Offset	0x0000 0070		
Physical Address	See Section 20.5.2.1	Instance	See Table 20-15
Description	This register contains the last virtual address of a fault caused by the debugger		
Type	R		

31	30	29	28	27	26	25	24	23	22	21	20	19	18	17	16	15	14	13	12	11	10	9	8	7	6	5	4	3	2	1	0
EMUFAULTADDRESS																															

Bits	Field Name	Description	Type	Reset
31:0	EMUFAULTADDRESS	Virtual address of the last emulator access that generated a fault	R	0x0000 0000

Table 20-54. Register Call Summary for Register MMU_EMU_FAULT_AD

MMU Register Manual

- [MMU Register Summary: \[0\]\[1\]\[7\]](#)
- [MMU Register Description: \[9\]](#)

Table 20-55. MMU_FAULT_PC

Address Offset	0x0000 0080
Physical Address	See Section 20.5.2.1 Instance See Table 20-15
Description	Typically CPU program counter value of instruction generating MMU fault. The address value is captured at MMU_EMU_FAULT_AD[31:0] EMUFAULTADDRESS. Data-Read-access : corresponding PC. Data-write-access : not perfect accuracy due to posted-write.
Type	R

31	30	29	28	27	26	25	24	23	22	21	20	19	18	17	16	15	14	13	12	11	10	9	8	7	6	5	4	3	2	1	0
PC																															

Bits	Field Name	Description	Type	Reset
31:0	PC	Typically CPU program counter value of instruction generating MMU fault	R	0x0000 0000

Table 20-56. Register Call Summary for Register MMU_FAULT_PC

MMU Register Manual

- [MMU Register Summary: \[0\]\[1\]\[7\]](#)

Table 20-57. MMU_FAULT_STATUS

Address Offset	0x0000 0084
Physical Address	See Section 20.5.2.1 Instance See Table 20-15
Description	Fault status register
Type	RW

31	30	29	28	27	26	25	24	23	22	21	20	19	18	17	16	15	14	13	12	11	10	9	8	7	6	5	4	3	2	1	0
RESERVED																MMU_FAULT_TRANS_ID		RD_WR	MMU_FAULT_TYPE		FAULTINDICATION										

Bits	Field Name	Description	Type	Reset
31:9	RESERVED	Reserved	R	0x0000000
8:4	MMU_FAULT_TRANS_ID	MtagID of the transaction that caused fault	R	0x0
3	RD_WR	Indicates read or write 0x0: Write 0x1: Read	R	0x0
2:1	MMU_FAULT_TYPE	MReqInfo[1:0] is captured as fault type	R	0x0
0	FAULTINDICATION	Indicates an MMU fault	RW (W1toClr)	0x0

Table 20-58. Register Call Summary for Register MMU_FAULT_STATUS

MMU Register Manual

- [MMU Register Summary: \[0\]\[1\]\[7\]](#)

Table 20-59. MMU_GPR

Address Offset	0x0000 0088	Instance	See Table 20-15
Physical Address	See Section 20.5.2.1		
Description	General purpose register		
Type	RW		

31	30	29	28	27	26	25	24	23	22	21	20	19	18	17	16	15	14	13	12	11	10	9	8	7	6	5	4	3	2	1	0
GPO																RESERVED											FAULT_INTR_DIS				

Bits	Field Name	Description	Type	Reset
31:16	GPO	General purpose output sent out as MMU output	RW	0x0000
15:1	RESERVED	Reserved	R	0x0000
0	FAULT_INTR_DIS	Disable generation of interrupt on fault. Error response is returned instead on the slave port	RW	0x0

Table 20-60. Register Call Summary for Register MMU_GPR

MMU Functional Description

- [MMU Error Handling: \[0\]\[1\]](#)

MMU Register Manual

- [MMU Register Summary: \[2\]\[3\]\[9\]](#)

Table 20-61. MMU_BYPASS_REGION1_ADDR

Address Offset	0x0000 0090	Instance	See Table 20-15
Physical Address	See Section 20.5.2.1		
Description	This register contains the start address of the first NO TRANSLATION REGION		
Type	RW		

31	30	29	28	27	26	25	24	23	22	21	20	19	18	17	16	15	14	13	12	11	10	9	8	7	6	5	4	3	2	1	0
START_ADDR																RESERVED															

Bits	Field Name	Description	Type	Reset
31:16	START_ADDR	Start address of NO TRANSLATION REGION. This has to be aligned to SIZE in MMU_BYPASS_REGION1_SIZE	RW	0x0
15:0	RESERVED	Reserved	R	0x0

Table 20-62. Register Call Summary for Register MMU_BYPASS_REGION1_ADDR

MMU Register Manual

- [MMU Register Summary: \[0\]\[1\]](#)

Table 20-63. MMU_BYPASS_REGION1_SIZE

Address Offset	0x0000 0094		
Physical Address	See Section 20.5.2.1	Instance	See Table 20-15
Description	This register contains the size of first NO TRANSLATION REGION		
Type	RW		

31	30	29	28	27	26	25	24	23	22	21	20	19	18	17	16	15	14	13	12	11	10	9	8	7	6	5	4	3	2	1	0
RESERVED																SIZE															

Bits	Field Name	Description	Type	Reset
31:4	RESERVED	Reserved	R	0x0
3:0	SIZE	Size of the NO TRANSLATION REGION. 0x0 = region not valid 0x1 = 64K bytes 0x2 = 128K bytes 0x3 = 256K bytes 0x4 = 512K bytes 0x5 = 1M bytes 0x6 = 2M bytes 0x7 = 4M bytes 0x8 = 8M bytes 0x9 = 16M bytes 0xA = 32M bytes 0xB = 64M bytes 0xC = 128M bytes 0xD = 256M bytes 0xE = 512M bytes 0xF = 1G bytes	RW	0x0

Table 20-64. Register Call Summary for Register MMU_BYPASS_REGION1_SIZE

MMU Register Manual

- [MMU Register Summary: \[0\]\[1\]](#)
- [MMU Register Description: \[8\]](#)

Table 20-65. MMU_BYPASS_REGION2_ADDR

Address Offset	0x0000 0098		
Physical Address	See Section 20.5.2.1	Instance	See Table 20-15
Description	This register contains the start address of the second NO TRANSLATION REGION		
Type	RW		

31	30	29	28	27	26	25	24	23	22	21	20	19	18	17	16	15	14	13	12	11	10	9	8	7	6	5	4	3	2	1	0
START_ADDR																RESERVED															

Bits	Field Name	Description	Type	Reset
31:16	START_ADDR	Start address of NO TRANSLATION REGION. This has to be aligned to SIZE in MMU_BYPASS_REGION2_SIZE .	RW	0x0
15:0	RESERVED	Reserved	R	0x0

Table 20-66. Register Call Summary for Register MMU_BYPASS_REGION2_ADDR

MMU Register Manual

- [MMU Register Summary: \[0\]\[1\]](#)

Table 20-67. MMU_BYPASS_REGION2_SIZE

Address Offset	0x0000 009C
Physical Address	See Section 20.5.2.1
Description	This register contains the size of second NO TRANSLATION REGION
Type	RW

31	30	29	28	27	26	25	24	23	22	21	20	19	18	17	16	15	14	13	12	11	10	9	8	7	6	5	4	3	2	1	0
RESERVED																SIZE															

Bits	Field Name	Description	Type	Reset
31:4	RESERVED	Reserved	R	0x0
3:0	SIZE	Size of the NO TRANSLATION REGION. 0x0 = region not valid 0x1 = 64K bytes 0x2 = 128K bytes 0x3 = 256K bytes 0x4 = 512K bytes 0x5 = 1M bytes 0x6 = 2M bytes 0x7 = 4M bytes 0x8 = 8M bytes 0x9 = 16M bytes 0xA = 32M bytes 0xB = 64M bytes 0xC = 128M bytes 0xD = 256M bytes 0xE = 512M bytes 0xF = 1G bytes	RW	0x0

Table 20-68. Register Call Summary for Register MMU_BYPASS_REGION2_SIZE

MMU Register Manual

- [MMU Register Summary: \[0\]\[1\]](#)
- [MMU Register Description: \[8\]\[9\]\[10\]](#)

Table 20-69. MMU_BYPASS_REGION3_ADDR

Address Offset	0x0000 00A0
Physical Address	See Section 20.5.2.1
Description	This register contains the start address of the third NO TRANSLATION REGION
Type	RW

31	30	29	28	27	26	25	24	23	22	21	20	19	18	17	16	15	14	13	12	11	10	9	8	7	6	5	4	3	2	1	0
START_ADDR																RESERVED															

Bits	Field Name	Description	Type	Reset
31:16	START_ADDR	Start address of NO TRANSLATION REGION. This has to be aligned to SIZE in MMU_BYPASS_REGION2_SIZE .	RW	0x0
15:0	RESERVED	Reserved	R	0x0

Table 20-70. Register Call Summary for Register MMU_BYPASS_REGION3_ADDR

MMU Register Manual

- [MMU Register Summary: \[0\]\[1\]](#)

Table 20-71. MMU_BYPASS_REGION3_SIZE

Address Offset	0x0000 00A4		
Physical Address	See Section 20.5.2.1	Instance	See Table 20-15
Description	This register contains the size of third NO TRANSLATION REGION		
Type	RW		

31	30	29	28	27	26	25	24	23	22	21	20	19	18	17	16	15	14	13	12	11	10	9	8	7	6	5	4	3	2	1	0
RESERVED																SIZE															

Bits	Field Name	Description	Type	Reset
31:4	RESERVED	Reserved	R	0x0
3:0	SIZE	Size of the NO TRANSLATION REGION. 0x0 = region not valid 0x1 = 64K bytes 0x2 = 128K bytes 0x3 = 256K bytes 0x4 = 512K bytes 0x5 = 1M bytes 0x6 = 2M bytes 0x7 = 4M bytes 0x8 = 8M bytes 0x9 = 16M bytes 0xA = 32M bytes 0xB = 64M bytes 0xC = 128M bytes 0xD = 256M bytes 0xE = 512M bytes 0xF = 1G bytes	RW	0x0

Table 20-72. Register Call Summary for Register MMU_BYPASS_REGION3_SIZE

MMU Register Manual

- [MMU Register Summary: \[0\]\[1\]](#)

Table 20-73. MMU_BYPASS_REGION4_ADDR

Address Offset	0x0000 00A8		
Physical Address	See Section 20.5.2.1	Instance	See Table 20-15
Description	This register contains the start address of the fourth NO TRANSLATION REGION		
Type	RW		

31	30	29	28	27	26	25	24	23	22	21	20	19	18	17	16	15	14	13	12	11	10	9	8	7	6	5	4	3	2	1	0
START_ADDR																RESERVED															

Bits	Field Name	Description	Type	Reset
31:16	START_ADDR	Start address of NO TRANSLATION REGION. This has to be aligned to SIZE in MMU_BYPASS_REGION2_SIZE .	RW	0x0
15:0	RESERVED	Reserved	R	0x0

Table 20-74. Register Call Summary for Register MMU_BYPASS_REGION4_ADDR

MMU Register Manual

- [MMU Register Summary: \[0\]\[1\]](#)

Table 20-75. MMU_BYPASS_REGION4_SIZE

Address Offset	0x0000 00AC		
Physical Address	See Section 20.5.2.1	Instance	See Table 20-15
Description	This register contains the size of fourth NO TRANSLATION REGION		
Type	RW		

31	30	29	28	27	26	25	24	23	22	21	20	19	18	17	16	15	14	13	12	11	10	9	8	7	6	5	4	3	2	1	0
RESERVED																SIZE															

Bits	Field Name	Description	Type	Reset
31:4	RESERVED	Reserved	R	0x0
3:0	SIZE	Size of the NO TRANSLATION REGION. 0x0 = region not valid 0x1 = 64K bytes 0x2 = 128K bytes 0x3 = 256K bytes 0x4 = 512K bytes 0x5 = 1M bytes 0x6 = 2M bytes 0x7 = 4M bytes 0x8 = 8M bytes 0x9 = 16M bytes 0xA = 32M bytes 0xB = 64M bytes 0xC = 128M bytes 0xD = 256M bytes 0xE = 512M bytes 0xF = 1G bytes	RW	0x0

Table 20-76. Register Call Summary for Register MMU_BYPASS_REGION4_SIZE

MMU Register Manual

- [MMU Register Summary: \[0\]\[1\]](#)

Spinlock

This chapter describes the Spinlock module of the device.

Topic	Page
21.1 Spinlock Overview	5432
21.2 Spinlock Integration	5433
21.3 Spinlock Functional Description	5434
21.4 Spinlock Programming Guide.....	5436
21.5 Spinlock Register Manual	5439

21.1 Spinlock Overview

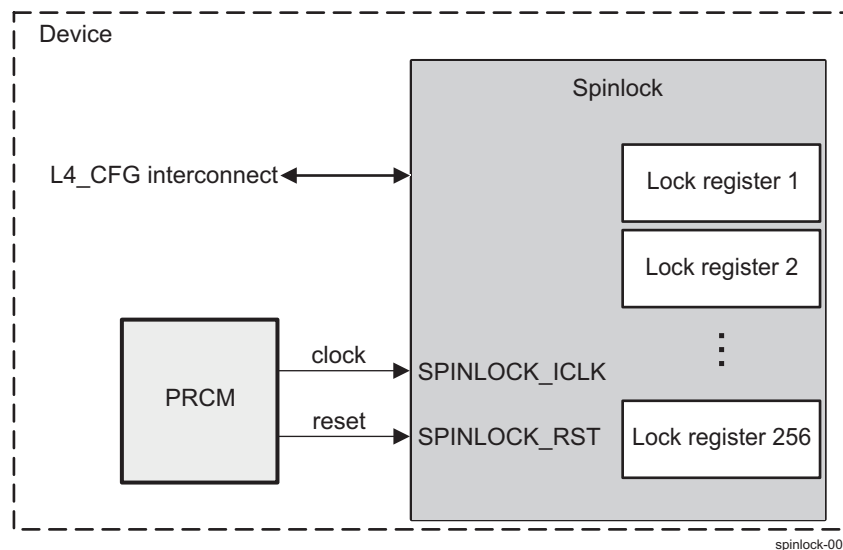
The Spinlock module provides hardware assistance for synchronizing the processes running on multiple processors in the device:

- Cortex®-A15 microprocessor unit (MPU) subsystem
- Digital signal processor (DSP) subsystem – DSP1
- Dual Cortex-M4 image processing unit (IPU) subsystems – IPU1 and IPU2

The Spinlock module implements 256 spinlocks (or hardware semaphores), which provide an efficient way to perform a lock operation of a device resource using a single read-access, avoiding the need of a read-modify-write bus transfer that the programmable cores are not capable of.

Figure 21-1 shows an overview of the Spinlock module.

Figure 21-1. Spinlock Overview

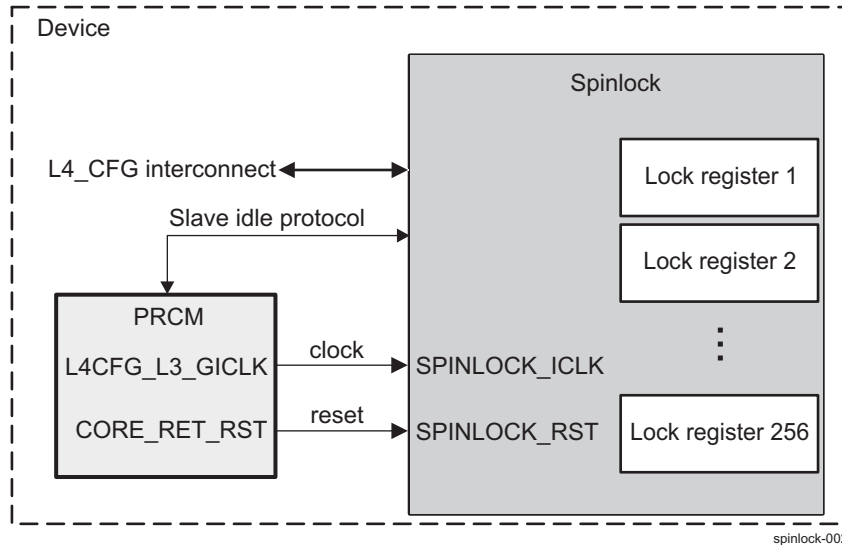


21.2 Spinlock Integration

This section describes module integration in the device, including information about clocks, resets, and hardware requests.

Figure 21-2 shows the Spinlock integration.

Figure 21-2. Spinlock Integration



NOTE: For more information about the Slave idle protocol and the wake-up request, see [Section 3.1.1.1.2, Module-Level Clock Management](#), in [Chapter 3, Power, Reset, and Clock Management](#).

Table 21-1 and Table 21-2 summarize the integration of the module in the device.

Table 21-1. Spinlock Integration Attributes

Module Instance	Attributes	
	Power Domain	Interconnect
SPINLOCK	PD_COREAON	L4_CFG

Table 21-2. Spinlock Clocks and Resets

Clocks				
Module Instance	Destination Signal Name	Source Signal Name	Source	Description
SPINLOCK	SPINLOCK_ICLK	L4CFG_L3_GICLK	PRCM	Spinlock interface/functional clock. This clock is used for all interface and functional operations.
Resets				
Module Instance	Destination Signal Name	Source Signal Name	Source	Description
SPINLOCK	SPINLOCK_RST	CORE_RET_RST	PRCM	Spinlock hardware reset. This reset is asynchronously applied to the Spinlock internal registers.

NOTE: The Spinlock module does not support any interrupt and DMA requests.

21.3 Spinlock Functional Description

21.3.1 Spinlock Software Reset

The Spinlock module can be reset by software through the `SPINLOCK_SYSCONFIG[1]` `SOFTRESET` bit. Setting this bit to 1 enables an active software reset that is functionally equivalent to a hardware reset. The `SPINLOCK_SYSTATUS[0]` `RESETDONE` bit can be polled to check the reset status (reading 1 indicates that reset sequence is done; reading 0 indicates that reset sequence is in progress). The software must ensure that the software reset completes before doing Spinlock operations.

21.3.2 Spinlock Power Management

Table 21-3 describes power-management features available to the Spinlock module.

Table 21-3. Spinlock Local Power Management Features

Feature	Registers	Description
Clock auto gating	<code>SPINLOCK_SYSCONFIG[0]</code> <code>AUTOGATING</code> bit	This bit indicates that the Spinlock module uses an automatic internal interface clock gating strategy, based on interface activity.
Global wake-up enable	<code>SPINLOCK_SYSCONFIG[2]</code> <code>ENAWAKEUP</code> bit	This bit indicates that the wake-up generation feature (at Spinlock module level) is disabled.
Slave idle modes	<code>SPINLOCK_SYSCONFIG[4:3]</code> <code>SIDLEMODE</code> bit field	This bit field indicates that the Spinlock module uses smart-idle mode.

NOTE: All Spinlock local power management features are non-configurable – that is, their respective bit fields are read-only and only show the actual hardware implementation.

For information about source clock gating and sleep/wake-up transitions description, see [Section 3.1.1.1.4, Clock Domain-Level Clock Management](#), in [Chapter 3, Power, Reset, and Clock Management](#). For descriptions of `EnaWakeUp`, and `IdleMode` features, see [Section 3.1.1.1.2, Module-Level Clock Management](#), in [Chapter 3, Power, Reset, and Clock Management](#).

The Spinlock module is normally idle, except when processing a request from its slave interface port. The smart-idle mode acknowledges idle requests from the PRCM only when the module is prepared to go idle. The Spinlock module is always ready to go idle if it does not have any request that it is processing.

21.3.3 About Spinlocks

Spinlocks are present to solve the need for synchronization and mutual exclusion between heterogeneous processors and those not operating under a single, shared operating system. There is no alternative mechanism to accomplish these operations between processors in separate subsystems.

Spinlocks are not the best way to synchronize between tasks or threads on one CPU. Instead, spinlocks are for use in synchronization between different subsystems in the device that don't have any other means of hardware-based synchronization.

Spinlocks do not solve all system synchronization issues. They have limited applicability and should be used with care to implement higher level synchronization protocols.

A spinlock is appropriate for mutual exclusion for access to a shared data structure. It should be used only when:

1. The time to hold the lock is predictable and small (for example, a maximum hold time of less than 200 CPU cycles may be acceptable).
2. The locking task cannot be preempted, suspended, or interrupted while holding the lock (this would make the hold time large and unpredictable).
3. The lock is lightly contended, that is the chance of any other process (or processor) trying to acquire the lock while it is held is small.

If these conditions are met, then the locking code can retry a failed attempt to acquire the lock until success.

If the conditions are not met, then a spinlock is not a good candidate. One alternative is to use a spinlock for critical section control (engineered to meet the conditions) to implement a higher level semaphore that can support preemption, notification, timeout or other higher level properties.

21.3.4 Spinlock Functional Operation

The Spinlock module supports 256 spinlocks. It accepts only a single command at a time and processes the command fully before accepting the next command. A lock is requested by reading the `SPINLOCK_LOCK_REG_i[0]` TAKEN bit. There are two states: Taken (`SPINLOCK_LOCK_REG_i[0]` TAKEN = 1) or Not Taken (`SPINLOCK_LOCK_REG_i[0]` TAKEN = 0).

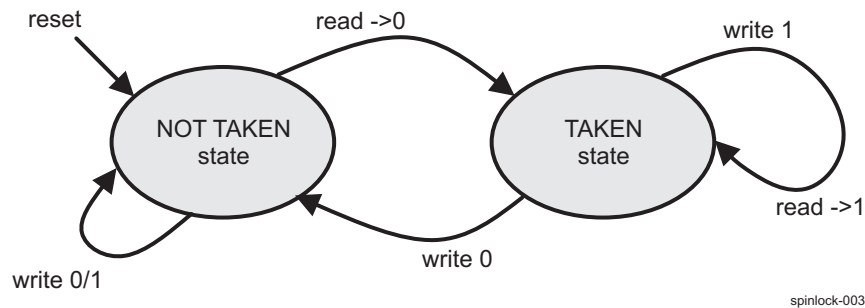
When the status of lock *i* (where *i* = 0 to 255) is Not Taken (free), a read from the `SPINLOCK_LOCK_REG_i` register returns 0 and sets the lock to Taken (locked). When the status of lock *i* is Taken, a read returns 1 and does not change the state of the lock.

A write to the `SPINLOCK_LOCK_REG_i` register does not change the state of lock, unless when writing 0 when the lock is in Taken state. By doing this, the requester frees the lock.

CAUTION
Only 32-bit reads and writes are supported.

Figure 21-3 shows the `SPINLOCK_LOCK_REG_i` register state diagram.

Figure 21-3. Lock Register State Diagram



NOTE:

- There is no support to ensure that a lock register is locked and unlocked by the same process. This must be ensured in software.
- There is no support to check that the same initiator that acquired the lock is the one that is freeing the lock.

21.4 Spinlock Programming Guide

21.4.1 Spinlock Low-level Programming Models

This section covers the low-level hardware programming sequences for configuration and usage of the module.

21.4.1.1 Surrounding Modules Global Initialization

This procedure initializes the surrounding modules when the Spinlock module is used for the first time after a device reset.

Table 21-4. Global Initialization of Surrounding Modules

Surrounding Modules	Comments
PRCM	Spinlock interface clock must be enabled. For more information, see Section 3.6.4.14, CD_L4_CFG Clock Domain , in Chapter 3, Power, Reset, and Clock Management .
Interconnect	For more information about the L4_CFG interconnect configuration, see Section 14.3, L4 Interconnects .

21.4.1.2 Basic Spinlock Operations

The main spinlock operations are:

- Clear all the Taken spinlocks (only after a system bug recovery)
- Take a spinlock
- Release spinlock

21.4.1.2.1 Spinlocks Clearing After a System Bug Recovery

Module initialization (after reset) is not needed, except after system bug recovery. The following table presents the Spinlock initialization after a system bug recovery. Software should store 0 into each of the [SPINLOCK_LOCK_REG_i](#) registers at system startup to insure that all locks are initialized to Not Taken.

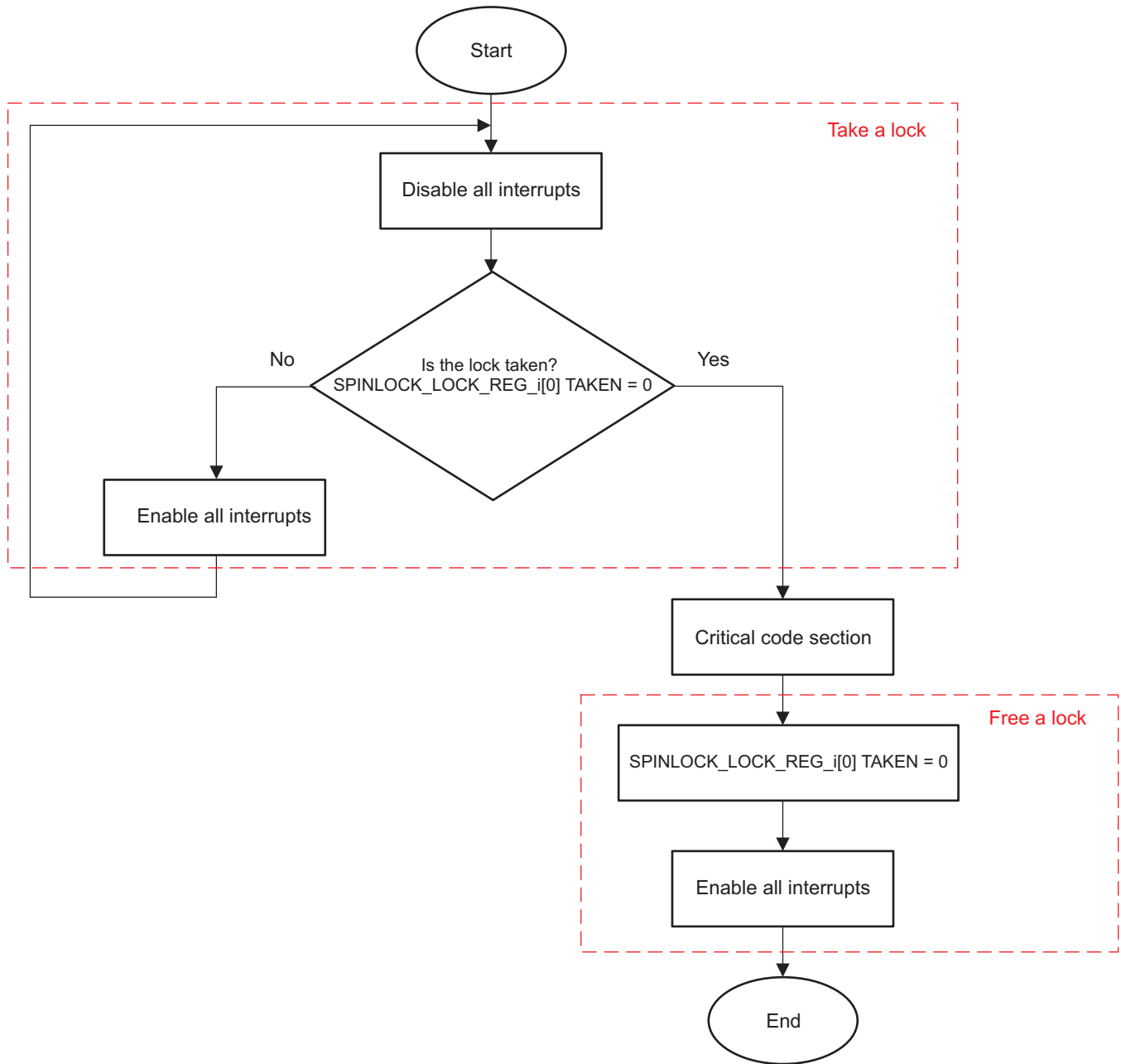
Table 21-5. Spinlock System Bug Recovery

Step	Register	Value
IF: SPINLOCK_SYSTATUS[0] IU0 == 1 ?	SPINLOCK_SYSTATUS[0] IU0	
Free the 256 locks	SPINLOCK_LOCK_REG_i[0] TAKEN (i = 0 to 255)	0x0
END		

21.4.1.2.2 Take and Release Spinlock

This procedure configures the take and release (free) operations for the Spinlock module. A spinlock should only be held with interrupts disabled. So, before attempting to obtain the spinlock, software should disable interrupts. Then it should read the [SPINLOCK_LOCK_REG_i\[0\] TAKEN](#) bit to attempt to obtain the lock. If it succeeds, it should proceed directly through the critical section then unlock and re-enable interrupts. If the acquisition attempt fails, the acquisition should be reattempted. To prevent unknown interrupt disabled time, interrupts should be re-enabled and then disabled before reattempting to acquire the lock. [Figure 21-4](#) shows the described above procedure.

Figure 21-4. Take and Release Spinlock



spinlock-004

Table 21-6. Register Call Summary

Register Name
SPINLOCK_LOCK_REG_i[0] TAKEN

Table 21-7. Subprocess Call Summary

Subprocess Name	Cross Reference
Disable Interrupts	For information about disabling/enabling interrupts in MPU_INTC, see the Arm <i>Cortex-A15 MPCore Technical Reference Manual</i> (available at infocenter.arm.com/help/index.jsp).
Enable Interrupts	For information about disabling/enabling interrupts in IPU_INTC, see the Arm <i>Cortex-M4 Technical Reference Manual</i> (available at infocenter.arm.com/help/index.jsp). For information about disabling/enabling interrupts in DSP_INTC, see Chapter 5, DSP Subsystem .

21.5 Spinlock Register Manual

21.5.1 Spinlock Instance Summary

Table 21-8. Spinlock Instance Summary

Module Name	L4_CFG Base Address	Size
Spinlock	0x4A0F 6000	4KiB

21.5.2 Spinlock Registers

21.5.2.1 Spinlock Register Summary

Table 21-9. Spinlock Registers Mapping Summary

Register Name	Type	Register Width (Bits)	Address Offset	L4_CFG Physical Address
SPINLOCK_REVISION	R	32	0x0000 0000	0x4A0F 6000
SPINLOCK_SYSCONFIG	RW	32	0x0000 0010	0x4A0F 6010
SPINLOCK_SYSTATUS	R	32	0x0000 0014	0x4A0F 6014
SPINLOCK_LOCK_REG_i⁽¹⁾	RW	32	0x0000 0800 + (0x4 * i)	0x4A0F 6800 + (0x4 * i)

⁽¹⁾ i = 0 to 255

21.5.2.2 Spinlock Register Description

Table 21-10. SPINLOCK_REVISION

Address Offset	0x0000 0000	Instance	Spinlock
Physical Address	0x4A0F 6000		
Description	This register contains the IP revision code		
Type	R		

31	30	29	28	27	26	25	24	23	22	21	20	19	18	17	16	15	14	13	12	11	10	9	8	7	6	5	4	3	2	1	0
REVISION																															

Bits	Field Name	Description	Type	Reset
31:0	REVISION	IP revision	R	TI internal data

Table 21-11. Register Call Summary for Register SPINLOCK_REVISION

Spinlock Register Manual

- [Spinlock Register Summary: \[0\]](#)

Table 21-12. SPINLOCK_SYSCONFIG

Address Offset	0x0000 0010	Instance	Spinlock
Physical Address	0x4A0F 6010		
Description	This register controls the various parameters of the OCP interface. Note that most fields are read-only.		
Type	RW		

31	30	29	28	27	26	25	24	23	22	21	20	19	18	17	16	15	14	13	12	11	10	9	8	7	6	5	4	3	2	1	0
RESERVED																SIDLEMODE	ENWAKEUP	SOFTRESET	AUTOGATING												

Bits	Field Name	Description	Type	Reset
31:5	RESERVED	Reserved. Reads return 0.	R	0x0000000
4:3	SIDLEMODE	Slave interface power management (IDLE request/acknowledgement control). Read 0x0: Force-idle. IDLE request is acknowledged unconditionally and immediately. Read 0x1: No-idle. IDLE request is never acknowledged. Read 0x2: Smart-idle. IDLE request acknowledgement is based on the internal module activity. Read 0x3: Reserved. Do not use.	R	0x2
2	ENWAKEUP	Asynchronous wakeup generation. Read 0x0: Wakeup generation is disabled. Read 0x1: Wakeup generation is enabled.	R	0
1	SOFTRESET	Module software reset. Write 0x0: No action Write 0x1: Start soft reset sequence	W	0
0	AUTOGATING	Internal interface clock gating strategy. Read 0x0: Interface clock is not gated when the interface is idle. Read 0x1: Automatic internal OCP clock gating strategy is applied, based on the OCP interface activity.	R	1

Table 21-13. Register Call Summary for Register SPINLOCK_SYSCONFIG

Spinlock Functional Description

- [Spinlock Software Reset: \[0\]](#)
- [Spinlock Power Management: \[1\]\[2\]\[3\]](#)

Spinlock Register Manual

- [Spinlock Register Summary: \[4\]](#)

Table 21-14. SPINLOCK_SYSTATUS

Address Offset	0x0000 0014
Physical Address	0x4A0F 6014
Description	This register provides status information about this instance of the Spinlock module.
Type	R

31	30	29	28	27	26	25	24	23	22	21	20	19	18	17	16	15	14	13	12	11	10	9	8	7	6	5	4	3	2	1	0	
NUMLOCKS								RESERVED								IU7	IU6	IU5	IU4	IU3	IU2	IU1	IU0	RESERVED								RESETDONE

Bits	Field Name	Description	Type	Reset
31:24	NUMLOCKS	Number of lock registers implemented. Read 0x1: This instance has 32 lock registers. Read 0x2: This instance has 64 lock registers. Read 0x4: This instance has 128 lock registers. Read 0x8: This instance has 256 lock registers.	R	0x08
23:16	RESERVED	Reserved. Reads return 0.	R	0x00
15	IU7	In-Use flag 0, covering lock registers 224 - 255. Read 0x0: All lock registers 224 - 255 are in the Not Taken state. Read 0x1: At least one of the lock registers 224 - 255 is in the Taken state.	R	0
14	IU6	In-Use flag 0, covering lock registers 192 - 223. Read 0x0: All lock registers 192 - 223 are in the Not Taken state. Read 0x1: At least one of the lock registers 192 - 223 is in the Taken state.	R	0
13	IU5	In-Use flag 0, covering lock registers 160 - 191. Read 0x0: All lock registers 160 - 191 are in the Not Taken state. Read 0x1: At least one of the lock registers 160 - 191 is in the Taken state.	R	0
12	IU4	In-Use flag 0, covering lock registers 128 - 159. Read 0x0: All lock registers 128 - 159 are in the Not Taken state. Read 0x1: At least one of the lock registers 128 - 159 is in the Taken state.	R	0
11	IU3	In-Use flag 0, covering lock registers 96 - 127. Read 0x0: All lock registers 96 - 127 are in the Not Taken state. Read 0x1: At least one of the lock registers 96 - 127 is in the Taken state.	R	0
10	IU2	In-Use flag 0, covering lock registers 64 - 95. Read 0x0: All lock registers 64 - 95 are in the Not Taken state. Read 0x1: At least one of the lock registers 64 - 95 is in the Taken state.	R	0
9	IU1	In-Use flag 0, covering lock registers 32 - 63. Read 0x0: All lock registers 32 - 63 are in the Not Taken state. Read 0x1: At least one of the lock registers 32 - 63 is in the Taken state.	R	0

Bits	Field Name	Description	Type	Reset
8	IU0	In-Use flag 0, covering lock registers 0 - 31. Read 0x0: All lock registers 0 - 31 are in the Not Taken state. Read 0x1: At least one of the lock registers 0 - 31 is in the Taken state.	R	0
7:1	RESERVED	Reserved. Reads return 0.	R	0x00
0	RESETDONE	Reset done status. Read 0x0: Reset in progress. Read 0x1: Reset is completed.	R	1

Table 21-15. Register Call Summary for Register SPINLOCK_SYSTATUS

Spinlock Functional Description

- [Spinlock Software Reset: \[0\]](#)

Spinlock Programming Guide

- [Basic Spinlock Operations: \[1\]\[2\]](#)

Spinlock Register Manual

- [Spinlock Register Summary: \[3\]](#)

Table 21-16. SPINLOCK_LOCK_REG_i

Address Offset	0x0000 0800	index	i = 0 to 255
Physical Address	0x4A0F 6800 + (0x4 * i)	Instance	Spinlock
Description	This register contains the state of one lock.		
Type	RW		

31	30	29	28	27	26	25	24	23	22	21	20	19	18	17	16	15	14	13	12	11	10	9	8	7	6	5	4	3	2	1	0
RESERVED																TAKEN															

Bits	Field Name	Description	Type	Reset
31:1	RESERVED	Reserved. Reads return 0. Writes are ignored.	R	0x0000 0000
0	TAKEN	Lock State Read 0x0: Lock was previously Not Taken (free). The requester is granted the lock. Write 0x0: Set the lock to Not Taken (free). Read 0x1: Lock was previously Taken. The requester is not granted the lock and must retry. Write 0x1: No update to the lock value.	RW	0

Table 21-17. Register Call Summary for Register SPINLOCK_LOCK_REG_i

Spinlock Functional Description

- [Spinlock Functional Operation: \[0\]\[1\]\[2\]\[3\]\[4\]\[5\]](#)

Spinlock Programming Guide

- [Basic Spinlock Operations: \[6\]\[7\]\[8\]\[9\]](#)

Spinlock Register Manual

- [Spinlock Register Summary: \[10\]](#)

Timers

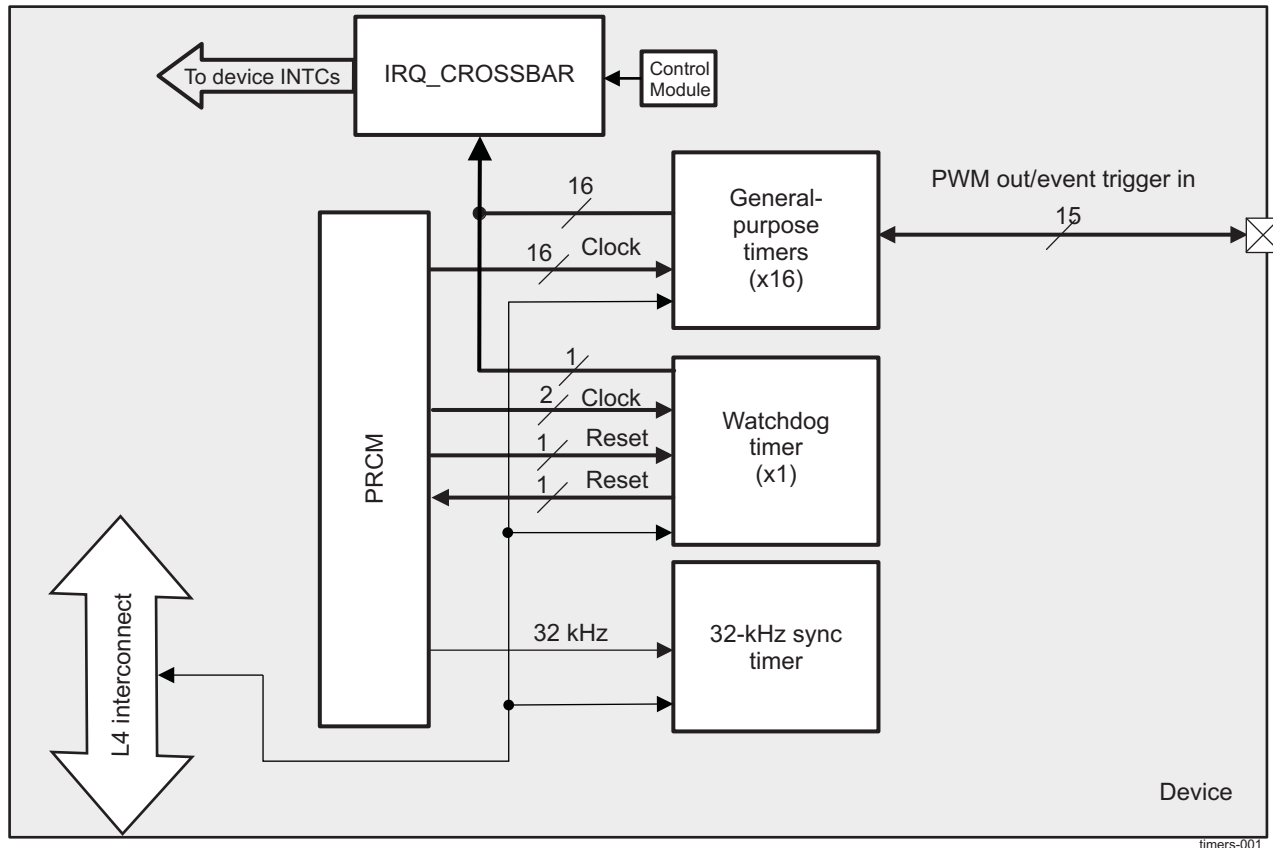
This chapter describes the timer modules for the device.

Topic	Page
22.1 Timers Overview	5444
22.2 General-Purpose Timers	5445
22.3 32-kHz Synchronized Timer (COUNTER_32K)	5501
22.4 Watchdog Timer	5508

22.1 Timers Overview

The device includes several types of timers used by the system software, including 16 general-purpose (GP) timers, one watchdog timer, and a 32-kHz synchronized timer (COUNTER_32K). Figure 22-1 is a high-level block diagram of the device timers.

Figure 22-1. Timers Overview



timers-001

The watchdog timer is clocked with 32-kHz clocks. The 32-kHz sync timer, which is reset only at power up, provides the operating system (OS) with a stable timing source that stores the relative time since the last power cycle of the product. The fifteen GP timers, which are useful as basic timers, are included to generate time-stamp-based interrupts to the system software or to use as a source of pulse-width modulation (PWM) signals.

22.2 General-Purpose Timers

22.2.1 General-Purpose Timers Overview

The device has 16 GP timers: TIMER1 through TIMER16.

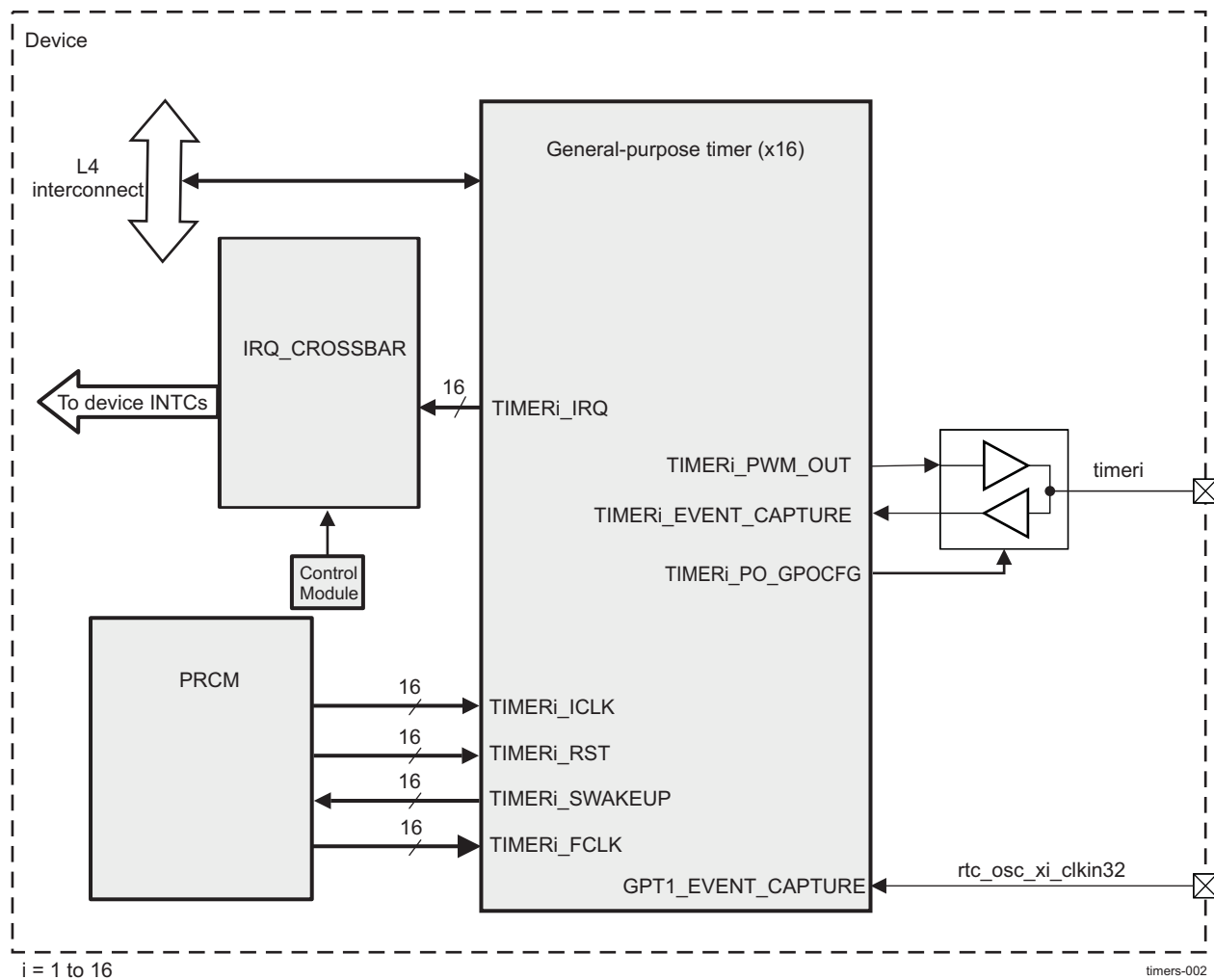
- TIMER1(1ms tick): has its event capture pin tied to 32KHz clock and can be used to gauge the system clock input and detects its frequency among 19.2, 20, or 27 MHz. It includes specific functions to generate accurate tick interrupts to the operating system
- TIMER2 and TIMER10: (1ms tick timers): they include specific functions to generate accurate tick interrupts to the operating system

Each timer (except TIMER12) can be clocked from the system clock (19.2, 20, or 27 MHz) or the 32-kHz clock. The selection of clock source is made at the power, reset, and clock management (PRCM) module level. TIMER12 can be clocked only from the internal oscillator (on-die oscillator). For more information, see [Section 3.6.3.1, PRM Clock Source](#).

Each timer provides an interrupt via the device IRQ_CROSSBAR.

Each timer is connected to external pin by its PWM output or its event capture input pin (for external timer triggering). [Figure 22-2](#) is an overview of the GP timers.

Figure 22-2. GP Timers Overview



NOTE: GPT1_EVENT_CAPTURE is not supported on the AM570x family of devices (rtc_osc_xi_clk32 is not pinned out).

22.2.1.1 GP Timer Features

The following are the main features of the GP timer controllers:

- Level 4 (L4) slave interface support:
 - 32-bit data bus width
 - 32-/16-bit access supported
 - 8-bit access not supported
 - 10-bit address bus width
 - Burst mode not supported
 - Write nonposted transaction mode supported
- Interrupts generated on overflow, compare, and capture
- Free-running 32-bit upward counter
- Compare and capture modes
- Autoreload mode
- Start/stop mode
- Programmable divider clock source (2^n , where $n = [0:8]$)
- Dedicated input trigger for capture mode and dedicated output trigger/PWM signal
- Dedicated GP output signal for using the `TIMERi_GPO_CFG` signal
- On-the-fly read/write register (while counting)
- 1-ms tick with 32.768-Hz functional clock generated (only TIMER1, TIMER2, and TIMER10)

22.2.2 GP Timer Environment

22.2.2.1 GP Timer External System Interface

Each timer can send or receive stimulus to/from the external (off-chip) system. In the device all timers are configured to output a PWM pulse or receive an external event signal used as a trigger to capture the current timer count. TIMER1 is also configured to receive an event trigger input (GPT1_EVENT_CAPTURE) tied to the internal 32-kHz clock. This event signal gauges the system clock input, detecting its frequency among 19.2, 20, or 27 MHz.

Figure 22-3 shows the external system interface for the GP timers, and Table 22-1 describes the GP timer inputs and outputs.

NOTE: Software control must ensure that MUX mode is configured to select the timer_i (where $i = 1$ to 16) signal on only one pad. Other pads on which the same signal is multiplexed must be configured in safe mode or non-dmtimer mode to avoid two different pads driving the same signal.

For more information about the configuration of the timer_i I/O pads, see Section 18.4.6.1.1, *Pad Configuration Registers*.

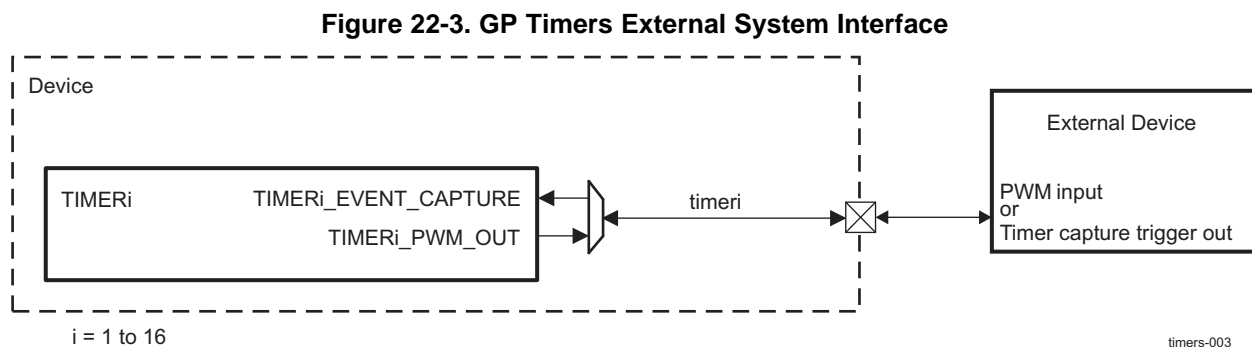


Table 22-1. Input/Output Description

Pin Name	Type ⁽¹⁾	Reset Value	Signal Name	Description
timer1	I/O	0	TIMER1_PI_EVENT_CAPTURE TIMER1_PWM_OUT	TIMER1 trigger input/ PWM output
timer2	I/O	0	TIMER2_PI_EVENT_CAPTURE TIMER2_PWM_OUT	TIMER2 trigger input/ PWM output
timer3	I/O	0	TIMER3_PI_EVENT_CAPTURE TIMER3_PWM_OUT	TIMER3 trigger input/ PWM output
timer4	I/O	0	TIMER4_PI_EVENT_CAPTURE TIMER4_PWM_OUT	TIMER4 trigger input/ PWM output
timer5	I/O	0	TIMER5_PI_EVENT_CAPTURE TIMER5_PWM_OUT	TIMER5 trigger input/ PWM output
timer6	I/O	0	TIMER6_PI_EVENT_CAPTURE TIMER6_PWM_OUT	TIMER6 trigger input/ PWM output
timer7	I/O	0	TIMER7_PI_EVENT_CAPTURE TIMER7_PWM_OUT	TIMER7 trigger input/ PWM output
timer8	I/O	0	TIMER8_PI_EVENT_CAPTURE TIMER8_PWM_OUT	TIMER8 trigger input/ PWM output
timer9	I/O	0	TIMER9_PI_EVENT_CAPTURE TIMER9_PWM_OUT	TIMER9 trigger input/ PWM output
timer10	I/O	0	TIMER10_PI_EVENT_CAPTURE TIMER10_PWM_OUT	TIMER10 trigger input/ PWM output
timer11	I/O	0	TIMER11_PI_EVENT_CAPTURE TIMER11_PWM_OUT	TIMER11 trigger input/ PWM output

⁽¹⁾ When configured for that function; I = Input, O = Output

Table 22-1. Input/Output Description (continued)

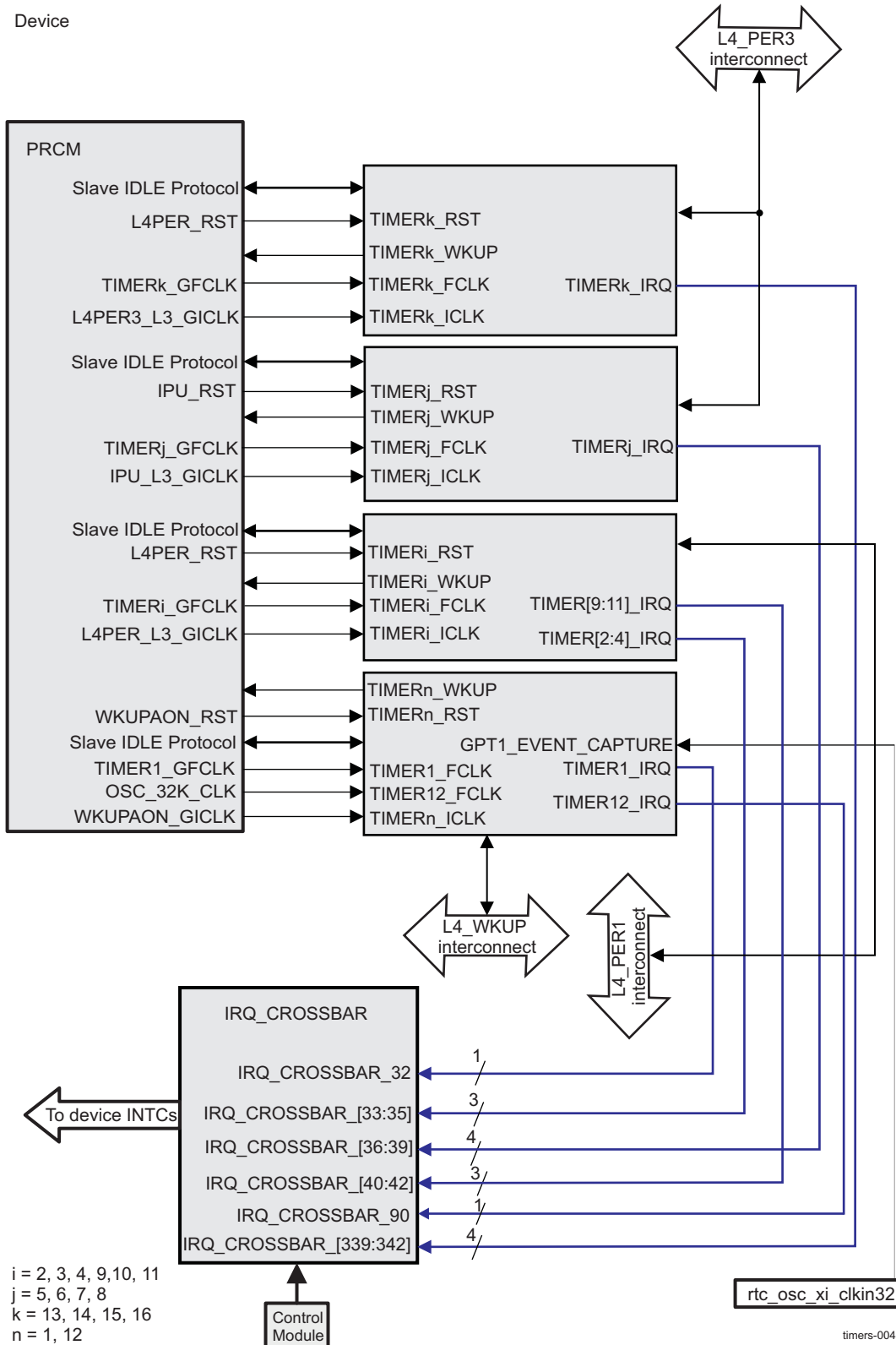
Pin Name	Type ⁽¹⁾	Reset Value	Signal Name	Description
timer12	I/O	0	TIMER12_PI_EVENT_CAPTURE TIMER12_PWM_OUT	TIMER12 trigger input/ PWM output
timer13	I/O	0	TIMER13_PI_EVENT_CAPTURE TIMER13_PWM_OUT	TIMER13 trigger input/ PWM output
timer14	I/O	0	TIMER14_PI_EVENT_CAPTURE TIMER14_PWM_OUT	TIMER14 trigger input/ PWM output
timer15	I/O	0	TIMER15_PI_EVENT_CAPTURE TIMER15_PWM_OUT	TIMER15 trigger input/ PWM output
timer16	I/O	0	TIMER16_PI_EVENT_CAPTURE TIMER16_PWM_OUT	TIMER16 trigger input/ PWM output

NOTE: Each `TIMERi_PO_GPOCFG` signal is used to as an output enable to control the function of the `TIMERi` pin (where `i = 1 to 16`) as the PWM output (`PO_GPOCFG = 0`) or capture input (`PO_GPOCFG = 1`).

22.2.3 GP Timer Integration

Figure 22-4 shows the integration of the GP timer in the device.

Figure 22-4. GP Timer Integration



NOTE: GPT1_EVENT_CAPTURE is not supported on the AM570x family of devices (rtc_osc_xi_clkin32 is not pinned out).

Table 22-2 through Table 22-4 summarize the integration of the module in the device.

Table 22-2. Integration Attributes

Module Instance	Attributes		
	Power Domain	Wake-Up Capability	Interconnect
TIMER1	PD_WKUPAON	Yes	L4_WKUP
TIMER2	PD_COREAON	Yes	L4_PER1
TIMER3	PD_COREAON	Yes	L4_PER1
TIMER4	PD_COREAON	Yes	L4_PER1
TIMER5	PD_COREAON	Yes	L4_PER3
TIMER6	PD_COREAON	Yes	L4_PER3
TIMER7	PD_COREAON	Yes	L4_PER3
TIMER8	PD_COREAON	Yes	L4_PER3
TIMER9	PD_COREAON	Yes	L4_PER1
TIMER10	PD_COREAON	Yes	L4_PER1
TIMER11	PD_COREAON	Yes	L4_PER1
TIMER12	PD_WKUPAON	Yes	L4_WKUP
TIMER13	PD_COREAON	Yes	L4_PER3
TIMER14	PD_COREAON	Yes	L4_PER3
TIMER15	PD_COREAON	Yes	L4_PER3
TIMER16	PD_COREAON	Yes	L4_PER3

Table 22-3. Clocks and Resets

Module Instance	Destination Signal Name	Clocks		
		Source Signal Name	Source	Description
TIMER1	TIMER1_FCLK	TIMER1_GFCLK	PRCM	TIMER1 functional clock
	TIMER1_ICLK	WKUPAON_GICLK	PRCM	TIMER1 interface clock
TIMER2	TIMER2_FCLK	TIMER2_GFCLK	PRCM	TIMER2 functional clock
	TIMER2_ICLK	L4PER_L3_GICLK	PRCM	TIMER2 interface clock
TIMER3	TIMER3_FCLK	TIMER3_GFCLK	PRCM	TIMER3 functional clock
	TIMER3_ICLK	L4PER_L3_GICLK	PRCM	TIMER3 interface clock
TIMER4	TIMER4_FCLK	TIMER4_GFCLK	PRCM	TIMER4 functional clock
	TIMER4_ICLK	L4PER_L3_GICLK	PRCM	TIMER4 interface clock
TIMER5	TIMER5_FCLK	TIMER5_GFCLK	PRCM	TIMER5 functional clock
	TIMER5_ICLK	IPU_L3_GICLK	PRCM	TIMER5 interface clock
TIMER6	TIMER6_FCLK	TIMER6_GFCLK	PRCM	TIMER6 functional clock
	TIMER6_ICLK	IPU_L3_GICLK	PRCM	TIMER6 interface clock
TIMER7	TIMER7_FCLK	TIMER7_GFCLK	PRCM	TIMER7 functional clock
	TIMER7_ICLK	IPU_L3_GICLK	PRCM	TIMER7 interface clock
TIMER8	TIMER8_FCLK	TIMER8_GFCLK	PRCM	TIMER8 functional clock
	TIMER8_ICLK	IPU_L3_GICLK	PRCM	TIMER8 interface clock
TIMER9	TIMER9_FCLK	TIMER9_GFCLK	PRCM	TIMER9 functional clock
	TIMER9_ICLK	L4PER_L3_GICLK	PRCM	TIMER9 interface clock

Table 22-3. Clocks and Resets (continued)

TIMER10	TIMER10_FCLK	TIMER10_GFCLK	PRCM	TIMER10 functional clock
	TIMER10_ICLK	L4PER_L3_GICLK	PRCM	TIMER10 interface clock
TIMER11	TIMER11_FCLK	TIMER11_GFCLK	PRCM	TIMER11 functional clock
	TIMER11_ICLK	L4PER_L3_GICLK	PRCM	TIMER11 interface clock
TIMER12	TIMER12_FCLK	OSC_32K_CLK ⁽¹⁾	PRCM	TIMER12 functional clock
	TIMER12_ICLK	WKUPAON_GICLK	PRCM	TIMER12 interface clock
TIMER13	TIMER13_FCLK	TIMER13_GFCLK	PRCM	TIMER13 functional clock
	TIMER13_ICLK	L4PER3_L3_GICLK	PRCM	TIMER13 interface clock
TIMER14	TIMER14_FCLK	TIMER14_GFCLK	PRCM	TIMER14 functional clock
	TIMER14_ICLK	L4PER3_L3_GICLK	PRCM	TIMER14 interface clock
TIMER15	TIMER15_FCLK	TIMER15_GFCLK	PRCM	TIMER15 functional clock
	TIMER15_ICLK	L4PER3_L3_GICLK	PRCM	TIMER15 interface clock
TIMER16	TIMER16_FCLK	TIMER16_GFCLK	PRCM	TIMER16 functional clock
	TIMER16_ICLK	L4PER3_L3_GICLK	PRCM	TIMER16 interface clock
Resets				
TIMER1	TIMER1_RST	WKUPAON_RST	PRM	Reset to TIMER1
TIMER2	TIMER2_RST	L4PER_RST	PRM	Reset to TIMER2
TIMER3	TIMER3_RST	L4PER_RST	PRM	Reset to TIMER3
TIMER4	TIMER4_RST	L4PER_RST	PRM	Reset to TIMER4
TIMER5	TIMER5_RST	IPU_RST	PRM	Reset to TIMER5
TIMER6	TIMER6_RST	IPU_RST	PRM	Reset to TIMER6
TIMER7	TIMER7_RST	IPU_RST	PRM	Reset to TIMER7
TIMER8	TIMER8_RST	IPU_RST	PRM	Reset to TIMER8
TIMER9	TIMER9_RST	L4PER_RST	PRM	Reset to TIMER9
TIMER10	TIMER10_RST	L4PER_RST	PRM	Reset to TIMER10
TIMER11	TIMER11_RST	L4PER_RST	PRM	Reset to TIMER11
TIMER12	TIMER12_RST	WKUPAON_RST	PRM	Reset to TIMER12
TIMER13	TIMER13_RST	L4PER_RST	PRM	Reset to TIMER13
TIMER14	TIMER14_RST	L4PER_RST	PRM	Reset to TIMER14
TIMER15	TIMER15_RST	L4PER_RST	PRM	Reset to TIMER15
TIMER16	TIMER16_RST	L4PER_RST	PRM	Reset to TIMER16

⁽¹⁾ The OSC_32K_CLK clock, provided by the On-die 32K RC Osc is not accurate 32KHz clock. The frequency may vary with temperature and silicon characteristics.

Table 22-4. GP Timers Hardware Requests

Interrupt Requests				
Module Instance	Source Signal Name	Destination IRQ_CROSSBAR Input	Default Mapping	Description
TIMER1	TIMER1_IRQ	IRQ_CROSSBAR_32	MPU_IRQ_37 DSP1_IRQ_63	TIMER1 interrupt
TIMER2	TIMER2_IRQ	IRQ_CROSSBAR_33	MPU_IRQ_38 DSP1_IRQ_64	TIMER2 interrupt
TIMER3	TIMER3_IRQ	IRQ_CROSSBAR_34	MPU_IRQ_39 DSP1_IRQ_65 IPU1_IRQ_53 IPU2_IRQ_53	TIMER3 interrupt
TIMER4	TIMER4_IRQ	IRQ_CROSSBAR_35	MPU_IRQ_40 DSP1_IRQ_66	TIMER4 interrupt

Table 22-4. GP Timers Hardware Requests (continued)

			IPU1_IRQ_54	
			IPU2_IRQ_54	
TIMER5	TIMER5_IRQ	IRQ_CROSSBAR_36	MPU_IRQ_41	TIMER5 interrupt
			DSP1_IRQ_67	
TIMER6	TIMER6_IRQ	IRQ_CROSSBAR_37	MPU_IRQ_42	TIMER6 interrupt
			DSP1_IRQ_68	
TIMER7	TIMER7_IRQ	IRQ_CROSSBAR_38	MPU_IRQ_43	TIMER7 interrupt
			DSP1_IRQ_69	
TIMER8	TIMER8_IRQ	IRQ_CROSSBAR_39	MPU_IRQ_44	TIMER8 interrupt
			DSP1_IRQ_70	
TIMER9	TIMER9_IRQ	IRQ_CROSSBAR_40	MPU_IRQ_45	TIMER9 interrupt
			DSP1_IRQ_71	
			IPU1_IRQ_55	
			IPU2_IRQ_55	
TIMER10	TIMER10_IRQ	IRQ_CROSSBAR_41	MPU_IRQ_46	TIMER10 interrupt
			DSP1_IRQ_72	
TIMER11	TIMER11_IRQ	IRQ_CROSSBAR_42	MPU_IRQ_47	TIMER11 interrupt
			DSP1_IRQ_73	
			IPU1_IRQ_56	
			IPU2_IRQ_56	
TIMER12	TIMER12_IRQ	IRQ_CROSSBAR_90	MPU_IRQ_95	TIMER12 interrupt
TIMER13	TIMER13_IRQ	IRQ_CROSSBAR_339	-	TIMER13 interrupt. This IRQ source signal is not mapped by default to any device INTC
TIMER14	TIMER14_IRQ	IRQ_CROSSBAR_340	-	TIMER14 interrupt. This IRQ source signal is not mapped by default to any device INTC
TIMER15	TIMER15_IRQ	IRQ_CROSSBAR_341	-	TIMER15 interrupt. This IRQ source signal is not mapped by default to any device INTC
TIMER16	TIMER16_IRQ	IRQ_CROSSBAR_342	-	TIMER16 interrupt. This IRQ source signal is not mapped by default to any device INTC
No DMA Requests				

NOTE: The “Default Mapping” column in [Table 22-4 GP Timers Hardware Requests](#) shows the default mapping of module IRQ source signals. These IRQ source signals can also be mapped to other lines of each device Interrupt controller through the IRQ_CROSSBAR module.

For more information about the IRQ_CROSSBAR module, see [Section 18.4.6.4, IRQ_CROSSBAR Module Functional Description](#), in [Chapter 18, Control Module](#).

For more information about the device interrupt controllers, see [Chapter 17, Interrupt Controllers](#).

NOTE: For the description of the interrupt source, see [Section 22.2.4.5, GP Timer Interrupt](#).

22.2.4 GP Timer Functional Description

Each GP timer contains a free-running upward counter with autoreload capability on overflow. The timer counter can be read and written on-the-fly (while counting). Each GP timer includes compare logic to allow an interrupt event on a programmable counter matching value. A dedicated output signal can be pulsed or toggled on either an overflow or a match event. This offers time-stamp trigger signaling or PWM signal sources. A dedicated input signal can be used to trigger an automatic timer counter capture or an interrupt event on a programmable input signal transition. A programmable clock divider (prescaler) allows reduction of the timer input clock frequency. All internal timer interrupt sources are merged into one module interrupt line and one wake-up line.

Each internal interrupt source can be independently enabled and disabled by a dedicated bit in the [IRQSTATUS_SET](#) and [IRQSTATUS_CLR](#) register for the interrupt features, and a dedicated bit of the [IRQWAKEEN](#) register for the wake-up of TIMER1, TIMER2, and TIMER10. In addition, these timers have a mechanism implemented to generate an accurate tick interrupt.

For all other internal interrupt source can be independently enabled and disabled through the [IRQENABLE_SET](#) and [IRQENABLE_CLR](#) registers.

For each GP timer implemented in the device, there are two possible clock sources:

- 32-kHz clock
- System clock

Selection of the input clock source is done in the registers in the PRCM configuration (see [Section 22.2.1, GP Timer Overview](#)).

Each GP timer supports three functional modes:

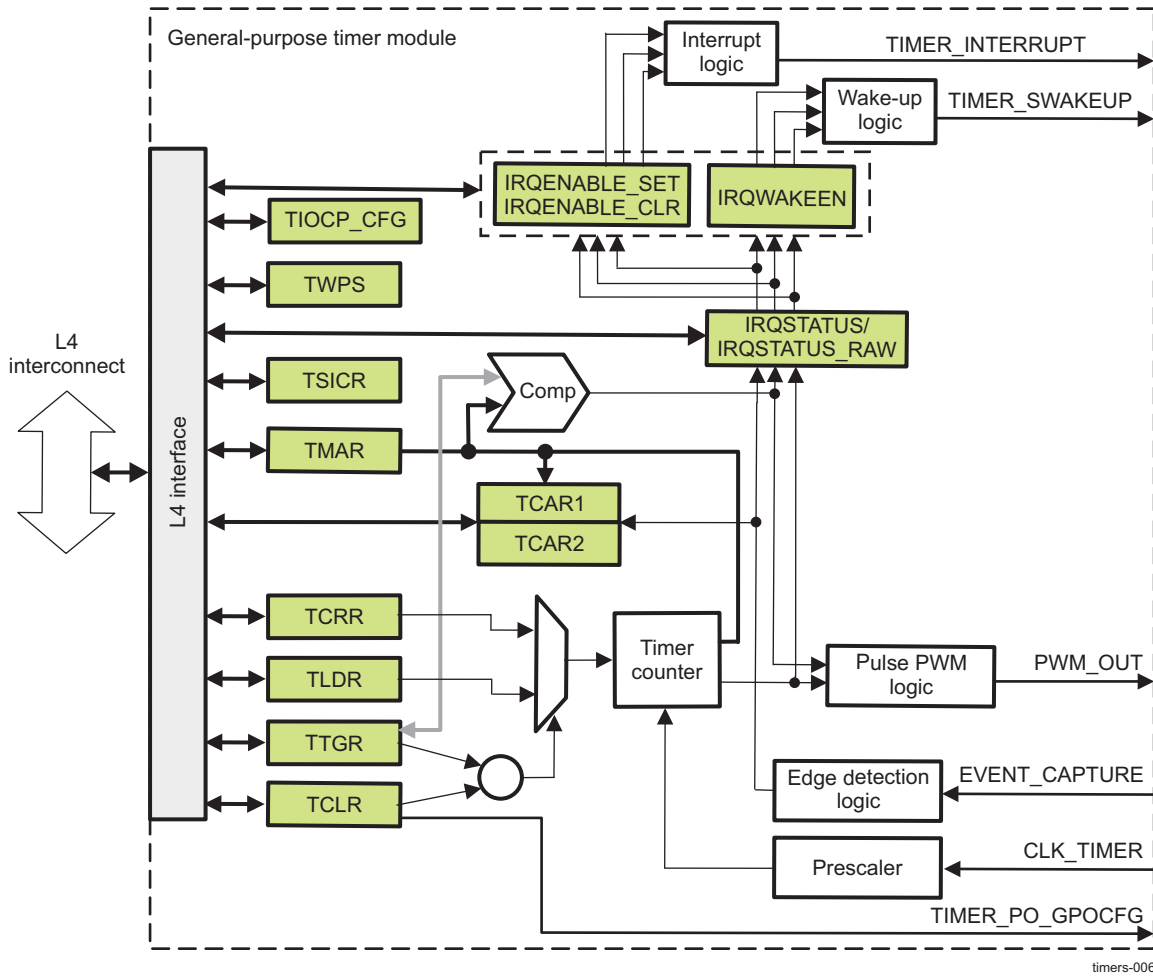
- Timer mode
- Capture mode
- Compare mode

The capture and compare modes are disabled by default after core reset.

22.2.4.1 GP Timer Block Diagram

[Figure 22-5](#) is a block diagram of the common GP timers, and [Figure 22-6](#) is a block diagram of the GP timers with a 1-ms tick generation module.

Figure 22-5. Block Diagram of TIMER3 Through TIMER9 and TIMER11 Through TIMER16



timers-006

22.2.4.2 TIMER1, TIMER2 and TIMER10 Power Management

At the PRCM module level, when all conditions to shut off the functional or interface output clocks in the PRCM module are met (see [Section 3.1.1.1.4, Clock Domain-Level Clock Management](#)), the PRCM module automatically launches a hardware handshake protocol to ensure the GP timer is ready to have its clocks switched off. Namely, the PRCM module asserts an IDLE request to the GP timer.

Although this handshake is a hardware function and is out of software control, the way the GP timer acknowledges the PRCM IDLE request is configurable through the `TIOCP_CFG[3:2]` IDLEMODE bit field.

[Table 22-5](#) lists the IDLEMODE settings and the related acknowledgment modes.

Table 22-5. IDLEMODE Settings

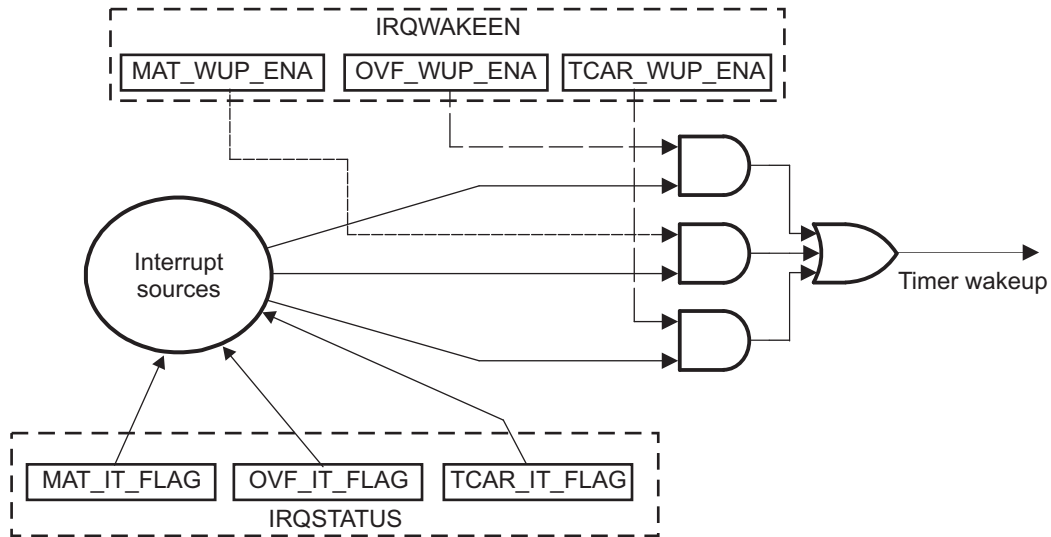
IDLEMODE Value	Selected Mode	Description
00	Force-idle	The GP timer unconditionally acknowledges the IDLE request from the PRCM module, regardless of its internal operations. This mode must be used carefully, because it does not prevent the loss of data when the clock is switched off.
01	No-idle	The GP timer never acknowledges an IDLE request from the PRCM module. This mode is safe from a module point of view, because it ensures that the clocks remain active. It is not efficient from a power-saving perspective, because it does not allow the PRCM output clock to be shut off, and thus the power domain to be set to a lower power state.
10	Smart-idle	The GP timer acknowledges the IDLE request, basing its decision on its internal activity. The acknowledge signal is asserted only when all pending transactions and IRQ requests are treated. This is the best approach to efficient system power management.
11	Smart-idleWakeup	The module behaves like in Smart-idle mode, with the exception, that it can issue a wake-up request in sleep mode, if the functional clock is not cut off.

22.2.4.2.1 Wake-Up Capability

If the `TIOCP_CFG[3:2]` IDLEMODE bit field sets the smart-idle mode or smart-idle with wakeup mode, the timer evaluates its internal capability to have the interface clock switched off. When there is no further internal activity (no pending interrupt sources: match, overflow, or timer capture events), the idle acknowledge signal is asserted and the timer enters sleep mode, ready to issue a wake-up request if is configured in smart-idle with wakeup mode.

[Figure 22-7](#) shows the wake-up request generation. For more information about the GP timer clock control, [Section 3.6, Clock Management Functional Description](#), in [Chapter 3, Power, Reset, and Clock Management](#).

Figure 22-7. Wake-Up Request Generation



timers-005

For TIMER1, TIMER2 and TIMER10, the timer wake-up-enable register allows masking of the expected source of the wake-up event that generates a wake-up request. The register is synchronously programmed with the interface clock before the PRCM module sends an idle mode request. The expected source of the wake-up event is an overflow (TCRR), a timer match (the compare result of TCRR and TMAR matches the counter value), and a timer capture (detection of an external pulse transition of the correct polarity on the TIMER_EVENT_CAPTURE).

When the wake-up event is issued, the associated interrupt status bit is set in the timer status register (IRQSTATUS). The pending wake-up event is reset when the set status bit is overwritten with 1.

NOTE: The status bit must be reset to re-enter idle mode.

22.2.4.3 Power Management of Other GP Timers

At the PRCM module level, when all conditions to shut off the functional or interface output clocks of the PRCM module are met (see Section 3.1.1.1.4, Clock Domain-Level Clock Management), the PRCM module automatically launches a hardware handshake protocol to ensure the GP timer is ready to have its clocks switched off. Namely, the PRCM module asserts an IDLE request to the GP timer.

Although this handshake is a hardware function and is out of software control, the way the GP timer acknowledges the PRCM IDLE request is configurable through the TIOCP_CFG[3:2] IDLEMODE bit field.

Table 22-6 lists the IDLEMODE settings and the related acknowledgment modes.

Table 22-6. IDLEMODE Settings

IDLEMODE Value	Selected Mode	Description
00	Force-idle	The GP timer unconditionally acknowledges the IDLE request from the PRCM module, regardless of its internal operations. This mode must be used carefully, because it does not prevent the loss of data when the clock is switched off.
01	No-idle	The GP timer never acknowledges an IDLE request from the PRCM module. This mode is safe from a module point of view, because it ensures that the clocks remain active. It is not efficient from a power-saving perspective, however, because it does not allow the PRCM output clock to be shut off and thus the power domain to be set to a lower power state.

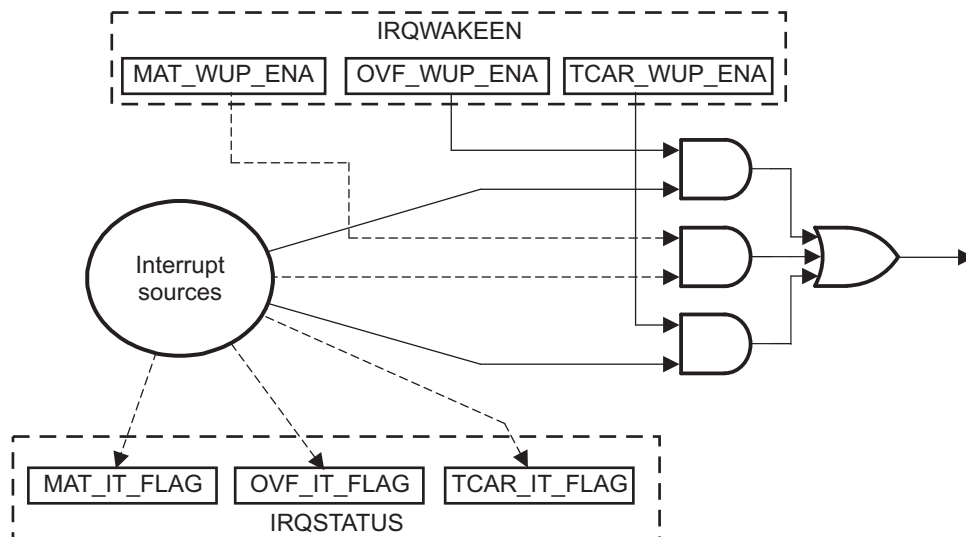
Table 22-6. IDLEMODE Settings (continued)

IDLEMODE Value	Selected Mode	Description
10	Smart-idle	The GP timer acknowledges the IDLE request, basing its decision on its internal activity. The acknowledge signal is asserted only when all pending transactions and IRQ requests are treated. This is the best approach to efficient system power management.
11	Smart-idleWakeup	The module behaves like in Smart-idle mode, with the exception, that it can issue a wake-up request in sleep mode, if the functional clock is not cut off.

22.2.4.3.1 Wake-Up Capability

If the `TIOCP_CFG[3:2]` IDLEMODE bit field sets the smart-idle mode or smart-idle with wakeup mode, the timer evaluates its internal capability to have the interface clock switched off. When there is no further internal activity (no pending interrupt sources: match, overflow, or timer capture events), the idle acknowledge signal is asserted and the timer enters sleep mode, ready to issue a wake-up request if is configured in smart-idle with wakeup mode. This wake-up request is sent only if the `IRQWAKEEN[2:0]` bit field enables the timer wake-up capability.

Figure 22-8 shows the wake-up request generation. For more information about the GP timer clock control, see Section 3.6, *Clock Management Functional Description*, in Chapter 3, *Power, Reset, and Clock Management*.

Figure 22-8. Wake-Up Request Generation


timers-014

When the wake-up event is issued, the associated interrupt status bit is set in the timer status register (`IRQSTATUS`). The pending wake-up event is reset when the set status bit is overwritten with 1.

NOTE: The status bit must be reset to re-enter idle mode.

22.2.4.4 Software Reset

Two bits can generate a software reset of the GP timer:

- `TIOCP_CFG[0]` SOFTRESET
- `TSICR[1]` SFT

For both bits, all read accesses return 0.

The `TIOCP_CFG[0]` SOFTRESET bit allows resetting of the functional and interface domains. The `TSICR[1]` SFT bit allows resetting the functional part of the GP timer.

Before accessing or using the GP timer, the local host must ensure that both internal resets are released by reading the `TIOCP_CFG[0]` SOFTRESET bit. This bit monitors the internal reset status.

22.2.4.5 GP Timer Interrupts

The timer can issue an overflow interrupt, a timer match interrupt, and a timer capture interrupt. Each internal interrupt source can be independently enabled and disabled in the interrupt-enable register (`IRQSTATUS_SET` for `TIMER1/2/10` and `IRQENABLE_SET` for other timers) and disabled in the interrupt-disable register (`IRQSTATUS_CLR` for `TIMER1/2/10` and `IRQENABLE_CLR` for other timers). When the interrupt event is issued, the associated interrupt status bit is set in the timer status register (`IRQSTATUS`).

22.2.4.6 Timer Mode Functionality

The timer is an upward counter that can be started and stopped at any time through the timer control register (the `TCLR[0]` ST bit). The timer counter register (`TCRR`) can be loaded when stopped or on-the-fly (while counting). `TCRR` can be loaded directly by a `TCRR` write access with a new timer value. `TCRR` can also be loaded with the value held in the timer load register (`TLDR`) by a trigger register (`TTGR`) write access. The loading of `TCRR` is done regardless of the written value of `TTGR`. The value of `TCRR` can be read when stopped or captured on-the-fly by a `TCRR` read access. The timer is stopped and the counter value is set to 0 when the module reset is asserted. The timer is maintained at stop after the reset is released.

In one-shot mode (the `TCLR[1]` AR bit is set to 0), the counter is stopped after counting overflow occurs (the counter value remains at 0).

When the autoreload mode is enabled (the `TCLR[1]` AR bit is set to 1), `TCRR` is reloaded with the value of `TLDR` after a counting overflow occurs.

CAUTION

Do not put the overflow value (0xFFFF FFFF) in the `TLDR` register because it can lead to undesirable results.

An interrupt can be issued on overflow if the overflow interrupt-enable bit is set in the timer interrupt-enable register (the `IRQSTATUS_SET[1]` `OVF_EN_FLAG` bit is set to 1 for `TIMER1/2/10` and the `IRQENABLE_SET[1]` `OVF_EN_FLAG` bit is set to 1 for other timers). A dedicated output pin (timer PWM) can be programmed in the `TCLR[12]` PT bit through the `TCLR[11:10]` (PT and TRG bits) to generate one positive pulse (prescaler duration) or to invert the current value (toggle mode) when an overflow occurs. The `TCLR[12]` PT bit selects pulse/toggle modulation (the `TCLR[11:10]` TRG bit field selects trigger mode).

Figure 22-9 shows the `TCRR` timing value.

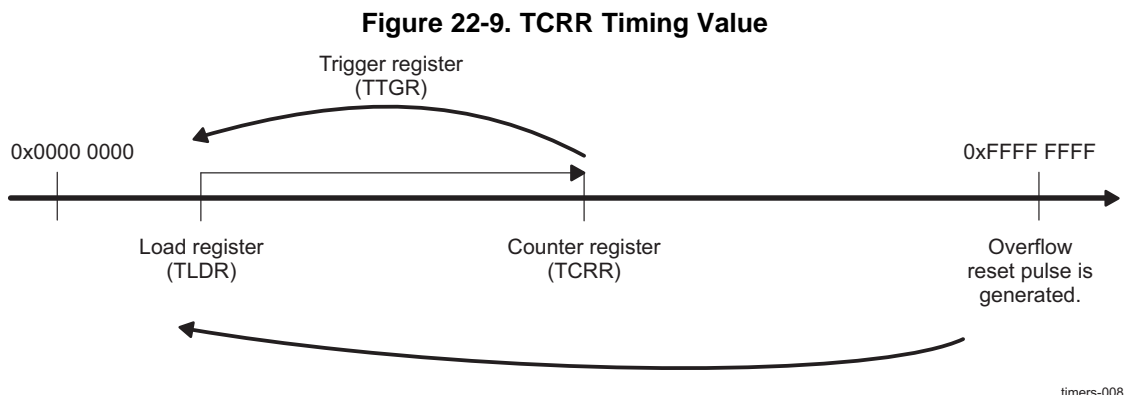


Table 22-7. Value Loaded in TCRR to Generate 1-ms Tick

Add1 MSB	Add2 MSB	Add3 MSB	Value of TCRR Register
0	0	0	TLDR[31:0] LOAD_VALUE bit field
0	0	1	TLDR[31:0] LOAD_VALUE bit field
0	1	0	TLDR[31:0] LOAD_VALUE bit field
0	1	1	TLDR[31:0] LOAD_VALUE -1
1	0	0	N/A
1	0	1	N/A
1	1	0	TLDR[31:0] LOAD_VALUE -1
1	1	1	TLDR[31:0] LOAD_VALUE -1

The values of the **TPIR** and **TNIR** registers are calculated using the following formulas:

- Positive increment value = $((\text{INTEGER}[F_{\text{clk}} \times T_{\text{tick}}] + 1) \times 1\text{e}6) - (F_{\text{clk}} \times T_{\text{tick}} \times 1\text{e}6)$
- Negative increment value = $(\text{INTEGER}[F_{\text{clk}} \times T_{\text{tick}}] \times 1\text{e}6) - (F_{\text{clk}} \times T_{\text{tick}} \times 1\text{e}6)$

NOTE: F_{clk} clock frequency (kHz)

T_{tick} tick period (ms)

The timer overflow counter register (**TOCR**) and the timer overflow wrapping register (**TOWR**) are used to filter interrupts. When the timer overflows, it increments the 24-bit **TOCR**. When the values in the 24-bit **TOCR** match the values in the 24-bit **TOWR** and the timer overflow is asserted, the **TOCR** is reset and an interrupt is generated to the **IRQSTATUS** register.

NOTE: **TOWR** has to be set to requested value. For example, if no interrupt needs to be masked **TOWR** must be set to 0, if one interrupt needs to **TOWR** must be set to 1, if two interrupt need to be masked **TOWR** must be set to 2 and so on.

It is important to have in mind that the case when FFFFFFF interrupt need to be masked is not possible.

With the conversion block in reset state (the positive increment register, negative increment register, and counter value register are zeroed), the programming model and the behavior of **TIMER1**, **TIMER2**, and **TIMER10** remain unchanged.

For 1-ms tick with a 32.768-Hz clock:

- **TPIR**[31:0] POSITIVE_INC_VALUE = 232,000
- **TNIR**[31:0] NEGATIVE_INC_VALUE = -768,000
- **TLDR**[31:0] LOAD_VALUE = 0xFFFF FFE0

NOTE: Any value of the tick period can be generated with the appropriate value of the **TPIR**, **TNIR**, and **TLDR**.

By default, the **TPIR**, **TNIR**, **TCVR**, **TOCR**, and **TOWR** and the associated logic are in reset mode (all 0s) and have no effect on the programming model.

22.2.4.7 Capture Mode Functionality

When a transition is detected on the module input pin (**EVENT_CAPTURE**), the timer value in the **TCRR** can be captured and saved in the **TCAR1** or **TCAR2** register function of the mode selected in the **TCLR**[13] **CAPT_MODE** bit. The edge detection circuitry monitors transitions on the input pin (**EVENT_CAPTURE**).

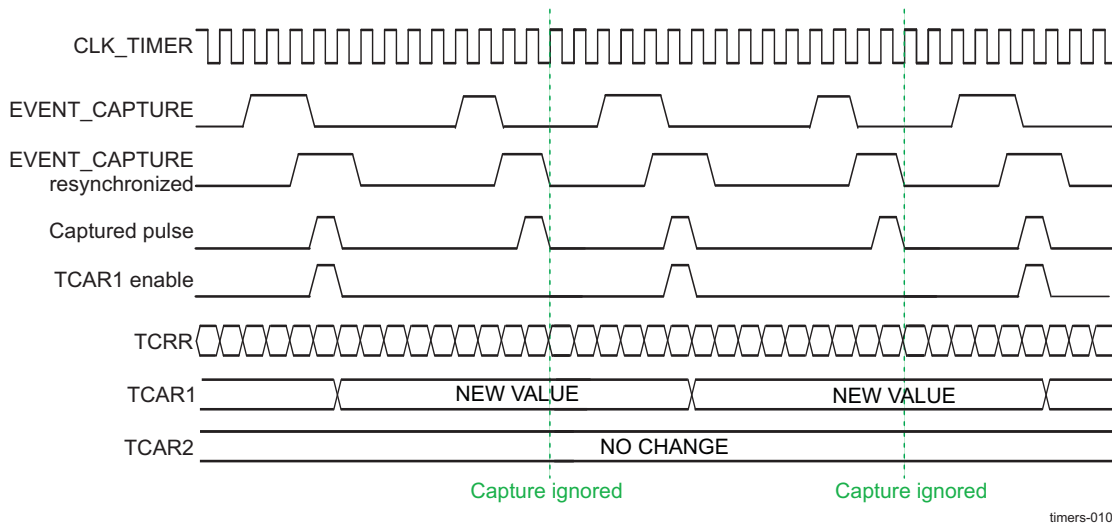
The rising edge, falling edge, or both, can be selected in the **TCLR[9:8]** TCM bit field to trigger the timer counter capture. The module sets the **IRQSTATUS[2]** **TCAR_IT_FLAG** bit when an active edge is detected, and at the same time, the counter value **TCRR** is stored in timer capture register **TCAR1** or **TCAR2**, as follows:

- If the **TCLR[13]** **CAPT_MODE** bit is 0, on the first enabled capture event, the value of the counter register is saved in the **TCAR1** register, and the next events are ignored (no update on the **TCAR1** register and no interrupt triggering) until the detection logic is reset or the **IRQSTATUS[2]** **TCAR_IT_FLAG** is cleared by writing 1 to it.
- If the **TCLR[13]** **CAPT_MODE** bit is 1, on the first enabled capture event, the value of the counter register is saved in the **TCAR1** register, and on the second enabled capture event, the value of the counter register is saved in the **TCAR2** register. If a capture interrupt is enabled, the interrupt triggers on the second event capture. All other events are ignored (no update on **TCAR1/TCAR2** and no interrupt triggering) until the detection logic is reset or the **IRQSTATUS[2]** **TCAR_IT_FLAG** bit is cleared by writing 1 to it. This mechanism is useful for period calculation of a clock, if that clock is connected to the **EVENT_CAPTURE** input pin.

The edge detection logic is reset (a new capture is enabled) when the active capture interrupt is served. The **IRQSTATUS[2]** **TCAR_IT_FLAG** bit is cleared by writing 1 to it or when the edge detection mode bits (the **TCLR[9:8]** TCM bit field) are changed from no-capture mode detection to any other mode. The timer functional clock (input to prescaler) is used to sample the input pin (**EVENT_CAPTURE**). A negative or positive pulse input can be detected when the pulse time is greater than the functional clock period. An interrupt is issued on edge detection if the capture interrupt-enable bit is set in the **IRQSTATUS_SET[2]** **TCAR_EN_FLAG** bit (for **TIMER1/2/10**) or in the **IRQENABLE_SET[2]** **TCAR_EN_FLAG** bit (for other timers). See the examples in [Figure 22-11](#) and [Figure 22-12](#).

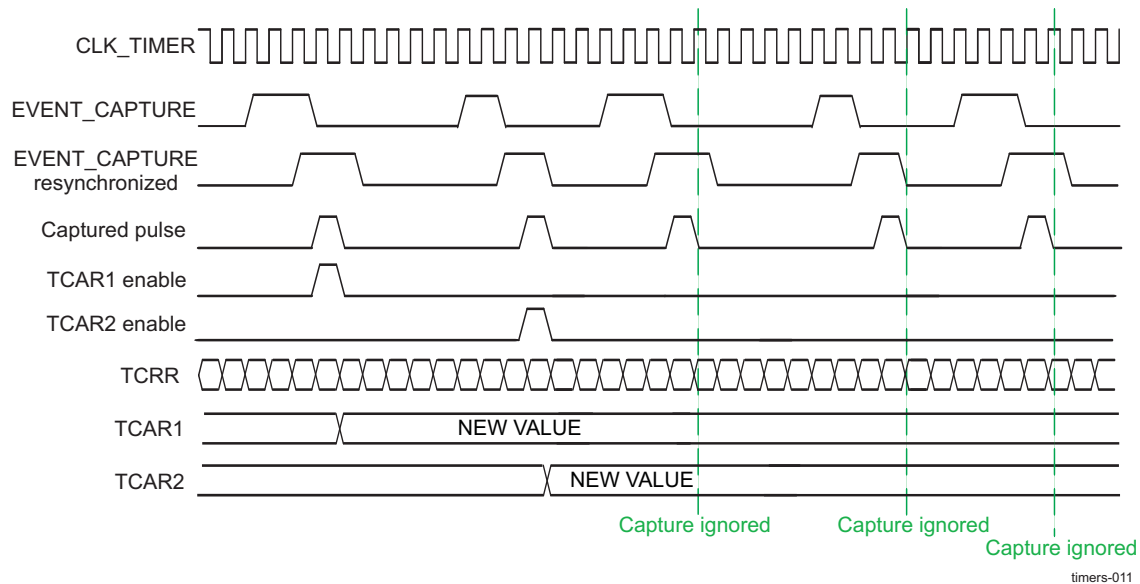
In [Figure 22-11](#), the value of the **TCLR[9:8]** TCM bit field is 0b01, and the **TCLR[13]** **CAPT_MODE** bit is 0. Only the rising edge of **EVENT_CAPTURE** triggers a capture in the **TCAR1** and **TCAR2** registers, and only the **TCAR1** register updates.

Figure 22-11. Capture Wave Example for **TCLR[13] **CAPT_MODE** = 0**



In [Figure 22-12](#), the value of the **TCLR[9:8]** TCM bit field is 0b01, and the **TCLR[13]** **CAPT_MODE** bit is 1. Only the rising edge of **EVENT_CAPTURE** triggers a capture in the **TCAR1** register on the first enabled event, and the **TCAR2** register updates on the second enabled event.

Figure 22-12. Capture Wave Example for TCLR[13] CAPT_MODE = 1



22.2.4.8 Compare Mode Functionality

When the compare-enable register [TCLR\[6\]](#) CE bit is set to 1, the timer value (the [TCRR\[31:0\]](#) [TIMER_COUNTER](#) bit field) is continuously compared to the value held in the timer match register ([TMAR](#)). The value of the [TMAR\[31:0\]](#) [COMPARE_VALUE](#) bit field can be loaded at any time (timer counting or stopped). When the [TCRR](#) and the [TMAR](#) values match, an interrupt is issued, if the [IRQSTATUS_SET\[0\]](#) [MAT_EN_FLAG](#) bit (for [TIMER1](#), [TIMER2](#), and [TIMER10](#)), or the [IRQENABLE_SET\[0\]](#) [MAT_EN_FLAG](#) bit (for other timers) is set.

To prevent any unwanted interrupts due to reset value matching effect, write a compare value to the [TMAR](#) before setting the [TCLR\[6\]](#) CE bit.

The dedicated output pin (timer PWM) can be programmed in the [TCLR\[12\]](#) PT bit through the [TCLR\[11:10\]](#) TRG bit field to generate one positive pulse (timer clock duration) or to invert the current value (toggle mode) when an overflow or a match occurs.

22.2.4.9 Prescaler Functionality

A prescaler can be used to divide the timer counter input clock frequency. The prescaler is enabled when the [TCLR\[5\]](#) PRE bit is set. The [TCLR\[4:2\]](#) PTV bit field sets the 2^n division ratio (prescaler value is $2^{(PTV + 1)}$). The prescaler counter is reset when the timer counter is stopped or reloaded on-the-fly.

[Table 22-8](#) lists the prescaler/timer reload values versus contexts.

Table 22-8. Prescaler/Timer Reload Values Versus Contexts

Context	Prescaler	Timer Counter
Overflow (when autoreload is on)	Reset	TLDR[31:0]
TCRR write	Reset	TCRR[31:0]
TTGR write	Reset	TLDR[31:0]
Stop	Reset	Frozen

22.2.4.10 Pulse-Width Modulation

The timer can be configured to provide a programmable PWM output. The timer PWM output pin can be configured to toggle on an event. The **TCLR[11:10]** TRG bit field determines on which register value the PWM pin toggles. Either overflow or both overflow and match can be selected to toggle the timer PWM pin when a compare condition occurs.

NOTE: In toggle mode, when **TCLR[11:10]** TRG = 0x2 (overflow and match), the first event that toggles the PWM line is an overflow event. If a match event occurs first, it does not toggle the PWM line (see [Figure 22-14](#)).

The **TCLR[7]** SCPWM bit can be programmed to set or clear the timer PWM output signal only while the counter is stopped or the trigger is off. This allows setting the output pin to a known state before modulation starts. Modulation synchronously stops when the **TCLR[11:10]** TRG bit field is cleared and overflow occurs. This allows fixing a deterministic state of the output pin when modulation stops.

In [Figure 22-13](#), the internal overflow pulse is set each time the (0xFFFF FFFF – **TLDR**[31:0] **LOAD_VALUE** + 1) value is reached, and the internal match pulse is set when the counter reaches the value of **TMAR**. Depending on the value of the **TCLR[12]** PT bit and **TCLR[11:10]** TRG bit field, the timer provides pulse or PWM event on the output pin (timer PWM).

The **TLDR** and **TMAR** must keep values below the overflow value (0xFFFF FFFF) by at least two units. If the PWM trigger events are both overflow and match, the difference between the values kept in the **TMAR** and the value in the **TLDR** must be at least two units. When match event is used, the compare mode **TCLR[6]** CE bit must be set.

In [Figure 22-13](#), the **TCLR[7]** SCPWM bit is set to 0. In [Figure 22-14](#), the **TCLR[7]** SCPWM bit is set to 1. To obtain the desired wave form, start the counter at 0xFFFF FFFE value (to ensure an overflow first) or adjust the line polarity (**TCLR[7]** SCPWM bit).

Figure 22-13. Timing Diagram of PWM With **TCLR[7] SCPWM Bit = 0**

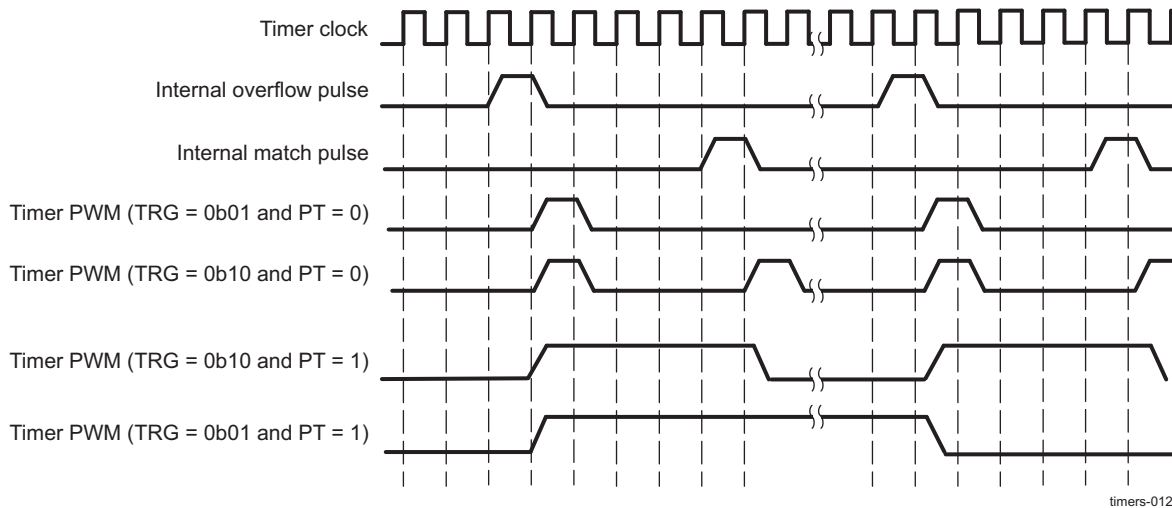
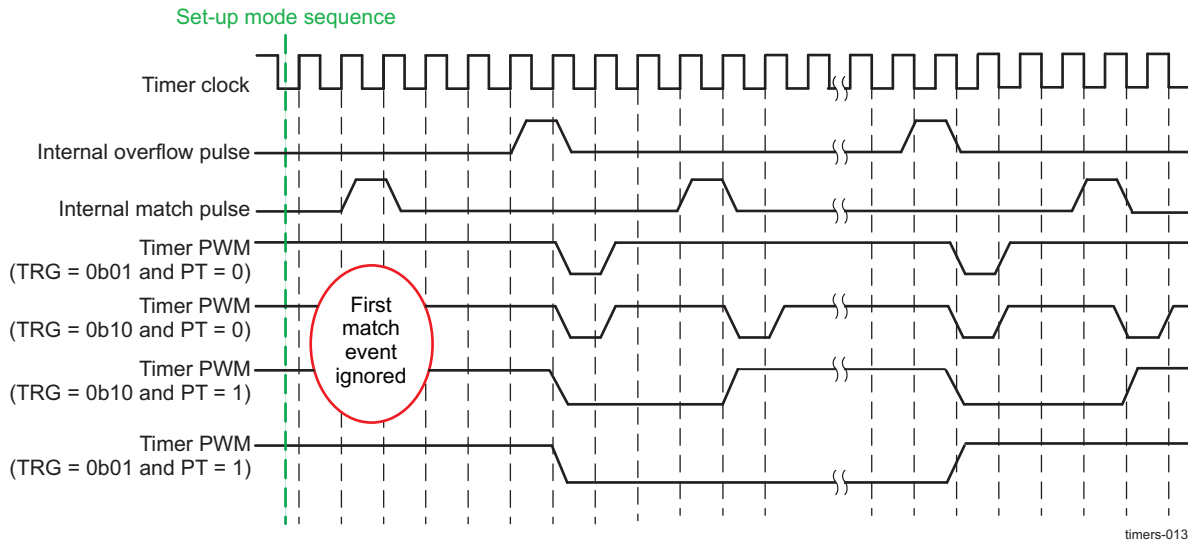


Figure 22-14. Timing Diagram of PWM With TCLR[7] SCPWM Bit = 1



22.2.4.11 Timer Counting Rate

The timer rate is defined by the following values:

- Value of the prescaler fields (the **TCLR[5]** PRE bit and **TCLR[4:2]** PTV bit field)
- Value loaded into the **TLDR**

Table 22-9 lists the prescaler clock ratio values.

Table 22-9. Prescaler Clock Ratio Values

TCLR[5] PRE	TCLR[4:2] PTV	Divisor (PS)
0	X	1
1	0	2
1	1	4
1	2	8
1	3	16
1	4	32
1	5	64
1	6	128
1	7	256

Thus, the timer overflow rate is expressed as:

$$OVF_Rate = (0xFFFF FFFF - TLDR + 1) \times (\text{timer-functional clock period}) \times PS$$

With (timer-functional clock period) = 1/(timer-functional clock frequency) and PS = 2^(PTV + 1) if prescaler is enabled, or PS = 1 if prescaler is disabled.

CAUTION

Internal resynchronization causes any write to the **TCLR[1]** ST bit to have some latency before the register is updated:

2.5 × functional clock cycles write_TIMER_TCLR_latency 3.5 × functional clock cycles

Remember to consider this latency whenever the timer must be started or stopped by a software change to the **TCLR[1]** ST bit.

CAUTION

- In non-PWM mode, **TLDR** must be maintained at less than or equal to 0xFFFF FFFE.
- In PWM mode, **TLDR** must be maintained at less than or equal to 0xFFFF FFFD.

For example, with a timer clock input of 32 kHz and the **TCLR[5]** PRE bit set to 0, the timer output period is as listed in [Table 22-10](#).

Table 22-10. Value and Corresponding Interrupt Period

TLDR[31:0] LOAD_VALUE	Interrupt Period
0x0000 0000	37 h
0xFFFF 0000	2 s
0xFFFF FFF0	500 μs
0xFFFF FFFE	62.5 μs

22.2.4.12 Timer Under Emulation

During emulation mode, the timer continues to run according to the value of the **TIOCP_CFG[1]** EMUFREE bit.

If the **TIOCP_CFG[1]** EMUFREE bit is set to 1, timer execution is not stopped in emulation mode and the interrupt is still generated when overflow or match is reached.

If the **TIOCP_CFG[1]** EMUFREE bit is set to 0, the prescaler and timer are frozen and both resume on exit from emulation mode. The asynchronous external input pin (timerx_pwm_evt, where x = [8:11]) is internally synchronized on two timer-clock rising edges.

22.2.4.13 Accessing GP Timer Registers

All accesses are nonposted until software reconfiguration. All registers are 32 bits wide, accessible through the OCP interface with 16- or 32-bit access (read/write).

Any 16-bit write access must be least-significant bit (LSB) first, and the second write access must be most-significant bit (MSB) first. Write operations to the following GP timer registers can skip the MSB access if it is not necessary to update the 16 MSBs of the register:

- **TIDR** (all GP timers)
- **TIOCP_CFG** (all GP timers)
- **IRQSTATUS_SET** (GP timers 1, 2, 10)
- **IRQSTATUS_RAW** (all GP timers)
- **IRQSTATUS** (all GP timers)
- **IRQENABLE_SET**(all GP timers except 1,2,10)
- **IRQENABLE_CLR**(all GP timers except 1,2,10)

- [IRQSTATUS_SET](#) (GP timers 1, 2, 10)
- [IRQSTATUS_CLR](#) (GP timers 1, 2, 10)
- [IRQWAKEEN](#) (all GP timers)
- [TSICR](#) (all GP timers)

Write operations to the following functional registers must be complete (the MSB must be written even if the MSB data is not used):

- [TCLR](#) (all GP timers)
- [TCRR](#) (all GP timers)
- [TLDR](#) (all GP timers)
- [TTGR](#) (all GP timers)
- [TMAR](#) (all GP timers)
- [TPIR](#) (GP timers 1, 2, 10)
- [TNIR](#) (GP timers 1, 2, 10)
- [TCVR](#) (GP timers 1, 2, 10)
- [TOCR](#) (GP timers 1, 2, 10)
- [TOWR](#) (GP timers 1, 2, 10)

The following L4 synchronous registers are not affected by the posted/nonposted mode selection; the write/read operation is effective and acknowledged (command accepted) after one L4 clock cycle from command assertion:

- [TIDR](#)
- [TIOCP_CFG](#)
- [IRQSTATUS](#)
- [IRQSTATUS_RAW](#)
- [IRQENABLE_SET](#)
- [IRQENABLE_CLR](#)
- [IRQSTATUS_SET](#)
- [IRQSTATUS_CLR](#)
- [IRQWAKEEN](#)
- [TWPS](#)
- [TSICR](#)

22.2.4.13.1 Writing to Timer Registers

The host uses the OCP interface to write to the following registers synchronously with the timer interface clock:

- [TLDR](#)
- [TCRR](#)
- [TCLR](#)
- [TIOCP_CFG](#)
- [IRQSTATUS](#)
- [IRQENABLE_SET](#)
- [IRQENABLE_CLR](#)
- [IRQWAKEEN](#)
- [TTGR](#)
- [TSICR](#)
- [TMAR](#)

TIMER1, TIMER2, and TIMER10 also have the following registers:

- [IRQSTATUS_SET](#)
- [IRQSTATUS_CLR](#)
- [TPIR](#)
- [TNIR](#)
- [TCVR](#)
- [TOCR](#)
- [TOWR](#)

In 16-bit access mode, the 16 LSBs must be written before writing to the 16 MSBs.

22.2.4.13.1.1 Write Posting Synchronization Mode

This mode is used if the [TSICR](#)[2] POSTED bit is set to 1.

This mode uses a posted write scheme to update any internal register ([TCLR](#), [TCRR](#), [TLDR](#), [TTGR](#), [TMAR](#), and [TPIR](#), [TNIR](#), [TCVR](#), [TOCR](#), and [TOWR](#) for TIMER1, TIMER2, and TIMER10). Therefore, the write transaction is immediately acknowledged on the open-core protocol (OCP) interface, although the effective write operation occurs later because of a resynchronization in the timer clock domain. The advantage is that neither the interconnect nor the device that requested the write transaction is stalled.

For each register, a status bit is provided in the timer write-posted status ([TWPS](#)) register. In this mode, it is mandatory that software check this status bit before any write access. If a write is attempted to a register with a previous access pending, the previous access is discarded without notice.

The timer module updates the value of the timer counter register synchronously with the OCP clock. Consequently, any read access to [TCRR](#) does not add any resynchronization latency; the current value is always available.

NOTE: Because the overflow IRQ is generated when the value of [TCRR](#) reaches 0xFFFF FFFF, and not when it changes its value to the value after overflow, it is necessary to wait a delay of (1 × PS × timer functional clock period) before any read access to [TCRR](#) to ensure a correct reading of its content.

NOTE: If [TTGR](#) register is written during posted write to [TCRR](#), the value to be written to [TCRR](#) will be discarded.

If a posted write to [TCVR](#) is started, the user must not write to [TPIR](#) or [TNIR](#) before the [TCVR](#) write is finished, because the value of [TCVR](#) is re-evaluated, so both the value to be written, and the recalculated value will be discarded.

If a write access is pending for a register, reading from this register does not yield a correct result. Software synchronization must be used to avoid incorrect results.

Functional frequency range: $\text{freq}(\text{timer clock}) < \text{freq}(\text{OCP interface clock}) / 4$.

22.2.4.13.1.2 Write Nonposting Synchronization Mode

This mode is used if the [TSICR](#)[2] POSTED bit is set to 0 (default value). It uses a nonposted write scheme to update any internal register. Therefore, the write transaction is not acknowledged on the L4 interface until the effective write operation occurs after the resynchronization in the timer functional clock domain. The drawback is that the interconnect and the device that requested the write transaction are stalled during this period.

The same full resynchronization scheme is used for a read transaction, and the same stall period applies. A register read following a write to the same register is always coherent.

This mode is functional regardless of the ratio between the OCP interface frequency and the timer clock frequency.

22.2.4.13.2 Reading From Timer Counter Registers

In 16-bit access mode, reading the 16 LSBs from the timer counter registers ([TCRR](#), [TCAR1](#), and [TCAR2](#)) captures the current timer counter value. This must be followed by reading the 16 MSBs. The synchronization schemes for read posted and read non-posted transactions are the same as the corresponded write transactions described before.

NOTE: LSB/MSB accesses cannot be interleaved (that is, the sequence LSB register 1, LSB register 2, MSB register 1, MSB register 2 is not supported).

The [TCRR](#) is a 32-bit “atomic datum” and its 16-bit capture is done on the 16-bit LSB first to allow atomic LSB16 + MSB16 capture. This capture scheme is also performed for the [TCAR1](#) and [TCAR2](#) registers as they can be changed due to internal processes too. DSP 16 bit accesses can be interleaved with MCU 32 bit accesses.

NOTE: Reading of counter value of GPTimer5 through GPTimer8 should be done with delay of 10 L4_PER clock cycles when the functional clock source is 32kHz and the IPU CD is in the hardware AUTO state.

NOTE: Reading of counter value of GPTimer5 through GPTimer8 can be done without any delay when the functional clock source is 32kHz and the IPU CD is in software wakeup mode, or the static dependency between IPU and MPU is enabled.

22.2.4.13.2.1 Read Posted

This mode is functional whatever the ratio between the OCP interface frequency and the functional clock frequency are. The recommended functional frequency range is $\text{freq}(\text{timer}) < \text{freq}(\text{OCP}) / 4$.

Read posted mode is used if [TSICR\[2\] POSTED](#) = 0x1 or [TSICR\[3\] READ_MODE](#) is set to 0. This mode uses a posted-read scheme for reading any internal timer register. The read transaction is immediately acknowledged on the OCP interface, and the value to be read has been resynchronized. With this method, neither the interconnect nor the device that requested the read transaction are stalled.

Read posted mode applies to [TCRR](#), [TCAR1](#), [TCAR2](#), [TCVR](#), and [TOWR](#), which need resynchronization from functional to OCP clock domains.

22.2.4.13.2.2 Read Non-Posted

This mode is functional regardless of the ratio between the OCP interface frequency and the functional clock frequency. Recommended functional frequency range is $\text{freq}(\text{timer}) \geq \text{freq}(\text{OCP}) / 4$.

Read non-posted mode is used if [TSICR\[2\] POSTED](#) = 0x0 and [TSICR\[3\] READ_MODE](#) = 0x1. This mode uses a non-posted read scheme for reading internal timer registers. The read transaction is not acknowledged on the OCP interface until the effective read operation occurs, after the resynchronization in the timer clock domain. The result is that both the interconnect and the device that requested the read transaction are stalled during this period.

This mode applies to [TCRR](#), [TCAR1](#), [TCAR2](#), [TCVR](#), and [TOWR](#), which need resynchronization from functional to OCP clock domains.

22.2.4.14 Posted Mode Selection

A choice between two synchronization modes is made taking into account the frequency ratio and the stall periods that can be supported by the system, without impacting the global performance.

The posted mode selection applies only to registers that require synchronization on or from the timer clock domain. For write operation, the registers affected by posted and non-posted selection are [TCLR](#), [TLDR](#), [TCRR](#), [TTGR](#), [TMAR](#), [TPIR](#), [TNIR](#), [TCVR](#), [TOCR](#), and [TOWR](#). For read operation, the registers affected by this selection are: [TCRR](#), [TCAR1](#), [TCAR2](#), [TCVR](#), and [TOWR](#).

The OCP clock domain synchronous registers TIDR, TIOCP_CFG, IRQSTATUS, IRQSTATUS_SET, IRQWAKEEN, TWPS, and TSICR are not affected by posted and non-posted mode selection. The operation (read or write) is effective and acknowledged after one OCP clock cycle from the command assertion.

The configuration of posted or non-posted mode can be changed (overwritten) by software by writing in [TSICR\[2\] POSTED](#) bit. The [TSICR\[3\] READ_MODE](#) defines how the read operation is performed when the module is configured in non-posted mode (see [TSICR](#)). The following cases are possible:

- [TSICR\[2\] POSTED](#) = 0x1 and [TSICR\[3\] READ_MODE](#) = x (don't care): read and write operations are expected in posted mode.
- [TSICR\[2\] POSTED](#) = 0x0 and [TSICR\[3\] READ_MODE](#) = 0x0: the write operation is executed in non-posted mode and read is executed in posted mode.
- [TSICR\[2\] POSTED](#) = 0x0 and [TSICR\[3\] READ_MODE](#) = 0x1: write is executed in non-posted mode and read is executed in non-posted mode.

22.2.5 GP Timer Low-Level Programming Models

This section describes the low-level hardware programming sequences for the configuration and use of the module.

22.2.5.1 Global Initialization

22.2.5.1.1 Global Initialization of Surrounding Modules

This section identifies the requirements for initializing the surrounding modules when the GP timer module is to be used for the first time after a device reset. This initialization of surrounding modules is based on the integration and environment of the GP timer. For more information, see [Section 22.2.3, GP Timers Integration](#), and [Section 22.2.2, GP Timers Environment](#). [Table 22-11](#) summarizes the surrounding modules.

Table 22-11. Global Initialization of Surrounding Modules

Surrounding Modules	Comments
PRCM	The module interface and functional clocks must be enabled. For more information about the module configuration, see Section 3.1.1.1.2, Module-Level Clock Management , in Chapter 3, Power, Reset, and Clock Management .
Control module	The module-specific pad muxing must be set in the control module. For more information about the module configuration, see Section 18.4.6.1.1 Pad Configuration Registers , in Chapter 18, Control Module .
IRQ_CROSSBAR	The IRQ_CROSSBAR configuration must be done to enable the interrupts from the GP timer module. See Section 18.4.6.4, IRQ_CROSSBAR Module Functional Description .

22.2.5.1.2 GP Timer Module Global Initialization

22.2.5.1.2.1 Main Sequence – GP Timer Module Global Initialization

[Table 22-12](#) identifies the main steps for initializing the GP timer module when the module is to be used for the first time.

Table 22-12. GP Timer Module Global Initialization

Step	Register/Bit Field/Programming Model	Value
Execute software reset.	TIOCP_CFG[0] SOFTRESET	0x1
Wait until reset release?	TIOCP_CFG[0] SOFTRESET	0x0
Configure idle mode.	TIOCP_CFG[3:2] IDLEMODE	0x-
Enable wake-up interrupt events.	IRQWAKEEN[2:0]	0x-
Select posted mode.	TSICR[2] POSTED	0x-

22.2.5.2 Operational Mode Configuration

22.2.5.2.1 GP Timer Mode

22.2.5.2.1.1 Main Sequence – GP Timer Mode Configuration

[Table 22-13](#) lists the steps in the GP timer mode configuration.

Table 22-13. GP Timer Mode Configuration

Step	Register/Bit Field/Programming Model	Value
Select autoreload mode.	TCLR[1] AR	0x-
Set prescale timer value.	TCLR[4:2] PTV	0x-
Enable prescaler.	TCLR[5] PRE	0x1

Table 22-13. GP Timer Mode Configuration (continued)

Step	Register/Bit Field/Programming Model	Value
Enable overflow interrupt.	IRQSTATUS_SET[1] OVF_EN_FLAG⁽¹⁾ or IRQENABLE_SET[1] OVF_EN_FLAG⁽²⁾	0x1
Load timer counter value.	TCRR	0x-
Load timer load value.	TLDR	0x-
Start the timer.	TCLR[0] ST	0x1

⁽¹⁾ Applies only to TIMER1, TIMER2, and TIMER10.

⁽²⁾ Applies to TIMER3 through TIMER 9 and TIMER11 through TIMER16.

22.2.5.2.2 GP Timer Compare Mode

22.2.5.2.2.1 Main Sequence – GP Timer Compare Mode Configuration

[Table 22-14](#) lists the steps in the GP timer compare mode configuration.

Table 22-14. GP Timer Compare Mode Configuration

Step	Register/Bit Field/Programming Model	Value
Select autoreload mode.	TCLR[1] AR	0x-
Set prescale timer value.	TCLR[4:2] PTV	0x-
Enable prescaler.	TCLR[5] PRE	0x1
Enable match interrupt.	IRQSTATUS_SET[0] MAT_EN_FLAG⁽¹⁾ or IRQENABLE_SET[0] MAT_EN_FLAG⁽²⁾	0x1
Load timer counter value.	TCRR	0x-
Load timer compare value.	TMAR	0x-
Enable compare mode.	TCLR[6] CE	0x1
Start the timer.	TCLR[0] ST	0x1

⁽¹⁾ Applies only to TIMER1, TIMER2, and TIMER10.

⁽²⁾ Applies to TIMER3 through TIMER9 and TIMER11 through TIMER16.

22.2.5.2.3 GP Timer Capture Mode

22.2.5.2.3.1 Main Sequence – GP Timer Capture Mode Configuration

[Table 22-15](#) lists the steps in the GP timer capture mode configuration.

Table 22-15. GP Timer Capture Mode Configuration

Step	Register/Bit Field/Programming Model	Value
Initialize capture mode.	See Section 22.2.5.2.3.2 .	
Enable capture interrupt.	IRQENABLE_SET[2] TCAR_EN_FLAG⁽¹⁾ or IRQSTATUS_SET[2] TCAR_EN_FLAG⁽²⁾	0x1
Start the timer.	TCLR[0] ST	0x1
Detect event.	See Section 22.2.5.2.3.3 .	

⁽¹⁾ Applies only to TIMER3 through TIMER9 and TIMER11 through TIMER16.

⁽²⁾ Applies only to TIMER1, TIMER2, and TIMER10.

22.2.5.2.3.2 Subsequence – Initialize Capture Mode

[Table 22-16](#) lists the steps to initialize capture mode.

Table 22-16. Initialize Capture Mode

Step	Register/Bit Field/Programming Model	Value
Select autoreload mode.	TCLR[1] AR	0x-
Set prescale timer value.	TCLR[4:2] PTV	0x-
Enable prescaler.	TCLR[5] PRE	0x1
Select TIMER _i (where i = 2 to 11 and 13 to 16). Capture input at device pin timer _i .	TCLR[14] GPO_CFG	0x1
Select single or second event capture.	TCLR[13] CAPT_MODE	0x-
Select transition capture mode.	TCLR[9:8] TCM	0x-

22.2.5.2.3.3 Subsequence – Detect Event

Table 22-17 lists the steps in detecting an event.

Table 22-17. Detect Event

Step	Register/Bit Field/Programming Model	Value
Wait until event detected?	IRQSTATUS[2] TCAR_IT_FLAG	= 0x1
Read timer capture value.	TCAR1 and/or TCAR2	
Clear capture interrupt request.	IRQSTATUS[2] TCAR_IT_FLAG	0x1

22.2.5.2.4 GP Timer PWM Mode

22.2.5.2.4.1 Main Sequence – GP Timer PWM Mode Configuration

Table 22-18 lists the steps in the GP timer PWM mode configuration.

Table 22-18. GP Timer PWM Mode Configuration

Step	Register/Bit Field/Programming Model	Value
Select autoreload mode.	TCLR[1] AR	0x-
Set prescale timer value.	TCLR[4:2] PTV	0x-
Enable prescaler.	TCLR[5] PRE	0x1
Select trigger output mode.	TCLR[11:10] TRG	0x-
Select pulse or toggle modulation PWM mode.	TCLR[12] PT	0x-
Select TIMER _i (where i = 2 to 11 and 13 to 16) PWM output at device pin timer _i .	TCLR[14] GPO_CFG	0x0
Configure PWM output pin default value.	TCLR[7] SCPWM	0x-
Load timer load value.	TLDR	0x-
Load timer compare value.	TMAR	0x-
Enable compare.	TCLR[6] CE	0x1
Start the timer.	TCLR[0] ST	0x1

22.2.6 GP Timer Register Manual

22.2.6.1 GP Timer Instance Summary

Table 22-19 lists the base address and block size for the GP timer module instances.

Table 22-19. GP Timer Instance Summary

Module Name	Base Address L4_PER1 Interconnect	Base Address L4_PER3 Interconnect	Base Address L4_WKUP Interconnect	Size
TIMER2	0x4803 2000	–	–	112 Bytes
TIMER3	0x4803 4000	–	–	92 Bytes
TIMER4	0x4803 6000	–	–	92 Bytes
TIMER9	0x4803 E000	–	–	92 Bytes
TIMER10	0x4808 6000	–	–	112 Bytes
TIMER11	0x4808 8000	–	–	92 Bytes
TIMER5	–	0x4882 0000	--	92 Bytes
TIMER6	–	0x4882 2000	--	92 Bytes
TIMER7	–	0x4882 4000	--	92 Bytes
TIMER8	–	0x4882 6000	--	92 Bytes
TIMER13	--	0x4882 8000	--	92 Bytes
TIMER14	--	0x4882 A000	--	92 Bytes
TIMER15	--	0x4882 C000	--	92 Bytes
TIMER16	--	0x4882 E000	--	92 Bytes
TIMER12	-	-	0x4AE2 0000	92 bytes
TIMER1	--	–	0x4AE1 8000	112 Bytes

22.2.6.2 GP Timer Registers

22.2.6.2.1 GP Timer Register Summary

CAUTION

The GP timer registers are limited to 32- and 16-bit data accesses; 8-bit access is not allowed and can corrupt the register content.

Table 22-20 through Table 22-25 provide the register summary and associated offset addresses for the 15 GP timer internal registers.

Table 22-20. TIMER1, TIMER2, and TIMER10 Register Mapping Summary

Register Name	Type	Register Width (Bits)	Address Offset	TIMER1	TIMER2	TIMER10
				Physical Address L4_WKUP Interconnect	Physical Address L4_PER1 Interconnect	Physical Address L4_PER1 Interconnect
TIDR	RO	32	0x0000 0000	0x4AE1 8000	0x4803 2000	0x4808 6000
TIOCP_CFG	RW	32	0x0000 0010	0x4AE1 8010	0x4803 2010	0x4808 6010
IRQ_EOI	RW	32	0x0000 0020	0x4AE1 8020	0x4803 2020	0x4808 6020
IRQSTATUS_RAW	RW	32	0X0000 0024	0x4AE1 8024	0x4803 2024	0x4808 6024
IRQSTATUS	RW	32	0X0000 0028	0x4AE1 8028	0x4803 2028	0x4808 6028
IRQSTATUS_SET	RW	32	0X0000 002C	0x4AE1 802C	0x4803 202C	0x4808 602C
IRQSTATUS_CLR	RW	32	0X0000 0030	0x4AE1 8030	0x4803 2030	0x4808 6030
IRQWAKEEN	RW	32	0X0000 0034	0x4AE1 8034	0x4803 2034	0x4808 6034
TCLR	RW	32	0x0000 0038	0x4AE1 8038	0x4803 2038	0x4808 6038
TCRR	RW	32	0x0000 003C	0x4AE1 803C	0x4803 203C	0x4808 603C
TLDR	RW	32	0x0000 0040	0x4AE1 8040	0x4803 2040	0x4808 6040
TTGR	RW	32	0x0000 0044	0x4AE1 8044	0x4803 2044	0x4808 6044
TWPS	RO	32	0x0000 0048	0x4AE1 8048	0x4803 2048	0x4808 6048
TMAR	RW	32	0x0000 004C	0x4AE1 804C	0x4803 204C	0x4808 604C
TCAR1	RO	32	0x0000 0050	0x4AE1 8050	0x4803 2050	0x4808 6050
TSICR	RW	32	0x0000 0054	0x4AE1 8054	0x4803 2054	0x4808 6054
TCAR2	RO	32	0x0000 0058	0x4AE1 8058	0x4803 2058	0x4808 6058
TPIR	RW	32	0x0000 005C	0x4AE1 805C	0x4803 205C	0x4808 605C
TNIR	RW	32	0x0000 0060	0x4AE1 8060	0x4803 2060	0x4808 6060
TCVR	RW	32	0x0000 0064	0x4AE1 8064	0x4803 2064	0x4808 6064
TOCR	RW	32	0x0000 0068	0x4AE1 8068	0x4803 2068	0x4808 6068
TOWR	RW	32	0x0000 006C	0x4AE1 806C	0x4803 206C	0x4808 606C

Table 22-21. TIMER3 and TIMER4 Register Mapping Summary

Register Name	Type	Register Width (Bits)	Address Offset	TIMER3	TIMER4
				Physical Address L4_PER1 Interconnect	Physical Address L4_PER1 Interconnect
TIDR	R	32	0x0000 0000	0x4803 4000	0x4803 6000
TIOCP_CFG	RW	32	0x0000 0010	0x4803 4010	0x4803 6010
IRQ_EOI	RW	32	0x0000 0020	0x4803 4020	0x4803 6020
IRQSTATUS_RAW	RW	32	0x0000 0024	0x4803 4024	0x4803 6024
IRQSTATUS	RW	32	0x0000 0028	0x4803 4028	0x4803 6028
IRQENABLE_SET	RW	32	0x0000 002C	0x4803 402C	0x4803 602C
IRQENABLE_CLR	RW	32	0x0000 0030	0x4803 4030	0x4803 6030
IRQWAKEEN	RW	32	0x0000 0034	0x4803 4034	0x4803 6034
TCLR	RW	32	0x0000 0038	0x4803 4038	0x4803 6038
TCRR	RW	32	0x0000 003C	0x4803 403C	0x4803 603C
TLDR	RW	32	0x0000 0040	0x4803 4040	0x4803 6040
TTGR	RW	32	0x0000 0044	0x4803 4044	0x4803 6044
TWPS	R	32	0x0000 0048	0x4803 4048	0x4803 6048
TMAR	RW	32	0x0000 004C	0x4803 404C	0x4803 604C
TCAR1	R	32	0x0000 0050	0x4803 4050	0x4803 6050
TSICR	RW	32	0x0000 0054	0x4803 4054	0x4803 6054
TCAR2	R	32	0x0000 0058	0x4803 4058	0x4803 6058

Table 22-22. TIMER5, TIMER6 and TIMER7 Register Mapping Summary

Register Name	Type	Register Width (Bits)	Address Offset	TIMER5 Physical Address L4_PER3 Interconnect	TIMER6 Physical Address L4_PER3 Interconnect	TIMER7 Physical Address L4_PER3 Interconnect
TIDR	R	32	0x0000 0000	0x4882 0000	0x4882 2000	0x4882 4000
TIOCP_CFG	RW	32	0x0000 0010	0x4882 0010	0x4882 2010	0x4882 4010
IRQ_EOI	RW	32	0x0000 0020	0x4882 0020	0x4882 2020	0x4882 4020
IRQSTATUS_RAW	RW	32	0x0000 0024	0x4882 0024	0x4882 2024	0x4882 4024
IRQSTATUS	RW	32	0x0000 0028	0x4882 0028	0x4882 2028	0x4882 4028
IRQENABLE_SET	RW	32	0x0000 002C	0x4882 002C	0x4882 202C	0x4882 402C
IRQENABLE_CLR	RW	32	0x0000 0030	0x4882 0030	0x4882 2030	0x4882 4030
IRQWAKEEN	RW	32	0x0000 0034	0x4882 0034	0x4882 2034	0x4882 4034
TCLR	RW	32	0x0000 0038	0x4882 0038	0x4882 2038	0x4882 4038
TCRR	RW	32	0x0000 003C	0x4882 003C	0x4882 203C	0x4882 403C
TLDR	RW	32	0x0000 0040	0x4882 0040	0x4882 2040	0x4882 4040
TTGR	RW	32	0x0000 0044	0x4882 0044	0x4882 2044	0x4882 4044
TWPS	R	32	0x0000 0048	0x4882 0048	0x4882 2048	0x4882 4048
TMAR	RW	32	0x0000 004C	0x4882 004C	0x4882 204C	0x4882 404C
TCAR1	R	32	0x0000 0050	0x4882 0050	0x4882 2050	0x4882 4050
TSICR	RW	32	0x0000 0054	0x4882 0054	0x4882 2054	0x4882 4054
TCAR2	R	32	0x0000 0058	0x4882 0058	0x4882 2058	0x4882 4058

Table 22-23. TIMER8, TIMER9 and TIMER11 Register Mapping Summary

Register Name	Type	Register Width (Bits)	Address Offset	TIMER8 Physical Address L4_PER3 Interconnect	TIMER9 Physical Address L4_PER1 Interconnect	TIMER11 Physical Address L4_PER1 Interconnect
TIDR	R	32	0x0000 0000	0x4882 6000	0x4803 E000	0x4808 8000
TIOCP_CFG	RW	32	0x0000 0010	0x4882 6010	0x4803 E010	0x4808 8010
IRQ_EOI	RW	32	0x0000 0020	0x4882 6020	0x4803 E020	0x4808 8020
IRQSTATUS_RAW	RW	32	0x0000 0024	0x4882 6024	0x4803 E024	0x4808 8024
IRQSTATUS	RW	32	0x0000 0028	0x4882 6028	0x4803 E028	0x4808 8028
IRQENABLE_SET	RW	32	0x0000 002C	0x4882 602C	0x4803 E02C	0x4808 802C
IRQENABLE_CLR	RW	32	0x0000 0030	0x4882 6030	0x4803 E030	0x4808 8030
IRQWAKEEN	RW	32	0x0000 0034	0x4882 6034	0x4803 E034	0x4808 8034
TCLR	RW	32	0x0000 0038	0x4882 6038	0x4803 E038	0x4808 8038
TCRR	RW	32	0x0000 003C	0x4882 603C	0x4803 E03C	0x4808 803C
TLDR	RW	32	0x0000 0040	0x4882 6040	0x4803 E040	0x4808 8040
TTGR	RW	32	0x0000 0044	0x4882 6044	0x4803 E044	0x4808 8044
TWPS	R	32	0x0000 0048	0x4882 6048	0x4803 E048	0x4808 8048
TMAR	RW	32	0x0000 004C	0x4882 604C	0x4803 E04C	0x4808 804C
TCAR1	R	32	0x0000 0050	0x4882 6050	0x4803 E050	0x4808 8050
TSICR	RW	32	0x0000 0054	0x4882 6054	0x4803 E054	0x4808 8054
TCAR2	R	32	0x0000 0058	0x4882 6058	0x4803 E058	0x4808 8058

Table 22-24. TIMER13, TIMER14 and TIMER15 Register Mapping Summary

Register Name	Type	Register Width (Bits)	Address Offset	TIMER13 Physical Address L4_PER3 Interconnect	TIMER14 Physical Address L4_PER3 Interconnect	TIMER15 Physical Address L4_PER3 Interconnect
TIDR	R	32	0x0000 0000	0x4882 8000	0x4882 A000	0x4882 C000
TIOCP_CFG	RW	32	0x0000 0010	0x4882 8010	0x4882 A010	0x4882 C010
IRQ_EOI	RW	32	0x0000 0020	0x4882 8020	0x4882 A020	0x4882 C020
IRQSTATUS_RAW	RW	32	0x0000 0024	0x4882 8024	0x4882 A024	0x4882 C024
IRQSTATUS	RW	32	0x0000 0028	0x4882 8028	0x4882 A028	0x4882 C028
IRQENABLE_SET	RW	32	0x0000 002C	0x4882 802C	0x4882 A02C	0x4882 C02C
IRQENABLE_CLR	RW	32	0x0000 0030	0x4882 8030	0x4882 A030	0x4882 C030
IRQWAKEEN	RW	32	0x0000 0034	0x4882 8034	0x4882 A034	0x4882 C034
TCLR	RW	32	0x0000 0038	0x4882 8038	0x4882 A038	0x4882 C038
TCRR	RW	32	0x0000 003C	0x4882 803C	0x4882 A03C	0x4882 C03C
TLDR	RW	32	0x0000 0040	0x4882 8040	0x4882 A040	0x4882 C040
TTGR	RW	32	0x0000 0044	0x4882 8044	0x4882 A044	0x4882 C044
TWPS	R	32	0x0000 0048	0x4882 8048	0x4882 A048	0x4882 C048
TMAR	RW	32	0x0000 004C	0x4882 804C	0x4882 A04C	0x4882 C04C
TCAR1	R	32	0x0000 0050	0x4882 8050	0x4882 A050	0x4882 C050
TSICR	RW	32	0x0000 0054	0x4882 8054	0x4882 A054	0x4882 C054
TCAR2	R	32	0x0000 0058	0x4882 8058	0x4882 A058	0x4882 C058

Table 22-25. TIMER16 and TIMER12 Register Mapping Summary

Register Name	Type	Register Width (Bits)	Address Offset	TIMER16 Physical Address L4_PER3 Interconnect	TIMER12 Physical Address L4_WKUP Interconnect
TIDR	R	32	0x0000 0000	0x4882 E000	0x4AE2 0000
TIOCP_CFG	RW	32	0x0000 0010	0x4882 E010	0x4AE2 0010
IRQ_EOI	RW	32	0x0000 0020	0x4882 E020	0x4AE2 0020
IRQSTATUS_RAW	RW	32	0x0000 0024	0x4882 E024	0x4AE2 0024
IRQSTATUS	RW	32	0x0000 0028	0x4882 E028	0x4AE2 0028
IRQENABLE_SET	RW	32	0x0000 002C	0x4882 E02C	0x4AE2 002C
IRQENABLE_CLR	RW	32	0x0000 0030	0x4882 E030	0x4AE2 0030
IRQWAKEEN	RW	32	0x0000 0034	0x4882 E034	0x4AE2 0034
TCLR	RW	32	0x0000 0038	0x4882 E038	0x4AE2 0038
TCRR	RW	32	0x0000 003C	0x4882 E03C	0x4AE2 003C
TLDR	RW	32	0x0000 0040	0x4882 E040	0x4AE2 0040
TTGR	RW	32	0x0000 0044	0x4882 E044	0x4AE2 0044
TWPS	R	32	0x0000 0048	0x4882 E048	0x4AE2 0048
TMAR	RW	32	0x0000 004C	0x4882 E04C	0x4AE2 004C
TCAR1	R	32	0x0000 0050	0x4882 E050	0x4AE2 0050
TSICR	RW	32	0x0000 0054	0x4882 E054	0x4AE2 0054
TCAR2	R	32	0x0000 0058	0x4882 E058	0x4AE2 0058

22.2.6.2.2 GP Timer Register Description

Table 22-26 through Table 22-72 describe the individual GP timer registers.

Table 22-26. TIDR

Address Offset	0x0000 0000		
Physical Address	0x4AE1 8000 0x4803 2000 0x4808 6000 0x4803 4000 0x4803 6000 0x4882 0000 0x4882 2000 0x4882 4000 0x4882 6000 0x4803 E000 0x4808 8000 0x4882 8000 0x4882 A000 0x4882 C000 0x4882 E000 0x4AE2 0000	Instance	TIMER1_WKUP_L4 TIMER2_PER1_L4 TIMER10_PER1_L4 TIMER3_PER1_L4 TIMER4_PER1_L4 TIMER5_PER3_L4 TIMER6_PER3_L4 TIMER7_PER3_L4 TIMER8_PER3_L4 TIMER9_PER1_L4 TIMER11_PER1_L4 TIMER13_PER3_L4 TIMER14_PER3_L4 TIMER15_PER3_L4 TIMER16_PER3_L4 TIMER12_WKUP_L4
Description	This read-only register contains the revision number of the module. A write to this register has no effect. This register is used by software to track features, bugs, and compatibility.		
Type	R		

31	30	29	28	27	26	25	24	23	22	21	20	19	18	17	16	15	14	13	12	11	10	9	8	7	6	5	4	3	2	1	0
REVISION																															

Bits	Field Name	Description	Type	Reset
31: 0	REVISION	IP Revision	R	0x- ⁽¹⁾

⁽¹⁾ TI internal data

Table 22-27. Register Call Summary for Register TIDR

General-Purpose Timers

- [Accessing GP Timer Registers: \[0\]\[1\]](#)
- [GP Timer Register Summary: \[2\]\[3\]\[4\]\[5\]\[6\]\[7\]](#)

Table 22-28. TIOCP_CFG

Address Offset	0x0000 0010		
Physical Address	0x4AE1 8010 0x4803 2010 0x4808 6010 0x4803 4010 0x4803 6010 0x4882 0010 0x4882 2010 0x4882 4010 0x4882 6010 0x4803 E010 0x4808 8010 0x4882 8010 0x4882 A010 0x4882 C010 0x4882 E010 0x4AE2 0010	Instance	TIMER1_WKUP_L4 TIMER2_PER1_L4 TIMER10_PER1_L4 TIMER3_PER1_L4 TIMER4_PER1_L4 TIMER5_PER3_L4 TIMER6_PER3_L4 TIMER7_PER3_L4 TIMER8_PER3_L4 TIMER9_PER1_L4 TIMER11_PER1_L4 TIMER13_PER3_L4 TIMER14_PER3_L4 TIMER15_PER3_L4 TIMER16_PER3_L4 TIMER12_WKUP_L4
Description	This register controls the various parameters of the L4 interface.		
Type	RW		

31	30	29	28	27	26	25	24	23	22	21	20	19	18	17	16	15	14	13	12	11	10	9	8	7	6	5	4	3	2	1	0
RESERVED																												IDLEMODE	EMUFREE	SOFTRESET	

Bits	Field Name	Description	Type	Reset
31:4	RESERVED	Reserved	R	0x00000000
3:2	IDLEMODE	Power management, req/ack control 0x0: Force-idle mode: local target idle state follows (acknowledges) the system idle requests unconditionally, that is, regardless of the IP module internal requirements. Back-up mode, for debug only. 0x1: No-idle mode: local target never enters idle state. Back-up mode, for debug only. 0x2: Smart-idle mode: local target idle state eventually follows (acknowledges) the system idle requests, depending on the IP module internal requirements. IP module should not generate (IRQ- or DMA-request-related) wake-up events. 0x3: Smart-idle wake-up-capable mode: local target idle state eventually follows (acknowledges) the system idle requests, depending on the IP module internal requirements. IP module may generate (IRQ- or DMA-request-related) wake-up events when in IDLE state. Mode is relevant only if the appropriate IP module <i>swake-up</i> output(s) is (are) implemented.	RW	0x0
1	EMUFREE	Emulation mode 0x0: The timer is frozen in emulation mode (PINSUSPENDN signal active). 0x1: The timer runs free, regardless of PINSUSPENDN value.	RW	0
0	SOFTRESET	Software reset 0x0: Read 0: reset done, no pending action Write 0: No action 0x1: Read 1: initiate software reset Write 1: Reset ongoing	RW	0

Table 22-29. Register Call Summary for Register TIOCP_CFG

General-Purpose Timers

- [TIMER1, TIMER2 and TIMER10 Power Management: \[0\]](#)
- [Wake-Up Capability: \[1\]](#)
- [Power Management of Other GP Timers: \[2\]](#)
- [Wake-Up Capability: \[3\]](#)
- [Software Reset: \[4\]\[5\]\[6\]](#)
- [Timer Under Emulation: \[7\]\[8\]](#)
- [Accessing GP Timer Registers: \[9\]\[10\]](#)
- [Writing to Timer Registers: \[11\]](#)
- [GP Timer Module Global Initialization: \[12\]\[13\]\[14\]](#)
- [GP Timer Register Summary: \[15\]\[16\]\[17\]\[18\]\[19\]\[20\]](#)

Table 22-30. IRQ_EOI

Address Offset	0x0000 0020		
Physical Address	0x4AE1 8020 0x4803 2020 0x4808 6020 0x4803 4020 0x4803 6020 0x4882 0020 0x4882 2020 0x4882 4020 0x4882 6020 0x4803 E020 0x4808 8020 0x4882 8020 0x4882 A020 0x4882 C020 0x4882 E020 0x4AE2 0020	Instance	TIMER1_WKUP_L4 TIMER2_PER1_L4 TIMER10_PER1_L4 TIMER3_PER1_L4 TIMER4_PER1_L4 TIMER5_PER3_L4 TIMER6_PER3_L4 TIMER7_PER3_L4 TIMER8_PER3_L4 TIMER9_PER1_L4 TIMER11_PER1_L4 TIMER13_PER3_L4 TIMER14_PER3_L4 TIMER15_PER3_L4 TIMER16_PER3_L4 TIMER12_WKUP_L4
Description	Software End-Of-Interrupt: Allows the generation of further pulses on the interrupt line, if a new interrupt event is pending, when using the pulsed output. Unused when using the level interrupt line (depending on module integration).		
Type	RW		

31	30	29	28	27	26	25	24	23	22	21	20	19	18	17	16	15	14	13	12	11	10	9	8	7	6	5	4	3	2	1	0
RESERVED																	LINE_NUMBER														

Bits	Field Name	Description	Type	Reset
31:1	RESERVED		R	0x0
0	LINE_NUMBER	Write the number of the interrupt line to apply a SW EOI to it. Note that there is only a single line (i.e. number 0). Read: Read always returns 0 Write 0: SW EOI on interrupt line Write 1: No action	RW	0x0

Table 22-31. Register Call Summary for Register IRQ_EOI

General-Purpose Timers

- [GP Timer Register Summary: \[0\]\[1\]\[2\]\[3\]\[4\]\[5\]](#)

Table 22-42. TCLR

Address Offset	0x0000 0038		
Physical Address	0x4AE1 8038 0x4803 2038 0x4808 6038 0x4803 4038 0x4803 6038 0x4882 0038 0x4882 2038 0x4882 4038 0x4882 6038 0x4803 E038 0x4808 8038 0x4882 8038 0x4882 A038 0x4882 C038 0x4882 E038 0x4AE2 0038	Instance	TIMER1_WKUP_L4 TIMER2_PER1_L4 TIMER10_PER1_L4 TIMER3_PER1_L4 TIMER4_PER1_L4 TIMER5_PER3_L4 TIMER6_PER3_L4 TIMER7_PER3_L4 TIMER8_PER3_L4 TIMER9_PER1_L4 TIMER11_PER1_L4 TIMER13_PER3_L4 TIMER14_PER3_L4 TIMER15_PER3_L4 TIMER16_PER3_L4 TIMER12_WKUP_L4
Description	This register controls optional features specific to the timer functionality.		
Type	RW		

31	30	29	28	27	26	25	24	23	22	21	20	19	18	17	16	15	14	13	12	11	10	9	8	7	6	5	4	3	2	1	0	
RESERVED																GPO_CFG	CAPT_MODE	PT	TRG	TCM	SCPWM	CE	PRE	PTV	AR	ST						

Bits	Field Name	Description	Type	Reset
31:15	RESERVED	Reserved	R	0x00000
14	GPO_CFG	General-purpose output - this register directly drives the PO_GPOCFG output. For specific use of the GPO_CFG bit, see Section 22.2.2.1, GP Timer External System Interface . 0x0: PO_GPOCFG drives 0. 0x1: PO_GPOCFG drives 1.	RW	0
13	CAPT_MODE	Capture mode select bit (first/second) 0x0: Single capture: Capture the first enabled capture event in TCAR1 . 0x1: Capture on second event: Capture the second enabled capture event in TCAR1 and the second enabled capture event in TCAR2 .	RW	0
12	PT	Pulse or toggle mode on TIMERi_PWM_out output pin 0x0: Pulse modulation 0x1: Toggle modulation	RW	0
11:10	TRG	Trigger output mode on TIMERi_PWM_out output pin 0x0: No trigger 0x1: Trigger on overflow. 0x2: Trigger on overflow and match. 0x3: Reserved	RW	0x0

Bits	Field Name	Description	Type	Reset
9:8	TCM	Transition capture mode on TIMERi_EVENT_CAPTURE input pin (When the TCM field passed from (00) to any other combination, the TCAR_IT_FLAG and the edge detection logic are cleared.) 0x0: No capture 0x1: Capture on rising edges of TIMERi_EVENT_CAPTURE pin 0x2: Capture on falling edges of TIMERi_EVENT_CAPTURE pin 0x3: Capture on both edges of TIMERi_EVENT_CAPTURE pin	RW	0x0
7	SCPWM	Pulse width modulation output pin default setting This bit must be set or clear while the timer is stopped or the trigger is off. 0x0: Clear the TIMERi_PWM_out output pin and select positive pulse for pulse mode. 0x1: Set the TIMERi_PWM_out output pin and select negative pulse for pulse mode.	RW	0
6	CE	Compare enable 0x0: Compare mode is disable. 0x1: Compare mode is enable.	RW	0
5	PRE	Prescaler enable 0x0: The TIMER clock input pin clocks the counter. 0x1: The divided input pin clocks the counter.	RW	0
4:2	PTV	Prescale clock timer value The timer counter is prescaled with the value $2^{(PTV+1)}$. Example: PTV = 3, counter increases value (if started) after 16 functional clock periods.	RW	0x0
1	AR	Autoreload mode 0x0: One shot timer 0x1: Autoreload timer	RW	0
0	ST	Start/stop timer control 0x0: Stop timer: Only the counter is frozen. If one-shot mode selected (AR =0), this bit is automatically reset by internal logic when the counter is overflowed. 0x1: Start timer	RW	0

Table 22-43. Register Call Summary for Register TCLR
General-Purpose Timers

- [Timer Mode Functionality: \[2\]\[3\]\[4\]\[5\]\[6\]\[7\]\[8\]](#)
- [Capture Mode Functionality: \[9\]\[10\]\[11\]\[12\]\[13\]\[14\]\[15\]\[16\]\[17\]](#)
- [Compare Mode Functionality: \[18\]\[19\]\[20\]\[21\]](#)
- [Prescaler Functionality: \[22\]\[23\]](#)
- [Pulse-Width Modulation: \[24\]\[25\]\[26\]\[27\]\[28\]\[29\]\[30\]\[31\]\[32\]\[33\]](#)
- [Timer Counting Rate: \[34\]\[35\]\[36\]\[37\]\[38\]\[39\]\[40\]](#)
- [Accessing GP Timer Registers: \[41\]](#)
- [Writing to Timer Registers: \[42\]\[43\]](#)
- [GP Timer Mode: \[44\]\[45\]\[46\]\[47\]](#)
- [GP Timer Compare Mode: \[48\]\[49\]\[50\]\[51\]\[52\]](#)
- [GP Timer Capture Mode: \[53\]\[54\]\[55\]\[56\]\[57\]\[58\]\[59\]](#)
- [GP Timer PWM Mode: \[60\]\[61\]\[62\]\[63\]\[64\]\[65\]\[66\]\[67\]\[68\]](#)
- [GP Timer Register Summary: \[69\]\[70\]\[71\]\[72\]\[73\]\[74\]](#)
- [GP Timer Register Description: \[75\]\[76\]](#)

Table 22-44. TCRR

Address Offset	0x0000 003C		
Physical Address	0x4AE1 803C 0x4803 203C 0x4808 603C 0x4803 403C 0x4803 603C 0x4882 003C 0x4882 203C 0x4882 403C 0x4882 603C 0x4803 E03C 0x4808 803C 0x4882 803C 0x4882 A03C 0x4882 C03C 0x4882 E03C 0x4AE2 003C	Instance	TIMER1_WKUP_L4 TIMER2_PER1_L4 TIMER10_PER1_L4 TIMER3_PER1_L4 TIMER4_PER1_L4 TIMER5_PER3_L4 TIMER6_PER3_L4 TIMER7_PER3_L4 TIMER8_PER3_L4 TIMER9_PER1_L4 TIMER11_PER1_L4 TIMER13_PER3_L4 TIMER14_PER3_L4 TIMER15_PER3_L4 TIMER16_PER3_L4 TIMER12_WKUP_L4
Description	This register holds the value of the internal counter.		
Type	RW		

31	30	29	28	27	26	25	24	23	22	21	20	19	18	17	16	15	14	13	12	11	10	9	8	7	6	5	4	3	2	1	0
TIMER_COUNTER																															

Bits	Field Name	Description	Type	Reset
31:0	TIMER_COUNTER	Value of TIMER counter	RW	0x0000 0000

Table 22-45. Register Call Summary for Register TCRR

General-Purpose Timers

- Wake-Up Capability: [0][1]
- Timer Mode Functionality: [2][3][4][5][6][7][8][9][10]
- 1-ms Tick Generation (Only TIMER1, TIMER2 and TIMER10): [11][12][13]
- Capture Mode Functionality: [14][15]
- Compare Mode Functionality: [16][17]
- Prescaler Functionality: [18][19]
- Accessing GP Timer Registers: [20]
- Writing to Timer Registers: [21][22][23][24][25][26][27]
- Reading From Timer Counter Registers: [28][29]
- GP Timer Mode: [30]
- GP Timer Compare Mode: [31]
- GP Timer Register Summary: [32][33][34][35][36][37]
- GP Timer Register Description: [38][39]
- TIMER1, TIMER2 , and TIMER10 Register Description: [40][41][42]

Table 22-46. TLDR

Address Offset	0x0000 0040		
Physical Address	0x4AE1 8040 0x4803 2040 0x4808 6040 0x4803 4040 0x4803 6040 0x4882 0040 0x4882 2040 0x4882 4040 0x4882 6040 0x4803 E040 0x4808 8040 0x4882 8040 0x4882 A040 0x4882 C040 0x4882 E040 0x4AE2 0040	Instance	TIMER1_WKUP_L4 TIMER2_PER1_L4 TIMER10_PER1_L4 TIMER3_PER1_L4 TIMER4_PER1_L4 TIMER5_PER3_L4 TIMER6_PER3_L4 TIMER7_PER3_L4 TIMER8_PER3_L4 TIMER9_PER1_L4 TIMER11_PER1_L4 TIMER13_PER3_L4 TIMER14_PER3_L4 TIMER15_PER3_L4 TIMER16_PER3_L4 TIMER12_WKUP_L4
Description	This register holds the timer load value.		
Type	RW		

31	30	29	28	27	26	25	24	23	22	21	20	19	18	17	16	15	14	13	12	11	10	9	8	7	6	5	4	3	2	1	0
LOAD_VALUE																															

Bits	Field Name	Description	Type	Reset
31:0	LOAD_VALUE	Timer counter value loaded on overflow in autoreload mode or on TTGR write access. LOAD_VALUE must be different than the timer overflow value (0xFFFF FFFF).	RW	0x0000 0000

Table 22-47. Register Call Summary for Register TLDR

General-Purpose Timers

- [Timer Mode Functionality: \[0\]\[1\]\[2\]](#)
- [1-ms Tick Generation \(Only TIMER1, TIMER2 and TIMER10\): \[3\]\[4\]\[5\]\[6\]\[7\]\[8\]\[9\]\[10\]\[11\]\[12\]](#)
- [Prescaler Functionality: \[13\]\[14\]](#)
- [Pulse-Width Modulation: \[15\]\[16\]\[17\]](#)
- [Timer Counting Rate: \[18\]\[19\]\[20\]\[21\]\[22\]](#)
- [Accessing GP Timer Registers: \[23\]](#)
- [Writing to Timer Registers: \[24\]\[25\]](#)
- [GP Timer Mode: \[26\]](#)
- [GP Timer PWM Mode: \[27\]](#)
- [GP Timer Register Summary: \[28\]\[29\]\[30\]\[31\]\[32\]\[33\]](#)
- [GP Timer Register Description: \[34\]\[35\]](#)

Table 22-48. TTGR

Address Offset	0x0000 0044		
Physical Address	0x4AE1 8044 0x4803 2044 0x4808 6044 0x4803 4044 0x4803 6044 0x4882 0044 0x4882 2044 0x4882 4044 0x4882 6044 0x4803 E044 0x4808 8044 0x4882 8044 0x4882 A044 0x4882 C044 0x4882 E044 0x4AE2 0044	Instance	TIMER1_WKUP_L4 TIMER2_PER1_L4 TIMER10_PER1_L4 TIMER3_PER1_L4 TIMER4_PER1_L4 TIMER5_PER3_L4 TIMER6_PER3_L4 TIMER7_PER3_L4 TIMER8_PER3_L4 TIMER9_PER1_L4 TIMER11_PER1_L4 TIMER13_PER3_L4 TIMER14_PER3_L4 TIMER15_PER3_L4 TIMER16_PER3_L4 TIMER12_WKUP_L4
Description	The read value of this register is always 0xFFFF FFFF.		
Type	RW		

31	30	29	28	27	26	25	24	23	22	21	20	19	18	17	16	15	14	13	12	11	10	9	8	7	6	5	4	3	2	1	0
TTGR_VALUE																															

Bits	Field Name	Description	Type	Reset
31:0	TTGR_VALUE	Writing to the TTGR register causes the TCRR to be loaded from TLDR and the prescaler counter to be cleared. Reload is done regardless of the AR field value of the TCLR register.	RW Returns 1s	0xFFFF FFFF

Table 22-49. Register Call Summary for Register TTGR

General-Purpose Timers

- [Timer Mode Functionality: \[0\]\[1\]](#)
- [Prescaler Functionality: \[2\]](#)
- [Accessing GP Timer Registers: \[3\]](#)
- [Writing to Timer Registers: \[4\]\[5\]\[6\]](#)
- [GP Timer Register Summary: \[7\]\[8\]\[9\]\[10\]\[11\]\[12\]](#)
- [GP Timer Register Description: \[13\]\[14\]\[15\]](#)

Table 22-50. TWPS

Address Offset	0x0000 0048		
Physical Address	0x4AE1 8048 0x4803 2048 0x4808 6048 0x4803 4048 0x4803 6048 0x4882 0048 0x4882 2048 0x4882 4048 0x4882 6048 0x4803 E048 0x4808 8048 0x4882 8048 0x4882 A048 0x4882 C048 0x4882 E048 0x4AE2 0048	Instance	TIMER1_WKUP_L4 TIMER2_PER1_L4 TIMER10_PER1_L4 TIMER3_PER1_L4 TIMER4_PER1_L4 TIMER5_PER3_L4 TIMER6_PER3_L4 TIMER7_PER3_L4 TIMER8_PER3_L4 TIMER9_PER1_L4 TIMER11_PER1_L4 TIMER13_PER3_L4 TIMER14_PER3_L4 TIMER15_PER3_L4 TIMER16_PER3_L4 TIMER12_WKUP_L4
Description	This register contains the write posting bits for all writable functional registers.		
Type	R		

31	30	29	28	27	26	25	24	23	22	21	20	19	18	17	16	15	14	13	12	11	10	9	8	7	6	5	4	3	2	1	0						
RESERVED																							W_PEND_TOWR	W_PEND_TOCR	W_PEND_TCVR	W_PEND_TNIR	W_PEND_TPIR	W_PEND_TMAR	W_PEND_TTGR	W_PEND_TLDR	W_PEND_TCRR	W_PEND_TCLR					

Bits	Field Name	Description	Type	Reset
31:10	RESERVED	Reserved	R	0x00000000
9	W_PEND_TOWR	Write pending for the TOWR register Read 1: Write pending Read 0: No write pending	R	0
8	W_PEND_TOCR	Write pending for the TOCR register Read 1: Write pending Read 0: No write pending	R	0
7	W_PEND_TCVR	Write pending for the TCVR register Read 1: Write pending Read 0: No write pending	R	0
6	W_PEND_TNIR	Write pending for the TNIR register Read 1: Negative increment register write pending Read 0: No negative increment register write pending	R	0
5	W_PEND_TPIR	Write pending for the TPIR register Read 1: Positive increment register write pending Read 0: No positive increment register write pending	R	0
4	W_PEND_TMAR	When equal to 1, a write is pending to the TMAR register.	R	0
3	W_PEND_TTGR	When equal to 1, a write is pending to the TTGR register.	R	0
2	W_PEND_TLDR	When equal to 1, a write is pending to the TLDR register.	R	0
1	W_PEND_TCRR	When equal to 1, a write is pending to the TCRR register.	R	0
0	W_PEND_TCLR	When equal to 1, a write is pending to the TCLR register.	R	0

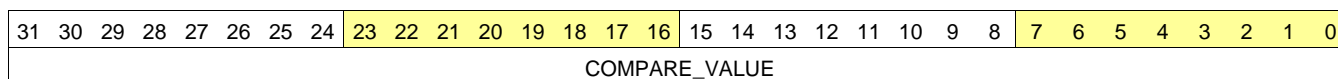
Table 22-51. Register Call Summary for Register TWPS

General-Purpose Timers

- Accessing GP Timer Registers: [0]
- Writing to Timer Registers: [1]
- GP Timer Register Summary: [2][3][4][5][6][7]

Table 22-52. TMAR

Address Offset	0x0000 004C		
Physical Address	0x4AE1 804C 0x4803 204C 0x4808 604C 0x4803 404C 0x4803 604C 0x4882 004C 0x4882 204C 0x4882 404C 0x4882 604C 0x4803 E04C 0x4808 804C 0x4882 804C 0x4882 A04C 0x4882 C04C 0x4882 E04C 0x4AE2 004C	Instance	TIMER1_WKUP_L4 TIMER2_PER1_L4 TIMER10_PER1_L4 TIMER3_PER1_L4 TIMER4_PER1_L4 TIMER5_PER3_L4 TIMER6_PER3_L4 TIMER7_PER3_L4 TIMER8_PER3_L4 TIMER9_PER1_L4 TIMER11_PER1_L4 TIMER13_PER3_L4 TIMER14_PER3_L4 TIMER15_PER3_L4 TIMER16_PER3_L4 TIMER12_WKUP_L4
Description	The compare logic consists of a 32-bit-wide, read/write data TMAR register and logic to compare counter.		
Type	RW		



Bits	Field Name	Description	Type	Reset
31:0	COMPARE_VALUE	Value to be compared to the timer counter	RW	0x0000 0000

Table 22-53. Register Call Summary for Register TMAR

General-Purpose Timers

- Wake-Up Capability: [0]
- Compare Mode Functionality: [1][2][3][4]
- Pulse-Width Modulation: [5][6][7]
- Accessing GP Timer Registers: [8]
- Writing to Timer Registers: [9][10]
- GP Timer Compare Mode: [11]
- GP Timer PWM Mode: [12]
- GP Timer Register Summary: [13][14][15][16][17][18]
- GP Timer Register Description: [19][20]

Table 22-54. TCAR1

Address Offset	0x0000 0050		
Physical Address	0x4AE1 8050 0x4803 2050 0x4808 6050 0x4803 4050 0x4803 6050 0x4882 0050 0x4882 2050 0x4882 4050 0x4882 6050 0x4803 E050 0x4808 8050 0x4882 8050 0x4882 A050 0x4882 C050 0x4882 E050 0x4AE2 0050	Instance	TIMER1_WKUP_L4 TIMER2_PER1_L4 TIMER10_PER1_L4 TIMER3_PER1_L4 TIMER4_PER1_L4 TIMER5_PER3_L4 TIMER6_PER3_L4 TIMER7_PER3_L4 TIMER8_PER3_L4 TIMER9_PER1_L4 TIMER11_PER1_L4 TIMER13_PER3_L4 TIMER14_PER3_L4 TIMER15_PER3_L4 TIMER16_PER3_L4 TIMER12_WKUP_L4
Description	This register holds the first captured value of the counter register.		
Type	R		

31	30	29	28	27	26	25	24	23	22	21	20	19	18	17	16	15	14	13	12	11	10	9	8	7	6	5	4	3	2	1	0
CAPTURE_VALUE1																															

Bits	Field Name	Description	Type	Reset
31:0	CAPTURE_VALUE1	First timer counter value captured on an external event trigger	R	0x0000 0000

Table 22-55. Register Call Summary for Register TCAR1

General-Purpose Timers

- [Capture Mode Functionality: \[0\]\[1\]\[2\]\[3\]\[4\]\[5\]\[6\]\[7\]\[8\]](#)
- [Reading From Timer Counter Registers: \[9\]\[10\]](#)
- [GP Timer Capture Mode: \[11\]](#)
- [GP Timer Register Summary: \[12\]\[13\]\[14\]\[15\]\[16\]\[17\]](#)
- [GP Timer Register Description: \[18\]](#)

Table 22-56. TSICR

Address Offset	0x0000 0054		
Physical Address	0x4AE1 8054 0x4803 2054 0x4808 6054 0x4803 4054 0x4803 6054 0x4882 0054 0x4882 2054 0x4882 4054 0x4882 6054 0x4803 E054 0x4808 8054 0x4882 8054 0x4882 A054 0x4882 C054 0x4882 E054 0x4AE2 0054	Instance	TIMER1_WKUP_L4 TIMER2_PER1_L4 TIMER10_PER1_L4 TIMER3_PER1_L4 TIMER4_PER1_L4 TIMER5_PER3_L4 TIMER6_PER3_L4 TIMER7_PER3_L4 TIMER8_PER3_L4 TIMER9_PER1_L4 TIMER11_PER1_L4 TIMER13_PER3_L4 TIMER14_PER3_L4 TIMER15_PER3_L4 TIMER16_PER3_L4 TIMER12_WKUP_L4
Description	Timer synchronous interface control register		
Type	RW		

31	30	29	28	27	26	25	24	23	22	21	20	19	18	17	16	15	14	13	12	11	10	9	8	7	6	5	4	3	2	1	0
RESERVED																READ_MODE	POSTED	SFT	RESERVED												

Bits	Field Name	Description	Type	Reset
31:4	RESERVED	Reserved	R	0x000 0000
3	READ_MODE	Select posted/non-posted mode for read operation: 0x0: When the module is configured in non-posted mode (POSTED = '0'), the read operation is executed as read posted. 0x1: When the module is configured in non-posted mode (POSTED = '0'), the read operation is executed as read non-posted. NOTE: When the module is configured in posted mode (POSTED = '1'), this bit is not used. NOTE: For GP TIMER1, TIMER2 and TIMER10 this bit is write only.	RW	0
2	POSTED	Posted mode selection 0x0: Posted mode inactive: Delay the command accept output signal. 0x1: Posted mode active	RW	0
1	SFT	This bit resets all the functional part of the module. 0x0: Software reset is disabled. 0x1: Software reset is enabled.	RW	0
0	RESERVED	Reserved	R	0

Table 22-57. Register Call Summary for Register TSICR

General-Purpose Timers

- Software Reset: [0][1]
- Accessing GP Timer Registers: [2][3]
- Writing to Timer Registers: [4][5][6]
- Reading From Timer Counter Registers: [7][8][9][10]
- Posted Mode Selection: [11][12][13][14][15][16][17][18]
- GP Timer Module Global Initialization: [19]
- GP Timer Register Summary: [20][21][22][23][24][25]

Table 22-58. TCAR2

Address Offset	0x0000 0058	Instance	
Physical Address	0x4AE1 8058		TIMER1_WKUP_L4
	0x4803 2058		TIMER2_PER1_L4
	0x4808 6058		TIMER10_PER1_L4
	0x4803 4058		TIMER3_PER1_L4
	0x4803 6058		TIMER4_PER1_L4
	0x4882 0058		TIMER5_PER3_L4
	0x4882 2058		TIMER6_PER3_L4
	0x4882 4058		TIMER7_PER3_L4
	0x4882 6058		TIMER8_PER3_L4
	0x4803 E058		TIMER9_PER1_L4
	0x4808 8058		TIMER11_PER1_L4
	0x4882 8058		TIMER13_PER3_L4
	0x4882 A058		TIMER14_PER3_L4
	0x4882 C058		TIMER15_PER3_L4
	0x4882 E058		TIMER16_PER3_L4
	0x4AE2 0058		TIMER12_WKUP_L4
Description	This register holds the second captured value of the counter register.		
Type	R		

31	30	29	28	27	26	25	24	23	22	21	20	19	18	17	16	15	14	13	12	11	10	9	8	7	6	5	4	3	2	1	0
CAPTURE_VALUE2																															

Bits	Field Name	Description	Type	Reset
31:0	CAPTURE_VALUE2	Second timer counter value captured on an external event trigger	R	0x0000 0000

Table 22-59. Register Call Summary for Register TCAR2

General-Purpose Timers

- Capture Mode Functionality: [0][1][2][3][4][5]
- Reading From Timer Counter Registers: [6][7]
- GP Timer Capture Mode: [8]
- GP Timer Register Summary: [9][10][11][12][13][14]
- GP Timer Register Description: [15]

22.2.6.2.3 TIMER1, TIMER2, and TIMER10 Register Description
Table 22-60. TPIR

Address Offset	0x0000 005C		
Physical Address	0x4AE1 805C 0x4803 205C 0x4808 605C	Instance	TIMER1_WKUP_L4 TIMER2_PER1_L4 TIMER10_PER1_L4
Description	This register is used for 1-ms tick generation. The TPIR register holds the value of the positive increment. The value of this register is added to the value of TCVR to determine whether next value loaded in TCRR is the subperiod value or the overperiod value.		
Type	RW		

31	30	29	28	27	26	25	24	23	22	21	20	19	18	17	16	15	14	13	12	11	10	9	8	7	6	5	4	3	2	1	0
POSITIVE_INC_VALUE																															

Bits	Field Name	Description	Type	Reset
31:0	POSITIVE_INC_VALUE	Value of the positive increment	RW	0x0000 0000

Table 22-61. Register Call Summary for Register TPIR

General-Purpose Timers

- [1-ms Tick Generation \(Only TIMER1, TIMER2 and TIMER10\): \[0\]\[1\]\[2\]\[3\]\[4\]\[5\]](#)
- [Accessing GP Timer Registers: \[6\]](#)
- [Writing to Timer Registers: \[7\]\[8\]\[9\]](#)
- [GP Timer Register Summary: \[10\]](#)
- [GP Timer Register Description: \[11\]](#)
- [TIMER1, TIMER2 , and TIMER10 Register Description: \[12\]](#)

Table 22-62. TNIR

Address Offset	0x0000 0060		
Physical Address	0x4AE1 8060 0x4803 2060 0x4808 6060	Instance	TIMER1_WKUP_L4 TIMER2_PER1_L4 TIMER10_PER1_L4
Description	This register is used for 1-ms tick generation. The TNIR register holds the value of the negative increment. The value of this register is added to the value of the TCVR to determine whether next value loaded in TCRR is the subperiod value or the overperiod value.		
Type	RW		

31	30	29	28	27	26	25	24	23	22	21	20	19	18	17	16	15	14	13	12	11	10	9	8	7	6	5	4	3	2	1	0
NEGATIVE_INV_VALUE																															

Bits	Field Name	Description	Type	Reset
31:0	NEGATIVE_INV_VALUE	Value of the negative increment	RW	0x0000 0000

Table 22-63. Register Call Summary for Register TNIR

General-Purpose Timers

- [1-ms Tick Generation \(Only TIMER1, TIMER2 and TIMER10\): \[0\]\[1\]\[2\]\[3\]\[4\]\[5\]](#)
- [Accessing GP Timer Registers: \[6\]](#)
- [Writing to Timer Registers: \[7\]\[8\]\[9\]](#)
- [GP Timer Register Summary: \[10\]](#)
- [GP Timer Register Description: \[11\]](#)
- [TIMER1, TIMER2 , and TIMER10 Register Description: \[12\]](#)

Table 22-64. TCVR

Address Offset	0x0000 0064		
Physical Address	0x4AE1 8064 0x4803 2064 0x4808 6064	Instance	TIMER1_WKUP_L4 TIMER2_PER1_L4 TIMER10_PER1_L4
Description	This register is used for 1-ms tick generation. The TCVR register determines whether next value loaded in TCRR is the subperiod value or the overperiod value.		
Type	RW		

31	30	29	28	27	26	25	24	23	22	21	20	19	18	17	16	15	14	13	12	11	10	9	8	7	6	5	4	3	2	1	0
COUNTER_VALUE																															

Bits	Field Name	Description	Type	Reset
31:0	COUNTER_VALUE	Value of CVR counter	RW	0x0000 0000

Table 22-65. Register Call Summary for Register TCVR

General-Purpose Timers

- [1-ms Tick Generation \(Only TIMER1, TIMER2 and TIMER10\): \[0\]\[1\]](#)
- [Accessing GP Timer Registers: \[2\]](#)
- [Writing to Timer Registers: \[3\]\[4\]\[5\]\[6\]\[7\]](#)
- [GP Timer Register Summary: \[8\]](#)
- [GP Timer Register Description: \[9\]](#)
- [TIMER1, TIMER2 , and TIMER10 Register Description: \[10\]\[11\]\[12\]](#)

Table 22-66. TOCR

Address Offset	0x0000 0068		
Physical Address	0x4AE1 8068 0x4803 2068 0x4808 6068	Instance	TIMER1_WKUP_L4 TIMER2_PER1_L4 TIMER10_PER1_L4
Description	This register is used to mask the tick interrupt for a selected number of ticks.		
Type	RW		

31	30	29	28	27	26	25	24	23	22	21	20	19	18	17	16	15	14	13	12	11	10	9	8	7	6	5	4	3	2	1	0
RESERVED								OVF_COUNTER_VALUE																							

Bits	Field Name	Description	Type	Reset
31:24	RESERVED	Reads return 0.	R	0x00
23:0	OVF_COUNTER_VALUE	Number of overflow events	RW	0x000000

Table 22-67. Register Call Summary for Register TOCR

General-Purpose Timers

- [1-ms Tick Generation \(Only TIMER1, TIMER2 and TIMER10\): \[0\]\[1\]\[2\]\[3\]\[4\]](#)
- [Accessing GP Timer Registers: \[5\]](#)
- [Writing to Timer Registers: \[6\]\[7\]](#)
- [GP Timer Register Summary: \[8\]](#)
- [GP Timer Register Description: \[9\]](#)

Table 22-68. TOWR

Address Offset	0x0000 006C	Instance	TIMER1_WKUP_L4 TIMER2_PER1_L4 TIMER10_PER1_L4
Physical Address	0x4AE1 806C 0x4803 206C 0x4808 606C		
Description	This register holds the number of masked overflow interrupts.		
Type	RW		

31 30 29 28 27 26 25 24	23 22 21 20 19 18 17 16	15 14 13 12 11 10 9 8	7 6 5 4 3 2 1 0
RESERVED	OVF_WRAPPING_VALUE		

Bits	Field Name	Description	Type	Reset
31:24	RESERVED	Reads return 0.	R	0x00
23:0	OVF_WRAPPING_VALUE	Number of masked interrupts	RW	0x000000

Table 22-69. Register Call Summary for Register TOWR

General-Purpose Timers

- [1-ms Tick Generation \(Only TIMER1, TIMER2 and TIMER10\): \[0\]\[1\]\[2\]\[3\]\[4\]\[5\]\[6\]](#)
- [Accessing GP Timer Registers: \[7\]](#)
- [Writing to Timer Registers: \[8\]\[9\]](#)
- [GP Timer Register Summary: \[10\]](#)
- [GP Timer Register Description: \[11\]](#)

Table 22-70. IRQSTATUS_SET

Address Offset	0x0000 002C	Instance	TIMER1_WKUP_L4 TIMER2_PER1_L4 TIMER10_PER1_L4
Physical Address	0x4AE1 802C 0x4803 202C 0x4808 602C		
Description	Component interrupt-request enable. Write 1 to set (enable interrupt). Readout equal to corresponding _CLR register.		
Type	RW		

31 30 29 28 27 26 25 24	23 22 21 20 19 18 17 16	15 14 13 12 11 10 9 8	7 6 5 4 3 2 1 0
RESERVED			TCAR_EN_FLAG OVF_EN_FLAG MAT_EN_FLAG

Bits	Field Name	Description	Type	Reset
31:3	RESERVED	Reserved	R	0x0000 0000
2	TCAR_EN_FLAG	IRQ enable for compare Read 0: IRQ event is disabled. Write 0: No action Read 1: IRQ event is enabled Write 1: Set IRQ enable.	RW	0
1	OVF_EN_FLAG	IRQ enable for overflow Read 0: IRQ event is disabled. Write 0: No action Read 1: IRQ event is enabled. Write 1: Set IRQ enable.	RW	0

Bits	Field Name	Description	Type	Reset
0	MAT_EN_FLAG	IRQ enable for match Read 0: IRQ event is disabled. Write 0: No action Read 1: IRQ event is enabled. Write 1: Set IRQ enable.	RW	0

Table 22-71. Register Call Summary for Register IRQSTATUS_SET

General-Purpose Timers

- [GP Timer Functional Description: \[0\]](#)
- [GP Timer Interrupts: \[1\]](#)
- [Timer Mode Functionality: \[2\]](#)
- [Capture Mode Functionality: \[3\]](#)
- [Compare Mode Functionality: \[4\]](#)
- [Accessing GP Timer Registers: \[5\]\[6\]\[7\]](#)
- [Writing to Timer Registers: \[8\]](#)
- [GP Timer Mode: \[9\]](#)
- [GP Timer Compare Mode: \[10\]](#)
- [GP Timer Capture Mode: \[11\]](#)
- [GP Timer Register Summary: \[12\]](#)

Table 22-72. IRQSTATUS_CLR

Address Offset	0x0000 0030		
Physical Address	0x4AE1 8030 0x4803 2030 0x4808 6030	Instance	TIMER1_WKUP_L4 TIMER2_PER1_L4 TIMER10_PER1_L4
Description	Component interrupt-request enable. Write 1 to clear (disable interrupt). Readout equal to corresponding _SET register.		
Type	RW		

31	30	29	28	27	26	25	24	23	22	21	20	19	18	17	16	15	14	13	12	11	10	9	8	7	6	5	4	3	2	1	0
RESERVED																												TCAR_EN_FLAG	OVF_EN_FLAG	MAT_EN_FLAG	

Bits	Field Name	Description	Type	Reset
31:3	RESERVED	Reserved	R	0x0000 0000
2	TCAR_EN_FLAG	IRQ enable for compare Read 0: IRQ event is disabled. Write 0: No action Read 1: IRQ event is enabled. Write 1: Clear IRQ enable.	RW	0
1	OVF_EN_FLAG	IRQ enable for overflow Read 0: IRQ event is disabled. Write 0: No action Read 1: IRQ event is enabled. Write 1: Clear IRQ enable.	RW	0
0	MAT_EN_FLAG	IRQ enable for match Read 0: IRQ event is disabled. Write 0: No action Read 1: IRQ event is enabled. Write 1: Clear IRQ enable.	RW	0

Table 22-73. Register Call Summary for Register IRQSTATUS_CLR

General-Purpose Timers

- [GP Timer Functional Description: \[0\]](#)
 - [GP Timer Interrupts: \[1\]](#)
 - [Accessing GP Timer Registers: \[2\]\[3\]](#)
 - [Writing to Timer Registers: \[4\]](#)
 - [GP Timer Register Summary: \[5\]](#)
-

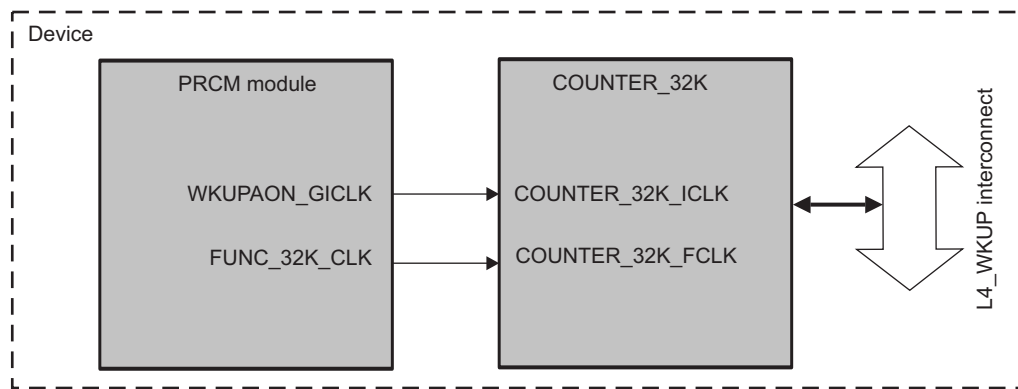
22.3 32-kHz Synchronized Timer (COUNTER_32K)

22.3.1 32-kHz Synchronized Timer Overview

The 32-kHz synchronized timer (COUNTER_32K) is a 32-bit counter clocked by the falling edge of the 32-kHz system clock.

Figure 22-15 is the block diagram of the 32-kHz synchronized timer.

Figure 22-15. 32-kHz Synchronized Timer Block Diagram



timers-018

22.3.1.1 32-kHz Synchronized Timer Features

The main features of the 32-kHz synchronized timer controller are:

- L4 slave interface (OCP) support:
 - 32-bit data bus width
 - 32-/16-bit access supported
 - 8-bit access not supported
 - 16-bit address bus width
 - Burst mode not supported
 - Write nonposted transaction mode not supported
- Only read operations are supported on the module registers; no write operation is supported (no error/no action on write).
- Free-running 32-bit upward counter
- Start and keep counting after power-on reset
- Automatic roll over to 0; highest value reached: 0xFFFF FFFF
- On-the-fly read (while counting)

22.3.2 32-kHz Synchronized Timer Integration

The synchronized timer is accessible only through the L4_WKUP interface.

Table 22-74 through Table 22-76 summarize the integration of the module in the device.

Table 22-74. COUNTER_32K Integration Attributes

Module Instance	Attributes		
	Power Domain	Wake-Up Capability	Interconnect
COUNTER_32K	PD_WKUPAON	No	L4_WKUP

Table 22-75. COUNTER_32K Clocks and Resets

Clocks				
Module Instance	Destination Signal Name	Source Signal Name	Source	Description
COUNTER_32K	COUNTER_32K_FCLK	FUNC_32K_CLK	PRCM	COUNTER_32K functional 32KHz clock
COUNTER_32K	COUNTER_32K_ICLK	WKUPAON_GICLK	PRCM	COUNTER_32K interface clock
Resets				
COUNTER_32K	COUNTER_32K_NRESPWRON	WKUPAON_SYS_PWRON_RST	PRM	Reset to COUNTER_32K. Reset all internal logic, running on COUNTER_32K_FCLK
COUNTER_32K	COUNTER_32K_OCPRESETN	WKUPAON_RST	PRM	Reset to COUNTER_32K. Reset all L4 interface logic, running on COUNTER_32K_ICLK.

Table 22-76. COUNTER_32K Hardware Requests

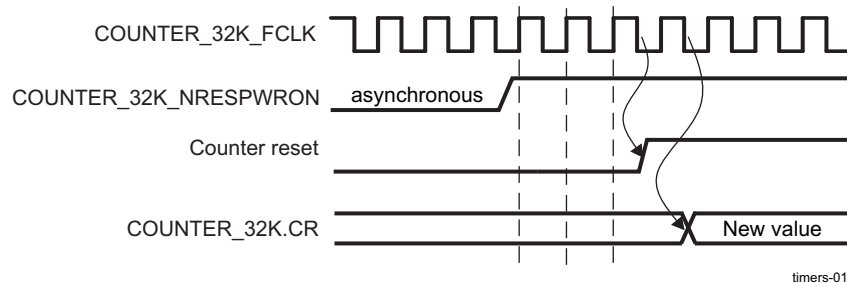
No Interrupt Requests
No DMA Requests

22.3.3 32-kHz Synchronized Timer Functional Description

The synchronized timer is a counter that starts on the rising edge of an external asynchronous signal (COUNTER_32K_NRESPWRON). When COUNTER_32K_NRESPWRON is released (on the rising edge of COUNTER_32K_FCLK), the counter starts counting up from the reset value of the counter register on the falling edge of the 32-kHz COUNTER_32K_FCLK clock after three inverted 32-kHz clock periods. After reaching its highest value, the counter wraps back to 0 and starts counting again with no additional delay.

Figure 22-16 shows the reset synchronization timing diagram.

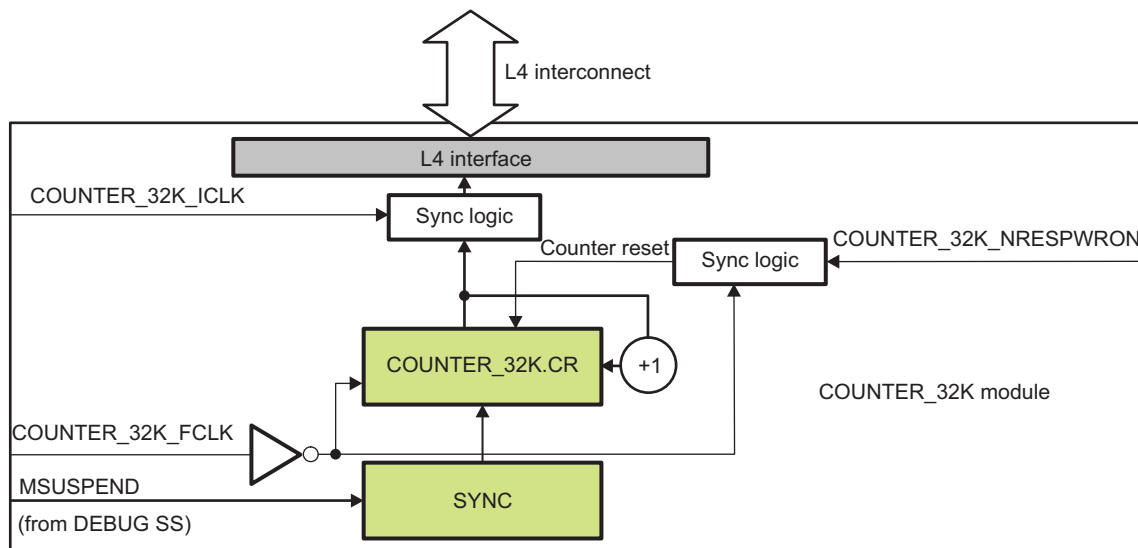
Figure 22-16. Reset Resynchronization Timing Diagram



timers-019

Figure 22-17 is the block diagram of the synchronized timer.

Figure 22-17. COUNTER_32K Block Diagram



timers-020

The sync logic ensures the correctness of the read transaction by synchronizing the counter register read access on COUNTER_32K_ICLK, because the COUNTER_32K_ICLK clock signal is completely asynchronous with COUNTER_32K_FCLK. The COUNTER_32K_NRESPWRON input resets the counter register (CR). The inverted COUNTER_32K_FCLK clocks the counter register CR.

The counting is temporally stopped when MSUSPEND control signal (coming from DEBUG SS) is asserted.

22.3.3.1 Reading the 32-kHz Synchronized Timer

The counter register (CR) is 32 bits wide. For correct count capture, it must be accessed as 16-bit LSB access first and 16-bit MSB access next. The value of the counter is read through the L4 interconnect slave interface. Internal synchronization logic allows the reading of the counter value with COUNTER_32K_ICLK while the counter is running. The time latency to read the synchronized counter register is one COUNTER_32K_ICLK clock period.

The user can select between two synchronization schemes by setting `SYSCONFIG[0]SYNCMODE` bit.

- `SYSCONFIG[0]SYNCMODE = 0x0` - default. In this mode COUNTER_32K timer uses Gray encode/decode scheme. When the L4 interface sends a LSB16 read request command, the 32 bit coded value is registered directly to the interface domain. Due to the characteristics of this encoding if a read command arrives during a count up event either the old or the new value of `CR` is captured, not a transient value. The captured value will be decoded and send on the SDATA bus. The MSB16 read command reads upper 16 bits of the 32 bit value of counter register captured during the last LSB16 read access.
- `SYSCONFIG[0]SYNCMODE = 0x1` - legacy synchronization scheme. In this mode the value of the `CR` is synchronized to the OCP domain at every count up event. This synchronization is possible because the COUNTER_32K_ICLK is much faster than the 32KHz clock (COUNTER_32K_FCLK). The drawback of this method is that if the interface clock is switched back after wake up from idle mode, the synchronized value will be updated only at the next count up event, until then it will be incorrect.

22.3.4 COUNTER_32K Timer Register Manual

Table 22-77 lists the base address and block size for the 32-kHz synchronized timer. It is memory-mapped to the L4 peripheral bus memory space.

Table 22-77. COUNTER_32K Timer Instance Summary

Module Name	Module Base Address	Size
L4_WKUP_COUNTER_32K	0x4AE0 4000	52 Bytes

22.3.4.1 COUNTER_32K Timer Register Mapping Summary

CAUTION

The 32-kHz synchronized timer registers are limited to 32- and 16-bit data accesses; 8-bit access is not allowed and can corrupt the register content.

Table 22-78 lists the 32-kHz synchronized timer registers. Table 22-79 through Table 22-83 describe the register bits.

Table 22-78. COUNTER_32K Timer Register Summary

Register Name	Type	Register Width (Bits)	Address Offset	L4_WKUP_COUNTER_32K Base Address
REVISION	R	32	0x0000 0000	0x4AE0 4000
SYSCONFIG	RW	32	0x0000 0010	0x4AE0 4010
CR	R	32	0x0000 0030	0x4AE0 4030

22.3.4.2 COUNTER_32K Timer Register Description

Table 22-79. REVISION

Address Offset	0x0 0000
Physical Address	0x4AE0 4000
Description	This register contains the sync counter IP revision code.
Type	R

31	30	29	28	27	26	25	24	23	22	21	20	19	18	17	16	15	14	13	12	11	10	9	8	7	6	5	4	3	2	1	0
REVISION																															

Bits	Field Name	Description	Type	Reset
31:0	REVISION	IP revision	R	0x- ⁽¹⁾

⁽¹⁾ TI internal data

Table 22-80. Register Call Summary for Register REVISION

32-kHz Synchronized Timer (COUNTER_32K)

- [COUNTER_32K Timer Register Mapping Summary: \[0\]](#)
- [COUNTER_32K Timer Register Description: \[1\]](#)

Table 22-81. SYSCONFIG

Address Offset	0x0 0010
Physical Address	0x4AE0 4010
Description	This register is used for idle modes only.
Type	RW

31	30	29	28	27	26	25	24	23	22	21	20	19	18	17	16	15	14	13	12	11	10	9	8	7	6	5	4	3	2	1	0
Reserved																												IDLEMODE	Reserved	SYNCMODE	

Bits	Field Name	Description	Type	Reset
31:5	Reserved	Reads return 0.	R	0x0
4:3	IDLEMODE	Power management REQ/ACK control 0x0: Force-idle. An IDLE request is acknowledged unconditionally. 0x1: No-idle. An IDLE request is never acknowledged. 0x2: Reserved 0x3: Reserved	RW	0x0
2:1	Reserved	Reads return 0.	R	0x0
0	SYNCMODE	Synchronization scheme 0x0 Gray synchronization scheme. Ensures that a stable value of the CR register is read. 0x1 Legacy synchronization scheme.	RW	0x0

Table 22-82. Register Call Summary for Register SYSCONFIG

32-kHz Synchronized Timer (COUNTER_32K)

- [Reading the 32-kHz Synchronized Timer: \[0\]\[1\]\[2\]](#)
- [COUNTER_32K Timer Register Mapping Summary: \[3\]](#)

Table 22-83. CR

Address Offset	0x0 0030
Physical Address	0x4AE0 4030
Description	This register contains the 32-kHz sync counter value.
Type	R

31	30	29	28	27	26	25	24	23	22	21	20	19	18	17	16	15	14	13	12	11	10	9	8	7	6	5	4	3	2	1	0
COUNTER_VALUE																															

Bits	Field Name	Description	Type	Reset
31:0	COUNTER_VALUE	Counter register value	R	0x00000003

Table 22-84. Register Call Summary for Register CR

32-kHz Synchronized Timer (COUNTER_32K)

- [32-kHz Synchronized Timer Functional Description: \[0\]](#)
- [Reading the 32-kHz Synchronized Timer: \[1\]\[2\]\[3\]](#)
- [COUNTER_32K Timer Register Mapping Summary: \[4\]](#)
- [COUNTER_32K Timer Register Description: \[5\]](#)

22.4 Watchdog Timer

22.4.1 Watchdog Timer Overview

The device includes one instance of the 32-bit watchdog timer: WD_TIMER2. [Figure 22-18](#) shows how the timer is connected in the device.

The watchdog timer is an upward counter capable of generating a pulse on the reset pin and an interrupt to the device system modules following an overflow condition. The WD_TIMER2 timer serves resets to the PRCM module (its interrupt outputs are unused).

WD_TIMER2 is located in the PD_WKUPAON power domain, and can run when the device is in lowest power state above RTC mode (all power domains are off except always-on (AON), WKUP, and RTC domains).

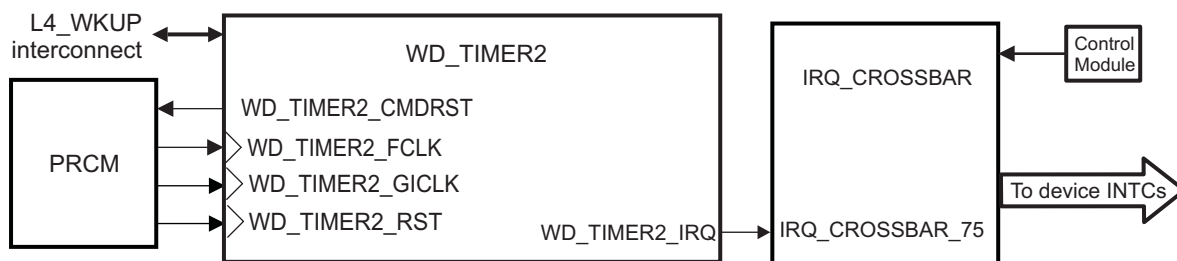
NOTE: Device RTC low-power mode (only RTC active in the device) is not supported on the AM571x family of devices.

NOTE: RTC module is not supported on the AM570x family of devices.

The watchdog timer can be accessed, loaded, and cleared by registers through the L4_WKUP interface. The watchdog timer has the 32-kHz clock for its timer clock input. WD_TIMER2 directly generates a warm reset condition on overflow.

WD_TIMER2 connects to a single target agent port on the L4_WKUP interconnect.

Figure 22-18. Watchdog Timer Block Diagram



[Table 22-85](#) lists the default state of the watchdog timer in the device.

Table 22-85. Watchdog Timer Default State

Timer	Default State
WD_TIMER2	Enabled Not running

NOTE: The default state of the watchdog timer described in [Table 22-85](#) is considered to be its state immediately after ROM code execution. For more information, see [Section 33.1, Initialization](#).

22.4.1.1 Watchdog Timer Features

The main features of the watchdog timer controllers are:

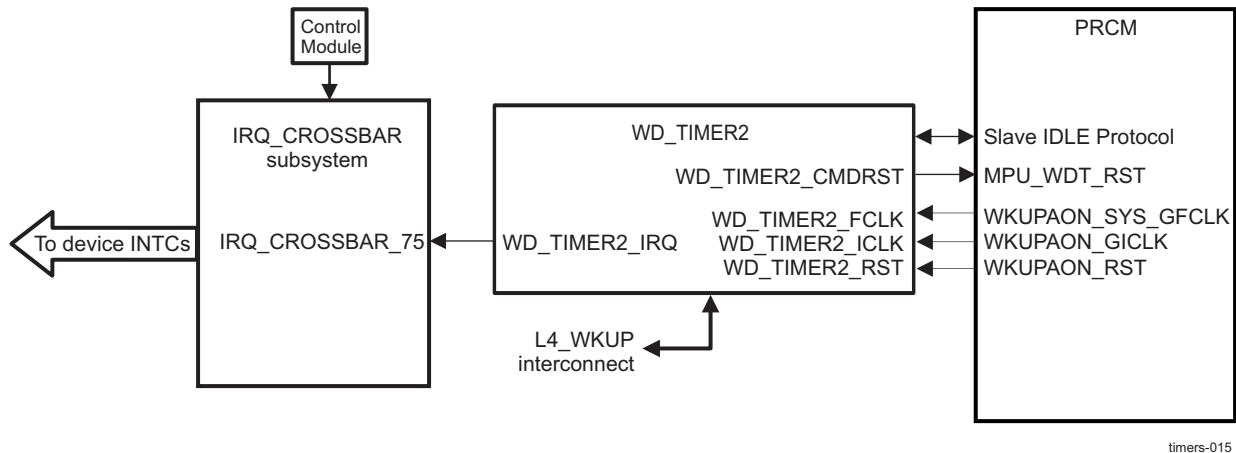
- L4 slave interface support:
 - 32-bit data bus width
 - 32-/16-bit access supported
 - 8-bit access not supported
 - 11-bit address bus width
 - Burst mode not supported

- Write nonposted mode supported
- Free-running 32-bit upward counter
- Programmable divider clock source (2^n where $n = [0:7]$)
- On-the-fly read/write register (while counting)
- Subset programming model of the GP timer
- The watchdog timer is reset either on power on or after a warm reset before it starts counting.
- Reset or interrupt actions when a timer overflow condition occurs
- The watchdog timer generates a reset or an interrupt in its hardware integration.

22.4.2 Watchdog Timer Integration

Figure 22-19 shows the integration of the watchdog timers in the device.

Figure 22-19. Watchdog Timer Integration



timers-015

Table 22-86 through Table 22-88 summarize the integration of the module in the device.

Table 22-86. Watchdog Timer Integration Attributes

Module Instance	Attributes		
	Power Domain	Wake-Up Capability	Interconnect
WD_TIMER2	PD_WKUPAON	Yes	L4_WKUP

Table 22-87. Watchdog Timer Clocks and Resets

Clocks				
Module Instance	Destination Signal Name	Source Signal Name	Source	Description
WD_TIMER2	WD_TIMER2_FCLK	WKUPAON_SYS_GFCLK	PRCM	WD_TIMER2 functional clock
WD_TIMER2	WD_TIMER2_ICLK	WKUPAON_GICLK	PRCM	WD_TIMER2 interface clock
Resets				
Module Instance	Destination Signal Name	Source Signal Name	Source	Description
WD_TIMER2	WD_TIMER2_RST	WKUPAON_RST	PRM	Reset to WD_TIMER2
	MPU_WDT_RST	WD_TIMER2_CMDRST	WD_TIMER2	Reset to MPU

NOTE: WD_TIMER2 is reset on power on or after a warm reset before it starts counting.

Table 22-88. Watchdog Timer Hardware Requests

Interrupt Requests				
Module Instance	Source Signal Name	Destination IRQ_CROSSBAR Input	Default Mapping	Description
WD_TIMER2	WD_TIMER2_IRQ	IRQ_CROSSBAR_75	MPU_IRQ_80	WD_TIMER2 interrupt request
No DMA Requests				

NOTE: The “**Default Mapping**” column in [Table 22-88 Watchdog Timer Hardware Requests](#) shows the default mapping of module IRQ source signals. These IRQ source signals can also be mapped to other lines of each device Interrupt controller through the IRQ_CROSSBAR module.

For more information about the IRQ_CROSSBAR module, see [Section 18.4.6.4, IRQ_CROSSBAR Module Functional Description](#), in [Chapter 18, Control Module](#).

For more information about the device interrupt controllers, see [Chapter 17, Interrupt Controllers](#).

22.4.3 Watchdog Timer Functional Description

22.4.3.1 Power Management

There are two clock domains in the watchdog timer:

- Functional clock domain: WD_TIMER2_FCLK is the watchdog timer functional clock. It is used to clock the watchdog timer internal logic.
- Interface clock domain: WD_TIMER2_ICLK is the watchdog timer interface clock. It is used to synchronize the watchdog timer L4 port to the L4 interconnect. All accesses from the interconnect are synchronous to WD_TIMER2_ICLK.

Table 22-87 lists the source clocks for the watchdog timer in the device. For more information about clock control and domains, see Section 3.6, *Clock Management Functional Description*, in Chapter 3, *Power, Reset, and Clock Management*.

From a global system power-management perspective, when the watchdog timer clocks is no longer required, the watchdog timer can be deactivated at the PRCM module level in the corresponding registers.

At the PRCM module level, when the conditions to shut off the PRCM module functional or interface output clocks are met (for more information, see Section 3.1.1.1.4, *Clock Domain-Level Clock Management*), the PRCM module automatically launches a hardware handshake protocol to ensure the watchdog timer is ready to have its clocks switched off. Namely, the PRCM module asserts an IDLE request to the watchdog timer.

Although this handshake is a hardware function and out of software control, the way on which the watchdog timer acknowledges the PRCM IDLE request is configurable through the WDSC[4:3] IDLEMODE bit field. Table 22-89 lists the settings and related acknowledgment modes of the IDLEMODE bit field.

Table 22-89. IDLEMODE Settings

IDLEMODE Value	Selected Mode	Description
00	Force-idle	The watchdog timer unconditionally acknowledges the IDLE request from the PRCM module, regardless of its internal operations. This mode must be used carefully, because it does not prevent loss of data when the clock is switched off.
01	No-idle	The watchdog timer never acknowledges an IDLE request from the PRCM module. This mode is safe from a module point of view, because it ensures that the clocks remain active. It is not efficient from a power-saving perspective, however, because it does not allow the PRCM module output clock to be shut off and thus the power domain to be set to a lower power state.
10	Smart-idle	The watchdog timer acknowledges the IDLE request, basing its decision on its internal activity. The acknowledge signal is asserted only when all pending transactions and IRQ requests are treated. This is the best approach for efficient system power management.
11	Smart-idle wakeup-capable mode	The watchdog timer acknowledges the IDLE request, basing its decision on its internal activity. The timer generates (IRQ-request-related) wake-up events when in IDLE state if the WIRQWAKEEN[1:0] bit field is set to 1.

22.4.3.1.1 Wake-Up Capability

If the WDSC[4:3] IDLEMODE bit field sets smart-idle wakeup-capable mode ($= 0 \times 3$), the timer evaluates its internal capability to have the interface clock switched off. When there is no more internal activity (no pending interrupt sources: match, overflow, or timer capture events), the idle acknowledge signal is asserted and the timer enters into sleep mode, ready to issue a wake-up request. This wake-up request is sent only if the WIRQWAKEEN[0] OVW_WK_ENA and/or the WIRQWAKEEN[1] DLY_WK_ENA bits enable the overflow and/or the delay wake-up capability.

22.4.3.2 Interrupts

Table 22-90 list the event flags, and their masks that cause module interrupts.

Table 22-90. Watchdog Timer Events

Event Flag	Event Mask	Mapping	Comments
WIRQSTAT[0] EVENT_OVF	WIRQENSET/WIRQENCLR[0] OVF_IT_ENA	WD_TIMER2_IRQ	Watchdog timer overflow
WIRQSTAT[1] EVENT_DLY	WIRQENSET/WIRQENCLR[1] DLY_IT_ENA	WD_TIMER2_IRQ	Watchdog delay value reached

22.4.3.3 General Watchdog Timer Operation

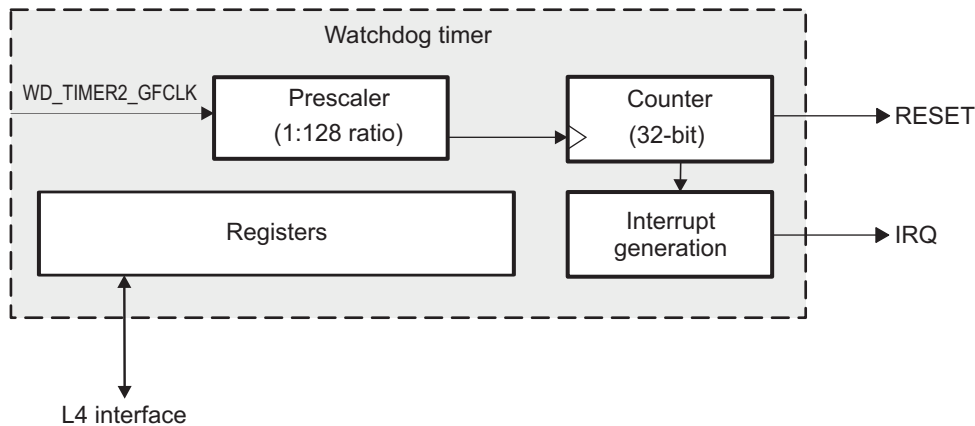
The watchdog timer is based on an upward 32-bit counter coupled with a prescaler. The counter overflow is signaled through two independent signals: a simple reset signal and an interrupt signal, both active low. The use of these signals depends on whether they are connected or not. For this information, see [Figure 22-18](#). The interrupt generation mechanism is controlled through the [WIRQENSET/WIRQENCLR](#) and [WIRQSTAT](#) registers.

The prescaler ratio can be set from 1 to 128 by accessing the [WCLR\[4:2\]](#) PTV bit field and the [WCLR\[5\]](#) PRE bit of the watchdog control register ([WCLR](#)).

The current timer value can be accessed on-the-fly by reading the watchdog timer counter register ([WCRR](#)), modified by accessing the watchdog timer load register ([WLDR](#)) (no on-the-fly update), or reloaded by following a specific reload sequence on the watchdog timer trigger register ([WTGR](#)). A start/stop sequence applied to the watchdog timer start/stop register ([WSPR](#)) can start and stop the watchdog timers.

[Figure 22-20](#) is a functional block diagram of the watchdog timer.

Figure 22-20. 32-Bit Watchdog Timer Functional Block Diagram



timers-016

22.4.3.4 Reset Context

The watchdog timer is enabled after reset. [Table 22-91](#) lists the default reset values of the two watchdog timer load registers ([WLDR](#)) and prescaler ratios (the [WCLR\[4:2\]](#) PTV bit field). To get these values, software must read the corresponding [WCLR\[4:2\]](#) PTV bit field and the 32-bit register to retrieve the static configuration of the module.

Table 22-91. Count and Prescaler Default Reset Values

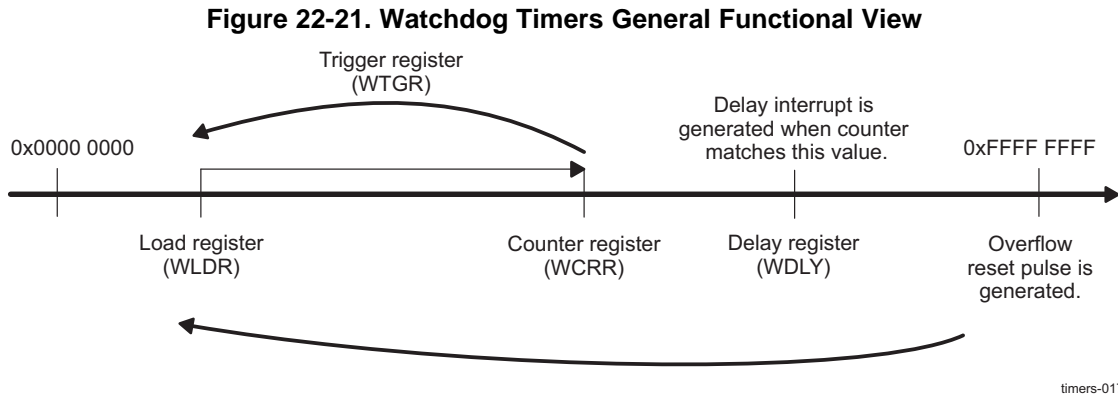
Timer	WLDR Reset Value	PTV Reset Value
WD_TIMER2	0xFFFFB 0000	0

22.4.3.5 Overflow/Reset Generation

When the **WCRR** overflows, an active-low reset pulse is generated to the PRCM module. This pulse is one prescaled timer clock cycle wide and occurs at the same time as the timer counter overflow.

After reset generation, the counter is automatically reloaded with the value stored in the **WLDR** and the prescaler is reset (the prescaler ratio remains unchanged). When the reset pulse output is generated, the timer counter begins incrementing again.

Figure 22-21 shows a general functional view of the watchdog timers.



22.4.3.6 Prescaler Value/Timer Reset Frequency

The watchdog timer is composed of a prescaler stage and a timer counter.

The timer rate is defined by the following values:

- Value of the prescaler fields (the **WCLR[5]** PRE bit and the **WCLR[4:2]** PTV bit field)
- Value loaded into **WLDR**

The prescaler stage is clocked with the timer clock and acts as a clock divider for the timer counter stage. The ratio is managed by accessing the ratio definition field (the **WCLR [4:2]** PTV bit field) and is enabled with the **WCLR[5]** PRE bit.

Table 22-92 lists the prescaler clock ratio values.

Table 22-92. Prescaler Clock Ratio Values

WCLR[5] PRE	WCLR[4:2] PTV	Clock Divider (PS)
0	X	1
1	0	1
1	1	2
1	2	4
1	3	8
1	4	16
1	5	32
1	6	64
1	7	128

Thus the watchdog timer overflow rate is expressed as:

$$\text{OVF_Rate} = (0\text{x}\text{FFFF FFFF} - \text{WLDR} + 1) \times (\text{timer clock period}) \times \text{PS}$$

where wd-functional clock period = $1 / (\text{timer clock frequency})$ and $\text{PS} = 2^{(\text{PTV})}$

CAUTION

Internal resynchronization causes some latency in any software write to **WSPR** before **WSPR** is updated with the programmed value:

$$1.5 \times \text{functional clock cycles} \leq \text{write_WD_TIMER_WSPR_latency} \leq 2.5 \times \text{functional clock cycles}$$

Remember to consider this latency whenever the watchdog timer must be started or stopped.

For example, for a timer clock input of 32 kHz with a prescaler ratio value of 0x1 (clock divided by 2) and **WCLR**[5] PRE = 1 (clock divider enabled), the reset period is as listed in [Table 22-93](#).

Table 22-93. Reset Period Examples

WLDR Value	Reset Period
0x0000 0000	74 h 56 min
0xFFFF 0000	4 s
0xFFFF FFF0	1 ms
0xFFFF FFFF	62.5 μ s

CAUTION

- Ensure that the reloaded value allows the correct operation of the application. When a watchdog timer is enabled, software must periodically trigger a reload before the counter overflows. Hence, the value of the **WLDR**[31:0] bit field must be chosen according to the ongoing activity preceding the watchdog reload.
- Due to design reasons, **WLDR**[31:0] = 0xFFFF FFFF is a special case, although such value of **WLDR** is meaningless. When **WLDR** is programmed with the overflow value, a triggering event generates a reset/interrupt one functional clock cycle later, even if the watchdog timer is stopped.

[Table 22-94](#) lists the default reset periods for the watchdog timer.

Table 22-94. Default Watchdog Timer Reset Periods

Watchdog Timers	Clock Source	Default Reset Period
WD_TIMER2	32 kHz	10 s

22.4.3.7 Triggering a Timer Reload

To reload the timer counter and reset the prescaler before reaching overflow, a reload command is executed by accessing the **WTGR** using a specific reload sequence.

The specific reload sequence is performed whenever the written value on the **WTGR** differs from its previous value. In this case, reload is executed in the same way as an overflow autoreload, but without the generation of a reset pulse.

The timer counter is loaded with the value of the watchdog timer load register (the [WLDR\[31:0\] TIMER_LOAD](#) bit field), and the prescaler is reset.

22.4.3.8 Start/Stop Sequence for Watchdog Timer (Using the WSPR Register)

To start and stop a watchdog timer, access must be made through the [WSPR](#) using a specific sequence.

To disable the timer, follow this sequence:

1. Write 0xFFFF AAAA in the [WSPR](#).
2. Write 0xFFFF 5555 in the [WSPR](#).

To enable the timer, follow this sequence:

1. Write 0xFFFF BBBB in the [WSPR](#).
2. Write 0xFFFF 4444 in the [WSPR](#).

All other write sequences on the [WSPR](#) have no effect on the start/stop feature of the module.

22.4.3.9 Modifying Timer Count/Load Values and Prescaler Setting

To modify the timer counter value (the [WCRR](#)), the prescaler ratio (the [WCLR\[4:2\] PTV](#) bit field), delay configuration value (the [WDLY\[31:0\] DLY_VALUE](#) bit field), or the load value (the [WLDR\[31:0\] TIMER_LOAD](#) bit field), the watchdog timer must be disabled by using the start/stop sequence (the [WSPR](#)).

After a write access, the load register value and prescaler ratio registers are updated immediately, but new values are considered only after the next consecutive counter overflow or after a new trigger command (the [WTGR](#)).

22.4.3.10 Watchdog Counter Register Access Restriction (WCRR)

A 32-bit shadow register is implemented to read a coherent value of the [WCRR](#) because the [WCRR](#) is directly related to the timer counter value and is updated on the timer clock ([WD_TIMER_FCLK](#)). The shadow register is updated by a 16-bit LSB read command.

NOTE: Although the L4 clock ([WD_TIMER_ICLK](#)) is completely asynchronous with the timer clock ([WD_TIMER_FCLK](#)), some synchronization is performed to ensure that the value of the [WCRR](#) is not read while it is being incremented.

When 32-bit read access is performed, the shadow register is not updated. Read access is performed directly from the accessed register.

To ensure that a coherent value is read inside the [WCRR](#), the first read access is to the lower 16 bits (offset = 0x08), followed by read access to the upper 16 bits (offset = 0x0A).

22.4.3.11 Watchdog Timer Interrupt Generation

When an interrupt source occurs, the interrupt status bit (the [WISR\[0\] OVF_IT_FLAG](#) or [WISR\[1\] DLY_IT_FLAG](#) bit) is set to 1. The output interrupt line ([WD_TIMER_IRQ](#)) is asserted (active high) when status (the [EVENT_xxx](#) bit) and enable (the [xxx_IT_ENA](#) bit) flags are set to 1; the order is not relevant. Writing 1 to the enable bit (the status is already set at 1) also triggers the interrupt in the normal order (enable first, status next). The pending interrupt event is cleared when the set status bit is overwritten by a value of 1 by a write command in the [WISR](#). Reading the [WISR](#) and writing the value back allows a fast interrupt acknowledge process.

The watchdog timer issues an overflow interrupt if this interrupt is enabled in the watchdog interrupt-enable register ([WIER\[0\] OVF_IT_ENA = 1](#)). When the overflow occurs, the interrupt status bit (the [WISR\[0\] OVF_IT_FLAG](#) bit) is set to 1. The output interrupt line ([WD_TIMER_IRQ](#)) is asserted (active high) when status ([OVF_IT_FLAG](#)) and enable ([OVF_IT_ENA](#)) flags are set to 1; the order is not relevant. This interrupt can be disabled by setting the [WIER \[0\] OVF_IT_ENA](#) bit to 1.

The watchdog can issue the delay interrupt if this interrupt is enabled in the interrupt-enable register ([WIER\[1\] DLY_IT_ENA = 1](#)). When the counter is running and the counter value matches the value stored in the delay configuration register ([WDLY](#)), the corresponding interrupt status bit is set in the watchdog status register ([WISR](#)) and the output interrupt line is asserted (active high) when the flag ([DLY_IT_FLAG](#)) and enable ([DLY_IT_ENA](#)) bits are set to 1 in the [WISR](#) and [WIER](#) registers, respectively; the order (normally enable, then flag) is not relevant. This interrupt can be disabled by setting the [WIER\[1\] DLY_IT_ENA](#) bit to 1.

NOTE: Writing 0 to the [WISR\[0\] OVF_IT_FLAG](#) or [WISR\[1\] DLY_IT_FLAG](#) bit has no effect.

The two clock domains are resynchronized because the interrupt event is generated on the functional clock domain ([WD_TIMERi_FCLK](#)) during the updating of the interrupt status register.

The [WDLY](#) register is used to specify the value of the delay configuration register. The delay time to interrupt is the difference between the reload value stored in the counter load register ([WLDR](#)) and the programmed value in this register ([WDLY](#)).

Use the following formula to estimate the delay time:

Delay time period = ([WDLY](#) – [WLDR](#) + 1) × Timer clock period × Clock divider

Where:

- Timer clock period = 1 / (Timer clock frequency)
- Clock divider = 2PTV

If the counter value ([WCRR](#)) reaches the programmed value ([WDLY](#)), the status bit ([EVENT_DLY](#)) is set in the interrupt status register ([WIRQSTAT](#)), and an interrupt occurs if the corresponding enable bit is set in the interrupt enable register ([WIRQENSET](#)).

CAUTION

If the reload event occurs (after a triggering sequence or after a reset sequence) before reaching the programmed value (the [WDLY\[31:0\] WDLY_VALUE](#) bit field), no interrupt is generated.

Also, no interrupt is generated if the value programmed in the [WDLY](#) register is less than the value stored in the [WLDR](#).

22.4.3.12 Watchdog Timer Under Emulation

During emulation mode, the watchdog timer can or cannot continue to run, according to the value of the [WDSC\[5\] EMUFREE](#) bit of the system configuration register ([WDSC](#)).

- When [EMUFREE](#) is 1, watchdog timer execution is not stopped and a reset pulse is still generated when overflow is reached.
- When [EMUFREE](#) is 0, the counters (prescaler/timer) are frozen and incrementation restarts after exiting emulation mode.

22.4.3.13 Accessing Watchdog Timer Registers

Posted/nonposted selection applies only to functional registers that require synchronization on/from the timer functional clock domain ([WD_TIMER2_FCLK](#)). For write/read operation, the following registers are affected:

- [WCLR](#)
- [WCRR](#)
- [WLDR](#)
- [WTGR](#)
- [WDLY](#)
- [WSPR](#)

The timer interface clock domain synchronous registers are not affected by the posted/nonposted selection; the write/read operation is effective and acknowledged (command accepted) after one WD_TIMER_ICLK cycle from the command assertion. The timer interface clock domain synchronous registers are:

- [WIDR](#)
- [WDSC](#)
- [WDST](#)
- [WISR](#)
- [WIER](#)
- [WWER](#)
- [WWPS](#)

NOTE: Accesses to WD_TIMER2 is posted.

22.4.4 Watchdog Timer Low-Level Programming Model

This section covers the low-level hardware programming sequences for the configuration and use of the module.

22.4.4.1 Global Initialization

22.4.4.1.1 Surrounding Modules Global Initialization

This section identifies the requirements for initializing the surrounding modules when the watchdog timer is to be used for the first time after a device reset. This initialization of surrounding modules is based on the integration and environment of the watchdog timer (see [Table 22-95](#)). For more information, see [Section 22.4.2, Watchdog Timer Integration](#).

Table 22-95. Global Initialization of Surrounding Modules

Surrounding Modules	Comments
PRCM	The module interface and functional clocks must be enabled. For more information about the module configuration, see Section 3.1.1.1.2, Module-Level Clock Management , in Chapter 3, Power, Reset, and Clock Management .
Control module	Module-specific pad muxing must be set in the control module. For more information about the module configuration, see Section 18.4.6.1.1, Pad Configuration Registers in Chapter 18, Control Module .
IRQ_CROSSBAR	The IRQ_CROSSBAR configuration must be performed to enable the interrupts from the watchdog timer. See Section 18.4.6.4, IRQ_CROSSBAR Module Functional Description , in Chapter 18, Control Module .

22.4.4.1.2 Watchdog Timer Module Global Initialization

22.4.4.1.2.1 Main Sequence – Watchdog Timer Module Global Initialization

Table 22-96 lists the steps for initializing the watchdog timer module when the module is to be used for the first time.

Table 22-96. Watchdog Timer Module Global Initialization

Step	Register/Bit Field/Programming Model	Value
Execute software reset.	WDSC[1] SOFTRESET	0x1
Wait until reset release?	WDSC[1] SOFTRESET	0x0
Configure idle mode.	WDSC[4:3] IDLEMODE	0x-
Enable delay wakeup.	WIRQWAKEEN[1] DLY_WK_ENA	0x1
Enable overflow wakeup.	WIRQWAKEEN[0] OVF_WK_ENA	0x1
Enable delay interrupt.	WIRQENSET[1] ENABLE_DLY	0x1
Enable overflow interrupt.	WIRQENSET[0] ENABLE_OVF	0x1

22.4.4.2 Operational Mode Configuration

22.4.4.2.1 Watchdog Timer Basic Configuration

22.4.4.2.1.1 Main Sequence – Watchdog Timer Basic Configuration

Table 22-97 lists the steps for the basic configuration of the watchdog timer.

Table 22-97. Watchdog Timer Basic Configuration

Step	Register/Bit Field/Programming Model	Value
Disable the watchdog timer.	See Section 22.4.4.2.1.2.	
Set prescaler value.	WCLR[4:2] PTV	0x-
Enable prescaler.	WCLR[5] PRE	0x1
Load delay configuration value.	WDLY	0x-
Load timer counter value.	WCRR	0x-
Enable the watchdog timer.	See Section 22.4.4.2.1.3.	

22.4.4.2.1.2 Subsequence – Disable the Watchdog Timer

Table 22-98 lists the steps to disable the watchdog timer.

Table 22-98. Disable the Watchdog Timer

Step	Register/Bit Field/Programming Model	Value
Write disable sequence Data1.	WSPR	0xXXXX AAAA
Write disable sequence Data2.	WSPR	0xXXXX 5555

22.4.4.2.1.3 Subsequence – Enable the Watchdog Timer

Table 22-99 lists the steps to enable the watchdog timer.

Table 22-99. Enable the Watchdog Timer

Step	Register/Bit Field/Programming Model	Value
Write enable sequence Data1.	WSPR	0xXXXX BBBB
Write enable sequence Data2.	WSPR	0xXXXX 4444

22.4.5 Watchdog Timer Register Manual

22.4.5.1 Watchdog Timer Instance Summary

Table 22-100 lists the base address and address space for the watchdog timer module instances.

Table 22-100. Watchdog Timer Instance Summary

Module Name	Module Base Address L4_WKUP Interconnect	Size
WD_TIMER2	0x4AE1 4000	104 Bytes

NOTE: Private access is access that does not use the L4 interconnect.

22.4.5.2 Watchdog Timer Registers

22.4.5.2.1 Watchdog Timer Register Summary

CAUTION

The watchdog timers registers are limited to 32- and 16-bit data accesses; 8-bit access is not allowed and can corrupt register content.

Table 22-101 lists the WD_TIMER2 registers.

Table 22-101. WD_TIMER2 Register Mapping Summary

Register Name	Type	Register Width (Bits)	Address Offset	WD_TIMER2 Physical Address L4_WKUP Interconnect
WIDR	R	32	0x0000 0000	0x4AE1 4000
WDSC	RW	32	0x0000 0010	0x4AE1 4010
WDST	R	32	0x0000 0014	0x4AE1 4014
WISR	RW	32	0x0000 0018	0x4AE1 4018
WIER	RW	32	0x0000 001C	0x4AE1 401C
WWER	RW	32	0x0000 0020	0x4AE1 4020
WCLR	RW	32	0x0000 0024	0x4AE1 4024
WCRR	RW	32	0x0000 0028	0x4AE1 4028
WLDR	RW	32	0x0000 002C	0x4AE1 402C
WTGR	RW	32	0x0000 0030	0x4AE1 4030
WWPS	R	32	0x0000 0034	0x4AE1 4034
WDLY	RW	32	0x0000 0044	0x4AE1 4044
WSPR	RW	32	0x0000 0048	0x4AE1 4048
WIRQEOI	RW	32	0x0000 0050	0x4AE1 4050
WIRQSTATRAW	RW	32	0x0000 0054	0x4AE1 4054
WIRQSTAT	RW	32	0x0000 0058	0x4AE1 4058
WIRQENSET	RW	32	0x0000 005C	0x4AE1 405C
WIRQENCLR	RW	32	0x0000 0060	0x4AE1 4060
WIRQWAKEEN	RW	32	0x0000 0064	0x4AE1 4064

NOTE:

- The [WISR](#) and [WIRQSTATRAW](#) registers have the same functionality. The [WISR](#) register is used for software backward compatibility.
 - The [WIER](#) and [WIRQENSET/WIRQENCLR](#) registers have the same functionality. The [WIER](#) register is used for software backward compatibility.
 - The [WWER](#) and [WIRQWAKEEN](#) registers have the same functionality. The [WWER](#) is used for software backward compatibility.
 - The [WIRQSTATRAW](#) and [WIRQSTAT](#) registers give the same information when read. The [WIRQSTATRAW](#) register is used for debug.
-

22.4.5.2.2 Watchdog Timer Register Description

Table 22-102 through Table 22-138 describe the watchdog timer registers.

Table 22-102. WIDR

Address Offset	0x0000 0000	Instance	WD_TIMER2
Physical Address	0x4AE1 4000		
Description	IP revision identifier		
Type	R		

31	30	29	28	27	26	25	24	23	22	21	20	19	18	17	16	15	14	13	12	11	10	9	8	7	6	5	4	3	2	1	0
REV																															

Bits	Field Name	Description	Type	Reset
31:0	REV	IP Revision	R	0x- ⁽¹⁾

⁽¹⁾ TI internal data.

Table 22-103. Register Call Summary for Register WIDR

Watchdog Timers

- [Accessing Watchdog Timer Registers: \[0\]](#)
- [Watchdog Timer Register Summary: \[1\]](#)

Table 22-104. WDSC

Address Offset	0x0000 0010	Instance	WD_TIMER2
Physical Address	0x4AE1 4010		
Description	This register controls the various parameters of the L4 interface.		
Type	RW		

31	30	29	28	27	26	25	24	23	22	21	20	19	18	17	16	15	14	13	12	11	10	9	8	7	6	5	4	3	2	1	0
RESERVED																EMUFREE	IDLEMODE	RESERVED	SOFTRESET	RESERVED											

Bits	Field Name	Description	Type	Reset
31:6	RESERVED	Write 0s for future compatibility. Reads return 0.	R	0x00000000
5	EMUFREE	Emulation mode 0x0: Timer counter frozen in emulation 0x1: Timer counter free-running in emulation	RW	0

Bits	Field Name	Description	Type	Reset
4:3	IDLEMODE	Configuration of the local target state management mode. By definition, target can handle read/write transaction as long as it is out of IDLE state. 0x0: Force-idle mode: local target IDLE state follows (acknowledges) the system idle requests unconditionally, that is, regardless of the IP module internal requirements. Backup mode, for debug only. 0x1: No-idle mode: local target never enters IDLE state. Backup mode, for debug only. 0x2: Smart-idle mode: local target IDLE state eventually follows (acknowledges) the system idle requests, depending on the IP module internal requirements. IP module should not generate (IRQ- or DMA-request-related) wake-up events. 0x3: Smart-idle wake-up-capable mode: local target IDLE state eventually follows (acknowledges) the system idle requests, depending on the IP module internal requirements. IP module may generate (IRQ- or DMA-request-related) wake-up events when in IDLE state. Mode is relevant only if the appropriate IP module <i>swake-up</i> output(s) is (are) implemented.	RW	0x2
2	RESERVED	Write 0s for future compatibility. Reads return 0.	R	0
1	SOFTRESET	Software reset. (Optional) Read 0x0: Reset done, no pending action Write 0x0: No action Write 0x1: Initiate software reset. Read 0x1: Reset (software or other) ongoing	RW	0
0	RESERVED	Write 0s for future compatibility. Reads return 0.	R	0

Table 22-105. Register Call Summary for Register WDSC

Watchdog Timers

- [Power Management: \[0\]](#)
- [Wake-Up Capability: \[1\]](#)
- [Watchdog Timers Under Emulation: \[2\]\[3\]](#)
- [Accessing Watchdog Timer Registers: \[4\]](#)
- [Watchdog Timer Module Global Initialization: \[5\]\[6\]\[7\]](#)
- [Watchdog Timer Register Summary: \[8\]](#)

Table 22-106. WDST

Address Offset	0x0000 0014	Instance	WD_TIMER2
Physical Address	0x4AE1 4014		
Description	This register provides status information about the module.		
Type	R		

31	30	29	28	27	26	25	24	23	22	21	20	19	18	17	16	15	14	13	12	11	10	9	8	7	6	5	4	3	2	1	0
RESERVED																RESETDONE															

Bits	Field Name	Description	Type	Reset
31:1	RESERVED	Reads return 0.	R	0x0000 0000
0	RESETDONE	Internal module reset monitoring Read 0x0: Internal module reset is ongoing. Read 0x1: Reset completed	R	1

Table 22-107. Register Call Summary for Register WDST

Watchdog Timers

- [Accessing Watchdog Timer Registers: \[0\]](#)
- [Watchdog Timer Register Summary: \[1\]](#)

Table 22-108. WISR

Address Offset	0x0000 0018	Instance	WD_TIMER2
Physical Address	0x4AE1 4018		
Description	This register shows which interrupt events are pending inside the module.		
Type	RW		

31	30	29	28	27	26	25	24	23	22	21	20	19	18	17	16	15	14	13	12	11	10	9	8	7	6	5	4	3	2	1	0
RESERVED																DLY_IT_FLAG		OVF_IT_FLAG													

Bits	Field Name	Description	Type	Reset
31:2	RESERVED	Reads return 0.	R	0x0000 0000
1	DLY_IT_FLAG	Pending delay interrupt status. Read 0x0: No delay interrupt pending Write 0x0: Status unchanged Write 0x1: Status bit cleared Read 0x1: Delay interrupt pending	RW W1toClr	0
0	OVF_IT_FLAG	Pending overflow interrupt status. Read 0x0: No overflow interrupt pending Write 0x0: Status unchanged Write 0x1: Status bit cleared Read 0x1: Overflow interrupt pending	RW W1toClr	0

Table 22-109. Register Call Summary for Register WISR

Watchdog Timers

- [Watchdog Timer Interrupt Generation: \[0\]\[1\]\[2\]\[3\]\[4\]\[5\]\[6\]\[7\]\[8\]](#)
- [Accessing Watchdog Timer Registers: \[9\]](#)
- [Watchdog Timer Register Summary: \[10\]\[11\]\[12\]](#)

Table 22-110. WIER

Address Offset	0x0000 001C	Instance	WD_TIMER2
Physical Address	0x4AE1 401C		
Description	This register controls (enable/disable) the interrupt events.		
Type	RW		

31	30	29	28	27	26	25	24	23	22	21	20	19	18	17	16	15	14	13	12	11	10	9	8	7	6	5	4	3	2	1	0
RESERVED																DLY_IT_ENA		OVF_IT_ENA													

Bits	Field Name	Description	Type	Reset
31:2	RESERVED	Reads return 0.	R	0x0000 0000
1	DLY_IT_ENA	Delay interrupt enable/disable 0x0: Disable delay interrupt. 0x1: Enable delay interrupt.	RW	0
0	OVF_IT_ENA	Overflow interrupt enable/disable 0x0: Disable overflow interrupt. 0x1: Enable overflow interrupt.	RW	0

Table 22-111. Register Call Summary for Register WIER

Watchdog Timers

- [Watchdog Timer Interrupt Generation: \[0\]\[1\]\[2\]\[3\]\[4\]](#)
- [Accessing Watchdog Timer Registers: \[5\]](#)
- [Watchdog Timer Register Summary: \[6\]\[7\]\[8\]](#)

Table 22-112. WWER

Address Offset	0x0000 0020	Instance	WD_TIMER2
Physical Address	0x4AE1 4020		
Description	This register controls (enable/disable) the wake-up events.		
Type	RW		

31	30	29	28	27	26	25	24	23	22	21	20	19	18	17	16	15	14	13	12	11	10	9	8	7	6	5	4	3	2	1	0
RESERVED																DLY_WK_ENA		OVF_WK_ENA													

Bits	Field Name	Description	Type	Reset
31:2	RESERVED	Write 0s for future compatibility. Reads return 0.	R	0x0000 0000
1	DLY_WK_ENA	Delay wake-up enable 0x0: Disable delay wakeup. 0x1: Enable delay wakeup.	RW	0
0	OVF_WK_ENA	Overflow wake-up enable 0x0: Disable overflow wakeup. 0x1: Enable overflow wakeup.	RW	0

Table 22-113. Register Call Summary for Register WWER

Watchdog Timers

- [Accessing Watchdog Timer Registers: \[0\]](#)
- [Watchdog Timer Register Summary: \[1\]\[2\]\[3\]](#)

Table 22-114. WCLR

Address Offset	0x0000 0024	Instance	WD_TIMER2
Physical Address	0x4AE1 4024		
Description	This register controls the prescaler stage of the counter.		
Type	RW		

31	30	29	28	27	26	25	24	23	22	21	20	19	18	17	16	15	14	13	12	11	10	9	8	7	6	5	4	3	2	1	0
RESERVED																PRE		PTV			RESERVED										

Bits	Field Name	Description	Type	Reset
31:6	RESERVED	Reads return 0.	R	0x0000000
5	PRE	Prescaler enable/disable configuration 0x0: Prescaler disabled 0x1: Prescaler enabled	RW	1
4:2	PTV	Prescaler value The timer counter is prescaled with the value: 2^{PTV} . Example: PTV = 3 -> counter increases value if started after 8 functional clock periods. On reset, it is loaded from PI_PTV_RESET_VALUE input port.	RW	0x0
1:0	RESERVED	Write 0s for future compatibility. Reads return 0.	R	0x0

Table 22-115. Register Call Summary for Register WCLR

Watchdog Timers

- [General Watchdog Timer Operation: \[0\]\[1\]\[2\]](#)
- [Reset Context: \[3\]\[4\]](#)
- [Prescaler Value/Timer Reset Frequency: \[5\]\[6\]\[7\]\[8\]\[9\]\[10\]](#)
- [Modifying Timer Count/Load Values and Prescaler Setting: \[11\]](#)
- [Accessing Watchdog Timer Registers: \[12\]](#)
- [Watchdog Timer Basic Configuration: \[13\]\[14\]](#)
- [Watchdog Timer Register Summary: \[15\]](#)
- [Watchdog Timer Register Description: \[16\]](#)

Table 22-116. WCRR

Address Offset	0x0000 0028	Instance	WD_TIMER2
Physical Address	0x4AE1 4028		
Description	This register holds the value of the internal counter.		
Type	RW		

31	30	29	28	27	26	25	24	23	22	21	20	19	18	17	16	15	14	13	12	11	10	9	8	7	6	5	4	3	2	1	0
TIMER_COUNTER																															

Bits	Field Name	Description	Type	Reset
31:0	TIMER_COUNTER	Value of the timer counter register	RW	0x0000 0000

Table 22-117. Register Call Summary for Register WCRR

Watchdog Timers

- [General Watchdog Timer Operation: \[0\]](#)
- [Overflow/Reset Generation: \[1\]](#)
- [Modifying Timer Count/Load Values and Prescaler Setting: \[2\]](#)
- [Watchdog Counter Register Access Restriction \(WCRR\): \[3\]\[4\]\[5\]\[6\]](#)
- [Watchdog Timer Interrupt Generation: \[7\]](#)
- [Accessing Watchdog Timer Registers: \[8\]](#)
- [Watchdog Timer Basic Configuration: \[9\]](#)
- [Watchdog Timer Register Summary: \[10\]](#)
- [Watchdog Timer Register Description: \[11\]](#)

Table 22-118. WLDR

Address Offset	0x0000 002C	Instance	WD_TIMER2
Physical Address	0x4AE1 402C		
Description	This register holds the timer load value.		
Type	RW		

31	30	29	28	27	26	25	24	23	22	21	20	19	18	17	16	15	14	13	12	11	10	9	8	7	6	5	4	3	2	1	0
TIMER_LOAD																															

Bits	Field Name	Description	Type	Reset
31:0	TIMER_LOAD	Value of the timer load register	RW	0x0000 0000

Table 22-119. Register Call Summary for Register WLDR

Watchdog Timers

- [General Watchdog Timer Operation: \[0\]](#)
- [Reset Context: \[1\]\[2\]](#)
- [Overflow/Reset Generation: \[3\]](#)
- [Prescaler Value/Timer Reset Frequency: \[4\]\[5\]\[6\]\[7\]\[8\]\[9\]\[10\]](#)
- [Triggering a Timer Reload: \[11\]](#)
- [Modifying Timer Count/Load Values and Prescaler Setting: \[12\]](#)
- [Watchdog Timer Interrupt Generation: \[13\]\[14\]\[15\]](#)
- [Accessing Watchdog Timer Registers: \[16\]](#)
- [Watchdog Timer Register Summary: \[17\]](#)
- [Watchdog Timer Register Description: \[18\]](#)

Table 22-120. WTGR

Address Offset	0x0000 0030	Instance	WD_TIMER2
Physical Address	0x4AE1 4030		
Description	Writing a different value than the one already written in this register does a watchdog counter reload.		
Type	RW		

31	30	29	28	27	26	25	24	23	22	21	20	19	18	17	16	15	14	13	12	11	10	9	8	7	6	5	4	3	2	1	0
TTGR_VALUE																															

Bits	Field Name	Description	Type	Reset
31:0	TTGR_VALUE	Value of the trigger register	RW	0x0000 0000

Table 22-121. Register Call Summary for Register WTGR

Watchdog Timers

- [General Watchdog Timer Operation: \[0\]](#)
- [Triggering a Timer Reload: \[1\]\[2\]](#)
- [Modifying Timer Count/Load Values and Prescaler Setting: \[3\]](#)
- [Accessing Watchdog Timer Registers: \[4\]](#)
- [Watchdog Timer Register Summary: \[5\]](#)
- [Watchdog Timer Register Description: \[6\]](#)

Table 22-122. WWPS

Address Offset	0x0000 0034	Instance	WD_TIMER2
Physical Address	0x4AE1 4034		
Description	This register contains the write posting bits for all writeable functional registers.		
Type	R		

31	30	29	28	27	26	25	24	23	22	21	20	19	18	17	16	15	14	13	12	11	10	9	8	7	6	5	4	3	2	1	0
RESERVED																								W_PEND_WDLY	W_PEND_WSPR	W_PEND_WTGR	W_PEND_WLDR	W_PEND_WCRR	W_PEND_WCLR		

Bits	Field Name	Description	Type	Reset
31:6	RESERVED	Write 0s for future compatibility. Reads return 0.	R	0x00000000
5	W_PEND_WDLY	Write pending for register WDLY Read 0x0: No register write pending Read 0x1: Register write pending	R	0
4	W_PEND_WSPR	Write pending for register WSPR Read 0x0: No register write pending Read 0x1: Register write pending	R	0
3	W_PEND_WTGR	Write pending for register WTGR Read 0x0: No register write pending Read 0x1: Register write pending	R	0
2	W_PEND_WLDR	Write pending for register WLDR Read 0x0: No register write pending Read 0x1: Register write pending	R	0
1	W_PEND_WCRR	Write pending for register WCRR Read 0x0: No register write pending Read 0x1: Register write pending	R	0
0	W_PEND_WCLR	Write pending for register WCLR Read 0x0: No register write pending Read 0x1: Register write pending	R	0

Table 22-123. Register Call Summary for Register WWPS

- Watchdog Timers
- [Accessing Watchdog Timer Registers: \[0\]](#)
 - [Watchdog Timer Register Summary: \[1\]](#)

Table 22-124. WDLY

Address Offset	0x0000 0044	Instance	WD_TIMER2
Physical Address	0x4AE1 4044		
Description	This register holds the delay value that controls the internal pre-overflow event detection.		
Type	RW		

31	30	29	28	27	26	25	24	23	22	21	20	19	18	17	16	15	14	13	12	11	10	9	8	7	6	5	4	3	2	1	0
WDLY_VALUE																															

Bits	Field Name	Description	Type	Reset
31:0	WDLY_VALUE	Value of the delay register	RW	0x0000 0000

Table 22-125. Register Call Summary for Register WDLY

- Watchdog Timers
- [Modifying Timer Count/Load Values and Prescaler Setting: \[0\]](#)
 - [Watchdog Timer Interrupt Generation: \[1\]\[2\]\[3\]\[4\]\[5\]\[6\]\[7\]\[8\]](#)
 - [Accessing Watchdog Timer Registers: \[9\]](#)
 - [Watchdog Timer Basic Configuration: \[10\]](#)
 - [Watchdog Timer Register Summary: \[11\]](#)
 - [Watchdog Timer Register Description: \[12\]](#)

Table 22-126. WSPR

Address Offset	0x0000 0048	Instance	WD_TIMER2
Physical Address	0x4AE1 4048		
Description	This register holds the start-stop value that controls the internal start-stop FSM.		
Type	RW		

31	30	29	28	27	26	25	24	23	22	21	20	19	18	17	16	15	14	13	12	11	10	9	8	7	6	5	4	3	2	1	0
WSPR_VALUE																															

Bits	Field Name	Description	Type	Reset
31:0	WSPR_VALUE	Value of the start-stop register	RW	0x0000 0000

Table 22-127. Register Call Summary for Register WSPR

- Watchdog Timers
- [General Watchdog Timer Operation: \[0\]](#)
 - [Prescaler Value/Timer Reset Frequency: \[1\]\[2\]](#)
 - [Start/Stop Sequence for Watchdog Timers \(Using the WSPR Register\): \[3\]\[4\]\[5\]\[6\]\[7\]\[8\]](#)
 - [Modifying Timer Count/Load Values and Prescaler Setting: \[9\]](#)
 - [Accessing Watchdog Timer Registers: \[10\]](#)
 - [Watchdog Timer Basic Configuration: \[11\]\[12\]\[13\]\[14\]](#)
 - [Watchdog Timer Register Summary: \[15\]](#)
 - [Watchdog Timer Register Description: \[16\]](#)

Table 22-128. WIRQEOI

Address Offset	0x0000 0050	Instance	WD_TIMER2
Physical Address	0x4AE1 4050		
Description	Software End Of Interrupt		
Type	RW		

31	30	29	28	27	26	25	24	23	22	21	20	19	18	17	16	15	14	13	12	11	10	9	8	7	6	5	4	3	2	1	0
RESERVED																LINE_NUMBER															

Bits	Field Name	Description	Type	Reset
31:1	RESERVED	Write 0's for future compatibility. Reads return 0.	R	0x0
0	LINE_NUMBER	EOI for interrupt output line Reads always 0 (no EOI memory)	RW	0x0

Table 22-129. Register Call Summary for Register WIRQEOI

Watchdog Timers

- [Watchdog Timer Register Summary: \[0\]](#)

Table 22-130. WIRQSTATRAW

Address Offset	0x0000 0054	Instance	WD_TIMER2
Physical Address	0x4AE1 4054		
Description	IRQ unmasked status, status set per-event raw interrupt status vector, line 0. Raw status is set even if event is not enabled. Write 1 to set the (raw) status, mostly for debug.		
Type	RW		

31	30	29	28	27	26	25	24	23	22	21	20	19	18	17	16	15	14	13	12	11	10	9	8	7	6	5	4	3	2	1	0
RESERVED																EVENT_DLY	EVENT_OVF														

Bits	Field Name	Description	Type	Reset
31:2	RESERVED	Write 0s for future compatibility. Reads return 0.	R	0x0000 0000
1	EVENT_DLY	Settable raw status for delay event Read 0x0: No event pending Write 0x0: No action Write 0x1: Set event (debug) Read 0x1: Event pending	RW W1toSet	0
0	EVENT_OVF	Settable raw status for overflow event Read 0x0: No event pending Write 0x0: No action Write 0x1: Set event (debug) Read 0x1: Event pending	RW W1toSet	0

Table 22-131. Register Call Summary for Register WIRQSTATRAW

Watchdog Timers

- [Watchdog Timer Register Summary: \[0\]\[1\]\[2\]\[3\]](#)

Table 22-132. WIRQSTAT

Address Offset	0x0000 0058	Instance	WD_TIMER2
Physical Address	0x4AE1 4058		
Description	IRQ masked status, status clear per-event enabled interrupt status vector, line 0. Enabled status is not set unless event is enabled. Write 1 to clear the status after interrupt has been serviced (raw status gets cleared, that is, even if not enabled).		
Type	RW		

31	30	29	28	27	26	25	24	23	22	21	20	19	18	17	16	15	14	13	12	11	10	9	8	7	6	5	4	3	2	1	0
RESERVED																EVENT_DLY		EVENT_OVF													

Bits	Field Name	Description	Type	Reset
31:2	RESERVED	Write 0s for future compatibility. Reads return 0.	R	0x0000 0000
1	EVENT_DLY	Clearable, enabled status for delay event Read 0x0: No (enabled) event pending Write 0x0: No action Write 0x1: Clear (raw) event Read 0x1: Event pending	RW W1toClr	0
0	EVENT_OVF	Clearable, enabled status for overflow event Read 0x0: No (enabled) event pending Write 0x0: No action Write 0x1: Clear (raw) event Read 0x1: Event pending	RW W1toClr	0

Table 22-133. Register Call Summary for Register WIRQSTAT

Watchdog Timers

- [Interrupts: \[0\]\[1\]](#)
- [General Watchdog Timer Operation: \[2\]](#)
- [Watchdog Timer Interrupt Generation: \[3\]](#)
- [Watchdog Timer Register Summary: \[4\]\[5\]](#)

Table 22-134. WIRQENSET

Address Offset	0x0000 005C	Instance	WD_TIMER2
Physical Address	0x4AE1 405C		
Description	IRQ enable set per-event interrupt enable bit vector, line 0. Write 1 to set (enable interrupt). Readout equal to corresponding _CLR register.		
Type	RW		

31	30	29	28	27	26	25	24	23	22	21	20	19	18	17	16	15	14	13	12	11	10	9	8	7	6	5	4	3	2	1	0
RESERVED																ENABLE_DLY		ENABLE_OVF													

Bits	Field Name	Description	Type	Reset
31:2	RESERVED	Write 0s for future compatibility. Reads return 0.	R	0x0000 0000
1	ENABLE_DLY	Enable for delay event Read 0x0: Interrupt disabled (masked) Write 0x0: No action Write 0x1: Enable interrupt. Read 0x1: Interrupt enabled	RW W1toSet	0
0	ENABLE_OVF	Enable for overflow event Read 0x0: Interrupt disabled (masked) Write 0x0: No action Write 0x1: Enable interrupt. Read 0x1: Interrupt enabled	RW W1toSet	0

Table 22-135. Register Call Summary for Register WIRQENSET

Watchdog Timers

- [Interrupts: \[0\]\[1\]](#)
- [General Watchdog Timer Operation: \[2\]](#)
- [Watchdog Timer Interrupt Generation: \[3\]](#)
- [Watchdog Timer Module Global Initialization: \[4\]\[5\]](#)
- [Watchdog Timer Register Summary: \[6\]\[7\]](#)

Table 22-136. WIRQENCLR

Address Offset	0x0000 0060	Instance	WD_TIMER2
Physical Address	0x4AE1 4060		
Description	IRQ enable clear per-event interrupt enable bit vector, line 0. Write 1 to clear (disable interrupt). Readout equal to corresponding _SET register.		
Type	RW		

31	30	29	28	27	26	25	24	23	22	21	20	19	18	17	16	15	14	13	12	11	10	9	8	7	6	5	4	3	2	1	0
RESERVED																ENABLE_DLY		ENABLE_OVF													

Bits	Field Name	Description	Type	Reset
31:2	RESERVED	Write 0s for future compatibility. Reads return 0.	R	0x0000 0000
1	ENABLE_DLY	Enable for delay event Read 0x0: Interrupt disabled (masked) Write 0x0: No action Write 0x1: Disable interrupt. Read 0x1: Interrupt enabled	RW W1toClr	0
0	ENABLE_OVF	Enable for overflow event Read 0x0: Interrupt disabled (masked) Write 0x0: No action Write 0x1: Disable interrupt. Read 0x1: Interrupt enabled	RW W1toClr	0

Table 22-137. Register Call Summary for Register WIRQENCLR

Watchdog Timers

- [Interrupts: \[0\]\[1\]](#)
- [General Watchdog Timer Operation: \[2\]](#)
- [Watchdog Timer Register Summary: \[3\]\[4\]](#)

Table 22-138. WIRQWAKEEN

Address Offset	0x0000 0064	Instance	WD_TIMER2
Physical Address	0x4AE1 4064		
Description	This register controls (enable/disable) the wake-up events.		
Type	RW		

31	30	29	28	27	26	25	24	23	22	21	20	19	18	17	16	15	14	13	12	11	10	9	8	7	6	5	4	3	2	1	0
RESERVED																DLY_WK_ENA		OVF_WK_ENA													

Bits	Field Name	Description	Type	Reset
31:2	RESERVED	Write 0s for future compatibility. Reads return 0.	R	0x0000 0000
1	DLY_WK_ENA	Enable delay wake-up 0x0: Disable delay wakeup 0x1: Enable delay wakeup	RW	0
0	OVF_WK_ENA	Enable overflow wakeup 0x0: Disable overflow wakeup 0x1: Enable overflow wakeup	RW	0

Table 22-139. Register Call Summary for Register WIRQWAKEEN

Watchdog Timers

- [Power Management: \[0\]](#)
- [Wake-Up Capability: \[1\]\[2\]](#)
- [Watchdog Timer Module Global Initialization: \[3\]\[4\]](#)
- [Watchdog Timer Register Summary: \[5\]\[6\]](#)

Real-Time Clock (RTC)

This chapter provides a functional presentation of the Real-Time Clock (RTC) module.

Topic	Page
23.1 RTC Overview.....	5536
23.2 RTC Environment.....	5538
23.3 RTC Integration	5539
23.4 RTC Functional Description	5541
23.5 RTC Low-Level Programming Guide	5549
23.6 RTC Register Manual.....	5550

- External 32-kHz clock
- Isolated RTC voltage domain which remains powered during standby (RTC) mode while the rest of chip supplies are turned off
- RTC voltage domain has 3 × 32-bit read/write scratch registers retained in RTC modes
- RTC supports two wakeup input pins:
 - Each input has a filter to detect high or low transition with pulse duration.
 - Each pin has the following controls retained in standby mode and modified and read by control module in ON mode.
 - Enable bit (decides if the pin causes wakeup or not)
 - Edge sensitivity (rising, falling, or both causing wakeup)
 - Wake-up flag (sticky bits indicating wake-up source)
 - Allow paths for optional input to GPIO if not used for wakeup.
- PMIC enable output pin to indicate external switched MAIN domain supplies to turn on or off based on wakeup state

23.2 RTC Environment

NOTE: RTC is not supported on the AM570x family of devices.

23.2.1 RTC External Interface

The RTC is connected to two external system wake-up signals. The RTC also can operate on external 32-kHz clock and has dedicated power-on reset pin. An external control of the RTC isolation cells is available to isolate RTC from other power domains when the PD_RTC is the only powered domain.

The RTC module can be configured to produce a power-up/down control signal for the power-management chip (PMIC, if present).

Table 23-1 summarizes the external signals received and produced by the RTC module.

Table 23-1. RTC External Signals

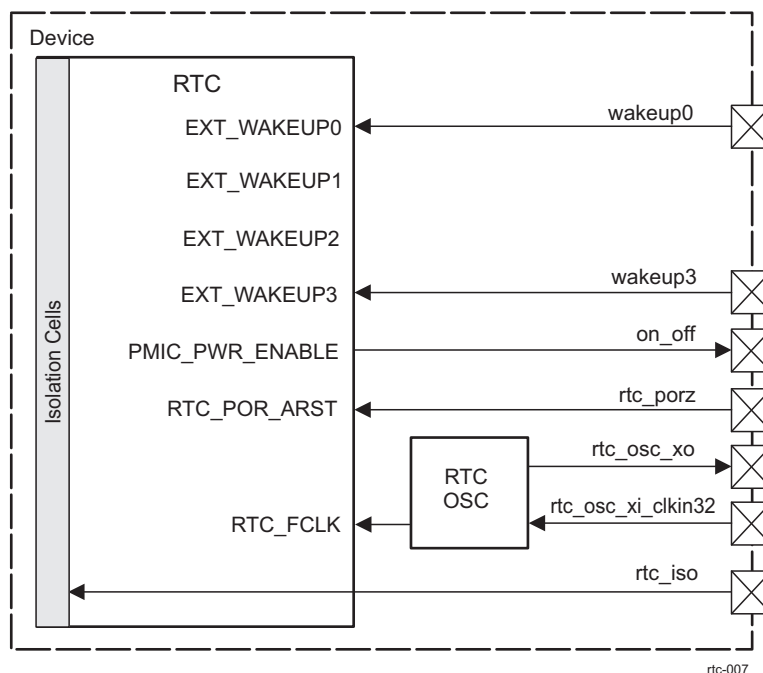
Device-Level Pin	Module-Level Signal	I/O	Description
rtc_osc_xi_clkin32	RTC_32K_CLK	I	RTC clock input
rtc_osc_xo	— ⁽¹⁾	O	32k oscillator crystal driver output. Unused if clock is provided from external source (crystal not connected)
wakeup0	EXT_WAKEUP0	I	External wake-up signal
wakeup3	EXT_WAKEUP3	I	External wake-up signal
on_off	PMIC_PWR_ENABLE	O	Companion PMIC control output (on/off) (optional)
rtc_porz	RTC_POR_ARST	I	External power-on-reset input (optional)
rtc_iso	— ⁽²⁾	I	External control of isolation cells. This signal must be kept low (0) during RTC mode and high (1) after the device power supplies ramped-up. This can typically be achieved by connecting rtc_iso to the porz (not rtc_porz) with appropriate voltage level translation if necessary.

⁽¹⁾ Not a RTC module's signal. Crystal driver output from oscillator.

⁽²⁾ Not a RTC module's signal. Controls isolation cells.

Figure 23-2 shows the described signals.

Figure 23-2. RTC External Signals



23.3 RTC Integration

NOTE: RTC is not supported on the AM570x family of devices.

Figure 23-3 shows the integration of the Real-time clock subsystem inside the device.

Figure 23-3. RTC Module Integration

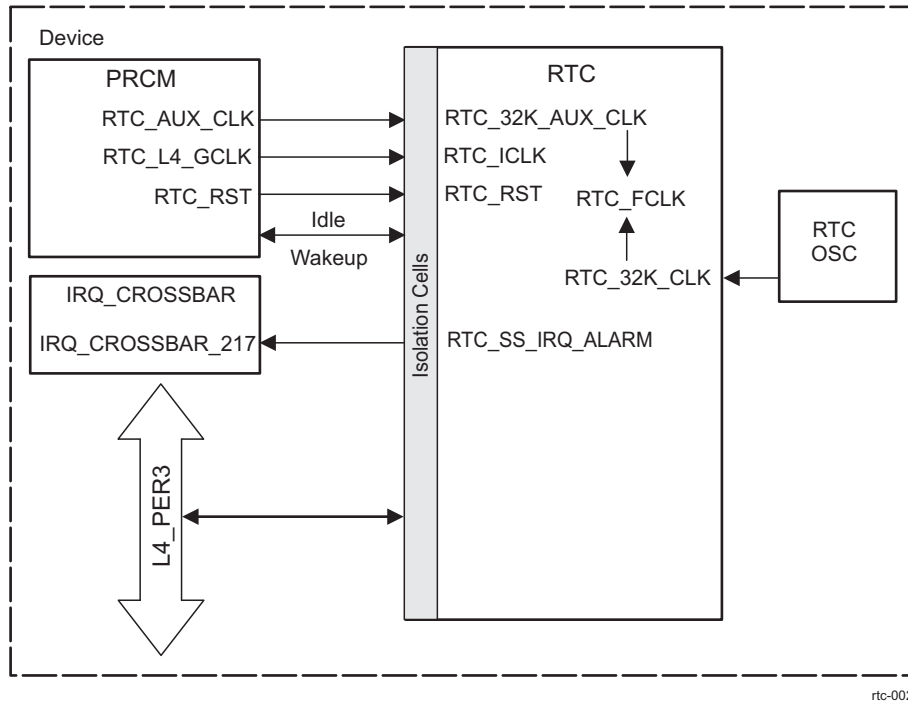


Table 23-2. RTC Integration Attributes

Module Instance	Attributes		
	Power Domain	Wake-Up Capability	Interconnect
RTC	PD_RTC	Yes	L4_PER3

Table 23-3. RTC Clocks and Resets

Clocks				
Module Instance	Destination Signal Name	Source Signal Name	Source	Description
RTC	RTC_32K_AUX_CLK	RTC_AUX_CLK	PRCM	RTC functional clock from PRCM
	RTC_32K_CLK	rtc_osc_xi	32k RTC Osc	RTC functional clock from oscillator/pin
	RTC_ICLK	RTC_L4_GICLK	PRCM	RTC interface clock
Resets				
Module Instance	Destination Signal Name	Source Signal Name	Source	Description
RTC	RTC_RST	RTC_RST	PRCM	Real-time clock subsystem PRCM reset signal

Table 23-4. RTC Hardware Requests

Interrupt Requests				
Module Instance	Source Signal Name	IRQ_CROSSBAR	Default Mapping	Description
RTC	RTC_SS_IRQ_ALA RM	IRQ_CROSSBAR_217	-	Alarm interrupt going to device IRQ_CROSSBAR.

No DMA Requests

NOTE: The **Default Mapping** column in [Table 23-4, RTC Hardware Requests](#) shows the default mapping of module IRQ source signals. These IRQ source signals can also be mapped to other inputs of each device Interrupt controller through the IRQ_CROSSBAR module. For more information about the IRQ_CROSSBAR module, see [Section 18.4.6.4, IRQ_CROSSBAR Module Functional Description](#), in [Chapter 18, Control Module](#). For more information about the device interrupt controllers, see [Chapter 17, Interrupt Controllers](#).

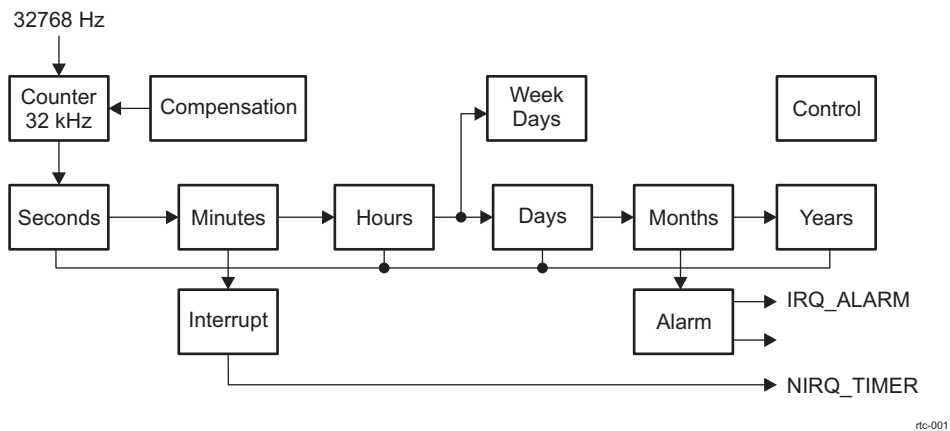
23.4 RTC Functional Description

NOTE: RTC is not supported on the AM570x family of devices.

This section defines the module interrupt capabilities and requirements.

Figure 23-4 shows the functional block diagram of the RTC module.

Figure 23-4. RTC Functional Block Diagram



23.4.1 Clock Source

The clock reference for the RTC is an internal 32-kHz clock signal (RTC_AUX_CLK from PRCM) or an external clock source of the 32.768 Hz frequency on the RTC_32K_CLK pin.

The RTC_DISABLE bit in the control register (RTC_CTRL_REG) can be set to save power; however, the RTC_DISABLE bit is not to be cleared once it has been set. If the application requires the RTC module to stop and continue, the STOP_RTC bit in RTC_CTRL_REG is used instead.

The selection between external and internal clock is done through the RTC_OSC_REG register. Setting the RTC_OSC_REG[3] K32CLK_SEL = 1 selects the 32-kHz external/oscillator clock (RTC_32K_CLK), setting it to 0 selects the PRCM clock (RTC_AUX_CLK). RTC_OSC_REG[2] RES_SELECT enables the internal feedback resistor. By modifying the RTC_OSC_REG[4] OSC32K_GZ bit, software enables or disables the 32-kHz oscillator.

If the RTC module or RTC oscillator is not used, the rtc_osc_xi_clkin32 device pin should be held low and rtc_osc_xo should be left unconnected. For more information about rtc pin connection if RTC is not used in the design, see the device-specific data manual.

23.4.2 Interrupt Support

23.4.2.1 CPU Interrupts

The RTC generates two interrupt outputs:

- timer_intr is a timer interrupt.
- alarm_intr is an alarm interrupt.

These two interrupts are OR-ed inside the RTC subsystem and a single interrupt (RTC_SS_IRQ_ALARM) is passed to the IRQ_CROSSBAR module.

NOTE: Both interrupt outputs support high-level and high-pulse.

23.4.2.2 Interrupt Description

23.4.2.2.1 Timer Interrupt (*timer_intr*)

The timer interrupt can be generated periodically: every second, every minute, every hour, or every day (see [RTC_INTERRUPTS_REG\[1:0\]](#) for a description of how to set this up). The `IT_TIMER` bit of [RTC_INTERRUPTS_REG](#) enables this interrupt. The timer interrupt is active-low.

The [RTC_STATUS_REG](#) bits are only updated at each new interrupt and occur according to [Table 23-5](#). For example, bit 2 (SEC) is set every time one second has passed. Bit 2 is also set when 1 minute has passed, because the completion of 1 minute also marks the completion of 1 second (from 59 seconds to 60 seconds). The same holds true for hours and days: each of them also corresponds to the passing of a second.

Conversely, bit 5 (DAY) is always set when a day has passed. It might also be set when an hour, minute, or second has passed. However, this only occurs when the elapsed hour, minute, or second corresponds to the start of a new day.

Table 23-5. Interrupt Trigger Events

STATUS_REG Bit	One Day Has Passed	One Hour Has Passed	One Minute Has Passed	One Second Has Passed
[5] (DAY)	1	0/1 ⁽¹⁾	0/1 ⁽¹⁾	0/1 ⁽¹⁾
[4] (HOUR)	1	1	0/1 ⁽¹⁾	0/1 ⁽¹⁾
[3] (MIN)	1	1	1	0/1 ⁽¹⁾
[2] (SEC)	1	1	1	1

⁽¹⁾ This event is triggered only when the elapsed time unit (for example, Day) corresponds to the passage of another unit (for example, Seconds). For example, when the clock ticks from 00:23:59:59 (days : hours : minutes : seconds) to 01:00:00:00.

23.4.2.2.2 Alarm Interrupt (*alarm_intr*)

The alarm interrupt can be generated when the time set into the Timer/Calendar (TC) ALARM registers (see [Section 23.4.3.2](#)) is exactly the same as in the TC registers. This interrupt is then generated, if the `IT_ALARM` bit in the interrupt register ([RTC_INTERRUPTS_REG](#)) is set. This interrupt is low-level sensitive. The [RTC_STATUS_REG\[6\]](#) ALARM bit indicates that alarm interrupt has occurred. This interrupt is disabled by setting the [RTC_STATUS_REG\[6\]](#) ALARM bit to 1.

To set up an alarm:

- Modify the [RTC_ALARM_SECONDS_REG](#), [RTC_ALARM_MINUTES_REG](#), [RTC_ALARM_HOURS_REG](#), [RTC_ALARM_DAYS_REG](#), [RTC_ALARM_MONTHS_REG](#), and [RTC_ALARM_YEARS_REG](#) registers to the exact time an alarm is to be generated.
- Set the `IT_ALARM` bit in [RTC_INTERRUPTS_REG](#) to enable the alarm interrupt.

When the [RTC_PMIC_REG\[3:0\]](#) `EXT_WAKEUP_EN` and [RTC_PMIC_REG\[16\]](#) `PWR_ENABLE_EN` bits are set to 0x1, the `PMIC_PWR_ENABLE` is controlled by [EXT_WAKEUP\[3:0\]](#) ALARM and ALARM2.

The ALARM2 is set by writing the exact time and date to generate an alarm in [RTC_ALARM2_SECONDS_REG](#), [RTC_ALARM2_MINUTES_REG](#), [RTC_ALARM2_HOURS_REG](#), [RTC_ALARM2_DAYS_REG](#), [RTC_ALARM2_MONTHS_REG](#), and [RTC_ALARM2_YEARS_REG](#) registers.

23.4.3 RTC Programming/Usage Guide

23.4.3.1 Time/Calendar Data Format

The time and calendar data in the RTC is stored in BCD format. In BCD format, the decimal numbers 0 through 9 are encoded with their binary equivalent. Four bits are assigned to each BCD digit in most time/calendar registers; however, some of the register fields are shorter, because the range of valid numbers may be limited. For example, only three bits are required to represent the day of the week ([RTC_WEEKS_REG](#)), because only BCD numbers 1 through 7 are required. The following time and calendar registers are supported (BCD Format):

- [RTC_SECONDS_REG](#) — Second Count (00–59)
- [RTC_MINUTES_REG](#) — Minute Count (00–59)
- [RTC_HOURS_REG](#) — Hour Count (12HR: 01–12; 24HR: 00–23)
- [RTC_DAYS_REG](#) — Day of the Month Count (01–31)
- [RTC_WEEKS_REG](#) — Day of the Week (0–6: SUN = 0)
- [RTC_MONTHS_REG](#) — Month Count (01–12; JAN = 1)
- [RTC_YEARS_REG](#) — Year Count (00–99)

23.4.3.2 Register Access

The three register types are as follows and each has its own access constraints:

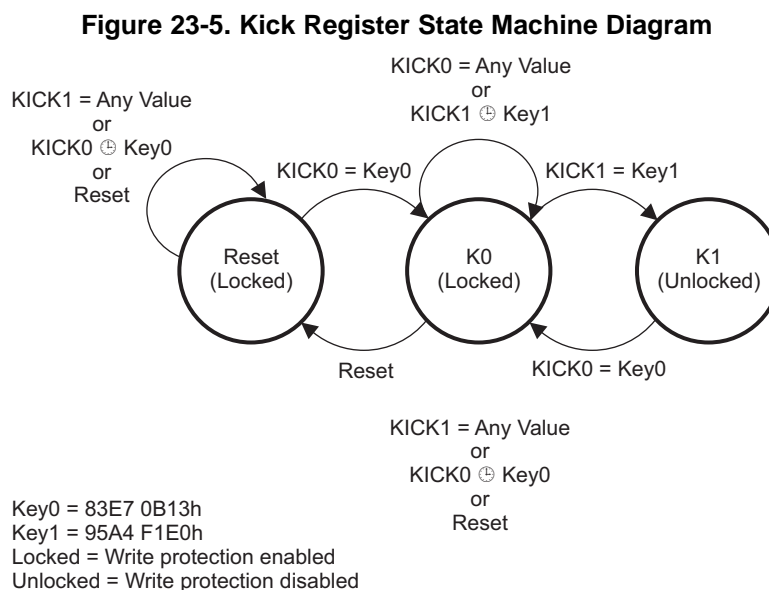
- TC registers and TC alarm registers
 - TC registers (see [Section 23.4.3.1](#))
 - TC alarm registers:
 - [RTC_ALARM_SECONDS_REG](#)
 - [RTC_ALARM_MINUTES_REG](#)
 - [RTC_ALARM_HOURS_REG](#)
 - [RTC_ALARM_DAYS_REG](#)
 - [RTC_ALARM_MONTHS_REG](#)
 - [RTC_ALARM_YEARS_REG](#)
 - [RTC_ALARM2_SECONDS_REG](#)
 - [RTC_ALARM2_MINUTES_REG](#)
 - [RTC_ALARM2_HOURS_REG](#)
 - [RTC_ALARM2_DAYS_REG](#)
 - [RTC_ALARM2_MONTHS_REG](#)
 - [RTC_ALARM2_YEARS_REG](#)
- General registers:
 - [RTC_CTRL_REG](#)
 - [RTC_STATUS_REG](#)
 - [RTC_INTERRUPTS_REG](#)
 - [RTC_SCRATCH0_REG](#)
 - [RTC_SCRATCH1_REG](#)
 - [RTC_SCRATCH2_REG](#)
 - [RTC_KICK0_REG](#)
 - [RTC_KICK1_REG](#)
 - [RTC_REVISION_REG](#)
 - [RTC_SYSCONFIG_REG](#)
 - [RTC_IRQWAKEEN](#)
 - [RTC_PMIC_REG](#)

- [RTC_RTL_DEBOUNCE_REG](#)
- [RTC_OSC_REG](#)
- Compensation registers:
 - [RTC_COMP_LSB_REG](#)
 - [RTC_COMP_MSB_REG](#)

23.4.3.3 Register Spurious Write Protection

The module also contains a kicker mechanism (see [Figure 23-5](#)) to prevent any spurious writes from changing the register values.

NOTE: This mechanism requires two register writes to the KICK0 and KICK1 registers with exact data values before the kicker lock mechanism is released. Once released, the registers are writeable. The KICK0 data is 83E7 0B13h; the KICK1 data is 95A4 F1E0h. The mechanism remains in an unlocked state until a reset or invalid data pattern is written to one of the [RTC_KICK0_REG](#) or [RTC_KICK1_REG](#) registers.



- S0 is the Reset/Idle state
- S1 is an write cycle of 83E7 0B13h at KICK0 completed state
- S2 is the UNLOCK register WRT state
- S0 → S1 when write cycle of 83E7 0B13h at KICK0
- S1 → S2 when write cycle of 95A4 F1E0h at KICK1
- S1 → S0 when reset event
- S2 → S0 when reset event or write cycle of NOT 83E7 0B13h at KICK0 or write cycle at KICK1
- S2 → S1 when write cycle of 83E7 0B13h at KICK0

23.4.3.4 Reading the Timer/Calendar (TC) Registers

The TC registers have a read-show register. The reading of the SECONDS register updates all TC registers. For example, the Year is updated only on a reading of the SECONDS register. The TC registers are updated every second as the time changes. During a read of the SECONDS register, the RTC copies the current values of the time/date registers into shadow read registers. This isolation assures that the CPU can capture all the time/date values when the SECONDS read request occurs and is not subject to changing register values from time updates.

If desired, the RTC also provides a one-time-triggered minute-rounding feature to round the MINUTE:SECOND registers to the nearest minute (with zero seconds). This feature is enabled by setting the ROUND_30S bit in the control register ([RTC_CTRL_REG](#)). The RTC automatically rounds the time values to the nearest minute the next time the SECONDS register is read.

NOTE: Software should always read the SECONDS register first. However, software does not have to poll any status bit to determine when to read the TC registers. [Table 23-6](#) defines the TC set that gets shadowed.

Table 23-6. RTC Register Names and Values

Time Unit	Range	Remarks
Year	00 to 99	
Month	01 to 12	
Day	01 to 31	Months 1, 3, 5, 7, 8, 10, 12
	01 to 30	Months 4, 6, 9, 11
	01 to 29	Month 2 (leap year)
	01 to 28	Month 2 (common year)
Week	00 to 06	Day of week
Hour	00 to 23	24-hour mode
	01 to 12	AM/PM mode
Minute	00 to 59	
Seconds	00 to 59	

23.4.3.4.1 Rounding Seconds

Time can be rounded to the closest minute, by setting the ROUND_30S bit of the control register ([RTC_CTRL_REG](#)). When this bit is set, TC values are set to the closest minute value at the next second. The ROUND_30S bit is automatically cleared when rounding time is performed.

Example:

- If current time is 10H59M45S, round operation changes time to 11H00M00S.
- If current time is 10H59M29S, round operation changes time to 10H59M00S.

23.4.3.5 Modifying the TC Registers

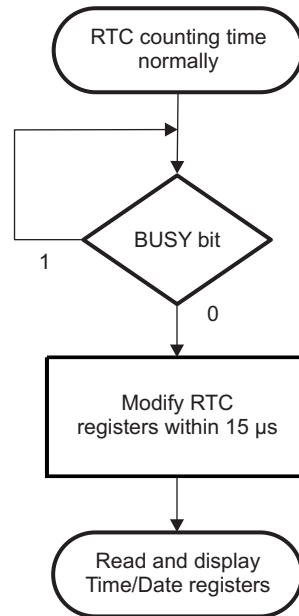
To write correct data from and to the TC and TC alarm registers and read the TC alarm registers, the MPU must first read the BUSY bit of the status register ([RTC_STATUS_REG](#)) until BUSY is equal to zero. Once the BUSY flag is zero, there is a 15- μ s access period in which the MPU can program the TC and TC alarm registers. Once the 15- μ s access period passes, the BUSY flag must again be read from the STATUS register as previously described. If the MPU accesses the TC registers outside of the access period, then the access is not assured.

The MPU can access the [RTC_STATUS_REG](#) and the [RTC_CTRL_REG](#) registers at any time, with the exception of the [RTC_CTRL_REG](#)[5] bit, which can only be changed when the RTC is stopped. The MPU can stop the RTC by clearing the STOP_RTC bit of [RTC_CTRL_REG](#). After clearing this bit, the RUN bit in [RTC_STATUS_REG](#) must be checked to verify the RTC has stopped. Once this is confirmed, the TC values can be updated. After the values have been updated, the RTC can be restarted by resetting the STOP_RTC bit.

NOTE: After writing to a TC register, software must wait four clock cycles before reading the value from the register. If this wait time is not observed and the TC register is accessed, then old data will be read from the register.

CAUTION

To remove any possibility of interrupting the register read process, which introduces a risk of violating the authorized 15- μ s access period, TI recommends disabling all incoming interrupts during the register read process.

Figure 23-6. Flow Control for Updating RTC Registers

23.4.3.5.1 General Registers

The MPU can access the [RTC_STATUS_REG](#) and the [RTC_CTRL_REG](#) registers at any time (except the CTRL_REG[5] bit, which must be changed only when the RTC is stopped). For the [RTC_INTERRUPTS_REG](#) register, the MPU should respect the available access period to prevent spurious interrupt.

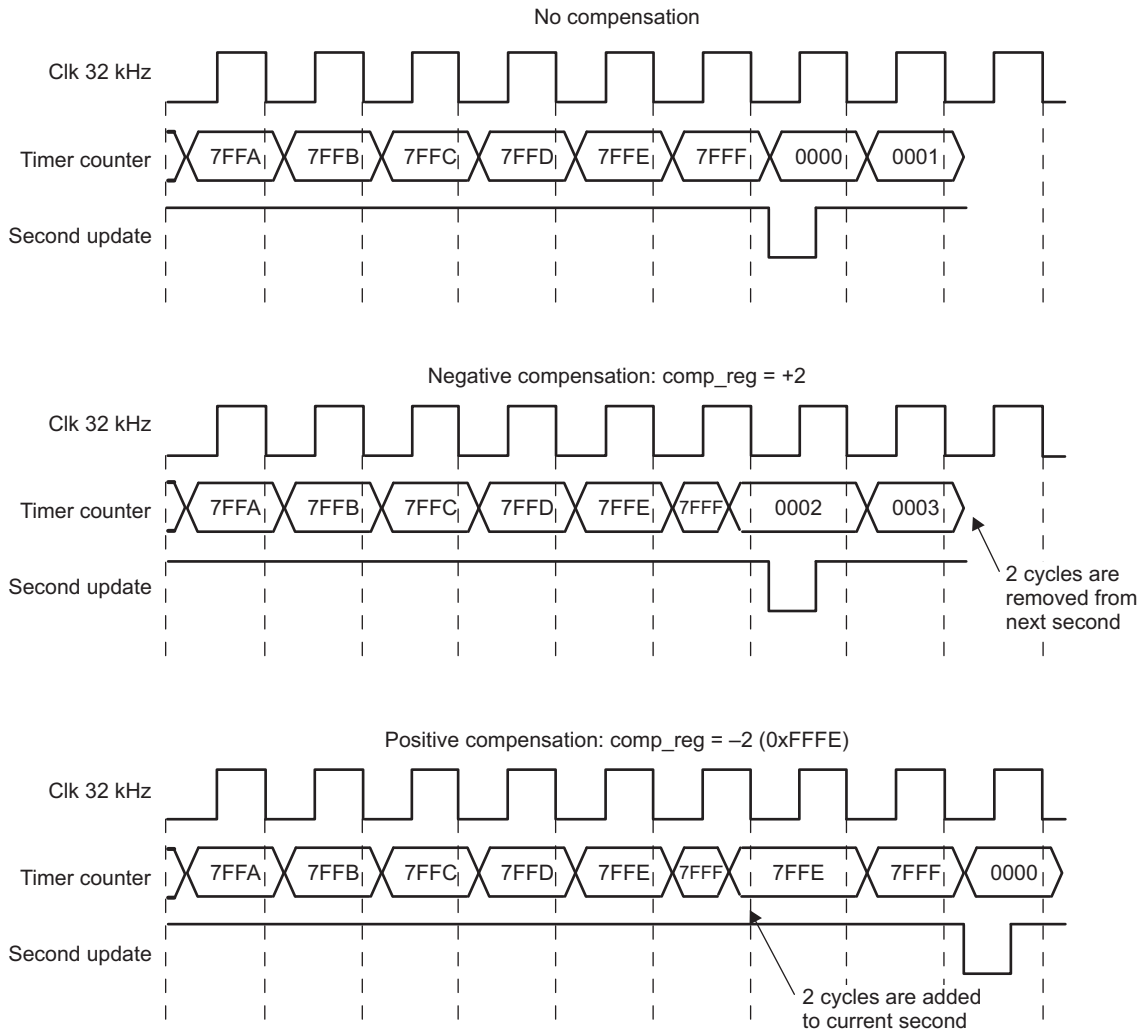
The RTC_DISABLE bit of the [RTC_CTRL_REG](#) register must only be used to completely disable the RTC function. When this bit is set, the 32-kHz clock is gated, and the RTC is frozen. From this point, resetting the RTC_DISABLE bit to zero can lead to unexpected behavior. To save power, this bit should only be used if the RTC function is unwanted in the application.

23.4.3.6 Crystal Compensation

To compensate for any inaccuracy of the 32-kHz oscillator the MPU can perform a calibration of the oscillator frequency, calculate the drift compensation versus a 1-hour period, and load the compensation registers with the drift compensation value. Auto compensation is enabled by the AUTO_COMP bit in the [RTC_CTRL_REG](#) register. If the value of the COMP_REG registers ([RTC_COMP_LSB_REG](#) and [RTC_COMP_MSB_REG](#)) is positive, compensation occurs after the second change event. COMP_REG cycles are removed from the next second. If the COMP_REG value is negative, compensation occurs before the second change event. COMP_REG cycles are added to the current second. This enables compensation with a 1 32-kHz period accuracy each hour. The waveform in [Figure 23-7](#) summarizes positive and negative compensation effect.

Access to the [RTC_COMP_MSB_REG](#) and [RTC_COMP_LSB_REG](#) registers must respect the available access period. These registers should not be updated during compensation (the first second of each hour), but it is alright to update them during the second preceding a compensation event. For example, the MPU could load the compensation value into these registers after each hour event, during an available access period.

Figure 23-7. Compensation Illustration



rtc-005

23.4.4 Scratch Registers

The RTC provides three general-purpose registers (RTC_SCRATCHx_REG) that can be used to store 32-bit words -- these registers have no functional purpose for the RTC. Software using the RTC may find the SCRATCHx_REG registers to be useful in indicating RTC states. For example, the RTC_SCRATCHx_REG (RTC_SCRATCH0_REG, RTC_SCRATCH1_REG, RTC_SCRATCH2_REG) registers may be used to indicate write-protection lock status or unintentional power downs. To indicate write-protection, the software should write a unique value to one of the RTC_SCRATCHx_REG registers when write-protection is disabled and another unique value when write-protection is enabled again. In this way, the lock-status of the registers can be determined quickly by reading the RTC_SCRATCHx_REG register. To indicate unintentional power downs, the software should write a unique value to one of the RTC_SCRATCHx_REG registers when RTC is configured and enabled. If the RTC is unintentionally powered down, the value written to the RTC_SCRATCHx_REG register is cleared.

23.4.5 Debouncing

The debounce timer uses the 32768-Hz clock or the clock coming from the external oscillator, depending on the SW configurations for the RTC. It allows choosing the timing or accuracy of the "debouncing".

A register receives a bit from the reference pin. Software then chooses the timing if it uses the debouncing feature like a timer, or it chooses the accuracy if it uses the debouncing like a real debouncing. The debouncing is finished when the reference pin stays the same value, defined in [RTC_RTL_DEBOUNCE_REG\[7:0\]](#) DEBOUNCE_REG, for a defined time.

If the RTC module uses the internal 32-kHz clock then setting the [RTC_RTL_DEBOUNCE_REG\[7:0\]](#) DEBOUNCE_REG to 0x0 results in a debounce time of 30.52us. Otherwise (DEBOUNCE_REG = n) the debounce time is $30.52\mu\text{s} \times (n + 1)$. The debounce time may be different, depending on, whether the module uses the internal 32 kHz clock, or an external clock source.

23.4.6 Power Management

23.4.6.1 Device-Level Power Management

The RTC supports the power idle protocol. The RTC has two SWakeup ports: one for the alarm event and one for a timer event.

When the RTC is in IDLE mode, the clock is turned off and the 32 kHz clock remains on. The time and calendar continue to count in IDLE mode. When the RTC is placed back in FUNCTIONAL mode, the TC registers can be read. The RTC idle mode configuration is done through the [RTC_SYSCONFIG_REG\[1:0\]](#) IDLEMODE bit (see [Table 23-7](#)).

Table 23-7. RTC Idle Configuration

IDLEMODE	Description
0x0	Force IDLE: idle state of the local target follows (acknowledges) the system IDLE request unconditionally
0x1	No-idle mode: RTC never enters idle state
0x2	Smart-idle mode: RTC subsystem waits for all interrupts/events to be serviced before entering in IDLE mode.
0x3	Smart-idle wakeup-capable mode: RTC eventually acknowledges the system IDLE requests, depending on its internal requirements, RTC can generate wakeup events when in idle state.

The Alarm SWakeup event can be used to wake up the RTC when it is in idle state. To do so, the alarm must be set and enabled before RTC enters idle state. Also the wakeup generation for alarm/timer event must be set (bits [1:0] in the [RTC_IRQWAKEEN](#) register). Once this is done, the SWakeup event occurs when the alarm event triggers.

NOTE: SWakeup is not periodic, using Timer SWakeup event to wake up the RTC when in idle state is not recommended. Use Alarm SWakeup instead.

There are two idle modes: smart-idle mode and smart-idle wakeup-capable mode. The RTC should be configured to smart-idle wakeup-capable mode in order to use the SWakeup events.

23.4.6.2 Subsystem-Level Power Management — PMIC Mode

The RTC generates PMIC_PWR_ENABLE control, which can be used to control an external PMIC. The control of the associated PMIC wakeups and alarms is done through the [RTC_PMIC_REG\[22:0\]](#) bits.

23.5 RTC Low-Level Programming Guide

NOTE: RTC is not supported on the AM570x family of devices.

23.5.1 Global Initialization

23.5.1.1 Surrounding Modules Global Initialization

This section identifies the requirements for initializing the surrounding modules when the real time clock is to be used for the first time after a device reset. This initialization of surrounding modules is based on the integration of the RTC.

Table 23-8. Global Initialization of Surrounding Modules

Surrounding Modules	Comments
PRCM	The module interface and functional clocks must be enabled. For more information about the module configuration, see Section 3.1.1.1.2, Module Level Clock Management , in Chapter 3, Power, Reset, and Clock Management .
Control module	Module-specific pad muxing must be set in the control module. For more information about the module configuration, see Section 18.4.6.1.1, Pad Configuration Registers in Chapter 18, Control Module .
IRQ_CROSSBAR	IRQ_CROSSBAR configuration must be done to allow module IRQs to be mapped to certain device INTC line. For more information see, Section 18.4.6.4, IRQ_CROSSBAR Module Functional Description , in Chapter 18, Control Module .

23.5.1.2 RTC Module Global Initialization

23.5.1.2.1 Main Sequence – RTC Module Global Initialization

[Table 23-9](#) lists the steps for initializing the RTC module when the module is to be used for the first time.

Table 23-9. RTC Module Global Initialization

Step	Register/Bit Field/Programming Model	Value
Write 0x83E7 0B13 to the Kick0 Register to unlock register writes	RTC_KICK0_REG	0x83E70B13
Write 0x95A4 F1E0 to the Kick1 Register to unlock register writes	RTC_KICK1_REG	0x95A4F1E0
Select the clock source (internal or external 32-kHz clock)	RTC_OSC_REG [3] 32KCLK_SEL	-
If external clock is selected, start the oscillator. Wait for oscillator to stabilize.	RTC_OSC_REG [4] OSC32K_GZ	0
Enable the 32-kHz clock	RTC_OSC_REG [6] 32KCLK_EN	1
Configure slave idle mode	RTC_SYSCONFIG_REG [1:0] IDLEMODE	0x-
Enable interrupts, if needed	RTC_INTERRUPTS_REG [4:0]	0x-
Enable wakeup interrupts, if needed	RTC_IRQWAKEEN [1:0]	0x-
Set current time	RTC_SECONDS_REG [6:0]	BCD
	RTC_MINUTES_REG [6:0]	BCD
	RTC_HOURS_REG [5:0]	BCD
Set current date	RTC_DAYS_REG [5:0]	BCD
	RTC_MONTHS_REG [4:0]	BCD
	RTC_YEARS_REG [7:0]	BCD
	RTC_WEEKS_REG [2:0]	BCD
Run the real-time clock	RTC_CTRL_REG [0] STOP_RTC	1

23.6 RTC Register Manual

NOTE: RTC is not supported on the AM570x family of devices.

23.6.1 RTC Instance Summary

Table 23-10. RTC Instance Summary

Module Name	Base Address	Size
RTC_SS	0x4883 8000	160 bytes

23.6.2 RTC_SS Registers

23.6.2.1 RTC_SS Register Summary

Table 23-11. RTC_SS Registers Mapping Summary

Register Name	Type	Register Width (Bits)	Address Offset	RTC_SS Physical Address
RTC_SECONDS_REG	RW	32	0x0000 0000	0x4883 8000
RTC_MINUTES_REG	RW	32	0x0000 0004	0x4883 8004
RTC_HOURS_REG	RW	32	0x0000 0008	0x4883 8008
RTC_DAYS_REG	RW	32	0x0000 000C	0x4883 800C
RTC_MONTHS_REG	RW	32	0x0000 0010	0x4883 8010
RTC_YEARS_REG	RW	32	0x0000 0014	0x4883 8014
RTC_WEEKS_REG	RW	32	0x0000 0018	0x4883 8018
RTC_ALARM_SECONDS_REG	RW	32	0x0000 0020	0x4883 8020
RTC_ALARM_MINUTES_REG	RW	32	0x0000 0024	0x4883 8024
RTC_ALARM_HOURS_REG	RW	32	0x0000 0028	0x4883 8028
RTC_ALARM_DAYS_REG	RW	32	0x0000 002C	0x4883 802C
RTC_ALARM_MONTHS_REG	RW	32	0x0000 0030	0x4883 8030
RTC_ALARM_YEARS_REG	RW	32	0x0000 0034	0x4883 8034
RTC_CTRL_REG	RW	32	0x0000 0040	0x4883 8040
RTC_STATUS_REG	RW	32	0x0000 0044	0x4883 8044
RTC_INTERRUPTS_REG	RW	32	0x0000 0048	0x4883 8048
RTC_COMP_LSB_REG	RW	32	0x0000 004C	0x4883 804C
RTC_COMP_MSB_REG	RW	32	0x0000 0050	0x4883 8050
RTC_OSC_REG	RW	32	0x0000 0054	0x4883 8054
RTC_SCRATCH0_REG	RW	32	0x0000 0060	0x4883 8060
RTC_SCRATCH1_REG	RW	32	0x0000 0064	0x4883 8064
RTC_SCRATCH2_REG	RW	32	0x0000 0068	0x4883 8068
RTC_KICK0_REG	RW	32	0x0000 006C	0x4883 806C
RTC_KICK1_REG	RW	32	0x0000 0070	0x4883 8070
RTC_REVISION_REG	R	32	0x0000 0074	0x4883 8074
RTC_SYSCONFIG_REG	RW	32	0x0000 0078	0x4883 8078
RTC_IRQWAKEEN	RW	32	0x0000 007C	0x4883 807C
RTC_ALARM2_SECONDS_REG	RW	32	0x0000 0080	0x4883 8080
RTC_ALARM2_MINUTES_REG	RW	32	0x0000 0084	0x4883 8084
RTC_ALARM2_HOURS_REG	RW	32	0x0000 0088	0x4883 8088
RTC_ALARM2_DAYS_REG	RW	32	0x0000 008C	0x4883 808C
RTC_ALARM2_MONTHS_REG	RW	32	0x0000 0090	0x4883 8090
RTC_ALARM2_YEARS_REG	RW	32	0x0000 0094	0x4883 8094
RTC_PMIC_REG	RW	32	0x0000 0098	0x4883 8098

Table 23-11. RTC_SS Registers Mapping Summary (continued)

Register Name	Type	Register Width (Bits)	Address Offset	RTC_SS Physical Address
RTC_RTL_DEBOUNCE_REG	RW	32	0x0000 009C	0x4883 809C

23.6.2.2 RTC_SS Register Description

Table 23-12. RTC_SECONDS_REG

Address Offset	0x0000 0000	Instance	RTC_SS
Physical Address	0x4883 8000		
Description	Used to program the required seconds value of the current time. Seconds are stored in BCD format, the decimal numbers are encoded with their binary equivalent. That is, if seconds value is 45, then SEC0 = 5 and SEC1 = 4.		
Type	RW		

31	30	29	28	27	26	25	24	23	22	21	20	19	18	17	16	15	14	13	12	11	10	9	8	7	6	5	4	3	2	1	0
RESERVED																SEC1		SEC0													

Bits	Field Name	Description	Type	Reset
31:7	RESERVED	Reserved	R	0x0
6:4	SEC1	Second digit of seconds. Range is 0 to 5	RW	0x0
3:0	SEC0	First digit of seconds. Range is 0 to 9	RW	0x0

Table 23-13. Register Call Summary for Register RTC_SECONDS_REG

RTC Functional Description

- [Time/Calendar Data Format: \[0\]](#)

RTC Low-Level Programming Guide

- [RTC Module Global Initialization: \[1\]](#)

RTC Register Manual

- [RTC_SS Register Summary: \[2\]](#)

Table 23-14. RTC_MINUTES_REG

Address Offset	0x0000 0004	Instance	RTC_SS
Physical Address	0x4883 8004		
Description	Used to program the required minutes value of the current time. Minutes are stored in BCD format, the decimal numbers are encoded with their binary equivalent. That is, if minutes value is 32, then MIN0 = 2 and MIN1 = 3.		
Type	RW		

31	30	29	28	27	26	25	24	23	22	21	20	19	18	17	16	15	14	13	12	11	10	9	8	7	6	5	4	3	2	1	0
RESERVED																MIN1		MIN0													

Bits	Field Name	Description	Type	Reset
31:7	RESERVED	Reserved	R	0x0
6:4	MIN1	Second digit of minutes Range is 0 to 5	RW	0x0
3:0	MIN0	First digit of minutes Range is 0 to 9	RW	0x0

Table 23-15. Register Call Summary for Register RTC_MINUTES_REG

RTC Functional Description

- [Time/Calendar Data Format: \[0\]](#)

RTC Low-Level Programming Guide

- [RTC Module Global Initialization: \[1\]](#)

RTC Register Manual

- [RTC_SS Register Summary: \[2\]](#)

Table 23-16. RTC_HOURS_REG

Address Offset	0x0000 0008	Instance	RTC_SS
Physical Address	0x4883 8008		
Description	Used to program the hours value of the current time. Hours are stored in BCD format, the decimal numbers are encoded with their binary equivalent. That is, if hour is 18, then HOUR0 = 8 and HOUR1 = 1.		
Type	RW		

31	30	29	28	27	26	25	24	23	22	21	20	19	18	17	16	15	14	13	12	11	10	9	8	7	6	5	4	3	2	1	0
RESERVED																PM_NAM	RESERVED	HOUR1	HOUR0												

Bits	Field Name	Description	Type	Reset
31:8	RESERVED	Reserved	R	0x0
7	PM_NAM	Only used in PM_AM mode (otherwise 0) 0 = AM 1 = PM	RW	0x0
6	RESERVED	Reserved	R	0x0
5:4	HOUR1	Second digit of hours Range is 0 to 2	RW	0x0
3:0	HOUR0	First digit of hours Range is 0 to 9	RW	0x0

Table 23-17. Register Call Summary for Register RTC_HOURS_REG

RTC Functional Description

- [Time/Calendar Data Format: \[0\]](#)

RTC Low-Level Programming Guide

- [RTC Module Global Initialization: \[1\]](#)

RTC Register Manual

- [RTC_SS Register Summary: \[2\]](#)

Table 23-18. RTC_DAYS_REG

Address Offset	0x0000 000C	Instance	RTC_SS
Physical Address	0x4883 800C		
Description	Used to program the day of the month value of the current date. Days are stored as BCD format. In BCD format, the decimal numbers 0 through 9 are encoded with their binary equivalent. If the day value of the date is 28, DAY0 is set as 8 and DAY1 is set as 2.		
Type	RW		

31	30	29	28	27	26	25	24	23	22	21	20	19	18	17	16	15	14	13	12	11	10	9	8	7	6	5	4	3	2	1	0
RESERVED														DAY1		DAY0															

Bits	Field Name	Description	Type	Reset
31:6	RESERVED	Reserved	R	0x0
5:4	DAY1	Second digit of days Range from 0 to 3	RW	0x0
3:0	DAY0	First digit of days Range from 0 to 9	RW	0x1

Table 23-19. Register Call Summary for Register RTC_DAYS_REG

RTC Functional Description

- [Time/Calendar Data Format: \[0\]](#)

RTC Low-Level Programming Guide

- [RTC Module Global Initialization: \[1\]](#)

RTC Register Manual

- [RTC_SS Register Summary: \[2\]](#)

Table 23-20. RTC_MONTHS_REG

Address Offset	0x0000 0010	Instance	RTC_SS
Physical Address	0x4883 8010		
Description	MONTHS_REG is used to set the month in the year value of the current date. Months are stored as BCD format. In BCD format, the decimal numbers 0 through 9 are encoded with their binary equivalent.		
Type	RW		

31	30	29	28	27	26	25	24	23	22	21	20	19	18	17	16	15	14	13	12	11	10	9	8	7	6	5	4	3	2	1	0
RESERVED																							MONTH1		MONTH0						

Bits	Field Name	Description	Type	Reset
31:5	RESERVED	Reserved	R	0x0
4	MONTH1	Second digit of months Range from 0 to 1	RW	0x0
3:0	MONTH0	First digit of months Range from 0 to 9	RW	0x1

Table 23-21. Register Call Summary for Register RTC_MONTHS_REG

RTC Functional Description

- [Time/Calendar Data Format: \[0\]](#)

RTC Low-Level Programming Guide

- [RTC Module Global Initialization: \[1\]](#)

RTC Register Manual

- [RTC_SS Register Summary: \[2\]](#)

Table 23-22. RTC_YEARS_REG

Address Offset	0x0000 0014	Instance	RTC_SS
Physical Address	0x4883 8014		
Description	YEARS_REG is used to program the year value of the current date. The year value is represented by only the last two digits and is stored as BCD format. In BCD format, the decimal numbers 0 through 9 are encoded with their binary equivalent. The year 1979 is programmed as 79 with YEAR0 set as 9 and YEAR1 set as 7.		
Type	RW		

31	30	29	28	27	26	25	24	23	22	21	20	19	18	17	16	15	14	13	12	11	10	9	8	7	6	5	4	3	2	1	0
RESERVED																YEAR1				YEAR0											

Bits	Field Name	Description	Type	Reset
31:8	RESERVED	Reserved	R	0x0
7:4	YEAR1	Second digit of Years Range from 0 to 9	RW	0x0
3:0	YEAR0	First digit of Years Range from 0 to 9	RW	0x0

Table 23-23. Register Call Summary for Register RTC_YEARS_REG

RTC Functional Description

- [Time/Calendar Data Format: \[0\]](#)

RTC Low-Level Programming Guide

- [RTC Module Global Initialization: \[1\]](#)

RTC Register Manual

- [RTC_SS Register Summary: \[2\]](#)

Table 23-24. RTC_WEEKS_REG

Address Offset	0x0000 0018	Instance	RTC_SS
Physical Address	0x4883 8018		
Description	WEEKS_REG is used to program the day of the week value of the current date. The day of the week is stored as BCD format. In BCD format, the decimal numbers 0 through 9 are encoded with their binary equivalent.		
Type	RW		

31	30	29	28	27	26	25	24	23	22	21	20	19	18	17	16	15	14	13	12	11	10	9	8	7	6	5	4	3	2	1	0
RESERVED																WEEK															

Bits	Field Name	Description	Type	Reset
31:3	RESERVED	Reserved	R	0x0
2:0	WEEK	First digit of Days in a week Range from 0 (Sunday) to 6 (Saturday)	RW	0x0

Table 23-25. Register Call Summary for Register RTC_WEEKS_REG

RTC Functional Description

- [Time/Calendar Data Format: \[0\]\[1\]](#)

RTC Low-Level Programming Guide

- [RTC Module Global Initialization: \[2\]](#)

RTC Register Manual

- [RTC_SS Register Summary: \[3\]](#)

Table 23-26. RTC_ALARM_SECONDS_REG

Address Offset	0x0000 0020	Instance	RTC_SS
Physical Address	0x4883 8020		
Description	ALARM_SECONDS_REG is used to program the seconds value for the alarm interrupt. Seconds are stored as BCD format. In BCD format, the decimal numbers 0 through 9 are encoded with their binary equivalent.		
Type	RW		

31	30	29	28	27	26	25	24	23	22	21	20	19	18	17	16	15	14	13	12	11	10	9	8	7	6	5	4	3	2	1	0
RESERVED															ALARM_SEC1			ALARM_SEC0													

Bits	Field Name	Description	Type	Reset
31:7	RESERVED	Reserved	R	0x0
6:4	ALARM_SEC1	Second digit of seconds Range is 0 to 5	RW	0x0
3:0	ALARM_SEC0	First digit of seconds Range is 0 to 9	RW	0x0

Table 23-27. Register Call Summary for Register RTC_ALARM_SECONDS_REG

RTC Functional Description

- [Interrupt Description: \[0\]](#)
- [Register Access: \[1\]](#)

RTC Register Manual

- [RTC_SS Register Summary: \[2\]](#)

Table 23-28. RTC_ALARM_MINUTES_REG

Address Offset	0x0000 0024	Instance	RTC_SS
Physical Address	0x4883 8024		
Description	ALARM_MINUTES_REG is used to program the minute value for the alarm interrupt. Minutes are stored as BCD format. In BCD format, the decimal numbers 0 through 9 are encoded with their binary equivalent.		
Type	RW		

31	30	29	28	27	26	25	24	23	22	21	20	19	18	17	16	15	14	13	12	11	10	9	8	7	6	5	4	3	2	1	0
RESERVED															ALARM_MIN1			ALARM_MIN0													

Bits	Field Name	Description	Type	Reset
31:7	RESERVED	Reserved	R	0x0
6:4	ALARM_MIN1	Second digit of minutes Range is 0 to 5	RW	0x0
3:0	ALARM_MIN0	First digit of minutes Range is 0 to 9	RW	0x0

Table 23-29. Register Call Summary for Register RTC_ALARM_MINUTES_REG

RTC Functional Description

- [Interrupt Description: \[0\]](#)
- [Register Access: \[1\]](#)

Table 23-29. Register Call Summary for Register RTC_ALARM_MINUTES_REG (continued)

RTC Register Manual

- [RTC_SS Register Summary: \[2\]](#)

Table 23-30. RTC_ALARM_HOURS_REG

Address Offset	0x0000 0028	Instance	RTC_SS
Physical Address	0x4883 8028		
Description	ALARM_HOURS_REG is used to program the hour value for the alarm interrupt. Hours are stored as BCD format. In BCD format, the decimal numbers 0 through 9 are encoded with their binary equivalent.		
Type	RW		

31	30	29	28	27	26	25	24	23	22	21	20	19	18	17	16	15	14	13	12	11	10	9	8	7	6	5	4	3	2	1	0
RESERVED																ALARM_PM_NAM	RESERVED	ALARM_HOUR1	ALARM_HOUR0												

Bits	Field Name	Description	Type	Reset
31:8	RESERVED	Reserved	R	0x0
7	ALARM_PM_NAM	Only used in PM_AM mode (otherwise 0) 0 = AM 1 = PM	RW	0x0
6	RESERVED	Reserved	R	0x0
5:4	ALARM_HOUR1	Second digit of hours. Range is 0 to 2	RW	0x0
3:0	ALARM_HOUR0	First digit of hours. Range is 0 to 9	RW	0x0

Table 23-31. Register Call Summary for Register RTC_ALARM_HOURS_REG

RTC Functional Description

- [Interrupt Description: \[0\]](#)
- [Register Access: \[1\]](#)

RTC Register Manual

- [RTC_SS Register Summary: \[2\]](#)

Table 23-32. RTC_ALARM_DAYS_REG

Address Offset	0x0000 002C	Instance	RTC_SS
Physical Address	0x4883 802C		
Description	ALARM_DAYS_REG is used to program the day of the month value for the alarm interrupt. Days are stored as BCD format. In BCD format, the decimal numbers 0 through 9 are encoded with their binary equivalent.		
Type	RW		

31	30	29	28	27	26	25	24	23	22	21	20	19	18	17	16	15	14	13	12	11	10	9	8	7	6	5	4	3	2	1	0
RESERVED																ALARM_DAY1	ALARM_DAY0														

Bits	Field Name	Description	Type	Reset
31:6	RESERVED	Reserved	R	0x0
5:4	ALARM_DAY1	Second digit for days. Range from 0 to 3	RW	0x0
3:0	ALARM_DAY0	First digit for days. Range from 0 to 9	RW	0x1

Table 23-33. Register Call Summary for Register RTC_ALARM_DAYS_REG

RTC Functional Description

- [Interrupt Description: \[0\]](#)
- [Register Access: \[1\]](#)

RTC Register Manual

- [RTC_SS Register Summary: \[2\]](#)

Table 23-34. RTC_ALARM_MONTHS_REG

Address Offset	0x0000 0030		
Physical Address	0x4883 8030	Instance	RTC_SS
Description	ALARM_MONTHS_REG is used to program the month in the year value for the alarm interrupt. The month is stored as BCD format. In BCD format, the decimal numbers 0 through 9 are encoded with their binary equivalent		
Type	RW		

31	30	29	28	27	26	25	24	23	22	21	20	19	18	17	16	15	14	13	12	11	10	9	8	7	6	5	4	3	2	1	0
RESERVED																ALARM_MONTH1		ALARM_MONTH0													

Bits	Field Name	Description	Type	Reset
31:5	RESERVED	Reserved	R	0x0
4	ALARM_MONTH1	Second digit of months. Range from 0 to 1	RW	0x0
3:0	ALARM_MONTH0	First digit of months. Range from 0 to 9	RW	0x1

Table 23-35. Register Call Summary for Register RTC_ALARM_MONTHS_REG

RTC Functional Description

- [Interrupt Description: \[0\]](#)
- [Register Access: \[1\]](#)

RTC Register Manual

- [RTC_SS Register Summary: \[2\]](#)

Table 23-36. RTC_ALARM_YEARS_REG

Address Offset	0x0000 0034	Instance	RTC_SS
Physical Address	0x4883 8034		
Description	ALARM_YEARS_REG is used to program the year for the alarm interrupt. Only the last two digits are used to represent the year and is stored as BCD format. In BCD format, the decimal numbers 0 through 9 are encoded with their binary equivalent		
Type	RW		

31	30	29	28	27	26	25	24	23	22	21	20	19	18	17	16	15	14	13	12	11	10	9	8	7	6	5	4	3	2	1	0
RESERVED																ALARM_YEAR1				ALARM_YEAR0											

Bits	Field Name	Description	Type	Reset
31:8	RESERVED	Reserved	R	0x0
7:4	ALARM_YEAR1	Second digit of years. Range from 0 to 9	RW	0x0
3:0	ALARM_YEAR0	First digit of years. Range from 0 to 9	RW	0x0

Table 23-37. Register Call Summary for Register RTC_ALARM_YEARS_REG

RTC Functional Description

- [Interrupt Description: \[0\]](#)
- [Register Access: \[1\]](#)

RTC Register Manual

- [RTC_SS Register Summary: \[2\]](#)

Table 23-38. RTC_CTRL_REG

Address Offset	0x0000 0040	Instance	RTC_SS
Physical Address	0x4883 8040		
Description	CTRL_REG contains the controls to enable/disable RTC.		
Type	RW		

31	30	29	28	27	26	25	24	23	22	21	20	19	18	17	16	15	14	13	12	11	10	9	8	7	6	5	4	3	2	1	0
RESERVED																RTC_DISABLE	SET_32_COUNTER	TEST_MODE	MODE_12_24	AUTO_COMP	ROUND_30S	STOP_RTC									

Bits	Field Name	Description	Type	Reset
31:7	RESERVED	Reserved	R	0x0
6	RTC_DISABLE	0: RTC enable 1: RTC disable (no 32-kHz clock)	RW	0x0
5	SET_32_COUNTER	0: No action 1: Set the 32-kHz counter with comp_reg value	RW	0x0
4	TEST_MODE	0: Functional mode 1: Test mode (Auto compensation is enabled when the 32-kHz counter reaches its end.)	RW	0x0

Bits	Field Name	Description	Type	Reset
3	MODE_12_24	0: 24-hour mode 1: 12-hour mode (PM-AM mode)	RW	0x0
2	AUTO_COMP	0: No auto compensation 1: Auto compensation enabled	RW	0x0
1	ROUND_30S	0: No update 1: When a 1 is written, the time is rounded to the closest minute.	RW	0x0
0	STOP_RTC	0: RTC is frozen. 1: RTC is running.	RW	0x0

Table 23-39. Register Call Summary for Register RTC_CTRL_REG

RTC Functional Description

- [Clock Source: \[0\]\[1\]](#)
- [Register Access: \[2\]](#)
- [Reading the Timer/Calendar \(TC\) Registers: \[3\]\[4\]](#)
- [Modifying the TC Registers: \[5\]\[6\]\[7\]\[8\]\[9\]](#)
- [Crystal Compensation: \[10\]](#)

RTC Low-Level Programming Guide

- [RTC Module Global Initialization: \[11\]](#)

RTC Register Manual

- [RTC_SS Register Summary: \[12\]](#)

Table 23-40. RTC_STATUS_REG

Address Offset	0x0000 0044	Instance	RTC_SS
Physical Address	0x4883 8044		
Description	RTC STATUS_REG contains bits that signal the status of interrupts, events to the processor. Status for the alarm interrupt and timer events are notified by the register.		
Type	RW		

31	30	29	28	27	26	25	24	23	22	21	20	19	18	17	16	15	14	13	12	11	10	9	8	7	6	5	4	3	2	1	0
RESERVED																ALARM2	ALARM	EVENT_1D	EVENT_1H	EVENT_1M	EVENT_1S	RUN	BUSY								

Bits	Field Name	Description	Type	Reset
31:8	RESERVED	Reserved	R	0x0
7	ALARM2	Indicates that an alarm2 interrupt has been generated. Software must wait 31 μ s before it clears this status to allow PMIC_PWR_ENABLE 1 - 0 transmission.	RW	0x0
6	ALARM	Indicates that an alarm interrupt has been generated. Writing 1 to the bit clears the interrupt.	RW	0x0
5	EVENT_1D	One day has occurred.	R	0x0
4	EVENT_1H	One hour has occurred.	R	0x0
3	EVENT_1M	One minute has occurred.	R	0x0
2	EVENT_1S	One second has occurred.	R	0x0
1	RUN	0: RTC is frozen. 1: RTC is running.	R	0x0
0	BUSY	0: Updating event in more than 15 μ s. 1: Updating event. This bit will give the status of RTC module. The time and alarm registers can be modified only when this bit is 0.	R	0x0

Table 23-41. Register Call Summary for Register RTC_STATUS_REG

RTC Functional Description

- [Interrupt Description: \[0\]\[1\]\[2\]](#)
- [Register Access: \[3\]](#)
- [Modifying the TC Registers: \[4\]\[5\]\[6\]\[7\]](#)

RTC Register Manual

- [RTC_SS Register Summary: \[8\]](#)

Table 23-42. RTC_INTERRUPTS_REG

Address Offset	0x0000 0048	Instance	RTC_SS
Physical Address	0x4883 8048		
Description	INTERRUPTS_REG is used to enable or disable RTC from generating interrupts. The timer interrupt and alarm interrupt can be controlled using this register.		
Type	RW		

31	30	29	28	27	26	25	24	23	22	21	20	19	18	17	16	15	14	13	12	11	10	9	8	7	6	5	4	3	2	1	0
RESERVED																IT_ALARM2	IT_ALARM	IT_TIMER	EVERY												

Bits	Field Name	Description	Type	Reset
31:5	RESERVED	Reserved	R	0x0
4	IT_ALARM2	Enable one interrupt when the alarm value is reached (TC ALARM2 registers) by the TC registers	RW	0x0
3	IT_ALARM	Enable one interrupt when the alarm value is reached (TC ALARM registers) by the TC registers	RW	0x0
2	IT_TIMER	Enable periodic interrupt 0 = interrupt disabled 1 = interrupt enabled	RW	0x0
1:0	EVERY	Interrupt period: 0 - every second 1 - every minute 2 - every hour 3 - every day	RW	0x0

Table 23-43. Register Call Summary for Register RTC_INTERRUPTS_REG

RTC Functional Description

- [Interrupt Description: \[0\]\[1\]\[2\]\[3\]](#)
- [Register Access: \[4\]](#)
- [Modifying the TC Registers: \[5\]](#)

RTC Low-Level Programming Guide

- [RTC Module Global Initialization: \[6\]](#)

RTC Register Manual

- [RTC_SS Register Summary: \[7\]](#)

Table 23-44. RTC_COMP_LSB_REG

Address Offset	0x0000 004C	Instance	RTC_SS
Physical Address	0x4883 804C		
Description	COMP_LSB_REG is used to program the LSB value of the 32-kHz periods to be added to the 32-kHz counter every hour. This is used to compensate the oscillator drift. The COMP_LSB_REG works with the compensation (MSB) register (COMP_MSB_REG). The AUTOCOMP bit in the control register (CTRL_REG) must be enabled for compensation to OCCUR.		
Type	RW		

31	30	29	28	27	26	25	24	23	22	21	20	19	18	17	16	15	14	13	12	11	10	9	8	7	6	5	4	3	2	1	0
RESERVED																RTC_COMP_LSB															

Bits	Field Name	Description	Type	Reset
31:8	RESERVED	Reserved	R	0x0
7:0	RTC_COMP_LSB	Indicates number of 32-kHz periods to be added into the 32-kHz counter every hour.	RW	0x0

Table 23-45. Register Call Summary for Register RTC_COMP_LSB_REG

RTC Functional Description

- [Register Access: \[0\]](#)
- [Crystal Compensation: \[1\]\[2\]](#)

RTC Register Manual

- [RTC_SS Register Summary: \[3\]](#)

Table 23-46. RTC_COMP_MSB_REG

Address Offset	0x0000 0050	Instance	RTC_SS
Physical Address	0x4883 8050		
Description	COMP_MSB_REG is used to program the MSB value of the 32-kHz periods to be added to the 32-kHz counter every hour. This is used to compensate the oscillator drift. The COMP_MSB_REG works with the compensation (LSB) register (COMP_LSB_REG) to set the hourly oscillator compensation value. The AUTOCOMP bit in the control register (CTRL_REG) must be enabled for compensation to OCCUR.		
Type	RW		

31	30	29	28	27	26	25	24	23	22	21	20	19	18	17	16	15	14	13	12	11	10	9	8	7	6	5	4	3	2	1	0
RESERVED																RTC_COMP_MSB															

Bits	Field Name	Description	Type	Reset
31:8	RESERVED	Reserved	R	0x0
7:0	RTC_COMP_MSB	Indicates number of 32-kHz periods to be added into the 32-kHz counter every hour	RW	0x0

Table 23-47. Register Call Summary for Register RTC_COMP_MSB_REG

RTC Functional Description

- [Register Access: \[0\]](#)
- [Crystal Compensation: \[1\]\[2\]](#)

RTC Register Manual

- [RTC_SS Register Summary: \[3\]](#)

Table 23-48. RTC_OSC_REG

Address Offset	0x0000 0054	Instance	RTC_SS
Physical Address	0x4883 8054		
Description	OSC_REG is used to program the oscillator resistance value, and to select and enable the clock source.		
Type	RW		

31	30	29	28	27	26	25	24	23	22	21	20	19	18	17	16	15	14	13	12	11	10	9	8	7	6	5	4	3	2	1	0
RESERVED																K32CLK_EN	RESERVED	OSC32K_GZ	K32CLK_SEL	RES_SELECT	SW2	SW1									

Bits	Field Name	Description	Type	Reset
31:7	RESERVED	Reserved	R	0x0
6	K32CLK_EN	32-kHz clock enable post clock mux of RTC_32K_AUX_CLK and RTC_32K_CLK.	RW	0x0
5	RESERVED	Reserved	R	0x0
4	OSC32K_GZ	Disable the oscillator and applies high impedance to the output. 0: Enable 1: Disabled and high impedance	RW	0x1
3	K32CLK_SEL	32-kHz clock source select. 0: Selects internal clock source, namely RTC_32K_AUX_CLK, from PRCM. 1: Selects external clock source namely RTC_32K_CLK, from the 32-kHz Oscillator.	RW	0x0
2	RES_SELECT	External feedback resistor selection. 0: Internal 1: External	RW	0x0
1	SW2	Inverter size adjustment.	RW	0x0
0	SW1	Inverter size adjustment.	RW	0x0

Table 23-49. Register Call Summary for Register RTC_OSC_REG

RTC Functional Description

- [Clock Source: \[0\]\[1\]\[2\]](#)
- [Register Access: \[3\]](#)

RTC Low-Level Programming Guide

- [RTC Module Global Initialization: \[4\]\[5\]](#)

RTC Register Manual

- [RTC_SS Register Summary: \[6\]](#)

Table 23-50. RTC_SCRATCH0_REG

Address Offset	0x0000 0060	Instance	RTC_SS
Physical Address	0x4883 8060		
Description	Used to hold some required values for the RTC register.		
Type	RW		

31	30	29	28	27	26	25	24	23	22	21	20	19	18	17	16	15	14	13	12	11	10	9	8	7	6	5	4	3	2	1	0
RTCSRATCH0																															

Bits	Field Name	Description	Type	Reset
31:0	RTCSRATCH0	Scratch registers, available to program.	RW	0x0

Table 23-51. Register Call Summary for Register RTC_SCRATCH0_REG

RTC Functional Description

- [Register Access: \[0\]](#)
- [Scratch Registers: \[1\]](#)

RTC Register Manual

- [RTC_SS Register Summary: \[2\]](#)

Table 23-52. RTC_SCRATCH1_REG

Address Offset	0x0000 0064		
Physical Address	0x4883 8064	Instance	RTC_SS
Description	Used to hold some required values for the RTC register.		
Type	RW		

31	30	29	28	27	26	25	24	23	22	21	20	19	18	17	16	15	14	13	12	11	10	9	8	7	6	5	4	3	2	1	0
RTCSCRATCH1																															

Bits	Field Name	Description	Type	Reset
31:0	RTCSCRATCH1	Scratch registers, available to program	RW	0x0

Table 23-53. Register Call Summary for Register RTC_SCRATCH1_REG

RTC Functional Description

- [Register Access: \[0\]](#)
- [Scratch Registers: \[1\]](#)

RTC Register Manual

- [RTC_SS Register Summary: \[2\]](#)

Table 23-54. RTC_SCRATCH2_REG

Address Offset	0x0000 0068		
Physical Address	0x4883 8068	Instance	RTC_SS
Description	Used to hold some required values for the RTC register.		
Type	RW		

31	30	29	28	27	26	25	24	23	22	21	20	19	18	17	16	15	14	13	12	11	10	9	8	7	6	5	4	3	2	1	0
RTCSCRATCH2																															

Bits	Field Name	Description	Type	Reset
31:0	RTCSCRATCH2	Scratch registers, available to program.	RW	0x0

Table 23-55. Register Call Summary for Register RTC_SCRATCH2_REG

RTC Functional Description

- [Register Access: \[0\]](#)
- [Scratch Registers: \[1\]](#)

RTC Register Manual

- [RTC_SS Register Summary: \[2\]](#)

Table 23-56. RTC_KICK0_REG

Address Offset	0x0000 006C	Instance	RTC_SS
Physical Address	0x4883 806C		
Description	The KICK0 register allows writing to unlock the kick0 data. To disable RTC register write protection, the value of 83E7 0B13h must be written to KICK0, followed by the value of 95A4 F1E0h written to KICK1. RTC register write protection is enabled when any value is written to KICK0		
Type	W		

31	30	29	28	27	26	25	24	23	22	21	20	19	18	17	16	15	14	13	12	11	10	9	8	7	6	5	4	3	2	1	0
KICK0																															

Bits	Field Name	Description	Type	Reset
31:0	KICK0	Kick0 data.	W	0x0

Table 23-57. Register Call Summary for Register RTC_KICK0_REG

RTC Functional Description

- [Register Access: \[0\]](#)
- [OCP MMR Spurious Write Protection: \[1\]](#)

RTC Low-Level Programming Guide

- [RTC Module Global Initialization: \[2\]](#)

RTC Register Manual

- [RTC_SS Register Summary: \[3\]](#)

Table 23-58. RTC_KICK1_REG

Address Offset	0x0000 0070	Instance	RTC_SS
Physical Address	0x4883 8070		
Description	Kick1 data. The KICK1 register allows writing to unlock the kick1 data and the kicker mechanism to write to other registers. To disable RTC register write protection, the value of 83E7 0B13h must be written to KICK0, followed by the value of 95A4 F1E0h written to KICK1.		
Type	W		

31	30	29	28	27	26	25	24	23	22	21	20	19	18	17	16	15	14	13	12	11	10	9	8	7	6	5	4	3	2	1	0
KICK1																															

Bits	Field Name	Description	Type	Reset
31:0	KICK1	Kick1 data.	W	0x0

Table 23-59. Register Call Summary for Register RTC_KICK1_REG

RTC Functional Description

- [Register Access: \[0\]](#)
- [OCP MMR Spurious Write Protection: \[1\]](#)

RTC Low-Level Programming Guide

- [RTC Module Global Initialization: \[2\]](#)

RTC Register Manual

- [RTC_SS Register Summary: \[3\]](#)

Table 23-60. RTC_REVISION_REG

Address Offset	0x0000 0074	Instance	RTC_SS
Physical Address	0x4883 8074		
Description			
Type	R		

31	30	29	28	27	26	25	24	23	22	21	20	19	18	17	16	15	14	13	12	11	10	9	8	7	6	5	4	3	2	1	0
REVISION																															

Bits	Field Name	Description	Type	Reset
31:0	REVISION	IP Revision	R	0x-

Table 23-61. Register Call Summary for Register RTC_REVISION_REG

RTC Functional Description

- [Register Access: \[0\]](#)

RTC Register Manual

- [RTC_SS Register Summary: \[1\]](#)

Table 23-62. RTC_SYSCONFIG_REG

Address Offset	0x0000 0078	Instance	RTC_SS
Physical Address	0x4883 8078		
Description			
Type	RW		

31	30	29	28	27	26	25	24	23	22	21	20	19	18	17	16	15	14	13	12	11	10	9	8	7	6	5	4	3	2	1	0
RESERVED																															IDLEMODE

Bits	Field Name	Description	Type	Reset
31:2	RESERVED	Reserved	R	0x0
1:0	IDLEMODE	<p>Configuration of the local target state management mode, By definition target can handle read/write transaction as long as it is out of IDLE state.</p> <p>0x0: Force-idle mode: local target's idle state follows (acknowledges) the system's idle requests unconditionally, i.e., regardless of the IP module's internal requirements; Backup mode, for debug only.</p> <p>0x1: No-idle mode: local target never enters idle state, Backup mode, for debug only.</p> <p>0x2: Smart-idle mode: local target's state eventually follows (acknowledges) the system's idle requests, depending on the IP module's internal requirements, IP module shall not generate (IRQ- or DMArequest- related) wakeup events.</p> <p>0x3: Smart-idle wakeup-capable mode: local target's idle state eventually follows (acknowledges) the system's idle requests, depending on the IP module's internal requirements, IP module may generate (IRQ- or DMA-request-related) wakeup events when in idle state, Mode is only relevant if the appropriate IP module "swakeup" output(s) is (are) implemented.</p>	RW	0x2

Table 23-63. Register Call Summary for Register RTC_SYSCONFIG_REG

RTC Functional Description

- [Register Access: \[0\]](#)
- [Device-Level Power Management: \[1\]](#)

RTC Low-Level Programming Guide

- [RTC Module Global Initialization: \[2\]](#)

RTC Register Manual

- [RTC_SS Register Summary: \[3\]](#)

Table 23-64. RTC_IRQWAKEEN

Address Offset	0x0000 007C	Instance	RTC_SS
Physical Address	0x4883 807C		
Description			
Type	RW		

31	30	29	28	27	26	25	24	23	22	21	20	19	18	17	16	15	14	13	12	11	10	9	8	7	6	5	4	3	2	1	0
RESERVED																ALARM_WAKEEN		TIMMER_WAKEEN													

Bits	Field Name	Description	Type	Reset
31:2	RESERVED	Reserved	RW	0x0
1	ALARM_WAKEEN	Wakeup generation for event Alarm 0: Wakeup disabled 1: Wakeup enable	RW	0x0
0	TIMMER_WAKEEN	Wakeup generation for event Timer 0: Wakeup disabled 1: Wakeup enable Timer wakeup should not get used.	RW	0x0

Table 23-65. Register Call Summary for Register RTC_IRQWAKEEN

RTC Functional Description

- [Register Access: \[0\]](#)
- [Device-Level Power Management: \[1\]](#)

RTC Low-Level Programming Guide

- [RTC Module Global Initialization: \[2\]](#)

RTC Register Manual

- [RTC_SS Register Summary: \[3\]](#)

Table 23-66. RTC_ALARM2_SECONDS_REG

Address Offset	0x0000 0080	Instance	RTC_SS
Physical Address	0x4883 8080		
Description	ALARM2_SECONDS_REG is used to program the seconds value of the ALARM2 time		
Type	RW		

31	30	29	28	27	26	25	24	23	22	21	20	19	18	17	16	15	14	13	12	11	10	9	8	7	6	5	4	3	2	1	0
RESERVED																ALARM2_SEC1		ALARM2_SEC0													

Bits	Field Name	Description	Type	Reset
31:7	RESERVED	Reserved	R	0x0
6:4	ALARM2_SEC1	Second digit of seconds Range is 0 to 5	RW	0x0
3:0	ALARM2_SEC0	First digit of seconds Range is 0 to 9	RW	0x0

Table 23-67. Register Call Summary for Register RTC_ALARM2_SECONDS_REG

RTC Functional Description

- [Interrupt Description: \[0\]](#)
- [Register Access: \[1\]](#)

RTC Register Manual

- [RTC_SS Register Summary: \[2\]](#)

Table 23-68. RTC_ALARM2_MINUTES_REG

Address Offset	0x0000 0084	Instance	RTC_SS
Physical Address	0x4883 8084		
Description			
Type	RW		

31	30	29	28	27	26	25	24	23	22	21	20	19	18	17	16	15	14	13	12	11	10	9	8	7	6	5	4	3	2	1	0
RESERVED																ALARM2_MIN1		ALARM2_MIN0													

Bits	Field Name	Description	Type	Reset
31:7	RESERVED	Reserved	R	0x0
6:4	ALARM2_MIN1	Second digit of minutes Range is 0 to 5	RW	0x0
3:0	ALARM2_MIN0	First digit of minutes Range is 0 to 9	RW	0x0

Table 23-69. Register Call Summary for Register RTC_ALARM2_MINUTES_REG

RTC Functional Description

- [Interrupt Description: \[0\]](#)
- [Register Access: \[1\]](#)

RTC Register Manual

- [RTC_SS Register Summary: \[2\]](#)

Table 23-70. RTC_ALARM2_HOURS_REG

Address Offset	0x0000 0088	Instance	RTC_SS
Physical Address	0x4883 8088		
Description			
Type	RW		

31	30	29	28	27	26	25	24	23	22	21	20	19	18	17	16	15	14	13	12	11	10	9	8	7	6	5	4	3	2	1	0
RESERVED																ALARM2_PM_NAM	RESERVED	ALARM2_HOUR1	ALARM2_HOUR0												

Bits	Field Name	Description	Type	Reset
31:8	RESERVED	Reserved	R	0x0
7	ALARM2_PM_NAM	Only used in PM_AM mode (otherwise 0) 0 = AM 1 = PM	RW	0x0
6	RESERVED	Reserved	R	0x0
5:4	ALARM2_HOUR1	Second digit of hours Range is 0 to 2	RW	0x0
3:0	ALARM2_HOUR0	First digit of hours Range is 0 to 9	RW	0x0

Table 23-71. Register Call Summary for Register RTC_ALARM2_HOURS_REG

RTC Functional Description

- [Interrupt Description: \[0\]](#)
- [Register Access: \[1\]](#)

RTC Register Manual

- [RTC_SS Register Summary: \[2\]](#)

Table 23-72. RTC_ALARM2_DAYS_REG

Address Offset	0x0000 008C	Instance	RTC_SS
Physical Address	0x4883 808C		
Description			
Type	RW		

31	30	29	28	27	26	25	24	23	22	21	20	19	18	17	16	15	14	13	12	11	10	9	8	7	6	5	4	3	2	1	0
RESERVED																ALARM_DAY1	ALARM_DAY0														

Bits	Field Name	Description	Type	Reset
31:6	RESERVED	Reserved	R	0x0
5:4	ALARM_DAY1	Second digit for days Range from 0 to 3	RW	0x0
3:0	ALARM_DAY0	First digit for days Range from 0 to 9	RW	0x1

Table 23-73. Register Call Summary for Register RTC_ALARM2_DAYS_REG

RTC Functional Description

- [Interrupt Description: \[0\]](#)
- [Register Access: \[1\]](#)

Table 23-73. Register Call Summary for Register RTC_ALARM2_DAYS_REG (continued)

RTC Register Manual

- [RTC_SS Register Summary: \[2\]](#)

Table 23-74. RTC_ALARM2_MONTHS_REG

Address Offset	0x0000 0090	Instance	RTC_SS
Physical Address	0x4883 8090		
Description			
Type	RW		

31	30	29	28	27	26	25	24	23	22	21	20	19	18	17	16	15	14	13	12	11	10	9	8	7	6	5	4	3	2	1	0
RESERVED																ALARM2_MONTH1		ALARM2_MONTH0													

Bits	Field Name	Description	Type	Reset
31:5	RESERVED	Reserved	R	0x0
4	ALARM2_MONTH1	Second digit of months Range from 0 to 1	RW	0x0
3:0	ALARM2_MONTH0	First digit of months Range from 0 to 9	RW	0x1

Table 23-75. Register Call Summary for Register RTC_ALARM2_MONTHS_REG

RTC Functional Description

- [Interrupt Description: \[0\]](#)
- [Register Access: \[1\]](#)

RTC Register Manual

- [RTC_SS Register Summary: \[2\]](#)

Table 23-76. RTC_ALARM2_YEARS_REG

Address Offset	0x0000 0094	Instance	RTC_SS
Physical Address	0x4883 8094		
Description			
Type	RW		

31	30	29	28	27	26	25	24	23	22	21	20	19	18	17	16	15	14	13	12	11	10	9	8	7	6	5	4	3	2	1	0
RESERVED																ALARM2_YEAR1		ALARM2_YEAR0													

Bits	Field Name	Description	Type	Reset
31:8	RESERVED	Reserved	R	0x0
7:4	ALARM2_YEAR1	Second digit of Years Range from 0 to 9	RW	0x0
3:0	ALARM2_YEAR0	First digit of Years Range from 0 to 9	RW	0x0

Table 23-77. Register Call Summary for Register RTC_ALARM2_YEARS_REG

RTC Functional Description

- [Interrupt Description: \[0\]](#)
- [Register Access: \[1\]](#)

RTC Register Manual

- [RTC_SS Register Summary: \[2\]](#)

Table 23-78. RTC_PMIC_REG

Address Offset	0x0000 0098	Instance	RTC_SS
Physical Address	0x4883 8098		
Description			
Type	RW		

31	30	29	28	27	26	25	24	23	22	21	20	19	18	17	16	15	14	13	12	11	10	9	8	7	6	5	4	3	2	1	0
RESERVED								EXT_WAKEUP_POL_HL				PWR_ENABLE_SM		PWR_ENABLE_EN		EXT_WAKEUP_STATUS				EXT_WAKEUP_DB_EN				EXT_WAKEUP_POL				EXT_WAKEUP_EN			

Bits	Field Name	Description	Type	Reset
31:23	RESERVED	Reserved	RW	0x0
22:19	EXT_WAKEUP_POL_HL	External wakeup inputs polarity enable for Active High and Active Low 0: Disabled 1: Enabled, Active High and Active Low EXT_WAKEUP_POL_HL[0] controls ext_wakeup0; EXT_WAKEUP_POL_HL[N] controls ext_wakeup n ; Note when enabled EXT_WAKEUP_POL_HL overrides EXT_WAKEUP_POL	RW	0x0
18:17	PWR_ENABLE_SM	Power State Machine state 00 = Idle/Default 01 = Shutdown (ALARM2 and pwr_enable enable is set, note 31uS latency from ALARM2 event.) 10 = Time based wakeup (ALARM status is set) 11 = External event based wakeup (one or more bit set in EXT_WAKEUP_STATUS)	RW	0x0
16	PWR_ENABLE_EN	pwr_enable enable 0: Disable When Disabled, PMIC_PWR_ENABLE will always be drive 1, ON state 1: Enable When enabled: PMIC_PWR_ENABLE will be controlled by ext_wakeup 3:0 , alarm , and alarm2. ON - OFF (Turn OFF) By ALARM2 event OFF - ON (TURN ON) By ALARM event OR ext_wakeup n event	RW	0x0
15:12	EXT_WAKEUP_STATUS	External wakeup status 0: External wakeup event has not occurred 1: External wakeup event has occurred Wrt 1 to Clear EXT_WAKEUP_STATUS[0] status of ext_wakeup0 event EXT_WAKEUP_STATUS[N] status of ext_wakeup n event. SW must clear the events before PMIC_PWR_ENABLE can go from 1 - 0.	RW	0x0

Bits	Field Name	Description	Type	Reset
11:8	EXT_WAKEUP_DB_EN	External wakeup debounce enabled 0: Disable 1: Enable EXT_WAKEUP_DB_EN[0] controls ext_wakeup0; EXT_WAKEUP_DB_EN[N] controls ext_wakeup n ; When enabled RTL_DEBOUNCE_REG defines the debounce time.	RW	0x0
7:4	EXT_WAKEUP_POL	External wakeup inputs polarity 0: Active High 1: Active Low EXT_WAKEUP_POL[0] controls ext_wakeup0; EXT_WAKEUP_POL[N] controls ext_wakeup n ;	RW	0x0
3:0	EXT_WAKEUP_EN	Enable External wakeup inputs 0: Ext Wakeup disabled 1: Ext Wakeup enable EXT_WAKEUP_EN[0] controls ext_wakeup0; EXT_WAKEUP_EN[N] controls ext_wakeup n ;	RW	0x0

1. n=0 or 3

Table 23-79. Register Call Summary for Register RTC_PMIC_REG

RTC Functional Description

- [Interrupt Description: \[0\]\[1\]](#)
- [Register Access: \[2\]](#)
- [Subsystem-Level Power Management — PMIC Mode: \[3\]](#)

RTC Register Manual

- [RTC_SS Register Summary: \[4\]](#)

Table 23-80. RTC_RTL_DEBOUNCE_REG

Address Offset	0x0000 009C	Instance	RTC_SS
Physical Address	0x4883 809C		
Description			
Type	RW		

31	30	29	28	27	26	25	24	23	22	21	20	19	18	17	16	15	14	13	12	11	10	9	8	7	6	5	4	3	2	1	0
RESERVED																DEBOUNCE_REG															

Bits	Field Name	Description	Type	Reset
31:8	RESERVED	Reserved	RW	0x0
7:0	DEBOUNCE_REG	Debounce time, see Section 23.4.5 for details.	RW	0x0

Table 23-81. Register Call Summary for Register RTC_RTL_DEBOUNCE_REG

RTC Functional Description

- [Register Access: \[0\]](#)
- [Debouncing: \[1\]\[2\]](#)

RTC Register Manual

- [RTC_SS Register Summary: \[3\]](#)

Serial Communication Interfaces

This chapter describes the features and operation of the device serial communication interfaces (SCI).

Topic	Page
24.1 Multimaster High-Speed I ² C Controller	5573
24.2 HDQ/1-Wire	5646
24.3 UART/IrDA/CIR	5667
24.4 Multichannel Serial Peripheral Interface.....	5787
24.5 Quad Serial Peripheral Interface	5861
24.6 Multichannel Audio Serial Port	5891
24.7 SuperSpeed USB DRD.....	6043
24.8 SATA Controller.....	6058
24.9 PCIe Controller	6131
24.10 DCAN	6332
24.11 Gigabit Ethernet Switch (GMAC_SW)	6427
24.12 Media Local Bus (MLB)	6691

24.1 Multimaster High-Speed I²C Controller

This section describes the high-speed inter-integrated circuit (I²C) controller modules in the device.

NOTE: Not all I²C instances support HS-mode operation. See the Device Data Manual for details.

NOTE: I2C6 is not supported on the AM571x/AM570x family of devices.

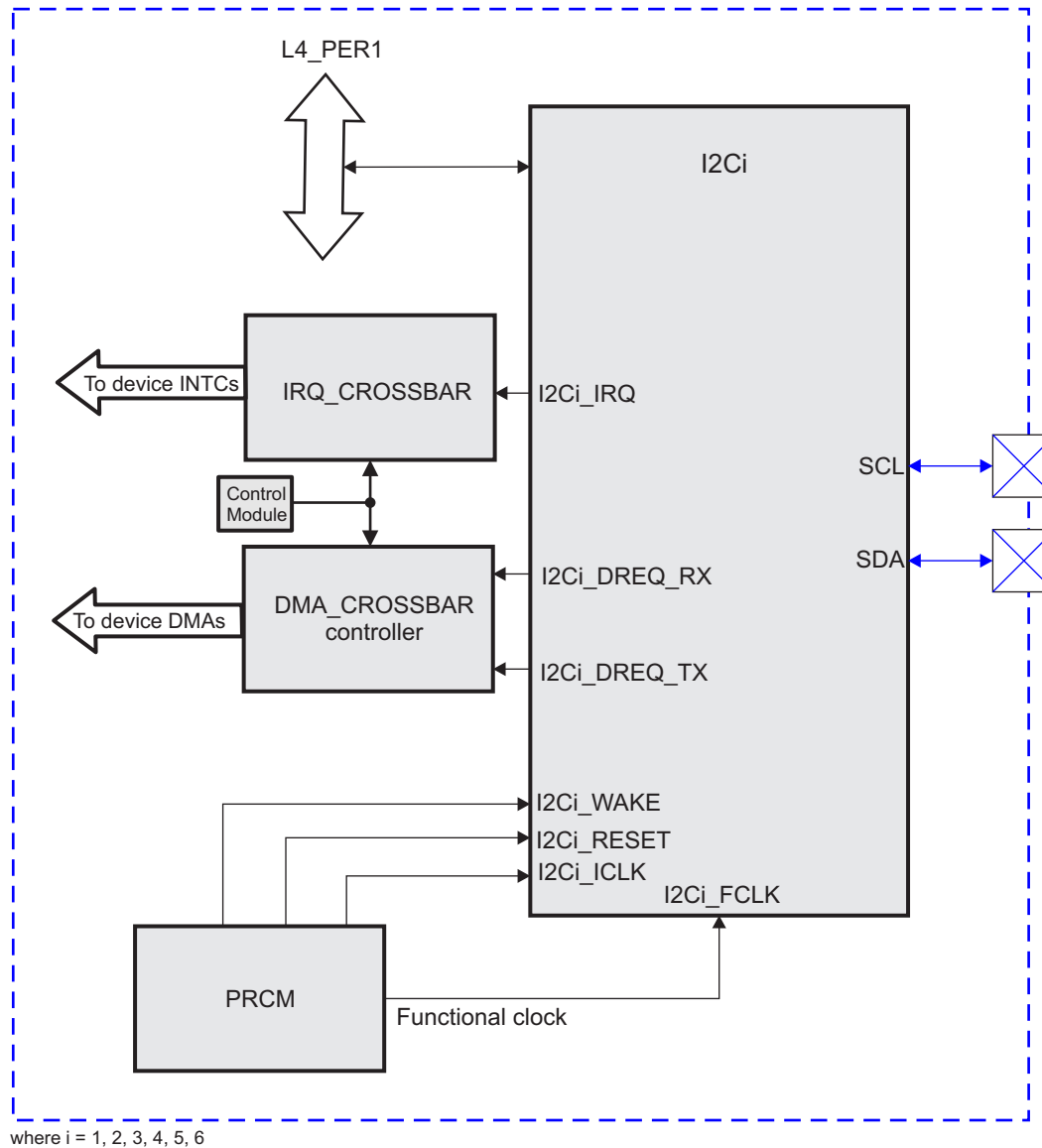
24.1.1 HS I²C Overview

The device contains six multimaster high-speed (HS) inter-integrated circuit (I²C) controllers (I2C_{*i*} modules, where *i* = 1, 2, 3, 4, 5, 6) each of which provides an interface between a local host (LH), such as a digital signal processor (DSP), and any I²C-bus-compatible device that connects through the I²C serial bus. External components attached to the I²C bus can serially transmit and receive up to 8 bits of data to and from the LH device through the 2-wire I²C interface.

Each multimaster HS I²C controller can be configured to act like a slave or master I²C-compatible device.

I2C1 and I2C2 controllers have dedicated I2C compliant open drain buffers, and support Fast mode (up to 400Kbps). I2C3, I2C4, I2C5 and I2C6 controllers are multiplexed with standard LVCMOS IO and connected to emulate open drain. I²C emulation is achieved by configuring the LVCMOS buffers to output Hi-Z instead of driving high when transmitting logic 1. These controllers support HS mode (up to 3.4Mbps). For the specific IO timing characteristics of the different I²C instances, see the device data manual.

[Figure 24-1](#) shows the I²C.

Figure 24-1. HS I²C Controllers


I2C-001

The multimaster HS I²C controllers have the following features:

- Compliant with Philips I²C specification version 2.1
- Supports a standard mode (up to 100 kbps) and fast mode (up to 400 kbps)
- Supports HS mode for transfer up to 3.4 Mbps (only for I2C3, I2C4, I2C5 and I2C6)
- 7-bit and 10-bit device addressing modes
- General call
- Start/Restart/Stop
- Multimaster transmitter/slave receiver mode
- Multimaster receiver/slave transmitter mode
- Combined master transmit/receive and receive/transmit mode
- Built-in FIFOs (16 bytes) for buffered read or write
- Module enable/disable capability
- Programmable multislave channel (responds to four separate addresses)

- Programmable clock generation
- 8-bit-wide data access
- Designed for low power consumption
- Implement Auto Idle mechanism
- Implement Idle Request/Idle Acknowledge handshake mechanism
- Support for asynchronous wakeup mechanism
- Two direct memory access (DMA) channels
- Wide interrupt capability

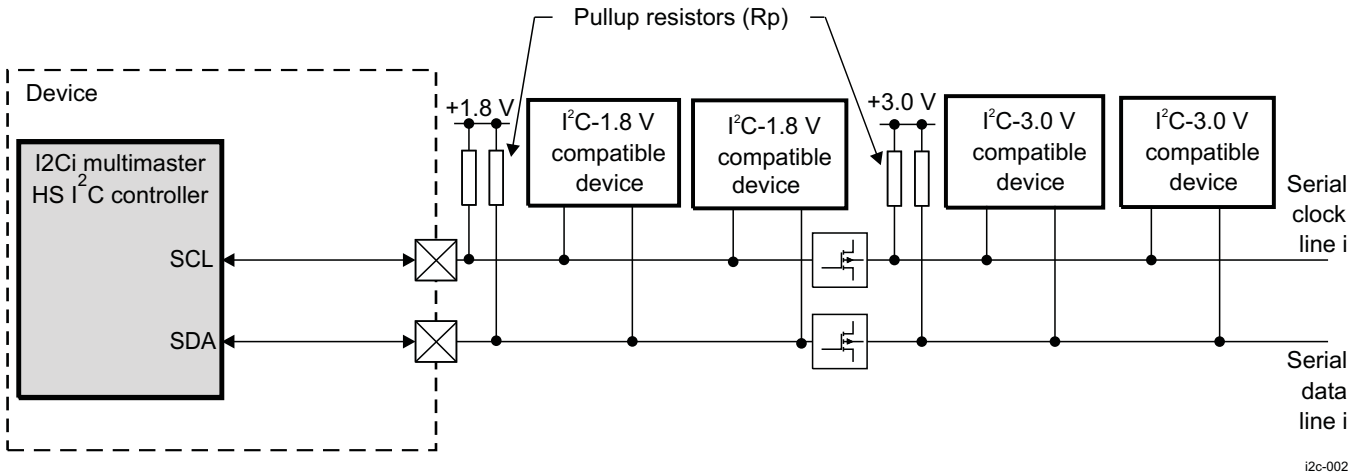
24.1.2 HS I²C Environment

This section describes the HS I²C application fields from an environment point of view (external connections). It describes HS I²C connectivity options, lists all possible interfaces, and describes the protocol and data format used in each case.

24.1.2.1 HS I²C Typical Application

Figure 24-2 shows the multimaster HS I²C controllers and their related connections with I²C-compliant devices.

Figure 24-2. HS I²C and Typical Connections to I²C Devices

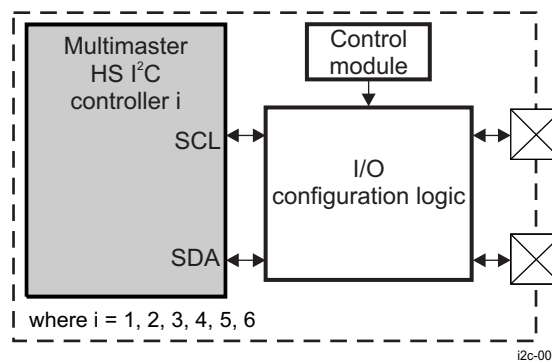


i2c-002

24.1.2.1.1 HS I²C Pins for Typical Connections in I²C Mode

Figure 24-3 shows the multimaster HS I²C controller pins used for typical connections with I²C devices.

Figure 24-3. HS I²C Interface Signals



i2c-003

24.1.2.1.2 HS I²C Interface Typical Connections

Table 24-1 lists the pins associated with the I²C interface.

Table 24-1. HS I²C Input/Output

Signal	Device Level Signal	I/O ⁽¹⁾	Description	Reset Value
SCL	i2cj_scl ⁽²⁾	I/O	I ² C serial clock line. Open-drain output buffer.	1
SDA	i2cj_sda ⁽²⁾	I/O	I ² C serial data line. Open-drain output buffer.	1

⁽¹⁾ I = Input; O = Output

⁽²⁾ j= 1 and 2

Table 24-1. HS I²C Input/Output (continued)

Signal	Device Level Signal	I/O ⁽¹⁾	Description	Reset Value
SCL	i2ci_scl ⁽³⁾	I/O	I ² C serial clock line. Emulated open-drain output buffer.	1
SDA	i2ci_sda ⁽³⁾	I/O	I ² C serial data line. Emulated open-drain output buffer.	1

⁽³⁾ i= 3 to 6

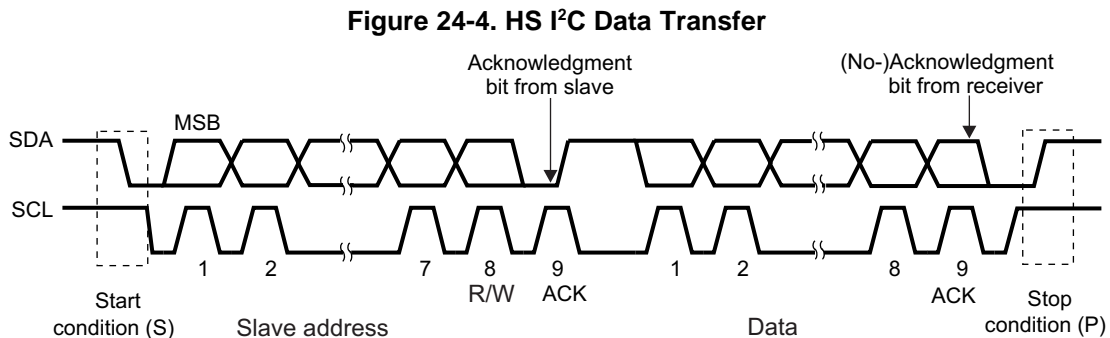
NOTE: For the i2ci_scl and i2ci_scl signals to work properly, the INPUTENABLE bit of the appropriate CTRL_CORE_PAD_x registers should be set to 0x1 because of retiming purposes.

NOTE: The path from a module pin to device pad(s) is defined at the device I/O logic level. The I/O logic maps the module signals to the different pads of the device and is programmable in the Control Module registers. Refer to the sections [Section 18.4.6.1.1 Pad Functional Multiplexing](#) of the chapter *Control Module*, for more information.

24.1.2.2 HS I²C Typical Connection Protocol and Data Format

24.1.2.2.1 HS I²C Serial Data Format

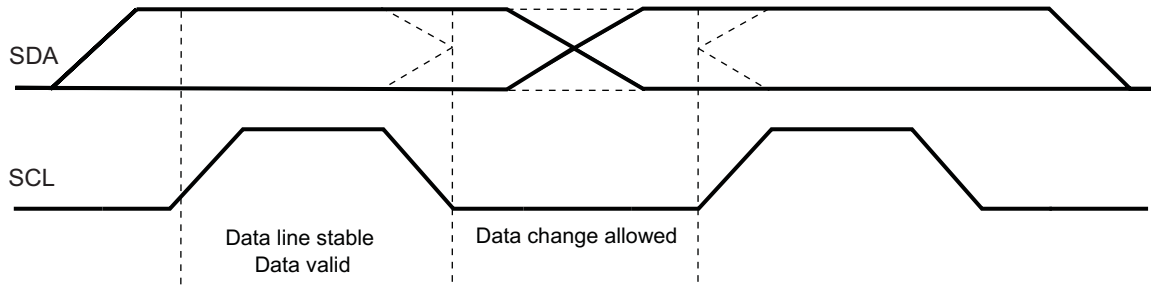
The I²C controller operates in 8-bit word data format (byte write access supported for the last access). Each byte transmitted or received on the serial data line is 8 bits long. The number of bytes that can be transmitted or received is not restricted. The data is transferred with the most-significant bit (MSB) first. In receiver mode, each byte is followed by an acknowledge bit from the I²C. [Figure 24-4](#) shows a typical I²C communication format.



24.1.2.2.2 HS I²C Data Validity

The data on the serial data line (SDA) must be stable during the high period of the serial clock line. The high and low states of the data line can change only when the clock signal on the serial clock line (SCL) is low.

[Figure 24-5](#) is an example of data validity requirements.

Figure 24-5. HS I²C Bit Transfer on the I²C Bus


i2c-005

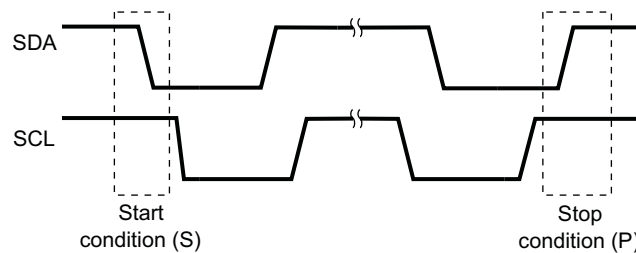
24.1.2.2.3 HS I²C Start and Stop Conditions

The I²C module generates start (S) and stop (P) conditions when it is configured as a master.

- An S condition is a high-to-low transition on the serial data line while serial clock line is high.
- A P condition is a low-to-high transition on the serial data line while serial clock line is high.

The bus is considered busy after the S condition (the I2Ci. [12] BB bit is 1 to indicate that the bus is busy) and free after the P condition (the I2Ci.I2C_IRQSTATUS_RAW [12] BB bit is 0 to indicate that the bus is free).

Figure 24-6 shows the waveforms that occur during an S and a P condition.

Figure 24-6. HS I²C S and P Condition Events


i2c-006

NOTE: I²C controller does not support messages non-compliant with I2C standard. Void messages are non-standard I²C messages and will lockup the controller. A void message is a START condition followed by a STOP condition, in other words, while the bus is free the SDA line is pulled low (START) and then released (STOP). This would result in a timeout (software) of the next master transfer which would never complete. A soft reset of the controller is recommended for recovery.

24.1.2.2.4 HS I²C Addressing

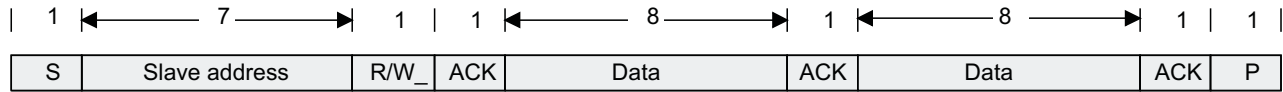
The I²C module supports two data formats in fast/standard (F/S) and HS modes:

- 7-bit/10-bit addressing format
- 7-bit/10-bit addressing format with repeated start (Sr) condition

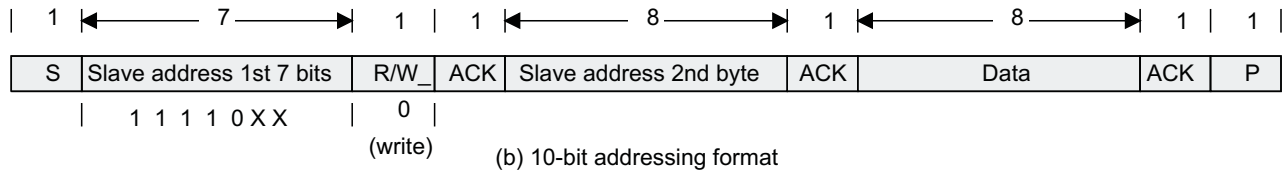
24.1.2.2.4.1 Data Transfer Formats in F/S Mode

Figure 24-7 shows the I²C data transfer formats in F/S mode.

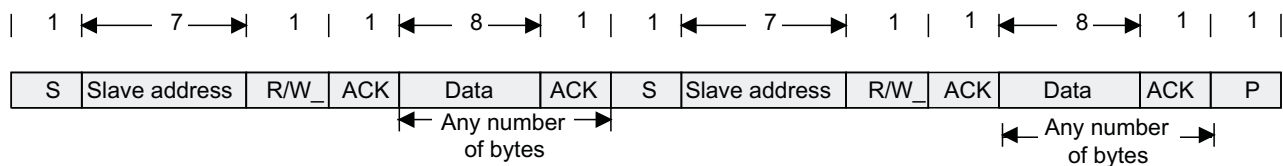
Figure 24-7. HS I²C Data Transfer Formats in F/S Mode



(a) 7-bit addressing format



(b) 10-bit addressing format



(c) Addressing format with repeated start condition

i2c-007

The first word after an S condition consists of 8 bits. In acknowledge mode, an extra dedicated acknowledgment bit is inserted after each byte.

In addressing formats with 7-bit addresses, the first byte is composed of 7 MSB slave address bits and 1 least-significant bit (LSB) R/W_ bit.

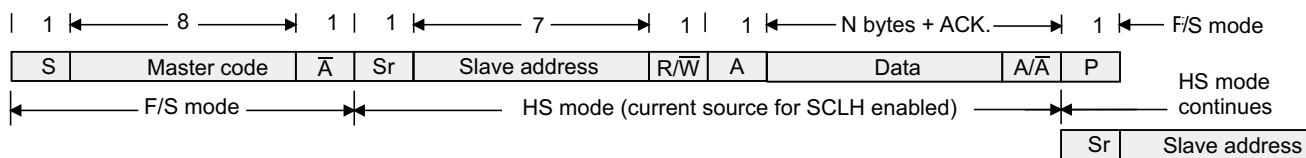
The LSB R/W_ bit of the address byte indicates the transmission direction of the data bytes that follow it. If R/W_ is 0, the master writes data to the selected slave; if it is 1, the master reads data from the slave.

In addressing formats with 10-bit addresses, the structure of the first byte is 11110XXY, where XX is the two MSBs of the 10-bit addresses, and Y is the R/W_ bit. If the R/W_ bit is 0, the next byte contains the last 8 bits of the slave address. If the R/W_ bit is 1, the next byte contains data transmitted from the slave to the master.

24.1.2.2.4.2 Data Transfer Format in HS Mode

Figure 24-8 shows the I²C data transfer format in HS mode.

Figure 24-8. HS I²C Data Transfer in HS Mode



S = Start; Sr = repeated start; P = Stop; F/S = Fast/standard mode; HS = High-speed mode

i2c-008

Each multimaster HS I²C controller can also operate in HS mode. In this case, after the S condition, the module, which is in F/S mode, writes the master code address (00001XXX, where XXX is the variable portion of the master code) on the bus. No device connected on the same bus acknowledges this address. The module switches the clock to the HS clock and after an Sr condition, and sends the slave address and the data, as shown in Figure 24-8.

24.1.2.2.5 HS I²C Master Transmitter

In master transmitter mode, data assembled in one of the previously described data formats is shifted out on the serial data line SDA in sync with the self-generated clock pulses on the serial clock line SCL. The clock pulses are inhibited and SCL is held low when the intervention of the processor is required (XUDF) after a byte is transmitted.

24.1.2.2.6 HS I²C Master Receiver

Master receiver mode can be entered only from master transmitter mode. With any of the address formats (a), (b), or (c) (see Figure 24-7), if R/W₀ is high, the module enters master receiver mode after the slave address byte and bit R/W₀ are transmitted. Serial data bits received on bus line SDA are shifted in synchronization with the self-generated clock pulses on SCL.

24.1.2.2.7 HS I²C Slave Transmitter

Slave transmitter mode can be entered only from slave receiver mode. With any of the address formats (a), (b), or (c) (see Figure 24-7), the slave transmitter is entered if the slave address byte is the same as its own address and bit R/W₀ is transmitted, if R/W₀ is high. The slave transmitter shifts the serial data out on the data line SDA in sync with the clock pulses that are generated by the master device. It does not generate the clock but it can hold clock line SCL low while intervention of the LH is required (XUDF).

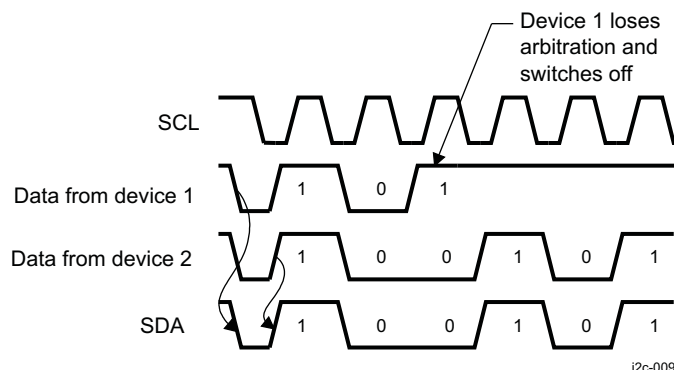
24.1.2.2.8 HS I²C Slave Receiver

In this mode, serial data bits received on the bus line SDA are shifted-in in sync with the clock pulses on SCL that are generated by the master device. It does not generate the clock but it can hold clock line SCL low while intervention of the LH is required (ROVR) after a byte is received.

24.1.2.2.9 HS I²C Bus Arbitration

If two or more master transmitters start a transmission on the same bus almost simultaneously, an arbitration procedure is invoked. The arbitration procedure uses the data presented on the serial bus by the competing transmitters. When a transmitter senses that a high signal it has presented on the bus has been overruled by a low signal, it switches to the slave receiver mode, sets the arbitration lost (AL) flag, and generates the arbitration lost interrupt. Figure 24-9 shows the arbitration procedure between two devices. The arbitration procedure gives priority to the device that transmits the serial data stream with the lowest binary value. If two or more devices send identical first bytes, arbitration continues on the subsequent bytes.

Figure 24-9. HS I²C Arbitration Between Master Transmitters



24.1.2.2.10 HS I²C Clock Generation and Synchronization

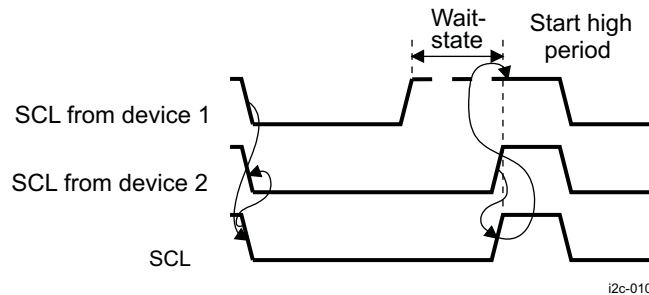
Under normal conditions, only one master device generates the clock signal, SCL. However, there are two or more master devices during the arbitration procedure, and the clock must be synchronized so that the data output can be compared. The wired-AND property of the clock line means that a device that first generates a low period of the clock line overrules the other devices. At this high/low transition, the clock generators of the other devices are forced to start generation of their own low period. The clock line is

then held low by the device with the longest low period, while the other devices that finish their low periods must wait for the clock line to be released before starting their high periods. A synchronized signal on the clock line is thus obtained, where the slowest device determines the length of the low period and the fastest device determines the length of the high period. If a device pulls down the clock line for a longer time, the result is that all clock generators must enter the WAIT-state. In this way a slave can slow down a fast master and the slow device can create enough time to store a received byte or prepare a byte to be transmitted (clock stretching).

-
- NOTE:** In case the SCL or SDA lines are stuck low, a bus clearing operation is supported:
- If the clock line (SCL) is stuck low, the preferential procedure is to reset the bus using the hardware reset signal if your I²C devices have hardware reset inputs. If the I²C devices do not have hardware reset inputs, cycle power to the devices to activate the mandatory internal power-on reset (POR) circuit.
 - If the data line (SDA) is stuck low, the master should send nine clock pulses. The device that held the bus low should release it sometime within those nine clocks. If not, then use the hardware reset or cycle power to clear the bus.
-

Figure 24-10 shows clock synchronization.

Figure 24-10. HS I²C Clock Generators Synchronization

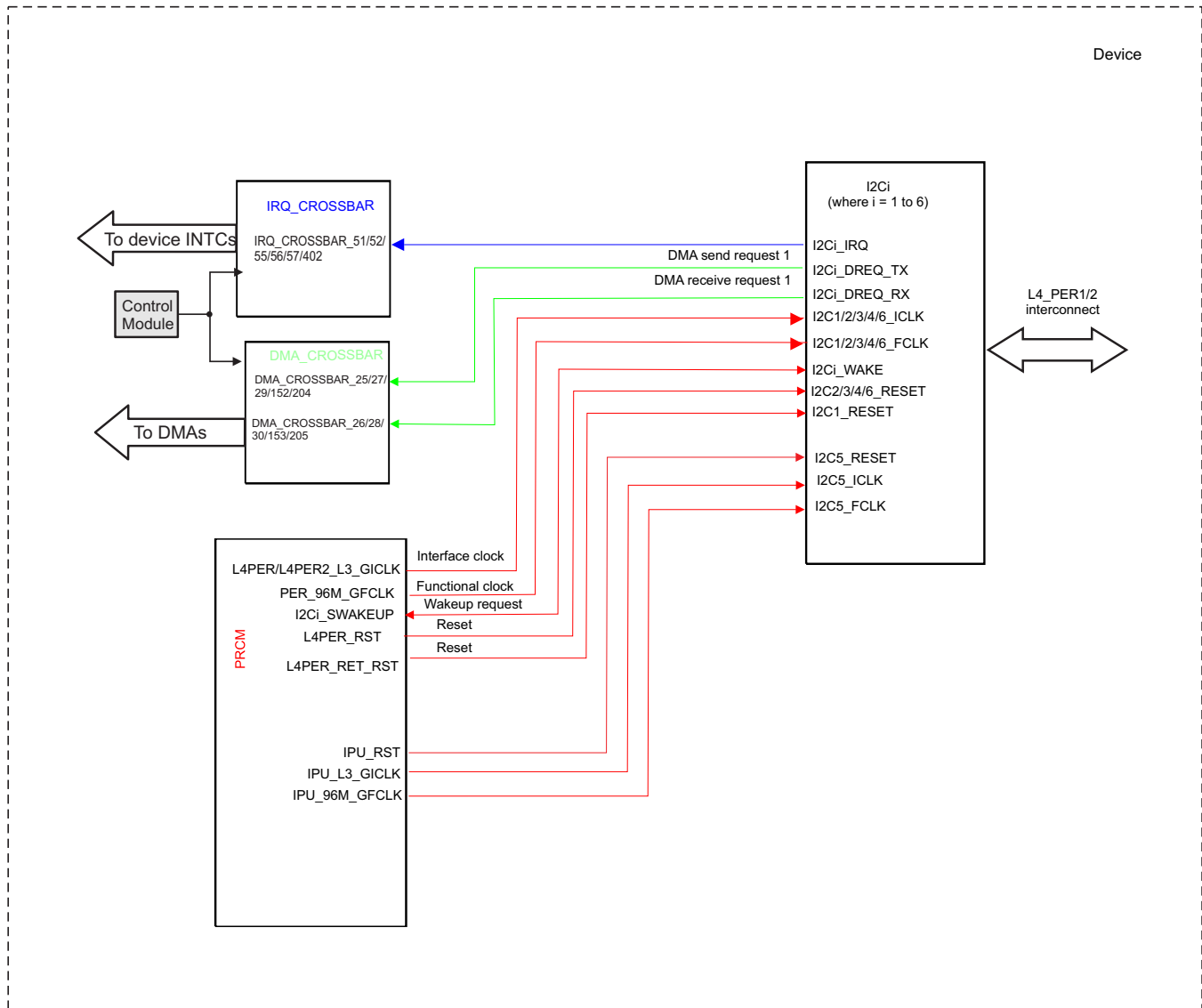


24.1.3 HS I²C Integration

This section describes module integration in the device, including information about clocks, resets, and hardware requests.

Figure 24-11 shows the integration of the six HS I²C controllers in the device.

Figure 24-11. HS I²C Integration



i2c-043

NOTE: For more information about the slave idle protocol and the wake-up request, see [Section 3.7, Power Management Functional Description](#), in [Chapter 3, Power, Reset, and Clock Management](#).

Table 24-2 through Table 24-4 summarize the integration of the module in the device.

Table 24-2. HS I²C Integration Attributes

Module Instance	Attributes	
	Power Domain	Interconnect
I2C1	PD_COREAON	L4_PER1
I2C2	PD_COREAON	L4_PER1
I2C3	PD_COREAON	L4_PER1
I2C4	PD_COREAON	L4_PER1
I2C5	PD_COREAON	L4_PER1
I2C6	PD_COREAON	L4_PER2

Table 24-3. HS I²C Clocks and Resets

Clocks				
Module Instance	Destination Signal Name	Source Signal Name	Source	Description
I2C1	I2C1_ICLK	L4PER_L3_GICLK	PRCM	I2C1 interface clock
	I2C1_FCLK	PER_96M_GFCLK	PRCM	I2C1 functional clock
I2C2	I2C2_ICLK	L4PER_L3_GICLK	PRCM	I2C2 interface clock
	I2C2_FCLK	PER_96M_GFCLK	PRCM	I2C2 functional clock
I2C3	I2C3_ICLK	L4PER_L3_GICLK	PRCM	I2C3 interface clock
	I2C3_FCLK	PER_96M_GFCLK	PRCM	I2C3 functional clock
I2C4	I2C4_ICLK	L4PER_L3_GICLK	PRCM	I2C4 interface clock
	I2C4_FCLK	PER_96M_GFCLK	PRCM	I2C4 functional clock
I2C5	I2C5_ICLK	IPU_L3_GICLK	PRCM	I2C5 interface clock
	I2C5_FCLK	IPU_96M_GFCLK	PRCM	I2C5 functional clock
I2C6	I2C6_ICLK	L4PER2_L3_GICLK	PRCM	I2C6 interface clock
	I2C6_FCLK	PER_96M_GFCLK	PRCM	I2C6 functional clock

Resets				
Module Instance	Destination Signal Name	Source Signal Name	Source	Description
I2C1	I2C1_RESET	L4PER_RET_RST	PRCM	I2C1 reset
I2C2	I2C2_RESET	L4PER_RST	PRCM	I2C2 reset
I2C3	I2C3_RESET	L4PER_RST	PRCM	I2C3 reset
I2C4	I2C4_RESET	L4PER_RST	PRCM	I2C4 reset
I2C5	I2C5_RESET	IPU_RST	PRCM	I2C5 reset
I2C6	I2C6_RESET	L4PER_RST	PRCM	I2C6 reset

Table 24-4. HS I²C Hardware Requests

Interrupt Requests				
Module Instance	Source Signal Name	IRQ_CROSSBAR Input	Default Mapping	Description
I2C1	I2C1_IRQ	IRQ_CROSSBAR_51	MPU_IRQ_56	I2C1 interrupt request
			DSP1_IRQ_82	
			DSP2_IRQ_82	
			IPU1_IRQ_41	
I2C2	I2C2_IRQ	IRQ_CROSSBAR_52	MPU_IRQ_57	I2C2 interrupt request
			DSP1_IRQ_83	
			DSP2_IRQ_83	
			IPU1_IRQ_42	

Table 24-4. HS I²C Hardware Requests (continued)

I2C3	I2C3_IRQ	IRQ_CROSSBAR_56	MPU_IRQ_61 DSP1_IRQ_87 DSP2_IRQ_87 IPU1_IRQ_43 IPU2_IRQ_43	I2C3 interrupt request
I2C4	I2C4_IRQ	IRQ_CROSSBAR_57	MPU_IRQ_62 DSP1_IRQ_88 DSP2_IRQ_88 IPU1_IRQ_44 IPU2_IRQ_44	I2C4 interrupt request
I2C5	I2C5_IRQ	IRQ_CROSSBAR_55	MPU_IRQ_60 DSP1_IRQ_86 DSP2_IRQ_86	I2C5 interrupt request
I2C6	I2C6_IRQ	IRQ_CROSSBAR_402	-	I2C6 interrupt request
DMA Requests				
Module Instance	Source Signal Name	Destination DMA_CROSSBAR Input	Default Mapping	Description
I2C1	I2C1_DREQ_TX	DMA_CROSSBAR_27	DMA_EDMA_DREQ_26	I2C1 DMA transmit request
	I2C1_DREQ_RX	DMA_CROSSBAR_28	DMA_SYSTEM_DREQ_26	I2C1 DMA receive request
			DMA_EDMA_DREQ_27 DMA_SYSTEM_DREQ_27	
I2C2	I2C2_DREQ_TX	DMA_CROSSBAR_29	DMA_EDMA_DREQ_28	I2C2 DMA transmit request
	I2C2_DREQ_RX	DMA_CROSSBAR_30	DMA_SYSTEM_DREQ_28	I2C2 DMA receive request
			DMA_EDMA_DREQ_29 DMA_SYSTEM_DREQ_29	
I2C3	I2C3_DREQ_TX	DMA_CROSSBAR_25	DMA_EDMA_DREQ_24	I2C3 DMA transmit request
	I2C3_DREQ_RX	DMA_CROSSBAR_26	DMA_SYSTEM_DREQ_24	I2C3 DMA receive request
			DMA_EDMA_DREQ_25 DMA_SYSTEM_DREQ_25	
I2C4	I2C4_DREQ_TX	DMA_CROSSBAR_124	DMA_SYSTEM_DREQ_123	I2C4 DMA transmit request
	I2C4_DREQ_RX	DMA_CROSSBAR_125	DMA_SYSTEM_DREQ_124	I2C4 DMA receive request
I2C5	I2C5_DREQ_TX	DMA_CROSSBAR_152	-	I2C5 DMA transmit request
	I2C5_DREQ_RX	DMA_CROSSBAR_153	-	I2C5 DMA receive request
I2C6	I2C6_DREQ_TX	DMA_CROSSBAR_204	-	I2C6 DMA transmit request
	I2C6_DREQ_RX	DMA_CROSSBAR_205	-	I2C6 DMA receive request

NOTE: The **Default Mapping** column in [Table 24-4 HS \$\mu\$ C Hardware Requests](#) shows the default mapping of module IRQ and DREQ source signals. These module IRQ and DREQ source signals can also be mapped to other lines of each device Interrupt or DMA controller through the IRQ_CROSSBAR and DMA_CROSSBAR modules, respectively.

For more information about the IRQ_CROSSBAR module, see [Section 18.4.6.4, IRQ_CROSSBAR Module Functional Description](#), in [Chapter 18, Control Module](#).

For more information about the DMA_CROSSBAR module, see [Section 18.4.6.5, DMA_CROSSBAR Module Functional Description](#), in [Section 18.4.6.5 Chapter 18, Control Module](#).

For more information about the device interrupt controllers, see [Chapter 17, Interrupt Controllers](#).

For more information about the device DMA_SYSTEM module, see [Section 16.1, System DMA](#).

For more information about the device EDMA module, see [Section 16.2, Enhanced DMA](#).

NOTE:

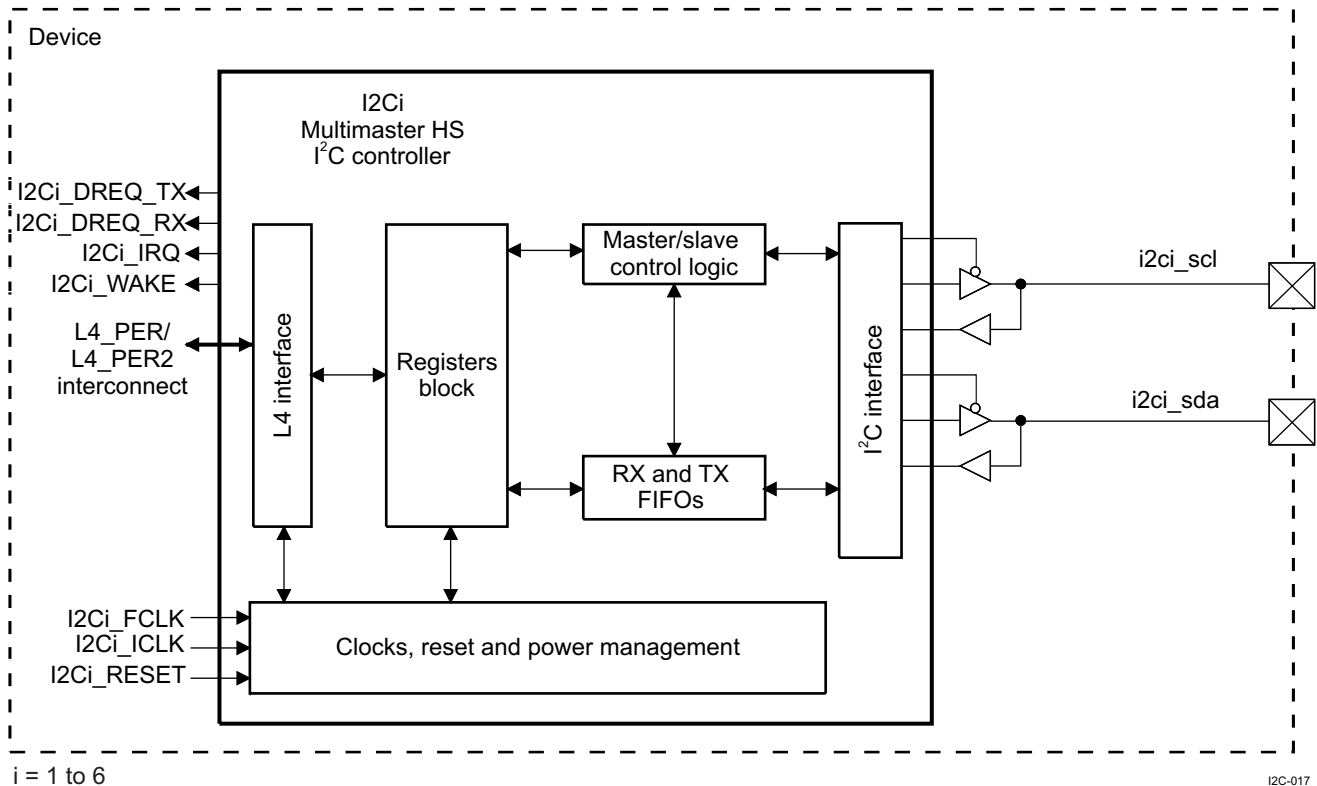
- For a description of interrupt source, see [Table 24-10](#).
 - For a description of DMA source, see [Table 24-11](#).
-

24.1.4 HS I²C Functional Description

24.1.4.1 HS I²C Block Diagram

Figure 24-12 is the multimaster I²C HS controller block diagram.

Figure 24-12. HS I²C Block Diagram



The six multimaster HS I²C controllers can be configured in F/S I²C mode or HS I²C mode. The operation mode is selected by configuring the I2Ci.I2C_CON[13:12] OPMODE bit field. Table 24-5 lists the available operation modes.

Table 24-5. HS I²C Operation Mode Selection

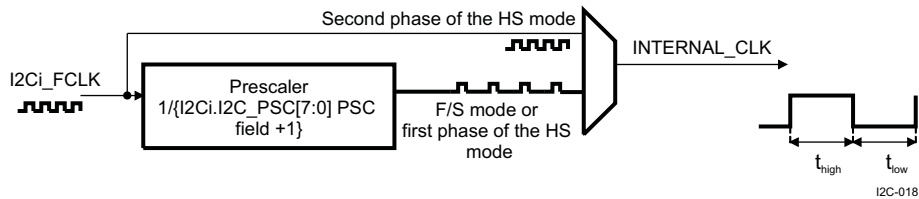
Operation Mode	Value of I2Ci.I2C_CON[13:12] OPMODE
F/S I ² C	0x0
HS I ² C	0x1
Reserved	0x2
Reserved (not used)	0x3

24.1.4.2 HS I²C Clocks

24.1.4.2.1 HS I²C Clocking

Figure 24-13 shows the I²C clock generation of the HS I²C controllers.

Figure 24-13. HS I²C Clock Generation



Each multimaster HS I²C controller uses the I2Ci_FCLK functional clock in the PRCM module. The internal sampling clock I2Ci_INTERNAL_CLK is generated by dividing the functional clock by the I2Ci.I2C_PSC[7:0] PSC bit field value + 1 in F/S mode, or in the first phase of HS mode; or by directly using the functional clock in the second phase of HS mode (prescaler is bypassed).

The low time of the I2Ci_SCLL signal is determined by the I2Ci.I2C_SCLL[7:0] SCLL bit field in F/S mode and in the first phase of HS mode; or by the I2Ci.I2C_SCLL[15:8] HSSCLL bit field in the second phase of HS mode.

The high time of the I2Ci_SCLL signal is determined by the I2Ci.I2C_SCLH[7:0] SCLH bit field in F/S mode and in the first phase of HS mode; or by the I2Ci.I2C_SCLH[15:8] HSSCLH bit field in the second phase of HS mode.

Table 24-6 lists the t_{LOW} and t_{high} values in master mode only (in slave mode, the I²C controller does not generate the I²C clock).

Table 24-6. HS I²C t_{LOW} and t_{high} Values of the I²C Clock

Mode	I2Ci Clock	t _{LOW}	t _{high}
F/S or HS first phase	$I2Ci_INTERNAL_CLK = I2Ci_FCLK / (I2Ci.I2C_PSC[7:0] PSC \text{ bit field} + 1)$	$(I2Ci.I2C_SCLL[7:0] SCLL \text{ bit field value} + 7) \times I2Ci_INTERNAL_CLK \text{ period}$	$(I2Ci.I2C_SCLH[7:0] SCLH \text{ bit field value} + 5) \times I2Ci_INTERNAL_CLK \text{ period}$
HS second phase	I2Ci_FCLK	$(I2Ci.I2C_SCLL[15:8] HSSCLL \text{ bit field value} + 7) \times I2Ci_FCLK \text{ period}$	$(I2Ci.I2C_SCLH[15:8] HSSCLH \text{ bit field value} + 5) \times I2Ci_FCLK \text{ period}$

NOTE: For HS mode, the I2Ci.I2C_SCLL[15:8] HSSCLL and I2Ci.I2C_SCLL[7:0] SCLL bit fields must be programmed (the first phase of an HS transaction is performed at F/S speed).

For HS mode, the I2Ci.I2C_SCLH[15:8] HSSCLH and I2Ci.I2C_SCLH[7:0] SCLH bit fields must be programmed (the first phase of an HS transaction is performed at F/S speed).

NOTE: The equations in Table 24-6 give the SCLL timing values for SCLL/SCLH/HSSCLL/HSSCLH at HS I²C controller outputs. Actual t_{low} and t_{high} periods may vary depending on the board (the load capacitance on the SCLL signal). If necessary, any adjustments to the SCLL/SCLH/HSSCLL/HSSCLH values must be determined by measurements of actual SCL signal on the board.

CAUTION

During active mode (the I2Ci.I2C_CON[15] I2C_EN bit is set to 1), make no changes to the I2Ci.I2C_SCLL and I2Ci.I2C_SCLH registers. Changes may result in unpredictable behavior.

Table 24-7 lists the register values for obtaining the maximum I²C bit rates and the maximum period of the filtered spikes in F/S mode and HS mode.

Table 24-7. HS I²C Register Values for Maximum I²C Bit Rates in I²C F/S, I²C HS Modes⁽¹⁾

	I ² C Mode for I2Ci,			Description
	Standard Mode	Fast Mode	High-Speed Mode ⁽²⁾	
I2Ci_FCLK frequency (MHz)	96			
I2Ci.I2C_PSC[7:0] PSC	23	9	1	Prescaler value for F/S and HS modes
I2Ci_INTERNAL_CLK frequency (MHz)	4	9.6	96	
I2Ci.I2C_SCLL[7:0] SCLL	13	5	115	Value for F/S mode and first phase of HS mode
I2Ci.I2C_SCLH[7:0] SCLH	15	7	113	Value for F/S mode and first phase of HS mode
Maximum bit rate (Mbps)	0.1	0.4	0.4	F/S mode and first phase in HS mode maximum bit rate
Maximum filter period (ns)	250	104.2	10	
I2Ci.I2C_SCLL[15:8] HSSCLL			12	Values for second phase of HS mode
I2Ci.I2C_SCLH[15:8] HSSCLH			5	Values for second phase of HS mode
HS mode maximum bit rate (Mbps)			3.31	HS mode maximum bit rate
Maximum filter period (ns)			10	

⁽¹⁾ Programmable fields are in bold.

⁽²⁾ Supported only on I2C3, I2C4, I2C5 and I2C6.

NOTE: This table presents informative values only for the configuration parameters and the I²C bus performance obtained according to these values. The delays added by the analog pads are not considered in these figures.

NOTE: For I2Ci (where i=1, 2, 3, 4, 5, 6)

$$I2Ci_INTERNAL_CLK \text{ freq} = I2Ci_FCLK / (PSC + 1)$$

$$F/S \text{ filter period} = 1 / I2Ci_INTERNAL_CLK$$

$$HS \text{ filter period} = 1 / I2Ci_FCLK \text{ freq}$$

$$HS \text{ bit rate} = I2Ci_FCLK \text{ freq} / (HSSCLL + 7 + HSSCLH + 5)$$

$$FS \text{ bit rate} = I2Ci_INTERNAL_CLK / (SCLL + 7 + SCLH + 5)$$

24.1.4.2.2 HS I²C Automatic Blocking of the I²C Clock Feature

This feature offers the possibility for the LH to command the blocking of the I²C clock after the slave addressing phase, when the I²C controller is addressed by an external master device using a certain Own Address.

The release of the I²C clock can be performed independently for each Own Address (I2Ci.I2C_OA, and I2Ci.I2C_OAx registers, where i = 1 to 6, x = 1, 2, 3) by deasserting the corresponding bit in the I2Ci.I2C_SBLOCK register.

24.1.4.3 HS I²C Software Reset

Each multimaster HS I²C controller supports the software reset by accessing the I2Ci.I2C_SYSC[1] SRST bit (1: reset; 0: normal mode).

The software reset status can be checked by accessing the I2Ci.I2C_SYSS[0] RDONE bit (1: reset is done; 0: reset is ongoing).

To do a software reset, the following steps must be done:

1. Ensure that the module is disabled (clear the I2Ci.I2C_CON[15] I2C_EN bit to 0).
2. Set the I2Ci.I2C_SYSC[1] SRST bit to 1.
3. Enable the module by setting I2Ci.I2C_CON[15] I2C_EN bit to 1.
4. Check the I2Ci.I2C_SYSS[0] RDONE bit until it is set to 1 to indicate the software reset is complete.

NOTE: The I2Ci.I2C_CON[15] I2C_EN bit can hold the functional clock domain of the multimaster HS I²C controller in reset after the device reset has been released. When the system bus reset is removed, this bit remains cleared. The functional part of the I²C controller is held in reset state while this bit is 0, and all configuration registers can be accessed.

The I2Ci.I2C_CON[15] I2C_EN bit must be set to 1 to enable the functional part of the I²C controller.

The I2Ci.I2C_SYSS[0] RDONE bit is asserted only after the module is enabled by setting the I2Ci.I2C_CON[15] I2C_EN bit to 1.

24.1.4.4 HS I²C Power Management

Table 24-8 describes power-management features available for the multimaster HS I²C controllers.

NOTE:

- For information about source clock gating and sleep/wake-up transitions description, see [Section 3.1.1.1.2, Module-Level Clock Management](#), in [Chapter 3, Power, Reset, and Clock Management](#).
 - For descriptions of EnaWakeUp, IdleMode, ClockActivity, and StandbyMode features, see [Section 3.1.1.1.2, Module-Level Clock Management](#), in [Chapter 3, Power, Reset, and Clock Management](#).
-

Table 24-8. HS I²C Local Power-Management Features

Feature	Registers	Description
Clock auto gating	I2Ci.I2C_SYSC[0] AUTOIDLE	This bit allows a local power optimization inside the module.
Slave idle modes	I2Ci.I2C_SYSC[4:3] IDLEMODE	Force-idle, no-idle, smart-idle, and smart-idle wakeup-capable modes are available.
Clock activity	I2Ci.I2C_SYSC[9:8] CLOCKACTIVITY	For configuration details, see Table 24-9 .
Global wake-up enable	I2Ci.I2C_SYSC[2] ENAWAKEUP	This bit enables the wake-up feature at module level.

NOTE: The voltage controllers, in which the HS I²C controller is implemented, have no idle request/acknowledge mechanism. The idle modes for the voltage controllers are directly managed by the PRCM module.

Table 24-9. HS I²C Clock Activity Settings

I2Ci.I2C_SYSC[9:8] CLOCKACTIVITY	Clock State When Module is in IDLE State		Features Available/Unavailable When Module is in IDLE State
	I2Ci_ICLK	I2Ci_FCLK	
00	OFF	OFF	Both clocks are disabled.
10	OFF	ON	Interface clock is disabled; functional clock is enabled
01	ON	OFF	Functional clock is disabled; interface clock is enabled
11	ON	ON	Both clocks are enabled.

CAUTION

The PRCM module has no hardware means of reading the settings of CLOCKACTIVITY. Thus, software must ensure consistent programming between the I²C CLOCKACTIVITY and I²C clock PRCM control bits. For a description of the ClockActivity feature, see [Section 3.1.1.1.2, Module-Level Clock Management](#) in [Chapter 3, Power, Reset, and Clock Management](#).

24.1.4.5 HS I²C Interrupt Requests

[Table 24-10](#) lists the event flags, and their mask, that can cause module interrupts.

Table 24-10. HS I²C Events

Event Flag	Event Unmask	Event Mask	Description
I2Ci.I2C_IRQSTATUS[0] AL	I2Ci.I2C_IRQENABLE_SET[0] AL_IE	I2Ci.I2C_IRQENABLE_CLR [0] AL_IE	Arbitration lost. This bit is automatically set by the hardware when it loses the arbitration in master transmit mode, an interrupt is signaled to the host.
I2Ci.I2C_IRQSTATUS[1] NACK	I2Ci.I2C_IRQENABLE_SET[1] NACK_IE	I2Ci.I2C_IRQENABLE_CLR [1] NACK_IE	No acknowledgement. Bit is set when No Acknowledge is received, an interrupt is signaled to the host.
I2Ci.I2C_IRQSTATUS[2] ARDY	I2Ci.I2C_IRQENABLE_SET[2] ARDY_IE	I2Ci.I2C_IRQENABLE_CLR [2] ARDY_IE	Register access ready. When set to 1 it indicates that previous access has been performed and registers are ready to be accessed again. An interrupt is signaled to the host.
I2Ci.I2C_IRQSTATUS[3] RRDY	I2Ci.I2C_IRQENABLE_SET[3] RRDY_IE	I2Ci.I2C_IRQENABLE_CLR [3] RRDY_IE	Receive data ready. Set to 1 by core when in receiver mode, a new data can be read. An interrupt is signaled to the host.
I2Ci.I2C_IRQSTATUS[4] XRDY	I2Ci.I2C_IRQENABLE_SET[4] XRDY_IE	I2Ci.I2C_IRQENABLE_CLR [4] XRDY_IE	Transmit data ready. Set to 1 by core when transmitter is ready for new data. An interrupt is signaled to the host.
I2Ci.I2C_IRQSTATUS[5] GC	I2Ci.I2C_IRQENABLE_SET[5] GC_IE	I2Ci.I2C_IRQENABLE_CLR [5] GC_IE	General call. Set to 1 by core when General Call address was detected. An interrupt is signaled to the host.
I2Ci.I2C_IRQSTATUS[6] STC	I2Ci.I2C_IRQENABLE_SET[6] STC_IE	I2Ci.I2C_IRQENABLE_CLR [6] STC_IE	Start condition detected. An interrupt is signaled to the host.
I2Ci.I2C_IRQSTATUS[7] AERR	I2Ci.I2C_IRQENABLE_SET[7] AERR_IE	I2Ci.I2C_IRQENABLE_CLR [7] AERR_IE	Bus Access Error. An interrupt is signaled to the host.
I2Ci.I2C_IRQSTATUS[8] BF	I2Ci.I2C_IRQENABLE_SET[8] BF_IE	I2Ci.I2C_IRQENABLE_CLR [8] BF_IE	Bus free. An interrupt is signaled to the host.
I2Ci.I2C_IRQSTATUS[9] AAS	I2Ci.I2C_IRQENABLE_SET[9] AAS_IE	I2Ci.I2C_IRQENABLE_CLR [9] AAS_IE	Address recognized as slave. An interrupt is signaled to the host.
I2Ci.I2C_IRQSTATUS[10] XUDF	I2Ci.I2C_IRQENABLE_SET [10] XUDF_IE	I2Ci.I2C_IRQENABLE_CLR [10] XUDF_IE	Transmit underflow. An interrupt is signaled to the host.
I2Ci.I2C_IRQSTATUS[11] ROVR	I2Ci.I2C_IRQENABLE_SET [11] ROVR_IE	I2Ci.I2C_IRQENABLE_CLR [11] ROVR_IE	Receive overrun. An interrupt is signaled to the host.
I2Ci.I2C_IRQSTATUS[12] BB	N/A	N/A	Bus busy indicator
I2Ci.I2C_IRQSTATUS[13] RDR	I2Ci.I2C_IRQENABLE_SET [13] RDR_IE	I2Ci.I2C_IRQENABLE_CLR [13] RDR_IE	Receive draining. An interrupt is signaled to the host.
I2Ci.I2C_IRQSTATUS[14] XDR	I2Ci.I2C_IRQENABLE_SET [14] XDR_IE	I2Ci.I2C_IRQENABLE_CLR [14] XDR_IE	Transmit draining. An interrupt is signaled to the host.

24.1.4.6 HS I²C DMA Requests

Each multimaster HS I²C controller can generate two DMA requests to the device DMA controllers through the DMA_CROSSBAR module. [Table 24-11](#) lists the DMA requests. For information about DMA generation, see [Section 24.1.4.8.3](#), *HS I²C FIFO DMA Mode (I²C Mode Only)*.

Table 24-11. HS I²C DMA Requests

Name	Source	Description
I2C1_DREQ_TX	I2C1	I2C1 DMA write request to inform the DMAs to write new data in the I2C1.I2C_DATA[7:0] DATA bit field
I2C1_DREQ_RX	I2C1	I2C1 DMA read request to inform the DMAs to read the data in the I2C1.I2C_DATA[7:0] DATA bit field
I2C2_DREQ_TX	I2C2	I2C2 DMA write request to inform the DMAs to write new data in the I2C2.I2C_DATA[7:0] DATA bit field
I2C2_DREQ_RX	I2C2	I2C2 DMA read request to inform the DMAs to read the data in the I2C2.I2C_DATA[7:0] DATA bit field
I2C3_DREQ_TX	I2C3	I2C3 DMA write request to inform the DMAs to write new data in the I2C3.I2C_DATA[7:0] DATA bit field
I2C3_DREQ_RX	I2C3	I2C3 DMA read request to inform the DMAs to read the data in the I2C3.I2C_DATA[7:0] DATA bit field
I2C4_DREQ_TX	I2C4	I2C4 DMA write request to inform the DMAs to write new data in the I2C4.I2C_DATA[7:0] DATA bit field
I2C4_DREQ_RX	I2C4	I2C4 DMA read request to inform the DMAs to read the data in the I2C4.I2C_DATA[7:0] DATA bit field
I2C6_DREQ_TX	I2C6	I2C6 DMA write request to inform the DMAs to write new data in the I2C6.I2C_DATA[7:0] DATA bit field
I2C6_DREQ_RX	I2C6	I2C6 DMA read request to inform the DMAs to read the data in the I2C6.I2C_DATA[7:0] DATA bit field

NOTE: For more information about I2Ci_DREQ_TX and I2Ci_DREQ_RX (where $i = 1$ to 6) signals mapping to DMA_CROSSBAR, see [Section 16.1.3.2](#), *Mapping of DMA Requests to DMA_CROSSBAR Inputs*, in [Table 24-4](#), *HS I²C Hardware Requests*.

24.1.4.7 HS I²C Programmable Multislave Channel Feature

This feature allows each multimaster HS I²C controller to be addressed using four separate Own Addresses configured in the I2Ci.I2C_OA and I2Ci.I2C_OAx registers (where $i = 1$ to 6, $x = 1, 2, 3$). An additional register (I2Ci.I2C_ACTOA) is used to indicate to the LH which address is used by the external master to communicate with the I²C controller.

Each Own Address can be independently configured in 7-bit or 10-bit mode by setting the corresponding bit (I2Ci.I2C_CON[7] XOA0, I2Ci.I2C_CON[6] XOA1, I2Ci.I2C_CON[5] XOA2, or I2Ci.I2C_CON[4] XOA3).

24.1.4.8 HS I²C FIFO Management

Each multimaster HS I²C controller implements two internal 8-bit FIFOs, the RX and TX FIFOs.

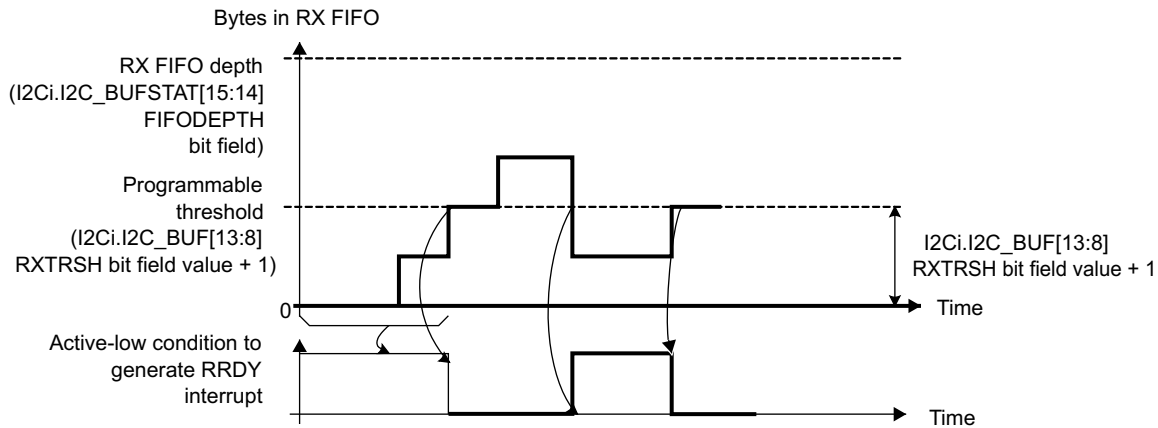
The depth of the RX and TX FIFOs can be checked by reading the I2Ci.I2C_BUFSTAT[15:14] FIFODEPTH bit field (0x0: 8 bytes, 0x1: 16 bytes, 0x2: 32 bytes, and 0x3: 64 bytes).

24.1.4.8.1 HS I²C FIFO Interrupt Mode

In FIFO interrupt mode (relevant interrupts enabled by the I2Ci.I2C_IRQENABLE_SET register), an interrupt signal informs the processor of the receiver and transmitter status. These interrupts are raised when the RX/TX FIFO thresholds (defined by the I2Ci.I2C_BUF[13:8] RXTRSH bit field value + 1 for the RX FIFO or the I2Ci.I2C_BUF[5:0] TXTRSH bit field value + 1 for the TX FIFO) are reached; the interrupt signals instruct the LH to transfer data to the destination (from the I²C controller in receive mode and/or from any source to the I²C controller FIFO in transmit mode).

Figure 24-14 and Figure 24-15 show receive and transmit operations, respectively, from a FIFO management point of view.

Figure 24-14. HS I²C Receive FIFO Interrupt Request Generation



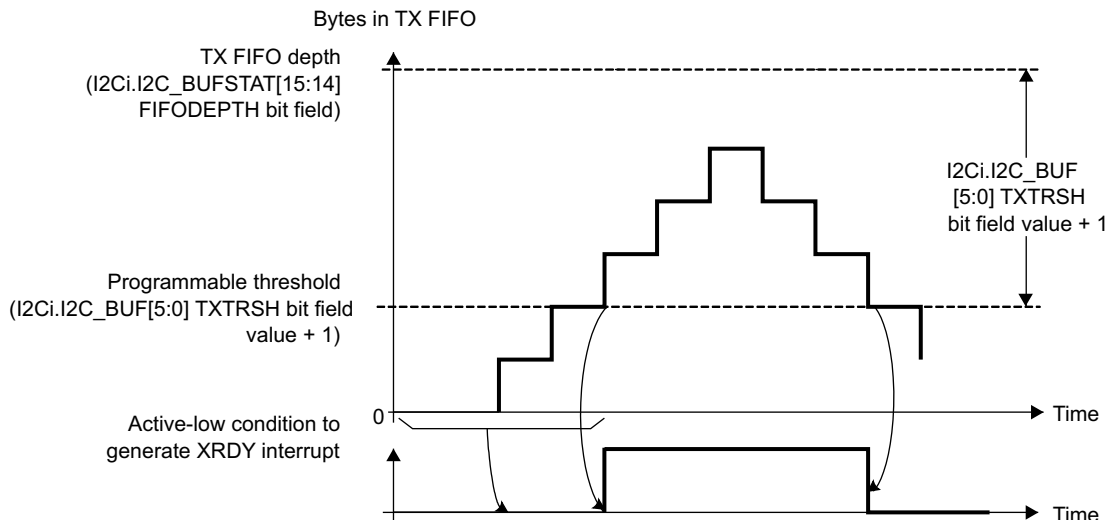
i = 1 to 6

I2C-019

In Figure 24-14, the RRDY interrupt condition shows that the condition for generating an RRDY interrupt is achieved. The interrupt request is generated when this signal is active, and it can be cleared only by the LH by writing 1 in the corresponding bit. If the condition is still present after clearing the previous interrupt, another interrupt request is generated.

In receive mode, an RRDY interrupt is generated as soon as the FIFO reaches its receive threshold (I2Ci.I2C_BUF[13:8] RXTRSH bit field value + 1). The interrupt can be deasserted only when the LH has handled enough bytes to make the number of bytes in the RX FIFO lower than the programmed threshold. For each interrupt, the LH can be configured to read a number of bytes equal to the value of the RX FIFO threshold.

Figure 24-15. HS I²C Transmit FIFO Interrupt Request Generation



i = 1 to 6

I2C-020

In Figure 24-15, the XRDY interrupt condition shows that the condition for generating an XRDY interrupt is achieved. The interrupt request is generated when TX FIFO is empty or when the TX FIFO threshold is not reached, and the LH can clear the XRDY status bit by setting the I2Ci.I2C_IRQENABLE_CLR [4] XRDY_IE bit to 1 after transmitting the configured number of bytes. If the condition is still present after clearing the previous interrupt, another interrupt request is generated.

In interrupt mode, the module offers two options for the LH application to handle the interrupts:

- When detecting an interrupt request (XRDY or RRDY type), the LH can write/read 1 data byte to/from

the TX/RX FIFO and then clear the interrupt. The module reasserts the interrupt until the interrupt condition is not met.

- When detecting an interrupt request (XRDY or RRDY type), the LH can be programmed to write/read the amount of data bytes specified by the corresponding FIFO threshold (I2C_BUF[5:0] TXTRSH + 1 or I2C_BUF[5:0] RXTRSH + 1). In this case, the interrupt condition is cleared and the next interrupt is asserted again when the XRDY or RRDY condition is met again.

If the second-interrupt-serving approach is used, an additional mechanism (draining feature) is implemented for cases where the transfer length is not a multiple of the FIFO threshold value (see Section 24.1.4.8.4, *Draining Feature [I²C Mode Only]*).

NOTE: In slave transmit mode (the I2Ci.I2C_CON[10] MST bit is cleared and the I2Ci.I2C_CON[9] TRX bit is set to 1), the draining feature must not be used, because the transfer length is not known at configuration time, and the external master can end the transfer at any point by not acknowledging 1 data byte. If the draining feature is used in slave transmit mode, data can remain in the TX FIFO without being transmitted over the I²C bus. In this case, the TX FIFO must be cleared by setting the I2Ci.I2C_BUF[6] TXFIFO_CLR bit.

24.1.4.8.2 HS I²C FIFO Polling Mode

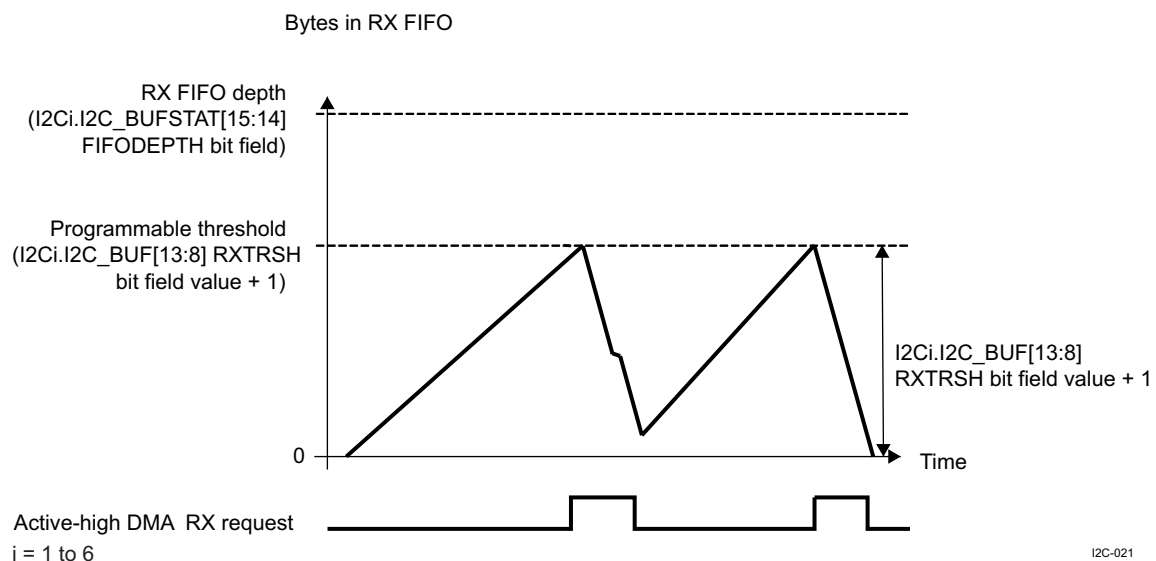
In FIFO polling mode (the I2Ci.I2C_IRQENABLE_SET [4] XRDY_IE and I2Ci.I2C_IRQENABLE_SET [3] RRDY_IE bits are disabled), the status of the module (receiver or transmitter) can be checked by polling the I2Ci.I2C_IRQSTATUS_RAW [4] XRDY and the I2Ci.I2C_IRQSTATUS_RAW [3] RRDY bits (the I2Ci.I2C_IRQSTATUS_RAW [13] RDR and I2Ci.I2C_IRQSTATUS_RAW [14] XDR bits can also be polled if the draining feature is enabled). The I2Ci.I2C_IRQSTATUS_RAW [4] XRDY and I2Ci.I2C_IRQSTATUS_RAW [3] RRDY bits accurately reflect the interrupt conditions described in the discussion of FIFO interrupt mode.

24.1.4.8.3 HS I²C FIFO DMA Mode

In receive mode, a DMA request is generated by the I2Ci_DREQ_RX signal as soon as the RX FIFO exceeds its threshold level (the I2Ci.I2C_BUF[13:8] RXTRSH bit field value + 1). This request is deasserted when the number of bytes defined by the threshold level is read by the DMA controller.

Figure 24-16 shows the DMA request generation in receive mode.

Figure 24-16. HS I²C Receive FIFO DMA Request Generation



In transmit mode, a DMA request is automatically asserted by the I2C_i_DREQ_TX signal when the TX FIFO is empty. This request is deasserted when the number of bytes (the I2C_i.I2C_BUF[5:0] TXTRSH bit field value + 1) is written in the FIFO by the DMA controller. If an insufficient number of bytes is written, the DMA request remains active. Figure 24-17 and Figure 24-18 show the DMA TX transfers with different values for the I2C_i.I2C_BUF[5:0] TXTRSH bit field.

Figure 24-17. HS I²C Transmit FIFO Request Generation (High Threshold)

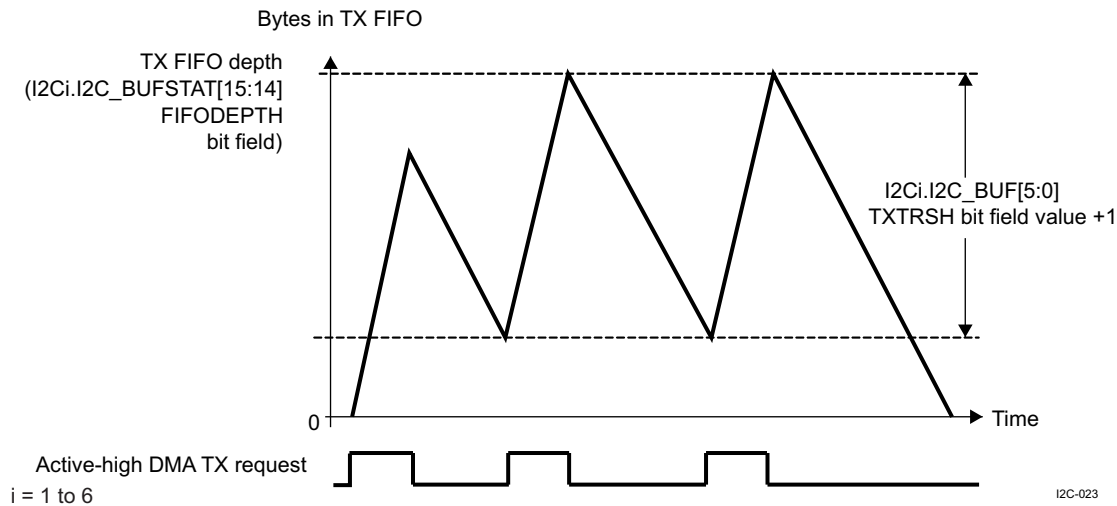
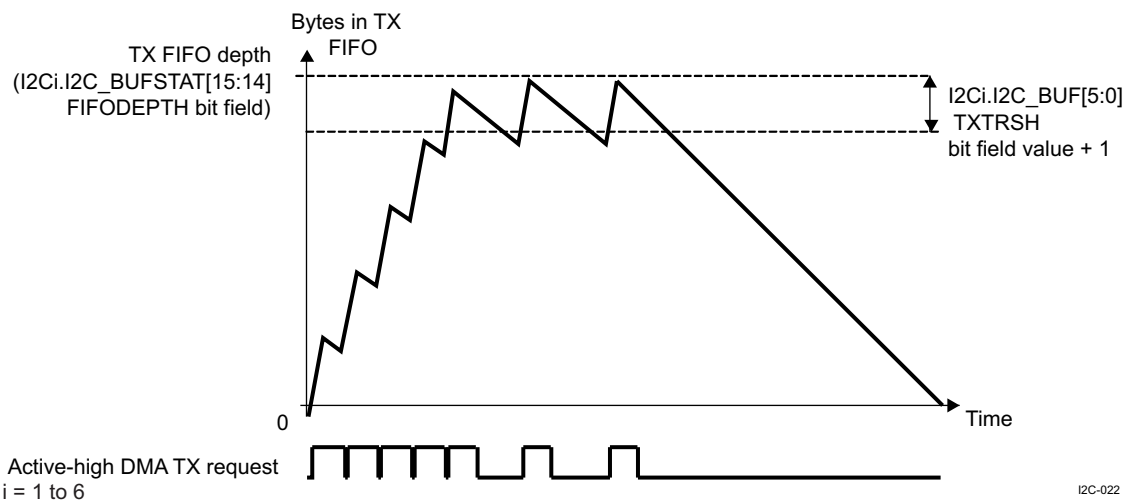


Figure 24-18. HS I²C Transmit FIFO Request Generation (Low Threshold)



The I2C module provides the possibility to the user to clear the RX or TX FIFO, by setting the I2C_i.I2C_BUF[14]RXFIFO_CLR and I2C_i.I2C_BUF[6]TXFIFO_CLR registers, which act like software reset for the FIFOs. In DMA mode, these bits will also reset the DMA state machines.

The FIFO clearing feature can be used when the following conditions are met:

1. The module is configured as a transmitter
2. The external receiver responds with a NACK in the middle of the transfer
3. There is still data in TX FIFO waiting to be transferred

24.1.4.8.4 HS I²C Draining Feature

The draining feature is implemented to handle the end of a transfer whose length is not a multiple of the FIFO threshold values (the I2C_i.I2C_BUF[13:8] RXTRSH bit field value + 1 for the RX threshold and the I2C_i.I2C_BUF[5:0] TXTRSH field value + 1 for the TX threshold). It can also transfer the remaining number of bytes (because the threshold is not reached).

This feature prevents the LH or the DMA controller from trying more FIFO accesses than necessary (for example, to generate at the end of a transfer a DMA RX request having fewer bytes in the FIFO than the configured DMA transfer length). Otherwise, an AERR interrupt is generated by the I2C*i*.I2C_IRQSTATUS_RAW [7] AERR bit.

The draining mechanism generates an interrupt using the I2C*i*.I2C_IRQSTATUS_RAW [13] RDR or I2C*i*.I2C_IRQSTATUS_RAW [14] XDR bit at the end of the transfer, informing the LH that it must check the amount of data left to be transferred (the I2C*i*.I2C_BUFSTAT[13:8] RXSTAT or I2C*i*.I2C_BUFSTAT[5:0] TXSTAT bit fields) and enable the draining feature of the DMA controller by reconfiguring the DMA transfer length according to this value (when the DMA mode is enabled) or perform only the required number of data accesses (when the DMA mode is disabled).

In receive mode (master or slave), if the RX FIFO threshold (the I2C*i*.I2C_BUF[13:8] RXTRSH bit field value + 1) is not reached, but the transfer ends on the I²C bus and data remains in the RX FIFO (less than the threshold), the receive draining interrupt (the I2C*i*.I2C_IRQSTATUS_RAW [13] RDR bit) is asserted to inform the LH that it can read the amount of data in the RX FIFO (the I2C*i*.I2C_BUFSTAT[13:8] RXSTAT bit field). The LH performs a number of data read accesses equal to the I2C*i*.I2C_BUFSTAT[13:8] RXSTAT bit field (interrupt or polling mode), or reconfigures the DMA controller with the required value to drain the FIFO.

In master transmit mode, if the TX FIFO threshold (the I2C*i*.I2C_BUF[5:0] TXTRSH bit field value + 1) is not reached, but the amount of data remaining to be written in the TX FIFO is less than the threshold, the transmit draining interrupt (the I2C*i*.I2C_IRQSTATUS_RAW [14] XDR bit) is asserted to inform the LH that it can read the amount of data remaining to be written in the TX FIFO (the I2C*i*.I2C_BUFSTAT[5:0] TXSTAT bit field). The LH must write the required number of data bytes specified by the I2C*i*.I2C_BUFSTAT[5:0] TXSTAT bit field value or reconfigure the DMA controller with the value required to transfer the last bytes to the FIFO.

In master mode, the LH can alternately not check the values of the I2C*i*.I2C_BUFSTAT[5:0] TXSTAT and I2C*i*.I2C_BUFSTAT[13:8] RXSTAT bit fields, because it can obtain this information internally (by computing the I2C*i*.I2C_CNT[15:0] DATACOUNT bit field value modulo I2C*i*.I2C_BUF[13:8] RXTRSH or I2C*i*.I2C_BUF[5:0] TXTRSH).

By default, the draining feature is disabled; it can be enabled using the I2C*i*.I2C_IRQENABLE_SET [14] XDR_IE or I2C*i*.I2C_IRQENABLE_SET [13] RDR_IE bits (default disabled) only for transfers with lengths not equal to the threshold values (I2C*i*.I2C_BUF[5:0] TXTRSH bit field value + 1 for the TX threshold or the I2C*i*.I2C_BUF[13:8] RXTRSH bit field value + 1 for the RX threshold).

24.1.4.9 HS I²C Noise Filter

The noise filter is used to suppress any noise that is 50 ns or less in case of F/S operation modes, and any noise that is 10 ns or less in case of HS mode operation. The noise filter is always one period of the I2C*i*_INTERNAL_CLK clock. This way, for HS mode operation (prescaler bypassed), the filter suppresses spikes of less than 10.4 ns.

For standard mode (for example, the I2C*i*.I2C_PSC[7:0] PSC bit field = 4), the maximum width of suppressed spikes is 46.1 ns.

To ensure correct filtering, the prescaler must be programmed accordingly by the I2C*i*.I2C_PSC[7:0] PSC bit field.

24.1.4.10 HS I²C System Test Mode

A system test mode is available for multimaster HS I²C controller module testing. This mode is enabled by setting the I2C*i*.I2C_SYSTEST[15] ST_EN bit to 1. When this bit is cleared to 0, the I²C controller is configured in normal operation mode.

In system test mode, the I2C*i*.I2C_SYSTEST [13:12] TMODE bit field selects the type of test. [Table 24-12](#) lists the tests available for the multimaster HS I²C controllers.

Table 24-12. HS I²C List of Tests

I2Ci.I2C_SYSTEST[13:12] TMODE	Test	Description
00	Functional mode	Normal operation mode
01	Reserved (not used)	
10	Test of i2ci_scl serial clock line	The i2ci_scl line is driven with a permanent clock as if mastered with the parameters set in the I2Ci.I2C_PSC, I2Ci.I2C_SCLL, and I2Ci.I2C_SCLH registers.
11	Loop-back mode + i2ci_scl/ i2ci_sda I/O	In master transmit mode only, data transmitted out of the I2Ci.I2C_DATA register (write action) is received in the same I2Ci.I2C_DATA register through an internal path through the FIFO buffers. The DMA and interrupt requests are normally generated if they are enabled. Moreover, the i2ci_scl and i2ci_sda are controlled with the I2Ci.I2C_SYSTEST[3:0] bits.

NOTE: When the I2Ci.I2C_SYSTEST[13:12] TMODE bit field is set to 11, the I²C controller must be configured in I²C F/S (I2Ci.I2C_CON[13:12] OPMODE set to 00) or I²C HS mode (I2Ci.I2C_CON[13:12] OPMODE set to 01).

NOTE: In normal operation mode (the I2Ci.I2C_SYSTEST[15] ST_EN bit cleared to 0), the I2Ci.I2C_SYSTEST[3:0] bits that control the i2ci_scl, i2ci_sda lines in system test mode are read-only bits.

In system test mode (the I2Ci.I2C_SYSTEST[15] ST_EN bit set to 1), the I2Ci.I2C_IRQSTATUS_RAW.XRDY, I2Ci.I2C_IRQSTATUS_RAW.RRDY, I2Ci.I2C_IRQSTATUS_RAW.XUDF, I2Ci.I2C_IRQSTATUS_RAW.ROVR, I2Ci.I2C_IRQSTATUS_RAW.ARDY and I2Ci.I2C_IRQSTATUS_RAW.NACK status bits can be set to 1 when the I2Ci.I2C_SYSTEST[11] SSB bit is set to 1. Clearing the I2Ci.I2C_SYSTEST[11] SSB bit to 0 does not clear the I2Ci.I2C_IRQSTATUS_RAW bits to 0. The I2Ci.I2C_IRQSTATUS_RAW bit field can be cleared to 0 only by writing 1 in the corresponding bits.

24.1.5 HS I²C Programming Guide

24.1.5.1 HS I²C Low-Level Programming Models

24.1.5.1.1 HS I²C Programming Model

This section describes the programming model of the multimaster HS I²C controllers configured in I²C mode.

24.1.5.1.1.1 Main Program

24.1.5.1.1.1.1 Configure the Module Before Enabling the I²C Controller

Before enabling the I²C controller, perform the following steps:

1. Enable the functional and interface clocks (see [Table 24-3](#)).
2. Program the prescaler to obtain an approximately 12-MHz internal sampling clock by programming the corresponding value in the I2Ci.I2C_PSC[7:0] PSC bit field. This value depends on the frequency of the functional clock (I2Ci_FCLK).
3. Program the I2Ci.I2C_SCLL[7:0] SCLL and I2Ci.I2C_SCLH[7:0] SCLH bit fields to obtain a bit rate of 100 kbps or 400 kbps. These values depend on the internal sampling clock frequency (see [Table 24-6](#)).
4. (Optional) Program the I2Ci.I2C_SCLL[15:8] HSSCLL and I2Ci.I2C_SCLH[15:8] HSSCLH bit fields to obtain a bit rate of 400 kbps or 3.4 Mbps (for the second phase of HS mode). These values depend on the internal sampling clock frequency (see [Table 24-6](#)).
5. Configure the Own Address of the I²C controller by storing it in the I2Ci.I2C_OA register. Up to four Own Addresses can be programmed in the I2Ci.I2C_OA and I2Ci.I2C_OAx registers (where x = 1, 2, 3) for each I²C controller.

NOTE: For a 10-bit address, set the corresponding expand Own Address bit in the I2Ci.I2C_CON register.

6. Set the TX threshold (in transmitter mode) and the RX threshold (in receiver mode) by setting the I2Ci.I2C_BUF[5:0] TXTRSH bit field to (TX threshold – 1) and the I2Ci.I2C_BUF[13:8] RXTRSH bit field to (RX threshold – 1), where the TX and RX thresholds are greater than or equal to 1.
7. Take the I²C controller out of reset by setting the I2Ci.I2C_CON[15] I2C_EN bit to 1.

24.1.5.1.1.1.2 Initialize the I²C Controller

To initialize the I²C controller, perform the following steps:

1. Configure the I2Ci.I2C_CON register:
 - For master or slave mode, set the I2Ci.I2C_CON[10] MST bit (0: slave; 1: master).
 - For transmitter or receiver mode, set the I2Ci.I2C_CON[9] TRX bit (0: receiver; 1: transmitter).
2. If using an interrupt to transmit and receive data, set the corresponding bit in the I2Ci.I2C_IRQENABLE_SET register to 1 (the I2Ci.I2C_IRQENABLE_SET [4] XRDY_IE bit for the transmit interrupt, the I2Ci.I2C_IRQENABLE_SET [3] RRDY bit for the receive interrupt).
3. If using DMA to receive and transmit data, set the corresponding bit in the I2Ci.I2C_BUF register to 1 (the I2Ci.I2C_BUF[15] RDMA_EN bit for the receive DMA channel, the I2Ci.I2C_BUF[7] XDMA_EN bit for the transmit DMA channel).

24.1.5.1.1.1.3 Configure Slave Address and the Data Control Register

In master mode, configure the slave address register by programming the I2Ci.I2C_SA[9:0] SA bit field and the number of data bytes (I²C data payload) associated with the transfer by programming the I2Ci.I2C_CNT[15:0] DCOUNT bit field.

NOTE: For a 10-bit address, set the I2Ci.I2C_CON[8] XSA bit to 1.

24.1.5.1.1.1.4 Initiate a Transfer

Poll the I2Ci.I2C_IRQSTATUS_RAW [12] BB bit. If it is cleared to 0 (bus not busy), configure the I2Ci.I2C_CON[0] STT and I2Ci.I2C_CON[1] STP bits. To initiate a transfer, the I2Ci.I2C_CON[0] STT bit must be set to 1, and it is not mandatory to set the I2Ci.I2C_CON[1] STP bit to 1.

24.1.5.1.1.1.5 Receive Data

Poll the I2Ci.I2C_IRQSTATUS_RAW [3] RRDY bit, or use the RRDY interrupt (the I2Ci.I2C_IRQENABLE_SET [3] RRDY_IE bit must be set to 1) or the DMA RX channel (the I2Ci.I2C_BUF[15] RDMA_EN bit must be set to 1 together with I2C_DMARXENABLE_SET) to read the receive data in the I2Ci.I2C_DATA register.

If the transfer length does not equal the RX FIFO threshold (the I2Ci.I2C_BUF[13:8] RTRSH bit field + 1), use the draining feature (enable the RDR interrupt by setting the I2Ci.I2C_IRQENABLE_SET [13] RDR_IE bit to 1).

NOTE: In receive mode only, the I2Ci.I2C_IRQSTATUS_RAW [11] ROVR (receive overrun) bit indicates whether the receiver has experienced overrun. An overrun condition occurs when the shift register and the RX FIFO are full. An overrun condition does not result in data loss; the I²C controller simply holds i2ci_scl to low to prevent other bytes from being received.

The I2Ci.I2C_IRQSTATUS_RAW[7] AERR bit is set to 1 when a read access is performed in the I2Ci.I2C_DATA register while the RX FIFO is empty. The corresponding interrupt can be enabled by setting the I2Ci.I2C_IRQENABLE_SET [7] AERR_IE bit to 1.

24.1.5.1.1.1.6 Transmit Data

Poll the I2Ci.I2C_IRQSTATUS_RAW [4] XRDY bit, or use the XRDY interrupt (the I2Ci.I2C_IRQENABLE_SET [4] XRDY_IE bit must be set to 1) or the DMA TX channel (the I2Ci.I2C_BUF[7] XDMA_EN bit must be set to 1 together with I2C_DMATXENABLE_SET) to write data to the I2Ci.I2C_DATA register.

If the transfer length does not equal the TX FIFO threshold (the I2Ci.I2C_BUF[5:0] TXTRSH bit field + 1), use the draining feature (enable the XDR interrupt by setting the I2Ci.I2C_IRQENABLE_SET [14] XDR_IE bit to 1).

NOTE: In transmit mode only, the I2Ci.I2C_IRQSTATUS_RAW [10] XUDF bit indicates whether the transmitter has experienced underflow.

In master transmit mode, underflow occurs when the shift register and the TX FIFO are empty and there are still some bytes to transmit (the value of the I2Ci.I2C_CNT[15:0] DCOUNT bit field is not 0).

In slave transmit mode, underflow occurs when the shift register and the TX FIFO are empty and the external I²C master device still requests data bytes to be read.

The I2Ci.I2C_IRQSTATUS_RAW [7] AERR bit is set to 1 when a write access is performed in the I2Ci.I2C_DATA register while the TX FIFO is full. The corresponding interrupt can be enabled by setting the I2Ci.I2C_IRQENABLE_SET [7] AERR_IE bit to 1.

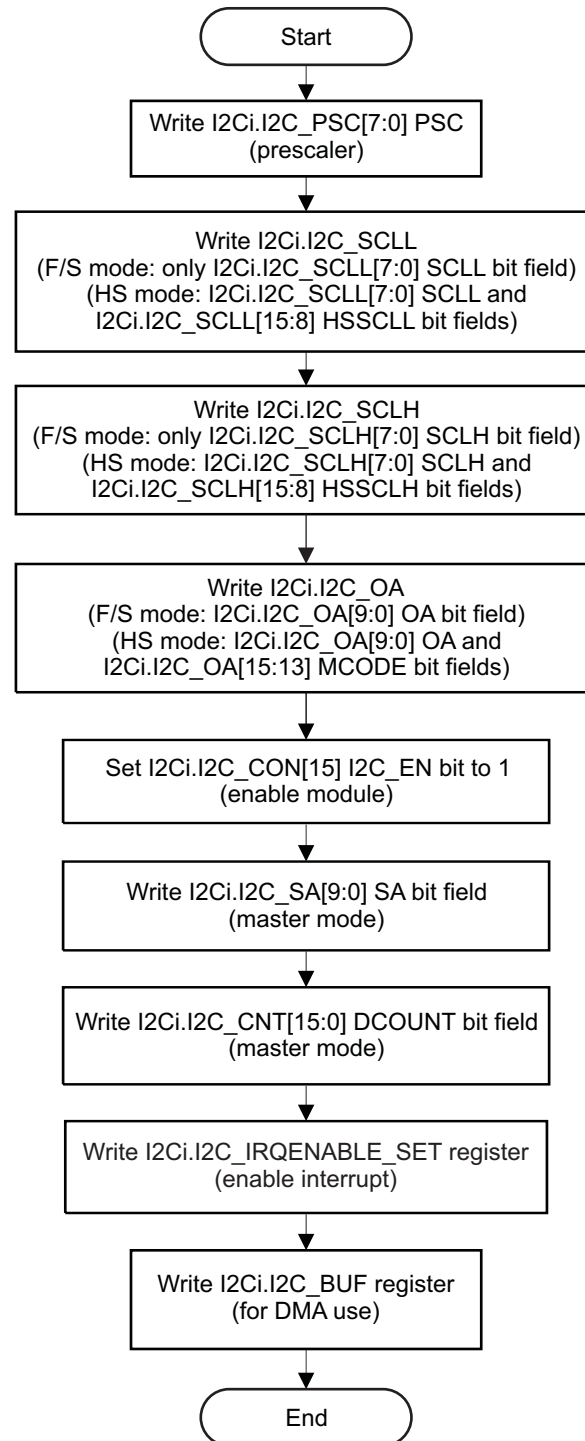
24.1.5.1.1.2 Interrupt Subroutine Sequence

1. Test for arbitration lost (the I2Ci.I2C_IRQSTATUS_RAW [0] AL bit) and resolve accordingly.
2. Test for no acknowledgment (the I2Ci.I2C_IRQSTATUS_RAW [1] NACK bit) and resolve accordingly.
3. Test for register access ready (the I2Ci.I2C_IRQSTATUS_RAW [2] ARDY bit) and resolve accordingly.
4. Test for receive data ready (the I2Ci.I2C_IRQSTATUS_RAW [3] RRDY bit) and resolve accordingly.

5. Test for transmit data ready (the I2Ci.I2C_IRQSTATUS_RAW [4] XRDY bit) and resolve accordingly.
6. Test for general call (the I2Ci.I2C_IRQSTATUS_RAW [5] GC bit) and resolve accordingly.
7. Test for start (S) condition (the I2Ci.I2C_IRQSTATUS_RAW [6] STC bit) and resolve accordingly. For this test, the functional clock must be inactive.
8. Test for access error (the I2Ci.I2C_IRQSTATUS_RAW [7] AERR bit) and resolve accordingly.
9. Test for bus free (the I2Ci.I2C_IRQSTATUS_RAW [8] BF bit) and resolve accordingly.

24.1.5.1.1.3 Programming Flow-Diagrams

Figure 24-19 through Figure 24-27 are procedure flow charts for programming the F/S and HS I²C modes.

Figure 24-19. HS I²C Setup Procedure


I2C-024

Table 24-13. Subprocess Call Summary for Sequence – I²C Setup Procedure

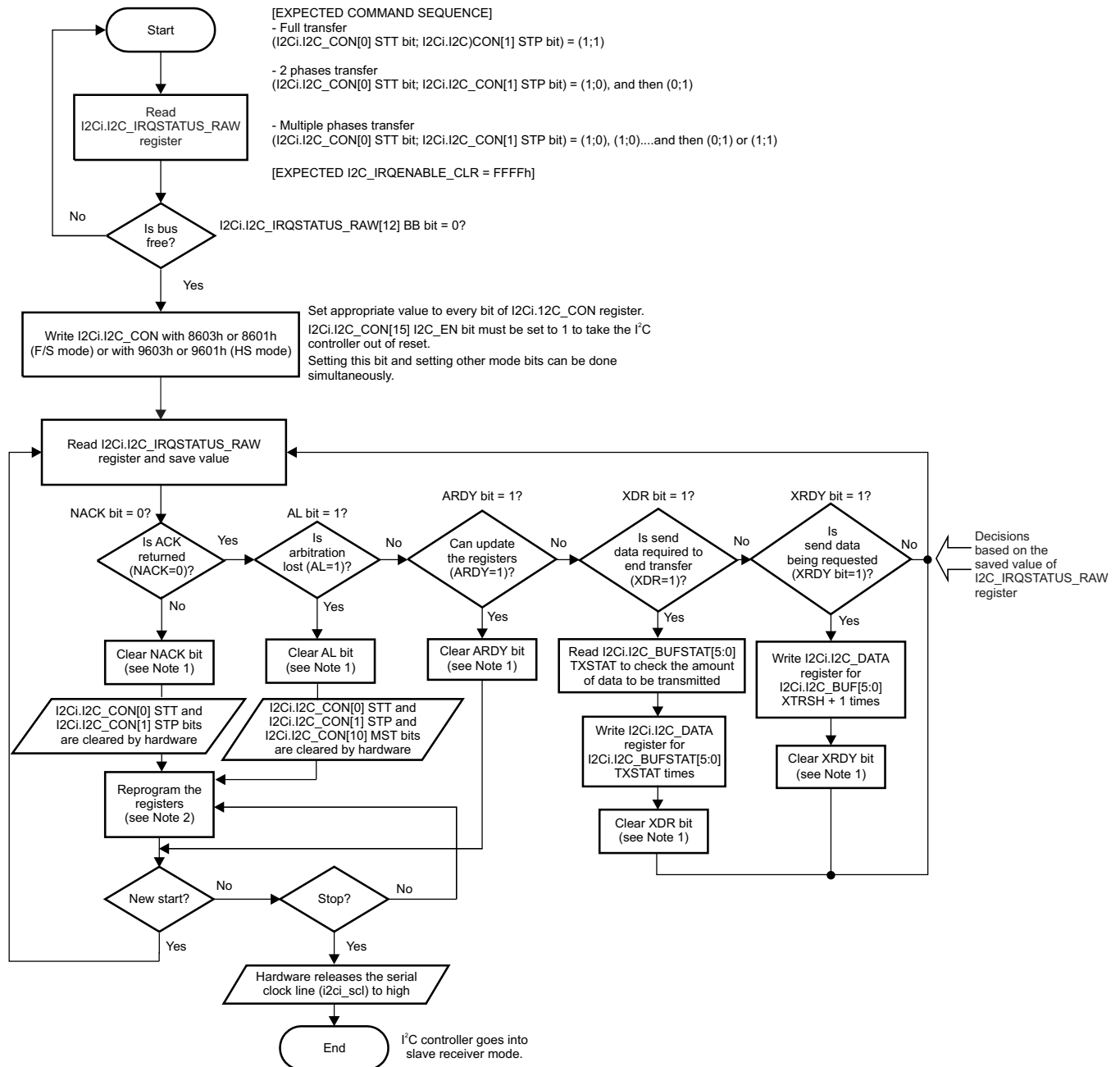
Subprocess Name	Cross-Reference
Pad configuration	See Section 18.4.6.1.1 , <i>PAD Configuration Registers</i> in Chapter 18 <i>Control Module</i>

Table 24-14. HS I²C Register Call Summary for Sequence – Setup Procedure

Register Name	Register Name	Register Name
I2Ci.I2C_PSC ⁽¹⁾	I2Ci.I2C_CON ⁽¹⁾	I2Ci.I2C_BUF ⁽¹⁾
I2Ci.I2C_SCLL ⁽¹⁾	I2Ci.I2C_SA ⁽¹⁾	I2Ci.I2C_IRQENABLE_SET ⁽¹⁾
I2Ci.I2C_SCLH ⁽¹⁾	I2Ci.I2C_CNT ⁽¹⁾	I2Ci.I2C_OA ⁽¹⁾

⁽¹⁾ i = 1 to 6

Figure 24-20. HS I²C Master Transmitter Mode, Polling Method, in F/S and HS Modes



- (1) The NACK, AL, ARDY, XDR, and XRDY bits are cleared by writing 1 to each corresponding bit in the I2Ci.I2C_IRQSTATUS register.
- (2) Reprogram the registers means: I2Ci.I2C_CON[11] STB and/or I2Ci.I2C_CON[10] MST bit and/or I2Ci.I2C_SA[9:0] SA register and/or I2Ci.I2C_CNT[15:0] DCOUNT register and/or I2Ci.I2C_CON[0] STT bit and/or I2Ci.I2C_CON[1] STP bit.

I2C-028

NOTE: The FIFO clearing can be made when the module is configured as transmitter, the receiver send a NACK in the middle of the transfer, and there is still data in the FIFO.

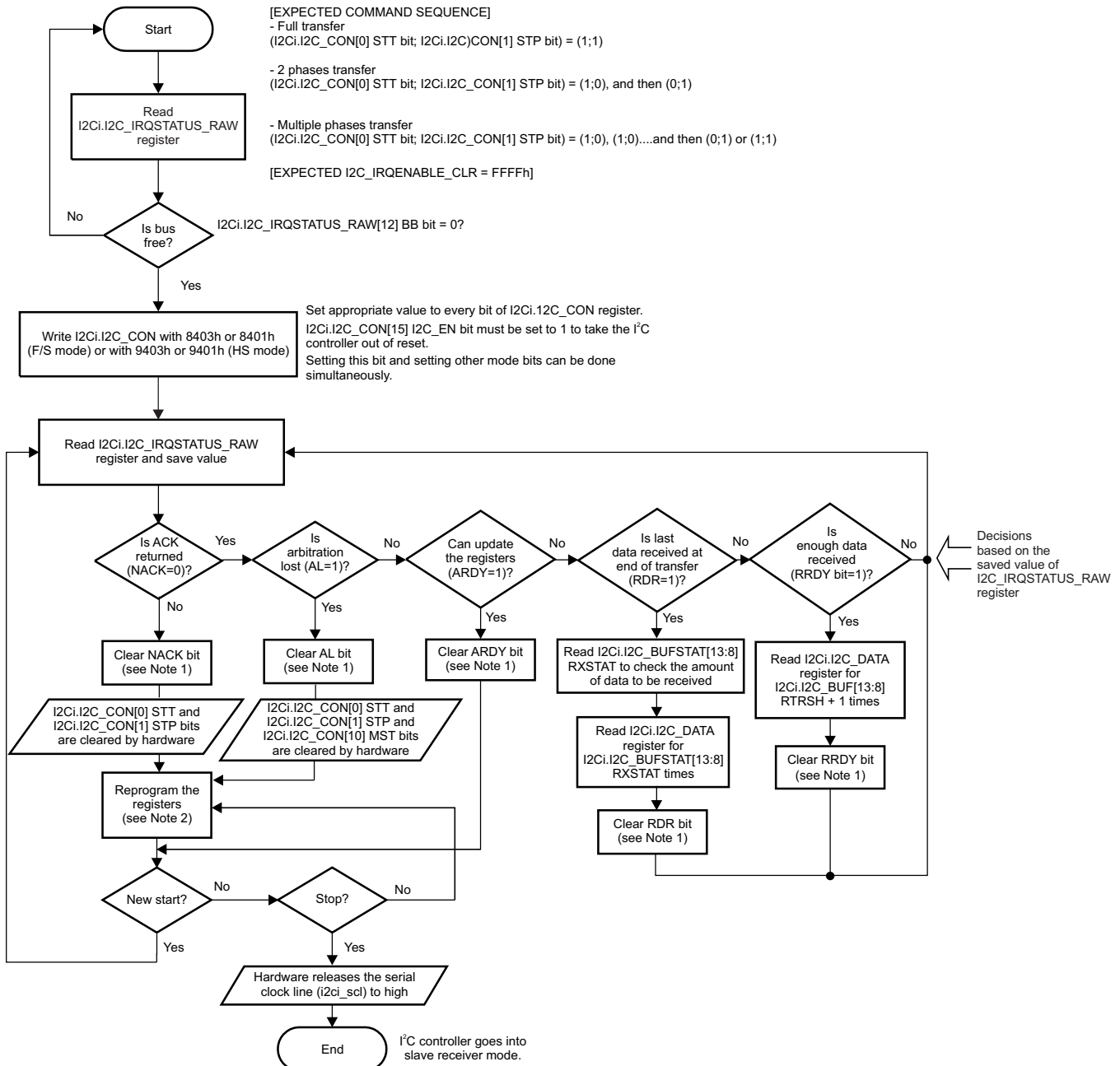
NOTE: In HS mode, the Sr condition and clock frequency switching are automatically generated by the multimaster HS I²C controller.

Table 24-15. HS I²C Register Call Summary for Sequence – Master Transmitter Mode, Polling Method, in F/S and HS Modes

Register Name	Register Name	Register Name
I2Ci.I2C_IRQSTATUS_RAW ⁽¹⁾	I2Ci.I2C_DATA ⁽¹⁾	I2Ci.I2C_CON ⁽¹⁾
I2Ci.I2C_BUFSTAT ⁽¹⁾	I2Ci.I2C_CON ⁽¹⁾	I2Ci.I2C_BUF ⁽¹⁾

⁽¹⁾ *i* = 1 to 6

Figure 24-21. HS I²C Master Receiver Mode, Polling Method, in F/S and HS Modes



I2C-029

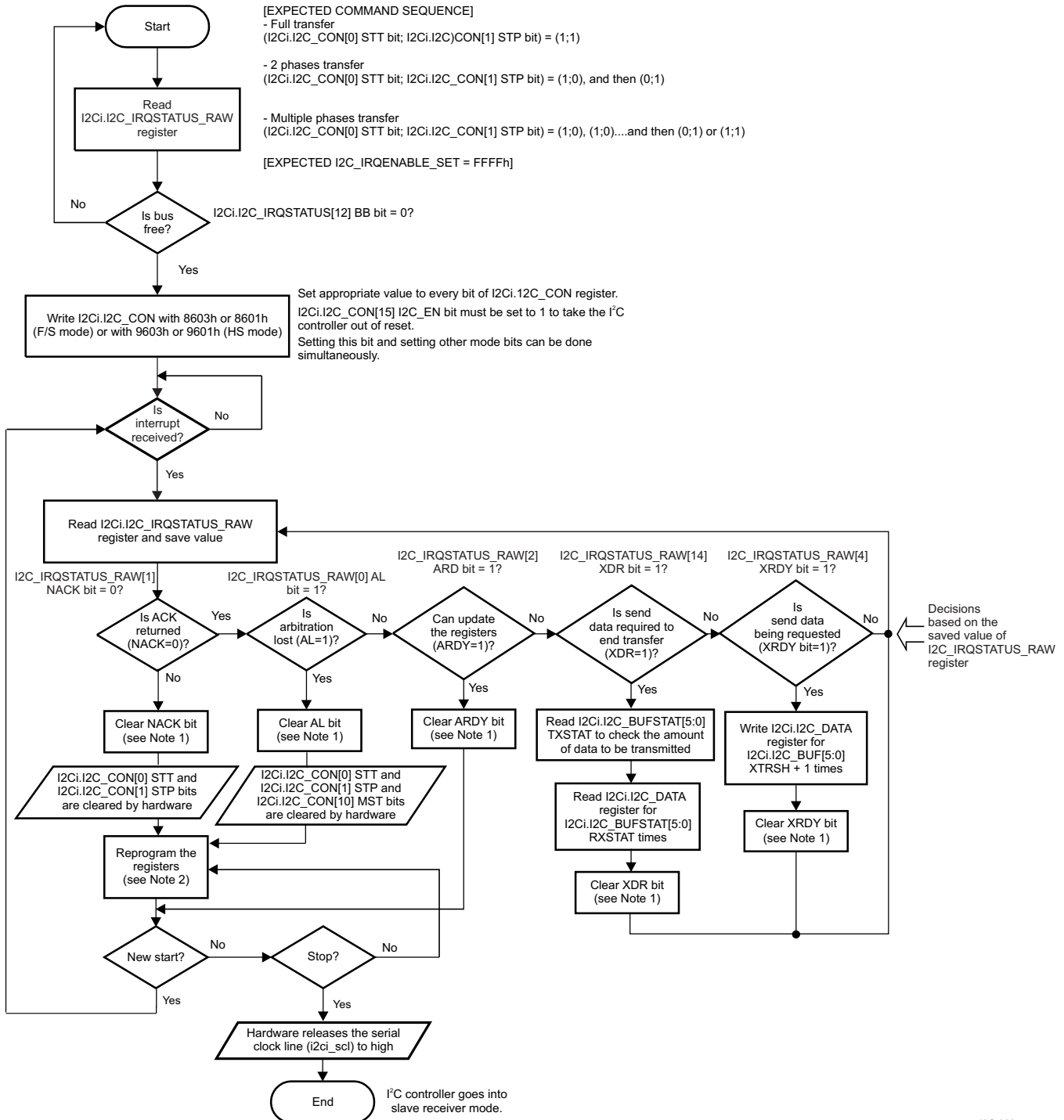
- (1) The NACK, AL, ARDY, RDR, and RRDY bits are cleared by writing 1 to each corresponding bit in the I2Ci.I2C_IRQSTATUS register.
- (2) Reprogram registers means: I2Ci.I2C_CON[11] STB and/or I2Ci.I2C_CON[10] MST bit and/or I2Ci.I2C_SA[9:0] SA register and/or I2Ci.I2C_CNT[15:0] DCOUNT register and/or I2Ci.I2C_CON[0] STT bit and/or I2Ci.I2C_CON[1] STP bit.

Table 24-16. HS I²C Register Call Summary for Sequence – Master Receiver Mode, Polling Method, in F/S and HS Modes

Register Name	Register Name	Register Name
I2Ci.I2C_IRQSTATUS_RAW ⁽¹⁾	I2Ci.I2C_BUFSTAT ⁽¹⁾	I2Ci.I2C_BUF ⁽¹⁾
I2Ci.I2C_CON ⁽¹⁾	I2Ci.I2C_DATA ⁽¹⁾	

⁽¹⁾ i = 1 to 6

Figure 24-22. HS I²C Master Transmitter Mode, Interrupt Method, in F/S and HS Modes



- (1) The NACK, AL, ARDY, XDR, and XRDY bits are cleared by writing 1 to each corresponding bit in the I2Ci.I2C_IRQSTATUS register.
- (2) Reprogram registers means: I2Ci.I2C_CON[11] STB and/or I2Ci.I2C_CON[10] MST bit and/or I2Ci.I2C_SA[9:0] SA register and/or I2Ci.I2C_CNT[15:0] DCOUNT register and/or I2Ci.I2C_CON[0] STT bit and/or I2Ci.I2C_CON[1] STP bit.

I2C-030

NOTE: The FIFO clearing can be made when the module is configured as transmitter, the receiver send a NACK in the middle of the transfer, and there is still data in the FIFO.

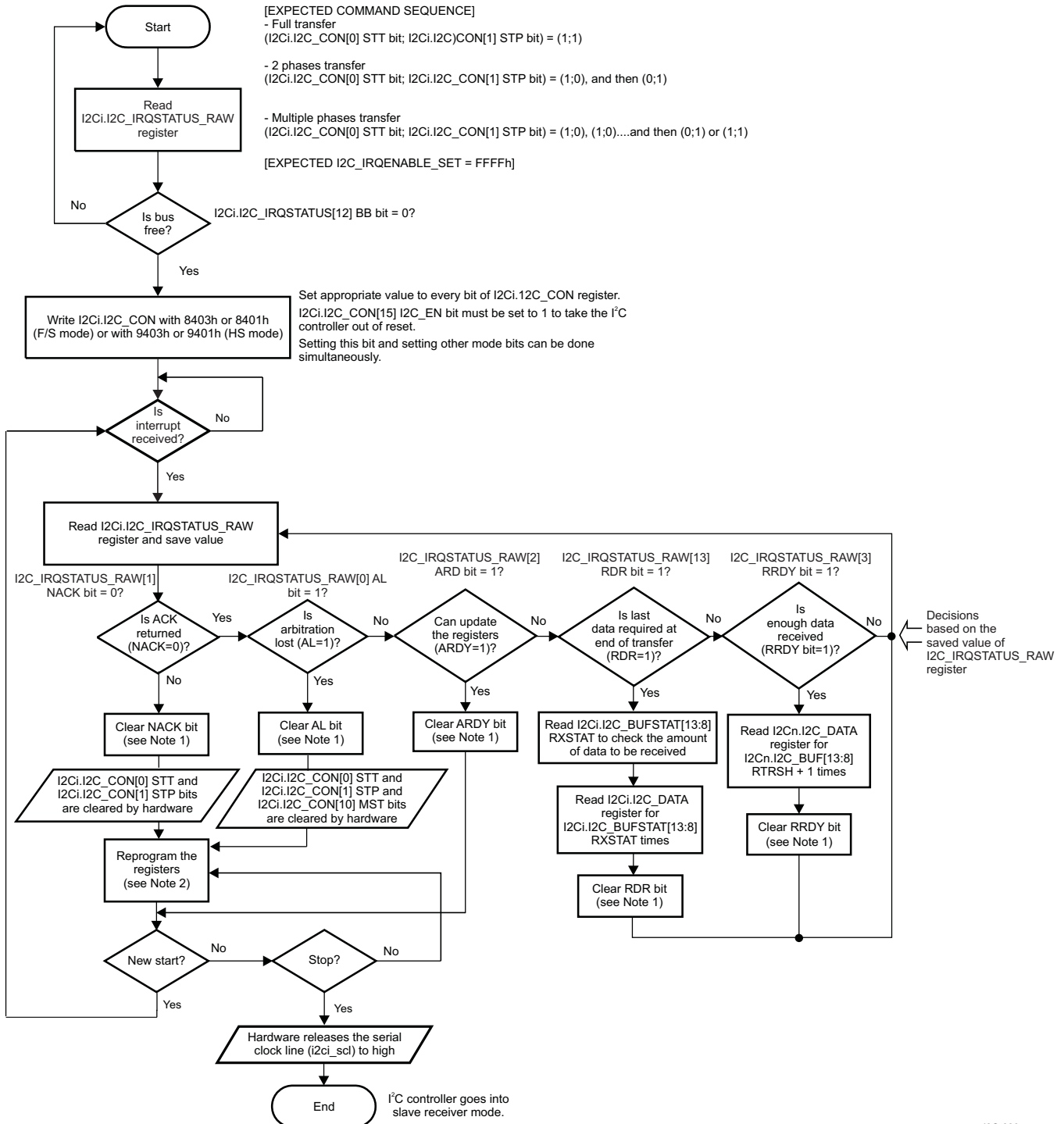
NOTE: In HS mode, the Sr condition and clock frequency switching are automatically generated by the multimaster HS I²C controller.

Table 24-17. HS I²C Register Call Summary for Sequence – Master Transmitter Mode, Interrupt Method, in F/S and HS Modes

Register Name	Register Name	Register Name
I2Ci.I2C_IRQSTATUS_RAW ⁽¹⁾	I2Ci.I2C_BUFSTAT ⁽¹⁾	I2Ci.I2C_BUF ⁽¹⁾
I2Ci.I2C_CON ⁽¹⁾	I2Ci.I2C_DATA ⁽¹⁾	

⁽¹⁾ *i* = 1 to 6

Figure 24-23. HS I²C Master Receiver Mode, Interrupt Method, in F/S and HS Modes



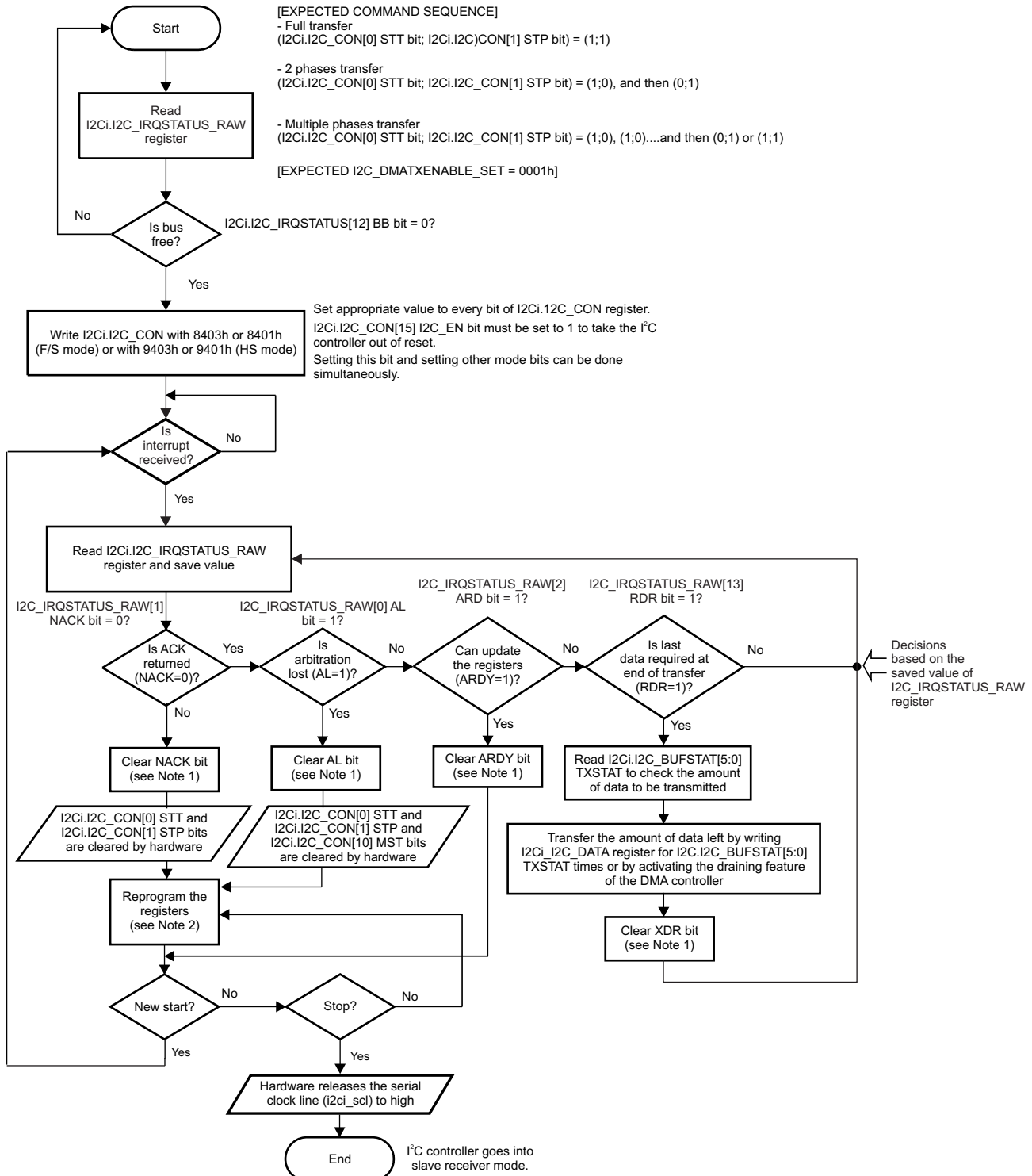
- (1) The NACK, AL, ARDY, RDR, and RRDY bits are cleared by writing 1 to each corresponding bit in the I2Ci.I2C_IRQSTATUS register.
- (2) Reprogram registers means: I2Ci.I2C_CON[11] STB and/or I2Ci.I2C_CON[10] MST bit and/or I2Ci.I2C_SA[9:0] SA register and/or I2Ci.I2C_CNT[15:0] DCOUNT register and/or I2Ci.I2C_CON[0] STT bit and/or I2Ci.I2C_CON[1] STP bit.

Table 24-18. HS I²C Register Call Summary for Sequence – Master Receiver Mode, Interrupt Method, in F/S and HS Modes

Register Name	Register Name	Register Name
I2Ci.I2C_IRQSTATUS_RAW ⁽¹⁾	I2Ci.I2C_BUFSTAT ⁽¹⁾	I2Ci.I2C_BUF ⁽¹⁾
I2Ci.I2C_CON ⁽¹⁾	I2Ci.I2C_DATA ⁽¹⁾	

⁽¹⁾ *i* = 1 to 6

Figure 24-24. HS I²C Master Transmitter Mode, DMA Method in F/S and HS Modes



- (1) The NACK, AL, ARDY, and XDR bits are cleared by writing 1 to each corresponding bit in the I2Ci.I2C_IRQSTATUS register.
- (2) Reprogram registers means: I2Ci.I2C_CON[11] STB and/or I2Ci.I2C_CON[10] MST bit and/or I2Ci.I2C_SA[9:0] SA register and/or I2Ci.I2C_CNT[15:0] DCOUNT register and/or I2Ci.I2C_CON[0] STT bit and/or I2Ci.I2C_CON[1] STP bit.

I2C-032

NOTE: The FIFO clearing can be made when the module is configured as transmitter, the receiver send a NACK in the middle of the transfer, and there is still data in the FIFO.

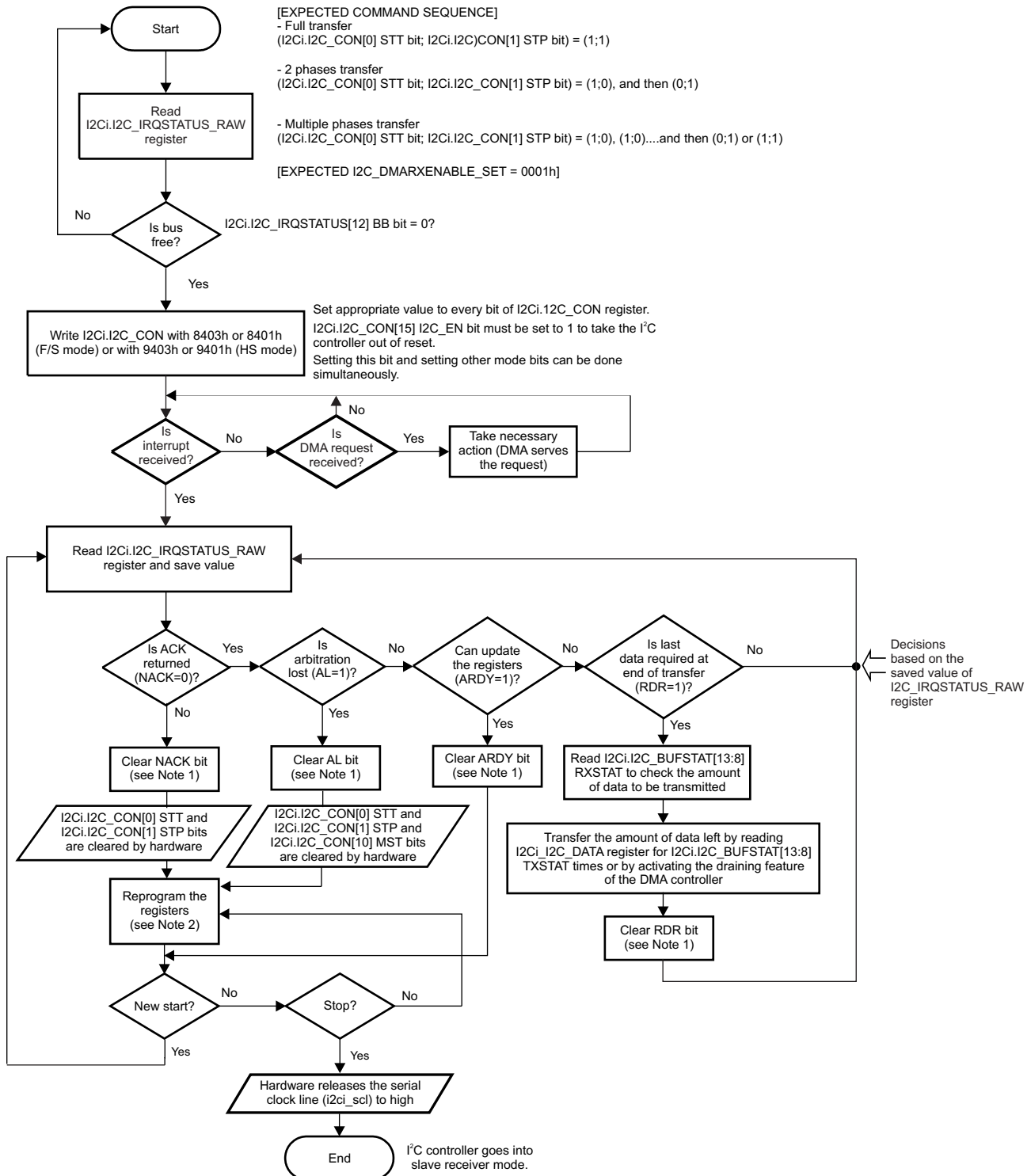
NOTE: In HS mode, the Sr condition and clock frequency switching are automatically generated by the multimaster HS I²C controller.

Table 24-19. HS I²C Register Call Summary for Sequence – Master Transmitter Mode, DMA Method in F/S and HS Modes

Register Name	Register Name
I2Ci.I2C_IRQSTATUS_RAW ⁽¹⁾	I2Ci.I2C_BUFSTAT ⁽¹⁾
I2Ci.I2C_CON ⁽¹⁾	I2Ci.I2C_DATA ⁽¹⁾

⁽¹⁾ *i* = 1 to 6

Figure 24-25. HS I²C Master Receiver Mode, DMA Method in F/S and HS Modes



I2C-033

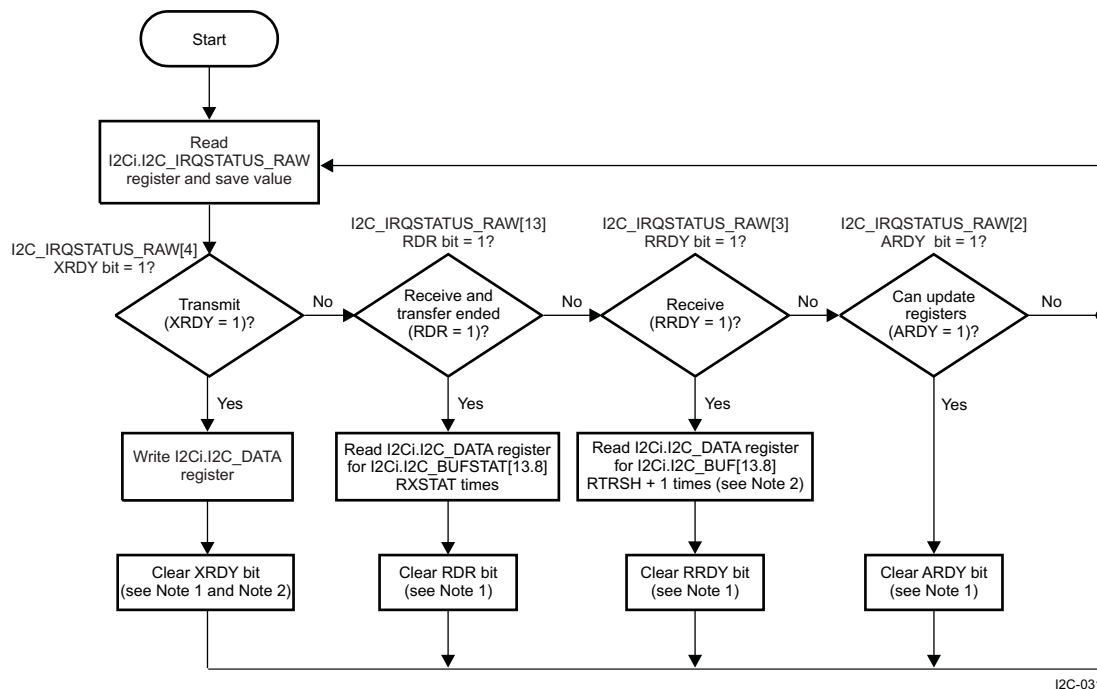
- (1) The NACK, AL, ARDY, and RDR bits are cleared by writing 1 to each corresponding bit in the I2Ci.I2C_IRQSTATUS register.
- (2) Reprogram registers means: I2Ci.I2C_CON[11] STB and/or I2Ci.I2C_CON[10] MST bit and/or I2Ci.I2C_SA[9:0] SA register and/or I2Ci.I2C_CNT[15:0] DCOUNT register and/or I2Ci.I2C_CON[0] STT bit and/or I2Ci.I2C_CON[1] STP bit.

Table 24-20. HS I²C Register Call Summary for Sequence – Master Receiver Mode, DMA Method in F/S and HS Modes

Register Name	Register Name
I2Ci.I2C_IRQSTATUS_RAW ⁽¹⁾	I2Ci.I2C_BUFSTAT ⁽¹⁾
I2Ci.I2C_CON ⁽¹⁾	I2Ci.I2C_DATA ⁽¹⁾

⁽¹⁾ i = 1 to 6

Figure 24-26. HS I²C Slave Transmitter/Receiver Mode, Polling



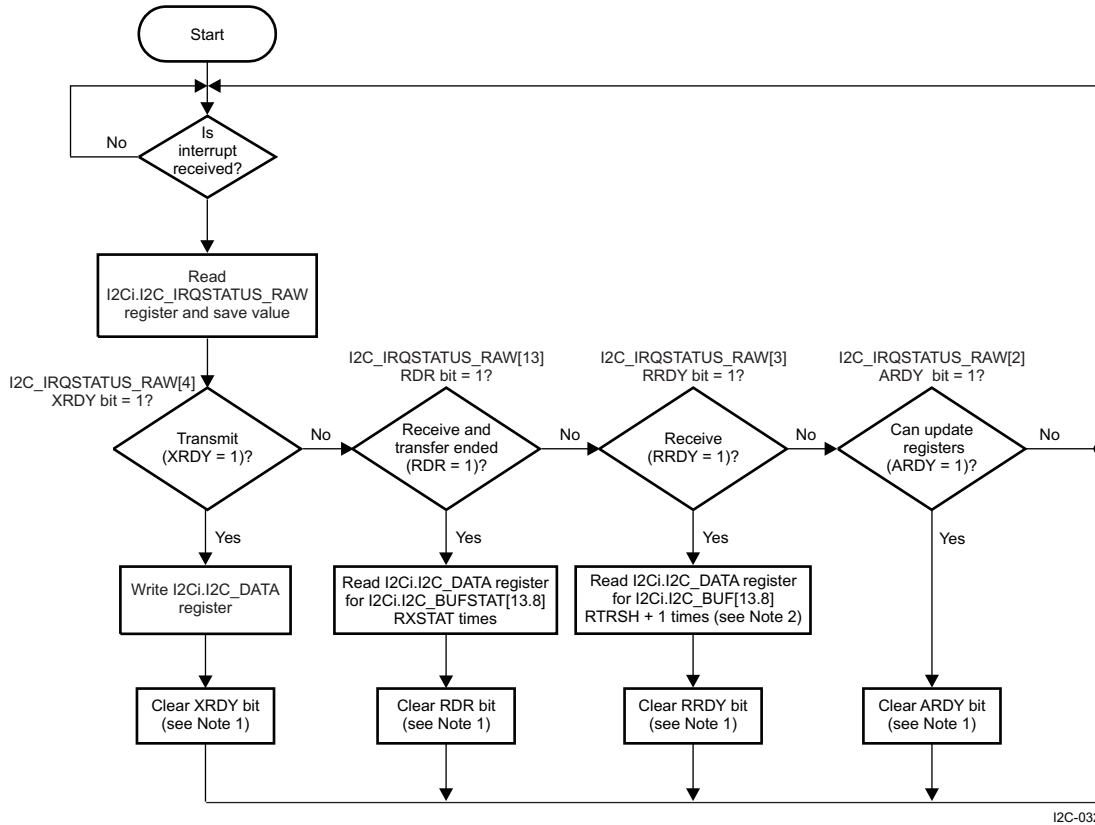
- (1) The XRDY, RDR, RRDY, and ARDY bits are cleared by writing 1 to each corresponding bit in the I2Ci.I2C_IRQSTATUS register.
- (2) In slave transmitter mode, the amount of data requested by the external master I²C device is unknown; thus, the I2Ci.I2C_BUF[5:0] XTRSH bit field must be configured to 0x0 (TX threshold = 1).

Table 24-21. HS I²C Register Call Summary for Sequence – Slave Transmitter/Receiver Mode, Polling

Register Name	Register Name
I2Ci.I2C_IRQSTATUS_RAW ⁽¹⁾	I2Ci.I2C_BUFSTAT ⁽¹⁾
I2Ci.I2C_DATA ⁽¹⁾	I2Ci.I2C_BUF ⁽¹⁾

⁽¹⁾ i = 1 to 6

Figure 24-27. HS I²C Slave Transmitter/Receiver Mode, Interrupt



- (1) The XRDY, RDR, RRDY, and ARDY bits are cleared by writing 1 to each corresponding bit in the I2Ci.I2C_IRQSTATUS register.
- (2) In slave transmitter mode, the amount of data requested by the external master I²C device is unknown; thus, the I2Ci.I2C_BUF[5:0] XTRSH bit field must be configured to 0x0 (TX threshold = 1).

Table 24-22. HS I²C Register Call Summary for Sequence – Slave Transmitter/Receiver Mode, Interrupt

Register Name	Register Name
I2Ci.I2C_IRQSTATUS_RAW ⁽¹⁾	I2Ci.I2C_BUFSTAT ⁽¹⁾
I2Ci.I2C_DATA ⁽¹⁾	I2Ci.I2C_BUF ⁽¹⁾

⁽¹⁾ i = 1 to 6

24.1.6 HS I²C Register Manual

24.1.6.1 HS I²C Instance Summary

Table 24-23 lists the base address and block size for the HS I²C module instances.

Table 24-23. HS I²C Instance Summary

Module Name	Module Base Address	Size
I2C1	0x4807 0000	214 Bytes
I2C2	0x4807 2000	214 Bytes
I2C3	0x4806 0000	214 Bytes
I2C4	0x4807 A000	214 Bytes
I2C5	0x4807 C000	214 Bytes

24.1.6.2 HS I²C Registers

24.1.6.2.1 HS I²C Register Summary

Table 24-24 and provide the register summary and associated offset addresses for the six HS I²C internal registers.

Table 24-24. HS I²C Registers Mapping Summary 1

Register Name	Type	Register Width (Bits)	Address Offset	I2C1 Physical Address	I2C2 Physical Address	I2C3 Physical Address
I2C_REVNB_LO	R	16	0x0000 0000	0x4807 0000	0x4807 2000	0x4806 0000
I2C_REVNB_HI	R	16	0x0000 0004	0x4807 0004	0x4807 2004	0x4806 0004
I2C_SYSC	RW	16	0x0000 0010	0x4807 0010	0x4807 2010	0x4806 0010
I2C_EOI	W	16	0x0000 0020	0x4807 0020	0x4807 2020	0x4806 0020
I2C_IRQSTATUS_RAW	RW	16	0x0000 0024	0x4807 0024	0x4807 2024	0x4806 0024
I2C_IRQSTATUS	RW	16	0x0000 0028	0x4807 0028	0x4807 2028	0x4806 0028
I2C_IRQENABLE_SET	RW	16	0x0000 002C	0x4807 002C	0x4807 202C	0x4806 002C
I2C_IRQENABLE_CLR	RW	16	0x0000 0030	0x4807 0030	0x4807 2030	0x4806 0030
I2C_WE	RW	16	0x0000 0034	0x4807 0034	0x4807 2034	0x4806 0034
I2C_DMARXENABLE_SET	RW	16	0x0000 0038	0x4807 0038	0x4807 2038	0x4806 0038
I2C_DMATXENABLE_SET	RW	16	0x0000 003C	0x4807 003C	0x4807 203C	0x4806 003C
I2C_DMARXENABLE_CLR	RW	16	0x0000 0040	0x4807 0040	0x4807 2040	0x4806 0040
I2C_DMATXENABLE_CLR	RW	16	0x0000 0044	0x4807 0044	0x4807 2044	0x4806 0044
I2C_DMARXWAKE_EN	RW	16	0x0000 0048	0x4807 0048	0x4807 2048	0x4806 0048
I2C_DMATXWAKE_EN	RW	16	0x0000 004C	0x4807 004C	0x4807 204C	0x4806 004C
RESERVED	RW	16	0x0000 0084	0x4807 0084	0x4807 2084	0x4806 0084
RESERVED	RW	16	0x0000 0088	0x4807 0088	0x4807 2088	0x4806 0088
I2C_SYSS	RW	16	0x0000 0090	0x4807 0090	0x4807 2090	0x4806 0090
I2C_BUF	RW	16	0x0000 0094	0x4807 0094	0x4807 2094	0x4806 0094
I2C_CNT	RW	16	0x0000 0098	0x4807 0098	0x4807 2098	0x4806 0098
I2C_DATA	RW	16	0x0000 009C	0x4807 009C	0x4807 209C	0x4806 009C
I2C_CON	RW	16	0x0000 00A4	0x4807 00A4	0x4807 20A4	0x4806 00A4
I2C_OA	RW	16	0x0000 00A8	0x4807 00A8	0x4807 20A8	0x4806 00A8
I2C_SA	RW	16	0x0000 00AC	0x4807 00AC	0x4807 20AC	0x4806 00AC
I2C_PSC	RW	16	0x0000 00B0	0x4807 00B0	0x4807 20B0	0x4806 00B0
I2C_SCLL	RW	16	0x0000 00B4	0x4807 00B4	0x4807 20B4	0x4806 00B4

Table 24-24. HS I²C Registers Mapping Summary 1 (continued)

Register Name	Type	Register Width (Bits)	Address Offset	I2C1 Physical Address	I2C2 Physical Address	I2C3 Physical Address
I2C_SCLH	RW	16	0x0000 00B8	0x4807 00B8	0x4807 20B8	0x4806 00B8
I2C_SYSTEST	RW	16	0x0000 00BC	0x4807 00BC	0x4807 20BC	0x4806 00BC
I2C_BUFSTAT	R	16	0x0000 00C0	0x4807 00C0	0x4807 20C0	0x4806 00C0
I2C_OA1	RW	16	0x0000 00C4	0x4807 00C4	0x4807 20C4	0x4806 00C4
I2C_OA2	RW	16	0x0000 00C8	0x4807 00C8	0x4807 20C8	0x4806 00C8
I2C_OA3	RW	16	0x0000 00CC	0x4807 00CC	0x4807 20CC	0x4806 00CC
I2C_ACTOA	R	16	0x0000 00D0	0x4807 00D0	0x4807 20D0	0x4806 00D0
I2C_SBLOCK	RW	16	0x0000 00D4	0x4807 00D4	0x4807 20D4	0x4806 00D4

Table 24-25. HS I²C Registers Mapping Summary 2

Register Name	Type	Register Width (Bits)	Address Offset	I2C4 Physical Address	I2C5 Physical Address
I2C_REVNB_LO	R	16	0x0000 0000	0x4807 A000	0x4807 C000
I2C_REVNB_HI	R	16	0x0000 0004	0x4807 A004	0x4807 C004
I2C_SYSC	RW	16	0x0000 0010	0x4807 A010	0x4807 C010
I2C_EOI	W	16	0x0000 0020	0x4807 A020	0x4807 C020
I2C_IRQSTATUS_RAW	RW	16	0x0000 0024	0x4807 A024	0x4807 C024
I2C_IRQSTATUS	RW	16	0x0000 0028	0x4807 A028	0x4807 C028
I2C_IRQENABLE_SET	RW	16	0x0000 002C	0x4807 A02C	0x4807 C02C
I2C_IRQENABLE_CLR	RW	16	0x0000 0030	0x4807 A030	0x4807 C030
I2C_WE	RW	16	0x0000 0034	0x4807 A034	0x4807 C034
I2C_DMARXENABLE_SET	RW	16	0x0000 0038	0x4807 A038	0x4807 C038
I2C_DMATXENABLE_SET	RW	16	0x0000 003C	0x4807 A03C	0x4807 C03C
I2C_DMARXENABLE_CLR	RW	16	0x0000 0040	0x4807 A040	0x4807 C040
I2C_DMATXENABLE_CLR	RW	16	0x0000 0044	0x4807 A044	0x4807 C044
I2C_DMARXWAKE_EN	RW	16	0x0000 0048	0x4807 A048	0x4807 C048
I2C_DMATXWAKE_EN	RW	16	0x0000 004C	0x4807 A04C	0x4807 C04C
RESERVED	RW	16	0x0000 0084	0x4807 A084	0x4807 C084
RESERVED	RW	16	0x0000 0088	0x4807 A088	0x4807 C088
I2C_SYSS	RW	16	0x0000 0090	0x4807 A090	0x4807 C090
I2C_BUF	RW	16	0x0000 0094	0x4807 A094	0x4807 C094
I2C_CNT	RW	16	0x0000 0098	0x4807 A098	0x4807 C098
I2C_DATA	RW	16	0x0000 009C	0x4807 A09C	0x4807 C09C
I2C_CON	RW	16	0x0000 00A4	0x4807 A0A4	0x4807 C0A4
I2C_OA	RW	16	0x0000 00A8	0x4807 A0A8	0x4807 C0A8
I2C_SA	RW	16	0x0000 00AC	0x4807 A0AC	0x4807 C0AC
I2C_PSC	RW	16	0x0000 00B0	0x4807 A0B0	0x4807 C0B0
I2C_SCLL	RW	16	0x0000 00B4	0x4807 A0B4	0x4807 C0B4
I2C_SCLH	RW	16	0x0000 00B8	0x4807 A0B8	0x4807 C0B8
I2C_SYSTEST	RW	16	0x0000 00BC	0x4807 A0BC	0x4807 C0BC
I2C_BUFSTAT	R	16	0x0000 00C0	0x4807 A0C0	0x4807 C0C0
I2C_OA1	RW	16	0x0000 00C4	0x4807 A0C4	0x4807 C0C4
I2C_OA2	RW	16	0x0000 00C8	0x4807 A0C8	0x4807 C0C8
I2C_OA3	RW	16	0x0000 00CC	0x4807 A0CC	0x4807 C0CC
I2C_ACTOA	R	16	0x0000 00D0	0x4807 A0D0	0x4807 C0D0

Table 24-25. HS I²C Registers Mapping Summary 2 (continued)

Register Name	Type	Register Width (Bits)	Address Offset	I2C4 Physical Address	I2C5 Physical Address
I2C_SBLOCK	RW	16	0x0000 00D4	0x4807 A0D4	0x4807 C0D4

24.1.6.2.2 HS I²C Register Description

Table 24-26 through Table 24-88 describe the individual HS I²C registers.

Table 24-26. I2C_REVNB_LO

Address Offset	0x0000 0000			
Physical Address	0x4806 0000	Instance	I2C3	
	0x4807 0000		I2C1	
	0x4807 2000		I2C2	
	0x4807 A000		I2C4	
	0x4807 C000		I2C5	
Description	Module Revision Identifier Used by software to track features, bugs, and compatibility			
Type	R			

15	14	13	12	11	10	9	8	7	6	5	4	3	2	1	0
REVISION															

Bits	Field Name	Description	Type	Reset
15:0	REVISION	IP Revision	R	TI internal data

Table 24-27. Register Call Summary for Register I2C_REVNB_LO

Multimaster High-Speed I2C Controller

- [HS I2C Register Summary: \[0\]\[4\]](#)

Table 24-28. I2C_REVNB_HI

Address Offset	0x0000 0004			
Physical Address	0x4806 0004	Instance	I2C3	
	0x4807 0004		I2C1	
	0x4807 2004		I2C2	
	0x4807 A004		I2C4	
	0x4807 C004		I2C5	
Description	Module Revision Identifier Used by software to track features, bugs, and compatibility			
Type	R			

15	14	13	12	11	10	9	8	7	6	5	4	3	2	1	0
REVISION															

Bits	Field Name	Description	Type	Reset
15:0	REVISION	IP Revision	R	TI internal data

Table 24-29. Register Call Summary for Register I2C_REVNB_HI

Multimaster High-Speed I2C Controller

- [HS I2C Register Summary: \[0\]\[4\]](#)

Table 24-30. I2C_SYSC

Address Offset	0x0000 0010		
Physical Address	0x4806 0010 0x4807 0010 0x4807 2010 0x4807 A010 0x4807 C010	Instance	I2C3 I2C1 I2C2 I2C4 I2C5
Description	System Configuration register		
Type	RW		

15	14	13	12	11	10	9	8	7	6	5	4	3	2	1	0
RESERVED						CLKACTIVITY		RESERVED			IDLEMODE	ENAWAKEUP	SRST	AUTOIDLE	

Bits	Field Name	Description	Type	Reset
15:10	RESERVED	Reserved	R	0x00
9:8	CLKACTIVITY	Clock Activity selection bits 0x0: Both clocks can be cut off 0x1: Only OCP clock must be kept active; system clock can be cut off 0x2: Only system clock must be kept active; OCP clock can be cut off 0x3: Both clocks must be kept active	RW	0x0
7:5	RESERVED	Reads return 0.	R	0x0
4:3	IDLEMODE	Idle Mode selection bits 0x0: Force Idle mode 0x1: No Idle mode 0x2: Smart Idle mode 0x3: Smart-idle wakeup-capable mode	RW	0x0
2	ENAWAKEUP	Enable Wakeup control bit 0x0: Wakeup mechanism is disabled 0x1: Wakeup mechanism is enabled	RW	0
1	SRST	SoftReset bit 0x0: Normal mode 0x1: The module is reset	RW	0
0	AUTOIDLE	Autoidle bit 0x0: Auto Idle mechanism is disabled 0x1: Auto Idle mechanism is enabled	RW	1

Table 24-31. Register Call Summary for Register I2C_SYSC

Multimaster High-Speed I2C Controller

- [HS I2C Software Reset: \[0\]\[1\]](#)
- [HS I2C Power Management: \[2\]\[3\]\[4\]\[5\]\[6\]](#)
- [HS I2C Register Summary: \[7\]\[11\]](#)

Table 24-32. I2C_EOI

Address Offset	0x0000 0020		
Physical Address	0x4806 0020 0x4807 0020 0x4807 2020 0x4807 A020 0x4807 C020	Instance	I2C3 I2C1 I2C2 I2C4 I2C5
Description	End Of Interrupt number specification		
Type	W		

15	14	13	12	11	10	9	8	7	6	5	4	3	2	1	0
RESERVED															LINE_NUMBER

Bits	Field Name	Description	Type	Reset
15:1	RESERVED	Reserved	R	0x0
0	LINE_NUMBER	Software End Of Interrupt (EOI) control. Write number of interrupt output.	W	0x0

Table 24-33. Register Call Summary for Register I2C_EOI

Multimaster High-Speed I2C Controller

- [HS I2C Register Summary: \[0\]\[4\]](#)

Table 24-34. I2C_IRQSTATUS_RAW

Address Offset	0x0000 0024		
Physical Address	0x4806 0024 0x4807 0024 0x4807 2024 0x4807 A024 0x4807 C024	Instance	I2C3 I2C1 I2C2 I2C4 I2C5
Description	Per-event raw interrupt status vector. The raw status is set even if event is not enabled. Write 1 to set the (raw) status. Used mostly for debug		
Type	RW		

15	14	13	12	11	10	9	8	7	6	5	4	3	2	1	0
RESERVED	XDR	RDR	BB	ROVR	XUDF	AAS	BF	AERR	STC	GC	XRDY	RRDY	ARDY	NACK	AL

Bits	Field Name	Description	Type	Reset
15	RESERVED	Write 0s for future compatibility. Read returns 0.	RW	0
14	XDR	Transmit draining IRQ status. 0x0: Transmit draining inactive. 0x1: Transmit draining enabled.	RW	0
13	RDR	Receive draining IRQ status. 0x0: Receive draining inactive. 0x1: Receive draining enabled.	RW	0

Bits	Field Name	Description	Type	Reset
12	BB	Bus busy status. Writing into this bit has no effect. Read 0x1: Bus is occupied. Read 0x0: Bus is free.	R	0
11	ROVR	Receive overrun status. Writing into this bit has no effect. Read 0x1: Receiver overrun. Read 0x0: Normal operation.	RW	0
10	XUDF	Transmit underflow status. Writing into this bit has no effect. Read 0x1: Transmit underflow. Read 0x0: Normal operation.	RW	0
9	AAS	Address recognized as slave IRQ status. 0x0: No action. 0x1: Address recognized.	RW	0
8	BF	Bus Free IRQ status. 0x0: No action. 0x1: Bus Free.	RW	0
7	AERR	Access Error IRQ status. 0x0: No action. 0x1: Access Error.	RW	0
6	STC	Start Condition IRQ status. 0x0: No action. 0x1: Start Condition detected.	RW	0

Bits	Field Name	Description	Type	Reset
5	GC	General call IRQ status. Set to 1 by core when General call address detected and interrupt signaled to IRQ_Crossbar. 0x0: No general call detected. 0x1: General call address detected.	RW	0
4	XRDY	Transmit data ready IRQ status. Set to 1 by core when transmitter and when new data is requested. When set to 1 by core, an interrupt is signaled to IRQ_Crossbar. 0x0: Transmission ongoing. 0x1: Transmit data ready.	RW	0
3	RRDY	Receive data ready IRQ status. Set to 1 by core when receiver mode, a new data is able to be read. When set to 1 by core, an interrupt is signaled to IRQ_Crossbar. 0x0: No data available. 0x1: Receive data available.	RW	0
2	ARDY	Register access ready IRQ status. When set to 1 it indicates that previous access has been performed and registers are ready to be accessed again. An interrupt is signaled to IRQ_Crossbar. 0x0: Module busy. 0x1: Access ready.	RW	0
1	NACK	No acknowledgement IRQ status. Bit is set when No Acknowledge has been received, an interrupt is signaled to IRQ_Crossbar. 0x0: Normal operation. 0x1: Not Acknowledge detected.	RW	0
0	AL	Arbitration lost IRQ status. This bit is automatically set by the hardware when it loses the Arbitration in master transmit mode, an interrupt is signaled to IRQ_Crossbar. During reads, it always returns 0. 0x0: Normal operation. 0x1: Arbitration lost detected.	RW	0

Table 24-35. Register Call Summary for Register I2C_IRQSTATUS_RAW

Multimaster High-Speed I2C Controller

- [HS I2C Start and Stop Conditions: \[0\]](#)
- [HS I2C FIFO Polling Mode: \[1\]\[2\]\[3\]\[4\]\[5\]\[6\]](#)
- [HS I2C Draining Feature: \[7\]\[8\]\[9\]\[10\]\[11\]](#)
- [HS I2C System Test Mode: \[12\]\[13\]\[14\]\[15\]\[16\]\[17\]\[18\]\[19\]](#)
- [HS I2C Programming Model: \[20\]\[21\]\[22\]\[23\]\[24\]\[25\]\[26\]\[27\]\[28\]\[29\]\[30\]\[31\]\[32\]\[33\]\[34\]\[35\]\[36\]\[37\]\[38\]\[39\]\[40\]\[41\]\[42\]\[43\]](#)
- [HS I2C Register Summary: \[44\]\[48\]](#)
- [HS I2C Register Description: \[49\]\[50\]\[51\]\[52\]\[53\]\[54\]\[55\]\[56\]\[57\]\[58\]\[59\]\[60\]\[61\]\[62\]\[63\]\[64\]\[65\]\[66\]\[67\]\[68\]\[69\]](#)

Table 24-36. I2C_IRQSTATUS

Address Offset	0x0000 0028		
Physical Address	0x4806 0028 0x4807 0028 0x4807 2028 0x4807 A028 0x4807 C028	Instance	I2C3 I2C1 I2C2 I2C4 I2C5
Description	Per-event enabled interrupt status vector		
Type	RW		

	15	14	13	12	11	10	9	8	7	6	5	4	3	2	1	0
RESERVED		XDR	RDR	BB	ROVR	XUDF	AAS	BF	AERR	STC	GC	XRDY	RRDY	ARDY	NACK	AL

Bits	Field Name	Description	Type	Reset
15	RESERVED	Write 0s for future compatibility. Read returns 0.	RW	0
14	XDR	Transmit draining IRQ enabled status. 0x0: Transmit draining inactive. 0x1: Transmit draining enabled.	RW W1toClr	0
13	RDR	Receive draining IRQ enabled status. 0x0: Receive draining inactive. 0x1: Receive draining enabled.	RW W1toClr	0
12	BB	Bus busy enabled status. Writing into this bit has no effect. Read 0x1: Bus is occupied. Read 0x0: Bus is free.	R	0
11	ROVR	Receive overrun enabled status. Writing into this bit has no effect. Read 0x1: Receiver overrun. Read 0x0: Normal operation.	RW W1toClr	0
10	XUDF	Transmit underflow enabled status. Writing into this bit has no effect. Read 0x1: Transmit underflow. Read 0x0: Normal operation.	RW W1toClr	0
9	AAS	Address recognized as slave IRQ enabled status. 0x0: No action. 0x1: Address recognized.	RW W1toClr	0
8	BF	Bus Free IRQ enabled status. 0x0: No action. 0x1: Bus Free.	RW W1toClr	0
7	AERR	Access Error IRQ enabled status. 0x0: No action. 0x1: Access Error.	RW W1toClr	0
6	STC	Start Condition IRQ enabled status. 0x0: No action. 0x1: Start Condition detected.	RW W1toClr	0
5	GC	General call IRQ enabled status. Set to 1 by core when General call address detected and interrupt signaled to IRQ_Crossbar. Write 1 to clear. 0x0: No general call detected. 0x1: General call address detected.	RW W1toClr	0

Bits	Field Name	Description	Type	Reset
4	XRDY	Transmit data ready IRQ enabled status. Set to 1 by core when transmitter and when new data is requested. When set to 1 by core, an interrupt is signaled to IRQ_Crossbar. Write 1 to clear. 0x0: Transmission ongoing. 0x1: Transmit data ready.	RW W1toClr	0
3	RRDY	Receive data ready IRQ enabled status. Set to 1 by core when receiver mode, a new data is able to be read. When set to 1 by core, an interrupt is signaled to IRQ_Crossbar. Write 1 to clear. 0x0: No data available. 0x1: Receive data available.	RW W1toClr	0
2	ARDY	Register access ready IRQ enabled status. When set to 1 it indicates that previous access has been performed and registers are ready to be accessed again. An interrupt is signaled to IRQ_Crossbar. Write 1 to clear. 0x0: Module busy. 0x1: Access ready.	RW W1toClr	0
1	NACK	No acknowledgement IRQ enabled status. Bit is set when No Acknowledge has been received, an interrupt is signaled to IRQ_Crossbar. Write 1 to clear this bit. 0x0: Normal operation. 0x1: Not Acknowledge detected.	RW W1toClr	0
0	AL	Arbitration lost IRQ enabled status. This bit is automatically set by the hardware when it loses the Arbitration in master transmit mode, an interrupt is signaled to IRQ_Crossbar. During reads, it always returns 0. 0x0: Normal operation. 0x1: Arbitration lost detected.	RW W1toClr	0

Table 24-37. Register Call Summary for Register I2C_IRQSTATUS

Multimaster High-Speed I2C Controller

- [HS I2C Interrupt Requests: \[0\]\[1\]\[2\]\[3\]\[4\]\[5\]\[6\]\[7\]\[8\]\[9\]\[10\]\[11\]\[12\]\[13\]\[14\]](#)
- [HS I2C Programming Model: \[15\]\[16\]\[17\]\[18\]\[19\]\[20\]\[21\]\[22\]](#)
- [HS I2C Register Summary: \[23\]\[27\]](#)

Table 24-38. I2C_IRQENABLE_SET

Address Offset	0x0000 002C		
Physical Address	0x4806 002C 0x4807 002C 0x4807 202C 0x4807 A02C 0x4807 C02C	Instance	I2C3 I2C1 I2C2 I2C4 I2C5
Description	Per-event interrupt enable bit vector.		
Type	RW		

15	14	13	12	11	10	9	8	7	6	5	4	3	2	1	0
RESERVED	XDR_IE	RDR_IE	RESERVED	ROVR	XUDF	AAS_IE	BF_IE	AERR_IE	STC_IE	GC_IE	XRDY_IE	RRDY_IE	ARDY_IE	NACK_IE	AL_IE

Bits	Field Name	Description	Type	Reset
15	RESERVED	Write 0s for future compatibility. Read returns 0.	R	0
14	XDR_IE	Transmit Draining interrupt enable set. Unmask the interrupt signaled by bit in I2C_IRQSTATUS_RAW[XDR] . Read: 0x0: Transmit Draining interrupt disabled 0x1: Transmit Draining interrupt enabled Write: 0x0: Has no effect 0x1: Enables the Transmit Draining interrupt	RW W1toSet	0
13	RDR_IE	Receive Draining interrupt enable set. Unmask the interrupt signaled by bit in I2C_IRQSTATUS_RAW[RDR] . Read: 0x0: Receive Draining interrupt disabled 0x1: Receive Draining interrupt enabled Write: 0x0: Has no effect 0x1: Enables the Receive Draining interrupt	RW W1toSet	0
12	RESERVED	Reserved	R	0
11	ROVR	Receive overrun enable set. Read: 0x0: Receive overrun interrupt disabled 0x1: Receive overrun interrupt enabled Write: 0x0: Has no effect 0x1: Enables the Receive overrun interrupt	RW W1toSet	0
10	XUDF	Transmit underflow enable set. Read: 0x0: Transmit underflow interrupt disabled 0x1: Transmit underflow interrupt enabled Write: 0x0: Has no effect 0x1: Enables the Transmit underflow interrupt	RW W1toSet	0
9	AAS_IE	Addressed as Slave interrupt enable set. Unmask the interrupt signaled by bit in I2C_IRQSTATUS_RAW[AAS] . Read: 0x0: Addressed as Slave interrupt disabled 0x1: Addressed as Slave interrupt enabled Write: 0x0: Has no effect 0x1: Enables the Addressed as Slave interrupt	RW W1toSet	0
8	BF_IE	Bus Free interrupt enable set. Unmask the interrupt signaled by bit in I2C_IRQSTATUS_RAW[BF] . Read: 0x0: Bus Free interrupt disabled 0x1: Bus Free interrupt enabled Write: 0x0: Has no effect 0x1: Enables the Bus Free interrupt	RW W1toSet	0

Bits	Field Name	Description	Type	Reset
7	AERR_IE	<p>Access Error interrupt enable set. Unmask the interrupt signaled by bit in I2C_IRQSTATUS_RAW [AERR].</p> <p>Read:</p> <p>0x0: Access Error interrupt disabled</p> <p>0x1: Access Error interrupt enabled</p> <p>Write:</p> <p>0x0: Has no effect</p> <p>0x1: Enables the Access Error interrupt</p>	RW W1toSet	0
6	STC_IE	<p>Start Condition interrupt enable set. Unmask the interrupt signaled by bit in I2C_IRQSTATUS_RAW [STC].</p> <p>Read:</p> <p>0x0: Start Condition interrupt disabled</p> <p>0x1: Start Condition interrupt enabled</p> <p>Write:</p> <p>0x0: Has no effect</p> <p>0x1: Enables the Start Condition interrupt</p>	RW W1toSet	0
5	GC_IE	<p>General call Interrupt enable set. Unmask the interrupt signaled by bit in I2C_IRQSTATUS_RAW [GC]</p> <p>Read:</p> <p>0x0: General call interrupt disabled</p> <p>0x1: General call interrupt enabled</p> <p>Write:</p> <p>0x0: Has no effect</p> <p>0x1: Enables the General call interrupt</p>	RW W1toSet	0
4	XRDY_IE	<p>Transmit data ready interrupt enable set. Unmask the interrupt signaled by bit in I2C_IRQSTATUS_RAW [XRDY]</p> <p>Read:</p> <p>0x0: Transmit data ready interrupt disabled</p> <p>0x1: Transmit data ready interrupt enabled</p> <p>Write:</p> <p>0x0: Has no effect</p> <p>0x1: Enables the Transmit data ready interrupt</p>	RW W1toSet	0
3	RRDY_IE	<p>Receive data ready interrupt enable set. Unmask the interrupt signaled by bit in I2C_IRQSTATUS_RAW [RRDY]</p> <p>Read:</p> <p>0x0: Receive data ready interrupt disabled</p> <p>0x1: Receive data ready interrupt enabled</p> <p>Write:</p> <p>0x0: Has no effect</p> <p>0x1: Enables the Receive data ready interrupt</p>	RW W1toSet	0
2	ARDY_IE	<p>Register access ready interrupt enable set. Unmask the interrupt signaled by bit in I2C_IRQSTATUS_RAW [ARDY]</p> <p>Read:</p> <p>0x0: Register access ready interrupt disabled</p> <p>0x1: Register access ready interrupt enabled</p> <p>Write:</p> <p>0x0: Has no effect</p> <p>0x1: Enables the Register access ready interrupt</p>	RW W1toSet	0

Bits	Field Name	Description	Type	Reset
1	NACK_IE	No acknowledgement interrupt enable set. Unmask the interrupt signaled by bit in I2C_IRQSTATUS_RAW [NACK] Read: 0x0: Not Acknowledge interrupt disabled 0x1: Not Acknowledge interrupt enabled Write: 0x0: Has no effect 0x1: Enables the Not Acknowledge interrupt	RW W1toSet	0
0	AL_IE	Arbitration lost interrupt enable set. Unmask the interrupt signaled by bit in I2C_IRQSTATUS_RAW [AL] Read: 0x0: Arbitration lost interrupt disabled 0x1: Arbitration lost interrupt enabled Write: 0x0: Has no effect 0x1: Enables the Arbitration lost interrupt	RW W1toSet	0

Table 24-39. Register Call Summary for Register I2C_IRQENABLE_SET

Multimaster High-Speed I2C Controller

- [HS I2C Interrupt Requests: \[0\]\[1\]\[2\]\[3\]\[4\]\[5\]\[6\]\[7\]\[8\]\[9\]\[10\]\[11\]\[12\]\[13\]](#)
- [HS I2C FIFO Interrupt Mode: \[14\]](#)
- [HS I2C FIFO Polling Mode: \[15\]\[16\]](#)
- [HS I2C Draining Feature: \[17\]\[18\]](#)
- [HS I2C Programming Model: \[19\]\[20\]\[21\]\[22\]\[23\]\[24\]\[25\]\[26\]\[27\]\[28\]](#)
- [HS I2C Register Summary: \[29\]\[33\]](#)

Table 24-40. I2C_IRQENABLE_CLR

Address Offset	0x0000 0030		
Physical Address	0x4806 0030	Instance	I2C3
	0x4807 0030		I2C1
	0x4807 2030		I2C2
	0x4807 A030		I2C4
	0x4807 C030		I2C5
Description	Per-event interrupt clear bit vector.		
Type	RW		

15	14	13	12	11	10	9	8	7	6	5	4	3	2	1	0
RESERVED	XDR_IE	RDR_IE	RESERVED	ROVR	XUDF	AAS_IE	BF_IE	AERR_IE	STC_IE	GC_IE	XRDY_IE	RRDY_IE	ARDY_IE	NACK_IE	AL_IE

Bits	Field Name	Description	Type	Reset
15	RESERVED	Write 0s for future compatibility. Read returns 0.	R	0
14	XDR_IE	Transmit Draining interrupt enable clear. Mask the interrupt signaled by bit in I2C_IRQSTATUS_RAW [XDR] . Read: 0x0: Transmit Draining interrupt disabled 0x1: Transmit Draining interrupt enabled Write: 0x0: Has no effect 0x1: Disables the Transmit Draining interrupt	RW W1toClr	0
13	RDR_IE	Receive Draining interrupt enable clear. Mask the interrupt signaled by bit in I2C_IRQSTATUS_RAW [RDR] . Read: 0x0: Receive Draining interrupt disabled 0x1: Receive Draining interrupt enabled Write: 0x0: Has no effect 0x1: Disables the Receive Draining interrupt	RW W1toClr	0
12	RESERVED	Reserved	R	0
11	ROVR	Receive overrun enable clear. Read: 0x0: Receive overrun interrupt disabled 0x1: Receive overrun interrupt enabled Write: 0x0: Has no effect 0x1: Disables the Receive overrun interrupt	RW W1toClr	0
10	XUDF	Transmit underflow enable clear. Read: 0x0: Transmit underflow interrupt disabled 0x1: Transmit underflow interrupt enabled Write: 0x0: Has no effect 0x1: Disables the Transmit underflow interrupt	RW W1toClr	0
9	AAS_IE	Addressed as Slave interrupt enable clear. Mask the interrupt signaled by bit in I2C_IRQSTATUS_RAW [AAS] . Read: 0x0: Addressed as Slave interrupt disabled 0x1: Addressed as Slave interrupt enabled Write: 0x0: Has no effect 0x1: Disables the Addressed as Slave interrupt	RW W1toClr	0
8	BF_IE	Bus Free interrupt enable clear. Mask the interrupt signaled by bit in I2C_IRQSTATUS_RAW [BF] . Read: 0x0: Bus Free interrupt disabled 0x1: Bus Free interrupt enabled Write: 0x0: Has no effect 0x1: Disables the Bus Free interrupt	RW W1toClr	0

Bits	Field Name	Description	Type	Reset
7	AERR_IE	<p>Access Error interrupt enable clear. Mask the interrupt signaled by bit in I2C_IRQSTATUS_RAW [AERR].</p> <p>Read:</p> <p>0x0: Access Error interrupt disabled 0x1: Access Error interrupt enabled</p> <p>Write:</p> <p>0x0: Has no effect 0x1: Disables the Access Error interrupt</p>	RW W1toClr	0
6	STC_IE	<p>Start Condition interrupt enable clear. Mask the interrupt signaled by bit in I2C_IRQSTATUS_RAW [STC].</p> <p>Read:</p> <p>0x0: Start Condition interrupt disabled 0x1: Start Condition interrupt enabled</p> <p>Write:</p> <p>0x0: Has no effect 0x1: Disables the Start Condition interrupt</p>	RW W1toClr	0
5	GC_IE	<p>General call Interrupt enable clear. Mask the interrupt signaled by bit in I2C_IRQSTATUS_RAW [GC]</p> <p>Read:</p> <p>0x0: General call interrupt disabled 0x1: General call interrupt enabled</p> <p>Write:</p> <p>0x0: Has no effect 0x1: Disables the General call interrupt</p>	RW W1toClr	0
4	XRDY_IE	<p>Transmit data ready interrupt enable clear. Mask the interrupt signaled by bit in I2C_IRQSTATUS_RAW [XRDY]</p> <p>Read:</p> <p>0x0: Transmit data ready interrupt disabled 0x1: Transmit data ready interrupt enabled</p> <p>Write:</p> <p>0x0: Has no effect 0x1: Disables the Transmit data ready interrupt</p>	RW W1toClr	0
3	RRDY_IE	<p>Receive data ready interrupt enable clear. Mask the interrupt signaled by bit in I2C_IRQSTATUS_RAW [RRDY]</p> <p>Read:</p> <p>0x0: Receive data ready interrupt disabled 0x1: Receive data ready interrupt enabled</p> <p>Write:</p> <p>0x0: Has no effect 0x1: Disables the Receive data ready interrupt</p>	RW W1toClr	0
2	ARDY_IE	<p>Register access ready interrupt enable clear. Mask the interrupt signaled by bit in I2C_IRQSTATUS_RAW [ARDY]</p> <p>Read:</p> <p>0x0: Register access ready interrupt disabled 0x1: Register access ready interrupt enabled</p> <p>Write:</p> <p>0x0: Has no effect 0x1: Disables the Register access ready interrupt</p>	RW W1toClr	0

Bits	Field Name	Description	Type	Reset
1	NACK_IE	No acknowledgement interrupt enable clear. Mask the interrupt signaled by bit in I2C_IRQSTATUS_RAW[NACK] Read: 0x0: Not Acknowledge interrupt disabled 0x1: Not Acknowledge interrupt enabled Write: 0x0: Has no effect 0x1: Disables the Not Acknowledge interrupt	RW W1toClr	0
0	AL_IE	Arbitration lost interrupt enable clear. Mask the interrupt signaled by bit in I2C_IRQSTATUS_RAW[AL] Read: 0x0: Arbitration lost interrupt disabled 0x1: Arbitration lost interrupt enabled Write: 0x0: Has no effect 0x1: Disables the Arbitration lost interrupt	RW W1toClr	0

Table 24-41. Register Call Summary for Register I2C_IRQENABLE_CLR

Multimaster High-Speed I2C Controller

- [HS I2C Interrupt Requests: \[0\]\[1\]\[2\]\[3\]\[4\]\[5\]\[6\]\[7\]\[8\]\[9\]\[10\]\[11\]\[12\]\[13\]](#)
- [HS I2C FIFO Interrupt Mode: \[14\]](#)
- [HS I2C Register Summary: \[15\]\[19\]](#)

Table 24-42. I2C_WE

Address Offset	0x0000 0034		
Physical Address	0x4806 0034 0x4807 0034 0x4807 2034 0x4807 A034 0x4807 C034	Instance	I2C3 I2C1 I2C2 I2C4 I2C5
Description	I2C wakeup enable vector.		
Type	RW		

15	14	13	12	11	10	9	8	7	6	5	4	3	2	1	0
RESERVED	XDR	RDR	RESERVED	ROVR	XUDF	AAS	BF	RESERVED	STC	GC	RESERVED	DRDY	ARDY	NACK	AL

Bits	Field Name	Description	Type	Reset
15	RESERVED	Reserved	R	0
14	XDR	Transmit Draining wakeup set. 0x0: Transmit draining wakeup disabled 0x1: Transmit draining wakeup enabled	RW	0
13	RDR	Receive Draining wakeup set. 0x0: Receive draining wakeup disabled 0x1: Receive draining wakeup enabled	RW	0
12	RESERVED	Reserved	R	0

Bits	Field Name	Description	Type	Reset
11	ROVR	Receive overrun wakeup set. 0x0: Receive overrun wakeup disabled 0x1: Receive overrun wakeup enabled	RW	0
10	XUDF	Transmit underflow wakeup set. 0x0: Transmit underflow wakeup disabled 0x1: Transmit underflow wakeup enabled	RW	0
9	AAS	Address as slave IRQ wakeup set. 0x0: Addressed as slave wakeup disabled 0x1: Addressed as slave wakeup enabled	RW	0
8	BF	Bus Free IRQ wakeup set. 0x0: Bus Free wakeup disabled 0x1: Bus Free wakeup enabled	RW	0
7	RESERVED	Reserved	R	0
6	STC	Start Condition IRQ wakeup set. 0x0: Start condition wakeup disabled 0x1: Start condition wakeup enabled	RW	0
5	GC	General call IRQ wakeup set. 0x0: General call wakeup disabled 0x1: General call wakeup enabled	RW	0
4	RESERVED	Reserved	R	0
3	DRDY	Receive/Transmit data ready IRQ wakeup set. 0x0: Transmit/receive data ready wakeup disabled 0x1: Transmit/receive data ready wakeup enabled	RW	0
2	ARDY	Register access ready IRQ wakeup set. 0x0: Register access ready wakeup disabled 0x1: Register access ready wakeup enabled	RW	0
1	NACK	No acknowledgment IRQ wakeup set. 0x0: Not Acknowledge wakeup disabled 0x1: Not Acknowledge wakeup enabled	RW	0
0	AL	Arbitration lost IRQ wakeup set. 0x0: Arbitration lost wakeup disabled 0x1: Arbitration lost wakeup enabled	RW	0

Table 24-43. Register Call Summary for Register I2C_WE

Multimaster High-Speed I2C Controller

- [HS I2C Register Summary: \[0\]\[4\]](#)

Table 24-44. I2C_DMARXENABLE_SET

Address Offset	0x0000 0038		
Physical Address	0x4806 0038 0x4807 0038 0x4807 2038 0x4807 A038 0x4807 C038	Instance	I2C3 I2C1 I2C2 I2C4 I2C5
Description	Per-event DMA RX enable set.		
Type	RW		

15	14	13	12	11	10	9	8	7	6	5	4	3	2	1	0
RESERVED															DMARX_ENABLE_SET

Bits	Field Name	Description	Type	Reset
15:1	RESERVED	Reserved	R	0x0000
0	DMARX_ENABLE_SET	Receive DMA channel enable set.	RW	0

Table 24-45. Register Call Summary for Register I2C_DMARXENABLE_SET

Multimaster High-Speed I2C Controller

- [HS I2C Programming Model: \[0\]](#)
- [HS I2C Register Summary: \[1\]\[5\]](#)

Table 24-46. I2C_DMATXENABLE_SET

Address Offset	0x0000 003C		
Physical Address	0x4806 003C 0x4807 003C 0x4807 203C 0x4807 A03C 0x4807 C03C	Instance	I2C3 I2C1 I2C2 I2C4 I2C5
Description	Per-event DMA TX enable set.		
Type	RW		

15	14	13	12	11	10	9	8	7	6	5	4	3	2	1	0
RESERVED															DMATX_ENABLE_SET

Bits	Field Name	Description	Type	Reset
15:1	RESERVED	Reserved	R	0x0000
0	DMATX_ENABLE_SET	Transmit DMA channel enable set.	RW	0

Table 24-47. Register Call Summary for Register I2C_DMATXENABLE_SET

Multimaster High-Speed I2C Controller

- [HS I2C Programming Model: \[0\]](#)
- [HS I2C Register Summary: \[1\]\[5\]](#)

Table 24-48. I2C_DMARXENABLE_CLR

Address Offset	0x0000 0040			
Physical Address	0x4806 0040 0x4807 0040 0x4807 2040 0x4807 A040 0x4807 C040	Instance	I2C3 I2C1 I2C2 I2C4 I2C5	
Description	Per-event DMA RX enable clear.			
Type	RW			

15	14	13	12	11	10	9	8	7	6	5	4	3	2	1	0
RESERVED															DMARX_ENABLE_CLEAR

Bits	Field Name	Description	Type	Reset
15:1	RESERVED	Reserved	R	0x0000
0	DMARX_ENABLE_CLEAR	Receive DMA channel enable clear.	RW	0

Table 24-49. Register Call Summary for Register I2C_DMARXENABLE_CLR

Multimaster High-Speed I2C Controller

- [HS I2C Register Summary: \[0\]\[4\]](#)

Table 24-50. I2C_DMATXENABLE_CLR

Address Offset	0x0000 0044		
Physical Address	0x4806 0044 0x4807 0044 0x4807 2044 0x4807 A044 0x4807 C044	Instance	I2C3 I2C1 I2C2 I2C4 I2C5
Description	Per-event DMA TX enable clear.		
Type	RW		

15	14	13	12	11	10	9	8	7	6	5	4	3	2	1	0
RESERVED															DMATX_ENABLE_CLEAR

Bits	Field Name	Description	Type	Reset
15:1	RESERVED	Reserved	R	0x0000
0	DMATX_ENABLE_CLEAR	Transmit DMA channel enable clear.	RW	0

Table 24-51. Register Call Summary for Register I2C_DMATXENABLE_CLR

Multimaster High-Speed I2C Controller

- [HS I2C Register Summary: \[0\]\[4\]](#)

Table 24-52. I2C_DMARXWAKE_EN

Address Offset	0x0000 0048		
Physical Address	0x4806 0048 0x4807 0048 0x4807 2048 0x4807 A048 0x4807 C048	Instance	I2C3 I2C1 I2C2 I2C4 I2C5
Description	Per-event DMA RX wakeup enable.		
Type	RW		

15	14	13	12	11	10	9	8	7	6	5	4	3	2	1	0
RESERVED	XDR	RDR	RESERVED	ROVR	XUDF	AAS	BF	RESERVED	STC	GC	RESERVED	DRDY	ARDY	NACK	AL

Bits	Field Name	Description	Type	Reset
15	RESERVED	Reserved	R	0
14	XDR	Transmit Draining wakeup set. 0x0: Transmit draining wakeup disabled 0x1: Transmit draining wakeup enabled	RW	0
13	RDR	Receive Draining wakeup set. 0x0: Receive draining wakeup disabled 0x1: Receive draining wakeup enabled	RW	0

Bits	Field Name	Description	Type	Reset
12	RESERVED	Reserved	R	0
11	ROVR	Receive overrun wakeup set. 0x0: Receive overrun wakeup disabled 0x1: Receive overrun wakeup enabled	RW	0
10	XUDF	Transmit underflow wakeup set. 0x0: Transmit underflow wakeup disabled 0x1: Transmit underflow wakeup enabled	RW	0
9	AAS	Address as slave IRQ wakeup set. 0x0: Addressed as slave wakeup disabled 0x1: Addressed as slave wakeup enabled	RW	0
8	BF	Bus Free IRQ wakeup set. 0x0: Bus Free wakeup disabled 0x1: Bus Free wakeup enabled	RW	0
7	RESERVED	Reserved	R	0
6	STC	Start Condition IRQ wakeup set. 0x0: Start condition wakeup disabled 0x1: Start condition wakeup enabled	RW	0
5	GC	General call IRQ wakeup set. 0x0: General call wakeup disabled 0x1: General call wakeup enabled	RW	0
4	RESERVED	Reserved	R	0
3	DRDY	Receive/Transmit data ready IRQ wakeup set. 0x0: Transmit/receive data ready wakeup disabled 0x1: Transmit/receive data ready wakeup enabled	RW	0
2	ARDY	Register access ready IRQ wakeup set. 0x0: Register access ready wakeup disabled 0x1: Register access ready wakeup enabled	RW	0
1	NACK	No acknowledgment IRQ wakeup set. 0x0: Not Acknowledge wakeup disabled 0x1: Not Acknowledge wakeup enabled	RW	0
0	AL	Arbitration lost IRQ wakeup set. 0x0: Arbitration lost wakeup disabled 0x1: Arbitration lost wakeup enabled	RW	0

Table 24-53. Register Call Summary for Register I2C_DMARXWAKE_EN

Multimaster High-Speed I2C Controller

- [HS I2C Register Summary: \[0\]\[4\]](#)

Table 24-54. I2C_DMATXWAKE_EN

Address Offset	0x0000 004C		
Physical Address	0x4806 004C	Instance	I2C3
	0x4807 004C		I2C1
	0x4807 204C		I2C2
	0x4807 A04C		I2C4
	0x4807 C04C		I2C5
Description	Per-event DMA TX wakeup enable.		
Type	RW		

15	14	13	12	11	10	9	8	7	6	5	4	3	2	1	0
RESERVED	XDR	RDR	RESERVED	ROVR	XUDF	AAS	BF	RESERVED	STC	GC	RESERVED	DRDY	ARDY	NACK	AL

Bits	Field Name	Description	Type	Reset
15	RESERVED	Reserved	R	0
14	XDR	Transmit Draining wakeup set. 0x0: Transmit draining wakeup disabled 0x1: Transmit draining wakeup enabled	RW	0
13	RDR	Receive Draining wakeup set. 0x0: Receive draining wakeup disabled 0x1: Receive draining wakeup enabled	RW	0
12	RESERVED	Reserved	R	0
11	ROVR	Receive overrun wakeup set. 0x0: Receive overrun wakeup disabled 0x1: Receive overrun wakeup enabled	RW	0
10	XUDF	Transmit underflow wakeup set. 0x0: Transmit underflow wakeup disabled 0x1: Transmit underflow wakeup enabled	RW	0
9	AAS	Address as slave IRQ wakeup set. 0x0: Addressed as slave wakeup disabled 0x1: Addressed as slave wakeup enabled	RW	0
8	BF	Bus Free IRQ wakeup set. 0x0: Bus Free wakeup disabled 0x1: Bus Free wakeup enabled	RW	0
7	RESERVED	Reserved	R	0
6	STC	Start Condition IRQ wakeup set. 0x0: Start condition wakeup disabled 0x1: Start condition wakeup enabled	RW	0
5	GC	General call IRQ wakeup set. 0x0: General call wakeup disabled 0x1: General call wakeup enabled	RW	0
4	RESERVED	Reserved	R	0
3	DRDY	Receive/Transmit data ready IRQ wakeup set. 0x0: Transmit/receive data ready wakeup disabled 0x1: Transmit/receive data ready wakeup enabled	RW	0
2	ARDY	Register access ready IRQ wakeup set. 0x0: Register access ready wakeup disabled 0x1: Register access ready wakeup enabled	RW	0

Bits	Field Name	Description	Type	Reset
1	NACK	No acknowledgment IRQ wakeup set. 0x0: Not Acknowledge wakeup disabled 0x1: Not Acknowledge wakeup enabled	RW	0
0	AL	Arbitration lost IRQ wakeup set. 0x0: Arbitration lost wakeup disabled 0x1: Arbitration lost wakeup enabled	RW	0

Table 24-55. Register Call Summary for Register I2C_DMATXWAKE_EN

Multimaster High-Speed I2C Controller

- [HS I2C Register Summary: \[0\]\[4\]](#)

Table 24-56. I2C_SYSS

Address Offset	0x0000 0090		
Physical Address	0x4806 0090 0x4807 0090 0x4807 2090 0x4807 A090 0x4807 C090	Instance	I2C3 I2C1 I2C2 I2C4 I2C5
Description	System Status register		
Type	RW		

15	14	13	12	11	10	9	8	7	6	5	4	3	2	1	0
RESERVED															RDONE

Bits	Field Name	Description	Type	Reset
15:1	RESERVED	Reserved	R	0x0000
0	RDONE	Reset done bit Read 0x1: Reset completed Read 0x0: Internal module reset in on-going	RW	1

Table 24-57. Register Call Summary for Register I2C_SYSS

Multimaster High-Speed I2C Controller

- [HS I2C Software Reset: \[0\]\[1\]\[2\]](#)
- [HS I2C Register Summary: \[3\]\[7\]](#)

Table 24-58. I2C_BUF

Address Offset	0x0000 0094		
Physical Address	0x4806 0094 0x4807 0094 0x4807 2094 0x4807 A094 0x4807 C094	Instance	I2C3 I2C1 I2C2 I2C4 I2C5
Description	Buffer Configuration register		
Type	RW		

15	14	13	12	11	10	9	8	7	6	5	4	3	2	1	0
RDMA_EN	RXFIFO_CLR	RXTRSH						XDMA_EN	TXFIFO_CLR	TXTRSH					

Bits	Field Name	Description	Type	Reset
15	RDMA_EN	Receive DMA channel enable 0x0: Receive DMA channel disabled 0x1: Receive DMA channel enabled	RW	0
14	RXFIFO_CLR	Receive FIFO clear 0x0: Normal mode 0x1: Rx FIFO is reset	RW	0
13:8	RXTRSH	Threshold value for FIFO buffer in RX mode	RW	0x00
7	XDMA_EN	Transmit DMA channel enable 0x0: Transmit DMA channel disabled 0x1: Transmit DMA channel enabled	RW	0
6	TXFIFO_CLR	Transmit FIFO clear 0x0: Normal mode 0x1: Tx FIFO is reset	RW	0
5:0	TXTRSH	Threshold value for FIFO buffer in TX mode	RW	0x00

Table 24-59. Register Call Summary for Register I2C_BUF

Multimaster High-Speed I2C Controller

- HS I2C FIFO Interrupt Mode: [0][1][2][3][4][5]
- HS I2C FIFO DMA Mode: [6][7][8][9][10]
- HS I2C Draining Feature: [11][12][13][14][15][16][17][18]
- HS I2C Programming Model: [19][20][21][22][23][24][25][26][27][28][29][30][31][32][33][34][35][36]
- HS I2C Register Summary: [37][41]

Table 24-60. I2C_CNT

Address Offset	0x0000 0098		
Physical Address	0x4806 0098 0x4807 0098 0x4807 2098 0x4807 A098 0x4807 C098	Instance	I2C3 I2C1 I2C2 I2C4 I2C5
Description	Data counter register		
Type	RW		

15	14	13	12	11	10	9	8	7	6	5	4	3	2	1	0
DCOUNT															

Bits	Field Name	Description	Type	Reset
15:0	DCOUNT	Data count	RW	0x0000

Table 24-61. Register Call Summary for Register I2C_CNT

Multimaster High-Speed I2C Controller

- [HS I2C Draining Feature: \[0\]](#)
- [HS I2C Programming Model: \[1\]\[2\]\[3\]\[4\]\[5\]\[6\]\[7\]\[8\]\[9\]](#)
- [HS I2C Register Summary: \[10\]\[14\]](#)

Table 24-62. I2C_DATA

Address Offset	0x0000 009C		
Physical Address	0x4806 009C 0x4807 009C 0x4807 209C 0x4807 A09C 0x4807 C09C	Instance	I2C3 I2C1 I2C2 I2C4 I2C5
Description	Data access register		
Type	RW		

15	14	13	12	11	10	9	8	7	6	5	4	3	2	1	0
RESERVED								DATA							

Bits	Field Name	Description	Type	Reset
15:8	RESERVED	Reserved	R	0x00
7:0	DATA	Transmit/Receive data FIFO endpoint	RW	0x--

Table 24-63. Register Call Summary for Register I2C_DATA

Multimaster High-Speed I2C Controller

- [HS I2C DMA Requests: \[0\]\[1\]\[2\]\[3\]\[4\]\[5\]\[6\]\[7\]\[10\]\[11\]](#)
- [HS I2C System Test Mode: \[12\]\[13\]](#)
- [HS I2C Programming Model: \[14\]\[15\]\[16\]\[17\]\[18\]\[19\]\[20\]\[21\]\[22\]\[23\]\[24\]\[25\]](#)
- [HS I2C Register Summary: \[26\]\[30\]](#)

Table 24-64. I2C_CON

Address Offset	0x0000 00A4		
Physical Address	0x4806 00A4 0x4807 00A4 0x4807 20A4 0x4807 A0A4 0x4807 C0A4	Instance	I2C3 I2C1 I2C2 I2C4 I2C5
Description	I2C configuration register.		
Type	RW		

15	14	13	12	11	10	9	8	7	6	5	4	3	2	1	0
I2C_EN	RESERVED	OPMODE	STB	MST	TRX	XSA	XOA0	XOA1	XOA2	XOA3	RESERVED	STP	STT		

Bits	Field Name	Description	Type	Reset
15	I2C_EN	I2C module enable. 0x0: Controller in reset. FIFO are cleared and status bits are set to their default value 0x1: Module enabled	RW	0
14	RESERVED	Reserved	R	0
13:12	OPMODE	Operation mode selection. 0x0: I2C Fast/Standard mode. 0x1: I2C High Speed mode. 0x3: Reserved. 0x2: Reserved	RW	0x0
11	STB	Start byte mode (master mode only). 0x0: Normal mode 0x1: Start byte mode	RW	0
10	MST	Master/slave mode. 0x0: Slave mode 0x1: Master mode	RW	0
9	TRX	Transmitter/Receiver mode (master mode only). 0x0: Receiver mode 0x1: Transmitter mode	RW	0
8	XSA	Expand Slave address. 0x0: 7-bit address mode 0x1: 10-bit address mode	RW	0
7	XOA0	Expand Own address 0. 0x0: 7-bit address mode 0x1: 10-bit address mode	RW	0
6	XOA1	Expand Own address 1. 0x0: 7-bit address mode 0x1: 10-bit address mode	RW	0
5	XOA2	Expand Own address 2. 0x0: 7-bit address mode 0x1: 10-bit address mode	RW	0
4	XOA3	Expand Own address 3. 0x0: 7-bit address mode 0x1: 10-bit address mode	RW	0

Bits	Field Name	Description	Type	Reset
3:2	RESERVED	Reserved	R	0x0
1	STP	Stop condition (master mode only). 0x0: No action or stop condition detected 0x1: Stop condition queried	RW	0
0	STT	Start condition (master mode only). 0x0: No action or start condition detected 0x1: Start condition queried	RW	0

Table 24-65. Register Call Summary for Register I2C_CON

Multimaster High-Speed I2C Controller

- [HS I2C Block Diagram: \[0\]\[1\]](#)
- [HS I2C Clocking: \[2\]](#)
- [HS I2C Software Reset: \[3\]\[4\]\[5\]\[6\]\[7\]](#)
- [HS I2C Programmable Multislave Channel Feature: \[8\]\[9\]\[10\]\[11\]](#)
- [HS I2C FIFO Interrupt Mode: \[12\]\[13\]](#)
- [HS I2C System Test Mode: \[14\]\[15\]](#)
- [HS I2C Programming Model: \[16\]\[17\]\[18\]\[19\]\[20\]\[21\]\[22\]\[23\]\[24\]\[25\]\[26\]\[27\]\[28\]\[29\]\[30\]\[31\]\[32\]\[33\]\[34\]\[35\]\[36\]\[37\]\[38\]\[39\]\[40\]\[41\]\[42\]\[43\]\[44\]\[45\]\[46\]\[47\]\[48\]\[49\]\[50\]\[51\]\[52\]\[53\]\[54\]\[55\]\[56\]\[57\]](#)
- [HS I2C Register Summary: \[58\]\[62\]](#)

Table 24-66. I2C_OA

Address Offset	0x0000 00A8	Instance	I2C3
Physical Address	0x4806 00A8 0x4807 00A8 0x4807 20A8 0x4807 A0A8 0x4807 C0A8		I2C1 I2C2 I2C4 I2C5
Description	Own address register		
Type	RW		

15	14	13	12	11	10	9	8	7	6	5	4	3	2	1	0
MCODE				RESERVED				OA							

Bits	Field Name	Description	Type	Reset
15:13	MCODE	Master Code	RW	0x0
12:10	RESERVED	Reserved	R	0x0
9:0	OA	Own address	RW	0x000

Table 24-67. Register Call Summary for Register I2C_OA

Multimaster High-Speed I2C Controller

- [HS I2C Automatic Blocking of the I2C Clock Feature: \[2\]\[3\]](#)
- [HS I2C Programmable Multislave Channel Feature: \[6\]\[7\]](#)
- [HS I2C Programming Model: \[8\]\[9\]\[10\]\[11\]](#)
- [HS I2C Register Summary: \[12\]\[16\]](#)

Table 24-68. I2C_SA

Address Offset	0x0000 00AC		
Physical Address	0x4806 00AC 0x4807 00AC 0x4807 20AC 0x4807 A0AC 0x4807 C0AC	Instance	I2C3 I2C1 I2C2 I2C4 I2C5
Description	Slave address register		
Type	RW		

15	14	13	12	11	10	9	8	7	6	5	4	3	2	1	0
RESERVED								SA							

Bits	Field Name	Description	Type	Reset
15:10	RESERVED	Reserved	R	0x00
9:0	SA	Slave address	RW	0x3FF

Table 24-69. Register Call Summary for Register I2C_SA

Multimaster High-Speed I2C Controller

- [HS I2C Programming Model: \[0\]\[1\]\[2\]\[3\]\[4\]\[5\]\[6\]\[7\]](#)
- [HS I2C Register Summary: \[8\]\[12\]](#)

Table 24-70. I2C_PSC

Address Offset	0x0000 00B0		
Physical Address	0x4806 00B0 0x4807 00B0 0x4807 20B0 0x4807 A0B0 0x4807 C0B0	Instance	I2C3 I2C1 I2C2 I2C4 I2C5
Description	I2C Clock Prescaler Register		
Type	RW		

15	14	13	12	11	10	9	8	7	6	5	4	3	2	1	0
RESERVED								PSC							

Bits	Field Name	Description	Type	Reset
15:8	RESERVED	Reserved	R	0x00
7:0	PSC	Fast/Standard mode prescale sampling clock divider value 0x0: Divide by 1 0x1: Divide by 2 0xFF: Divide by 256	RW	0x00

Table 24-71. Register Call Summary for Register I2C_PSC

Multimaster High-Speed I2C Controller

- [HS I2C Clocking: \[0\]\[1\]\[2\]](#)
- [HS I2C Noise Filter: \[3\]\[4\]](#)
- [HS I2C System Test Mode: \[5\]](#)
- [HS I2C Programming Model: \[6\]\[7\]](#)
- [HS I2C Register Summary: \[8\]\[12\]](#)

Table 24-72. I2C_SCLL

Address Offset	0x0000 00B4		
Physical Address	0x4806 00B4 0x4807 00B4 0x4807 20B4 0x4807 A0B4 0x4807 C0B4	Instance	I2C3 I2C1 I2C2 I2C4 I2C5
Description	I2C SCL Low Time Register.		
Type	RW		

15	14	13	12	11	10	9	8	7	6	5	4	3	2	1	0
HSSCLL								SCLL							

Bits	Field Name	Description	Type	Reset
15:8	HSSCLL	High speed mode SCL low time The value of the bit field is automatically increased by 7.	RW	0x00
7:0	SCLL	Fast/standard mode SCL low time The value of the bit field is automatically increased by 7.	RW	0x00

Table 24-73. Register Call Summary for Register I2C_SCLL

Multimaster High-Speed I2C Controller

- [HS I2C Clocking: \[0\]\[1\]\[2\]\[3\]\[4\]\[5\]\[6\]\[7\]\[8\]](#)
- [HS I2C System Test Mode: \[9\]](#)
- [HS I2C Programming Model: \[10\]\[11\]\[12\]](#)
- [HS I2C Register Summary: \[13\]\[17\]](#)

Table 24-74. I2C_SCLH

Address Offset	0x0000 00B8		
Physical Address	0x4806 00B8 0x4807 00B8 0x4807 20B8 0x4807 A0B8 0x4807 C0B8	Instance	I2C3 I2C1 I2C2 I2C4 I2C5
Description	I2C SCL High Time Register.		
Type	RW		

15	14	13	12	11	10	9	8	7	6	5	4	3	2	1	0
HSSCLH								SCLH							

Bits	Field Name	Description	Type	Reset
15:8	HSSCLH	High speed mode SCL high time The value of the bit field is automatically increased by 5.	RW	0x00
7:0	SCLH	Fast/standard mode SCL high time The value of the bit field is automatically increased by 5.	RW	0x00

Table 24-75. Register Call Summary for Register I2C_SCLH

Multimaster High-Speed I2C Controller

- [HS I2C Clocking: \[0\]\[1\]\[2\]\[3\]\[4\]\[5\]\[6\]\[7\]](#)
- [HS I2C System Test Mode: \[8\]](#)
- [HS I2C Programming Model: \[9\]\[10\]\[11\]](#)
- [HS I2C Register Summary: \[12\]\[16\]](#)

Table 24-76. I2C_SYSTEST

Address Offset	0x0000 00BC		
Physical Address	0x4806 00BC 0x4807 00BC 0x4807 20BC 0x4807 A0BC 0x4807 C0BC	Instance	I2C3 I2C1 I2C2 I2C4 I2C5
Description	I2C System Test Register.		
Type	RW		

15	14	13	12	11	10	9	8	7	6	5	4	3	2	1	0
ST_EN	FREE	TMODE	SSB	RESERVED	SCL_I_FUNC	SCL_O_FUNC	SDA_I_FUNC	SDA_O_FUNC	RESERVED	SCL_I	SCL_O	SDA_I	SDA_O		

Bits	Field Name	Description	Type	Reset
15	ST_EN	System test enable. 0x0: Normal mode. All others bits in register are read only 0x1: System test enabled. Permit other system test registers bits to be set	RW	0
14	FREE	Free running mode (on breakpoint) 0x0: Stop mode (on breakpoint condition). If Master mode, it stops after completion of the ongoing bit transfer. In slave mode, it stops during the phase transfer when 1 byte is completely transmitted/received. 0x1: Free running mode	RW	0
13:12	TMODE	Test mode select. 0x0: Functional mode (default) 0x1: Reserved 0x3: Loop back mode select + SDA/SCL IO mode select 0x2: Test of SCL counters (SCLL, SCLH, PSC). SCL provides a permanent clock with master mode.	RW	0x0
11	SSB	Set all status bits in I2C_IRQSTATUS_RAW [14:0]. 0x0: No action 0x1: Set interrupt status bits to 1.	RW	0
10:9	RESERVED	Reserved	R	0x0
8	SCL_I_FUNC	SCL line input value (functional mode). Read 0x1: Read 1 from SCL line Read 0x0: Read 0 from SCL line	R	1
7	SCL_O_FUNC	SCL line output value (functional mode). Read 0x1: Driven 1 on SCL line Read 0x0: Driven 0 on SCL line	R	1
6	SDA_I_FUNC	SDA line input value (functional mode). Read 0x1: Read 1 from SDA line Read 0x0: Read 0 from SDA line	R	1
5	SDA_O_FUNC	SDA line output value (functional mode). Read 0x1: Driven 1 to SDA line Read 0x0: Driven 0 to SDA line	R	1
4	RESERVED	Reserved	R	0

Bits	Field Name	Description	Type	Reset
3	SCL_I	SCL line sense input value. Read 0x1: Read 1 from SCL line Read 0x0: Read 0 from SCL line	R	0
2	SCL_O	SCL line drive output value. 0x0: Write 0 to SCL line 0x1: Write 1 to SCL line	RW	0
1	SDA_I	SDA line sense input value. Read 0x1: Read 1 from SDA line Read 0x0: Read 0 from SDA line	R	0
0	SDA_O	SDA line drive output value. 0x0: Write 0 to SDA line 0x1: Write 1 to SDA line	RW	0

Table 24-77. Register Call Summary for Register I2C_SYSTEST

Multimaster High-Speed I2C Controller

- [HS I2C System Test Mode: \[0\]\[1\]\[2\]\[3\]\[4\]\[5\]\[6\]\[7\]\[8\]\[9\]](#)
- [HS I2C Register Summary: \[10\]\[14\]](#)

Table 24-78. I2C_BUFSTAT

Address Offset	0x0000 00C0		
Physical Address	0x4806 00C0 0x4807 00C0 0x4807 20C0 0x4807 A0C0 0x4807 C0C0	Instance	I2C3 I2C1 I2C2 I2C4 I2C5
Description	I2C Buffer Status Register.		
Type	R		

15	14	13	12	11	10	9	8	7	6	5	4	3	2	1	0
FIFODEPTH		RXSTAT						RESERVED		TXSTAT					

Bits	Field Name	Description	Type	Reset
15:14	FIFODEPTH	Internal FIFO buffers depth. Read 0x0: 8-bytes FIFO. Read 0x1: 16-bytes FIFO. Read 0x2: 32-bytes FIFO. Read 0x3: 64-bytes FIFO.	R	0x1
13:8	RXSTAT	RX Buffer Status	R	0x00
7:6	RESERVED	Reserved	R	0x0
5:0	TXSTAT	TX Buffer Status.	R	0x00

Table 24-79. Register Call Summary for Register I2C_BUFSTAT

Multimaster High-Speed I2C Controller

- [HS I2C FIFO Management: \[0\]](#)
- [HS I2C Draining Feature: \[1\]\[2\]\[3\]\[4\]\[5\]\[6\]\[7\]\[8\]](#)
- [HS I2C Programming Model: \[9\]\[10\]\[11\]\[12\]\[13\]\[14\]\[15\]\[16\]](#)
- [HS I2C Register Summary: \[17\]\[21\]](#)

Table 24-80. I2C_OA1

Address Offset	0x0000 00C4		
Physical Address	0x4806 00C4 0x4807 00C4 0x4807 20C4 0x4807 A0C4 0x4807 C0C4	Instance	I2C3 I2C1 I2C2 I2C4 I2C5
Description	I2C Own Address 1 Register		
Type	RW		

15	14	13	12	11	10	9	8	7	6	5	4	3	2	1	0
RESERVED								OA1							

Bits	Field Name	Description	Type	Reset
15:10	RESERVED	Reserved	R	0x00
9:0	OA1	Own address 1	RW	0x000

Table 24-81. Register Call Summary for Register I2C_OA1

- Multimaster High-Speed I2C Controller
- [HS I2C Register Summary: \[0\]\[4\]](#)

Table 24-82. I2C_OA2

Address Offset	0x0000 00C8		
Physical Address	0x4806 00C8 0x4807 00C8 0x4807 20C8 0x4807 A0C8 0x4807 C0C8	Instance	I2C3 I2C1 I2C2 I2C4 I2C5
Description	I2C Own Address 2 Register		
Type	RW		

15	14	13	12	11	10	9	8	7	6	5	4	3	2	1	0
RESERVED								OA2							

Bits	Field Name	Description	Type	Reset
15:10	RESERVED	Reserved	R	0x00
9:0	OA2	Own address 2	RW	0x000

Table 24-83. Register Call Summary for Register I2C_OA2

- Multimaster High-Speed I2C Controller
- [HS I2C Register Summary: \[0\]\[4\]](#)

Table 24-84. I2C_OA3

Address Offset	0x0000 00CC		
Physical Address	0x4806 00CC 0x4807 00CC 0x4807 20CC 0x4807 A0CC 0x4807 C0CC	Instance	I2C3 I2C1 I2C2 I2C4 I2C5
Description	I2C Own Address 3 Register		
Type	RW		

15	14	13	12	11	10	9	8	7	6	5	4	3	2	1	0
RESERVED								OA3							

Bits	Field Name	Description	Type	Reset
15:10	RESERVED	Reserved	R	0x00
9:0	OA3	Own address 3	RW	0x000

Table 24-85. Register Call Summary for Register I2C_OA3

- Multimaster High-Speed I2C Controller
- [HS I2C Register Summary: \[0\]\[4\]](#)

Table 24-86. I2C_ACTOA

Address Offset	0x0000 00D0		
Physical Address	0x4806 00D0 0x4807 00D0 0x4807 20D0 0x4807 A0D0 0x4807 C0D0	Instance	I2C3 I2C1 I2C2 I2C4 I2C5
Description	I2C Active Own Address Register.		
Type	R		

15	14	13	12	11	10	9	8	7	6	5	4	3	2	1	0
RESERVED												OA3_ACT	OA2_ACT	OA1_ACT	OA0_ACT

Bits	Field Name	Description	Type	Reset
15:4	RESERVED	Reserved	R	0x000
3	OA3_ACT	Own Address 3 active. Read 0x1: Own Address active. Read 0x0: Own Address inactive.	R	0
2	OA2_ACT	Own Address 2 active. Read 0x1: Own Address active. Read 0x0: Own Address inactive.	R	0
1	OA1_ACT	Own Address 1 active. Read 0x1: Own Address active. Read 0x0: Own Address inactive.	R	0
0	OA0_ACT	Own Address 0 active. Read 0x1: Own Address active. Read 0x0: Own Address inactive.	R	0

Table 24-87. Register Call Summary for Register I2C_ACTOA

Multimaster High-Speed I2C Controller

- [HS I2C Programmable Multislave Channel Feature: \[0\]](#)
- [HS I2C Register Summary: \[1\]\[5\]](#)

Table 24-88. I2C_SBLOCK

Address Offset	0x0000 00D4		
Physical Address	0x4806 00D4 0x4807 00D4 0x4807 20D4 0x4807 A0D4 0x4807 C0D4	Instance	I2C3 I2C1 I2C2 I2C4 I2C5
Description	I2C Clock Blocking Enable Register.		
Type	RW		

15	14	13	12	11	10	9	8	7	6	5	4	3	2	1	0
RESERVED												OA3_EN	OA2_EN	OA1_EN	OA0_EN

Bits	Field Name	Description	Type	Reset
15:4	RESERVED	Reserved	R	0x000
3	OA3_EN	Enable I2C Clock Blocking for Own Address 3. 0x0: I2C Clock Released. 0x1: I2C Clock Blocked.	RW	0
2	OA2_EN	Enable I2C Clock Blocking for Own Address 2. 0x0: I2C Clock Released. 0x1: I2C Clock Blocked.	RW	0
1	OA1_EN	Enable I2C Clock Blocking for Own Address 1. 0x0: I2C Clock Released. 0x1: I2C Clock Blocked.	RW	0
0	OA0_EN	Enable I2C Clock Blocking for Own Address 0. 0x0: I2C Clock Released. 0x1: I2C Clock Blocked.	RW	0

Table 24-89. Register Call Summary for Register I2C_SBLOCK

Multimaster High-Speed I2C Controller

- [HS I2C Automatic Blocking of the I2C Clock Feature: \[1\]](#)
- [HS I2C Register Summary: \[3\]\[7\]](#)

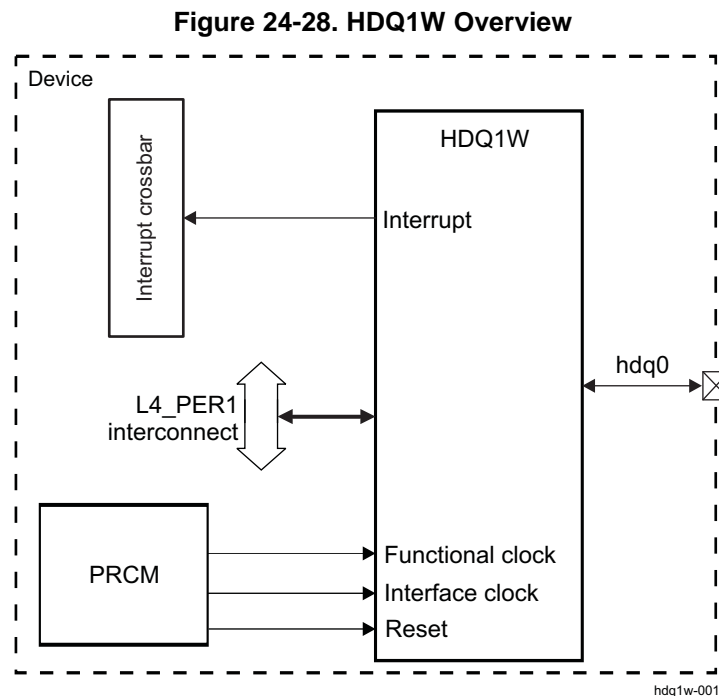
24.2 HDQ/1-Wire

This section describes the HDQ™/1-Wire® interface for the device.

24.2.1 HDQ1W Overview

The HDQ1W module implements the hardware protocol of the master functions of the TI/Benchmark HDQ and the Dallas Semiconductor 1-Wire® protocols. These protocols use a single wire for communication between the master (HDQ1W controller) and the slaves (HDQ/1-Wire external compliant devices).

Figure 24-28 shows the HDQ1W.



The HDQ1W has a generic L4 interface and is intended to be used in an interrupt-driven fashion. The 1-pin interface is implemented as an open-drain output at the device level.

The main features supported by the HDQ1W are the following:

- Benchmark HDQ protocol
- Dallas Semiconductor 1-Wire protocol
- Power-down mode

The HDQ1W provides a communication rate of 5 Kbps over an address space of 128 bytes.

A typical application of the HDQ1W is the communication with battery monitor (gas gauge) integrated circuits.

24.2.2 HDQ1W Environment

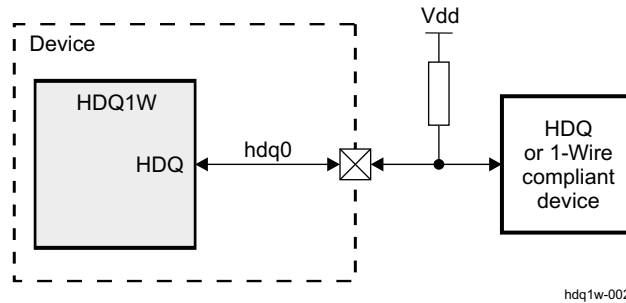
24.2.2.1 HDQ1W Functional Modes

The HDQ1W has two main modes: HDQ and 1-Wire. Each of these modes includes idle, active, and power-down submodes. Table 24-90 lists the HDQ1W functional modes, and Figure 24-29 shows an overview of a typical application.

Table 24-90. Functional Modes

Functions	Description
HDQ	Benchmark HDQ protocol
1-Wire	Dallas Semiconductor 1-Wire protocol

Figure 24-29. HDQ1W Typical Application System Overview



An external pullup is required, because the two protocols use a return-to-1 mechanism (that is, after any command by any of the connected devices, the line is pulled to a logical high level).

The HDQ1W operates according to a command structure that is programmed into transmit command registers (as described in [Section 24.2.5.1.2, HDQ1W Low-level Programming Model](#)).

The 1-Wire mode runs at slower speeds than the capabilities of the mode.

[Table 24-91](#) describes the external signal of the HDQ/1-Wire compliant module.

Table 24-91. I/O Description

Signal	I/O ⁽¹⁾	Description	Value at Reset
hdq_sio	I/O	Serial data input/output. Output is open drain type.	HiZ (pulled to 1 by pullup)

⁽¹⁾ I = Input; O = Output

NOTE: The path from a module pin to device pad(s) is defined at the device I/O logic level. The control module registers assign the specific function to the device pads. For more information on control module settings, see [Section 18.4.6.1.1, Pad Configuration Registers in Chapter 18, Control Module](#).

24.2.2.2 HDQ and 1-Wire (SDQ) Protocols

24.2.2.2.1 HDQ Protocol Initialization (Default)

In HDQ mode, the firmware does not require the host to create an initialization pulse to the slave. However, the slave can be reset by using an initialization pulse (also referred to as a break pulse). The initialization pulse is generated by setting the [HDQ_CTRL_STATUS\[2\] INITIALIZATION](#) bit and then setting the [HDQ_CTRL_STATUS\[4\] GO](#) bit. The slave does not respond with a presence pulse as it does in the 1-Wire protocol.

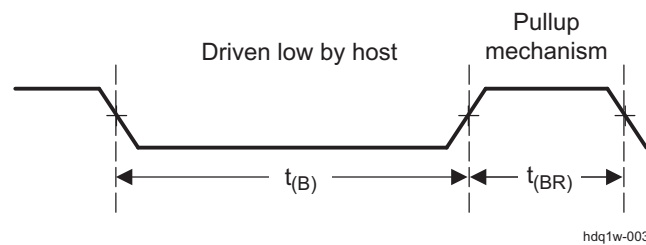
The HDQ is a command-based protocol in which the host sends a command byte to the slave. The command directs the slave either to store the next eight bits of data received to a register specified by the command byte (write operation) or to output the eight bits of data from a register specified by the command byte (read operation). The master implementation is a simple byte engine. Sending of the ID, command/address, and data is controlled by firmware. The master engine provides only a single [HDQ_TX_DATA](#) register.

The command and data bytes consist of a stream of eight bits with a maximum transmission rate of 5 Kbps. The least-significant bit (LSB) of a command or data byte is transmitted first. If a communication time-out occurs between the host and the slave (for example, if the host waits longer than the specified time for the slave to respond, or if this is the first access command), then the host must send an initialization pulse (BREAK) before sending the command again.

The slave detects a break when the HDQ pin is driven to a logic-low state for a specified break time $t_{(B)}$ or greater. The HDQ pin then returns to its normal ready-high logic state for a specified break-recovery time $t_{(BR)}$. The slave is then ready for a command from the host processor. [Figure 24-30](#) shows this behavior.

An interrupt condition indicates a TX-complete, an RX-complete, or a time-out condition. Reading the interrupt status register clears all interrupt conditions. Only one interrupt signal is sent to the microcontroller, and only one overall mask bit can enable or disable the interrupt. The interrupt conditions cannot be individually masked.

Figure 24-30. HDQ Break-Pulse Timing Diagram

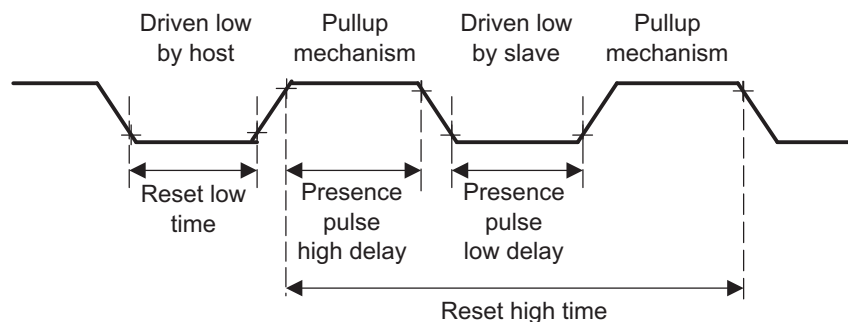


24.2.2.2.2 1-Wire (SDQ) Protocol Initialization

In 1-Wire (SDQ) protocol, the host first sends an initialization pulse (by pulling the line to a logic-low state) and then waits for the slave to respond with a presence pulse before enabling any communication sequence.

As for the initialization pulse, the presence pulse is a low-level pulse on the line initiated by the slave. The timing diagram in [Figure 24-31](#) shows the 1-Wire (SDQ) reset sequence.

Figure 24-31. 1-Wire (SDQ) Reset Timing Diagram



The host drives the line to a logic-low state for a minimum of reset low time. Once the slave detects this pulse, it must drive the line to a logic-low state within the presence pulse high delay for a minimum period of presence pulse low time.

If the slave does not respond within this interval of time, a time-out event occurs and no transaction can be initiated. The host must initiate the reset sequence again before sending any command to the slave.

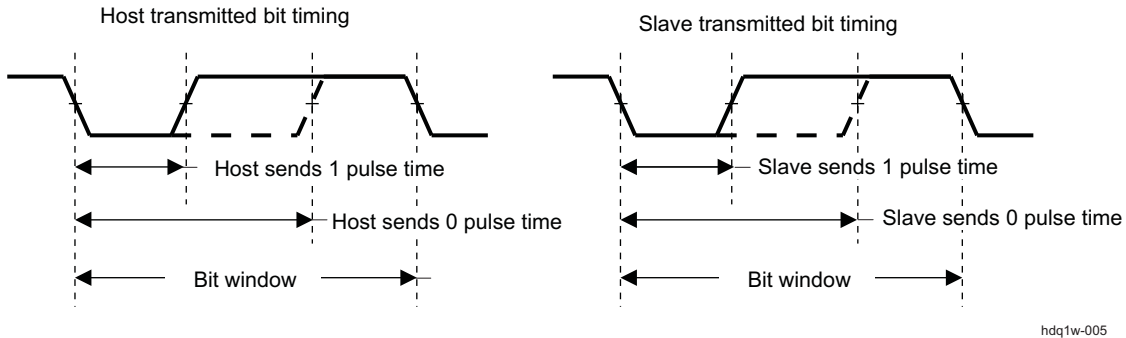
On the other hand, if the slave sends back its presence pulse within the specified time interval, the communication can be enabled after the reset high time.

24.2.2.2.3 Communication Sequence (HDQ and 1-Wire Protocols)

The description in this section applies to both protocols.

After a successful break pulse (HDQ mode) or initialization sequence (1-Wire protocol), the host and slave are ready for bit transmission. Each bit to transmit (either from the host to the slave or from the slave to the host) is preceded by a low-going edge on the line, as shown in [Figure 24-32](#).

Figure 24-32. HDQ1W Transmitted Bit Timing



The return-to-1 data-bit frame consists of three distinct sections. The first section starts the transmission when either the slave or the host takes the line to a logic-low state. The next section is the actual data transmission in which the data must be valid during a specified period of time after the negative edge that starts the communication. The final section stops the transmission by returning the HDQ/1-Wire line to a logic-high state. Communication with an HDQ/1-Wire slave always occurs with the LSB being transmitted first.

The command byte of the HDQ/1-Wire protocols consists of eight contiguous valid command bits. The command byte contains two fields: R/W command and address. The R/W bit of the command byte determines whether the command is a read or a write, and the address field containing bits AD6-AD0 indicates the address to be read or written. [Table 24-92](#) lists the command byte values.

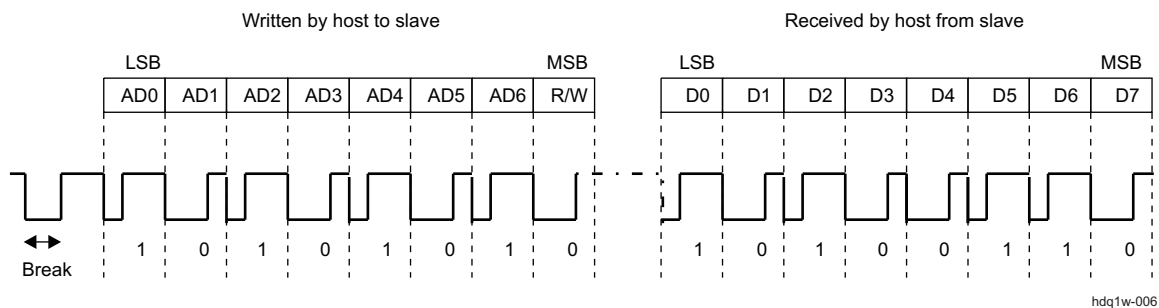
Table 24-92. HDQ/1-Wire Command Byte

7	6	5	4	3	2	1	0
R/W	AD6	AD5	AD4	AD3	AD2	AD1	AD0

R/W Indicates whether the command byte is a read or a write. A 1 indicates a write command; the following eight bits must be written to the register specified by the address field of the command byte. A 0 indicates that the command is a read. On a read command, the slave outputs the requested register contents.

AD6-AD0 Represent the seven bits labeled AD6-AD0 containing the address portion of the register to be accessed. The communication sequence example in [Figure 24-33](#) shows a read command at address 0x55; the received data is 0x65.

Figure 24-33. HDQ/1-Wire Communication Sequence



24.2.3 HDQ1W Integration

Figure 24-34 shows HDQ1W integration in the device.

Figure 24-34. HDQ1W Integration

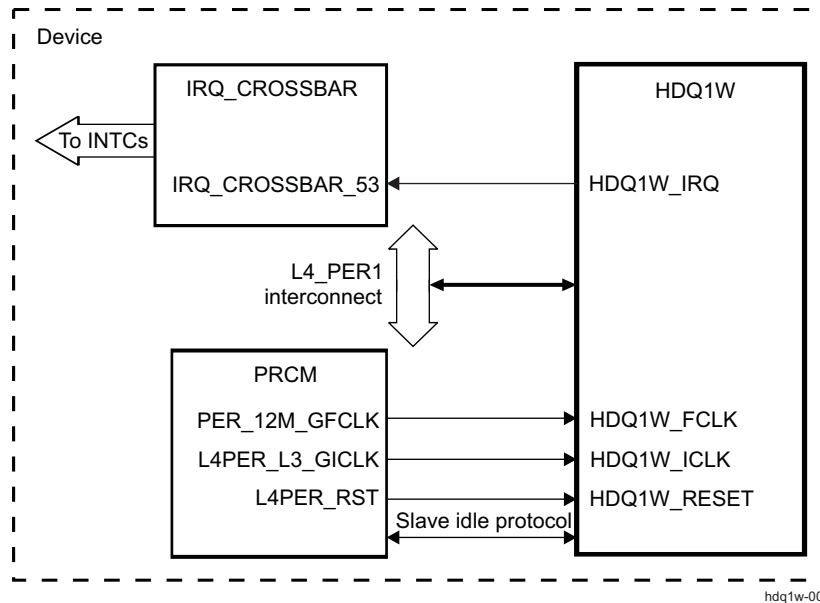


Table 24-93 through Table 24-95 summarize the integration of the module in the device.

Table 24-93. HDQ1W Integration Attributes

Module Instance	Attributes		
	Power Domain	Wake-Up Capability	Interconnect
HDQ1W	PD_COREAON	No	L4_PER1

Table 24-94. HDQ1W Clocks and Resets

Clocks				
Module Instance	Destination Signal Name	Source Signal Name	Source	Description
HDQ1W	HDQ1W_ICLK	L4PER_L3_GICLK	PRCM	Interface clock
HDQ1W	HDQ1W_FCLK	PER_12M_GFCLK	PRCM	Functional clock
Resets				
Module Instance	Destination Signal Name	Source Signal Name	Source	Description
HDQ1W	HDQ1W_RESET	L4PER_RST	PRCM	HDQ1W reset signal

Table 24-95. HDQ1W Hardware Requests

Interrupt Requests				
Module Instance	Source Signal Name	Destination IRQ_CROSSBAR Input	Default Mapping	Description
HDQ1W	HDQ1W_IRQ	IRQ_CROSSBAR_53	MPU_IRQ_58 DSP1_IRQ_84	HDQ1W interrupt request

NOTE: The “**Default Mapping**” column in [Table 24-95, HDQ1W Hardware Requests](#) shows the default mapping of module IRQ source signals. These IRQ source signals can also be mapped to other lines of each device Interrupt controller through the IRQ_CROSSBAR module.

For more information about the IRQ_CROSSBAR module, see [Section 18.4.6.4, IRQ_CROSSBAR Module Functional Description](#), in [Chapter 18, Control Module](#).

For more information about the device interrupt controllers, see [Chapter 17, Interrupt Controllers](#).

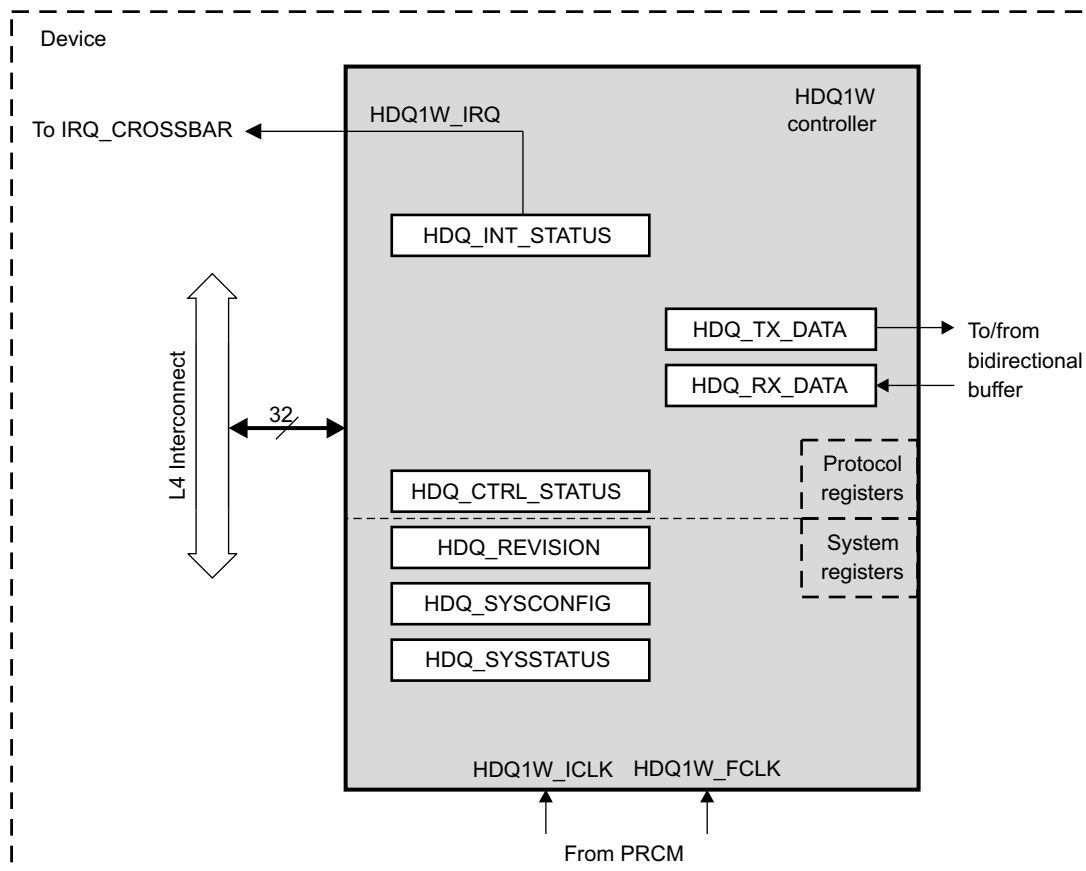
24.2.4 HDQ1W Functional Description

The HDQ1W works with HDQ and 1-Wire protocols. The protocols use a single wire to establish communication between the master and the slave. Both protocols use a return-to-1 mechanism; that is, after any command is driven, the line is pulled to a high level. This mechanism requires an external pullup.

24.2.4.1 HDQ1W Block Diagram

Figure 24-35 is the HDQ1W block diagram.

Figure 24-35. HDQ1W Block Diagram



hdq1w-008

The `HDQ_CTRL_STATUS[0] MODE` bit allows selection between the HDQ and 1-Wire protocols. This bit is assumed static for design purposes. The configuration is in HDQ mode by default.

Figure 24-36 shows the protocol-dedicated register scheme.

24.2.4.3 HDQ1W Hardware and Software Reset

Global reset of the module is done at the power, reset, and clock management (PRCM) module level (for more information, see [Section 3.6.4.5, CD_L4PER1 Clock Domain](#)) or by setting the [HDQ_SYSCONFIG\[1\] SOFTRESET](#) bit to 1. Setting this bit enables an active software reset functionality equivalent to a hardware reset. The HDQ1W_FCLK functional clock must be enabled from the PRCM level and locally through the [HDQ_CTRL_STATUS\[5\] CLOCKENABLE](#) bit (set to 1) for the software reset to complete.

24.2.4.4 HDQ1W Power Management

[Table 24-96](#) describes power-management features available to the HDQ1W.

Table 24-96. Local Power-Management Features

Feature	Registers	Description
Clock auto gating	HDQ_SYSCONFIG [0] AUTOIDLE bit	Auto-idle mode
Slave idle modes	N/A	N/A
Clock enable	HDQ_CTRL_STATUS [5] CLOCKENABLE bit	Power-down mode
Master standby modes	N/A	N/A
Global wake-up enable	N/A	N/A
Wake-up sources enable	N/A	N/A

24.2.4.4.1 Auto-Idle Mode

The HDQ1W provides an auto-idle function in its interconnect clock domain.

The interconnect clock auto-idle power-saving mode is enabled or disabled through the [HDQ_SYSCONFIG\[0\] AUTOIDLE](#) bit. When this mode is enabled and there is no activity on the interconnect interface, the interconnect clock (HDQ1W_ICLK) is disabled inside the module, thereby reducing power consumption. When there is new activity on the interconnect interface, the interconnect clock is restarted with no latency penalty. This mode is disabled by default after a reset.

The auto-idle mode can be enabled in order to reduce power consumption.

24.2.4.4.2 Power-Down Mode

The HDQ1W also provides a power-saving function in its functional clock domain.

Setting the CLOCKENABLE bit in the control and status register ([HDQ_CTRL_STATUS](#)[5] CLOCKENABLE bit) to 0 shuts off the functional clock (HDQ1W_FCLK) to the state-machine. The state-machine is reset when the functional clock is disabled; if any transaction is ongoing, it is aborted into the reset state.

Before shutting off the functional clock, the software must wait for transaction-complete interrupt. In write operation the software must check whether the interrupt was generated after address/command byte was sent or after data byte was sent. The functional clock must not be shut off after address/command byte is sent; otherwise, the data is not written to the slave.

The register values are not affected by disabling the functional clock.

CAUTION

There is no hardware mechanism to prevent cutting off the HDQ1W clocks while the module is performing a transfer. This would result in loss of data being transferred.

24.2.4.5 HDQ Interrupt Requests

The HDQ1W can generate one interrupt:

- HDQ1W_IRQ: [Table 24-97](#) lists the events that can generate this interrupt.

Table 24-97. Events

Event Flag	Event Mask	Sync	Sensitivity	Description
HDQ_INT_STATUS[2] TXCOMPLETE	HDQ_CTRL_STATUS[31] INTERRUPTMASK	Yes	Level	A write operation of one byte was completed.
HDQ_INT_STATUS[1] RXCOMPLETE	HDQ_CTRL_STATUS[31] INTERRUPTMASK	Yes	Level	A byte has been successfully read.
HDQ_INT_STATUS[0] TIMEOUT	HDQ_CTRL_STATUS[31] INTERRUPTMASK	Yes	Level	After a read command initiated by the host, the slave did not pull the line low within the specified time.

24.2.4.6 HDQ Mode (Default)

24.2.4.6.1 HDQ Mode Features

The HDQ mode supports the following:

- Benchmark HDQ protocol
- Power-down mode

24.2.4.6.2 Description

In the HDQ mode, there is no need for the host to create an initialization pulse to the slave. However, the host can reset the slave by using an initialization pulse (also known as a break pulse). Setting the [HDQ_CTRL_STATUS\[2\]](#) INITIALIZATION bit and then setting the [HDQ_CTRL_STATUS\[4\]](#) GO bit creates this pulse by pulling the line down for a defined duration. When the slave receives the pulse, it is ready for communication but does not respond with a presence pulse.

In a typical write operation, two bytes are sent to the slave. The first byte corresponds to the command/address byte, and the second byte corresponds to the data to be written.

In a typical read operation, the host sends a command/address byte and the slave returns a byte of data.

The master is implemented to send and receive bytes. Sending the command/address and data is controlled by the firmware. The master provides only a single data TX register.

The HDQ protocol is a return-to-1 protocol. Consequently, after a byte is sent to the slave (either command/address + data for a write, or just command/address for a read), the host pulls the line up. The line is set to the high-impedance state in the device and an external pullup brings it to a logical high level.

In the case of a read operation, the slave also drives the line to a logic-low state before sending the requested data.

If the host initiates a read and does not receive data within a specified interval of time (that is, the slave does not drive the line low within this interval), the [HDQ_INT_STATUS\[0\]](#) TIMEOUT bit is set, thereby indicating a read failure. The TIMEOUT bit remains set until the host reads the interrupt status register ([HDQ_INT_STATUS](#)).

An interrupt condition indicates either a TX-complete, an RX-complete, or a time-out on a transaction. The corresponding bit is set in the interrupt status register ([HDQ_INT_STATUS](#)). This register is cleared as soon as it is read.

Only one interrupt signal is sent, and only an overall mask can enable or disable the interrupts. These interrupts cannot be individually masked.

24.2.4.6.3 Single-Bit Mode

In HDQ mode, the single-bit mode ([HDQ_CTRL_STATUS\[7\]](#) ONE_WIRE_SINGLE_BIT bit set to 1) has no effect because the HDQ protocol supports only byte transfers.

24.2.4.6.4 Interrupt Conditions

The HDQ1W provides the following interrupt status:

- Transmission complete:

A write operation of one byte was completed. Successful or failed completion is not indicated, because there is no acknowledgment from the slave in HDQ protocol. This interrupt condition is cleared by reading the interrupt status register ([HDQ_INT_STATUS](#)).

- Read complete:

In HDQ mode, the interrupt status indicates that a byte has been successfully read. This interrupt condition is cleared by reading the interrupt status register ([HDQ_INT_STATUS](#)).

- Presence detect/time-out:

In HDQ mode, the interrupt status indicates that after a read command initiated by the host, the slave did not pull the line low within the specified time. This interrupt condition is cleared by reading the interrupt status register ([HDQ_INT_STATUS](#)).

In HDQ mode, a time-out condition is also used to indicate the successful completion of a break pulse. That is, if the master has sent the break pulse, it is indicated with a time-out instead of a TX-complete.

Only one interrupt is generated to the host CPU based on any of these interrupt conditions. A read operation on the interrupt status register clears all the interrupt status bits that were previously set.

24.2.4.7 1-Wire Mode

24.2.4.7.1 1-Wire Mode Features

The 1-Wire mode supports the following:

- Dallas Semiconductor 1-Wire protocol
- Power-down mode
- Single-bit mode

24.2.4.7.2 Description

The 1-Wire mode requires an initialization pulse to be sent to the slave(s) connected on the interface. If a slave is present, it responds with a presence pulse.

The initialization pulse is sent when the [HDQ_CTRL_STATUS\[2\]](#) INITIALIZATION bit is set and the [HDQ_CTRL_STATUS\[4\]](#) GO bit is set afterwards.

When the slave receives the initialization pulse, it sends back its presence pulse by pulling down the line for a defined duration. The module detects this low-level pulse and sets the [HDQ_CTRL_STATUS\[3\]](#) PRESENCEDETECT bit.

In a similar way, if a presence pulse is not received from the slave after an initialization pulse is sent, the PRESENCEDETECT bit remains cleared.

Whether or not a presence pulse is detected after an initialization pulse is sent, the [HDQ_INT_STATUS\[0\]](#) TIMEOUT bit is set and an interrupt condition is generated.

In 1-Wire mode, the generated interrupt condition means the maximum time allowed for receiving the response has elapsed and the software must check the PRESENCEDETECT bit to determine whether or not there was a presence pulse.

The INITIALIZATION bit is cleared at the end of the initialization pulse at the same time as the TIMEOUT bit is set. The TIMEOUT bit is cleared when the interrupt status register ([HDQ_INT_STATUS](#)) is read.

For read operations, 1-Wire is a bit-by-bit protocol, which means the slave must be clocked by the host for each bit of the byte to read.

The line is pulled up at the end of the command/address byte. On the first read, the host creates a low-going edge to initiate a bit read. The line is then pulled up (pulled to the high-impedance state by the host and set to a high logical level by the external pullup) and the slave either drives the line low to transmit a 0, or does not drive the line to transmit a 1. This sequence is repeated for each bit to read.

The first bit the host receives is the LSB, and the last bit is the most-significant bit (MSB) in the receive data register ([HDQ_RX_DATA](#)).

An interrupt condition indicates either a TX-complete, an RX-complete, or a time-out condition (that is, the time allowed for the slave to indicate its presence has elapsed). A read operation on the interrupt status register clears the interrupt conditions previously set. As in the HDQ mode, only one interrupt signal is sent to the host CPU. Only an overall mask bit can enable or disable the interrupt (the interrupt conditions cannot be masked individually).

24.2.4.7.3 1-Wire Single-Bit Mode Operation

A single-bit mode can be entered by setting the appropriate bit in the control and status register (ONE_WIRE_SINGLE_BIT bit [HDQ_CTRL_STATUS\[7\]](#)). In this mode, only one bit of data at a time is transferred between the master and the slave. After the bit is transferred, an interrupt is generated (that is, there is an RX-complete for a read operation and a TX-complete for a write operation). The ONE_WIRE_SINGLE_BIT bit is cleared by hardware after every single bit is received. Software must set this bit to re-enable reception in single-bit mode. Bit 0 of the RX register ([HDQ_RX_DATA](#)) is updated each time a bit is received from the slave; bit 0 of the TX register ([HDQ_TX_DATA](#)) contains the bit to be sent.

24.2.4.7.4 Interrupt Conditions

The HDQ1W provides the following interrupt status:

- Transmission complete:
A write operation of one byte was completed. Successful or failed completion is not indicated, because there is no acknowledgment from the slave in 1-Wire protocol. This interrupt condition is cleared by reading the interrupt status register ([HDQ_INT_STATUS](#)).
- Read complete:
In 1-Wire mode, the interrupt status indicates that a byte has been successfully read. This interrupt condition is cleared by reading the interrupt status register ([HDQ_INT_STATUS](#)).
- Presence detect/time-out:
In 1-Wire mode, the interrupt status indicates that it is now valid to check the PRESENCEDETECT bit. This interrupt condition is cleared by reading the interrupt status register ([HDQ_INT_STATUS](#)).

Only one interrupt is generated to the host CPU based on any of these interrupt conditions. A read operation on the interrupt status register clears all interrupt status bits that were previously set.

24.2.4.7.5 Status Flags

The presence-condition-detected status flag is contained in the [HDQ_CTRL_STATUS\[3\]](#) PRESENCEDETECT bit. This is valid only in 1-Wire mode. The flag is updated when the [HDQ_INT_STATUS\[0\]](#) TIMEOUT bit is set. Therefore, its correct value shows only after the interrupt is generated. The firmware must wait for the time-out condition; otherwise, the flag keeps its previous value and is undefined.

24.2.4.8 BITFSM Delay

The return-to-one mechanism on the HDQ/1-Wire bus is a simple pull-up resistor. Consequently, an excessive wire load of the HDQ/1-Wire bus can cause a significant delay to the bus rise time. This can prevent the module state machine from working correctly by reading back an improper value caused by the line delay. To correct such condition by software, it is possible to configure the [HDQ_CTRL_STATUS\[10:8\]](#) BITFSM register bitfield with the expected line delay. This way the module state machine waits the proper time interval, before reading back the line value. The delay can be adjusted in 1.33 μ s steps. The default value of BITFSM = 0x0 corresponds to 1.33 μ s delay.

Bus delay can be calculated as follows: $T_{\text{delay}} \approx 2.2 \times R_{\text{pullup}} \times C_{\text{line}}$

See more information in the *Device Data Manual*.

24.2.5 HDQ1W Low-Level Programming Model

This section describes the low-level hardware programming sequences for configuration and usage of the module. The basic protocol functions, such as slave initialization (reset), read-byte, and write-byte operations, are described. For a description of the high-level functions, see the HDQ/1-Wire protocol documentation and the slave device datasheet.

24.2.5.1 Global Initialization

24.2.5.1.1 Surrounding Modules Global Initialization

This section identifies the requirements for initializing the surrounding modules when the HDQ1W module is to be used for the first time after a device reset. This initialization of surrounding modules is based on the integration and environment of the HDQ1W. Refer to the HDQ1W Module Integration and Environment Sections for further information.

Table 24-98. Global Initialization of Surrounding Modules

Surrounding Modules	Comments
PRCM	Module interface and functional clocks must be enabled. The interface clock must not be slower than the functional clock ($HDQ1W_ICLK \geq HDQ1W_FCLK$). For more information about the module configuration, see Chapter 3, Power, Reset, and Clock Management .
Control Module	Module specific pad muxing and pullup must be set in the control module. If an external pullup is used, the internal pullup/pulldown must be disabled. For more information about the module configuration, see Chapter 18, Control Module .
IRQ_CROSSBAR/INTC	Interrupt crossbar and interrupt controller configuration must be done to enable the interrupts from HDQ1W module. See Chapter 17, Interrupt Controllers , and Section 18.4.6.4, IRQ_CROSSBAR Module Functional Description .

24.2.5.1.2 HDQ1W Module Global Initialization

Table 24-99. HDQ1W Module Global Initialization

Step	Register/Bit Field/Programming Model	Value
Initiate software reset.	HDQ_SYSCONFIG[1] SOFTRESET	0x1
Disable power-down mode.	HDQ_CTRL_STATUS[5] CLOCKENABLE	0x1
Wait until reset complete?	HDQ_SYSSTATUS[0] RESETDONE	= 0x1
Disable power-down mode.	HDQ_CTRL_STATUS[5] CLOCKENABLE	0x1
Configure auto-idle mode.	HDQ_SYSCONFIG[0] AUTOIDLE	0x-

24.2.5.2 HDQ Operational Modes Configuration

24.2.5.2.1 Main Sequence - HDQ Write Operation Mode

Table 24-100. HDQ Mode Selection

Step	Register/Bit Field/Programming Model	Value
Select HDQ mode.	HDQ_CTRL_STATUS[0] MODE	0x0
Enable interrupt generation.	HDQ_CTRL_STATUS[6] INTERRUPTMASK	0x1
Initialize HDQ slave.	See Section 24.2.5.2.1	

Table 24-101. HDQ Write Operation Mode

Step	Register/Bit Field/Programming Model	Value
Write command/address or data value.	HDQ_TX_DATA[7:0]	0x-
Select write operation.	HDQ_CTRL_STATUS[1] DIR	0x0
Start operation.	HDQ_CTRL_STATUS[4] GO	0x1
Wait for interrupt.		
Reading HDQ_INT_STATUS clears interrupt conditions.	HDQ_INT_STATUS[2] TXCOMPLETE	0x1

24.2.5.2.2 Main Sequence - HDQ Read Operation Mode

24.2.5.2.2.1 Sub-sequence - Initialize HDQ Slave

Table 24-102. HDQ Read Operation Mode

Step	Register/Bit Field/ Programming Model	Value
Select read operation.	HDQ_CTRL_STATUS[1] DIR	0x1
Start operation.	HDQ_CTRL_STATUS[4] GO	0x1
Wait for interrupt.		
Read and store HDQ_INT_STATUS. Reading HDQ_INT_STATUS clears interrupt conditions.	HDQ_INT_STATUS	0x-
IF: Read operation successful?	HDQ_INT_STATUS[1] RXCOMPLETE	= 0x1
	HDQ_INT_STATUS[0] TIMEOUT	= 0x0
Get received data.	HDQ_RX_DATA[7:0]	0x-
ENDIF		

Table 24-103. Initialize HDQ Slave

Step	Register/Bit Field/Programming Model	Value
Send Initialization Pulse	HDQ_CTRL_STATUS[2] INITIALIZATION	0x1
Send Command	HDQ_CTRL_STATUS[4] GO	0x1

24.2.5.3 1-Wire Operational Modes Configuration

24.2.5.3.1 Main Sequence - 1-Wire Write Operation Mode

Table 24-104. 1-Wire Mode Selection

Step	Register/Bit Field/Programming Model	Value
Reset HDQ1W module.	See Section 24.2.5.1.2 .	
Select 1-Wire mode.	HDQ_CTRL_STATUS[0] MODE	0x1
Enable interrupt generation.	HDQ_CTRL_STATUS[6] INTERRUPTMASK	0x1
Initialize 1-Wire slave, check for slave presence.	See Section 24.2.5.3.3 .	

Table 24-105. 1-Wire Write Operation Mode

Step	Register/Bit Field/ Programming Model	Value
Write ID/command or data value.	HDQ_TX_DATA[7:0]	0x-
Select write operation.	HDQ_CTRL_STATUS[1] DIR	0x0
Start operation.	HDQ_CTRL_STATUS[4] GO	0x1
Wait for interrupt.		

Table 24-105. 1-Wire Write Operation Mode (continued)

Step	Register/Bit Field/ Programming Model	Value
Reading HDQ_INT_STATUS clears interrupt conditions.	HDQ_INT_STATUS [2] TXCOMPLETE	0x1

24.2.5.3.2 Main Sequence - 1-Wire Read Operation Mode

Table 24-106. 1-Wire Read Operation Mode

Step	Register/Bit Field/Programming Model	Value
Select read operation.	HDQ_CTRL_STATUS [1] DIR	0x1
Start operation.	HDQ_CTRL_STATUS [4] GO	0x1
Wait for interrupt.		
Read and store HDQ_INT_STATUS . Reading HDQ_INT_STATUS clears interrupt conditions.	HDQ_INT_STATUS	0x-
IF: Read operation successful?	HDQ_INT_STATUS [1] RXCOMPLETE	= 0x1
Get received data.	HDQ_RX_DATA [7:0]	0x-
ENDIF		

24.2.5.3.3 Sub-sequence - Initialize 1-Wire Slave

Table 24-107. Initialize 1-Wire Slave

Step	Register/Bit Field/Programming Model	Value
Select sending initialization pulse operation.	HDQ_CTRL_STATUS [2] INITIALIZATION	0x1
Start operation.	HDQ_CTRL_STATUS [4] GO	0x1
Wait for interrupt.		
IF: Presence pulse detected?	HDQ_INT_STATUS [0] TIMEOUT HDQ_CTRL_STATUS [3] PRESENCEDETECT	= 0x1 = 0x1
Slave is present and initialized.		
ELSE		
Repeat initialization subsequence.		
ENDIF		

24.2.6 HDQ1W Register Manual

24.2.6.1 HDQ1W Instance Summary

Table 24-108. HDQ1W Instance Summary

Module Name	Base Address	Size
HDQ1W	0x480B 2000	4 KiB

24.2.6.2 HDQ1W Registers

CAUTION

The following rules must be observed when accessing the module registers:

- A read from the [HDQ_INT_STATUS](#) register or the [HDQ_RX_DATA](#) register is not allowed unless the processor has been interrupted by the module.
- After the release of the GO bit in the [HDQ_CTRL_STATUS](#) register, no access to the [HDQ_TX_DATA](#) or [HDQ_CTRL_STATUS](#) register is allowed until the processor has been interrupted by the module.
- Polling of the [HDQ_INT_STATUS](#) register by software to determine whether an interrupt was generated is not allowed.

CAUTION

The HDQ1W registers are limited to 32-bit data accesses; 16-bit and 8-bit data accesses are not allowed and can corrupt register content.

24.2.6.2.1 HDQ1W Register Summary

Table 24-109. HDQ1W Registers Mapping Summary

Register Name	Type	Register Width (Bits)	Address Offset	Physical Address
HDQ_REVISION	R	32	0x0000 0000	0x480B 2000
HDQ_TX_DATA	RW	32	0x0000 0004	0x480B 2004
HDQ_RX_DATA	R	32	0x0000 0008	0x480B 2008
HDQ_CTRL_STATUS	RW	32	0x0000 000C	0x480B 200C
HDQ_INT_STATUS	R	32	0x0000 0010	0x480B 2010
HDQ_SYSCONFIG	RW	32	0x0000 0014	0x480B 2014
HDQ_SYSSTATUS	R	32	0x0000 0018	0x480B 2018

24.2.6.2.2 HDQ1W Register Description

Table 24-110. HDQ_REVISION

Address Offset	0x0000 0000	Instance	HDQ1W
Physical Address	0x480B 2000		
Description	This register contains the IP revision code		
Type	R		

31	30	29	28	27	26	25	24	23	22	21	20	19	18	17	16	15	14	13	12	11	10	9	8	7	6	5	4	3	2	1	0
RESERVED																REV															

Bits	Field Name	Description	Type	Reset
31:0	REVISION	IP revision	R	TI internal data

Table 24-111. Register Call Summary for Register HDQ_REVISION

HDQ1W

- [HDQ1W Register Summary: \[0\]](#)

Table 24-112. HDQ_TX_DATA

Address Offset	0x0000 0004	Instance	HDQ1W
Physical Address	0x480B 2004		
Description	This register contains the data to be transmitted.		
Type	RW		

31	30	29	28	27	26	25	24	23	22	21	20	19	18	17	16	15	14	13	12	11	10	9	8	7	6	5	4	3	2	1	0
RESERVED																TX_DATA															

Bits	Field Name	Description	Type	Reset
31:8	RESERVED	Reads returns 0	R	0x000000
7:0	TX_DATA	Transmit data (used in both HDQ and 1-Wire modes)	RW	0x00

Table 24-113. Register Call Summary for Register HDQ_TX_DATA

HDQ1W

- [HDQ Protocol Initialization \(Default\): \[0\]](#)
- [1-Wire Single-Bit Mode Operation: \[1\]](#)
- [Main Sequence - HDQ Write Operation Mode: \[2\]](#)
- [Main Sequence - 1-Wire Write Operation Mode: \[3\]](#)
- [HDQ1W Registers: \[4\]](#)
- [HDQ1W Register Summary: \[5\]](#)

Table 24-114. HDQ_RX_DATA

Address Offset	0x0000 0008	Instance	HDQ1W
Physical Address	0x480B 2008		
Description	This register contains the data to be received.		
Type	R		

31	30	29	28	27	26	25	24	23	22	21	20	19	18	17	16	15	14	13	12	11	10	9	8	7	6	5	4	3	2	1	0
RESERVED																RX_DATA															

Bits	Field Name	Description	Type	Reset
31:8	RESERVED	Reads returns 0	R	0x000000
7:0	RX_DATA	Receive data (used in both HDQ and 1-Wire modes)	R	0x00

Table 24-115. Register Call Summary for Register HDQ_RX_DATA

HDQ1W

- [Description: \[0\]](#)
- [1-Wire Single-Bit Mode Operation: \[1\]](#)
- [Sub-sequence - Initialize HDQ Slave: \[2\]](#)
- [Main Sequence - 1-Wire Read Operation Mode: \[3\]](#)
- [HDQ1W Registers: \[4\]](#)
- [HDQ1W Register Summary: \[5\]](#)

Table 24-116. HDQ_CTRL_STATUS

Address Offset	0x0000 000C	Instance	HDQ1W
Physical Address	0x480B 200C		
Description	This register provides status information about the module.		
Type	RW		

31	30	29	28	27	26	25	24	23	22	21	20	19	18	17	16	15	14	13	12	11	10	9	8	7	6	5	4	3	2	1	0
RESERVED																BITFSM		ONE_WIRE_SINGLE_BIT	INTERRUPTMASK	CLOCKENABLE	GO	PRESENCEDETECT	INITIALIZATION	DIR	MODE						

Bits	Field Name	Description	Type	Reset
31:11	RESERVED	Reads returns 0	RW	0x000000
10:8	BITFSM	BITFSM delay value in 1.33 μ s steps. 0x0 value corresponds to 1.33 μ s.	RW	0x00
7	ONE_WIRE_SINGLE_BIT	Single-bit mode for 1-Wire 0x0: Disabled 0x1: Enabled	RW	0
6	INTERRUPTMASK	Interrupt masking bit 0x0: Interrupts disable 0x1: Interrupts enable	RW	0
5	CLOCKENABLE	Power-down mode bit 0x0: Clock disable (power down) 0x1: Clock enable	RW	0
4	GO	Go bit. Write 1 to start the appropriate operation. Bit returns to 0 after the operation is complete.	RW	0
3	PRESENCEDETECT	Slave presence indicator. Actual only just after initialization time-out. Used in 1-Wire mode. Read-only flag. 0x0: No slave detected 0x1: Slave detected	R	0
2	INITIALIZATION	Write 1 to send initialization pulse. Bit returns to 0 after pulse is sent.	RW	0
1	DIR	DIR bit, determines if next command is read or write 0x0: Write 0x1: Read	RW	0
0	MODE	Mode selection bit 0x0: HDQ mode 0x1: 1-Wire mode	RW	0

Table 24-119. Register Call Summary for Register HDQ_INT_STATUS

HDQ1W

- HDQ Interrupt Requests: [0][1][2]
- Description: [3][4][5]
- Interrupt Conditions: [6][7][8]
- Description: [9][10]
- Interrupt Conditions: [11][12][13]
- Status Flags: [14]
- Main Sequence - HDQ Write Operation Mode: [15][16]
- Sub-sequence - Initialize HDQ Slave: [17][18][19][20][21]
- Main Sequence - 1-Wire Write Operation Mode: [22][23]
- Main Sequence - 1-Wire Read Operation Mode: [24][25][26][27]
- Sub-sequence - Initialize 1-Wire Slave: [28]
- HDQ1W Registers: [29][30]
- HDQ1W Register Summary: [31]

Table 24-120. HDQ_SYSCONFIG

Address Offset	0x0000 0014	Instance	HDQ1W
Physical Address	0x480B 2014		
Description	This register controls various bits		
Type	RW		

31	30	29	28	27	26	25	24	23	22	21	20	19	18	17	16	15	14	13	12	11	10	9	8	7	6	5	4	3	2	1	0
RESERVED																SOFTRESET		AUTOIDLE													

Bits	Field Name	Description	Type	Reset
31:2	RESERVED	Reads returns 0	RW	0x0000 0000
1	SOFTRESET	Start soft reset sequence. 0x0: Disabled 0x1: Enabled	RW	0
0	AUTOIDLE	Interconnect idle. 0x0: Module clock is free-running. 0x1: Module is in power saving mode: Clock is running only when module is accessed or inside logic is in function to process events.	RW	0

Table 24-121. Register Call Summary for Register HDQ_SYSCONFIG

HDQ1W

- HDQ1W Hardware and Software Reset: [0]
- HDQ1W Power Management: [1]
- Auto-Idle Mode: [2]
- HDQ1W Module Global Initialization: [3][4]
- HDQ1W Register Summary: [5]

Table 24-122. HDQ_SYSSTATUS

Address Offset	0x0000 0018	Instance	HDQ1W
Physical Address	0x480B 2018		
Description	This register monitors the reset sequence.		
Type	R		

31	30	29	28	27	26	25	24	23	22	21	20	19	18	17	16	15	14	13	12	11	10	9	8	7	6	5	4	3	2	1	0
RESERVED																RESETDONE															

Bits	Field Name	Description	Type	Reset
31:1	RESERVED	Reads returns 0	R	0x0000 0000
0	RESETDONE	Reset monitoring. 0x0: The module is currently performing its reset. When the module is in power-down mode, set to 0 to indicate this fact. 0x1: The module has finished its reset.	R	1

Table 24-123. Register Call Summary for Register HDQ_SYSSTATUS

HDQ1W

- [HDQ1W Module Global Initialization: \[0\]](#)
- [HDQ1W Register Summary: \[1\]](#)

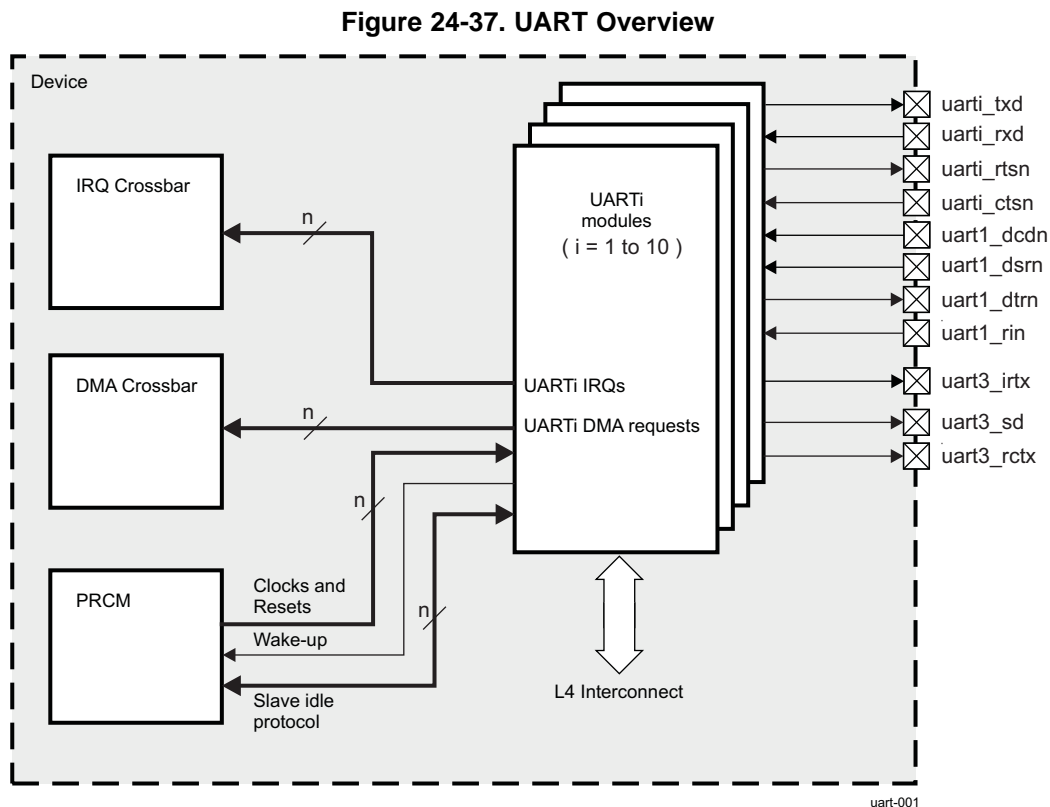
24.3 UART/IrDA/CIR

This chapter describes the function, operation, and configuration of the universal asynchronous receiver/transmitter (UART)/infrared data association (IrDA)/consumer infrared (CIR) module in the device.

24.3.1 UART/IrDA/CIR Overview

The UART is a simple L4 slave peripheral that utilizes the DMA_SYSTEM or EDMA for data transfer or IRQ polling via CPU. There are 10 UART modules in the device. Only one UART supports IrDA features. Each UART can be used for configuration and data exchange with a number of external peripheral devices or interprocessor communication between devices.

Figure 24-37 shows the UART module overview.



24.3.1.1 UART Features

The UARTi (where i = 1 to 10) include the following features:

- 16C750 compatibility
- 64-byte FIFO buffer for receiver and 64-byte FIFO for transmitter
- Programmable interrupt trigger levels for FIFOs
- Baud generation based on programmable divisors N (where N = 1...16,384) operating from a fixed functional clock of 48 MHz or 192 MHz

Oversampling is programmed by software as 16 or 13. Thus, the baud rate computation is one of two options:

- Baud rate = (functional clock / 16) / N
- Baud rate = (functional clock / 13) / N
- This software programming mode enables higher baud rates with the same error amount without changing the clock source
- Break character detection and generation

- Configurable data format:
 - Data bit: 5, 6, 7, or 8 bits
 - Parity bit: Even, odd, none
 - Stop-bit: 1, 1.5, 2 bit(s)
- Flow control: Hardware (RTS/CTS) or software (XON/XOFF)
- The 48 MHz functional clock option allows baud rates up to 3.6Mbps
- The 192 MHz functional clock option allows baud rates up to 12Mbps
- UART1 module has extended modem control signals (DCD, RI, DTR, DSR)
- UART3 supports IrDA

24.3.1.2 IrDA Features

UART3 supports the following IrDA key features:

- Support of IrDA 1.4 slow infrared (SIR), medium infrared (MIR), and fast infrared (FIR) communications:
 - Frame formatting: Addition of variable beginning-of-frame (xBOF) characters and end-of-frame (EOF) characters
 - Uplink/downlink cyclic redundancy check (CRC) generation/detection
 - Asynchronous transparency (automatic insertion of break character)
 - Eight-entry status FIFO (with selectable trigger levels) to monitor frame length and frame errors
 - Framing error, CRC error, illegal symbol (FIR), and abort pattern (SIR, MIR) detection

24.3.1.3 CIR Features

The CIR mode uses a variable pulse-width modulation (PWM) technique (based on multiples of a programmable t period) to encompass the various formats of infrared encoding for remote-control applications. The CIR logic transmits data packets based on a user-definable frame structure and packet content.

The CIR (UART3 only) includes the following features to provide CIR support for remote-control applications:

- Transmit mode only (receive mode is not supported)
- Free data format (supports any remote-control private standards)
- Selectable bit rate
- Configurable carrier frequency
- 1/2, 5/12, 1/3, or 1/4 carrier duty cycle

24.3.2 UART/IrDA/CIR Environment

This section describes the UART/IrDA/CIR connection with an external device.

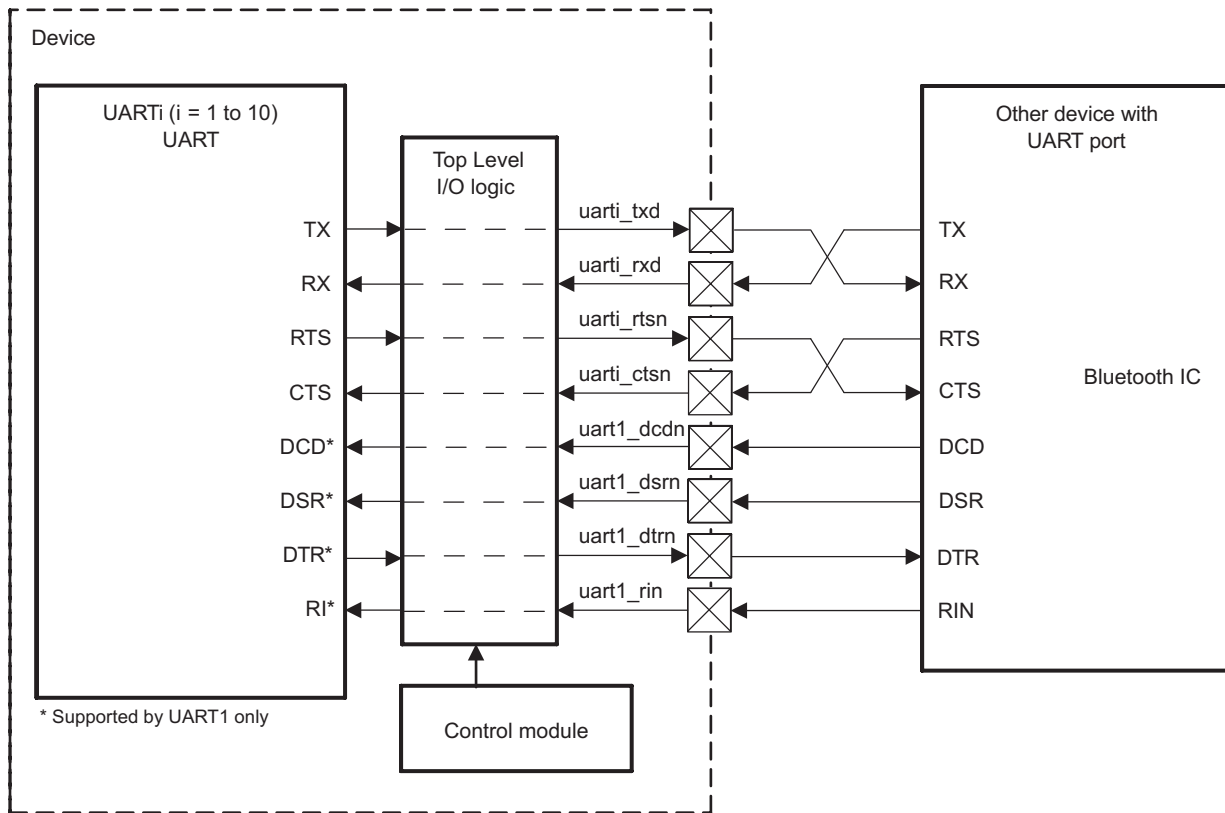
- The UART interface is described in [Section 24.3.2.1](#).
- The IrDA interface is described in [Section 24.3.2.2, IrDA Functional Interfaces](#).
- The CIR interface is described in [Section 24.3.2.3, CIR Functional Interfaces](#).

24.3.2.1 UART Interface

24.3.2.1.1 System Using UART Communication With Hardware Handshake

Each UART instance can be easily connected to the UART port of an external IC (see [Figure 24-38](#)).

Figure 24-38. UART Mode Bus System Overview



uart-002

24.3.2.1.2 UART Interface Description

Table 24-124 lists the UART interface input/output (I/O) signals.

Table 24-124. UART Interface Signals

Signal	I/O ⁽¹⁾	Description	Module Level Reset Value
UARTi Interface Signals⁽²⁾			
uarti_rxd	I	Serial data input.	HiZ
uarti_txd	O	Serial data output	1

⁽¹⁾ I = Input; O = Output; I/O = Bidirectional

⁽²⁾ i = 1 to 10

Table 24-124. UART Interface Signals (continued)

Signal	I/O ⁽¹⁾	Description	Module Level Reset Value
		Because this pin is active high in IrDA mode and the output is muxed, this pin is set to low on reset (when the UARTi.UART_MDR1[2:0] bit field is set to 0x7) and takes the defined inactive level of that signal corresponding to when and how the UARTi.UART_MDR1 register is programmed; that is, the output is 1 (inactive for UART modem modes) and 0 (inactive for IrDA modes).	
uarti_ctsn	I	Clear to send Active-low modem status signal. Reading the UARTi.UART_MSR[4] NCTS_STS bit checks the condition of uarti_ctsn. Reading the UARTi.UART_MSR[0] CTS_STS bit checks a change of state of uarti_ctsn since the last read of the modem status register. The auto-CTS mode uses uarti_ctsn to control the transmitter.	HiZ
uarti_rtsn	O	Request to send When active (low), the module is ready to receive data. Setting the UARTi.UART_MCR[1] RTS bit activates uarti_rtsn, which becomes inactive as the result of a module reset, loopback mode, or clearing the UARTi.UART_MCR[1] RTS bit. In auto-RTS mode, uarti_rtsn becomes inactive as a result of the receiver threshold logic.	1
UART1 Modem Signals			
uart1_dcdn	I	Data Carrier Detect Active-low modem status signal. The condition of uart1_dcdn can be checked by reading UART_MSR[7] NCD_STS register bit. Any change in its state can be detected by reading UART_MSR[3] DCD_STS bit.	HiZ
uart1_dsrn	I	Data Set Ready Active-low modem status signal. Reading UART_MSR[5] NDSR_STS register bit checks the condition of uart1_dsrn. Reading UART_MSR[1] DSR_STS bit checks a change of state of uart1_dsrn since the last read of the UART_MSR register.	HiZ
uart1_dtrn	O	Data Terminal Ready When active (low), this signal informs the modem that the module is ready to communicate. It is activated by setting UART_MCR[0] DTR register bit.	1
uart1_rin	I	Ring Indicator Active-low modem status signal. The condition of uart1_rin can be checked by reading UART_MSR[6] NRI_STS register bit. Any change in its state can be detected by reading UART_MSR[2] RI_STS bit.	HiZ

NOTE: The path from a module pin to device pad(s) is defined at the device I/O logic level. The I/O logic maps the module signals to the different pads of the device and is programmable in the Control Module registers. For more information on control module settings, see [Section 18.4.6.1.1, Pad Configuration Registers](#), in [Chapter 18, Control Module](#).

24.3.2.1.3 UART Protocol and Data Format

The UART device operates in three modes:

- UART 16x (<= 230.4 kbps)
- UART 16x with autobauding (>= 1200 bps and >= 115.2 kbps)
- UART 13x (>= 460.8 kbps)

CAUTION

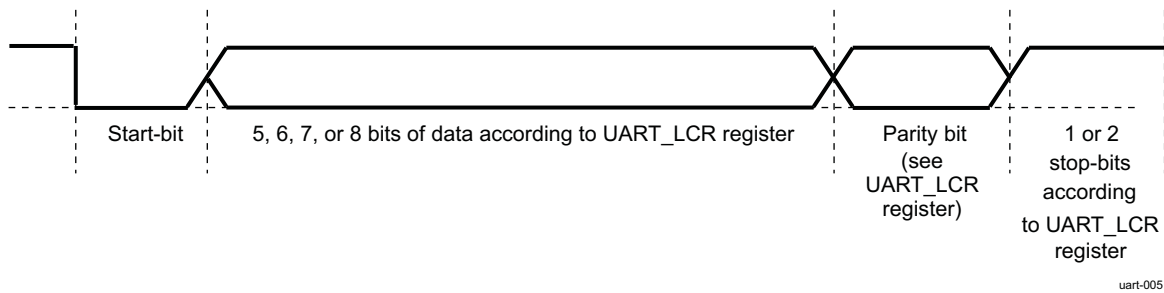
To be used as a UART, the operating mode must be programmed appropriately in the UARTi.UART_MDR1[2:0] MODE_SELECT bit field to select UART, IrDA, or CIR mode.

The UART uses a wired interface for serial communication with a remote device.

The UART is functionally compatible with the TL16C750 UART and earlier designs such as the TL16C550.

Figure 24-39 shows the UART frame data format.

Figure 24-39. UART Frame Data Format

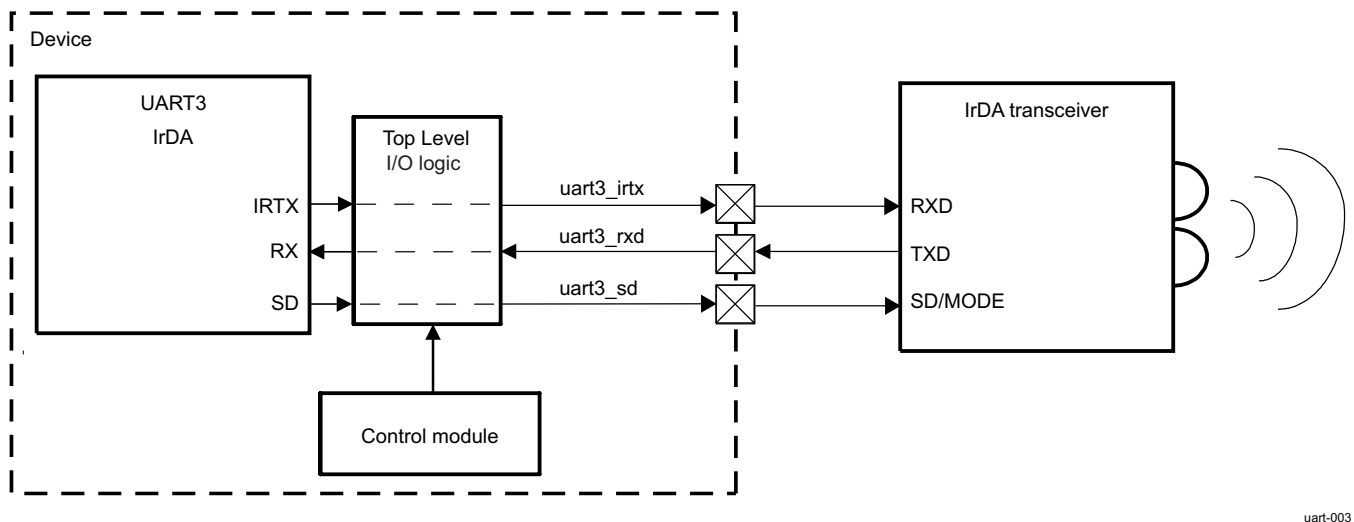


24.3.2.2 IrDA Functional Interfaces

24.3.2.2.1 System Using IrDA Communication Protocol

As Figure 24-40 shows, UART3 can be connected to an external infrared transceiver in the IrDA modes (FIR, SIR, and MIR).

Figure 24-40. IrDA System Overview



24.3.2.2.2 IrDA Interface Description

Table 24-125 lists the IrDA interface I/O signals.

Table 24-125. IrDA I/O Signals

Signal	I/O ⁽¹⁾	Description	Reset
IrDA Signals			
uart3_rxd	I	Serial data input	HiZ
uart3_irtx	O	Serial data output in IrDA modes (SIR, MIR, and FIR). In other modes, this pin is set to the reset value (inactive state).	0
uart3_sd	O	SD mode is used to configure the transceivers. The SD pinout is an inverted value of the UART3.UART_ACREG[6] SD_MOD bit.	1

⁽¹⁾ I = Input; O = Output

24.3.2.2.3 IrDA Protocol and Data Format

24.3.2.2.3.1 SIR Mode

In SIR mode, data is transferred between the MPU and peripheral devices at speeds of up to 115,200 baud. A SIR transmit frame begins with start flags (a single 0xC0, a multiple 0xC0, or a single 0xC0 preceded by a number of 0xFF flags), followed by frame data and a CRC-16, and ends with a stop flag (0xC1).

The bit format for a single word uses 1 start-bit, 8 data bits, and 1 stop-bit, and is unaffected by the use and settings of the UART3.UART_LCR register.

The UART3.UART_BLR[6] XBOF_TYPE bit selects whether the 0xC0 or 0xFF start patterns are used when multiple start flags are required.

The SIR transmit state-machine attaches start flags, CRC-16, and stop flags, and checks the outgoing data to establish whether data transparency is required.

SIR transparency is carried out if the outgoing data between the start and stop flags contains 0xC0, 0xC1, or 0x7D. If one of these start flags is about to be transmitted, the SIR state-machine sends an escape character (0x7D), inverts the fifth bit of the real data to be sent, and then sends this data immediately after the 0x7D character.

The SIR receive state-machine recovers the receive clock, removes the start flags and any transparency from the incoming data, and determines the frame boundary with reception of the stop flag. The SIR state-machine also checks for errors such as a frame abort (0x7D character followed immediately by a 0xC1 stop flag without transparency), a CRC error, or a frame-length error. At the end of a frame reception, the MPU reads the line status register (UART3.UART_LSR_IRDA) to find possible errors of the received frame.

NOTE: The module can transmit and receive data, but when the device is transmitting, the IR RX circuitry is automatically disabled by hardware. See the description of the UART3.UART_ACREG[5] DIS_IR_RX bit. This applies to all three modes: SIR, MIR, and FIR.

Infrared output in SIR mode can be 1.6- μ s or 3/16 encoding, selected by the UART3.UART_ACREG[7] PULSE_TYPE bit. In 1.6- μ s encoding, the infrared pulse width is 1.6 μ s; and in 3/16th encoding, the infrared pulse width is 3/16th of a bit duration (1/baud rate).

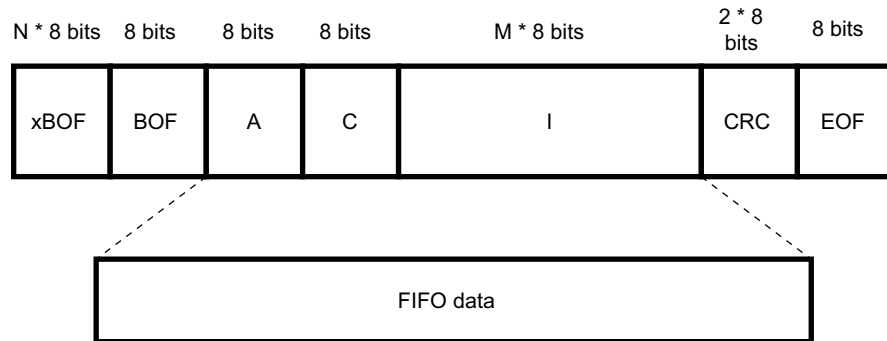
For back-to-back frames, the transmitting device must send at least two start flags at the start of each frame.

NOTE: Reception supports variable-length stop-bits.

24.3.2.2.3.1.1 Frame Format

Figure 24-41 shows the IrDA SIR frame format.

Figure 24-41. IrDA SIR Frame Format



uart-006

The CRC is applied on the address (A), control (C), and information (I) bytes.

NOTE: The two words of CRC are written to the FIFO in reception.

24.3.2.2.3.1.2 Asynchronous Transparency

Before transmitting a byte, the UART IrDA controller examines each byte of the payload and the CRC field (between BOF and EOF). For each byte equal to 0xC0 (BOF), 0xC1 (EOF), or 0x7D (control escape), the controller performs certain tasks:

- In transmission:
 - Inserts a control escape (CE) byte preceding the byte
 - Complements bit 5 of the byte (that is, exclusive ORs the byte with 0x20)

The byte sent for the CRC computation is the initial byte written in the TX FIFO (before the XOR with 0x20).
- In reception:

For the A, C, I, and CRC fields:

 - Compares the byte with the CE byte; if they are not equal, sends the byte to the CRC detector and stores it in the RX FIFO.
 - If the byte is equal to the CE byte, discards the CE byte
 - Complements bit 5 of the byte following the CE
 - Sends the complemented byte to the CRC detector and stores it in the RX FIFO

24.3.2.2.3.1.3 Abort Sequence

The transmitter can prematurely close a frame (abort) by sending the sequence 0x7DC1. The abort pattern closes the frame without a CRC field or an ending flag.

When a 0x7D character that is followed immediately by a 0xC1 character is received without transparency, the receiver treats the frame as an aborted frame.

24.3.2.2.3.1.4 Pulse Shaping

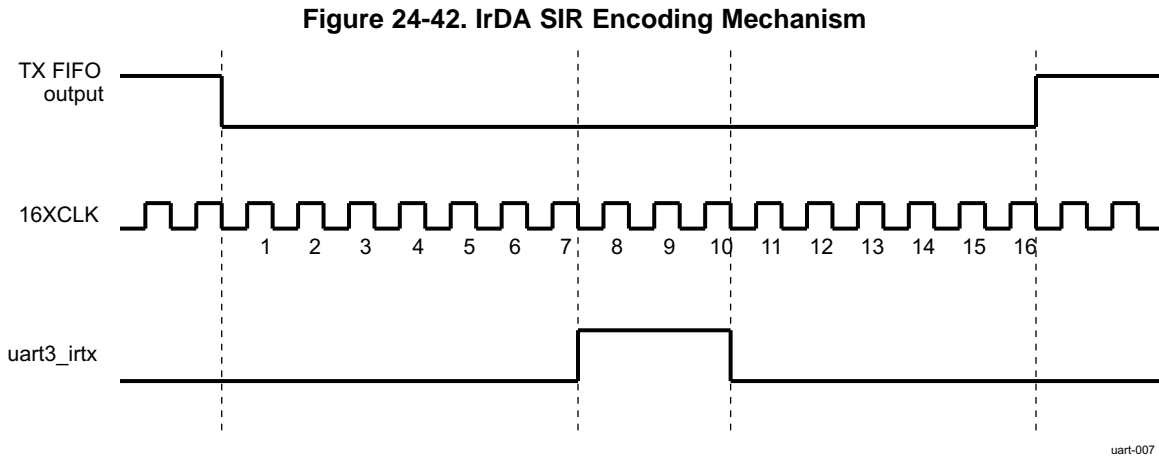
The SIR mode supports the 3/16 and the 1.6- μ s pulse duration methods. The UART3.UART_ACREG[7] PULSE_TYPE bit selects the pulse-width method in transmit mode.

24.3.2.2.3.1.5 Encoder

Serial data from the transmit state-machine are encoded to transmit data to the optoelectronics. While the TX FIFO output is high, the uart3_irtx line is always low, and the counter used to form a pulse on uart3_irtx is cleared continuously.

After the TX FIFO output resets to 0, `uart3_irtx` rises on the falling edge of the seventh 16XCLK. On the falling edge of the tenth 16XCLK pulse, `uart3_irtx` falls, creating a 3-clock-wide pulse. While the TX FIFO output stays low, a pulse is transmitted during the seventh clock to the tenth clock of each 16-clock bit cycle.

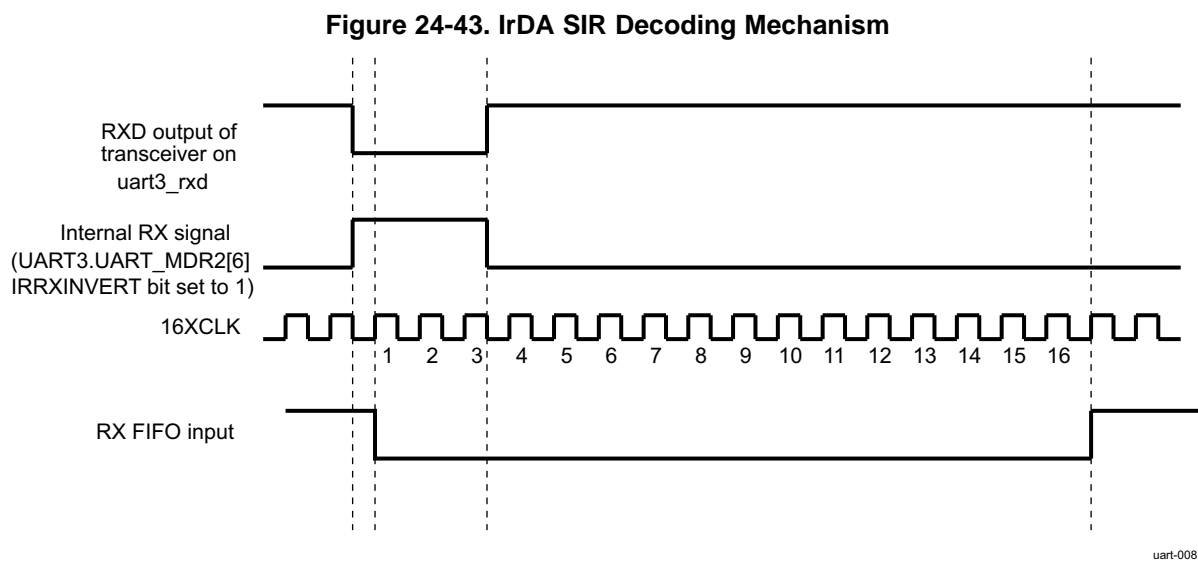
Figure 24-42 shows the IrDA SIR encoding mechanism.



24.3.2.2.3.1.6 Decoder

After reset, the RX FIFO input is high and the 4-bit counter is cleared. When a rising edge is detected on RX, the RX FIFO input falls on the next rising edge of 16XCLK with sufficient setup time. The RX FIFO input stays low for 16 cycles (16XCLK) and then returns to high as required by the IrDA specification. As long as no pulses (rising edges) are detected on the RX, the RX FIFO input remains high.

Figure 24-43 shows the IrDA SIR decoding mechanism.



The module can transmit and receive data, but when the device is transmitting, the IR RX circuitry is automatically disabled by hardware. The operation of the `uart3_rxd` input can be disabled using the `UART3.UART_ACREG[5] DIS_IR_RX` bit. The `UART3.UART_MDR2[6] IRRXINVERT` bit can invert the signal from the transceiver (RXD) pin to the IR RX logic in the UART. This inversion is performed by default.

24.3.2.2.3.1.7 IR Address Checking

In all IR modes, when address checking is enabled by setting the UART3.UART_EFR[1:0] bit field (see Table 24-126), only frames intended for the device are written to the RX FIFO. This is to avoid receiving frames not meant for this device in a multipoint infrared environment. To program two frame addresses that the UART3 receives in IrDA mode, use the UART3.UART_XON1_ADDR1[7:0] and UART3.UART_XON2_ADDR2[7:0] bit fields.

Table 24-126. UART_EFR[1:0] IR Address Checking Options

UART_EFR[1]	UART_EFR[0]	IR Address Checking
0	0	All address-checking operations disabled
0	1	Only address 1 checking enabled
1	0	Only address 2 checking enabled
1	1	All address-checking operations enabled

24.3.2.2.3.2 SIR Free-Format Mode

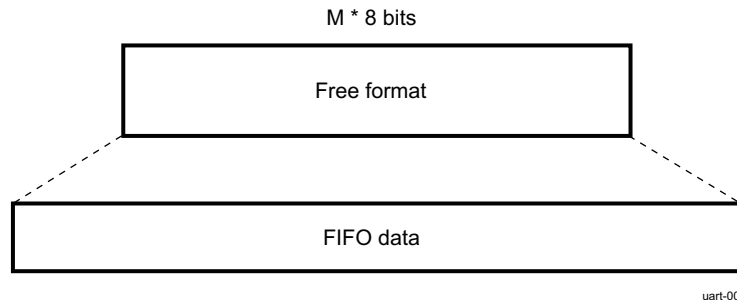
To allow complete software flexibility when transmitting and receiving infrared data packets, the SIR free-format (FF) mode is a subfunction of the existing SIR mode. In FF mode, all frames going to and from the FIFO buffers are untouched with respect to appending and removing control characters and CRC values.

The FF mode corresponds to a UART mode with a pulse modulation of 3/16 of baud rate pulse width.

For example, a normal SIR packet has BOF control and CRC error-checking data appended (transmitting) or removed (receiving) from the data going to and from the FIFOs.

Figure 24-44 shows SIR FF mode.

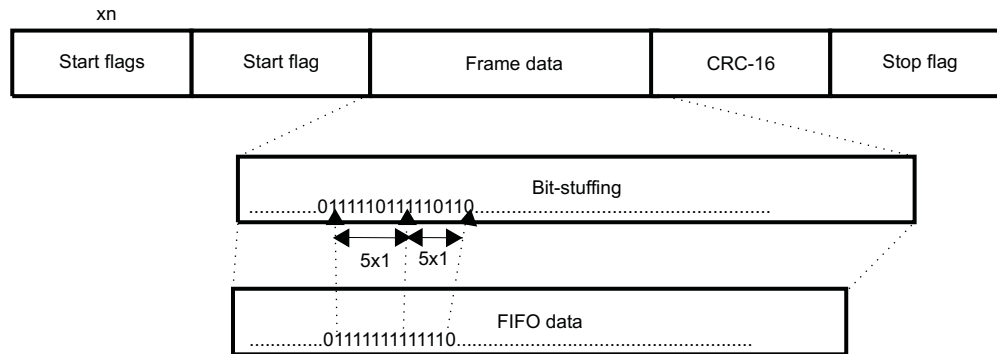
Figure 24-44. SIR FF Mode



In SIR FF mode, the MPU software must construct (that is, encode and decode) the entire FIFO data packet.

24.3.2.2.3.3 MIR Mode

In MIR mode, data is transferred between the MPU and the peripheral devices at 0.576 or 1.152 Mbps. A MIR transmit frame starts with at least two start flags, followed by a frame data and a CRC-16, and ends with a stop flag (see Figure 24-45).

Figure 24-45. MIR Transmit Frame Format


On transmit, the MIR state-machine attaches start flags, a CRC-16, and stop flags, as in SIR mode. All fields are transmitted least-significant bit (LSB) of each byte first.

In MIR mode:

- The state-machine looks for consecutive 1s in the frame data and automatically inserts 0 after five consecutive 1s (this is called bit-stuffing).
- 0x7E is used for start and stop flags (unambiguously, not data, because of bit-stuffing).
- An abort sequence requires a minimum of seven consecutive 1s (unambiguously, not data, because of bit-stuffing).
- Back-to-back frames are allowed with three or more stop flags between them. If two consecutive frames are not back to back, the gap between the last stop flag of the first frame and the start flag of the second frame must be separated by at least seven bit durations.

On receive, the MIR receive state-machine recovers the receive clock, removes the start flags, destuffs the incoming data, and determines the frame boundary with reception of the stop flag. The state-machine also checks for errors such as frame abort, CRC error, and frame-length error. At the end of a frame reception, the MPU reads the line status register (UART3.UART_LSR_IRDA) to detect errors of the received frame.

The module can transmit and receive data, but when the device is transmitting, the IR RX circuitry is automatically disabled by hardware.

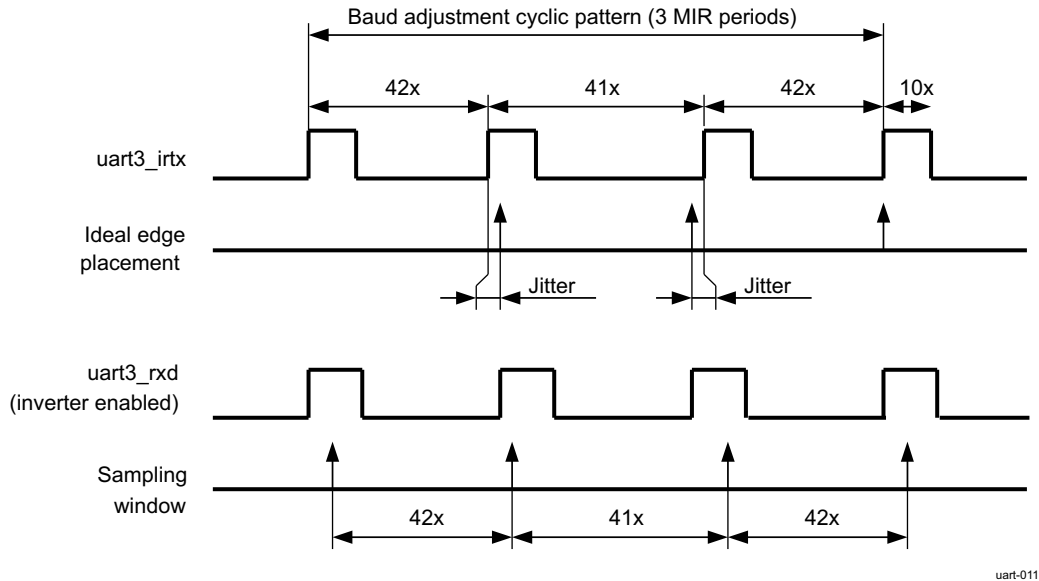
24.3.2.2.3.3.1 MIR Encoder/Decoder

To meet the MIR baud rate tolerance of 0.1 percent with a 48-MHz clock input, a 42-41-42 encoding/decoding adjustment is performed. The reference start point is the first start flag, and the 42-41-42 cyclic pattern is repeated until the stop flag is sent or detected.

The jitter created this way is within MIR tolerances. The pulse width is not exactly 1/4, but it is within the tolerances defined by IrDA specifications.

Figure 24-46 shows the MIR baud rate adjustment mechanism.

Figure 24-46. MIR Baud Rate Adjustment Mechanism



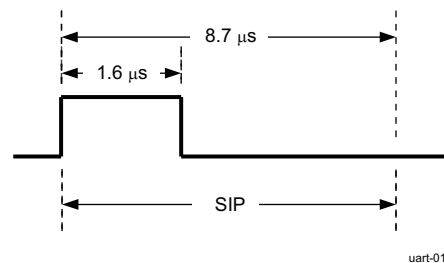
uart-011

24.3.2.2.3.3.2 SIP Generation

In the MIR and FIR operation modes, the transmitter must send a serial infrared interaction pulse (SIP) at least once every 500 ms. The SIP informs slow devices (operating in SIR mode) that the medium is occupied.

Figure 24-47 shows the SIP.

Figure 24-47. SIP



uart-012

24.3.2.2.3.4 FIR Mode

In FIR mode, data is transferred between the MPU and the peripheral devices at 4 Mbps. A FIR transmit frame starts with a preamble that is followed by a start flag, frame data, CRC-32, and ends with a stop flag.

Figure 24-48 shows the FIR transmit frame format.

Figure 24-48. FIR Transmit Frame Format

Preamble (16x)	Start flag	Frame data	CRC-32	Stop flag
----------------	------------	------------	--------	-----------

On transmit, the FIR transmit state-machine attaches the preamble, start flag, CRC-32, and stop flag. An abort sequence requires at least two transmissions of 0000. Back-to-back frames are allowed, but each frame must be complete.

The state-machine also encodes the transmit data into 4-PPM format (see Table 24-127) and generates the SIP (see Section 24.3.2.2.3.3.2, SIP Generation).

Table 24-127. 4-PPM Format

Data Bit Pair (Bin)	4-PPM Data Symbol (Bin)
00	1000
01	0100
10	0010
11	0001

The four symbols described in [Table 24-127](#) are the legal, encoded data symbols. All other combinations are illegal for encoding data. Some of these illegal symbols are used in the definition of the preamble, start flag, and stop flag because they are unambiguously not data (see [Table 24-128](#)).

Table 24-128. FIR Preamble, Start Flag, and Stop Flag

Frame Part	Transmitted Frame (Bin)
Preamble	1000 0000 1010 1000 (16 repeated transmissions)
Start flag	0000 1100 0000 1100 0110 0000 0110 0000
Stop flag	0000 1100 0000 1100 0000 0110 0000 0110

All fields are transmitted LSBs of each byte first (see [Table 24-129](#)).

Table 24-129. FIR Data Byte Transmission Order Example

Data Byte (Hex)	Data Byte Pair (Bin)	4-PPM Data Symbol (Bin)	Transmission Order
0x0B	00	1000	4
	00	1000	3
	10	0010	2
	11	0001	1

On receive, the FIR receive state-machine recovers the receive clock, removes the preamble and the start flag, decodes the 4-PPM incoming data, and determines the frame boundary with reception of the stop flag. The state-machine also checks for errors such as illegal symbol, CRC error, and frame-length error. At the end of a frame reception, the MPU reads the line status register (UART3.UART_LSR_IRDA) to detect errors of the received frame.

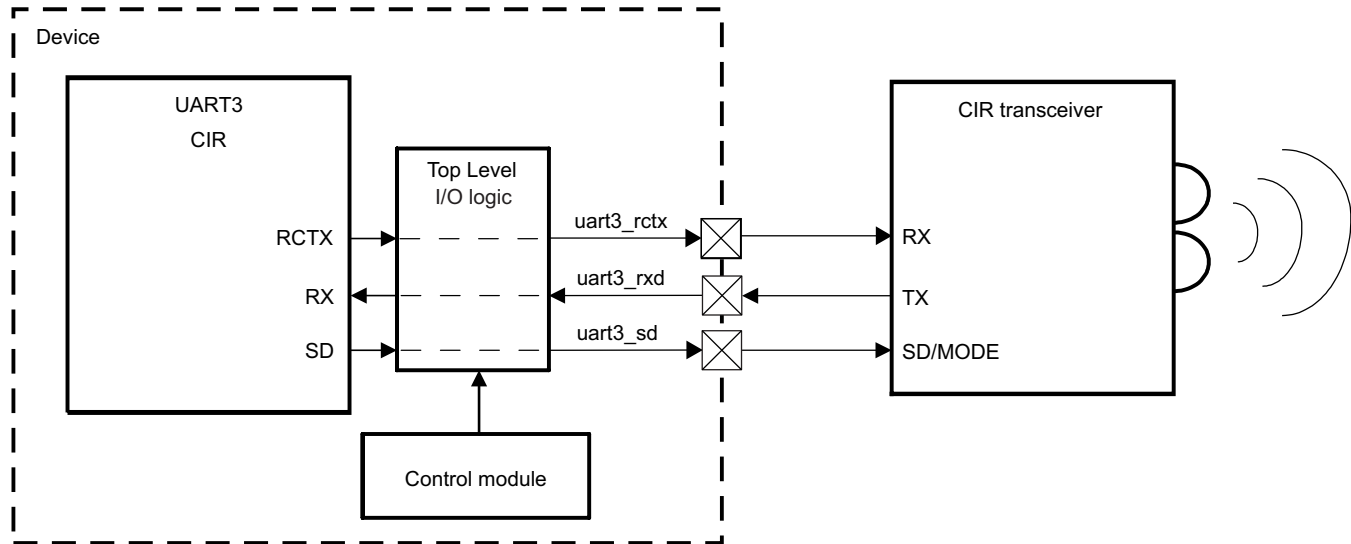
The module can transmit and receive data, but when the device is transmitting, the IR RX circuitry is automatically disabled by hardware.

24.3.2.3 CIR Functional Interfaces

24.3.2.3.1 System Using CIR Communication Protocol With Remote Control

UART3 can be connected to an external infrared transceiver in CIR mode (see [Figure 24-49](#)).

Figure 24-49. CIR System Overview



uart-004

24.3.2.3.2 CIR Interface Description

Table 24-130 lists the CIR interface I/O signals.

Table 24-130. CIR I/O Signals

Signal	I/O ⁽¹⁾	Description	Reset
CIR Signals			
uart3_rxd	I	Serial data input	HiZ
uart3_rctx	O	Serial data output in CIR mode. In other modes, this pin is set to the reset value (inactive state).	0
uart3_sd	O	SD mode is used to configure the transceivers. The SD pinout is an inverted value of the UART3.UART_ACREG[6] SD_MOD bit.	1

⁽¹⁾ I = Input; O = Output

24.3.2.3.3 CIR Protocol and Data Format

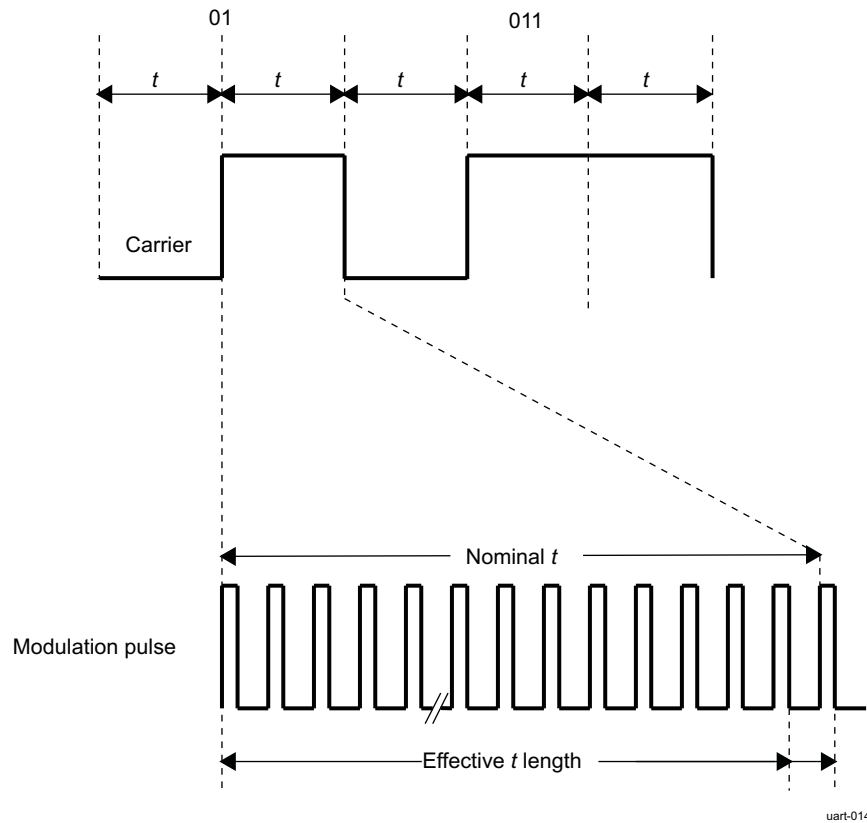
In CIR mode, the infrared operation functions as a programmable (universal) remote control.

CIR mode uses a variable PWM technique (based on multiples of a programmable t period) to encompass the various formats of infrared encoding for remote-control applications. The CIR logic transmits data packets based on user-defined frame structure and packet content.

24.3.2.3.3.1 Carrier Modulation

Each modulated pulse that constitutes a digit is a train of on/off pulses (see Figure 24-50).

Figure 24-50. CIR Pulse Modulation

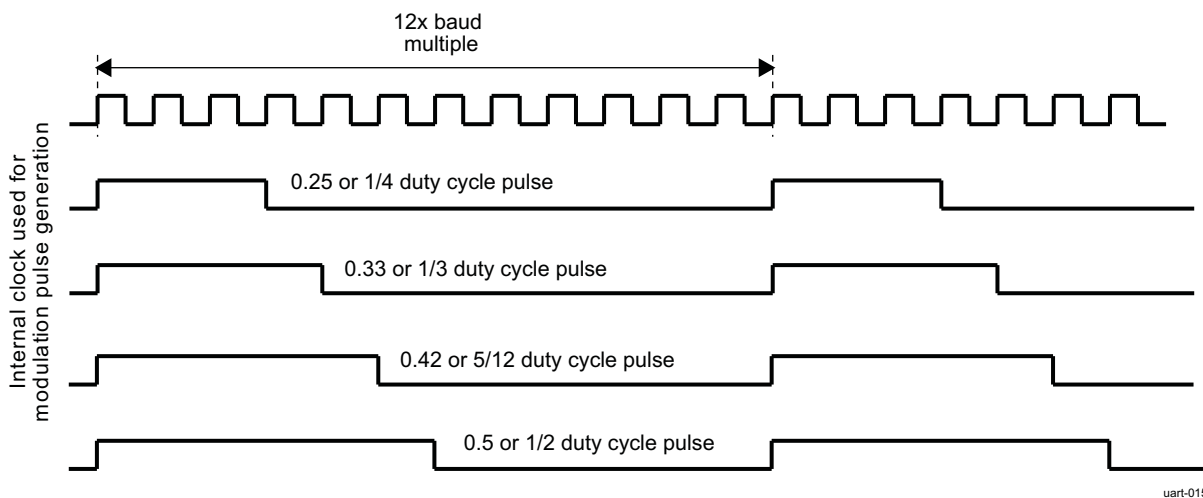


24.3.2.3.3.2 Pulse Duty Cycle

The programmer can choose one of four duty cycles for modulation pulses by setting the appropriate value in the UART3.UART_MDR2[5:4] CIR_PULSE_MODE bit field (1/4, 1/3, 5/12, or 1/2).

Figure 24-51 shows the CIR modulation duty cycles.

Figure 24-51. CIR Modulation Duty Cycle



The transmission logic ensures that all pulses are transmitted completely (no cutoff during transmission). While transmitting continuous bytes back-to-back, no delay is inserted between 2 transmitted bytes. Thus, software must handle the delay between consecutively transmitted bytes if the receiving end requires it.

24.3.2.3.3.3 Consumer IR Encoding/Decoding

There are two methods of encoding for remote-control applications:

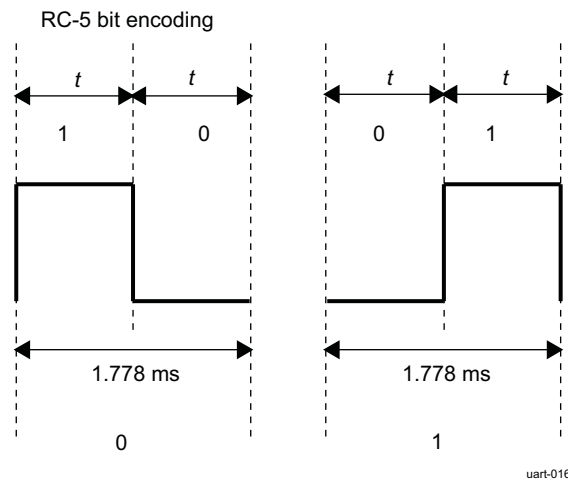
- Pulse duration encoding (time-extended bit forms): A variable pulse distance, or duration, in which the difference between logic 1 and logic 0 is the length of the pulse width
- Biphase encoding: The encoding of logic 0 and logic 1 is in the change of signal level from 1 to 0 or 0 to 1, respectively.

Japanese manufacturers favor pulse duration encoding; European manufacturers favor biphase encoding.

CIR mode uses a completely flexible free-format encoding in which 1 is transmitted from the TX FIFO as a modulated pulse with duration t .

Similarly, 0 is transmitted as a blank duration T . The MPU constructs and decipheres the protocol of the data. For example, the RC-5 protocol using Manchester encoding can be emulated as using a 01 pair for 1 and a 10 pair for 0 (see [Figure 24-52](#)).

Figure 24-52. RC-5 Bit Encoding

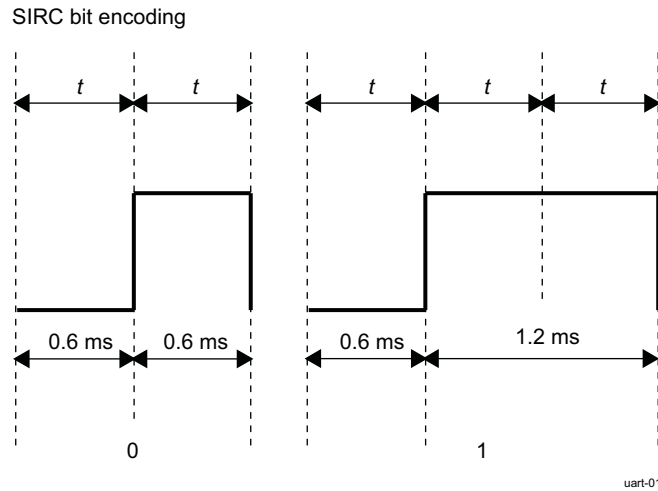


Because CIR mode logic does not impose a fixed format for infrared packets of data, the MPU software can define the format using simple data structures that are then modulated into an industry standard, such as RC-5 or SIRC. To send a sequence of 0101 in RC-5, the MPU software must write an 8-bit binary character of 10011001 to the data FIFO of the UART.

For SIRC, the modulation length (multiples of t) is used to distinguish between 1 and 0. The subsequent SIRC digits show the difference in encoding between this and, for example, RC-5. The pulse width is extended for one digit.

[Figure 24-53](#) shows SIRC bit encoding.

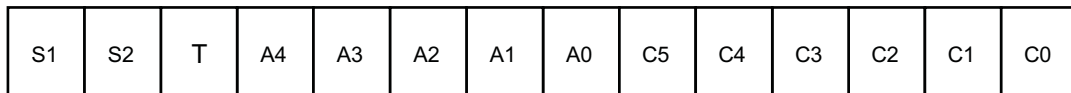
Figure 24-53. SIRC Bit Encoding



To construct comprehensive packets constituting remote-control commands, the MPU software must combine a number of 8-bit data characters in a sequence that follows one of the universally accepted formats.

Figure 24-54 shows a standard RC-5 frame as detected by UART3 in CIR mode (the SIRC format follows this). Each field in RC-5 can be considered as two t pulses (digital bits) from the TX FIFO.

Figure 24-54. RC-5 Standard Packet Format



uart-018

Where:

- S1, S2: Start-bits (always 1)
- T: Toggle bit
- A4..A0: Address (or system) bits
- C5..C0: Command bits

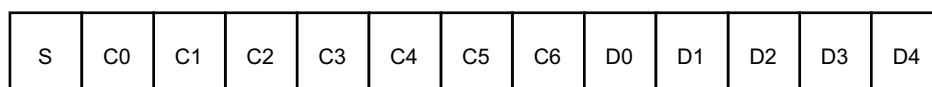
The toggle bit T changes when a new command is transmitted to detect when the same key is pressed twice (effectively receiving the same data from the host consecutively). A brief delay in the transmission of the same command is detected by the use of the toggle bit because a code is sent while the MPU transmits characters to the UART for transmission. The address bits define the machine or device for which the infrared transmission is intended, and the command defines the operation.

To accommodate an extended RC-5 format, the S2 bit is replaced by an additional command bit (C6) that lets the command range increase to 7 bits. This format is known as the extended RC-5 format.

SIRC encoding uses the duration of modulation for mark and space; therefore, the duration of data bits in the standard frame length varies.

Figure 24-55 shows the packet format and bit encoding. As Figure 24-56 shows, 1 start-bit of 2.4 ms and control codes are followed by data that constitute the entire frame.

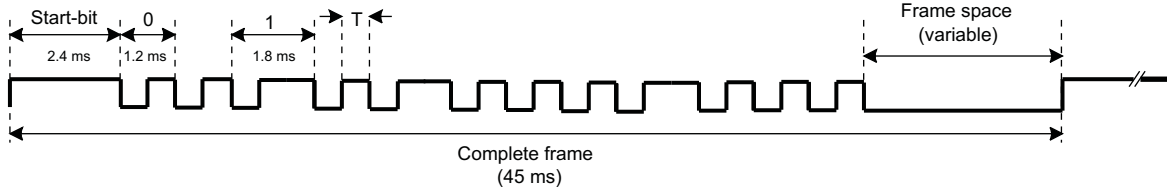
Figure 24-55. SIRC Packet Format



uart-019

NOTE: The encoding must take a standard duration, but the contents of the data can vary. This implies that the control software for sending and receiving data packets must exercise a scheme of interpacket delay, where successive packets can be sent only after a real-time delay expires.

Figure 24-56. SIRC Bit Transmission Example



uart-020

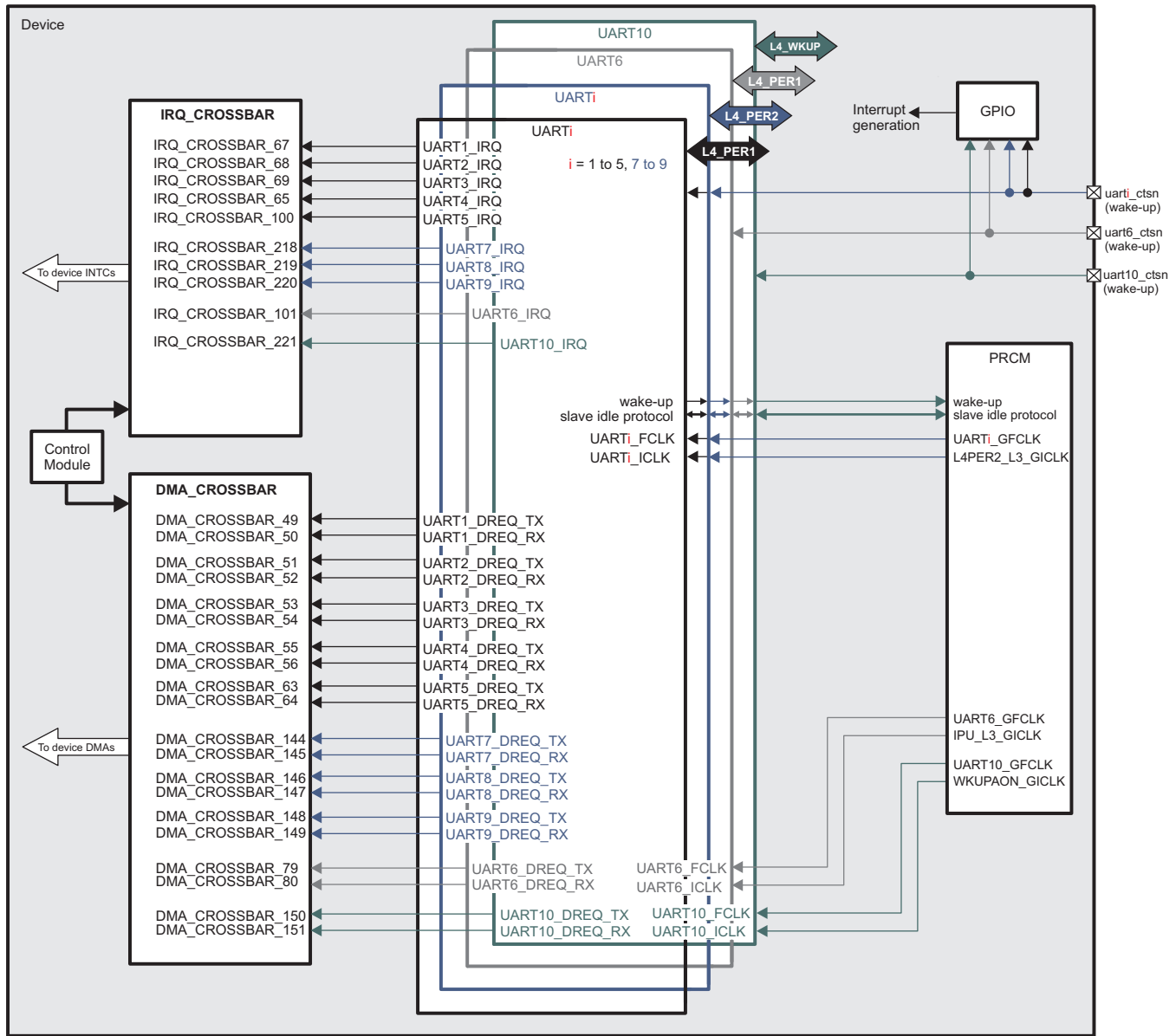
This document does not describe all encoding methods and techniques; the previous information discusses the considerations required to employ different encoding methods for different industry-standard protocols. See industry-standard documentation for specific methods of encoding and protocol use.

24.3.3 UART/IrDA/CIR Integration

This section describes module integration in the device, including information about clocks, resets, and hardware requests.

Figure 24-57 shows the device internal connections with related modules for UART functions.

Figure 24-57. UART/IrDA/CIR Integration



uart-021

NOTE: For more information about the master standby and slave idle protocols and the wake-up request, see [Section 3.1.1.1.4, Clock Domain-Level Clock Management](#), in [Chapter 3, Power, Reset, and Clock Management](#)

Table 24-131 through Table 24-133 summarize the integration of the module in the device.

Table 24-131. UART Integration Attributes

Module Instance	Attributes		
	Power Domain	Wake-Up Capability	Interconnect
UART1	PD_COREAON	Yes	L4_PER1
UART2	PD_COREAON	Yes	L4_PER1
UART3	PD_COREAON	Yes	L4_PER1
UART4	PD_COREAON	Yes	L4_PER1
UART5	PD_COREAON	Yes	L4_PER1
UART6	PD_COREAON	Yes	L4_PER1
UART7	PD_COREAON	Yes	L4_PER2
UART8	PD_COREAON	Yes	L4_PER2
UART9	PD_COREAON	Yes	L4_PER2
UART10	PD_WKUPAON	Yes	L4_WKUP

Table 24-132. UART Clocks and Resets

Clocks				
Module Instance	Destination Signal	Source Signal	Source	Description
UART1	UART1_ICLK	L4PER_L3_GICLK	PRCM	UART1 interface clock
	UART1_FCLK	UART1_GFCLK	PRCM	UART1 functional clock
UART2	UART2_ICLK	L4PER_L3_GICLK	PRCM	UART2 interface clock
	UART2_FCLK	UART2_GFCLK	PRCM	UART2 functional clock
UART3	UART3_ICLK	L4PER_L3_GICLK	PRCM	UART3 interface clock
	UART3_FCLK	UART3_GFCLK	PRCM	UART3 functional clock
UART4	UART4_ICLK	L4PER_L3_GICLK	PRCM	UART4 interface clock
	UART4_FCLK	UART4_GFCLK	PRCM	UART4 functional clock
UART5	UART5_ICLK	L4PER_L3_GICLK	PRCM	UART5 interface clock
	UART5_FCLK	UART5_GFCLK	PRCM	UART5 functional clock
UART6	UART6_ICLK	IPU_L3_GICLK	PRCM	UART6 interface clock
	UART6_FCLK	UART6_GFCLK	PRCM	UART6 functional clock
UART7	UART7_ICLK	L4PER2_L3_GICLK	PRCM	UART7 interface clock
	UART7_FCLK	UART7_GFCLK	PRCM	UART7 functional clock
UART8	UART8_ICLK	L4PER2_L3_GICLK	PRCM	UART8 interface clock
	UART8_FCLK	UART8_GFCLK	PRCM	UART8 functional clock
UART9	UART9_ICLK	L4PER2_L3_GICLK	PRCM	UART9 interface clock
	UART9_FCLK	UART9_GFCLK	PRCM	UART9 functional clock
UART10	UART10_ICLK	WKUPAON_GICLK	PRCM	UART10 interface clock
	UART10_FCLK	UART10_GFCLK	PRCM	UART10 functional clock
Resets				
Module Instance	Destination Signal	Source Signal	Source	Description
UART1	UART1_RST	L4PER_RET_RST	PRCM	UART1 reset
UART2	UART2_RST	L4PER_RET_RST	PRCM	UART2 reset
UART3	UART3_RST	L4PER_RET_RST	PRCM	UART3 reset
UART4	UART4_RST	L4PER_RET_RST	PRCM	UART4 reset
UART5	UART5_RST	L4PER_RET_RST	PRCM	UART5 reset
UART6	UART6_RST	IPU_RET_RST	PRCM	UART6 reset
UART7	UART7_RST	L4PER_RET_RST	PRCM	UART7 reset

Table 24-132. UART Clocks and Resets (continued)

UART8	UART8_RST	L4PER_RET_RST	PRCM	UART8 reset
UART9	UART9_RST	L4PER_RET_RST	PRCM	UART9 reset
UART10	UART10_RST	WKUPAON_RST	PRCM	UART10 reset

Table 24-133. UART Hardware Requests

Interrupt Requests				
Module Instance	Source Signal Name	Destination IRQ_CROSSBAR input	Default Mapping	Description
UART1	UART1_IRQ	IRQ_CROSSBAR_67	MPU_IRQ_72	UART 1 IRQ line
UART2	UART2_IRQ	IRQ_CROSSBAR_68	MPU_IRQ_73	UART 2 IRQ line
UART3	UART3_IRQ	IRQ_CROSSBAR_69	MPU_IRQ_74, IPU1_IRQ_45, IPU2_IRQ_45	UART 3 IRQ line
UART4	UART4_IRQ	IRQ_CROSSBAR_65	MPU_IRQ_70	UART 4 IRQ line
UART5	UART5_IRQ	IRQ_CROSSBAR_100	MPU_IRQ_105	UART 5 IRQ line
UART6	UART6_IRQ	IRQ_CROSSBAR_101	MPU_IRQ_106	UART 6 IRQ line
UART7	UART7_IRQ	IRQ_CROSSBAR_218	-	UART 7 IRQ line
UART8	UART8_IRQ	IRQ_CROSSBAR_219	-	UART 8 IRQ line
UART9	UART9_IRQ	IRQ_CROSSBAR_220	-	UART 9 IRQ line
UART10	UART10_IRQ	IRQ_CROSSBAR_221	-	UART 10 IRQ line
Direct Memory Access (DMA) Requests				
Module Instance	Source Signal Name	Destination DMA_CROSSBAR input	Default Mapping	Description
UART1	UART1_DREQ_TX	DMA_CROSSBAR_49	DMA_SYSTEM_DREQ_48 DMA_EDMA_DREQ_48	UART 1 – transmit request
	UART1_DREQ_RX	DMA_CROSSBAR_50	DMA_SYSTEM_DREQ_49 DMA_EDMA_DREQ_49	UART 1 – receive request
UART2	UART2_DREQ_TX	DMA_CROSSBAR_51	DMA_SYSTEM_DREQ_50 DMA_EDMA_DREQ_50	UART 2 – transmit request
	UART2_DREQ_RX	DMA_CROSSBAR_52	DMA_SYSTEM_DREQ_51 DMA_EDMA_DREQ_51	UART 2 – receive request
UART3	UART3_DREQ_TX	DMA_CROSSBAR_53	DMA_SYSTEM_DREQ_52 DMA_EDMA_DREQ_52	UART 3 – transmit request
	UART3_DREQ_RX	DMA_CROSSBAR_54	DMA_SYSTEM_DREQ_53 DMA_EDMA_DREQ_53	UART 3 – receive request
UART4	UART4_DREQ_TX	DMA_CROSSBAR_55	DMA_SYSTEM_DREQ_54 DMA_EDMA_DREQ_54	UART 4 – transmit request
	UART4_DREQ_RX	DMA_CROSSBAR_56	DMA_SYSTEM_DREQ_55 DMA_EDMA_DREQ_55	UART 4 – receive request
UART5	UART5_DREQ_TX	DMA_CROSSBAR_63	DMA_SYSTEM_DREQ_62 DMA_EDMA_DREQ_62	UART 5 – transmit request
	UART5_DREQ_RX	DMA_CROSSBAR_64	DMA_SYSTEM_DREQ_63 DMA_EDMA_DREQ_63	UART 5 – receive request
UART6	UART6_DREQ_TX	DMA_CROSSBAR_79	DMA_SYSTEM_DREQ_78	UART 6 – transmit request
	UART6_DREQ_RX	DMA_CROSSBAR_80	DMA_SYSTEM_DREQ_79	UART 6 – receive request
UART7	UART7_DREQ_TX	DMA_CROSSBAR_144	-	UART 7 – transmit request.
	UART7_DREQ_RX	DMA_CROSSBAR_145	-	UART 7 – receive request
UART8	UART8_DREQ_TX	DMA_CROSSBAR_146	-	UART 8 – transmit request
	UART8_DREQ_RX	DMA_CROSSBAR_147	-	UART 8 – receive request
UART9	UART9_DREQ_TX	DMA_CROSSBAR_148	-	UART 9 – transmit request
	UART9_DREQ_RX	DMA_CROSSBAR_149	-	UART 9 – receive request
UART10	UART10_DREQ_TX	DMA_CROSSBAR_150	-	UART 10 – transmit request
	UART10_DREQ_RX	DMA_CROSSBAR_151	-	UART 10 – receive request

NOTE: The **Default Mapping** column in [Table 24-133, UART Hardware Requests](#), shows the default mapping of module IRQ and DREQ source signals. These module IRQ and DREQ source signals can also be mapped to other lines of each device Interrupt or DMA controller through the IRQ_CROSSBAR and DMA_CROSSBAR modules, respectively.

For more information about the IRQ_CROSSBAR module, see [Section 18.4.6.4, IRQ_CROSSBAR Module Functional Description](#), in [Chapter 18, Control Module](#).

For more information about the DMA_CROSSBAR module, see [Section 18.4.6.5, DMA_CROSSBAR Module Functional Description](#), in [Chapter 18, Control Module](#).

For more information about the device interrupt controllers, see [Chapter 17, Interrupt Controllers](#).

For more information about the device DMA_SYSTEM module, see [Section 16.1, System DMA](#).

For more information about the device EDMA module, see [Section 16.2, Enhanced DMA](#).

24.3.4 UART/IrDA/CIR Functional Description

24.3.4.1 Block Diagram

The UART/IrDA/CIR module can be divided into three main blocks:

- FIFO management
- Mode selection
- Protocol formatting

FIFO management is common to all functions and enables the transmission and reception of data from the host processor point of view.

There are two modes:

- Function mode: Routes the data to the chosen function (UART, IrDA, or CIR) and enables the mechanism corresponding to the chosen function
- Register mode: Enables conditional access to registers

For more information about mode configuration, see [Section 24.3.4.7, Mode Selection](#).

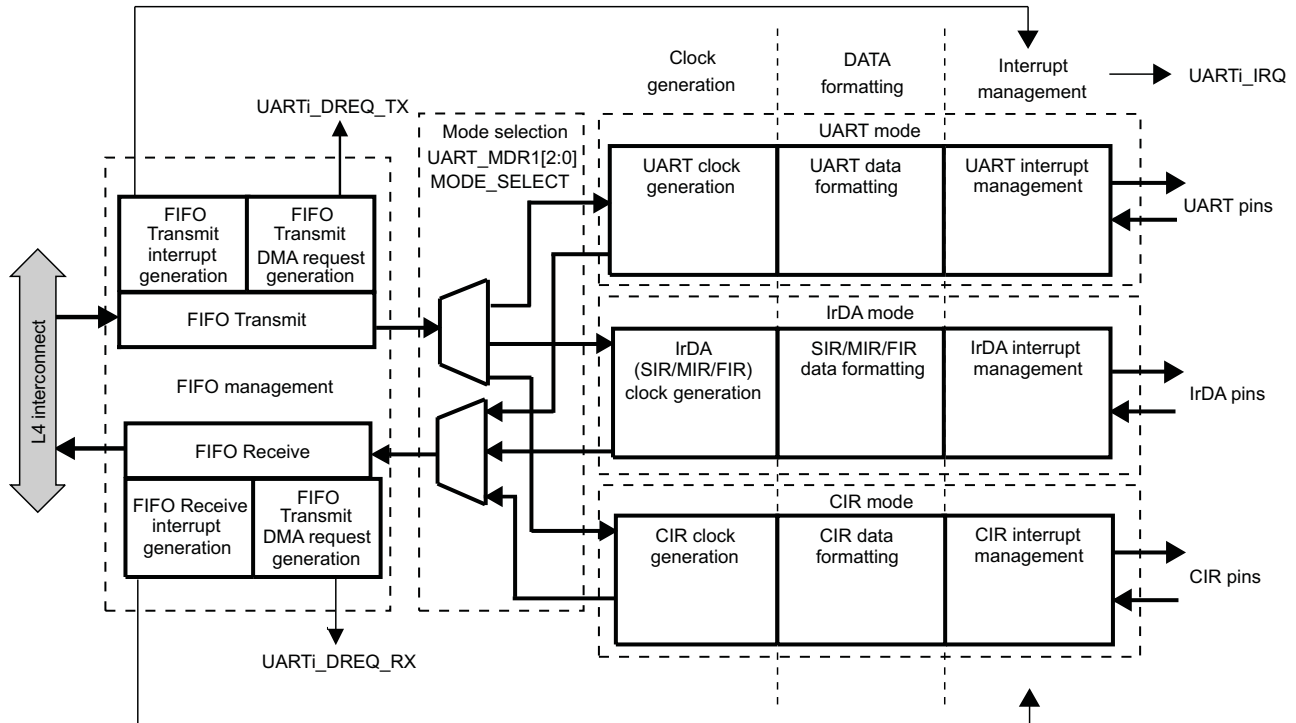
Protocol formatting has three subcategories:

- Clock generation: The 48-MHz input clock generates all necessary clocks.
- Data formatting: Each function uses its own state-machine that is responsible for the transition between FIFO data and frame data associated with it.
- Interrupt management: Different interrupt types are generated depending on the chosen function. In each mode, when an interrupt is generated, the [UART_IIR](#) register indicates the interrupt type.
 - UART mode interrupts: Seven interrupts prioritized in six different levels
 - IrDA mode interrupts: Eight interrupts. The interrupt line is activated when any interrupt is generated (there is no priority).
 - CIR mode interrupts: A subset of existing IrDA mode interrupts is used.

In parallel with these functional blocks, a power-saving strategy exists for each function.

[Figure 24-58](#) is the UART/IrDA/CIR block diagram.

Figure 24-58. UART/IrDA/CIR Functional Block Diagram



uart-022

24.3.4.2 Clock Configuration

Each UART uses a 48-MHz functional clock for its logic and to generate external interface signals. Each UART uses an interface clock for register accesses. The PRCM module generates and controls all these clocks (for more information, see [Section 3.1.1.1.4, Clock Domain-Level Clock Management](#), in [Chapter 3, Power, Reset, and Clock Management](#)).

The idle and wake-up processes use a handshake protocol between the PRCM and the UART (for a description of the protocol, see [Section 3.1.1.1.4, Clock Domain Level Clock Management](#), in [Chapter 3, Power, Reset, and Clock Management](#)). The UARTi.UART_SYSC[4:3] IDLEMODE bit field controls UART idle mode.

24.3.4.3 Software Reset

The UARTi.UART_SYSC[1] SOFTRESET bit controls the software reset; setting this bit to 1 triggers a software reset functionally equivalent to hardware reset.

24.3.4.4 Power Management

24.3.4.4.1 UART Mode Power Management

24.3.4.4.1.1 Module Power Saving

In UART modes, sleep mode is enabled by setting the UARTi.UART_IER[4] SLEEP_MODE bit to 1 (when the UARTi.UART_EFR[4] ENHANCED_EN bit is set to 1).

Sleep mode is entered when all of the following conditions exist:

- The serial data input line, uarti_rxd, is idle.
- The TX FIFO and TX shift register are empty.
- The RX FIFO is empty.
- The only pending interrupts are THR interrupts.

Sleep mode is a good way to lower UART power consumption, but this state can be achieved only when the UART is set to modem mode. Therefore, even if the UART has no key role functionally, it must be initialized in a functional mode to take advantage of sleep mode.

In sleep mode, the module clock and baud rate clock are stopped internally. Because most registers are clocked by these clocks, this greatly reduces power consumption. The module wakes up when a change is detected on the uarti_rxd line, when data is written to the TX FIFO, and when there is a change in the state of the modem input pins.

An interrupt can be generated on a wake-up event by setting the UARTi.UART_SCR[4] RX_CTS_WU_EN bit to 1. To understand how to manage the interrupt, see [Section 24.3.4.5.1.2, Wake-Up Interrupt](#).

NOTE: There must be no writing to the divisor latches, UARTi.UART_DLL and UARTi.UART_DLH, to set the baud clock (BCLK) while in sleep mode. It is advisable to disable sleep mode using the UARTi.UART_IER[4] SLEEP_MODE bit before writing to the UARTi.UART_DLL or UARTi.UART_DLH register.

24.3.4.4.1.2 System Power Saving

Sleep and auto-idle modes are embedded power-saving features. Power-reduction techniques can be applied at the system level by shutting down certain internal clock and power domains of the device.

The UART supports an idle req/idle ack handshaking protocol used at the system level to shut down the UART clocks in a clean and controlled manner and to switch the UART from interrupt-generation mode to wake-up generation mode for unmasked events (see the UARTi.UART_SYSC[2] ENAWAKEUP bit and the UARTi.UART_WER register).

For more information, see [Section 3.1.1.1.2, Module Level Clock Management, Chapter 3, Power, Reset, and Clock Management](#).

24.3.4.4.2 IrDA Mode Power Management (UART3 Only)

24.3.4.4.2.1 Module Power Saving

In IrDA modes, sleep mode is enabled by setting the UART3.UART_MDR1[3] IR_SLEEP bit to 1.

Sleep mode is entered when all of the following conditions exist:

- The serial data input line, RXD, is idle.
- The TX FIFO and TX shift register are empty.
- The RX FIFO is empty.
- No interrupts are pending except THR interrupts.

The module wakes up when a change is detected on the RXD line or when data is written to the TX FIFO.

24.3.4.4.2.2 System Power Saving

System power saving for the IrDA mode has the same function as for the UART mode (see [Section 24.3.4.4.1.2, System Power Saving](#)).

24.3.4.4.3 CIR Mode Power Management (UART3 Only)

24.3.4.4.3.1 Module Power Saving

Module power saving for the CIR mode has the same function as for the IrDA mode (see [Section 24.3.4.4.2.1, Module Power Saving](#)).

24.3.4.4.3.2 System Power Saving

System power saving for the CIR mode has the same function as for the UART mode (see [Section 24.3.4.4.1.2, System Power Saving](#)).

24.3.4.4.4 Local Power Management

Table 24-134 describes power-management features available for the UART.

NOTE: For information about source clock gating and the sleep/wake-up transitions description, see [Section 3.1.1.1.2, Module Level Clock Management, Chapter 3, Power, Reset, and Clock Management](#).

Table 24-134. Local Power-Management Features

Feature	Registers	Description
Clock autogating	UART_SYSC [0] AUTOIDLE	This bit allows local power optimization in the module by gating the UARTi_ICLK clock on interface activity or gating the UARTi_FCLK clock on internal activity.
Slave idle modes	UART_SYSC [4:3] IDLEMODE	Force-idle, no-idle, smart-idle, and smart-idle wakeup-capable modes are available.
Clock activity	N/A	Feature not available
Master standby modes	N/A	Feature not available
Global wake-up enable	UART_SYSC [2] ENAWAKEUP	This bit enables the wake-up feature at module level.
Wake-Up sources enable	N/A	Feature not available

24.3.4.5 Interrupt Requests

24.3.4.5.1 UART Mode Interrupt Management

24.3.4.5.1.1 UART Interrupts

UART mode includes seven possible interrupts prioritized to six levels.

When an interrupt is generated, the interrupt identification register (UARTi.UART_IIR) sets the UARTi.UART_IIR[0] IT_PENDING bit to 0 to indicate that an interrupt is pending, and indicates the type of interrupt through the UARTi.UART_IIR[5:1] bit field. [Table 24-135](#) summarizes the interrupt control functions.

Table 24-135. UART Mode Interrupts

IIR[5:0]	Priority Level	Interrupt Type	Interrupt Source	Interrupt Reset Method
000001	N/A	No Interrupt	N/A	N/A
000110	1	Receiver line status	OE, FE, PE, or BI errors occur in characters in the RX FIFO.	FE, PE, BI: Read the UART_RHR register. OE: Read the UART_LSR register.
001100	2	RX time-out	Stale data in RX FIFO	Read the UART_RHR register.
000100	2	RHR interrupt	DRDY (data ready) (FIFO disabled) RX FIFO above trigger level (FIFO enabled)	Read the UART_RHR register until the interrupt condition disappears
000010	3	THR interrupt	TFE (THR empty) (FIFO disabled) TX FIFO below trigger level (FIFO enabled)	Write to the UART_THR until the interrupt condition disappears
000000	4	Modem status	See the UART_MSR register.	Read the MSR register
010000	5	XOFF interrupt/special character interrupt	Receive XOFF characters/special character	Receive XON character(s), if XOFF interrupt/read of the UART_IIR register, if special character interrupt
100000	6	CTS, RTS	RTS pin or CTS pin change state from active (low) to inactive (high)	Read the UART_IIR register

For the receiver-line status interrupt, the RX_FIFO_STS bit (UARTi.UART_LSR[7]) generates the interrupt.

For the XOFF interrupt, if an XOFF flow character detection caused the interrupt, the interrupt is cleared by an XON flow character detection. If special character detection caused the interrupt, the interrupt is cleared by a read of the UARTi.UART_IIR register.

24.3.4.5.1.2 Wake-Up Interrupt

Wake-up interrupt is a special interrupt that works differently from other interrupts. This interrupt is enabled when the UARTi.UART_SCR[4] RX_CTS_WU_EN bit is set to 1. The UARTi.UART_IIR register is not modified when this occurs; the UART3.UART_SSR[1] RX_CTS_WU_STS bit must be checked to detect a wake-up event.

When a wake-up interrupt occurs, it can be cleared only by resetting the UARTi.UART_SCR[4] RX_CTS_WU_EN bit. This bit must be reenabled (set to 1) after the current wake-up interrupt event is processed to detect the next incoming wake-up event.

24.3.4.5.2 IrDA Mode Interrupt Management

24.3.4.5.2.1 IrDA Interrupts

The IrDA function generates interrupts. All interrupts can be enabled and disabled by writing to the appropriate bit in the interrupt enable register (UART3.UART_IER_IRDA). The interrupt status of the device can be checked by reading the interrupt identification register (UART3.UART_IIR_IRDA).

UART, IrDA, and CIR modes have different interrupts in the UART/IrDA/CIR module and, therefore, different UART3.UART_IER_IRDA and UART3.UART_IIR_IRDA mappings, depending on the selected mode.

IrDA modes have eight possible interrupts (see Table 24-136). The interrupt line is activated when any interrupt is generated (there is no priority).

Table 24-136. IrDA Mode Interrupts

IIR_IRDA Bit	Interrupt Type	Interrupt Source	Interrupt Reset Method
0	RHR interrupt	DRDY (data ready) (FIFO disabled) RX FIFO above trigger level (FIFO enabled)	Read the UART_RHR register until the interrupt condition disappears.
1	THR interrupt	TFE (THR empty) (FIFO disabled) TX FIFO below trigger level (FIFO enabled)	Write to the UART_THR until the interrupt condition disappears.
2	Last byte in RX FIFO	Last byte of frame in RX FIFO is available to be read at the RHR port.	Read the UART_RHR register.
3	RX overrun	Write to the UART_RHR register when the RX FIFO is full.	Read UART_RESUME register.
4	Status FIFO interrupt	Status FIFO triggers level reached.	Read STATUS FIFO.
5	TX status	THR empty before EOF sent. Last bit of transmission of the IrDA frame occurred, but with an underrun error OR Transmission of the last bit of the IrDA frame completed successfully.	Read the UART_RESUME register OR Read the UART_IIR_IRDA register.
6	Receiver line status interrupt	CRC, ABORT, or frame-length error is written into the STATUS FIFO.	Read the STATUS FIFO (read until empty - maximum of eight reads required).
7	Received EOF	Received end-of-frame	Read the UART_IIR_IRDA register.

24.3.4.5.2.2 Wake-Up Interrupts

The wake-up interrupt for IrDA mode has the same function as that for UART mode (see [Section 24.3.4.5.1.2, Wake-Up Interrupt](#)).

CAUTION

Wake-up interface implementation in this mode is based on the UARTi_SIDLEACK low-to-high transition instead of the UARTi_SIDLEACK state.

This does not ensure wake-up event generation as expected when configured in smart-idle mode, and the system wakes up for a short period.

24.3.4.5.3 CIR Mode Interrupt Management

24.3.4.5.3.1 CIR Interrupts

The CIR function generates interrupts that can be enabled and disabled by writing to the appropriate bit in the interrupt enable register (UART3.UART_IER_CIR). The interrupt status of the device can be checked by reading the interrupt identification register (UART3.UART_IIR_CIR).

UART, IrDA, and CIR modes have different interrupts in the UART/IrDA/CIR module and, therefore, different UART3.UART_IER_CIR and UART3.UART_IIR_CIR mappings, depending on the selected mode.

[Table 24-137](#) lists the interrupt modes to be maintained. In CIR mode, the sole purpose of the UART3.UART_IIR_CIR[5] bit is to indicate that the last bit of infrared data was passed to the uart3_rctx pin.

Table 24-137. CIR Mode Interrupts

IIR_CIR Bit Number	Interrupt Type	Interrupt Source	Interrupt Reset Method
0	N/A for CIR mode	N/A for CIR mode	N/A for CIR mode
1	THR interrupt	TFE (THR empty) (FIFO disabled) TX FIFO below trigger level (FIFO enabled)	Write to the THR register until the interrupt condition disappears
2	N/A for CIR mode	N/A for CIR mode	N/A for CIR mode
3	N/A for CIR mode	N/A for CIR mode	N/A for CIR mode
4	N/A for CIR mode	N/A for CIR mode	N/A for CIR mode
5	TX status	Transmission of the last bit of the frame is complete successfully	Read the IIR_CIR register
6	N/A for CIR mode	N/A for CIR mode	N/A for CIR mode
7	N/A for CIR mode	N/A for CIR mode	N/A for CIR mode

24.3.4.5.3.2 Wake-Up Interrupts

The wake-up interrupt for CIR mode has the same function as that for UART mode (see [Section 24.3.4.5.1.2, Wake-Up Interrupt](#)).

24.3.4.6 FIFO Management

The FIFO is accessed by reading and writing the UARTi.UART_RHR and UARTi.UART_THR registers. Parameters are controlled using the FIFO control register (UARTi.UART_FCR) and supplementary control register (UARTi.UART_SCR). Reading the UARTi.UART_SSR[0] TX_FIFO_FULL bit at 1 means the FIFO is full.

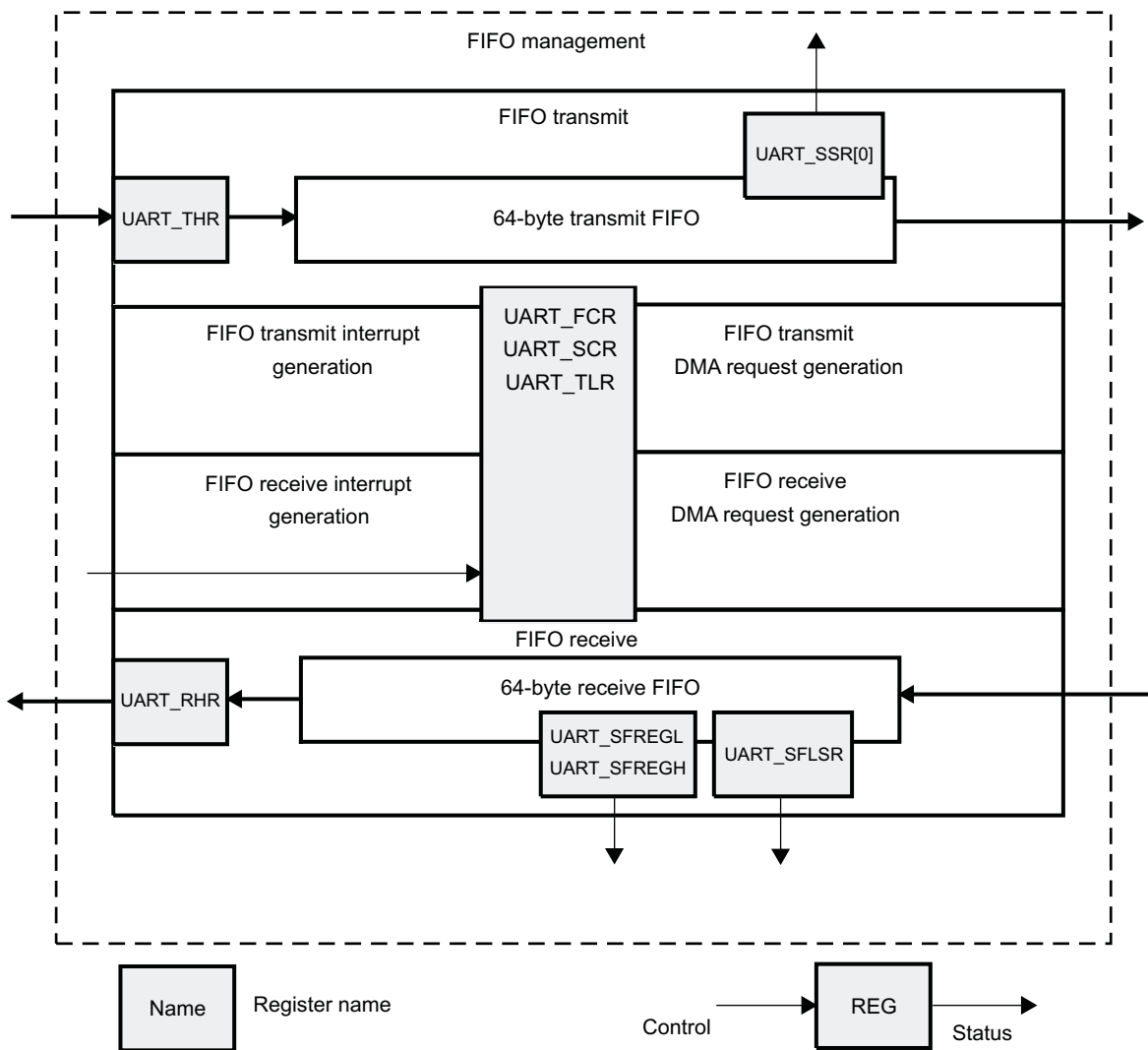
The UARTi.UART_TLR register controls the FIFO trigger level, which enables DMA and interrupt generation. After reset, transmit (TX) and receive (RX) FIFOs are disabled; thus, the trigger level is the default value of 1 byte. Figure 24-59 shows the FIFO management registers.

NOTE: Data in the UARTi.UART_RHR register is not overwritten when an overflow occurs.

NOTE: The UARTi.UART_SFLSR, UARTi.UART_SFREGL, and UARTi.UART_SFREGH status registers are used in IrDA mode only. For information about their use, see Section 24.3.4.8.2.3, IrDA Data Formatting.

NOTE: Bits UARTi.UART_FCR[2] TX_FIFO_CLEAR and UARTi.UART_FCR[1] RX_FIFO_CLEAR are automatically cleared by hardware after $4 * \text{UARTi_ICLK} + 5 * \text{UARTi_FCLK}$ clock cycles. This delay is needed to finish the resetting of the corresponding FIFO and DMA control registers.

Figure 24-59. FIFO Management Registers



uart-023

24.3.4.6.1 FIFO Trigger

24.3.4.6.1.1 Transmit FIFO Trigger

Table 24-138 lists the TX FIFO trigger level settings.

Table 24-138. TX FIFO Trigger Level Setting Summary

SCR[6]	TLR[3:0]	TX FIFO Trigger Level
0	= 0x0	Defined by the UARTi.UART_FCR[5:4] TX_FIFO_TRIG bit field (8,16, 32, or 56 spaces)
0	!= 0x0	Defined by the UARTi.UART_TLR[3:0] TX_FIFO_TRIG_DMA bit field (from 4 to 60 spaces with a granularity of 4 spaces)
1	Value	Defined by the concatenated value of TX_FIFO_TRIG_DMA and TX_FIFO_TRIG (from 1 to 63 spaces with a granularity of 1 space) Note: The combination of TX_FIFO_TRIG_DMA = 0x0 and TX_FIFO_TRIG = 0x0 (all zeros) is not supported (minimum of 1 space required). All zeros result in unpredictable behavior.

24.3.4.6.1.2 Receive FIFO Trigger

Table 24-139 lists the RX FIFO trigger-level settings.

Table 24-139. RX FIFO Trigger-Level Setting Summary

SCR[7]	TLR[7:4]	RX FIFO Trigger Level
0	= 0x0	Defined by the UARTi.UART_FCR[7:6] RX_FIFO_TRIG bit field (8,16, 56, or 60 characters)
0	!= 0x0	Defined by the UARTi.UART_TLR[7:4] RX_FIFO_TRIG_DMA bit field (from 4 to 60 characters with a granularity of 4 characters)
1	Value	Defined by the concatenated value of RX_FIFO_TRIG_DMA and RX_FIFO_TRIG (from 1 to 63 characters with a granularity of 1 character) Note: The combination of RX_FIFO_TRIG_DMA = 0x0 and RX_FIFO_TRIG = 0x0 (all zeros) is not supported (minimum of 1 character required). All zeros result in unpredictable behavior.

The receive threshold is programmed using the UARTi.UART_TCR[7:4] RX_FIFO_TRIG_START and UARTi.UART_TCR[3:0] RX_FIFO_TRIG_HALT bit fields:

- Trigger levels from 0 to 60 bytes are available with a granularity of 4 (trigger level = 4 × [4-bit register value]).
- To ensure correct device operation, ensure that RX_FIFO_TRIG_HALT > RX_FIFO_TRIG when auto-RTS is enabled.

$$\text{Delay} = [4 + 16 \times (1 + \text{CHAR_LENGTH} + \text{Parity} + \text{Stop} - 0.5)] \times \text{Baud_rate} + 4 \times \text{FCLK}$$

NOTE: The RTS signal is deasserted after the UART module receives the data over RX_FIFO_TRIG_HALT. Delay means how long the UART module takes to deassert the RTS signal after reaching RX_FIFO_TRIG_HALT.

- In FIFO interrupt mode with flow control, ensure that the trigger level to HALT transmission is greater than or equal to the RX FIFO trigger level (the UARTi.UART_TCR[7:4] RX_FIFO_TRIG_START bit field or the UARTi.UART_FCR[7:6] RX_FIFO_TRIG bit field); otherwise, FIFO operation stalls. In FIFO DMA mode with flow control, this concept does not exist, because a DMA request is sent when a byte is received.

24.3.4.6.2 FIFO Interrupt Mode

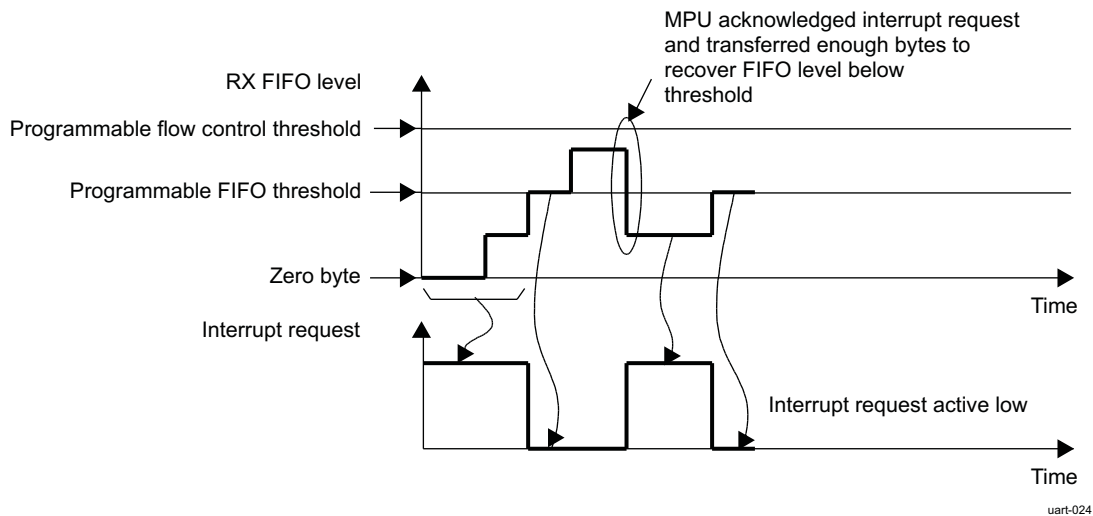
In FIFO interrupt mode (the FIFO control register UARTi.UART_FCR[0] FIFO_EN bit is set to 1 and relevant interrupts are enabled by the UARTi.UART_IER register), an interrupt signal informs the processor of the status of the receiver and transmitter. These interrupts are raised when the RX/TX FIFO threshold (the UARTi.UART_TLR[7:4] RX_FIFO_TRIG_DMA and UARTi.UART_TLR[3:0] TX_FIFO_TRIG_DMA bit fields or the UARTi.UART_FCR[7:6] RX_FIFO_TRIG and UARTi.UART_FCR[5:4] TX_FIFO_TRIG bit fields, respectively) is reached.

The interrupt signals instruct the MPU to transfer data to the destination (from the UART in receive mode and/or from any source to the UART FIFO in transmit mode).

When UART flow control is enabled with interrupt capabilities, the UART flow control FIFO threshold (the UARTi.UART_TCR[3:0] RX_FIFO_TRIG_HALT bit field) must be greater than or equal to the RX FIFO threshold.

Figure 24-60 shows the generation of the RX FIFO interrupt request.

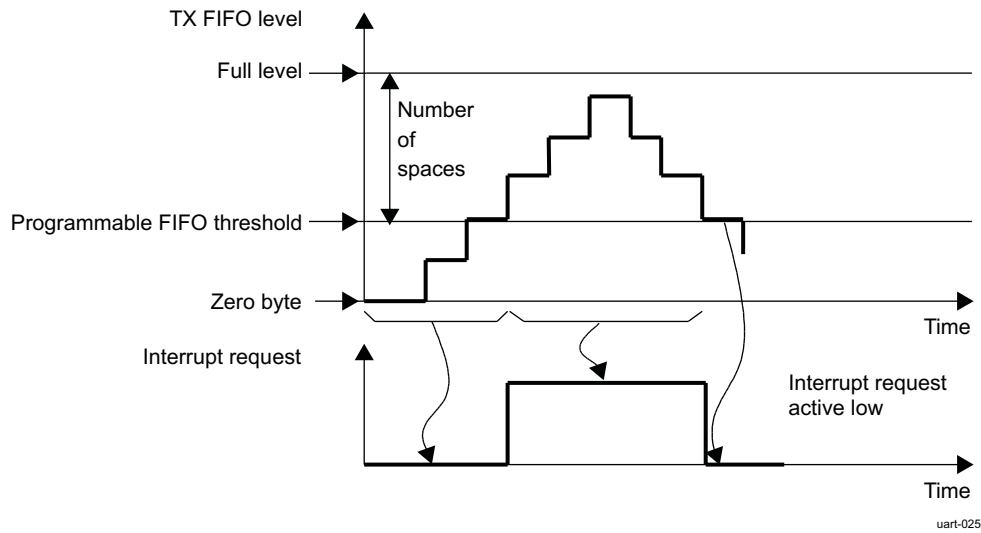
Figure 24-60. RX FIFO Interrupt Request Generation



In receive mode, no interrupt is generated until the RX FIFO reaches its threshold. Once low, the interrupt can be deasserted only when the MPU has handled enough bytes to put the FIFO level below threshold. The flow control threshold is set at a higher value than the FIFO threshold.

Figure 24-61 shows the generation of the TX FIFO interrupt request.

Figure 24-61. TX FIFO Interrupt Request Generation



In transmit mode, an interrupt request is automatically asserted when the TX FIFO is empty. This request is deasserted when the TX FIFO crosses the threshold level. The interrupt line is deasserted until a sufficient number of elements is transmitted to go below the TX FIFO threshold.

24.3.4.6.3 FIFO Polled Mode Operation

In FIFO polled mode (the UARTi.UART_FCR[0] FIFO_EN bit is set to 0 and the relevant interrupts are disabled by the UARTi.UART_IER register), the status of the receiver and transmitter can be checked by polling the line status register (UARTi.UART_LSR).

This mode is an alternative to the FIFO interrupt mode of operation in which the status of the receiver and transmitter is automatically determined by sending interrupts to the MPU .

24.3.4.6.4 FIFO DMA Mode Operation

Although the DMA operation includes four modes (DMA modes 0 through 3), the information in Table 24-133, *UART Hardware Requests*, assumes that mode 1 is used. (Mode 2 and mode 3 are legacy modes that use only one DMA request for each module.)

In mode 2, the remaining DMA request is used for RX. In mode 3, the remaining DMA request is used for TX.

DMA requests in mode 2 and mode 3 use the UARTi_DREQ_TX signals (where i = 1 to 10).

The UARTi_DREQ_RX signals are not used by the module in mode 2 and mode 3:

The DMA mode and signals usage can be selected as follows:

- When the UARTi.UART_SCR[0] DMA_MODE_CTL bit is set to 0, setting the UARTi.UART_FCR[3] DMA_MODE bit to 0 enables DMA mode 0. Setting the UARTi.UART_FCR[3] DMA_MODE bit to 1 enables DMA mode 1.
- When the UARTi.UART_SCR[0] DMA_MODE_CTL bit is set to 1, the UARTi.UART_SCR[2:1] DMA_MODE_2 bit field determines DMA mode 0 to mode 3 based on the supplementary control register (SCR) description.

For example:

- If no DMA operation is desired, set the UARTi.UART_SCR[0] DMA_MODE_CTL bit to 1 and the UARTi.UART_SCR[2:1] DMA_MODE_2 bit field to 0x0. (The DMA_MODE bit is discarded.)
- If DMA mode 1 is desired, set the UARTi.UART_SCR[0] DMA_MODE_CTL bit to 0 and the UARTi.UART_FCR[3] DMA_MODE bit to 1, or set the UARTi.UART_SCR[0] DMA_MODE_CTL bit to 1 and the SCR[2:1] DMA_MODE_2 bit field to 01. (The UARTi.UART_FCR[3] DMA_MODE bit is discarded.)

If the FIFOs are disabled (the UARTi.UART_FCR[0] FIFO_EN bit is set to 0), the DMA occurs in single-character transfers.

When DMA mode 0 is programmed, the signals associated with DMA operation are not active.

Depending on UARTi.UART_MDR3[2] SET_DMA_TX_THRESHOLD, the threshold can be programmed different ways:

- SET_TX_DMA_THRESHOLD = 1:

The threshold value will be the value of the TX_DMA_THRESHOLD register. If SET_TX_DMA_THRESHOLD + TX trigger spaces 64, then the default method of threshold is used: threshold value = TX FIFO size.

- SET_TX_DMA_THRESHOLD = 0:

The threshold value = TX FIFO size TX trigger space. The TX DMA line is asserted if the TX FIFO level is lower than the threshold. It remains asserted until TX trigger spaces number of bytes are written into the FIFO. The DMA line is then deasserted and the FIFO level is compared with the threshold value.

24.3.4.6.4.1 DMA sequence to disable TX DMA

In order to disable TX DMA if it is not needed anymore (e.g. all transfers are done and UART idle mode is desired), the following sequence must be use

1. DMA mode 1 is set (both TX/RX DMA) by registers UARTi.UART_SCR[0] = 0 and UARTi.UART_FCR[3] = 1:

- A. Set the UARTi.UART_SCR[2:1] DMA_MODE_2 bit fields to 01 (DMA mode 1)
- B. Set the UARTi.UART_SCR[0] DMA_MODE_CTL bit to 1 (this setting of UARTi.UART_SCR[0] DMA_MODE_CTL will ignores UARTi.UART_FCR[3] DMA_MODE_CTL bit)

NOTE: It is strongly suggested to do steps 'a' and 'b' in two separate write in order to avoid malfunction of the device.

- C. Set the UARTi.UART_FCR[3] DMA_MODE bit to 0. It is not necessary but suggested to avoid restore of DMA mode 1 during accidental reset of UARTi.UART_SCR[0] DMA_MODE_CTL bit. Be sure that all data was read out from RX FIFO and if it possible disable the RX side. In UART mode the RTS/CTS or XOFF/XON protocol can be used. In IrDA modes RX can be forcibly disabled by setting UARTi.UART_ACREG[5] DIS_IR_RX bit

NOTE: There can be RX DATA loss during the next steps if all DATA was not read out or there was an ongoing reception!

- D. Set the UARTi.UART_FCR[2:1] DMA_MODE bit field to 11 (clear TX and RX FIFO and resets its counter logic to 0. Returns to 0 after clearing FIFO).
 - E. Set the UARTi.UART_SCR[2:1] DMA_MODE_2 bit field to 10 (DMA mode 2, RX only).
 - F. Set the UARTi.UART_FCR[2:1] DMA_MODE bit field to 11 (clear TX and RX FIFO and the DMA request again).
 - G. Set the UARTi.UART_SCR[2:1] DMA_MODE_2 bit field to 00 (no DMA) or keep 10 if RX DMA is needed.
2. DMA mode 1 is set (both TX/RX DMA) by registers UARTi.UART_FCR[3] = 0 and UARTi.UART_SCR[0] = 1, UARTi.UART_SCR[2:1] = 01. It is almost the same as above, but steps 'a', and 'b' can be skipped:
 - A. Set the UARTi.UART_FCR[3] DMA_MODE bit to 0. It is not necessary but suggested to avoid restore of DMA mode 1 during accidental reset of UARTi.UART_SCR[0] DMA_MODE_CTL bit. Be sure that all data was read out from RX FIFO and if it possible disable the RX side. In UART mode the RTS/CTS or XOFF/XON protocol can be used. In IrDA modes RX can be forcibly disabled by setting UARTi.UART_ACREG[5] DIS_IR_RX bit

NOTE: There can be RX DATA loss during the next steps if all DATA was not read out or there was an ongoing reception!

- B. Set the UARTi.UART_FCR[2:1] DMA_MODE bit field to 11 (clear TX and RX FIFO and resets its counter logic to 0. Returns to 0 after clearing FIFO).
 - C. Set the UARTi.UART_SCR[2:1] DMA_MODE_2 bit field to 10 (DMA mode 2, RX only).
 - D. Set the UARTi.UART_FCR[2:1] DMA_MODE bit field to 11 (clear TX and RX FIFO and the DMA request again).
 - E. Set the UARTi.UART_SCR[2:1] DMA_MODE_2 bit field to 00 (no DMA) or keep 10 if RX DMA is needed.
3. DMA mode 3 is set (TX DMA only) by registers UARTi.UART_FCR[3] = 0 and UARTi.UART_SCR[0] = 1, UARTi.UART_SCR[2:1] = 11. It is the same as above:
 - A. Set the UARTi.UART_FCR[3] DMA_MODE bit to 0. It is not necessary but suggested to avoid restore of DMA mode 1 during accidental reset of UARTi.UART_SCR[0] DMA_MODE_CTL bit. Be sure that all data was read out from RX FIFO and if it possible disable the RX side. In UART mode the RTS/CTS or XOFF/XON protocol can be used. In IrDA modes RX can be forcibly disabled by setting UARTi.UART_ACREG[5] DIS_IR_RX bit

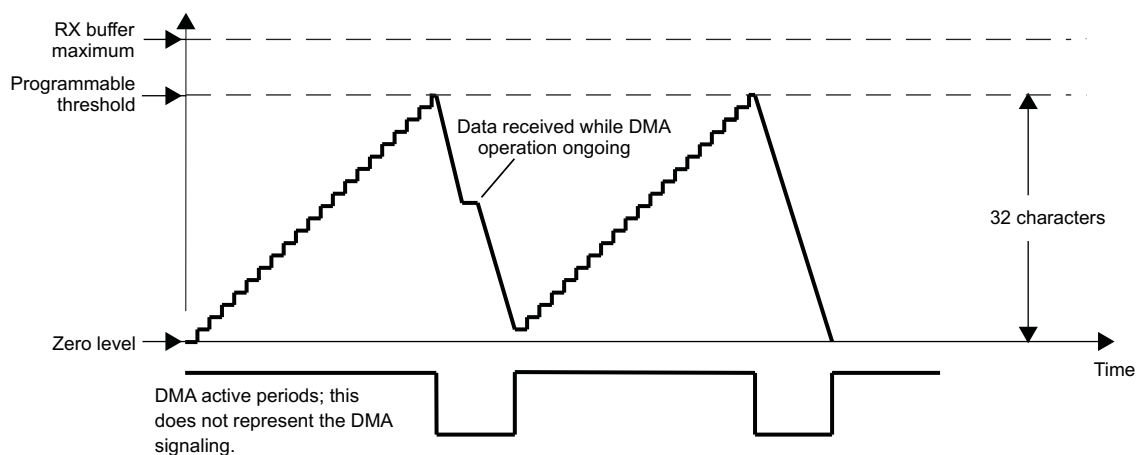
NOTE: There can be RX DATA loss during the next steps if all DATA was not read out or there was an ongoing reception!

- B. Set the UARTi.UART_FCR[2:1] DMA_MODE bit field to 11 (clear TX and RX FIFO and resets its counter logic to 0. Returns to 0 after clearing FIFO).
- C. Set the UARTi.UART_SCR[2:1] DMA_MODE_2 bit field to 10 (DMA mode 2, RX only).
- D. Set the UARTi.UART_FCR[2:1] DMA_MODE bit field to 11 (clear TX and RX FIFO and the DMA request again).
- E. Set the UARTi.UART_SCR[2:1] DMA_MODE_2 bit field to 00 (no DMA) or keep 10 if RX DMA is needed.

24.3.4.6.4.2 DMA Transfers (DMA Mode 1, 2, or 3)

Figure 24-62 through Figure 24-65 show the supported DMA operations.

Figure 24-62. Receive FIFO DMA Request Generation (32 Characters)

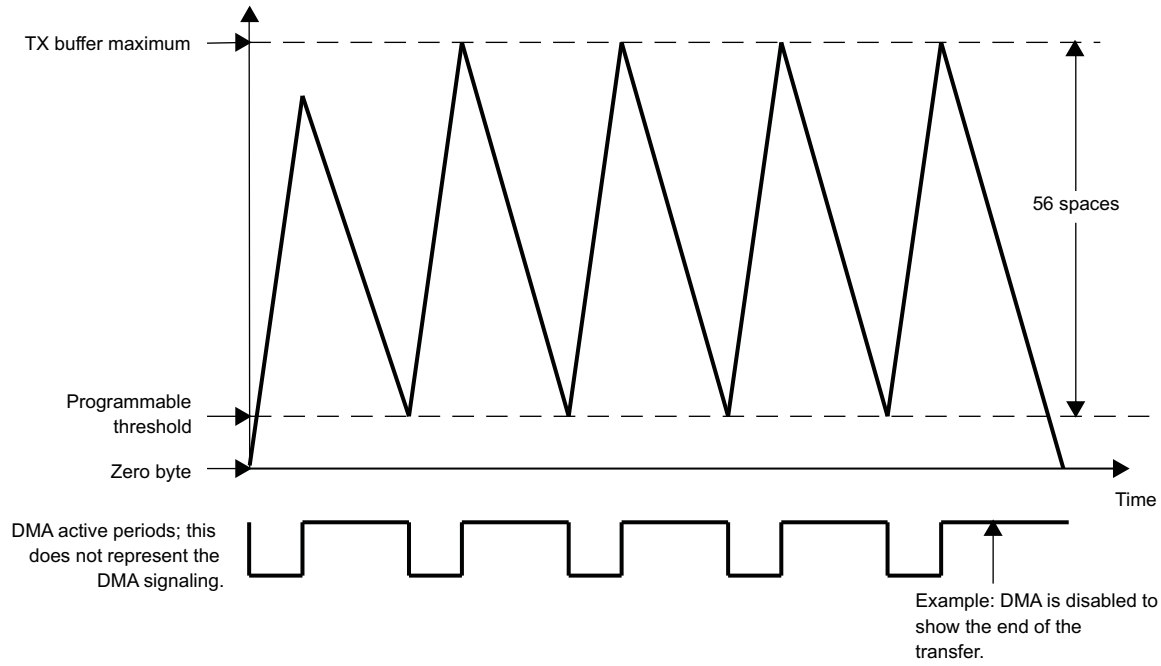


uart-026

In receive mode, a DMA request is generated when the RX FIFO reaches its threshold level defined in the trigger level register (UARTi.UART_TLR). This request is deasserted when the number of bytes defined by the threshold level is read by the device DMA controllers.

In transmit mode, a DMA request is automatically asserted when the TX FIFO is empty. This request is deasserted when the number of bytes defined by the number of spaces in the UARTi.UART_TLR register is written by the device DMA controllers. If an insufficient number of characters is written, the DMA request stays active.

Figure 24-63. Transmit FIFO DMA Request Generation (56 Spaces)



uart-027

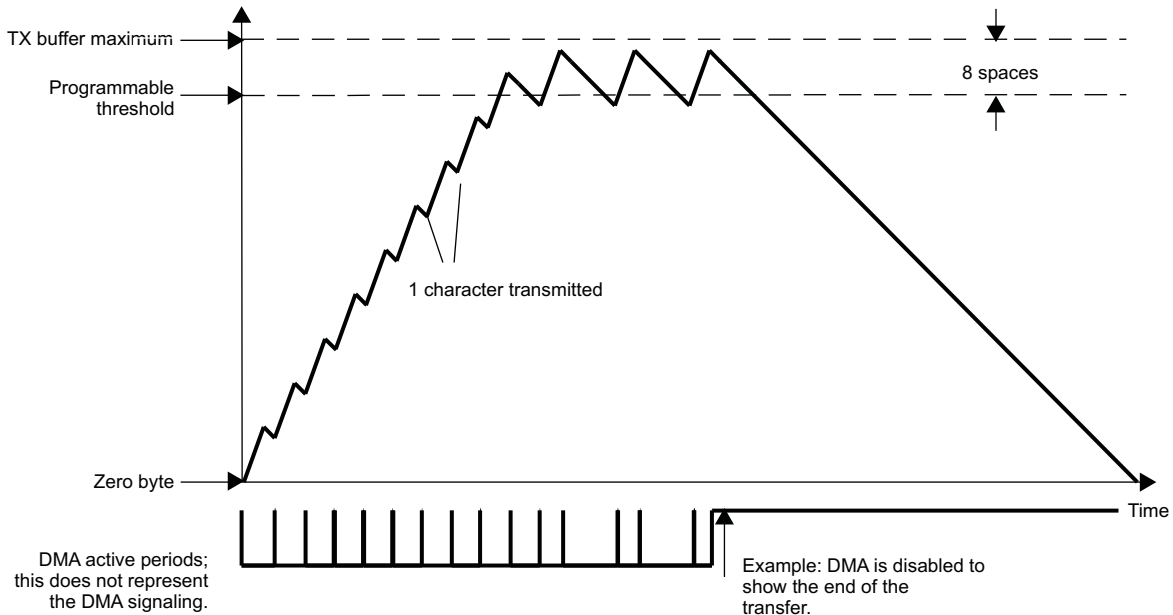
The DMA request is again asserted if the FIFO can receive the number of bytes defined by the UARTi.UART_TLR register.

The threshold can be programmed in a number of ways. Figure 24-63 shows a DMA transfer operating with a space setting of 56 that can arise from using the auto settings in the UARTi.UART_FCR[5:4] TX_FIFO_TRIG bit field or the UARTi.UART_TLR[3:0] TX_FIFO_TRIG_DMA bit field concatenated with the TX_FIFO_TRIG bit field.

The setting of 56 spaces in the UART/IrDA/CIR module must correlate with the settings of the device DMA controllers, so that the buffer does not overflow (program the DMA request size of the LH controller to equal the number of spaces in the UART/IrDA/CIR module).

Figure 24-64 shows an example with eight spaces to show the buffer level crossing the space threshold. The LH DMA controller settings must correspond to those of the UART/IrDA/CIR module.

Figure 24-64. Transmit FIFO DMA Request Generation (8 Spaces)



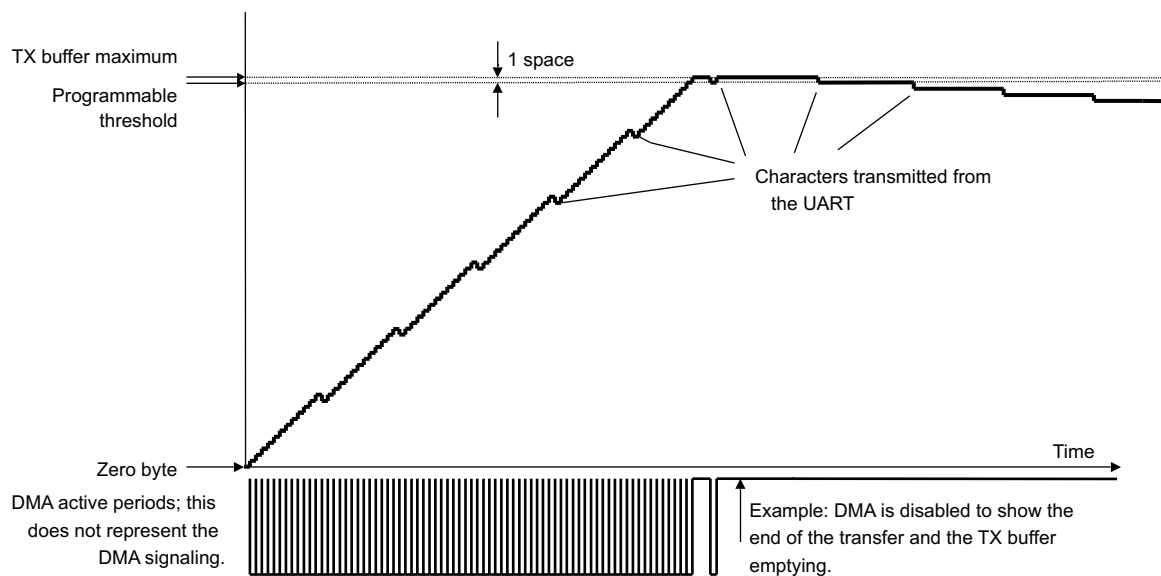
uart-028

The next example shows the setting of one space that uses the DMA for each transfer of one character to the transmit buffer (see Figure 24-65). The buffer is filled faster than the baud rate at which data is transmitted to the TX pin. Eventually, the buffer is completely full and the DMA operations stop transferring data to the transmit buffer.

On two occasions, the buffer holds the maximum amount of data words; shortly after this, the DMA is disabled to show the slower transmission of the data words to the TX pin. Eventually, the buffer is emptied at the rate specified by the baud rate settings of the UARTi.UART_DLL and UARTi.UART_DLH registers.

The DMA settings must correspond to the system LH DMA controller settings to ensure correct operation of this logic.

Figure 24-65. Transmit FIFO DMA Request Generation (1 Space)



uart-029

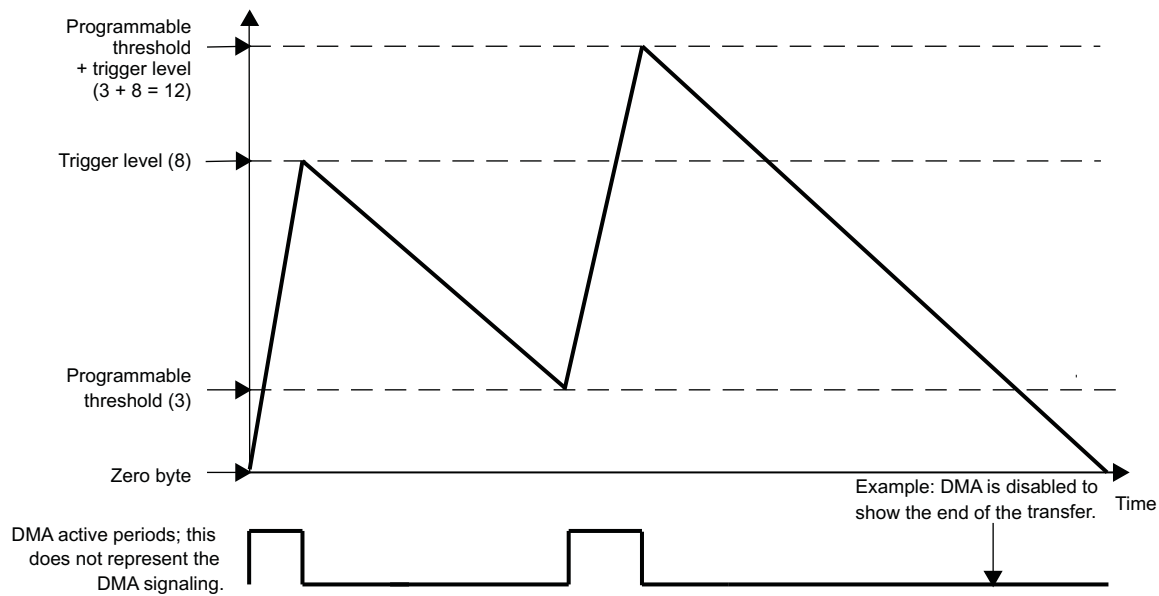
The final example illustrates the setting of eight spaces but setting the TX DMA threshold directly by setting `UART_MDR3[1] NONDEFAULT_FREQ` bit and `UART_TX_DMA_THRESHOLD` register (see Figure 24-66). In the example, `UART_TX_DMA_THRESHOLD[5:0] TX_DMA_THRESHOLD = 3` and the trigger level is 8. The buffer is filled at a faster rate than the BAUD rate transmits data to the TX pin. The buffer is filled with 8 bytes and the DMA operations stop transferring data to the transmit buffer. When the buffer is emptied to the threshold level by transmission, the DMA operation activates again to fill the buffer with 8 bytes.

Eventually, the buffer will be emptied at the rate specified by the BAUD Rate settings of the `UART_DLL` and `UART_DLH` registers.

If the selected threshold level + trigger level exceeds max buffer size, then the original TX DMA threshold method is used to prevent TX overrun, regardless of the `UART_MDR3[1] NONDEFAULT_FREQ` value.

The DMA settings should correspond to the system Local Host DMA controller settings in order to ensure the correct operation of this logic.

Figure 24-66. Transmit FIFO DMA Request Generation Using Direct TX DMA Threshold Programming. (Threshold = 3; Spaces = 8)

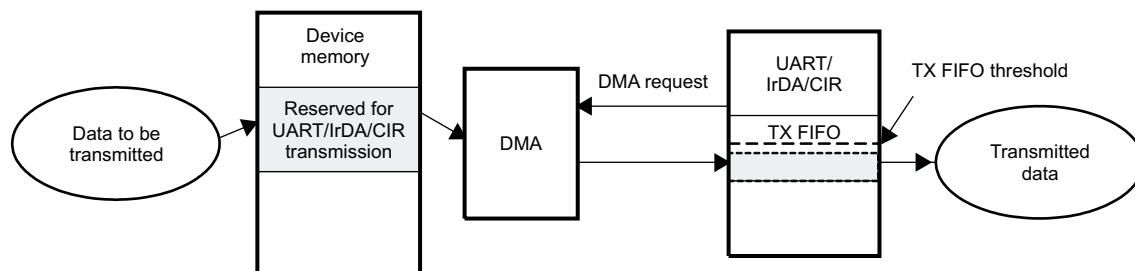


uart-036

24.3.4.6.4.3 DMA Transmission

Figure 24-67 shows DMA transmission.

Figure 24-67. DMA Transmission



uart-030

1. Data to be transmitted are put in the device memory reserved for UART/IrDA/CIR transmission by the

DMA:

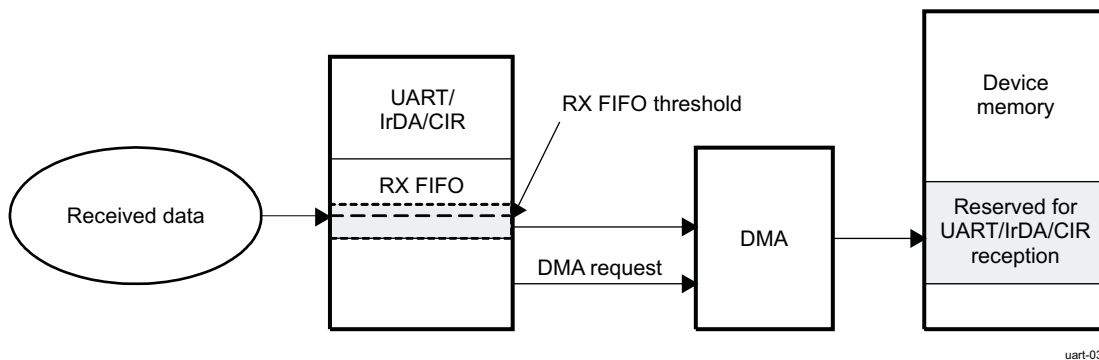
- a. Until the TX FIFO trigger level is not reached, a DMA request is generated
 - b. An element (1 byte) is transferred from the SDRAM to the TX FIFO at each DMA request (DMA element synchronization).
2. Data in the TX FIFO are automatically transmitted.
 3. The end of the transmission is signaled by the UARTi.UART_THR empty (TX FIFO empty).

NOTE: In IrDA mode, the transmission does not end immediately after the TX FIFO empties, at which point the last data byte, the CRC field, and the stop flag still must be transmitted; thus, the end of transmission occurs a few milliseconds after the UARTi.UART_THR register empties.

24.3.4.6.4.4 DMA Reception

Figure 24-68 shows DMA reception.

Figure 24-68. DMA Reception



1. Enable the reception.
2. Received data are put in the RX FIFO.
3. Data are transferred from the RX FIFO to the device memory by the DMA:
 - a. At each received byte, the RX FIFO trigger level (one character) is reached and a DMA request is generated.
 - b. An element (1 byte) is transferred from the RX FIFO to the SDRAM at each DMA request (DMA element synchronization).
4. The end of the reception is signaled by the EOF interrupt.

24.3.4.7 Mode Selection

24.3.4.7.1 Register Access Modes

24.3.4.7.1.1 Operational Mode and Configuration Modes

Register access depends on the register access mode, although register access modes are not correlated to functional mode selection. Three different modes are available:

- Operational mode
- Configuration mode A
- Configuration mode B

Operational mode is the selected mode when the function is active; serial data transfer can be performed in this mode.

Configuration mode A and configuration mode B are used during module initialization steps. These modes enable access to configuration registers, which are hidden in the operational mode. The modes are used when the module is inactive (no serial data transfer processed) and only for initialization or reconfiguration of the module.

The value of the UARTi.UART_LCR register determines the register access mode (see [Table 24-140](#)).

Table 24-140. UART/IrDA/CIR Register Access Mode Programming (Using UART_LCR)

Mode	Condition
Configuration mode A	UART_LCR[7] = 0x1 and UART_LCR[7:0] != 0xBF
Configuration mode B	UART_LCR[7] = 0x1 and UART_LCR[7:0] = 0xBF
Operational mode	UART_LCR[7] = 0x0

24.3.4.7.1.2 Register Access Submode

In each access register mode (operational mode or configuration mode A/B), some register accesses are conditional on the programming of a submode (MSR_SPR, TCR_TLR, and XOFF). These registers are identified in [Section 24.3.6](#), *UART/IrDA/CIR Register Manual*.

[Table 24-141](#) through [Table 24-143](#) summarize the register access submodes.

Table 24-141. Subconfiguration Mode A Summary

Mode	Condition
MSR_SPR	(UART_EFR[4] = 0x0 or UART_MCR[6] = 0x0)
TCR_TLR	UART_EFR[4] = 0x1 and UART_MCR[6] = 0x1

Table 24-142. Subconfiguration Mode B Summary

Mode	Condition
TCR_TLR	UART_EFR[4] = 0x1 and UART_MCR[6] = 0x1
XOFF	(UART_EFR[4] = 0x0 or UART_MCR[6] = 0x0)

Table 24-143. Suboperational Mode Summary

Mode	Condition
MSR_SPR	UART_EFR[4] = 0x0 or UART_MCR[6] = 0x0
TCR_TLR	UART_EFR[4] = 0x1 and UART_MCR[6] = 0x1

24.3.4.7.1.3 Registers Available for the Register Access Modes

[Table 24-144](#) lists the names of the register bits in each access register mode. Gray shading indicates that the register does not depend on the register access mode (available in all modes).

Table 24-144. UART/IrDA/CIR Register Access Mode Overview

Address Offset	Registers					
	Configuration Mode A		Configuration Mode B		Operational Mode	
	Read	Write	Read	Write	Read	Write
0x000	UART_DLL	UART_DLL	UART_DLL	UART_DLL	UART_RHR	UART_THR
0x004	UART_DLH	UART_DLH	UART_DLH	UART_DLH	UART_IER	UART_IER
0x008	UART_IIR	UART_FCR	UART_EFR	UART_EFR	UART_IIR	UART_FCR
0x00C	UART_LCR	UART_LCR	UART_LCR	UART_LCR	UART_LCR	UART_LCR

Table 24-144. UART/IrDA/CIR Register Access Mode Overview (continued)

Address Offset	Registers					
	Configuration Mode A		Configuration Mode B		Operational Mode	
	Read	Write	Read	Write	Read	Write
0x010	UART_MCR	UART_MCR	UART_XON1_AD DR1	UART_XON1_AD DR1	UART_MCR	UART_MCR
0x014	UART_LSR	–	UART_XON2_AD DR2	UART_XON2_AD DR2	UART_LSR	–
0x018	UART_MSR /UART_TCR	UART_TCR	UART_TCR /UART_XOFF1	UART_TCR /UART_XOFF1	UART_MSR /UART_TCR	UART_TCR
0x01C	UART_SPR /UART_TLR	UART_SPR /UART_TLR	UART_TLR /UART_XOFF2	UART_TLR /UART_XOFF2	UART_SPR /UART_TLR	UART_SPR /UART_TLR
0x020	UART_MDR1	UART_MDR1	UART_MDR1	UART_MDR1	UART_MDR1	UART_MDR1
0x024	UART_MDR2	UART_MDR2	UART_MDR2	UART_MDR2	UART_MDR2	UART_MDR2
0x028	UART_SFLSR	UART_TXFLL	UART_SFLSR	UART_TXFLL	UART_SFLSR	UART_TXFLL
0x02C	UART_RESUME	UART_TXFLH	UART_RESUME	UART_TXFLH	UART_RESUME	UART_TXFLH
0x030	UART_SFREGL	UART_RXFLL	UART_SFREGL	UART_RXFLL	UART_SFREGL	UART_RXFLL
0x034	UART_SFREGH	UART_RXFLH	UART_SFREGH	UART_RXFLH	UART_SFREGH	UART_RXFLH
0x038	UART_UASR	–	UART_UASR	–	UART_BLR	UART_BLR
0x03C	–	–	–	–	UART_ACREG	UART_ACREG
0x040	UART_SCR	UART_SCR	UART_SCR	UART_SCR	UART_SCR	UART_SCR
0x044	UART_SSR	–	UART_SSR	–	UART_SSR	–
0x048	–	–	–	–	UART_EBLR	UART_EBLR
0x050	UART_MVR	–	UART_MVR	–	UART_MVR	–
0x054	UART_SYSC	UART_SYSC	UART_SYSC	UART_SYSC	UART_SYSC	UART_SYSC
0x058	UART_SYSS	–	UART_SYSS	–	UART_SYSS	–
0x05C	UART_WER	UART_WER	UART_WER	UART_WER	UART_WER	UART_WER
0x060	UART_CFPS	UART_CFPS	UART_CFPS	UART_CFPS	UART_CFPS	UART_CFPS
0x064	UART_RXFIFO_L VL	UART_RXFIFO_L VL	UART_RXFIFO_L VL	UART_RXFIFO_L VL	UART_RXFIFO_L VL	UART_RXFIFO_L VL
0x068	UART_TXFIFO_L VL	UART_TXFIFO_L VL	UART_TXFIFO_L VL	UART_TXFIFO_L VL	UART_TXFIFO_L VL	UART_TXFIFO_L VL
0x06C	UART_IER2	UART_IER2	UART_IER2	UART_IER2	UART_IER2	UART_IER2
0x070	UART_ISR2	UART_ISR2	UART_ISR2	UART_ISR2	UART_ISR2	UART_ISR2
0x074	UART_FREQ_SEL	UART_FREQ_SEL	UART_FREQ_SEL	UART_FREQ_SEL	UART_FREQ_SEL	UART_FREQ_SEL
0x080	UART_MDR3	UART_MDR3	UART_MDR3	UART_MDR3	UART_MDR3	UART_MDR3
0x084	UART_TX_DMA_T HRESHOLD	UART_TX_DMA_T HRESHOLD	UART_TX_DMA_T HRESHOLD	UART_TX_DMA_T HRESHOLD	UART_TX_DMA_T HRESHOLD	UART_TX_DMA_T HRESHOLD

24.3.4.7.2 UART/IrDA (SIR, MIR, FIR)/CIR Mode Selection

To select a mode, set the UARTi.UART_MDR1[2:0] MODE_SELECT bit field (see Table 24-145).

Table 24-145. UART Mode Selection

Value	Mode
0x0:	UART 16x mode
0x1:	SIR mode (UART3 only)
0x2:	UART 16x auto-baud
0x3:	UART 13x mode
0x4:	MIR mode (UART3 only)
0x5:	FIR mode (UART3 only)

Table 24-145. UART Mode Selection (continued)

Value	Mode
0x6:	CIR mode (UART3 only)

MODE_SELECT is effective when the module is in operational mode (see [Section 24.3.4.7.1, Register Access Modes](#)).

24.3.4.7.2.1 Registers Available for the UART Function

Only the registers listed in [Table 24-146](#) are used for the UART function.

Table 24-146. UART Mode Register Overview

Address Offset	Registers ^{(1) (2)}					
	Configuration Mode A		Configuration Mode B		Operational Mode	
	Read	Write	Read	Write	Read	Write
0x000	UART_DLL	UART_DLL	UART_DLL	UART_DLL	UART_RHR	UART_THR
0x004	UART_DLH	UART_DLH	UART_DLH	UART_DLH	UART_IER (UART)	UART_IER (UART)
0x008	UART_IIR	UART_FCR	UART_EFR [4]	UART_EFR [4]	UART_IIR (UART)	UART_FCR (UART)
0x00C	UART_LCR	UART_LCR	UART_LCR	UART_LCR	UART_LCR	UART_LCR
0x010	UART_MCR	UART_MCR	UART_XON1_AD DR1	UART_XON1_AD DR1	UART_MCR	UART_MCR
0x014	UART_LSR (UART)	–	UART_XON2_AD DR2	UART_XON2_AD DR2	UART_LSR (UART)	–
0x018	UART_MSR/ UART_TCR	UART_TCR	UART_XOFF1/ UART_TCR	UART_XOFF1/ UART_TCR	UART_MSR/ UART_TCR	UART_TCR
0x01C	UART_TLR/ UART_SPR	UART_TLR/ UART_SPR	UART_TLR/ UART_XOFF2	UART_TLR/ UART_XOFF2	UART_TLR/ UART_SPR	UART_TLR/ UART_SPR
0x020	UART_MDR1	UART_MDR1 [2:0]	UART_MDR1 [2:0]	UART_MDR1 [2:0]	UART_MDR1 [2:0]	UART_MDR1 [2:0]
0x024	UART_MDR2	UART_MDR2	UART_MDR2	UART_MDR2	UART_MDR2	UART_MDR2
0x028	–	–	–	–	–	–
0x02C	–	–	–	–	–	–
0x030	–	–	–	–	–	–
0x034	–	–	–	–	–	–
0x038	UART_UASR	–	UART_UASR	–	–	–
0x03C	–	–	–	–	–	–
0x040	UART_SCR	UART_SCR	UART_SCR	UART_SCR	UART_SCR	UART_SCR
0x044	UART_SSR	–	UART_SSR	–	UART_SSR	–
0x048	–	–	–	–	–	–
0x050	UART_MVR	–	UART_MVR	–	UART_MVR	–
0x054	UART_SYSC	UART_SYSC	UART_SYSC	UART_SYSC	UART_SYSC	UART_SYSC
0x058	UART_SYSS	–	UART_SYSS	–	UART_SYSS	–
0x05C	UART_WER	UART_WER	UART_WER	UART_WER	UART_WER	UART_WER
0x060	–	–	–	–	–	–
0x064	UART_RXFIFO_L VL	UART_RXFIFO_L VL	UART_RXFIFO_L VL	UART_RXFIFO_L VL	UART_RXFIFO_L VL	UART_RXFIFO_L VL
0x068	UART_TXFIFO_L VL	UART_TXFIFO_L VL	UART_TXFIFO_L VL	UART_TXFIFO_L VL	UART_TXFIFO_L VL	UART_TXFIFO_L VL
0x06C	UART_IER2	UART_IER2	UART_IER2	UART_IER2	UART_IER2	UART_IER2

⁽¹⁾ REGISTER_NAME(UART) notation indicates that the register exists for other functions (IrDA or CIR), but fields have different meanings for other functions (described separately in [Section 24.3.6, UART/IrDA/CIR Register Manual](#)).

⁽²⁾ REGISTER_NAME[m:n] notation indicates that only register bits numbered m to n apply to the UART function.

Table 24-146. UART Mode Register Overview (continued)

Address Offset	Registers ^{(1) (2)}					
	Configuration Mode A		Configuration Mode B		Operational Mode	
	Read	Write	Read	Write	Read	Write
0x070	UART_ISR2	UART_ISR2	UART_ISR2	UART_ISR2	UART_ISR2	UART_ISR2
0x074	UART_FREQ_SEL	UART_FREQ_SEL	UART_FREQ_SEL	UART_FREQ_SEL	UART_FREQ_SEL	UART_FREQ_SEL
0x080	UART_MDR3	UART_MDR3	UART_MDR3	UART_MDR3	UART_MDR3	UART_MDR3
0x084	UART_TX_DMA_T HRESHOLD	UART_TX_DMA_T HRESHOLD	UART_TX_DMA_T HRESHOLD	UART_TX_DMA_T HRESHOLD	UART_TX_DMA_T HRESHOLD	UART_TX_DMA_T HRESHOLD

24.3.4.7.2.2 Registers Available for the IrDA Function (UART3 Only)

Only the registers listed in [Table 24-147](#) are used for the IrDA function.

Table 24-147. IrDA Mode Register Overview

Address Offset	Registers ^{(1) (2)}					
	Configuration Mode A		Configuration Mode B		Operational Mode	
	Read	Write	Read	Write	Read	Write
0x000	UART_DLL	UART_DLL	UART_DLL	UART_DLL	UART_RHR	UART_THR
0x004	UART_DLH	UART_DLH	UART_DLH	UART_DLH	UART_IER (IrDA)	UART_IER (IrDA)
0x008	UART_IIR	UART_FCR	UART_EFR [4]	UART_EFR [4]	UART_IIR (IrDA)	UART_FCR (IrDA)
0x00C	UART_LCR [7]	UART_LCR [7]	UART_LCR [7]	UART_LCR [7]	UART_LCR [7]	UART_LCR [7]
0x010	–	–	UART_XON1_AD DR1	UART_XON1_AD DR1	–	–
0x014	UART_LSR (IrDA)	–	UART_XON2_AD DR2	UART_XON2_AD DR2	UART_LSR (IrDA)	–
0x018	UART_MSR/ UART_TCR	UART_TCR	UART_TCR	UART_TCR	UART_MSR/ UART_TCR	UART_TCR
0x01C	UART_TLR/ UART_SPR	UART_TLR/ UART_SPR	UART_TLR	UART_TLR	UART_TLR/ UART_SPR	UART_TLR/ UART_SPR
0x020	UART_MDR1	UART_MDR1	UART_MDR1	UART_MDR1	UART_MDR1	UART_MDR1
0x024	UART_MDR2	UART_MDR2	UART_MDR2	UART_MDR2	UART_MDR2	UART_MDR2
0x028	UART_SFLSR	UART_TXFLL	UART_SFLSR	UART_TXFLL	UART_SFLSR	UART_TXFLL
0x02C	UART_RESUME	UART_TXFLH	UART_RESUME	UART_TXFLH	UART_RESUME	UART_TXFLH
0x030	UART_SFREGL	UART_RXFLL	UART_SFREGL	UART_RXFLL	UART_SFREGL	UART_RXFLL
0x034	UART_SFREGH	UART_RXFLH	UART_SFREGH	UART_RXFLH	UART_SFREGH	UART_RXFLH
0x038	–	–	–	–	UART_BLR	UART_BLR
0x03C	–	–	–	–	UART_ACREG	UART_ACREG
0x040	UART_SCR	UART_SCR	UART_SCR	UART_SCR	UART_SCR	UART_SCR
0x044	UART_SSR	–	UART_SSR	–	UART_SSR	–
0x048	–	–	–	–	UART_EBLR	UART_EBLR
0x050	UART_MVR	–	UART_MVR	–	UART_MVR	–
0x054	UART_SYSC	UART_SYSC	UART_SYSC	UART_SYSC	UART_SYSC	UART_SYSC
0x058	UART_SYSS	–	UART_SYSS	–	UART_SYSS	–
0x05C	UART_WER [6:4]	UART_WER [6:4]	UART_WER [6:4]	UART_WER [6:4]	UART_WER [6:4]	UART_WER [6:4]
0x060	–	–	–	–	–	–
0x064	UART_RXFIFO_L VL	UART_RXFIFO_L VL	UART_RXFIFO_L VL	UART_RXFIFO_L VL	UART_RXFIFO_L VL	UART_RXFIFO_L VL

⁽¹⁾ REGISTER_NAME(IrDA) notation indicates that the register exists for other functions (UART or CIR), but fields have different meanings for other functions (described separately in [Section 24.3.6, UART/IrDA/CIR Register Manual](#)).

⁽²⁾ REGISTER_NAME[m:n] notation indicates that only register bits numbered m to n apply to the IrDA function.

Table 24-147. IrDA Mode Register Overview (continued)

Address Offset	Registers ^{(1) (2)}					
	Configuration Mode A		Configuration Mode B		Operational Mode	
	Read	Write	Read	Write	Read	Write
0x068	UART_TXFIFO_L VL	UART_TXFIFO_L VL	UART_TXFIFO_L VL	UART_TXFIFO_L VL	UART_TXFIFO_L VL	UART_TXFIFO_L VL
0x06C	UART_IER2	UART_IER2	UART_IER2	UART_IER2	UART_IER2	UART_IER2
0x070	UART_ISR2	UART_ISR2	UART_ISR2	UART_ISR2	UART_ISR2	UART_ISR2
0x074	UART_FREQ_SEL	UART_FREQ_SEL	UART_FREQ_SEL	UART_FREQ_SEL	UART_FREQ_SEL	UART_FREQ_SEL
0x080	UART_MDR3	UART_MDR3	UART_MDR3	UART_MDR3	UART_MDR3	UART_MDR3
0x084	UART_TX_DMA_T HRESHOLD	UART_TX_DMA_T HRESHOLD	UART_TX_DMA_T HRESHOLD	UART_TX_DMA_T HRESHOLD	UART_TX_DMA_T HRESHOLD	UART_TX_DMA_T HRESHOLD

24.3.4.7.2.3 Registers Available for the CIR Function (UART3 Only)

Only the registers listed in [Table 24-148](#) are used for the CIR function.

Table 24-148. CIR Mode Register Overview

Address Offset	Registers ^{(1) (2)}					
	Configuration Mode A		Configuration Mode B		Operational Mode	
	Read	Write	Read	Write	Read	Write
0x000	UART_DLL	UART_DLL	UART_DLL	UART_DLL	–	UART_THR
0x004	UART_DLH	UART_DLH	UART_DLH	UART_DLH	UART_IER (CIR)	UART_IER (CIR)
0x008	UART_IIR	UART_FCR	UART_EFR	UART_EFR	UART_IIR (CIR)	UART_FCR (CIR)
0x00C	UART_LCR	UART_LCR [7]	UART_LCR [7]	UART_LCR [7]	UART_LCR [7]	UART_LCR [7]
0x010	–	–	–	–	–	–
0x014	UART_LSR (CIR)	–	–	–	UART_LSR (CIR)	–
0x018	UART_MSR/UART _TCR	UART_TCR	UART_TCR	UART_TCR	UART_MSR/UART _TCR	UART_TCR
0x01C	UART_TLR/UART _SPR	UART_TLR/UART _SPR	UART_TLR	UART_TLR	UART_TLR/UART _SPR	UART_TLR/UART _SPR
0x020	UART_MDR1 [3:0]	UART_MDR1 [3:0]	UART_MDR1 [3:0]	UART_MDR1 [3:0]	UART_MDR1 [3:0]	UART_MDR1 [3:0]
0x024	UART_MDR2	UART_MDR2	UART_MDR2	UART_MDR2	UART_MDR2	UART_MDR2
0x028	–	–	–	–	–	–
0x02C	UART_RESUME	–	UART_RESUME	–	UART_RESUME	–
0x030	–	–	–	–	–	–
0x034	–	–	–	–	–	–
0x038	–	–	–	–	–	–
0x03C	–	–	–	–	UART_ACREG	UART_ACREG
0x040	UART_SCR	UART_SCR	UART_SCR	UART_SCR	UART_SCR	UART_SCR
0x044	UART_SSR	–	UART_SSR	–	UART_SSR	–
0x048	–	–	–	–	UART_EBLR	UART_EBLR
0x050	UART_MVR	–	UART_MVR	–	UART_MVR	–
0x054	UART_SYSC	UART_SYSC	UART_SYSC	UART_SYSC	UART_SYSC	UART_SYSC
0x058	UART_SYSS	–	UART_SYSS	–	UART_SYSS	–
0x05C	UART_WER [6:4]	UART_WER [6:4]	UART_WER [6:4]	UART_WER [6:4]	UART_WER [6:4]	UART_WER [6:4]
0x060	UART_CFPS	UART_CFPS	UART_CFPS	UART_CFPS	UART_CFPS	UART_CFPS
0x064	UART_RXFIFO_L VL	UART_RXFIFO_L VL	UART_RXFIFO_L VL	UART_RXFIFO_L VL	UART_RXFIFO_L VL	UART_RXFIFO_L VL

⁽¹⁾ REGISTER_NAME(CIR) notation indicates that the register exists for other functions (IrDA or UART), but fields have different meanings for other functions (described separately in [Section 24.3.6, UART/IrDA/CIR Register Manual](#)).

⁽²⁾ REGISTER_NAME[m:n] notation indicates that only register bits numbered m to n apply to the CIR function.

Table 24-148. CIR Mode Register Overview (continued)

Address Offset	Registers ^{(1) (2)}					
	Configuration Mode A		Configuration Mode B		Operational Mode	
	Read	Write	Read	Write	Read	Write
0x068	UART_TXFIFO_L VL	UART_TXFIFO_L VL	UART_TXFIFO_L VL	UART_TXFIFO_L VL	UART_TXFIFO_L VL	UART_TXFIFO_L VL
0x06C	UART_IER2	UART_IER2	UART_IER2	UART_IER2	UART_IER2	UART_IER2
0x070	UART_ISR2	UART_ISR2	UART_ISR2	UART_ISR2	UART_ISR2	UART_ISR2
0x074	UART_FREQ_SEL	UART_FREQ_SEL	UART_FREQ_SEL	UART_FREQ_SEL	UART_FREQ_SEL	UART_FREQ_SEL
0x080	UART_MDR3	UART_MDR3	UART_MDR3	UART_MDR3	UART_MDR3	UART_MDR3
0x084	UART_TX_DMA_T HRESHOLD	UART_TX_DMA_T HRESHOLD	UART_TX_DMA_T HRESHOLD	UART_TX_DMA_T HRESHOLD	UART_TX_DMA_T HRESHOLD	UART_TX_DMA_T HRESHOLD

24.3.4.8 Protocol Formatting

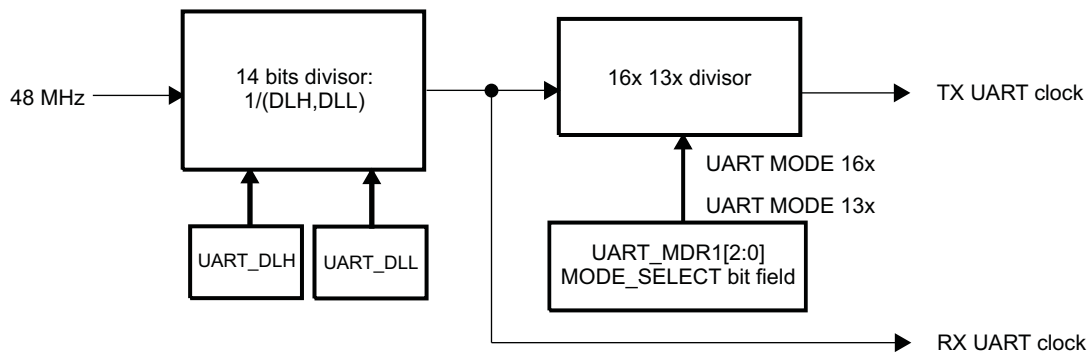
24.3.4.8.1 UART Mode

24.3.4.8.1.1 UART Clock Generation: Baud Rate Generation

The UART function contains a programmable baud generator and a set of fixed divisors that divide the 48-MHz clock input down to the expected baud rate.

Figure 24-69 shows the baud rate generator and associated controls.

Figure 24-69. Baud Rate Generation



uart-032

CAUTION

Before initializing or modifying clock parameter controls (UARTi.UART_DLH, UARTi.UART_DLL), MODE_SELECT = DISABLE (UARTi.UART_MDR1[2:0]) must be set to 0x7. Failure to observe this rule can result in unpredictable module behavior.

24.3.4.8.1.2 Choosing the Appropriate Divisor Value

Two divisor values are:

- UART 16x mode: Divisor value = Operating frequency / (16x baud rate)
- UART 13x mode: Divisor value = Operating frequency / (13x baud rate)

Table 24-149 and Table 24-150 describe the UART baud rate settings.

Table 24-149. UART Baud Rate Settings (48-MHz Clock)

Baud Rate	Baud Multiple	DLH, DLL (Decimal)	DLH, DLL (Hex)	Actual Baud Rate	Error (%)
0.3 kbps	16x	10000	0x27, 0x10	0.3 kbps	0
0.6 kbps	16x	5000	0x13, 0x88	0.6 kbps	0
1.2 kbps	16x	2500	0x09, 0xC4	1.2 kbps	0
2.4 kbps	16x	1250	0x04, 0xE2	2.4 kbps	0
4.8 kbps	16x	625	0x02, 0x71	4.8 kbps	0
9.6 kbps	16x	312	0x01, 0x38	9.6153 kbps	+0.16
14.4 kbps	16x	208	0x00, 0xD0	14.423 kbps	+0.16
19.2 kbps	16x	156	0x00, 0x9C	19.231 kbps	+0.16
28.8 kbps	16x	104	0x00, 0x68	28.846 kbps	+0.16
38.4 kbps	16x	78	0x00, 0x4E	38.462 kbps	+0.16
57.6 kbps	16x	52	0x00, 0x34	57.692 kbps	+0.16
115.2 kbps	16x	26	0x00, 0x1A	115.38 kbps	+0.16
230.4 kbps	16x	13	0x00, 0x0D	230.77 kbps	+0.16
460.8 kbps	13x	8	0x00, 0x08	461.54 kbps	+0.16
921.6 kbps	13x	4	0x00, 0x04	923.08 kbps	+0.16
1.843 Mbps	13x	2	0x00, 0x02	1.846 Mbps	+0.16
3.0 Mbps	16x	1	0x00, 0x01	3.0 Mbps	0
3.6884 Mbps	13x	1	0x00, 0x01	3.6923 Mbps	+0.16

Table 24-150. UART Baud Rate Settings (192-MHz Clock)

Baud Rate	Baud Multiple	DLH, DLL (Decimal)	DLH, DLL (Hex)	Actual Baud Rate	Error (%)
1.2 kbps	16x	10000	0x27, 0x10	1.2 kbps	0
2.4 kbps	16x	5000	0x13, 0x88	2.4 kbps	0
4.8 kbps	16x	2500	0x09, 0xC4	4.8 kbps	0
9.6 kbps	16x	1250	0x04, 0xE2	9.6 kbps	0
14.4 kbps	16x	834	0x03, 0x42	14.388 kbps	-0.08
19.2 kbps	16x	625	0x02, 0x71	19.2 kbps	0
28.8 kbps	16x	417	0x01, 0xA1	28.777 kbps	-0.08
38.4 kbps	16x	312	0x01, 0x38	38.462 kbps	+0.16
57.6 kbps	16x	208	0x00, 0xD0	57.692 kbps	+0.16
115.2 kbps	16x	104	0x00, 0x68	115.385 kbps	+0.16
230.4 kbps	16x	52	0x00, 0x34	230.769 kbps	+0.16
460.8 kbps	16x	26	0x00, 0x1A	461.538 kbps	+0.16
921.6 kbps	16x	13	0x00, 0x0D	923.077 kbps	+0.16
1.8432 Mbps	13x	8	0x00, 0x08	1.846154 Mbps	+0.16
3.0 Mbps	16x	4	0x00, 0x04	3.0 Mbps	0
3.6864 Mbps	13x	4	0x00, 0x04	3.692308 Mbps	+0.16
7.3728 Mbps	13x	2	0x00, 0x02	7.384615 Mbps	+0.16
12.0 Mbps	16x	1	0x00, 0x01	12.0 Mbps	0

24.3.4.8.1.3 UART Data Formatting

The UART can use hardware flow control to manage transmission and reception. Hardware flow control significantly reduces software overhead and increases system efficiency by automatically controlling serial data flow using the RTS output and CTS input signals.

The UART is enhanced with the autobauding function. In control mode, autobauding lets the speed, the number of bits per character, and the parity selected be set automatically.

24.3.4.8.1.3.1 Frame Formatting

When autobauding is not used, frame format attributes must be defined in the UARTi.UART_LCR register.

Character length is specified using the UARTi.UART_LCR[1:0] CHAR_LENGTH bit field.

The number of stop-bits is specified using the UARTi.UART_LCR[2] NB_STOP bit.

The parity bit is programmed using the UARTi.UART_LCR[5:3] PARITY_EN, PARITY_TYPE_1, and PARITY_TYPE_2 bit fields (see [Table 24-151](#)).

Table 24-151. UART Parity Bit Encoding

PARITY_EN	PARITY_TYPE_1	PARITY_TYPE_2	Parity
0	N/A	N/A	No parity
1	0	0	Odd parity
1	1	0	Even parity
1	0	1	Forced 1
1	1	1	Forced 0

24.3.4.8.1.3.2 Hardware Flow Control

Hardware flow control is composed of auto-CTS and auto-RTS. Auto-CTS and auto-RTS can be enabled and disabled independently by programming the UARTi.UART_EFR[7:6] AUTO_CTS_EN and AUTO_RTS_EN bit fields, respectively.

With auto-CTS, uarti_ctsn must be active before the module can transmit data.

Auto-RTS activates the uarti_rtsn output only when there is enough room in the RX FIFO to receive data. It deactivates the uarti_rtsn output when the RX FIFO is sufficiently full. The HALT and RESTORE trigger levels in the UARTi.UART_TCR register determine the levels at which uarti_rtsn is activated and deactivated.

If auto-CTS and auto-RTS are enabled, data transmission does not occur unless the RX FIFO has empty space. Thus, overrun errors are eliminated during hardware flow control. If auto-CTS and auto-RTS are not enabled, overrun errors occur if the transmit data rate exceeds the RX FIFO latency.

- Auto-RTS:

Auto-RTS data flow control originates in the receiver block. The RX FIFO trigger levels used in auto-RTS are stored in the UARTi.UART_TCR register. uarti_rtsn is active if the RX FIFO level is below the HALT trigger level in the UARTi.UART_TCR[3:0] RX_FIFO_TRIG_HALT bit field. When the RX FIFO HALT trigger level is reached, uarti_rtsn is deasserted. The sending device (for example, another UART) can send an additional byte after the trigger level is reached because it may not recognize the deassertion of RTS until it begins sending the additional byte.

uarti_rtsn is automatically reasserted when the RX FIFO reaches the RESUME trigger level programmed by the UARTi.UART_TCR[7:4] RX_FIFO_TRIG_START bit field. This reassertion requests the sending device to resume transmission.

In this case, uarti_rtsn is an active-low signal.

- Auto-CTS:

The transmitter circuitry checks uarti_ctsn before sending the next data byte. When uarti_ctsn is active, the transmitter sends the next byte. To stop the transmitter from sending the next byte, uarti_ctsn must be deasserted before the middle of the last stop-bit currently sent.

The auto-CTS function reduces interrupts to the host system. When auto-CTS flow control is enabled, the uarti_ctsn state changes do not have to trigger host interrupts because the device automatically controls its own transmitter. Without auto-CTS, the transmitter sends any data present in the transmit FIFO, and a receiver overrun error can result.

In this case, uarti_ctsn is an active-low signal.

24.3.4.8.1.3.3 Software Flow Control

Software flow control is enabled through the enhanced feature register (UARTi.UART_EFR) and the modem control register (UARTi.UART_MCR). Different combinations of software flow control can be enabled by setting different combinations of the UARTi.UART_EFR[3:0] bit field (see Table 24-152).

Two other enhanced features relate to software flow control:

- XON-any function (UARTi.UART_MCR[5]): Operation resumes after receiving any character after the XOFF character is recognized. If special character detect is enabled and special character is received after XOFF1, it does not resume transmission. The special character is stored in the RX FIFO.

NOTE: The XON-any character is written into the RX FIFO even if it is a software flow character.

- Special character (UARTi.UART_EFR[5]): Incoming data is compared to XOFF2. When the special character is detected, the XOFF interrupt (UARTi.UART_IIR[4]) is set, but it does not halt transmission. The XOFF interrupt is cleared by a read of UARTi.UART_IIR. The special character is transferred to the RX FIFO. Special character does not work with XON2, XOFF2, or sequential XOFFs.

Table 24-152. UART_EFR[3:0] Software Flow Control Options

Bit 3	Bit 2	Bit 1	Bit 0	TX, RX Software Flow Controls
0	0	X	X	No transmit flow control
1	0	X	X	Transmit XON1, XOFF1
0	1	X	X	Transmit XON2, XOFF2
1	1	X	X	Transmit XON1, XON2: XOFF1, XOFF2 ⁽¹⁾
X	X	0	0	No receive flow control
X	X	1	0	Receiver compares XON1, XOFF1
X	X	0	1	Receiver compares XON2, XOFF2
X	X	1	1	Receiver compares XON1, XON2: XOFF1, XOFF2 ⁽¹⁾

⁽¹⁾ In these cases, the XON1 and XON2 characters or the XOFF1 and XOFF2 characters must be transmitted/received sequentially with XON1/XOFF1 followed by XON2/XOFF2.

XON1 is defined in the UARTi.UART_XON1_ADDR1[7:0] XON_WORD1 bit field. XON2 is defined in the UARTi.UART_XON2_ADDR2[7:0] XON_WORD2 bit field.

XOFF1 is defined in the UARTi.UART_XOFF1[7:0] XOFF_WORD1 bit field. XOFF2 is defined in the UARTi.UART_XOFF2[7:0] XOFF_WORD2 bit field.

24.3.4.8.1.3.3.1 Receive (RX)

When software flow control operation is enabled, the UART compares incoming data with XOFF1/2 programmed characters (in certain cases, XOFF1 and XOFF2 must be received sequentially). When the correct XOFF characters are received, transmission stops after transmission of the current character completes. Detection of XOFF also sets the UARTi.UART_IIR[4] bit (if enabled by UARTi.UART_IER[5]) and causes the interrupt line to go low.

To resume transmission, an XON1/2 character must be received (in certain cases, XON1 and XON2 must be received sequentially). When the correct XON characters are received, the UARTi.UART_IIR[4] bit is cleared and the XOFF interrupt disappears.

NOTE: When a parity, framing, or break error occurs while receiving a software flow control character, this character is treated as normal data and is written to the RX FIFO.

When XON-any and special character detect are disabled and software flow control is enabled, no valid XON or XOFF characters are written to the RX FIFO. For example, when UARTi.UART_EFR[1:0] = 0x2, if XON1 and XOFF1 characters are received, they are not written to the RX FIFO.

When pairs of software flow characters are programmed to be received sequentially (UARTi.UART_EFR[1:0] = 0x3), the software flow characters are not written to the RX FIFO if they are received sequentially. However, received XON1/XOFF1 characters must be written to the RX FIFO if the subsequent character is not XON2/XOFF2.

24.3.4.8.1.3.3.2 Transmit (TX)

Two XOFF1 characters are transmitted when the RX FIFO passes the trigger level programmed by UAR*Ti*.[UART_TCR\[3:0\]](#). As soon as the RX FIFO reaches the trigger level programmed by UAR*Ti*.[UART_TCR\[7:4\]](#), two XON1 characters are sent, so the data transfer recovers.

NOTE: If software flow control is disabled after an XOFF character is sent, the module transmits XON characters automatically to enable normal transmission.

The transmission of XOFF(s)/XON(s) follows the same protocol as transmission of an ordinary byte from the TX FIFO. This means that even if the word length is 5, 6, or 7 characters, the 5, 6, or 7 LSBs of XOFF1/2 and XON1/2 are transmitted. The 5, 6, or 7 bits of a character are seldom transmitted, but this function is included to maintain compatibility with earlier designs.

It is assumed that software flow control and hardware flow control are never enabled simultaneously.

24.3.4.8.1.3.4 Autobauding Modes

In autobauding mode, the UART can extract transfer characteristics (speed, length, and parity) from an "at" (AT) command (ASCII code). These characteristics are used to receive data after an AT and to send data.

The following AT commands are valid:

AT	DATA	<CR>
at	DATA	<CR>
A/		
a/		

A line break during the acquisition of the sequence AT is not recognized, and an echo function is not implemented in hardware.

A/ and a/ are not used to extract characteristics, but they must be recognized because of their special meaning. A/ or a/ is used to instruct the software to repeat the last received AT command; therefore, an a/ always follows an AT, and transfer characteristics are not expected to change between an AT and an a/.

When a valid AT is received, AT and all subsequent data, including the final <CR> (0x0D), are saved to the RX FIFO. The autobaud state-machine waits for the next valid AT command. If an a/ (A/) is received, the a/ (A/) is saved in the RX FIFO and the state-machine waits for the next valid AT command.

On the first successful detection of the baud rate, the UART activates an interrupt to signify that the AT (upper or lower case) sequence is detected. The UAR*Ti*.[UART_UASR](#) register reflects the correct settings for the baud rate detected. Interrupt activity can continue in this fashion when a subsequent character is received. Therefore, it is recommended that the software enable the RHR interrupt when using the autobaud mode.

The following settings are detected in autobaud mode with a module clock of 48 MHz:

- Speed:
 - 115.2K baud
 - 57.6K baud
 - 38.4K baud
 - 28.8K baud
 - 19.2K baud
 - 14.4K baud
 - 9.6K baud
 - 4.8K baud
 - 2.4K baud
 - 1.2K baud

- Length: 7 or 8 bits
- Parity: Odd, even, or space

NOTE: The combination of 7-bit character plus space parity is not supported.

Autobauding mode is selected when the UARTi.UART_MDR1[2:0] MODE_SELECT bit field is set to 0x2. In UART autobauding mode, UARTi.UART_DLL, UARTi.UART_DLH, and UARTi.UART_LCR[5:0] bit field settings are not used; instead, UASR is updated with the configuration detected by the autobauding logic.

UASR Autobauding Status Register Use

This register is used to set up transmission according to the characteristics of the previous reception instead of the UARTi.UART_LCR, UARTi.UART_DLL, and UARTi.UART_DLH registers when the UART is in autobauding mode.

To reset the autobauding hardware (to start a new AT detection) or to set the UART in standard mode (no autobaud), the UARTi.UART_MDR1[2:0] MODE_SELECT bit field must be set to reset state (0x7) and then to the UART in autobauding mode (0x2) or to the UART in standard mode (0x0).

Use limitation:

- Only 7- and 8-bit characters (5- and 6-bit not supported)
- 7-bit character with space parity not supported
- Baud rate between 1200 and 115,200 bps (10 possibilities)

24.3.4.8.1.3.5 Error Detection

When the UARTi.UART_LSR register is read, the UARTi.UART_LSR[4:2] bit field reflects the error bits (BI: break condition, FE: framing error, PE: parity error) of the character at the top of the RX FIFO (the next character to be read). Therefore, reading the UARTi.UART_LSR register and then reading the UARTi.UART_RHR register identifies errors in a character.

Reading the UARTi.UART_RHR register updates the BI, FE, and PE bits (see Table 24-135 for the UART mode interrupts).

The UARTi.UART_LSR[7] RX_FIFO_STS bit is set when there is an error in the RX FIFO and is cleared only when no errors remain in the RX FIFO.

NOTE: Reading the UARTi.UART_LSR register does not cause an increment of the RX FIFO read pointer. The RX FIFO read pointer is incremented by reading the UARTi.UART_RHR register.

Reading the UARTi.UART_LSR register clears the OE bit if it is set (see Table 24-135 for the UART mode interrupts).

24.3.4.8.1.3.6 Overrun During Receive

Overrun during receive occurs if the RX state-machine tries to write data into the RX FIFO when it is already full. When overrun occurs, the device interrupts the MPU with the UARTi.UART_IIR[5:1] IT_TYPE bit field set to 0x3 (receiver line status error) and discards the remaining portion of the frame.

Overrun also causes an internal flag to be set, which disables further reception. Before the next frame can be received, the MPU must:

- Reset the RX FIFO.
- Read the UARTi.UART_RESUME register, which clears the internal flag.

24.3.4.8.1.3.7 Time-Out and Break Conditions

24.3.4.8.1.3.7.1 Time-Out Counter

An RX idle condition is detected when the receiver line (uarti_rxd) is high for a time that equals 4x the programmed word length + 12 bits. uarti_rxd is sampled midway through each bit.

For sleep mode, the counter is reset when there is activity on uarti_rxd.

For the time-out interrupt, the counter counts only when there is data in the RX FIFO, and the count is reset when there is activity on uarti_rxd or when the UARTi.UART_RHR register is read.

24.3.4.8.1.3.7.2 Break Condition

When a break condition occurs, uarti_txd is pulled low. A break condition is activated by setting the UARTi.UART_LCR[6] BREAK_EN bit. The break condition is not aligned on word stream (a break condition can occur in the middle of a character). The only way to send a break condition on a full character is:

1. Reset the TX FIFO (if enabled).
2. Wait for the transmit shift register to empty (the UARTi.UART_LSR[6] TX_SR_E bit is set to 1).
3. Take a guard time according to stop-bit definition.
4. Set the BREAK_EN bit to 1.

The break condition is asserted while the BREAK_EN bit is set to 1.

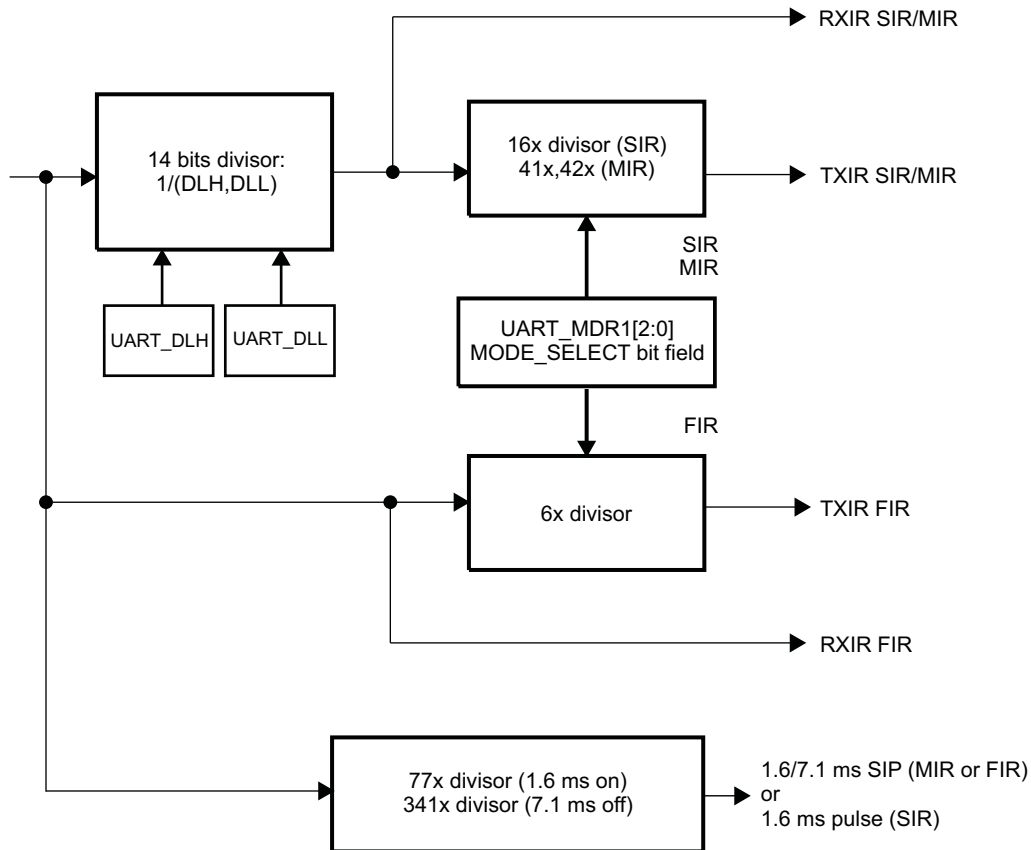
The time-out counter and break condition apply only to UART modem operation and not to IrDA/CIR mode operation.

24.3.4.8.2 IrDA Mode (UART3 Only)

24.3.4.8.2.1 IrDA Clock Generation: Baud Generator

The IrDA function contains a programmable baud generator and a set of fixed dividers that divide the 48-MHz clock input down to the expected baud rate.

Figure 24-70 shows the baud rate generator and associated controls.

Figure 24-70. Baud Rate Generator


uart-033

CAUTION

Before initializing or modifying clock parameter controls (UARTi.UART_DLH, UARTi.UART_DLL), MODE_SELECT=DISABLE (UARTi.UART_MDR1[2:0]) must be set to 0x7. Failure to observe this rule can result in unpredictable module behavior.

24.3.4.8.2.2 Choosing the Appropriate Divisor Value

Three divisor values are:

- SIR mode: Divisor value = Operating frequency/(16x baud rate)
- MIR mode: Divisor value = Operating frequency/(41x/42x baud rate)
- FIR mode: Divisor value = None

Table 24-153 lists the IrDA baud rate settings.

Table 24-153. IrDA Baud Rate Settings

Baud Rate	IR Mode	Baud Multiple	Encoding	DLH, DLL (Decimal)	Actual Baud Rate	Error (%)	Source Jitter (%)	Pulse Duration
2.4 kbps	SIR	16x	3/16	1250	2.4 kbps	0	0	78.1 μ s
9.6 kbps	SIR	16x	3/16	312	9.6153 kbps	+0.16	0	19.5 μ s
19.2 kbps	SIR	16x	3/16	156	19.231 kbps	+0.16	0	9.75 μ s
38.4 kbps	SIR	16x	3/16	78	38.462 kbps	+0.16	0	4.87 μ s

Table 24-153. IrDA Baud Rate Settings (continued)

Baud Rate	IR Mode	Baud Multiple	Encoding	DLH, DLL (Decimal)	Actual Baud Rate	Error (%)	Source Jitter (%)	Pulse Duration
57.6 kbps	SIR	16x	3/16	52	57.692 kbps	+0.16	0	3.25 μ s
115.2 kbps	SIR	16x	3/16	26	115.38 kbps	+0.16	0	1.62 μ s
0.576 Mbps	MIR	41x/42x	1/4	2	0.5756 Mbps ⁽¹⁾	0	+1.63/-0.80	416 ns
1.152 Mbps	MIR	41x/42x	1/4	1	1.1511 Mbps ⁽¹⁾	0	+1.63/-0.80	208 ns
4 Mbps	FIR	6x	4 PPM	–	4 Mbps	0	0	125 ns

⁽¹⁾ Average value

NOTE: Baud rate error and source jitter table values do not include 48-MHz reference clock error and jitter.

24.3.4.8.2.3 IrDA Data Formatting

The methods described in this section apply to all IrDA modes (SIR, MIR, and FIR).

24.3.4.8.2.3.1 IR RX Polarity Control

The UART3.UART_MDR2[6] IRRXINVERT bit provides the flexibility to invert the uart3_rxd pin in the UART to ensure that the protocol at the output of the transceiver has the same polarity at module level. By default, the uart3_rxd pin is inverted because most transceivers invert the IR receive pin.

24.3.4.8.2.3.2 IrDA Reception Control

The module can transmit and receive data, but when the device is transmitting, the IR RX circuitry is automatically disabled by hardware.

Operation of the uart3_rxd input can be disabled by the UART3.UART_ACREG[5] DIS_IR_RX bit.

24.3.4.8.2.3.3 IR Address Checking

In all IR modes, when address checking is enabled, only frames intended for the device are written to the RX FIFO. This restriction avoids receiving frames not meant for this device in a multipoint infrared environment. It is possible to program two frame addresses that the UART IrDA receives, with the UART3.UART_XON1_ADDR1[7:0] XON_WORD1 and UART3.UART_XON2_ADDR2[7:0] XON_WORD2 bit fields.

Setting the UART_EFR[0] bit to 1 selects address1 checking. Setting the UART_EFR[1] bit to 1 selects address2 checking. Setting the UART_EFR[1:0] bit field to 0 disables all address checking operations. If both bits are set, the incoming frame is checked for private and public addresses.

If address checking is disabled, all received frames write to the RX FIFO.

24.3.4.8.2.3.4 Frame Closing

A transmission frame can be terminated in two ways:

- Frame-length method: Set the UART3.UART_MDR1[7] FRAME_END_MODE bit to 0. The MPU writes the value of the frame length to the UART3.UART_TXFLH and UART3.UART_TXFLL registers. The device automatically attaches end flags to the frame when the number of bytes transmitted equals the value of the frame length.
- Set-EOT bit method: Set the FRAME_END_MODE bit to 1. The MPU writes 1 to the UART3.UART_ACREG[0] EOT bit just before it writes the last byte to the TX FIFO. When the MPU writes the last byte to the TX FIFO, the device internally sets the tag bit for that character in the TX FIFO. As the TX state-machine reads data from the TX FIFO, it uses this tag-bit information to attach end flags and correctly terminate the frame.

24.3.4.8.2.3.5 Store and Controlled Transmission

In store and controlled transmission (SCT) mode, the MPU starts writing data to the TX FIFO. Then, after writing a part of a frame (for a bigger frame) or an entire frame (a small frame; that is, a supervisory frame), the MPU writes 1 to the UART3.UART_ACREG[2] SCTX_EN bit (deferred TX start) to start transmission.

SCT mode is enabled by setting the UART3.UART_MDR1[5] SCT bit to 1. This transmission method differs from normal mode, in which data transmission starts immediately after data is written to the TX FIFO. SCT mode is useful for sending short frames without TX underrun.

24.3.4.8.2.3.6 Error Detection

When the UART3.UART_LSR register is read, the UART3.UART_LSR[4:2] bit field reflects the error bits [FL, CRC, ABORT] of the frame at the top of the STATUS FIFO (the next frame status to be read).

The error is triggered by an interrupt (for IrDA mode interrupts, see [Table 24-136](#)). The STATUS FIFO must be read until empty (a maximum of eight reads is required).

24.3.4.8.2.3.7 Underrun During Transmission

Underrun during transmission occurs when the TX FIFO is empty before the end of the frame is transmitted. When underrun occurs, the device closes the frame with end flags but attaches an incorrect CRC value. The receiving device detects a CRC error and discards the frame; it can then ask for a retransmission.

Underrun also causes an internal flag to be set, which disables additional transmissions. Before the next frame can be transmitted, the MPU must:

- Reset the TX FIFO.
- Read the UART3.UART_RESUME register, which clears the internal flag.

This function can be disabled by the UART3.UART_ACREG[4] DIS_TX_UNDERRUN bit, compensated by the extension of the stop-bit in transmission if the TX FIFO is empty.

24.3.4.8.2.3.8 Overrun During Receive

Overrun during receive for the IrDA mode has the same function as that for the UART mode (see [Section 24.3.4.8.1.3.6, Overrun During Receive](#)).

24.3.4.8.2.3.9 Status FIFO

In IrDA modes, a status FIFO records the received frame status. When a complete frame is received, the length of the frame and the error bits associated with the frame are written to the status FIFO.

Reading the UART3.UART_SFREGH[3:0] MSB and UART3.UART_SFREGL[3:0] (LSB) bit fields obtains the frame length. The frame error status is read in the UART3.UART_SFLSR register. Reading the UART3.UART_SFLSR register increments the status FIFO read pointer. Because the status FIFO is eight entries deep, it can hold the status of eight frames.

The MPU uses the frame-length information to locate the frame boundary in the received frame data. The MPU can screen bad frames using the error status information and can later request the sender to resend only the bad frames.

This status FIFO can be used effectively in DMA mode because the MPU must be interrupted only when the programmed status FIFO trigger level is reached, not each time a frame is received.

24.3.4.8.2.4 SIR Mode Data Formatting

This section provides specific instructions for SIR mode programming.

24.3.4.8.2.4.1 Abort Sequence

The transmitter can prematurely close a frame (abort) by sending the sequence 0x7DC1. The abort pattern closes the frame without a CRC field or an ending flag.

A transmission frame can be aborted by setting the UART3.UART_ACREG[1] ABORT_EN bit to 1. When this bit is set to 1, 0x7D and 0xC1 are transmitted and the frame is not terminated with CRC or stop flags.

When a 0x7D character followed immediately by a 0xC1 character is received without transparency, the receiver treats a frame as an aborted frame.

CAUTION

When the TX FIFO is not empty and the UART3.UART_MDR1[5] SCT bit is set to 1, the UART IrDA starts a new transfer with data of a previous frame when the aborted frame is sent. Therefore, the TX FIFO must be reset before sending an aborted frame.

24.3.4.8.2.4.2 Pulse Shaping

SIR mode supports the 3/16 or the 1.6- μ s pulse duration methods. The UART3.UART_ACREG[7] PULSE_TYPE bit selects the pulse width method in the transmit mode.

24.3.4.8.2.4.3 SIR Free Format Programming

The SIR FF mode is selected by setting the module in the UART mode (UART3.UART_MDR1[2:0] MODE_SELECT = 0x0) and the UART3.UART_MDR2[3] PULSE bit to 1 to allow pulse shaping.

Because the bit format stays the same, some UART mode configuration registers must be set at specific values:

- UART3.UART_LCR[1:0] CHAR_LENGTH bit field = 0x3 (8 data bits)
- UART3.UART_LCR[2] NB_STOP bit = 0x0 (1 stop-bit)
- UART3.UART_LCR[3] PARITY_EN bit = 0x0 (no parity)

The UART mode interrupts are used for the SIR FF mode, but many are not relevant (XOFF, RTS, CTS, modem status register, etc.).

24.3.4.8.2.5 MIR and FIR Mode Data Formatting

This section describes common instructions for FIR and MIR mode programming.

At the end of a frame reception, the MPU reads the line status register (UART3.UART_LSR) to detect errors in the received frame.

When the UART3.UART_MDR1[6] SIP_MODE bit is set to 1, the TX state-machine always sends one SIP at the end of a transmission frame. However, when the SIP_MODE bit is set to 0, SIP transmission depends on the UART3.UART_ACREG[3] SEND_SIP bit.

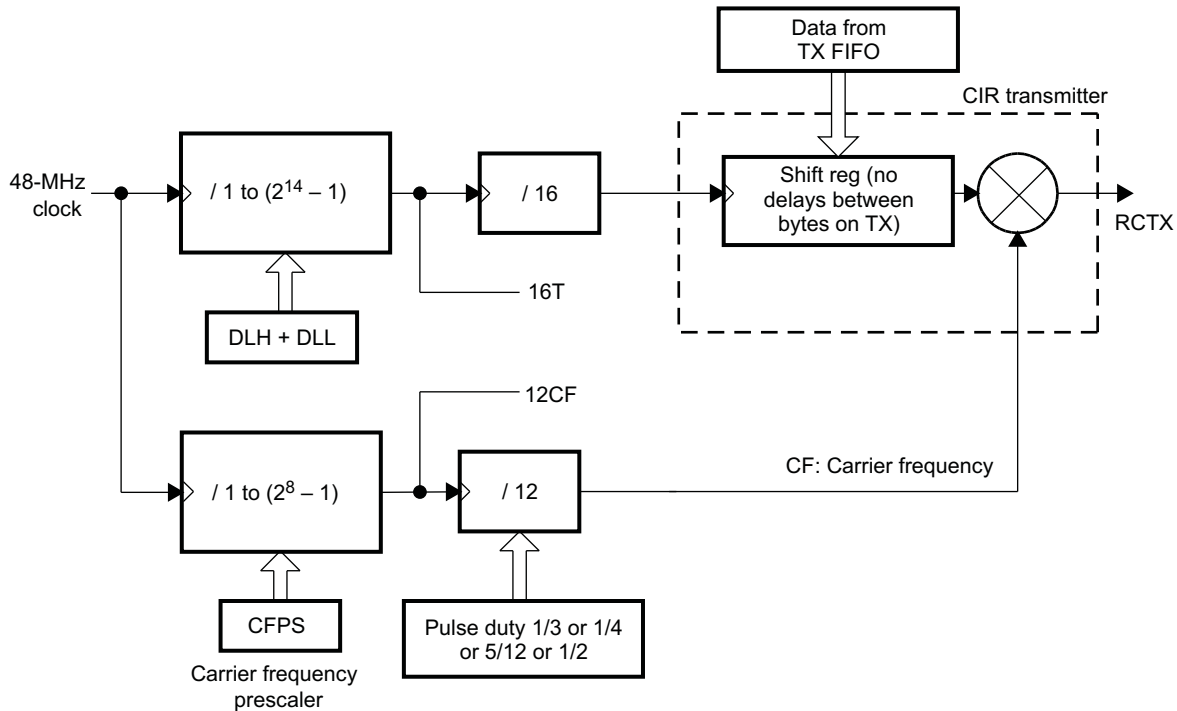
The MPU can set the SEND_SIP bit at least once every 500 ms. The advantage of this approach over the default approach is that the TX state-machine does not have to send the SIP at the end of each frame, thus reducing the overhead required.

24.3.4.8.3 CIR Mode (UART3 Only)

24.3.4.8.3.1 CIR Mode Clock Generation

Depending on the encoding method (variable pulse distance/biphase), the MPU must develop a data structure that combines 1 and 0 with a t period to encode the complete frame to transmit. This can then be transmitted to the infrared output with a modulation method, as shown in [Figure 24-71](#).

Figure 24-71. CIR Mode Block Components



uart-034

Based on the requested modulation frequency, the UART3.UART_CFPS register must be set with the correct dividing value to provide an accurate pulse frequency:

$$\text{Dividing value} = (\text{FCLK} / 12) / \text{MODfreq}$$

Where:

FCLK = System clock frequency (48 MHz)

12 = Real value of baud multiple

MODfreq = Effective frequency of the modulation (MHz)

Example: For a targeted modulation frequency of 36 kHz, the value of CFPS must be set to 0x7 (decimal), which provides a modulation frequency of 36.04 kHz.

NOTE: The UART3.UART_CFPS register starts with a reset value of 105 (decimal), which translates to a frequency of 38.1 kHz.

The duty cycle of these pulses is user-defined by the pulse duty register bits in the UART3.UART_MDR2 register. Table 24-154 shows the duty cycle.

Table 24-154. Duty Cycle

UART_MDR2[5:4]	Duty Cycle (High-Level)
00	1/4
01	1/3
10	5/12
11	1/2

24.3.4.8.3.2 CIR Data Formatting

The methods described in this section apply to all CIR modes.

24.3.4.8.3.2.1 IR RX Polarity Control

The IR RX polarity control for CIR mode has the same function as that for IrDA mode (see [Section 24.3.4.8.2.3.1, IR RX Polarity Control](#)).

24.3.4.8.3.2.2 CIR Transmission

In transmission, the MPU software must exercise an element of real-time control to transmit data packets, each of which must be emitted at a constant delay from the start-bits of each individual packet. Thus, when sending a series of packets, the packet-to-packet delay must respect a specific delay. Two methods can be used to control this delay:

- Filling the TX FIFO with a number of zero bits that are transmitted with a t period
- Using an external system timer to control the delay between each start-of-frame or between the end of a frame and the start of the next one. This can be performed by:
 - Controlling the start of the frame using the UART3.UART_MDR1[5] SCT bit and the UART3.UART_ACREG[2] SCTX_EN bit, depending on the timer status
 - Using the UART3.UART_IIR[5] TX_STATUS_IT interrupt bit to preload the next frame in the TX FIFO and to control the start of the timer (in case of control delay between the end of a frame and the start of the next frame)

24.3.5 UART/IrDA/CIR Basic Programming Model

This section describes the procedure for operating the UART with FIFO and DMA or interrupts. This three-part procedure ensures the quick start of the UART. It does not cover every UART feature.

The first programming model covers software reset of the UART. The second programming model describes FIFO and DMA configuration. The last programming model describes protocol, baud rate, and interrupt configuration.

NOTE: Each programming model can be used independently of the other two; for instance, reconfiguring the FIFOs and DMA settings only.

Each programming model can be executed starting from any UART register access mode (register modes, submodes, and other register dependencies). However, if the UART register access mode is known before executing the programming model, some steps that enable or restore register access are optional. For more information, see [Section 24.3.4.7.1, Register Access Modes](#).

24.3.5.1 Global Initialization

24.3.5.1.1 Surrounding Modules Global Initialization

This section identifies the requirements for initializing the surrounding modules when the UART/IrDA/CIR module is to be used for the first time after a device reset. This initialization of surrounding modules is based on the integration of the UART/IrDA/CIR.

For more information, see [Section 24.3.3, UART/IrDA/CIR Integration](#).

Table 24-155. Global Initialization of Surrounding Modules for UART/IrDA/CIR

Surrounding Modules	Comments
PRCM	UART functional and interface clocks must be enabled. For more information, see Chapter 3, Power, Reset, and Clock Management .
Control module	Module-specific pad muxing must be set in the control module. For more information, see Chapter 18, Control Module .
IRQ_CROSSBAR	IRQ_CROSSBAR configuration must be done to allow module IRQs to be mapped to certain device INTC line. For more information see Section 18.4.6.4, IRQ_CROSSBAR Module Functional Description , in Chapter 18, Control Module
Interrupt controllers	Device INTCs must be configured to enable the interrupt request generation. For information about enabling interrupts, see Chapter 17, Interrupt Controllers .
DMA_CROSSBAR	DMA_CROSSBAR configuration must be done to allow module DREQs to be mapped to certain device DMA line. For more information see Section 18.4.6.4, DMA_CROSSBAR Module Functional Description , in Chapter 18, Control Module .
DMA controllers	DMA controllers configuration must be done to enable the module DMA channel request. See Chapter 16, DMA Controllers
Interconnects	For information about the L4 interconnect configuration, see Chapter 14, Interconnect .

24.3.5.1.2 UART/IrDA/CIR Module Global Initialization

The procedure in [Table 24-156](#) can be used to initialize UART when performing software reset.

Table 24-156. UART/IrDA/CIR Global Initialization

Step	Register/Bit Field/Programming Model	Value
Perform a software reset.	UART_SYSC[1] SOFTRESET	1
Wait until reset is finished.	UART_SYSS[0] RESETDONE	=1

24.3.5.2 Mode selection

Table 24-157 describes how to set different register access mode.

Table 24-157. Configure Register Access Mode

Step	Register/Bit Field/Programming Model	Value
Set the register access mode A	UART_LCR[7] DIV_EN	1
	UART_LCR[7:0]	≠0xBF
Set the register access mode B	UART_LCR[7:0]	0xBF
Set the operational mode	UART_LCR[7] DIV_EN	0

24.3.5.3 Submode selection

This section describes how to set different register access submode.

Table 24-158. Configure Register Access Submode TCR_TLR

Step	Register/Bit Field/Programming Model	Value
Configure the submode TCR_TLR:		
Configure mode B	see Table 24-157	
Enable writing to register bits UART_MCR[6:5]	UART_EFR[4] ENHANCED_EN	1
Configure mode A	see Table 24-157	0x1
Set the submode TCR_TLR	UART_MCR[6] TCR_TLR	1

Table 24-159. Configure Register Access Submode MSR_SPR

Step	Register/Bit Field/Programming Model	Value
First option to configure the submode MSR_SPR:		
Configure mode B	see Table 24-157	
Set the submode MSR_SPR	UART_EFR[4] ENHANCED_EN	0
Second option to configure the submode MSR_SPR:		
Configure mode B	see Table 24-157	
Enable writing to register bits UART_MCR[6:5]	UART_EFR[4] ENHANCED_EN	1
Set the submode MSR_SPR	UART_MCR[6] TCR_TLR	0

Table 24-160. Configure Register Access Submode XOFF

Step	Register/Bit Field/Programming Model	Value
Configure of the XOFF:		
Configure B	see Table 24-157	
Set the submode XOFF	UART_EFR[4] ENHANCED_EN	0

24.3.5.4 Load FIFO trigger and DMA mode settings

24.3.5.4.1 DMA mode Settings

To enable and configure DMA mode, perform the following steps:

Table 24-161. DMA Mode Settings

Step	Register/Bit Field/Programming Model	Value
Set the option of DMA mode configuration	UART_SCR[0] DMA_MODE_CTL	-
IF Configure DMA mode 0 and 1	UART_SCR[0] DMA_MODE_CTL	=0

Table 24-161. DMA Mode Settings (continued)

Step	Register/Bit Field/Programming Model	Value
Select the DMA mode, for more information see Section 24.3.4.6.4	UART_FCR[3] DMA_MODE	-
IF Configure DMA mode from 0 to 3	UART_SCR[0] DMA_MODE_CTL	=1
Select the DMA mode, for more information see Section 24.3.4.6.4	UART_SCR[2:1] DMA_MODE_2	-

24.3.5.4.2 FIFO Trigger Settings

In this section is described configuration and settings of FIFO trigger level, which enable DMA and interrupt generation.

Table 24-162. Load FIFO Triggers Defined by the FCR

Step	Register/Bit Field/Programming Model	Value
Configure register submode TCR_TLR	see Table 24-158	0x-
Set the desire RX FIFO trigger level	UART_FCR[5:4] TX_FIFO_TRIG	0x-
Set the desire TX FIFO trigger level	UART_FCR[7:6] RX_FIFO_TRIG	0x-

Table 24-163. Load FIFO Triggers Defined by the TLR

Step	Register/Bit Field/Programming Model	Value
Configure register submode TCR_TLR	see Table 24-158	0x-
Set the desire RX FIFO trigger level	UART_TLR[7:4] RX_FIFO_TRIG_DMA	0x-
Set the desire TX FIFO trigger level	UART_TLR[3:0] TX_FIFO_TRIG_DMA	0x-

Table 24-164. Load FIFO Triggers Defined by the Concatenated Value

Step	Register/Bit Field/Programming Model	Value
Configure register submode TCR_TLR	see Table 24-158	0x-
Set the register bit	UART_SCR[7] RX_TRIG_GRANU1	1
Set the desire RX FIFO trigger level	UART_TLR[7:4] RX_FIFO_TRIG_DMA UART_FCR[7:6] RX_FIFO_TRIG	0x-
Set the register bit	UART_SCR[6] TX_TRIG_GRANU1	1
Set the desire TX FIFO trigger level	UART_TLR[3:0] TX_FIFO_TRIG_DMA UART_FCR[5:4] TX_FIFO_TRIG	0x-

24.3.5.5 Protocol, Baud rate and interrupt settings

24.3.5.5.1 Baud rate settings

Table 24-165. Baud Rate Settings

Step	Register/Bit Field/Programming Model	Value
Disable UART mode	UART_MDR1[2:0] MODE_SELECT	0x7
Switch to register configuration mode B	see Table 24-157	
Enable access to UART_IER[7:4]	UART_EFR[4] ENHANCED_EN	1
Switch register operational mode	see Table 24-157	
Disable sleep mode	UART_IER[4] SLEEP_MODE	0
Switch to register configuration mode A or B	see Table 24-157	

Table 24-165. Baud Rate Settings (continued)

Step	Register/Bit Field/Programming Model	Value
Set the appropriate divisor value	UART_DLL[7:0] CLOCK_LSB	0x-
	UART_DLH[5:0] CLOCK_MSB	

24.3.5.5.2 Interrupt settings

Table 24-166. Interrupt Settings

Step	Register/Bit Field/Programming Model	Value
Switch to register configuration mode B	see Table 24-157	0x7
Enable access to UART_IER[7:4]	UART_EFR[4] ENHANCED_EN	1
Switch register operational mode	see Table 24-157	
Set the desired interrupt configuration (0: Disable the interrupt; 1: Enable the interrupt)	UART_IER[7] CTS_IT	0x-
	UART_IER[6] RTS_IT	
	UART_IER[5] XOFF_IT	
	UART_IER[4] SLEEP_MODE	
	UART_IER[3] MODEM_STS_IT	
	UART_IER[2] LINE_STS_IT	
	UART_IER[1] THR_IT	
	UART_IER[0] RHR_IT	

24.3.5.5.3 Protocol settings

Load the desired protocol formatting (parity, stop-bit, character length) and switch to register operational mode.

Table 24-167. Protocol Settings

Step	Register/Bit Field/Programming Model	Value
Load desired protocol formatting, see Section 24.3.4.8.1.3.1 , <i>Frame Formatting</i>	UART_LCR[5] PARITY_TYPE_2	0x-
	UART_LCR[4] PARITY_TYPE_1	
	UART_LCR[3] PARITY_EN	
	UART_LCR[2] NB_STOP	
	UART_LCR[1:0] PARITY_LENGTH	
Switch to register operational mode	UART_LCR[7] DIV_EN	0
	UART_LCR[6] BREAK_EN	

24.3.5.5.4 UART/IrDA(SIR/MIR/FIR)/CIR

Table 24-168. UART/IrDA/CIR Mode Selection

Step	Register/Bit Field/Programming Model	Value
Load the desired UART mode, see Section 24.3.4.7.2 , <i>UART/IrDA (SIR, MIR, FIR)/CIR Mode Selection</i>	UART_MDR1[2:0] MODE_SELECT	0x-

24.3.5.6 Hardware and Software Flow Control Configuration

This section describes the programming steps to enable and configure hardware and software flow control. Hardware and software flow control cannot be used at the same time.

24.3.5.6.1 Hardware Flow Control Configuration

Table 24-169. Hardware Flow Control Configuration

Step	Register/Bit Field/Programming Model	Value
Configure register submode TCR_TLR	see Table 24-158	0x7
Load the start and halt trigger value.	UART_TCR[7:4] AUTO_RTS_START UART_TCR[3:0] AUTO_RTS_HALT	0x-
Enable or disable receive and transmit hardware flow control mode.	UART_EFR[7] AUTO_CTS_EN UART_EFR[6] AUTO_RTS_EN	0x-

24.3.5.6.2 Software Flow Control Configuration

Table 24-170. Software Flow Control Configuration

Step	Register/Bit Field/Programming Model	Value
Set the register access submode XOFF	see Table 24-160	
Load the software control characters	UART_XON1_ADDR1[7:0] XON_WORD1 UART_XON2_ADDR2[7:0] XON_WORD2 UART_XOFF1[7:0] XOFF_WORD1 UART_XOFF2[7:0] XOFF_WORD2	0x-
Set the register access submode TCR_TLR	see Table 24-158	
Enable or disable XON any function (0: Disable; 1: Enable).	UART_MCR[5] XON_EN	--
Load start and halt trigger value for software flow control	UART_TCR[7:4] AUTO_RTS_START UART_TCR[3:0] AUTO_RTS_HALT	0x-
Enable or disable special character function (0: Disable; 1: Enable)	UART_EFR[5] SPEC_CHAR	0x-
Set the software flow control mode	UART_EFR[3:0] SW_FLOW_CONTROL	0x-

24.3.5.7 IrDA Programming Model (UART3 Only)

24.3.5.7.1 SIR mode

24.3.5.7.1.1 Receive

The following programming model explains how to program the module to receive an IrDA frame with parity forced to 1, baud rate = 115.2 kbps, FIFOs disabled, 2 stop-bits, and 8-bit word length:

Table 24-171. SIR Mode Receive Settings

Step	Register/Bit Field/Programming Model	Value
Disable UART mode	UART_MDR1[2:0] MODE_SELECT	0x7
Grant access to the UART_DLL and UART_DLH registers	UART_LCR[7:0]	0x80
Load the baud rate(115.2 Kbps)	UART_DLL[7:0] CLOCK_LSB UART_DLH[5:0] CLOCK_MSB	0x1A 0x00
Set SIR mode	UART_MDR1[2:0] MODE_SELECT	0x1

Table 24-171. SIR Mode Receive Settings (continued)

Step	Register/Bit Field/Programming Model	Value
Disable access to the UART_DLL and UART_DLH registers	UART_LCR [7:0]	0x00
Enable the UART_RHR interrupt	UART_IER_IRDA [0] RHR_IT	1

24.3.5.7.1.2 Transmit

The following programming model explains how to program the module to transmit an IrDA 6-byte frame with no parity, baud rate = 115.2 kbps, FIFOs disabled, 3/16 encoding, 2 stop-bits, and 7-bit word length:

Table 24-172. SIR Mode Transmit Settings

Step	Register/Bit Field/Programming Model	Value
Disable UART mode	UART_MDR1 [2:0] MODE_SELECT	0x7
Grant access to the UART_DLL and UART_DLH registers	UART_LCR [7:0]	0x80
Load the baud rate (115.2 Kbps)	UART_DLL [7:0] CLOCK_LSB UART_DLH [5:0] CLOCK_MSB	0x1A 0x00
Set SIR mode	UART_MDR1 [2:0] MODE_SELECT	0x1
Disable access to the UART_DLL and UART_DLH registers	UART_LCR [7:0]	0x00
Force DTR output to active	UART_MCR [0] DTR	1
Enable the THR interrupt	UART_IER_IRDA [1] THR_IT	0x1
Set transmit frame length to 6 bytes	UART_TXFLL [7:0] TXFLL	0x06
Set the seven starts of frame transmission	UART_EBLR [7:0] EBLR	0x08
Set SIR pulse width to be 1.6 μ s	UART_ACREG [7] PULSE_TYPE	1

24.3.5.7.2 MIR mode

24.3.5.7.2.1 Receive

The following programming model explains how to program the module to receive an IrDA frame with no parity, baud rate = 1.152 Mbps, and FIFOs disabled.

Table 24-173. MIR Mode Receive Settings

Step	Register/Bit Field/Programming Model	Value
Disable UART mode	UART_MDR1 [2:0] MODE_SELECT	0x7
Grant access to the UART_DLL and UART_DLH registers	UART_LCR [7:0]	0x80
Load the baud rate (1.152bps)	UART_DLL [7:0] CLOCK_LSB UART_DLH [5:0] CLOCK_MSB	0x01 0x00
Set MIR mode	UART_MDR1 [2:0] MODE_SELECT	0x4
Disable access to the UART_DLL and UART_DLH registers	UART_LCR [7:0]	0x00
Force outputs DTR and RTS to active	UART_MCR [1:0]	0x3
Enable the UART_RHR interrupt	UART_IER_IRDA [0] RHR_IT	1

24.3.5.7.2.2 Transmit

The following programming model explains how to program the module to transmit an IrDA 60-byte frame with no parity, baud rate = 1.152 Mbps, and FIFOs disabled.

Table 24-174. MIR Mode Transmit Settings

Step	Register/Bit Field/Programming Model	Value
Disable UART mode	UART_MDR1[2:0] MODE_SELECT	0x7
Grant access to the UART_DLL and UART_DLH registers	UART_LCR[7:0]	0x80
Load the baud rate (115.2 kbps)	UART_DLL[7:0] CLOCK_LSB	0x01
	UART_DLH[5:0] CLOCK_MSB	0x00
Set SIR mode	UART_MDR1[2:0] MODE_SELECT	0x4
Disable access to the UART_DLL and UART_DLH registers	UART_LCR[7:0]	0x00
Force DTR output to active	UART_MCR[0] DTR	1
Enable the THR interrupt	UART_IER_IRDA[1] THR_IT	0x1
Set transmit frame length to 60 bytes	UART_TXFLL[7:0] TXFLL	0x3C
Set the eight additional starts of frame transmission	UART_EBLR[7:0] EBLR	0x08
SIP is sent at the end of transmission	UART_ACREG[3] SEND_SIP	1

24.3.5.7.3 FIR mode

24.3.5.7.3.1 Receive

The following programming model explains how to program the module to receive the IrDA frame with no parity, baud rate = 4 Mbps, FIFOs enabled, 8-bit word length.

Table 24-175. FIR Mode Receive Settings

Step	Register/Bit Field/Programming Model	Value
Disable UART mode	UART_MDR1[2:0] MODE_SELECT	0x7
Grant access to the UART_DLL and UART_DLH registers	UART_LCR[7:0]	0x80
Enable access to change UART_FCR [0]	UART_DLL[7:0] CLOCK_LSB	0x0
	UART_DLH[7:0] CLOCK_MSB	
FIFO clear and enable	UART_FCR[2:0]	0x7
Set the FIFO trigger level	see Section 24.3.5.4, Load FIFO trigger and DMA mode settings	
Set FIR mode	UART_MDR1[2:0] MODE_SELECT	0x5
Set frame length	UART_RXFLL[7:0] RXFLL	0xA
Disable access to the UART_DLL and UART_DLH registers	UART_LCR[7:0]	0x00
Enable the UART_RHR interrupt	UART_IER_IRDA[0] RHR_IT	1

24.3.5.7.3.2 Transmit

The following programming model explains how to program the module to transmit an IrDA 4-byte frame with no parity, baud rate = 4 Mbps, FIFOs enabled, and 8-bit word length.

Table 24-176. FIR Mode Transmit Settings

Step	Register/Bit Field/Programming Model	Value
Disable UART mode	UART_MDR1[2:0] MODE_SELECT	0x7
Grant access to the UART_DLL and UART_DLH registers	UART_LCR[7:0]	0x80
Enable access to change UART_FCR [0]	UART_DLL[7:0] CLOCK_LSB	0x0
	UART_DLH[5:0] CLOCK_MSB	
FIFO clear and enable	UART_FCR[2:0]	0x7

Table 24-176. FIR Mode Transmit Settings (continued)

Step	Register/Bit Field/Programming Model	Value
Set the FIFO trigger level	see Section 24.3.5.4, Load FIFO trigger and DMA mode settings	
Set FIR mode	UART_MDR1 [2:0] MODE_SELECT	0x1
Disable access to the UART_DLL and UART_DLH registers	UART_LCR [7:0]	0x00
Set FIR mode and enable auto-SIP mode	UART_MDR1 [7:0]	0x45
Set frame length	UART_TXFLL [7:0] TXFLL	0x4
	UART_TXFLH [7:0] TXFLH	0x0
Force DTR output to active	UART_MCR [0] DTR	1
Enable the THR interrupt	UART_IER_IRDA [1] THR_IT	1
Set the eight additional starts of frame transmission	UART_EBLR [7:0] EBLR	0x08
SIP is sent at the end of transmission	UART_ACREG [3] SEND_SIP	1

24.3.6 UART/IrDA/CIR Register Manual

24.3.6.1 UART/IrDA/CIR Instance Summary

Table 24-177. UART/IrDA/CIR Instance Summary

Module Name	Module Base Address	Size
UART1	0x4806 A000	136 Bytes
UART2	0x4806 C000	136 Bytes
UART3	0x4802 0000	136 Bytes
UART4	0x4806 E000	136 Bytes
UART5	0x4806 6000	136 Bytes
UART6	0x4806 8000	136 Bytes
UART7	0x4842 0000	136 Bytes
UART8	0x4842 2000	136 Bytes
UART9	0x4842 4000	136 Bytes
UART10	0x4AE2 B000	136 Bytes

24.3.6.2 UART/IrDA/CIR Registers

24.3.6.2.1 UART/IrDA/CIR Register Summary

Table 24-178. UART/IrDA/CIR Registers Mapping Summary 1

Register Name	Type	Register Width (Bits)	Address Offset	UART1 Base Address	UART2 Base Address	UART3 Base Address
UART_THR	W	32	0x0000 0000	0x4806 A000	0x4806 C000	0x4802 0000
UART_DLL	RW	32	0x0000 0000	0x4806 A000	0x4806 C000	0x4802 0000
UART_RHR	R	32	0x0000 0000	0x4806 A000	0x4806 C000	0x4802 0000
UART_IER_CIR	RW	32	0x0000 0004	0x4806 A004	0x4806 C004	0x4802 0004
UART_IER	RW	32	0x0000 0004	0x4806 A004	0x4806 C004	0x4802 0004
UART_DLH	RW	32	0x0000 0004	0x4806 A004	0x4806 C004	0x4802 0004
UART_IER_IRDA	RW	32	0x0000 0004	0x4806 A004	0x4806 C004	0x4802 0004
UART_IIR_CIR	R	32	0x0000 0008	0x4806 A008	0x4806 C008	0x4802 0008
UART_FCR	W	32	0x0000 0008	0x4806 A008	0x4806 C008	0x4802 0008
UART_IIR	R	32	0x0000 0008	0x4806 A008	0x4806 C008	0x4802 0008
UART_EFR	RW	32	0x0000 0008	0x4806 A008	0x4806 C008	0x4802 0008
UART_IIR_IRDA	R	32	0x0000 0008	0x4806 A008	0x4806 C008	0x4802 0008
UART_LCR	RW	32	0x0000 000C	0x4806 A00C	0x4806 C00C	0x4802 000C
UART_XON1_ADDR1	RW	32	0x0000 0010	0x4806 A010	0x4806 C010	0x4802 0010
UART_MCR	RW	32	0x0000 0010	0x4806 A010	0x4806 C010	0x4802 0010
UART_LSR	R	32	0x0000 0014	0x4806 A014	0x4806 C014	0x4802 0014
UART_XON2_ADDR2	RW	32	0x0000 0014	0x4806 A014	0x4806 C014	0x4802 0014
UART_LSR_CIR	R	32	0x0000 0014	0x4806 A014	0x4806 C014	0x4802 0014
UART_LSR_IRDA	R	32	0x0000 0014	0x4806 A014	0x4806 C014	0x4802 0014
UART_XOFF1	RW	32	0x0000 0018	0x4806 A018	0x4806 C018	0x4802 0018
UART_MSR	R	32	0x0000 0018	0x4806 A018	0x4806 C018	0x4802 0018
UART_TCR	RW	32	0x0000 0018	0x4806 A018	0x4806 C018	0x4802 0018
UART_XOFF2	RW	32	0x0000 001C	0x4806 A01C	0x4806 C01C	0x4802 001C
UART_TLR	RW	32	0x0000 001C	0x4806 A01C	0x4806 C01C	0x4802 001C

Table 24-178. UART/IrDA/CIR Registers Mapping Summary 1 (continued)

Register Name	Type	Register Width (Bits)	Address Offset	UART1 Base Address	UART2 Base Address	UART3 Base Address
UART_SPR	RW	32	0x0000 001C	0x4806 A01C	0x4806 C01C	0x4802 001C
UART_MDR1	RW	32	0x0000 0020	0x4806 A020	0x4806 C020	0x4802 0020
UART_MDR2	RW	32	0x0000 0024	0x4806 A024	0x4806 C024	0x4802 0024
UART_SFLSR	R	32	0x0000 0028	0x4806 A028	0x4806 C028	0x4802 0028
UART_TXFLL	W	32	0x0000 0028	0x4806 A028	0x4806 C028	0x4802 0028
UART_RESUME	R	32	0x0000 002C	0x4806 A02C	0x4806 C02C	0x4802 002C
UART_TXFLH	W	32	0x0000 002C	0x4806 A02C	0x4806 C02C	0x4802 002C
UART_SFREGL	R	32	0x0000 0030	0x4806 A030	0x4806 C030	0x4802 0030
UART_RXFLL	W	32	0x0000 0030	0x4806 A030	0x4806 C030	0x4802 0030
UART_RXFLH	W	32	0x0000 0034	0x4806 A034	0x4806 C034	0x4802 0034
UART_SFREGH	R	32	0x0000 0034	0x4806 A034	0x4806 C034	0x4802 0034
UART_BLR	RW	32	0x0000 0038	0x4806 A038	0x4806 C038	0x4802 0038
UART_UASR	R	32	0x0000 0038	0x4806 A038	0x4806 C038	0x4802 0038
UART_ACREG	RW	32	0x0000 003C	0x4806 A03C	0x4806 C03C	0x4802 003C
UART_SCR	RW	32	0x0000 0040	0x4806 A040	0x4806 C040	0x4802 0040
UART_SSR	RW	32	0x0000 0044	0x4806 A044	0x4806 C044	0x4802 0044
UART_EBLR	RW	32	0x0000 0048	0x4806 A048	0x4806 C048	0x4802 0048
UART_MVR	R	32	0x0000 0050	0x4806 A050	0x4806 C050	0x4802 0050
UART_SYSC	RW	32	0x0000 0054	0x4806 A054	0x4806 C054	0x4802 0054
UART_SYSS	R	32	0x0000 0058	0x4806 A058	0x4806 C058	0x4802 0058
UART_WER	RW	32	0x0000 005C	0x4806 A05C	0x4806 C05C	0x4802 005C
UART_CFPS	RW	32	0x0000 0060	0x4806 A060	0x4806 C060	0x4802 0060
UART_RXFIFO_LVL	R	32	0x0000 0064	0x4806 A064	0x4806 C064	0x4802 0064
UART_TXFIFO_LVL	R	32	0x0000 0068	0x4806 A068	0x4806 C068	0x4802 0068
UART_IER2	RW	32	0x0000 006C	0x4806 A06C	0x4806 C06C	0x4802 006C
UART_ISR2	RW	32	0x0000 0070	0x4806 A070	0x4806 C070	0x4802 0070
UART_FREQ_SEL	RW	32	0x0000 0074	0x4806 A074	0x4806 C074	0x4802 0074
RESERVED	R	32	0x0000 0078	0x4806 A078	0x4806 C078	0x4802 0078
RESERVED	R	32	0x0000 007C	0x4806 A07C	0x4806 C07C	0x4802 007C
UART_MDR3	RW	32	0x0000 0080	0x4806 A080	0x4806 C080	0x4802 0080
UART_TX_DMA_THRESHOLD	RW	32	0x0000 0084	0x4806 A084	0x4806 C084	0x4802 0084

Table 24-179. UART/IrDA/CIR Registers Mapping Summary 2

Register Name	Type	Register Width (Bits)	Address Offset	UART4 Base Address	UART5 Base Address	UART6 Base Address
UART_THR	W	32	0x0000 0000	0x4806 E000	0x4806 6000	0x4806 8000
UART_DLL	RW	32	0x0000 0000	0x4806 E000	0x4806 6000	0x4806 8000
UART_RHR	R	32	0x0000 0000	0x4806 E000	0x4806 6000	0x4806 8000
UART_IER_CIR	RW	32	0x0000 0004	0x4806 E004	0x4806 6004	0x4806 8004
UART_IER	RW	32	0x0000 0004	0x4806 E004	0x4806 6004	0x4806 8004
UART_DLH	RW	32	0x0000 0004	0x4806 E004	0x4806 6004	0x4806 8004
UART_IER_IRDA	RW	32	0x0000 0004	0x4806 E004	0x4806 6004	0x4806 8004
UART_IIR_CIR	R	32	0x0000 0008	0x4806 E008	0x4806 6008	0x4806 8008
UART_FCR	W	32	0x0000 0008	0x4806 E008	0x4806 6008	0x4806 8008
UART_IIR	R	32	0x0000 0008	0x4806 E008	0x4806 6008	0x4806 8008

Table 24-179. UART/IrDA/CIR Registers Mapping Summary 2 (continued)

Register Name	Type	Register Width (Bits)	Address Offset	UART4 Base Address	UART5 Base Address	UART6 Base Address
UART_EFR	RW	32	0x0000 0008	0x4806 E008	0x4806 6008	0x4806 8008
UART_IIR_IRDA	R	32	0x0000 0008	0x4806 E008	0x4806 6008	0x4806 8008
UART_LCR	RW	32	0x0000 000C	0x4806 E00C	0x4806 600C	0x4806 800C
UART_XON1_ADDR1	RW	32	0x0000 0010	0x4806 E010	0x4806 6010	0x4806 8010
UART_MCR	RW	32	0x0000 0010	0x4806 E010	0x4806 6010	0x4806 8010
UART_LSR	R	32	0x0000 0014	0x4806 E014	0x4806 6014	0x4806 8014
UART_XON2_ADDR2	RW	32	0x0000 0014	0x4806 E014	0x4806 6014	0x4806 8014
UART_LSR_CIR	R	32	0x0000 0014	0x4806 E014	0x4806 6014	0x4806 8014
UART_LSR_IRDA	R	32	0x0000 0014	0x4806 E014	0x4806 6014	0x4806 8014
UART_XOFF1	RW	32	0x0000 0018	0x4806 E018	0x4806 6018	0x4806 8018
UART_MSR	R	32	0x0000 0018	0x4806 E018	0x4806 6018	0x4806 8018
UART_TCR	RW	32	0x0000 0018	0x4806 E018	0x4806 6018	0x4806 8018
UART_XOFF2	RW	32	0x0000 001C	0x4806 E01C	0x4806 601C	0x4806 801C
UART_TLR	RW	32	0x0000 001C	0x4806 E01C	0x4806 601C	0x4806 801C
UART_SPR	RW	32	0x0000 001C	0x4806 E01C	0x4806 601C	0x4806 801C
UART_MDR1	RW	32	0x0000 0020	0x4806 E020	0x4806 6020	0x4806 8020
UART_MDR2	RW	32	0x0000 0024	0x4806 E024	0x4806 6024	0x4806 8024
UART_SFLSR	R	32	0x0000 0028	0x4806 E028	0x4806 6028	0x4806 8028
UART_TXFLL	W	32	0x0000 0028	0x4806 E028	0x4806 6028	0x4806 8028
UART_RESUME	R	32	0x0000 002C	0x4806 E02C	0x4806 602C	0x4806 802C
UART_TXFLH	W	32	0x0000 002C	0x4806 E02C	0x4806 602C	0x4806 802C
UART_SFREGL	R	32	0x0000 0030	0x4806 E030	0x4806 6030	0x4806 8030
UART_RXFLL	W	32	0x0000 0030	0x4806 E030	0x4806 6030	0x4806 8030
UART_RXFLH	W	32	0x0000 0034	0x4806 E034	0x4806 6034	0x4806 8034
UART_SFREGH	R	32	0x0000 0034	0x4806 E034	0x4806 6034	0x4806 8034
UART_BLR	RW	32	0x0000 0038	0x4806 E038	0x4806 6038	0x4806 8038
UART_UASR	R	32	0x0000 0038	0x4806 E038	0x4806 6038	0x4806 8038
UART_ACREG	RW	32	0x0000 003C	0x4806 E03C	0x4806 603C	0x4806 803C
UART_SCR	RW	32	0x0000 0040	0x4806 E040	0x4806 6040	0x4806 8040
UART_SSR	RW	32	0x0000 0044	0x4806 E044	0x4806 6044	0x4806 8044
UART_EBLR	RW	32	0x0000 0048	0x4806 E048	0x4806 6048	0x4806 8048
UART_MVR	R	32	0x0000 0050	0x4806 E050	0x4806 6050	0x4806 8050
UART_SYSC	RW	32	0x0000 0054	0x4806 E054	0x4806 6054	0x4806 8054
UART_SYSS	R	32	0x0000 0058	0x4806 E058	0x4806 6058	0x4806 8058
UART_WER	RW	32	0x0000 005C	0x4806 E05C	0x4806 605C	0x4806 805C
UART_CFPS	RW	32	0x0000 0060	0x4806 E060	0x4806 6060	0x4806 8060
UART_RXFIFO_LVL	R	32	0x0000 0064	0x4806 E064	0x4806 6064	0x4806 8064
UART_TXFIFO_LVL	R	32	0x0000 0068	0x4806 E068	0x4806 6068	0x4806 8068
UART_IER2	RW	32	0x0000 006C	0x4806 E06C	0x4806 606C	0x4806 806C
UART_ISR2	RW	32	0x0000 0070	0x4806 E070	0x4806 6070	0x4806 8070
UART_FREQ_SEL	RW	32	0x0000 0074	0x4806 E074	0x4806 6074	0x4806 8074
RESERVED	R	32	0x0000 0078	0x4806 E078	0x4806 6078	0x4806 8078
RESERVED	R	32	0x0000 007C	0x4806 E07C	0x4806 607C	0x4806 807C
UART_MDR3	RW	32	0x0000 0080	0x4806 E080	0x4806 6080	0x4806 8080
UART_TX_DMA_THRESHOLD	RW	32	0x0000 0084	0x4806 E084	0x4806 6084	0x4806 8084

Table 24-180. UART/IrDA/CIR Registers Mapping Summary 3

Register Name	Type	Register Width (Bits)	Address Offset	UART7 Base Address	UART8 Base Address
UART_THR	W	32	0x0000 0000	0x4842 0000	0x4842 2000
UART_DLL	RW	32	0x0000 0000	0x4842 0000	0x4842 2000
UART_RHR	R	32	0x0000 0000	0x4842 0000	0x4842 2000
UART_IER_CIR	RW	32	0x0000 0004	0x4842 0004	0x4842 2004
UART_IER	RW	32	0x0000 0004	0x4842 0004	0x4842 2004
UART_DLH	RW	32	0x0000 0004	0x4842 0004	0x4842 2004
UART_IER_IRDA	RW	32	0x0000 0004	0x4842 0004	0x4842 2004
UART_IIR_CIR	R	32	0x0000 0008	0x4842 0008	0x4842 2008
UART_FCR	W	32	0x0000 0008	0x4842 0008	0x4842 2008
UART_IIR	R	32	0x0000 0008	0x4842 0008	0x4842 2008
UART_EFR	RW	32	0x0000 0008	0x4842 0008	0x4842 2008
UART_IIR_IRDA	R	32	0x0000 0008	0x4842 0008	0x4842 2008
UART_LCR	RW	32	0x0000 000C	0x4842 000C	0x4842 200C
UART_XON1_ADDR1	RW	32	0x0000 0010	0x4842 0010	0x4842 2010
UART_MCR	RW	32	0x0000 0010	0x4842 0010	0x4842 2010
UART_LSR	R	32	0x0000 0014	0x4842 0014	0x4842 2014
UART_XON2_ADDR2	RW	32	0x0000 0014	0x4842 0014	0x4842 2014
UART_LSR_CIR	R	32	0x0000 0014	0x4842 0014	0x4842 2014
UART_LSR_IRDA	R	32	0x0000 0014	0x4842 0014	0x4842 2014
UART_XOFF1	RW	32	0x0000 0018	0x4842 0018	0x4842 2018
UART_MSR	R	32	0x0000 0018	0x4842 0018	0x4842 2018
UART_TCR	RW	32	0x0000 0018	0x4842 0018	0x4842 2018
UART_XOFF2	RW	32	0x0000 001C	0x4842 001C	0x4842 201C
UART_TLR	RW	32	0x0000 001C	0x4842 001C	0x4842 201C
UART_SPR	RW	32	0x0000 001C	0x4842 001C	0x4842 201C
UART_MDR1	RW	32	0x0000 0020	0x4842 0020	0x4842 2020
UART_MDR2	RW	32	0x0000 0024	0x4842 0024	0x4842 2024
UART_SFLSR	R	32	0x0000 0028	0x4842 0028	0x4842 2028
UART_TXFLL	W	32	0x0000 0028	0x4842 0028	0x4842 2028
UART_RESUME	R	32	0x0000 002C	0x4842 002C	0x4842 202C
UART_TXFLH	W	32	0x0000 002C	0x4842 002C	0x4842 202C
UART_SFREGL	R	32	0x0000 0030	0x4842 0030	0x4842 2030
UART_RXFLL	W	32	0x0000 0030	0x4842 0030	0x4842 2030
UART_RXFLH	W	32	0x0000 0034	0x4842 0034	0x4842 2034
UART_SFREGH	R	32	0x0000 0034	0x4842 0034	0x4842 2034
UART_BLR	RW	32	0x0000 0038	0x4842 0038	0x4842 2038
UART_UASR	R	32	0x0000 0038	0x4842 0038	0x4842 2038
UART_ACREG	RW	32	0x0000 003C	0x4842 003C	0x4842 203C
UART_SCR	RW	32	0x0000 0040	0x4842 0040	0x4842 2040
UART_SSR	RW	32	0x0000 0044	0x4842 0044	0x4842 2044
UART_EBLR	RW	32	0x0000 0048	0x4842 0048	0x4842 2048
UART_MVR	R	32	0x0000 0050	0x4842 0050	0x4842 2050
UART_SYSC	RW	32	0x0000 0054	0x4842 0054	0x4842 2054
UART_SYSS	R	32	0x0000 0058	0x4842 0058	0x4842 2058
UART_WER	RW	32	0x0000 005C	0x4842 005C	0x4842 205C
UART_CFPS	RW	32	0x0000 0060	0x4842 0060	0x4842 2060
UART_RXFIFO_LVL	R	32	0x0000 0064	0x4842 0064	0x4842 2064

Table 24-180. UART/IrDA/CIR Registers Mapping Summary 3 (continued)

Register Name	Type	Register Width (Bits)	Address Offset	UART7 Base Address	UART8 Base Address
UART_TXFIFO_LVL	R	32	0x0000 0068	0x4842 0068	0x4842 2068
UART_IER2	RW	32	0x0000 006C	0x4842 006C	0x4842 206C
UART_ISR2	RW	32	0x0000 0070	0x4842 0070	0x4842 2070
UART_FREQ_SEL	RW	32	0x0000 0074	0x4842 0074	0x4842 2074
RESERVED	R	32	0x0000 0078	0x4842 0078	0x4842 2078
RESERVED	R	32	0x0000 007C	0x4842 007C	0x4842 207C
UART_MDR3	RW	32	0x0000 0080	0x4842 0080	0x4842 2080
UART_TX_DMA_THRESHOLD	RW	32	0x0000 0084	0x4842 0084	0x4842 2084

Table 24-181. UART/IrDA/CIR Registers Mapping Summary 4

Register Name	Type	Register Width (Bits)	Address Offset	UART9 Base Address	UART10 Base Address
UART_THR	W	32	0x0000 0000	0x4842 4000	0x4AE2 B000
UART_DLL	RW	32	0x0000 0000	0x4842 4000	0x4AE2 B000
UART_RHR	R	32	0x0000 0000	0x4842 4000	0x4AE2 B000
UART_IER_CIR	RW	32	0x0000 0004	0x4842 4004	0x4AE2 B004
UART_IER	RW	32	0x0000 0004	0x4842 4004	0x4AE2 B004
UART_DLH	RW	32	0x0000 0004	0x4842 4004	0x4AE2 B004
UART_IER_IRDA	RW	32	0x0000 0004	0x4842 4004	0x4AE2 B004
UART_IIR_CIR	R	32	0x0000 0008	0x4842 4008	0x4AE2 B008
UART_FCR	W	32	0x0000 0008	0x4842 4008	0x4AE2 B008
UART_IIR	R	32	0x0000 0008	0x4842 4008	0x4AE2 B008
UART_EFR	RW	32	0x0000 0008	0x4842 4008	0x4AE2 B008
UART_IIR_IRDA	R	32	0x0000 0008	0x4842 4008	0x4AE2 B008
UART_LCR	RW	32	0x0000 000C	0x4842 400C	0x4AE2 B00C
UART_XON1_ADDR1	RW	32	0x0000 0010	0x4842 4010	0x4AE2 B010
UART_MCR	RW	32	0x0000 0010	0x4842 4010	0x4AE2 B010
UART_LSR	R	32	0x0000 0014	0x4842 4014	0x4AE2 B014
UART_XON2_ADDR2	RW	32	0x0000 0014	0x4842 4014	0x4AE2 B014
UART_LSR_CIR	R	32	0x0000 0014	0x4842 4014	0x4AE2 B014
UART_LSR_IRDA	R	32	0x0000 0014	0x4842 4014	0x4AE2 B014
UART_XOFF1	RW	32	0x0000 0018	0x4842 4018	0x4AE2 B018
UART_MSR	R	32	0x0000 0018	0x4842 4018	0x4AE2 B018
UART_TCR	RW	32	0x0000 0018	0x4842 4018	0x4AE2 B018
UART_XOFF2	RW	32	0x0000 001C	0x4842 401C	0x4AE2 B01C
UART_TLR	RW	32	0x0000 001C	0x4842 401C	0x4AE2 B01C
UART_SPR	RW	32	0x0000 001C	0x4842 401C	0x4AE2 B01C
UART_MDR1	RW	32	0x0000 0020	0x4842 4020	0x4AE2 B020
UART_MDR2	RW	32	0x0000 0024	0x4842 4024	0x4AE2 B024
UART_SFLSR	R	32	0x0000 0028	0x4842 4028	0x4AE2 B028
UART_TXFLL	W	32	0x0000 0028	0x4842 4028	0x4AE2 B028
UART_RESUME	R	32	0x0000 002C	0x4842 402C	0x4AE2 B02C
UART_TXFLH	W	32	0x0000 002C	0x4842 402C	0x4AE2 B02C
UART_SFREGL	R	32	0x0000 0030	0x4842 4030	0x4AE2 B030
UART_RXFLL	W	32	0x0000 0030	0x4842 4030	0x4AE2 B030
UART_RXFLH	W	32	0x0000 0034	0x4842 4034	0x4AE2 B034

Table 24-181. UART/IrDA/CIR Registers Mapping Summary 4 (continued)

Register Name	Type	Register Width (Bits)	Address Offset	UART9 Base Address	UART10 Base Address
UART_SFREGH	R	32	0x0000 0034	0x4842 4034	0x4AE2 B034
UART_BLR	RW	32	0x0000 0038	0x4842 4038	0x4AE2 B038
UART_UASR	R	32	0x0000 0038	0x4842 4038	0x4AE2 B038
UART_ACREG	RW	32	0x0000 003C	0x4842 403C	0x4AE2 B03C
UART_SCR	RW	32	0x0000 0040	0x4842 4040	0x4AE2 B040
UART_SSR	RW	32	0x0000 0044	0x4842 4044	0x4AE2 B044
UART_EBLR	RW	32	0x0000 0048	0x4842 4048	0x4AE2 B048
UART_MVR	R	32	0x0000 0050	0x4842 4050	0x4AE2 B050
UART_SYSC	RW	32	0x0000 0054	0x4842 4054	0x4AE2 B054
UART_SYSS	R	32	0x0000 0058	0x4842 4058	0x4AE2 B058
UART_WER	RW	32	0x0000 005C	0x4842 405C	0x4AE2 B05C
UART_CFPS	RW	32	0x0000 0060	0x4842 4060	0x4AE2 B060
UART_RXFIFO_LVL	R	32	0x0000 0064	0x4842 4064	0x4AE2 B064
UART_TXFIFO_LVL	R	32	0x0000 0068	0x4842 4068	0x4AE2 B068
UART_IER2	RW	32	0x0000 006C	0x4842 406C	0x4AE2 B06C
UART_ISR2	RW	32	0x0000 0070	0x4842 4070	0x4AE2 B070
UART_FREQ_SEL	RW	32	0x0000 0074	0x4842 4074	0x4AE2 B074
RESERVED	R	32	0x0000 0078	0x4842 4078	0x4AE2 B078
RESERVED	R	32	0x0000 007C	0x4842 407C	0x4AE2 B07C
UART_MDR3	RW	32	0x0000 0080	0x4842 4080	0x4AE2 B080
UART_TX_DMA_THRESHOLD	RW	32	0x0000 0084	0x4842 4084	0x4AE2 B084

24.3.6.2.2 UART/IrDA/CIR Register Description

Table 24-182. UART_THR

Address Offset	0x0000 0000																																																												
Physical Address	0x4806 A000 0x4806 C000 0x4802 0000 0x4806 E000 0x4806 6000 0x4806 8000 0x4842 0000 0x4842 2000 0x4842 4000 0x4AE2 B000	Instance UART1 UART2 UART3 UART4 UART5 UART6 UART7 UART8 UART9 UART10																																																											
Description	The transmitter section consists of the transmit holding register (THR) and the transmit shift register. The THR is a 64-byte FIFO. The local host (LH) writes data to the THR. The data is placed in the transmit shift register where it is shifted out serially on the TX output. If the FIFO is disabled, location 0 of the FIFO stores the data.																																																												
Type	W																																																												
<table border="1" style="width:100%; border-collapse: collapse;"> <thead> <tr> <th style="width: 10%;">31</th><th style="width: 10%;">30</th><th style="width: 10%;">29</th><th style="width: 10%;">28</th><th style="width: 10%;">27</th><th style="width: 10%;">26</th><th style="width: 10%;">25</th><th style="width: 10%;">24</th><th style="width: 10%;">23</th><th style="width: 10%;">22</th><th style="width: 10%;">21</th><th style="width: 10%;">20</th><th style="width: 10%;">19</th><th style="width: 10%;">18</th><th style="width: 10%;">17</th><th style="width: 10%;">16</th><th style="width: 10%;">15</th><th style="width: 10%;">14</th><th style="width: 10%;">13</th><th style="width: 10%;">12</th><th style="width: 10%;">11</th><th style="width: 10%;">10</th><th style="width: 10%;">9</th><th style="width: 10%;">8</th><th style="width: 10%;">7</th><th style="width: 10%;">6</th><th style="width: 10%;">5</th><th style="width: 10%;">4</th><th style="width: 10%;">3</th><th style="width: 10%;">2</th><th style="width: 10%;">1</th><th style="width: 10%;">0</th> </tr> </thead> <tbody> <tr> <td colspan="16" style="text-align: center;">RESERVED</td> <td colspan="11" style="text-align: center;">THR</td> </tr> </tbody> </table>			31	30	29	28	27	26	25	24	23	22	21	20	19	18	17	16	15	14	13	12	11	10	9	8	7	6	5	4	3	2	1	0	RESERVED																THR										
31	30	29	28	27	26	25	24	23	22	21	20	19	18	17	16	15	14	13	12	11	10	9	8	7	6	5	4	3	2	1	0																														
RESERVED																THR																																													
Bits	Field Name	Description	Type	Reset																																																									
31:8	RESERVED	Write has no effect.	W	0x000000																																																									
7:0	THR	Transmit holding register	W	0x-																																																									

Table 24-183. Register Call Summary for Register UART_THR

UART/IrDA/CIR

- [UART Mode Interrupt Management: \[0\]](#)
- [IrDA Mode Interrupt Management: \[1\]](#)
- [FIFO Management: \[2\]](#)
- [FIFO DMA Mode Operation: \[3\]\[4\]](#)
- [Register Access Modes: \[5\]](#)
- [UART/IrDA \(SIR, MIR, FIR\)/CIR Mode Selection: \[6\]\[7\]\[8\]](#)
- [UART/IrDA/CIR Register Summary: \[9\]\[10\]\[11\]\[12\]](#)
- [UART/IrDA/CIR Register Description: \[13\]](#)

Table 24-184. UART_RHR

Address Offset	0x0000 0000																																																														
Physical Address	0x4806 A000 0x4806 C000 0x4802 0000 0x4806 E000 0x4806 6000 0x4806 8000 0x4842 0000 0x4842 2000 0x4842 4000 0x4AE2 B000	Instance	UART1 UART2 UART3 UART4 UART5 UART6 UART7 UART8 UART9 UART10																																																												
Description	The receiver section consists of the receiver holding register (RHR) and the receiver shift register. The RHR is a 64-byte FIFO. The receiver shift register receives serial data from RX input. The data is converted to parallel data and moved to the RHR. If the FIFO is disabled, location 0 of the FIFO stores the single data character. Note: If an overflow occurs, the data in the RHR is not overwritten.																																																														
Type	R																																																														
<table border="1" style="width:100%; text-align:center;"> <tr> <td>31</td><td>30</td><td>29</td><td>28</td><td>27</td><td>26</td><td>25</td><td>24</td> <td>23</td><td>22</td><td>21</td><td>20</td><td>19</td><td>18</td><td>17</td><td>16</td> <td>15</td><td>14</td><td>13</td><td>12</td><td>11</td><td>10</td><td>9</td><td>8</td> <td>7</td><td>6</td><td>5</td><td>4</td><td>3</td><td>2</td><td>1</td><td>0</td> </tr> <tr> <td colspan="16">RESERVED</td> <td colspan="12">RHR</td> </tr> </table>				31	30	29	28	27	26	25	24	23	22	21	20	19	18	17	16	15	14	13	12	11	10	9	8	7	6	5	4	3	2	1	0	RESERVED																RHR											
31	30	29	28	27	26	25	24	23	22	21	20	19	18	17	16	15	14	13	12	11	10	9	8	7	6	5	4	3	2	1	0																																
RESERVED																RHR																																															
Bits	Field Name	Description	Type	Reset																																																											
31:8	RESERVED	Read returns 0	R	0x000000																																																											
7:0	RHR	Receive holding register	R	0x-																																																											

Table 24-185. Register Call Summary for Register UART_RHR

UART/IrDA/CIR

- [UART Mode Interrupt Management: \[0\]\[1\]\[2\]](#)
- [IrDA Mode Interrupt Management: \[3\]\[4\]\[5\]](#)
- [FIFO Management: \[6\]\[7\]](#)
- [Register Access Modes: \[8\]](#)
- [UART/IrDA \(SIR, MIR, FIR\)/CIR Mode Selection: \[9\]\[10\]](#)
- [UART Mode: \[11\]\[12\]\[13\]\[14\]](#)
- [SIR mode: \[15\]](#)
- [MIR mode: \[16\]](#)
- [FIR mode: \[17\]](#)
- [UART/IrDA/CIR Register Summary: \[18\]\[19\]\[20\]\[21\]](#)

Table 24-186. UART_DLL

Address Offset	0x0000 0000		
Physical Address	0x4806 A000 0x4806 C000 0x4802 0000 0x4806 E000 0x4806 6000 0x4806 8000 0x4842 0000 0x4842 2000 0x4842 4000 0x4AE2 B000	Instance	UART1 UART2 UART3 UART4 UART5 UART6 UART7 UART8 UART9 UART10
Description	This register, with UART_DLH , stores the 14-bit divisor for generation of the baud clock in the baud rate generator. DLH stores the most-significant part of the divisor. DLL stores the least-significant part of the divisor.		
Type	RW		

31	30	29	28	27	26	25	24	23	22	21	20	19	18	17	16	15	14	13	12	11	10	9	8	7	6	5	4	3	2	1	0
RESERVED														CLOCK_LSB																	

Bits	Field Name	Description	Type	Reset
31:8	RESERVED	Read returns 0. Write has no effect.	RW	0x000000
7:0	CLOCK_LSB	Stores the 8-bit LSB divisor value	RW	0x00

Table 24-187. Register Call Summary for Register UART_DLL

UART/IrDA/CIR

- [UART Mode Power Management: \[0\]\[1\]](#)
- [FIFO DMA Mode Operation: \[2\]\[3\]](#)
- [Register Access Modes: \[4\]\[5\]\[6\]\[7\]](#)
- [UART/IrDA \(SIR, MIR, FIR\)/CIR Mode Selection: \[8\]\[9\]\[10\]\[11\]\[12\]\[13\]\[14\]\[15\]\[16\]\[17\]\[18\]\[19\]](#)
- [UART Mode: \[20\]\[21\]\[22\]](#)
- [IrDA Mode \(UART3 Only\): \[23\]](#)
- [Baud rate settings: \[24\]](#)
- [SIR mode: \[25\]\[26\]\[27\]\[28\]\[29\]\[30\]](#)
- [MIR mode: \[31\]\[32\]\[33\]\[34\]\[35\]\[36\]](#)
- [FIR mode: \[37\]\[38\]\[39\]\[40\]\[41\]\[42\]](#)
- [UART/IrDA/CIR Register Summary: \[43\]\[44\]\[45\]\[46\]](#)
- [UART/IrDA/CIR Register Description: \[47\]\[48\]\[49\]\[50\]\[51\]](#)

Table 24-188. UART_IER

Address Offset	0x0000 0004		
Physical Address	0x4806 A004 0x4806 C004 0x4802 0004 0x4806 E004 0x4806 6004 0x4806 8004 0x4842 0004 0x4842 2004 0x4842 4004 0x4AE2 B004	Instance	UART1 UART2 UART3 UART4 UART5 UART6 UART7 UART8 UART9 UART10
Description	Interrupt enable register		
Type	RW		

31	30	29	28	27	26	25	24	23	22	21	20	19	18	17	16	15	14	13	12	11	10	9	8	7	6	5	4	3	2	1	0
RESERVED																CTS_IT	RTS_IT	XOFF_IT	SLEEP_MODE	MODEM_STS_IT	LINE_STS_IT	THR_IT	RHR_IT								

Bits	Field Name	Description	Type	Reset
31:8	RESERVED	Read returns 0. Write has no effect.	RW	0x000000
7	CTS_IT	0x0: Disables the CTS* interrupt 0x1: Enables the CTS* interrupt	RW	0
6	RTS_IT	0x0: Disables the RTS* interrupt 0x1: Enables the RTS* interrupt	RW	0
5	XOFF_IT	0x0: Disables the XOFF interrupt 0x1: Enables the XOFF interrupt	RW	0
4	SLEEP_MODE	0x0: Disables sleep mode 0x1: Enables sleep mode (stop baud rate clock when the module is inactive)	RW	0
3	MODEM_STS_IT	0x0: Disables the modem status register interrupt 0x1: Enables the modem status register interrupt	RW	0
2	LINE_STS_IT	0x0: Disables the receiver line status interrupt 0x1: Enables the receiver line status interrupt	RW	0
1	THR_IT	0x0: Disables the THR interrupt 0x1: Enables the THR interrupt	RW	0
0	RHR_IT	0x0: Disables the RHR interrupt and time-out interrupt 0x1: Enables the RHR interrupt and time-out interrupt	RW	0

Table 24-189. Register Call Summary for Register UART_IER

UART/IrDA/CIR

- [UART Mode Power Management: \[0\]\[1\]](#)
- [FIFO Interrupt Mode: \[2\]](#)
- [FIFO Polled Mode Operation: \[3\]](#)
- [Register Access Modes: \[4\]\[5\]](#)
- [UART/IrDA \(SIR, MIR, FIR\)/CIR Mode Selection: \[6\]\[7\]\[8\]\[9\]\[10\]\[11\]](#)
- [UART Mode: \[12\]](#)
- [Baud rate settings: \[13\]\[14\]](#)
- [Interrupt settings: \[15\]\[16\]\[17\]\[18\]\[19\]\[20\]\[21\]\[22\]\[23\]](#)
- [UART/IrDA/CIR Register Summary: \[24\]\[25\]\[26\]\[27\]](#)
- [UART/IrDA/CIR Register Description: \[28\]](#)

Table 24-190. UART_IER_IRDA

Address Offset	0x0000 0004		
Physical Address	0x4806 A004 0x4806 C004 0x4802 0004 0x4806 E004 0x4806 6004 0x4806 8004 0x4842 0004 0x4842 2004 0x4842 4004 0x4AE2 B004	Instance	UART1 UART2 UART3 UART4 UART5 UART6 UART7 UART8 UART9 UART10
Description	<p>There are 8 types of interrupt in these modes, received EOF, LSR interrupt, TX status, status FIFO interrupt, RX overrun, last byte in RX FIFO, THR interrupt and RHR interrupt and they can be enabled/disabled individually.</p> <p>Note: The TX_STATUS_IT interrupt reflects two possible conditions. The UART_MDR2[0] should be read to determine the status in the event of this interrupt.</p>		
Type	RW		

31	30	29	28	27	26	25	24	23	22	21	20	19	18	17	16	15	14	13	12	11	10	9	8	7	6	5	4	3	2	1	0
RESERVED																EOF_IT	LINE_STS_IT	TX_STATUS_IT	STS_FIFO_TRIG_IT	RX_OVERRUN_IT	LAST_RX_BYTE_IT	THR_IT	RHR_IT								

Bits	Field Name	Description	Type	Reset
31:8	RESERVED	Read returns 0. Write has no effect.	RW	0x000000
7	EOF_IT	0x0: Disables the received EOF interrupt 0x1: Enables the received EOF interrupt	RW	0
6	LINE_STS_IT	0x0: Disables the receiver line status interrupt 0x1: Enables the receiver line status interrupt	RW	0
5	TX_STATUS_IT	0x0: Disables the TX status interrupt 0x1: Enables the TX status interrupt	RW	0
4	STS_FIFO_TRIG_IT	0x0: Disables status FIFO trigger level interrupt 0x1: Enables status FIFO trigger level interrupt	RW	0
3	RX_OVERRUN_IT	0x0: Disables the RX overrun interrupt 0x1: Enables the RX overrun interrupt	RW	0

Bits	Field Name	Description	Type	Reset
2	LAST_RX_BYTE_IT	0x0: Disables the last byte of frame in RX FIFO interrupt 0x1: Enables the last byte of frame in RX FIFO interrupt	RW	0
1	THR_IT	0x0: Disables the THR interrupt 0x1: Enables the THR interrupt	RW	0
0	RHR_IT	0x0: Disables the RHR interrupt and time-out interrupt 0x1: Enables the RHR interrupt and time-out interrupt	RW	0

Table 24-191. Register Call Summary for Register UART_IER_IRDA

UART/IrDA/CIR

- IrDA Mode Interrupt Management: [0][1]
- SIR mode: [2][3]
- MIR mode: [4][5]
- FIR mode: [6][7]
- UART/IrDA/CIR Register Summary: [8][9][10][11]

Table 24-192. UART_IER_CIR

Address Offset	0x0000 0004		
Physical Address	0x4806 A004 0x4806 C004 0x4802 0004 0x4806 E004 0x4806 6004 0x4806 8004 0x4842 0004 0x4842 2004 0x4842 4004 0x4AE2 B004	Instance	UART1 UART2 UART3 UART4 UART5 UART6 UART7 UART8 UART9 UART10
Description	There are 6 types of interrupt in these modes, TX status, status FIFO interrupt, RX overrun, last byte in RX FIFO, THR interrupt and RHR interrupt and they can be enabled/disabled individually. Notes: The RX_STOP_IT interrupt is generated based on the value set in the BOF Length register (UART_EBLR). In IR-CIR mode, contrary to the IR-IRDA mode, the TX_STATUS_IT has only one meaning corresponding to the case UART_MDR2[0] = 0.		
Type	RW		

31	30	29	28	27	26	25	24	23	22	21	20	19	18	17	16	15	14	13	12	11	10	9	8	7	6	5	4	3	2	1	0
RESERVED																							RESERVED	TX_STATUS_IT	RESERVED	RX_OVERRUN_IT	RX_STOP_IT	THR_IT	RHR_IT		

Bits	Field Name	Description	Type	Reset
31:8	RESERVED	Read returns 0. Write has no effect.	RW	0x000000
7:6	RESERVED	Not used in CIR mode	RW	0x0
5	TX_STATUS_IT	0x0: Disables the TX status interrupt 0x1: Enables the TX status interrupt	RW	0
4	RESERVED	Not used in CIR mode	RW	0
3	RX_OVERRUN_IT	0x0: Disables the RX overrun interrupt 0x1: Enables the RX overrun interrupt	RW	0

Bits	Field Name	Description	Type	Reset
2	RX_STOP_IT	0x0: Disables the receive stop interrupt 0x1: Enables the receive stop interrupt	RW	0
1	THR_IT	0x0: Disables the THR interrupt 0x1: Enables the THR interrupt	RW	0
0	RHR_IT	0x0: Disables the RHR interrupt 0x1: Enables the RHR interrupt	RW	0

Table 24-193. Register Call Summary for Register UART_IER_CIR

UART/IrDA/CIR

- [CIR Mode Interrupt Management: \[0\]\[1\]](#)
- [UART/IrDA/CIR Register Summary: \[2\]\[3\]\[4\]\[5\]](#)

Table 24-194. UART_DLH

Address Offset	0x0000 0004	
Physical Address	0x4806 A004 0x4806 C004 0x4802 0004 0x4806 E004 0x4806 6004 0x4806 8004 0x4842 0004 0x4842 2004 0x4842 4004 0x4AE2 B004	Instance
		UART1 UART2 UART3 UART4 UART5 UART6 UART7 UART8 UART9 UART10
Description	This register, with UART_DLL , stores the 14-bit divisor for generating the baud clock in the baud rate generator. DLH stores the most-significant part of the divisor. DLL stores the least-significant part of the divisor.	
Type	RW	

31	30	29	28	27	26	25	24	23	22	21	20	19	18	17	16	15	14	13	12	11	10	9	8	7	6	5	4	3	2	1	0
RESERVED																RESERVED		CLOCK_MSB													

Bits	Field Name	Description	Type	Reset
31:8	RESERVED	Read returns 0. Write has no effect.	RW	0x000000
7:6	RESERVED	Read returns 0. Write has no effect.	RW	0x0
5:0	CLOCK_MSB	Stores the 6-bit MSB divisor value	RW	0x00

Table 24-195. Register Call Summary for Register UART_DLH

UART/IrDA/CIR

- [UART Mode Power Management: \[0\]\[1\]](#)
- [FIFO DMA Mode Operation: \[2\]\[3\]](#)
- [Register Access Modes: \[4\]\[5\]\[6\]\[7\]](#)
- [UART/IrDA \(SIR, MIR, FIR\)/CIR Mode Selection: \[8\]\[9\]\[10\]\[11\]\[12\]\[13\]\[14\]\[15\]\[16\]\[17\]\[18\]\[19\]](#)
- [UART Mode: \[20\]\[21\]\[22\]](#)
- [IrDA Mode \(UART3 Only\): \[23\]](#)
- [Baud rate settings: \[24\]](#)
- [SIR mode: \[25\]\[26\]\[27\]\[28\]\[29\]\[30\]](#)
- [MIR mode: \[31\]\[32\]\[33\]\[34\]\[35\]\[36\]](#)
- [FIR mode: \[37\]\[38\]\[39\]\[40\]\[41\]\[42\]](#)
- [UART/IrDA/CIR Register Summary: \[43\]\[44\]\[45\]\[46\]](#)
- [UART/IrDA/CIR Register Description: \[47\]\[48\]\[49\]\[50\]\[51\]](#)

Table 24-196. UART_IIR

Address Offset	0x0000 0008		
Physical Address	0x4806 A008 0x4806 C008 0x4802 0008 0x4806 E008 0x4806 6008 0x4806 8008 0x4842 0008 0x4842 2008 0x4842 4008 0x4AE2 B008	Instance	UART1 UART2 UART3 UART4 UART5 UART6 UART7 UART8 UART9 UART10
Description	Interrupt identification register. The IIR is a read-only register that provides the source of the interrupt in a prioritized manner.		
Type	R		

31	30	29	28	27	26	25	24	23	22	21	20	19	18	17	16	15	14	13	12	11	10	9	8	7	6	5	4	3	2	1	0
RESERVED																FCR_MIRROR		IT_TYPE						IT_PENDING							

Bits	Field Name	Description	Type	Reset
31:8	RESERVED	Read returns 0. Write has no effect.	R	0x000000
7:6	FCR_MIRROR	Mirror the contents of UART_FCR[0] on both bits.	R	0x0
5:1	IT_TYPE	Read 0x0: Modem interrupt. Priority = 4 Read 0x1: THR interrupt. Priority = 3 Read 0x2: RHR interrupt. Priority = 2 Read 0x3: Receiver line status error. Priority = 3 Read 0x6: Rx time-out. Priority = 2 Read 0x8: XOFF/special character. Priority = 5 Read 0x10: CTS, RTS, DSR change state from active (low) to inactive (high) Priority = 6	R	0x00
0	IT_PENDING	Read 0x0: An interrupt is pending. Read 0x1: No interrupt is pending.	R	1

Table 24-197. Register Call Summary for Register UART_IIR

UART/IrDA/CIR

- [Block Diagram: \[0\]](#)
- [UART Mode Interrupt Management: \[1\]\[2\]\[3\]\[4\]\[5\]\[6\]\[7\]](#)
- [Register Access Modes: \[8\]\[9\]](#)
- [UART/IrDA \(SIR, MIR, FIR\)/CIR Mode Selection: \[10\]\[11\]\[12\]\[13\]\[14\]\[15\]](#)
- [UART Mode: \[16\]\[17\]\[18\]\[19\]\[20\]](#)
- [CIR Mode \(UART3 Only\): \[21\]](#)
- [UART/IrDA/CIR Register Summary: \[22\]\[23\]\[24\]\[25\]](#)
- [UART/IrDA/CIR Register Description: \[26\]\[27\]\[28\]\[29\]\[30\]\[31\]\[32\]\[33\]\[34\]](#)

Table 24-198. UART_IIR_IRDA

Address Offset	0x0000 0008	Instance	UART1
Physical Address	0x4806 A008		UART2
	0x4806 C008		UART3
	0x4802 0008		UART4
	0x4806 E008		UART5
	0x4806 6008		UART6
	0x4806 8008		UART7
	0x4842 0008		UART8
	0x4842 2008		UART9
	0x4842 4008		UART8
	0x4AE2 B008		UART10
Description	The interrupt line is activated whenever one of the 8 interrupts is active.		
Type	R		

31	30	29	28	27	26	25	24	23	22	21	20	19	18	17	16	15	14	13	12	11	10	9	8	7	6	5	4	3	2	1	0
RESERVED																EOF_IT	LINE_STS_IT	TX_STATUS_IT	STS_FIFO_IT	RX_OE_IT	RX_FIFO_LAST_BYTE_IT	THR_IT	RHR_IT								

Bits	Field Name	Description	Type	Reset
31:8	RESERVED	Read returns 0. Write has no effect.	R	0x000000
7	EOF_IT	Read 0x0: Receive EOF interrupt inactive Read 0x1: Received EOF interrupt active	R	0
6	LINE_STS_IT	Read 0x0: Receiver line status interrupt inactive Read 0x1: Receiver line status interrupt active	R	0
5	TX_STATUS_IT	Read 0x0: TX status interrupt inactive Read 0x1: TX status interrupt active	R	0
4	STS_FIFO_IT	Read 0x0: Status FIFO trigger level interrupt inactive Read 0x1: Status FIFO trigger level interrupt active	R	0
3	RX_OE_IT	Read 0x0: RX overrun interrupt inactive Read 0x1: RX overrun interrupt active	R	0
2	RX_FIFO_LAST_BYTE_IT	Read 0x0: Last byte of frame in RX FIFO interrupt inactive Read 0x1: Last byte of frame in RX FIFO interrupt active	R	0

Bits	Field Name	Description	Type	Reset
1	THR_IT	Read 0x0: THR interrupt inactive Read 0x1: THR interrupt active	R	0
0	RHR_IT	Read 0x0: RHR interrupt inactive Read 0x1: RHR interrupt active	R	1

Table 24-199. Register Call Summary for Register UART_IIR_IRDA

UART/IrDA/CIR

- IrDA Mode Interrupt Management: [0][1][2][3]
- UART/IrDA/CIR Register Summary: [4][5][6][7]

Table 24-200. UART_IIR_CIR

Address Offset	0x0000 0008		
Physical Address	0x4806 A008 0x4806 C008 0x4802 0008 0x4806 E008 0x4806 6008 0x4806 8008 0x4842 0008 0x4842 2008 0x4842 4008 0x4AE2 B008	Instance	UART1 UART2 UART3 UART4 UART5 UART6 UART7 UART8 UART9 UART10
Description	The interrupt line is activated whenever one of the 6 interrupts is active.		
Type	R		

31	30	29	28	27	26	25	24	23	22	21	20	19	18	17	16	15	14	13	12	11	10	9	8	7	6	5	4	3	2	1	0
RESERVED																RESERVED	TX_STATUS_IT	RESERVED	RX_OE_IT	RX_STOP_IT	THR_IT	RHR_IT									

Bits	Field Name	Description	Type	Reset
31:8	RESERVED	Read returns 0. Write has no effect.	R	0x000000
7:6	RESERVED	Not used in CIR mode	R	0x0
5	TX_STATUS_IT	Read 0x0: TX status interrupt inactive Read 0x1: TX status interrupt active	R	0
4	RESERVED	Not used in CIR mode	R	0
3	RX_OE_IT	Read 0x0: RX overrun interrupt inactive Read 0x1: RX overrun interrupt active	R	0
2	RX_STOP_IT	Read 0x0: Receive stop interrupt inactive Read 0x1: Receive stop interrupt active	R	0
1	THR_IT	Read 0x0: THR interrupt inactive Read 0x1: THR interrupt active	R	0
0	RHR_IT	Read 0x0: RHR interrupt inactive Read 0x1: RHR interrupt active	R	0

Table 24-201. Register Call Summary for Register UART_IIR_CIR

UART/IrDA/CIR

- CIR Mode Interrupt Management: [0][1][2]
- UART/IrDA/CIR Register Summary: [3][4][5][6]

Table 24-202. UART_FCR

Address Offset	0x0000 0008		
Physical Address	0x4806 A008 0x4806 C008 0x4802 0008 0x4806 E008 0x4806 6008 0x4806 8008 0x4842 0008 0x4842 2008 0x4842 4008 0x4AE2 B008	Instance	UART1 UART2 UART3 UART4 UART5 UART6 UART7 UART8 UART9 UART10
Description	FIFO control register Notes: Bits 4 and 5 can only be written to when <code>UART_EFR[4] = 1</code> . Bits 0 and 3 can be changed only when the baud clock is not running (DLL and DLH set to 0). See Table 24-138 for <code>UART_FCR[5:4]</code> setting restriction when <code>UART_SCR[6] = 1</code> . See Table 24-139 for <code>UART_FCR[7:6]</code> setting restriction when <code>UART_SCR[7] = 1</code> .		
Type	W		

31	30	29	28	27	26	25	24	23	22	21	20	19	18	17	16	15	14	13	12	11	10	9	8	7	6	5	4	3	2	1	0
RESERVED																RX_FIFO_TRIG		TX_FIFO_TRIG		DMA_MODE	TX_FIFO_CLEAR	RX_FIFO_CLEAR	FIFO_EN								

Bits	Field Name	Description	Type	Reset
31:8	RESERVED	Write has no effect.	W	0x000000
7:6	RX_FIFO_TRIG	Sets the trigger level for the RX FIFO: If <code>UART_SCR[7] = 0</code> and <code>UART_TLR[7:4] = 0000</code> : 00: 8 characters 01: 16 characters 10: 56 characters 11: 60 characters If <code>UART_SCR[7] = 0</code> and <code>UART_TLR[7:4] != 0000</code> , RX_FIFO_TRIG is not considered. If <code>UART_SCR[7] = 1</code> , RX_FIFO_TRIG is 2 LSBs of the trigger level (1-63 on 6 bits) with the granularity 1.	W	0x0
5:4	TX_FIFO_TRIG	Sets the trigger level for the TX FIFO: If <code>UART_SCR[6] = 0</code> and <code>UART_TLR[3:0] = 0000</code> : 00: 8 spaces 01: 16 spaces 10: 32 spaces 11: 56 spaces If <code>UART_SCR[6] = 0</code> and <code>UART_TLR[3:0] != 0000</code> , TX_FIFO_TRIG is not considered. If <code>UART_SCR[6] = 1</code> , TX_FIFO_TRIG is 2 LSBs of the trigger level (1-63 on 6 bits) with the granularity 1	W	0x0
3	DMA_MODE	This register is considered if <code>UART_SCR[0] = 0</code> . Write 0x0: DMA_MODE 0 (No DMA) Write 0x1: DMA_MODE 1 (<code>UART_nDMA_REQ[0]</code> in TX (<code>UARTi_DREQ_TX</code>), <code>UART_nDMA_REQ[1]</code> in RX (<code>UARTi_DREQ_RX</code>))	W	0
2	TX_FIFO_CLEAR	Write 0x0: No change Write 0x1: Clears the TX FIFO and resets its counter logic to 0. Returns to 0 after clearing FIFO.	W	0
1	RX_FIFO_CLEAR	Write 0x0: No change Write 0x1: Clears the RX FIFO and resets its counter logic to 0. Returns to 0 after clearing FIFO.	W	0

Bits	Field Name	Description	Type	Reset
0	FIFO_EN	Write 0x0: Disables the transmit and RX FIFOs. The transmit and receive holding registers are 1-byte FIFOs. Write 0x1: Enables the transmit and RX FIFOs. The transmit and receive holding registers are 64-byte FIFOs.	W	0

Table 24-203. Register Call Summary for Register UART_FCR

UART/IrDA/CIR

- FIFO Management: [0][1][2]
- FIFO Trigger: [3][4][5]
- FIFO Interrupt Mode: [6][7][8]
- FIFO Polled Mode Operation: [9]
- FIFO DMA Mode Operation: [10][11][12][13][14][15][16][17][18][19][20][21][22][23][24][25][26][27][28]
- Register Access Modes: [29][30]
- UART/IrDA (SIR, MIR, FIR)/CIR Mode Selection: [31][32][33][34][35][36]
- DMA mode Settings: [37]
- FIFO Trigger Settings: [38][39][40][41]
- FIR mode: [42][43][44][45]
- UART/IrDA/CIR Register Summary: [46][47][48][49]
- UART/IrDA/CIR Register Description: [50][51][52][53][54][55][56][57][58][59][60][61]

Table 24-204. UART_EFR

Address Offset	0x0000 0008		
Physical Address	0x4806 A008 0x4806 C008 0x4802 0008 0x4806 E008 0x4806 6008 0x4806 8008 0x4842 0008 0x4842 2008 0x4842 4008 0x4AE2 B008	Instance	UART1 UART2 UART3 UART4 UART5 UART6 UART7 UART8 UART9 UART10
Description	Enhanced feature register This register enables or disables enhanced features. Most of the enhanced functions apply only to UART modes, but UART_EFR[4] enables write accesses to UART_FCR[5:4] , the TX trigger level, which is also used in IrDA modes.		
Type	RW		

31	30	29	28	27	26	25	24	23	22	21	20	19	18	17	16	15	14	13	12	11	10	9	8	7	6	5	4	3	2	1	0
RESERVED																AUTO_CTS_EN	AUTO_RTS_EN	SPECIAL_CHAR_DETECT	ENHANCED_EN	SW_FLOW_CONTROL											

Bits	Field Name	Description	Type	Reset
31:8	RESERVED	Read returns 0. Write has no effect.	RW	0x000000
7	AUTO_CTS_EN	Auto-CTS enable bit 0x0: Normal operation 0x1: Auto-CTS flow control is enabled. Transmission is halted when the CTS* pin is high (inactive).	RW	0

Bits	Field Name	Description	Type	Reset
6	AUTO_RTS_EN	Auto-RTS enable bit 0x0: Normal operation 0x1: Auto-RTS flow control is enabled. RTS* pin goes high (inactive) when the RX FIFO HALT trigger level, UART_TCR[3:0] , is reached, and goes low (active) when the RX FIFO RESTORE transmission trigger level is reached.	RW	0
5	SPECIAL_CHAR_DETECT	0x0: Normal operation 0x1: Special character detect enable. Received data is compared with XOFF2 data. If a match occurs, the received data is transferred to the RX FIFO and the UART_IIR[4] bit is set to 1 to indicate that a special character was detected.	RW	0
4	ENHANCED_EN	Enhanced functions write enable bit 0x0: Disables writing to IER bits 4-7, UART_FCR bits 4-5, and UART_MCR bits 5-7. 0x1: Enables writing to IER bits 4-7, UART_FCR bits 4-5, and UART_MCR bits 5-7.	RW	0
3:0	SW_FLOW_CONTROL	Combinations of software flow control can be selected by programming bit 3 - bit 0. See Table 24-152 .	RW	0x0

Table 24-205. Register Call Summary for Register UART_EFR

UART/IrDA/CIR

- IrDA Protocol and Data Format: [\[0\]\[1\]\[2\]](#)
- UART Mode Power Management: [\[3\]](#)
- Register Access Modes: [\[4\]\[5\]\[6\]\[7\]\[8\]\[9\]\[10\]\[11\]](#)
- UART/IrDA (SIR, MIR, FIR)/CIR Mode Selection: [\[12\]\[13\]\[14\]\[15\]\[16\]\[17\]](#)
- UART Mode: [\[18\]\[19\]\[20\]\[21\]\[22\]\[23\]](#)
- IrDA Mode (UART3 Only): [\[24\]\[25\]\[26\]](#)
- Submode selection: [\[27\]\[28\]\[29\]\[30\]](#)
- Baud rate settings: [\[31\]](#)
- Interrupt settings: [\[32\]](#)
- Hardware Flow Control Configuration: [\[33\]\[34\]](#)
- Software Flow Control Configuration: [\[35\]\[36\]](#)
- UART/IrDA/CIR Register Summary: [\[37\]\[38\]\[39\]\[40\]](#)
- UART/IrDA/CIR Register Description: [\[41\]\[42\]](#)

Table 24-206. UART_LCR

Address Offset	0x0000 000C		
Physical Address	0x4806 A00C 0x4806 C00C 0x4802 000C 0x4806 E00C 0x4806 600C 0x4806 800C 0x4842 000C 0x4842 200C 0x4842 400C 0x4AE2 B00C	Instance	UART1 UART2 UART3 UART4 UART5 UART6 UART7 UART8 UART9 UART10
Description	Line control register LCR[6:0] define transmission and reception parameters. Note: When LCR[6] is set to 1, the TX line is forced to 0 and remains in this state as long as LCR[6] = 1.		
Type	RW		

31	30	29	28	27	26	25	24	23	22	21	20	19	18	17	16	15	14	13	12	11	10	9	8	7	6	5	4	3	2	1	0
RESERVED																DIV_EN	BREAK_EN	PARITY_TYPE2	PARITY_TYPE1	PARITY_EN	NB_STOP	CHAR_LENGTH									

Bits	Field Name	Description	Type	Reset																								
31:8	RESERVED	Read returns 0. Write has no effect.	RW	0x000000																								
7	DIV_EN	0x0: Normal operating condition 0x1: Divisor latch enable. Allows access to UART_DLL , UART_DLH , and other registers (see Table 24-140).	RW	0																								
6	BREAK_EN	Break control bit 0x0: Normal operating condition 0x1: Forces the transmitter output to go low to alert the communication terminal	RW	0																								
5	PARITY_TYPE2	Selects the forced parity format (if UART_LCR[3] = 1). If UART_LCR[5] = 1 and UART_LCR[4] = 0, the parity bit is forced to 1 in the transmitted and received data. If UART_LCR[5] = 1 and UART_LCR[4] = 1, the parity bit is forced to 0 in the transmitted and received data.	RW	0																								
		<table border="1"> <thead> <tr> <th>UART_LCR[3]</th> <th>UART_LCR[4]</th> <th>UART_LCR[5]</th> <th>Parity</th> </tr> </thead> <tbody> <tr> <td>0</td> <td>N/A</td> <td>N/A</td> <td>No parity</td> </tr> <tr> <td>1</td> <td>0</td> <td>0</td> <td>Odd parity</td> </tr> <tr> <td>1</td> <td>1</td> <td>0</td> <td>Even parity</td> </tr> <tr> <td>1</td> <td>0</td> <td>1</td> <td>Forced 1</td> </tr> <tr> <td>1</td> <td>1</td> <td>1</td> <td>Forced 0</td> </tr> </tbody> </table>	UART_LCR[3]	UART_LCR[4]	UART_LCR[5]	Parity	0	N/A	N/A	No parity	1	0	0	Odd parity	1	1	0	Even parity	1	0	1	Forced 1	1	1	1	Forced 0		
UART_LCR[3]	UART_LCR[4]	UART_LCR[5]	Parity																									
0	N/A	N/A	No parity																									
1	0	0	Odd parity																									
1	1	0	Even parity																									
1	0	1	Forced 1																									
1	1	1	Forced 0																									
4	PARITY_TYPE1	0x0: Odd parity is generated (if UART_LCR[3] = 1). 0x1: Even parity is generated (if UART_LCR[3] = 1).	RW	0																								
3	PARITY_EN	0x0: No parity 0x1: A parity bit is generated during transmission and the receiver checks for received parity.	RW	0																								
2	NB_STOP	Specifies the number of stop-bits 0x0: 1 stop-bit (word length = 5, 6, 7, 8) 0x1: 1.5 stop-bits (word length = 5) 2 stop-bits (word length = 6, 7, 8)	RW	0																								

Bits	Field Name	Description	Type	Reset
1:0	CHAR_LENGTH	Specifies the word length to be transmitted or received 0x0: 5 bits 0x1: 6 bits 0x2: 7 bits 0x3: 8 bits	RW	0x0

Table 24-207. Register Call Summary for Register UART_LCR

UART/IrDA/CIR

- IrDA Protocol and Data Format: [0]
- Register Access Modes: [1][2][3][4][5][6][7][8][9][10][11][12]
- UART/IrDA (SIR, MIR, FIR)/CIR Mode Selection: [13][14][15][16][17][18][19][20][21][22][23][24][25][26][27][28][29][30]
- UART Mode: [31][32][33][34][35][36][37]
- IrDA Mode (UART3 Only): [38][39][40]
- Mode selection: [41][42][43][44]
- Protocol settings: [45][46][47][48][49][50][51]
- SIR mode: [52][53][54][55]
- MIR mode: [56][57][58][59]
- FIR mode: [60][61][62][63]
- UART/IrDA/CIR Register Summary: [64][65][66][67]
- UART/IrDA/CIR Register Description: [68][69][70][71][72][73][74][75][76][77][78][79]

Table 24-208. UART_XON1_ADDR1

Address Offset	0x0000 0010		
Physical Address	0x4806 A010 0x4806 C010 0x4802 0010 0x4806 E010 0x4806 6010 0x4806 8010 0x4842 0010 0x4842 2010 0x4842 4010 0x4AE2 B010	Instance	UART1 UART2 UART3 UART4 UART5 UART6 UART7 UART8 UART9 UART10
Description	UART mode: XON1 character, IrDA mode: ADDR1 address		
Type	RW		

31	30	29	28	27	26	25	24	23	22	21	20	19	18	17	16	15	14	13	12	11	10	9	8	7	6	5	4	3	2	1	0
RESERVED																XON_WORD1															

Bits	Field Name	Description	Type	Reset
31:8	RESERVED	Read returns 0. Write has no effect.	RW	0x000000
7:0	XON_WORD1	Stores the 8-bit XON1 character in UART modes and ADDR1 address 1 for IrDA modes	RW	0x00

Table 24-209. Register Call Summary for Register UART_XON1_ADDR1

UART/IrDA/CIR

- IrDA Protocol and Data Format: [0]
- Register Access Modes: [1][2]
- UART/IrDA (SIR, MIR, FIR)/CIR Mode Selection: [3][4][5][6]
- UART Mode: [7]
- IrDA Mode (UART3 Only): [8]
- Software Flow Control Configuration: [9]
- UART/IrDA/CIR Register Summary: [10][11][12][13]

Table 24-210. UART_MCR

Address Offset	0x0000 0010		
Physical Address	0x4806 A010 0x4806 C010 0x4802 0010 0x4806 E010 0x4806 6010 0x4806 8010 0x4842 0010 0x4842 2010 0x4842 4010 0x4AE2 B010	Instance	UART1 UART2 UART3 UART4 UART5 UART6 UART7 UART8 UART9 UART10
Description	Modem control register MCR[3:0] controls the interface with the modem, data set, or peripheral device that emulates the modem.		
Type	RW		

31	30	29	28	27	26	25	24	23	22	21	20	19	18	17	16	15	14	13	12	11	10	9	8	7	6	5	4	3	2	1	0
RESERVED																RESERVED	TCR_TLR	XON_EN	LOOPBACK_EN	CD_STS_CH	RI_STS_CH	RTS	DTR								

Bits	Field Name	Description	Type	Reset
31:8	RESERVED	Read returns 0. Write has no effect.	RW	0x0000000
7	RESERVED	Read returns 0. Write has no effect.	RW	0
6	TCR_TLR	0x0: No action 0x1: Enables access to the UART_TCR and UART_TLR registers	RW	0
5	XON_EN	0x0: Disable XON any function. 0x1: Enable XON any function.	RW	0
4	LOOPBACK_EN	0x0: Normal operating mode 0x1: Enable local loopback mode (internal). In this mode, the MCR[3:0] signals are looped back into the UART_MSR[7:4] bit field. The transmit output is looped back to the receive input internally.	RW	0
3	CD_STS_CH	0x0: In loopback, forces DCD* input high and IRQ outputs to inactive state 0x1: In loopback, forces DCD* input low and IRQ outputs to inactive state	RW	0
2	RI_STS_CH	0x0: In loopback, forces RI* input high 0x1: In loopback, forces RI* input low	RW	0
1	RTS	In loopback, controls the UART_MSR[4] bit. If auto-RTS is enabled, the RTS* output is controlled by hardware flow control. 0x0: Force RTS* output to inactive (high). 0x1: Force RTS* output to active (low).	RW	0
0	DTR	0x0: Force DTR* output to inactive (high). 0x1: Force DTR* output to active (low).	RW	0

Table 24-211. Register Call Summary for Register UART_MCR

UART/IrDA/CIR

- [UART Interface Description: \[0\]\[1\]\[2\]](#)
- [Register Access Modes: \[3\]\[4\]\[5\]\[6\]\[7\]\[8\]\[9\]\[10\]\[11\]\[12\]](#)
- [UART/IrDA \(SIR, MIR, FIR\)/CIR Mode Selection: \[13\]\[14\]\[15\]\[16\]](#)
- [UART Mode: \[17\]\[18\]](#)
- [Submode selection: \[19\]\[20\]\[21\]\[22\]](#)
- [Software Flow Control Configuration: \[23\]](#)
- [SIR mode: \[24\]](#)
- [MIR mode: \[25\]\[26\]](#)
- [FIR mode: \[27\]](#)
- [UART/IrDA/CIR Register Summary: \[28\]\[29\]\[30\]\[31\]](#)
- [UART/IrDA/CIR Register Description: \[32\]\[33\]\[34\]\[35\]\[36\]\[37\]\[38\]\[39\]\[40\]\[41\]](#)

Table 24-212. UART_LSR

Address Offset	0x0000 0014		
Physical Address	0x4806 A014 0x4806 C014 0x4802 0014 0x4806 E014 0x4806 6014 0x4806 8014 0x4842 0014 0x4842 2014 0x4842 4014 0x4AE2 B014	Instance	UART1 UART2 UART3 UART4 UART5 UART6 UART7 UART8 UART9 UART10
Description	Line status register		
Type	R		

31	30	29	28	27	26	25	24	23	22	21	20	19	18	17	16	15	14	13	12	11	10	9	8	7	6	5	4	3	2	1	0
RESERVED																RX_FIFO_STS	TX_SR_E	TX_FIFO_E	RX_BI	RX_FE	RX_PE	RX_OE	RX_FIFO_E								

Bits	Field Name	Description	Type	Reset
31:8	RESERVED	Read returns 0.	R	0x0000000
7	RX_FIFO_STS	Read 0x0: Normal operation Read 0x1: At least one parity error, framing error, or break indication in the RX FIFO. Bit 7 is cleared when no more errors are present in the RX FIFO.	R	0
6	TX_SR_E	Read 0x0: Transmitter hold (TX FIFO) and shift registers are not empty. Read 0x1: Transmitter hold (TX FIFO) and shift registers are empty.	R	1
5	TX_FIFO_E	Read 0x0: Transmit hold register (TX FIFO) is not empty. Read 0x1: Transmit hold register (TX FIFO) is empty. The transmission is not necessarily complete.	R	1
4	RX_BI	Read 0x0: No break condition Read 0x1: A break was detected while the data from the RX FIFO was received (for example, RX input was low for one character + 1 bit time frame).	R	0
3	RX_FE	Read 0x0: No framing error in data RX FIFO Read 0x1: Framing error occurred in data from RX FIFO (received data did not have a valid stop-bit).	R	0

Bits	Field Name	Description	Type	Reset
2	RX_PE	Read 0x0: No parity error in data from RX FIFO Read 0x1: Parity error in data from RX FIFO	R	0
1	RX_OE	Read 0x0: No overrun error Read 0x1: Overrun error occurred. Set when the character in the receive shift register is not transferred to the RX FIFO. This occurs only when the RX FIFO is full.	R	0
0	RX_FIFO_E	Read 0x0: No data in the RX FIFO Read 0x1: At least one data character in the RX FIFO	R	0

Table 24-213. Register Call Summary for Register UART_LSR

UART/IrDA/CIR

- [UART Mode Interrupt Management: \[0\]\[1\]](#)
- [FIFO Polled Mode Operation: \[2\]](#)
- [Register Access Modes: \[3\]\[4\]](#)
- [UART/IrDA \(SIR, MIR, FIR\)/CIR Mode Selection: \[5\]\[6\]\[7\]\[8\]\[9\]\[10\]](#)
- [UART Mode: \[11\]\[12\]\[13\]\[14\]\[15\]\[16\]\[17\]](#)
- [IrDA Mode \(UART3 Only\): \[18\]\[19\]\[20\]](#)
- [UART/IrDA/CIR Register Summary: \[21\]\[22\]\[23\]\[24\]](#)
- [UART/IrDA/CIR Register Description: \[25\]](#)

Table 24-214. UART_LSR_IRDA

Address Offset	0x0000 0014	Instance	UART1
Physical Address	0x4806 A014 0x4806 C014 0x4802 0014 0x4806 E014 0x4806 6014 0x4806 8014 0x4842 0014 0x4842 2014 0x4842 4014 0x4AE2 B014		UART2 UART3 UART4 UART5 UART6 UART7 UART8 UART9 UART10
Description	When the LSR is read, LSR[4:2] reflect the error bits [FL, CRC, ABORT] of the frame at the top of the STATUS FIFO (next frame status to be read).		
Type	R		

31	30	29	28	27	26	25	24	23	22	21	20	19	18	17	16	15	14	13	12	11	10	9	8	7	6	5	4	3	2	1	0
RESERVED																							THR_EMPTY	STS_FIFO_FULL	RX_LAST_BYTE	FRAME_TOO_LONG	ABORT	CRC	STS_FIFO_E	RX_FIFO_E	

Bits	Field Name	Description	Type	Reset
31:8	RESERVED	Read returns 0.	R	0x000000
7	THR_EMPTY	Read 0x0: Transmit holding register (TX FIFO) is not empty. Read 0x1: Transmit hold register (TX FIFO) is empty. The transmission is not necessarily complete.	R	1
6	STS_FIFO_FULL	Read 0x0: Status FIFO not full Read 0x1: Status FIFO full	R	0
5	RX_LAST_BYTE	Read 0x0: The RX FIFO (RHR) does not contain the last byte of the frame to be read.	R	0

Bits	Field Name	Description	Type	Reset
		Read 0x1: Transmit hold register (TX FIFO) is empty. The transmission is not necessarily complete.		
6	RESERVED	Not used in CIR mode	R	0
5	RX_STOP	The RX_STOP is generated based on the value set in the BOF Length register (UART_EBLR). It is cleared on a single read of the UART_LSR register. Read 0x0: Reception is ongoing or waiting for a new frame. Read 0x1: Reception is complete.	R	0
4:1	RESERVED	Not used in CIR mode	R	0x0
0	RX_FIFO_E	Read 0x0: At least one data character in the RX FIFO Read 0x1: No data in the RX FIFO	R	1

Table 24-217. Register Call Summary for Register UART_LSR_CIR

UART/IrDA/CIR

- [UART/IrDA/CIR Register Summary: \[0\]\[1\]\[2\]\[3\]](#)

Table 24-218. UART_XON2_ADDR2

Address Offset	0x0000 0014																																																													
Physical Address	0x4806 A014 0x4806 C014 0x4802 0014 0x4806 E014 0x4806 6014 0x4806 8014 0x4842 0014 0x4842 2014 0x4842 4014 0x4AE2 B014	Instance UART1 UART2 UART3 UART4 UART5 UART6 UART7 UART8 UART9 UART10																																																												
Description	Stores the 8-bit XON2 character in UART modes and ADDR2 address 2 for IrDA modes																																																													
Type	RW																																																													
<table border="1" style="width: 100%; text-align: center;"> <tr> <td>31</td><td>30</td><td>29</td><td>28</td><td>27</td><td>26</td><td>25</td><td>24</td> <td>23</td><td>22</td><td>21</td><td>20</td><td>19</td><td>18</td><td>17</td><td>16</td> <td>15</td><td>14</td><td>13</td><td>12</td><td>11</td><td>10</td><td>9</td><td>8</td> <td>7</td><td>6</td><td>5</td><td>4</td><td>3</td><td>2</td><td>1</td><td>0</td> </tr> <tr> <td colspan="16">RESERVED</td> <td colspan="12">XON_WORD2</td> </tr> </table>			31	30	29	28	27	26	25	24	23	22	21	20	19	18	17	16	15	14	13	12	11	10	9	8	7	6	5	4	3	2	1	0	RESERVED																XON_WORD2											
31	30	29	28	27	26	25	24	23	22	21	20	19	18	17	16	15	14	13	12	11	10	9	8	7	6	5	4	3	2	1	0																															
RESERVED																XON_WORD2																																														
Bits	Field Name	Description	Type	Reset																																																										
31:8	RESERVED	Read returns 0. Write has no effect.	RW	0x000000																																																										
7:0	XON_WORD2	Stores the 8-bit XON2 character in UART modes and ADDR2 address 2 for IrDA modes	RW	0x00																																																										

Table 24-219. Register Call Summary for Register UART_XON2_ADDR2

UART/IrDA/CIR

- [IrDA Protocol and Data Format: \[0\]](#)
- [Register Access Modes: \[1\]\[2\]](#)
- [UART/IrDA \(SIR, MIR, FIR\)/CIR Mode Selection: \[3\]\[4\]\[5\]\[6\]](#)
- [UART Mode: \[7\]](#)
- [IrDA Mode \(UART3 Only\): \[8\]](#)
- [Software Flow Control Configuration: \[9\]](#)
- [UART/IrDA/CIR Register Summary: \[10\]\[11\]\[12\]\[13\]](#)

Table 24-220. UART_TCR

Address Offset	0x0000 0018		
Physical Address	0x4806 A018 0x4806 C018 0x4802 0018 0x4806 E018 0x4806 6018 0x4806 8018 0x4842 0018 0x4842 2018 0x4842 4018 0x4AE2 B018	Instance	UART1 UART2 UART3 UART4 UART5 UART6 UART7 UART8 UART9 UART10
Description	<p>Transmission control register</p> <p>This register stores the RX FIFO threshold levels to start/stop transmission during hardware/software flow control. Notes: Trigger levels from 0 to 60 bytes are available with a granularity of 4. (Trigger level = 4 x [4-bit register value]) The programmer must ensure that <code>UART_TCR[3:0] > UART_TCR[7:4]</code> when auto-RTS or software flow control is enabled to avoid a mis-operation of the device. In FIFO interrupt mode with flow control, the programmer must ensure that the trigger level to halt transmission is greater than or equal to the RX FIFO trigger level (<code>UART_TLR[7:4]</code> or <code>UART_FCR[7:6]</code>); otherwise, FIFO operation stalls. In FIFO DMA mode with flow control, this concept does not exist because a DMA request is sent each time a byte is received.</p>		
Type	RW		

31	30	29	28	27	26	25	24	23	22	21	20	19	18	17	16	15	14	13	12	11	10	9	8	7	6	5	4	3	2	1	0
RESERVED																RX_FIFO_TRIG_START				RX_FIFO_TRIG_HALT											

Bits	Field Name	Description	Type	Reset
31:8	RESERVED	Read returns 0. Write has no effect.	RW	0x000000
7:4	RX_FIFO_TRIG_START	RX FIFO trigger level to RESTORE transmission (0 - 60)	RW	0x0
3:0	RX_FIFO_TRIG_HALT	RX FIFO trigger level to HALT transmission (0 - 60)	RW	0xF

Table 24-221. Register Call Summary for Register UART_TCR

UART/IrDA/CIR

- [FIFO Trigger: \[0\]\[1\]\[2\]](#)
- [FIFO Interrupt Mode: \[3\]](#)
- [Register Access Modes: \[4\]\[5\]\[6\]\[7\]\[8\]\[9\]](#)
- [UART/IrDA \(SIR, MIR, FIR\)/CIR Mode Selection: \[10\]\[11\]\[12\]\[13\]\[14\]\[15\]\[16\]\[17\]\[18\]\[19\]\[20\]\[21\]\[22\]\[23\]\[24\]\[25\]\[26\]\[27\]](#)
- [UART Mode: \[28\]\[29\]\[30\]\[31\]\[32\]\[33\]](#)
- [Hardware Flow Control Configuration: \[34\]\[35\]](#)
- [Software Flow Control Configuration: \[36\]\[37\]](#)
- [UART/IrDA/CIR Register Summary: \[38\]\[39\]\[40\]\[41\]](#)
- [UART/IrDA/CIR Register Description: \[42\]\[43\]\[44\]\[45\]](#)

Table 24-222. UART_XOFF1

Address Offset	0x0000 0018		
Physical Address	0x4806 A018 0x4806 C018 0x4802 0018 0x4806 E018 0x4806 6018 0x4806 8018 0x4842 0018 0x4842 2018 0x4842 4018 0x4AE2 B018	Instance	UART1 UART2 UART3 UART4 UART5 UART6 UART7 UART8 UART9 UART10
Description	UART mode XOFF1 character		
Type	RW		

31	30	29	28	27	26	25	24	23	22	21	20	19	18	17	16	15	14	13	12	11	10	9	8	7	6	5	4	3	2	1	0
RESERVED																XOFF_WORD1															

Bits	Field Name	Description	Type	Reset
31:8	RESERVED	Read returns 0. Write has no effect.	RW	0x000000
7:0	XOFF_WORD1	Stores the 8-bit XOFF1 character used in UART modes	RW	0x00

Table 24-223. Register Call Summary for Register UART_XOFF1

UART/IrDA/CIR

- [Register Access Modes: \[0\]\[1\]](#)
- [UART/IrDA \(SIR, MIR, FIR\)/CIR Mode Selection: \[2\]\[3\]](#)
- [UART Mode: \[4\]](#)
- [Software Flow Control Configuration: \[5\]](#)
- [UART/IrDA/CIR Register Summary: \[6\]\[7\]\[8\]\[9\]](#)

Table 24-224. UART_MSR

Address Offset	0x0000 0018		
Physical Address	0x4806 A018 0x4806 C018 0x4802 0018 0x4806 E018 0x4806 6018 0x4806 8018 0x4842 0018 0x4842 2018 0x4842 4018 0x4AE2 B018	Instance	UART1 UART2 UART3 UART4 UART5 UART6 UART7 UART8 UART9 UART10
Description	Modem status register. UART mode only. This register provides information about the current state of the control lines from the modem, data set, or peripheral device to the LH. It also indicates when a control input from the modem changes state.		
Type	R		

31	30	29	28	27	26	25	24	23	22	21	20	19	18	17	16	15	14	13	12	11	10	9	8	7	6	5	4	3	2	1	0
RESERVED																NCD_STS	NRI_STS	NDSR_STS	NCTS_STS	DCD_STS	RI_STS	DSR_STS	CTS_STS								

Bits	Field Name	Description	Type	Reset
31:8	RESERVED	Read returns 0.	R	0x000000
7	NCD_STS	This bit is the complement of the DCD* input. In loopback mode, it is equivalent to UART_MCR[3] .	R	-
6	NRI_STS	This bit is the complement of the RI* input. In loopback mode, it is equivalent to UART_MCR[2] .	R	-
5	NDSR_STS	This bit is the complement of the DSR* input. In loopback mode, it is equivalent to UART_MCR[0] .	R	-
4	NCTS_STS	This bit is the complement of the CTS* input. In loopback mode, it is equivalent to UART_MCR[1] .	R	-
3	DCD_STS	Indicates that DCD* input (or UART_MCR[3] in loopback) changed. Cleared on a read.	R	0
2	RI_STS	Indicates that RI* input (or UART_MCR[2] in loopback) changed state from low to high. Cleared on a read.	R	0
1	DSR_STS	Read 0x1: Indicates that DSR* input (or UART_MCR[0] in loopback) changed state. Cleared on a read.	R	0
0	CTS_STS	Read 0x1: Indicates that CTS* input (or UART_MCR[1] in loopback) changed state. Cleared on a read.	R	0

Table 24-225. Register Call Summary for Register UART_MSR

UART/IrDA/CIR

- [UART Interface Description: \[0\]\[1\]\[2\]\[3\]\[4\]\[5\]\[6\]\[7\]\[8\]](#)
- [UART Mode Interrupt Management: \[9\]](#)
- [Register Access Modes: \[10\]\[11\]](#)
- [UART/IrDA \(SIR, MIR, FIR\)/CIR Mode Selection: \[12\]\[13\]\[14\]\[15\]\[16\]\[17\]](#)
- [UART/IrDA/CIR Register Summary: \[18\]\[19\]\[20\]\[21\]](#)
- [UART/IrDA/CIR Register Description: \[22\]\[23\]](#)

Table 24-226. UART_SPR

Address Offset	0x0000 001C																														
Physical Address	0x4806 A01C 0x4806 C01C 0x4802 001C 0x4806 E01C 0x4806 601C 0x4806 801C 0x4842 001C 0x4842 201C 0x4842 401C 0x4AE2 B01C																														
	Instance																														
	UART1																														
	UART2																														
	UART3																														
	UART4																														
	UART5																														
	UART6																														
	UART7																														
	UART8																														
	UART9																														
	UART10																														
Description	Scratchpad register																														
	This read/write register does not control the module. It is a scratchpad register to be used by the programmer to hold temporary data.																														
Type	RW																														
31	30	29	28	27	26	25	24	23	22	21	20	19	18	17	16	15	14	13	12	11	10	9	8	7	6	5	4	3	2	1	0
RESERVED																SPR_WORD															
Bits	Field Name	Description	Type	Reset																											
31:8	RESERVED	Read returns 0. Write has no effect.	RW	0x000000																											
7:0	SPR_WORD	Scratchpad register	RW	0x00																											

Table 24-227. Register Call Summary for Register UART_SPR

UART/IrDA/CIR

- Register Access Modes: [0][1][2][3]
- UART/IrDA (SIR, MIR, FIR)/CIR Mode Selection: [4][5][6][7][8][9][10][11][12][13][14][15]
- UART/IrDA/CIR Register Summary: [16][17][18][19]

Table 24-228. UART_TLR

Address Offset	0x0000 001C		
Physical Address	0x4806 A01C 0x4806 C01C 0x4802 001C 0x4806 E01C 0x4806 601C 0x4806 801C 0x4842 001C 0x4842 201C 0x4842 401C 0x4AE2 B01C	Instance	UART1 UART2 UART3 UART4 UART5 UART6 UART7 UART8 UART9 UART10
Description	Trigger level register This register stores the programmable transmit and RX FIFO trigger levels for DMA and IRQ generation.		
Type	RW		

31	30	29	28	27	26	25	24	23	22	21	20	19	18	17	16	15	14	13	12	11	10	9	8	7	6	5	4	3	2	1	0
RESERVED																RX_FIFO_TRIG_DMA				TX_FIFO_TRIG_DMA											

Bits	Field Name	Description	Type	Reset
31:8	RESERVED	Read returns 0. Write has no effect.	RW	0x000000
7:4	RX_FIFO_TRIG_DMA	Receive FIFO trigger level	RW	0x0
3:0	TX_FIFO_TRIG_DMA	Transmit FIFO trigger level	RW	0x0

Table 24-229. Register Call Summary for Register UART_TLR

UART/IrDA/CIR

- FIFO Management: [0]
- FIFO Trigger: [1][2]
- FIFO Interrupt Mode: [3][4]
- FIFO DMA Mode Operation: [5][6][7][8]
- Register Access Modes: [9][10][11][12][13][14]
- UART/IrDA (SIR, MIR, FIR)/CIR Mode Selection: [15][16][17][18][19][20][21][22][23][24][25][26][27][28][29][30][31][32]
- FIFO Trigger Settings: [33][34][35][36]
- UART/IrDA/CIR Register Summary: [37][38][39][40]
- UART/IrDA/CIR Register Description: [41][42][43][44][45][46]

Table 24-230. UART_XOFF2

Address Offset	0x0000 001C		
Physical Address	0x4806 A01C 0x4806 C01C 0x4802 001C 0x4806 E01C 0x4806 601C 0x4806 801C 0x4842 001C 0x4842 201C 0x4842 401C 0x4AE2 B01C	Instance	UART1 UART2 UART3 UART4 UART5 UART6 UART7 UART8 UART9 UART10
Description	UART mode XOFF2 character		
Type	RW		

31	30	29	28	27	26	25	24	23	22	21	20	19	18	17	16	15	14	13	12	11	10	9	8	7	6	5	4	3	2	1	0
RESERVED																XOFF_WORD2															

Bits	Field Name	Description	Type	Reset
31:8	RESERVED	Read returns 0. Write has no effect.	RW	0x000000
7:0	XOFF_WORD2	Stores the 8-bit XOFF2 character used in UART modes.	RW	0x00

Table 24-231. Register Call Summary for Register UART_XOFF2

UART/IrDA/CIR

- [Register Access Modes: \[0\]\[1\]](#)
- [UART/IrDA \(SIR, MIR, FIR\)/CIR Mode Selection: \[2\]\[3\]](#)
- [UART Mode: \[4\]](#)
- [Software Flow Control Configuration: \[5\]](#)
- [UART/IrDA/CIR Register Summary: \[6\]\[7\]\[8\]\[9\]](#)

Table 24-232. UART_MDR1

Address Offset	0x0000 0020		
Physical Address	0x4806 A020 0x4806 C020 0x4802 0020 0x4806 E020 0x4806 6020 0x4806 8020 0x4842 0020 0x4842 2020 0x4842 4020 0x4AE2 B020	Instance	UART1 UART2 UART3 UART4 UART5 UART6 UART7 UART8 UART9 UART10
Description	Mode definition register 1 The mode of operation can be programmed by writing to MDR1[2:0] and therefore the MDR1 must be programmed on startup after configuration of the configuration registers (UART_DLL , UART_DLH , and UART_LCR). The value of MDR1[2:0] must not be changed again during normal operation. Note: If the module is disabled by setting the MODE_SELECT field to 111, interrupt requests can still be generated unless disabled through the interrupt enable register (UART_IER). In this case, UART mode interrupts are visible. Reading the interrupt identification register (UART_IIR) shows UART mode interrupt flags.		
Type	RW		

31	30	29	28	27	26	25	24	23	22	21	20	19	18	17	16	15	14	13	12	11	10	9	8	7	6	5	4	3	2	1	0
RESERVED																FRAME_END_MODE	SIP_MODE	SCT	SET_TXIR	IR_SLEEP	MODE_SELECT										

Bits	Field Name	Description	Type	Reset
31:8	RESERVED	Read returns 0. Write has no effect.	RW	0x0000000
7	FRAME_END_MODE	IrDA mode only 0x0: Frame-length method 0x1: Set EOT bit method	RW	0
6	SIP_MODE	MIR/FIR modes only 0x0: Manual SIP mode: SIP is generated with the control of UART_ACREG[3] . 0x1: Automatic SIP mode: SIP is generated after each transmission.	RW	0
5	SCT	Store and control the transmission. 0x0: Starts the infrared transmission when a value is written to UART_THR 0x1: Starts the infrared transmission with the control of UART_ACREG[2] . Note: Before starting any transmission, there must be no reception ongoing.	RW	0
4	SET_TXIR	Used to configure the infrared transceiver 0x0: a) No action if UART_MDR2[7] = 0 b) TXIR pin output is forced low if UART_MDR2[7] = 1 . 0x1: IRTX pin output is forced high (not dependent on UART_MDR2[7] value).	RW	0
3	IR_SLEEP	0x0: IrDA/CIR sleep mode disabled 0x1: IrDA/CIR sleep mode enabled	RW	0
2:0	MODE_SELECT	0x0: UART 16x mode 0x1: SIR mode 0x2: UART 16x auto-baud	RW	0x7

Bits	Field Name	Description	Type	Reset
		0x3: UART 13x mode		
		0x4: MIR mode		
		0x5: FIR mode		
		0x6: CIR mode		
		0x7: Disable (default state)		

Table 24-233. Register Call Summary for Register UART_MDR1

UART/IrDA/CIR

- [UART Interface Description: \[0\]\[1\]](#)
- [UART Protocol and Data Format: \[2\]](#)
- [IrDA Mode Power Management \(UART3 Only\): \[3\]](#)
- [Register Access Modes: \[4\]\[5\]\[6\]\[7\]\[8\]\[9\]](#)
- [UART/IrDA \(SIR, MIR, FIR\)/CIR Mode Selection: \[10\]\[11\]\[12\]\[13\]\[14\]\[15\]\[16\]\[17\]\[18\]\[19\]\[20\]\[21\]\[22\]\[23\]\[24\]\[25\]\[26\]\[27\]\[28\]](#)
- [UART Mode: \[29\]\[30\]\[31\]](#)
- [IrDA Mode \(UART3 Only\): \[32\]\[33\]\[34\]\[35\]\[36\]\[37\]](#)
- [CIR Mode \(UART3 Only\): \[38\]](#)
- [Baud rate settings: \[39\]](#)
- [UART/IrDA\(SIR/MIR/FIR\)/CIR: \[40\]](#)
- [SIR mode: \[41\]\[42\]\[43\]\[44\]](#)
- [MIR mode: \[45\]\[46\]\[47\]\[48\]](#)
- [FIR mode: \[49\]\[50\]\[51\]\[52\]\[53\]](#)
- [UART/IrDA/CIR Register Summary: \[54\]\[55\]\[56\]\[57\]](#)
- [UART/IrDA/CIR Register Description: \[58\]\[59\]\[60\]\[61\]\[62\]\[63\]\[64\]](#)

Table 24-234. UART_MDR2

Address Offset	0x0000 0024	Instance	
Physical Address	0x4806 A024		UART1
	0x4806 C024		UART2
	0x4802 0024		UART3
	0x4806 E024		UART4
	0x4806 6024		UART5
	0x4806 8024		UART6
	0x4842 0024		UART7
	0x4842 2024		UART8
	0x4842 4024		UART9
	0x4AE2 B024		UART10
Description	Mode definition register 2 IR-IrDA and IR-CIR modes only. UART_MDR2[0] describes the status of the interrupt in UART_IIR[5] . The IRTX_UNDERRUN bit should be read after an UART_IIR[5] TX_STATUS_IT interrupt. The bits [2:1] of this register set the trigger level for the frame status FIFO (8 entries) and must be programmed before the mode is programmed in UART_MDR1[2:0] . Note: The UART_MDR2[6] gives the flexibility to invert the RX pin in the UART to ensure that the protocol at the input of the transceiver module has the same polarity at module level. By default, the RX pin is inverted because most transceivers invert the IR receive pin.		
Type	RW		

31	30	29	28	27	26	25	24	23	22	21	20	19	18	17	16	15	14	13	12	11	10	9	8	7	6	5	4	3	2	1	0
RESERVED																							SET_TXIR_ALT	IRRXINVERT	CIR_PULSE_MODE	UART_PULSE	STS_FIFO_TRIG	IRTX_UNDERRUN			

Bits	Field Name	Description	Type	Reset
31:8	RESERVED	Read returns 0. Write has no effect.	RW	0x000000
7	SET_TXIR_ALT	Provide alternate function for UART_MDR1 [4] (SET_TXIR). 0x0: Normal mode 0x1: Alternate mode for SET_TXIR	R	0
6	IRRXINVERT	IR mode only (IrDA and CIR). Invert RX pin in the module before the voting or sampling system logic of the infrared block. This does not affect the RX path in UART modem modes. 0x0: Inversion is performed. 0x1: No inversion is performed.	RW	0
5:4	CIR_PULSE_MODE	CIR pulse modulation definition. Defines high level of the pulse width associated with a digit: 0x0: Pulse width of 3 from 12 cycles 0x1: Pulse width of 4 from 12 cycles 0x2: Pulse width of 5 from 12 cycles 0x3: Pulse width of 6 from 12 cycles	RW	0x0
3	UART_PULSE	UART mode only. Allows pulse shaping in UART mode. 0x0: Normal UART mode 0x1: UART mode with a pulse shaping	RW	0
2:1	STS_FIFO_TRIG	IR-IrDA mode only. Frame status FIFO threshold select: 0x0: 1 entry 0x1: 4 entries 0x2: 7 entries 0x3: 8 entries	RW	0x0
0	IRTX_UNDERRUN	IrDA transmission status interrupt. When the UART_IIR [5] interrupt occurs, the meaning of the interrupt is: Read 0x0: The last bit of the frame transmitted successfully without error. Read 0x1: An underrun occurred. The last bit of the frame was transmitted but with an underrun error. The bit is reset to 0 when the UART_RESUME register is read.	R	0

Table 24-235. Register Call Summary for Register UART_MDR2

UART/IrDA/CIR

- [IrDA Protocol and Data Format](#): [0]
- [CIR Protocol and Data Format](#): [1]
- [Register Access Modes](#): [2][3][4][5][6][7]
- [UART/IrDA \(SIR, MIR, FIR\)/CIR Mode Selection](#): [8][9][10][11][12][13][14][15][16][17][18][19][20][21][22][23][24][25]
- [IrDA Mode \(UART3 Only\)](#): [26][27]
- [CIR Mode \(UART3 Only\)](#): [28][29]
- [UART/IrDA/CIR Register Summary](#): [30][31][32][33]
- [UART/IrDA/CIR Register Description](#): [34][35][36][37][38][39][40]

Table 24-236. UART_SFLSR

Address Offset	0x0000 0028		
Physical Address	0x4806 A028	Instance	UART1
	0x4806 C028		UART2
	0x4802 0028		UART3
	0x4806 E028		UART4
	0x4806 6028		UART5
	0x4806 8028		UART6
	0x4842 0028		UART7
	0x4842 2028		UART8
	0x4842 4028		UART9
	0x4AE2 B028		UART10
Description	Status FIFO line status register IrDA modes only. Reading this register effectively reads frame status information from the status FIFO (this register does not physically exist). Reading this register increments the status FIFO read pointer (UART_SFREGL and UART_SFREGH must be read first).		
Type	R		

31	30	29	28	27	26	25	24	23	22	21	20	19	18	17	16	15	14	13	12	11	10	9	8	7	6	5	4	3	2	1	0
RESERVED																RESERVED		OE_ERROR	FRAME_TOO_LONG_ERROR	ABORT_DETECT	CRC_ERROR	RESERVED									

Bits	Field Name	Description	Type	Reset
31:8	RESERVED	Read returns 0.	R	0x0000000
7:5	RESERVED	Read returns 0.	R	0x0
4	OE_ERROR	Read 0x1: Overrun error in RX FIFO when frame at top of RX FIFO was received Note: Top of RX FIFO = Next frame to be read from RX FIFO	R	-
3	FRAME_TOO_LONG_ERROR	Read 0x1: Frame-length too long error in frame at top of RX FIFO	R	-
2	ABORT_DETECT	Read 0x1: Abort pattern detected in frame at top of RX FIFO	R	-
1	CRC_ERROR	Read 0x1: CRC error in frame at top of RX FIFO	R	-
0	RESERVED		R	0

Table 24-237. Register Call Summary for Register UART_SFLSR

UART/IrDA/CIR

- [FIFO Management: \[0\]](#)
- [Register Access Modes: \[1\]\[2\]\[3\]](#)
- [UART/IrDA \(SIR, MIR, FIR\)/CIR Mode Selection: \[4\]\[5\]\[6\]](#)
- [IrDA Mode \(UART3 Only\): \[7\]\[8\]](#)
- [UART/IrDA/CIR Register Summary: \[9\]\[10\]\[11\]\[12\]](#)
- [UART/IrDA/CIR Register Description: \[13\]\[14\]](#)

Table 24-238. UART_TXFLL

Address Offset	0x0000 0028		
Physical Address	0x4806 A028 0x4806 C028 0x4802 0028 0x4806 E028 0x4806 6028 0x4806 8028 0x4842 0028 0x4842 2028 0x4842 4028 0x4AE2 B028	Instance	UART1 UART2 UART3 UART4 UART5 UART6 UART7 UART8 UART9 UART10
Description	Transmit frame length register low IrDA modes only. The UART_TXFLL and UART_TXFLH registers hold the 13-bit transmit frame length (expressed in bytes). UART_TXFLL holds the LSBs and UART_TXFLH holds the MSBs. The frame length value is used if the frame length method of frame closing is used.		
Type	W		

31	30	29	28	27	26	25	24	23	22	21	20	19	18	17	16	15	14	13	12	11	10	9	8	7	6	5	4	3	2	1	0
RESERVED																TXFLL															

Bits	Field Name	Description	Type	Reset
31:8	RESERVED	Write has no effect.	W	0x000000
7:0	TXFLL	LSB register used to specify the frame length	W	0x00

Table 24-239. Register Call Summary for Register UART_TXFLL

UART/IrDA/CIR

- [Register Access Modes: \[0\]\[1\]\[2\]](#)
- [UART/IrDA \(SIR, MIR, FIR\)/CIR Mode Selection: \[3\]\[4\]\[5\]](#)
- [IrDA Mode \(UART3 Only\): \[6\]](#)
- [SIR mode: \[7\]](#)
- [MIR mode: \[8\]](#)
- [FIR mode: \[9\]](#)
- [UART/IrDA/CIR Register Summary: \[10\]\[11\]\[12\]\[13\]](#)
- [UART/IrDA/CIR Register Description: \[14\]\[15\]\[16\]\[17\]](#)

Table 24-240. UART_RESUME

Address Offset	0x0000 002C		
Physical Address	0x4806 A02C 0x4806 C02C 0x4802 002C 0x4806 E02C 0x4806 602C 0x4806 802C 0x4842 002C 0x4842 202C 0x4842 402C 0x4AE2 B02C	Instance	UART1 UART2 UART3 UART4 UART5 UART6 UART7 UART8 UART9 UART10
Description	IR-IrDA and IR-CIR modes only. This register is used to clear internal flags, which halt transmission/reception when an underrun/overrun error occurs. Reading this register resumes the halted operation. This register does not physically exist and reads always as 0x00.		
Type	R		

31	30	29	28	27	26	25	24	23	22	21	20	19	18	17	16	15	14	13	12	11	10	9	8	7	6	5	4	3	2	1	0
RESERVED																RESUME															

Bits	Field Name	Description	Type	Reset
31:8	RESERVED	Read returns 0.	R	0x000000
7:0	RESUME	Dummy read to restart the TX or RX	R	0x00

Table 24-241. Register Call Summary for Register UART_RESUME

UART/IrDA/CIR

- IrDA Mode Interrupt Management: [0][1]
- Register Access Modes: [2][3][4]
- UART/IrDA (SIR, MIR, FIR)/CIR Mode Selection: [5][6][7][8][9][10]
- UART Mode: [11]
- IrDA Mode (UART3 Only): [12]
- UART/IrDA/CIR Register Summary: [13][14][15][16]
- UART/IrDA/CIR Register Description: [17]

Table 24-242. UART_TXFLH

Address Offset	0x0000 002C		
Physical Address	0x4806 A02C 0x4806 C02C 0x4802 002C 0x4806 E02C 0x4806 602C 0x4806 802C 0x4842 002C 0x4842 202C 0x4842 402C 0x4AE2 B02C	Instance	UART1 UART2 UART3 UART4 UART5 UART6 UART7 UART8 UART9 UART10
Description	Transmit frame length register high IrDA modes only. The UART_TXFLL and UART_TXFLH registers hold the 13-bit transmit frame length (expressed in bytes). UART_TXFLL holds the LSBs and UART_TXFLH holds the MSBs. The frame length value is used if the frame length method of frame closing is used.		
Type	W		

31	30	29	28	27	26	25	24	23	22	21	20	19	18	17	16	15	14	13	12	11	10	9	8	7	6	5	4	3	2	1	0
RESERVED																RESERVED	TXFLH														

Bits	Field Name	Description	Type	Reset
31:8	RESERVED	Write has no effect.	W	0x000000
7:5	RESERVED	Write has no effect.	W	0x0
4:0	TXFLH	MSB register used to specify the frame length	W	0x00

Table 24-243. Register Call Summary for Register UART_TXFLH

UART/IrDA/CIR

- Register Access Modes: [0][1][2]
- UART/IrDA (SIR, MIR, FIR)/CIR Mode Selection: [3][4][5]
- IrDA Mode (UART3 Only): [6]
- FIR mode: [7]
- UART/IrDA/CIR Register Summary: [8][9][10][11]
- UART/IrDA/CIR Register Description: [12][13][14][15]

Table 24-244. UART_SFREGL

Address Offset	0x0000 0030		
Physical Address	0x4806 A030 0x4806 C030 0x4802 0030 0x4806 E030 0x4806 6030 0x4806 8030 0x4842 0030 0x4842 2030 0x4842 4030 0x4AE2 B030	Instance	UART1 UART2 UART3 UART4 UART5 UART6 UART7 UART8 UART9 UART10
Description	Status FIFO register low IrDA modes only. The frame lengths of received frames are written into the status FIFO. This information can be read by reading the UART_SFREGL and UART_SFREGH registers (these registers do not physically exist). The LSBs are read from UART_SFREGL and the MSBs are read from UART_SFREGH . Reading these registers does not alter the status FIFO read pointer. These registers should be read before the pointer is incremented by reading the UART_SFLSR register.		
Type	R		

31	30	29	28	27	26	25	24	23	22	21	20	19	18	17	16	15	14	13	12	11	10	9	8	7	6	5	4	3	2	1	0
RESERVED																SFREGL															

Bits	Field Name	Description	Type	Reset
31:8	RESERVED	Read returns 0.	R	0x000000
7:0	SFREGL	LSB part of the frame length	R	0x-

Table 24-245. Register Call Summary for Register UART_SFREGL

UART/IrDA/CIR

- FIFO Management: [0]
- Register Access Modes: [1][2][3]
- UART/IrDA (SIR, MIR, FIR)/CIR Mode Selection: [4][5][6]
- IrDA Mode (UART3 Only): [7]
- UART/IrDA/CIR Register Summary: [8][9][10][11]
- UART/IrDA/CIR Register Description: [12][13][14][15][16]

Table 24-246. UART_RXFLL

Address Offset	0x0000 0030		
Physical Address	0x4806 A030 0x4806 C030 0x4802 0030 0x4806 E030 0x4806 6030 0x4806 8030 0x4842 0030 0x4842 2030 0x4842 4030 0x4AE2 B030	Instance	UART1 UART2 UART3 UART4 UART5 UART6 UART7 UART8 UART9 UART10
Description	<p>Received frame length register low</p> <p>IrDA modes only. The UART_RXFLL and UART_RXFLH registers hold the 12-bit receive maximum frame length. UART_RXFLL holds the LSBs and UART_RXFLH holds the MSBs. If the intended maximum receive frame length is n bytes, program the UART_RXFLL and UART_RXFLH registers to be n + 3 in SIR or MIR modes and n + 6 in FIR mode (+3 and +6 are the result of frame format with CRC and stop flag; 2 bytes are associated with the FIR stop flag).</p>		
Type	W		

31	30	29	28	27	26	25	24	23	22	21	20	19	18	17	16	15	14	13	12	11	10	9	8	7	6	5	4	3	2	1	0
RESERVED																RXFLL															

Bits	Field Name	Description	Type	Reset
31:8	RESERVED	Write has no effect.	W	0x000000
7:0	RXFLL	LSB register used to specify the frame length in reception	W	0x00

Table 24-247. Register Call Summary for Register UART_RXFLL

UART/IrDA/CIR

- [Register Access Modes: \[0\]\[1\]\[2\]](#)
- [UART/IrDA \(SIR, MIR, FIR\)/CIR Mode Selection: \[3\]\[4\]\[5\]](#)
- [FIR mode: \[6\]](#)
- [UART/IrDA/CIR Register Summary: \[7\]\[8\]\[9\]\[10\]](#)
- [UART/IrDA/CIR Register Description: \[11\]\[12\]\[13\]\[14\]\[15\]\[16\]](#)

Table 24-248. UART_SFREGH

Address Offset	0x0000 0034		
Physical Address	0x4806 A034 0x4806 C034 0x4802 0034 0x4806 E034 0x4806 6034 0x4806 8034 0x4842 0034 0x4842 2034 0x4842 4034 0x4AE2 B034	Instance	UART1 UART2 UART3 UART4 UART5 UART6 UART7 UART8 UART9 UART10
Description	Status FIFO register high IrDA modes only. The frame lengths of received frames are written into the status FIFO. This information can be read by reading the UART_SFREGL and UART_SFREGH registers (these registers do not physically exist). The LSBs are read from UART_SFREGL and the MSBs are read from UART_SFREGH . Reading these registers does not alter the status FIFO read pointer. These registers should be read before the pointer is incremented by reading the UART_SFLSR register.		
Type	R		

31	30	29	28	27	26	25	24	23	22	21	20	19	18	17	16	15	14	13	12	11	10	9	8	7	6	5	4	3	2	1	0
RESERVED																RESERVED			SFREGH												

Bits	Field Name	Description	Type	Reset
31:8	RESERVED	Read returns 0.	R	0x000000
7:4	RESERVED	Read returns 0.	R	0x0
3:0	SFREGH	MSB part of the frame length	R	0x-

Table 24-249. Register Call Summary for Register UART_SFREGH

UART/IrDA/CIR

- [FIFO Management](#): [0]
- [Register Access Modes](#): [1][2][3]
- [UART/IrDA \(SIR, MIR, FIR\)/CIR Mode Selection](#): [4][5][6]
- [IrDA Mode \(UART3 Only\)](#): [7]
- [UART/IrDA/CIR Register Summary](#): [8][9][10][11]
- [UART/IrDA/CIR Register Description](#): [12][13][14][15][16]

Table 24-250. UART_RXFLH

Address Offset	0x0000 0034		
Physical Address	0x4806 A034 0x4806 C034 0x4802 0034 0x4806 E034 0x4806 6034 0x4806 8034 0x4842 0034 0x4842 2034 0x4842 4034 0x4AE2 B034	Instance	UART1 UART2 UART3 UART4 UART5 UART6 UART7 UART8 UART9 UART10
Description	Received frame length register high IrDA modes only. The UART_RXFLH and UART_RXFLH registers hold the 12-bit receive maximum frame length. UART_RXFLH holds the LSBs and UART_RXFLH holds the MSBs. If the intended maximum receive frame length is n bytes, program the UART_RXFLH and UART_RXFLH to be n + 3 in SIR or MIR modes and n + 6 in FIR mode (+3 and +6 are the result of frame format with CRC and stop flag; 2 bytes are associated with the FIR stop flag).		
Type	W		

31	30	29	28	27	26	25	24	23	22	21	20	19	18	17	16	15	14	13	12	11	10	9	8	7	6	5	4	3	2	1	0
RESERVED																RESERVED			RXFLH												

Bits	Field Name	Description	Type	Reset
31:8	RESERVED	Write has no effect.	W	0x000000
7:4	RESERVED	Write has no effect.	W	0x0
3:0	RXFLH	MSB register used to specify the frame length in reception	W	0x0

Table 24-251. Register Call Summary for Register UART_RXFLH

UART/IrDA/CIR

- [Register Access Modes: \[0\]\[1\]\[2\]](#)
- [UART/IrDA \(SIR, MIR, FIR\)/CIR Mode Selection: \[3\]\[4\]\[5\]](#)
- [UART/IrDA/CIR Register Summary: \[6\]\[7\]\[8\]\[9\]](#)
- [UART/IrDA/CIR Register Description: \[10\]\[11\]\[12\]\[13\]\[14\]\[15\]](#)

Table 24-252. UART_BLR

Address Offset	0x0000 0038		
Physical Address	0x4806 A038 0x4806 C038 0x4802 0038 0x4806 E038 0x4806 6038 0x4806 8038 0x4842 0038 0x4842 2038 0x4842 4038 0x4AE2 B038	Instance	UART1 UART2 UART3 UART4 UART5 UART6 UART7 UART8 UART9 UART10
Description	BOF control register IrDA modes only. The UART_BLR[6] bit selects whether 0xC0 or 0xFF start patterns are to be used, when multiple start flags are required in SIR mode. If only one start flag is required, this is always 0xC0. If n start flags are required, (-1) 0xC0 or (-1) 0xFF flags are sent, followed by a single 0xC0 flag (immediately preceding the first data byte).		
Type	RW		

31	30	29	28	27	26	25	24	23	22	21	20	19	18	17	16	15	14	13	12	11	10	9	8	7	6	5	4	3	2	1	0
RESERVED																STS_FIFO_RESET	XBOF_TYPE	RESERVED													

Bits	Field Name	Description	Type	Reset
31:8	RESERVED	Read returns 0. Write has no effect.	RW	0x000000
7	STS_FIFO_RESET	Status FIFO reset. This bit is self-clearing.	RW	0
6	XBOF_TYPE	SIR xBOF select 0x0: 0xFF 0x1: 0xC0	RW	1
5:0	RESERVED	Read returns 0.	R	0x00

Table 24-253. Register Call Summary for Register UART_BLR

UART/IrDA/CIR

- [IrDA Protocol and Data Format: \[0\]](#)
- [Register Access Modes: \[1\]\[2\]](#)
- [UART/IrDA \(SIR, MIR, FIR\)/CIR Mode Selection: \[3\]\[4\]](#)
- [UART/IrDA/CIR Register Summary: \[5\]\[6\]\[7\]\[8\]](#)
- [UART/IrDA/CIR Register Description: \[9\]](#)

Table 24-254. UART_UASR

Address Offset	0x0000 0038		
Physical Address	0x4806 A038 0x4806 C038 0x4802 0038 0x4806 E038 0x4806 6038 0x4806 8038 0x4842 0038 0x4842 2038 0x4842 4038 0x4AE2 B038	Instance	UART1 UART2 UART3 UART4 UART5 UART6 UART7 UART8 UART9 UART10
Description	UART autobauding status register UART autobauding mode only. This status register returns the speed, the number of bits by characters, and the type of the parity in UART autobauding mode. In autobauding mode, the input frequency of the UART modem must be fixed to 48 MHz. Any other module clock frequency results in incorrect baud rate recognition. Note: When the UART is in autobauding mode, this register, instead of the UART_LCR , UART_DLL , and UART_DLH registers, is used to set up transmission according to the characteristics of the previous reception. To reset the autobauding hardware (to start a new AT detection), set UART_MDR1[2:0] to 111 (reset value), then set UART_MDR1[2:1] to 010 (UART in autobaud mode). To set the UART to standard mode (no autobaud), set UART_MDR1[2:1] to 000.		
Type	R		

31	30	29	28	27	26	25	24	23	22	21	20	19	18	17	16	15	14	13	12	11	10	9	8	7	6	5	4	3	2	1	0
RESERVED																								PARITY_TYPE	BIT_BY_CHAR	SPEED					

Bits	Field Name	Description	Type	Reset
31:8	RESERVED	Read returns 0.	R	0x000000
7:6	PARITY_TYPE	Read 0x0: No parity identified Read 0x1: Parity space Read 0x2: Even parity Read 0x3: Odd parity	R	0x0
5	BIT_BY_CHAR	Read 0x0: 7-bit character identified Read 0x1: 8-bit character identified	R	0
4:0	SPEED	Used to report the speed identified Read 0x0: No speed identified Read 0x1: 115,200 baud Read 0x2: 57,600 baud Read 0x3: 38,400 baud Read 0x4: 28,800 baud Read 0x5: 19,200 baud Read 0x6: 14,400 baud Read 0x7: 9,600 baud Read 0x8: 4,800 baud Read 0x9: 2,400 baud Read 0xA: 1,200 baud	R	0x00

Table 24-255. Register Call Summary for Register UART_UASR

UART/IrDA/CIR

- Register Access Modes: [0][1]
- UART/IrDA (SIR, MIR, FIR)/CIR Mode Selection: [2][3]
- UART Mode: [4]
- UART/IrDA/CIR Register Summary: [5][6][7][8]

Table 24-256. UART_ACREG

Address Offset	0x0000 003C	Instance	UART1
Physical Address	0x4806 A03C		UART2
	0x4806 C03C		UART3
	0x4802 003C		UART4
	0x4806 E03C		UART5
	0x4806 603C		UART6
	0x4806 803C		UART7
	0x4842 003C		UART8
	0x4842 203C		UART9
	0x4842 403C		UART10
	0x4AE2 B03C		
Description	Auxiliary control register. IR-IrDA and IR-CIR modes only.		
Type	RW		

31	30	29	28	27	26	25	24	23	22	21	20	19	18	17	16	15	14	13	12	11	10	9	8	7	6	5	4	3	2	1	0
RESERVED																PULSE_TYPE	SD_MOD	DIS_IR_RX	DIS_TX_UNDERRUN	SEND_SIP	SCTX_EN	ABORT_EN	EOT_EN								

Bits	Field Name	Description	Type	Reset
31:8	RESERVED	Read returns 0. Write has no effect.	RW	0x000000
7	PULSE_TYPE	SIR pulse width select 0x0: 3/16 of baud-rate pulse width 0x1: 1.6 μ s	RW	0
6	SD_MOD	Primary output used to configure transceivers. Connected to the SD/MODE input pin of IrDA transceivers. 0x0: SD pin is set to high. 0x1: SD pin is set to low.	RW	0
5	DIS_IR_RX	0x0: Normal operation (RX input automatically disabled during transmit but enabled outside of transmit operation) 0x1: Disables RX input (permanent state - independent of transmit)	RW	0
4	DIS_TX_UNDERRUN	It is recommended to disable TX FIFO underrun capability by masking corresponding underrun interrupt. When disabling underrun by setting UART_ACREG[4] = 1, garbage data is sent over TX line. 0x0: Long stop-bits cannot be transmitted; TX underrun is enabled. 0x1: Long stop-bits can be transmitted; TX underrun is disabled.	RW	0

Bits	Field Name	Description	Type	Reset
3	SEND_SIP	MIR/FIR modes only. Send serial infrared interaction pulse (SIP). If this bit is set during an MIR/FIR transmission, the SIP is sent at the end of it. This bit is cleared automatically at the end of the SIP transmission. 0x0: No action 0x1: Send SIP pulse.	RW	0
2	SCTX_EN	Store and controlled TX start. When UART_MDR1[5] = 1 and the LH writes 1 to this bit, the TX state-machine starts frame transmission. This bit is self-clearing.	RW	0
1	ABORT_EN	Frame abort. The LH can intentionally abort transmission of a frame by writing 1 to this bit. Neither the end flag nor the CRC bits are appended to the frame. If TX FIFO is not empty and UART_MDR1[5] = 1 , UART IrDA starts a new transfer with data of the previous frame when the abort frame is sent. Therefore, TX FIFO must be reset before sending an abort frame.	RW	0
0	EOT_EN	EOT (end of transmission) bit. The LH writes 1 to this bit just before it writes the last byte to the TX FIFO in set-EOT bit frame closing method. This bit is cleared automatically when the LH writes to the THR (TX FIFO).	RW	0

Table 24-257. Register Call Summary for Register UART_ACREG

UART/IrDA/CIR

- [IrDA Interface Description: \[0\]](#)
- [IrDA Protocol and Data Format: \[1\]\[2\]\[3\]\[4\]](#)
- [CIR Interface Description: \[5\]](#)
- [FIFO DMA Mode Operation: \[6\]\[7\]\[8\]](#)
- [Register Access Modes: \[9\]\[10\]](#)
- [UART/IrDA \(SIR, MIR, FIR\)/CIR Mode Selection: \[11\]\[12\]\[13\]\[14\]](#)
- [IrDA Mode \(UART3 Only\): \[15\]\[16\]\[17\]\[18\]\[19\]\[20\]\[21\]](#)
- [CIR Mode \(UART3 Only\): \[22\]](#)
- [SIR mode: \[23\]](#)
- [MIR mode: \[24\]](#)
- [FIR mode: \[25\]](#)
- [UART/IrDA/CIR Register Summary: \[26\]\[27\]\[28\]\[29\]](#)
- [UART/IrDA/CIR Register Description: \[30\]\[31\]\[32\]\[33\]](#)

Table 24-258. UART_SCR

Address Offset	0x0000 0040		
Physical Address	0x4806 A040 0x4806 C040 0x4802 0040 0x4806 E040 0x4806 6040 0x4806 8040 0x4842 0040 0x4842 2040 0x4842 4040 0x4AE2 B040	Instance	UART1 UART2 UART3 UART4 UART5 UART6 UART7 UART8 UART9 UART10
Description	Supplementary control register Note: Bit 4 enables the wake-up interrupt, but this interrupt is not mapped into the UART_IIR register. Therefore, when an interrupt occurs and there is no interrupt pending in the UART_IIR register, the UART_SSR[1] bit must be checked. To clear the wake-up interrupt, bit UART_SCR[4] must be reset to 0.		
Type	RW		

31	30	29	28	27	26	25	24	23	22	21	20	19	18	17	16	15	14	13	12	11	10	9	8	7	6	5	4	3	2	1	0
RESERVED																RX_TRIG_GRANU1	TX_TRIG_GRANU1	DSR_IT	RX_CTS_DSR_WAKE_UP_ENABLE	TX_EMPTY_CTL_IT	DMA_MODE_2	DMA_MODE_CTL									

Bits	Field Name	Description	Type	Reset
31:8	RESERVED	Read returns 0. Write has no effect.	RW	0x0000000
7	RX_TRIG_GRANU1	0x0: Disables the granularity of 1 for trigger RX level 0x1: Enables the granularity of 1 for trigger RX level	RW	0
6	TX_TRIG_GRANU1	0x0: Disables the granularity of 1 for trigger TX level 0x1: Enables the granularity of 1 for trigger TX level	RW	0
5	DSR_IT	0x0: Disables DSR* interrupt 0x1: Enables DSR* interrupt	RW	0
4	RX_CTS_DSR_WAKE_UP_ENABLE	0x0: Disables the wake-up interrupt and clears SSR[1] 0x1: Waits for a falling edge of pins RX, CTS*, or DSR* to generate an interrupt	RW	0
3	TX_EMPTY_CTL_IT	0x0: Normal mode for THR interrupt (see UART mode interrupts table) 0x1: The THR interrupt is generated when TX FIFO and TX shift register are empty.	RW	0
2:1	DMA_MODE_2	Used to specify the DMA mode valid if the UART_SCR[0] bit = 1 0x0: DMA mode 0 (no DMA) 0x1: DMA mode 1 (UART_nDMA_REQ[0] in TX, UART_nDMA_REQ[1] in RX) 0x2: DMA mode 2 (UART_nDMA_REQ[0] in RX) 0x3: DMA mode 3 (UART_nDMA_REQ[0] in TX)	RW	0x0
0	DMA_MODE_CTL	0x0: The DMA_MODE is set with UART_FCR[3] .	RW	0

Bits	Field Name	Description	Type	Reset
		0x1: The DMA_MODE is set with UART_SCR[2:1] .		

Table 24-259. Register Call Summary for Register UART_SCR

UART/IrDA/CIR

- [UART Mode Power Management: \[0\]](#)
- [UART Mode Interrupt Management: \[1\]\[2\]](#)
- [FIFO Management: \[3\]](#)
- [FIFO DMA Mode Operation: \[4\]\[5\]\[6\]\[7\]\[8\]\[9\]\[10\]\[11\]\[12\]\[13\]\[14\]\[15\]\[16\]\[17\]\[18\]\[19\]\[20\]\[21\]\[22\]\[23\]\[24\]\[25\]\[26\]\[27\]](#)
- [Register Access Modes: \[28\]\[29\]\[30\]\[31\]\[32\]\[33\]](#)
- [UART/IrDA \(SIR, MIR, FIR\)/CIR Mode Selection: \[34\]\[35\]\[36\]\[37\]\[38\]\[39\]\[40\]\[41\]\[42\]\[43\]\[44\]\[45\]\[46\]\[47\]\[48\]\[49\]\[50\]\[51\]](#)
- [DMA mode Settings: \[52\]\[53\]\[54\]\[55\]](#)
- [FIFO Trigger Settings: \[56\]\[57\]](#)
- [UART/IrDA/CIR Register Summary: \[58\]\[59\]\[60\]\[61\]](#)
- [UART/IrDA/CIR Register Description: \[62\]\[63\]\[64\]\[65\]\[66\]\[67\]\[68\]\[69\]\[70\]\[71\]\[72\]\[73\]\[74\]](#)

Table 24-260. UART_SSR

Address Offset	0x0000 0044		
Physical Address	0x4806 A044 0x4806 C044 0x4802 0044 0x4806 E044 0x4806 6044 0x4806 8044 0x4842 0044 0x4842 2044 0x4842 4044 0x4AE2 B044	Instance	UART1 UART2 UART3 UART4 UART5 UART6 UART7 UART8 UART9 UART10
Description	Supplementary status register Note: Bit 1 is reset only when UART_SCR[4] is reset to 0.		
Type	RW		

31	30	29	28	27	26	25	24	23	22	21	20	19	18	17	16	15	14	13	12	11	10	9	8	7	6	5	4	3	2	1	0
RESERVED																RESERVED											DMA_COUNTER_RST	RX_CTS_DSR_WAKE_UP_STS	TX_FIFO_FULL		

Bits	Field Name	Description	Type	Reset
31:8	RESERVED	Read returns 0.	R	0x000000
7:3	RESERVED	Read returns 0.	R	0x00
2	DMA_COUNTER_RST	0x0: The DMA counter will not be reset if the corresponding FIFO is reset (through UART_FCR[1] or UART_FCR[2]). 0x1: The DMA counter will be reset if corresponding FIFO is reset (through UART_FCR[1] or UART_FCR[2]).	RW	1
1	RX_CTS_DSR_WAKE_UP_STS	Read 0x0: No falling edge event on RX, CTS*, and DSR* Read 0x1: A falling edge occurred on RX, CTS*, or DSR*.	R	0

Bits	Field Name	Description	Type	Reset
0	TX_FIFO_FULL	Read 0x0: TX FIFO is not full. Read 0x1: TX FIFO is full.	R	0

Table 24-261. Register Call Summary for Register UART_SSR

UART/IrDA/CIR

- [UART Mode Interrupt Management: \[0\]](#)
- [FIFO Management: \[1\]](#)
- [Register Access Modes: \[2\]\[3\]\[4\]](#)
- [UART/IrDA \(SIR, MIR, FIR\)/CIR Mode Selection: \[5\]\[6\]\[7\]\[8\]\[9\]\[10\]\[11\]\[12\]\[13\]](#)
- [UART/IrDA/CIR Register Summary: \[14\]\[15\]\[16\]\[17\]](#)
- [UART/IrDA/CIR Register Description: \[18\]](#)

Table 24-262. UART_EBLR

Address Offset	0x0000 0048	Instance	UART1
Physical Address	0x4806 A048		UART2
	0x4806 C048		UART3
	0x4802 0048		UART4
	0x4806 E048		UART5
	0x4806 6048		UART6
	0x4806 8048		UART7
	0x4842 0048		UART8
	0x4842 2048		UART9
	0x4842 4048		UART10
	0x4AE2 B048		
Description	BOF length register IR-IrDA and IR-CIR modes only. In IR-IrDA SIR operation, this register specifies the number of BOF + xBOFs to transmit. Value set into this register must account for the BOF character; therefore, to send only one BOF with no XBOF, this register must be set to 1. To send one BOF with N XBOF, this register must be set to N + 1. The value 0 sends 1 BOF plus 255 XBOF. In IR-IrDA MIR mode, this register specifies the number of additional start flags (MIR protocol mandates a minimum of 2 start flags). In IR-CIR mode, this register specifies the number of consecutive 0s to be received before generating the RX_STOP interrupt (UART_IIR[2]). All received 0s are stored in the RX FIFO. When the register is set to 0, this feature is deactivated and always in reception state, which can be disabled by setting the UART_ACREG[5] to 1. Note: If the RX_STOP interrupt occurs before a byte boundary, the remaining bits of the last byte are filled with 0s and passed into the RX FIFO.		
Type	RW		

31	30	29	28	27	26	25	24	23	22	21	20	19	18	17	16	15	14	13	12	11	10	9	8	7	6	5	4	3	2	1	0
RESERVED																EBLR															

Bits	Field Name	Description	Type	Reset
31:8	RESERVED	Read returns 0. Write has no effect.	RW	0x000000
7:0	EBLR	IR-IrDA mode: This register allows definition of up to 176 xBOFs, the maximum required by IrDA specification. IR-CIR mode: This register specifies the number of consecutive 0s to be received before generating the RX_STOP interrupt (UART_IIR[2]). 0x00: Feature disabled 0x01: Generate RX_STOP interrupt after receiving one zero bit. ... 0xFF: Generate RX_STOP interrupt after receiving 255 zero bits.	RW	0x00

Table 24-263. Register Call Summary for Register UART_EBLR

UART/IrDA/CIR

- [Register Access Modes: \[0\]\[1\]](#)
- [UART/IrDA \(SIR, MIR, FIR\)/CIR Mode Selection: \[2\]\[3\]\[4\]\[5\]](#)
- [SIR mode: \[6\]](#)
- [MIR mode: \[7\]](#)
- [FIR mode: \[8\]](#)
- [UART/IrDA/CIR Register Summary: \[9\]\[10\]\[11\]\[12\]](#)
- [UART/IrDA/CIR Register Description: \[13\]\[14\]](#)

Table 24-264. UART_MVR

Address Offset	0x0000 0050		
Physical Address	0x4806 A050	Instance	UART1
	0x4806 C050		UART2
	0x4802 0050		UART3
	0x4806 E050		UART4
	0x4806 6050		UART5
	0x4806 8050		UART6
	0x4842 0050		UART7
	0x4842 2050		UART8
	0x4842 4050		UART9
	0x4AE2 B050		UART10
Description	Module version register		
	The reset value is fixed by hardware and corresponds to the RTL revision of this module. A reset has no effect on the value returned.		
Type	R		

31	30	29	28	27	26	25	24	23	22	21	20	19	18	17	16	15	14	13	12	11	10	9	8	7	6	5	4	3	2	1	0
REV																															

Bits	Field Name	Description	Type	Reset
31:0	REV	Revision number	R	0x-- TI internal data

Table 24-265. Register Call Summary for Register UART_MVR

UART/IrDA/CIR

- [Register Access Modes: \[0\]\[1\]\[2\]](#)
- [UART/IrDA \(SIR, MIR, FIR\)/CIR Mode Selection: \[3\]\[4\]\[5\]\[6\]\[7\]\[8\]\[9\]\[10\]\[11\]](#)
- [UART/IrDA/CIR Register Summary: \[12\]\[13\]\[14\]\[15\]](#)

Table 24-266. UART_SYSC

Address Offset	0x0000 0054		
Physical Address	0x4806 A054 0x4806 C054 0x4802 0054 0x4806 E054 0x4806 6054 0x4806 8054 0x4842 0054 0x4842 2054 0x4842 4054 0x4AE2 B054	Instance	UART1 UART2 UART3 UART4 UART5 UART6 UART7 UART8 UART9 UART10
Description	System configuration register The AUTOIDLE bit controls a power-saving technique to reduce the logic power consumption of the open-core protocol (OCP) interface. When the feature is enabled, the clock is gated off until an OCP command for this device is detected. When the software reset bit is set high, it causes a full device reset.		
Type	RW		

31	30	29	28	27	26	25	24	23	22	21	20	19	18	17	16	15	14	13	12	11	10	9	8	7	6	5	4	3	2	1	0
RESERVED																RESERVED			IDLEMODE	ENAWAKEUP	SOFTRESET	AUTOIDLE									

Bits	Field Name	Description	Type	Reset
31:8	RESERVED	Read returns 0. Write has no effect.	RW	0x000000
7:5	RESERVED	Read returns 0.	R	0x0
4:3	IDLEMODE	Power management req/ack control ref: OCP Design Guidelines Version 1.1 0x0: Force-idle: Idle request is acknowledged unconditionally. 0x1: No-idle: Idle request is never acknowledged. 0x2: Smart-idle: Idle request is acknowledged based in module internal activity. 0x3: Smart-idle Wake-up: Acknowledgement to an idle request is given based in the internal activity of the module. The module is allowed to generate wake-up request.	RW	0x0
2	ENAWAKEUP	Wake-up feature control 0x0: Wakeup is disabled. 0x1: Wake-up capability is enabled.	RW	0
1	SOFTRESET	Software reset. Set this bit to 1 to trigger a module reset. This bit is automatically reset by the hardware. Read returns 0. 0x0: Normal mode 0x1: The module is reset.	RW	0
0	AUTOIDLE	Internal OCP clock gating strategy 0x0: Clock is running. 0x1: Automatic OCP clock gating strategy is applied, based on OCP interface activity	RW	0

Table 24-267. Register Call Summary for Register UART_SYSC

UART/IrDA/CIR
<ul style="list-style-type: none"> • Clock Configuration: [0] • Software Reset: [1] • UART Mode Power Management: [2] • Local Power Management: [3][4][5] • Register Access Modes: [6][7][8][9][10][11] • UART/IrDA (SIR, MIR, FIR)/CIR Mode Selection: [12][13][14][15][16][17][18][19][20][21][22][23][24][25][26][27][28][29] • UART/IrDA/CIR Module Global Initialization: [30] • UART/IrDA/CIR Register Summary: [31][32][33][34]

Table 24-268. UART_SYSS

Address Offset	0x0000 0058	Instance	UART1
Physical Address	0x4806 A058		UART2
	0x4806 C058		UART3
	0x4802 0058		UART4
	0x4806 E058		UART5
	0x4806 6058		UART6
	0x4806 8058		UART7
	0x4842 0058		UART8
	0x4842 2058		UART9
	0x4842 4058		UART10
	0x4AE2 B058		
Description	System status register		
Type	R		

31	30	29	28	27	26	25	24	23	22	21	20	19	18	17	16	15	14	13	12	11	10	9	8	7	6	5	4	3	2	1	0
RESERVED																RESERVED											RESETDONE				

Bits	Field Name	Description	Type	Reset
31:8	RESERVED	Read returns 0.	R	0x000000
7:1	RESERVED	Read returns 0.	R	0x00
0	RESETDONE	Internal reset monitoring Read 0x0: Internal module reset is ongoing. Read 0x1: Reset complete	R	0

Table 24-269. Register Call Summary for Register UART_SYSS

UART/IrDA/CIR
<ul style="list-style-type: none"> • Register Access Modes: [0][1][2] • UART/IrDA (SIR, MIR, FIR)/CIR Mode Selection: [3][4][5][6][7][8][9][10][11] • UART/IrDA/CIR Module Global Initialization: [12] • UART/IrDA/CIR Register Summary: [13][14][15][16]

Bits	Field Name	Description	Type	Reset
0	EVENT_0_CTS_ACTIVITY	0x0: Event is not allowed to wake up the system. 0x1: Event can wake up the system.	RW	1

Table 24-271. Register Call Summary for Register UART_WER

UART/IrDA/CIR

- [UART Mode Power Management: \[0\]](#)
- [Register Access Modes: \[1\]\[2\]\[3\]\[4\]\[5\]\[6\]](#)
- [UART/IrDA \(SIR, MIR, FIR\)/CIR Mode Selection: \[7\]\[8\]\[9\]\[10\]\[11\]\[12\]\[13\]\[14\]\[15\]\[16\]\[17\]\[18\]\[19\]\[20\]\[21\]\[22\]\[23\]\[24\]](#)
- [UART/IrDA/CIR Register Summary: \[25\]\[26\]\[27\]\[28\]](#)

Table 24-272. UART_CFPS

Address Offset	0x0000 0060		
Physical Address	0x4806 A060 0x4806 C060 0x4802 0060 0x4806 E060 0x4806 6060 0x4806 8060 0x4842 0060 0x4842 2060 0x4842 4060 0x4AE2 B060	Instance	UART1 UART2 UART3 UART4 UART5 UART6 UART7 UART8 UART9 UART10
Description	Carrier frequency prescaler Because the consumer IR works at modulation rates of 30 to 56.8 kHz, the 48-MHz clock must be prescaled before the clock can drive the IR logic. This register sets the divisor rate to give a range to accommodate the remote-control requirements in baud multiples of 12x. The value of the CFPS at reset is 0105 decimal, which equals 38.1 kHz output from starting conditions. The 48-MHz carrier is prescaled by the CFPS, which is then divided by the 12x baud multiple.		
Type	RW		

31	30	29	28	27	26	25	24	23	22	21	20	19	18	17	16	15	14	13	12	11	10	9	8	7	6	5	4	3	2	1	0
RESERVED																CFPS															

Bits	Field Name	Description	Type	Reset																								
31:8	RESERVED	Read returns 0. Write has no effect.	RW	0x000000																								
7:0	CFPS	System clock frequency prescaler at (12x multiple). Examples for CFPS values: <table border="1"> <thead> <tr> <th>Target Freq (kHz)</th> <th>CFPS (decimal)</th> <th>Actual Freq (kHz)</th> </tr> </thead> <tbody> <tr><td>30</td><td>133</td><td>30.08</td></tr> <tr><td>32.75</td><td>122</td><td>32.79</td></tr> <tr><td>36</td><td>111</td><td>36.04</td></tr> <tr><td>36.7</td><td>109</td><td>36.69</td></tr> <tr><td>38*</td><td>105</td><td>38.1</td></tr> <tr><td>40</td><td>100</td><td>40</td></tr> <tr><td>56.8</td><td>70</td><td>57.14</td></tr> </tbody> </table> *configured at reset to this value Note: CFPS = 0 is not supported.	Target Freq (kHz)	CFPS (decimal)	Actual Freq (kHz)	30	133	30.08	32.75	122	32.79	36	111	36.04	36.7	109	36.69	38*	105	38.1	40	100	40	56.8	70	57.14	RW	0x69
Target Freq (kHz)	CFPS (decimal)	Actual Freq (kHz)																										
30	133	30.08																										
32.75	122	32.79																										
36	111	36.04																										
36.7	109	36.69																										
38*	105	38.1																										
40	100	40																										
56.8	70	57.14																										

Table 24-273. Register Call Summary for Register UART_CFPS

UART/IrDA/CIR

- [Register Access Modes: \[0\]\[1\]\[2\]\[3\]\[4\]\[5\]](#)
- [UART/IrDA \(SIR, MIR, FIR\)/CIR Mode Selection: \[6\]\[7\]\[8\]\[9\]\[10\]\[11\]](#)
- [CIR Mode \(UART3 Only\): \[12\]\[13\]](#)
- [UART/IrDA/CIR Register Summary: \[14\]\[15\]\[16\]\[17\]](#)

Table 24-274. UART_RXFIFO_LVL

Address Offset	0x0000 0064		
Physical Address	0x4806 A064 0x4806 C064 0x4802 0064 0x4806 E064 0x4806 6064 0x4806 8064 0x4842 0064 0x4842 2064 0x4842 4064 0x4AE2 B064	Instance	UART1 UART2 UART3 UART4 UART5 UART6 UART7 UART8 UART9 UART10
Description	Level of the RX FIFO		
Type	R		

31	30	29	28	27	26	25	24	23	22	21	20	19	18	17	16	15	14	13	12	11	10	9	8	7	6	5	4	3	2	1	0
RESERVED																RXFIFO_LVL															

Bits	Field Name	Description	Type	Reset
31:8	RESERVED	Read returns 0.	R	0x000000
7:0	RXFIFO_LVL	Shows the number of received bytes in the RX FIFO	R	0x00

Table 24-275. Register Call Summary for Register UART_RXFIFO_LVL

UART/IrDA/CIR

- Register Access Modes: [0][1][2][3][4][5]
- UART/IrDA (SIR, MIR, FIR)/CIR Mode Selection: [6][7][8][9][10][11][12][13][14][15][16][17][18][19][20][21][22][23]
- UART/IrDA/CIR Register Summary: [24][25][26][27]

Table 24-276. UART_TXFIFO_LVL

Address Offset	0x0000 0068		
Physical Address	0x4806 A068 0x4806 C068 0x4802 0068 0x4806 E068 0x4806 6068 0x4806 8068 0x4842 0068 0x4842 2068 0x4842 4068 0x4AE2 B068	Instance	UART1 UART2 UART3 UART4 UART5 UART6 UART7 UART8 UART9 UART10
Description	Level of the TX FIFO		
Type	R		

31	30	29	28	27	26	25	24	23	22	21	20	19	18	17	16	15	14	13	12	11	10	9	8	7	6	5	4	3	2	1	0
RESERVED																TXFIFO_LVL															

Bits	Field Name	Description	Type	Reset
31:8	RESERVED	Read returns 0.	R	0x000000
7:0	TXFIFO_LVL	Shows the number of written bytes in the TX FIFO	R	0x00

Table 24-277. Register Call Summary for Register UART_TXFIFO_LVL

UART/IrDA/CIR

- Register Access Modes: [0][1][2][3][4][5]
- UART/IrDA (SIR, MIR, FIR)/CIR Mode Selection: [6][7][8][9][10][11][12][13][14][15][16][17][18][19][20][21][22][23]
- UART/IrDA/CIR Register Summary: [24][25][26][27]

Table 24-278. UART_IER2

Address Offset	0x0000 006C		
Physical Address	0x4806 A06C	Instance	UART1
	0x4806 C06C		UART2
	0x4802 006C		UART3
	0x4806 E06C		UART4
	0x4806 606C		UART5
	0x4806 806C		UART6
	0x4842 006C		UART7
	0x4842 206C		UART8
	0x4842 406C		UART9
	0x4AE2 B06C		UART10
Description	Enables RX/TX FIFOs empty corresponding interrupts		
Type	RW		

31	30	29	28	27	26	25	24	23	22	21	20	19	18	17	16	15	14	13	12	11	10	9	8	7	6	5	4	3	2	1	0
RESERVED																EN_TXFIFO_EMPTY		EN_RXFIFO_EMPTY													

Bits	Field Name	Description	Type	Reset
31:2	RESERVED	Read returns 0. Write has no effect.	RW	0x0000 0000
1	EN_TXFIFO_EMPTY	Enables TX FIFO empty corresponding interrupt 0x0: Disables EN_TXFIFO_EMPTY interrupt 0x1: Enables EN_TXFIFO_EMPTY interrupt	RW	0
0	EN_RXFIFO_EMPTY	Enables RX FIFO empty corresponding interrupt 0x0: Disables EN_RXFIFO_EMPTY interrupt 0x1: Enables EN_RXFIFO_EMPTY interrupt	RW	0

Table 24-279. Register Call Summary for Register UART_IER2

UART/IrDA/CIR

- [Register Access Modes: \[0\]\[1\]\[2\]\[3\]\[4\]\[5\]](#)
- [UART/IrDA \(SIR, MIR, FIR\)/CIR Mode Selection: \[6\]\[7\]\[8\]\[9\]\[10\]\[11\]\[12\]\[13\]\[14\]\[15\]\[16\]\[17\]\[18\]\[19\]\[20\]\[21\]\[22\]\[23\]](#)
- [UART/IrDA/CIR Register Summary: \[24\]\[25\]\[26\]\[27\]](#)

Table 24-280. UART_ISR2

Address Offset	0x0000 0070		
Physical Address	0x4806 A070 0x4806 C070 0x4802 0070 0x4806 E070 0x4806 6070 0x4806 8070 0x4842 0070 0x4842 2070 0x4842 4070 0x4AE2 B070	Instance	UART1 UART2 UART3 UART4 UART5 UART6 UART7 UART8 UART9 UART10
Description	Status of RX/TX FIFOs empty corresponding interrupts		
Type	RW		

31	30	29	28	27	26	25	24	23	22	21	20	19	18	17	16	15	14	13	12	11	10	9	8	7	6	5	4	3	2	1	0
RESERVED																TXFIFO_EMPTY_STS		RXFIFO_EMPTY_STS													

Bits	Field Name	Description	Type	Reset
31:2	RESERVED	Read returns 0. Write has no effect.	RW	0x0000 0000
1	TXFIFO_EMPTY_STS	Used to generate interrupt if the TX_FIFO is empty (software flow control) 0x0: TXFIFO_EMPTY interrupt not pending. 0x1: TXFIFO_EMPTY interrupt pending.	RW	1
0	RXFIFO_EMPTY_STS	Used to generate interrupt if the RX_FIFO is empty (software flow control) 0x0: RXFIFO_EMPTY interrupt not pending. 0x1: RXFIFO_EMPTY interrupt pending.	RW	1

Table 24-281. Register Call Summary for Register UART_ISR2

UART/IrDA/CIR

- Register Access Modes: [0][1][2][3][4][5]
- UART/IrDA (SIR, MIR, FIR)/CIR Mode Selection: [6][7][8][9][10][11][12][13][14][15][16][17][18][19][20][21][22][23]
- UART/IrDA/CIR Register Summary: [24][25][26][27]

Table 24-282. UART_FREQ_SEL

Address Offset	0x0000 0074		
Physical Address	0x4806 A074 0x4806 C074 0x4802 0074 0x4806 E074 0x4806 6074 0x4806 8074 0x4842 0074 0x4842 2074 0x4842 4074 0x4AE2 B074	Instance	UART1 UART2 UART3 UART4 UART5 UART6 UART7 UART8 UART9 UART10
Description	Sample per bit selector		
Type	RW		

31	30	29	28	27	26	25	24	23	22	21	20	19	18	17	16	15	14	13	12	11	10	9	8	7	6	5	4	3	2	1	0
RESERVED																FREQ_SEL															

Bits	Field Name	Description	Type	Reset
31:8	RESERVED	Read returns 0. Write has no effect.	RW	0x0000 0000
7:0	FREQ_SEL	Sets the sample per bit if nondefault frequency is used. UART_MDR3[1] must be set to 1 after this value is set. Must be equal to or higher than 6.	RW	0x1A

Table 24-283. Register Call Summary for Register UART_FREQ_SEL

UART/IrDA/CIR

- [Register Access Modes: \[0\]\[1\]\[2\]\[3\]\[4\]\[5\]](#)
- [UART/IrDA \(SIR, MIR, FIR\)/CIR Mode Selection: \[6\]\[7\]\[8\]\[9\]\[10\]\[11\]\[12\]\[13\]\[14\]\[15\]\[16\]\[17\]\[18\]\[19\]\[20\]\[21\]\[22\]\[23\]](#)
- [UART/IrDA/CIR Register Summary: \[24\]\[25\]\[26\]\[27\]](#)
- [UART/IrDA/CIR Register Description: \[28\]](#)

Table 24-284. UART_MDR3

Address Offset	0x0000 0080		
Physical Address	0x4806 A080 0x4806 C080 0x4802 0080 0x4806 E080 0x4806 6080 0x4806 8080 0x4842 0080 0x4842 2080 0x4842 4080 0x4AE2 B080	Instance	UART1 UART2 UART3 UART4 UART5 UART6 UART7 UART8 UART9 UART10
Description	Mode definition register 3		
Type	RW		

31	30	29	28	27	26	25	24	23	22	21	20	19	18	17	16	15	14	13	12	11	10	9	8	7	6	5	4	3	2	1	0
RESERVED																SET_DMA_TX_THRESHOLD	NONDEFAULT_FREQ	DISABLE_CIR_RX_DEMOD													

Bits	Field Name	Description	Type	Reset
31:3	RESERVED	Read returns 0. Write has no effect.	RW	0x0000 0000
2	SET_DMA_TX_THRESHOLD	Enable to set different TXDMA threshold in UART_TX_DMA_THRESHOLD register.	RW	0
1	NONDEFAULT_FREQ	Used to enable the NONDEFAULT fclk frequencies. 0x0: Disables using NONDEFAULT fclk frequencies. 0x1: Enables using NONDEFAULT fclk frequencies (set UART_FREQ_SEL and UART_DLH/UART_DLL).	RW	0
0	DISABLE_CIR_RX_DEMOD	Used to enable CIR RX demodulation. 0x0: Enables CIR RX demodulation. 0x1: Disables CIR RX demodulation.	RW	0

Table 24-285. Register Call Summary for Register UART_MDR3

UART/IrDA/CIR

- [FIFO DMA Mode Operation: \[0\]\[1\]\[2\]](#)
- [Register Access Modes: \[3\]\[4\]\[5\]\[6\]\[7\]\[8\]](#)
- [UART/IrDA \(SIR, MIR, FIR\)/CIR Mode Selection: \[9\]\[10\]\[11\]\[12\]\[13\]\[14\]\[15\]\[16\]\[17\]\[18\]\[19\]\[20\]\[21\]\[22\]\[23\]\[24\]\[25\]\[26\]](#)
- [UART/IrDA/CIR Register Summary: \[27\]\[28\]\[29\]\[30\]](#)
- [UART/IrDA/CIR Register Description: \[31\]\[32\]](#)

Table 24-286. UART_TX_DMA_THRESHOLD

Address Offset	0x0000 0084		
Physical Address	0x4806 A084 0x4806 C084 0x4802 0084 0x4806 E084 0x4806 6084 0x4806 8084 0x4842 0084 0x4842 2084 0x4842 4084 0x4AE2 B084	Instance	UART1 UART2 UART3 UART4 UART5 UART6 UART7 UART8 UART9 UART10
Description	Use to manually set the TX DMA threshold level. UART_MDR3[2] SET_TX_DMA_THRESHOLD must be 1 and must be value + tx_trigger_level = 64 (TX FIFO size). If not, 64-tx_trigger_level will be used without modifying the value of this register.		
Type	RW		

31	30	29	28	27	26	25	24	23	22	21	20	19	18	17	16	15	14	13	12	11	10	9	8	7	6	5	4	3	2	1	0
RESERVED																							TX_DMA_THRESHOLD								

Bits	Field Name	Description	Type	Reset
31:6	RESERVED	Reserved	RW	0x00000000
5:0	TX_DMA_THRESHOLD	Used to manually set the TX DMA threshold level	RW	0x00

Table 24-287. Register Call Summary for Register UART_TX_DMA_THRESHOLD

UART/IrDA/CIR

- [FIFO DMA Mode Operation: \[0\]\[1\]](#)
- [Register Access Modes: \[2\]\[3\]\[4\]\[5\]\[6\]\[7\]](#)
- [UART/IrDA \(SIR, MIR, FIR\)/CIR Mode Selection: \[8\]\[9\]\[10\]\[11\]\[12\]\[13\]\[14\]\[15\]\[16\]\[17\]\[18\]\[19\]\[20\]\[21\]\[22\]\[23\]\[24\]\[25\]](#)
- [UART/IrDA/CIR Register Summary: \[26\]\[27\]\[28\]\[29\]](#)
- [UART/IrDA/CIR Register Description: \[30\]](#)

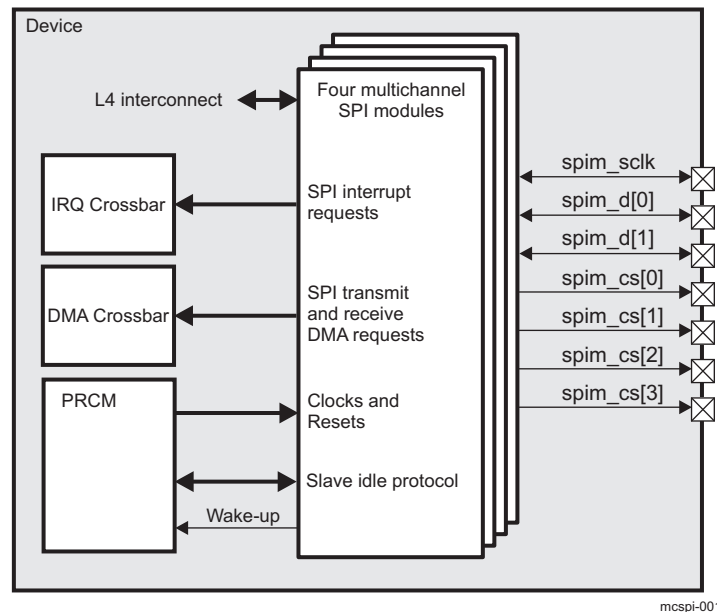
24.4 Multichannel Serial Peripheral Interface

This section describes the four Multichannel Serial Peripheral Interface (McSPI) modules for the device.

24.4.1 McSPI Overview

The SPI is a master/slave synchronous serial bus. There are four separate McSPI modules (McSPI1, McSPI2, McSPI3, and McSPI4) in the device (see [Figure 24-72](#)). All these four modules support up to four external devices (four chip selects) and are able to work as both master and slave.

Figure 24-72. Multichannel SPI Modules



The McSPI modules include the following main features:

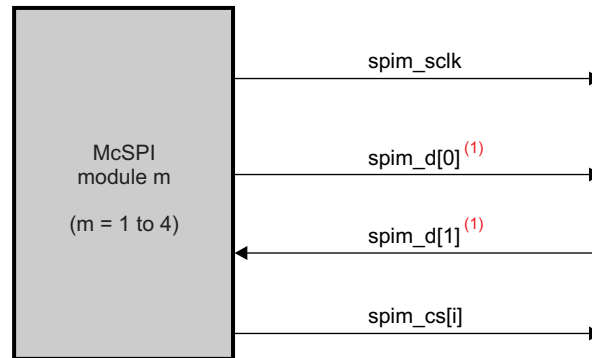
- Serial clock with programmable frequency, polarity, and phase for each channel
- Wide selection of SPI word lengths, ranging from 4 to 32 bits
- Up to four master channels, or single channel in slave mode
- Master multichannel mode:
 - Full duplex/half duplex
 - Transmit-only/receive-only/transmit-and-receive modes
 - Flexible input/output (I/O) port controls per channel
 - Programmable clock granularity
 - SPI configuration per channel. This means, clock definition, polarity enabling and word width
- Single interrupt line for multiple interrupt source events
- Power management through wake-up capabilities
- Enable the addition of a programmable start-bit for SPI transfer per channel (start-bit mode)
- Supports start-bit write command
- Supports start-bit pause and break sequence
- Programmable timing control between chip select and external clock generation
- Built-in FIFO available for a single channel

24.4.2 McSPI Environment

24.4.2.1 Basic McSPI Pins for Master Mode

Figure 24-73 shows all of the McSPI interface signals in master mode.

Figure 24-73. McSPI Interface Signals in Master Mode



(1) Direction depends on bits IS, DPE1 and DPE0 in MCSPI_CHxCONF

mcspi-006

Table 24-288 describes the McSPI I/O in master mode.

Table 24-288. McSPI I/O Description (Master Mode)

Device-Level Signal Name	Module Signal Name	I/O ⁽¹⁾	Description
spim_sclk	SPICLK	O	SPI _m module serial clock output
spim_d[0]	SPIDAT[0]	O ⁽²⁾	SPI Data I/O. Can be configured either as input or as output depending on MCSPI_CHxCONF[18] IS and MCSPI_CHxCONF[16] DPE0.
spim_d[1]	SPIDAT[1]	I ⁽²⁾	SPI Data I/O. Can be configured either as input or as output depending on MCSPI_CHxCONF[18] IS and MCSPI_CHxCONF[17] DPE1.
spim_cs[i]	SPIEN[x]	O	SPI _m module chip-select i output

⁽¹⁾ I = Input; O = Output

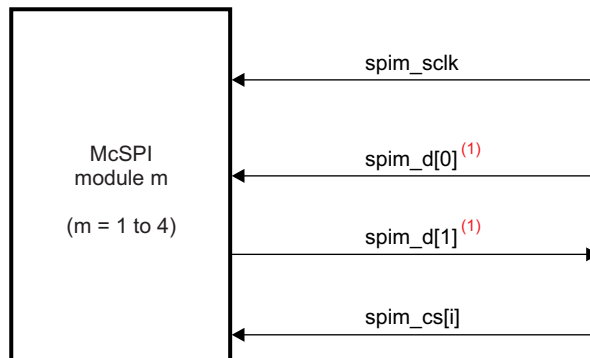
⁽²⁾ Example configuration only.

NOTE: For the spim_sclk signals to work properly, the INPUTENABLE bit of the appropriate CTRL_CORE_PAD_x registers should be set to 0x1 because of retiming purposes.

24.4.2.2 Basic McSPI Pins for Slave Mode

Figure 24-74 shows all of the McSPI interface signals in slave mode.

Figure 24-74. McSPI Interface Signals in Slave Mode



(1) Direction depends on bits IS, DPE1 and DPE0 in MCSPI_CHxCONF

mcspi-007

Table 24-289 describes the McSPI I/O in slave mode.

Table 24-289. McSPI I/O Description (Slave Mode)

Device-Level Signal Name	Module Signal Name	I/O ⁽¹⁾	Description
spim_sclk	SPICLK	I	McSPI _m module serial clock input
spim_d[0]	SPIDAT[0]	I ⁽²⁾	SPI Data I/O. Can be configured either as input or as output depending on MCSPI_CHxCONF[18] IS and MCSPI_CHxCONF[16] DPE0.
spim_d[1]	SPIDAT[1]	O ⁽²⁾	SPI Data I/O. Can be configured either as input or as output depending on MCSPI_CHxCONF[18] IS and MCSPI_CHxCONF[17] DPE1.
spim_cs[i]	SPIEN[x]	I	McSPI _m module chip-select i input. Can be selected through MCSPI_CH0CONF[22:21] SPIENSLV bit field

(1) I = Input; O = Output

(2) Example configuration only.

24.4.2.3 Multichannel SPI Protocol and Data Format

The synchronous SPI protocol allows a master device to initiate serial data transfers to a slave device. A slave select line (SPIEN[x]) allows selection of an individual slave SPI device. Slave devices that are not selected do not interfere with SPI bus activities.

McSPI offers the flexibility to modify the following parameters to adapt to the device features:

- **Word length**
 McSPI supports any SPI word ranging from 4 bits to 32 bits long (the [MCSPI_CHxCONF\[11:7\]](#) WL bit field).
 SPI word length can be changed between transmissions to allow the master device to communicate with peripheral slaves that have different requirements.
- **SPI enable (SPIEN[x], for channel x of instance m)**
 The polarity of the SPI enable signals is programmable (the [MCSPI_CHxCONF\[6\]](#) EPOL bit). SPIEN[x] signals can be active high or low.
 Assertion of the SPIEN[x] signals is programmable and can be done manually or automatically. The manual assertion mode is available in single master mode only. SPIEN[x] can be kept active between words with the [MCSPI_CHxCONF\[20\]](#) FORCE bit.
 Two consecutive words for two different slave devices can go along with active SPIEN[x] signals with different polarity.

- Programmable start-bit
 In start-bit mode a start-bit is added before the SPI word length to indicate how the next SPI word must be handled. The start-bit is enabled by setting the [MCSPI_CHxCONF\[23\]](#) SBE bit to 1. The [MCSPI_CHxCONF\[24\]](#) SBPOL bit defines the polarity of the start-bit.
- Programmable SPI clock
 - Bit rate
 In master mode, the baud rate of the SPI serial clock is programmable using the 48-MHz reference clock (from the power, reset, and clock management [PRCM] module). [Table 24-290](#) lists the SPICLK bit rates obtained for data transfer when programming the clock divider (the [MCSPI_CHxCONF\[5:2\]](#) CLKD bit field).

Table 24-290. SPI Master Clock Rates

Divider	Clock Rate
1	48 MHz ⁽¹⁾
2	24 MHz ⁽¹⁾
4	12 MHz
8	6 MHz
16	3 MHz
32	1.5 MHz
64	750 kHz
128	375 kHz
256	~187 kHz
512	~93.7 kHz
1024	~46.8 kHz
2048	~23.4 kHz
4096	~11.7 kHz

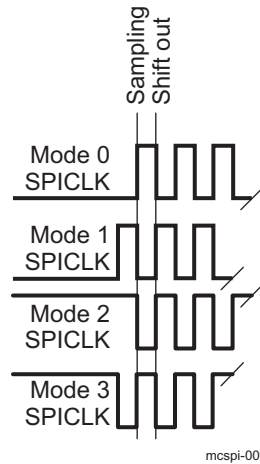
⁽¹⁾ These frequencies are not necessarily supported by all SPI modules. For more information, see the *Timing Requirements and Switching Characteristics* chapter in the device data manual.

- Polarity and phase
 The polarity (the [MCSPI_CHxCONF\[1\]](#) POL bit) and the phase (the [MCSPI_CHxCONF\[0\]](#) PHA bit) of the SPI serial clock (SPICLK) are configurable to offer four combinations. Software selects the right combination, depending on the device. See [Table 24-291](#) and [Figure 24-75](#).

Table 24-291. Phase and Polarity Combinations

Polarity (POL)	Phase (PHA)	SPI Mode	Description
0	0	Mode 0	SPICLK is inactive low and sampling occurs at the rising edge.
0	1	Mode 1	SPICLK is inactive low and sampling occurs at the falling edge.
1	0	Mode 2	SPICLK is inactive high and sampling occurs at the falling edge.
1	1	Mode 3	SPICLK is inactive high and sampling occurs at the rising edge.

Figure 24-75. Phase and Polarity Combinations



24.4.2.3.1 Transfer Format

In master and slave modes, the McSPI drives the data lines when SPIEN[x] is asserted.

Each word is transmitted starting with the most-significant bit (MSB).

This section explains the two cases of data transmission determined by the clock phase (PHA) and the type of data transmission using a start-bit (SBE) called the start-bit mode:

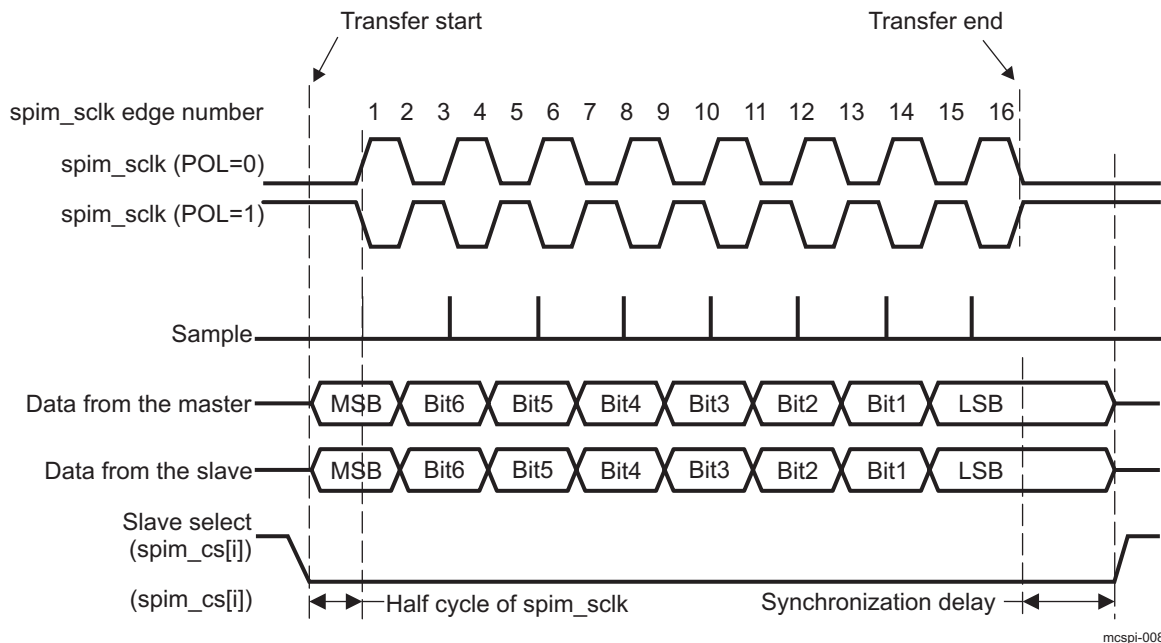
- Transmission in mode 0 and mode 2 (PHA = 0)

When PHA = 0, the first bit of the SPI word to transmit (on the master or the slave data output pin) is valid one-half cycle of SPICLK after the assertion of SPIEN.

Therefore, the first edge of the SPICLK line is used by the master to sample the first data bit sent by the slave. On the same edge, the first data bit sent by the master is sampled by the slave.

On the next SPICLK edge, the received data bit is shifted into the receive shift register and a new data bit is transmitted on the serial data line.

This process continues for a number of pulses on the SPICLK line defined by the SPI word length programmed in the master device, with data being latched on odd-numbered edges and shifted on even-numbered edges. See [Figure 24-76](#).

Figure 24-76. Full-Duplex Transfer Format With PHA = 0


- Transmission in mode 1 and mode 3 (PHA = 1)

When PHA = 1, the first bit of the SPI word to transmit (on the master or the slave data output pin) is valid on the following SPICLK edge (one-half cycle later). This is the sampling edge for the master and slave. A synchronization delay is added between the activation of SPIEN[x] and the first SPICLK edge. The received data bit is shifted into the shift register on the third SPICLK edge.

This process continues for a number of pulses on the SPICLK line defined by the SPI word length programmed in the master device, with data being latched on even-numbered edges and shifted on odd-numbered edges.

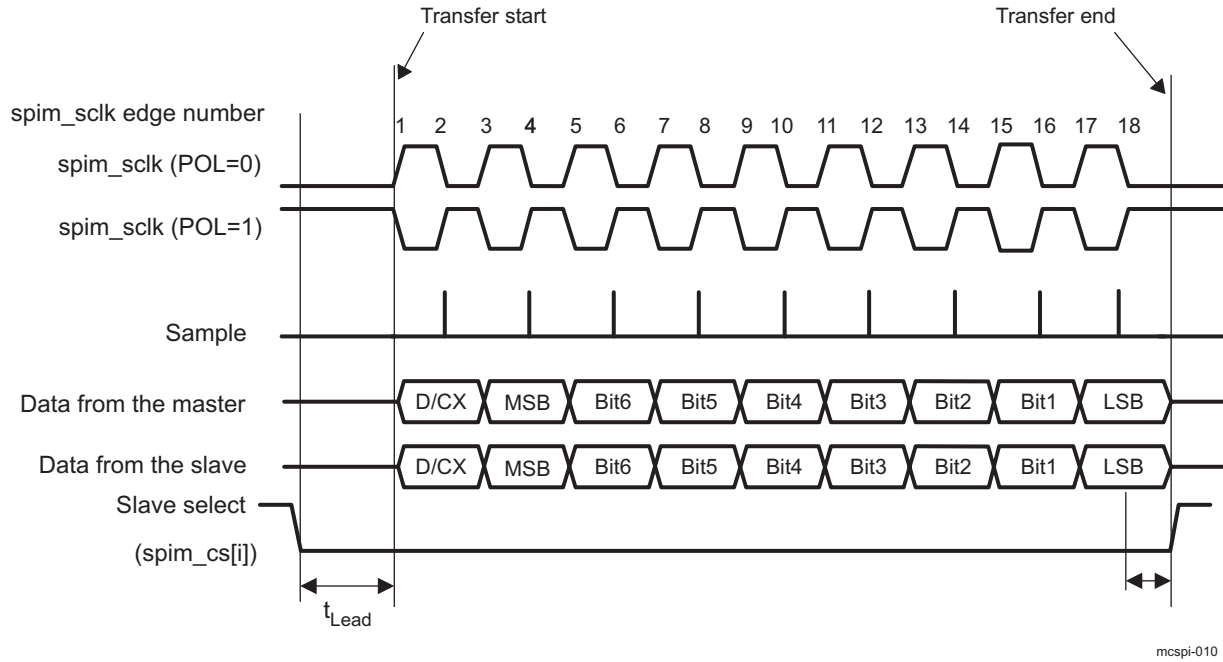
NOTE: The minimum synchronization delay is one cycle of SPICLK, if the frequency of SPICLK equals the frequency of SPI_m_FCLK (McSPI_m functional clock) in master mode. The minimum synchronization delay is one-half cycle of SPICLK, if the frequency of SPICLK is lower than the frequency of SPI_m_FCLK in the master and slave modes.

- Transmission with a start-bit (SBE = 1)

When the [MCSPI_CHxCONF\[23\]](#) SBE bit is set to 1, a start-bit is added before the MSB to indicate whether the next SPI word must be handled as a command or as data.

[Figure 24-77](#) shows an example of a data transfer with an extra start-bit.

Figure 24-77. Extended SPI Transfer With a Start-Bit (SBE = 1)



24.4.2.4 SPI in Master Mode

Figure 24-78 shows a case in master mode (full-duplex) where the McSPI module is connected with two slave devices.

Figure 24-78. McSPI Master Mode (Full Duplex)

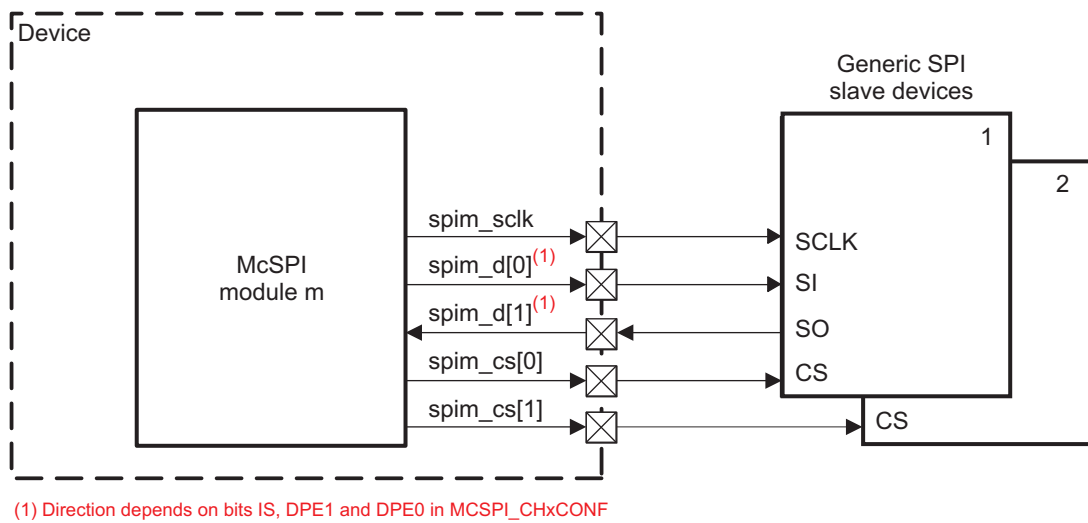
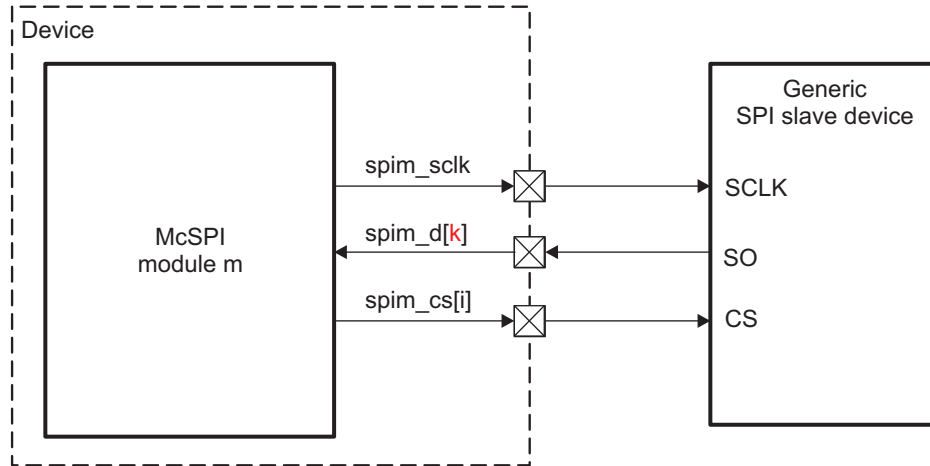


Figure 24-79 shows the master single mode, which can also be configured in receive-only mode.

Figure 24-79. McSPI Master Single Mode (Receive Only)



k = 0 or 1 depending on bits IS, DPE1 and DPE0 in MCSPI_CHxCONF

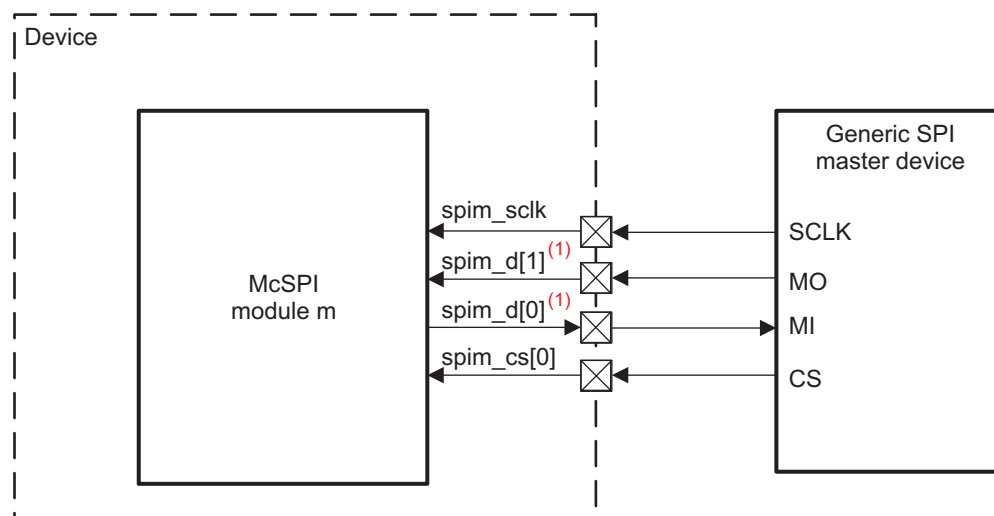
mcspi-003

24.4.2.5 SPI in Slave Mode

Figure 24-80 shows a case in slave mode (full-duplex).

NOTE: Only channel 0 can be configured as slave, but the chip-enable signal can be connected to any SPIEN[x] pin and then rerouted internally to channel 0 (the MCSPI_CHxCONF[22:21] SPIENSLV bit field [where x = 0]). For more information, see Section 24.4.4.4, *Slave Mode*.

Figure 24-80. McSPI Slave Mode (Full Duplex)

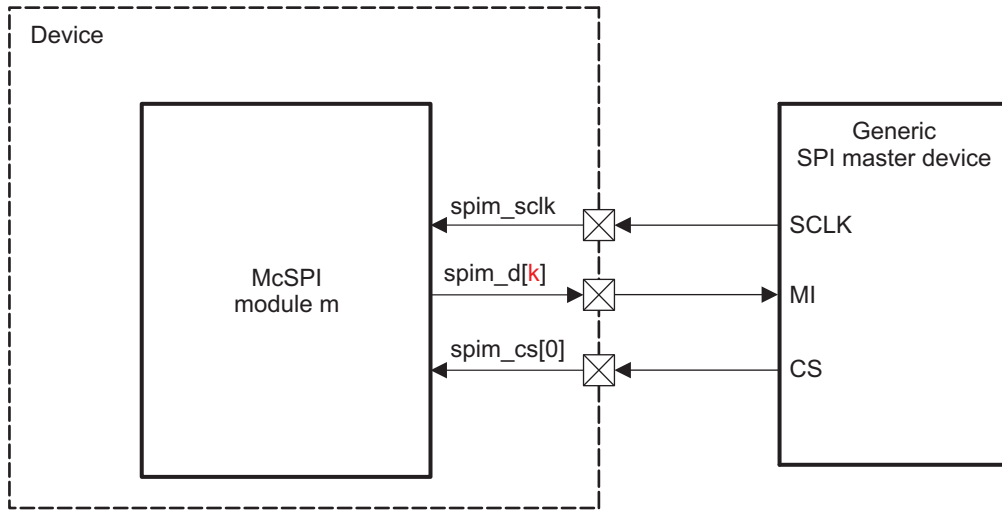


(1) Direction depends on bits IS, DPE1 and DPE0 in MCSPI_CHxCONF

mcspi-004

Figure 24-81 shows the slave single mode, which can also be configured in transmit-only mode.

Figure 24-81. McSPI Slave Single Mode (Transmit Only)



k = 0 or 1 depending on bits IS, DPE1 and DPE0 in MCSPI_CHxCONF

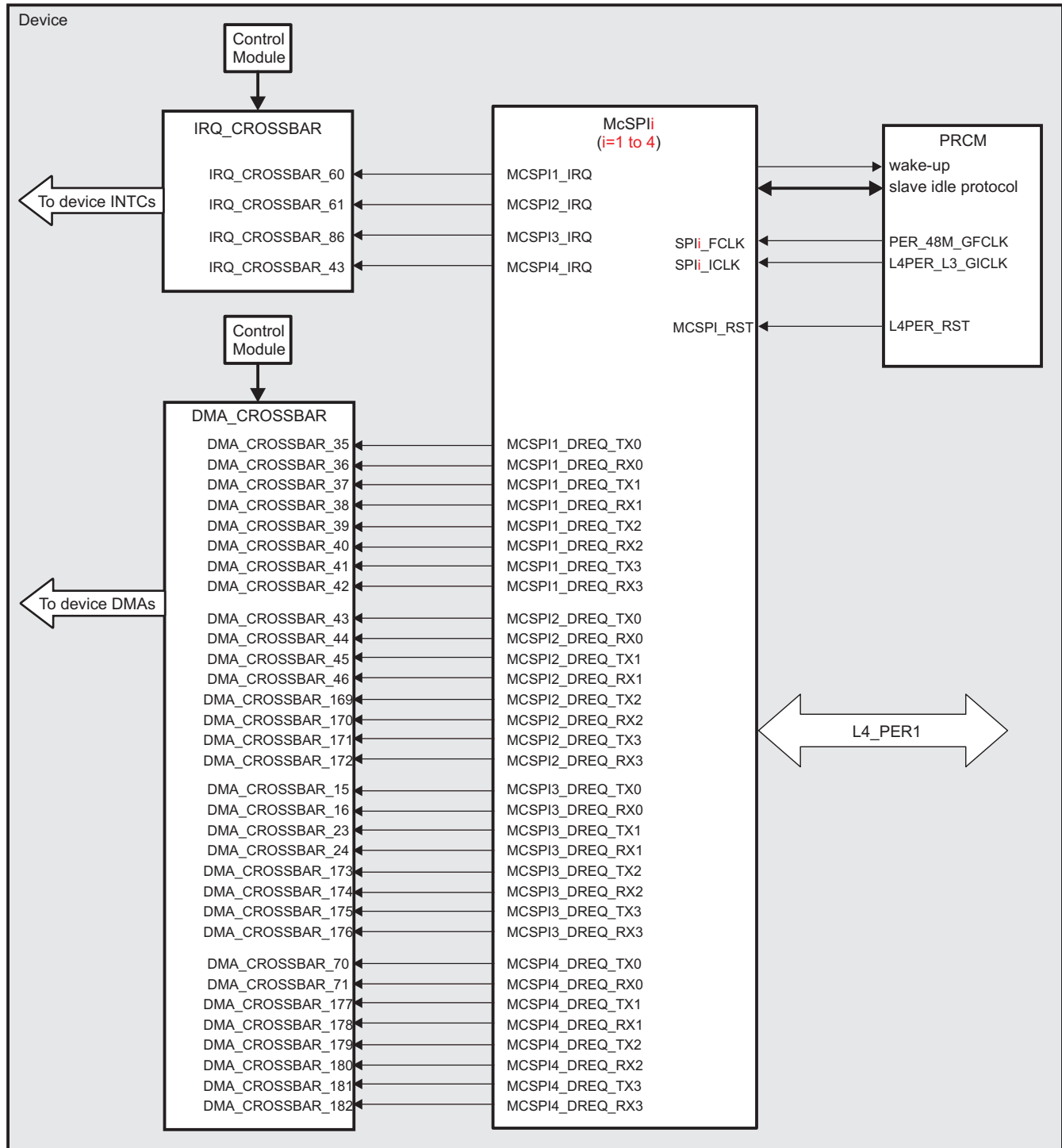
mcspi-005

24.4.3 McSPI Integration

This section describes module integration in the device, including information about clocks, resets, and hardware requests.

Figure 24-82 shows McSPI integration.

Figure 24-82. McSPI Integration



mcspi-011

Table 24-292 through Table 24-294 summarize the integration of the module in the device.

Table 24-292. McSPI Integration Attributes

Module Instance	Attributes	
	Power Domain	Interconnect
McSPI1	PD_COREAON	L4_PER1
McSPI2	PD_COREAON	L4_PER1
McSPI3	PD_COREAON	L4_PER1
McSPI4	PD_COREAON	L4_PER1

Table 24-293. McSPI Clocks and Resets

Clocks				
Module Instance	Destination Signal Name	Source Signal Name	Source	Description
McSPI1	SPI1_ICLK	L4PER_L3_GICLK	PRCM	Interface clock
	SPI1_FCLK	PER_48M_GFCLK	PRCM	Functional clock
McSPI2	SPI2_ICLK	L4PER_L3_GICLK	PRCM	Interface clock
	SPI2_FCLK	PER_48M_GFCLK	PRCM	Functional clock
McSPI3	SPI3_ICLK	L4PER_L3_GICLK	PRCM	Interface clock
	SPI3_FCLK	PER_48M_GFCLK	PRCM	Functional clock
McSPI4	SPI4_ICLK	L4PER_L3_GICLK	PRCM	Interface clock
	SPI4_FCLK	PER_48M_GFCLK	PRCM	Functional clock

Resets				
Module Instance	Destination Signal Name	Source Signal Name	Source	Description
McSPI1	MCSP1_RST	L4PER_RST	PRCM	McSPI1 reset signal
McSPI2	MCSP2_RST	L4PER_RST	PRCM	McSPI2 reset signal
McSPI3	MCSP3_RST	L4PER_RST	PRCM	McSPI3 reset signal
McSPI4	MCSP4_RST	L4PER_RST	PRCM	McSPI4 reset signal

Table 24-294. McSPI Hardware Requests

Interrupt Requests				
Module Instance	Source Signal Name	Destination IRQ_CROSSBAR Input	Default Mapping	Description
McSPI1	MCSP1_IRQ	IRQ_CROSSBAR_60	MPU_IRQ_65 DSP1_IRQ_91 IPU1_IRQ_57 IPU2_IRQ_57	McSPI module 1 interrupt request
McSPI2	MCSP2_IRQ	IRQ_CROSSBAR_61	MPU_IRQ_66 DSP1_IRQ_92 IPU1_IRQ_58 IPU2_IRQ_58	McSPI module 2 interrupt request
McSPI3	MCSP3_IRQ	IRQ_CROSSBAR_86	MPU_IRQ_91	McSPI module 3 interrupt request
McSPI4	MCSP4_IRQ	IRQ_CROSSBAR_43	MPU_IRQ_48 DSP1_IRQ_74	McSPI module 4 interrupt request

DMA Requests				
Module Instance	Source Signal Name	Destination DMA_CROSSBAR Input	Default Mapping	Description

Table 24-294. McSPI Hardware Requests (continued)

McSPI1	MCSPI1_DREQ_TX0	DMA_CROSSBAR_35	DMA_SYSTEM_DRE Q_34 DMA_EDMA_DREQ_ 34	McSPI module 1 - transmit request channel 0
	MCSPI1_DREQ_RX0	DMA_CROSSBAR_36	DMA_SYSTEM_DRE Q_35 DMA_EDMA_DREQ_ 35	McSPI module 1 - receive request channel 0
	MCSPI1_DREQ_TX1	DMA_CROSSBAR_37	DMA_SYSTEM_DRE Q_36 DMA_EDMA_DREQ_ 36	McSPI module 1 - transmit request channel 1
	MCSPI1_DREQ_RX1	DMA_CROSSBAR_38	DMA_SYSTEM_DRE Q_37 DMA_EDMA_DREQ_ 37	McSPI module 1 - receive request channel 1
	MCSPI1_DREQ_TX2	DMA_CROSSBAR_39	DMA_SYSTEM_DRE Q_38 DMA_EDMA_DREQ_ 38	McSPI module 1 - transmit request channel 2
	MCSPI1_DREQ_RX2	DMA_CROSSBAR_40	DMA_SYSTEM_DRE Q_39 DMA_EDMA_DREQ_ 39	McSPI module 1 - receive request channel 2
	MCSPI1_DREQ_TX3	DMA_CROSSBAR_41	DMA_SYSTEM_DRE Q_40 DMA_EDMA_DREQ_ 40	McSPI module 1 - transmit request channel 3
	MCSPI1_DREQ_RX3	DMA_CROSSBAR_42	DMA_SYSTEM_DRE Q_41 DMA_EDMA_DREQ_ 41	McSPI module 1 - receive request channel 3

Table 24-294. McSPI Hardware Requests (continued)

McSPI2	MCSPI2_DREQ_TX0	DMA_CROSSBAR_43	DMA_SYSTEM_DRE Q_42 DMA_EDMA_DREQ_ 42	McSPI module 2 - transmit request channel 0
	MCSPI2_DREQ_RX0	DMA_CROSSBAR_44	DMA_SYSTEM_DRE Q_43 DMA_EDMA_DREQ_ 43	McSPI module 2 - receive request channel 0
	MCSPI2_DREQ_TX1	DMA_CROSSBAR_45	DMA_SYSTEM_DRE Q_44 DMA_EDMA_DREQ_ 44	McSPI module 2 - transmit request channel 1
	MCSPI2_DREQ_RX1	DMA_CROSSBAR_46	DMA_SYSTEM_DRE Q_45 DMA_EDMA_DREQ_ 45	McSPI module 2 - receive request channel 1
	MCSPI2_DREQ_TX2	DMA_CROSSBAR_169	-	McSPI module 2 - transmit request channel 2
	MCSPI2_DREQ_RX2	DMA_CROSSBAR_170	-	McSPI module 2 - receive request channel 2.
	MCSPI2_DREQ_TX3	DMA_CROSSBAR_171	-	McSPI module 2 - transmit request channel 3
	MCSPI2_DREQ_RX3	DMA_CROSSBAR_172	-	McSPI module 2 - receive request channel 3. This DREQ source signal is not mapped by default to any device DMA controller.
McSPI3	MCSPI3_DREQ_TX0	DMA_CROSSBAR_15	DMA_SYSTEM_DRE Q_14 DMA_EDMA_DREQ_ 14	McSPI module 3 - transmit request channel 0
	MCSPI3_DREQ_RX0	DMA_CROSSBAR_16	DMA_SYSTEM_DRE Q_15 DMA_EDMA_DREQ_ 15	McSPI module 3 - receive request channel 0
	MCSPI3_DREQ_TX1	DMA_CROSSBAR_23	DMA_SYSTEM_DRE Q_22 DMA_EDMA_DREQ_ 22	McSPI module 3 - transmit request channel 1
	MCSPI3_DREQ_RX1	DMA_CROSSBAR_24	DMA_SYSTEM_DRE Q_23 DMA_EDMA_DREQ_ 23	McSPI module 3 - receive request channel 1
	MCSPI3_DREQ_TX2	DMA_CROSSBAR_173	-	McSPI module 3 - transmit request channel 2
	MCSPI3_DREQ_RX2	DMA_CROSSBAR_174	-	McSPI module 3 - receive request channel 2
	MCSPI3_DREQ_TX3	DMA_CROSSBAR_175	-	McSPI module 3 - transmit request channel 3
	MCSPI3_DREQ_RX3	DMA_CROSSBAR_176	-	McSPI module 3 - receive request channel 3

Table 24-294. McSPI Hardware Requests (continued)

McSPI4	MCSPI4_DREQ_TX0	DMA_CROSSBAR_70	DMA_SYSTEM_DRE Q_69	McSPI module 4 - transmit request channel 0
	MCSPI4_DREQ_RX0	DMA_CROSSBAR_71	DMA_SYSTEM_DRE Q_70	McSPI module 4 - receive request channel 0
	MCSPI4_DREQ_TX1	DMA_CROSSBAR_177	-	McSPI module 4 - transmit request channel 1
	MCSPI4_DREQ_RX1	DMA_CROSSBAR_178	-	McSPI module 4 - receive request channel 1.
	MCSPI4_DREQ_TX2	DMA_CROSSBAR_179	-	McSPI module 4 - transmit request channel 2.
	MCSPI4_DREQ_RX2	DMA_CROSSBAR_180	-	McSPI module 4 - receive request channel 2.
	MCSPI4_DREQ_TX3	DMA_CROSSBAR_181	-	McSPI module 4 - transmit request channel 3
	MCSPI4_DREQ_RX3	DMA_CROSSBAR_182	-	McSPI module 4 - receive request channel 3

NOTE: The Default Mapping column in [Table 24-294 McSPI Hardware Requests](#) shows the default mapping of module IRQ and DREQ source signals. These module IRQ and DREQ source signals can also be mapped to other lines of each device Interrupt or DMA controller through the IRQ_CROSSBAR and DMA_CROSSBAR modules, respectively. For more information about the IRQ_CROSSBAR module, see [Section 18.4.6.4, IRQ_CROSSBAR Module Functional Description](#), in [Chapter 18, Control Module](#). For more information about the DMA_CROSSBAR module, see [Section 18.4.6.5, DMA_CROSSBAR Module Functional Description](#), in [Chapter 18, Control Module](#).

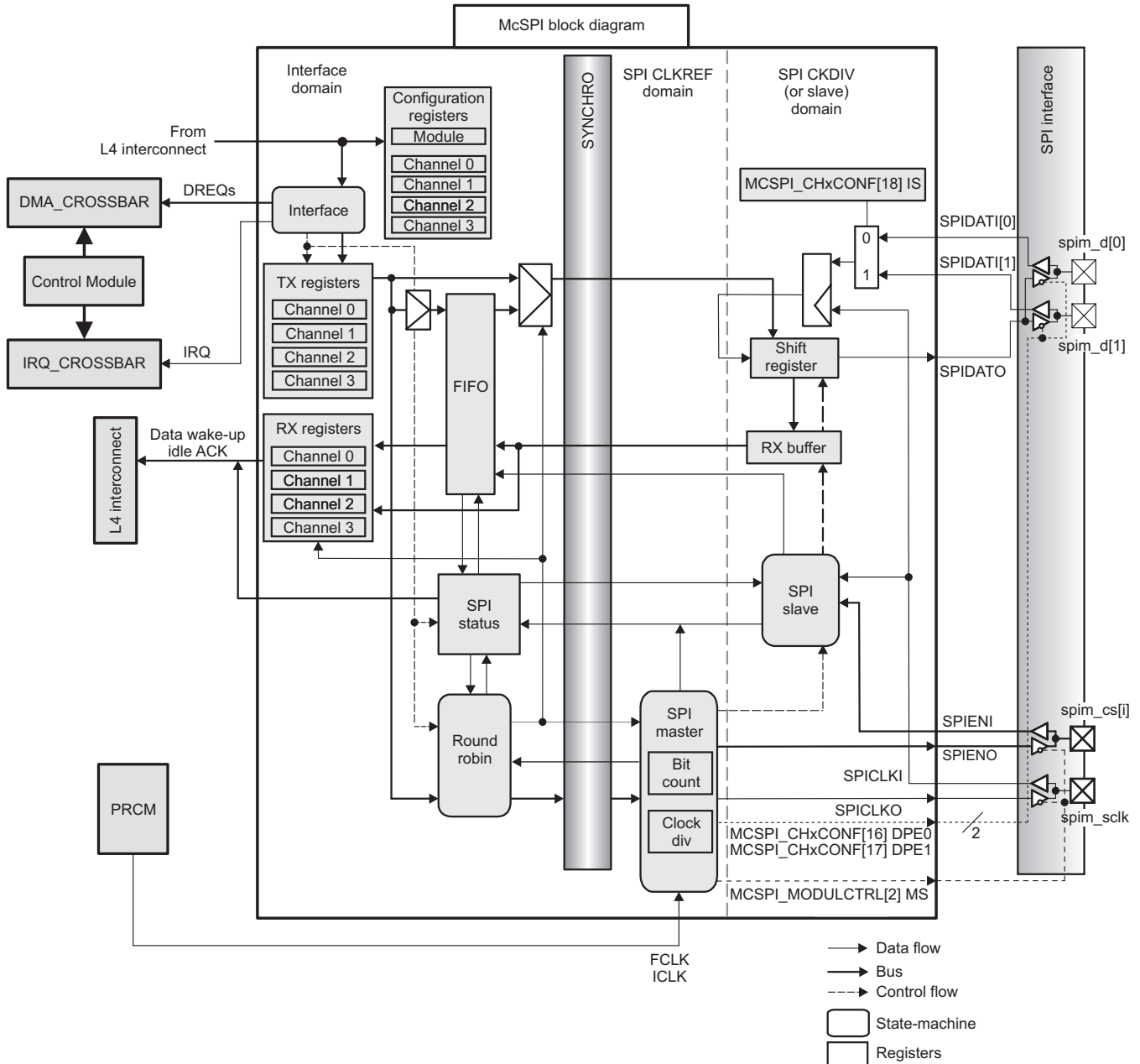
NOTE: For more information about the device interrupt controllers, see [Chapter 17, Interrupt Controllers](#). For more information about the device DMA_SYSTEM module, see [Section 16.1, System DMA](#). For more information about the device EDMA module, see [Section 16.2, Enhanced DMA](#).

24.4.4 McSPI Functional Description

24.4.4.1 McSPI Block Diagram

Figure 24-83 shows the McSPI module.

Figure 24-83. McSPI Block Diagram



mcspi-012

24.4.4.2 Reset

The McSPI module can be reset either by hardware or by software reset. All configuration registers and all state machines are reset by the hardware reset signal (MCSPi_RST). McSPI can be reset by software through the `MCSPi_SYSCONFIG[1] SOFTRESET` bit. This bit has the same impact on the module as the hardware reset signal. The only exception is that the `MCSPi_SYSCONFIG` register is not affected by that software reset.

24.4.4.3 Master Mode

24.4.4.3.1 Master Mode Features

The McSPI master mode supports multichannel communication with up to four independent SPI communication channel contexts. The McSPI initiates a data transfer on the data lines (SPIDAT[0] and SPIDAT[1]) and generates clock (SPICLK) and control (SPIEN) signals.

Connected to multiple external devices, the McSPI exchanges data with one SPI device at a time through two main modes (available in slave mode):

- Two-data-pins interface mode (transmit-and-receive mode for full-duplex transmission)
- Single-data-pin interface mode (recommended for half-duplex transmission)

NOTE: There is a fixed chip select line allocation in multichannel master mode. Channel x SPIEN[x] is mapped to spim_cs[i] pin.

Two DMA request events (read and write) allow synchronized accesses of the DMA controller with the activity of McSPI.

Three interrupt events can be used for data transmission and reception in master mode (for more information about interrupts, see [Section 24.4.4.7.1, Interrupt Events in Master Mode](#)).

24.4.4.3.2 Master Transmit-and-Receive Mode (Full Duplex)

In full-duplex transmission, data is transmitted (shifted out serially on SPIDAT[0]) and received (shifted in serially on SPIDAT[1]) simultaneously on separate data lines.

The master transmit-and-receive mode is programmable per channel (the [MCSPI_CHxCONF\[13:12\]](#) TRM bit field).

Channel access to the shift registers for transmission/reception is based on the [MCSPI_TXx](#) transmitter register state, the [MCSPI_RXx](#) receiver register state, and round-robin arbitration.

Channels that meet the following rules are included in the round-robin list of active channels scheduled for transmission and/or reception. The arbiter skips channels that do not meet the rules and searches in the rotation for the next enabled channel.

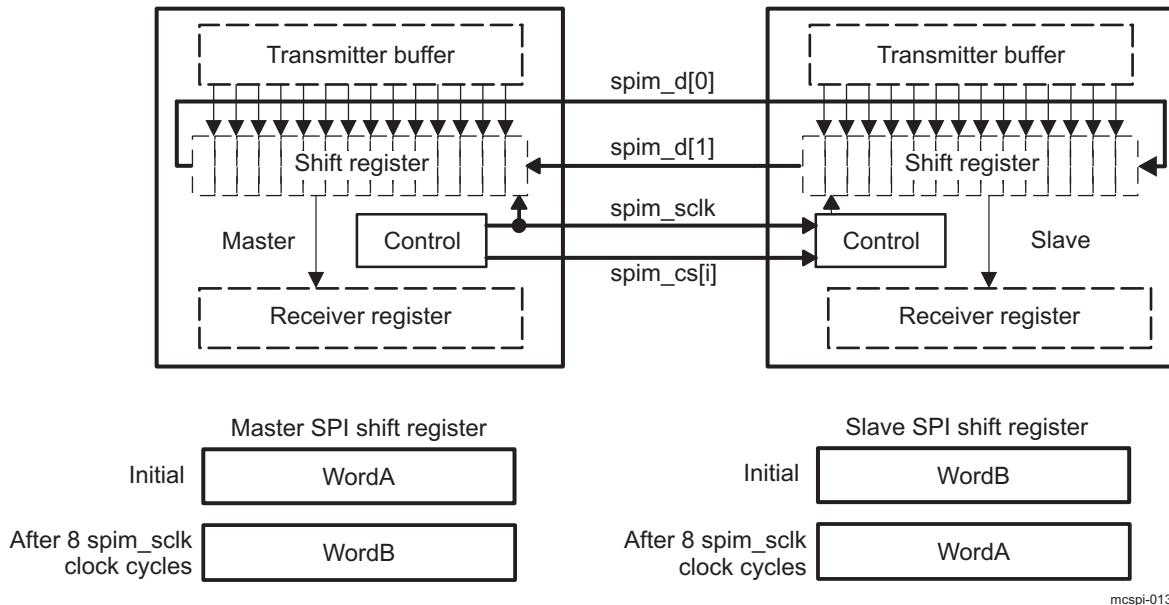
- **Rule 1:** Only enabled channels (the [MCSPI_CHxCTRL\[0\]](#) EN bit) can be scheduled for transmission and/or reception.
- **Rule 2:** If its [MCSPI_TXx](#) transmitter register is not empty (the [MCSPI_CHxSTAT\[1\]](#) TXS bit), an enabled channel can be scheduled when the shift register is assigned. If the [MCSPI_TXx](#) register is empty when the shift register is assigned, the [TXx_UNDERFLOW](#) event is activated, and the next enabled channel with new data to transmit is scheduled (see also transmit-only mode).
- **Rule 3:** An enabled channel can be scheduled if its receive register is not full (the [MCSPI_CHxSTAT\[0\]](#) RXS bit) when the shift register is assigned (see also receive-only mode). Therefore, the [MCSPI_RXx](#) register cannot be overwritten. The [SPI1.MCSPI_IRQSTATUS\[3\] RX0_OVERFLOW](#) bit is never set to this mode.

When SPI word transfer completes (the [MCSPI_CHxSTAT\[2\]](#) EOT bit is set), the updated [MCSPI_TXx](#) register of the next scheduled channel is loaded into the shift register. The serialization (transmit-and-receive) starts depending on the channel communication configuration. When serialization completes, the received data transfers to the channel receive register.

The serial clock (SPICLK) synchronizes shifting and sampling of the information on the two serial data lines (SPIDAT[0] and SPIDAT[1]). Each time a bit transfers out from the master, 1 bit transfers in from the slave.

[Figure 24-84](#) shows an example of a full-duplex system with a master device (McSPI module *m*) on the left and a slave device on the right. After eight cycles of the serial clock SPICLK, WordA transfers from the master to the slave. At the same time, WordB transfers from the slave to the master.

Figure 24-84. SPI Full-Duplex Transmission (Example)



24.4.4.3.3 Master Transmit-Only Mode (Half Duplex)

The master transmit-only mode prevents the microprocessor unit (MPU) from reading the `MCSPI_RXx` register (minimizing data movement) when only transmission is meaningful.

The master transmit-only mode is programmable per channel (the `MCSPI_CHxCONF[13:12]` TRM bit field). Transmission starts only after data is loaded into the `MCSPI_TXx` register.

Rule 1 and Rule 2, defined in Section 24.4.4.3.2, apply in this mode.

Rule 3, defined in Section 24.4.4.3.2, does not apply.

In master transmit-only mode, the `MCSPI_RXx` register state FULL does not prevent transmission and the `MCSPI_RXx` register is always overwritten with the new SPI word. This event is not significant when only transmission is meaningful. Thus, the `RX0_OVERFLOW` bit in the `MCSPI_IRQSTATUS` register is never set in this mode.

The hardware automatically disables the `RX_FULL` interrupt and the DMA read requests.

The transfer status is given by the `MCSPI_CHxSTAT[2]` EOT bit.

24.4.4.3.4 Master Receive-Only Mode (Half Duplex)

The master receive mode prevents the MPU from refilling the `MCSPI_TXx` register (minimizing data movement) when only reception is meaningful.

The master receive mode is programmable per channel (the `MCSPI_CHxCONF[13:12]` TRM bit field).

The master receive-only mode enables channel scheduling only on the empty state of the `MCSPI_RXx` register.

Rule 1 and Rule 3, defined in Section 24.4.4.3.2, apply in this mode.

Rule 2, defined in Section 24.4.4.3.2, does not apply.

In the master receive-only mode, software must write dummy data to the `MCSPI_TXx` register. Only one dummy write is enough to receive any number of words from the slave. Software must ensure that the `MCSPI_TXx` register is always full (the `TXx_EMPTY` bits of `MCSPI_IRQSTATUS`) when receiving. The content of the `MCSPI_TXx` register is always loaded into the shift register when the shift register is assigned. After writing the dummy data to the `MCSPI_TXx` register, the `TXx_EMPTY` and `TXx_UNDERFLOW` bits in the `MCSPI_IRQSTATUS` register are never set in receive-only mode.

The `MCSPI_CHxSTAT[2]` EOT bit gives the status of serialization. The `RXx_FULL` bits of the `MCSPI_IRQSTATUS` register are set when received data is loaded from the shift register to the corresponding `MCSPI_RXx` register. The `MCSPI_IRQSTATUS[3]` `RX0_OVERFLOW` bit is never set in this mode.

24.4.4.3.5 Single-Channel Master Mode

When the McSPI is configured as a master device with a single enabled channel (`MCSPI_MODULCTRL[2]` `MS` = 0 and `MCSPI_MODULCTRL[0]` `SINGLE` = 1), the assertion of the `SPIEN[x]` signal is optional depending on device connected to the controller. In 3-pin mode (`MCSPI_MODULCTRL[1]` `PIN34` = 1) the controller starts transmitting data when a write to the `MCSPI_TXx` register or the FIFO is performed. In 4-pin mode (`MCSPI_MODULCTRL[1]` `PIN34` = 0) the assertion and de-assertion of `SPIEN[x]` is controlled by software using the `MCSPI_CHxCONF[20]` `FORCE` bit.

24.4.4.3.5.1 Programming Tips When Switching to Another Channel

When a single channel is enabled and data transfer is ongoing:

- Wait for the SPI word transfer to complete (wait until the `MCSPI_CHxSTAT[2]` EOT bit is set to 1) before disabling the current channel and enabling a different channel.
- Disable the current channel, and then enable the other channel.

24.4.4.3.5.2 Force SPIEN[x] Mode

Continuous transfers are allowed manually by keeping the `SPIEN[x]` signal active for successive SPI words transfer. Several sequences (configuration/enable/disable of the channel) can be run without deactivating the `SPIEN[x]` line. This mode is supported by all channels and any master sequence can be used (transmit-receive, transmit-only, receive-only).

Keeping the `SPIEN[x]` active mode is supported when:

- A single channel is used (with the `MCSPI_MODULCTRL[0]` `SINGLE` bit set to 1).
- Transfer parameters are loaded in the configuration register of the appropriate channel (`MCSPI_CHxCONF`).

The state of the `SPIEN[x]` signal is programmable:

- Writing 1 to the `MCSPI_CHxCONF[20]` `FORCE` bit drives the `SPIEN[x]` line high when the `MCSPI_CHxCONF[6]` `EPOL` bit is set to 0. `SPIEN[x]` is driven low when the `MCSPI_CHxCONF[6]` `EPOL` bit is set to 1.
- Writing 0 to the `MCSPI_CHxCONF[20]` `FORCE` bit drives the `SPIEN[x]` line low when the `MCSPI_CHxCONF[6]` `EPOL` bit is set to 0. `SPIEN[x]` is driven high when the `MCSPI_CHxCONF[6]` `EPOL` bit is set to 1.
- A single channel is enabled (the `MCSPI_CHxCTRL[0]` `EN` bit is set to 1). The first enabled channel activates the `SPIEN[x]` line.

When the channel is enabled, the `SPIEN[x]` signal activates with the programmed polarity. As in the multichannel master mode, the transfer start depends on the status of the `MCSPI_TXx` register (the `MCSPI_CHxSTAT[1]` `TXS` bit), the status of the `MCSPI_RXx` register (the `MCSPI_CHxSTAT[1]` `RXS` bit), and the defined mode (the `MCSPI_CHxCONF[13:12]` `TRM` bit field) of the channel enabled.

The `MCSPI_CHxSTAT[2]` EOT bit gives the transfer status of each SPI word. The `RXx_FULL` bit in the `MCSPI_IRQSTATUS` register is set when received data is loaded from the shift register to the `MCSPI_RXx` register.

A change in the configuration parameters is propagated directly on the SPI interface. If the `SPIEN[x]` signal is activated, ensure that the configuration is changed only between SPI words to avoid corrupting the current transfer.

NOTE: To avoid data corruption, `SPIEN` polarity and `SPICLK` phase and `SPICLK` polarity must not be modified when the `SPIEN[x]` signal is activated.

A delay between SPI words that requires the connected SPI slave device to switch from one configuration to another (for instance, from transmit-only to receive-only) must be handled by software.

At the end of the last SPI word, the channel must be deactivated (the `MCSPI_CHxCTRL[0] EN` bit set to 0) and `SPIEN[x]` can be forced to its INACTIVE state using the `MCSPI_CHxCONF[20] FORCE` bit.

Figure 24-85 and Figure 24-86 show successive transfers with `SPIEN[x]` maintained active low with a different configuration for each SPI word in single-data-pin and dual-data-pin interface modes, respectively.

Figure 24-85. Continuous Transfers With `SPIEN[x]` Maintained Active (Single-Data-Pin Interface Mode)

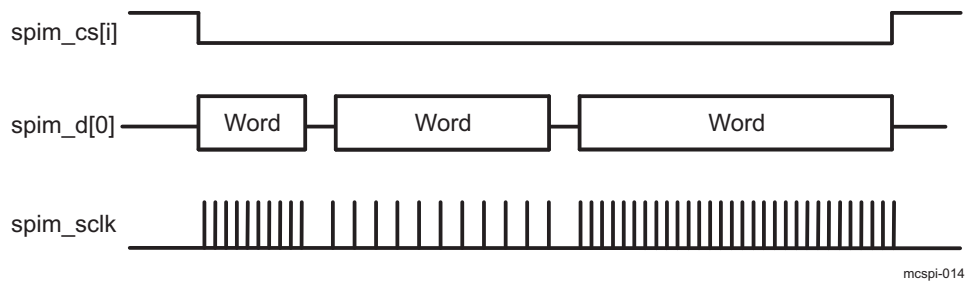
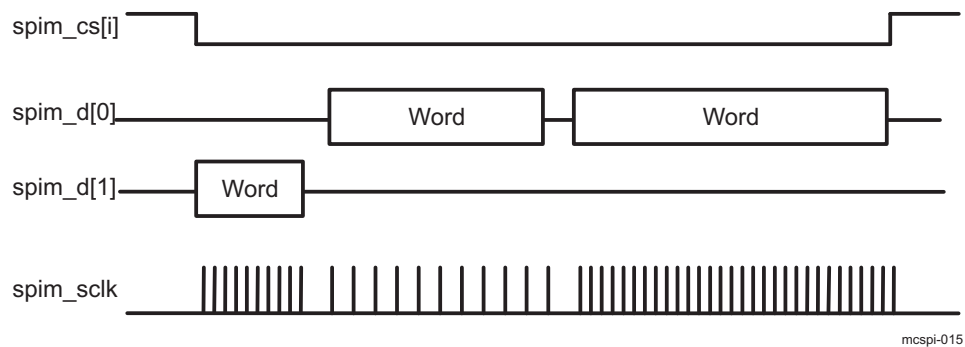


Figure 24-86. Continuous Transfers With `SPIEN[x]` Maintained Active (Dual-Data-Pin Interface Mode)



NOTE: The `SPIEN[x]` signal can be maintained active via software using the `MCSPI_CHxCONF[20] FORCE` bit only when the `MCSPI_MODULCTRL[0] SINGLE` bit is set to 0x1.

24.4.4.3.5.3 Turbo Mode

Turbo mode improves the throughput of the SPI interface when a single channel is enabled by allowing transfers until the shift register and the `MCSPI_RXx` register are full. Turbo mode is time saving when a transfer exceeds two words. This mode is programmable per channel (through the `SPI1.MCSPI_CHxCONF[9] TURBO` bit).

When several channels are enabled, the `TURBO` bit has no effect and the channel access to the shift registers remains as previously described.

In turbo mode, Rule 1 and Rule 2 apply, but Rule 3 does not (see Section 24.4.4.3.2, *Master Transmit-and-Receive Mode (Full Duplex)*). An enabled channel can be scheduled if its receive register is full (the `MCSPI_CHxSTAT[0] RXS` bit) when the shift-register is assigned until the shift register is full.

The `MCSPI_RXx` register cannot be overwritten in turbo mode. Consequently, the `MCSPI_IRQSTATUS[3] RX0_OVERFLOW` bit is never set in this mode.

24.4.4.3.6 Start-Bit Mode

In start-bit mode, an extended bit is added before the SPI word to indicate whether the next SPI word must be handled as a command or as data. This feature is available only in master mode. Start-bit mode cannot be used at the same time as turbo mode and/or force SPIEN[x] mode. In this case, only one channel can be used; round-robin arbitration is not possible.

This mode is programmable per channel by setting the [MCSPI_CHxCONF\[23\]](#) SBE bit to 1. The polarity of the extended bit is programmable per channel. When the [MCSPI_CHxCONF\[24\]](#) SBPOL bit is set to 0, the SPI word must be handled as a command. When the [MCSPI_CHxCONF\[24\]](#) SBPOL bit is set to 1, the SPI word must be handled as data. Moreover, start-bit polarity can be changed dynamically during start-bit transfer without disabling the channel for reconfiguration; in this case, users must configure the [MCSPI_CHxCONF\[24\]](#) SBPOL bit before writing the SPI word to be transmitted to the TX register.

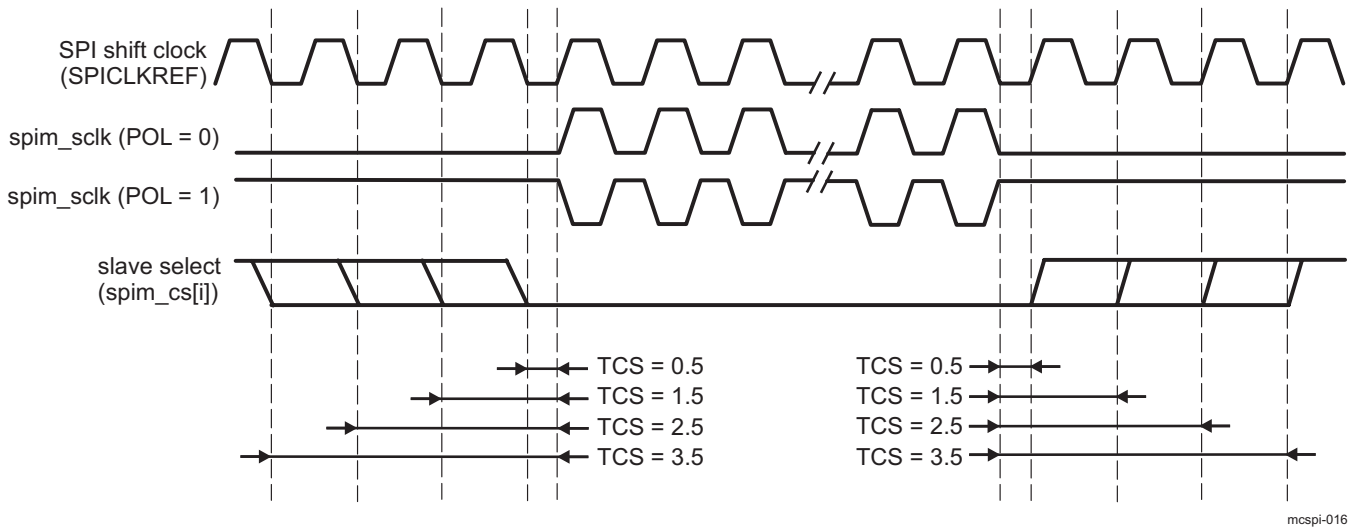
24.4.4.3.7 Chip-Select Timing Control

The chip-select (CS) timing control is available only in master mode with automatic CS generation (the [MCSPI_MODULCTRL\[0\]](#) SINGLE bit set to 0) to add a programmable delay between CS assertion and first clock edge, or CS removal and last clock edge. This option is available only in 4-pin mode when [MCSPI_MODULCTRL\[1\]](#) PIN34 set to 0.

This mode is programmable per channel through the [MCSPI_CHxCONF\[26:25\]](#) TCS0 bit field.

[Figure 24-87](#) shows the CS SPIEN timing controls.

Figure 24-87. CS (SPIEN) Timing Controls



mcspi-016

NOTE: Because of the design implementation for transfers using a clock divider ratio set to 1 (clock bypassed), a half cycle must be added to the value between CS assertion and the first clock edge with PHA = 1 or between CS removal and the last clock edge with PHA = 0.

24.4.4.3.8 Programmable SPI Clock

In master mode, the baud rate of the SPI serial clock is programmable.

An internal reference clock, SPIm_FCLK, is used as input of a programmable divider (the [MCSPI_CHxCONF\[5:2\]](#) CLKD bit field) to generate the bit rate of the serial output clock SPICLK. [Table 24-295](#) summarizes the supported divisor values.

Table 24-295. SPI Master Clock Rates

Divider	Clock Rate
1	48 MHz ⁽¹⁾
2	24 MHz ⁽¹⁾
4	12 MHz
8	6 MHz
16	3 MHz
32	1.5 MHz
64	750 kHz
128	375 kHz
256	~187 kHz
512	~93.7 kHz
1024	~46.8 kHz
2048	~23.4 kHz
4096	~11.7 kHz
8192 and higher: Division not supported	–

⁽¹⁾ These frequencies are not necessarily supported by all SPI modules. For more information, see the *Timing Requirements and Switching Characteristics* chapter in the device data manual.

24.4.4.3.8.1 Clock Ratio Granularity

By default, the clock division ratio is defined by the `MCSPI_CHxCONF[5:2]` CLKD bit field with power-of-2 granularity leading to a clock division in the range 1 to 4096; in this case, the duty cycle is always 50 percent. With the `MCSPI_CHxCONF[29]` CLKG bit, clock division granularity can be changed to one clock cycle; in that case the `MCSPI_CHxCTRL[15:8]` EXTCLK bit field is concatenated with the `MCSPI_CHxCONF[5:2]` CLKD bit field to give a 12-bit-wide division ratio in the range 1 to 4096.

When granularity is one clock cycle (the CLKG bit set to 1), for the odd value of the clock ratio, the clock high level lasts one clock cycle more than the low level, depending on the `MCSPI_CHxCONF[1]` POL and `MCSPI_CHxCONF[0]` PHA bits (see [Table 24-296](#)).

Table 24-296. CLKSPIO High/Low Time Computation

Clock Ratio F_{RATIO}	CLKSPIO High Time	CLKSPIO Low Time
1	T_{HIGH_REF}	T_{LOW_REF}
Even ≥ 2	$T_ref \times (F_{RATIO}/2)$	$T_ref \times (F_{RATIO}/2)$
Odd \geq (POL = PHA)	$T_ref \times (F_{RATIO} - 1)/2$	$T_ref \times (F_{RATIO} + 1)/2$
Odd \geq (POL \neq PHA)	$T_ref \times (F_{RATIO} + 1)/2$	$T_ref \times (F_{RATIO} - 1)/2$

NOTE: F_{RATIO} = SPICLK frequency (F_{OUT}) division ratio
 T_{HIGH} = SPICLK high time period
 T_{LOW} = SPICLK low time period
 T_ref = FCLK period
 T_{HIGH_REF} = FCLK high time period
 T_{LOW_REF} = FCLK low time period

If the CLKG bit is set to 1; F_{RATIO} = EXTCLK concatenated with CLKD + 1.

For odd ratio values, the duty cycle is calculated as follows:

$$\text{Duty_cycle} = (1 - 1/F_{RATIO})/2$$

[Table 24-297](#) shows examples of clock granularity with a clock source frequency of 48 MHz.

Table 24-297. Clock Granularity Examples

EXTCLK	CLKD	CLKG	F _{RATIO}	PHA	POL	T _{HIGH} (ns)	T _{LOW} (ns)	T _{PERIOD} (ns)	Duty Cycle	F _{OUT} (MHz)
X	0	0	1	X	X	10.4	10.4	20.8	50–50	48
X	1	0	2	X	X	20.8	20.8	41.6	50–50	24
X	2	0	4	X	X	41.6	41.6	83.2	50–50	12
X	3	0	8	X	X	83.2	83.2	166.4	50–50	6
0	0	1	1	X	X	10.4	10.4	20.8	50–50	48
0	1	1	2	X	X	20.8	20.8	41.6	50–50	24
0	2	1	3	1	0	41.6	20.8	62.4	66–33	16
0	2	1	3	1	1	20.8	41.6	62.4	33–66	16
0	3	1	4	X	X	41.6	41.6	83.2	50–50	12
5	0	1	81	1	0	852.8	832	1684.8	50.6–49.4	0.592
5	7	1	88	X	X	915.2	915.2	1830.4	50–50	0.545

24.4.4.4 Slave Mode

To select the McSPI slave mode, set the [MCSPI_MODULCTRL\[2\]](#) MS bit.

A McSPI slave device can be connected to up to four external SPI master devices but handles transactions with one SPI master device at a time.

In slave mode, the McSPI initiates data transfer on the data lines (SPIDAT[0] and SPIDAT[1]) when it is selected by an active control signal (SPIEN[x]) and receives an SPI clock (SPICLK) from the external SPI master device. Only channel 0 can be configured as a slave but through the [MCSPI_CH0CONF\[22:21\]](#) SPIENSLV bit field any of the SPIEN[x] signals can be used to select the McSPI module. In slave mode and when the [MCSPI_MODULCTRL\[1\]](#) PIN34 is set to 0x0 (default behavior), the McSPI uses the edge of SPIEN[x] to detect word length. For this reason, SPIEN[x] must become inactive between each word.

When the [MCSPI_MODULCTRL\[1\]](#) PIN34 is set to 0x0, the McSPI does not support SPIEN[x] active between SPI words. In this case, the McSPI uses the edge to detect word length.

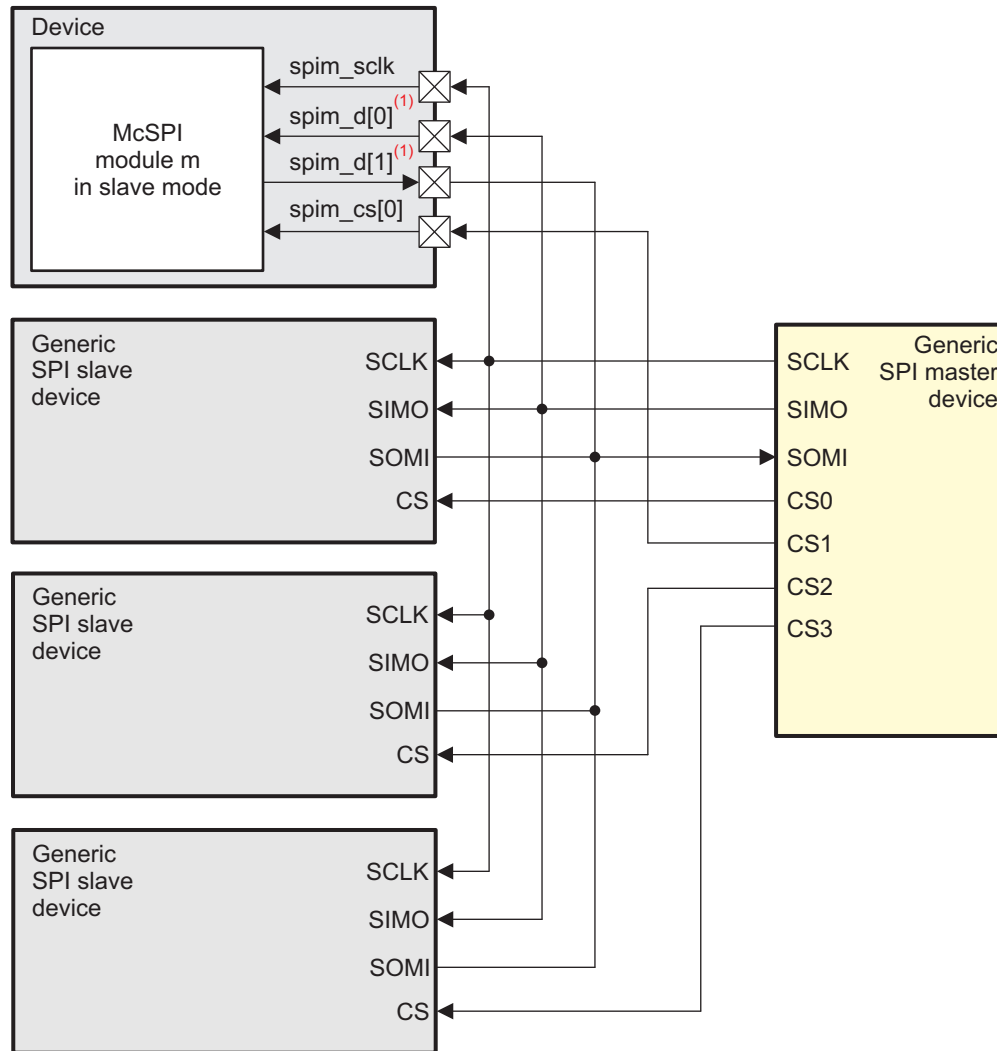
When the [MCSPI_MODULCTRL\[1\]](#) PIN34 is set to 0x1, a multiword transfer can be performed without needing the external SPI master to deactivate SPIEN[x] between each word as in this case the McSPI module works in 3-pin slave mode and SPIEN[x] is not needed.

24.4.4.4.1 Dedicated Resources

Only channel 0 can be enabled in slave mode. In this section, register names such as [SPI1.MCSPI_CHxCTRL](#) stand for [SPI1.MCSPI_CH0CTRL](#), where x = 0 (channel 0 control register).

[Figure 24-88](#) shows an example of four slaves wired on a single master device.

Figure 24-88. Example of McSPI Slave With One Master and Multiple Slave Devices on Channel 0



(1) Direction depends on bits IS, DPE1 and DPE0 in MCSPI_CHxCONF

mcspi-017

Channel 0 in slave mode has the following resources:

- Its own channel enable, programmable with the [MCSPI_CHxCTRL\[0\] EN](#) bit (where $x = 0$). This channel must be enabled before transmission and reception.
- For this mode, the slave-select signal can be detected on any of the [SPIEN\[x\]](#) ports. This is programmable with the [MCSPI_CHxCONF\[22:21\] SPIENSLV](#) bit field (where $x = 0$).
- Its own transmitter register, [MCSPI_TXx](#) (where $x = 0$), on top of the common transmit shift register. If the [MCSPI_TXx](#) register is empty, the [MCSPI_CHxSTAT\[1\] TXS](#) bit (where $x = 0$) is set. If McSPI is selected by an external master (the active signal on the [SPIEN\[x\]](#) port assigned to channel 0), the [MCSPI_TXx](#) register content of channel 0 is always loaded into the shift register, whether its content is updated or not. The [MCSPI_TXx](#) register must be loaded before McSPI is selected by a master.
- Its own receiver register, [MCSPI_RXx](#) (where $x = 0$), on top of the common receive shift register. If the [MCSPI_RXx](#) register is full, the [MCSPI_CHxSTAT\[0\] RXS](#) bit (where $x = 0$) is set.

NOTE: The [MCSPI_TXx](#) and [MCSPI_RXx](#) registers of the other channels are not used. Reading from or writing to a channel register other than channel 0 has no effect.

- Its own communication configuration with the following parameters through the [MCSPI_CHxCONF](#) register (where $x = 0$):

- Transmit and receive modes, programmable with the TRM field
- Interface mode (two data pins or single data pin) and data pins assignment, both programmable with the IS and DPE bits. (The SPI modules are in slave mode after reset and must be properly configured for the modules to act in master mode.)
- SPI word length, programmable with the WL bits
- SPIEN[x] polarity, programmable with the EPOL bit
- SPICLK polarity, programmable with the POL bit
- SPICLK phase, programmable with the PHA bit

The SPICLK frequency of a transfer is controlled by the external SPI master connected to the McSPI slave device. The [MCSPI_CHxCONF\[5:2\] CLKD](#) bit field (where x = 0) is not used in slave mode.

NOTE: The configuration of the channel can be loaded in the [MCSPI_CHxCONF](#) register (where x = 0) only when the channel is disabled.

- Two DMA request events, read and write, synchronize read/write accesses of the DMA controller with the activity of McSPI. DMA requests are asserted using the [MCSPI_CHxCONF\[15\] DMAR](#) bit (where x = 0) for reading and the [MCSPI_CHxCONF\[14\] DMAW](#) bit (where x = 0) for writing.
- Four interrupt events (see [Section 24.4.4.7.2, Interrupt Events in Slave Mode](#))

24.4.4.4.2 Slave Transmit-and-Receive Mode

The slave receive mode is programmable (set the [MCSPI_CHxCONF\[13:12\] TRM](#) bit field [where x = 0] to 0x0).

In slave transmit-and-receive mode, the [MCSPI_TXx](#) register must be loaded before McSPI is selected by an external SPI master device.

After a channel is enabled, transmission and reception proceed with interrupt and DMA request events.

The [MCSPI_TXx](#) register content is always loaded in the shift register whether it is updated or not. The event TXx_UNDERFLOW is activated accordingly and does not prevent transmission.

When the SPI word transfer completes (the [MCSPI_CHxSTAT0\[2\] EOT](#) bit [where x = 0] is set to 1), the received data is transferred to the channel receive register.

To use McSPI as a slave transmit-only device, the RXx_FULL and RX0_OVERFLOW interrupts and DMA read requests must be disabled due to the state of the [MCSPI_RXx](#) register (see [Section 24.4.4.7.2, Interrupt Events in Slave Mode](#)).

24.4.4.4.3 Slave Transmit-Only Mode

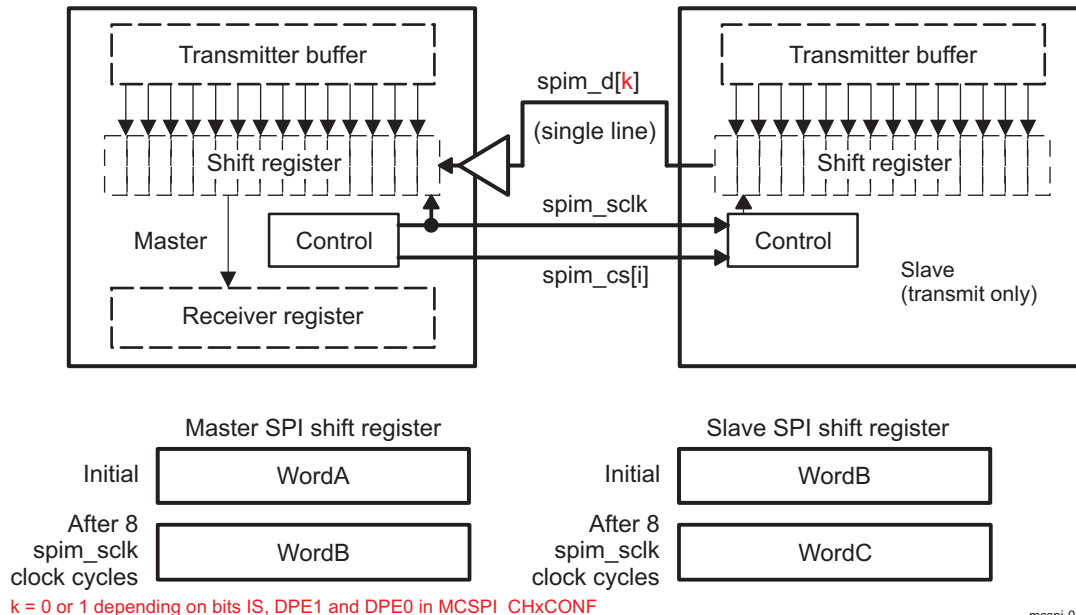
The slave transmit-only mode is programmable (set the [MCSPI_CHxCONF\[13:12\] TRM](#) bit field [where x = 0] to 0x2) and avoids the requirement for the MPU to read the [MCSPI_RXx](#) register (minimizing data movement) only when transmission is meaningful.

To use the McSPI as a slave transmit-only device, the RXx_FULL and RX0_OVERFLOW interrupts and DMA read requests must be disabled due to the state of the [MCSPI_RXx](#) register.

When the SPI word transfer completes, the [MCSPI_CHxSTAT\[2\] EOT](#) bit is set (where x = 0).

[Figure 24-89](#) shows a half-duplex system with a master device on the left and a transmit-only slave device on the right. Each time a bit transfers out from the slave, 1 bit transfers in the master. After eight cycles of the serial clock SPICLK, WordB transfers from the slave to the master.

Figure 24-89. SPI Half-Duplex Transmission (Transmit-Only Slave)



mcspi-031

24.4.4.4.4 Slave Receive-Only Mode

The slave receive mode is programmable (set the `MCSPI_CHxCONF`[13:12] TRM bit field [where $x = 0$] to 0x1).

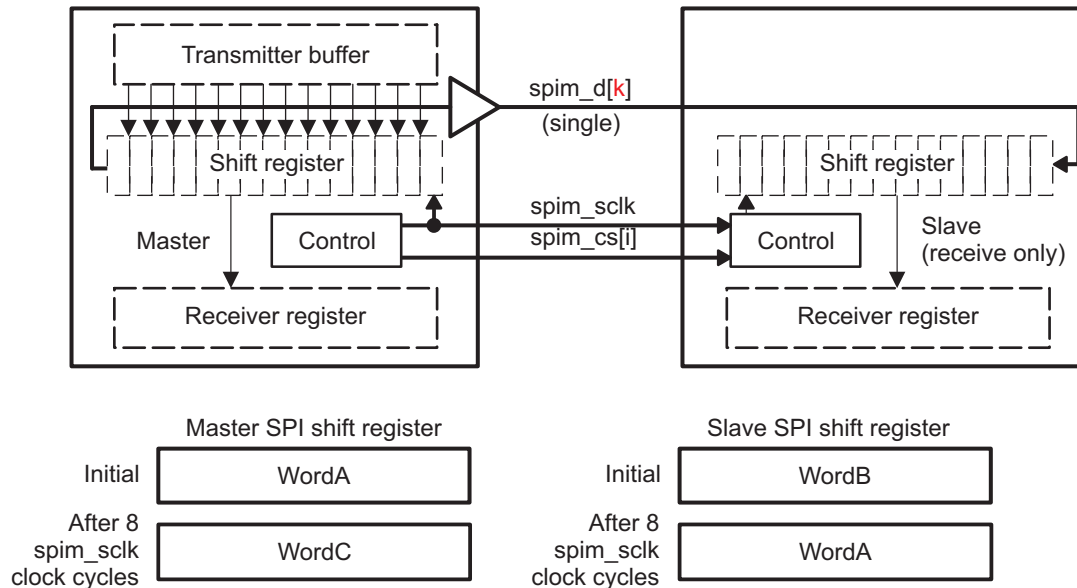
In receive-only mode, the `MCSPI_Tx` register must be loaded before the McSPI is selected by an external SPI master device. The `MCSPI_Tx` register content is always loaded into the shift register whether it is updated or not. The `Txx_UNDERFLOW` event is activated accordingly and does not prevent transmission.

When the SPI word transfer completes (the `MCSPI_CHxSTAT0`[2] EOT bit [where $x = 0$] is set to 1), the received data is transferred to the channel receive register.

To use the McSPI as a slave receive-only device, the `Txx_EMPTY` and `Txx_UNDERFLOW` interrupts and the DMA write requests must be disabled due to the state of the `MCSPI_Tx` register.

For a full-duplex transmission, the serial clock (SPICLK) synchronizes shifting and sampling of the information on the single serial data line. For full duplex, two data lines are required. If SPICLK synchronizes on a single serial data line, the data line should be half-duplex.

Figure 24-90 shows a half-duplex system with a master device on the left and a receive-only slave device on the right. Each time a bit transfers out from the master, 1 bit transfers in from the slave. After eight cycles of the serial clock SPICLK, WordA transfers from the master to the slave.

Figure 24-90. SPI Half-Duplex Transmission (Receive-Only Slave)


`k = 0 or 1` depending on bits `IS`, `DPE1` and `DPE0` in `MCSPI_CHxCONF`

mcspi-032

24.4.4.5 3-Pin or 4-Pin Mode

Depending on targeted application the SPI interface can be configured to use 3 or 4 pins through the `MCSPI_MODULCTRL[1]` `PIN34` bit. If this bit is set to 0, McSPI is in 4-pin mode using the `SPICLK`, `SPIDAT[0]`, `SPIDAT[1]` and `SPIEN[x]` signals. If `PIN34` is set to 1 the controller is in 3-pin mode and `SPIEN[x]` is not used. In this mode all options related to chip select management are useless (`EPOL`, `FORCE` and `TCS0` bits of `MCSPI_CHxCONF`). 3-pin and 4-pin operation applies to both master and slave modes.

24.4.4.6 FIFO Buffer Management

The McSPI controller has a built-in 128-byte buffer to unload the DMA or interrupt handler and improve data throughput.

This buffer can be used by only one channel at a time and is selected by setting the `MCSPI_CHxCONF[28]` `FFER` or `MCSPI_CHxCONF[27]` `FFEW` bit to 1. If several channels are selected and several FIFO enable bit fields are set to 1, the controller forces the buffer not to be used; the driver must set only one FIFO enable bit field.

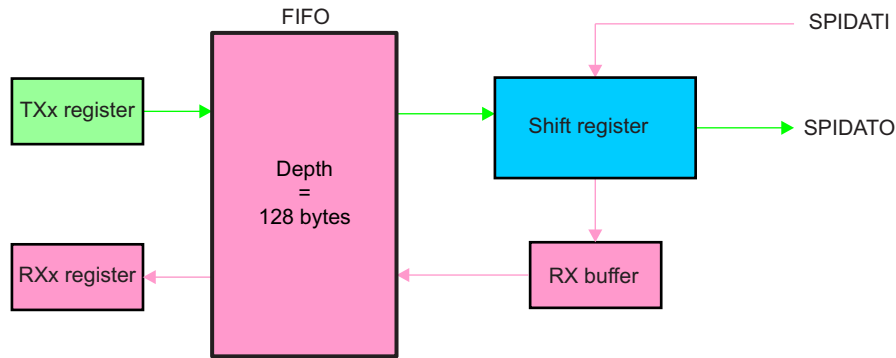
The buffer can be used in the following modes:

- Master or slave mode
- Transmit-only, receive-only, or transmit-and-receive mode
- Single channel or turbo mode, or normal round-robin mode. In round-robin mode the buffer is used by only one channel.

Every word length (`MCSPI_CHxCONF[11:7]` `WL`) is supported.

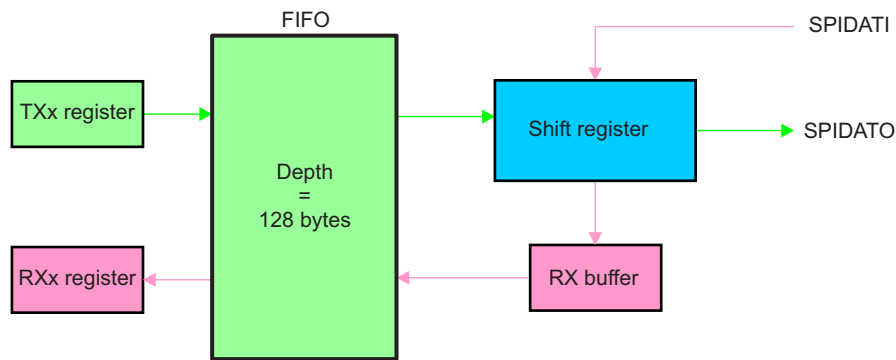
In transmit-and-receive mode, the buffer can be used in transmit (see [Figure 24-91](#)) or receive (see [Figure 24-92](#)) directions, or in both directions. If only one direction is chosen in transmit-and-receive mode, the full buffer is used for this direction. In both directions, the buffer is split into two halves, one for each direction (see [Figure 24-93](#)).

Figure 24-91. Buffer Used in Transmit Direction Only



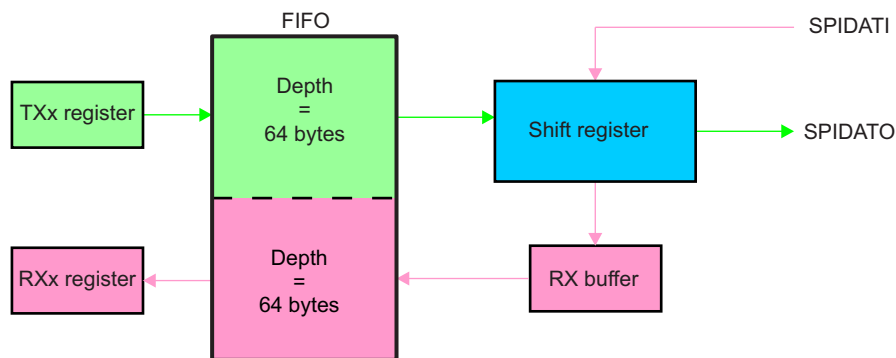
mcspi-102

Figure 24-92. Buffer Used in Receive Direction Only



mcspi-103

Figure 24-93. Buffer Used for Transmit and Receive Directions



mcspi-101

Two levels ([MCSPI_XFERLEVEL\[5:0\]](#) AEL and [MCSPI_XFERLEVEL\[13:8\]](#) AFL) rule the buffer management. The granularity of these levels is 1 byte; it is not aligned with the SPI word length. The driver must set these values as a multiple of the SPI word length defined in [MCSPI_CHxCONF\[11:7\]](#) WL. [Table 24-298](#) lists the number of bytes written in the FIFO, depending on the word length.

Table 24-298. FIFO Writes, Word Length Relationship

	SPI Word Length (WL)		
	$3 \leq WL \leq 7$	$8 \leq WL \leq 15$	$16 \leq WL \leq 31$
Number of bytes written in the FIFO	1 byte	2 bytes	4 bytes

The FIFO buffer pointers are reset when the corresponding channel is enabled or the FIFO configuration changes.

24.4.4.6.1 Buffer Almost Full

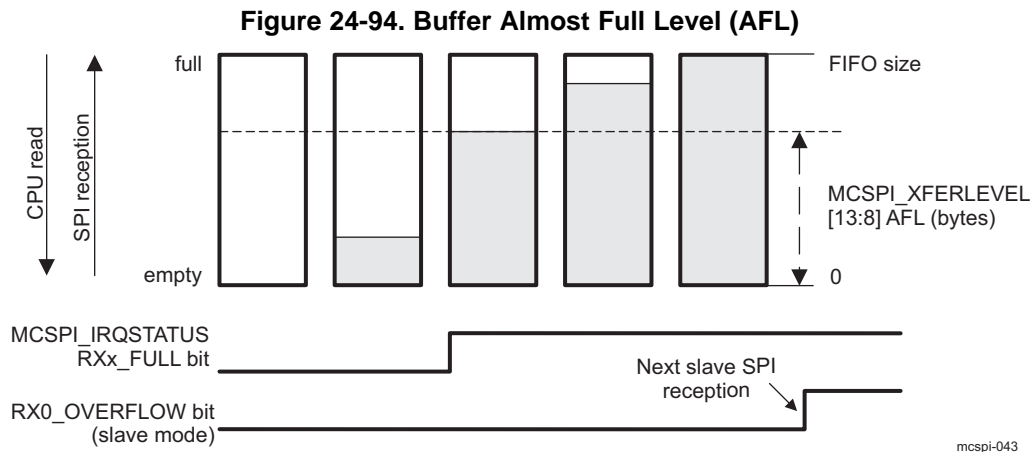
The `MCSPI_XFERLEVEL[15:8]` AFL bit field is needed when the buffer is used to receive an SPI word from a slave (the `MCSPI_CHxCONF[28]` FFER bit must be set to 1). It defines the almost-full buffer status. See Figure 24-94.

When the FIFO pointer reaches this level, an interrupt or a DMA request is sent to the MPU to enable the system to read AFL + 1 bytes from the receive register.

NOTE: AFL + 1 must correspond to a multiple value of the `MCSPI_CHxCONF[11:7]` WL bit field.

When DMA is used, the request is deasserted after the first receive register read.

No new request is asserted again as long as the system has not performed the correct number of read accesses.



NOTE: The `MCSPI_IRQSTATUS` register bits are not available in DMA mode. In DMA mode, the `SPIm_DMA_RXx` request is asserted on the same conditions as the `MCSPI_IRQSTATUS` `RXx_FULL` flag.

24.4.4.6.2 Buffer Almost Empty

The `MCSPI_XFERLEVEL[7:0]` AEL bit field is needed when the buffer is used to transmit an SPI word to a slave (the `MCSPI_CHxCONF[27]` FFEW bit must be set to 1). It defines the almost-empty buffer status. See Figure 24-95.

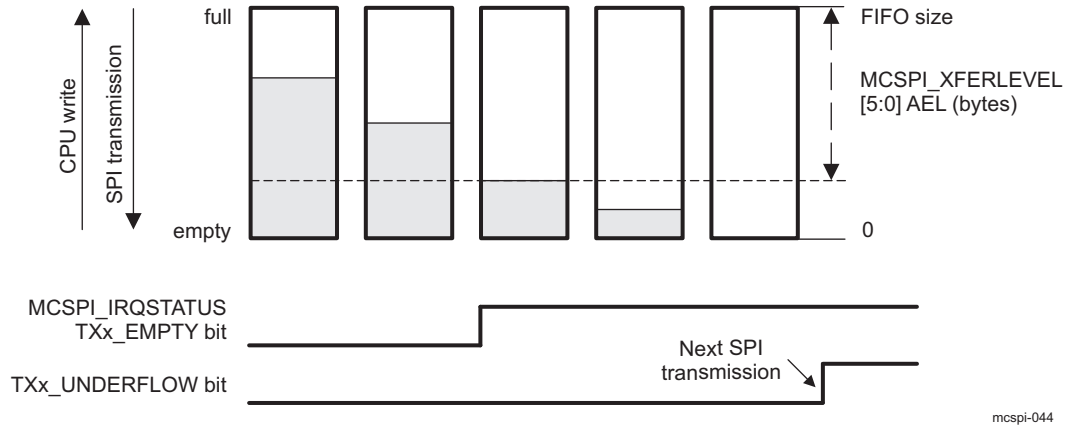
When the FIFO pointer does not reach this level, an interrupt or a DMA request is sent to the MPU to enable the system to write AEL + 1 bytes to the transmit register.

NOTE: AEL + 1 must correspond to a multiple value of the `MCSPI_CHxCONF[11:7]` WL bit field.

When DMA is used, the request is deasserted after the first transmit register write.

No new request is asserted again as long as the system has not performed the correct number of write accesses.

Figure 24-95. Buffer Almost Empty Level (AEL)



NOTE: The [MCSPI_IRQSTATUS](#) register bits are not available in DMA mode. In DMA mode, the [SPIm_DMA_TXx](#) request is asserted on the same conditions as the [MCSPI_IRQSTATUS TXx_EMPTY](#) flag.

24.4.4.6.3 End of Transfer Management

When the FIFO buffer is enabled for a channel, the user must previously configure in the [MCSPI_XFERLEVEL](#) register the AEL and AFL levels and especially the [MCSPI_XFERLEVEL\[31:16\]](#) WCNT bit field to define the number of SPI words to be transferred using the FIFO before enabling the channel.

This counter lets the controller stop the transfer correctly after a defined number of SPI word transfers. If WCNT is set to 0x0000, the counter is not used and the user must stop the transfer manually by disabling the channel; in this case, the user does not know how many SPI transfers have been done. For received words, software must poll the [CHxSTAT\[5\] RXFFE](#) bit and read the [MCSPI_RXx](#) receive register to empty the FIFO buffer.

When the end-of-word count interrupt is generated (the [MCSPI_IRQSTATUS\[17\] EOW](#) bit is set), the user can disable the channel and poll the [MCSPI_CHxSTAT\[5\] RXFFE](#) bit to know the last SPI words in the FIFO buffer and read them.

No new request is asserted as long as the system has not performed the correct number of write accesses.

24.4.4.7 Interrupts

Each channel can issue interrupt events.

Each interrupt event has status bits in the [MCSPI_IRQSTATUS](#) register ([RXx_FULL](#), [TXx_UNDERFLOW](#), [TXx_EMPTY](#), etc.) (where x = 0, 3) that indicate whether service is required. Each status bit has an interrupt enable bit (a mask) in the [MCSPI_IRQENABLE](#) register ([RXx_FULL_ENABLE](#), [TXx_UNDERFLOW_ENABLE](#), [TXx_EMPTY_ENABLE](#), etc.).

When an interrupt occurs and a mask is later applied on it, the interrupt line is not asserted again, even if the interrupt source is not serviced.

The McSPI supports interrupt-driven and polling operations.

24.4.4.7.1 Interrupt Events in Master Mode

In master mode, the interrupt events related to the state of the [MCSPI_TXx](#) register are [TXx_EMPTY](#) and [TXx_UNDERFLOW](#). The interrupt event related to the state of the [MCSPI_RXx](#) register is [RXx_FULL](#).

24.4.4.7.1.1 TXx_EMPTY

The TXx_EMPTY event is activated when a channel is enabled and its [MCSPI_TXx](#) register is empty (transient event). Enabling a channel automatically triggers this event, except in master receive-only mode (see [Section 24.4.4.3.4, Master Receive-Only Mode](#)). When the FIFO buffer is enabled (the [MCSPI_CHxCONF\[27\]](#) FFEW bit is set to 1), the [MCSPI_IRQSTATUS](#) TXx_EMPTY bit is set as soon as there is enough space in the buffer to write a number of bytes defined by the [MCSPI_XFERLEVEL\[5:0\]](#) AEL bit field.

The [MCSPI_TXx](#) register must be loaded with data to remove the source of the interrupt; the [MCSPI_IRQSTATUS](#) TXx_EMPTY interrupt status bit must be cleared for interrupt line deassertion (if the event is enabled as the interrupt source).

When FIFO is enabled, no new TXx_EMPTY event is asserted as long as the MPU has not performed the number of writes into the [MCSPI_TXx](#) register defined by the [MCSPI_XFERLEVEL\[5:0\]](#) AEL bit field. The MPU must perform the correct number of writes.

24.4.4.7.1.2 TXx_UNDERFLOW

The event TXx_UNDERFLOW is activated when the channel is enabled and if the [MCSPI_TXx](#) register or the FIFO is empty (not updated with new data) when an external master device starts a data transfer with the McSPI (transmit and receive).

The TXx_UNDERFLOW is a harmless warning in master mode.

To avoid having a TXx_UNDERFLOW event at the beginning of a transmission, the TXx_UNDERFLOW event is not activated when no data has been loaded into the [MCSPI_TXx](#) register, because the channel is enabled. To avoid having a TXx_UNDERFLOW event, the [MCSPI_TXx](#) register must seldom be loaded.

The [MCSPI_IRQSTATUS](#) TXx_UNDERFLOW interrupt status bit must be cleared for interrupt line deassertion (if the event is enabled as the interrupt source).

24.4.4.7.1.3 RXx_FULL

The RXx_FULL event is activated when a channel is enabled and the [MCSPI_RXx](#) register becomes filled (transient event). When the FIFO buffer is enabled (the [MCSPI_CHxCONF\[28\]](#) FFER bit is set to 1), RXx_FULL is asserted as soon as the number of bytes held in the FIFO to be read reaches the [MCSPI_XFERLEVEL\[13:8\]](#) AFL threshold.

The [MCSPI_RXx](#) register must be read to remove the source of the interrupt; the [MCSPI_IRQSTATUS](#) RXx_FULL interrupt status bit must be cleared for interrupt line deassertion (if the event is enabled as the interrupt source).

When FIFO is enabled, no new RXx_FULL event is asserted as long as the MPU has not performed AFL + 1 reads into [MCSPI_RXx](#). The MPU must perform the correct number of reads.

24.4.4.7.1.4 End Of Word Count

The [MCSPI_IRQSTATUS\[17\]](#) EOW event (end of word count) is activated when the channel is enabled and configured to use the built-in FIFO. This interrupt is raised when the controller performs the number of transfers defined in the [MCSPI_XFERLEVEL\[31:16\]](#) WCNT bit field. If WCNT is set to 0x0000, the counter is not enabled and this interrupt is not generated.

The end of word count interrupt also indicates that the SPI transfer is halted on the channel using the FIFO buffer as soon as [MCSPI_XFERLEVEL\[31:16\]](#) WCNT is not reloaded and the channel is not re-enabled.

The [MCSPI_IRQSTATUS\[17\]](#) EOW interrupt status bit must be cleared for interrupt line deassertion (if the event is enabled as the interrupt source).

24.4.4.7.2 Interrupt Events in Slave Mode

In slave mode, the interrupt events related to the state of the [MCSPI_TXx](#) register are TXx_EMPTY and TXx_UNDERFLOW. The interrupt events related to the state of the [MCSPI_RXx](#) are RXx_FULL and RX0_OVERFLOW (channels 1, 2, and 3 do not have a receiver overflow status bit). See the [MCSPI_IRQSTATUS](#) register.

24.4.4.7.2.1 TXx_EMPTY

The TXx_EMPTY event is activated when a channel is enabled and its [MCSPI_TXx](#) register is empty. Enabling the channel automatically raises this event. If the FIFO buffer is enabled (the [MCSPI_CHxCONF\[27\]](#) FFEW bit is set to 1), the TXx_EMPTY event is asserted as soon as there is enough space in buffer to write a number of bytes defined by the [MCSPI_XFERLEVEL\[5:0\]](#) AEL bit field.

The [MCSPI_TXx](#) register must be loaded with data to remove the source of the interrupt; the [MCSPI_IRQSTATUS](#) TXx_EMPTY interrupt status bit must be cleared for interrupt line deassertion (if the event is enabled as the interrupt source).

When FIFO is enabled, no new TXx_EMPTY event is asserted as long as the MPU has not performed the number of writes into the [MCSPI_TXx](#) register defined by [MCSPI_XFERLEVEL\[5:0\]](#) AEL bit field. The MPU must perform the correct number of writes.

24.4.4.7.2.2 TXx_UNDERFLOW

The TXx_UNDERFLOW event is activated when a channel is enabled and if the [MCSPI_TXx](#) register is empty (not updated with new data) when an external master device starts a data transfer with the McSPI (transmit and receive).

When FIFO is enabled, the data emitted while the underflow event is raised is not the last data written in the FIFO but the next data in the FIFO (an old transmitted value or a dummy data in the FIFO has been reset).

TXx_UNDERFLOW indicates an error (data loss) in slave mode.

To avoid having a TXx_UNDERFLOW event at the beginning of a transmission, the TXx_UNDERFLOW event is not activated when no data has been loaded into the [MCSPI_TXx](#) register because the channel is enabled.

The [MCSPI_IRQSTATUS](#) TXx_UNDERFLOW interrupt status bit must be cleared for interrupt line deassertion (if the event is enabled as the interrupt source).

24.4.4.7.2.3 RXx_FULL

The RXx_FULL event is activated when a channel is enabled and the [MCSPI_RXx](#) register is being filled (transient event). When the FIFO buffer is enabled (the [MCSPI_CHxCONF\[28\]](#) FFER bit is set to 1), RXx_FULL is asserted as soon as the number of bytes held in the buffer to read defined by the [MCSPI_XFERLEVEL\[13:8\]](#) AFL bit field.

The [MCSPI_RXx](#) register must be read to remove the source of the interrupt; the [MCSPI_IRQSTATUS](#) RXx_FULL interrupt status bit must be cleared for interrupt line deassertion (if the event is enabled as the interrupt source).

When FIFO is enabled, no new RXx_FULL event is asserted as long as the MPU has not performed AFL + 1 reads into [MCSPI_RXx](#). The MPU must perform the correct number of reads.

24.4.4.7.2.4 RX0_OVERFLOW

The RX0_OVERFLOW event is activated in slave mode in transmit-and-receive mode or receive-only mode when a channel is enabled and the [MCSPI_RXx](#) register or FIFO is full when a new SPI word is received. The [MCSPI_RXx](#) register is always overwritten with the new SPI word. If the FIFO is enabled, data within the FIFO are overwritten; it must be considered as corrupted. The RX0_OVERFLOW event should not appear in slave mode using the FIFO.

The RX0_OVERFLOW event indicates an error (data loss) in slave mode.

The [MCSPI_IRQSTATUS](#)[3] `RX0_OVERFLOW` interrupt status bit must be cleared for interrupt line deassertion (if the event is enabled as the interrupt source).

24.4.4.7.2.5 End Of Word Count

The [MCSPI_IRQSTATUS](#)[17] EOW event (end of word count) is activated when the channel is enabled and configured to use the built-in FIFO. This interrupt is raised when the controller performs the number of transfers defined in the [MCSPI_XFERLEVEL](#)[31:16] `WCNT` bit field. If `WCNT` is set to `0x0000`, the counter is not enabled and this interrupt is not generated.

The end of word count interrupt also indicates that the SPI transfer is halted on the channel using the FIFO buffer as soon as `WCNT` is not reloaded and the channel is not re-enabled.

The [MCSPI_IRQSTATUS](#)[17] EOW interrupt status bit must be cleared for interrupt line deassertion (if the event is enabled as the interrupt source).

24.4.4.7.3 Interrupt-Driven Operation

An interrupt enable bit in the [MCSPI_IRQENABLE](#) register can be set to enable each event to generate interrupt requests when the corresponding event occurs. Status bits are automatically set by hardware logic conditions.

When an event occurs (the single interrupt line is asserted), the MPU must:

1. Read the [MCSPI_IRQSTATUS](#) register to identify which event occurred.
2. Read the [MCSPI_RXx](#) register that corresponds to the event to remove the source of an `RXx_FULL` event or write into the [MCSPI_TXx](#) register that corresponds to the event to remove the source of a `TXx_EMPTY` event. No action is required to remove the source of the `WKS` (wake-up), `TXx_UNDERFLOW`, and `RX0_OVERFLOW` events.
3. Set the corresponding bit of the [MCSPI_IRQSTATUS](#) register to 1 to clear an interrupt status and then release the interrupt line.

The interrupt status bit must always be reset after channel enabling and before events are enabled as interrupt sources.

24.4.4.7.4 Polling

When the interrupt capability of an event is disabled in the [MCSPI_IRQENABLE](#) register, the interrupt line is not asserted, but the status bits in the [MCSPI_IRQSTATUS](#) register can be polled by software to detect when the corresponding event occurs.

Once the expected event occurs:

- `RXx_FULL`: To remove the source of the event, the MPU must read the corresponding [MCSPI_RXx](#) register.
- `TXx_EMPTY`: To remove the source of the event, the MPU must write into the corresponding [MCSPI_TXx](#) register.
- `WKS` (wake-up), `TXx_UNDERFLOW`, and `RX0_OVERFLOW`: No action is required to remove the source of the event.

To clear an interrupt, set the corresponding status bit of the [MCSPI_IRQSTATUS](#) register to 1. This does not affect the interrupt line state.

24.4.4.8 DMA Requests

Each McSPI channel, if enabled, can issue DMA requests. There are two DMA request lines per McSPI channel (one for read and one for write).

The DMA read request line is asserted when the McSPI channel is enabled and new data is available in the receive register of the McSPI channel. A DMA read request can be individually masked with the `SPI1.MCSPI_CHxCONF`[15] `DMAR` bit. The DMA read request line is deasserted when reading of the [MCSPI_RXx](#) register of the McSPI channel completes.

The DMA write request line is asserted when the McSPI channel is enabled and the [MCSPI_Tx](#) register of the McSPI channel is empty. A DMA write request can be individually masked with the [SPI1.MCSPI_CHxCONF\[14\]](#) DMAW bit. The DMA write request line is deasserted when loading of the [MCSPI_Tx](#) register of the channel completes.

24.4.4.9 Power Saving Management

Power consumption can be optimized by switching off internal clocks (interface and functional clock) when there is no activity. The McSPI is compliant with the idle and wake-up system handshake protocol.

24.4.4.9.1 Normal Mode

In normal mode, internal SPI module clocks are automatically switched off (autogated) when there is no activity in slave or master mode.

Autogating of the module interface clock and functional clock occurs when the following conditions are met:

- The [MCSPI_SYSCONFIG\[0\]](#) AUTOIDLE bit is set.
- In master mode, there is no data to transmit or receive in all channels.
- In slave mode, the McSPI is not selected by the external master and there are no register accesses.

Autogating of the module interface clock and functional clock stops when the following conditions are met:

- In master mode, an internal access occurs.
- In slave mode, an internal access occurs or the McSPI is selected by the external master.

24.4.4.9.2 Idle Mode

At the PRCM module level, when all conditions are met to shut off the [PER_48M_GFCLK](#) or [L4PER_L3_GICLK](#) output clock, the PRCM module automatically launches a hardware handshake protocol to ensure that the McSPI is ready to have its clocks switched off. Namely, the PRCM module asserts an IDLE request to the McSPI.

Although this handshake is completely hardware-oriented and out of software control, the method in which the McSPI module acknowledges the PRCM IDLE request is configurable through the [MCSPI_SYSCONFIG\[4:3\]](#) SIDLEMODE bit field.

The settings of the SIDLEMODE bit field and the related acknowledgment modes are:

- Force-idle mode (the [MCSPI_SYSCONFIG\[4:3\]](#) SIDLEMODE bit field is set to 0x0): The McSPI module acknowledges unconditionally the IDLE request from the PRCM module, regardless of its internal operations. This mode must be used carefully in this case because it does not prevent the loss of data when the clock is switched off.
- No-idle mode (the SIDLEMODE bit field is set to 0x1): The McSPI never acknowledges an IDLE request from the PRCM module and is safe from a module point of view because it ensures that the clocks remain active. However, it is not efficient to save power because it does not allow the PRCM output clock to be shut off and thus the power domain to be set to a lower power state.
- Smart-idle mode (the SIDLEMODE bit field is set to 0x2): The McSPI acknowledges the IDLE request, basing its decision on its internal activity. Namely, the acknowledge signal is asserted only when all pending transactions, IRQs, or DMA requests are treated. This is the best approach for efficient system power management.

When configured in smart-idle mode, the McSPI also offers an additional granularity on the [PER_48M_GFCLK](#) and [L4PER_L3_GICLK](#) gating. The [MCSPI_SYSCONFIG\[9:8\]](#) CLOCKACTIVITY bit field determines which clock shuts down (the [PER_48M_GFCLK](#), [L4PER_L3_GICLK](#), neither clock, or both clocks).

The setting of the CLOCKACTIVITY bit field is used internally to the McSPI to determine on which part of the module the conditions to acknowledge the PRCM IDLE request are tested. For example, if [PER_48M_GFCLK](#) is not shut down on a PRCM IDLE request, the McSPI considers only [L4PER_L3_GICLK](#) and the associated pending activities before acknowledging the request.

Some McSPI features are associated with L4PER_L3_GICLK and others with PER_48M_GFCLK. Using the CLOCKACTIVITY bit field with the smart-idle mode ensures that the features associated with the clock that remains active are always enabled, even if the McSPI acknowledges an IDLE request.

The settings of the CLOCKACTIVITY bit field and the associated features are:

- CLOCKACTIVITY set to 00: ICLK off and FCLK off, ICLK and FCLK are considered for generating the acknowledge. This setting also means that FCLK and ICLK are likely to be shut down on a PRCM IDLE request.
- CLOCKACTIVITY set to 01: ICLK on and FCLK off, ICLK is not shut down on a PRCM IDLE request; only FCLK is concerned.
- CLOCKACTIVITY set to 10: ICLK off and FCLK on, FCLK is not shut down on a PRCM IDLE request; only ICLK is concerned.
- CLOCKACTIVITY set to 11: ICLK on and FCLK on, none of the clocks are shut down. This means the McSPI can potentially acknowledge the IDLE request without checking the internal functions linked to its clocks.

CAUTION

The PRCM module does not have a hardware means of reading the CLOCKACTIVITY settings. Therefore, software must ensure consistent programming between CLOCKACTIVITY and the PER_48M_GFCLK and L4PER_L3_GICLK control bits in the PRCM module. If the McSPI is disabled in the CM_FCLKEN and CM_ICLKEN PRCM registers while CLOCKACTIVITY is set to 11, nothing prevents the PRCM module from asserting its IDLE request, which is acknowledged regardless of the features associated with the McSPI clocks. This can lead to unpredictable behavior.

24.4.4.9.2.1 Wake-Up Event in Smart-Idle Mode

The module wake-up feature is enabled when the [MCSPI_SYSCONFIG\[2\]](#) ENAWAKEUP and [MCSPI_WAKEUPENABLE\[0\]](#) WKEN bits are set. Wake-up capability is relevant only when the module is configured in slave mode.

The module generates an asynchronous wake-up request to the system power manager to switch back the interface clock and the functional clock. A wake-up is requested when channel 0 is enabled and an asynchronous selection occurs on the mcs pim.csx port associated with channel 0 (see the definition for the [MCSPI_CHxCONF\[22:21\]](#) SPIENSLV bit field [where x = 0] in the register table description).

After the McSPI wake-up request, the system power manager must reactivate the interface clock:

- Before the beginning of the second SPI word serialization when the McSPI is in slave transmit-only mode or in slave transmit-and-receive mode
- Before the end of the second received SPI word in slave receive-only mode. To avoid data loss, the first received SPI word must be read from the [MCSPI_RXx](#) register (where x = 0) before the completion of the second SPI word serialization.

[Table 24-299](#) lists the supported cases in smart-idle mode.

Table 24-299. Smart-Idle Mode and Wake-Up Capabilities

Mode	Interface Clock	SPI Clock Ref	Functionality	Wake-Up Event
Master	Must be maintained	Must be maintained	Full functionality, but the module does not generate a new interrupt or DMA request until the system exits wake-up mode	No wake-up event
Slave	Can be switched off	Can be switched off	An SPI word can be transmitted and/or received, but the module does not generate any new interrupts or DMA requests until the system exits wake-up mode.	The module asynchronously sends a wake-up request if an event on the SPIEN[x] port associated with channel 0 is detected.

In wake-up mode, the interrupt and DMA request lines are no longer asserted.

Any access to the module in wake-up mode generates an error as long as the interface clock is alive.

24.4.4.9.2.2 Transitions From Smart-Idle Mode to Normal Mode

The McSPI detects the end of the wake period through the idle and wake-up hardware handshake protocol.

The interrupt status register (the [MCSPI_IRQSTATUS](#)[16] WKS bit) is updated with the event causing the wakeup; the wake-up event at the origin of the transition to the normal mode is converted to its corresponding interrupt when enabled by the [MCSPI_IRQENABLE](#)[16] WKE bit or the DMA request.

Interrupts and wake-up events have independent enable and disable controls, accessible through the [MCSPI_IRQENABLE](#) and [MCSPI_WAKEUPENABLE](#) registers. Software must ensure the overall consistency.

The interrupt status register [MCSPI_IRQSTATUS](#) is updated with the event causing the wakeup; the wake-up event at the origin of the transition to normal mode is converted to its corresponding interrupt request or DMA request. The module is fully operational.

24.4.4.9.2.3 Force-Idle Mode

Force-idle mode is enabled and exited as follows:

- Force-idle mode is enabled when the [MCSPI_SYSCONFIG](#)[4:3] SIDLEMODE bit field is set to 0x0.
 - In force-idle mode, the McSPI responds unconditionally to the IDLE request by deasserting unconditionally the interrupt and DMA request lines, if asserted. In addition, the wake-up capability is totally inhibited even if the [MCSPI_SYSCONFIG](#)[2] ENAWAKEUP and [MCSPI_WAKEUPENABLE](#)[0] WKEN bits are set.
 - The transition from normal mode to idle mode does not affect the interrupt event bits of the [MCSPI_IRQSTATUS](#) register.
 - In force-idle mode, because the module must be disabled, the interrupt and DMA request lines are likely deasserted. The interface clock and SPI clock provided to the McSPI can be switched off.
 - An IDLE request during an SPI data transfer can lead to an unexpected and unpredictable result. Software must avoid such a request.
- The module exits force-idle mode through the idle and wake-up hardware handshake protocol. The module is fully operational. The interrupt and DMA request lines are optionally asserted one clock cycle later.

24.4.5 McSPI Programming Guide

This section describes the low-level hardware programming sequences for the configuration and use of the McSPI module.

24.4.5.1 Global Initialization

24.4.5.1.1 Surrounding Modules Global Initialization

This section identifies the requirements for initializing the surrounding modules when the McSPI module is to be used for the first time after a device reset. This initialization of surrounding modules is based on the integration and environment of the McSPI. For further information, see [Section 24.4.3, McSPI Integration](#) and [Section 24.4.2, McSPI Environment](#).

[Table 24-300](#) lists the information on the global initialization of the surrounding modules.

Table 24-300. Global Initialization of Surrounding Modules

Surrounding Modules	Comments
PRCM	MCSPI_FCLK functional clock must be enabled. See Section 3.1.1.1.2, Module-Level Clock Management , in Chapter 3, Power, Reset, and Clock Management .
L4 Interconnect	For information about L4_PER1 interconnect configuration, see Section 14.3, L4 Interconnects , in Chapter 14, Interconnect .
DMA_CROSSBAR	DMA_CROSSBAR configuration must be done to allow module DREQs to be mapped to certain device DMA line. For more information see Section 18.4.6.5, DMA_CROSSBAR Module Functional Description , in Chapter 18, Control Module .
Device DMAs	Device DMA configuration must be done to enable the module DMA channel requests.
IRQ_CROSSBAR	IRQ_CROSSBAR configuration must be done to allow module IRQs to be mapped to certain device INTC line. For more information see Section 18.4.6.4, IRQ_CROSSBAR Module Functional Description , in Chapter 18, Control Module .
Device INTCs	Device INTCs must be configured to enable the interrupt request generation. For more information see Chapter 17 Interrupt Controllers .

24.4.5.1.2 McSPI Global Initialization

24.4.5.1.2.1 Main Sequence – McSPI Global Initialization

The procedure in [Table 24-301](#) can be used to initialize McSPI when performing software reset.

Table 24-301. McSPI Global Initialization

Step	Register/Bit Field/Programming Model	Value
Perform a software reset.	MCSPi_SYSCONFIG[1] SOFTRESET	1
Wait until reset is finished?	MCSPi_SYSSTATUS[0] RESETDONE	=1
Configure static settings (such as SPI master or slave) as required.	MCSPi_MODULCTRL[8:0]	0x-
Write MCSPi_SYSCONFIG	MCSPi_SYSCONFIG	0x-

24.4.5.2 Operational Mode Configuration

24.4.5.2.1 McSPI Operational Modes

The selection of the working mode is done with the [MCSPi_CHxCONF](#) register.

Table 24-302. McSPI Receive Mode Initialization

Step	Register/Bit Field/Programming Model	Value
Set receive mode for the channel.	MCSPI_CHxCONF [13:12] TRM	0x1
Configure SPI clock polarity/phase, clock divider, word length, and others for the channel.	MCSPI_CHxCONF	0x-
Reset the status bits.	MCSPI_IRQSTATUS	0x0

Table 24-303. McSPI Transmit Mode Initialization

Step	Register/Bit Field/Programming Model	Value
Set transmit mode for the channel.	MCSPI_CHxCONF [13:12] TRM	0x2
Configure SPI clock polarity/phase, clock divider, word length, and others for the channel.	MCSPI_CHxCONF	0x-
Reset the status bits.	MCSPI_IRQSTATUS	0x0

Table 24-304. McSPI Transmit-and-Receive Mode Initialization

Step	Register/Bit Field/Programming Model	Value
Set transmit and receive mode for the channel.	MCSPI_CHxCONF [13:12] TRM	0x0
Configure SPI clock polarity/phase, clock divider, word length, and others for the channel.	MCSPI_CHxCONF	0x-
Reset the status bits.	MCSPI_IRQSTATUS	0x0

24.4.5.2.1.1 Common Transfer Sequence

McSPI module allows the transfer of one or several words, according to different modes:

- MASTER Normal, MASTER Turbo, SLAVE
- TRANSMIT–RECEIVE, TRANSMIT-ONLY, RECEIVE-ONLY
- Write and Read requests: Interrupts, DMA
- SPIEN[x] lines assertion/deassertion: automatic, manual

For all these sequences, the host process contains the main process and the interrupt routines.

The interrupt routines are called on the interrupt signals or by an internal call if the module is used in polling mode.

[Table 24-305](#) represents the main sequence which is common to all transfers.

In multi-channel master mode, the sequences of different channels can be run simultaneously.

Table 24-305. Common Transfer Sequence (Main Process)

Step	Register/Bit Field/Programming Model	Value
Write MCSPI_IRQSTATUS to reset channel status bits	MCSPI_IRQSTATUS [channel x bits]	0b1111
Write MCSPI_IRQENABLE to enable interrupts	MCSPI_IRQENABLE	0x-
Write MCSPI_CHxCONF to configure the channel	MCSPI_CHxCONF	0x-
Start the channel	MCSPI_CHxCTRL [0] EN	1
Wait for the first write request (TX empty or DMA write)		
Write the transmitter register with data	MCSPI_TXx	0x-
Wait for the host event for end of transfer		
Stop the channel	MCSPI_CHxCTRL [0] EN	0

24.4.5.2.1.2 End of Transfer Sequences

The end of transfer depends on the transfer mode. [Table 24-306](#) summarizes the type of end of transfer per transfer mode and gives a reference to the appropriate section for details.

Table 24-306. End of Transfer Sequences

		TRANSMIT-AND-RECEIVE		TRANSMIT-ONLY		RECEIVE-ONLY	
		INTERRUPT	DMA	INTERRUPT	DMA	INTERRUPT	DMA
MASTER Normal	End of transfer sequence	See Section 24.4.5.2.1.3		See Section 24.4.5.2.1.4.1	See Section 24.4.5.2.1.4.2	See Section 24.4.5.2.1.5.1	See Section 24.4.5.2.1.5.2
	Minimum number of word	1	1	1	1	1	2
	DMA transfer size		N		N		N-1
MASTER Turbo	End of transfer sequence	See Section 24.4.5.2.1.3		See Section 24.4.5.2.1.4.1	See Section 24.4.5.2.1.4.2	See Section 24.4.5.2.1.6.1	See Section 24.4.5.2.1.6.2
	Minimum number of word	1	1	1	1	2	3
	DMA transfer size		N		N		N-2
SLAVE	End of transfer sequence	See Section 24.4.5.2.1.3		See Section 24.4.5.2.1.4.1	See Section 24.4.5.2.1.4.2	See Section 24.4.5.2.1.7	
	Minimum number of word	1	1	1	1	1	1
	DMA transfer size		N		N	N	N

The transfer to execute has a size of N words.

The different sequences can be merged in one process to manage transfers of several types. The end of transfer sequences are described from the start of the channel.

In these sequences, some soft variables are used:

- write_count = 0
- read_count = 0
- channel_enable = FALSE
- last_transfer = FALSE
- last_request = FALSE

They are initialized before starting the channel.

24.4.5.2.1.3 Transmit-and-Receive (Master and Slave)

If the requests are configured in DMA, write_count and read_count are assigned with 'N' when the DMA handlers have completed their 'N' OCP accesses.

Table 24-307. Transmit-and-Receive (Master and Slave) (Main Process)

Step	Register/Bit Field/Programming Model	Value
Start the channel	MCSPI_CHxCTRL[0] EN	1
Wait for write_count = N AND read_count = N		
Stop the channel	MCSPI_CHxCTRL[0] EN	0

Table 24-308. Transmit-and-Receive (Master and Slave) (Interrupt Routine)

Step	Register/Bit Field/Programming Model	Value
Read MCSPI_IRQSTATUS	MCSPI_IRQSTATUS	0x-
Write MCSPI_IRQSTATUS to reset channel status bits	MCSPI_IRQSTATUS [channel x bits]	0b1111
IF: TXx_EMPTY		
Write the transmitter register with data	MCSPI_TXx	0x-
Increment write_count +1		
IF: RXx_FULL		
Read the receiver register	MCSPI_RXx	0x-
Increment read_count +1		
ENDIF		

24.4.5.2.1.4 Transmit-Only (Master and Slave)

24.4.5.2.1.4.1 Based on Interrupt Requests

Table 24-309. Transmit-Only With Interrupts (Master and Slave) (Main Process)

Step	Register/Bit Field/Programming Model	Value
Start the channel	MCSPI_CHxCTRL [0] EN	1
Wait until last_transfer = TRUE		
Wait for end of transfer	MCSPI_CHxSTAT [2] EOT	=1
Stop the channel	MCSPI_CHxCTRL [0] EN	0

Table 24-310. Transmit-Only With Interrupts (Master and Slave) (Interrupt Routine)

Step	Register/Bit Field/Programming Model	Value
Read MCSPI_IRQSTATUS	MCSPI_IRQSTATUS	0x-
Write MCSPI_IRQSTATUS to reset channel status bits	MCSPI_IRQSTATUS [channel x bits]	0b1111
IF: TXx_EMPTY AND write_count < N		
Write the transmitter register with data	MCSPI_TXx	0x-
Increment write_count +1		
ELSEIF: write_count ≥ N		
last_transfer = TRUE		
ENDIF		

24.4.5.2.1.4.2 Based on DMA Write Requests

When the DMA handler has completed its 'N' OCP accesses, write_count is assigned with 'N'.

Table 24-311. Transmit-Only With DMA (Master and Slave) (Main Process)

Step	Register/Bit Field/Programming Model	Value
Start the channel	MCSPI_CHxCTRL [0] EN	1
Wait until write_count = N		
Disable DMA write request	MCSPI_CHxCONF [14] DMAW	0
Wait until last_transfer = TRUE		
Wait for end of transfer	MCSPI_CHxSTAT [2] EOT	=1
Stop the channel	MCSPI_CHxCTRL [0] EN	0

Table 24-312. Transmit-Only With DMA (Master and Slave) (Interrupt Routine)

Step	Register/Bit Field/Programming Model	Value
Read MCSPI_IRQSTATUS	MCSPI_IRQSTATUS	0x-
Write MCSPI_IRQSTATUS to reset channel status bits	MCSPI_IRQSTATUS [channel x bits]	0b1111
IF: TXx_EMPTY AND write_count = N		
last_transfer = TRUE		
ENDIF		

24.4.5.2.1.5 Master Normal Receive-Only

24.4.5.2.1.5.1 Based on Interrupt Requests

Table 24-313. Receive-Only With Interrupt (Master Normal) (Main Process)

Step	Register/Bit Field/Programming Model	Value
Start the channel	MCSPI_CHxCTRL [0] EN	1
Wait until last_request = TRUE		
Stop the channel	MCSPI_CHxCTRL [0] EN	0
Read the receiver register	MCSPI_RXx	0x-
Increment read_count +1		

Table 24-314. Receive-Only With Interrupt (Master Normal) (Interrupt Routine)

Step	Register/Bit Field/Programming Model	Value
Read MCSPI_IRQSTATUS	MCSPI_IRQSTATUS	0x-
Write MCSPI_IRQSTATUS to reset channel status bits	MCSPI_IRQSTATUS [channel x bits]	0b1111
IF: RXx_FULL AND read_count = N - 1		
last_request = TRUE		
ELSEIF: read_count ≠ N - 1		
Read the receiver register	MCSPI_RXx	0x-
Increment read_count +1		
ENDIF		

24.4.5.2.1.5.2 Based on DMA Read Requests

When the DMA handler has completed its 'N-1' OCP accesses, read_count is assigned with 'N-1'.

Table 24-315. Receive-Only With DMA (Master Normal) (Main Process)

Step	Register/Bit Field/Programming Model	Value
Start the channel	MCSPI_CHxCTRL [0] EN	1
Wait until read_count = N - 1		
Disable DMA read request	MCSPI_CHxCONF [15] DMAR	0
Wait until last_transfer = TRUE		
Stop the channel	MCSPI_CHxCTRL [0] EN	0
Read the receiver register	MCSPI_RXx	0x-
Increment read_count +1		

Table 24-316. Receive-Only With DMA (Master Normal) (Interrupt Routine)

Step	Register/Bit Field/Programming Model	Value
Read MCSPI_IRQSTATUS	MCSPI_IRQSTATUS	0x-
Write MCSPI_IRQSTATUS to reset channel status bits	MCSPI_IRQSTATUS [channel x bits]	0b1111
IF: <code>RXx_FULL AND read_count = N</code>		
<code>last_transfer = TRUE</code>		
ENDIF		

24.4.5.2.1.6 Master Turbo Receive-Only

24.4.5.2.1.6.1 Based on Interrupt Requests

Table 24-317. Receive-Only With Interrupt (Master Turbo) (Main Process)

Step	Register/Bit Field/Programming Model	Value
Start the channel	MCSPI_CHxCTRL [0] EN	1
Wait until <code>channel_enable = TRUE</code>		
Wait until <code>last_transfer = TRUE</code>		
Wait for end of transfer	MCSPI_CHxSTAT [2] EOT	=1
Stop the channel	MCSPI_CHxCTRL [0] EN	0
Wait until <code>channel_enable = FALSE</code>		

Table 24-318. Receive-Only With Interrupt (Master Turbo) (Interrupt Routine)

Step	Register/Bit Field/Programming Model	Value
Read MCSPI_IRQSTATUS	MCSPI_IRQSTATUS	0x-
Write MCSPI_IRQSTATUS to reset channel status bits	MCSPI_IRQSTATUS [channel x bits]	0b1111
IF: <code>RXx_FULL</code>		
IF: <code>read_count = N - 2</code>		
<code>last_transfer = TRUE</code>		
Wait until <code>channel_enable = FALSE</code>		
ENDIF		
IF: <code>read_count < N</code>		
Read the receiver register	MCSPI_RXx	0x-
Increment <code>read_count + 1</code>		
ENDIF		
ENDIF		

24.4.5.2.1.6.2 Based on DMA Read Requests

When the DMA handler has completed its 'N-2' OCP accesses `read_count` is assigned with 'N-2'.

Table 24-319. Receive-Only With DMA (Master Turbo) (Main Process)

Step	Register/Bit Field/Programming Model	Value
Start the channel	MCSPI_CHxCTRL [0] EN	1
Wait until <code>channel_enable = TRUE</code>		
Wait until <code>read_count = TRUE</code>		
Disable DMA read request	MCSPI_CHxCONF [15] DMAR	0

Table 24-319. Receive-Only With DMA (Master Turbo) (Main Process) (continued)

Step	Register/Bit Field/Programming Model	Value
Wait until last_transfer = TRUE		
Wait for end of transfer	MCSPI_CHxSTAT[2] EOT	=1
Stop the channel	MCSPI_CHxCTRL[0] EN	0
Wait until channel_enable = FALSE		

Table 24-320. Receive-Only With DMA (Master Turbo) (Interrupt Routine)

Step	Register/Bit Field/Programming Model	Value
Read MCSPI_IRQSTATUS	MCSPI_IRQSTATUS	0x-
Write MCSPI_IRQSTATUS to reset channel status bits	MCSPI_IRQSTATUS[channel x bits]	0b1111
IF: RXx_FULL		
IF: read_count = N - 2		
last_transfer = TRUE		
Wait until channel_enable = FALSE		
ENDIF		
IF: read_count < N		
Read the receiver register	MCSPI_RXx	0x-
Increment read_count +1		
ENDIF		
ENDIF		

24.4.5.2.1.7 Slave Receive-Only

If the requests are configured in DMA, read_count is assigned with 'N' when the DMA handler has completed its 'N' OCP accesses.

Table 24-321. Receive-Only (Slave) (Main Process)

Step	Register/Bit Field/Programming Model	Value
Start the channel	MCSPI_CHxCTRL[0] EN	1
Wait until read_count = N		
Stop the channel	MCSPI_CHxCTRL[0] EN	0

Table 24-322. Receive-Only (Slave) (Interrupt Routine)

Step	Register/Bit Field/Programming Model	Value
Read MCSPI_IRQSTATUS	MCSPI_IRQSTATUS	0x-
Write MCSPI_IRQSTATUS to reset channel status bits	MCSPI_IRQSTATUS[channel x bits]	0b1111
IF: RXx_FULL		
Read the receiver register	MCSPI_RXx	0x-
Increment read_count +1		
ENDIF		

24.4.5.2.1.8 Transfer Procedures With FIFO

These flows describe the transfer with FIFO.

The McSPI module allows the transfer of one or several words, according to different modes:

- MASTER Normal, MASTER Turbo, SLAVE
- TRANSMIT–RECEIVE, TRANSMIT-ONLY, RECEIVE-ONLY
- Write and Read requests: IRQ, DMA

For all these flows, the host process contains the main process and the interrupt routine. This routine is called on the IRQ signals or by an internal call if the module is used in polling mode.

For more information, see [Section 24.4.4.6](#), *FIFO Buffer Management*.

Table 24-323. FIFO Mode Common Sequence (Master) (Main Process)

Step	Register/Bit Field/Programming Model	Value
Write MCSPI_IRQSTATUS to reset channel status bits	MCSPI_IRQSTATUS	1
Write MCSPI_IRQENABLE to enable interrupts	MCSPI_IRQENABLE	1
Write MCSPI_CHxCONF to configure the channel	MCSPI_CHxCONF	0x-
Write MCSPI_XFERLEVEL	MCSPI_XFERLEVEL	0x-
Start the channel	MCSPI_CHxCTRL[0] EN	1
IF: Receive only		
Wait for the write request (TX empty or DMA write)		
Write for the transmitter register with data	MCSPI_TXx	0x-
ENDIF		
Wait for the host event for end of transfer		
Stop the channel	MCSPI_CHxCTRL[0] EN	0

24.4.5.2.1.8.1 Common Transfer Sequence in FIFO Mode

This flow describes the host sequence for a transfer of any type defined in [Section 24.4.5.2.1.8](#), *Transfer Procedures With FIFO*.

In multi-channel, only one channel can use the FIFO.

Before enabling the FIFO for a channel ([MCSPI_CHxCONF\[28\]](#) FFER and [MCSPI_CHxCONF\[27\]](#) FFEW bits), the host must check that the FIFO is not enabled for another channel, even if these channels are not used.

In transmit-and-receive mode, the FIFO can be enabled for write or read request only, without FIFO for the other request.

In Slave mode, the channel 0 only can be activated. The correct SPIEN line is chosen in [MCSPI_CHxCONF\[22:21\]](#) SPIENSLV bits (where x = 0).

The McSPI module can start the transfer only when the first write request has been released by writing the [MCSPI_TXx](#) register, even in receive-only mode (only one write request occurs in this case).

24.4.5.2.1.8.2 End of Transfer Sequences in FIFO Mode

[Table 24-324](#) summarizes the type of end of transfer per transfer mode and gives a reference to the appropriate section for details.

Table 24-324. End of Transfer Sequences in FIFO Mode

Word count	TRANSMIT AND RECEIVE	TRANSMIT-ONLY	RECEIVE-ONLY
Yes	See Figure 24-96	See Figure 24-98	See Figure 24-99
No	See Figure 24-97	See Figure 24-98	See Figure 24-100

The end of transfer sequences are described from the start of the channel.

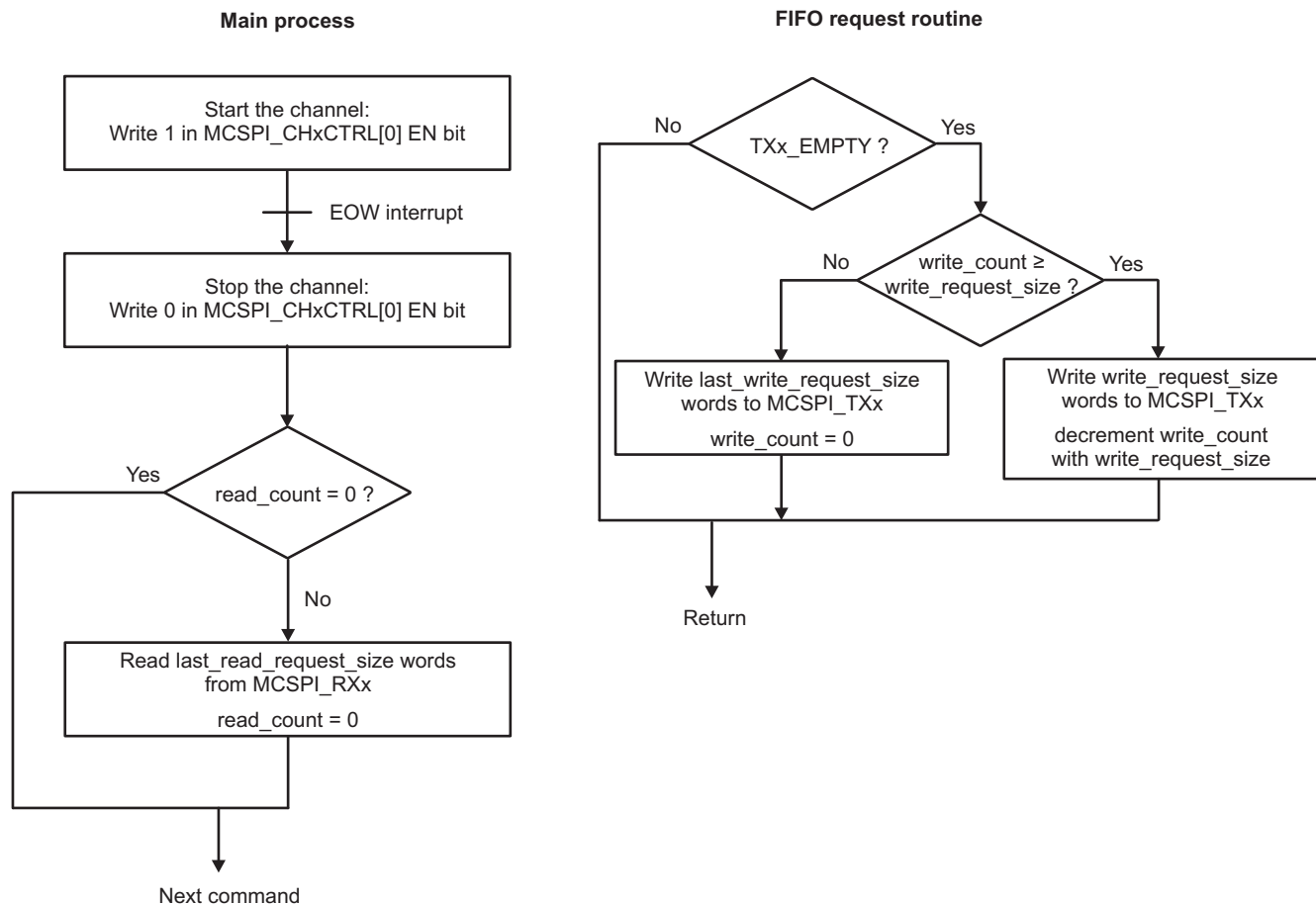
In these sequences, some soft variables are used:

- write_count = N
- read_count = N
- last_request = FALSE

They are initialized before starting the channel.

24.4.5.2.1.8.3 Transmit-and-Receive With Word Count

Figure 24-96 shows the flow of a transfer in transmit-and-receive mode, with word count.

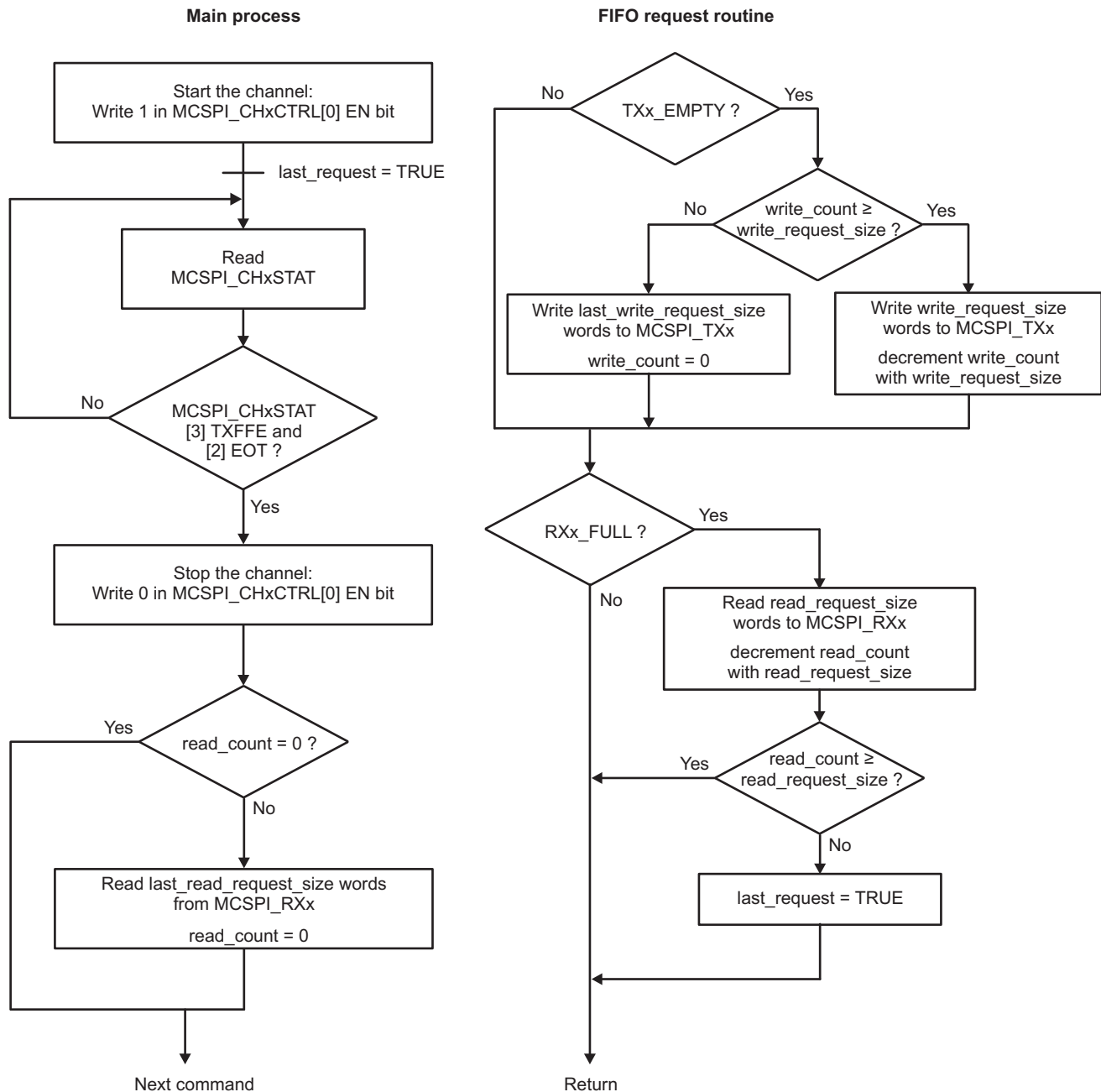


mcspi-045

Figure 24-96. FIFO Mode Transmit-and-Receive With Word Count (Master)

24.4.5.2.1.8.4 Transmit-and-Receive Without Word Count

Figure 24-97 shows the flow of a transfer in transmit-and-receive mode, without word count.



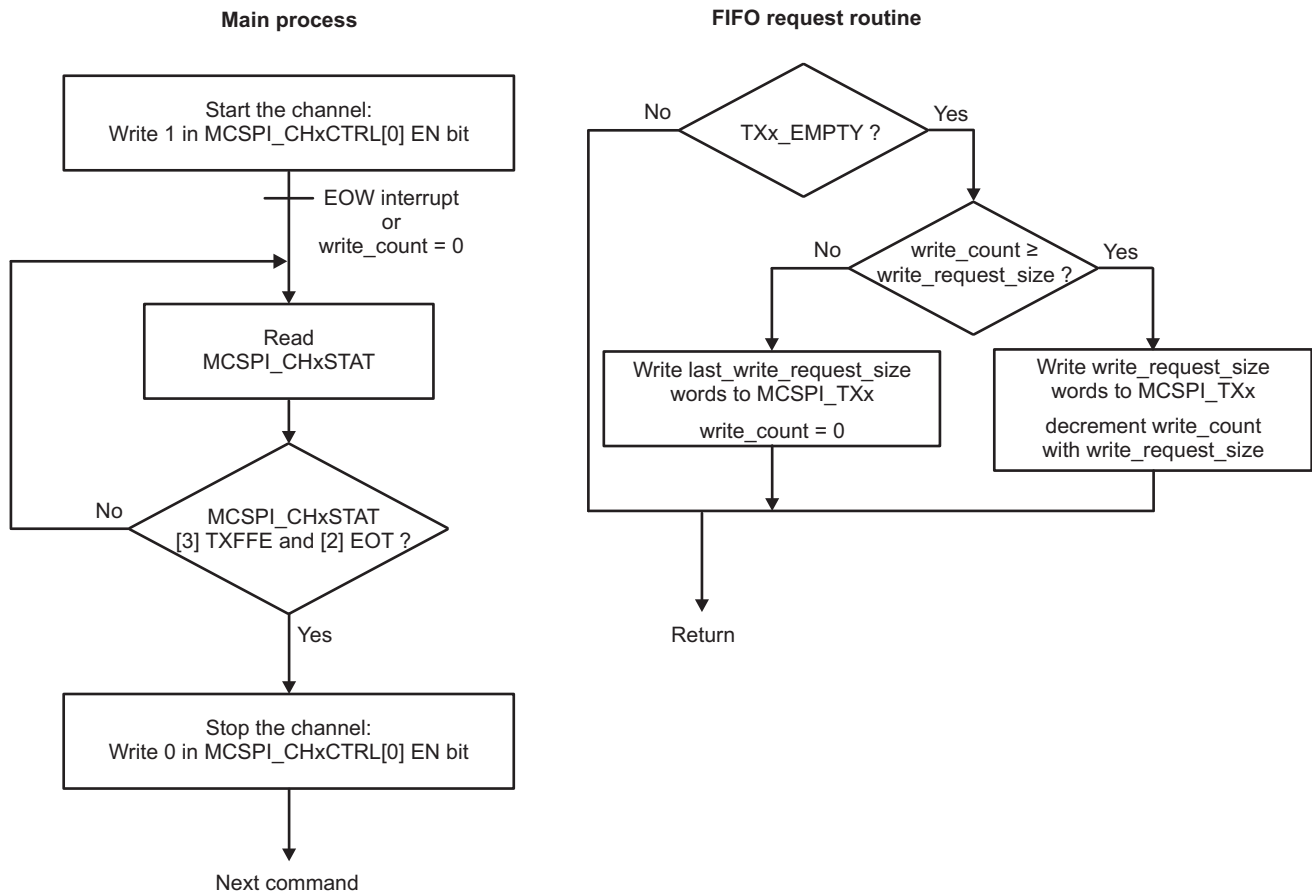
mcspi-046

Figure 24-97. FIFO Mode Transmit-and-Receive Without Word Count (Master)

24.4.5.2.1.8.5 Transmit-Only

Figure 24-98 shows the flow of a transfer in transmit-only mode, with or without word count. The difference between word count enabled or not is just on the condition after starting the channel:

- word count enable: wait for EOW interrupt
- word count disable: wait for write_count = 0

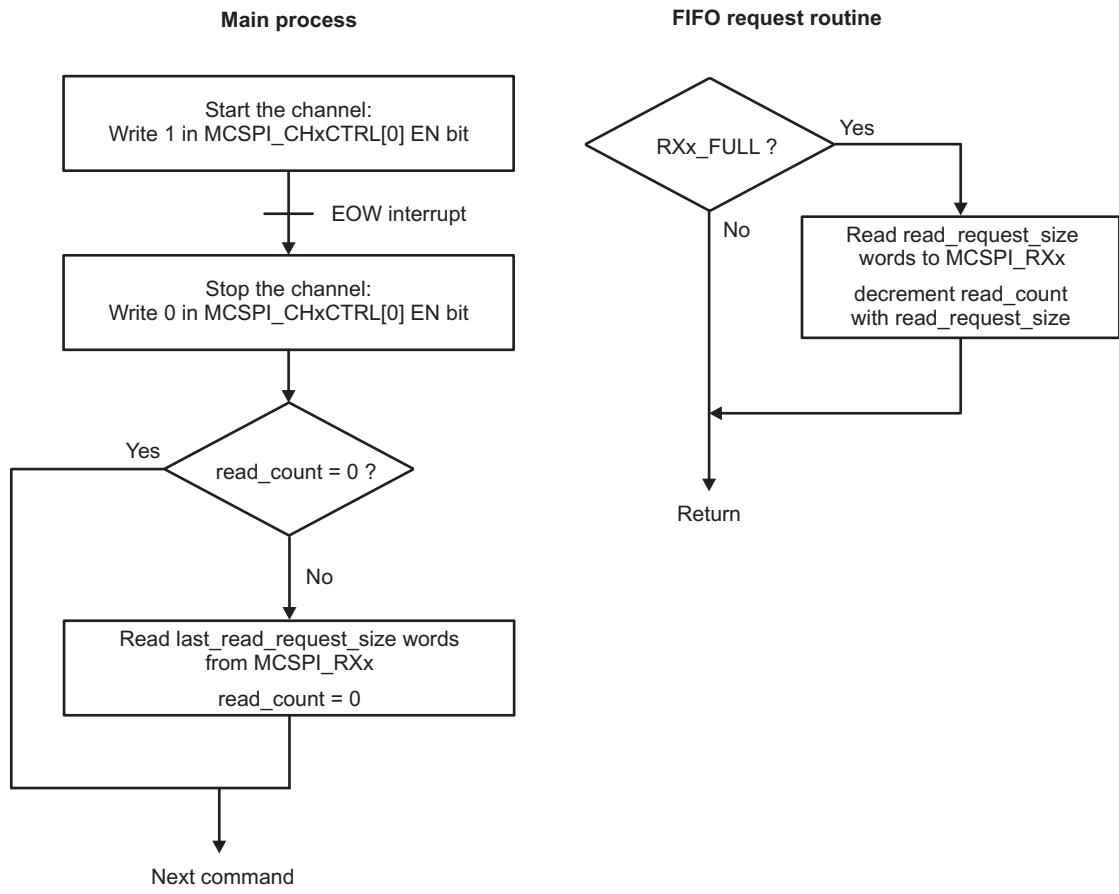


mcspi-047

Figure 24-98. FIFO Mode Transmit-Only (Master)

24.4.5.2.1.8.6 Receive-Only With Word Count

Figure 24-99 shows the flow of a transfer in receive-only mode, with word count.

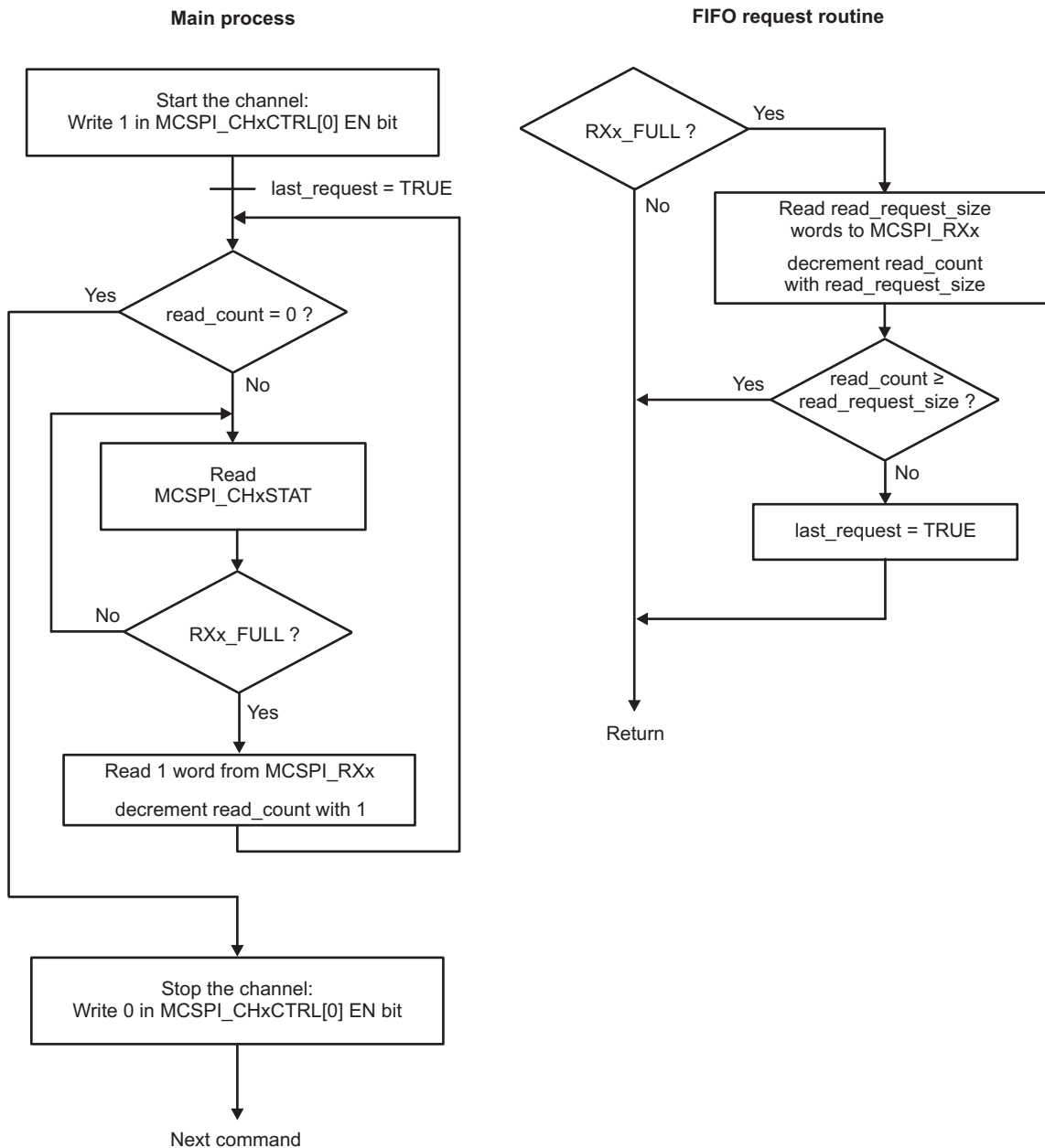


mcspi-048

Figure 24-99. FIFO Mode Receive-Only With Word Count (Master)

24.4.5.2.1.8.7 Receive-Only Without Word Count

Figure 24-100 shows the flow of a transfer in receive-only mode, without word count.



mcspi-049

Figure 24-100. FIFO Mode Receive-Only Without Word Count (Master)

24.4.5.3 Common Transfer Procedures Without FIFO – Polling Method

24.4.5.3.1 Receive-Only Procedure – Polling Method

Table 24-325 lists the receive-only procedure using the polling method.

Table 24-325. Receive-Only Procedure – Polling Method

Step	Register/Bit Field/Programming Model	Value
Configure the channel according to the mode	See Table 24-302.	
Start the channel.	MCSPI_CHxCTRL[0] EN	1

Table 24-325. Receive-Only Procedure – Polling Method (continued)

Step	Register/Bit Field/Programming Model	Value
Wait for end-of-transfer.	MCSPI_CHxSTAT[2] EOT	=1
Read the receiver register.	MCSPI_RXx	0x-
Stop the channel if no more data is expected.	MCSPI_CHxCTRL[0] EN	0

24.4.5.3.2 Receive-Only Procedure – Interrupt Method

[Table 24-326](#) lists the receive-only procedure using the interrupt method.

Table 24-326. Receive-Only Procedure – Interrupt Method

Step	Register/Bit Field/Programming Model	Value
Configure the channel according to the mode.	See Table 24-302 .	
Start the channel.	MCSPI_CHxCTRL[0] EN	1
Enable the interrupt for the receiver register.	MCSPI_IRQENABLE[2] RX_FULL_ENABLE	1
Wait for interrupt.		
Read the status register.	MCSPI_IRQSTATUS[2] RX_FULL	1
Disable the interrupt if no more data is expected.	MCSPI_IRQENABLE[2] RX_FULL_ENABLE	0
Stop the channel if no more data is expected.	MCSPI_CHxCTRL[0] EN	0
Read the receiver register.	MCSPI_RXx	0x-

24.4.5.3.3 Transmit-Only Procedure – Polling Method

[Table 24-327](#) lists the transmit-only procedure using the polling method.

Table 24-327. Transmit-Only Procedure – Polling Method

Step	Register/Bit Field/Programming Model	Value
Configure the channel according to the mode.	See Table 24-303	
Start the channel.	MCSPI_CHxCTRL[0] EN	1
Write the transmitter register with data.	MCSPI_TXx	0x-
Wait until end of transfer?	MCSPI_CHxSTAT[2] EOT	=1
Stop the channel.	MCSPI_CHxCTRL[0] EN	0

24.4.5.3.4 Transmit-and-Receive Procedure – Polling Method

[Table 24-327](#) lists the transmit-and-receive procedure using the polling method.

Table 24-328. Transmit-and-Receive Procedure – Polling Method

Step	Register/Bit Field/Programming Model	Value
Configure the channel according to the mode.	See Table 24-304 .	
Start the channel.	MCSPI_CHxCTRL[0] EN	1
Write the transmitter register with data.	MCSPI_TXx	0x-
Wait until transmit/receive word?	MCSPI_CHxSTAT[2] EOT	=1
Stop the channel.	MCSPI_CHxCTRL[0] EN	0
Read the receiver register.	MCSPI_TXx	0x-

24.4.6 McSPI Register Manual

24.4.6.1 McSPI Instance Summary

Table 24-329. McSPI Instance Summary

Module Name	Base Address	Size
McSPI1	0x4809 8000	4 KiB
McSPI2	0x4809 A000	4 KiB
McSPI3	0x480B 8000	4 KiB
McSPI4	0x480B A000	4 KiB

24.4.6.2 McSPI Registers

24.4.6.2.1 McSPI Register Summary

Table 24-330 lists the McSPI registers. Each register is 32 bits wide.

Table 24-330. McSPI Register Summary

Register	Type	Offset Address	McSPI1 Physical Address	McSPI2 Physical Address	McSPI3 Physical Address	McSPI4 Physical Address
MCSPI_HL_REV	RW	0x00	0x4809 8000	0x4809 A000	0x480B 8000	0x480B A000
MCSPI_HL_HWINFO	RW	0x04	0x4809 8004	0x4809 A004	0x480B 8004	0x480B A004
MCSPI_HL_SYSCONFIG	RW	0x10	0x4809 8010	0x4809 A010	0x480B 8010	0x480B A010
MCSPI_REVISION	R	0x100	0x4809 8100	0x4809 A100	0x480B 8100	0x480B A100
MCSPI_SYSCONFIG	RW	0x110	0x4809 8110	0x4809 A110	0x480B 8110	0x480B A110
MCSPI_SYSSTATUS	R	0x114	0x4809 8114	0x4809 A114	0x480B 8114	0x480B A114
MCSPI_IRQSTATUS	RW	0x118	0x4809 8118	0x4809 A118	0x480B 8118	0x480B A118
MCSPI_IRQENABLE	RW	0x11C	0x4809 811C	0x4809 A11C	0x480B 811C	0x480B A11C
MCSPI_WAKEUPENABLE	RW	0x120	0x4809 8120	0x4809 A120	0x480B 8120	0x480B A120
MCSPI_SYST	RW	0x124	0x4809 8124	0x4809 A124	0x480B 8124	0x480B A124
MCSPI_MODULCTRL	RW	0x128	0x4809 8128	0x4809 A128	0x480B 8128	0x480B A128
MCSPI_CHxCONF ⁽¹⁾	RW	0x12C + (0x14 * x)	0x4809 812C + (0x14 * x)	0x4809 A12C + (0x14 * x)	0x480B 812C + (0x14 * x)	0x480B A12C + (0x14 * x)
MCSPI_CHxSTAT ⁽¹⁾	R	0x130 + (0x14 * x)	0x4809 8130 + (0x14 * x)	0x4809 A130 + (0x14 * x)	0x480B 8130 + (0x14 * x)	0x480B A130 + (0x14 * x)
MCSPI_CHxCTRL ⁽¹⁾	RW	0x134 + (0x14 * x)	0x4809 8134 + (0x14 * x)	0x4809 A134 + (0x14 * x)	0x480B 8134 + (0x14 * x)	0x480B A134 + (0x14 * x)
MCSPI_TXx ⁽¹⁾	RW	0x138 + (0x14 * x)	0x4809 8138 + (0x14 * x)	0x4809 A138 + (0x14 * x)	0x480B 8138 + (0x14 * x)	0x480B A138 + (0x14 * x)
MCSPI_RXx ⁽¹⁾	R	0x13C + (0x14 * x)	0x4809 813C + (0x14 * x)	0x4809 A13C + (0x14 * x)	0x480B 813C + (0x14 * x)	0x480B A13C + (0x14 * x)
MCSPI_XFERLEVEL	RW	0x17C	0x4809 817C	0x4809 A17C	0x480B 817C	0x480B A17C
MCSPI_DAFTX	RW	0x0000 0180	0x4809 8180	0x4809 A180	0x480B 8180	0x480B A180
MCSPI_DAFRX	RW	0x0000 01A0	0x4809 81A0	0x4809 A1A0	0x480B 81A0	0x480B A1A0

⁽¹⁾ x = 0 to 3 for McSPI1, McSPI2, McSPI3 and McSPI4

24.4.6.2.2 McSPI Register Description

Table 24-331 through Table 24-367 describe the individual McSPI register bits.

Table 24-331. MCSPI_HL_REV

Address Offset	0x00		
Physical Address	0x4809 8000 0x4809 A000 0x480B 8000 0x480B A000	Instance	McSPI1 McSPI2 McSPI3 McSPI4
Description	McSPI module revision identifier Used by software to track features, bugs, and compatibility		
Type	R		

31	30	29	28	27	26	25	24	23	22	21	20	19	18	17	16	15	14	13	12	11	10	9	8	7	6	5	4	3	2	1	0
REVISION																															

Bits	Field Name	Description	Type	Reset
31:0	REVISION	McSPI Module Revision	R	TI internal data

Table 24-332. Register Call Summary for Register MCSPI_HL_REV

Multichannel Serial Peripheral Interface

- [McSPI Register Summary: \[0\]](#)

Table 24-333. MCSPI_HL_HWINFO

Address Offset	0x04		
Physical Address	0x4809 8004 0x4809 A004 0x480B 8004 0x480B A004	Instance	McSPI1 McSPI2 McSPI3 McSPI4
Description	Information about the module's hardware configuration.		
Type	R		

31	30	29	28	27	26	25	24	23	22	21	20	19	18	17	16	15	14	13	12	11	10	9	8	7	6	5	4	3	2	1	0
RESERVED																							RETMODE	FFNBYTE	USEFIFO						

Bits	Field Name	Description	Type	Reset
31:7	RESERVED	Reserved These bits are initialized to 0, and writes to them are ignored.	R	0x00000000
6	RETMODE	Retention Mode. This bit field indicates whether the retention mode is supported. 0x0: Retention mode disabled 0x1: Retention mode enabled	R	0
5:1	FFNBYTE	FIFO number of bytes parameter Read 0x1: FIFO 16 bytes depth Read 0x2: FIFO 32 bytes depth Read 0x4: FIFO 64 bytes depth Read 0x8: FIFO 128 bytes depth Read 0x10: FIFO 256 bytes depth	R	0x8

Bits	Field Name	Description	Type	Reset
0	USEFIFO	Use of a FIFO enable. This bit indicates if a FIFO is integrated within controller design with its management. Read 0x0: FIFO not implemented in design Read 0x1: FIFO and its management implemented in design	R	1

Table 24-334. Register Call Summary for Register MCSPI_HL_HWINFO

Multichannel Serial Peripheral Interface

- [McSPI Register Summary: \[0\]](#)

Table 24-335. MCSPI_HL_SYSCONFIG

Address Offset	0x10		
Physical Address	0x4809 8010 0x4809 A010 0x480B 8010 0x480B A010	Instance	McSPI1 McSPI2 McSPI3 McSPI4
Description	Clock management configuration		
Type	RW		

31	30	29	28	27	26	25	24	23	22	21	20	19	18	17	16	15	14	13	12	11	10	9	8	7	6	5	4	3	2	1	0
RESERVED																												IDLEMODE	FREEEMU	SOFTRESET	

Bits	Field Name	Description	Type	Reset
31:4	RESERVED		R	0x0000000
3:2	IDLEMODE	Configuration of the local target state management mode. By definition, target can handle read/write transaction as long as it is out of IDLE state. 0x0: Force-idle mode: local target's IDLE state follows (acknowledges) the system's IDLE requests unconditionally, that is, regardless of the module's internal requirements. Backup mode, for debug only. 0x1: No-idle mode: local target never enters IDLE state. Backup mode, for debug only. 0x2: Smart-idle mode: local target's IDLE state eventually follows (acknowledges) the system's IDLE requests, depending on the IP module's internal requirements. Module shall not generate (IRQ- or DMA-request-related) wake-up events. 0x3: Smart-idle wake-up-capable mode: local target's IDLE state eventually follows (acknowledges) the system's IDLE requests, depending on the module's internal requirements. Module may generate (IRQ- or DMA-request-related) wake-up events when in IDLE state. Mode is relevant only if the appropriate IP module "swake-up" output(s) is (are) implemented.	RW	0x2
1	FREEEMU	Sensitivity to emulation (debug) suspend input signal. 0x0: Module is sensitive to emulation suspend. 0x1: Module is not sensitive to emulation suspend.	RW	0

Bits	Field Name	Description	Type	Reset
0	SOFTRESET	Software reset. (Optional) Write 0x0: No action Read 0x0: Reset done, no pending action Read 0x1: Reset (software or other) ongoing Write 0x1: Initiate software reset	RW	0

Table 24-336. Register Call Summary for Register MCSPI_HL_SYSCONFIG

Multichannel Serial Peripheral Interface

- [McSPI Register Summary: \[0\]](#)

Table 24-337. MCSPI_REVISION

Address Offset	0x100		
Physical Address	0x4809 8100 0x4809 A100 0x480B 8100 0x480B A100	Instance	McSPI1 McSPI2 McSPI3 McSPI4
Description	This register contains the McSPI revision number.		
Type	R		

31	30	29	28	27	26	25	24	23	22	21	20	19	18	17	16	15	14	13	12	11	10	9	8	7	6	5	4	3	2	1	0
RESERVED																REVISION															

Bits	Field Name	Description	Type	Reset
31:8	RESERVED	Reads return 0	R	0x0
7:0	REVISION	McSPI core revision [7:4] Major revision [3:0] Minor revision Examples: 0x10 for 1.0, 0x21 for 2.1	R	TI Internal data

Table 24-338. Register Call Summary for Register MCSPI_REVISION

Multichannel Serial Peripheral Interface

- [McSPI Register Summary: \[0\]](#)

Table 24-339. MCSPI_SYSCONFIG

Address Offset	0x110		
Physical Address	0x4809 8110 0x4809 A110 0x480B 8110 0x480B A110	Instance	McSPI1 McSPI2 McSPI3 McSPI4
Description	This register allows controlling various parameters of the configuration interface and is not affected by software reset.		
Type	RW		

31	30	29	28	27	26	25	24	23	22	21	20	19	18	17	16	15	14	13	12	11	10	9	8	7	6	5	4	3	2	1	0
RESERVED																CLOCKACTIVITY	RESERVED	SIDLEMODE	ENAWAKEUP	SOFTRESET	AUTOIDLE										

Bits	Field Name	Description	Type	Reset
31:10	RESERVED	Reads return 0	RW	0x000000
9:8	CLOCKACTIVITY	Clocks activity during wake-up mode period 0x0: Interface and functional clocks may be switched off. 0x1: Interface clock is maintained. Functional clock may be switched off. 0x2: Functional clock is maintained. Interface clock may be switched off. 0x3: Interface and functional clocks are maintained.	RW	0x0
7:5	RESERVED	Reads returns 0	RW	0x0
4:3	SIDLEMODE	Power management 0x0: If an IDLE request is detected, the McSPI acknowledges it unconditionally and goes in inactive mode. Interrupt, DMA requests and wake-up lines are unconditionally deasserted and the module wake-up capability is deactivated even if the [2] ENAWAKEUP bit is set. 0x1: If an IDLE request is detected, the request is ignored and the module does not switch to wake-up mode, and keeps on behaving normally. 0x2: If an IDLE request is detected, the module will switch to wake-up mode based on its internal activity, and the wake-up capability can be used if the bit [2] ENAWAKEUP is set. 0x3: Reserved - do not use.	RW	0x2
2	ENAWAKEUP	Wake-up feature control 0x0: Wake-up capability is disabled. 0x1: Wake-up capability is enabled.	RW	1
1	SOFTRESET	Software reset. During reads it always returns 0. 0x0: (write) Normal mode 0x1: (write) Set this bit to 1 to trigger a module reset. The bit is automatically reset by the hardware.	RW	0
0	AUTOIDLE	Internal interface clock-gating strategy 0x0: Interface clock is free-running. 0x1: Automatic interface clock gating strategy is applied, based on the interface activity.	RW	1

Table 24-340. Register Call Summary for Register MCSPI_SYSCONFIG

Multichannel Serial Peripheral Interface

- [Reset: \[0\]\[1\]](#)
- [Normal Mode: \[2\]](#)
- [Idle Mode: \[3\]\[4\]\[5\]\[6\]\[7\]\[8\]](#)
- [McSPI Global Initialization: \[9\]\[10\]\[11\]](#)
- [McSPI Register Summary: \[12\]](#)
- [McSPI Register Description: \[13\]\[14\]](#)

Table 24-341. MCSPI_SYSSTATUS

Address Offset	0x114		
Physical Address	0x4809 8114 0x4809 A114 0x480B 8114 0x480B A114	Instance	McSPI1 McSPI2 McSPI3 McSPI4
Description	This register provides status information about the module excluding the interrupt status information.		
Type	R		

31	30	29	28	27	26	25	24	23	22	21	20	19	18	17	16	15	14	13	12	11	10	9	8	7	6	5	4	3	2	1	0
RESERVED																RESETDONE															

Bits	Field Name	Description	Type	Reset
31:1	RESERVED	Reserved for future module specific status information. Read returns 0.	R	0x0000 0000
0	RESETDONE	Internal reset monitoring Read 0x0: Internal module reset is ongoing Read 0x1: Reset completed	R	0

Table 24-342. Register Call Summary for Register MCSPI_SYSSTATUS

Multichannel Serial Peripheral Interface

- [McSPI Global Initialization: \[0\]](#)
- [McSPI Register Summary: \[1\]](#)

Table 24-343. MCSPI_IRQSTATUS

Address Offset	0x118		
Physical Address	0x4809 8118 0x4809 A118 0x480B 8118 0x480B A118	Instance	McSPI1 McSPI2 McSPI3 McSPI4
Description	The interrupt status regroups all the status of the module internal events that can generate an interrupt.		
Type	RW		

31	30	29	28	27	26	25	24	23	22	21	20	19	18	17	16	15	14	13	12	11	10	9	8	7	6	5	4	3	2	1	0		
RESERVED																EOW	WKS	RESERVED	RX3_FULL	TX3_UNDERFLOW	TX3_EMPTY	RESERVED	RX2_FULL	TX2_UNDERFLOW	TX2_EMPTY	RESERVED	RX1_FULL	TX1_UNDERFLOW	TX1_EMPTY	RX0_OVERFLOW	RX0_FULL	TX0_UNDERFLOW	TX0_EMPTY

Bits	Field Name	Description	Type	Reset
31:18	RESERVED	Reads return 0	RW	0x0000
17	EOW	End of word count event when a channel is enabled using the FIFO buffer and the channel had sent the number of SPI word defined by MCSPI_XFERLEVEL[31:16] WCNT. Write 0x0: Event status bit unchanged Read 0x0: Event false Read 0x1: Event is pending Write 0x1: Event status bit is reset	RW W1toClr	0
16	WKS	Wake-up event in slave mode when an active control signal is detected on the SPIEN line programmed in the field MCSPI_CHxCONF[22:21] SPIENSLV Read 0x0: Event false Write 0x0: Event status bit unchanged Write 0x1: Event status bit is reset Read 0x1: Event is pending	RW W1toClr	0
15	RESERVED	Reads returns 0	RW	0
14	RX3_FULL	Receiver register is full or almost full. Only when Channel 3 is enabled Read 0x0: Event false Write 0x0: Event status bit unchanged Write 0x1: Event status bit is reset Read 0x1: Event is pending	RW W1toClr	0
13	TX3_UNDERFLOW	Transmitter register underflow. Only when Channel 3 is enabled. The transmitter register is empty (not updated by host or DMA with new data) before its time slot assignment. Exception: No TX_underflow event when no data has been loaded into the transmitter register since channel has been enabled. Read 0x0: Event false Write 0x0: Event status bit unchanged Write 0x1: Event status bit is reset Read 0x1: Event is pending	RW W1toClr	0
12	TX3_EMPTY	Transmitter register is empty or almost empty. Note: Enabling the channel automatically rises this event. Read 0x0: Event false Write 0x0: Event status bit unchanged Write 0x1: Event status bit is reset Read 0x1: Event is pending	RW W1toClr	0
11	RESERVED	Reads returns 0.	RW	0
10	RX2_FULL	Receiver register full or almost full. Channel 2 Read 0x0: Event false Write 0x0: Event status bit unchanged Write 0x1: Event status bit is reset Read 0x1: Event is pending	RW W1toClr	0
9	TX2_UNDERFLOW	Transmitter register underflow. Channel 2 Read 0x0: Event false Write 0x0: Event status bit unchanged Write 0x1: Event status bit is reset Read 0x1: Event is pending	RW W1toClr	0

Bits	Field Name	Description	Type	Reset
8	TX2_EMPTY	Transmitter register empty or almost empty. Channel 2 Read 0x0: Event false Write 0x0: Event status bit unchanged Write 0x1: Event status bit is reset Read 0x1: Event is pending	RW W1toClr	0
7	RESERVED	Reads returns 0	RW	0
6	RX1_FULL	Receiver register full or almost full. Channel 1 Read 0x0: Event false Write 0x0: Event status bit unchanged Write 0x1: Event status bit is reset Read 0x1: Event is pending	RW W1toClr	0
5	TX1_UNDERFLOW	Transmitter register underflow. Channel 1 Read 0x0: Event false Write 0x0: Event status bit unchanged Write 0x1: Event status bit is reset Read 0x1: Event is pending	RW W1toClr	0
4	TX1_EMPTY	Transmitter register empty or almost empty. Channel 1 Read 0x0: Event false Write 0x0: Event status bit unchanged Write 0x1: Event status bit is reset Read 0x1: Event is pending	RW W1toClr	0
3	RX0_OVERFLOW	Receiver register overflow (slave mode only). Channel 0 Read 0x0: Event false Write 0x0: Event status bit unchanged Write 0x1: Event status bit is reset Read 0x1: Event is pending	RW W1toClr	0
2	RX0_FULL	Receiver register full or almost full. Channel 0 Read 0x0: Event false Write 0x0: Event status bit unchanged Write 0x1: Event status bit is reset Read 0x1: Event is pending	RW W1toClr	0
1	TX0_UNDERFLOW	Transmitter register underflow. Channel 0 Read 0x0: Event false Write 0x0: Event status bit unchanged Write 0x1: Event status bit is reset Read 0x1: Event is pending	RW W1toClr	0
0	TX0_EMPTY	Transmitter register empty or almost empty. Channel 0 Read 0x0: Event false Write 0x0: Event status bit unchanged Write 0x1: Event status bit is reset Read 0x1: Event is pending	RW W1toClr	0

Bits	Field Name	Description	Type	Reset
14	RX3_FULL_ENABLE	Receiver register Full Interrupt Enable. Channel 3 0x0: Interrupt disabled 0x1: Interrupt enabled	RW	0
13	TX3_UNDERFLOW_ENABLE	Transmitter register Underflow Interrupt Enable. Channel 3 0x0: Interrupt disabled 0x1: Interrupt enabled	RW	0
12	TX3_EMPTY_ENABLE	Transmitter register Empty Interrupt Enable. Channel 3 0x0: Interrupt disabled 0x1: Interrupt enabled	RW	0
11	RESERVED	Reads return 0.	RW	0
10	RX2_FULL_ENABLE	Receiver register Full Interrupt Enable. Channel 2 0x0: Interrupt disabled 0x1: Interrupt enabled	RW	0
9	TX2_UNDERFLOW_ENABLE	Transmitter register Underflow Interrupt Enable. Channel 2 0x0: Interrupt disabled 0x1: Interrupt enabled	RW	0
8	TX2_EMPTY_ENABLE	Transmitter register Empty Interrupt Enable. Channel 2 0x0: Interrupt disabled 0x1: Interrupt enabled	RW	0
7	RESERVED	Reads return 0.	RW	0
6	RX1_FULL_ENABLE	Receiver register Full Interrupt Enable. Channel 1 0x0: Interrupt disabled 0x1: Interrupt enabled	RW	0
5	TX1_UNDERFLOW_ENABLE	Transmitter register Underflow Interrupt Enable. Channel 1 0x0: Interrupt disabled 0x1: Interrupt enabled	RW	0
4	TX1_EMPTY_ENABLE	Transmitter register Empty Interrupt Enable. Channel 1 0x0: Interrupt disabled 0x1: Interrupt enabled	RW	0
3	RX0_OVERFLOW_ENABLE	Receiver register Overflow Interrupt Enable. Channel 0 0x0: Interrupt disabled 0x1: Interrupt enabled	RW	0
2	RX0_FULL_ENABLE	Receiver register Full Interrupt Enable. Channel 0 0x0: Interrupt disabled 0x1: Interrupt enabled	RW	0
1	TX0_UNDERFLOW_ENABLE	Transmitter register Underflow Interrupt Enable. Channel 0 0x0: Interrupt disabled 0x1: Interrupt enabled	RW	0
0	TX0_EMPTY_ENABLE	Transmitter register Empty Interrupt Enable. Channel 0 0x0: Interrupt disabled 0x1: Interrupt enabled	RW	0

Table 24-346. Register Call Summary for Register MCSPI_IRQENABLE

Multichannel Serial Peripheral Interface

- [Interrupts: \[0\]](#)
- [Interrupt-Driven Operation: \[1\]](#)
- [Polling: \[2\]](#)
- [Idle Mode: \[3\]\[4\]](#)
- [McSPI Operational Modes: \[5\]\[6\]\[7\]\[8\]](#)
- [Receive-Only Procedure – Interrupt Method: \[9\]\[10\]](#)
- [McSPI Register Summary: \[11\]](#)

Table 24-347. MCSPI_WAKEUPENABLE

Address Offset	0x120		
Physical Address	0x4809 8120 0x4809 A120 0x480B 8120 0x480B A120	Instance	McSPI1 McSPI2 McSPI3 McSPI4
Description	The wake-up enable register allows enabling and disabling of the module internal sources of wakeup on event-by-event basis.		
Type	RW		

31	30	29	28	27	26	25	24	23	22	21	20	19	18	17	16	15	14	13	12	11	10	9	8	7	6	5	4	3	2	1	0
RESERVED																WKEN															

Bits	Field Name	Description	Type	Reset
31:1	RESERVED	Reads returns 0.	RW	0x0000 0000
0	WKEN	Wake-up functionality in slave mode when an active control signal is detected on the SPIEN line programmed in the MCSPI_CHxCONF[22:21] SPIENSLV bits 0x0: The event is not allowed to wake-up the system, even if the global control bit MCSPI_SYSCONFIG[2] ENAWAKEUP is set. 0x1: The event is allowed to wake-up the system if the global control bit MCSPI_SYSCONFIG[2] ENAWAKEUP is set.	RW	0

Table 24-348. Register Call Summary for Register MCSPI_WAKEUPENABLE

Multichannel Serial Peripheral Interface

- [Idle Mode: \[0\]\[1\]\[2\]](#)
- [McSPI Register Summary: \[3\]](#)

Table 24-349. MCSPI_SYST

Address Offset	0x124		
Physical Address	0x4809 8124 0x4809 A124 0x480B 8124 0x480B A124	Instance	McSPI1 McSPI2 McSPI3 McSPI4
Description	This register is used to check the correctness of the system interconnect either internally to peripheral bus, or externally to device I/O pads, when the module is configured in system test (SYSTEST) mode.		
Type	RW		

31	30	29	28	27	26	25	24	23	22	21	20	19	18	17	16	15	14	13	12	11	10	9	8	7	6	5	4	3	2	1	0
RESERVED																SSB	SPIENDIR	SPIDATDIR1	SPIDATDIR0	WAKD	SPICLK	SPIDAT_1	SPIDAT_0	SPIEN_3	SPIEN_2	SPIEN_1	SPIEN_0				

Bits	Field Name	Description	Type	Reset
31:12	RESERVED	Reads returns 0.	RW	0x00000
11	SSB	Set status bit 0x0: No action. Writing 0 does not clear already set status bits. This bit must be cleared before trying to clear a status bit of the MCSPI_IRQSTATUS register. 0x1: Force to 1 all status bits of MCSPI_IRQSTATUS register. Writing 1 into this bit sets to 1 all status bits in the MCSPI_IRQSTATUS register.	RW	0
10	SPIENDIR	Set the direction of the SPIEN[3:0] lines and SPICLK line. 0x0: Output (as in master mode) 0x1: Input (as in slave mode)	RW	0
9	SPIDATDIR1	Set the direction of the SPIDAT[1]. 0x0: Output 0x1: Input	RW	0
8	SPIDATDIR0	Set the direction of the SPIDAT[0]. 0x0: Output 0x1: Input	RW	0
7	WAKD	SWAKEUP output (signal data value of internal signal to system). The signal is driven high or low according to the value written into this bit. 0x0: The pin is driven low. 0x1: The pin is driven high.	RW	0
6	SPICLK	SPICLK line (signal data value) If [10] SPIENDIR = 1 (input mode direction), this bit returns the value on the CLKSPI line (high or low), and a write into this bit has no effect. If [10] SPIENDIR = 0 (output mode direction), the CLKSPI line is driven high or low according to the value written into this bit.	RW	0
5	SPIDAT_1	SPIDAT[1] line (signal data value) If [9] SPIDATDIR1 = 0 (output mode direction), the SPIDAT[1] line is driven high or low according to the value written into this bit. If [9] SPIDATDIR1 = 1 (input mode direction), this bit returns the value on the SPIDAT[1] line (high or low), and a write into this bit has no effect.	RW	0

Bits	Field Name	Description	Type	Reset
4	SPIDAT_0	SPIDAT[0] line (signal data value) If [8] SPIDATDIR0 = 0 (output mode direction), the SPIDAT[0] line is driven high or low according to the value written into this bit. If [8] SPIDATDIR0 = 1 (input mode direction), this bit returns the value on the SPIDAT[0] line (high or low), and a write into this bit has no effect.	RW	0
3	SPIEN_3	SPIEN[3] line (signal data value) If [10] SPIENDIR = 0 (output mode direction), the SPIEN[3] line is driven high or low according to the value written into this bit. If [10] SPIENDIR = 1 (input mode direction), this bit returns the value on the SPIEN[3] line (high or low), and a write into this bit has no effect.	RW	0
2	SPIEN_2	SPIEN[2] line (signal data value) If [10] SPIENDIR = 0 (output mode direction), the SPIEN[2] line is driven high or low according to the value written into this bit. If [10] SPIENDIR = 1 (input mode direction), this bit returns the value on the SPIEN[2] line (high or low), and a write into this bit has no effect.	RW	0
1	SPIEN_1	SPIEN[1] line (signal data value) If [10] SPIENDIR = 0 (output mode direction), the SPIEN[1] line is driven high or low according to the value written into this bit. If [10] SPIENDIR = 1 (input mode direction), this bit returns the value on the SPIEN[1] line (high or low), and a write into this bit has no effect.	RW	0
0	SPIEN_0	SPIEN[0] line (signal data value) If [10] SPIENDIR = 0 (output mode direction), the SPIEN[0] line is driven high or low according to the value written into this bit. If [10] SPIENDIR = 1 (input mode direction), this bit returns the value on the SPIEN[0] line (high or low), and a write into this bit has no effect.	RW	0

Table 24-350. Register Call Summary for Register MCSPI_SYST

Multichannel Serial Peripheral Interface

- [McSPI Register Summary: \[0\]](#)

Table 24-351. MCSPI_MODULCTRL

Address Offset	0x128	Instance	McSPI1
Physical Address	0x4809 8128 0x4809 A128 0x480B 8128 0x480B A128		McSPI2 McSPI3 McSPI4
Description	This register is dedicated to the configuration of the serial peripheral interface.		
Type	RW		

31	30	29	28	27	26	25	24	23	22	21	20	19	18	17	16	15	14	13	12	11	10	9	8	7	6	5	4	3	2	1	0
RESERVED																FDAA	MOA	INITDLY			SYSTEM_TEST	MS	PIN34	SINGLE							

Bits	Field Name	Description	Type	Reset
31:9	RESERVED	Reads returns 0.	RW	0x000000
8	FDAA	<p>FIFO DMA address 256-bit aligned</p> <p>This bit is used when a FIFO is managed by the module and DMA connected to the controller provides only 256-bit aligned address. If this bit is set the enabled channel which uses the FIFO has its data managed through MCSPI_DAF TX and MCSPI_DAF RX registers instead of MCSPI_T Xx and MCSPI_R Xx registers.</p> <p>0x0: FIFO data managed by MCSPI_T Xx and MCSPI_R Xx registers.</p> <p>0x1: FIFO data managed by MCSPI_DAF TX and MCSPI_DAF RX registers.</p>	RW	0
7	MOA	<p>Multiple word interface access: this bit can only be used when a channel is enabled using a FIFO. It allows the system to perform multiple SPI word access for a single 32-bit interface word access. This is possible for WL < 16.</p> <p>0x0: Multiple word access disabled</p> <p>0x1: Multiple word access enabled with FIFO</p>	RW	0
6:4	INITDLY	<p>Initial SPI delay for first transfer: this field is an option only available in SINGLE master mode. The controller waits for a delay to transmit the first SPI word after channel enabled and corresponding TX register filled. This delay is based on SPI output frequency clock. No clock output provided to the boundary and chip select is not active in 4-pin mode within this period.</p> <p>0x0: No delay for first spi transfer.</p> <p>0x1: The controller wait 4 SPI bus clock</p> <p>0x2: The controller wait 8 SPI bus clock</p> <p>0x3: The controller wait 16 SPI bus clock</p> <p>0x4: The controller wait 32 SPI bus clock</p>	RW	0x0
3	SYSTEM_TEST	<p>Enables the system test mode</p> <p>0x0: Functional mode</p> <p>0x1: System test mode (SYSTEST)</p>	RW	0
2	MS	<p>Master/slave</p> <p>0x0: Master - The module generates the SPICLK and SPIEN[3:0].</p> <p>0x1: Slave - The module receives the SPICLK and SPIEN[3:0].</p>	RW	1
1	PIN34	<p>Pin mode selection: This bit is used in master or slave mode to configure the SPI pin mode (3-pin or 4-pin). If asserted the controller only uses SIMO, SOMI, and SPICLK clock pin for SPI transfers.</p> <p>0x0: SPIEN is used as a chip-select.</p> <p>0x1: SPIEN is not used. In this mode all related options to chip-select have no meaning.</p>	RW	0
0	SINGLE	<p>Single channel/Multi Channel (master mode only)</p> <p>0x0: More than one channel will be used in master mode.</p> <p>0x1: Only one channel will be used in master mode. This bit must be set in Force SPIEN[x] mode.</p>	RW	0

Table 24-352. Register Call Summary for Register MCSPI_MODULCTRL

Multichannel Serial Peripheral Interface

- Single-Channel Master Mode: [0][1][2][3][4][5]
- Chip-Select Timing Control: [6][7]
- Slave Mode: [8][9][10][11]
- 3-Pin or 4-Pin Mode: [12]
- McSPI Global Initialization: [13]
- McSPI Register Summary: [14]
- McSPI Register Description: [15][16]

Table 24-353. MCSPI_CHxCONF

Address Offset	0x12C + (0x14 * x)	Index	x = 0 to 3
Physical Address	0x4809 812C + (0x14 * x) 0x4809 A12C + (0x14 * x) 0x480B 812C + (0x14 * x) 0x480B A12C + (0x14 * x)	Instance	McSPI1 McSPI2 McSPI3 McSPI4
Description	This register is dedicated to the configuration of the channel x		
Type	RW		

31	30	29	28	27	26	25	24	23	22	21	20	19	18	17	16	15	14	13	12	11	10	9	8	7	6	5	4	3	2	1	0
RESERVED	RESERVED	CLKG	FFER	FFEW	TCS0	SBPOL	SBE	SPIENSLV	FORCE	TURBO	IS	DPE1	DPE0	DMAR	DMAW	TRM	WL	EPOL	CLKD	POL	PHA										

Bits	Field Name	Description	Type	Reset
31:30	RESERVED	Read returns 0.	R	0x0
29	CLKG	Clock divider granularity this bit defines the granularity of channel clock divider: power of 2 or one clock cycle granularity. When this bit is set the register MCSPI_CHxCTRL[15:8] EXTCLK must be configured to reach a maximum of 4096 clock divider ratio. Then the clock divider ratio is a concatenation of [5:2] CLKD and MCSPI_CHxCTRL[15:8] EXTCLK values 0x0: Clock granularity of power of 2 0x1: One clock cycle granularity	RW	0
28	FFER	FIFO enabled for receive: Only one channel can have this bit field set. 0x0: The buffer is not used to receive data. 0x1: The buffer is used to receive data.	RW	0
27	FFEW	FIFO enabled for transmit: Only one channel can have this bit field set. 0x0: The buffer is not used to transmit data. 0x1: The buffer is used to transmit data.	RW	0
26:25	TCS0	Chip-select time control This 2-bit field defines the number of interface clock cycles between CS toggling and first or last edge of SPI clock. 0x0: 0.5 clock cycle 0x1: 1.5 clock cycles 0x2: 2.5 clock cycles 0x3: 3.5 clock cycles	RW	0x0

Bits	Field Name	Description	Type	Reset
24	SBPOL	Start-bit polarity 0x0: Start-bit polarity is held to 0 during SPI transfer. 0x1: Start-bit polarity is held to 1 during SPI transfer.	RW	0
23	SBE	Start-bit enable for SPI transfer 0x0: Default SPI transfer length as specified by WL bit field 0x1: Start bit D/CX added before SPI transfer. Polarity is defined by bit [24] SBPOL	RW	0
22:21	SPIENSLV	Channel 0 only and slave mode only: SPI slave select signal detection. Reserved bits for other cases. 0x0: Detection enabled only on SPIEN[0] 0x1: Detection enabled only on SPIEN[1] 0x2: Detection enabled only on SPIEN[2] 0x3: Detection enabled only on SPIEN[3]	RW	0x0
20	FORCE	Manual SPIEN assertion to keep SPIEN active between SPI words (single channel master mode only). 0x0: Writing 0 into this bit drives low the SPIEN line when [6] EPOL=0, and drives it high when [6] EPOL=1. 0x1: Writing 1 into this bit drives high the SPIEN line when [6] EPOL=0, and drives it low when [6] EPOL=1.	RW	0
19	TURBO	Turbo mode 0x0: Turbo is deactivated (recommended for single SPI word transfer). 0x1: Turbo is activated to maximize the throughput for multiple SPI words transfer.	RW	0
18	IS	Input Select 0x0: Data line 0 (SPIDAT[0]) selected for reception 0x1: Data line 1 (SPIDAT[1]) selected for reception	RW	1
17	DPE1	Transmission enable for data line 1 0x0: Data line 1 (SPIDAT[1]) selected for transmission 0x1: No transmission on Data Line1 (SPIDAT[1])	RW	1
16	DPE0	Transmission Enable for data line 0 0x0: Data Line0 (SPIDAT[0]) selected for transmission 0x1: No transmission on data line 0 (SPIDAT[0])	RW	0
15	DMAR	DMA read request The DMA read request line is asserted when the channel is enabled and a new data is available in the receive register of the channel. The DMA read request line is deasserted on read completion of the receive register of the channel. 0x0: DMA read request disabled 0x1: DMA read request enabled	RW	0
14	DMAW	DMA write request. The DMA write request line is asserted when The channel is enabled and the transmitter register of the channel is empty. The DMA write request line is deasserted on load completion of the transmitter register of the channel. 0x0: DMA write request disabled 0x1: DMA write request enabled	RW	0

Bits	Field Name	Description	Type	Reset
13:12	TRM	Transmit/receive modes 0x0: Transmit-and-receive mode 0x1: Receive-only mode 0x2: Transmit-only mode 0x3: Reserved	RW	0x0
11:7	WL	SPI word length 0x0: Reserved 0x1: Reserved 0x2: Reserved 0x3: The SPI word is 4 bits long 0x4: The SPI word is 5 bits long 0x5: The SPI word is 6 bits long 0x6: The SPI word is 7 bits long 0x7: The SPI word is 8 bits long 0x8: The SPI word is 9 bits long 0x9: The SPI word is 10 bits long 0xA: The SPI word is 11 bits long 0xB: The SPI word is 12 bits long 0xC: The SPI word is 13 bits long 0xD: The SPI word is 14 bits long 0xE: The SPI word is 15 bits long 0xF: The SPI word is 16 bits long 0x10: The SPI word is 17 bits long 0x11: The SPI word is 18 bits long 0x12: The SPI word is 19 bits long 0x13: The SPI word is 20 bits long 0x14: The SPI word is 21 bits long 0x15: The SPI word is 22 bits long 0x16: The SPI word is 23 bits long 0x17: The SPI word is 24 bits long 0x18: The SPI word is 25 bits long 0x19: The SPI word is 26 bits long 0x1A: The SPI word is 27 bits long 0x1B: The SPI word is 28 bits long 0x1C: The SPI word is 29 bits long 0x1D: The SPI word is 30 bits long 0x1E: The SPI word is 31 bits long 0x1F: The SPI word is 32 bits long	RW	0x00
6	EPOL	SPIEN polarity 0x0: SPIEN is held high during the ACTIVE state. 0x1: SPIEN is held low during the ACTIVE state.	RW	0

Bits	Field Name	Description	Type	Reset
5:2	CLKD	<p>Frequency divider for SPICLK (only when the module is a Master SPI device). A programmable clock divider divides the SPI reference clock (FCLK) with a 4-bit value, and results in a new clock SPICLK available to shift-in and shift-out data. By default, the clock divider ratio has a power of 2 granularity when [29] CLKG is cleared. Otherwise, this field is the 4-LSB bit of a 12-bit register concatenated with clock divider extension MCSPI_CHxCTRL[15:8] EXTCLK register. The value description below defines the clock ratio when [29] CLKG is set to 0.</p> <p>0x0: 1 0x1: 2 0x2: 4 0x3: 8 0x4: 16 0x5: 32 0x6: 64 0x7: 128 0x8: 256 0x9: 512 0xA: 1024 0xB: 2048 0xC: 4096 0xD: 8192 0xE: 16384 0xF: 32768</p>	RW	0x0
1	POL	<p>SPICLK polarity (see Section 24.4.2.3.1, Transfer Format)</p> <p>0x0: SPICLK is held low during the INACTIVE state 0x1: SPICLK is held high during the INACTIVE state</p>	RW	0
0	PHA	<p>SPICLK phase (see Section 24.4.2.3.1, Transfer Format)</p> <p>0x0: Data are latched on odd-numbered edges of SPICLK. 0x1: Data are latched on even-numbered edges of SPICLK.</p>	RW	0

Table 24-354. Register Call Summary for Register MCSPI_CHxCONF

Multichannel Serial Peripheral Interface

- Basic McSPI Pins for Master Mode: [0][1][2][3]
- Basic McSPI Pins for Slave Mode: [4][5][6][7]
- Multichannel SPI Protocol and Data Format: [8][9][10][11][12][13][14][15]
- Transfer Format: [16]
- SPI in Slave Mode: [17]
- Master Transmit-and-Receive Mode (Full Duplex): [18]
- Master Transmit-Only Mode (Half Duplex): [19]
- Master Receive-Only Mode (Half Duplex): [20]
- Single-Channel Master Mode: [21][22][23][24][25][26][27][28][29][30][31][32]
- Start-Bit Mode: [33][34][35][36]
- Chip-Select Timing Control: [37]
- Programmable SPI Clock: [38][39][40][41][42][43]
- Dedicated Resources: [44][45][46][47][48][49]
- Slave Transmit-and-Receive Mode: [50]
- Slave Transmit-Only Mode: [51]
- Slave Receive-Only Mode: [52]
- 3-Pin or 4-Pin Mode: [53]
- FIFO Buffer Management: [54][55][56][57]
- Buffer Almost Full: [58][59]
- Buffer Almost Empty: [60][61]
- Interrupt Events in Master Mode: [62][63]
- Interrupt Events in Slave Mode: [64][65]
- DMA Requests: [66][67]
- Idle Mode: [68]
- McSPI Operational Modes: [69][70][71][72][73][74][75][76][77][78][79][80][81][82][83][84][85]
- McSPI Register Summary: [86]
- McSPI Register Description: [87][88][89][90][91][92][93]

Table 24-355. MCSPI_CHxSTAT

Address Offset	0x130 + (0x14 * x)	Index	x = 0 to 3
Physical Address	0x4809 8130 + (0x14 * x) 0x4809 A130 + (0x14 * x) 0x480B 8130 + (0x14 * x) 0x480B A130 + (0x14 * x)	Instance	McSPI1 McSPI2 McSPI3 McSPI4
Description	This register provides status information about transmitter and receiver registers of channel x.		
Type	R		

31	30	29	28	27	26	25	24	23	22	21	20	19	18	17	16	15	14	13	12	11	10	9	8	7	6	5	4	3	2	1	0
RESERVED																							RXFFF	RXFFE	TXFFF	TXFFE	EOT	TXS	RXS		

Bits	Field Name	Description	Type	Reset
31:7	RESERVED	Read returns 0.	R	0x0000000
6	RXFFF	Channel x FIFO receive buffer full status Read 0x0: FIFO receive buffer is not full Read 0x1: FIFO receive buffer is full	R	0
5	RXFFE	Channel x FIFO receive buffer empty status Read 0x0: FIFO receive buffer is not empty Read 0x1: FIFO receive buffer is empty	R	0

Bits	Field Name	Description	Type	Reset
4	TXFFF	Channel x FIFO transmit buffer full status Read 0x0: FIFO transmit buffer is not full Read 0x1: FIFO transmit buffer is full	R	0
3	TXFFE	Channel x FIFO transmit buffer empty status Read 0x0: FIFO transmit buffer is not empty Read 0x1: FIFO transmit buffer is empty	R	0
2	EOT	Channel x end of transfer status. The definitions of beginning and end of transfer vary with master versus slave and the transfer format (transmit/receive modes, turbo mode). See dedicated chapters for details. Read 0x0: This flag is automatically cleared when the shift register is loaded with the data from the transmitter register (beginning of transfer). Read 0x1: This flag is automatically set to one at the end of an SPI transfer.	R	0
1	TXS	Channel x transmitter register status Read 0x0: Register is full. Read 0x1: Register is empty.	R	0
0	RXS	Channel x receiver register status Read 0x0: Register is empty. Read 0x1: Register is full.	R	0

Table 24-356. Register Call Summary for Register MCSPI_CHxSTAT

Multichannel Serial Peripheral Interface

- [Master Transmit-and-Receive Mode \(Full Duplex\): \[0\]\[1\]\[2\]](#)
- [Master Transmit-Only Mode \(Half Duplex\): \[3\]](#)
- [Master Receive-Only Mode \(Half Duplex\): \[4\]](#)
- [Single-Channel Master Mode: \[5\]\[6\]\[7\]\[8\]\[9\]](#)
- [Dedicated Resources: \[10\]\[11\]](#)
- [Slave Transmit-and-Receive Mode: \[12\]](#)
- [Slave Transmit-Only Mode: \[13\]](#)
- [Slave Receive-Only Mode: \[14\]](#)
- [End of Transfer Management: \[15\]](#)
- [McSPI Operational Modes: \[16\]\[17\]\[18\]\[19\]](#)
- [Receive-Only Procedure – Polling Method: \[20\]](#)
- [Transmit-Only Procedure – Polling Method: \[21\]](#)
- [Transmit-and-Receive Procedure – Polling Method: \[22\]](#)
- [McSPI Register Summary: \[23\]](#)

Table 24-357. MCSPI_CHxCTRL

Address Offset	0x134 + (0x14 * x)	Index	x = 0 to 3
Physical Address	0x4809 8134 + (0x14 * x) 0x4809 A134 + (0x14 * x) 0x480B 8134 + (0x14 * x) 0x480B A134 + (0x14 * x)	Instance	McSPI1 McSPI2 McSPI3 McSPI4
Description	This register is dedicated to enable channel x.		
Type	RW		

31	30	29	28	27	26	25	24	23	22	21	20	19	18	17	16	15	14	13	12	11	10	9	8	7	6	5	4	3	2	1	0
RESERVED																EXTCLK						RESERVED						Z			

Bits	Field Name	Description	Type	Reset
31:16	RESERVED	Read returns 0.	RW	0x0000
15:8	EXTCLK	Clock ratio extension: this field is used to concatenate with MCSPI_CHxCONF[5:2] CLKD register for clock ratio only when granularity is one clock cycle (MCSPI_CHxCONF[29] CLKG set to 1). Then the maximum value reached is 4096 clock divider ratio. 0x0: Clock ratio is CLKD + 1. 0x1: Clock ratio is CLKD + 1 + 16. ... 0xFF: Clock ratio is CLKD + 1 + 4080.	RW	0x00
7:1	RESERVED	Read returns 0.	RW	0x00
0	EN	Channel enable 0x0: Channel x is not active. 0x1: Channel x is active.	RW	0

Table 24-358. Register Call Summary for Register MCSPI_CHxCTRL

Multichannel Serial Peripheral Interface

- [Master Transmit-and-Receive Mode \(Full Duplex\): \[0\]](#)
- [Single-Channel Master Mode: \[1\]\[2\]](#)
- [Programmable SPI Clock: \[3\]](#)
- [Dedicated Resources: \[4\]\[5\]](#)
- [McSPI Operational Modes: \[6\]\[7\]\[8\]\[9\]\[10\]\[11\]\[12\]\[13\]\[14\]\[15\]\[16\]\[17\]\[18\]\[19\]\[20\]\[21\]\[22\]\[23\]\[24\]\[25\]](#)
- [Receive-Only Procedure – Polling Method: \[26\]\[27\]](#)
- [Receive-Only Procedure – Interrupt Method: \[28\]\[29\]](#)
- [Transmit-Only Procedure – Polling Method: \[30\]\[31\]](#)
- [Transmit-and-Receive Procedure – Polling Method: \[32\]\[33\]](#)
- [McSPI Register Summary: \[34\]](#)
- [McSPI Register Description: \[35\]\[36\]\[37\]](#)

Table 24-359. MCSPI_TXx

Address Offset	0x138 + (0x14 * x)	Index	x = 0 to 3
Physical Address	0x4809 8138 + (0x14 * x) 0x4809 A138 + (0x14 * x) 0x480B 8138 + (0x14 * x) 0x480B A138 + (0x14 * x)	Instance	McSPI1 McSPI2 McSPI3 McSPI4
Description	This register contains a single SPI word for channel x to transmit on the serial link, whatever SPI word length is.		
Type	RW		

31	30	29	28	27	26	25	24	23	22	21	20	19	18	17	16	15	14	13	12	11	10	9	8	7	6	5	4	3	2	1	0
TDATA																															

Bits	Field Name	Description	Type	Reset
31:0	TDATA	Channel x data to transmit	RW	0x0000 0000

Table 24-360. Register Call Summary for Register MCSPI_TXx

Multichannel Serial Peripheral Interface

- Master Transmit-and-Receive Mode (Full Duplex): [0][1][2][3]
- Master Transmit-Only Mode (Half Duplex): [4]
- Master Receive-Only Mode (Half Duplex): [5][6][7][8][9]
- Single-Channel Master Mode: [10][11]
- Dedicated Resources: [12][13][14][15][16]
- Slave Transmit-and-Receive Mode: [17][18]
- Slave Receive-Only Mode: [19][20][21]
- Interrupt Events in Master Mode: [22][23][24][25][26][27][28]
- Interrupt Events in Slave Mode: [29][30][31][32][33][34]
- Interrupt-Driven Operation: [35]
- Polling: [36]
- DMA Requests: [37][38]
- McSPI Operational Modes: [39][40][41][42][43]
- Transmit-Only Procedure – Polling Method: [44]
- Transmit-and-Receive Procedure – Polling Method: [45][46]
- McSPI Register Summary: [47]
- McSPI Register Description: [48][49][50]

Table 24-361. MCSPI_RXx

Address Offset	0x13C + (0x14 * x)	Index	x = 0 to 3
Physical Address	0x4809 813C + (0x14 * x) 0x4809 A13C + (0x14 * x) 0x480B 813C + (0x14 * x) 0x480B A13C + (0x14 * x)	Instance	McSPI1 McSPI2 McSPI3 McSPI4
Description	This register contains a single SPI word for channel x received through the serial link, whatever SPI word length is.		
Type	R		

31	30	29	28	27	26	25	24	23	22	21	20	19	18	17	16	15	14	13	12	11	10	9	8	7	6	5	4	3	2	1	0
RDATA																															

Bits	Field Name	Description	Type	Reset
31:0	RDATA	Channel x received data	R	0x0000 0000

Table 24-362. Register Call Summary for Register MCSPI_RXx

Multichannel Serial Peripheral Interface

- Master Transmit-and-Receive Mode (Full Duplex): [0][1]
- Master Transmit-Only Mode (Half Duplex): [2][3][4]
- Master Receive-Only Mode (Half Duplex): [5][6]
- Single-Channel Master Mode: [7][8][9][10]
- Dedicated Resources: [11][12][13]
- Slave Transmit-and-Receive Mode: [14]
- Slave Transmit-Only Mode: [15][16]
- End of Transfer Management: [17]
- Interrupt Events in Master Mode: [18][19][20][21]
- Interrupt Events in Slave Mode: [22][23][24][25][26][27]
- Interrupt-Driven Operation: [28]
- Polling: [29]
- DMA Requests: [30]
- Idle Mode: [31]
- McSPI Operational Modes: [32][33][34][35][36][37][38]
- Receive-Only Procedure – Polling Method: [39]
- Receive-Only Procedure – Interrupt Method: [40]
- McSPI Register Summary: [41]
- McSPI Register Description: [42][43][44]

Table 24-363. MCSPI_XFERLEVEL

Address Offset	0x17C		
Physical Address	0x4809 817C 0x4809 A17C 0x480B 817C 0x480B A17C	Instance	McSPI1 McSPI2 McSPI3 McSPI4
Description	This register provides transfer levels needed while using FIFO buffer during transfer.		
Type	RW		

31	30	29	28	27	26	25	24	23	22	21	20	19	18	17	16	15	14	13	12	11	10	9	8	7	6	5	4	3	2	1	0
WCNT								AFL								AEL															

Bits	Field Name	Description	Type	Reset
31:16	WCNT	SPI word counter. This field holds the programmable value of number of SPI word to be transferred on channel which is using the FIFO buffer. When transfer had started, a read back in this field returns the current SPI word transfer index. 0x0: Counter not used 0x1: One word ... 0xFFFFE: 65534 SPI words 0xFFFFF: 65535 SPI words	RW	0x0000
15:8	AFL	Buffer almost full This field holds the programmable almost-full level value used to determine almost full buffer condition. If the user wants an interrupt or a DMA read request to be issued during a receive operation when the data buffer holds at least n bytes, then the buffer AFL must be set with n-1. 0x0: 1 byte 0x1: 2 bytes ... 0xFE: 255 bytes 0xFF: 256 bytes	RW	0x00

Bits	Field Name	Description	Type	Reset
7:0	AEL	Buffer almost empty. this field holds the programmable almost-empty level value used to determine almost empty buffer condition. If the user wants an interrupt or a DMA write request to be issued during a transmit operation when the data buffer is able to receive n bytes, then the buffer AEL must be set with n-1. 0x0: 1 byte 0x1: 2 bytes ... 0xFE: 255 bytes 0xFF: 256 bytes	RW	0x00

Table 24-364. Register Call Summary for Register MCSPI_XFERLEVEL

Multichannel Serial Peripheral Interface

- [FIFO Buffer Management: \[0\]\[1\]](#)
- [Buffer Almost Full: \[2\]](#)
- [Buffer Almost Empty: \[3\]](#)
- [End of Transfer Management: \[4\]\[5\]](#)
- [Interrupt Events in Master Mode: \[6\]\[7\]\[8\]\[9\]\[10\]](#)
- [Interrupt Events in Slave Mode: \[11\]\[12\]\[13\]\[14\]](#)
- [McSPI Operational Modes: \[15\]\[16\]](#)
- [McSPI Register Summary: \[17\]](#)
- [McSPI Register Description: \[18\]](#)

Table 24-365. MCSPI_DAFTX

Address Offset	0x0000 0180		
Physical Address	0x4809 8180 0x4809 A180 0x480B 8180 0x480B A180	Instance	McSPI1 McSPI2 McSPI3 McSPI4
Description	This register contains the SPI words to be transmitted on the SPI bus when FIFO is used and DMA address is aligned on 256 bit. This register is an image of one of the MCSPI_Txx registers corresponding to the channel which has its FIFO enabled.		
Type	RW		

31	30	29	28	27	26	25	24	23	22	21	20	19	18	17	16	15	14	13	12	11	10	9	8	7	6	5	4	3	2	1	0
DAFTDATA																															

Bits	Field Name	Description	Type	Reset
31:0	DAFTDATA	FIFO data to transmit with DMA 256 bit aligned address. This field is only used when MCSPI_MODULCTRL[8] FDAA is set to 0x1 and only one of the enabled channels has the MCSPI_CHxCONF[27] FFEW bit set to 0x1. If these conditions are not met any access to this field returns a null value.	RW	0x00000000

Table 24-366. Register Call Summary for Register MCSPI_DAFTX

Multichannel Serial Peripheral Interface

- [McSPI Register Summary: \[0\]](#)
- [McSPI Register Description: \[1\]\[2\]](#)

Table 24-367. MCSPI_DAFRX

Address Offset	0x0000 01A0		
Physical Address	0x4809 81A0 0x4809 A1A0 0x480B 81A0 0x480B A1A0	Instance	McSPI1 McSPI2 McSPI3 McSPI4
Description	This register contains the SPI words received from the SPI bus when FIFO is used and DMA address is aligned on 256 bit. This register is an image of one of the MCSPI_RXx registers corresponding to the channel which has its FIFO enabled.		
Type	R		

31	30	29	28	27	26	25	24	23	22	21	20	19	18	17	16	15	14	13	12	11	10	9	8	7	6	5	4	3	2	1	0
DAFRDATA																															

Bits	Field Name	Description	Type	Reset
31:0	DAFRDATA	FIFO data received with DMA 256 bit aligned address. This field is only used when MCSPI_MODULCTRL [8] FDAA is set to 0x1 and only one of the enabled channels has the MCSPI_CHxCONF [28] FFER bit set to 0x1. If these conditions are not met any access to this field returns a null value.	R	0x00000000

Table 24-368. Register Call Summary for Register MCSPI_DAFRX

Multichannel Serial Peripheral Interface

- [McSPI Register Summary: \[0\]](#)
- [McSPI Register Description: \[1\]\[2\]](#)

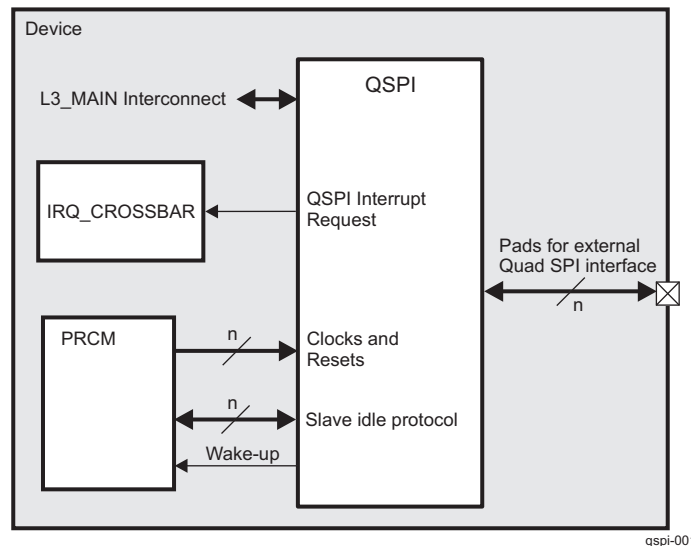
24.5 Quad Serial Peripheral Interface

24.5.1 Quad Serial Peripheral Interface Overview

The quad serial peripheral interface (QSPI) module is a kind of SPI module that allows single, dual, or quad read access to external SPI devices. This module has a memory mapped register interface, which provides a direct interface for accessing data from external SPI devices and thus simplifying software requirements. The QSPI works as a master only.

The one QSPI in the device is primarily intended for fast booting from quad-SPI flash memories. [Figure 24-101](#) shows the QSPI module overview.

Figure 24-101. QSPI Overview



The QSPI supports the following features:

- General SPI features:
 - Programmable clock divider
 - Six pin interface
 - Programmable length (from 1 to 128 bits) of the words transferred
 - Programmable number (from 1 to 4096) of the words transferred
 - 4 external chip-select signals
 - Support for 3-, 4-, or 6-pin SPI interface
 - Optional interrupt generation on word or frame (number of words) completion
 - Programmable delay between chip select activation and output data from 0 to 3 QSPI clock cycles
 - Programmable signal polarities
 - Programmable active clock edge
 - Software-controllable interface allowing for any type of SPI transfer
 - Control through L3_MAIN configuration port
- Serial flash interface (SFI) features:
 - Serial flash read/write interface
 - Additional registers for defining read and write commands to the external serial flash device
 - 1 to 4 address bytes
 - Fast read support, where fast read requires dummy bytes after address bytes; 0 to 3 dummy bytes can be configured.
 - Dual read support

- Quad read support
- Little-endian support (only for memory mapped registers used to configure QSPI controller and not SPI content accesses)
- Linear increment addressing mode only

The QSPI supports only dual and quad reads. Dual or quad writes are not supported. In addition, there is no "pass through" mode supported where the data present on the QSPI input is sent to its output.

NOTE: The QSPI module does not support cache line wrap mode.

24.5.2 QSPI Environment

Figure 24-102 shows a typical connection of the QSPI module to the external quad-SPI flash memory.

Figure 24-102. QSPI Connected to an External Quad-SPI Flash Memory

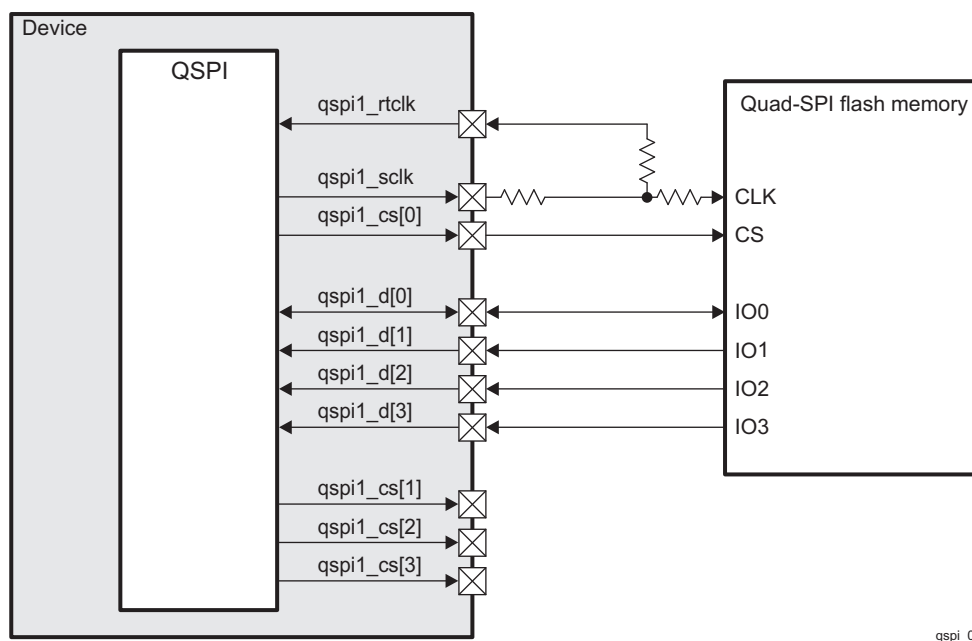


Table 24-369 lists and describes the QSPI I/O signals.

qspi_002

Table 24-369. QSPI I/O Signals

QSPI Signal/Pad name	I/O ⁽¹⁾	Description					
		3-pin ⁽²⁾ SPI Read (Single Read)	3-pin ⁽²⁾ SPI Write (Single Write)	4-pin ⁽²⁾ SPI Read (Single Read)	4-pin ⁽²⁾ SPI Write (Single Write)	4-pin ⁽²⁾ SPI Read (Dual Read)	6-pin ⁽²⁾ SPI Read (Quad Read)
qspi1_d[0]	IO	Used as SPI data input	Used as SPI data output	Not used	Used as SPI data output	Used as SPI data input 0	Used as SPI data input 0
qspi1_d[1]	I	Not used	Not used	Used as SPI data input	Not used	Used as SPI data input 1	Used as SPI data input 1
qspi1_d[2]	I	Not used	Not used	Not used	Not used	Not used	Used as SPI data input 2
qspi1_d[3]	I	Not used	Not used	Not used	Not used	Not used	Used as SPI data input 3
qspi1_sclk	O	Clock for the external SPI device					
qspi1_cs[0]	O	External SPI device chip-select 0					
qspi1_cs[1]	O	External SPI device chip-select 1					
qspi1_cs[2]	O	External SPI device chip-select 2					
qspi1_cs[3]	O	External SPI device chip-select 3					
qspi1_rtclk	I	The qspi1_sclk output must be connected to the qspi1_rtclk input, and is used for controlling the timing of the read return data when the QSPI module operates in Mode 0. In case Mode 3 is used, there is no need to connect the qspi1_sclk to the qspi1_rtclk.					

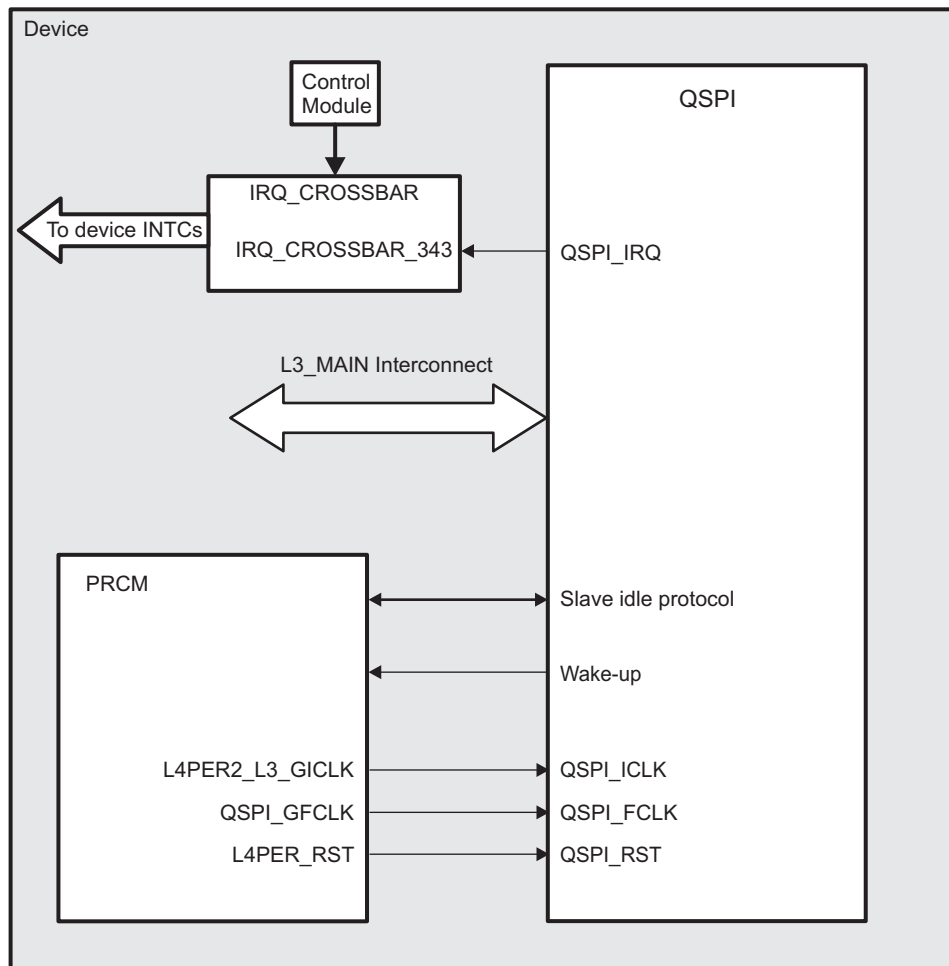
⁽¹⁾ I = Input; O = Output

⁽²⁾ This is the pin count at the SPI flash memory side. The pin count at the device side is increased by one because of the qspi1_rtclk signal. References to the pin count throughout this chapter consider the pin count at the SPI flash memory side.

NOTE: In order to ensure proper timing, precise layout and routing requirements must be followed. For layout and routing requirements for all QSPI signals, see section “PCB Guidelines” of the device Data Manual.

24.5.3 QSPI Integration

Figure 24-103 shows the integration of the QSPI module in the device.

Figure 24-103. QSPI Integration


qspi_003

Table 24-370 through Table 24-372 summarize the integration of the QSPI in the device.

Table 24-370. QSPI Integration Attributes

Module Instance	Attributes		
	Power Domain	Wake-Up Capability	Interconnect
QSPI	PD_COREAON	Yes	L3_MAIN

Table 24-371. QSPI Clocks and Resets

Clocks				
Module Instance	Destination Signal Name	Source Signal Name	Source	Description
QSPI	QSPI_ICLK	L4PER2_L3_GICKL	PRCM	Interface clock for the QSPI
	QSPI_FCLK	QSPI_GFCLK	PRCM	Functional clock for the QSPI
Resets				
Module Instance	Destination Signal Name	Source Signal Name	Source	Description
QSPI	QSPI_RST	L4PER_RST	PRCM	Asynchronous reset signal for the QSPI

Table 24-372. QSPI Hardware Requests

Module Instance	Source Signal Name	Interrupt Requests		Description
		Destination	Default Mapping	
		IRQ_CROSSBAR Input		
QSPI	QSPI_IRQ	IRQ_CROSSBAR_343	–	QSPI interrupt request

NOTE: The Default Mapping column in [Table 24-372](#) shows the default mapping of module IRQ source signals. These IRQ source signals can also be mapped to other lines of each device interrupt controller (INTC) through the IRQ_CROSSBAR module. For more information about the IRQ_CROSSBAR module, see [Section 18.4.6.4, IRQ_CROSSBAR Module Functional Description](#), in [Chapter 18, Control Module](#). For more information about the device INTCs, see [Chapter 17, Interrupt Controllers](#).

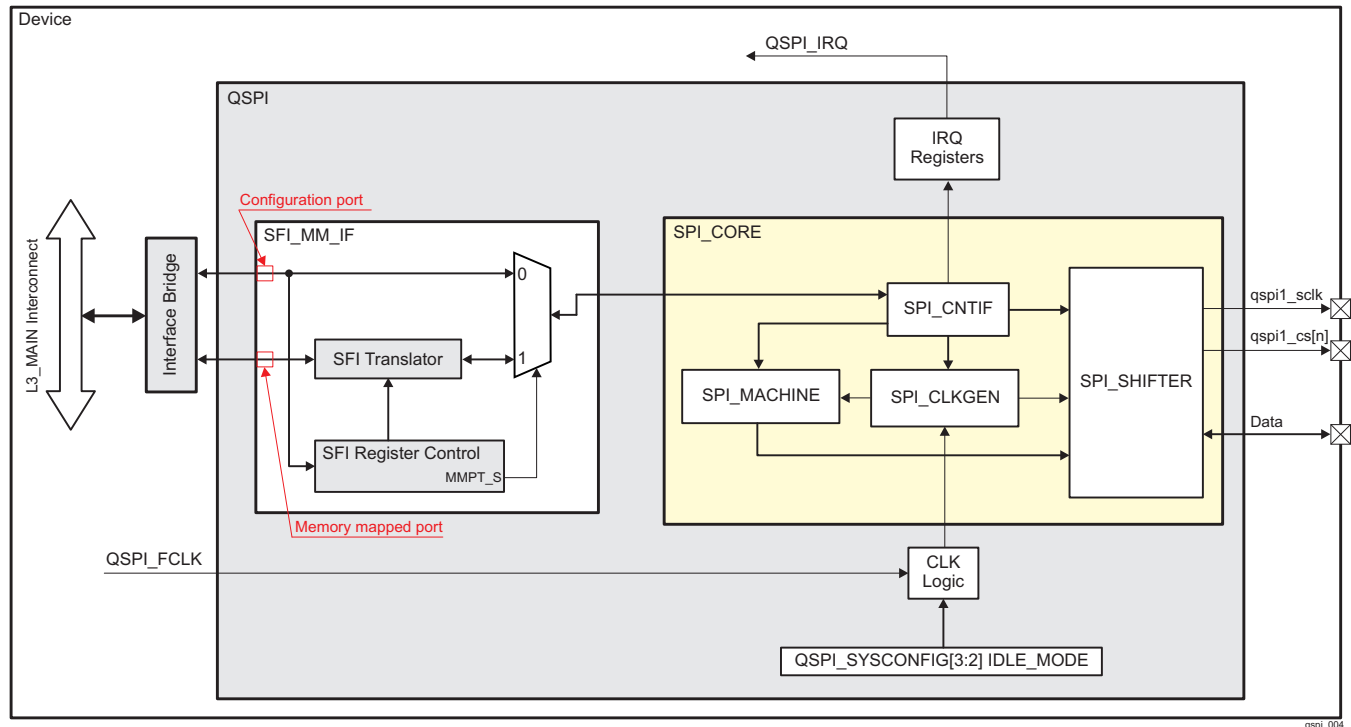
NOTE: For the description of the interrupt source, see [Section 24.5.4.3, QSPI Interrupt Requests](#).

24.5.4 QSPI Functional Description

24.5.4.1 QSPI Block Diagram

Initial device boot from external SPI flash memory can be accomplished through the QSPI module. The interface is a simple 4-wire SPI used for control or data transfers. The QSPI also supports a 3-wire SPI protocol where the qspi1_d[0] signal is used as a bidirectional for reads and writes. In addition, a 6-wire mode can be used to support quad read devices. [Figure 24-104](#) shows the QSPI block diagram.

Figure 24-104. QSPI Block Diagram



The QSPI is composed of two blocks. The first one is the SFI memory-mapped interface (SFI_MM_IF) and the second one is the SPI core (SPI_CORE). The SFI_MM_IF block is associated only with SPI flash memories and is used for specifying typical for the SPI flash memories settings (read or write command, number of address and dummy bytes, and so on) unlike the SPI_CORE block, which is associated with the SPI interface itself and is used to configure typical SPI settings (chip-select polarity, serial clock inactive state, SPI clock mode, length of the words transferred, and so on).

The SFI_MM_IF comprises the following two subblocks:

- SFI register control
- SFI translator

The SPI_CORE comprises the following four subblocks:

- SPI control interface (SPI_CNTIF)
- SPI clock generator (SPI_CLKGEN)
- SPI control state machine (SPI_MACHINE)
- SPI data shifter (SPI_SHIFTER)

In addition, an interface bridge connects the two ports (configuration port and memory-mapped port) of the SFI_MM_IF block to the L3_MAIN interconnect. There are no software controls associated with this interface bridge.

The QSPI supports long transfers through a frame-style sequence. In its generic SPI use mode, a word can be defined up to 128 bits and multiple words can be transferred during a single access. For each word, a device initiator must read or write the new data and then tell the QSPI to continue the current operation. Using this sequence, a maximum of 4096 128-bit words can be transferred in a single SPI read or write operation. This allows great flexibility when connecting the QSPI to various types of devices.

As opposed to the generic SPI use mode, the communication with serial flash-type devices requires sending a byte command, followed by sending bytes of data. Commands can be sent through the SPI_CORE block to communicate with a serial flash device; however, it is easier to do this using the SFI_MM_IF block because it is intended to ease the communication with serial flash devices. If the SPI_CORE is used to communicate with a serial flash device, software must load the command into the SPI data transfer register with additional configuration fields, perform the byte transfer, then place the data to be sent (or configure for receive) along with additional configuration fields, and perform that transfer. Reads and writes to serial flash devices are more specific. First, the read or write command byte is sent, followed by 1 to 4 bytes of address (corresponding to the address to read/write), then followed by the data write/receive phase. Data is always sent byte oriented. When the address is loaded, data can be continuously read or written, and the address will automatically increment to each byte address internally to the serial flash device.

NOTE: The SFI_MM_IF block only allows reading and writing to an externally connected SPI flash device. The SFI_MM_IF block does not allow reads or writes to internal configuration and status registers of the SPI flash device. These registers must be accessed through the features of the SPI_CORE block.

24.5.4.1.1 SFI Register Control

The SFI register control block consists of the following five configuration registers:

- [QSPI_SPI_SETUP0_REG](#)
- [QSPI_SPI_SETUP1_REG](#)
- [QSPI_SPI_SETUP2_REG](#)
- [QSPI_SPI_SETUP3_REG](#)
- [QSPI_SPI_SWITCH_REG](#)

The first four registers let the user define the following:

- Byte command for a serial flash read specified by the QSPI_SPI_SETUP_i_REG[7:0] RCMD bit field
- Byte command for a serial flash write specified by the QSPI_SPI_SETUP_i_REG[23:16] WCMD bit field
- Number of address bytes required for the particular type of serial flash specified by the

QSPI_SPI_SETUP_i_REG[9:8] NUM_A_BYTES bit field

- Number of “dummy bytes” that may be needed to support the fast read mode function of some serial flash devices. The QSPI_SPI_SETUP_i_REG[11:10] NUM_D_BYTES bit field specifies the number of “dummy bits.” In addition, the QSPI_SPI_SETUP_i_REG[28:24] NUM_D_BITS bit field can also specify the number of “dummy bits.”
- Whether the read command is single (normal), dual, or quad read mode command. This is specified by the QSPI_SPI_SETUP_i_REG[13:12] READ_TYPE bit field. (*i* is equal to 0, 1, 2 and 3 and means that the QSPI_SPI_SETUP_i_REG registers are associated with each of the four supported chip-selects [that is, four supported output SPI flash devices])

The QSPI_SPI_SWITCH_REG register acts as a static switch which allows the configuration port (shown in [Figure 24-104](#)) to connect directly to the SPI_CORE block, or allows the memory-mapped port (also shown in [Figure 24-104](#)) to connect to the SPI_CORE block. This is done using the QSPI_SPI_SWITCH_REG[0] MMPT_S bit.

In addition, the QSPI_SPI_SWITCH_REG[1] MM_INT_EN bit is used to enable or disable the word complete interrupt during operations using the memory-mapped port.

24.5.4.1.2 SFI Translator

The SFI translator block represents an FSM which, based on the configuration information loaded into the SFI register control block, converts each input read/write sequence into an SPI_CORE configuration sequence for access to the external serial flash memory.

A read sequence is converted into the following actions:

1. SPI chip-select goes active.
2. Read command byte is issued.
3. 1 to 4 address bytes, which correspond to the first address supplied, are issued.
4. 0 to 3 dummy bytes are issued, if “fast read” is supported.
5. Data bytes are read from the external SPI flash memory.
6. SPI chip-select goes inactive.

For linear addressing mode, action 5 is repeated until the byte count to be transferred reaches zero.

A write sequence is identical to a read sequence, except that a write sequence does not use dummy bytes.

Another important aspect with regard to writes is that a serial flash memory location can only be written to if the bits are erased in advance. Erased means the bits are set to 1. This means that writing only changes 1 contents to 0. It is not possible with this write to change the contents of a bit from 0 to 1. An erase command must be performed to do this operation. Erase commands cannot be executed on single byte locations. Depending on device types, there are page, block, and chip erase commands. To perform an erase command, the particular command must be sent over the SPI bus, and an internal register of the serial flash device must then be polled to determine when the erase completes. The erases must be done through the configuration port by software before performing any writes through the memory-mapped port. This means that writes are passed through to the serial flash device, but if the memory locations being modified are not properly erased before the write, the contents may not result in what was sent.

24.5.4.1.3 SPI Control Interface

The SPI control interface contains configuration registers used to configure the SPI core functionality of the QSPI. This block maintains all configuration settings for the SPI core (that is, settings specific for the SPI interface itself but not for the SPI flash memories).

The registers defined for this block are:

- The QSPI_PID register, which is read only and contains QSPI revision associated information
- The QSPI_SPI_CLOCK_CNTRL_REG register, which is used to control external SPI clock (qspi1_sclk)
- The QSPI_SPI_DC_REG register used to define the SPI clock mode and chip-select polarity for the four external SPI devices
- The QSPI_SPI_CMD_REG register used to control the operation of the SPI command. This register is

also used to configure and transfer data.

- Four data registers used for reading the data received and for writing the data to be transferred. These registers are:
 - [QSPI_SPI_DATA_REG](#)
 - [QSPI_SPI_DATA_REG_1](#)
 - [QSPI_SPI_DATA_REG_2](#)
 - [QSPI_SPI_DATA_REG_3](#)
 These four registers compose a 128-bit shift register.
- The [QSPI_SPI_STATUS_REG](#) register, which contains status information

All of these registers can only be written if the QSPI is not busy. This means that they can be written if the [QSPI_SPI_STATUS_REG\[0\]](#) BUSY bit is 0x0. The QSPI becomes busy when a write to the [QSPI_SPI_CMD_REG\[18:16\]](#) CMD bit field is performed. Writing to this bit field starts an SPI transaction and sets the [QSPI_SPI_STATUS_REG\[0\]](#) BUSY bit to 0x1. The CMD bit field can be written again when the BUSY bit is 0x0. In addition, the start of the SPI transaction is synchronized to the qspi1_sclk clock and clearing of the BUSY bit is synchronized to the QSPI_FCLK clock.

The register group [QSPI_SPI_DATA_REG_3](#), [QSPI_SPI_DATA_REG_2](#), [QSPI_SPI_DATA_REG_1](#) and [QSPI_SPI_DATA_REG](#) is treated as a single 128-bit word for shifting data in and out. The [QSPI_SPI_DATA_REG_3](#) register is used for the most significant bits and the [QSPI_SPI_DATA_REG](#) is used for the least significant bits. This applies for both reads and writes. For example, after reading a 128-bit word (WLEN = 0x7F) the most significant bit of the data read, that is bit 127, will be located at [QSPI_SPI_DATA_REG_3\[31\]](#) position and the least significant bit, that is bit 0 of the data read, will be located at the [QSPI_SPI_DATA_REG\[0\]](#) position.

The data written to this register group should be right justified so that a data pre-shifting is not required. The [QSPI_SPI_CMD_REG\[25:19\]](#) WLEN bit field determines the location of the most significant bit and the bit position that will be shifted out first during a write. In order to shift out byte data the WLEN bit field should be set to 0x7 and the data byte should be written to the lower byte of the [QSPI_SPI_DATA_REG](#) register. By setting the word length to 0x7 the [QSPI_SPI_DATA_REG](#) register will look like a pseudo 8-bit shift register. When the user wants to write 40-bit long word the WLEN bit field should be set to 0x27, the 32 least significant bits of data should be written to the [QSPI_SPI_DATA_REG](#) and the rest 8 most significant bits of data should be written to the lower byte of the [QSPI_SPI_DATA_REG_1](#) register. By setting WLEN to 0x27 these two registers will look like a pseudo 40-bit shift register. When the word length is greater than 64 bits the [QSPI_SPI_DATA_REG_2](#) register is also used and the previously described logic applies. The [QSPI_SPI_DATA_REG_3](#) register is used together with the other three data registers when the word length is greater than 96 bits.

When dual or quad read mode is used the number of the words transferred must be even. This number is configured through the [QSPI_SPI_CMD_REG\[11:0\]](#) FLEN bit field.

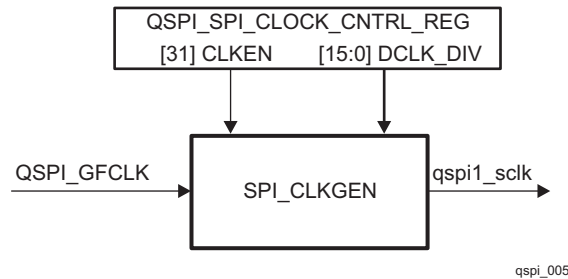
NOTE: The QSPI module does not support a "pass through" mode where the data present on qspi1_d[1] is sent to qspi1_d[0], when 4-pin non-dual read mode is used. This means that setting the [QSPI_SPI_CMD_REG\[18:16\]](#) CMD bit field to 0x1 causes the QSPI only to read from an external device using the qspi1_d[1] pad as an input and if a write to the same external device is desired, the CMD bit field should be set to 0x2, which causes the qspi1_d[0] pad to be used as an output.

24.5.4.1.4 SPI Clock Generator

The SPI clock generator uses the QSPI_FCLK clock as an input, and generates the qspi1_sclk, which is a divided version of the QSPI_FCLK clock. The divide ratio is a 16-bit value configured through the [QSPI_SPI_CLOCK_CNTRL_REG\[15:0\]](#) DCLK_DIV bit field and thus provides a division factor in a range from 1 to 65536. The QSPI_FCLK clock is divided by the DCLK_DIV value + 1 to provide the qspi1_sclk clock. When DCLK_DIV = 0x0 the QSPI_FCLK clock equals the DCLK clock. The value in the DCLK_DIV bit field applies only when the [QSPI_SPI_CLOCK_CNTRL_REG\[31\]](#) CLKEN bit is set to 0x1. [Figure 24-105](#) shows the SPI_CLKGEN block.

If the CLKEN bit is 0x0 the command specified in the [QSPI_SPI_CMD_REG\[18:16\]](#) CMD bit field is not executed and the [QSPI_SPI_STATUS_REG\[0\]](#) BUSY bit is not set. The command is executed only if the CLKEN bit is 0x1 before write to the CMD bit field.

Figure 24-105. SPI_CLKGEN Block



24.5.4.1.5 SPI Control State-Machine

The SPI control state-machine (SPI_MACHINE) manages the operation of the SPI_CORE block. SPI_MACHINE takes control and configuration information from the registers in the SPI_CNTIF block as input and provides control information to the SPI data shifter. This information is used to control the SPI data port. The SPI_MACHINE also generates status information, which is sent back to the SPI_CNTIF block.

Writing a valid value to the [QSPI_SPI_CMD_REG\[18:16\]](#) CMD bit field sets immediately the [QSPI_SPI_STATUS_REG\[0\]](#) BUSY bit to 0x1, activates the corresponding qspi1_cs[n] (n = 0 to 3) and starts the SPI data transaction. The BUSY bit is cleared automatically when [QSPI_SPI_CMD_REG\[25:19\]](#) WLEN number of bits are shifted in or out. If the value of the [QSPI_SPI_STATUS_REG\[27:16\]](#) WDCNT bit field is different than 0x0 and WLEN number of bits are shifted already, the SPI_MACHINE waits until another write to the CMD bit field is performed. If the command written to the CMD bit field is valid, then this increments the value of the WDCNT bit field from 0x0 and starts shifting data in or out again. This is repeated until the WDCNT bit field reaches the frame length ([QSPI_SPI_CMD_REG\[11:0\]](#) FLEN), that is, all words of the frame are shifted or till earlier frame termination occurs. While the SPI_MACHINE is waiting for write to the CMD bit field the corresponding qspi1_cs[n] (n = 0 to 3) remains active and the BUSY flag is set to 0x0. In addition, the bit length for each word can be changed during a frame from 1 to 128 bits using the [QSPI_SPI_CMD_REG\[25:19\]](#) WLEN bit field.

The SPI_MACHINE also provides a mechanism to terminate the frame earlier. This is done by writing an invalid command to the CMD bit field. An invalid command corresponds to the 0x0 and 0x4 (reserved) values of the CMD bit field. Writing one of these values when the the WDCNT bit field is not equal to 0x0 and when the BUSY flag is 0x0 terminates the frame earlier.

The corresponding qspi1_cs[n] (n = 0 to 3) becomes inactive when all words are shifted or when the frame terminates earlier.

24.5.4.1.6 SPI Data Shifter

The SPI data shifter handles the capture and generation of the SPI interface signals. Based on control signals from the SPI_MACHINE and SPI_CNTIF blocks, data is shifted in or out on falling or rising edge of qspi1_sclk clock depending on the SPI clock mode selected. [Table 24-373](#) lists the four defined clock modes of operation for the QSPI.

Table 24-373. SPI Clock Modes Definition

Mode	Settings in the QSPI_SPI_DC_REG Register		Description
	Value of the CKP bits	Value of the CKPH bits	
0	0	0	Data input captured on falling edge of qspi1_sclk clock. Data output generated on falling edge of qspi1_sclk clock
1	0	1	Data input captured on rising edge of qspi1_sclk clock. Data output generated on rising edge of qspi1_sclk clock

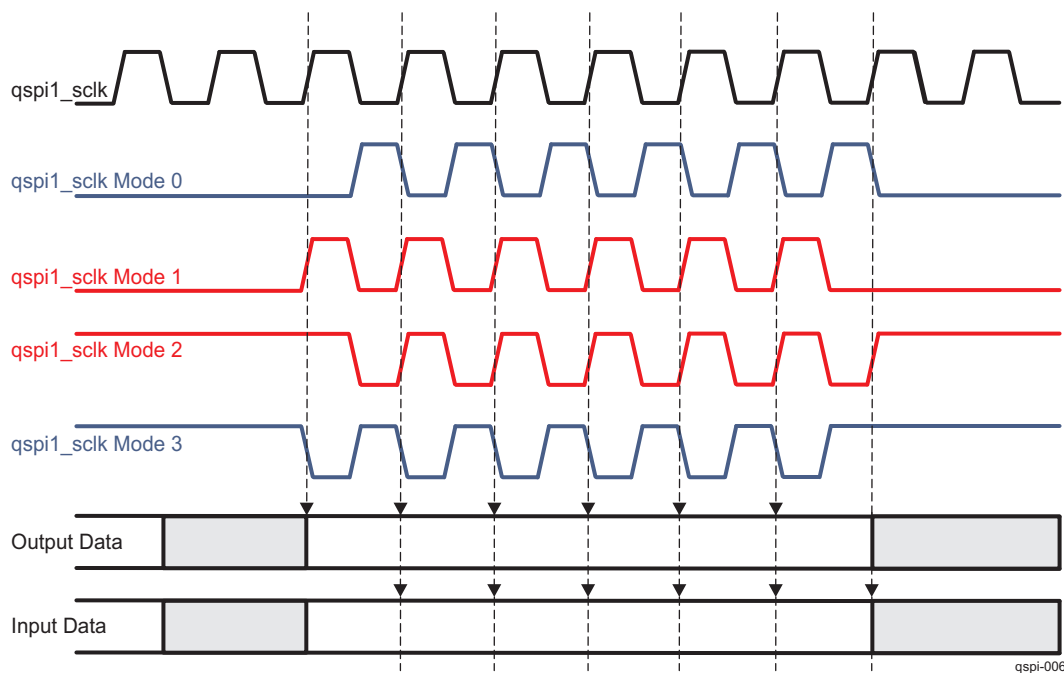
Table 24-373. SPI Clock Modes Definition (continued)

Mode	Settings in the QSPI_SPI_DC_REG Register		Description
	Value of the CKP bits	Value of the CKPH bits	
2	1	0	Data input captured on rising edge of qspi1_sclk clock. Data output generated on rising edge of qspi1_sclk clock
3	1	1	Data input captured on falling edge of qspi1_sclk clock. Data output generated on falling edge of qspi1_sclk clock

NOTE: Mode 1 and Mode 2 are not supported and should not be used.

The CKPi and CKPHi (i = 0 to 3) bits of the [QSPI_SPI_DC_REG](#) register control the clock modes. Each of these 4 bits corresponds to an output chip select.

[Figure 24-106](#) shows all four clock modes. In addition, through the DDi (i = 0 to 3) bits of the [QSPI_SPI_DC_REG](#) register the data can be delayed from one to three qspi1_sclk clock cycles after the corresponding qspi1_cs[n] (n = 0 to 3) goes active. The active state of each chip-select can also be controlled through the CSPi (i = 0 to 3) bits of the [QSPI_SPI_DC_REG](#) register.

Figure 24-106. SPI Clock Modes


24.5.4.2 QSPI Clock Configuration

The QSPI complies with the PRCM slave-idle protocol. The QSPI_FCLK clock is gated based on the values loaded in the [QSPI_SYSCONFIG\[3:2\]](#) IDLE_MODE bit field. Three modes are supported:

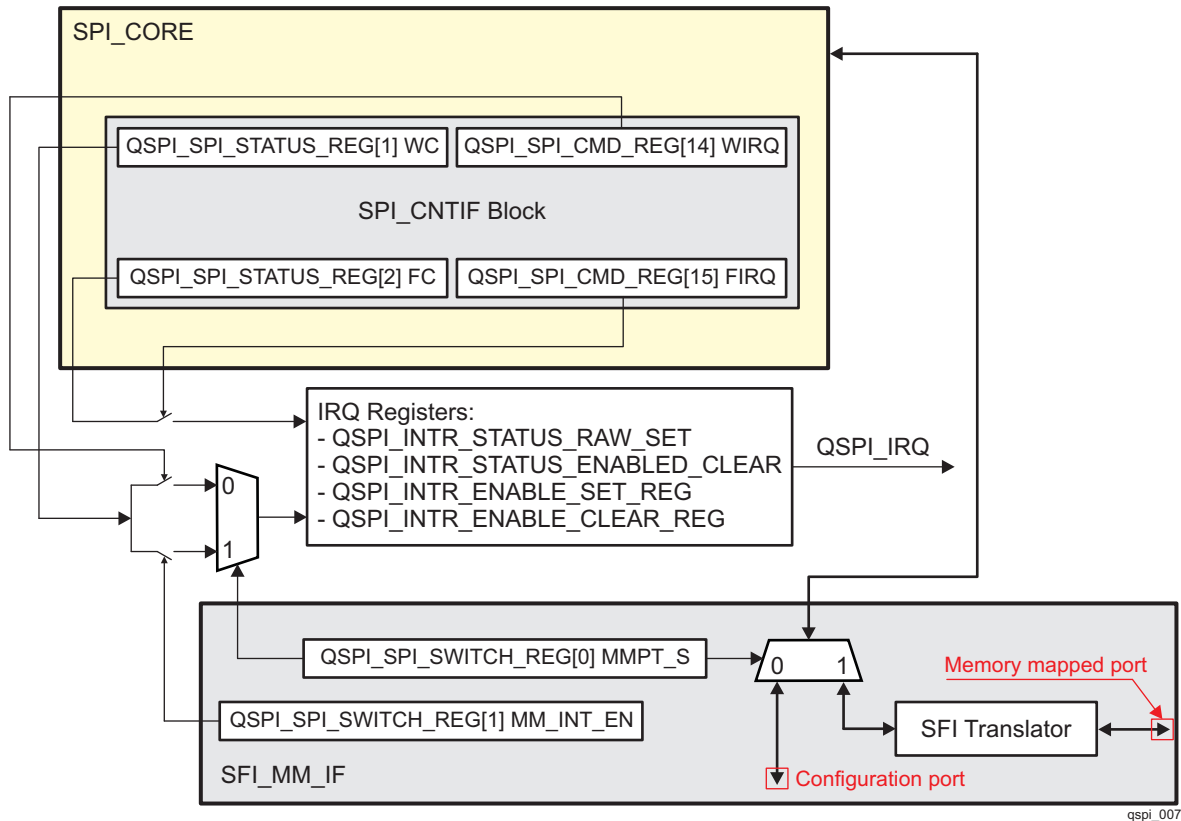
- Force-idle: The QSPI_FCLK clock is gated unconditionally by the QSPI.
- No-idle: The QSPI_FCLK clock is never gated by the QSPI.
- Smart-idle: The QSPI_FCLK clock is gated by the QSPI, depending on its internal requirements.

24.5.4.3 QSPI Interrupt Requests

The QSPI generates one interrupt request which is connected to the IRQ_CROSSBAR module. This interrupt request, QSPI_IRQ, is connected to the IRQ_CROSSBAR_343 input. The QSPI_IRQ interrupt line can be activated by one of the interrupt events listed in [Table 24-374](#).

Figure 24-107 shows a logical representation of the QSPI interrupt generation scheme.

Figure 24-107. Logical Representation of the QSPI Interrupt Generation Scheme



QSPI_SPI_STATUS_REG[1] WC and QSPI_SPI_STATUS_REG[2] FC are status bits indicating whether word or frame transfer is complete. Setting the corresponding interrupt enable bit (WIRQ or FIRQ) in the QSPI_SPI_CMD_REG register allows these events (WC and FC) to generate an interrupt. The WC and FC bits are reset every time the user writes to the QSPI_SPI_CMD_REG register or reads the QSPI_SPI_STATUS_REG register. This is done to keep control parameters from changing the interface protocol signals while a transfer is in progress. Additionally, the QSPI_SPI_SWITCH_REG[1] MM_INT_EN bit is used to enable or disable the word complete interrupt during operations using the memory-mapped port.

When the QSPI_SPI_CMD_REG[14] WIRQ and QSPI_SPI_CMD_REG[15] FIRQ bits are set to 0x1 the following applies:

- The QSPI activates its interrupt line only if the interrupts are enabled by setting to 0x1 the corresponding bits in the QSPI_INTR_ENABLE_SET_REG register. These interrupts can be disabled by setting the corresponding bits in the QSPI_INTR_ENABLE_CLEAR_REG register to 0x1.
- After an interrupt has been serviced, software must clear the corresponding status flag. This is done by setting the corresponding bit in the QSPI_INTR_STATUS_ENABLED_CLEAR register to 0x1, which also clears the corresponding bit in the QSPI_INTR_STATUS_RAW_SET register. The status flags in the QSPI_INTR_STATUS_RAW_SET register are set even if the corresponding interrupt is disabled unlike those in the QSPI_INTR_STATUS_ENABLED_CLEAR register, which are set only if the corresponding interrupt is enabled.
- The QSPI also generates an interrupt if a certain bit in the QSPI_INTR_STATUS_RAW_SET register is set to 0x1 and the corresponding interrupt is enabled through the QSPI_INTR_ENABLE_SET_REG register. This feature is useful during user software debugging. In addition, even if interrupts are not enabled a corresponding raw flag in the QSPI_INTR_STATUS_RAW_SET register is set to 0x1 when an IRQ condition occurs.
- Even if interrupts are not enabled, a certain status bit in the QSPI_INTR_STATUS_RAW_SET register can also be cleared by setting to 0x1 the corresponding bit in the

[QSPI_INTR_STATUS_ENABLED_CLEAR](#) register.

It must be considered that the previously described scenario applies if the [QSPI_SPI_CMD_REG\[14\]](#) WIRQ and [QSPI_SPI_CMD_REG\[15\]](#) FIRQ bits are set to 0x1.

NOTE: The QSPI_IRQ interrupt line is activated only if at least one of the following conditions is met:

- The word complete interrupt is enabled:
 - during operations using the memory-mapped port by setting to 0x1 both the [QSPI_SPI_SWITCH_REG\[1\]](#) MM_INT_EN and [QSPI_INTR_ENABLE_SET_REG\[1\]](#) WIRQ_ENA_SET bits.
 - during operations using the configuration port by setting to 0x1 both the [QSPI_SPI_CMD_REG\[14\]](#) WIRQ and [QSPI_INTR_ENABLE_SET_REG\[1\]](#) WIRQ_ENA_SET bits.
- The frame complete interrupt is enabled setting to 0x1 both the [QSPI_SPI_CMD_REG\[15\]](#) FIRQ and [QSPI_INTR_ENABLE_SET_REG\[0\]](#) FIRQ_ENA_SET bits.

The QSPI_IRQ interrupt line is also activated when both the conditions are met.

[Table 24-374](#) lists the event flags and the corresponding mask bits of the sources which can cause interrupts.

Table 24-374. QSPI Events

Event Flag	Event Mask	Description
QSPI_INTR_STATUS_RAW_SET[1] WIRQ_RAW	QSPI_INTR_ENABLE_SET_REG[1] WIRQ_ENA_SET	Word complete interrupt event. Asserted each time after a word is transferred or received.
QSPI_INTR_STATUS_ENABLED_CLEAR[1] WIRQ_ENA	QSPI_INTR_ENABLE_CLEAR_REG[1] WIRQ_ENA_CLR	
QSPI_SPI_STATUS_REG[1] WC	QSPI_SPI_CMD_REG[14] WIRQ	
QSPI_INTR_STATUS_RAW_SET[0] FIRQ_RAW	QSPI_INTR_ENABLE_SET_REG[0] FIRQ_ENA_SET	Frame complete interrupt event. Asserted each time after a frame is transferred or received.
QSPI_INTR_STATUS_ENABLED_CLEAR[0] FIRQ_ENA	QSPI_INTR_ENABLE_CLEAR_REG[0] FIRQ_ENA_CLR	
QSPI_SPI_STATUS_REG[2] FC	QSPI_SPI_CMD_REG[15] FIRQ	

24.5.4.4 QSPI Memory Regions

Two memory regions are associated with the QSPI. The first memory region is dedicated to the configuration port. Using this memory region, all internal registers can be programmed and serial transfers made from the four supported external SPI devices. The L3_MAIN start address at which the configuration port is available is 0x4B30 0000. The second memory region is associated mainly with the memory-mapped port and is used for communication directly with one of the four supported external SPI devices. This memory region starts at 0x5C00 0000 and ends at 0x5FFF FFFF L3_MAIN address.

The CTRL_CORE_CONTROL_IO_2[10:8] QSPI_MEMMAPPED_CS bit field provides a functionality for remapping the previously described address space which starts at 0x5C00 0000 L3_MAIN address to one of the four supported chip selects or to the configuration registers. The CTRL_CORE_CONTROL_IO_2 register resides in the CTRL_MODULE_CORE.

It is important to keep in mind that the configuration port provides an access to all the QSPI registers listed in [Table 24-376](#). These are configuration registers and also four data registers. The configuration registers are used to configure typical SPI and serial flash memory settings and the four data registers are used for read and write operations. When communicating with an external SPI device (but not an SPI flash memory) the SPI_CORE module should be used and the data exchanged is available through these four data registers, which can be accessed only through the configuration port. When a communication with an external SPI flash memory is desired, the memory-mapped port should be used.

In other words, to read from an external SPI flash memory, first configure the QSPI through the configuration port and then perform a read through the memory-mapped port.

24.5.5 QSPI Register Manual

24.5.5.1 QSPI Instance Summary

Table 24-375. QSPI Instance Summary

Module Name	Module Base Address	Size
QSPI	0x4B30 0000	1MiB

24.5.5.2 QSPI registers

24.5.5.2.1 QSPI Register Summary

Table 24-376. QSPI Registers Mapping Summary

Register Name	Type	Register Width (Bits)	Address Offset	QSPI Base Address
QSPI_PID	R	32	0x0000 0000	0x4B30 0000
QSPI_SYSCONFIG	RW	32	0x0000 0010	0x4B30 0010
QSPI_INTR_STATUS_RAW_SET	RW	32	0x0000 0020	0x4B30 0020
QSPI_INTR_STATUS_ENABLED_CLEAR	RW	32	0x0000 0024	0x4B30 0024
QSPI_INTR_ENABLE_SET_REG	RW	32	0x0000 0028	0x4B30 0028
QSPI_INTR_ENABLE_CLEAR_REG	RW	32	0x0000 002C	0x4B30 002C
QSPI_INTC_EOI_REG	RW	32	0x0000 0030	0x4B30 0030
QSPI_SPI_CLOCK_CNTRL_REG	RW	32	0x0000 0040	0x4B30 0040
QSPI_SPI_DC_REG	RW	32	0x0000 0044	0x4B30 0044
QSPI_SPI_CMD_REG	RW	32	0x0000 0048	0x4B30 0048
QSPI_SPI_STATUS_REG	R	32	0x0000 004C	0x4B30 004C
QSPI_SPI_DATA_REG	RW	32	0x0000 0050	0x4B30 0050
QSPI_SPI_SETUP0_REG	RW	32	0x0000 0054	0x4B30 0054
QSPI_SPI_SETUP1_REG	RW	32	0x0000 0058	0x4B30 0058
QSPI_SPI_SETUP2_REG	RW	32	0x0000 005C	0x4B30 005C
QSPI_SPI_SETUP3_REG	RW	32	0x0000 0060	0x4B30 0060
QSPI_SPI_SWITCH_REG	RW	32	0x0000 0064	0x4B30 0064
QSPI_SPI_DATA_REG_1	RW	32	0x0000 0068	0x4B30 0068
QSPI_SPI_DATA_REG_2	RW	32	0x0000 006C	0x4B30 006C
QSPI_SPI_DATA_REG_3	RW	32	0x0000 0070	0x4B30 0070

24.5.5.2.2 QSPI Register Description

Table 24-377. QSPI_PID

Address Offset	0x0000 0000	Instance	QSPI
Physical Address	0x4B30 0000		
Description	Revision register		
Type	R		

31	30	29	28	27	26	25	24	23	22	21	20	19	18	17	16	15	14	13	12	11	10	9	8	7	6	5	4	3	2	1	0
REVISION																															

Bits	Field Name	Description	Type	Reset
31:0	REVISION	IP Revision	R	TI Internal data

Table 24-378. Register Call Summary for Register QSPI_PID

Quad Serial Peripheral Interface

- [SPI Control Interface: \[0\]](#)
- [QSPI Register Summary: \[1\]](#)

Table 24-379. QSPI_SYSCONFIG

Address Offset	0x0000 0010	Instance	QSPI
Physical Address	0x4B30 0010		
Description			
Type	RW		

31	30	29	28	27	26	25	24	23	22	21	20	19	18	17	16	15	14	13	12	11	10	9	8	7	6	5	4	3	2	1	0
RESERVED																IDLE_MODE		RESERVED													

Bits	Field Name	Description	Type	Reset
31:4	RESERVED		R	0x2
3:2	IDLE_MODE	Configuration of the local target state management mode. By definition, target can handle read/write transaction as long as it is out of IDLE state. 0x0: Force-idle mode 0x1: No-idle mode 0x2: Smart-idle mode 0x3: Reserved.	RW	0x2
1:0	RESERVED		R	0x0

Table 24-380. Register Call Summary for Register QSPI_SYSCONFIG

Quad Serial Peripheral Interface

- [QSPI Clock Configuration: \[0\]](#)
- [QSPI Register Summary: \[1\]](#)

Table 24-381. QSPI_INTR_STATUS_RAW_SET

Address Offset	0x0000 0020	Instance	QSPI
Physical Address	0x4B30 0020		
Description	This register contains raw interrupt status flags.		
Type	RW		

31	30	29	28	27	26	25	24	23	22	21	20	19	18	17	16	15	14	13	12	11	10	9	8	7	6	5	4	3	2	1	0
RESERVED																WIRQ_RAW		FIRQ_RAW													

Bits	Field Name	Description	Type	Reset
31:2	RESERVED		RW	0x0
1	WIRQ_RAW	Word Interrupt Status. Read indicates the raw status. Read: 0x0: No interrupt 0x1: Interrupt Write: 0x0: Has no effect 0x1: Sets this raw status bit	RW	0x0
0	FIRQ_RAW	Frame Interrupt Status. Read indicates the raw status. Read: 0x0: No interrupt 0x1: Interrupt Write: 0x0: Has no effect 0x1: Sets this raw status bit	RW	0x0

Table 24-382. Register Call Summary for Register QSPI_INTR_STATUS_RAW_SET

Quad Serial Peripheral Interface

- [QSPI Interrupt Requests: \[0\]\[1\]\[2\]\[3\]\[4\]\[5\]\[6\]](#)
- [QSPI Register Summary: \[7\]](#)

Table 24-383. QSPI_INTR_STATUS_ENABLED_CLEAR

Address Offset	0x0000 0024	Instance	QSPI
Physical Address	0x4B30 0024		
Description	This register contains status flags of the enabled interrupts.		
Type	RW		

31	30	29	28	27	26	25	24	23	22	21	20	19	18	17	16	15	14	13	12	11	10	9	8	7	6	5	4	3	2	1	0
RESERVED																WIRQ_ENA		FIRQ_ENA													

Bits	Field Name	Description	Type	Reset
31:2	RESERVED		R	0x0
1	WIRQ_ENA	Word Interrupt Enabled Status. Read indicates enabled status. Read: 0x0: No interrupt 0x1: Interrupt Write: 0x0: Has no effect 0x1: Clears the word interrupt status flag. The corresponding raw status flag is also cleared.	RW	0x0

Bits	Field Name	Description	Type	Reset
0	FIRQ_ENA	Frame Interrupt Enabled Status. Read indicates enabled status. Read: 0x0: No interrupt 0x1: Interrupt Write: 0x0: Has no effect 0x1: Clears the frame interrupt status flag. The corresponding raw status flag is also cleared.	RW	0x0

Table 24-384. Register Call Summary for Register QSPI_INTR_STATUS_ENABLED_CLEAR

Quad Serial Peripheral Interface

- [QSPI Interrupt Requests: \[0\]\[1\]\[2\]\[3\]\[4\]](#)
- [QSPI Register Summary: \[5\]](#)

Table 24-385. QSPI_INTR_ENABLE_SET_REG

Address Offset	0x0000 0028	Instance	QSPI
Physical Address	0x4B30 0028		
Description	This register enables the interrupts.		
Type	RW		

31	30	29	28	27	26	25	24	23	22	21	20	19	18	17	16	15	14	13	12	11	10	9	8	7	6	5	4	3	2	1	0
RESERVED																WIRQ_ENA_SET		FIRQ_ENA_SET													

Bits	Field Name	Description	Type	Reset
31:2	RESERVED		R	0x0
1	WIRQ_ENA_SET	Word interrupt enable. Read: 0x0: Word interrupt is disabled 0x1: Word interrupt enabled Write: 0x0: Has no effect 0x1: Enables the word interrupt	RW	0x0
0	FIRQ_ENA_SET	Frame interrupt enable. Read: 0x0: Frame interrupt is disabled 0x1: Frame interrupt is enabled Write: 0x0: Has no effect 0x1: Enables the frame interrupt	RW	0x0

Table 24-386. Register Call Summary for Register QSPI_INTR_ENABLE_SET_REG

Quad Serial Peripheral Interface

- [QSPI Interrupt Requests: \[0\]\[1\]\[2\]\[3\]\[4\]\[5\]\[6\]](#)
- [QSPI Register Summary: \[7\]](#)

Table 24-387. QSPI_INTR_ENABLE_CLEAR_REG

Address Offset	0x0000 002C	Instance	QSPI
Physical Address	0x4B30 002C		
Description	This register disables the interrupts.		
Type	RW		

31	30	29	28	27	26	25	24	23	22	21	20	19	18	17	16	15	14	13	12	11	10	9	8	7	6	5	4	3	2	1	0
RESERVED																WIRQ_ENA_CLR		FIRQ_ENA_CLR													

Bits	Field Name	Description	Type	Reset
31:2	RESERVED		R	0x0
1	WIRQ_ENA_CLR	Word interrupt disable. Read: 0x0: Word interrupt is disabled 0x1: Word interrupt is enabled Write: 0x0: Has no effect 0x1: Clears the word interrupt	RW	0x0
0	FIRQ_ENA_CLR	Frame interrupt disable. Read: 0x0: Frame interrupt is disabled 0x1: Frame interrupt is enabled Write: 0x0: Has no effect 0x1: Clears the frame interrupt	RW	0x0

Table 24-388. Register Call Summary for Register QSPI_INTR_ENABLE_CLEAR_REG

Quad Serial Peripheral Interface

- [QSPI Interrupt Requests: \[0\]\[1\]\[2\]](#)
- [QSPI Register Summary: \[3\]](#)

Table 24-389. QSPI_INTC_EOI_REG

Address Offset	0x0000 0030	Instance	QSPI
Physical Address	0x4B30 0030		
Description	Software End-Of-Interrupt: Allows the generation of further pulses on the interrupt line, if a new interrupt event is pending, when using the pulsed output. Unused when using the level interrupt line (depending on module integration).		
Type	RW		

31	30	29	28	27	26	25	24	23	22	21	20	19	18	17	16	15	14	13	12	11	10	9	8	7	6	5	4	3	2	1	0
EOI_VECTOR																															

Bits	Field Name	Description	Type	Reset
31:0	EOI_VECTOR	Number associated with the interrupt outputs. There is one interrupt output. Write 0x0 after servicing the interrupt to be able to generate another interrupt if pulse interrupts are used. Any other write value is ignored.	RW	0x0

Table 24-390. Register Call Summary for Register QSPI_INTC_EOI_REG

Quad Serial Peripheral Interface

- [QSPI Register Summary: \[0\]](#)

Table 24-391. QSPI_SPI_CLOCK_CNTRL_REG

Address Offset	0x0000 0040	Instance	QSPI
Physical Address	0x4B30 0040		
Description	This register controls the external SPI clock generation. This register can only be written when the QSPI module is not busy, as identified by the QSPI_SPI_STATUS_REG[0] BUSY bit.		
	RW		

31	30	29	28	27	26	25	24	23	22	21	20	19	18	17	16	15	14	13	12	11	10	9	8	7	6	5	4	3	2	1	0
CLKEN	RESERVED											DCLK_DIV																			

Bits	Field Name	Description	Type	Reset
31	CLKEN	External SPI clock (qspi1_sclk) enable. 0x0: The qspi1_sclk clock is turned off 0x1: The qspi1_sclk clock is enabled	RW	0x0
30:16	RESERVED		R	0x0
15:0	DCLK_DIV	Divide ratio for the external SPI clock (qspi1_sclk)	RW	0x0

Table 24-392. Register Call Summary for Register QSPI_SPI_CLOCK_CNTRL_REG

Quad Serial Peripheral Interface

- [SPI Control Interface: \[0\]](#)
- [SPI Clock Generator: \[1\]\[2\]](#)
- [QSPI Register Summary: \[3\]](#)

Table 24-393. QSPI_SPI_DC_REG

Address Offset	0x0000 0044	Instance	QSPI
Physical Address	0x4B30 0044		
Description	This register controls the different modes for each output chip select. This register can only be written when the QSPI module is not busy, as identified by the QSPI_SPI_STATUS_REG[0] BUSY bit.		
Type	RW		

31	30	29	28	27	26	25	24	23	22	21	20	19	18	17	16	15	14	13	12	11	10	9	8	7	6	5	4	3	2	1	0								
RESERVED				DD3			CKPH3	CSP3	CKP3	RESERVED				DD2			CKPH2	CSP2	CKP2	RESERVED				DD1			CKPH1	CSP1	CKP1	RESERVED				DD0			CKPH0	CSP0	CKP0

Bits	Field Name	Description	Type	Reset
31:29	RESERVED		R	0x0
28:27	DD3	Data delay for chip select 3 0x0: Data is output on the same cycle as the qspi1_cs[3] goes active 0x1: Data is output 1 qspi1_sclk cycle after the qspi1_cs[3] goes active 0x2: Data is output 2 qspi1_sclk cycles after the qspi1_cs[3] goes active 0x3: Data is output 3 qspi1_sclk cycles after the qspi1_cs[3] goes active	RW	0x0
26	CKPH3	Clock phase for chip select 3. If CKP3 = 0: 0x0: Data shifted out on falling edge; input on falling edge 0x1: Data shifted out on rising edge; input on rising edge If CKP3 = 1: 0x0: Data shifted out on rising edge; input on rising edge 0x1: Data shifted out on falling edge; input on falling edge	RW	0x0
25	CSP3	Chip select polarity for chip select 3. 0x0: Active low 0x1: Active high	RW	0x0
24	CKP3	Clock polarity for chip select 3. 0x0: When there are no data transfers the qspi1_sclk is '0' 0x1: When there are no data transfers the qspi1_sclk is '1'	RW	0x0
23:21	RESERVED		R	0x0
20:19	DD2	Data delay for chip select 2 0x0: Data is output on the same cycle as the qspi1_cs[2] goes active 0x1: Data is output 1 qspi1_sclk cycle after the qspi1_cs[2] goes active 0x2: Data is output 2 qspi1_sclk cycles after the qspi1_cs[2] goes active 0x3: Data is output 3 qspi1_sclk cycles after the qspi1_cs[2] goes active	RW	0x0
18	CKPH2	Clock phase for chip select 2. If CKP2 = 0: 0x0: Data shifted out on falling edge; input on falling edge 0x1: Data shifted out on rising edge; input on rising edge If CKP2 = 1: 0x0: Data shifted out on rising edge; input on rising edge 0x1: Data shifted out on falling edge; input on falling edge	RW	0x0
17	CSP2	Chip select polarity for chip select 2. 0x0: Active low 0x1: Active high	RW	0x0

Bits	Field Name	Description	Type	Reset
16	CKP2	Clock polarity for chip select 2. 0x0: When there are no data transfers the qspi1_sclk is '0' 0x1: When there are no data transfers the qspi1_sclk is '1'	RW	0x0
15:13	RESERVED		R	0x0
12:11	DD1	Data delay for chip select 1 0x0: Data is output on the same cycle as the qspi1_cs[1] goes active 0x1: Data is output 1 qspi1_sclk cycle after the qspi1_cs[1] goes active 0x2: Data is output 2 qspi1_sclk cycles after the qspi1_cs[1] goes active 0x3: Data is output 3 qspi1_sclk cycles after the qspi1_cs[1] goes active	RW	0x0
10	CKPH1	Clock phase for chip select 1. If CKP1 = 0: 0x0: Data shifted out on falling edge; input on falling edge 0x1: Data shifted out on rising edge; input on rising edge If CKP1 = 1: 0x0: Data shifted out on rising edge; input on rising edge 0x1: Data shifted out on falling edge; input on falling edge	RW	0x0
9	CSP1	Chip select polarity for chip select 1. 0x0: Active low 0x1: Active high	RW	0x0
8	CKP1	Clock polarity for chip select 1. 0x0: When there are no data transfers the qspi1_sclk is '0' 0x1: When there are no data transfers the qspi1_sclk is '1'	RW	0x0
7:5	RESERVED		R	0x0
4:3	DD0	Data delay for chip select 0 0x0: Data is output on the same cycle as the qspi1_cs[0] goes active 0x1: Data is output 1 qspi1_sclk cycle after the qspi1_cs[0] goes active 0x2: Data is output 2 qspi1_sclk cycles after the qspi1_cs[0] goes active 0x3: Data is output 3 qspi1_sclk cycles after the qspi1_cs[0] goes active	RW	0x0
2	CKPH0	Clock phase for chip select 0. If CKP0 = 0: 0x0: Data shifted out on falling edge; input on falling edge 0x1: Data shifted out on rising edge; input on rising edge If CKP0 = 1: 0x0: Data shifted out on rising edge; input on rising edge 0x1: Data shifted out on falling edge; input on falling edge	RW	0x0
1	CSP0	Chip select polarity for chip select 0. 0x0: Active low 0x1: Active high	RW	0x0
0	CKP0	Clock polarity for chip select 0. 0x0: When there are no data transfers the qspi1_sclk is '0' 0x1: When there are no data transfers the qspi1_sclk is '1'	RW	0x0

Table 24-394. Register Call Summary for Register QSPI_SPI_DC_REG

Quad Serial Peripheral Interface

- [SPI Control Interface: \[0\]](#)
- [SPI Data Shifter: \[1\]\[2\]\[3\]\[4\]](#)
- [QSPI Register Summary: \[5\]](#)

Table 24-395. QSPI_SPI_CMD_REG

Address Offset	0x0000 0048	Instance	QSPI
Physical Address	0x4B30 0048		
Description	This register sets up the SPI command. This register can only be written when the QSPI module is not busy, as identified by the QSPI_SPI_STATUS_REG[0] BUSY bit.		
Type	RW		

31	30	29	28	27	26	25	24	23	22	21	20	19	18	17	16	15	14	13	12	11	10	9	8	7	6	5	4	3	2	1	0		
RESERVED	RESERVED	CSNUM	RESERVED	RESERVED	RESERVED	RESERVED	RESERVED	WLEN				CMD				FIRQ	WIRQ	RESERVED	RESERVED	RESERVED	RESERVED	RESERVED	RESERVED	RESERVED	RESERVED	FLEN							

Bits	Field Name	Description	Type	Reset
31:30	RESERVED		R	0x0
29:28	CSNUM	Device select. Sets the active chip select for the current transfer. 0x0: Chip Select 0 active 0x1: Chip Select 1 active 0x2: Chip Select 2 active 0x3: Chip Select 3 active	RW	0x0
27:26	RESERVED		R	0x0
25:19	WLEN	Word length. Sets the size of the individual transfers from 1 to 128 bits. When a word length greater than 32 bits is configured, not only the QSPI_SPI_DATA_REG register, but also the QSPI_SPI_DATA_REG_1 , QSPI_SPI_DATA_REG_2 , QSPI_SPI_DATA_REG_3 are used. One or all of these registers are used depending on the length of words transferred. 0x0: 1 bit 0x1: 2 bits ... 0x7F: 128 bits	RW	0x0
18:16	CMD	Transfer command. 0x0: Reserved 0x1: 4-pin Read Single 0x2: 4-pin Write Single 0x3: 4-pin Read Dual 0x4: Reserved 0x5: 3-pin Read Single 0x6: 3-pin Write Single 0x7: 6-pin Read Quad	RW	0x0
15	FIRQ	Frame complete interrupt enable. 0x0: The interrupt is disabled 0x1: The interrupt is enabled	RW	0x0

Bits	Field Name	Description	Type	Reset
14	WIRQ	Word complete interrupt enable 0x0: The interrupt is disabled 0x1: The interrupt is enabled	RW	0x0
13:12	RESERVED		R	0x0
11:0	FLEN	Frame Length. 0x0: 1 word 0x1: 2 words ... 0xFFFF: 4096 words	RW	0x0

Table 24-396. Register Call Summary for Register QSPI_SPI_CMD_REG

Quad Serial Peripheral Interface

- [SPI Control Interface: \[0\]\[1\]\[2\]\[3\]\[4\]](#)
- [SPI Clock Generator: \[5\]](#)
- [SPI Control State-Machine: \[6\]\[7\]\[8\]\[9\]](#)
- [QSPI Interrupt Requests: \[10\]\[11\]\[12\]\[13\]\[14\]\[15\]\[16\]\[17\]\[18\]\[19\]](#)
- [QSPI Register Summary: \[20\]](#)

Table 24-397. QSPI_SPI_STATUS_REG

Address Offset	0x0000 004C	Instance	QSPI
Physical Address	0x4B30 004C		
Description	This register contains indicators to allow the user to monitor the progression of a frame transfer. This register can only be written when the QSPI module is not busy, as identified by the QSPI_SPI_STATUS_REG[0] BUSY bit.		
Type	R		

31	30	29	28	27	26	25	24	23	22	21	20	19	18	17	16	15	14	13	12	11	10	9	8	7	6	5	4	3	2	1	0
RESERVED								WDCNT									RESERVED									FC	WC	BUSY			

Bits	Field Name	Description	Type	Reset
31:28	RESERVED		R	0x0
27:16	WDCNT	Word count. This field will reflect the 1-4096 words transferred	R	0x0
15:3	RESERVED		R	0x0
2	FC	Frame complete. This bit is set after the transmission of all the requested words completes. This bit is reset when QSPI_SPI_STATUS_REG register is read. 0x0: Transfer is not complete 0x1: Transfer is complete	R	0x0
1	WC	Word complete. This bit is set after each word transfer completes. This bit is reset when QSPI_SPI_STATUS_REG register is read. 0x0: Word transfer is not complete 0x1: Word transfer is complete	R	0x0
0	BUSY	Busy bit. Active transfer in progress. This bit is only set during an active word transfer. Between words it is cleared. 0x0: Idle 0x1: Busy	R	0x0

Table 24-398. Register Call Summary for Register QSPI_SPI_STATUS_REG

Quad Serial Peripheral Interface

- [SPI Control Interface: \[0\]\[1\]\[2\]](#)
- [SPI Clock Generator: \[3\]](#)
- [SPI Control State-Machine: \[4\]\[5\]](#)
- [QSPI Interrupt Requests: \[6\]\[7\]\[8\]\[9\]\[10\]](#)
- [QSPI Register Summary: \[11\]](#)
- [QSPI Register Description: \[12\]\[13\]\[14\]\[15\]\[16\]\[17\]\[18\]\[19\]\[20\]\[21\]](#)

Table 24-399. QSPI_SPI_DATA_REG

Address Offset	0x0000 0050	Instance	QSPI
Physical Address	0x4B30 0050		
Description	The data received in this register is shifted to the LSB position and the content of the register is shifted to the left. This register acts as the first 32-bit register of the 128-bit shift in/out register. This register is cleared between reads or writes and can only be written when the QSPI module is not busy, as identified by the QSPI_SPI_STATUS_REG[0] BUSY bit.		
Type	RW		

31	30	29	28	27	26	25	24	23	22	21	20	19	18	17	16	15	14	13	12	11	10	9	8	7	6	5	4	3	2	1	0
DATA																															

Bits	Field Name	Description	Type	Reset
31:0	DATA	Data register for read and write operations	RW	0x0

Table 24-400. Register Call Summary for Register QSPI_SPI_DATA_REG

Quad Serial Peripheral Interface

- [SPI Control Interface: \[0\]\[1\]\[2\]\[3\]\[4\]\[5\]\[6\]](#)
- [QSPI Register Summary: \[7\]](#)
- [QSPI Register Description: \[8\]](#)

Table 24-401. QSPI_SPI_SETUP0_REG

Address Offset	0x0000 0054	Instance	QSPI
Physical Address	0x4B30 0054		
Description	This register contains the read/write command setup for the memory mapped protocol translator (effecting chip select 0 output). By default (reset), the device uses a write command of 2, read command of 3 and address bytes number of 3. This default covers most of the serial flash devices, but can be changed.		
Type	RW		

31	30	29	28	27	26	25	24	23	22	21	20	19	18	17	16	15	14	13	12	11	10	9	8	7	6	5	4	3	2	1	0
RESERVED				NUM_D_BITS				WCMD				RESERVED				READ_TYPE		NUM_D_BYTES		NUM_A_BYTES		RCMD									

Bits	Field Name	Description	Type	Reset
31:29	RESERVED		R	0x0
28:24	NUM_D_BITS	Number of dummy bits to use if NUM_D_BYTES = 0x0	RW	0x0
23:16	WCMD	Write command	RW	0x2

Bits	Field Name	Description	Type	Reset
15:14	RESERVED		R	0x0
13:12	READ_TYPE	Determines if the read command is a single, dual or quad read mode command. 0x0: Normal read (all data input on qspi1_d[1]) 0x1: Dual read (odd bytes input on qspi1_d[1]; even bytes on qspi1_d[0]) 0x2: Normal read (all data input on qspi1_d[1]) 0x3: Quad read (uses also qspi1_d[2] and qspi1_d[3])	RW	0x0
11:10	NUM_D_BYTES	Number of dummy bytes to be used for fast read. 0x0: No dummy bytes required. Use the value in NUM_D_BITS 0x1: Use 8 bits 0x2: Use 16 bits 0x3: Use 24 bits	RW	0x0
9:8	NUM_A_BYTES	Number of address bytes to be sent. 0x0: 1 byte 0x1: 2 bytes 0x2: 3 bytes 0x3: 4 bytes	RW	0x2
7:0	RCMD	Read Command	RW	0x3

Table 24-402. Register Call Summary for Register QSPI_SPI_SETUP0_REG

Quad Serial Peripheral Interface

- [SFI Register Control: \[0\]](#)
- [QSPI Register Summary: \[1\]](#)

Table 24-403. QSPI_SPI_SETUP1_REG

Address Offset	0x0000 0058	Instance	QSPI
Physical Address	0x4B30 0058		
Description	This register contains the read/write command setup for the memory mapped protocol translator (effecting chip select 1 output). By default (reset), the device uses a write command of 2, read command of 3 and address bytes number of 3. This default covers most of the serial flash devices, but can be changed.		
Type	RW		

31	30	29	28	27	26	25	24	23	22	21	20	19	18	17	16	15	14	13	12	11	10	9	8	7	6	5	4	3	2	1	0								
RESERVED				NUM_D_BITS				WCMD								RESERVED				READ_TYPE				NUM_D_BYTES				NUM_A_BYTES				RCMD							

Bits	Field Name	Description	Type	Reset
31:29	RESERVED		R	0x0
28:24	NUM_D_BITS	Number of dummy bits to use if NUM_D_BYTES = 0x0	RW	0x0
23:16	WCMD	Write command	RW	0x2
15:14	RESERVED		R	0x0

Bits	Field Name	Description	Type	Reset
13:12	READ_TYPE	Determines if the read command is a single, dual or quad read mode command. 0x0: Normal read (all data input on qspi1_d[1]) 0x1: Dual read (odd bytes input on qspi1_d[1]; even bytes on qspi1_d[0]) 0x2: Normal read (all data input on qspi1_d[1]) 0x3: Quad read (uses also qspi1_d[2] and qspi1_d[3])	RW	0x0
11:10	NUM_D_BYTES	Number of dummy bytes to be used for fast read. 0x0: No dummy bytes required. Use the value in NUM_D_BITS 0x1: Use 8 bits 0x2: Use 16 bits 0x3: Use 24 bits	RW	0x0
9:8	NUM_A_BYTES	Number of address bytes to be sent. 0x0: 1 byte 0x1: 2 bytes 0x2: 3 bytes 0x3: 4 bytes	RW	0x2
7:0	RCMD	Read Command	RW	0x3

Table 24-404. Register Call Summary for Register QSPI_SPI_SETUP1_REG

Quad Serial Peripheral Interface

- [SFI Register Control: \[0\]](#)
- [QSPI Register Summary: \[1\]](#)

Table 24-405. QSPI_SPI_SETUP2_REG

Address Offset	0x0000 005C	Instance	QSPI
Physical Address	0x4B30 005C		
Description	This register contains the read/write command setup for the memory mapped protocol translator (effecting chip select 2 output). By default (reset), the device uses a write command of 2, read command of 3 and address bytes number of 3. This default covers most of the serial flash devices, but can be changed.		
Type	RW		

31	30	29	28	27	26	25	24	23	22	21	20	19	18	17	16	15	14	13	12	11	10	9	8	7	6	5	4	3	2	1	0
RESERVED				NUM_D_BITS				WCMD				RESERVED				READ_TYPE				NUM_D_BYTES				NUM_A_BYTES				RCMD			

Bits	Field Name	Description	Type	Reset
31:29	RESERVED		R	0x0
28:24	NUM_D_BITS	Number of dummy bits to use if NUM_D_BYTES = 0x0	RW	0x0
23:16	WCMD	Write command	RW	0x2
15:14	RESERVED		R	0x0

Bits	Field Name	Description	Type	Reset
13:12	READ_TYPE	Determines if the read command is a single, dual or quad read mode command. 0x0: Normal read (all data input on qspi1_d[1]) 0x1: Dual read (odd bytes input on qspi1_d[1]; even bytes on qspi1_d[0]) 0x2: Normal read (all data input on qspi1_d[1]) 0x3: Quad read (uses also qspi1_d[2] and qspi1_d[3])	RW	0x0
11:10	NUM_D_BYTES	Number of dummy bytes to be used for fast read. 0x0: No dummy bytes required. Use the value in NUM_D_BITS 0x1: Use 8 bits 0x2: Use 16 bits 0x3: Use 24 bits	RW	0x0
9:8	NUM_A_BYTES	Number of address bytes to be sent. 0x0: 1 byte 0x1: 2 bytes 0x2: 3 bytes 0x3: 4 bytes	RW	0x2
7:0	RCMD	Read Command	RW	0x3

Table 24-406. Register Call Summary for Register QSPI_SPI_SETUP2_REG

Quad Serial Peripheral Interface

- [SFI Register Control: \[0\]](#)
- [QSPI Register Summary: \[1\]](#)

Table 24-407. QSPI_SPI_SETUP3_REG

Address Offset	0x0000 0060	Instance	QSPI
Physical Address	0x4B30 0060		
Description	This register contains the read/write command setup for the memory mapped protocol translator (effecting chip select 3 output). By default (reset), the device uses a write command of 2, read command of 3 and address bytes number of 3. This default covers most of the serial flash devices, but can be changed.		
Type	RW		

31	30	29	28	27	26	25	24	23	22	21	20	19	18	17	16	15	14	13	12	11	10	9	8	7	6	5	4	3	2	1	0
RESERVED				NUM_D_BITS				WCMD				RESERVED				READ_TYPE				NUM_D_BYTES				NUM_A_BYTES				RCMD			

Bits	Field Name	Description	Type	Reset
31:29	RESERVED		R	0x0
28:24	NUM_D_BITS	Number of dummy bits to use if NUM_D_BYTES = 0x0	RW	0x0
23:16	WCMD	Write command	RW	0x2
15:14	RESERVED		R	0x0

Bits	Field Name	Description	Type	Reset
13:12	READ_TYPE	Determines if the read command is a single, dual or quad read mode command. 0x0: Normal read (all data input on qspi1_d[1]) 0x1: Dual read (odd bytes input on qspi1_d[1]; even bytes on qspi1_d[0]) 0x2: Normal read (all data input on qspi1_d[1]) 0x3: Quad read (uses also qspi1_d[2] and qspi1_d[3])	RW	0x0
11:10	NUM_D_BYTES	Number of dummy bytes to be used for fast read. 0x0: No dummy bytes required. Use the value in NUM_D_BITS 0x1: Use 8 bits 0x2: Use 16 bits 0x3: Use 24 bits	RW	0x0
9:8	NUM_A_BYTES	Number of address bytes to be sent. 0x0: 1 byte 0x1: 2 bytes 0x2: 3 bytes 0x3: 4 bytes	RW	0x2
7:0	RCMD	Read Command	RW	0x3

Table 24-408. Register Call Summary for Register QSPI_SPI_SETUP3_REG

Quad Serial Peripheral Interface

- [SFI Register Control: \[0\]](#)
- [QSPI Register Summary: \[1\]](#)

Table 24-409. QSPI_SPI_SWITCH_REG

Address Offset	0x0000 0064	Instance	QSPI
Physical Address	0x4B30 0064		
Description	This register allows initiators to switch control of the SPI core port between the configuration port and the SFI translator. In addition, an interrupt enable field is defined which is used to enable or disable word complete interrupt generation in memory mapped mode.		
Type	RW		

31	30	29	28	27	26	25	24	23	22	21	20	19	18	17	16	15	14	13	12	11	10	9	8	7	6	5	4	3	2	1	0
RESERVED																	MM_INT_EN	MMPT_S													

Bits	Field Name	Description	Type	Reset
31:2	RESERVED		R	0x0
1	MM_INT_EN	Memory mapped mode interrupt enable. 0x0: Word complete interrupt is disabled during memory mapped operations 0x1: Word complete interrupt is enabled for memory mapped operations	RW	0x0
0	MMPT_S	MPT select. 0x0: Configuration port is selected to control the SPI_CORE. 0x1: SFI translator is selected to control the SPI_CORE.	RW	0x0

Table 24-410. Register Call Summary for Register QSPI_SPI_SWITCH_REG

Quad Serial Peripheral Interface

- [SFI Register Control: \[0\]\[1\]\[2\]\[3\]](#)
- [QSPI Interrupt Requests: \[4\]\[5\]](#)
- [QSPI Register Summary: \[6\]](#)

Table 24-411. QSPI_SPI_DATA_REG_1

Address Offset	0x0000 0068	Instance	QSPI
Physical Address	0x4B30 0068		
Description	The data received in this register is shifted to the LSB position and the content of the register is shifted to the left. This register acts as the second 32-bit register of the 128-bit shift in/out register. This register is cleared between reads or writes and can only be written when the QSPI module is not busy, as identified by the QSPI_SPI_STATUS_REG[0] BUSY bit.		
Type	RW		

31	30	29	28	27	26	25	24	23	22	21	20	19	18	17	16	15	14	13	12	11	10	9	8	7	6	5	4	3	2	1	0
DATA																															

Bits	Field Name	Description	Type	Reset
31:0	DATA	Data register for read and write operations	RW	0x0

Table 24-412. Register Call Summary for Register QSPI_SPI_DATA_REG_1

Quad Serial Peripheral Interface

- [SPI Control Interface: \[0\]\[1\]\[2\]](#)
- [QSPI Register Summary: \[3\]](#)
- [QSPI Register Description: \[4\]](#)

Table 24-413. QSPI_SPI_DATA_REG_2

Address Offset	0x0000 006C	Instance	QSPI
Physical Address	0x4B30 006C		
Description	The data received in this register is shifted to the LSB position and the content of the register is shifted to the left. This register acts as the third 32-bit register of the 128-bit shift in/out register. This register is cleared between reads or writes and can only be written when the QSPI module is not busy, as identified by the QSPI_SPI_STATUS_REG[0] BUSY bit.		
Type	RW		

31	30	29	28	27	26	25	24	23	22	21	20	19	18	17	16	15	14	13	12	11	10	9	8	7	6	5	4	3	2	1	0
DATA																															

Bits	Field Name	Description	Type	Reset
31:0	DATA	Data register for read and write operations	RW	0x0

Table 24-414. Register Call Summary for Register QSPI_SPI_DATA_REG_2

Quad Serial Peripheral Interface

- [SPI Control Interface: \[0\]\[1\]\[2\]](#)
- [QSPI Register Summary: \[3\]](#)
- [QSPI Register Description: \[4\]](#)

Table 24-415. QSPI_SPI_DATA_REG_3

Address Offset	0x0000 0070	Instance	QSPI
Physical Address	0x4B30 0070		
Description	The data received in this register is shifted to the LSB position and the content of the register is shifted to the left. This register acts as the fourth 32-bit register of the 128-bit shift in/out register. This register is cleared between reads or writes and can only be written when the QSPI module is not busy, as identified by the QSPI_SPI_STATUS_REG[0] BUSY bit.		
Type	RW		

31	30	29	28	27	26	25	24	23	22	21	20	19	18	17	16	15	14	13	12	11	10	9	8	7	6	5	4	3	2	1	0
DATA																															

Bits	Field Name	Description	Type	Reset
31:0	DATA	Data register for read and write operations	RW	0x0

Table 24-416. Register Call Summary for Register QSPI_SPI_DATA_REG_3

- Quad Serial Peripheral Interface
- [SPI Control Interface: \[0\]\[1\]\[2\]\[3\]\[4\]](#)
 - [QSPI Register Summary: \[5\]](#)
 - [QSPI Register Description: \[6\]](#)

24.6 Multichannel Audio Serial Port

This section describes the multichannel audio serial port (McASP).

24.6.1 McASP Overview

This section introduces the multichannel audio serial port (McASP) module and describes its main functions and connections in the device.

The McASP functions as a general-purpose audio serial port optimized to the requirements of various audio applications. The McASP module can operate in both transmit and receive modes. The McASP is useful for time-division multiplexed (TDM) stream, Inter-IC Sound (I2S) protocols reception and transmission as well as for an intercomponent digital audio interface transmission (DIT). The McASP has the flexibility to gluelessly connect to a Sony/Philips digital interface (S/PDIF) transmit physical layer component.

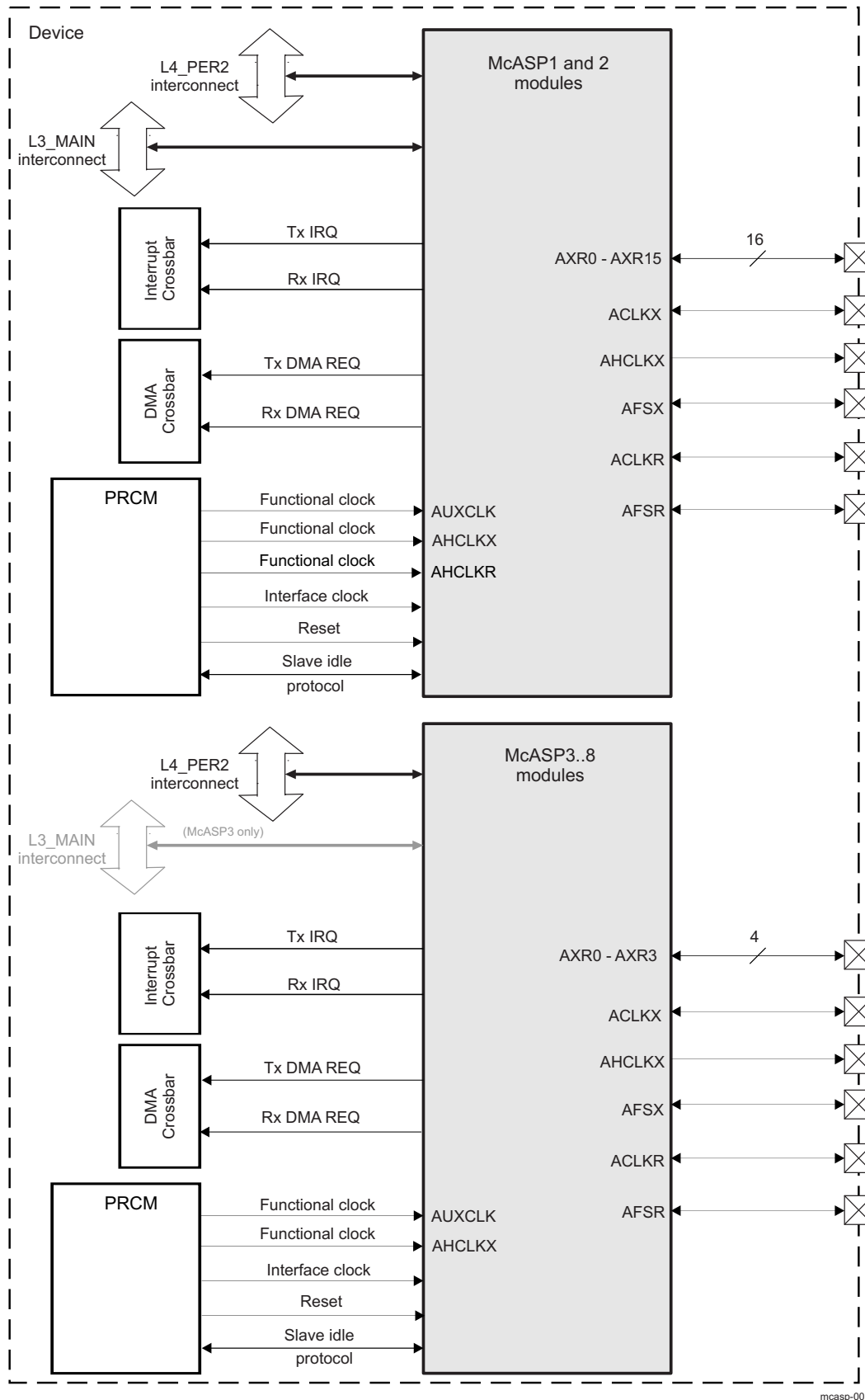
Although intercomponent digital audio interface reception (DIR) mode (i.e. S/PDIF stream receiving) is not natively supported by the McASP module, a specific TDM mode implementation for the McASP receivers allows an easy connection to external DIR components (for example, S/PDIF to I2S format converters).

The device have integrated eight McASP modules with:

- McASP1 and McASP2 supporting up to 16 channels with independent TX/RX clock/sync domain
- McASP3 through McASP8 modules supporting up to 4 channels with independent TX/RX clock/sync domain

[Figure 24-108](#) shows the McASP modules in the device.

Figure 24-108. McASP Modules Overview



mcasp-001

NOTE: The ACLKR and AFSR signals of McASP2 are not pinned out on the AM570x family of devices.

McASP module includes the following main features:

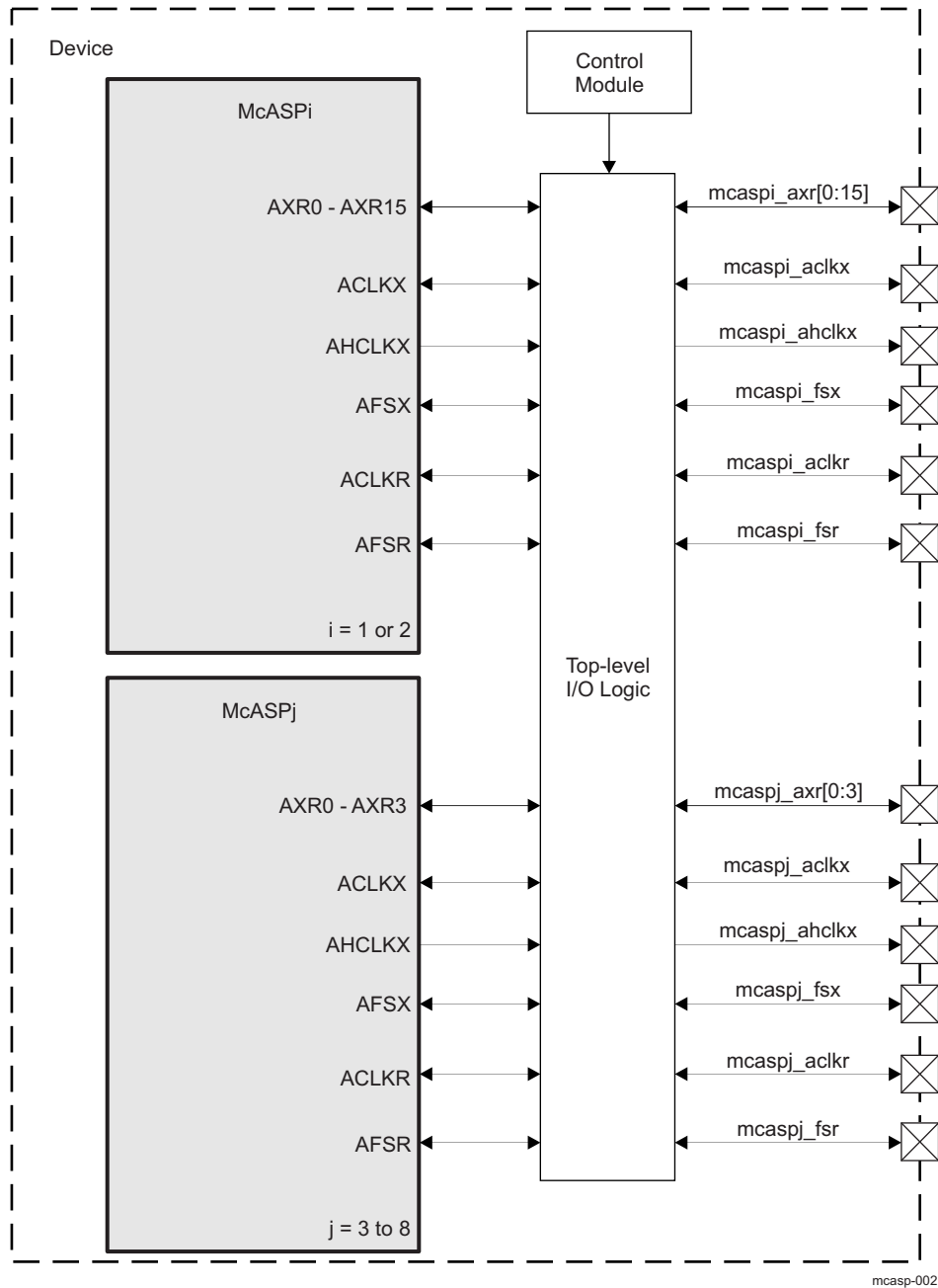
- Two modules (McASP1 and McASP2) supporting up to 16 channels each and independent TX/RX clock/sync domains.
- Six modules (McASP3, McASP4, McASP5, McASP6, McASP7, and McASP8) supporting up to 4 channels each and unified clock/sync domain.
- Independent serializer for each AXRx channel of each McASP_x module.
- Idle request/acknowledge protocol
- A single 32-bit buffer per serializer for transmit and receive operations
- 2 x interconnect slave interface ports:
 - A configuration (CFG) port supplied with an internal L4-interconnect interface clock
 - A slave DMA data port synchronized with functional clock
- Two independent clock generator modules for transmit and receive.
 - Clocking flexibility allows the McASP to receive and transmit at different rates. For example, the McASP can receive data at 48 kHz but output up-sampled data at 96 kHz or 192 kHz.
- McASP module functional clock can be generated:
 - internally (master mode)
 - supplied over McASP serial interface (slave mode)
 - has a controllable functional clock divide ratio
- Independent transmit and receive modules, each includes:
 - Programmable clock and frame sync generator.
 - TDM streams from 2 to 32, and 384 time slots.
 - Support for time slot sizes of 8, 12, 16, 20, 24, 28, and 32 bits.
 - Data formatter for bit manipulation.
- Glueless connection to audio analog-to-digital converters (ADC), digital-to-analog converters (DAC), codec, digital audio interface receiver (DIR), and S/PDIF transmit physical layer components.
- Wide variety of I2S and similar bit-stream format.
- Integrated digital audio interface transmitter (DIT):
 - S/PDIF, IEC60958-1, AES-3 formats.
 - Enhanced channel status/user data RAM.
- 384-slot TDM with external digital audio interface receiver (DIR) device.
 - For DIR reception, an external DIR receiver integrated circuit should be used with I2S output format and connected to the McASP receive section.
- Support for 2x DMA requests (one per direction):
 - 1 level-sensitive transmit direct memory access (DMA) request common for all of the McASP serializers
 - 1 level-sensitive receive direct memory access (DMA) request common for all of the McASP serializers
 - All transmit DMA requests are mapped to the device DMA crossbar
- One transmit interrupt request common for all serializers
- One receive interrupt request common for all serializers
- Each of the Rx and Tx interrupts is propagated to different host processors via the device Interrupt Crossbar

NOTE: Because a serializer receive and transmit channels data is shared on the same McASP data pin, user can choose to have either Tx or Rx function from a serializer, not both at the same time.

24.6.2 McASP Environment

This section describes the McASP application fields from an environment point of view (external connections), along with the McASP connectivity options. This section also lists all of the possible interfaces and describes the protocol and data format used in each case. Figure 24-109 shows the McASP modules in their environment in the device.

Figure 24-109. McASP Environment



NOTE: McASP8 module may have fewer number of serializers depending on device part number or device package type. Refer to the device Data Manual, for more information.

24.6.2.1 McASP Signals

Table 24-417 describes the McASP pins, their corresponding signal names at device level and specifies their links to functions.

Table 24-417. McASP I/O Signals

Module Pin Name	Device Level Signal Name	I/O ⁽¹⁾	Description	Module Pin Reset Value
McASP1 module				
AXR0	mcasp1_axr[0]	I/O	Audio transmit/receive data - channel 0	HiZ
AXR1	mcasp1_axr[1]	I/O	Audio transmit/receive data - channel 1	HiZ
AXR2	mcasp1_axr[2]	I/O	Audio transmit/receive data - channel 2	HiZ
AXR3	mcasp1_axr[3]	I/O	Audio transmit/receive data - channel 3	HiZ
AXR4	mcasp1_axr[4]	I/O	Audio transmit/receive data - channel 4	HiZ
AXR5	mcasp1_axr[5]	I/O	Audio transmit/receive data - channel 5	HiZ
AXR6	mcasp1_axr[6]	I/O	Audio transmit/receive data - channel 6	HiZ
AXR7	mcasp1_axr[7]	I/O	Audio transmit/receive data - channel 7	HiZ
AXR8	mcasp1_axr[8]	I/O	Audio transmit/receive data - channel 8	HiZ
AXR9	mcasp1_axr[9]	I/O	Audio transmit/receive data - channel 9	HiZ
AXR10	mcasp1_axr[10]	I/O	Audio transmit/receive data - channel 10	HiZ
AXR11	mcasp1_axr[11]	I/O	Audio transmit/receive data - channel 11	HiZ
AXR12	mcasp1_axr[12]	I/O	Audio transmit/receive data - channel 12	HiZ
AXR13	mcasp1_axr[13]	I/O	Audio transmit/receive data - channel 13	HiZ
AXR14	mcasp1_axr[14]	I/O	Audio transmit/receive data - channel 14	HiZ
AXR15	mcasp1_axr[15]	I/O	Audio transmit/receive data - channel 15	HiZ
ACLKX	mcasp1_aclkx	I/O	Transmit bit clock	HiZ
AHCLKX	mcasp1_ahclkx	O	Transmit high-frequency master clock	HiZ
AFSX	mcasp1_fsx	I/O	Transmit frame synchronization	HiZ
ACLKR	mcasp1_aclkr	I/O	Receive bit clock	HiZ
AFSR	mcasp1_fsr	I/O	Receive frame synchronization	HiZ
McASP2 module				
AXR0	mcasp2_axr[0]	I/O	Audio transmit/receive data - channel 0	HiZ
AXR1	mcasp2_axr[1]	I/O	Audio transmit/receive data - channel 1	HiZ
AXR2	mcasp2_axr[2]	I/O	Audio transmit/receive data - channel 2	HiZ
AXR3	mcasp2_axr[3]	I/O	Audio transmit/receive data - channel 3	HiZ
AXR4	mcasp2_axr[4]	I/O	Audio transmit/receive data - channel 4	HiZ
AXR5	mcasp2_axr[5]	I/O	Audio transmit/receive data - channel 5	HiZ
AXR6	mcasp2_axr[6]	I/O	Audio transmit/receive data - channel 6	HiZ
AXR7	mcasp2_axr[7]	I/O	Audio transmit/receive data - channel 7	HiZ
AXR8	mcasp2_axr[8]	I/O	Audio transmit/receive data - channel 8	HiZ
AXR9	mcasp2_axr[9]	I/O	Audio transmit/receive data - channel 9	HiZ
AXR10	mcasp2_axr[10]	I/O	Audio transmit/receive data - channel 10	HiZ
AXR11	mcasp2_axr[11]	I/O	Audio transmit/receive data - channel 11	HiZ
AXR12	mcasp2_axr[12]	I/O	Audio transmit/receive data - channel 12	HiZ
AXR13	mcasp2_axr[13]	I/O	Audio transmit/receive data - channel 13	HiZ
AXR14	mcasp2_axr[14]	I/O	Audio transmit/receive data - channel 14	HiZ
AXR15	mcasp2_axr[15]	I/O	Audio transmit/receive data - channel 15	HiZ
ACLKX	mcasp2_aclkx	I/O	Transmit bit clock	HiZ
AHCLKX	mcasp2_ahclkx	O	Transmit high-frequency master clock	HiZ
AFSX	mcasp2_fsx	I/O	Transmit frame synchronization	HiZ

⁽¹⁾ I = Input; O = Output; I/O = Bidirectional

Table 24-417. McASP I/O Signals (continued)

Module Pin Name	Device Level Signal Name	I/O ⁽¹⁾	Description	Module Pin Reset Value
ACLKR	mcasp2_aclkr ⁽²⁾	I/O	Receive bit clock	HiZ
AFSR	mcasp2_fsr ⁽²⁾	I/O	Receive frame synchronization	HiZ
McASP3 module				
AXR0	mcasp3_axr[0]	I/O	Audio transmit/receive data - channel 0	HiZ
AXR1	mcasp3_axr[1]	I/O	Audio transmit/receive data - channel 1	HiZ
AXR2	mcasp3_axr[2]	I/O	Audio transmit/receive data - channel 2	HiZ
AXR3	mcasp3_axr[3]	I/O	Audio transmit/receive data - channel 3	HiZ
ACLKX	mcasp3_aclkx	I/O	Transmit bit clock	HiZ
AHCLKX	mcasp3_ahclkx	O	Transmit high-frequency master clock	HiZ
AFSX	mcasp3_fsx	I/O	Transmit frame synchronization	HiZ
ACLKR	mcasp3_aclkr	I/O	Receive bit clock	HiZ
AFSR	mcasp3_fsr	I/O	Receive frame synchronization	HiZ
McASP4 module				
AXR0	mcasp4_axr[0]	I/O	Audio transmit/receive data - channel 0	HiZ
AXR1	mcasp4_axr[1]	I/O	Audio transmit/receive data - channel 1	HiZ
AXR2	mcasp4_axr[2]	I/O	Audio transmit/receive data - channel 2	HiZ
AXR3	mcasp4_axr[3]	I/O	Audio transmit/receive data - channel 3	HiZ
ACLKX	mcasp4_aclkx	I/O	Transmit bit clock	HiZ
AHCLKX	mcasp4_ahclkx	O	Transmit high-frequency master clock	HiZ
AFSX	mcasp4_fsx	I/O	Transmit frame synchronization	HiZ
ACLKR	mcasp4_aclkr	I/O	Receive bit clock	HiZ
AFSR	mcasp4_fsr	I/O	Receive frame synchronization	HiZ
McASP5 module				
AXR0	mcasp5_axr[0]	I/O	Audio transmit/receive data - channel 0	HiZ
AXR1	mcasp5_axr[1]	I/O	Audio transmit/receive data - channel 1	HiZ
AXR2	mcasp5_axr[2]	I/O	Audio transmit/receive data - channel 2	HiZ
AXR3	mcasp5_axr[3]	I/O	Audio transmit/receive data - channel 3	HiZ
ACLKX	mcasp5_aclkx	I/O	Transmit bit clock	HiZ
AHCLKX	mcasp5_ahclkx	O	Transmit high-frequency master clock	HiZ
AFSX	mcasp5_fsx	I/O	Transmit frame synchronization	HiZ
ACLKR	mcasp5_aclkr	I/O	Receive bit clock	HiZ
AFSR	mcasp5_fsr	I/O	Receive frame synchronization	HiZ
McASP6 module				
AXR0	mcasp6_axr[0]	I/O	Audio transmit/receive data - channel 0	HiZ
AXR1	mcasp6_axr[1]	I/O	Audio transmit/receive data - channel 1	HiZ
AXR2	mcasp6_axr[2]	I/O	Audio transmit/receive data - channel 2	HiZ
AXR3	mcasp6_axr[3]	I/O	Audio transmit/receive data - channel 3	HiZ
ACLKX	mcasp6_aclkx	I/O	Transmit bit clock	HiZ
AHCLKX	mcasp6_ahclkx	O	Transmit high-frequency master clock	HiZ
AFSX	mcasp6_fsx	I/O	Transmit frame synchronization	HiZ
ACLKR	mcasp6_aclkr	I/O	Receive bit clock	HiZ
AFSR	mcasp6_fsr	I/O	Receive frame synchronization	HiZ
McASP7 module				
AXR0	mcasp7_axr[0]	I/O	Audio transmit/receive data - channel 0	HiZ
AXR1	mcasp7_axr[1]	I/O	Audio transmit/receive data - channel 1	HiZ
AXR2	mcasp7_axr[2]	I/O	Audio transmit/receive data - channel 2	HiZ

⁽²⁾ The ACLKR and AFSR pins of McASP2 are not pinned out on the AM570x family of devices.

Table 24-417. McASP I/O Signals (continued)

Module Pin Name	Device Level Signal Name	I/O ⁽¹⁾	Description	Module Pin Reset Value
AXR3	mcasp7_axr[3]	I/O	Audio transmit/receive data - channel 3	HiZ
ACLKX	mcasp7_aclkx	I/O	Transmit bit clock	HiZ
AHCLKX	mcasp7_ahclkx	O	Transmit high-frequency master clock	HiZ
AFSX	mcasp7_fsx	I/O	Transmit frame synchronization	HiZ
ACLKR	mcasp7_aclkr	I/O	Receive bit clock	HiZ
AFSR	mcasp7_fsr	I/O	Receive frame synchronization	HiZ
McASP8 module⁽³⁾				
AXR0	mcasp8_axr[0]	I/O	Audio transmit/receive data - channel 0	HiZ
AXR1	mcasp8_axr[1]	I/O	Audio transmit/receive data - channel 1	HiZ
AXR2	mcasp8_axr[2]	I/O	Audio transmit/receive data - channel 2	HiZ
AXR3	mcasp8_axr[3]	I/O	Audio transmit/receive data - channel 3	HiZ
ACLKX	mcasp8_aclkx	I/O	Transmit bit clock	HiZ
AHCLKX	mcasp8_ahclkx	O	Transmit high-frequency master clock	HiZ
AFSX	mcasp8_fsx	I/O	Transmit frame synchronization	HiZ
ACLKR	mcasp8_aclkr	I/O	Receive bit clock	HiZ
AFSR	mcasp8_fsr	I/O	Receive frame synchronization	HiZ

⁽³⁾ McASP8 module may have fewer number of serializers depending on device part number or device package type. Refer to the device Data Manual, for more information.

NOTE: For the `mcaspx_aclkx`, `mcaspx_ahclkx` and `mcaspx_aclkr` signals to work properly, the INPUTENABLE bit of the appropriate CTRL_CORE_PAD_x registers should be set to 0x1 because of retiming purposes.

NOTE: The path from module pin to device pad(s) is defined at the device I/O logic level. The I/O logic maps the module signals to the different pads of the device and is programmable in the Control Module registers. For more information, refer to the [Section 18.4.6.1.1, Pad Configuration Registers](#), and [Section 18.5, Control Module Register Manual](#), in [Chapter 18, Control Module](#).

NOTE: A serializer AXR data pin is shared between the transmit and receive logic of that serializer. The direction of data is determined in the `MCASP_PDIR` and the function (Tx or Rx) is selected in the corresponding serializer control register `MCASP_XRSRCTLn`.

24.6.2.2 Protocols and Data Formats

24.6.2.2.1 Protocols Supported

The McASP supports a wide variety of protocols:

- Transmit section supports:
 - Wide variety of I2S and similar bit-stream formats.
 - TDM streams from 2 to 32 time slots.
 - S/PDIF, IEC60958-1, AES-3 formats.
- Receive section supports:
 - Wide variety of I2S and similar bit-stream formats.
 - TDM streams from 2 to 32 time slots.
 - TDM stream of 384 time slots specifically designed for easy interface to external digital interface

receiver (DIR) device transmitting DIR frames to McASP using the I2S protocol (one time slot for each DIR subframe).

The transmit and receive sections of the module may be individually programmed to support the following options on the basic serial protocol:

- Programmable clock and frame sync polarity (rising or falling edge): ACLKR/X, AHCLKR/X, and AFSR/X.
- Slot length (number of bits per time slot): 8, 12, 16, 20, 24, 28, 32 bits supported.
- Word length (bits per word): 8, 12, 16, 20, 24, 28, 32 bits; always less than or equal to the time slot length.
- First-bit data delay: 0, 1, 2 bit clocks.
- Left/right alignment of word inside slot.
- Bit order: MSB first or LSB first.
- Bit mask/pad/rotate function.
 - Automatically aligns data internally in either Q31 or integer formats.
 - Automatically masks nonsignificant bits (sets to 0, 1, or extends value of another bit).

NOTE: In I2S mode, the transmit and receive sections can support simultaneous transfers on up to all serial data pins operating as 192 kHz stereo channels.

In DIT mode for McASP, additional features of the transmitters are:

- Transmit-only mode 384 time slots (subframe) per frame.
- Biphase encoded LVCMOS output
- Channel status RAM (384 bits).
- User data RAM (384 bits).
- Separate valid bit (V) for subframe A, B.
- Stereo Support Only (Mono means send data 2x via software)

In DIT mode, the transmitter can support a 192 kHz frame rate (stereo) on up to all serial data pins simultaneously (note that the internal bit clock for DIT runs two times faster than the equivalent bit clock for I2S mode, due to the need to generate Biphase Mark Encoded Data).

NOTE: The McASP does NOT natively support DIR-mode reception (i.e. receiving in the S/PDIF format). To allow this, the McASP can use a DIR-input to I2S-output converter implemented by an external device (i.e. external DIR component). To facilitate reception in this case, the TDM mode of McASP receivers logic is extended to support a non-standard 384-slot TDM stream.

NOTE: An external transceiver must be connected to the McASP port in the device to translate the electrical signals delivered by the McASP (1.2 V or 1.8 V LVCMOS levels) to the electrical levels of the S/PDIF standard.

24.6.2.2.2 Definition of Terms

The serial bitstream transmitted or received by a McASP serializer is a long sequence of 1s and 0s on an audio transmit/receive pins AXRn. However, the sequence has a hierarchical organization that can be described in terms of frames of data, slots, words, and bits.

A basic synchronous serial interface consists of three important components: clock, frame sync, and data. [Figure 24-110](#) shows two of the three basic components: the clock signal (ACLKX/ACLKR) and the data signals AXRn. [Figure 24-110](#) does not specify whether the clock is for transmit (ACLKX) or receive (ACLKR) because the definitions of terms apply to both receive and transmit interfaces. In operation, each transmitter and receiver uses the signals ACLKX and ACLKR as serial clock, respectively. Optionally, a receiver can use ACLKX as the serial clock when a transmitter and receiver (not from the same serializer) of the McASP are configured to operate synchronously.

- Bit:

A bit is the smallest entity in the serial data stream. The beginning and end of each bit is marked by an edge of the serial clock. The duration of a bit is a serial clock period. A '1' is represented by a logic high on AXRn pins for the entire duration of the bit. A 0 is represented by a logic low on an AXRn pin for the entire duration of the bit.

- Word:

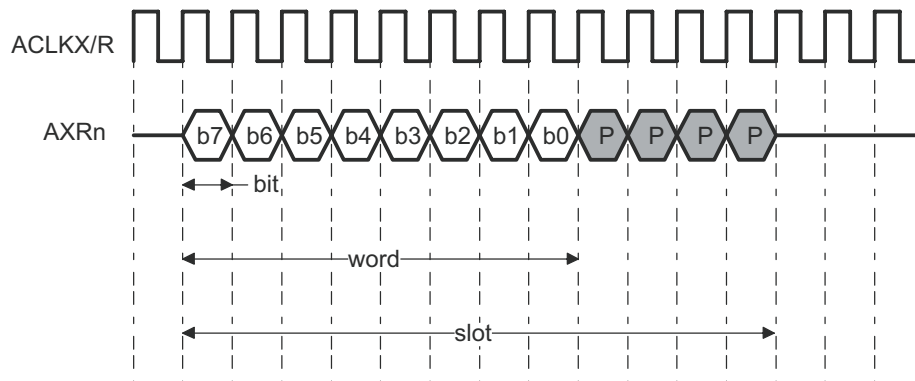
A word is a group of bits that make up the data being transferred between the McASP and the external device. [Figure 24-110](#) shows an 8-bit word.

- Slot:

A slot consists of the bits that make up the word and can consist of additional bits used to pad the word to a convenient number of bits for the interface between the McASP and the external device. In [Figure 24-110](#), the audio data consists of only 8 bits of useful data (8-bit word), but it is padded with four 0s (12-bit slot) to satisfy the desired protocol in interfacing to an external device. Within a slot, the bits can be shifted out of the McASP on an AXRn pin with either MSB or LSB first.

When the word size is smaller than the slot size, the word can be aligned to the left of the slot (beginning) or to the right of the slot (end). The additional bits in the slot not belonging to the word can be padded with 0, 1, or with one of the bits (typically, the MSB or LSB) from the data word, i.e. left-aligned words within a slot are terminated with padding bits and right-aligned words within a slot are preceded by padding bits to fit in the slot size. [Figure 24-111](#) shows these options.

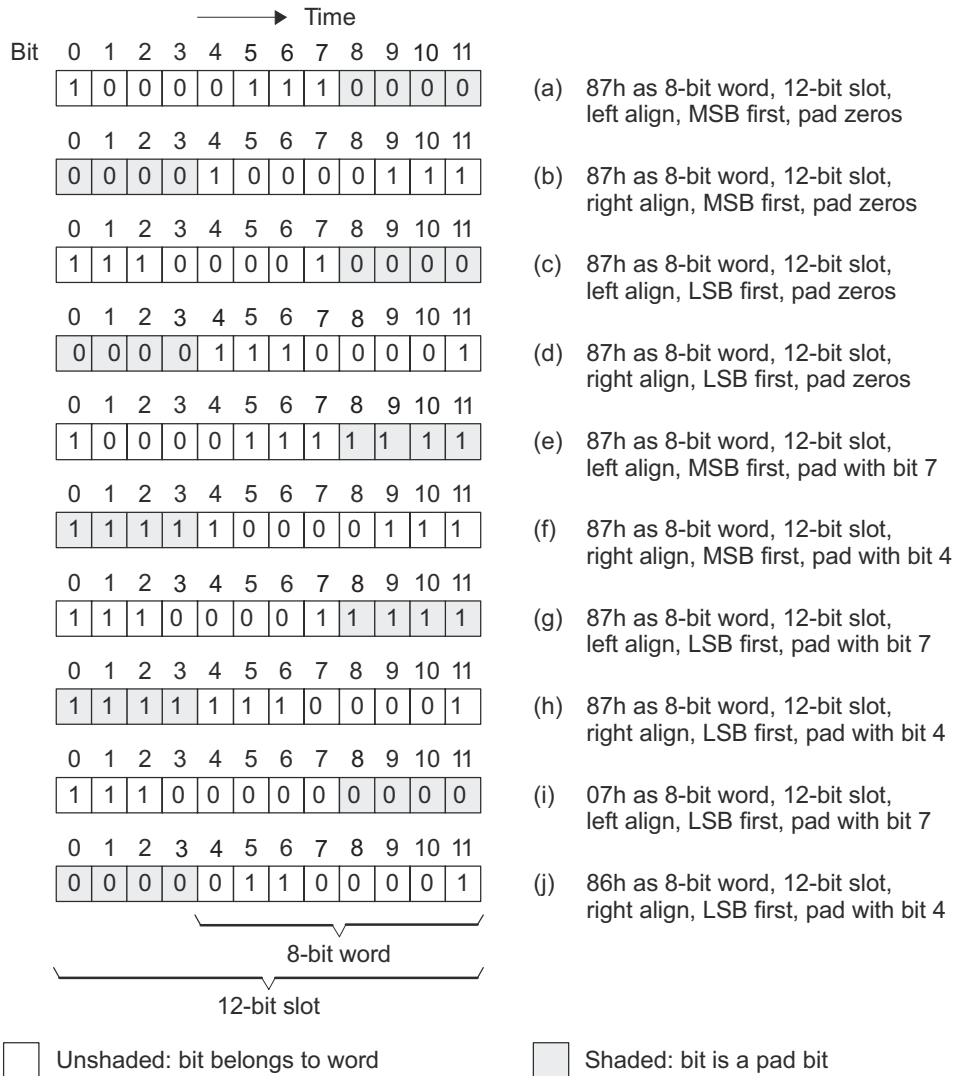
Figure 24-110. Definition of Bit, Word, and Slot



- (1) b7:b0 - bits. Bits b7 to b0 form a word.
- (2) P - pad bits. Bits b7 to b0, together with the 4 pad bits, form a slot.
- (3) In this example, the data is transmitted MSB first, left-aligned.

mcasp-003

Figure 24-111. Bit Order and Word Alignment Within a Slot Examples



mccasp-004

• Frame

The third basic element of a synchronous serial interface is the frame synchronization signal, also referred to as frame sync in this chapter. A frame contains one or multiple slots, as determined by the desired protocol. Figure 24-112 shows an example frame of data and the frame definitions. In operation, the transmitter uses AFSX, and the receiver - AFSR signal. Figure 24-112 does NOT specify whether the frame sync (FS) is for transmit (AFSX) or receive (AFSR) because the definitions of terms apply to both receive and transmit interfaces. In operation, each transmitter/receiver uses AFSX/AFSR as a frame synchronization signal, respectively. Optionally, the receiver can use AFSX as the frame sync when the transmitter and receiver of the McASP are configured to operate synchronously. This example shows two slots in a frame (I2S format) and a frame-sync (FS) duration of a slot length.

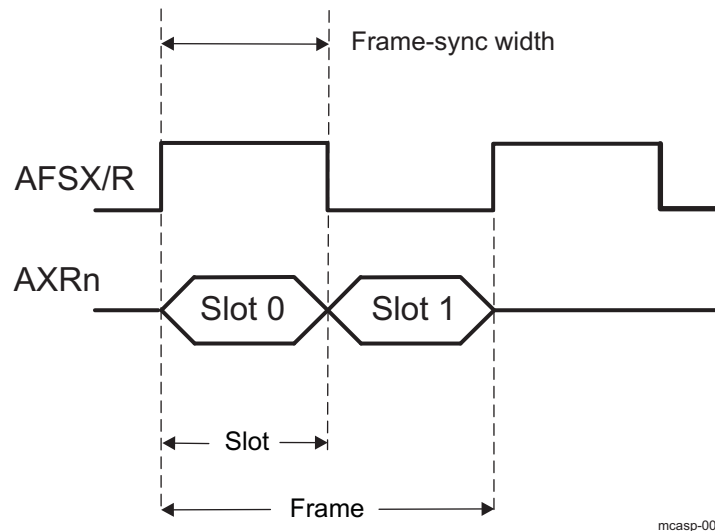
This section shows only the generic definition of the frame sync. For more information about the frame-sync formats required for the transfer modes and protocols (TDM-mode and DIT-mode supported formats), see Section 24.6.2.2.3, TDM Format and Section 24.6.2.2.5, S/PDIF-Coding Format.

NOTE: All of the McASP serializers share the same, device pad accessible, clock and frame signals, as follows:

- AHCLKX, ACLKX, and AFSX for the transmitting section
- ACLKR and AFSR for the receiving section

NOTE: The ACLKR and AFSR signals of McASP2 are not pinned out on the AM570x family of devices.

Figure 24-112. Definition of Frame and Frame-Sync Width



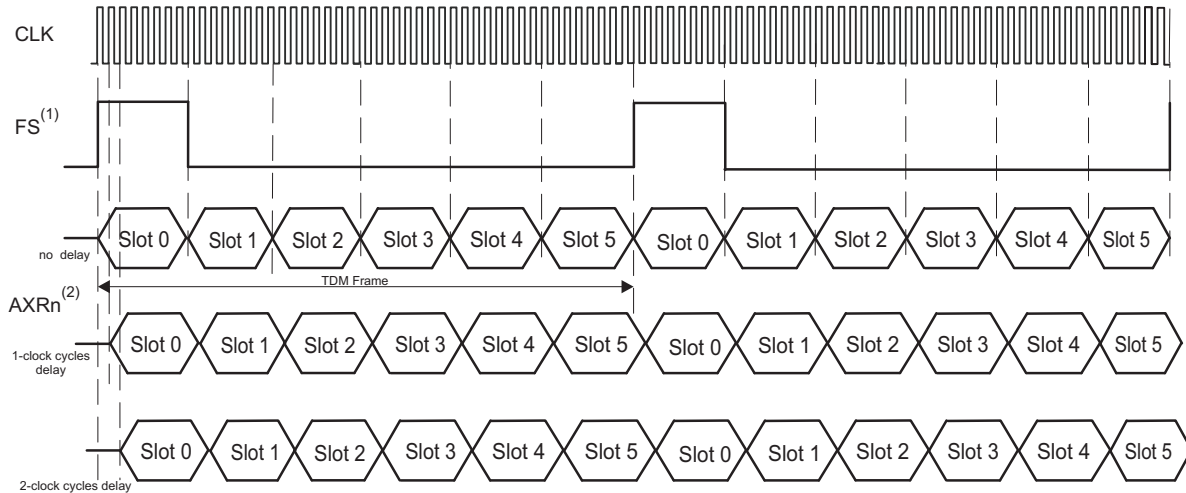
The following terms are used throughout this chapter:

- TDM: Time-division multiplexed. See [Section 24.6.2.2.3](#) for details on the TDM protocol
- I2S: Inter-Integrated Sound protocol, commonly used on audio interfaces. The McASP supports the I2S protocol as part of the TDM mode (when configured as a 2-slot frame).
- DIT: Digital audio interface transmit. The McASP supports transmitting in S/PDIF format on each AXRn data pin.
- DIR: Digital audio interface receive. The McASP does NOT natively support receiving in S/PDIF format on AXRn data pins and requires an external DIR-to-TDM or DIR-to-I2S converter chip for a DIR-frame reception.
- Slot or time slot: For DIT/DIR format, a McASP time slot corresponds to a DIT/DIR subframe.

24.6.2.2.3 TDM Format

The TDM format is used to transfer data between the host CPU and one or more analog-to-digital converter (ADC), digital-to-analog converter (DAC), or S/PDIF receiver (DIR) devices. An example for a 6-slot (channel) TDM transmission on one McASP data pin - AXRn is illustrated on [Figure 24-113](#).

Figure 24-113. TDM Format - 6 channel example



- (1) - Frame sync duration of 1 slot - length is shown. A single bit - duration of FS is also supported
- (2) - Slot 0 of AXRn stream is being offset with 0-, 1-, and 2- clock cycle delay from the frame sync, respectively.

mcasep-006

The TDM format uses three signals in a basic synchronous serial interface: data (AXRn), clock (CLK) and frame sync (FS). The data signal present on AXRn pin is fully synchronous to the serial clock (ACLKX or ACLKR). The data bits are grouped into words and slots (see also Section 24.6.2.2.2), the latter being also referred to as the "time-slots" or "channels" in TDM terminology. A frame consists of multiple time-slots. Each TDM frame is marked by the frame sync signal (AFSX or AFSR). The TDM transfer is continuous and periodic, with no delays between slots.

Within a certain frame, the last bit of slot N is followed immediately on the next serial clock with the first bit of the next slot N+1. On the boundary between two adjacent TDM-frames, the last bit of the last slot from the frame M, is followed immediately on the next clock cycle with the first bit of the first slot from the next frame M+1. For McASP, there is an option to offset the first bit of the first slot with a 0-, 1- or 2-cycle delay from the frame sync signal.

The frame sync - AFSX/AFSR only marks the beginning of slot 0 and start of a new frame. Since it does not determine the boundaries of a slot, there is a requirement for a connected transmitter and receiver to agree on the number of transferred bits per slot.

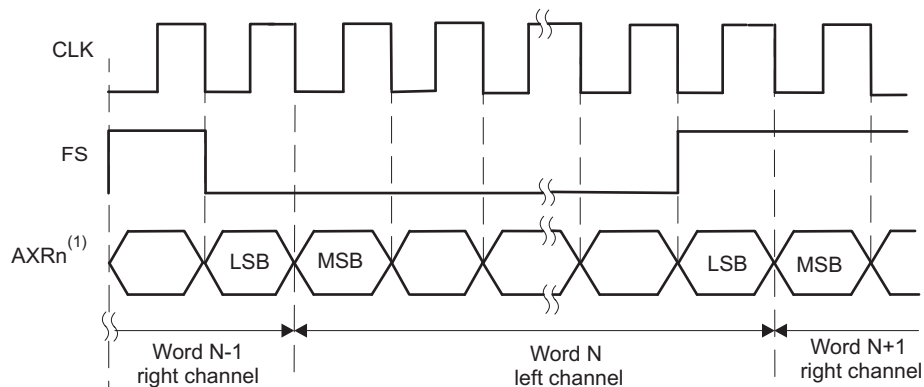
In a typical audio system involving McASP module, a single TDM data frame is transferred during each sample period T_s of a data converter. The user has following choices to implement multiple channels:

- Use more data slots (on a price of higher speed serial clock) per frame transmitted/received on just one of the available McASP data pins AXRn.
- Use less number of slots per TDM frame (requires a slower serial clock), making them available on several of the McASP pins AXRn.

24.6.2.2.4 I2S Format

The TDM transfer mode of the McASP supports the I2S format when frame is configured to have 2 slots. I2S format is specifically designed to transfer a stereo channel (left and right) over a single data pin AXRn. "Slots" are also commonly referred to as "channels". The frame width duration in the I2S format equals size of a slot. The frame signal is also referred to as "word select" in the I2S format.

The I2S protocol is illustrated on Figure 24-114.

Figure 24-114. I2S Format Overview


(1) - The example shows I2S data MSB-first transmission with 1-clock cycle delay between FS and data MSB

mcasp-036

24.6.2.2.5 S/PDIF Coding Format

The McASP transmitter supports the S/PDIF format with 3.3V biphasemark encoded output. The S/PDIF format is supported by the DIT- transfer mode of the McASP. This section briefly discusses the S/PDIF coding format.

NOTE: The DIR- reception of S/PDIF format frames is NOT natively supported from the device McASP. For this purpose, an external DIR-to-TDM transfer mode adapter can be used between the remote device S/PDIF transmitter output and the McASP TDM-only compatible receiver input.

24.6.2.2.5.1 Biphasemark Code

In S/PDIF format, the digital signal is coded using the biphasemark code (BMC). For each serializer transmitter n , the clock, frame, and data are embedded in only one signal - the data signal AXRn. In the BMC system, each data bit is encoded into two logical states (00, 01, 10, or 11) at the pin. These two logical states form a cell. The duration of the cell, which equals the duration of the data bit, is called a time interval. A logical 1 is represented by two transitions of the signal within a time interval, which corresponds to a cell with logical states 01 or 10. A logical 0 is represented by one transition within a time interval, which corresponds to a cell with logical states 00 or 11. In addition, the logical level at the start of a cell is inverted from the level at the end of the previous cell. [Figure 24-115](#) and [Table 24-418](#) show how data is encoded to the BMC format.

As shown in [Figure 24-115](#), the clock frequency is twice the unencoded data bit rate. In addition, the clock is always programmed to $128 \times f_s$, where f_s is the sample rate (see [Section 24.6.2.2.5.3, Frame Format](#), for details on how this clock rate is derived based on the S/PDIF format). The device receiving in S/PDIF format can recover the clock and frame information from the BMC signal.

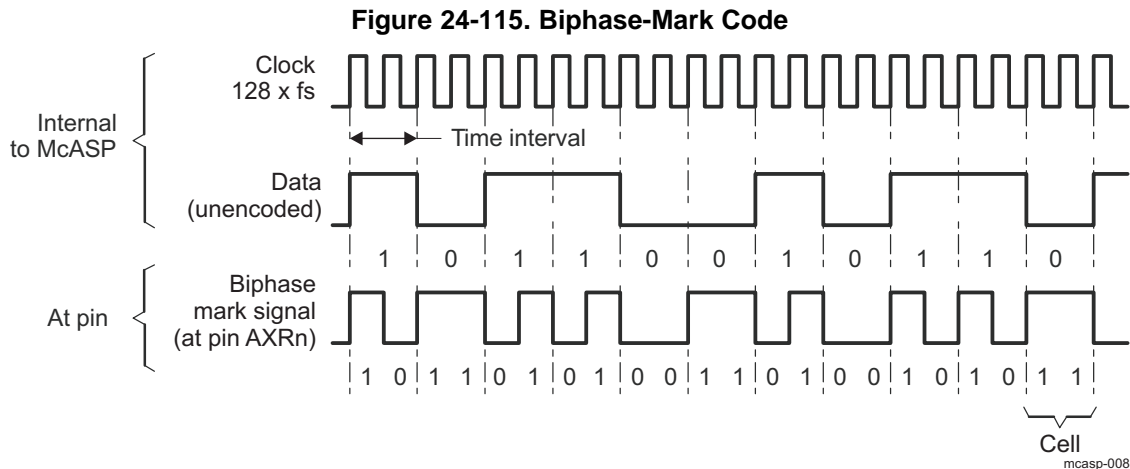


Table 24-418. Biphase-Mark Encoder

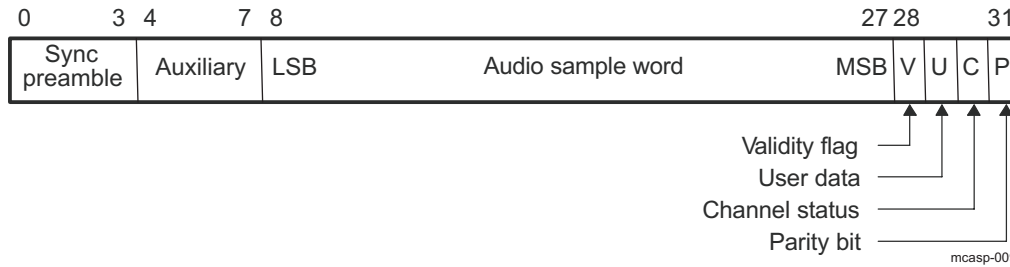
Data (Unencoded)	Previous State at Pin AXRn	BMC-Encoded Cell Output at Pin AXRn
0	0	11
0	1	00
1	0	10
1	1	01

24.6.2.2.5.2 S/PDIF Subframe Format

Every audio sample transmitted in a subframe consists of 32 S/PDIF time intervals (or cells), numbered 0 to 31. [Figure 24-116](#) shows a subframe.

- Time intervals 0–3 carry one of the three permitted preambles to signify the type of audio sample in the current subframe. The preamble is not encoded in BMC format, and therefore the preamble code can contain more than two consecutive 0 or 1 logical states in a row. See [Table 24-419](#).
- Time intervals 4–27 carry the audio sample word in linear 2s-complement representation. The MSB is carried by time interval 27. When a 24-bit coding range is used, the LSB is in time interval 4. When a 20-bit coding range is used, time intervals 8-27 carry the audio sample word with the LSB in time interval 8. Time intervals 4–7 may be used for other applications and are designated auxiliary sample bits.
- If the source provides fewer bits than the interface allows (20 or 24), the unused LSBs are set to logical 0. For a nonlinear PCM audio application or a data application, the main data field can carry any other information.
- Time interval 28 carries the validity bit (V) associated with the main data field in the subframe.
- Time interval 29 carries the user data channel (U) associated with the main data field in the subframe.
- Time interval 30 carries the channel status information (C) associated with the main data field in the subframe. The channel status indicates if the data in the subframe is digital audio or some other type of data.
- Time interval 31 carries a parity bit (P) such that time intervals 4–31 carry an even number of 1s and an even number of 0s (even parity). As listed in [Table 24-419](#), the preambles (time intervals 0–3) are also defined with even parity.

Figure 24-116. S/PDIF Subframe Format



As listed in [Table 24-419](#), the McASP DIT generates only one polarity of preambles, and it assumes the previous logical state is 0. This is because the McASP assures an even-polarity encoding scheme when transmitting in DIT mode. If an underrun condition occurs, the DIT resynchronizes to the correct logic level on the AXRn pin before continuing with the next transmission.

Table 24-419. Preamble Codes

Preamble Code ⁽¹⁾	Previous Logical State	Logical States on pin AXRn ⁽²⁾	Description
B (or Z)	0	1110 1000	Start of a block and subframe 1
M (or X)	0	1110 0010	Subframe 1
W (or Y)	0	1110 0100	Subframe 2

⁽¹⁾ Historically, preamble codes are referred to as B, M, and W. For use in professional applications, preambles are referred to as Z, X, and Y, respectively.

⁽²⁾ The preamble is not BMC-encoded. Each logical state is synchronized to the serial clock. These eight logical states make up time slots (cells) 0 to 3 in the S/PDIF stream.

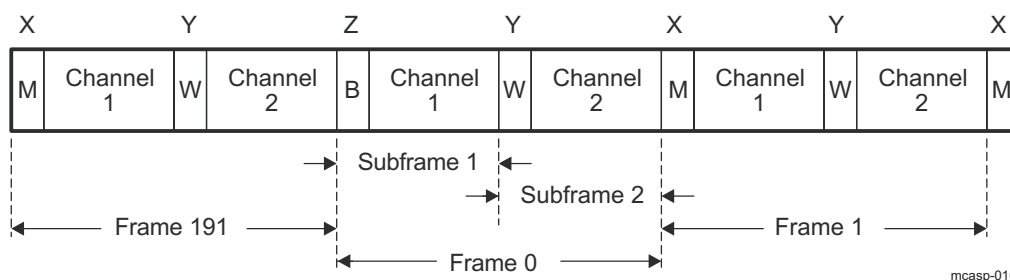
24.6.2.2.5.3 Frame Format

An S/PDIF frame is composed of two subframes (see [Figure 24-117](#)). For linear coded audio applications, the rate of frame transmission normally corresponds exactly to the source sampling frequency f_s . The S/PDIF format clock rate is therefore $128 \times f_s$ ($128 = 32$ cells per subframe $\times 2$ clocks per cell $\times 2$ subframes per sample). For example, for an S/PDIF stream at a 192-kHz sampling frequency, the serial clock is 128×192 kHz = 24.58 MHz.

In 2-channel operation mode, the samples taken from both channels are transmitted by time multiplexing in consecutive subframes. Both subframes contain valid data (cell 28 validity bits for A- and B- channels, both set to '0'). The first subframe (left or A channel in stereophonic operation and primary channel in monophonic operation) normally starts with preamble M. However, the preamble of the first subframe changes to preamble B once every 192 frames to identify the start of the block structure used to organize the channel status information. The second subframe (right or B channel in stereophonic operation and secondary channel in monophonic operation) always starts with preamble W.

In single-channel operation mode in a professional application, the frame format is the same as in the 2-channel mode. Data is carried in the first subframe and may be duplicated in the second subframe. If the second subframe is not carrying duplicate data, cell 28 (validity bit) is set to logical 1.

Figure 24-117. S/PDIF Frame Format



24.6.3 McASP Integration

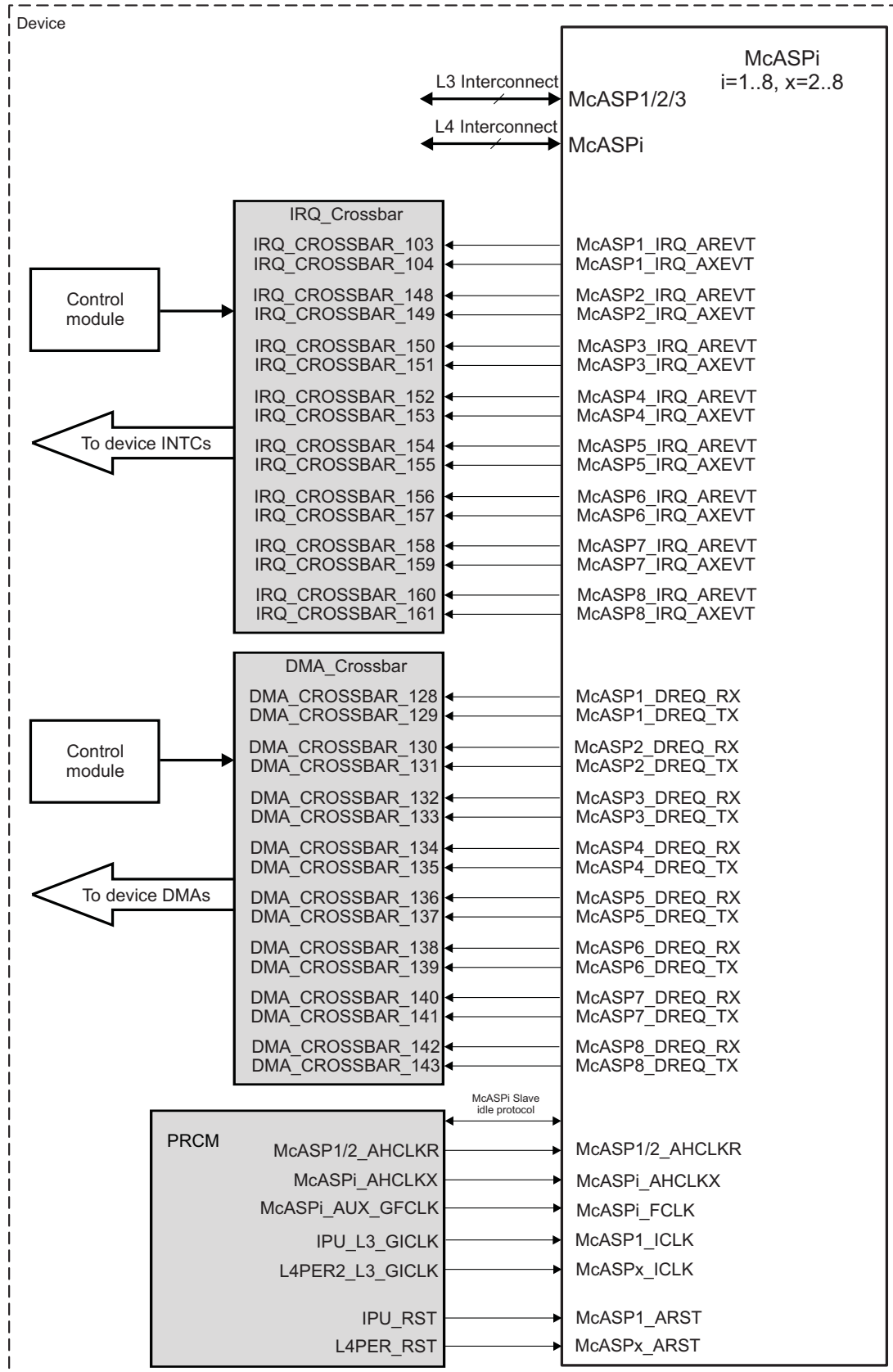
This section describes module integration in the device, including information about clocks, resets, and hardware requests.

McASP module includes the following features:

- Slave idle protocol
- One DMA request for transmit event
- One DMA request for receive event
- One interrupt request (IRQ) for transmit
- One interrupt request (IRQ) for receive

[Figure 24-118](#) shows McASP integration.

Figure 24-118. McASP Integration



mcasp-011

NOTE: For more information about the slave idle protocol, see [Section 3.1.1.1.2, Module Level Clock Management of Chapter 3, Power, Reset, and Clock Management](#).

[Table 24-420](#) through [Table 24-422](#) summarize McASP integration in the device.

Table 24-420. McASP Integration Attributes

Module Instance	Attributes		
	Power Domain	Wake-Up Capability	Interconnect
McASP1	PD_COREAON	No	L3_MAIN L4_PER2
McASP2	PD_COREAON	No	L3_MAIN L4_PER2
McASP3	PD_COREAON	No	L3_MAIN L4_PER2
McASP4	PD_COREAON	No	L4_PER2
McASP5	PD_COREAON	No	L4_PER2
McASP6	PD_COREAON	No	L4_PER2
McASP7	PD_COREAON	No	L4_PER2
McASP8	PD_COREAON	No	L4_PER2

Table 24-421. McASP Clocks and Resets

Clocks				
Module Instance	Destination Signal Name	Source Signal Name	Source	Description
McASP1	MCASP1_AHCLKR	MCASP1_AHCLKR	PRCM	McASP1 AHCLKR receive high-frequency master clock
	MCASP1_AHCLKX	MCASP1_AHCLKX		McASP1 AHCLKX transmit high-frequency master clock
	MCASP1_FCLK	MCASP1_AUX_GFCLK		McASP1 functional clock
	MCASP1_ICLK	IPU_L3_GICLK		McASP1 interface clock
McASP2	MCASP2_AHCLKR	MCASP2_AHCLKR	PRCM	McASP2 AHCLKR receive high-frequency master clock
	MCASP2_AHCLKX	MCASP2_AHCLKX		McASP2 AHCLKX transmit high-frequency master clock
	MCASP2_FCLK	MCASP2_AUX_GFCLK		McASP2 functional clock
	MCASP2_ICLK	L4PER2_L3_GICLK		McASP2 interface clock
McASP3	MCASP3_AHCLKX	MCASP3_AHCLKX	PRCM	McASP3 AHCLKX transmit high-frequency master clock
	MCASP3_FCLK	MCASP3_AUX_GFCLK		McASP3 functional clock
	MCASP3_ICLK	L4PER2_L3_GICLK		McASP3 interface clock
McASP4	MCASP4_AHCLKX	MCASP4_AHCLKX	PRCM	McASP4 AHCLKX transmit high-frequency master clock
	MCASP4_FCLK	MCASP4_AUX_GFCLK		McASP4 functional clock
	MCASP4_ICLK	L4PER2_L3_GICLK		McASP4 interface clock
McASP5	MCASP5_AHCLKX	MCASP5_AHCLKX	PRCM	McASP5 AHCLKX transmit high-frequency master clock
	MCASP5_FCLK	MCASP5_AUX_GFCLK		McASP5 functional clock
	MCASP5_ICLK	L4PER2_L3_GICLK		McASP5 interface clock
McASP6	MCASP6_AHCLKX	MCASP6_AHCLKX	PRCM	McASP6 AHCLKX transmit high-frequency master clock
	MCASP6_FCLK	MCASP6_AUX_GFCLK		McASP6 functional clock

Table 24-421. McASP Clocks and Resets (continued)

	MCASP6_ICLK	L4PER2_L3_GICLK		McASP6 interface clock
McASP7	MCASP7_AHCLKX	MCASP7_AHCLKX	PRCM	McASP7 AHCLKX transmit high-frequency master clock
	MCASP7_FCLK	MCASP7_AUX_GFCLK		McASP7 functional clock
	MCASP7_ICLK	L4PER2_L3_GICLK		McASP7 interface clock
McASP8	MCASP8_AHCLKX	MCASP8_AHCLKX	PRCM	McASP8 AHCLKX transmit high-frequency master clock
	MCASP8_FCLK	MCASP8_AUX_GFCLK		McASP8 functional clock
	MCASP8_ICLK	L4PER2_L3_GICLK		McASP8 interface clock
	Resets			
McASP1	MCASP1_ARST	IPU_RST	PRCM	McASP1 reset
McASP2	MCASP2_ARST	L4PER_RST	PRCM	McASP2 reset
McASP3	MCASP3_ARST	L4PER_RST	PRCM	McASP3 reset
McASP4	MCASP4_ARST	L4PER_RST	PRCM	McASP4 reset
McASP5	MCASP5_ARST	L4PER_RST	PRCM	McASP5 reset
McASP6	MCASP6_ARST	L4PER_RST	PRCM	McASP6 reset
McASP7	MCASP7_ARST	L4PER_RST	PRCM	McASP7 reset
McASP8	MCASP8_ARST	L4PER_RST	PRCM	McASP8 reset

Table 24-422. McASP Hardware Requests

Interrupt Requests				
Module Instance	Source Signal Name	Destination IRQ_CROSSBAR Input	Default Mapping	Description
McASP1	MCASP1_IRQ_AREVT	IRQ_CROSSBAR_103	MPU_IRQ_108	McASP1 module receive interrupt request
	MCASP1_IRQ_AXEVT	IRQ_CROSSBAR_104	MPU_IRQ_109	McASP1 module transmit interrupt request
McASP2	MCASP2_IRQ_AREVT	IRQ_CROSSBAR_148	-	McASP2 module receive interrupt request
	MCASP2_IRQ_AXEVT	IRQ_CROSSBAR_149	-	McASP2 module transmit interrupt request
McASP3	MCASP3_IRQ_AREVT	IRQ_CROSSBAR_150	-	McASP3 module receive interrupt request
	MCASP3_IRQ_AXEVT	IRQ_CROSSBAR_151	-	McASP3 module transmit interrupt request
McASP4	MCASP4_IRQ_AREVT	IRQ_CROSSBAR_152	-	McASP4 module receive interrupt request
	MCASP4_IRQ_AXEVT	IRQ_CROSSBAR_153	-	McASP4 module transmit interrupt request
McASP5	MCASP5_IRQ_AREVT	IRQ_CROSSBAR_154	-	McASP5 module receive interrupt request
	MCASP5_IRQ_AXEVT	IRQ_CROSSBAR_155	-	McASP5 module transmit interrupt request
McASP6	MCASP6_IRQ_AREVT	IRQ_CROSSBAR_156	-	McASP6 module receive interrupt request
	MCASP6_IRQ_AXEVT	IRQ_CROSSBAR_157	-	McASP6 module transmit interrupt request
McASP7	MCASP7_IRQ_AREVT	IRQ_CROSSBAR_158	-	McASP7 module receive interrupt request
	MCASP7_IRQ_AXEVT	IRQ_CROSSBAR_159	-	McASP7 module transmit interrupt request

Table 24-422. McASP Hardware Requests (continued)

McASP8	MCASP8_IRQ_AREVT	IRQ_CROSSBAR_160	-	McASP8 module receive interrupt request
	MCASP8_IRQ_AXEVT	IRQ_CROSSBAR_161	-	McASP8 module transmit interrupt request
DMA Requests				
Module Instance	Source Signal Name	Destination DMA_CROSSBAR Input	Default Mapping	Description
McASP1	MCASP_DREQ_RX	DMA_CROSSBAR_128	DMA_DSP1_DREQ_0	McASP module receive event request
	MCASP_DREQ_TX	DMA_CROSSBAR_129	DMA_DSP1_DREQ_1	McASP module transmit event request
McASP2	MCASP2_DREQ_RX	DMA_CROSSBAR_130	DMA_DSP1_DREQ_2	McASP2 module receive event request
	MCASP2_DREQ_TX	DMA_CROSSBAR_131	DMA_DSP1_DREQ_3	McASP2 module transmit event request
McASP3	MCASP3_DREQ_RX	DMA_CROSSBAR_132	DMA_DSP1_DREQ_4	McASP3 module receive event request
	MCASP3_DREQ_TX	DMA_CROSSBAR_133	DMA_DSP1_DREQ_5	McASP3 module transmit event request
McASP4	MCASP4_DREQ_RX	DMA_CROSSBAR_134	DMA_DSP1_DREQ_6	McASP4 module receive event request
	MCASP4_DREQ_TX	DMA_CROSSBAR_135	DMA_DSP1_DREQ_7	McASP4 module transmit event request
McASP5	MCASP5_DREQ_RX	DMA_CROSSBAR_136	DMA_DSP1_DREQ_8	McASP5 module receive event request
	MCASP5_DREQ_TX	DMA_CROSSBAR_137	DMA_DSP1_DREQ_9	McASP5 module transmit event request
McASP6	MCASP6_DREQ_RX	DMA_CROSSBAR_138	DMA_DSP1_DREQ_10	McASP6 module receive event request
	MCASP6_DREQ_TX	DMA_CROSSBAR_139	DMA_DSP1_DREQ_11	McASP6 module transmit event request
McASP7	MCASP7_DREQ_RX	DMA_CROSSBAR_140	DMA_DSP1_DREQ_12	McASP7 module receive event request
	MCASP7_DREQ_TX	DMA_CROSSBAR_141	DMA_DSP1_DREQ_13	McASP7 module transmit event request
McASP8	MCASP8_DREQ_RX	DMA_CROSSBAR_142	DMA_DSP1_DREQ_14	McASP8 module receive event request
	MCASP8_DREQ_TX	DMA_CROSSBAR_143	DMA_DSP1_DREQ_15	McASP8 module transmit event request

NOTE: The **Default Mapping** column in [Table 24-422 McASP Hardware Requests](#) shows the default mapping of module IRQ and DREQ source signals. These module IRQ and DREQ source signals can also be mapped to other lines of each device Interrupt or DMA controller through the IRQ_CROSSBAR and DMA_CROSSBAR modules, respectively. For more information about the IRQ_CROSSBAR module, see [Section 18.4.6.4, IRQ_CROSSBAR Module Functional Description](#), in [Chapter 18, Control Module](#). For more information about the DMA_CROSSBAR module, see [Section 18.4.6.5, DMA_CROSSBAR Module Functional Description](#), in [Chapter 18, Control Module](#). For more information about the device interrupt controllers, see [Chapter 17, Interrupt Controllers](#). For more information about the device DSP1_EDMA, see [Section 5.3.7, DSP Integrated EDMA Subsystem](#).

NOTE:

- For the description of the interrupt source, see [Section 24.6.4.12, McASP Events and Interrupt Requests](#).
 - For the description of the DMA source, see [Section 24.6.4.13, DMA Requests](#).
-

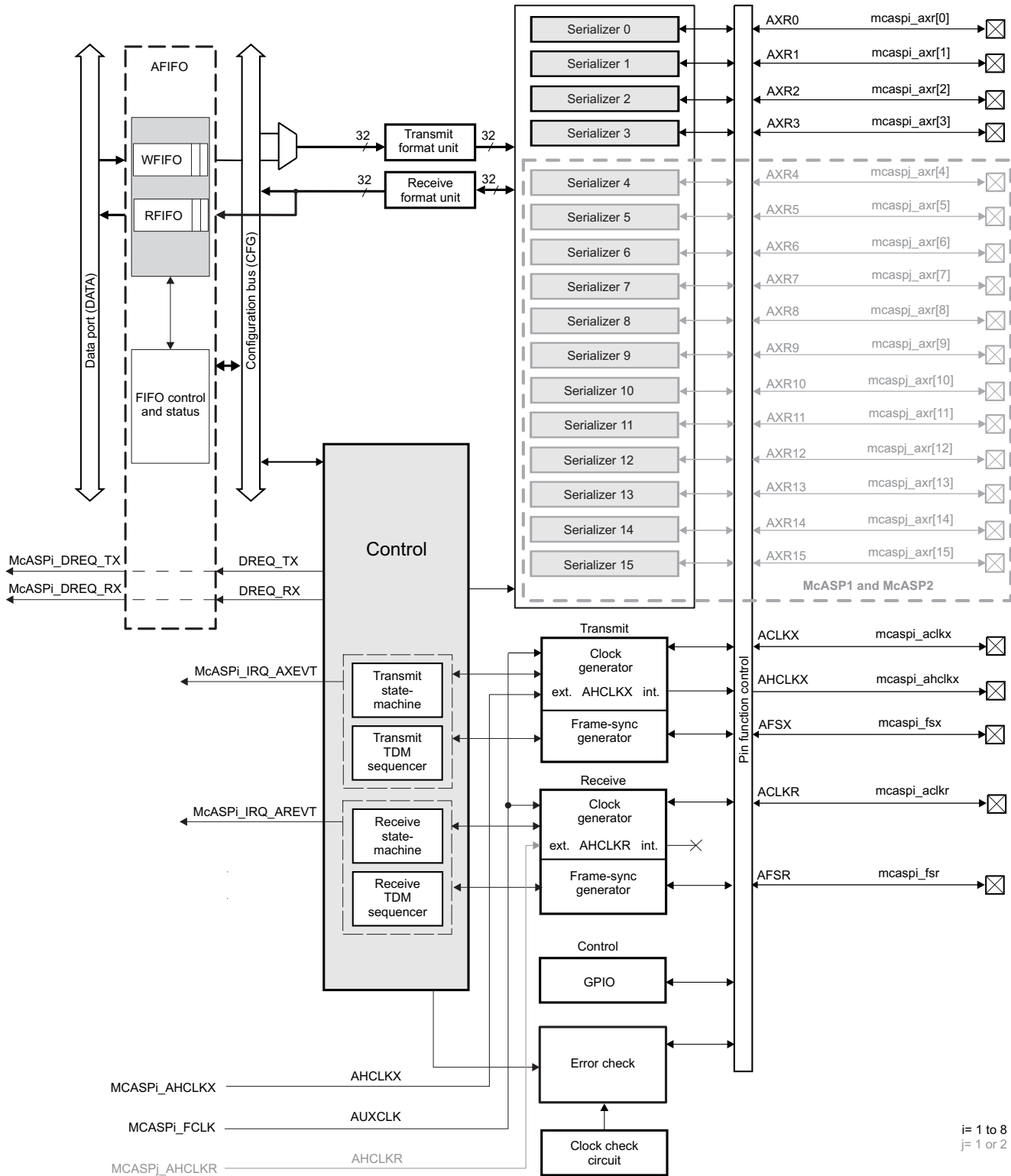
24.6.4 McASP Functional Description

In the text throughout this section a single instance of McASP is described assuming that all modules are functionally identical. For module availability and integration differences, see [Section 24.6.2, McASP Environment](#), and [Section 24.6.3, McASP Integration](#)

24.6.4.1 McASP Block Diagram

[Figure 24-119](#) shows the major blocks of the McASP module. McASP1 and McASP2 have 16 serializers each, and McASP_n (n = 3 to 8) have 4 serializers each. The serializers share a clock and frame-sync generator, format unit, and error-checking logic independently for the receive and transmit part.

Figure 24-119. McASP Module Block Diagram



i= 1 to 8
j= 1 or 2

mcasp-012

NOTE: The internal and external clocks mentioned in this section are with respect to clock and frame-sync generator modules.

24.6.4.2 McASP Clock and Frame-Sync Configurations

There are three scenarios to provide clock source signals for the Tx part and four scenarios for the Rx part of the McASP serializers. The first three scenarios are identical between the Tx and Rx part of the McASP. They feature an asynchronous operation between receiver and transmitter channels using independent Tx/Rx bit rate clock sources (either internal or external).

In the first scenario, the transmit - XCLK and receive - RCLK serial clocks (clock at the bit rate) are generated internally by passing through a couple of clock dividers off the internal functional clock source (AUXCLK). In this case, the bit rate clock is generated internally and is driven out on the pin ACLKX for the Tx part and pin ACLKR for the Rx part, respectively. An internally generated high-frequency clock can be optionally driven out onto the AHCLKX pin for the Tx part to serve as a reference clock for other components in the system.

In the second scenario, an external for the device clock, is passed on the ACLKX (for the TX part) and ACLKR (for the RX part) pins which are configured as inputs. In this case the Rx- /Tx- high-speed clock logic is bypassed for the XCLK/RCLK generation.

In the third (mixed) scenario, an externally driven (master) high-frequency clock is applied on the AHCLKX (for the TX part) pin, which is configured as input. In this case the AHCLKX clock frequency can be divided down via programming the ACLKX associated divider to produce the necessary bit rate clock. The high-speed clock divider can NOT be used.

In the fourth clock generation scenario the bit rate clock for McASP receivers - RCLK is derived from the bit rate clock of the McASP transmitters - XCLK for a synchronous operation between transmitters and receivers. Hence, the whole receiver clock generator logic is bypassed.

A typical role of the McASP frame sync signal is to carry the left/right clock (LRCLK) signal when transmitting and receiving stereo data.

For an asynchronous operation, the AFSX (Tx part) and AFSR (Rx part) frame synchronization signals can be sourced internally or delivered externally independently for the Tx and Rx channels. During synchronous operation the receive frame sync - AFSR signal is derived from the transmit frame sync - AFSX signal. A synchronous and asynchronous mode applies to bit rate clock and frame sync signals at the same time.

24.6.4.2.1 McASP Transmit Clock

The transmit high-speed and transmit clock configuration is controlled by the following registers:

- [MCASP_ACLKXCTL](#)
- [MCASP_AHCLKXCTL](#)

In case, the transmit bit clock, ACLKX, is generated internally, the [MCASP_ACLKXCTL](#)[5] CLKXM bit must be set to 1. Thus, the clock is divided down by a programmable bit clock divider (the [MCASP_ACLKXCTL](#)[4:0] CLKXDIV bit field) from the source signal.

If the transmit high-frequency master clock, AHCLKX, is also sourced internally (that is first scenario described in [Section 24.6.4.2](#), the [MCASP_AHCLKXCTL](#)[15] HCLKXM bit must be set to 1. Thus, the clock is divided down by a programmable high-clock divider (the [MCASP_AHCLKXCTL](#)[11:0] HCLKXDIV bit field) from the McASP internal clock source AUXCLK.

Internally, the McASP always shifts transmit data at the rising edge of the internal transmit clock - XCLK, (see [Figure 24-120](#)). The CLKXP mux determines if ACLKX needs to be inverted to become XCLK. If [MCASP_ACLKXCTL](#)[7] CLKXP = 0, the CLKXP mux directly passes ACLKX signal to XCLK. As a result, the McASP shifts transmit data at the rising edge of ACLKX. If [MCASP_ACLKXCTL](#)[7] CLKXP = 1, the CLKXP mux passes the inverted version of ACLKX to XCLK. As a result, the McASP shifts transmit data at the falling edge of ACLKX.

It can be seen in [Figure 24-120](#) that XCLK is propagated to the Rx clock logic, to allow an internally synchronous operation between McASP transmitters and receivers. This is used for example in the McASP loopback mode.

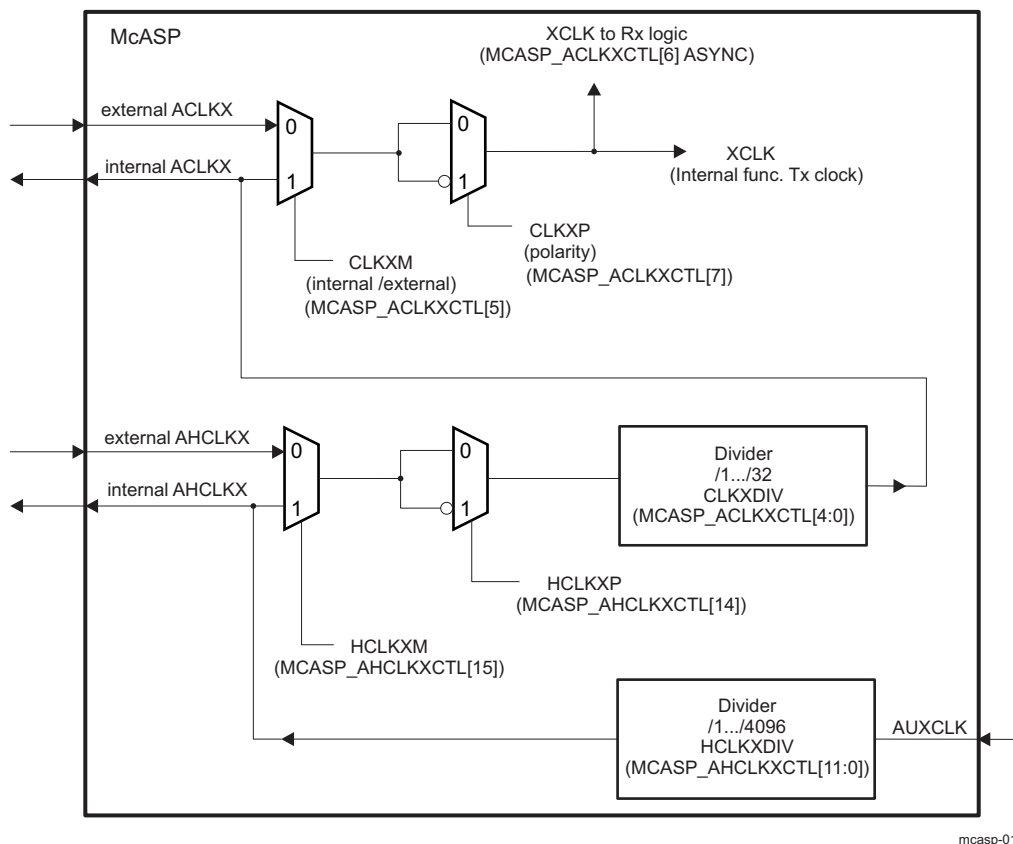
NOTE: The polarity of ACLKX can be controlled in [MCASP_ACLKXCTL\[7\]](#) CLKXP, regardless of ACLKX signal being internally or externally sourced.

In addition, there is an option to invert polarity of the AHCLKX master high speed clock via writing the [MCASP_AHCLKXCTL\[14\]](#) HCLKXP bit.

NOTE: In a similar way, the polarity of AHCLKX clock can be controlled in [MCASP_AHCLKXCTL\[14\]](#) HCLKXP, regardless of the AHCLKX signal being internally or externally sourced.

Figure 24-120 is the block diagram of the transmit clock generator.

Figure 24-120. Transmit Clock Generator Block Diagram



NOTE: In this device:

- ACLKX is mapped on the device ball `mcaspi_aclkx`, where $i = 1$ to 8
- internal AHCLKX is mapped on the device ball `mcaspi_ahclkx`
- external AHCLKX is mapped on `MCASPi_AHCLKX` clock from the PRCM

For more on McASP integration, see [Section 24.6.2, McASP Environment](#), and [Section 24.6.3, McASP Integration](#).

24.6.4.2.2 McASP Receive Clock

The McASP receive clock generator is built on a very similar to the transmit clock generator (but independent) circuit.

The receive clock configuration is controlled by the following registers:

- [MCASP_ACLKRCTL](#)
- [MCASP_AHCLKRCTL](#)

In case, the receive bit clock, ACLKR, is generated internally (but asynchronously to XCLK), the [MCASP_ACLKRCTL\[5\]](#) CLKRM bit must be set to 1. Thus, the clock is divided down by a programmable bit clock divider (the [MCASP_ACLKRCTL\[4:0\]](#) CLKRDIV bit field) from the source signal.

If the receive high-frequency master clock, AHCLKR, is also sourced internally (that is, first scenario described in [Section 24.6.4.2](#)) and the [MCASP_AHCLKRCTL\[15\]](#) HCLKRM bit must be set to 1. Thus, the clock is divided down by a programmable high-clock divider (the [MCASP_AHCLKRCTL\[11:0\]](#) HCLKRDIV bit field) from the McASP internal clock source AUXCLK.

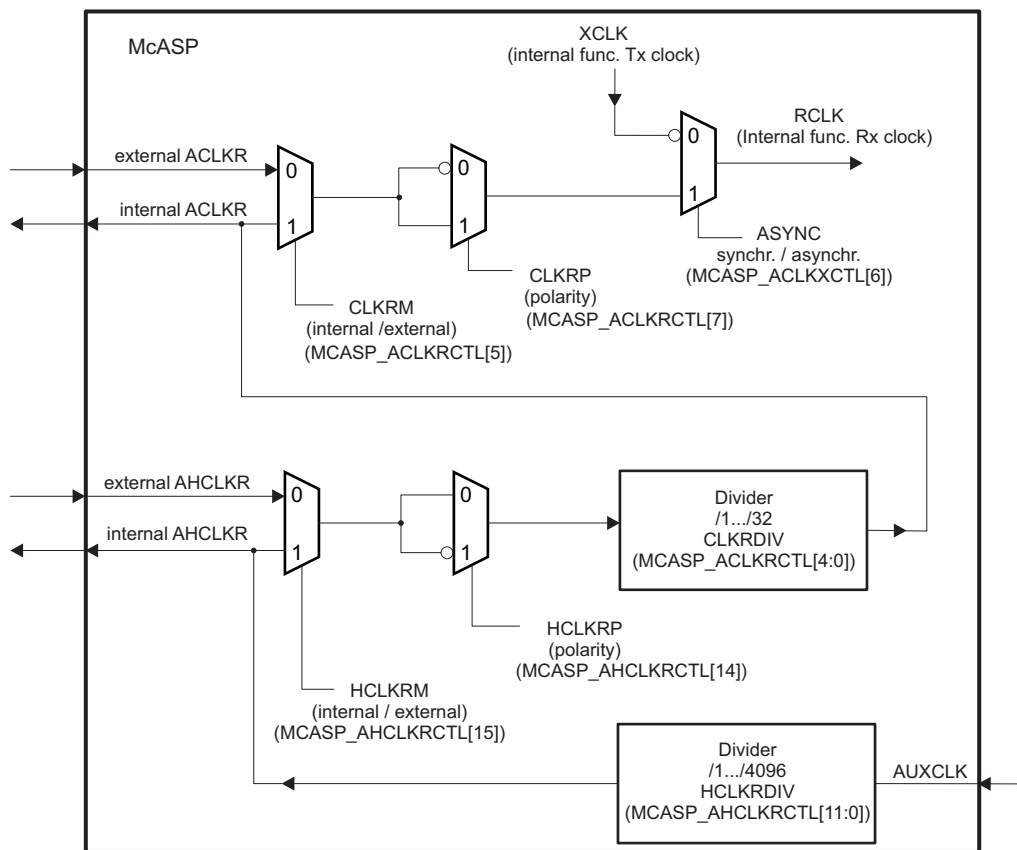
NOTE: The polarity of ACLKR can be controlled in [MCASP_ACLKRCTL\[7\]](#) CLKRP, regardless of ACLKR signal being internally or externally sourced.

In a similar way, the polarity of AHCLKR clock can be controlled in [MCASP_AHCLKRCTL\[14\]](#) HCLKRP, regardless of the AHCLKR signal being internally or externally sourced.

There is an option for the McASP receiver to be configured to operate synchronously to the ACLKX and AFSX signals. The XCLK output of the Tx Clock generator (see [Figure 24-120](#) and [Figure 24-121](#)) becomes source of the receive clock (RCLK output), when the [MCASP_ACLKXCTL\[6\]](#) ASYNC bit in the transmit clock control register is set to '0b0'. For more information, refer to [Section 24.6.4.2.4](#).

[Figure 24-121](#) is the block diagram of the receive clock generator.

Figure 24-121. Receive Clock Generator Block Diagram



mcasp-014

NOTE: In this device:

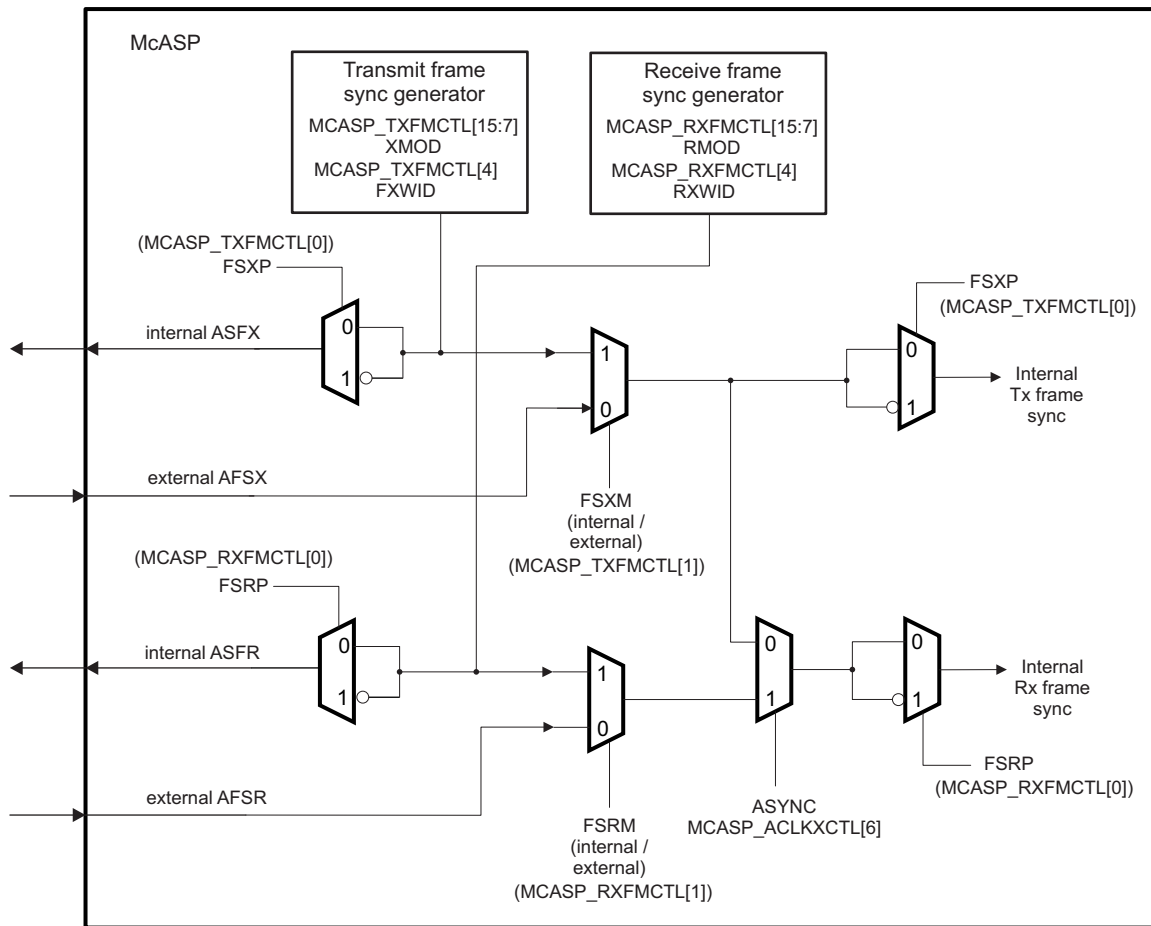
- ACLKR is mapped on the device ball `mcaspi_aclkr`, where $i = 1$ to 8
- internal AHCLKR is tied-off
- external AHCLKR is mapped on PRCM `MCASPi_AHCLKR` from PRCM for McASP1 and McASP2
- external AHCLKR is tied-off for McASP3 through McASP8
- the ACLKR and AFSR signals of McASP2 are not pinned out on the AM570x family of devices.

For more on McASP integration, see [Section 24.6.2, McASP Environment](#), and [Section 24.6.3, McASP Integration](#).

24.6.4.2.3 Frame-Sync Generator

There are two different modes for frame sync: burst and TDM. The McASP frame sync generator logic is illustrated in [Figure 24-122](#). I/O buffers are not part of the McASP module, and are not shown in the figure.

Figure 24-122. Frame Sync Generator Block Diagram



NOTE: For more on McASP integration, see [Section 24.6.2, McASP Environment](#), and [Section 24.6.3, McASP Integration](#).

For the transmit logic, following frame-sync generator configurations can be selected:

- Internally/externally generated frame-sync via configuring bit `MCASP_TXFMCTL[1]` FSXM
- Frame-sync polarity: Rising edge or falling edge via configuring bit `MCASP_TXFMCTL[0]` FSXP

- Frame-sync width: "single bit" or "single word" via configuring bit [MCASP_TXFMCTL\[4\]](#) FXWID
- Frame sync mode - the appropriate frame sync generation pattern for the selected transfer mode is defined in the bitfield [MCASP_TXFMCTL\[15:7\]](#) XMOD, as follows:
 - For DIT mode (384 slots) - [MCASP_TXFMCTL\[15:7\]](#) XMOD = 0x180
 - For I2S mode (2 TDM slots) - [MCASP_TXFMCTL\[15:7\]](#) XMOD = 0x2
 - For TDM mode (from 3 to 32 TDM slots) - [MCASP_TXFMCTL\[15:7\]](#) XMOD set in range 0x3 - 0x20
- Bit delay: 0, 1, or 2 cycles before the first data bit. This delay is defined in [MCASP_TXFMT\[17:16\]](#) XDATDLY

For the receive logic, following frame-sync generator configurations can be selected:

- Internally/externally generated frame-sync via configuring bit [MCASP_RXFMCTL\[1\]](#) FSRM
- Frame-sync polarity: Rising edge or falling edge via configuring bit [MCASP_RXFMCTL\[0\]](#) FSRP
- Frame-sync width: "single bit" or "single word" via configuring bit [MCASP_RXFMCTL\[4\]](#) FRWID
- Frame sync mode - the appropriate frame sync generation pattern for the selected transfer mode is defined in the bitfield [MCASP_RXFMCTL\[15:7\]](#) RMOD, as follows:
 - For I2S mode (2 TDM slots) - [MCASP_RXFMCTL\[15:7\]](#) RMOD = 0x2
 - For TDM mode (from 3 to 32 TDM slots) - [MCASP_RXFMCTL\[15:7\]](#) RMOD set in range 0x3 - 0x20
 - For the special 384-slot TDM mode - [MCASP_RXFMCTL\[15:7\]](#) RMOD=0x180
- Bit delay: 0, 1, or 2 cycles before the first data bit. This delay is defined in [MCASP_RXFMT\[17:16\]](#) RDATDLY
- Selecting the source (AFSX or AFSR) of receiver internal frame synchronization. This is done in the same bit - [MCASP_ACLKXCTL\[6\]](#) ASYNC, used to define the receiver internal clock source. For more details, refer to [Section 24.6.4.2.4](#).

Regardless of the AFSX/AFSR being internally generated or externally sourced, the polarity of AFSX/AFSR is determined by FSXP/FSRP, respectively, to be either rising or falling edge. If FSXP/FSRP = 0, the frame sync polarity is rising edge. If FSXP/FSRP = 1, the frame sync polarity is falling edge.

NOTE: Certain restrictions apply to the receive and transmit logic settings, when [MCASP_ACLKXCTL\[6\]](#) ASYNC is set to 0b0. They are described in [Section 24.6.4.2.4](#).

24.6.4.2.4 Synchronous and Asynchronous Transmit and Receive Operations

Synchronous Transmit and Receive Operations -

When [MCASP_ACLKXCTL\[6\]](#) ASYNC is written to 0b0, the transmit and receive sections operate synchronously to the transmit section clock and transmit frame sync signals.

Though Rx section may have a different data format, it has to be configured to have the same slot size than the transmit section one. As shown on the [Figure 24-121](#), with the ASYNC bit set to 0b0, the RCLK becomes an inverted version of the transmit clock generator XCLK output.

When [MCASP_ACLKXCTL\[6\]](#) ASYNC = 0b0, both Rx and Tx sections use the same clock and frame sync signals. For this reason, they must be aligned on the following settings:

- [MCASP_TXDITCTL\[0\]](#) DITEN = 0 (that is, transmission in TDM mode is enabled)
- The total number of bits per frame must be the same (that is, RSSZ * RMOD product value must equal XSSZ * XMOD product value)
- The settings in [MCASP_ACLKRCTL](#) are NOT considered
- FSXM must match FSRM
- FXWID must match FRWID

For all other settings, the transmit and receive sections may be programmed independently.

Asynchronous Transmit and Receive Operations -

When `MCASP_ACLKXCTL[6] ASYNC = 0b1`, Tx and Rx operate independently from each other with separate clock and frame sync signals.

NOTE: Synchronous transmit and receive operations are allowed only in the McASP TDM (I2S) mode (i.e. when `MCASP_TXDITCTL[0] DITEN=0b0`).

24.6.4.3 Serializers

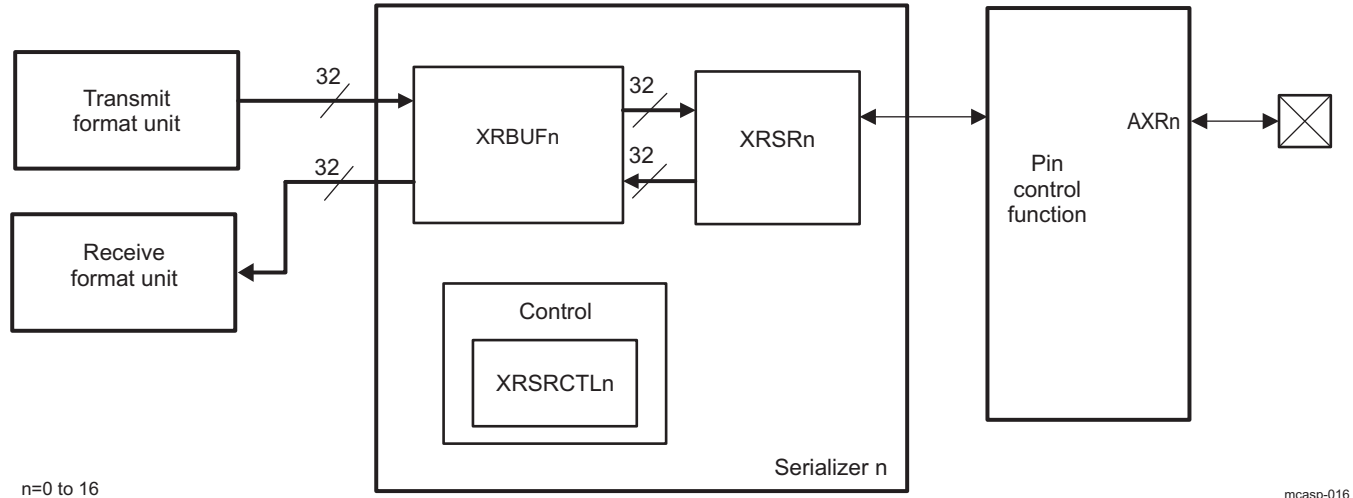
The McASP serializers shift serial data in (Rx) and out (Tx) of the McASP. A given serializer *n* consists of a shift register (XRSRn) with a single-entry data buffer XRBUFn used either for transmitting (write accessible in register `MCASP_TXBUFn`) or for receiving (read accessible in register `MCASP_RXBUFn`) data. In addition, each serializer has a dedicated control register (`MCASP_XRSRCTLn`) and a serial bidirectional data pin - AXRn. The register `MCASP_XRSRCTLn` allows *n*-th serializer to be configured as a transmitter, receiver, or as inactive. There are transmit and receive data formatting units to support data alignment options of the McASP which are shared between all Tx and Rx serializers, respectively.

A given serializer XRSRn shifter configured as a receiver in `MCASP_XRSRCTLn`, shifts in data through McASP corresponding device level bidirectional data pad AXRn. A given serializer XRSRn shifter configured as a transmitter in `MCASP_XRSRCTLn`, shifts out data on McASP corresponding device level bidirectional data pad AXRn.

The serializer is clocked from the transmit section clock (ACLKX signal) if configured to transmit or clocked from the receive section clock (ACLKR signal) if configured to receive. A serializer configured to transmit and receive operates in lockstep, which means that for McASP there are at most a couple of zones, one for transmit and one for receive.

Figure 24-123 is the serializer block diagram.

Figure 24-123. Individual Serializer and Connections Within McASP



Transmission on the *n*-th serializer is performed as follows:

The McASP is serviced by writing data into the register `MCASP_TXBUFn`, which is an alias of the serializer data buffer - XRBUFn for transmit function. The data automatically passes through the transmit format unit before reaching the XRBUFn register in the serializer. The data is then copied from the XRBUFn to XRSRn and shifted out from AXRn synchronously to the serial clock.

Reception from the *n*-th serializer is performed as follows:

The data is shifted into the McASP XRSRn serializer register through the AXRn pin, bit by bit. Once the entire slot becomes available within the XRSRn shift register, the data is copied into the serializer data buffer - XRBUFn, and can be accessed in the `MCASP_RXBUFn` register, which is an alias of the serializer data buffer - XRBUFn for receive function. When software reads the data from this register, the McASP passes the data through the receive format unit, hence it returns the formatted data.

Serializer controls:

A serializer *n* is configured as inactive via setting bitfield [MCASP_XRSRCTLn\[1:0\]](#) SRMOD to 0x0.

For a transmitting serializer, the [MCASP_XRSRCTLn\[3:2\]](#) DISMOD bitfield, defines the AXRn pin output state, during inactive slots (HIGH, LOW or Hi-Z).

Transmit function for the *n*-th serializer is selected via setting bitfield [MCASP_XRSRCTLn\[1:0\]](#) SRMOD to 0x1.

Receive function for the *n*-th serializer is selected via setting bitfield [MCASP_XRSRCTLn\[1:0\]](#) SRMOD to 0x2.

In the DIT-transmission mode (that is S/PDIF format data transmission): in addition to the data, the serializer shifts out other DIT-specific information accordingly (preamble, user data, etc.). For more information, see [Section 24.6.2.2.5](#)

24.6.4.4 Format Units

The McASP has one transmit data formatting unit and one receive data formatting unit, shared between the device McASP serializers. These units automatically remap the data bits within the transmitted or received words between a natural format for the device processors (for example, a Q31 representation) and the required format for the external serial device (for example I2S format). During the remapping process, the format unit can also mask off certain bits.

Since all transmitters share the same data formatting unit, the McASP only supports one transmit format at a time. For example, the McASP does NOT transmit in "I2S format" on serializer 0, while transmitting "Left Justified" on serializer 1. Likewise, the receiver section of the McASP only supports one data format at a time, and this format applies to all receiving serializers.

NOTE: The McASP can transmit in one format while receiving in a completely different format.

The bit mask and pad stage of each of Tx and Rx format units includes a full 32-bit mask register, allowing selected individual bits to either pass through the stage unchanged, or be masked off. The bit mask and pad then pad the value of the masked off bits by inserting either a 0, a 1, or one of the original 32 bits as the pad value. The last option allows for sign-extension when the sign bit is selected to pad the remaining bits. The rotate right stage performs bitwise rotation by a multiple of 4 bits (between 0 and 28 bits), programmable by the [MCASP_RXFMT/MCASP_TXFMT](#) register. Note that this is a rotation process, not a shifting process, so bit 0 gets shifted back into bit 31 during the rotation. The bit order - reversal stage either passes all 32 bits directly through, or swaps them. This allows for either MSB or LSB first data formats. If bit order reversal is not enabled, then the McASP will naturally transmit and receive in an LSB first order. Finally, note that the RDATDLY/XDATDLY bits in the [MCASP_RXFMT/MCASP_TXFMT](#) also determine the data format. For example, the difference between I2S format and left-justified is determined by the delay between the frame sync edge and the first data bit of a given time slot. For I2S format, RDATDLY/XDATDLY should be set to a 1-bit delay, whereas for left-justified format, it should be set to a 0-bit delay. The combination of all the options in [MCASP_RXFMT/MCASP_TXFMT](#) means that the McASP supports a wide variety of data formats, both on the serial data lines, and in the device CPU data representation.

24.6.4.4.1 Transmit Format Unit

The McASP transmit formatting unit consists of three stages :

- Bit mask (masks off bits)
- Rotate right (aligns data within word)
- Bit reversal (selects between MSB-first or LSB-first)

[Figure 24-124](#) shows the transmit formatting unit.

The McASP transmitter supports serial formats of:

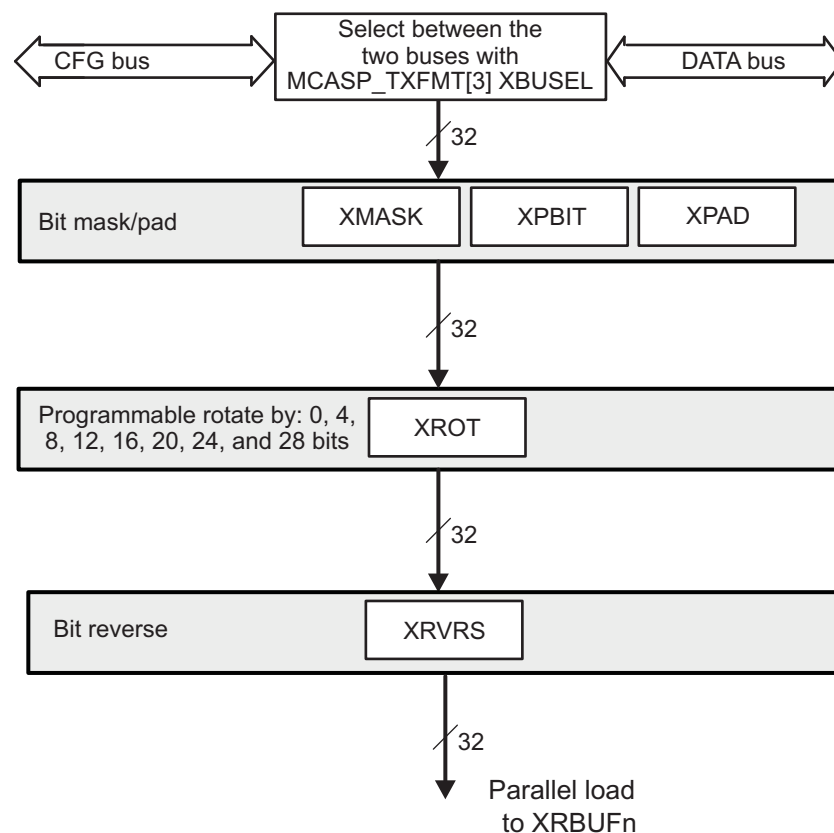
- Slot (or Time slot) size = 8, 12, 16, 20, 24, 28, 32 bits
- Word size ≤ Slot size

- Alignment: when more bits/slot than bits/words, then:
 - Left aligned = word shifted first, remaining bits are pad
 - Right aligned = pad bits are shifted first, word occupies the last bits in slot
- Order of bits shifted out:
 - MSB: most-significant bit of word is shifted out first, last bit is LSB
 - LSB: least-significant bit of word is shifted out last, last bit is MSB

Hardware support for these serial formats comes from the programmable options in the bitstream format register - [MCASP_TXFMT](#):

- XRVRS: bit reverse (1) or no bit reverse (0)
- XROT: rotate right by 0, 4, 8, 12, 16, 20, 24, or 28 bits
- XSSZ: transmit slot size of 8, 12, 16, 20, 24, 28, or 32 bits

Figure 24-124. Transmit Format Unit



mcasp-017

As shown in [Figure 24-124](#), the data to the transmit format unit can come from the configuration port (CFG) or the data port (DATA). The selection is made through the [MCASP_TXFMT\[3\] XBUSEL](#) bit. According to port type selected, data transfer has different behaviour. For more details, refer to the [Section 24.6.4.10.1.3, Transfers Through the DATA Port](#), and [Section 24.6.4.10.1.4, Transfers Through the Configuration \(CFG\) Bus](#).

In the transmit format unit (TFU), the input data bits are first masked-off with the [MCASP_TXMASK\[31:0\] XMASK](#) contents. The masked data is then right-rotated to [MCASP_TXFMT\[2:0\] XROT](#) positions, to produce the output word for a TDM- or DIT- transmission.

The bit mask stage includes a full 32-bit mask register, allowing selected individual bits to pass through the stage unchanged or be masked off.

24.6.4.4.1.1 TDM Mode Transmission Data Alignment Settings

The TDM-mode transmission settings are relevant for I2S-protocol and protocols using more than 2 TDM-slots.

XSSZ should always be programmed to match the slot size of the serial stream.

NOTE: Note that, TDM word size is not directly programmed into the McASP, but rather is used to determine the rotation needed in the XROT field.

The [Table 24-423](#) show the XRVRS and XROT fields for each serial format and for both integer and Q31 fractional internal representations.

The [Table 24-423](#) assumes that all slot size (SLOT in [Table 24-423](#)) and word size (WORD in [Table 24-423](#)) options are multiples of 4, since the transmit rotate right unit only supports rotation by multiples of 4. However, the bit mask/pad unit does allow for any number of significant digits. For example, a Q31 number may have 19 significant digits (word) and be transmitted in a 24-bit slot; this would be formatted as a word size of 20 bits and a slot size of 24 bits. However, it is possible to set the bit mask unit to only pass the 19 most-significant digits (program the mask value to FFFF E000h). The digits that are not significant can be set to a selected pad value, which can be any one of the significant digits, a fixed value of 0, or a fixed value of 1.

The transmit bit mask/pad unit operates on data as an initial step of the transmit format unit, and the data is aligned in the same representation as it is written to the transmitter by the MPU or DSP (typically Q31 or integer).

Table 24-423. McASP TFU TDM Mode Settings

Bit Stream Order	Bit Stream Alignment	Internal Numeric Representation	MCASP_TXFMT bits	
			XROT ⁽¹⁾	XRVRS
MSB first ⁽²⁾	Left aligned	Q31 fraction	0	1
MSB first	Right aligned	Q31 fraction	SLOT - WORD	1
LSB first	Left aligned	Q31 fraction	32 - WORD	0
LSB first	Right aligned	Q31 fraction	32 - SLOT	0
MSB first ⁽²⁾	Left aligned	Integer	WORD	1
MSB first	Right aligned	Integer	SLOT	1
LSB first	Left aligned	Integer	0	0
LSB first	Right aligned	Integer	(32 - (SLOT - WORD)) % 32	0

⁽¹⁾ WORD = Word size rounded up to the nearest multiple of 4; SLOT = slot size; % = modulo operator

⁽²⁾ To transmit in I2S format, select MSB first, left aligned, and also select XDATDLY = 01 (1 bit delay)

24.6.4.4.1.2 DIT Mode Transmission Data Alignment Settings

In case of a DIT-mode (S/PDIF protocol) transmission, while left-aligned Q31 data should be right-rotated to a multiple by 4 positions, no right-rotation is required for a right-aligned Q31 data. Because this is a rotation process, not a shifting process, bit 0 gets shifted back into bit 31 during the process.

The [MCASP_TXFMT\[17:16\]](#) XDATDLY bit field must be set to a 0-bit delay (0x0 value).

For left-aligned Q31 data, the following transmit format unit settings process the data into right-aligned data, ready for transmission:

- [MCASP_TXFMT\[2:0\]](#) XROT =
 - 0x2 (rotate right by 8 bits) - for a 24-bit output audio data
 - 0x3 (rotate right by 12 bits) - for a 20-bit output audio data
 - 0x4 (rotate right by 16 bits) - for a 16-bit output audio data
- [MCASP_TXFMT\[15\]](#) XRVRS = 0x0 – Bit reversal is not enabled; the McASP naturally transmits and receives in a LSB-first order.
- [MCASP_TXMASK\[32\]](#) XMASK = 0xFFFFFFFF00 – 0xFFFFFFFF0000

- **MCASP_TXFMT**[14:13] XPAD = 0x0 (Pad extra bits with 0s.)

For right-aligned data, the following transmit format unit settings process the data into right-aligned audio data ready for transmission:

- **MCASP_TXFMT**[2:0] XROT = 0x0 (rotate right by 0 bits regardless of the audio word length)
- **MCASP_TXFMT**[15] XRVR = 0x0 – Bit reversal is not enabled; the McASP naturally transmits and receives in a LSB-first order.
- **MCASP_TXMASK**[32] XMASK = 0x00FFFFFF – 0x0000FFFF
- **MCASP_TXFMT**[14:13] XPAD = 0x0 (Pad extra bits with 0s.)

The example settings provided in [Table 24-424](#) should be applied to McASP in cases of DIT-transmitting a Q31 data as a 24-bit, 20-bit and 16-bit left- or right- aligned audio word, respectively. Note that the listed settings let the McASP TFU preserve the most significant bits and cut only the LSBs of the original Q31 CPU data:

Table 24-424. McASP TFU DIT-Mode Example Settings

Output Audio Word Alignment	Audio Word Length	Right-rotation (multiple of 4-bit positions)	XMASK	XROT
LEFT	16	16	0xFFFF0000	0x4
LEFT	20	12	0xFFFF000	0x3
LEFT	24	8	0xFFFFF00	0x2
RIGHT	16	0	0x0000FFFF	0x0
RIGHT	20	0	0x0000FFFF	0x0
RIGHT	24	0	0x0000FFFF	0x0

Assuming that a Q31 data word 0xFA5AFxxx (where x-marked nibbles of the data are applied as padding bits of the word) is generated by MPU on the McASP CFG (peripheral) port. To transmit a left-aligned 20-bit version of same word, preserving the MSBs, according to the [Table 24-424](#), the user must set XMASK=0xFFFF000, and to select a right-rotation to 12 positions (XROT=0x3).

- After applying 0-s (XPAD=0) as masking-off bits at the first TFU stage, word is transformed to the word 0xFA5AF000.
- After a rotation by 12 positions to the right is performed in TFU, the 20-bit output word obtained is: 0x000FA5AF. Thus the word gets ready for transmission being mapped with its LS-bit as bit 8 and its MS-bit as bit 27 within a S/PDIF bitstream. This word is shifted in a LSB-to-MSB order (XRVR = 0x0) out of the XRSR register during a DIT-transmission.

Assuming that a right-aligned Q31 data word - 0x yyyyE4B4 is generated by software on the McASP CFG (peripheral) port (with the presumption that y-marked nibbles of the input data are applied as padding bits). To transmit a right-aligned 16-bit version of same word, preserving the MSBs, according to the table McASP TFU Example Settings, user is supposed to set XMASK=0x0000FFFF, and to select right-rotation to 0 positions (XROT=0x0).

- After masking-off with 0s at first TFU stage, word is transformed to 0x0000E4B4.
- Since no rotation is applied, the 16-bit output word obtained is actually the one obtained in the masking stage – 0x0000E4B4.

The above examples use internal representation in integer and Q31 notation, but other fractional notations are also possible.

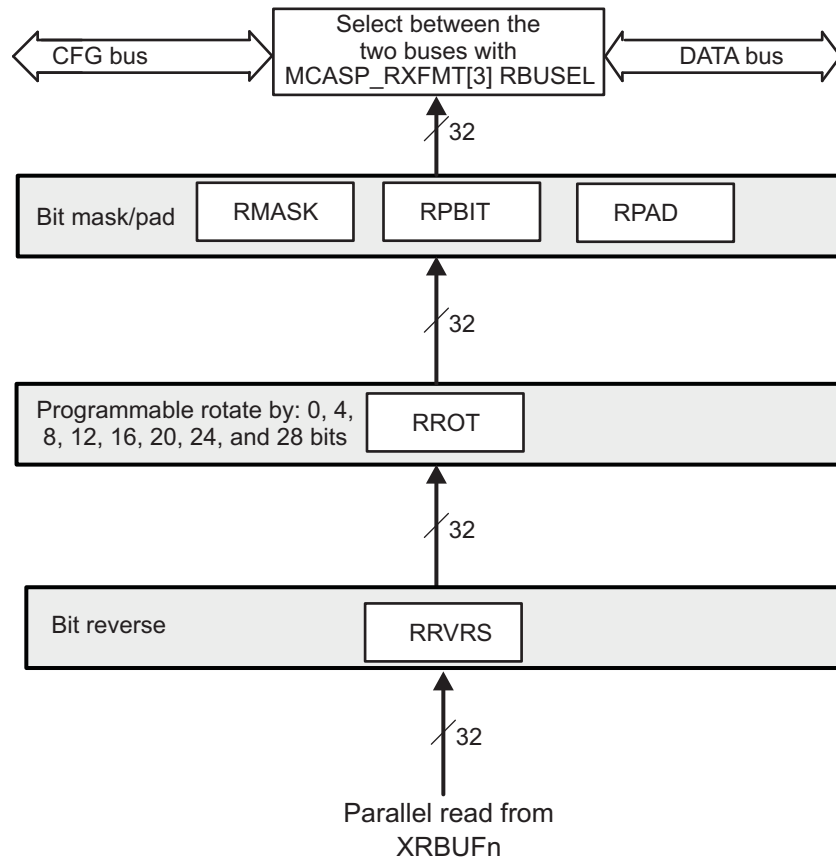
24.6.4.4.2 Receive Format Unit

The McASP receive formatting unit consists of three stages:

- Bit mask (masks off bits)
- Rotate right (aligns data within word)
- Bit reversal (selects between MSB first or LSB first)

[Figure 24-125](#) shows the receive format unit (RFU).

Figure 24-125. Receive Format Unit



mcasp-018

The McASP receiver supports serial formats of:

- Slot or time slot size = 8, 12, 16, 20, 24, 28, 32 bits
- Word size ≤ Slot size
- Alignment when more bits are available per slot than bits per word within the slot, then:
 - Left aligned = word shifted first, remaining bits are pad
 - Right aligned = pad bits are shifted first, word occupies the last bits in slot
- Order of bits shifted out:
 - MSB: most-significant bit of word is shifted out first, last bit is LSB
 - LSB: least-significant bit of word is shifted out last, last bit is MSB

Hardware support for these serial formats comes from the programmable options in the receive bitstream format register - [MCASP_RXFMT](#):

- RRVRS: bit reverse (1) or no bit reverse (0)
- RROT: rotate right by 0, 4, 8, 12, 16, 20, 24, or 28 bits
- RSSZ: receive slot size of 8, 12, 16, 20, 24, 28, or 32 bits

As shown on [Figure 24-125](#), the data processed in the RFU can be output to host CPU through the configuration port (CFG) or the data port (DATA). The selection is made through the [MCASP_RXFMT\[3\] RBUSEL](#) bit. According to port type selected, data transfer has different behaviour. For more details, refer to the [Section 24.6.4.10.1.3, Transfers Through the DATA Port](#), and [Section 24.6.4.10.1.4, Transfers Through the Configuration \(CFG\) Bus](#).

24.6.4.4.2.1 TDM Mode Reception Data Alignment Settings

RSSZ should always be programmed to match the slot size of the serial stream.

NOTE: Note that the word size is not directly programmed into the McASP, but rather is used to determine the rotation needed in the RROT field.

Table 24-425 shows the RRVRS and RROT fields for each serial format and for both integer and Q31 fractional internal representations.

Table 24-425. McASP RFU Settings

Bit Stream Order	Bit Stream Alignment	Internal Numeric Representation	MCASP_RXFMT bits	
			RROT ⁽¹⁾	RRVRS
MSB first ⁽²⁾	Left aligned	Q31 fraction	SLOT	1
MSB first	Right aligned	Q31 fraction	WORD	1
LSB first	Left aligned	Q31 fraction	(32 - (SLOT - WORD)) % 32	0
LSB first	Right aligned	Q31 fraction	0	0
MSB first ⁽²⁾	Left aligned	Integer	SLOT - WORD	1
MSB first	Right aligned	Integer	0	1
LSB first	Left aligned	Integer	32 - SLOT	0
LSB first	Right aligned	Integer	32 - WORD	0

⁽¹⁾ WORD = Word size rounded up to the nearest multiple of 4; SLOT = slot size; % = modulo operator

⁽²⁾ To receive in I2S format, select MSB first, left aligned, and also select RDATDLY = 01 (1 bit delay)

The Table 24-425 assumes that all slot size and word size options are multiples of 4; since the receive rotate right unit only supports rotation by multiples of 4. However, the bit mask/pad unit does allow for any number of significant digits. For example, a Q31 number may have 19 significant digits (word) and be received in a 24-bit slot; this would be formatted as a word size of 20 bits and a slot size of 24 bits. However, it is possible to set the bit mask unit to only pass the 19 most-significant digits (program the mask value to FFFF E000h). The digits that are not significant can be set to a selected pad value, which can be any one of the significant digits, a fixed value of 0, or a fixed value of 1. The receive bit mask/pad unit operates on data as the final step of the receive format unit (see Figure 24-125), and the data is aligned in the same representation as it is read from the receiver (typically Q31 or integer).

24.6.4.5 State-Machines

The receive and transmit sections have independent state machines.

Each state-machine controls the interactions between the various units in the McASP Rx and Tx sections, respectively. In addition, each state-machine keeps track of error conditions and serial port status. No serial transfers can occur until the RX/TX state-machine is released from reset.

The transmit state-machine is controlled by the transmit bitstream format register ([MCASP_TXFMT](#)) and it reports the McASP status and error conditions in the transmitter status register ([MCASP_TXSTAT](#)).

Similarly, the receive state-machine is controlled by the receive bitstream format register ([MCASP_RXFMT](#)) and it reports the McASP status and error conditions in the receiver status register ([MCASP_RXSTAT](#)).

24.6.4.6 TDM Sequencers

There are separate TDM sequencers for the transmit section and the receive section. Each TDM sequencer keeps track of the slot count. In addition, the TDM sequencer checks the bits of [MCASP_RXTDM/MCASP_TXTDM](#) and determines if the McASP should receive/transmit in that time slot.

There are two possibilities for a slot: The McASP either performs Rx/Tx operations during the time slot (transmit/receive bit is active), or the McASP skips Rx/Tx operations during the time slot (transmit/receive bit is inactive). In the latter case, no transfers between the XRBUF and XRSR registers in the serializer would occur during that time slot.

In addition, during time of inactive slots, the serializers programmed as transmitters place their data output pins - AXRn in a predetermined state - logic low, high, or high impedance (tri-stated) as programmed in each serializer control register [MCASP_XRSRCTLn\[3:2\]](#) DISMOD. Refer also to [Section 24.6.4.9.2.1, TDM Time Slots Generation and Processing](#), for details on how DMA event or interrupt generations are handled during inactive time slots in TDM mode.

In case of a DIT-transmission (S/PDIF transfers): the time division multiplexing (TDM) sequencer is used to count the 384 subframes (slots) in the DIT block. If currently transmitting slot 1, slot 2 (next value of the TDM slot counter) should be used during the encode phase to select the appropriate C, V, and U bit, because the data encoded and written to a [MCASP_TXBUFn](#) register during the current time slot (slot 1) is actually shifted out on the next time slot.

The transmit TDM sequencer is controlled by the [MCASP_TXTDM](#) register and reports the current transmit slot to the [MCASP_TXTDMSLOT\[9:0\]](#) XSLOT CNT bit field.

24.6.4.7 McASP Software Reset

The McASP can be put into reset through the global transmit and receive control register ([MCASP_GBLCTL](#)). A valid serial clock must be supplied to the McASP to assert the software reset bits in the [MCASP_GBLCTL](#) register.

24.6.4.8 McASP Power Management

[Table 24-426](#) describes power-management features available to the McASP.

Table 24-426. Local Power-Management Features

Feature	Registers	Description
Slave idle modes	PWRIDLESYSCONFIG[1:0] IDLE_MODE	Force-idle, no-idle, and smart-idle modes are available.

CAUTION

No wakeup schema is supported for the McASP. To ensure a correct behavior after enabling McASP at device PRCM level, the user software is strongly recommended to choose *No Idle* mode, setting [PWRIDLESYSCONFIG\[1:0\]](#) IDLE_MODE to 0x1. Before disabling McASP at device PRCM level, user software is strongly recommended to choose a *Smart-Idle* mode, setting [PWRIDLESYSCONFIG\[1:0\]](#) IDLE_MODE to 0x2.

24.6.4.9 Transfer Modes

24.6.4.9.1 Burst Transfer Mode

The McASP supports a burst transfer mode, which is useful for nonaudio data such as passing control information between two processors. Burst transfer mode uses a synchronous serial format similar to the TDM mode. The frame sync generation is not periodic or time-driven as in TDM mode, but data driven, and the frame sync is generated for each data word transferred.

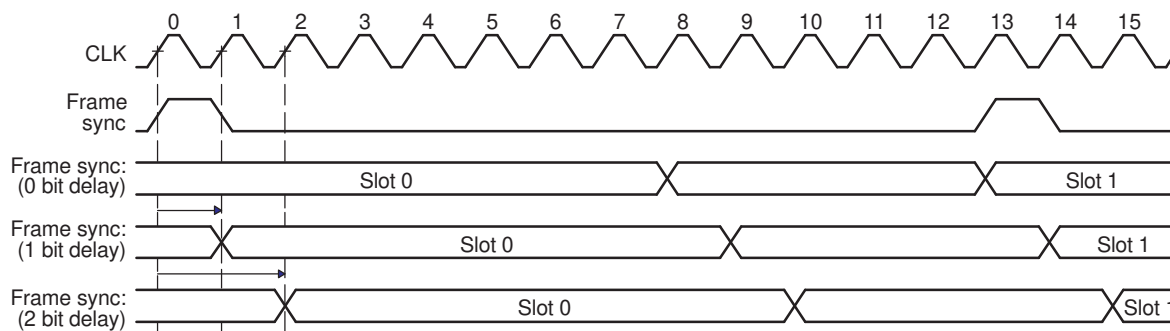
When operating in burst frame sync mode (see [Figure 24-126](#)), as specified for transmit ([MCASP_TXFMCTL\[15:7\]](#) = 0) and receive ([MCASP_RXFMCTL\[15:7\]](#) RMOD = 0), one slot is shifted for each active edge of the frame sync signal that is recognized. Additional clocks after the slot and before the next frame sync edge are ignored.

In burst frame sync mode, the frame sync delay may be specified as 0, 1, or 2 serial clock cycles. This is the delay between the frame sync active edge and the start of the slot. The frame sync signal lasts for a single bit clock duration ([MCASP_RXFMCTL\[4\]](#) FRWID = 0, [MCASP_TXFMCTL\[4\]](#) FXWID = 0).

For transmit, when generating the transmit frame sync internally, the frame sync begins when the previous transmission has completed and when all the XBUF_n (for every serializer set to operate as a transmitter) has been updated with new data.

For receive, when generating the receive frame sync internally, frame sync begins when the previous transmission has completed and when all the RBUF_n (for every serializer set to operate as a receiver) has been read.

Figure 24-126. Burst Frame Sync Mode



The control registers must be configured as follows for the burst transfer mode. The burst mode specific bit fields are in bold face:

- **MCASP_PFUNC**: The clock, frame, data pins must be configured for McASP function.
- **MCASP_PDIR**: The clock, frame, data pins must be configured to the direction desired.
- **MCASP_PDOUT**, **MCASP_PDIN**, **MCASP_PDSET**, **MCASP_PDCLR**: Not applicable. Leave at default.
- **MCASP_GBLCTL**: Follow the initialization sequence in [Section 24.6.5.1.2, McASP Global Initialization](#), to configure this register.
- **MCASP_AMUTE**: Not applicable. Leave at default.
- **MCASP_LBCTL**: If loopback mode is desired, configure this register according to [Section 24.6.4.14 Loopback Modes](#), otherwise leave this register at default.
- **MCASP_TXDITCTL**: DITEN must be left at default 0 to select non-DIT mode. Leave the register at default.
- **MCASP_RXMASK/MCASP_TXMASK**: Mask desired bits according to [Section 24.6.4.4, Format Units](#).
- **MCASP_RXFMT/MCASP_TXFMT**: Program all fields according to data format desired. See [Section 24.6.4.4, Format Units](#).
- **MCASP_RXFMT/MCASP_TXFMT**: Clear RMOD/XMOD bits to 0 to indicate burst mode. Clear FRWID/FXWID bits to 0 for single bit frame sync duration. Configure other fields as desired.
- **MCASP_ACLKRCTL/MCASP_ACLKXCTL**: Program all fields according to bit clock desired. See [Section 24.6.4.2, McASP Clock and Frame-Sync Configurations](#).
- **MCASP_AHCLKRCTL/MCASP_AHCLKXCTL**: Program all fields according to high-frequency clock desired. See [Section 24.6.4.2, McASP Clock and Frame-Sync Configurations](#).
- **MCASP_RXTDM/MCASP_TXTDM**: Program RTDMS0/XTDMS0 to 1 to indicate one active slot only. Leave other fields at default.
- **MCASP_EVTCTLR/MCASP_EVTCTLX**: Program all fields according to interrupts desired.
- **MCASP_RXCLKCHK/MCASP_TXCLKCHK**: Not applicable. Leave at default.
- **MCASP_XRSRCTL_n**: Program SRMOD to inactive/transmitter/receiver as desired. DISMOD is not applicable and should be left at default.
- **MCASP_DITCSRA_i**, **MCASP_DITCSRB_i**, **MCASP_DITUDRA_i**, **MCASP_DITUDRB_i**: Not applicable. Leave at default.

24.6.4.9.2 Time-Division Multiplexed (TDM) Transfer Mode

The McASP time-division multiplexed (TDM) transfer mode supports the TDM format discussed in [Section 24.6.2.2.3](#).

Transmitting data in the TDM transfer mode requires a minimum set of pins:

- ACLKX - transmit bit clock
- AFSX - transmit frame sync (or commonly called left/right clock)
- One or more serial data pins, AXR_n, whose serializers are configured to transmit

For more details on McASP transmitting serializers clock and frame sync options, refer to the [Section 24.6.4.2.1, Transmit Clock](#), and [Section 24.6.4.2.3, Frame-Sync Generator](#).

Similarly, to receive data in the TDM transfer mode requires a minimum set of pins:

- ACLKR - receive bit clock
- AFSR - receive frame sync (or commonly called left/right clock)
- One or more serial data pins, AXR_n, whose serializers are configured to receive

For more details on McASP receiving serializers clock and frame sync options, refer to [Section 24.6.4.2.2, Receive Clock](#), and [Section 24.6.4.2.3, Frame-Sync Generator](#).

The control registers must be configured as follows for the TDM mode. The TDM mode specific bit fields are highlighted in bold:

- **MCASP_PFUNC**: The clock, frame, data pins must be configured for McASP function.
- **MCASP_PDIR**: The clock, frame, data pins must be configured to the direction desired.
- **MCASP_PDOUT**, **MCASP_PDIN**, **MCASP_PDSET**, **MCASP_PDCLR**: Not applicable. Leave at default.
- **MCASP_GBLCTL**: Follow the initialization sequence is described in the [Section 24.6.5.2, Operational Modes Configuration](#).
- **MCASP_AMUTE**: Leave this register at default state.
- **MCASP_LBCTL**: If loopback mode is desired, configure this register according to [Section 24.6.4.14](#), otherwise leave this register at default.
- **MCASP_TXDITCTL**: DITEN must be left at default 0 to select TDM mode (transmitters only).
- **MCASP_RXMASK/MCASP_TXMASK**: Mask desired bits according to [Section 24.6.4.4, Format Units](#).
- **MCASP_RXFMT/MCASP_TXFMT**: Program all fields according to data format desired. See the [Section 24.6.4.4, Format Units](#).
- **MCASP_RXFMCTL/MCASP_TXFMCTL**: Set RMOD/XMOD bits to (0x2 - 0x20) for Rx/Tx (2- 32 slots) TDM mode. In addition, set RMOD to 0x180 if 384-slot TDM stream has to be received by McASP. Configure other fields as desired.
- **MCASP_ACLKRCTL/MCASP_ACLKXCTL**: Program all fields according to bit clock desired. For more information, refer to [Section 24.6.4.2](#).
- **MCASP_AHCLKRCTL/MCASP_AHCLKXCTL**: Program all fields according to high-frequency clock desired. For more details, refer to [Section 24.6.4.2](#).
- **MCASP_RXTDM/MCASP_TXTDM**: Program all fields according to the time slot characteristics desired.
- **MCASP_EVTCTLX**: Program all fields according to transmit interrupts desired.
- **MCASP_RXCLKCHK/MCASP_TXCLKCHK**: Program all fields according to clock checking desired.
- **MCASP_XRSRCTL_n**: Program all fields according to serializer operation desired.

NOTE: The **MCASP_DITCSRA_i**, **MCASP_DITCSRB_i**, **MCASP_DITUDRA_i**, **MCASP_DITUDRB_i** (i=0 to 5) settings are NOT applicable in TDM transfer modes. They have to be kept at their default values.

24.6.4.9.2.1 TDM Time Slots Generation and Processing

TDM mode on the McASP can extend to support multiprocessor applications, with up to 32 time slots per frame. For each of the time slots, the McASP may be configured to participate or to be inactive by configuring **MCASP_TXTDM** and/or **MCASP_RXTDM** registers.

The TDM sequencer (separate ones for transmit and receive) functions in this mode. The TDM sequencer counts the slots beginning with the frame sync. For each slot, the TDM sequencer checks the respective bit in either `MCASP_TXTDM` or `MCASP_RXTDM` to determine if the McASP transmits/receives in that time slot.

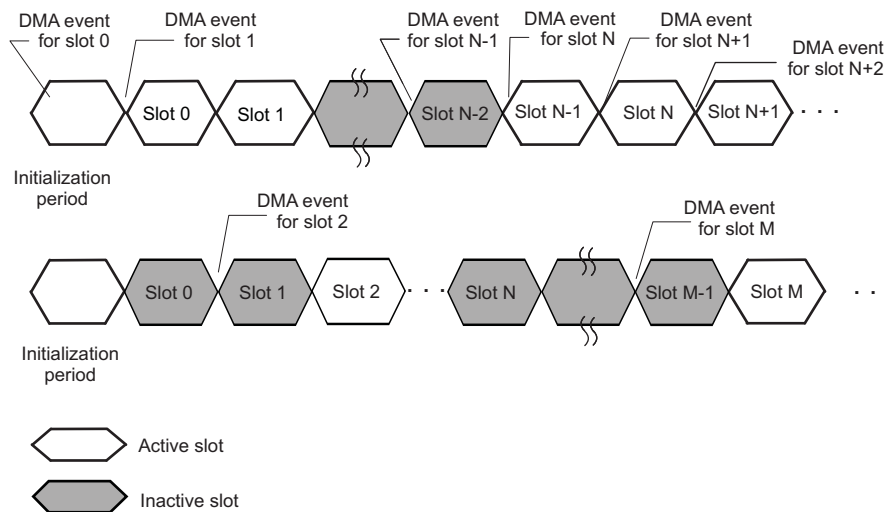
NOTE: If a `MCASP_TXTDM/MCASP_RXTDM` bit defines an active slot (number of slot matches the bit position), the McASP functions normally during that time slot; otherwise, the McASP is inactive during that time slot; no update to the buffer occurs, and no event is generated. McASP (transmit only) data pins are automatically set to a high-impedance state, 0, or 1 during that slot, as determined by bitfield `MCASP_XRSRCTLn[3:2] DISMOD`.

Figure 24-127 shows when the transmit DMA event - AXEVT is generated. See Section 24.6.4.10.1, *Data Ready Status and Event/Interrupt Generation* for details on data ready and the initialization period indication. The transmit DMA event for an active time slot (slot N) is generated during the previous time slot (slot N - 1), regardless of the previous time slot (slot N - 1) being active or inactive.

During an active transmit time slot (slot N), if the next time slot (slot N + 1) is configured to be active, the copy from `XRBUFn` to `XRSRn` generates the DMA event for time slot N + 1. If the next time slot (slot N + 1) is configured to be inactive, then the DMA event will be delayed to time slot M - 1. In this case, slot M is the next active time slot. The DMA event for time slot M is generated during the first bit time of slot M - 1.

The receive DMA event is generated after data is received in the buffer (looks back in time). If a time slot is disabled, then no data is copied to the buffer for that time slot and no DMA event is generated.

Figure 24-127. Transmit DMA Event (AXEVT) Generation in TDM Time Slots



mcasp-019

24.6.4.9.2.2 Special 384-Slot TDM Mode for Connection to External DIR

The McASP receiver also supports a 384 time slot TDM mode (DIR mode), to support S/PDIF receiver ICs whose natural block (block corresponds to McASP frame) size is 384 samples. The receive TDM time slot register (`MCASP_RXTDM`) should be programmed to all 1s during reception of a DIR block. Other TDM functionalities (for example, inactive slots) are not supported (only the slot counter counts the 384 subframes in a block). To receive data in DIR mode, the following pins are typically needed:

- ACLKR - receive bit clock
- AFSR - receive frame sync (or commonly called left/right clock)
- In this mode, AFSR should be connected to a DIR which outputs a start of block signal, instead of LRCLK
- One or more serial data pins, AXR_n, whose serializers have been configured to receive
- For this special DIR mode, the control registers can be configured just as for TDM mode, except set

RMOD in [MCASP_RXFMCTL](#) to 384 (0x180) to receive 384 time slots

24.6.4.9.3 DIT Transfer Mode

The DIT transfer mode of the McASP also supports transmission of audio data in S/PDIF, AES-3, and IEC-60958 formats. These formats are designed to carry audio data between different systems through an optical or coaxial cable. The DIT mode applies only to a serializer configured as transmitter, not as receiver. For a description of the S/PDIF format, see [Section 24.6.2.2.5, S/PDIF Coding Format](#).

24.6.4.9.3.1 Transmit DIT Encoding

When the McASP operates in DIT mode, the data transmitted is output as a biphasic-mark encoded bitstream, with preamble, channel status, user data, validity, and parity automatically stuffed into the bitstream by the McASP. The McASP includes separate validity bits for even/odd subframes and two 384-bit RAM modules to hold channel status and user data bits.

NOTE: The transmit TDM time slot register ([MCASP_TXTDM](#)) should be programmed to all 1s during DIT mode. TDM functionality is not supported in DIT mode, except that the TDM slot counter counts the DIT subframes.

To transmit data in DIT mode, the following pins are typically required:

- AHCLKX – transmit high-frequency master clock (The internal clock source can be used instead.)
- One serial data pin (AXRn) of a serializer n configured to transmit.

For DIT Mode Transmission Data Alignment Settings see [Section 24.6.4.4.1.2](#).

If the McASP is configured to transmit in the DIT mode on more than one serial data pin, the bit streams on all pins will be synchronized. In addition, although they will carry unique audio data, they will carry the same channel status, user data, and validity information.

The actual 24-bit audio data must always be in bit positions 23–0 after passing through the first three stages of the transmit format unit.

24.6.4.9.3.2 Transmit DIT Clock and Frame-Sync Generation

The DIT transmitter works only in the following configuration:

- In the transmit frame control register ([MCASP_TXFMCTL](#)):
 - Internally generated transmit frame sync, FSXM = 1
 - Rising-edge frame sync, FSXP = 0
 - Bit-width frame sync, FXWID = 0
 - 384-slot TDM, XMOD = 1 1000 0000b
- In the transmit clock control register ([MCASP_ACLKXCTL](#)), ASYNC = 1
- In the transmit bitstream format register ([MCASP_TXFMT](#)), XSSZ = 1111 (32-bit slot size)

All combinations of AHCLKX and ACLKX are supported.

The following summarizes the register configurations required for DIT mode. DIT mode-specific bit fields are in bold face:

- **MCASP_PFUNC**: The data pin - AXRn must be configured for McASP function. If AHCLKX is used, it must also be configured for McASP function. Other pins can be configured to function as GPIOs, if desired.
- **MCASP_PDIR**: The data pin must be configured as output. If internal clock source AUXCLK is used as the reference clock, it may be output as the AHCLKX device level signal by configuring AHCLKX pin as an output.
- **MCASP_GBLCTL**: Global initialization
- **MCASP_AMUTE**: Leave this register at default state.
- **MCASP_TXDITCTL**: The DITEN bit must be set to 0b1 to enable DIT mode. Configure other bits as

desired.

- **MCASP_TXMASK**: Mask the desired bits, depending upon left-aligned or right-aligned internal data.
- **MCASP_TXFMT**: XDATDLY = 0. XRVRs = 0. XPAD = 0. XSSZ = Fh (32-bit slot). XBUSEL = configured as desired. The XROT bit is configured, as described in the [Section 24.6.4.4.1.2](#).
- **MCASP_TXFMCTL**: Configure the bits according to former discussions.
- **MCASP_ACLKXCTL**: ASYNC = 1. Program the CLKXDIV bits to obtain the bit clock rate desired. CLKXM = 1.
- **MCASP_AHCLKXCTL**: Program the HCLKXDIV bits to obtain the high-frequency bit clock rate desired.
- **MCASP_TXTDM**: Set to FFFF FFFFh for all active slots for DIT transfers.
- **MCASP_EVTCTLX**: Program all fields according to the interrupts desired.
- **MCASP_TXCLKCHK**: Program all fields according to the clock checking desired.
- **MCASP_XRSRCTLn**: Set SRMOD = 1 (transmitter) for the DIT pins.
- **MCASP_DITCSRAi** and **MCASP_DITCSRBi**: Program the channel status bits as desired.
- **MCASP_DITUDRAi** and **MCASP_DITUDRBi**: Program the user data bits as desired.

NOTE: In DIT mode, the transmitter can support a 192 kHz frame rate (stereo) on up to 2 serial data pins simultaneously (note that the internal bit clock for DIT runs two times faster than the equivalent bit clock for TDM (I2S) mode, due to the need to generate Biphase Mark Encoded Data - see [Section 24.6.2.2.5.1](#)).

24.6.4.9.3.3 DIT Channel Status and User Data Register Files

The channel status registers (**MCASP_DITCSRAi** and **MCASP_DITCSRBi**) and user data registers (**MCASP_DITUDRAi** and **MCASP_DITUDRBi**) are not double-buffered. Typically, programmers use one of the synchronizing interrupts, such as the last slot, to create an event at a safe time so the register may be updated. In addition, the software reads the transmit TDM slot counter to determine which word of the register is being used.

It is a software requirement to avoid writing to the word of user data and channel status that are being used to encode the current time slot; otherwise, it is undetermined whether old or new data is used to encode the bitstream.

The DIT subframe format is defined in [Section 24.6.2.2.5.2](#), *S/PDIF Subframe Format*. The channel status information (C) and user data (U) are defined in the following DIT control registers:

- **MCASP_DITCSRA0** to **MCASP_DITCSRA5**: The 192 bits in these six registers contain the channel status information for the left channel within each frame.
- **MCASP_DITCSR0** to **MCASP_DITCSR5**: The 192 bits in these six registers contain the channel status information for the right channel within each frame.
- **MCASP_DITUDRA0** to **MCASP_DITUDRA5**: The 192 bits in these six registers contain the user data information for the left channel within each frame.
- **MCASP_DITUDRB0** to **MCASP_DITUDRB5**: The 192 bits in these six registers contain the user data information for the right channel within each frame.
- The S/PDIF block format is shown in [Figure 24-117](#). There are 192 frames within a block (frame 0 to frame 191). There are two subframes within each frame (subframes 1 and 2 for the left and right channels, respectively).

The channel status and user data information sent on each subframe is summarized in [Table 24-427](#).

Table 24-427. Channel Status and User Data for Each DIT Block

Frame	Subframe	Preamble	Channel Status Defined in:	User Data Defined in:
Defined by DITCSRA0, DITCSR0, DITUDRA0, DITUDRB0				
0	1 (L)	B	DITCSRA0[0]	DITUDRA0[0]
0	2 (R)	W	DITCSR0[0]	DITUDRB0[0]

Table 24-427. Channel Status and User Data for Each DIT Block (continued)

Frame	Subframe	Preamble	Channel Status Defined in:	User Data Defined in:
1	1 (L)	M	DITCSRA0[1]	DITUDRA0[1]
1	2 (R)	W	DITCSRB0[1]	DITUDRB0[1]
2	1 (L)	M	DITCSRA0[2]	DITUDRA0[2]
2	2 (R)	W	DITCSRB0[2]	DITUDRB0[2]
...
31	1 (L)	M	DITCSRA0[31]	DITUDRA0[31]
31	2 (R)	W	DITCSRB0[31]	DITUDRB0[31]
Defined by DITCSRA1, DITCSRB1, DITUDRA1, DITUDRB1				
32	1 (L)	M	DITCSRA1[0]	DITUDRA1[0]
32	2 (R)	W	DITCSRB1[0]	DITUDRB1[0]
...
63	1 (L)	M	DITCSRA1[31]	DITUDRA1[31]
63	2 (R)	W	DITCSRB1[31]	DITUDRB1[31]
Defined by DITCSRA2, DITCSRB2, DITUDRA2, DITUDRB2				
64	1 (L)	M	DITCSRA2[0]	DITUDRA2[0]
64	2 (R)	W	DITCSRB2[0]	DITUDRB2[0]
...
95	1 (L)	M	DITCSRA2[31]	DITUDRA2[31]
95	2 (R)	W	DITCSRB2[31]	DITUDRB2[31]
Defined by DITCSRA3, DITCSRB3, DITUDRA3, DITUDRB3				
96	1 (L)	M	DITCSRA3[0]	DITUDRA3[0]
96	2 (R)	W	DITCSRB3[0]	DITUDRB3[0]
...
127	1 (L)	M	DITCSRA3[31]	DITUDRA3[31]
127	2 (R)	W	DITCSRB3[31]	DITUDRB3[31]
Defined by DITCSRA4, DITCSRB4, DITUDRA4, DITUDRB4				
128	1 (L)	M	DITCSRA4[0]	DITUDRA4[0]
128	2 (R)	W	DITCSRB4[0]	DITUDRB4[0]
...
159	1 (L)	M	DITCSRA4[31]	DITUDRA4[31]
159	2 (R)	W	DITCSRB4[31]	DITUDRB4[31]
Defined by DITCSRA5, DITCSRB5, DITUDRA5, DITUDRB5				
160	1 (L)	M	DITCSRA5[0]	DITUDRA5[0]
160	2 (R)	W	DITCSRB5[0]	DITUDRB5[0]
...
191	1 (L)	M	DITCSRA5[31]	DITUDRA5[31]
191	2 (R)	W	DITCSRB5[31]	DITUDRB5[31]

24.6.4.10 Data Transmission and Reception

The McASP is serviced by writing data to the [MCASP_TXBUF_n](#) registers for transmit operations, and by reading data from the [MCASP_RXBUF_n](#) registers for receive operations. The McASP sets status flags and notifies the software whenever data is ready to be serviced. The [Section 24.6.4.10.1, Data Ready Status and Event/Interrupt Generation](#), discusses data-ready status in details.

The McASP transmit/receive XRBUF_n buffer can be accessed through one of the two peripheral ports of the device:

- DATA port: This port is dedicated to DMA initiated data transfers on the device for McASP transmit (Tx) purposes.

- Configuration bus (CFG): The configuration bus- CFG port is used for peripheral configuration control and receive/transmit data transfers initiated by the host CPU in the device.

[Section 24.6.4.10.1.3](#), *Transfers Through the Data Port (DATA)*, and [Section 24.6.4.10.1.4](#), *Transfers Through the Configuration Bus (CFG)*, discuss how to perform transfers through the data port (DATA) and the configuration port (CFG), respectively.

A device CPU and DMA usages are discussed in [Section 24.6.4.10.1.5](#), *Using the device CPUs for McASP Servicing*, and [Section 24.6.4.10.1.6](#), *Using the DMA for McASP Servicing*, respectively.

McASP DATA port allows DMAs to access the McASP transmit buffer more efficiently on the L3_MAIN-interconnect or L4_PER2 interconnect, using burst transfers. The physical addresses to access these registers are listed in [Section 24.6.6.2.5](#).

24.6.4.10.1 Data Ready Status and Event/Interrupt Generation

24.6.4.10.1.1 Transmit Data Ready

The transmit data ready flag - XDATA in the [MCASP_TXSTAT](#) register reflects the data ready status of XRBUF_n buffers for all of the active slot transmitting serializers. The XDATA flag is set whenever data is transferred from a transmitting serializer buffer - XRBUF_n to its corresponding XRSR_n shift register. Thus, the XDATA bit indicates the global event that some of the serializers data buffer - XRBUF_n is emptied and ready to accept new data from the host (CPU or DMA). The transmit data ready event is individually indicated per serializer in its corresponding control register [MCASP_XRSRCTL_n\[4\]](#) XRDY status bit. When this bit is set to 0b1, it notifies to host that this serializer Tx buffer must be serviced (written). When [MCASP_TXBUF_n](#) is written to by the host, the [MCASP_XRSRCTL_n\[4\]](#) XRDY is deasserted to 0b0. As XDATA global flag is an OR-event of all active serializers XRDY flags, it indicates to software the moment, when write service operation has to be initiated by the McASP host (XDATA=0b1). The XRDY flags have to be sequentially scanned by user software to determine which serializer [MCASP_TXBUF_n](#) register has to be currently written. Once all requested [MCASP_TXBUF_n](#) are written, the serializers control XRDY flags are cleared to 0b0. As a consequence, XDATA flag is deasserted to 0b0, to indicate to SW that write operation is completed for all serializers.

The global XDATA flag can be cleared when the [MCASP_TXSTAT\[5\]](#) XDATA bit is written to 0b1, or once [MCASP_TXBUF_n](#) registers of all the serializers, that have previously raised their XRDY flags, are written with corresponding active slot data by the host.

Whenever XDATA is set, the AXEVT event is automatically generated on MCASPi_DREQ_TX line (if enabled in the [MCASP_XEVTCTL](#) register) to notify the DMA of the [MCASP_TXBUF_n](#) empty status. An interrupt - MCASPi_IRQ_AXEVT can be also generated if the XDATA interrupt is enabled in the [MCASP_EVTCTLX](#) register (for details, see [Section 24.6.4.12.1](#), *Transmit Data Ready Interrupt*).

For DMA requests, the McASP does not require that [MCASP_TXSTAT](#) be read between DMA events. This means that, even if [MCASP_TXSTAT](#) already has the XDATA flag set to 1 from a previous request, the next transfer triggers another DMA request.

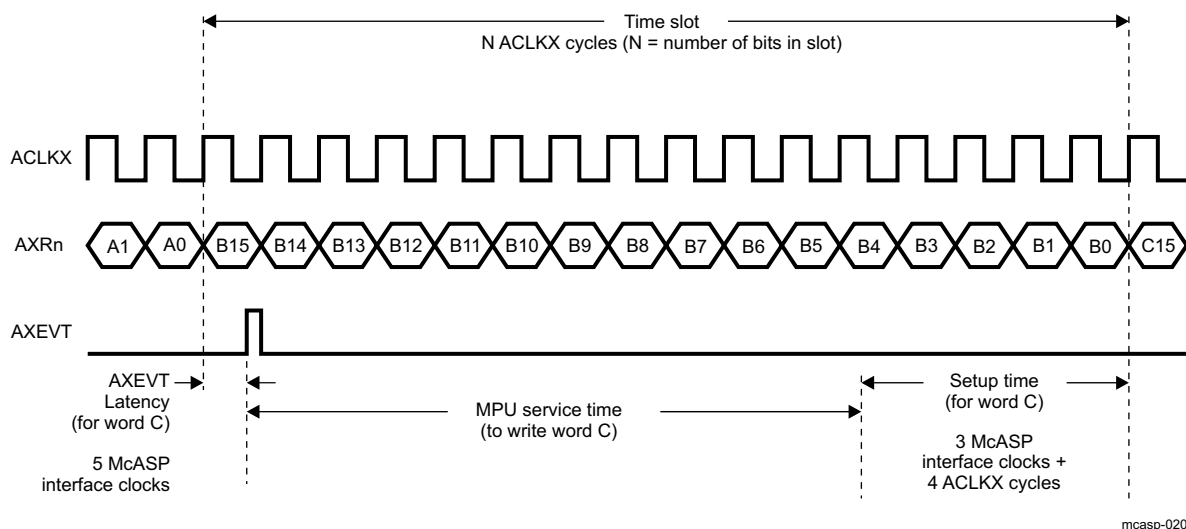
Because the serializer acts in lockstep, only one DMA event is generated to indicate that the transmit serializer is ready to be written to with new data.

[Figure 24-128](#) shows the timing details of when AXEVT is generated at the McASP boundary. In this example, as soon as the last bit (A0) of word A is transmitted, the McASP sets the XDATA flag and generates an AXEVT event. However, it takes up to five McASP interface clocks (AXEVT latency) before AXEVT is active at the McASP boundary. Upon AXEVT, the CPU can begin servicing the McASP by writing word C into the [MCASP_TXBUF_n](#) (service time). The CPU must write word C into the [MCASP_TXBUF_n](#) within the setup time required by the McASP (setup time).

The maximum service time (see [Figure 24-128](#)) can be calculated as:

$$\text{Service Time} = \text{Time Slot} - \text{AXEVT Latency} - \text{Setup Time}$$

Figure 24-128. MPU Service Time Upon Transmit DMA Event (AXEVT)



mcasp-020

24.6.4.10.1.2 Receive Data Ready

Similarly, the receive data ready flag - RDATA in the [MCASP_RXSTAT](#) register reflects the data ready status of XRBUF_n buffers for all of the active slot receiving serializers. The RDATA flag is set whenever data is transferred from a receiving serializer shift register XRSR_n to its corresponding XRBUF_n data buffer. Thus, the RDATA bit indicates the global event that some of the receivers data buffer - RXBUF_n already contains received data (i.e. a buffer is full) and is ready to transfer it to the host (MPU/DSP). The receive data ready event is individually indicated per serializer in its corresponding control register [MCASP_XRSRCTL_n](#) [5] RRDY status bit. When this bit is set to 0b1, it notifies to host that this serializer Rx buffer must be serviced (read). When [MCASP_RXBUF_n](#) is read from the host, the [MCASP_XRSRCTL_n](#) [5] RRDY is deasserted to 0b0. As RDATA global flag is an OR-event of all active serializers RRDY flags, it indicates to software the moment, when read service operation has to be initiated by the McASP host (RDATA=0b1). The RRDY flags have to be sequentially scanned by user software to determine which serializer [MCASP_RXBUF_n](#) register has to be currently read. Once all requested [MCASP_RXBUF_n](#) are read, the serializers control RRDY flags are cleared to 0b0. As a consequence, RDATA flag is deasserted to 0b0, to indicate to SW that read operation is completed for all serializers.

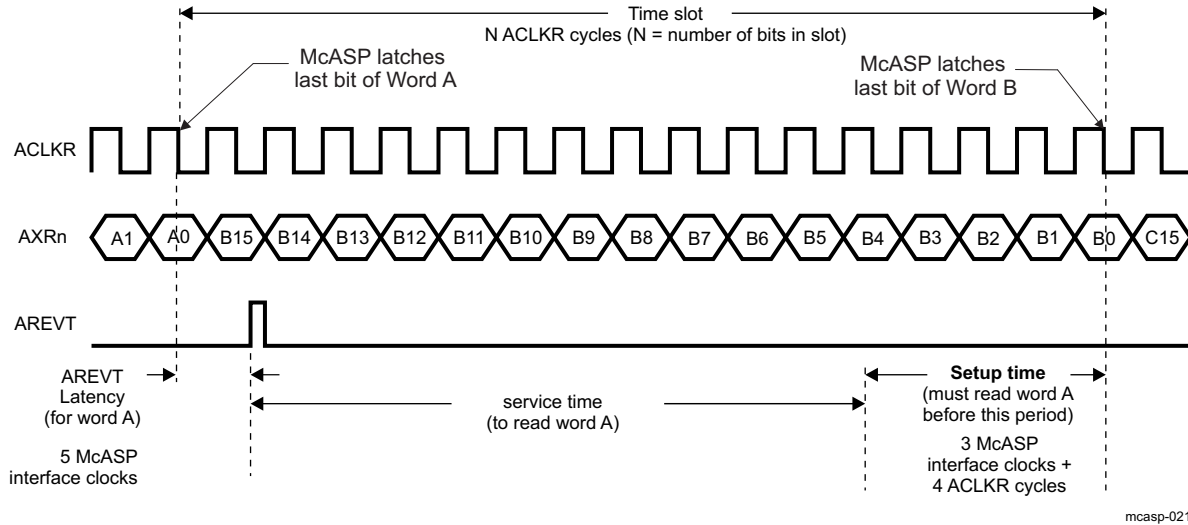
The global RDATA flag can be cleared when the [MCASP_RXSTAT](#)[5] RDATA bit is written to 0b1, or once [MCASP_RXBUF_n](#) registers of all the serializers, that have previously raised their RRDY flags, are read by the host.

Whenever RDATA is set, the AREVT event is automatically generated on MCASPi_DREQ_RX line (if enabled in the [MCASP_REVTCTL](#) register) to notify the DMA of the [MCASP_RXBUF_n](#) full status. An interrupt - MCASPi_IRQ_AREVT can be also generated if the RDATA interrupt is enabled in the [MCASP_EVTCTLR](#) register (for details, see [Section 24.6.4.12.1, Receive Data Ready Interrupt](#)).

[Figure 24-129](#) shows the timing details of when AREVT event is generated at the McASP boundary. In this example, as soon as the last bit (bit A0) of Word A is received, the McASP sets the RDATA flag and generates an AREVT event. However, it takes up to five McASP interface clocks (AREVT Latency) before AREVT is active at the McASP boundary. Upon AREVT, the CPU can begin servicing the McASP by reading Word A from the [MCASP_RXBUF_n](#) (service time). The CPU must read Word A from the [MCASP_RXBUF_n](#) register no later than the setup time required by the McASP (Setup Time).

The maximum service time (see [Figure 24-129](#)) can be calculated as:

$$\text{Service Time} = \text{Time Slot} - \text{AREVT Latency} - \text{Setup Time}$$

Figure 24-129. CPU Service Time Upon Receive Event (AREVT)


mcasp-021

24.6.4.10.1.3 Transfers Through the Data Port (DATA)

CAUTION

To perform internal transfers through the DATA port, clear the XBUSEL/RBUSEL bit to 0b0 in the [MCASP_TXFMT/MCASP_RXFMT](#) register, respectively. Failure to do so may result in software malfunction.

NOTE: McASP1, McASP2, and McASP3, whose data ports are accessible directly via L3_MAIN, do not support FIFO/constant addressing modes. Incrementing transfers must be used instead.

In a typical McASP transfer scenario, the DMA Controller write accesses the XRBUF n transmit buffer through the McASP data port (DATA) on L3_MAIN Interconnect for McASP1/2/3 and on L4_PER2 Interconnect for McASP4/5/6/7/8. CPU hosts can access both XRBUF n transmit and receive data buffers on their corresponding DATA port address via DATA port corresponding address. To perform transfers through the DATA port, simply have the DMA Controller write the McASP Tx buffer through Interconnect DATA port location. Refer to [Section 24.6.6.2.5](#). Although the transfer is passed through an integrated AFIFO transmit/receive buffer, the host (DMA or CPU) must follow the described below procedure to access the data buffers of each serializer, regardless the AFIFO is enabled or disabled. The AFIFO operation is described in [Section 24.6.4.11](#).

For accesses through the DATA port, the DMA/CPU services all the serializers through accessing only a single address. In addition, as can be seen in [Section 24.6.6.2.5](#), the same physical DATA port address is used regardless of a read or write access is performed. The McASP automatically cycles through the active slot transmitting/receiving serializers, internally generating the appropriate offsets.

NOTE: DATA port allows the DMA/CPU to automatically access only the data buffers. There is no way for DMA/CPU to access the McASP configuration registers addressing their corresponding McASP DATA port.

For transmit operations through the DATA port, the host must always write to the same transmit buffer DATA port address (which is same than the receive buffer DATA port address) to service all of the active slot transmitting serializers. Regardless of McASP serializer 0 being configured inactive or active, the user software must always configure the destination address to match the DATA port location of TXBUF buffer (See [Section 24.6.6.2.5](#)).

In addition, the DMA/CPU must write the buffers of all transmitting serializers in incremental (although not necessarily consecutive) order. For example, if only serializers 1 and 3 are set up as active transmitters, the DMA/CPU should write to the same transmit buffer DATA port address twice - first data for serializer 1 and second data for serializer 3 upon each transmit data ready event. This exact servicing order must be followed so that data appears in the appropriate serializers.

NOTE: For write transfers through McASP DATA port it is preferable to use DMA on corresponding Interconnect. This is because DMAs initiated traffic gets better advantage of the burst transfers supported by DATA port.

For receive operations through the DATA port, the DMA/CPU must always read from the same receive buffer DATA port address (which is same than the transmit buffer DATA port address) to service all of the active slot receiving serializers. Regardless of McASP serializer 0 being configured inactive or active, the user software must always configure the DMA/CPU source address to match the DATA port location of RXBUF buffer (See [Section 24.6.6.2.5](#)).

In addition, reads from the receive buffer for all active slot receiving serializers through the Rx DATA port return data in incremental (although not necessarily consecutive) order. For example, if serializers 0, 1 and 3 are set up as active receivers, the MPU should read from the same receive buffer DATA port address three times to obtain data for serializers 0, 1 and 3 in this exact order, upon each receive data ready event.

NOTE: To service a serializer for a transmit or receive operation through the McASP DATA port, the initiator always writes (preferably DMA) and reads from the same address (refer to [Section 24.6.6.2.5](#)), respectively.

See [Section 24.6.6.2.5, McASP_DATA Register Summary](#), for more details about XRBUF_n buffer physical address corresponding to the McASP DATA port on:

- Main Interconnect (L3_MAIN or L4_PER2)

NOTE: When transmitting through the DATA port, the DMA/CPU must write data (at the same address) to each serializer configured as *active* (active slot selected in [MCASP_TXTDM](#)) and *transmit* (Tx enabled in [MCASP_XRSRCTLn](#)) within each time slot. Failure to do so results in a buffer underrun condition (see [Section 24.6.4.15.1, Buffer Underrun Error - Transmitter](#)). Similarly, when DMA/CPU receives, data must be read from each serializer configured as *active* (active slot selected in [MCASP_RXTDM](#)) and *receive* (Rx enabled in [MCASP_XRSRCTLn](#)) within each time slot. Failure to do so results in a buffer overrun condition (see [Section 24.6.4.15.2, Buffer Overrun Error - Receiver](#)).

24.6.4.10.1.4 Transfers Through the Configuration Bus (CFG)

CAUTION

To perform internal transfers through the configuration bus, set the XBUSEL/RBUSEL bit to 1 in the [MCASP_TXFMT/MCASP_RXFMT](#) registers, respectively. Failure to do so may result in software malfunction.

NOTE: McASP1, McASP2, and McASP3, whose data ports are accessible directly via L3_MAIN do not support FIFO/constant addressing modes. Incrementing transfers must be used instead.

In this method, the DMA/CPU accesses the XRBUF_n transmit or receive buffer through corresponding configuration bus (CFG) address.

The exact XRBUF_n transmit/receive buffer physical address for any particular serializer is determined by adding the transmit/receive buffer alias register offset for that particular serializer to the base address of McASP CFG port actual for L4_PER2 accesses. The XRBUF_n buffer of the n-th serializer configured as a transmitter is aliased - **MCASP_TXBUF_n** in the CFG port address space. For example, the XRBUF2 transmit buffer is mapped as the **MCASP_TXBUF2** register. Similarly, the XRBUF_n buffer of the n-th serializer configured as a receiver is aliased - **MCASP_RXBUF_n** in the CFG port address space. For example, the XRBUF3 receive buffer is mapped as the **MCASP_RXBUF3** register.

Accessing the XRBUF through the DATA port (see [Section 24.6.4.10.1.3](#)) is different than CFG port accesses because the DATA port access demands the same physical address, regardless of transfer direction or current channel index, while accessing through the peripheral configuration port - CFG, the DMA/CPU must provide the exact **MCASP_TXBUF_n** or **MCASP_RXBUF_n** address upon accessing n-th serializer TX or RX buffer, respectively. For more details about **MCASP_TXBUF_n** and **MCASP_RXBUF_n** addresses corresponding to McASP CFG port, see [Section 24.6.6.2.1, MCASP_CFG Register Summary](#).

24.6.4.10.1.5 Using a Device CPU for McASP Servicing

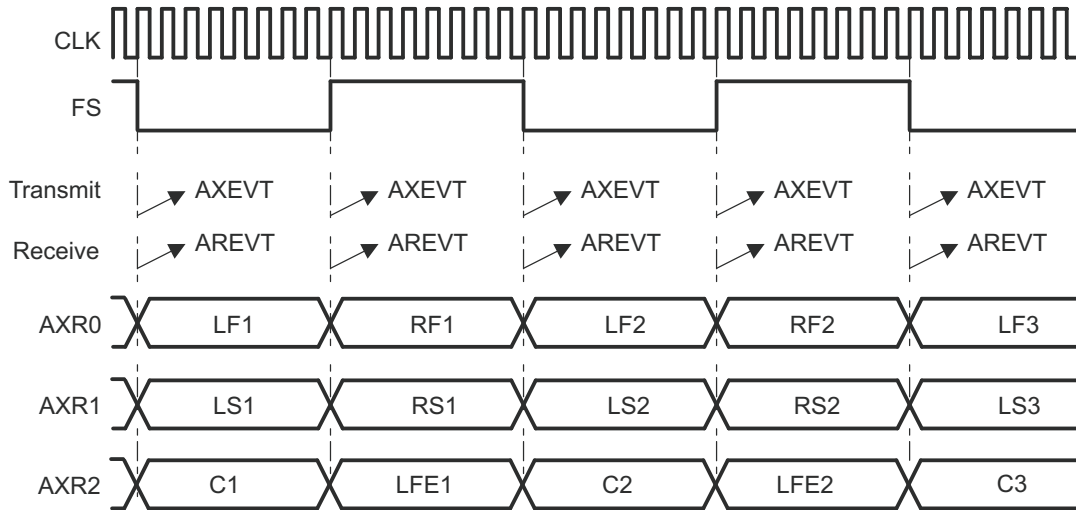
The device CPUs can be used to service the McASP transmit channels through interrupts (upon MCASPi_IRQ_AXEVT and MCASPi_IRQ_AREVT interrupts). Because these interrupt events are connected to device IRQ_CROSSBAR module, they could be software mapped to input IRQ lines of any device CPU. Another way to service the transmit and receive channels, a polling of the XDATA bit in the **MCASP_TXSTAT** register and RDATA bit in the **MCASP_RXSTAT** register can be performed by device CPUs, respectively. As discussed in [Section 24.6.4.10.1.3, Transfers Through the Data Port \(DATA\)](#), and [Section 24.6.4.10.1.4, Transfers Through the Configuration Bus \(CFG\)](#), the device CPUs can access McASP XRBUF serializer buffer through their corresponding DATA and CFG port locations.

To use the device CPUs to service the McASP through interrupts, the XDATA/RDATA bit must be enabled in the respective **MCASP_EVTCTLX/MCASP_EVTCTLR** registers, to generate interrupts MCASPi_IRQ_AXEVT/MCASPi_IRQ_AREVT to the device CPUs upon data ready

24.6.4.10.1.6 Using the DMA for McASP Servicing

The typical scenario is to use the DMA to service the McASP transmit and receive logic through the DATA port, although the DMA can also service the McASP through the configuration bus (CFG). The transfer passes through integrated AFIFO transmit/receive buffer. If AFIFO is enabled, DMA requests are collected and fed to a device DMA controller (see [Figure 24-119](#)). The data transfer is managed by the AFIFO according to generated transmit and receive events in the McASP and data is fed to transmit buffers and fetched from receive buffers as described in [Section 24.6.4.11](#). The generation of transmit and receive request is described below. After generation of transmit/receive DMA events from McASP module, these events are collected in AFIFO and on specific AFIFO conditions described in [Section 24.6.4.11](#) the requests (transmit or receive) are forwarded to a DMA controller via MCASPi_DREQ_TX and MCASPi_DREQ_RX outputs. If the AFIFO is disabled (default state) it is transparent for the McASP module and all request are directly sent to the DMA controller.

Figure 24-130. DMA Transmit and Receive Event in an Audio Example – One Event



mcasp-022

In transmit mode, the DMA event - AXEVT (MCASPi_DREQ_TX output), which is triggered upon each XDATA transition from 0 to 1, is used to service the McASP TXBUF_n transmit buffers. In receive mode, the DMA event AREVT (MCASPi_DREQ_RX output) which is triggered upon each RDATA transition from 0 to 1, is used to service the McASP RXBUF_n receive buffers.

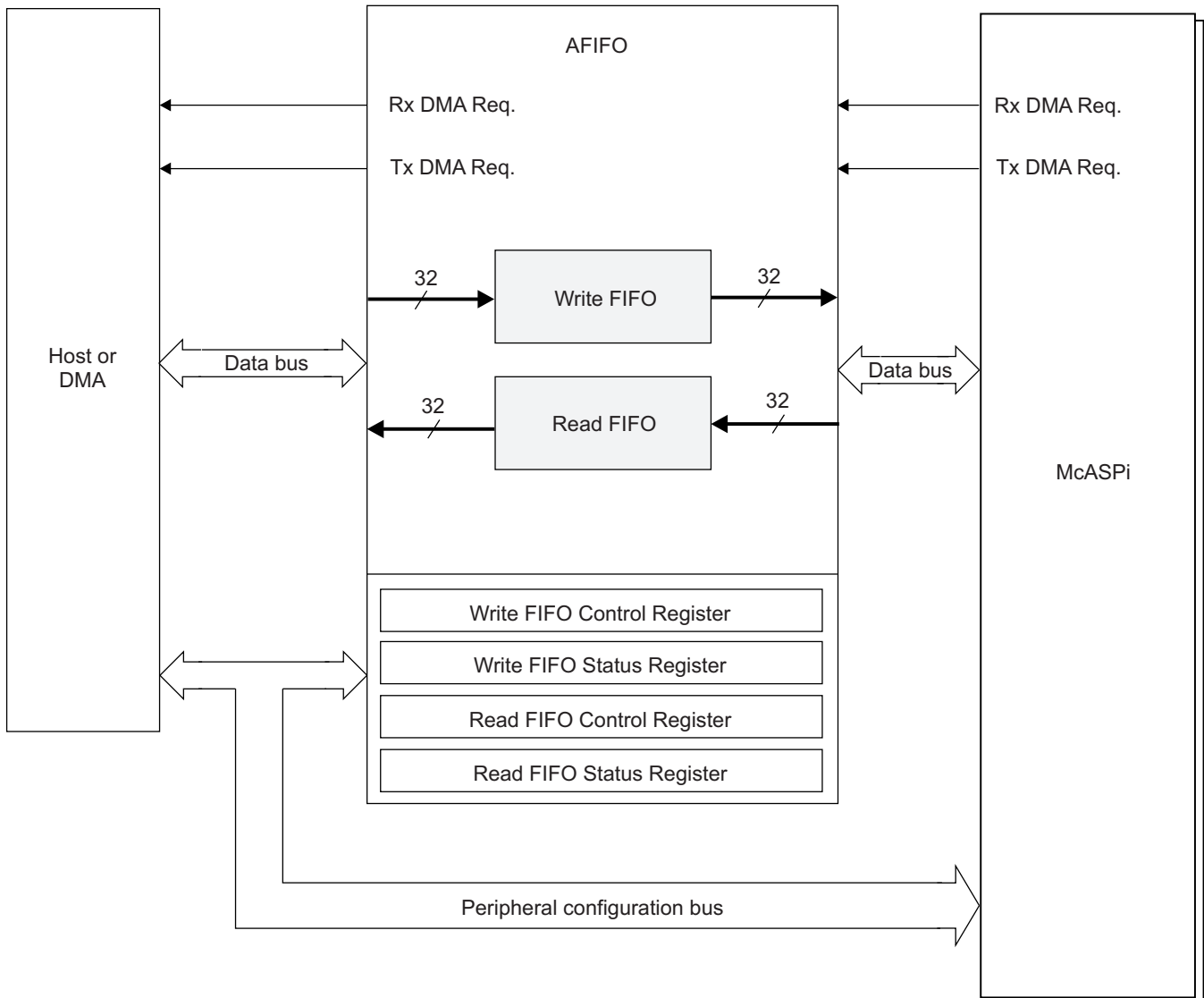
Figure 24-130 is an example of an audio system with six audio channels (LF, RF, LS, RS, C and LFE) transmitted or received through the McASP signals - AXR0, AXR1 and AXR2. It shows the points at which events AXEVT/AREVT are triggered.

In Figure 24-130, a Tx DMA event AXEVT is triggered on each time slot. In the example, AXEVT is triggered for each of the transmit audio channel time slot (time slot for channels LF, LS, and C; and time slot for channels RF, RS, LFE). Transmit DMA events are generated automatically upon transmit data ready, provided that DMA TX requests generation is enabled in the MCASP_XEVTCTL register. Similarly, Rx DMA event AREVT is triggered for each of the receive audio channel time slot. Receive DMA events are generated automatically upon receive data ready, provided that DMA RX requests generation is enabled in the MCASP_REVTCTL register.

24.6.4.11 McASP Audio FIFO (AFIFO)

The AFIFO contains two FIFOs: one Read FIFO (RFIFO), and one Write FIFO (WFIFO). The RFIFO and the WFIFO are the same size: 64 32-bit Words. To ensure backward compatibility with existing software, both the Read and Write FIFOs are disabled by default. See Figure 24-131 for a high-level block diagram of the AFIFO. The AFIFO may be enabled/disabled and configured via the WFIFOCTL and RFIFOCTL registers. Note that if the Read or Write FIFO is to be enabled, it must be enabled prior to initializing the receive/transmit section of the McASP.

Figure 24-131. McASP Audio FIFO (AFIFO) Block Diagram



mcasp-034

24.6.4.11.1 AFIFO Data Transmission

When the Write FIFO is disabled, transmit DMA requests pass through directly from the McASP to the host/DMA controller. Whether the WFIFO is enabled or disabled, the McASP generates transmit DMA requests as needed; the AFIFO is “invisible” to the McASP. When the Write FIFO is enabled, transmit DMA requests from the McASP are sent to the AFIFO, which in turn generates transmit DMA requests to the host/DMA controller. If the Write FIFO is enabled, upon a transmit DMA request from the McASP, the WFIFO writes WNUMDMA 32-bit words to the McASP if and when there are at least WNUMDMA words in the Write FIFO. If there are not, the WFIFO waits until this condition has been satisfied. At that point, it writes WNUMDMA words to the McASP. (See description for [WFIFOCTL\[7:0\] WNUMDMA](#).) If the host CPU writes to the Write FIFO, independent of a transmit DMA request, the WFIFO will accept host writes until full. After this point, excess data will be discarded. Note that when the WFIFO is first enabled, it will immediately issue a transmit DMA request to the host. This is because it begins in an empty state, and is therefore ready to accept data.

24.6.4.11.1.1 Transmit DMA Event Pacer

The AFIFO may be configured to delay making a transmit DMA request to the host until the Write FIFO has enough space for a specified number of words. In this situation, the number of transmit DMA requests to the host or DMA controller is reduced. If the Write FIFO has space to accept WNUMEVT 32-bit words, it generates a transmit DMA request to the host and then waits for a response. Once WNUMEVT words have been written to the FIFO, it checks again to see if there is space for WNUMEVT 32-bit words. If there is space, it generates another transmit DMA request to the host, and so on. In this fashion, the Write FIFO will attempt to stay filled. Note that if transmit DMA event pacing is desired, [WFIFOCTL\[15:8\]](#) WNUMEVT should be set to a non-zero integer multiple of the value in [WFIFOCTL\[7:0\]](#) WNUMDMA. If transmit DMA event pacing is not desired, then the value in [WFIFOCTL\[15:8\]](#) WNUMEVT should be set equal to the value in [WFIFOCTL\[7:0\]](#) WNUMDMA.

24.6.4.11.2 AFIFO Data Reception

When the Read FIFO is disabled, receive DMA requests pass through directly from McASP to the host/DMA controller. Whether the RFIFO is enabled or disabled, the McASP generates receive DMA requests as needed; the AFIFO is “invisible” to the McASP. When the Read FIFO is enabled, receive DMA requests from the McASP are sent to the AFIFO, which in turn generates receive DMA requests to the host/DMA controller. If the Read FIFO is enabled and the McASP makes a receive DMA request, the RFIFO reads RNUMDMA 32-bit words from the McASP, if and when the RFIFO has space for RNUMDMA words. If it does not, the RFIFO waits until this condition has been satisfied; at that point, it reads RNUMDMA words from the McASP. (See description for [RFIFOCTL\[7:0\]](#) RNUMDMA.) If the host CPU reads the Read FIFO, independent of a receive DMA request, and the RFIFO at that time contains less than RNUMEVT words, those words will be read correctly, emptying the FIFO.

24.6.4.11.2.1 Receive DMA Event Pacer

The AFIFO may be configured to delay making a receive DMA request to the host until the Read FIFO contains a specified number of words. In this situation, the number of receive DMA requests to the host or DMA controller is reduced. If the Read FIFO contains at least RNUMEVT 32-bit words, it generates a receive DMA request to the host and then waits for a response. Once RNUMEVT 32-bit words have been read from the RFIFO, the RFIFO checks again to see if it contains at least another RNUMEVT words. If it does, it generates another receive DMA request to the host, and so on. In this fashion, the Read FIFO will attempt to stay empty. Note that if receive DMA event pacing is desired, [RFIFOCTL\[15:8\]](#) RNUMEVT should be set to a non-zero integer multiple of the value in [RFIFOCTL\[7:0\]](#) RNUMDMA. If receive DMA event pacing is not desired, then the value in [RFIFOCTL\[15:8\]](#) RNUMEVT should be set equal to the value in [RFIFOCTL\[7:0\]](#) RNUMDMA.

24.6.4.11.3 Arbitration Between Transmit and Receive DMA Requests

If both the WFIFO and the RFIFO are enabled and a transmit DMA request and receive DMA request occur simultaneously, priority is given to the transmit DMA request. Once a transfer is in progress, it is allowed to complete. If only the WFIFO is enabled and a transmit DMA request and receive DMA request occur simultaneously, priority is given to the transmit DMA request. Once a transfer is in progress, it is allowed to complete. If only the RFIFO is enabled and a transmit DMA request and receive DMA request occur simultaneously, priority is given to the receive DMA request. Once a transfer is in progress, it is allowed to complete.

24.6.4.12 McASP Events and Interrupt Requests

[Table 24-428](#) lists all the transmit event flags. [Table 24-429](#) lists all the Receive event flags. Source of each of these TX/RX events can be a TX/RX channel from any McASPi serializer configured as transmitter or receiver respectively.

Table 24-428. TX Events⁽¹⁾

Event Mask	Event Flag	Map to ⁽²⁾	Description
MCASP_EVTCTLX[0] XUNDRN	MCASP_TXSTAT[0] XUNDRN	MCASPi_IRQ_AXEVT	Transmit buffer underrun

⁽¹⁾ Global events for all transmitting serializers in a single McASPi module.

⁽²⁾ Every McASPi module generates separate IRQ event.

Table 24-428. TX Events⁽¹⁾ (continued)

Event Mask	Event Flag	Map to ⁽²⁾	Description
MCASP_EVTCTLX[1] XSYNCERR	MCASP_TXSTAT[1] XSYNCERR	MCASPI_IRQ_AXEVT	Unexpected transmit frame sync
MCASP_EVTCTLX[2] XCKFAIL	MCASP_TXSTAT[2] XCKFAIL	MCASPI_IRQ_AXEVT	Transmit clock failure
MCASP_EVTCTLX[3] XDMAERR	MCASP_TXSTAT[7] XDMAERR	MCASPI_IRQ_AXEVT	DATA port transmit error
MCASP_EVTCTLX[4] XLAST	MCASP_TXSTAT[4] XLAST	MCASPI_IRQ_AXEVT	Transmit last slot interrupt
MCASP_EVTCTLX[5] XDATA	MCASP_TXSTAT[5] XDATA	MCASPI_IRQ_AXEVT	Transmit data-ready interrupt
MCASP_EVTCTLX[7] XSTAFRM	MCASP_TXSTAT[6] XSTAFRM	MCASPI_IRQ_AXEVT	Transmit start of frame interrupt
n.a.	MCASP_TXSTAT[8] XERR	n.a.	OR-event of all Tx-error events: (XDMAERR XCKFAIL XUNDRN XSYNCERR). It is cleared ONLY when all error flags are cleared
n.a.	MCASP_TXSTAT[3] XTDM SLOT	n.a.	Qualifies the current TDM slot as an odd or an even slot.

Table 24-429. RX Events⁽¹⁾

Event Mask	Event Flag	Map to ⁽²⁾	Description
MCASP_EVTCTLR[0] ROVRN	MCASP_RXSTAT[0] ROVRN	MCASPI_IRQ_AREVT	Receive buffer overrun
MCASP_EVTCTLR[1] RSYNCERR	MCASP_RXSTAT[1] RSYNCERR	MCASPI_IRQ_AREVT	Unexpected receive frame sync
MCASP_EVTCTLR[2] RCKFAIL	MCASP_RXSTAT[2] RCKFAIL	MCASPI_IRQ_AREVT	Receive clock failure
MCASP_EVTCTLR[3] RDMAERR	MCASP_RXSTAT[7] RDMAERR	MCASPI_IRQ_AREVT	DATA port receive error
MCASP_EVTCTLR[4] RLAST	MCASP_RXSTAT[4] RLAST	MCASPI_IRQ_AREVT	Receive last slot
MCASP_EVTCTLR[5] RDATA	MCASP_RXSTAT[5] RDATA	MCASPI_IRQ_AREVT	Receive data-ready
MCASP_EVTCTLR[7] RSTAFRM	MCASP_RXSTAT[6] RSTAFRM	MCASPI_IRQ_AREVT	Receive start of frame
n.a.	MCASP_RXSTAT[8] RERR	n.a.	OR-event of all Rx-error events: (RDMAERR RCKFAIL ROVRN RSYNCERR). RERR event is cleared once all error flags are cleared.
n.a.	MCASP_RXSTAT[3] RTDM SLOT	n.a.	Qualifies the current TDM slot as an odd or an even slot.

⁽¹⁾ Global events for all receiving serializers in a single McASPi module. These events and masks are available in same format for every McASPi module

⁽²⁾ Every McASP module generates separate IRQ event.

Software has to read the [MCASP_TXSTAT/MCASP_RXSTAT](#) register to determine which event occurs at a global level for McASP Tx/Rx logic. In addition user software has to scan the XRDY/RRDY read-only flags in the [MCASP_XRSRCTLn](#) registers to determine which active serializer is the actual source of the event.

A Tx interrupt line (MCASPi_IRQ_AXEVT) is asserted (active high) when one of the [MCASP_TXSTAT](#) notified events occurs, provided that it is enabled in its corresponding [MCASP_EVTCTLX](#) bit. Similarly, a Rx interrupt line (MCASPi_IRQ_AREVT) is asserted (active high) when one of [MCASP_RXSTAT](#) notified events occurs, provided that it is enabled in its corresponding [MCASP_EVTCTLR](#) bit. See also [Section 24.6.4.12.4, Multiple Interrupts](#) and the [Section 24.6.4.10.1, Data Ready Status and Event/Interrupt Generation](#).

24.6.4.12.1 Transmit Data Ready Event and Interrupt

The transmit data-ready interrupt (XDATA) is generated if XDATA is 1 in the [MCASP_TXSTAT](#) register and XDATA is enabled in [MCASP_EVTCTLX](#). The [Section 24.6.4.10.1, Data Ready Status and Event/Interrupt Generation](#), provides details on when XDATA is set in the [MCASP_TXSTAT](#) register.

A transmit-start-of-frame interrupt (XSTAFRM) is triggered by the recognition of a transmit frame sync.

A transmit-last-slot interrupt (XLAST) is a qualified version of the data-ready interrupt (XDATA). It has the same behavior than the data-ready interrupt, but is further qualified by having the data requested belonging to the last slot (the slot that just ended is the next-to-last TDM slot, the current slot is the last slot).

24.6.4.12.2 Receive Data Ready Event and Interrupt

The receive data-ready interrupt (RDATA) is generated if RDATA is 1 in the [MCASP_RXSTAT](#) register and RDATA is enabled in [MCASP_EVTCTLR](#). The [Section 24.6.4.10.1, Data Ready Status and Event/Interrupt Generation](#), provides details on when RDATA flag is set in the [MCASP_RXSTAT](#) register.

A receiver start of frame (RSTAFRM) interrupt is triggered by the recognition of a receiver frame sync.

A receiver last slot (RLAST) interrupt is a qualified version of the data ready interrupt (RDATA). It has the same behavior as the data ready interrupt, but is further qualified by having the data in the buffer come from the last TDM time slot (the slot that just ended was last TDM slot).

24.6.4.12.3 Error Interrupt

Upon detection, the following error conditions generate interrupt flags:

In the transmit status register ([MCASP_TXSTAT](#)):

- Transmit underrun (XUNDRN)
- Unexpected transmit frame sync (XSYNCERR)
- Transmit clock failure (XCKFAIL)
- Transmit DATA port error (XDMAERR)

Each interrupt source also has a corresponding enable bit in the transmit interrupt control register ([MCASP_EVTCTLX](#)). If the enable bit is set, an interrupt is requested when the interrupt flag is set in [MCASP_TXSTAT](#). If the enable bit is not set, no interrupt request is generated. However, the interrupt flag may be polled.

In the receive status register ([MCASP_RXSTAT](#)) :

- Receiver overrun (ROVRN)
- Unexpected receive frame sync (RSYNCERR)
- Receive clock failure (RCKFAIL)
- Receive DATA port error (RDMAERR)

Each interrupt source also has a corresponding enable bit in the receive interrupt control register ([MCASP_EVTCTLR](#)). If the enable bit is set, an interrupt is requested when the interrupt flag is set in [MCASP_RXSTAT](#). If the enable bit is not set, no interrupt request is generated. However, the interrupt flag may be polled.

24.6.4.12.4 Multiple Interrupts

This only applies to interrupts and not to DMA requests. The following terms are defined:

- **Active Interrupt Request:** a flag in [MCASP_TXSTAT](#) is set and the interrupt is enabled in [MCASP_EVTCTLX](#).
- **Outstanding Interrupt Request:** An interrupt request has been issued on one of the McASP transmit interrupt port, but that request has not yet been serviced.
- **Serviced:** The CPUs write to [MCASP_TXSTAT](#) to clear one or more of the active interrupt request flags.

The first interrupt request to become active for the serializer with the interrupt flag set in [MCASP_TXSTAT/MCASP_RXSTAT](#) and the interrupt enabled in [MCASP_EVTCTLX/MCASP_EVTCTLR](#) generates a request on the McASP transmit or receive interrupt port.

If more than one interrupt request becomes active in the same cycle, a single interrupt request is generated on the McASP transmit or receive interrupt port. Subsequent interrupt requests that become active while the first interrupt request is outstanding do not immediately generate a new request pulse on the McASP transmit or receive interrupt port.

The interrupt is serviced with the CPU writing to [MCASP_TXSTAT/MCASP_RXSTAT](#). If any interrupt requests are active after the write, a new request is generated on the McASP transmit or receive interrupt port.

One outstanding interrupt request is allowed on each port, so a transmit and a receive interrupt request may both be outstanding at the same time.

24.6.4.13 DMA Requests

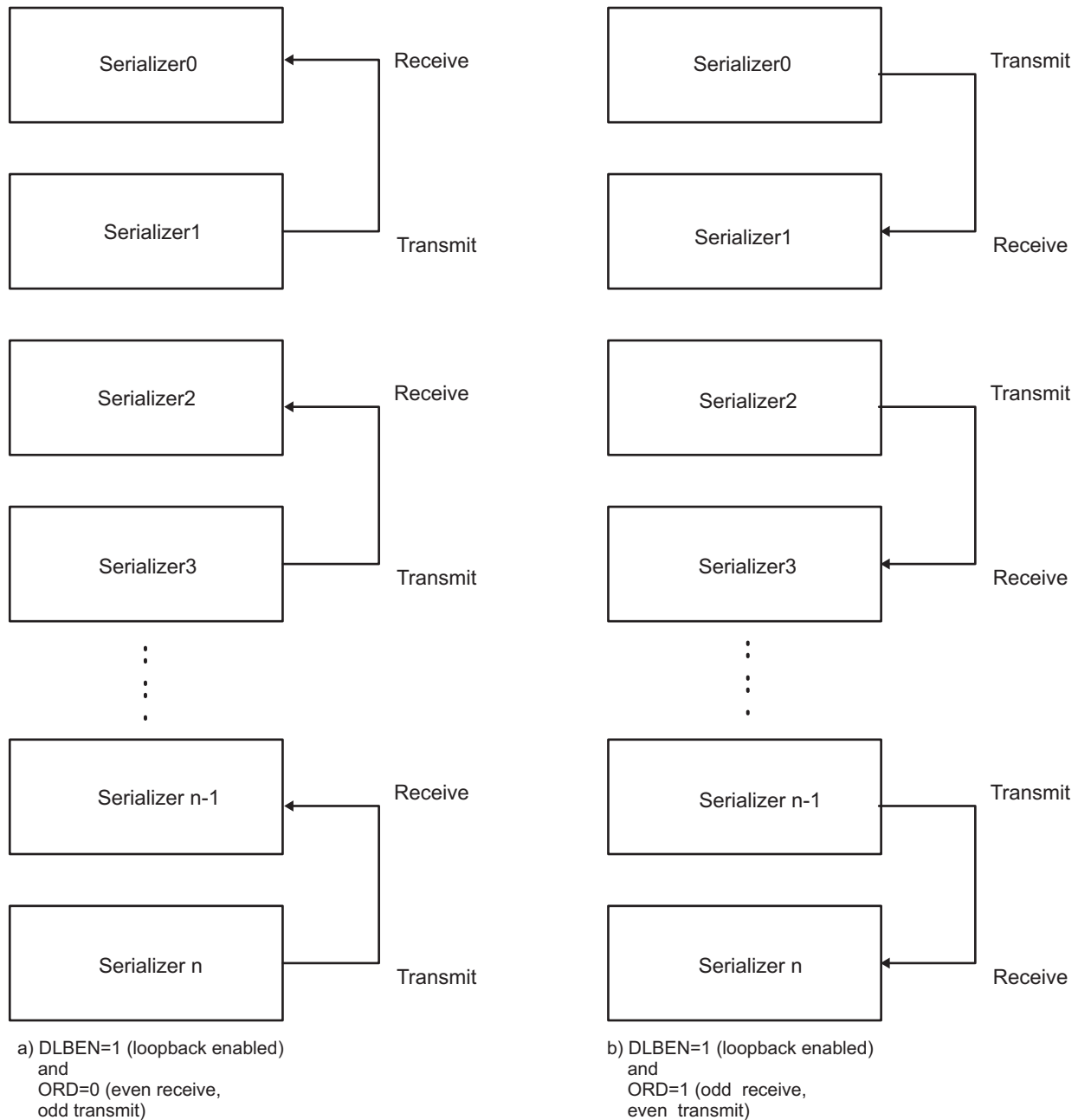
The McASP can generate one DMA request to the DMA_CROSSBAR to transmit (MCASPi_DREQ_TX) or receive (MCASPi_DREQ_RX) data. A DMA request to transmit data is generated if the XDATDMA bit in the [MCASP_XEVTCTL](#) register is cleared. A DMA request to receive data is generated if the RDATDMA bit in the [MCASP_REVTCTL](#) register is cleared.

24.6.4.14 Loopback Modes

The McASP features a digital loopback mode (DLB) that allows loopback test transfers in TDM mode between McASP transmitters and receivers within the same device. In loopback mode, the output of a transmit serializer is connected internally to the input of a receive serializer. Therefore, a receiver data can be checked against a transmitter data to ensure that the McASP settings are correct. Digital loopback mode applies to TDM mode only (2 to 32 slots in a frame). It does not apply to DIT mode (XMOD = 0x180) or burst mode (XMOD = 0).

[Figure 24-132](#) shows the basic logical connection of the serializers in loopback mode.

Figure 24-132. McASP Serializers Operation in Loopback Mode



mcasp-023

Two types of loopback connections are possible, selected by the ORD bit in the digital loopback control register - [MCASP_LBCTL](#) as follows:

- ORD = 0: Outputs of odd serializers are connected to inputs of even serializers. If this mode is selected, the odd serializers must be configured as transmitters and even serializers as receivers.
- ORD = 1: Outputs of even serializers are connected to inputs of odd serializers. If this mode is selected, the even serializers must be configured as transmitters and odd serializers as receivers.

User can choose in software (bit IOLBEN of the [MCASP_LBCTL](#)) between a McASP module internal loopback and a device I/O level loopback.

When a **McASP internal loopback** is selected ([MCASP_LBCTL\[4\]](#) IOLBEN=0b0), it is NOT necessary to configure [MCASP_PFUNC](#) and [MCASP_PDIR](#) registers for McASP pin settings. Nevertheless, data can be optionally made externally visible at the I/O pin of the transmit serializer, if the pin is configured as a McASP output pin by setting the corresponding [MCASP_PFUNC](#) bit to 0 (i.e. to function as McASP, not GPIO) and [MCASP_PDIR](#) bit to 1 (output).

When a **device I/O level loopback** is selected ([MCASP_LBCTL\[4\]](#) IOLBEN=0b1), the [MCASP_PFUNC](#) and [MCASP_PDIR](#) registers must be configured with the appropriate settings for all AXRn pins, according to ORD bit configuration.

In case of device I/O loopback, the connectivity is externally applied between device pads (i.e. reaching device I/O buffers).

Hence, the corresponding padconfiguration registers must be appropriately configured in the device Control Module - CTRL_MODULE_CORE_PAD. For more details, see [Section 18.4.6.1.1, Pad Configuration Registers](#), in [Chapter 18, Control Module](#).

When In loopback mode, the transmit clock and frame sync are used by both the transmit and receive sections of the McASP. The transmit and receive sections operate synchronously. This is achieved by setting the MODE bitfield of the [MCASP_LBCTL](#) register to 0x1 and the ASYNC bit of the [MCASP_ACLKXCTL](#) register to 0b0.

24.6.4.14.1 Loopback Mode Configurations

This is a summary of the settings required for digital loopback mode for TDM format :

- The [MCASP_LBCTL\[0\]](#) DLBEN bit must be set to 0b1 to enable a loopback mode. It must be kept at 0b0 during normal McASP operation.
- The [MCASP_LBCTL\[4\]](#) IOLBEN bit must be set to select between internal (McASP local) loopback mode or device I/O level loopback mode.
- The [MCASP_LBCTL\[3:2\]](#) MODE bitfield must be set to 0x1 for both the transmit and receive sections to use the transmit clock and frame sync generator.
- The [MCASP_LBCTL\[1\]](#) ORD must be programmed appropriately to select odd or even serializers to be transmitters or receivers.
- The corresponding serializers must be configured accordingly.
- The bit - [MCASP_ACLKXCTL\[6\]](#) ASYNC must be cleared to 0b0 to ensure synchronous transmit and receive operations.
- The bitfields - [MCASP_RXFMCTL\[15:7\]](#) RMOD and [MCASP_TXFMCTL\[15:7\]](#) XMOD must be set within range (0x2- 0x20) to indicate TDM mode.

NOTE: Loopback mode does not apply to DIT or burst mode, because McASP receivers do NOT natively support DIR - reception.

24.6.4.15 Error Reporting

The McASP includes error-checking capability for the serial protocol and data underrun. In addition, the McASP includes a timer that continually measures the high-frequency master clock every 32 AHCLKX clock cycles. The value of the timer can be read to get a measurement of the clock frequency and has a minimum and maximum range setting that can set an error flag if the master clock goes out of a specified range.

When one or more errors (software selectable) are detected, an interrupt can be generated if desired, based on one or more error sources.

24.6.4.15.1 Buffer Underrun Error -Transmitter

A buffer underrun occurs when a serializer is instructed by the transmit state-machine to transfer data from XRBUF_n buffer to XRSR_n shift register, but the corresponding ([MCASP_TXBUF_n](#)) register has not yet been written with new data since the last time the transfer occurred. When this occurs, the transmit state-machine sets the XUNDRN flag.

An underrun is checked only once per time slot. The [MCASP_TXSTAT\[0\]](#) XUNDRN flag is set when an underrun condition occurs. Once set, the XUNDRN flag remains set until the host explicitly writes 1 to the XUNDRN bit to clear it.

In DIT mode, a pair of BMC zeros is shifted out when an underrun occurs (four bit times at 128 bfs). By shifting out a pair of zeros, a clock can be recovered on the receiver. To recover, reset the McASP and restart with the proper initialization.

In TDM mode, during an underrun case, a long stream of zeros are shifted out causing the DACs to mute. To recover, reset the McASP and start again with the proper initialization.

24.6.4.15.2 Buffer Overrun Error-Receiver

A buffer overrun occurs when a serializer is instructed to transfer data from XRSRn shift register to XRBUFn receiver buffer, but the corresponding [MCASP_RXBUFn](#) register has not yet been read since the last time the transfer occurred. When this occurs, the receiver state machine sets the overrun flag - ROVRN. However, the individual serializer writes over the data in the XRBUFn buffer register (destroying the previous sample) and continues shifting.

An overrun is checked only once per time slot. The [MCASP_RXSTAT\[0\]](#) ROVRN flag is set when an overrun condition occurs. It is possible that an overrun occurs on one time slot but then the host catches up and does not cause an overrun on the following time slots. However, once the ROVRN flag is set, it remains set until the host explicitly writes a 1 to the ROVRN bit to clear the ROVRN bit.

24.6.4.15.3 DATA Port Error - Transmitter

A transmit DATA port error, as indicated by the XDMAERR flag in the [MCASP_TXSTAT](#) register, occurs when the DMA or device CPU writes more words to the DATA port of the McASP than it should.

The [MCASP_TXSTAT\[7\]](#) XDMAERR=0b1 indicates that the DMA or device CPU wrote too many words to the McASP DATA port for a given transmit DMA event. Writing too few words results in a transmit underrun error setting XUNDRN in [MCASP_TXSTAT](#).

While XDMAERR occurs infrequently, an occurrence indicates a serious loss of synchronization between the McASP and the DMA or device CPU. The McASP transmitter and the DMA must be reinitialized to resynchronize them.

24.6.4.15.4 DATA Port Error - Receiver

A receive DATA port error, as indicated by the RDMAERR flag in the [MCASP_RXSTAT](#) register, occurs when the DMA or device CPU reads more words from the DATA port of the McASP than it should.

The [MCASP_RXSTAT\[7\]](#) RDMAERR indicates that the DMA or device CPU read too many words from the McASP DATA port for a given receive AREVT event. Reading too few words results in a receiver overrun error setting ROVRN in [MCASP_RXSTAT](#).

While RDMAERR occurs infrequently, an occurrence indicates a serious loss of synchronization between the McASP and the DMA or device CPU. The McASP receiver and the DMA must be reinitialized to resynchronize them.

24.6.4.15.5 Unexpected Frame Sync Error

An unexpected frame sync occurs in when:

- in burst mode and TDM mode, the next active edge of the frame sync occurs early such that the current slot will not be completed by the time the next slot is scheduled to begin.
- in TDM mode, an unexpected frame sync occurs also if the frame sync does NOT occur exactly during the correct bit clock (not a cycle earlier or later) and before slot 0.

When an unexpected frame sync occurs, there are two possible actions depending upon when the unexpected frame sync occurs:

1. **Early:** An early unexpected frame sync occurs when the McASP is in the process of completing the current frame and a new frame sync is detected (not including overlap that occurs due to a 1 or 2 bit frame sync delay). When an early unexpected frame sync occurs:

- Error event flag is set (XSYNCERR, if an unexpected transmit frame sync occurs; RSYNCERR, if an unexpected receive frame sync occurs).
 - Current frame is not resynchronized. The number of bits in the current frame is completed. The next frame sync, which occurs after the current frame is completed, will be resynchronized.
2. **Late:** A late unexpected frame sync occurs when there is a gap or delay between the last bit of the previous frame and the first bit of the next frame. When a late unexpected frame sync occurs (as soon as the gap is detected):
- Error event flag is set (XSYNCERR, if an unexpected transmit frame sync occurs; RSYNCERR, if an unexpected receive frame sync occurs).
 - Resynchronization occurs upon the arrival of the next frame sync.

Late frame sync is detected the same way in burst mode and TDM mode. However, in burst mode, late frame sync is not meaningful and its interrupt enable should not be set.

24.6.4.15.6 Clock Failure Detection

24.6.4.15.6.1 Clock Failure Check Startup

It is initially expected of the clock failure circuits to generate an error until at least one measurement is taken. Therefore, the clock failure interrupts, clock switch, and mute functions should not be enabled immediately, but only after a specific startup procedure.

To start the transmit clock failure check procedure:

1. Configure the transmit clock failure detect logic (XMIN, XMAX, XPS) in the transmit clock check control register ([MCASP_TXCLKCHK](#)).
2. Clear the transmit clock failure flag (XCKFAIL) in the transmit status register ([MCASP_TXSTAT](#)).
3. Wait until the first measurement is taken (> 32 AHCLKX clock periods).
4. Verify that no clock failure is detected.
5. Repeat Step 2 through Step 4 until the clock is running and is no longer issuing clock failure errors.
6. After the transmit clock is measured and falls within the acceptable range, the following can be enabled:
 1. The transmit clock failure interrupt enable bit (XCKFAIL) in the transmitter interrupt control register ([MCASP_EVTCTLX](#))

To start the receive clock failure check procedure:

1. Configure receive clock failure detect logic (RMIN, RMAX, RPS) in the receive clock check control register ([MCASP_RXCLKCHK](#)).
2. Clear receive clock failure flag (RCKFAIL) in the receive status register ([MCASP_RXSTAT](#)).
3. Wait until first measurement is taken (> 32 AHCLKR clock periods).
4. Verify no clock failure is detected.
5. Repeat steps 2–4 until clock is running and is no longer issuing clock failure errors.
6. After the receive clock is measured and falls within the acceptable range, the following may be enabled:
 1. the receive clock failure (RCKFAIL) interrupt enable bit in the receive interrupt control register ([MCASP_EVTCTLR](#))

24.6.4.15.6.2 Transmit Clock Failure Check and Recovery

The transmit clock failure check circuit (see [Figure 24-133](#)) works off the internal McASP interface clock and the external high-frequency serial clock (AHCLKX). It continually counts the number of interface clocks for every 32 high-rate serial clock (AHCLKX) periods, and stores the count in XCNT of the transmit clock check control register ([MCASP_TXCLKCHK](#)) every 32 high-rate serial clock cycles.

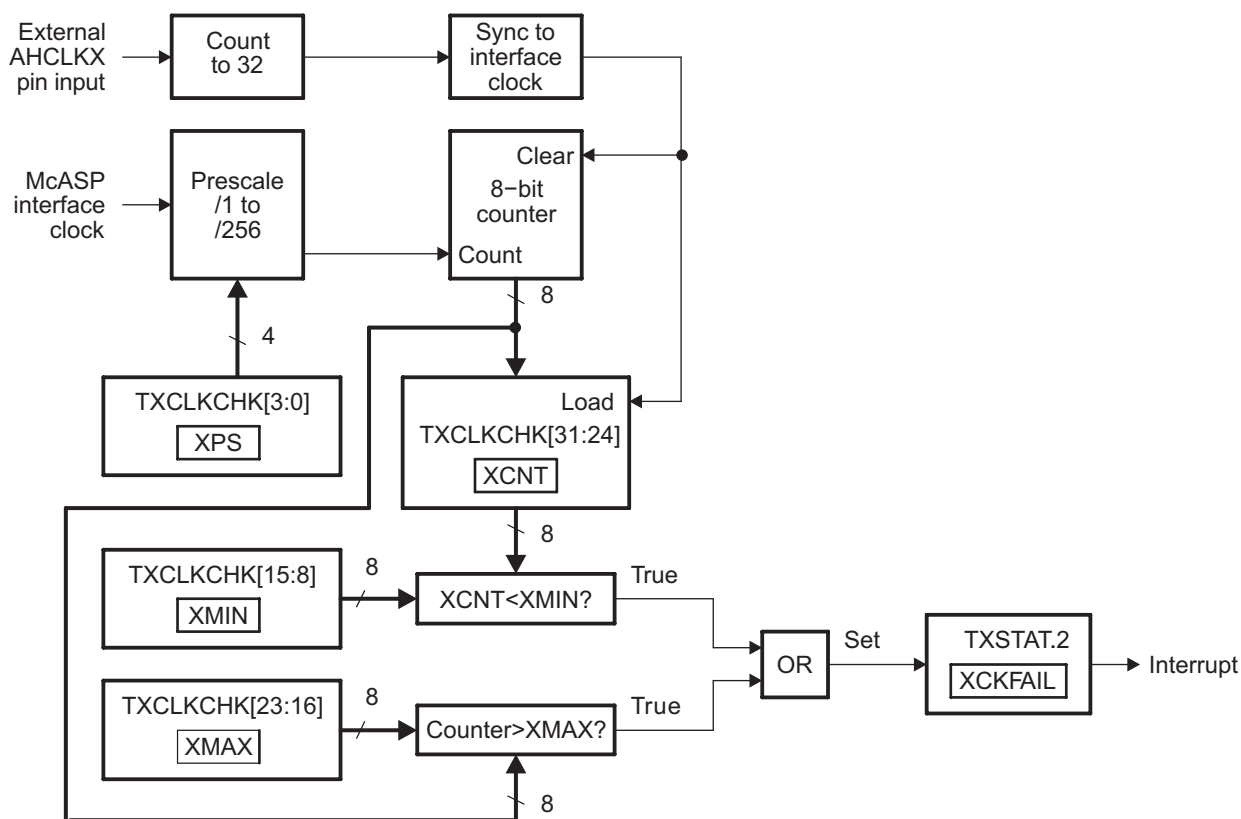
The logic compares the count against a user-defined minimum allowable boundary (XMIN), and automatically flags an interrupt (XCKFAIL in `MCASP_TXSTAT`) when an out-of-range condition occurs. An out-of-range minimum condition occurs when the count is less than XMIN. The logic continually compares the current count (from the running interface clock counter) to the maximum allowable boundary (XMAX). This is so that if the external clock completely stops, the counter value is not copied to XCNT. An out-of-range maximum condition occurs when the count is greater than XMAX. The XMIN and XMAX fields are 8-bit unsigned values, and the comparison is performed using unsigned arithmetic.

An out-of-range count may indicate that an unstable clock was detected or that the audio source has changed and a new sample rate is being used.

For the transmit clock failure check circuit to operate correctly, the high-frequency serial clock divider must be taken out of reset.

If a clock failure is detected, the transmit clock failure flag (XCKFAIL) in `MCASP_TXSTAT` is set. This causes an interrupt if the transmit clock failure interrupt enable bit (XCKFAIL) in `MCASP_EVTCTLX` is set.

Figure 24-133. Transmit Clock Failure Detection Circuit Block Diagram



mcasp-024

24.6.4.15.6.3 Receive Clock Failure Check and Recovery

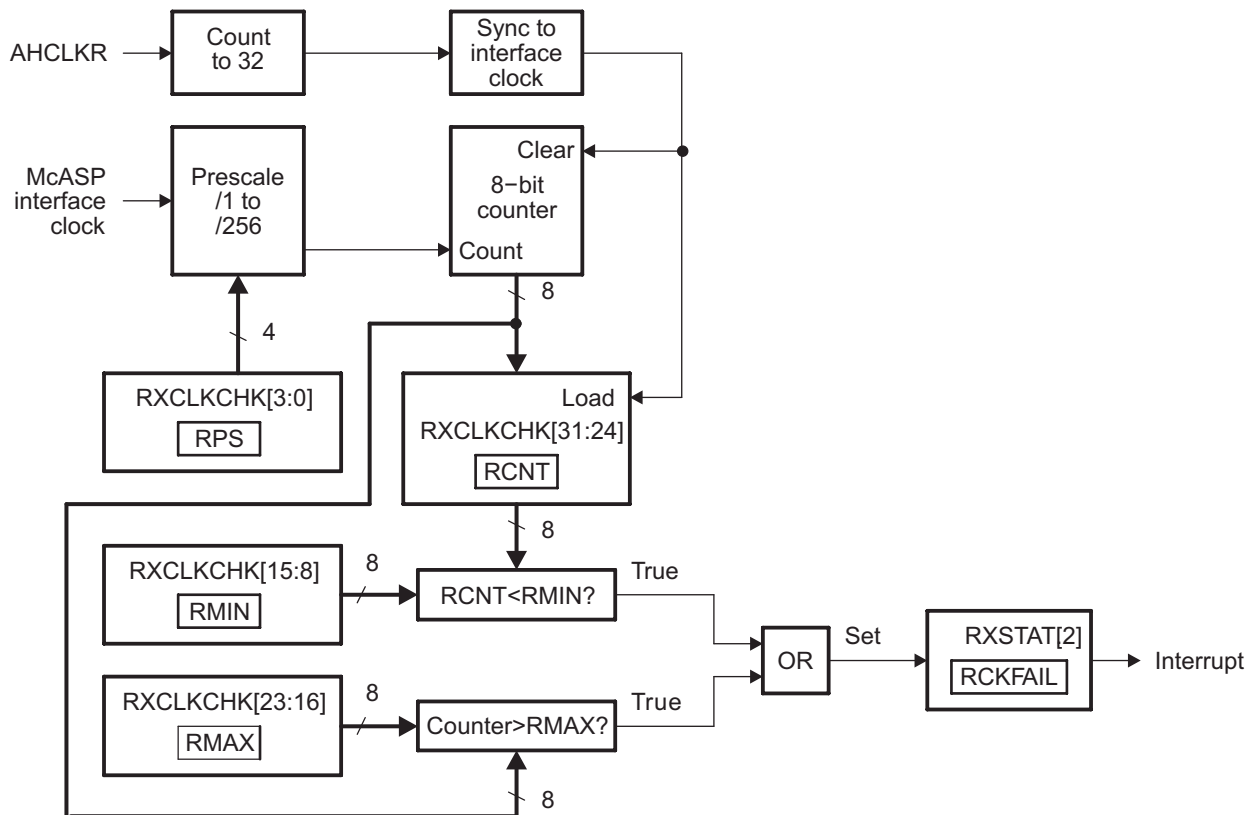
The receive clock failure check circuit (see [Figure 24-134](#)) works off both the internal McASP interface clock and the high-frequency serial clock (AHCLKR) coming from the device clock generator. It continually counts the number of interface clocks for every 32 high rate serial clock (AHCLKR) periods, and stores the count in RCNT of the receive clock check control register (`MCASP_RXCLKCHK`) every 32 high rate serial clock cycles.

The logic compares the count against a user-defined minimum allowable boundary (RMIN) and automatically flags an event (RCKFAIL in `MCASP_RXSTAT`) when an out-of-range condition occurs. An out-of-range minimum condition occurs when the count is smaller than RMIN. The logic continually compares the current count (from the running interface clock counter) against the maximum allowable boundary (RMAX). This is in case the external clock completely stops, so that the counter value is not copied to RCNT. An out-of-range maximum condition occurs when the count is greater than RMAX. Note that the RMIN and RMAX fields are 8-bit unsigned values, and the comparison is performed using unsigned arithmetic.

An out-of-range count may indicate either that an unstable clock was detected or that the audio source has changed and a new sample rate is being used.

In order for the receive clock failure check circuit to operate correctly, the high-frequency serial clock divider must be taken out of reset.

Figure 24-134. Receive Clock Failure Detection Circuit Block Diagram



mcasp-025

24.6.5 McASP Low-Level Programming Model

This section describes the low-level hardware programming sequences for the configuration and use of the McASP module.

24.6.5.1 Global Initialization

24.6.5.1.1 Surrounding Modules Global Initialization

This section identifies the requirements for initializing the surrounding modules when the McASP module is used for the first time after a device reset. This initialization of surrounding modules is based on the integration and environment of the McASP (for more information, see [Section 24.6.3, McASP Integration](#), and [Section 24.6.2, McASP Environment](#)).

[Table 24-430](#), describes the global initialization of surrounding modules.

Table 24-430. Global Initialization of Surrounding Modules

Surrounding Modules	Comments
PRCM	Module functional and interface clocks must be enabled. (See Section 3.6, Clock Management Functional Description , in Chapter 3, Power, Reset, and Clock Management .)
Control module	Module-specific pad muxing and other pad configurations must be set in the control module. (See Section 18.4.6.1.1, Pad Configuration Registers , in Chapter 18, Control Module .)
(Optional) IRQ_CROSSBAR	Interrupt crossbar configuration must be done to enable the interrupts from the McASP. For more details on IRQ_CROSSBAR module, see Section 18.4.6.4, IRQ_CROSSBAR Module Functional Description , in Chapter 18, Control Module .
(Optional) DMA_CROSSBAR	DMA configuration must be done to enable the McASP DMA data channel requests. For more information on DMA_CROSSBAR module configuration, see Section 18.4.6.5, DMA_CROSSBAR Module Functional Description , in Chapter 18, Control Module .
(Optional) L4_PER2 and L3_MAIN Interconnects	For more information about the interconnect configuration, see Section 14.2.1, L3_MAIN Interconnect Overview in Section 14.2, L3 Interconnect .

NOTE: The IRQ_CROSSBAR and the DMA_CROSSBAR configurations are required when the interrupt and DMA-based communication modes are used. Further initialization of the selected IRQ and DMA controllers of the host CPU must be done for full functionality of the McASP DMA and IRQ lines.

24.6.5.1.2 McASP Global Initialization

24.6.5.1.2.1 Main Sequence – McASP Global Initialization for DIT-Transmission

The procedure in [Table 24-431](#) initializes the McASP serializers transmitters to operate in DIT-mode (S/PDIF-transmission protocol) after a power-on reset (POR).

CAUTION

Before performing McASP global initialization, If external clock ACLKR is used, it must be running already for proper synchronization of the [MCASP_GBLCTL](#) register.

Table 24-431. McASP Transmitters Global Initialization for DIT-Mode Operation

Step	Register/Bit Field/Programming Model	Value
1. Apply software reset to different McASP components.	MCASP_GBLCTL[12:8]	0x00
2. Poll the bits to ensure the active reset value (0x00) is successfully latched into the register.	MCASP_GBLCTL[12:8]	=0x00
3. Configure the local power management.	PWRIDLESYSCONFIG[1:0] IDLE_MODE	0x1
4. Configure the transmit format unit.	See Section 24.6.5.1.2.1.1.	
5. Configure the transmit frame sync generator.	See Section 24.6.5.1.2.1.2.	
6. Configure the transmit clock generator.	See Section 24.6.5.1.2.1.3.	
7. Configure the TDM sequencer—set all slots active.	MCASP_TXTDM[31:0] XTDMs	0xFFFF FFFF
8. Configure the desired n-th serializer (n=0 to 3) for transmit mode operation. ⁽¹⁾	MCASP_XRSRCTLn [1:0] SRMOD	0x1
9. Configure the McASP pins functionality.	See Section 24.6.5.1.2.1.4.	
10. Enable the McASP DIT - transmission mode.	MCASP_TXDITCTL[0] DITEN	0x1 ⁽²⁾
11. Configure DIT-specific subframe fields.	See Table 24-436.	
12. Release from reset state the divider that outputs the AHCLKX clock. ⁽³⁾	MCASP_GBLCTL[9] XHCLKRST	0x1
13. Poll the bit to ensure that it is successfully latched in the register.	MCASP_GBLCTL[9] XHCLKRST	=0x1
14. Release from reset state the divider that outputs the ACLKX clock. ⁽³⁾	MCASP_GBLCTL[8] XCLKRST	0x1
15. Poll the bit to ensure that it is successfully latched in the register.	MCASP_GBLCTL[8] XCLKRST	=0x1

⁽¹⁾ For an unused serializer n, write MCASP_XRSRCTLn [1:0] SRMOD=0x0 to disable it.

⁽²⁾ This globally configures all active transmitters to operate in DIT-mode.

⁽³⁾ During reset state the local McASP internal clock dividers maintain a 1:1 ratio at their outputs. The values stored in the MCASP_AHCLKXCTL and MCASP_ACLKXCT registers are ignored; hence, the transmission clock does not stop during the reset state of the dividers.

24.6.5.1.2.1.1 Subsequence – Transmit Format Unit Configuration for DIT-Transmission

The procedure in Table 24-432 configures the transmit frame format unit of the McASP module for a DIT-transmission.

NOTE:

- The first transmit data bit always has a 0-bit delay.
- The bitstream is always transmitted in least-significant-bit (LSB)-first order.
- Pad value for extra bits in a certain slot is always 0.

Table 24-432. Transmit Format Unit Configuration for DIT-Transmission

Step	Register/Bit Field/Programming Model	Value
Configure the slot size to 32 bits.	MCASP_TXFMT[7:4] XSSZ	0xF
IF: the data to transmit is left- aligned	Software test condition	
Set data mask in the range 0xFFFF FF00 – 0xFFFF 0000.	MCASP_TXMASK[31:0] XMASK	0x- ⁽¹⁾
Rotate data right by a multiple-of-4- bit positions.	MCASP_TXFMT[2:0] XROT	0x- ⁽¹⁾
ELSE		
Set data mask in the range 0x00FF FFFF– 0x0000 FFFF.	MCASP_TXMASK[31:0] XMASK	0x- ⁽¹⁾
Rotate data right by 0-bit positions.	MCASP_TXFMT[2:0] XROT	0x0
ENDIF		

⁽¹⁾ Refer to Section 24.6.4.4.1, *Transmit Fromat Unit* and Section 24.6.4.4.1.2, *DIT-Mode Transmission Data Alignment Settings*.

Table 24-432. Transmit Format Unit Configuration for DIT-Transmission (continued)

Step	Register/Bit Field/Programming Model	Value
Select to write data to active serializers transmit buffers using peripheral (CFG) or DATA port	MCASP_TXFMT[3] XBUSEL	0x-

24.6.5.1.2.1.2 Subsequence – Transmit Frame Synchronization Generator Configuration for DIT-Transmission

The procedure in [Table 24-433](#) configures the transmit frame synchronization generator of the McASP module.

NOTE: The frame synchronization signal is always rising-edge active and always has a single-bit width.

Table 24-433. Transmit Frame-Synchronization Generator Configuration for DIT-Transmission

Step	Register/Bit Field/Programming Model	Value
Select 384-slot size block.	MCASP_TXFMCTL[15:7] XMOD	0x180
Select internally-generated transmit frame sync.	MCASP_TXFMCTL[1] FSXM	0x1

24.6.5.1.2.1.3 Subsequence – Transmit Clock Generator Configuration for DIT-Transmission

NOTE: By default, the ACLKX and AHCLKX clocks are generated only from the McASP internal clock source.

The procedure in [Table 24-434](#) configures the transmit clock generator of the McASP module.

Table 24-434. Transmit Clock Generator Configuration in DIT-Mode

Step	Register/Bit Field/Programming Model	Value
Set the divisor for the internally generated high frequency clock– AHCLKX.	MCASP_AHCLKXCTL[11:0] HCLKXDIV	0x-
Set the divisor for the internally generated transmission clock– ACLKX.	MCASP_ACLKXCTL[4:0] CLKXDIV	0x-
Configure the transmit clock failure detect logic.	See Section 24.6.4.15.6.1, Clock Failure Check Startup .	

24.6.5.1.2.1.4 Subsequence - McASP Pins Functional Configuration

The procedure in [Table 24-435](#) configures the McASP pins for McASP functionality.

Table 24-435. McASP Pins Functional Configuration

Step	Register/Bit Field/Programming Model	Value
Configure module different pins to have McASP functionality.	MCASP_PFUNC[31:0]	0x0
Configure the McASP pins as outputs:	MCASP_PDIR[28] AFSX;	0x1
AFSX	MCASP_PDIR[27] AHCLKX;	0x1
AHCLKX	MCASP_PDIR[26] ACLKX;	0x1
ACLKX	MCASP_PDIR [i] AXRi	0x1
Desired i-th McASP data pin AXRi is configured as an output for DIT-transmission.		

24.6.5.1.2.1.5 Subsequence – DIT-specific Subframe Fields Configuration

The procedure in [Table 24-436](#) configures the DIT-specific subframe fields as part of the S/PDIF format data.

Table 24-436. DIT-Specific Subframe Fields Configuration

Step	Register/Bit Field/Programming Model	Value
Configure the valid bit value for odd time slots.	MCASP_TXDITCTL[3] VB	0x-
Configure the valid bit value for even time slots.	MCASP_TXDITCTL[2] VA	0x-
Configure the user data bit for each subframe A and B in a 384-slot S/PDIF block.	MCASP_DITUDRAi[31:0] DITUDRAi, where i = 0 to 5 MCASP_DITUDRBi[31:0] DITUDRBi, where i = 0 to 5	0x- 0x-
Configure the channel status bit for each subframe A and B in a 384-slot S/PDIF block.	MCASP_DITCSRAi[31:0], where i = 0 to 5 MCASP_DITCSRBi[31:0], where i = 0 to 5	0x- 0x-

24.6.5.1.2.2 Main Sequence – McASP Global Initialization for TDM-Reception

The procedure in [Table 24-437](#) initializes a McASP serializer n receiver(s) to operate in TDM-mode (the only mode supported by McASP receivers) after a power-on reset (POR). This is used for I2S (2-slot TDM) and other TDM-based audio protocols reception.

CAUTION

Before performing McASP global initialization, If external clock ACLKR is used, it must be running already for proper synchronization of the [MCASP_GBLCTL](#) register.

NOTE: The McASP receivers support only TDM-frames (including 384-TDM frames) reception. DIT-frames reception (i.e. S/PDIF stream) can be implemented indirectly via an external DIR-chip converter with DIT-input and TDM (I2S)-compatible output connected to device McASP receiver input (TDM-only compatible).

Table 24-437. McASP Receivers Global Initialization for TDM-Mode Operation

Step	Register/Bit Field/Programming Model	Value
1. Apply software reset to different McASP receive components.	MCASP_GBLCTL[4:0]	0x00
2. Poll the bits to ensure the active reset value (0x00) is successfully latched into the register.	MCASP_GBLCTL[4:0]	=0x00
3. Configure the local power management.	PWRIDLESYSCONFIG[1:0] IDLE_MODE	0x1
4. Configure the receive format unit.	See Section 24.6.5.1.2.2.1 .	
5. Configure the receive frame sync generator.	See Section 24.6.5.1.2.2.2 .	
6. Configure the receive clock generator.	See Section 24.6.5.1.2.2.3 .	
7. Program all bits -RTDMSk (where k=0 to 31) according to the time slot characteristics desired (positions of active versus inactive slots within a frame).	MCASP_RXTDM [k] RTDMSk , where k=0 to 31	0x-
8. Configure the desired n-th serializer for receive mode operation. ⁽¹⁾	MCASP_XRSRCTLn [1:0] SRMOD	0x2
9. Configure the McASP pins functionality.	See Section 24.6.5.1.2.2.4 .	

⁽¹⁾ For an unused serializer n, write [MCASP_XRSRCTLn](#) [1:0] SRMOD=0x0 to disable it.

Table 24-437. McASP Receivers Global Initialization for TDM-Mode Operation (continued)

Step	Register/Bit Field/Programming Model	Value
10. Optional: Configure a McASP Rx channel for a loopback operation (TDM mode only) in MCASP_LBCTL [31:0].	See Section 24.6.4.14.1, Loopback Mode Configurations .	0x- ⁽²⁾
11. Release from reset state the divider that outputs the AHCLKR clock. ⁽³⁾ See also ⁽⁴⁾ .	MCASP_GBLCTL [1] RHCLKRST	0x1
12. Poll the bit to ensure that it is successfully latched in the register. See also ⁽⁴⁾ .	MCASP_GBLCTL [1] RHCLKRST	=0x1
13. Release from reset state the divider that outputs the ACLKR clock. ⁽³⁾ See also ⁽⁵⁾ .	MCASP_GBLCTL [0] RCLKRST	0x1
14. Poll the bit to ensure that it is successfully latched in the register. See also ⁽⁵⁾ .	MCASP_GBLCTL [0] RCLKRST	=0x1

⁽²⁾ In this case the receiver clock and frame sync are derived from the McASP transmitter logic, so [MCASP_ACLKXCTL](#)[6] ASYNC must be set to 0b0. Neither McASP internal receiver clock and frame sync generators, nor external clock and frame sync source are used.

⁽³⁾ During reset state the local McASP internal clock dividers maintain a 1:1 ratio at their outputs. The values stored in the [MCASP_AHCLKRCTL](#) and [MCASP_ACLKRCTL](#) registers are ignored; hence, the reception clock does not stop during the reset state of the dividers.

⁽⁴⁾ This step is necessary even if external high-frequency serial clocks are used.

⁽⁵⁾ This step can be skipped if external serial clocks are used and they are running.

24.6.5.1.2.2.1 Subsequence – Receive Format Unit Configuration in TDM Mode

The procedure in [Table 24-438](#) configures the receive frame format unit of the McASP module for TDM slots reception.

Table 24-438. Receive Format Unit Configuration for TDM-Reception

Step	Register/Bit Field/Programming Model	Value
Configure the desired TDM-slot size	MCASP_RXFMT [7:4] RSSZ	0x- ⁽¹⁾
Set data mask out value (0x0000 0000 - 0xFFFF FFFF).	MCASP_RXMASK [31:0] RMASK	0x- ⁽²⁾
Select a padding value for masked-out bits.	MCASP_RXFMT [14:13] RPAD	0x-
Specify position (0x0-0x1F) of the bit in corresponding register MCASP_RXBUF_n which value to be used as a pad value in case MCASP_RXFMT [14:13] RPAD=0x2.	MCASP_RXFMT [12:8] RPBIT	0x-
Rotate data right by a multiple of 4- bit positions.	MCASP_RXFMT [2:0] RROT	0x- ⁽³⁾
Received stream bit order (LSB- or MSB-first). Must be set to 0x1 for an I2S stream reception (MSB-first).	MCASP_RXFMT [15] RRVRS	0x- ⁽³⁾
Specify a delay between frame sync and first bit of data in number of bits. Must be set to 0x1 for an I2S stream reception.	MCASP_RXFMT [17:16] RDATDLY	0x-
Select to read data from active serializers receive buffers using peripheral (CFG) or DATA port	MCASP_RXFMT [3] RBUSEL	0x-

⁽¹⁾ Refer to [Section 24.6.4.4.2, Receive Format Unit](#), regarding options for received TDM-slot sizes.

⁽²⁾ For more details on Rx masking value, refer to [Section 24.6.4.4.2.1, TDM - Mode Reception Data Alignment Settings](#)

⁽³⁾ For more details on rotation and received TDM stream bit order, refer to [Section 24.6.4.4.2.1, TDM - Mode Reception Data Alignment Settings](#) and [Table 24-425, McASP RFU Settings](#).

24.6.5.1.2.2.2 Subsequence – Receive Frame Synchronization Generator Configuration in TDM Mode

The procedure in [Table 24-439](#) configures the transmit frame synchronization generator of the McASP module.

NOTE: The same bit - `MCASP_ACLKXCTL[6]` ASYNC which is used to determine if McASP receivers and transmitters work synchronously on the same clock, is also used to define if receiver frame sync is derived from the transmit frame sync generator, or generated independently in the receiver (either internally or externally sourced). Hence, the settings in below table [Table 24-439](#) have no effect, if `MCASP_ACLKXCTL[6]` ASYNC = 0.

Table 24-439. Receive Frame-Synchronization Generator Configuration for TDM-Reception

Step	Register/Bit Field/Programming Model	Value
Select number of TDM slots per frame. Must be set to 0x2, in case of an I2S-reception. For more details on frame-sync generator, refer to Section 24.6.4.2.3 .	<code>MCASP_RXFMCTL[15:7]</code> RMOD	0x ⁽¹⁾
Choose the receive frame sync width -single bit/single word. For more details on frame-sync generator, refer to Section 24.6.4.2.3 .	<code>MCASP_RXFMCTL[4]</code> FRWID	0x-
Select start of received frame sync polarity - rising /falling edge. For more details on frame-sync generator, refer to Section 24.6.4.2.3 .	<code>MCASP_RXFMCTL[0]</code> FSRP	0x-
IF receive frame sync - FS is internally generated	Software test condition	
Select internally- generated receive frame sync. For more details on frame-sync generator, refer to Section 24.6.4.2.3 .	<code>MCASP_RXFMCTL[1]</code> FSRM	0b1
If McASP receiver is required to output internally generated frame, AFSR pin must be set as an output in step 9 of the sequence documented in the Table 24-437 . This must not be done in current step because the frame control register - <code>MCASP_TXFMCTL</code> must be appropriately configured prior to AFSR pin outputting a frame to an external device.	<code>MCASP_PDIR[31]</code> AFSR	0b1
ELSE		
Select externally- generated receive frame sync. For more details on frame-sync generator, refer to Section 24.6.4.2.3 .	<code>MCASP_RXFMCTL[1]</code> FSRM	0b0
Setup the AFSR pin as input (device level: <code>mcaspi_fsr</code>)	<code>MCASP_PDIR[31]</code> AFSR	0b0
ENDIF		
To generate McASP receive frame sync in receiver logic, select an asynchronous frame sync.	<code>MCASP_ACLKXCTL[6]</code> ASYNC	0b1

⁽¹⁾ Must be set to 0x180 in case of 384-TDM slot frame reception from a DIR component I2S-output. For more details on TDM-frame settings, refer to [Section 24.6.4.9.2](#).

24.6.5.1.2.2.3 Subsequence – Receive Clock Generator Configuration

The procedure in [Table 24-440](#) configures the receive clock generator of the McASP module.

NOTE: The settings in below table [Table 24-440](#) have no effect, if `MCASP_ACLKXCTL[6]` ASYNC = 0 (i.e. receive clock is sourced from the inverted version of the transmit clock). For example, such is the case when McASP loopback mode is used.

Table 24-440. Receive Clock Generator Configuration

Step	Register/Bit Field/Programming Model	Value
To use the McASP receive clock generator, select an asynchronous receiver clock schema (ASYNC=1). Otherwise an inverted version of transmit clock XCLK is used (receiver synchronized with transmitter).	MCASP_ACLKXCTL[6] ASYNC	0b1
IF receive clock - RCLK is internally generated	Software test condition	
The high-speed receive clock - AHCLKR is internally generated based on AUXCLK		
Select an internally-generated high-frequency clock.	MCASP_AHCLKRCTL[15] HCLKRM	0b1
Select the internal high-speed clock source polarity: non-inverted or inverted.	MCASP_AHCLKRCTL[14] HCLKRP	0x-
Set the divisor for the internally generated high-frequency clock – AHCLKR in range (1 - 4096).	MCASP_AHCLKRCTL[11:0] HCLKRDIV	0x-
Select an internally-generated receive clock.	MCASP_ACLKRCTL[5] CLKRM	0b1
Receiver samples on rising/falling edge. Select Rx sampling on the rising edge if transmitter shifts out on falling edge, and vice versa.	MCASP_ACLKRCTL[7] CLKRP	0x-
Set the divisor for the internally generated receive clock– ACLKR in range (1 - 32).	MCASP_ACLKRCTL[4:0] CLKRDIV	0x-
Optional: If McASP receiver is required to output internally generated clock, ACLKR pin must be set as an output in step 9 of the sequence documented in the Table 24-437 . This must not be done in current step because the clock control register - MCASP_ACLKRCTL must be appropriately configured prior to ACLKR pin outputting a receive clock to an external device.	MCASP_PDIR[29] ACLKR	0b1
ELSE		
Select an externally-generated receive clock. Note that in this case the AHCLKR signal path and the CLKRDIV divider are NOT used.	MCASP_ACLKRCTL[5] CLKRM	0b0
Receiver samples on rising/falling edge. Select Rx sampling on the rising edge if transmitter shifts out on falling edge, and vice versa.	MCASP_ACLKRCTL[7] CLKRP	0x-
Setup an input direction for the ACLKR pin	MCASP_PDIR[29] ACLKR	0b0
ENDIF		
Configure the transmit clock failure detect logic.	See Section 24.6.4.15.6.1, Clock Failure Check Startup .	

24.6.5.1.2.2.4 Subsequence—McASP Receiver Pins Functional Configuration

The procedure in [Table 24-441](#) configures the McASP pins for McASP functionality.

Table 24-441. McASP Receiver Pins Functional Configuration

Step	Register/Bit Field/Programming Model	Value
Configure module different pins to have McASP functionality.	MCASP_PFUNC[31:0]	0x0
Configure the McASP pins direction: AFSR ACLKR Desired n-th McASP data pin AXRn is configured as an input for receiving.	MCASP_PDIR[31] AFSR; MCASP_PDIR[29] ACLKR; MCASP_PDIR[n] AXRn;	0x- ⁽¹⁾ 0x- ⁽²⁾ 0x0

⁽¹⁾ See [Table 24-439](#).

⁽²⁾ For more details on McASP clock configurations, refer to [Table 24-440](#).

24.6.5.1.2.3 Main Sequence – McASP Global Initialization for TDM -Transmission

The procedure in [Table 24-442](#) initializes a McASP serializer n transmitter(s) to operate in TDM-mode after a power-on reset (POR). This is used for I2S (2-slot TDM) and other TDM-based audio protocols transmission.

CAUTION

Before performing McASP global initialization, If external clock ACLKR is used, it must be running already for proper synchronization of the [MCASP_GBLCTL](#) register.

Table 24-442. McASP Transmitters Global Initialization for TDM-Mode Operation

Step	Register/Bit Field/Programming Model	Value
1. Apply software reset to different McASP transmit components.	MCASP_GBLCTL [12:8]	0x00
2. Poll the bits to ensure the active reset value (0x00) is successfully latched into the register.	MCASP_GBLCTL [12:8]	=0x00
3. Configure the local power management.	PWRIDLESYSCONFIG [1:0] IDLE_MODE	0x1
4. Configure the transmit format unit.	See Section 24.6.5.1.2.3.1 .	
5. Configure the transmit frame sync generator.	See Section 24.6.5.1.2.3.2 .	
6. Configure the transmit clock generator.	See Section 24.6.5.1.2.3.3 .	
7. Program all bits - XTDMSk, where k=0 to 31, according to the time slot characteristics desired (positions of active versus inactive slots within a frame).	MCASP_TXTDM [k] XTDMSk, where k=0 to 31 ⁽¹⁾	0x-
8. Configure the desired n-th serializer for transmit mode operation. ⁽²⁾	MCASP_XRSRCTLn [1:0] SRMOD;	0x1
9. Setup all active transmitters to operate in TDM mode.	MCASP_TXDITCTL [0] DITEN	0x0 ⁽³⁾
10. Configure the McASP pins functionality.	See Section 24.6.5.1.2.3.4 .	
11. Optional: Configure a McASP Tx channel for loopback operation (TDM mode only) in MCASP_LBCTL [31:0].	See Section 24.6.4.14.1 , <i>Loopback Mode Configurations</i> .	0x-
12. Release from reset state the divider that outputs the AHCLKR clock. See ⁽⁴⁾	MCASP_GBLCTL [9] XHCLKRST	0x1
13. Poll the bit to ensure that it is successfully latched in the register.	MCASP_GBLCTL [9] XHCLKRST	=0x1
14. Release from reset state the divider that outputs the ACLKR clock. See ⁽⁴⁾	MCASP_GBLCTL [8] XCLKRST	0x1
15. Poll the bit to ensure that it is successfully latched in the register.	MCASP_GBLCTL [8] XCLKRST	=0x1

⁽¹⁾ Appropriately program in bitfield [MCASP_XRSRCTLn](#) [3:2] DISMOD, the desired level (high-impedance state, 0, or 1) at AXRn output, during time of inactive slots. Note, that this setting does NOT apply when all slots are programmed to be active within a frame (in particular DIT-mode).

⁽²⁾ For an unused serializer n, write [MCASP_XRSRCTLn](#) [1:0] SRMOD=0x0 to disable it.

⁽³⁾ All active transmit channels operate either in TDM mode or in DIT mode depending on DITEN value. There is no option to choose Tx Mode between DIT and TDM separately per serializer transmitter.

⁽⁴⁾ During reset state the local McASP internal clock dividers maintain a 1:1 ratio at their outputs. The values stored in the [MCASP_AHCLKX](#) and [MCASP_ACLKX](#) registers are ignored; hence, the transmission clock does not stop during the reset state of the dividers.

24.6.5.1.2.3.1 Subsequence – Transmit Format Unit Configuration in TDM Mode

The procedure in [Table 24-443](#) configures the transmit frame format unit of the McASP module for TDM slots transmission.

Table 24-443. Transmit Format Unit Configuration for TDM-Transmission

Step	Register/Bit Field/Programming Model	Value
Configure the desired TDM-slot size	MCASP_TXFMT[7:4] XSSZ	0x- ⁽¹⁾
Set data mask out value (0x0000 0000 - 0xFFFF FFFF).	MCASP_TXMASK[31:0] XMASK	0x- ⁽²⁾
Select a padding value for masked-out bits.	MCASP_TXFMT[14:13] XPAD	0x-
Specify position (0x0-0x1F) of the bit in corresponding register MCASP_TXBUF _n which value to be used as a pad value in case MCASP_TXFMT[14:13] XPAD=0x2.	MCASP_TXFMT[12:8] XPBIT	0x-
Rotate data right by a multiple of 4- bit positions.	MCASP_TXFMT[2:0] XROT	0x- ⁽³⁾
transmitted stream bit order (LSB- or MSB-first). Must be set to 0x1 for an I2S stream transmission (MSB-first).	MCASP_TXFMT[15] XRVR	0x- ⁽³⁾
Specify a delay between frame sync and first bit of data in number of bits. Must be set to 0x1 for an I2S stream transmission.	MCASP_TXFMT[17:16] XDATDLY	0x-
Select to write data to active serializers transmit buffers using peripheral (CFG) or DATA port	MCASP_TXFMT[3] XBUSEL	0x-

⁽¹⁾ Refer to [Section 24.6.4.4.1, Transmit Format Unit](#), regarding options for transmitted TDM-slot sizes.

⁽²⁾ For more details on Tx masking value, refer to [Section 24.6.4.4.1.1, TDM - Mode Transmission Data Alignment Settings](#)

⁽³⁾ For more details on rotation and transmitd TDM stream bit order, refer to [Section 24.6.4.4.1.1, TDM - Mode Transmission Data Alignment Settings](#) and [Table 24-423, McASP TFU TDM Mode Settings](#).

24.6.5.1.2.3.2 Subsequence – Transmit Frame Synchronization Generator Configuration in TDM Mode

The procedure in [Table 24-444](#) configures the transmit frame synchronization generator of the McASP module.

Table 24-444. Transmit Frame-Synchronization Generator Configuration for TDM-Transmission

Step	Register/Bit Field/Programming Model	Value
Select number of TDM slots per frame (2 - 32). Must be set to 0x2, in case of an I2S-transmission. For more details on frame-sync generator, refer to Section 24.6.4.2.3 .	MCASP_TXFMCTL[15:7] XMOD	0x-
Choose the transmit frame sync width -single bit/single word. For more details on frame-sync generator, refer to Section 24.6.4.2.3 .	MCASP_TXFMCTL[4] FXWID	0x-
Select start of transmit frame sync polarity - rising /falling edge. For more details on frame-sync generator, refer to Section 24.6.4.2.3 .	MCASP_TXFMCTL[0] FSXP	0x-
IF transmit frame sync - FS is internally generated	Software test condition	
Select internally- generated transmit frame sync. For more details on frame-sync generator, refer to Section 24.6.4.2.3 .	MCASP_TXFMCTL[1] FSXM	0b1
If McASP transmitter is required to output internally generated frame, AFSX pin must be set as an output in step 10 of the sequence documented in the Table 24-442 . This must NOT be done in current step because the frame control register - MCASP_TXFMCTL must be appropriately configured prior to AFSX pin outputting a frame sync to an external device.	MCASP_PDIR[28] AFSX	0b1
ELSE		
Select externally- generated transmit frame sync. For more details on frame-sync generator, refer to Section 24.6.4.2.3 .	MCASP_TXFMCTL[1] FSXM	0b0
Setup the AFSX pin as input	MCASP_PDIR[28] AFSX	0b0

24.6.5.1.2.3.3 Subsequence – Transmit Clock Generator Configuration for TDM Cases

The procedure in [Table 24-445](#) configures the transmit clock generator of the McASP module.

Table 24-445. Transmit Clock Generator Configuration for TDM Cases

Step	Register/Bit Field/Programming Model	Value
IF transmit clock - XCLK is internally generated	Software test condition	
IF high-speed transmit clock - AHCLKX is internally generated based on AUXCLK	Software test condition	
Select an internally-generated high-frequency clock.	MCASP_AHCLKXCTL [15] HCLKXM	0b1
Select the high-frequency clock source polarity: non-inverted or inverted.	MCASP_AHCLKXCTL [14] HCLKXP	0x-
Set the divisor for the internally generated high-frequency clock – AHCLKX in range (1 - 4096).	MCASP_AHCLKXCTL [11:0] HCLKXDIV	0x-
Optional: If McASP transmitter is required to output internally generated high-frequency clock, AHCLKX pin must be set as an output in step 10 of the sequence documented in the Table 24-442 . This must NOT be done in current step because the clock control register - MCASP_AHCLKXCTL must be appropriately configured prior to AHCLKX pin outputting a high-speed clock to an external device.	MCASP_PDIR [27] AHCLKX	0b1
ELSE		
Select an externally-generated high frequency clock (HCLKXDIV divider can not be used).	MCASP_AHCLKXCTL [15] HCLKXM	0b0
Select the high-speed transmit clock source polarity: non-inverted or inverted.	MCASP_AHCLKXCTL [14] HCLKXP	0x-
Setup an input directon for the AHCLKX pin	MCASP_PDIR [27] AHCLKX	0b0
ENDIF		
Select an internally-generated transmit clock.	MCASP_ACLKXCTL [5] CLKXM	0b1
Transmitter samples on rising/falling edge. Select Tx shifting out data on the rising edge if receiver samples on falling edge, and vice versa.	MCASP_ACLKXCTL [7] CLKXP	0x-
Set the divisor for the internally generated transmit clock– ACLKX in range (1 - 32).	MCASP_ACLKXCTL [4:0] CLKXDIV	0x-
Optional: If McASP transmitter is required to output internally generated clock, ACLKX pin) must be set as an output in step 10 of the sequence documented in the Table 24-442 . This must NOT be done in current step because the clock control register - MCASP_ACLKXCTL must be appropriately configured prior to ACLKX pin outputting a transmit clock to an external device.	MCASP_PDIR [26] ACLKX	0b1
ELSE		
Select an externally-generated transmit clock. Note that in this case the AHCLKX signal path and the CLKXDIV divider are NOT used.	MCASP_ACLKXCTL [5] CLKXM	0b0
Transmitter samples on rising/falling edge. Select Tx shifting out data on the rising edge if receiver samples on falling edge, and vice versa.	MCASP_ACLKXCTL [7] CLKXP	0x-
Setup an input directon for the ACLKX pin	MCASP_PDIR [26] ACLKX	0b0
ENDIF		
Configure the transmit clock failure detect logic.	See Section 24.6.4.15.6.1 , <i>Clock Failure Check Startup</i> .	

24.6.5.1.2.3.4 Subsequence—McASP Transmit Pins Functional Configuration

The procedure in [Table 24-446](#) configures the McASP pins for McASP functionality.

Table 24-446. McASP Transmit Pins Functional Configuration

Step	Register/Bit Field/Programming Model	Value
Configure module different pins to have McASP functionality.	MCASP_PFUNC[31:0]	0x0
Configure the McASP pins direction: AFSX AHCLKX ACLKX Desired n-th McASP data pin AXRn is configured as an output for transmission.	MCASP_PDIR[28] AFSR; MCASP_PDIR[27] AHCLKR; MCASP_PDIR[26] ACLKR; MCASP_PDIR[n] AXRn	0x- ⁽¹⁾ 0x- ⁽²⁾ 0x- ⁽²⁾ 0x1

⁽¹⁾ See [Table 24-444](#).

⁽²⁾ For more details on McASP clock configurations, refer to [Table 24-440](#).

24.6.5.2 Operational Modes Configuration

24.6.5.2.1 McASP Transmission Modes

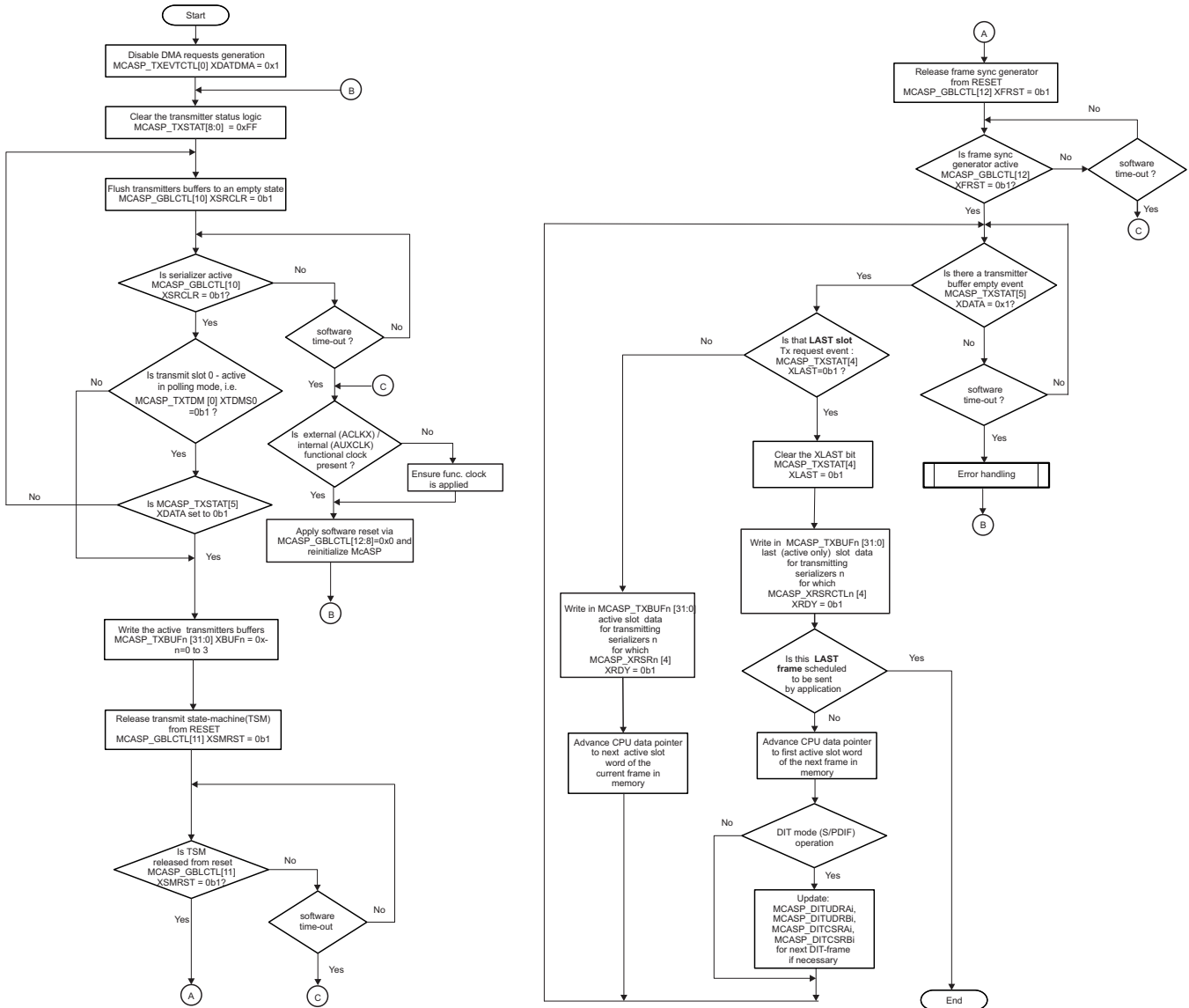
24.6.5.2.1.1 Main Sequence – McASP DIT- /TDM- Polling Transmission Method

[Figure 24-135](#) shows the McASP DIT-/TDM- polling method.

NOTE:

- The McASP polling transmission model considers the MPU/DSP as the source of audio data for the McASP transmission buffer.
- The transmit DMA request is disabled and the XDMAERR event is not analyzed.

Figure 24-135. McASP DIT- /TDM- Transmission Polling Method



mcasp-026

Table 24-447 summarizes the register call for the transmission DIT-/TDM- polling mode.

Table 24-447. Register Call Summary for Main Sequence – McASP DIT-/TDM- Transmission Polling Method

Register Name
MCASP_XEVTCTL
MCASP_TXSTAT
MCASP_GBLCTL
MCASP_TXTDM
MCASP_TXBUFn
MCASP_XRSRCTLn
MCASP_DITUDRAi (i=0 to 5)
MCASP_DITUDRBi (i=0 to 5)
MCASP_DITCSRAi (i=0 to 5)

Table 24-447. Register Call Summary for Main Sequence – McASP DIT-/TDM- Transmission Polling Method (continued)

Register Name
MCASP_DITCSRBi (i=0 to 5)

[Table 24-448](#) summarizes the subprocess call for the DIT-/TDM- transmission polling mode.

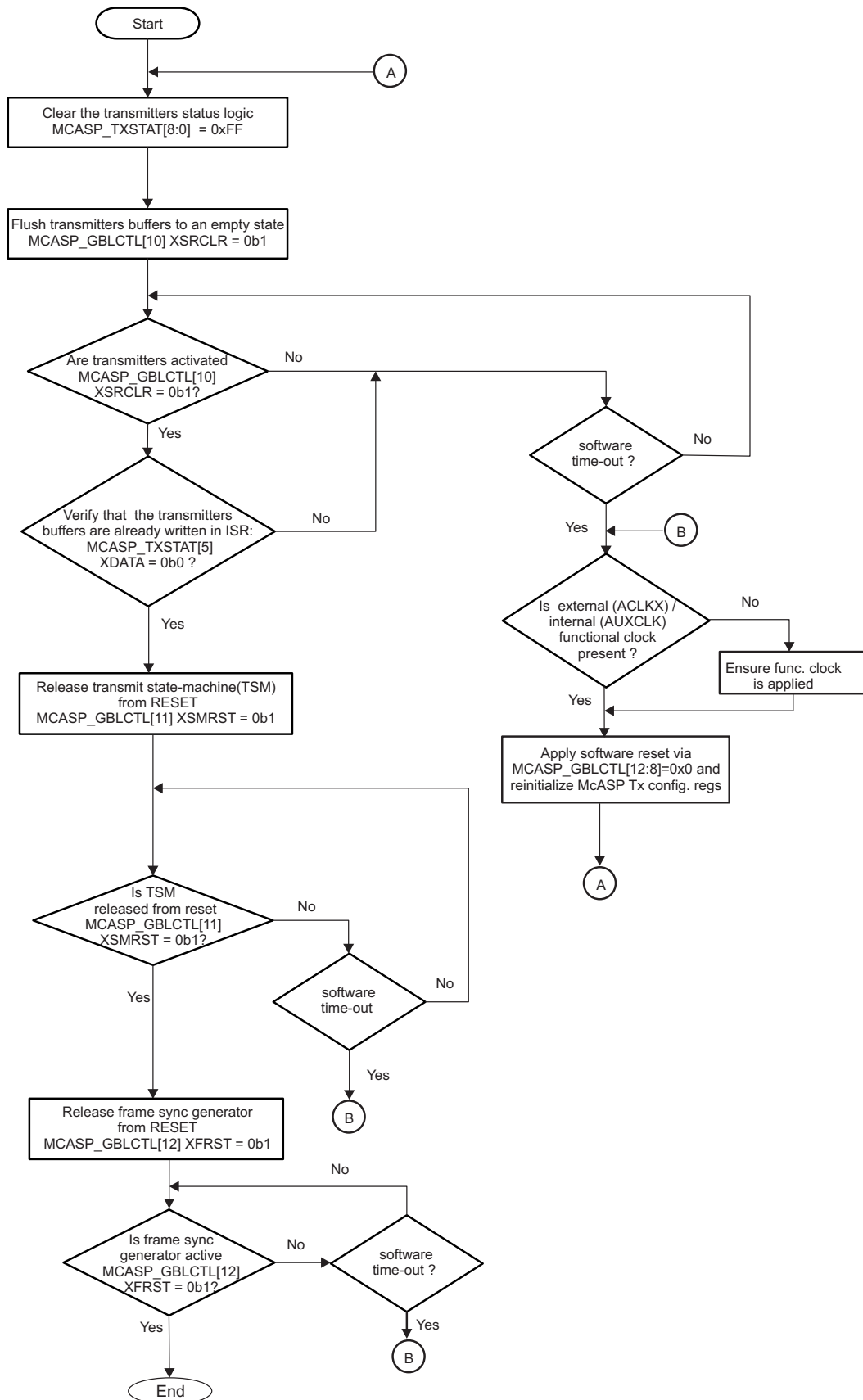
Table 24-448. Subprocess Call Summary for Main Sequence – McASP DIT-/TDM- Transmission Polling Method

Subprocess Name	Cross-Reference
Error handling	Figure 24-141

24.6.5.2.1.2 Main Sequence – McASP DIT- /TDM - Interrupt Transmission Method

[Figure 24-136](#) shows the initial setup for interrupt-based transmission.

Figure 24-136. Subsequence – DIT-/TDM- Transmission Startup Procedure



mcaspl-027

Table 24-449 shows the configuration of the McASP using an interrupt method for DIT-/TDM-transmission.

Table 24-449. McASP DIT-/TDM- Interrupt Transmission Model

Step	Register/Bit Field/Programming Model	Value
Disable Tx DMA requests generation.	MCASP_XEVTCTL[0] XDADMA	0x1
Enable the data ready event transmit interrupt.	MCASP_EVTCTLX[5] XDATA	0x1
Optional: Enable the transmit error event interrupts.	MCASP_EVTCTLX[2] XCKFAIL MCASP_EVTCTLX[1] XSYNCERR MCASP_EVTCTLX[0] XUNDRN	0x1 0x1 0x1
Optional: Enable the start of frame interrupt. Optional: Enable the last slot data interrupt (useful for DIT user data/ channel status next S/PDIF frame info update.)	MCASP_EVTCTLX [7] XSTAFRM MCASP_EVTCTLX[4] XLAST	0x1 0x1
IFwrite transfer is through the McASP DATA port (MCASP_TXFMT[3] XBUSEL is set to 0b0).	Software test condition (setting is done in step4 of the <i>McASP Transmitters Global Initialization</i> - see Table 24-431)	
Enable the DATA port error based interrupt.	MCASP_EVTCTLX[3] XDMAERR	0x1
ELSE		
Disable the DATA port error based interrupt.	MCASP_EVTCTLX[3] XDMAERR	0x0
ENDIF		
DIT/TDM - Transmission Startup Procedure	See Figure 24-136.	

Table 24-450 summarizes the register call to initialize the McASP to transmit using interrupt events.

Table 24-450. Register Call Summary for Subsequence – McASP DIT-/TDM- Transmission Startup Procedure

Register Name	Register Name
MCASP_GBLCTL	MCASP_TXSTAT

24.6.5.2.1.3 Main Sequence –McASP DIT- /TDM - Mode DMA Transmission Method

Table 24-451 shows the configuration of the McASP using the DMA method for transmission. Possible interrupt error event servicing is also considered. Table 24-450 shows the initial setup for DMA - based transmission.

NOTE: Because of the DATA port burst access capability with the DMA method, it is strongly recommended that DMA transfers are initiated through the McASP DATA port.

Table 24-451. McASP DMA Transmission Model with Interrupt Events Servicing

Step	Register/Bit Field/Programming Model	Value
Recommended: Select DATA port to access the transmit buffers.	MCASP_TXFMT[3] XBUSEL	0x0
Enable the Tx DMA requests generation.	MCASP_XEVTCTL[0] XDADMA	0x0
Enable the Tx DMA error event, because of McASP DATA port usage.	MCASP_EVTCTLX[3] XDMAERR	0x1
Optional: Enable the transmit error event interrupts.	MCASP_EVTCTLX[2] XCKFAIL MCASP_EVTCTLX[1] XSYNCERR MCASP_EVTCTLX[0] XUNDRN	0x1 0x1 0x1
Optional: Enable the start of frame interrupt. Optional: Enable the last slot data interrupt.	MCASP_EVTCTLX [7] XSTAFRM MCASP_EVTCTLX[4] XLAST	0x1 0x1
Disable the data ready event transmit interrupt, as DMA is used to service this request.	MCASP_EVTCTLX[5] XDATA	0x0

Table 24-451. McASP DMA Transmission Model with Interrupt Events Servicing (continued)

Step	Register/Bit Field/Programming Model	Value
DMA startup transmission procedure. This procedure is identical than the one shown in Figure 24-136 . The only difference is that DMA automatically services all the AXEVT events raised by the McASP, and no CPU data processing intervention is required. The CPU is involved only in error handling shown in Figure 24-139 .	See Figure 24-136 .	

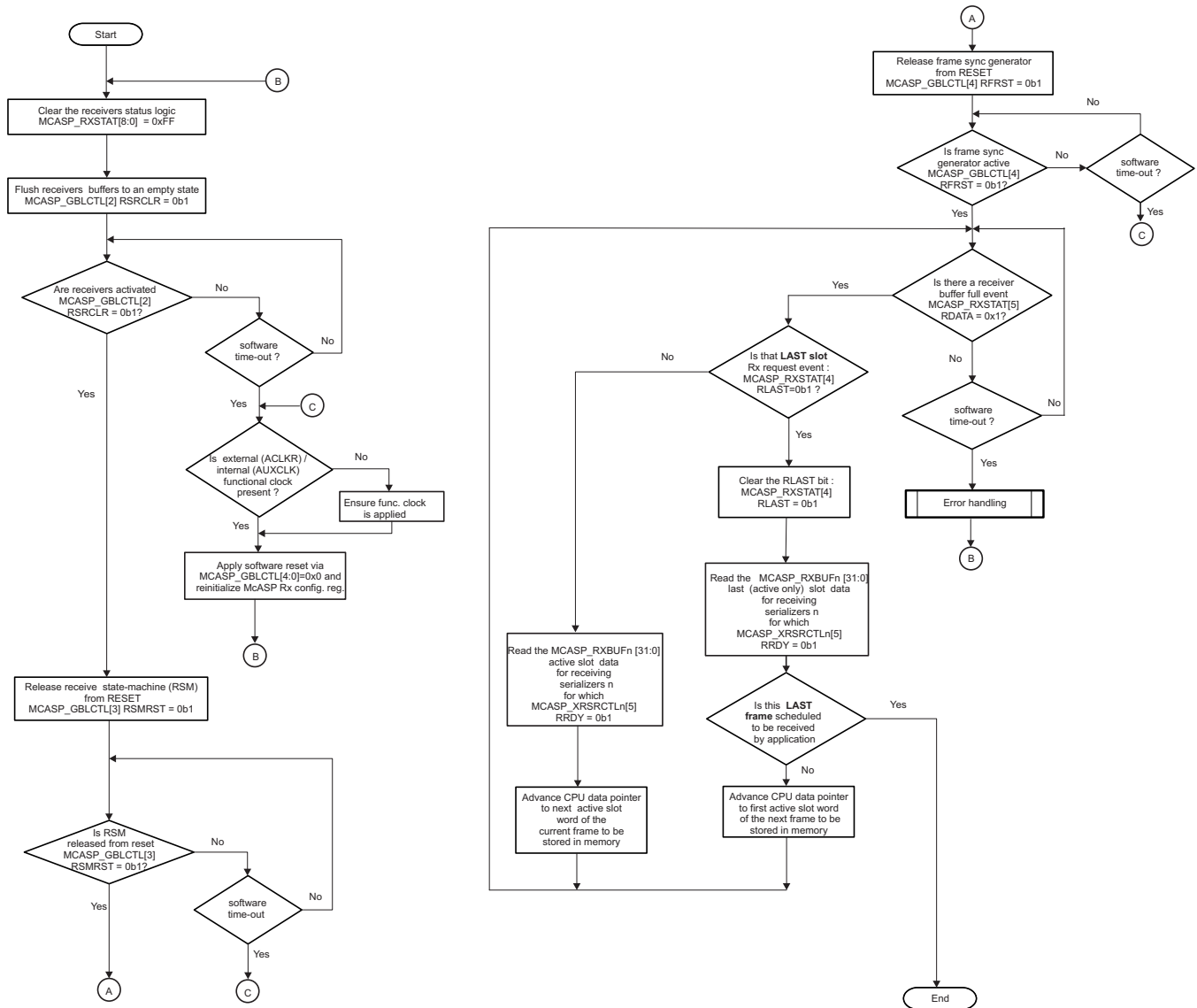
24.6.5.2.2 McASP Reception Modes

24.6.5.2.2.1 Main Sequence – McASP Polling Reception Method

[Figure 24-137](#) shows the McASP polling reception method.

NOTE: The McASP polling reception model considers the device CPUs as the accessor of audio data from the McASP receive buffers.

Figure 24-137. McASP Polling Reception Method



mcasp-043

Table 24-452 summarizes the register call for the reception polling mode.

Table 24-452. Register Call Summary for Main Sequence – McASP Reception Polling Method

Register Name
MCASP_RXSTAT
MCASP_GBLCTL
MCASP_RXBUFn
MCASP_XRSRCTLn

Table 24-453 summarizes the subprocess call for the polling mode.

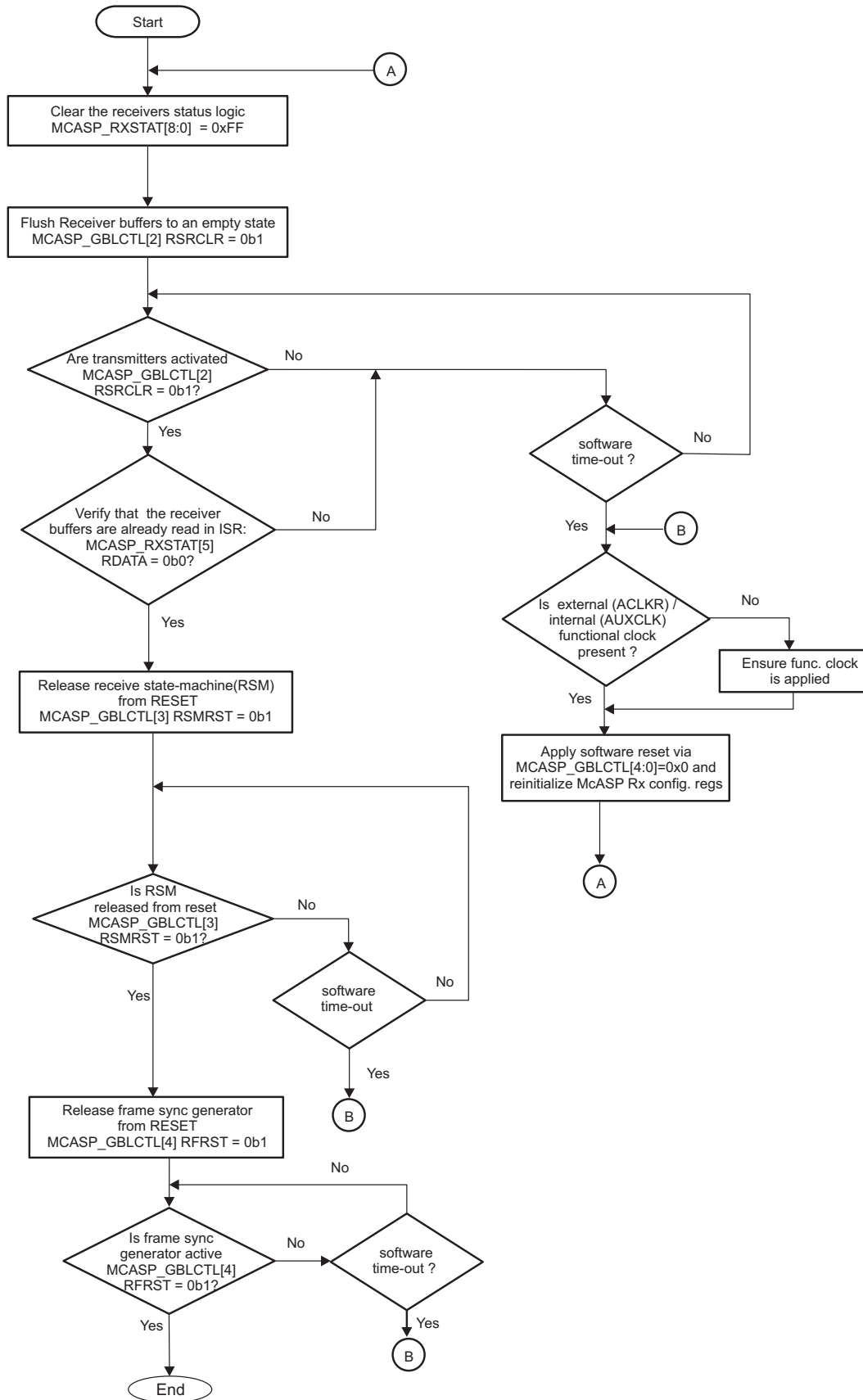
Table 24-453. Subprocess Call Summary for Main Sequence – McASP Reception Polling Method

Subprocess Name	Cross-Reference
Error handling	Figure 24-142

24.6.5.2.2.2 Main Sequence – McASP TDM - Interrupt Reception Method

[Figure 24-138](#) shows the initial setup for interrupt-based reception.

Figure 24-138. Subsequence – TDM - Reception Startup Procedure



mcasp-032

Table 24-454 shows the configuration of the McASP using an interrupt method for TDM- reception.

Table 24-454. McASP TDM- Interrupt Reception Model

Step	Register/Bit Field/Programming Model	Value
Disable Rx DMA requests generation.	MCASP_REVTCTL[0] RDATDMA	0x1
Enable the data ready event receive interrupt.	MCASP_EVTCTLR[5] RDATA	0x1
Optional: Enable the receive error event interrupts.	MCASP_EVTCTLR[2] RCKFAIL MCASP_EVTCTLR[1] RSYNCERR MCASP_EVTCTLR[0] ROVRN	0x1 0x1 0x1
Optional: Enable the start of frame interrupt. Optional: Enable the last slot data interrupt	MCASP_EVTCTLR [7] RSTAFRM MCASP_EVTCTLR[4] RLAST	0x1 0x1
IF read transfer is through the McASP DATA port (MCASP_RXFMT[3] RBUSEL is set to 0b0).	Software test condition (setting is done in step4 of the <i>McASP Receivers Global Initialization for TDM-Mode Operation</i> - see Table 24-437)	
Enable the DATA port error based interrupt.	MCASP_EVTCTLR[3] RDMAERR	0x1
ELSE		
Disable the DATA port error based interrupt.	MCASP_EVTCTLR[3] RDMAERR	0x0
ENDIF		
TDM - Transmission Startup Procedure	See Figure 24-138.	

Table 24-455 summarizes the register call to initialize the McASP to transmit using interrupt events.

Table 24-455. Register Call Summary for Subsequence – McASP TDM- Reception Startup Procedure

Register Name	Register Name
MCASP_GBLCTL	MCASP_RXSTAT

24.6.5.2.2.3 Main Sequence – McASP TDM - Mode DMA Reception Method

Table 24-456 shows the configuration of the McASP using the DMA method for reception. Possible interrupt error event servicing is also considered. Table 24-450 shows the initial setup for DMA - based transmission.

NOTE: Because of the DATA port burst access capability with the DMA method, it is strongly recommended that DMA transfers are initiated through the McASP DATA port.

Table 24-456. McASP DMA Reception Model with Interrupt Events Servicing

Step	Register/Bit Field/Programming Model	Value
Recommended: Select DATA port to access the transmit buffers.	MCASP_RXFMT[3] RBUSEL	0x0
Enable the Rx DMA requests generation.	MCASP_REVTCTL[0] RDATDMA	0x0
Enable the Rx DMA error event, because of McASP DATA port usage.	MCASP_EVTCTLR[3] RDMAERR	0x1
Optional: Enable the receive error event interrupts.	MCASP_EVTCTLR[2] RCKFAIL MCASP_EVTCTLR[1] RSYNCERR MCASP_EVTCTLR[0] ROVRN	0x1 0x1 0x1
Optional: Enable the start of frame interrupt. Optional: Enable the last slot data interrupt.	MCASP_EVTCTLR [7] RSTAFRM MCASP_EVTCTLR[4] RLAST	0x1 0x1
Disable the data ready event receive interrupt, as DMA is used to service this request.	MCASP_EVTCTLR[5] RDATA	0x0

Table 24-456. McASP DMA Reception Model with Interrupt Events Servicing (continued)

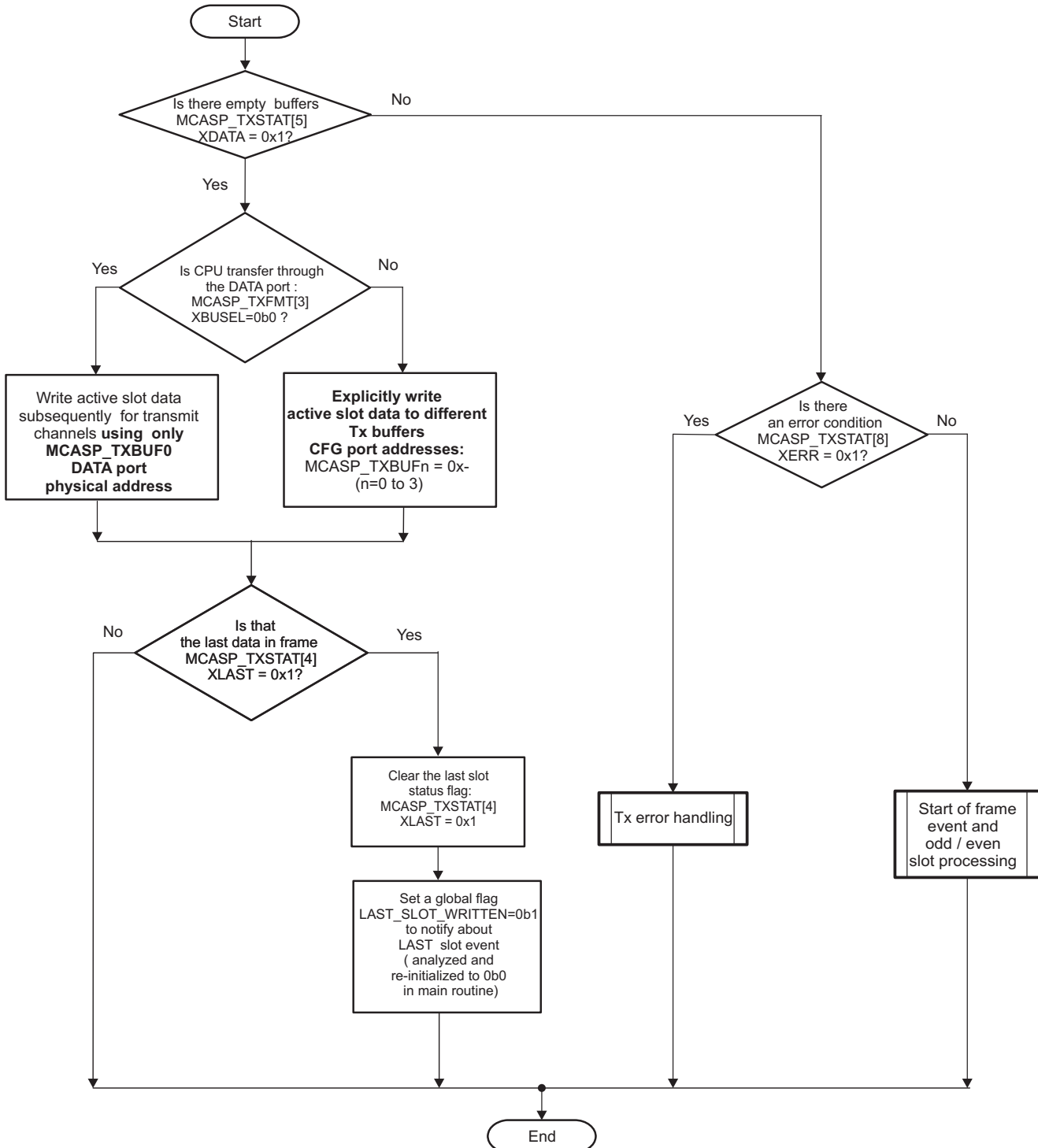
Step	Register/Bit Field/Programming Model	Value
DMA startup reception procedure. This procedure is identical than the one shown in Figure 24-138 . The only difference is that DMA automatically services all the AREVT events raised by the McASP, and no CPU data processing intervention is required. The CPU is involved only in error handling shown in Figure 24-140 .	See Figure 24-138 .	

24.6.5.2.3 McASP Event Servicing

24.6.5.2.3.1 McASP DIT-/TDM- Transmit Interrupt Events Servicing

[Figure 24-139](#) shows the flow of DIT-/TDM- mode transmit interrupt events servicing for the McASP module.

Figure 24-139. McASP Transmit Interrupt Events Servicing

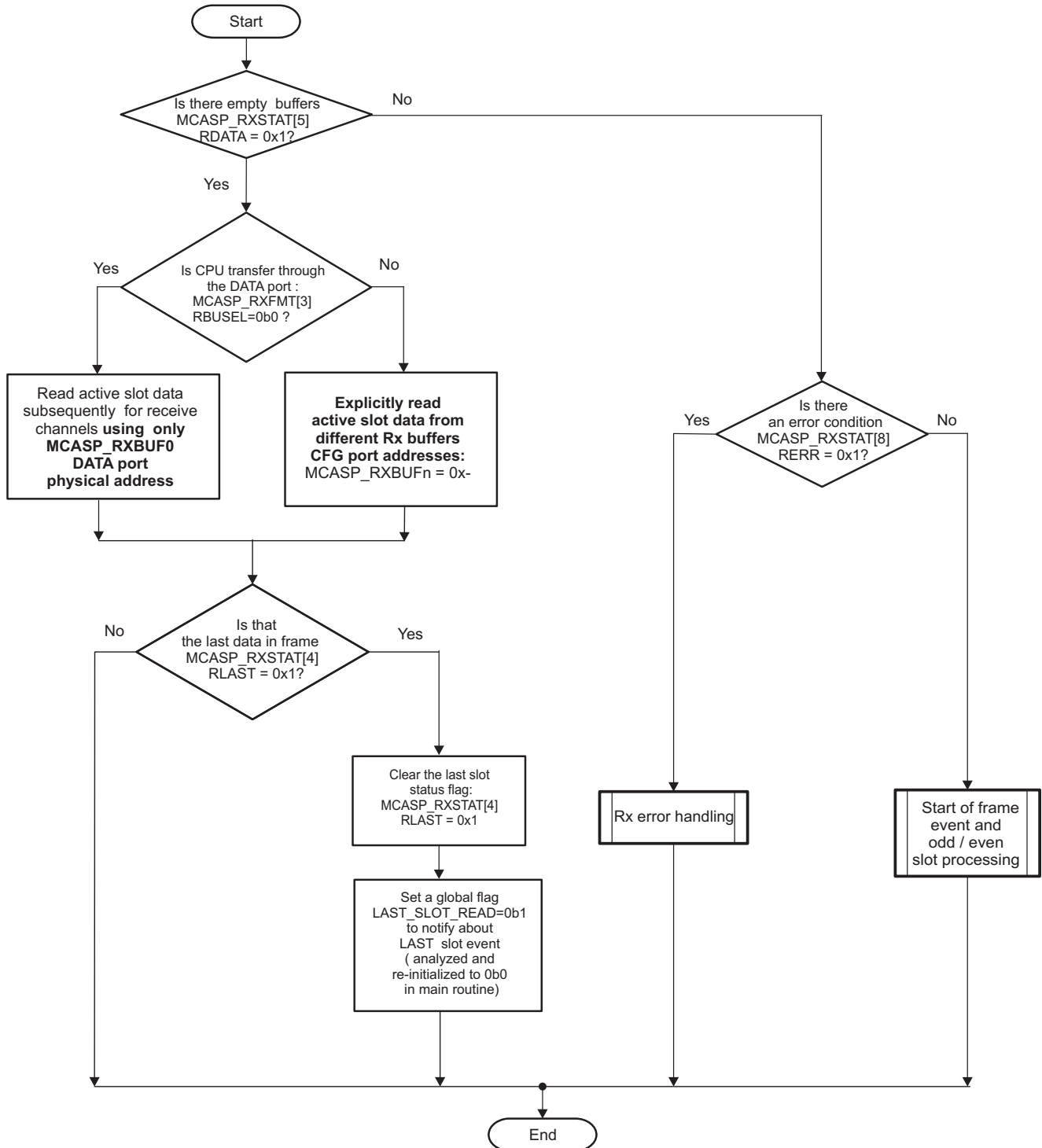


mcasp-029

24.6.5.2.3.2 McASP TDM- Receive Interrupt Events Servicing

Figure 24-140 shows the flow of DIT-/TDM- mode transmit interrupt events servicing for the McASP module.

Figure 24-140. McASP Receive Interrupt Events Servicing



mcasp-033

Table 24-457 lists the register call summary for the receive interrupt events servicing.

Table 24-457. Register Call Summary for McASP Receive Interrupt Events Servicing

Register Name	Register Name	Register Name
MCASP_RXSTAT	MCASP_RXBUFn	MCASP_RXFMT

Table 24-458 lists the subprocess call summary for receive interrupt events servicing.

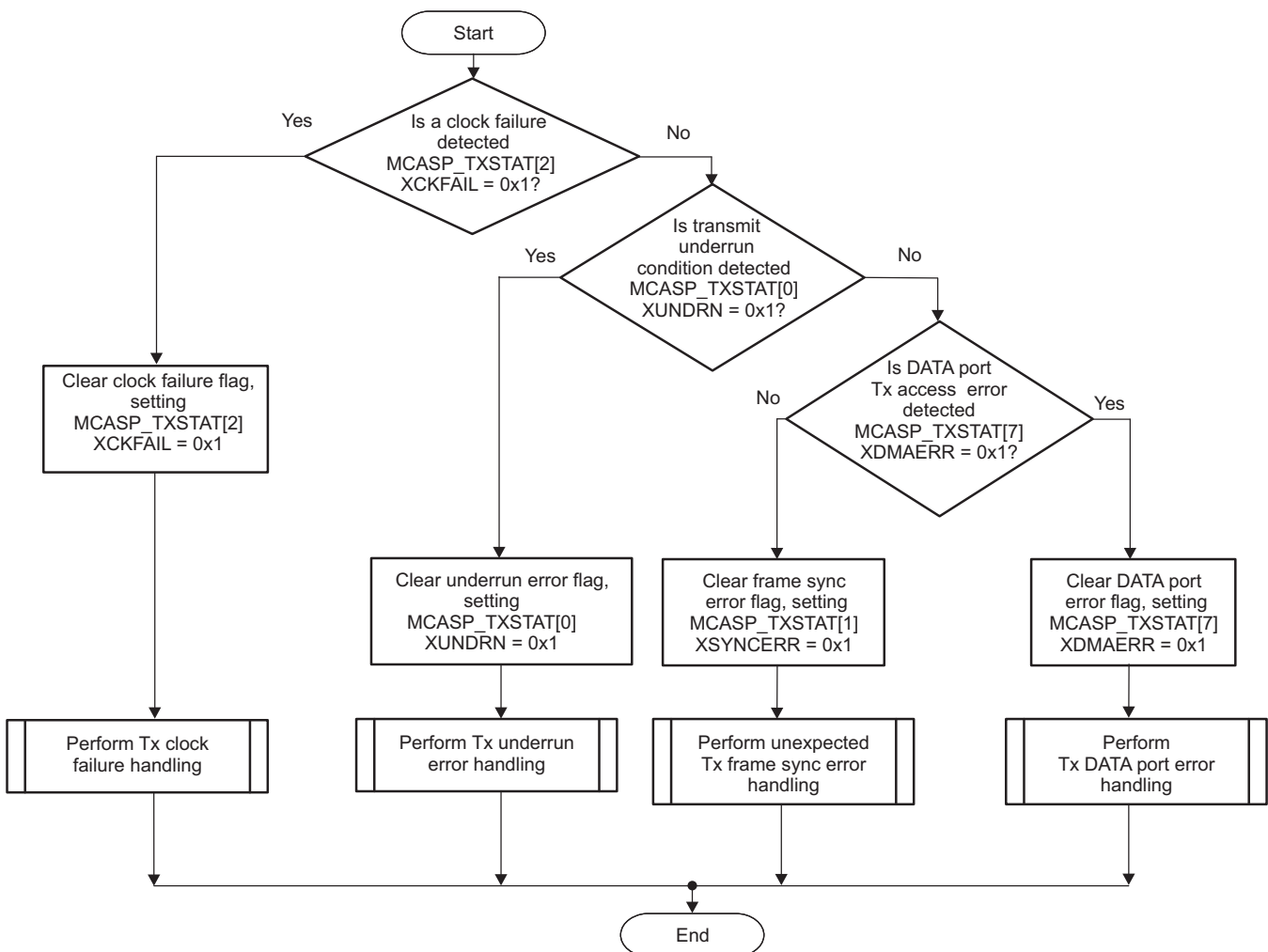
Table 24-458. Subprocess Call Summary for Receive Interrupt Events Servicing

Subprocess Name	Cross-Reference
McASP receive error handling	Figure 24-142
Start of frame handling	Section 24.6.4.12.2

24.6.5.2.3.3 Subsequence – McASP DIT-/TDM -Modes Transmit Error Handling

Figure 24-141 shows the transmit error handling schema for the McASP, which can be implemented as part of the Tx interrupt service routine or as part of the Tx polling sequence.

Figure 24-141. McASP Transmit Error Handling



mcasp-030

Table 24-459 lists the register call summary for the McASP transmit error handling.

Table 24-459. Register Call Summary for McASP Transmit Error Handling

Register Name
MCASP_TXSTAT

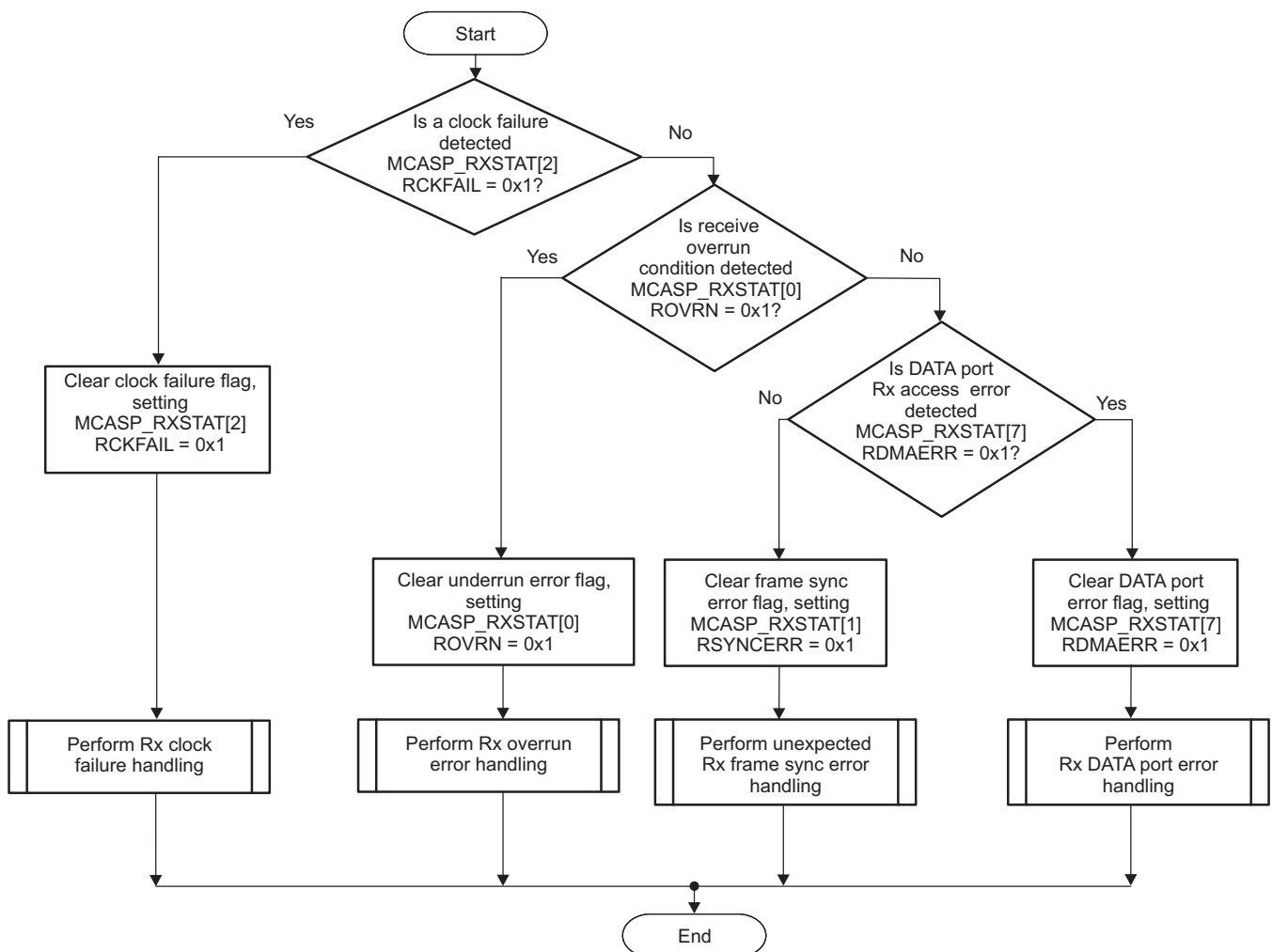
NOTE:

- For more information about transmit clock failure handling, see [Section 24.6.4.15.6.2, Transmit Clock Failure Check and Recovery.](#)
- For more information about transmit buffer underrun handling, see [Section 24.6.4.15.1, Buffer Underrun Error -Transmitter.](#)
- For more information about DATA port Tx error handling, see [Section 24.6.4.15.3, DATA Port Error - Transmitter.](#)
- For more information about unexpected Tx frame sync error handling, see [Section 24.6.4.15.5, Unexpected Frame Sync Error.](#)

24.6.5.2.3.4 Subsequence – McASP Receive Error Handling

Figure 24-142 shows the receive error handling schema for the McASP, which can ONLY be implemented as part of the Rx polling sequence.

Figure 24-142. McASP Receive Error Handling



mcasp-031

Table 24-460 lists the register call summary for the McASP receive error handling.

Table 24-460. Register Call Summary for McASP Receive Error Handling

Register Name
MCASP_RXSTAT

NOTE:

- For more information about receive clock failure handling, see [Section 24.6.4.15.6.3](#), *Receive Clock Failure Check and Recovery*.
- For more information about receive buffer overrun handling, see [Section 24.6.4.15.2](#), *Buffer Overrun Error - Receiver*.
- For more information about DATA port Rx error handling, see [Section 24.6.4.15.4](#), *DATA Port Error - Receiver*.
- For more information about unexpected Rx frame sync error handling, see [Section 24.6.4.15.5](#), *Unexpected Frame Sync Error*.

24.6.6 McASP Register Manual

24.6.6.1 McASP Instance Summary

Table 24-461 summarizes the McASP instances.

Table 24-461. McASP Instance Summary

Module Name	Base Address L3_MAIN Interconnect	Base Address L4_PER2 Interconnect	Size
MCASP1_CFG	-	0x4846 0000	4 KiB
MCASP2_CFG	-	0x4846 4000	4 KiB
MCASP3_CFG	-	0x4846 8000	4 KiB
MCASP4_CFG	-	0x4846 C000	4 KiB
MCASP5_CFG	-	0x4847 0000	4 KiB
MCASP6_CFG	-	0x4847 4000	4 KiB
MCASP7_CFG	-	0x4847 8000	4 KiB
MCASP8_CFG	-	0x4847 C000	4 KiB
MCASP1_AFIFO	-	0x4846 1000	4 KiB
MCASP2_AFIFO	-	0x4846 5000	4 KiB
MCASP3_AFIFO	-	0x4846 9000	4 KiB
MCASP4_AFIFO	-	0x4846 D000	4 KiB
MCASP5_AFIFO	-	0x4847 1000	4 KiB
MCASP6_AFIFO	-	0x4847 5000	4 KiB
MCASP7_AFIFO	-	0x4847 9000	4 KiB
MCASP8_AFIFO	-	0x4847 D000	4 KiB
MCASP1_DAT	0x4580 0000	-	4MB
MCASP2_DAT	0x45C0 0000	-	4MB
MCASP3_DAT	0x4600 0000	-	4MB
MCASP4_DAT	-	0x4843 6000	4 KiB
MCASP5_DAT	-	0x4843 A000	4 KiB
MCASP6_DAT	-	0x4844 C000	4 KiB
MCASP7_DAT	-	0x4845 0000	4 KiB
MCASP8_DAT	-	0x4845 4000	4 KiB

24.6.6.2 McASP Registers

24.6.6.2.1 MCASP_CFG Register Summary

Table 24-462 to Table 24-465 summarize the MCASP_CFG register mapping.

Table 24-462. MCASP_CFG Register Summary 1

Register Name	Type	Register Width (Bits)	Address Offset	MCASP1_CFG L4_PER2 Physical Address
MCASP_PID	R	32	0x0000 0000	0x4846 0000
PWRIDLESYSCONFIG	RW	32	0x0000 0004	0x4846 0004
MCASP_PFUNC	RW	32	0x0000 0010	0x4846 0010
MCASP_PDIR	RW	32	0x0000 0014	0x4846 0014
MCASP_PDOUT	RW	32	0x0000 0018	0x4846 0018
MCASP_PDIN	R	32	0x0000 001C	0x4846 001C
MCASP_PDSET	W	32	0x0000 001C	0x4846 001C
MCASP_PDCLR	RW	32	0x0000 0020	0x4846 0020

Table 24-462. MCASP_CFG Register Summary 1 (continued)

Register Name	Type	Register Width (Bits)	Address Offset	MCASP1_CFG L4_PER2 Physical Address
RESERVED	RW	32	0x0000 0030	0x4846 0030
RESERVED	RW	32	0x0000 0034	0x4846 0034
RESERVED	RW	32	0x0000 0038	0x4846 0038
MCASP_GBLCTL	RW	32	0x0000 0044	0x4846 0044
MCASP_AMUTE	RW	32	0x0000 0048	0x4846 0048
MCASP_LBCTL	RW	32	0x0000 004C	0x4846 004C
MCASP_TXDITCTL	RW	32	0x0000 0050	0x4846 0050
MCASP_GBLCTLR	RW	32	0x0000 0060	0x4846 0060
MCASP_RXMASK	RW	32	0x0000 0064	0x4846 0064
MCASP_RXFMT	RW	32	0x0000 0068	0x4846 0068
MCASP_RXFMCTL	RW	32	0x0000 006C	0x4846 006C
MCASP_ACLKRCTL	RW	32	0x0000 0070	0x4846 0070
MCASP_AHCLKRCTL	RW	32	0x0000 0074	0x4846 0074
MCASP_RXTDM	RW	32	0x0000 0078	0x4846 0078
MCASP_EVTCLR	RW	32	0x0000 007C	0x4846 007C
MCASP_RXSTAT	RW	32	0x0000 0080	0x4846 0080
MCASP_RXTDMSLOT	R	32	0x0000 0084	0x4846 0084
MCASP_RXCLKCHK	RW	32	0x0000 0088	0x4846 0088
MCASP_REVTCTL	RW	32	0x0000 008C	0x4846 008C
MCASP_GBLCTLX	RW	32	0x0000 00A0	0x4846 00A0
MCASP_TXMASK	RW	32	0x0000 00A4	0x4846 00A4
MCASP_TXFMT	RW	32	0x0000 00A8	0x4846 00A8
MCASP_TXFMCTL	RW	32	0x0000 00AC	0x4846 00AC
MCASP_ACLKXCTL	RW	32	0x0000 00B0	0x4846 00B0
MCASP_AHCLKXCTL	RW	32	0x0000 00B4	0x4846 00B4
MCASP_TXTDM	RW	32	0x0000 00B8	0x4846 00B8
MCASP_EVTCTLX	RW	32	0x0000 00BC	0x4846 00BC
MCASP_TXSTAT	RW	32	0x0000 00C0	0x4846 00C0
MCASP_TXTDMSLOT	R	32	0x0000 00C4	0x4846 00C4
MCASP_TXCLKCHK	RW	32	0x0000 00C8	0x4846 00C8
MCASP_XEVTCTL	RW	32	0x0000 00CC	0x4846 00CC
MCASP_CLKADJEN	RW	32	0x0000 00D0	0x4846 00D0
MCASP_DITCSR <i>a</i> ⁽¹⁾	RW	32	0x0000 0100 + (0x4*i)	0x4846 0100 + (0x4*i)
MCASP_DITCSR <i>b</i> ⁽¹⁾	RW	32	0x0000 0118 + (0x4*i)	0x4846 0118 + (0x4*i)
MCASP_DITUDR <i>a</i> ⁽¹⁾	RW	32	0x0000 0130 + (0x4*i)	0x4846 0130 + (0x4*i)
MCASP_DITUDR <i>b</i> ⁽¹⁾	RW	32	0x0000 0148 + (0x4*i)	0x4846 0148 + (0x4*i)
MCASP_XRSRCTL <i>n</i> ⁽²⁾	RW	32	0x0000 0180 + (0x4*n)	0x4846 0180 + (0x4*n)
MCASP_TXBUF <i>n</i> ⁽²⁾	RW	32	0x0000 0200 + (0x4*n)	0x4846 0200 + (0x4*n)
MCASP_RXBUF <i>n</i> ⁽²⁾	RW	32	0x0000 0280 + (0x4*n)	0x4846 0280 + (0x4*n)

⁽¹⁾ i = 0 to 5

⁽²⁾ n = 0 to 15

Table 24-463. MCASP_CFG Register Summary 2

Register Name	Type	Register Width (Bits)	Address Offset	MCASP2_CFG L4_PER2 Physical Address
MCASP_PID	R	32	0x0000 0000	0x4846 4000
PWRIDLESYSCONFIG	RW	32	0x0000 0004	0x4846 4004

Table 24-463. MCASP_CFG Register Summary 2 (continued)

Register Name	Type	Register Width (Bits)	Address Offset	MCASP2_CFG L4_PER2 Physical Address
MCASP_PFUNC	RW	32	0x0000 0010	0x4846 4010
MCASP_PDIR	RW	32	0x0000 0014	0x4846 4014
MCASP_PDOUT	RW	32	0x0000 0018	0x4846 4018
MCASP_PDIN	R	32	0x0000 001C	0x4846 401C
MCASP_PDSET	W	32	0x0000 001C	0x4846 401C
MCASP_PDCLR	RW	32	0x0000 0020	0x4846 4020
RESERVED	RW	32	0x0000 0030	0x4846 4030
RESERVED	RW	32	0x0000 0034	0x4846 4034
RESERVED	RW	32	0x0000 0038	0x4846 4038
MCASP_GBLCTL	RW	32	0x0000 0044	0x4846 4044
MCASP_AMUTE	RW	32	0x0000 0048	0x4846 4048
MCASP_LBCTL	RW	32	0x0000 004C	0x4846 404C
MCASP_TXDITCTL	RW	32	0x0000 0050	0x4846 4050
MCASP_GBLCTLR	RW	32	0x0000 0060	0x4846 4060
MCASP_RXMASK	RW	32	0x0000 0064	0x4846 4064
MCASP_RXFMT	RW	32	0x0000 0068	0x4846 4068
MCASP_RXFMCTL	RW	32	0x0000 006C	0x4846 406C
MCASP_ACLKRCTL	RW	32	0x0000 0070	0x4846 4070
MCASP_AHCLKRCTL	RW	32	0x0000 0074	0x4846 4074
MCASP_RXTDM	RW	32	0x0000 0078	0x4846 4078
MCASP_EVTCLR	RW	32	0x0000 007C	0x4846 407C
MCASP_RXSTAT	RW	32	0x0000 0080	0x4846 4080
MCASP_RXTDMSLOT	R	32	0x0000 0084	0x4846 4084
MCASP_RXCLKCHK	RW	32	0x0000 0088	0x4846 4088
MCASP_REVTCTL	RW	32	0x0000 008C	0x4846 408C
MCASP_GBLCTLX	RW	32	0x0000 00A0	0x4846 40A0
MCASP_TXMASK	RW	32	0x0000 00A4	0x4846 40A4
MCASP_TXFMT	RW	32	0x0000 00A8	0x4846 40A8
MCASP_TXFMCTL	RW	32	0x0000 00AC	0x4846 40AC
MCASP_ACLKXCTL	RW	32	0x0000 00B0	0x4846 40B0
MCASP_AHCLKXCTL	RW	32	0x0000 00B4	0x4846 40B4
MCASP_TXTDM	RW	32	0x0000 00B8	0x4846 40B8
MCASP_EVTCTLX	RW	32	0x0000 00BC	0x4846 40BC
MCASP_TXSTAT	RW	32	0x0000 00C0	0x4846 40C0
MCASP_TXTDMSLOT	R	32	0x0000 00C4	0x4846 40C4
MCASP_TXCLKCHK	RW	32	0x0000 00C8	0x4846 40C8
MCASP_XEVTCTL	RW	32	0x0000 00CC	0x4846 40CC
MCASP_CLKADJEN	RW	32	0x0000 00D0	0x4846 40D0
MCASP_DITCSR <i>A</i> ⁽¹⁾	RW	32	0x0000 0100 + (0x4* <i>i</i>)	0x4846 4100 + (0x4* <i>i</i>)
MCASP_DITCSR <i>B</i> ⁽¹⁾	RW	32	0x0000 0118 + (0x4* <i>i</i>)	0x4846 4118 + (0x4* <i>i</i>)
MCASP_DITUDR <i>A</i> ⁽¹⁾	RW	32	0x0000 0130 + (0x4* <i>i</i>)	0x4846 4130 + (0x4* <i>i</i>)
MCASP_DITUDR <i>B</i> ⁽¹⁾	RW	32	0x0000 0148 + (0x4* <i>i</i>)	0x4846 4148 + (0x4* <i>i</i>)
MCASP_XRSRCTL <i>n</i> ⁽²⁾	RW	32	0x0000 0180 + (0x4* <i>n</i>)	0x4846 4180 + (0x4* <i>n</i>)
MCASP_TXBUF <i>n</i> ⁽²⁾	RW	32	0x0000 0200 + (0x4* <i>n</i>)	0x4846 4200 + (0x4* <i>n</i>)
MCASP_RXBUF <i>n</i> ⁽²⁾	RW	32	0x0000 0280 + (0x4* <i>n</i>)	0x4846 4280 + (0x4* <i>n</i>)

(1) *i* = 0 to 5(2) *n* = 0 to 15

Table 24-464. MCASP_CFG Register Summary 3

Register Name	Type	Register Width (Bits)	Address Offset	MCASP3_CFG L4_PER2 Physical Address	MCASP4_CFG L4_PER2 Physical Address	MCASP5_CFG L4_PER2 Physical Address
MCASP_PID	R	32	0x0000 0000	0x4846 8000	0x4846 C000	0x4847 0000
PWRIDLESYSCONFIG	RW	32	0x0000 0004	0x4846 8004	0x4846 C004	0x4847 0004
MCASP_PFUNC	RW	32	0x0000 0010	0x4846 8010	0x4846 C010	0x4847 0010
MCASP_PDIR	RW	32	0x0000 0014	0x4846 8014	0x4846 C014	0x4847 0014
MCASP_PDOUT	RW	32	0x0000 0018	0x4846 8018	0x4846 C018	0x4847 0018
MCASP_PDIN	R	32	0x0000 001C	0x4846 801C	0x4846 C01C	0x4847 001C
MCASP_PDSET	W	32	0x0000 001C	0x4846 801C	0x4846 C01C	0x4847 001C
MCASP_PDCLR	RW	32	0x0000 0020	0x4846 8020	0x4846 C020	0x4847 0020
RESERVED	RW	32	0x0000 0030	0x4846 8030	0x4846 C030	0x4847 0030
RESERVED	RW	32	0x0000 0034	0x4846 8034	0x4846 C034	0x4847 0034
RESERVED	RW	32	0x0000 0038	0x4846 8038	0x4846 C038	0x4847 0038
MCASP_GBLCTL	RW	32	0x0000 0044	0x4846 8044	0x4846 C044	0x4847 0044
MCASP_AMUTE	RW	32	0x0000 0048	0x4846 8048	0x4846 C048	0x4847 0048
MCASP_LBCTL	RW	32	0x0000 004C	0x4846 804C	0x4846 C04C	0x4847 004C
MCASP_TXDITCTL	RW	32	0x0000 0050	0x4846 8050	0x4846 C050	0x4847 0050
MCASP_GBLCTLR	RW	32	0x0000 0060	0x4846 8060	0x4846 C060	0x4847 0060
MCASP_RXMASK	RW	32	0x0000 0064	0x4846 8064	0x4846 C064	0x4847 0064
MCASP_RXFMT	RW	32	0x0000 0068	0x4846 8068	0x4846 C068	0x4847 0068
MCASP_RXFMCTL	RW	32	0x0000 006C	0x4846 806C	0x4846 C06C	0x4847 006C
MCASP_ACLKRCTL	RW	32	0x0000 0070	0x4846 8070	0x4846 C070	0x4847 0070
MCASP_AHCLKRCTL	RW	32	0x0000 0074	0x4846 8074	0x4846 C074	0x4847 0074
MCASP_RXTDM	RW	32	0x0000 0078	0x4846 8078	0x4846 C078	0x4847 0078
MCASP_EVTCTLR	RW	32	0x0000 007C	0x4846 807C	0x4846 C07C	0x4847 007C
MCASP_RXSTAT	RW	32	0x0000 0080	0x4846 8080	0x4846 C080	0x4847 0080
MCASP_RXTDMSLOT	R	32	0x0000 0084	0x4846 8084	0x4846 C084	0x4847 0084
MCASP_RXCLKCHK	RW	32	0x0000 0088	0x4846 8088	0x4846 C088	0x4847 0088
MCASP_REVTCTL	RW	32	0x0000 008C	0x4846 808C	0x4846 C08C	0x4847 008C
MCASP_GBLCTLX	RW	32	0x0000 00A0	0x4846 80A0	0x4846 C0A0	0x4847 00A0
MCASP_TXMASK	RW	32	0x0000 00A4	0x4846 80A4	0x4846 C0A4	0x4847 00A4
MCASP_TXFMT	RW	32	0x0000 00A8	0x4846 80A8	0x4846 C0A8	0x4847 00A8
MCASP_TXFMCTL	RW	32	0x0000 00AC	0x4846 80AC	0x4846 C0AC	0x4847 00AC
MCASP_ACLKXCTL	RW	32	0x0000 00B0	0x4846 80B0	0x4846 C0B0	0x4847 00B0
MCASP_AHCLKXCTL	RW	32	0x0000 00B4	0x4846 80B4	0x4846 C0B4	0x4847 00B4
MCASP_TXTDM	RW	32	0x0000 00B8	0x4846 80B8	0x4846 C0B8	0x4847 00B8
MCASP_EVTCTLX	RW	32	0x0000 00BC	0x4846 80BC	0x4846 C0BC	0x4847 00BC
MCASP_TXSTAT	RW	32	0x0000 00C0	0x4846 80C0	0x4846 C0C0	0x4847 00C0
MCASP_TXTDMSLOT	R	32	0x0000 00C4	0x4846 80C4	0x4846 C0C4	0x4847 00C4
MCASP_TXCLKCHK	RW	32	0x0000 00C8	0x4846 80C8	0x4846 C0C8	0x4847 00C8
MCASP_XEVTCTL	RW	32	0x0000 00CC	0x4846 80CC	0x4846 C0CC	0x4847 00CC
MCASP_CLKADJEN	RW	32	0x0000 00D0	0x4846 80D0	0x4846 C0D0	0x4847 00D0
MCASP_DITCSRAi ⁽¹⁾	RW	32	0x0000 0100 + (0x4*i)	0x4846 8100 + (0x4*i)	0x4846 C100 + (0x4*i)	0x4847 0100 + (0x4*i)
MCASP_DITCSRBi ⁽¹⁾	RW	32	0x0000 0118 + (0x4*i)	0x4846 8118 + (0x4*i)	0x4846 C118 + (0x4*i)	0x4847 0118 + (0x4*i)
MCASP_DITUDRAi ⁽¹⁾	RW	32	0x0000 0130 + (0x4*i)	0x4846 8130 + (0x4*i)	0x4846 C130 + (0x4*i)	0x4847 0130 + (0x4*i)

⁽¹⁾ i = 0 to 5

Table 24-464. MCASP_CFG Register Summary 3 (continued)

Register Name	Type	Register Width (Bits)	Address Offset	MCASP3_CFG L4_PER2 Physical Address	MCASP4_CFG L4_PER2 Physical Address	MCASP5_CFG L4_PER2 Physical Address
MCASP_DITUDRbi ⁽¹⁾	RW	32	0x0000 0148 + (0x4*i)	0x4846 8148 + (0x4*i)	0x4846 C148 + (0x4*i)	0x4847 0148 + (0x4*i)
MCASP_XRSRCTLn ⁽²⁾	RW	32	0x0000 0180 + (0x4*n)	0x4846 8180 + (0x4*n)	0x4846 C180 + (0x4*n)	0x4847 0180 + (0x4*n)
MCASP_TXBUFn ⁽²⁾	RW	32	0x0000 0200 + (0x4*n)	0x4846 8200 + (0x4*n)	0x4846 C200 + (0x4*n)	0x4847 0200 + (0x4*n)
MCASP_RXBUFn ⁽²⁾	RW	32	0x0000 0280 + (0x4*n)	0x4846 8280 + (0x4*n)	0x4846 C280 + (0x4*n)	0x4847 0280 + (0x4*n)

⁽²⁾ n = 0 to 15**Table 24-465. MCASP_CFG Register Summary 4**

Register Name	Type	Register Width (Bits)	Address Offset	MCASP6_CFG L4_PER2 Physical Address	MCASP7_CFG L4_PER2 Physical Address	MCASP8_CFG L4_PER2 Physical Address
MCASP_PID	R	32	0x0000 0000	0x4847 4000	0x4847 8000	0x4847 C000
PWRIDLESYSCONFIG	RW	32	0x0000 0004	0x4847 4004	0x4847 8004	0x4847 C004
MCASP_PFUNC	RW	32	0x0000 0010	0x4847 4010	0x4847 8010	0x4847 C010
MCASP_PDIR	RW	32	0x0000 0014	0x4847 4014	0x4847 8014	0x4847 C014
MCASP_PDOUT	RW	32	0x0000 0018	0x4847 4018	0x4847 8018	0x4847 C018
MCASP_PDIN	R	32	0x0000 001C	0x4847 401C	0x4847 801C	0x4847 C01C
MCASP_PDSET	W	32	0x0000 001C	0x4847 401C	0x4847 801C	0x4847 C01C
MCASP_PDCLR	RW	32	0x0000 0020	0x4847 4020	0x4847 8020	0x4847 C020
RESERVED	RW	32	0x0000 0030	0x4847 4030	0x4847 8030	0x4847 C030
RESERVED	RW	32	0x0000 0034	0x4847 4034	0x4847 8034	0x4847 C034
RESERVED	RW	32	0x0000 0038	0x4847 4038	0x4847 8038	0x4847 C038
MCASP_GBLCTL	RW	32	0x0000 0044	0x4847 4044	0x4847 8044	0x4847 C044
MCASP_AMUTE	RW	32	0x0000 0048	0x4847 4048	0x4847 8048	0x4847 C048
MCASP_LBCTL	RW	32	0x0000 004C	0x4847 404C	0x4847 804C	0x4847 C04C
MCASP_TXDITCTL	RW	32	0x0000 0050	0x4847 4050	0x4847 8050	0x4847 C050
MCASP_GBLCTLR	RW	32	0x0000 0060	0x4847 4060	0x4847 8060	0x4847 C060
MCASP_RXMASK	RW	32	0x0000 0064	0x4847 4064	0x4847 8064	0x4847 C064
MCASP_RXFMT	RW	32	0x0000 0068	0x4847 4068	0x4847 8068	0x4847 C068
MCASP_RXFMCTL	RW	32	0x0000 006C	0x4847 406C	0x4847 806C	0x4847 C06C
MCASP_ACLKRCTL	RW	32	0x0000 0070	0x4847 4070	0x4847 8070	0x4847 C070
MCASP_AHCLKRCTL	RW	32	0x0000 0074	0x4847 4074	0x4847 8074	0x4847 C074
MCASP_RXTDM	RW	32	0x0000 0078	0x4847 4078	0x4847 8078	0x4847 C078
MCASP_EVTCLR	RW	32	0x0000 007C	0x4847 407C	0x4847 807C	0x4847 C07C
MCASP_RXSTAT	RW	32	0x0000 0080	0x4847 4080	0x4847 8080	0x4847 C080
MCASP_RXTDMSLOT	R	32	0x0000 0084	0x4847 4084	0x4847 8084	0x4847 C084
MCASP_RXCLKCHK	RW	32	0x0000 0088	0x4847 4088	0x4847 8088	0x4847 C088
MCASP_REVTCTL	RW	32	0x0000 008C	0x4847 408C	0x4847 808C	0x4847 C08C
MCASP_GBLCTLX	RW	32	0x0000 00A0	0x4847 40A0	0x4847 80A0	0x4847 C0A0
MCASP_TXMASK	RW	32	0x0000 00A4	0x4847 40A4	0x4847 80A4	0x4847 C0A4
MCASP_TXFMT	RW	32	0x0000 00A8	0x4847 40A8	0x4847 80A8	0x4847 C0A8
MCASP_TXFMCTL	RW	32	0x0000 00AC	0x4847 40AC	0x4847 80AC	0x4847 C0AC
MCASP_ACLKXCTL	RW	32	0x0000 00B0	0x4847 40B0	0x4847 80B0	0x4847 C0B0
MCASP_AHCLKXCTL	RW	32	0x0000 00B4	0x4847 40B4	0x4847 80B4	0x4847 C0B4

Table 24-465. MCASP_CFG Register Summary 4 (continued)

Register Name	Type	Register Width (Bits)	Address Offset	MCASP6_CFG L4_PER2 Physical Address	MCASP7_CFG L4_PER2 Physical Address	MCASP8_CFG L4_PER2 Physical Address
MCASP_TXTDM	RW	32	0x0000 00B8	0x4847 40B8	0x4847 80B8	0x4847 C0B8
MCASP_EVTCTLX	RW	32	0x0000 00BC	0x4847 40BC	0x4847 80BC	0x4847 C0BC
MCASP_TXSTAT	RW	32	0x0000 00C0	0x4847 40C0	0x4847 80C0	0x4847 C0C0
MCASP_TXTDMSLOT	R	32	0x0000 00C4	0x4847 40C4	0x4847 80C4	0x4847 C0C4
MCASP_TXCLKCHK	RW	32	0x0000 00C8	0x4847 40C8	0x4847 80C8	0x4847 C0C8
MCASP_XEVTCTL	RW	32	0x0000 00CC	0x4847 40CC	0x4847 80CC	0x4847 C0CC
MCASP_CLKADJEN	RW	32	0x0000 00D0	0x4847 40D0	0x4847 80D0	0x4847 C0D0
MCASP_DITCSRAi ⁽¹⁾	RW	32	0x0000 0100 + (0x4*i)	0x4847 4100 + (0x4*i)	0x4847 8100 + (0x4*i)	0x4847 C100 + (0x4*i)
MCASP_DITCSRBi ⁽¹⁾	RW	32	0x0000 0118 + (0x4*i)	0x4847 4118 + (0x4*i)	0x4847 8118 + (0x4*i)	0x4847 C118 + (0x4*i)
MCASP_DITUDRAi ⁽¹⁾	RW	32	0x0000 0130 + (0x4*i)	0x4847 4130 + (0x4*i)	0x4847 8130 + (0x4*i)	0x4847 C130 + (0x4*i)
MCASP_DITUDRBi ⁽¹⁾	RW	32	0x0000 0148 + (0x4*i)	0x4847 4148 + (0x4*i)	0x4847 8148 + (0x4*i)	0x4847 C148 + (0x4*i)
MCASP_XRSRCTLn ⁽²⁾	RW	32	0x0000 0180 + (0x4*n)	0x4847 4180 + (0x4*n)	0x4847 8180 + (0x4*n)	0x4847 C180 + (0x4*n)
MCASP_TXBUF _n ⁽²⁾	RW	32	0x0000 0200 + (0x4*n)	0x4847 4200 + (0x4*n)	0x4847 8200 + (0x4*n)	0x4847 C200 + (0x4*n)
MCASP_RXBUF _n ⁽²⁾	RW	32	0x0000 0280 + (0x4*n)	0x4847 4280 + (0x4*n)	0x4847 8280 + (0x4*n)	0x4847 C280 + (0x4*n)

⁽¹⁾ i = 0 to 5

⁽²⁾ n = 0 to 15

NOTE: The address locations listed in [Table 24-462](#) to [Table 24-465](#), *MCASP_CFG Register Mapping Summary*, are relevant for accessing:

- All McASP configuration registers
 - [MCASP_TXBUF_n](#) registers
 - [MCASP_RXBUF_n](#) registers
- through the McASP peripheral configuration (CFG) port.

The [MCASP_TXFMT](#)[3] XBUSEL bit must be set to 0b1, to allow CFG port write accesses to the McASP XRBUF_n buffer. The [MCASP_RXFMT](#)[3] RBUSEL bit must be set to 0b1, to allow CFG port read accesses to the McASP XRBUF_n buffer.

24.6.6.2.2 MCASP_CFG Register Description

The tables below describe the individual MCASP_CFG register bits.

NOTE: For all of the below described registers the indexes n and N are applying to serializers (not slots).

Register descriptions cover the superset McASP (16 serializers and all signals pinned out). For the particular McASP instantiation, please refer to [Section 24.6.2](#), *McASP Environment*, and [Section 24.6.3](#), *McASP Integration*.

Table 24-466. MCASP_PID

Address Offset	0x0000 0000		
Physical Address	0x4846 0000 0x4846 4000 0x4846 8000 0x4846 C000 0x4847 0000 0x4847 4000 0x4847 8000 0x4847 C000	Instance	MCASP1_CFG_PER2_L4 MCASP2_CFG_PER2_L4 MCASP3_CFG_PER2_L4 MCASP4_CFG_PER2_L4 MCASP5_CFG_PER2_L4 MCASP6_CFG_PER2_L4 MCASP7_CFG_PER2_L4 MCASP8_CFG_PER2_L4
Description	Peripheral identification register		
Type	R		

31	30	29	28	27	26	25	24	23	22	21	20	19	18	17	16	15	14	13	12	11	10	9	8	7	6	5	4	3	2	1	0
SCHEME		RESV		FUNCTION												RTL				REVMAJOR	CUSTOM		REVMINOR								

Bits	Field Name	Description	Type	Reset
31:30	SCHEME	Scheme. Distinguishes between old scheme and current.	R	0x1
29:28	RESV	Reserved.	R	0x0
27:16	FUNCTION	McASP. Indicates a software-compatible module family.	R	0x430
15:11	RTL	RTL version.	R	0x1
10:8	REVMAJOR	Major revision number.	R	0x0
7:6	CUSTOM	Non-custom. Indicates a special version for a given device.	R	0x0
5:0	REVMINOR	Minor revision number.	R	0x0

Table 24-467. Register Call Summary for Register MCASP_PID

Multichannel Audio Serial Port

- [MCASP_CFG Register Summary: \[0\]\[1\]\[2\]\[3\]](#)

Table 24-468. PWRIDLESYSCONFIG

Address Offset	0x0000 0004		
Physical Address	0x4846 0004 0x4846 4004 0x4846 8004 0x4846 C004 0x4847 0004 0x4847 4004 0x4847 8004 0x4847 C004	Instance	MCASP1_CFG_PER2_L4 MCASP2_CFG_PER2_L4 MCASP3_CFG_PER2_L4 MCASP4_CFG_PER2_L4 MCASP5_CFG_PER2_L4 MCASP6_CFG_PER2_L4 MCASP7_CFG_PER2_L4 MCASP8_CFG_PER2_L4
Description	Power idle module configuration register.		
Type	RW		

31	30	29	28	27	26	25	24	23	22	21	20	19	18	17	16	15	14	13	12	11	10	9	8	7	6	5	4	3	2	1	0
RESERVED																								OTHER			IDLE_MODE				

Bits	Field Name	Description	Type	Reset
31:6	RESERVED	Reserved	R	0x0000000
5:2	OTHER	Reserved for future expansion	RW	0x0
1:0	IDLE_MODE	0x0: Force-idle mode 0x1: No-idle mode 0x2: Smart-idle mode - default state 0x3: Reserved	RW	0x2

Table 24-469. Register Call Summary for Register PWRIDLESYSCONFIG

Multichannel Audio Serial Port

- [McASP Power Management: \[0\]\[1\]\[2\]](#)
- [McASP Global Initialization: \[3\]\[4\]\[5\]](#)
- [MCASP_CFG Register Summary: \[6\]\[7\]\[8\]\[9\]](#)

Table 24-470. MCASP_PFUNC

Address Offset	0x0000 0010		
Physical Address	0x4846 0010 0x4846 4010 0x4846 8010 0x4846 C010 0x4847 0010 0x4847 4010 0x4847 8010 0x4847 C010	Instance	MCASP1_CFG_PER2_L4 MCASP2_CFG_PER2_L4 MCASP3_CFG_PER2_L4 MCASP4_CFG_PER2_L4 MCASP5_CFG_PER2_L4 MCASP6_CFG_PER2_L4 MCASP7_CFG_PER2_L4 MCASP8_CFG_PER2_L4
Description	Specifies the function of the pins as either a McASP pin or a GPIO pin. Some register bits might not be functional for all McASP instances, due to corresponding McASP pin not being pinned out on a particular device part number. Refer to device-specific DM for more information on the supported McASP features.		
Type	RW		

31	30	29	28	27	26	25	24	23	22	21	20	19	18	17	16	15	14	13	12	11	10	9	8	7	6	5	4	3	2	1	0
AFSR	RESERVED	ACLKR	AFSX	AHCLKX	ACLKX	RESERVED										AXR15	AXR14	AXR13	AXR12	AXR11	AXR10	AXR9	AXR8	AXR7	AXR6	AXR5	AXR4	AXR3	AXR2	AXR1	AXR0

Bits	Field Name	Description	Type	Reset
31	AFSR	Determines if AFSR pin functions as McASP or GPIO. 0x0: Pin functions as McASP pin 0x1: Pin functions as GIO pin	RW	0
30	RESERVED	Reserved	RW	0
29	ACLKR	Determines if ACLKR pin functions as McASP or GPIO. 0x0: Pin functions as McASP pin 0x1: Pin functions as GIO pin	RW	0
28	AFSX	Determines if AFSX pin functions as McASP or GPIO. 0x0: Pin functions as McASP pin 0x1: Pin functions as GIO pin	RW	0
27	AHCLKX	Determines if AHCLKX pin functions as McASP or GPIO. 0x0: Pin functions as McASP pin 0x1: Pin functions as GIO pin	RW	0
26	ACLKX	Determines if ACLKX pin functions as McASP or GPIO. 0x0: Pin functions as McASP pin 0x1: Pin functions as GIO pin	RW	0

Bits	Field Name	Description	Type	Reset
25:16	RESERVED	Reserved	RW	0x000
15	AXR15	Determines if AXR15 pin functions as McASP or GPIO. 0x0: Pin functions as McASP pin 0x1: Pin functions as GIO pin	RW	0
14	AXR14	Determines if AXR14 pin functions as McASP or GPIO. 0x0: Pin functions as McASP pin 0x1: Pin functions as GIO pin	RW	0
13	AXR13	Determines if AXR13 pin functions as McASP or GPIO. 0x0: Pin functions as McASP pin 0x1: Pin functions as GIO pin	RW	0
12	AXR12	Determines if AXR12 pin functions as McASP or GPIO. 0x0: Pin functions as McASP pin 0x1: Pin functions as GIO pin	RW	0
11	AXR11	Determines if AXR11 pin functions as McASP or GPIO. 0x0: Pin functions as McASP pin 0x1: Pin functions as GIO pin	RW	0
10	AXR10	Determines if AXR10 pin functions as McASP or GPIO. 0x0: Pin functions as McASP pin 0x1: Pin functions as GIO pin	RW	0
9	AXR9	Determines if AXR9 pin functions as McASP or GPIO. 0x0: Pin functions as McASP pin 0x1: Pin functions as GIO pin	RW	0
8	AXR8	Determines if AXR8 pin functions as McASP or GPIO. 0x0: Pin functions as McASP pin 0x1: Pin functions as GIO pin	RW	0
7	AXR7	Determines if AXR7 pin functions as McASP or GPIO. 0x0: Pin functions as McASP pin 0x1: Pin functions as GIO pin	RW	0
6	AXR6	Determines if AXR6 pin functions as McASP or GPIO. 0x0: Pin functions as McASP pin 0x1: Pin functions as GIO pin	RW	0
5	AXR5	Determines if AXR5 pin functions as McASP or GPIO. 0x0: Pin functions as McASP pin 0x1: Pin functions as GIO pin	RW	0
4	AXR4	Determines if AXR4 pin functions as McASP or GPIO. 0x0: Pin functions as McASP pin 0x1: Pin functions as GIO pin	RW	0
3	AXR3	Determines if AXR3 pin functions as McASP or GPIO. 0x0: Pin functions as McASP pin 0x1: Pin functions as GIO pin	RW	0
2	AXR2	Determines if AXR2 pin functions as McASP or GPIO. 0x0: Pin functions as McASP pin 0x1: Pin functions as GIO pin	RW	0
1	AXR1	Determines if AXR1 pin functions as McASP or GPIO. 0x0: Pin functions as McASP pin 0x1: Pin functions as GIO pin	RW	0
0	AXR0	Determines if AXR0 pin functions as McASP or GPIO. 0x0: Pin functions as McASP pin 0x1: Pin functions as GIO pin	RW	0

Table 24-471. Register Call Summary for Register MCASP_PFUNC

Multichannel Audio Serial Port

- Burst Transfer Mode: [0]
- Time-Division Multiplexed (TDM) Transfer Mode: [1]
- DIT Transfer Mode: [2]
- Loopback Modes: [3][4][5]
- McASP Global Initialization: [6][7][8]
- MCASP_CFG Register Summary: [9][10][11][12]
- MCASP_CFG Register Description: [13][14][15][16][17][18][19][20][21][22][23][24][25][26][27][28][29][30][31][32][33][34][35][36][37][38][39][40]

Table 24-472. MCASP_PDIR

Address Offset	0x0000 0014	Instance	MCASP1_CFG_PER2_L4
Physical Address	0x4846 0014		MCASP2_CFG_PER2_L4
	0x4846 4014		MCASP3_CFG_PER2_L4
	0x4846 8014		MCASP4_CFG_PER2_L4
	0x4846 C014		MCASP5_CFG_PER2_L4
	0x4847 0014		MCASP6_CFG_PER2_L4
	0x4847 4014		MCASP7_CFG_PER2_L4
	0x4847 8014		MCASP8_CFG_PER2_L4
	0x4847 C014		
Description	Pin direction register - specifies the direction of the McASP pins as either an input or an output pin. Some register bits might not be functional for all McASP instances, due to corresponding McASP pin not being pinned out on a particular device part number. Refer to device-specific DM for more information on the supported McASP features.		
Type	RW		

31	30	29	28	27	26	25	24	23	22	21	20	19	18	17	16	15	14	13	12	11	10	9	8	7	6	5	4	3	2	1	0
AFSR	RESERVED	ACLKR	AFSX	AHCLKX	ACLKX	RESERVED										AXR15	AXR14	AXR13	AXR12	AXR11	AXR10	AXR9	AXR8	AXR7	AXR6	AXR5	AXR4	AXR3	AXR2	AXR1	AXR0

Bits	Field Name	Description	Type	Reset
31	AFSR	Determines if AFSR pin functions as an input or output. 0x0: Input 0x1: Output	RW	0
30	RESERVED	Reserved	RW	0
29	ACLKR	Determines if ACLKR pin functions as an input or output. 0x0: Input 0x1: Output	RW	0
28	AFSX	Determines if AFSX pin functions as an input or output. 0x0: Input 0x1: Output	RW	0
27	AHCLKX	Determines if AHCLKX pin functions as an input or output. 0x0: Input 0x1: Output	RW	0
26	ACLKX	Determines if ACLKX pin functions as an input or output. 0x0: Input 0x1: Output	RW	0
25:16	RESERVED	Reserved	RW	0x000

Bits	Field Name	Description	Type	Reset
15	AXR15	Determines if AXR15 pin functions as an input or output. 0x0: Input 0x1: Output	RW	0
14	AXR14	Determines if AXR14 pin functions as an input or output. 0x0: Input 0x1: Output	RW	0
13	AXR13	Determines if AXR13 pin functions as an input or output. 0x0: Input 0x1: Output	RW	0
12	AXR12	Determines if AXR12 pin functions as an input or output. 0x0: Input 0x1: Output	RW	0
11	AXR11	Determines if AXR11 pin functions as an input or output. 0x0: Input 0x1: Output	RW	0
10	AXR10	Determines if AXR10 pin functions as an input or output. 0x0: Input 0x1: Output	RW	0
9	AXR9	Determines if AXR9 pin functions as an input or output. 0x0: Input 0x1: Output	RW	0
8	AXR8	Determines if AXR8 pin functions as an input or output. 0x0: Input 0x1: Output	RW	0
7	AXR7	Determines if AXR7 pin functions as an input or output. 0x0: Input 0x1: Output	RW	0
6	AXR6	Determines if AXR6 pin functions as an input or output. 0x0: Input 0x1: Output	RW	0
5	AXR5	Determines if AXR5 pin functions as an input or output. 0x0: Input 0x1: Output	RW	0
4	AXR4	Determines if AXR4 pin functions as an input or output. 0x0: Input 0x1: Output	RW	0
3	AXR3	Determines if AXR3 pin functions as an input or output. 0x0: Input 0x1: Output	RW	0
2	AXR2	Determines if AXR2 pin functions as an input or output. 0x0: Input 0x1: Output	RW	0
1	AXR1	Determines if AXR1 pin functions as an input or output. 0x0: Input 0x1: Output	RW	0
0	AXR0	Determines if AXR0 pin functions as an input or output. 0x0: Input 0x1: Output	RW	0

Table 24-473. Register Call Summary for Register MCASP_PDIR

Multichannel Audio Serial Port

- [McASP Signals: \[0\]](#)
- [Burst Transfer Mode: \[1\]](#)
- [Time-Division Multiplexed \(TDM\) Transfer Mode: \[2\]](#)
- [DIT Transfer Mode: \[3\]](#)
- [Loopback Modes: \[4\]\[5\]\[6\]](#)
- [McASP Global Initialization: \[7\]\[8\]\[9\]\[10\]\[11\]\[12\]\[13\]\[14\]\[15\]\[16\]\[17\]\[18\]\[19\]\[20\]\[21\]\[22\]\[23\]\[24\]\[25\]\[26\]\[27\]](#)
- [MCASP_CFG Register Summary: \[28\]\[29\]\[30\]\[31\]](#)
- [MCASP_CFG Register Description: \[32\]\[33\]\[34\]\[35\]\[36\]\[37\]\[38\]\[39\]\[40\]\[41\]\[42\]\[43\]\[44\]\[45\]\[46\]\[47\]\[48\]\[49\]\[50\]\[51\]\[52\]\[53\]\[54\]\[55\]\[56\]\[57\]\[58\]\[59\]](#)

Table 24-474. MCASP_PDOUT

Address Offset	0x0000 0018		
Physical Address	0x4846 0018 0x4846 4018 0x4846 8018 0x4846 C018 0x4847 0018 0x4847 4018 0x4847 8018 0x4847 C018	Instance	MCASP1_CFG_PER2_L4 MCASP2_CFG_PER2_L4 MCASP3_CFG_PER2_L4 MCASP4_CFG_PER2_L4 MCASP5_CFG_PER2_L4 MCASP6_CFG_PER2_L4 MCASP7_CFG_PER2_L4 MCASP8_CFG_PER2_L4
Description	<p>Pin data output register - holds a value for data out at all times, and may be read back at all times. The value held by MCASP_PDOUT is not affected by writing to MCASP_PDIR and MCASP_PFUNC. However, the data value in MCASP_PDOUT is driven out onto the McASP pin only if the corresponding bit in MCASP_PFUNC is set to 1 (GPIO function) and the corresponding bit in MCASP_PDIR is set to 1 (output).</p> <p>When reading data, it returns the corresponding bit value in MCASP_PDOUT[n]; it does not return the input from the I/O pin.</p> <p>When writing data, writes to the corresponding MCASP_PDOUT[n] bit.</p> <p>PDOUT has these aliases or alternate addresses:</p> <ul style="list-style-type: none"> • MCASP_PDSET - when written to at this address, writing a 1 to a bit in MCASP_PDSET sets the corresponding bit in MCASP_PDOUT to 1; writing a 0 has no effect and keeps the bits in MCASP_PDOUT unchanged. • MCASP_PDCLR - when written to at this address, writing a 1 to a bit in MCASP_PDCLR clears the corresponding bit in MCASP_PDOUT to 0; writing a 0 has no effect and keeps the bits in MCASP_PDOUT unchanged <p>There is only one set of data-out bits, MCASP_PDOUT[31:0]. The other registers, MCASP_PDSET and MCASP_PDCLR, are just different addresses for the same control bits, with different behaviors during writes.</p> <p>Some register bits might not be functional for all McASP instances, due to corresponding McASP pin not being pinned out on a particular device part number. Refer to device-specific DM for more information on the supported McASP features.</p>		
Type	RW		

31	30	29	28	27	26	25	24	23	22	21	20	19	18	17	16	15	14	13	12	11	10	9	8	7	6	5	4	3	2	1	0
AFSR	AHCLKR	ACLKR	AFSX	AHCLKX	ACLKX	RESERVED										AXR15	AXR14	AXR13	AXR12	AXR11	AXR10	AXR9	AXR8	AXR7	AXR6	AXR5	AXR4	AXR3	AXR2	AXR1	AXR0

Bits	Field Name	Description	Type	Reset
31	AFSR	Determines drive on AFSR output pin when the corresponding MCASP_PFUNC[31] and MCASP_PDIR[31] bits are set to 1. 0x0: The pin drives low. 0x1: The pin drives high.	RW	0
30	AHCLKR	Determines drive on AHCLKR output pin when the corresponding MCASP_PFUNC[30] and MCASP_PDIR[30] bits are set to 1. 0x0: The pin drives low. 0x1: The pin drives high.	RW	0

Bits	Field Name	Description	Type	Reset
29	ACLKR	Determines drive on ACLKR output pin when the corresponding MCASP_PFUNC[29] and MCASP_PDIR[29] bits are set to 1 0x0: The pin drives low. 0x1: The pin drives high.	RW	0
28	AFSX	Determines drive on AFSX output pin when the corresponding MCASP_PFUNC[28] and MCASP_PDIR[28] bits are set to 1. 0x0: The pin drives low. 0x1: The pin drives high.	RW	0
27	AHCLKX	Determines drive on AHCLKX output pin when the corresponding MCASP_PFUNC[27] and MCASP_PDIR[27] bits are set to 1. 0x0: The pin drives low. 0x1: The pin drives high.	RW	0
26	ACLKX	Determines drive on ACLKX output pin when the corresponding MCASP_PFUNC[26] and MCASP_PDIR[26] bits are set to 1 0x0: The pin drives low. 0x1: The pin drives high.	RW	0
25:16	RESERVED	Reserved	RW	0x000
15	AXR15	Determines drive on AXR15 output pin when the corresponding MCASP_PFUNC[15] and MCASP_PDIR[15] bits are set to 1. 0x0: The pin drives low. 0x1: The pin drives high.	RW	0
14	AXR14	Determines drive on AXR14 output pin when the corresponding MCASP_PFUNC[14] and MCASP_PDIR[14] bits are set to 1. 0x0: The pin drives low. 0x1: The pin drives high.	RW	0
13	AXR13	Determines drive on AXR13 output pin when the corresponding MCASP_PFUNC[13] and MCASP_PDIR[13] bits are set to 1. 0x0: The pin drives low. 0x1: The pin drives high.	RW	0
12	AXR12	Determines drive on AXR12 output pin when the corresponding MCASP_PFUNC[12] and MCASP_PDIR[12] bits are set to 1. 0x0: The pin drives low. 0x1: The pin drives high.	RW	0
11	AXR11	Determines drive on AXR11 output pin when the corresponding MCASP_PFUNC[11] and MCASP_PDIR[11] bits are set to 1. 0x0: The pin drives low. 0x1: The pin drives high.	RW	0
10	AXR10	Determines drive on AXR10 output pin when the corresponding MCASP_PFUNC[10] and MCASP_PDIR[10] bits are set to 1. 0x0: The pin drives low. 0x1: The pin drives high.	RW	0
9	AXR9	Determines drive on AXR9 output pin when the corresponding MCASP_PFUNC[9] and MCASP_PDIR[9] bits are set to 1. 0x0: The pin drives low. 0x1: The pin drives high.	RW	0
8	AXR8	Determines drive on AXR8 output pin when the corresponding MCASP_PFUNC[8] and MCASP_PDIR[8] bits are set to 1. 0x0: The pin drives low. 0x1: The pin drives high.	RW	0
7	AXR	Determines drive on AXR7 output pin when the corresponding MCASP_PFUNC[7] and MCASP_PDIR[7] bits are set to 1. 0x0: The pin drives low. 0x1: The pin drives high.	RW	0

Bits	Field Name	Description	Type	Reset
6	AXR6	Determines drive on AXR6 output pin when the corresponding MCASP_PFUNC[6] and MCASP_PDIR[6] bits are set to 1. 0x0: The pin drives low. 0x1: The pin drives high.	RW	0
5	AXR5	Determines drive on AXR5 output pin when the corresponding MCASP_PFUNC[5] and MCASP_PDIR[5] bits are set to 1. 0x0: The pin drives low. 0x1: The pin drives high.	RW	0
4	AXR4	Determines drive on AXR4 output pin when the corresponding MCASP_PFUNC[4] and MCASP_PDIR[4] bits are set to 1. 0x0: The pin drives low. 0x1: The pin drives high.	RW	0
3	AXR3	Determines drive on AXR3 output pin when the corresponding MCASP_PFUNC[3] and MCASP_PDIR[3] bits are set to 1. 0x0: The pin drives low. 0x1: The pin drives high.	RW	0
2	AXR2	Determines drive on AXR2 output pin when the corresponding MCASP_PFUNC[2] and MCASP_PDIR[2] bits are set to 1. 0x0: The pin drives low. 0x1: The pin drives high.	RW	0
1	AXR1	Determines drive on AXR1 output pin when the corresponding MCASP_PFUNC[1] and MCASP_PDIR[1] bits are set to 1. 0x0: The pin drives low. 0x1: The pin drives high.	RW	0
0	AXR0	Determines drive on AXR0 output pin when the corresponding MCASP_PFUNC[0] and MCASP_PDIR[0] bits are set to 1. 0x0: The pin drives low. 0x1: The pin drives high.	RW	0

Table 24-475. Register Call Summary for Register MCASP_PDOUT

Multichannel Audio Serial Port

- [Burst Transfer Mode: \[0\]](#)
- [Time-Division Multiplexed \(TDM\) Transfer Mode: \[1\]](#)
- [MCASP_CFG Register Summary: \[2\]\[3\]\[4\]\[5\]](#)
- [MCASP_CFG Register Description: \[6\]\[7\]\[8\]\[9\]\[10\]\[11\]\[12\]\[13\]\[14\]\[15\]\[16\]\[17\]\[18\]\[19\]\[20\]\[21\]\[22\]\[23\]\[24\]\[25\]\[26\]\[27\]\[28\]\[29\]\[30\]\[31\]\[32\]\[33\]\[34\]\[35\]\[36\]\[37\]\[38\]\[39\]\[40\]\[41\]\[42\]\[43\]\[44\]\[45\]\[46\]\[47\]\[48\]\[49\]\[50\]\[51\]\[52\]\[53\]\[54\]\[55\]\[56\]\[57\]\[58\]\[59\]\[60\]\[61\]\[62\]\[63\]\[64\]\[65\]\[66\]\[67\]\[68\]\[69\]\[70\]\[71\]\[72\]\[73\]\[74\]\[75\]\[76\]\[77\]\[78\]\[79\]\[80\]\[81\]\[82\]\[83\]\[84\]\[85\]\[86\]\[87\]\[88\]\[89\]\[90\]\[91\]\[92\]\[93\]\[94\]\[95\]\[96\]\[97\]\[98\]\[99\]\[100\]\[101\]\[102\]](#)

Table 24-476. MCASP_PDIN

Address Offset	0x0000 001C		
Physical Address	0x4846 001C 0x4846 401C 0x4846 801C 0x4846 C01C 0x4847 001C 0x4847 401C 0x4847 801C 0x4847 C01C	Instance	MCASP1_CFG_PER2_L4 MCASP2_CFG_PER2_L4 MCASP3_CFG_PER2_L4 MCASP4_CFG_PER2_L4 MCASP5_CFG_PER2_L4 MCASP6_CFG_PER2_L4 MCASP7_CFG_PER2_L4 MCASP8_CFG_PER2_L4
Description	Pin data input register - holds the state of all the McASP pins. MCASP_PDIN allows reading the actual value of the pin, regardless of the state of MCASP_PFUNC and MCASP_PDIR . Some register bits might not be functional for all McASP instances, due to corresponding McASP pin not being pinned out on a particular device part number. Refer to device-specific DM for more information on the supported McASP features.		
Type	R		

31	30	29	28	27	26	25	24	23	22	21	20	19	18	17	16	15	14	13	12	11	10	9	8	7	6	5	4	3	2	1	0
AFSR	RESERVED	ACLKR	AFSX	AHCLKX	ACLKX	RESERVED										AXR15	AXR14	AXR13	AXR12	AXR11	AXR10	AXR9	AXR8	AXR7	AXR6	AXR5	AXR4	AXR3	AXR2	AXR1	AXR0

Bits	Field Name	Description	Type	Reset
31	AFSR	Logic level on AFSR pin 0x0: Pin is logic low. 0x1: Pin is logic high.	R	0
30	RESERVED	Reserved	R	0
29	ACLKR	Logic level on ACLKR pin 0x0: Pin is logic low. 0x1: Pin is logic high.	R	0
28	AFSX	Logic level on AFSX pin 0x0: Pin is logic low. 0x1: Pin is logic high.	R	0
27	AHCLKX	Logic level on AHCLKX pin 0x0: Pin is logic low. 0x1: Pin is logic high.	R	0
26	ACLKX	Logic level on ACLKX pin 0x0: Pin is logic low. 0x1: Pin is logic high.	R	0
25:16	RESERVED	Reserved	R	0x000
15	AXR15	Logic level on AXR15 pin 0x0: Pin is logic low. 0x1: Pin is logic high.	R	0
14	AXR14	Logic level on AXR14 pin 0x0: Pin is logic low. 0x1: Pin is logic high.	R	0
13	AXR13	Logic level on AXR13 pin 0x0: Pin is logic low. 0x1: Pin is logic high.	R	0
12	AXR12	Logic level on AXR12 pin 0x0: Pin is logic low. 0x1: Pin is logic high.	R	0

Bits	Field Name	Description	Type	Reset
11	AXR11	Logic level on AXR11 pin 0x0: Pin is logic low. 0x1: Pin is logic high.	R	0
10	AXR10	Logic level on AXR10 pin 0x0: Pin is logic low. 0x1: Pin is logic high.	R	0
9	AXR9	Logic level on AXR9 pin 0x0: Pin is logic low. 0x1: Pin is logic high.	R	0
8	AXR8	Logic level on AXR8 pin 0x0: Pin is logic low. 0x1: Pin is logic high.	R	0
7	AXR7	Logic level on AXR7 pin 0x0: Pin is logic low. 0x1: Pin is logic high.	R	0
6	AXR6	Logic level on AXR6 pin 0x0: Pin is logic low. 0x1: Pin is logic high.	R	0
5	AXR5	Logic level on AXR5 pin 0x0: Pin is logic low. 0x1: Pin is logic high.	R	0
4	AXR4	Logic level on AXR4 pin 0x0: Pin is logic low. 0x1: Pin is logic high.	R	0
3	AXR3	Logic level on AXR3 pin 0x0: Pin is logic low. 0x1: Pin is logic high.	R	0
2	AXR2	Logic level on AXR2 pin 0x0: Pin is logic low. 0x1: Pin is logic high.	R	0
1	AXR1	Logic level on AXR1 pin 0x0: Pin is logic low. 0x1: Pin is logic high.	R	0
0	AXR0	Logic level on AXR0 pin 0x0: Pin is logic low. 0x1: Pin is logic high.	R	0

Table 24-477. Register Call Summary for Register MCASP_PDIN

Multichannel Audio Serial Port

- [Burst Transfer Mode: \[0\]](#)
- [Time-Division Multiplexed \(TDM\) Transfer Mode: \[1\]](#)
- [MCASP_CFG Register Summary: \[2\]\[3\]\[4\]\[5\]](#)
- [MCASP_CFG Register Description: \[6\]](#)

Table 24-478. MCASP_PDSET

Address Offset	0x0000 001C		
Physical Address	0x4846 001C 0x4846 401C 0x4846 801C 0x4846 C01C 0x4847 001C 0x4847 401C 0x4847 801C 0x4847 C01C	Instance	MCASP1_CFG_PER2_L4 MCASP2_CFG_PER2_L4 MCASP3_CFG_PER2_L4 MCASP4_CFG_PER2_L4 MCASP5_CFG_PER2_L4 MCASP6_CFG_PER2_L4 MCASP7_CFG_PER2_L4 MCASP8_CFG_PER2_L4
Description	<p>The pin data set register is an alias of the pin data output register (MCASP_PDOUT) for writes only. Writing a 1 to the MCASP_PDSET bit sets the corresponding bit in MCASP_PDOUT and, if MCASP_PFUNC = 1 (GPIO function) and MCASP_PDIR = 1 (output), drives a logic high on the pin.</p> <p>Some register bits might not be functional for all McASP instances, due to corresponding McASP pin not being pinned out on a particular device part number. Refer to device-specific DM for more information on the supported McASP features.</p>		
Type	W		

31	30	29	28	27	26	25	24	23	22	21	20	19	18	17	16	15	14	13	12	11	10	9	8	7	6	5	4	3	2	1	0
AFSR	RESERVED	ACLKR	AFSX	AHCLKX	ACLKX	RESERVED										AXR15	AXR14	AXR13	AXR12	AXR11	AXR10	AXR9	AXR8	AXR7	AXR6	AXR5	AXR4	AXR3	AXR2	AXR1	AXR0

Bits	Field Name	Description	Type	Reset
31	AFSR	Allows the corresponding AFSR bit in MCASP_PDOUT to be set to a logic high without affecting other I/O pins controlled by the same port. 0x0: No effect 0x1: MCASP_PDOUT [31] bit is set to 1.	W	0
30	RESERVED	Reserved	W	0
29	ACLKR	Allows the corresponding ACLKR bit in MCASP_PDOUT to be set to a logic high without affecting other I/O pins controlled by the same port. 0x0: No effect 0x1: MCASP_PDOUT [29] bit is set to 1.	W	0
28	AFSX	Allows the corresponding AFSX bit in MCASP_PDOUT to be set to a logic high without affecting other I/O pins controlled by the same port. 0x0: No effect 0x1: MCASP_PDOUT [28] bit is set to 1.	W	0
27	AHCLKX	Allows the corresponding AHCLKX bit in MCASP_PDOUT to be set to a logic high without affecting other I/O pins controlled by the same port. 0x0: No effect 0x1: MCASP_PDOUT [27] bit is set to 1.	W	0
26	ACLKX	Allows the corresponding ACLKX bit in MCASP_PDOUT to be set to a logic high without affecting other I/O pins controlled by the same port. 0x0: No effect 0x1: MCASP_PDOUT [26] bit is set to 1.	W	0
25:16	RESERVED	Reserved	W	0x000
15	AXR15	Allows the AXR15 bit in MCASP_PDOUT to be set to a logic high without affecting other I/O pins controlled by the same port. 0x0: No effect 0x1: MCASP_PDOUT [15] bit is set to 1.	W	0
14	AXR14	Allows the AXR14 bit in MCASP_PDOUT to be set to a logic high without affecting other I/O pins controlled by the same port. 0x0: No effect 0x1: MCASP_PDOUT [14] bit is set to 1.	W	0

Bits	Field Name	Description	Type	Reset
13	AXR13	Allows the AXR13 bit in MCASP_PDOUT to be set to a logic high without affecting other I/O pins controlled by the same port. 0x0: No effect 0x1: MCASP_PDOUT [13] bit is set to 1.	W	0
12	AXR12	Allows the AXR12 bit in MCASP_PDOUT to be set to a logic high without affecting other I/O pins controlled by the same port. 0x0: No effect 0x1: MCASP_PDOUT [12] bit is set to 1.	W	0
11	AXR11	Allows the AXR11 bit in MCASP_PDOUT to be set to a logic high without affecting other I/O pins controlled by the same port. 0x0: No effect 0x1: MCASP_PDOUT [11] bit is set to 1.	W	0
10	AXR10	Allows the AXR10 bit in MCASP_PDOUT to be set to a logic high without affecting other I/O pins controlled by the same port. 0x0: No effect 0x1: MCASP_PDOUT [10] bit is set to 1.	W	0
9	AXR9	Allows the AXR9 bit in MCASP_PDOUT to be set to a logic high without affecting other I/O pins controlled by the same port. 0x0: No effect 0x1: MCASP_PDOUT [9] bit is set to 1.	W	0
8	AXR8	Allows the AXR8 bit in MCASP_PDOUT to be set to a logic high without affecting other I/O pins controlled by the same port. 0x0: No effect 0x1: MCASP_PDOUT [8] bit is set to 1.	W	0
7	AXR7	Allows the AXR7 bit in MCASP_PDOUT to be set to a logic high without affecting other I/O pins controlled by the same port. 0x0: No effect 0x1: MCASP_PDOUT [7] bit is set to 1.	W	0
6	AXR6	Allows the AXR6 bit in MCASP_PDOUT to be set to a logic high without affecting other I/O pins controlled by the same port. 0x0: No effect 0x1: MCASP_PDOUT [6] bit is set to 1.	W	0
5	AXR5	Allows the AXR5 bit in MCASP_PDOUT to be set to a logic high without affecting other I/O pins controlled by the same port. 0x0: No effect 0x1: MCASP_PDOUT [5] bit is set to 1.	W	0
4	AXR4	Allows the AXR4 bit in MCASP_PDOUT to be set to a logic high without affecting other I/O pins controlled by the same port. 0x0: No effect 0x1: MCASP_PDOUT [4] bit is set to 1.	W	0
3	AXR3	Allows the AXR3 bit in MCASP_PDOUT to be set to a logic high without affecting other I/O pins controlled by the same port. 0x0: No effect 0x1: MCASP_PDOUT [3] bit is set to 1.	W	0
2	AXR2	Allows the AXR2 bit in MCASP_PDOUT to be set to a logic high without affecting other I/O pins controlled by the same port. 0x0: No effect 0x1: MCASP_PDOUT [2] bit is set to 1.	W	0
1	AXR1	Allows the AXR1 bit in MCASP_PDOUT to be set to a logic high without affecting other I/O pins controlled by the same port. 0x0: No effect 0x1: MCASP_PDOUT [1] bit is set to 1.	W	0

Bits	Field Name	Description	Type	Reset
0	AXR0	Allows the AXR0 bit in MCASP_PDOUT to be set to a logic high without affecting other I/O pins controlled by the same port. 0x0: No effect 0x1: MCASP_PDOUT [0] bit is set to 1.	W	0

Table 24-479. Register Call Summary for Register MCASP_PDSET

Multichannel Audio Serial Port

- [Burst Transfer Mode: \[0\]](#)
- [Time-Division Multiplexed \(TDM\) Transfer Mode: \[1\]](#)
- [MCASP_CFG Register Summary: \[2\]\[3\]\[4\]\[5\]](#)
- [MCASP_CFG Register Description: \[6\]\[7\]\[8\]\[9\]](#)

Table 24-480. MCASP_PDCLR

Address Offset	0x0000 0020		
Physical Address	0x4846 0020 0x4846 4020 0x4846 8020 0x4846 C020 0x4847 0020 0x4847 4020 0x4847 8020 0x4847 C020	Instance	MCASP1_CFG_PER2_L4 MCASP2_CFG_PER2_L4 MCASP3_CFG_PER2_L4 MCASP4_CFG_PER2_L4 MCASP5_CFG_PER2_L4 MCASP6_CFG_PER2_L4 MCASP7_CFG_PER2_L4 MCASP8_CFG_PER2_L4
Description	The pin data clear register is an alias of the pin data output register (MCASP_PDOUT) for writes only. Writing a 1 to the MCASP_PDCLR bit clears the corresponding bit in MCASP_PDOUT and, if MCASP_PFUNC = 1 (GPIO function) and MCASP_PDIR = 1 (output), drives a logic low on the pin. Some register bits might not be functional for all McASP instances, due to corresponding McASP pin not being pinned out on a particular device part number. Refer to device-specific DM for more information on the supported McASP features.		
Type	RW		

31	30	29	28	27	26	25	24	23	22	21	20	19	18	17	16	15	14	13	12	11	10	9	8	7	6	5	4	3	2	1	0
AFSR	RESERVED	ACLKR	AFSX	AHCLKX	ACLKX	RESERVED										AXR15	AXR14	AXR13	AXR12	AXR11	AXR10	AXR9	AXR8	AXR7	AXR6	AXR5	AXR4	AXR3	AXR2	AXR1	AXR0

Bits	Field Name	Description	Type	Reset
31	AFSR	Allows the corresponding AFSR bit in MCASP_PDOUT to be cleared to a logic low without affecting other I/O pins controlled by the same port. 0x0: No effect 0x1: MCASP_PDOUT [31] bit is cleared to 0.	RW	0
30	RESERVED	Reserved	RW	0
29	ACLKR	Allows the corresponding ACLKR bit in MCASP_PDOUT to be cleared to a logic low without affecting other I/O pins controlled by the same port. 0x0: No effect 0x1: MCASP_PDOUT [29] bit is cleared to 0.	RW	0
28	AFSX	Allows the corresponding AFSX bit in MCASP_PDOUT to be cleared to a logic low without affecting other I/O pins controlled by the same port. 0x0: No effect 0x1: MCASP_PDOUT [28] bit is cleared to 0.	RW	0

Bits	Field Name	Description	Type	Reset
27	AHCLKX	Allows the corresponding AHCLKX bit in MCASP_PDOUT to be cleared to a logic low without affecting other I/O pins controlled by the same port. 0x0: No effect 0x1: MCASP_PDOUT[27] bit is cleared to 0.	RW	0
26	ACLKX	Allows the corresponding ACLKX bit in MCASP_PDOUT to be cleared to a logic low without affecting other I/O pins controlled by the same port. 0x0: No effect 0x1: MCASP_PDOUT[26] bit is cleared to 0.	RW	0
25:16	RESERVED	Reserved	RW	0x000
15	AXR15	Allows the AXR15 bit in MCASP_PDOUT to be cleared to a logic low without affecting other I/O pins controlled by the same port. 0x0: No effect 0x1: MCASP_PDOUT[15] bit is cleared to 0.	RW	0
14	AXR14	Allows the AXR14 bit in MCASP_PDOUT to be cleared to a logic low without affecting other I/O pins controlled by the same port. 0x0: No effect 0x1: MCASP_PDOUT[14] bit is cleared to 0.	RW	0
13	AXR13	Allows the AXR13 bit in MCASP_PDOUT to be cleared to a logic low without affecting other I/O pins controlled by the same port. 0x0: No effect 0x1: MCASP_PDOUT[13] bit is cleared to 0.	RW	0
12	AXR12	Allows the AXR12 bit in MCASP_PDOUT to be cleared to a logic low without affecting other I/O pins controlled by the same port. 0x0: No effect 0x1: MCASP_PDOUT[12] bit is cleared to 0.	RW	0
11	AXR11	Allows the AXR11 bit in MCASP_PDOUT to be cleared to a logic low without affecting other I/O pins controlled by the same port. 0x0: No effect 0x1: MCASP_PDOUT[11] bit is cleared to 0.	RW	0
10	AXR10	Allows the AXR10 bit in MCASP_PDOUT to be cleared to a logic low without affecting other I/O pins controlled by the same port. 0x0: No effect 0x1: MCASP_PDOUT[10] bit is cleared to 0.	RW	0
9	AXR9	Allows the AXR9 bit in MCASP_PDOUT to be cleared to a logic low without affecting other I/O pins controlled by the same port. 0x0: No effect 0x1: MCASP_PDOUT[9] bit is cleared to 0.	RW	0
8	AXR8	Allows the AXR8 bit in MCASP_PDOUT to be cleared to a logic low without affecting other I/O pins controlled by the same port. 0x0: No effect 0x1: MCASP_PDOUT[8] bit is cleared to 0.	RW	0
7	AXR7	Allows the AXR7 bit in MCASP_PDOUT to be cleared to a logic low without affecting other I/O pins controlled by the same port. 0x0: No effect 0x1: MCASP_PDOUT[7] bit is cleared to 0.	RW	0
6	AXR6	Allows the AXR6 bit in MCASP_PDOUT to be cleared to a logic low without affecting other I/O pins controlled by the same port. 0x0: No effect 0x1: MCASP_PDOUT[6] bit is cleared to 0.	RW	0

Bits	Field Name	Description	Type	Reset
5	AXR5	Allows the AXR5 bit in MCASP_PDOUT to be cleared to a logic low without affecting other I/O pins controlled by the same port. 0x0: No effect 0x1: MCASP_PDOUT[5] bit is cleared to 0.	RW	0
4	AXR4	Allows the AXR4 bit in MCASP_PDOUT to be cleared to a logic low without affecting other I/O pins controlled by the same port. 0x0: No effect 0x1: MCASP_PDOUT[4] bit is cleared to 0.	RW	0
3	AXR3	Allows the AXR3 bit in MCASP_PDOUT to be cleared to a logic low without affecting other I/O pins controlled by the same port. 0x0: No effect 0x1: MCASP_PDOUT[3] bit is cleared to 0.	RW	0
2	AXR2	Allows the AXR2 bit in MCASP_PDOUT to be cleared to a logic low without affecting other I/O pins controlled by the same port. 0x0: No effect 0x1: MCASP_PDOUT[2] bit is cleared to 0.	RW	0
1	AXR1	Allows the AXR1 bit in MCASP_PDOUT to be cleared to a logic low without affecting other I/O pins controlled by the same port. 0x0: No effect 0x1: MCASP_PDOUT[1] bit is cleared to 0.	RW	0
0	AXR0	Allows the AXR0 bit in MCASP_PDOUT to be cleared to a logic low without affecting other I/O pins controlled by the same port. 0x0: No effect 0x1: MCASP_PDOUT[0] bit is cleared to 0.	RW	0

Table 24-481. Register Call Summary for Register MCASP_PDCLR

Multichannel Audio Serial Port

- [Burst Transfer Mode: \[0\]](#)
- [Time-Division Multiplexed \(TDM\) Transfer Mode: \[1\]](#)
- [MCASP_CFG Register Summary: \[2\]\[3\]\[4\]\[5\]](#)
- [MCASP_CFG Register Description: \[6\]\[7\]\[8\]\[9\]](#)

Table 24-482. MCASP_GBLCTL

Address Offset	0x0000 0044		
Physical Address	0x4846 0044 0x4846 4044 0x4846 8044 0x4846 C044 0x4847 0044 0x4847 4044 0x4847 8044 0x4847 C044	Instance	MCASP1_CFG_PER2_L4 MCASP2_CFG_PER2_L4 MCASP3_CFG_PER2_L4 MCASP4_CFG_PER2_L4 MCASP5_CFG_PER2_L4 MCASP6_CFG_PER2_L4 MCASP7_CFG_PER2_L4 MCASP8_CFG_PER2_L4
Description	Global transmit control register - provides initialization of the transmit and receive sections. The bit fields in MCASP_GBLCTL are synchronized and latched by the transmitter and receiver corresponding clocks - ACLKX (bits [12:8]) and ACLKR (bits [4:0]), respectively. Before programming MCASP_GBLCTL , ensure that the serial clocks are running. If the corresponding external serial clocks - ACLKX and ACLKR , are not yet running, select the internal serial clock source in AHCLKXCTL , AHCLKRCTL , ACLKXCTL and ACLKRCTL before programming the MCASP_GBLCTL . Also, after programming any bits in MCASP_GBLCTL , do not proceed until reading back from MCASP_GBLCTL and verifying that the bits in MCASP_GBLCTL are latched.		
Type	RW		

31	30	29	28	27	26	25	24	23	22	21	20	19	18	17	16	15	14	13	12	11	10	9	8	7	6	5	4	3	2	1	0
RESERVED																			XFRST	XSMRST	XSRCLR	XHCLKRST	XCLKRST	RESERVED			RFRST	RSMRST	RSRCLR	RHCLKRST	RCLKRST

Bits	Field Name	Description	Type	Reset
31:13	RESERVED	Reserved	RW	0x00000
12	XFRST	Transmit frame-sync generator reset enable bit 0x0: The transmit frame-sync generator is reset. 0x1: The transmit frame-sync generator is active. When released from reset, the transmit frame-sync generator begins counting serial clocks and generating frame sync as programmed.	RW	0
11	XSMRST	Transmit state-machine reset enable bit 0x0: The transmit state-machine is held in reset. AXR[n] pin state: If MCASP_PFUNC [n] = 0 and MCASP_PDIR [n] = 1, the corresponding serializer [n] drives the AXR[n] pin to the state specified for inactive time slot. 0x1: The transmit state-machine is released from reset. When released from reset, the transmit state-machine immediately transfers data from XBUF[n] to XRSR[n]. The transmit state-machine sets the underrun flag (XUNDRN) in MCASP_XSTAT, if XBUF[n] have not been preloaded with data before reset is released. The transmit state-machine also immediately begins detecting frame sync and is ready to transmit. Transmission of TDM time slot begins at slot 0 after reset is released.	RW	0
10	XSRCLR	Transmit serializer clear enable bit. By clearing and then setting this bit, the transmit buffer is flushed to an empty state (XDATA = 1). If XSMRST = 1, XSRCLR = 1, XDATA = 1, and XBUF is not loaded with new data before the start of the next active time slot, an underrun occurs. 0x0: The transmit serializer is cleared. 0x1: The transmit serializer is active. When the transmit serializer is first taken out of reset (XSRCLR changes from 0 to 1), the transmit data ready bit (XDATA) in MCASP_XSTAT is set to indicate XBUF is ready to be written.	RW	0
9	XHCLKRST	Transmit high-frequency clock divider reset enable bit 0x0: The transmitter high-frequency clock divider is held in reset and passes through its input as divide-by-1. 0x1: The transmitter high-frequency clock divider is running.	RW	0

Bits	Field Name	Description	Type	Reset
8	XCLKRST	Transmit clock divider reset enable bit 0x0: The transmit clock divider is held in reset. When the clock divider is in reset, it passes through a divide-by-1 of its input. 0x1: The transmit clock divider is running.	RW	0
7:5	RESERVED	Reserved	RW	0x0
4	RFRST	Receive frame sync generator reset enable bit. 0x0: Receive frame sync generator is reset. 0x1: Receive frame sync generator is active. When released from reset, the receive frame sync generator begins counting serial clocks and generating frame sync as programmed.	RW	0
3	RSMRST	Receive state machine reset enable bit. 0x0: Receive state machine is held in reset. 0x1: Receive state machine is released from reset. When released from reset, the receive state machine immediately begins detecting frame sync and is ready to receive. Receive TDM time slot begins at slot 0 after reset is released.	RW	0
2	RSRCLR	Receive serializer clear enable bit. By clearing then setting this bit, the receive buffer is flushed. 0x0: Receive serializers are cleared. 0x1: Receive serializers are active.	RW	0
1	RHCLKRST	Receive high-frequency clock divider reset enable bit. 0x0: Receive high-frequency clock divider is held in reset and passes through its input as divide-by-1. 0x1: Receive high-frequency clock divider is running.	RW	0
0	RCLKRST	Receive clock divider reset enable bit. 0x0: Receive clock divider is held in reset. When the clock divider is in reset, it passes through a divide-by-1 of its input. 0x1: Receive clock divider is running.	RW	0

Table 24-483. Register Call Summary for Register MCASP_GBLCTL

Multichannel Audio Serial Port

- [McASP Software Reset: \[0\]\[1\]](#)
- [Burst Transfer Mode: \[2\]](#)
- [Time-Division Multiplexed \(TDM\) Transfer Mode: \[3\]](#)
- [DIT Transfer Mode: \[4\]](#)
- [McASP Global Initialization: \[5\]\[6\]\[7\]\[8\]\[9\]\[10\]\[11\]\[12\]\[13\]\[14\]\[15\]\[16\]\[17\]\[18\]\[19\]\[20\]\[21\]\[22\]\[23\]\[24\]\[25\]](#)
- [McASP Transmission Modes: \[26\]\[27\]](#)
- [McASP Reception Modes: \[28\]\[29\]](#)
- [MCASP_CFG Register Summary: \[30\]\[31\]\[32\]\[33\]](#)
- [MCASP_CFG Register Description: \[34\]\[35\]\[36\]\[37\]\[38\]\[39\]](#)

Table 24-484. MCASP_AMUTE

Address Offset	0x0000 0048		
Physical Address	0x4846 0048 0x4846 4048 0x4846 8048 0x4846 C048 0x4847 0048 0x4847 4048 0x4847 8048 0x4847 C048	Instance	MCASP1_CFG_PER2_L4 MCASP2_CFG_PER2_L4 MCASP3_CFG_PER2_L4 MCASP4_CFG_PER2_L4 MCASP5_CFG_PER2_L4 MCASP6_CFG_PER2_L4 MCASP7_CFG_PER2_L4 MCASP8_CFG_PER2_L4
Description	Mute control register - Controls the McASP mute output pin - AMUTE (Not implemented at device level)		
Type	RW		

31	30	29	28	27	26	25	24	23	22	21	20	19	18	17	16	15	14	13	12	11	10	9	8	7	6	5	4	3	2	1	0
RESERVED																															

Bits	Field Name	Description	Type	Reset
31:0	RESERVED	Reserved	RW	0x0000 0000

Table 24-485. Register Call Summary for Register MCASP_AMUTE

Multichannel Audio Serial Port

- [Burst Transfer Mode: \[0\]](#)
- [Time-Division Multiplexed \(TDM\) Transfer Mode: \[1\]](#)
- [DIT Transfer Mode: \[2\]](#)
- [MCASP_CFG Register Summary: \[3\]\[4\]\[5\]\[6\]](#)

Table 24-486. MCASP_LBCTL

Address Offset	0x0000 004C		
Physical Address	0x4846 004C 0x4846 404C 0x4846 804C 0x4846 C04C 0x4847 004C 0x4847 404C 0x4847 804C 0x4847 C04C	Instance	MCASP1_CFG_PER2_L4 MCASP2_CFG_PER2_L4 MCASP3_CFG_PER2_L4 MCASP4_CFG_PER2_L4 MCASP5_CFG_PER2_L4 MCASP6_CFG_PER2_L4 MCASP7_CFG_PER2_L4 MCASP8_CFG_PER2_L4
Description	The digital loopback control register (MCASP_LBCTL) controls the internal (McASP module)-level and chip-level loopback settings of the McASP in TDM mode. Note that loopback is NOT supported if McASP is configured in DIT mode.		
Type	RW		

31	30	29	28	27	26	25	24	23	22	21	20	19	18	17	16	15	14	13	12	11	10	9	8	7	6	5	4	3	2	1	0
RESERVED																												IOLBEN	MODE	ORD	DLBEN

Bits	Field Name	Description	Type	Reset
31:5	RESERVED	Reserved	RW	0x000 0000
4	IOLBEN	<p>If DLBEN=0b1, the IOLBEN bit selects between internal-level (McASP module-level) and chip I/O-level loopback modes. IOLBEN bit value is irrelevant, if DLBEN=0b0.</p> <p>0x0: McASP internal loopback mode enabled. This selects a direct loopback between corresponding McASP AXRn and AXRn+1 pins, bypassing device pad I/O buffers.</p> <p>0x1: Chip I/O-level loopback mode enabled. The McASP data is looped back through the device pad I/O buffers.</p>	RW	0
3:2	MODE	<p>Loopback generator mode bits.</p> <p>0x0: RESERVED</p> <p>0x1: MODE must be set to 0x1 when McASP operates in loopback mode (DLBEN =0b1). This is necessary to allow transmit clock and frame sync generators to be used by both transmit and receive sections.</p> <p>0x2, 0x3: Reserved</p>	RW	0x0
1	ORD	<p>Loopback order bit when loopback mode is enabled (DLBEN = 1).</p> <p>0x0: Odd serializers N + 1 transmit to even serializers N that receive. The corresponding serializers must be programmed properly.</p> <p>0x1: Even serializers N transmit to odd serializers N+1 that receive. The corresponding serializers must be programmed properly.</p>	RW	0
0	DLBEN	<p>Loop back mode enable bit.</p> <p>0x0: Loop back mode is disabled (normal McASP operation).</p> <p>0x1: Loop back is enabled (TDM mode only). Loopback type is selected in IOLBEN bit.</p>	RW	0

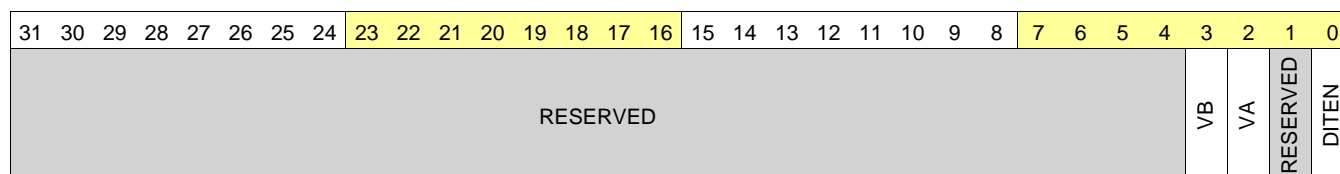
Table 24-487. Register Call Summary for Register MCASP_LBCTL

Multichannel Audio Serial Port

- [Burst Transfer Mode: \[0\]](#)
- [Time-Division Multiplexed \(TDM\) Transfer Mode: \[1\]](#)
- [Loopback Modes: \[2\]\[3\]\[4\]\[5\]\[6\]](#)
- [Loopback Mode Configurations: \[7\]\[8\]\[9\]\[10\]](#)
- [MCASP Global Initialization: \[11\]\[12\]](#)
- [MCASP_CFG Register Summary: \[13\]\[14\]\[15\]\[16\]](#)
- [MCASP_CFG Register Description: \[17\]](#)

Table 24-488. MCASP_TXDITCTL

Address Offset	0x0000 0050		
Physical Address	0x4846 0050 0x4846 4050 0x4846 8050 0x4846 C050 0x4847 0050 0x4847 4050 0x4847 8050 0x4847 C050	Instance	MCASP1_CFG_PER2_L4 MCASP2_CFG_PER2_L4 MCASP3_CFG_PER2_L4 MCASP4_CFG_PER2_L4 MCASP5_CFG_PER2_L4 MCASP6_CFG_PER2_L4 MCASP7_CFG_PER2_L4 MCASP8_CFG_PER2_L4
Description	Transmit DIT mode control register, controls DIT operations of the McASP		
Type	RW		



Bits	Field Name	Description	Type	Reset
31:4	RESERVED	Reserved	RW	0x0000000
3	VB	Valid bit for odd time slots (DIT right subframe). 0x0: V bit is 0 during odd DIT subframes. 0x1: V bit is 1 during odd DIT subframes.	RW	0
2	VA	Valid bit for even time slots (DIT left subframe). 0x0: V bit is 0 during even DIT subframes. 0x1: V bit is 1 during even DIT subframes.	RW	0
1	RESERVED	Reserved	RW	0
0	DITEN	DIT mode enable bit 0x0: DIT mode is disabled. 0x1: DIT mode is enabled. Transmitter operates in DIT encoded mode.	RW	0

Table 24-489. Register Call Summary for Register MCASP_TXDITCTL

Multichannel Audio Serial Port

- [Synchronous and Asynchronous Transmit and Receive Operations: \[0\]\[1\]](#)
- [Burst Transfer Mode: \[2\]](#)
- [Time-Division Multiplexed \(TDM\) Transfer Mode: \[3\]](#)
- [DIT Transfer Mode: \[4\]](#)
- [McASP Global Initialization: \[5\]\[6\]\[7\]\[8\]](#)
- [MCASP_CFG Register Summary: \[9\]\[10\]\[11\]\[12\]](#)

Table 24-490. MCASP_GBLCTLR

Address Offset	0x0000 0060		
Physical Address	0x4846 0060 0x4846 4060 0x4846 8060 0x4846 C060 0x4847 0060 0x4847 4060 0x4847 8060 0x4847 C060	Instance	MCASP1_CFG_PER2_L4 MCASP2_CFG_PER2_L4 MCASP3_CFG_PER2_L4 MCASP4_CFG_PER2_L4 MCASP5_CFG_PER2_L4 MCASP6_CFG_PER2_L4 MCASP7_CFG_PER2_L4 MCASP8_CFG_PER2_L4
Description	Alias of GBLCTL. When writing to this register, only the TRANSMIT bits of GBLCTL are affected (This means GBLCTL bits 8,9,10,11,12). Reads return GBLCTL		
Type	RW		

31	30	29	28	27	26	25	24	23	22	21	20	19	18	17	16	15	14	13	12	11	10	9	8	7	6	5	4	3	2	1	0
RESERVED																			XFRST	XSMRST	XSRCLR	XHCLKRST	XCLKRST	RESERVED			RFRST	RSMRST	RSRCLR	RHCLKRST	RCLKRST

Bits	Field Name	Description	Type	Reset
31:13	RESERVED		RW	0x0
12	XFRST	Frame sync generator reset 0x0: RESET 0x1: ACTIVE	R	0x0
11	XSMRST	XMT state machine reset 0x0: RESET 0x1: ACTIVE	R	0x0
10	XSRCLR	XMT serializer clear 0x0: CLEAR 0x1: ACTIVE	R	0x0
9	XHCLKRST	XMT High Freq. clk Divider 0x0: RESET 0x1: ACTIVE	R	0x0
8	XCLKRST	XMT clock divider reset 0x0: RESET 0x1: ACTIVE	R	0x0
7:5	RESERVED		RW	0x0
4	RFRST	Frame sync generator reset 0x0: RESET 0x1: ACTIVE	RW	0x0
3	RSMRST	RCV state machine reset 0x0: RESET 0x1: ACTIVE	RW	0x0
2	RSRCLR	RCV serializer clear 0x0: CLEAR 0x1: ACTIVE	RW	0x0
1	RHCLKRST	RCV High Freq. clk Divider 0x0: RESET 0x1: ACTIVE	RW	0x0
0	RCLKRST	RCV clock divider reset 0x0: RESET 0x1: ACTIVE	RW	0x0

Table 24-491. Register Call Summary for Register MCASP_GBLCTLR

Multichannel Audio Serial Port

- [MCASP_CFG Register Summary: \[0\]\[1\]\[2\]\[3\]](#)

Table 24-492. MCASP_RXMASK

Address Offset	0x0000 0064		
Physical Address	0x4846 0064 0x4846 4064 0x4846 8064 0x4846 C064 0x4847 0064 0x4847 4064 0x4847 8064 0x4847 C064	Instance	MCASP1_CFG_PER2_L4 MCASP2_CFG_PER2_L4 MCASP3_CFG_PER2_L4 MCASP4_CFG_PER2_L4 MCASP5_CFG_PER2_L4 MCASP6_CFG_PER2_L4 MCASP7_CFG_PER2_L4 MCASP8_CFG_PER2_L4
Description	The receive format unit bit mask register (MCASP_RXMASK) determines which bits of the received data are masked off and padded with a known value before being read by the CPU.		
Type	RW		

31	30	29	28	27	26	25	24	23	22	21	20	19	18	17	16	15	14	13	12	11	10	9	8	7	6	5	4	3	2	1	0
RMASK[31:0]																															

Bits	Field Name	Description	Type	Reset
31: 0	RMASK[31:0]	Receive data mask enable bit. 0x0: Corresponding bit of receive data (after passing through reverse and rotate units) is masked out and then padded with the selected bit pad value (RPAD and RPBIT bits in RFMT). 0x1: Corresponding bit of receive data (after passing through reverse and rotate units) is returned to CPU or DMA.	RW	0

Table 24-493. Register Call Summary for Register MCASP_RXMASK

Multichannel Audio Serial Port

- [Burst Transfer Mode: \[0\]](#)
- [Time-Division Multiplexed \(TDM\) Transfer Mode: \[1\]](#)
- [McASP Global Initialization: \[2\]](#)
- [MCASP_CFG Register Summary: \[3\]\[4\]\[5\]\[6\]](#)
- [MCASP_CFG Register Description: \[7\]](#)

Table 24-494. MCASP_RXFMT

Address Offset	0x0000 0068		
Physical Address	0x4846 0068 0x4846 4068 0x4846 8068 0x4846 C068 0x4847 0068 0x4847 4068 0x4847 8068 0x4847 C068	Instance	MCASP1_CFG_PER2_L4 MCASP2_CFG_PER2_L4 MCASP3_CFG_PER2_L4 MCASP4_CFG_PER2_L4 MCASP5_CFG_PER2_L4 MCASP6_CFG_PER2_L4 MCASP7_CFG_PER2_L4 MCASP8_CFG_PER2_L4
Description	The receive bit stream format register (MCASP_RXFMT) configures the receive data format.		
Type	RW		

31	30	29	28	27	26	25	24	23	22	21	20	19	18	17	16	15	14	13	12	11	10	9	8	7	6	5	4	3	2	1	0
RESERVED																RDATDLY	RRVRS	RPAD	RPBIT	RSSZ	RBUSEL	RROT									

Bits	Field Name	Description	Type	Reset
31:18	RESERVED		RW	0x0000
17:16	RDATDLY	Receive Frame sync delay of AXR[n] 0x0: 0-bit delay. The first receive data bit, AXR[n], occurs in same ACLKR cycle as the receive frame sync (AFSR). 0x1: 1-bit delay. The first receive data bit, AXR[n], occurs one ACLKR cycle after the receive frame sync (AFSR). 0x2: 2-bit delay. The first receive data bit, AXR[n], occurs two ACLKR cycles after the receive frame sync (AFSR). 0x3: Reserved	RW	0x0
15	RRVRS	Receive serial bitstream order 0x0: Bitstream is LSB first. No bit reversal is performed in receive format bit reverse unit. 0x1: Bitstream is MSB first. Bit reversal is performed in receive format bit reverse unit.	RW	0
14:13	RPAD	Pad value for extra bits in slot not belonging to the word. This field only applies to bits when RMASK[n] = 0. 0x0: Pad extra bits with 0. 0x1: Pad extra bits with 1. 0x2: Pad extra bits with one of the bits from the word as specified by RPBIT bits. 0x3: Reserved	RW	0x0
12:8	RPBIT	RPBIT value determines which bit (as read by the CPU from RBUF[n]) is used to pad the extra bits. This field only applies when RPAD = 2h. 0x0: Pad with value of bit RBUFn[0]. 0x01 - 0x1F: Pad with value of the bit positioned within the range RBUFn[31:1].	RW	0x00
7:4	RSSZ	Receive slot size. 0x0 - 0x2: Reserved 0x3: Slot size is 8 bits 0x4: Reserved 0x5: Slot size is 12 bits 0x6: Reserved 0x7: Slot size is 16 bits 0x8: Reserved 0x9: Slot size is 20 bits 0xA: Reserved 0xB: Slot size is 24 bits 0xC: Reserved 0xD: Slot size is 28 bits 0xE: Reserved 0xF: Slot size is 32 bits	RW	0x0
3	RBUSEL	Selects whether reads from serializer buffer RBUF[n] originate from the peripheral configuration CFG port or the DATA port. 0x0: Reads from XRBUF[n] originate on DATA port. Reads from XRBUF[n] on the peripheral configuration port are ignored. 0x1: Reads from XRBUF[n] originate on peripheral configuration port. Reads from XRBUF[n] on the DATA port are ignored.	RW	0

Bits	Field Name	Description	Type	Reset
2:0	RROT	Right-rotation value for receive rotate right format unit. 0x0: Rotate right by 0 (no rotation). 0x1: Rotate right by 4 bit positions. 0x2: Rotate right by 8 bit positions. 0x3: Rotate right by 12 bit positions. 0x4: Rotate right by 16 bit positions. 0x5: Rotate right by 20 bit positions. 0x6: Rotate right by 24 bit positions. 0x7: Rotate right by 28 bit positions.	RW	0x0

Table 24-495. Register Call Summary for Register MCASP_RXFMT

Multichannel Audio Serial Port

- [Frame-Sync Generator: \[0\]](#)
- [Format Units: \[1\]\[2\]\[3\]](#)
- [Receive Format Unit: \[4\]\[5\]\[6\]](#)
- [State-Machines: \[7\]](#)
- [Burst Transfer Mode: \[8\]\[9\]](#)
- [Time-Division Multiplexed \(TDM\) Transfer Mode: \[10\]](#)
- [Data Ready Status and Event/Interrupt Generation: \[11\]\[12\]](#)
- [McASP Global Initialization: \[13\]\[14\]\[15\]\[16\]\[17\]\[18\]\[19\]\[20\]](#)
- [McASP Reception Modes: \[21\]\[22\]](#)
- [McASP Event Servicing: \[23\]](#)
- [MCASP_CFG Register Summary: \[24\]\[25\]\[26\]\[27\]\[28\]](#)
- [MCASP_CFG Register Description: \[29\]](#)
- [MCASP_DAT Register Summary: \[30\]](#)
- [MCASP_DAT Register Description: \[31\]](#)

Table 24-496. MCASP_RXFMCTL

Address Offset	0x0000 006C	Instance	MCASP1_CFG_PER2_L4
Physical Address	0x4846 006C 0x4846 406C 0x4846 806C 0x4846 C06C 0x4847 006C 0x4847 406C 0x4847 806C 0x4847 C06C		MCASP2_CFG_PER2_L4 MCASP3_CFG_PER2_L4 MCASP4_CFG_PER2_L4 MCASP5_CFG_PER2_L4 MCASP6_CFG_PER2_L4 MCASP7_CFG_PER2_L4 MCASP8_CFG_PER2_L4
Description	The receive frame sync control register (MCASP_RXFMCTL) configures the receive frame sync (AFSR).		
Type	RW		

31	30	29	28	27	26	25	24	23	22	21	20	19	18	17	16	15	14	13	12	11	10	9	8	7	6	5	4	3	2	1	0
RESERVED																RMOD						RESERVED	FRWID	RESERVED	FSRM	FSRP					

Bits	Field Name	Description	Type	Reset
31:16	RESERVED		RW	0x0000
15:7	RMOD	Receive frame sync mode select bits. 0x0: Burst mode 0x1: Reserved 0x2: 2-slot TDM mode (I2S receive mode) 0x3 - 0x20: 3-slot TDM to 32-slot TDM mode 0x21 - 0x17F: Reserved 0x180: 384-slot TDM (external DIR IC inputting 384-slot DIR frames to McASP) 0x181 - 0x1FF: Reserved	RW	0x000
6:5	RESERVED		RW	0x0
4	FRWID	Receive frame sync width select bit indicates the width of the receive frame sync (AFSR) during its active period. 0x0: Single bit 0x1: Single word. Single word is not supported if RMOD is set to burst mode.	RW	0
3:2	RESERVED		RW	0x0
1	FSRM	Receive frame sync generation select bit. 0x0: Externally-generated receive frame sync 0x1: Internally-generated receive frame sync	RW	0
0	FSRP	Receive frame sync polarity select bit. 0x0: A rising edge on receive frame sync (AFSR) indicates the beginning of a frame. 0x1: A falling edge on receive frame sync (AFSR) indicates the beginning of a frame.	RW	0

Table 24-497. Register Call Summary for Register MCASP_RXFMCTL

Multichannel Audio Serial Port

- [Frame-Sync Generator: \[0\]\[1\]\[2\]\[3\]\[4\]\[5\]\[6\]](#)
- [Burst Transfer Mode: \[7\]\[8\]](#)
- [Time-Division Multiplexed \(TDM\) Transfer Mode: \[9\]\[10\]](#)
- [Loopback Mode Configurations: \[11\]](#)
- [McASP Global Initialization: \[12\]\[13\]\[14\]\[15\]\[16\]](#)
- [MCASP_CFG Register Summary: \[17\]\[18\]\[19\]\[20\]](#)
- [MCASP_CFG Register Description: \[21\]](#)

Table 24-498. MCASP_ACLKRCTL

Address Offset	0x0000 0070		
Physical Address	0x4846 0070 0x4846 4070 0x4846 8070 0x4846 C070 0x4847 0070 0x4847 4070 0x4847 8070 0x4847 C070	Instance	MCASP1_CFG_PER2_L4 MCASP2_CFG_PER2_L4 MCASP3_CFG_PER2_L4 MCASP4_CFG_PER2_L4 MCASP5_CFG_PER2_L4 MCASP6_CFG_PER2_L4 MCASP7_CFG_PER2_L4 MCASP8_CFG_PER2_L4
Description	The receive clock control register (MCASP_ACLKRCTL) configures the receive bit clock (ACLKR) and the receive clock generator.		
Type	RW		

31	30	29	28	27	26	25	24	23	22	21	20	19	18	17	16	15	14	13	12	11	10	9	8	7	6	5	4	3	2	1	0
RESERVED								BUSY	DIVBUSY	ADJBUSY	CLKRADJ	RESERVED								CLKRP	RESERVED	CLKRM	CLKRDIV								

Bits	Field Name	Description	Type	Reset
31:21	RESERVED		RW	0x000000
20	BUSY	Status: logical OR of DIVBUSY, ADJBUSY. Not supported. 0x0: NOTBUSY 0x1: BUSY	RW	0
19	DIVBUSY	Status: divide ratio change in progress? Not supported. 0x0: NOTBUSY 0x1: BUSY	RW	0x0
18	ADJBUSY	Status: one-shot adjustment in progress? Not supported. 0x0: NOTBUSY 0x1: BUSY	RW	0x0
17:16	CLKRADJ	CLKRDIV one-shot adjustment. Not supported. Bit field must always be written as 0x0. If CLKRDIV is set such that there are "m" input clocks per one output clock, then for one output cycle: 00 = (m+0) input clocks per output clock, i.e. no adjustment 01 = (m-1) input clocks per output clock 10 = (m+1) input clocks per output clock 11 = (m+0) input clocks per output clock, i.e. no adjustment NOTE: writes to these bits are ineffective if CLKADJEN:ENABLE bit is set to 0b. These bits are ALWAYS read back as zero.	W	0x0
15:8	RESERVED		RW	0x0
7	CLKRP	Receive bitstream clock polarity select bit. Note that this bitfield does not have any effect, if MCASP_ACLKXCTL[6] ASYNC = 0 0x0: Falling edge. Receiver samples data on the falling edge of the serial clock, so the external transmitter driving this receiver must shift data out on the rising edge of the serial clock. 0x1: Rising edge. Receiver samples data on the rising edge of the serial clock, so the external transmitter driving this receiver must shift data out on the falling edge of the serial clock.	RW	0
6	RESERVED		RW	0
5	CLKRM	Receive bit clock source bit. Note that this bitfield does not have any effect, if MCASP_ACLKXCTL[6] ASYNC = 0 0x0: External receive clock source from ACLKR pin. 0x1: Internal receive clock source from output of programmable bit clock divider.	RW	1
4:0	CLKRDIV	Receive bit clock divide ratio bits determine the divide-down ratio from AHCLKR to ACLKR. Note that this bitfield does not have any effect, if MCASP_ACLKXCTL[6] ASYNC = 0. 0x0: Divide-by-1 0x1: Divide-by-2 0x2 - 0x1F: Divide-by-3 to divide-by-32	RW	0x00

Table 24-499. Register Call Summary for Register MCASP_ACLKRCTL

Multichannel Audio Serial Port

- McASP Receive Clock: [0][1][2][3]
- Synchronous and Asynchronous Transmit and Receive Operations: [4]
- Burst Transfer Mode: [5]
- Time-Division Multiplexed (TDM) Transfer Mode: [6]
- McASP Global Initialization: [7][8][9][10][11][12][13]
- MCASP_CFG Register Summary: [14][15][16][17]
- MCASP_CFG Register Description: [18]

Table 24-500. MCASP_AHCLKRCTL

Address Offset	0x0000 0074	Instance	MCASP1_CFG_PER2_L4
Physical Address	0x4846 0074 0x4846 4074 0x4846 8074 0x4846 C074 0x4847 0074 0x4847 4074 0x4847 8074 0x4847 C074		MCASP2_CFG_PER2_L4 MCASP3_CFG_PER2_L4 MCASP4_CFG_PER2_L4 MCASP5_CFG_PER2_L4 MCASP6_CFG_PER2_L4 MCASP7_CFG_PER2_L4 MCASP8_CFG_PER2_L4
Description	The receive high-frequency clock control register (MCASP_AHCLKRCTL) configures the receive high-frequency master clock (AHCLKR) and the receive clock generator.		
Type	RW		

31	30	29	28	27	26	25	24	23	22	21	20	19	18	17	16	15	14	13	12	11	10	9	8	7	6	5	4	3	2	1	0
RESERVED											BUSY	DIVBUSY	ADJBUSY	HCLKRADJ	HCLKRM	HCLKRP	RESERVED	HCLKRDIV													

Bits	Field Name	Description	Type	Reset
31:21	RESERVED		RW	0x0000
20	BUSY	Status: logical OR of DIVBUSY, ADJBUSY. Not supported. 0x0: NOTBUSY 0x1: BUSY	RW	0x0
19	DIVBUSY	Status: divide ratio change in progress? Not supported. 0x0: NOTBUSY 0x1: BUSY	RW	0x0
18	ADJBUSY	Status: one-shot adjustment in progress? Not supported. 0x0: NOTBUSY 0x1: BUSY	RW	0x0
17:16	HCLKRADJ	HCLKRDIV one-shot adjustment. Not supported. Bit field must always be written as 0x0. If HCLKRDIV is set such that there are "m" input clocks per one output clock, then for one output cycle: 00 = (m+0) input clocks per output clock, i.e. no adjustment 01 = (m-1) input clocks per output clock 10 = (m+1) input clocks per output clock 11 = (m+0) input clocks per output clock, i.e. no adjustment NOTE: writes to these bits are ineffective if CLKADJEN:ENABLE bit is set to 0b. These bits are ALWAYS read back as zero.	W	0x0

Bits	Field Name	Description	Type	Reset
15	HCLKRM	High Freq. RCV clock Source 0x0: EXTERNAL 0x1: INTERNAL	RW	0x1
14	HCLKRP	Receive bitstream high-frequency clock polarity select bit. 0x0: Not inverted. AHCLKR is not inverted before programmable bit clock divider. 0x1: Inverted. AHCLKR is inverted before programmable bit clock divider.	RW	0
13:12	RESERVED		RW	0x0
11:0	HCLKRDIV	Receive high-frequency clock divide ratio bits determine the divide-down ratio from AUXCLK to AHCLKR. 0x0: Divide-by-1 0x1: Divide-by-2 0x2 - 0xFFF: Divide-by-3 to divide-by-4096	RW	0x000

Table 24-501. Register Call Summary for Register MCASP_AHCLKRCTL

Multichannel Audio Serial Port

- [McASP Receive Clock: \[0\]\[1\]\[2\]\[3\]](#)
- [Burst Transfer Mode: \[4\]](#)
- [Time-Division Multiplexed \(TDM\) Transfer Mode: \[5\]](#)
- [McASP Global Initialization: \[6\]\[7\]\[8\]\[9\]](#)
- [MCASP_CFG Register Summary: \[10\]\[11\]\[12\]\[13\]](#)
- [MCASP_CFG Register Description: \[14\]](#)

Table 24-502. MCASP_RXTDM

Address Offset	0x0000 0078	Instance	MCASP1_CFG_PER2_L4 MCASP2_CFG_PER2_L4 MCASP3_CFG_PER2_L4 MCASP4_CFG_PER2_L4 MCASP5_CFG_PER2_L4 MCASP6_CFG_PER2_L4 MCASP7_CFG_PER2_L4 MCASP8_CFG_PER2_L4
Physical Address	0x4846 0078 0x4846 4078 0x4846 8078 0x4846 C078 0x4847 0078 0x4847 4078 0x4847 8078 0x4847 C078		
Description	The receive TDM time slot register (MCASP_RXTDM) specifies which TDM time slot the receiver is active.		
Type	RW		

31	30	29	28	27	26	25	24	23	22	21	20	19	18	17	16	15	14	13	12	11	10	9	8	7	6	5	4	3	2	1	0
RTDMS[31:0]																															

Bits	Field Name	Description	Type	Reset
31:0	RTDMS[31:0]	Receiver mode during TDM time slot n. 0x0: Receive TDM time slot n is inactive. The receive serializer does not shift in data during this slot. 0x1: Receive TDM time slot n is active. The receive serializer shifts in data during this slot.	RW	0

Table 24-503. Register Call Summary for Register MCASP_RXTDM

Multichannel Audio Serial Port

- [TDM Sequencers: \[0\]](#)
- [Burst Transfer Mode: \[1\]](#)
- [Time-Division Multiplexed \(TDM\) Transfer Mode: \[2\]\[3\]\[4\]\[5\]\[6\]](#)
- [Data Ready Status and Event/Interrupt Generation: \[7\]](#)
- [McASP Global Initialization: \[8\]](#)
- [MCASP_CFG Register Summary: \[9\]\[10\]\[11\]\[12\]](#)
- [MCASP_CFG Register Description: \[13\]](#)

Table 24-504. MCASP_EVTCTLR

Address Offset	0x0000 007C		
Physical Address	0x4846 007C 0x4846 407C 0x4846 807C 0x4846 C07C 0x4847 007C 0x4847 407C 0x4847 807C 0x4847 C07C	Instance	MCASP1_CFG_PER2_L4 MCASP2_CFG_PER2_L4 MCASP3_CFG_PER2_L4 MCASP4_CFG_PER2_L4 MCASP5_CFG_PER2_L4 MCASP6_CFG_PER2_L4 MCASP7_CFG_PER2_L4 MCASP8_CFG_PER2_L4
Description	Receiver Interrupt control register - controls generation of the McASP receive interrupt (RINT). When the register bit(s) is set to 1, the occurrence of the enabled McASP condition(s) generates RINT.		
Type	RW		

31	30	29	28	27	26	25	24	23	22	21	20	19	18	17	16	15	14	13	12	11	10	9	8	7	6	5	4	3	2	1	0
RESERVED																RSTAFRM	RESERVED	RDATA	RLAST	RDMAERR	RCKFAIL	RSYNCERR	ROVRN								

Bits	Field Name	Description	Type	Reset
31:8	RESERVED	Reserved	RW	0x000000
7	RSTAFRM	Receive start of frame interrupt enable bit 0x0: Interrupt is disabled. A receive-start-of-frame interrupt does not generate a McASP receive interrupt (RINT). 0x1: Interrupt is enabled. A receive-start-of-frame interrupt generates a McASP receive interrupt (RINT).	RW	0
6	RESERVED	Reserved	RW	0
5	RDATA	Receive data-ready interrupt enable bit 0x0: Interrupt is disabled. A receive data-ready interrupt does not generate a McASP receive interrupt (RINT). 0x1: Interrupt is enabled. A receive data-ready interrupt generates a McASP receive interrupt (RINT).	RW	0
4	RLAST	Receive last slot interrupt enable bit 0x0: Interrupt is disabled. A receive-last-slot interrupt does not generate a McASP receive interrupt (RINT). 0x1: Interrupt is enabled. A receive-last-slot interrupt generates a McASP receive interrupt (RINT).	RW	0
3	RDMAERR	Receive DMA error interrupt enable bit 0x0: Interrupt is disabled. A receive DMA error interrupt does not generate a McASP receive interrupt (RINT). 0x1: Interrupt is enabled. A receive DMA error interrupt generates a McASP receive interrupt (RINT).	RW	0

Bits	Field Name	Description	Type	Reset
2	RCKFAIL	Receive clock failure interrupt enable bit 0x0: Interrupt is disabled. A receive clock failure interrupt does not generate a McASP receive interrupt (RINT). 0x1: Interrupt is enabled. A receive clock failure interrupt generates a McASP receive interrupt (RINT).	RW	0
1	RSYNCERR	Unexpected receive frame-sync interrupt enable bit 0x0: Interrupt is disabled. An unexpected receive frame-sync interrupt does not generate a McASP receive interrupt (RINT). 0x1: Interrupt is enabled. An unexpected receive frame-sync interrupt generates a McASP receive interrupt (RINT).	RW	0
0	ROVRN	Receiver overrun interrupt enable bit 0x0: Interrupt is disabled. A receiver overrun interrupt does not generate a McASP receive interrupt (RINT). 0x1: Interrupt is enabled. A receiver overrun interrupt generates a McASP receive interrupt (RINT).	RW	0

Table 24-505. Register Call Summary for Register MCASP_EVTCTLR

Multichannel Audio Serial Port

- [Burst Transfer Mode: \[0\]](#)
- [Data Ready Status and Event/Interrupt Generation: \[1\]\[2\]](#)
- [McASP Events and Interrupt Requests: \[3\]\[4\]\[5\]\[6\]\[7\]\[8\]\[9\]\[10\]](#)
- [Receive Data Ready Event and Interrupt: \[11\]](#)
- [Error Interrupt: \[12\]](#)
- [Multiple Interrupts: \[13\]](#)
- [Clock Failure Detection: \[14\]](#)
- [McASP Reception Modes: \[15\]\[16\]\[17\]\[18\]\[19\]\[20\]\[21\]\[22\]\[23\]\[24\]\[25\]\[26\]\[27\]\[28\]\[29\]](#)
- [MCASP_CFG Register Summary: \[30\]\[31\]\[32\]\[33\]](#)

Table 24-506. MCASP_RXSTAT

Address Offset	0x0000 0080	Instance	MCASP1_CFG_PER2_L4
Physical Address	0x4846 0080		MCASP2_CFG_PER2_L4
	0x4846 4080		MCASP3_CFG_PER2_L4
	0x4846 8080		MCASP4_CFG_PER2_L4
	0x4846 C080		MCASP5_CFG_PER2_L4
	0x4847 0080		MCASP6_CFG_PER2_L4
	0x4847 4080		MCASP7_CFG_PER2_L4
	0x4847 8080		MCASP8_CFG_PER2_L4
	0x4847 C080		MCASP8_CFG_PER2_L4
Description	The receiver status register (MCASP_RXSTAT) provides the receiver status and receive TDM time slot number.		
Type	RW		

31	30	29	28	27	26	25	24	23	22	21	20	19	18	17	16	15	14	13	12	11	10	9	8	7	6	5	4	3	2	1	0
RESERVED																RERR	RDMAERR	RSTAFRM	RDATA	RLAST	RTDMSLOT	RCKFAIL	RSYNCERR	ROVRN							

Bits	Field Name	Description	Type	Reset
31:9	RESERVED		RW	0x00 0000
8	RERR	RERR bit always returns a logic-OR of: ROVRN RSYNCERR RCKFAIL RDMAERR Allows a single bit to be checked to determine if a receiver error has occurred. 0x0: No errors have occurred. 0x1: An error has occurred.	RW	0
7	RDMAERR	Receive DMA error flag. RDMAERR is set when the CPU or DMA reads more serializers through the DMA port in a given time slot than were programmed as receivers. This bit is cleared by writing a 1 to this bit. Writing a 0 to this bit has no effect. 0x0: Receive DMA error did not occur. 0x1: Receive DMA error did occur.	RW	0
6	RSTAFRM	Receive start of frame flag. This bit is cleared by writing a 1 to this bit. Writing a 0 to this bit has no effect. 0x0: No new receive frame sync (AFSR) is detected. 0x1: A new receive frame sync (AFSR) is detected.	RW	0
5	RDATA	Receive data ready flag. This bit is cleared by writing a 1 to this bit. Writing a 0 to this bit has no effect. 0x0: No new data in RBUF. 0x1: Data is transferred from XRSR to RBUF and ready to be serviced by the CPUs or DMA. When RDATA is set, it always causes a DMA event (AREVT).	RW	0
4	RLAST	Receive last slot flag. RLAST is set along with RDATA, if the current slot is the last slot in a frame. This bit is cleared by writing a 1 to this bit. Writing a 0 to this bit has no effect. 0x0: Current slot is not the last slot in a frame. 0x1: Current slot is the last slot in a frame. RDATA is also set.	RW	0
3	RTDMSLOT	Returns the LSB of RSLLOT. Allows a single read of MCASP_RXSTAT to determine whether the current TDM time slot is even or odd. 0x0: Current TDM time slot is odd. 0x1: Current TDM time slot is even.	RW	0
2	RCKFAIL	Receive clock failure flag. RCKFAIL is set when the receive clock failure detection circuit reports an error. This bit is cleared by writing a 1 to this bit. Writing a 0 to this bit has no effect. 0x0: Receive clock failure did not occur. 0x1: Receive clock failure did occur.	RW	0
1	RSYNCERR	Unexpected receive frame sync flag. RSYNCERR is set when a new receive frame sync (AFSR) occurs before it is expected. This bit is cleared by writing a 1 to this bit. Writing a 0 to this bit has no effect. 0x0: Unexpected receive frame sync did not occur. 0x1: Unexpected receive frame sync did occur.	RW	0
0	ROVRN	Receiver overrun flag. ROVRN is set when the receive serializer is instructed to transfer data from XRSR to RBUF, but the former data in RBUF has not yet been read by the CPU or DMA. This bit is cleared by writing a 1 to this bit. Writing a 0 to this bit has no effect. 0x0: Receiver overrun did not occur. 0x1: Receiver overrun did occur.	RW	0

Table 24-507. Register Call Summary for Register MCASP_RXSTAT

Multichannel Audio Serial Port

- [State-Machines: \[0\]](#)
- [Data Ready Status and Event/Interrupt Generation: \[1\]\[2\]\[3\]](#)
- [McASP Events and Interrupt Requests: \[4\]\[5\]\[6\]\[7\]\[8\]\[9\]\[10\]\[11\]\[12\]\[13\]\[14\]](#)
- [Receive Data Ready Event and Interrupt: \[15\]\[16\]](#)
- [Error Interrupt: \[17\]\[18\]](#)
- [Multiple Interrupts: \[19\]\[20\]](#)
- [Buffer Overrun Error-Receiver: \[21\]](#)
- [DATA Port Error - Receiver: \[22\]\[23\]\[24\]](#)
- [Clock Failure Detection: \[25\]\[26\]](#)
- [McASP Reception Modes: \[27\]\[28\]](#)
- [McASP Event Servicing: \[29\]\[30\]](#)
- [MCASP_CFG Register Summary: \[31\]\[32\]\[33\]\[34\]](#)
- [MCASP_CFG Register Description: \[35\]\[36\]\[37\]](#)

Table 24-508. MCASP_RXTDMSLOT

Address Offset	0x0000 0084		
Physical Address	0x4846 0084 0x4846 4084 0x4846 8084 0x4846 C084 0x4847 0084 0x4847 4084 0x4847 8084 0x4847 C084	Instance	MCASP1_CFG_PER2_L4 MCASP2_CFG_PER2_L4 MCASP3_CFG_PER2_L4 MCASP4_CFG_PER2_L4 MCASP5_CFG_PER2_L4 MCASP6_CFG_PER2_L4 MCASP7_CFG_PER2_L4 MCASP8_CFG_PER2_L4
Description	The current receive TDM time slot register (MCASP_RXTDMSLOT) indicates the current time slot for the receive data frame.		
Type	R		

31	30	29	28	27	26	25	24	23	22	21	20	19	18	17	16	15	14	13	12	11	10	9	8	7	6	5	4	3	2	1	0
RESERVED																RSLOTCNT															

Bits	Field Name	Description	Type	Reset
31:9	RESERVED		R	0x00 0000
8:0	RSLOTCNT	0x0 - 0x17F: Current receive time slot count. Legal values: 0 to 383 (17Fh). TDM function is not supported for > 32 time slots. However, TDM time slot counter may count to 383 when used to receive a DIR block (transferred over TDM format).	R	0x000

Table 24-509. Register Call Summary for Register MCASP_RXTDMSLOT

Multichannel Audio Serial Port

- [MCASP_CFG Register Summary: \[0\]\[1\]\[2\]\[3\]](#)
- [MCASP_CFG Register Description: \[4\]](#)

Table 24-510. MCASP_RXCLKCHK

Address Offset	0x0000 0088		
Physical Address	0x4846 0088 0x4846 4088 0x4846 8088 0x4846 C088 0x4847 0088 0x4847 4088 0x4847 8088 0x4847 C088	Instance	MCASP1_CFG_PER2_L4 MCASP2_CFG_PER2_L4 MCASP3_CFG_PER2_L4 MCASP4_CFG_PER2_L4 MCASP5_CFG_PER2_L4 MCASP6_CFG_PER2_L4 MCASP7_CFG_PER2_L4 MCASP8_CFG_PER2_L4
Description	The receive clock check control register (RCLKCHK) configures the receive clock failure detection circuit.		
Type	RW		

31	30	29	28	27	26	25	24	23	22	21	20	19	18	17	16	15	14	13	12	11	10	9	8	7	6	5	4	3	2	1	0
RCNT								RMAX								RMIN								RESERVED				RPS			

Bits	Field Name	Description	Type	Reset
31:24	RCNT	0x0 - 0xFF: Receive clock count value (from previous measurement). The clock circuit continually counts the number of interface clocks for every 32 receive high-frequency master clock (AHCLKR) signals, and stores the count in RCNT until the next measurement is taken.	R	0x00
23:16	RMAX	0x00-0xFF: Receive clock maximum boundary. This 8-bit unsigned value sets the maximum allowed boundary for the clock check counter after 32 receive high-frequency master clock (AHCLKR) signals have been received. If the current counter value is greater than RMAX after counting 32 AHCLKR signals, RCKFAIL in MCASP_RXSTAT is set. The comparison is performed using unsigned arithmetic.	RW	0x00
15:8	RMIN	0x00 - 0xFF: Receive clock minimum boundary. This 8-bit unsigned value sets the minimum allowed boundary for the clock check counter after 32 receive high-frequency master clock (AHCLKR) signals have been received. If RCNT is less than RMIN after counting 32 AHCLKR signals, RCKFAIL in RSTAT is set. The comparison is performed using unsigned arithmetic.	RW	0x00
7:4	RESERVED		RW	0x0
3:0	RPS	Receive clock check prescaler value. 0x0: McASP interface clock divided by 1 0x1: McASP interface clock divided by 2 0x2: McASP interface clock divided by 4 0x3: McASP interface clock divided by 8 0x4: McASP interface clock divided by 16 0x5: McASP interface clock divided by 32 0x6: McASP interface clock divided by 64 0x7: McASP interface clock divided by 128 0x8: McASP interface clock divided by 256 0x9 - 0xF: Reserved	RW	0x0

Table 24-511. Register Call Summary for Register MCASP_RXCLKCHK

Multichannel Audio Serial Port

- [Burst Transfer Mode: \[0\]](#)
- [Time-Division Multiplexed \(TDM\) Transfer Mode: \[1\]](#)
- [Clock Failure Detection: \[2\]\[3\]](#)
- [MCASP_CFG Register Summary: \[4\]\[5\]\[6\]\[7\]](#)

Table 24-512. MCASP_REVTCTL

Address Offset	0x0000 008C		
Physical Address	0x4846 008C 0x4846 408C 0x4846 808C 0x4846 C08C 0x4847 008C 0x4847 408C 0x4847 808C 0x4847 C08C	Instance	MCASP1_CFG_PER2_L4 MCASP2_CFG_PER2_L4 MCASP3_CFG_PER2_L4 MCASP4_CFG_PER2_L4 MCASP5_CFG_PER2_L4 MCASP6_CFG_PER2_L4 MCASP7_CFG_PER2_L4 MCASP8_CFG_PER2_L4
Description	Receiver DMA event control register		
Type	RW		

31	30	29	28	27	26	25	24	23	22	21	20	19	18	17	16	15	14	13	12	11	10	9	8	7	6	5	4	3	2	1	0
RESERVED																	RDATDMA														

Bits	Field Name	Description	Type	Reset
31:1	RESERVED	Reserved	RW	0x0000 0000
0	RDATDMA	Receive data DMA request enable bit. 0x0: The receive data DMA request is enabled. 0x1: The receive data DMA request is disabled.	RW	0

Table 24-513. Register Call Summary for Register MCASP_REVTCTL

Multichannel Audio Serial Port

- [Data Ready Status and Event/Interrupt Generation: \[0\]\[1\]](#)
- [DMA Requests: \[2\]](#)
- [McASP Reception Modes: \[3\]\[4\]](#)
- [MCASP_CFG Register Summary: \[5\]\[6\]\[7\]\[8\]](#)

Table 24-514. MCASP_GBLCTLX

Address Offset	0x0000 00A0		
Physical Address	0x4846 00A0 0x4846 40A0 0x4846 80A0 0x4846 C0A0 0x4847 00A0 0x4847 40A0 0x4847 80A0 0x4847 C0A0	Instance	MCASP1_CFG_PER2_L4 MCASP2_CFG_PER2_L4 MCASP3_CFG_PER2_L4 MCASP4_CFG_PER2_L4 MCASP5_CFG_PER2_L4 MCASP6_CFG_PER2_L4 MCASP7_CFG_PER2_L4 MCASP8_CFG_PER2_L4
Description	Alias of GBLCTL. When writing to this register, only the TRANSMIT bits of GBLCTL are affected (This means GBLCTL bits 8,9,10,11,12.). Reads return GBLCTL.		
Type	RW		

31	30	29	28	27	26	25	24	23	22	21	20	19	18	17	16	15	14	13	12	11	10	9	8	7	6	5	4	3	2	1	0
RESERVED																	XFRST	XSMRST	XSRCLR	XHCLKRST	XCLKRST	RESERVED	RFRST	RSMRST	RSRCLR	RHCLKRST	RCLKRST				

Bits	Field Name	Description	Type	Reset
31:13	RESERVED		RW	0x0
12	XFRST	Frame sync generator reset 0x0: RESET 0x1: ACTIVE	RW	0x0
11	XSMRST	XMT state machine reset 0x0: RESET 0x1: ACTIVE	RW	0x0
10	XSRCLR	XMT serializer clear 0x0: CLEAR 0x1: ACTIVE	RW	0x0
9	XHCLKRST	XMT High Freq. clk Divider 0x0: RESET 0x1: ACTIVE	RW	0x0
8	XCLKRST	XMT clock divider reset 0x0: RESET 0x1: ACTIVE	RW	0x0
7:5	RESERVED		RW	0x0
4	RFRST	Frame sync generator reset 0x0: RESET 0x1: ACTIVE	R	0x0
3	RSMRST	RCV state machine reset 0x0: RESET 0x1: ACTIVE	R	0x0
2	RSRCLKR	RCV serializer clear 0x0: CLEAR 0x1: ACTIVE	R	0x0
1	RHCLKRST	RCV High Freq. clk Divider 0x0: RESET 0x1: ACTIVE	R	0x0
0	RCLKRST	RCV clock divider reset 0x0: RESET 0x1: ACTIVE	R	0x0

Table 24-515. Register Call Summary for Register MCASP_GBLCTLX

Multichannel Audio Serial Port

- [MCASP_CFG Register Summary: \[0\]\[1\]\[2\]\[3\]](#)

Table 24-516. MCASP_TXMASK

Address Offset	0x0000 00A4		
Physical Address	0x4846 00A4 0x4846 40A4 0x4846 80A4 0x4846 C0A4 0x4847 00A4 0x4847 40A4 0x4847 80A4 0x4847 C0A4	Instance	MCASP1_CFG_PER2_L4 MCASP2_CFG_PER2_L4 MCASP3_CFG_PER2_L4 MCASP4_CFG_PER2_L4 MCASP5_CFG_PER2_L4 MCASP6_CFG_PER2_L4 MCASP7_CFG_PER2_L4 MCASP8_CFG_PER2_L4
Description	Transmit format unit bit mask register - Determines which bits of the transmitted data are masked off before being shifted out the McASP		
Type	RW		

31	30	29	28	27	26	25	24	23	22	21	20	19	18	17	16	15	14	13	12	11	10	9	8	7	6	5	4	3	2	1	0
XMASK[31:0]																															

Bits	Field Name	Description	Type	Reset
31:0	XMASK[31:0]	Transmit data mask enable bit 0x0: The corresponding bit of transmit data is masked out and then transmitted out the McASP in place of the original bit. 0x1: The corresponding bit of transmit data is transmitted out the McASP.	RW	0

Table 24-517. Register Call Summary for Register MCASP_TXMASK

Multichannel Audio Serial Port

- [Transmit Format Unit: \[0\]\[1\]\[2\]](#)
- [Burst Transfer Mode: \[3\]](#)
- [Time-Division Multiplexed \(TDM\) Transfer Mode: \[4\]](#)
- [DIT Transfer Mode: \[5\]](#)
- [McASP Global Initialization: \[6\]\[7\]\[8\]](#)
- [MCASP_CFG Register Summary: \[9\]\[10\]\[11\]\[12\]](#)

Table 24-518. MCASP_TXFMT

Address Offset	0x0000 00A8		
Physical Address	0x4846 00A8 0x4846 40A8 0x4846 80A8 0x4846 C0A8 0x4847 00A8 0x4847 40A8 0x4847 80A8 0x4847 C0A8	Instance	MCASP1_CFG_PER2_L4 MCASP2_CFG_PER2_L4 MCASP3_CFG_PER2_L4 MCASP4_CFG_PER2_L4 MCASP5_CFG_PER2_L4 MCASP6_CFG_PER2_L4 MCASP7_CFG_PER2_L4 MCASP8_CFG_PER2_L4
Description	Transmit bitstream format register - configures the transmit data format		
Type	RW		

31	30	29	28	27	26	25	24	23	22	21	20	19	18	17	16	15	14	13	12	11	10	9	8	7	6	5	4	3	2	1	0
RESERVED														XDATDLY	XRVR5	XPAD	XPBIT				XSSZ			XBUSEL	XROT						

Bits	Field Name	Description	Type	Reset
31:18	RESERVED	Reserved	RW	0x0000
17:16	XDATDLY	<p>Transmit sync bit delay</p> <p>0x0: 0 bit delay - The first transmit data bit, on the AXR[n], occurs in the same ACLKX cycle as the transmit frame sync (AFSX).</p> <p>0x1: 1-bit delay. The first transmit data bit, AXR[n], occurs one ACLKX cycle after the transmit frame sync (AFSX).</p> <p>0x2: 2-bit delay. The first transmit data bit, AXR[n], occurs two ACLKX cycles after the transmit frame sync (AFSX).</p> <p>0x3: Reserved</p>	RW	0x0
15	XRVR5	<p>Transmit serial bitstream order</p> <p>0x0: Bitstream is LSB first. No bit reversal is performed in transmit format unit.</p> <p>0x1: Bitstream is MSB first. Bit reversal is performed in transmit format bit reverse unit.</p>	RW	0x0
14:13	XPAD	<p>Pad value for extra bits in slot not belonging to word defined by XMASK. This field only applies to bits when XMASK[n] = 0.</p> <p>0x0: Pad extra bits with 0.</p> <p>0x1: Pad extra bits with 1.</p> <p>0x2: Pad extra bits with one of the bits from the word as specified by XPBIT bits.</p> <p>0x3: Reserved</p>	RW	0x00
12:8	XPBIT	<p>XPBIT value determines which bit (as written by the CPU or DMA to XBUF[n]) is used to pad the extra bits before shifting. This field only applies when XPAD = 0x2.</p> <p>0x0: Pad with bit 0 value.</p> <p>0x1 - 0x1F: Pad with bit 1 to bit 31 value.</p>	RW	0x0
7:4	XSSZ	<p>Transmit slot size</p> <p>0x0 - 0x2: Reserved</p> <p>0x3: Slot size is 8 bits</p> <p>0x4: Reserved</p> <p>0x5: Slot size is 12 bits</p> <p>0x6: Reserved</p> <p>0x7: Slot size is 16 bits</p> <p>0x8: Reserved</p> <p>0x9: Slot size is 20 bits</p> <p>0xA: Reserved</p> <p>0xB: Slot size is 24 bits</p> <p>0xC: Reserved</p> <p>0xD: Slot size is 28 bits</p> <p>0xE: Reserved</p> <p>0xF: Slot size is 32 bits.</p>	RW	0x0
3	XBUSEL	<p>Selects whether writes to the serializer buffer XBUF[n] originate from the peripheral configuration CFG port or the DATA port.</p> <p>0x0: Writes to XBUF[n] originate from the DATA port. Writes to XBUF[n] from the peripheral configuration port are ignored with no effect on the McASP.</p> <p>0x1: Writes to XBUF[n] originate from the peripheral configuration port - CFG port. Writes to XBUF[n] from the DATA port are ignored with no effect on the McASP.</p>	RW	0

Bits	Field Name	Description	Type	Reset
2:0	XROT	Right-rotation value for transmit rotate right format unit 0x0: Rotate right by 0 (no rotation). 0x1: Rotate right by 4 bit positions. 0x2: Rotate right by 8 bit positions. 0x3: Rotate right by 12 bit positions. 0x4: Rotate right by 16 bit positions. 0x5: Rotate right by 20 bit positions. 0x6: Rotate right by 24 bit positions. 0x7: Rotate right by 28 bit positions.	RW	0x0

Table 24-519. Register Call Summary for Register MCASP_TXFMT

Multichannel Audio Serial Port

- [Frame-Sync Generator: \[0\]](#)
- [Format Units: \[1\]\[2\]\[3\]](#)
- [Transmit Format Unit: \[4\]\[5\]\[6\]\[7\]\[8\]\[9\]\[10\]\[11\]\[12\]\[13\]\[14\]](#)
- [State-Machines: \[15\]](#)
- [Burst Transfer Mode: \[16\]\[17\]](#)
- [Time-Division Multiplexed \(TDM\) Transfer Mode: \[18\]](#)
- [DIT Transfer Mode: \[19\]\[20\]](#)
- [Data Ready Status and Event/Interrupt Generation: \[21\]\[22\]](#)
- [McASP Global Initialization: \[23\]\[24\]\[25\]\[26\]\[27\]\[28\]\[29\]\[30\]\[31\]\[32\]\[33\]\[34\]](#)
- [McASP Transmission Modes: \[35\]\[36\]](#)
- [MCASP_CFG Register Summary: \[37\]\[38\]\[39\]\[40\]\[41\]](#)
- [MCASP_DAT Register Summary: \[42\]](#)
- [MCASP_DAT Register Description: \[43\]](#)

Table 24-520. MCASP_TXFMCTL

Address Offset	0x0000 00AC		
Physical Address	0x4846 00AC 0x4846 40AC 0x4846 80AC 0x4846 C0AC 0x4847 00AC 0x4847 40AC 0x4847 80AC 0x4847 C0AC	Instance	MCASP1_CFG_PER2_L4 MCASP2_CFG_PER2_L4 MCASP3_CFG_PER2_L4 MCASP4_CFG_PER2_L4 MCASP5_CFG_PER2_L4 MCASP6_CFG_PER2_L4 MCASP7_CFG_PER2_L4 MCASP8_CFG_PER2_L4
Description	Transmit frame-sync control register - configures the transmit frame sync (AFSX).		
Type	RW		

31	30	29	28	27	26	25	24	23	22	21	20	19	18	17	16	15	14	13	12	11	10	9	8	7	6	5	4	3	2	1	0
RESERVED																XMOD						RESERVED	FXWID	RESERVED	FSXM	FSXP					

Bits	Field Name	Description	Type	Reset
31:16	RESERVED	Reserved	RW	0x0000
15:7	XMOD	Transmit frame-sync mode select bits 0x0: Burst mode 0x1: Reserved 0x2: 2-slot TDM mode (I2S transmit mode) 0x3 - 0x20: 3-slot TDM to 32-slot TDM mode 0x21 - 0x17F: Reserved 0x180: 384-slot DIT mode All other: Reserved	RW	0x000
6:5	RESERVED	Reserved	RW	0x0
4	FXWID	The transmit frame-sync width select bit indicates the width of the transmit frame sync (AFSX) during its active period. 0x0: Single bit 0x1: Single word. Single word is not supported if XMOD is set to burst mode.	RW	0
3:2	RESERVED	Reserved	RW	0x0
1	FSXM	Transmit frame-sync generation select bit 0x0: Externally-generated transmit frame 0x1: Internally-generated transmit frame sync	RW	0
0	FSXP	Transmit frame-sync polarity select bit 0x0: Rising Edge - A rising edge on transmit frame sync (AFSX) indicates the beginning of a frame. 0x1: Falling Edge - A falling edge on transmit frame sync (AFSX) indicates the beginning of a frame.	RW	0

Table 24-521. Register Call Summary for Register MCASP_TXFMCTL

Multichannel Audio Serial Port

- [Frame-Sync Generator: \[0\]\[1\]\[2\]\[3\]\[4\]\[5\]\[6\]](#)
- [Burst Transfer Mode: \[7\]\[8\]](#)
- [Time-Division Multiplexed \(TDM\) Transfer Mode: \[9\]](#)
- [DIT Transfer Mode: \[10\]\[11\]](#)
- [Loopback Mode Configurations: \[12\]](#)
- [McASP Global Initialization: \[13\]\[14\]\[15\]\[16\]\[17\]\[18\]\[19\]\[20\]\[21\]](#)
- [MCASP_CFG Register Summary: \[22\]\[23\]\[24\]\[25\]](#)

Table 24-522. MCASP_ACLKXCTL

Address Offset	0x0000 00B0																															
Physical Address	0x4846 00B0				0x4846 40B0				0x4846 80B0				0x4846 C0B0				Instance	MCASP1_CFG_PER2_L4														
	0x4846 00B0				0x4847 00B0				0x4847 40B0				0x4847 80B0					MCASP2_CFG_PER2_L4														
	0x4847 00B0				0x4847 40B0				0x4847 80B0				0x4847 C0B0					MCASP3_CFG_PER2_L4														
	0x4847 40B0				0x4847 80B0				0x4847 C0B0									MCASP4_CFG_PER2_L4														
	0x4847 80B0																	MCASP5_CFG_PER2_L4														
	0x4847 C0B0																	MCASP6_CFG_PER2_L4														
																		MCASP7_CFG_PER2_L4														
																		MCASP8_CFG_PER2_L4														
Description	Transmit clock control register - Configures the transmit bit clock (ACLKX) and the transmit clock generator.																															
Type	RW																															
	31	30	29	28	27	26	25	24	23	22	21	20	19	18	17	16	15	14	13	12	11	10	9	8	7	6	5	4	3	2	1	0
	RESERVED								BUSY	DIVBUSY	ADJBUSY	CLKXADJ	RESERVED								CLKXP	ASYN	CLKXM	CLKXDIV								

Bits	Field Name	Description	Type	Reset
31:21	RESERVED	Reserved	RW	0x00
20	BUSY	Status: logical OR of DIVBUSY, ADJBUSY. Not supported. 0x0: NOTBUSY 0x1: BUSY	RW	0x0
19	DIVBUSY	Status: divide ratio change in progress? Not supported. 0x0: NOTBUSY 0x1: BUSY	RW	0x0
18	ADJBUSY	Status: one-shot adjustment in progress? Not supported. 0x0: NOTBUSY 0x1: BUSY	RW	0x0
17:16	CLKXADJ	CLKXDIV one-shot adjustment. Not supported. Bit field must always be written as 0x0. If CLKXDIV is set such that there are "m" input clocks per one output clock, then for one output cycle: 00 = (m+0) input clocks per output clock, i.e. no adjustment 01 = (m-1) input clocks per output clock 10 = (m+1) input clocks per output clock 11 = (m+0) input clocks per output clock, i.e. no adjustment NOTE: writes to these bits are ineffective if CLKADJEN:ENABLE bit is set to 0b. These bits are ALWAYS read back as zero.	W	0x0
15:8	RESERVED		RW	0x0
7	CLKXP	Transmit bitstream clock polarity select bit. 0x0: Rising edge. External receiver samples data on the falling edge of the serial clock, so the transmitter must shift data out on the rising edge of the serial clock. 0x1: Falling edge. External receiver samples data on the rising edge of the serial clock, so the transmitter must shift data out on the falling edge of the serial clock.	RW	0
6	ASYNC	Transmit operation asynchronous enable bit 0x0: Synchronous. Transmit clock and frame sync provides the source for both the transmit and receive sections. Note that in this mode, the receive bit clock is an inverted version of the transmit bit clock. 0x1: Asynchronous. Separate clock and frame sync used by transmit and receive sections.	RW	1
5	CLKXM	Transmit bit clock source bit 0x0: External transmit clock source from ACLKX pin. 0x1: Internal (output of divider)	RW	1
4:0	CLKXDIV	Transmit bit clock divide ratio bits, determine the divide-down ratio from AHCLKX to ACLKX. 0x0: Divide-by-1 0x1: Divide-by-2 0x2 to 0x1F: Divide-by-3 to divide-by-32	RW	0x00

Table 24-523. Register Call Summary for Register MCASP_ACLKXCTL

Multichannel Audio Serial Port

- McASP Transmit Clock: [0][1][2][3][4][5]
- McASP Receive Clock: [6]
- Frame-Sync Generator: [7][8]
- Synchronous and Asynchronous Transmit and Receive Operations: [9][10][11]
- Burst Transfer Mode: [12]
- Time-Division Multiplexed (TDM) Transfer Mode: [13]
- DIT Transfer Mode: [14][15]
- Loopback Modes: [16]
- Loopback Mode Configurations: [17]
- McASP Global Initialization: [18][19][20][21][22][23][24][25][26][27][28][29][30]
- MCASP_CFG Register Summary: [31][32][33][34]
- MCASP_CFG Register Description: [35][36][37]

Table 24-524. MCASP_AHCLKXCTL

Address Offset	0x0000 00B4		
Physical Address	0x4846 00B4 0x4846 40B4 0x4846 80B4 0x4846 C0B4 0x4847 00B4 0x4847 40B4 0x4847 80B4 0x4847 C0B4	Instance	MCASP1_CFG_PER2_L4 MCASP2_CFG_PER2_L4 MCASP3_CFG_PER2_L4 MCASP4_CFG_PER2_L4 MCASP5_CFG_PER2_L4 MCASP6_CFG_PER2_L4 MCASP7_CFG_PER2_L4 MCASP8_CFG_PER2_L4
Description	High-frequency transmit clock control register - Configures the transmit high-frequency master clock (AHCLKX) and the transmit clock generator.		
Type	RW		

31	30	29	28	27	26	25	24	23	22	21	20	19	18	17	16	15	14	13	12	11	10	9	8	7	6	5	4	3	2	1	0
RESERVED											BUSY	DIVBUSY	ADJBUSY	HCLKXADJ	HCLKXM	HCLKXP	RESERVED	HCLKXDIV													

Bits	Field Name	Description	Type	Reset
31:21	RESERVED	Reserved	RW	0x000
20	BUSY	Status: logical OR of DIVBUSY, ADJBUSY. Not supported. 0x0: NOTBUSY 0x1: BUSY	RW	0x0
19	DIVBUSY	Status: divide ratio change in progress? Not supported. 0x0: NOTBUSY 0x1: BUSY	RW	0x0
18	ADJBUSY	Status: one-shot adjustment in progress? Not supported. 0x0: NOTBUSY 0x1: BUSY	RW	0x0

Bits	Field Name	Description	Type	Reset
17:16	HCLKXADJ	HCLKXDIV one-shot adjustment. Not supported. Bit field must always be written as 0x0. If HCLKXDIV is set such that there are “m” input clocks per one output clock, then for one output cycle: 00 = (m+0) input clocks per output clock, i.e. no adjustment 01 = (m-1) input clocks per output clock 10 = (m+1) input clocks per output clock 11 = (m+0) input clocks per output clock, i.e. no adjustment NOTE: writes to these bits are ineffective if CLKADJEN:ENABLE bit is set to 0b. These bits are ALWAYS read back as zero.	W	0x0
15	HCLKXM	Transmit high-frequency clock source bit 0x0: External transmit high-frequency clock source from AHCLKX pin. 0x1: Internal transmit high-frequency clock source from output of programmable high clock divider	RW	1
14	HCLKXP	Transmit bitstream high-frequency clock polarity select bit. 0x0: Not inverted. AHCLKX is not inverted before programmable bit clock divider. 0x1: Inverted. AHCLKX is inverted before programmable bit clock divider.	RW	0
13:12	RESERVED	Reserved	RW	0x0
11:0	HCLKXDIV	Transmit high-frequency clock divide ratio bits determine the divide-down ratio from AUXCLK to AHCLKX. 0x0: Divide-by-1 0x1: Divide-by-2 0x2 to 0xFFF: Divide-by-3 to divide-by-4096	RW	0x000

Table 24-525. Register Call Summary for Register MCASP_AHCLKXCTL

Multichannel Audio Serial Port

- [McASP Transmit Clock: \[0\]\[1\]\[2\]\[3\]\[4\]](#)
- [Burst Transfer Mode: \[5\]](#)
- [Time-Division Multiplexed \(TDM\) Transfer Mode: \[6\]](#)
- [DIT Transfer Mode: \[7\]](#)
- [McASP Global Initialization: \[8\]\[9\]\[10\]\[11\]\[12\]\[13\]\[14\]\[15\]](#)
- [MCASP_CFG Register Summary: \[16\]\[17\]\[18\]\[19\]](#)

Table 24-526. MCASP_TXTDM

Address Offset	0x0000 00B8																																																																		
Physical Address	0x4846 00B8 0x4846 40B8 0x4846 80B8 0x4846 C0B8 0x4847 00B8 0x4847 40B8 0x4847 80B8 0x4847 C0B8	Instance	MCASP1_CFG_PER2_L4 MCASP2_CFG_PER2_L4 MCASP3_CFG_PER2_L4 MCASP4_CFG_PER2_L4 MCASP5_CFG_PER2_L4 MCASP6_CFG_PER2_L4 MCASP7_CFG_PER2_L4 MCASP8_CFG_PER2_L4																																																																
Description	Transmit TDM slot 0-31 register - TDM time slot counter range is to 384 slots (to support SPDIF blocks of 384 subframes).																																																																		
Type	RW																																																																		
<table border="1" style="width:100%; text-align:center;"> <tr> <td>31</td><td>30</td><td>29</td><td>28</td><td>27</td><td>26</td><td>25</td><td>24</td> <td>23</td><td>22</td><td>21</td><td>20</td><td>19</td><td>18</td><td>17</td><td>16</td> <td>15</td><td>14</td><td>13</td><td>12</td><td>11</td><td>10</td><td>9</td><td>8</td> <td>7</td><td>6</td><td>5</td><td>4</td><td>3</td><td>2</td><td>1</td><td>0</td> </tr> <tr> <td colspan="32">XTDMS[31:0]</td> </tr> </table>				31	30	29	28	27	26	25	24	23	22	21	20	19	18	17	16	15	14	13	12	11	10	9	8	7	6	5	4	3	2	1	0	XTDMS[31:0]																															
31	30	29	28	27	26	25	24	23	22	21	20	19	18	17	16	15	14	13	12	11	10	9	8	7	6	5	4	3	2	1	0																																				
XTDMS[31:0]																																																																			

Bits	Field Name	Description	Type	Reset
31:0	XTDMS[31:0]	Transmitter mode during TDM time slot n (n = 0..31) 0x0: Transmit TDM time slot n is inactive. The transmit serializer does not shift out data during this slot. 0x1: The transmit TDM time slot n is active. The transmit serializer shifts out data during this slot according to the serializer control registers - MCASP_XRSRCTLn .	RW	0

Table 24-527. Register Call Summary for Register MCASP_TXTDM

Multichannel Audio Serial Port

- [TDM Sequencers: \[0\]\[1\]](#)
- [Burst Transfer Mode: \[2\]](#)
- [Time-Division Multiplexed \(TDM\) Transfer Mode: \[3\]\[4\]\[5\]\[6\]](#)
- [DIT Transfer Mode: \[7\]\[8\]](#)
- [Data Ready Status and Event/Interrupt Generation: \[9\]](#)
- [McASP Global Initialization: \[10\]\[11\]](#)
- [McASP Transmission Modes: \[12\]](#)
- [MCASP_CFG Register Summary: \[13\]\[14\]\[15\]\[16\]](#)

Table 24-528. MCASP_EVTCTLX

Address Offset	0x0000 00BC		
Physical Address	0x4846 00BC 0x4846 40BC 0x4846 80BC 0x4846 C0BC 0x4847 00BC 0x4847 40BC 0x4847 80BC 0x4847 C0BC	Instance	MCASP1_CFG_PER2_L4 MCASP2_CFG_PER2_L4 MCASP3_CFG_PER2_L4 MCASP4_CFG_PER2_L4 MCASP5_CFG_PER2_L4 MCASP6_CFG_PER2_L4 MCASP7_CFG_PER2_L4 MCASP8_CFG_PER2_L4
Description	Transmitter Interrupt control register - controls generation of the McASP transmit interrupt (XINT). When the register bit(s) is set to 1, the occurrence of the enabled McASP condition(s) generates XINT.		
Type	RW		

31	30	29	28	27	26	25	24	23	22	21	20	19	18	17	16	15	14	13	12	11	10	9	8	7	6	5	4	3	2	1	0
RESERVED																							XSTAFRM	RESERVED	XDATA	XLAST	XDMAERR	XCKFAIL	XSYNCERR	XUNDRN	

Bits	Field Name	Description	Type	Reset
31:8	RESERVED	Reserved	RW	0x000000
7	XSTAFRM	Transmit start of frame interrupt enable bit 0x0: Interrupt is disabled. A transmit-start-of-frame interrupt does not generate a McASP transmit interrupt (XINT). 0x1: Interrupt is enabled. A transmit-start-of-frame interrupt generates a McASP transmit interrupt (XINT).	RW	0
6	RESERVED	Reserved	RW	0
5	XDATA	Transmit data-ready interrupt enable bit 0x0: Interrupt is disabled. A transmit data-ready interrupt does not generate a McASP transmit interrupt (XINT). 0x1: Interrupt is enabled. A transmit data-ready interrupt generates a McASP transmit interrupt (XINT).	RW	0

Bits	Field Name	Description	Type	Reset
4	XLAST	Transmit last slot interrupt enable bit 0x0: Interrupt is disabled. A transmit-last-slot interrupt does not generate a McASP transmit interrupt (XINT). 0x1: Interrupt is enabled. A transmit-last-slot interrupt generates a McASP transmit interrupt (XINT).	RW	0
3	XDMAERR	Transmit DMA error interrupt enable bit 0x0: Interrupt is disabled. A transmit DMA error interrupt does not generate a McASP transmit interrupt (XINT). 0x1: Interrupt is enabled. A transmit DMA error interrupt generates a McASP transmit interrupt (XINT).	RW	0
2	XCKFAIL	Transmit clock failure interrupt enable bit 0x0: Interrupt is disabled. A transmit clock failure interrupt does not generate a McASP transmit interrupt (XINT). 0x1: Interrupt is enabled. A transmit clock failure interrupt generates a McASP transmit interrupt (XINT).	RW	0
1	XSYNCERR	Unexpected transmit frame-sync interrupt enable bit 0x0: Interrupt is disabled. An unexpected transmit frame-sync interrupt does not generate a McASP transmit interrupt (XINT). 0x1: Interrupt is enabled. An unexpected transmit frame-sync interrupt generates a McASP transmit interrupt (XINT).	RW	0
0	XUNDRN	Transmitter underrun interrupt enable bit 0x0: Interrupt is disabled. A transmitter underrun interrupt does not generate a McASP transmit interrupt (XINT). 0x1: Interrupt is enabled. A transmitter underrun interrupt generates a McASP transmit interrupt (XINT).	RW	0

Table 24-529. Register Call Summary for Register MCASP_EVTCTLX

Multichannel Audio Serial Port

- [Burst Transfer Mode: \[0\]](#)
- [Time-Division Multiplexed \(TDM\) Transfer Mode: \[1\]](#)
- [DIT Transfer Mode: \[2\]](#)
- [Data Ready Status and Event/Interrupt Generation: \[3\]\[4\]](#)
- [McASP Events and Interrupt Requests: \[5\]\[6\]\[7\]\[8\]\[9\]\[10\]\[11\]\[12\]](#)
- [Transmit Data Ready Event and Interrupt: \[13\]](#)
- [Error Interrupt: \[14\]](#)
- [Multiple Interrupts: \[15\]\[16\]](#)
- [Clock Failure Detection: \[17\]\[18\]](#)
- [McASP Transmission Modes: \[19\]\[20\]\[21\]\[22\]\[23\]\[24\]\[25\]\[26\]\[27\]\[28\]\[29\]\[30\]\[31\]\[32\]\[33\]](#)
- [MCASP_CFG Register Summary: \[34\]\[35\]\[36\]\[37\]](#)
- [MCASP_CFG Register Description: \[38\]\[39\]\[40\]\[41\]\[42\]\[43\]\[44\]](#)

Table 24-530. MCASP_TXSTAT

Address Offset	0x0000 00C0		
Physical Address	0x4846 00C0 0x4846 40C0 0x4846 80C0 0x4846 C0C0 0x4847 00C0 0x4847 40C0 0x4847 80C0 0x4847 C0C0	Instance	MCASP1_CFG_PER2_L4 MCASP2_CFG_PER2_L4 MCASP3_CFG_PER2_L4 MCASP4_CFG_PER2_L4 MCASP5_CFG_PER2_L4 MCASP6_CFG_PER2_L4 MCASP7_CFG_PER2_L4 MCASP8_CFG_PER2_L4
Description	Transmitter status register - If the McASP logic attempts to set an interrupt flag in the same cycle that the CPU writes to the flag to clear it, the McASP logic has priority and the flag remains set. This also causes the generation of a new interrupt request.		
Type	RW		

31	30	29	28	27	26	25	24	23	22	21	20	19	18	17	16	15	14	13	12	11	10	9	8	7	6	5	4	3	2	1	0
RESERVED																XERR	XDMAERR	XSTAFRM	XDATA	XLAST	XTDMSLOT	XCKFAIL	XSYNCERR	XUNDRN							

Bits	Field Name	Description	Type	Reset
31:9	RESERVED	Reserved	RW	0x000000
8	XERR	XERR bit always returns a logic-OR of: XUNDRN XSYNCERR XCKFAIL XDMAERR. Allows a single bit to be checked to determine if a transmitter error interrupt has occurred. 0x0: No errors have occurred. 0x1: An error has occurred.	RW	0
7	XDMAERR	Transmit DMA error flag. XDMAERR is set when the CPU or DMA writes more words to the DATA port of the McASP in a given time slot than it should. Causes a transmit interrupt (XINT) if this bit and XDMAERR in MCASP_EVTCTLX are set. This bit is cleared by writing a 1 to it. Writing a 0 has no effect. 0x0: Transmit DMA error did not occur. 0x1: Transmit DMA error occurred.	RW	0
6	XSTAFRM	Transmit start of frame flag. Causes a transmit interrupt (XINT) if this bit and XSTAFRM in MCASP_EVTCTLX are set. This bit is cleared by writing a 1 to it. Writing a 0 has no effect. 0x0: No new transmit frame sync (AFSX) is detected. 0x1: A new transmit frame sync (AFSX) is detected.	RW	0
5	XDATA	Transmit data ready flag. Causes a transmit interrupt (XINT) if this bit and XDATA in MCASP_EVTCTLX are set. This bit is cleared by writing a 1 to it. Writing a 0 has no effect 0x0: XBUF[n] is written and is full 0x1: Data is copied from XBUF[n] to XRSR[n]. XBUF[n] is empty and ready to be written. XDATA is also set when the transmit serializers are taken out of reset. When XDATA is set, it always causes a DMA event (AXEVT).	RW	0
4	XLAST	Transmit last slot flag. XLAST, along with XDATA, are set if the current slot is the last slot in a frame. Causes a transmit interrupt (XINT) if this bit and XLAST in MCASP_EVTCTLX are set. This bit is cleared by writing a 1 to it. Writing a 0 has no effect. 0x0: Current slot is not the last slot in a frame. 0x1: Current slot is the last slot in a frame. XDATA is also set.	RW	0
3	XTDMSLOT	Returns the LSB of XSLOT. Allows a single read of XSTAT to determine whether the current TDM time slot is even or odd. read 0x0: Current TDM time slot is odd. read 0x1: Current TDM time slot is even.	R	0

Bits	Field Name	Description	Type	Reset
2	XCKFAIL	Transmit clock failure flag. XCKFAIL is set when the transmit clock failure detection circuit reports an error. Causes a transmit interrupt (XINT) if this bit and XCKFAIL in MCASP_EVTCTLX are set. This bit is cleared by writing a 1 to it. Writing a 0 has no effect. 0x0: Transmit clock failure did not occur. 0x1: Transmit clock failure occurred	RW	0
1	XSYNCERR	Unexpected transmit frame-sync flag. XSYNCERR is set when a new transmit frame sync (AFSX) occurs before it is expected. Causes a transmit interrupt (XINT) if this bit and XSYNCERR in MCASP_EVTCTLX are set. This bit is cleared by writing a 1 to it. Writing a 0 has no effect. 0x0: Unexpected transmit frame sync did not occur 0x1: Unexpected transmit frame sync occurred.	RW	0
0	XUNDRN	Transmitter underrun flag. XUNDRN is set when the transmit serializer is instructed to transfer data from XBUF[n] to XRSR[n], but XBUF[n] has not yet been serviced with new data since the last transfer. Causes a transmit interrupt (XINT) if this bit and XUNDRN in MCASP_EVTCTLX are set. This bit is cleared by writing a 1 to it. Writing a 0 has no effect. 0x0: Transmitter underrun did not occur 0x1: Transmitter underrun occurred.	RW	0

Table 24-531. Register Call Summary for Register MCASP_TXSTAT

Multichannel Audio Serial Port

- [State-Machines: \[0\]](#)
- [Data Ready Status and Event/Interrupt Generation: \[1\]\[2\]\[3\]\[4\]\[5\]](#)
- [McASP Events and Interrupt Requests: \[6\]\[7\]\[8\]\[9\]\[10\]\[11\]\[12\]\[13\]\[14\]\[15\]\[16\]](#)
- [Transmit Data Ready Event and Interrupt: \[17\]\[18\]](#)
- [Error Interrupt: \[19\]\[20\]](#)
- [Multiple Interrupts: \[21\]\[22\]\[23\]\[24\]](#)
- [Buffer Underrun Error -Transmitter: \[25\]](#)
- [DATA Port Error - Transmitter: \[26\]\[27\]\[28\]](#)
- [Clock Failure Detection: \[29\]\[30\]\[31\]](#)
- [McASP Transmission Modes: \[32\]\[33\]](#)
- [McASP Event Servicing: \[34\]](#)
- [MCASP_CFG Register Summary: \[35\]\[36\]\[37\]\[38\]](#)

Table 24-532. MCASP_TXTDMSLOT

Address Offset	0x0000 00C4	
Physical Address	0x4846 00C4 0x4846 40C4 0x4846 80C4 0x4846 C0C4 0x4847 00C4 0x4847 40C4 0x4847 80C4 0x4847 C0C4	Instance MCASP1_CFG_PER2_L4 MCASP2_CFG_PER2_L4 MCASP3_CFG_PER2_L4 MCASP4_CFG_PER2_L4 MCASP5_CFG_PER2_L4 MCASP6_CFG_PER2_L4 MCASP7_CFG_PER2_L4 MCASP8_CFG_PER2_L4
Description	Current transmit TDM time slot register	
Type	R	

31	30	29	28	27	26	25	24	23	22	21	20	19	18	17	16	15	14	13	12	11	10	9	8	7	6	5	4	3	2	1	0
RESERVED																XSLOTCNT															

Bits	Field Name	Description	Type	Reset
31:9	RESERVED	Reserved	R	0x000000
8:0	XSLOTCNT	Current transmit time slot count. the value of this register is 0b0101111111 (0x17f) during reset and 0 after reset.	R	0x000

Table 24-533. Register Call Summary for Register MCASP_TXTDMSLOT

Multichannel Audio Serial Port

- [TDM Sequencers: \[0\]](#)
- [MCASP_CFG Register Summary: \[1\]\[2\]\[3\]\[4\]](#)

Table 24-534. MCASP_TXCLKCHK

Address Offset	0x0000 00C8	
Physical Address	0x4846 00C8 0x4846 40C8 0x4846 80C8 0x4846 C0C8 0x4847 00C8 0x4847 40C8 0x4847 80C8 0x4847 C0C8	Instance
		MCASP1_CFG_PER2_L4 MCASP2_CFG_PER2_L4 MCASP3_CFG_PER2_L4 MCASP4_CFG_PER2_L4 MCASP5_CFG_PER2_L4 MCASP6_CFG_PER2_L4 MCASP7_CFG_PER2_L4 MCASP8_CFG_PER2_L4
Description	Transmit clock check control register - configures the transmit clock failure detection circuit.	
Type	RW	

31	30	29	28	27	26	25	24	23	22	21	20	19	18	17	16	15	14	13	12	11	10	9	8	7	6	5	4	3	2	1	0
XCNT								XMAX								XMIN								RESERVED				XPS			

Bits	Field Name	Description	Type	Reset
31:24	XCNT	Transmit clock count value (from previous measurement). The clock circuit continually counts the number of interface clocks for every 32 transmit high-frequency master clock (AHCLKX) signals, and stores the count in XCNT until the next measurement is taken	R	0x00
23:16	XMAX	0x0 to 0xFF: Transmit clock maximum boundary. This 8-bit unsigned value sets the maximum allowed boundary for the clock check counter after 32 transmit high-frequency master clock (AHCLKX) signals have been received. If the current counter value is greater than XMAX after counting 32 AHCLKX signals, XCKFAIL in XSTAT is set. The comparison is performed using unsigned arithmetic.	RW	0x00
15:8	XMIN	0x0 to 0xFF: Transmit clock minimum boundary. This 8-bit unsigned value sets the minimum allowed boundary for the clock check counter after 32 transmit high-frequency master clock (AHCLKX) signals have been received. If XCNT is less than XMIN after counting 32 AHCLKX signals, XCKFAIL in XSTAT is set. The comparison is performed using unsigned arithmetic.	RW	0x00
7:4	RESERVED	Reserved	RW	0x0
3:0	XPS	Transmit clock check prescaler value 0x0: McASP interface clock divided by 1 0x1: McASP interface clock divided by 2 0x2: McASP interface clock divided by 4 0x3: McASP interface clock divided by 8 0x4: McASP interface clock divided by 16 0x5: McASP interface clock divided by 32 0x6: McASP interface clock divided by 64 0x7: McASP interface clock divided by 128 0x8: McASP interface clock divided by 256 0x9 to 0xF: Reserved	RW	0x0

Table 24-535. Register Call Summary for Register MCASP_TXCLKCHK

Multichannel Audio Serial Port

- [Burst Transfer Mode: \[0\]](#)
- [Time-Division Multiplexed \(TDM\) Transfer Mode: \[1\]](#)
- [DIT Transfer Mode: \[2\]](#)
- [Clock Failure Detection: \[3\]\[4\]](#)
- [MCASP_CFG Register Summary: \[5\]\[6\]\[7\]\[8\]](#)

Table 24-536. MCASP_XEVTCTL

Address Offset	0x0000 00CC		
Physical Address	0x4846 00CC 0x4846 40CC 0x4846 80CC 0x4846 C0CC 0x4847 00CC 0x4847 40CC 0x4847 80CC 0x4847 C0CC	Instance	MCASP1_CFG_PER2_L4 MCASP2_CFG_PER2_L4 MCASP3_CFG_PER2_L4 MCASP4_CFG_PER2_L4 MCASP5_CFG_PER2_L4 MCASP6_CFG_PER2_L4 MCASP7_CFG_PER2_L4 MCASP8_CFG_PER2_L4
Description	Transmitter DMA event control register		
Type	RW		

31	30	29	28	27	26	25	24	23	22	21	20	19	18	17	16	15	14	13	12	11	10	9	8	7	6	5	4	3	2	1	0
RESERVED																															XDATDMA

Bits	Field Name	Description	Type	Reset
31:1	RESERVED	Reserved	RW	0x0000 0000
0	XDATDMA	Transmit data DMA request enable bit. 0x0: The transmit data DMA request is enabled. 0x1: The transmit data DMA request is disabled.	RW	0

Table 24-537. Register Call Summary for Register MCASP_XEVTCTL

Multichannel Audio Serial Port

- [Data Ready Status and Event/Interrupt Generation: \[0\]\[1\]](#)
- [DMA Requests: \[2\]](#)
- [McASP Transmission Modes: \[3\]\[4\]\[5\]](#)
- [MCASP_CFG Register Summary: \[6\]\[7\]\[8\]\[9\]](#)

Table 24-538. MCASP_CLKADJEN

Address Offset	0x0000 00D0		
Physical Address	0x4846 00D0 0x4846 40D0 0x4846 80D0 0x4846 C0D0 0x4847 00D0 0x4847 40D0 0x4847 80D0 0x4847 C0D0	Instance	MCASP1_CFG_PER2_L4 MCASP2_CFG_PER2_L4 MCASP3_CFG_PER2_L4 MCASP4_CFG_PER2_L4 MCASP5_CFG_PER2_L4 MCASP6_CFG_PER2_L4 MCASP7_CFG_PER2_L4 MCASP8_CFG_PER2_L4
Description	One-Shot Clock Adjustment Enable		
Type	RW		

31	30	29	28	27	26	25	24	23	22	21	20	19	18	17	16	15	14	13	12	11	10	9	8	7	6	5	4	3	2	1	0
RESERVED																															ENABLE

Bits	Field Name	Description	Type	Reset
31:1	RESERVED		RW	0x0
0	ENABLE	One-shot clock adjust enable. Not supported. Bit field must always be written as 0x0. 0x0: DISABLE 0x1: ENABLE	RW	0x0

Table 24-539. Register Call Summary for Register MCASP_CLKADJEN

Multichannel Audio Serial Port

- [MCASP_CFG Register Summary: \[0\]\[1\]\[2\]\[3\]](#)

Table 24-540. MCASP_DITCSRAi

Address Offset	0x0000 0100 + (0x4*i)	Index	i = 0 to 5
Physical Address	0x4846 0100 + (0x04*i) 0x4846 4100 + (0x04*i) 0x4846 8100 + (0x04*i) 0x4846 C100 + (0x04*i) 0x4847 0100 + (0x04*i) 0x4847 4100 + (0x04*i) 0x4847 8100 + (0x04*i) 0x4847 C100 + (0x04*i)	Instance	MCASP1_CFG_PER2_L4 MCASP2_CFG_PER2_L4 MCASP3_CFG_PER2_L4 MCASP4_CFG_PER2_L4 MCASP5_CFG_PER2_L4 MCASP6_CFG_PER2_L4 MCASP7_CFG_PER2_L4 MCASP8_CFG_PER2_L4
Description	DIT left channel status register - All six 32-bit registers (i = 0 to 5) can store 192 bits of channel status data for a complete block of transmission. The DIT reuses the same data for the next block. Make sure to update the register file before a different set of data needs to be sent.		
Type	RW		

31	30	29	28	27	26	25	24	23	22	21	20	19	18	17	16	15	14	13	12	11	10	9	8	7	6	5	4	3	2	1	0
DITCSRAi																															

Bits	Field Name	Description	Type	Reset
31:0	DITCSRAi	Left (even TDM slot) channel status	RW	0x0000 0000

Table 24-541. Register Call Summary for Register MCASP_DITCSRAi

Multichannel Audio Serial Port

- [Burst Transfer Mode: \[0\]](#)
- [Time-Division Multiplexed \(TDM\) Transfer Mode: \[1\]](#)
- [DIT Transfer Mode: \[2\]\[3\]](#)
- [McASP Global Initialization: \[4\]](#)
- [McASP Transmission Modes: \[5\]](#)
- [MCASP_CFG Register Summary: \[6\]\[7\]\[8\]\[9\]](#)

Table 24-542. MCASP_DITCSRBi

Address Offset	0x0000 0118+ (0x4*i)	Index	i = 0 to 5
Physical Address	0x4846 0118 + (0x04*i) 0x4846 4118 + (0x04*i) 0x4846 8118 + (0x04*i) 0x4846 C118 + (0x04*i) 0x4847 0118 + (0x04*i) 0x4847 4118 + (0x04*i) 0x4847 8118 + (0x04*i) 0x4847 C118 + (0x04*i)	Instance	MCASP1_CFG_PER2_L4 MCASP2_CFG_PER2_L4 MCASP3_CFG_PER2_L4 MCASP4_CFG_PER2_L4 MCASP5_CFG_PER2_L4 MCASP6_CFG_PER2_L4 MCASP7_CFG_PER2_L4 MCASP8_CFG_PER2_L4
Description	DIT right channel status register - All six 32-bit registers (i = 0 to 5) can store 192 bits of channel status data for a complete block of transmission. The DIT reuses the same data for the next block. Make sure to update the register file before a different set of data needs to be sent.		
Type	RW		

31	30	29	28	27	26	25	24	23	22	21	20	19	18	17	16	15	14	13	12	11	10	9	8	7	6	5	4	3	2	1	0
DITCSRBi																															

Bits	Field Name	Description	Type	Reset
31:0	DITCSRBi	Right (odd TDM slot) channel status	RW	0x0000 0000

Table 24-543. Register Call Summary for Register MCASP_DITCSRBi

Multichannel Audio Serial Port

- [Burst Transfer Mode: \[0\]](#)
- [Time-Division Multiplexed \(TDM\) Transfer Mode: \[1\]](#)
- [DIT Transfer Mode: \[2\]\[3\]](#)
- [McASP Global Initialization: \[4\]](#)
- [McASP Transmission Modes: \[5\]](#)
- [MCASP_CFG Register Summary: \[6\]\[7\]\[8\]\[9\]](#)

Table 24-544. MCASP_DITUDRAi

Address Offset	0x0000 0130 + (0x4*i)	Index	i = 0 to 5
Physical Address	0x4846 0130 + (0x04*i) 0x4846 4130 + (0x04*i) 0x4846 8130 + (0x04*i) 0x4846 C130 + (0x04*i) 0x4847 0130 + (0x04*i) 0x4847 4130 + (0x04*i) 0x4847 8130 + (0x04*i) 0x4847 C130 + (0x04*i)	Instance	MCASP1_CFG_PER2_L4 MCASP2_CFG_PER2_L4 MCASP3_CFG_PER2_L4 MCASP4_CFG_PER2_L4 MCASP5_CFG_PER2_L4 MCASP6_CFG_PER2_L4 MCASP7_CFG_PER2_L4 MCASP8_CFG_PER2_L4
Description	DIT left channel user data register - provides the user data of each left channel (even TDM time slot). All six 32-bit registers (i = 0 to 5) can store 192 bits of user data for a complete block of transmission. The DIT reuses the same data for the next block. Make sure to update the register before a different set of data needs to be sent.		
Type	RW		

31	30	29	28	27	26	25	24	23	22	21	20	19	18	17	16	15	14	13	12	11	10	9	8	7	6	5	4	3	2	1	0
DITUDRAi																															

Bits	Field Name	Description	Type	Reset
31:0	DITUDRAi	Left (even TDM slot) user data	RW	0x0000 0000

Table 24-545. Register Call Summary for Register MCASP_DITUDRAI

Multichannel Audio Serial Port

- [Burst Transfer Mode: \[0\]](#)
- [Time-Division Multiplexed \(TDM\) Transfer Mode: \[1\]](#)
- [DIT Transfer Mode: \[2\]\[3\]](#)
- [McASP Global Initialization: \[4\]](#)
- [McASP Transmission Modes: \[5\]](#)
- [MCASP_CFG Register Summary: \[6\]\[7\]\[8\]\[9\]](#)

Table 24-546. MCASP_DITUDRBi

Address Offset	0x0000 0148+ (0x4*i)	Index	i = 0 to 5
Physical Address	0x4846 0148 + (0x04*i) 0x4846 4148 + (0x04*i) 0x4846 8148 + (0x04*i) 0x4846 C148 + (0x04*i) 0x4847 0148 + (0x04*i) 0x4847 4148 + (0x04*i) 0x4847 8148 + (0x04*i) 0x4847 C148 + (0x04*i)	Instance	MCASP1_CFG_PER2_L4 MCASP2_CFG_PER2_L4 MCASP3_CFG_PER2_L4 MCASP4_CFG_PER2_L4 MCASP5_CFG_PER2_L4 MCASP6_CFG_PER2_L4 MCASP7_CFG_PER2_L4 MCASP8_CFG_PER2_L4
Description	DIT right user data register - provides the user data of each right channel (odd TDM time slot). All six 32-bit registers (i = 0 to 5) can store 192 bits of user data for a complete block of transmission. The DIT reuses the same data for the next block. Make sure to update the register before a different set of data needs to be sent.		
Type	RW		

31	30	29	28	27	26	25	24	23	22	21	20	19	18	17	16	15	14	13	12	11	10	9	8	7	6	5	4	3	2	1	0
DITUDRBi																															

Bits	Field Name	Description	Type	Reset
31:0	DITUDRBi	Right (odd TDM slot) user data	RW	0x0000 0000

Table 24-547. Register Call Summary for Register MCASP_DITUDRBi

Multichannel Audio Serial Port

- [Burst Transfer Mode: \[0\]](#)
- [Time-Division Multiplexed \(TDM\) Transfer Mode: \[1\]](#)
- [DIT Transfer Mode: \[2\]\[3\]](#)
- [McASP Global Initialization: \[4\]](#)
- [McASP Transmission Modes: \[5\]](#)
- [MCASP_CFG Register Summary: \[6\]\[7\]\[8\]\[9\]](#)

Table 24-548. MCASP_XRSRCTLn

Address Offset	0x0000 0180 + (0x4*n)	Index	n = 0 to 15
Physical Address	0x4846 0180 + (0x04*n) 0x4846 4180 + (0x04*n) 0x4846 8180 + (0x04*n) 0x4846 C180 + (0x04*n) 0x4847 0180 + (0x04*n) 0x4847 4180 + (0x04*n) 0x4847 8180 + (0x04*n) 0x4847 C180 + (0x04*n)	Instance	MCASP1_CFG_PER2_L4 MCASP2_CFG_PER2_L4 MCASP3_CFG_PER2_L4 MCASP4_CFG_PER2_L4 MCASP5_CFG_PER2_L4 MCASP6_CFG_PER2_L4 MCASP7_CFG_PER2_L4 MCASP8_CFG_PER2_L4
Description	Serializer n control register.		
Type	RW		

31	30	29	28	27	26	25	24	23	22	21	20	19	18	17	16	15	14	13	12	11	10	9	8	7	6	5	4	3	2	1	0
RESERVED																								RRDY	XRDY	DISMOD	SRMOD				

Bits	Field Name	Description	Type	Reset
31:6	RESERVED	Reserved	RW	0x0000000
5	RRDY	Receive buffer ready bit. RRDY indicates the current receive buffer state. Always reads 0 when programmed as a transmitter or as inactive. If SRMOD bit is set to receive (2h), RRDY switches from 0 to 1 whenever data is transferred from XRSRn to RBUFn. Read 0x0: Receive buffer (MCASP_RXBUFn) is empty. Read 0x1: Receive buffer (MCASP_RXBUFn) contains data and needs to be read before the start of the next time slot or a receiver overrun occurs.	R	0
4	XRDY	Transmit buffer ready bit. XRDY indicates the current transmit buffer state. Always reads 0 when programmed as a receiver or as inactive. If SRMOD bit is set to transmit (1h), XRDY switches from 0 to 1 when XSRCLR in GBLCTL is switched from 0 to 1 to indicate an empty transmitter. XRDY remains set until XSRCLR is forced to 0, data is written to the corresponding transmit buffer, or SRMOD bit is changed to receive (2h) or inactive (0). Read 0x0: The transmit buffer (MCASP_TXBUFn) contains data. Read 0x1: The transmit buffer (MCASP_TXBUFn) is empty and needs to be written before the start of the next time slot or a transmit underrun occurs.	R	0
3:2	DISMOD	Serializer pin drive mode bit. Drive on pin when in inactive TDM slot of transmit mode or when serializer is inactive. This field only applies if the pin is configured as a McASP pin (PFUNC = 0). 0x0: Drive on pin is 3-state. 0x1: Reserved 0x2: Drive on pin is logic low. 0x3: Drive on pin is logic high.	RW	0x0
1:0	SRMOD	Serializer mode bit 0x0: The serializer is inactive 0x1: The serializer is operating in transmit mode. 0x2: The serializer is operating in receive mode. 0x3: Reserved	RW	0x0

Table 24-549. Register Call Summary for Register MCASP_XRSRCTLn

Multichannel Audio Serial Port

- [McASP Signals: \[0\]](#)
- [Serializers: \[1\]\[2\]\[3\]\[4\]\[5\]\[6\]\[7\]\[8\]](#)
- [TDM Sequencers: \[9\]](#)
- [Burst Transfer Mode: \[10\]](#)
- [Time-Division Multiplexed \(TDM\) Transfer Mode: \[11\]\[12\]](#)
- [DIT Transfer Mode: \[13\]](#)
- [Data Ready Status and Event/Interrupt Generation: \[14\]\[15\]\[16\]\[17\]\[18\]\[19\]](#)
- [McASP Events and Interrupt Requests: \[20\]](#)
- [McASP Global Initialization: \[21\]\[22\]\[23\]\[24\]\[25\]\[26\]\[27\]](#)
- [McASP Transmission Modes: \[28\]](#)
- [McASP Reception Modes: \[29\]](#)
- [MCASP_CFG Register Summary: \[30\]\[31\]\[32\]\[33\]](#)
- [MCASP_CFG Register Description: \[34\]](#)

Table 24-550. MCASP_TXBUFn

Address Offset	0x0000 0200 + (0x4*n)	Index	n = 0 to 15
Physical Address	0x4846 0200 + (0x04*n) 0x4846 4200 + (0x04*n) 0x4846 8200 + (0x04*n) 0x4846 C200 + (0x04*n) 0x4847 0200 + (0x04*n) 0x4847 4200 + (0x04*n) 0x4847 8200 + (0x04*n) 0x4847 C200 + (0x04*n)	Instance	MCASP1_CFG_PER2_L4 MCASP2_CFG_PER2_L4 MCASP3_CFG_PER2_L4 MCASP4_CFG_PER2_L4 MCASP5_CFG_PER2_L4 MCASP6_CFG_PER2_L4 MCASP7_CFG_PER2_L4 MCASP8_CFG_PER2_L4
Description	Transmit buffer n - The transmit buffer for the serializer n holds data from the transmit format unit.		
Type	RW		

31	30	29	28	27	26	25	24	23	22	21	20	19	18	17	16	15	14	13	12	11	10	9	8	7	6	5	4	3	2	1	0
XBUFn																															

Bits	Field Name	Description	Type	Reset
31:0	XBUFn	Transmit buffer n	RW	0x0000 0000

Table 24-551. Register Call Summary for Register MCASP_TXBUFn

Multichannel Audio Serial Port

- [Serializers: \[0\]\[1\]](#)
- [TDM Sequencers: \[2\]](#)
- [Data Transmission and Reception: \[3\]](#)
- [Data Ready Status and Event/Interrupt Generation: \[4\]\[5\]\[6\]\[7\]\[8\]\[9\]\[10\]\[11\]\[12\]\[13\]](#)
- [Buffer Underrun Error -Transmitter: \[14\]](#)
- [McASP Global Initialization: \[15\]](#)
- [McASP Transmission Modes: \[16\]](#)
- [MCASP_CFG Register Summary: \[17\]\[18\]\[19\]\[20\]\[21\]](#)
- [MCASP_CFG Register Description: \[22\]\[23\]](#)

Table 24-552. MCASP_RXBUF_n

Address Offset	0x0000 0280 + (0x4*n)	Index	n = 0 to 15
Physical Address	0x4846 0280 + (0x04*n) 0x4846 4280 + (0x04*n) 0x4846 8280 + (0x04*n) 0x4846 C280 + (0x04*n) 0x4847 0280 + (0x04*n) 0x4847 4280 + (0x04*n) 0x4847 8280 + (0x04*n) 0x4847 C280 + (0x04*n)	Instance	MCASP1_CFG_PER2_L4 MCASP2_CFG_PER2_L4 MCASP3_CFG_PER2_L4 MCASP4_CFG_PER2_L4 MCASP5_CFG_PER2_L4 MCASP6_CFG_PER2_L4 MCASP7_CFG_PER2_L4 MCASP8_CFG_PER2_L4
Description	Receive buffer n - The receive buffer for the serializer n holds data before the data goes to the receive format unit.		
Type	RW		

31	30	29	28	27	26	25	24	23	22	21	20	19	18	17	16	15	14	13	12	11	10	9	8	7	6	5	4	3	2	1	0
RBUF _n																															

Bits	Field Name	Description	Type	Reset
31:0	RBUF _n	Receive Buffer n	RW	0x0000 0000

Table 24-553. Register Call Summary for Register MCASP_RXBUF_n

Multichannel Audio Serial Port

- Serializers: [0][1]
- Data Transmission and Reception: [2]
- Data Ready Status and Event/Interrupt Generation: [3][4][5][6][7][8][9][10][11][12]
- Buffer Overrun Error-Receiver: [13]
- McASP Global Initialization: [14]
- McASP Reception Modes: [15]
- McASP Event Servicing: [16]
- MCASP_CFG Register Summary: [17][18][19][20][21]
- MCASP_CFG Register Description: [22][23]

24.6.6.2.3 MCASP_AFIFO Register Summary

Table 24-554. MCASP_AFIFO Register Summary 1

Register Name	Type	Register Width (Bits)	Address Offset	MCASP1_AFIFO L4_PER2 Physical Address
WFIFOCTL	RW	32	0x0000 0000	0x4846 1000
WFIFOSTS	R	32	0x0000 0004	0x4846 1004
RFIFOCTL	RW	32	0x0000 0008	0x4846 1008
RFIFOSTS	R	32	0x0000 000C	0x4846 100C

Table 24-555. MCASP_AFIFO Register Summary 2

Register Name	Type	Register Width (Bits)	Address Offset	MCASP2_AFIFO L4_PER2 Physical Address
WFIFOCTL	RW	32	0x0000 0000	0x4846 5000
WFIFOSTS	R	32	0x0000 0004	0x4846 5004
RFIFOCTL	RW	32	0x0000 0008	0x4846 5008
RFIFOSTS	R	32	0x0000 000C	0x4846 500C

Table 24-556. MCASP_AFIFO Register Summary 3

Register Name	Type	Register Width (Bits)	Address Offset	MCASP3_AFIFO L4_PER2 Physical Address	MCASP4_AFIFO L4_PER2 Physical Address	MCASP5_AFIFO L4_PER2 Physical Address
WFIFOCTL	RW	32	0x0000 0000	0x4846 9000	0x4846 D000	0x4847 1000
WFIFOSTS	R	32	0x0000 0004	0x4846 9004	0x4846 D004	0x4847 1004
RFIFOCTL	RW	32	0x0000 0008	0x4846 9008	0x4846 D008	0x4847 1008
RFIFOSTS	R	32	0x0000 000C	0x4846 900C	0x4846 D00C	0x4847 100C

Table 24-557. MCASP_AFIFO Register Summary 4

Register Name	Type	Register Width (Bits)	Address Offset	MCASP6_AFIFO L4_PER2 Physical Address	MCASP7_AFIFO L4_PER2 Physical Address	MCASP8_AFIFO L4_PER2 Physical Address
WFIFOCTL	RW	32	0x0000 0000	0x4847 5000	0x4847 9000	0x4847 D000
WFIFOSTS	R	32	0x0000 0004	0x4847 5004	0x4847 9004	0x4847 D004
RFIFOCTL	RW	32	0x0000 0008	0x4847 5008	0x4847 9008	0x4847 D008
RFIFOSTS	R	32	0x0000 000C	0x4847 500C	0x4847 900C	0x4847 D00C

24.6.6.2.4 MCASP_AFIFO Register Description

Table 24-558. WFIFOCTL

Address Offset	0x0000 0000	Instance	MCASP1_AFIFO_PER2_L4 MCASP2_AFIFO_PER2_L4 MCASP3_AFIFO_PER2_L4 MCASP4_AFIFO_PER2_L4 MCASP5_AFIFO_PER2_L4 MCASP6_AFIFO_PER2_L4 MCASP7_AFIFO_PER2_L4 MCASP8_AFIFO_PER2_L4
Physical Address	0x4846 1000 0x4846 5000 0x4846 9000 0x4846 D000 0x4847 1000 0x4847 5000 0x4847 9000 0x4847 D000		
Description	The Write FIFO control register. The WNUMEVT and WNUMDMA values must be set prior to enabling the Write FIFO. If the Write FIFO is to be enabled, it must be enabled prior to taking the McASP out of reset.		
Type	RW		

31	30	29	28	27	26	25	24	23	22	21	20	19	18	17	16	15	14	13	12	11	10	9	8	7	6	5	4	3	2	1	0
RESERVED																WENA	WNUMEVT						WNUMDMA								

Bits	Field Name	Description	Type	Reset
31:17	RESERVED	Reserved	R	0x0000 0000
16	WENA	Write FIFO enable bit. 0x0: Write FIFO is disabled (default). Data access by the host must pass through the FIFO block to the McASP transparently. DMA requests must also pass through the FIFO block transparently. WLVL is reset to 0 and pointers are initialized, i.e., the write FIFO is “flushed.” 0x1: Write FIFO is enabled. If write FIFO is to be enabled, it must be enabled prior to enabling McASP.	RW	0

Bits	Field Name	Description	Type	Reset
15:8	WNUMEVT	Write word count (32-bit) to generate TX event to host. When Write FIFO has word space for more or equal to this value then transmit event will be generated to host/DMA. This value must be set prior to enabling the write FIFO. 0x0: 0 words. 0x1: 1 word. 0x2: 2 words. 0x3 - 0x40: 3 to 64 words currently in write FIFO. 0x41 - 0xFF: Reserved.	RW	0x10
7:0	WNUMDMA	Write word count (32-bit words). On the transmit DMA event from McASP the WNUMDMA word will be transferred from DMA engine to McASP. This value must equal the number of McASP serializers used as transmitters. This value must be set prior to enabling the write FIFO. 0x0: 0 words. 0x1: 1 word. 0x2: 2 words. 0x3 - 0x10: 3 to 16 words. 0x11 - 0xFF: Reserved.	RW	0x04

Table 24-559. Register Call Summary for Register WFIFOCTL

Multichannel Audio Serial Port

- [McASP Audio FIFO \(AFIFO\): \[0\]](#)
- [AFIFO Data Transmission: \[1\]\[2\]\[3\]\[4\]\[5\]](#)
- [MCASP_AFIFO Register Summary: \[6\]\[7\]\[8\]\[9\]](#)

Table 24-560. WFIFOSTS

Address Offset	0x0000 0004	Instance	MCASP1_AFIFO_PER2_L4
Physical Address	0x4846 1004		MCASP2_AFIFO_PER2_L4
	0x4846 5004		MCASP3_AFIFO_PER2_L4
	0x4846 9004		MCASP4_AFIFO_PER2_L4
	0x4846 D004		MCASP5_AFIFO_PER2_L4
	0x4847 1004		MCASP6_AFIFO_PER2_L4
	0x4847 5004		MCASP7_AFIFO_PER2_L4
	0x4847 9004		MCASP8_AFIFO_PER2_L4
	0x4847 D004		
Description	The Write FIFO status register.		
Type	R		

31	30	29	28	27	26	25	24	23	22	21	20	19	18	17	16	15	14	13	12	11	10	9	8	7	6	5	4	3	2	1	0
RESERVED																WLVL															

Bits	Field Name	Description	Type	Reset
31:8	RESERVED	Reserved	R	0x0000 0000
7:0	WLVL	Write level (read-only). Number of 32-bit words currently in write FIFO. 0x0: 0 words currently in write FIFO. 0x1: 1 word currently in write FIFO. 0x2: 2 words currently in write FIFO. 0x3 - 0x40: 3 to 64 words currently in write FIFO. 0x41 - 0xFF: Reserved.	R	0

Table 24-561. Register Call Summary for Register WFIFOSTS

Multichannel Audio Serial Port

- [MCASP_AFIFO Register Summary: \[0\]\[1\]\[2\]\[3\]](#)

Table 24-562. RFIFOCTL

Address Offset	0x0000 0008		
Physical Address	0x4846 1008 0x4846 5008 0x4846 9008 0x4846 D008 0x4847 1008 0x4847 5008 0x4847 9008 0x4847 D008	Instance	MCASP1_AFIFO_PER2_L4 MCASP2_AFIFO_PER2_L4 MCASP3_AFIFO_PER2_L4 MCASP4_AFIFO_PER2_L4 MCASP5_AFIFO_PER2_L4 MCASP6_AFIFO_PER2_L4 MCASP7_AFIFO_PER2_L4 MCASP8_AFIFO_PER2_L4
Description	The Read FIFO control register. The RNUMEVT and RNUMDMA values must be set prior to enabling the Read FIFO. If the Read FIFO is to be enabled, it must be enabled prior to taking the McASP out of reset.		
Type	RW		

31	30	29	28	27	26	25	24	23	22	21	20	19	18	17	16	15	14	13	12	11	10	9	8	7	6	5	4	3	2	1	0
RESERVED																RENA	RNUMEVT						RNUMDMA								

Bits	Field Name	Description	Type	Reset
31:17	RESERVED	Reserved	R	0x0000 0000
16	RENA	Read FIFO enable bit. 0x0: Read FIFO is disabled (default). Data access by the host must pass through the FIFO block to the McASP transparently. DMA requests must also pass through the FIFO block transparently. RLVL is reset to 0 and pointers are initialized, i.e., the read FIFO is "flushed." 0x1: Read FIFO is enabled. If read FIFO is to be enabled, it must be enabled prior to enabling McASP.	RW	0
15:8	RNUMEVT	Read word count (32-bit) to generate RX event to host. When Read FIFO has number of word available which is more or equal to this value then receive event will be generated to host/DMA. This value must be set prior to enabling the write FIFO. 0x0: 0 words currently in read FIFO. 0x1: 1 word currently in read FIFO. 0x2: 2 words currently in read FIFO. 0x3 - 0x40: 3 to 64 words currently in read FIFO. 0x41 - 0xFF: Reserved	RW	0x10
7:0	RNUMDMA	Read word count (32-bit words). On receive DMA event from McASP, the DMA engine will read specified number of words from McASP. This value must equal the number of McASP serializers used as transmitters. This value must be set prior to enabling the read FIFO. 0x0: 0 words 0x1: 1 word 0x2: 2 words 0x3 - 0x10: 3-16 words 0x11 - 0xFF: Reserved		

Table 24-563. Register Call Summary for Register RFIFOCTL

Multichannel Audio Serial Port

- [McASP Audio FIFO \(AFIFO\): \[0\]](#)
- [AFIFO Data Reception: \[1\]\[2\]\[3\]\[4\]\[5\]](#)
- [MCASP_AFIFO Register Summary: \[6\]\[7\]\[8\]\[9\]](#)

Table 24-564. RFIFOSTS

Address Offset	0x0000 000C	Instance	MCASP1_AFIFO_PER2_L4
Physical Address	0x4846 100C	MCASP2_AFIFO_PER2_L4	MCASP2_AFIFO_PER2_L4
	0x4846 500C	MCASP3_AFIFO_PER2_L4	MCASP3_AFIFO_PER2_L4
	0x4846 900C	MCASP4_AFIFO_PER2_L4	MCASP4_AFIFO_PER2_L4
	0x4846 D00C	MCASP5_AFIFO_PER2_L4	MCASP5_AFIFO_PER2_L4
	0x4847 100C	MCASP6_AFIFO_PER2_L4	MCASP6_AFIFO_PER2_L4
	0x4847 500C	MCASP7_AFIFO_PER2_L4	MCASP7_AFIFO_PER2_L4
	0x4847 900C	MCASP8_AFIFO_PER2_L4	MCASP8_AFIFO_PER2_L4
	0x4847 D00C		
Description	The Read FIFO status register		
Type	R		

31	30	29	28	27	26	25	24	23	22	21	20	19	18	17	16	15	14	13	12	11	10	9	8	7	6	5	4	3	2	1	0
RESERVED																RLVL															

Bits	Field Name	Description	Type	Reset
31:8	RESERVED	Reserved	R	0x0000 0000
7:0	RLVL	Read level (read-only). Number of 32-bit words currently in read FIFO. 0x0: 0 words currently in read FIFO. 0x1: 1 word currently in read FIFO. 0x2: 2 words currently in read FIFO. 0x3 - 0x40: 3 to 64 words currently in read FIFO. 0x41 - 0xFF: Reserved.	R	0

Table 24-565. Register Call Summary for Register RFIFOSTS

Multichannel Audio Serial Port

- [MCASP_AFIFO Register Summary: \[0\]\[1\]\[2\]\[3\]](#)

24.6.6.2.5 MCASP_DAT Register Summary

Table 24-566 to Table 24-569 summarize the MCASP_DAT register mapping.

Table 24-566. MCASP_DAT Register Summary 1

Register Name	Type	Register Width (Bits)	Address Offset	MCASP1_DAT L3_MAIN Physical Address
MCASP_RXBUF	R	32	0x0000 0000 ⁽¹⁾	0x4580 0000
MCASP_TXBUF	W	32	0x0000 0000 ⁽¹⁾	0x4580 0000

⁽¹⁾ 0x000 is just an example DATA port offset value. Actually, whatever the offset value is added to base address, it is ignored (don't care) when MPU/DSP performs accesses to XRBUFFn RX/TX buffers through the McASP DATA port.

Table 24-567. MCASP_DAT Register Summary 2

Register Name	Type	Register Width (Bits)	Address Offset	MCASP2_DAT L3_MAIN Physical Address
MCASP_RXBUF	R	32	0x0000 0000 ⁽¹⁾	0x45C0 0000
MCASP_TXBUF	W	32	0x0000 0000 ⁽¹⁾	0x45C0 0000

⁽¹⁾ 0x000 is just an example DATA port offset value. Actually, whatever the offset value is added to base address, it is ignored (don't care) when MPU/DSP performs accesses to XRBUF_n RX/TX buffers through the McASP DATA port.

Table 24-568. MCASP_DAT Register Summary 3

Register Name	Type	Register Width (Bits)	Address Offset	MCASP3_DAT L3_MAIN Physical Address	MCASP4_DAT L4_PER2 Physical Address	MCASP5_DAT L4_PER2 Physical Address
MCASP_RXBUF	R	32	0x0000 0000 ⁽¹⁾	0x4600 0000	0x4843 6000	0x4843 A000
MCASP_TXBUF	W	32	0x0000 0000 ⁽¹⁾	0x4600 0000	0x4843 6000	0x4843 A000

⁽¹⁾ 0x000 is just an example DATA port offset value. Actually, whatever the offset value is added to base address, it is ignored (don't care) when MPU/DSP performs accesses to XRBUF_n RX/TX buffers through the McASP DATA port.

Table 24-569. MCASP_DAT Register Summary 4

Register Name	Type	Register Width (Bits)	Address Offset	MCASP6_DAT L4_PER2 Physical Address	MCASP7_DAT L4_PER2 Physical Address	MCASP8_DAT L4_PER2 Physical Address
MCASP_RXBUF	R	32	0x0000 0000 ⁽¹⁾	0x4844 C000	0x4845 0000	0x4845 4000
MCASP_TXBUF	W	32	0x0000 0000 ⁽¹⁾	0x4844 C000	0x4845 0000	0x4845 4000

⁽¹⁾ 0x000 is just an example DATA port offset value. Actually, whatever the offset value is added to base address, it is ignored (don't care) when MPU/DSP performs accesses to XRBUF_n RX/TX buffers through the McASP DATA port.

NOTE: For [MCASP_RXBUF](#) and [MCASP_TXBUF](#) buffer accesses through the McASP DATA port, the destination physical address is always the same regardless of current channel index or transfer direction. The [MCASP_TXFMT\[3\] XBUSEL](#) bit must be set to 0b0, to allow write transfers through the DATA port. The [MCASP_RXFMT\[3\] RBUSEL](#) bit must be set to 0b0, to allow read transfers through the DATA port.

NOTE: The McASP DATA port is exclusively assigned for DMAs/device CPUs accesses to the McASP channels transmit and receive buffer registers. All other McASP module registers must be accessed through the McASP CFG (peripheral) port.

NOTE: McASP1, McASP2, and McASP3, whose data port are accessible directly via L3_MAIN, do not support FIFO/constant addressing modes. Incrementing transfers must be used instead.

24.6.6.2.6 MCASP_DAT Register Description

Table 24-570. MCASP_RXBUF

Address Offset	Physical Address	Instance
0x0000 0000	0x4580 0000	MCASP1_DAT_MAIN_L3
	0x45C0 0000	MCASP2_DAT_MAIN_L3
	0x4600 0000	MCASP3_DAT_MAIN_L3
	0x4843 6000	MCASP4_DAT_PER2_L4
	0x4843 A000	MCASP5_DAT_PER2_L4
	0x4844 C000	MCASP6_DAT_PER2_L4
	0x4845 0000	MCASP7_DAT_PER2_L4
	0x4845 4000	MCASP8_DAT_PER2_L4

Table 24-570. MCASP_RXBUF (continued)

Description	Through the DATA port, the Host can service all serializers through a single address and the McASP automatically cycles through the appropriate serializers. For receive operations through the DATA port, the Host should read from the same RBUF DATA port address to service all of the active receive serializers upon each receive data ready event. To enable accesses from the Host to the McASP XRBUF registers through the DATA port, one must clear the RBUSEL bits to 0 in the respective MCASP_RXFMT registers in the MCASP_CFG Memory Map.
Type	R

31	30	29	28	27	26	25	24	23	22	21	20	19	18	17	16	15	14	13	12	11	10	9	8	7	6	5	4	3	2	1	0
RXBUF																															

Bits	Field Name	Description	Type	Reset
31:0	RXBUF	Rx buffer data.	R	0x0000 0000

Table 24-571. Register Call Summary for Register MCASP_RXBUF

Multichannel Audio Serial Port

- [Data Ready Status and Event/Interrupt Generation: \[0\]](#)
- [MCASP_DAT Register Summary: \[1\]\[2\]\[3\]\[4\]\[5\]](#)

Table 24-572. MCASP_TXBUF

Address Offset	0x0000 0000		
Physical Address	0x4580 0000 0x45C0 0000 0x4600 0000 0x4843 6000 0x4843 A000 0x4844 C000 0x4845 0000 0x4845 4000	Instance	MCASP1_DAT_MAIN_L3 MCASP2_DAT_MAIN_L3 MCASP3_DAT_MAIN_L3 MCASP4_DAT_PER2_L4 MCASP5_DAT_PER2_L4 MCASP6_DAT_PER2_L4 MCASP7_DAT_PER2_L4 MCASP8_DAT_PER2_L4
Description	Through the DATA port, the Host can service all serializers through a single address and the McASP automatically cycles through the appropriate serializers. For transmit operations through the DATA port, the Host should write to the same DATA port address to service all of the active transmit serializers upon each transmit data ready event. To enable accesses from the Host to the McASP XRBUF registers through the DATA port, one must clear the XBUSEL bits to 0 in the respective MCASP_TXFMT registers in the MCASP_CFG Memory Map.		
Type	W		

31	30	29	28	27	26	25	24	23	22	21	20	19	18	17	16	15	14	13	12	11	10	9	8	7	6	5	4	3	2	1	0
TXBUF																															

Bits	Field Name	Description	Type	Reset
31:0	TXBUF	Tx buffer data.	W	0x0000 0000

Table 24-573. Register Call Summary for Register MCASP_TXBUF

Multichannel Audio Serial Port

- [Data Ready Status and Event/Interrupt Generation: \[0\]](#)
- [MCASP_DAT Register Summary: \[1\]\[2\]\[3\]\[4\]\[5\]](#)

24.7 SuperSpeed USB DRD

This section describes the SuperSpeed (SS) USB 3.0 Dual-Role-Device (DRD) subsystem of the device.

NOTE: This chapter serves to describe the integration of the third party USB subsystem and should not be considered sufficient for those wishing to modify the existing Linux USB driver(s) or create a new driver to support this controller implementation. For those who do wish to substantially modify the existing Linux USB driver(s), or create new drivers, contact TI for more information on how to obtain the third party documentation under NDA.

NOTE: This chapter describes a module (subsystem) in the superset device. The available number of instances and supported set of features is device part number dependent. Refer to device *Data Manual*, for more information.

NOTE: USB3 (ULPI) must not be used. Its functionality is not supported for this family of devices. This feature is subject to removal without notice on future device revisions. Any information regarding the unsupported feature is retained in the documentation solely for the purpose of clarifying signal names or for consistency with previous feature descriptions.

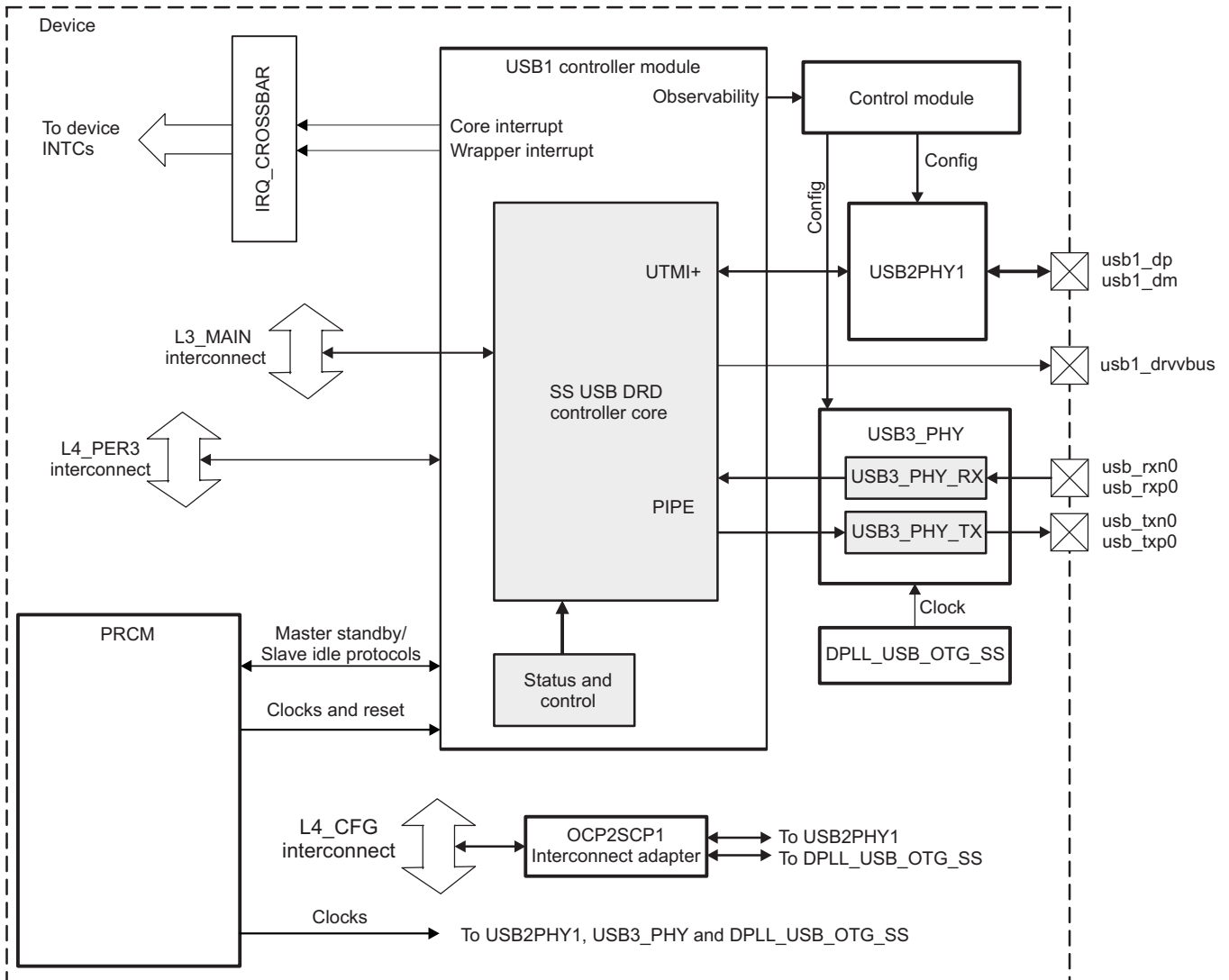
24.7.1 SuperSpeed USB DRD Subsystem Overview

SuperSpeed USB DRD Subsystem has three instances in the device providing the following functions:

- USB1: SuperSpeed (SS) USB 3.0 Dual-Role-Device (DRD) subsystem with integrated SS (USB3.0) PHY and HS/FS (USB2.0) PHY
- USB2: High-Speed (HS) USB 2.0 Dual-Role-Device (DRD) subsystem with integrated HS/FS PHY
- USB3: HS USB 2.0 Dual-Role-Device (DRD) subsystem with ULPI (SDR) interface to external HS/FS PHYs

Figure 24-143 shows the USB1 subsystem overview.

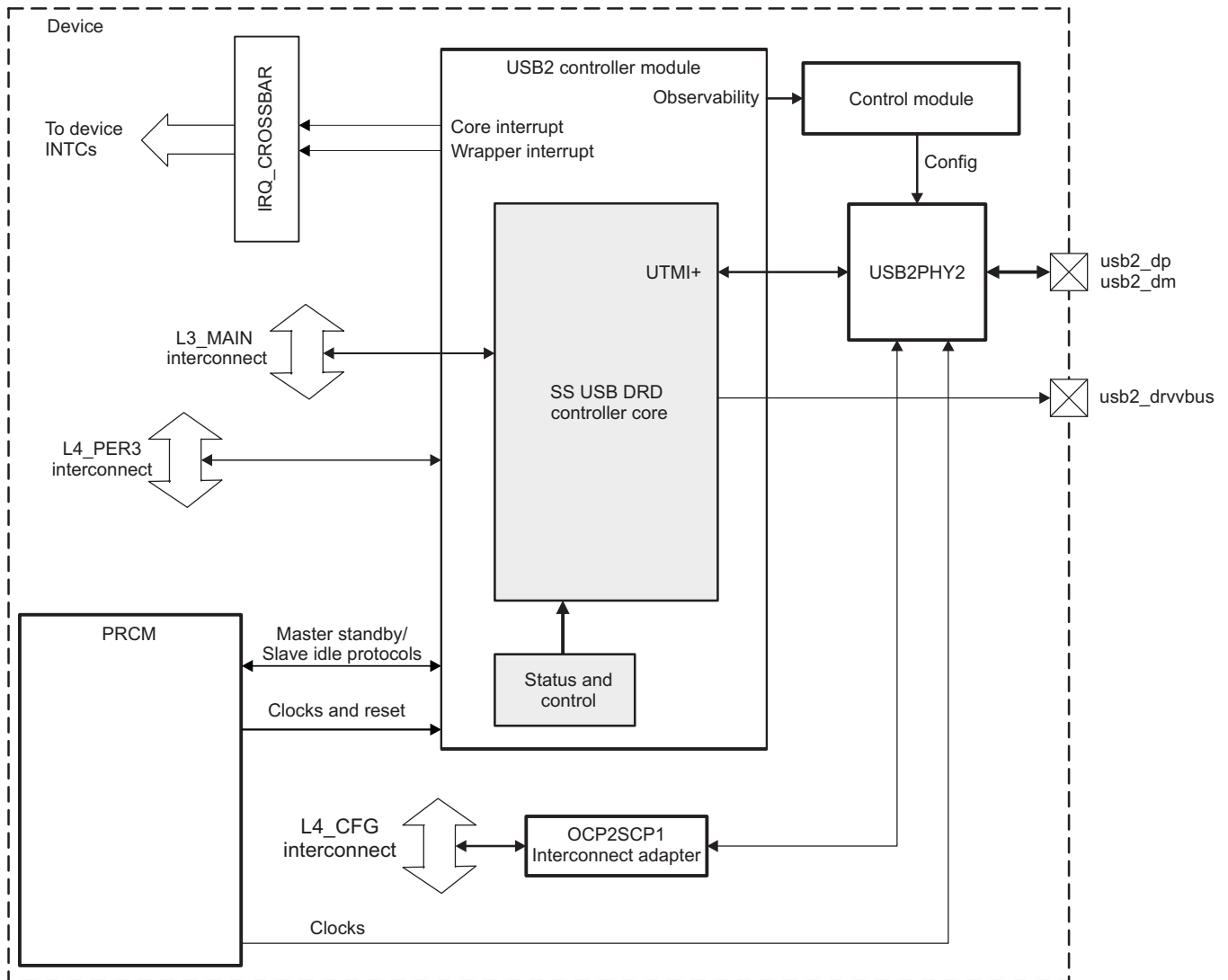
Figure 24-143. USB1 Highlight



usbss-011

Figure 24-144 shows the USB2 subsystem overview.

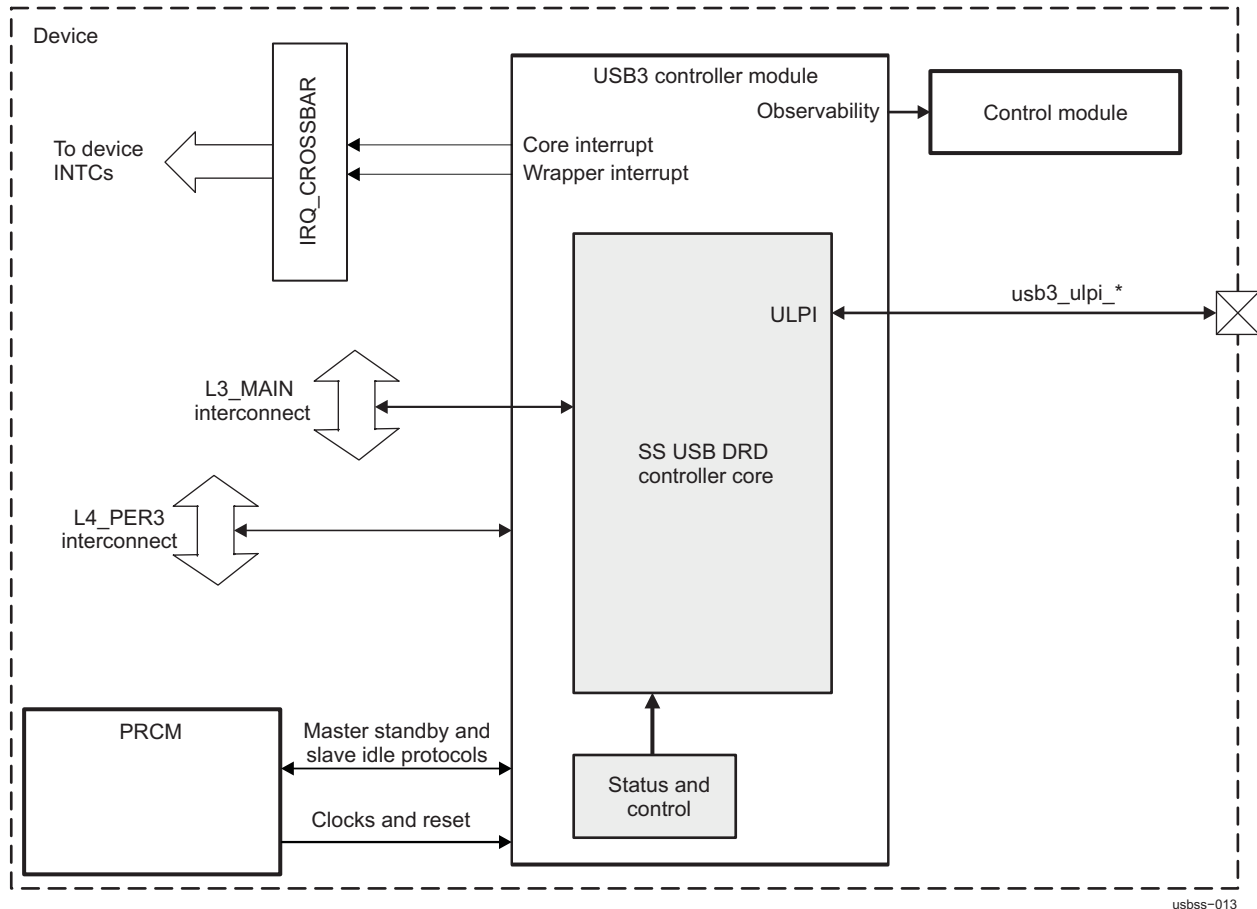
Figure 24-144. USB2 Highlight



usbss-012

Figure 24-145 shows the USB3 subsystem overview.

Figure 24-145. USB3 Highlight



usbss-013

24.7.1.1 Main Features

SuperSpeed USB DRD Subsystem has the following features:

- Dual-role-device (DRD) capability:
 - Supports USB Peripheral (or Device) mode at speeds SS (5Gbps)(USB1 only), HS (480 Mbps), and FS (12 Mbps)
 - Supports USB Host mode at speeds SS (5Gbps)(USB1 only), HS (480 Mbps), FS (12 Mbps), and LS (1.5 Mbps)
 - USB static peripheral operation
 - USB static host operation
 - Flexible stream allocation
 - Stream priority
 - External Buffer Control
- Each instance contains single xHCI controller with the following features:
 - Internal DMA controller
 - Descriptor caching and data prefetching
 - Interrupt moderation and blocking
 - Power management USB3.0 states for U0, U1, U2, and U3
 - Dynamic FIFO memory allocation for all endpoints
 - Supports all modes of transfers (control, bulk, interrupt, and isochronous)

- Supports high bandwidth ISO mode
- Connects to an external charge pump for VBUS 5 V generation
- USB-HS PHY (USB2PHY1 and USB2PHY2 for USB1 and USB2, respectively): contain the USB functions, drivers, receivers, and pads for correct D+/D– signalling
- USB3_PHY. The USB3_PHY is embedded in the USB1 subsystem and contains:
 - USB3_PHY_RX deserializer to receive data at SuperSpeed mode
 - USB3_PHY_TX serializer to transmit data at SuperSpeed mode
 - Power sequencer that contains a power control state machine, generating the sequences to power up/down the USB3_PHY_RX/USB3_PHY_TX
 - Dedicated DPLL (DPLL_USB_OTG_SS)

24.7.1.2 Unsupported Features

Following features are not implemented in the current device:

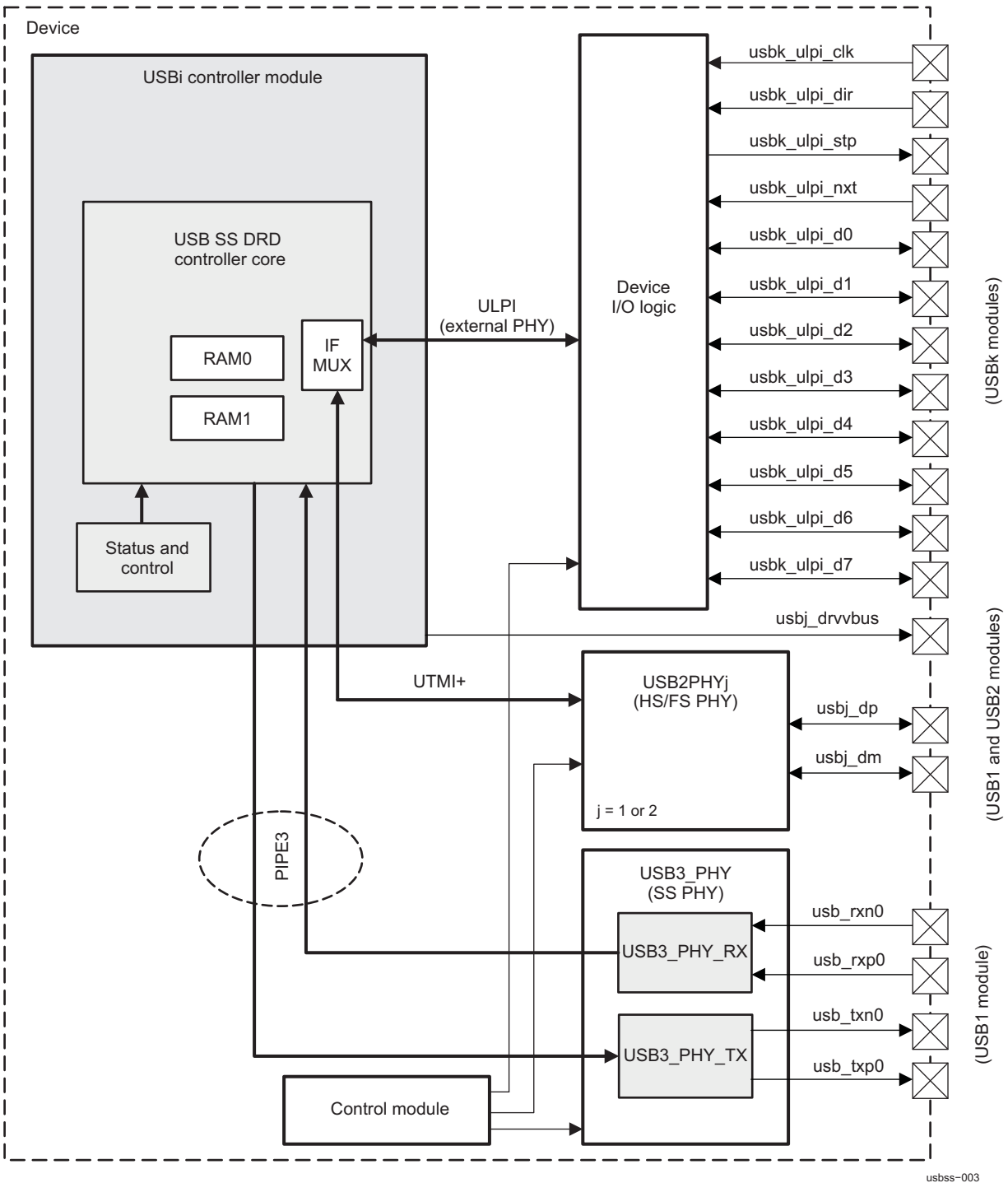
- Battery charger support
- Accessory charger adaptor support
- OTG functionality
- Virtualization support
- USB 2.0 ECN: Link Power Management (LPM)

24.7.2 SuperSpeed USB DRD Subsystem Environment

24.7.2.1 SuperSpeed USB DRD Subsystem I/O Interfaces

Figure 24-146 describes the I/O signals of the SuperSpeed USB subsystem interfaces.

Figure 24-146. SuperSpeed USB Subsystem Environment



i = 1 to 3

k = 3

Table 24-574 through Table 24-576 describe the I/O signals of the SuperSpeed USB subsystem interfaces shown in Figure 24-146

Table 24-574. USB1 Input/Output Description

Module Pin	Device-Level Signal Name	I/O ⁽¹⁾	Description	Reset Value
USB2PHY1				
DRVVBUS	usb1_drvvbus	O	Drive-VBUS enable to external charge pump/power switch	0
DP	usb1_dp	I/O	USB2.0 half-duplex differential pair	HiZ
DM	usb1_dm	I/O		HiZ
USB3_PHY				
TX	usb_txn0	O	USB3.0 transmitter differential pair	HiZ
TY	usb_txp0	O		HiZ
RX	usb_rxn0	I	USB3.0 receiver differential pair	HiZ
RY	usb_rxp0	I		HiZ

⁽¹⁾ I = Input; O = Output; I/O = Bidirectional

Table 24-575. USB2 Input/Output Description

Module Pin	Device-Level Signal Name	I/O	Description	Reset Value
USB2PHY2				
DRVVBUS	usb2_drvvbus	O	Drive-VBUS enable to external charge pump/power switch	0
DP	usb2_dp	I/O	USB2.0 half-duplex differential pair	HiZ
DM	usb2_dm	I/O		HiZ

Table 24-576. USB3 Input/Output Description

Module Pin	Device-Level Signal Name	I/O	Description	Reset Value
ULPI interface				
ULPI_CLK	usb3_ulpi_clk	I	Clock input from external transceiver	HiZ
ULPI_DIR	usb3_ulpi_dir	I	Data direction control from external transceiver	HiZ
ULPI_STP	usb3_ulpi_stp	O	Output to external transceiver to stop data stream	1
ULPI_NXT	usb3_ulpi_nxt	I	Next signal control from external transceiver	HiZ
ULPI_DATA0	usb3_ulpi_d0	I/O	Data bit 0 to/from external transceiver	HiZ
ULPI_DATA1	usb3_ulpi_d1	I/O	Data bit 1 to/from external transceiver	HiZ
ULPI_DATA2	usb3_ulpi_d2	I/O	Data bit 2 to/from external transceiver	HiZ
ULPI_DATA3	usb3_ulpi_d3	I/O	Data bit 3 to/from external transceiver	HiZ
ULPI_DATA4	usb3_ulpi_d4	I/O	Data bit 4 to/from external transceiver	HiZ
ULPI_DATA5	usb3_ulpi_d5	I/O	Data bit 5 to/from external transceiver	HiZ
ULPI_DATA6	usb3_ulpi_d6	I/O	Data bit 6 to/from external transceiver	HiZ
ULPI_DATA7	usb3_ulpi_d7	I/O	Data bit 7 to/from external transceiver	HiZ

NOTE: The path from a module pin to device pad(s) is defined at the device I/O logic level. The control module registers assign the specific function to the device pads. For more information on control module settings, see [Section 18.4.6.1.1, Pad Configuration Registers](#) in [Chapter 18, Control Module](#).

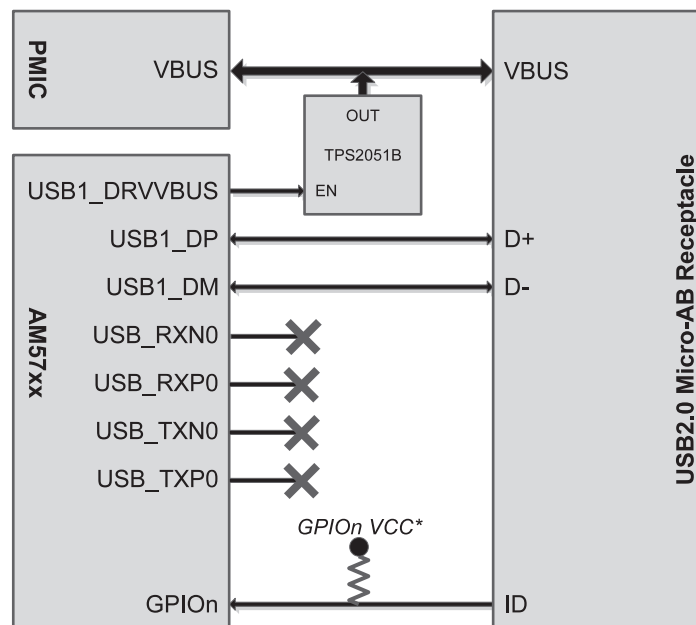
NOTE: USB3 (ULPI) must not be used. Its functionality is not supported for this family of devices. This feature is subject to removal without notice on future device revisions. Any information regarding the unsupported feature is retained in the documentation solely for the purpose of clarifying signal names or for consistency with previous feature descriptions.

24.7.2.2 SuperSpeed USB Subsystem Application

NOTE: Figure 24-147 through Figure 24-155 serve only to represent high-level pin connections between the SoC and the relevant USB socket for supported usage scenarios. Please refer to the AM57xx USB Schematic Review Checklist for complete interface requirements prior to beginning a system design.

Figure 24-147 shows typical application of the USB1 controller in the USB2.0 dual-role-device mode. TPS2051B power switch drives 5-V VBUS when required by monitoring the usb1_drvvbus output from the USB controller. VBUS sensing is exported to the companion PMIC. USB driver monitors VBUS status by listening to the PMIC interrupts and using the I2C1 (PMIC control) interface.

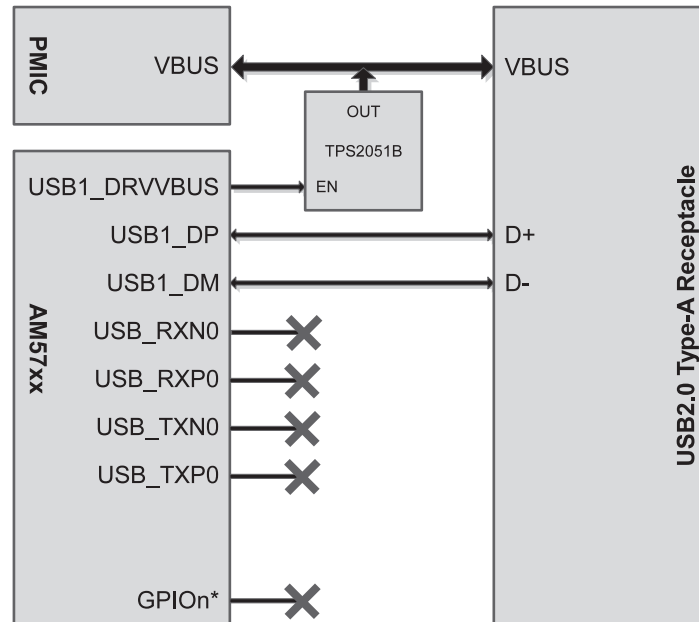
Figure 24-147. USB1 Controller Application: USB2.0 DRD



*This pull-up must be tied to the same power rail that supplies GPIO_n
usbss-021

Figure 24-148 shows typical application of the USB1 controller in USB2.0 host mode. TPS2051B power switch drives 5-V VBUS when required by monitoring the usb1_drvvbus output from the USB controller. VBUS sensing is exported to the companion PMIC. USB driver monitors VBUS status by listening to the PMIC interrupts and using the I2C1 (PMIC control) interface.

Figure 24-148. USB1 Controller Application: USB2.0 Host

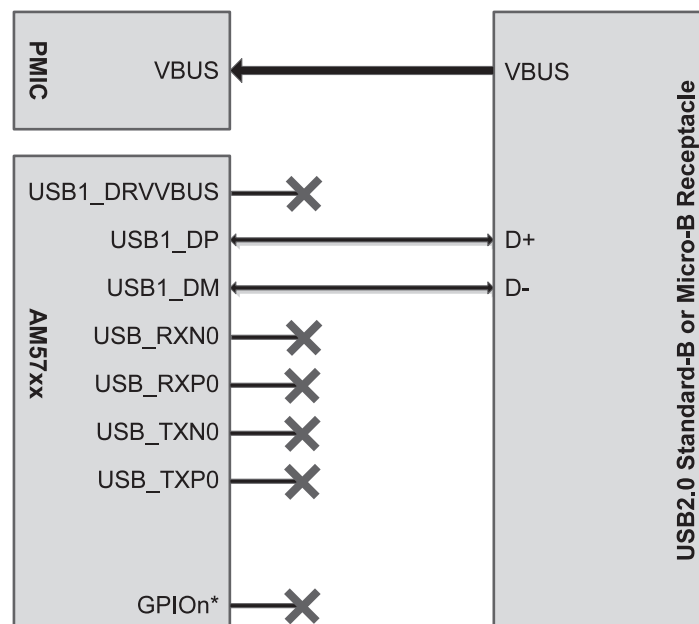


*GPIO_n must be configured with internal pull-down enabled.

usbss-022

Figure 24-149 shows typical application of the USB1 controller in USB2.0 device mode. VBUS sensing is exported to the companion PMIC. USB driver monitors VBUS status by listening to the PMIC interrupts and using the I2C1 (PMIC control) interface.

Figure 24-149. USB1 Controller Application: USB2.0 Device

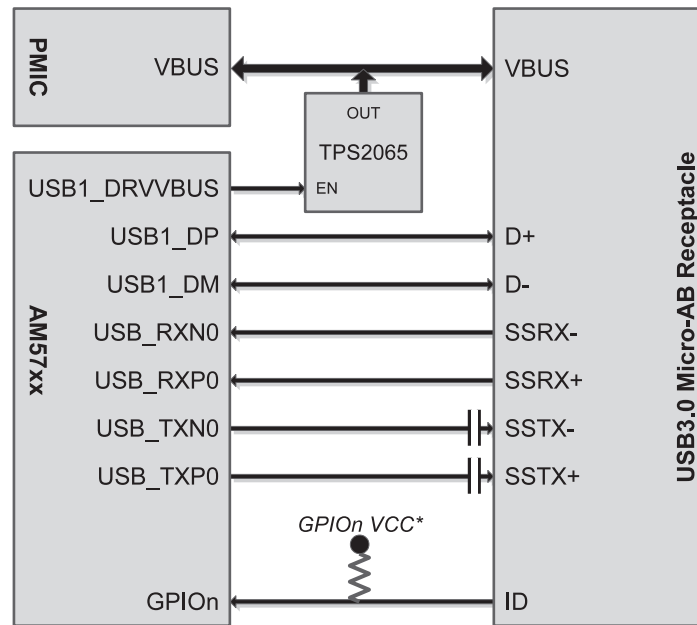


*GPIO_n must be configured with internal pull-up enabled.

usbss-023

Figure 24-150 shows typical application of the USB1 controller in the USB3.0 dual-role-device mode. TPS2065 power switch drives 5-V VBUS when required by monitoring the usb1_drvvbus output from the USB controller. VBUS sensing is exported to the companion PMIC. USB driver monitors VBUS status by listening to the PMIC interrupts and using the I2C1 (PMIC control) interface.

Figure 24-150. USB1 Controller Application: USB3.0 DRD

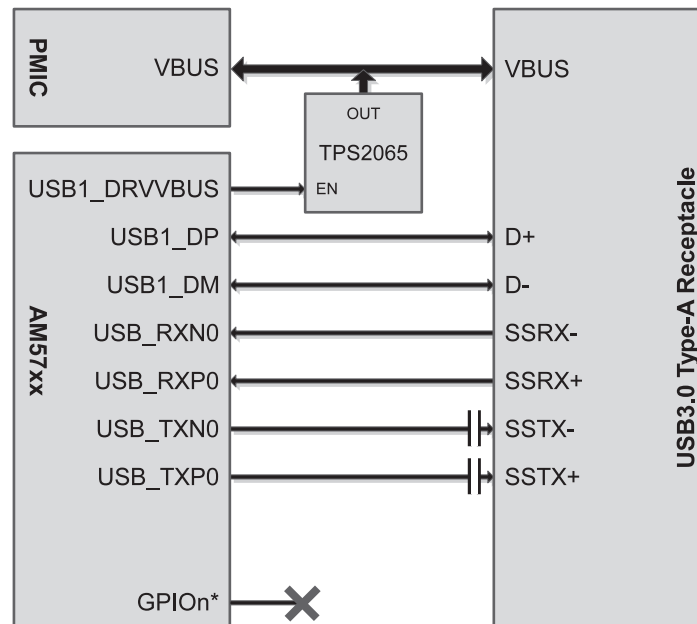


*This pull-up must be tied to the power rail that supplies GPIO_n

usbss-024

Figure 24-151 shows typical application of the USB1 controller in the USB3.0 host mode. TPS2065 power switch drives 5-V VBUS when required by monitoring the usb1_drvvbus output from the USB controller. VBUS sensing is exported to the companion PMIC. USB driver monitors VBUS status by listening to the PMIC interrupts and using the I2C1 (PMIC control) interface.

Figure 24-151. USB1 Controller Application: USB3.0 Host



*GPIO_n must be configured with internal pull-down enabled.

usbss-025

Figure 24-152 shows typical application of the USB1 controller in the USB3.0 device mode. VBUS sensing is exported to the companion PMIC. USB driver monitors VBUS status by listening to the PMIC interrupts and using the I2C1 (PMIC control) interface.

Figure 24-152. USB1 Controller Application: USB3.0 Device

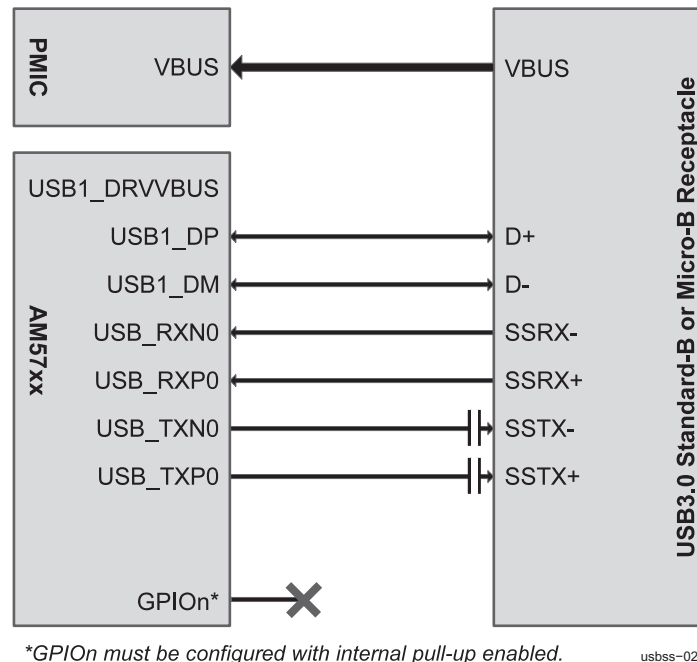


Figure 24-153 shows typical application of the USB2 controller in the USB2.0 dual-role-device mode. TPS2051B power switch drives 5-V VBUS when required by monitoring the usb2_drvvbus output from the USB controller. VBUS sensing is exported to the companion PMIC. USB driver monitors VBUS status by listening to the PMIC interrupts and using the I2C1 (PMIC control) interface.

Figure 24-153. USB2 Controller Application: USB2.0 DRD

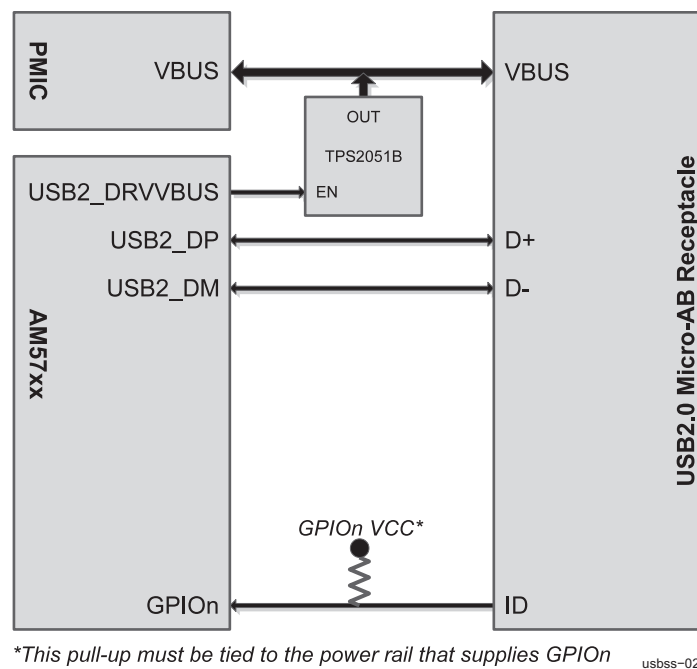


Figure 24-154 shows typical application of the USB2 controller in USB2.0 host mode. TPS2051B power switch drives 5-V VBUS when required by monitoring the usb2_drvvbus output from the USB controller. VBUS sensing is exported to the companion PMIC. USB driver monitors VBUS status by listening to the PMIC interrupts and using the I2C1 (PMIC control) interface.

Figure 24-154. USB2 Controller Application: USB2.0 Host

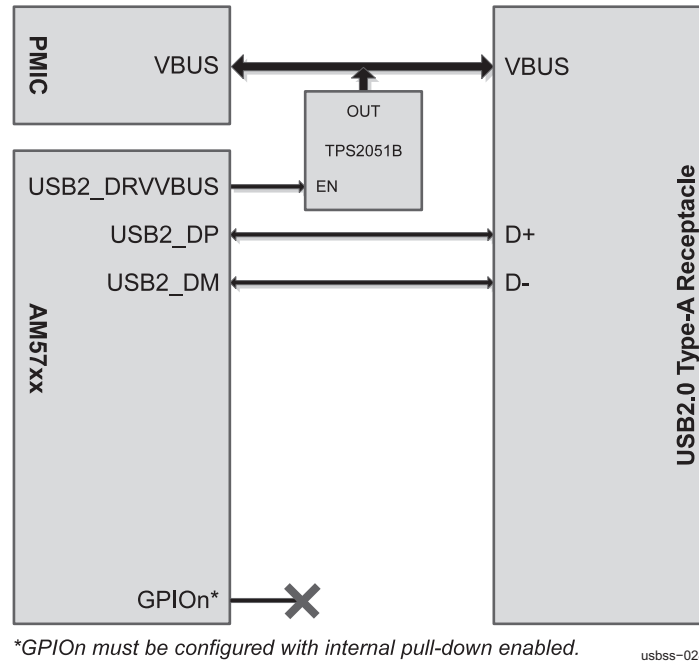
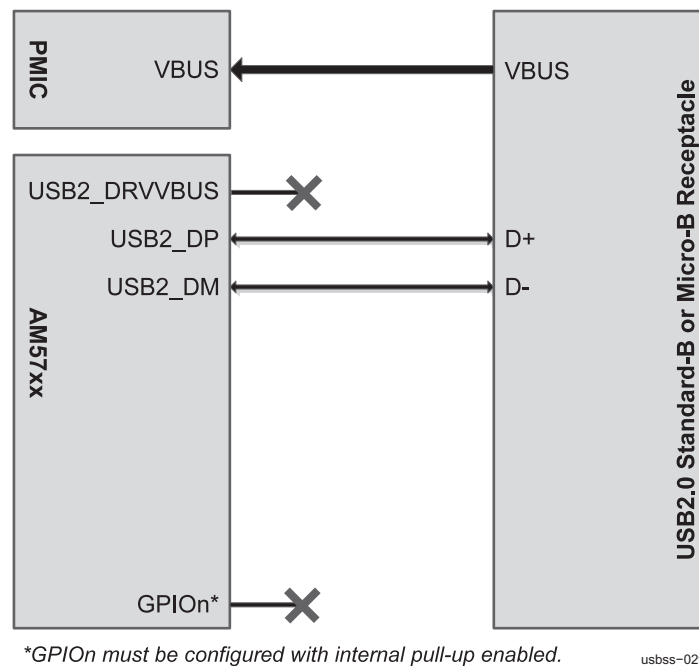


Figure 24-155 shows typical application of the USB2 controller in USB2.0 device mode. VBUS sensing is exported to the companion PMIC. USB driver monitors VBUS status by listening to the PMIC interrupts and using the I2C1 (PMIC control) interface.

Figure 24-155. USB2 Controller Application: USB2.0 Device

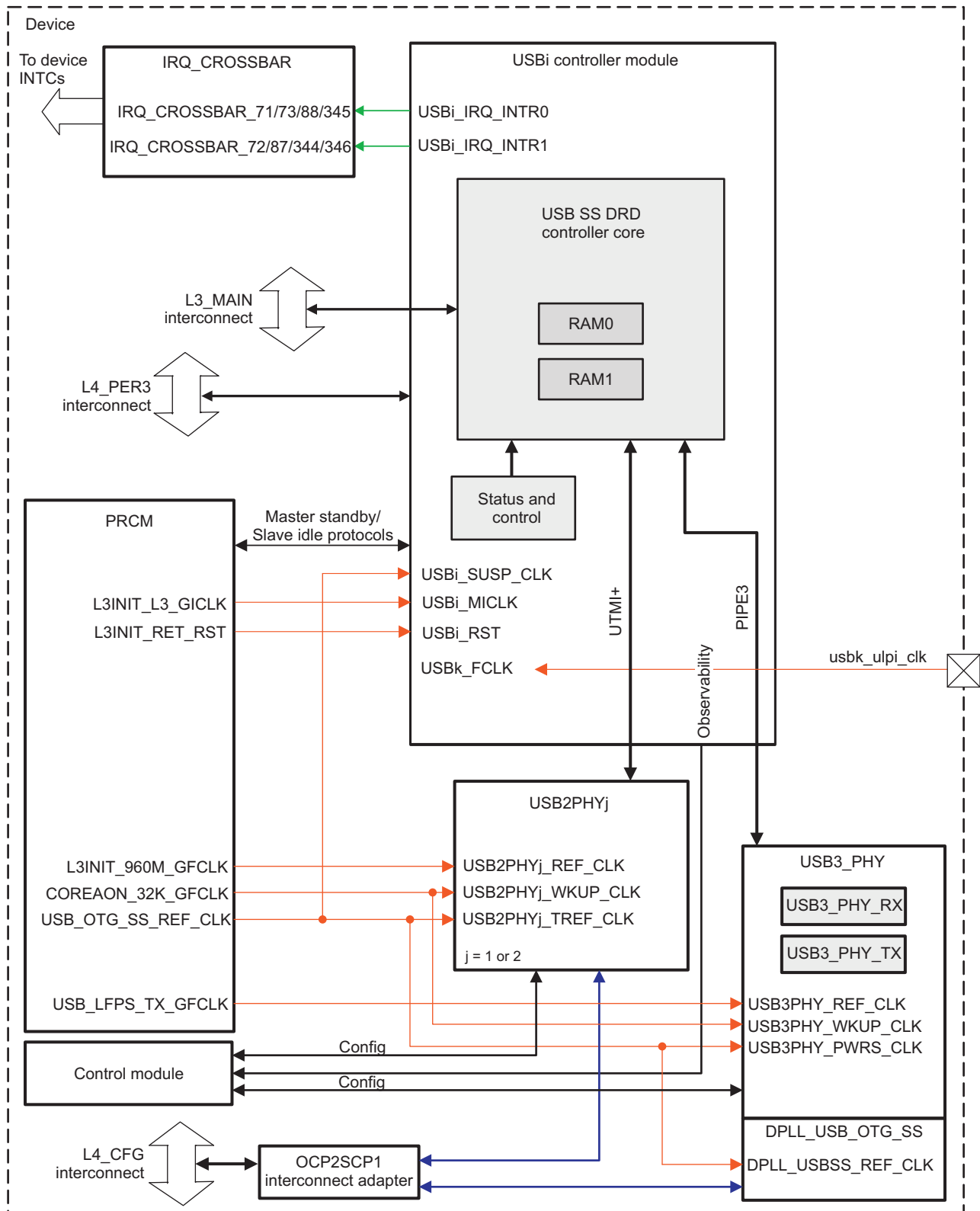


24.7.3 SuperSpeed USB Subsystem Integration

The L3 (master) interconnect generates data traffic within the device. The L4 (slave) interconnect is a configuration port for register setting.

Figure 24-156 shows the SuperSpeed USB subsystem integration in the device.

Figure 24-156. SuperSpeed USB Subsystem Integration



usbss-002

i = 1 to 3

k = 3

Table 24-577 through Table 24-579 summarize the integration of the module in the device.

Table 24-577. SuperSpeed USB Subsystem Integration Attributes

Module Instance	Attributes	
	Power Domain	Interconnect
USB1	PD_L3INIT	L3_MAIN L4_PER3
USB2	PD_L3INIT	L3_MAIN L4_PER3
USB3	PD_L3INIT	L3_MAIN L4_PER3
USB2PHY1	PD_L3INIT	L4_CFG
USB2PHY2	PD_L3INIT	L4_CFG
USB3_PHY	PD_L3INIT	L4_CFG

Table 24-578 lists the clocks provided to the SuperSpeed USB subsystem.

Table 24-578. SuperSpeed USB Subsystem Clocks and Resets

Clocks				
Module Instance	Destination Signal Name	Source Signal Name	Source	Description
USB1	USB1_FCLK	USB2PHY1_UTMI_CLK	USB2PHY1	60-MHz UTMI clock from PHY
	USB1_MICKL	L3INIT_L3_GICKL	PRCM	L3 interconnect clock, for the L3 master port interface Section 3.6.4.9, CD_L3INIT Clock Domain in Chapter 3, Power, Reset and Clock Management .
	USB1_SUSP_CLK	USB_OTG_SS_REF_CLK	PRCM	Suspend clock
USB2	USB2_FCLK	USB2PHY2_UTMI_CLK	USB2PHY2	60-MHz UTMI clock from PHY
	USB2_MICKL	L3INIT_L3_GICKL	PRCM	L3 interconnect clock, for the L3 master port interface.
	USB2_SUSP_CLK	USB_OTG_SS_REF_CLK	PRCM	Suspend clock
	USB2_125M_CLK	L3INIT_60M_FCLK	PRCM	125-MHz clock for the non-USB3.0 instances.
USB3	USB3_FCLK	OTG_60M_FCLK	usb3_ulpi_clk pad	60-MHz ULPI clock from PHY
	USB3_MICKL	L3INIT_L3_GICKL	PRCM	L3 interconnect clock, for the L3 master port interface .
	USB3_SUSP_CLK	USB_OTG_SS_REF_CLK	PRCM	Suspend clock
	USB3_125M_CLK	L3INIT_60M_FCLK	PRCM	125-MHz clock for the non-USB3.0 instances.
USB2PHY1	USB2PHY1_REF_CLK	L3INIT_960M_GFCLK	PRCM	Functional REF 960-MHz clock (from the DPPLL_USB, PRCM controlled)
	USB2PHY1_WKUP_CLK	FUNC_32K_CLK	PRCM	Wakeup 32-kHz functional clock
	USB2PHY1_TREF_CLK	USB_OTG_SS_REF_CLK	PRCM	Functional TREF clock derived from SYS_CLK1
USB2PHY2	USB2PHY2_REF_CLK	L3INIT_960M_GFCLK	PRCM	Functional REF 960-MHz clock (from the DPPLL_USB, PRCM controlled)
	USB2PHY2_WKUP_CLK	FUNC_32K_CLK	PRCM	Wakeup 32-kHz functional clock
	USB2PHY2_TREF_CLK	USB_OTG_SS_REF_CLK	PRCM	Functional TREF clock derived from SYS_CLK1
USB3_PHY	USB3PHY_REF_CLK	USB_LFPS_TX_GFCLK	PRCM	Fixed-frequency USB3 transmitter REF functional clock

Table 24-578. SuperSpeed USB Subsystem Clocks and Resets (continued)

DPLL_USBSS_REF_CLK	USB_OTG_SS_REF_CLK	PRCM	Functional DPLL REF clock derived from SYS_CLK1
USB3PHY_WKUP_CLK	COREAON_32K_GFCLK	PRCM	Wakeup and debounce 32-kHz functional clock
Resets			
Module Instance	Destination Signal Name	Source Signal Name	Description
USB1	USB1_RST	L3INIT_RET_RST	USB1 controller module hardware retention reset
USB2	USB2_RST	L3INIT_RET_RST	USB2 controller module hardware retention reset
USB3	USB3_RST	L3INIT_RET_RST	USB3 controller module hardware retention reset

Table 24-579 lists the interrupt lines that are driven out from the SuperSpeed USB controller modules.

Table 24-579. SuperSpeed USB Subsystem Hardware Requests

Interrupt Requests				
Module Instance	Source Signal Name	IRQ_CROSSBAR Input	Default Mapping	Description
USB1	USB1_IRQ_INTR0	IRQ_CROSSBAR_71	MPU_IRQ_76	USB1 main (core) interrupt request
	USB1_IRQ_INTR1	IRQ_CROSSBAR_72	MPU_IRQ_77 IPU1_IRQ_73 IPU2_IRQ_73	USB1 wrapper interrupt request
USB2	USB2_IRQ_INTR0	IRQ_CROSSBAR_73	MPU_IRQ_78 IPU1_IRQ_74 IPU2_IRQ_74	USB2 main (core) interrupt request
	USB2_IRQ_INTR1	IRQ_CROSSBAR_87	MPU_IRQ_92 IPU1_IRQ_76 IPU2_IRQ_76	USB2 wrapper interrupt request
USB3	USB3_IRQ_INTR0	IRQ_CROSSBAR_88	MPU_IRQ_93 IPU1_IRQ_77 IPU2_IRQ_77	USB3 main (core) interrupt request
	USB3_IRQ_INTR1	IRQ_CROSSBAR_344	-	USB3 wrapper interrupt request

NOTE: The **Default Mapping** column in Table 24-579 shows the default mapping of module IRQ source signals. These IRQ source signals can also be mapped to other lines of each device Interrupt controller through the IRQ_CROSSBAR module. For more information about the IRQ_CROSSBAR module, see Section 18.4.6.4, *IRQ_CROSSBAR Module Functional Description*, in Chapter 18, *Control Module*.

For more information about the device interrupt controllers, see Chapter 17, *Interrupt Controllers*.

24.8 SATA Controller

24.8.1 SATA Controller Overview

NOTE: SATA is not supported on the AM570x family of devices.

The SATA host controller handles data interactions between a local host system memory and a SATA mass storage device with minimal local host (LH) intervention.

In contrast to the parallel 16-bit - ATA (PATA) interface, the SATA interface takes advantage of serial data transmission/reception over a differential pair of conductors. SATA uses the command set from the ATA/ATAPI-6 standard augmented with native command queuing (NCQ) commands optimized for the serialized interface.

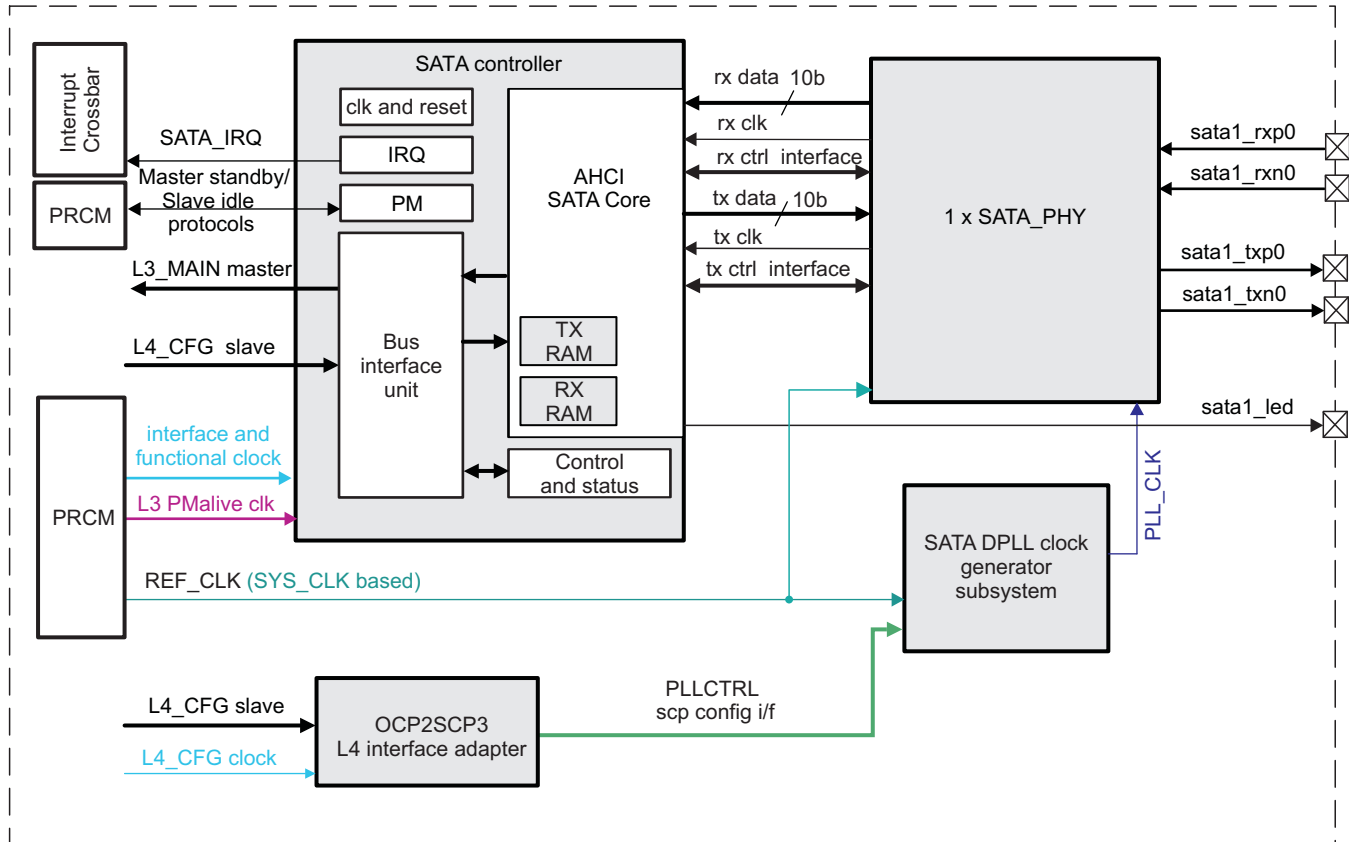
The device has one embedded SATA host bus adapter (HBA) controller with a single port. The device SATA host subsystem is composed of several functional components (see [Figure 24-157](#)):

- The core component of the SATA host controller subsystem (signified as SATA controller on the [Figure 24-157](#)) implements the transport and link layers of the SATA interface protocol, i.e. all SATA media access control (MAC) functionalities.
- SATA_PHY encompasses the physical layer (PHY) components - serializer, de-serializer, etc. which adapt the generated by the SATA controller MAC logic parallel 10-bit output data stream for serial electrical transmission and reception.
- DPLL_SATA is a programmable (through registers of the integrated PLL controller - PLLCTRL_SATA) DPLL clock source that provides a high-speed clock to the SATA_PHY serializer/de-serializer components.
- An L4_CFG interface adapter - OCP2SCP3, which enables accessing the PLLCTRL_SATA registers via L4_CFG interconnect accesses.

For details regarding the device SATA host subsystem components - SATA_PHY, PLLCTRL_SATA, DPLL_SATA and interface adapter), see [Section 26.1.1](#), *SATA PHY Subsystem Overview*, in [Chapter 26](#), *Shared PHY Component Subsystems*.

[Figure 24-157](#) shows an overview of the device-embedded SATA host controller subsystem.

Figure 24-157. SATA Host Controller Subsystem Overview



sata1-001

24.8.1.1 SATA Controller

The SATA controller is the main functional component of the device-embedded SATA (Host Bus Adapter) HBA and is based on advanced host controller interface (AHCI) module. The SATA controller handles data transactions at the link and transport layers of the SATA interface using the advanced host controller interface (AHCI) mechanism. The SATA controller core engine is a generation 2-compliant host (supporting 3 Gbps transfer speed) with integrated DMA and FIFO RAM buffers.

The SATA controller AHCI-based interactions involve extensive DMA processing of both data and command transfers, reducing much of the user overhead associated with standard ATA task file register servicing. The SATA HBA port programmable DMA acts as a master on the device L3_MAIN interconnect, which facilitates direct command/data transfers between host system memory and attached SATA storage devices.

The SATA controller has a slave configuration port accessible on the device L4_CFG interconnect. This port provides the user with an appropriate register interface for HBA setup, control and status, interrupt settings, DMA configuration, etc.

24.8.1.1.1 AHCI Mode Overview

The SATA core supports the AHCI hardware mechanism, which provides the user software with a suitable HBA register interface to manage SATA interface operations. Generally, the AHCI introduces a system memory structure that includes some generic control and status area and a list of command entries (which can have a depth from 1 up to 32 entries) assigned per HBA port. Each of the command list entries contains information necessary to program a SATA device and pointers to data transfer descriptors.

The AHCI mode of operation disregards the master/slave communication model. A certain SATA AHCI host controller port establishes a point-to-point connectivity with only a single SATA peripheral device at a time, which is always a master device.

24.8.1.1.2 Native Command Queuing

The SATA AHCI engine supports NCQ and is capable of command queued protocol interactions with NCQ-compliant SATA mass storage devices. The NCQ commands generated by a SATA HBA port are loaded into command queues maintained at the peripheral device. The commands are stored in a queue and subsequently fetched and processed by peripheral device controller in sequences, which imply more native and highly-optimized for the device order of execution. The synchronization between an NCQ-aware SATA HBA and an NCQ-aware peripheral storage device involves implementation of the so called FPDMA queued command protocol, which ensures that HBA posts NCQ commands to the target SATA device in its demanded NCQ order.

24.8.1.1.3 SATA Transport Layer Functionalities

The SATA controller handles all of the transport layer functions of the SATA protocol. During reception it receives a frame information structure (FIS) from its link layer through the RX FIFO, decodes the type, and routes it to the proper location through the port DMA. During transmission it transfers a FIS constructed by the port DMA to the link layer through the TX FIFO. It also passes link layer errors and checks for transport layer errors to pass up to the system. The transport layer also contains the TX and RX FIFOs. These FIFOs are used as asynchronous data buffers between the serial domain and the bus clock domain. The size of these FIFOs affects the subsystem ability to buffer data before flow control must be asserted. It also affects the maximum transaction size that can be programmed into the port DMA.

24.8.1.1.4 SATA Link Layer Functionalities

The link layer maintains the link and supports all SATA link layer functionality, including:

- Out-of-band (OOB) transmit signaling
- Frame negotiation and arbitration
- Envelope framing/deframing
- Cyclic redundancy check (CRC) calculation (receive and transmit)
- 8b/10b encoding/decoding
- Flow control
- Frame acknowledgment and status
- Data width conversion
- Data scrambling/descrambling
- Primitive transmission
- Primitive detection and dropping
- Power management

24.8.1.2 SATA Controller Features

This section describes the features supplied by the SATA controller module. The SATA controller complies with the following standards:

- *Serial ATA Standard* specification (revision 2.6)
- *Serial ATA Advanced Host Controller Interface* specification (revision 1.1). The device SATA host controller also complies with the *Serial ATA Advanced Host Controller Interface* specification (revision 1.3), excluding support for the port multiplier FIS-based switching feature.

The main features of the SATA host controller are:

- Serial ATA 1.5-Gbps and 3-Gbps speeds (SATA-1 and SATA-2)
- Integrated RxFIFO and TxFIFO RAM data buffers
- Support of all SATA power management features
- AHCI support of 64-bit addressing mode (see device limitation note below)
- HBA port associated Internal DMA engine
- Hardware-assisted NCQ for up to 32 entries

- Command completion coalescing (CCC) interrupts
- Support of port multiplier with command-based switching
- Activity LED generation

Additionally, link layer supports:

- 8b/10b encoding and decoding functionality
- RX elasticity buffer
- TX OOB sequence generation
- RX OOB sequence generation

The differences between the SATA host controller and a standard SATA host controller defined by the *Serial ATA Gold Standard* specification (v2.6) are:

- Staggered spin-up is not supported (only one HBA AHCI port embedded).
- Only one port is supported by the device-embedded SATA HBA from up to 32 possible, according to the standard.
- The SATA controller is AHCI-mode compliant only and does not support standard ATA legacy modes of operation.
- Cold presence detection signals are not available. The SATA controller targets support for permanently attached SATA drives only.

The following features are NOT supported by the SATA host subsystem:

- Far-end analog loopback
- Cold presence detect (CPD) signal is not available at the system level. As a consequence, the SATA device hot-plug operation is not supported.
- Mechanical presence switch signal is not available at system level.
- Message signaled interrupts
- PHY layer functionalities of SATA controller are not integrated. These are assigned to the SATA_PHY transceiver integrated at the device level (outside SATA controller module itself).

The SATA controller master (DMA) interface features:

- 32-bit data
- 36 bits of the AHCI master address bus (byte-aligned addressing) implemented in the device. See device limitation note below.
- 1-bit tag-ID port, but the tag value is 1 on all accesses (that is, the feature is not used)
- Sequential burst support (16 x 32 bit – Dwords)

NOTE: Even though the SATA AHCI Controller supports 64-bit -addressing mode, only 36-lower bits of the 64-bit address bus are integrated (meaningful) in the device. This defines a 64-GiB AHCI master address space.

The SATA controller slave interface features:

- 32-bit data, 13-bit (byte-aligned) address
- Single access (no burst support)
- All accesses are expected to be 4 bytes wide, 32-bit aligned.

NOTE: Accesses smaller than 4 bytes wide (that is, byte enable patterns different from 4'b1111) are functional and do not generate an error. Misaligned addresses do not generate an error.

As can be seen in [Figure 24-157](#), the SATA Controller has all events merged to a single interrupt output - SATA_IRQ, mapped to the device Interrupt Crossbar.

24.8.2 SATA Controller Environment

NOTE: SATA is not supported on the AM570x family of devices.

Apart from the SATA communication-dedicated electrical connections to the SATA_PHY component, there is an additional SATA-defined-led drive generation signal that can be output at the device pad: `spi1_cs[1]`. For more information about this signal pad configuration register mapping, see [Section 18.4.6.1.1, Pad Configuration Registers](#) in [Chapter 18, Control Module](#). For more details regarding the behavior of activity LED generation, see [Section 24.8.4.10, Activity LED Generation Functionality](#).

Table 24-580. SATA Controller I/O Signals

Module Pin Name	Device Level Signal Name	I/O ⁽¹⁾	Description	Reset Value
TXP ⁽²⁾	sata1_txp0	O	TXP output of the SATA PHY differential transmission line	0
TXN ⁽²⁾	sata1_txn0	O	TXN output of the SATA PHY differential transmission line	0
RXP ⁽²⁾	sata1_rxp0	I	RXP input of the SATA PHY differential reception line	Hi-Z
RXN ⁽²⁾	sata1_rxn0	I	RXN input of the SATA PHY differential reception line	Hi-Z
ACT0_LED	sata1_led	O	HBA port activity LED indication	Hi-Z

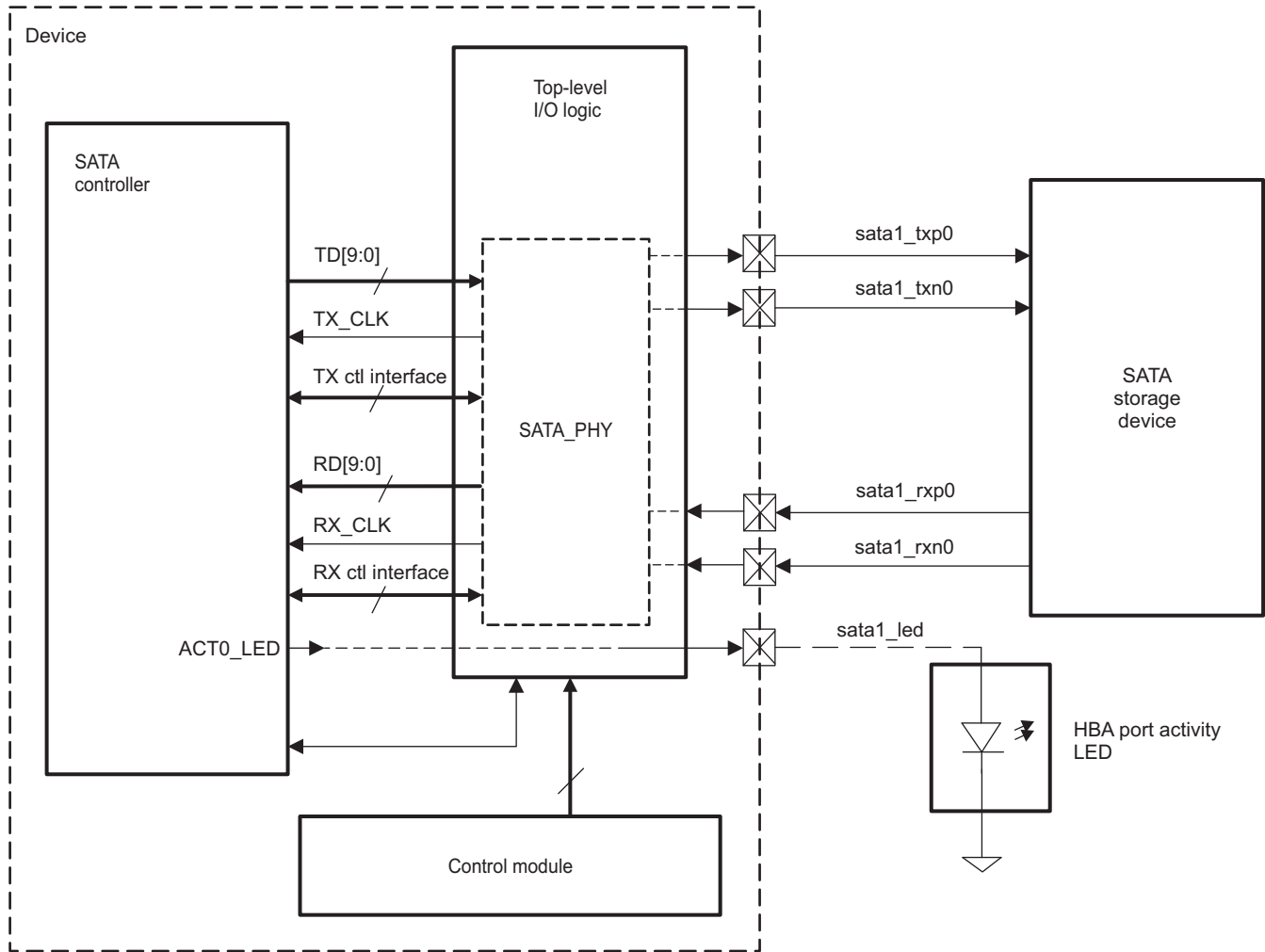
⁽¹⁾ I = Input; O = Output

⁽²⁾ These signals are part of the interface between SATA PHY serializer / de-serializer and the externally attached SATA storage device.

NOTE: The path from module pin to device pad(s) is defined at the device I/O logic level. The I/O logic maps the module signals to the different pads of the device and is programmable in the Control Module registers. For more information, refer to the sections [Section 18.4.6.1.1, Pad Configuration Registers](#), and [Section 18.5, Control Module Register Manual](#), in [Chapter 18, Control Module](#), for more information.

The [Figure 24-158](#) shows the SATA host controller subsystem environment summarizing the interface signals exported directly from SATA controller at the device boundary, as well as those exported after SATA_PHY processing at the device boundary. For more information on the interface between the SATA controller and SATA_PHY, see [Chapter 26, Shared PHY Component Subsystems](#).

Figure 24-158. SATA Subsystem Environment



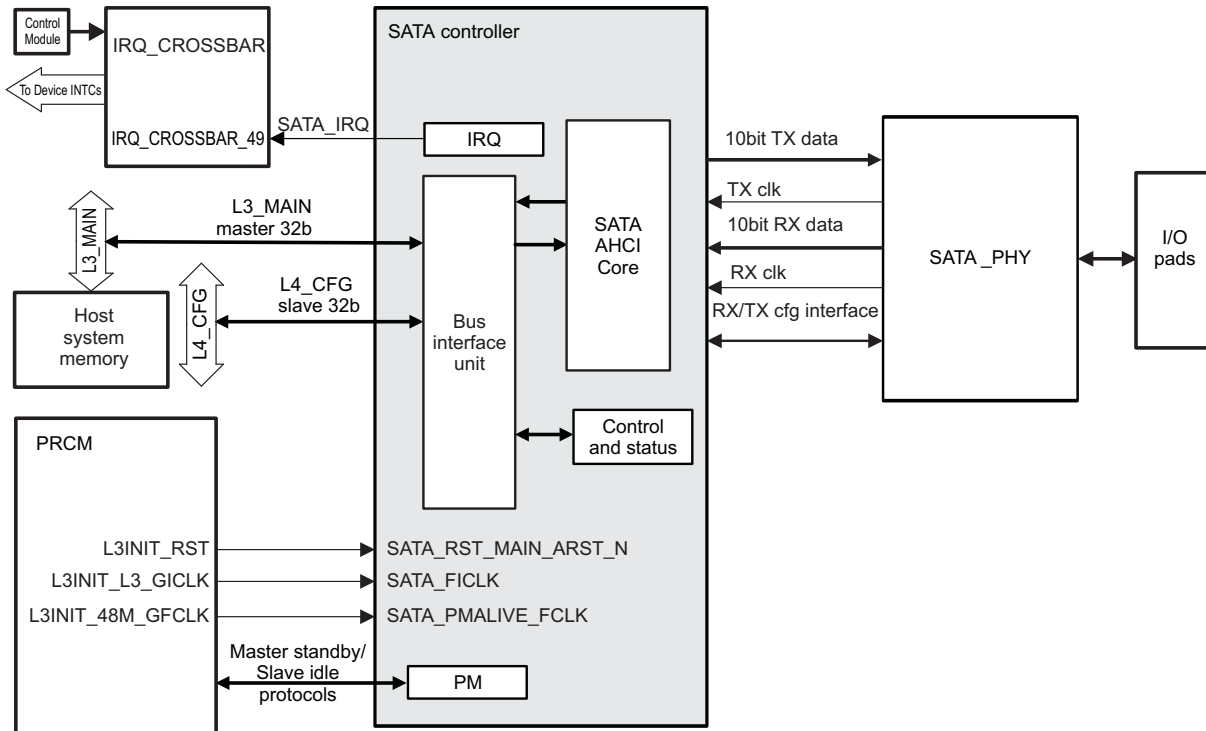
sata1-002

24.8.3 SATA Controller Integration

NOTE: SATA is not supported on the AM570x family of devices.

This section describes the SATA AHCI host controller integration in the device, including information about clocks, resets, and hardware requests. Figure 24-159 shows the SATA controller integration.

Figure 24-159. SATA Controller Integration



sata1-003

SATA controller integration includes these features:

- A single functional and interface clock (SATA_FICLK, shared between the master and the slave interfaces)
- A functional always-on clock (SATA_PMALIVE_FCLK to support entrance into and exit from the SATA defined low-power modes)
- A single hardware nonretention reset input (SATA_RST_MAIN_ARST_N)
- Master standby and slave idle protocols with the power, reset, and clock management (PRCM) module
- A single interrupt request generation line (SATA_IRQ, mapped to IRQ_CROSSBAR_49 line of IRQ CROSSBAR)
- No DMA or wakeup requests generation to surrounding modules
- L3_MAIN master interface
- L4_CFG-configuration slave interface

The SATA encoded symbol transmission/decoded symbol reception relies on two serial clocks, which are supplied indirectly from the DPLL_SATA through the SATA_PHY component.

NOTE: For more information about the slave idle protocol and the wakeup request, see [Section 3.1.1.1.2, Module-Level Clock Management](#) in [Chapter 3, Power, Reset, and Clock Management](#).

[Table 24-581](#) through [Table 24-583](#) summarize the integration of the module in the device.

Table 24-581. SATA Controller Integration Attributes

Module Instance	Attributes	
	Power Domain	Interconnect
SATA	PD_L3INIT	L4_CFG L3_MAIN

Table 24-582. SATA Controller Clocks and Resets

Clocks				
Module Instance	Destination Signal Name	Source Signal Name	Source	Description
SATA	SATA_FICLK	L3INIT_L3_GICLK	PRCM	SATA interface and functional clock
	SATA_PMALIVE_FCLK	L3INIT_48M_GFCLK	PRCM	Always-on SATA-specific, power-management support clock
Resets				
Module Instance	Destination Signal Name	Source Signal Name	Source	Description
SATA	SATA_RST_MAIN_ARST_N	L3INIT_RST	PRCM	A nonretention hardware reset

Table 24-583. SATA Controller Hardware Requests

Interrupt Requests				
Module Instance	Source Signal Name	Destination IRQ_CROSSBAR Input	Default Mapping	Description
SATA	SATA_IRQ	IRQ_CROSSBAR_49	MPU_IRQ_54 DSP1_IRQ_80	SATA Controller IRQ line

NOTE: The “Default Mapping” column in [Table 24-583 SATA Controller Hardware Requests](#) shows the default mapping of module IRQ source signals. These IRQ source signals can also be mapped to other lines of each device Interrupt controller through the IRQ_CROSSBAR module.

For more information about the IRQ_CROSSBAR module, see [Section 18.4.6.4, IRQ_CROSSBAR Module Functional Description](#), in [Chapter 18, Control Module](#). For more information about the device interrupt controllers, see [Chapter 17, Interrupt Controllers](#).

NOTE:

- For a description of the interrupt source, see [Section 24.8.4.5, Interrupt Requests](#).

NOTE:

- The SATA HBA does not generate DMA and wakeup hardware requests to the surrounding modules integrated in the device

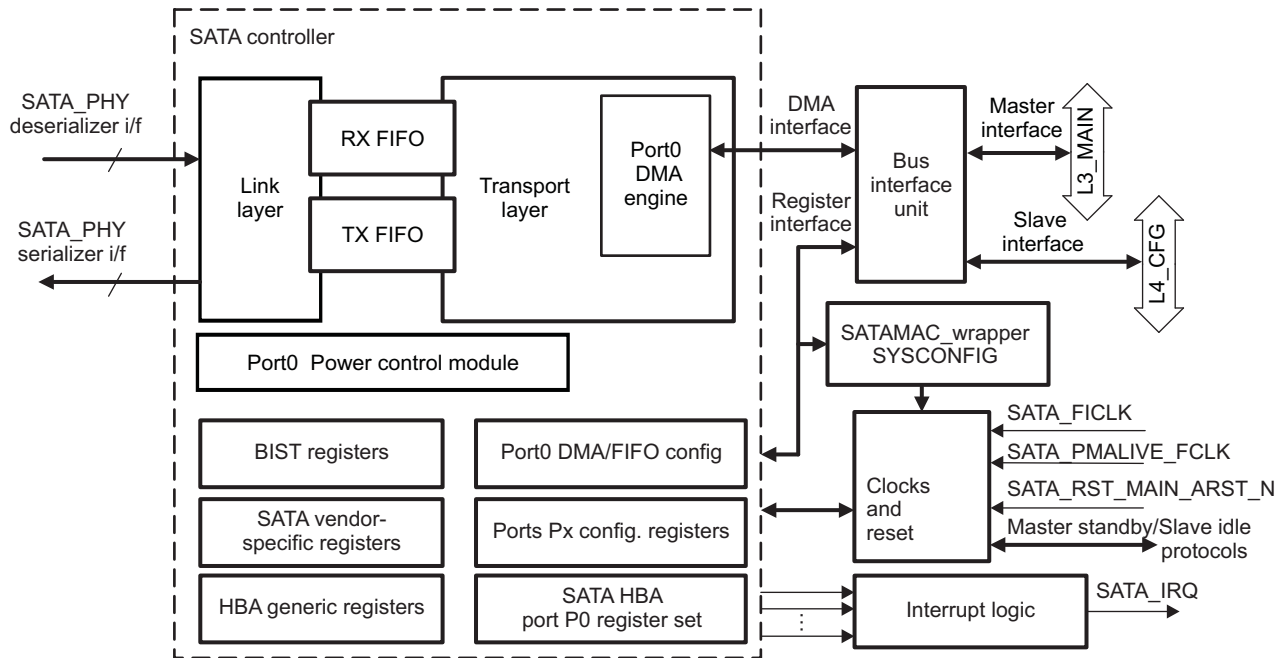
24.8.4 SATA Controller Functional Description

NOTE: SATA is not supported on the AM570x family of devices.

24.8.4.1 SATA Controller Block Diagram

Figure 24-160 shows a block diagram of the SATA host controller.

Figure 24-160. SATA Controller Functional Block Diagram



sata1-004

The SATA HBA port-associated DMA is a master on the device L3_MAIN interconnect. For a write to the attached storage device, this port reads FISs from the host system memory and pushes them into the transmit FIFO. When frame Dwords are received at RxFIFO, this interface is used to write the data out to the dedicated host system memory area. For details about DMA features and operation, see [Section 24.8.4.8, DMA Port Configuration](#).

The SATA controller has a configuration slave interface used to read and write all system registers. The slave interface includes the following functions:

- Configuring the SATA AHCI core (and indirectly, to a certain extent, the SATA_PHY physical component)
- Configuring the DMA for transmit and receive operations
- Initiating write transfers to the attached storage device
- Responding to interrupts and reads

Both the slave and master interface of the SATA host controller share the same functional and interface clock, that is, operate on the same frequency (see also [Section 24.8.3, SATA Controller Integration](#)).

A bus interface unit adapts the SATA controller master and slave buses to the corresponding L3_MAIN and L4_CFG device interconnects.

NOTE: The **SATA controller AHCI Core registers** are part of the instance signified as **DWC_ahsata** inside the [Section 24.8.6.1, SATA Controller Instance Summary](#).

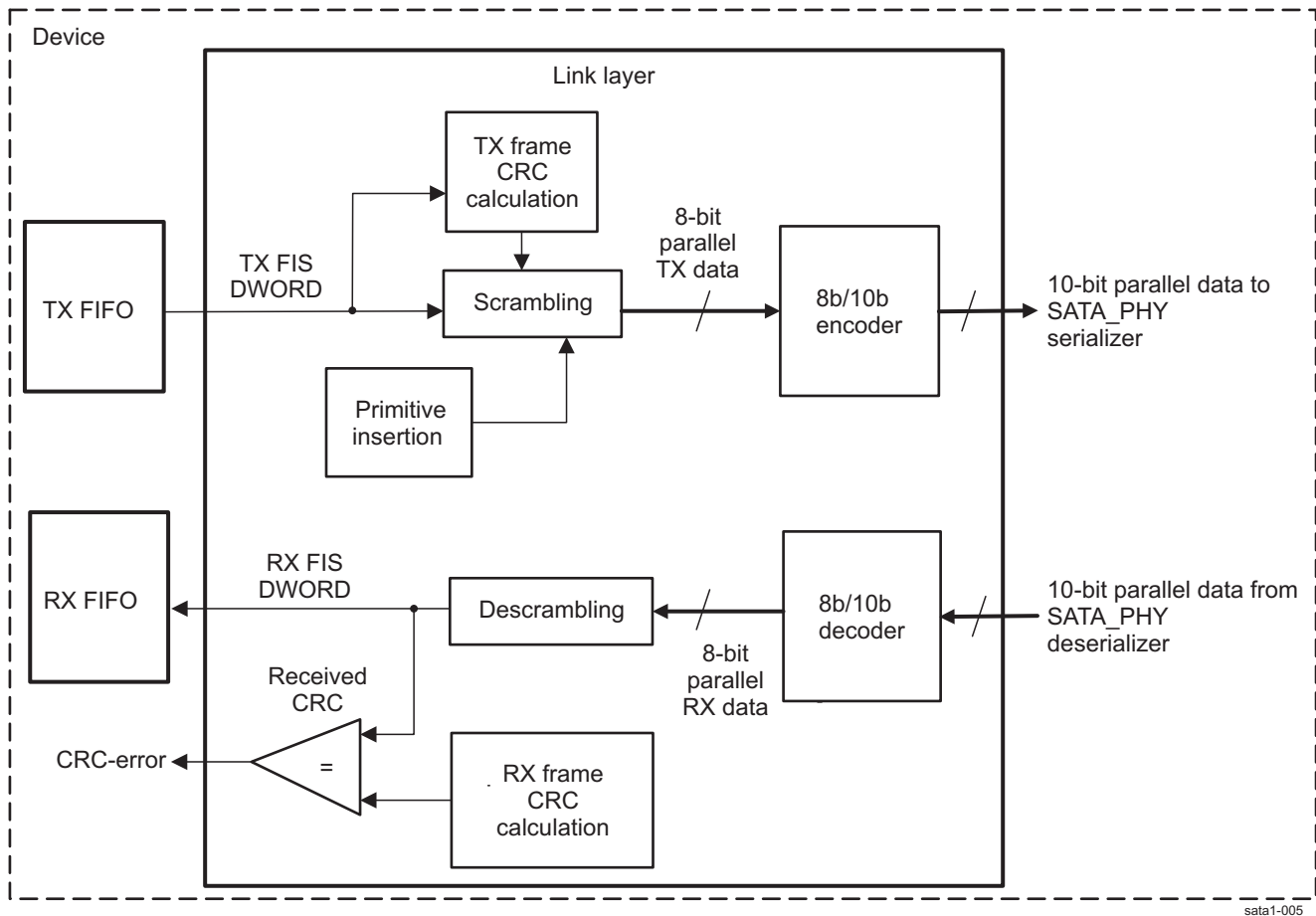
24.8.4.2 SATA Controller Link Layer Protocol and Data Format

One of the main tasks of the SATA HBA Link layer is to perform a parallel 8-bit FIS data to a 10-bit parallel code conversion (8b/10b encoding). The encoded stream, which is a sequence of 10-bit parallel-encoded characters, is subsequently passed to the SATA_PHY serializer component to adapt to a serial 10-bit character transmission to the SATA peripheral device. For more details, see [Section 26.1.1](#), *SATA PHY Subsystem Overview*, and [Section 26.1.4](#), *SATA PHY Subsystem Functional Description*, in [Chapter 26](#), *Shared PHY Component Subsystems*.

One of the main tasks of the SATA HBA Link receiver is to perform a 8b/10b decoding, in which process the parallel 10-bit characters coming out from the SATA_PHY de-serializer are decoded to parallel data or control bytes. The received symbols with invalid codes are rejected by the link layer and corresponding illegal reception errors are generated. For more details regarding the SATA_PHY de-serializer, see [Section 26.1.1](#), *SATA PHY Subsystem Overview*, and [Section 26.1.4](#), *SATA PHY Subsystem Functional Description*, in [Chapter 26](#), *Shared PHY Component Subsystems*.

There are also other data process stages at the link layer, such as CRC calculation, scrambling/descrambling, primitive insertion/detection, etc. [Figure 24-161](#) shows the primary stages of link Dword data processing.

Figure 24-161. Simplified Schema of Link Dword Processing



24.8.4.2.1 SATA 8b/10b Parallel Encoding/Decoding

The input to the link coder logic is a parallel (unencoded) data byte and an associated control variable: Z with two possible values (K, D). The Z value signifies the byte to be encoded either as a control character (K value) or a data character (D value). The data byte (ABCDEFGH, where A matches the least significant bit [LSB]) is divided into two asymmetric portions: a 5-bit one ABCDE (range: 0 to 31) and a 3-bit one FGH (range: 0 to 7).

The encoding process is performed in two stages. At the first stage, the 5-bit portion is converted to a 6-bit subblock (abcdei); at the second stage, the 3-bit portion is converted to a 4-bit subblock (fghj). An additional parameter called running disparity (rd) is taken into account during code calculation at both the character transmission and reception link sides. It introduces code correlation between adjacent bytes so that the current subblock code can depend on the code of the previous subblock and its associated rd output value. As a consequence, depending on the input rd parameter and the 8b/10b encoded value, the encoding/decoding lookup tables might have two different entries for the same byte.

The 10-bit parallel-encoded character is passed to the 10-bit data input of the SATA_PHY serializer component, which further transmits it serially in a LSB to most significant bit (MSB) order (abcdeifghj). The receiver link receives and decodes the sequence in the same LSB to MSB order (abcdeifghj). While SATA encoder takes the full range of a data byte (0–255) encoding values, it uses only two values to encode control characters. For more information on the 8b/10b encoding/decoding process, see the SATA standard specification.

24.8.4.2.2 SATA Stream Dword Components

The basic unit of SATA information is Dword – a double sized word (32 bits). An encoded Dword has a 40-bit length (4 x 10 bits), but, for simplicity, unencoded Dword lengths are considered here. Each Dword is serially transmitted or received by the SATA_PHY components in LSB character to MSB character order.

- Primitives

The shortest meaningful component of the SATA stream is the primitive, which consists of a single Dword. Different types of primitive characters are inserted into the SATA stream to maintain synchronization between the host and the SATA peripheral device. Primitives convey real-time state information regarding the SATA communication channel itself. For example, the SATA link layer generates primitives to perform flow control, synchronize power management state transitions, frame enveloping, etc. The transport layer is not aware of the lower level primitive Dwords. They are subject to processing only to the link layer.

- Primitive handshakes

In some cases, the transmitter of a primitive can require that the receiver send an acknowledge Dword to confirm primitive reception, which is a primitive handshake.

The first byte of a primitive Dword is always a control character (or $Z = K$) with two possible encodings. The remaining three data bytes ($Z = D$) contain the function of the primitive. According to the SATA standard, the transmitter and the receiver are not required to match the number of primitives sent and received.

[Table 24-584](#) briefly summarizes the primitives used by SATA.

Table 24-584. SATA Primitives Summary

Primitive Name	Short Description
ALIGNp	Sent in pairs to PHY component to readjust its internal operations
CONTp	After CONTp insertion, previous primitives are repeated continuously until a different primitive is inserted
DMATp	terminates DMA data transmission
EOFp	End of frame
HOLDp	Inserted to hold data when transmitter doesn't have data ready to transmit
HOLDAp	Acknowledges a HOLDp primitive
PMACKp	Acknowledges a power management request
PMNAKp	A power management request denial
PMREQ_Pp	Power management request to PARTIAL state
PMREQ_Sp	Power management request to SLUMBER state
R_ERRp	Reception error occurred
R_IPp	Current node is receiving data
R_OKp	Reception without error
R_RDYp	Receiver is ready for reception

Table 24-584. SATA Primitives Summary (continued)

Primitive Name	Short Description
SOFp	Start of frame
SYNCp	Synchronization primitive
WTRMp	Transmitter inserts this primitive while waiting to get the reception status from receiver
XRDPp	Transmitter has data ready for transmission

- SATA data frames**

SATA data frames incorporate data FISs constructed at the transport layer along with some primitives (see [Figure 24-162](#)). The maximum number of Dwords between SOFp to EOFp does not exceed 2064 Dwords, including the FIS type and CRC fields described here.
- Frame FIS components**

The FIS (Frame Information Structure) contents of a frame incorporate the Dwords that correspond to SATA target data structures. FIS Dwords are output from transport layer TxFIFO to the transmitter link 8b/10b encoder during transmission. In the case of reception, the FIS content is obtained at transport layer RxFIFO after being successfully decoded by the receiver link logic. The commands and data embedded into Frame FISs are generated/interpreted at a higher transport level of the SATA controller and are user software-accessible in the host system memory.
- CRC**

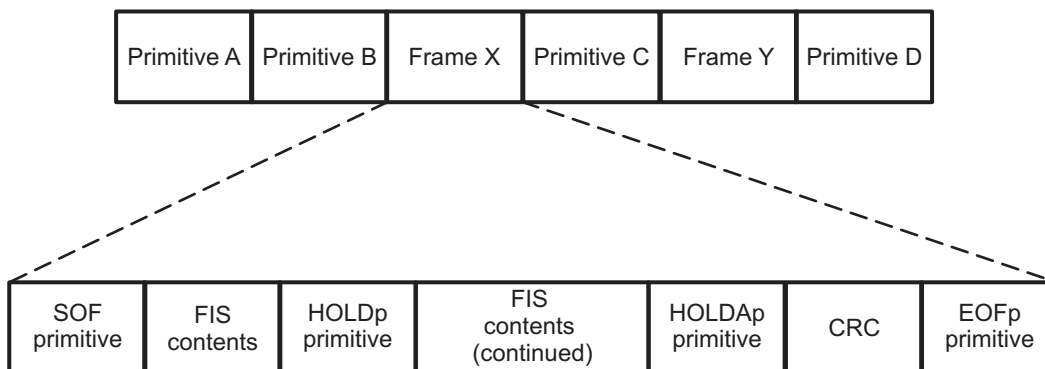
The CRC is the last Dword in a frame, immediately following the last FIS Dword of the frame and preceding the EOFp primitive. The 32-bit CRC calculation is performed only on the FIS Dwords of the frame contents, so that frame-inserted primitives such as HOLDp, CONTp, etc., are not taken into account. The CRC is aligned on a Dword boundary. CRC code computation expects an input of an even number of words and should be Dword-multiple. If an FIS block contains an odd number of words, the last FIS word is padded with 0s to a full Dword before the CRC is calculated.

 - During transmission: The CRC Dword is calculated on original FIS contents, before scrambling and serial 8b/10b encoding are performed.
 - During reception: The CRC Dword is calculated on the 8b/10b decoded and subsequently descrambled 8-bit FIS Dword contents. It is then compared to the CRC received from the source to perform error check analysis.
- Frame embedded primitives**

The beginning of a frame is marked with a SOFp primitive, and the end is marked with an EOFp primitive. Some primitives, such as HOLDp and HOLDAp acknowledge, can be inserted into frames between data FISs.
- SATA data stream**

As shown in [Figure 24-162](#), the SATA data stream is composed of frames carrying the target data/command contents combined with various primitives generated to maintain consistency of transfers over the SATA interface.

Figure 24-162. SATA Data Stream Components



sata1-006

24.8.4.2.3 Scrambling/Descrambling Processing

The contents of a frame are scrambled before being passed to the link 8b/10b encoder. Scrambling is performed on Dword quantities by XORing the data to be transmitted with the output of a linear feedback shift register (LFSR). All data words between the SOFp and EOFp are scrambled, including the CRC. [Figure 24-161](#) shows the basic flow.

The SATA controller (as defined by the SATA standard) performs scrambling/descrambling processing for EMI reduction purposes. Two scramblers are instantiated within the SATA controller: The first, the data payload scrambler, scrambles FIS data payload contents (including the calculated CRC Dword); the second, the repeated primitive suppression scrambler, scrambles only the repeated primitive stream contents.

The scrambling runs as follows: A certain data payload Dword located between SOFp and EOFp is XORed with the data payload scrambler output. The resulting scrambled Dword is submitted to the 8b/10b encoder for transmission.

On reception, the Dword is decoded using a 10b/8b decoder, the scrambler output is XORed with the resulting Dword, and the resulting Dword is presented to the link layer. It is then used for CRC computation. The CRC Dword is scrambled in the same way as data payload characters.

For details on the scrambling/descrambling feature, see the *SATA Standard Specification (rev.2.6)*.

24.8.4.3 Resets

24.8.4.3.1 Hardware Reset

The module is reinitialized in hardware upon activation of PRCM.L3INIT_RST reset signal (for more information about hardware reset, see [Section 24.8.3](#), *SATA Controller Integration*).

For more information on the PRCM.L3INIT_RST hardware reset signal, refer to [Section 3.5.5](#), *Reset Domains*, in [Chapter 3](#), *Power, Reset, and Clock Management*.

This reset normally occurs on device power up or during a system bus failure. All components of the SATA AHCI core are initialized, including the HBA port and generic registers. The bus interface unit (BIU) and SATA AHCI core wrapper components are also impacted.

24.8.4.3.2 Software Initiated Resets

The SATA controller supports three levels of software reset, each of which has different impact over the SATA HBA hardware components and AHCI interface registers:

- Software reset (least intrusive)
- Port reset
- HBA reset (most intrusive)

NOTE: It is recommended that user software always starts with the least intrusive reset approach. Software chooses the next most intrusive reset only if the less intrusive reset does not succeed in clearing the condition.

24.8.4.3.2.1 Software Reset

Software reset impacts only the attached to the HBA port SATA peripheral device, without affecting the established communication between physical layers or HBA engine.

To issue a software reset, the user must prepare two H2D register FISs into the emptied command list of the port. The first FIS must have bits SRST = 0b1 and C = 0b0. The first FIS corresponding command header bits C and R are set as follows: C = 0b1 and R = 0b1. The second FIS has bits SRST = 0b0 and C = 0b0. The second FIS corresponding command header bits C and R are set as follows: C = 0b0 and R = 0b0.

However, steps must be taken before issuing the software reset to the peripheral device attached to the port. For details on software reset, see the AHCI specification.

24.8.4.3.2.2 Port Reset

The port reset (also known as COMRESET) must be applied when the HBA port does not function properly after a software reset is issued to the port. The effect is that the SATA HBA port is reinitialized and communication between the phy layers of both the SATA host and the SATA target device is reestablished.

To trigger a COMRESET sequence on the SATA interface, user software must write 0x1 to the [SATA_PxSCTL\[3:0\]DET](#) bit field. The host receives a COMINIT signal sequence, indicating that the peripheral device has successfully reestablished communication. For more information on port reset, see the AHCI specification (revision 1.1).

NOTE: The port reset (COMRESET) method is the preferred AHCI mechanism for error recovery and should be used instead of the software reset.

24.8.4.3.2.3 HBA Reset

Software can globally reset the SATA controller, if a port reset does not clear the conditions successfully. On HBA reset, all SATA AHCI core interface registers are reset, **excluding those from the hardware initialization domain** - the [SATA_PxCLB](#), [SATA_PxCLBU](#), [SATA_PxFB](#) and [SATA_PxFB](#) registers. All state machines that relate to data transfers and queuing return to IDLE state, and the port is reinitialized by sending COMRESET. The global reset is triggered when user software sets the [SATA_GHC\[0\]HR](#) = 0b1 bit. The HBA indicates that global reset is finished, deasserting the [SATA_GHC\[0\]HR](#) bit to 0b0 in hardware. Hence, user software must poll the HR bit to detect this condition. For more information, see the mentioned AHCI standard specification.

24.8.4.4 Power Management

The device SATA host controller subsystem power management can be identified at the following levels:

- SATA controller low power-management features (defined also in the SATA standard specification, revision 2.6)
- Master standby and idle slave protocols established between SATA controller and the device PRCM through a SATA AHCI core wrapper interface (signified as SATAMAC_wrapper instance inside the [Section 24.8.6.1](#), *SATA Controller Instance Summary*).

This section describes the relationships that exist between both levels of SATA Controller power management.

24.8.4.4.1 SATA Specific Power Management

The SATA controller core supports both PARTIAL and SLUMBER low-power states, as described in the SATA standard specification (revision 2.6). These modes allow power savings by powering down part of SATA_PHY and gating off the clocks to the link layer. The port power control module is used to enter and exit these modes, which can have the normal functional clocks gated off.

24.8.4.4.1.1 PARTIAL Power Mode

In the PARTIAL power state, the SATA_PHY component transmits electrical IDLE to the device and the receiver is left on to receive OOB signals. This mode can also be used to support near-end analog loopback, if a device is attached.

24.8.4.4.1.2 Slumber Power Mode

In the SLUMBER power state, the transmitter is completely turned off. This allows for greater power savings but near-end analog loopback cannot be performed and there is a longer latency to exit the mode.

24.8.4.4.1.3 Software Control over Low Power States

The user has manual control over low power states through the [SATA_PxCMD \[31:28\]ICC](#) register bit field. This works if the link is in IDLE state; otherwise, writes to this field are ignored.

24.8.4.4.1.4 Aggressive Power Management

Low power modes can be initiated by software when there are no pending transactions, but the SATA AHCI core also supports aggressive power management. In this mode, the subsystem automatically initiates the PARTIAL or SLUMBER state when there are no in-flight commands. This is useful for power savings, but the price is increased latency if a low-power mode is entered and a transfer request is made. Software enables aggressive link-layer power management by setting the [SATA_PxCMD\[26\]ALPE](#) bit to 0x1. The link aggressive power management state (PARTIAL or SLUMBER) is selected using the [SATA_PxCMD\[27\]ASP](#) bit.

24.8.4.4.2 Master Standby and Slave Idle Management Protocols

The master standby and slave idle protocols are implemented between the PRCM and SATA controller, with mode settings located in the SATAMAC_wrapper register ([SATA_SYSCONFIG](#)).

- The standard idle request/acknowledge handshake is associated with the L4_CFG slave port. The default idle mode is smart-idle, as indicated by the power-on reset (POR) value: [SATA_SYSCONFIG\[3:2\]IDLEMODE = 0x2](#).

NOTE: No other mode is expected to be required in normal operation: no-idle and force-idle are used for debugging only. Because the module is not capable of asynchronous wakeup, the smart-idle/wakeup (IDLEMODE = 0x3) is strictly equivalent to smart-idle.

- The standby/wait handshake is associated with the L3_MAIN master port. Software is responsible to keep the DMA operations and the standby status in sync.

The default standby mode is smart-standby, as indicated by the POR value: [SATA_SYSCONFIG\[5:4\]STANDBYMODE = 0x2](#). However, the SATA controller hardware does not provide any indication about DMA activity that could be used to drive the standby dynamically (that is, the smart mode): Smart-standby is therefore strictly equivalent to the force-standby mode (that is, the module remains in or goes to permanent standby).

The standby control procedures are therefore software-driven.

To exit standby:

1. Change the standby mode to no-standby by setting [SATA_SYSCONFIG\[5:4\] = 0x1](#).
2. Optional: Confirm the SATA controller standby status through the PRCM. For more information, see [Section 3.6.4.1.4, Clock Domain Module Attributes](#), in [Chapter 3, Power, Reset, and Clock Management](#).
3. Only then, enable the controller DMA (AHCI list processor). For more information, see the AHCI specification.

To enter standby:

1. Disable the controller DMA (AHCI list processor). For more information, see the AHCI specification.
2. Ensure all pending transactions have completed. For more information, see the AHCI specification.
3. Change the standby mode to smart-standby (or force-standby) by setting [SATA_SYSCONFIG\[5:4\] = 0x2](#).

CAUTION

The software is responsible to keep the DMA operations and the standby mode status in sync.

NOTE: Because the standby exit is software driven, it is by definition synchronous: the asynchronous wakeup is never activated, which means that the smart-standby and smart-standby/wakeup are equivalent (as well as force-standby).

NOTE: For more information on the SATA Controller master standby and slave idle management protocols with the device PRCM, see [Section 3.1.1.2, Module-Level Clock Management](#), in [Chapter 3, Power, Reset, and Clock Management](#).

24.8.4.4.3 Clock Gating Synchronization

The bus clock can also be gated off in either the PARTIAL or SLUMBER state, if the software guarantees there is nothing in flight, the clock can be stopped and started without glitches, and the clock can be restarted quickly when activity is initiated from the device side.

The following steps outline the procedure to stop the clock:

1. Put the link in a low power state (either PARTIAL or SLUMBER)
 - SATA MAC link layer can enter low power either manually see [Section 24.8.4.4.1.3, Software Control over Low Power States](#)) or automatically (see [Section 24.8.4.4.1.4, Aggressive Power Management](#))
 - If there is no device attached (making it impossible to enter a low power state), the [SATA_SYSCONFIG\[16\] OVERRIDEO](#) override bit can be set to 0b1 to stop the interface/functional clock (SATA_FICLK) and save power.
2. Initiate the clock stopping procedure.

CAUTION

If a SATA drive attached to the SATA HBA port has not entered a low power state (PARTIAL or SLUMBER), the user must not set the [SATA_SYSCONFIG\[16\]OVERRIDEO](#) bit; otherwise, the link layer can be ruined, resulting in indeterminate SATA controller behavior.

Table 24-585. Local Power-Management Features

Feature	Registers	Description
Slave idle modes	SATA_SYSCONFIG [3:2]IDLEMODE bit field	The available modes are: Force-idle, no-idle, and smart-idle wakeup disabled modes are available.
Master standby modes	SATA_SYSCONFIG [5:4]STANDBYMODE bit field	The available modes are: Force-standby, no-standby, smart-standby wakeup disabled
Clock-gate overriding mode	SATA_SYSCONFIG [16]OVERRIDEO bit field	Clock stopping override function. Should not be applied when attached to port SATA peripheral device has not entered a Low-power mode.

For more information on the L3INIT_L3_GICLK functional clock gating in the device PRCM, refer to [Section 3.1.1.4, Clock Domain-Level Clock Management](#), in the chapter, *Power, Reset and Clock Management*.

24.8.4.5 Interrupt Requests

This section describes all of the conditions that can generate an interrupt. Each condition is subject to the masking capabilities described in [Section 24.8.4.5.4, Interrupt Condition Control](#).

24.8.4.5.1 Interrupt Generation

Both level and pulse interrupts are available. Exercise care when using the pulse interrupt. Because of the synchronization and interrupt aggregation from the internal core, clearing one interrupt as another interrupt occurs can prevent a new pulse from being generated. A new pulse is generated only if the first interrupt is completely cleared (that is, the level interrupt goes away) before the new interrupt event occurs. Thus, an interrupt can occur after the register write is issued to clear the first interrupt but before the interrupt is fully cleared. In this case, a new pulse is not issued and the level interrupt remains asserted. After issuing the write to clear an interrupt, software must read the interrupt status registers to ensure that a new interrupt has not occurred.

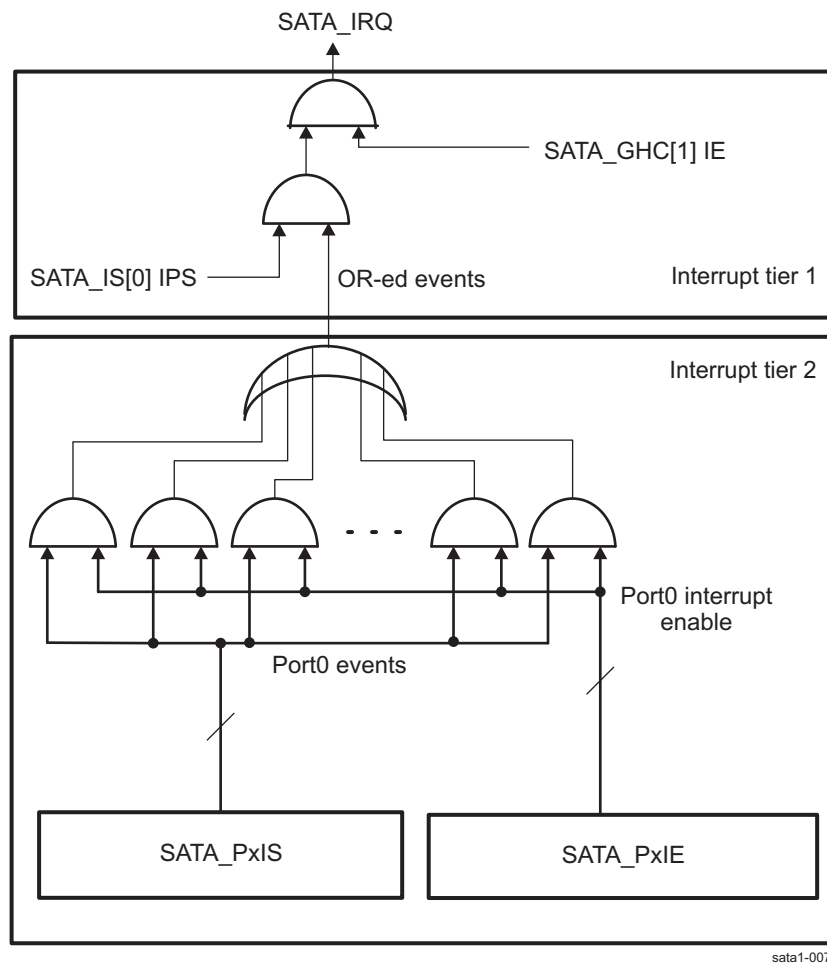
24.8.4.5.2 Levels of Interrupt Control

The AHCI directs that interrupts be indicated in a two-tier structure and thus associated with different HBA ports. Considering the device SATA HBA single-port implementation for the first tier, only the [SATA_IS\[0\]](#) IPS bit should be considered. It indicates if the only port available to the user (HBA port 0) has pending interrupts.

For the second tier, the [SATA_PxIS](#) register (where x = 0) indicates which specific interrupt condition(s) occurs to trigger an interrupt on port 0. In most cases, software writes 0x1 (Write One to Clear) to clear these bits, and then writes 0x1 to the [SATA_IS \[0\]](#)IPS bit to clear the interrupt. However, some interrupts in the [SATA_PxIS](#) register have alternate methods of being cleared (for details, see [Section 24.8.6.2.2, DWC_ahsata Register Description](#)). [Section 24.8.4.5.3, Interrupt Events Description](#), describes all interrupt generating conditions.

[Figure 24-163](#) shows the SATA controller two-tier interrupt propagation structure. Besides [SATA_IS\[0\]](#), which gates all interrupts at the port 0 level, the tier 1 interrupt is globally gated by the [SATA_GHC\[1\]](#) IE bit.

Figure 24-163. SATA Controller Interrupt Propagation Schema



NOTE: Regardless of the device SATA controller single HBA port implementation, user software must read/write the tier 1 [SATA_IS\[0\]](#) IPS register bit to process interrupts.

24.8.4.5.3 Interrupt Events Description

This section describes the different events that are reflected in the [SATA_PxIS](#) register and that cause SATA_IRQ interrupt generation, if enabled, in the [SATA_PxIE](#) register. For more information regarding SATA_IRQ handling at the IRQ CROSSBAR subsystem, see [Section 18.4.6.4, IRQ_CROSSBAR Module Functional Description](#), in [Chapter 18, Control Module](#).

24.8.4.5.3.1 Task File Error Status

This event is registered whenever the [SATA_PxTFD\[7:0\]](#) STS bit field is updated by the device and the error bit [SATA_PxTFD\[0\]STS_ERR](#) is set. [SATA_PxTFD\[7:0\]](#) STS is updated when a new register FIS, PIO setup FIS, or set device bits FIS is received from the device.

24.8.4.5.3.2 Host Bus Fatal Error

This event is registered whenever an error is received by the SATA controller internal DMA master port from the configuration slave port.

24.8.4.5.3.3 Interface Fatal Error Status

This event is registered if an error is generated on the interface. The following conditions can cause this:

- SYNC escape during an H2D register or data FIS transmission
- One of the following errors during a data FIS transfer:
 - Protocol ([SATA_PSERR\[10\] ERR_P](#))
 - CRC ([SATA_PSERR\[21\] DIAG_C](#))
 - Handshake ([SATA_PSERR\[22\] DIAG_H](#))
 - SATA_PHY not ready ([SATA_PSERR\[9\] ERR_C](#))
- Unknown FIS received with a good CRC, but length greater than 64 bytes
- Physical region descriptor (PRD) table byte count of 0

NOTE: This is a fatal error in which the DMA is in an error state until software clears the [SATA_PxCMD\[0\] ST](#) bit or resets the interface with a port or global reset. For more information about software-initiated resets, see [Section 24.8.4.3.2, Software Initiated Resets](#).

24.8.4.5.3.4 Interface Non-Fatal Error Status

This event is registered on the following error conditions:

- One or more of the following errors are registered during a non-data FIS transfer:
 - Protocol ([SATA_PSERR\[10\] ERR_P](#))
 - CRC ([SATA_PSERR\[21\] DIAG_C](#))
 - Handshake ([SATA_PSERR\[22\] DIAG_H](#))
 - SATA_PHY not ready ([SATA_PSERR\[9\] ERR_C](#))
- Command list underflow during a read operation when software builds a command table that has more total bytes than the transaction given to the device

NOTE: The conditions previously described are non-fatal and the SATA host controller continues to operate normally.

24.8.4.5.3.5 Overflow Status

This event is registered if command list overflow is detected during read or write when software builds a command table with fewer total bytes than the transaction given to the device.

NOTE: This is a fatal error in which the DMA is in an error state until software clears the [SATA_PxCMD\[0\]](#) ST bit or resets the interface with a port or global reset. For more information about software-initiated resets, see [Section 24.8.4.3.2, Software Initiated Resets](#).

24.8.4.5.3.6 Incorrect Port Multiplier Status

This event is registered when the SATA controller receives a FIS from a device with a PM field not matching what is expected. The [SATA_PxIS\[23\]](#) IPMS event corresponding bit can be set during device enumeration, but software should ignore it until enumeration is finished.

24.8.4.5.3.7 PHYReady Change Status

This event is registered when the status of PHYReady changes. Its corresponding status bit ([SATA_PxIS\[22\]](#) PRCS) reflects the [SATA_PxSERR\[16\]](#)DIAG_N bit.

24.8.4.5.3.8 Port Connect Change Status

This event is registered when there was a change in the current connect status as reflected by the [SATA_PxSERR\[26\]](#)DIAG_X bit.

24.8.4.5.3.9 Descriptor Processed

This event is registered when a transaction completes. Its corresponding flag ([SATA_PxIS\[5\]](#) DPS) is set whenever a PRD with the I bit set transfers all of its data.

NOTE: The PRD interrupt is an opportunistic interrupt and should not be used to definitely indicate the end of a transfer. Two PRD interrupts can happen close in time so that the second interrupt is missed while the first PRD interrupt is being cleared.

When a PRD entry is exhausted, the HBA can be directed to generate an interrupt through the I bit in the PRD entry (although a PRD is not considered exhausted until all data FISs that transfer data pointed to by that PRD entry is complete). For example, if the data FIS is 8 KiB, and this is covered by three PRD entries, the data is not considered valid at the end of the first or second PRD because the CRC has not been checked, even though the data has been copied to memory or to the device. Therefore, if the I bit is set in the PRD entry, the HBA must hold onto it internally and not set PxIS.DPS until the data FIS is complete and the CRC is correct. Once correct, PxIS.DPS can be set and, if PxIE.DPE and GHC.IE are set, the HBA generates an interrupt.

Conversely, if the PRD entry is 16 KiB and two 8 KiB Data FISS are used to transfer all of the data pointed to by the PRD entry, the PRD interrupt associated with that PRD entry is not signaled until after the second data FIS transfer completes successfully.

24.8.4.5.3.10 Unknown FIS Interrupt

This status event indicates that an unknown FIS is received and copied into system memory.

24.8.4.5.3.11 Set Device Bits Interrupt

This status event indicates that a Set Device Bits FIS is received with the I bit set and copied to system memory.

24.8.4.5.3.12 DMA Setup FIS Interrupt

This status event indicates that a DMA Setup FIS is received with the I bit set and copied into system memory.

24.8.4.5.3.13 PIO Setup FIS Interrupt

This status event indicates that a PIO Setup FIS with the I bit set is copied into system memory and the data related to that FIS is transferred.

24.8.4.5.3.14 Device to Host Register FIS Interrupt

This status event indicates that a D2H Register FIS is received with the I bit set and copied to system memory.

24.8.4.5.4 Interrupt Condition Control

There are several ways for software to control the conditions causing a non - command completion coalescing (**non-CCC**) SATA_IRQ interrupt assertion. The [SATA_GHC\[1\]](#) IE register bit serves as a global mask. If it is 0x0, all interrupts are masked. If it is 0x1, interrupts not masked by the [SATA_IS](#) (all interrupts for port 0) and [SATA_PxIE](#) registers can trigger an interrupt. The [SATA_PxIE](#) register matches the [SATA_PxIS](#) register bit for bit. If the corresponding bit in the [SATA_PxIE](#) register is set to 0x1, the interrupt is unmasked. If the corresponding is 0x0, the interrupt is masked off.

[Table 24-586](#) summarizes the SATA controller interrupt status bits and their corresponding interrupt enable bits at the second tier of the SATA controller interrupt generation schema.

Table 24-586. Interrupt Events Summary

Event Status Flag	Interrupt Event Mask	Mapped to Interrupt Output	Brief Interrupt Event Description
SATA_PxIS [30]TFES	SATA_PxIE [30]TFEE	SATA_IRQ	Task File Error
SATA_PxIS [29]HBFS	SATA_PxIE [29]HBFE	SATA_IRQ	Host Bus Fatal Error
SATA_PxIS [27]IFS	SATA_PxIE [27]IFE	SATA_IRQ	Interface Fatal Error
SATA_PxIS [26]INFS	SATA_PxIE [26]INFE	SATA_IRQ	Interface Non-Fatal Error
SATA_PxIS [24]OFS	SATA_PxIE [24]OFE	SATA_IRQ	Overflow
SATA_PxIS [23]IPMS	SATA_PxIE [23]IPME	SATA_IRQ	Incorrect Port Multiplier
SATA_PxIS [22]PRCS	SATA_PxIE [22]PRCE	SATA_IRQ	Phy Ready Change
SATA_PxIS [6]PCS	SATA_PxIE [6]PCE	SATA_IRQ	Port Connect Change
SATA_PxIS [5]DPS	SATA_PxIE [5]DPE	SATA_IRQ	Descriptor Processed
SATA_PxIS [4]UFS	SATA_PxIE [4]UFE	SATA_IRQ	Unknown FIS Received
SATA_PxIS [3]SDBS	SATA_PxIE [3]SDBE	SATA_IRQ	Set Device Bits FIS Received
SATA_PxIS [2]DSS	SATA_PxIE [2]DSE	SATA_IRQ	DMA Setup FIS Received
SATA_PxIS [1]PSS	SATA_PxIE [1]PSE	SATA_IRQ	PIO Setup FIS Received
SATA_PxIS [0]DHRS	SATA_PxIE [0]DHRE	SATA_IRQ	Device to Host Register FIS Received

NOTE: To ensure normal generation of the standard (single-event driven, non-CCC) interrupts described in [Table 24-586](#), the user must ensure that the CCC feature is disabled (that is, the [SATA_CCC_CTL](#)[0] EN bit is set to 0x0).

24.8.4.5.5 Command Completion Coalescing Interrupts

The SATA controller supports CCC, which can be thought of as interrupt pacing. Instead of being generated for every command completed, an interrupt can be triggered based on a certain number of commands completed and/or a timer time-out. This significantly reduces the load on the CPU by not allowing software to receive an interrupt every time a command is processed. Software can thus queue many commands or wait for many received FISes and process them as a batch. All CCC functions are controlled by the [SATA_CCC_CTL](#), [SATA_CCC_PORTS](#), and [SATA_TIMER1MS](#) registers. Setting

[SATA_CCC_PORTS](#)[0]PRT = 0x1 makes the only available SATA controller HBA port 0 - CCC-aware. The [SATA_CCC_CTL](#) register can be used to program CCC logic to trigger an interrupt whenever a certain number of commands are complete and/or a timeout value (as specified by the TV field of [SATA_CCC_CTL](#) and [SATA_TIMER1MS](#) registers) occurs. For specific programming instructions, see the [SATA_CCC_CTL](#) description.

24.8.4.5.1 CCC Interrupt Based on Expired Timeout Value

To trigger a CCC interrupt on a port after an elapsed timer value, the following programming sequence must be implemented by user software:

1. Software disables the CCC feature, clearing [SATA_CCC_CTL](#)[0] EN to 0b0.
2. Software sets [SATA_CCC_PORTS](#)[0] PRT = 0x1 to make HBA port 0 CCC-aware.
3. Software sets [SATA_CCC_CTL](#)[15:8] CC = 0x0, which provides that the expired timeout trigger condition is selected.
4. Software defines the 1-ms time-based unit by loading an appropriate number of interface/functional clock cycles into the 20-bit [SATA_TIMER1MS](#)[19:0] TIMV bit field. For example, its reset value of 0x186A0 (100 000 x SATA_FICLK cycles) provides that a 1-ms timeout base will be generated if SATA_FICLK = 100 MHz.
5. Software chooses the timeout value as the number of 1-ms intervals through the 16-bit [SATA_CCC_CTL](#)[31:16]TV bit field.
6. Software enables the CCC-interrupt feature, asserting [SATA_CCC_CTL](#)[0] EN bit to 0b1.

Assertion of bit [SATA_CCC_CTL](#)[0] EN to 0x1 is required to start the 1MS TIMER after the above described configuration steps are completed.

NOTE: On CCC event configuration, the CCC feature should be disabled (that is, [SATA_CCC_CTL](#)[0] EN should be kept at 0b0).

NOTE: Due to the single SATA controller HBA port integration, the source of the CCC interrupt, if enabled, is always HBA port 0. On a CCC interrupt, the [SATA_CCC_CTL](#)[7:3] INT read-only bit changes to 0x0 (its reset value is 0x1) . As a consequence, the STA_IS[0] IPS bit is set to 0x1.

24.8.4.5.2 CCC Interrupt Based on Completion Count

If the desired method to receive an interrupt is based on the completion of a certain number of commands, the following settings must be performed:

1. Software disables the CCC feature, clearing [SATA_CCC_CTL](#)[0] EN to 0b0.
2. Software sets [SATA_CCC_PORTS](#)[0] PRT = 0x1 to make HBA port 0 CCC-aware.
3. Software sets [SATA_CCC_CTL](#)[15:8] CC! = 0x0 to the desired number (1–255) of commands to be completed. The CC! = 0x0 provides that the count completion condition is selected.
4. Software enables the CCC-interrupt feature, asserting the [SATA_CCC_CTL](#)[0] EN bit to 0b1.

NOTE: On CCC event configuration , the CCC feature should be disabled (that is, [SATA_CCC_CTL](#)[0] EN should be kept at 0b0).

NOTE: Due to the single SATA controller HBA port integration, the source of the CCC interrupt, if enabled, is always HBA port 0. On a CCC interrupt, the [SATA_CCC_CTL](#) [7:3]INT read-only bit changes to 0x0 (its reset value is 0x1) . As a consequence, the STA_IS[0] IPS bit is set to 0x1.

24.8.4.6 System Memory FIS Descriptors

The SATA AHCI mode supports a command list of from 1 up to 32 entries (command slots) assigned to HBA port 0, which should be allocated and built into host system memory by user software. After receiving command/data messages from the attached port 0 SATA mass-storage drive, the HBA extracts the FIS Dwords, sorts them out, and stores them into different areas of RX FIS-allocated host system memory.

24.8.4.6.1 Command List Structure Basics

Each command list entry has an associated command header (CH) that takes 32 bytes in host system memory, from which only the first 4 Dwords (16 bytes) are used. The CH contains different fields that detail the direction of transfer (H2D or D2H), type of command (ATA/ATAPI), reset behavior, PM ID, byte count and byte length of the PRD table, etc.

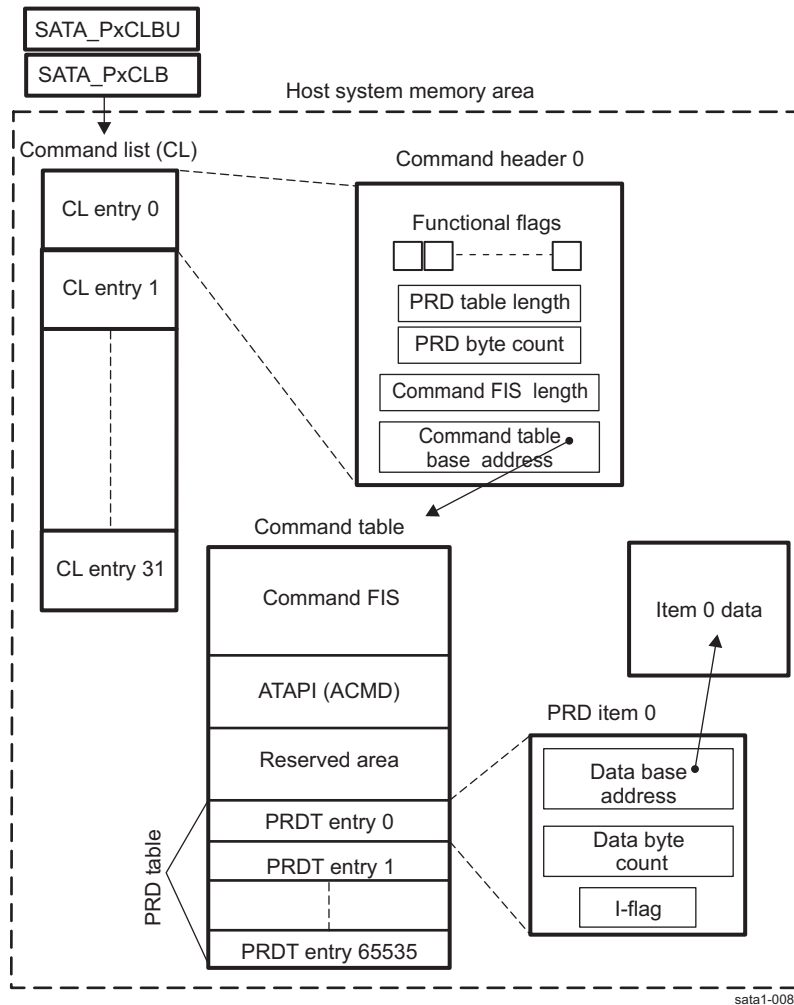
A command list slot CH specifies the base address of the underlying command table and information about the associated command FIS length. The command table in system memory has three main areas:

- A 64-byte command FIS area in which the user loads the command-associated FIS contents
- An ATAPI area in which a 12- or 16-byte ATAPI command is loaded, if specified in the CH (through bit A)
- A PRD table area that allows up to 65535 data descriptor entries

An entry of a PRD table (that is, a scatter/gather list item) specifies descriptor parameters of a data block transfer handled by the HBA port DMA.

[Figure 24-164](#) shows the interrelations between the FIS-related structures that user software must allocate and build into the host system memory.

For details on command and data structures in host system memory, see the AHCI and SATA standard specifications.

Figure 24-164. Command List Descriptor Structures


After allocating the necessary portions for the CL, command slots underlying data descriptors, and received FISs into host system memory, the base addresses of these memory locations must be provided by user software to the HBA through the hardware init domain registers: `SATA_PxCLB` (command list base address - lower bits), `SATA_PxCLBU` (command list base address-upper bits), `SATA_PxFB` (received FISs system memory area base address-lower bits) and `SATA_PxFBU` (received FISs system memory area base address-upper bits). Thus, the command and data DMA engines can access the transfer context programming structures.

NOTE: `SATA_PxCLBU` / `SATA_PxFBU` registers store the upper half of the native 64-bit AHCI addresses. Because only 36-lower bits of the AHCI 64-bit address bus are integrated in the device, actually only the 4-lower bits within `SATA_PxCLBU` / `SATA_PxFBU` are meaningful. **The remaining 28-bits must be always written to '0'-s in the descriptors (`SATA_PxCLBU[31:4]=0x0` / `SATA_PxFBU[31:4]=0x0`).** Default value for the `SATA_PxCLBU` / `SATA_PxFBU` registers is 0x0, so that a 32-bit SW driver which never accesses them works seamlessly, by accessing only the 32-bit (lower half) addresses which reside in the `SATA_PxCLB` / `SATA_PxFB` registers.

24.8.4.6.2 Supported Types of Commands

The following types commands are supported:

- Standard serial ATA nonqueued commands set.

As opposed to NCQ, these commands are serviced, acknowledged one by one after a successful completion. The nonqueued SATA CL entries can take advantage of the PRD prefetching option indicated by the P flag in the corresponding CH (for more information, see the SATA specification). The ATA legacy commands are not supported by the SATA AHCI core.

- **ATAPI commands**

ATAPI commands are supported by the SATA HBA engine. A request for an ATAPI command service is indicated by setting CH bit A to 0b1. The ATAPI command that the user builds into the ATAPI area of the command table can be 12 or 16 bytes in length and is indicated by the PIO Setup FIS sent by the SATA peripheral storage device requesting the ATAPI command. In addition, the SATA controller supports ATAPI active-LED generation (See [Section 24.8.4.10, Activity LED Generation Functionality](#)).

- **NCQ-commands**

NCQ-commands are supported by the SATA controller HBA engine, the execution of which can be greatly facilitated by the CCC interrupt feature (for more information, see [Section 24.8.4.5.5, Command Completion Coalescing Interrupts](#)). As described in [Section 24.8.1.1.2, Native Command Queuing](#), the NCQ commands have FPDMA queued command protocol mechanism, which implies that they are treated in a different way than standard SATA commands. The AHCI interface register set include specific registers, such as [SATA_PxSACT](#), etc., to make the HBA aware of the outstanding NCQ slots in a command list. As opposed to standard nonqueued commands, NCQ commands are acknowledged before their actual completion, which accelerates the CL servicing for NCQ slots. The queue tag of the command requested by the SATA peripheral device is indicated to the HBA port by the TAG field in a DMA Setup FIS that an attached SATA peripheral device sends to the SATA controller host. The HBA then uses the tag value to index the NCQ commands updated by user software in the command list. The NCQ command descriptors are not allowed to use the prefetching option in CH because their order of execution is determined by the SATA target device.

24.8.4.6.3 Received FIS Structures

After stream decoding and primitive removal by the link layer, the validated FIS Dwords are extracted from the RxFIFO buffer by the transport layer DMA, and the original SATA storage drive FIS structures are recovered to a dedicated host system memory space. The DMA stores the received FISs into different memory areas based on FIS type. The unknown FIS reception is legal to HBA, as long as the length of the unknown FIS does not overrun the 64-byte size limit of the FIS descriptors. For details on received FISs memory area organization, see the AHCI and SATA standard specifications.

24.8.4.6.4 FIS Descriptors Summary

The FISs that encapsulate SATA target commands and data contents can be divided into:

- FISs transmitted from the host to an attached SATA peripheral device (H2D FISs)
- FISs sent by an attached SATA peripheral device to the host (D2H FISs)

The H2D FISs are constructed by user software into system memory. The H2D FIS types are:

- H2D Register FIS
- H2D DMA Setup FIS
- H2D Data FIS

The D2H FISs are constructed by the attached SATA peripheral device transport layer. The D2H FIS types are as follows:

- D2H Register FIS
- D2H DMA Setup FIS
- PIO Setup FIS
- DMA Activate FIS
- Set Device Bits FIS
- D2H Data FIS

For details on different type of FIS contents, see the SATA standard specification (revision 2.6).

24.8.4.7 Transport Layer FIS-Based Interactions

24.8.4.7.1 Software Processing of the Port Command List

After user software instantiates the CL structures in host system memory, it must maintain them appropriately. The command list is advanced when the BSY, DRQ, and ERR bits of a serial ATA device task file are cleared, which is communicated through a D2H register FIS to HBA port. The HBA port 0 hardware clears the corresponding to the *i*-th completed command: `SATA_PxCi [i] CI` (`SATA_PxCi [TAG] CI` for NCQ) bit to notify user software that the next command FIS can be advanced into the CL. The software then builds the command slot components: CH fields, command table, and associated PRD data descriptors in system memory. Software asserts the `SATA_PxCi[i+1] CI` (or `SATA_PxCi[TAG] CI` bit for an NCQ indicated command) to activate the prepared CL command, which is possible only when `SATA_PxCMD[0] ST = 0x1`. The nonqueued commands in the CL are processed in ascending order of slots (linear processing). The `SATA_PxCMD [12:8]CCS` read-only field indicates the CL index of the command currently being issued by the HBA port.

The processing of NCQ command slots invokes additional register update/check steps. Before setting the `SATA_PxCi[TAG] CI` bit to 0b1 and posting an active NCQ command to the SATA HBA port, software must indicate an NCQ outstanding command at the position defined by the SATA peripheral device queue TAG by setting `SATA_PxSACT[TAG] DS = 0x1`. After the queued command is posted, the peripheral SATA device sends a Set Device Bits FIS to the HBA port to clear the `SATA_PxSACT` bits corresponding to the successfully completed NCQ commands.

Command-list processing is initially triggered by software setting `SATA_PxCMD[0] ST = 0x1`, which requires certain conditions to be satisfied.

NOTE: There are some restrictions to setting `SATA_PxCMD[0] ST` to 0x1. For more information, see the AHCI specification (revision 1.1).

The SATA controller is capable of command list override (CLO) operation. CLO is activated by setting `SATA_PxCMD[3] CLO = 0b1`, which is expected only when `SATA_PxCMD[0] ST = 0x0` (that is, the command list is not processed by the HBA) to avoid HBA-indeterminate behavior. As a consequence of a CLO operation, the `SATA_PxTFD` register `STS_DRQ` and `STS_BSY` flags are cleared. For example, CLO is necessary when the DRQ and BSY flags cannot be cleared by HBA before issuing a software reset (because of some hang condition). For more information on CLO behavior, see the AHCI standard specification.

24.8.4.7.2 Handling the Received FIS Descriptors

The HBA DMA facilitates the reception of the D2H FISs into host system memory. The reception is enabled by the user setting `SATA_PxCMD[4] FRE` to 0b1. The software is allowed to change the `SATA_PxFB` / `SATA_PxFBU` contents and thus move the FIS reception area to different system memory locations, if `SATA_PxCMD[14] FR` is cleared, which occurs after software writes `SATA_PxCMD[4] FRE = 0b0`. In this case, further FIS reception is blocked when the internal Rx FIFO becomes full. Before setting `SATA_PxCMD[4] FRE` to 0x1, the user software must ensure that a valid address is programmed into the `SATA_PxFB` / `SATA_PxFBU` registers.

NOTE: The HBA port stores the unknown FISs (up to 64 bytes) in system memory but does not have a specified behavior to indicate an error condition on reception. The unknown FISs must be handled specifically by user software.

24.8.4.8 DMA Port Configuration

The SATA controller handles all data operations on its port with an internal DMA integrated in SATA AHCI core.

The SATA controller DMA transfers all information between system memory and the attached SATA peripheral device, as well as configuration and status FISs. The transmit and receive DMA data paths are independently programmable.

The burst size in both directions is fixed to 16 Dwords. The DMA issues transactions of this size or smaller (in Dword increments), depending on programmed transaction size.

NOTE: If the programmed transaction size is lower than 16-Dwords (burst size), then the DMA maxes out at transaction size.

The user can also separately program the transaction size for receive and transmit channels by setting the [SATA_PxDMACR\[7:4\]](#) RXTS and [SATA_PxDMACR\[3:0\]](#) TXTS bit fields. The transaction size is the minimum amount of data on which the DMA works. For example, if a FIS comes from the device to the host, the DMA does not begin transferring data into system memory until there is at least [SATA_PxDMACR\[7:4\]](#) RXTS number of Dwords in the receive FIFO. During transmit, the DMA reads data from system memory in [SATA_PxDMACR\[3:0\]](#) TXTS Dword increments to put into the transmit FIFO. Transactions can be broken up into multiple bursts of 16 Dword - size, crossing of a 1-KiB boundary (boundary between 1-KiB address blocks in memory), or end-of-frame. RXFIFO and TXFIFO transaction sizes are limited to maximum half the size of the integrated RXFIFO and TXFIFO buffers. For more information on maximum transaction sizes and RXFIFO/TXFIFO depths, see the [SATA_PxDMACR](#) and [SATA_PPARAMR](#) descriptions.

24.8.4.9 Port Multiplier Operation

The SATA controller HBA port supports connection to a bunch of maximum 15 devices through a port multiplier (PM). The communication mechanism is based on PM command-based switching.

24.8.4.9.1 Command-Based Switching Mode

In this mode of operation, user software must initiate transfers to different PM ports so that multiple commands are not outstanding to different devices connected to the PM extension ports.

24.8.4.9.1.1 Port Multiplier NCQ and Non-NCQ Commands Generation

The PM port command servicing order depends on the type of commands in the CL:

- Non-queued command generation to PMs
When processing commands that are non-queued, the HBA executes each command entry in its entirety before moving to the next entry in the command list. The next entry can include a command to a different PM device port. Because the HBA operates in the order of its command list, system software must not fill the list in sequential order with commands to a single device; otherwise, another device might get starved. For more information, see the AHCI standard specification.
- NCQ command generation to PMs
Because the SATA controller supports command-based switching only, system software must only add NCQ commands to the command list that target a single port behind the PM, wait for the commands to finish ([SATA_PxSACT](#) bits all cleared), and then add commands for a different port. For more information, see the AHCI standard specification.

24.8.4.9.2 Port Multiplier Enumeration

To enumerate PM devices, a software reset should be issued by SATA controller to the PM port #0xF (this is a point of connection for the PM or a single endpoint device). The software must prepare two H2D Register FISs into the host system memory for a software reset with the PM-port select (PMP) field set to 0xF. To ensure reliable PM device enumeration, software must also perform a CLO operation. For more information, see the AHCI standard specification.

24.8.4.10 Activity LED Generation Functionality

The HBA port drives the device-level sata1_led signal that is active on the following conditions (see also [Table 24-580](#)):

- If ([SATA_PxCI](#) [31:0]! = 0x0 or [SATA_PxSACT](#)[31:0]! = 0x0) and [SATA_PxCMD](#)[24] ATAPI = 0b0 (for active nonATAPI commands indication)
- If ([SATA_PxCI](#) [31:0]! = 0x0 or [SATA_PxSACT](#)[31:0]! = 0x0) and [SATA_PxCMD](#)[24] ATAPI = 0b1 and

[SATA_PxCMD](#)[25] DLAE = 0b1 (for active ATAPI commands indication)

When [SATA_PxCI](#) and [SATA_PxSACT](#) are cleared to 0x0, the LED on the sata1_led signal-associated pad is driven off.

24.8.4.11 Supported Types of SATA Transfers

SATA controller AHCI mode defines two types of transfers between the host system memory and a SATA peripheral device: DMA and PIO data transfers. Whether the transaction is of a DMA type or PIO type, the HBA fetches and stores data to memory, offloading the CPU. No register is implemented for direct user access to the data port.

PIO transfers specified by PIO Setup FISs are strongly discouraged because of their limited support of error indication. PIO commands use is limited to only few cases in which commands support only PIO mechanism, such as execution of the IDENTIFY DEVICE command and ATAPI command transfers in which the PACKET command is invoked. The SATA controller AHCI mechanism allows multiple DRQ blocks of data per PIO command.

24.8.4.11.1 Supported Higher Level Protocols

The following DMA, PIO, FPDMA-queued, and ATAPI command/data protocols are supported by the SATA controller AHCI engine:

- Standard SATA command-related
 - Nondata command protocol
 - PIO write protocol
 - PIO read protocol
 - DMA write protocol
 - DMA read protocol
- NCQ command-related
 - Write FPDMA-queued protocol
 - Read FPDMA-queued protocol
- ATAPI PACKET command-related
 - PACKET Nondata command protocol
 - PACKET PIO read/write protocol
 - PACKET DMA read/write protocol

24.8.4.12 SATA Controller AHCI Hardware Register Interface

[Table 24-587](#) summarizes the SATA host controller subsystem registers and divides them into functional categories.

Table 24-587. Summary of SATA Host Subsystem Functional Registers

Register	Functional Category	Brief Register Description
SATA_SYSCONFIG	Device-level registers (wrapper of SATA AHCI core)	TI wrapper idle/standby power management configuration register
SATA_CDRLOCK ⁽¹⁾		TI wrapper register which defines default delay of received data valid information.
SATA_IDR	SATA vendor-specific (VS) register	TI high lander identification register

⁽¹⁾ Under normal conditions, the user is supposed to keep this register at its default (power-on-reset) value.

Table 24-587. Summary of SATA Host Subsystem Functional Registers (continued)

Register	Functional Category	Brief Register Description	
SATA_CAP	SATA controller generic registers	SATA HBA capabilities set 1	
SATA_CAP2		SATA HBA capabilities set 2	
SATA_VS		SATA HBA register showing supported AHCI specification revision	
SATA_GPARAM1R		SATA HBA global parameters set 1	
SATA_GPARAM2R		SATA HBA global parameters set 2	
SATA_GHC		SATA HBA global AHCI settings	
SATA_PPARAMR		SATA HBA ports-related registers	SATA HBA port x ⁽²⁾ parameter settings
SATA_PI	Enables SATA HBA port x ⁽²⁾ functionalities		
SATA_IS	Enables all SATA HBA port x ⁽²⁾ associated interrupts (first tier of interrupt schema)		
SATA_CCC_PORTS	Enables SATA CCC feature for the port x ⁽²⁾		
SATA_CCC_CTL	CCC feature parameters control and status		
SATA_TIMER1MS	Time base for 1-ms unit of CCC timeout		
SATA_PxCLB	SATA HBA Port Px ⁽²⁾ SATA Specification- defined Functional Registers		CL base address (lower-half of AHCI 64-bit address)
SATA_PxCLBU			CL base address (upper-half of AHCI 64-bit address) ⁽³⁾
SATA_PxFB			Received FISs base address (lower-half of AHCI 64-bit address)
SATA_PxFBU			Received FISs base address (upper-half of AHCI 64-bit address) ⁽³⁾
SATA_PxIE		Port x ⁽²⁾ non-CCC interrupt enable	
SATA_PxIS		Port x ⁽²⁾ non-CCC interrupt event status	
SATA_PxCMD		Port x ⁽²⁾ command register	
SATA_PxTFD		Port x ⁽²⁾ task file data register	
SATA_PxSIG		Port x ⁽²⁾ associated SATA signature register	
SATA_PxSSTS		Port x ⁽²⁾ SStatus SATA register (See the SATA standard specification.)	
SATA_PxSCTL		Port x ⁽²⁾ SControl SATA register (See the SATA standard specification.)	
SATA_PxSERR		Port x ⁽²⁾ SError SATA register (See the SATA standard specification.)	
SATA_PxSACT		Port x ⁽²⁾ SActive SATA register (See SATA standard specification.)	
SATA_PxCI		Port x ⁽²⁾ command activation/completion indication register	
SATA_PxSNTF		Port x ⁽²⁾ SNotification register (See the SATA standard specification.)	
SATA_OOBR		OOB detection counters setup	
SATA_PxDMACR		Non-standard Port Px ⁽²⁾ Control register	Port x ⁽²⁾ associated DMA configuration register
SATA_TESTR		SATA HBA BIST related registers	Test/normal mode switching
SATA_BISTAFR			BIST FIS-activate register
SATA_BISTCR			BIST control register
SATA_BISTFCTR	BIST FIS count register		
SATA_BISTSR	BIST status register		
SATA_BISTDECR	BIST Dword error count register		

⁽²⁾ x = 0, as only SATA HBA port 0 is implemented

⁽³⁾ Only the 4-lower bits meaningful in the device, the others must be kept at '0'

24.8.5 SATA Controller Low Level Programming Model

This section describes the low-level hardware programming sequences for the configuration and use of the SATA host controller.

NOTE: SATA is not supported on the AM570x family of devices.

24.8.5.1 Global Initialization

24.8.5.1.1 Surrounding Modules Global Initialization

This section identifies the requirements to initialize the surrounding modules when the SATA host controller is used for the first time after a device reset. This initialization of surrounding modules is based on the integration and environment of the SATA host controller (for more information, see and). [Table 24-588](#) describes the global initialization of surrounding modules.

Table 24-588. Global Initialization of Surrounding Modules

Surrounding Modules	Comments
PRCM	Module functional and interface clocks must be enabled (see Section 3.1.1.1.2, Module-Level Clock Management , in Chapter 3, Power, Reset, and Clock Management).
Control Module	Module-specific pad muxing and other PHY power configurations must be set in the control module (see Section 18.4.6.1.1, Pad Configuration Registers and Section 18.5, Control Module Register Manual , in Chapter 18, Control Module).
IRQ_CROSSBAR	IRQ_CROSSBAR must be configured to enable the interrupt from the SATA controller (see Section 18.4.6.4, IRQ_CROSSBAR Module Functional Description , in Chapter 18, Control Module).
L4_CFG and L3_MAIN interconnects	For more information about the interconnect configuration, see Section 14.2.3.2.1, L3_MAIN Interconnect Agents and Section 14.3, L4 Interconnect , in Chapter 14, Interconnect .

NOTE: The MPU INTC configuration is required when using the interrupt communication mode.

24.8.5.1.2 SATA Controller Global Initialization

24.8.5.1.2.1 Main Sequence SATA Controller Global Initialization

[Table 24-589](#) describes the procedure to initialize the SATA host controller after a POR.

Table 24-589. SATA Controller Global Initialization

Step	Register/Bit Field/Programming Model	Value
Configure the OCP2SCP3 adapter for PLLCTRL_SATA.	See Section 26.1.5, SATA PHY Subsystem Low - Level Programming Model in Chapter 26, Shared PHY Component Subsystems .	-
Configure the DPLL_SATA.	See Section 26.1.5, SATA PHY Subsystem Low - Level Programming Model in Chapter 26, Shared PHY Component Subsystems .	-
Configure the SATA_PHY.	See Section 26.1.5, SATA PHY Subsystem Low - Level Programming Model in Chapter 26, Shared PHY Component Subsystems .	-
Perform all firmware capability writes. (1)	See Section 24.8.5.1.2.2, SubSequence – Firmware Capability Writes .	-
Set up all appropriate structures in memory per the AHCI standard specification.	See Section 24.8.4.6, System Memory FIS Descriptors . See also the AHCI standard specification.	-

(1) This step has an effect only on hardware initialization.

Table 24-589. SATA Controller Global Initialization (continued)

Step	Register/Bit Field/Programming Model	Value
Write a valid CL memory base address to the SATA_PxCLB register.	SATA_PxCLB [31:10] CLB	CL Base address (lower-half)
	SATA_PxCLBU [3:0] CLBU	CL Base address (upper-half) Only 4-lower bits meaningful in the device, other must be always written to '0'-s
Write a valid Rx FIS memory base address to the SATA_PxFB register.	SATA_PxFB [31:8] FB	Rx FIS Base address (lower-half)
	SATA_PxFBU [3:0] FBU	Rx FIS Base address (upper-half) Only 4-lower bits meaningful in the device, other must be always written to '0'-s
Issue a software type of reset depending on the error condition.	See Section 24.8.4.3.2, Software Initiated Resets.	-
Set the appropriate bits in the SATA_PxCMD register.	See Section 24.8.4.7.1, Software Processing of the Port Command List. See also the AHCI standard specification.	-
Program the SATA_PxSCTL register to configure SATA interface capabilities.	See the AHCI standard specification.	-
Program the SATA_PxDMACR register.	See Section 24.8.4.8, DMA Port Configuration.	-
Enable the interrupts at port 0.	SATA_IS [0] IPS	0x1
Enable the involved port 0 specific interrupts.	See Section 24.8.4.5.2, Levels of Interrupt Control, and Section 24.8.4.5.4, Interrupt Condition Control.	-
Enable the FIS reception in the SATA_PxCMD register.	SATA_PxCMD [4] FRE	0x1
Spin up the device (if required).	See the AHCI standard specification and the SATA standard specification.	-

NOTE: The SATA AHCI Controller always manipulates 64-bit memory pointers, and the master interface has 64-bit addresses, but the actual AHCI master interface integration in the device uses ONLY the 36-lower bits. In that case, even though the AHCI support indicates “64-bit” in the [SATA_CAP](#)[31] S64A, ONLY the 4-lower bits ([SATA_PxCLBU](#) [3:0] / [SATA_PxFBU](#) [3:0]) are meaningful in the device. **The upper 28 bits of the address, i.e. [SATA_PxCLBU](#) [31:4] / [SATA_PxFBU](#) [31:4], must be always SW-programmed to '0'.**

NOTE: Default value of the [SATA_PxCLBU](#) / [SATA_PxFBU](#) registers is 0x0, so that a 32-bit SW driver which never accesses them works seamlessly, by accessing only the 32-bit (lower half) addresses which reside in the [SATA_PxCLB](#) / [SATA_PxFB](#) registers.

24.8.5.1.2.2 SubSequence – Firmware Capability Writes

[Table 24-590](#) lists the firmware capability write sequence by which SATA HBA initialization is performed.

NOTE: In the following sequence, SATA controller accesses hardware initialization domain registers that can be written only one time after POR.

Table 24-590. Firmware Capability Writes

Step	Register/Bit Field/Programming Model	Value
Disable the staggered spin-up support feature. ⁽¹⁾	SATA_CAP [27] SSS	0x0

⁽¹⁾ It makes no sense to enable staggered spin-up because only one HBA port is used.

Table 24-590. Firmware Capability Writes (continued)

Step	Register/Bit Field/Programming Model	Value
Enable the SATA controller port 0.	SATA_PI[0] PI	0x1
Disable the mechanical presence detect feature. ⁽¹⁾	SATA_CAP[28] SMPS	0x0
Disable the external signal-only connector. ⁽¹⁾	SATA_PxCMD[22:21] ESP	0x0
Disable the cold presence detect feature. ⁽¹⁾	SATA_PxCMD[20] CPD	0x0
Disable support for the mechanical presence switch.	SATA_PxCMD[19] MPSP	0x0
Disable the hot-plug-capable port feature.	SATA_PxCMD[18] HPCP	0x0
If PM is attached:		
Set the SATA_PxCMD [17] PMA bit to notify HBA that the PM is attached to HBA port 0.	SATA_PxCMD[17] PMA	0x1
ELSE		
Clear the SATA_PxCMD[17] PMA bit as a notification that a single-target SATA device is attached to port 0.	SATA_PxCMD[17] PMA	0x0

24.8.5.1.3 Issue Command - Main Sequence

The procedure in [Table 24-591](#) prepares a command list entry and issues its corresponding command.

Table 24-591. Prepare and Issue a Command

Step	Register/Bit Field/Programming Model	Value
Build command header and command table into host system memory.	For details, see Section 24.8.4.6.1, Command List Structure Basics .	-
Create the command corresponding PRD table.		
Queue the command to the command list.	See Section 24.8.4.7.1, Software Processing of the Port Command List .	-
Set the SATA_PxCMD[0] ST bit to direct the DMA to start processing the CL.	SATA_PxCMD[0] ST	0x1 ⁽¹⁾
IF a nonNCQ command is issued:		
Set the corresponding SATA_PxCi.CI bit to activate a command already prepared in the i-th slot of the CL .	SATA_PxCi[i] CI	0x-
ELSE		
Indicate the NCQ slot positions through the SATA_PxSACT register. For details on TAG tracking, see Section 24.8.4.7.1 .	SATA_PxSACT[TAG] DS	0x-
Set the corresponding SATA_PxCi.CI bit to activate the NCQ command already prepared in the i-th slot of the CL.	SATA_PxCi[TAG] CI	0x-

⁽¹⁾ See the AHCI standard specification for important restrictions when PxCMD[0] ST can be software-asserted to 1.

24.8.5.1.4 Receive FIS—Main Sequence

The procedure in [Table 24-592](#) is used to handle a FIS reception.

Table 24-592. FIS Reception

Step	Register/Bit Field/Programming Model	Value
Read SATA_PxIS to determine the type of FIS.	For more information, see Section 24.8.4.7.2, Handling the Received FIS Descriptors .	-

24.8.6 SATA Controller Register Manual

NOTE: SATA is not supported on the AM570x family of devices.

24.8.6.1 SATA Controller Instance Summary

Table 24-593. SATA Instance Summary

Module Name	Module Base Address	Size (Bytes)
DWC_ahsata	0x4A14 0000	4352
SATAMAC_wrapper	0x4A14 1100	256

24.8.6.2 DWC_ahsata Registers

24.8.6.2.1 DWC_ahsata Register Summary

Table 24-594. DWC_ahsata Registers Mapping Summary

Register Name	Type	Register Width (Bits)	Address Offset	Physical Address DWC_ahsata
SATA_CAP	RW	32	0x0000 0000	0x4A14 0000
SATA_GHC	RW	32	0x0000 0004	0x4A14 0004
SATA_IS	RW	32	0x0000 0008	0x4A14 0008
SATA_PI	RW	32	0x0000 000C	0x4A14 000C
SATA_VS	R	32	0x0000 0010	0x4A14 0010
SATA_CCC_CTL	RW	32	0x0000 0014	0x4A14 0014
SATA_CCC_PORTS	RW	32	0x0000 0018	0x4A14 0018
SATA_CAP2	R	32	0x0000 0024	0x4A14 0024
SATA_BISTAFR	R	32	0x0000 00A0	0x4A14 00A0
SATA_BISTCR	RW	32	0x0000 00A4	0x4A14 00A4
SATA_BISTFCTR	R	32	0x0000 00A8	0x4A14 00A8
SATA_BISTSR	R	32	0x0000 00AC	0x4A14 00AC
SATA_BISTDECR	R	32	0x0000 00B0	0x4A14 00B0
SATA_OOBR	RW	32	0x0000 00BC	0x4A14 00BC
SATA_TIMER1MS	RW	32	0x0000 00E0	0x4A14 00E0
SATA_GPARAM1R	R	32	0x0000 00E8	0x4A14 00E8
SATA_GPARAM2R	R	32	0x0000 00EC	0x4A14 00EC
SATA_PPARAMR	R	32	0x0000 00F0	0x4A14 00F0
SATA_TESTR	RW	32	0x0000 00F4	0x4A14 00F4
SATA_VERSIONR	R	32	0x0000 00F8	0x4A14 00F8
SATA_IDR	R	32	0x0000 00FC	0x4A14 00FC
SATA_PxCLB	RW	32	0x0000 0100	0x4A14 0100
SATA_PxCLBU	RW	32	0x0000 0104	0x4A14 0104
SATA_PxFB	RW	32	0x0000 0108	0x4A14 0108
SATA_PxFBU	RW	32	0x0000 010C	0x4A14 010C

Table 24-594. DWC_ahsata Registers Mapping Summary (continued)

Register Name	Type	Register Width (Bits)	Address Offset	Physical Address DWC_ahsata
SATA_PxIS	RW	32	0x0000 0110	0x4A14 0110
SATA_PxIE	RW	32	0x0000 0114	0x4A14 0114
SATA_PxCMD	RW	32	0x0000 0118	0x4A14 0118
SATA_PxTFD	R	32	0x0000 0120	0x4A14 0120
SATA_PxSIG	R	32	0x0000 0124	0x4A14 0124
SATA_PxSSTS	R	32	0x0000 0128	0x4A14 0128
SATA_PxSCTL	RW	32	0x0000 012C	0x4A14 012C
SATA_PxSERR	RW	32	0x0000 0130	0x4A14 0130
SATA_PxSACT	RW	32	0x0000 0134	0x4A14 0134
SATA_PxCI	RW	32	0x0000 0138	0x4A14 0138
SATA_PxSNTF	RW	32	0x0000 013C	0x4A14 013C
SATA_PxDMA CR	RW	32	0x0000 0170	0x4A14 0170

24.8.6.2.2 DWC_ahsata Register Description**Table 24-595. SATA_CAP**

Address Offset	0x0000 0000	Instance	DWC_ahsata
Physical Address	0x4A14 0000		
Description	Capabilities register: Basic capabilities of the SATA AHCI core. Some fields can be written once after reset, read-only.		
Type	RW		

31	30	29	28	27	26	25	24	23	22	21	20	19	18	17	16	15	14	13	12	11	10	9	8	7	6	5	4	3	2	1	0
S64A	SNCQ	SSNTF	SMPS	SSS	SALP	SAL	SCLO	ISS		SNZO	SAM	SPM	FBSS	PMD	SSC	PSC			NCS					CCCS	EMS	SXS				NP	

Bits	Field Name	Description	Type	Reset
31	S64A	Supports 64-bit addressing Read 0x1: 64-bit addressing supported Read 0x0: 32-bit addressing supported	R	1
30	SNCQ	Supports NCQ (Native Command Queuing) Controller supports SATA NCQ by handling DMA setup FIS natively. Read 0x1: Supported Read 0x0: Not supported	R	1
29	SSNTF	Supports SNotification register Controller supports SATA_PxSNTF (SNotification) register and its associated functionality. Read 0x1: Supported Read 0x0: Not supported	R	1
28	SMPS	Supports mechanical presence switch Support of a mechanical presence switch for hot plug operation, depending on integration Writable once after power up, read-only afterward 0x0: Not supported 0x1: Supported	RW WSpecial	0

Bits	Field Name	Description	Type	Reset
27	SSS	Supports staggered spin-up Controller can support this feature through SATA_PxCMD.SUD Writable once after power up, read-only afterward 0x0: Not supported 0x1: Supported	RW WSpecial	0
26	SALP	Supports aggressive link power management Read 0x1: Supported Read 0x0: Not supported	R	1
25	SAL	Supports Activity LED Read 0x1: Supported Read 0x0: Not supported	R	1
24	SCLO	Supports command list override Supports the SATA_PxCMD.CLO bit functionality for enumeration of PM devices Read 0x1: Supported Read 0x0: Not supported	R	1
23:20	ISS	Interface speed support Maximum speed the HBA can support Read 0x3: Gen 3 = 6 Gbps Read 0x2: Gen 2 = 3 Gbps Read 0x1: Gen 1 = 1.5 Gbps	R	0x2
19	SNZO	Supports Non-zero DMA offsets Read 0x1: Supported Read 0x0: Not supported	R	0
18	SAM	Supports AHCI mode only SATA controller supports AHCI mode only and does not support legacy, task file-based register interface. Read 0x1: Supported Read 0x0: Not supported	R	1
17	SPM	Supports PM (Port Multiplier) SATA controller supports command-based switching PM on any port. Read 0x1: Supported Read 0x0: Not supported	R	1
16	FBSS	FIS-based switching supported Support of PM FIS-based switching. Read 0x1: Supported Read 0x0: Not supported	R	0
15	PMD	PIO Multiple DRQ Support of multiple DRQ block data transfers for the PIO command protocol Read 0x1: Supported Read 0x0: Not supported	R	1
14	SSC	SLUMBER state capable Support of transitions to the interface SLUMBER power management state Read 0x1: Supported Read 0x0: Not supported	R	1
13	PSC	PARTIAL state capable Support of transitions to the interface PARTIAL power management state Read 0x1: Supported Read 0x0: Not supported	R	1

Bits	Field Name	Description	Type	Reset
12:8	NCS	Number of command slots: slots supported by the SATA controller, minus 1 Read 0x1F: 32 command slots	R	0x1F
7	CCCS	Command completion coalescing supported Read 0x1: Supported Read 0x0: Not supported	R	1
6	EMS	Enclosure management supported Read 0x1: Supported Read 0x0: Not supported	R	0
5	SXS	Supports external SATA Read 0x1: Supported Read 0x0: Not supported	R	0
4:0	NP	Number of ports: ports supported by the SATA controller, minus 1 Read 0x1: 2 ports Read 0x0: 1 port	R	0x00

Table 24-596. Register Call Summary for Register SATA_CAP
SATA Controller

- [SATA Controller AHCI Hardware Register Interface: \[0\]](#)
- [Main Sequence SATA Controller Global Initialization: \[1\]](#)
- [SubSequence – Firmware Capability Writes: \[2\]\[3\]](#)
- [DWC_ahsata Register Summary: \[4\]](#)
- [DWC_ahsata Register Description: \[5\]\[6\]\[7\]\[8\]\[9\]\[10\]\[11\]\[12\]\[13\]](#)

Table 24-597. SATA_GHC

Address Offset	0x0000 0004	Instance	DWC_ahsata
Physical Address	0x4A14 0004		
Description	Global HBA control		
Type	RW		

31	30	29	28	27	26	25	24	23	22	21	20	19	18	17	16	15	14	13	12	11	10	9	8	7	6	5	4	3	2	1	0
RESERVED																IE	IR														

Bits	Field Name	Description	Type	Reset
31	AE	AHCI enable Always set because SATA controller supports AHCI mode only, as indicated by the SATA_CAP.SAM = 1	R	1
30:2	RESERVED		R	0x0000 0000
1	IE	Interrupt enable Global enable of SATA controller interrupts. Reset on global reset (SATA_GHC.HR = 1). 0x0: All interrupt sources from all ports are disabled (masked). 0x1: Interrupts are enabled and any SATA controller interrupt event causes interrupt output assertion.	RW	0

Bits	Field Name	Description	Type	Reset
0	HR	<p>HBA reset Global reset control</p> <p>Write 0x0: No action</p> <p>Write 0x1: Start global reset: All state machines that relate to data transfers and queuing return to an IDLE state, and all ports are reinitialized by sending COMRESET if staggered spin-up is not supported. If staggered spin-up is supported, it is the responsibility of the software to spin up each port after this reset completes.</p> <p>Read 0x1: Reset is ongoing.</p> <p>Read 0x0: Reset is inactive (done).</p>	RW	0

Table 24-598. Register Call Summary for Register SATA_GHC

SATA Controller

- [HBA Reset: \[0\]\[1\]](#)
- [Levels of Interrupt Control: \[2\]](#)
- [Interrupt Condition Control: \[3\]](#)
- [SATA Controller AHCI Hardware Register Interface: \[4\]](#)
- [DWC_ahsata Register Summary: \[5\]](#)
- [DWC_ahsata Register Description: \[6\]\[7\]\[8\]\[9\]\[10\]](#)

Table 24-599. SATA_IS

Address Offset	0x0000 0008		Instance	DWC_ahsata																																																													
Physical Address	0x4A14 0008																																																																
Description	Interrupt status Indicates which port has a pending interrupt																																																																
Type	RW																																																																
<table border="1" style="width:100%; text-align:center;"> <tr> <td>31</td><td>30</td><td>29</td><td>28</td><td>27</td><td>26</td><td>25</td><td>24</td> <td style="background-color:yellow;">23</td><td style="background-color:yellow;">22</td><td style="background-color:yellow;">21</td><td style="background-color:yellow;">20</td><td style="background-color:yellow;">19</td><td style="background-color:yellow;">18</td><td style="background-color:yellow;">17</td><td style="background-color:yellow;">16</td> <td>15</td><td>14</td><td>13</td><td>12</td><td>11</td><td>10</td><td>9</td><td>8</td> <td style="background-color:yellow;">7</td><td style="background-color:yellow;">6</td><td style="background-color:yellow;">5</td><td style="background-color:yellow;">4</td><td style="background-color:yellow;">3</td><td style="background-color:yellow;">2</td><td style="background-color:yellow;">1</td><td style="background-color:yellow;">0</td> </tr> <tr> <td colspan="28">RESERVED</td> <td style="writing-mode:vertical-rl; transform:rotate(180deg);">S</td> </tr> </table>					31	30	29	28	27	26	25	24	23	22	21	20	19	18	17	16	15	14	13	12	11	10	9	8	7	6	5	4	3	2	1	0	RESERVED																												S
31	30	29	28	27	26	25	24	23	22	21	20	19	18	17	16	15	14	13	12	11	10	9	8	7	6	5	4	3	2	1	0																																		
RESERVED																												S																																					
Bits	Field Name	Description		Type	Reset																																																												
31:1	RESERVED			R	0x0000 0000																																																												
0	IPS	Interrupt pending status. Bit-significant field. Bits are set by ports that have interrupt events pending in the SATA_PxIS bits and enabled in SATA_PxIE . Set bits are cleared by software writing 1 to them.		RW	0																																																												

Table 24-600. Register Call Summary for Register SATA_IS

SATA Controller

- [Levels of Interrupt Control: \[0\]\[1\]\[2\]\[3\]](#)
- [Interrupt Condition Control: \[4\]](#)
- [SATA Controller AHCI Hardware Register Interface: \[5\]](#)
- [Main Sequence SATA Controller Global Initialization: \[6\]](#)
- [DWC_ahsata Register Summary: \[7\]](#)
- [DWC_ahsata Register Description: \[8\]](#)

Table 24-601. SATA_PI

Address Offset	0x0000 000C	Instance	DWC_ahsata
Physical Address	0x4A14 000C		
Description	Ports implemented Indicates which ports are exposed by the SATA controller and available for use		
Type	RW		

31	30	29	28	27	26	25	24	23	22	21	20	19	18	17	16	15	14	13	12	11	10	9	8	7	6	5	4	3	2	1	0
RESERVED																PI															

Bits	Field Name	Description	Type	Reset
31:1	RESERVED		R	0x0000 0000
0	PI	Ports implemented. Bit-significant field. Writable once after power up, read-only afterward. If a bit is set (1), the corresponding port is available; else (0) it is not. Only bits 0 to SATA_CAP.NP can be set to 1. At least one bit must be set to 1.	RW WSpecial	0

Table 24-602. Register Call Summary for Register SATA_PI

SATA Controller

- [SATA Controller AHCI Hardware Register Interface: \[0\]](#)
- [SubSequence – Firmware Capability Writes: \[1\]](#)
- [DWC_ahsata Register Summary: \[2\]](#)
- [DWC_ahsata Register Description: \[3\]](#)

Table 24-603. SATA_VS

Address Offset	0x0000 0010	Instance	DWC_ahsata
Physical Address	0x4A14 0010		
Description	AHCI version supported: 1.3 WARNING: Controller complies fully with AHCI version 1.10 and also complies with AHCI version 1.3 except for FIS-based switching, which is not currently supported.		
Type	R		

31	30	29	28	27	26	25	24	23	22	21	20	19	18	17	16	15	14	13	12	11	10	9	8	7	6	5	4	3	2	1	0
MJR												MNR																			

Bits	Field Name	Description	Type	Reset
31:16	MJR	Major Version Number: 1	R	0x0001
15:0	MNR	Minor Version Number: 3.00	R	0x0300

Table 24-604. Register Call Summary for Register SATA_VS

SATA Controller

- [SATA Controller AHCI Hardware Register Interface: \[0\]](#)
- [DWC_ahsata Register Summary: \[1\]](#)

Table 24-605. SATA_CCC_CTL

Address Offset	0x0000 0014	Instance	DWC_ahsata
Physical Address	0x4A14 0014		
Description	CCC (Command Completion Coalescing) control Used to configure the CCC feature for the SATA controller Reset on global reset		
Type	RW		

31	30	29	28	27	26	25	24	23	22	21	20	19	18	17	16	15	14	13	12	11	10	9	8	7	6	5	4	3	2	1	0
TV								CC								INT				RESERVED		EN									

Bits	Field Name	Description	Type	Reset
31:16	TV	Time-out value. Specifies the CCC time-out value in 1-ms intervals Loaded prior to enabling CCC; becomes read-only when SATA_CCC_CTL.EN = 1 0x0: Reserved value; do not use. 0x1 - 0xFFFF: timeout selectable between within the range (1 - 65535) ms.	RW	0x0001
15:8	CC	Command completions Number of command completions necessary to cause a CCC interrupt Loaded prior to enabling CCC, becomes read-only when SATA_CCC_CTL.EN = 1 0x0: CCC interrupts generated based on the timer, not on completed commands count 0x1 - 0xFF: specifies the number of commands upon which completion a CCC interrupt is generated. The number of commands to complete before interrupt is triggered are selectable within the range (1 - 255) commands.	RW	0x01
7:3	INT	Interrupt Number of the interrupt used by the CCC feature, using the number of ports configured for the core When a CCC interrupt occurs, the SATA_IS.IPS[INT] bit is set to 1.	R	0x01
2:1	RESERVED		R	0x0
0	EN	Enable CCC enable 0x0: CCC feature is disabled and no CCC interrupts are generated. SATA_CCC_CTL.TV and .CC are writable. 0x1: CCC feature is enabled and CCC interrupts can be generated based on the time-out or command completion conditions. All other SATA_CCC_CTL fields are read-only.	RW	0

Table 24-606. Register Call Summary for Register SATA_CCC_CTL

SATA Controller

- [Interrupt Condition Control: \[0\]](#)
- [Command Completion Coalescing Interrupts: \[1\]\[2\]\[3\]\[4\]](#)
- [CCC Interrupt Based on Expired Timeout Value: \[5\]\[6\]\[7\]\[8\]\[9\]\[10\]\[11\]](#)
- [CCC Interrupt Based on Completion Count: \[12\]\[13\]\[14\]\[15\]\[16\]](#)
- [SATA Controller AHCI Hardware Register Interface: \[17\]](#)
- [DWC_ahsata Register Summary: \[18\]](#)
- [DWC_ahsata Register Description: \[19\]\[20\]\[21\]\[22\]\[23\]](#)

Table 24-607. SATA_CCC_PORTS

Address Offset	0x0000 0018	Instance	DWC_ahsata
Physical Address	0x4A14 0018		
Description	CCC ports Specifies the ports that are coalesced as part of the CCC feature when SATA_CCC_CTL.EN = 1 Reset on global reset		
Type	RW		

31	30	29	28	27	26	25	24	23	22	21	20	19	18	17	16	15	14	13	12	11	10	9	8	7	6	5	4	3	2	1	0
RESERVED																	PRT														

Bits	Field Name	Description	Type	Reset
31:1	RESERVED		R	0x0000 0000
0	PRT	Ports Bit-significant field Set a bit to 1 to make the corresponding port part of the CCC feature. Bits set to 1 in this register have the same bit set to 1 in register PI.	RW	0

Table 24-608. Register Call Summary for Register SATA_CCC_PORTS

SATA Controller

- [Command Completion Coalescing Interrupts: \[0\]\[1\]](#)
- [CCC Interrupt Based on Expired Timeout Value: \[2\]](#)
- [CCC Interrupt Based on Completion Count: \[3\]](#)
- [SATA Controller AHCI Hardware Register Interface: \[4\]](#)
- [DWC_ahsata Register Summary: \[5\]](#)

Table 24-609. SATA_CAP2

Address Offset	0x0000 0024	Instance	DWC_ahsata
Physical Address	0x4A14 0024		
Description	Extended capabilities		
Type	R		

31	30	29	28	27	26	25	24	23	22	21	20	19	18	17	16	15	14	13	12	11	10	9	8	7	6	5	4	3	2	1	0
RESERVED																APST	NVMP	BOH													

Bits	Field Name	Description	Type	Reset
31:3	RESERVED		R	0x0000 0000
2	APST	Automatic PARTIAL to SLUMBER transitions Read 0x1: Supported Read 0x0: Not supported	R	1
1	NVMP	NVMHCI present Read 0x1: Supported Read 0x0: Not supported	R	0
0	BOH	BIOS/OS Handoff Read 0x1: Supported Read 0x0: Not supported	R	0

Table 24-610. Register Call Summary for Register SATA_CAP2

SATA Controller

- [SATA Controller AHCI Hardware Register Interface: \[0\]](#)
- [DWC_ahsata Register Summary: \[1\]](#)

Table 24-611. SATA_BISTAFR

Address Offset	0x0000 00A0	Instance	DWC_ahsata
Physical Address	0x4A14 00A0		
Description	Built-In, Self-Test (BIST) Activate FIS Register Reset on global reset or port reset		
Type	R		

31	30	29	28	27	26	25	24	23	22	21	20	19	18	17	16	15	14	13	12	11	10	9	8	7	6	5	4	3	2	1	0
RESERVED								NCP								PD															

Bits	Field Name	Description	Type	Reset
31:16	RESERVED		R	0x0000
15:8	NCP	Noncompliant pattern Least significant byte of the received BIST Activate FIS second DWORD (bits [7:0]). This value defines the required pattern for far-end transmit-only mode (SATA_BISTAFR.PD = 0x80 or 0xA0). If none of the listed values is decoded, the simultaneous switching pattern is transmitted by default. 0x4A: High frequency test pattern (HFTP) 0x7F: Simultaneous switching outputs pattern (SSOP) 0xF1: Low transition density pattern (LTDP) 0x8B: Lone Bit pattern (LBP) 0xB5: High transition density pattern (HTDP) 0x7E: Low frequency test pattern (LFTP) 0x78: Mid frequency test pattern (MFTP) 0xAB: Low frequency spectral component pattern (LFSCP)	R	0x00

Bits	Field Name	Description	Type	Reset
7:0	PD	<p>Pattern definition Pattern definition field of the received BIST Activate FIS - bits [23:16] of the first DWORD. Puts the SATA controller in one of the listed BIST modes</p> <p>Read 0x10: Far-end retimed Read 0xC0: Far-end transmit only Read 0xE0: Far-end transmit only with scrambler bypassed Read 0x8: Far-end analog (if PHY supports this mode)</p>	R	0x00

Table 24-612. Register Call Summary for Register SATA_BISTAFR

SATA Controller

- [SATA Controller AHCI Hardware Register Interface: \[0\]](#)
- [DWC_ahsata Register Summary: \[1\]](#)
- [DWC_ahsata Register Description: \[2\]\[3\]\[4\]](#)

Table 24-613. SATA_BISTCR

Address Offset	0x0000 00A4	Instance	DWC_ahsata
Physical Address	0x4A14 00A4		
Description	BIST control register Reset on global reset or port reset		
Type	RW		

31	30	29	28	27	26	25	24	23	22	21	20	19	18	17	16	15	14	13	12	11	10	9	8	7	6	5	4	3	2	1	0
RESERVED								FERLB	RESERVED	TXO	CNTCLR	NEALB	LLB	RESERVED	ERRLOSSEN	SDFE	RESERVED	LLC_RPD	LLC_DESCRAM	LLC_SCRAM	RESERVED	ERREN	FLIP	PV	PATTERN						

Bits	Field Name	Description	Type ⁽¹⁾	Reset
31:21	RESERVED		R	0x000
20	FERLB	<p>Far-end retimed loopback Write 0x0: No action Write 0x1: Puts the DWC_ahsata link into far-end retimed mode without the BIST activate FIS, regardless of whether the device is connected or disconnected (link in NOCOMM state) Read 0x0: Read returns 0</p>	WO	0
19	RESERVED		R	0
18	TXO	<p>Transmit only 0x0: No action 0x1: Initiate transmission of one of the noncompliant patterns defined by the SATA_BISTCR.PATTERN value when the device is disconnected.</p>	W	0
17	CNTCLR	<p>Counter clear Clears BIST error count registers Write 0x0: No action Write 0x1: Clear SATA_BISTFCTR, SATA_BISTSR, and SATA_BISTDECR registers Read 0x0: Read returns 0</p>	WO	0

⁽¹⁾ WO = A write-only accessible bit field

Bits	Field Name	Description	Type ⁽¹⁾	Reset
16	NEALB	Near-end analog loopback This mode should be initiated in the PARTIAL or SLUMBER power state or with the device disconnected from the port PHY (link NOCOMM state). BIST Activate FIS is not sent to the device in this mode. Write 0x0: No action Write 0x1: Places the port PHY in near-end analog loopback mode. SATA_BISTCR.PATTERN bit field contains the appropriate pattern.	WO	0
15	LLB	Lab Loopback Mode Masks out phy_sig_det from the OOB detector in BIST Loopback Mode. To exit BIST Loopback mode, clear the register bit then issue COMRESET / receive COMINIT.	RW	0
14	RESERVED		R	0
13	ERRLOSSEN	Always keep this bit at default value.	RW	0
12	SDFE	Signal detect feature enable Not affected by global reset or port reset 0x0: Link layer feature to handle unstable/absent phy_sig_det signal is disabled. 0x1: Link layer feature to handle unstable/absent phy_sig_det signal is enabled.	RW	0
11	RESERVED	Only write 0 into this reserved field to avoid undefined results.	RW	0
10	LLC_RPD	Link layer control, repeat primitive drop In normal mode, the function can be changed only during port reset (SATA_PxSCTL.DET = 0x1). 0x0: Repeat primitive drop function disabled in normal mode, enabled in BIST mode 0x1: Repeat primitive drop function enabled in normal mode, disabled in BIST mode	RW	1
9	LLC_DESCRAM	Link layer control, descrambler In normal mode, the function can be changed only during port reset (SATA_PxSCTL.DET = 0x1). 0x0: Descrambler disabled in normal mode, enabled in BIST mode 0x1: Descrambler enabled in normal mode, disabled in BIST mode	RW	1
8	LLC_SCRAM	Link layer control, scrambler In normal mode, the function can be changed only during port reset (SATA_PxSCTL.DET = 0x1). Hardware-cleared (enabled) when the port enters a responder far-end transmit BIST mode with scrambling enabled (SATA_BISTAFR.PD = 0x80). 0x0: Scrambler disabled in normal mode, enabled in BIST mode. 0x1: Scrambler enabled in normal mode, disabled in BIST mode.	RW	1
7	RESERVED		R	0
6	ERREN	Error enable Allow or filter (disable) PHY internal errors outside the FIS boundary to set corresponding SATA_PxSERR bits 0x0: Filter errors outside the FIS; allow errors inside the FIS. 0x1: Allow errors outside or inside the FIS.	RW	0
5	FLIP	Flip disparity Change disparity of the current test pattern to the opposite each time its state is changed by software.	RW	0

Bits	Field Name	Description	Type ⁽¹⁾	Reset
4	PV	Pattern version Selects either short or long version of the SSOP, HTDP, LTDP, LFSCP, COMP pattern 0x0: Short pattern version 0x1: Long pattern version	RW	0
3:0	PATTERN	Pattern Defines one of the listed SATA-compliant patterns for far-end retimed/ far-end analog/ near-end analog initiator modes, or noncompliant patterns for transmit-only responder mode when initiated by software writing to the SATA_BISTCR.TXO bit 0x0: Simultaneous switching outputs pattern (SSOP) 0x1: High transition density pattern (HTDP) 0x2: Low transition density pattern (LTDP) 0x3: Low frequency spectral component pattern (LFSCP) 0x4: Composite pattern (COMP) 0x5: Lone bit pattern (LBP) 0x6: Mid-frequency test pattern (MFTP) 0x7: High frequency test pattern (HFTP) 0x8: Low frequency test pattern (LFTP)	RW	0x0

Table 24-614. Register Call Summary for Register SATA_BISTCR

SATA Controller

- [SATA Controller AHCI Hardware Register Interface: \[0\]](#)
- [DWC_ahsata Register Summary: \[1\]](#)
- [DWC_ahsata Register Description: \[2\]\[3\]\[4\]\[5\]\[6\]\[7\]\[8\]](#)

Table 24-615. SATA_BISTFCTR

Address Offset	0x0000 00A8																																																																	
Physical Address	0x4A14 00A8	Instance DWC_ahsata																																																																
Description	BIST frame-information-structure CounT register Received BIST FIS count in the loopback initiator far-end retimed, far-end analog, and near-end analog modes. Updated each time a new BIST FIS is received. Reset by global reset, port reset (COMRESET), or by writing 1 to SATA_BISTCR.CNTCLR Does not roll over and freezes when the FFFF_FFFFh value is reached. It takes approximately 65 hours of continuous BIST operation to reach this value.																																																																	
Type	R																																																																	
<table border="1" style="width:100%; text-align:center;"> <tr> <td>31</td><td>30</td><td>29</td><td>28</td><td>27</td><td>26</td><td>25</td><td>24</td> <td>23</td><td>22</td><td>21</td><td>20</td><td>19</td><td>18</td><td>17</td><td>16</td> <td>15</td><td>14</td><td>13</td><td>12</td><td>11</td><td>10</td><td>9</td><td>8</td> <td>7</td><td>6</td><td>5</td><td>4</td><td>3</td><td>2</td><td>1</td><td>0</td> </tr> <tr> <td colspan="32">COUNT</td> </tr> </table>			31	30	29	28	27	26	25	24	23	22	21	20	19	18	17	16	15	14	13	12	11	10	9	8	7	6	5	4	3	2	1	0	COUNT																															
31	30	29	28	27	26	25	24	23	22	21	20	19	18	17	16	15	14	13	12	11	10	9	8	7	6	5	4	3	2	1	0																																			
COUNT																																																																		
Bits	Field Name	Description	Type	Reset																																																														
31:0	COUNT	BIST FIS Count	R	0x0000 0000																																																														

Table 24-616. Register Call Summary for Register SATA_BISTFCTR

SATA Controller

- [SATA Controller AHCI Hardware Register Interface: \[0\]](#)
- [DWC_ahsata Register Summary: \[1\]](#)
- [DWC_ahsata Register Description: \[2\]\[3\]](#)

Table 24-617. SATA_BISTSR

Address Offset	0x0000 00AC	Instance	DWC_ahsata
Physical Address	0x4A14 00AC		
Description	BIST status register Errors detected in the received BIST FIS in the loopback initiator far-end retimed, far-end analog, and near-end analog modes Updated each time a new BIST FIS is received Reset on global reset, port reset (COMRESET), or by writing 1 to SATA_BISTCR.CNTCLR		
Type	R		

31	30	29	28	27	26	25	24	23	22	21	20	19	18	17	16	15	14	13	12	11	10	9	8	7	6	5	4	3	2	1	0
RESERVED								BRSTERR								FRAMERR															

Bits	Field Name	Description	Type	Reset
31:24	RESERVED		R	0x00
23:16	BRSTERR	Burst error count. Accumulated each time a burst error condition is detected: DWORD error is detected in the received frame and 1.5 seconds (27,000 frames) passed since the previous burst error was detected. Value does not roll over and freezes at FFh. Read 0xFF: Max error count reached or exceeded Read 0x0: No error detected	R	0x00
15:0	FRAMERR	Frame error count. New value is added to the old value each time a new BIST frame with a CRC error is received. Does not roll over and freezes at FFFFh Read 0xFFFF: Maximum error count reached or exceeded. Read 0x0: No error detected	R	0x0000

Table 24-618. Register Call Summary for Register SATA_BISTSR

SATA Controller

- [SATA Controller AHCI Hardware Register Interface: \[0\]](#)
- [DWC_ahsata Register Summary: \[1\]](#)
- [DWC_ahsata Register Description: \[2\]\[3\]](#)

Table 24-619. SATA_BISTDECR

Address Offset	0x0000 00B0	Instance	DWC_ahsata
Physical Address	0x4A14 00B0		
Description	BIST double-word error count register Number of DWORD errors detected in the received BIST frame in the loopback initiator far-end retimed, far-end analog, and near-end analog modes Updated each time a new BIST frame is received, when the parameter BIST_MODE = DWORD. Reset on global reset, port reset (COMRESET), or by writing 1 to SATA_BISTCR.CNTCLR .		
Type	R		

31	30	29	28	27	26	25	24	23	22	21	20	19	18	17	16	15	14	13	12	11	10	9	8	7	6	5	4	3	2	1	0
DWERR																															

Bits	Field Name	Description	Type	Reset
31:0	DWERR	DWORD error count. New value is added to the old value each time a new BIST frame is received. The DWERR value does not roll over, and freezes when it exceeds 0xFFFF_F000. Read 0x0: No error detected Read 0xFFFFF000: Max error count reached or exceeded	R	0x0000 0000

Table 24-620. Register Call Summary for Register SATA_BISTDECR

SATA Controller

- [SATA Controller AHCI Hardware Register Interface: \[0\]](#)
- [DWC_ahsata Register Summary: \[1\]](#)
- [DWC_ahsata Register Description: \[2\]\[3\]](#)

Table 24-621. SATA_OOBR

Address Offset	0x0000 00BC		
Physical Address	0x4A14 00BC	Instance	DWC_ahsata
Description	OOB (Out Of Band Register) register Controls the link layer OOB detection counters		
Type	RW		

31	30	29	28	27	26	25	24	23	22	21	20	19	18	17	16	15	14	13	12	11	10	9	8	7	6	5	4	3	2	1	0
WE		CWMIN						CWMAX						CIMIN						CIMAX											

Bits	Field Name	Description	Type	Reset
31	WE	WRITE_ENABLE 0x0: SATA_OOBR bits [30:0] are read-only. 0x1: SATA_OOBR bits [30:0] can be written.	RW	0
30:24	CWMIN	COMWAKE_MIN, in OOB rx clock cycles Read-only when SATA_OOBR.WE = 0	RW WSpecial	0x0B
23:16	CWMAX	COMWAKE_MAX, in OOB rx clock cycles Read-only when SATA_OOBR.WE = 0	RW WSpecial	0x15
15:8	CIMIN	COMINIT_MIN, in OOB rx clock cycles Read-only when SATA_OOBR.WE = 0	RW WSpecial	0x24
7:0	CIMAX	COMINIT_MAX, in OOB rx clock cycles Read-only when SATA_OOBR.WE =0	RW WSpecial	0x40

Table 24-622. Register Call Summary for Register SATA_OOBR

SATA Controller

- [SATA Controller AHCI Hardware Register Interface: \[0\]](#)
- [DWC_ahsata Register Summary: \[1\]](#)
- [DWC_ahsata Register Description: \[2\]\[3\]\[4\]\[5\]\[6\]\[7\]](#)

Table 24-623. SATA_TIMER1MS

Address Offset	0x0000 00E0	Instance	DWC_ahsata
Physical Address	0x4A14 00E0		
Description	Timer 1 ms Configuration to generate the 1-ms tick for the CCC logic Must be initialized before using the CCC feature Reset on power up, not affected by global reset		
Type	RW		

31	30	29	28	27	26	25	24	23	22	21	20	19	18	17	16	15	14	13	12	11	10	9	8	7	6	5	4	3	2	1	0
RESERVED								TIMV																							

Bits	Field Name	Description	Type	Reset
31:20	RESERVED		R	0x000
19:0	TIMV	OCP bus clock frequency in kHz (for example, reset value is 100,000 = 100 MHz)	RW	0x1 86A0

Table 24-624. Register Call Summary for Register SATA_TIMER1MS

SATA Controller

- [Command Completion Coalescing Interrupts: \[0\]\[1\]](#)
- [CCC Interrupt Based on Expired Timeout Value: \[2\]](#)
- [SATA Controller AHCI Hardware Register Interface: \[3\]](#)
- [DWC_ahsata Register Summary: \[4\]](#)

Table 24-625. SATA_GPARAM1R

Address Offset	0x0000 00E8	Instance	DWC_ahsata
Physical Address	0x4A14 00E8		
Description	Global parameters register 1 Hardware configuration of the DWC AHCI SATA core		
Type	R		

31	30	29	28	27	26	25	24	23	22	21	20	19	18	17	16	15	14	13	12	11	10	9	8	7	6	5	4	3	2	1	0
ALIGN_M	RX_BUFFER	PHY_DATA	PHY_RST	PHY_CTRL				PHY_STAT				LATCH_M	BIST_M	PHY_TYPE	RETURN_ERR	AHB_ENDIAN	S_HADDR	M_HADDR	S_HDATA		M_HDATA										

Bits	Field Name	Description	Type	Reset
31	ALIGN_M	RX data alignment Read 0x1: Yes Read 0x0: No	R	1
30	RX_BUFFER	RX data buffer implemented Read 0x1: Yes Read 0x0: No	R	1
29:28	PHY_DATA	PHY data width (in 8- or 10-bit characters) Read 0x2: 4 characters Read 0x1: 2 characters Read 0x0: 1 character	R	0x0

Bits	Field Name	Description	Type	Reset
27	PHY_RST	PHY reset mode Read 0x1: High Read 0x0: Low	R	1
26:21	PHY_CTRL	PHY control width (in bits)	R	0x00
20:15	PHY_STAT	PHY status width (in bits)	R	0x00
14	LATCH_M	Test mode lock-up latches Read 0x1: Yes Read 0x0: No	R	0
13	BIST_M	BIST loopback checking depth Read 0x1: DWORD Read 0x0: FIS	R	0
12:11	PHY_TYPE	PHY interface type Read 0x1: Preset Read 0x0: Configurable 0x2, 0x3: Reserved	R	0x0
10	RETURN_ERR	Error response on illegal access Read 0x1: Yes Read 0x0: No	R	0
9:8	AHB_ENDIAN	Endianness of master and slave Read 0x2: Pin-configurable dynamic endianness Read 0x1: Big-endian Read 0x0: Little-endian	R	0x0
7	S_HADDR	Slave address bus width Read 0x1: 64-bit address Read 0x0: 32-bit address	R	0
6	M_HADDR	Master address bus width Read 0x1: 64-bit address Read 0x0: 32-bit address	R	1
5:3	S_HDATA	Slave Data Bus Width Read 0x3: 256-bit Read 0x2: 128-bit Read 0x1: 64-bit Read 0x0: 32-bit	R	0x0
2:0	M_HDATA	Master Data Bus Width Read 0x3: 256-bit Read 0x2: 128-bit Read 0x1: 64-bit Read 0x0: 32-bit	R	0x0

Table 24-626. Register Call Summary for Register SATA_GPARAM1R

SATA Controller

- [SATA Controller AHCI Hardware Register Interface: \[0\]](#)
- [DWC_ahsata Register Summary: \[1\]](#)

Table 24-627. SATA_GPARAM2R

Address Offset	0x0000 00EC	Instance	DWC_ahsata
Physical Address	0x4A14 00EC		
Description	Global parameters register 2 Hardware configuration of the DWC AHCI SATA core, continued		
Type	R		

31	30	29	28	27	26	25	24	23	22	21	20	19	18	17	16	15	14	13	12	11	10	9	8	7	6	5	4	3	2	1	0	
RESERVED																DEV_CP	DEV_MP	ENCODE_M	RXOOB_CLK_M	RX_OOB_M	TX_OOB_M	RXOOB_CLK										

Bits	Field Name	Description	Type	Reset
31:15	RESERVED		R	0x0 0000
14	DEV_CP	Cold presence detection implemented in core Read 0x1: Yes Read 0x0: No	R	1
13	DEV_MP	Mechanical presence switch implemented in core Read 0x1: Yes Read 0x0: No	R	1
12	ENCODE_M	8b/10b Encoding/decoding implemented in core Read 0x1: Yes Read 0x0: No	R	1
11	RXOOB_CLK_M	RX OOB clocking mode: Read 0x1: RX OOB detection uses separate clock Read 0x0: Rx OOB detection uses RX clock	R	0
10	RX_OOB_M	RX OOB mode: sequence generation implemented Read 0x1: Yes Read 0x0: No	R	1
9	TX_OOB_M	TX OOB mode: sequence generation implemented Read 0x1: Yes Read 0x0: No	R	1
8:0	RXOOB_CLK	RX OOB clock frequency, in MHz	R	0x096

Table 24-628. Register Call Summary for Register SATA_GPARAM2R

SATA Controller

- [SATA Controller AHCI Hardware Register Interface: \[0\]](#)
- [DWC_ahsata Register Summary: \[1\]](#)

Table 24-629. SATA_PPARAMR

Address Offset	0x0000 00F0	Instance	DWC_ahsata
Physical Address	0x4A14 00F0		
Description	Port parameter register Hardware configuration of the DWC AHCI SATA core port selected by SATA_TESTR.PSEL		
Type	R		

31	30	29	28	27	26	25	24	23	22	21	20	19	18	17	16	15	14	13	12	11	10	9	8	7	6	5	4	3	2	1	0
RESERVED																TX_MEM_M		TX_MEM_S		RX_MEM_M		RX_MEM_S		TXFIFO_DEPTH				RXFIFO_DEPTH			

Bits	Field Name	Description	Type	Reset
31:12	RESERVED		R	0x0 0000
11	TX_MEM_M	TX FIFO memory mode: Read 0x1: Synchronous Read 0x0: Asynchronous	R	0
10	TX_MEM_S	TX FIFO memory selection: Read 0x1: Internal memory Read 0x0: External memory	R	0
9	RX_MEM_M	RX FIFO memory mode: Read 0x1: Synchronous Read 0x0: Asynchronous	R	0
8	RX_MEM_S	RX FIFO memory selection: Read 0x1: Internal memory Read 0x0: External memory	R	0
7:4	TXFIFO_DEPTH	Tx FIFO Depth, in dwords (log2) Read 0x3: 8 dwords Read 0x4: 16 dwords Read 0x5: 32 dwords Read 0x6: 64 dwords	R	0x6
3:0	RXFIFO_DEPTH	Rx FIFO Depth, in dwords (log2) Read 0x4: 16 dwords Read 0x5: 32 dwords Read 0x6: 64 dwords Read 0x7: 128 dwords	R	0x7

Table 24-630. Register Call Summary for Register SATA_PPARAMR

SATA Controller

- [DMA Port Configuration: \[0\]](#)
- [SATA Controller AHCI Hardware Register Interface: \[1\]](#)
- [DWC_ahsata Register Summary: \[2\]](#)

Table 24-631. SATA_TESTR

Address Offset	0x0000 00F4	Instance	DWC_ahsata
Physical Address	0x4A14 00F4		
Description	Test register Puts the SATA controller slave interface in a test mode and selects a port for BIST operation		
Type	RW		

31	30	29	28	27	26	25	24	23	22	21	20	19	18	17	16	15	14	13	12	11	10	9	8	7	6	5	4	3	2	1	0
RESERVED												PSEL				RESERVED												TEST_IF			

Bits	Field Name	Description	Type	Reset
31:19	RESERVED		R	0x0000
18:16	PSEL	Port select: Selects the port for BIST operation 0x0: Port 0 is selected	RW	0x0
15:1	RESERVED		R	0x0000
0	TEST_IF	Test interface 0x0: Normal mode: read-back value of some registers might not match the value written, depending on ongoing operations. 0x1: Test mode: Normal operation is disabled; read-back value of the registers match the value written. The following registers/fields can be accessed in this mode: - SATA_GHC.IE - SATA_BISTAFR.NCP and .PD bits become writable. - SATA_BISTCR.LLC .ERREN .FLIP .PV , and .PATTERN - SATA_BISTFCTR , SATA_BISTSR , SATA_BISTDECR become writeable. - SATA_PxCLB / SATA_PxCLBU , SATA_PxFB / SATA_PxFBU - SATA_PxIS.UFS and write-1-to-clear bits become writeable. - SATA_PxIE - SATA_PxCMD.ASP .ALPE .DLAE .ATAPI and .PMA - SATA_PxTFD , SATA_PxSIG become writeable. - SATA_PxSCTL - SATA_PxSERR (write-1-to-clear) bits become writeable. Notes: 1) Interrupt is asserted if any IS register bit is set after setting the corresponding SATA_PxIS and SATA_PxIE bits, and SATA_GHC.IE = 1. 2) SATA_CAP.SMPS/SSS , SATA_PI , SATA_PxCMD.ESP/CPD/MPSP/HPCP cannot be used in test mode. They are written once after POR and become read-only. 3) Global reset must be issued (SATA_GHC.HR =1) after the TEST_IF bit is cleared following the test mode operation.	RW	0

Table 24-632. Register Call Summary for Register SATA_TESTR

SATA Controller

- [SATA Controller AHCI Hardware Register Interface: \[0\]](#)
- [DWC_ahsata Register Summary: \[1\]](#)
- [DWC_ahsata Register Description: \[2\]](#)

Table 24-633. SATA_VERSIONR

Address Offset	0x0000 00F8	Instance	DWC_ahsata
Physical Address	0x4A14 00F8		
Description	Version register		
Type	R		

31	30	29	28	27	26	25	24	23	22	21	20	19	18	17	16	15	14	13	12	11	10	9	8	7	6	5	4	3	2	1	0
VERSION																															

Bits	Field Name	Description	Type	Reset
31:0	VERSION	Version of DWC SATA controller, ASCII. See ⁽¹⁾ .	R	0x- ⁽¹⁾

⁽¹⁾ TI internal data

Table 24-634. Register Call Summary for Register SATA_VERSIONR

SATA Controller

- [DWC_ahsata Register Summary: \[0\]](#)

Table 24-635. SATA_IDR

Address Offset	0x0000 00FC	Instance	DWC_ahsata
Physical Address	0x4A14 00FC		
Description	ID register, containing the 32-bit Highlander (HL) revision.		
Type	R		

31	30	29	28	27	26	25	24	23	22	21	20	19	18	17	16	15	14	13	12	11	10	9	8	7	6	5	4	3	2	1	0
REVISION																															

Bits	Field Name	Description	Type	Reset
31:0	REVISION	See ⁽¹⁾ .	R	0x- ⁽¹⁾

⁽¹⁾ TI internal data

Table 24-636. Register Call Summary for Register SATA_IDR

SATA Controller

- [SATA Controller AHCI Hardware Register Interface: \[0\]](#)
- [DWC_ahsata Register Summary: \[1\]](#)

Table 24-637. SATA_PxCLB

Address Offset	0x0000 0100	Instance	DWC_ahsata
Physical Address	0x4A14 0100		
Description	Port command List base address 32-bit base physical address for the command list for this port. Used when fetching commands to execute. The structure pointed to by this address range is 1 KiB in length.		
Type	RW		

31	30	29	28	27	26	25	24	23	22	21	20	19	18	17	16	15	14	13	12	11	10	9	8	7	6	5	4	3	2	1	0
CLB																ZERO															

Bits	Field Name	Description	Type	Reset
31:10	CLB	Command list base address (bits 31:10)	RW	0x00 0000
9:0	ZERO	Always 0 as address is 1 KiB-aligned	R	0x000

Table 24-638. Register Call Summary for Register SATA_PxCLB

SATA Controller

- [HBA Reset: \[0\]](#)
- [Command List Structure Basics: \[1\]\[2\]](#)
- [SATA Controller AHCI Hardware Register Interface: \[3\]](#)
- [Main Sequence SATA Controller Global Initialization: \[4\]\[5\]\[6\]](#)
- [DWC_ahsata Register Summary: \[7\]](#)
- [DWC_ahsata Register Description: \[8\]](#)

Table 24-639. SATA_PxCLBU

Address Offset	0x0000 0104	Instance	DWC_ahsata
Physical Address	0x4A14 0104		
Description	Port Command List Base Upper address Upper half of the 64-bit base physical address for the command list for this Port. Used when fetching commands to execute. Remains all 0 when in 32-bit mode. Reserved & read-only when CAP.S64A=0		
Type	RW		

31	30	29	28	27	26	25	24	23	22	21	20	19	18	17	16	15	14	13	12	11	10	9	8	7	6	5	4	3	2	1	0
CLBU																															

Bits	Field Name	Description	Type	Reset
31:0	CLBU	Command List Base Upper Address (bits 63:32) ⁽¹⁾	RW	0x0000 0000

⁽¹⁾ Only bits [3:0] are meaningful, the others must be always written to '0'.

Table 24-640. Register Call Summary for Register SATA_PxCLBU

SATA Controller

- [HBA Reset: \[0\]](#)
- [Command List Structure Basics: \[1\]\[2\]\[3\]\[4\]\[5\]](#)
- [SATA Controller AHCI Hardware Register Interface: \[6\]](#)
- [Main Sequence SATA Controller Global Initialization: \[7\]\[8\]\[9\]\[10\]](#)
- [DWC_ahsata Register Summary: \[11\]](#)
- [DWC_ahsata Register Description: \[12\]](#)

Table 24-641. SATA_PxFB

Address Offset	0x0000 0108	Instance	DWC_ahsata
Physical Address	0x4A14 0108		
Description	Port Frame-information-structure Base address 32-bit base physical address for received FISes for this port. The structure pointed to by this address range is 256 bytes in length.		
Type	RW		

31	30	29	28	27	26	25	24	23	22	21	20	19	18	17	16	15	14	13	12	11	10	9	8	7	6	5	4	3	2	1	0
FB																ZERO															

Bits	Field Name	Description	Type	Reset
31:8	FB	FIS base address (bits 31:8)	RW	0x00 0000
7:0	ZERO	Always 0 as address is 256-bytes aligned	R	0x00

Table 24-642. Register Call Summary for Register SATA_PxFB

SATA Controller

- [HBA Reset: \[0\]](#)
- [Command List Structure Basics: \[1\]\[2\]](#)
- [Handling the Received FIS Descriptors: \[3\]\[4\]](#)
- [SATA Controller AHCI Hardware Register Interface: \[5\]](#)
- [Main Sequence SATA Controller Global Initialization: \[6\]\[7\]\[8\]](#)
- [DWC_ahsata Register Summary: \[9\]](#)
- [DWC_ahsata Register Description: \[10\]\[11\]\[12\]](#)

Table 24-643. SATA_PxFBU

Address Offset	0x0000 010C	Instance	DWC_ahsata
Physical Address	0x4A14 010C		
Description	FIS Base Upper Address Upper half of the 64-bit base physical address for received FISes for this port. Remains all 0 with a 32-bit SW driver. Reserved & read-only when CAP.S64A=0		
Type	RW		

31	30	29	28	27	26	25	24	23	22	21	20	19	18	17	16	15	14	13	12	11	10	9	8	7	6	5	4	3	2	1	0
FBU																															

Bits	Field Name	Description	Type	Reset
31:0	FBU	FIS Base Upper Address (bits 63:32) ⁽¹⁾	RW	0x0000 0000

⁽¹⁾ Only bits [3:0] are meaningful , the others must be always written to '0'.

Table 24-644. Register Call Summary for Register SATA_PxFBU

SATA Controller

- [HBA Reset: \[0\]](#)
- [Command List Structure Basics: \[1\]\[2\]\[3\]\[4\]\[5\]](#)
- [Handling the Received FIS Descriptors: \[6\]\[7\]](#)
- [SATA Controller AHCI Hardware Register Interface: \[8\]](#)
- [Main Sequence SATA Controller Global Initialization: \[9\]\[10\]\[11\]\[12\]](#)
- [DWC_ahsata Register Summary: \[13\]](#)
- [DWC_ahsata Register Description: \[14\]\[15\]\[16\]](#)

Table 24-645. SATA_PxIS

Address Offset	0x0000 0110	Instance	DWC_ahsata
Physical Address	0x4A14 0110		
Description	Port interrupt status Bits are set by internal conditions and cleared (when possible) by writing 1 to them. Reset on global reset.		
Type	RW		

31	30	29	28	27	26	25	24	23	22	21	20	19	18	17	16	15	14	13	12	11	10	9	8	7	6	5	4	3	2	1	0				
CPDS	TFES	HBFS	HBDS	IFS	INFS	RESERVED	OFS	IPMS	PRCS	RESERVED												DMPS	PCS	DPS	UFS	SDBS	DSS	PSS	DHRS						

Bits	Field Name	Description	Type	Reset
31	CPDS	Cold port detect status Set when the pX_cp_det input changes its state due to the insertion or removal of a device Valid only if the port supports cold presence detection as indicated by the SATA_PxCMD.CPD bit set to 1. Write 0x0: No action Write 0x1: Clear event Read 0x1: IRQ event active Read 0x0: Event inactive	RW W1toClr	0
30	TFES	Task file error status Set whenever the SATA_PxTFD.STS register is updated by the device and the error bit (bit 0) is set. Write 0x0: No action Write 0x1: Clear event Read 0x1: IRQ event active Read 0x0: Event inactive	RW W1toClr	0
29	HBFS	Host bus fatal error status Set when master (DMA) detects an ERROR response from the slave Write 0x0: No action Write 0x1: Clear event Read 0x1: IRQ event active Read 0x0: Event inactive	RW W1toClr	0
28	HBDS	Host bus data error status This bit is always cleared to 0. Write 0x0: No action Write 0x1: Clear event Read 0x1: IRQ event active Read 0x0: Event inactive	RW W1toClr	0

Bits	Field Name	Description	Type	Reset
27	IFS	<p>Interface fatal error status</p> <p>This bit is set when any of the following conditions is detected:</p> <ol style="list-style-type: none"> 1) SYNC escape is received from the device during H2D register or data FIS transmission. 2) One or more of the following errors are detected during data FIS transfer: <ul style="list-style-type: none"> - 10B to 8B Decode Error (SATA_PxSERR.DIAG_B) - Protocol (SATA_PxSERR.ERR_P) - CRC (SATA_PxSERR.DIAG_C) - Handshake (SATA_PxSERR.DIAG_H) - PHY not ready (SATA_PxSERR.ERR_C) 3) Unknown FIS is received with good CRC, but the length exceeds 64 bytes. 4) PRD table byte count is 0. 5) DMA setup FIS is received with a TAG corresponding to inactive (SATA_PxSACT bit is cleared) command slot. Port DMA transitions to a fatal state until the software clears SATA_PxCMD.ST bit or resets the interface by way of port reset or global reset. <p>Write 0x0: No action</p> <p>Write 0x1: Clear event</p> <p>Read 0x1: IRQ event active</p> <p>Read 0x0: Event inactive</p>	RW W1toClr	0
26	INFS	<p>Interface nonfatal error status</p> <p>Set when any of the following conditions is detected:</p> <ol style="list-style-type: none"> 1) One or more of the following errors are detected during nondata FIS transfer: <ul style="list-style-type: none"> - 10b to 8b decode error (SATA_PxSERR.DIAG_B) - Protocol (SATA_PxSERR.ERR_P) - CRC (SATA_PxSERR.DIAG_C) - Handshake (SATA_PxSERR.DIAG_H) - PHY not ready (SATA_PxSERR.ERR_C) 2) Command list underflow during read operation (that is, DMA read) when the software builds a command table that has more total bytes than the transaction given to the device. <p>In both cases port operation continues normally. When an error is detected during nondata FIS transmission, this FIS is retransmitted continuously until it succeeds, or until the software times out and resets the interface.</p> <p>Write 0x0: No action</p> <p>Write 0x1: Clear event</p> <p>Read 0x1: IRQ event active</p> <p>Read 0x0: Event inactive</p>	RW W1toClr	0
25	RESERVED		R	0
24	OFS	<p>Overflow status</p> <p>Set when command list overflow is detected during read or write operation when the software builds command table that has fewer total bytes than the transaction given to the device.</p> <p>Port DMA transitions to a fatal state until the software clears SATA_PxCMD.ST bit or resets the interface by way of port reset or global reset.</p> <p>Write 0x0: No action</p> <p>Write 0x1: Clear event</p> <p>Read 0x1: IRQ event active</p> <p>Read 0x0: Event inactive</p>	RW W1toClr	0

Bits	Field Name	Description	Type	Reset
23	IPMS	<p>Incorrect PM status FIS received from a device in which the PM field did not match what was expected May be set during enumeration of devices on a PM due to the normal PM enumeration process Must be used only after enumeration is complete on the PM</p> <p>Write 0x0: No action Write 0x1: Clear event Read 0x1: IRQ event active Read 0x0: Event inactive</p>	RW W1toClr	0
22	PRCS	<p>PhyRdy change status Reflects the state of SATA_PxSERR.DIAG_N To clear this bit, clear the SATA_PxSERR.DIAG_N bit to 0.</p> <p>Read 0x1: Internal pX_phy_ready signal changed state Read 0x0: Internal pX_phy_ready signal has not changed state since its last reset.</p>	R	0
21:8	RESERVED		R	0x0000
7	DMPS	<p>Device mechanical presence status Set when the pX_mp_switch input changes its state as a result of a mechanical switch attached to this port opening or closing Valid only when SATA_CAP.SMPS and SATA_PxCMD.MPSP are set</p> <p>Write 0x0: No action Write 0x1: Clear event Read 0x1: IRQ event active Read 0x0: Event inactive</p>	RW W1toClr	0
6	PCS	<p>Port connect change status This bit reflects the state of the SATA_PxSERR.DIAG_X bit. Cleared only when SATA_PxSERR.DIAG_X is cleared</p> <p>Read 0x1: Change in current connect status Read 0x0: No change in current connect status</p>	R	0
5	DPS	<p>Descriptor processed A PRD with the I bit set has transferred all of its data. Note. This is an opportunistic interrupt and must not be used to definitively indicate the end of a transfer. Two PRD interrupts could occur close enough together that the second interrupt is missed when the first PRD interrupt is cleared.</p> <p>Write 0x0: No action Write 0x1: Clear event Read 0x1: IRQ event active Read 0x0: Event inactive</p>	RW W1toClr	0
4	UFS	<p>Unknown FIS interrupt An unknown FIS was received and has been copied into system memory. Cleared to 0 by the software clearing the SATA_PxSERR.DIAG_F bit to 0. Note: The UFS bit does not directly reflect the SATA_PxSERR.DIAG_F bit. SATA_PxSERR.DIAG_F bit is set immediately when an unknown FIS is detected, whereas the UFS bit is set when that FIS is posted to memory. The software should wait to act on an unknown FIS until the UFS bit is set to 1 or the two bits may become out of sync.</p> <p>Read 0x1: IRQ event active Read 0x0: Event inactive</p>	R	0

Bits	Field Name	Description	Type	Reset
3	SDBS	<p>Set device bits interrupt A Set Device Bits FIS is received with the I bit set and copied into system memory.</p> <p>Write 0x0: No action Write 0x1: Clear event Read 0x1: IRQ event active Read 0x0: Event inactive</p>	RW W1toClr	0
2	DSS	<p>DMA setup FIS interrupt A DMA Setup FIS is received with the I bit set and copied into system memory.</p> <p>Write 0x0: No action Write 0x1: Clear event Read 0x1: IRQ event active Read 0x0: Event inactive</p>	RW W1toClr	0
1	PSS	<p>PIO setup FIS interrupt A PIO Setup FIS is received with the I bit set, copied into system memory, and the data related to the FIS is transferred. Note: This bit is set even when the data transfer resulted in an error.</p> <p>Write 0x0: No action Write 0x1: Clear event Read 0x1: IRQ event active Read 0x0: Event inactive</p>	RW W1toClr	0
0	DHRS	<p>Device to host register FIS interrupt A D2H register FIS is received with the I bit set and copied into system memory.</p> <p>Write 0x0: No action Write 0x1: Clear event Read 0x1: IRQ event active Read 0x0: Event inactive</p>	RW W1toClr	0

Table 24-646. Register Call Summary for Register SATA_PxIS
SATA Controller

- [Levels of Interrupt Control: \[0\]\[1\]](#)
- [Interrupt Events Description: \[2\]](#)
- [Incorrect Port Multiplier Status: \[3\]](#)
- [PHYReady Change Status: \[4\]](#)
- [Descriptor Processed: \[5\]](#)
- [Interrupt Condition Control: \[6\]\[7\]\[8\]\[9\]\[10\]\[11\]\[12\]\[13\]\[14\]\[15\]\[16\]\[17\]\[18\]\[19\]\[20\]](#)
- [SATA Controller AHCI Hardware Register Interface: \[21\]](#)
- [Receive FIS—Main Sequence: \[22\]](#)
- [DWC_ahsata Register Summary: \[23\]](#)
- [DWC_ahsata Register Description: \[24\]\[25\]\[26\]\[27\]\[28\]\[29\]](#)

Table 24-647. SATA_PxIE

Address Offset	0x0000 0114	Instance	DWC_ahsata
Physical Address	0x4A14 0114		
Description	Port interrupt enable Enables and disables the reporting of the corresponding interrupt to system software When a bit is set (1), SATA_GHC.IE = 1, and the corresponding interrupt condition in SATA_PxIS is active, then the SATA controller interrupt output is asserted. When a bit is cleared (0), interrupt sources are still reflected in the status registers. Reset on global reset		
Type	RW		

31	30	29	28	27	26	25	24	23	22	21	20	19	18	17	16	15	14	13	12	11	10	9	8	7	6	5	4	3	2	1	0
CPDE	TTEE	HBFE	HBDE	IFE	INFE	RESERVED	OFE	IPME	PRCE	RESERVED												DMPE	PCE	DPE	UFE	SDBE	DSE	PSE	DHRE		

Bits	Field Name	Description	Type	Reset
31	CPDE	Cold port detect enable 0x0: Interrupt disabled 0x1: Interrupt enabled	RW	0
30	TTEE	Task file error enable 0x0: Interrupt disabled 0x1: Interrupt enabled	RW	0
29	HBFE	Host bus fatal error enable 0x0: Interrupt disabled 0x1: Interrupt enabled	RW	0
28	HBDE	Host bus data error enable 0x0: Interrupt disabled 0x1: Interrupt enabled	RW	0
27	IFE	Interface fatal error enable 0x0: Interrupt disabled 0x1: Interrupt enabled	RW	0
26	INFE	Interface non fatal error enable 0x0: Interrupt disabled 0x1: Interrupt enabled	RW	0
25	RESERVED		R	0
24	OFE	Overflow enable 0x0: Interrupt disabled 0x1: Interrupt enabled	RW	0
23	IPME	Incorrect PM enable 0x0: Interrupt disabled 0x1: Interrupt enabled	RW	0
22	PRCE	PhyRdy change enable 0x0: Interrupt disabled 0x1: Interrupt enabled	RW	0
21:8	RESERVED		R	0x0000
7	DMPE	Device mechanical presence enable 0x0: Interrupt disabled 0x1: Interrupt enabled	RW	0

Bits	Field Name	Description	Type	Reset
6	PCE	Port connect change enable 0x0: Interrupt disabled 0x1: Interrupt enabled	RW	0
5	DPE	Descriptor processed interrupt enable 0x0: Interrupt disabled 0x1: Interrupt enabled	RW	0
4	UFE	Unknown FIS interrupt enable 0x0: Interrupt disabled 0x1: Interrupt enabled	RW	0
3	SDBE	Set device bits interrupt enable 0x0: Interrupt disabled 0x1: Interrupt enabled	RW	0
2	DSE	DMA setup FIS interrupt enable 0x0: Interrupt disabled 0x1: Interrupt enabled	RW	0
1	PSE	PIO setup FIS interrupt enable 0x0: Interrupt disabled 0x1: Interrupt enabled	RW	0
0	DHRE	Device to host register FIS interrupt enable 0x0: Interrupt disabled 0x1: Interrupt enabled	RW	0

Table 24-648. Register Call Summary for Register SATA_PxIE

SATA Controller

- [Interrupt Events Description: \[0\]](#)
- [Interrupt Condition Control: \[1\]\[2\]\[3\]\[4\]\[5\]\[6\]\[7\]\[8\]\[9\]\[10\]\[11\]\[12\]\[13\]\[14\]\[15\]\[16\]\[17\]](#)
- [SATA Controller AHCI Hardware Register Interface: \[18\]](#)
- [DWC_ahsata Register Summary: \[19\]](#)
- [DWC_ahsata Register Description: \[20\]\[21\]\[22\]](#)

Table 24-649. SATA_PxCMD

Address Offset	0x0000 0118																Instance	DWC_ahsata													
Physical Address	0x4A14 0118																														
Description	Port command																														
Type	RW																														
31	30	29	28	27	26	25	24	23	22	21	20	19	18	17	16	15	14	13	12	11	10	9	8	7	6	5	4	3	2	1	0
ICC				ASP	ALPE	DLAE	ATAPI	APSTE	FBSCP	ESP	CPD	MPSP	HPCP	PMA	CPS	CR	FR	MPSS	CCS				RESERVED			FRE	CLO	POD	SUD	ST	

Bits	Field Name	Description	Type	Reset
31:28	ICC	<p>Interface communication control</p> <p>Control of power management states of the interface</p> <p>If the link layer is in the L_IDLE state, writes cause the port to request a transition to a given interface state.</p> <p>If the link layer is not in the L_IDLE state, writes have no effect.</p> <p>When a nonreserved, non-0 (No-Op) value is written, the core performs the action and clears the field back to 0 (Idle)</p> <p>Write 0x0: No-Op</p> <p>Read 0x0: Port is ready to accept a new interface control command, although the transition to the previously selected state might not have occurred yet.</p> <p>0x1: Active</p> <p>0x2: PARTIAL. SATA device can reject the request and the interface then remains in its current state.</p> <p>0x6: SLUMBER. SATA device can reject the request and the interface then remains in its current state.</p>	RW	0x0
27	ASP	<p>Aggressive SLUMBER/PARTIAL</p> <p>0x0: If SATA_PxCMD.ALPE = 1, the port aggressively enters the PARTIAL state when it clears the SATA_PxCI register and the SATA_PxSACT register is cleared when it clears the SATA_PxSACT register and SATA_PxCI is cleared.</p> <p>0x1: If SATA_PxCMD.ALPE = 1, the port aggressively enters the SLUMBER state when it clears the SATA_PxCI and the SATA_PxSACT register is cleared or when it clears the SATA_PxSACT register and SATA_PxCI is cleared.</p>	RW	0
26	ALPE	<p>Aggressive link power management enable</p> <p>0x0: Aggressive power management state transition is disabled.</p> <p>0x1: Port aggressively enters a lower link power state (PARTIAL or SLUMBER) based on the setting of SATA_PxCMD.ASP.</p>	RW	0
25	DLAE	<p>Drive LED on ATAPI enable</p> <p>0x0: LED is never enabled.</p> <p>0x1: Port asserts the pX_act_led output when commands are active and SATA_PxCMD.ATAPI = 1.</p>	RW	0
24	ATAPI	<p>Device is ATAPI</p> <p>Used by the port to determine whether or not to assert pX_act_led output when commands are active.</p> <p>0x0: Connected device is not an ATAPI.</p> <p>0x1: Connected device is an ATAPI.</p>	RW	0
23	APSTE	<p>Auto PARTIAL to SLUMBER transition enable</p> <p>0x0: No automatic transition from PARTIAL to SLUMBER</p> <p>0x1: Link layer transitions from its PARTIAL power management state to SLUMBER state automatically, whether host software-, port (aggressive)-, or device-initiated.</p>	RW	0
22	FBSCP	<p>FIS-based Switching Capable Port May only be set to ?1? if CAP.SPM = CAP.FBSS = 1 (not the case). Writable once after power up, read-only afterwards.</p> <p>0x0: port does not support FIS-based switching.</p> <p>0x1: Port supports Port Multiplier FIS-based switching.</p>	RW	0x0

Bits	Field Name	Description	Type	Reset
21	ESP	External SATA port Writable once after power up, read-only afterward 0x0: Port signal-only connector is not externally accessible. 0x1: Port signal-only connector is externally accessible. SATA_CAP.SXS is also set to 1. Mutually exclusive with SATA_PxCMD.HPCP	RW	0x0
20	CPD	Cold presence detect Writable once after power up, read-only afterward 0x0: Platform does not support cold presence detection on this port. 0x1: Platform supports cold presence detection on this port. SATA_PxCMD.HPCP should be set to 1.	RW	0
19	MPSP	Mechanical presence switch attached to port Writable once after power up, read-only afterward 0x0: Platform does not support a mechanical presence switch on this port. 0x1: Platform supports a mechanical presence switch attached to this port. SATA_PxCMD.HPCP should be set to 1.	RW	0
18	HPCP	Hot plug capable port Writable once after power up, read-only afterward 0x0: Port signal and power connectors are not externally accessible. 0x1: Port signal and power connectors are externally accessible through a joint signal-power connector for blindmate device hot plug.	RW	0
17	PMA	PM attached Software is responsible for detecting the presence of a PM. There is no autodetection. 0x0: No port Multiplier is attached to this Port 0x1: Port Multiplier is attached to this Port	RW	0
16	CPS	Cold presence state Reports whether a device is currently detected on this port as indicated by the pX_cp_det input state (assuming SATA_PxCMD.CPD = 1). Read 0x1: Device detected Read 0x0: No device detected	R	0
15	CR	Command list running For details, see the AHCI state-machine in Section 5.3.2 of the AHCI specification. Read 0x1: Command list DMA engine for this port is running. Read 0x0: Command list is stopped for this port.	R	0
14	FR	FIS receive running For details, see Section 10.3.2 of the AHCI specification. Read 0x1: FIS receive DMA engine for the port is running. Read 0x0: FIS receive DMA engine for the port is stopped.	R	0
13	MPSS	Mechanical presence switch state Reports the state of a mechanical presence switch attached to this port as indicated by the pX_mp_switch input state (assuming SATA_CAP.SMPS = 1 and SATA_PxCMD.MPSP = 1) Cleared to 0 when SATA_CAP.SMPS = 0 Read 0x1: Switch is open. Read 0x0: Switch is closed.	R	0

Bits	Field Name	Description	Type	Reset
12:8	CCS	<p>Current command slot</p> <p>This field is valid when SATA_PxCMD.ST is set to 1 and is set to the command slot value of the command currently issued by the port.</p> <p>When SATA_PxCMD.ST transitions from 1 to 0, this field is reset to 0x00.</p> <p>After SATA_PxCMD.ST transitions from 0 to 1, the highest priority slot to issue from next is command slot 0. After the first command is issued, the highest priority slot to issue from next is SATA_PxCMD.CCS + 1.</p> <p>For example, after the port issues its first command, if CCS = 0x00 and SATA_PxCI is set to 0x3, the next command issued is from command slot 1.</p>	R	0x00
7:5	RESERVED		R	0x0
4	FRE	<p>FIS receive enable</p> <p>Must not be set until SATA_PxPFB / SATA_PxFBU is programmed with a valid pointer to the FIS receive area. Base can be moved after clearing FRE and waiting for FR to clear to 0.</p> <p>0x0: Received FISes are not accepted by the port, except for the first D2H register FIS after the initialization sequence, and no FISes are posted to the FIS receive area.</p> <p>0x1: Port can post received FISes into the FIS receive area pointed to by SATA_PxPFB and SATA_PxFBU.</p>	RW	0
3	CLO	<p>Command list override</p> <p>Write 0x0: No effect</p> <p>Write 0x1: Request to clear SATA_PxTFD.STS_BSY and SATA_PxTFD.STS_DRQ to 0. Use only immediately prior to setting SATA_PxCMD.ST bit to 1 from a previous value of 0. Any other case results in indeterminate behavior.</p> <p>Read 0x1: Override is active, SATA_PxTFD.STS_BSY and SATA_PxTFD.STS_DRQ are being cleared.</p> <p>Read 0x0: Override is inactive.</p>	RW	0
2	POD	<p>Power-on device</p> <p>Writable if SATA_PxCMD.CPD = 1 (cold presence detection enabled), otherwise read-only -1.</p> <p>0x0: Disabled</p> <p>0x1: Port asserts the pX_cp_pod output pin so that it can be used to provide power to a cold-presence detectable port.</p>	RW	0
1	SUD	<p>Spin-up device</p> <p>Writable if SATA_CAP.SSS = 1 (staggered spin-up supported), else read-only 1.</p> <p>Read-only-0 on power-up until SATA_CAP.SSS bit is written with the required value.</p> <p>0x0: Clearing the bit from 1 to 0 causes no action on the interface.</p> <p>0x1: On edge-detect from 0 to 1, the port starts a COMRESET initialization sequence to the device.</p>	RW	0
0	ST	<p>Start</p> <p>0x0: Port does not process the command list. On transition from 1 to 0, the SATA_PxCI register is cleared by the port on transition to an IDLE state.</p> <p>0x1: Port processes the command list. On transition from 0 to 1, the port starts processing the command list at entry 0.</p> <p>SATA_PxSERR must be cleared prior to setting ST to 1. For important restrictions on when ST can be set to 1, See Section 10.3.1 of the AHCI specification.</p>	RW	0

Table 24-650. Register Call Summary for Register SATA_PxCMD

SATA Controller

- [Software Control over Low Power States: \[0\]](#)
- [Aggressive Power Management: \[1\]\[2\]](#)
- [Interface Fatal Error Status: \[3\]](#)
- [Overflow Status: \[4\]](#)
- [Software Processing of the Port Command List: \[5\]\[6\]\[7\]\[8\]\[9\]\[10\]](#)
- [Handling the Received FIS Descriptors: \[11\]\[12\]\[13\]\[14\]](#)
- [Activity LED Generation Functionality: \[15\]\[16\]\[17\]](#)
- [SATA Controller AHCI Hardware Register Interface: \[18\]](#)
- [Main Sequence SATA Controller Global Initialization: \[19\]\[20\]\[21\]](#)
- [SubSequence – Firmware Capability Writes: \[22\]\[23\]\[24\]\[25\]\[26\]\[27\]\[28\]\[29\]](#)
- [Issue Command - Main Sequence: \[30\]\[31\]](#)
- [DWC_ahsata Register Summary: \[32\]](#)
- [DWC_ahsata Register Description: \[33\]\[34\]\[35\]\[36\]\[37\]\[38\]\[39\]\[40\]\[41\]\[42\]\[43\]\[44\]\[45\]\[46\]\[47\]\[48\]\[49\]\[50\]\[51\]\[52\]\[53\]\[54\]\[55\]\[56\]\[57\]\[58\]\[59\]\[60\]\[61\]\[62\]](#)

Table 24-651. SATA_PxTFD

Address Offset	0x0000 0120	Instance	DWC_ahsata
Physical Address	0x4A14 0120		
Description	Port Task File Data: copies specific fields of the task file when FISes are received		
Type	R		

31	30	29	28	27	26	25	24	23	22	21	20	19	18	17	16	15	14	13	12	11	10	9	8	7	6	5	4	3	2	1	0
RESERVED																ERR								STS_BSY	STS_CS2		STS_DRQ	STS_CS	STS_ERR		

Bits	Field Name	Description	Type	Reset
31:16	RESERVED		R	0x0000
15:8	ERR	Err: Latest copy of the task file error register	R	0x00
7	STS_BSY	Status, busy Latest copy of the 8-bit task file status register, bit 7 STS_BSY = Interface is busy	R	0
6:4	STS_CS2	Status, command-specific Latest copy of the 8-bit task file status register, bits 6:4	R	0x7
3	STS_DRQ	Status, data request Latest copy of the 8-bit task file status register, bit 3 STS_DRQ = Data transfer is requested	R	1
2:1	STS_CS	Status, command-specific Latest copy of the 8-bit task file status register, bits 2:1	R	0x3
0	STS_ERR	Status, error Latest copy of the 8-bit task file status register, bit 0 STS_ERR = Error during the transfer	R	1

Table 24-652. Register Call Summary for Register SATA_PxTFD

SATA Controller

- [Task File Error Status: \[0\]\[1\]\[2\]](#)
- [Software Processing of the Port Command List: \[3\]](#)
- [SATA Controller AHCI Hardware Register Interface: \[4\]](#)
- [DWC_ahsata Register Summary: \[5\]](#)
- [DWC_ahsata Register Description: \[6\]\[7\]\[8\]\[9\]\[10\]\[11\]](#)

Table 24-653. SATA_PxSIG

Address Offset	0x0000 0124	Instance	DWC_ahsata
Physical Address	0x4A14 0124		
Description	Port signature: Signature received from a device on the first D2H register FIS. Updated once after a reset sequence.		
Type	R		

31	30	29	28	27	26	25	24	23	22	21	20	19	18	17	16	15	14	13	12	11	10	9	8	7	6	5	4	3	2	1	0
SIG_LBAH								SIG_LBAM								SIG_LBAL								SIG_SCR							

Bits	Field Name	Description	Type	Reset
31:24	SIG_LBAH	Signature, LBA high (cylinder high) register	R	0xFF
23:16	SIG_LBAM	Signature, LBA mid (cylinder low) register	R	0xFF
15:8	SIG_LBAL	Signature, LBA low (sector number) register	R	0xFF
7:0	SIG_SCR	Signature, sector count register	R	0xFF

Table 24-654. Register Call Summary for Register SATA_PxSIG

SATA Controller

- [SATA Controller AHCI Hardware Register Interface: \[0\]](#)
- [DWC_ahsata Register Summary: \[1\]](#)
- [DWC_ahsata Register Description: \[2\]](#)

Table 24-655. SATA_PxSSTS

Address Offset	0x0000 0128	Instance	DWC_ahsata
Physical Address	0x4A14 0128		
Description	Port SATA status Current state of the interface and host, updated continuously and asynchronously. When the port transmits a COMRESET to the device, this register is updated to its reset values (that is, global reset, port reset, or COMINIT from the device).		
Type	R		

31	30	29	28	27	26	25	24	23	22	21	20	19	18	17	16	15	14	13	12	11	10	9	8	7	6	5	4	3	2	1	0
RESERVED																IPM				SPD				DET							

Bits	Field Name	Description	Type	Reset
31:12	RESERVED		R	0x0 0000
11:8	IPM	Interface power management: Current interface state Read 0x0: Device not present or communication not established Read 0x1: Interface in ACTIVE state Read 0x2: Interface in PARTIAL power management state Read 0x6: Interface in SLUMBER power management state	R	0x0

Bits	Field Name	Description	Type	Reset
7:4	SPD	Current interface speed: Negotiated interface communication speed Read 0x3: Generation 3 communication rate negotiated (6 Gbps) Read 0x2: Generation 2 communication rate negotiated (3 Gbps) Read 0x1: Generation 1 communication rate negotiated (1.5 Gbps) Read 0x0: Device not present or communication not established	R	0x0
3:0	DET	Device detection: Interface device detection and PHY state Read 0x0: No device detected and PHY communication not established Read 0x1: Device presence detected but PHY communication not established Read 0x3: Device presence detected and PHY communication established Read 0x4: PHY in offline mode as a result of the interface being disabled or running in a BIST loopback mode	R	0x0

Table 24-656. Register Call Summary for Register SATA_PxSSTS

SATA Controller

- [SATA Controller AHCI Hardware Register Interface: \[0\]](#)
- [DWC_ahsata Register Summary: \[1\]](#)

Table 24-657. SATA_PxSCTL

Address Offset	0x0000 012C	Instance	DWC_ahsata
Physical Address	0x4A14 012C		
Description	Port SATA control Control of SATA interface capabilities. Writes to this register result in action taken by the port PHY interface. Reads from the register return the last value written to it. Reset on global reset. Wait for at least seven periods of the slower clock (OCP or parallel serdes clock) between writes, due to the internal clock domain crossing between the transport (OCP) and link (serdes I/F) layers.		
Type	RW		

31	30	29	28	27	26	25	24	23	22	21	20	19	18	17	16	15	14	13	12	11	10	9	8	7	6	5	4	3	2	1	0
RESERVED								PMP				SPM				IPM				SPD				DET							

Bits	Field Name	Description	Type	Reset
31:20	RESERVED		R	0x000
19:16	PMP	PM port: This field is not used by the AHCI.	R	0x0
15:12	SPM	Select power management: This field is not used by the AHCI.	R	0x0

Bits	Field Name	Description	Type	Reset
11:8	IPM	<p>Interface power management transitions allowed: Indicates which power states the HBA is allowed to transition to. If an interface power management state is disabled, the HBA is not allowed to initiate that state and the HBA must PMNAK_P any request from the device to enter that state.</p> <p>The two MSBs are always 2'b00 (not writable), as for all unreserved field values.</p> <p>0x0: No interface power management state restrictions</p> <p>0x1: Transitions to the PARTIAL state disabled</p> <p>0x2: Transitions to the SLUMBER state disabled</p> <p>0x3: Transitions to both PARTIAL and SLUMBER states disabled</p>	RW	0x0
7:4	SPD	<p>Speed allowed: Highest allowable speed of the interface</p> <p>The two MSBs are always 2'b00 (not writable), as for all unreserved field values.</p> <p>0x0: No speed negotiation restrictions</p> <p>0x1: Limit speed negotiation to generation 1 communication rate.</p> <p>0x2: Limit speed negotiation to a rate not greater than generation 2 communication rate.</p>	RW	0x0
3:0	DET	<p>Device detection initialization: Controls the HBA device detection and interface initialization.</p> <p>Can be modified only when SATA_PxCMD.ST = 0. Must have a value of 0x0 when SATA_PxCMD.ST = 1.</p> <p>MSB is always 1'b0 (not writable), as for all unreserved field values.</p> <p>0x0: No device detection or initialization action requested</p> <p>0x1: Perform interface communication initialization sequence to establish communication. This is functionally equivalent to a hard reset and results in the interface being reset and communications reinitialized. While this field is 1h, COMRESET is transmitted on the interface. Software must leave the DET field set to 1h for a minimum of 1 ms to ensure that a COMRESET is sent on the interface.</p> <p>0x4: Disable the serial ATA interface and put PHY in offline mode.</p>	RW	0x0

Table 24-658. Register Call Summary for Register SATA_PxSCTL

SATA Controller

- [Port Reset: \[0\]](#)
- [SATA Controller AHCI Hardware Register Interface: \[1\]](#)
- [Main Sequence SATA Controller Global Initialization: \[2\]](#)
- [DWC_ahsata Register Summary: \[3\]](#)
- [DWC_ahsata Register Description: \[4\]\[5\]\[6\]\[7\]](#)

Table 24-659. SATA_PxSERR

Address Offset	0x0000 0130	Instance	DWC_ahsata
Physical Address	0x4A14 0130		
Description	Port SATA error Detected interface errors accumulated since the last time it cleared. When set, indicates that the corresponding error condition became true one or more times since the last time cleared. Write 1 to a bit to clear it. Cleared by global reset or port reset (COMRESET).		
Type	RW		

31	30	29	28	27	26	25	24	23	22	21	20	19	18	17	16	15	14	13	12	11	10	9	8	7	6	5	4	3	2	1	0
RESERVED				DIAG_X	DIAG_F	DIAG_T	DIAG_S	DIAG_H	DIAG_C	DIAG_D	DIAG_B	DIAG_W	DIAG_I	DIAG_N	RESERVED				ERR_E	ERR_P	ERR_C	ERR_T	RESERVED				ERR_M	ERR_J			

Bits	Field Name	Description	Type	Reset
31:27	RESERVED		R	0x00
26	DIAG_X	Exchanged: PHY COMINIT signal detected. Reflected in SATA_PxIS.PCS .	RW W1toClr	0
25	DIAG_F	Unknown FIS type: One or more FISes were received by the transport layer with good CRC, but had a type field that was not recognized/known and the length was = 64 bytes. Note: If the unknown FIS length exceeds 64 bytes, DIAG_F is not set and DIAG_T is set instead.	RW W1toClr	0
24	DIAG_T	Transport state transition error: Transport Layer protocol violation detected.	RW W1toClr	0
23	DIAG_S	Link sequence error: One or more Link state machine error conditions encountered, including device doing SYNC escape during FIS transmission.	RW W1toClr	0
22	DIAG_H	Handshake error: One or more R-ERRp received in response to frame transmission. May be the result of a CRC error detected by the device, a disparity or 8b/10b decoding error, or other error condition leading to a negative handshake on a transmitted frame.	RW W1toClr	0
21	DIAG_C	CRC error: One ore more CRC errors detected by the link layer during FIS reception.	RW W1toClr	0
20	DIAG_D	Disparity error: Not used by AHCI, always 0.	R	0
19	DIAG_B	10bit-to-8bit decode error: Errors detected by the 10b8b decoder. Note: Set only when an error is detected on the received FIS data word. Not set when an error is detected on the primitive, regardless of whether it is inside or outside the FIS.	RW W1toClr	0
18	DIAG_W	Comm wake: Comm wake signal detected by the PHY.	RW W1toClr	0
17	DIAG_I	PHY internal error: Internal error detected by the PHY. Note: If the PHY does not support any errors, this bit is never set.	RW W1toClr	0
16	DIAG_N	PhyRdy change: Indicates that the PHY Ready signal changed state. Reflected in SATA_PxIS.PRCS .	RW W1toClr	0
15:12	RESERVED		R	0x0
11	ERR_E	Internal error: One or more errors detected on the master (DMA) or the slave (MMR access) interfaces.	RW W1toClr	0
10	ERR_P	Protocol error: Any of the following conditions: - Transport state transition error (DIAG_T) - Link sequence error (DIAG_S) - RxFIFO overflow - Link bad end error (WTRM instead of EOF received)	RW W1toClr	0

Bits	Field Name	Description	Type	Reset
9	ERR_C	Nonrecovered persistent communication error: PHY Ready signal is negated due to loss of communication with the device or problems with the interface, but not after transition from ACTIVE to PARTIAL or SLUMBER power management state.	RW W1toClr	0
8	ERR_T	Nonrecovered transient data integrity error: Any of the following conditions are set during data FIS transfer: - ERR_P (Protocol) - DIAG_C (CRC) - DIAG_H (Handshake) - ERR_C (PHY Ready negation)	RW W1toClr	0
7:2	RESERVED		R	0x00
1	ERR_M	Recovered communication error: PHY Ready condition is detected after interface initialization, but not after transition from PARTIAL or SLUMBER power management state to ACTIVE state.	RW W1toClr	0
0	ERR_I	Recovered data integrity error: Any of the following conditions are set during non-data FIS transfer: - ERR_P (Protocol) - DIAG_C (CRC) - DIAG_H (Handshake) - ERR_C (PHY Ready negation)	RW W1toClr	0

Table 24-660. Register Call Summary for Register SATA_PxSERR

SATA Controller

- [PHYReady Change Status: \[0\]](#)
- [Port Connect Change Status: \[1\]](#)
- [SATA Controller AHCI Hardware Register Interface: \[2\]](#)
- [DWC_ahsata Register Summary: \[3\]](#)
- [DWC_ahsata Register Description: \[4\]\[5\]\[6\]\[7\]\[8\]\[9\]\[10\]\[11\]\[12\]\[13\]\[14\]\[15\]\[16\]\[17\]\[18\]\[19\]\[20\]\[21\]\[22\]\[23\]](#)

Table 24-661. SATA_PxSACT

Address Offset	0x0000 0134																																																																															
Physical Address	0x4A14 0134																																																																															
Description	Port SATA active (SActive): Indicates which command slots contain commands.																																																																															
Type	RW																																																																															
<table border="1" style="width:100%; text-align:center;"> <tr> <td>31</td><td>30</td><td>29</td><td>28</td><td>27</td><td>26</td><td>25</td><td>24</td> <td>23</td><td>22</td><td>21</td><td>20</td><td>19</td><td>18</td><td>17</td><td>16</td> <td>15</td><td>14</td><td>13</td><td>12</td><td>11</td><td>10</td><td>9</td><td>8</td> <td>7</td><td>6</td><td>5</td><td>4</td><td>3</td><td>2</td><td>1</td><td>0</td> </tr> <tr> <td colspan="32">DS</td> </tr> </table>																	31	30	29	28	27	26	25	24	23	22	21	20	19	18	17	16	15	14	13	12	11	10	9	8	7	6	5	4	3	2	1	0	DS																															
31	30	29	28	27	26	25	24	23	22	21	20	19	18	17	16	15	14	13	12	11	10	9	8	7	6	5	4	3	2	1	0																																																	
DS																																																																																

Bits	Field Name	Description	Type	Reset
31:0	DS	Device status: Field is bit-significant. Each bit corresponds to the TAG and command slot of a native queued command, where bit 0 corresponds to TAG 0 and command slot 0. Set by Software prior to issuing a native queued command for a particular command slot. Prior to writing SATA_PxCi[<i>TAG</i>] to 1, software sets DS[<i>TAG</i>] to 1 to indicate that a command with that TAG is outstanding. The device clears bits by sending a set device bits FIS to the port. The port clears bits in this field that are set to 1 in the SActive field of the set device bits FIS. The port only clears bits that correspond to native queued commands completed successfully. Write only when SATA_PxCMD.ST bit is set to 1. Cleared when SATA_PxCMD.ST is written from 1 to 0. Not cleared by a port reset (COMRESET) or a software reset.	RW	0x0000 0000

Table 24-662. Register Call Summary for Register SATA_PxSACT

SATA Controller

- [Supported Types of Commands: \[0\]](#)
- [Software Processing of the Port Command List: \[1\]\[2\]](#)
- [Port Multiplier NCQ and Non-NCQ Commands Generation: \[3\]](#)
- [Activity LED Generation Functionality: \[4\]\[5\]\[6\]](#)
- [SATA Controller AHCI Hardware Register Interface: \[7\]](#)
- [Issue Command - Main Sequence: \[8\]\[9\]](#)
- [DWC_ahsata Register Summary: \[10\]](#)
- [DWC_ahsata Register Description: \[11\]\[12\]\[13\]\[14\]\[15\]](#)

Table 24-663. SATA_PxCi

Address Offset	0x0000 0138	Instance	DWC_ahsata
Physical Address	0x4A14 0138		
Description	Port command issue: Indicates that a command is constructed and may be carried out.		
Type	RW		

31	30	29	28	27	26	25	24	23	22	21	20	19	18	17	16	15	14	13	12	11	10	9	8	7	6	5	4	3	2	1	0
CI																															

Bits	Field Name	Description	Type	Reset
31:0	CI	Commands issue: Field is bit-significant. Each bit corresponds to a command slot, where bit 0 corresponds to command slot 0. This field is set by software to indicate to the port that a command is built in system memory for a command slot and may be sent to the device. When the port receives a FIS that clears the BSY, DRQ, and ERR bits for the command, it clears the corresponding bit in this register for that command slot. Bits in this field can only be set to 1 by software when SATA_PxCMD.ST is set to 1. Also cleared when SATA_PxCMD.ST is written from 1 to 0 by software.	RW	0x0000 0000

Table 24-664. Register Call Summary for Register SATA_PxCi

SATA Controller

- [Software Processing of the Port Command List: \[0\]\[1\]\[2\]\[3\]\[4\]](#)
- [Activity LED Generation Functionality: \[5\]\[6\]\[7\]](#)
- [SATA Controller AHCI Hardware Register Interface: \[8\]](#)
- [Issue Command - Main Sequence: \[9\]\[10\]\[11\]\[12\]](#)
- [DWC_ahsata Register Summary: \[13\]](#)
- [DWC_ahsata Register Description: \[14\]\[15\]\[16\]\[17\]\[18\]\[19\]\[20\]](#)

Table 24-665. SATA_PxSNTF

Address Offset	0x0000 013C	Instance	DWC_ahsata
Physical Address	0x4A14 013C		
Description	Port SATA notification: Used to determine if asynchronous notification events have occurred for directly connected devices and devices connected to a PM.		
Type	RW		

31	30	29	28	27	26	25	24	23	22	21	20	19	18	17	16	15	14	13	12	11	10	9	8	7	6	5	4	3	2	1	0
RESERVED																PMN															

Bits	Field Name	Description	Type	Reset
31:16	RESERVED		R	0x0000
15:0	PMN	PM notify: Indicates whether a particular device with the corresponding PM port number issued a set device bits FIS to the SATA controller Port with the notification bit set: - PM Port 0h sets bit 0. - PM Port 0h sets bit 1. - etc. Write 1 to a bit to clear it. Reset on global reset but not on port reset (COMRESET) or software reset.	RW W1toClr	0x0000

Table 24-666. Register Call Summary for Register SATA_PxSNTF

SATA Controller

- [SATA Controller AHCI Hardware Register Interface: \[0\]](#)
- [DWC_ahsata Register Summary: \[1\]](#)
- [DWC_ahsata Register Description: \[2\]](#)

Table 24-667. SATA_PxDMACR

Address Offset	0x0000 0170	Instance	DWC_ahsata
Physical Address	0x4A14 0170		
Description	Port DMA control register. Not AHCI-standard. Writable only when SATA_PxCMD.ST = 0. Attempts to write a field value less than the minimum or more than the maximum cause the field to be set to the minimum or the maximum. Reset on global reset and port reset (COMRESET)		
Type	RW		

31	30	29	28	27	26	25	24	23	22	21	20	19	18	17	16	15	14	13	12	11	10	9	8	7	6	5	4	3	2	1	0
RESERVED																RXTS				TXTS											

Bits	Field Name	Description	Type	Reset
31:8	RESERVED		R	0x00 0000
7:4	RXTS	Receive transaction size: DMA transaction size for receive operations (system bus write, device read). 0x0: 1 dword 0x1: 2 dwords 0x2: 4 dwords 0x3: 8 dwords 0x4: 16 dwords 0x5: 32 dwords 0x6: 64 dwords; maximum value for the 128-dword RX FIFO of this implementation.	RW	0x6

Bits	Field Name	Description	Type	Reset
3:0	TXTS	Transmit transaction size: DMA transaction size for transmit operations (system bus read, device write). 0x0: 1 dword 0x1: 2 dwords 0x2: 4 dwords 0x3: 8 dwords 0x4: 16 dwords 0x5: 32 dwords; maximum value for this implementation.	RW	0x5

Table 24-668. Register Call Summary for Register SATA_PxDMA CR

SATA Controller

- [DMA Port Configuration: \[0\]\[1\]\[2\]\[3\]\[4\]](#)
- [SATA Controller AHCI Hardware Register Interface: \[5\]](#)
- [Main Sequence SATA Controller Global Initialization: \[6\]](#)
- [DWC_ahsata Register Summary: \[7\]](#)

24.8.6.3 SATAMAC_wrapper Registers

24.8.6.3.1 SATAMAC_wrapper Register Summary

Table 24-669. SATAMAC_wrapper Registers Mapping Summary

Register Name	Type	Register Width (Bits)	Address Offset	Physical Address SATAMAC_wrapper
SATA_SYSCONFIG	RW	32	0x0000 0000	0x4A14 1100
SATA_CDRLOCK	RW	32	0x0000 0004	0x4A14 1104

24.8.6.3.2 SATAMAC_wrapper Register Description

Table 24-670. SATA_SYSCONFIG

Address Offset	0x0000 0000	Instance	SATAMAC_wrapper
Physical Address	0x4A14 1100		
Description	This register controls the idle and standby modes of Highlander 08 modules.		
Type	RW		

31	30	29	28	27	26	25	24	23	22	21	20	19	18	17	16	15	14	13	12	11	10	9	8	7	6	5	4	3	2	1	0
RESERVED																OVERRIDE0	RESERVED										STANDBYMODE	IDLEMODE	RESERVED		

Bits	Field Name	Description	Type	Reset
31:17	RESERVED		R	0x0000
16	OVERRIDE0	<p>Override for clock stopping. Normally the functional clock can be stopped only if the link is put into PARTIAL or SLUMBER power state. However, if there is no device attached (such as in a removable media situation) or the device is not started, the user can stop the functional clocks but not be able to enter a low-power state. In this case, software can set the OVERRIDE bit to 1, removing the requirement for a low-power state</p> <p>WARNING: If there is a device attached, the OVERRIDE bit is used, and the functional clock is stopped when the link is not in a low-power state it ruins the link and causes undetermined behavior. A port reset or full SATASS reset might be required to recover.</p> <p>0x0: Normal mode 0x1: Override mode</p>	RW	0
15:6	RESERVED		R	0x000
5:4	STANDBYMODE	<p>Configuration of the local initiator-state management mode.</p> <p>By definition, the initiator can generate a read/write transaction as long as it is out of STANDBY state.</p> <p>0x0: Force-standby mode: Local initiator is unconditionally placed in STANDBY state. Backup mode, for debug only</p> <p>0x1: No-standby mode: local initiator is unconditionally placed out of STANDBY state. Backup mode, for debug only.</p> <p>0x2: Smart-standby mode: Local initiator standby status depends on local conditions, that is, the module's functional requirement from the initiator. The IP module does not generate (initiated-related) wakeup events.</p> <p>0x3: Smart-Standby wakeup-capable mode: Local initiator standby status depends on local conditions, that is, the module's functional requirement from the initiator. The IP module can generate (master related) wakeup events when in STANDBY state. Mode is relevant only if the appropriate IP module mwakeup output is implemented.</p>	RW	0x2
3:2	IDLEMODE	<p>Configuration of the local target state management mode.</p> <p>By definition, the target can handle read/write transaction as long as it is out of IDLE state.</p> <p>0x0: Force-idle mode: The local target IDLE state follows (acknowledges) the system idle requests unconditionally, that is, regardless of the internal requirements of the IP module. Backup mode, for debug only.</p> <p>0x1: No-idle mode: The local target never enters IDLE state. Backup mode, for debug only.</p> <p>0x2: Smart-idle mode: The local target IDLE state eventually follows (acknowledges) the system idle requests, depending on the internal requirements of the IP module. IP module does not generate (IRQ- or DMA-request-related) wakeup events.</p> <p>0x3: Smart-idle wakeup-capable mode: The local target IDLE state eventually follows (acknowledges) the system idle requests, depending on the internal requirements of the IP module. IP module can generate (IRQ- or DMA-request-related) wakeup events when in IDLE state. Mode is only relevant if the appropriate IP module swakeup output(s) is (are) implemented.</p>	RW	0x2
1:0	RESERVED		R	0x0

Table 24-671. Register Call Summary for Register SATA_SYSCONFIG

SATA Controller

- [Idle/Standby Management Protocol: \[0\]\[1\]\[2\]\[3\]\[4\]](#)
- [Clock Gating Synchronization: \[5\]\[6\]\[7\]\[8\]\[9\]](#)
- [SATA Controller AHCI Hardware Register Interface: \[10\]](#)
- [SATAMAC_wrapper Register Summary: \[11\]](#)

Table 24-672. SATA_CDRLOCK

Address Offset	0x0000 0004	Instance	SATAMAC_wrapper
Physical Address	0x4A14 1104		
Description	Programmable delay for CDR lock indication		
Type	RW		

31	30	29	28	27	26	25	24	23	22	21	20	19	18	17	16	15	14	13	12	11	10	9	8	7	6	5	4	3	2	1	0
RESERVED																CDR_LOCK_DELAY															

Bits	Field Name	Description	Type	Reset
31:12	RESERVED		R	0x0 0000
11:0	CDR_LOCK_DELAY ⁽¹⁾	CDR lock delay, in parallel (10-bit) serdes interface clock cycles. Parallel clock is 300 MHz (3.3 ns period) for SATA-3GT/s, 150 MHz (6.7 ns) for SATA-1.5GT/s. 0x0: No CDR lock delay 0x7D0: Default CDR lock delay: 13.33 us (1.5GT/s mode) or 6.67 (3 GT/s mode)	RW	0x7D0

⁽¹⁾ Under normal conditions, this bitfield must be kept at its default (power-on-reset) value.

Table 24-673. Register Call Summary for Register SATA_CDRLOCK

SATA Controller

- [SATA Controller AHCI Hardware Register Interface: \[0\]](#)
- [SATAMAC_wrapper Register Summary: \[1\]](#)

24.9 PCIe Controller

This section describes the features and functions of the device Peripheral Component Interconnect Express (PCIe) Controller which provides a high-speed glueless serial interconnect to peripherals utilizing high bandwidth applications.

24.9.1 PCIe Controller Subsystem Overview

The Peripheral Component Interconnect Express (PCIe) module is a multi-lane I/O interconnect that provides low pin-count, high reliability, and high-speed data transfer at rates of up to 5.0 Gbps per lane, per direction, for serial links on backplanes and printed wiring boards. It is a 3-rd Generation I/O Interconnect technology succeeding PCI and ISA bus that is designed to be used as a general-purpose serial I/O interconnect. It is also used as a bridge to other interconnects like SATA, USB2/3.0, GbE MAC, and so forth.

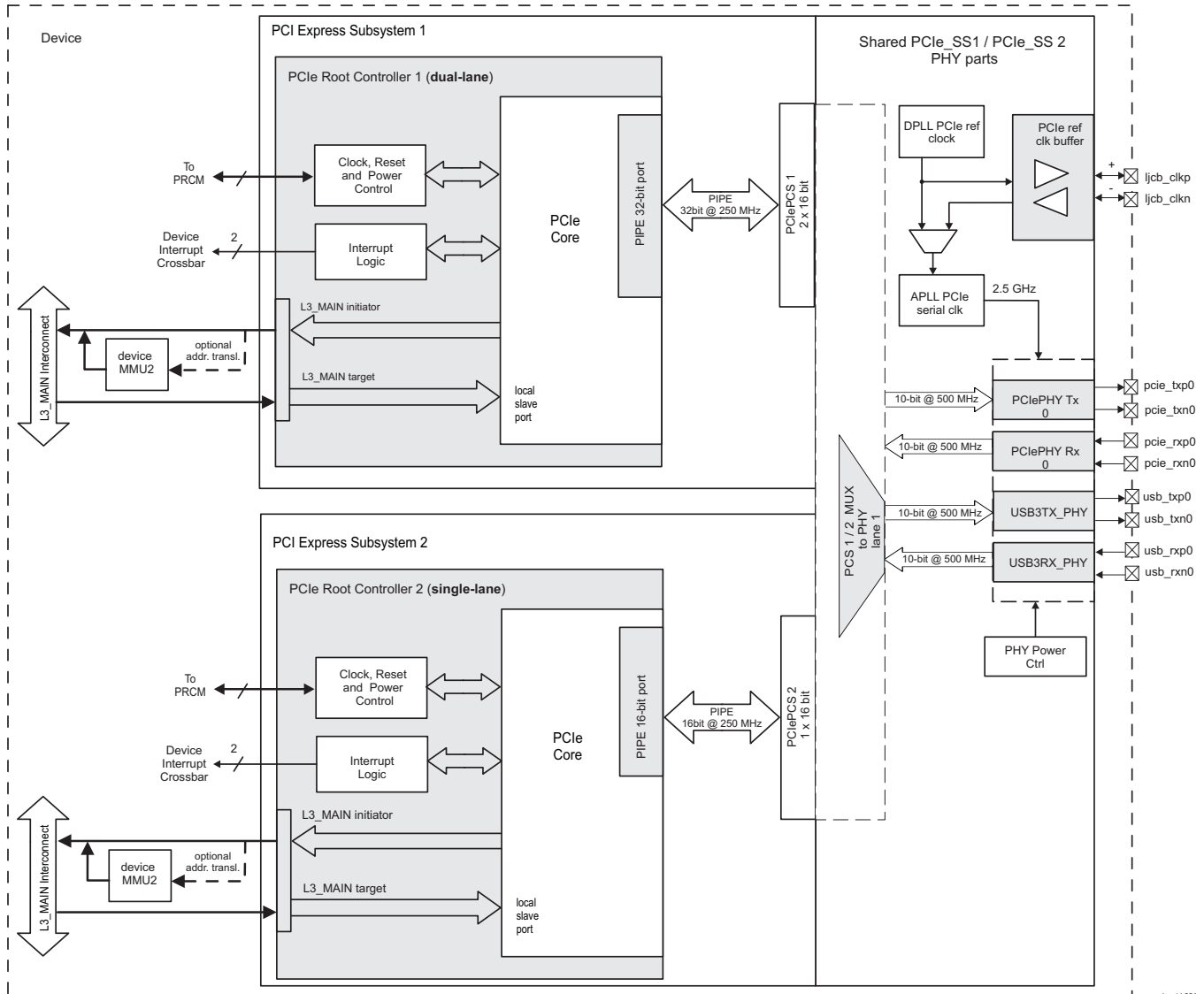
The device instantiates two PCIe subsystems (PCIe_SS1 and PCIe_SS2). The PCIe controller is capable to operate either in Root Complex (RC) or in End Point (EP) PCIe mode. The device PCIe_SS1 controller supports up to two 16-bit data lanes on its PIPE port. The device PCIe_SS2 controller supports only one 16-bit data lane on its PIPE port.

When the PCIe_SS1 controller PIPE port is configured to operate in a single-lane mode, it operates on a single pair of PCIe PHY serializer and deserializer - PCIe1_PHY_TX/PCIe1_PHY_RX. When PCIe_SS1 PIPE is configured to operate in dual-lane mode, it operates on two pairs of PCIe PHY serializer and deserializer - PCIe1_PHY_TX/PCIe1_PHY_RX and USB_PHY_TX/USB_PHY_RX, respectively. The single-lane PCIe_SS2 controller PIPE port (if enabled) can operate only on the USB_PHY_TX/USB_PHY_RX pair. Hereby, if PCIe_SS2 controller is used, the PCIe_SS1 can operate only in a single-lane mode on the PCIe1_PHY_TX/PCIe1_PHY_RX. In addition, PCIe PHY subsystem encompasses a PCIe PCS (physical coding sublayer), a PCIe power management logic, APLL, a DPLL reference clock generator and an APLL clock low-jitter buffer. For more details on PCIe PHY subsystem, please refer to [Section 26.4, PCIe Shared Phy Subsystem](#).

- The PCIe Controller implements the transport and link layers of the PCIe interface protocol.
- PCIe PCS (a physical coding sublayer component) converts a 8-bit portion of parallel data over a PCIe lane to a 10-bit parallel data to adapt the process of serialization and deserialization in the TX/RX PHYs to various requirements. At the same time it transforms the transmission rate to maintain the PCIe Gen2 bandwidth (5 Gbps) on both sides (PCIe controller and PHY).
- A multiplexer logic which adds flexibility to connect a PCIe controller hardware mapped PCS logic output to a single (for the single-lane PCIe_SS2 controller) or to a couple (for the 2-lane PCIe_SS1 controller) of PHY ports at a time
- Physical layer (PHY) serializer/deserializer components with associated power control logic, building the so called PMA (physical media attachment) part of the PCIe_PHY transceiver, as follows:
 - PCIe physical port 0 associated serializer (TX) - PCIe1_PHY_TX and deserializer (RX) - PCIe1_PHY_RX
 - USB port associated serializer (TX) - USB_PHY_TX and deserializer (RX) - USB_PHY_RX
- DPLL_PCIe_REF is a DPLL clock source, controlled from the device PRCM, that provides a 100-MHz clock to the PCIe PHY serializer/deserializer components reference clock inputs.
- Both the PCIe_SS1 and PCIe_SS2 share the same APLL (APLLPCIe) which by default multiplies the DPLL_PCIe_REF (typically 100 MHz or 20 MHz) clock to 2.5 GHz.
- The APLLPCIe low-jitter buffer (ACSPCIE) and additional logic takes care to provide the PCIe APLL reference input clock.

[Figure 24-165](#) shows an overview of a device PCIe subsystem with its integrated components.

Figure 24-165. PCIe Controller Subsystem Overview



psce_dsl-001

24.9.1.1 PCIe Controllers Key Features

This section describes the features supplied by the PCIe controller modules (including PCIe at device level). The PCIe_SS1 and PCIe_SS2 controllers comply with the following standards:

- PCI Local Bus Specification revision 3.0
- PCI Express Base 3.0 Specification, revision 1.0.

At system level the device supports PCI express interface in the following configurations:

- Each PCIe subsystem controller has support for PCIe Gen2 mode (5.0 Gbps per lane) and Gen1 mode (2.5 Gbps per lane).
- One PCIe (PCIe_SS1) operates as Gen2 2-lanes supporting in either root-complex (RC) or end-point EP.
- Two PCIe (PCIe_SS1 and PCIe_SS2) operates Gen2 1-lane supporting either RC or EP with the possibility of one operating in Gen1 and one in Gen2.
- PCIe_SS1 can be configured to operate in either 2-Lane (dual lane) or 1-Lane (single lane) mode, as follows:

- Single Lane - lane 0 mapped to the PCIe port 0 of the device
- Flexible dual lane configuration - lanes 0 and 1 can be swapped on the two PCIe ports
- PCIe_SS2 can only operate in 1-Lane mode, as follows:
 - Single Lane - lane 0 mapped to the device PCIe port 1
 When PCIe_SS1 is configured to operate in dual-lane mode, PCIe_SS2 is not available.

The main features of a device PCIe controller are:

- 16-bit operation at 250 MHz on PIPE interface (per 16-bit lane)
- One master port on the L3_MAIN supporting 32-bit address and 64-bit data bus.
- PCIe_SS1/PCIe_SS2 master port dedicated MMU (device MMU2) on L3_MAIN path, to which PCIe traffic can be optionally mapped.
- One slave port on the L3_MAIN supporting 29-bit address and 64-bit data bus.
- Maximum outbound payload size of 64 Bytes (the L3 Interconnect PCIe1/2 target ports split bursts of size >64 Bytes to the into multiple 64 Byte bursts)
- Maximum inbound payload size of 256 Bytes (internally converted to 128 Byte - bursts)
- No remote read request size limit: implicit support for 4 KiB-size and greater
- Support of EP legacy mode
- Support of inbound I/O accesses in EP legacy mode
- PIPE interface features fixed-width (16-bit data per lane) and dynamic frequency to switch between PCIe Gen1 and Gen2.
- Ultra-low transmit and receive latency
- Automatic Lane reversal as specified in the PCI Express Base 3.0 Specification, revision 1.0 (transmit and receive)
- Polarity inversion on receive
- Single Virtual Channel (VC0) and Single Traffic Class (TC0)
- Single Function in End point mode
- Automatic credit management
- ECRC generation and checking
- All PCI Device Power Management D-states with the exception of D3_{cold}/L2 state
- PCI Express Active State Power Management (ASPM) state L0s and L1 (with exceptions)
- PCI Express Link Power Management states except for L2 state
- PCI Express Advanced Error Reporting (AER)
- PCI Express messages for both transmit and receive
- Filtering for Posted, Non-Posted, and Completion traffic
- Configurable BAR filtering, I/O filtering, configuration filtering and completion lookup/timeout
- Access to configuration space registers and external application memory mapped registers through ECAM mechanism.
- Legacy PCI Interrupts reception (RC) and generation (EP)
- 2x hardware interrupts per PCIe_SS1 and PCIe_SS2 controller mapped via the device Interrupt Crossbar (IRQ_CROSSBAR) to multiple device host (MPU, DSP, and so forth) interrupt controllers in the device
- MSIs generation and reception
- PCIe_PHY Loopback in RC mode

24.9.2 PCIe Controller Environment

The below [Table 24-674](#) shows the device integrated PCI Express subsystem interface signals to external PCIe devices.

Table 24-674. PCIe_SS I/O Signals

Device Level Signal Name	I/O ⁽¹⁾	Description	Reset Value
pcie_txp0	O	TX output of the PCIe port 0 PHY differential transmission line (positive by default) Section 24.9.3	0
pcie_txn0	O	TX output of the PCIe port 0 PHY differential transmission line (negative by default) Section 24.9.3	0
pcie_rxp0	I	RX input of the PCIe port 0 PHY differential reception line (positive by default) Figure 24-166	HiZ
pcie_rxn0	I	RX input of the PCIe port 0 PHY differential reception line (negative by default) Figure 24-166	HiZ
usb_txp0	O	TX output of the PCIe port 0 PHY differential transmission line (positive by default) Section 24.9.3	0
usb_txn0	O	TX output of the PCIe port 0 PHY differential transmission line (negative by default) Section 24.9.3	0
usb_rxp0	I	RX input of the PCIe port 1 PHY differential reception line (positive by default) Figure 24-166	HiZ
usb_rxn0	I	RX input of the PCIe port 1 PHY differential reception line (negative by default) Figure 24-166	HiZ
ljcb_clkp	I/O	Differential clock positive input or output	HiZ
ljcb_clkn	I/O	Differential clock negative input or output	HiZ

⁽¹⁾ I = Input; O = Output; I/O = Bidirectional

Table 24-675. PCIe_SS Port Configuration

PCIE_B1C0_MODE_SEL ⁽¹⁾	PCIE_B0_B1_TSYNCEN ⁽¹⁾	Port 0	Port USB
0x0 (C0)	0	PCIESS1 lane 0	PCIESS2 lane 0
0x2 (USB) (default)	0	PCIESS1 lane 0	USB3.0
0x3 (USB)	don't care	PCIESS1 lane 0	USB3.0
0x1 (B1)	1	PCIESS1 lane 0	PCIESS1 lane 1

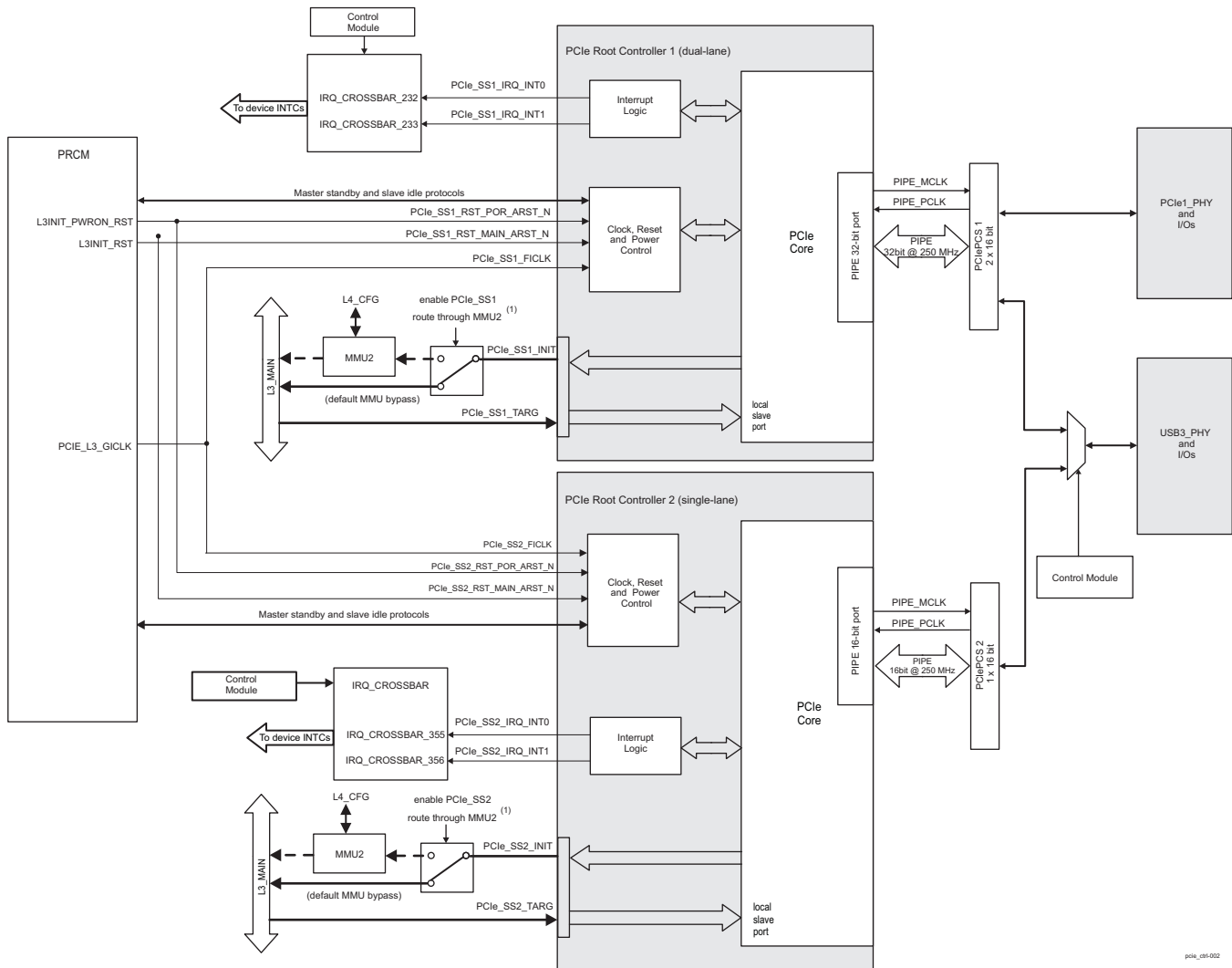
⁽¹⁾ See CTRL_CORE_PCIE_CONTROL register in [Section 18.5, CTRL_MODULE_CORE Registers](#)

For more information on the interface between PCIe_SS controller and PCIe_PHY, see [Section 26.4.4.1, PCIe Shared PHY Subsystem Block Diagram](#), and [Section 26.4.4, PCIe Shared PHY Subsystem Functional Descriptions](#) in [Section 26.4, PCIe Shared PHY Subsystem](#).

24.9.3 PCIe Controllers Integration

This section describes the PCIe controllers integration in the device, including information about clocks, resets, and hardware requests. [Figure 24-166](#) shows the PCIe controllers integration.

Figure 24-166. PCIe Controllers Integration



NOTE: By default, the traffic from the PCIe_SS1 and PCIe_SS2 controller master (initiator) port - PCIe_SS1_INIT/PCIe_SS2_INIT to the L3_MAIN interconnect, bypasses the device MMU2. Mapping the PCIe traffic from the PCIe master port to MMU2 on the L3_MAIN path is enabled via a bit in the device Core Control Module. For more details, refer to the [Section 24.9.4.3.1.1](#).

PCIe controller integration includes these features:

- A single interface/functional clock (PCIe_SS_FICLK, shared between the master and the slave interfaces)
- A couple of functional clocks:
 - A PCIE controller clock input which receives the PIPE_PCLK generated by the associated PCIe PHY PCS logic
 - A PCIE controller clock output PIPE_MCLK which mirrors PIPE_PCLK back to the PCIe PHY PCS component

- Two hardware non-retention resets - PCIe_SS_RST_POR_ARST_N and PCIe_SS_RST_MAIN_ARST_N by PRCM
- Master standby and slave idle protocols with the power, reset, and clock management (PRCM) module
- Two interrupt request lines (per each PCIe controller):
 - PCIe_SS1_IRQ_INT0/PCIe_SS2_IRQ_INT0 - a main interrupt line
 - PCIe_SS1_IRQ_INT1/PCIe_SS2_IRQ_INT1 - a MSI interrupt line
- No DMA requests generation to surrounding modules
- One 64-bit data/32-bit address master port on the L3_MAIN interconnect (with an option to pass the PCIe initiator traffic to L3_MAIN through device MMU2). For details, refer to the [Section 24.9.4.3](#).
- One 64-bit data/29-bit address slave port on the L3_MAIN interconnect (No MMU included on the slave address path). For details, refer to the [Section 24.9.4.3](#).

For more details on the MMU2 integration in the device, refer to the [Section 20.2, MMU Integration](#) of the [Chapter 20, Memory Management Units](#).

NOTE: For more information about the slave idle protocol and the wakeup request, see [Section 3.1.1.1.2, Module-Level Clock Management](#) in [Chapter 3, Power, Reset, and Clock Management](#).

[Table 24-676](#) through [Table 24-678](#) summarize the integration of the module in the device.

Table 24-676. PCIe Controllers Integration Attributes

Module Instance	Attributes	
	Power Domain	Interconnect
PCIe_SS1	PD_L3INIT	L3_MAIN
PCIe_SS2	PD_L3INIT	L3_MAIN

Table 24-677. PCIe Controllers Clocks and Resets

Clocks				
Module Instance	Destination Signal Name	Source Signal Name	Source	Description
PCIe_SS1	PCIe_SS1_FICLK	PCIE_L3_GICLK	PRCM	PCIe_SS1 root controller interface and functional clock (shared between slave and master ports)
PCIe_SS2	PCIe_SS2_FICLK	PCIE_L3_GICLK	PRCM	PCIe_SS2 root controller interface and functional clock (shared between slave and master ports)
Resets				
PCIe_SS1	PCIe_SS1_RST_POR_ARST_N	L3INIT_PWRON_RST	PRCM	A nonretention hardware power-on reset to the PCIe_SS1 controller
	PCIe_SS1_RST_MAIN_ARST_N	L3INIT_RST	PRCM	A nonretention hardware main reset to the PCIe_SS1 controller
PCIe_SS2	PCIe_SS2_RST_POR_ARST_N	L3INIT_PWRON_RST	PRCM	A non-retention hardware power-on reset to the PCIe_SS2 controller
	PCIe_SS2_RST_MAIN_ARST_N	L3INIT_RST	PRCM	A non-retention hardware main reset to the PCIe_SS2 controller

Table 24-678. PCIe Controllers Hardware Requests

Module Instance	IRQ Source Name	Interrupt Requests		
		IRQ_CROSSBAR Input	Default Mapping	Description
PCIe_SS1	PCIe_SS1_IRQ_INT0	IRQ_CROSSBAR_232	N/A	PCIe_SS1 controller main interrupt request.
	PCIe_SS1_IRQ_INT1	IRQ_CROSSBAR_233	N/A	PCIe_SS1 controller MSI interrupt request.
PCIe_SS2	PCIe_SS2_IRQ_INT0	IRQ_CROSSBAR_355	N/A	PCIe_SS2 controller main interrupt request
	PCIe_SS2_IRQ_INT1	IRQ_CROSSBAR_356	N/A	PCIe_SS2 controller MSI interrupt request.

NOTE: The **Default Mapping** column in [Table 24-678, PCIe Controller Hardware Requests](#) shows the default mapping of the IRQ sources listed in column **IRQ Source Name** to a certain interrupt line of one of the device interrupt controllers. These IRQ sources can also be mapped to other interrupt lines of each device interrupt controller through the IRQ_CROSSBAR module. For more information about the IRQ_CROSSBAR module, see [Section 18.4.6.4, IRQ_CROSSBAR Module Functional Description](#), in [Chapter 18, Control Module](#). For more information about the device interrupt controllers, see [Chapter 17, Interrupt Controllers](#).

NOTE: No DMA requests are generated by the PCIe controller to the surrounding modules.

For more details on interrupt request management at the PCIe subsystem local level, refer to the [Section 24.9.4.6, PCIe Controller Interrupt Requests](#).

24.9.4 PCIe SS Controller Functional Description

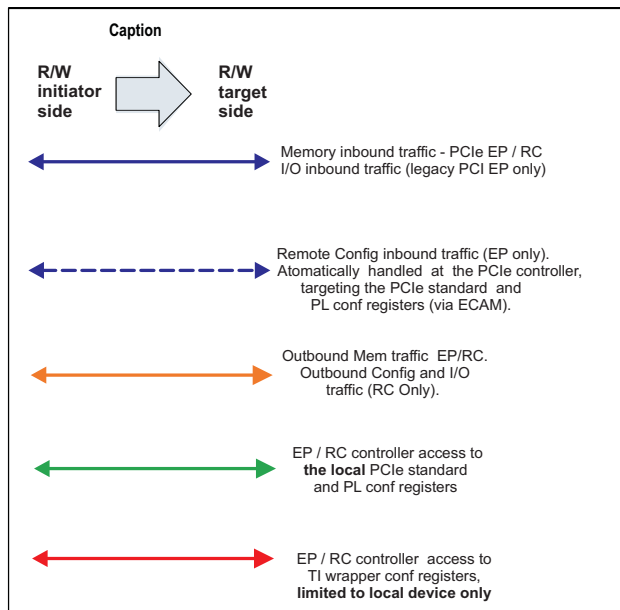
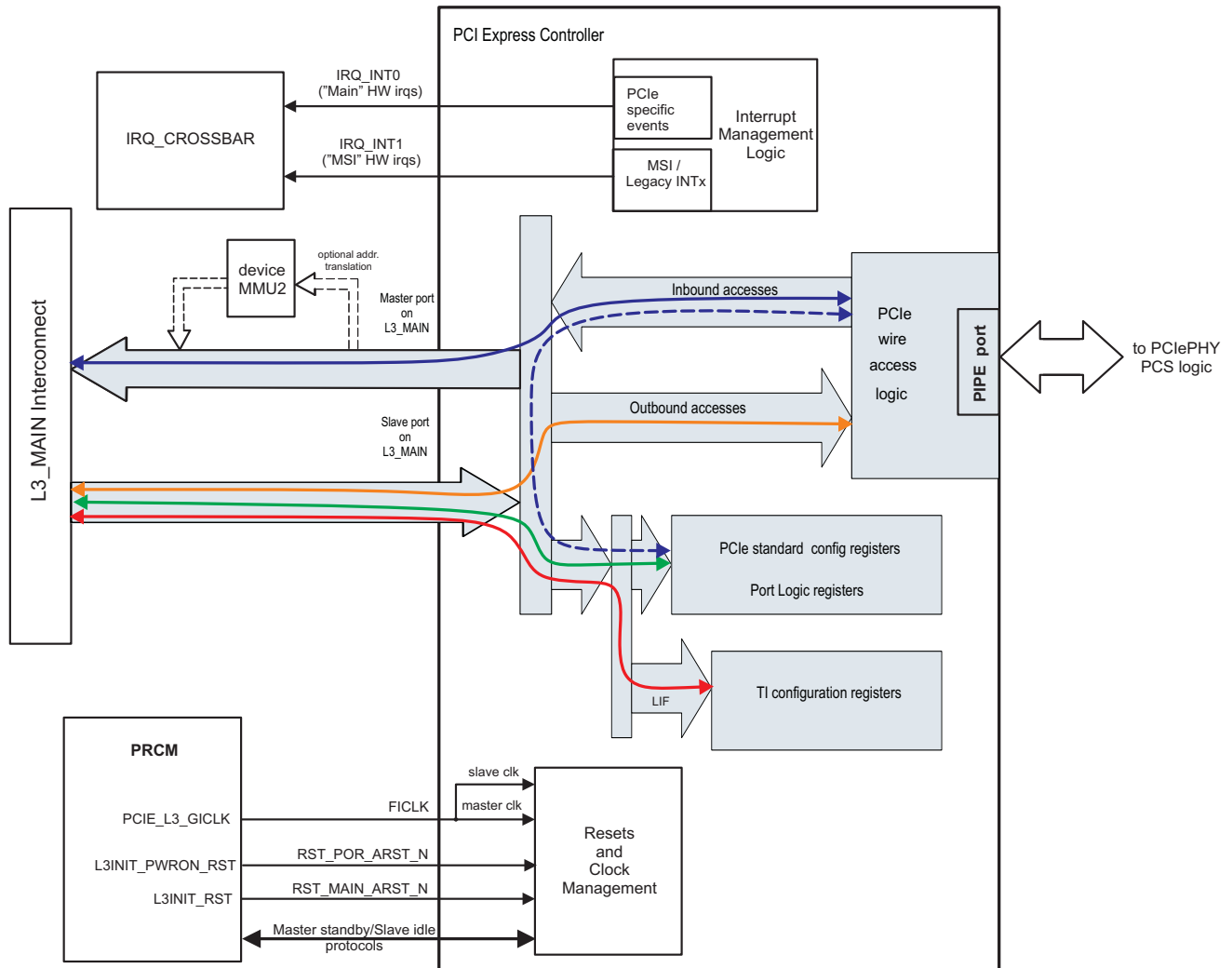
24.9.4.1 PCIe Controller Functional Block Diagram

This section describes how the overall PCI express functionality is implemented by the current controller, both as EP and as RC, and how each type of traffic is transmitted and received.

The PCI express interface allows memory-mapped read and write transactions to be performed across different partners of the same PCIe fabric. Locally the device local PCIe system is composed of the PCIe_SS controller itself, device local hosts (such as MPU, DSP, and so forth), device DMAs (EDMA, and so forth) and device system memory (EMIFs SDRAM), connected to the PCIe controller via L3_MAIN interconnect.

[Figure 24-167](#) summarizes the functional components of the PCIe_SS controller, as well as the connectivity between PCIe_SS and other components (MMU2, IRQ_CROSBAR, PRCM, and so forth) within the device.

Figure 24-167. PCIe Controller Functional Block Diagram



pciectrl-003

24.9.4.2 PCIe Traffics

Most of the accesses (Memory-space) are typically flowing straight through the controller, from PCIe bus to L3_MAIN or the other way. However, some transactions are accesses to the PCIe device's configuration registers:

- The source of those accesses is either the local running application, through the PCIe slave port, or a distant PCIe device on the bus, as an inbound transaction from the PCIe wire. Access may or may not be possible depending on the mode of operation (see also transfer descriptions on the [Figure 24-167](#)).
- The destination of those accesses is either the PCIe controller core, for the PCIe-standard configuration registers and the non-standard port logic (PL) registers, or the TI wrapper configuration registers accessed over the local interface (LIF).

[Figure 24-167](#) also gives a simplified view of the accesses allowed by device PCIe controller.

On the right hand side of the diagram is the PCIe_PHY (PCS+PMA), itself connected to the PCIe wires. The same structure is expected in the link partner on the other side of the link. Each partner can initiate and complete transactions on the link, using a packet-based protocol. Each lane is a full-duplex serial channel, that is, packets can be exchanged in both directions simultaneously. When more than one lane is used, each packet is transmitted in parallel over all active lanes.

The bidirectional accesses, initiated from components on the PCIe bus (fabric) to/from the device local PCIe subsystem are identified as *Inbound traffic*, while the bidirectional accesses, initiated by device local PCIe system to/from the PCIe bus are identified as *Outbound traffic*.

Note that there are two ways to transmit data from the local PCIe system to a distant PCIe partner:

- **Outbound write accesses**, locally initiated by, for example, a local DMA accessing controller through the PCIe slave port, connected on L3_MAIN, to push data towards a distant PCIe partner.
- **Inbound read accesses**, remotely initiated by, for example, a distant DMA through the PCIe wire, and issued on the PCIe master port, connected on L3_MAIN, to fetch data from the local memory.

Likewise, there are two ways for the local PCIe system to receive data from a distant PCIe partner:

- **Outbound read accesses**, locally initiated by, for example, a local DMA accessing the PCIe slave port, connected on L3_MAIN, to fetch data from a distant PCIe partner.
- **Inbound write accesses**, remotely initiated by, for example, a distant DMA through the PCIe wire, and issued on the PCIe master port towards the local system memory.

NOTE: Inbound PCIe I/O transfers are supported by the PCIe controller only in EP mode (typically for legacy PCI - EPs).

24.9.4.3 PCIe Controller Ports on L3_MAIN Interconnect

The PCIe controller to L3_MAIN connectivity is illustrated, on the left-hand side of the [Figure 24-167](#). Read/write accesses from external PCIe components to the device local system memory on L3_MAIN are performed through the PCIe_SS master (initiator) port - PCIe_SS_INIT. The addresses issued on this port are by default directly routed to the L3_MAIN, but they can be optionally routed to and further translated by the device memory management unit - MMU2 before they reach the L3_MAIN target. For more details on MMU port, refer to [Section 24.9.4.3.1.1](#).

On the other hand, the device local hosts (MPU, DSP, and so forth) initiate accesses to the PCIe controller local registers and PCIe bus remote devices via a PCIe_SS slave (target) port - PCIe_SS_TARG on the L3_MAIN. No MMU is included on the slave path. The slave interface has two uses: manage the local PCIe controller, and carry outbound PCIe traffic, that is initiated locally by PCIe hosts (MPU, DSP, DMAs, and so forth) within the device.

24.9.4.3.1 PCIe Controller Master Port

The PCIe controller master port (using AXI protocol with an adapter to the device L3_MAIN interconnect) has the following key features:

- 64-bit data, 32-bit address bus width
- Up to 16 simultaneous outstanding transactions, on up to 16 different IDs (4-bit ID port) total for read

and write ports together, as follows:

- Posted incoming PCIe transactions are all mapped to AXI ID 0, which ensures that they are executed in order. This includes all high-bandwidth writes, which are memory-type - posted.
- Non-posted incoming PCIe transactions are mapped to AXI ID 1 and above. This includes the high-bandwidth memory-type reads.
- uses the same clock source as the PCIe slave port, but potentially on a different divider ratio
- PCIe master port, does not use a disconnect interface, because unlike the PCIe slave port, it is expected to be always active when the PCIe controller has to initiate a transaction over the device L3_MAIN.
- The PCIe controller maximum inbound payload size is 256 Bytes. The PCIe master port burst maximum length is 16 words (16 x 64-bit data words = 128 Bytes per burst). Hence a 256 Byte inbound data payload is converted by the PCIe master port to 2 max-sized bursts (128 Byte each) towards the device L3_MAIN interconnect PCIe slave port which is 128 Byte-burst compatible.
- Only incremental bursts (INCR) are supported by the PCIe controller master port.
- Non-aligned bursts can be generated - bursts that are not aligned with their own size: a burst-aligned portion of 2^N -bytes aligned burst starts on a byte address multiple of 2^N , that is a byte address with the N LSBs at '0').

The PCIe memory space supports a 64-bit address mode but in the device PCIe controller, the AXI master port address size is restricted to 32 bits.

NOTE: A PCIe controller remains fully functional, and able to receive transactions from , for example, anywhere within the 64-bit PCIe memory space, as long as they are correctly remapped by the inbound address translation unit (ATU) to a 32-bit L3_MAIN space address (device L3_MAIN 4 GiB - memory space). The limitation is that the range addressable by the PCIe master is reduced, and that regions larger than 2^{32} bytes (4GiB) total, cannot be mapped to the AXI master port on L3_MAIN.

24.9.4.3.1.1 PCIe Controller Master Port to MMU Routing

A standalone MMU2 module is included at the system level, primarily for use by the PCIe_SS1 and PCIe_SS2 controller. This provides several benefits including protection of the MPU host memory regions from corruption by PCIe_SS1 and PCIe_SS2 accidental accesses.

PCIe controller initiated (by remote side) traffic can be optionally routed through the MMU2 as controlled by a Control Core Module register bit. The PCIe_SS1 and PCIe_SS2 routing allows these sub-systems to be used to perform transfers.

NOTE: By default, the CTRL_MODULE_CORE instance located CTRL_CORE_CONTROL_IO_1[20] MMU2_DISABLE bit is set to 0b0 and the MMU2 is functionally enabled. Despite this, the PCIe_SS1 and PCIe_SS2 controller traffic still bypasses this MMU. In order, for PCIe_SS1 and PCIe_SS2 master traffic to be routed through the MMU2, the CTRL_MODULE_CORE bits: CTRL_CORE_SMA_software_7[13] PCIE_SS1_MMU_ROUTE_ENABLE and CTRL_CORE_SMA_software_7[12] PCIE_SS2_MMU_ROUTE_ENABLE, must be set to 0b1 by user software.

Accesses are directed to the MMU2 by the L3_MAIN switch fabric through the use of a 33-rd address bit. For the PCIe_SS1 and PCIe_SS2 master port, the value of the 33rd bit is actually defined by the above mentioned control module CTRL_CORE_SMA_software_7 register bits. For descriptions of the CTRL_CORE_SMA_software_7 register bitfields related to MMU2 route controls, refer to the [Section 18.5, Control Module Register Manual](#), in the chapter, *Control Module*.

For more information on device MMU2 functionality and register settings, refer to the [Section 20.3, MMU Functional Description](#) and [Section 20.5, MMU Register Manual](#), in the chapter, *Memory Management Units*, respectively.

24.9.4.3.2 PCIe Controller Slave Port

The PCIe controller slave port gives access to two internal targets: the local target, to manage the local controller, and the outbound window, which forwards accesses onto the PCIe wire.

The PCIe slave port (using AXI protocol with an adapter to the device L3_MAIN interconnect) has the following key features:

- **64-bit data, 29-bit address** bus width
- Up to 16 simultaneous outstanding transactions, up to 16 different IDs (4-bit ID port).
- Uses the same clock source as the PCIe controller master port, but potentially on a different divider ratio.
- Supports L3_MAIN disconnect protocol
- Exclusive and locked accesses are not supported for read and write port

PCIe Controller slave port purposes are:

- **Configuration and management of the PCIe controller:**
 - This low-bandwidth activity accesses the device PCIe controller local configuration/status registers, the Port Logic registers and the PCIe controller wrapper TI-specific registers.
 - The L3_MAIN base address corresponding to the PCIe_SS1 controller local configuration/status registers (DIF access targets) is 0x5100_0000. For the PCIe_SS2 controller local configuration/status registers (DIF access targets), the L3_MAIN base address is 0x5180_0000.
 - Bursts are not supported when accessing these registers.
- **Outbound PCIe traffic:**
 - This activity can consume the entire bandwidth available on the PCIe wires (up to 1 Gbyte/s in each direction for 2-lane, Gen2 operation), in concurrence with the AXI master ports' operation (that carries inbound PCIe traffic).
 - PCIe controller maximum outbound payload size is 64 Bytes (the L3 Interconnect PCIe1/2 target ports split bursts of size > 64 Bytes to the into multiple 64 Byte bursts). Only bursts of incremental type (INCR) are supported on the PCIe controller slave port.
 - Non-aligned bursts can be generated.
 - All outbound traffic activities are mapped within a device L3_MAIN space region which is 256 MiB in size.
 - For the PCIe_SS1 controller the PCIe outbound window is mapped within range 0x2000_0000 - 0x2FFF_FFFF of the device L3_MAIN memory space. For the PCIe_SS2 controller the PCIe outbound window is mapped within range 0x3000_0000 - 0x3FFF_FFFF (256 MiB) of the device L3_MAIN memory space.

NOTE: The PCIe controller remains fully functional, and able to send transactions to, for example, anywhere within the 64-bit PCIe memory space, with the appropriate remapping of the 28-bit address by the outbound address translation unit (iATU). The limitation is that the total size of addressed PCIe regions (in config, memory, IO spaces) must be less than 2^{28} bytes.

NOTE: Because only incremental burst mode is supported, the PCIe addresses can not be in a cacheable memory space. Subsequently, cache coherence protocol is not involved, and the PCIe controller is not expected to receive coherent PCIe TLPs (NS=0). For safety purpose, the PCIe controller coherent feature must be permanently disabled (and this applies for the device by default) by keeping `PCICTRL_TI_CONF_SYSCONFIG[16] MCOHERENT_EN` at value 0b0. In that case, inbound coherent PCIe TLPs (that means with NS=0) proceed normally, but coherence will not be guaranteed by the device.

24.9.4.4 PCIe Controller Reset Management

The PCIe controller has two hardware reset inputs - a hardware **main** and **fundamental** resets which are asynchronous and active low.

In addition, a number of internal reset conditions can cause some sections of the controller to reset, depending on the power transitions and configuration. All reset conditions and categories are described below.

24.9.4.4.1 PCIe Reset Types and Stickiness

Three types of reset conditions are defined by the PCI standard. Each reset condition listed below falls into one of these categories. The same reset condition can take different types depending on the usecase:

- Cold reset condition: upon device power-up.
- Warm reset condition: does not follow a device power-up.
- Hot reset condition: transmitted over the PCIe link.

A reset including the physical layer (PCIe_PHY) is **called a fundamental reset**. According to the PCI Express Base 3.0 Specification, revision 1.0, it clears the programming registers non-sticky bits, and may clear or may not clear the sticky bits as well, depending on a Vaux power supply. If Vaux integrated in a PCIe subsystem, it is enabled via PM specific sticky bits - [PM_CSR\[8\]](#) PME_EN and [DEV_CAS\[10\]](#) AUXPM_EN register bits.

CAUTION

No Vaux power supply source is defined in hardware for the device integrated PCIe_SS. Subsequently, all PCIe bits defined by the PCIe standard or device specific implementation as "sticky", are reset along with the "non-sticky" bits upon a PCIe fundamental reset assertion. Because it is mandatory to communicate the permanent Vaux absence to the device PCIe EP/RC controller, the EP/RC [DEV_CAS\[10\]](#) AUXPM_EN (or [PM_CSR\[8\]](#) PM_EN) and [PCIECTRL_TI_CONF_PM_CTRL \[11\]](#) AUX_PWR_DET bits have to be always software written '0' during initialization.

A function-level reset (FLR) impacts only one of the EP device's functions.

NOTE: The device PCIe controller supports only a single function, so it does not support FLR.

24.9.4.4.2 PCIe Reset Conditions

24.9.4.4.2.1 PCIe Main Reset

Main hardware reset: Assertion of the reset signal on the main hardware reset input of the PCIe subsystem unconditionally brings the entire PCIe controller back to its default state. The main HW reset impacts both non-sticky and sticky bits of the PCIe controller.

NOTE: The [PCIECTRL_TI_CONF_DEVICE_TYPE\[3:0\]](#) TYPE (RC/EP) bitfield and the remaining TI wrapper configuration registers (PCIe_SS_TI_CONF) are sensitive to main hardware reset only.

24.9.4.4.2.1.1 PCIe Subsystem Cold Main Reset Source

The cold main reset has as a source - the device PRCM L3INIT_PWRON_RST power-on reset. For more information on the PCIe controller hardware reset inputs see [Section 24.9.3, PCIe Controller Integration](#)).

The L3INIT_PWRON_RST assertion by PRCM resets all PCIe controller registers including the TI wrapper configuration registers (note that the PCIe device type in the [PCIECTRL_TI_CONF_DEVICE_TYPE](#) register is reset by default to "Root Complex").

For more information on the PRCM.L3INIT_PWRON_RST hardware reset, refer to [Section 3.5.5, Reset Domains](#), in [Chapter 3, Power, Reset, and Clock Management](#).

24.9.4.4.2.1.2 PCIe Subsystem Warm Main Reset Sources

The warm main reset of the PCIe controller is sourced by the device PRCM L3INIT_RST output. For more information on the PCIe controller hardware reset inputs see [Section 24.9.3, PCIe Controller Integration](#)). For more information on the PRCM.L3INIT_RST hardware reset, refer to [Section 3.5.5, Reset Domains](#), in [Chapter 3, Power, Reset, and Clock Management](#).

The L3INIT_RST main reset is triggered from different warm reset sources within the PD_L3INIT power domain (global warm software reset, MPU watchdog reset, and so forth).

Software triggered main reset to PCIe controller : To the above group of PRCM warm main reset sources, there is also a software-triggered reset which can be asserted locally and independently to each of the PCIe_SS1 and PCIe_SS2 in the PD_L3INIT domain. The main software reset is triggered via assertion of bit:

- RM_PCIESS_RSTCTRL[0] RST_LOCAL_PCIE1 for the device PCIe_SS1 controller
- RM_PCIESS_RSTCTRL[1] RST_LOCAL_PCIE2 for the device PCIe_SS2 controller

The software (warm) reset completion triggered through device PRCM is flagged in the *Write-one to Clear* PRCM register:

- RM_PCIESS_RSTST[0] RST_LOCAL_PCIE1 for the device PCIe_SS1 controller
- RM_PCIESS_RSTST[1] RST_LOCAL_PCIE2 for the device PCIe_SS2 controller

The user software running on PCIe controller is supposed to clear the reset status bit upon reset completion event via writing 0b1 to RM_PCIESS_RSTST[0] RST_LOCAL_PCIE1 and RM_PCIESS_RSTST[1] RST_LOCAL_PCIE2 bit in PRCM.

For more details on above PCIe controller software reset bits, refer to the [Section 3.12, PRCM Register Manual](#), in the [Chapter 3, Power, Reset and Clock Management](#)

NOTE: The warm main reset (including PCIe subsystem software reset) from PRCM impacts all PCIe core register bits (sticky and non-sticky) and the PCIe TI wrapper configuration registers (PCIe_SS_TI_CONF). Note that the PCIe device type in the [PCIECTRL_TI_CONF_DEVICE_TYPE](#) register is reset by default to "Root Complex".

For more details on sticky/non-sticky bits behaviour refer to the PCI Express Base 3.0 Specification, revision 1.0.

24.9.4.4.2.2 PCIe Standard Specific Resets to the PCIe Core Logic

Fundamental hardware reset - This reset impacts all non-sticky PCIe core bits. It is automatically triggered:

- upon a software initiated device type change in the [PCIECTRL_TI_CONF_DEVICE_TYPE\[3:0\]](#) TYPE (to RC/EP)
- upon exiting certain low-power modes
- upon PCIe controller's main power supply (Vmain) being powered-up or Vmain detected below a defined threshold by the PCIe RC. This is a cold fundamental reset.

NOTE: All (sticky and non-sticky bits) of the PCIe controller core are reset upon fundamental hardware reset assertion because of Vaux not implemented. Hereby all PCIe core registers have to be re-initialized from scratch after a PCIe fundamental reset.

Hardware fundamental reset operation: The hardware fundamental reset is an input to the PCIe core, to be controlled by the local PCIe software driver. Its impact is conditional: a fundamental reset clears the entire controller (including the PCIe_PHY part), with the following exceptions:

- DEVICE_TYPE register (unconditional) and all other PCIe_SS_TI_CONF registers
- PCIe link PM FSM, if the module is out of "IDLE"

The fundamental reset is applied to PCIe core in the following two cases :

- After reprogramming the device type (to EP or RC) in the [PCIECTRL_TI_CONF_DEVICE_TYPE\[3:0\]](#)

TYPE bitfield, to latch in the new type and clear the programming registers. Remain out of idle and clear [PCIECTRL_TI_CONF_PM_CTRL\[11\]](#) AUX_PWR_DET to 0 beforehand, in order to reset also the sticky bits.

- L3 exit at initial power-up unless the restart is already initiated by the other side of the link

NOTE: The TYPE value ("EP", "legacy EP" or "RC") has to be read back by software until desired type-value is seen. This insures that the fundamental reset triggered by "TYPE" change has completed successfully. The user software must not change the [PCIECTRL_TI_CONF_DEVICE_TYPE\[3:0\]](#) TYPE register value during PCIe core operation.

NOTE: The fundamental hardware reset does not impact the [PCIECTRL_TI_CONF_DEVICE_TYPE\[3:0\]](#) TYPE (RC/EP) bitfield and the remaining TI wrapper configuration registers (PCIe_SS_TI_CONF). These can be reset only by a PCIe main reset input assertion.

PCle link-down reset condition - When the PCIe link has gone down and goes up again, namely transitions from D3cold/L3 back to D0, the PCIe core auto-applies this **internal fundamental reset** and reports it on IRQ event ([PCIECTRL_TI_CONF_IRQSTATUS_MAIN\[11\]](#) LINK_REQ_RST) after link-up.

PCle hot-reset condition - As defined by the PCIe standard: reset condition propagated in-band (over the PCIe wire) from an upstream port to a downstream port, using the TS1 and TS2 OS (see the PCI Express Base 3.0 Specification, revision 1.0). Requires the link to be already powered and up. The hot reset causes the link to go down and up again, causing a link-down reset condition, and as such is a fundamental reset.

The hot reset sequence can be tracked in the LTSSM by the transition to "hot reset" state, then on to "detect" and the rest of the link-up sequence.

- When RC, a hot reset is generated by writing the bit "Secondary Bus Reset" of the PCIe standard "Bridge Control Register" - [BRIDGE_INT \[22\]](#) SEC_BUS_RST bit .
- When EP, a host reset is automatically processed by the controller hardware.

PCle soft reset condition - As defined by the PCIe standard: When the D-state of a device is changed from D3_{hot} to D0 by software, namely by the RC doing a remote CFG write to the EP (EP) [PM_CSR \[1:0\]](#) PWR_STATE register, the EP device reacts depending on its DIF CS (local) setting of the no-soft-reset (NSR) bit ([EP](#)) [PM_CSR \[3\]](#) NSR:

- If bit NSR=0, the soft reset is applied, and the device transitions to the D0_{uninitialized} state (see [Figure 24-168](#)). Non-sticky bits are reset.
- If bit NSR=1, the soft reset is inhibited, the device transitions directly to the D0_{active} state (see [Figure 24-168](#)), no reset is applied. Full context is retained, including non-sticky bits.

NOTE: The soft reset is a hot reset. The soft reset is not a fundamental reset; that means that it does not reset the PHY, only the programming registers.

24.9.4.5 PCIe Controller Power Management

This section is a brief summary of the supported power modes and power transitions, as well as the consequences (clock gating, power gating, resets, and so forth) on the PCIe controller.

24.9.4.5.1 PCIe Protocol Power Management

The power state of a PCIe controller port is described by four different FSMs, each running at a different level of the protocol, each with its own independent state. The FSMs are covered in [Section 24.9.4.5.1.1](#) through .

[Table 24-679](#) summarizes the typical power stable state combinations, namely the combinations of states the controller can settle into, after a number of potential transitions and transient states, and assuming that the lowest power state possible is used.

The PCIe standard defined optional gating of the reference clock on PCIe_PHY PLL input (and therefore of the PIPE clock) when in L1-state is not supported. As shown in the [Table 24-679](#), the PIPE clock is always running while link is in L1.

Table 24-679. Power States Summary

Device D-state	Link L-state	PHY LTSSM state	PIPE power down	PIPE clock ⁽¹⁾	Vmain	LP_CLK ⁽²⁾ (auxiliary clock)	Slave Idle	Master Standby
D0_uninitialized ⁽³⁾	LDn	Detect	P1	OFF	don't care	ON	1	1
D0_uninitialized	L0	n/a	P0	ON	ON	ON	0	1
D0_active	L0	L0	P0	ON	ON	ON	0	0/1 ⁽⁴⁾
D0_active	L0s	L0s	P0s	ON	ON	ON	0	0/1 ⁽⁴⁾
D0_active	L1	L1	P1	ON	ON	ON	0	0/1 ⁽⁴⁾
D1	L1	L1	P1	ON	ON	ON	0	1
D2	L1	L1	P1	ON	ON	ON	0	1
D3_hot	L1	L1	P1	ON	ON	ON	0	1
D3_cold	L3	n/a	P2	OFF	OFF	OFF	1	1

⁽¹⁾ The PIPE clock activity, as visible from the PCIe core boundary, implies the activity of the high-speed PLL it is derived from, which implies the activity of the reference clock on the PLL input.

⁽²⁾ See [Section 24.9.4.5.2](#)

⁽³⁾ Default controller state after reset. Not a real PCIe state.

⁽⁴⁾ Master standby value depends on the PCI express application (MSE, ISE, and so forth)

24.9.4.5.1.1 PCIe Device/function power state (D-state)

The function power state machine is the highest-level PM FSM in a PCIe device. The power state control bitfield is part of standard PCIe register bitfield- [\(EP\)PM_CSR/\(RC\)PM_CSR](#) [1:0] PWR_STATE.

NOTE: A Vaux power source is not tied to the PCIe core, that is why the state D3_cold with Vaux switched-on is unsupported by the PCIe PM FSM.

NOTE: The six available D-states are, by order of decreasing power: D0_uninitialized (default), D0_active, D1, D2, D3_hot, D3_cold. Note that the function power state Cfg field - is only 2 bit, encoding only 4 combinations: D0, D1, D2, D3. The difference between uninitialized and active (D0), and between hot and cold (D3) is implicit.

The eventual ("stable" or "quiescent") power state of a PCIe link (link state) is determined by the D-state of the downstream device. For the current controller, it means that the D-state determines the link state in EP type mode, but not in RC type mode.

Note also that the device may go through a number of transient link states before entering/after exiting its quiescent link state, so that a device, for example, in D3_hot may be consuming maximum instantaneous power.

D0_uninitialized is the function's default state, entered after powerup and/or reset. It is used by the RC software to enumerate the function (Cfg transactions). Mem and IO transaction are disabled. It can only be entered though a reset, partial or total. Together with D0_active, it is the highest-power D-state.

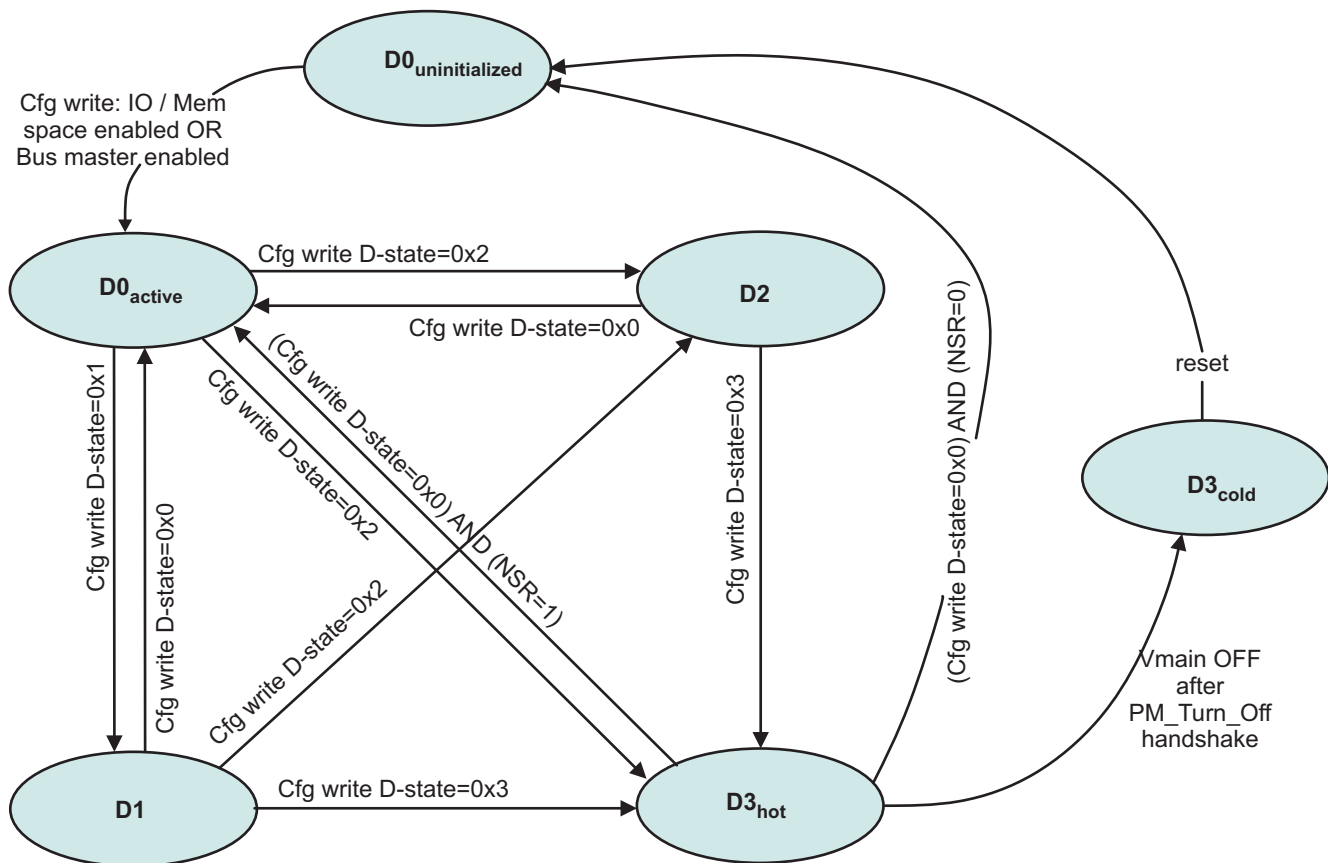
D0_active is the function's active state, where all Memory and I/O transactions take place. By definition, a function transitions from D0_uninitialized to D0_active after the RC software enables Memory and I/O transactions, either as completer ("Cfg" write 0b1 to memory space enable: MSE/IO space enable: ISE) or as requester ("Cfg" write 1 to bus master enable: BME). D0_active can be exited to/entered from D1, D2, or D3_hot by the RC software writing to the function's [\(EP\)PM_CSR](#)[1:0] PWR_STATE power state. Together with D0_uninitialized, it is the highest-power D-state.

D1 and D2 are two optional states, with reduced power compared to D0. Both operate the same way, and have the same action on lower-level PM FSM, with D1 expected to have a faster wakeup and D2 a lower power. Both are supported by the current controller. D1 and D2 can be exited to/entered from D0_active, D1, D2, or exited to D3_hot, by the RC software writing to the function's (EP)PM_CSR[1:0] PWR_STATE power state bitfield. The current controller supports D1 and D2 but a fully compliant implementation also depends on the system providing the right combination of HW and software.

D3_hot is a lower-power state (compared to D0, D1, D2). It can be entered from D0_active, D1, or D2 by the RC software writing to the function's (EP)PM_CSR[1:0] PWR_STATE. Transition to D3_hot is typically continued to D3_cold and main power (VMAIN) shutdown. It can also be exited to D0 by the RC writing (0b00) to the (EP)PM_CSR[1:0] PWR_STATE. The state transition to either D0_active or D0_uninitialized depends on the NSR value written in the bit (EP)PM_CSR[3] NSR (No_Soft_Reset bit) of 0b1 (that means - function is not reset) or 0b0 (that means - function is reset, link is restarted and must be reconfigured) respectively.

D3_cold is the lowest-power state, defined by the VMAIN being turned off. It is typically entered from D3_hot as shown in the figure below, but any turn-off request will actually place the function in that state. It can only be exited to D0_uninitialized, by restoring VMAIN and after resetting the function, totally or partially (see link states below).

Figure 24-168. PCIe D-state (function power state) FSM diagram



pcie_005

The Figure 24-168 shows the state transitions in the power state. NSR is the “No_Soft_Reset” bit in the function's (EP)PM_CSR configuration register. NSR advertizes the ability of the device to go into D3_hot while retaining its register settings (when 1), or conversely, the inability to do so and the reset of those setting upon D3_hot exit (when 0).

NSR is read-only to the RC software over Cfg accesses, but it can be set by the EP's local software over DIF (CS access) prior to enumeration. The controller shall apply the NSR to itself accordingly.

Most function power state transitions are done explicitly by the RC-side software writing into the EP function's (EP) `PM_CSR[1:0]` `PWR_STATE`, over the PCIe wire. This is one of the two PM control mechanisms of PCIe, the other one being ASPM. The remaining function power state transitions are caused by resets.

The D-state of a device sets the link power state (L-state) for the PCIe link above. In other words, the L-state of a PCIe link (connecting an upstream device, closer to the RC, and a downstream device, closer to an EP) is set by the downstream device.

24.9.4.5.1.2 PCIe Controller PIPE Powerstate (Powerdown Control)

The PIPE interfaces the MAC, or controller, above PIPE in the protocol hierarchy and the PHY, or transceiver, below PIPE. The current controller implementation has a PIPE interface at its boundary.

CAUTION

The physical layer as defined by the PCIe standard extends into the PCIe MAC layer, to include, for example, the LTSSM, so that “physical layer” and PHY do not coincide, with the latter included in the former.

The PIPE interface has its own power state, driven by the PCIe controller towards PCIe_SS PHY on a 2-bit powerdown signal, depending on the PM state machines above. It has four states: P0, P0s, P1, P2:

- **P0 (pipe_powerdown = 0b00):** active state, for high-speed (HS) data transmission and reception. Used for L0 link state.
- **P0s (pipe_powerdown = 0b01):** active HS receiver, suspended transmitter. Used for L0s link state.
- **P1 (pipe_powerdown = 0b10):** Suspended HS receiver and transmitter, but PIPE clock still running.
- **P2 (pipe_powerdown = 0b11):** Suspended HS receiver and transmitter, PIPE clock stopped - asynchronous mode.

24.9.4.5.2 PCIe Controller Clocks Management

24.9.4.5.2.1 PCIe Clock Domains

The controller has two main clock domains: the L3_MAIN bridge (ports) and the PCIe core.

The L3_MAIN bridge runs on a single clock. That same clock is used to run both the PCIe controller master and slave ports. It can be divided, with independently ratios for master and slave. However, both sides are typically expected to run at the same speed, as both are capable of the same performance.

There is an auxiliary clock - LP_CLK which is a PCIe_SS internal low-power clock, used when pipe clock is stopped. It is assumed to be always available when the module is not idle.

The PCIe core runs on the PIPE clock whenever that clock is provided by the relevant PCIe_PHY. When the PCIe link is in a low-power state and the PIPE clock is not available, the core splits in two sub-domains:

- Most of the core stops
- A small “auxiliary” part of the core (which includes the configuration registers) switches to a low-power clock LP_CLK
- The two subdomains can still be considered synchronous despite their different clocking scheme, since they are either running on the same clock, or one of the subdomain clocks is stopped.

24.9.4.5.2.2 PCIe Controller Idle/Standby Clock Management Interfaces

A PCIe controller has two clock management (CM) interfaces with device PRCM:

- A master port clock management interface based on master standby protocol with the device PRCM
- A slave port clock management interface based on slave idle protocol with the device PRCM

The PCIe wrapper logic located register [PCIECTRL_TI_CONF_SYSCONFIG\[3:2\] IDLEMODE](#) and [PCIECTRL_TI_CONF_SYSCONFIG\[5:4\] STANDBYMODE](#) bitfields are used to software configure the idle /standby CM behaviour locally for the PCIe_SS controller. The [Table 24-680](#), shows the available CM options.

Table 24-680. Local Power-Management Features

Feature	Registers	Description
Slave idle modes	PCIECTRL_TI_CONF_SYSCONFIG [3:2] IDLEMODE bit field	The available modes are: Force-Idle, No-Idle, wakeup-disabled Smart-Idle and wakeup-capable Smart-Idle.
Master standby modes	PCIECTRL_TI_CONF_SYSCONFIG [5:4] STANDBYMODE bit field	The available modes are: Force-Standby, No-Standby, wakeup-disabled Smart-Standby and wakeup-capable Smart-Standby.

For more information on the PCIeSS functional clock gating in the device PRCM (clock PCIE_L3_GICLK), refer to [Section 3.1.1.1.4, Clock Domain-Level Clock Management](#), in the chapter, *Power, Reset and Clock Management*.

The relations between the PCIeSS master (standby)/slave (idle) behaviour to various PCIe protocol link power management features are covered in the [Section 24.9.4.5.2.2.1](#) and [Section 24.9.4.5.2.2.2](#), respectively.

24.9.4.5.2.2.1 PCIe Controller Master Standby Behavior

As a master (initiator) on the device L3_MAIN interconnect, the PCIe controller supports the standby protocol over the standard three signals: mstandby/mwait/mwakeup. The behavior of that interface can be configured in the PCIeSS controller wrapper (PCIe_SS_TI_CONF) register - [PCIECTRL_TI_CONF_SYSCONFIG\[5:4\] STANDBYMODE](#) bitfield.

The standby protocol notifies the local system if inbound PCIe transactions are likely to be routed to the controller's master port.

NOTE: Note that CFG-type transactions are typically not part of the PCIe controller master port transfers: in RC mode they are only outbound, and in EP mode they are processed inside the controller.

Automatic mode (default): most operations are expected to take place in "smart-standby" mode. In that mode, the master standby interface is automatically managed by the PCIe status, featuring (Mstandby = 0) if (D-state=D0_{active} and MSE=1 that is bit [\(RC\) STATUS_COMMAND_REGISTER/\(EP\) STATUS_COMMAND_REGISTER\[1\] MEM_SPACE_EN](#)) :

- D-state = D0_{active} indicates that the link is up, that data can be exchanged. It's also a condition for memory-type transactions to take place.
- The Memory Space Enable bit [\(RC\) STATUS_COMMAND_REGISTER\[1\] MEM_SPACE_EN](#), indicating that the RC has enumerated the PCIe fabric and configured the memory space for operation, before EP writing the MSE bit in the local CFG register - [\(EP\) STATUS_COMMAND_REGISTER](#) via DIF CS access.

In automatic (smart-standby) mode, the standby is therefore controlled remotely by the RC software, which sets both the D-state and the MSE.

Note that the master does not go to standby during ASPM (so called active state power management) transitions to L0s or L1 on the link, as it remains in "D0_{active}" during that time. Although the physical layer is partially or fully stopped during L0s and L1, the short restart time of a few microseconds does not justify a transition to standby by the master. In other words, the master goes or doesn't go to standby after a link layer transition to L1, depending on the cause, if a transition in "D-state" or "ASPM" occurred, respectively.

More generally, the link state is not directly correlated to the automatic standby state of the master:

- Master in standby (mstandby=1): link can be in L0 (link startup), L1 (D1, D2, D3hot), L3 (D3cold)
- Master out of standby (mstandby=0): link can be in L0, L0S/L1 (ASPM)

The "Mstandby" status depends on the possibility of transactions, not on actual transactions. The master may remain out of standby indefinitely without any transaction, and an incoming transaction shall not cause the master to exit standby. The latter is an error case which occurrence is prevented in hardware.

The mwait=0 handshake, eventually returned after the mstandby=0 transition, should prevent the master from issuing transactions until the system is ready. However, no back-pressure can actually be applied to the PCIe to prevent inbound accesses after, for example, MSE has been set. It is assumed that there will be sufficient time for the mwait to transition, that is typically for the system to reopen the path to its local memory, before the first inbound transaction is routed to the master.

When the PCIe local controller itself is in RC mode, note that the D-state may remain D0active even after the has gone down. It is therefore advised to use the clearing of the local MSE bit to set the master in standby. Alternatively, the RC can be placed in D3hot mode, or the standby can be forced (to mstandby = 1) by setting the standbymode to "force-standby". Whatever the method, the RC is aware of the state of the entire PCIe fabric, and is expected to put its master in standby in full knowledge of the situation.

For more information on the PCIe Controller Standby Management Protocol with the device PRCM, see [Section 3.1.1.1.2, Module-Level Clock Management](#), in [Chapter 3, Power, Reset, and Clock Management](#).

Manual control, EP type: When incoming transactions are not memory-type (e.g.: IO type), the master is capable of issuing transactions while the automatic out-of-standby conditions above are not met.

NOTE: In the EP, non-memory type transaction cases, it is the user software responsibility to manually force the master out of standby via setting the bit [PCIECTRL_TI_CONF_SYSCONFIG\[5:4\] STANDBYMODE = 0x1](#), that means - "No-Standby", before the first transaction, and to return it to automatic mode via setting [PCIECTRL_TI_CONF_SYSCONFIG\[5:4\] STANDBYMODE = 0x2](#), that means - "Smart-Standby" after the last transaction.

For instance, an EP shall have to monitor the ISE (IO space enable) bit and the link status, and set the [PCIECTRL_TI_CONF_SYSCONFIG \[5:4\] STANDBYMODE](#) bitfield accordingly if EP is configured to have an IO BAR.

24.9.4.5.2.2 PCIe Controller Slave Idle/Disconnect Behavior

As a target of the device L3_MAIN bus (with target being the PCIe controller slave port on L3_MAIN respectively), the controller supports the "Idle" protocol. The behaviour of that interface can be configured in the PCIeSS controller wrapper register - [PCIECTRL_TI_CONF_SYSCONFIG\[3:2\] IDLEMODE](#) bitfield.

Additionally, the slave port clock management supports a disconnect protocol which is controlled automatically.

The idle transition of the PCIe controller is strictly synchronized to PIPE clock. The PRCM places the PCIe controller to an "Idle state" before PCIePCS generated PIPE clock is stopped due to some reason: g.h. PCIe PHY low power transition with gating local PLL clocks, the APLL_PcIE clock or gating PCIeREF_DPLL clock. The IDLE state is automatically maintained by PRCM during periods in which PIPE clock is stopped.

PCIe controller transitions to IDLE initiated by the system PRCM are strictly synchronized with the PCIe operational state. The PRCM allows the PCIe controller to be brought out of "IDLE" state, only if the generation of the PIPE clock is enabled by configuring the high-frequency PLL (source of the PIPE clock) and the 100 MHz PCIe reference clock scheme (source of the high-frequency clock). For more details on the PCIe PLL and PHY related clocks, refer to the [Section 26.4, PCIe Shared PHY Subsystem](#) in the chapter, *Shared PHY Component Subsystems*.

CAUTION

All accesses to the device PCIe controller on its slave port, namely to the local target configuration PL/PCIe standard/wrapper registers or to the PCIe bus, require the PIPE clock to be running. The presence of the PCIe interface clock - PCIE_L3_GICLK is not sufficient to perform such accesses.

24.9.4.5.2.2.1 PCle Controller Idle Sequence During D3cold/L3 State

When the link of a RC enters L3 mode, the PIPE interface must go to P2 mode for power saving. The PCle controller maintains the PIPE interface in P1 mode (PIPE clock running) and the internal registers accessible until the system requests entry into "Idle", and only then transition to P2: it is the device PRCM responsibility to Idle the module ([PCIECTRL_TI_CONF_SYSCONFIG \[3:2\] IDLEMODE](#) set to 0x2 - *Smart Idle mode* should be selected), in order to reach a low-power state. Transitioning to "P2", stops the PIPE clock and makes the register inaccessible, which in turn corresponds to an "IDLED" and disconnected from L3_MAIN PCle slave port.

NOTE: The "L3" state can only be exited when the RC re-enabling the Vmain power supply, and reconfiguring all PCle registers from scratch: In both EP and RC cases, the system should detect Vmain power assertion, apply a fundamental reset, then bring the module out of "IDLE" and restart the link normally. All registers are reset.

24.9.4.6 PCle Controller Interrupt Requests

In the rest of this section, and for clarity:

- **"Interrupts"** refer by default to the virtual interrupt lines emulated by the PCle protocol using either the PCI legacy or PCle Message-Signaled Interrupts (MSI) methods, and used for non-PCle purposes by the system.
- **"Hardware interrupts"** refer to the actual interrupt signals coming out of the current PCle controller, and used to manage various events of the PCle protocol, including PCI interrupts.

Each PCle controller has two **hardware interrupt lines** described in [Table 24-681](#) and [Table 24-683](#), which are level-sensitive. PCle pulse interrupts are unsupported in the device.

The main HW interrupt line - PCle_SS1_IRQ_INT0/PCle_SS2_IRQ_INT0 receives all interrupt events related to the control of the PCle operation, including power management and errors.

The MSI HW interrupt line - PCle_SS1_IRQ_INT1/PCle_SS2_IRQ_INT1 receives all interrupt events propagated by a remote EP over the PCle interface, for specific (non-PCle) applicative purposes, in conjunction with the PCle transactions. This includes the legacy interrupts (INTx) as well as the Message Signaled Interrupts (MSI) proper, as defined by the PCle standard.

NOTE: MSI-X is unsupported by PCle controller.

The difference between the two hardware interrupt types - "main" and "MSI" is that the main interrupt events are used by the PCle interface, whereas the MSI interrupt uses the PCle interface.

NOTE: Incoming MSI events only exist in RC mode when MSI events are received over the PCle wire. In EP mode, other mechanisms allow controller to generate (transmit) of the same type of interrupt events onto the PCle bus.

The main interrupt events are further divided into PCI management and error events. The MSI interrupts are divided into legacy and MSI proper. Each of these four categories of events is described in [Section 24.9.4.6.1](#) and [Section 24.9.4.6.2.2](#).

24.9.4.6.1 PCle Controller Main Hardware Management

24.9.4.6.1.1 PCle Management Interrupt Events

The events described here trigger the main interrupt line. Each status bit is set to one by a specific PCle event, and must be cleared by the local SW.

CFG_MSE_EVT: (EP mode) PCle controller's Memory Space Enable (MSE) config bit has been set by the RC software - written to 1 by a configuration write. This notifies the local EP that incoming memory-type PCle transactions may now target the local function, over the AXI master port.

CFG_BME_EVT: (EP mode) PCIe controller's Bus Master Enable (BME) config bit has been set by the RC software - written to 1 by a configuration write. This allows the local EP to initiate (outgoing) PCIe transactions, over the AXI slave's outbound window.

LINK_UP_EVT: Link layer has successfully booted and reached L0active state. Data can be transmitted and received over the PCIe wire.

LINK_REQ_RST: Link-down reset was triggered (by link-down condition). Non-sticky bits have been reset.

PM_PME: (RC mode) PCIe controller has received a power management event PM message on its PCIe downstream port, requesting wakeup.

PME_TO_ACK: (RC mode) PCIe controller has received a Turn-Off Acknowledge PM message on its PCIe downstream port, acknowledging a previously transmitted turnoff message (PME_Turn_Off).

PME_TURN_OFF: (EP mode) PCIe controller has received a Turn-Off PM message on its PCIe upstream port, requesting an acknowledge (PME_TO_Ack) and the transition of the link to L2/L3

24.9.4.6.1.2 PCIe Error Interrupt Events

The events described here trigger the main interrupt line.

ERR_COR: (RC mode) Correctable Error message received on PCIe downstream port.

ERR_NONFATAL: (RC mode) Uncorrectable Error message received on PCIe downstream port.

ERR_FATAL: (RC mode) Fatal Error message received on PCIe downstream port.

ERR_SYS: (RC mode) Either of the three error messages above (correctable, non-fatal, fatal) was reported and enabled in the root control register.

ERR_ECRC: End-to-end CRC error detected.

ERR_AXI: AXI slave error caused by response table overflow. This error is not supposed to happen.

24.9.4.6.1.3 Summary of PCIe Controller Main Hardware Interrupt Events

Table 24-681 describes the events, related to control of the PCIe interface operation itself, including power management, reset and error handling, that trigger the "main" hardware interrupt line.

Table 24-681. PCIe Main Hardware Interrupt Events Summary

Event Status and Clear	Interrupt Enable	Interrupt Disable	Mapping	Description
PCIECTRL_TI_CONF_IRQSTA TUS_MAIN[14] CFG_MSE_EVT	PCIECTRL_TI_CONF_IRQEN ABLE_SET_MAIN[14] CFG_MSE_EVT_EN	PCIECTRL_TI_CONF_IRQEN ABLE_CLR_MAIN[14] CFG_MSE_EVT_EN	PCIe_SS1_IRQ_INT0 PCIe_SS2_IRQ_INT0	CFG "Memory Space Enable" change event
PCIECTRL_TI_CONF_IRQSTA TUS_MAIN[13] CFG_BME_EVT	PCIECTRL_TI_CONF_IRQEN ABLE_SET_MAIN[13] CFG_BME_EVT_EN	PCIECTRL_TI_CONF_IRQEN ABLE_CLR_MAIN[13] CFG_BME_EVT_EN	PCIe_SS1_IRQ_INT0 PCIe_SS2_IRQ_INT0	CFG "Bus Master Enable" change event
PCIECTRL_TI_CONF_IRQSTA TUS_MAIN[12] LINK_UP_EVT	PCIECTRL_TI_CONF_IRQEN ABLE_SET_MAIN[12] LINK_UP_EVT_EN	PCIECTRL_TI_CONF_IRQEN ABLE_CLR_MAIN[12] LINK_UP_EVT_EN	PCIe_SS1_IRQ_INT0 PCIe_SS2_IRQ_INT0	"Link-up state change" event
PCIECTRL_TI_CONF_IRQSTA TUS_MAIN[11] LINK_REQ_RST	PCIECTRL_TI_CONF_IRQEN ABLE_SET_MAIN[11] LINK_REQ_RST_EN	PCIECTRL_TI_CONF_IRQEN ABLE_CLR_MAIN[11] LINK_REQ_RST_EN	PCIe_SS1_IRQ_INT0 PCIe_SS2_IRQ_INT0	"Link Request Reset" event
PCIECTRL_TI_CONF_IRQSTA TUS_MAIN[10] PM_PME	PCIECTRL_TI_CONF_IRQEN ABLE_SET_MAIN[10] PM_PME_EN	PCIECTRL_TI_CONF_IRQEN ABLE_CLR_MAIN[10] PM_PME_EN	PCIe_SS1_IRQ_INT0 PCIe_SS2_IRQ_INT0	"Power Management PME message received" event
PCIECTRL_TI_CONF_IRQSTA TUS_MAIN[9] PM_TO_ACK	PCIECTRL_TI_CONF_IRQEN ABLE_SET_MAIN[9] PM_TO_ACK_EN	PCIECTRL_TI_CONF_IRQEN ABLE_CLR_MAIN[9] PM_TO_ACK_EN	PCIe_SS1_IRQ_INT0 PCIe_SS2_IRQ_INT0	"Power Management acknowledge" event
PCIECTRL_TI_CONF_IRQSTA TUS_MAIN[8] PM_TURNOFF	PCIECTRL_TI_CONF_IRQEN ABLE_SET_MAIN[8] PM_TURNOFF_EN	PCIECTRL_TI_CONF_IRQEN ABLE_CLR_MAIN[8] PM_TURNOFF_EN	PCIe_SS1_IRQ_INT0 PCIe_SS2_IRQ_INT0	"Power Management Turn-off" event
PCIECTRL_TI_CONF_IRQSTA TUS_MAIN[5] ERR_AER	PCIECTRL_TI_CONF_IRQEN ABLE_SET_MAIN[5] ERR_AER_EN	PCIECTRL_TI_CONF_IRQEN ABLE_CLR_MAIN[5] ERR_AER_EN	PCIe_SS1_IRQ_INT0 PCIe_SS2_IRQ_INT0	"ECRC Error" event

Table 24-681. PCIe Main Hardware Interrupt Events Summary (continued)

Event Status and Clear	Interrupt Enable	Interrupt Disable	Mapping	Description
PCIECTRL_TI_CONF_IRQSTATUS_MAIN[4] ERR_AXI	PCIECTRL_TI_CONF_IRQENABLE_SET_MAIN[4] ERR_AXI_EN	PCIECTRL_TI_CONF_IRQENABLE_CLR_MAIN[4] ERR_AXI_EN	PCIe_SS1_IRQ_INT0 PCIe_SS2_IRQ_INT0	"AXI tag lookup fatal error" event
PCIECTRL_TI_CONF_IRQSTATUS_MAIN[3] ERR_COR	PCIECTRL_TI_CONF_IRQENABLE_SET_MAIN[3] ERR_CORR_EN	PCIECTRL_TI_CONF_IRQENABLE_CLR_MAIN[3] ERR_CORR_EN	PCIe_SS1_IRQ_INT0 PCIe_SS2_IRQ_INT0	"Correctable Error" event
PCIECTRL_TI_CONF_IRQSTATUS_MAIN[2] ERR_NONFATAL	PCIECTRL_TI_CONF_IRQENABLE_SET_MAIN[2] ERR_NONFATAL_EN	PCIECTRL_TI_CONF_IRQENABLE_CLR_MAIN[2] ERR_NONFATAL_EN	PCIe_SS1_IRQ_INT0 PCIe_SS2_IRQ_INT0	"Non-Fatal Error" event
PCIECTRL_TI_CONF_IRQSTATUS_MAIN[1] ERR_FATAL	PCIECTRL_TI_CONF_IRQENABLE_SET_MAIN[1] ERR_FATAL_EN	PCIECTRL_TI_CONF_IRQENABLE_CLR_MAIN[1] ERR_FATAL_EN	PCIe_SS1_IRQ_INT0 PCIe_SS2_IRQ_INT0	"Fatal Error" event
PCIECTRL_TI_CONF_IRQSTATUS_MAIN[0] ERR_SYS	PCIECTRL_TI_CONF_IRQENABLE_SET_MAIN[0] ERR_SYS_EN	PCIECTRL_TI_CONF_IRQENABLE_CLR_MAIN[0] ERR_SYS_EN	PCIe_SS1_IRQ_INT0 PCIe_SS2_IRQ_INT0	"System Error" event

NOTE: While the [PCIECTRL_TI_CONF_IRQSTATUS_MAIN](#) register is updated only if corresponding interrupt is enabled in the [PCIECTRL_TI_CONF_IRQENABLE_SET_MAIN](#) register, the [PCIECTRL_TI_CONF_IRQSTATUS_RAW_MAIN](#) register always provides the Legacy/MSI event status regardless of an interrupt being enabled or disabled in the [PCIECTRL_TI_CONF_IRQENABLE_SET_MAIN](#) register.

24.9.4.6.2 PCIe Controller Legacy and MSI Virtual Interrupts Management

The PCIe protocol uses TLPs to create "virtual" interrupt lines across the PCIe fabric. Interrupts do not constitute a separate transaction type like Mem, Cfg, I/O, and so forth, but reuse the existing types.

24.9.4.6.2.1 Legacy PCI Interrupts (INTx)

Legacy PCI interrupts are supported over PCIe by dedicated message codes (posted-write in Msg space) that flag the assertion or deassertion of one of four "virtual" interrupt lines (or pins): INTA, INTB, INTC, INTD. They can only be sent by EPs, and routed to/received by the RC.

PCIe controller supports single-function mode and can send only INTA when configured as EP.

NOTE: Use of legacy PCI interrupt is exclusive with use of MSI (defined in [Section 24.9.4.6.2.1.2](#)). MSI should be the preferred method whenever possible.

24.9.4.6.2.1.1 Legacy PCI Interrupt Events Overview

Legacy INTx (with x= A/B/C/D) are interrupt events inherited from PCI, where each was implemented on a physical bus wire. The RC can allocate each line to a given EP function, which is then allowed to assert/deassert that line (and only that line). PCI legacy interrupt events are mapped on the MSI interrupt line of PCIe controller. For more details, refer to [Section 24.9.4.6.2.1.2](#) and [Section 24.9.4.6.2.1.3](#).

The controller HW shall both set and clear the IRQ status bit according to the assert and deassert messages received over the PCIe wire, respectively. In other words, the legacy interrupt status bit do not need to be cleared by the local software after processing.

Typical legacy interrupt service routine (ISR) on the RC-configured PCIe controller is:

- Remote EP function transmits an "assert INTx" message. Value of x (within A/B/C/D) was previously assigned by the RC software using configuration accesses.
- "assert INTx" message is routed up the PCIe topology to the RC (local controller)
- [PCIECTRL_TI_CONF_IRQSTATUS_MSI](#) status bit INTx goes to 1
- MSI interrupt line is asserted
- software reads [PCIECTRL_TI_CONF_IRQSTATUS_MSI](#) status register. The asserted bit (A,B,C,D)

allows to determine the EP function that generated the event.

- software accesses this EP function over PCIe to process the interrupt: ad-hoc service routine
- As a result of the processing, remote EP function transmits the “deassert INTx” message
- software clears the [PCIECTRL_TI_CONF_IRQSTATUS_MSI](#) status bit INTx to 0.
- MSI interrupt line is deasserted, assuming there is no other asserted event.

24.9.4.6.2.1.2 Legacy PCI Interrupt Transmission (EP mode only)

Writing 0b1 to TI wrapper register [PCIECTRL_TI_CONF_INTX_ASSERT\[0\]](#) ASSERT_F0 bit sends an ASSERT message on the “interrupt pin” specified in the config header space.

Writing 0b1 to TI wrapper register [PCIECTRL_TI_CONF_INTX_DEASSERT\[0\]](#) DEASSERT_F0 bit will send a DEASSERT message on the “interrupt pin” specified in the config header space.

A status of the virtual “interrupt line” is available by reading out either bitfield.

NOTE: This status is just a local record of the last message sent, it is not the result of any feedback from the PCIe fabric, since messages are posted, no response is generated. For that reason, the PCIe protocol does not guarantee the coherence between assertion and deassertion INTx messages, that means that it’s up to the application to ensure that the INTx assertion has been seen by the RC before sending the deassertion, and vice versa.

CAUTION

The operations above should only be used when in EP mode, and will produce undefined results if applied to an RC-configured controller.

24.9.4.6.2.1.3 Legacy PCI Interrupt Reception (RC mode only)

The reception of either of the 8 INTx message codes (ASSERT/DEASSERT of INTA/B/C/D) shall assert/deassert the corresponding HW interrupt event in status register:

- [PCIECTRL_TI_CONF_IRQSTATUS_MSI\[0\]](#) INTA
- [PCIECTRL_TI_CONF_IRQSTATUS_MSI\[1\]](#) INTB
- [PCIECTRL_TI_CONF_IRQSTATUS_MSI\[2\]](#) INTC
- [PCIECTRL_TI_CONF_IRQSTATUS_MSI\[3\]](#) INTD

This implies that the status of an asserted event does not need to be cleared locally (by software writing 1 to the [PCIECTRL_TI_CONF_IRQENABLE_CLR_MSI\[n\]](#) INTx_EN bit, where n=0 to 3 and x=A, B, C, D, respectively) as it is expected to be cleared remotely over PCIe, by the EP function.

NOTE: The RC does not keep track of the INTx requester, even though the information is available in the incoming TLP’s RequesterID: each legacy interrupt is expected to be used by only one EP function, known a priori by the RC.

When messages are posted, there is no response generated by the RC.

INTx messages can only be received (and the corresponding HW interrupts asserted) when in RC mode.

NOTE: The HW interrupts have to be maintained disabled when in EP mode.

24.9.4.6.2.2 PCIe Controller Message Signaled Interrupts (MSI)

Message Signal Interrupts are the preferred option to map interrupt over PCIe. It allows up to 32 interrupt vectors/events to be triggered by each EP function. MSI interrupts are implemented memory-space (posted) writes, 1-DWORD long. They should only be sent by EPs to the RC.

NOTE: While legacy PCI interrupts are mapped onto PCIe messages (Msg), the Message Signaled Interrupts are mapped onto PCIe memory writes (MWr), not onto messages.

Use of MSI is exclusive with use of legacy PCI interrupts (defined above).

An MSI is a memory (posted) write done by an EP to a mailbox in the RC. The data size is always 32 bit, the address and the data are programmed by the RC during PCIe enumeration, into the EP function's MSI capability descriptor (in the EP function's PCI config space).

Like legacy PCI interrupts, MSI does pass any status information to the RC, other than the interrupt vector (event) itself: the data payload of the write access is used exclusively to identify the interrupt's requester and its vector. The exchange of status information is outside the scope of MSI.

NOTE: Unlike the legacy PCI interrupts, MSI does not emulate an interrupt "level" that is either high or low, gets asserted or deasserted. Each MSI interrupt vector corresponds to a univocal event, that does not get "cleared" later on.

NOTE: The device integrated PCIe controller does not support extended MSI-X message signaled interrupts.

24.9.4.6.2.2.1 PCIe Specific MSI Interrupt Event Overview

MSI are interrupts designed specifically for PCIe, unlike the legacy PCI events seen in the [Section 24.9.4.6.2.1](#). They are mapped on the MSI interrupt line of PCIe controller, using a single status bit in the [PCIECTRL_TI_CONF_IRQSTATUS_MSI](#) register. The "MSI controller" decodes and records each received MSI write as a specific "vector" coming from a specific EP function. Each application assigns a dedicated meaning to a given vector. Each function can use up to 32 vectors, as configured by the RC. MSI vectors can only be "asserted" by the EP function, unlike PCI legacy events that can be asserted and deasserted. In other words, the local software has to "clear" the asserted vector before it can be reused.

The [PCIECTRL_TI_CONF_IRQSTATUS_MSI](#) status bit MSI must remain set as long as a vector is still set. Once the last vector has been cleared, the MSI bit must be cleared by software.

See also [Section 24.9.4.6.2.2.3](#).

Typical MSI interrupt service routine on the RC-configured PCIe controller:

1. Software reads [PCIECTRL_TI_CONF_IRQSTATUS_MSI](#) status register, and identifies an (unspecified) MSI event, as opposed to a PCI legacy event.
2. Software clears [PCIECTRL_TI_CONF_IRQSTATUS_MSI\[4\]](#) MSI.
3. Software reads [PCIECTRL_PL_MSI_CTRL_INT_STATUS_N](#) and identifies EP functions that raised MSI.
4. Software clears [PCIECTRL_PL_MSI_CTRL_INT_STATUS_N](#) status bit.
5. Software calls the EP function specific interrupt handlers for each of the vectors.
6. Repeat steps 3 to 5 until [PCIECTRL_PL_MSI_CTRL_INT_STATUS_N](#) reads 0.
7. Exit MSI IRQ handler, only if [PCIECTRL_PL_MSI_CTRL_INT_STATUS_N](#) is 0.

24.9.4.6.2.2.2 PCIe Controller MSI Transmission Methods (EP mode)

There are two methods for MSI transmission: hardware and software. MSI transmission applies only to EP configured local PCIe system.

24.9.4.6.2.2.2.1 PCIe Controller MSI transmission, hardware method

The device PCIe controller (EP) transmits an MSI by writing 0b1 to the TI config wrapper register [PCIECTRL_TI_CONF_MSI_XMT\[0\]](#) MSI_REQ_GRANT bit. The other fields indicate function number, TC, vector, for the MSI. The address, data (potentially modulated by the vector) are automatically extracted from the EP function's MSI capability descriptor, previously programmed by the remote RC during enumeration.

For status, [PCIECTRL_TI_CONF_MSI_XMT\[0\]](#) MSI_REQ_GRANT can be polled. The bit remains HIGH (0b1) following a request (write to 0b1) and goes back LOW (0b0) once the MSI transmit request has been granted.

NOTE: Bit [PCIECTRL_TI_CONF_MSI_XMT\[0\]](#) MSI_REQ_GRANT reflects only the PCIe local status, that is a confirmation that the MSI has been transmitted. Since the MSI is a posted write, there is no way for the EP to ensure that it has been correctly received by the RC.

24.9.4.6.2.2.2.2 PCIe Controller MSI transmission, software method

Alternatively, an MSI can also be sent as a SW-composed memory write (MWr). MSI address and data shall be taken from the local EP function's MSI capability descriptor, where they were programmed by the RC at enumeration, along with the "multiple message enabling". If more than one vector is enabled, MSI data can be modulated accordingly. Furthermore, the transaction shall match the mandatory characteristics of an MSI MWr access, as follows :

- Header attribute bits ATTR = 2'b00 (no snoop = 0, relaxed ordering = 0)
- 1 DWORD long
- First byte enable: 0b0000
- Last byte enable: 0b0011 (16 bits of data)

Such a SW-generated MSI can be scheduled at the end of a series of memory transactions (MRd/MWr), with the PCI transaction ordering rules guaranteeing that the MSI will not overtake the other transactions.

24.9.4.6.2.2.3 PCIe Controller MSI Reception (RC mode)

Unlike legacy PCI interrupts, MSI must be configured by the RC in each function before use. Depending on its reception capacities, the RC can enable between 1 and 32 vectors (individual events) per MSI-enabled EP function.

The current RC implementation supports MSI reception for up to 8 different EP functions, with up to the protocol's maximum (32) vectors a piece, all mapped to a single MSI address. MSI reception is handled by the "MSI controller" though non-standard "port logic" (PL) registers (mapped in the PCI config space): For more details see the PCIe controller port logic associated [PCIECTRL_PL_MSI_CTRL_x](#) registers in the [Section 24.9.7.5.1](#).

The reception of MSI implicitly requires the MSI mailbox address (in PCI memory space) to be routed to the RC: refer to [Section 24.9.4.7, PCIe Controller Address Spaces and Address Translation](#) for that. The MSI address (32-bit or 64-bit) is programmed in dedicated PCIe PL registers.

The MSI message data (MWr DWORD) is encoded as follows for the current RC. This encoding shall be used by the RC to configure the remote EP discovered at enumeration.

Table 24-682. MSI Message Data Encoding (RC)

Bit range	Size	Value	Comment
31:16	16	0x0000	Reserved as per PCI standard
15:8	8	0x00	Unused, always zero
7:5	3	0 to 7	Identifier of EP function in MSI controller (8 possible values)
4:0	5	0 to 31	Interrupt vector for the EP (32 possible values)

An inbound access recognized as MSI is terminated inside the controller, and does not appear on the PCIe controller's master port like other inbound memory writes in the same range.

24.9.4.6.3 PCIe Controller MSI Hardware Interrupt Events

Table 24-683 describes the events, related to non-PCIe interrupts (PCI legacy and PCIe MSI interrupts), which trigger the "MSI" hardware interrupt line.

Table 24-683. MSI Hardware Interrupt Events Summary

Event Status and Clear ⁽¹⁾	Interrupt Enable Bit	Interrupt Disable Bit	Mapping	Description
PCIECTRL_TI_CONF_IRQSTATUS_MSI[0] INTA	PCIECTRL_TI_CONF_IRQENABLE_SET_MSI[0] INTA_EN	PCIECTRL_TI_CONF_IRQENABLE_CLR_MSI[0] INTA_EN	PCIe_SS1_IRQ_INT1 PCIe_SS2_IRQ_INT1	Legacy interrupt caused by EP sending inband
PCIECTRL_TI_CONF_IRQSTATUS_MSI[1] INTB	PCIECTRL_TI_CONF_IRQENABLE_SET_MSI[1] INTB_EN	PCIECTRL_TI_CONF_IRQENABLE_CLR_MSI[1] INTB_EN	PCIe_SS1_IRQ_INT1 PCIe_SS2_IRQ_INT1	ASSERT/DEASSERT event on virtually emulated by PCIe pin INTA.
PCIECTRL_TI_CONF_IRQSTATUS_MSI[2] INTC	PCIECTRL_TI_CONF_IRQENABLE_SET_MSI[2] INTC_EN	PCIECTRL_TI_CONF_IRQENABLE_CLR_MSI[2] INTC_EN	PCIe_SS1_IRQ_INT1 PCIe_SS2_IRQ_INT1	Typically set and cleared by the remote EP, without local software intervention.
PCIECTRL_TI_CONF_IRQSTATUS_MSI[3] INTD	PCIECTRL_TI_CONF_IRQENABLE_SET_MSI[3] INTD_EN	PCIECTRL_TI_CONF_IRQENABLE_CLR_MSI[3] INTD_EN	PCIe_SS1_IRQ_INT1 PCIe_SS2_IRQ_INT1	
PCIECTRL_TI_CONF_IRQSTATUS_MSI[4] MSI	PCIECTRL_TI_CONF_IRQENABLE_SET_MSI[4] MSI_EN	PCIECTRL_TI_CONF_IRQENABLE_CLR_MSI[4] MSI_EN	PCIe_SS1_IRQ_INT1 PCIe_SS2_IRQ_INT1	MSI interrupt status. It is cleared by clearing all vectors in the MSI controller (PL) registers.

⁽¹⁾ The MSI hardware interrupts have to be maintained disabled when in EP mode.

NOTE: While the [PCIECTRL_TI_CONF_IRQSTATUS_MSI](#) register is updated only if corresponding interrupt is enabled in the [PCIECTRL_TI_CONF_IRQENABLE_SET_MSI](#) register, the [PCIECTRL_TI_CONF_IRQSTATUS_RAW_MSI](#) register always provides the Legacy/MSI event status regardless of an interrupt being enabled or disabled in the [PCIECTRL_TI_CONF_IRQENABLE_SET_MSI](#) register.

24.9.4.7 PCIe Controller Address Spaces and Address Translation

The PCIe controller acts as a general-purpose bridge between the device local PCIe system and the PCIe fabric. Both are address-based mappings, and the bridging requires address translation between the different spaces.

The [Table 24-684](#) lists the memory-mapped spaces interconnected by each of the PCIe_SS1 and PCIe_SS2 controllers. For each address space (row), the local PCIe subsystem (including the PCIe core) provides "entry points" (4th column) to inject transactions into the specified space, and "exit points" (5th column) to receive transactions from the specified space.

Table 24-684. PCIe_SS Address Space Map

Space name	Address width	Size (bytes)	Entry point	Exit point	Comments
Device L3_MAIN memory space visible through PCIe controller's master port	32-bit	4 GiB	iATU IBR output	device system RAM, miscellaneous modules	Accessed over PCIe controller initiator (master) port; Includes the outbound window below.
PCIe_SS controller outbound window in device	28-bit	256 MiB	Device CPU hosts (MPU, DSPs, and so forth) of PCIe subsystem on device L3_MAIN interconnect	iATU OBR input	Mapped within PCIe controller target (slave) port, the outbound window is itself remapped within the device L3_MAIN memory space (256 MiB sized region).
PCIe memory space	32-bit/64-bit ⁽¹⁾	4 GiB/16 EiB	ATU OBR output (mem mode)	ATU IBR input (mem mode)	Contains all memory BARs

⁽¹⁾ Regarding the PCIe address space shared between all devices identified on the PCIe fabric, the local PCIe controller OBR iATU output generates a 32-bit address (it addresses a total of 4 GiB external PCIe space), while the IBR iATU input receives accesses from within a total of 16 ExaBytes of external PCIe space (a 64-bit address).

Table 24-684. PCIe_SS Address Space Map (continued)

Space name	Address width	Size (bytes)	Entry point	Exit point	Comments
PCIe I/O space	32-bit	4 GiB	ATU OBR output (I/O mode)	ATU IBR input (I/O mode)	Contains all I/O BARs
PCIe config space (ECAM)	28-bit	256 MiB	ATU OBR output (configuration mode)	Configuration registers inside PCIe controller	Contains the PCIe-standard configuration spaces for EP functions (a 4 KiB- descriptor per function).

By definition, an iATU (Address Translation Unit) has an input (the space the access originates from) and an output (the space the access is headed for), with the required address translation taking place in the middle. An iATU inbound region (IBR) routes from PCIe (input) to device L3_MAIN space (output), an iATU outbound region (OBR) routes from the L3_MAIN space (input) to the PCIe (output).

[Table 24-685](#) summarizes the action of the different ATU regions. It contains the same information as the table above, organized differently. Note that inbound regions are not required to managed incoming configuration accesses, which are completed automatically by the PCIe controller hardware.

PCIe controller core outbound and inbound ATUs define:

- 16 outbound iATU regions
- 4 inbound iATU regions

Table 24-685. Address Translation Unit Region Access Summary

ATU region direction	ATU region type	Source space	Destination space
Outbound (OBR)	Memory	PCIe controller outbound window	PCIe memory space
Inbound (IBR)	Memory	PCIe memory space	Device PCIe subsystem space
Outbound (OBR)	I/O	PCIe controller outbound window	PCIe I/O space
Inbound (IBR)	I/O	PCIe I/O space	Device PCIe subsystem space
Outbound (OBR)	Configuration	PCIe controller outbound window	PCIe Cfg space

In a read/write access to an iATU outbound region (input), which is mapped in the PCIe controller target's 256 MiB-wide outbound window, do not confuse:

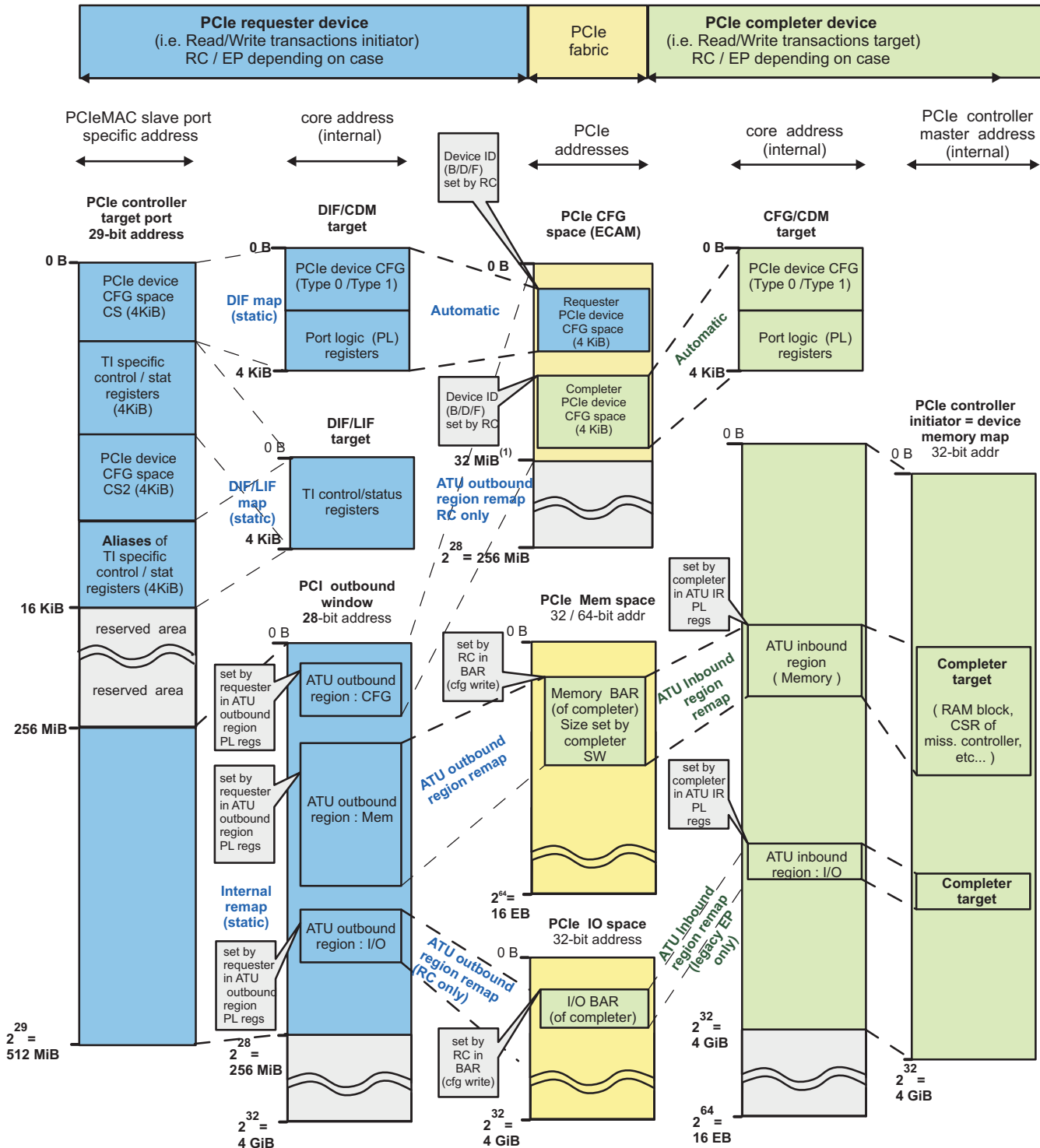
- Physical address accessed in the device L3_MAIN address space - 4 GiB
- Physical address within the PCIe_SS1/PCIe_SS2 controller target (slave) port:
 - PCIe outbound window - Cfg ; Memory and I/O space accessible within (0x2000_0000 - 0x2FFF_FFFF)/(0x3000_0000 - 0x3FFF_FFFF)
 - PCIe controller local configuration/status registers accessible within (0x5100_0000 - 0x517F_FFFF)/(0x5180_0000 - 0x51FF_FFFF)
- Address offset within the outbound window (0 - 256 MiB)

CAUTION

In the calculation of an ATU outbound region translation, the input is the address offset within the outbound window, ranging from 0x0000_0000 (0 bytes) to 0x0FFF_FFFC (256 MiB – 4 Bytes), they are the third and last address type in the list above.

PCI express is an interconnect that propagates read/write accesses from/to systems beyond the local device PCIe subsystem. The figure below shows such a link, where the transaction initiator (PCIe requester device, on the left) and the transaction target (PCIe completer device, on the right) are two instances of the PCIe controller subsystem, connected over the PCI express fabric (in the middle). The physical routing of the transaction over the PCIe topology (through switches) is implicit and transparent for addresses. A simplified chain of address translation is represented for each PCIe transaction type (Configuration, Memory or IO).

Figure 24-169. PCIe Core to PCIe Core Address Mapping and Translation



Note(1): The EP PCIe CFG space (EP function descriptors) occupies 32 MiB of the whole 256 MiB Outbound window. This because only a single EP function (#0) is implemented out of 8 possible. pcie_ctrl-004

NOTE: There is a difference between requester/completer and RC/EP relationships, an EP device can be either the requester or the completer in a memory transaction.

24.9.4.8 PCIe Traffic Requesting and Responding

The PCIe wire can carry several types of packet-based traffic. The current chapter details how the current controller can be requester and completer of each type:

- **Requester:** initiates and transmits an outbound request, receives a response if required by (non-posted) request type.
- **Completer:** receives and processes an inbound request, generates and transmits a response if required by (non-posted) request type.

24.9.4.8.1 PCIe Memory-type (Mem) Traffic Management

The bulk of PCIe traffic is expected to take place in the memory (MEM) space, making use of large TLP/large L3_MAIN interface bursts.

Before PCI activity starts, one or several BAR of each device (EP function or RC) shall be initialized in Memory mode, as described in the [Section 24.9.4.9.3, Base Address Registers \(BAR\) Initialization](#).

The following fields shall be set, using (CS) access (they are RO over PCI) :

- BARn[0]= "space decoder" shall be set to 0 = MEM space. This is the default setting for all BAR.
- BARn[2:1] = "type" shall be configured to either 32 or 64-bit. In the latter case, BARn+1 above shall contain the 32-bit upper part of the BAR base address.
- BARn[3] = "prefetchable" (P)

The BAR shall be enabled, using (CS2) access to BARn[0]:

- Write 1: BARn is enabled, can be configured by the RC writing to the MSBits of the BARn base address field.
- Write 0: BARn is disabled: register is read-only and return 0 over PCIe.

As part of the standard enumeration process, the RC then maps all the Memory BARs it finds (while discovering the connected EP functions) into the memory address space (32 or 64-bit address), using Cfg accesses over the PCIe wire. Optionally, the RC can also configure its own two BAR, over the DIF interface.

Once that process is complete, memory requests can take place point-to-point, that means that the requests can be initiated by any device (EP or RC) towards any other device function.

24.9.4.8.1.1 PCIe Memory Requesting

An ATU outbound region can then be programmed to remap the desired parts of the memory space (which correspond to BARs on other devices) into the local controller target's outbound window, accessed through the L3_MAIN slave port.

Alternatively, the iATU can be bypassed, and the outgoing access forwarded to the PCIe wire without address translation. In that *pass-through* mode, the PCIe address is equal to the 28 LSBits of the PCIe controller target address, that is, the address offset within the 256 MiB-wide outbound window. This gives access to the lowest 256 MiB of the PCIe memory space, from 0x0 to 0x0FFF_FFFC.

The forwarded PCIe TLPs shall have the following (hardcoded) header field values:

- TYPE = 0 = MRd/ MWr (Memory read or write)
- EP (poisoned bit) = 0 (not poisoned)
- ATTR (Attributes) = 2b01:
 - ATTR[1] = RO (relaxed ordering) = 0
 - ATTR[0] = NS (no snoop) = 1
- TC (traffic class) = 0

Initiators in the device local PCIe subsystem (typically CPUs or DMA) can then access memory space by initiating read/write accesses on the controller's slave port over L3_MAIN, either to the range of an enabled ATU outbound region, for the translated mode (with all TLP fields configurable), or outside any enabled ATU outbound region, for the pass-through mode (with the TLP fields hardcoded as explained above).

24.9.4.8.1.2 PCIe Memory Responding

An ATU inbound region can be programmed in BAR matching mode to remap (part or all of) each memory BAR to the controller's inbound window (this means to translate their address to the memory space of the device chip), and issue them on the PCIe controller's master port towards L3_MAIN. BAR matching mode is expected to be the most common method for an EP. In that mode, the ATU can be set up before enumeration - before the BAR's actual range (offset) is configured by the remote RC.

Alternatively, the ATU inbound region can be programmed in address matching mode. In that case, any access routed to the device (EP or RC) and matching the range specified in the ATU is remapped to the controller's inbound window (this means to translate their address to the memory space of the device), and issued on the master port towards L3_MAIN.

Address matching is the preferred method for an RC, which would route any access outside its base/limit range, as defined in its PCIe standard (Type-1) configuration space, and independently of any BAR so that BAR matching is not possible. In that case, only space not already taken up by a BAR can be used. Note the setup of an address matching iATU inbound region can only be done after enumeration, that is, after the RC has discovered and mapped all enabled Memory BAR of all EP functions to their address.

Finally, in case an incoming access does not match any enabled ATU inbound region (BAR or address matching), the transaction is just passed through untranslated, that is, with the address unchanged and the TLP attributes stripped off. This is not expected to be commonly used.

Incoming memory requests (to the local EP's Memory BAR) shall then cause the master port on L3_MAIN to access a given address range of the local system (potentially the entire 32-bit address range).

24.9.4.8.2 PCIe Configuration Type (Cfg) Traffic Management

Configuration (Cfg) traffic is not symmetrical: it can only be requested by the RC, and completed (in the case of PCIe controller) by the EP. It is used by the RC for the enumeration of the fabric: EP, functions, switches.

NOTE: The RC cannot use configuration traffic over the PCIe wire to access its own 4 KiB configuration space. To do that, it uses DIF accesses (CS) with bit [PCIECTRL_PL_DBI_RO_WR_EN\[0\]](#) CX_DBI_RO_WR_EN = 0b0.

24.9.4.8.2.1 RC Self-configuration (RC Only)

Like any other device on the PCIe fabric, the RC has its own 4-KiB configuration space, where RC local configuration registers are stored.

NOTE: Since the RC configuration registers are programmed by the RC itself, no remote access over the PCIe wire (Cfg TLP) is required. Local DIF accesses (CS) are used instead.

However, some register fields normally defined as read-only by the PCI standard are actually programmable over DIF (see [Section 24.9.4.9.2](#)), which may cause a standard software driver to fail. In that case, the CS-writability of those fields has to be disabled by reprogramming the located in the PCIe controller port logic bit [PCIECTRL_PL_DBI_RO_WR_EN\[0\]](#) CX_DBI_RO_WR_EN to 0b0. Note that this is normally done after CS-writable fields have been configured by the non-standard initialization "firmware", thus making the RC's configuration space PCI compliant.

The [Section 24.9.4.8.2.2](#) and [Section 24.9.4.8.2.3](#) only covers configuration of an EP function by an RC, using actual Configuration TLPs (transport layer packets).

24.9.4.8.2.2 Configuration Requests over PCIe (RC Only)

After coming out of reset, the PCI fabric is enumerated by the RC through configuration (Cfg) transactions to the switches and EP present in the topology. The enumeration process is covered by the PCI and PCIe standards - for more details refer to the PCI Express Base 3.0 Specification, revision 1.0.

Configuration transactions are created by an outbound ATU region set up to translate the PCIe controller slave port accesses into Cfg TLP on the PCIe wire.

- The L3_MAIN interconnect port (read or write) determines the TLP type (CfgRd/CfgWr)
- The data is passed unchanged from the L3_MAIN interconnect to the PCI world (write) and reciprocally (read)
- The entire PCI configuration space can be mapped as a standard, contiguous block, as specified in the **Enhanced Configuration Access Mechanism (ECAM)**. The ATU maps this 256 MiB block at a programmable base address within the controller slave port's 256 MiB "outbound window", using the ATU "Cfg shift" feature.
- The other parameters are programmed beforehand in the ATU's configuration registers (IATU_*)

The (28-bit) address offset within the 256 MiB ECAM block is the concatenation of :

- **Cfg register address** (Offset[11:0] = 12-bit = 4 KiB configuration space per EP function)
- **Function number** (Offset[14:12] = 3 bit = 8 functions per PCIe EP)
- **Device number** (Offset[19:15] = 5 bit = 32 devices per bus, always 0 for PCIe controller itself)
- **Bus number** (Offset[27:20] = 8-bit = 256 busses in the PCIe fabric)
- Total for ECAM: 8 + 5 + 3 + 12 = 28-bit offset, or 256 x 32 x 8 x 4 KiB = 256 MiB

NOTE: The device PCIe controller itself supports only one function in EP mode. On the PCIe fabric, however when in RC mode, the PCIe controller may need to configure up to 8 functions per EP (potentially for all 65536 EPs). Hence the ECAM config. space visible to RC is 256 MiB in size.

A Cfg read access to the Vendor ID register is used by the RC to detect the presence of a function. If that specific read (address 0x000 in the 4-KiB PCI config space) fails with an UR PCIe response (Unsupported Request: no function present), the PCIe controller shall return a correct response to L3_MAIN with data 0xFFFF. This indicates the absence of the function to the application, without triggering an error on L3_MAIN.

24.9.4.8.2.3 Configuration Responding over PCIe (EP Only)

As an EP, the device only expects to receive (and never transmit) configuration transactions, and expects those to be CFG0 and not CFG1.

Incoming Cfg accesses with the appropriate Target ID are automatically routed to the targeted EP function's 4-KiB PCI configuration space, which contains both the PCI standard registers (header, descriptors, extended descriptors, and so forth) and the PL registers. The request read/write complete automatically, with no transaction appearing on the PCIe controller master port. Since Cfg accesses are non-posted, each incoming request shall generate a response.

NOTE: An ATU inbound region is also capable of processing incoming Cfg transactions, and translating them into read/write accesses on the master port towards L3_MAIN. However, this method is not expected to be used, and automatic completion –described above– is expected to be used instead.

24.9.4.8.3 PCIe I/O-type (IO) traffic management

I/O traffic is not symmetrical: it can only be requested by the RC, and responded to by the EP. It is a mostly deprecated feature of PCI, and could be replaced by Memory traffic. However, it is still required by the standard for a PCIe RC. It is supported by the current controller in both RC (requester) and **legacy EP mode (completer)**.

24.9.4.8.3.1 PCIe I/O requesting (RC only)

As part of the standard enumeration process, the RC maps all the I/O BARs it finds (while discovering the connected EP functions) into the 4 GiB I/O address space (32-bit address).

An ATU outbound region shall then be programmed to map a zone of the I/O space into the controller target's outbound window, accessed through the slave port.

Initiators in the RC host (typically a local CPU) can then access I/O space by initiating (1 DWORD) read/write accesses to the ATU region's range on the controller's slave port on L3_MAIN.

NOTE: There is NO specific hardware mechanism to notify the RC that it is allowed to issue I/O requests, since that configuration decision comes from the RC in the first place.

24.9.4.8.3.2 PCIe IO BAR initialization before enumeration (EP only)

Before PCI enumeration, each BAR can be initialized/enabled individually for IO space, using the DIF access (CS or CS2). The size of an enabled IO BAR (that is, the number of writable bits in the base address) is fixed to 256 bytes, that is, a mask of 0xFF that is, the writable BAR base address range for the RC is BARn[31:8], while BARn[7:0] is read-only.

In (CS) access, the BARn[0] "space decoder" field becomes RW and shall be written to 1 = IO space

In (CS2) access, BARn[0] becomes a write-only BAR enable :

- Write '1': BARn is enabled, can be configured by the RC writing to the MSBits of the BARn base address field.
- Write '0': BARn is disabled: register is read-only and return 0x0 over PCIe.

24.9.4.8.3.3 PCIe I/O responding (PCI legacy EP only)

I/O support is permitted only for the "legacy EP" type, that is, EP's side it is required that [PCIECTRL_TI_CONF_DEVICE_TYPE](#)[3:0] TYPE has been preliminary set to 0x1 by EP's local software. Before PCI activity starts, one or several BAR of the EP function shall be enabled in I/O mode, to get enumerated by the RC as per the PCI standard.

An iATU (internal address translation unit) inbound region can be programmed in **BAR matching mode** to map the BAR to the controller's inbound window (that is, translate their address to the memory space of the SoC), and issue them on the PCIe master port towards device L3_MAIN.

BAR matching mode is expected to be the most common method for an EP. In that mode, the iATU can be set up before enumeration, that is, before the BAR's actual range (offset) is configured by the remote RC.

Alternatively, the ATU inbound region could be programmed in address matching mode. However, a valid I/O access coming into an EP is necessarily within a BAR, so BAR matching should be used. Additionally, BAR matching can be configured before enumeration, that is, before the RC has mapped the I/O BAR to their actual address.

Incoming I/O requests to the local EP's IO BAR shall then cause the PCIe master port to access a given address range of the local system (potentially the entire 32-bit address range), in 32-bit read/write accesses.

24.9.4.8.4 PCIe Message-type (Msg) traffic management

Most messages are generated and received automatically by logic in the controller HW, and do not require any specific intervention from the user.

The application can transmitted the following power management messages by writing to the TI configuration wrapper instance [PCIECTRL_TI_CONF_PM_CTRL](#) register:

- [PCIECTRL_TI_CONF_PM_CTRL](#) [0]PME_TURN_OFF: (power management event, turn off) request from RC to turn off, broadcasted downstream.
- [PCIECTRL_TI_CONF_PM_CTRL](#)[1] PM_PME: (power management event): request from EP to wake up, routed upstream towards RC.

No dedicated logic exists in the controller to support vendor-defined messages.

The ATU is capable of generating (outgoing) messages, and receiving (incoming) ones, by translating them from read/write accesses on the PCIe controller slave port, or to read/write accesses on the PCIe controller master port, respectively. However, this functionality is not required for standard PCI operation.

24.9.4.9 PCIe Programming Register Interface

PCI is an memory-mapped, dynamically reconfigurable interconnect protocol, so that the same physical register may be accessed in several different ways. The current chapter targets to describe only the statically-mapped programming registers of the local PCIe controller, accessed over the local AXI slave.

They are composed of:

- **PCIe-standard configuration registers:** by definition accessible over the PCIe wire through the PCIe configuration (and extended configuration - ECAM) space. Those registers are different depending on the selected mode (Type-0: EP or Type1: RC).
- **Port Logic (PL) registers:** non-standard user-accessible registers for additional PCIe functionality. They are also accessible over PCIe wire, in the configuration (ECAM) space.
- **TI-specific control and status registers:** more non-standard registers, accessible only locally. These are associated with the PCIe controller wrapper level functional control and status.

24.9.4.9.1 PCIe Register Access

The [Table 24-686](#) summarizes how the resources of the local controller can be accessed. Note that the rightmost column represent accesses to the PCIe controller hosts system memory.

Table 24-686. Summary of Access Types related to PCIe Controller Local Resources

Access	PCIe standard configuration registers	Port Logic (PL) registers	TI-specific registers	System memory available to PCIe
Local DIF access (over PCIe controller target (slave) port, from device host CPUs and DMAs)	Yes ⁽¹⁾ (CS or CS2)	Yes	Yes	No
Remote PCIe config (Cfg) transaction (over PCIe wire)	EP: Yes ⁽¹⁾ RC: No ⁽²⁾	EP: Yes RC: No ⁽²⁾	No	No
Remote PCIe Memory transaction (over PCIe wire)	No	No	No	Yes (iATU)
Remote PCIe IO transaction (over PCIe wire)	No	No	No	EP: Yes (iATU) RC: No ⁽³⁾

⁽¹⁾ 1. Read and writes to PCIe standard configuration registers (in PCIe config space, address 0x0 to 0x700) will give different results depending on the access method (DIF CS/CS2, PCIe): see .

⁽²⁾ 2. PCIe Cfg transactions can only be issued by the RC (to an EP): A RC cannot receive one.

⁽³⁾ 3. PCIe IO transactions can only be issued by the RC (to an EP): A RC cannot receive one.

24.9.4.9.2 Double Mapping of the PCIe Local Control Registers

Each local programming register is mapped twice inside the controller's local target, with an offset of 0x1000 (4 KiB) between the two mappings.

The "low" mapping is the Data Interface (DIF) chip-select (CS) access. In DIF CS mode, some fields that are read-only (RO) over PCI become writable if PL bit `PCICTRL_PL_DBI_RO_WR_EN[0]` `CX_DBI_RO_WR_EN=0b1` (default). This access is used by the local host (e.g. BIOS) for the initialization of the PCI device, prior to PCI protocol startup (LTSSM enable). Fields and registers that are CS-sensitive are labeled (CS) in the [Section 24.9.7](#).

The "high" mapping is the Data Interface (DIF) chip-select-2 (CS2) access. In DIF CS2 mode, some fields that are read-only (RO) over PCI or in DIF CS mode, become writable if PL bitfield `PCICTRL_PL_DBI_RO_WR_EN[0]` `CX_DBI_RO_WR_EN=0b1` (default). This access is also used by the local host for further initialization of the PCI device. Fields and registers that are CS2-sensitive are labeled (CS2) in the tables below.

- NOTE:** The following important notes on accesses must be considered by user for device PCIe controller:
- If PCIe_SS_PL_CONF instance located bitfield [PCIECTRL_PL_DBI_RO_WR_EN\[0\]](#) CX_DBI_RO_WR_EN is cleared to 0b0, the "CS and CS2-sensitive" fields become read-only (RO) again, that is, they revert to the behaviour defined in the PCI/PCIe standards.
 - The standard PCI configuration registers (header, descriptors, extended descriptors) are the only ones that can change their behaviour in CS and CS2 access.
 - The port logic (PL) registers and the PCIe controller wrapper TI configuration registers are not affected by the CS: for those, the two mappings have the same properties, that is, they are perfect aliases
 - For an RC, which by definition cannot access its own (locally stored) configuration registers over the PCIe wire, the DIF access is the only alternative. The PCIe controller must present a PCI-standard-compliant type-1 configuration space to the RC software driver, that is, with none of the read-only bits actually writable, as follows:
 - the DIF CS access should be used
 - PL bitfield [PCIECTRL_PL_DBI_RO_WR_EN\[0\]](#) CX_DBI_RO_WR_EN should be cleared to 0b0 (after a pre-initialization, if required)

24.9.4.9.3 Base Address Registers (BAR) Initialization

The 6 base address registers ((EP) BAR0 through (EP) BAR5) supported in EP mode (Type0), get discovered and configured by the RC during PCI enumeration, as per the PCIe standard. Via the PCIe ECAM (enhanced configuration access) mechanism the RC maps a remote EP function's BAR registers in 64-bit PCIe memory space and software run on RC access them as the [PCIECTRL_EP_PCIEWIRE_BAR0](#) through [PCIECTRL_EP_PCIEWIRE_BAR5](#) registers. Note that the configuration space of the RC (Type1 registers) also contains two BARs ((RC) BAR0 and (RC) BAR1), but they are not expected to be used.

Before enumeration, BARs can be initialized by the local software, using DIF access (CS or CS2), to modify the properties seen by the RC at enumeration. The following can be configured in each BAR: enabling, IO or memory type, size (mask width). Even BAR numbers (0,2,4) can also be paired with the BAR number above (1,3,5) to create a single, 64-bit address (memory).

- NOTE:** If PCIe_SS_PL_CONF instance located register [PCIECTRL_PL_DBI_RO_WR_EN\[0\]](#) CX_DBI_RO_WR_EN bit is cleared, most BAR fields become read-only again, behaving like in over-the-wire PCI Cfg writes by the RC. Only the BAR base address (MSbits) is still writable. The size/mask, type, and enabling become read-only.

Table 24-687. PCIe Default BAR Configuration

	Enabled ⁽¹⁾	Space ⁽²⁾ BARn[0]	Type ⁽²⁾ BARn[2:1]	Prefetch ⁽²⁾ BARn[3]	Mem Size ⁽¹⁾ (M-bit mask)	I/O Size (M-bit mask)
(EP) BAR0	Yes	Memory (0)	32-bit (2'b00)	Yes (1)	1 MiB (20-bit)	256 Bytes (8-bit)
(EP) BAR1	Yes	Memory (0)	32-bit (2'b00)	Yes (1)	64 KiB (16-bit)	256 Bytes (8-bit)
(EP) BAR2	Yes	Memory (0)	32-bit (2'b00)	Yes (1)	1 MiB (20-bit)	256 Bytes (8-bit)
(EP) BAR3	Yes	Memory (0)	32-bit (2'b00)	Yes (1)	64 KiB (16-bit)	256 Bytes (8-bit)
(EP) BAR4	Yes	Memory (0)	32-bit (2'b00)	Yes (1)	4 KiB (12-bit)	256 Bytes (8-bit)
(EP) BAR5	Yes	Memory (0)	32-bit (2'b00)	Yes (1)	64 KiB (16-bit)	256 Bytes (8-bit)

⁽¹⁾ reprogrammable with DIF (CS2) access

⁽²⁾ reprogrammable with DIF (CS) access

The [Table 24-688](#) and [Table 24-689](#) describe how a memory and IO BAR can be accessed, respectively. A single address of the PCIe config space is accessed for a given BAR, with each line of the table showing a different mode: read vs. write; PCIe Cfg access vs. DIF (CS) access vs. DIF (CS2) access.

"M" is the width of the BAR mask in bits, with 2^M the BAR size in bytes. Bits M and above are writable by the RC over the PCIe wire to set the BAR base address, as follows:

- The value of M for a Memory BAR varies from 4 ($2^4=16$ Byte = minimum size) to 32 ($2^{32} = 4$ GiB for a 32-bit BAR, potentially more for a 64-bit BAR) depending on the BAR and on the configuration.
- The current implementation forces M=8 for an I/O BAR, that is, an IO BAR has a fixed size of $2^8=256$ bytes, the maximum allowed by the PCIe protocol.

Table 24-688. BARn Register Access Methods (Mem BAR)

Method	BAR[31:M] ⁽¹⁾	BAR[M-1:4]	BAR[3]	BAR[2:1]	BAR[0]
PCI read	Base address readout	Read returns zero	Read out "Prefetchable"	Read out "Type"	Read out 0 "space decoder" ⁽²⁾
PCI write	Base address write	No effect (masked = R/O)	No effect	No effect	No effect
CS read	Base address readout	Read returns zero (masked)	Read out "Prefetchable"	Read out "Type"	Read out 0 "space decoder" ⁽²⁾
CS write	Base address write	No effect (masked = R/O)	Write "Prefetchable"	Write "Type"	Write "space decoder" ⁽²⁾
CS2 read	Base address readout	Read returns zero (masked)	Read out "Prefetchable"	Read out "Type"	Read out 0 "space decoder" ⁽²⁾
CS2 write	Write 0 to unmask (Sets M)	Write 1 to mask (Sets M)	Write 1	Write 1	Write "BAR enable"

⁽¹⁾ For M=32, the BAR mask is 32-bit wide, the BAR size is 4 GiB and the column disappears.

⁽²⁾ Space decoder is Memory = 0 in this table.

Table 24-689. BARn Register Access Methods (IO BAR)

Method	BAR[31:8]	BAR[7:2]	BAR[1]	BAR[0]
PCI read	Base address readout	Read returns zero	Read out 0 (reserved bit)	Read out 1 "space decoder" ⁽¹⁾
PCI write	Base address write	No effect (masked = R/O)	No effect	No effect
CS read	Base address readout	Read returns zero (masked)	Read out 0 (reserved bit)	Read out 1 "space decoder" ⁽¹⁾
CS write	Base address write	No effect (masked = R/O)	Write 0 No effect	Write "space decoder" ⁽¹⁾
CS2 read	Base address readout	Read returns zero (masked)	Read out 0 (reserved)	Read out 1 "space decoder" ⁽¹⁾
CS2 write	Write 0. No effect in fixed-sized I/O BAR	Write 1. No effect in fixed-sized I/O BAR	Write 0 No effect	Write "BAR enable"

⁽¹⁾ Space decoder is I/O = 1 in this table.

24.9.5 PCIe Controller Low Level Programming Model

24.9.5.1 Surrounding Modules Global Initialization

This section identifies the requirements for initializing the surrounding modules when the PCIe_SS1 and PCIe_SS2 controllers are used for the first time after a device reset. This initialization of surrounding modules is based on the integration and environment of the PCIe_SS (for more information, see PCIe Controllers Integration and PCIe Controllers Environment). [Table 24-690](#) describes the global initialization of the surrounding modules.

Table 24-690. Global Initialization of the PCIe Surrounding Modules

Surrounding Modules	Comments
PRCM	Module functional and interface clocks must be enabled. (See Section 3.6, Clock Management Functional Description , in Chapter 3, Power, Reset, and Clock Management .)
Control Module	Module configuration must be done in control module. See Section 18.5, CTRL_MODULE_CORE Registers and Table 24-675, PCIe Port Configuration
(Optional) IRQ_CROSSBAR	Interrupt crossbar configuration must be done to map the interrupts from the PCIe Controllers to a certain device processor INTC via the IRQ_CROSSBAR module. For more details on IRQ_CROSSBAR programming, see Section 18.4.6.4, IRQ_CROSSBAR Module Functional Description , in Chapter 18, Control Module .
(Optional) A local INTC	The local interrupt controller must be configured to enable the interrupt once IRQ output is mapped on INTC via the IRQ_CROSSBAR. See Chapter 17, Interrupt Controllers .
L4 and L3_MAIN interconnects	For more information about the interconnect configuration, see Section 14.2.3.2.1, L3_MAIN Interconnect Agents , and Section 14.3.1, L4 Interconnect Overview , in Chapter 14, Interconnects .
(Optional) Device MMU2	For more information on the configuration for routing the PCIe_SS1,2 master port traffic through the device MMU2, see Section 24.9.4.3.1.1 , as well as Chapter 20, Memory Management Units .

NOTE: The interrupt configuration is required when using interrupt communication mode.

24.9.5.2 Main Sequence of PCIe Controllers Initialization

NOTE: This section aims to describe only the basic steps that must be followed by PCIe application software in order for a PCIe RC or EP type device to initialize, establish PCIe connectivity and interact with devices on the PCIe fabric. For this reason, it focuses on settings of the PCIe controllers wrapper registers (and not on PCI/PCIe standard and non-standard (PL) registers), through which PCIe application interacts with PCIe devices.

Table 24-691. Main Sequence PCIe Controller Global Initialization

RC and/or EP Initialization Step ⁽¹⁾	Register/Bit Field/Programming Model	Value
1. Initialize the DPLL_PCIE_REF (clock source, dividers, power dependencies) in PRCM	Refer to Section 26.4.5	
2. Assert a local software main reset to the PCIe_SS1 controllers	PRCM.RM_PCIESS_RSTCTRL[0] RST_LOCAL_PCIE1	0b1
3. Poll main reset completion status for the PCIe_SS1 controllers	PRCM.RM_PCIESS_RSTST[0] RST_LOCAL_PCIE1	=0b1
4. Perform tuning of the PCIe PHY	Refer to Section 26.4.5	
IF: required operation mode for PCIe controller is "RC"	Software Test Condition	
5. Select RC type	PCIECTRL_TI_CONF_DEVICE_TYPE[3:0] TYPE	0x4 (default)
6. Poll to insure a fundamental reset has completed	PCIECTRL_TI_CONF_DEVICE_TYPE[3:0] TYPE	=0x4

⁽¹⁾ Unless a step is not marked as "[EP Only]" or "[RC Only]", the initialization step should be considered as applicable in both EP and RC modes of PCIe controller.

Table 24-691. Main Sequence PCIe Controller Global Initialization (continued)

RC and/or EP Initialization Step ⁽¹⁾	Register/Bit Field/Programming Model	Value
7. Make sure LTSSM_EN is kept by RC's software at value 0b0	PCIECTRL_TI_CONF_DEVICE_CMD[0] LTSSM_EN	0b0
8. Initialize RC PCIe controller's core registers.	See Table 24-693	
9. Clear the IRQ main status register in case raw status is not clear (to avoid spurious interrupts)	PCIECTRL_TI_CONF_IRQSTATUS_MAIN[31:0]	0xFFFFFFFF
10. First time enable PCIe main interrupts. Depends on which PCIe protocol events and error events will be handled by application.	PCIECTRL_TI_CONF_IRQENABLE_SET_MAIN [14:0]	0x-
11. Clear the IRQ msi status register in case raw status is not clear (to avoid spurious interrupts)	PCIECTRL_TI_CONF_IRQSTATUS_MSI[31:0]	0xFFFFFFFF
12. [optional step] Enable INTx (x=A,B,C,D) interrupts reception (generated from legacy EPs to RC) but disable MSI interrupts reception at the same time. OR Enable the MSI interrupts reception (MSI interrupts are generated to RC from PCIe EPs only) but disable the INTx interrupts reception at the same time	PCIECTRL_TI_CONF_IRQENABLE_SET_MSI [3:0] INTx_EN	0x-
	PCIECTRL_TI_CONF_IRQENABLE_CLR_MSI [4] MSI_EN	0b1
	PCIECTRL_TI_CONF_IRQENABLE_SET_MSI [4] MSI_EN	0b1
	PCIECTRL_TI_CONF_IRQENABLE_CLR_MSI [3:0] INTx_EN	0xF
ELSE IF: required operation mode for PCIe controller is "PCIe EP"		
5. Select "PCIe EP" type	PCIECTRL_TI_CONF_DEVICE_TYPE[3:0] TYPE	0x0
6. Poll to insure fundamental reset has completed	PCIECTRL_TI_CONF_DEVICE_TYPE[3:0] TYPE	=0x0
7. Make sure LTSSM_EN is kept by EP's software at value 0b0	PCIECTRL_TI_CONF_DEVICE_CMD[0] LTSSM_EN	0b0
8. Initialize EP PCIe controller's core registers	See Table 24-692	
9. Clear the IRQ main status register in case raw status is not clear (to avoid spurious interrupts)	PCIECTRL_TI_CONF_IRQSTATUS_MAIN[31:0]	0xFFFFFFFF
10. First time enable -PCIe main interrupts. Depends on which PCIe protocol events and error events will be handled by application.	PCIECTRL_TI_CONF_IRQENABLE_SET_MAIN [14:0]	0x-
11. Clear the IRQ msi status register in case raw status is not clear (to avoid spurious interrupts)	PCIECTRL_TI_CONF_IRQSTATUS_MSI[31:0]	0xFFFFFFFF
12. Disable both INTx (x=A,B,C,D) and MSI interrupts reception.	PCIECTRL_TI_CONF_IRQENABLE_CLR_MSI [4:0]	0x1F
ELSE:		
5. Select "PCI Legacy EP" type	PCIECTRL_TI_CONF_DEVICE_TYPE[3:0] TYPE	0x1
6. Poll to insure fundamental reset has completed	PCIECTRL_TI_CONF_DEVICE_TYPE[3:0] TYPE	=0x1
7. Make sure LTSSM_EN is kept by EP's software at value 0b0	PCIECTRL_TI_CONF_DEVICE_CMD[0] LTSSM_EN	0b0
8. Initialize EP controller local registers via DIF CS/CS2 accesses	See Table 24-692	
9. Clear the IRQ main status register in case raw status is not clear (to avoid spurious interrupts)	PCIECTRL_TI_CONF_IRQSTATUS_MAIN[31:0]	0xFFFFFFFF
10. First time enable PCIe main interrupts. Depends on which PCIe protocol events and error events will be handled by application.	PCIECTRL_TI_CONF_IRQENABLE_SET_MAIN [14:0]	0x-
11. Clear the IRQ main status register in case raw status is not clear (to avoid spurious interrupts)	PCIECTRL_TI_CONF_IRQSTATUS_MSI[31:0]	0xFFFFFFFF
12. Disable both INTx (x=A,B,C,D) and MSI interrupts reception	PCIECTRL_TI_CONF_IRQENABLE_CLR_MSI [4:0]	0x1F
ENDIF		
13. PCIe (RC/EP) controller enables the link. It is supposed that all active EPs attached on the PCIe fabric synchronously enable their LTSSM engine with the RC.	PCIECTRL_TI_CONF_DEVICE_CMD[0] LTSSM_EN	0b1

Table 24-691. Main Sequence PCIe Controller Global Initialization (continued)

RC and/or EP Initialization Step ⁽¹⁾	Register/Bit Field/Programming Model	Value
14. Local CPU polls until the PCIe Controller link is up (that is, brought into L0- power state)	PCIECTRL_TI_CONF_PHY_CS[16] LINK_UP	=0b1
15. If PCIECTRL_TI_CONF_IRQSTATUS_MAIN[3] LINK_UP_EVT has been enabled in step (10), this means it should be cleared	PCIECTRL_TI_CONF_IRQSTATUS_MAIN[12] LINK_UP_EVT	0b1
16. RC host starts link training sequence, negotiation with EPs, enumeration of the EPs, and initializes the descriptors per each of the discovered EP functions. Example: RC initializes the MSI message vectors table per each of the EPs. RC maps the EPs global PCIe Memory per each EP function appropriately initializing the BARn registers MSB part.		
17. [RC only] IF: an EP is a requester, the RC remotely enables its BME bit via an ECAM access to the EP's command /status register.	PCIe_SS1_EP_CFG_PClE. PCIECTRL_EP_PCIEWIRE_STATUS_COMMAND_REGISTER[2] BUSMASTER_EN	0b1
18. [RC only] IF: an EP is a completer, the RC remotely enables its MSE (for Mem transfers) or ISE bits (for legacy I/O transfers) via an ECAM access to the EP's command/status register.	PCIe_SS1_EP_CFG_PClE. PCIECTRL_EP_PCIEWIRE_STATUS_COMMAND_REGISTER[1] MEM_SPACE_EN OR PCIe_SS1_EP_CFG_PClE. PCIECTRL_EP_PCIEWIRE_STATUS_COMMAND_REGISTER[0] IO_SPACE_EN	0b1
19. [EP only] Before EP's application generates a request (that is, requester EP), the EP application must insure that its local BME_EVT status has already been asserted to 0b1 by the RC host controller. The EP must locally clear the BME interrupt, writing BME_EVT_MSG flag to 0b1 (Wr1toClr).	PCIECTRL_TI_CONF_IRQSTATUS_MAIN[13] BME_EVT_MSG OR PCIECTRL_TI_CONF_IRQSTATUS_RAW_MAIN[13] BME_EVT_MSG Wr1toClr PCIECTRL_TI_CONF_IRQSTATUS_MAIN[13] BME_EVT_MSG	=0b1 0b1
20. [RC only] Before RC application initiates a request to an completer EP function with a <i>Memory type BAR</i> , the RC must check that EP's MEM_SPACE_EN flag has already been asserted by the RC host. This is done via an ECAM remote access by RC to EP's command/status register. [EP Only] The EP's CPU is notified about remote MEM_SPACE_EN flag assertion in a dedicated bit that can be enabled to generate an interrupt. The interrupt flag is cleared via writing to 0b1 (Wr1toClr).	PCIe_SS1_EP_CFG_PClE. PCIECTRL_EP_PCIEWIRE_STATUS_COMMAND_REGISTER[1] MEM_SPACE_EN The EP application may receive an interrupt (if enabled – see step 10) indicated in the PCIECTRL_TI_CONF_IRQSTATUS_MAIN[14] MSE_EVT_MSG. Or poll this in PCIECTRL_TI_CONF_IRQSTATUS_RAW_MAIN[14] MSE_EVT_MSG.	=0b1 0b1
20. [RC only] Before RC application initiates a request to a completer EP function with an <i>I/O type BAR</i> , the RC must check that EP's IO_SPACE_EN flag has already been asserted by the RC host. This is done via an ECAM remote read access by RC to EP's command/status register. [EP Only] Unlike Mem type EPs, there is no interrupt event to notify the EP about its ISE flag being asserted by the RC. So, to be aware of an incoming transaction, I/O legacy EP must poll local IO_SPACE_EN flag until its asserted by RC to 0b1.	PCIe_SS1_EP_CFG_PClE. PCIECTRL_EP_PCIEWIRE_STATUS_COMMAND_REGISTER[0] IO_SPACE_EN PCIECTRL_EP_DBICS_STATUS_COMMAND_REGISTER[0] IO_SPACE_EN	=0b1 =0b1
[EP Only] 21. IF IO_SPACE_EN bit has been set to '1' for a legacy EP, user must force the legacy EP master port out-of-standby (before first transaction). There is no automatical standby generation for I/O transfers.	PCIECTRL_TI_CONF_SYSCONFIG[5:4] STANDBYMODE	0x1

Table 24-692. Local EP (Type 0) PCIe Standard and Port Logic Registers Initialization Subsequence

8.1 Initialize PCI standard configuration header registers via corresponding DIF CS/CS2 accesses. Example: BAR MASK0 – BAR MASK5 (that must be entirely initialized by the EP, and LSB part of the BAR0 – BAR5 registers)	For more details on these settings, refer to the <i>PCI Express Base 3.0 Specification, revision 1.0</i>
8.2 Initialize the RC PCIe capability registers via corresponding DIF CS/CS2 accesses.	For more details on these settings, refer to the <i>PCI Express Base 3.0 Specification, revision 1.0</i>
8.3 Initialize the RC PCIe Port Logic registers. Example: iATU settings of internal local address ranges, link settings – link powers, timings, and so forth	

Table 24-693. RC (Type 1) PCIe Standard and Port Logic Registers Initialization Subsequence

RC must enable write operation to be able to configure its own PCIe standard and PL registers.	PCIECTRL_PL_DBI_RO_WR_EN[0] CX_DBI_RO_WR_EN	0b1
8. 1 Initialize RC PCI standard configuration header registers via corresponding DIF CS/CS2 accesses. (Example: RC BAR 0,1 and BAR MASK0,1 registers.)	For more details on these settings, refer to the <i>PCI Express Base 3.0 Specification, revision 1.0</i>	
8.2 Initialize the RC PCIe capability registers via corresponding DIF CS/CS2 accesses.	For more details on these settings, refer to the <i>PCI Express Base 3.0 Specification, revision 1.0</i>	
8.3 Initialize the RC PCIe Port Logic registers. Example: iATU settings of internal local address ranges, link settings – link power, timings, and so forth Prepare the MSI vectors, Setup of the MSI, others.		
Disable write operation in RC PCIe standard and PL registers.	PCIECTRL_PL_DBI_RO_WR_EN[0] CX_DBI_RO_WR_EN	0b0

NOTE: When the PCIe_SS1 controller is configured to operate in two lane mode, by default lane 0 is mapped to the PCIe1_PHY (device PCIe PHY port 0), and lane 1 is mapped to the USB_PHY (USB PHY port). The PCIe_SS1_TI_CONF wrapper located software control - [PCIECTRL_TI_CONF_PHY_CS\[0\]](#) REVERSE_LANES allows user software to swap mapping of the PCIe_SS1 controller lane 0 and lane 1 on the two device PCIe PHY ports (swapping the RX and TX paths simultaneously with polarity of an individual lane unchanged). Note that the identical control is not functional in the PCIe_SS2_TI_CONF, because the PCIe_SS2 can operate in a single lane mode only, and (if selected) its lane 0 is always mapped to the PCIe PHY port 1 (that is, PCIe2_PHY).

24.9.6 PCIe Standard Registers vs PCIe Subsystem Hardware Registers Mapping

The below tables provide the PCIe/PCI standard logical registers versus PCIe controller hardware registers mapping in the device.

Table 24-694. PCIe Type-0 (EP) Configuration Standard Capability Registers vs PCIe Controller Hardware Registers Mapping

PCIe Standard Register Name	PCIe_SS1_EP_CFG_PCIe and PCIe_SS2_EP_CFG_PCIe Corresponding Register ⁽¹⁾	PCIe_SS1_EP_CFG_DBICS and PCIe_SS2_EP_CFG_DBICS Corresponding Register ⁽²⁾	PCIe_SS1_EP_CFG_DBICS2 and PCIe_SS2_EP_CFG_DBICS2 Corresponding Register ⁽³⁾
PCIE_CAP	PCIECTRL_EP_PCIEWIRE_PCIe_CAP	PCIECTRL_EP_DBICS_PCIe_CAP	PCIECTRL_EP_DBICS2_PCIe_CAP
DEV_CAP	PCIECTRL_EP_PCIEWIRE_DEV_CAP	PCIECTRL_EP_DBICS_DEV_CAP	PCIECTRL_EP_DBICS2_DEV_CAP
DEV_CAS	PCIECTRL_EP_PCIEWIRE_DEV_CAS	PCIECTRL_EP_DBICS_DEV_CAS	PCIECTRL_EP_DBICS2_DEV_CAS
LNK_CAP	PCIECTRL_EP_PCIEWIRE_LNK_CAP	PCIECTRL_EP_DBICS_LNK_CAP	PCIECTRL_EP_DBICS2_LNK_CAP
LNK_CAS	PCIECTRL_EP_PCIEWIRE_LNK_CAS	PCIECTRL_EP_DBICS_LNK_CAS	PCIECTRL_EP_DBICS2_LNK_CAS
DEV_CAP_2	PCIECTRL_EP_PCIEWIRE_DEV_CAP_2	PCIECTRL_EP_DBICS_DEV_CAP_2	PCIECTRL_EP_DBICS2_DEV_CAP_2
DEV_CAS_2	PCIECTRL_EP_PCIEWIRE_DEV_CAS_2	PCIECTRL_EP_DBICS_DEV_CAS_2	PCIECTRL_EP_DBICS2_DEV_CAS_2
LNK_CAP_2	PCIECTRL_EP_PCIEWIRE_LNK_CAP_2	PCIECTRL_EP_DBICS_LNK_CAP_2	PCIECTRL_EP_DBICS2_LNK_CAP_2
LNK_CAS_2	PCIECTRL_EP_PCIEWIRE_LNK_CAS_2	PCIECTRL_EP_DBICS_LNK_CAS_2	PCIECTRL_EP_DBICS2_LNK_CAS_2

- (1) PCIe (EP) register mapped in the ECAM Cfg Space
- (2) PCIe (EP) register accessible in the controller local DIF CS space
- (3) PCIe (EP) register accessible in the controller local DIF CS2 space

Table 24-695. PCIe Type-0 (EP) Standard Configuration Header Registers vs PCIe Controller Hardware Registers Mapping

PCIe Standard Register Name	PCIe_SS1_EP_CFG_PCIe and PCIe_SS2_EP_CFG_PCIe Corresponding Register ⁽¹⁾	PCIe_SS1_EP_CFG_DBICS and PCIe_SS2_EP_CFG_DBICS Corresponding Register ⁽²⁾	PCIe_SS1_EP_CFG_DBICS2 and PCIe_SS2_EP_CFG_DBICS2 Corresponding Register ⁽³⁾
DEVICE_VENDORID	PCIECTRL_EP_PCIEWIRE_DEVICE_VENDORID	PCIECTRL_EP_DBICS_DEVICE_VENDORID	PCIECTRL_EP_DBICS2_DEVICE_VENDORID
STATUS_COMMAND_REGISTER	PCIECTRL_EP_PCIEWIRE_STATUS_COMMAND_REGISTER	PCIECTRL_EP_DBICS_STATUS_COMMAND_REGISTER	PCIECTRL_EP_DBICS2_STATUS_COMMAND_REGISTER
CLASSCODE_REVISIONID	PCIECTRL_EP_PCIEWIRE_CLASSCODE_REVISIONID	PCIECTRL_EP_DBICS_CLASSCODE_REVISIONID	PCIECTRL_EP_DBICS2_CLASSCODE_REVISIONID
BIST_HEAD_LAT_CACHE	PCIECTRL_EP_PCIEWIRE_BIST_HEAD_LAT_CACHE	PCIECTRL_EP_DBICS_BIST_HEAD_LAT_CACHE	PCIECTRL_EP_DBICS2_BIST_HEAD_LAT_CACHE
BAR0/BAR0_MASK	PCIECTRL_EP_PCIEWIRE_BAR0	PCIECTRL_EP_DBICS_BAR0	PCIECTRL_EP_DBICS2_BAR0_MASK
BAR1/BAR1_MASK	PCIECTRL_EP_PCIEWIRE_BAR1	PCIECTRL_EP_DBICS_BAR1	PCIECTRL_EP_DBICS2_BAR1_MASK
BAR2/BAR2_MASK	PCIECTRL_EP_PCIEWIRE_BAR2	PCIECTRL_EP_DBICS_BAR2	PCIECTRL_EP_DBICS2_BAR2_MASK
BAR3/BAR3_MASK	PCIECTRL_EP_PCIEWIRE_BAR3	PCIECTRL_EP_DBICS_BAR3	PCIECTRL_EP_DBICS2_BAR3_MASK
BAR4/BAR4_MASK	PCIECTRL_EP_PCIEWIRE_BAR4	PCIECTRL_EP_DBICS_BAR4	PCIECTRL_EP_DBICS2_BAR4_MASK
BAR5/BAR5_MASK	PCIECTRL_EP_PCIEWIRE_BAR5	PCIECTRL_EP_DBICS_BAR5	PCIECTRL_EP_DBICS2_BAR5_MASK
CARDBUS_CIS_POINTER	PCIECTRL_EP_PCIEWIRE_CARDBUS_CIS_POINTER	PCIECTRL_EP_DBICS_CARDBUS_CIS_POINTER	PCIECTRL_EP_DBICS2_CARDBUS_CIS_POINTER
SUBID_SUBVENDORID	PCIECTRL_EP_PCIEWIRE_SUBID_SUBVENDORID	PCIECTRL_EP_DBICS_SUBID_SUBVENDORID	PCIECTRL_EP_DBICS2_SUBID_SUBVENDORID
EXPANSION_ROM_BAR	PCIECTRL_EP_PCIEWIRE_EXPANSION_ROM_BAR	PCIECTRL_EP_DBICS_EXPANSION_ROM_BAR	PCIECTRL_EP_DBICS2_EXPANSION_ROM_BAR
CAPPTR	PCIECTRL_EP_PCIEWIRE_CAPPTR	PCIECTRL_EP_DBICS_CAPPTR	PCIECTRL_EP_DBICS2_CAPPTR
INTERRUPT	PCIECTRL_EP_PCIEWIRE_INTERRUPT	PCIECTRL_EP_DBICS_INTERRUPT	PCIECTRL_EP_DBICS2_INTERRUPT
PM_CAP	PCIECTRL_EP_PCIEWIRE_PM_CAP	PCIECTRL_EP_DBICS_PM_CAP	PCIECTRL_EP_DBICS2_PM_CAP
PM_CSR	PCIECTRL_EP_PCIEWIRE_PM_CSR	PCIECTRL_EP_DBICS_PM_CSR	PCIECTRL_EP_DBICS2_PM_CSR

- (1) PCIe (EP) register mapped in the ECAM Cfg Space
- (2) PCIe (EP) register accessible in the controller local DIF CS space
- (3) PCIe (EP) register accessible in the controller local DIF CS2 space

Table 24-696. PCIe Type-1 (RC) Configuration Standard Capability Registers vs PCIe Controller Hardware Registers Mapping

PCIe EP Standard Register Name	PCIe_SS1_RC_CFG_DBICS and PCIe_SS2_RC_CFG_DBICS Corresponding Register ⁽¹⁾	PCIe_SS1_RC_CFG_DBICS2 and PCIe_SS2_RC_CFG_DBICS2 Corresponding Register ⁽²⁾
PCIE_CAP	PCIECTRL_RC_DBICS_PCIE_CAP	PCIECTRL_RC_DBICS2_PCIE_CAP
DEV_CAP	PCIECTRL_RC_DBICS_DEV_CAP	PCIECTRL_RC_DBICS2_DEV_CAP
DEV_CAS	PCIECTRL_RC_DBICS_DEV_CAS	PCIECTRL_RC_DBICS2_DEV_CAS
LNK_CAP	PCIECTRL_RC_DBICS_LNK_CAP	PCIECTRL_RC_DBICS2_LNK_CAP
LNK_CAS	PCIECTRL_RC_DBICS_LNK_CAS	PCIECTRL_RC_DBICS2_LNK_CAS
SLOT_CAP	PCIECTRL_RC_DBICS_SLOT_CAP	PCIECTRL_RC_DBICS2_SLOT_CAP
SLOT_CAS	PCIECTRL_RC_DBICS_SLOT_CAS	PCIECTRL_RC_DBICS2_SLOT_CAS
ROOT_CAC	PCIECTRL_RC_DBICS_ROOT_CAC	PCIECTRL_RC_DBICS2_ROOT_CAC
ROOT_STS	PCIECTRL_RC_DBICS_ROOT_STS	PCIECTRL_RC_DBICS2_ROOT_STS
DEV_CAP_2	PCIECTRL_RC_DBICS_DEV_CAP_2	PCIECTRL_RC_DBICS2_DEV_CAP_2
DEV_CAS_2	PCIECTRL_RC_DBICS_DEV_CAS_2	PCIECTRL_RC_DBICS2_DEV_CAS_2
LNK_CAP_2	PCIECTRL_RC_DBICS_LNK_CAP_2	PCIECTRL_RC_DBICS2_LNK_CAP_2
LNK_CAS_2	PCIECTRL_RC_DBICS_LNK_CAS_2	PCIECTRL_RC_DBICS2_LNK_CAS_2

⁽¹⁾ PCIe (RC) register accessible in the controller local DIF CS space

⁽²⁾ PCIe (RC) register accessible in the controller local DIF CS2 space

Table 24-697. PCIe Type-1 (RC) Standard Configuration Header Registers vs PCIe Controller Hardware Registers Mapping

PCIe Standard Register Name	PCIe_SS1_RC_CFG_DBICS and PCIe_SS2_RC_CFG_DBICS Corresponding Register ⁽¹⁾	PCIe_SS1_RC_CFG_DBICS2 and PCIe_SS2_RC_CFG_DBICS2 Corresponding Register ⁽²⁾
DEVICE_VENDORID	PCIECTRL_RC_DBICS_DEVICE_VENDORID	PCIECTRL_RC_DBICS2_DEVICE_VENDORID
STATUS_COMMAND_REGISTER	PCIECTRL_RC_DBICS_STATUS_COMMAND_REGISTER	PCIECTRL_RC_DBICS2_STATUS_COMMAND_REGISTER
CLASSCODE_REVISIONID	PCIECTRL_RC_DBICS_CLASSCODE_REVISIONID	PCIECTRL_RC_DBICS2_CLASSCODE_REVISIONID
BIST_HEAD_LAT_CACH	PCIECTRL_RC_DBICS_BIST_HEAD_LAT_CACH	PCIECTRL_RC_DBICS2_BIST_HEAD_LAT_CACH
BAR0/BAR0_MASK	PCIECTRL_RC_DBICS_BAR0	PCIECTRL_RC_DBICS2_BAR0_MASK
BAR1/BAR1_MASK	PCIECTRL_RC_DBICS_BAR1	PCIECTRL_RC_DBICS2_BAR1_MASK
BUS_NUM_REG	PCIECTRL_RC_DBICS_BUS_NUM_REG	PCIECTRL_RC_DBICS2_BUS_NUM_REG
IOBASE_LIMIT_SECONDS	PCIECTRL_RC_DBICS_IOBASE_LIMIT_SEC_STATUS	PCIECTRL_RC_DBICS2_IOBASE_LIMIT_SEC_STATUS
MEM_BASE_LIMIT	PCIECTRL_RC_DBICS_MEM_BASE_LIMIT	PCIECTRL_RC_DBICS2_MEM_BASE_LIMIT
PREF_MEM_BASE_LIMIT	PCIECTRL_RC_DBICS_PREF_MEM_BASE_LIMIT	PCIECTRL_RC_DBICS2_PREF_MEM_BASE_LIMIT
UPPER_32BIT_PREF_BASE_ADDR	PCIECTRL_RC_DBICS_UPPER_32BIT_PREF_BASEADDR	PCIECTRL_RC_DBICS2_UPPER_32BIT_PREF_BASEADDR
UPPER_32BIT_PREF_LIMIT_ADDR	PCIECTRL_RC_DBICS_UPPER_32BIT_PREF_LIMITADDR	PCIECTRL_RC_DBICS2_UPPER_32BIT_PREF_LIMITADDR
IO_BASE_LIMIT	PCIECTRL_RC_DBICS_IO_BASE_LIMIT	PCIECTRL_RC_DBICS2_IO_BASE_LIMIT
CAPPTR	PCIECTRL_RC_DBICS_CAPPTR	PCIECTRL_RC_DBICS2_CAPPTR
EXPANSION_ROM_BAR	PCIECTRL_RC_DBICS_EXPANSION_ROM_BAR	PCIECTRL_RC_DBICS2_EXPANSION_ROM_BAR
BRIDGE_INT	PCIECTRL_RC_DBICS_BRIDGE_INT	PCIECTRL_RC_DBICS2_BRIDGE_INT

⁽¹⁾ PCIe (RC) register accessible in the controller local DIF CS space

⁽²⁾ PCIe (RC) register accessible in the controller local DIF CS2 space

24.9.7 PCIe Controller Register Manual

24.9.7.1 PCIe Controller Instance Summary

Table 24-698. PCIe_SS1 Instance Summary

Module Name	Module Base Address	Size
PCIe_SS1_EP_CFG_PCIE	ECAM_Param_Base_Addr ⁽¹⁾ + 0x2000 0000	4 KiB
PCIe_SS1_EP_CFG_DBICS	0x5100 0000	128 Bytes
PCIe_SS1_RC_CFG_DBICS	0x5100 0000	128 Bytes
PCIe_SS1_PL_CONF	0x5100 0700	500 Bytes
PCIe_SS1_EP_CFG_DBICS2	0x5100 1000	128 Bytes
PCIe_SS1_RC_CFG_DBICS2	0x5100 1000	128 Bytes
PCIe_SS1_TI_CONF	0x5100 2000	332 Bytes

⁽¹⁾ ECAM_Param_Base_Addr = 0x0000_0000 to 0x0FFF_F000

Table 24-699. PCIe_SS2 Instance Summary

Module Name	Module Base Address	Size
PCIe_SS2_EP_CFG_PCIE	ECAM_Param_Base_Addr ⁽¹⁾ + 0x3000 0000	4 KiB
PCIe_SS2_EP_CFG_DBICS	0x5180 0000	128 Bytes
PCIe_SS2_RC_CFG_DBICS	0x5180 0000	128 Bytes
PCIe_SS2_PL_CONF	0x5180 0700	500 Bytes
PCIe_SS2_EP_CFG_DBICS2	0x5180 1000	128 Bytes
PCIe_SS2_RC_CFG_DBICS2	0x5180 1000	128 Bytes
PCIe_SS2_TI_CONF	0x5180 2000	332 Bytes

⁽¹⁾ ECAM_Param_Base_Addr = 0x0000_0000 to 0x0FFF_F000

NOTE: The *ECAM_Param_Base_Addr* variable is the 16-bit **base address** (this address is 4 KiB-aligned with value in the range: 0x0000_0000 - 0x0FFF_F000) of the relevant EP function descriptor (relevant EP's function PCIe standard and PL configuration registers) **in a contiguous 256-MiB ECAM space** (0x0000_0000 - 0x0FFF_FFFF). For more information on the PCIe ECAM configuration space mapping mechanism, refer to the section *PCI Express Enhanced Configuration Access Mechanism (ECAM)*, in the *PCI Express Base 3.0 Specification, Revision 1.0*.

For information on the EP's function PL register offsets and descriptions, refer to the [Section 24.9.7.5](#).

24.9.7.2 PCIe_SS_EP_CFG_PCIe Registers

NOTE: This section describes the PCIe EP mode (PCIe type-0) standard configuration registers as they are accessed over PCIe wire logic and not via DIF CS/CS2 accesses. These register names are prefixed with "PCIECTRL_EP_PCIEWIRE".

24.9.7.2.1 PCIe_SS_EP_CFG_PCIe Register Summary

Table 24-700. PCIe_SS1_EP_CFG_PCIe Registers Mapping Summary

Register Name	Type	Register Width (Bits)	Address Offset	PCIe_SS1_EP_CFG_PCIe Physical Address
PCIECTRL_EP_PCIEWIRE_DEVICE_VENDORID	R	32	0x0	ECAM_Param_Base_Addr ⁽¹⁾ + 0x2000 0000
PCIECTRL_EP_PCIEWIRE_STATUS_COMMAND_REGISTER	RW	32	0x4	ECAM_Param_Base_Addr ⁽¹⁾ + 0x2000 0004
PCIECTRL_EP_PCIEWIRE_CLASSCODE_REVISIONID	R	32	0x8	ECAM_Param_Base_Addr ⁽¹⁾ + 0x2000 0008
PCIECTRL_EP_PCIEWIRE_BIST_HEAD_LAT_CACH	RW	32	0xC	ECAM_Param_Base_Addr ⁽¹⁾ + 0x2000 000C
PCIECTRL_EP_PCIEWIRE_BAR0	RW	32	0x10	ECAM_Param_Base_Addr ⁽¹⁾ + 0x2000 0010
PCIECTRL_EP_PCIEWIRE_BAR1	RW	32	0x14	ECAM_Param_Base_Addr ⁽¹⁾ + 0x2000 0014
PCIECTRL_EP_PCIEWIRE_BAR2	RW	32	0x18	ECAM_Param_Base_Addr ⁽¹⁾ + 0x2000 0018
PCIECTRL_EP_PCIEWIRE_BAR3	RW	32	0x1C	ECAM_Param_Base_Addr ⁽¹⁾ + 0x2000 001C
PCIECTRL_EP_PCIEWIRE_BAR4	RW	32	0x20	ECAM_Param_Base_Addr ⁽¹⁾ + 0x2000 0020
PCIECTRL_EP_PCIEWIRE_BAR5	RW	32	0x24	ECAM_Param_Base_Addr ⁽¹⁾ + 0x2000 0024
PCIECTRL_EP_PCIEWIRE_CARDBUS_CIS_POINTER	R	32	0x28	ECAM_Param_Base_Addr ⁽¹⁾ + 0x2000 0028
PCIECTRL_EP_PCIEWIRE_SUBID_SUBVENDORID	R	32	0x2C	ECAM_Param_Base_Addr ⁽¹⁾ + 0x2000 002C
PCIECTRL_EP_PCIEWIRE_EXPANSION_ROM_BAR	RW	32	0x30	ECAM_Param_Base_Addr ⁽¹⁾ + 0x2000 0030
PCIECTRL_EP_PCIEWIRE_CAPPTR	R	32	0x34	ECAM_Param_Base_Addr ⁽¹⁾ + 0x2000 0034
PCIECTRL_EP_PCIEWIRE_INTERRUPT	RW	32	0x3C	ECAM_Param_Base_Addr ⁽¹⁾ + 0x2000 003C
PCIECTRL_EP_PCIEWIRE_PM_CAP	R	32	0x40	ECAM_Param_Base_Addr ⁽¹⁾ + 0x2000 0040

⁽¹⁾ ECAM_Param_Base_Addr = 0x0000_0000 to 0x0FFF_F000

Table 24-700. PCIe_SS1_EP_CFG_PcIE Registers Mapping Summary (continued)

Register Name	Type	Register Width (Bits)	Address Offset	PCIe_SS1_EP_CFG_PcIE Physical Address
PCIECTRL_EP_PCIEWIRE_PM_CSR	RW	32	0x44	ECAM_Param_Base_Addr ⁽¹⁾ + 0x2000 0044
PCIECTRL_EP_PCIEWIRE_PCIE_CAP	R	32	0x70	ECAM_Param_Base_Addr ⁽¹⁾ + 0x2000 0070
PCIECTRL_EP_PCIEWIRE_DEV_CAP	R	32	0x74	ECAM_Param_Base_Addr ⁽¹⁾ + 0x2000 0074
PCIECTRL_EP_PCIEWIRE_DEV_CAS	RW	32	0x78	ECAM_Param_Base_Addr ⁽¹⁾ + 0x2000 0078
PCIECTRL_EP_PCIEWIRE_LNK_CAP	R	32	0x7C	ECAM_Param_Base_Addr ⁽¹⁾ + 0x2000 007C
PCIECTRL_EP_PCIEWIRE_LNK_CAS	RW	32	0x80	ECAM_Param_Base_Addr ⁽¹⁾ + 0x2000 0080
PCIECTRL_EP_PCIEWIRE_DEV_CAP_2	R	32	0x94	ECAM_Param_Base_Addr ⁽¹⁾ + 0x2000 0094
PCIECTRL_EP_PCIEWIRE_DEV_CAS_2	RW	32	0x98	ECAM_Param_Base_Addr ⁽¹⁾ + 0x2000 0098
PCIECTRL_EP_PCIEWIRE_LNK_CAP_2	R	32	0x9C	ECAM_Param_Base_Addr ⁽¹⁾ + 0x2000 009C
PCIECTRL_EP_PCIEWIRE_LNK_CAS_2	RW	32	0xA0	ECAM_Param_Base_Addr ⁽¹⁾ + 0x2000 00A0

Table 24-701. PCIe_SS2_EP_CFG_PcIE Registers Mapping Summary

Register Name	Type	Register Width (Bits)	Address Offset	PCIe_SS2_EP_CFG_PcIE Physical Address
PCIECTRL_EP_PCIEWIRE_DEVICE_VENDORID	R	32	0x0	ECAM_Param_Base_Addr ⁽¹⁾ + 0x3000 0000
PCIECTRL_EP_PCIEWIRE_STATUS_COMMAND_REGISTER	RW	32	0x4	ECAM_Param_Base_Addr ⁽¹⁾ + 0x3000 0004
PCIECTRL_EP_PCIEWIRE_CLASSCODE_REVISIONID	R	32	0x8	ECAM_Param_Base_Addr ⁽¹⁾ + 0x3000 0008
PCIECTRL_EP_PCIEWIRE_BIST_HEAD_LAT_CACHE	RW	32	0xC	ECAM_Param_Base_Addr ⁽¹⁾ + 0x3000 000C
PCIECTRL_EP_PCIEWIRE_BAR0	RW	32	0x10	ECAM_Param_Base_Addr ⁽¹⁾ + 0x3000 0010
PCIECTRL_EP_PCIEWIRE_BAR1	RW	32	0x14	ECAM_Param_Base_Addr ⁽¹⁾ + 0x3000 0014
PCIECTRL_EP_PCIEWIRE_BAR2	RW	32	0x18	ECAM_Param_Base_Addr ⁽¹⁾ + 0x3000 0018
PCIECTRL_EP_PCIEWIRE_BAR3	RW	32	0x1C	ECAM_Param_Base_Addr ⁽¹⁾ + 0x3000 001C
PCIECTRL_EP_PCIEWIRE_BAR4	RW	32	0x20	ECAM_Param_Base_Addr ⁽¹⁾ + 0x3000 0020
PCIECTRL_EP_PCIEWIRE_BAR5	RW	32	0x24	ECAM_Param_Base_Addr ⁽¹⁾ + 0x3000 0024
PCIECTRL_EP_PCIEWIRE_CARDBUS_CIS_POINTER	R	32	0x28	ECAM_Param_Base_Addr ⁽¹⁾ + 0x3000 0028
PCIECTRL_EP_PCIEWIRE_SUBID_SUBVENDORID	R	32	0x2C	ECAM_Param_Base_Addr ⁽¹⁾ + 0x3000 002C
PCIECTRL_EP_PCIEWIRE_EXPANSION_ROM_BAR	RW	32	0x30	ECAM_Param_Base_Addr ⁽¹⁾ + 0x3000 0030
PCIECTRL_EP_PCIEWIRE_CAPPTR	R	32	0x34	ECAM_Param_Base_Addr ⁽¹⁾ + 0x3000 0034

⁽¹⁾ ECAM_Param_Base_Addr = 0x0000_0000 to 0x0FFF_F000

Table 24-701. PCIe_SS2_EP_CFG_PCIE Registers Mapping Summary (continued)

Register Name	Type	Register Width (Bits)	Address Offset	PCIe_SS2_EP_CFG_PCIE Physical Address
PCIECTRL_EP_PCIEWIRE_INTERRUPT	RW	32	0x3C	ECAM_Param_Base_Addr ⁽¹⁾ + 0x3000 003C
PCIECTRL_EP_PCIEWIRE_PM_CAP	R	32	0x40	ECAM_Param_Base_Addr ⁽¹⁾ + 0x3000 0040
PCIECTRL_EP_PCIEWIRE_PM_CSR	RW	32	0x44	ECAM_Param_Base_Addr ⁽¹⁾ + 0x3000 0044
PCIECTRL_EP_PCIEWIRE_PCIE_CAP	R	32	0x70	ECAM_Param_Base_Addr ⁽¹⁾ + 0x3000 0070
PCIECTRL_EP_PCIEWIRE_DEV_CAP	R	32	0x74	ECAM_Param_Base_Addr ⁽¹⁾ + 0x3000 0074
PCIECTRL_EP_PCIEWIRE_DEV_CAS	RW	32	0x78	ECAM_Param_Base_Addr ⁽¹⁾ + 0x3000 0078
PCIECTRL_EP_PCIEWIRE_LNK_CAP	R	32	0x7C	ECAM_Param_Base_Addr ⁽¹⁾ + 0x3000 007C
PCIECTRL_EP_PCIEWIRE_LNK_CAS	RW	32	0x80	ECAM_Param_Base_Addr ⁽¹⁾ + 0x3000 0080
PCIECTRL_EP_PCIEWIRE_DEV_CAP_2	R	32	0x94	ECAM_Param_Base_Addr ⁽¹⁾ + 0x3000 0094
PCIECTRL_EP_PCIEWIRE_DEV_CAS_2	RW	32	0x98	ECAM_Param_Base_Addr ⁽¹⁾ + 0x3000 0098
PCIECTRL_EP_PCIEWIRE_LNK_CAP_2	R	32	0x9C	ECAM_Param_Base_Addr ⁽¹⁾ + 0x3000 009C
PCIECTRL_EP_PCIEWIRE_LNK_CAS_2	RW	32	0xA0	ECAM_Param_Base_Addr ⁽¹⁾ + 0x3000 00A0

NOTE: The *ECAM_Param_Base_Addr* variable is the 16-bit base address (this address is 4 KiB-aligned with value in the range: 0x0000_0000 - 0x0FFF_F000) of the relevant EP function descriptor (relevant EP's function PCIe standard and PL configuration registers) in a contiguous 256-MiB ECAM space (0x0000_0000 - 0x0FFF_FFFF). For more information on the PCIe ECAM configuration space mapping mechanism, refer to the section *PCI Express Enhanced Configuration Access Mechanism (ECAM)*, in the *PCI Express Base 3.0 Specification, Revision 1.0*.

For information on the EP's function PL register offsets and descriptions, refer to [Section 24.9.7.5](#).

24.9.7.2.2 PCIe_SS_EP_CFG_PCIE Register Description

Table 24-702. PCIECTRL_EP_PCIEWIRE_DEVICE_VENDORID

Address offset	0x0																																																																										
Physical Address	<i>ECAM_Param_Base</i> Instance _Addr + 0x2000 0000 <i>ECAM_Param_Base</i> _Addr + 0x3000 0000																PCIe_SS1_EP_CFG_PCIE PCIe_SS2_EP_CFG_PCIE																																																										
Description	Device and Vendor ID																																																																										
Type	R																																																																										
<table border="1" style="width:100%; border-collapse: collapse;"> <tr> <td style="width:5%;">31</td><td style="width:5%;">30</td><td style="width:5%;">29</td><td style="width:5%;">28</td><td style="width:5%;">27</td><td style="width:5%;">26</td><td style="width:5%;">25</td><td style="width:5%;">24</td><td style="width:5%;">23</td><td style="width:5%;">22</td><td style="width:5%;">21</td><td style="width:5%;">20</td><td style="width:5%;">19</td><td style="width:5%;">18</td><td style="width:5%;">17</td><td style="width:5%;">16</td><td style="width:5%;">15</td><td style="width:5%;">14</td><td style="width:5%;">13</td><td style="width:5%;">12</td><td style="width:5%;">11</td><td style="width:5%;">10</td><td style="width:5%;">9</td><td style="width:5%;">8</td><td style="width:5%;">7</td><td style="width:5%;">6</td><td style="width:5%;">5</td><td style="width:5%;">4</td><td style="width:5%;">3</td><td style="width:5%;">2</td><td style="width:5%;">1</td><td style="width:5%;">0</td> </tr> <tr> <td colspan="16" style="text-align:center;">DEVICEID</td> <td colspan="11" style="text-align:center;">VENDORID</td> </tr> </table>																	31	30	29	28	27	26	25	24	23	22	21	20	19	18	17	16	15	14	13	12	11	10	9	8	7	6	5	4	3	2	1	0	DEVICEID																VENDORID										
31	30	29	28	27	26	25	24	23	22	21	20	19	18	17	16	15	14	13	12	11	10	9	8	7	6	5	4	3	2	1	0																																												
DEVICEID																VENDORID																																																											

Bits	Field Name	Description	Type	Reset
31:16	DEVICEID	Device ID (CS)	R	0x8888
15:0	VENDORID	Vendor ID (CS)	R	0x104C

Table 24-703. Register Call Summary for Register PCIECTRL_EP_PCIEWIRE_DEVICE_VENDORID

PCIe Controller

- [PCIe Standard Registers vs PCIe Subsystem Hardware Registers Mapping: \[0\]](#)
- [PCIe_SS_EP_CFG_PCIE Register Summary: \[1\]\[2\]](#)

Table 24-704. PCIECTRL_EP_PCIEWIRE_STATUS_COMMAND_REGISTER

Address offset	0x4		
Physical Address	ECAM_Param_Base _Addr + 0x2000 0004 ECAM_Param_Base _Addr + 0x3000 0004	Instance	PCIe_SS1_EP_CFG_PCIE PCIe_SS2_EP_CFG_PCIE
Description	Status and Command registers		
Type	RW		

31	30	29	28	27	26	25	24	23	22	21	20	19	18	17	16	15	14	13	12	11	10	9	8	7	6	5	4	3	2	1	0	
DETECT_PARERR	SIGNAL_SYSERR	RCVD_MASTERABORT	RCVD_TRGTABORT	SIGNAL_TRGTABORT	DEVSEL_TIME	MASTERDATA_PARERR	FAST_B2B	RESERVED	C66MHZ_CAP	CAP_LIST	INTX_STATUS	RESERVED					INTX_ASSER_DIS	FAST_BBEN	SERR_EN	IDSEL_CTRL	PARITYERRRESP	VGA_SNOOP	MEMWR_INVA	SPEC_CYCLE_EN	BUSMASTER_EN	MEM_SPACE_EN	IO_SPACE_EN					

Bits	Field Name	Description	Type	Reset
31	DETECT_PARERR	Detected Parity Error	RW	0x0
30	SIGNAL_SYSERR	Signaled System Error	RW	0x0
29	RCVD_MASTERABORT	Received Master Abort	RW	0x0
28	RCVD_TRGTABORT	Received Target Abort	RW	0x0
27	SIGNAL_TRGTABORT	Signaled Target Abort	RW	0x0
26:25	DEVSEL_TIME	DevSel Timing, Harsdwired to 0 for PCIeExpress	R	0x0
24	MASTERDATA_PARERR	Master Data Parity Error	RW	0x0
23	FAST_B2B	Back to Back Capable, Harsdwired to 0 for PCIeExpress	R	0x0
22	RESERVED	Reserved	R	0x0
21	C66MHZ_CAP	66MHz Capable, Harsdwired to 0 for PCIeExpress	R	0x0
20	CAP_LIST	Capabilities List Hardwired to 1	R	0x1
19	INTX_STATUS	INTx Status	R	0x0
18:11	RESERVED		R	0x0
10	INTX_ASSER_DIS	INTx Assertion Disable	RW	0x0
9	FAST_BBEN	Bit hardwired to 0 for PCIeExpress	R	0x0
8	SERR_EN	SERR Enable	RW	0x0
7	IDSEL_CTRL	Bit hardwired to 0 for PCIeExpress	R	0x0
6	PARITYERRRESP	Parity Error Response	RW	0x0

Bits	Field Name	Description	Type	Reset
5	VGA_SNOOP	Not Applicable for PCI Express Bit hardwired to 0 for PCIeExpress	R	0x0
4	MEMWR_INVA	Not Applicable for PCI Express Bit hardwired to 0 for PCIeExpress	R	0x0
3	SPEC_CYCLE_EN	Not Applicable for PCI Express Bit hardwired to 0 for PCIeExpress	R	0x0
2	BUSMASTER_EN	Bus Master Enable	RW	0x0
1	MEM_SPACE_EN	Memory Space Enable	RW	0x0
0	IO_SPACE_EN	IO Space Enable	RW	0x0

**Table 24-705. Register Call Summary for Register
PCIECTRL_EP_PCIEWIRE_STATUS_COMMAND_REGISTER**

PCIe Controller

- [Main Sequence of PCIe Controllers Initialization: \[0\]\[1\]\[2\]\[3\]\[4\]](#)
- [PCIe Standard Registers vs PCIe Subsystem Hardware Registers Mapping: \[5\]](#)
- [PCIe_SS_EP_CFG_PCIE Register Summary: \[6\]\[7\]](#)

Table 24-706. PCIECTRL_EP_PCIEWIRE_CLASSCODE_REVISIONID

Address offset	0x8		
Physical Address	ECAM_Param_Base _Addr + 0x2000 0008	Instance	PCIe_SS1_EP_CFG_PCIE PCIe_SS2_EP_CFG_PCIE
	ECAM_Param_Base _Addr + 0x3000 0008		
Description	Class code and Revision ID		
Type	R		

31	30	29	28	27	26	25	24	23	22	21	20	19	18	17	16	15	14	13	12	11	10	9	8	7	6	5	4	3	2	1	0
BASE_CLS_CD								SUBCLS_CD								PROG_IF_CODE								REVID							

Bits	Field Name	Description	Type	Reset
31:24	BASE_CLS_CD	Base Class Code (CS)	R	0x0
23:16	SUBCLS_CD	Sub Class Code (CS)	R	0x0
15:8	PROG_IF_CODE	Programming Interface Code (CS)	R	0x0
7:0	REVID	Revision ID (CS)	R	0x1

**Table 24-707. Register Call Summary for Register
PCIECTRL_EP_PCIEWIRE_CLASSCODE_REVISIONID**

PCIe Controller

- [PCIe Standard Registers vs PCIe Subsystem Hardware Registers Mapping: \[0\]](#)
- [PCIe_SS_EP_CFG_PCIE Register Summary: \[1\]\[2\]](#)

Table 24-708. PCIECTRL_EP_PCIEWIRE_BIST_HEAD_LAT_CACH

Address offset	0xC		
Physical Address	ECAM_Param_Base _Addr + 0x2000 000C ECAM_Param_Base _Addr + 0x3000 000C	Instance	PCIe_SS1_EP_CFG_PClE PCIe_SS2_EP_CFG_PClE
Description	BIST, Header Type, Latency Timer, Cache Line Size		
Type	RW		

31	30	29	28	27	26	25	24	23	22	21	20	19	18	17	16	15	14	13	12	11	10	9	8	7	6	5	4	3	2	1	0	
BIST								MFD	HEAD_TYP								MSTR_LAT_TIM								CACH_LN_SIZE							

Bits	Field Name	Description	Type	Reset
31:24	BIST	BIST	R	0x0
23	MFD	MultiFunction Device	R	0x0
22:16	HEAD_TYP	Header Type 0x0 = EP header 0x1 = RC header	R	0x0
15:8	MSTR_LAT_TIM	Master Latency Timer, Not Applicable for PCIe hence hardwired to 0	R	0x0
7:0	CACH_LN_SIZE	Cache Line Size, No impact on write, write is allowed only for legacy purpose	RW	0x0

Table 24-709. Register Call Summary for Register PCIECTRL_EP_PCIEWIRE_BIST_HEAD_LAT_CACH

PCIe Controller

- [PCIe Standard Registers vs PCIe Subsystem Hardware Registers Mapping: \[0\]](#)
- [PCIe_SS_EP_CFG_PClE Register Summary: \[1\]\[2\]](#)

Table 24-710. PCIECTRL_EP_PCIEWIRE_BAR0

Address offset	0x10		
Physical Address	ECAM_Param_Base _Addr + 0x2000 0010 ECAM_Param_Base _Addr + 0x3000 0010	Instance	PCIe_SS1_EP_CFG_PClE PCIe_SS2_EP_CFG_PClE
Description	Base Address Register 0 Bit #0 is also a WO BAR enable (CS2) BAR Mask is writable (CS2)		
Type	RW		

31	30	29	28	27	26	25	24	23	22	21	20	19	18	17	16	15	14	13	12	11	10	9	8	7	6	5	4	3	2	1	0
BASE_ADDR_RW								BASE_ADDR_RO								PREFETCHABLE	AS	SPACE_INDICATOR													

Bits	Field Name	Description	Type	Reset
31:20	BASE_ADDR_RW	Base address bits (for a 64-bit BAR, upper base address bits are in BAR above). Unmasked MSBs, as set by BAR mask NOTE: The RO and RW division between bits 19 and 20 is based on the assumption that BAR mask is 20 bits (1MB).	RW	0x0
19:4	BASE_ADDR_RO	Base address bits (for a 64-bit BAR, upper base address bits are in BAR above). Masked LSBs, as set by BAR mask. NOTE: The RO and RW division between bits 19 and 20 is based on the assumption that BAR mask is 20 bits (1MB).	R	0x0
3	PREFETCHABLE	MEM BAR: Prefetchable (CS) I/O BAR: bit 1 is part of I/O address	R	0x1
2:1	AS	MEM BAR: Address Size (CS) I/O BAR: bit 0 is always 0, bit 1 is LSB of I/O address Read 0x0 = 32 Bit Read 0x2 = 64 Bit	R	0x0
0	SPACE_INDICATOR	BAR I/O vs memory space indicator (CS) 0x0 = BAR type is Memory 0x1 = BAR type is I/O	R	0x0

Table 24-711. Register Call Summary for Register PCIECTRL_EP_PCIEWIRE_BAR0

PCIe Controller

- [Base Address Registers \(BAR\) Initialization: \[0\]](#)
- [PCIe Standard Registers vs PCIe Subsystem Hardware Registers Mapping: \[1\]](#)
- [PCIe_SS_EP_CFG_PCIE Register Summary: \[2\]\[3\]](#)

Table 24-712. PCIECTRL_EP_PCIEWIRE_BAR1

Address offset	0x14	
Physical Address	ECAM_Param_Base Instance _Addr + 0x2000 0014 ECAM_Param_Base _Addr + 0x3000 0014	PCIe_SS1_EP_CFG_PCIE PCIe_SS2_EP_CFG_PCIE
Description	Base Address Register 1 If BAR0.AS = 64-bit: upper half of BAR0 base address If BAR0.AS = 32-bit: independent 32-bit BAR Bit #0 is also a WO BAR enable (CS2) BAR Mask is writable (CS2)	
Type	RW	

31	30	29	28	27	26	25	24	23	22	21	20	19	18	17	16	15	14	13	12	11	10	9	8	7	6	5	4	3	2	1	0
BASE_ADDR_RW												BASE_ADDR_RO												PREFETCHABLE	AS	SPACE_INDICATOR					

Bits	Field Name	Description	Type	Reset
31:20	BASE_ADDR_RW	Base address bits (for a 64-bit BAR, lower base address bits are in BAR below). Unmasked MSBs, as set by BAR mask. NOTE: The RO and RW division between bits 19 and 20 is based on the assumption that BAR mask is 20 bits (1MB).	RW	0x0
19:4	BASE_ADDR_RO	Base address bits (for a 64-bit BAR, lower base address bits are in BAR below). Masked LSBs, as set by BAR mask. NOTE: The RO and RW division between bits 19 and 20 is based on the assumption that BAR mask is 20 bits (1MB).	R	0x0

Bits	Field Name	Description	Type	Reset
3	PREFETCHABLE	MEM BAR: Prefetchable (CS) I/O BAR: bit 1 is part of I/O address	R	0x1
2:1	AS	MEM BAR: Address Size (CS) I/O BAR: bit 0 is always 0, bit 1 is LSBit of I/O address Read 0x0 = 32 Bit Read 0x2 = 64 Bit	R	0x0
0	SPACE_INDICATOR	BAR I/O vs memory space indicator (CS) 0x0 = BAR type is Memory 0x1 = BAR type is I/O	R	0x0

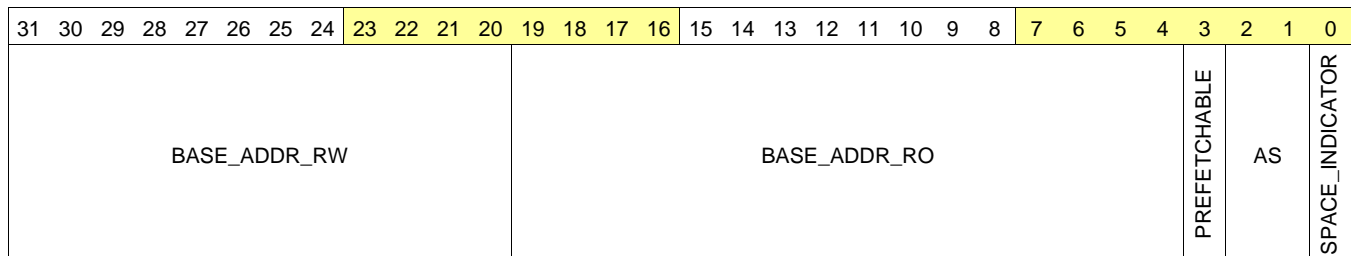
Table 24-713. Register Call Summary for Register PCIECTRL_EP_PCIEWIRE_BAR1

PCIe Controller

- [PCIe Standard Registers vs PCIe Subsystem Hardware Registers Mapping: \[0\]](#)
- [PCIe_SS_EP_CFG_PCIE Register Summary: \[1\]\[2\]](#)

Table 24-714. PCIECTRL_EP_PCIEWIRE_BAR2

Address offset	0x18												
Physical Address	<table border="0"> <tr> <td>ECAM_Param_Base</td> <td>Instance</td> <td>PCIe_SS1_EP_CFG_PCIE</td> </tr> <tr> <td>_Addr + 0x2000 0018</td> <td></td> <td>PCIe_SS2_EP_CFG_PCIE</td> </tr> <tr> <td>ECAM_Param_Base</td> <td></td> <td></td> </tr> <tr> <td>_Addr + 0x3000 0018</td> <td></td> <td></td> </tr> </table>	ECAM_Param_Base	Instance	PCIe_SS1_EP_CFG_PCIE	_Addr + 0x2000 0018		PCIe_SS2_EP_CFG_PCIE	ECAM_Param_Base			_Addr + 0x3000 0018		
ECAM_Param_Base	Instance	PCIe_SS1_EP_CFG_PCIE											
_Addr + 0x2000 0018		PCIe_SS2_EP_CFG_PCIE											
ECAM_Param_Base													
_Addr + 0x3000 0018													
Description	Base Address Register 2 Bit #0 is also a WO BAR enable (CS2) BAR Mask is writable (CS2)												
Type	RW												



Bits	Field Name	Description	Type	Reset
31:20	BASE_ADDR_RW	Base address bits (for a 64-bit BAR, upper base address bits are in BAR above). Unmasked MSBs, as set by BAR mask. NOTE: The RO and RW division between bits 19 and 20 is based on the assumption that BAR mask is 20 bits (1MB).	RW	0x0
19:4	BASE_ADDR_RO	Base address bits (for a 64-bit BAR, upper base address bits are in BAR above). Masked LSBs, as set by BAR mask. NOTE: The RO and RW division between bits 19 and 20 is based on the assumption that BAR mask is 20 bits (1MB).	R	0x0
3	PREFETCHABLE	MEM BAR: Prefetchable (CS) I/O BAR: bit 1 is part of I/O address	R	0x1
2:1	AS	MEM BAR: Address Size (CS) I/O BAR: bit 0 is always 0, bit 1 is LSBit of I/O address Read 0x0 = 32 Bit Read 0x2 = 64 Bit	R	0x0
0	SPACE_INDICATOR	BAR I/O vs memory space indicator (CS) 0x0 = BAR type is Memory 0x1 = BAR type is I/O	R	0x0

Table 24-715. Register Call Summary for Register PCIECTRL_EP_PCIEWIRE_BAR2

PCIe Controller

- [PCIe Standard Registers vs PCIe Subsystem Hardware Registers Mapping: \[0\]](#)
- [PCIe_SS_EP_CFG_PCIE Register Summary: \[1\]\[2\]](#)

Table 24-716. PCIECTRL_EP_PCIEWIRE_BAR3

Address offset	0x1C		
Physical Address	ECAM_Param_Base _Addr + 0x2000 001C ECAM_Param_Base _Addr + 0x3000 001C	Instance	PCIe_SS1_EP_CFG_PCIE PCIe_SS2_EP_CFG_PCIE
Description	Base Address Register 3 If BAR2.AS = 64-bit: upper half of BAR2 base address If BAR2.AS = 32-bit: independent 32-bit BAR Bit #0 is also a WO BAR enable (CS2) BAR Mask is writable (CS2)		
Type	RW		

31	30	29	28	27	26	25	24	23	22	21	20	19	18	17	16	15	14	13	12	11	10	9	8	7	6	5	4	3	2	1	0
BASE_ADDR_RW												BASE_ADDR_RO												PREFETCHABLE	AS	SPACE_INDICATOR					

Bits	Field Name	Description	Type	Reset
31:20	BASE_ADDR_RW	Base address bits (for a 64-bit BAR, lower base address bits are in BAR below). Unmasked MSBs, as set by BAR mask. NOTE: The RO and RW division between bits 19 and 20 is based on the assumption that BAR mask is 20 bits (1MB).	RW	0x0
19:4	BASE_ADDR_RO	Base address bits (for a 64-bit BAR, lower base address bits are in BAR below). Masked LSBs, as set by BAR mask. NOTE: The RO and RW division between bits 19 and 20 is based on the assumption that BAR mask is 20 bits (1MB).	R	0x0
3	PREFETCHABLE	MEM BAR: Prefetchable (CS) I/O BAR: bit 1 is part of I/O address	R	0x1
2:1	AS	MEM BAR: Address Size (CS) I/O BAR: bit 0 is always 0, bit 1 is LSBit of I/O address Read 0x0 = 32 Bit Read 0x2 = 64 Bit	R	0x0
0	SPACE_INDICATOR	BAR I/O vs memory space indicator (CS) 0x0 = BAR type is Memory 0x1 = BAR type is I/O	R	0x0

Table 24-717. Register Call Summary for Register PCIECTRL_EP_PCIEWIRE_BAR3

PCIe Controller

- [PCIe Standard Registers vs PCIe Subsystem Hardware Registers Mapping: \[0\]](#)
- [PCIe_SS_EP_CFG_PCIE Register Summary: \[1\]\[2\]](#)

Table 24-718. PCIECTRL_EP_PCIEWIRE_BAR4

Address offset	0x20		
Physical Address	ECAM_Param_Base _Addr + 0x2000 0020	Instance	PCIe_SS1_EP_CFG_PCIE PCIe_SS2_EP_CFG_PCIE
	ECAM_Param_Base _Addr + 0x3000 0020		
Description	Base Address Register 4 Bit #0 is also a WO BAR enable (CS2) BAR Mask is writable (CS2)		
Type	RW		

31	30	29	28	27	26	25	24	23	22	21	20	19	18	17	16	15	14	13	12	11	10	9	8	7	6	5	4	3	2	1	0
BASE_ADDR_RW																BASE_ADDR_RO								PREFETCHABLE	AS	SPACE_INDICATOR					

Bits	Field Name	Description	Type	Reset
31:12	BASE_ADDR_RW	Base address bits (for a 64-bit BAR, upper base address bits are in BAR above). Unmasked MSBs, as set by BAR mask. NOTE: The RO and RW division between bits 19 and 20 is based on the assumption that BAR mask is 20 bits (1MB).	RW	0x0
11:4	BASE_ADDR_RO	Base address bits (for a 64-bit BAR, upper base address bits are in BAR above). Masked LSBs, as set by BAR mask. NOTE: The RO and RW division between bits 19 and 20 is based on the assumption that BAR mask is 20 bits (1MB).	R	0x0
3	PREFETCHABLE	MEM BAR: Prefetchable (CS) I/O BAR: bit 1 is part of I/O address	R	0x1
2:1	AS	MEM BAR: Address Size (CS) I/O BAR: bit 0 is always 0, bit 1 is LSBit of I/O address Read 0x0 = 32 Bit Read 0x2 = 64 Bit	R	0x0
0	SPACE_INDICATOR	BAR I/O vs memory space indicator (CS) 0x0 = BAR type is Memory 0x1 = BAR type is I/O	R	0x0

Table 24-719. Register Call Summary for Register PCIECTRL_EP_PCIEWIRE_BAR4

PCIe Controller

- [PCIe Standard Registers vs PCIe Subsystem Hardware Registers Mapping: \[0\]](#)
- [PCIe_SS_EP_CFG_PCIE Register Summary: \[1\]\[2\]](#)

Table 24-720. PCIECTRL_EP_PCIEWIRE_BAR5

Address offset	0x24		
Physical Address	ECAM_Param_Base _Addr + 0x2000 0024 ECAM_Param_Base _Addr + 0x3000 0024	Instance	PCIe_SS1_EP_CFG_PCIE PCIe_SS2_EP_CFG_PCIE
Description	Base Address Register 5 If BAR4.AS = 64-bit: upper half of BAR4 base address If BAR4.AS = 32-bit: independent 32-bit BAR Bit #0 is also a WO BAR enable (CS2) BAR Mask is writable (CS2)		
Type	RW		

31	30	29	28	27	26	25	24	23	22	21	20	19	18	17	16	15	14	13	12	11	10	9	8	7	6	5	4	3	2	1	0
BASE_ADDR_RW												BASE_ADDR_RO												PREFETCHABLE	AS	SPACE_INDICATOR					

Bits	Field Name	Description	Type	Reset
31:20	BASE_ADDR_RW	Base address bits (for a 64-bit BAR, lower base address bits are in BAR below). Unmasked MSBs, as set by BAR mask. NOTE: The RO and RW division between bits 19 and 20 is based on the assumption that BAR mask is 20 bits (1MB).	RW	0x0
19:4	BASE_ADDR_RO	Base address bits (for a 64-bit BAR, lower base address bits are in BAR below). Masked LSBs, as set by BAR mask. NOTE: The RO and RW division between bits 19 and 20 is based on the assumption that BAR mask is 20 bits (1MB).	R	0x0
3	PREFETCHABLE	MEM BAR: Prefetchable (CS) I/O BAR: bit 1 is part of I/O address	R	0x1
2:1	AS	MEM BAR: Address Size (CS) I/O BAR: bit 0 is always 0, bit 1 is LSBit of I/O address Read 0x0 = 32 Bit Read 0x2 = 64 Bit	R	0x0
0	SPACE_INDICATOR	BAR I/O vs memory space indicator (CS) 0x0 = BAR type is Memory 0x1 = BAR type is I/O	R	0x0

Table 24-721. Register Call Summary for Register PCIECTRL_EP_PCIEWIRE_BAR5

PCIe Controller

- [Base Address Registers \(BAR\) Initialization: \[0\]](#)
- [PCIe Standard Registers vs PCIe Subsystem Hardware Registers Mapping: \[1\]](#)
- [PCIe_SS_EP_CFG_PCIE Register Summary: \[2\]\[3\]](#)

Table 24-722. PCIECTRL_EP_PCIEWIRE_CARDBUS_CIS_POINTER

Address offset	0x28		
Physical Address	ECAM_Param_Base _Addr + 0x2000 0028 ECAM_Param_Base _Addr + 0x3000 0028	Instance	PCIe_SS1_EP_CFG_PClE PCIe_SS2_EP_CFG_PClE
Description			
Type	R		

31	30	29	28	27	26	25	24	23	22	21	20	19	18	17	16	15	14	13	12	11	10	9	8	7	6	5	4	3	2	1	0
CARDBUS_CIS_PTR_N																															

Bits	Field Name	Description	Type	Reset
31:0	CARDBUS_CIS_PTR_N	Cardbus CIS pointer (CS)	R	0x0

**Table 24-723. Register Call Summary for Register
PCIECTRL_EP_PCIEWIRE_CARDBUS_CIS_POINTER**

PCIe Controller

- [PCIe Standard Registers vs PCIe Subsystem Hardware Registers Mapping: \[0\]](#)
- [PCIe_SS_EP_CFG_PClE Register Summary: \[1\]\[2\]](#)

Table 24-724. PCIECTRL_EP_PCIEWIRE_SUBID_SUBVENDORID

Address offset	0x2C		
Physical Address	ECAM_Param_Base _Addr + 0x2000 002C ECAM_Param_Base _Addr + 0x3000 002C	Instance	PCIe_SS1_EP_CFG_PClE PCIe_SS2_EP_CFG_PClE
Description			
Type	R		

31	30	29	28	27	26	25	24	23	22	21	20	19	18	17	16	15	14	13	12	11	10	9	8	7	6	5	4	3	2	1	0
SUBSYS_DEV_ID_N																SUBSYS_VENDOR_ID_N															

Bits	Field Name	Description	Type	Reset
31:16	SUBSYS_DEV_ID_N	Subsystem ID (CS)	R	0x1
15:0	SUBSYS_VENDOR_ID_N	Subsystem Vendor ID (CS)	R	0x0

**Table 24-725. Register Call Summary for Register
PCIECTRL_EP_PCIEWIRE_SUBID_SUBVENDORID**

PCIe Controller

- [PCIe Standard Registers vs PCIe Subsystem Hardware Registers Mapping: \[0\]](#)
- [PCIe_SS_EP_CFG_PClE Register Summary: \[1\]\[2\]](#)

Table 24-726. PCIECTRL_EP_PCIEWIRE_EXPANSION_ROM_BAR

Address offset	0x30		
Physical Address	ECAM_Param_Base _Addr + 0x2000 0030 ECAM_Param_Base _Addr + 0x3000 0030	Instance	PCIe_SS1_EP_CFG_PCIE PCIe_SS2_EP_CFG_PCIE
Description	Expansion ROM Base Address Register		
Type	RW		

31	30	29	28	27	26	25	24	23	22	21	20	19	18	17	16	15	14	13	12	11	10	9	8	7	6	5	4	3	2	1	0	
EXROM_ADDRESS																EXROM_ADDRESS_RO						RESERVED										EXROM_EN

Bits	Field Name	Description	Type	Reset
31:16	EXROM_ADDRESS	Expansion ROM address, unmasked (that is, programmable).	RW	0x0
15:11	EXROM_ADDRESS_RO	Expansion ROM address, masked.	R	0x0
10:1	RESERVED		R	0x0
0	EXROM_EN	Expansion ROM Enable	RW	0x0

Table 24-727. Register Call Summary for Register PCIECTRL_EP_PCIEWIRE_EXPANSION_ROM_BAR

PCIe Controller

- [PCIe Standard Registers vs PCIe Subsystem Hardware Registers Mapping: \[0\]](#)
- [PCIe_SS_EP_CFG_PCIE Register Summary: \[1\]\[2\]](#)

Table 24-728. PCIECTRL_EP_PCIEWIRE_CAPPTR

Address offset	0x34		
Physical Address	ECAM_Param_Base _Addr + 0x2000 0034 ECAM_Param_Base _Addr + 0x3000 0034	Instance	PCIe_SS1_EP_CFG_PCIE PCIe_SS2_EP_CFG_PCIE
Description	CapPtr		
Type	R		

31	30	29	28	27	26	25	24	23	22	21	20	19	18	17	16	15	14	13	12	11	10	9	8	7	6	5	4	3	2	1	0
RESERVED																CAPTR															

Bits	Field Name	Description	Type	Reset
31:8	RESERVED		R	0x0
7:0	CAPTR	First Capability Pointer (CS)	R	0x40

Table 24-729. Register Call Summary for Register PCIECTRL_EP_PCIEWIRE_CAPPTR

PCIe Controller

- [PCIe Standard Registers vs PCIe Subsystem Hardware Registers Mapping: \[0\]](#)
- [PCIe_SS_EP_CFG_PCIE Register Summary: \[1\]\[2\]](#)

Table 24-730. PCIECTRL_EP_PCIEWIRE_INTERRUPT

Address offset	0x3C		
Physical Address	ECAM_Param_Base _Addr + 0x2000 003C ECAM_Param_Base _Addr + 0x3000 003C	Instance	PCIe_SS1_EP_CFG_PClE PCIe_SS2_EP_CFG_PClE
Description	Int Pin and line		
Type	RW		

31	30	29	28	27	26	25	24	23	22	21	20	19	18	17	16	15	14	13	12	11	10	9	8	7	6	5	4	3	2	1	0
RESERVED																INT_PIN						INT_LIN									

Bits	Field Name	Description	Type	Reset
31:16	RESERVED		R	0x0
15:8	INT_PIN	Interrupt Pin (CS)	R	0x1
7:0	INT_LIN	Interrupt Line	RW	0xFF

Table 24-731. Register Call Summary for Register PCIECTRL_EP_PCIEWIRE_INTERRUPT

PCIe Controller

- [PCIe Standard Registers vs PCIe Subsystem Hardware Registers Mapping: \[0\]](#)
- [PCIe_SS_EP_CFG_PClE Register Summary: \[1\]\[2\]](#)

Table 24-732. PCIECTRL_EP_PCIEWIRE_PM_CAP

Address Offset	0x40		
Physical Address	ECAM_Param_Base_Addr + 0x2000 0040 ECAM_Param_Base_Addr + 0x3000 0040	Instance	PCIe_SS1_EP_CFG_PClE PCIe_SS2_EP_CFG_PClE
Description	Power Management Capability structure header		
Type	R		

31	30	29	28	27	26	25	24	23	22	21	20	19	18	17	16	15	14	13	12	11	10	9	8	7	6	5	4	3	2	1	0
PME_SP				D2_SP	D1_SP	AUX_CUR		DSI	RESERVED	PME_CLK	PMC_VER		PM_NX_PTR						CAP_ID												

Bits	Field Name	Description	Type	Reset
31:27	PME_SP	PME Support (CS); Power states from which PME messages can be sent (active hi, one bit per state) Bit 0: from D0 Bit 1: from D1 Bit 2: from D2 Bit 3: from D3hot Bit 4: from D3cold (if Vaux present)	R	0x0B
26	D2_SP	D2 Support (CS)	R	0
25	D1_SP	D1 Support (CS)	R	1
24:22	AUX_CUR	AUX Current (CS)	R	0x0
21	DSI	Device Specific Initialization (CS)	R	0
20	RESERVED		R	0

Bits	Field Name	Description	Type	Reset
19	PME_CLK	PME Clock, hardwired to 0 (CS)	R	0
18:16	PMC_VER	Power Management specification version (CS)	R	0x3
15:8	PM_NX_PTR	Next Capability Pointer (CS)	R	0x50
7:0	CAP_ID	Capability ID Read 0x1: PM	R	0x01

Table 24-733. Register Call Summary for Register PCIECTRL_EP_PCIEWIRE_PM_CAP

PCIe Controller

- [PCIe Standard Registers vs PCIe Subsystem Hardware Registers Mapping: \[0\]](#)
- [PCIe_SS_EP_CFG_PCIE Register Summary: \[1\]\[2\]](#)

Table 24-734. PCIECTRL_EP_PCIEWIRE_PM_CSR

Address Offset	0x44		
Physical Address	ECAM_Param_Base_Addr + 0x2000 0044 ECAM_Param_Base_Addr + 0x3000 0044	Instance	PCIe_SS1_EP_CFG_PCIE PCIe_SS2_EP_CFG_PCIE
Description	Power Management Control and Status Register		
Type	RW		

31	30	29	28	27	26	25	24	23	22	21	20	19	18	17	16	15	14	13	12	11	10	9	8	7	6	5	4	3	2	1	0
DATA1								BP_CCE	B2B3_SP	RESERVED						PME_STATUS	DATA_SCALE	DATA_SEL			PME_EN	RESERVED			NSR	RESERVED	PWR_STATE				

Bits	Field Name	Description	Type	Reset
31:24	DATA1	Data register for additional information (not supported)	R	0x00
23	BP_CCE	Bus Power/Clock Control Enable, hardwired to 0	R	0
22	B2B3_SP	B2/B3 Support, hardwired to 0	R	0
21:16	RESERVED		R	0x00
15	PME_STATUS	PME Status (Sticky bit)	RW W1toClr	0
14:13	DATA_SCALE	Data Scale (not supported)	R	0x0
12:9	DATA_SEL	Data Select (not supported)	R	0x0
8	PME_EN	PME Enable (Sticky bit) 0x0: Device not enabled to generate PME 0x1: Device enabled to generate PME; implies that Vaux is ON, ie sticky bits will be preserved over reset	RW	0
7:4	RESERVED		R	0x0
3	NSR	No Soft Reset (CS)	R	0
2	RESERVED		R	0
1:0	PWR_STATE	Device Power State 0x0: D0 state 0x1: D1 state 0x2: D2 state 0x3: D3 state	RW	0x0

Table 24-735. Register Call Summary for Register PCIECTRL_EP_PCIEWIRE_PM_CSR

PCIe Controller

- [PCIe Standard Registers vs PCIe Subsystem Hardware Registers Mapping: \[0\]](#)
- [PCIe_SS_EP_CFG_PCIE Register Summary: \[1\]\[2\]](#)

Table 24-736. PCIECTRL_EP_PCIEWIRE_PCIE_CAP

Address offset	0x70		
Physical Address	ECAM_Param_Base _Addr + 0x2000 0070 ECAM_Param_Base _Addr + 0x3000 0070	Instance	PCIe_SS1_EP_CFG_PCIE PCIe_SS2_EP_CFG_PCIE
Description	PCIe cap structure		
Type	R		

31	30	29	28	27	26	25	24	23	22	21	20	19	18	17	16	15	14	13	12	11	10	9	8	7	6	5	4	3	2	1	0
RESERVED				IM_NUM			SLOT	DEV_TYPE				PCIE_VER				PCIE_NX_PTR				CAP_ID											

Bits	Field Name	Description	Type	Reset
31:30	RESERVED		R	0x0
29:25	IM_NUM	Interrupt Message Number (CS)	R	0x0
24	SLOT	Slot Implemented Must be 0 for an endpoint	R	0x0
23:20	DEV_TYPE	Device/Port Type Value depends on assigned type 0x0 = PCIe endpoint 0x1 = Legacy PCIe endpoint	R	0x0
19:16	PCIE_VER	PCI Express Capability Version	R	0x2
15:8	PCIE_NX_PTR	Next Capability Pointer (CS)	R	0x0
7:0	CAP_ID	Capability ID	R	0x10

Table 24-737. Register Call Summary for Register PCIECTRL_EP_PCIEWIRE_PCIE_CAP

PCIe Controller

- [PCIe Standard Registers vs PCIe Subsystem Hardware Registers Mapping: \[0\]](#)
- [PCIe_SS_EP_CFG_PCIE Register Summary: \[1\]\[2\]](#)

Table 24-738. PCIECTRL_EP_PCIEWIRE_DEV_CAP

Address offset	0x74	
Physical Address	ECAM_Param_Base _Addr + 0x2000 0074 ECAM_Param_Base _Addr + 0x3000 0074	Instance PCIe_SS1_EP_CFG_PCIE PCIe_SS2_EP_CFG_PCIE
Description	PCIe Device Capabilities	
Type	R	

31	30	29	28	27	26	25	24	23	22	21	20	19	18	17	16	15	14	13	12	11	10	9	8	7	6	5	4	3	2	1	0
RESERVED				FLR_EN	CAPT_SLOW_PWRLIMIT_SCALE				CAPT_SLOW_PWRLIMIT_VALUE				RESERVED	ROLEBASED_ERRRPT	UNDEFINED				DEFAULT_EP_L1_ACCPT_LATENCY	DEFAULT_EP_LOS_ACCPT_LATENCY	EXTTAGFIELD_SUPPORT	PHANTOMFUNC	MAX_PAYLOAD_SIZE								

Bits	Field Name	Description	Type	Reset
31:29	RESERVED		R	0x0
28	FLR_EN	Function Level Reset Capability (CS)	R	0x0
27:26	CAPT_SLOW_PWRLIMIT_SCALE	Captured Slow Power Scale Value (CS)	R	0x0
25:18	CAPT_SLOW_PWRLIMIT_VALUE	Captured Slow Power Limit Value (CS)	R	0x0
17:16	RESERVED		R	0x0
15	ROLEBASED_ERRRPT	Role Based Error Reporting (CS)	R	0x1
14:12	UNDEFINED	Undefined from PCIe 1.1 onwards (CS)	R	0x0
11:9	DEFAULT_EP_L1_ACCPT_LATENCY	Endpoint L1 Acceptable Latency (CS)	R	0x3
8:6	DEFAULT_EP_LOS_ACCPT_LATENCY	Endpoint L0s Acceptable Latency (CS)	R	0x4
5	EXTTAGFIELD_SUPPORT	Value derived from DEFAULT_EXT_TAG_FIELD_SUPPORTED	R	0x0
4:3	PHANTOMFUNC	Phantom Function Support, not SUPPORTED (CS)	R	0x0
2:0	MAX_PAYLOAD_SIZE	Maximum Payload Size (CS) Read 0x1 = 256 Byte	R	0x1

Table 24-739. Register Call Summary for Register PCIECTRL_EP_PCIEWIRE_DEV_CAP

PCIe Controller

- [PCIe Standard Registers vs PCIe Subsystem Hardware Registers Mapping: \[0\]](#)
- [PCIe_SS_EP_CFG_PCIE Register Summary: \[1\]\[2\]](#)

Table 24-740. PCIECTRL_EP_PCIEWIRE_DEV_CAS

Address offset	0x78		
Physical Address	ECAM_Param_Base _Addr + 0x2000 0078 ECAM_Param_Base _Addr + 0x3000 0078	Instance	PCIe_SS1_EP_CFG_PClE PCIe_SS2_EP_CFG_PClE
Description	PCIE Device Control and Status		
Type	RW		

31	30	29	28	27	26	25	24	23	22	21	20	19	18	17	16	15	14	13	12	11	10	9	8	7	6	5	4	3	2	1	0
RESERVED								TRANS_PEND	AUXP_DET	UR_DET	FT_DET	NFT_DET	COR_DET	INIT_FLR	MRRS			NOSNP_EN	AUXPM_EN	PHFUN_EN	EXTAG_EN	MPS			EN_RO	UR_RE	FT_RE	NFT_RE	COR_RE		

Bits	Field Name	Description	Type	Reset
31:22	RESERVED		R	0x0
21	TRANS_PEND	Transaction Pending	R	0x0
20	AUXP_DET	Aux Power Detected	R	0x0
19	UR_DET	Unsupported Request Detected	RW	0x0
18	FT_DET	Fatal Error Detected	RW	0x0
17	NFT_DET	Non-Fatal Error Detected	RW	0x0
16	COR_DET	Correctable Error Detected	RW	0x0
15	INIT_FLR	Reserved	R	0x0
14:12	MRRS	Max_Read_Request_Size	RW	0x2
11	NOSNP_EN	Enable No Snoop	RW	0x0
10	AUXPM_EN	AUX Power PM Enable	RW	0x0
9	PHFUN_EN	Phantom Function Enable	RW	0x0
8	EXTAG_EN	Extended Tag Field Enable	RW	0x0
7:5	MPS	Max_Payload_Size	RW	0x0
4	EN_RO	Enable Relaxed Ordering	RW	0x1
3	UR_RE	Unsupported Request Reporting Enable	RW	0x0
2	FT_RE	Fatal Error Reporting Enable	RW	0x0
1	NFT_RE	Non-Fatal Error Reporting Enable	RW	0x0
0	COR_RE	Correctable Error Reporting Enable	RW	0x0

Table 24-741. Register Call Summary for Register PCIECTRL_EP_PCIEWIRE_DEV_CAS

PCIe Controller

- [PCIe Standard Registers vs PCIe Subsystem Hardware Registers Mapping: \[0\]](#)
- [PCIe_SS_EP_CFG_PClE Register Summary: \[1\]\[2\]](#)

Table 24-742. PCIECTRL_EP_PCIEWIRE_LNK_CAP

Address offset	0x7C		
Physical Address	ECAM_Param_Base _Addr + 0x2000 007C ECAM_Param_Base _Addr + 0x3000 007C	Instance	PCIe_SS1_EP_CFG_PCIE PCIe_SS2_EP_CFG_PCIE
Description	PCIe Link Capabilities		
Type	R		

31	30	29	28	27	26	25	24	23	22	21	20	19	18	17	16	15	14	13	12	11	10	9	8	7	6	5	4	3	2	1	0
PORT_NUM								RESERVED	ASPM_OPT_COMP	LNK_BW_not_CAP	DLL_ACTRPT_CAP	UNSUP	CLK_PWR_MGMT	L1_EXIT_LAT	L0S_EXIT_LAT	AS_LINK_PM_SUPPORT	MAX_LINK_WIDTH						MAX_LINK_SPEEDS								

Bits	Field Name	Description	Type	Reset
31:24	PORT_NUM	Port Number (CS)	R	0x0
23	RESERVED		R	0x0
22	ASPM_OPT_COMP	ASPM Optionality Compliance (CS)	R	0x1
21	LNK_BW_not_CAP	Link Bandwidth Notification Capability (CS)	R	0x0
20	DLL_ACTRPT_CAP	Data Link Layer Active Reporting Capable	R	0x0
19	UNSUP	Unsupported, Surprise Down Error Reporting Capable, Hardwired to 0	R	0x0
18	CLK_PWR_MGMT	Clock Power Management (CS)	R	0x0
17:15	L1_EXIT_LAT	L1 Exit Latency (CS2)	R	0x6
14:12	L0S_EXIT_LAT	L0s Exit Latency (CS2)	R	0x3
11:10	AS_LINK_PM_SUPPORT	Active State Link PM (ASPM) Support (CS)	R	0x3
9:4	MAX_LINK_WIDTH	Max Link Width (lanes) (CS)	R	0x2
3:0	MAX_LINK_SPEEDS	Supported Max Link Speed (CS) 0x1 = 2.5 GT/s (Gen1) 0x2 = 5 GT/s (Gen2) 0x4 = 8 GT/s (Gen3)	R	0x2

Table 24-743. Register Call Summary for Register PCIECTRL_EP_PCIEWIRE_LNK_CAP

PCIe Controller

- [PCIe Standard Registers vs PCIe Subsystem Hardware Registers Mapping: \[0\]](#)
- [PCIe_SS_EP_CFG_PCIE Register Summary: \[1\]\[2\]](#)

Table 24-744. PCIECTRL_EP_PCIEWIRE_LNK_CAS

Address offset	0x80		
Physical Address	ECAM_Param_Base _Addr + 0x2000 0080 ECAM_Param_Base _Addr + 0x3000 0080	Instance	PCIe_SS1_EP_CFG_PCIE PCIe_SS2_EP_CFG_PCIE
Description	PCIe Link Control and Status		
Type	RW		

31	30	29	28	27	26	25	24	23	22	21	20	19	18	17	16	15	14	13	12	11	10	9	8	7	6	5	4	3	2	1	0
LAB_STATUS	LBW_STATUS	DLL_ACT	SLOT_CLK_CONFIG	LINK_TRAIN	UNDEF	NEG_LW				LINK_SPEED				RESERVED				LABIE	LBMIE	HAWD	EN_CPM	EXT_SYN	COM_CLK_CFG	RETRAIN_LINK	LINK_DIS	RCB	RESERVED	ASPM_CTRL			

Bits	Field Name	Description	Type	Reset
31	LAB_STATUS	Link Autonomous Bandwidth Status	R	0x0
30	LBW_STATUS	Link Bandwidth Management Status	R	0x0
29	DLL_ACT	Data Link Layer Active	R	0x0
28	SLOT_CLK_CONFIG	Slot Clock Configuration (CS)	R	0x1
27	LINK_TRAIN	LINK training	R	0x0
26	UNDEF	Undefined	R	0x0
25:20	NEG_LW	Negotiated Link Width UNDEFINED UNTIL LINK IS UP.	R	0x1
19:16	LINK_SPEED	Link Speed UNDEFINED UNTIL LINK IS UP.	R	0x1
15:12	RESERVED		R	0x0
11	LABIE	Link Autonomous Bandwidth Interrupt Enable.	RW	0x0
10	LBMIE	Link Bandwidth Management Interrupt Enable	RW	0x0
9	HAWD	Hardware Autonomous Width Disable	R	0x0
8	EN_CPM	Enable Clock Power Management	RW	0x0
7	EXT_SYN	Extended Synch	RW	0x0
6	COM_CLK_CFG	Common Clock Configuration	RW	0x0
5	RETRAIN_LINK	Retrain Link	R	0x0
4	LINK_DIS	Link Disable	R	0x0
3	RCB	Read Completion Boundary (CS) 0x0 = 64 Byte 0x1 = 128 Byte	R	0x1
2	RESERVED		R	0x0
1:0	ASPM_CTRL	Active State Link PM Control 0x0: DISABLED 0x1: LOS_ENABLED 0x2: L1_ENABLED 0x3: LOS_AND_L1_ENABLED	RW	0x0

Table 24-745. Register Call Summary for Register PCIECTRL_EP_PCIEWIRE_LNK_CAS

PCIe Controller

- [PCIe Standard Registers vs PCIe Subsystem Hardware Registers Mapping: \[0\]](#)
- [PCIe_SS_EP_CFG_PCIE Register Summary: \[1\]\[2\]](#)

Table 24-746. PCIECTRL_EP_PCIEWIRE_DEV_CAP_2

Address offset	0x94	
Physical Address	ECAM_Param_Base _Addr + 0x2000 0094 ECAM_Param_Base _Addr + 0x3000 0094	Instance PCIe_SS1_EP_CFG_PCIE PCIe_SS2_EP_CFG_PCIE
Description	Device Capabilities 2 Register	
Type	R	

31	30	29	28	27	26	25	24	23	22	21	20	19	18	17	16	15	14	13	12	11	10	9	8	7	6	5	4	3	2	1	0													
RESERVED																		TPHC_SP		RESERVED		NOROPR		CASC128_SP		AOC64_SP		AOC32_SP		AOR_SP		ARI_FWD_SP		CPL_TIMEOUT_DIS_SUPPORTED		CPL_TIMEOUT_RNG_SUPPORTED								

Bits	Field Name	Description	Type	Reset
31:14	RESERVED		R	0x0
13:12	TPHC_SP	TPH Completer Supported	R	0x0
11	RESERVED		R	0x0
10	NOROPR	No RO-enabled PR-PR Passing	R	0x0
9	CASC128_SP	128-bit CAS Completer Supported	R	0x0
8	AOC64_SP	64-bit AtomicOp Completer Supported	R	0x0
7	AOC32_SP	32-bit AtomicOp Completer Supported	R	0x0
6	AOR_SP	AtomicOp Routing Supported	R	0x0
5	ARI_FWD_SP	ARI Forwarding Supported	R	0x0
4	CPL_TIMEOUT_DIS_SUPPORTED	Completion Timeout Disable Supported	R	0x1
3:0	CPL_TIMEOUT_RNG_SUPPORTED	Completion Timeout Ranges Supported	R	0x1

Table 24-747. Register Call Summary for Register PCIECTRL_EP_PCIEWIRE_DEV_CAP_2

PCIe Controller

- [PCIe Standard Registers vs PCIe Subsystem Hardware Registers Mapping: \[0\]](#)
- [PCIe_SS_EP_CFG_PCIE Register Summary: \[1\]\[2\]](#)

Table 24-748. PCIECTRL_EP_PCIEWIRE_DEV_CAS_2

Address offset	0x98		
Physical Address	ECAM_Param_Base _Addr + 0x2000 0098 ECAM_Param_Base _Addr + 0x3000 0098	Instance	PCIe_SS1_EP_CFG_PCIE PCIe_SS2_EP_CFG_PCIE
Description	Device Control 2 Register		
Type	RW		

31	30	29	28	27	26	25	24	23	22	21	20	19	18	17	16	15	14	13	12	11	10	9	8	7	6	5	4	3	2	1	0				
RESERVED																	OBFF_EN		RESERVED		LTR_EN		IDO_CPL_EN		IDO_REQ_EN		AOP_EG_BLK		AOP_REQ_EN		ARI_FWD_SP		CPL_TIMEOUT_DIS		CPL_TIMEOUT_VALUE

Bits	Field Name	Description	Type	Reset
31:15	RESERVED		R	0x0
14:13	OBFF_EN	OBFF Enable	RW	0x0
12:11	RESERVED		R	0x0
10	LTR_EN	LTR Mechanism Enable	RW	0x0
9	IDO_CPL_EN	IDO Completion Enable	RW	0x0
8	IDO_REQ_EN	IDO Request Enable	RW	0x0
7	AOP_EG_BLK	AtomicOp Egress Blocking	RW	0x0
6	AOP_REQ_EN	AtomicOp Requester Enable	RW	0x0
5	ARI_FWD_SP	ARI Forwarding Supported	RW	0x0
4	CPL_TIMEOUT_DIS	Completion Timeout Disable	RW	0x0
3:0	CPL_TIMEOUT_VALUE	Completion Timeout Values	RW	0x0

Table 24-749. Register Call Summary for Register PCIECTRL_EP_PCIEWIRE_DEV_CAS_2

PCIe Controller

- [PCIe Standard Registers vs PCIe Subsystem Hardware Registers Mapping: \[0\]](#)
- [PCIe_SS_EP_CFG_PCIE Register Summary: \[1\]\[2\]](#)

Table 24-750. PCIECTRL_EP_PCIEWIRE_LNK_CAP_2

Address offset	0x9C		
Physical Address	ECAM_Param_Base _Addr + 0x2000 009C ECAM_Param_Base _Addr + 0x3000 009C	Instance	PCIe_SS1_EP_CFG_PCIE PCIe_SS2_EP_CFG_PCIE
Description	PCIe Link Capabilities 2 Register		
Type	R		

31	30	29	28	27	26	25	24	23	22	21	20	19	18	17	16	15	14	13	12	11	10	9	8	7	6	5	4	3	2	1	0
RESERVED																CROSSLINK_SP	SP_LS_VEC							RESERVED							

Bits	Field Name	Description	Type	Reset
31:9	RESERVED		R	0x0
8	CROSSLINK_SP	Crosslink Supported	R	0x0
7:1	SP_LS_VEC	Supported Link Speeds Vector	R	0x3
0	RESERVED		R	0x0

Table 24-751. Register Call Summary for Register PCIECTRL_EP_PCIEWIRE_LNK_CAP_2

PCIe Controller

- [PCIe Standard Registers vs PCIe Subsystem Hardware Registers Mapping: \[0\]](#)
- [PCIe_SS_EP_CFG_PCIE Register Summary: \[1\]\[2\]](#)

Table 24-752. PCIECTRL_EP_PCIEWIRE_LNK_CAS_2

Address offset	0xA0		
Physical Address	ECAM_Param_Base _Addr + 0x2000 00A0 ECAM_Param_Base _Addr + 0x3000 00A0	Instance	PCIe_SS1_EP_CFG_PCIE PCIe_SS2_EP_CFG_PCIE
Description	Link Control and Status 2 Register		
Type	RW		

31	30	29	28	27	26	25	24	23	22	21	20	19	18	17	16	15	14	13	12	11	10	9	8	7	6	5	4	3	2	1	0
RESERVED																LINK_EQ_REQ	EQ_PH3	EQ_PH2	EQ_PH1	EQ_COMPLETE	DEEMPH_LEVEL	COMPL_PRST_DEEPH	COMPL_SOS	ENT_MOD_COMPL	TX_MARGIN	SEL_DEEMP	HW_AUTO_SP_DIS	ENTR_COMPL	TRGT_LINK_SPEED		

Bits	Field Name	Description	Type	Reset
31:22	RESERVED		R	0x0
21	LINK_EQ_REQ	Link Equalization Request	RW Wr1toClr	0x0
20	EQ_PH3	Equalization Ph3 Success, Gen3 Only	R	0x0
19	EQ_PH2	Equalization Ph2 Success, Gen3 Only	R	0x0
18	EQ_PH1	Equalization Ph1 Success, Gen3 Only	R	0x0
17	EQ_COMPLETE	Equalization Complete, Gen3 Only	R	0x0
16	DEEMPH_LEVEL	Current De-emphasis Level	R	0x1
15:12	COMPL_PRST_DEEPH	Compliance Pre-set/ De-emphasis	RW	0x0
11	COMPL_SOS	Compliance SOS	RW	0x0
10	ENT_MOD_COMPL	Enter Modified Compliance	RW	0x0
9:7	TX_MARGIN	Transmit Margin	RW	0x0
6	SEL_DEEMP	Selectable De-emphasize	R	0x0
5	HW_AUTO_SP_DIS	Hardware Autonomous Speed Disable	R	0x0
4	ENTR_COMPL	Enter Compliance	RW	0x0
3:0	TRGT_LINK_SPEED	Target Link Speed	RW	0x1

Table 24-753. Register Call Summary for Register PCIECTRL_EP_PCIEWIRE_LNK_CAS_2

PCIe Controller

- [PCIe Standard Registers vs PCIe Subsystem Hardware Registers Mapping: \[0\]](#)
- [PCIe_SS_EP_CFG_PCIE Register Summary: \[1\]\[2\]](#)

24.9.7.3 PCIe_SS_EP_CFG_DBICS Registers

NOTE: This section describes the PCIe EP mode (PCIe type-0) standard configuration registers as they are locally accessed within the DIF CS space. These register names are prefixed with "PCIECTRL_EP_DBICS".

24.9.7.3.1 PCIe_SS_EP_CFG_DBICS Register Summary

Table 24-754. PCIe_SS1_EP_CFG_DBICS Registers Mapping Summary

Register Name	Type	Register Width (Bits)	Address Offset	PCIe_SS1_EP_CFG_DBICS Physical Address
PCIECTRL_EP_DBICS_DEVICE_VENDORID	RW	32	0x0	0x5100 0000
PCIECTRL_EP_DBICS_STATUS_COMMAND_REGISTER	RW	32	0x4	0x5100 0004
PCIECTRL_EP_DBICS_CLASSCODE_REVISIONID	RW	32	0x8	0x5100 0008
PCIECTRL_EP_DBICS_BIST_HEAD_LAT_CACH	RW	32	0xC	0x5100 000C
PCIECTRL_EP_DBICS_BAR0	RW	32	0x10	0x5100 0010
PCIECTRL_EP_DBICS_BAR1	RW	32	0x14	0x5100 0014
PCIECTRL_EP_DBICS_BAR2	RW	32	0x18	0x5100 0018
PCIECTRL_EP_DBICS_BAR3	RW	32	0x1C	0x5100 001C
PCIECTRL_EP_DBICS_BAR4	RW	32	0x20	0x5100 0020
PCIECTRL_EP_DBICS_BAR5	RW	32	0x24	0x5100 0024
PCIECTRL_EP_DBICS_CARDBUS_CIS_POINTER	RW	32	0x28	0x5100 0028
PCIECTRL_EP_DBICS_SUBID_SUBVENDORID	RW	32	0x2C	0x5100 002C
PCIECTRL_EP_DBICS_EXPANSION_ROM_BAR	RW	32	0x30	0x5100 0030
PCIECTRL_EP_DBICS_CAPPTR	RW	32	0x34	0x5100 0034
PCIECTRL_EP_DBICS_INTERRUPT	RW	32	0x3C	0x5100 003C
PCIECTRL_EP_DBICS_PM_CAP	RW	32	0x40	0x5100 0040
PCIECTRL_EP_DBICS_PM_CSR	RW	32	0x44	0x5100 0044
PCIECTRL_EP_DBICS_MSI_CAP	RW	32	0x50	0x5100 0050
PCIECTRL_EP_DBICS_MSI_ADD_L32	RW	32	0x54	0x5100 0054
PCIECTRL_EP_DBICS_MSI_ADD_U32	RW	32	0x58	0x5100 0058
PCIECTRL_EP_DBICS_MSI_DATA	RW	32	0x5C	0x5100 005C
PCIECTRL_EP_DBICS_PCIE_CAP	RW	32	0x70	0x5100 0070
PCIECTRL_EP_DBICS_DEV_CAP	RW	32	0x74	0x5100 0074
PCIECTRL_EP_DBICS_DEV_CAS	RW	32	0x78	0x5100 0078
PCIECTRL_EP_DBICS_LNK_CAP	RW	32	0x7C	0x5100 007C
PCIECTRL_EP_DBICS_LNK_CAS	RW	32	0x80	0x5100 0080
PCIECTRL_EP_DBICS_DEV_CAP_2	R	32	0x94	0x5100 0094
PCIECTRL_EP_DBICS_DEV_CAS_2	RW	32	0x98	0x5100 0098
PCIECTRL_EP_DBICS_LNK_CAP_2	R	32	0x9C	0x5100 009C
PCIECTRL_EP_DBICS_LNK_CAS_2	RW	32	0xA0	0x5100 00A0

Table 24-755. PCIe_SS2_EP_CFG_DBICS Registers Mapping Summary

Register Name	Type	Register Width (Bits)	Address Offset	PCIe_SS2_EP_CFG_DBICS Physical Address
PCIECTRL_EP_DBICS_DEVICE_VENDORID	RW	32	0x0	0x5180 0000
PCIECTRL_EP_DBICS_STATUS_COMMAND_REGISTER	RW	32	0x4	0x5180 0004
PCIECTRL_EP_DBICS_CLASSCODE_REVISIONID	RW	32	0x8	0x5180 0008

Table 24-755. PCIe_SS2_EP_CFG_DBICS Registers Mapping Summary (continued)

Register Name	Type	Register Width (Bits)	Address Offset	PCIe_SS2_EP_CFG_DBICS Physical Address
PCIECTRL_EP_DBICS_BIST_HEAD_LAT_CACH	RW	32	0xC	0x5180 000C
PCIECTRL_EP_DBICS_BAR0	RW	32	0x10	0x5180 0010
PCIECTRL_EP_DBICS_BAR1	RW	32	0x14	0x5180 0014
PCIECTRL_EP_DBICS_BAR2	RW	32	0x18	0x5180 0018
PCIECTRL_EP_DBICS_BAR3	RW	32	0x1C	0x5180 001C
PCIECTRL_EP_DBICS_BAR4	RW	32	0x20	0x5180 0020
PCIECTRL_EP_DBICS_BAR5	RW	32	0x24	0x5180 0024
PCIECTRL_EP_DBICS_CARDBUS_CIS_POINTER	RW	32	0x28	0x5180 0028
PCIECTRL_EP_DBICS_SUBID_SUBVENDORID	RW	32	0x2C	0x5180 002C
PCIECTRL_EP_DBICS_EXPANSION_ROM_BAR	RW	32	0x30	0x5180 0030
PCIECTRL_EP_DBICS_CAPPTR	RW	32	0x34	0x5180 0034
PCIECTRL_EP_DBICS_INTERRUPT	RW	32	0x3C	0x5180 003C
PCIECTRL_EP_DBICS_PM_CAP	RW	32	0x40	0x5180 0040
PCIECTRL_EP_DBICS_PM_CSR	RW	32	0x44	0x5180 0044
PCIECTRL_EP_DBICS_MSI_CAP	RW	32	0x50	0x5180 0050
PCIECTRL_EP_DBICS_MSI_ADD_L32	RW	32	0x54	0x5180 0054
PCIECTRL_EP_DBICS_MSI_ADD_U32	RW	32	0x58	0x5180 0058
PCIECTRL_EP_DBICS_MSI_DATA	RW	32	0x5C	0x5180 005C
PCIECTRL_EP_DBICS_PCIE_CAP	RW	32	0x70	0x5180 0070
PCIECTRL_EP_DBICS_DEV_CAP	RW	32	0x74	0x5180 0074
PCIECTRL_EP_DBICS_DEV_CAS	RW	32	0x78	0x5180 0078
PCIECTRL_EP_DBICS_LNK_CAP	RW	32	0x7C	0x5180 007C
PCIECTRL_EP_DBICS_LNK_CAS	RW	32	0x80	0x5180 0080
PCIECTRL_EP_DBICS_DEV_CAP_2	R	32	0x94	0x5180 0094
PCIECTRL_EP_DBICS_DEV_CAS_2	RW	32	0x98	0x5180 0098
PCIECTRL_EP_DBICS_LNK_CAP_2	R	32	0x9C	0x5180 009C
PCIECTRL_EP_DBICS_LNK_CAS_2	RW	32	0xA0	0x5180 00A0

24.9.7.3.2 PCIe_SS_EP_CFG_DBICS Register Description

Table 24-756. PCIECTRL_EP_DBICS_DEVICE_VENDORID

Address offset	0x0	
Physical Address	0x5100 0000 0x5180 0000	Instance PCIe_SS1_EP_CFG_DBICS PCIe_SS2_EP_CFG_DBICS
Description	Device and Vendor ID	
Type	RW	

31	30	29	28	27	26	25	24	23	22	21	20	19	18	17	16	15	14	13	12	11	10	9	8	7	6	5	4	3	2	1	0
DEVICEID																VENDORID															

Bits	Field Name	Description	Type	Reset
31:16	DEVICEID	Device ID (CS)	RW	0x8888
15:0	VENDORID	Vendor ID (CS)	RW	0x104C

Table 24-757. Register Call Summary for Register PCIECTRL_EP_DBICS_DEVICE_VENDORID

PCIe Controller

- [PCIe Standard Registers vs PCIe Subsystem Hardware Registers Mapping: \[0\]](#)
- [PCIe_SS_EP_CFG_DBICS Register Summary: \[1\]\[2\]](#)

Table 24-758. PCIECTRL_EP_DBICS_STATUS_COMMAND_REGISTER

Address offset	0x4	
Physical Address	0x5100 0004 0x5180 0004	Instance PCIe_SS1_EP_CFG_DBICS PCIe_SS2_EP_CFG_DBICS
Description	Status and Command registers	
Type	RW	

31	30	29	28	27	26	25	24	23	22	21	20	19	18	17	16	15	14	13	12	11	10	9	8	7	6	5	4	3	2	1	0	
DETECT_PARERR	SIGNAL_SYSERR	RCVD_MASTERABORT	RCVD_TRGTABORT	SIGNAL_TRGTABORT	DEVSEL_TIME	MASTERDATA_PARERR	FAST_B2B	RESERVED	C66MHZ_CAP	CAP_LIST	INTX_STATUS	RESERVED										INTX_ASSER_DIS	FAST_BBEN	SERR_EN	IDSEL_CTRL	PARITYRRRESP	VGA_SNOOP	MEMWR_INVA	SPEC_CYCLE_EN	BUSMASTER_EN	MEM_SPACE_EN	IO_SPACE_EN

Bits	Field Name	Description	Type	Reset
31	DETECT_PARERR	Detected Parity Error	RW	0x0
30	SIGNAL_SYSERR	Signaled System Error	RW	0x0
29	RCVD_MASTERABORT	Received Master Abort	RW	0x0
28	RCVD_TRGTABORT	Received Target Abort	RW	0x0
27	SIGNAL_TRGTABORT	Signaled Target Abort	RW	0x0
26:25	DEVSEL_TIME	DevSel Timing, Harsdwired to 0 for PCIeExpress	R	0x0
24	MASTERDATA_PARERR	Master Data Parity Error	RW	0x0
23	FAST_B2B	Back to Back Capable, Harsdwired to 0 for PCIeExpress	R	0x0
22	RESERVED	Reserved	R	0x0

Bits	Field Name	Description	Type	Reset
21	C66MHZ_CAP	66MHz Capable, Hardwired to 0 for PCIeExpress	R	0x0
20	CAP_LIST	Capabilities List Hardwired to 1	R	0x1
19	INTX_STATUS	INTx Status	R	0x0
18:11	RESERVED		R	0x0
10	INTX_ASSER_DIS	INTx Assertion Disable	RW	0x0
9	FAST_BBEN	Bit hardwired to 0 for PCIeExpress	R	0x0
8	SERR_EN	SERR Enable	RW	0x0
7	IDSEL_CTRL	Bit hardwired to 0 for PCIeExpress	R	0x0
6	PARITYERRRESP	Parity Error Response	RW	0x0
5	VGA_SNOOP	Not Applicable forPCI Express Bit hardwired to 0 for PCIeExpress	R	0x0
4	MEMWR_INVA	Not Applicable for PCI Express Bit hardwired to 0 for PCIeExpress	R	0x0
3	SPEC_CYCLE_EN	Not Applicable for PCI Express Bit hardwired to 0 for PCIeExpress	R	0x0
2	BUSMASTER_EN	Bus Master Enable	RW	0x0
1	MEM_SPACE_EN	Memory Space Enable	RW	0x0
0	IO_SPACE_EN	IO Space Enable	RW	0x0

**Table 24-759. Register Call Summary for Register
PCIECTRL_EP_DBICS_STATUS_COMMAND_REGISTER**

PCIe Controller

- [Main Sequence of PCIe Controllers Initialization: \[0\]](#)
- [PCIe Standard Registers vs PCIe Subsystem Hardware Registers Mapping: \[1\]](#)
- [PCIe_SS_EP_CFG_DBICS Register Summary: \[2\]\[3\]](#)

Table 24-760. PCIECTRL_EP_DBICS_CLASSCODE_REVISIONID

Address offset	0x8		
Physical Address	0x5100 0008 0x5180 0008	Instance	PCIe_SS1_EP_CFG_DBICS PCIe_SS2_EP_CFG_DBICS
Description	Class code and Revision ID		
Type	RW		

31	30	29	28	27	26	25	24	23	22	21	20	19	18	17	16	15	14	13	12	11	10	9	8	7	6	5	4	3	2	1	0
BASE_CLS_CD								SUBCLS_CD								PROG_IF_CODE								REVID							

Bits	Field Name	Description	Type	Reset
31:24	BASE_CLS_CD	Base Class Code (CS)	RW	0x0
23:16	SUBCLS_CD	Sub Class Code (CS)	RW	0x0
15:8	PROG_IF_CODE	Programming Interface Code (CS)	RW	0x0
7:0	REVID	Revision ID (CS)	RW	0x1

**Table 24-761. Register Call Summary for Register
PCIECTRL_EP_DBICS_CLASSCODE_REVISIONID**

PCIe Controller

- [PCIe Standard Registers vs PCIe Subsystem Hardware Registers Mapping: \[0\]](#)
- [PCIe_SS_EP_CFG_DBICS Register Summary: \[1\]\[2\]](#)

Table 24-762. PCIECTRL_EP_DBICS_BIST_HEAD_LAT_CACH

Address offset	0xC		
Physical Address	0x5100 000C 0x5180 000C	Instance	PCIe_SS1_EP_CFG_DBICS PCIe_SS2_EP_CFG_DBICS
Description	BIST, Header Type, Latency Timer, Cache Line Size		
Type	RW		

31	30	29	28	27	26	25	24	23	22	21	20	19	18	17	16	15	14	13	12	11	10	9	8	7	6	5	4	3	2	1	0
BIST								MFD	HEAD_TYP				MSTR_LAT_TIM				CACH_LN_SIZE														

Bits	Field Name	Description	Type	Reset
31:24	BIST	BIST	R	0x0
23	MFD	MultiFunction Device	R	0x0
22:16	HEAD_TYP	Header Type 0x0 = EP header 0x1 = RC header	R	0x0
15:8	MSTR_LAT_TIM	Master Latency Timer, Not Applicable for PCIe hence hardwired to 0	R	0x0
7:0	CACH_LN_SIZE	Cache Line Size, No impact on write, write is allowed only for legacy purpose	RW	0x0

Table 24-763. Register Call Summary for Register PCIECTRL_EP_DBICS_BIST_HEAD_LAT_CACH

PCIe Controller

- [PCIe Standard Registers vs PCIe Subsystem Hardware Registers Mapping: \[0\]](#)
- [PCIe_SS_EP_CFG_DBICS Register Summary: \[1\]\[2\]](#)

Table 24-764. PCIECTRL_EP_DBICS_BAR0

Address offset	0x10		
Physical Address	0x5100 0010 0x5180 0010	Instance	PCIe_SS1_EP_CFG_DBICS PCIe_SS2_EP_CFG_DBICS
Description	Base Address Register 0 Bit #0 is also a WO BAR enable (CS2) BAR Mask is writable (CS2)		
Type	RW		

31	30	29	28	27	26	25	24	23	22	21	20	19	18	17	16	15	14	13	12	11	10	9	8	7	6	5	4	3	2	1	0
BASE_ADDR_RW								BASE_ADDR_RO								PREFETCHABLE	AS	SPACE_INDICATOR													

Bits	Field Name	Description	Type	Reset
31:20	BASE_ADDR_RW	Base address bits (for a 64-bit BAR, upper base address bits are in BAR above). Unmasked MSBs, as set by BAR mask. NOTE: The RO and RW division between bits 19 and 20 is based on the assumption that BAR mask is 20 bits (1MB).	RW	0x0

Bits	Field Name	Description	Type	Reset
19:4	BASE_ADDR_RO	Base address bits (for a 64-bit BAR, upper base address bits are in BAR above). Masked LSBs, as set by BAR mask. NOTE: The RO and RW division between bits 19 and 20 is based on the assumption that BAR mask is 20 bits (1MB).	R	0x0
3	PREFETCHABLE	MEM BAR: Prefetchable (CS) I/O BAR: bit 1 is part of I/O address	RW	0x1
2:1	AS	MEM BAR: Address Size (CS) I/O BAR: bit 0 is always 0, bit 1 is LSBit of I/O address Read 0x0 = 32 Bit Read 0x2 = 64 Bit	RW	0x0
0	SPACE_INDICATOR	BAR I/O vs memory space indicator (CS) 0x0(R) = BAR type is Memory 0x1(R) = BAR type is I/O	RW	0x0

Table 24-765. Register Call Summary for Register PCIECTRL_EP_DBICS_BAR0

PCIe Controller

- [PCIe Standard Registers vs PCIe Subsystem Hardware Registers Mapping: \[0\]](#)
- [PCIe_SS_EP_CFG_DBICS Register Summary: \[1\]\[2\]](#)

Table 24-766. PCIECTRL_EP_DBICS_BAR1

Address offset	0x14	Instance	PCIe_SS1_EP_CFG_DBICS PCIe_SS2_EP_CFG_DBICS
Physical Address	0x5100 0014 0x5180 0014		
Description	Base Address Register 1 If BAR0.AS = 64-bit: upper half of BAR0 base address If BAR0.AS = 32-bit: independent 32-bit BAR Bit #0 is also a WO BAR enable (CS2) BAR Mask is writable (CS2)		
Type	RW		

31	30	29	28	27	26	25	24	23	22	21	20	19	18	17	16	15	14	13	12	11	10	9	8	7	6	5	4	3	2	1	0
BASE_ADDR_RW												BASE_ADDR_RO												PREFETCHABLE	AS	SPACE_INDICATOR					

Bits	Field Name	Description	Type	Reset
31:20	BASE_ADDR_RW	Base address bits (for a 64-bit BAR, lower base address bits are in BAR below). Unmasked MSBs, as set by BAR mask. NOTE: The RO and RW division between bits 19 and 20 is based on the assumption that BAR mask is 20 bits (1MB).	RW	0x0
19:4	BASE_ADDR_RO	Base address bits (for a 64-bit BAR, lower base address bits are in BAR below). Masked LSBs, as set by BAR mask. NOTE: The RO and RW division between bits 19 and 20 is based on the assumption that BAR mask is 20 bits (1MB).	R	0x0
3	PREFETCHABLE	MEM BAR: Prefetchable (CS) I/O BAR: bit 1 is part of I/O address	RW	0x1
2:1	AS	MEM BAR: Address Size (CS) I/O BAR: bit 0 is always 0, bit 1 is LSBit of I/O address Read 0x0 = 32 Bit Read 0x2 = 64 Bit	RW	0x0

Bits	Field Name	Description	Type	Reset
0	SPACE_INDICATOR	BAR I/O vs memory space indicator (CS) 0x0(R) = BAR type is Memory 0x1(R) = BAR type is I/O	RW	0x0

Table 24-767. Register Call Summary for Register PCIECTRL_EP_DBICS_BAR1

PCIe Controller

- [PCIe Standard Registers vs PCIe Subsystem Hardware Registers Mapping: \[0\]](#)
- [PCIe_SS_EP_CFG_DBICS Register Summary: \[1\]\[2\]](#)

Table 24-768. PCIECTRL_EP_DBICS_BAR2

Address offset	0x18		
Physical Address	0x5100 0018 0x5180 0018	Instance	PCIe_SS1_EP_CFG_DBICS PCIe_SS2_EP_CFG_DBICS
Description	Base Address Register 2 Bit #0 is also a WO BAR enable (CS2) BAR Mask is writable (CS2)		
Type	RW		

31	30	29	28	27	26	25	24	23	22	21	20	19	18	17	16	15	14	13	12	11	10	9	8	7	6	5	4	3	2	1	0
BASE_ADDR_RW												BASE_ADDR_RO												PREFETCHABLE	AS	SPACE_INDICATOR					

Bits	Field Name	Description	Type	Reset
31:20	BASE_ADDR_RW	Base address bits (for a 64-bit BAR, upper base address bits are in BAR above). Unmasked MSBs, as set by BAR mask. NOTE: The RO and RW division between bits 19 and 20 is based on the assumption that BAR mask is 20 bits (1MB).	RW	0x0
19:4	BASE_ADDR_RO	Base address bits (for a 64-bit BAR, upper base address bits are in BAR above). Masked LSBs, as set by BAR mask. NOTE: The RO and RW division between bits 19 and 20 is based on the assumption that BAR mask is 20 bits (1MB).	R	0x0
3	PREFETCHABLE	MEM BAR: Prefetchable (CS) I/O BAR: bit 1 is part of I/O address	RW	0x1
2:1	AS	MEM BAR: Address Size (CS) I/O BAR: bit 0 is always 0, bit 1 is LSBit of I/O address Read 0x0 = 32 Bit Read 0x2 = 64 Bit	RW	0x0
0	SPACE_INDICATOR	BAR I/O vs memory space indicator (CS) 0x0(R) = BAR type is Memory 0x1(R) = BAR type is I/O	RW	0x0

Table 24-769. Register Call Summary for Register PCIECTRL_EP_DBICS_BAR2

PCIe Controller

- [PCIe Standard Registers vs PCIe Subsystem Hardware Registers Mapping: \[0\]](#)
- [PCIe_SS_EP_CFG_DBICS Register Summary: \[1\]\[2\]](#)

Table 24-770. PCIECTRL_EP_DBICS_BAR3

Address offset	0x1C		
Physical Address	0x5100 001C 0x5180 001C	Instance	PCIe_SS1_EP_CFG_DBICS PCIe_SS2_EP_CFG_DBICS
Description	Base Address Register 3 If BAR2.AS = 64-bit: upper half of BAR2 base address If BAR2.AS = 32-bit: independent 32-bit BAR Bit #0 is also a WO BAR enable (CS2) BAR Mask is writable (CS2)		
Type	RW		

31	30	29	28	27	26	25	24	23	22	21	20	19	18	17	16	15	14	13	12	11	10	9	8	7	6	5	4	3	2	1	0
BASE_ADDR_RW												BASE_ADDR_RO												PREFETCHABLE	AS	SPACE_INDICATOR					

Bits	Field Name	Description	Type	Reset
31:20	BASE_ADDR_RW	Base address bits (for a 64-bit BAR, lower base address bits are in BAR below). Unmasked MSBs, as set by BAR mask. NOTE: The RO and RW division between bits 19 and 20 is based on the assumption that BAR mask is 20 bits (1MB).	RW	0x0
19:4	BASE_ADDR_RO	Base address bits (for a 64-bit BAR, lower base address bits are in BAR below). Masked LSBs, as set by BAR mask. NOTE: The RO and RW division between bits 19 and 20 is based on the assumption that BAR mask is 20 bits (1MB).	R	0x0
3	PREFETCHABLE	MEM BAR: Prefetchable (CS) I/O BAR: bit 1 is part of I/O address	RW	0x1
2:1	AS	MEM BAR: Address Size (CS) I/O BAR: bit 0 is always 0, bit 1 is LSBit of I/O address Read 0x0 = 32 Bit Read 0x2 = 64 Bit	RW	0x0
0	SPACE_INDICATOR	BAR I/O vs memory space indicator (CS) 0x0(R) = BAR type is Memory 0x1(R) = BAR type is I/O	RW	0x0

Table 24-771. Register Call Summary for Register PCIECTRL_EP_DBICS_BAR3

PCIe Controller

- [PCIe Standard Registers vs PCIe Subsystem Hardware Registers Mapping: \[0\]](#)
- [PCIe_SS_EP_CFG_DBICS Register Summary: \[1\]\[2\]](#)

Table 24-772. PCIECTRL_EP_DBICS_BAR4

Address offset	0x20		
Physical Address	0x5100 0020 0x5180 0020	Instance	PCIe_SS1_EP_CFG_DBICS PCIe_SS2_EP_CFG_DBICS
Description	Base Address Register 4 Bit #0 is also a WO BAR enable (CS2) BAR Mask is writable (CS2)		
Type	RW		

31	30	29	28	27	26	25	24	23	22	21	20	19	18	17	16	15	14	13	12	11	10	9	8	7	6	5	4	3	2	1	0
BASE_ADDR_RW																BASE_ADDR_RO								PREFETCHABLE	AS	SPACE_INDICATOR					

Bits	Field Name	Description	Type	Reset
31:12	BASE_ADDR_RW	Base address bits (for a 64-bit BAR, upper base address bits are in BAR above). Unmasked MSBs, as set by BAR mask. NOTE: The RO and RW division between bits 19 and 20 is based on the assumption that BAR mask is 20 bits (1MB).	RW	0x0
11:4	BASE_ADDR_RO	Base address bits (for a 64-bit BAR, upper base address bits are in BAR above). Masked LSBs, as set by BAR mask. NOTE: The RO and RW division between bits 19 and 20 is based on the assumption that BAR mask is 20 bits (1MB).	R	0x0
3	PREFETCHABLE	MEM BAR: Prefetchable (CS) I/O BAR: bit 1 is part of I/O address	RW	0x1
2:1	AS	MEM BAR: Address Size (CS) I/O BAR: bit 0 is always 0, bit 1 is LSBit of I/O address Read 0x0 = 32 Bit Read 0x2 = 64 Bit	RW	0x0
0	SPACE_INDICATOR	BAR I/O vs memory space indicator (CS) 0x0(R) = BAR type is Memory 0x1(R) = BAR type is I/O	RW	0x0

Table 24-773. Register Call Summary for Register PCIECTRL_EP_DBICS_BAR4

PCIe Controller

- [PCIe Standard Registers vs PCIe Subsystem Hardware Registers Mapping: \[0\]](#)
- [PCIe_SS_EP_CFG_DBICS Register Summary: \[1\]\[2\]](#)

Table 24-774. PCIECTRL_EP_DBICS_BAR5

Address offset	0x24		
Physical Address	0x5100 0024 0x5180 0024	Instance	PCIe_SS1_EP_CFG_DBICS PCIe_SS2_EP_CFG_DBICS
Description	Base Address Register 5 If BAR4.AS = 64-bit: upper half of BAR4 base address If BAR4.AS = 32-bit: independent 32-bit BAR Bit #0 is also a WO BAR enable (CS2) BAR Mask is writable (CS2)		
Type	RW		

31	30	29	28	27	26	25	24	23	22	21	20	19	18	17	16	15	14	13	12	11	10	9	8	7	6	5	4	3	2	1	0
BASE_ADDR_RW												BASE_ADDR_RO												PREFETCHABLE	AS	SPACE_INDICATOR					

Bits	Field Name	Description	Type	Reset
31:20	BASE_ADDR_RW	Base address bits (for a 64-bit BAR, lower base address bits are in BAR below). Unmasked MSBs, as set by BAR mask. NOTE: The RO and RW division between bits 19 and 20 is based on the assumption that BAR mask is 20 bits (1MB).	RW	0x0
19:4	BASE_ADDR_RO	Base address bits (for a 64-bit BAR, lower base address bits are in BAR below). Masked LSBs, as set by BAR mask. NOTE: The RO and RW division between bits 19 and 20 is based on the assumption that BAR mask is 20 bits (1MB).	R	0x0
3	PREFETCHABLE	MEM BAR: Prefetchable (CS) I/O BAR: bit 1 is part of I/O address	RW	0x1
2:1	AS	MEM BAR: Address Size (CS) I/O BAR: bit 0 is always 0, bit 1 is LSBit of I/O address Read 0x0 = 32 Bit Read 0x2 = 64 Bit	RW	0x0
0	SPACE_INDICATOR	BAR I/O vs memory space indicator (CS) 0x0(R) = BAR type is Memory 0x1(R) = BAR type is I/O	RW	0x0

Table 24-775. Register Call Summary for Register PCIECTRL_EP_DBICS_BAR5

PCIe Controller

- [PCIe Standard Registers vs PCIe Subsystem Hardware Registers Mapping: \[0\]](#)
- [PCIe_SS_EP_CFG_DBICS Register Summary: \[1\]\[2\]](#)

Table 24-776. PCIECTRL_EP_DBICS_CARDBUS_CIS_POINTER

Address offset	0x28		
Physical Address	0x5100 0028 0x5180 0028	Instance	PCIe_SS1_EP_CFG_DBICS PCIe_SS2_EP_CFG_DBICS
Description			
Type	RW		

31	30	29	28	27	26	25	24	23	22	21	20	19	18	17	16	15	14	13	12	11	10	9	8	7	6	5	4	3	2	1	0
CARDBUS_CIS_PTR_N																															

Bits	Field Name	Description	Type	Reset
31:0	CARDBUS_CIS_PTR_N	Cardbus CIS pointer (CS)	RW	0x0

Table 24-777. Register Call Summary for Register PCIECTRL_EP_DBICS_CARDBUS_CIS_POINTER

PCIe Controller

- [PCIe Standard Registers vs PCIe Subsystem Hardware Registers Mapping: \[0\]](#)
- [PCIe_SS_EP_CFG_DBICS Register Summary: \[1\]\[2\]](#)

Table 24-778. PCIECTRL_EP_DBICS_SUBID_SUBVENDORID

Address offset	0x2C		
Physical Address	0x5100 002C 0x5180 002C	Instance	PCIe_SS1_EP_CFG_DBICS PCIe_SS2_EP_CFG_DBICS
Description			
Type	RW		

31	30	29	28	27	26	25	24	23	22	21	20	19	18	17	16	15	14	13	12	11	10	9	8	7	6	5	4	3	2	1	0
SUBSYS_DEV_ID_N												SUBSYS_VENDOR_ID_N																			

Bits	Field Name	Description	Type	Reset
31:16	SUBSYS_DEV_ID_N	Subsystem ID (CS)	RW	0x1
15:0	SUBSYS_VENDOR_ID_N	Subsystem Vendor ID (CS)	RW	0x0

Table 24-779. Register Call Summary for Register PCIECTRL_EP_DBICS_SUBID_SUBVENDORID

PCIe Controller

- [PCIe Standard Registers vs PCIe Subsystem Hardware Registers Mapping: \[0\]](#)
- [PCIe_SS_EP_CFG_DBICS Register Summary: \[1\]\[2\]](#)

Table 24-780. PCIECTRL_EP_DBICS_EXPANSION_ROM_BAR

Address offset	0x30		
Physical Address	0x5100 0030 0x5180 0030	Instance	PCIe_SS1_EP_CFG_DBICS PCIe_SS2_EP_CFG_DBICS
Description	Expansion ROM Base Address Register		
Type	RW		

31	30	29	28	27	26	25	24	23	22	21	20	19	18	17	16	15	14	13	12	11	10	9	8	7	6	5	4	3	2	1	0	
EXROM_ADDRESS																EXROM_ADDRESS_RO						RESERVED										EXROM_EN

Bits	Field Name	Description	Type	Reset
31:16	EXROM_ADDRESS	Expansion ROM address, unmasked (ie programmable)	RW	0x0
15:11	EXROM_ADDRESS_RO	Expansion ROM address, masked.	R	0x0
10:1	RESERVED		R	0x0
0	EXROM_EN	Expansion ROM Enable	RW	0x0

Table 24-781. Register Call Summary for Register PCIECTRL_EP_DBICS_EXPANSION_ROM_BAR

PCIe Controller

- [PCIe Standard Registers vs PCIe Subsystem Hardware Registers Mapping: \[0\]](#)
- [PCIe_SS_EP_CFG_DBICS Register Summary: \[1\]\[2\]](#)

Table 24-782. PCIECTRL_EP_DBICS_CAPPTR

Address offset	0x34		
Physical Address	0x5100 0034 0x5180 0034	Instance	PCIe_SS1_EP_CFG_DBICS PCIe_SS2_EP_CFG_DBICS
Description	CapPtr		
Type	RW		

31	30	29	28	27	26	25	24	23	22	21	20	19	18	17	16	15	14	13	12	11	10	9	8	7	6	5	4	3	2	1	0
RESERVED																CAPTR															

Bits	Field Name	Description	Type	Reset
31:8	RESERVED		R	0x0
7:0	CAPTR	First Capability Pointer (CS)	RW	0x40

Table 24-783. Register Call Summary for Register PCIECTRL_EP_DBICS_CAPPTR

PCIe Controller

- [PCIe Standard Registers vs PCIe Subsystem Hardware Registers Mapping: \[0\]](#)
- [PCIe_SS_EP_CFG_DBICS Register Summary: \[1\]\[2\]](#)

Table 24-784. PCIECTRL_EP_DBICS_INTERRUPT

Address offset	0x3C	Instance	PCIe_SS1_EP_CFG_DBICS PCIe_SS2_EP_CFG_DBICS
Physical Address	0x5100 003C 0x5180 003C		
Description	Int Pin and line		
Type	RW		

31	30	29	28	27	26	25	24	23	22	21	20	19	18	17	16	15	14	13	12	11	10	9	8	7	6	5	4	3	2	1	0
RESERVED								INT_PIN								INT_LIN															

Bits	Field Name	Description	Type	Reset
31:16	RESERVED	Reserved	R	0x0
15:8	INT_PIN	Interrupt Pin (CS)	RW	0x1
7:0	INT_LIN	Interrupt Line	RW	0xFF

Table 24-785. Register Call Summary for Register PCIECTRL_EP_DBICS_INTERRUPT

PCIe Controller

- [PCIe Standard Registers vs PCIe Subsystem Hardware Registers Mapping: \[0\]](#)
- [PCIe_SS_EP_CFG_DBICS Register Summary: \[1\]\[2\]](#)

Table 24-786. PCIECTRL_EP_DBICS_PM_CAP

Address Offset	0x40	Instance	PCIe_SS1_EP_CFG_DBICS PCIe_SS2_EP_CFG_DBICS
Physical Address	0x5100 0040 0x5180 0040		
Description	Power Management Capability structure header		
Type	RW		

31	30	29	28	27	26	25	24	23	22	21	20	19	18	17	16	15	14	13	12	11	10	9	8	7	6	5	4	3	2	1	0
PME_SP				D2_SP	D1_SP	AUX_CUR		DSI	RESERVED	PME_CLK	PMC_VER			PM_NX_PTR					CAP_ID												

Bits	Field Name	Description	Type	Reset
31:27	PME_SP	PME Support (CS); Power states from which PME messages can be sent (active hi, one bit per state) Bit 0: from D0 Bit 1: from D1 Bit 2: from D2 Bit 3: from D3hot Bit 4: from D3cold (if Vaux present)	RW	0x0B
26	D2_SP	D2 Support (CS)	RW	0
25	D1_SP	D1 Support (CS)	RW	1
24:22	AUX_CUR	AUX Current (CS)	RW	0x0
21	DSI	Device Specific Initialization (CS)	RW	0
20	RESERVED	Reserved	R	0
19	PME_CLK	PME Clock, hardwired to 0 (CS)	RW	0
18:16	PMC_VER	Power Management specification version (CS)	RW	0x3
15:8	PM_NX_PTR	Next Capability Pointer (CS)	RW	0x50
7:0	CAP_ID	Capability ID Read 0x1: PM	R	0x01

Table 24-787. Register Call Summary for Register PCIECTRL_EP_DBICS_PM_CAP

PCIe Controller

- [PCIe Standard Registers vs PCIe Subsystem Hardware Registers Mapping: \[0\]](#)
- [PCIe_SS_EP_CFG_DBICS Register Summary: \[1\]\[2\]](#)

Table 24-788. PCIECTRL_EP_DBICS_PM_CSR

Address Offset	0x44	Instance	PCIe_SS1_EP_CFG_DBICS PCIe_SS2_EP_CFG_DBICS
Physical Address	0x5100 0044 0x5180 0044		
Description	Power Management Control and Status Register		
Type	RW		

31	30	29	28	27	26	25	24	23	22	21	20	19	18	17	16	15	14	13	12	11	10	9	8	7	6	5	4	3	2	1	0
DATA1								BP_CCE	B2B3_SP	RESERVED						PME_STATUS	DATA_SCALE			DATA_SEL			PME_EN	RESERVED			NSR	RESERVED	PM_STATE		

Bits	Field Name	Description	Type	Reset
31:24	DATA1	Data register for additional information (not supported)	R	0x00
23	BP_CCE	Bus Power/Clock Control Enable, hardwired to 0	R	0
22	B2B3_SP	B2/B3 Support, hardwired to 0	R	0
21:16	RESERVED	Reserved	R	0x00
15	PME_STATUS	PME Status (Sticky bit)	RW W1toClr	0
14:13	DATA_SCALE	Data Scale (not supported)	R	0x0
12:9	DATA_SEL	Data Select (not supported)	R	0x0
8	PME_EN	PME Enable (Sticky bit) 0x0: Device not enabled to generate PME 0x1: Device enabled to generate PME; implies that Vaux is ON, ie sticky bits will be preserved over reset	RW	0
7:4	RESERVED	Reserved	R	0x0
3	NSR	No Soft Reset (CS)	RW	0
2	RESERVED	Reserved	R	0
1:0	PM_STATE	Power Management Control and Status Register 0x0: D0 state 0x1: D1 state 0x2: D2 state 0x3: D3 state	RW	0x0

Table 24-789. Register Call Summary for Register PCIECTRL_EP_DBICS_PM_CSR

PCIe Controller

- [PCIe Standard Registers vs PCIe Subsystem Hardware Registers Mapping: \[0\]](#)
- [PCIe_SS_EP_CFG_DBICS Register Summary: \[1\]\[2\]](#)

Table 24-790. PCIECTRL_EP_DBICS_MSI_CAP

Address Offset	0x0000 0050	Instance	PCIe_SS1_EP_CFG_DBICS PCIe_SS2_EP_CFG_DBICS
Physical Address	0x5100 0050 0x5180 0050		

Table 24-790. PCIECTRL_EP_DBICS_MSI_CAP (continued)

Description	Message Signaled Interrupt Capability structure header
Type	RW

31	30	29	28	27	26	25	24	23	22	21	20	19	18	17	16	15	14	13	12	11	10	9	8	7	6	5	4	3	2	1	0
RESERVED								PVM_EN	MSI_64_EN	MME	MMC	MSI_EN	MSI_NX_PTR								CAP_ID										

Bits	Field Name	Description	Type	Reset
31:25	RESERVED	Reserved	R	0x00
24	PVM_EN	MSI Per Vector Masking (PVM) supported	R	0
23	MSI_64_EN	64-bit Address Capable (CS)	R	1
22:20	MME	Multiple Message Enable	RW	0x0
19:17	MMC	Multiple Message Capable (CS)	R	0x0
16	MSI_EN	MSI Enable	RW	0
15:8	MSI_NX_PTR	Next Capability Pointer (CS)	R	0x70
7:0	CAP_ID	MSI Capability ID Read 0x05 MSI	R	0x05

Table 24-791. Register Call Summary for Register PCIECTRL_EP_DBICS_MSI_CAP

PCIe Controller

- [PCIe_SS_EP_CFG_DBICS Register Summary: \[0\]\[1\]](#)

Table 24-792. PCIECTRL_EP_DBICS_MSI_ADD_L32

Address Offset	0x0000 0054		
Physical Address	0x5100 0054	Instance	PCIe_SS1_EP_CFG_DBICS
	0x5180 0054		PCIe_SS2_EP_CFG_DBICS
Description	PCIe memory space address of MSI write TLP request, lower 32 bits.		
Type	RW		

31	30	29	28	27	26	25	24	23	22	21	20	19	18	17	16	15	14	13	12	11	10	9	8	7	6	5	4	3	2	1	0
ADDR																RESERVED															

Bits	Field Name	Description	Type	Reset
31:2	ADDR	Lower 32-bit address (DWORD aligned)	RW	0x0000 0000
1:0	RESERVED	Reserved	R	0x0

Table 24-793. Register Call Summary for Register PCIECTRL_EP_DBICS_MSI_ADD_L32

PCIe Controller

- [PCIe_SS_EP_CFG_DBICS Register Summary: \[0\]\[1\]](#)

Table 24-794. PCIECTRL_EP_DBICS_MSI_ADD_U32

Address Offset	0x0000 0058	Instance	PCIe_SS1_EP_CFG_DBICS PCIe_SS2_EP_CFG_DBICS
Physical Address	0x5100 0058 0x5180 0058		
Description	PCIe memory space address of MSI write TLP request, upper 32 bits (used if MSI_64_EN = 1).		
Type	RW		

31	30	29	28	27	26	25	24	23	22	21	20	19	18	17	16	15	14	13	12	11	10	9	8	7	6	5	4	3	2	1	0
ADDR																															

Bits	Field Name	Description	Type	Reset
31:0	ADDR	Upper 32-bit address	RW	0x0000 0000

Table 24-795. Register Call Summary for Register PCIECTRL_EP_DBICS_MSI_ADD_U32

PCIe Controller

- [PCIe_SS_EP_CFG_DBICS Register Summary: \[0\]\[1\]](#)

Table 24-796. PCIECTRL_EP_DBICS_MSI_DATA

Address Offset	0x0000 005C	Instance	PCIe_SS1_EP_CFG_DBICS PCIe_SS2_EP_CFG_DBICS
Physical Address	0x5100 005C 0x5180 005C		
Description	Data of MSI write TLP request (modified for multiple vectors)		
Type	RW		

31	30	29	28	27	26	25	24	23	22	21	20	19	18	17	16	15	14	13	12	11	10	9	8	7	6	5	4	3	2	1	0
RESERVED																DATA															

Bits	Field Name	Description	Type	Reset
31:16	RESERVED	Reserved	R	0x0000
15:0	DATA	MSI data	RW	0x0000

Table 24-797. Register Call Summary for Register PCIECTRL_EP_DBICS_MSI_DATA

PCIe Controller

- [PCIe_SS_EP_CFG_DBICS Register Summary: \[0\]\[1\]](#)

Table 24-798. PCIECTRL_EP_DBICS_PCIE_CAP

Address offset	0x70	Instance	PCIe_SS1_EP_CFG_DBICS PCIe_SS2_EP_CFG_DBICS
Physical Address	0x5100 0070 0x5180 0070		
Description	PCIe cap structure		
Type	RW		

31	30	29	28	27	26	25	24	23	22	21	20	19	18	17	16	15	14	13	12	11	10	9	8	7	6	5	4	3	2	1	0
RESERVED								IM_NUM				SLOT	DEV_TYPE				PCIE_VER				PCIE_NX_PTR				CAP_ID						

Bits	Field Name	Description	Type	Reset
31:30	RESERVED	Reserved	R	0x0
29:25	IM_NUM	Interrupt Message Number (CS)	RW	0x0
24	SLOT	Slot Implemented Must be 0 for an endpoint	RW	0x0
23:20	DEV_TYPE	Device/Port Type Value depends on assigned type 0x0 = PCIe endpoint 0x1 = Legacy PCIe endpoint	R	0x0
19:16	PCIE_VER	PCI Express Capability Version	R	0x2
15:8	PCIE_NX_PTR	Next Capability Pointer (CS)	RW	0x0
7:0	CAP_ID	Capability ID	R	0x10

Table 24-799. Register Call Summary for Register PCIECTRL_EP_DBICS_PCIE_CAP

PCIe Controller

- [PCIe Standard Registers vs PCIe Subsystem Hardware Registers Mapping: \[0\]](#)
- [PCIe_SS_EP_CFG_DBICS Register Summary: \[1\]\[2\]](#)

Table 24-800. PCIECTRL_EP_DBICS_DEV_CAP

Address offset	0x74	Instance	PCIe_SS1_EP_CFG_DBICS PCIe_SS2_EP_CFG_DBICS
Physical Address	0x5100 0074 0x5180 0074		
Description	PCIe Device Capabilities		
Type	RW		

31	30	29	28	27	26	25	24	23	22	21	20	19	18	17	16	15	14	13	12	11	10	9	8	7	6	5	4	3	2	1	0	
RESERVED			FLR_EN		CAPT_SLOW_PWRLIMIT_SCALE				CAPT_SLOW_PWRLIMIT_VALUE							RESERVED		ROLEBASED_ERRRPT		UNDEFINED			DEFAULT_EP_L1_ACCPT_LATENCY		DEFAULT_EP_L0S_ACCPT_LATENCY		EXTTAGFIELD_SUPPORT		PHANTOMFUNC		MAX_PAYLOAD_SIZE	

Bits	Field Name	Description	Type	Reset
31:29	RESERVED	Reserved	R	0x0
28	FLR_EN	Function Level Reset Capability (CS)	RW	0x0
27:26	CAPT_SLOW_PWRLIMIT_SCALE	Captured Slow Power Scale Value (CS)	RW	0x0
25:18	CAPT_SLOW_PWRLIMIT_VALUE	Captured Slow Power Limit Value (CS)	RW	0x0
17:16	RESERVED	Reserved	R	0x0
15	ROLEBASED_ERRRPT	Role Based Error Reporting (CS)	RW	0x1
14:12	UNDEFINED	Undefined from PCIe 1.1 onwards (CS)	R	0x0
11:9	DEFAULT_EP_L1_ACCPT_LATENCY	Endpoint L1 Acceptable Latency (CS)	R	0x3

Bits	Field Name	Description	Type	Reset
8:6	DEFAULT_EP_L0S_ACCPT_LATENCY	Endpoint L0s Acceptable Latency (CS)	R	0x4
5	EXTTAGFIELD_SUPPORTED	Value derived from DEFAULT_EXT_TAG_FIELD_SUPPORTED	RW	0x0
4:3	PHANTOMFUNC	Phantom Function Support, not SUPPORTED (CS)	RW	0x0
2:0	MAX_PAYLOAD_SIZE	Maximum Payload Size (CS) Read 0x1 = 256 Byte	RW	0x1

Table 24-801. Register Call Summary for Register PCIECTRL_EP_DBICS_DEV_CAP

PCIe Controller

- [PCIe Standard Registers vs PCIe Subsystem Hardware Registers Mapping: \[0\]](#)
- [PCIe_SS_EP_CFG_DBICS Register Summary: \[1\]\[2\]](#)

Table 24-802. PCIECTRL_EP_DBICS_DEV_CAS

Address offset	0x78	Instance	PCIe_SS1_EP_CFG_DBICS PCIe_SS2_EP_CFG_DBICS
Physical Address	0x5100 0078 0x5180 0078		
Description	PCIE Device Control and Status		
Type	RW		

31	30	29	28	27	26	25	24	23	22	21	20	19	18	17	16	15	14	13	12	11	10	9	8	7	6	5	4	3	2	1	0
RESERVED								TRANS_PEND	AUXP_DET	UR_DET	FT_DET	NFT_DET	COR_DET	INIT_FLR	MRRS			NOSNP_EN	AUXPM_EN	PHFUN_EN	EXTAG_EN	MPS			EN_RO	UR_RE	FT_RE	NFT_RE	COR_RE		

Bits	Field Name	Description	Type	Reset
31:22	RESERVED	Reserved	R	0x0
21	TRANS_PEND	Transaction Pending	R	0x0
20	AUXP_DET	Aux Power Detected	R	0x0
19	UR_DET	Unsupported Request Detected	RW	0x0
18	FT_DET	Fatal Error Detected	RW	0x0
17	NFT_DET	Non-Fatal Error Detected	RW	0x0
16	COR_DET	Correctable Error Detected	RW	0x0
15	INIT_FLR	Reserved	R	0x0
14:12	MRRS	Max_Read_Request_Size	RW	0x2
11	NOSNP_EN	Enable No Snoop	RW	0x0
10	AUXPM_EN	AUX Power PM Enable	RW	0x0
9	PHFUN_EN	Phantom Function Enable	RW	0x0
8	EXTAG_EN	Extended Tag Field Enable	RW	0x0
7:5	MPS	Max_Payload_Size	RW	0x0
4	EN_RO	Enable Relaxed Ordering	RW	0x1
3	UR_RE	Unsupported Request Reporting Enable	RW	0x0
2	FT_RE	Fatal Error Reporting Enable	RW	0x0
1	NFT_RE	Non-Fatal Error Reporting Enable	RW	0x0

Bits	Field Name	Description	Type	Reset
0	COR_RE	Correctable Error Reporting Enable	RW	0x0

Table 24-803. Register Call Summary for Register PCIECTRL_EP_DBICS_DEV_CAS

PCIe Controller

- [PCIe Standard Registers vs PCIe Subsystem Hardware Registers Mapping: \[0\]](#)
- [PCIe_SS_EP_CFG_DBICS Register Summary: \[1\]\[2\]](#)

Table 24-804. PCIECTRL_EP_DBICS_LNK_CAP

Address offset	0x7C	Instance	PCIe_SS1_EP_CFG_DBICS PCIe_SS2_EP_CFG_DBICS
Physical Address	0x5100 007C 0x5180 007C		
Description	PCIe Link Capabilities		
Type	RW		

31	30	29	28	27	26	25	24	23	22	21	20	19	18	17	16	15	14	13	12	11	10	9	8	7	6	5	4	3	2	1	0
PORT_NUM								RESERVED	ASPM_OPT_COMP	LNK_BW_not_CAP	DLL_ACTRPT_CAP	UNSUP	CLK_PWR_MGMT	L1_EXIT_LAT	L0S_EXIT_LAT	AS_LINK_PM_SUPPORT	MAX_LINK_WIDTH						MAX_LINK_SPEEDS								

Bits	Field Name	Description	Type	Reset
31:24	PORT_NUM	Port Number (CS)	RW	0x0
23	RESERVED		R	0x0
22	ASPM_OPT_COMP	ASPM Optionality Compliance (CS)	RW	0x1
21	LNK_BW_not_CAP	Link Bandwidth Notification Capability (CS)	RW	0x0
20	DLL_ACTRPT_CAP	Data Link Layer Active Reporting Capable	R	0x0
19	UNSUP	Unsupported, Surprise Down Error Reporting Capable, Hardwired to 0	R	0x0
18	CLK_PWR_MGMT	Clock Power Management (CS)	RW	0x0
17:15	L1_EXIT_LAT	L1 Exit Latency (CS2)	R	0x6
14:12	L0S_EXIT_LAT	L0s Exit Latency (CS2)	R	0x3
11:10	AS_LINK_PM_SUPPORT	Active State Link PM (ASPM) Support (CS)	RW	0x3
9:4	MAX_LINK_WIDTH	Max Link Width (lanes) (CS)	RW	0x2
3:0	MAX_LINK_SPEEDS	Supported Max Link Speed (CS) 0x1(R) = 2.5 GT/s (Gen1) 0x2(R) = 5 GT/s (Gen2) 0x4(R) = 8 GT/s (Gen3)	RW	0x2

Table 24-805. Register Call Summary for Register PCIECTRL_EP_DBICS_LNK_CAP

PCIe Controller

- [PCIe Standard Registers vs PCIe Subsystem Hardware Registers Mapping: \[0\]](#)
- [PCIe_SS_EP_CFG_DBICS Register Summary: \[1\]\[2\]](#)

Table 24-806. PCIECTRL_EP_DBICS_LNK_CAS

Address offset	0x80	
Physical Address	0x5100 0080 0x5180 0080	Instance PCIe_SS1_EP_CFG_DBICS PCIe_SS2_EP_CFG_DBICS
Description	PCIe Link Control and Status	
Type	RW	

31	30	29	28	27	26	25	24	23	22	21	20	19	18	17	16	15	14	13	12	11	10	9	8	7	6	5	4	3	2	1	0
LAB_STATUS	LBW_STATUS	DLL_ACT	SLOT_CLK_CONFIG	LINK_TRAIN	UNDEF	NEG_LW				LINK_SPEED				RESERVED				LABIE	LBMIE	HAWD	EN_CPM	EXT_SYN	COM_CLK_CFG	RETRAIN_LINK	LINK_DIS	RCB	RESERVED	ASPM_CTRL			

Bits	Field Name	Description	Type	Reset
31	LAB_STATUS	Link Autonomous Bandwidth Status	R	0x0
30	LBW_STATUS	Link Bandwidth Management Status	R	0x0
29	DLL_ACT	Data Link Layer Active	R	0x0
28	SLOT_CLK_CONFIG	Slot Clock Configuration (CS)	RW	0x1
27	LINK_TRAIN	LINK training	R	0x0
26	UNDEF	Undefined	R	0x0
25:20	NEG_LW	Negotiated Link Width UNDEFINED UNTIL LINK IS UP.	R	0x1
19:16	LINK_SPEED	Link Speed UNDEFINED UNTIL LINK IS UP.	R	0x1
15:12	RESERVED		R	0x0
11	LABIE	Link Autonomous Bandwidth Interrupt Enable.	RW	0x0
10	LBMIE	Link Bandwidth Management Interrupt Enable	RW	0x0
9	HAWD	Hardware Autonomous Width Disable	R	0x0
8	EN_CPM	Enable Clock Power Management	RW	0x0
7	EXT_SYN	Extended Synch	RW	0x0
6	COM_CLK_CFG	Common Clock Configuration	RW	0x0
5	RETRAIN_LINK	Retrain Link	R	0x0
4	LINK_DIS	Link Disable	R	0x0
3	RCB	Read Completion Boundary (CS) 0x0 = 64 Byte 0x1 = 128 Byte	RW	0x1
2	RESERVED		R	0x0
1:0	ASPM_CTRL	Active State Link PM Control 0x0: DISABLED 0x1: L0S_ENABLED 0x2: L1_ENABLED 0x3: L0S_AND_L1_ENABLED	RW	0x0

Table 24-807. Register Call Summary for Register PCIECTRL_EP_DBICS_LNK_CAS

PCIe Controller

- [PCIe Standard Registers vs PCIe Subsystem Hardware Registers Mapping: \[0\]](#)
- [PCIe_SS_EP_CFG_DBICS Register Summary: \[1\]\[2\]](#)

Table 24-808. PCIECTRL_EP_DBICS_DEV_CAP_2

Address offset	0x94	
Physical Address	0x5100 0094 0x5180 0094	Instance
		PCIe_SS1_EP_CFG_DBICS PCIe_SS2_EP_CFG_DBICS
Description	Device Capabilities 2 Register	
Type	R	

31	30	29	28	27	26	25	24	23	22	21	20	19	18	17	16	15	14	13	12	11	10	9	8	7	6	5	4	3	2	1	0			
RESERVED																TPHC_SP		RESERVED	NOROPR		CASC128_SP		AOC64_SP		AOC32_SP		AOR_SP		ARI_FWD_SP		CPL_TIMEOUT_DIS_SUPPORTED		CPL_TIMEOUT_RNG_SUPPORTED	

Bits	Field Name	Description	Type	Reset
31:14	RESERVED		R	0x0
13:12	TPHC_SP	TPH Completer Supported	R	0x0
11	RESERVED		R	0x0
10	NOROPR	No RO-enabled PR-PR Passing	R	0x0
9	CASC128_SP	128-bit CAS Completer Supported	R	0x0
8	AOC64_SP	64-bit AtomicOp Completer Supported	R	0x0
7	AOC32_SP	32-bit AtomicOp Completer Supported	R	0x0
6	AOR_SP	AtomicOp Routing Supported	R	0x0
5	ARI_FWD_SP	ARI Forwarding Supported	R	0x0
4	CPL_TIMEOUT_DIS_SUPPORTED	Completion Timeout Disable Supported	R	0x1
3:0	CPL_TIMEOUT_RNG_SUPPORTED	Completion Timeout Ranges Supported	R	0x1

Table 24-809. Register Call Summary for Register PCIECTRL_EP_DBICS_DEV_CAP_2

PCIe Controller

- [PCIe Standard Registers vs PCIe Subsystem Hardware Registers Mapping: \[0\]](#)
- [PCIe_SS_EP_CFG_DBICS Register Summary: \[1\]\[2\]](#)

Table 24-810. PCIECTRL_EP_DBICS_DEV_CAS_2

Address offset	0x98		
Physical Address	0x5100 0098 0x5180 0098	Instance	PCIe_SS1_EP_CFG_DBICS PCIe_SS2_EP_CFG_DBICS
Description	Device Control 2 Register		
Type	RW		

31	30	29	28	27	26	25	24	23	22	21	20	19	18	17	16	15	14	13	12	11	10	9	8	7	6	5	4	3	2	1	0				
RESERVED																OBFF_EN		RESERVED		LTR_EN		IDO_CPL_EN		IDO_REQ_EN		AOP_EG_BLK		AOP_REQ_EN		ARI_FWD_SP		CPL_TIMEOUT_DIS		CPL_TIMEOUT_VALUE	

Bits	Field Name	Description	Type	Reset
31:15	RESERVED		R	0x0
14:13	OBFF_EN	OBFF Enable	RW	0x0
12:11	RESERVED		R	0x0
10	LTR_EN	LTR Mechanism Enable	RW	0x0
9	IDO_CPL_EN	IDO Completion Enable	RW	0x0
8	IDO_REQ_EN	IDO Request Enable	RW	0x0
7	AOP_EG_BLK	AtomicOp Egress Blocking	RW	0x0
6	AOP_REQ_EN	AtomicOp Requester Enable	RW	0x0
5	ARI_FWD_SP	ARI Forwarding Supported	RW	0x0
4	CPL_TIMEOUT_DIS	Completion Timeout Disable	RW	0x0
3:0	CPL_TIMEOUT_VALUE	Completion Timeout Values	RW	0x0

Table 24-811. Register Call Summary for Register PCIECTRL_EP_DBICS_DEV_CAS_2

PCIe Controller

- [PCIe Standard Registers vs PCIe Subsystem Hardware Registers Mapping: \[0\]](#)
- [PCIe_SS_EP_CFG_DBICS Register Summary: \[1\]\[2\]](#)

Table 24-812. PCIECTRL_EP_DBICS_LNK_CAP_2

Address offset	0x9C		
Physical Address	0x5100 009C 0x5180 009C	Instance	PCIe_SS1_EP_CFG_DBICS PCIe_SS2_EP_CFG_DBICS
Description	PCIe Link Capabilities 2 Register		
Type	R		

31	30	29	28	27	26	25	24	23	22	21	20	19	18	17	16	15	14	13	12	11	10	9	8	7	6	5	4	3	2	1	0
RESERVED																CROSSLINK_SP		SP_LS_VEC						RESERVED							

Bits	Field Name	Description	Type	Reset
31:9	RESERVED		R	0x0
8	CROSSLINK_SP	Crosslink Supported	R	0x0
7:1	SP_LS_VEC	Supported Link Speeds Vector	R	0x3
0	RESERVED		R	0x0

Table 24-813. Register Call Summary for Register PCIECTRL_EP_DBICS_LNK_CAP_2

PCIe Controller

- [PCIe Standard Registers vs PCIe Subsystem Hardware Registers Mapping: \[0\]](#)
- [PCIe_SS_EP_CFG_DBICS Register Summary: \[1\]\[2\]](#)

Table 24-814. PCIECTRL_EP_DBICS_LNK_CAS_2

Address offset	0xA0	Instance	PCIe_SS1_EP_CFG_DBICS PCIe_SS2_EP_CFG_DBICS
Physical Address	0x5100 00A0 0x5180 00A0		
Description	Link Control and Status 2 Register		
Type	RW		

31	30	29	28	27	26	25	24	23	22	21	20	19	18	17	16	15	14	13	12	11	10	9	8	7	6	5	4	3	2	1	0
RESERVED								LINK_EQ_REQ	EQ_PH3	EQ_PH2	EQ_PH1	EQ_COMPLETE	DEEMPH_LEVEL	COMPL_PRST_DEEPH	COMPL_SOS	ENT_MOD_COMPL	TX_MARGIN	SEL_DEEMP	HW_AUTO_SP_DIS	ENTR_COMPL	TRGT_LINK_SPEED										

Bits	Field Name	Description	Type	Reset
31:22	RESERVED		R	0x0
21	LINK_EQ_REQ	Link Equalization Request	RW Wr1toClr	0x0
20	EQ_PH3	Equalization Ph3 Success, Gen3 Only	R	0x0
19	EQ_PH2	Equalization Ph2 Success, Gen3 Only	R	0x0
18	EQ_PH1	Equalization Ph1 Success, Gen3 Only	R	0x0
17	EQ_COMPLETE	Equalization Complete, Gen3 Only	R	0x0
16	DEEMPH_LEVEL	Current De-emphasis Level	R	0x1
15:12	COMPL_PRST_DEEPH	Compliance Pre-set/ De-emphasis	RW	0x0
11	COMPL_SOS	Compliance SOS	RW	0x0
10	ENT_MOD_COMPL	Enter Modified Compliance	RW	0x0
9:7	TX_MARGIN	Transmit Margin	RW	0x0
6	SEL_DEEMP	Selectable De-emphasize	R	0x0
5	HW_AUTO_SP_DIS	Hardware Autonomous Speed Disable	R	0x0
4	ENTR_COMPL	Enter Compliance	RW	0x0
3:0	TRGT_LINK_SPEED	Target Link Speed	RW	0x1

Table 24-815. Register Call Summary for Register PCIECTRL_EP_DBICS_LNK_CAS_2

PCIe Controller

- [PCIe Standard Registers vs PCIe Subsystem Hardware Registers Mapping: \[0\]](#)
 - [PCIe_SS_EP_CFG_DBICS Register Summary: \[1\]\[2\]](#)
-

24.9.7.4 PCIe_SS_RC_CFG_DBICS Registers

NOTE: This section describes the PCIe RC mode (PCIe type-1) standard configuration registers as they are locally accessed within the DIF CS space. These register names are prefixed with "PCIECTRL_RC_DBICS".

24.9.7.4.1 PCIe_SS_RC_CFG_DBICS Register Summary

Table 24-816. PCIe_SS1_RC_CFG_DBICS Registers Mapping Summary

Register Name	Type	Register Width (Bits)	Address Offset	PCIe_SS1_RC_CFG_DBICS Physical Address
PCIECTRL_RC_DBICS_DEVICE_VENDORID	RW	32	0x0000 0000	0x5100 0000
PCIECTRL_RC_DBICS_STATUS_COMMAND_REGISTER	RW	32	0x0000 0004	0x5100 0004
PCIECTRL_RC_DBICS_CLASSCODE_REVISIONID	RW	32	0x0000 0008	0x5100 0008
PCIECTRL_RC_DBICS_BIST_HEAD_LAT_CACH	RW	32	0x0000 000C	0x5100 000C
PCIECTRL_RC_DBICS_BAR0	RW	32	0x0000 0010	0x5100 0010
PCIECTRL_RC_DBICS_BAR1	RW	32	0x0000 0014	0x5100 0014
PCIECTRL_RC_DBICS_BUS_NUM_REG	RW	32	0x0000 0018	0x5100 0018
PCIECTRL_RC_DBICS_IOBASE_LIMIT_SEC_STATUS	RW	32	0x0000 001C	0x5100 001C
PCIECTRL_RC_DBICS_MEM_BASE_LIMIT	RW	32	0x0000 0020	0x5100 0020
PCIECTRL_RC_DBICS_PREF_MEM_BASE_LIMIT	RW	32	0x0000 0024	0x5100 0024
PCIECTRL_RC_DBICS_UPPER_32BIT_PREF_BASEADDR	RW	32	0x0000 0028	0x5100 0028
PCIECTRL_RC_DBICS_UPPER_32BIT_PREF_LIMITADDR	RW	32	0x0000 002C	0x5100 002C
PCIECTRL_RC_DBICS_IO_BASE_LIMIT	RW	32	0x0000 0030	0x5100 0030
PCIECTRL_RC_DBICS_CAPPTR	RW	32	0x0000 0034	0x5100 0034
PCIECTRL_RC_DBICS_EXPANSION_ROM_BAR	RW	32	0x0000 0038	0x5100 0038
PCIECTRL_RC_DBICS_BRIDGE_INT	RW	32	0x0000 003C	0x5100 003C
PCIECTRL_RC_DBICS_PCIE_CAP	RW	32	0x0000 0070	0x5100 0070
PCIECTRL_RC_DBICS_DEV_CAP	RW	32	0x0000 0074	0x5100 0074
PCIECTRL_RC_DBICS_DEV_CAS	RW	32	0x0000 0078	0x5100 0078
PCIECTRL_RC_DBICS_LNK_CAP	RW	32	0x0000 007C	0x5100 007C
PCIECTRL_RC_DBICS_LNK_CAS	RW	32	0x0000 0080	0x5100 0080
PCIECTRL_RC_DBICS_SLOT_CAP	RW	32	0x0000 0084	0x5100 0084
PCIECTRL_RC_DBICS_SLOT_CAS	RW	32	0x0000 0088	0x5100 0088
PCIECTRL_RC_DBICS_ROOT_CAC	RW	32	0x0000 008C	0x5100 008C
PCIECTRL_RC_DBICS_ROOT_STS	RW	32	0x0000 0090	0x5100 0090
PCIECTRL_RC_DBICS_DEV_CAP_2	R	32	0x0000 0094	0x5100 0094
PCIECTRL_RC_DBICS_DEV_CAS_2	RW	32	0x0000 0098	0x5100 0098
PCIECTRL_RC_DBICS_LNK_CAP_2	R	32	0x0000 009C	0x5100 009C
PCIECTRL_RC_DBICS_LNK_CAS_2	RW	32	0x0000 00A0	0x5100 00A0

Table 24-817. PCIe_SS2_RC_CFG_DBICS Registers Mapping Summary

Register Name	Type	Register Width (Bits)	Address Offset	PCIe_SS2_RC_CFG_DBICS Physical Address
PCIECTRL_RC_DBICS_DEVICE_VENDORID	RW	32	0x0000 0000	0x5180 0000
PCIECTRL_RC_DBICS_STATUS_COMMAND_REGISTER	RW	32	0x0000 0004	0x5180 0004
PCIECTRL_RC_DBICS_CLASSCODE_REVISIONID	RW	32	0x0000 0008	0x5180 0008
PCIECTRL_RC_DBICS_BIST_HEAD_LAT_CACH	RW	32	0x0000 000C	0x5180 000C

Table 24-817. PCIe_SS2_RC_CFG_DBICS Registers Mapping Summary (continued)

Register Name	Type	Register Width (Bits)	Address Offset	PCIe_SS2_RC_CFG_DBICS Physical Address
PCIECTRL_RC_DBICS_BAR0	RW	32	0x0000 0010	0x5180 0010
PCIECTRL_RC_DBICS_BAR1	RW	32	0x0000 0014	0x5180 0014
PCIECTRL_RC_DBICS_BUS_NUM_REG	RW	32	0x0000 0018	0x5180 0018
PCIECTRL_RC_DBICS_IOBASE_LIMIT_SEC_STATUS	RW	32	0x0000 001C	0x5180 001C
PCIECTRL_RC_DBICS_MEM_BASE_LIMIT	RW	32	0x0000 0020	0x5180 0020
PCIECTRL_RC_DBICS_PREF_MEM_BASE_LIMIT	RW	32	0x0000 0024	0x5180 0024
PCIECTRL_RC_DBICS_UPPER_32BIT_PREF_BASEADDR	RW	32	0x0000 0028	0x5180 0028
PCIECTRL_RC_DBICS_UPPER_32BIT_PREF_LIMITADDR	RW	32	0x0000 002C	0x5180 002C
PCIECTRL_RC_DBICS_IO_BASE_LIMIT	RW	32	0x0000 0030	0x5180 0030
PCIECTRL_RC_DBICS_CAPPTR	RW	32	0x0000 0034	0x5180 0034
PCIECTRL_RC_DBICS_EXPANSION_ROM_BAR	RW	32	0x0000 0038	0x5180 0038
PCIECTRL_RC_DBICS_BRIDGE_INT	RW	32	0x0000 003C	0x5180 003C
PCIECTRL_RC_DBICS_PCIE_CAP	RW	32	0x0000 0070	0x5180 0070
PCIECTRL_RC_DBICS_DEV_CAP	RW	32	0x0000 0074	0x5180 0074
PCIECTRL_RC_DBICS_DEV_CAS	RW	32	0x0000 0078	0x5180 0078
PCIECTRL_RC_DBICS_LNK_CAP	RW	32	0x0000 007C	0x5180 007C
PCIECTRL_RC_DBICS_LNK_CAS	RW	32	0x0000 0080	0x5180 0080
PCIECTRL_RC_DBICS_SLOT_CAP	RW	32	0x0000 0084	0x5180 0084
PCIECTRL_RC_DBICS_SLOT_CAS	RW	32	0x0000 0088	0x5180 0088
PCIECTRL_RC_DBICS_ROOT_CAC	RW	32	0x0000 008C	0x5180 008C
PCIECTRL_RC_DBICS_ROOT_STS	RW	32	0x0000 0090	0x5180 0090
PCIECTRL_RC_DBICS_DEV_CAP_2	R	32	0x0000 0094	0x5180 0094
PCIECTRL_RC_DBICS_DEV_CAS_2	RW	32	0x0000 0098	0x5180 0098
PCIECTRL_RC_DBICS_LNK_CAP_2	R	32	0x0000 009C	0x5180 009C
PCIECTRL_RC_DBICS_LNK_CAS_2	RW	32	0x0000 00A0	0x5180 00A0

24.9.7.4.2 PCIe_SS_RC_CFG_DBICS Register Description

Table 24-818. PCIECTRL_RC_DBICS_DEVICE_VENDORID

Address Offset	0x0000 0000	Instance	PCIe_SS1_RC_CFG_DBICS PCIe_SS2_RC_CFG_DBICS
Physical Address	0x5100 0000 0x5180 0000		
Description	Device and Vendor ID		
Type	RW		

31	30	29	28	27	26	25	24	23	22	21	20	19	18	17	16	15	14	13	12	11	10	9	8	7	6	5	4	3	2	1	0
DEVICEID																VENDORID															

Bits	Field Name	Description	Type	Reset
31:16	DEVICEID	Device ID (CS)	RW	0x8888
15:0	VENDORID	Vendor ID (CS)	RW	0x104c

Table 24-819. Register Call Summary for Register PCIECTRL_RC_DBICS_DEVICE_VENDORID

PCIe Controller

- [PCIe Standard Registers vs PCIe Subsystem Hardware Registers Mapping: \[0\]](#)
- [PCIe_SS_RC_CFG_DBICS Register Summary: \[1\]\[2\]](#)

Table 24-820. PCIECTRL_RC_DBICS_STATUS_COMMAND_REGISTER

Address Offset	0x0000 0004	Instance	PCIe_SS1_RC_CFG_DBICS PCIe_SS2_RC_CFG_DBICS
Physical Address	0x5100 0004 0x5180 0004		
Description	Status and Command registers		
Type	RW		

31	30	29	28	27	26	25	24	23	22	21	20	19	18	17	16	15	14	13	12	11	10	9	8	7	6	5	4	3	2	1	0		
DETECT_PARERR	SIGNAL_SYSERR	RCVD_MASTERABORT	RCVD_TRGTABORT	SIGNAL_TRGTABORT	DEVSEL_TIME	MASTERDATA_PARERR	FAST_B2B	RESERVED	C66MHZ_CAP	CAP_LIST	INTX_STATUS	RESERVED					INTX_ASSER_DIS	FAST_BBEN	SERR_EN	IDSEL_CTRL	PARITYERRRESP	VGA_SNOOP	MEMWR_INVA	SPEC_CYCLE_EN	BUSMASTER_EN	MEM_SPACE_EN	IO_SPACE_EN						

Bits	Field Name	Description	Type	Reset
31	DETECT_PARERR	Detected Parity Error	RW	0x0
30	SIGNAL_SYSERR	Signaled System Error	RW	0x0
29	RCVD_MASTERABORT	Received Master Abort	RW	0x0
28	RCVD_TRGTABORT	Received Target Abort	RW	0x0
27	SIGNAL_TRGTABORT	Signaled Target Abort	RW	0x0
26:25	DEVSEL_TIME	DevSel Timing, Hardwired to 0 for PCIeExpress	R	0x0
24	MASTERDATA_PARERR	Master Data Parity Error	RW	0x0
23	FAST_B2B	Back to Back Capable, Hardwired to 0 for PCIeExpress	R	0x0
22	RESERVED	Reserved	R	0x0
21	C66MHZ_CAP	66MHz Capable, Hardwired to 0 for PCIeExpress	R	0x0
20	CAP_LIST	Capabilities List Hardwired to 1	R	0x1
19	INTX_STATUS	INTx Status	R	0x0
18:11	RESERVED		R	0x0
10	INTX_ASSER_DIS	INTx Assertion Disable	RW	0x0
9	FAST_BBEN	Bit hardwired to 0 for PCIeExpress	R	0x0
8	SERR_EN	SERR Enable	RW	0x0
7	IDSEL_CTRL	Bit hardwired to 0 for PCIeExpress	R	0x0
6	PARITYERRRESP	Parity Error Response	RW	0x0
5	VGA_SNOOP	Not Applicable for PCI Express; Bit hardwired to 0 for PCIeExpress	R	0x0
4	MEMWR_INVA	Not Applicable for PCI Express; Bit hardwired to 0 for PCIeExpress	R	0x0
3	SPEC_CYCLE_EN	Not Applicable for PCI Express; Bit hardwired to 0 for PCIeExpress	R	0x0
2	BUSMASTER_EN	Bus Master Enable (BME)	RW	0x0
1	MEM_SPACE_EN	Memory Space Enable (MSE)	RW	0x0
0	IO_SPACE_EN	IO Space Enable (ISE)	RW	0x0

Table 24-821. Register Call Summary for Register PCIECTRL_RC_DBICS_STATUS_COMMAND_REGISTER

PCIe Controller

- [PCIe Standard Registers vs PCIe Subsystem Hardware Registers Mapping: \[0\]](#)
- [PCIe_SS_RC_CFG_DBICS Register Summary: \[1\]\[2\]](#)

Table 24-822. PCIECTRL_RC_DBICS_CLASSCODE_REVISIONID

Address Offset	0x0000 0008	Instance	PCIe_SS1_RC_CFG_DBICS PCIe_SS2_RC_CFG_DBICS
Physical Address	0x5100 0008 0x5180 0008		
Description	Class code and Revision ID		
Type	RW		

31	30	29	28	27	26	25	24	23	22	21	20	19	18	17	16	15	14	13	12	11	10	9	8	7	6	5	4	3	2	1	0
BASE_CLS_CD								SUBCLS_CD								PROG_IF_CODE								REVID							

Bits	Field Name	Description	Type	Reset
31:24	BASE_CLS_CD	Base Class Code (CS)	RW	0x0
23:16	SUBCLS_CD	Sub Class Code (CS)	RW	0x0
15:8	PROG_IF_CODE	Programming Interface Code (CS)	RW	0x0
7:0	REVID	Revision ID (CS)	RW	0x1

Table 24-823. Register Call Summary for Register PCIECTRL_RC_DBICS_CLASSCODE_REVISIONID

PCIe Controller

- [PCIe Standard Registers vs PCIe Subsystem Hardware Registers Mapping: \[0\]](#)
- [PCIe_SS_RC_CFG_DBICS Register Summary: \[1\]\[2\]](#)

Table 24-824. PCIECTRL_RC_DBICS_BIST_HEAD_LAT_CACH

Address Offset	0x0000 000C	Instance	PCIe_SS1_RC_CFG_DBICS PCIe_SS2_RC_CFG_DBICS
Physical Address	0x5100 000C 0x5180 000C		
Description	BIST, Header Type, Latency Timer, Cache Line Size		
Type	RW		

31	30	29	28	27	26	25	24	23	22	21	20	19	18	17	16	15	14	13	12	11	10	9	8	7	6	5	4	3	2	1	0	
BIST								MFD	HEAD_TYP								MSTR_LAT_TIM								CACH_LN_SIZE							

Bits	Field Name	Description	Type	Reset
31:24	BIST	BIST	R	0x0
23	MFD	MultiFunction Device	R	0x0
22:16	HEAD_TYP	Header Type 0x0: EP header (Type0) 0x1: RC header (Type1)	R	0x1
15:8	MSTR_LAT_TIM	Master Latency Timer, Not Applicable for PCIe hence hardwired to 0	R	0x0
7:0	CACH_LN_SZE	Cache Line Size, No impact on write, write is allowed only for legacy purpose	RW	0x0

Table 24-825. Register Call Summary for Register PCIECTRL_RC_DBICS_BIST_HEAD_LAT_CACH

PCIe Controller

- [PCIe Standard Registers vs PCIe Subsystem Hardware Registers Mapping: \[0\]](#)
- [PCIe_SS_RC_CFG_DBICS Register Summary: \[1\]\[2\]](#)

Table 24-826. PCIECTRL_RC_DBICS_BAR0

Address Offset	0x0000 0010	Instance	PCIe_SS1_RC_CFG_DBICS PCIe_SS2_RC_CFG_DBICS
Physical Address	0x5100 0010 0x5180 0010		
Description	Base Address Register 0 Bit #0 is also a WO BAR enable (CS2) BAR Mask is writable (CS2)		
Type	RW		

31	30	29	28	27	26	25	24	23	22	21	20	19	18	17	16	15	14	13	12	11	10	9	8	7	6	5	4	3	2	1	0
BASE_ADDR_RW												BASE_ADDR_RO												PREFETCHABLE	AS	SPACE_INDICATOR					

Bits	Field Name	Description	Type	Reset
31:20	BASE_ADDR_RW	Base address bits (for a 64-bit BAR, upper base address bits are in BAR above). Unmasked MSBs, as set by BAR mask. NOTE: The RO and RW division between bits 19 and 20 is based on the assumption that BAR mask is 20 bits (1MB).	RW	0x0
19:4	BASE_ADDR_RO	Base address bits (for a 64-bit BAR, upper base address bits are in BAR above). Masked LSBs, as set by BAR mask. NOTE: The RO and RW division between bits 19 and 20 is based on the assumption that BAR mask is 20 bits (1MB).	R	0x0
3	PREFETCHABLE	MEM BAR: Prefetchable (CS) I/O BAR: bit 1 is part of I/O address	RW	0x1
2:1	AS	MEM BAR: Address Size (CS) I/O BAR: bit 0 is always 0, bit 1 is LS Bit of I/O address Read 0x0 = 32 bit Read 0x2 = 64 bit	RW	0x0
0	SPACE_INDICATOR	BAR I/O vs memory space indicator (CS) 0x0: BAR type is Memory (MEM) 0x1: BAR type is I/O (IO)	RW	0x0

Table 24-827. Register Call Summary for Register PCIECTRL_RC_DBICS_BAR0

PCIe Controller

- [PCIe Standard Registers vs PCIe Subsystem Hardware Registers Mapping: \[0\]](#)
- [PCIe_SS_RC_CFG_DBICS Register Summary: \[1\]\[2\]](#)

Table 24-828. PCIECTRL_RC_DBICS_BAR1

Address Offset	0x0000 0014	Instance	PCIe_SS1_RC_CFG_DBICS PCIe_SS2_RC_CFG_DBICS
Physical Address	0x5100 0014 0x5180 0014		
Description	Base Address Register 1 If BAR0.AS = 64-bit: upper half of BAR0 base address If BAR0.AS = 32-bit: independent 32-bit BAR Bit #0 is also a WO BAR enable (CS2) BAR Mask is writable (CS2)		

Table 24-828. PCIECTRL_RC_DBICS_BAR1 (continued)

Type		RW																													
31	30	29	28	27	26	25	24	23	22	21	20	19	18	17	16	15	14	13	12	11	10	9	8	7	6	5	4	3	2	1	0
BASE_ADDR_RW												BASE_ADDR_RO												PREFETCHABLE	AS	SPACE_INDICATOR					

Bits	Field Name	Description	Type	Reset
31:20	BASE_ADDR_RW	Base address bits (for a 64-bit BAR, lower base address bits are in BAR below). Unmasked MSBs, as set by BAR mask. NOTE: The RO and RW division between bits 19 and 20 is based on the assumption that BAR mask is 20 bits (1MB).	RW	0x0
19:4	BASE_ADDR_RO	Base address bits (for a 64-bit BAR, lower base address bits are in BAR below). Masked LSBs, as set by BAR mask. NOTE: The RO and RW division between bits 19 and 20 is based on the assumption that BAR mask is 20 bits (1MB).	R	0x0
3	PREFETCHABLE	MEM BAR: Prefetchable (CS) I/O BAR: bit 1 is part of I/O address	RW	0x1
2:1	AS	MEM BAR: Address Size (CS) I/O BAR: bit 0 is always 0, bit 1 is LSB of I/O address Read 0x0 = 32 bit Read 0x2 = 64 bit	RW	0x0
0	SPACE_INDICATOR	BAR I/O vs memory space indicator (CS) 0x0: BAR type is Memory (MEM) 0x1: BAR type is I/O (IO)	RW	0x0

Table 24-829. Register Call Summary for Register PCIECTRL_RC_DBICS_BAR1

PCIe Controller

- [PCIe Standard Registers vs PCIe Subsystem Hardware Registers Mapping: \[0\]](#)
- [PCIe_SS_RC_CFG_DBICS Register Summary: \[1\]\[2\]](#)

Table 24-830. PCIECTRL_RC_DBICS_BUS_NUM_REG

Address Offset	0x0000 0018	Instance	PCIe_SS1_RC_CFG_DBICS PCIe_SS2_RC_CFG_DBICS
Physical Address	0x5100 0018 0x5180 0018		
Description	Bus Number Registers		
Type	RW		

31	30	29	28	27	26	25	24	23	22	21	20	19	18	17	16	15	14	13	12	11	10	9	8	7	6	5	4	3	2	1	0
SEC_LAT_TIMER								SUBORD_BUS_NUM								SEC_BUS_NUM								PRIM_BUS_NUM							

Bits	Field Name	Description	Type	Reset
31:24	SEC_LAT_TIMER	Secondary Latency Timer, Not Applicable for PCI Express hence hardwired to 0	R	0x0
23:16	SUBORD_BUS_NUM	Subordinate Bus Number	RW	0x0
15:8	SEC_BUS_NUM	Secondary Bus Number	RW	0x0
7:0	PRIM_BUS_NUM	Primary Bus Number	RW	0x0

Table 24-831. Register Call Summary for Register PCIECTRL_RC_DBICS_BUS_NUM_REG

PCIe Controller

- [PCIe Standard Registers vs PCIe Subsystem Hardware Registers Mapping: \[0\]](#)
- [PCIe_SS_RC_CFG_DBICS Register Summary: \[1\]\[2\]](#)

Table 24-832. PCIECTRL_RC_DBICS_IOBASE_LIMIT_SEC_STATUS

Address Offset	0x0000 001C	Instance	PCIe_SS1_RC_CFG_DBICS PCIe_SS2_RC_CFG_DBICS
Physical Address	0x5100 001C 0x5180 001C		
Description	IO Base,Limit and Secondary Status Register		
Type	RW		

31	30	29	28	27	26	25	24	23	22	21	20	19	18	17	16	15	14	13	12	11	10	9	8	7	6	5	4	3	2	1	0
DET_PAR_ERR	RCVD_SYS_ERR	RCVD_MSTR_ABORT	RCVD_TRGT_ABORT	SGNLD_TRGT_ABORT	DEVSEL_TIMING	MSTR_DATA_PRTY_ERR	FAST_B2B_CAP	RESERVED	C66MHZ_CAPA	RESERVED						IO_SPACE_LIMIT	RESERVED			IOCODE_32	IO_SPACE_BASE				RESERVED			IOCODE_32_0			

Bits	Field Name	Description	Type	Reset
31	DET_PAR_ERR	Detected Parity Error	RW	0x0
30	RCVD_SYS_ERR	Received System Error	RW	0x0
29	RCVD_MSTR_ABORT	Received Master Abort	RW	0x0
28	RCVD_TRGT_ABORT	Received Target Error	RW	0x0
27	SGNLD_TRGT_ABORT	Signaled Target Error	RW	0x0
26:25	DEVSEL_TIMING	DEVSEL Timing, Not Applicable for PCI Express hence hardwired to 0	R	0x0
24	MSTR_DATA_PRTY_ERR	Mastered Data Parity Error	RW	0x0
23	FAST_B2B_CAP	Fast Back to Back Capable, Not Applicable for PCI Express hence hardwired to 0	R	0x0
22	RESERVED		R	0x0
21	C66MHZ_CAPA	66MHz Capable, Not Applicable for PCI Express hence hardwired to 0	R	0x0
20:16	RESERVED		R	0x0
15:12	IO_SPACE_LIMIT	IO_Space_Limit	RW	0x0
11:9	RESERVED		R	0x0
8	IOCODE_32	32 or 16 Bit IO Space	R	0x0
7:4	IO_SPACE_BASE	IO_Space_Limit	RW	0x0
3:1	RESERVED		R	0x0
0	IOCODE_32_0	32 or 16 Bit IO Space (CS)	R	0x0

**Table 24-833. Register Call Summary for Register
PCIECTRL_RC_DBICS_IOBASE_LIMIT_SEC_STATUS**

PCIe Controller

- [PCIe Standard Registers vs PCIe Subsystem Hardware Registers Mapping: \[0\]](#)
- [PCIe_SS_RC_CFG_DBICS Register Summary: \[1\]\[2\]](#)

Table 24-834. PCIECTRL_RC_DBICS_MEM_BASE_LIMIT

Address Offset	0x0000 0020	Instance	PCIe_SS1_RC_CFG_DBICS PCIe_SS2_RC_CFG_DBICS
Physical Address	0x5100 0020 0x5180 0020		
Description	Memory Base and Limit Register		
Type	RW		

31	30	29	28	27	26	25	24	23	22	21	20	19	18	17	16	15	14	13	12	11	10	9	8	7	6	5	4	3	2	1	0
MEM_LIMIT_ADDR								RESERVED				MEM_BASE_ADDR								RESERVED											

Bits	Field Name	Description	Type	Reset
31:20	MEM_LIMIT_ADDR	Memory Limit Address	RW	0x0
19:16	RESERVED		R	0x0
15:4	MEM_BASE_ADDR	Memory Base Address	RW	0x0
3:0	RESERVED		R	0x0

Table 24-835. Register Call Summary for Register PCIECTRL_RC_DBICS_MEM_BASE_LIMIT

PCIe Controller

- [PCIe Standard Registers vs PCIe Subsystem Hardware Registers Mapping: \[0\]](#)
- [PCIe_SS_RC_CFG_DBICS Register Summary: \[1\]\[2\]](#)

Table 24-836. PCIECTRL_RC_DBICS_PREF_MEM_BASE_LIMIT

Address Offset	0x0000 0024	Instance	PCIe_SS1_RC_CFG_DBICS PCIe_SS2_RC_CFG_DBICS
Physical Address	0x5100 0024 0x5180 0024		
Description	Prefetchable Memory Base and Limit Register		
Type	RW		

31	30	29	28	27	26	25	24	23	22	21	20	19	18	17	16	15	14	13	12	11	10	9	8	7	6	5	4	3	2	1	0
PREF_MEM_ADDR								RESERVED	MEMDECODE_64	UPPPREF_MEM_ADDR								RESERVED	MEMDECODE_64_0												

Bits	Field Name	Description	Type	Reset
31:20	PREF_MEM_ADDR	Upper 12 bits of 32-bit Prefetchable Memory End Address	RW	0x0
19:17	RESERVED		R	0x0
16	MEMDECODE_64	64-Bit Memory Addressing	R	0x0
15:4	UPPPREF_MEM_ADDR	Upper 12 bits of 32-bit Prefetchable Memory start Address	RW	0x0

Bits	Field Name	Description	Type	Reset
3:1	RESERVED		R	0x0
0	MEMDECODE_64_0	64-Bit Memory Addressing	R	0x0

Table 24-837. Register Call Summary for Register PCIECTRL_RC_DBICS_PREF_MEM_BASE_LIMIT

PCIe Controller

- [PCIe Standard Registers vs PCIe Subsystem Hardware Registers Mapping: \[0\]](#)
- [PCIe_SS_RC_CFG_DBICS Register Summary: \[1\]\[2\]](#)

Table 24-838. PCIECTRL_RC_DBICS_UPPER_32BIT_PREF_BASEADDR

Address Offset	0x0000 0028		
Physical Address	0x5100 0028 0x5180 0028	Instance	PCIe_SS1_RC_CFG_DBICS PCIe_SS2_RC_CFG_DBICS
Description	Upper 32 Bit Prefetchable Base Address Register		
Type	RW		

31	30	29	28	27	26	25	24	23	22	21	20	19	18	17	16	15	14	13	12	11	10	9	8	7	6	5	4	3	2	1	0
ADDRUPP																															

Bits	Field Name	Description	Type	Reset
31:0	ADDRUPP	Upper 32 Bits of Base Address of Prefetchable Memory Space, Used only if 64 Bit Prefetchable Addressing is enabled	RW	0x0

Table 24-839. Register Call Summary for Register PCIECTRL_RC_DBICS_UPPER_32BIT_PREF_BASEADDR

PCIe Controller

- [PCIe Standard Registers vs PCIe Subsystem Hardware Registers Mapping: \[0\]](#)
- [PCIe_SS_RC_CFG_DBICS Register Summary: \[1\]\[2\]](#)

Table 24-840. PCIECTRL_RC_DBICS_UPPER_32BIT_PREF_LIMITADDR

Address Offset	0x0000 002C		
Physical Address	0x5100 002C 0x5180 002C	Instance	PCIe_SS1_RC_CFG_DBICS PCIe_SS2_RC_CFG_DBICS
Description	Upper 32 Bit Prefetchable Limit Address Register		
Type	RW		

31	30	29	28	27	26	25	24	23	22	21	20	19	18	17	16	15	14	13	12	11	10	9	8	7	6	5	4	3	2	1	0
ADDRUPP_LIMIT																															

Bits	Field Name	Description	Type	Reset
31:0	ADDRUPP_LIMIT	Upper 32 Bits of Limit Address of Prefetchable Memory Space, Used only if 64 Bit Prefetchable Addressing is enabled	RW	0x0

Table 24-841. Register Call Summary for Register PCIECTRL_RC_DBICS_UPPER_32BIT_PREF_LIMITADDR

PCIe Controller

- [PCIe Standard Registers vs PCIe Subsystem Hardware Registers Mapping: \[0\]](#)
- [PCIe_SS_RC_CFG_DBICS Register Summary: \[1\]\[2\]](#)

Table 24-842. PCIECTRL_RC_DBICS_IO_BASE_LIMIT

Address Offset	0x0000 0030		
Physical Address	0x5100 0030 0x5180 0030	Instance	PCIe_SS1_RC_CFG_DBICS PCIe_SS2_RC_CFG_DBICS
Description	IO Base and Limit Register		
Type	RW		

31	30	29	28	27	26	25	24	23	22	21	20	19	18	17	16	15	14	13	12	11	10	9	8	7	6	5	4	3	2	1	0
UPP16_IOLIMIT																UPP16_IOBASE															

Bits	Field Name	Description	Type	Reset
31:16	UPP16_IOLIMIT	Upper 16 IO Limit Address	RW	0x0
15:0	UPP16_IOBASE	Upper 16 IO Base Address	RW	0x0

Table 24-843. Register Call Summary for Register PCIECTRL_RC_DBICS_IO_BASE_LIMIT

PCIe Controller

- [PCIe Standard Registers vs PCIe Subsystem Hardware Registers Mapping: \[0\]](#)
- [PCIe_SS_RC_CFG_DBICS Register Summary: \[1\]\[2\]](#)

Table 24-844. PCIECTRL_RC_DBICS_CAPPTR

Address Offset	0x0000 0034		
Physical Address	0x5100 0034 0x5180 0034	Instance	PCIe_SS1_RC_CFG_DBICS PCIe_SS2_RC_CFG_DBICS
Description	CapPtr		
Type	RW		

31	30	29	28	27	26	25	24	23	22	21	20	19	18	17	16	15	14	13	12	11	10	9	8	7	6	5	4	3	2	1	0
RESERVED																CAPTR															

Bits	Field Name	Description	Type	Reset
31:8	RESERVED		R	0x0
7:0	CAPTR	First Capability Pointer (CS)	RW	0x40

Table 24-845. Register Call Summary for Register PCIECTRL_RC_DBICS_CAPPTR

PCIe Controller

- [PCIe Standard Registers vs PCIe Subsystem Hardware Registers Mapping: \[0\]](#)
- [PCIe_SS_RC_CFG_DBICS Register Summary: \[1\]\[2\]](#)

Table 24-846. PCIECTRL_RC_DBICS_EXPANSION_ROM_BAR

Address Offset	0x0000 0038		
Physical Address	0x5100 0038 0x5180 0038	Instance	PCIe_SS1_RC_CFG_DBICS PCIe_SS2_RC_CFG_DBICS
Description	Expansion ROM Base Address Register		
Type	RW		

31	30	29	28	27	26	25	24	23	22	21	20	19	18	17	16	15	14	13	12	11	10	9	8	7	6	5	4	3	2	1	0	
EXROM_ADDRESS																EXROM_ADDRESS_RO						RESERVED										EXP_ROM_EN

Bits	Field Name	Description	Type	Reset
31:16	EXROM_ADDRESS	Expansion ROM address, unmasked (ie programmable)	RW	0x0
15:11	EXROM_ADDRESS_RO	Expansion ROM address, masked.	R	0x0
10:1	RESERVED		R	0x0
0	EXP_ROM_EN	Expansion ROM Enable	RW	0x0

Table 24-847. Register Call Summary for Register PCIECTRL_RC_DBICS_EXPANSION_ROM_BAR

PCIe Controller

- [PCIe Standard Registers vs PCIe Subsystem Hardware Registers Mapping: \[0\]](#)
- [PCIe_SS_RC_CFG_DBICS Register Summary: \[1\]\[2\]](#)

Table 24-848. PCIECTRL_RC_DBICS_BRIDGE_INT

Address Offset	0x0000 003C		
Physical Address	0x5100 003C 0x5180 003C	Instance	PCIe_SS1_RC_CFG_DBICS PCIe_SS2_RC_CFG_DBICS
Description	Bridge Control and Int Pin and line		
Type	RW		

31	30	29	28	27	26	25	24	23	22	21	20	19	18	17	16	15	14	13	12	11	10	9	8	7	6	5	4	3	2	1	0				
RESERVED								DT_SERR_EN	DT_STS	SEC_DT	PRI_DT	FAST_B2B_EN	SEC_BUS_RST	MST_ABT_MOD	VGA_16B_DEC	VGA_EN	ISA_EN	SERR_EN	PERR_RESP_EN	INT_PIN								INT_LIN							

Bits	Field Name	Description	Type	Reset
31:28	RESERVED		R	0x0
27	DT_SERR_EN	Discard Timer SERR Enable Status	R	0x0
26	DT_STS	Discard Timer Status	R	0x0
25	SEC_DT	Secondary Discard Timer	R	0x0
24	PRI_DT	Primary Discard Timer	R	0x0
23	FAST_B2B_EN	Fast Back-to-Back Transactions Enable	R	0x0
22	SEC_BUS_RST	Secondary Bus Reset (initiate hot reset)	RW	0x0
21	MST_ABT_MOD	Master Abort Mode	R	0x0
20	VGA_16B_DEC	VGA 16-Bit Decode	RW	0x0
19	VGA_EN	VGA Enable	RW	0x0
18	ISA_EN	ISA Enable	RW	0x0
17	SERR_EN	SERR Enable	RW	0x0
16	PERR_RESP_EN	Parity Error Response Enable	RW	0x0

Bits	Field Name	Description	Type	Reset
15:8	INT_PIN	Interrupt Pin (CS)	R	0x1
7:0	INT_LIN	Interrupt Line	RW	0xff

Table 24-849. Register Call Summary for Register PCIECTRL_RC_DBICS_BRIDGE_INT

PCIe Controller

- [PCIe Standard Registers vs PCIe Subsystem Hardware Registers Mapping: \[0\]](#)
- [PCIe_SS_RC_CFG_DBICS Register Summary: \[1\]\[2\]](#)

Table 24-850. PCIECTRL_RC_DBICS_PCIE_CAP

Address Offset	0x0000 0070			
Physical Address	0x5100 0070 0x5180 0070	Instance	PCIe_SS1_RC_CFG_DBICS PCIe_SS2_RC_CFG_DBICS	
Description	PCI Express Capability structure header			
Type	RW			

31	30	29	28	27	26	25	24	23	22	21	20	19	18	17	16	15	14	13	12	11	10	9	8	7	6	5	4	3	2	1	0
RESERVED	IM_NUM			SLOT	DEV_TYPE		PCIE_VER		PCIE_NX_PTR								CAP_ID														

Bits	Field Name	Description	Type	Reset
31:30	RESERVED		R	0x0
29:25	IM_NUM	Interrupt Message Number (CS)	RW	0x0
24	SLOT	Slot Implemented (CS)	RW	0x0
23:20	DEV_TYPE	Device/Port Type Read 0x4: RC root port (RC)	R	0x4
19:16	PCIE_VER	PCI Express Capability Version	R	0x2
15:8	PCIE_NX_PTR	Next Capability Pointer (CS)	RW	0x0
7:0	CAP_ID	Capability ID Read 0x10: PCIE	R	0x10

Table 24-851. Register Call Summary for Register PCIECTRL_RC_DBICS_PCIE_CAP

PCIe Controller

- [PCIe Standard Registers vs PCIe Subsystem Hardware Registers Mapping: \[0\]](#)
- [PCIe_SS_RC_CFG_DBICS Register Summary: \[1\]\[2\]](#)

Table 24-852. PCIECTRL_RC_DBICS_DEV_CAP

Address Offset	0x0000 0074			
Physical Address	0x5100 0074 0x5180 0074	Instance	PCIe_SS1_RC_CFG_DBICS PCIe_SS2_RC_CFG_DBICS	
Description	PCIe Device Capabilities			
Type	RW			

31	30	29	28	27	26	25	24	23	22	21	20	19	18	17	16	15	14	13	12	11	10	9	8	7	6	5	4	3	2	1	0
RESERVED				CAPT_SLOW_PWRLIMIT_SCALE				CAPT_SLOW_PWRLIMIT_VALUE				RESERVED				ROLEBASED_ERRRPT		UNDEFINED		DEFAULT_EP_L1_ACCPT_LATENCY		DEFAULT_EP_L0S_ACCPT_LATENCY		EXTTAGFIELD_SUPPORT		PHANTOMFUNC		MAX_PAYLOAD_SIZE			

Bits	Field Name	Description	Type	Reset
31:28	RESERVED		R	0x0
27:26	CAPT_SLOW_PWRLIMIT_SCALE	Captured Slow Power Scale Value, for Upstream Port Only (CS)	RW	0x0
25:18	CAPT_SLOW_PWRLIMIT_VALUE	Captured Slow Power Limit Value, for Upstream Port Only (CS)	RW	0x0
17:16	RESERVED		R	0x0
15	ROLEBASED_ERRRPT	Role Based Error Reporting (CS)	RW	0x1
14:12	UNDEFINED	Undefined from PCIe 1.1 onwards	R	0x0
11:9	DEFAULT_EP_L1_ACCPT_LATENCY	Endpoint L1 Acceptable Latency; Must be 0 for RC.	R	0x0
8:6	DEFAULT_EP_L0S_ACCPT_LATENCY	Endpoint L0s Acceptable Latency; Must be 0 for RC.	R	0x0
5	EXTTAGFIELD_SUPPORT	Extended Tag Field Support (CS)	RW	0x0
4:3	PHANTOMFUNC	Phantom Function Support, not SUPPORTED (CS)	RW	0x0
2:0	MAX_PAYLOAD_SIZE	Maximum Payload Size (CS) Read 0x1: 256 Byte	RW	0x1

Table 24-853. Register Call Summary for Register PCIECTRL_RC_DBICS_DEV_CAP

PCle Controller

- [PCle Standard Registers vs PCIe Subsystem Hardware Registers Mapping: \[0\]](#)
- [PCle_SS_RC_CFG_DBICS Register Summary: \[1\]\[2\]](#)

Table 24-854. PCIECTRL_RC_DBICS_DEV_CAS

Address Offset	0x0000 0078	Instance	PCle_SS1_RC_CFG_DBICS PCle_SS2_RC_CFG_DBICS
Physical Address	0x5100 0078 0x5180 0078		
Description	PCIE Device Control and Status		
Type	RW		

31	30	29	28	27	26	25	24	23	22	21	20	19	18	17	16	15	14	13	12	11	10	9	8	7	6	5	4	3	2	1	0
RESERVED								TRANS_PEND	AUXP_DET	UR_DET	FT_DET	NFT_DET	COR_DET	INIT_FLR	MRRS	NOSNP_EN	AUXPM_LEN	PHFUN_LEN	EXTAG_LEN	MPS	EN_RO	UR_RE	FT_RE	NFT_RE	COR_RE						

Bits	Field Name	Description	Type	Reset
31:22	RESERVED		R	0x0
21	TRANS_PEND	Transaction Pending	R	0x0
20	AUXP_DET	Aux Power Detected	R	0x0
19	UR_DET	Unsupported Request Detected	RW	0x0
18	FT_DET	Fatal Error Detected	RW	0x0
17	NFT_DET	Non-Fatal Error Detected	RW	0x0
16	COR_DET	Correctable Error Detected	RW	0x0
15	INIT_FLR	Reserved	R	0x0
14:12	MRRS	Max_Read_Request_Size	RW	0x2
11	NOSNP_EN	Enable No Snoop	RW	0x1
10	AUXPM_EN	AUX Power PM Enable (Sticky bit) 0x0: Vaux not used by device 0x1: Device can draw Vaux power; Sticky bits will be preserved over reset	RW	0x0
9	PHFUN_EN	Phantom Function Enable	RW	0x0
8	EXTAG_EN	Extended Tag Field Enable	RW	0x0
7:5	MPS	Max_Payload_Size	RW	0x0
4	EN_RO	Enable Relaxed Ordering	RW	0x1
3	UR_RE	Unsupported Request Reporting Enable	RW	0x0
2	FT_RE	Fatal Error Reporting Enable	RW	0x0
1	NFT_RE	Non-Fatal Error Reporting Enable	RW	0x0
0	COR_RE	Correctable Error Reporting Enable	RW	0x0

Table 24-855. Register Call Summary for Register PCIECTRL_RC_DBICS_DEV_CAS

PCIe Controller

- [PCIe Standard Registers vs PCIe Subsystem Hardware Registers Mapping: \[0\]](#)
- [PCIe_SS_RC_CFG_DBICS Register Summary: \[1\]\[2\]](#)

Table 24-856. PCIECTRL_RC_DBICS_LNK_CAP

Address Offset	0x0000 007C	Instance	PCIe_SS1_RC_CFG_DBICS PCIe_SS2_RC_CFG_DBICS
Physical Address	0x5100 007C 0x5180 007C		
Description	PCIe Link Capabilities		
Type	RW		

31	30	29	28	27	26	25	24	23	22	21	20	19	18	17	16	15	14	13	12	11	10	9	8	7	6	5	4	3	2	1	0
PORT_NUM								RESERVED	ASPM_OPT_COMP	LNK_BW_not_CAP	DLL_ACTRPT_CAP	UNSUP	CLK_PWR_MGMT	L1_EXIT_LAT	L0S_EXIT_LAT	AS_LINK_PM_SUPPORT	MAX_LINK_WIDTH							MAX_LINK_SPEEDS							

Bits	Field Name	Description	Type	Reset
31:24	PORT_NUM	Port Number (CS)	RW	0x0
23	RESERVED		R	0x0
22	ASPM_OPT_COMP	ASPM Optionality Compliance (CS)	RW	0x1

Bits	Field Name	Description	Type	Reset
21	LNK_BW_not_CAP	Link Bandwidth Notification Capability (CS)	RW	0x1
20	DLL_ACTRPT_CAP	Data Link Layer Active Reporting Capable	R	0x1
19	UNSUP	Unsupported, Surprise Down Error Reporting Capable, Hardwired to 0	R	0x0
18	CLK_PWR_MGMT	Clock Power Management; Hardwired to 0 for DS port (RC); (CS)	RW	0x0
17:15	L1_EXIT_LAT	L1 Exit Latency (CS) Compare CS2	RW	0x6
14:12	L0S_EXIT_LAT	L0s Exit Latency (CS) Compare CS2	RW	0x3
11:10	AS_LINK_PM_SUPPORT	Active State Link PM (ASPM) Support (CS)	RW	0x3
9:4	MAX_LINK_WIDTH	Max Link Width (lanes) (CS)	RW	0x2
3:0	MAX_LINK_SPEEDS	Supported Max Link Speed (CS) Read 0x1: 2.5 GT/s (Gen1) Read 0x2: 5 GT/s (Gen2) Read 0x3: 8 GT/s (Gen3)	RW	0x2

Table 24-857. Register Call Summary for Register PCIECTRL_RC_DBICS_LNK_CAP

PCIe Controller

- [PCIe Standard Registers vs PCIe Subsystem Hardware Registers Mapping: \[0\]](#)
- [PCIe_SS_RC_CFG_DBICS Register Summary: \[1\]\[2\]](#)

Table 24-858. PCIECTRL_RC_DBICS_LNK_CAS

Address Offset	0x0000 0080	Instance	PCIe_SS1_RC_CFG_DBICS PCIe_SS2_RC_CFG_DBICS
Physical Address	0x5100 0080 0x5180 0080		
Description	PCIe Link Control and Status		
Type	RW Wr1toClr		

31	30	29	28	27	26	25	24	23	22	21	20	19	18	17	16	15	14	13	12	11	10	9	8	7	6	5	4	3	2	1	0			
LAB_STATUS	LBW_STATUS	DLL_ACT	SLOT_CLK_CONFIG	LINK_TRAIN	UNDEF	NEG_LW						LINK_SPEED						RESERVED						LABIE	LBMIE	HAWD	EN_CPM	EXT_SYN	COM_CLK_CFG	RETRAIN_LINK	LINK_DIS	RCB	RESERVED	ASPM_CTRL

Bits	Field Name	Description	Type	Reset
31	LAB_STATUS	Link Autonomous Bandwidth Status	RW Wr1toClr	0x0
30	LBW_STATUS	Link Bandwidth Management Status	RW Wr1toClr	0x0
29	DLL_ACT	Data Link Layer Active	R	0x0
28	SLOT_CLK_CONFIG	Slot Clock Configuration (CS)	RW	0x1
27	LINK_TRAIN	LINK training	R	0x0
26	UNDEF	Undefined	R	0x0
25:20	NEG_LW	Negotiated Link Width; UNDEFINED UNTIL LINK IS UP.	R	0x1
19:16	LINK_SPEED	Link Speed; UNDEFINED UNTIL LINK IS UP.	R	0x1
15:12	RESERVED		R	0x0
11	LABIE	Link Autonomous Bandwidth Interrupt Enable	RW	0x0
10	LBMIE	Link Bandwidth Management Interrupt Enable	RW	0x0

Bits	Field Name	Description	Type	Reset
9	HAWD	Hardware Autonomous Width Disable	R	0x0
8	EN_CPM	Enable Clock Power Management	RW	0x0
7	EXT_SYN	Extended Synch	RW	0x0
6	COM_CLK_CFG	Common Clock Configuration 0x0: Asynchronous reference clocks (ASYNC) 0x1: Distributed common reference clock (COMMON)	RW	0x0
5	RETRAIN_LINK	Retrain Link	RW	0x0
4	LINK_DIS	Link Disable	RW	0x0
3	RCB	Read Completion Boundary (CS) 0x0: 64 Byte 0x1: 128 Byte	RW	0x1
2	RESERVED		R	0x0
1:0	ASPM_CTRL	Active State Link PM Control 0x0: DISABLED 0x1: L0S_ENABLED 0x2: L1_ENABLED 0x3: L0S_AND_L1_ENABLED	RW	0x0

Table 24-859. Register Call Summary for Register PCIECTRL_RC_DBICS_LNK_CAS

PCIe Controller

- [PCIe Standard Registers vs PCIe Subsystem Hardware Registers Mapping: \[0\]](#)
- [PCIe_SS_RC_CFG_DBICS Register Summary: \[1\]\[2\]](#)

Table 24-860. PCIECTRL_RC_DBICS_SLOT_CAP

Address Offset	0x0000 0084	Instance	PCIe_SS1_RC_CFG_DBICS PCIe_SS2_RC_CFG_DBICS
Physical Address	0x5100 0084 0x5180 0084		
Description	Slot Capabilities Register		
Type	RW		

31	30	29	28	27	26	25	24	23	22	21	20	19	18	17	16	15	14	13	12	11	10	9	8	7	6	5	4	3	2	1	0
PSN												NCCS	EIP	SPLS	SPLV							HPC	HPS	PIP	AIP	MRLSP	PCP	ABP			

Bits	Field Name	Description	Type	Reset
31:19	PSN	Physical Slot Number (CS)	RW	0x0
18	NCCS	No Command Complete Support (CS)	RW	0x0
17	EIP	Electromechanical Interlock Present (CS)	RW	0x0
16:15	SPLS	Slot Power Limit Scale (CS)	RW	0x0
14:7	SPLV	Slot Power Limit Value (CS)	RW	0x0
6	HPC	Hot-Plug Capable (CS)	RW	0x0
5	HPS	Hot-Plug Surprise (CS)	RW	0x0
4	PIP	Power Indicator Present (CS)	RW	0x0
3	AIP	Attention Indicator Present (CS)	RW	0x0
2	MRLSP	MRL Sensor Present (CS)	RW	0x0
1	PCP	Power Controller Present (CS)	RW	0x0
0	ABP	Attention Button Present (CS)	RW	0x0

Table 24-861. Register Call Summary for Register PCICTRL_RC_DBICS_SLOT_CAP

PCIe Controller

- [PCIe Standard Registers vs PCIe Subsystem Hardware Registers Mapping: \[0\]](#)
- [PCIe_SS_RC_CFG_DBICS Register Summary: \[1\]\[2\]](#)

Table 24-862. PCICTRL_RC_DBICS_SLOT_CAS

Address Offset	0x0000 0088	Instance	PCIe_SS1_RC_CFG_DBICS PCIe_SS2_RC_CFG_DBICS
Physical Address	0x5100 0088 0x5180 0088		
Description	Slot Control and Status Register		
Type	RW		

31	30	29	28	27	26	25	24	23	22	21	20	19	18	17	16	15	14	13	12	11	10	9	8	7	6	5	4	3	2	1	0
RESERVED							DSC	EIS	PDS	MRLSS	CC	PDC	MRCSC	PFD	ABP	RESERVED	DSC_EN	EIC	PCC	PIC	AIC	HPI_EN	CCI_EN	PDC_EN	MRLSC_EN	PFD_EN	ABP_EN				

Bits	Field Name	Description	Type	Reset
31:25	RESERVED		R	0x0
24	DSC	Data Link Layer State Changed	RW	0x0
23	EIS	Electromechanical Interlock Status	R	0x0
22	PDS	Presence Detect State NO PRESENCE DETECTION IMPLEMENTED: TIED TO 1	R	0x1
21	MRLSS	MRL Sensor State	R	0x0
20	CC	Command Completed	RW	0x0
19	PDC	Presence Detect Changed	RW	0x0
18	MRCSC	MRL Sensor Changed	RW	0x0
17	PFD	Power Fault Detected	RW	0x0
16	ABP	Attention Button Pressed	RW	0x0
15:13	RESERVED		R	0x0
12	DSC_EN	Data Link Layer State Changed Enable	RW	0x0
11	EIC	Electromechanical Interlock Control	RW	0x0
10	PCC	Power Controller Control	RW	0x0
9:8	PIC	Power Indicator Control	RW	0x3
7:6	AIC	Attention Indicator Control	RW	0x3
5	HPI_EN	Hot-Plug Interrupt Enable	RW	0x0
4	CCI_EN	Command Completed Interrupt Enable	RW	0x0
3	PDC_EN	Presence Detect Changed Enable	RW	0x0
2	MRLSC_EN	MRL Sensor Changed Enable	RW	0x0
1	PFD_EN	Power Fault Detected Enable	RW	0x0
0	ABP_EN	Attention Button Pressed Enable	RW	0x0

Table 24-863. Register Call Summary for Register PCICTRL_RC_DBICS_SLOT_CAS

PCIe Controller

- [PCIe Standard Registers vs PCIe Subsystem Hardware Registers Mapping: \[0\]](#)
- [PCIe_SS_RC_CFG_DBICS Register Summary: \[1\]\[2\]](#)

Table 24-864. PCIECTRL_RC_DBICS_ROOT_CAC

Address Offset	0x0000 008C	Instance	PCIe_SS1_RC_CFG_DBICS PCIe_SS2_RC_CFG_DBICS
Physical Address	0x5100 008C 0x5180 008C		
Description	Root Control and Capability Register		
Type	RW		

31	30	29	28	27	26	25	24	23	22	21	20	19	18	17	16	15	14	13	12	11	10	9	8	7	6	5	4	3	2	1	0	
RESERVED																CRSSV		RESERVED										CRSSV_EN	PMEI_EN	SEFE_EN	SENE_EN	SECE_EN

Bits	Field Name	Description	Type	Reset
31:17	RESERVED		R	0x0
16	CRSSV	CRS Software Visibility	R	0x0
15:5	RESERVED		R	0x0
4	CRSSV_EN	CRS Software Visibility Enable	R	0x0
3	PMEI_EN	PME Interrupt Enable	RW	0x0
2	SEFE_EN	System Error on Fatal Error Enable	RW	0x0
1	SENE_EN	System Error on Non-fatal Error Enable	RW	0x0
0	SECE_EN	System Error on Correctable Error Enable	RW	0x0

Table 24-865. Register Call Summary for Register PCIECTRL_RC_DBICS_ROOT_CAC

PCIe Controller

- [PCIe Standard Registers vs PCIe Subsystem Hardware Registers Mapping: \[0\]](#)
- [PCIe_SS_RC_CFG_DBICS Register Summary: \[1\]\[2\]](#)

Table 24-866. PCIECTRL_RC_DBICS_ROOT_STS

Address Offset	0x0000 0090	Instance	PCIe_SS1_RC_CFG_DBICS PCIe_SS2_RC_CFG_DBICS
Physical Address	0x5100 0090 0x5180 0090		
Description	Root Status Register		
Type	RW		

31	30	29	28	27	26	25	24	23	22	21	20	19	18	17	16	15	14	13	12	11	10	9	8	7	6	5	4	3	2	1	0
RESERVED																PME_PND	PME_STS	PME_RID													

Bits	Field Name	Description	Type	Reset
31:18	RESERVED		R	0x0
17	PME_PND	PME Pending	R	0x0
16	PME_STS	PME Status (Sticky bit)	RW	0x0
15:0	PME_RID	PME Requester ID	R	0x0

Table 24-867. Register Call Summary for Register PCIECTRL_RC_DBICS_ROOT_STS

PCIe Controller

- [PCIe Standard Registers vs PCIe Subsystem Hardware Registers Mapping: \[0\]](#)
- [PCIe_SS_RC_CFG_DBICS Register Summary: \[1\]\[2\]](#)

Table 24-868. PCIECTRL_RC_DBICS_DEV_CAP_2

Address Offset	0x0000 0094	Instance	PCIe_SS1_RC_CFG_DBICS PCIe_SS2_RC_CFG_DBICS
Physical Address	0x5100 0094 0x5180 0094		
Description	Device Capabilities 2 Register		
Type	R		

31	30	29	28	27	26	25	24	23	22	21	20	19	18	17	16	15	14	13	12	11	10	9	8	7	6	5	4	3	2	1	0			
RESERVED																TPHC_SP		RESERVED	NOROPR		CASC128_SP		AOC64_SP		AOC32_SP		AOR_SP		ARI_FWD_SP		CPL_TIMEOUT_DIS_SUPPORTED		CPL_TIMEOUT_RNG_SUPPORTED	

Bits	Field Name	Description	Type	Reset
31:14	RESERVED		R	0x0
13:12	TPHC_SP	TPH Completer Supported	R	0x0
11	RESERVED		R	0x0
10	NOROPR	No RO-enabled PR-PR Passing	R	0x1
9	CASC128_SP	128-bit CAS Completer Supported	R	0x0
8	AOC64_SP	64-bit AtomicOp Completer Supported	R	0x0
7	AOC32_SP	32-bit AtomicOp Completer Supported	R	0x0
6	AOR_SP	AtomicOp Routing Supported	R	0x0
5	ARI_FWD_SP	ARI Forwarding Supported	R	0x0
4	CPL_TIMEOUT_DIS_SUPPORTED	Completion Timeout Disable Supported	R	0x1
3:0	CPL_TIMEOUT_RNG_SUPPORTED	Completion Timeout Ranges Supported	R	0xf

Table 24-869. Register Call Summary for Register PCIECTRL_RC_DBICS_DEV_CAP_2

PCIe Controller

- [PCIe Standard Registers vs PCIe Subsystem Hardware Registers Mapping: \[0\]](#)
- [PCIe_SS_RC_CFG_DBICS Register Summary: \[1\]\[2\]](#)

Table 24-870. PCIECTRL_RC_DBICS_DEV_CAS_2

Address Offset	0x0000 0098	Instance	PCIe_SS1_RC_CFG_DBICS PCIe_SS2_RC_CFG_DBICS
Physical Address	0x5100 0098 0x5180 0098		
Description	Device Control 2 Register		

Table 24-870. PCIECTRL_RC_DBICS_DEV_CAS_2 (continued)

Type		RW																													
31	30	29	28	27	26	25	24	23	22	21	20	19	18	17	16	15	14	13	12	11	10	9	8	7	6	5	4	3	2	1	0
RESERVED																OBFF_EN	RESERVED	LTR_EN	IDO_CPL_EN	IDO_REQ_EN	AOP_EG_BLK	AOP_REQ_EN	ARI_FWD_SP	CPL_TIMEOUT_DIS	CPL_TIMEOUT_VALUE						

Bits	Field Name	Description	Type	Reset
31:15	RESERVED		R	0x0
14:13	OBFF_EN	OBFF Enable	RW	0x0
12:11	RESERVED		R	0x0
10	LTR_EN	LTR Mechanism Enable	RW	0x0
9	IDO_CPL_EN	IDO Completion Enable	RW	0x0
8	IDO_REQ_EN	IDO Request Enable	RW	0x0
7	AOP_EG_BLK	AtomicOp Egress Blocking	RW	0x0
6	AOP_REQ_EN	AtomicOp Requester Enable	RW	0x0
5	ARI_FWD_SP	ARI Forwarding Supported	RW	0x0
4	CPL_TIMEOUT_DIS	Completion Timeout Disable	RW	0x0
3:0	CPL_TIMEOUT_VALUE	Completion Timeout Values	RW	0x0

Table 24-871. Register Call Summary for Register PCIECTRL_RC_DBICS_DEV_CAS_2

PCIe Controller

- [PCIe Standard Registers vs PCIe Subsystem Hardware Registers Mapping: \[0\]](#)
- [PCIe_SS_RC_CFG_DBICS Register Summary: \[1\]\[2\]](#)

Table 24-872. PCIECTRL_RC_DBICS_LNK_CAP_2

Address Offset	0x0000 009C	Instance	PCIe_SS1_RC_CFG_DBICS PCIe_SS2_RC_CFG_DBICS
Physical Address	0x5100 009C 0x5180 009C		
Description	PCIE Link Capabilities 2 Register		
Type	R		

31	30	29	28	27	26	25	24	23	22	21	20	19	18	17	16	15	14	13	12	11	10	9	8	7	6	5	4	3	2	1	0
RESERVED																CROSSLINK_SP	SP_LS_VEC										RESERVED				

Bits	Field Name	Description	Type	Reset
31:9	RESERVED		R	0x0
8	CROSSLINK_SP	Crosslink Supported	R	0x0
7:1	SP_LS_VEC	Supported Link Speeds Vector	R	0x3

Bits	Field Name	Description	Type	Reset
0	RESERVED		R	0x0

Table 24-873. Register Call Summary for Register PCIECTRL_RC_DBICS_LNK_CAP_2

PCIe Controller

- [PCIe Standard Registers vs PCIe Subsystem Hardware Registers Mapping: \[0\]](#)
- [PCIe_SS_RC_CFG_DBICS Register Summary: \[1\]\[2\]](#)

Table 24-874. PCIECTRL_RC_DBICS_LNK_CAS_2

Address Offset	0x0000 00A0	Instance	PCIe_SS1_RC_CFG_DBICS PCIe_SS2_RC_CFG_DBICS
Physical Address	0x5100 00A0 0x5180 00A0		
Description	Link Control and Status 2 Register (Sticky)		
Type	RW		

31	30	29	28	27	26	25	24	23	22	21	20	19	18	17	16	15	14	13	12	11	10	9	8	7	6	5	4	3	2	1	0
RESERVED								LINK_EQ_REQ	EQ_PH3	EQ_PH2	EQ_PH1	EQ_COMPLETE	DEEMPH_LEVEL	COMPL_PRST_DEEPH	COMPL_SOS	ENT_MOD_COMPL	TX_MARGIN	SEL_DEEMP	HW_AUTO_SP_DIS	ENTR_COMPL	TRGT_LINK_SPEED										

Bits	Field Name	Description	Type	Reset
31:22	RESERVED		R	0x0
21	LINK_EQ_REQ	Link Equalization Request	RW Wr1toClr	0x0
20	EQ_PH3	Equalization Ph3 Success, Gen3 Only	R	0x0
19	EQ_PH2	Equalization Ph2 Success, Gen3 Only	R	0x0
18	EQ_PH1	Equalization Ph1 Success, Gen3 Only	R	0x0
17	EQ_COMPLETE	Equalization Complete, Gen3 Only	R	0x0
16	DEEMPH_LEVEL	Current De-emphasis Level	R	0x1
15:12	COMPL_PRST_DEEPH	Compliance Pre-set/ De-emphasis	RW	0x0
11	COMPL_SOS	Compliance SOS	RW	0x0
10	ENT_MOD_COMPL	Enter Modified Compliance	RW	0x0
9:7	TX_MARGIN	Transmit Margin	RW	0x0
6	SEL_DEEMP	Selectable De-emphasis (CS)	RW	0x0
5	HW_AUTO_SP_DIS	Hardware Autonomous Speed Disable	RW	0x0
4	ENTR_COMPL	Enter Compliance	RW	0x0
3:0	TRGT_LINK_SPEED	Target Link Speed Read 0x1: 2.5 GT/s (Gen1) Read 0x2: 5 GT/s (Gen2) Read 0x3: 8 GT/s (Gen3)	RW	0x2

Table 24-875. Register Call Summary for Register PCIECTRL_RC_DBICS_LNK_CAS_2

PCIe Controller

- [PCIe Standard Registers vs PCIe Subsystem Hardware Registers Mapping: \[0\]](#)
- [PCIe_SS_RC_CFG_DBICS Register Summary: \[1\]\[2\]](#)

24.9.7.5 PCIe_SS_PL_CONF Registers

NOTE: The [Section 24.9.7.5.1](#) lists the implementation-specific (that is, not PCIe-standard) “port logic” - PL registers, mapped in the 4-KiB PCIe configuration space along with the PCIe-standard registers already described. Unlike the standard registers, port logic (PL) registers are not affected by the device type (Type-0/EP vs. Type-1/RC).

NOTE: Besides at the (DIF CS space) physical addresses listed in below tables, the PCIe PL configuration registers are also locally accessible (aliased) at the (DIF CS2 space) base address 0x5100_1700 (PCIe_SS1) and 0x5180_1700 (PCIe_SS2), without any difference in PL registers behaviour between CS and CS2 spaces. There is also no difference in PL registers behaviour between PCIe wire remote accesses and local (DIF CS,CS2) accesses.

24.9.7.5.1 PCIe_SS_PL_CONF Register Summary

Table 24-876. PCIe_SS1_PL_CONF Registers Mapping Summary

Register Name	Type	Register Width (Bits)	Address Offset	PCIe_SS1_PL_CONF Physical Address
PCIECTRL_PL_LAT_REL_TIM	RW	32	0x0000 0000	0x5100 0700
PCIECTRL_PL_VENDOR_SPECIFIC_DLLP	RW	32	0x0000 0004	0x5100 0704
PCIECTRL_PL_PT_LNK_R	RW	32	0x0000 0008	0x5100 0708
PCIECTRL_PL_ACK_FREQ_ASPM	RW	32	0x0000 000C	0x5100 070C
PCIECTRL_PL_PT_LNK_CTRL_R	RW	32	0x0000 0010	0x5100 0710
PCIECTRL_PL_LN_SKW_R	RW	32	0x0000 0014	0x5100 0714
PCIECTRL_PL_SYMB_N_R	RW	32	0x0000 0018	0x5100 0718
PCIECTRL_PL_SYMB_T_R	RW	32	0x0000 001C	0x5100 071C
PCIECTRL_PL_FL_MSK_R2	RW	32	0x0000 0020	0x5100 0720
PCIECTRL_PL_OBNP_SUBREQ_CTRL	RW	32	0x0000 0024	0x5100 0724
RESERVED	R	32	0x0000 0028	0x5100 0728
RESERVED	R	32	0x0000 002C	0x5100 072C
PCIECTRL_PL_TR_P_STS_R	R	32	0x0000 0030	0x5100 0730
PCIECTRL_PL_TR_NP_STS_R	R	32	0x0000 0034	0x5100 0734
PCIECTRL_PL_TR_C_STS_R	R	32	0x0000 0038	0x5100 0738
PCIECTRL_PL_Q_STS_R	RW	32	0x0000 003C	0x5100 073C
PCIECTRL_PL_VC_TR_A_R1	R	32	0x0000 0040	0x5100 0740
PCIECTRL_PL_VC_TR_A_R2	R	32	0x0000 0044	0x5100 0744
PCIECTRL_PL_VC0_PR_Q_C	RW	32	0x0000 0048	0x5100 0748
PCIECTRL_PL_VC0_NPR_Q_C	RW	32	0x0000 004C	0x5100 074C
PCIECTRL_PL_VC0_CR_Q_C	RW	32	0x0000 0050	0x5100 0750
PCIECTRL_PL_WIDTH_SPEED_CTL	RW	32	0x0000 010C	0x5100 080C
PCIECTRL_PL_PHY_STS_R	R	32	0x0000 0110	0x5100 0810
PCIECTRL_PL_PHY_CTRL_R	RW	32	0x0000 0114	0x5100 0814
PCIECTRL_PL_MSI_CTRL_ADDRESS	RW	32	0x0000 0120	0x5100 0820
PCIECTRL_PL_MSI_CTRL_UPPER_ADDRESS	RW	32	0x0000 0124	0x5100 0824
PCIECTRL_PL_MSI_CTRL_INT_ENABLE_N ⁽¹⁾	RW	32	0x0000 0128 + (0xc*N)	0x5100 0828 + (0xc*N)
PCIECTRL_PL_MSI_CTRL_INT_MASK_N ⁽¹⁾	RW	32	0x0000 012C + (0xc*N)	0x5100 082C + (0xc*N)

⁽¹⁾ N=0 to 7

Table 24-876. PCIe_SS1_PL_CONF Registers Mapping Summary (continued)

Register Name	Type	Register Width (Bits)	Address Offset	PCIe_SS1_PL_CONF Physical Address
PCIECTRL_PL_MSI_CTRL_INT_STATUS_N ⁽¹⁾	RW	32	0x0000 0130 + (0xc*N)	0x5100 0830 + (0xc*N)
PCIECTRL_PL_MSI_CTRL_GPIO	RW	32	0x0000 0188	0x5100 0888
PCIECTRL_PL_PIPE_LOOPBACK	RW	32	0x0000 01B8	0x5100 08B8
PCIECTRL_PL_DBI_RO_WR_EN	RW	32	0x0000 01BC	0x5100 08BC
PCIECTRL_PL_AXIS_SLV_ERR_RESP	RW	32	0x0000 01D0	0x5100 08D0
PCIECTRL_PL_AXIS_SLV_TIMEOUT	RW	32	0x0000 01D4	0x5100 08D4
PCIECTRL_PL_IATU_INDEX	RW	32	0x0000 0200	0x5100 0900
PCIECTRL_PL_IATU_REG_CTRL_1	RW	32	0x0000 0204	0x5100 0904
PCIECTRL_PL_IATU_REG_CTRL_2	RW	32	0x0000 0208	0x5100 0908
PCIECTRL_PL_IATU_REG_LOWER_BASE	RW	32	0x0000 020C	0x5100 090C
PCIECTRL_PL_IATU_REG_UPPER_BASE	RW	32	0x0000 0210	0x5100 0910
PCIECTRL_PL_IATU_REG_LIMIT	RW	32	0x0000 0214	0x5100 0914
PCIECTRL_PL_IATU_REG_LOWER_TARGET	RW	32	0x0000 0218	0x5100 0918
PCIECTRL_PL_IATU_REG_UPPER_TARGET	RW	32	0x0000 021C	0x5100 091C
PCIECTRL_PL_IATU_REG_CTRL_3	R	32	0x0000 0220	0x5100 0920

Table 24-877. PCIe_SS2_PL_CONF Registers Mapping Summary

Register Name	Type	Register Width (Bits)	Address Offset	PCIe_SS2_PL_CONF Physical Address
PCIECTRL_PL_LAT_REL_TIM	RW	32	0x0000 0000	0x5180 0700
PCIECTRL_PL_VENDOR_SPECIFIC_DLLP	RW	32	0x0000 0004	0x5180 0704
PCIECTRL_PL_PT_LNK_R	RW	32	0x0000 0008	0x5180 0708
PCIECTRL_PL_ACK_FREQ_ASPM	RW	32	0x0000 000C	0x5180 070C
PCIECTRL_PL_PT_LNK_CTRL_R	RW	32	0x0000 0010	0x5180 0710
PCIECTRL_PL_LN_SKW_R	RW	32	0x0000 0014	0x5180 0714
PCIECTRL_PL_SYMB_N_R	RW	32	0x0000 0018	0x5180 0718
PCIECTRL_PL_SYMB_T_R	RW	32	0x0000 001C	0x5180 071C
PCIECTRL_PL_FL_MSK_R2	RW	32	0x0000 0020	0x5180 0720
PCIECTRL_PL_OBNP_SUBREQ_CTRL	RW	32	0x0000 0024	0x5180 0724
RESERVED	R	32	0x0000 0028	0x5180 0728
RESERVED	R	32	0x0000 002C	0x5180 072C
PCIECTRL_PL_TR_P_STS_R	R	32	0x0000 0030	0x5180 0730
PCIECTRL_PL_TR_NP_STS_R	R	32	0x0000 0034	0x5180 0734
PCIECTRL_PL_TR_C_STS_R	R	32	0x0000 0038	0x5180 0738
PCIECTRL_PL_Q_STS_R	RW	32	0x0000 003C	0x5180 073C
PCIECTRL_PL_VC_TR_A_R1	R	32	0x0000 0040	0x5180 0740
PCIECTRL_PL_VC_TR_A_R2	R	32	0x0000 0044	0x5180 0744
PCIECTRL_PL_VC0_PR_Q_C	RW	32	0x0000 0048	0x5180 0748
PCIECTRL_PL_VC0_NPR_Q_C	RW	32	0x0000 004C	0x5180 074C
PCIECTRL_PL_VC0_CR_Q_C	RW	32	0x0000 0050	0x5180 0750
PCIECTRL_PL_WIDTH_SPEED_CTL	RW	32	0x0000 010C	0x5180 080C
PCIECTRL_PL_PHY_STS_R	R	32	0x0000 0110	0x5180 0810
PCIECTRL_PL_PHY_CTRL_R	RW	32	0x0000 0114	0x5180 0814
PCIECTRL_PL_MSI_CTRL_ADDRESS	RW	32	0x0000 0120	0x5180 0820

Table 24-877. PCIe_SS2_PL_CONF Registers Mapping Summary (continued)

Register Name	Type	Register Width (Bits)	Address Offset	PCIe_SS2_PL_CONF Physical Address
PCIECTRL_PL_MSI_CTRL_UPPER_ADDRESS	RW	32	0x0000 0124	0x5180 0824
PCIECTRL_PL_MSI_CTRL_INT_ENABLE_N ⁽¹⁾	RW	32	0x0000 0128 + (0xc*N)	0x5180 0828 + (0xc*N)
PCIECTRL_PL_MSI_CTRL_INT_MASK_N ⁽¹⁾	RW	32	0x0000 012C + (0xc*N)	0x5180 082C + (0xc*N)
PCIECTRL_PL_MSI_CTRL_INT_STATUS_N ⁽¹⁾	RW	32	0x0000 0130 + (0xc*N)	0x5180 0830 + (0xc*N)
PCIECTRL_PL_MSI_CTRL_GPIO	RW	32	0x0000 0188	0x5180 0888
PCIECTRL_PL_PIPE_LOOPBACK	RW	32	0x0000 01B8	0x5180 08B8
PCIECTRL_PL_DBI_RO_WR_EN	RW	32	0x0000 01BC	0x5180 08BC
PCIECTRL_PL_AXIS_SLV_ERR_RESP	RW	32	0x0000 01D0	0x5180 08D0
PCIECTRL_PL_AXIS_SLV_TIMEOUT	RW	32	0x0000 01D4	0x5180 08D4
PCIECTRL_PL_IATU_INDEX	RW	32	0x0000 0200	0x5180 0900
PCIECTRL_PL_IATU_REG_CTRL_1	RW	32	0x0000 0204	0x5180 0904
PCIECTRL_PL_IATU_REG_CTRL_2	RW	32	0x0000 0208	0x5180 0908
PCIECTRL_PL_IATU_REG_LOWER_BASE	RW	32	0x0000 020C	0x5180 090C
PCIECTRL_PL_IATU_REG_UPPER_BASE	RW	32	0x0000 0210	0x5180 0910
PCIECTRL_PL_IATU_REG_LIMIT	RW	32	0x0000 0214	0x5180 0914
PCIECTRL_PL_IATU_REG_LOWER_TARGET	RW	32	0x0000 0218	0x5180 0918
PCIECTRL_PL_IATU_REG_UPPER_TARGET	RW	32	0x0000 021C	0x5180 091C
PCIECTRL_PL_IATU_REG_CTRL_3	R	32	0x0000 0220	0x5180 0920

⁽¹⁾ N=0 to 7

24.9.7.5.2 PCIe_SS_PL_CONF Register Description

Table 24-878. PCIECTRL_PL_LAT_REL_TIM

Address Offset	0x0000 0000	Instance	PCIe_SS1_PL_CONF PCIe_SS2_PL_CONF
Physical Address	0x5100 0700 0x5180 0700		
Description	Ack Latency and Replay Timer Register		
Type	RW		

31	30	29	28	27	26	25	24	23	22	21	20	19	18	17	16	15	14	13	12	11	10	9	8	7	6	5	4	3	2	1	0
REPLAY_TIME_LIMIT																ACK_LATENCY_TIME_LIMIT															

Bits	Field Name	Description	Type	Reset
31:16	REPLAY_TIME_LIMIT	The replay timer expires when it reaches this limit; The core initiates a replay upon reception of a Nak or when the replay timer expires; The default value depends on number of bytes (NB) per cycle, which is defined by the maximum core base frequency of the device PCIe core, corresponding to 250 MHz for PCIe-Gen2 (5 Gbps) operation. The default is then updated based on the Negotiated Link Width and Max_Payload_Size; Note: If operating at 5 Gb/s, then the rounded-up value of an additional (153/CX_NB) cycles is added, where CX_NB correspond to the number of PCIePCS 8-bit input symbols per single 16-bit lane, that is, CX_NB=2. This means at 5Gbps, 77 extra cycles should be considered for the replay time limit. This is for additional internal processing for received TLPs and transmitted DLLPs.	RW	0xc0
15:0	ACK_LATENCY_TIME_LIMIT	The Ack/Nak latency timer expires when it reaches this limit; The default value depends on number of bytes (NB) per cycle, which is defined by the maximum core base frequency of the device PCIe core, corresponding to 250 MHz for PCIe-Gen2 (5 Gbps) operation. The default is then updated based on the Negotiated Link Width and Max_Payload_Size. Note: If operating at 5 Gb/s, then the rounded-up value of an additional (51 /CX_NB) cycles is added, where CX_NB correspond to the number of PCIePCS 8-bit input symbols per single 16-bit lane, that is, CX_NB=2. This means at 5Gbps, 26 extra cycles should be considered for the acknowledge latency time limit. This is for additional internal processing for received TLPs and transmitted DLLPs.	RW	0x40

Table 24-879. Register Call Summary for Register PCIECTRL_PL_LAT_REL_TIM

PCIe Controller

- [PCIe_SS_PL_CONF Register Summary: \[0\]\[1\]](#)

Table 24-880. PCIECTRL_PL_VENDOR_SPECIFIC_DLLP

Address Offset	0x0000 0004	Instance	PCIe_SS1_PL_CONF PCIe_SS2_PL_CONF
Physical Address	0x5100 0704 0x5180 0704		
Description	Vendor Specific DLLP Register		
Type	RW		

31	30	29	28	27	26	25	24	23	22	21	20	19	18	17	16	15	14	13	12	11	10	9	8	7	6	5	4	3	2	1	0
VEN_DLLP_REG																															

Bits	Field Name	Description	Type	Reset
31:0	VEN_DLLP_REG	To send custom DLLP, write 8-bit DLLP Type and 24-bits of Payload data, then set PT_LNK_CTRL_R[0]	RW	0xFFFFFFFF

Table 24-881. Register Call Summary for Register PCIECTRL_PL_VENDOR_SPECIFIC_DLLP

PCIe Controller

- [PCIe_SS_PL_CONF Register Summary: \[0\]\[1\]](#)

Table 24-882. PCIECTRL_PL_PT_LNK_R

Address Offset	0x0000 0008	Instance	PCIe_SS1_PL_CONF PCIe_SS2_PL_CONF
Physical Address	0x5100 0708 0x5180 0708		
Description	Port Force Link Register		
Type	RW		

31	30	29	28	27	26	25	24	23	22	21	20	19	18	17	16	15	14	13	12	11	10	9	8	7	6	5	4	3	2	1	0
LOW_POWER_ENTR_CNT								RESERVED	FORCED_LINK_COMMAND						FORCE_LINK	RESERVED	FORCED_LTSSM_STATE				LINK_NUM										

Bits	Field Name	Description	Type	Reset
31:24	LOW_POWER_ENTR_CNT	The Power Management state will wait for this many clock cycles for the associated completion of a CfgWr to D-state register to go low-power; This register is intended for applications that do not let the core handle a completion for configuration request to the PMCSCR register; Note: Only used in the DM core (in EP mode), EP core, and the Upstream Port of a Switch	RW	0x7
23:22	RESERVED		R	0x0
21:16	FORCED_LINK_COMMAND	Link command transmitted by setting Force_Link (bit 15);	RW	0x0
15	FORCE_LINK	Forces the LTSSM state and the Link command specified in this register; Self-clearing 0x1: FORCE	RW	0x0
14:12	RESERVED		R	0x0
11:8	FORCED_LTSSM_STATE	LTSSM state forced by setting Force_Link (bit 15)	RW	0x0
7:0	LINK_NUM	Link Number; Not used for Endpoint	RW	0x4

Table 24-883. Register Call Summary for Register PCIECTRL_PL_PT_LNK_R

PCIe Controller

- [PCIe_SS_PL_CONF Register Summary: \[0\]\[1\]](#)

Table 24-884. PCIECTRL_PL_ACK_FREQ_ASPM

Address Offset	0x0000 000C	Instance	PCIe_SS1_PL_CONF PCIe_SS2_PL_CONF
Physical Address	0x5100 070C 0x5180 070C		
Description	Ack Frequency and L0-L1 ASPM Control Register (Sticky)		
Type	RW		

31	30	29	28	27	26	25	24	23	22	21	20	19	18	17	16	15	14	13	12	11	10	9	8	7	6	5	4	3	2	1	0
RESERVED		L1_ENTR_WO_L0S		L1_ENTR_LAT		L0S_ENTR_LAT		COMMOM_CLK_N_FTS								N_FTS								ACK_FREQ							

Bits	Field Name	Description	Type	Reset
31	RESERVED	Reserved	R	0x0
30	L1_ENTR_WO_L0S	Enter ASPM L1 without receive in L0s; Allow core to enter ASPM L1 even when link partner did not go to L0s (receive is not in L0s); When not set, core goes to ASPM L1 only after idle period during which both receive and transmit are in L0s	RW	0x0
29:27	L1_ENTR_LAT	L1 Entrance Latency 0x0: 1 uS 0x1: 2 uS 0x2: 4 uS 0x3: 8 uS 0x4: 16 uS 0x5: 32 uS 0x6: 64 uS 0x7: 64 uS (alternate encoding)	RW	0x3
26:24	L0S_ENTR_LAT	L0s Entrance Latency; Values correspond to: 0b000: 1 us 0b001: 2 us 0b010: 3 us 0b011: 4 us 0b100: 5 us 0b101: 6 us 0b110: 7 us 0b111: 7 us (alternate encoding)	RW	0x3
23:16	COMMOM_CLK_N_FTS	Alternative N_FTS value, for common clock mode	RW	0xf
15:8	N_FTS	Number of Fast Training Sequence (FTS) ordered sets to be transmitted when exiting L0s to L0; The maximum that can be requested is 255; Value 0 is not supported, and may cause LTSSM to go into Recovery upon L0s exit	RW	0xf
7:0	ACK_FREQ	Ack Frequency; Number of pending ACKs accumulated before sending an ACK DLLP	RW	0x0

Table 24-885. Register Call Summary for Register PCIECTRL_PL_ACK_FREQ_ASPM

PCIe Controller

- [PCIe_SS_PL_CONF Register Summary: \[0\]\[1\]](#)

Table 24-886. PCIECTRL_PL_PT_LNK_CTRL_R

Address Offset	0x0000 0010	Instance	PCIe_SS1_PL_CONF PCIe_SS2_PL_CONF
Physical Address	0x5100 0710 0x5180 0710		
Description	Port Link Control Register (Sticky)		
Type	RW		

31	30	29	28	27	26	25	24	23	22	21	20	19	18	17	16	15	14	13	12	11	10	9	8	7	6	5	4	3	2	1	0
RESERVED								CROSSLINK_ACT	CROSSLINK_EN	LINK_MODE						RESERVED								FAST_LINK	RESERVED	DL_EN	RESERVED	RESET_ASSERT	LB_EN	SCRAMBLE_DIS	VEN_DLLP_REQ

Bits	Field Name	Description	Type	Reset
31:24	RESERVED	Reserved	R	0x0
23	CROSSLINK_ACT	Crosslink Active	R	0x0
22	CROSSLINK_EN	Crosslink Enable	RW	0x0
21:16	LINK_MODE	Link Mode Enable; Write 1 to bit N to enable (2**N)-lane mode 0x01: _1x 0x03: _2x 0x07: _4x	RW	0x3
15:8	RESERVED		R	0x1
7	FAST_LINK	Fast Link Mode	RW	0x0
6	RESERVED		R	0x0
5	DL_EN	DLL Link Enable	RW	0x1
4	RESERVED		R	0x0
3	RESET_ASSERT	Reset Assert	RW	0x0
2	LB_EN	Loopback Enable	RW	0x0
1	SCRAMBLE_DIS	Scramble Disable	RW	0x0
0	VEN_DLLP_REQ	Vendor Specific DLLP transmit Request	RW	0x0

Table 24-887. Register Call Summary for Register PCIECTRL_PL_PT_LNK_CTRL_R

PCIe Controller

- [PCIe_SS_PL_CONF Register Summary: \[0\]\[1\]](#)

Table 24-888. PCIECTRL_PL_LN_SKW_R

Address Offset	0x0000 0014	Instance	PCIe_SS1_PL_CONF PCIe_SS2_PL_CONF
Physical Address	0x5100 0714 0x5180 0714		
Description	Lane Skew Register (Sticky)		
Type	RW		

31	30	29	28	27	26	25	24	23	22	21	20	19	18	17	16	15	14	13	12	11	10	9	8	7	6	5	4	3	2	1	0
DIS_L2L_SKEW	RESERVED						ACKNAK_DIS	FC_DIS	LANE_SKEW																						

Bits	Field Name	Description	Type	Reset
31	DIS_L2L_SKEW	Disable Lane-to-Lane Deskew	RW	0x0
30:26	RESERVED	Reserved	R	0x0
25	ACKNAK_DIS	Ack/Nak Disable	RW	0x0
24	FC_DIS	Flow Control Disable	RW	0x0
23:0	LANE_SKEW	Insert Lane Skew for Transmit	RW	0x0

Table 24-889. Register Call Summary for Register PCIECTRL_PL_LN_SKW_R

PCIe Controller

- [PCIe_SS_PL_CONF Register Summary: \[0\]\[1\]](#)

Table 24-890. PCIECTRL_PL_SYMB_N_R

Address Offset	0x0000 0018	Instance	PCIe_SS1_PL_CONF PCIe_SS2_PL_CONF
Physical Address	0x5100 0718 0x5180 0718		
Description	Timer Control and Symbol Number Register (Sticky)		
Type	RW		

31	30	29	28	27	26	25	24	23	22	21	20	19	18	17	16	15	14	13	12	11	10	9	8	7	6	5	4	3	2	1	0
RESERVED								ACK_LATENCY_INC				REPLAY_ADJ				RESERVED				MAX_FUNC											

Bits	Field Name	Description	Type	Reset
31:24	RESERVED		R	0x0
23:19	ACK_LATENCY_INC	Timer Modifier for Ack/Nak Latency Timer	RW	0x0
18:14	REPLAY_ADJ	Timer Modifier for Replay Timer	RW	0x1
13:8	RESERVED		R	0x0
7:0	MAX_FUNC	Configuration Requests targeted at function numbers above this value will be returned with UR (unsupported request).	RW	0x0

Table 24-891. Register Call Summary for Register PCIECTRL_PL_SYMB_N_R

PCIe Controller

- [PCIe_SS_PL_CONF Register Summary: \[0\]\[1\]](#)

Table 24-892. PCIECTRL_PL_SYMB_T_R

Address Offset	0x0000 001C	Instance	PCIe_SS1_PL_CONF PCIe_SS2_PL_CONF
Physical Address	0x5100 071C 0x5180 071C		
Description	Symbol Timer Register and Filter Mask Register 1 (Sticky)		
Type	RW		

31	30	29	28	27	26	25	24	23	22	21	20	19	18	17	16	15	14	13	12	11	10	9	8	7	6	5	4	3	2	1	0
FLT_MSK_1																DIS_FC_TIM	RESERVED				SKP_INT										

Bits	Field Name	Description	Type	Reset
31:16	FLT_MSK_1	Mask RADM Filtering and Error Handling Rules: Mask 1	RW	0x0
15	DIS_FC_TIM	Disable FC Watchdog Timer	RW	0x0
14:11	RESERVED	Reserved	R	0x0
10:0	SKP_INT	SKP Interval Value minus one, PIPE clock cycles. (1 PIPE cycle = 2 symbols in 16-bit-per-lane PIPE)	RW	0x280

Table 24-893. Register Call Summary for Register PCIECTRL_PL_SYMB_T_R

PCIe Controller

- [PCIe_SS_PL_CONF Register Summary: \[0\]\[1\]](#)

Table 24-894. PCIECTRL_PL_FL_MSK_R2

Address Offset	0x0000 0020	Instance	PCIe_SS1_PL_CONF PCIe_SS2_PL_CONF
Physical Address	0x5100 0720 0x5180 0720		
Description	Filter Mask Register 2 (Sticky)		
Type	RW		

31	30	29	28	27	26	25	24	23	22	21	20	19	18	17	16	15	14	13	12	11	10	9	8	7	6	5	4	3	2	1	0
FLT_MSK_2																															

Bits	Field Name	Description	Type	Reset
31:0	FLT_MSK_2	Mask RADM Filtering and Error Handling Rules: Mask 2	RW	0x0

Table 24-895. Register Call Summary for Register PCIECTRL_PL_FL_MSK_R2

PCIe Controller

- [PCIe_SS_PL_CONF Register Summary: \[0\]\[1\]](#)

Table 24-896. PCIECTRL_PL_OBNP_SUBREQ_CTRL

Address Offset	0x0000 0024	Instance	PCIe_SS1_PL_CONF PCIe_SS2_PL_CONF
Physical Address	0x5100 0724 0x5180 0724		
Description	AXI Multiple Outbound Decomposed NP SubRequests Control Register (Sticky)		
Type	RW		

31	30	29	28	27	26	25	24	23	22	21	20	19	18	17	16	15	14	13	12	11	10	9	8	7	6	5	4	3	2	1	0
RESERVED																															
																															EN_OBNP_SUBREQ

Bits	Field Name	Description	Type	Reset
31:1	RESERVED	Reserved	R	0x0
0	EN_OBNP_SUBREQ	Enable AXI Multiple Outbound Decomposed NP Sub-Requests.	RW	0x1

Table 24-897. Register Call Summary for Register PCIECTRL_PL_OBNP_SUBREQ_CTRL

PCIe Controller

- [PCIe_SS_PL_CONF Register Summary: \[0\]\[1\]](#)

Table 24-898. PCIECTRL_PL_TR_P_STS_R

Address Offset	0x0000 0030	Instance	PCIe_SS1_PL_CONF PCIe_SS2_PL_CONF
Physical Address	0x5100 0730 0x5180 0730		
Description	Transmit Posted FC Credit Status Register (Sticky)		
Type	R		

31	30	29	28	27	26	25	24	23	22	21	20	19	18	17	16	15	14	13	12	11	10	9	8	7	6	5	4	3	2	1	0
RESERVED								PH_CRDT								PD_CRDT															

Bits	Field Name	Description	Type	Reset
31:20	RESERVED	Reserved	R	0x0
19:12	PH_CRDT	Transmit Posted Header FC Credits	R	0x0
11:0	PD_CRDT	Transmit Posted Data FC Credits	R	0x0

Table 24-899. Register Call Summary for Register PCIECTRL_PL_TR_P_STS_R

PCIe Controller

- [PCIe_SS_PL_CONF Register Summary: \[0\]\[1\]](#)

Table 24-900. PCIECTRL_PL_TR_NP_STS_R

Address Offset	0x0000 0034	Instance	PCIe_SS1_PL_CONF PCIe_SS2_PL_CONF
Physical Address	0x5100 0734 0x5180 0734		
Description	Transmit Non-Posted FC Credit Status Register (Sticky)		
Type	R		

31	30	29	28	27	26	25	24	23	22	21	20	19	18	17	16	15	14	13	12	11	10	9	8	7	6	5	4	3	2	1	0
RESERVED								NPH_CRDT								NPD_CRDT															

Bits	Field Name	Description	Type	Reset
31:20	RESERVED	Reserved	R	0x0
19:12	NPH_CRDT	Transmit Non-Posted Header FC Credits	R	0x0
11:0	NPD_CRDT	Transmit Non-Posted Data FC Credits	R	0x0

Table 24-901. Register Call Summary for Register PCIECTRL_PL_TR_NP_STS_R

PCIe Controller

- [PCIe_SS_PL_CONF Register Summary: \[0\]\[1\]](#)

Table 24-902. PCIECTRL_PL_TR_C_STS_R

Address Offset	0x0000 0038	Instance	PCIe_SS1_PL_CONF PCIe_SS2_PL_CONF
Physical Address	0x5100 0738 0x5180 0738		
Description	Transmit Completion FC Credit Status Register (Sticky)		

Table 24-902. PCIECTRL_PL_TR_C_STS_R (continued)

Type		R																													
31	30	29	28	27	26	25	24	23	22	21	20	19	18	17	16	15	14	13	12	11	10	9	8	7	6	5	4	3	2	1	0
RESERVED								CPLH_CRDT								CPLD_CRDT															
Bits	Field Name	Description															Type	Reset													
31:20	RESERVED	Reserved															R	0x0													
19:12	CPLH_CRDT	Transmit Completion Header FC Credits															R	0x0													
11:0	CPLD_CRDT	Transmit Completion Data FC Credits															R	0x0													

Table 24-903. Register Call Summary for Register PCIECTRL_PL_TR_C_STS_R

PCIe Controller

- [PCIe_SS_PL_CONF Register Summary: \[0\]\[1\]](#)

Table 24-904. PCIECTRL_PL_Q_STS_R

Address Offset	0x0000 003C		
Physical Address	0x5100 073C	Instance	PCIe_SS1_PL_CONF
	0x5180 073C		PCIe_SS2_PL_CONF
Description	Queue Status Register (Sticky)		
Type	RW		

31	30	29	28	27	26	25	24	23	22	21	20	19	18	17	16	15	14	13	12	11	10	9	8	7	6	5	4	3	2	1	0
FC_LATENCY_OVR_EN	RESERVED	FC_LATENCY_OVR														RESERVED											R	R	R		
																											RCVQ_not_EMPTY	RTYB_not_EMPTY	CRDT_not_RTRN		

Bits	Field Name	Description	Type	Reset
31	FC_LATENCY_OVR_EN	FC Latency Timer Override Enable	RW	0x0
30:29	RESERVED		R	0x0
28:16	FC_LATENCY_OVR	FC Latency Timer Override Value	RW	0x0
15:3	RESERVED		R	0x0
2	RCVQ_not_EMPTY	Received Queue Not Empty	R	0x0
1	RTYB_not_EMPTY	Transmit Retry Buffer Not Empty	R	0x0
0	CRDT_not_RTRN	Received TLP FC Credits Not Returned	R	0x0

Table 24-905. Register Call Summary for Register PCIECTRL_PL_Q_STS_R

PCIe Controller

- [PCIe_SS_PL_CONF Register Summary: \[0\]\[1\]](#)

Table 24-906. PCIECTRL_PL_VC_TR_A_R1

Address Offset	0x0000 0040	Instance	PCIe_SS1_PL_CONF PCIe_SS2_PL_CONF
Physical Address	0x5100 0740 0x5180 0740		
Description	VC Transmit Arbitration Register 1 (Sticky)		
Type	R		

31	30	29	28	27	26	25	24	23	22	21	20	19	18	17	16	15	14	13	12	11	10	9	8	7	6	5	4	3	2	1	0
WRR_VC3								WRR_VC2								WRR_VC1								WRR_VC0							

Bits	Field Name	Description	Type	Reset
31:24	WRR_VC3	WRR Weight for VC3	R	0x0
23:16	WRR_VC2	WRR Weight for VC2	R	0x0
15:8	WRR_VC1	WRR Weight for VC1	R	0x0
7:0	WRR_VC0	WRR Weight for VC0	R	0xf

Table 24-907. Register Call Summary for Register PCIECTRL_PL_VC_TR_A_R1

PCIe Controller

- [PCIe_SS_PL_CONF Register Summary: \[0\]\[1\]](#)

Table 24-908. PCIECTRL_PL_VC_TR_A_R2

Address Offset	0x0000 0044	Instance	PCIe_SS1_PL_CONF PCIe_SS2_PL_CONF
Physical Address	0x5100 0744 0x5180 0744		
Description	VC Transmit Arbitration Register 2 (Sticky)		
Type	R		

31	30	29	28	27	26	25	24	23	22	21	20	19	18	17	16	15	14	13	12	11	10	9	8	7	6	5	4	3	2	1	0
WRR_VC7								WRR_VC6								WRR_VC5								WRR_VC4							

Bits	Field Name	Description	Type	Reset
31:24	WRR_VC7	WRR Weight for VC7	R	0x0
23:16	WRR_VC6	WRR Weight for VC6	R	0x0
15:8	WRR_VC5	WRR Weight for VC5	R	0x0
7:0	WRR_VC4	WRR Weight for VC4	R	0x0

Table 24-909. Register Call Summary for Register PCIECTRL_PL_VC_TR_A_R2

PCIe Controller

- [PCIe_SS_PL_CONF Register Summary: \[0\]\[1\]](#)

Table 24-910. PCIECTRL_PL_VC0_PR_Q_C

Address Offset	0x0000 0048	Instance	PCIe_SS1_PL_CONF PCIe_SS2_PL_CONF
Physical Address	0x5100 0748 0x5180 0748		
Description	VC0 Posted Receive Queue Control (Sticky)		
Type	RW		

31	30	29	28	27	26	25	24	23	22	21	20	19	18	17	16	15	14	13	12	11	10	9	8	7	6	5	4	3	2	1	0
STRICT_VC_PRIORITY		ORDERING_RULES		RESERVED					P_QMODE		RESERVED		P_HCRD					P_DCRD													

Bits	Field Name	Description	Type	Reset
31	STRICT_VC_PRIORITY	VC Ordering for Receive Queues 0x0: ROUND_ROBIN 0x1: STRICT Ordering by VC	RW	0x0
30	ORDERING_RULES	VC0 TLP Type Ordering Rules 0x0: STRICT Posted, then Completion, then Non-Posted 0x1: STANDARD As per PCIe standard	RW	0x1
29:24	RESERVED		R	0x0
23:21	P_QMODE	VC0 Poster TLP Queue Mode Read 0x1: STORE_AND_FORWARD Read 0x2: CUT_THROUGH Read 0x4: BYPASS Others: Reserved	RW	0x1
20	RESERVED		R	0x0
19:12	P_HCRD	VC0 Posted Header Credits	R	0x15
11:0	P_DCRD	VC0 Posted Data Credits	R	0x2d

Table 24-911. Register Call Summary for Register PCIECTRL_PL_VC0_PR_Q_C

PCIe Controller

- [PCIe_SS_PL_CONF Register Summary: \[0\]\[1\]](#)

Table 24-912. PCIECTRL_PL_VC0_NPR_Q_C

Address Offset	0x0000 004C	Instance	PCIe_SS1_PL_CONF PCIe_SS2_PL_CONF
Physical Address	0x5100 074C 0x5180 074C		
Description	VC0 Non-Posted Receive Queue Control (Sticky)		
Type	RW		

31	30	29	28	27	26	25	24	23	22	21	20	19	18	17	16	15	14	13	12	11	10	9	8	7	6	5	4	3	2	1	0
RESERVED								NP_QMODE		RESERVED		NP_HCRD					NP_DCRD														

Bits	Field Name	Description	Type	Reset
31:24	RESERVED		R	0x0
23:21	NP_QMODE	VC0 Non-Posted TLP Queue Mode Read 0x1: STORE_AND_FORWARD Read 0x2: CUT_THROUGH Read 0x4: BYPASS Others: Reserved	RW	0x1
20	RESERVED		R	0x0
19:12	NP_HCRD	VC0 Non-Posted Header Credits	R	0x15
11:0	NP_DCRD	VC0 Non-Posted Data Credits	R	0x5

Table 24-913. Register Call Summary for Register PCIECTRL_PL_VC0_NPR_Q_C

PCIe Controller

- [PCIe_SS_PL_CONF Register Summary: \[0\]\[1\]](#)

Table 24-914. PCIECTRL_PL_VC0_CR_Q_C

Address Offset	0x0000 0050	Instance	PCIe_SS1_PL_CONF PCIe_SS2_PL_CONF
Physical Address	0x5100 0750 0x5180 0750		
Description	VC0 Completion Receive Queue Control (Sticky)		
Type	RW		

31	30	29	28	27	26	25	24	23	22	21	20	19	18	17	16	15	14	13	12	11	10	9	8	7	6	5	4	3	2	1	0
RESERVED								CPL_QMODE	RESERVED	CPL_HCRD								CPL_DCRD													

Bits	Field Name	Description	Type	Reset
31:24	RESERVED		R	0x0
23:21	CPL_QMODE	VC0 Completion TLP Queue Mode Read 0x1: STORE_AND_FORWARD Read 0x2: CUT_THROUGH Read 0x4: BYPASS	RW	0x4
20	RESERVED		R	0x0
19:12	CPL_HCRD	VC0 Completion Header Credits	R	0x0
11:0	CPL_DCRD	VC0 Completion Data Credits	R	0x0

Table 24-915. Register Call Summary for Register PCIECTRL_PL_VC0_CR_Q_C

PCIe Controller

- [PCIe_SS_PL_CONF Register Summary: \[0\]\[1\]](#)

Table 24-916. PCIECTRL_PL_WIDTH_SPEED_CTL

Address Offset	0x0000 010C	Instance	PCIe_SS1_PL_CONF PCIe_SS2_PL_CONF
Physical Address	0x5100 080C 0x5180 080C		
Description	Link Width and Speed Change Control Register (Sticky)		
Type	RW		

31	30	29	28	27	26	25	24	23	22	21	20	19	18	17	16	15	14	13	12	11	10	9	8	7	6	5	4	3	2	1	0				
RESERVED								CFG_UP_SEL_DEEMPH			CFG_TX_COMPLIANCE_RCV			CFG_PHY_TXSWING			CFG_DIRECTED_SPEED_CHANGE			CFG_LANE_EN								CFG_Gen2_N_FTS							

Bits	Field Name	Description	Type	Reset
31:21	RESERVED		R	0x0
20	CFG_UP_SEL_DEEMPH	Used to set the de-emphasis level for Upstream Ports	RW	0x0
19	CFG_TX_COMPLIANCE_RCV	Config Tx Compliance Receive Bit	RW	0x0
18	CFG_PHY_TXSWING	Config PHY Tx Swing	RW	0x0
17	CFG_DIRECTED_SPEED_CHANGE	Directed Speed Change	RW	0x1
16:8	CFG_LANE_EN	Predetermined Number of Lanes	RW	0x2
7:0	CFG_Gen2_N_FTS	Number of Fast Training Sequences	RW	0xf

Table 24-917. Register Call Summary for Register PCIECTRL_PL_WIDTH_SPEED_CTL

PCIe Controller

- [PCIE_SS_PL_CONF Register Summary: \[0\]\[1\]](#)

Table 24-918. PCIECTRL_PL_PHY_STS_R

Address Offset	0x0000 0110	Instance	PCIE_SS1_PL_CONF PCIE_SS2_PL_CONF
Physical Address	0x5100 0810 0x5180 0810		
Description	PHY Status Register (Sticky)		
Type	R		

31	30	29	28	27	26	25	24	23	22	21	20	19	18	17	16	15	14	13	12	11	10	9	8	7	6	5	4	3	2	1	0
PHY_STS																															

Bits	Field Name	Description	Type	Reset
31:0	PHY_STS	PHY Status	R	0x0

Table 24-919. Register Call Summary for Register PCIECTRL_PL_PHY_STS_R

PCIe Controller

- [PCIE_SS_PL_CONF Register Summary: \[0\]\[1\]](#)

Table 24-920. PCIECTRL_PL_PHY_CTRL_R

Address Offset	0x0000 0114	Instance	PCIE_SS1_PL_CONF PCIE_SS2_PL_CONF
Physical Address	0x5100 0814 0x5180 0814		
Description	PHY Control Register (Sticky)		

Table 24-920. PCIECTRL_PL_PHY_CTRL_R (continued)

Type		RW																													
31	30	29	28	27	26	25	24	23	22	21	20	19	18	17	16	15	14	13	12	11	10	9	8	7	6	5	4	3	2	1	0
PHY_CTRL																															
Bits	Field Name	Description	Type	Reset																											
31:0	PHY_CTRL	PHY Control	RW	0x0																											

Table 24-921. Register Call Summary for Register PCIECTRL_PL_PHY_CTRL_R

PCIe Controller

- [PCIe_SS_PL_CONF Register Summary: \[0\]\[1\]](#)

Table 24-922. PCIECTRL_PL_MSI_CTRL_ADDRESS

Address Offset	0x0000 0120		
Physical Address	0x5100 0820 0x5180 0820	Instance	PCIe_SS1_PL_CONF PCIe_SS2_PL_CONF
Description	MSI Controller Address Register (RC-mode MSI receiver)		
Type	RW		

31	30	29	28	27	26	25	24	23	22	21	20	19	18	17	16	15	14	13	12	11	10	9	8	7	6	5	4	3	2	1	0
MSI_CTRL_ADDRESS																															
Bits	Field Name	Description	Type	Reset																											
31:0	MSI_CTRL_ADDRESS		RW	0x0																											

Table 24-923. Register Call Summary for Register PCIECTRL_PL_MSI_CTRL_ADDRESS

PCIe Controller

- [PCIe_SS_PL_CONF Register Summary: \[0\]\[1\]](#)

Table 24-924. PCIECTRL_PL_MSI_CTRL_UPPER_ADDRESS

Address Offset	0x0000 0124		
Physical Address	0x5100 0824 0x5180 0824	Instance	PCIe_SS1_PL_CONF PCIe_SS2_PL_CONF
Description	MSI Controller Upper Address Register (RC-mode MSI receiver)		
Type	RW		

31	30	29	28	27	26	25	24	23	22	21	20	19	18	17	16	15	14	13	12	11	10	9	8	7	6	5	4	3	2	1	0
MSI_CTRL_UPPER_ADDRESS																															
Bits	Field Name	Description	Type	Reset																											
31:0	MSI_CTRL_UPPER_ADDRESS		RW	0x0																											

Table 24-925. Register Call Summary for Register PCIECTRL_PL_MSI_CTRL_UPPER_ADDRESS

PCIe Controller

- [PCIe_SS_PL_CONF Register Summary: \[0\]\[1\]](#)

Table 24-926. PCIECTRL_PL_MSI_CTRL_INT_ENABLE_N

Address Offset	0x0000 0128		
Physical Address	0x5100 0828 + (0xc*N) 0x5180 0828 + (0xc*N)	Instance	PCIe_SS1_PL_CONF PCIe_SS2_PL_CONF
Description	MSI Controller Interrupt #N ⁽¹⁾ Enable Register (RC-mode MSI receiver) with N = MSI data [7:5] and ENABLE[i] = enable MSI vector #i, with i = MSI data [4:0]		
Type	RW		

⁽¹⁾ N=0 to 7

31	30	29	28	27	26	25	24	23	22	21	20	19	18	17	16	15	14	13	12	11	10	9	8	7	6	5	4	3	2	1	0
MSI_CTRL_INT_ENABLE																															

Bits	Field Name	Description	Type	Reset
31:0	MSI_CTRL_INT_ENABLE	Status of an enabled bit (vectors) is set upon incoming MSI.	RW	0x0

Table 24-927. Register Call Summary for Register PCIECTRL_PL_MSI_CTRL_INT_ENABLE_N

PCIe Controller

- [PCIe_SS_PL_CONF Register Summary: \[0\]\[1\]](#)

Table 24-928. PCIECTRL_PL_MSI_CTRL_INT_MASK_N

Address Offset	0x0000 012C		
Physical Address	0x5100 082C + (0xc*N) 0x5180 082C + (0xc*N)	Instance	PCIe_SS1_PL_CONF PCIe_SS2_PL_CONF
Description	MSI Controller Interrupt #N ⁽¹⁾ Mask Register (RC-mode MSI receiver) with N = MSI data [7:5] and MASK[i] = mask of MSI vector #i, with i = MSI data [4:0]		
Type	RW		

⁽¹⁾ N=0 to 7

31	30	29	28	27	26	25	24	23	22	21	20	19	18	17	16	15	14	13	12	11	10	9	8	7	6	5	4	3	2	1	0
MSI_CTRL_INT_MASK																															

Bits	Field Name	Description	Type	Reset
31:0	MSI_CTRL_INT_MASK	Status of a masked bit (vector) triggers no IRQ to MPU when set.	RW	0x0

Table 24-929. Register Call Summary for Register PCIECTRL_PL_MSI_CTRL_INT_MASK_N

PCIe Controller

- [PCIe_SS_PL_CONF Register Summary: \[0\]\[1\]](#)

Table 24-930. PCIECTRL_PL_MSI_CTRL_INT_STATUS_N

Address Offset	0x0000 0130		
Physical Address	0x5100 0830 + (0xc*N) 0x5180 0830 + (0xc*N)	Instance	PCIe_SS1_PL_CONF PCIe_SS2_PL_CONF
Description	MSI Controller Interrupt #N ⁽¹⁾ Status Register (RC-mode MSI receiver) with N = MSI data [7:5] and STATUS[i] = status of MSI vector #i, with i = MSI data [4:0]		
Type	RW		

⁽¹⁾ N=0 to 7

31	30	29	28	27	26	25	24	23	22	21	20	19	18	17	16	15	14	13	12	11	10	9	8	7	6	5	4	3	2	1	0
MSI_CTRL_INT_STATUS																															

Bits	Field Name	Description	Type	Reset
31:0	MSI_CTRL_INT_STATUS	Status of an enabled bit (vectors) is set upon incoming MSI.	RW	0x0

Table 24-931. Register Call Summary for Register PCIECTRL_PL_MSI_CTRL_INT_STATUS_N

PCIe Controller

- [PCIe Controller Legacy and MSI Virtual Interrupts Management: \[0\]\[1\]\[2\]\[3\]](#)
- [PCIe_SS_PL_CONF Register Summary: \[4\]\[5\]](#)

Table 24-932. PCIECTRL_PL_MSI_CTRL_GPIO

Address Offset	0x0000 0188		
Physical Address	0x5100 0888	Instance	PCIe_SS1_PL_CONF
	0x5180 0888		PCIe_SS2_PL_CONF
Description	MSI Controller General Purpose IO Register (RC-mode MSI receiver)		
Type	RW		

31	30	29	28	27	26	25	24	23	22	21	20	19	18	17	16	15	14	13	12	11	10	9	8	7	6	5	4	3	2	1	0
MSI_CTRL_GPIO																															

Bits	Field Name	Description	Type	Reset
31:0	MSI_CTRL_GPIO		RW	0x0

Table 24-933. Register Call Summary for Register PCIECTRL_PL_MSI_CTRL_GPIO

PCIe Controller

- [PCIe_SS_PL_CONF Register Summary: \[0\]\[1\]](#)

Table 24-934. PCIECTRL_PL_PIPE_LOOPBACK

Address Offset	0x0000 01B8		
Physical Address	0x5100 08B8	Instance	PCIe_SS1_PL_CONF
	0x5180 08B8		PCIe_SS2_PL_CONF
Description	PIPE loopback control register (Sticky)		
Type	RW		

31	30	29	28	27	26	25	24	23	22	21	20	19	18	17	16	15	14	13	12	11	10	9	8	7	6	5	4	3	2	1	0
LOOPBACK_EN	RESERVED																														

Bits	Field Name	Description	Type	Reset
31	LOOPBACK_EN	PIPE Loopback Enable	RW	0x0
30:0	RESERVED		R	0x0

Table 24-935. Register Call Summary for Register PCIECTRL_PL_PIPE_LOOPBACK

PCIe Controller

- [PCIe_SS_PL_CONF Register Summary: \[0\]\[1\]](#)

Table 24-936. PCIECTRL_PL_DBI_RO_WR_EN

Address Offset	0x0000 01BC	Instance	PCIe_SS1_PL_CONF PCIe_SS2_PL_CONF
Physical Address	0x5100 08BC 0x5180 08BC		
Description	DIF Read-Only register Write Enable (Sticky)		
Type	RW		

31	30	29	28	27	26	25	24	23	22	21	20	19	18	17	16	15	14	13	12	11	10	9	8	7	6	5	4	3	2	1	0
RESERVED																															CX_DBI_RO_WR_EN

Bits	Field Name	Description	Type	Reset
31:1	RESERVED		R	0x0
0	CX_DBI_RO_WR_EN	Control the writability over DIF of certain configuration fields that are RO over the PCIe wire 0x0: WRDIS, RO fields are also RO over DIF; Use for RC mode (Type-1) config to mimic PCIe wire access when using DIF 0x1: WREN, Some RO fields are writable over DIF	RW	0x1

Table 24-937. Register Call Summary for Register PCIECTRL_PL_DBI_RO_WR_EN

PCIe Controller

- [PCIe Configuration Type \(Cfg\) Traffic Management: \[0\]\[1\]](#)
- [Double Mapping of the PCIe Local Control Registers: \[2\]\[3\]\[4\]\[5\]](#)
- [Base Address Registers \(BAR\) Initialization: \[6\]](#)
- [Main Sequence of PCIe Controllers Initialization: \[7\]\[8\]](#)
- [PCIe_SS_PL_CONF Register Summary: \[9\]\[10\]](#)

Table 24-938. PCIECTRL_PL_AXIS_SLV_ERR_RESP

Address Offset	0x0000 01D0	Instance	PCIe_SS1_PL_CONF PCIe_SS2_PL_CONF
Physical Address	0x5100 08D0 0x5180 08D0		
Description	AXI Slave Error Response Register (Sticky)		
Type	RW		

31	30	29	28	27	26	25	24	23	22	21	20	19	18	17	16	15	14	13	12	11	10	9	8	7	6	5	4	3	2	1	0
RESERVED																							RESET_TIMEOUT_ERR_MAP	NO_VID_ERR_MAP	DBI_ERR_MAP	SLAVE_ERR_MAP					

Bits	Field Name	Description	Type	Reset
31:4	RESERVED		R	0x0
3	RESET_TIMEOUT_ERR_MAP	Graceful Reset and Link Timeout Slave Error Response Mapping	RW	0x0
2	NO_VID_ERR_MAP	Vendor ID Non-existent Slave Error Response Mapping	RW	0x0
1	DBI_ERR_MAP	DIF Slave Error Response Mapping	RW	0x0
0	SLAVE_ERR_MAP	Global Slave Error Response Mapping	RW	0x0

Table 24-939. Register Call Summary for Register PCIECTRL_PL_AXIS_SLV_ERR_RESP

PCIe Controller

- [PCIe_SS_PL_CONF Register Summary: \[0\]\[1\]](#)

Table 24-940. PCIECTRL_PL_AXIS_SLV_TIMEOUT

Address Offset	0x0000 01D4	Instance	PCIe_SS1_PL_CONF PCIe_SS2_PL_CONF
Physical Address	0x5100 08D4 0x5180 08D4		
Description	Link Down AXI Slave Timeout Register (Sticky)		
Type	RW		

31	30	29	28	27	26	25	24	23	22	21	20	19	18	17	16	15	14	13	12	11	10	9	8	7	6	5	4	3	2	1	0
RESERVED																							FLUSH_EN	TIMEOUT_VALUE							

Bits	Field Name	Description	Type	Reset
31:9	RESERVED		R	0x0
8	FLUSH_EN	Enable flush	RW	0x0
7:0	TIMEOUT_VALUE	Timeout Value (ms)	RW	0x32

Table 24-941. Register Call Summary for Register PCIECTRL_PL_AXIS_SLV_TIMEOUT

PCIe Controller

- [PCIe_SS_PL_CONF Register Summary: \[0\]\[1\]](#)

Table 24-942. PCIECTRL_PL_IATU_INDEX

Address Offset	0x0000 0200	Instance	PCIe_SS1_PL_CONF PCIe_SS2_PL_CONF
Physical Address	0x5100 0900 0x5180 0900		

Table 24-942. PCIECTRL_PL_IATU_INDEX (continued)

Description	iATU Viewport Register: makes the registers of the corresponding iATU region accessible.
Type	RW

31	30	29	28	27	26	25	24	23	22	21	20	19	18	17	16	15	14	13	12	11	10	9	8	7	6	5	4	3	2	1	0
REGION_DIRECTION								RESERVED																REGION_INDEX							

Bits	Field Name	Description	Type	Reset
31	REGION_DIRECTION	0x0: OUTBOUND 0x1: INBOUND	RW	0x0
30:4	RESERVED		R	0x0
3:0	REGION_INDEX	Outbound region, from 0 to 15. Inbound region, from 0 to 3.	RW	0x0

Table 24-943. Register Call Summary for Register PCIECTRL_PL_IATU_INDEX

PCIe Controller

- [PCIe_SS_PL_CONF Register Summary: \[0\]\[1\]](#)

Table 24-944. PCIECTRL_PL_IATU_REG_CTRL_1

Address Offset	0x0000 0204		
Physical Address	0x5100 0904 0x5180 0904	Instance	PCIe_SS1_PL_CONF PCIe_SS2_PL_CONF
Description	iATU Region Control 1 Register		
Type	RW		

31	30	29	28	27	26	25	24	23	22	21	20	19	18	17	16	15	14	13	12	11	10	9	8	7	6	5	4	3	2	1	0
RESERVED								FUNCTION_NUMBER				RESERVED		AT		RESERVED			ATTR		ID		TC		TYPE						

Bits	Field Name	Description	Type	Reset
31:25	RESERVED		R	0x0
24:20	FUNCTION_NUMBER	Outbound: F.N; applied to outgoing TLP (RID) with matching address Inbound: F.N.-match criteria for incoming TLP (if Function_Number_match_enable=1)	RW	0x0
19:18	RESERVED		R	0x0

Bits	Field Name	Description	Type	Reset
17:16	AT	Outbound: AT applied to outgoing TLP with matching address Inbound: AT-match criteria for matching TLP (if AT_match_enable=1)	RW	0x0
15:11	RESERVED		R	0x0
10:9	ATTR	Outbound: ATTR applied to outgoing TLP with matching address Inbound: ATTR-match criteria (if ATTR_match_enable=1)	RW	0x0
8	TD	Outbound: TD applied to outgoing TLP with matching address Inbound: TD-match criteria (if TD_match_enable=1)	RW	0x0
7:5	TC	Outbound: TC applied to outgoing TLP with matching address Inbound: TC-match criteria (if TC_match_enable=1)	RW	0x0
4:0	TYPE	Outbound: TYPE applied to outgoing TLP with matching address Inbound: TYPE-match criteria	RW	0x0

Table 24-945. Register Call Summary for Register PCIECTRL_PL_IATU_REG_CTRL_1

PCIe Controller

- [PCIe_SS_PL_CONF Register Summary: \[0\]\[1\]](#)

Table 24-946. PCIECTRL_PL_IATU_REG_CTRL_2

Address Offset	0x0000 0208	Instance	PCIe_SS1_PL_CONF PCIe_SS2_PL_CONF
Physical Address	0x5100 0908 0x5180 0908		
Description	iATU Region Control 2 Register		
Type	RW		

31	30	29	28	27	26	25	24	23	22	21	20	19	18	17	16	15	14	13	12	11	10	9	8	7	6	5	4	3	2	1	0
REGION_ENABLE	MATCH_MODE	INVERT_MODE	CFG_SHIFT_MODE	FUZZY_TYPE_MATCH_MODE	RESERVED	RESPONSE_CODE	RESERVED	MESSAGE_CODE_MATCH_ENABLE	VIRTUAL_FUNCTION_NUMBER_MATCH_ENABLE	FUNCTION_NUMBER_MATCH_ENABLE	AT_MATCH_ENABLE	RESERVED	ATTR_MATCH_ENABLE	TD_MATCH_ENABLE	TC_MATCH_ENABLE	RESERVED	BAR_NUMBER	MESSAGECODE													

Bits	Field Name	Description	Type	Reset
31	REGION_ENABLE	Enable AT for this region	RW	0x0
30	MATCH_MODE	Sets inbound TLP match mode, depending on TYPE 0x0: MEM,I/O: Address Match: as per region base & limit registers; CFG0: Routing ID Match: Completer ID (BDF) + reg address matches base & limit-defined region; MSG[D]: Address Match: as per region base & limit registers 0x1: MEM,I/O: BAR match: as defined in BAR_number field; CFG0: Accept mode: Completer ID (BDF) is ignored; MSG[D]: VendorID match: VendorID = upper_base[15:0] + VendorDefined = lower_base/limit	RW	0x0
29	INVERT_MODE	Redefine match criteria as outside the defined range (instead of inside)	RW	0x0
28	CFG_SHIFT_MODE	Enable the shifting of CFG CID (BDF), incoming and outgoing TLP; CFG get mapped to a contiguous 2**28 = 256 MByte address space Untranslated CID = CFG_DW#3[31:16] Shifted CID = CFG_DW#3[27:12]	RW	0x0
27	FUZZY_TYPE_MATCH_MODE	Outbound: DMA Bypass Mode Inbound: Relax matching on inbound TLP TYPE: CfgRd0 == CfgRd1 CfgWr0 == CfgWr1 MRd == MRdLk routing field of Msg/MsgD ignored	RW	0x0
26	RESERVED		R	0x0
25:24	RESPONSE_CODE	Override HW-generated completion status when responding inbound TLP 0x0: No override, use HW-generated CS 0x1: Unsupported Request: CS= 3'b001 0x2: Completer Abort: CS= 3'b100	RW	0x0
23:22	RESERVED		R	0x0
21	MESSAGE_CODE_MATCH_ENABLE	Enable MessageCode match criteria on inbound TLP	RW	0x0
20	VIRTUAL_FUNCTION_NUMBER_MATCH_ENABLE	VIRTUAL FUNCTIONS not IMPLEMENTED: not USED	RW	0x0
19	FUNCTION_NUMBER_MATCH_ENABLE	Outbound: Function Number Translation Bypass Inbound: Enable Function Number match criteria	RW	0x0
18	AT_MATCH_ENABLE	Enable AT match criteria on inbound TLP ATS not SUPPORTED: DO not USE	RW	0x0
17	RESERVED		R	0x0
16	ATTR_MATCH_ENABLE	Enable ATTR match criteria on inbound TLP	RW	0x0
15	TD_MATCH_ENABLE	Enable TD match criteria on inbound TLP	RW	0x0
14	TC_MATCH_ENABLE	Enable TC match criteria on inbound TLP	RW	0x0
13:11	RESERVED		R	0x0
10:8	BAR_NUMBER	BAR number for mayching with incoming MEM, I/O TLP (if Match_Mode = 1) 0x0: BAR0 0x1: BAR1 0x2: BAR2 0x3: BAR3 0x4: BAR4 0x5: BAR5 0x6: ROM	RW	0x0
7:0	MESSAGECODE	Outbound: MessageCode applied to outgoing message TLP with matching address Inbound: MessageCode-match criteria for infoming message TLP (if Message_Code_match_enable=1)	RW	0x0

Table 24-947. Register Call Summary for Register PCIECTRL_PL_IATU_REG_CTRL_2

PCIe Controller

- [PCIe_SS_PL_CONF Register Summary: \[0\]\[1\]](#)

Table 24-948. PCIECTRL_PL_IATU_REG_LOWER_BASE

Address Offset	0x0000 020C	Instance	PCIe_SS1_PL_CONF PCIe_SS2_PL_CONF
Physical Address	0x5100 090C 0x5180 090C		
Description	iATU Region Lower Base Address Register (2**12 = 4kbyte - aligned)		
Type	RW		

31	30	29	28	27	26	25	24	23	22	21	20	19	18	17	16	15	14	13	12	11	10	9	8	7	6	5	4	3	2	1	0
IATU_REG_LOWER_BASE																ZERO															

Bits	Field Name	Description	Type	Reset
31:12	IATU_REG_LOWER_BASE		RW	0x0
11:0	ZERO		R	0x0

Table 24-949. Register Call Summary for Register PCIECTRL_PL_IATU_REG_LOWER_BASE

PCIe Controller

- [PCIe_SS_PL_CONF Register Summary: \[0\]\[1\]](#)

Table 24-950. PCIECTRL_PL_IATU_REG_UPPER_BASE

Address Offset	0x0000 0210	Instance	PCIe_SS1_PL_CONF PCIe_SS2_PL_CONF
Physical Address	0x5100 0910 0x5180 0910		
Description	iATU Region Upper Base Address Register		
Type	RW		

31	30	29	28	27	26	25	24	23	22	21	20	19	18	17	16	15	14	13	12	11	10	9	8	7	6	5	4	3	2	1	0
IATU_REG_UPPER_BASE																															

Bits	Field Name	Description	Type	Reset
31:0	IATU_REG_UPPER_BASE		RW	0x0

Table 24-951. Register Call Summary for Register PCIECTRL_PL_IATU_REG_UPPER_BASE

PCIe Controller

- [PCIe_SS_PL_CONF Register Summary: \[0\]\[1\]](#)

Table 24-952. PCIECTRL_PL_IATU_REG_LIMIT

Address Offset	0x0000 0214	Instance	PCIe_SS1_PL_CONF PCIe_SS2_PL_CONF
Physical Address	0x5100 0914 0x5180 0914		
Description	iATU Region Limit Address Register		
Type	RW		

31	30	29	28	27	26	25	24	23	22	21	20	19	18	17	16	15	14	13	12	11	10	9	8	7	6	5	4	3	2	1	0
IATU_REG_LIMIT																ONES															

Bits	Field Name	Description	Type	Reset
31:12	IATU_REG_LIMIT		RW	0x0
11:0	ONES		R	0xff

Table 24-953. Register Call Summary for Register PCIECTRL_PL_IATU_REG_LIMIT

PCIe Controller

- [PCIe_SS_PL_CONF Register Summary: \[0\]\[1\]](#)

Table 24-954. PCIECTRL_PL_IATU_REG_LOWER_TARGET

Address Offset	0x0000 0218	Instance	PCIe_SS1_PL_CONF PCIe_SS2_PL_CONF
Physical Address	0x5100 0918 0x5180 0918		
Description	iATU Region Lower Target Address Register (2**12 = 4kbyte - aligned)		
Type	RW		

31	30	29	28	27	26	25	24	23	22	21	20	19	18	17	16	15	14	13	12	11	10	9	8	7	6	5	4	3	2	1	0
IATU_REG_LOWER_TARGET																ZERO															

Bits	Field Name	Description	Type	Reset
31:12	IATU_REG_LOWER_TARGET		RW	0x0
11:0	ZERO		R	0x0

Table 24-955. Register Call Summary for Register PCIECTRL_PL_IATU_REG_LOWER_TARGET

PCIe Controller

- [PCIe_SS_PL_CONF Register Summary: \[0\]\[1\]](#)

Table 24-956. PCIECTRL_PL_IATU_REG_UPPER_TARGET

Address Offset	0x0000 021C	Instance	PCIe_SS1_PL_CONF PCIe_SS2_PL_CONF
Physical Address	0x5100 091C 0x5180 091C		
Description	iATU Region Upper Target Address Register		
Type	RW		

31	30	29	28	27	26	25	24	23	22	21	20	19	18	17	16	15	14	13	12	11	10	9	8	7	6	5	4	3	2	1	0
IATU_REG_UPPER_TARGET																															

Bits	Field Name	Description	Type	Reset
31:0	IATU_REG_UPPER_TARGET		RW	0x0

Table 24-957. Register Call Summary for Register PCIECTRL_PL_IATU_REG_UPPER_TARGET

PCIe Controller

- [PCIe_SS_PL_CONF Register Summary: \[0\]\[1\]](#)

Table 24-958. PCIECTRL_PL_IATU_REG_CTRL_3

Address Offset	0x0000 0220		
Physical Address	0x5100 0920 0x5180 0920	Instance	PCIe_SS1_PL_CONF PCIe_SS2_PL_CONF
Description	iATU Region Control 3 Register; VIRTUAL FUNCTIONS not IMPLEMENTED: not USED		
Type	R		

31	30	29	28	27	26	25	24	23	22	21	20	19	18	17	16	15	14	13	12	11	10	9	8	7	6	5	4	3	2	1	0
IATU_REG_CTRL_3																															

Bits	Field Name	Description	Type	Reset
31:0	IATU_REG_CTRL_3		R	0x0

Table 24-959. Register Call Summary for Register PCIECTRL_PL_IATU_REG_CTRL_3

PCIe Controller

- [PCIe_SS_PL_CONF Register Summary: \[0\]\[1\]](#)

24.9.7.6 PCIe_SS_EP_CFG_DBICS2 Registers

NOTE: This section describes the PCIe EP mode (PCIe type-0) standard configuration registers as they are locally accessed within the DIF CS2 space. These register names are prefixed with "PCIECTRL_EP_DBICS2".

24.9.7.6.1 PCIe_SS_EP_CFG_DBICS2 Register Summary

Table 24-960. PCIe_SS1_EP_CFG_DBI_CS2 Registers Mapping Summary

Register Name	Type	Register Width (Bits)	Address Offset	PCIe_SS1_EP_CFG_DBI_CS2 Physical Address
PCIECTRL_EP_DBICS2_DEVICE_VENDORID	RW	32	0x0	0x5100 1000
PCIECTRL_EP_DBICS2_STATUS_COMMAND_REGISTER	RW	32	0x4	0x5100 1004
PCIECTRL_EP_DBICS2_CLASSCODE_REVISIONID	RW	32	0x8	0x5100 1008
PCIECTRL_EP_DBICS2_BIST_HEAD_LAT_CACH	RW	32	0xC	0x5100 100C
PCIECTRL_EP_DBICS2_BAR0_MASK	RW	32	0x10	0x5100 1010
PCIECTRL_EP_DBICS2_BAR1_MASK	RW	32	0x14	0x5100 1014
PCIECTRL_EP_DBICS2_BAR2_MASK	RW	32	0x18	0x5100 1018
PCIECTRL_EP_DBICS2_BAR3_MASK	RW	32	0x1C	0x5100 101C
PCIECTRL_EP_DBICS2_BAR4_MASK	RW	32	0x20	0x5100 1020
PCIECTRL_EP_DBICS2_BAR5_MASK	RW	32	0x24	0x5100 1024
PCIECTRL_EP_DBICS2_CARDBUS_CIS_POINTER	RW	32	0x28	0x5100 1028
PCIECTRL_EP_DBICS2_SUBID_SUBVENDORID	RW	32	0x2C	0x5100 102C
PCIECTRL_EP_DBICS2_EXPANSION_ROM_BAR	RW	32	0x30	0x5100 1030
PCIECTRL_EP_DBICS2_CAPPTR	RW	32	0x34	0x5100 1034
PCIECTRL_EP_DBICS2_INTERRUPT	RW	32	0x3C	0x5100 103C
PCIECTRL_EP_DBICS2_PM_CAP	RW	32	0x40	0x5100 1040
PCIECTRL_EP_DBICS2_PM_CSR	RW	32	0x44	0x5100 1044
PCIECTRL_EP_DBICS2_PCIE_CAP	RW	32	0x70	0x5100 1070
PCIECTRL_EP_DBICS2_DEV_CAP	RW	32	0x74	0x5100 1074
PCIECTRL_EP_DBICS2_DEV_CAS	RW	32	0x78	0x5100 1078
PCIECTRL_EP_DBICS2_LNK_CAP	RW	32	0x7C	0x5100 107C
PCIECTRL_EP_DBICS2_LNK_CAS	RW	32	0x80	0x5100 1080
PCIECTRL_EP_DBICS2_DEV_CAP_2	R	32	0x94	0x5100 1094
PCIECTRL_EP_DBICS2_DEV_CAS_2	RW	32	0x98	0x5100 1098
PCIECTRL_EP_DBICS2_LNK_CAP_2	R	32	0x9C	0x5100 109C
PCIECTRL_EP_DBICS2_LNK_CAS_2	RW	32	0xA0	0x5100 10A0

Table 24-961. PCIe_SS2_EP_CFG_DBI_CS2 Registers Mapping Summary

Register Name	Type	Register Width (Bits)	Address Offset	PCIe_SS2_EP_CFG_DBI_CS2 Physical Address
PCIECTRL_EP_DBICS2_DEVICE_VENDORID	RW	32	0x0	0x5180 1000
PCIECTRL_EP_DBICS2_STATUS_COMMAND_REGISTER	RW	32	0x4	0x5180 1004
PCIECTRL_EP_DBICS2_CLASSCODE_REVISIONID	RW	32	0x8	0x5180 1008
PCIECTRL_EP_DBICS2_BIST_HEAD_LAT_CACH	RW	32	0xC	0x5180 100C
PCIECTRL_EP_DBICS2_BAR0_MASK	RW	32	0x10	0x5180 1010
PCIECTRL_EP_DBICS2_BAR1_MASK	RW	32	0x14	0x5180 1014
PCIECTRL_EP_DBICS2_BAR2_MASK	RW	32	0x18	0x5180 1018

Table 24-961. PCIe_SS2_EP_CFG_DBI_CS2 Registers Mapping Summary (continued)

Register Name	Type	Register Width (Bits)	Address Offset	PCIe_SS2_EP_CFG_DBI_CS2 Physical Address
PCIECTRL_EP_DBICS2_BAR3_MASK	RW	32	0x1C	0x5180 101C
PCIECTRL_EP_DBICS2_BAR4_MASK	RW	32	0x20	0x5180 1020
PCIECTRL_EP_DBICS2_BAR5_MASK	RW	32	0x24	0x5180 1024
PCIECTRL_EP_DBICS2_CARDBUS_CIS_POINTER	RW	32	0x28	0x5180 1028
PCIECTRL_EP_DBICS2_SUBID_SUBVENDORID	RW	32	0x2C	0x5180 102C
PCIECTRL_EP_DBICS2_EXPANSION_ROM_BAR	RW	32	0x30	0x5180 1030
PCIECTRL_EP_DBICS2_CAPPTR	RW	32	0x34	0x5180 1034
PCIECTRL_EP_DBICS2_INTERRUPT	RW	32	0x3C	0x5180 103C
PCIECTRL_EP_DBICS2_PM_CAP	RW	32	0x40	0x5180 1040
PCIECTRL_EP_DBICS2_PM_CSR	RW	32	0x44	0x5180 1044
PCIECTRL_EP_DBICS2_PCIE_CAP	RW	32	0x70	0x5180 1070
PCIECTRL_EP_DBICS2_DEV_CAP	RW	32	0x74	0x5180 1074
PCIECTRL_EP_DBICS2_DEV_CAS	RW	32	0x78	0x5180 1078
PCIECTRL_EP_DBICS2_LNK_CAP	RW	32	0x7C	0x5180 107C
PCIECTRL_EP_DBICS2_LNK_CAS	RW	32	0x80	0x5180 1080
PCIECTRL_EP_DBICS2_DEV_CAP_2	R	32	0x94	0x5180 1094
PCIECTRL_EP_DBICS2_DEV_CAS_2	RW	32	0x98	0x5180 1098
PCIECTRL_EP_DBICS2_LNK_CAP_2	R	32	0x9C	0x5180 109C
PCIECTRL_EP_DBICS2_LNK_CAS_2	RW	32	0xA0	0x5180 10A0

24.9.7.6.2 PCIe_SS_EP_CFG_DBICS2 Register Description
Table 24-962. PCIECTRL_EP_DBICS2_DEVICE_VENDORID

Address offset	0x0		
Physical Address	0x5100 1000 0x5180 1000	Instance	PCIe_SS1_EP_CFG_DBICS2 PCIe_SS2_EP_CFG_DBICS2
Description	Device and Vendor ID		
Type	RW		

31	30	29	28	27	26	25	24	23	22	21	20	19	18	17	16	15	14	13	12	11	10	9	8	7	6	5	4	3	2	1	0
DEVICEID																VENDORID															

Bits	Field Name	Description	Type	Reset
31:16	DEVICEID	Device ID (CS)	RW	0x8888
15:0	VENDORID	Vendor ID (CS)	RW	0x104C

Table 24-963. Register Call Summary for Register PCIECTRL_EP_DBICS2_DEVICE_VENDORID

PCIe Controller

- [PCIe Standard Registers vs PCIe Subsystem Hardware Registers Mapping: \[0\]](#)
- [PCIe_SS_EP_CFG_DBICS2 Register Summary: \[1\]\[2\]](#)

Table 24-964. PCIECTRL_EP_DBICS2_STATUS_COMMAND_REGISTER

Address offset	0x4		
Physical Address	0x5100 1004 0x5180 1004	Instance	PCIe_SS1_EP_CFG_DBICS2 PCIe_SS2_EP_CFG_DBICS2
Description	Status and Command registers		
Type	RW		

31	30	29	28	27	26	25	24	23	22	21	20	19	18	17	16	15	14	13	12	11	10	9	8	7	6	5	4	3	2	1	0	
DETECT_PARERR	SIGNAL_SYSERR	RCVD_MASTERABORT	RCVD_TRGTABORT	SIGNAL_TRGTABORT	DEVSEL_TIME	MASTERDATA_PARERR	FAST_B2B	RESERVED	C66MHZ_CAP	CAP_LIST	INTX_STATUS	RESERVED					INTX_ASSER_DIS	FAST_BBEN	SERR_EN	IDSEL_CTRL	PARITYRRRESP	VGA_SNOOP	MEMWR_INVA	SPEC_CYCLE_EN	BUSMASTER_EN	MEM_SPACE_EN	IO_SPACE_EN					

Bits	Field Name	Description	Type	Reset
31	DETECT_PARERR	Detected Parity Error	RW	0x0
30	SIGNAL_SYSERR	Signaled System Error	RW	0x0
29	RCVD_MASTERABORT	Received Master Abort	RW	0x0
28	RCVD_TRGTABORT	Received Target Abort	RW	0x0
27	SIGNAL_TRGTABORT	Signaled Target Abort	RW	0x0
26:25	DEVSEL_TIME	DevSel Timing, Harsdwired to 0 for PCIeExpress	R	0x0
24	MASTERDATA_PARERR	Master Data Parity Error	RW	0x0
23	FAST_B2B	Back to Back Capable, Harsdwired to 0 for PCIeExpress	R	0x0
22	RESERVED	Reserved	R	0x0

Bits	Field Name	Description	Type	Reset
21	C66MHZ_CAP	66MHz Capable, Hardwired to 0 for PCIeExpress	R	0x0
20	CAP_LIST	Capabilities List Hardwired to 1	R	0x1
19	INTX_STATUS	INTx Status	R	0x0
18:11	RESERVED		R	0x0
10	INTX_ASSER_DIS	INTx Assertion Disable	RW	0x0
9	FAST_BBEN	Bit hardwired to 0 for PCIeExpress	R	0x0
8	SERR_EN	SERR Enable	RW	0x0
7	IDSEL_CTRL	Bit hardwired to 0 for PCIeExpress	R	0x0
6	PARITYERRRESP	Parity Error Response	RW	0x0
5	VGA_SNOOP	Not Applicable forPCI Express Bit hardwired to 0 for PCIeExpress	R	0x0
4	MEMWR_INVA	Not Applicable for PCI Express Bit hardwired to 0 for PCIeExpress	R	0x0
3	SPEC_CYCLE_EN	Not Applicable for PCI Express Bit hardwired to 0 for PCIeExpress	R	0x0
2	BUSMASTER_EN	Bus Master Enable	RW	0x0
1	MEM_SPACE_EN	Memory Space Enable	RW	0x0
0	IO_SPACE_EN	IO Space Enable	RW	0x0

**Table 24-965. Register Call Summary for Register
PCIECTRL_EP_DBICS2_STATUS_COMMAND_REGISTER**

PCIe Controller

- [PCIe Standard Registers vs PCIe Subsystem Hardware Registers Mapping: \[0\]](#)
- [PCIe_SS_EP_CFG_DBICS2 Register Summary: \[1\]\[2\]](#)

Table 24-966. PCIECTRL_EP_DBICS2_CLASSCODE_REVISIONID

Address offset	0x8	Instance	
Physical Address	0x5100 1008 0x5180 1008		PCIe_SS1_EP_CFG_DBICS2 PCIe_SS2_EP_CFG_DBICS2
Description	Class code and Revision ID		
Type	RW		

31	30	29	28	27	26	25	24	23	22	21	20	19	18	17	16	15	14	13	12	11	10	9	8	7	6	5	4	3	2	1	0
BASE_CLS_CD								SUBCLS_CD								PROG_IF_CODE								REVID							

Bits	Field Name	Description	Type	Reset
31:24	BASE_CLS_CD	Base Class Code (CS)	RW	0x0
23:16	SUBCLS_CD	Sub Class Code (CS)	RW	0x0
15:8	PROG_IF_CODE	Programming Interface Code (CS)	RW	0x0
7:0	REVID	Revision ID (CS)	RW	0x1

**Table 24-967. Register Call Summary for Register
PCIECTRL_EP_DBICS2_CLASSCODE_REVISIONID**

PCIe Controller

- [PCIe Standard Registers vs PCIe Subsystem Hardware Registers Mapping: \[0\]](#)
- [PCIe_SS_EP_CFG_DBICS2 Register Summary: \[1\]\[2\]](#)

Table 24-968. PCIECTRL_EP_DBICS2_BIST_HEAD_LAT_CACH

Address offset	0xC		
Physical Address	0x5100 100C 0x5180 100C	Instance	PCIe_SS1_EP_CFG_DBICS2 PCIe_SS2_EP_CFG_DBICS2
Description	BIST, Header Type, Latency Timer, Cache Line Size		
Type	RW		

31	30	29	28	27	26	25	24	23	22	21	20	19	18	17	16	15	14	13	12	11	10	9	8	7	6	5	4	3	2	1	0
BIST								MFD	HEAD_TYP				MSTR_LAT_TIM				CACH_LN_SIZE														

Bits	Field Name	Description	Type	Reset
31:24	BIST	BIST	R	0x0
23	MFD	MultiFunction Device	R	0x0
22:16	HEAD_TYP	Header Type 0x0 = EP header 0x1 = RC header	R	0x0
15:8	MSTR_LAT_TIM	Master Latency Timer, Not Applicable for PCIe hence hardwired to 0	R	0x0
7:0	CACH_LN_SIZE	Cache Line Size, No impact on write, write is allowed only for legacy purpose	RW	0x0

Table 24-969. Register Call Summary for Register PCIECTRL_EP_DBICS2_BIST_HEAD_LAT_CACH

PCIe Controller

- [PCIe Standard Registers vs PCIe Subsystem Hardware Registers Mapping: \[0\]](#)
- [PCIe_SS_EP_CFG_DBICS2 Register Summary: \[1\]\[2\]](#)

Table 24-970. PCIECTRL_EP_DBICS2_BAR0_MASK

Address offset	0x10		
Physical Address	0x5100 1010 0x5180 1010	Instance	PCIe_SS1_EP_CFG_DBICS2 PCIe_SS2_EP_CFG_DBICS2
Description	Base Address Register 0 Mask (CS2 mode only) Write ones to BAR[M-1:1] for a 2**M byte BAR		
Type	RW		

31	30	29	28	27	26	25	24	23	22	21	20	19	18	17	16	15	14	13	12	11	10	9	8	7	6	5	4	3	2	1	0
BAR_MASK																BAR_ENABLED															

Bits	Field Name	Description	Type	Reset
31:1	BAR_MASK	Write 1 to unmask/0 to mask the BAR address bit (CS2 only)	RW	0xFFFFF
0	BAR_ENABLED	BAR enabled (CS2 only)	RW	0x1

Table 24-971. Register Call Summary for Register PCIECTRL_EP_DBICS2_BAR0_MASK

PCIe Controller

- [PCIe Standard Registers vs PCIe Subsystem Hardware Registers Mapping: \[0\]](#)
- [PCIe_SS_EP_CFG_DBICS2 Register Summary: \[1\]\[2\]](#)

Table 24-972. PCIECTRL_EP_DBICS2_BAR1_MASK

Address offset	0x14		
Physical Address	0x5100 1014 0x5180 1014	Instance	PCIe_SS1_EP_CFG_DBICS2 PCIe_SS2_EP_CFG_DBICS2
Description	Base Address Register 1 (CS2 mode only) Write ones to BAR[M-1:1] for a 2**M byte BAR If BAR0 is in 64-bit mode, contains the upper bits of BAR0 mask.		
Type	RW		

31	30	29	28	27	26	25	24	23	22	21	20	19	18	17	16	15	14	13	12	11	10	9	8	7	6	5	4	3	2	1	0
BAR_MASK																BAR_ENABLED															

Bits	Field Name	Description	Type	Reset
31:1	BAR_MASK	Write 1 to unmask/0 to mask the BAR address bit (CS2 only)	RW	0xFFFF
0	BAR_ENABLED	BAR enabled (CS2 only)	RW	0x1

Table 24-973. Register Call Summary for Register PCIECTRL_EP_DBICS2_BAR1_MASK

PCIe Controller

- [PCIe Standard Registers vs PCIe Subsystem Hardware Registers Mapping: \[0\]](#)
- [PCIe_SS_EP_CFG_DBICS2 Register Summary: \[1\]\[2\]](#)

Table 24-974. PCIECTRL_EP_DBICS2_BAR2_MASK

Address offset	0x18		
Physical Address	0x5100 1018 0x5180 1018	Instance	PCIe_SS1_EP_CFG_DBICS2 PCIe_SS2_EP_CFG_DBICS2
Description	Base Address Register 2 Mask (CS2 mode only) Write ones to BAR[M-1:1] for a 2**M byte BAR		
Type	RW		

31	30	29	28	27	26	25	24	23	22	21	20	19	18	17	16	15	14	13	12	11	10	9	8	7	6	5	4	3	2	1	0
BAR_MASK																BAR_ENABLED															

Bits	Field Name	Description	Type	Reset
31:1	BAR_MASK	Write 1 to unmask/0 to mask the BAR address bit (CS2 only)	RW	0xFFFFF
0	BAR_ENABLED	BAR enabled (CS2 only)	RW	0x1

Table 24-975. Register Call Summary for Register PCIECTRL_EP_DBICS2_BAR2_MASK

PCIe Controller

- [PCIe Standard Registers vs PCIe Subsystem Hardware Registers Mapping: \[0\]](#)
- [PCIe_SS_EP_CFG_DBICS2 Register Summary: \[1\]\[2\]](#)

Table 24-976. PCIECTRL_EP_DBICS2_BAR3_MASK

Address offset	0x1C		
Physical Address	0x5100 101C 0x5180 101C	Instance	PCIe_SS1_EP_CFG_DBICS2 PCIe_SS2_EP_CFG_DBICS2
Description	Base Address Register 3 (CS2 mode only) Write ones to BAR[M-1:1] for a 2**M byte BAR If BAR2 is in 64-bit mode, contains the upper bits of BAR2 mask.		
Type	RW		

31	30	29	28	27	26	25	24	23	22	21	20	19	18	17	16	15	14	13	12	11	10	9	8	7	6	5	4	3	2	1	0
BAR_MASK																BAR_ENABLED															

Bits	Field Name	Description	Type	Reset
31:1	BAR_MASK	Write 1 to unmask/0 to mask the BAR address bit (CS2 only)	RW	0xFFFF
0	BAR_ENABLED	BAR enabled (CS2 only)	RW	0x1

Table 24-977. Register Call Summary for Register PCIECTRL_EP_DBICS2_BAR3_MASK

PCIe Controller

- [PCIe Standard Registers vs PCIe Subsystem Hardware Registers Mapping: \[0\]](#)
- [PCIe_SS_EP_CFG_DBICS2 Register Summary: \[1\]\[2\]](#)

Table 24-978. PCIECTRL_EP_DBICS2_BAR4_MASK

Address offset	0x20		
Physical Address	0x5100 1020 0x5180 1020	Instance	PCIe_SS1_EP_CFG_DBICS2 PCIe_SS2_EP_CFG_DBICS2
Description	Base Address Register 4 Mask (CS2 mode only) Write ones to BAR[M-1:1] for a 2**M byte BAR		
Type	RW		

31	30	29	28	27	26	25	24	23	22	21	20	19	18	17	16	15	14	13	12	11	10	9	8	7	6	5	4	3	2	1	0
BAR_MASK																BAR_ENABLED															

Bits	Field Name	Description	Type	Reset
31:1	BAR_MASK	Write 1 to unmask/0 to mask the BAR address bit (CS2 only)	RW	0xFFF
0	BAR_ENABLED	BAR enabled (CS2 only)	RW	0x1

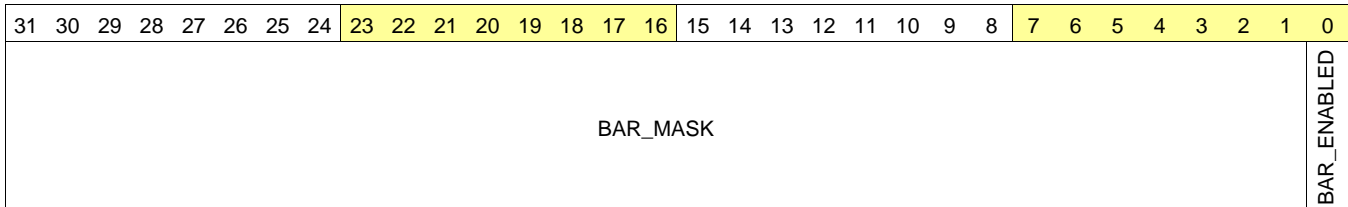
Table 24-979. Register Call Summary for Register PCIECTRL_EP_DBICS2_BAR4_MASK

PCIe Controller

- [PCIe Standard Registers vs PCIe Subsystem Hardware Registers Mapping: \[0\]](#)
- [PCIe_SS_EP_CFG_DBICS2 Register Summary: \[1\]\[2\]](#)

Table 24-980. PCIECTRL_EP_DBICS2_BAR5_MASK

Address offset	0x24		
Physical Address	0x5100 1024 0x5180 1024	Instance	PCIe_SS1_EP_CFG_DBICS2 PCIe_SS2_EP_CFG_DBICS2
Description	Base Address Register 5 (CS2 mode only) Write ones to BAR[M-1:1] for a 2**M byte BAR If BAR4 is in 64-bit mode, contains the upper bits of BAR4 mask.		
Type	RW		



Bits	Field Name	Description	Type	Reset
31:1	BAR_MASK	Write 1 to unmask/0 to mask the BAR address bit (CS2 only)	RW	0xFFFF
0	BAR_ENABLED	BAR enabled (CS2 only)	RW	0x1

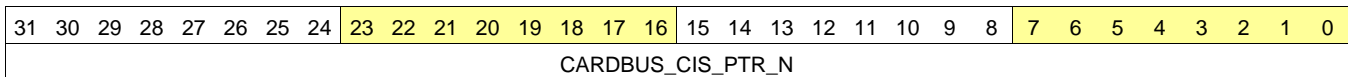
Table 24-981. Register Call Summary for Register PCIECTRL_EP_DBICS2_BAR5_MASK

PCIe Controller

- [PCIe Standard Registers vs PCIe Subsystem Hardware Registers Mapping: \[0\]](#)
- [PCIe_SS_EP_CFG_DBICS2 Register Summary: \[1\]\[2\]](#)

Table 24-982. PCIECTRL_EP_DBICS2_CARDBUS_CIS_POINTER

Address offset	0x28		
Physical Address	0x5100 1028 0x5180 1028	Instance	PCIe_SS1_EP_CFG_DBICS2 PCIe_SS2_EP_CFG_DBICS2
Description			
Type	RW		



Bits	Field Name	Description	Type	Reset
31:0	CARDBUS_CIS_PTR_N	Cardbus CIS pointer (CS)	RW	0x0

Table 24-983. Register Call Summary for Register PCIECTRL_EP_DBICS2_CARDBUS_CIS_POINTER

PCIe Controller

- [PCIe Standard Registers vs PCIe Subsystem Hardware Registers Mapping: \[0\]](#)
- [PCIe_SS_EP_CFG_DBICS2 Register Summary: \[1\]\[2\]](#)

Table 24-984. PCIECTRL_EP_DBICS2_SUBID_SUBVENDORID

Address offset	0x2C		
Physical Address	0x5100 102C 0x5180 102C	Instance	PCIe_SS1_EP_CFG_DBICS2 PCIe_SS2_EP_CFG_DBICS2
Description			
Type	RW		

31	30	29	28	27	26	25	24	23	22	21	20	19	18	17	16	15	14	13	12	11	10	9	8	7	6	5	4	3	2	1	0
SUBSYS_DEV_ID_N																SUBSYS_VENDOR_ID_N															

Bits	Field Name	Description	Type	Reset
31:16	SUBSYS_DEV_ID_N	Subsystem ID (CS)	RW	0x1
15:0	SUBSYS_VENDOR_ID_N	Subsystem Vendor ID (CS)	RW	0x0

Table 24-985. Register Call Summary for Register PCIECTRL_EP_DBICS2_SUBID_SUBVENDORID

PCIe Controller

- [PCIe Standard Registers vs PCIe Subsystem Hardware Registers Mapping: \[0\]](#)
- [PCIe_SS_EP_CFG_DBICS2 Register Summary: \[1\]\[2\]](#)

Table 24-986. PCIECTRL_EP_DBICS2_EXPANSION_ROM_BAR

Address offset	0x30		
Physical Address	0x5100 1030 0x5180 1030	Instance	PCIe_SS1_EP_CFG_DBICS2 PCIe_SS2_EP_CFG_DBICS2
Description	Expansion ROM Base Address Register		
Type	RW		

31	30	29	28	27	26	25	24	23	22	21	20	19	18	17	16	15	14	13	12	11	10	9	8	7	6	5	4	3	2	1	0
EXROM_ADDRESS																EXROM_ADDRESS_RO						RESERVED					EXROM_EN				

Bits	Field Name	Description	Type	Reset
31:16	EXROM_ADDRESS	Expansion ROM address, unmasked (ie programmable)	RW	0x0
15:11	EXROM_ADDRESS_RO	Expansion ROM address, masked.	R	0x0
10:1	RESERVED		R	0x0
0	EXROM_EN	Expansion ROM Enable	RW	0x0

Table 24-987. Register Call Summary for Register PCIECTRL_EP_DBICS2_EXPANSION_ROM_BAR

PCIe Controller

- [PCIe Standard Registers vs PCIe Subsystem Hardware Registers Mapping: \[0\]](#)
- [PCIe_SS_EP_CFG_DBICS2 Register Summary: \[1\]\[2\]](#)

Table 24-988. PCIECTRL_EP_DBICS2_CAPPTR

Address offset	0x34		
Physical Address	0x5100 1034 0x5180 1034	Instance	PCIe_SS1_EP_CFG_DBICS2 PCIe_SS2_EP_CFG_DBICS2
Description	CapPtr		
Type	RW		

31	30	29	28	27	26	25	24	23	22	21	20	19	18	17	16	15	14	13	12	11	10	9	8	7	6	5	4	3	2	1	0
RESERVED																CAPTR															

Bits	Field Name	Description	Type	Reset
31:8	RESERVED		R	0x0
7:0	CAPTR	First Capability Pointer (CS)	RW	0x40

Table 24-989. Register Call Summary for Register PCIECTRL_EP_DBICS2_CAPPTR

PCIe Controller

- [PCIe Standard Registers vs PCIe Subsystem Hardware Registers Mapping: \[0\]](#)
- [PCIe_SS_EP_CFG_DBICS2 Register Summary: \[1\]\[2\]](#)

Table 24-990. PCIECTRL_EP_DBICS2_INTERRUPT

Address offset	0x3C		
Physical Address	0x5100 103C 0x5180 103C	Instance	PCIe_SS1_EP_CFG_DBICS2 PCIe_SS2_EP_CFG_DBICS2
Description	Int Pin and line		
Type	RW		

31	30	29	28	27	26	25	24	23	22	21	20	19	18	17	16	15	14	13	12	11	10	9	8	7	6	5	4	3	2	1	0
RESERVED																INT_PIN						INT_LIN									

Bits	Field Name	Description	Type	Reset
31:16	RESERVED		R	0x0
15:8	INT_PIN	Interrupt Pin (CS)	RW	0x1
7:0	INT_LIN	Interrupt Line	RW	0xFF

Table 24-991. Register Call Summary for Register PCIECTRL_EP_DBICS2_INTERRUPT

PCIe Controller

- [PCIe Standard Registers vs PCIe Subsystem Hardware Registers Mapping: \[0\]](#)
- [PCIe_SS_EP_CFG_DBICS2 Register Summary: \[1\]\[2\]](#)

Table 24-992. PCIECTRL_EP_DBICS2_PM_CAP

Address Offset	0x40		
Physical Address	0x5100 1040 0x5180 1040	Instance	PCIe_SS1_EP_CFG_DBICS2 PCIe_SS2_EP_CFG_DBICS2
Description	Power Management Capability structure header		
Type	RW		

31	30	29	28	27	26	25	24	23	22	21	20	19	18	17	16	15	14	13	12	11	10	9	8	7	6	5	4	3	2	1	0
PME_SP				D2_SP	D1_SP	AUX_CUR		DSI	RESERVED	PME_CLK	PMC_VER			PM_NX_PTR					CAP_ID												

Bits	Field Name	Description	Type	Reset
31:27	PME_SP	PME Support (CS); Power states from which PME messages can be sent (active hi, one bit per state) Bit 0: from D0 Bit 1: from D1 Bit 2: from D2 Bit 3: from D3hot Bit 4: from D3cold (if Vaux present)	RW	0x0B
26	D2_SP	D2 Support (CS)	RW	0
25	D1_SP	D1 Support (CS)	RW	1
24:22	AUX_CUR	AUX Current (CS)	RW	0x0
21	DSI	Device Specific Initialization (CS)	RW	0
20	RESERVED		R	0
19	PME_CLK	PME Clock, hardwired to 0 (CS)	RW	0
18:16	PMC_VER	Power Management specification version (CS)	RW	0x3
15:8	PM_NX_PTR	Next Capability Pointer (CS)	RW	0x50
7:0	CAP_ID	Capability ID Read 0x1: PM	R	0x01

Table 24-993. Register Call Summary for Register PCIECTRL_EP_DBICS2_PM_CAP

PCIe Controller

- [PCIe Standard Registers vs PCIe Subsystem Hardware Registers Mapping: \[0\]](#)
- [PCIe_SS_EP_CFG_DBICS2 Register Summary: \[1\]\[2\]](#)

Table 24-994. PCIECTRL_EP_DBICS2_PM_CSR

Address Offset	0x44	Instance	PCIe_SS1_EP_CFG_DBICS2 PCIe_SS2_EP_CFG_DBICS2
Physical Address	0x5100 1044 0x5180 1044		
Description	Power Management Control and Status Register		
Type	RW		

31	30	29	28	27	26	25	24	23	22	21	20	19	18	17	16	15	14	13	12	11	10	9	8	7	6	5	4	3	2	1	0
DATA1				BP_CCE	B2B3_SP	RESERVED					PME_STATUS	DATA_SCALE	DATA_SEL			PME_EN	RESERVED			NSR	RESERVED	PWR_STATE									

Bits	Field Name	Description	Type	Reset
31:24	DATA1	Data register for additional information (not supported)	R	0x00
23	BP_CCE	Bus Power/Clock Control Enable, hardwired to 0	R	0
22	B2B3_SP	B2/B3 Support, hardwired to 0	R	0
21:16	RESERVED		R	0x00
15	PME_STATUS	PME Status (Sticky bit)	RW W1toClr	0
14:13	DATA_SCALE	Data Scale (not supported)	R	0x0

Bits	Field Name	Description	Type	Reset
12:9	DATA_SEL	Data Select (not supported)	R	0x0
8	PME_EN	PME Enable (Sticky bit) 0x0: Device not enabled to generate PME 0x1: Device enabled to generate PME; implies that Vaux is ON, ie sticky bits will be preserved over reset	RW	0
7:4	RESERVED		R	0x0
3	NSR	No Soft Reset (CS)	RW	0
2	RESERVED		R	0
1:0	PWR_STATE	Device Power State 0x0: D0 state 0x1: D1 state 0x2: D2 state 0x3: D3 state	RW	0x0

Table 24-995. Register Call Summary for Register PCIECTRL_EP_DBICS2_PM_CSR

PCIe Controller

- [PCIe Standard Registers vs PCIe Subsystem Hardware Registers Mapping: \[0\]](#)
- [PCIe_SS_EP_CFG_DBICS2 Register Summary: \[1\]\[2\]](#)

Table 24-996. PCIECTRL_EP_DBICS2_PCIE_CAP

Address offset	0x70	Instance	PCIe_SS1_EP_CFG_DBICS2 PCIe_SS2_EP_CFG_DBICS2
Physical Address	0x5100 1070 0x5180 1070		
Description	PCIe cap structure		
Type	RW		

31	30	29	28	27	26	25	24	23	22	21	20	19	18	17	16	15	14	13	12	11	10	9	8	7	6	5	4	3	2	1	0
RESERVED				IM_NUM			SLOT	DEV_TYPE		PCIE_VER		PCIE_NX_PTR						CAP_ID													

Bits	Field Name	Description	Type	Reset
31:30	RESERVED		R	0x0
29:25	IM_NUM	Interrupt Message Number (CS)	RW	0x0
24	SLOT	Slot Implemented Must be 0 for an endpoint	RW	0x0
23:20	DEV_TYPE	Device/Port Type Value depends on assigned type 0x0 = PCIe endpoint 0x1 = Legacy PCIe endpoint	R	0x0
19:16	PCIE_VER	PCI Express Capability Version	R	0x2
15:8	PCIE_NX_PTR	Next Capability Pointer (CS)	RW	0x0
7:0	CAP_ID	Capability ID	R	0x10

Table 24-997. Register Call Summary for Register PCIECTRL_EP_DBICS2_PCIE_CAP

PCIe Controller

- [PCIe Standard Registers vs PCIe Subsystem Hardware Registers Mapping: \[0\]](#)
- [PCIe_SS_EP_CFG_DBICS2 Register Summary: \[1\]\[2\]](#)

Table 24-998. PCIECTRL_EP_DBICS2_DEV_CAP

Address offset	0x74	Instance	PCIe_SS1_EP_CFG_DBICS2 PCIe_SS2_EP_CFG_DBICS2
Physical Address	0x5100 1074 0x5180 1074		
Description	PCIe Device Capabilities		
Type	RW		

31	30	29	28	27	26	25	24	23	22	21	20	19	18	17	16	15	14	13	12	11	10	9	8	7	6	5	4	3	2	1	0
RESERVED				FLR_EN	CAPT_SLOW_PWRLIMIT_SCALE				CAPT_SLOW_PWRLIMIT_VALUE				RESERVED	ROLEBASED_ERRRPT	UNDEFINED				DEFAULT_EP_L1_ACCPT_LATENCY	DEFAULT_EP_L0S_ACCPT_LATENCY	EXTTAGFIELD_SUPPORT	PHANTOMFUNC	MAX_PAYLOAD_SIZE								

Bits	Field Name	Description	Type	Reset
31:29	RESERVED		R	0x0
28	FLR_EN	Function Level Reset Capability (CS)	RW	0x0
27:26	CAPT_SLOW_PWRLIMIT_SCALE	Captured Slow Power Scale Value (CS)	RW	0x0
25:18	CAPT_SLOW_PWRLIMIT_VALUE	Captured Slow Power Limit Value (CS)	RW	0x0
17:16	RESERVED		R	0x0
15	ROLEBASED_ERRRPT	Role Based Error Reporting (CS)	RW	0x1
14:12	UNDEFINED	Undefined from PCIe 1.1 onwards (CS)	R	0x0
11:9	DEFAULT_EP_L1_ACCPT_LATENCY	Endpoint L1 Acceptable Latency (CS)	R	0x3
8:6	DEFAULT_EP_L0S_ACCPT_LATENCY	Endpoint L0s Acceptable Latency (CS)	R	0x4
5	EXTTAGFIELD_SUPPORT	Value derived from DEFAULT_EXT_TAG_FIELD_SUPPORTED	RW	0x0
4:3	PHANTOMFUNC	Phantom Function Support, not SUPPORTED (CS)	RW	0x0
2:0	MAX_PAYLOAD_SIZE	Maximum Payload Size (CS) Read 0x1 = 256 Byte	RW	0x1

Table 24-999. Register Call Summary for Register PCIECTRL_EP_DBICS2_DEV_CAP

PCIe Controller

- [PCIe Standard Registers vs PCIe Subsystem Hardware Registers Mapping: \[0\]](#)
- [PCIe_SS_EP_CFG_DBICS2 Register Summary: \[1\]\[2\]](#)

Table 24-1000. PCIECTRL_EP_DBICS2_DEV_CAS

Address offset	0x78	Instance	PCIe_SS1_EP_CFG_DBICS2 PCIe_SS2_EP_CFG_DBICS2
Physical Address	0x5100 1078 0x5180 1078		
Description	PCIe Device Control and Status		
Type	RW		

31	30	29	28	27	26	25	24	23	22	21	20	19	18	17	16	15	14	13	12	11	10	9	8	7	6	5	4	3	2	1	0
RESERVED								TRANS_PEND	AUXP_DET	UR_DET	FT_DET	NFT_DET	COR_DET	INIT_FLR	MRRS				NOSNP_EN	AUXPM_EN	PHFUN_EN	EXTAG_EN	MPS			EN_RO	UR_RE	FT_RE	NFT_RE	COR_RE	

Bits	Field Name	Description	Type	Reset
31:22	RESERVED		R	0x0
21	TRANS_PEND	Transaction Pending	R	0x0
20	AUXP_DET	Aux Power Detected	R	0x0
19	UR_DET	Unsupported Request Detected	RW	0x0
18	FT_DET	Fatal Error Detected	RW	0x0
17	NFT_DET	Non-Fatal Error Detected	RW	0x0
16	COR_DET	Correctable Error Detected	RW	0x0
15	INIT_FLR	Reserved	R	0x0
14:12	MRRS	Max_Read_Request_Size	RW	0x2
11	NOSNP_EN	Enable No Snoop	RW	0x0
10	AUXPM_EN	AUX Power PM Enable	RW	0x0
9	PHFUN_EN	Phantom Function Enable	RW	0x0
8	EXTAG_EN	Extended Tag Field Enable	RW	0x0
7:5	MPS	Max_Payload_Size	RW	0x0
4	EN_RO	Enable Relaxed Ordering	RW	0x1
3	UR_RE	Unsupported Request Reporting Enable	RW	0x0
2	FT_RE	Fatal Error Reporting Enable	RW	0x0
1	NFT_RE	Non-Fatal Error Reporting Enable	RW	0x0
0	COR_RE	Correctable Error Reporting Enable	RW	0x0

Table 24-1001. Register Call Summary for Register PCIECTRL_EP_DBICS2_DEV_CAS

PCIe Controller

- [PCIe Standard Registers vs PCIe Subsystem Hardware Registers Mapping: \[0\]](#)
- [PCIe_SS_EP_CFG_DBICS2 Register Summary: \[1\]\[2\]](#)

Table 24-1002. PCIECTRL_EP_DBICS2_LNK_CAP

Address offset	0x7C	Instance	PCIe_SS1_EP_CFG_DBICS2 PCIe_SS2_EP_CFG_DBICS2
Physical Address	0x5100 107C 0x5180 107C		
Description	PCIe Link Capabilities		
Type	RW		

31	30	29	28	27	26	25	24	23	22	21	20	19	18	17	16	15	14	13	12	11	10	9	8	7	6	5	4	3	2	1	0
PORT_NUM								RESERVED	ASPM_OPT_COMP	LNK_BW_not_CAP	DLL_ACTRPT_CAP	UNSUP	CLK_PWR_MGMT	L1_EXIT_LAT	L0S_EXIT_LAT	AS_LINK_PM_SUPPORT	MAX_LINK_WIDTH						MAX_LINK_SPEEDS								

Bits	Field Name	Description	Type	Reset
31:24	PORT_NUM	Port Number (CS)	RW	0x0
23	RESERVED		R	0x0
22	ASPM_OPT_COMP	ASPM Optionality Compliance (CS)	RW	0x1
21	LNK_BW_not_CAP	Link Bandwidth Notification Capability (CS)	RW	0x0
20	DLL_ACTRPT_CAP	Data Link Layer Active Reporting Capable	R	0x0
19	UNSUP	Unsupported, Surprise Down Error Reporting Capable, Hardwired to 0	R	0x0
18	CLK_PWR_MGMT	Clock Power Management (CS)	RW	0x0
17:15	L1_EXIT_LAT	L1 Exit Latency (CS2)	RW	0x6
14:12	L0S_EXIT_LAT	L0s Exit Latency (CS2)	RW	0x3
11:10	AS_LINK_PM_SUPPORT	Active State Link PM (ASPM) Support (CS)	RW	0x3
9:4	MAX_LINK_WIDTH	Max Link Width (lanes) (CS)	RW	0x2
3:0	MAX_LINK_SPEEDS	Supported Max Link Speed (CS) 0x1(R) = 2.5 GT/s (Gen1) 0x2(R) = 5 GT/s (Gen2) 0x4(R) = 8 GT/s (Gen3)	RW	0x2

Table 24-1003. Register Call Summary for Register PCIECTRL_EP_DBICS2_LNK_CAP

PCIe Controller

- [PCIe Standard Registers vs PCIe Subsystem Hardware Registers Mapping: \[0\]](#)
- [PCIe_SS_EP_CFG_DBICS2 Register Summary: \[1\]\[2\]](#)

Table 24-1004. PCIECTRL_EP_DBICS2_LNK_CAS

Address offset	0x80	Instance	PCIe_SS1_EP_CFG_DBICS2 PCIe_SS2_EP_CFG_DBICS2
Physical Address	0x5100 1080 0x5180 1080		
Description	PCIe Link Control and Status		
Type	RW		

31	30	29	28	27	26	25	24	23	22	21	20	19	18	17	16	15	14	13	12	11	10	9	8	7	6	5	4	3	2	1	0
LAB_STATUS	LBW_STATUS	DLL_ACT	SLOT_CLK_CONFIG	LINK_TRAIN	UNDEF	NEG_LW					LINK_SPEED					RESERVED					LABIE	LBMIE	HAWD	EN_CPM	EXT_SYN	COM_CLK_CFG	RETRAIN_LINK	LINK_DIS	RCB	RESERVED	ASPM_CTRL

Bits	Field Name	Description	Type	Reset
31	LAB_STATUS	Link Autonomous Bandwidth Status	R	0x0
30	LBW_STATUS	Link Bandwidth Management Status	R	0x0
29	DLL_ACT	Data Link Layer Active	R	0x0
28	SLOT_CLK_CONFIG	Slot Clock Configuration (CS)	RW	0x1
27	LINK_TRAIN	LINK training	R	0x0
26	UNDEF	Undefined	R	0x0
25:20	NEG_LW	Negotiated Link Width UNDEFINED UNTIL LINK IS UP.	R	0x1
19:16	LINK_SPEED	Link Speed UNDEFINED UNTIL LINK IS UP.	R	0x1
15:12	RESERVED		R	0x0
11	LABIE	Link Autonomous Bandwidth Interrupt Enable.	RW	0x0
10	LBMIE	Link Bandwidth Management Interrupt Enable	RW	0x0
9	HAWD	Hardware Autonomous Width Disable	R	0x0
8	EN_CPM	Enable Clock Power Management	RW	0x0
7	EXT_SYN	Extended Synch	RW	0x0
6	COM_CLK_CFG	Common Clock Configuration	RW	0x0
5	RETRAIN_LINK	Retrain Link	R	0x0
4	LINK_DIS	Link Disable	R	0x0
3	RCB	Read Completion Boundary (CS) Read 0x0 = 64 Byte Read 0x1 = 128 Byte	RW	0x1
2	RESERVED		R	0x0
1:0	ASPM_CTRL	Active State Link PM Control 0x0: DISABLED 0x1: L0S_ENABLED 0x2: L1_ENABLED 0x3: L0S_AND_L1_ENABLED	RW	0x0

Table 24-1005. Register Call Summary for Register PCIECTRL_EP_DBICS2_LNK_CAS

PCIe Controller

- [PCIe Standard Registers vs PCIe Subsystem Hardware Registers Mapping: \[0\]](#)
- [PCIe_SS_EP_CFG_DBICS2 Register Summary: \[1\]\[2\]](#)

Table 24-1006. PCIECTRL_EP_DBICS2_DEV_CAP_2

Address offset	0x94		
Physical Address	0x5100 1094	Instance	PCIe_SS1_EP_CFG_DBICS2
	0x5180 1094		PCIe_SS2_EP_CFG_DBICS2
Description	Device Capabilities 2 Register		
Type	R		

31	30	29	28	27	26	25	24	23	22	21	20	19	18	17	16	15	14	13	12	11	10	9	8	7	6	5	4	3	2	1	0			
RESERVED																TPHC_SP		RESERVED	NOROPR		CASC128_SP		AOC64_SP		AOC32_SP		AOR_SP		ARI_FWD_SP		CPL_TIMEOUT_DIS_SUPPORTED		CPL_TIMEOUT_RNG_SUPPORTED	

Bits	Field Name	Description	Type	Reset
31:14	RESERVED		R	0x0
13:12	TPHC_SP	TPH Completer Supported	R	0x0
11	RESERVED		R	0x0
10	NOROPR	No RO-enabled PR-PR Passing	R	0x0
9	CASC128_SP	128-bit CAS Completer Supported	R	0x0
8	AOC64_SP	64-bit AtomicOp Completer Supported	R	0x0
7	AOC32_SP	32-bit AtomicOp Completer Supported	R	0x0
6	AOR_SP	AtomicOp Routing Supported	R	0x0
5	ARI_FWD_SP	ARI Forwarding Supported	R	0x0
4	CPL_TIMEOUT_DIS_SUPPORTED	Completion Timeout Disable Supported	R	0x1
3:0	CPL_TIMEOUT_RNG_SUPPORTED	Completion Timeout Ranges Supported	R	0x1

Table 24-1007. Register Call Summary for Register PCIECTRL_EP_DBICS2_DEV_CAP_2

PCIe Controller

- [PCIe Standard Registers vs PCIe Subsystem Hardware Registers Mapping: \[0\]](#)
- [PCIe_SS_EP_CFG_DBICS2 Register Summary: \[1\]\[2\]](#)

Table 24-1008. PCIECTRL_EP_DBICS2_DEV_CAS_2

Address offset	0x98		
Physical Address	0x5100 1098 0x5180 1098	Instance	PCIe_SS1_EP_CFG_DBICS2 PCIe_SS2_EP_CFG_DBICS2
Description	Device Control 2 Register		
Type	RW		

31	30	29	28	27	26	25	24	23	22	21	20	19	18	17	16	15	14	13	12	11	10	9	8	7	6	5	4	3	2	1	0				
RESERVED																OBFF_EN		RESERVED		LTR_EN		IDO_CPL_EN		IDO_REQ_EN		AOP_EG_BLK		AOP_REQ_EN		ARI_FWD_SP		CPL_TIMEOUT_DIS		CPL_TIMEOUT_VALUE	

Bits	Field Name	Description	Type	Reset
31:15	RESERVED		R	0x0
14:13	OBFF_EN	OBFF Enable	RW	0x0
12:11	RESERVED		R	0x0
10	LTR_EN	LTR Mechanism Enable	RW	0x0
9	IDO_CPL_EN	IDO Completion Enable	RW	0x0
8	IDO_REQ_EN	IDO Request Enable	RW	0x0
7	AOP_EG_BLK	AtomicOp Egress Blocking	RW	0x0
6	AOP_REQ_EN	AtomicOp Requester Enable	RW	0x0
5	ARI_FWD_SP	ARI Forwarding Supported	RW	0x0
4	CPL_TIMEOUT_DIS	Completion Timeout Disable	RW	0x0
3:0	CPL_TIMEOUT_VALUE	Completion Timeout Values	RW	0x0

Table 24-1009. Register Call Summary for Register PCIECTRL_EP_DBICS2_DEV_CAS_2

PCIe Controller

- [PCIe Standard Registers vs PCIe Subsystem Hardware Registers Mapping: \[0\]](#)
- [PCIe_SS_EP_CFG_DBICS2 Register Summary: \[1\]\[2\]](#)

Table 24-1010. PCIECTRL_EP_DBICS2_LNK_CAP_2

Address offset	0x9C		
Physical Address	0x5100 109C 0x5180 109C	Instance	PCIe_SS1_EP_CFG_DBICS2 PCIe_SS2_EP_CFG_DBICS2
Description	PCIE Link Capabilities 2 Register		
Type	R		

31	30	29	28	27	26	25	24	23	22	21	20	19	18	17	16	15	14	13	12	11	10	9	8	7	6	5	4	3	2	1	0
RESERVED																CROSSLINK_SP		SP_LS_VEC						RESERVED							

Bits	Field Name	Description	Type	Reset
31:9	RESERVED		R	0x0
8	CROSSLINK_SP	Crosslink Supported	R	0x0
7:1	SP_LS_VEC	Supported Link Speeds Vector	R	0x3
0	RESERVED		R	0x0

Table 24-1011. Register Call Summary for Register PCIECTRL_EP_DBICS2_LNK_CAP_2

PCIe Controller

- [PCIe Standard Registers vs PCIe Subsystem Hardware Registers Mapping: \[0\]](#)
- [PCIe_SS_EP_CFG_DBICS2 Register Summary: \[1\]\[2\]](#)

Table 24-1012. PCIECTRL_EP_DBICS2_LNK_CAS_2

Address offset	0xA0	Instance	PCIe_SS1_EP_CFG_DBICS2 PCIe_SS2_EP_CFG_DBICS2
Physical Address	0x5100 10A0 0x5180 10A0		
Description	Link Control and Status 2 Register		
Type	RW		

31	30	29	28	27	26	25	24	23	22	21	20	19	18	17	16	15	14	13	12	11	10	9	8	7	6	5	4	3	2	1	0
RESERVED								LINK_EQ_REQ	EQ_PH3	EQ_PH2	EQ_PH1	EQ_COMPLETE	DEEMPH_LEVEL	COMPL_PRST_DEEPH	COMPL_SOS	ENT_MOD_COMPL	TX_MARGIN	SEL_DEEMP	HW_AUTO_SP_DIS	ENTR_COMPL	TRGT_LINK_SPEED										

Bits	Field Name	Description	Type	Reset
31:22	RESERVED		R	0x0
21	LINK_EQ_REQ	Link Equalization Request	RW Wr1toClr	0x0
20	EQ_PH3	Equalization Ph3 Success, Gen3 Only	R	0x0
19	EQ_PH2	Equalization Ph2 Success, Gen3 Only	R	0x0
18	EQ_PH1	Equalization Ph1 Success, Gen3 Only	R	0x0
17	EQ_COMPLETE	Equalization Complete, Gen3 Only	R	0x0
16	DEEMPH_LEVEL	Current De-emphasis Level	R	0x1
15:12	COMPL_PRST_DEEPH	Compliance Pre-set/ De-emphasis	RW	0x0
11	COMPL_SOS	Compliance SOS	RW	0x0
10	ENT_MOD_COMPL	Enter Modified Compliance	RW	0x0
9:7	TX_MARGIN	Transmit Margin	RW	0x0
6	SEL_DEEMP	Selectable De-emphasize	R	0x0
5	HW_AUTO_SP_DIS	Hardware Autonomous Speed Disable	R	0x0
4	ENTR_COMPL	Enter Compliance	RW	0x0
3:0	TRGT_LINK_SPEED	Target Link Speed	RW	0x1

Table 24-1013. Register Call Summary for Register PCIECTRL_EP_DBICS2_LNK_CAS_2

PCIe Controller

- [PCIe Standard Registers vs PCIe Subsystem Hardware Registers Mapping: \[0\]](#)
 - [PCIe_SS_EP_CFG_DBICS2 Register Summary: \[1\]\[2\]](#)
-

24.9.7.7 PCIe_SS_RC_CFG_DBICS2 Registers

NOTE: This section describes the PCIe RC mode (PCIe type-1) standard configuration registers as they are locally accessed within the DIF CS2 space. These register names are prefixed with "PCIECTRL_RC_DBICS2".

24.9.7.7.1 PCIe_SS_RC_CFG_DBICS2 Register Summary

Table 24-1014. PCIe_SS1_RC_CFG_DBI_CS2 Registers Mapping Summary

Register Name	Type	Register Width (Bits)	Address Offset	PCIe_SS1_RC_CFG_DBI_CS2 Physical Address
PCIECTRL_RC_DBICS2_DEVICE_VENDORID	RW	32	0x0000 0000	0x5100 1000
PCIECTRL_RC_DBICS2_STATUS_COMMAND_REGISTER	RW	32	0x0000 0004	0x5100 1004
PCIECTRL_RC_DBICS2_CLASSCODE_REVISIONID	RW	32	0x0000 0008	0x5100 1008
PCIECTRL_RC_DBICS2_BIST_HEAD_LAT_CACH	RW	32	0x0000 000C	0x5100 100C
PCIECTRL_RC_DBICS2_BAR0_MASK	RW	32	0x0000 0010	0x5100 1010
PCIECTRL_RC_DBICS2_BAR1_MASK	RW	32	0x0000 0014	0x5100 1014
PCIECTRL_RC_DBICS2_BUS_NUM_REG	RW	32	0x0000 0018	0x5100 1018
PCIECTRL_RC_DBICS2_IOBASE_LIMIT_SEC_STATUS	RW	32	0x0000 001C	0x5100 101C
PCIECTRL_RC_DBICS2_MEM_BASE_LIMIT	RW	32	0x0000 0020	0x5100 1020
PCIECTRL_RC_DBICS2_PREF_MEM_BASE_LIMIT	RW	32	0x0000 0024	0x5100 1024
PCIECTRL_RC_DBICS2_UPPER_32BIT_PREF_BASEADDR	RW	32	0x0000 0028	0x5100 1028
PCIECTRL_RC_DBICS2_UPPER_32BIT_PREF_LIMITADDR	RW	32	0x0000 002C	0x5100 102C
PCIECTRL_RC_DBICS2_IO_BASE_LIMIT	RW	32	0x0000 0030	0x5100 1030
PCIECTRL_RC_DBICS2_CAPPTR	RW	32	0x0000 0034	0x5100 1034
PCIECTRL_RC_DBICS2_EXPANSION_ROM_BAR	RW	32	0x0000 0038	0x5100 1038
PCIECTRL_RC_DBICS2_BRIDGE_INT	RW	32	0x0000 003C	0x5100 103C
PCIECTRL_RC_DBICS2_PCIE_CAP	RW	32	0x0000 0070	0x5100 1070
PCIECTRL_RC_DBICS2_DEV_CAP	RW	32	0x0000 0074	0x5100 1074
PCIECTRL_RC_DBICS2_DEV_CAS	RW	32	0x0000 0078	0x5100 1078
PCIECTRL_RC_DBICS2_LNK_CAP	RW	32	0x0000 007C	0x5100 107C
PCIECTRL_RC_DBICS2_LNK_CAS	RW	32	0x0000 0080	0x5100 1080
PCIECTRL_RC_DBICS2_SLOT_CAP	RW	32	0x0000 0084	0x5100 1084
PCIECTRL_RC_DBICS2_SLOT_CAS	RW	32	0x0000 0088	0x5100 1088
PCIECTRL_RC_DBICS2_ROOT_CAC	RW	32	0x0000 008C	0x5100 108C
PCIECTRL_RC_DBICS2_ROOT_STS	RW	32	0x0000 0090	0x5100 1090
PCIECTRL_RC_DBICS2_DEV_CAP_2	R	32	0x0000 0094	0x5100 1094
PCIECTRL_RC_DBICS2_DEV_CAS_2	RW	32	0x0000 0098	0x5100 1098
PCIECTRL_RC_DBICS2_LNK_CAP_2	R	32	0x0000 009C	0x5100 109C
PCIECTRL_RC_DBICS2_LNK_CAS_2	RW	32	0x0000 00A0	0x5100 10A0

Table 24-1015. PCIe_SS2_RC_CFG_DBI_CS2 Registers Mapping Summary

Register Name	Type	Register Width (Bits)	Address Offset	PCIe_SS2_RC_CFG_DBI_CS2 Physical Address
PCIECTRL_RC_DBICS2_DEVICE_VENDORID	RW	32	0x0000 0000	0x5180 1000
PCIECTRL_RC_DBICS2_STATUS_COMMAND_REGISTER	RW	32	0x0000 0004	0x5180 1004
PCIECTRL_RC_DBICS2_CLASSCODE_REVISIONID	RW	32	0x0000 0008	0x5180 1008

Table 24-1015. PCIe_SS2_RC_CFG_DBI_CS2 Registers Mapping Summary (continued)

Register Name	Type	Register Width (Bits)	Address Offset	PCIe_SS2_RC_CFG_DBI_CS2 Physical Address
PCIECTRL_RC_DBICS2_BIST_HEAD_LAT_CACH	RW	32	0x0000 000C	0x5180 100C
PCIECTRL_RC_DBICS2_BAR0_MASK	RW	32	0x0000 0010	0x5180 1010
PCIECTRL_RC_DBICS2_BAR1_MASK	RW	32	0x0000 0014	0x5180 1014
PCIECTRL_RC_DBICS2_BUS_NUM_REG	RW	32	0x0000 0018	0x5180 1018
PCIECTRL_RC_DBICS2_IOBASE_LIMIT_SEC_STATUS	RW	32	0x0000 001C	0x5180 101C
PCIECTRL_RC_DBICS2_MEM_BASE_LIMIT	RW	32	0x0000 0020	0x5180 1020
PCIECTRL_RC_DBICS2_PREF_MEM_BASE_LIMIT	RW	32	0x0000 0024	0x5180 1024
PCIECTRL_RC_DBICS2_UPPER_32BIT_PREF_BASEAD DR	RW	32	0x0000 0028	0x5180 1028
PCIECTRL_RC_DBICS2_UPPER_32BIT_PREF_LIMITAD DR	RW	32	0x0000 002C	0x5180 102C
PCIECTRL_RC_DBICS2_IO_BASE_LIMIT	RW	32	0x0000 0030	0x5180 1030
PCIECTRL_RC_DBICS2_CAPPTR	RW	32	0x0000 0034	0x5180 1034
PCIECTRL_RC_DBICS2_EXPANSION_ROM_BAR	RW	32	0x0000 0038	0x5180 1038
PCIECTRL_RC_DBICS2_BRIDGE_INT	RW	32	0x0000 003C	0x5180 103C
PCIECTRL_RC_DBICS2_PCIE_CAP	RW	32	0x0000 0070	0x5180 1070
PCIECTRL_RC_DBICS2_DEV_CAP	RW	32	0x0000 0074	0x5180 1074
PCIECTRL_RC_DBICS2_DEV_CAS	RW	32	0x0000 0078	0x5180 1078
PCIECTRL_RC_DBICS2_LNK_CAP	RW	32	0x0000 007C	0x5180 107C
PCIECTRL_RC_DBICS2_LNK_CAS	RW	32	0x0000 0080	0x5180 1080
PCIECTRL_RC_DBICS2_SLOT_CAP	RW	32	0x0000 0084	0x5180 1084
PCIECTRL_RC_DBICS2_SLOT_CAS	RW	32	0x0000 0088	0x5180 1088
PCIECTRL_RC_DBICS2_ROOT_CAC	RW	32	0x0000 008C	0x5180 108C
PCIECTRL_RC_DBICS2_ROOT_STS	RW	32	0x0000 0090	0x5180 1090
PCIECTRL_RC_DBICS2_DEV_CAP_2	R	32	0x0000 0094	0x5180 1094
PCIECTRL_RC_DBICS2_DEV_CAS_2	RW	32	0x0000 0098	0x5180 1098
PCIECTRL_RC_DBICS2_LNK_CAP_2	R	32	0x0000 009C	0x5180 109C
PCIECTRL_RC_DBICS2_LNK_CAS_2	RW	32	0x0000 00A0	0x5180 10A0

24.9.7.7.2 PCIe_SS_RC_CFG_DBICS2 Register Description**Table 24-1016. PCIECTRL_RC_DBICS2_DEVICE_VENDORID**

Address Offset	0x0000 0000	Instance	PCIe_SS1_RC_CFG_DBICS2 PCIe_SS2_RC_CFG_DBICS2
Physical Address	0x5100 1000 0x5180 1000		
Description	Device and Vendor ID		
Type	RW		

31	30	29	28	27	26	25	24	23	22	21	20	19	18	17	16	15	14	13	12	11	10	9	8	7	6	5	4	3	2	1	0
DEVICEID																VENDORID															

Bits	Field Name	Description	Type	Reset
31:16	DEVICEID	Device ID (CS)	RW	0x8888
15:0	VENDORID	Vendor ID (CS)	RW	0x104c

Table 24-1017. Register Call Summary for Register PCIECTRL_RC_DBICS2_DEVICE_VENDORID

PCIe Controller

- [PCIe Standard Registers vs PCIe Subsystem Hardware Registers Mapping: \[0\]](#)
- [PCIe_SS_RC_CFG_DBICS2 Register Summary: \[1\]\[2\]](#)

Table 24-1018. PCIECTRL_RC_DBICS2_STATUS_COMMAND_REGISTER

Address Offset	0x0000 0004	Instance	PCIe_SS1_RC_CFG_DBICS2 PCIe_SS2_RC_CFG_DBICS2
Physical Address	0x5100 1004 0x5180 1004		
Description	Status and Command registers		
Type	RW		

31	30	29	28	27	26	25	24	23	22	21	20	19	18	17	16	15	14	13	12	11	10	9	8	7	6	5	4	3	2	1	0		
DETECT_PARERR	SIGNAL_SYSERR	RCVD_MASTERABORT	RCVD_TRGTABORT	SIGNAL_TRGTABORT	DEVSEL_TIME	MASTERDATA_PARERR	FAST_B2B	RESERVED	C66MHZ_CAP	CAP_LIST	INTX_STATUS	RESERVED					INTX_ASSER_DIS	FAST_BBEN	SERR_EN	IDSEL_CTRL	PARITYERRRESP	VGA_SNOOP	MEMWR_INVA	SPEC_CYCLE_EN	BUSMASTER_EN	MEM_SPACE_EN	IO_SPACE_EN						

Bits	Field Name	Description	Type	Reset
31	DETECT_PARERR	Detected Parity Error	RW	0x0
30	SIGNAL_SYSERR	Signaled System Error	RW	0x0
29	RCVD_MASTERABORT	Received Master Abort	RW	0x0
28	RCVD_TRGTABORT	Received Target Abort	RW	0x0
27	SIGNAL_TRGTABORT	Signaled Target Abort	RW	0x0
26:25	DEVSEL_TIME	DevSel Timing, Harsdwired to 0 for PCIeExpress	R	0x0
24	MASTERDATA_PARERR	Master Data Parity Error	RW	0x0
23	FAST_B2B	Back to Back Capable, Harsdwired to 0 for PCIeExpress	R	0x0
22	RESERVED	Reserved	R	0x0
21	C66MHZ_CAP	66MHz Capable, Harsdwired to 0 for PCIeExpress	R	0x0
20	CAP_LIST	Capabilities List Hardwired to 1	R	0x1
19	INTX_STATUS	INTx Status	R	0x0
18:11	RESERVED		R	0x0
10	INTX_ASSER_DIS	INTx Assertion Disable	RW	0x0
9	FAST_BBEN	Bit hardwired to 0 for PCIeExpress	R	0x0
8	SERR_EN	SERR Enable	RW	0x0
7	IDSEL_CTRL	Bit hardwired to 0 for PCIeExpress	R	0x0
6	PARITYERRRESP	Parity Error Response	RW	0x0
5	VGA_SNOOP	Not Applicable forPCI Express; Bit hardwired to 0 for PCIeExpress	R	0x0
4	MEMWR_INVA	Not Applicable for PCI Express; Bit hardwired to 0 for PCIeExpress	R	0x0
3	SPEC_CYCLE_EN	Not Applicable for PCI Express; Bit hardwired to 0 for PCIeExpress	R	0x0
2	BUSMASTER_EN	Bus Master Enable (BME)	RW	0x0
1	MEM_SPACE_EN	Memory Space Enable (MSE)	RW	0x0
0	IO_SPACE_EN	IO Space Enable (ISE)	RW	0x0

**Table 24-1019. Register Call Summary for Register
PCICTRL_RC_DBICS2_STATUS_COMMAND_REGISTER**

PCIe Controller

- [PCIe Standard Registers vs PCIe Subsystem Hardware Registers Mapping: \[0\]](#)
- [PCIe_SS_RC_CFG_DBICS2 Register Summary: \[1\]\[2\]](#)

Table 24-1020. PCICTRL_RC_DBICS2_CLASSCODE_REVISIONID

Address Offset	0x0000 0008	Instance	PCIe_SS1_RC_CFG_DBICS2 PCIe_SS2_RC_CFG_DBICS2
Physical Address	0x5100 1008 0x5180 1008		
Description	Class code and Revision ID		
Type	RW		

31	30	29	28	27	26	25	24	23	22	21	20	19	18	17	16	15	14	13	12	11	10	9	8	7	6	5	4	3	2	1	0
BASE_CLS_CD								SUBCLS_CD								PROG_IF_CODE								REVID							

Bits	Field Name	Description	Type	Reset
31:24	BASE_CLS_CD	Base Class Code (CS)	RW	0x0
23:16	SUBCLS_CD	Sub Class Code (CS)	RW	0x0
15:8	PROG_IF_CODE	Programming Interface Code (CS)	RW	0x0
7:0	REVID	Revision ID (CS)	RW	0x1

**Table 24-1021. Register Call Summary for Register
PCICTRL_RC_DBICS2_CLASSCODE_REVISIONID**

PCIe Controller

- [PCIe Standard Registers vs PCIe Subsystem Hardware Registers Mapping: \[0\]](#)
- [PCIe_SS_RC_CFG_DBICS2 Register Summary: \[1\]\[2\]](#)

Table 24-1022. PCICTRL_RC_DBICS2_BIST_HEAD_LAT_CACH

Address Offset	0x0000 000C	Instance	PCIe_SS1_RC_CFG_DBICS2 PCIe_SS2_RC_CFG_DBICS2
Physical Address	0x5100 100C 0x5180 100C		
Description	BIST, Header Type, Latency Timer, Cache Line Size		
Type	RW		

31	30	29	28	27	26	25	24	23	22	21	20	19	18	17	16	15	14	13	12	11	10	9	8	7	6	5	4	3	2	1	0	
BIST								MFD	HEAD_TYP								MSTR_LAT_TIM								CACH_LN_SIZE							

Bits	Field Name	Description	Type	Reset
31:24	BIST	BIST	R	0x0
23	MFD	MultiFunction Device	R	0x0
22:16	HEAD_TYP	Header Type Read 0x0: EP header (Type0) Read 0x1: RC header (Type1)	R	0x1
15:8	MSTR_LAT_TIM	Master Latency Timer, Not Applicable for PCIe hence hardwired to 0	R	0x0
7:0	CACH_LN_SIZE	Cache Line Size, No impact on write, write is allowed only for legacy purpose	RW	0x0

Table 24-1023. Register Call Summary for Register PCIECTRL_RC_DBICS2_BIST_HEAD_LAT_CACH

PCIe Controller

- [PCIe Standard Registers vs PCIe Subsystem Hardware Registers Mapping: \[0\]](#)
- [PCIe_SS_RC_CFG_DBICS2 Register Summary: \[1\]\[2\]](#)

Table 24-1024. PCIECTRL_RC_DBICS2_BAR0_MASK

Address Offset	0x0000 0010		
Physical Address	0x5100 1010 0x5180 1010	Instance	PCIe_SS1_RC_CFG_DBICS2 PCIe_SS2_RC_CFG_DBICS2
Description	Base Address Register 0 Mask (CS2 mode only) Write 1 to BAR[0] to enable the BAR Write ones to BAR[M-1:1] for a 2**M byte BAR Reads like in CS mode		
Type	RW		

31	30	29	28	27	26	25	24	23	22	21	20	19	18	17	16	15	14	13	12	11	10	9	8	7	6	5	4	3	2	1	0
BAR_MASK																BAR_ENABLED															

Bits	Field Name	Description	Type	Reset
31:1	BAR_MASK	Write 1 to unmask/0 to mask the BAR address bit (CS2 only)	RW	0xFFFF
0	BAR_ENABLED	BAR enabled (CS2 only)	RW	0x1

Table 24-1025. Register Call Summary for Register PCIECTRL_RC_DBICS2_BAR0_MASK

PCIe Controller

- [PCIe Standard Registers vs PCIe Subsystem Hardware Registers Mapping: \[0\]](#)
- [PCIe_SS_RC_CFG_DBICS2 Register Summary: \[1\]\[2\]](#)

Table 24-1026. PCIECTRL_RC_DBICS2_BAR1_MASK

Address Offset	0x0000 0014		
Physical Address	0x5100 1014 0x5180 1014	Instance	PCIe_SS1_RC_CFG_DBICS2 PCIe_SS2_RC_CFG_DBICS2
Description	Base Address Register 1 Mask (CS2 mode only) Write 1 to BAR[0] to enable the BAR Write ones to BAR[M-1:1] for a 2**M byte BAR If BAR0 is in 64-bit mode, contains the upper bits of BAR0 mask Reads like in CS mode		
Type	RW		

31	30	29	28	27	26	25	24	23	22	21	20	19	18	17	16	15	14	13	12	11	10	9	8	7	6	5	4	3	2	1	0
BAR_MASK																BAR_ENABLED															

Bits	Field Name	Description	Type	Reset
31:1	BAR_MASK	Write 1 to unmask/0 to mask the BAR address bit (CS2 only)	RW	0xFFFF
0	BAR_ENABLED	BAR enabled (CS2 only)	RW	0x1

Table 24-1027. Register Call Summary for Register PCIECTRL_RC_DBICS2_BAR1_MASK

PCIe Controller

- [PCIe Standard Registers vs PCIe Subsystem Hardware Registers Mapping: \[0\]](#)
- [PCIe_SS_RC_CFG_DBICS2 Register Summary: \[1\]\[2\]](#)

Table 24-1028. PCIECTRL_RC_DBICS2_BUS_NUM_REG

Address Offset	0x0000 0018		
Physical Address	0x5100 1018 0x5180 1018	Instance	PCIe_SS1_RC_CFG_DBICS2 PCIe_SS2_RC_CFG_DBICS2
Description	Bus Number Registers		
Type	RW		

31	30	29	28	27	26	25	24	23	22	21	20	19	18	17	16	15	14	13	12	11	10	9	8	7	6	5	4	3	2	1	0
SEC_LAT_TIMER								SUBORD_BUS_NUM								SEC_BUS_NUM								PRIM_BUS_NUM							

Bits	Field Name	Description	Type	Reset
31:24	SEC_LAT_TIMER	Secondary Latency Timer, Not Applicable for PCI Express hence hardwired to 0	R	0x0
23:16	SUBORD_BUS_NUM	Subordinate Bus Number	RW	0x0
15:8	SEC_BUS_NUM	Secondary Bus Number	RW	0x0
7:0	PRIM_BUS_NUM	Primary Bus Number	RW	0x0

Table 24-1029. Register Call Summary for Register PCIECTRL_RC_DBICS2_BUS_NUM_REG

PCIe Controller

- [PCIe Standard Registers vs PCIe Subsystem Hardware Registers Mapping: \[0\]](#)
- [PCIe_SS_RC_CFG_DBICS2 Register Summary: \[1\]\[2\]](#)

Table 24-1030. PCIECTRL_RC_DBICS2_IOBASE_LIMIT_SEC_STATUS

Address Offset	0x0000 001C		
Physical Address	0x5100 101C 0x5180 101C	Instance	PCIe_SS1_RC_CFG_DBICS2 PCIe_SS2_RC_CFG_DBICS2
Description	IO Base,Limit and Secondary Status Register		
Type	RW		

31	30	29	28	27	26	25	24	23	22	21	20	19	18	17	16	15	14	13	12	11	10	9	8	7	6	5	4	3	2	1	0
DET_PAR_ERR	RCVD_SYS_ERR	RCVD_MSTR_ABORT	RCVD_TRGT_ABORT	SGNLD_TRGT_ABORT	DEVSEL_TIMING	MSTR_DATA_PRTY_ERR	FAST_B2B_CAP	RESERVED	C66MHZ_CAPA	RESERVED						IO_SPACE_LIMIT	RESERVED			IODECODE_32	IO_SPACE_BASE				RESERVED			IODECODE_32_0			

Bits	Field Name	Description	Type	Reset
31	DET_PAR_ERR	Detected Parity Error	RW	0x0
30	RCVD_SYS_ERR	Received System Error	RW	0x0
29	RCVD_MSTR_ABORT	Received Master Abort	RW	0x0
28	RCVD_TRGT_ABORT	Received Target Error	RW	0x0
27	SGNLD_TRGT_ABORT	Signaled Target Error	RW	0x0
26:25	DEVSEL_TIMING	DEVSEL Timing, Not Applicable for PCI Express hence hardwired to 0	R	0x0
24	MSTR_DATA_PRTY_ERR	Mastered Data Parity Error	RW	0x0
23	FAST_B2B_CAP	Fast Back to Back Capable, Not Applicable for PCI Express hence hardwired to 0	R	0x0
22	RESERVED		R	0x0
21	C66MHZ_CAPA	66MHz Capable, Not Applicable for PCI Express hence hardwired to 0	R	0x0
20:16	RESERVED		R	0x0
15:12	IO_SPACE_LIMIT	IO_Space_Limit	RW	0x0
11:9	RESERVED		R	0x0
8	IOCODE_32	32 or 16 Bit IO Space	R	0x0
7:4	IO_SPACE_BASE	IO_Space_Limit	RW	0x0
3:1	RESERVED		R	0x0
0	IOCODE_32_0	32 or 16 Bit IO Space (CS)	R	0x0

Table 24-1031. Register Call Summary for Register PCIECTRL_RC_DBICS2_IOBASE_LIMIT_SEC_STATUS

PCIe Controller

- [PCIe Standard Registers vs PCIe Subsystem Hardware Registers Mapping: \[0\]](#)
- [PCIe_SS_RC_CFG_DBICS2 Register Summary: \[1\]\[2\]](#)

Table 24-1032. PCIECTRL_RC_DBICS2_MEM_BASE_LIMIT

Address Offset	0x0000 0020	Instance	PCIe_SS1_RC_CFG_DBICS2 PCIe_SS2_RC_CFG_DBICS2
Physical Address	0x5100 1020 0x5180 1020		
Description	Memory Base and Limit Register		
Type	RW		

31	30	29	28	27	26	25	24	23	22	21	20	19	18	17	16	15	14	13	12	11	10	9	8	7	6	5	4	3	2	1	0
MEM_LIMIT_ADDR								RESERVED				MEM_BASE_ADDR								RESERVED											

Bits	Field Name	Description	Type	Reset
31:20	MEM_LIMIT_ADDR	Memory Limit Address	RW	0x0
19:16	RESERVED		R	0x0
15:4	MEM_BASE_ADDR	Memory Base Address	RW	0x0
3:0	RESERVED		R	0x0

Table 24-1033. Register Call Summary for Register PCIECTRL_RC_DBICS2_MEM_BASE_LIMIT

PCIe Controller

- [PCIe Standard Registers vs PCIe Subsystem Hardware Registers Mapping: \[0\]](#)
- [PCIe_SS_RC_CFG_DBICS2 Register Summary: \[1\]\[2\]](#)

Table 24-1034. PCIECTRL_RC_DBICS2_PREF_MEM_BASE_LIMIT

Address Offset	0x0000 0024	Instance	PCIe_SS1_RC_CFG_DBICS2 PCIe_SS2_RC_CFG_DBICS2
Physical Address	0x5100 1024 0x5180 1024		
Description	Prefetchable Memory Base and Limit Register		
Type	RW		

31	30	29	28	27	26	25	24	23	22	21	20	19	18	17	16	15	14	13	12	11	10	9	8	7	6	5	4	3	2	1	0
PREF_MEM_ADDR								RESERVED		MEMDECODE_64		UPPPREF_MEM_ADDR								RESERVED		MEMDECODE_64_0									

Bits	Field Name	Description	Type	Reset
31:20	PREF_MEM_ADDR	Upper 12 bits of 32-bit Prefetchable Memory End Address	RW	0x0
19:17	RESERVED		R	0x0
16	MEMDECODE_64	64-Bit Memory Addressing	R	0x0
15:4	UPPPREF_MEM_ADDR	Upper 12 bits of 32-bit Prefetchable Memory start Address	RW	0x0
3:1	RESERVED		R	0x0
0	MEMDECODE_64_0	64-Bit Memory Addressing	R	0x0

Table 24-1035. Register Call Summary for Register PCIECTRL_RC_DBICS2_PREF_MEM_BASE_LIMIT

PCIe Controller

- [PCIe Standard Registers vs PCIe Subsystem Hardware Registers Mapping: \[0\]](#)
- [PCIe_SS_RC_CFG_DBICS2 Register Summary: \[1\]\[2\]](#)

Table 24-1036. PCIECTRL_RC_DBICS2_UPPER_32BIT_PREF_BASEADDR

Address Offset	0x0000 0028	Instance	PCIe_SS1_RC_CFG_DBICS2 PCIe_SS2_RC_CFG_DBICS2
Physical Address	0x5100 1028 0x5180 1028		
Description	Upper 32 Bit Prefetchable Base Address Register		
Type	RW		

31	30	29	28	27	26	25	24	23	22	21	20	19	18	17	16	15	14	13	12	11	10	9	8	7	6	5	4	3	2	1	0
ADDRUPP																															

Bits	Field Name	Description	Type	Reset
31:0	ADDRUPP	Upper 32 Bits of Base Address of Prefetchable Memory Space, Used only if 64 Bit Prefetchable Addressing is enabled	RW	0x0

Table 24-1037. Register Call Summary for Register PCIECTRL_RC_DBICS2_UPPER_32BIT_PREF_BASEADDR

PCIe Controller

- [PCIe Standard Registers vs PCIe Subsystem Hardware Registers Mapping: \[0\]](#)
- [PCIe_SS_RC_CFG_DBICS2 Register Summary: \[1\]\[2\]](#)

Table 24-1038. PCIECTRL_RC_DBICS2_UPPER_32BIT_PREF_LIMITADDR

Address Offset	0x0000 002C	Instance	PCIe_SS1_RC_CFG_DBICS2 PCIe_SS2_RC_CFG_DBICS2
Physical Address	0x5100 102C 0x5180 102C		
Description	Upper 32 Bit Prefetchable Limit Address Register		
Type	RW		

31	30	29	28	27	26	25	24	23	22	21	20	19	18	17	16	15	14	13	12	11	10	9	8	7	6	5	4	3	2	1	0
ADDRUPP_LIMIT																															

Bits	Field Name	Description	Type	Reset
31:0	ADDRUPP_LIMIT	Upper 32 Bits of Limit Address of Prefetchable Memory Space, Used only if 64 Bit Prefetchable Addressing is enabled	RW	0x0

Table 24-1039. Register Call Summary for Register PCIECTRL_RC_DBICS2_UPPER_32BIT_PREF_LIMITADDR

PCIe Controller

- [PCIe Standard Registers vs PCIe Subsystem Hardware Registers Mapping: \[0\]](#)
- [PCIe_SS_RC_CFG_DBICS2 Register Summary: \[1\]\[2\]](#)

Table 24-1040. PCIECTRL_RC_DBICS2_IO_BASE_LIMIT

Address Offset	0x0000 0030	Instance	PCIe_SS1_RC_CFG_DBICS2 PCIe_SS2_RC_CFG_DBICS2
Physical Address	0x5100 1030 0x5180 1030		
Description	IO Base and Limit Register		
Type	RW		

31	30	29	28	27	26	25	24	23	22	21	20	19	18	17	16	15	14	13	12	11	10	9	8	7	6	5	4	3	2	1	0
UPP16_IOLIMIT																UPP16_IOBASE															

Bits	Field Name	Description	Type	Reset
31:16	UPP16_IOLIMIT	Upper 16 IO Limit Address	RW	0x0
15:0	UPP16_IOBASE	Upper 16 IO Base Address	RW	0x0

Table 24-1041. Register Call Summary for Register PCIECTRL_RC_DBICS2_IO_BASE_LIMIT

PCIe Controller

- [PCIe Standard Registers vs PCIe Subsystem Hardware Registers Mapping: \[0\]](#)
- [PCIe_SS_RC_CFG_DBICS2 Register Summary: \[1\]\[2\]](#)

Table 24-1042. PCIECTRL_RC_DBICS2_CAPPTR

Address Offset	0x0000 0034	Instance	PCIe_SS1_RC_CFG_DBICS2 PCIe_SS2_RC_CFG_DBICS2
Physical Address	0x5100 1034 0x5180 1034		
Description	CapPtr		
Type	RW		

31	30	29	28	27	26	25	24	23	22	21	20	19	18	17	16	15	14	13	12	11	10	9	8	7	6	5	4	3	2	1	0
RESERVED																CAPTR															

Bits	Field Name	Description	Type	Reset
31:8	RESERVED		R	0x0
7:0	CAPTR	First Capability Pointer (CS)	RW	0x40

Table 24-1043. Register Call Summary for Register PCIECTRL_RC_DBICS2_CAPPTR

PCIe Controller

- [PCIe Standard Registers vs PCIe Subsystem Hardware Registers Mapping: \[0\]](#)
- [PCIe_SS_RC_CFG_DBICS2 Register Summary: \[1\]\[2\]](#)

Table 24-1044. PCIECTRL_RC_DBICS2_EXPANSION_ROM_BAR

Address Offset	0x0000 0038	Instance	PCIe_SS1_RC_CFG_DBICS2 PCIe_SS2_RC_CFG_DBICS2
Physical Address	0x5100 1038 0x5180 1038		
Description	Expansion ROM Base Address Register		
Type	RW		

31	30	29	28	27	26	25	24	23	22	21	20	19	18	17	16	15	14	13	12	11	10	9	8	7	6	5	4	3	2	1	0
EXROM_ADDRESS																EXROM_ADDRESS_RO		RESERVED												EXP_ROM_EN	

Bits	Field Name	Description	Type	Reset
31:16	EXROM_ADDRESS	Expansion ROM address, unmasked (ie programmable)	RW	0x0
15:11	EXROM_ADDRESS_RO	Expansion ROM address, masked.	R	0x0
10:1	RESERVED		R	0x0
0	EXP_ROM_EN	Expansion ROM Enable	RW	0x0

Table 24-1045. Register Call Summary for Register PCIECTRL_RC_DBICS2_EXPANSION_ROM_BAR

PCIe Controller

- [PCIe Standard Registers vs PCIe Subsystem Hardware Registers Mapping: \[0\]](#)
- [PCIe_SS_RC_CFG_DBICS2 Register Summary: \[1\]\[2\]](#)

Table 24-1046. PCIECTRL_RC_DBICS2_BRIDGE_INT

Address Offset	0x0000 003C	Instance	PCIe_SS1_RC_CFG_DBICS2 PCIe_SS2_RC_CFG_DBICS2
Physical Address	0x5100 103C 0x5180 103C		
Description	Bridge Control and Int Pin and line		
Type	RW		

31	30	29	28	27	26	25	24	23	22	21	20	19	18	17	16	15	14	13	12	11	10	9	8	7	6	5	4	3	2	1	0				
RESERVED								DT_SERR_EN	DT_STS	SEC_DT	PRI_DT	FAST_B2B_EN	SEC_BUS_RST	MST_ABT_MOD	VGA_16B_DEC	VGA_EN	ISA_EN	SERR_EN	PERR_RESP_EN	INT_PIN								INT_LIN							

Bits	Field Name	Description	Type	Reset
31:28	RESERVED		R	0x0
27	DT_SERR_EN	Discard Timer SERR Enable Status	R	0x0
26	DT_STS	Discard Timer Status	R	0x0
25	SEC_DT	Secondary Discard Timer	R	0x0
24	PRI_DT	Primary Discard Timer	R	0x0
23	FAST_B2B_EN	Fast Back-to-Back Transactions Enable	R	0x0
22	SEC_BUS_RST	Secondary Bus Reset (initiate hot reset)	RW	0x0
21	MST_ABT_MOD	Master Abort Mode	R	0x0
20	VGA_16B_DEC	VGA 16-Bit Decode	RW	0x0
19	VGA_EN	VGA Enable	RW	0x0
18	ISA_EN	ISA Enable	RW	0x0
17	SERR_EN	SERR Enable	RW	0x0
16	PERR_RESP_EN	Parity Error Response Enable	RW	0x0
15:8	INT_PIN	Interrupt Pin (CS)	R	0x1
7:0	INT_LIN	Interrupt Line	RW	0xff

Table 24-1047. Register Call Summary for Register PCIECTRL_RC_DBICS2_BRIDGE_INT

PCIe Controller

- [PCIe Standard Registers vs PCIe Subsystem Hardware Registers Mapping: \[0\]](#)
- [PCIe_SS_RC_CFG_DBICS2 Register Summary: \[1\]\[2\]](#)

Table 24-1048. PCIECTRL_RC_DBICS2_PCIE_CAP

Address Offset	0x0000 0070	Instance	PCIe_SS1_RC_CFG_DBICS2 PCIe_SS2_RC_CFG_DBICS2
Physical Address	0x5100 1070 0x5180 1070		
Description	PCI Express Capability structure header		
Type	RW		

31	30	29	28	27	26	25	24	23	22	21	20	19	18	17	16	15	14	13	12	11	10	9	8	7	6	5	4	3	2	1	0
RESERVED		IM_NUM			SLOT	DEV_TYPE			PCIE_VER			PCIE_NX_PTR					CAP_ID														

Bits	Field Name	Description	Type	Reset
31:30	RESERVED		R	0x0
29:25	IM_NUM	Interrupt Message Number (CS)	RW	0x0
24	SLOT	Slot Implemented (CS)	RW	0x0
23:20	DEV_TYPE	Device/Port Type Read 0x4: RC root port (RC)	R	0x4
19:16	PCIE_VER	PCI Express Capability Version	R	0x2
15:8	PCIE_NX_PTR	Next Capability Pointer (CS)	RW	0x0
7:0	CAP_ID	Capability ID Read 0x10: PCIE	R	0x10

Table 24-1049. Register Call Summary for Register PCIECTRL_RC_DBICS2_PCIE_CAP

PCIe Controller

- [PCIe Standard Registers vs PCIe Subsystem Hardware Registers Mapping: \[0\]](#)
- [PCIe_SS_RC_CFG_DBICS2 Register Summary: \[1\]\[2\]](#)

Table 24-1050. PCIECTRL_RC_DBICS2_DEV_CAP

Address Offset	0x0000 0074	Instance	PCIe_SS1_RC_CFG_DBICS2 PCIe_SS2_RC_CFG_DBICS2
Physical Address	0x5100 1074 0x5180 1074		
Description	PCIE Device Capabilities		
Type	RW		

31	30	29	28	27	26	25	24	23	22	21	20	19	18	17	16	15	14	13	12	11	10	9	8	7	6	5	4	3	2	1	0								
RESERVED								CAPT_SLOW_PWRLIMIT_SCALE								CAPT_SLOW_PWRLIMIT_VALUE								RESERVED		ROLEBASED_ERRRPT		UNDEFINED		DEFAULT_EP_L1_ACCPT_LATENCY		DEFAULT_EP_L0S_ACCPT_LATENCY		EXTTAGFIELD_SUPPORT		PHANTOMFUNC		MAX_PAYLOAD_SIZE	

Bits	Field Name	Description	Type	Reset
31:28	RESERVED		R	0x0
27:26	CAPT_SLOW_PWRLIMIT_SCALE	Captured Slow Power Scale Value, for Upstream Port Only (CS)	RW	0x0
25:18	CAPT_SLOW_PWRLIMIT_VALUE	Captured Slow Power Limit Value, for Upstream Port Only (CS)	RW	0x0
17:16	RESERVED		R	0x0
15	ROLEBASED_ERRRPT	Role Based Error Reporting (CS)	RW	0x1
14:12	UNDEFINED	Undefined from PCIe 1.1 onwards	R	0x0
11:9	DEFAULT_EP_L1_ACCPT_LATENCY	Endpoint L1 Acceptable Latency; Must be 0 for RC.	R	0x0
8:6	DEFAULT_EP_L0S_ACCPT_LATENCY	Endpoint L0s Acceptable Latency; Must be 0 for RC.	R	0x0
5	EXTTAGFIELD_SUPPORT	Extended Tag Field Support (CS)	RW	0x0

Bits	Field Name	Description	Type	Reset
4:3	PHANTOMFUNC	Phantom Function Support, not SUPPORTED (CS)	RW	0x0
2:0	MAX_PAYLOAD_SIZE	Maximum Payload Size (CS) Read 0x1: 256 Byte	RW	0x1

Table 24-1051. Register Call Summary for Register PCIECTRL_RC_DBICS2_DEV_CAP

PCIe Controller

- [PCIe Standard Registers vs PCIe Subsystem Hardware Registers Mapping: \[0\]](#)
- [PCIe_SS_RC_CFG_DBICS2 Register Summary: \[1\]\[2\]](#)

Table 24-1052. PCIECTRL_RC_DBICS2_DEV_CAS

Address Offset	0x0000 0078	Instance	PCIe_SS1_RC_CFG_DBICS2 PCIe_SS2_RC_CFG_DBICS2
Physical Address	0x5100 1078 0x5180 1078		
Description	PCIe Device Control and Status		
Type	RW		

31	30	29	28	27	26	25	24	23	22	21	20	19	18	17	16	15	14	13	12	11	10	9	8	7	6	5	4	3	2	1	0
RESERVED								TRANS_PEND	AUXP_DET	UR_DET	FT_DET	NFT_DET	COR_DET	INIT_FLR	MRRS				NOSNP_EN	AUXPM_EN	PHFUN_EN	EXTAG_EN	MPS			EN_RO	UR_RE	FT_RE	NFT_RE	COR_RE	

Bits	Field Name	Description	Type	Reset
31:22	RESERVED		R	0x0
21	TRANS_PEND	Transaction Pending	R	0x0
20	AUXP_DET	Aux Power Detected	R	0x0
19	UR_DET	Unsupported Request Detected	RW	0x0
18	FT_DET	Fatal Error Detected	RW	0x0
17	NFT_DET	Non-Fatal Error Detected	RW	0x0
16	COR_DET	Correctable Error Detected	RW	0x0
15	INIT_FLR	Reserved	R	0x0
14:12	MRRS	Max_Read_Request_Size	RW	0x2
11	NOSNP_EN	Enable No Snoop	RW	0x1
10	AUXPM_EN	AUX Power PM Enable (Sticky bit) 0x0: Vaux not used by device 0x1: Device can draw Vaux power; Sticky bits will be preserved over reset	RW	0x0
9	PHFUN_EN	Phantom Function Enable	RW	0x0
8	EXTAG_EN	Extended Tag Field Enable	RW	0x0
7:5	MPS	Max_Payload_Size	RW	0x0
4	EN_RO	Enable Relaxed Ordering	RW	0x1
3	UR_RE	Unsupported Request Reporting Enable	RW	0x0
2	FT_RE	Fatal Error Reporting Enable	RW	0x0
1	NFT_RE	Non-Fatal Error Reporting Enable	RW	0x0
0	COR_RE	Correctable Error Reporting Enable	RW	0x0

Table 24-1053. Register Call Summary for Register PCIECTRL_RC_DBICS2_DEV_CAS

PCIe Controller

- [PCIe Standard Registers vs PCIe Subsystem Hardware Registers Mapping: \[0\]](#)
- [PCIe_SS_RC_CFG_DBICS2 Register Summary: \[1\]\[2\]](#)

Table 24-1054. PCIECTRL_RC_DBICS2_LNK_CAP

Address Offset	0x0000 007C	Instance	PCIe_SS1_RC_CFG_DBICS2 PCIe_SS2_RC_CFG_DBICS2
Physical Address	0x5100 107C 0x5180 107C		
Description	PCIe Link Capabilities		
Type	RW		

31	30	29	28	27	26	25	24	23	22	21	20	19	18	17	16	15	14	13	12	11	10	9	8	7	6	5	4	3	2	1	0
PORT_NUM								RESERVED	ASPM_OPT_COMP	LNK_BW_not_CAP	DLL_ACTRPT_CAP	UNSUP	CLK_PWR_MGMT	COMM_L1_EXIT_LAT	COMM_L0S_EXIT_LAT	AS_LINK_PM_SUPPORT	MAX_LINK_WIDTH							MAX_LINK_SPEEDS							

Bits	Field Name	Description	Type	Reset
31:24	PORT_NUM	Port Number (CS)	RW	0x0
23	RESERVED		R	0x0
22	ASPM_OPT_COMP	ASPM Optionality Compliance (CS)	RW	0x1
21	LNK_BW_not_CAP	Link Bandwidth Notification Capability (CS)	RW	0x1
20	DLL_ACTRPT_CAP	Data Link Layer Active Reporting Capable	R	0x1
19	UNSUP	Unsupported, Surprise Down Error Reporting Capable, Hardwired to 0	R	0x0
18	CLK_PWR_MGMT	Clock Power Management; Hardwired to 0 for DS port (RC); (CS)	RW	0x0
17:15	COMM_L1_EXIT_LAT	Common-clock-mode L1 Exit Latency (CS2) Compare CS	RW	0x6
14:12	COMM_L0S_EXIT_LAT	Common-clock-mode L0s Exit Latency (CS2) Compare CS	RW	0x3
11:10	AS_LINK_PM_SUPPORT	Active State Link PM (ASPM) Support (CS)	RW	0x3
9:4	MAX_LINK_WIDTH	Max Link Width (lanes) (CS)	RW	0x2
3:0	MAX_LINK_SPEEDS	Supported Max Link Speed (CS) Read 0x1: 2.5 GT/s (Gen1) Read 0x2: 5 GT/s (Gen2) Read 0x3: 8 GT/s (Gen3)	RW	0x2

Table 24-1055. Register Call Summary for Register PCIECTRL_RC_DBICS2_LNK_CAP

PCIe Controller

- [PCIe Standard Registers vs PCIe Subsystem Hardware Registers Mapping: \[0\]](#)
- [PCIe_SS_RC_CFG_DBICS2 Register Summary: \[1\]\[2\]](#)

Table 24-1056. PCIECTRL_RC_DBICS2_LNK_CAS

Address Offset	0x0000 0080	Instance	PCIe_SS1_RC_CFG_DBICS2 PCIe_SS2_RC_CFG_DBICS2
Physical Address	0x5100 1080 0x5180 1080		

Table 24-1056. PCIECTRL_RC_DBICS2_LNK_CAS (continued)

Description	PCIE Link Control and Status
Type	RW Wr1toClr

31	30	29	28	27	26	25	24	23	22	21	20	19	18	17	16	15	14	13	12	11	10	9	8	7	6	5	4	3	2	1	0
LAB_STATUS	LBW_STATUS	DLL_ACT	SLOT_CLK_CONFIG	LINK_TRAIN	UNDEF	NEG_LW				LINK_SPEED				RESERVED				LABIE	LBMIE	HAWD	EN_CPM	EXT_SYN	COM_CLK_CFG	RETRAIN_LINK	LINK_DIS	RCB	RESERVED	ASPM_CTRL			

Bits	Field Name	Description	Type	Reset
31	LAB_STATUS	Link Autonomous Bandwidth Status	RW Wr1toClr	0x0
30	LBW_STATUS	Link Bandwidth Management Status	RW Wr1toClr	0x0
29	DLL_ACT	Data Link Layer Active	R	0x0
28	SLOT_CLK_CONFIG	Slot Clock Configuration (CS)	RW	0x1
27	LINK_TRAIN	LINK training	R	0x0
26	UNDEF	Undefined	R	0x0
25:20	NEG_LW	Negotiated Link Width; UNDEFINED UNTIL LINK IS UP.	R	0x1
19:16	LINK_SPEED	Link Speed; UNDEFINED UNTIL LINK IS UP.	R	0x1
15:12	RESERVED		R	0x0
11	LABIE	Link Autonomous Bandwidth Interrupt Enable	RW	0x0
10	LBMIE	Link Bandwidth Management Interrupt Enable	RW	0x0
9	HAWD	Hardware Autonomous Width Disable	R	0x0
8	EN_CPM	Enable Clock Power Management	RW	0x0
7	EXT_SYN	Extended Synch	RW	0x0
6	COM_CLK_CFG	Common Clock Configuration 0x0: Asynchronous reference clocks 0x1: Distributed common reference clock	RW	0x0
5	RETRAIN_LINK	Retrain Link	RW	0x0
4	LINK_DIS	Link Disable	RW	0x0
3	RCB	Read Completion Boundary (CS) 0x0: 64 Byte 0x1: 128 Byte	RW	0x1
2	RESERVED		R	0x0
1:0	ASPM_CTRL	Active State Link PM Control 0x0: DISABLED 0x1: L0S_ENABLED 0x2: L1_ENABLED 0x3: L0S_AND_L1_ENABLED	RW	0x0

Table 24-1057. Register Call Summary for Register PCIECTRL_RC_DBICS2_LNK_CAS

PCIe Controller

- [PCIe Standard Registers vs PCIe Subsystem Hardware Registers Mapping: \[0\]](#)
- [PCIe_SS_RC_CFG_DBICS2 Register Summary: \[1\]\[2\]](#)

Table 24-1058. PCIECTRL_RC_DBICS2_SLOT_CAP

Address Offset	0x0000 0084	Instance	PCIe_SS1_RC_CFG_DBICS2 PCIe_SS2_RC_CFG_DBICS2
Physical Address	0x5100 1084 0x5180 1084		
Description	Slot Capabilities Register		
Type	RW		

31	30	29	28	27	26	25	24	23	22	21	20	19	18	17	16	15	14	13	12	11	10	9	8	7	6	5	4	3	2	1	0
PSN								NCCS	EIP	SPLS		SPLV						HPC	HPS	PIP	AIP	MRLSP	PCP	ABP							

Bits	Field Name	Description	Type	Reset
31:19	PSN	Physical Slot Number (CS)	RW	0x0
18	NCCS	No Command Complete Support (CS)	RW	0x0
17	EIP	Electromechanical Interlock Present (CS)	RW	0x0
16:15	SPLS	Slot Power Limit Scale (CS)	RW	0x0
14:7	SPLV	Slot Power Limit Value (CS)	RW	0x0
6	HPC	Hot-Plug Capable (CS)	RW	0x0
5	HPS	Hot-Plug Surprise (CS)	RW	0x0
4	PIP	Power Indicator Present (CS)	RW	0x0
3	AIP	Attention Indicator Present (CS)	RW	0x0
2	MRLSP	MRL Sensor Present (CS)	RW	0x0
1	PCP	Power Controller Present (CS)	RW	0x0
0	ABP	Attention Button Present (CS)	RW	0x0

Table 24-1059. Register Call Summary for Register PCIECTRL_RC_DBICS2_SLOT_CAP

PCIe Controller

- [PCIe Standard Registers vs PCIe Subsystem Hardware Registers Mapping: \[0\]](#)
- [PCIe_SS_RC_CFG_DBICS2 Register Summary: \[1\]\[2\]](#)

Table 24-1060. PCIECTRL_RC_DBICS2_SLOT_CAS

Address Offset	0x0000 0088	Instance	PCIe_SS1_RC_CFG_DBICS2 PCIe_SS2_RC_CFG_DBICS2
Physical Address	0x5100 1088 0x5180 1088		
Description	Slot Control and Status Register		
Type	RW		

31	30	29	28	27	26	25	24	23	22	21	20	19	18	17	16	15	14	13	12	11	10	9	8	7	6	5	4	3	2	1	0
RESERVED								DSC	EIS	PDS	MRLSS	CC	PDC	MRCSC	PFD	ABP	RESERVED	DSC_EN	EIC	PCC	PIC	AIC	HPI_EN	CCI_EN	PDC_EN	MRLSC_EN	PFD_EN	ABP_EN			

Bits	Field Name	Description	Type	Reset
31:25	RESERVED		R	0x0
24	DSC	Data Link Layer State Changed	RW	0x0
23	EIS	Electromechanical Interlock Status	R	0x0

Bits	Field Name	Description	Type	Reset
22	PDS	Presence Detect State NO PRESENCE DETECTION IMPLEMENTED: TIED TO 1	R	0x1
21	MRLSS	MRL Sensor State	R	0x0
20	CC	Command Completed	RW	0x0
19	PDC	Presence Detect Changed	RW	0x0
18	MRCSC	MRL Sensor Changed	RW	0x0
17	PFD	Power Fault Detected	RW	0x0
16	ABP	Attention Button Pressed	RW	0x0
15:13	RESERVED		R	0x0
12	DSC_EN	Data Link Layer State Changed Enable	RW	0x0
11	EIC	Electromechanical Interlock Control	RW	0x0
10	PCC	Power Controller Control	RW	0x0
9:8	PIC	Power Indicator Control	RW	0x3
7:6	AIC	Attention Indicator Control	RW	0x3
5	HPI_EN	Hot-Plug Interrupt Enable	RW	0x0
4	CCI_EN	Command Completed Interrupt Enable	RW	0x0
3	PDC_EN	Presence Detect Changed Enable	RW	0x0
2	MRLSC_EN	MRL Sensor Changed Enable	RW	0x0
1	PFD_EN	Power Fault Detected Enable	RW	0x0
0	ABP_EN	Attention Button Pressed Enable	RW	0x0

Table 24-1061. Register Call Summary for Register PCIECTRL_RC_DBICS2_SLOT_CAS

PCIe Controller

- [PCIe Standard Registers vs PCIe Subsystem Hardware Registers Mapping: \[0\]](#)
- [PCIe_SS_RC_CFG_DBICS2 Register Summary: \[1\]\[2\]](#)

Table 24-1062. PCIECTRL_RC_DBICS2_ROOT_CAC

Address Offset	0x0000 008C	Instance	PCIe_SS1_RC_CFG_DBICS2 PCIe_SS2_RC_CFG_DBICS2
Physical Address	0x5100 108C 0x5180 108C		
Description	Root Control and Capability Register		
Type	RW		

31	30	29	28	27	26	25	24	23	22	21	20	19	18	17	16	15	14	13	12	11	10	9	8	7	6	5	4	3	2	1	0
RESERVED																CRSSV	RESERVED										CRSSV_EN	PMEI_EN	SEFE_EN	SENE_EN	SECE_EN

Bits	Field Name	Description	Type	Reset
31:17	RESERVED		R	0x0
16	CRSSV	CRS Software Visibility	R	0x0
15:5	RESERVED		R	0x0
4	CRSSV_EN	CRS Software Visibility Enable	R	0x0
3	PMEI_EN	PME Interrupt Enable	RW	0x0
2	SEFE_EN	System Error on Fatal Error Enable	RW	0x0
1	SENE_EN	System Error on Non-fatal Error Enable	RW	0x0
0	SECE_EN	System Error on Correctable Error Enable	RW	0x0

Table 24-1063. Register Call Summary for Register PCIECTRL_RC_DBICS2_ROOT_CAC

PCIe Controller

- [PCIe Standard Registers vs PCIe Subsystem Hardware Registers Mapping: \[0\]](#)
- [PCIe_SS_RC_CFG_DBICS2 Register Summary: \[1\]\[2\]](#)

Table 24-1064. PCIECTRL_RC_DBICS2_ROOT_STS

Address Offset	0x0000 0090	Instance	PCIe_SS1_RC_CFG_DBICS2 PCIe_SS2_RC_CFG_DBICS2
Physical Address	0x5100 1090 0x5180 1090		
Description	Root Status Register		
Type	RW		

31	30	29	28	27	26	25	24	23	22	21	20	19	18	17	16	15	14	13	12	11	10	9	8	7	6	5	4	3	2	1	0
RESERVED														PME_PND	PME_STS	PME_RID															

Bits	Field Name	Description	Type	Reset
31:18	RESERVED		R	0x0
17	PME_PND	PME Pending	R	0x0
16	PME_STS	PME Status (Sticky bit)	RW	0x0
15:0	PME_RID	PME Requester ID	R	0x0

Table 24-1065. Register Call Summary for Register PCIECTRL_RC_DBICS2_ROOT_STS

PCIe Controller

- [PCIe Standard Registers vs PCIe Subsystem Hardware Registers Mapping: \[0\]](#)
- [PCIe_SS_RC_CFG_DBICS2 Register Summary: \[1\]\[2\]](#)

Table 24-1066. PCIECTRL_RC_DBICS2_DEV_CAP_2

Address Offset	0x0000 0094	Instance	PCIe_SS1_RC_CFG_DBICS2 PCIe_SS2_RC_CFG_DBICS2
Physical Address	0x5100 1094 0x5180 1094		
Description	Device Capabilities 2 Register		
Type	R		

31	30	29	28	27	26	25	24	23	22	21	20	19	18	17	16	15	14	13	12	11	10	9	8	7	6	5	4	3	2	1	0
RESERVED														TPHC_SP	RESERVED	NOROPR	CASC128_SP	AOC64_SP	AOC32_SP	AOR_SP	ARI_FWD_SP	CPL_TIMEOUT_DIS_SUPPORTED	CPL_TIMEOUT_RNG_SUPPORTED								

Bits	Field Name	Description	Type	Reset
31:14	RESERVED		R	0x0
13:12	TPHC_SP	TPH Completer Supported	R	0x0
11	RESERVED		R	0x0
10	NOROPR	No RO-enabled PR-PR Passing	R	0x1
9	CASC128_SP	128-bit CAS Completer Supported	R	0x0
8	AOC64_SP	64-bit AtomicOp Completer Supported	R	0x0
7	AOC32_SP	32-bit AtomicOp Completer Supported	R	0x0
6	AOR_SP	AtomicOp Routing Supported	R	0x0
5	ARI_FWD_SP	ARI Forwarding Supported	R	0x0
4	CPL_TIMEOUT_DIS_SUPPORT ED	Completion Timeout Disable Supported	R	0x1
3:0	CPL_TIMEOUT_RNG_SUPPOR TED	Completion Timeout Ranges Supported	R	0xf

Table 24-1067. Register Call Summary for Register PCIECTRL_RC_DBICS2_DEV_CAP_2

PCIe Controller

- [PCIe Standard Registers vs PCIe Subsystem Hardware Registers Mapping: \[0\]](#)
- [PCIe_SS_RC_CFG_DBICS2 Register Summary: \[1\]\[2\]](#)

Table 24-1068. PCIECTRL_RC_DBICS2_DEV_CAS_2

Address Offset	0x0000 0098	Instance	PCIe_SS1_RC_CFG_DBICS2 PCIe_SS2_RC_CFG_DBICS2
Physical Address	0x5100 1098 0x5180 1098		
Description	Device Control 2 Register		
Type	RW		

31	30	29	28	27	26	25	24	23	22	21	20	19	18	17	16	15	14	13	12	11	10	9	8	7	6	5	4	3	2	1	0				
RESERVED																	OBFF_EN		RESERVED		LTR_EN		IDO_CPL_EN		IDO_REQ_EN		AOP_EG_BLK		AOP_REQ_EN		ARI_FWD_SP		CPL_TIMEOUT_DIS		CPL_TIMEOUT_VALUE

Bits	Field Name	Description	Type	Reset
31:15	RESERVED		R	0x0
14:13	OBFF_EN	OBFF Enable	RW	0x0
12:11	RESERVED		R	0x0
10	LTR_EN	LTR Mechanism Enable	RW	0x0
9	IDO_CPL_EN	IDO Completion Enable	RW	0x0
8	IDO_REQ_EN	IDO Request Enable	RW	0x0
7	AOP_EG_BLK	AtomicOp Egress Blocking	RW	0x0
6	AOP_REQ_EN	AtomicOp Requester Enable	RW	0x0
5	ARI_FWD_SP	ARI Forwarding Supported	RW	0x0
4	CPL_TIMEOUT_DIS	Completion Timeout Disable	RW	0x0
3:0	CPL_TIMEOUT_VALUE	Completion Timeout Values	RW	0x0

Table 24-1069. Register Call Summary for Register PCIECTRL_RC_DBICS2_DEV_CAS_2

PCIe Controller

- [PCIe Standard Registers vs PCIe Subsystem Hardware Registers Mapping: \[0\]](#)
- [PCIe_SS_RC_CFG_DBICS2 Register Summary: \[1\]\[2\]](#)

Table 24-1070. PCIECTRL_RC_DBICS2_LNK_CAP_2

Address Offset	0x0000 009C	Instance	PCIe_SS1_RC_CFG_DBICS2 PCIe_SS2_RC_CFG_DBICS2
Physical Address	0x5100 109C 0x5180 109C		
Description	PCIe Link Capabilities 2 Register		
Type	R		

31	30	29	28	27	26	25	24	23	22	21	20	19	18	17	16	15	14	13	12	11	10	9	8	7	6	5	4	3	2	1	0
RESERVED																CROSSLINK_SP	SP_LS_VEC						RESERVED								

Bits	Field Name	Description	Type	Reset
31:9	RESERVED		R	0x0
8	CROSSLINK_SP	Crosslink Supported	R	0x0
7:1	SP_LS_VEC	Supported Link Speeds Vector	R	0x3
0	RESERVED		R	0x0

Table 24-1071. Register Call Summary for Register PCIECTRL_RC_DBICS2_LNK_CAP_2

PCIe Controller

- [PCIe Standard Registers vs PCIe Subsystem Hardware Registers Mapping: \[0\]](#)
- [PCIe_SS_RC_CFG_DBICS2 Register Summary: \[1\]\[2\]](#)

Table 24-1072. PCIECTRL_RC_DBICS2_LNK_CAS_2

Address Offset	0x0000 00A0	Instance	PCIe_SS1_RC_CFG_DBICS2 PCIe_SS2_RC_CFG_DBICS2
Physical Address	0x5100 10A0 0x5180 10A0		
Description	Link Control and Status 2 Register (Sticky)		
Type	RW		

31	30	29	28	27	26	25	24	23	22	21	20	19	18	17	16	15	14	13	12	11	10	9	8	7	6	5	4	3	2	1	0
RESERVED																LINK_EQ_REQ	EQ_PH3	EQ_PH2	EQ_PH1	EQ_COMPLETE	DEEMPH_LEVEL	COMPL_PRST_DEEPH	COMPL_SOS	ENT_MOD_COMPL	TX_MARGIN	SEL_DEEMP	HW_AUTO_SP_DIS	ENTR_COMPL	TRGT_LINK_SPEED		

Bits	Field Name	Description	Type	Reset
31:22	RESERVED		R	0x0
21	LINK_EQ_REQ	Link Equalization Request	RW Wr1toClr	0x0
20	EQ_PH3	Equalization Ph3 Success, Gen3 Only	R	0x0
19	EQ_PH2	Equalization Ph2 Success, Gen3 Only	R	0x0
18	EQ_PH1	Equalization Ph1 Success, Gen3 Only	R	0x0
17	EQ_COMPLETE	Equalization Complete, Gen3 Only	R	0x0
16	DEEMPH_LEVEL	Current De-emphasis Level	R	0x1
15:12	COMPL_PRST_DEEPH	Compliance Pre-set/ De-emphasis	RW	0x0
11	COMPL_SOS	Compliance SOS	RW	0x0
10	ENT_MOD_COMPL	Enter Modified Compliance	RW	0x0
9:7	TX_MARGIN	Transmit Margin	RW	0x0
6	SEL_DEEMP	Selectable De-emphasis (CS)	RW	0x0
5	HW_AUTO_SP_DIS	Hardware Autonomous Speed Disable	RW	0x0
4	ENTR_COMPL	Enter Compliance	RW	0x0
3:0	TRGT_LINK_SPEED	Target Link Speed: Read 0x1: 2.5 GT/s (Gen1) Read 0x2: 5 GT/s (Gen2) Read 0x3: 8 GT/s (Gen3)	RW	0x2

Table 24-1073. Register Call Summary for Register PCIECTRL_RC_DBICS2_LNK_CAS_2

PCIe Controller

- [PCIe Standard Registers vs PCIe Subsystem Hardware Registers Mapping: \[0\]](#)
- [PCIe_SS_RC_CFG_DBICS2 Register Summary: \[1\]\[2\]](#)

24.9.7.8 PCIe_SS_TI_CONF Registers

24.9.7.8.1 PCIe_SS_TI_CONF Register Summary

NOTE: Though the PCIe controller wrapper TI configuration registers are also accessible (aliased) at base address 0x5100_3000 (PCIe_SS1) and 0x5180_3000 (PCIe_SS2), the preferable base addresses to access them are the ones used in above table, that is, 0x5100_2000 and 0x5180_2000. These registers are visible only within the device L3_MAIN space.

Table 24-1074. PCIe_SS1_TI_CONF Registers Mapping Summary

Register Name	Type	Register Width (Bits)	Address Offset	PCIe_SS1_TI_CONF Physical Address
PCIECTRL_TI_CONF_REVISION	R	32	0x0000 0000	0x5100 2000
PCIECTRL_TI_CONF_SYSCONFIG	RW	32	0x0000 0010	0x5100 2010
PCIECTRL_TI_CONF_IRQ_EOI	RW	32	0x0000 0018	0x5100 2018
PCIECTRL_TI_CONF_IRQSTATUS_RAW_MAIN	RW	32	0x0000 0020	0x5100 2020
PCIECTRL_TI_CONF_IRQSTATUS_MAIN	RW	32	0x0000 0024	0x5100 2024
PCIECTRL_TI_CONF_IRQENABLE_SET_MAIN	RW	32	0x0000 0028	0x5100 2028
PCIECTRL_TI_CONF_IRQENABLE_CLR_MAIN	RW	32	0x0000 002C	0x5100 202C
PCIECTRL_TI_CONF_IRQSTATUS_RAW_MSI	RW	32	0x0000 0030	0x5100 2030
PCIECTRL_TI_CONF_IRQSTATUS_MSI	RW	32	0x0000 0034	0x5100 2034
PCIECTRL_TI_CONF_IRQENABLE_SET_MSI	RW	32	0x0000 0038	0x5100 2038
PCIECTRL_TI_CONF_IRQENABLE_CLR_MSI	RW	32	0x0000 003C	0x5100 203C
PCIECTRL_TI_CONF_DEVICE_TYPE	RW	32	0x0000 0100	0x5100 2100
PCIECTRL_TI_CONF_DEVICE_CMD	RW	32	0x0000 0104	0x5100 2104
PCIECTRL_TI_CONF_PM_CTRL	RW	32	0x0000 0108	0x5100 2108
PCIECTRL_TI_CONF_PHY_CS	RW	32	0x0000 010C	0x5100 210C
PCIECTRL_TI_CONF_INTX_ASSERT	RW	32	0x0000 0124	0x5100 2124
PCIECTRL_TI_CONF_INTX_DEASSERT	RW	32	0x0000 0128	0x5100 2128
PCIECTRL_TI_CONF_MSI_XMT	RW	32	0x0000 012C	0x5100 212C
PCIECTRL_TI_CONF_DEBUG_CFG	RW	32	0x0000 0140	0x5100 2140
PCIECTRL_TI_CONF_DEBUG_DATA	R	32	0x0000 0144	0x5100 2144
PCIECTRL_TI_CONF_DIAG_CTRL	RW	32	0x0000 0148	0x5100 2148

Table 24-1075. PCIe_SS2_TI_CONF Registers Mapping Summary

Register Name	Type	Register Width (Bits)	Address Offset	PCIe_SS2_TI_CONF Physical Address
PCIECTRL_TI_CONF_REVISION	R	32	0x0000 0000	0x5180 2000
PCIECTRL_TI_CONF_SYSCONFIG	RW	32	0x0000 0010	0x5180 2010
PCIECTRL_TI_CONF_IRQ_EOI	RW	32	0x0000 0018	0x5180 2018
PCIECTRL_TI_CONF_IRQSTATUS_RAW_MAIN	RW	32	0x0000 0020	0x5180 2020
PCIECTRL_TI_CONF_IRQSTATUS_MAIN	RW	32	0x0000 0024	0x5180 2024
PCIECTRL_TI_CONF_IRQENABLE_SET_MAIN	RW	32	0x0000 0028	0x5180 2028
PCIECTRL_TI_CONF_IRQENABLE_CLR_MAIN	RW	32	0x0000 002C	0x5180 202C
PCIECTRL_TI_CONF_IRQSTATUS_RAW_MSI	RW	32	0x0000 0030	0x5180 2030
PCIECTRL_TI_CONF_IRQSTATUS_MSI	RW	32	0x0000 0034	0x5180 2034
PCIECTRL_TI_CONF_IRQENABLE_SET_MSI	RW	32	0x0000 0038	0x5180 2038
PCIECTRL_TI_CONF_IRQENABLE_CLR_MSI	RW	32	0x0000 003C	0x5180 203C

Table 24-1075. PCIe_SS2_TI_CONF Registers Mapping Summary (continued)

Register Name	Type	Register Width (Bits)	Address Offset	PCIe_SS2_TI_CONF Physical Address
PCICTRL_TI_CONF_DEVICE_TYPE	RW	32	0x0000 0100	0x5180 2100
PCICTRL_TI_CONF_DEVICE_CMD	RW	32	0x0000 0104	0x5180 2104
PCICTRL_TI_CONF_PM_CTRL	RW	32	0x0000 0108	0x5180 2108
PCICTRL_TI_CONF_PHY_CS	RW	32	0x0000 010C	0x5180 210C
PCICTRL_TI_CONF_INTX_ASSERT	RW	32	0x0000 0124	0x5180 2124
PCICTRL_TI_CONF_INTX_DEASSERT	RW	32	0x0000 0128	0x5180 2128
PCICTRL_TI_CONF_MSI_XMT	RW	32	0x0000 012C	0x5180 212C
PCICTRL_TI_CONF_DEBUG_CFG	RW	32	0x0000 0140	0x5180 2140
PCICTRL_TI_CONF_DEBUG_DATA	R	32	0x0000 0144	0x5180 2144
PCICTRL_TI_CONF_DIAG_CTRL	RW	32	0x0000 0148	0x5180 2148

24.9.7.8.2 PCIe_SS_TI_CONF Register Description

Table 24-1076. PCICTRL_TI_CONF_REVISION

Address Offset	0x0000 0000		
Physical Address	0x5100 2000 0x5180 2000	Instance	PCIe_SS1_TI_CONF PCIe_SS2_TI_CONF
Description	IP Revision Identifier		
Type	R		

31	30	29	28	27	26	25	24	23	22	21	20	19	18	17	16	15	14	13	12	11	10	9	8	7	6	5	4	3	2	1	0
REVISION																															

Bits	Field Name	Description	Type	Reset
31:0	REVISION	IP Revision	R	0x- ⁽¹⁾

⁽¹⁾ TI Internal data.

Table 24-1077. Register Call Summary for Register PCICTRL_TI_CONF_REVISION

PCIe Controller

- [PCIe_SS_TI_CONF Register Summary: \[0\]\[1\]](#)

Table 24-1078. PCICTRL_TI_CONF_SYSCONFIG

Address Offset	0x0000 0010		
Physical Address	0x5100 2010 0x5180 2010	Instance	PCIe_SS1_TI_CONF PCIe_SS2_TI_CONF
Description	Controls various parameters of the master and slave interfaces.		
Type	RW		

31	30	29	28	27	26	25	24	23	22	21	20	19	18	17	16	15	14	13	12	11	10	9	8	7	6	5	4	3	2	1	0
RESERVED																MCOHERENT_EN	RESERVED								STANDBYMODE		IDLEMODE		RESERVED		

Bits	Field Name	Description	Type	Reset
31:17	RESERVED		R	0x0
16	MCOHERENT_EN	Allows the no-snoop (NS) attribute of inbound PCIe TLPs to be passed to SoC system bus (AXI) master as a 'coherent' inband flag. 0x0: DIS AXI not coherent 0x1: EN AXI coherent = not(PCIE "NS") that is, cache-coherence is preserved	RW	0x0
15:6	RESERVED		R	0x0
5:4	STANDBYMODE	PM mode of local initiator (master); Initiator may generate read/write transaction as long as it is out of STANDBY state. 0x0: Force-standby mode = Initiator is unconditionally placed in standby state. 0x1: No-standby mode = initiator is unconditionally placed out of standby state. 0x2: Smart-standby mode = initiator's standby state depends on internal conditions, that is, the module's functional requirements. Asynchronous wakeup events cannot be generated. 0x3: Smart-Standby, wakeup-capable mode = initiator's standby state depends on internal conditions, ie the module's functional requirements. Asynchronous wakeup events can be generated.	RW	0x2
3:2	IDLEMODE	PM mode of local target (slave); Target shall be capable of handling read/write transaction as long as it is out of IDLE state. 0x0: Force-idle mode = local target's idle state follows (acknowledges) the system's idle requests unconditionally, regardless of the IP module's internal requirements. 0x1: No-idle mode = local target never enters idle state. 0x2: Smart-idle mode = local target's idle state eventually follows (acknowledges) the system's idle requests, depending on the IP module's internal requirements. Module shall not generate (IRQ- or DMA-request-related) wakeup events. 0x3: Smart-idle wakeup-capable mode: local target's idle state eventually follows (acknowledges) the system's idle requests, depending on the IP module's internal requirements. IP module may generate (IRQ- or DMA-request-related) wakeup events when in idle state.	RW	0x2
1:0	RESERVED		R	0x0

Table 24-1079. Register Call Summary for Register PCIECTRL_TI_CONF_SYSCONFIG

PCIe Controller

- [PCIe Controller Slave Port: \[0\]](#)
- [PCIE Controller Clocks Management: \[1\]\[2\]\[3\]\[4\]\[5\]\[6\]\[7\]\[8\]\[9\]\[11\]](#)
- [Main Sequence of PCIe Controllers Initialization: \[12\]](#)
- [PCIe_SS_TI_CONF Register Summary: \[13\]\[14\]](#)

Table 24-1080. PCIECTRL_TI_CONF_IRQ_EOI

Address offset	0x18		
Physical Address	0x5100 2018 0x5180 2018	Instance	PCIe_SS1_TI_CONF PCIe_SS2_TI_CONF
Description	Software End-Of-Interrupt: Allows the generation of further pulses on the interrupt line, if an new interrupt event is pending, when using the pulsed output. Unused when using the level interrupt line (depending on module integration).		
Type	RW		

31	30	29	28	27	26	25	24	23	22	21	20	19	18	17	16	15	14	13	12	11	10	9	8	7	6	5	4	3	2	1	0
RESERVED																								LINE_NUMBER							

Bits	Field Name	Description	Type	Reset
31:4	RESERVED		R	0x000 0000
3:0	LINE_NUMBER	Write the IRQ line number to apply software EOI to it. Write 0x0: software EOI on main interrupt line Read 0x0: Read always returns zeros Write 0x1: software EOI on message-signalled (MSI) interrupt line	RW	0x0

Table 24-1081. Register Call Summary for Register PCIECTRL_TI_CONF_IRQ_EOI

PCIe Controller

- [PCIe_SS_TI_CONF Register Summary: \[0\]\[1\]](#)

Table 24-1082. PCIECTRL_TI_CONF_IRQSTATUS_RAW_MAIN

Address Offset	0x0000 0020		
Physical Address	0x5100 2020 0x5180 2020	Instance	PCIe_SS1_TI_CONF PCIe_SS2_TI_CONF
Description	Raw status of 'main' interrupt requests; Set even if event is not enabled. Write 1 to set the (raw) status, mostly for debug (regular status also gets set).		
Type	RW W1toSet		

31	30	29	28	27	26	25	24	23	22	21	20	19	18	17	16	15	14	13	12	11	10	9	8	7	6	5	4	3	2	1	0
RESERVED																CFG_MSE_EVT	CFG_BME_EVT	LINK_UP_EVT	LINK_REQ_RST	PM_PME	PME_TO_ACK	PME_TURN_OFF	RESERVED	ERR_ECRC	ERR_AXI	ERR_COR	ERR_NONFATAL	ERR_FATAL	ERR_SYS		

Bits	Field Name	Description	Type	Reset
31:15	RESERVED		R	0x0
14	CFG_MSE_EVT	CFG 'Memory Space Enable' change IRQ status Write 0: No action Read 0: No event pending Write 1: Trigger IRQ event by software Read 1: IRQ event pending	RW W1toSet	0x0
13	CFG_BME_EVT	CFG "Bus Master Enable" change IRQ status Write 0: No action Read 0: No event pending Write 1: Trigger IRQ event by software Read 1: IRQ event pending	RW W1toSet	0x0

Bits	Field Name	Description	Type	Reset
12	LINK_UP_EVT	Link-up state change IRQ status Write 0: No action Read 0: No event pending Write 1: Trigger IRQ event by software Read 1: IRQ event pending	RW W1toSet	0x0
11	LINK_REQ_RST	Link Request Reset IRQ status Write 0: No action Read 0: No event pending Write 1: Trigger IRQ event by software Read 1: IRQ event pending	RW W1toSet	0x0
10	PM_PME	PM Power Management Event message received IRQ status Write 0: No action Read 0: No event pending Write 1: Trigger IRQ event by software Read 1: IRQ event pending	RW W1toSet	0x0
9	PME_TO_ACK	Power Management Event Turn-Off Ack message received IRQ status Write 0: No action Read 0: No event pending Write 1: Trigger IRQ event by software Read 1: IRQ event pending	RW W1toSet	0x0
8	PME_TURN_OFF	Power Management Event Turn-Off message received IRQ status Write 0: No action Read 0: No event pending Write 1: Trigger IRQ event by software Read 1: IRQ event pending	RW W1toSet	0x0
7:6	RESERVED		R	0x0
5	ERR_ECRC	ECRC Error IRQ status Write 0: No action Read 0: No event pending Write 1: Trigger IRQ event by software Read 1: IRQ event pending	RW W1toSet	0x0
4	ERR_AXI	AXI tag lookup fatal Error IRQ status Write 0: No action Read 0: No event pending Write 1: Trigger IRQ event by software Read 1: IRQ event pending	RW W1toSet	0x0
3	ERR_COR	Correctable Error message received IRQ status Write 0: No action Read 0: No event pending Write 1: Trigger IRQ event by software Read 1: IRQ event pending	RW W1toSet	0x0
2	ERR_NONFATAL	Non-Fatal Error message received IRQ status Write 0: No action Read 0: No event pending Write 1: Trigger IRQ event by software Read 1: IRQ event pending	RW W1toSet	0x0
1	ERR_FATAL	Fatal Error message received IRQ status Write 0: No action Read 0: No event pending Write 1: Trigger IRQ event by software Read 1: IRQ event pending	RW W1toSet	0x0
0	ERR_SYS	System Error IRQ status Write 0: No action Read 0: No event pending Write 1: Trigger IRQ event by software Read 1: IRQ event pending	RW W1toSet	0x0

Table 24-1083. Register Call Summary for Register PCIECTRL_TI_CONF_IRQSTATUS_RAW_MAIN

PCIe Controller

- [PCIe Controller Main Hardware Management: \[0\]](#)
- [Main Sequence of PCIe Controllers Initialization: \[1\]\[2\]](#)
- [PCIe_SS_TI_CONF Register Summary: \[3\]\[4\]](#)

Table 24-1084. PCIECTRL_TI_CONF_IRQSTATUS_MAIN

Address Offset	0x0000 0024	Instance	PCIe_SS1_TI_CONF PCIe_SS2_TI_CONF
Physical Address	0x5100 2024 0x5180 2024		
Description	Regular status of 'main' interrupt requests; Set only when enabled. Write 1 to clear after interrupt has been serviced (raw status also gets cleared).		
Type	RW W1toClr		

31	30	29	28	27	26	25	24	23	22	21	20	19	18	17	16	15	14	13	12	11	10	9	8	7	6	5	4	3	2	1	0										
RESERVED																CFG_MSE_EVT	CFG_BME_EVT	LINK_UP_EVT	LINK_REQ_RST	PM_PME	PME_TO_ACK	PME_TURN_OFF	RESERVED	ERR_ECRC	ERR_AXI	ERR_COR	ERR_NONFATAL	ERR_FATAL	ERR_SYS												

Bits	Field Name	Description	Type	Reset
31:15	RESERVED		R	0x0
14	CFG_MSE_EVT	CFG 'Memory Space Enable' change IRQ status Write 0: No action Read 0: No event pending Write 1: Clear pending event, if any Read 1: IRQ event pending	RW W1toClr	0x0
13	CFG_BME_EVT	CFG 'Bus Master Enable' change IRQ status Write 0: No action Read 0: No event pending Write 1: Clear pending event, if any Read 1: IRQ event pending	RW W1toClr	0x0
12	LINK_UP_EVT	Link-up state change IRQ status Write 0: No action Read 0: No event pending Write 1: Clear pending event, if any Read 1: IRQ event pending	RW W1toClr	0x0
11	LINK_REQ_RST	Link Request Reset IRQ status Write 0: No action Read 0: No event pending Write 1: Clear pending event, if any Read 1: IRQ event pending	RW W1toClr	0x0
10	PM_PME	PM Power Management Event message received IRQ status Write 0: No action Read 0: No event pending Write 1: Clear pending event, if any Read 1: IRQ event pending	RW W1toClr	0x0
9	PME_TO_ACK	Power Management Event Turn-Off Ack message received IRQ status Write 0: No action Read 0: No event pending Write 1: Clear pending event, if any Read 1: IRQ event pending	RW W1toClr	0x0

Bits	Field Name	Description	Type	Reset
8	PME_TURN_OFF	Power Management Event Turn-Off message received IRQ status Write 0: No action Read 0: No event pending Write 1: Clear pending event, if any Read 1: IRQ event pending	RW W1toClr	0x0
7:6	RESERVED		R	0x0
5	ERR_ECRC	ECRC Error IRQ status Write 0: No action Read 0: No event pending Write 1: Clear pending event, if any Read 1: IRQ event pending	RW W1toClr	0x0
4	ERR_AXI	AXI tag lookup fatal Error IRQ status Write 0: No action Read 0: No event pending Write 1: Clear pending event, if any Read 1: IRQ event pending	RW W1toClr	0x0
3	ERR_COR	Correctable Error message received IRQ status Write 0: No action Read 0: No event pending Write 1: Clear pending event, if any Read 1: IRQ event pending	RW W1toClr	0x0
2	ERR_NONFATAL	Non-Fatal Error message received IRQ status Write 0: No action Read 0: No event pending Write 1: Clear pending event, if any Read 1: IRQ event pending	RW W1toClr	0x0
1	ERR_FATAL	Fatal Error message received IRQ status Write 0: No action Read 0: No event pending Write 1: Clear pending event, if any Read 1: IRQ event pending	RW W1toClr	0x0
0	ERR_SYS	System Error IRQ status Write 0: No action Read 0: No event pending Write 1: Clear pending event, if any Read 1: IRQ event pending	RW W1toClr	0x0

Table 24-1085. Register Call Summary for Register PCIECTRL_TI_CONF_IRQSTATUS_MAIN

PCIe Controller

- [PCIe Reset Conditions: \[0\]](#)
- [PCIe Controller Main Hardware Management: \[1\]\[2\]\[3\]\[4\]\[5\]\[6\]\[7\]\[8\]\[9\]\[10\]\[11\]\[12\]\[13\]\[14\]](#)
- [Main Sequence of PCIe Controllers Initialization: \[15\]\[16\]\[17\]\[18\]\[19\]\[20\]\[21\]\[22\]](#)
- [PCIe_SS_TI_CONF Register Summary: \[23\]\[24\]](#)

Table 24-1086. PCIECTRL_TI_CONF_IRQENABLE_SET_MAIN

Address Offset	0x0000 0028		
Physical Address	0x5100 2028 0x5180 2028	Instance	PCIe_SS1_TI_CONF PCIe_SS2_TI_CONF
Description	Enable of 'main' interrupt requests; Write 1 to set (ie to enable interrupt). Readout is the same as corresponding _CLR register.		
Type	RW W1toSet		

31	30	29	28	27	26	25	24	23	22	21	20	19	18	17	16	15	14	13	12	11	10	9	8	7	6	5	4	3	2	1	0								
RESERVED																																							

Bits	Field Name	Description	Type	Reset
12	LINK_UP_EVT_EN	Link-up state change IRQ enable Write 0: No action Read 0: IRQ event is disabled Write 1: Clear IRQ enable (that is, disable event) Read 1: IRQ event is enabled	RW Wr1toClr	0x0
11	LINK_REQ_RST_EN	Link Request Reset IRQ enable Write 0: No action Read 0: IRQ event is disabled Write 1: Clear IRQ enable (that is, disable event) Read 1: IRQ event is enabled	RW Wr1toClr	0x0
10	PM_PME_EN	PM Power Management Event message received IRQ enable Write 0: No action Read 0: IRQ event is disabled Write 1: Clear IRQ enable (that is, disable event) Read 1: IRQ event is enabled	RW Wr1toClr	0x0
9	PME_TO_ACK_EN	Power Management Event Turn-Off Ack message received IRQ enable Write 0: No action Read 0: IRQ event is disabled Write 1: Clear IRQ enable (that is, disable event) Read 1: IRQ event is enabled	RW Wr1toClr	0x0
8	PME_TURN_OFF_EN	Power Management Event Turn-Off message received IRQ enable Write 0: No action Read 0: IRQ event is disabled Write 1: Clear IRQ enable (that is, disable event) Read 1: IRQ event is enabled	RW Wr1toClr	0x0
7:6	RESERVED		R	0x0
5	ERR_ECRC_EN	ECRC Error IRQ enable Write 0: No action Read 0: IRQ event is disabled Write 1: Clear IRQ enable (that is, disable event) Read 1: IRQ event is enabled	RW Wr1toClr	0x0
4	ERR_AXI_EN	AXI tag lookup fatal Error IRQ enable Write 0: No action Read 0: IRQ event is disabled Write 1: Clear IRQ enable (that is, disable event) Read 1: IRQ event is enabled	RW Wr1toClr	0x0
3	ERR_COR_EN	Correctable Error message received IRQ enable Write 0: No action Read 0: IRQ event is disabled Write 1: Clear IRQ enable (that is, disable event) Read 1: IRQ event is enabled	RW Wr1toClr	0x0
2	ERR_NONFATAL_EN	Non-Fatal Error message received IRQ enable Write 0: No action Read 0: IRQ event is disabled Write 1: Clear IRQ enable (that is, disable event) Read 1: IRQ event is enabled	RW Wr1toClr	0x0
1	ERR_FATAL_EN	Fatal Error message received IRQ enable Write 0: No action Read 0: IRQ event is disabled Write 1: Clear IRQ enable (that is, disable event) Read 1: IRQ event is enabled	RW Wr1toClr	0x0
0	ERR_SYS_EN	System Error IRQ enable Write 0: No action Read 0: IRQ event is disabled Write 1: Clear IRQ enable (that is, disable event) Read 1: IRQ event is enabled	RW Wr1toClr	0x0

Table 24-1089. Register Call Summary for Register PCIECTRL_TI_CONF_IRQENABLE_CLR_MAIN

PCIe Controller

- [PCIe Controller Main Hardware Management: \[0\]\[1\]\[2\]\[3\]\[4\]\[5\]\[6\]\[7\]\[8\]\[9\]\[10\]\[11\]\[12\]](#)
- [PCIe_SS_TI_CONF Register Summary: \[13\]\[14\]](#)

Table 24-1090. PCIECTRL_TI_CONF_IRQSTATUS_RAW_MSI

Address Offset	0x0000 0030		
Physical Address	0x5100 2030 0x5180 2030	Instance	PCIe_SS1_TI_CONF PCIe_SS2_TI_CONF
Description	Raw status of legacy and MSI interrupt requests; Set even if event is not enabled. Write 1 to set the (raw) status, mostly for debug (regular status also gets set).		
Type	RW W1toSet		

31	30	29	28	27	26	25	24	23	22	21	20	19	18	17	16	15	14	13	12	11	10	9	8	7	6	5	4	3	2	1	0
RESERVED																											MSI	INTD	INTC	INTB	INTA

Bits	Field Name	Description	Type	Reset
31:5	RESERVED		R	0x0
4	MSI	Message Signaled Interrupt IRQ status Write 0: No action Read 0: No event pending Write 1: Trigger IRQ event by software Read 1: IRQ event pending	RW W1toSet	0x0
3	INTD	INTD IRQ status (Legacy PCIe message interrupt D); RC mode only. Write 0: No action Read 0: No event pending Write 1: Trigger IRQ event by software Read 1: IRQ event pending	RW W1toSet	0x0
2	INTC	INTC IRQ status (Legacy PCIe message interrupt C); RC mode only. Write 0: No action Read 0: No event pending Write 1: Trigger IRQ event by software Read 1: IRQ event pending	RW W1toSet	0x0
1	INTB	INTB IRQ status (Legacy PCIe message interrupt B); RC mode only. Write 0: No action Read 0: No event pending Write 1: Trigger IRQ event by software Read 1: IRQ event pending	RW W1toSet	0x0
0	INTA	INTA IRQ status (Legacy PCIe message interrupt A); RC mode only. Write 0: No action Read 0: No event pending Write 1: Trigger IRQ event by software Read 1: IRQ event pending	RW W1toSet	0x0

Table 24-1091. Register Call Summary for Register PCIECTRL_TI_CONF_IRQSTATUS_RAW_MSI

PCIe Controller

- [PCIe Controller MSI Hardware Interrupt Events: \[0\]](#)
- [PCIe_SS_TI_CONF Register Summary: \[1\]\[2\]](#)

Table 24-1092. PCIECTRL_TI_CONF_IRQSTATUS_MSI

Address Offset	0x0000 0034		
Physical Address	0x5100 2034 0x5180 2034	Instance	PCIe_SS1_TI_CONF PCIe_SS2_TI_CONF
Description	Regular status of legacy and MSI interrupt requests; Set only when enabled. Write 1 to clear after interrupt has been serviced (raw status also gets cleared). HW-generated events are self-clearing.		
Type	RW W1toClr		

31	30	29	28	27	26	25	24	23	22	21	20	19	18	17	16	15	14	13	12	11	10	9	8	7	6	5	4	3	2	1	0	
RESERVED																												MSI	INTD	INTC	INTB	INTA

Bits	Field Name	Description	Type	Reset
31:5	RESERVED		R	0x0
4	MSI	Message Signaled Interrupt IRQ status. Cleared by clearing all vectors in the MSI controller (PL) registers Write 0: No action Read 0: No event pending Write 1: Clear pending event, if any. Read 1: IRQ event pending	RW W1toClr	0x0
3	INTD	INTD IRQ status (Legacy PCIe message interrupt D); RC mode only. Typically set AND cleared by the remote EP, without local software intervention. Write 0: No action Read 0: No event pending Write 1: Clear pending event, if any. Read 1: IRQ event pending	RW W1toClr	0x0
2	INTC	INTC IRQ status (Legacy PCIe message interrupt C); RC mode only. Typically set AND cleared by the remote EP, without local software intervention. Write 0: No action Read 0: No event pending Write 1: Clear pending event, if any. Read 1: IRQ event pending	RW W1toClr	0x0
1	INTB	INTB IRQ status (Legacy PCIe message interrupt B); RC mode only. Typically set AND cleared by the remote EP, without local software intervention. Write 0: No action Read 0: No event pending Write 1: Clear pending event, if any. Read 1: IRQ event pending	RW W1toClr	0x0
0	INTA	INTA IRQ status (Legacy PCIe message interrupt A); RC mode only. Typically set AND cleared by the remote EP, without local software intervention. Write 0: No action Read 0: No event pending Write 1: Clear pending event, if any. Read 1: IRQ event pending	RW W1toClr	0x0

Table 24-1093. Register Call Summary for Register PCIECTRL_TI_CONF_IRQSTATUS_MSI

PCIe Controller

- [PCIe Controller Legacy and MSI Virtual Interrupts Management: \[0\]\[1\]\[2\]\[3\]\[4\]\[5\]\[6\]\[7\]\[8\]\[9\]\[10\]](#)
- [PCIe Controller MSI Hardware Interrupt Events: \[11\]\[12\]\[13\]\[14\]\[15\]\[16\]](#)
- [Main Sequence of PCIe Controllers Initialization: \[17\]\[18\]\[19\]](#)
- [PCIe_SS_TI_CONF Register Summary: \[20\]\[21\]](#)

Table 24-1094. PCIECTRL_TI_CONF_IRQENABLE_SET_MSI

Address Offset	0x0000 0038	Instance	PCIe_SS1_TI_CONF PCIe_SS2_TI_CONF
Physical Address	0x5100 2038 0x5180 2038		
Description	Enable of legacy and MSI interrupt requests; Write 1 to set (ie to enable interrupt). Readout is the same as corresponding _CLR register.		
Type	RW W1toSet		

31	30	29	28	27	26	25	24	23	22	21	20	19	18	17	16	15	14	13	12	11	10	9	8	7	6	5	4	3	2	1	0
RESERVED																											MSI_EN	INTD_EN	INTC_EN	INTB_EN	INTA_EN

Bits	Field Name	Description	Type	Reset
31:5	RESERVED		R	0x0
4	MSI_EN	Message Signaled Interrupt IRQ enable Write 0: No action Read 0: IRQ event is disabled Write 1: Set IRQ enable (that is, enable event) Read 1: IRQ event is enabled	RW W1toSet	0x0
3	INTD_EN	INTD IRQ enable Write 0: No action Read 0: IRQ event is disabled Write 1: Set IRQ enable (that is, enable event) Read 1: IRQ event is enabled	RW W1toSet	0x0
2	INTC_EN	INTC IRQ enable Write 0: No action Read 0: IRQ event is disabled Write 1: Set IRQ enable (that is, enable event) Read 1: IRQ event is enabled	RW W1toSet	0x0
1	INTB_EN	INTB IRQ enable Write 0: No action Read 0: IRQ event is disabled Write 1: Set IRQ enable (that is, enable event) Read 1: IRQ event is enabled	RW W1toSet	0x0
0	INTA_EN	INTA IRQ enable Write 0: No action Read 0: IRQ event is disabled Write 1: Set IRQ enable (that is, enable event) Read 1: IRQ event is enabled	RW W1toSet	0x0

Table 24-1095. Register Call Summary for Register PCIECTRL_TI_CONF_IRQENABLE_SET_MSI

PCIe Controller

- [PCIe Controller MSI Hardware Interrupt Events: \[0\]\[1\]\[2\]\[3\]\[4\]\[5\]\[6\]](#)
- [Main Sequence of PCIe Controllers Initialization: \[7\]\[8\]](#)
- [PCIe_SS_TI_CONF Register Summary: \[9\]\[10\]](#)

Table 24-1096. PCIECTRL_TI_CONF_IRQENABLE_CLR_MSI

Address Offset	0x0000 003C	Instance	PCIe_SS1_TI_CONF PCIe_SS2_TI_CONF
Physical Address	0x5100 203C 0x5180 203C		
Description	Enable of legacy and MSI interrupt requests; Write 1 to clear (ie to disable interrupt). Readout is the same as corresponding _SET register.		
Type	RW W1toClr		

31	30	29	28	27	26	25	24	23	22	21	20	19	18	17	16	15	14	13	12	11	10	9	8	7	6	5	4	3	2	1	0
RESERVED																											MSI_EN	INTD_EN	INTC_EN	INTB_EN	INTA_EN

Bits	Field Name	Description	Type	Reset
31:5	RESERVED		R	0x0
4	MSI_EN	Message Signaled Interrupt IRQ enable Write 0: No action Read 0: IRQ event is disabled Write 1: Clear IRQ enable (that is, disable event) Read 1: IRQ event is enabled	RW W1toClr	0x0
3	INTD_EN	INTD IRQ enable Write 0: No action Read 0: IRQ event is disabled Write 1: Clear IRQ enable (that is, disable event) Read 1: IRQ event is enabled	RW W1toClr	0x0
2	INTC_EN	INTC IRQ enable Write 0: No action Read 0: IRQ event is disabled Write 1: Clear IRQ enable (that is, disable event) Read 1: IRQ event is enabled	RW W1toClr	0x0
1	INTB_EN	INTB IRQ enable Write 0: No action Read 0: IRQ event is disabled Write 1: Clear IRQ enable (that is, disable event) Read 1: IRQ event is enabled	RW W1toClr	0x0
0	INTA_EN	INTA IRQ enable Write 0: No action Read 0: IRQ event is disabled Write 1: Clear IRQ enable (that is, disable event) Read 1: IRQ event is enabled	RW W1toClr	0x0

Table 24-1097. Register Call Summary for Register PCIECTRL_TI_CONF_IRQENABLE_CLR_MSI

PCIe Controller

- [PCIe Controller Legacy and MSI Virtual Interrupts Management: \[0\]](#)
- [PCIe Controller MSI Hardware Interrupt Events: \[1\]\[2\]\[3\]\[4\]\[5\]](#)
- [Main Sequence of PCIe Controllers Initialization: \[6\]\[7\]\[8\]\[9\]](#)
- [PCIe_SS_TI_CONF Register Summary: \[10\]\[11\]](#)

Table 24-1098. PCIECTRL_TI_CONF_DEVICE_TYPE

Address Offset	0x0000 0100	Instance	PCIe_SS1_TI_CONF PCIe_SS2_TI_CONF
Physical Address	0x5100 2100 0x5180 2100		
Description	Sets the Dual-Mode device's type		
Type	RW		

31	30	29	28	27	26	25	24	23	22	21	20	19	18	17	16	15	14	13	12	11	10	9	8	7	6	5	4	3	2	1	0
RESERVED																							TYPE								

Bits	Field Name	Description	Type	Reset
31:4	RESERVED		R	0x0
3:0	TYPE	PCIe device type including the contents of the PCI config space (Type-0 for EP, Type-1 for RC); Apply fundamental reset after change; Do not change during core operation; 0x0: PCIe endpoint (EP) 0x1: Legacy PCIe endpoint (LEG_EP) 0x4: Root Complex (RC) Other values: Reserved	RW	0x4

Table 24-1099. Register Call Summary for Register PCIECTRL_TI_CONF_DEVICE_TYPE

PCIe Controller

- [PCIe Reset Conditions: \[0\]\[1\]\[2\]\[3\]\[4\]\[5\]\[6\]](#)
- [PCIe I/O-type \(IO\) traffic management: \[7\]](#)
- [Main Sequence of PCIe Controllers Initialization: \[8\]\[9\]\[10\]\[11\]\[12\]\[13\]](#)
- [PCIe_SS_TI_CONF Register Summary: \[14\]\[15\]](#)

Table 24-1100. PCIECTRL_TI_CONF_DEVICE_CMD

Address Offset	0x0000 0104		
Physical Address	0x5100 2104 0x5180 2104	Instance	PCIe_SS1_TI_CONF PCIe_SS2_TI_CONF
Description	Device command (startup control and status); WARNING: cleared by all reset conditions, including fundamental reset		
Type	RW		

31	30	29	28	27	26	25	24	23	22	21	20	19	18	17	16	15	14	13	12	11	10	9	8	7	6	5	4	3	2	1	0										
RESERVED								BUS_NUM								DEV_NUM								RESERVED								LTSSM_STATE								APP_REQ_RETRY_EN	LTSSM_EN

Bits	Field Name	Description	Type	Reset
31:29	RESERVED		R	0x0
28:21	BUS_NUM	PCIe bus number	R	0x0
20:16	DEV_NUM	PCIe device number	R	0x0
15:8	RESERVED		R	0x0

Bits	Field Name	Description	Type	Reset
7:2	LTSSM_STATE	LTSSM state /substate, implementation-specific, for debug Read 0x00: DETECT_QUIET Read 0x01: DETECT_ACT Read 0x02: POLL_ACTIVE Read 0x03: POLL_COMPLIANCE Read 0x04: POLL_CONFIG Read 0x05: PRE_DETECT_QUIET Read 0x06: DETECT_WAIT Read 0x07: CFG_LINKWD_START Read 0x08: CFG_LINKWD_ACEPT Read 0x09: CFG_LANENUM_WAIT Read 0x0A: CFG_LANENUM_ACEPT Read 0x0B: CFG_COMPLETE Read 0x0C: CFG_IDLE Read 0x0D: RCVRY_LOCK Read 0x0E: RCVRY_SPEED Read 0x0F: RCVRY_RCVRCFG Read 0x10: RCVRY_IDLE Read 0x11: L0 Read 0x12: L0S Read 0x13: L123_SEND_EIDLE Read 0x14: L1_IDLE Read 0x15: L2_IDLE Read 0x16: L2_WAKE Read 0x17: DISABLED_ENTRY Read 0x18: DISABLED_IDLE Read 0x19: DISABLED Read 0x1A: LPBK_ENTRY Read 0x1B: LPBK_ACTIVE Read 0x1C: LPBK_EXIT Read 0x1D: LPBK_EXIT_TIMEOUT Read 0x1E: HOT_RESET_ENTRY Read 0x1F: HOT_RESET Read 0x20: RCVRY_EQ0 Read 0x21: RCVRY_EQ1 Read 0x22: RCVRY_EQ2 Read 0x23: RCVRY_EQ3	R	0x0
1	APP_REQ_RETRY_EN	Application Request Retry Enable (This bit is CLEARED BY FUNDAMENTAL RESET) 0x0: DISABLED Incoming PCI transactions are processed normally 0x1: ENABLED Incoming PCI transactions are responded with "retry"	RW	0x0
0	LTSSM_EN	LTSSM enable: start the PCI link (This bit is CLEARED BY FUNDAMENTAL RESET) 0x0: DISABLED 0x1: ENABLED	RW	0x0

Table 24-1101. Register Call Summary for Register PCIECTRL_TI_CONF_DEVICE_CMD

PCIe Controller

- [Main Sequence of PCIe Controllers Initialization: \[0\]\[1\]\[2\]\[3\]](#)
- [PCIe_SS_TI_CONF Register Summary: \[4\]\[5\]](#)

Table 24-1102. PCIECTRL_TI_CONF_PM_CTRL

Address Offset	0x0000 0108	Instance	PCIe_SS1_TI_CONF
Physical Address	0x5100 2108 0x5180 2108		PCIe_SS2_TI_CONF
Description	Power Management Control		
Type	RW		

31	30	29	28	27	26	25	24	23	22	21	20	19	18	17	16	15	14	13	12	11	10	9	8	7	6	5	4	3	2	1	0								
RESERVED																AUX_PWR_DET				REQ_EXIT_L1				REQ_ENTR_L1				L23_READY				RESERVED				PM_PME		PME_TURN_OFF	

Bits	Field Name	Description	Type	Reset
31:12	RESERVED		R	0x0
11	AUX_PWR_DET	Auxilliary Power Detection; Status of Vaux detection for the PCIe controller; Determines transition to L2 vs L3 upon Vmain turn-off. 0x0: UNPOWERED Vaux not present: D3cold maps to L3 link state 0x1: POWERED Vaux present: D3cold maps to L2 link state	RW	0x0
10	REQ_EXIT_L1	Request to exit L1 state (to L0) 0x0: INACTIVE No request 0x1: ACTIVE L1 exit request	RW	0x0
9	REQ_ENTR_L1	Request to transition to L1 state 0x0: INACTIVE No request 0x1: ACTIVE L1 entry request	RW	0x0
8	L23_READY	Indicates system readiness for the link to enter L2/L3 ready state (EP mode only); Allows the transmission of PM_Enter_L23 following PM_Turn_OFF/PME_TO_Ack handshake. Self-cleared upon transition to L2/L3. 0x0: not_READY 0x1: READY	RW	0x0
7:2	RESERVED		R	0x0
1	PM_PME	Transmits PM_PME wakeup message (EP mode only) 0x0: NOACTION 0x1: TRANSMIT	W	0x0
0	PME_TURN_OFF	Transmits PME_Turn_Off message downstream (RC mode only); Eventually sends all links of hierarchy domain to L2L3_ready 0x0: NOACTION 0x1: TRANSMIT	W	0x0

Table 24-1103. Register Call Summary for Register PCIECTRL_TI_CONF_PM_CTRL

PCIe Controller

- [PCIe Reset Conditions: \[0\]](#)
- [PCIe Message-type \(Msg\) traffic management: \[1\]\[2\]\[3\]](#)
- [PCIe_SS_TI_CONF Register Summary: \[5\]\[6\]](#)

Table 24-1104. PCIECTRL_TI_CONF_PHY_CS

Address Offset	0x0000 010C	Instance	PCIe_SS1_TI_CONF PCIe_SS2_TI_CONF
Physical Address	0x5100 210C 0x5180 210C		
Description	Physical Layer Control and Status		

Table 24-1104. PCIECTRL_TI_CONF_PHY_CS (continued)

Type		RW																															
31	30	29	28	27	26	25	24	23	22	21	20	19	18	17	16	15	14	13	12	11	10	9	8	7	6	5	4	3	2	1	0		
RESERVED																LINK_UP	RESERVED																REVERSE_LANES

Bits	Field Name	Description	Type	Reset
31:17	RESERVED		R	0x0
16	LINK_UP	Link status, from LTSSM 0x0: DOWN 0x1: UP	R	0x0
15:1	RESERVED		R	0x0
0	REVERSE_LANES	Manual lane reversal control, allowing lane 0 and lane 1 to be swapped by default; Both Tx and Rx are reversed; Polarity of the individual lane is unchanged 0x0: STRAIGHT 0x1: REVERSED	RW	0x0

Table 24-1105. Register Call Summary for Register PCIECTRL_TI_CONF_PHY_CS

PCIe Controller

- [Main Sequence of PCIe Controllers Initialization: \[0\]\[1\]](#)
- [PCIe_SS_TI_CONF Register Summary: \[2\]\[3\]](#)

Table 24-1106. PCIECTRL_TI_CONF_INTX_ASSERT

Address Offset	0x0000 0124		
Physical Address	0x5100 2124 0x5180 2124	Instance	PCIe_SS1_TI_CONF PCIe_SS2_TI_CONF
Description	Legacy INTx ASSERT message control, with 'x' in (A,B,C,D) set by the 'Interrupt Pin' field. Write 1 to send message, read to get the status; EP mode only		
Type	RW		

31	30	29	28	27	26	25	24	23	22	21	20	19	18	17	16	15	14	13	12	11	10	9	8	7	6	5	4	3	2	1	0
RESERVED																															ASSERT_F0

Bits	Field Name	Description	Type	Reset
31:1	RESERVED		R	0x0
0	ASSERT_F0	INTx ASSERT for function 0 Write 0: No action Read 0: INTx is inactive (has been deasserted) Write 1: Transmit INTx ASSERT to RC Read 1: INTx is active (has been asserted)	RW	0x0

Table 24-1107. Register Call Summary for Register PCIECTRL_TI_CONF_INTX_ASSERT

PCIe Controller

- [PCIe Controller Legacy and MSI Virtual Interrupts Management: \[0\]](#)
- [PCIe_SS_TI_CONF Register Summary: \[1\]\[2\]](#)

Table 24-1108. PCIECTRL_TI_CONF_INTX_DEASSERT

Address Offset	0x0000 0128	Instance	PCIe_SS1_TI_CONF PCIe_SS2_TI_CONF
Physical Address	0x5100 2128 0x5180 2128		
Description	Legacy INTx DEASSERT message control, with 'x' in (A,B,C,D) set by the 'Interrupt Pin' field. Write 1 to send message, read to get the status; EP mode only		
Type	RW		

31	30	29	28	27	26	25	24	23	22	21	20	19	18	17	16	15	14	13	12	11	10	9	8	7	6	5	4	3	2	1	0
RESERVED																DEASSERT_F0															

Bits	Field Name	Description	Type	Reset
31:1	RESERVED		R	0x0
0	DEASSERT_F0	INTx DEASSERT for function 0 Write 0: No action Read 0: INTx is inactive (has been deasserted) Write 1: Transmit INTx DEASSERT to RC Read 1: INTx is active (has been asserted)	RW	0x0

Table 24-1109. Register Call Summary for Register PCIECTRL_TI_CONF_INTX_DEASSERT

PCIe Controller

- [PCIe Controller Legacy and MSI Virtual Interrupts Management: \[0\]](#)
- [PCIe_SS_TI_CONF Register Summary: \[1\]\[2\]](#)

Table 24-1110. PCIECTRL_TI_CONF_MSI_XMT

Address Offset	0x0000 012C	Instance	PCIe_SS1_TI_CONF PCIe_SS2_TI_CONF
Physical Address	0x5100 212C 0x5180 212C		
Description	MSI transmitter (EP mode); Specifies parameters of MSI, together with MSI capability descriptor already configured by remote RC.		
Type	RW		

31	30	29	28	27	26	25	24	23	22	21	20	19	18	17	16	15	14	13	12	11	10	9	8	7	6	5	4	3	2	1	0
RESERVED																MSI_VECTOR						MSI_TC		MSI_FUNC_NUM		MSI_REQ_GRANT					

Bits	Field Name	Description	Type	Reset
31:12	RESERVED		R	0x0
11:7	MSI_VECTOR	Vector number for transmitted MSI (as allowed by RC at enumeration)	RW	0x0
6:4	MSI_TC	Traffic class (TC) for transmitted MSI	RW	0x0
3:1	MSI_FUNC_NUM	Function number for transmitted MSI; Always 0 for single-function EP	RW	0x0
0	MSI_REQ_GRANT	MSI transmit request (and grant status) Write 0: No Action Read 0: MSI transmission request pending Read 1: No MSI request pending (last request granted) Write 1: Request MSI transmission	RW	0x0

Table 24-1111. Register Call Summary for Register PCIECTRL_TI_CONF_MSI_XMT

PCIe Controller

- [PCIe Controller Legacy and MSI Virtual Interrupts Management: \[0\]\[1\]\[2\]](#)
- [PCIe_SS_TI_CONF Register Summary: \[3\]\[4\]](#)

Table 24-1112. PCIECTRL_TI_CONF_DEBUG_CFG

Address Offset	0x0000 0140	Instance	PCIe_SS1_TI_CONF PCIe_SS2_TI_CONF
Physical Address	0x5100 2140 0x5180 2140		
Description	Configuration of debug_data output and register (observability)		
Type	RW		

31	30	29	28	27	26	25	24	23	22	21	20	19	18	17	16	15	14	13	12	11	10	9	8	7	6	5	4	3	2	1	0
RESERVED																SEL															

Bits	Field Name	Description	Type	Reset
31:6	RESERVED		R	0x0
5:0	SEL	Debug_data mode	RW	0x0

Table 24-1113. Register Call Summary for Register PCIECTRL_TI_CONF_DEBUG_CFG

PCIe Controller

- [PCIe_SS_TI_CONF Register Summary: \[0\]\[1\]](#)

Table 24-1114. PCIECTRL_TI_CONF_DEBUG_DATA

Address Offset	0x0000 0144	Instance	PCIe_SS1_TI_CONF PCIe_SS2_TI_CONF
Physical Address	0x5100 2144 0x5180 2144		
Description	Debug data vector, depending on DEBUG_CFG.sel value		
Type	R		

31	30	29	28	27	26	25	24	23	22	21	20	19	18	17	16	15	14	13	12	11	10	9	8	7	6	5	4	3	2	1	0
DEBUG																															

Bits	Field Name	Description	Type	Reset
31:0	DEBUG		R	0x0

Table 24-1115. Register Call Summary for Register PCIECTRL_TI_CONF_DEBUG_DATA

PCIe Controller

- [PCIe_SS_TI_CONF Register Summary: \[0\]\[1\]](#)

Table 24-1116. PCIECTRL_TI_CONF_DIAG_CTRL

Address Offset	0x0000 0148	Instance	PCIe_SS1_TI_CONF PCIe_SS2_TI_CONF
Physical Address	0x5100 2148 0x5180 2148		
Description	Diagnostic control		
Type	RW		

31	30	29	28	27	26	25	24	23	22	21	20	19	18	17	16	15	14	13	12	11	10	9	8	7	6	5	4	3	2	1	0
RESERVED																INV_ECRC	INV_LCRC														

Bits	Field Name	Description	Type	Reset
31:3	RESERVED		R	0x0
2	RESERVED	software must always keep this bit at its default value - 0.	RW	0
1	INV_ECRC	Corrupt LSB of ECRC in the next packet, then self-clears. Read 0: No CRC corruption pending Read 1: CRC corruption pending Write 1: Request CRC corruption	RW	0x0
0	INV_LCRC	Corrupts LSB of LCRC in the next packet, then self-clears. Read 0: No CRC corruption pending Read 1: CRC corruption pending Write 1: Request CRC corruption	RW	0x0

Table 24-1117. Register Call Summary for Register PCIECTRL_TI_CONF_DIAG_CTRL

PCIe Controller

- [PCIe_SS_TI_CONF Register Summary: \[0\]\[1\]](#)

24.10 DCAN

This chapter describes the controller area network modules (DCAN) in the device.

24.10.1 DCAN Overview

The Controller Area Network (CAN) is a serial communications protocol which efficiently supports distributed real-time applications. CAN has high immunity to electrical interference and the ability to self-diagnose and repair data errors. In a CAN network, many short messages are broadcast to the entire network, which provides for data consistency in every node of the system.

The device supports two DCAN modules, referred to as DCAN1 and DCAN2, connecting to the CAN network through external (for the device) transceivers. The DCAN modules support bit rates up to 1 Mbit/s and are compliant to the CAN 2.0B protocol specification

Figure 24-170 shows the DCAN1 module highlights.

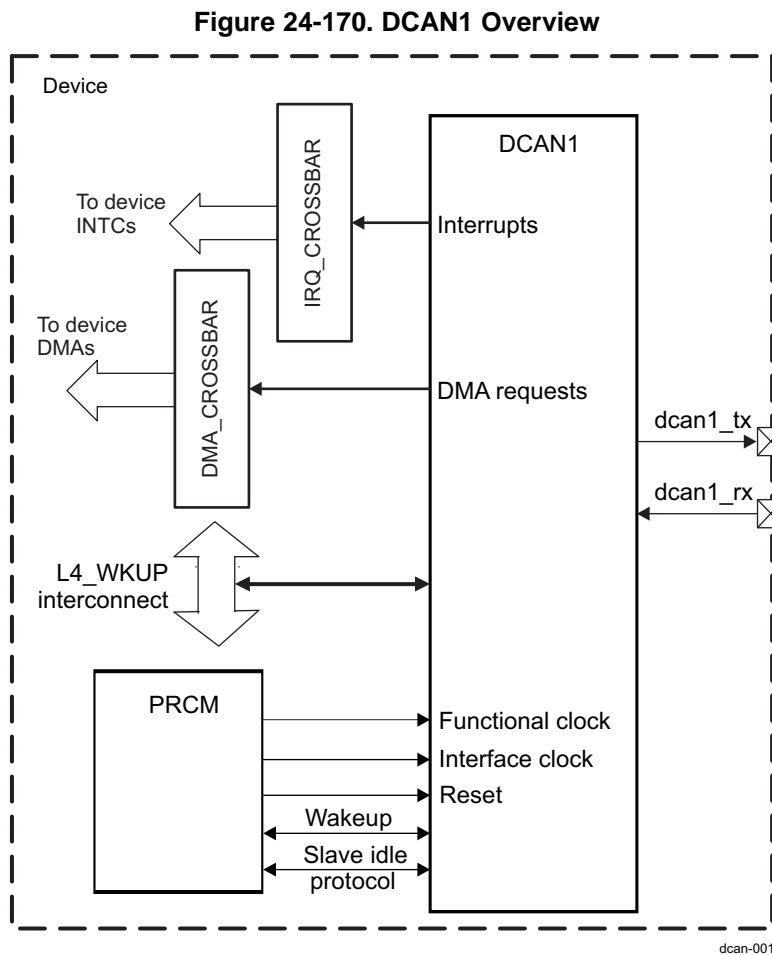
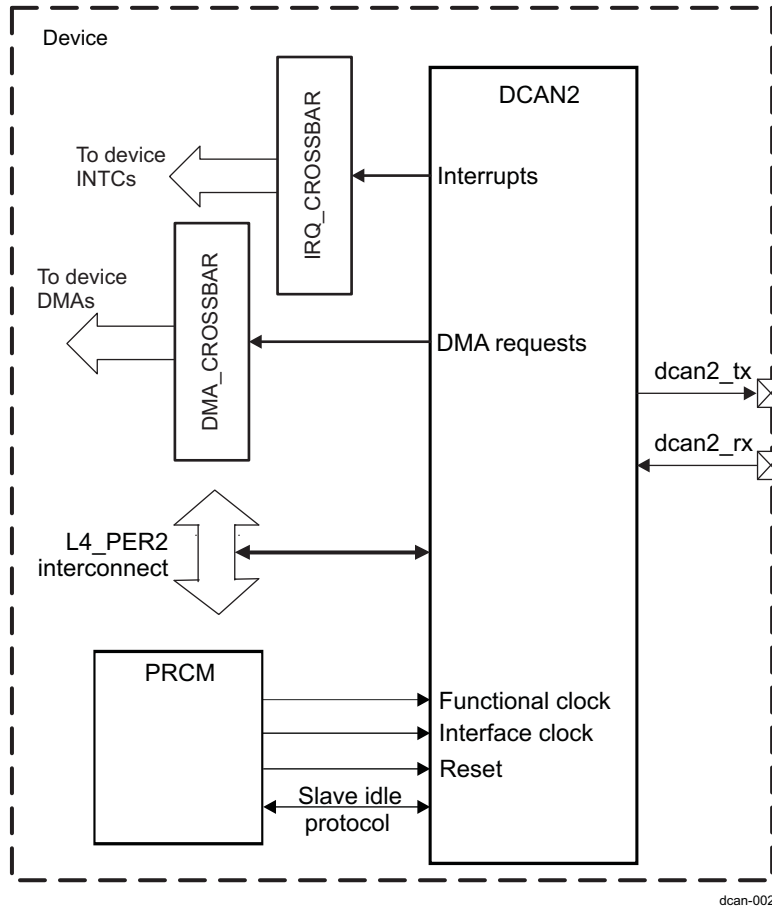


Figure 24-171 shows the DCAN2 module highlights .

Figure 24-171. DCAN2 Overview



dcan-002

24.10.1.1 Features

The DCAN module implements the following features:

- Support for CAN protocol version 2.0 part A, B
- Bit rates up to 1 Mbit/s
- 64 message objects in a dedicated message RAM
- Individual identifier mask for each message object
- Programmable FIFO mode for message objects
- Programmable loop-back modes for self-test operation
- Suspend mode for debug support
- Automatic bus on after Bus-Off state by a programmable 32-bit timer
- Message RAM parity check mechanism
- Direct access to message RAM during test mode
- Support for two interrupt lines: Level 0 and Level 1, plus separate parity error interrupt line
- Local power down and wakeup support
- Automatic message RAM initialization
- Support for DMA access

24.10.2 DCAN Environment

CAN network physical layer consists of two-wire differential bus, usually twisted pair, and provides high level of interference immunity. External CAN transceiver IC is needed to access a CAN bus by the DCAN.

Figure 24-172 shows an overview of a typical DCAN application.

Figure 24-172. DCAN Typical Application

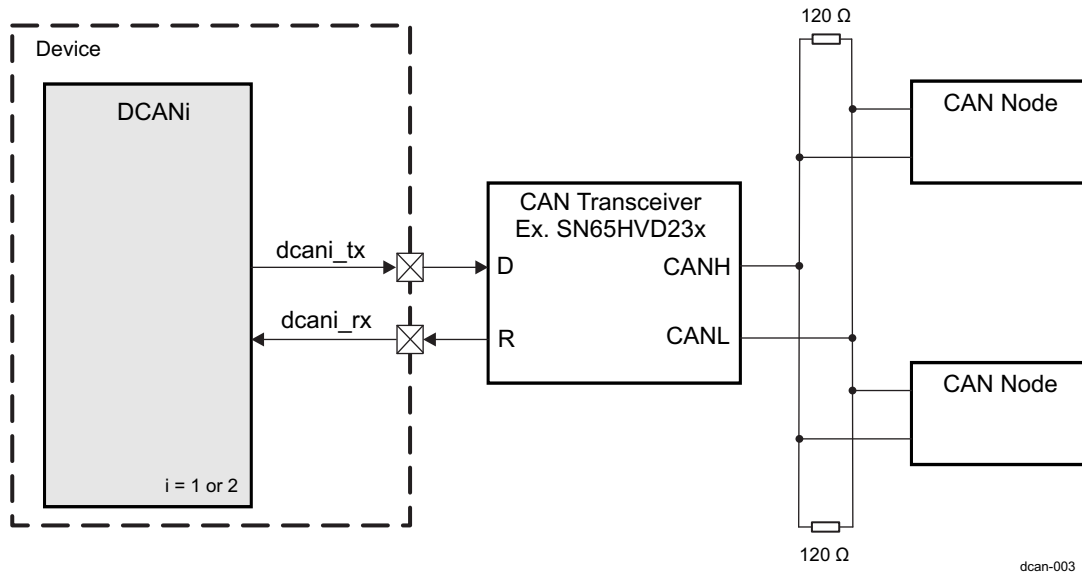


Table 24-1118 describes the external signals of the DCAN1 module.

Table 24-1118. DCAN2 I/O Description

Module Signal	Device Signal	I/O ⁽¹⁾	Description	Value at Reset
CAN_RX	dcan2_rx	I	Serial data input from external CAN transceiver	HiZ
CAN_TX	dcan2_tx	O	Serial data output to external CAN transceiver	1

⁽¹⁾ I = Input; O = Output

Table 24-1119 describes the external signals of the DCAN2 module.

Table 24-1119. DCAN1 I/O Description

Module Signal	Device Signal	I/O ⁽¹⁾	Description	Value at Reset
CAN_RX	dcan1_rx	I	Serial data input from external CAN transceiver	HiZ
CAN_TX	dcan1_tx	O	Serial data output to external CAN transceiver	1

⁽¹⁾ I = Input; O = Output

NOTE: The path from a module pin to device pad(s) is defined at the device I/O logic level. The control module registers assign the specific function to the device pads. For more information on control module settings, see [Section 18.4.6.1.1, Pad Configuration Registers of Chapter 18, Control Module](#).

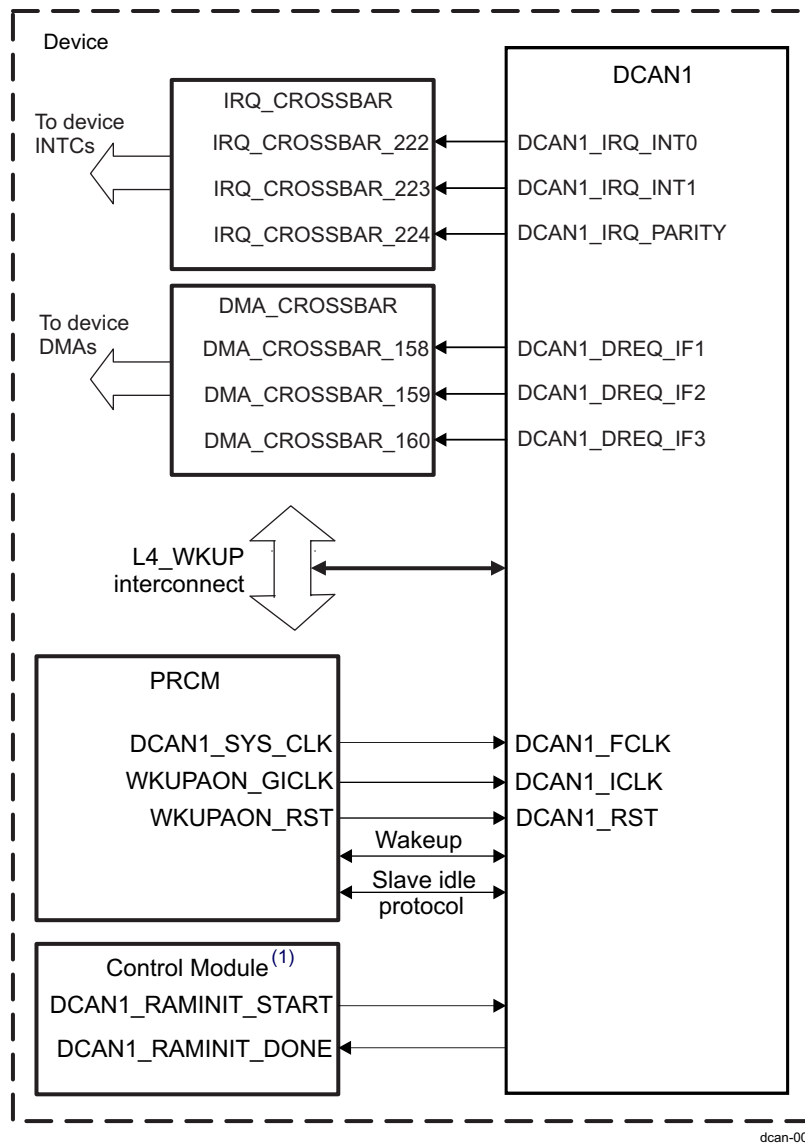
24.10.2.1 CAN Network Basics

- CAN bus is a 2-wire differential bus using NRZ encoding and has two states:
 - Recessive state (logic 1)
 - Dominant state (logic 0)
- The network is multimaster. When two or more nodes attempt to transmit at the same time, a non-destructive arbitration technique guarantees messages are sent in order of priority and no messages are lost
- The message transmission is multicast. Data messages transmitted are identifier based, not address based
- Content of message is labeled by the identifier that is unique throughout the network (for example, rpm, temperature, position, pressure, etc.)
- All nodes on network receive the message and each performs an acceptance test on the identifier. If message is relevant, it is processed, otherwise it is ignored
- The unique identifier also determines the priority of the message (the lower the numerical value of the identifier, the higher the priority is)
- Data is transmitted and received using message frames, consisting of:
 - Arbitration field
 - Control field
 - Data field (0 ÷ 8 bytes)
 - CRC field
 - ACK field.

24.10.3 DCAN Integration

Figure 24-173 shows the integration of the DCAN1 module in the device.

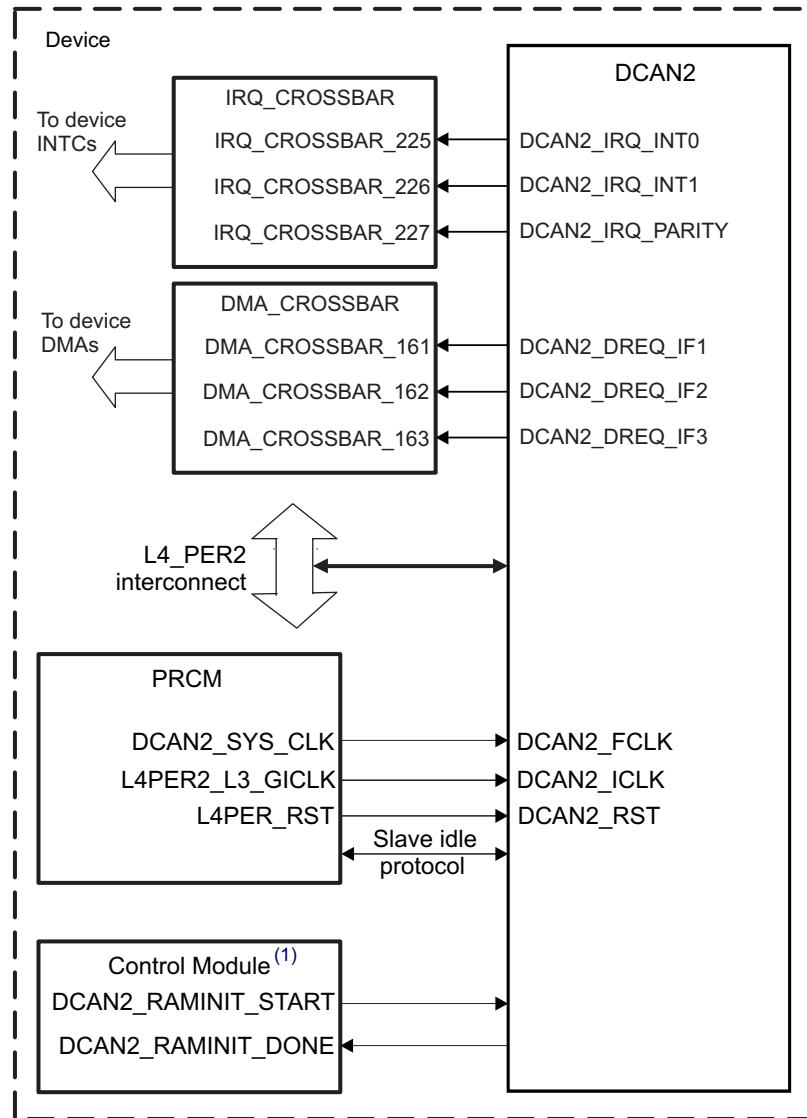
Figure 24-173. DCAN1 Integration



(1) For more information on DCAN RAM Initialization see Section 24.10.4.12.1.3, DCAN RAM Hardware Initialization

Figure 24-174 shows the integration of the DCAN2 module in the device .

Figure 24-174. DCAN2 Integration



dcan-005

⁽¹⁾ For more information on DCAN RAM Initialization see [Section 24.10.4.12.1.3](#), *DCAN RAM Hardware Initialization*

[Table 24-1120](#) through [Table 24-1122](#) summarize the integration of the DCAN modules in the device.

Table 24-1120. DCAN Integration Attributes

Module Instance	Attributes		
	Power Domain	Wake-Up Capability	Interconnect
DCAN1	PD_WKUPAON	Yes	L4_WKUP
DCAN2	PD_COREAON	No	L4_PER2

Table 24-1121. DCAN Clocks and Resets

Clocks				
Module Instance	Destination Signal Name	Source Signal Name	Source	Description
DCAN1	DCAN1_ICLK	WKUPAON_GICLK	PRCM	Interface clock for the DCAN1 module

Table 24-1121. DCAN Clocks and Resets (continued)

	DCAN1_FCLK	DCAN1_SYS_CLK	PRCM	Functional clock for the DCAN1 core (CAN_CLK). Gated SYS_CLK1 or SYS_CLK2 version.
DCAN2	DCAN2_ICLK	L4PER2_L3_GICLK	PRCM	Interface clock for the DCAN2 module
	DCAN2_FCLK	DCAN2_SYS_CLK	PRCM	Functional clock for the DCAN2 core (CAN_CLK). Gated SYS_CLK1 version.
Resets				
Module Instance	Destination Signal Name	Source Signal Name	Source	Description
DCAN1	DCAN1_RST	WKUPAON_RST	PRCM	Asynchronous reset signal to the DCAN1 module
DCAN2	DCAN2_RST	L4PER_RST	PRCM	Asynchronous reset signal to the DCAN2 module

Table 24-1122. DCAN Hardware Requests

Interrupt Requests				
Module Instance	Source Signal Name	IRQ_CROSSBAR Input	Default Mapping	Description
DCAN1	DCAN1_IRQ_INT0	IRQ_CROSSBAR_222	-	Error, Status, and Message Objects interrupt
	DCAN1_IRQ_INT1	IRQ_CROSSBAR_223	-	Message Objects interrupt
	DCAN1_IRQ_PARITY	IRQ_CROSSBAR_224	-	Parity error interrupt
DCAN2	DCAN2_IRQ_INT0	IRQ_CROSSBAR_225	-	Error, Status, and Message Objects interrupt
	DCAN2_IRQ_INT1	IRQ_CROSSBAR_226	-	Message Objects interrupt
	DCAN2_IRQ_PARITY	IRQ_CROSSBAR_227	-	Parity error interrupt
DMA Requests				
Module Instance	Source Signal Name	DMA_CROSSBAR Input	Default Mapping	Description
DCAN1	DCAN1_DREQ_IF1	DMA_CROSSBAR_158	-	DMA request for IF1 register set
	DCAN1_DREQ_IF2	DMA_CROSSBAR_159	-	DMA request for IF2 register set
	DCAN1_DREQ_IF3	DMA_CROSSBAR_160	-	DMA request for IF3 register set
DCAN2	DCAN2_DREQ_IF1	DMA_CROSSBAR_161	-	DMA request for IF1 register set
	DCAN2_DREQ_IF2	DMA_CROSSBAR_162	-	DMA request for IF2 register set
	DCAN2_DREQ_IF3	DMA_CROSSBAR_163	-	DMA request for IF3 register set

NOTE: DCAN has no default IRQ mappings through the IRQ_CROSSBAR. For DCAN, the IRQ_CROSSBAR module must be configured prior to unmask interrupts in the interrupt controller(s).

For more information about the IRQ_CROSSBAR module, see [Section 18.4.6.4, IRQ_CROSSBAR Module Functional Description](#), in [Chapter 18, Control Module](#).

For more information about the device interrupt controllers, see [Chapter 17, Interrupt Controllers](#).

NOTE: For more information about the DMA_CROSSBAR module, see [Section 18.4.6.5, DMA_CROSSBAR Module Functional Description](#), in [Chapter 18, Control Module](#).

NOTE: For the description of the interrupt source, see [Section 24.10.4.2, Interrupt Functionality](#).

24.10.4 DCAN Functional Description

The DCAN module performs CAN protocol communication according to ISO 11898-1. The bit rate can be programmed to values up to 1 Mbit/s. Additional transceiver hardware is required for the connection to the physical layer (CAN bus).

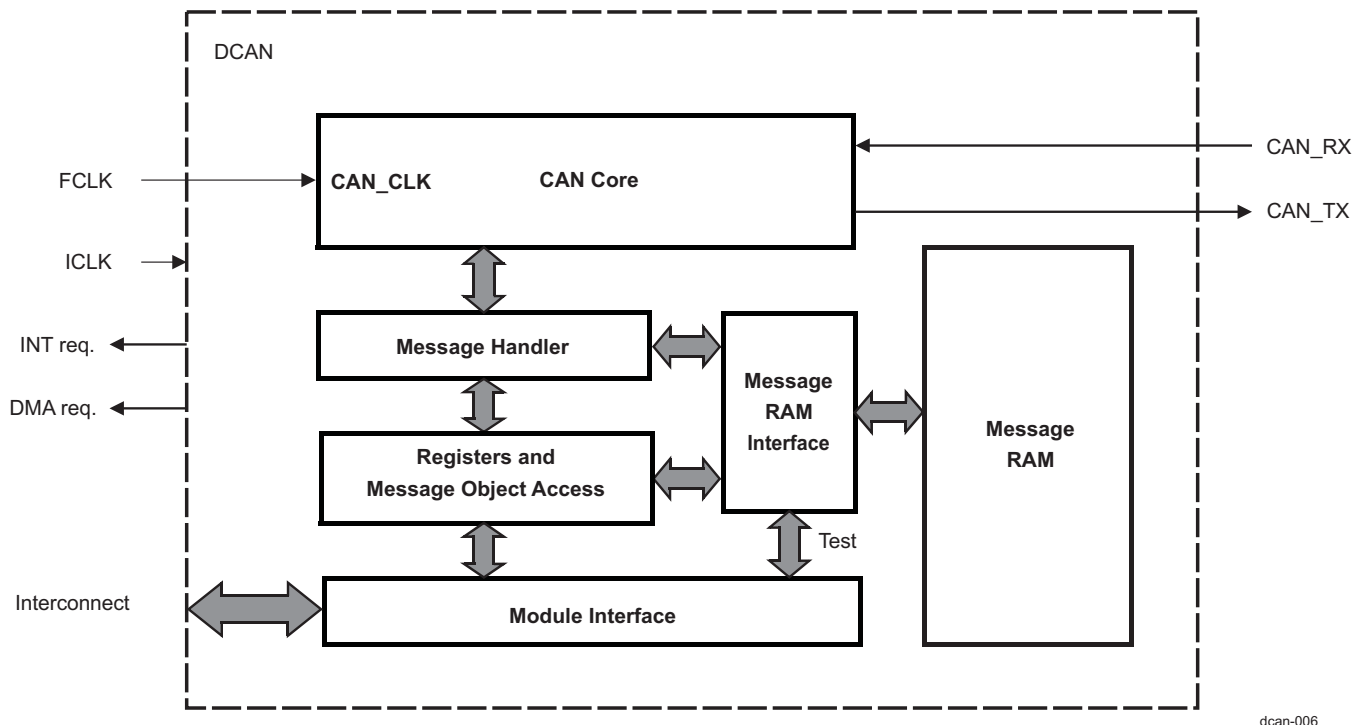
For communication on a CAN network, individual message objects can be configured. The message objects and identifier masks are stored in the message RAM.

All functions concerning the handling of messages are implemented in the message handler. Those functions are acceptance filtering, the transfer of messages between the CAN core and the message RAM, and the handling of transmission requests, as well as the generation of interrupts or DMA requests.

The register set of the DCAN module can be accessed directly via the module interface. These registers are used to control and configure the CAN core and the message handler, and to access the message RAM.

Figure 24-175 shows the DCAN block diagram and its features are described below.

Figure 24-175. DCAN Block Diagram



dcan-006

CAN Core: The CAN core consists of the CAN protocol controller and the Rx/Tx shift register. It handles all ISO 11898-1 protocol functions.

Message Handler: The message handler is a state machine that controls the data transfer between the single-ported message RAM and the CAN core's Rx/Tx shift register. It also handles acceptance filtering and the interrupt/DMA request generation as programmed in the control registers.

Message RAM: The DCAN enables a storage of 64 CAN messages.

Message RAM Interface: Three interface register sets control the MPU read and write accesses to the message RAM. There are two interface registers sets for read and write access, IF1 and IF2, and one interface register set for read access only, IF3. Additional information can be found in [Section 24.10.4.8.12, Reading From a FIFO Buffer.](#)

The interface registers have the same word-length as the message RAM.

Registers and Message Object Access: Data consistency is ensured by indirect accesses to the message objects. During normal operation, all software and DMA accesses to the message RAM are done through interface registers. In a dedicated test mode, the message RAM is memory mapped and can be directly accessed by either MPU or DMA.

Module Interface: The DCAN module registers are accessed by the user software through a 32-bit peripheral bus interface.

Clocking: Two clocks are provided to the DCAN module: the peripheral synchronous clock (interface clock [ICLK]) and the peripheral asynchronous clock (functional clock [FCLK]) .

24.10.4.1 Module Clocking Requirements

Two clocks are provided to the DCAN module:

- the peripheral synchronous clock (ICLK) as the general module clock source
- and the peripheral asynchronous clock (FCLK) provided to the CAN core for generating the CAN bit timing.

NOTE: ICLK must always be higher or equal to FCLK, in order to achieve a stable functionality of the DCAN. Here, also the frequency shift of the modulated ICLK has to be considered:

$$f_{0, ICLK}(OCP) \pm \Delta f_{FM, ICLK}(OCP) \geq f_{FCLK}$$

For more information on how to configure the relevant clock source registers, see [Chapter 3, PRCM](#) and the device data manual.

24.10.4.2 Interrupt Functionality

Interrupts can be generated on two interrupt lines: INT0 and INT1. These lines can be enabled by setting the [DCAN_CTL\[1\] IE0](#) and [\[17\] IE1](#) bits, respectively. The interrupts are level triggered at the chip level.

The DCAN provides three groups of interrupt sources: message object interrupts, status change interrupts, and error interrupts (see [Figure 24-176, Error and Status Change Interrupts](#) and [Figure 24-177, Message Objects Interrupts](#)).

The source of an interrupt can be determined by the interrupt identifiers [DCAN_INT\[15:0\] INT0ID/\[23:16\] INT1ID](#). When no interrupt is pending, the register will hold the value zero.

Each interrupt line remains active until the dedicated field in the interrupt register [DCAN_INT\[15:0\] INT0ID/\[23:16\] INT1ID](#) again reach zero (this means the cause of the interrupt is reset), or until IE0/IE1 are reset.

The value 0x8000 in the INT0ID field indicates that an interrupt is pending because the CAN core has updated (not necessarily changed) the Error and Status register ([DCAN_ES](#)). This interrupt has the highest priority. The software can update (reset) the status bits [\[9\] WAKEUPPND](#), [\[4\] RXOK](#), [\[3\] TXOK](#) and [\[2:0\] LEC](#) by reading [DCAN_ES](#), but a write access of the software will never generate or reset an interrupt.

Values between 1 and the number of the last message object indicates that the source of the interrupt is one of the message objects, INT0ID resp. INT1ID will point to the pending message interrupt with the highest priority. The Message Object 1 has the highest priority; the last message object has the lowest priority.

An interrupt service routine that reads the message that is the source of the interrupt may read the message and reset the message object's IntPnd at the same time ([DCAN_IF1CMD/DCAN_IF2CMD\[19\] CLRINTPND](#) bit). When IntPnd is cleared, [DCAN_INT](#) will point to the next message object with a pending interrupt.

24.10.4.2.1 Message Object Interrupts

Message object interrupts are generated by events from the message objects. They are controlled by the flags IntPnd, TxIE and RxIE that are described in [Section 24.10.4.11.1, Structure of Message Objects](#).

Message object interrupts can be routed to either INT0 or INT1 line, controlled by the interrupt multiplexer registers (DCAN_INTMUX12 to DCAN_INTMUX78).

24.10.4.2.2 Status Change Interrupts

The events WAKEUPPND, RXOK, TXOK and LEC in the error and status register (DCAN_ES) belong to the status change interrupts. The status change interrupt group can be enabled by DCAN_CTL[2] SIE bit.

If SIE is set, a status change interrupt will be generated at each CAN frame, independent of bus errors or valid CAN communication, and also independent of the message RAM configuration.

Status change interrupts can only be routed to interrupt line INT0, which has to be enabled by setting DCAN_CTL[1] IE0 = 1.

NOTE: Reading DCAN_ES will clear the WAKEUPPND flag. If in global power-down mode, the WAKEUPPND flag is cleared by such a read access before the DCAN module has been waken up by the system, the DCAN may re-assert the WAKEUPPND flag, and a second interrupt may occur.

24.10.4.2.3 Error Interrupts

The events PER, BOFF and EWARN, monitored in the DCAN_ES register belong to the error interrupts. The error interrupt group can be enabled by setting bit DCAN_CTL[3] EIE = 1.

Error interrupts can only be routed to interrupt line INT0, which has to be enabled by setting DCAN_CTL[1] IE0 = 1.

Figure 24-176. Error and Status Change Interrupts

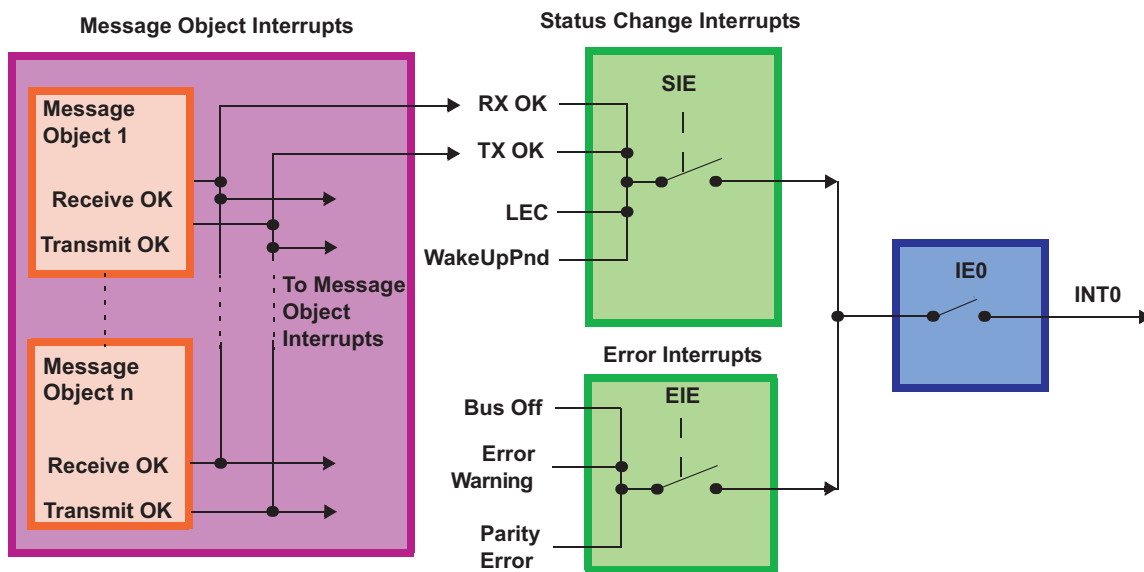
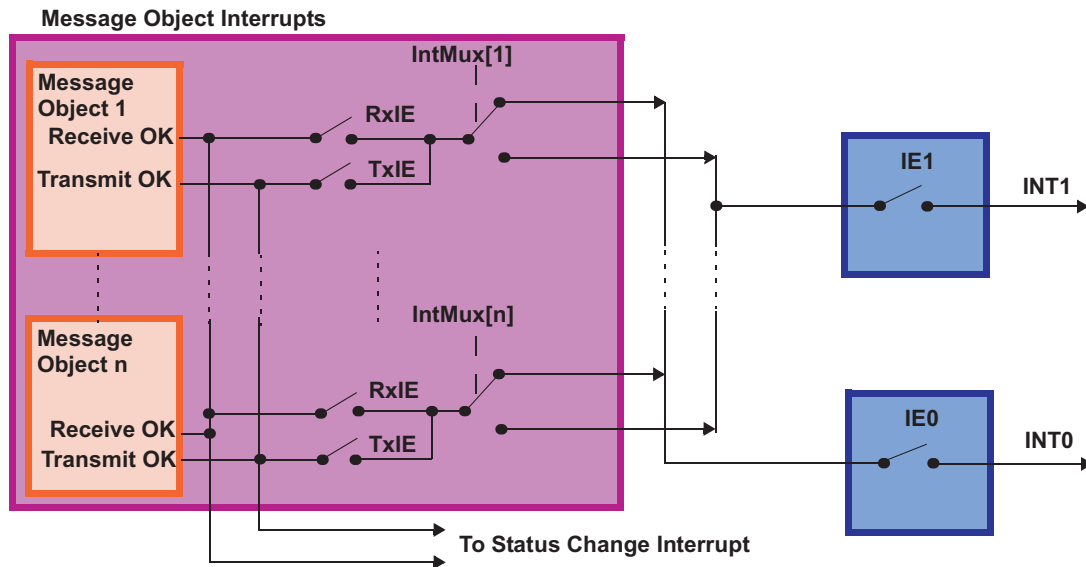


Figure 24-177. Message Objects Interrupts


24.10.4.3 DMA Functionality

The DCAN provides three DMA request lines, each indicating new data in one of the three interface register sets IF1, IF2 and IF3.

The update of IF1 and IF2 registers will be initiated by a write access to the IF1 respective IF2 Command Registers ([DCAN_IF1CMD](#), [DCAN_IF2CMD](#)).

The IF3 registers content can be automatically updated on reception of CAN messages in message objects which are programmed for automatic IF3 update, see [Section 24.10.4.10.2, IF3 Register Set](#).

When a DCAN internal IFx (x = 1 to 3) update is complete, a DMA request will be activated and stays active until the first access to one of the relevant IFx registers. The DMA functionality has to be enabled by setting bit [18] DE0/[19] DE1/[20] DE3 in [DCAN_CTL](#).

24.10.4.4 Local Power-Down Mode

The DCAN supports a local power-down mode, which can be controlled within the DCAN registers.

24.10.4.4.1 Entering Local Power-Down Mode

The local power-down mode is requested by setting the [DCAN_CTL](#)[24] PDR bit (=1).

The DCAN then finishes all transmit requests of the message objects. When all requests are done, DCAN waits until a bus idle state is recognized. Then it will automatically set the [DCAN_CTL](#)[0] INIT bit to prevent any further CAN transfers, and it will also set the [DCAN_ES](#)[10] PDA bit. With setting the PDA bit, the DCAN module indicates that the local power-down mode has been entered.

During local power-down mode, the internal clocks of the DCAN module are turned off, but there is a wakeup logic (see [Section 24.10.4.4.2, Wakeup From Local Power Down](#)) that can be active, if enabled. Also, the actual contents of the control registers can be read back.

NOTE: In local low-power mode, the software must not clear the INIT bit while PDR is set. If there are any messages in the message RAM which are configured as transmit messages and the application resets the INIT bit, these messages may get sent.

24.10.4.4.2 Wakeup From Local Power Down

There are two ways to wake up the DCAN from local power-down mode:

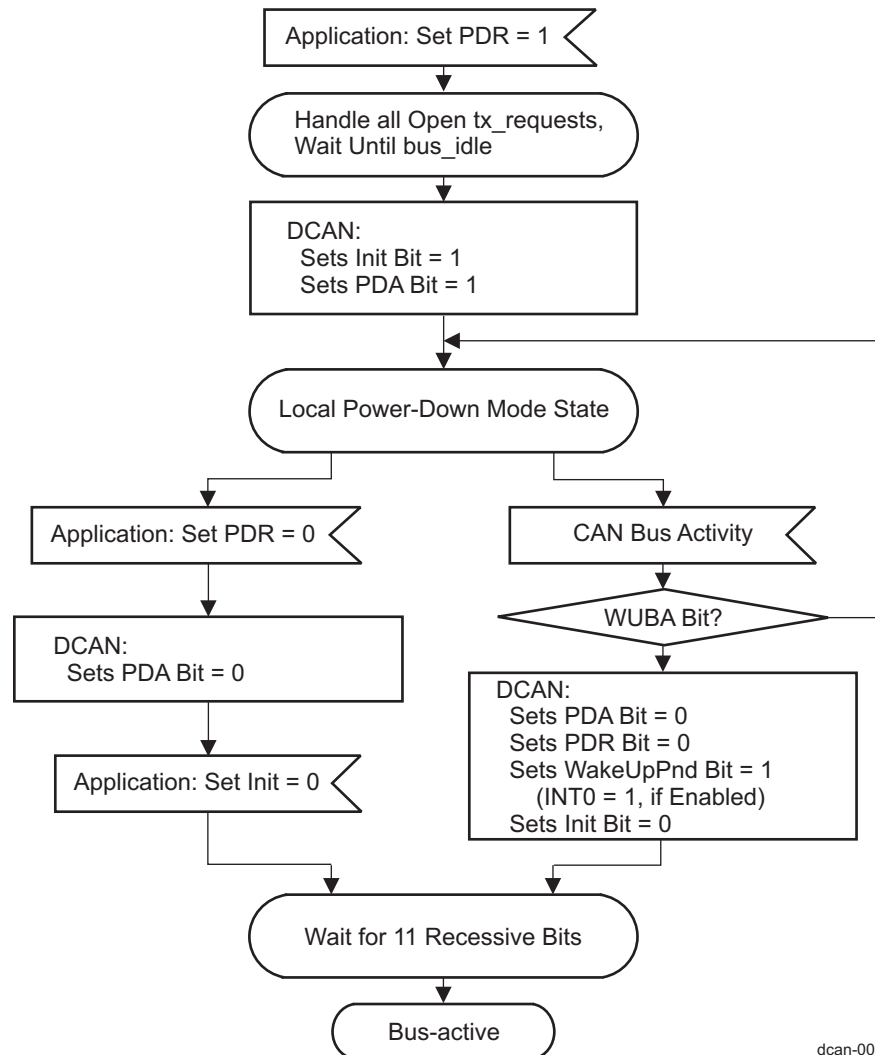
- The application could wake up the DCAN module manually by clearing the `DCAN_CTL[24]` PDR bit and then clearing the `DCAN_CTL[0]` INIT.
- Alternatively, a CAN bus activity detection circuit can be activated by setting the wakeup on bus activity bit (`DCAN_CTL[25]` WUBA). If this circuit is active, on occurrence of a dominant CAN bus level, the DCAN will automatically start the wakeup sequence. It will clear the `DCAN_CTL[24]` PDR bit and also clear the `DCAN_ES[10]` PDA bit. The `DCAN_ES[10]` WAKEUPND bit will be set. If status interrupts are enabled, also an interrupt will be generated. Finally the `DCAN_CTL[0]` INIT bit will be cleared.

After the INIT bit has been cleared, the module waits until it detects 11 consecutive recessive bits on the CAN_RX pin and then goes bus-active again.

NOTE: The CAN transceiver circuit has to stay active in order to detect any CAN bus activity while the DCAN is in local power down mode. The first CAN message, which initiates the bus activity, cannot be received. This means that the first message received in power-down and automatic wake-up mode, is lost.

Figure 24-178 shows a flow diagram about entering and leaving local power-down mode.

Figure 24-178. Local Power-Down Mode Flow Diagram



dcan-009

24.10.4.5 Parity Check Mechanism

The DCAN provides a parity check mechanism to ensure data integrity of message RAM data. For each word (32 bits) in message RAM, one parity bit will be calculated. The formation of the different words is according to the message RAM representation in RDA mode, see [Section 24.10.4.11.4, Message RAM Representation in Direct Access Mode](#).

Parity information is stored in the message RAM on write accesses and will be checked against the stored parity bit from message RAM on read accesses.

The Parity check functionality can be enabled or disabled by [DCAN_CTL\[13:10\]](#) PMD bit field.

In case of disabled parity check, the parity bits in message RAM will be left unchanged on write access to data area and no check will be done on read access.

If parity checking is enabled, parity bits will be automatically generated and checked by the DCAN. The parity bits could be read in debug/suspend mode (see [Section 24.10.4.11.3, Message RAM Representation in Debug/Suspend Mode](#)) or in RDA mode (see [Section 24.10.4.11.4, Message RAM Representation in Direct Access Mode](#)). However, direct write access to the parity bits is only possible in this two modes with parity check disabled.

A parity bit will be set, if the modulo-2-sum of the data bits is 1. This definition is equivalent to: The parity bit will be set, if the number of 1 bits in the data is odd.

NOTE: DCAN is configured to even parity by the design.

24.10.4.5.1 Behavior on Parity Error

On any read access to message RAM (e.g., during start of a CAN frame transmission), the parity of the message object will be checked. If a parity error is detected, the [DCAN_ES\[8\]](#) PER bit will be set. If error interrupts are enabled, an interrupt would also be generated. In order to avoid the transmission of invalid data over the CAN bus, the `MsgVal` bit of the message object will be reset to 0.

The message object data can be read by the software, independently of parity errors. Thus, the software has to ensure that the read data is valid, for example, by immediately checking the parity error code register ([DCAN_PERR](#)) on parity error interrupt.

NOTE: During RAM initialization, no parity check is done, but if the PMD bit is set, the parity bits will be generated.

24.10.4.5.2 Parity Testing

Testing the parity mechanism can be done by enabling the bit `RamDirectAccess` ([DCAN_TEST\[9\]](#) RDA) and manually writing the parity bits directly to the dedicated RAM locations. With this, data and parity bits could be checked when reading directly from RAM.

NOTE: If parity check is disabled, the software has to ensure correct parity bit handling in order to prevent parity errors later on when parity check is enabled.

24.10.4.6 Debug/Suspend Mode

The module supports the usage of an external debug unit by providing functions like pausing DCAN activities and making message RAM content accessible via interconnect interface.

Before entering debug/suspend mode, the DCAN will either wait until a started transmission or reception will be finished and bus idle state is recognized, or immediately interrupt a current transmission or reception. This is depending on bit [DCAN_CTL\[8\]](#) IDS in the CAN control register.

Afterwards, the DCAN enters debug/suspend mode, indicated by [DCAN_CTL \[16\]](#) INITDBG flag.

During debug/suspend mode, all DCAN registers can be accessed. Reading reserved bits will return '0'. Writing to reserved bits will have no effect.

Also, the message RAM will be memory mapped. This allows the external debug unit to read the message RAM. For the memory organization, see [Section 24.10.4.11.3, Message RAM Representation in Debug/Suspend Mode](#).

NOTE: During debug/suspend mode, the message RAM cannot be accessed via the IFx register sets.

NOTE: Writing to control registers in debug/suspend mode may influence the CAN state machine and further message handling.

For debug support, the auto clear functionality of the following DCAN registers is disabled:

- [DCAN_ES](#) register (clear of status flags by read)
- [DCAN_IF1CMD/DCAN_IF2CMD](#) command registers (clear of [14] DMAACTIVE flag by read/write)

24.10.4.7 Configuration of Message Objects Description

The whole message RAM should be configured before the end of the initialization, however it is also possible to change the configuration of message objects during CAN communication.

The CAN software driver must offer subroutines that:

- Transfer a complete message structure into a message object. (Configuration)
- Transfer the data bytes of a message into a message object and set TxRqst and NewDat. (Start a new transmission)
- Get the data bytes of a message from a message object and clear NewDat (and IntPnd). (Read received data)
- Get the complete message from a message object and clear NewDat (and IntPnd). (Read a received message, including identifier, from a message object with UMask = '1')

Parameters of the subroutines are the Message Number and a pointer to a complete message structure or to the data bytes of a message structure.

Two examples of assigning the IFx interface register sets to these subroutines are shown here:

In the first method, the tasks of the application program that may access the module are divided into two groups. Each group is restricted to the use of one of the interface register sets. The tasks of one group may interrupt tasks of the other group, but not of the same group.

In the second method, which may be a special case of the first method, there are only two tasks in the application program that access the module. A Read_Message task that uses IF2 or IF3 to get received messages from the message RAM and a Write_Message task that uses IF1 to write messages to be transmitted (or to be configured) into the message RAM. Both tasks may interrupt each other.

24.10.4.7.1 Configuration of a Transmit Object for Data Frames

[Table 24-1123](#) shows how a transmit object can be initialized.

Table 24-1123. Initialization of a Transmit Object

MsgVal	Arb	Data	Mask	EoB	Dir	NewDat	MsgLst	RxIE	TxIE	IntPnd	RmtEn	TxRqst
1	appl.	appl.	appl.	1	1	0	0	0	appl.	0	appl.	0

The arbitration bits (ID[28:0] and Xtd bit) are given by the application. They define the identifier and type of the outgoing message. If an 11-bit identifier (standard frame) is used (Xtd = '0'), it is programmed to ID[28:18]. In this case, ID[17:0] can be ignored.

The data length and data itself (DLC[3:0] and Data0-7) are given by the application. TxRqst and RmtEn should not be set before the data is valid.

If the TXIE bit is set, the IntPnd bit will be set after a successful transmission of the message object.

If the RmtEn bit is set, a matching received remote frame will cause the TxRqst bit to be set; the remote frame will autonomously be answered by a data frame.

The mask bits (Msk[28:0], UMask, MXtd, and MDir bits) may be used (UMask='1') to allow groups of remote frames with similar identifiers to set the TxRqst bit. The Dir bit should not be masked. For details, see [Section 24.10.4.8.8, Reception of Remote Frames](#).

Identifier masking must be disabled (UMask = '0') if no remote frames are allowed to set the TxRqst bit (RmtEn = '0').

24.10.4.7.2 Configuration of a Transmit Object for Remote Frames

It is not necessary to configure transmit objects for the transmission of remote frames. Setting TxRqst for a receive object causes the transmission of a remote frame with the same identifier as the data frame for which this receive object is configured.

24.10.4.7.3 Configuration of a Single Receive Object for Data Frames

[Table 24-1124](#) shows how a receive object for data frames can be initialized.

Table 24-1124. Initialization of a single Receive Object for Data Frames

MsgVal	Arb	Data	Mask	EoB	Dir	NewDat	MsgLst	RxIE	TxIE	IntPnd	RmtEn	TxRqst
1	appl.	appl.	appl.	1	0	0	0	appl.	0	0	0	0

The arbitration bits (ID[28:0] and Xtd bit) are given by the application. They define the identifier and type of accepted received messages. If an 11-bit Identifier (standard frame) is used (Xtd = '0'), it is programmed to ID[28:18]. In this case, ID[17:0] can be ignored. When a data frame with an 11-bit Identifier is received, ID[17:0] is set to '0'.

The data length code (DLC[3:0]) is given by the application. When the message handler stores a data frame in the message object, it will store the received data length code and eight data bytes. If the data length code is less than 8, the remaining bytes of the message object may be overwritten by non specified values.

The mask bits (Msk[28:0], UMask, MXtd, and MDir bits) may be used (UMask = '1') to allow groups of data frames with similar identifiers to be accepted. The Dir bit should not be masked in typical applications. If some bits of the mask bits are set to "don't care," the corresponding bits of the arbitration register ([DCAN_IF1ARB](#), [DCAN_IF2ARB](#), [DCAN_IF3ARB](#)) will be overwritten by the bits of the stored data frame.

If the RxIE bit is set, the IntPnd bit will be set when a received data frame is accepted and stored in the message object.

If the TxRqst bit is set, the transmission of a remote frame with the same identifier as actually stored in the arbitration bits will be triggered. The content of the arbitration bits may change if the mask bits are used (UMask = '1') for acceptance filtering.

24.10.4.7.4 Configuration of a Single Receive Object for Remote Frames

[Table 24-1125](#) shows how a receive object for remote frames can be initialized.

Table 24-1125. Initialization of a Single Receive Object for Remote Frames

MsgVal	Arb	Data	Mask	EoB	Dir	NewDat	MsgLst	RxIE	TxIE	IntPnd	RmtEn	TxRqst
1	appl.	appl.	appl.	1	1	0	0	appl.	0	0	0	0

A receive object for remote frames may be used to monitor remote frames on the CAN bus. The remote frame stored in the receive object will not trigger the transmission of a data frame. Receive objects for remote frames may be expanded to a FIFO buffer (see [Section 24.10.4.7.5, Configuration of a FIFO Buffer](#)).

UMask must be set to '1.' The mask bits (Msk[28:0], UMask, MXtd, and MDir bits) may be set to "must-match" or to "don't care," to allow groups of remote frames with similar identifiers to be accepted. The Dir bit should not be masked in typical applications. For details, see [Section 24.10.4.8.8, Reception of Remote Frames](#).

The arbitration bits (ID[28:0] and Xtd bit) may be given by the application. They define the identifier and type of accepted received remote frames. If some bits of the mask bits are set to "don't care," the corresponding bits of the arbitration bits will be overwritten by the bits of the stored remote frame. If an 11-bit Identifier (standard frame) is used (Xtd = '0'), it is programmed to ID[28:18]. In this case, ID[17:0] can be ignored. When a remote frame with an 11-bit Identifier is received, ID[17:0] will be set to '0.'

The data length code (DLC[3:0]) may be given by the application. When the message handler stores a remote frame in the message object, it will store the received data length code. The data bytes of the message object will remain unchanged.

If the RxIE bit is set, the IntPnd bit will be set when a received remote frame is accepted and stored in the message object.

24.10.4.7.5 Configuration of a FIFO Buffer

With the exception of the EoB bit, the configuration of receive objects belonging to a FIFO buffer is the same as the configuration of a single receive object.

To concatenate multiple message objects to a FIFO buffer, the identifiers and masks (if used) of these message objects have to be programmed to matching values. Due to the implicit priority of the message objects, the message object with the lowest number will be the first message object of the FIFO buffer. The EoB bit of all message objects of a FIFO buffer except the last one have to be programmed to zero. The EoB bits of the last message object of a FIFO Buffer is set to one, configuring it as the end of the block.

24.10.4.8 Message Handling

When initialization is finished, the DCAN module synchronizes itself to the traffic on the CAN bus. It does acceptance filtering on received messages and stores those frames that are accepted into the designated message objects. The application has to update the data of the messages to be transmitted and to enable and request their transmission. The transmission is requested automatically when a matching remote frame is received.

The application may read messages which are received and accepted. Messages that are not read before the next messages is accepted for the same message object will be overwritten.

Messages may be read interrupt-driven or after polling of NewDat.

24.10.4.8.1 Message Handler Overview

The message handler state machine controls the data transfer between the Rx/Tx shift register of the CAN core and the message RAM. It performs the following tasks:

- Data transfer from message RAM to CAN core (messages to be transmitted)
- Data transfer from CAN core to the message RAM (received messages)
- Data transfer from CAN core to the acceptance filtering unit
- Scanning of message RAM for a matching message object (acceptance filtering)
- Scanning the same message object after being changed by IF1/IF2 registers when priority is the same

or higher as the message the object found by last scanning

- Handling of TxRqst flags
- Handling of interrupt flags

The message handler registers contains status flags of all message objects grouped into the following topics:

- Transmission Request Flags
- New Data Flags
- Interrupt Pending Flags
- Message Valid Registers

Instead of collecting above listed status information of each message object via IFx registers separately, these message handler registers provides a fast and easy way to get an overview, for example, about all pending transmission requests.

All message handler registers are read-only.

24.10.4.8.2 Receive/Transmit Priority

The receive/transmit priority for the message objects is attached to the message number, not to the CAN identifier. Message object 1 has the highest priority, while the last implemented message object has the lowest priority. If more than one transmission request is pending, they are serviced due to the priority of the corresponding message object so messages with the highest priority, for example, can be placed in the message objects with the lowest numbers.

The acceptance filtering for received data frames or remote frames is also done in ascending order of message objects, so a frame that has been accepted by a message object cannot be accepted by another message object with a higher message number. The last message object may be configured to accept any data frame or remote frame that was not accepted by any other message object, for nodes that need to log the complete message traffic on the CAN bus.

24.10.4.8.3 Transmission of Messages in Event Driven CAN Communication

If the shift register of the CAN core is ready for loading and if there is no data transfer between the IFx registers and message RAM, the MSGVAL bits in the Message Valid register ([DCAN_MSGVAL12](#) to [DCAN_MSGVAL78](#)) and the TXRQST bits in the transmission request register ([DCAN_TXRQ12](#) to [DCAN_TXRQ78](#)) are evaluated. The valid message object with the highest priority pending transmission request is loaded into the shift register by the message handler and the transmission is started. The message object's NewDat bit is reset.

After a successful transmission and if no new data was written to the message object (NewDat = '0') since the start of the transmission, the TxRqst bit will be reset. If TxIE is set, IntPnd will be set after a successful transmission. If the DCAN has lost the arbitration or if an error occurred during the transmission, the message will be retransmitted as soon as the CAN bus is free again. If meanwhile the transmission of a message with higher priority has been requested, the messages will be transmitted in the order of their priority.

If automatic retransmission mode is disabled by setting the [DCAN_CTL\[5\]](#) DAR bit, the behavior of bits TXRQST and NEWDAT in the [DCAN_IF1CMD/DCAN_IF2CMD](#) register of the interface register set is as follows:

- When a transmission starts, the TxRqst bit of the respective interface register set is reset, while bit NewDat remains set.
- When the transmission has been successfully completed, the NewDat bit is reset.

When a transmission failed (lost arbitration or error), bit NewDat remains set. To restart the transmission, the application has to set TxRqst again.

Received remote frames do not require a receive object. They will automatically trigger the transmission of a data frame, if in the matching transmit object the RmtEn bit is set.

24.10.4.8.4 Updating a Transmit Object

The software may update the data bytes of a transmit object any time via the IF1/IF2 interface registers, neither MSGVAL, nor TXRQST have to be reset before the update.

Even if only a part of the data bytes are to be updated, all four bytes in the corresponding IF1/IF2 Data A register (DCAN_IF1DATA/DCAN_IF2DATA) or IF1/IF2 Data B register (DCAN_IF1DATB/DCAN_IF2DATB) have to be valid before the content of that register is transferred to the message object. Either the software has to write all four bytes into the IF1/IF2 data register or the message object is transferred to the IF1/IF2 data register before the software writes the new data bytes.

When only the data bytes are updated, first 0x87 can be written to bits [23:16] of the IF1/IF2 Command register (DCAN_IF1CMD/DCAN_IF2CMD) and then the number of the message object is written to bits [7:0] MESSAGE_NUMBER of the command register, concurrently updating the data bytes and setting TXRQST with NEWDAT.

To prevent the reset of TxRqst at the end of a transmission that may already be in progress while the data is updated, NewDat has to be set together with TxRqst in event driven CAN communication. For details, see [Section 24.10.4.8.3, Transmission of Messages in Event Driven CAN Communication](#).

When NewDat is set together with TxRqst, NewDat will be reset as soon as the new transmission has started.

24.10.4.8.5 Changing a Transmit Object

If the number of implemented message objects is not sufficient to be used as permanent message objects only, the transmit objects may be managed dynamically. The software can write the whole message (arbitration, control, and data) into the interface register. The bits [23:16] of the command register (DCAN_IF1CMD/DCAN_IF2CMD) can be set to 0xB7 for the transfer of the whole message object content into the message object. Neither Dir, nor TxRqst have to be reset before this operation.

If a previously requested transmission of this message object is not completed but already in progress, it will be continued; however, it will not be repeated if it is disturbed.

To only update the data bytes of a message to be transmitted, bits [23:16] of the command register (DCAN_IF1CMD/ DCAN_IF2CMD) should be set to 0x87.

NOTE: After the update of the transmit object, the interface register set will contain a copy of the actual contents of the object, including the part that had not been updated.

24.10.4.8.6 Acceptance Filtering of Received Messages

When the arbitration and control bits (Identifier + IDE + RTR + DLC) of an incoming message are completely shifted into the shift register of the CAN core, the message handler starts the scan of the message RAM for a matching valid message object:

- The acceptance filtering unit is loaded with the arbitration bits from the CAN core shift register.
- Then the arbitration and mask bits (including MsgVal, UMask, NewDat, and EoB) of message object 1 are loaded into the acceptance filtering unit and are compared with the arbitration bits from the shift register. This is repeated for all following message objects until a matching message object is found, or until the end of the message RAM is reached.
- If a match occurs, the scanning is stopped and the message handler proceeds depending on the type of the frame (data frame or remote frame) received.

24.10.4.8.7 Reception of Data Frames

The message handler stores the message from the CAN core shift register into the respective message object in the message RAM. Not only the data bytes, but all arbitration bits and the data length code are stored into the corresponding message object. This ensures that the data bytes stay associated to the identifier even if arbitration mask registers are used.

The NewDat bit is set to indicate that new data (not yet seen by the software) has been received. The software should reset the NewDat bit when it reads the message object. If at the time of the reception the NewDat bit was already set, MsgLst is set to indicate that the previous data (supposedly not seen by the software) is lost. If the RxIE bit is set, the IntPnd bit is set, causing the [DCAN_INT](#) to point to this message object.

The TxRqst bit of this message object is reset to prevent the transmission of a remote frame, while the requested data frame has just been received.

24.10.4.8.8 Reception of Remote Frames

When a remote frame is received, three different configurations of the matching message object have to be considered:

- Dir = '1' (direction = transmit), RmtEn = '1', UMask = '1' or '0'

The TxRqst bit of this message object is set at the reception of a matching remote frame. The rest of the message object remains unchanged.

- Dir = '1' (direction = transmit), RmtEn = '0', UMask = '0'

The remote frame is ignored, this message object remains unchanged.

- Dir = '1' (direction = transmit), RmtEn = '0', UMask = '1'

The remote frame is treated similar to a received data frame. At the reception of a matching Remote Frame, the TxRqst bit of this message object is reset. The arbitration and control bits (Identifier + IDE + RTR + DLC) from the shift register are stored in the message object in the message RAM and the NewDat bit of this message object is set. The data bytes of the message object remain unchanged.

24.10.4.8.9 Reading Received Messages

The software may read a received message any time via the IFx interface register. The data consistency is guaranteed by the message handler state machine. Typically the software will write first 0x7F to bits [23:16] and then the number of the message object to bits [7:0] MESSAGE_NUMBER of the command register ([DCAN_IF1CMD/DCAN_IF2CMD](#)). That combination will transfer the entire received message from the message RAM into the interface register set. Additionally, the bits NewDat and IntPnd are cleared in the message RAM (not in the interface register set). The values of these bits in the message control register ([DCAN_IF1MCTL/DCAN_IF2MCTL/DCAN_IF3MCTL](#)) always reflect the status before resetting the bits. If the message object uses masks for acceptance filtering, the arbitration bits show which of the different matching messages has been received.

The actual value of NewDat shows whether a new message has been received since last time when this message object was read. The actual value of MsgLst shows whether more than one message has been received since the last time when this message object was read. MsgLst will not be automatically reset.

24.10.4.8.10 Requesting New Data for a Receive Object

By means of a remote frame, the software may request another CAN node to provide new data for a receive object. Setting the TxRqst bit of a receive object will cause the transmission of a remote frame with the identifier of the receive object. This remote frame triggers the other CAN node to start the transmission of the matching data frame. If the matching data frame is received before the remote frame could be transmitted, the TxRqst bit is automatically reset. Setting the TxRqst bit without changing the contents of a message object requires the value 0x84 in bits [23:16] of the command register ([DCAN_IF1CMD/DCAN_IF2CMD](#)).

24.10.4.8.11 Storing Received Messages in FIFO Buffers

Several message objects may be grouped to form one or more FIFO buffers. Each FIFO buffer configured to store received messages with a particular (group of) identifier(s). arbitration and mask registers of the FIFO buffer's message objects are identical. The end of buffer (EoB) bits of all but the last of the FIFO buffer's message objects are '0'; in the last one the EoB bit is '1.'

Received messages with identifiers matching to a FIFO buffer are stored into a message object of this FIFO buffer, starting with the message object with the lowest message number. When a message is stored into a message object of a FIFO buffer, the NewDat bit of this message object is set. By setting NewDat while EoB is '0', the message object is locked for further write accesses by the message handler until the software has cleared the NewDat bit.

Messages are stored into a FIFO buffer until the last message object of this FIFO buffer is reached. If none of the preceding message objects is released by writing NewDat to '0,' all further messages for this FIFO buffer will be written into the last message object of the FIFO buffer (EoB = '1') and therefore overwrite previous messages in this message object.

24.10.4.8.12 Reading From a FIFO Buffer

Several messages may be accumulated in a set of message objects which are concatenated to form a FIFO buffer before the application program is required (in order to avoid the loss of data) to empty the buffer.

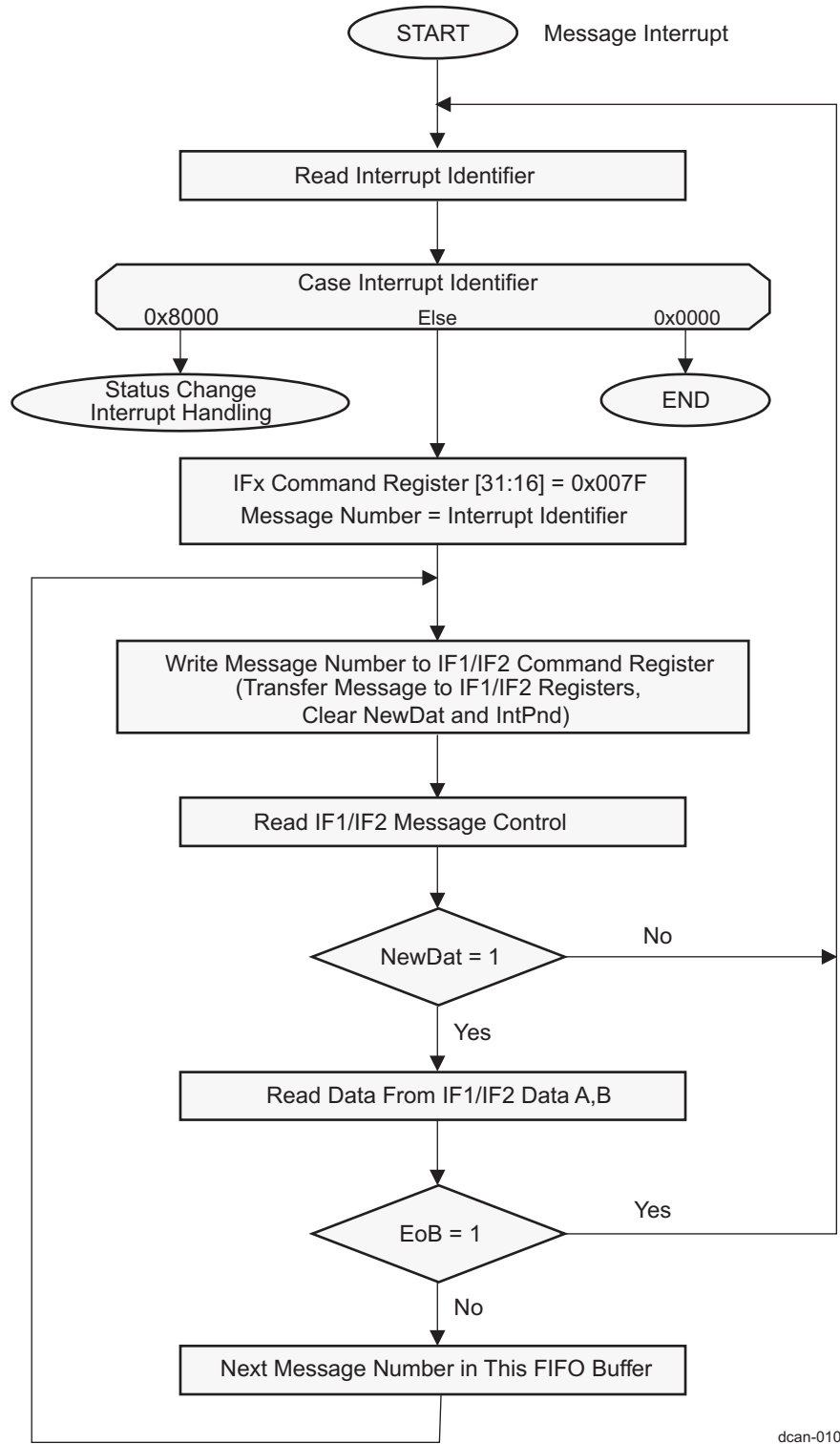
A FIFO buffer of length N will store N-1, plus the last received message since last time it was cleared.

A FIFO buffer is cleared by reading and resetting the NewDat bits of all its message objects, starting at the FIFO Object with the lowest message number. This should be done in a subroutine following the example shown in [Figure 24-179](#).

NOTE: All message objects of a FIFO buffer needs to be read and cleared before the next batch of messages can be stored. Otherwise, true FIFO functionality can not be guaranteed, since the message objects of a partly read buffer will be re-filled according to the normal (descending) priority.

Reading from a FIFO buffer message object and resetting its NewDat bit is handled the same way as reading from a single message object.

Figure 24-179. Software Handling of a FIFO Buffer (Interrupt Driven)



dcan-010

24.10.4.9 CAN Bit Timing

The DCAN supports bit rates between < 1 kBit/s and 1000 kBit/s.

Each member of the CAN network has its own clock generator, typically derived from a crystal oscillator. The bit timing parameters can be configured individually for each CAN node, creating a common bit rate even though the CAN nodes' oscillator periods (f_{osc}) may be different.

The frequencies of these oscillators are not absolutely stable. Small variations are caused by changes in temperature or voltage and by deteriorating components. As long as the variations remain inside a specific oscillator tolerance range (df), the CAN nodes are able to compensate for the different bit rates by resynchronizing to the bit stream.

In many cases, the CAN bit synchronization will amend a faulty configuration of the CAN bit timing to such a degree that only occasionally an error frame is generated. In the case of arbitration however, when two or more CAN nodes simultaneously try to transmit a frame, a misplaced sample point may cause one of the transmitters to become error passive.

The analysis of such sporadic errors requires a detailed knowledge of the CAN bit synchronization inside a CAN node and of the CAN nodes' interaction on the CAN bus.

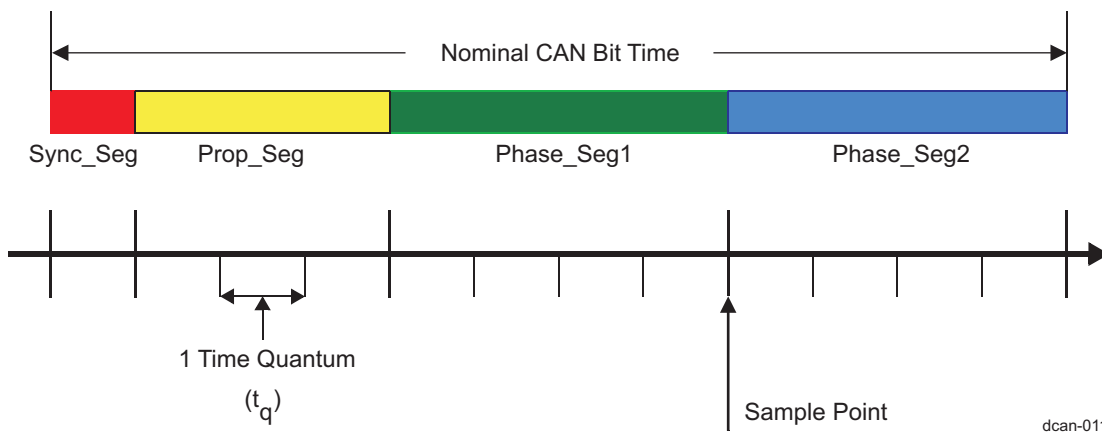
Even if minor errors in the configuration of the CAN bit timing do not result in immediate failure, the performance of a CAN network can be reduced significantly.

24.10.4.9.1 Bit Time and Bit Rate

According to the CAN specification, the bit time is divided into four segments (see Figure 24-180):

- Synchronization segment (Sync_Seg)
- Propagation time segment (Prop_Seg)
- Phase buffer segment 1 (Phase_Seg1)
- Phase buffer segment 2 (Phase_Seg2)

Figure 24-180. Bit Timing



Each segment consists of a specific number of time quanta. The length of one time quantum (t_q), which is the basic time unit of the bit time, is given by the FCLK and the baud rate prescalers (BRPE and BRP). With these two baud rate prescalers combined, divider values from 1 to 1024 can be programmed:

$$t_q = \text{Baud Rate Prescaler} / \text{FCLK}$$

Apart from the fixed length of the synchronization segment, these numbers are programmable. Table 24-1126 describes the minimum programmable ranges required by the CAN protocol.

A given bit rate may be met by different bit time configurations.

Table 24-1126. Parameters of the CAN Bit Time

Parameter	Range	Remark
Sync_Seg	1 t_q (fixed)	Synchronization of bus input to FCLK
Prop_Seg	[1 ... 8] t_q	Compensates for the physical delay times
Phase_Seg1	[1 ... 8] t_q	May be lengthened temporarily by synchronization

Table 24-1126. Parameters of the CAN Bit Time (continued)

Parameter	Range	Remark
Phase_Seg2	[1 ... 8] t_q	May be shortened temporarily by synchronization
Synchronization Jump Width (SJW)	[1 ... 4] t_q	May not be longer than either Phase Buffer Segment

NOTE: For proper functionality of the CAN network, the physical delay times and the oscillator's tolerance range have to be considered.

24.10.4.9.1.1 Synchronization Segment

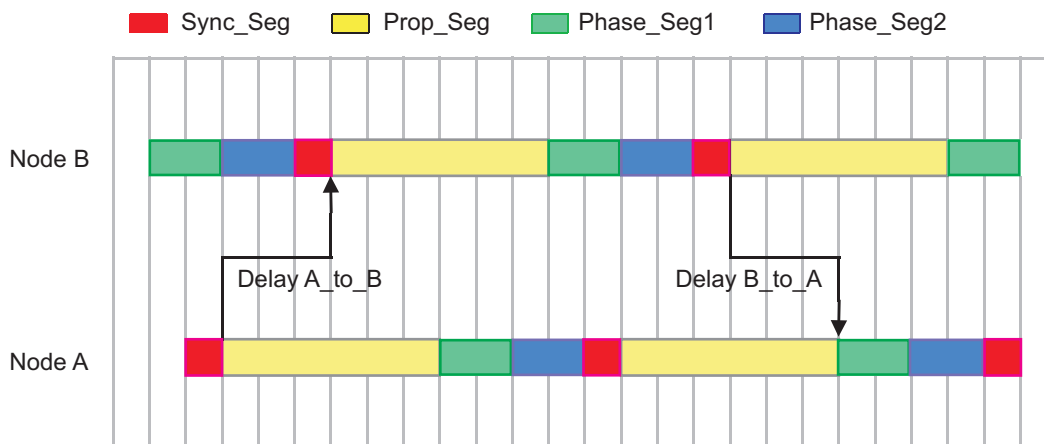
The synchronization segment (Sync_Seg) is the part of the bit time where edges of the CAN bus level are expected to occur. If an edge occurs outside of Sync_Seg, its distance to the Sync_Seg is called the phase error of this edge.

24.10.4.9.1.2 Propagation Time Segment

This part of the bit time is used to compensate physical delay times within the CAN network. These delay times consist of the signal propagation time on the bus and the internal delay time of the CAN nodes.

Any CAN node synchronized to the bit stream on the CAN bus can be out of phase with the transmitter of the bit stream, caused by the signal propagation time between the two nodes. The CAN protocol's nondestructive bitwise arbitration and the dominant acknowledge bit provided by receivers of CAN messages require that a CAN node transmitting a bit stream must also be able to receive dominant bits transmitted by other CAN nodes that are synchronized to that bit stream. The example in [Figure 24-181](#) shows the phase shift and propagation times between two CAN nodes.

Figure 24-181. The Propagation Time Segment



$$\text{Delay A_to_B} \geq \text{node output delay(A)} + \text{bus line delay(A/E B)} + \text{node input delay(B)}$$

$$\text{Prop_Seg} \geq \text{Delay A_to_B} + \text{Delay B_to_A}$$

$$\text{Prop_Seg} \geq 2 \cdot [\text{max}(\text{node output delay} + \text{bus line delay} + \text{node input delay})]$$

dcan-012

In this example, both nodes A and B are transmitters performing an arbitration for the CAN bus. The node A has sent its start of frame bit less than one bit time earlier than node B, therefore node B has synchronized itself to the received edge from recessive to dominant. Since node B has received this edge delay(A_to_B) after it has been transmitted, node B's bit timing segments are shifted with regard to node A. Node B sends an identifier with higher priority and so it will win the arbitration at a specific identifier bit when it transmits a dominant bit while node A transmits a recessive bit. The dominant bit transmitted by node B will arrive at node A after the delay (B_to_A).

Due to oscillator tolerances, the actual position of node A's sample point can be anywhere inside the nominal range of node A's Phase Buffer Segments, so the bit transmitted by node B must arrive at node A before the start of Phase_Seg1. This condition defines the length of Prop_Seg.

If the edge from recessive to dominant transmitted by node B would arrive at node A after the start of Phase_Seg1, it could happen that node A samples a recessive bit instead of a dominant bit, resulting in a bit error and the destruction of the current frame by an error flag.

This error only occurs when two nodes arbitrate for the CAN bus which have oscillators of opposite ends of the tolerance range and are separated by a long bus line; this is an example of a minor error in the bit timing configuration (Prop_Seg too short) that causes sporadic bus errors.

Some CAN implementations provide an optional 3-Sample Mode. The DCAN does not. In this mode, the CAN bus input signal passes a digital low-pass filter, using three samples and a majority logic to determine the valid bit value. This results in an additional input delay of $1 t_p$, requiring a longer Prop_Seg.

24.10.4.9.1.3 Phase Buffer Segments and Synchronization

The phase buffer segments (Phase_Seg1 and Phase_Seg2) and the synchronization jump width (SJW) are used to compensate for the oscillator tolerance.

The phase buffer segments surround the sample point and may be lengthened or shortened by synchronization.

The synchronization jump width (SJW) defines how far the resynchronizing mechanism may move the sample point inside the limits defined by the phase buffer segments to compensate for edge phase errors.

Synchronizations occur on edges from recessive to dominant. Their purpose is to control the distance between edges and sample points.

Edges are detected by sampling the actual bus level in each time quantum and comparing it with the bus level at the previous sample point. A synchronization may be done only if a recessive bit was sampled at the previous sample point and if the actual time quantum's bus level is dominant.

An edge is synchronous if it occurs inside of Sync_Seg; otherwise, its distance to the Sync_Seg is the edge phase error, measured in time quanta. If the edge occurs before Sync_Seg, the phase error is negative, else it is positive.

Two types of synchronization exist: hard synchronization and resynchronizing. A hard synchronization is done once at the start of a frame; inside a frame, only resynchronization is possible.

- **Hard Synchronization**

After a hard synchronization, the bit time is restarted with the end of Sync_Seg, regardless of the edge phase error. Thus hard synchronization forces the edge which has caused the hard synchronization, to lie within the synchronization segment of the restarted bit time.

- **Bit Resynchronizations**

Resynchronization leads to a shortening or lengthening of the Bit time such that the position of the sample point is shifted with regard to the edge.

When the phase error of the edge which causes resynchronization is positive, Phase_Seg1 is lengthened. If the magnitude of the phase error is less than SJW, Phase_Seg1 is lengthened by the magnitude of the phase error, else it is lengthened by SJW.

When the phase error of the edge which causes Resynchronization is negative, Phase_Seg2 is shortened. If the magnitude of the phase error is less than SJW, Phase_Seg2 is shortened by the magnitude of the phase error, else it is shortened by SJW.

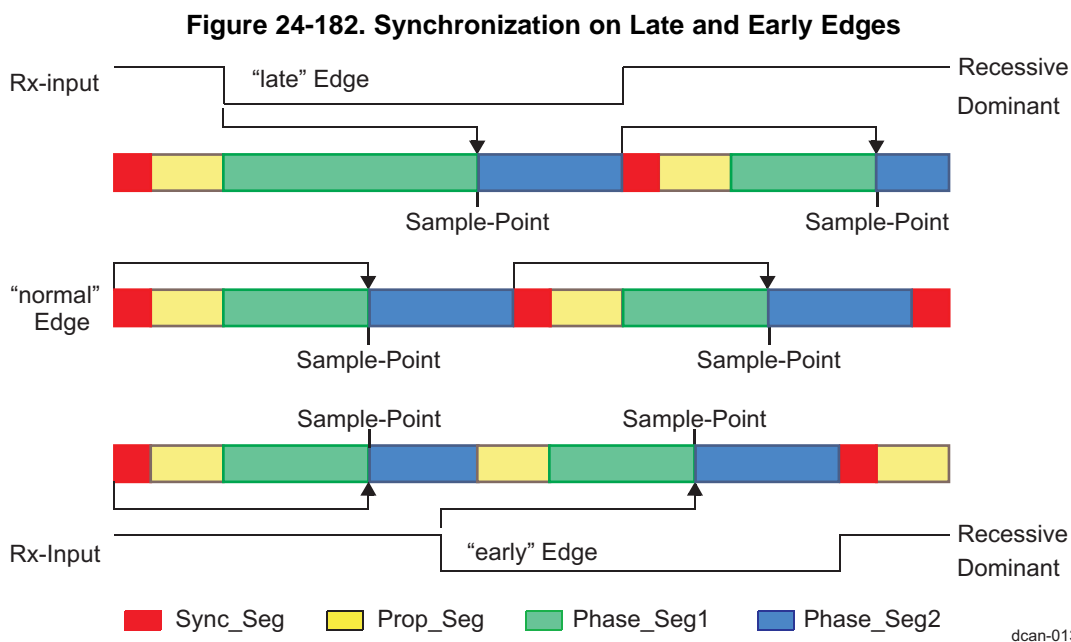
If the magnitude of the phase error of the edge is less than or equal to the programmed value of SJW, the results of hard synchronization and resynchronization are the same. If the magnitude of the phase error is larger than SJW, the resynchronization cannot compensate the phase error completely, and an error of (phase error - SJW) remains.

Only one synchronization may be done between two sample points. The synchronizations maintain a minimum distance between edges and sample points, giving the bus level time to stabilize and filtering out spikes that are shorter than (Prop_Seg + Phase_Seg1).

Apart from noise spikes, most synchronizations are caused by arbitration. All nodes synchronize “hard” on the edge transmitted by the “leading” transceiver that started transmitting first, but due to propagation delay times, they cannot become ideally synchronized. The leading transmitter does not necessarily win the arbitration; therefore, the receivers have to synchronize themselves to different transmitters that subsequently take the lead and that are differently synchronized to the previously leading transmitter. The same happens at the acknowledge field, where the transmitter and some of the receivers will have to synchronize to that receiver that takes the lead in the transmission of the dominant acknowledge bit.

Synchronizations after the end of the arbitration will be caused by oscillator tolerance, when the differences in the oscillator’s clock periods of transmitter and receivers sum up during the time between synchronizations (at most ten bits). These summarized differences may not be longer than the SJW, limiting the oscillator’s tolerance range.

Figure 24-182 shows how the phase buffer segments are used to compensate for phase errors. There are three drawings of each two consecutive bit timings. The upper drawing shows the synchronization on a “late” edge, the lower drawing shows the synchronization on an “early” edge, and the middle drawing is the reference without synchronization.



In the first example, an edge from recessive to dominant occurs at the end of Prop_Seg. The edge is “late” since it occurs after the Sync_Seg. Reacting to the late edge, Phase_Seg1 is lengthened so that the distance from the edge to the sample point is the same as it would have been from the Sync_Seg to the sample point if no edge had occurred. The phase error of this late edge is less than SJW, so it is fully compensated and the edge from dominant to recessive at the end of the bit, which is one nominal bit time long, occurs in the Sync_Seg.

In the second example, an edge from recessive to dominant occurs during Phase_Seg2. The edge is “early” since it occurs before a Sync_Seg. Reacting to the early edge, Phase_Seg2 is shortened and Sync_Seg is omitted, so that the distance from the edge to the sample point is the same as it would have been from a Sync_Seg to the sample point if no edge had occurred. As in the previous example, the magnitude of this early edge’s phase error is less than SJW, so it is fully compensated.

The phase buffer segments are lengthened or shortened temporarily only; at the next bit time, the segments return to their nominal programmed values.

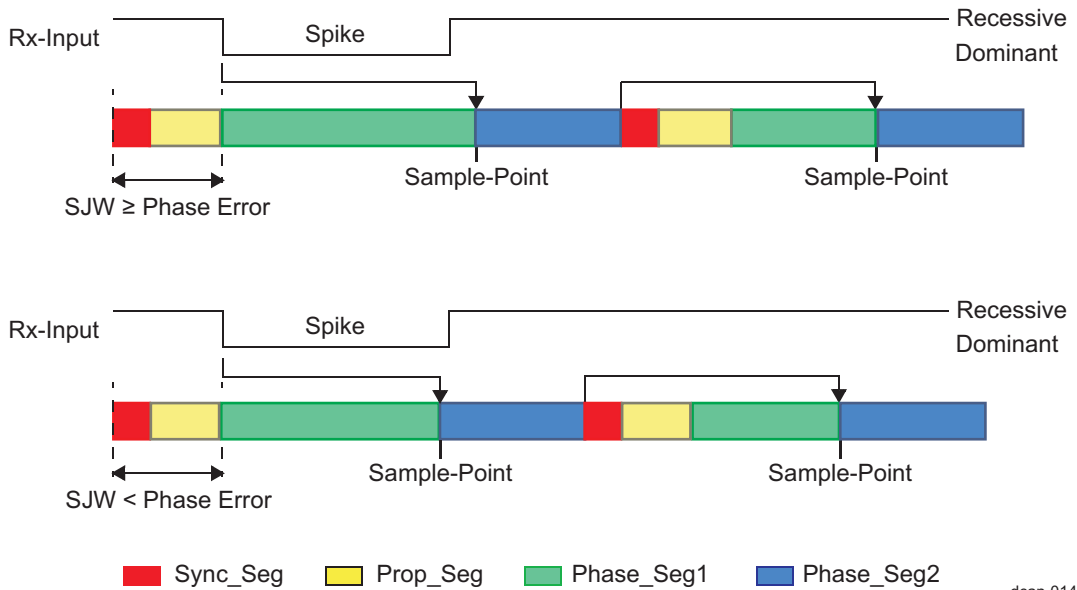
In these examples, the bit timing is seen from the point of view of the CAN implementation’s state machine, where the bit time starts and ends at the sample points. The state machine omits Sync_Seg when synchronizing on an early edge because it cannot subsequently redefine that time quantum of Phase_Seg2 where the edge occurs to be the Sync_Seg.

Figure 24-183 shows how short dominant noise spikes are filtered by synchronizations. In both examples, the spike starts at the end of Prop_Seg and has the length of (Prop_Seg + Phase_Seg1).

In the first example, the synchronization jump width is greater than or equal to the phase error of the spike's edge from recessive to dominant. Therefore the sample point is shifted after the end of the spike; a recessive bus level is sampled.

In the second example, SJW is shorter than the phase error, so the sample point cannot be shifted far enough; the dominant spike is sampled as actual bus level.

Figure 24-183. Filtering of Short Dominant Spikes



24.10.4.9.1.4 Oscillator Tolerance Range

With the introduction of CAN protocol version 1.2, the option to synchronize on edges from dominant to recessive became obsolete. Only edges from recessive to dominant are considered for synchronization. The protocol update to version 2.0 (A and B) had no influence on the oscillator tolerance.

The tolerance range df for an oscillator's frequency f_{osc} around the nominal frequency f_{nom} with:

$$(1 - df) \cdot f_{nom} \leq f_{osc} \leq (1 + df) \cdot f_{nom}$$

dcan-e015

depends on the proportions of Phase_Seg1, Phase_Seg2, SJW, and the bit time. The maximum tolerance df is defined by two conditions (both shall be met):

$$I: df \leq \frac{\min(TSeg1, TSeg2)}{2x(13x(bit_time - TSeg2))}$$

$$II: df \leq \frac{SJW}{20xbit_time}$$

dcan-e016

It has to be considered that SJW may not be larger than the smaller of the phase buffer segments and that the propagation time segment limits that part of the bit time that may be used for the phase buffer segments.

The combination Prop_Seg = 1 and Phase_Seg1 = Phase_Seg2 = SJW = 4 allows the largest possible oscillator tolerance of 1.58%. This combination with a propagation time segment of only 10% of the bit time is not suitable for short bit times; it can be used for bit rates of up to 125 kBit/s (bit time = 8 μs) with a bus length of 40 m.

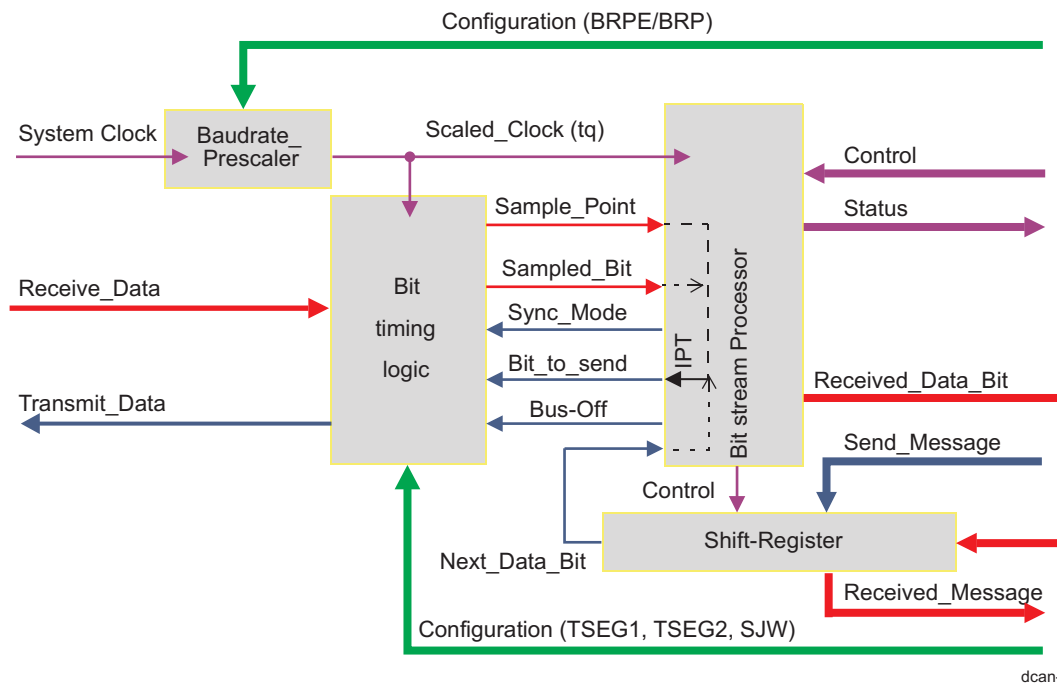
24.10.4.9.2 DCAN Bit Timing Registers

In the DCAN, the bit timing configuration is programmed in [DCAN_BTR\[14:0\]](#), additionally a baud rate prescaler extension of four bits ([DCAN_BTR\[19:16\] BRPE](#)) is provided.

- The sum of Prop_Seg and Phase_Seg1 is set in [11:8] TSEG1
- Phase_Seg2 in [14:12] TSEG2
- SynchronizationJumpWidth in [7:6] SJW
- and baud rate prescaler [5:0] BRP (plus [19:16] BRPE)

Figure 24-184 shows the CAN protocol controller.

Figure 24-184. Structure of the CAN Core's CAN Protocol Controller



In [DCAN_BTR](#) register, the components TSEG1, TSEG2, SJW and BRP have to be programmed to a numerical value that is one less than its functional value; so instead of values in the range of [1...n], values in the range of [0...n-1] are programmed. That way, e.g., SJW (functional range of [1...4]) is represented by only two bits.

Therefore, the length of the bit time is (programmed values) $[TSEG1 + TSEG2 + 3] t_q$ or (functional values) $[Sync_Seg + Prop_Seg + Phase_Seg1 + Phase_Seg2] t_q$.

The data in the bit timing register ([DCAN_BTR](#)) is the configuration input of the CAN protocol controller. The baud rate prescaler (configured by BRPE/BRP) defines the length of the time quantum (the basic time unit of the bit time); the bit timing logic (configured by TSEG1, TSEG2, and SJW) defines the number of time quanta in the bit time.

The processing of the bit time, the calculation of the position of the sample point, and occasional synchronizations are controlled by the bit timing state machine, which is evaluated once each time quantum. The rest of the CAN protocol controller, the bit stream processor (BSP) state machine, is evaluated once each bit time, at the sample point.

The shift register serializes the messages to be sent and parallelizes received messages. Its loading and shifting is controlled by the BSP. The BSP translates messages into frames and vice versa. It generates and discards the enclosing fixed format bits, inserts and extracts stuff bits, calculates and checks the CRC code, performs the error management, and decides which type of synchronization is to be used. It is evaluated at the sample point and processes the sampled bus input bit. The time after the sample point that is needed to calculate the next bit to be sent (e.g., data bit, CRC bit, stuff bit, error flag, or idle) is called the information processing time (IPT), which is $0 t_q$ for the DCAN.

Generally, the IPT is CAN controller-specific, but may not be longer than $2 t_q$. The IPT length is the lower limit of the programmed length of Phase_Seg2. In case of a synchronization, Phase_Seg2 may be shortened to a value less than IPT, which does not affect bus timing.

24.10.4.9.2.1 Calculation of the Bit Timing Parameters

Usually, the calculation of the bit timing configuration starts with a desired bit rate or bit time. The resulting bit time (1 / Bit rate) must be an integer multiple of the CAN clock period.

The bit time may consist of 8 to 25 time quanta. The length of the time quantum t_q is defined by the baud rate prescaler with $t_q = (\text{Baud Rate Prescaler}) / \text{FCLK}$. Several combinations may lead to the desired bit time, allowing iterations of the following steps.

First part of the bit time to be defined is the Prop_Seg. Its length depends on the delay times measured in the system. A maximum bus length as well as a maximum node delay has to be defined for expandible CAN bus systems. The resulting time for Prop_Seg is converted into time quanta (rounded up to the nearest integer multiple of t_q).

The Sync_Seg is 1 t_q long (fixed), leaving (bit time – Prop_Seg – 1) t_q for the two Phase Buffer Segments. If the number of remaining t_q is even, the Phase Buffer Segments have the same length, Phase_Seg2 = Phase_Seg1, else Phase_Seg2 = Phase_Seg1 + 1.

The minimum nominal length of Phase_Seg2 has to be regarded as well. Phase_Seg2 may not be shorter than any CAN controller's Information Processing Time in the network, which is device dependent and can be in the range of [0...2] t_q .

The length of the synchronization jump width is set to its maximum value, which is the minimum of four (4) and Phase_Seg1.

The oscillator tolerance range necessary for the resulting configuration is calculated by the formulas given in [Table 24-1127](#).

If more than one configurations are possible to reach a certain Bit rate, it is recommended to choose the configuration which allows the highest oscillator tolerance range.

CAN nodes with different clocks require different configurations to come to the same bit rate. The calculation of the propagation time in the CAN network, based on the nodes with the longest delay times, is done once for the whole network.

The CAN system's oscillator tolerance range is limited by the node with the lowest tolerance range.

The calculation may show that bus length or bit rate have to be decreased or that the oscillator frequencies' stability has to be increased in order to find a protocol compliant configuration of the CAN bit timing.

The resulting configuration is written into the bit timing register ([DCAN_BTR](#)):

[14:12] TSEG2 = Phase_Seg2 - 1

[11:8] TSEG1 = Phase_Seg1 + Prop_Seg - 1

[7:6] SJW = SynchronizationJumpWidth - 1

[5:0] BRP = Prescaler - 1

24.10.4.9.2.2 Example for Bit Timing Calculation

In this example, the frequency of FCLK is 20 MHz, BRP is 2, the bit rate is 500 KBit/s.

Table 24-1127. Example For Bit Timing

Parameter	Formula	Value	t_q
bit time (500 KBit/s)	1/bit rate, consists of $t_{\text{Sync_Seg}} + t_{\text{TSEG1}} + t_{\text{TSEG2}}$	2000 ns	20
delay of bus driver		280 ns	-
delay of receiver circuit		29 ns	-
delay of bus line (16 m)	$16 \times 5.5 \text{ ns/m}$	88 ns	-
t_q	BRP/FCLK	100 ns	1
$t_{\text{Sync_Seg}}$	$1 \times t_q$ (fixed)	100 ns	1
$t_{\text{Prop_Seg}}$	INT ($2 \times \text{delays} + 1$) = $8 \times t_q$	800 ns	8
t_{Seg1}	$t_{\text{Prop_Seg}} + t_{\text{Phase_Seg1}}$	1400 ns	14

Table 24-1127. Example For Bit Timing (continued)

Parameter	Formula	Value	t _q
t _{Seg2}	bit time - (t _{Sync_Seg} + t _{Seg1})	500 ns	5
t _{SJWmax}	MIN (4 × t _q , t _{Phase_Seg1})	400 ns	4

In this example, the bit timing register [DCAN_BTR](#) is programmed to:

- BRP = 2 - 1 = 1
- BRPE = 0
- TSEG1 = 14 - 1 = 13 (0xC)
- TSEG2 = 5 - 1 = 4
- SJW = 4 - 1 = 3

24.10.4.10 Message Interface Register Sets

The interface register sets control the software read and write accesses to the message RAM. There are two interface registers sets for read/write access, IF1 and IF2 and one interface register set for read access only, IF3.

Due to the structure of the message RAM, it is not possible to change single bits or bytes of a message object. Instead, always a complete message object in the message RAM is accessed. Therefore the data transfer from the IF1/IF2 registers to the message RAM requires the message handler to perform a read-modify-write cycle: First those parts of the message object that are not to be changed are read from the message RAM into the interface register set, and after the update the whole content of the interface register set is written into the message object.

After the partial write of a message object, those parts of the interface register set that are not selected in [DCAN_IF1CMD/DCAN_IF2CMD](#), will be set to the actual contents of the selected message object.

After the partial read of a message object, those parts of the interface register set that are not selected in [DCAN_IF1CMD/DCAN_IF2CMD](#), will be left unchanged.

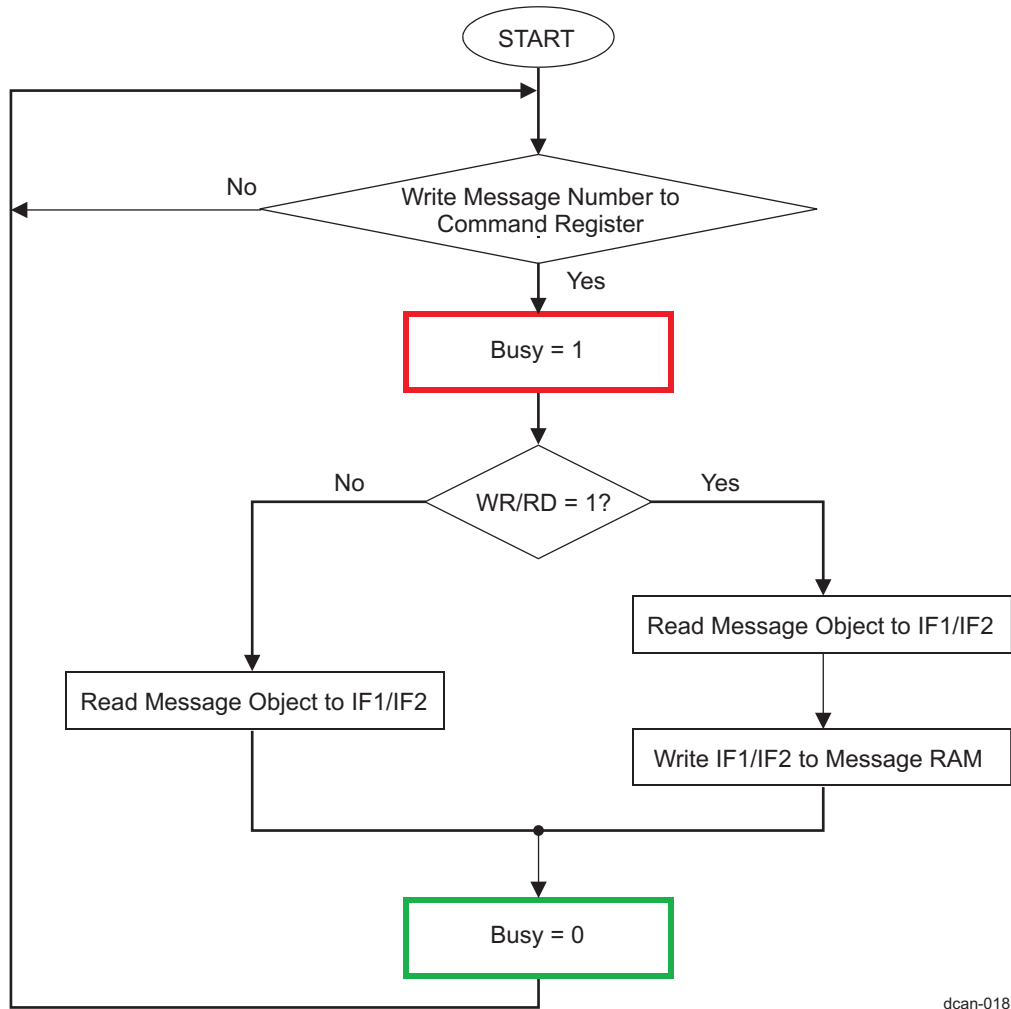
By buffering the data to be transferred, the interface register sets avoid conflicts between concurrent software accesses to the message RAM and CAN message reception and transmission. A complete message object (see [Section 24.10.4.11.1, Structure of Message Objects](#)) or parts of the message object may be transferred between the message RAM and the IF1/IF2 register set (see [Section 24.10.5, DCAN Register Manual](#)) in one single transfer. This transfer, performed in parallel on all selected parts of the message object, guarantees the data consistency of the CAN message.

24.10.4.10.1 Message Interface Register Sets 1 and 2

The IF1 and IF2 register sets control the data transfer to and from the message object. [DCAN_IF1CMD/DCAN_IF2CMD](#) address the desired message object in the message RAM and specifies whether a complete message object or only parts should be transferred. The data transfer is initiated by writing the message number to the bits [7:0] MESSAGE_NUMBER.

When the software initiates a data transfer between the IF1/IF2 registers and message RAM, the message handler sets the [15] BUSY bit in respective [DCAN_IF1CMD/DCAN_IF2CMD](#) to 1. After the transfer has completed, the BUSY bit is set back to 0 (see [Figure 24-185](#)).

Figure 24-185. Data Transfer Between IF1/IF2 Registers and Message RAM



dcan-018

24.10.4.10.2 IF3 Register Set

The IF3 register set can automatically be updated with received message objects without the need to initiate the transfer from message RAM by software. The intention of this feature of IF3 is to provide an interface for the DMA to read packets efficiently. The automatic update functionality can be programmed for each message object ([DCAN_IF3UPD12](#) to [DCAN_IF3UPD78](#)).

All valid message objects in message RAM which are configured for automatic update, will be checked for active NewDat flags. If such a message object is found, it will be transferred to the IF3 register (if no previous DMA transfers are ongoing), controlled by IF3 Observation register ([DCAN_IF3OBS](#)). If more than one NewDat flag is active, the message object with the lowest number has the highest priority for automatic IF3 update.

The NewDat bit in the message object will be reset by a transfer to IF3.

If DCAN internal IF3 update is complete, a DMA request is generated. The DMA request stays active until first read access to one of the IF3 registers. The DMA functionality has to be enabled by setting bit [DCAN_CTL\[20\] DE3 = 1](#).

NOTE: The IF3 register set cannot be used for transferring data into message objects.

24.10.4.11 Message RAM

The DCAN message RAM contains message objects and parity bits for the message objects. There are up to 64 message objects in the message RAM.

During normal operation, accesses to the message RAM are performed via the interface register sets, and the software cannot directly access the message RAM.

The interface register sets IF1 and IF2 provide indirect read/write access from the software to the message RAM. The IF1 and IF2 register sets can buffer control and user data to be transferred to and from the message objects.

The third interface register set IF3 can be configured to automatically receive control and user data from the message RAM when a message object has been updated after reception of a CAN message. The software does not need to initiate the transfer from message RAM to IF3 register set.

The message handler avoids potential conflicts between concurrent accesses to message RAM and CAN frame reception/transmission.

There are two modes where the message RAM can be directly accessed by the software:

- Debug/Suspend mode (see [Section 24.10.4.11.3](#), *Message RAM Representation in Debug/Suspend Mode*)
- RAM Direct Access (RDA) mode (see [Section 24.10.4.11.4](#), *Message RAM Representation in Direct Access Mode*)

CAUTION

Writes to the DCAN RAM must not be done while it is in low-power mode. If such writes occur, the behavior is undefined and RAM content is corrupted. It has to be ensured in software that the low-power mode is removed from the DCAN RAM before writing to it.

24.10.4.11.1 Structure of Message Objects

[Table 24-1128](#) shows the structure of a message object.

The highlighted fields are those parts of the message object which are represented in dedicated registers. For example, the transmit request flags of all message objects are represented in centralized transmit request registers.

Table 24-1128. Structure of a Message Object

UMask	Msk[28:0]	MXtd	MDir	EoB	unused	NewDat	MsgLst	RxIE	TxIE	IntPnd	RmtEn	TxRqst
MsgVal	ID[28:0]	Xtd	Dir	DLC[3:0]	Data 0	Data 1	Data 2	Data 3	Data 4	Data 5	Data 6	Data 7

Table 24-1129. Message Object Field Descriptions

Field Name	Value	Description
MsgVal		Message valid
	0	The message object is ignored by the message handler.
	1	The message object is to be used by the message handler.
Note: This bit may be kept at level '1' even when the identifier bits ID[28:0], the control bits Xtd, Dir, or the data length code are changed. It should be reset if the Messages Object is no longer required. The software must reset the MsgVal bit of all unused Messages Objects during the initialization before it resets the INIT bit in the DCAN_CTL register.		

Table 24-1129. Message Object Field Descriptions (continued)

Field Name	Value	Description
UMask		Use acceptance mask
	0	Mask bits (Msk[28:0], MXtd and MDir) are ignored and not used for acceptance filtering.
	1	Mask bits are used for acceptance filtering. Note: If the UMask bit is set to one, the message object's mask bits have to be programmed during initialization of the message object before MsgVal is set to one.
ID[28:0]		Message identifier
	ID[28:0]	29-bit ("extended") identifier bits
	ID[28:18]	11-bit ("standard") identifier bits
Msk[28:0]		Identifier mask
	0	The corresponding bit in the message identifier is not used for acceptance filtering (don't care).
	1	The corresponding bit in the message identifier is used for acceptance filtering.
Xtd		Mask extended identifier
	0	The extended identifier bit (IDE) has no effect on the acceptance filtering.
	1	The extended identifier bit (IDE) is used for acceptance filtering. Note: When 11-bit ("standard") Identifiers are used for a message object, the identifiers of received data frames are written into bits ID[28:18]. For acceptance filtering, only these bits together with mask bits Msk[28:18] are considered.
Dir		Message direction
	0	Direction = receive: On TxRqst, a remote frame with the identifier of this message object is transmitted. On reception of a data frame with matching identifier, the message is stored in this message object.
	1	Direction = transmit: On TxRqst, a data frame is transmitted. On reception of a remote frame with matching identifier, the TxRqst bit of this message object is set (if RmtEn = one).
MDir		Mask message direction
	0	The message direction bit (Dir) has no effect on the acceptance filtering.
	1	The message direction bit (Dir) is used for acceptance filtering.
EOB		End of block
	0	The message object is part of a FIFO Buffer block and is not the last message object of this FIFO Buffer block.
	1	The message object is a single message object or the last message object in a FIFO Buffer Block. Note: This bit is used to concatenate multiple message objects to build a FIFO Buffer. For single message objects (not belonging to a FIFO Buffer), this bit must always be set to one.
NewDat		New data
	0	No new data has been written into the data bytes of this message object by the message handler since the last time when this flag was cleared by the software.
	1	The message handler or the software has written new data into the data bytes of this message object.
MsgLst		Message lost (only valid for message objects with direction = receive)
	0	No message was lost since the last time when this bit was reset by the software.
	1	The message handler stored a new message into this message object when NewDat was still set, so the previous message has been overwritten.
RxIE		Receive interrupt enable
	0	IntPnd will not be triggered after the successful reception of a frame.
	1	IntPnd will be triggered after the successful reception of a frame.
TxIE		Transmit interrupt enable
	0	IntPnd will not be triggered after the successful transmission of a frame.
	1	IntPnd will be triggered after the successful transmission of a frame.
IntPnd		Interrupt pending
	0	This message object is not the source of an interrupt.
	1	This message object is the source of an interrupt. The interrupt Identifier in the interrupt register (DCAN_INT) will point to this message object if there is no other interrupt source with higher priority.

Table 24-1129. Message Object Field Descriptions (continued)

Field Name	Value	Description
RmtEn		Remote enable
	0	At the reception of a remote frame, TxRqst is not changed.
	1	At the reception of a remote frame, TxRqst is set.
TxRqst		Transmit request
	0	This message object is not waiting for a transmission.
	1	The transmission of this message object is requested and is not yet done.
DLC[3:0]		Data length code
	0 - 8	Data frame has 0 - 8 data bytes.
	9 - 15	Data frame has 8 data bytes.
		Note: The data length code of a message object must be defined to the same value as in the corresponding objects with the same identifier at other nodes. When the message handler stores a data frame, it will write the DLC to the value given by the received message.
Data 0		1st data byte of a CAN data frame
Data 1		2nd data byte of a CAN data frame
Data 2		3rd data byte of a CAN data frame
Data 3		4th data byte of a CAN data frame
Data 4		5th data byte of a CAN data frame
Data 5		6th data byte of a CAN data frame
Data 6		7th data byte of a CAN data frame
Data 7		8th data byte of a CAN data frame
		Note: Byte Data 0 is the first data byte shifted into the shift register of the CAN core during a reception, byte Data 7 is the last. When the message handler stores a data frame, it will write all the eight data bytes into a message object. If the data length code is less than 8, the remaining bytes of the message object may be overwritten by undefined values.

24.10.4.11.2 Addressing Message Objects in RAM

The starting location of a particular message object in RAM is:
 Message RAM base address + (message object number) × 0x20

That is, message object 1 starts at offset 0x0020; message object 2 starts at offset 0x0040, etc.

NOTE: Because 0 is not a valid message object number, at offset 0x0000 is not located message object 0, but the last implemented: 64.

The base address for DCAN1 RAM is 0x4AE3 D000 and DCAN2 RAM is 0x4848 1000.

Message object number 1 has the highest priority.

Table 24-1130. Message RAM Addressing in Debug/Suspend and RDA Modes

Message Object Number	Offset	Word Number	Debug/Suspend Mode, see Section 24.10.4.11.3	RDA Mode, see Section 24.10.4.11.4
64 (last implemented)	0x0000	1	Parity	Data Bytes 4-7
	0x0004	2	MXtd,MDir,Mask	Data Bytes 0-3
	0x0008	3	Xtd,Dir,ID	ID[27:0],DLC
	0x000C	4	Ctrl	Mask,Xtd,Dir,ID[28]
	0x0010	5	Data Bytes 3-0	Parity,Ctrl,MXtd,MDir
	0x0014	6	Data Bytes 7-4	-

Table 24-1130. Message RAM Addressing in Debug/Suspend and RDA Modes (continued)

Message Object Number	Offset	Word Number	Debug/Suspend Mode, see Section 24.10.4.11.3	RDA Mode, see Section 24.10.4.11.4
1	0x0020	1	Parity	Data Bytes 4-7
	0x0024	2	MXtd,MDir,Mask	Data Bytes 0-3
	0x0028	3	Xtd,Dir,ID	ID[27:0],DLC
	0x002C	4	Ctrl	Mask,Xtd,Dir,ID[28]
	0x0030	5	Data Bytes 3-0	Parity,Ctrl,MXtd,MDir
	0x0034	6	Data Bytes 7-4	-
2	0x0040	1	Parity	Data Bytes 4-7
	0x0044	2	MXtd,MDir,Mask	Data Bytes 0-3
	0x0048	3	Xtd,Dir,ID	ID[27:0],DLC
	0x004C	4	Ctrl	Mask,Xtd,Dir,ID[28]
	0x0050	5	Data Bytes 3-0	Parity,Ctrl,MXtd,MDir
	0x0054	6	Data Bytes 7-4	-
...
63	0x07E0	1	Parity	Data Bytes 4-7
	0x07E4	2	MXtd,MDir,Mask	Data Bytes 0-3
	0x07E8	3	Xtd,Dir,ID	ID[27:0],DLC
	0x07EC	4	Ctrl	Mask,Xtd,Dir,ID[28]
	0x07F0	5	Data Bytes 3-0	Parity,Ctrl,MXtd,MDir
	0x07F4	6	Data Bytes 7-4	-

24.10.4.11.3 Message RAM Representation in Debug/Suspend Mode

In debug/suspend mode, the message RAM will be memory mapped. This allows the external debug unit to access the message RAM.

NOTE: During debug/suspend mode, the message RAM cannot be accessed via the IFx register sets.

Table 24-1131. Message RAM Representation in Debug/Suspend Mode

Offset Within MO		0x00																													
31	30	29	28	27	26	25	24	23	22	21	20	19	18	17	16	15	14	13	12	11	10	9	8	7	6	5	4	3	2	1	0
RESERVED																Parity[4:0]															
Offset Within MO		0x04																													
31	30	29	28	27	26	25	24	23	22	21	20	19	18	17	16	15	14	13	12	11	10	9	8	7	6	5	4	3	2	1	0
MXtd	MDir	RESERVED	Msk[28:0]																												

Offset Within MO		0x08																																
31	30	29	28	27	26	25	24	23	22	21	20	19	18	17	16	15	14	13	12	11	10	9	8	7	6	5	4	3	2	1	0			
RESERVED	Xtd	Dir	ID[28:0]																															

Offset Within MO		0x0C																															
31	30	29	28	27	26	25	24	23	22	21	20	19	18	17	16	15	14	13	12	11	10	9	8	7	6	5	4	3	2	1	0		
RESERVED														MsgLst	RESERVED	UMask	TxE	RxTE	RmtEn	RESERVED	EOB	RESERVED	DLC[3:0]										

Offset Within MO		0x10																															
31	30	29	28	27	26	25	24	23	22	21	20	19	18	17	16	15	14	13	12	11	10	9	8	7	6	5	4	3	2	1	0		
DATA_3								DATA_2								DATA_1								DATA_0									

Offset Within MO		0x14																															
31	30	29	28	27	26	25	24	23	22	21	20	19	18	17	16	15	14	13	12	11	10	9	8	7	6	5	4	3	2	1	0		
DATA_7								DATA_6								DATA_5								DATA_4									

24.10.4.11.4 Message RAM Representation in Direct Access Mode

When the [DCAN_TEST](#)[9] RDA bit is set while the DCAN module is in test mode ([DCAN_CTL](#)[7] TEST = 1), the software has direct access to the message RAM. Due to the 32-bit bus structure, the RAM is split into word lines to support this feature. The software has access to one word line at a time only.

In RAM direct access mode, the RAM is represented by a continuous memory space within the address frame of the DCAN module, starting at the message RAM base address.

Note: During direct access mode, the message RAM cannot be accessed via the IFx register sets.

Any read or write to the RAM addresses for RAM Direct Access during normal operation mode (TEST bit or RDA bit not set) will be ignored.

Table 24-1132. Message RAM Representation in RAM Direct Access Mode

Offset Within MO		0x00																															
31	30	29	28	27	26	25	24	23	22	21	20	19	18	17	16	15	14	13	12	11	10	9	8	7	6	5	4	3	2	1	0		
DATA_4								DATA_5								DATA_6								DATA_7									
Offset Within MO		0x04																															
31	30	29	28	27	26	25	24	23	22	21	20	19	18	17	16	15	14	13	12	11	10	9	8	7	6	5	4	3	2	1	0		
DATA_0								DATA_1								DATA_2								DATA_3									

Offset Within MO		0x08																													
31	30	29	28	27	26	25	24	23	22	21	20	19	18	17	16	15	14	13	12	11	10	9	8	7	6	5	4	3	2	1	0
ID[27:0]																DLC[3:0]															
Offset Within MO		0x0C																													
31	30	29	28	27	26	25	24	23	22	21	20	19	18	17	16	15	14	13	12	11	10	9	8	7	6	5	4	3	2	1	0
Msk[28:0]																Xtd	Dir	ID[28]													
Offset Within MO		0x10																													
31	30	29	28	27	26	25	24	23	22	21	20	19	18	17	16	15	14	13	12	11	10	9	8	7	6	5	4	3	2	1	0
RESERVED												Parity[4:0]				Unused				MsgLst	UMask	TxIE	RxTE	RmtEn	EOB	MXtd	MDir				

NOTE: Writes to unused bits have no effect.

24.10.4.12 CAN Operation

After device reset, the `DCAN_CTL[0] INIT` is set and all CAN protocol functions are disabled. The CAN module must be initialized before operating it. Figure 24-186 illustrates the basic initialization flow for the CAN module.

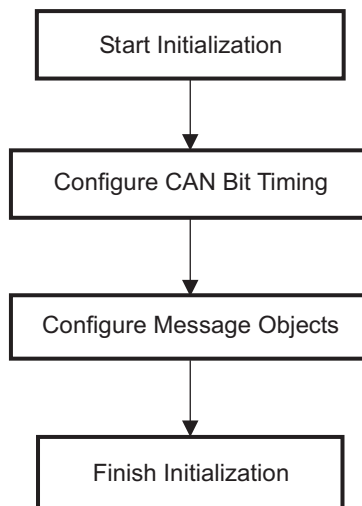
24.10.4.12.1 CAN Module Initialization

A general CAN module initialization would mean the following two critical steps:

- Configuration of the CAN bit timing
- Configuration of message objects

To initialize the CAN controller, the software has to set up the CAN bit timing and those message objects that have to be used for CAN communication. Message objects that are not needed, can be deactivated.

Figure 24-186. CAN Module General Initialization Flow



dcan-019

24.10.4.12.1.1 Configuration of CAN Bit Timing

The CAN module must be in initialization mode to configure the CAN bit timing.

For CAN bit timing software configuration flow, see [Figure 24-187](#), *CAN Bit-Timing Configuration*.

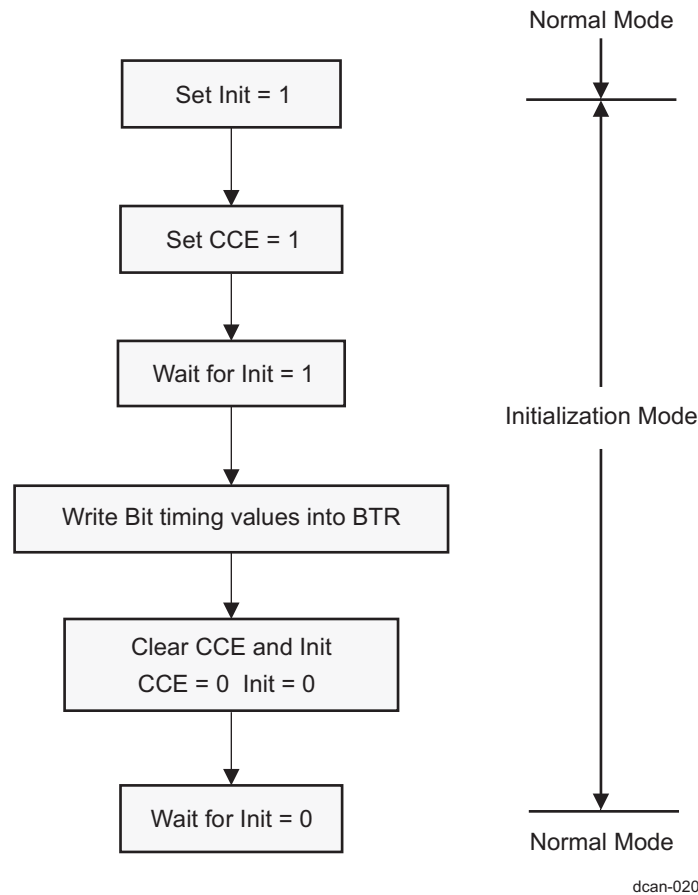
Step 1: Enter *initialization mode* (DCAN_CTL[0] INIT = 1).

While the INIT bit is set, the message transfer from and to the CAN bus is stopped, and the status of the CAN_TX output is recessive (high).

The CAN error counters are not updated. Setting the INIT bit does not change any other configuration register.

Also, note that the CAN module is in initialization mode on device reset and during Bus-Off.

Figure 24-187. CAN Bit-Timing Configuration



Step 2: Set the Configure Change Enable bit (DCAN_CTL[6] CCE = 1).

The access to the Bit Timing register (DCAN_BTR) for the configuration of the bit timing is enabled when both INIT = 1 and CCE = 1.

Step 3: Wait for the INIT bit to get set (=1). This would make sure that the module has entered Initialization mode.

Step 4: Write the bit timing values into DCAN_BTR. See [Section 24.10.4.9.2](#), *DCAN Bit Timing Registers* for the values calculation for a given bit timing.

Step 5: Clear the CCE and INIT bits (=0).

Step 6: Wait for the INIT bit to clear (=0). This would ensure that the module has come out of Initialization mode.

Following these steps, the module comes to operation by synchronizing itself to the CAN bus, provided the [DCAN_BTR](#) is configured as per the CAN bus baud rate, although the message objects have to be configured before carrying out any communication.

NOTE: The module will not come out of the Initialization mode if any incorrect [DCAN_BTR](#) values are written in step 4.

NOTE: The required message objects should be configured as transmit or receive objects before the start of data transfer as explained in [Section 24.10.4.12.1, CAN Module Initialization](#).

24.10.4.12.1.2 Configuration of Message Objects

The message objects can be configured only through the interface registers; the software does not have direct access to the message object (message RAM) . Familiarize yourself with the interface register set (IFx) usage (see [Section 24.10.4.10, Message Interface Register Sets](#)) and the message object structure (see [Section 24.10.4.11, Message RAM](#)) before configuring the message objects.

For more information regarding the procedure to configure the message objects, see [Section 24.10.4.7, Configuration of Message Objects Description](#). All the message objects should be configured to particular identifiers or set to not valid before the message transfer is started. It is possible to change the configuration of message objects during normal operation (that is between data transfers).

NOTE: The message objects initialization is independent of the bit-timing configuration.

24.10.4.12.1.3 DCAN RAM Hardware Initialization

The memory hardware initialization for the DCAN module is enabled in the device control module. Setting `RAMINIT_START` to 1, causes RAM initialization with zeros and sets parity bits accordingly. Software must wait for the `RAMINIT_DONE` bit to be set to ensure successful RAM initialization.

For more details on `CTRL_CORE_CONTROL_IO_2` register, see [Section 18.5, Control Module Register Manual](#).

24.10.4.12.2 CAN Message Transfer (Normal Operation)

Once the DCAN is initialized and `DCAN_CTL[0] INIT` bit is reset (=0), the CAN core synchronizes itself to the CAN bus and is ready for message transfer as per the configured message objects.

The software may enable the interrupt lines (`DCAN_CTL[1] IE0` and `[17] IE1 = 1`) at the same time when it clears `[0] INIT` and `[6] CCE = 0`. The status interrupts `[3] EIE` and `[2] SIE` may be enabled (=1) simultaneously.

The CAN communication can be carried out in any of the following two modes: interrupt and polling.

The `DCAN_INT` register points to those message objects with `IntPnd = 1`. It is updated even if the interrupt lines to the host processor are disabled (`DCAN_CTL[1] IE0` and `[17] IE1 = 0`).

The software may poll all MessageObject's `NewDat` and `TxRqst` bits in parallel from the `DCAN_NWDAT_X` and the `DCAN_TXRQ_X` registers respectively. Polling can be made easier if all transmit objects are grouped at the low numbers and all receive objects are grouped at the high numbers.

Received messages are stored into their appropriate message objects if they pass acceptance filtering.

The whole message (including all arbitration bits, DLC and up to eight data bytes) is stored into the message object. As a consequence (e.g., when the identifier mask is used), the arbitration bits which are masked to "don't care" may change in the message object when a received message is stored.

The software may read or write each message at any time via the interface registers, as the message handler guarantees data consistency in case of concurrent accesses.

If a permanent message object (arbitration and control bits set up during configuration and leaving unchanged for multiple CAN transfers) exists for the message, it is possible to only update the data bytes.

If several transmit messages should be assigned to one message object, the whole message object has to be configured before the transmission of this message is requested.

The transmission of multiple message objects may be requested at the same time. They are subsequently transmitted, according to their internal priority.

Messages may be updated or set to not valid at any time, even if a requested transmission is still pending. However, the data bytes will be discarded if a message is updated before a pending transmission has started.

Depending on the configuration of the message object, a transmission may be automatically requested by the reception of a remote frame with a matching identifier.

24.10.4.12.2.1 Automatic Retransmission

According to the CAN Specification (ISO11898), the DCAN provides a mechanism to automatically retransmit frames which have lost arbitration or have been disturbed by errors during transmission. The frame transmission service will not be confirmed to the user before the transmission is successfully completed.

By default, this automatic retransmission is enabled. It can be disabled by setting bit disable automatic retransmission ([DCAN_CTL\[5\] DAR = 1](#)). Further details to this mode are provided in [Section 24.10.4.8.3, Transmission of Messages in Event Driven CAN Communication](#).

24.10.4.12.2.2 Auto-Bus-On

By default, after the DCAN has entered Bus-Off state, the software can start a Bus-Off-Recovery sequence by resetting the [DCAN_CTL\[0\] INIT](#) bit to 0. If this is not done, the module will stay in Bus-Off state.

The DCAN provides an automatic Auto-Bus-On feature which is enabled by bit [DCAN_CTL\[9\] ABO](#). If set, the DCAN will automatically start the Bus-Off-Recovery sequence. The sequence can be delayed by a user-defined number of interface clock cycles which can be defined in the Auto-Bus-On Time register ([DCAN_ABOTR](#)).

NOTE: If the DCAN goes to Bus-Off state due to a massive occurrence of CAN bus errors, it stops all bus activities and automatically sets the INIT bit. Once the INIT bit has been reset by the software or due to the Auto-Bus-On feature, the device will wait for 129 occurrences of bus Idle (equal to 129 × 11 consecutive recessive bits) before resuming normal operation. At the end of the Bus-Off recovery sequence, the error counters will be reset.

24.10.4.12.3 Test Modes

The DCAN module provides several test modes which are mainly intended for production tests or self test.

For all test modes, the [DCAN_CTL\[7\] TEST](#) bit needs to be set to 1. This enables write access to the test register ([DCAN_TEST](#)).

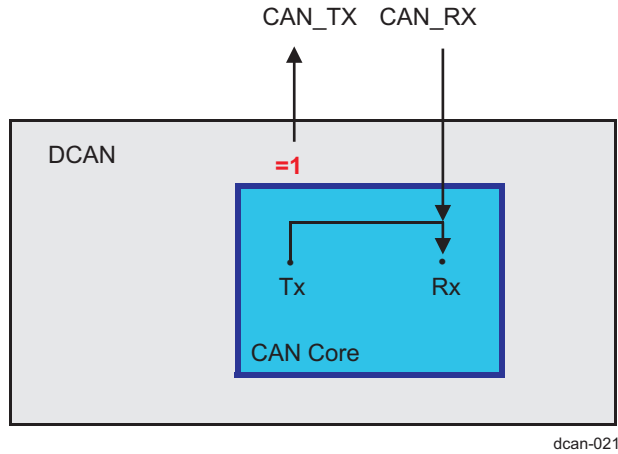
NOTE: It must be ensured by software that all message transfers are completed before entering test mode.

24.10.4.12.3.1 Silent Mode

The silent mode may be used to analyze the traffic on the CAN bus without affecting it by sending dominant bits (e.g., acknowledge bit, overload flag, active error flag). The DCAN is still able to receive valid data frames and valid remote frames, but it will not send any dominant bits. However, these are internally routed to the CAN core.

Figure 24-188 shows the connection of signals CAN_TX and CAN_RX to the CAN core in silent mode. Silent mode can be activated by setting the DCAN_TEST[3] SILENT bit to 1. In ISO 11898-1, the silent mode is called the bus monitoring mode.

Figure 24-188. CAN Core in Silent Mode



24.10.4.12.3.2 Loopback Mode

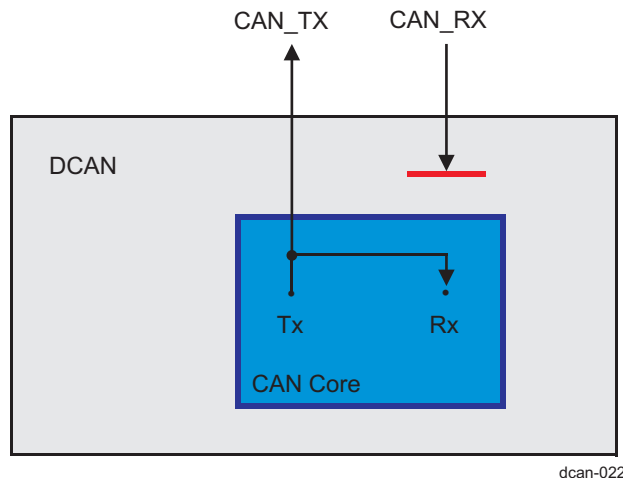
The loopback mode is mainly intended for hardware self-test functions. In this mode, the CAN core uses internal feedback from Tx output to Rx input. Transmitted messages are treated as received messages, and can be stored into message objects if they pass acceptance filtering. The actual value of the CAN_RX input pin is disregarded by the CAN core. Transmitted messages can still be monitored at the CAN_TX pin.

In order to be independent from external stimulation, the CAN core ignores acknowledge sampled in the acknowledge slot of a data/remote frame.

Figure 24-189 shows the connection of signals CAN_TX and CAN_RX to the CAN core in loopback mode. Loopback mode can be activated by setting bit DCAN_TEST[4] LBACK to 1.

NOTE: In loopback mode, the signal path from CAN core to Tx pin, the Tx pin itself, and the signal path from Tx pin back to CAN core are disregarded. For including these into the testing, see Section 24.10.4.12.3.3, External Loopback Mode.

Figure 24-189. CAN Core in Loopback Mode



24.10.4.12.3.3 External Loopback Mode

The external loopback mode is similar to the loopback mode; however, it includes the signal path from CAN core to Tx pin, the Tx pin itself, and the signal path from Tx pin back to CAN core. When external loopback mode is selected, the input of the CAN core is connected to the input buffer of the Tx pin.

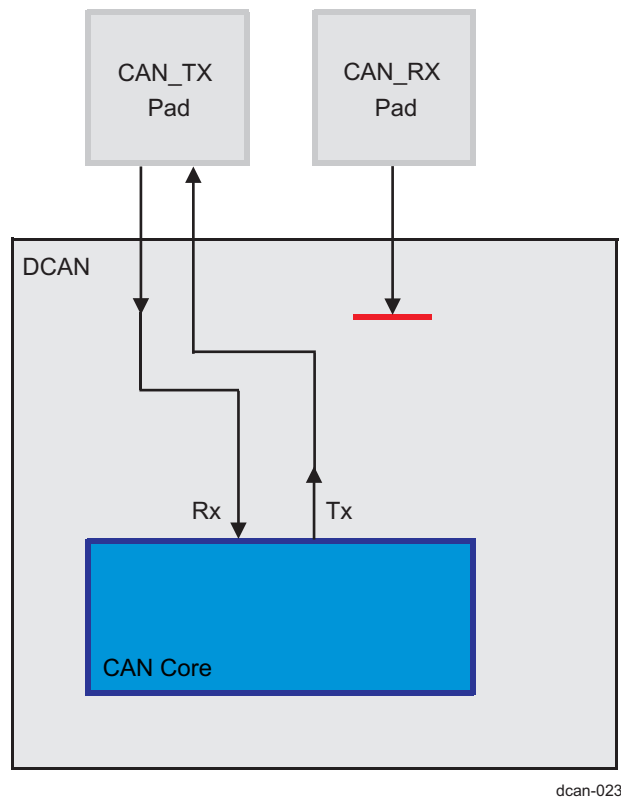
With this configuration, the Tx pin IO circuit can be tested.

External loopback mode can be activated by setting bit [DCAN_TEST\[8\] EXL](#) to 1.

[Figure 24-190](#) shows the connection of signals CAN_TX and CAN_RX to the CAN core in external loopback mode.

NOTE: When loopback mode is active (LBACK bit set), the EXL bit will be ignored.

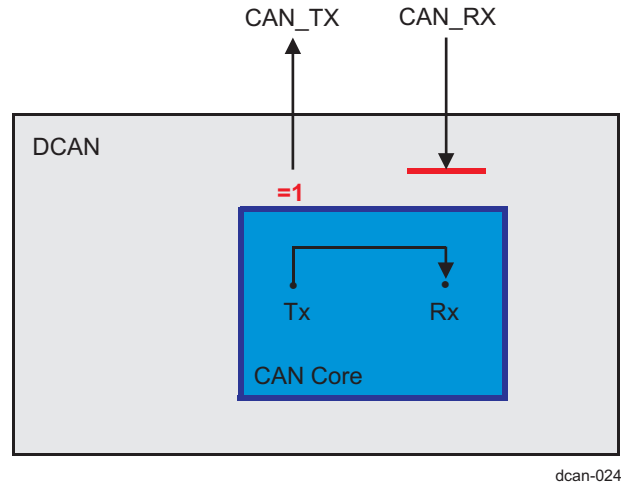
Figure 24-190. CAN Core in External Loopback Mode



24.10.4.12.3.4 Loopback Mode Combined With Silent Mode

It is also possible to combine loopback mode and silent mode by setting bits [DCAN_TEST\[4\] LBACK](#) and [\[3\] SILENT](#) at the same time. This mode can be used for a "Hot Selftest", that is, the DCAN hardware can be tested without affecting the CAN network. In this mode, the CAN_RX pin is disconnected from the CAN core and no dominant bits will be sent on the CAN_TX pin.

[Figure 24-191](#) shows the connection of the signals CAN_TX and CAN_RX to the CAN core in case of the combination of loopback mode with silent mode.

Figure 24-191. CAN Core in Loop Back Combined With Silent Mode


24.10.4.12.3.5 Software Control of CAN_TX Pin

Four output functions are available for the CAN transmit pin CAN_TX. In addition to its default function (serial data output), the CAN_TX pin can drive constant dominant or recessive values, or it can drive the CAN sample point signal to monitor the CAN core's bit timing.

Combined with the readable value of the CAN_RX pin, this function can be used to check the physical layer of the CAN bus.

The output mode of pin CAN_TX is selected by programming the [DCAN_TEST\[6:5\] TX](#):

- 0x0: Normal operation, CAN_TX is controlled by the DCAN core
- 0x1: Sample point can be monitored at CAN_TX pin
- 0x2: CAN_TX pin drives a dominant value
- 0x3: CAN_TX pin drives a recessive value.

NOTE: The software control for the CAN_TX pin interferes with CAN protocol functions. For CAN message transfer or any of the test modes (loopback mode, external loopback mode or silent mode), the CAN_TX pin should operate in its default functionality.

24.10.4.13 GPIO Support

The CAN_RX and CAN_TX pins of the DCAN module can be used as general purpose IO pins, if CAN functionality is not needed. This function is controlled by the CAN TX IO control register ([DCAN_TIOC](#)) and the CAN RX IO control register ([DCAN_RIOC](#)).

24.10.5 DCAN Register Manual

24.10.5.1 DCAN Instance Summary

Table 24-1133. DCAN Instance Summary

Module Name	Base Address	Size
DCAN1	0x4AE3 C000	8 KiB
DCAN2	0x4848 0000	8 KiB

24.10.5.2 DCAN Registers

NOTE: After device reset, the registers of the DCAN hold the values shown in the register descriptions.

Additionally, the Bus-Off state is reset and the CAN_TX pin is set to recessive (HIGH). The INIT bit in the [DCAN_CTL](#) is set to enable the software initialization. The DCAN will not influence the CAN bus until the software resets INIT to 0.

24.10.5.2.1 DCAN Register Summary

Table 24-1134. DCAN Registers Mapping Summary

Register Name	Type	Register Width (Bits)	Address Offset	DCAN1 Physical Address	DCAN2 Physical Address
DCAN_CTL	RW	32	0x0000 0000	0x4AE3 C000	0x4848 0000
DCAN_ES	R	32	0x0000 0004	0x4AE3 C004	0x4848 0004
DCAN_ERRC	R	32	0x0000 0008	0x4AE3 C008	0x4848 0008
DCAN_BTR	RW	32	0x0000 000C	0x4AE3 C00C	0x4848 000C
DCAN_INT	R	32	0x0000 0010	0x4AE3 C010	0x4848 0010
DCAN_TEST	RW	32	0x0000 0014	0x4AE3 C014	0x4848 0014
DCAN_PERR	R	32	0x0000 001C	0x4AE3 C01C	0x4848 001C
DCAN_REL	R	32	0x0000 0020	0x4AE3 C020	0x4848 0020
RESERVED	RW	32	0x0000 0024	0x4AE3 C024	0x4848 0024
RESERVED	RW	32	0x0000 0028	0x4AE3 C028	0x4848 0028
RESERVED	RW	32	0x0000 002C	0x4AE3 C02C	0x4848 002C
RESERVED	R	32	0x0000 0030	0x4AE3 C030	0x4848 0030
DCAN_ABOTR	RW	32	0x0000 0080	0x4AE3 C080	0x4848 0080
DCAN_TXRQ_X	R	32	0x0000 0084	0x4AE3 C084	0x4848 0084
DCAN_TXRQ12	R	32	0x0000 0088	0x4AE3 C088	0x4848 0088
DCAN_TXRQ34	R	32	0x0000 008C	0x4AE3 C08C	0x4848 008C
DCAN_TXRQ56	R	32	0x0000 0090	0x4AE3 C090	0x4848 0090
DCAN_TXRQ78	R	32	0x0000 0094	0x4AE3 C094	0x4848 0094
DCAN_NWDAT_X	R	32	0x0000 0098	0x4AE3 C098	0x4848 0098
DCAN_NWDAT12	R	32	0x0000 009C	0x4AE3 C09C	0x4848 009C
DCAN_NWDAT34	R	32	0x0000 00A0	0x4AE3 C0A0	0x4848 00A0
DCAN_NWDAT56	R	32	0x0000 00A4	0x4AE3 C0A4	0x4848 00A4
DCAN_NWDAT78	R	32	0x0000 00A8	0x4AE3 C0A8	0x4848 00A8
DCAN_INTPND_X	R	32	0x0000 00AC	0x4AE3 C0AC	0x4848 00AC
DCAN_INTPND12	R	32	0x0000 00B0	0x4AE3 C0B0	0x4848 00B0
DCAN_INTPND34	R	32	0x0000 00B4	0x4AE3 C0B4	0x4848 00B4

Table 24-1134. DCAN Registers Mapping Summary (continued)

Register Name	Type	Register Width (Bits)	Address Offset	DCAN1 Physical Address	DCAN2 Physical Address
DCAN_INTPND56	R	32	0x0000 00B8	0x4AE3 C0B8	0x4848 00B8
DCAN_INTPND78	R	32	0x0000 00BC	0x4AE3 C0BC	0x4848 00BC
DCAN_MSGVAL_X	R	32	0x0000 00C0	0x4AE3 C0C0	0x4848 00C0
DCAN_MSGVAL12	R	32	0x0000 00C4	0x4AE3 C0C4	0x4848 00C4
DCAN_MSGVAL34	R	32	0x0000 00C8	0x4AE3 C0C8	0x4848 00C8
DCAN_MSGVAL56	R	32	0x0000 00CC	0x4AE3 C0CC	0x4848 00CC
DCAN_MSGVAL78	R	32	0x0000 00D0	0x4AE3 C0D0	0x4848 00D0
DCAN_INTMUX12	RW	32	0x0000 00D8	0x4AE3 C0D8	0x4848 00D8
DCAN_INTMUX34	RW	32	0x0000 00DC	0x4AE3 C0DC	0x4848 00DC
DCAN_INTMUX56	RW	32	0x0000 00E0	0x4AE3 C0E0	0x4848 00E0
DCAN_INTMUX78	RW	32	0x0000 00E4	0x4AE3 C0E4	0x4848 00E4
DCAN_IF1CMD	RW	32	0x0000 0100	0x4AE3 C100	0x4848 0100
DCAN_IF1MSK	RW	32	0x0000 0104	0x4AE3 C104	0x4848 0104
DCAN_IF1ARB	RW	32	0x0000 0108	0x4AE3 C108	0x4848 0108
DCAN_IF1MCTL	RW	32	0x0000 010C	0x4AE3 C10C	0x4848 010C
DCAN_IF1DATA	RW	32	0x0000 0110	0x4AE3 C110	0x4848 0110
DCAN_IF1DATB	RW	32	0x0000 0114	0x4AE3 C114	0x4848 0114
DCAN_IF2CMD	RW	32	0x0000 0120	0x4AE3 C120	0x4848 0120
DCAN_IF2MSK	RW	32	0x0000 0124	0x4AE3 C124	0x4848 0124
DCAN_IF2ARB	RW	32	0x0000 0128	0x4AE3 C128	0x4848 0128
DCAN_IF2MCTL	RW	32	0x0000 012C	0x4AE3 C12C	0x4848 012C
DCAN_IF2DATA	RW	32	0x0000 0130	0x4AE3 C130	0x4848 0130
DCAN_IF2DATB	RW	32	0x0000 0134	0x4AE3 C134	0x4848 0134
DCAN_IF3OBS	RW	32	0x0000 0140	0x4AE3 C140	0x4848 0140
DCAN_IF3MSK	RW	32	0x0000 0144	0x4AE3 C144	0x4848 0144
DCAN_IF3ARB	R	32	0x0000 0148	0x4AE3 C148	0x4848 0148
DCAN_IF3MCTL	R	32	0x0000 014C	0x4AE3 C14C	0x4848 014C
DCAN_IF3DATA	R	32	0x0000 0150	0x4AE3 C150	0x4848 0150
DCAN_IF3DATB	R	32	0x0000 0154	0x4AE3 C154	0x4848 0154
DCAN_IF3UPD12	RW	32	0x0000 0160	0x4AE3 C160	0x4848 0160
DCAN_IF3UPD34	RW	32	0x0000 0164	0x4AE3 C164	0x4848 0164
DCAN_IF3UPD56	RW	32	0x0000 0168	0x4AE3 C168	0x4848 0168
DCAN_IF3UPD78	RW	32	0x0000 016C	0x4AE3 C16C	0x4848 016C
DCAN_TIOC	RW	32	0x0000 01E0	0x4AE3 C1E0	0x4848 01E0
DCAN_RIOC	RW	32	0x0000 01E4	0x4AE3 C1E4	0x4848 01E4

24.10.5.2.2 DCAN Register Description

Table 24-1135. DCAN_CTL

Address Offset	0x0000 0000	Instance	DCAN1 DCAN2
Physical Address	0x4AE3 C000 0x4848 0000		
Description	DCAN control register NOTE: The Bus-Off recovery sequence (refer to CAN specification) cannot be shortened by setting or resetting INIT bit. If the module goes Bus-Off, it will automatically set the INIT bit and stop all bus activities. When the INIT bit is cleared by the application again, the module will then wait for 129 occurrences of Bus Idle (129 × 11 consecutive recessive bits) before resuming normal operation. At the end of the bus-off recovery sequence, the error counters will be reset. After the INIT bit is reset, each time when a sequence of 11 recessive bits is monitored, a Bit0 error code is written to DCAN_ES , enabling the software to check whether the CAN bus is stuck at dominant or continuously disturbed, and to monitor the proceeding of the bus-off recovery sequence.		
Type	RW		

31	30	29	28	27	26	25	24	23	22	21	20	19	18	17	16	15	14	13	12	11	10	9	8	7	6	5	4	3	2	1	0	
RESERVED								RESERVED		DE3	DE2	DE1	IE1	INITDBG	SWR	RESERVED	PMD						ABO	IDS	TEST	CCE	DAR	RESERVED	EIE	SIE	IE0	INIT

Bits	Field Name	Description	Type	Reset
31:26	RESERVED	These bits are always read as 0. Writes have no effect.	R	0x00
25	WUBA	Automatic wake up on bus activity when in local power-down mode. Note: The CAN message, which initiates the bus activity, cannot be received. This means that the first message received in power down and automatic wake-up mode, will be lost. 0: No detection of a dominant CAN bus level while in local power-down mode. 1: Detection of a dominant CAN bus level while in local power-down mode is enabled. On occurrence of a dominant CAN bus level, the wake up sequence is started (Additional information can be found in <i>Local Power-Down Mode</i>).	RW	0
24	PDR	Request for local low power-down mode 0: No application request for local low power-down mode. If the application has cleared this bit while DCAN in local power-down mode, also the INIT bit has to be cleared. 1: Local power-down mode has been requested by application. The DCAN will acknowledge the local power-down mode by setting bit PDA in the DCAN_ES register. The local clocks will be turned off by DCAN internal logic (Additional information can be found in <i>Local Power-Down Mode</i>).	RW	0
23:21	RESERVED	These bits are always read as 0. Writes have no effect.	R	0x0
20	DE3	Enable DMA request line for IF3. Note: A pending DMA request for IF3 remains active until first access to one of the IF3 registers. 0: Disabled 1: Enabled	RW	0
19	DE2	Enable DMA request line for IF2. Note: A pending DMA request for IF2 remains active until first access to one of the IF2 registers. 0: Disabled 1: Enabled	RW	0

Bits	Field Name	Description	Type	Reset
18	DE1	Enable DMA request line for IF1. Note: A pending DMA request for IF1 remains active until first access to one of the IF1 registers. 0: Disabled 1: Enabled	RW	0
17	IE1	Interrupt line 1 enable 0: Disabled - Module interrupt INT1 is always low. 1: Enabled - interrupts will assert line INT1 to one; line remains active until pending interrupts are processed.	RW	0
16	INITDBG	Internal init state while debug access 0: Not in debug mode, or debug mode requested but not entered. 1: Debug mode requested and internally entered; the DCAN is ready for debug accesses.	RW	0
15	SWR	Software reset enable. Note: To execute software reset, the following procedure is necessary: 1. Set INIT bit to shut down CAN communication. 2. Set SWR (this) bit additionally to INIT bit. 0: Normal Operation 1: Module is forced to reset state. This bit will automatically get cleared after execution of software reset after one OCP clock cycle.	RW	0
14	RESERVED	This bit is always read as 0. Writes have no effect.	R	0
13:10	PMD	Parityon/off 0x5: function disabled Others: function enabled	RW	0x5
9	ABO	Auto-Bus-On enable 0: The Auto-Bus-On feature is disabled 1: The Auto-Bus-On feature is enabled	RW	0
8	IDS	Interruption debug support enable 0: When Debug/Suspend mode is requested, DCAN will wait for a started transmission or reception to be completed before entering Debug/Suspend mode 1: When Debug/Suspend mode is requested, DCAN will interrupt any transmission or reception, and enter Debug/Suspend mode immediately.	RW	0
7	TEST	Test mode enable 0: Normal Operation 1: Test Mode	RW	0
6	CCE	Configuration change enable 0: The software has no write access to the configuration registers. 1: The software has write access to the configuration registers (when INIT bit is set).	RW	0
5	DAR	Disable automatic retransmission 0: Automatic retransmission of not successful messages enabled. 1: Automatic retransmission disabled.	RW	0
4	RESERVED	This bit is always read as 0. Writes have no effect.	R	0
3	EIE	Error interrupt enable 0: Disabled - PER, BOFF and EWARN bits can not generate an interrupt. 1: Enabled - PER, BOFF and EWARN bits can generate an interrupt at INTO line and affect the interrupt register.	RW	0

Bits	Field Name	Description	Type	Reset
2	SIE	Status change interrupt enable 0: Disabled - WAKEUPPND, RXOK, TXOK and LEC bits can not generate an interrupt. 1: Enabled - WAKEUPPND, RXOK, TXOK and LEC can generate an interrupt at INT0 line and affect the interrupt register.	RW	0
1	IE0	Interrupt line 0 enable 0: Disabled - Module interrupt INT0 is always low. 1: Enabled - interrupts will assert line INT0 to one; line remains active until pending interrupts are processed.	RW	0
0	INIT	Initialization 0: Normal operation 1: Initialization mode is entered	RW	1

Table 24-1136. Register Call Summary for Register DCAN_CTL
DCAN

- [Interrupt Functionality: \[0\]](#)
- [Status Change Interrupts: \[1\]\[2\]](#)
- [Error Interrupts: \[3\]\[4\]](#)
- [DMA Functionality: \[5\]](#)
- [Entering Local Power-Down Mode: \[6\]\[7\]](#)
- [Wakeup From Local Power Down: \[8\]\[9\]\[10\]\[11\]\[12\]](#)
- [Parity Check Mechanism: \[13\]](#)
- [Debug/Suspend Mode: \[16\]\[17\]](#)
- [Transmission of Messages in Event Driven CAN Communication: \[18\]](#)
- [IF3 Register Set: \[19\]](#)
- [Structure of Message Objects: \[20\]](#)
- [Message RAM Representation in Direct Access Mode: \[21\]](#)
- [CAN Operation: \[22\]](#)
- [CAN Module Initialization: \[23\]\[24\]](#)
- [CAN Message Transfer \(Normal Operation\): \[25\]\[26\]\[27\]\[28\]\[29\]\[30\]](#)
- [Test Modes: \[31\]](#)
- [DCAN Registers: \[32\]](#)
- [DCAN Register Summary: \[33\]](#)
- [DCAN Register Description: \[34\]\[35\]\[36\]\[37\]\[38\]\[39\]\[40\]\[41\]\[42\]\[43\]\[44\]\[45\]\[46\]\[47\]\[48\]\[49\]\[50\]\[51\]\[52\]](#)

Table 24-1137. DCAN_ES

Address Offset	0x0000 0004	Instance	DCAN1 DCAN2
Physical Address	0x4AE3 C004 0x4848 0004		
Description	<p>Error and Status Register</p> <p>Interrupts are generated by bits PER, BOFF and EWARN (if EIE bit in DCAN_CTL is 1) and by bits WAKEUPPND, RXOK, TXOK, and LEC (if SIE bit in DCAN_CTL is 1). A change of bit EPASS will not generate an interrupt.</p> <p>Reading the DCAN_ES clears the WAKEUPPND, PER, RXOK and TXOK bits and set the LEC to value '7.' Additionally, the status interrupt value (0x8000) in the DCAN_INT will be replaced by the next lower priority interrupt value.</p> <p>For debug support, the auto clear functionality of DCAN_ES (clear of status flags by read) is disabled when in debug/suspend mode.</p>		
Type	R		

31	30	29	28	27	26	25	24	23	22	21	20	19	18	17	16	15	14	13	12	11	10	9	8	7	6	5	4	3	2	1	0
RESERVED																						PDA	WAKEUPPND	PER	BOFF	EWARN	EPASS	RXOK	TXOK	LEC	

Bits	Field Name	Description	Type	Reset
31:11	RESERVED	These bits are always read as 0. Writes have no effect.	R	0x00 0000
10	PDA	Local power-down mode acknowledge 0: DCAN is not in local power-down mode. 1: Application request for setting DCAN to local power-down mode was successful. DCAN is in local power-down mode.	R	0
9	WAKEUPPND	Wake up pending. This bit can be used by the software to identify the DCAN as the source to wake up the system. This bit will be reset if DCAN_ES is read. 0: No Wake Up is requested by DCAN. 1: DCAN has initiated a wake up of the system due to dominant CAN bus while module power down.	R	0
8	PER	Parity error detected. This bit will be reset if DCAN_ES register is read. Read 0: No parity error has been detected since last read access. Read 1: The parity check mechanism has detected a parity error in the Message RAM. Write 0: No effect Write 1: End of interrupt (EOI) for parity error on DCAN_PARITY interrupt line	RW	0
7	BOFF	Bus-Off state 0: The CAN module is not bus-off state. 1: The CAN module is in bus-off state.	R	0
6	EWARN	Warning state 0: Both error counters are below the error warning limit of 96. 1: At least one of the error counters has reached the error warning limit of 96.	R	0
5	EPASS	Error passive state 0: On CAN Bus error, the DCAN could send active error frames. 1: The CAN core is in the error passive state as defined in the CAN Specification.	R	0

Bits	Field Name	Description	Type	Reset
4	RXOK	<p>Received a message successfully. This bit will be reset if DCAN_ES register is read.</p> <p>0: No message has been successfully received since the last time when this bit was read by the software. This bit is never reset by DCAN internal events.</p> <p>1: A message has been successfully received since the last time when this bit was reset by a read access of the software (independent of the result of acceptance filtering).</p>	R	0
3	TXOK	<p>Transmitted a message successfully. This bit will be reset if DCAN_ES register is read.</p> <p>0: No message has been successfully transmitted since the last time when this bit was read by the software. This bit is never reset by DCAN internal events.</p> <p>1: A message has been successfully transmitted (error free and acknowledged by at least one other node) since the last time when this bit was reset by a read access of the software.</p>	R	0
2:0	LEC	<p>Last error code. The LEC field indicates the type of the last error on the CAN bus. This field will be cleared to '0' when a message has been transferred (reception or transmission) without error.</p> <p>0x0: No error</p> <p>0x1: Stuff error: More than five equal bits in a row have been detected in a part of a received message where this is not allowed.</p> <p>0x2: Form error: A fixed format part of a received frame has the wrong format.</p> <p>0x3: Ack error: The message this CAN core transmitted was not acknowledged by another node.</p> <p>0x4: Bit1 error: During the transmission of a message (with the exception of the arbitration field), the device wanted to send a recessive level (bit of logical value '1'), but the monitored bus value was dominant.</p> <p>0x5: Bit0 error: During the transmission of a message (or acknowledge bit, or active error flag, or overload flag), the device wanted to send a dominant level (logical value '0'), but the monitored bus level was recessive. During Bus-Off recovery, this status is set each time a sequence of 11 recessive bits has been monitored. This enables the software to monitor the proceeding of the Bus-Off recovery sequence (indicating the bus is not stuck at dominant or continuously disturbed).</p> <p>0x6: CRC error: In a received message, the CRC check sum was incorrect. (CRC received for an incoming message does not match the calculated CRC for the received data).</p> <p>0x7: No CAN bus event was detected since the last time the software read DCAN_ES. Any read access to DCAN_ES re-initializes the LEC to value '7.'</p>	R	0x7

Table 24-1138. Register Call Summary for Register DCAN_ES

DCAN

- [Interrupt Functionality: \[0\]\[1\]](#)
- [Status Change Interrupts: \[2\]\[3\]](#)
- [Error Interrupts: \[4\]](#)
- [Entering Local Power-Down Mode: \[5\]](#)
- [Wakeup From Local Power Down: \[6\]\[7\]](#)
- [Behavior on Parity Error: \[8\]](#)
- [Debug/Suspend Mode: \[10\]](#)
- [DCAN Register Summary: \[11\]](#)
- [DCAN Register Description: \[12\]\[13\]\[14\]\[15\]\[16\]\[17\]\[18\]\[19\]\[20\]\[21\]\[22\]\[23\]\[24\]](#)

Table 24-1139. DCAN_ERRC

Address Offset	0x0000 0008	Instance	DCAN1 DCAN2
Physical Address	0x4AE3 C008 0x4848 0008		
Description	Error Counter Register		
Type	R		

31	30	29	28	27	26	25	24	23	22	21	20	19	18	17	16	15	14	13	12	11	10	9	8	7	6	5	4	3	2	1	0
RESERVED																$\frac{R}{Z}$	REC						TEC								

Bits	Field Name	Description	Type	Reset
31:16	RESERVED	These bits are always read as 0. Writes have no effect.	R	0x0000
15	RP	Receive error passive 0: The receive error counter is below the error passive level. 1: The receive error counter has reached the error passive level as defined in the CAN specification.	R	0
14:8	REC	Receive error counter. Actual state of the receive error counter	R	0x00
7:0	TEC	Transmit error counter. Actual state of the transmit error counter	R	0x00

Table 24-1140. Register Call Summary for Register DCAN_ERRC

DCAN

- [DCAN Register Summary: \[0\]](#)

Table 24-1141. DCAN_BTR

Address Offset	0x0000 000C		
Physical Address	0x4AE3 C00C 0x4848 000C	Instance	DCAN1 DCAN2
Description	Bit timing register This register is only writable if CCE and INIT bits in the DCAN_CTL are set. The CAN bit time may be programmed in the range of 8 to 25 time quanta The CAN time quantum may be programmed in the range of 1 to 1024 CAN_CLK periods.		
Type	RW		

31	30	29	28	27	26	25	24	23	22	21	20	19	18	17	16	15	14	13	12	11	10	9	8	7	6	5	4	3	2	1	0
RESERVED								BRPE				RESERVED	TSEG2			TSEG1			SJW		BRP										

Bits	Field Name	Description	Type	Reset
31:20	RESERVED	These bits are always read as 0. Writes have no effect.	R	0x000
19:16	BRPE	Baud rate prescaler extension. Valid programmed values are 0 to 15. By programming BRPE the baud rate prescaler can be extended to values up to 1024.	RW	0x0
15	RESERVED	These bits are always read as 0. Writes have no effect.	R	0
14:12	TSEG2	Time segment after the sample point Valid programmed values are 0 to 7. The actual TSeg2 value which is interpreted for the bit timing will be the programmed TSeg2 value + 1.	RW	0x2
11:8	TSEG1	Time segment before the sample point Valid programmed values are 1 to 15. The actual TSeg1 value interpreted for the bit timing will be the programmed TSeg1 value + 1.	RW	0x3
7:6	SJW	Synchronization Jump Width Valid programmed values are 0 to 3. The actual SJW value interpreted for the synchronization will be the programmed SJW value + 1.	RW	0x0
5:0	BRP	Baud rate prescaler Value by which the CAN_CLK frequency is divided for generating the bit time quanta. The bit time is built up from a multiple of this quanta. Valid programmed values are 0 to 63. The actual BRP value interpreted for the bit timing will be the programmed BRP value + 1.	RW	0x1

Table 24-1142. Register Call Summary for Register DCAN_BTR

DCAN

- [DCAN Bit Timing Registers: \[0\]\[1\]\[2\]\[3\]\[4\]\[5\]](#)
- [CAN Module Initialization: \[6\]\[7\]\[8\]\[9\]](#)
- [DCAN Register Summary: \[10\]](#)

Table 24-1143. DCAN_INT

Address Offset	0x0000 0010		
Physical Address	0x4AE3 C010 0x4848 0010	Instance	DCAN1 DCAN2
Description	Interrupt register		
Type	R		

31	30	29	28	27	26	25	24	23	22	21	20	19	18	17	16	15	14	13	12	11	10	9	8	7	6	5	4	3	2	1	0
RESERVED								INT1ID								INT0ID															

Bits	Field Name	Description	Type	Reset
31:24	RESERVED	These bits are always read as 0. Writes have no effect.	R	0x00
23:16	INT1ID	<p>Interrupt 1 Identifier (indicates the message object with the highest pending interrupt)</p> <p>0x00: No interrupt is pending</p> <p>0x01-0x80: Number of message object which caused the interrupt.</p> <p>0x81-0xFF: Unused</p> <p>If several interrupts are pending, DCAN_INT will point to the pending interrupt with the highest priority. The INT1 interrupt line remains active until INT1ID reaches value 0 (the cause of the interrupt is reset) or until IE1 is cleared.</p> <p>A message interrupt is cleared by clearing the message object's IntPnd bit.</p> <p>Among the message interrupts, the message object's interrupt priority decreases with increasing message number.</p>	R	0x00
15:0	INT0ID	<p>Interrupt Identifier (the number here indicates the source of the interrupt)</p> <p>0x0000: No interrupt is pending</p> <p>0x0001-0x0080: Number of message object which caused the interrupt.</p> <p>0x0081-0x7FFF: Unused</p> <p>0x8000: DCAN_ES value is not 0x07.</p> <p>0x8001-0xFFFF: Unused</p> <p>If several interrupts are pending, DCAN_INT will point to the pending interrupt with the highest priority. The INT0 interrupt line remains active until INT0ID reaches value 0 (the cause of the interrupt is reset) or until IE0 is cleared.</p> <p>The Status interrupt has the highest priority. Among the message interrupts, the message object's interrupt priority decreases with increasing message number.</p>	R	0x0000

Table 24-1144. Register Call Summary for Register DCAN_INT

DCAN

- [Interrupt Functionality: \[0\]\[1\]\[2\]](#)
- [Reception of Data Frames: \[3\]](#)
- [Structure of Message Objects: \[4\]](#)
- [CAN Message Transfer \(Normal Operation\): \[5\]](#)
- [DCAN Register Summary: \[6\]](#)
- [DCAN Register Description: \[7\]\[8\]\[9\]\[10\]\[11\]\[12\]\[13\]\[14\]\[15\]](#)

Table 24-1145. DCAN_TEST

Address Offset	0x0000 0014	Instance	DCAN1 DCAN2
Physical Address	0x4AE3 C014 0x4848 0014		
Description	Test Register For all test modes, the TEST bit in DCAN_CTL control register needs to be set to 1. If TEST bit is set, the RDA, EXL, TX1, TX0, LBACK and SILENT bits are writable. Bit RX monitors the state of pin CAN_RX and therefore is only readable. All test register functions are disabled when TEST bit is cleared.		
Type	RW		

31	30	29	28	27	26	25	24	23	22	21	20	19	18	17	16	15	14	13	12	11	10	9	8	7	6	5	4	3	2	1	0
RESERVED																							RDA	EXL	RX	TX	LBACK	SILENT	RESERVED		

Bits	Field Name	Description	Type	Reset
31:10	RESERVED	These bits are always read as 0. Writes have no effect.	R	0x00 0000
9	RDA	RAM direct access enable 0: Normal operation 1: Direct access to the RAM is enabled while in test mode	RW	0
8	EXL	External loopback mode. When the internal loop-back mode is active (bit LBACK is set), bit EXL will be ignored. 0: Disabled 1: Enabled	RW	0
7	RX	Receive pin. Monitors the actual value of the CAN_RX pin 0: The CAN bus is dominant 1: The CAN bus is recessive	R	-
6:5	TX	Control of CAN_TX pin. Setting Tx[1:0] other than '00' will disturb message transfer. 0x0: Normal operation, CAN_TX is controlled by the CAN core. 0x1: Sample point can be monitored at CAN_TX pin. 0x2: CAN_TX pin drives a dominant value. 0x3: CAN_TX pin drives a recessive value.	RW	0x0
4	LBACK	Loopback mode. When the internal loop-back mode is active (bit LBACK is set), bit EXL will be ignored. 0: Disabled 1: Enabled	RW	0
3	SILENT	Silent mode 0: Disabled 1: Enabled	RW	0
2:0	RESERVED	These bits are always read as 0. Writes have no effect.	R	0x0

Table 24-1146. Register Call Summary for Register DCAN_TEST

DCAN

- [Parity Testing: \[0\]](#)
- [Message RAM Representation in Direct Access Mode: \[1\]](#)
- [Test Modes: \[2\]\[3\]\[4\]\[5\]\[6\]\[7\]](#)
- [DCAN Register Summary: \[8\]](#)

Table 24-1147. DCAN_PERR

Address Offset	0x0000 001C		
Physical Address	0x4AE3 C01C 0x4848 001C	Instance	DCAN1 DCAN2
Description	Parity Error Code Register If a parity error is detected, the PER flag will be set in the DCAN_ES . This bit is not reset by the parity check mechanism; it must be reset by reading DCAN_ES . In addition to the PER flag, the parity error code register will indicate the memory area where the parity error has been detected (message number and word number). If more than one word with a parity error was detected, the highest word number with a parity error will be displayed. After a parity error has been detected, the register will hold the last error code until power is removed.		
Type	R		

31	30	29	28	27	26	25	24	23	22	21	20	19	18	17	16	15	14	13	12	11	10	9	8	7	6	5	4	3	2	1	0
RESERVED																WORD_NUMBER		MESSAGE_NUMBER													

Bits	Field Name	Description	Type	Reset
31:11	RESERVED	These bits are always read as 0. Writes have no effect.	R	0x00 0000
10:8	WORD_NUMBER	Word number where parity error has been detected RDA word number (1 to 5) of the message object (according to the message RAM representation in RDA mode).	R	0x-
7:0	MESSAGE_NUMBER	Message object number where parity error has been detected (0x01-0x80)	R	0x-

Table 24-1148. Register Call Summary for Register DCAN_PERR

DCAN

- [Behavior on Parity Error: \[0\]](#)
- [DCAN Register Summary: \[3\]](#)

Table 24-1149. DCAN_REL

Address Offset	0x0000 0020		
Physical Address	0x4AE3 C020 0x4848 0020	Instance	DCAN1 DCAN2
Description	Core revision register		
Type	R		

31	30	29	28	27	26	25	24	23	22	21	20	19	18	17	16	15	14	13	12	11	10	9	8	7	6	5	4	3	2	1	0
REVISION																															

Bits	Field Name	Description	Type	Reset
31:0	REVISION	DCAN core revision number	R	0x-

Table 24-1150. Register Call Summary for Register DCAN_REL

DCAN

- [DCAN Register Summary: \[0\]](#)

Table 24-1151. DCAN_ABOTR

Address Offset	0x0000 0080		
Physical Address	0x4AE3 C080 0x4848 0080	Instance	DCAN1 DCAN2
Description	Auto-Bus-On Time Register On write access to the DCAN_CTL while Auto-Bus-On timer is running, the Auto-Bus-On procedure will be aborted. During Debug/Suspend mode, running Auto-Bus-On timer will be paused.		
Type	RW		

31	30	29	28	27	26	25	24	23	22	21	20	19	18	17	16	15	14	13	12	11	10	9	8	7	6	5	4	3	2	1	0
ABO_TIME																															

Bits	Field Name	Description	Type	Reset
31:0	ABO_TIME	Number of OCP clock cycles before a Bus-Off recovery sequence is started by clearing the INIT bit. This function has to be enabled by setting bit ABO in DCAN_CTL . The Auto-Bus-On timer is realized by a 32-bit counter which starts to count down to zero when the module goes Bus-Off. The counter will be reloaded with the preload value of the DCAN_ABOTR after this phase.	RW	0x0000 0000

Table 24-1152. Register Call Summary for Register DCAN_ABOTR

DCAN

- [CAN Message Transfer \(Normal Operation\): \[0\]](#)
- [DCAN Register Summary: \[1\]](#)
- [DCAN Register Description: \[2\]](#)

Table 24-1153. DCAN_TXRQ_X

Address Offset	0x0000 0084		
Physical Address	0x4AE3 C084 0x4848 0084	Instance	DCAN1 DCAN2
Description	Transmission Request X Register The software can detect if one or more bits in the different transmission request registers are set. Each register bit represents a group of eight message objects. If at least one of the TxRqst bits of these message objects are set, the corresponding bit in the transmission request X register will be set.		
Type	R		

31	30	29	28	27	26	25	24	23	22	21	20	19	18	17	16	15	14	13	12	11	10	9	8	7	6	5	4	3	2	1	0
RESERVED																TXRQSTREG8	TXRQSTREG7	TXRQSTREG6	TXRQSTREG5	TXRQSTREG4	TXRQSTREG3	TXRQSTREG2	TXRQSTREG1								

Bits	Field Name	Description	Type	Reset
31:16	RESERVED	RESERVED	R	0x0000
15:14	TXRQSTREG8	Transmission request bits (aggregate for 113-128 message objects). Lower bit represents first 8 message objects. Higher bit represents second 8 message objects.	R	0x0
13:12	TXRQSTREG7	Transmission request bits (aggregate for 97-112 message objects). Lower bit represents first 8 message objects. Higher bit represents second 8 message objects.	R	0x0
11:10	TXRQSTREG6	Transmission request bits (aggregate for 81-96 message objects). Lower bit represents first 8 message objects. Higher bit represents second 8 message objects.	R	0x0

Bits	Field Name	Description	Type	Reset
9:8	TXRQSTREG5	Transmission request bits (aggregate for 65-80 message objects). Lower bit represents first 8 message objects. Higher bit represents second 8 message objects.	R	0x0
7:6	TXRQSTREG4	Transmission request bits (aggregate for 49-64 message objects). Lower bit represents first 8 message objects. Higher bit represents second 8 message objects.	R	0x0
5:4	TXRQSTREG3	Transmission request bits (aggregate for 33-48 message objects). Lower bit represents first 8 message objects. Higher bit represents second 8 message objects.	R	0x0
3:2	TXRQSTREG2	Transmission request bits (aggregate for 17-32 message objects). Lower bit represents first 8 message objects. Higher bit represents second 8 message objects.	R	0x0
1:0	TXRQSTREG1	Transmission request bits (aggregate for 1-16 message objects). Lower bit represents first 8 message objects. Higher bit represents second 8 message objects.	R	0x0

Table 24-1154. Register Call Summary for Register DCAN_TXRQ_X

DCAN

- [CAN Message Transfer \(Normal Operation\): \[0\]](#)
- [DCAN Register Summary: \[1\]](#)

Table 24-1155. DCAN_TXRQ12

Address Offset	0x0000 0088		
Physical Address	0x4AE3 C088 0x4848 0088	Instance	DCAN1 DCAN2
Description	Transmission Request Register This register holds the TxRqst bits of the implemented message objects. By reading out these bits, the software can check for pending transmission requests. The TxRqst bit in a specific message object can be set/reset by the software via the IF1/IF2 message interface registers, or by the message handler after reception of a remote frame or after a successful transmission.		
Type	R		

31	30	29	28	27	26	25	24	23	22	21	20	19	18	17	16	15	14	13	12	11	10	9	8	7	6	5	4	3	2	1	0
TXRQS																															

Bits	Field Name	Description	Type	Reset
31:0	TXRQS	Transmission request bits (for 1-32 message objects) 0: No transmission has been requested for this message object. 1: The transmission of this message object is requested and is not yet done.	R	0x0000 0000

Table 24-1156. Register Call Summary for Register DCAN_TXRQ12

DCAN

- [Transmission of Messages in Event Driven CAN Communication: \[0\]](#)
- [DCAN Register Summary: \[1\]](#)

Table 24-1157. DCAN_TXRQ34

Address Offset	0x0000 008C		
Physical Address	0x4AE3 C08C 0x4848 008C	Instance	DCAN1 DCAN2
Description	Transmission Request Register This register holds the TxRqst bits of the implemented message objects. By reading out these bits, the software can check for pending transmission requests. The TxRqst bit in a specific message object can be set/reset by the software via the IF1/IF2 message interface registers, or by the message handler after reception of a remote frame or after a successful transmission.		
Type	R		

31	30	29	28	27	26	25	24	23	22	21	20	19	18	17	16	15	14	13	12	11	10	9	8	7	6	5	4	3	2	1	0
TXRQS																															

Bits	Field Name	Description	Type	Reset
31:0	TXRQS	Transmission request bits (for 33-64 message objects) 0: No transmission has been requested for this message object. 1: The transmission of this message object is requested and is not yet done.	R	0x0000 0000

Table 24-1158. Register Call Summary for Register DCAN_TXRQ34

DCAN

- [DCAN Register Summary: \[0\]](#)

Table 24-1159. DCAN_TXRQ56

Address Offset	0x0000 0090		
Physical Address	0x4AE3 C090 0x4848 0090	Instance	DCAN1 DCAN2
Description	Transmission Request Register This register holds the TxRqst bits of the implemented message objects. By reading out these bits, the software can check for pending transmission requests. The TxRqst bit in a specific message object can be set/reset by the software via the IF1/IF2 message interface registers, or by the message handler after reception of a remote frame or after a successful transmission.		
Type	R		

31	30	29	28	27	26	25	24	23	22	21	20	19	18	17	16	15	14	13	12	11	10	9	8	7	6	5	4	3	2	1	0
TXRQS																															

Bits	Field Name	Description	Type	Reset
31:0	TXRQS	Transmission request bits (for 65-96 message objects) 0: No transmission has been requested for this message object. 1: The transmission of this message object is requested and is not yet done.	R	0x0000 0000

Table 24-1160. Register Call Summary for Register DCAN_TXRQ56

DCAN

- [DCAN Register Summary: \[0\]](#)

Table 24-1161. DCAN_TXRQ78

Address Offset	0x0000 0094		
Physical Address	0x4AE3 C094 0x4848 0094	Instance	DCAN1 DCAN2
Description	Transmission Request Register This register holds the TxRqst bits of the implemented message objects. By reading out these bits, the software can check for pending transmission requests. The TxRqst bit in a specific message object can be set/reset by the software via the IF1/IF2 message interface registers, or by the message handler after reception of a remote frame or after a successful transmission.		
Type	R		

31	30	29	28	27	26	25	24	23	22	21	20	19	18	17	16	15	14	13	12	11	10	9	8	7	6	5	4	3	2	1	0
TXRQS																															

Bits	Field Name	Description	Type	Reset
31:0	TXRQS	Transmission request bits (for 97-128 message objects) 0: No transmission has been requested for this message object. 1: The transmission of this message object is requested and is not yet done.	R	0x0000 0000

Table 24-1162. Register Call Summary for Register DCAN_TXRQ78

DCAN

- [Transmission of Messages in Event Driven CAN Communication: \[0\]](#)
- [DCAN Register Summary: \[1\]](#)

Table 24-1163. DCAN_NWDAT_X

Address Offset	0x0000 0098		
Physical Address	0x4AE3 C098 0x4848 0098	Instance	DCAN1 DCAN2
Description	New Data X Register With the new data X register, the software can detect if one or more bits in the different new data registers are set. Each register bit represents a group of eight message objects. If at least on of the NewDat bits of these message objects are set, the corresponding bit in the new data X register will be set		
Type	R		

31	30	29	28	27	26	25	24	23	22	21	20	19	18	17	16	15	14	13	12	11	10	9	8	7	6	5	4	3	2	1	0
RESERVED																NEWDATREG8	NEWDATREG7	NEWDATREG6	NEWDATREG5	NEWDATREG4	NEWDATREG3	NEWDATREG2	NEWDATREG1								

Bits	Field Name	Description	Type	Reset
31:16	RESERVED	Reserved	R	0x0000
15:14	NEWDATREG8	New data bits (aggregate for 113-128 message objects). Lower bit represents first 8 message objects. Higher bit represents second 8 message objects.	R	0x0
13:12	NEWDATREG7	New data bits (aggregate for 97-112 message objects). Lower bit represents first 8 message objects. Higher bit represents second 8 message objects.	R	0x0
11:10	NEWDATREG6	New data bits (aggregate for 81-96 message objects). Lower bit represents first 8 message objects. Higher bit represents second 8 message objects.	R	0x0

Bits	Field Name	Description	Type	Reset
9:8	NEWDATREG5	New data bits (aggregate for 65-80 message objects). Lower bit represents first 8 message objects. Higher bit represents second 8 message objects.	R	0x0
7:6	NEWDATREG4	New data bits (aggregate for 49-64 message objects). Lower bit represents first 8 message objects. Higher bit represents second 8 message objects.	R	0x0
5:4	NEWDATREG3	New data bits (aggregate for 33-48 message objects). Lower bit represents first 8 message objects. Higher bit represents second 8 message objects.	R	0x0
3:2	NEWDATREG2	New data bits (aggregate for 17-32 message objects). Lower bit represents first 8 message objects. Higher bit represents second 8 message objects.	R	0x0
1:0	NEWDATREG1	New data bits (aggregate for 1-16 message objects). Lower bit represents first 8 message objects. Higher bit represents second 8 message objects.	R	0x0

Table 24-1164. Register Call Summary for Register DCAN_NWDAT_X

DCAN

- [CAN Message Transfer \(Normal Operation\): \[0\]](#)
- [DCAN Register Summary: \[1\]](#)

Table 24-1165. DCAN_NWDAT12

Address Offset	0x0000 009C	Instance	DCAN1 DCAN2
Physical Address	0x4AE3 C09C 0x4848 009C		
Description	New Data Register This register hold the NewDat bits of the implemented message objects. By reading out these bits, the software can check for new data in the message objects. The NewDat bit of a specific message object can be set/reset by the software via the IF1/IF2 interface register sets, or by the message handler after reception of a data frame or after a successful transmission.		
Type	R		

31	30	29	28	27	26	25	24	23	22	21	20	19	18	17	16	15	14	13	12	11	10	9	8	7	6	5	4	3	2	1	0
NEWDAT																															

Bits	Field Name	Description	Type	Reset
31:0	NEWDAT	New Data Bits (for 1-32 message objects) 0: No new data has been written into the data portion of this message object by the Message Handler since the last time when this flag was cleared by the software. 1: The Message Handler or the software has written new data into the data portion of this message object.	R	0x0000 0000

Table 24-1166. Register Call Summary for Register DCAN_NWDAT12

DCAN

- [DCAN Register Summary: \[0\]](#)

Table 24-1167. DCAN_NWDAT34

Address Offset	0x0000 00A0		
Physical Address	0x4AE3 C0A0 0x4848 00A0	Instance	DCAN1 DCAN2
Description	New Data Register This register hold the NewDat bits of the implemented message objects. By reading out these bits, the software can check for new data in the message objects. The NewDat bit of a specific message object can be set/reset by the software via the IF1/IF2 interface register sets, or by the message handler after reception of a data frame or after a successful transmission.		
Type	R		

31	30	29	28	27	26	25	24	23	22	21	20	19	18	17	16	15	14	13	12	11	10	9	8	7	6	5	4	3	2	1	0
NEWDAT																															

Bits	Field Name	Description	Type	Reset
31:0	NEWDAT	New Data Bits (for 33-64 message objects) 0: No new data has been written into the data portion of this message object by the Message Handler since the last time when this flag was cleared by the software. 1: The Message Handler or the software has written new data into the data portion of this message object.	R	0x0000 0000

Table 24-1168. Register Call Summary for Register DCAN_NWDAT34

DCAN

- [DCAN Register Summary: \[0\]](#)

Table 24-1169. DCAN_NWDAT56

Address Offset	0x0000 00A4		
Physical Address	0x4AE3 C0A4 0x4848 00A4	Instance	DCAN1 DCAN2
Description	New Data Register This register hold the NewDat bits of the implemented message objects. By reading out these bits, the software can check for new data in the message objects. The NewDat bit of a specific message object can be set/reset by the software via the IF1/IF2 interface register sets, or by the message handler after reception of a data frame or after a successful transmission.		
Type	R		

31	30	29	28	27	26	25	24	23	22	21	20	19	18	17	16	15	14	13	12	11	10	9	8	7	6	5	4	3	2	1	0
NEWDAT																															

Bits	Field Name	Description	Type	Reset
31:0	NEWDAT	New Data Bits (for 65-96 message objects) 0: No new data has been written into the data portion of this message object by the Message Handler since the last time when this flag was cleared by the software. 1: The Message Handler or the software has written new data into the data portion of this message object.	R	0x0000 0000

Table 24-1170. Register Call Summary for Register DCAN_NWDAT56

DCAN

- [DCAN Register Summary: \[0\]](#)

Table 24-1171. DCAN_NWDAT78

Address Offset	0x0000 00A8		
Physical Address	0x4AE3 C0A8 0x4848 00A8	Instance	DCAN1 DCAN2
Description	New Data Register This register hold the NewDat bits of the implemented message objects. By reading out these bits, the software can check for new data in the message objects. The NewDat bit of a specific message object can be set/reset by the software via the IF1/IF2 interface register sets, or by the message handler after reception of a data frame or after a successful transmission.		
Type	R		

31	30	29	28	27	26	25	24	23	22	21	20	19	18	17	16	15	14	13	12	11	10	9	8	7	6	5	4	3	2	1	0
NEWDAT																															

Bits	Field Name	Description	Type	Reset
31:0	NEWDAT	New Data Bits (for 97-128 message objects) 0: No new data has been written into the data portion of this message object by the Message Handler since the last time when this flag was cleared by the software. 1: The Message Handler or the software has written new data into the data portion of this message object.	R	0x0000 0000

Table 24-1172. Register Call Summary for Register DCAN_NWDAT78

DCAN

- [DCAN Register Summary: \[0\]](#)

Table 24-1173. DCAN_INTPND_X

Address Offset	0x0000 00AC		
Physical Address	0x4AE3 C0AC 0x4848 00AC	Instance	DCAN1 DCAN2
Description	Interrupt Pending X Register With the interrupt pending X register, the software can detect if one or more bits in the different interrupt pending registers are set. Each bit of this register represents a group of eight message objects. If at least one of the IntPnd bits of these message objects are set, the corresponding bit in the interrupt pending X register will be set.		
Type	R		

31	30	29	28	27	26	25	24	23	22	21	20	19	18	17	16	15	14	13	12	11	10	9	8	7	6	5	4	3	2	1	0
RESERVED																INTPNDREG8	INTPNDREG7	INTPNDREG6	INTPNDREG5	INTPNDREG4	INTPNDREG3	INTPNDREG2	INTPNDREG1								

Bits	Field Name	Description	Type	Reset
31:16	RESERVED	Reserved	R	0x0000
15:14	INTPNDREG8	Interrupt Pending bits (aggregate for 113-128 message objects). Lower bit represents first 8 message objects. Higher bit represents second 8 message objects.	R	0x0
13:12	INTPNDREG7	Interrupt Pending bits (aggregate for 97-112 message objects). Lower bit represents first 8 message objects. Higher bit represents second 8 message objects.	R	0x0
11:10	INTPNDREG6	Interrupt Pendingbits (aggregate for 81-96 message objects). Lower bit represents first 8 message objects. Higher bit represents second 8 message objects.	R	0x0

Bits	Field Name	Description	Type	Reset
9:8	INTPNDREG5	Interrupt Pending bits (aggregate for 65-80 message objects). Lower bit represents first 8 message objects. Higher bit represents second 8 message objects.	R	0x0
7:6	INTPNDREG4	Interrupt Pending bits (aggregate for 49-64 message objects). Lower bit represents first 8 message objects. Higher bit represents second 8 message objects.	R	0x0
5:4	INTPNDREG3	Interrupt Pending bits (aggregate for 33-48 message objects). Lower bit represents first 8 message objects. Higher bit represents second 8 message objects.	R	0x0
3:2	INTPNDREG2	Interrupt Pending bits (aggregate for 17-32 message objects). Lower bit represents first 8 message objects. Higher bit represents second 8 message objects.	R	0x0
1:0	INTPNDREG1	Interrupt Pending bits (aggregate for 1-16 message objects). Lower bit represents first 8 message objects. Higher bit represents second 8 message objects.	R	0x0

Table 24-1174. Register Call Summary for Register DCAN_INTPND_X

DCAN

- [DCAN Register Summary: \[0\]](#)

Table 24-1175. DCAN_INTPND12

Address Offset	0x0000 00B0	Instance	DCAN1 DCAN2
Physical Address	0x4AE3 C0B0 0x4848 00B0		
Description	Interrupt Pending Register This register holds the IntPnd bits of the implemented message objects. By reading out these bits, the software can check for pending interrupts in the message objects. The IntPnd bit of a specific message object can be set/reset by the software via the IF1/IF2 interface register sets, or by the message handler after a reception or a successful transmission.		
Type	R		

31	30	29	28	27	26	25	24	23	22	21	20	19	18	17	16	15	14	13	12	11	10	9	8	7	6	5	4	3	2	1	0
INTPND																															

Bits	Field Name	Description	Type	Reset
31:0	INTPND	Interrupt Pending Bits (for 1-32 message objects) 0: This message object is not the source of an interrupt. 1: This message object is the source of an interrupt.	R	0x0000 0000

Table 24-1176. Register Call Summary for Register DCAN_INTPND12

DCAN

- [DCAN Register Summary: \[0\]](#)

Table 24-1177. DCAN_INTPND34

Address Offset	0x0000 00B4		
Physical Address	0x4AE3 C0B4 0x4848 00B4	Instance	DCAN1 DCAN2
Description	Interrupt Pending Register This register holds the IntPnd bits of the implemented message objects. By reading out these bits, the software can check for pending interrupts in the message objects. The IntPnd bit of a specific message object can be set/reset by the software via the IF1/IF2 interface register sets, or by the message handler after a reception or a successful transmission.		
Type	R		

31	30	29	28	27	26	25	24	23	22	21	20	19	18	17	16	15	14	13	12	11	10	9	8	7	6	5	4	3	2	1	0
INTPND																															

Bits	Field Name	Description	Type	Reset
31:0	INTPND	Interrupt Pending Bits (for 33-64 message objects) 0: This message object is not the source of an interrupt. 1: This message object is the source of an interrupt.	R	0x0000 0000

Table 24-1178. Register Call Summary for Register DCAN_INTPND34

DCAN

- [DCAN Register Summary: \[0\]](#)

Table 24-1179. DCAN_INTPND56

Address Offset	0x0000 00B8		
Physical Address	0x4AE3 C0B8 0x4848 00B8	Instance	DCAN1 DCAN2
Description	Interrupt Pending Register This register holds the IntPnd bits of the implemented message objects. By reading out these bits, the software can check for pending interrupts in the message objects. The IntPnd bit of a specific message object can be set/reset by the software via the IF1/IF2 interface register sets, or by the message handler after a reception or a successful transmission.		
Type	R		

31	30	29	28	27	26	25	24	23	22	21	20	19	18	17	16	15	14	13	12	11	10	9	8	7	6	5	4	3	2	1	0
INTPND																															

Bits	Field Name	Description	Type	Reset
31:0	INTPND	Interrupt Pending Bits (for 65-96 message objects) 0: This message object is not the source of an interrupt. 1: This message object is the source of an interrupt.	R	0x0000 0000

Table 24-1180. Register Call Summary for Register DCAN_INTPND56

DCAN

- [DCAN Register Summary: \[0\]](#)

Table 24-1181. DCAN_INTPND78

Address Offset	0x0000 00BC		
Physical Address	0x4AE3 C0BC 0x4848 00BC	Instance	DCAN1 DCAN2
Description	Interrupt Pending Register This register holds the IntPnd bits of the implemented message objects. By reading out these bits, the software can check for pending interrupts in the message objects. The IntPnd bit of a specific message object can be set/reset by the software via the IF1/IF2 interface register sets, or by the message handler after a reception or a successful transmission.		
Type	R		

31	30	29	28	27	26	25	24	23	22	21	20	19	18	17	16	15	14	13	12	11	10	9	8	7	6	5	4	3	2	1	0
INTPND																															

Bits	Field Name	Description	Type	Reset
31:0	INTPND	Interrupt Pending Bits (for 97-128 message objects) 0: This message object is not the source of an interrupt. 1: This message object is the source of an interrupt.	R	0x0000 0000

Table 24-1182. Register Call Summary for Register DCAN_INTPND78

DCAN

- [DCAN Register Summary: \[0\]](#)

Table 24-1183. DCAN_MSGVAL_X

Address Offset	0x0000 00C0		
Physical Address	0x4AE3 C0C0 0x4848 00C0	Instance	DCAN1 DCAN2
Description	Message Valid X Register With the message valid X register, the software can detect if one or more bits in the different message valid registers are set. Each bit of this register represents a group of eight message objects. If at least one of the MsgVal bits of these message objects are set, the corresponding bit in the message valid X register will be set.		
Type	R		

31	30	29	28	27	26	25	24	23	22	21	20	19	18	17	16	15	14	13	12	11	10	9	8	7	6	5	4	3	2	1	0
RESERVED																MSGVALREG8	MSGVALREG7	MSGVALREG6	MSGVALREG5	MSGVALREG4	MSGVALREG3	MSGVALREG2	MSGVALREG1								

Bits	Field Name	Description	Type	Reset
31:16	RESERVED	Reserved	R	0x0000
15:14	MSGVALREG8	Message valid bits (aggregate for 113-128 message objects). Lower bit represents first 8 message objects. Higher bit represents second 8 message objects.	R	0x0
13:12	MSGVALREG7	Message valid bits (aggregate for 97-112 message objects). Lower bit represents first 8 message objects. Higher bit represents second 8 message objects.	R	0x0
11:10	MSGVALREG6	Message valid bits (aggregate for 81-96 message objects). Lower bit represents first 8 message objects. Higher bit represents second 8 message objects.	R	0x0
9:8	MSGVALREG5	Message valid bits (aggregate for 65-80 message objects). Lower bit represents first 8 message objects. Higher bit represents second 8 message objects.	R	0x0

Bits	Field Name	Description	Type	Reset
7:6	MSGVALREG4	Message valid bits (aggregate for 49-64 message objects). Lower bit represents first 8 message objects. Higher bit represents second 8 message objects.	R	0x0
5:4	MSGVALREG3	Message valid bits (aggregate for 33-48 message objects). Lower bit represents first 8 message objects. Higher bit represents second 8 message objects.	R	0x0
3:2	MSGVALREG2	Message valid bits (aggregate for 17-32 message objects). Lower bit represents first 8 message objects. Higher bit represents second 8 message objects.	R	0x0
1:0	MSGVALREG1	Message valid bits (aggregate for 1-16 message objects). Lower bit represents first 8 message objects. Higher bit represents second 8 message objects.	R	0x0

Table 24-1184. Register Call Summary for Register DCAN_MSGVAL_X

DCAN

- [DCAN Register Summary: \[0\]](#)

Table 24-1185. DCAN_MSGVAL12

Address Offset	0x0000 00C4																																																																		
Physical Address	0x4AE3 C0C4 0x4848 00C4	Instance	DCAN1 DCAN2																																																																
Description	Message Valid Register These registers hold the MsgVal bits of the implemented message objects. By reading out these bits, the software can check which message objects are valid. The MsgVal bit of a specific message object can be set/reset by the software via the IF1/IF2 interface register sets, or by the message handler after a reception or a successful transmission																																																																		
Type	R																																																																		
<table border="1" style="width:100%; text-align:center;"> <tr> <td>31</td><td>30</td><td>29</td><td>28</td><td>27</td><td>26</td><td>25</td><td>24</td> <td>23</td><td>22</td><td>21</td><td>20</td><td>19</td><td>18</td><td>17</td><td>16</td> <td>15</td><td>14</td><td>13</td><td>12</td><td>11</td><td>10</td><td>9</td><td>8</td> <td>7</td><td>6</td><td>5</td><td>4</td><td>3</td><td>2</td><td>1</td><td>0</td> </tr> <tr> <td colspan="32">MSGVAL</td> </tr> </table>				31	30	29	28	27	26	25	24	23	22	21	20	19	18	17	16	15	14	13	12	11	10	9	8	7	6	5	4	3	2	1	0	MSGVAL																															
31	30	29	28	27	26	25	24	23	22	21	20	19	18	17	16	15	14	13	12	11	10	9	8	7	6	5	4	3	2	1	0																																				
MSGVAL																																																																			

Bits	Field Name	Description	Type	Reset
31:0	MSGVAL	Message valid Bits (for 1-32 message objects) 0: This message object is ignored by the message handler. 1: This message object is configured and will be considered by the message handler.	R	0x0000 0000

Table 24-1186. Register Call Summary for Register DCAN_MSGVAL12

DCAN

- [Transmission of Messages in Event Driven CAN Communication: \[0\]](#)
- [DCAN Register Summary: \[1\]](#)

Table 24-1187. DCAN_MSGVAL34

Address Offset	0x0000 00C8		
Physical Address	0x4AE3 C0C8 0x4848 00C8	Instance	DCAN1 DCAN2
Description	Message Valid Register These registers hold the MsgVal bits of the implemented message objects. By reading out these bits, the software can check which message objects are valid. The MsgVal bit of a specific message object can be set/reset by the software via the IF1/IF2 interface register sets, or by the message handler after a reception or a successful transmission		
Type	R		

31	30	29	28	27	26	25	24	23	22	21	20	19	18	17	16	15	14	13	12	11	10	9	8	7	6	5	4	3	2	1	0
MSGVAL																															

Bits	Field Name	Description	Type	Reset
31:0	MSGVAL	Message valid Bits (for 33-64 message objects) 0: This message object is ignored by the message handler. 1: This message object is configured and will be considered by the message handler.	R	0x0000 0000

Table 24-1188. Register Call Summary for Register DCAN_MSGVAL34

DCAN

- [DCAN Register Summary: \[0\]](#)

Table 24-1189. DCAN_MSGVAL56

Address Offset	0x0000 00CC		
Physical Address	0x4AE3 C0CC 0x4848 00CC	Instance	DCAN1 DCAN2
Description	Message Valid Register These registers hold the MsgVal bits of the implemented message objects. By reading out these bits, the software can check which message objects are valid. The MsgVal bit of a specific message object can be set/reset by the software via the IF1/IF2 interface register sets, or by the message handler after a reception or a successful transmission		
Type	R		

31	30	29	28	27	26	25	24	23	22	21	20	19	18	17	16	15	14	13	12	11	10	9	8	7	6	5	4	3	2	1	0
MSGVAL																															

Bits	Field Name	Description	Type	Reset
31:0	MSGVAL	Message valid Bits (for 65-96 message objects) 0: This message object is ignored by the message handler. 1: This message object is configured and will be considered by the message handler.	R	0x0000 0000

Table 24-1190. Register Call Summary for Register DCAN_MSGVAL56

DCAN

- [DCAN Register Summary: \[0\]](#)

Table 24-1191. DCAN_MSGVAL78

Address Offset	0x0000 00D0		
Physical Address	0x4AE3 C0D0 0x4848 00D0	Instance	DCAN1 DCAN2
Description	Message Valid Register These registers hold the MsgVal bits of the implemented message objects. By reading out these bits, the software can check which message objects are valid. The MsgVal bit of a specific message object can be set/reset by the software via the IF1/IF2 interface register sets, or by the message handler after a reception or a successful transmission		
Type	R		

31	30	29	28	27	26	25	24	23	22	21	20	19	18	17	16	15	14	13	12	11	10	9	8	7	6	5	4	3	2	1	0
MSGVAL																															

Bits	Field Name	Description	Type	Reset
31:0	MSGVAL	Message valid Bits (for 97-128 message objects) 0: This message object is ignored by the message handler. 1: This message object is configured and will be considered by the message handler.	R	0x0000 0000

Table 24-1192. Register Call Summary for Register DCAN_MSGVAL78

DCAN

- [Transmission of Messages in Event Driven CAN Communication: \[0\]](#)
- [DCAN Register Summary: \[1\]](#)

Table 24-1193. DCAN_INTMUX12

Address Offset	0x0000 00D8		
Physical Address	0x4AE3 C0D8 0x4848 00D8	Instance	DCAN1 DCAN2
Description	Interrupt Multiplexer Register The IntMux flag determine for each message object, which of the two interrupt lines (INT0 or INT1) will be asserted when the IntPnd of this message object is set. Both interrupt lines can be globally enabled or disabled by setting or clearing IE0 and IE1 bits in DCAN_CTL . The IntPnd bit of a specific message object can be set or reset by the software via the IF1/IF2 interface register sets, or by message handler after reception or successful transmission of a frame. This will also affect the INT0ID resp. INT1ID flags in the DCAN_INT register.		
Type	RW		

31	30	29	28	27	26	25	24	23	22	21	20	19	18	17	16	15	14	13	12	11	10	9	8	7	6	5	4	3	2	1	0
INTMUX																															

Bits	Field Name	Description	Type	Reset
31:0	INTMUX	Multiplexes IntPnd value to either INT0 or INT1 interrupt lines (bit 0 -> last implemented message object) (bits 1:31 -> 1-31 message objects) 0: INT0 line is active if corresponding IntPnd flag is one. 1: INT1 line is active if corresponding IntPnd flag is one.	RW	0x0000 0000

Table 24-1194. Register Call Summary for Register DCAN_INTMUX12

DCAN

- [Message Object Interrupts: \[0\]](#)
- [DCAN Register Summary: \[1\]](#)

Table 24-1195. DCAN_INTMUX34

Address Offset	0x0000 00DC		
Physical Address	0x4AE3 C0DC 0x4848 00DC	Instance	DCAN1 DCAN2
Description	Interrupt Multiplexer Register The IntMux flag determine for each message object, which of the two interrupt lines (INT0 or INT1) will be asserted when the IntPnd of this message object is set. Both interrupt lines can be globally enabled or disabled by setting or clearing IE0 and IE1 bits in CAN control register. The IntPnd bit of a specific message object can be set or reset by the software via the IF1/IF2 interface register sets, or by message handler after reception or successful transmission of a frame. This will also affect the INT0ID resp INT1ID flags in the DCAN_INT register.		
Type	RW		

31	30	29	28	27	26	25	24	23	22	21	20	19	18	17	16	15	14	13	12	11	10	9	8	7	6	5	4	3	2	1	0
INTMUX																															

Bits	Field Name	Description	Type	Reset
31:0	INTMUX	Multiplexes IntPnd value to either INT0 or INT1 interrupt lines (bits 0:31 -> 32-63 message objects) 0: INT0 line is active if corresponding IntPnd flag is one. 1: INT1 line is active if corresponding IntPnd flag is one.	RW	0x0000 0000

Table 24-1196. Register Call Summary for Register DCAN_INTMUX34

DCAN

- [DCAN Register Summary: \[0\]](#)

Table 24-1197. DCAN_INTMUX56

Address Offset	0x0000 00E0		
Physical Address	0x4AE3 C0E0 0x4848 00E0	Instance	DCAN1 DCAN2
Description	Interrupt Multiplexer Register The IntMux flag determine for each message object, which of the two interrupt lines (INT0 or INT1) will be asserted when the IntPnd of this message object is set. Both interrupt lines can be globally enabled or disabled by setting or clearing IE0 and IE1 bits in CAN control register. The IntPnd bit of a specific message object can be set or reset by the software via the IF1/IF2 interface register sets, or by message handler after reception or successful transmission of a frame. This will also affect the INT0ID resp INT1ID flags in the DCAN_INT register.		
Type	RW		

31	30	29	28	27	26	25	24	23	22	21	20	19	18	17	16	15	14	13	12	11	10	9	8	7	6	5	4	3	2	1	0
INTMUX																															

Bits	Field Name	Description	Type	Reset
31:0	INTMUX	Multiplexes IntPnd value to either INT0 or INT1 interrupt lines (bits 0:31 -> 64-95 message objects) 0: INT0 line is active if corresponding IntPnd flag is one. 1: INT1 line is active if corresponding IntPnd flag is one.	RW	0x0000 0000

Table 24-1198. Register Call Summary for Register DCAN_INTMUX56

DCAN

- [DCAN Register Summary: \[0\]](#)

Table 24-1199. DCAN_INTMUX78

Address Offset	0x0000 00E4	Instance	DCAN1 DCAN2
Physical Address	0x4AE3 C0E4 0x4848 00E4		
Description	Interrupt Multiplexer Register The IntMux flag determine for each message object, which of the two interrupt lines (INT0 or INT1) will be asserted when the IntPnd of this message object is set. Both interrupt lines can be globally enabled or disabled by setting or clearing IE0 and IE1 bits in CAN control register. The IntPnd bit of a specific message object can be set or reset by the software via the IF1/IF2 interface register sets, or by message handler after reception or successful transmission of a frame. This will also affect the INT0ID resp INT1ID flags in the DCAN_INT register.		
Type	RW		

31	30	29	28	27	26	25	24	23	22	21	20	19	18	17	16	15	14	13	12	11	10	9	8	7	6	5	4	3	2	1	0
INTMUX																															

Bits	Field Name	Description	Type	Reset
31:0	INTMUX	Multiplexes IntPnd value to either INT0 or INT1 interrupt lines (bits 0:31 -> 96-127 message objects) 0: INT0 line is active if corresponding IntPnd flag is one. 1: INT1 line is active if corresponding IntPnd flag is one.	RW	0x0000 0000

Table 24-1200. Register Call Summary for Register DCAN_INTMUX78

DCAN

- [Message Object Interrupts: \[0\]](#)
- [DCAN Register Summary: \[1\]](#)

Table 24-1201. DCAN_IF1CMD

Address Offset	0x0000 0100	Instance	DCAN1 DCAN2
Physical Address	0x4AE3 C100 0x4848 0100		
Description	IF1 Command Register The IF1 Command Register (DCAN_IF1CMD) configure and initiate the transfer between the IF1 register set and the message RAM. It is configurable which portions of the message object should be transferred. A transfer is started when the software writes the message number to bits [7:0] MESSAGE_NUMBER. With this write operation, the BUSY bit is automatically set to 1 to indicate that a transfer is in progress. After 4 to 14 OCP clock cycles, the transfer between the interface register and the message RAM will be completed and the BUSY bit is cleared. The maximum number of cycles is needed when the message transfer concurs with a CAN message transmission, acceptance filtering, or message storage. If the software writes to both DCAN_IF1CMD/DCAN_IF2CMD consecutively (request of a second transfer while first transfer is still in progress), the second transfer will start after the first one has been completed. While BUSY bit is one, IF1/IF2 register sets are write protected. For debug support, the auto clear functionality of the IF1/IF2 command registers (clear of DMAACTIVE flag by r/w) is disabled during Debug/Suspend mode. If an invalid Message Number is written to bits [7:0] MESSAGE_NUMBER, the message handler may access an implemented (valid) message object instead.		
Type	RW		

31	30	29	28	27	26	25	24	23	22	21	20	19	18	17	16	15	14	13	12	11	10	9	8	7	6	5	4	3	2	1	0		
RESERVED								WR_RD	MASK	ARB	CONTROL	CLRINTPND	TXRQST_NEWDAT	DATA_A	DATA_B	BUSY	DMAACTIVE	RESERVED								MESSAGE_NUMBER							

Bits	Field Name	Description	Type	Reset
31:24	RESERVED	These bits are always read as 0. Writes have no effect.	R	0x00
23	WR_RD	Write/Read 0: Direction = Read: Transfer direction is from the message object addressed by MESSAGE_NUMBER to the IF1 register set. 1: Direction = Write: Transfer direction is from the IF1 register set to the message object addressed by MESSAGE_NUMBER.	RW	0
22	MASK	Access mask bits 0: Mask bits will not be changed 1: Direction = Read: The mask bits (identifier mask + MDir + MXtd) will be transferred from the message object addressed by MESSAGE_NUMBER to the IF1 register set. 1: Direction = Write: The mask bits (identifier mask + MDir + MXtd) will be transferred from the IF1 register set to the message object addressed by MESSAGE_NUMBER.	RW	0
21	ARB	Access arbitration bits 0: Arbitration bits will not be changed 1: Direction = Read: The Arbitration bits (Identifier + Dir + Xtd + MsgVal) will be transferred from the message object addressed by MESSAGE_NUMBER to the corresponding IF1 register set. 1: Direction = Write: The Arbitration bits (Identifier + Dir + Xtd + MsgVal) will be transferred from the IF1 register set to the message object addressed by MESSAGE_NUMBER.	RW	0
20	CONTROL	Access control bits 0: Control bits will not be changed 1: Direction = Read: The message control bits will be transferred from the message object addressed by MESSAGE_NUMBER to the IF1 register set. 1: Direction = Write: The message control bits will be transferred from the IF1 registerset to the message object addressed by MESSAGE_NUMBER. If the TXRQST_NEWDAT bit in this register(Bit [18]) is set, the TXRQST/ NEWDAT bits in the DCAN_IF1MCTL will be ignored.	RW	0
19	CLRINTPND	Clear interrupt pending bit 0: IntPnd bit will not be changed 1: Direction = Read: Clears IntPnd bit in the message object. 1: Direction = Write: This bit is ignored. Copying of IntPnd flag from IF1 Registers to message RAM can only be controlled by the CONTROL flag (Bit [20]).	RW	0

Bits	Field Name	Description	Type	Reset
18	TXRQST_NEWDAT	<p>Access transmission request bit</p> <p>0: Direction = Read: NewDat bit will not be changed. Direction = Write: TxRqst/NewDat bit will be handled according to the CONTROL bit.</p> <p>1: Direction = Read: Clears NewDat bit in the message object. 1: Direction = Write: Sets TxRqst/NewDat in message object.</p> <p>Note: If a CAN transmission is requested by setting TXRQST_NEWDAT in this register, the TxRqst/NewDat bits in the message object will be set to one independent of the values in DCAN_IF1MCTL.</p> <p>Note: A read access to a message object can be combined with the reset of the control bits IntPnd and NewDat. The values of these bits transferred to the DCAN_IF1MCTL always reflect the status before resetting them.</p>	RW	0
17	DATA_A	<p>Access Data Bytes 0-3</p> <p>0: Data Bytes 0-3 will not be changed.</p> <p>1: Direction = Read: The data bytes 0-3 will be transferred from the message object addressed by the MESSAGE_NUMBER to the corresponding IF1 registerset.</p> <p>1: Direction = Write: The data bytes 0-3 will be transferred from the IF1 registerset to the message object addressed by the MESSAGE_NUMBER.</p> <p>Note: The duration of the message transfer is independent of the number of bytes to be transferred.</p>	RW	0
16	DATA_B	<p>Access Data Bytes 4-7</p> <p>0: Data Bytes 4-7 will not be changed.</p> <p>1: Direction = Read: The data bytes 4-7 will be transferred from the message object addressed by MESSAGE_NUMBER to the corresponding IF1 registerset.</p> <p>1: Direction = Write: The data bytes 4-7 will be transferred from the IF1 registerset to the message object addressed by MESSAGE_NUMBER.</p> <p>Note: The duration of the message transfer is independent of the number of bytes to be transferred.</p>	RW	0
15	BUSY	<p>Busy flag</p> <p>0: No transfer between IF1 register set and message RAM is in progress.</p> <p>1: Transfer between IF1 register set and message RAM is in progress.</p> <p>This bit is set to one after the message number has been written to bits [7:0] MESSAGE_NUMBER. IF1 register set will be write protected. The bit is cleared after read/write action has been finished.</p>	RW	0
14	DMAACTIVE	<p>Activation of DMA feature for subsequent internal IF1 update</p> <p>0: DMA request line is independent of IF1 activities.</p> <p>1: DMA is requested after completed transfer between IF1 register set and message RAM.</p> <p>The DMA request remains active until the first read or write to one of the IF1 registers; an exception is a write to MESSAGE_NUMBER when DMAACTIVE is one.</p> <p>Note: Due to the auto reset feature of the DMAACTIVE bit, this bit has to be set for each subsequent DMA cycle separately.</p>	RW	0
13:8	RESERVED	These bits are always read as 0. Writes have no effect.	R	0x00

Bits	Field Name	Description	Type	Reset
7:0	MESSAGE_NUMBER	Number of message object in message RAM which is used for data transfer 0x00: Invalid message number 0x01-0x80: Valid message numbers 0x81-0xFF: Invalid message numbers	RW	0x1

Table 24-1202. Register Call Summary for Register DCAN_IF1CMD

DCAN

- [Interrupt Functionality: \[0\]](#)
- [DMA Functionality: \[1\]](#)
- [Debug/Suspend Mode: \[2\]](#)
- [Transmission of Messages in Event Driven CAN Communication: \[3\]](#)
- [Updating a Transmit Object: \[4\]](#)
- [Changing a Transmit Object: \[5\]\[6\]](#)
- [Reading Received Messages: \[7\]](#)
- [Requesting New Data for a Receive Object: \[8\]](#)
- [Message Interface Register Sets: \[9\]\[10\]](#)
- [Message Interface Register Sets 1 and 2: \[11\]\[12\]](#)
- [DCAN Register Summary: \[13\]](#)
- [DCAN Register Description: \[14\]\[15\]\[16\]\[17\]\[18\]\[19\]\[20\]\[21\]\[22\]\[23\]\[24\]\[25\]\[26\]](#)

Table 24-1203. DCAN_IF1MSK

Address Offset	0x0000 0104		
Physical Address	0x4AE3 C104 0x4848 0104	Instance	DCAN1 DCAN2
Description	IF1 Mask Register The bits of the IF1/IF2 mask registers mirror the mask bits of a message object. The function of the relevant message objects bits is described in Section 24.10.4.11.1 Structure of Message Objects . While BUSY bit of DCAN_IF1CMD/DCAN_IF2CMD register is one, IF1/IF2 register set is write protected.		
Type	RW		

31	30	29	28	27	26	25	24	23	22	21	20	19	18	17	16	15	14	13	12	11	10	9	8	7	6	5	4	3	2	1	0
MXTD	MDIR	RESERVED	MSK																												

Bits	Field Name	Description	Type	Reset
31	MXTD	Mask Extended Identifier 0: The extended identifier bit (IDE) has no effect on the acceptance filtering. 1: The extended identifier bit (IDE) is used for acceptance filtering. When 11-bit ("standard") identifiers are used for a message object, the identifiers of received data frames are written into bits ID[28:18]. For acceptance filtering, only these bits together with mask bits Msk[28:18] are considered.	RW	1
30	MDIR	Mask Message Direction 0: The message direction bit (Dir) has no effect on the acceptance filtering. 1: The message direction bit (Dir) is used for acceptance filtering.	RW	1

Bits	Field Name	Description	Type	Reset
29	RESERVED	This bit is always read as 1. Writes have no effect.	R	1
28:0	MSK	Identifier Mask 0: The corresponding bit in the identifier of the message object is not used for acceptance filtering (don't care). 1: The corresponding bit in the identifier of the message object is used for acceptance filtering.	RW	0x1FFF FFFF

Table 24-1204. Register Call Summary for Register DCAN_IF1MSK

DCAN

- [DCAN Register Summary: \[0\]](#)

Table 24-1205. DCAN_IF1ARB

Address Offset	0x0000 0108	Instance	DCAN1 DCAN2
Physical Address	0x4AE3 C108 0x4848 0108		
Description	<p>IF1 arbitration register</p> <p>The Arbitration bits ID[28:0], XTD, and DIR are used to define the identifier and type of outgoing messages and (together with the mask bits MSK[28:0], MXTD, and MDIR) for acceptance filtering of incoming messages. A received message is stored into the valid message object with matching identifier and Direction = receive (data frame) or Direction = transmit (remote frame). Extended frames can be stored only in message objects with XTD = 1, standard frames in message objects with XTD = 0. If a received message (data frame or remote frame) matches more than one valid message objects, it is stored into the one with the lowest message number.</p> <p>The bits of the IF1/IF2 arbitration registers mirror the arbitration bits of a message object. The function of the relevant message objects bits is described in Section 24.10.4.11.1 Structure of Message Objects While BUSY bit of DCAN_IF1CMD/DCAN_IF2CMD register is one, IF1/IF2 register set is write protected.</p>		
Type	RW		

31	30	29	28	27	26	25	24	23	22	21	20	19	18	17	16	15	14	13	12	11	10	9	8	7	6	5	4	3	2	1	0
MSGVAL	XTD	DIR	ID																												

Bits	Field Name	Description	Type	Reset
31	MSGVAL	Message valid 0: The message object is ignored by the message handler. 1: The message object is to be used by the message handler. The software should reset the MsgVal bit of all unused Messages Objects during the initialization before it resets bit INIT in the DCAN_CTL . This bit must also be reset if the messages object is no longer required.	RW	0
30	XTD	Extended identifier 0: The 11-bit ("standard") Identifier is used for this message object. 1: The 29-bit ("extended") Identifier is used for this message object.	RW	0

Bits	Field Name	Description	Type	Reset
29	DIR	Message direction 0: Direction = receive: On TxRqst, a remote frame with the identifier of this message object is transmitted. On reception of a data frame with matching identifier, this message is stored in this message object. 1: Direction = transmit: On TxRqst, the respective message object is transmitted as a data frame. On reception of a remote frame with matching identifier, the TxRqst bit of this message object is set (if RmtEn = 1).	RW	0
28:0	ID	Message identifier ID[28:0]: 29-bit identifier (extended frame) ID[28:18]: 11-bit identifier (standard frame)	RW	0x0000 0000

Table 24-1206. Register Call Summary for Register DCAN_IF1ARB

DCAN

- [Configuration of a Single Receive Object for Data Frames: \[0\]](#)
- [DCAN Register Summary: \[1\]](#)

Table 24-1207. DCAN_IF1MCTL

Address Offset	0x0000 010C	Instance	DCAN1 DCAN2
Physical Address	0x4AE3 C10C 0x4848 010C		
Description	IF1 Message Control Register The bits of the IF1/IF2 message control registers mirror the message control bits of a message object. The function of the relevant message objects bits is described in Section 24.10.4.11.1 Structure of Message Objects While BUSY bit of DCAN_IF1CMD/DCAN_IF2CMD register is one, IF1/IF2 register set is write protected.		
Type	RW		

31	30	29	28	27	26	25	24	23	22	21	20	19	18	17	16	15	14	13	12	11	10	9	8	7	6	5	4	3	2	1	0	
RESERVED																NEWDAT	MSGLST	INTPND	UMASK	TXIE	RXIE	RMTEN	TXRQST	EOB	RESERVED				DLC			

Bits	Field Name	Description	Type	Reset
31:16	RESERVED	These bits are always read as 0. Writes have no effect.	R	0x0000
15	NEWDAT	New data 0: No new data has been written into the data portion of this message object by the message handler since the last time when this flag was cleared by the software. 1: The message handler or the software has written new data into the data portion of this message object.	RW	0
14	MSGLST	Message lost (only valid for message objects with direction = receive) 0: No message lost since the last time when this bit was reset by the software. 1: The message handler stored a new message into this object when NewDat was still set, so the previous message has been overwritten.	RW	0

Bits	Field Name	Description	Type	Reset
13	INTPND	Interrupt pending 0: This message object is not the source of an interrupt. 1: This message object is the source of an interrupt. The Interrupt Identifier in DCAN_INT will point to this message object if there is no other interrupt source with higher priority.	RW	0
12	UMASK	Use acceptance mask 0: Mask ignored 1: Use mask (Msk[28:0], MXtd, and MDir) for acceptance filtering If the UMASK bit is set to one, the message object's mask bits have to be programmed during initialization of the message object before MsgVal is set to one.	RW	0
11	TXIE	Transmit interrupt enable 0: IntPnd will not be triggered after the successful transmission of a frame. 1: IntPnd will be triggered after the successful transmission of a frame.	RW	0
10	RXIE	Receive interrupt enable 0: IntPnd will not be triggered after the successful reception of a frame. 1: IntPnd will be triggered after the successful reception of a frame.	RW	0
9	RMTEN	Remote enable 0: At the reception of a remote frame, TxRqst is not changed. 1: At the reception of a remote frame, TxRqst is set.	RW	0
8	TXRQST	Transmit request 0: This message object is not waiting for a transmission. 1: The transmission of this message object is requested and is not yet done.	RW	0
7	EOB	End of Block 0: The message object is part of a FIFO Buffer block and is not the last message object of the FIFO Buffer block. 1: The message object is a single message object or the last message object in a FIFO Buffer Block. Note: This bit is used to concatenate multiple message objects to build a FIFO Buffer. For single message objects (not belonging to a FIFO Buffer), this bit must always be set to 1.	RW	0
6:4	RESERVED	These bits are always read as 0. Writes have no effect.	R	0x0
3:0	DLC	Data length code 0-8: Data frame has 0-8 data bytes. 9-15 Data frame has 8 data bytes. Note: The data length code of a message object must be defined the same as in all the corresponding objects with the same identifier at other nodes. When the message handler stores a data frame, it will write the DLC to the value given by the received message.	RW	0x0

Table 24-1208. Register Call Summary for Register DCAN_IF1MCTL

DCAN

- [Reading Received Messages: \[0\]](#)
- [DCAN Register Summary: \[1\]](#)
- [DCAN Register Description: \[2\]\[3\]\[4\]\[5\]\[6\]\[7\]](#)

Table 24-1209. DCAN_IF1DATA

Address Offset	0x0000 0110		
Physical Address	0x4AE3 C110 0x4848 0110	Instance	DCAN1 DCAN2
Description	IF1 Data A Register The data bytes of CAN messages are stored in the IF1/IF2 registers in the following order: In a CAN data frame, Data 0 is the first, and Data 7 is the last byte to be transmitted or received. In CAN's serial bit stream, the MSB of each byte will be transmitted first. While BUSY bit of DCAN_IF1CMD/DCAN_IF2CMD register is one, IF1/IF2 register set is write protected.		
Type	RW		

31 30 29 28 27 26 25 24	23 22 21 20 19 18 17 16	15 14 13 12 11 10 9 8	7 6 5 4 3 2 1 0
DATA_3	DATA_2	DATA_1	DATA_0

Bits	Field Name	Description	Type	Reset
31:24	DATA_3	Data byte 3	RW	0x0
23:16	DATA_2	Data byte 2	RW	0x0
15:8	DATA_1	Data byte 1	RW	0x0
7:0	DATA_0	Data byte 0	RW	0x0

Table 24-1210. Register Call Summary for Register DCAN_IF1DATA

DCAN

- [Updating a Transmit Object: \[0\]](#)
- [DCAN Register Summary: \[1\]](#)

Table 24-1211. DCAN_IF1DATB

Address Offset	0x0000 0114		
Physical Address	0x4AE3 C114 0x4848 0114	Instance	DCAN1 DCAN2
Description	IF1 Data B Register The data bytes of CAN messages are stored in the IF1/IF2 registers in the following order: In a CAN data frame, Data 0 is the first, and Data 7 is the last byte to be transmitted or received. In CAN's serial bit stream, the MSB of each byte will be transmitted first. While BUSY bit of DCAN_IF1CMD/DCAN_IF2CMD register is one, IF1/IF2 register set is write protected.		
Type	RW		

31 30 29 28 27 26 25 24	23 22 21 20 19 18 17 16	15 14 13 12 11 10 9 8	7 6 5 4 3 2 1 0
DATA_7	DATA_6	DATA_5	DATA_4

Bits	Field Name	Description	Type	Reset
31:24	DATA_7	Data byte 7	RW	0x0
23:16	DATA_6	Data byte 6	RW	0x0
15:8	DATA_5	Data byte 5	RW	0x0
7:0	DATA_4	Data byte 4	RW	0x0

Table 24-1212. Register Call Summary for Register DCAN_IF1DATB

DCAN

- [Updating a Transmit Object: \[0\]](#)
- [DCAN Register Summary: \[1\]](#)

Table 24-1213. DCAN_IF2CMD

Address Offset	0x0000 0120		
Physical Address	0x4AE3 C120 0x4848 0120	Instance	DCAN1 DCAN2
Description	<p>IF2 Command Register</p> <p>The IF2 Command Register (DCAN_IF2CMD) configure and initiate the transfer between the IF2 register set and the message RAM. It is configurable which portions of the message object should be transferred. A transfer is started when the software writes the message number to bits [7:0] MESSAGE_NUMBER. With this write operation, the BUSY bit is automatically set to 1 to indicate that a transfer is in progress. After 4 to 14 OCP clock cycles, the transfer between the interface register and the message RAM will be completed and the BUSY bit is cleared. The maximum number of cycles is needed when the message transfer concurs with a CAN message transmission, acceptance filtering, or message storage. If the software writes to both DCAN_IF1CMD/DCAN_IF2CMD consecutively (request of a second transfer while first transfer is still in progress), the second transfer will start after the first one has been completed.</p> <p>While BUSY bit is one, IF1/IF2 register sets are write protected.</p> <p>For debug support, the auto clear functionality of the IF1/IF2 command registers (clear of DMAACTIVE flag by r/w) is disabled during Debug/Suspend mode.</p> <p>If an invalid Message Number is written to bits [7:0] MESSAGE_NUMBER, the message handler may access an implemented (valid) message object instead.</p>		
Type	RW		

31	30	29	28	27	26	25	24	23	22	21	20	19	18	17	16	15	14	13	12	11	10	9	8	7	6	5	4	3	2	1	0		
RESERVED								WR_RD	MASK	ARB	CONTROL	CLRINTPND	TXRQST_NEWDAT	DATA_A	DATA_B	BUSY	DMAACTIVE	RESERVED								MESSAGE_NUMBER							

Bits	Field Name	Description	Type	Reset
31:24	RESERVED	These bits are always read as 0. Writes have no effect.	R	0x00
23	WR_RD	<p>Write/Read</p> <p>0: Direction = Read: Transfer direction is from the message object addressed by MESSAGE_NUMBER to the IF2 register set.</p> <p>1: Direction = Write: Transfer direction is from the IF2 register set to the message object addressed by MESSAGE_NUMBER.</p>	RW	0
22	MASK	<p>Access mask bits</p> <p>0: Mask bits will not be changed</p> <p>1: Direction = Read: The mask bits (identifier mask + MDir + MXtd) will be transferred from the message object addressed by MESSAGE_NUMBER to the IF2 register set.</p> <p>1: Direction = Write: The mask bits (identifier mask + MDir + MXtd) will be transferred from the IF2 register set to the message object addressed by MESSAGE_NUMBER.</p>	RW	0
21	ARB	<p>Access arbitration bits</p> <p>0: Arbitration bits will not be changed</p> <p>1: Direction = Read: The Arbitration bits (Identifier + Dir + Xtd + MsgVal) will be transferred from the message object addressed by MESSAGE_NUMBER to the corresponding IF2 register set.</p> <p>1: Direction = Write: The Arbitration bits (Identifier + Dir + Xtd + MsgVal) will be transferred from the IF2 register set to the message object addressed by MESSAGE_NUMBER.</p>	RW	0

Bits	Field Name	Description	Type	Reset
20	CONTROL	<p>Access control bits</p> <p>0: Control bits will not be changed</p> <p>1: Direction = Read: The message control bits will be transferred from the message object addressed by MESSAGE_NUMBER to the IF2 register set.</p> <p>1: Direction = Write: The message control bits will be transferred from the IF2 registerset to the message object addressed by MESSAGE_NUMBER.</p> <p>If the TXRQST_NEWDAT bit in this register(Bit [18]) is set, the TXRQST/ NEWDAT bits in the DCAN_IF1MCTL/DCAN_IF2MCTL will be ignored.</p>	RW	0
19	CLRINTPND	<p>Clear interrupt pending bit</p> <p>0: IntPnd bit will not be changed</p> <p>1: Direction = Read: Clears IntPnd bit in the message object.</p> <p>1: Direction = Write: This bit is ignored. Copying of IntPnd flag from IF2 Registers to message RAM can only be controlled by the CONTROL flag (Bit [20]).</p>	RW	0
18	TXRQST_NEWDAT	<p>Access transmission request bit</p> <p>0: Direction = Read: NewDat bit will not be changed. Direction = Write: TxRqst/NewDat bit will be handled according to the CONTROL bit.</p> <p>1: Direction = Read: Clears NewDat bit in the message object.</p> <p>1: Direction = Write: Sets TxRqst/NewDat in message object.</p> <p>Note: If a CAN transmission is requested by setting TXRQST_NEWDAT in this register, the TxRqst/NewDat bits in the message object will be set to one independent of the values in DCAN_IF1MCTL/DCAN_IF2MCTL.</p> <p>Note: A read access to a message object can be combined with the reset of the control bits IntPnd and NewDat. The values of these bits transferred to the DCAN_IF1MCTL/DCAN_IF2MCTL always reflect the status before resetting them.</p>	RW	0
17	DATA_A	<p>Access Data Bytes 0-3</p> <p>0: Data Bytes 0-3 will not be changed.</p> <p>1: Direction = Read: The data bytes 0-3 will be transferred from the message object addressed by the MESSAGE_NUMBER to the corresponding IF2 registerset.</p> <p>1: Direction = Write: The data bytes 0-3 will be transferred from the IF2 registerset to the message object addressed by the MESSAGE_NUMBER.</p> <p>Note: The duration of the message transfer is independent of the number of bytes to be transferred.</p>	RW	0
16	DATA_B	<p>Access Data Bytes 4-7</p> <p>0: Data Bytes 4-7 will not be changed.</p> <p>1: Direction = Read: The data bytes 4-7 will be transferred from the message object addressed by MESSAGE_NUMBER to the corresponding IF2 registerset.</p> <p>1: Direction = Write: The data bytes 4-7 will be transferred from the IF2 registerset to the message object addressed by MESSAGE_NUMBER.</p> <p>Note: The duration of the message transfer is independent of the number of bytes to be transferred.</p>	RW	0

Bits	Field Name	Description	Type	Reset
15	BUSY	<p>Busy flag</p> <p>0: No transfer between IF2 register set and message RAM is in progress.</p> <p>1: Transfer between IF2 register set and message RAM is in progress.</p> <p>This bit is set to one after the message number has been written to bits [7:0] MESSAGE_NUMBER. IF2 register set will be write protected. The bit is cleared after read/write action has been finished.</p>	RW	0
14	DMAACTIVE	<p>Activation of DMA feature for subsequent internal IF2 update</p> <p>0: DMA request line is independent of IF2 activities.</p> <p>1: DMA is requested after completed transfer between IF2 register set and message RAM.</p> <p>The DMA request remains active until the first read or write to one of the IF2 registers; an exception is a write to MESSAGE_NUMBER when DMAACTIVE is one.</p> <p>Note: Due to the auto reset feature of the DMAACTIVE bit, this bit has to be set for each subsequent DMA cycle separately.</p>	RW	0
13:8	RESERVED	These bits are always read as 0. Writes have no effect.	R	0x00
7:0	MESSAGE_NUMBER	<p>Number of message object in message RAM which is used for data transfer</p> <p>0x00: Invalid message number</p> <p>0x01-0x80: Valid message numbers</p> <p>0x81-0xFF: Invalid message numbers</p>	RW	0x1

Table 24-1214. Register Call Summary for Register DCAN_IF2CMD

DCAN

- [Interrupt Functionality: \[0\]](#)
- [DMA Functionality: \[1\]](#)
- [Debug/Suspend Mode: \[2\]](#)
- [Transmission of Messages in Event Driven CAN Communication: \[3\]](#)
- [Updating a Transmit Object: \[4\]](#)
- [Changing a Transmit Object: \[5\]\[6\]](#)
- [Reading Received Messages: \[7\]](#)
- [Requesting New Data for a Receive Object: \[8\]](#)
- [Message Interface Register Sets: \[9\]\[10\]](#)
- [Message Interface Register Sets 1 and 2: \[11\]\[12\]](#)
- [DCAN Register Summary: \[13\]](#)
- [DCAN Register Description: \[14\]\[15\]\[16\]\[17\]\[18\]\[19\]\[20\]\[21\]\[22\]\[23\]\[24\]\[25\]\[26\]](#)

Table 24-1215. DCAN_IF2MSK

Address Offset	0x0000 0124	Instance	DCAN1 DCAN2
Physical Address	0x4AE3 C124 0x4848 0124		
Description	IF2 Mask Register The bits of the IF1/IF2 mask registers mirror the mask bits of a message object. The function of the relevant message objects bits is described in Section 24.10.4.11.1 Structure of Message Objects . While BUSY bit of DCAN_IF1CMD/DCAN_IF2CMD register is one, IF1/IF2 register set is write protected.		
Type	RW		

31	30	29	28	27	26	25	24	23	22	21	20	19	18	17	16	15	14	13	12	11	10	9	8	7	6	5	4	3	2	1	0
MXTD	MDIR	RESERVED	MSK																												

Bits	Field Name	Description	Type	Reset
31	MXTD	Mask Extended Identifier 0: The extended identifier bit (IDE) has no effect on the acceptance filtering. 1: The extended identifier bit (IDE) is used for acceptance filtering. When 11-bit ("standard") identifiers are used for a message object, the identifiers of received data frames are written into bits ID[28:18]. For acceptance filtering, only these bits together with mask bits Msk[28:18] are considered.	RW	1
30	MDIR	Mask Message Direction 0: The message direction bit (Dir) has no effect on the acceptance filtering. 1: The message direction bit (Dir) is used for acceptance filtering.	RW	1
29	RESERVED	This bit is always read as 1. Writes have no effect.	R	1
28:0	MSK	Identifier Mask 0: The corresponding bit in the identifier of the message object is not used for acceptance filtering (don't care). 1: The corresponding bit in the identifier of the message object is used for acceptance filtering.	RW	0x1FFF FFFF

Table 24-1216. Register Call Summary for Register DCAN_IF2MSK

DCAN

- [DCAN Register Summary: \[0\]](#)

Table 24-1217. DCAN_IF2ARB

Address Offset	0x0000 0128		
Physical Address	0x4AE3 C128 0x4848 0128	Instance	DCAN1 DCAN2
Description	<p>IF2 arbitration register</p> <p>The Arbitration bits ID[28:0], XTD, and DIR are used to define the identifier and type of outgoing messages and (together with the mask bits MSK[28:0], MXTD, and MDIR) for acceptance filtering of incoming messages. A received message is stored into the valid message object with matching identifier and Direction = receive (data frame) or Direction = transmit (remote frame). Extended frames can be stored only in message objects with Xtd = 1, standard frames in message objects with Xtd = 0. If a received message (data frame or remote frame) matches more than one valid message objects, it is stored into the one with the lowest message number.</p> <p>The bits of the IF1/IF2 arbitration registers mirror the arbitration bits of a message object. The function of the relevant message objects bits is described in Section 24.10.4.11.1 Structure of Message Objects While BUSY bit of DCAN_IF1CMD/DCAN_IF2CMD register is one, IF1/IF2 register set is write protected.</p>		
Type	RW		

31	30	29	28	27	26	25	24	23	22	21	20	19	18	17	16	15	14	13	12	11	10	9	8	7	6	5	4	3	2	1	0
MSGVAL	XTD	DIR	ID																												

Bits	Field Name	Description	Type	Reset
31	MSGVAL	<p>Message valid</p> <p>0: The message object is ignored by the message handler.</p> <p>1: The message object is to be used by the message handler.</p> <p>The software should reset the MsgVal bit of all unused Messages Objects during the initialization before it resets bit INIT in the DCAN_CTL. This bit must also be reset if the messages object is no longer required.</p>	RW	0
30	XTD	<p>Extended identifier</p> <p>0: The 11-bit ("standard") Identifier is used for this message object.</p> <p>1: The 29-bit ("extended") Identifier is used for this message object.</p>	RW	0
29	DIR	<p>Message direction</p> <p>0: Direction = receive: On TxRqst, a remote frame with the identifier of this message object is transmitted. On reception of a data frame with matching identifier, this message is stored in this message object.</p> <p>1: Direction = transmit: On TxRqst, the respective message object is transmitted as a data frame. On reception of a remote frame with matching identifier, the TxRqst bit of this message object is set (if RmtEn = 1).</p>	RW	0
28:0	ID	<p>Message identifier</p> <p>ID[28:0]: 29-bit identifier (extended frame)</p> <p>ID[28:18]: 11-bit identifier (standard frame)</p>	RW	0x000 0000

Table 24-1218. Register Call Summary for Register DCAN_IF2ARB

DCAN

- [Configuration of a Single Receive Object for Data Frames: \[0\]](#)
- [DCAN Register Summary: \[1\]](#)

Table 24-1219. DCAN_IF2MCTL

Address Offset	0x0000 012C	Instance	DCAN1 DCAN2
Physical Address	0x4AE3 C12C 0x4848 012C		
Description	IF2 Message Control Register The bits of the IF1/IF2 message control registers mirror the message control bits of a message object. The function of the relevant message objects bits is described in Section 24.10.4.11.1 Structure of Message Objects While BUSY bit of DCAN_IF1CMD/DCAN_IF2CMD register is one, IF1/IF2 register set is write protected.		
Type	RW		

31	30	29	28	27	26	25	24	23	22	21	20	19	18	17	16	15	14	13	12	11	10	9	8	7	6	5	4	3	2	1	0	
RESERVED																NEWDAT	MSGLST	INTPND	UMASK	TXIE	RXIE	RMTEN	TXRQST	EOB	RESERVED	DLC						

Bits	Field Name	Description	Type	Reset
31:16	RESERVED	These bits are always read as 0. Writes have no effect.	R	0x0000
15	NEWDAT	New data 0: No new data has been written into the data portion of this message object by the message handler since the last time when this flag was cleared by the software. 1: The message handler or the software has written new data into the data portion of this message object.	RW	0
14	MSGLST	Message lost (only valid for message objects with direction = receive) 0: No message lost since the last time when this bit was reset by the software. 1: The message handler stored a new message into this object when NewDat was still set, so the previous message has been overwritten.	RW	0
13	INTPND	Interrupt pending 0: This message object is not the source of an interrupt. 1: This message object is the source of an interrupt. The Interrupt Identifier in DCAN_INT will point to this message object if there is no other interrupt source with higher priority.	RW	0
12	UMASK	Use acceptance mask 0: Mask ignored 1: Use mask (Msk[28:0], MXtd, and MDir) for acceptance filtering If the UMask bit is set to one, the message object's mask bits have to be programmed during initialization of the message object before MsgVal is set to one.	RW	0
11	TXIE	Transmit interrupt enable 0: IntPnd will not be triggered after the successful transmission of a frame. 1: IntPnd will be triggered after the successful transmission of a frame.	RW	0
10	RXIE	Receive interrupt enable 0: IntPnd will not be triggered after the successful reception of a frame. 1: IntPnd will be triggered after the successful reception of a frame.	RW	0

Bits	Field Name	Description	Type	Reset
9	RMTEN	Remote enable 0: At the reception of a remote frame, TxRqst is not changed. 1: At the reception of a remote frame, TxRqst is set.	RW	0
8	TXRQST	Transmit request 0: This message object is not waiting for a transmission. 1: The transmission of this message object is requested and is not yet done.	RW	0
7	EOB	End of Block 0: The message object is part of a FIFO Buffer block and is not the last message object of the FIFO Buffer block. 1: The message object is a single message object or the last message object in a FIFO Buffer Block. Note: This bit is used to concatenate multiple message objects to build a FIFO Buffer. For single message objects (not belonging to a FIFO Buffer), this bit must always be set to one.	RW	0
6:4	RESERVED	These bits are always read as 0. Writes have no effect.	R	0x0
3:0	DLC	Data length code 0-8: Data frame has 0-8 data bytes. 9-15 Data frame has 8 data bytes. Note: The data length code of a message object must be defined the same as in all the corresponding objects with the same identifier at other nodes. When the message handler stores a data frame, it will write the DLC to the value given by the received message.	RW	0x0

Table 24-1220. Register Call Summary for Register DCAN_IF2MCTL

DCAN

- [Reading Received Messages: \[0\]](#)
- [DCAN Register Summary: \[1\]](#)
- [DCAN Register Description: \[2\]\[3\]\[4\]](#)

Table 24-1221. DCAN_IF2DATA

Address Offset	0x0000 0130		
Physical Address	0x4AE3 C130	Instance	DCAN1
	0x4848 0130		DCAN2
Description	IF2 Data A Register The data bytes of CAN messages are stored in the IF1/IF2 registers in the following order: In a CAN data frame, Data 0 is the first, and Data 7 is the last byte to be transmitted or received. In CAN's serial bit stream, the MSB of each byte will be transmitted first. While BUSY bit of DCAN_IF1CMD/DCAN_IF2CMD register is one, IF1/IF2 register set is write protected.		
Type	RW		

31	30	29	28	27	26	25	24	23	22	21	20	19	18	17	16	15	14	13	12	11	10	9	8	7	6	5	4	3	2	1	0
DATA_3								DATA_2								DATA_1								DATA_0							

Bits	Field Name	Description	Type	Reset
31:24	DATA_3	Data byte 3	RW	0x0
23:16	DATA_2	Data byte 2	RW	0x0
15:8	DATA_1	Data byte 1	RW	0x0
7:0	DATA_0	Data byte 0	RW	0x0

Table 24-1222. Register Call Summary for Register DCAN_IF2DATA

DCAN

- [Updating a Transmit Object: \[0\]](#)
- [DCAN Register Summary: \[1\]](#)

Table 24-1223. DCAN_IF2DATB

Address Offset	0x0000 0134		
Physical Address	0x4AE3 C134 0x4848 0134	Instance	DCAN1 DCAN2
Description	IF2 Data B Register The data bytes of CAN messages are stored in the IF1/IF2 registers in the following order: In a CAN data frame, Data 0 is the first, and Data 7 is the last byte to be transmitted or received. In CAN's serial bit stream, the MSB of each byte will be transmitted first. While BUSY bit of DCAN_IF1CMD/DCAN_IF2CMD register is one, IF1/IF2 register set is write protected.		
Type	RW		

31	30	29	28	27	26	25	24	23	22	21	20	19	18	17	16	15	14	13	12	11	10	9	8	7	6	5	4	3	2	1	0
DATA_7								DATA_6								DATA_5								DATA_4							

Bits	Field Name	Description	Type	Reset
31:24	DATA_7	Data byte 7	RW	0x0
23:16	DATA_6	Data byte 6	RW	0x0
15:8	DATA_5	Data byte 5	RW	0x0
7:0	DATA_4	Data byte 4	RW	0x0

Table 24-1224. Register Call Summary for Register DCAN_IF2DATB

DCAN

- [Updating a Transmit Object: \[0\]](#)
- [DCAN Register Summary: \[1\]](#)

Table 24-1225. DCAN_IF3OBS

Address Offset	0x0000 0140		
Physical Address	0x4AE3 C140 0x4848 0140	Instance	DCAN1 DCAN2
Description	<p>IF3 Observation Register</p> <p>The IF3 register set can automatically be updated with received message objects without the need to initiate the transfer from message RAM by software (Additional information can be found in Section 24.10.4.11.1 Structure of Message Objects). The observation flags (Bits [4:0]) are used to determine, which data sections of the IF3 interface register set have to be read in order to complete a DMA read cycle. After all marked data sections are read, the DCAN is enabled to update the IF3 interface register set with new data. Any access order of single bytes or half-words is supported. When using byte or half-word accesses, a data section is marked as completed, if all bytes are read.</p> <p>NOTE: If IF3 Update Enable is used and no Observation flag is set, the corresponding message objects will be copied to IF3 without activating the DMA request line and without waiting for DMA read accesses.</p> <p>A write access to this register aborts a pending DMA cycle by resetting the DMA line and enables updating of IF3 interface register set with new data. To avoid data inconsistency, the DMA controller should be disabled before reconfiguring IF3 observation register. The status of the current read-cycle can be observed via status flags (Bits [12:8]).</p>		
Type	RW		

31	30	29	28	27	26	25	24	23	22	21	20	19	18	17	16	15	14	13	12	11	10	9	8	7	6	5	4	3	2	1	0
RESERVED																IF3_UPD	RESERVED	IF3_SDB	IF3_SDA	IF3_SC	IF3_SA	IF3_SM	RESERVED	DATAB	DATAA	CTRL	ARB	MASK			

Bits	Field Name	Description	Type	Reset
31:16	RESERVED	These bits are always read as 0. Writes have no effect.	R	0x0000
15	IF3_UPD	IF3 Update Data 0: No new data has been loaded since last IF3 read. 1: New data has been loaded since last IF3 read.	R	0
14:13	RESERVED	These bits are always read as 0. Writes have no effect.	R	0x0
12	IF3_SDB	IF3 Status of Data B read access 0: All Data B bytes are already read out, or are not marked to be read. 1: Data B section has still data to be read out.	R	0
11	IF3_SDA	IF3 Status of Data A read access 0: All Data A bytes are already read out, or are not marked to be read. 1: Data A section has still data to be read out.	R	0
10	IF3_SC	IF3 Status of control bits read access 0: All control section bytes are already read out, or are not marked to be read. 1: Control section has still data to be read out.	R	0
9	IF3_SA	IF3 Status of Arbitration data read access 0: All Arbitration data bytes are already read out, or are not marked to be read. 1: Arbitration section has still data to be read out.	R	0
8	IF3_SM	IF3 Status of Mask data read access 0: All mask data bytes are already read out, or are not marked to be read. 1: Mask section has still data to be read out.	R	0
7:5	RESERVED	These bits are always read as 0. Writes have no effect.	R	0x0

Bits	Field Name	Description	Type	Reset
4	DATAB	Data B read observation 0: Data B section has not to be read. 1: Data B section has to be read to enable next IF3 update.	RW	0
3	DATAA	Data A read observation 0: Data A section has not to be read. 1: Data A section has to be read to enable next IF3 update.	RW	0
2	CTRL	Ctrl read observation 0: Ctrl section has not to be read. 1: Ctrl section has to be read to enable next IF3 update.	RW	0
1	ARB	Arbitration data read observation 0: Arbitration data has not to be read. 1: Arbitration data has to be read to enable next IF3 update.	RW	0
0	MASK	Mask data read observation 0: Mask data has not to be read. 1: Mask data has to be read to enable next IF3 update.	RW	0

Table 24-1226. Register Call Summary for Register DCAN_IF3OBS

DCAN

- [IF3 Register Set: \[0\]](#)
- [DCAN Register Summary: \[1\]](#)

Table 24-1227. DCAN_IF3MSK

Address Offset	0x0000 0144	Instance	DCAN1 DCAN2
Physical Address	0x4AE3 C144 0x4848 0144		
Description	IF3 Mask Register		
Type	RW		

31	30	29	28	27	26	25	24	23	22	21	20	19	18	17	16	15	14	13	12	11	10	9	8	7	6	5	4	3	2	1	0
MXTD	MDIR	RESERVED	MSK																												

Bits	Field Name	Description	Type	Reset
31	MXTD	Mask Extended Identifier 0: The extended identifier bit (IDE) has no effect on the acceptance filtering. 1: The extended identifier bit (IDE) is used for acceptance filtering. When 11-bit ("standard") identifiers are used for a message object, the identifiers of received data frames are written into bits ID[28:18]. For acceptance filtering, only these bits together with mask bits Msk[28:18] are considered.	R	1

Bits	Field Name	Description	Type	Reset
30	MDIR	Mask Message Direction 0: The message direction bit (Dir) has no effect on the acceptance filtering. 1: The message direction bit (Dir) is used for acceptance filtering.	R	1
29	RESERVED	These bits are always read as 1. Writes have no effect.	R	1
28:0	MSK	Identifier Mask 0: The corresponding bit in the identifier of the message object is not used for acceptance filtering (don't care). 1: The corresponding bit in the identifier of the message object is used for acceptance filtering.	RW	0x1FFF FFFF

Table 24-1228. Register Call Summary for Register DCAN_IF3MSK

DCAN

- [DCAN Register Summary: \[0\]](#)

Table 24-1229. DCAN_IF3ARB

Address Offset	0x0000 0148	Instance	DCAN1 DCAN2
Physical Address	0x4AE3 C148 0x4848 0148		
Description	IF3 Arbitration Register		
Type	R		

31	30	29	28	27	26	25	24	23	22	21	20	19	18	17	16	15	14	13	12	11	10	9	8	7	6	5	4	3	2	1	0
MSGVAL	XTD	DIR	ID																												

Bits	Field Name	Description	Type	Reset
31	MSGVAL	Message Valid 0: The message object is ignored by the message handler. 1: The message object is to be used by the message handler. The software should reset the MsgVal bit of all unused Messages Objects during the initialization before it resets bit INIT in the DCAN_CTL . This bit must also be reset before the identifier ID[28:0], the control bits Xtd, Dir or DLC[3:0] are modified, or if the messages object is no longer required.	R	0
30	XTD	Extended Identifier 0: The 11-bit ("standard") Identifier is used for this message object. 1: The 29-bit ("extended") Identifier is used for this message object.	R	0
29	DIR	Message Direction 0: Direction = receive: On TxRqst, a remote frame with the identifier of this message object is transmitted. On reception of a data frame with matching identifier, this message is stored in this message object. 1: Direction = transmit: On TxRqst, the respective message object is transmitted as a data frame. On reception of a remote frame with matching identifier, the TxRqst bit of this message object is set (if RmtEn = 1).	R	0

Bits	Field Name	Description	Type	Reset
28:0	ID	Message Identifier ID[28:0]: 29-bit Identifier ("extended frame") ID[28:18]: 11-bit Identifier ("standard frame")	R	0x0000 0000

Table 24-1230. Register Call Summary for Register DCAN_IF3ARB

DCAN

- [Configuration of a Single Receive Object for Data Frames: \[0\]](#)
- [DCAN Register Summary: \[1\]](#)

Table 24-1231. DCAN_IF3MCTL

Address Offset	0x0000 014C	Instance	DCAN1 DCAN2
Physical Address	0x4AE3 C14C 0x4848 014C		
Description	IF3 Message Control Register		
Type	R		

31	30	29	28	27	26	25	24	23	22	21	20	19	18	17	16	15	14	13	12	11	10	9	8	7	6	5	4	3	2	1	0	
RESERVED																NEWDAT	MSGLST	INTPND	UMASK	TXIE	RXIE	RMTEN	TXRQST	EOB	RESERVED				DLC			

Bits	Field Name	Description	Type	Reset
31:16	RESERVED	These bits are always read as 0. Writes have no effect.	R	0x0000
15	NEWDAT	New Data 0: No new data has been written into the data portion of this message object by the message handler since the last time when this flag was cleared by the software. 1: The message handler or the software has written new data into the data portion of this message object.	R	0
14	MSGLST	Message Lost (only valid for message objects with direction = receive) 0: No message lost since the last time when this bit was reset by the software. 1: The message handler stored a new message into this object when NewDat was still set, so the previous message has been overwritten.	R	0
13	INTPND	Interrupt Pending 0: This message object is not the source of an interrupt. 1: This message object is the source of an interrupt. The Interrupt Identifier in DCAN_INT will point to this message object if there is no other interrupt source with higher priority.	R	0
12	UMASK	Use Acceptance Mask 0: Mask ignored 1: Use mask (Msk[28:0], MXtd, and MDir) for acceptance filtering If the UMASK bit is set to one, the message object's mask bits have to be programmed during initialization of the message object before MsgVal is set to one.	R	0

Bits	Field Name	Description	Type	Reset
11	TXIE	Transmit Interrupt enable 0: IntPnd will not be triggered after the successful transmission of a frame. 1: IntPnd will be triggered after the successful transmission of a frame.	R	0
10	RXIE	Receive Interrupt enable 0: IntPnd will not be triggered after the successful reception of a frame. 1: IntPnd will be triggered after the successful reception of a frame.	R	0
9	RMTEN	Remote enable 0: At the reception of a remote frame, TxRqst is not changed. 1: At the reception of a remote frame, TxRqst is set.	R	0
8	TXRQST	Transmit Request 0: This message object is not waiting for a transmission. 1: The transmission of this message object is requested and is not yet done.	R	0
7	EOB	End of Block 0: The message object is part of a FIFO Buffer block and is not the last message object of the FIFO Buffer block. 1: The message object is a single message object or the last message object in a FIFO Buffer Block. Note: This bit is used to concatenate multiple message objects to build a FIFO Buffer. For single message objects (not belonging to a FIFO Buffer), this bit must always be set to one.	R	0
6:4	RESERVED	These bits are always read as 0. Writes have no effect.	R	0x0
3:0	DLC	Data Length Code 0-8: Data frame has 0-8 data bits. 9-15: Data frame has 8 data bytes. Note: The data length code of a message object must be defined the same as in all the corresponding objects with the same identifier at other nodes. When the message handler stores a data frame, it will write the DLC to the value given by the received message.	R	0x0

Table 24-1232. Register Call Summary for Register DCAN_IF3MCTL

DCAN

- [Reading Received Messages: \[0\]](#)
- [DCAN Register Summary: \[1\]](#)

Table 24-1233. DCAN_IF3DATA

Address Offset	0x0000 0150		
Physical Address	0x4AE3 C150 0x4848 0150	Instance	DCAN1 DCAN2
Description	IF3 Data A The data bytes of CAN messages are stored in the IF3 registers in the following order: In a CAN data frame, Data 0 is the first, and Data 7 is the last byte to be transmitted or received. In CAN's serial bit stream, the MSB of each byte will be transmitted first.		
Type	R		

31 30 29 28 27 26 25 24	23 22 21 20 19 18 17 16	15 14 13 12 11 10 9 8	7 6 5 4 3 2 1 0
DATA_3	DATA_2	DATA_1	DATA_0

Bits	Field Name	Description	Type	Reset
31:24	DATA_3	Data byte 3	R	0x0
23:16	DATA_2	Data byte 2	R	0x0
15:8	DATA_1	Data byte 1	R	0x0
7:0	DATA_0	Data byte 0	R	0x0

Table 24-1234. Register Call Summary for Register DCAN_IF3DATA

DCAN

- [DCAN Register Summary: \[0\]](#)

Table 24-1235. DCAN_IF3DATB

Address Offset	0x0000 0154		
Physical Address	0x4AE3 C154 0x4848 0154	Instance	DCAN1 DCAN2
Description	IF3 Data B The data bytes of CAN messages are stored in the IF3 registers in the following order: In a CAN data frame, Data 0 is the first, and Data 7 is the last byte to be transmitted or received. In CAN's serial bit stream, the MSB of each byte will be transmitted first.		
Type	R		

31 30 29 28 27 26 25 24	23 22 21 20 19 18 17 16	15 14 13 12 11 10 9 8	7 6 5 4 3 2 1 0
DATA_7	DATA_6	DATA_5	DATA_4

Bits	Field Name	Description	Type	Reset
31:24	DATA_7	Data byte 7	R	0x0
23:16	DATA_6	Data byte 6	R	0x0
15:8	DATA_5	Data byte 5	R	0x0
7:0	DATA_4	Data byte 4	R	0x0

Table 24-1236. Register Call Summary for Register DCAN_IF3DATB

DCAN

- [DCAN Register Summary: \[0\]](#)

Table 24-1237. DCAN_IF3UPD12

Address Offset	0x0000 0160		
Physical Address	0x4AE3 C160 0x4848 0160	Instance	DCAN1 DCAN2
Description	Update Enable Register The automatic update functionality of the IF3 register set can be configured for each message object. A message object is enabled for automatic IF3 update, if the dedicated IF3UPDEN flag is set. This means that an active NewDat flag of this message object (e.g due to reception of a CAN frame) will trigger an automatic copy of the whole message object to IF3 register set NOTE: IF3 Update enable should not be set for transmit objects.		
Type	RW		

31	30	29	28	27	26	25	24	23	22	21	20	19	18	17	16	15	14	13	12	11	10	9	8	7	6	5	4	3	2	1	0
IF3UPDEN																															

Bits	Field Name	Description	Type	Reset
31:0	IF3UPDEN	IF3 Update Enabled (for 1-32 message objects) 0: Automatic IF3 update is disabled for this message object. 1: Automatic IF3 update is enabled for this message object. A message object is scheduled to be copied to IF3 register set, if NewDat flag of the message object is active.	RW	0x0000 0000

Table 24-1238. Register Call Summary for Register DCAN_IF3UPD12

DCAN

- [IF3 Register Set: \[0\]](#)
- [DCAN Register Summary: \[1\]](#)

Table 24-1239. DCAN_IF3UPD34

Address Offset	0x0000 0164		
Physical Address	0x4AE3 C164 0x4848 0164	Instance	DCAN1 DCAN2
Description	Update Enable Register The automatic update functionality of the IF3 register set can be configured for each message object. A message object is enabled for automatic IF3 update, if the dedicated IF3UPDEN flag is set. This means that an active NewDat flag of this message object (e.g due to reception of a CAN frame) will trigger an automatic copy of the whole message object to IF3 register set NOTE: IF3 Update enable should not be set for transmit objects.		
Type	RW		

31	30	29	28	27	26	25	24	23	22	21	20	19	18	17	16	15	14	13	12	11	10	9	8	7	6	5	4	3	2	1	0
IF3UPDEN																															

Bits	Field Name	Description	Type	Reset
31:0	IF3UPDEN	IF3 Update Enabled (for 33-64 message objects) 0: Automatic IF3 update is disabled for this message object. 1: Automatic IF3 update is enabled for this message object. A message object is scheduled to be copied to IF3 register set, if NewDat flag of the message object is active.	RW	0x0000 0000

Table 24-1240. Register Call Summary for Register DCAN_IF3UPD34

DCAN

- [DCAN Register Summary: \[0\]](#)

Table 24-1241. DCAN_IF3UPD56

Address Offset	0x0000 0168	Instance	DCAN1 DCAN2
Physical Address	0x4AE3 C168 0x4848 0168		
Description	Update Enable Register The automatic update functionality of the IF3 register set can be configured for each message object. A message object is enabled for automatic IF3 update, if the dedicated IF3UPDEN flag is set. This means that an active NewDat flag of this message object (e.g due to reception of a CAN frame) will trigger an automatic copy of the whole message object to IF3 register set NOTE: IF3 Update enable should not be set for transmit objects.		
Type	RW		

31	30	29	28	27	26	25	24	23	22	21	20	19	18	17	16	15	14	13	12	11	10	9	8	7	6	5	4	3	2	1	0
IF3UPDEN																															

Bits	Field Name	Description	Type	Reset
31:0	IF3UPDEN	IF3 Update Enabled (for 65-96 message objects) 0: Automatic IF3 update is disabled for this message object. 1: Automatic IF3 update is enabled for this message object. A message object is scheduled to be copied to IF3 register set, if NewDat flag of the message object is active.	RW	0x0000 0000

Table 24-1242. Register Call Summary for Register DCAN_IF3UPD56

DCAN

- [DCAN Register Summary: \[0\]](#)

Table 24-1243. DCAN_IF3UPD78

Address Offset	0x0000 016C	Instance	DCAN1 DCAN2
Physical Address	0x4AE3 C16C 0x4848 016C		
Description	Update Enable Register The automatic update functionality of the IF3 register set can be configured for each message object. A message object is enabled for automatic IF3 update, if the dedicated IF3UPDEN flag is set. This means that an active NewDat flag of this message object (e.g due to reception of a CAN frame) will trigger an automatic copy of the whole message object to IF3 register set NOTE: IF3 Update enable should not be set for transmit objects.		
Type	RW		

31	30	29	28	27	26	25	24	23	22	21	20	19	18	17	16	15	14	13	12	11	10	9	8	7	6	5	4	3	2	1	0
IF3UPDEN																															

Bits	Field Name	Description	Type	Reset
31:0	IF3UPDEN	IF3 Update Enabled (for 97-128 message objects) 0: Automatic IF3 update is disabled for this message object. 1: Automatic IF3 update is enabled for this message object. A message object is scheduled to be copied to IF3 register set, if NewDat flag of the message object is active.	RW	0x0000 0000

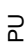
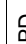
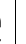
Table 24-1244. Register Call Summary for Register DCAN_IF3UPD78

DCAN

- [IF3 Register Set: \[0\]](#)
- [DCAN Register Summary: \[1\]](#)

Table 24-1245. DCAN_TIOC

Address Offset	0x0000 01E0		
Physical Address	0x4AE3 C1E0 0x4848 01E0	Instance	DCAN1 DCAN2
Description	TX I/O Control Register The CAN_TX pin of the DCAN module can be used as general purpose IO pin if CAN function is not needed. The values of the IO control registers are only writable if INIT bit of the DCAN_CTL is set to 1.		
Type	RW		

31	30	29	28	27	26	25	24	23	22	21	20	19	18	17	16	15	14	13	12	11	10	9	8	7	6	5	4	3	2	1	0
RESERVED														  	RESERVED										FUNC	DIR	OUT	IN			

Bits	Field Name	Description	Type	Reset
31:19	RESERVED	These bits are always read as 0. Writes have no effect.	R	0x0000
18	PU	CAN_TX pull up/pull down select. This bit is only active when CAN_TX is configured to be an input. 0: CAN_TX pull down is selected, when pull logic is active (PD = 0). 1: CAN_TX pull up is selected, when pull logic is active(PD = 0).	RW	0
17	PD	CAN_TX pull disable. This bit is only active when CAN_TX is configured to be an input. 0: CAN_TX pull is active 1: CAN_TX pull is disabled	RW	0
16	OD	CAN_TX open drain enable. This bit is only active when CAN_TX is configured to be in GIO mode (FUNC=0). 0: The CAN_TX pin is configured in push/pull mode. 1: The CAN_TX pin is configured in open drain mode. Forced to '0' if INIT bit of DCAN_CTL is reset.	RW	0
15:4	RESERVED	These bits are always read as 0. Writes have no effect.	R	0x0000
3	FUNC	CAN_TX function. This bit changes the function of the CAN_TX pin 0: CAN_TX pin is in GIO mode. 1: CAN_TX pin is in functional mode (as an output to transmit CAN data). Forced to Tx output of the CAN core, if INIT bit of DCAN_CTL is reset.	RW	0

Bits	Field Name	Description	Type	Reset
2	DIR	CAN_TX data direction. This bit controls the direction of the CAN_TX pin when it is configured to be in GIO mode only (FUNC=0) 0: The CAN_TX pin is an input. 1: The CAN_TX pin is an output Forced to '1' if INIT bit of DCAN_CTL is reset.	RW	0
1	OUT	CAN_TX data out write. This bit is only active when CAN_TX pin is configured to be in GIO mode (FUNC = 0) and configured to be an output pin (DIR = 1). The value of this bit indicates the value to be output to the CAN_TX pin. 0: The CAN_TX pin is driven to logic low 1: The CAN_TX pin is driven to logic high Forced to 1 if INIT bit of DCAN_CTL is reset.	RW	0
0	IN	CAN_TX data in 0: The CAN_TX pin is at logic low 1: The CAN_TX pin is at logic high Note: When CAN_TX pin is connected to a CAN transceiver, an external pullup resistor has to be used to ensure that the CAN bus will not be disturbed (e.g. while reset of the DCAN module).	RW	-

Table 24-1246. Register Call Summary for Register DCAN_TIOC

DCAN

- [GPIO Support: \[0\]](#)
- [DCAN Register Summary: \[1\]](#)

Table 24-1247. DCAN_RIOC

Address Offset	0x0000 01E4	Instance	DCAN1 DCAN2
Physical Address	0x4AE3 C1E4 0x4848 01E4		
Description	RX I/O Control Register The CAN_RX pin of the DCAN_module can be used as general purpose IO pin if CAN function is not needed. The values of the IO control registers are only writable if INIT bit of the DCAN_CTL is set to 1.		
Type	RW		

31	30	29	28	27	26	25	24	23	22	21	20	19	18	17	16	15	14	13	12	11	10	9	8	7	6	5	4	3	2	1	0
RESERVED														\overline{P}	\overline{D}	\overline{O}	RESERVED										FUNC	DIR	OUT	IN	

Bits	Field Name	Description	Type	Reset
31:19	RESERVED	These bits are always read as 0. Writes have no effect.	R	0x0000
18	PU	CAN_RX pull up/pull down select. This bit is only active when CAN_RX is configured to be an input. 0: CAN_RX pull down is selected, when pull logic is active (PD = 0). 1: CAN_RX pull up is selected, when pull logic is active(PD = 0).	RW	0
17	PD	CAN_RX pull disable. This bit is only active when CAN_TX is configured to be an input. 0: CAN_RX pull is active 1: CAN_RX pull is disabled	RW	0

Bits	Field Name	Description	Type	Reset
16	OD	CAN_RX open drain enable. This bit is only active when CAN_RX is configured to be in GIO mode (FUNC=0). 0: The CAN_RX pin is configured in push/pull mode. 1: The CAN_RX pin is configured in open drain mode. Forced to '0' if INIT bit of DCAN_CTL is reset.	RW	0
15:4	RESERVED	These bits are always read as 0. Writes have no effect.	R	0x000
3	FUNC	CAN_RX function. This bit changes the function of the CAN_RX pin 0: CAN_RX pin is in GIO mode. 1: CAN_RX pin is in functional mode (as an input to receive CAN data). Forced to '1' if INIT bit of DCAN_CTL is reset.	RW	0
2	DIR	CAN_RX data direction. This bit controls the direction of the CAN_RX pin when it is configured to be in GIO mode only (FUNC=0) 0: The CAN_RX pin is an input. 1: The CAN_RX pin is an output Forced to '0' if INIT bit DCAN_CTL is reset.	RW	0
1	OUT	CAN_RX data out write. This bit is only active when CAN_RX pin is configured to be in GIO mode (FUNC = 0) and configured to be an output pin (DIR = 1). The value of this bit indicates the value to be output to the CAN_RX pin. 0: The CAN_RX pin is driven to logic low 1: The CAN_RX pin is driven to logic high	RW	0
0	IN	CAN_RX data in 0: The CAN_RX pin is at logic low 1: The CAN_RX pin is at logic high	RW	-

Table 24-1248. Register Call Summary for Register DCAN_RIOC

DCAN

- [GPIO Support: \[0\]](#)
- [DCAN Register Summary: \[1\]](#)

24.11 Gigabit Ethernet Switch (GMAC_SW)

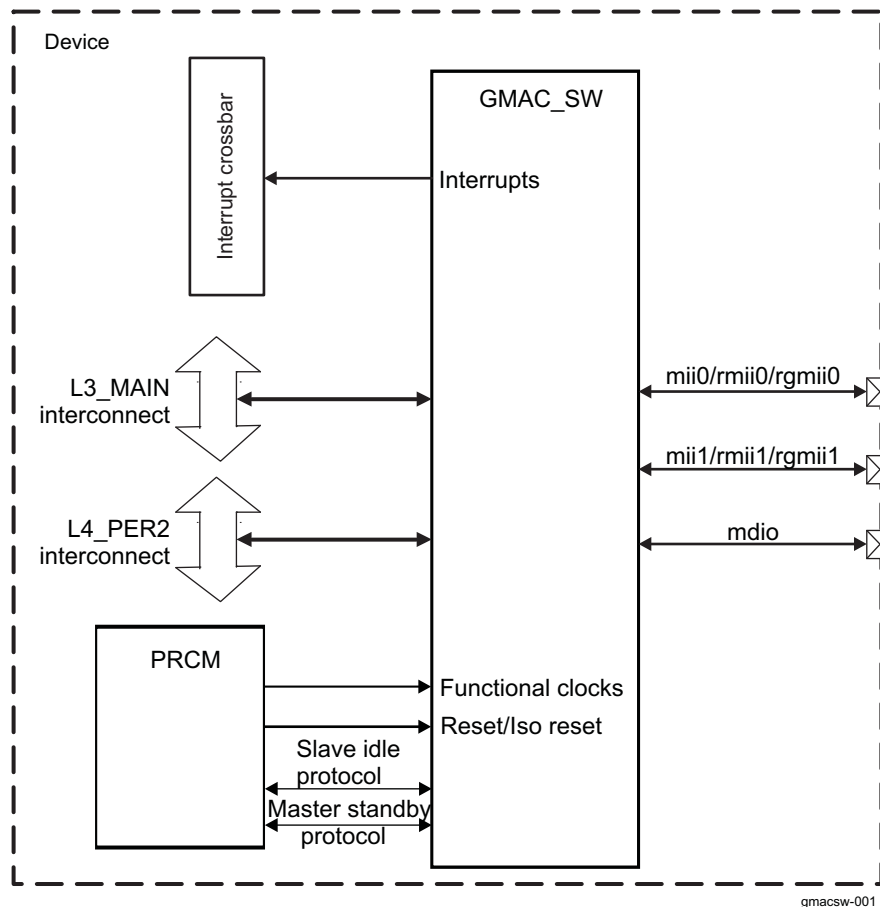
This chapter describes the three-port gigabit switch ethernet subsystem in the device.

24.11.1 GMAC_SW Overview

The three-port gigabit ethernet switch subsystem (GMAC_SW) provides ethernet packet communication and can be configured as an ethernet switch. It provides the gigabit media independent interface (G/MII) in MII mode, reduced gigabit media independent interface (RGMII), reduced media independent interface (RMII), and the management data input output (MDIO) for physical layer device (PHY) management.

Figure 24-192 shows the GMAC_SW subsystem overview.

Figure 24-192. GMAC_SW Overview



24.11.1.1 Features

The GMAC_SW subsystem provides the following features:

- Two Ethernet ports (port 1 and port 2) with selectable RGMII, RMII, and G/MII (in MII mode only) interfaces plus internal Communications Port Programming Interface (CPPI 3.1) on port 0
- Synchronous 10/100/1000 Mbit operation
- Wire rate switching (802.1d)
- Non-blocking switch fabric
- Flexible logical FIFO-based packet buffer structure
- Four priority level Quality Of Service (QOS) support (802.1p)
- CPPI 3.1 compliant DMA controllers

- Support for Audio/Video Bridging (P802.1Qav/D6.0)
- Support for IEEE 1588 Clock Synchronization (2008 Annex D and Annex F)
 - Timing FIFO and time stamping logic embedded in the subsystem
- Device Level Ring (DLR) Support
- Energy Efficient Ethernet (EEE) support (802.3az)
- Flow Control Support (802.3x)
- Address Lookup Engine (ALE)
 - 1024 total address entries plus VLANs
 - Wire rate lookup
 - Host controlled time-based aging
 - Multiple spanning tree support (spanning tree per VLAN)
 - L2 address lock and L2 filtering support
 - MAC authentication (802.1x)
 - Receive-based or destination-based multicast and broadcast rate limits
 - MAC address blocking
 - Source port locking
 - OUI (Vendor ID) host accept/deny feature
 - Remapping of priority level of VLAN or ports
- VLAN support
 - 802.1Q compliant
 - Auto add port VLAN for untagged frames on ingress
 - Auto VLAN removal on egress and auto pad to minimum frame size
- Ethernet Statistics:
 - EtherStats and 802.3Stats Remote network Monitoring (RMON) statistics gathering (shared)
 - Programmable statistics interrupt mask when a statistic is above one half its 32-bit value
- Flow Control Support (802.3x)
- Digital loopback and FIFO loopback modes supported
- Maximum frame size 2016 bytes (2020 with VLAN)
- 8k (2048 × 32) internal CPPI buffer descriptor memory
- Management Data Input/Output (MDIO) module for PHY Management
- Programmable interrupt control with selected interrupt pacing
- Emulation support
- Programmable Transmit Inter Packet Gap (IPG)
- Reset isolation (switch function remains active even in case of all device resets except for POR pin reset and ICEPICK cold reset)
- Full duplex mode supported in 10/100/1000 Mbps. Half-duplex mode supported only in 10/100 Mbps.
- IEEE 802.3 gigabit Ethernet conformant

NOTE: G/MII interface is functional in MII mode only.

Terminology:

- AVB**— Audio Video Bridging
- AVBTP**— Audio Video Bridging Transport Protocol
- BMCA**— Best Master Clock Algorithm
- CFI**— Canonical Format Indicator
- CPPI**— Communications Port Programming Interface
- DLR**— Device Level Ring
- DSCP**— Differentiated Services Code Point
- EEE**— Energy Efficient Ethernet
- EMAC**— Ethernet Media Access Control
- EOP**— End of Packet
- EOQ**— End of Queue
- IPG**— Inter-Packet Gap
- LPI**— Low Power Indicator
- MDIO**— Management Data Input/Output
- MOF**— Middle of Frame
- PTP**— Precision Time Protocol
- RMON**— Remote Monitoring
- RTCP**— RTP Control Protocol
- RTP**— Real-time Transport Protocol
- SCR**— Switched Central Resource
- SRP**— Stream Reservation Protocol
- TOS**— Type of Service
- VLAN**— Virtual Local Area Network

24.11.2 GMAC_SW Environment

24.11.2.1 G/MII Interface

G/MII Interface can operate only in MII Mode.

- In MII Mode (100/10 Mbps): GMAC_SW operates in full-duplex and half-duplex.

The pin connections of the G/MII Interface is shown in [Figure 24-193](#). The detailed description of the signals are listed in the following tables.

Figure 24-193. MII Interface Typical Application

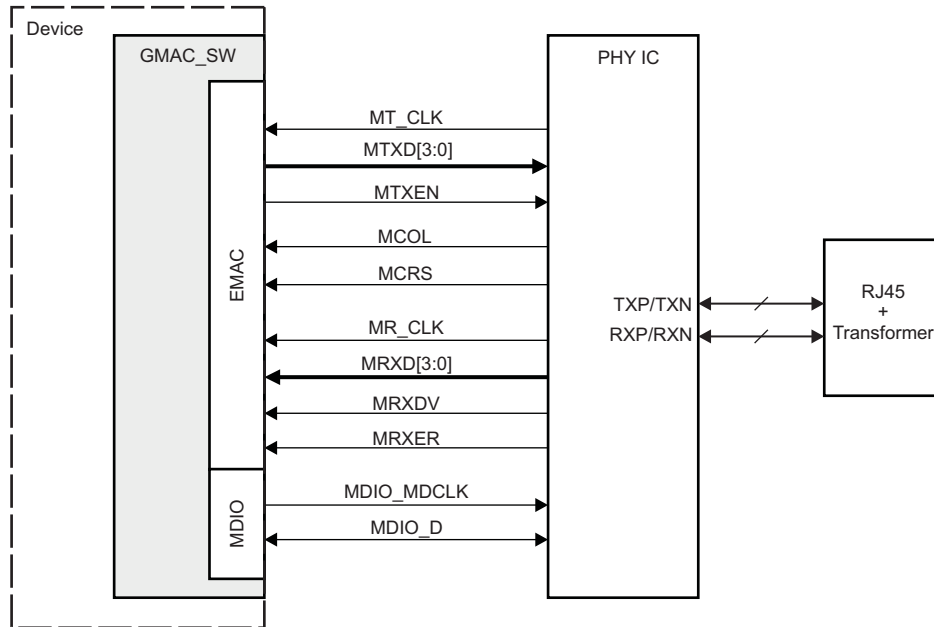


Table 24-1249. MII I/O Description

Signal	Device Pin(s)	I/O ⁽¹⁾	Description
MT_CLK	mii0_txclk mii1_txclk	I	The transmit clock is a continuous clock that provides the timing reference for transmit operations. The MTXD and MTXEN signals are tied to this clock. The clock is generated by the PHY and is 2.5 MHz at 10 Mbps operation and 25 MHz at 100 Mbps operation.
MTXD[3:0]	mii0_txd[3:0] mii1_txd[3:0]	O	The transmit data pins are a collection of 4 data signals MTXD[3:0] comprising 4 bits of data. MTXD0 is the least-significant bit (LSB). The signals are synchronized by MT_CLK and valid only when MTXEN is asserted.
MTXEN	mii0_txen mii1_txen	O	The transmit enable signal indicates that the MTXD pins are generating 4bit data for use by the PHY. It is driven synchronously by MT_CLK.
MTXER	mii0_txer mii1_txer	O	Transmit data error. Used only for EEE to request PHY for low power transition.
MCOL	mii0_col mii1_col	I	In half-duplex operation, the MCOL pin is asserted by the PHY when it detects a collision on the network. It remains asserted while the collision condition persists. This signal is not necessarily synchronous to MT_CLK nor MR_CLK. In full-duplex operation, the MCOL pin is used for hardware transmit flow control. Asserting the MCOL pin will stop packet transmissions; packets in the process of being transmitted when MCOL is asserted will complete transmission. The MCOL pin should be held low if hardware transmit flow control is not used.

⁽¹⁾ I = Input; O = Output

Table 24-1249. MII I/O Description (continued)

Signal	Device Pin(s)	I/O ⁽¹⁾	Description
MCRS	mii0_crs mii1_crs	I	In half-duplex operation, the MCRS pin is asserted by the PHY when the network is not idle in either transmit or receive. The pin is de-asserted when both transmit and receive are idle. This signal is not necessarily synchronous to MT_CLK nor MR_CLK. In full-duplex operation, the MCRS pin should be held low.
MR_CLK	mii0_rxclk mii1_rxclk	I	The receive clock is a continuous clock that provides the timing reference for receive operations. The MRXD, MRXDV, and MRXER signals are tied to this clock. The clock is generated by the PHY and is 2.5 MHz at 10 Mbps operation and 25 MHz at 100 Mbps operation.
MRXD	mii0_rxd[0:3] mii1_rxd[0:3]	I	The receive data pins are a collection of 4 data signals comprising 4 bits of data. MRXD0 is the least-significant bit (LSB). The signals are synchronized by MR_CLK and valid only when MRXDV is asserted.
MRXDV	mii0_rxdv mii1_rxdv	I	The receive data valid signal indicates that the MRXD pins are generating nibble data for use by the GMAC_SW. It is driven synchronously to MR_CLK.
MRXER	mii0_rxer mii1_rxer	I	Receive Data Error input
MDIO_MDCLK	mdio_mclk	O	Management data clock. The MDIO data clock is sourced by the MDIO module on the system. It is used to synchronize MDIO data access operations done on the MDIO_D pin.
MDIO_D	mdio_d	I/O	MDIO data pin drives PHY management data into and out of the PHY by way of an access frame consisting of start of frame, read/write indication, PHY address, register address, and data bit cycles. The MDIO_D pin acts as an output for all but the data bit cycles at which time it is an input for read operations.

24.11.2.2 RMII Interface

Figure 24-194 shows a device with integrated GMAC_SW and MDIO interfaced via a RMII connection in a typical system. The individual CPSW and MDIO signals for the RMII interface are summarized in Table 24-1250.

For more information, refer to either the IEEE 802.3 standard or ISO/IEC 8802-3:2000(E).

Figure 24-194. RMII Interface Typical Application

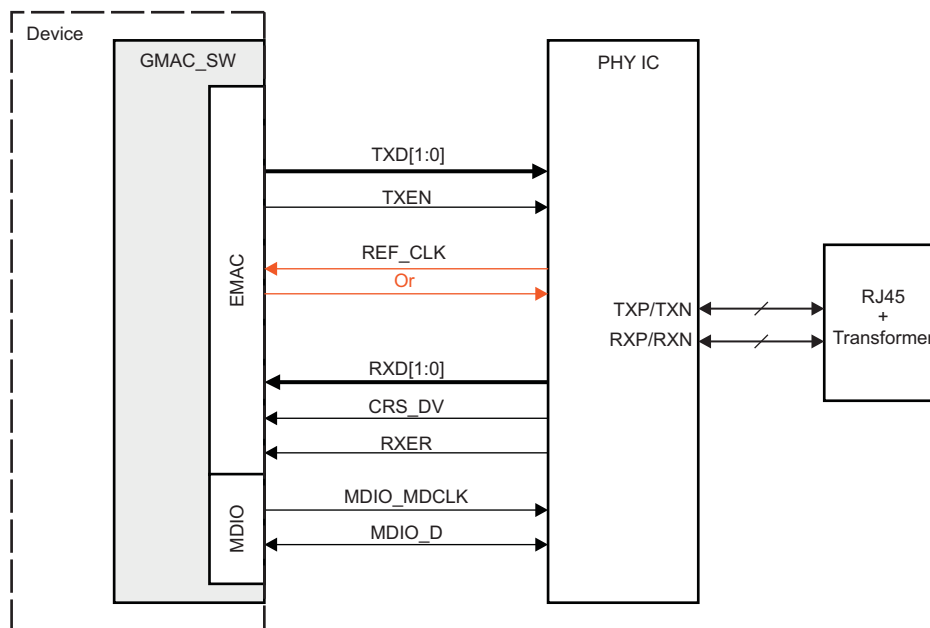


Table 24-1250. RMI I/O Description

Signal	Device Pin(s)	I/O ⁽¹⁾	Description
TXD[1:0]	rmii0_txd[1:0] rmii1_txd[1:0]	O	Transmit data . The transmit data pins are a collection of 2 bits of data. TXD0 is the least-significant bit (LSB). The signals are synchronized by RMI0_MHZ_50_CLK and valid only when TXEN is asserted.
TXEN	rmii0_txen rmii1_txen	O	Transmit enable. The transmit enable signal indicates that the RMI0_TXD pins are generating data for use by the PHY. RMI0_TXEN is synchronous to RMI0_MHZ_50_CLK
RMI0_MHZ_50_CLK	RMI0_MHZ_50_CLK	I/O	RMI0 reference clock. The reference clock is used to synchronize all RMI0 signals. RMI0_MHZ_50_CLK must be continuous and fixed at 50 MHz.
RMI1_MHZ_50_CLK			
RXD[1:0]	rmii0_rxd[1:0] rmii1_rxd[1:0]	I	Receive data. The receive data pins are a collection of 2 bits of data. RXD0 is the least-significant bit (LSB). The signals are synchronized by RMI0_MHZ_50_CLK and valid only when CRS_DV is asserted and RXER is de-asserted.
CRS_DV	rmii0_crs rmii1_crs	I	Carrier sense/receive data valid. Multiplexed signal between carrier sense and receive data valid.
RXER	rmii0_rxer rmii1_rxer	I	Receive error. The receive error signal is asserted to indicate that an error was detected in the received frame.
MDIO_MDCLK	mdio_mclk	O	Management data clock (MDIO_MCLK). The MDIO data clock is sourced by the MDIO module on the system. It is used to synchronize MDIO data access operations done on the MDIO_D pin.
MDIO_D	mdio_d	I/O	MDIO data pin drives PHY management data into and out of the PHY by way of an access frame consisting of start of frame, read/write indication, PHY address, register address, and data bit cycles. The MDIO_D pin acts as an output for all but the data bit cycles at which time it is an input for read operations.

⁽¹⁾ I = Input; O = Output

24.11.2.3 RGMII Interface

Figure 24-195 shows a device with integrated CPSW and MDIO interfaced via a RGMII connection in a typical system. The individual CPSW and MDIO signals for the RGMII interface are summarized in Table 24-1251.

Figure 24-195. RGMII Interface Typical Application

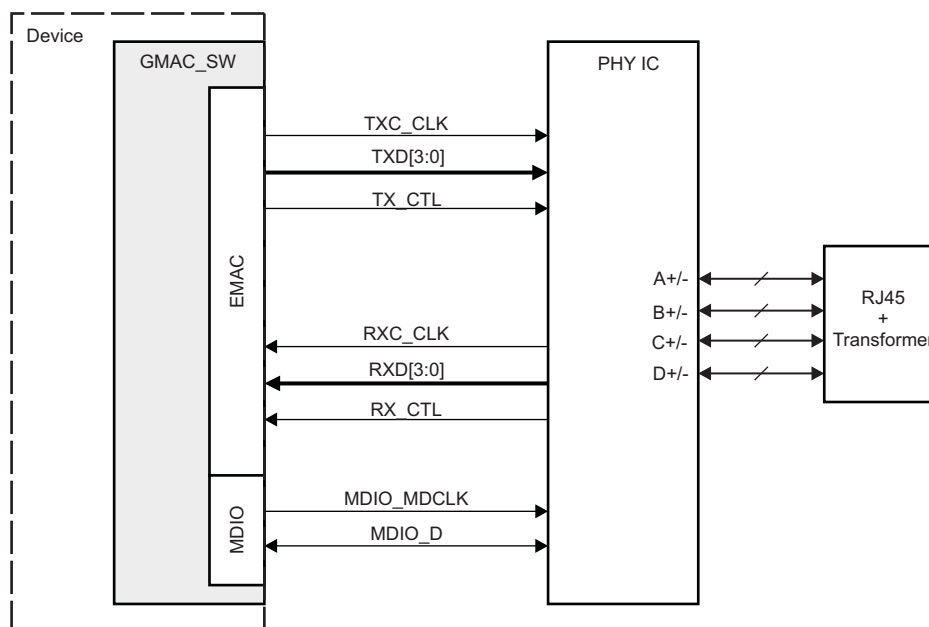


Table 24-1251. RGMII I/O Description

Signal	Device Pin(s)	I/O ⁽¹⁾	Description
TXD[3:0]	rgmii0_txd[3:0] rgmii1_txd[3:0]	O	The transmit data pins are a collection of 4 bits of data. TXD0 is the least-significant bit (LSB). The signals are valid only when TX_CTL is asserted.
TX_CTL	rgmii0_rxctl rgmii1_rxctl	O	Transmit Control/enable. The transmit enable signal indicates that the TXD pins are generating data for use by the PHY.
TXC_CLK	rgmii0_txc rgmii1_txc	O	The transmit reference clock. The clock is 2.5 MHz at 10 Mbps operation, 25 MHz at 100 Mbps operation, and 125 MHz at 1000 Mbps of operation.
RXD[3:0]	rgmii0_rxd[3:0] rgmii1_rxd[3:0]	I	The receive data pins are a collection of 4 bits of data. RXD0 is the least-significant bit (LSB). The signals are valid only when RX_CTL is asserted.
RX_CTL	rgmii0_rxctl rgmii1_rxctl	I	The receive data valid/control signal indicates that the RXD pins are nibble data for use by the GMAC_SW.
RXC_CLK	rgmii0_rxc rgmii1_rxc	I	The receive clock is a continuous clock that provides the timing reference for receive operations. The clock is generated by the PHY and is 2.5 MHz at 10 Mbps operation, 25 MHz at 100 Mbps operation, 125 MHz at 1000 Mbps of operation.
MDIO_MDCLK	mdio_mclk	O	Management data clock (MDIO_MCLK). The MDIO data clock is sourced by the MDIO module on the system. It is used to synchronize MDIO data access operations done on the MDIO pin.
MDIO_D	mdio_d	I/O	MDIO data pin drives PHY management data into and out of the PHY by way of an access frame consisting of start of frame, read/write indication, PHY address, register address, and data bit cycles. The MDIO_D pin acts as an output for all but the data bit cycles at which time it is an input for read operations.

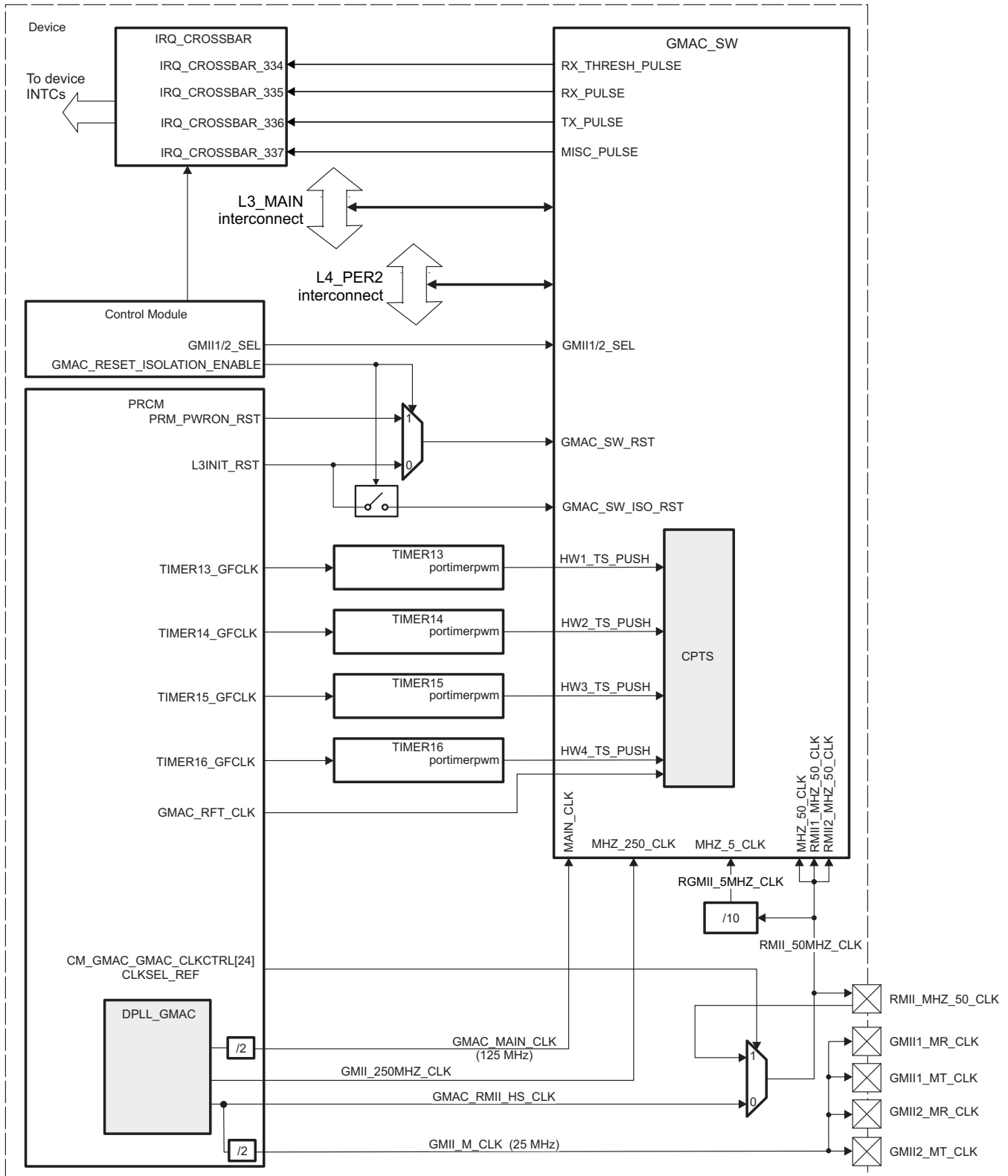
⁽¹⁾ I = Input; O = Output

NOTE: The path from a module pin to device pad(s) is defined at the device I/O logic level. The control module registers assign the specific function to the device pads. For more information on control module settings, see [Section 18.4.6.1.1, Pad Configuration Registers](#) in [Chapter 18, Control Module](#).

24.11.3 GMAC_SW Integration

Figure 24-196 shows the integration of the GMAC_SW module in the device.

Figure 24-196. GMAC_SW Integration



gmacsw-005

NOTE: The device provides the option to receive or output the RMI reference clock (RMII_50MHZ_CLK) from/to external pin as shown in [Figure 24-196](#). See the RMII_CLK_SETTING register bit in the [Section 18.5 Control Module Register Manual](#), and CLKSEL_REF in [Section 3.12, PRCM Register Manual](#) to configure the clocking option of RMII.

See [Chapter 3, PRCM](#) for details about power, clock and reset options for GMAC_SW.

[Table 24-1252](#) through [Table 24-1254](#) summarize the integration of the GMAC_SW module in the device.

Table 24-1252. GMAC_SW Integration Attributes

Module Instance	Attributes		
	Power Domain	Wake-Up Capability	Interconnect
GMAC_SW	PD_COREAON	Yes	L3_MAIN L4_PER2

Table 24-1253. GMAC_SW Clocks and Resets

Clocks					
Module Instance	Destination Signal Name	Source Signal Name	Source	Description	
GMAC_SW	MAIN_CLK	GMAC_MAIN_CLK	PRCM	Interface clock for the GMAC_SW module (125 MHz)	
	MHZ_5_CLK	RGMII_5MHZ_CLK	PRCM	5-MHz RGMII clock	
	MHZ_50_CLK	RMII_50MHZ_CLK	PRCM or RMII_MHZ_50_CLK pin	50-MHz RGMII clock	
	MHZ_250_CLK	GMII_250MHZ_CLK	PRCM	250-MHz RGMII clock	
	RMII1_MHZ_50_CLK	RMII_50MHZ_CLK	PRCM or RMII_MHZ_50_CLK pin	50-MHz RMII1 clock	
	RMII2_MHZ_50_CLK	RMII_50MHZ_CLK	PRCM or RMII_MHZ_50_CLK pin	50-MHz RMII2 clock	
	CPTS_RFT_CLK	GMAC_RFT_CLK	PRCM	IEEE 1588 clock	
	GMII1_MR_CLK	GMII_M_CLK	PRCM or the external pin	MII1 receive clock	
	GMII1_MT_CLK	GMII_M_CLK	PRCM or the external pin	MII1 transmit clock	
	GMII2_MR_CLK	GMII_M_CLK	PRCM or the external pin	MII2 receive clock	
	GMII2_MT_CLK	GMII_M_CLK	PRCM or the external pin	MII2 transmit clock	
	Resets				
	Module Instance	Destination Signal Name	Source Signal Name	Source	Description
GMAC_SW	GMAC_SW_RST	L3INIT_RST/PRM_PWR ON_RST	PRCM	GMAC_SW main reset	
	GMAC_SW_ISO_RST	tied off/L3INIT_RST	PRCM	GMAC_SW isolate reset (must be enabled in Control module)	

Table 24-1254. GMAC_SW Hardware Requests

Interrupt Requests				
Module Instance	Source Signal Name	IRQ_CROSSBAR Input	Default Mapping	Description
GMAC_SW	RX_THRESH_PULSE	IRQ_CROSSBAR_334	-	Receive threshold interrupt

Table 24-1254. GMAC_SW Hardware Requests (continued)

RX_PULSE	IRQ_CROSSBAR_335	-	Receive packet completion interrupt
TX_PULSE	IRQ_CROSSBAR_336	-	Transmit packet completion interrupt
MISC_PULSE	IRQ_CROSSBAR_337	-	Miscellaneous interrupt (SPF2_PEND, SPF1_PEND, EVNT_PEND, STAT_PEND, HOST_PEND, MDIO_LINKINT, MDIO_USERINT)

NOTE: GMAC_SW has no default IRQ mappings through the IRQ_CROSSBAR. For GMAC_SW, the IRQ_CROSSBAR module must be configured prior to unmask interrupts in the interrupt controller(s).
 For more information about the IRQ_CROSSBAR module, see [Section 18.4.6.4, IRQ_CROSSBAR Module Functional Description](#), in [Chapter 18, Control Module](#).
 For more information about the device interrupt controllers, see [Chapter 17, Interrupt Controllers](#).

NOTE: For the description of the interrupt source, see [Section 24.11.4.5, Interrupt Functionality](#).

24.11.4 GMAC_SW Functional Description

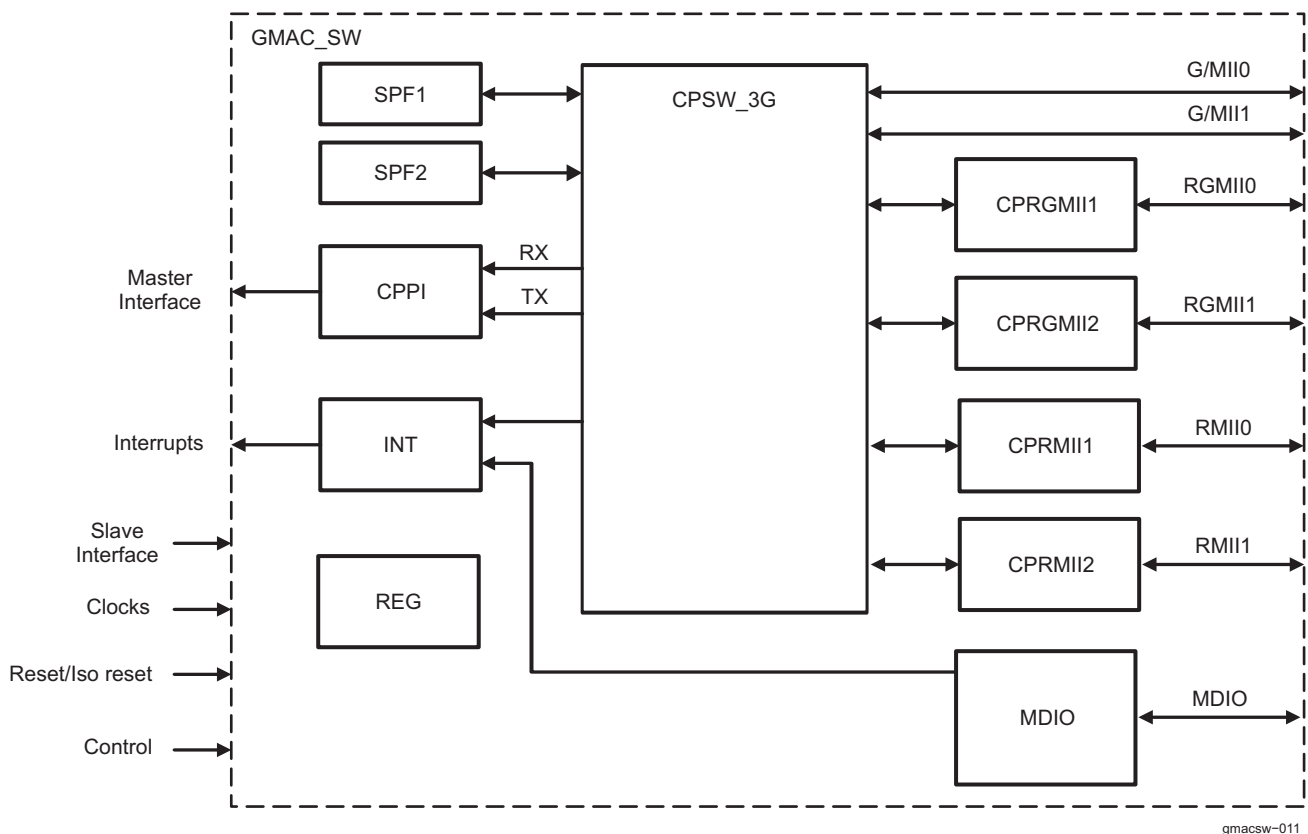
The 3-port switch (GMAC_SW) Ethernet subsystem modules are compliant to the IEEE Std 802.3 Specification. GMAC_SW is shown in [Figure 24-197](#).

24.11.4.1 Functional Block Diagram

The GMAC_SW subsystem consists of:

- CPSW_3G which contains two G/MII interfaces
- Two RGMII interface modules
- Two RMII interface modules
- One MDIO interface module
- One Interrupt Controller module
- One CPPI interface
- Local CPPI memory of size 8 KiB
- Two Static Packet Filters

Figure 24-197. GMAC_SW Top Level Block Diagram



gmacsw-011

24.11.4.2 GMAC_SW Ports

Ethernet Subsystem has three Ports. Port 0 is the Host port (internal to the Subsystem). Ports 1 and 2 are the external ports connected to G/MII, RGMII, or RMII interfaces as per the interface selected.

Naming conventions followed in this chapter:

- Port0 is referred to the Host Port
- Port1 is referred to the interfaces GMII0/RGMII0/RMII0
- Port2 is referred to the interfaces GMII1/RGMII1/RMII1

24.11.4.2.1 Interface Mode Selection

The 3-port switch (GMAC_SW) Ethernet Subsystem has two 10/100/1000 Ethernet ports with selectable MII, RMII, and RGMII interfaces.

The interface mode is selected by configuring the MII mode selection register bitfields (GMII1_SEL and GMII2_SEL) in the control module. See [Section 18.5, Control Module Register Manual](#) for details.

See device data manual for configuring the pin mux mode as per the interface selected.

24.11.4.3 Clocking

24.11.4.3.1 Subsystem Clocking

GMAC_SW clocking summary is shown in [Section 24.11.3, GMAC_SW Integration](#).

24.11.4.3.2 Interface Clocking

Data is transmitted and received with respect to the reference clocks of the interface pins.

24.11.4.3.2.1 G/MII Interface Clocking

GMII1_MR_CLK, GMII1_MT_CLK, GMII2_MR_CLK, GMII2_MT_CLK frequencies are fixed by the 802.3 specification.

- 2.5 MHz at 10 Mbps
- 25 MHz at 100 Mbps

24.11.4.3.2.2 RGMII Interface Clocking

RGMII_RXC, RGMII_TXC frequencies are:

- 2.5 MHz at 10 Mbps
- 25 MHz at 100 Mbps
- 125 MHz at 1000 Mbps

24.11.4.3.2.3 RMII Interface Clocking

RMII interface clock RMII_50MHZ_CLK frequency is:

- 50 MHz at 10 Mbps
- 50 MHz at 100 Mbps

See the RMII_CLK_SETTING bit in the device Control Module and CLKSEL_REF in PRCM to configure the clocking option of RMII (external pin or PRCM).

24.11.4.3.2.4 MDIO Clocking

The MDIO clock is based on a divide-down of the interface (MAIN_CLK) clock, running at 125 MHz. The application software or driver must control the divide-down value.

See the [MDIO_CONTROL](#) register for configuring the Clock Divider (CLKDIV) value.

24.11.4.4 Software IDLE

The submodule software idle register bits enable CPSW_3G operation to be completely or partially suspended by software control. There are three CPSW_3G submodules that contain software idle register bits (CPGMAC_SL1, CPGMAC_SL2, and CPDMA). Each of the three submodules may be individually commanded to enter the idle state. The idle state is entered at packet boundaries, and no further packet operations will occur on an idled submodule until the idle command is removed. The CPSW_3G module

enters the idle state when all three submodules are commanded to enter and have entered the idle state. Idle status is determined by reading or polling the three submodule idle bits. The CPSW_3G is in the idle state when all three submodules are in the idle state. The [CPSW_SOFT_IDLE\[0\]](#) SOFT_IDLE bit may be set if desired after the submodules are in the idle state. The CPSW SOFT_IDLE bit causes packets to not be transferred from one FIFO to another FIFO internal to the switch.

24.11.4.5 Interrupt Functionality

GMAC_SW Ethernet Subsystem has four Interrupt outputs:

- RX_PULSE - Receive Interrupt
- TX_PULSE - Transmit Interrupt
- RX_THRESH_PULSE - Receive Threshold Interrupt
- MISC_PULSE - Miscellaneous Interrupt.

24.11.4.5.1 Receive Packet Completion Pulse Interrupt (RX_PULSE)

The RX_PULSE interrupt is a pulse interrupt selected from the GMAC_SW RX_PEND[7:0] interrupts. The receive DMA controller has eight channels with each channel having a corresponding (RX_PEND[7:0]).

The following steps will enable the receive packet completion interrupt:

1. Enable the required channel interrupts of the DMA engine by setting 1 to the appropriate bit in the [CPDMA_RX_INTMASK_SET](#) register.
2. The receive completion interrupt(s) to be routed to RX_PULSE is selected by setting one or more bits in the receive interrupt enable register ([WR_CO_RX_EN](#)) . The masked interrupt status can be read in the address location of RX_STAT bit in the [WR_CO_RX_STAT](#) register.

When the GMAC_SW completes a packet reception, the subsystem issues an interrupt to the host processor by writing the packet's last buffer descriptor address to the appropriate channel queue's receive completion pointer located in the state RAM block. The interrupt is generated by the write when enabled by the interrupt mask, regardless of the value written.

Upon interrupt reception, the software processes one or more packets from the buffer chain and then acknowledges one or more interrupt(s) by writing the address of the last buffer descriptor processed to the queue's associated receive completion pointer (RX *n*_CP) in the receive DMA state RAM.

Upon reception of an interrupt, software should perform the following:

1. Read the [WR_CO_RX_STAT\[7:0\]](#) RX_STAT bit address location to determine which channel(s) caused the interrupt.
2. Process received packets for the interrupting channel(s).
3. Write the GMAC_SW completion pointer(s) (RX *n*_CP). The data written by the host (buffer descriptor address of the last processed buffer) is compared to the data in the register written by the subsystem (address of last buffer descriptor used by the subsystem). If the two values are not equal (which means that the GMAC_SW has received more packets than the software has processed), the receive packet completion interrupt signal remains asserted. If the two values are equal (which means that the host has processed all packets that the system has received), the pending interrupt is de-asserted. The value that the GMAC_SW is expecting is found by reading the receive channel *n* completion pointer register (RX *n*_CP).
4. Write the value 1h to the [CPDMA_EOI_VECTOR](#) register.

To disable the interrupt:

1. The eight channel interrupts may be individually disabled by writing to 1 the appropriate bit in the [CPDMA_RX_INTMASK_CLEAR](#) register.
2. The receive completion pulse interrupt could be disabled by clearing to 0 all the bits in the [WR_CO_RX_EN](#) register.

The software could still poll for the [CPDMA_RX_INTSTAT_RAW](#) and [CPDMA_RX_INTSTAT_MASKED](#) registers if the corresponding interrupts are enabled.

24.11.4.5.2 Transmit Packet Completion Pulse Interrupt (TX_PULSE)

The TX_PULSE interrupt is a pulse interrupt selected from the GMAC_SW TX_PEND[7:0] interrupts. The transmit DMA controller has eight channels with each channel having a corresponding (TX_PEND[7:0]).

To enable the transmit packet completion interrupt:

1. Enable the required channel interrupts of the DMA engine by setting 1 to the appropriate bit in the [CPDMA_TX_INTMASK_SET](#) register.
2. The transmit completion interrupt(s) to be routed to TX_PULSE is selected by setting one or more bits in the transmit interrupt enable register [WR_CO_TX_EN](#). The masked interrupt status can be read in the address location of TX_STAT bit in the [WR_CO_TX_STAT](#) register.

When the GMAC_SW completes the transmission of a packet, the GMAC_SW subsystem issues an interrupt to the host processor by writing the packet's last buffer descriptor address to the appropriate channel queue's transmit completion pointer located in the state RAM block. The interrupt is generated by the write when enabled by the interrupt mask, regardless of the value written.

Upon reception of an interrupt, software should perform the following:

1. Read the TX_STAT bit address location to determine which channel(s) caused the interrupt
2. Process received packets for the interrupting channel(s).
3. Write the GMAC_SW completion pointer(s) (TX n _CP). The data written by the host (buffer descriptor address of the last processed buffer) is compared to the data in the register written by the GMAC_SW (address of last buffer descriptor used by the GMAC_SW). If the two values are not equal (which means that the GMAC_SW has transmitted more packets than the software has processed), the transmit packet completion interrupt signal remains asserted. If the two values are equal (which means that the host has processed all packets that the subsystem has transferred), the pending interrupt is cleared. The value that the GMAC_SW is expecting is found by reading the transmit channel n completion pointer register (TX n _CP).
4. Write the 2h to the [CPDMA_EOI_VECTOR](#) register.

To disable the interrupt:

1. The eight channel interrupts may be individually disabled by writing to 1 the appropriate bit in the [CPDMA_TX_INTMASK_CLEAR](#) register.
2. The receive completion pulse interrupt could be disabled by clearing to 0 all the bits in the [WR_CO_TX_EN](#) register.

The software could still poll for the [CPDMA_TX_INTSTAT_RAW](#) and [CPDMA_TX_INTSTAT_MASKED](#) registers, if the corresponding interrupts are enabled.

24.11.4.5.3 Receive Threshold Pulse Interrupt (RX_THRESH_PULSE)

The RX_THRESH_PULSE interrupt is an immediate (non-paced) pulse interrupt selected from the CPSW_3G RX_THRESH_PEND[7:0] interrupts. The receive DMA controller has eight channels with each channel having a corresponding threshold pulse interrupt (RX_THRESH_PEND[7:0]).

To enable the receive threshold pulse Interrupt:

1. Enable the required channel interrupts of the DMA engine by setting 1 to the appropriate bit in the [CPDMA_RX_INTMASK_SET](#) register.
2. The receive threshold interrupt(s) to be routed to RX_THRESH_PULSE is selected by setting one or more bits in the receive threshold interrupt enable register [WR_CO_RX_THRESH_EN](#). The masked interrupt status can be read in the address location of RX_THRESH_STAT bit in the [WR_CO_RX_THRESH_STAT](#) register.

The RX_THRESH_PULSE is asserted when enabled when the channel's associated free buffer count RX n _FREEBUFFER is less than or equal to the corresponding RX n _PENDTHRESH register.

Upon reception of an interrupt, software should perform the following:

1. Read the RX_THRESH_STAT bit address location to determine which channel(s) caused the interrupt.
2. Process the received packets in order to add more buffers to any channel that is below the threshold value.

3. Write the CPSW_3G completion pointer(s).
4. Write the value 0h to the [CPDMA_EOI_VECTOR](#) register.

The threshold pulse interrupt is an immediate interrupt intended to indicate that software should immediately process packets to preclude an overrun condition from occurring for the particular channels.

To disable the interrupt:

1. The eight channel receive threshold interrupts may be individually disabled by writing to 1 the appropriate bit in the [CPDMA_RX_INTMASK_CLEAR](#) register.
2. The receive threshold pulse interrupt could be disabled by clearing to 0 the corresponding bits in the [WR_C0_RX_THRESH_EN](#) register.

The software could still poll for the [CPDMA_RX_INTSTAT_RAW](#) and [CPDMA_RX_INTSTAT_MASKED](#) registers, if the corresponding interrupts are enabled.

24.11.4.5.4 Miscellaneous Pulse Interrupt (MISC_PULSE)

The MISC_PULSE interrupt is an immediate pulse interrupt selected from the miscellaneous interrupts (SPF2_PEND, SPF1_PEND, EVNT_PEND, STAT_PEND, HOST_PEND, MDIO_LINKINT, MDIO_USERINT).

The miscellaneous interrupt(s) is selected by setting one or more bits in the miscellaneous interrupt enable register ([WR_C0_MISC_EN](#)).

Upon reception of an interrupt, software should perform the following:

- Read the MISC_STAT bit address location to determine the source of the interrupt.
- Process the interrupt.
- Write the value 3h to the [CPDMA_EOI_VECTOR](#) register.

NOTE: The [WR_C0_MISC_STAT](#) register's [MDIO_LINKINT](#) and [MDIO_USERINT](#) bitfields represent the Port0/Phy0 status. [MDIO_LINKINT\[1\]](#) and [MDIO_USERINT\[1\]](#) are not provided in [WR_C0_MISC_STAT](#) register. As such, MDIO Link and User interrupts can only be generated for Port0. For Port1, software must poll the status, visible in the [MDIO_LINKINTMASKED](#) or [MDIO_USERINTMASKED](#) registers.

24.11.4.5.4.1 EVNT_PEND(CPTS_PEND) Interrupt

See [Section 24.11.4.10, Common Platform Time Sync \(CPTS\)](#) for more details on this interrupt.

24.11.4.5.4.2 Statistics Interrupt

The statistics level interrupt (STAT_PEND) will be asserted, if enabled when any statistics value is greater than or equal to 8000 0000h. The statistics interrupt is cleared by writing to decrement all statistics values greater than 8000 0000h (such that their new values are less than 8000 0000h). The raw and masked statistics interrupt status may be read by reading the [CPDMA_TX_INTSTAT_RAW](#) and [CPDMA_TX_INTSTAT_MASKED](#) registers, respectively.

The Statistics interrupt is enabled by setting to 1 the STAT_INT_MASK bit in the [CPDMA_DMA_INTMASK_SET](#) register

24.11.4.5.4.3 Host Error interrupt

The host error interrupt (HOST_PEND) will be asserted, if enabled when a host error is detected during transmit or receive CPDMA transactions. The host error interrupt is intended for software debug, and is cleared by a warm reset or a system reset. The raw and masked host interrupt status can be read by reading the [CPDMA_DMA_INTSTAT_RAW](#) and [CPDMA_DMA_INTSTAT_MASKED](#) registers, respectively.

The transmit host error conditions are:

- SOP error

- OWNERSHIP bit not set in SOP buffer
- next buffer descriptor pointer without EOP cleared to 0
- buffer pointer cleared to 0
- buffer length cleared to 0
- packet length error

The receive host error conditions are:

- OWNERSHIP bit not set in input buffer
- Zero buffer pointer
- Zero buffer Length on non-SOP descriptor
- SOP buffer length not greater than offset

The HOST_PEND is enabled by setting to 1 the HOST_ERR_INTMASK in the [CPDMA_DMA_INTMASK_SET](#) register. The host error interrupt is disabled by setting to 1 the appropriate bit in the [CPDMA_DMA_INTMASK_CLEAR](#) register.

24.11.4.5.4.4 MDIO Interrupts

[MDIO_LINKINT](#) is set if there is a change in the link state of the PHY corresponding to the address in the PHYADR_MON field of the MDIO_USERPHYSEL n register and the corresponding LINKINT_ENABLE bit is set. The [MDIO_LINKINT](#) event is also captured in the [MDIO_LINKINTMASKED](#) register. When the GO bit in the MDIO_USERACCESS n register transitions from 1 to 0, indicating the completion of a user access, and the corresponding USERINTMASKSET bit in the [MDIO_USERINTMASKSET](#) register is set, the MDIO_USERINT signal is asserted. The MDIO_USERINT event is also captured in the [MDIO_USERINTMASKED](#) register.

24.11.4.5.5 Interrupt Pacing

RX_PULSE and TX_PULSE interrupts can be paced. The RX_THRESH_PULSE and MISC_PULSE interrupts are not paced. The Interrupt pacing feature limits the number of interrupts that occur during a given period of time. For heavily loaded systems in which interrupts can occur at a very high rate (for example, 148,800 packets per second for Ethernet), the performance benefit is significant due to minimizing the overhead associated with servicing each interrupt. Interrupt pacing increases the processor cache hit ratio by minimizing the number of times that large interrupt service routines are moved to and from the processor instruction cache.

Each RX_PULSE and TX_PULSE interrupt contains an interrupt pacing sub-block (six total). Each sub-block is disabled by default allowing the selected interrupt inputs to pass through unaffected. The interrupt pacing module counts the number of interrupts that occur over a 1 ms interval of time. At the end of each 1 ms interval, the current number of interrupts is compared with a target number of interrupts (specified by the associated maximum number of interrupts register). Based on the results of the comparison, the length of time during which interrupts are blocked is dynamically adjusted. The 1 ms interval is derived from a 4 μ s pulse that is created from a prescale counter whose value is set in the INT_PRESCALE field in the [WR_INT_CONTROL](#) register. The INT_PRESCALE value should be written with the number of ICLK periods in 4 μ s. The pacing timer determines the interval during which interrupts are blocked and decrements every 4 μ s. It is reloaded each time a zero count is reached. The value loaded into the pacing timer is calculated by hardware every 1 ms according to the following algorithm:

```

if (intr_count > 2*intr_max)
    pace_timer = 255;
else if (intr_count > 1.5*intr_max)
    pace_timer = last_pace_timer*2 + 1;
else if (intr_count > 1.0*intr_max)
    pace_timer = last_pace_timer + 1;
else if (intr_count > 0.5*intr_max)
    pace_timer = last_pace_timer - 1;
else if (intr_count != 0)
    pace_timer = last_pace_timer/2;
else
    pace_timer = 0;
  
```

If the rate of interrupt inputs is much less than the target interrupt rate specified in the associated maximum interrupts register, then the interrupt is not blocked. If the interrupt rate is greater than the target rate, the interrupt will be "paced" at the rate specified in the interrupt maximum register. The [WR_C0_RX_IMAX/WR_C0_TX_IMAX](#) register should be written with a value between 2 and 63 inclusive, indicating the target number of interrupts per millisecond.

24.11.4.6 Reset Isolation

Reset isolation for the GMAC_SW allows the switch function to remain active in during all device resets except for POR pin reset and ICEPICK COLD reset. Packet traffic to/from the GMAC_SW host will be flushed/dropped, but the ethernet switch will remain operational for all traffic between external devices on the switch even though the device is undergoing a device reset. Pin mux configuration for ethernet related I/O and reference clocks needed by the GMAC_SW to be active is controlled by a protected control module bit.

24.11.4.6.1 Reset Isolation Functional Description

The device has two modes of operation concerning the reset of the GMAC_SW Ethernet switch. The mode is controlled by the GMAC_RESET_ISOLATION_ENABLE bit in the Control Module. This bit defaults to 0. Any modification of this bit first requires writing an unlock pattern to lock register in device control module. After modification, the bit should again be locked by writing appropriate value to the lock register. Writes to the GMAC_RESET_ISOLATION_ENABLE bit and to the lock register must all be supervisor mode writes.

GMAC_RESET_ISOLATION_ENABLE = 0 (disabled)

1. This is the default state of the bit after control module reset.
2. Upon any device level resets, the entire GMAC_SW, DPLL_GMAC, L3/L4 interconnect, control module (including all pin mux control and the GMAC_RESET_ISOLATION_ENABLE bit itself) are immediately reset.

GMAC_RESET_ISOLATION_ENABLE = 1 (enabled)

1. This mode is selected when the GMAC_RESET_ISOLATION_ENABLE bit is set to 1 by software.
2. Upon any device reset source other than porz pin or ICEPICK cold (that is, this includes software global cold, any watchdog reset, warm resetn pin, ICEPICK warm, software global warm or security violation), the following is true:
 1. The CPSW_3GSS_R is put into "isolate" mode and non-switch related portions of the subsystem are reset.
 2. The 50 MHz and 125 MHz reference clocks to the GMAC_SW Ethernet Subsystem remain active throughout the entire reset condition.
 3. The control for pin multiplexing for all of the signals maintain their current configuration throughout the entire reset condition.
 4. The reset-isolated logic inside GMAC_SW Ethernet Subsystem maintains the switch functionality
3. Upon any cold reset sources, the entire GMAC_SW Ethernet Subsystem, DPLL_GMAC, control module (including all pin mux control and the GMAC_RESET_ISOLATION_ENABLE bit itself) are reset.

For more details on the register configuration, see the Control Module CTRL_CORE_CONTROL_IO_2 register in [Section 18.5, Control Module Register Manual](#).

24.11.4.7 Software Reset

The CPSW_3G software reset register ([CPSW_SOFT_RESET](#)), CPSW_3GSS software reset register ([WR_SOFT_RESET](#)) and the three submodule software reset registers enable the CPSW_3GSS to be reset by software.

There are three CPSW_3G submodules that contain software reset registers (CPGMAC_SL1, CPGMAC_SL2 ([SL_SOFT_RESET](#)), and CPDMA ([CPDMA_SOFT_RESET](#))). Each of the three submodules may be individually commanded to be reset by software.

For the CPDMA, the reset state is entered at packet boundaries, at which time the CPDMA reset occurs. The CPGMAC_SL soft reset is immediate. Submodule reset status is determined by reading or polling the submodule reset bit. If the submodule reset bit is read as a one, then the reset process has not yet completed. The submodule soft reset process could take up to 2ms each. The reset has completed if the submodule reset bit is read as a zero.

After all three submodules (in any order) have been reset and a read of each submodule reset bit indicates that the reset process is complete, the CPSW_3G software reset register bit may be written to complete the CPSW_3G module software reset operation. The CPSW_3G software reset bit controls the reset of the FIFO's, the statistics submodule, and the address lookup engine (ALE). The CPSW_3G software reset is immediate and will be indicated by reading a zero from the soft reset bit.

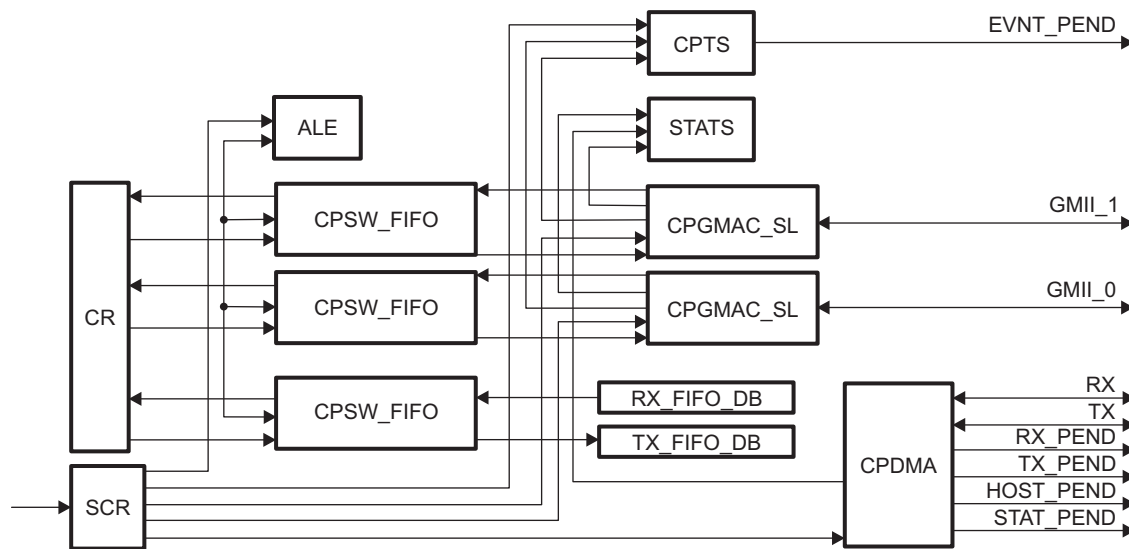
The CPSW_3GSS software reset bit controls the reset of the INT, REGS, and CPPI. The CPSW_3GSS software reset is immediate and will be indicated by reading a zero from the soft reset bit.

24.11.4.8 CPSW_3G

The CPSW_3G G/MII interfaces are compliant to the IEEE Std 802.3 Specification.

The CPSW_3G contains two CPGMAC_SL interfaces (ports 1 and 2), one CPPI interface Host Port (port 0), Common Platform Time Sync (CPTS), ALE Engine and CPDMA. A top-level block diagram of the CPSW_3G is shown in [Figure 24-198](#).

Figure 24-198. CPSW_3G Block Diagram



24.11.4.8.1 CPDMA RX and TX Interfaces

The CPDMA submodule is a CPPI compliant packet DMA transfer controller. The CPPI interface is port 0.

24.11.4.8.1.1 Functional Operation

After reset, initialization, and configuration the host may initiate transmit operations. Transmit operations are initiated by host writes to the appropriate transmit channel head descriptor pointer contained in the STATERAM block. The transmit DMA controller then fetches the first packet in the packet chain from memory in accordance with CPPI protocol. The DMA controller writes the packet into the external transmit FIFO in 64-byte bursts (maximum).

Receive operations are initiated by host writes to the appropriate receive channel head descriptor pointer after host initialization and configuration. The receive DMA controller writes the receive packet data to external memory in accordance with CPPI protocol. For a detailed description of buffer descriptors, see [Section 24.11.4.11, CPPI Buffer Descriptors](#).

24.11.4.8.1.2 Receive DMA Interface

The receive DMA is an eight channel CPPI compliant interface. Each channel has a single queue for frame reception.

24.11.4.8.1.2.1 Receive DMA Host Configuration

To configure the RX DMA for operation the software must perform the following:

1. Initialize the receive addresses.
2. Initialize the RX_HDP registers to 0.
3. Enable the desired receive interrupts in the [CPDMA_RX_INTMASK_SET](#) register.
4. Write the [CPDMA_RX_BUFFER_OFFSET](#) register value.
5. Setup the receive channel(s) buffer descriptors in host memory as required by CPPI
6. Enable the RX DMA controller by setting the RX_EN bit in the [CPDMA_RX_CONTROL](#) register.

24.11.4.8.1.2.2 Receive Channel Teardown

The host commands a receive channel teardown by writing the channel number to the [CPDMA_RX_TEARDOWN](#) register. When a teardown command is issued to an enabled receive channel the following will occur:

- Any current frame in reception will complete normally.
- The `teardown_complete` bit will be set in the next buffer descriptor in the chain (if there is one).
- The channel head descriptor pointer will be cleared to 0.
- A receive interrupt for the channel will be issued to the host.
- The software should acknowledge a teardown interrupt with a FFFF FFFCh Acknowledge value.

Channel teardown may be commanded on any channel at any time. The host is informed of the teardown completion by a set teardown complete buffer descriptor bit. The port does not clear any channel enables due to a teardown command. A teardown command to an inactive channel issues an interrupt that software should acknowledge with a FFFF FFFCh acknowledge value (note that there is no buffer descriptor in this case). Software may read the interrupt acknowledge location to determine if the interrupt was due to a commanded teardown. The read value will be FFFF FFFCh if the interrupt was due to a teardown command.

24.11.4.8.1.3 Transmit DMA Interface

The transmit DMA is an eight channel CPPI compliant interface. Priority between the eight queues may be either fixed or round robin as selected by the TX_PTYPE bit in the [CPDMA_DMACONTROL](#) register. If the priority type is fixed, then channel 7 has the highest priority and channel 0 has the lowest priority. Round robin priority proceeds from channel 0 to channel 7.

24.11.4.8.1.3.1 Transmit DMA Host Configuration

To configure the TX DMA for operation the software must do the following:

1. Initialize the TX_HDP registers to 0.
2. Enable the desired transmit interrupts in the [CPDMA_TX_INTMASK_SET](#) register.
3. Setup the transmit channel(s) buffer descriptors in host memory as defined in CPPI.
4. Configure and enable the transmit operation as desired in the [CPDMA_TX_CONTROL](#) register.
5. Write the appropriate TX_HDP registers with the appropriate values to start transmit operations.

24.11.4.8.1.3.2 Transmit Channel Teardown

The host commands a transmit channel teardown by writing the channel number to the [CPDMA_TX_TEARDOWN](#) register. When a teardown command is issued to an enabled transmit channel the following will occur:

- Any frame currently in transmission will complete normally

- The teardown complete bit will be set in the next sop buffer descriptor (if there is one).
- The channel head descriptor pointer will be cleared to 0.
- An interrupt will be issued to inform the host of the channel teardown.
- The software should acknowledge a teardown interrupt with a FFFF FFFCh acknowledge value

Channel teardown may be commanded on any channel at any time. The host is informed of the teardown completion by the set teardown complete buffer descriptor bit. The port does not clear any channel enables due to a teardown command. A teardown command to an inactive channel issues an interrupt that software should acknowledge with a FFFF FFFCh acknowledge value (note that there is no buffer descriptor in this case). Software may read the interrupt acknowledge location to determine if the interrupt was due to a commanded teardown. The read value will be FFFF FFFCh if the interrupt was due to a teardown command.

24.11.4.8.1.4 Transmit Rate Limiting

Transmit operations can be configured to rate limit the transmit data for each transmit priority. Rate limiting is enabled for a channel when the TX_RLIM bit associated with that channel is set in the [CPDMA_DMACONTROL](#) register. Rate limited channels must be the highest priority channels. For example, if two rate limited channels are required then TX_RLIM should be set to 11000000b with the MSB corresponding to channel 7. When any channels are configured to be rate-limiting, the priority type must be fixed for transmit. Round-robin priority type is not allowed when rate-limiting. Each of the eight transmit priorities has an associated register to control the rate at which the priority is allowed to send data (TX_PRI(0..7)_RATE) when the channel is rate-limiting. Each priority has a send count (PRI(0..7)_SEND_CNT) and an idle count (PRI(0..7)_IDLE_CNT). The transfer rate includes the inter-packet gap (12 bytes) and the preamble (8 bytes). The rate in Mbits/second that each priority is allowed to send is controlled by the equation:

$$\text{Priority Transfer rate in Mbit/s} = ((\text{PRI_IDLE_CNT}/(\text{PRI_IDLE_CNT} + \text{PRI_SEND_CNT})) \times \text{frequency} \times 32$$

Where *frequency* is the CPDMA interface clock (MAIN_CLK) frequency.

24.11.4.8.1.5 Command IDLE

The CMD_IDLE bit in the [CPDMA_DMACONTROL](#) register allows CPDMA operation to be suspended. When the idle state is commanded, the CPDMA will stop processing receive and transmit frames at the next frame boundary. Any frame currently in reception or transmission will be completed normally without suspension. For transmission, any complete or partial frame in the tx cell FIFO will be transmitted. For receive, frames that are detected by the CPDMA after the suspend state is entered are ignored. No statistics will be kept for ignored frames. Commanded idle is similar in operation to emulation control and clock stop.

24.11.4.8.2 Address Lookup Engine (ALE)

The address lookup engine (ALE) processes all received packets to determine which port(s) if any that the packet should be forwarded to. The ALE uses the incoming packet received port number, destination address, source address, length/type, and VLAN information to determine how the packet should be forwarded. The ALE outputs the port mask to the switch fabric that indicates the port(s) the packet should be forwarded to. The ALE is enabled when the ENABLE_ALE bit in the [ALE_CONTROL](#) register is set. All packets are dropped when the ENABLE_ALE bit is cleared to 0.

In normal operation, the CPGMAC_SL modules are configured to issue an abort, instead of an end of packet, at the end of a packet that contains an error (runt, frag, oversize, jabber, crc, alignment, code etc.) or at the end of a mac control packet. However, when the [SL_MACCONTROL](#) configuration bit(s) RX_CEF_EN, RX_CSF_EN, or RX_CMF_EN are set, error frames, short frames or mac control frames have a normal end of packet instead of an abort at the end of the packet. When the ALE receives a packet that contains errors (due to a set header error bit), or a mac control frame and does not receive an abort, the packet will be forwarded only to the host port (port 0). No ALE learning occurs on packets with errors or mac control frames. Learning is based on source address and lookup is based on destination address.

The ALE may be configured to operate in bypass mode by setting the ALE_BYPASS bit in the [ALE_CONTROL](#) register. When in bypass mode, all CPGMAC_SL received packets are forwarded only to the host port (port 0). Packets from the two ports can be on separate RX DMA channels by configuring the [P0_CPDMA_RX_CH_MAP](#) register. In bypass mode, the ALE processes host port transmit packets the same as in normal mode. In general, packets would be directed by the host in bypass mode.

The ALE may be configured to operate in OUI deny mode by setting the ENABLE_OUI_DENY bit in the [ALE_CONTROL](#) register. When in OUI deny mode, a packet with a non-matching OUI source address will be dropped unless the destination address matches a multicast table entry with the super bit set. Broadcast packets will be dropped unless the broadcast address is entered into the table with the super bit set. Unicast packets will be dropped unless the unicast address is in the table with block and secure both set (supervisory unicast packet).

Multicast supervisory packets are designated by the super bit in the table entry. Unicast supervisory packets are indicated when block and secure are both set. Supervisory packets are not dropped due to rate limiting, OUI, or VLAN processing.

24.11.4.8.2.1 Address Table Entry

The ALE table contains 1024 entries. Each table entry represents a free entry, an address, a VLAN, an address/VLAN pair, or an OUI address. Software should ensure that there are not double address entries in the table. The double entry used would be indeterminate. Reserved table bits must be written with zeroes.

Source Address learning occurs for packets with a unicast, multicast or broadcast destination address and a unicast or multicast (including broadcast) source address. Multicast source addresses have the group bit (bit 40) cleared before ALE processing begins, changing the multicast source address to a unicast source address. A multicast address of all ones is the broadcast address which may be added to the table. A learned unicast source address is added to the table with the following control bits:

Table 24-1255. Learned Address Control Bits

Bit(s)	Value
unicast_type	11
Block	0
Secure	0

If a received packet has a source address that is equal to the destination address then the following occurs:

- The address is learned if the address is not found in the table.
- The address is updated if the address is found.
- The packet is dropped.

Table Entry Type

00 - Free Entry

01 - Address Entry : unicast or multicast determined by destination **address bit 40**.

10 - VLAN entry

11 - VLAN Address Entry : unicast or multicast determined by **address bit 40**.

24.11.4.8.2.1.1 Free Table Entry

Table 24-1256. Free (Unused) Address Table Entry Bit Values

71:62	61:60	59:0
Reserved	ENTRY_TYPE(00)	Reserved

24.11.4.8.2.1.2 Multicast Address Table Entry

Table 24-1257. Multicast Address Table Entry Bit Values

71:69	68:66	65	64	63:62	61:60	59:48	47:0
Reserved	PORT_MASK	SUPER	Reserved	MCAST_FWD_S TATE	ENTRY_TYPE(01)	Reserved	MULTICAST_A DDRESS

Supervisory Packet (SUPER)

When set, this field indicates that the packet with a matching multicast destination address is a supervisory packet.

0: Non-supervisory packet

1: Supervisory packet

Port Mask(2:0) (PORT_MASK)

This 3-bit field is the port bit mask that is returned with a found multicast destination address. There may be multiple bits set indicating that the multicast packet may be forwarded to multiple ports (but not the receiving port).

Multicast Forward State (MCAST_FWD_STATE)

Indicates the port state(s) required for the received port on a destination address lookup in order for the multicast packet to be forwarded to the transmit port(s). A transmit port must be in the Forwarding state in order to forward the packet. If the transmit PORT_MASK has multiple set bits then each forward decision is independent of the other transmit port(s) forward decision.

00 - Forwarding

01 - Blocking/Forwarding/Learning

10 - Forwarding/Learning

11 - Forwarding

The forward state test returns a true value if both the RX and TX ports are in the required state.

Table Entry Type (ENTRY_TYPE)

Address entry type. Unicast or multicast determined by address bit 40.

01: Address entry. Unicast or multicast determined by address bit 40.

Packet Address (MULTICAST_ADDRESS)

This is the 48-bit packet MAC address. For an OUI address, only the upper 24-bits of the address are used in the source or destination address lookup. Otherwise, all 48-bits are used in the lookup.

24.11.4.8.2.1.3 VLAN/Multicast Address Table Entry

Table 24-1258. VLAN/Multicast Address Table Entry Bit Values

71:69	68:66	65	64	63:62	61:60	59:48	47:0
Reserved	PORT_MASK	SUPER	Reserved	MCAST_FWD_S TATE	ENTRY_TYPE(11)	VLAN_ID	MULTICAST_A DDRESS

Supervisory Packet (SUPER)

When set, this field indicates that the packet with a matching multicast destination address is a supervisory packet.

0: Non-supervisory packet

1: Supervisory packet

Port Mask(2:0) (PORT_MASK)

This 3-bit field is the port bit mask that is returned with a found multicast destination address. There may be multiple bits set indicating that the multicast packet may be forwarded to multiple ports (but not the receiving port).

Multicast Forward State (MCAST_FWD_STATE)

Indicates the port state(s) required for the received port on a destination address lookup in order for the multicast packet to be forwarded to the transmit port(s). A transmit port must be in the Forwarding state in order to forward the packet. If the transmit PORT_MASK has multiple set bits then each forward decision is independent of the other transmit port(s) forward decision.

00 - Forwarding

01 - Blocking/Forwarding/Learning

10 - Forwarding/Learning

11 - Forwarding

The forward state test returns a true value if both the RX and TX ports are in the required state.

Table Entry Type (ENTRY_TYPE)

Address entry type. Unicast or multicast determined by address bit 40.

11: VLAN address entry. Unicast or multicast determined by address bit 40.

VLAN ID (VLAN_ID)

The unique identifier for VLAN identification. This is the 12-bit VLAN ID.

Packet Address (MULTICAST_ADDRESS)

This is the 48-bit packet MAC address. For an OUI address, only the upper 24-bits of the address are used in the source or destination address lookup. Otherwise, all 48-bits are used in the lookup.

24.11.4.8.2.1.4 Unicast Address Table Entry

Table 24-1259. Unicast Address Table Entry Bit Values

71:68	67:66	65	64	63:62	61:60	59:48	47:0
Reserved	PORT_NUMBER	BLOCK	SECURE	UNICAST_TYPE (00) or (X1)	ENTRY_TYPE(01)	Reserved	UNICAST_ADDRESS

Port Number (PORT_NUMBER)

This field indicates the port number (not port mask) that the packet with a unicast destination address may be forwarded to. Packets with unicast destination addresses are forwarded only to a single port (but not the receiving port).

Block (BLOCK)

The block bit indicates that a packet with a matching source or destination address should be dropped (block the address).

0 - Address is not blocked.

1 - Drop a packet with a matching source or destination address (secure must be zero)

If block and secure are both set, then they no longer mean block and secure. When both are set, the block and secure bits indicate that the packet is a unicast supervisory (super) packet and they determine the unicast forward state test criteria. If both bits are set then the packet is forwarded if the receive port is in the Forwarding/Blocking/Learning state. If both bits are not set then the packet is forwarded if the receive port is in the Forwarding state.

Secure (SECURE)

This bit indicates that a packet with a matching source address should be dropped if the received port number is not equal to the table entry port_number.

0 - Received port number is a don't care.

1 - Drop the packet if the received port is not the secure port for the source address and do not update the address (block must be zero)

Unicast Type (UNICAST_TYPE)

This field indicates the type of unicast address the table entry contains.

00 - Unicast address that is not ageable.

01 - Ageable unicast address that has not been touched.

10 - OUI address - lower 24-bits are don't cares (not ageable).

11 - Ageable unicast address that has been touched.

Table Entry Type (ENTRY_TYPE)

Address entry. Unicast or multicast determined by address bit 40.

01: Address entry. Unicast or multicast determined by address bit 40.

Packet Address (UNICAST_ADDRESS)

This is the 48-bit packet MAC address. All 48-bits are used in the lookup.

24.11.4.8.2.1.5 OUI Unicast Address Table Entry

Table 24-1260. OUI Unicast Address Table Entry Bit Values

71:64	63:62	61:60	59:48	47:24	23:0
Reserved	UNICAST_TYPE(10)	ENTRY_TYPE(01)	Reserved	UNICAST_OUI	Reserved

Unicast Type (UNICAST_TYPE)

This field indicates the type of unicast address the table entry contains.

00 - Unicast address that is not ageable.

01 - Ageable unicast address that has not been touched.

10 - OUI address - lower 24-bits are don't cares (not ageable).

11 - Ageable unicast address that has been touched.

Table Entry Type (ENTRY_TYPE)

Address entry. Unicast or multicast determined by address bit 40.

01: Address entry. Unicast or multicast determined by address bit 40.

Packet Address (UNICAST_OUI)

For an OUI address, only the upper 24-bits of the address are used in the source or destination address lookup.

24.11.4.8.2.1.6 VLAN/Unicast Address Table Entry

Table 24-1261. Unicast Address Table Entry Bit Values

71:68	67:66	65	64	63:62	61:60	59:48	47:0
Reserved	PORT_NUMBER	BLOCK	SECURE	UNICAST_TYPE (00) or (X1)	ENTRY_TYPE (11)	VLAN_ID	UNICAST_ADDRESS

Port Number (PORT_NUMBER)

This field indicates the port number (not port mask) that the packet with a unicast destination address may be forwarded to. [Packets with unicast destination addresses are forwarded only to a single port (but not the receiving port).]

Block (BLOCK)

The block bit indicates that a packet with a matching source or destination address should be dropped (block the address).

0 - Address is not blocked.

1 - Drop a packet with a matching source or destination address (secure must be zero)

If block and secure are both set, then they no longer mean block and secure. When both are set, the block and secure bits indicate that the packet is a unicast supervisory (super) packet and they determine the unicast forward state test criteria. If both bits are set then the packet is forwarded if the receive port is in the Forwarding/Blocking/Learning state. If both bits are not set then the packet is forwarded if the receive port is in the Forwarding state.

Secure (SECURE)

This bit indicates that a packet with a matching source address should be dropped if the received port number is not equal to the table entry PORT_NUMBER.

0 - Received port number is a don't care.

1 - Drop the packet if the received port is not the secure port for the source address and do not update the address (block must be zero)

Unicast Type (UNICAST_TYPE)

This field indicates the type of unicast address the table entry contains.

00 - Unicast address that is not ageable.

01 - Ageable unicast address that has not been touched.

10 - OUI address - lower 24-bits are don't cares (not ageable).

11 - Ageable unicast address that has been touched.

Table Entry Type (ENTRY_TYPE)

Address entry. Unicast or multicast determined by address bit 40.

11: VLAN address entry. Unicast or multicast determined by address bit 40.

VLAN ID (VLAN_ID)

The unique identifier for VLAN identification. This is the 12-bit VLAN ID.

Packet Address (UNICAST_ADDRESS)

This is the 48-bit packet MAC address. All 48-bits are used in the lookup.

24.11.4.8.2.1.7 VLAN Table Entry

Table 24-1262. VLAN Table Entry

71:62	61:60	59:48	47:27	26:24	23:19	18:16	15:11	10:8	7:3	2:0
Reserved	ENTRY_TY PE(10)	VLAN_ID	Reserved	FORCE_UN TAGGED_E GRESS	Reserved	REG_MCAS T_FLOOD_ MASK	Reserved	UNREG_M CAST_FLO OD_MASK	Reserved	VLAN_MEM BER_LIST

Table Entry Type (ENTRY_TYPE)

10: VLAN entry

VLAN ID (VLAN_ID)

The unique identifier for VLAN identification. This is the 12-bit VLAN ID.

Force Untagged Packet Egress (FORCE_UNTAGGED_EGRESS)

This field causes the packet VLAN tag to be removed on egress (except on port 0).

Registered Multicast Flood Mask (REG_MCAST_FLOOD_MASK)

Mask [port 2-1-0] used for multicast when the multicast address is found.

Unregistered Multicast Flood Mask (UNREG_MCAST_FLOOD_MASK)

Mask [port 2-1-0] used for multicast when the multicast address is not found.

VLAN Member List (VLAN_MEMBER_LIST)

This 3-bit field indicates which port(s) are members of the associated VLAN.

24.11.4.8.2.2 Packet Forwarding Processes

There are four processes that an incoming received packet may go through to determine packet forwarding. The processes are Ingress Filtering, VLAN_Aware Lookup, VLAN_Unaware Lookup, and Egress.

Packet processing begins in the Ingress Filtering process. Each port has an associated packet forwarding state that can be one of four values (Disabled, Blocked, Learning, or Forwarding). The default state for all ports is Disabled. The host sets the packet forwarding state for each port.

In the packet ingress process (receive packet process), there is a forward state test for unicast destination addresses and a forward state test for multicast addresses. The multicast forward state test indicates the port states required for the receiving port in order for the multicast packet to be forwarded to the transmit port(s). A transmit port must be in the Forwarding state for the packet to be forwarded for transmission. The `mcast_fwd_state` indicates the required port state for the receiving port as indicated in the preceding table. The unicast forward state test indicates the port state required for the receiving port in order to forward the unicast packet. The transmit port must be in the Forwarding state in order to forward the packet. The block and secure bits determine the unicast forward state test criteria. If both bits are set then the packet is forwarded if the receive port is in the Forwarding/Blocking/Learning state. If both bits are not set then the packet is forwarded if the receive port is in the Forwarding state. The transmit port must be in the Forwarding state regardless. The forward state test used in the ingress process is determined by the destination address packet type (multicast/unicast).

In general, packets received with errors are dropped by the address lookup engine without learning, updating, or touching the address. The error condition and the abort are indicated by the `CPGMAC_SL` to the ALE. Packets with errors may be passed to the host (not aborted) by a `CPGMAC_SL` port, if the port has the `RX_CMF_EN`, `RX_CEF_EN`, or `RX_CSF_EN` bit(s) set. Error packets that are passed to the host by the `CPGMAC_SL` are considered to be bypass packets by the ALE and are sent only to the host. Error packets do not learn, update, or touch addresses regardless of whether they are aborted or sent to the host. Packets with errors received by the host are forwarded as normal.

The following control bits are in the `SL_MACCONTROL` register:

- [22] `RX_CEF_EN` - enables frames that are fragments, long, jabber, CRC, code, and alignment errors to be forwarded
- [23] `RX_CSF_EN` - enables short frames to be forwarded
- [24] `RX_CMF_EN` - enables MAC control frames to be forwarded.

24.11.4.8.2.3 Learning Process

The learning process is applied to each receive packet that is not aborted. The learning process is a concurrent process with the packet forwarding process.

24.11.4.8.2.4 VLAN Aware Mode

The CPSW_3G is in VLAN aware mode when the VLAN_AWARE bit is set in the [CPSW_CONTROL](#) register. In VLAN aware mode, ports 0 receive packets (out of the CPSW_3G) may or may not be VLAN encapsulated depending on the RX_VLAN_ENCAP bit in the [CPSW_CONTROL](#) register. Port 0 receive packet data is never modified. VLAN is not removed regardless of the force untagged egress bit for Port 0. VLAN encapsulated receive packets have a 32-bit VLAN header encapsulation word added to the packet data. VLAN encapsulated packets are specified by a set rx_vlan_encap bit in the packet buffer descriptor.

Port 0 transmit packets are never VLAN encapsulated (encapsulation is not allowed).

In VLAN aware mode, transmitted packet data is changed depending on the packet type (pkt_type), packet priority (pkt_pri), and VLAN information.

24.11.4.8.2.5 VLAN Unaware Mode

The CPSW_3G is in VLAN unaware mode when the VLAN_AWARE bit is cleared to 0 in the [CPSW_CONTROL](#) register. Port 0 receive packets (out of the CPSW_3G) may or may not be VLAN encapsulated depending on the RX_VLAN_ENCAP bit in the [CPSW_CONTROL](#) register. Port 0 transmit packets are never VLAN encapsulated.

24.11.4.8.3 Packet Priority Handling

Packets are received on three ports, two are CPGMAC_SL Ethernet ports and the third port is the CPPI host port. Received packets have a received packet priority (0 to 7, with 7 being the highest priority).

The received packet priority is the port priority for untagged packets, and the actual packet priority for priority tagged and VLAN tagged packets. The received packet priority is mapped through the receive ports associated packet priority to header packet priority mapping register to obtain the header packet priority (the CPDMA RX and TX nomenclature is reversed from the CPGMAC_SL nomenclature).

The header packet priority is mapped through the header priority to switch priority mapping register to obtain the hardware switch priority (0 to 3, with 3 being the highest priority). The header packet priority is then used as the actual transmit packet priority if the VLAN information is to be sent on egress.

24.11.4.8.4 FIFO Memory Control

Each of the three CPSW_3G ports has an identical associated FIFO. Each FIFO contains a single logical receive queue and four logical transmit queues (priority 0 through 3). Each FIFO memory contains 20,480 bytes (20k) total organized as 2560 by 64-bit words contained in a single memory instance. The FIFO memory is used for the associated port transmit and receive queues. The TX_MAX_BLKs field in the FIFOs associated Px_MAX_BLKs register determines the maximum number of 1k FIFO memory blocks to be allocated to the four logical transmit queues (transmit total). The RX_MAX_BLKs field in the FIFO's associated Px_MAX_BLKs register determines the maximum number of 1k memory blocks to be allocated to the logical receive queue. The TX_MAX_BLKs value plus the RX_MAX_BLKs value must sum to 20 (the total number of blocks in the FIFO). If the sum were less than 20, then some memory blocks would be unused. The default is 17 (decimal) transmit blocks and three receive blocks. The FIFOs follow the naming convention of the Ethernet ports. Host Port is Port0 and External Ports are Port1 and Port2.

24.11.4.8.5 FIFO Transmit Queue Control

There are four transmit queues in each transmit FIFO. Software has some flexibility in determining how packets are loaded into the queues and on how packet priorities are selected for transmission (how packets are removed and transmitted from queues). All ports on the switch have identical FIFO's. For the purposes of the below the transmit FIFO is switch egress even though the port 0 transmit FIFO is connected to the CPDMA receive (also switch egress). The CPDMA nomenclature is reversed from the CPGMAC_SL nomenclature due to legacy reasons.

24.11.4.8.5.1 Normal Priority Mode

When operating in normal mode, lower priority frames are dropped before higher priority frames. The intention is to give preference to higher priority frames. Priority 3 is the highest priority and is allowed to fill the FIFO. Priority 2 will drop packets if the packet is going to take space in the last 2k available. Priority 1 will drop packets if the packet is going to take space in the last 4k available. Priority 0 will drop packets if the packet is going to take space in the last 6k available. If fewer than 4 priorities are to be implemented then the priorities should be mapped such that the highest priorities are used. For example, if two priorities are going to be used then all packets should be mapped to priorities 3 and 2 and priorities 1 and 0 should be unused. Priority escalation may be used in normal priority mode if desired. Normal priority mode is configured as described below:

- Select normal priority mode by setting TX_IN_SEL = 00 for all ports (default value in P0/1/2_TX_IN_CTL)
- Configure priority mapping to use only the highest priorities if less than 4 priorities are used. Refer to [Section 24.11.4.8.3, Packet Priority Handling](#).

24.11.4.8.5.2 Dual MAC Mode

When operating in dual MAC mode the intention is to transfer packets between ports 0 and 1 and ports 0 and 2, but not between ports 1 and 2. Each CPGMAC_SL appears as a single MAC with no bridging between MAC's. Each CPGMAC_SL has at least one unique (not the same) mac address.

Dual MAC mode is configured as described below:

- Set the ALE_VLAN_AWARE bit in the [ALE_CONTROL](#) register. This bit configures the ALE to process in VLAN aware mode. The CPSW_3G VLAN aware bit (VLAN_AWARE in [CPSW_CONTROL](#)) determines how packets VLAN's are processed on CPGMAC_SL egress and does not affect how the ALE processes packets or the packet destination. The CPSW_3G VLAN aware bit may be set or not as required (must be set, if VLAN's are to exit the switch).
- Configure the Port 1 to Port 0 VLAN
 - Add a VLAN Table Entry with ports 0 and 1 as members (clear the flood masks).
 - Add a VLAN/Unicast Address Table Entry with the Port1/0 VLAN and a port number of 0. Packets received on port 1 with this unicast address will be sent only to port 0 (egress). If multiple mac addresses are desired for this port then multiple entries of this type may be configured.
- Configure the Port 2 to Port 0 VLAN
 - Add a VLAN Table Entry with ports 0 and 2 as members (clear the flood masks).
 - Add a VLAN/Unicast Address Table Entry with the Port2/0 VLAN and a port number of 0. Packets received on port 2 with this unicast address will be sent only to port 0 (egress). If multiple mac addresses are desired for this port then multiple entries of this type may be configured.
- Packets from the host (port 0) to ports 1 and 2 should be directed. If directed packets are not desired then VLAN with addresses can be added for both destination ports.
- Select the dual mac mode on the port 0 FIFO by setting TX_IN_SEL = 01 in [P0_TX_IN_CTL](#). The intention of this mode is to allow packets from both ethernet ports to be written into the FIFO without one port starving the other port.
- The priority levels may be configured such that packets received on port 1 egress on one CPDMA RX channel while packets received on port 2 egress on a different CPDMA RX channel.

24.11.4.8.5.3 Rate Limit Mode

Rate-limit mode is intended to allow some CPDMA transmit (switch ingress) channels and some CPGMAC_SL FIFO priorities (switch egress) to be rate-limited. Non rate-limited traffic (bulk traffic) is allowed on non rate-limited channels and FIFO priorities. The bulk traffic does not impact the rate-limited traffic. Rate-limited traffic must be configured to be sent to rate-limited queues (via packet priority handling). The allocated rates for rate-limited traffic must not be oversubscribed. For example, if port 1 is sending 15% rate limited traffic to port 2 priority 3, and port 0 is also sending 10% rate-limited traffic to

port 2 priority 3, then the port 2 priority 3 egress rate must be configured to be 25% plus a percent or two for margin. The switch must be configured to allow some percentage of non rate-limited traffic. Non rate-limited traffic must be configured to be sent to non rate-limited queues. No packets from the host should be dropped, but non rate-limited traffic received on an ethernet port can be dropped. Rate-limited mode is configured as shown below:

1. Set TX_IN_SEL = 10 in P1/2_TX_IN_CTL to enable ports 1 and 2 transmit FIFO inputs to be configured for rate-limiting queues. Enabling a queue to be rate-limiting with this field affects only the packet being loaded into the FIFO, it does not configure the transmit for queue shaping.
2. Configure the number of rate-limited queues for port 1 and 2 transmit FIFO's by setting the TX_RATE_EN field in P1/2_TX_IN_CTL. Rate limited queues must be the highest number. For example, if there are two rate limited queues then 1100 would be written to this field for priorities 3 and 2. This field enables the FIFO to allow rate-limited traffic into rate-limited queues while discriminating against non rate-limited queues.
3. Set P1_PRIN_SHAPE_EN and P2_PRIN_SHAPE_EN in the CPSW_PTYPE register. These bits determine which queues actually shape the output data stream. In general, the same priorities that are set in TX_RATE_EN are set in these bits as well, but the FIFO input and output enable bits are separate to allow rate-limiting from the host to non shaped channels if desired. When queue shaping is not enabled for a queue then packets are selected for egress based on priority. When queue shaping is enabled then packets are selected for egress based on queue percentages. If shaping is required on a single queue then it must be priority 3 (priorities 2, 1 and 0 are strict priority). If shaping is required on two queues then it must be on priorities 2 and 3 (priorities 1 and 0 are strict priority). If shaping is required on three queues then it must be on priorities 3, 2, and 1 (priority 0 would then get the leftovers). Priority shaping follows the requirements in the IEEE P802.1Qav/D6.0 specification. Priority shaping is not compatible with priority escalation (escalation must be disabled).
4. PO_TX_IN_CTL[17:16] TX_IN_SEL should be set to 00, so Port 0 egress (CPDMA RX) is not rate-limited.
5. The CPDMA is configured for rate-limited transmit (switch ingress) channels by setting the highest bits of the TX_RLIM field in the CPDMA_DMACONTROL register. If there are two rate-limited channels, then TX_RLIM = 11000000 (the rate limited channels must be the highest priorities). Also, the TX_PTYPE bit in the CPDMA_DMACONTROL register must be set (fixed priority mode). Rate-limited channels must go to rate-limited FIFO queues, and the FIFO queue rate must not be oversubscribed.

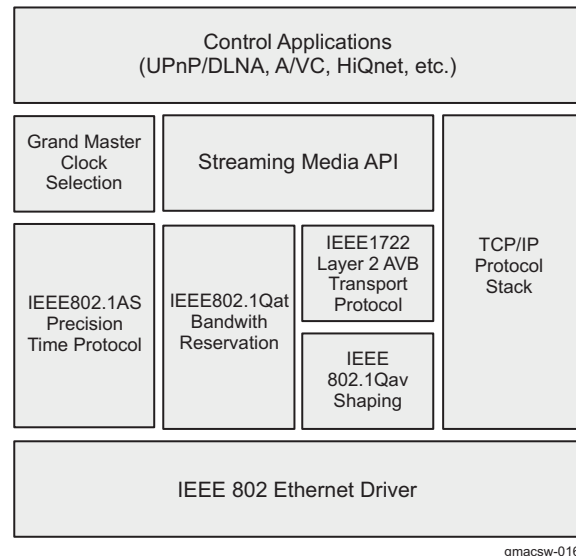
24.11.4.8.6 Audio Video Bridging

Audio Video Bridging is an ongoing project of IEEE 802.1 concerned with enabling low-latency streaming of time-sensitive audiovisual data over networks. Devices are designated as talkers (transmitters), bridges, or listeners (receivers). It is suggested that the maximum latency could be 2 ms over 7 hops for Class A devices and 20 ms over 7 hops for Class B devices. A hop is essentially a single local area network stage in the journey of a packet. Every time a bridge is encountered between one network section and another a hop is involved. One of the performance goals is that AVB streams will not use more than 75 percent of a link's bandwidth, leaving the remaining capacity for non-AVB streams.

The goal of developing AVB is simply--extend Ethernet's data-networking capabilities to the realm of reliable real-time audio/video networking.

An "Audio Video Bridging" network is one that implements a set of protocols being developed by the IEEE 802.1 Audio/Video Bridging Task Group. There are four primary differences between the proposed Audio Video Bridging architecture and existing 802 architectures (from now on the term "AVB" will be used instead of "Audio Video Bridging"):

1. Precise synchronization - IEEE 802.1AS: "*Timing and Synchronization for Time-Sensitive Applications in Bridged Local Area Networks*". "a.k.a Precision Time Protocol (PTP).
2. Traffic shaping for media streams - IEEE 802.1Qav: "*Virtual Bridged Local Area Networks: Forwarding and Queuing for Time-Sensitive Streams*."
3. Admission controls - IEEE 802.1Qat: "*Virtual Bridged Local Area Networks - Amendment 9: Stream Reservation Protocol (SRP)*."
4. Identification of non-participating devices - IEEE 802.1BA: "Audio/Video Bridging (AVB) Systems"

Figure 24-199. The Network Static with AVB


The following sections describe the media transport protocols that work within the AVB framework.

24.11.4.8.6.1 IEEE 802.1AS: Timing and Synchronization for Time-Sensitive Applications in Bridged Local Area Networks (Precision Time Protocol (PTP))

The protocol defined by 802.1AS automatically selects a device to be the master clock, and then distributes this clock throughout the bridged LAN / IP subnet to all other network devices using link-specific transmit/receive time-stamping. However, we only use a two-step solution only on transmit. That is, we do not modify a packet with the timestamp on the way out. The timestamp packet is sent out and then a separate message with the timestamp is sent by the host afterward. Receive can be one or two step.

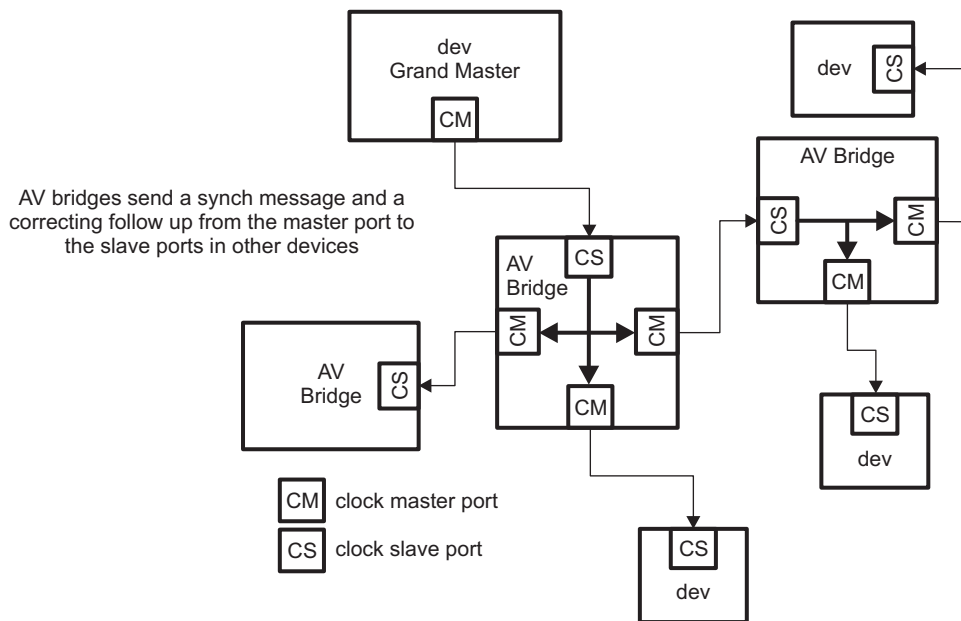
NOTE: The 802.1AS-distributed clock is not used as a media clock. Rather, the shared 802.1AS clock reference is used to regenerate the media clock at the listener/renderer. Such a reference removes the need to force the latency of the network to be constant, or compute long running averages in order to estimate the actual media rate of the transmitter in the presence of substantial network jitter. IEEE 802.1AS is based on the ratified IEEE 1588 standard.

Based on IEEE 1588:2002, PTP devices exchange standard Ethernet messages that synchronize network nodes to a common time reference by defining clock master selection and negotiation algorithms, link delay measurement and compensation, and clock rate matching and adjustment mechanisms.

Designed as a simplified profile of IEEE 1588, a primary difference between 1588 and IEEE 802.1AS is that PTP is a layer 2--in other words, a non-IP routable protocol. Like IEEE 1588, PTP defines an automatic method for negotiating the network clock master, the Best Master Clock Algorithm (BMCA). PTP nodes can be assigned one of eight priority levels, presumably based on clock quality. BMCA defines the underlying negotiation and signaling mechanism whose purpose is to identify the AVB LAN Grandmaster. Once a Grandmaster has been selected, synchronization automatically begins.

At the core of 802.1AS synchronization is time-stamping. In short, during PTP message ingress/egress from the 802.1AS-capable MAC, the PTP Ether type triggers the sampling of the value of a local real-time counter (RTC). Slave nodes compare the value of their RTC against the PTP Grandmaster and, by use of link delay measurement and compensation techniques, match their RTC value to the time of the AVB LAN PTP domain. After network time throughout the AVB LAN has converged, periodic SYNC and FOLLOW_UP messages provide the information that enables the PTP rate matching adjustment algorithms. The result is all PTP nodes are then synchronized to the same "Wall Clock" time. PTP assures 1- μ s accuracy over seven network hops.

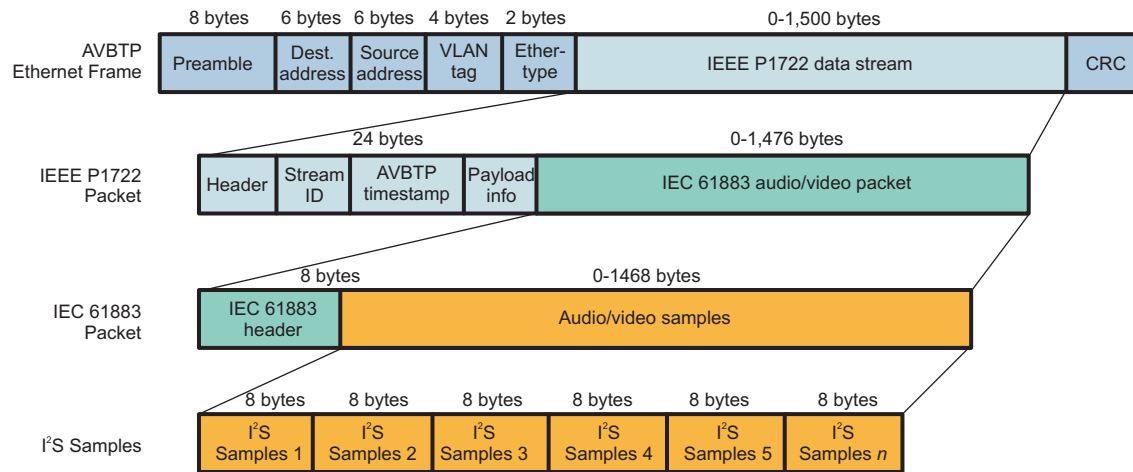
Figure 24-200. AVB Network & PTP Clock Entities



The media transport protocols that work within the AVB framework are:

24.11.4.8.6.1.1 IEEE 1722: "Layer 2 Transport Protocol for Time-Sensitive Streams"

AVBTP or 1722 sits above the IEEE 802.1 AVB plumbing and below the application layer. It acts as the conduit between an Ethernet MAC and a streaming application. AVBTP abstracts the underlying network transmission channel to enable the virtual connection of distributed audio and video CODECs over reliable Ethernet networks. A complete AVBTP Ethernet packet is shown in [Figure 24-201](#) and illustrates how IEC 61883-6 AM824 uncompressed audio samples are encapsulated in an Ethernet frame.

Figure 24-201. IEEE 1722 Packets
IEEE 1722 Packet Construction

1722 or AVBTP Presentation Time and Synchronization:

Synchronization in an AVB network starts with the Precision Time Protocol but ends with synchronized media clocks. PTP is responsible for synchronizing all nodes in an AVB network to identical wall clock time; not for synchronizing media clocks. In other words, PTP does not actually transport synchronized media clocks but instead provides a low-level building block crucial for managing a distributed media synchronization system.

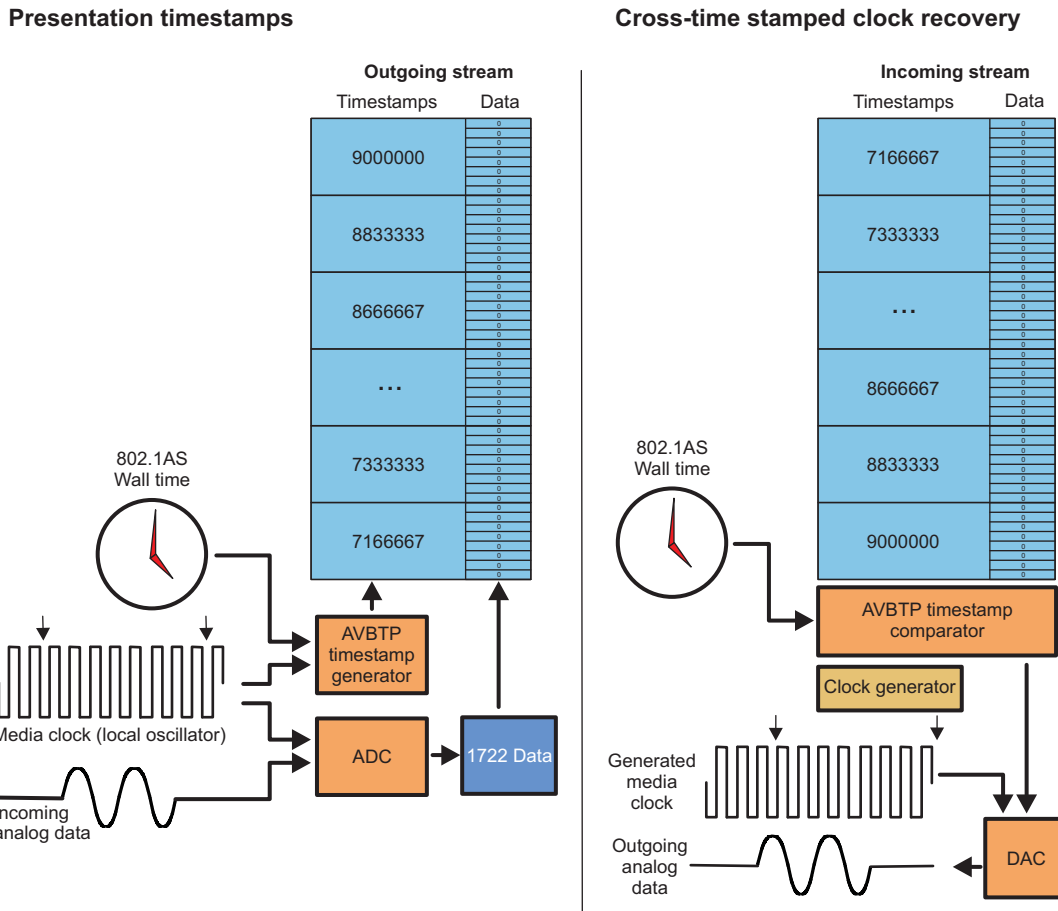
A crucial benefit of this approach is coexistence of multiple, independent media clock domains on an AVB network. Unrelated audio and video streams can simultaneously exist in the same LAN.

AVBTP assumes that AVB node media clocks are clocked by free-running oscillators. It is also assumed that the node's internal concept of wall clock time has been synchronized to the PTP Grandmaster. AVBTP media clock sources embed "AVBTP Presentation Timestamps" in AVBTP streaming packets. [Figure 24-202](#) illustrates the relationship between PTP network time and AVBTP Presentation Timestamps.

24.11.4.8.6.1.2 IEEE 1733: Extends RTCP for RTP Streaming over AVB-supported Networks

This standard specifies the protocol, data encapsulations, connection management and presentation time procedures used to ensure interoperability between audio and video based end stations that use standard networking services provided by all IEEE 802 networks meeting QoS requirements for time-sensitive applications by leveraging the Real-time Transport Protocol (RTP) family of protocols and IEEE 802.1 Audio/Video Bridging (AVB) protocols.

Figure 24-202. Cross Time Stamping and Presentation Timestamps



24.11.4.8.6.2 IEEE 802.1Qav: "Virtual Bridged Local Area Networks: Forwarding and Queuing for Time-Sensitive Streams"

This standard allows bridges to provide guarantees for time-sensitive (that is, bounded latency and delivery variation), loss-sensitive real-time audio video (AV) data transmission (AV traffic). It specifies per priority ingress metering, priority regeneration, and timing-aware queue draining algorithms. This standard uses the timing derived from IEEE 802.1AS. Virtual Local Area Network (VLAN) tag encoded priority values are allocated, in aggregate, to segregate frames among controlled and non-controlled queues, allowing simultaneous support of both AV traffic and other bridged traffic over and between wired and wireless Local Area Networks (LANs).

Such a guarantee in bandwidth is provided by two functional entities:

- A registration protocol, which registers the service and its maximum network utilization with a device or switch (IEEE 802.1Qat: "Virtual Bridged Local Area Networks - Amendment 9: Stream Reservation Protocol (SRP)")
- A hardware bandwidth management service.
 - Receive policing and
 - Transmit rate control.

End Station Behavior

In order for an end station to successfully participate in the transmission and reception of time-sensitive streams, it is necessary for their behavior to be compatible with the operation of the forwarding and queuing mechanisms employed in bridges.

The requirements for end stations that participate as "talkers" i.e., sources of time-sensitive streams are different from the requirements that apply to "listeners", the destination station(s) for the streams.

Talker Behavior

In order for Talker-originated data streams to make use of the credit-based shaper behavior in Bridges, it is a requirement for a Talker to use the priorities that the Bridges in the network recognize as being associated with SR classes exclusively for transmitting stream data.

It is also necessary for the Talker and the Bridges in the path to the Listener(s), to have a common view of the bandwidth required in order to transmit the Talker's streams, and for that bandwidth to be reserved along the path to the Listener(s). This latter requirement can be met by means of stream reservation mechanisms, such as defined in SRP, or by other management means.

End stations that are Talkers shall exhibit transmission behavior for frames that are part of "time-sensitive streams" that is consistent with the operation of the credit-based shaper algorithm, both in terms of the way they transmit frames that are part of an individual data stream, and in terms of the way they transmit stream data frames from a Port.

In effect, the queuing model for a Talker Port (and a Listener port), and for given priorities, can be considered to look like [Figure 24-203](#).

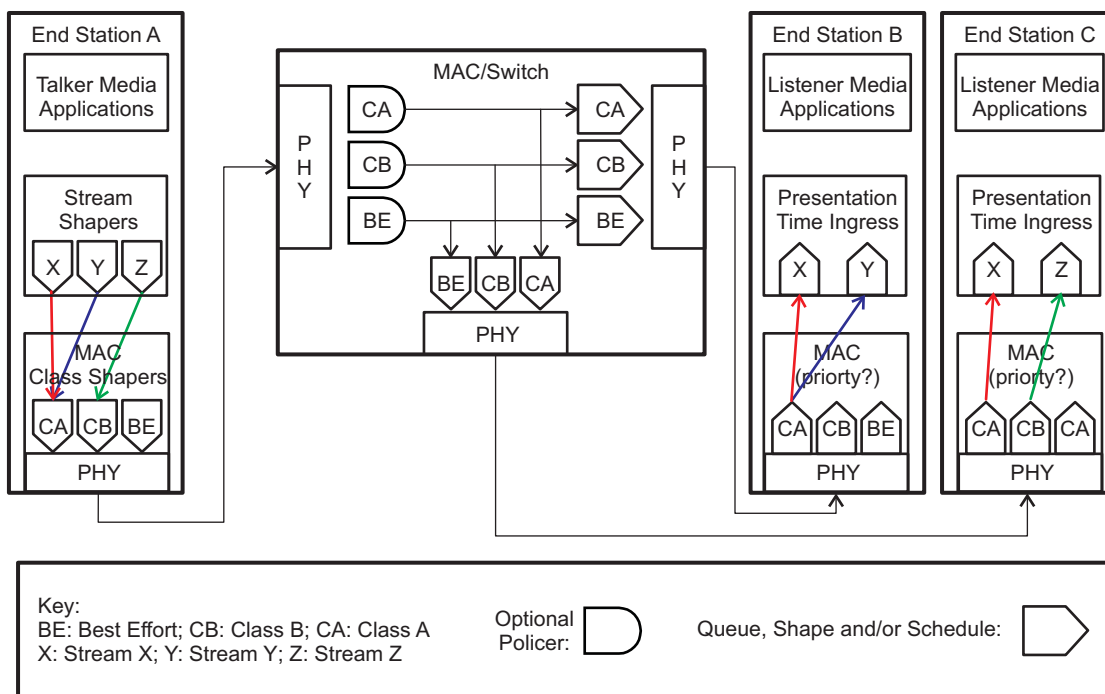
Listener Behavior

The primary requirement for a listener station is that it is capable of buffering the amount of data that could be transmitted for a stream during a time period equivalent to the accumulated maximum jitter that could be experienced by stream data frames in transmission between Talker and Listener.

From the point of view of the specification of the forwarding and queuing requirements for time-sensitive streams, it is assumed that the listener will assess the buffering required for a stream as part of the stream bandwidth reservation mechanisms employed by the implementation.

The credit-based shaper's operation details are beyond the scope of this document.

Figure 24-203. AV Stream Queuing/Policing



24.11.4.8.6.2.1 Configuring the Device for 802.1Qav Operation:

There is no dedicated register-set to be configured for the time-sensitive stream handling. The list of functional features of CPSW_3G that will have to be configured are:

- DESCRIPTORS and CHANNEL CONFIGURATIONS:
 - CPPI TX and RX descriptors
 - VLAN and Priority tags

Table 24-1263. Example of TX Configuration

TX DMA CHANNEL	Packet Priority	Switch Queue Priority
7	7	3
6	5	2
5	3	1
4	1	0

Table 24-1264. Example of RX Configuration

RX DMA CHANNEL	Packet Priority	Switch Queue Priority
0	7	0
0	5	0
0	3	0
0	1	0

- ALE Configuration:
 - ALE in VLAN-ware mode, Non-ALE in bypass mode.

Table 24-1265. Example of Rate-limit Configurations

Register	Value	Description
CPSW_PTYPE	0x0006 0000	For Port1 -- 2 highest priority channels.
P1_TX_IN_CTL[23:20] TX_RATE_EN	0b1100	2 highest priority channels are rate limited
P1_TX_IN_CTL[17:16] TX_IN_SEL	0b10	Rate limit mode
P1_SEND_PERCENT	0x14 3E00	20% PRI7, 62% PRI5
CPDMA_DMACONTROL	0xC001	Chan7, Chan6 are Rate Limited. Round-robin selection of DMA channel.
CPDMA_TX_PRI7_RATE	0x1 0013	200 Mbps
CPDMA_TX_PRI6_RATE	0x1 0005	~600 Mbps

24.11.4.8.7 Ethernet MAC Sliver (CPGMAC_SL)

The CPGMAC_SL peripheral shall be compliant to the IEEE Std 802.3 Specification. Half-duplex mode is supported in 10/100 Mbps mode, but not in 1000 Mbps (gigabit) mode.

Features:

- Synchronous 10/100/1000 Mbit operation
- G/MII Interface
- Hardware Error handling including CRC
- Full-Duplex Gigabit operation (half-duplex gigabit is not supported)
- EtherStats and 802.3Stats RMON statistics gathering support for external statistics collection module
- Transmit CRC generation selectable on a per channel basis
- Emulation Support
- VLAN Aware Mode Support
- Hardware flow control

- Programmable Inter Packet Gap (IPG).

24.11.4.8.7.1 G/MII Media Independent Interface

The following sections cover operation of the Media Independent Interface in 10/100/1000 Mbps modes. An IEEE 802.3 compliant Ethernet MAC controls the interface.

24.11.4.8.7.1.1 Data Reception

24.11.4.8.7.1.1.1 Receive Control

Data received from the PHY is interpreted and output. Interpretation involves detection and removal of the preamble and start of frame delimiter, extraction of the address and frame length, data handling, error checking and reporting, cyclic redundancy checking (CRC), and statistics control signal generation.

24.11.4.8.7.1.1.2 Receive Inter-Frame Interval

The 802.3 required inter-packet gap (IPG) is 24 GMII clocks (96 bit times) for 10/100 Mbit modes, and 12 GMII clocks (96 bit times) for 1000 Mbit mode. However, the MAC can tolerate a reduced IPG (2 GMII clocks in 10/100 mode and 5 GMII clocks in 1000 mode) with a correct preamble and start frame delimiter.

This interval between frames must comprise (in the following order):

- An Inter-Packet Gap (IPG).
- A seven octet preamble (all octets 0x55).
- A one octet start frame delimiter (0x5D).

24.11.4.8.7.1.2 Data Transmission

The Gigabit Ethernet Mac Sliver (GMII) passes data to the PHY when enabled. Data is synchronized to the transmit clock rate. The smallest frame that can be sent is two bytes of data with four bytes of CRC (6 byte frame).

24.11.4.8.7.1.2.1 Transmit Control

A jam sequence is output if a collision is detected on a transmit packet. If the collision was late (after the first 64 bytes have been transmitted) the collision is ignored. If the collision is not late, the controller will back off before retrying the frame transmission. When operating in full duplex mode the carrier sense (CRS) and collision sensing modes are disabled.

24.11.4.8.7.1.2.2 CRC Insertion

The MAC generates and appends a 32-bit Ethernet CRC onto the transmitted data, if the transmit packet header PASS_CRC bit is 0. For the CPMAC_SL generated CRC case, a CRC at the end of the input packet data is not allowed.

If the header word PASS_CRC bit is set, then the last four bytes of the TX data are transmitted as the frame CRC. The four CRC data bytes should be the last four bytes of the frame and should be included in the packet byte count value. The MAC performs no error checking on the outgoing CRC when the PASS_CRC bit is set.

24.11.4.8.7.1.2.3 MTXER

The MTXER signal is only used for EEE. If an underflow condition occurs on a transmitted frame, the frame CRC will be inverted to indicate the error to the network. Underflow is a hardware error.

24.11.4.8.7.1.2.4 Adaptive Performance Optimization (APO)

The Ethernet MAC port incorporates Adaptive Performance Optimization (APO) logic that may be enabled by setting the TX_PACE bit in the [SL_MACCONTROL](#) register. Transmission pacing to enhance performance is enabled when set. Adaptive performance pacing introduces delays into the normal transmission of frames, delaying transmission attempts between stations, reducing the probability of collisions occurring during heavy traffic (as indicated by frame deferrals and collisions) thereby increasing the chance of successful transmission.

When a frame is deferred, suffers a single collision, multiple collisions or excessive collisions, the pacing counter is loaded with an initial value of 31. When a frame is transmitted successfully (without experiencing a deferral, single collision, multiple collision or excessive collision) the pacing counter is decremented by one, down to zero.

With pacing enabled, a new frame is permitted to immediately (after one IPG) attempt transmission only if the pacing counter is zero. If the pacing counter is non zero, the frame is delayed by the pacing delay, a delay of approximately four inter-packet gap delays. APO only affects the IPG preceding the first attempt at transmitting a frame. It does not affect the back-off algorithm for re-transmitted frames.

24.11.4.8.7.1.2.5 Inter-Packet-Gap Enforcement

The measurement reference for the IPG of 96 bit times is changed depending on frame traffic conditions. If a frame is successfully transmitted without collision, and MCRS is de-asserted within approximately 48 bit times of MTXEN being de-asserted, then 96 bit times is measured from MTXEN. If the frame suffered a collision, or if MCRS is not de-asserted until more than approximately 48 bit times after MTXEN is de-asserted, then 96 bit times (approximately, but not less) is measured from MCRS.

The transmit IPG can be shortened by eight bit times when enabled and triggered. The TX_SHORT_GAP_EN bit in the [SL_MACCONTROL](#) register enables the TX_SHORT_GAP input to determine whether the transmit IPG is shorted by eight bit times.

24.11.4.8.7.1.2.6 Back Off

The Gigabit Ethernet Mac Sliver (GMII) implements the 802.3 binary exponential back-off algorithm.

24.11.4.8.7.1.2.7 Programmable Transmit Inter-Packet Gap

The transmit inter-packet gap (IPG) is programmable through the [SL_TX_GAP](#) register. The default value is decimal 12. The transmit IPG may be increased to the maximum value of 1FFh. Increasing the IPG is not compatible with transmit pacing. The short gap feature will override the increased gap value, so the short gap feature may not be compatible with an increased IPG.

24.11.4.8.7.1.2.8 Speed, Duplex and Pause Frame Support Negotiation

The CPMAC_SL can operate in half duplex or full duplex in 10/100 Mbit modes, and can operate in full duplex only in 1000 Mbit mode. Pause frame support is included in 10/100/1000 Mbit modes as configured by the host.

24.11.4.8.7.2 RMII Interface

The CPRMII peripheral is compliant to the RMII specification document.

24.11.4.8.7.2.1 Features

- Source Synchronous 10/100 Mbit operation
- Full and Half Duplex support

24.11.4.8.7.2.2 RMII Receive (RX)

The CPRMII receive (RX) interface converts the input data from the external RMII PHY (or switch) into the required MII (CPGMAC) signals. The carrier sense and collision signals are determined from the RMII input data stream and transmit inputs as defined in the RMII specification.

An asserted RMRXER on any di-bit in the received packet will cause an MRXER assertion to the CPGMAC during the packet. In 10Mbps mode, the error is not required to be duplicated on 10 successive clocks. Any di-bit which has an asserted RMII_RXER during any of the 10 replications of the data will cause the error to be propagated.

Any received packet that ends with an improper nibble boundary aligned RMCRSDV toggle will issue an MRXER during the packet to the CPGMAC. Also, a change in speed or duplex mode during packet operations will cause packet corruption.

The CPRMII can accept receive packets with shortened preambles, but 0x55 followed by a 0x5D is the shortest preamble that will be recognized (1 preamble byte with the start of frame byte). At least one byte of preamble with the start of frame indicator is required to begin a packet. An asserted RMCRSDV without at least a single correct preamble byte followed by the start of frame indicator will be ignored.

24.11.4.8.7.2.3 RMII Transmit (TX)

The CPRMII transmit (TX) interface converts the GMAC_SW MII input data into the RMII transmit format. The data is then output to the external RMII PHY.

The GMAC_SW does not source the transmit error (MII TXERR) signal. Any transmit frame from the CPGMAC with an error (underrun) will be indicated as an error by an error CRC. Transmit error is assumed to be de-asserted at all times and is not an input into the CPRMII module. Zeroes are output on RMTXD[1:0] for each clock that RMTXEN is de-asserted.

24.11.4.8.7.3 RGMII Interface

The CPRGMII peripheral is compliant to the RGMII specification document.

24.11.4.8.7.3.1 RGMII Features

- Supports 1000/100/10 Mbps speed
- In SR1.0, Internal TXC delay on transmit is always enabled. **SR1.0 information is valid only for the AM571x family of devices.**
- In SR2.x, Internal TXC delay on transmit can be enabled or disabled using bits [26] RGMII2_ID_MODE_N and [25] RGMII1_ID_MODE_N of the [CTRL_CORE_SMA_SW_1](#) register.
- MII mode is not supported

24.11.4.8.7.3.2 RGMII Receive (RX)

The CPRGMII receive (RX) interface converts the source synchronous DDR input data from the external RGMII PHY into the required G/MII (CPGMAC) signals.

24.11.4.8.7.3.3 In-Band Mode of Operation

The CPRGMII is operating in the in-band mode of operation when the EXT_EN bit of the [SL_MACCONTROL](#) register is set to 1. The link status, duplexity, and speed are determined from the RGMII input data stream RXD[3:0] when RX_CTL is deasserted, as defined in the RGMII specification. The PHY might need to be configured beforehand to output in-band data. The in-band data is indicated as shown in [Table 24-1266](#).

Table 24-1266. In-Band Data

RXD3	RXD[2:1]		RXD0
Duplex status:	Link Speed:	RXC_CLK Speed:	Link Status:
0: half-duplex	00: 10-Mbps mode	2.5 MHz	0: Link is down
1: full-duplex	01: 100-Mbps mode	25 MHz	1: Link is up
	10: 1000-Mbps mode	125 MHz	
	11: reserved	reserved	

24.11.4.8.7.3.4 **Forced Mode of Operation**

The CPRGMII is operating in the forced mode of operation when the EXT_EN bit of the [SL_MACCONTROL](#) register is set to 0. In the forced mode of operation, the in-band data is ignored if present. The link status is forced high, and the duplexity and speed are determined from the [SL_MACCONTROL\[0\]](#) FULLDUPLEX and [\[7\]](#) GIG bits. If GIG = 1, then operation is gigabit mode. If the GIG is 0, the operation is 100 Mbps mode.

24.11.4.8.7.3.5 **RGMII Transmit (TX)**

The CPRGMII transmit (TX) interface converts the CPGMAC G/MII input data into the DDR RGMII format. The DDR data is then output to the external PHY.

The CPGMAC does not source the transmit error (TXERR) signal. Any transmit frame from the CPGMAC with an error (underrun) will be indicated as an error by an error CRC. Transmit error is assumed to be de-asserted at all times and is not an input into the CPRGMII module.

The TXD[7:0] data bus uses only the lower nibble. The CPRGMII will output the lower nibble twice in 10/100 mode to avoid unnecessary signal switching.

Packets will be precluded from transmission through the CPRGMII module for 4096 transmit clocks after the rising edge of RGMII_LINK. Packet transmission will begin on the first TX_CTL rising edge after the 4096 transmit clock count has expired.

24.11.4.8.7.4 **Frame Classification**

Received frames are proper (good) frames if they are between 64 and RX_MAXLEN in length (inclusive) and contain no errors (code/align/CRC).

Received frames are long frames if their frame count exceeds the value in the [SL_RX_MAXLEN](#) register. The [SL_RX_MAXLEN](#) register reset (default) value is 1518 (decimal). Long received frames are either oversized or jabber frames. Long frames with no errors are oversized frames. Long frames with CRC, code, or alignment errors are jabber frames.

Received frames are short frames if their frame count is less than 64 bytes. Short frames that contain no errors are undersized frames. Short frames with CRC, code, or alignment errors are fragment frames.

A received long packet will always contain RX_MAXLEN number of bytes transferred to memory (if RX_CEF_EN = 1). An example with RX_MAXLEN = 1518 is:

- If the frame length is 1518, then the packet is not a long packet and there will be 1518 bytes transferred to memory.
- If the frame length is 1519, there will be 1518 bytes transferred to memory. The last three bytes will be the first three CRC bytes.
- If the frame length is 1520, there will be 1518 bytes transferred to memory. The last two bytes will be the first two CRC bytes.
- If the frame length is 1521, there will be 1518 bytes transferred to memory. The last byte will be the first CRC byte.

If the frame length is 1522, there will be 1518 bytes transferred to memory. The last byte will be the last data byte.

24.11.4.8.8 **Embedded Memories**

Table 24-1267. Embedded Memories

Memory Type Description	Number of Instances	
Single-port 2560 x 64 RAM	3	(Packet FIFO's)
Single-port 64-word x 1152-bit RAM	1	(ALE)
Single-port 2048-word x 32-bit RAM	1	(CPPI)

24.11.4.8.9 Flow Control

There are two types of switch flow control: CPPI port flow control and Ethernet port flow control. The CPPI and Ethernet port naming conventions for data flow into and out of the switch are reversed. For the CPPI port (port 0), transmit operations move packets from external memory into the switch and then out to either or both Ethernet transmit ports (ports 1 and 2). CPPI receive operations move packets that were received on either or both Ethernet receive ports to external memory.

24.11.4.8.9.1 CPPI Port Flow Control

The CPPI port has flow control available for transmit (switch ingress). CPPI receive operations (switch egress) do not require flow control. CPPI Transmit flow control is initiated when enabled and triggered. CPPI transmit flow control is enabled by setting the P0_FLOW_EN bit in the [CPSW_FLOW_CONTROL](#) register. CPPI transmit flow control is enabled by default on reset because host packets should not be dropped in any mode of operation.

24.11.4.8.9.2 Ethernet Port Flow Control

The Ethernet ports have flow control available for transmit and receive. Transmit flow control stops the Ethernet port from transmitting packets to the wire (switch egress) in response to a received pause frame. Transmit flow control does not depend on FIFO usage.

The ethernet ports have flow control available for receive operations (packet ingress). Ethernet port receive flow control is initiated when enabled and triggered. Packets received on an ethernet port can be sent to the other ethernet port or the CPPI port (or both). Each destination port can trigger the receive ethernet port flow control. An ethernet destination port triggers another ethernet receive flow control when the destination port is full.

When a packet is received on an ethernet port interface with enabled flow control the below occurs:

- The packet will be sent to all ports that currently have room to take the entire packet.
- The packet will be retried until successful to all ports that indicate they don't have room for the packet.

The flow control trigger to the CPGMAC_SL will be asserted until the packet has been sent, and there is room in the logical receive FIFO for packet runout from another flow control trigger (RX_PKT_CNT = 0). Ethernet port receive flow control is disabled by default on reset. Ethernet port receive flow control requires that the RX_FLOW_EN bit in the associated CPGMAC_SL be set to 1. When receive flow control is enabled on a port, the port's associated FIFO block allocation must be adjusted. The port RX allocation must increase from the default three blocks to accommodate the flow control runout. A corresponding decrease in the TX block allocation is required. If a sending port ignores a pause frame then packets may overrun on receive (and be dropped) but will not be dropped on transmit. If flow control is disabled for G/MII ports, then any packets that are dropped are dropped on transmit and not on receive.

24.11.4.8.9.2.1 Receive Flow Control

When enabled and triggered, receive flow control is initiated to limit the CPGMAC_SL from further frame reception. Half-duplex mode receive flow control is collision based while full duplex mode issues 802.3X pause frames. In either case, receive flow control prevents frame reception by issuing the flow control appropriate for the current mode of operation. Receive flow control is enabled by the RX_FLOW_EN bit in the [SL_MACCONTROL](#) register. Receive flow control is triggered (when enabled) when the RX_FLOW_TRIGGER input is asserted. The CPGMAC_SL is configured for collision or IEEE 802.3X flow control via the FULLDUPLEX bit in the [SL_MACCONTROL](#) register.

24.11.4.8.9.2.1.1 Collision Based Receive Buffer Flow Control

Collision-based receive buffer flow control provides a means of preventing frame reception when the port is operating in half-duplex mode (FULLDUPLEX is cleared in [SL_MACCONTROL](#)). When receive flow control is enabled and triggered, the port will generate collisions for received frames. The jam sequence transmitted will be the twelve byte sequence C3.C3.C3.C3.C3.C3.C3.C3.C3.C3.C3.C3 (hex). The jam sequence will begin no later than approximately as the source address starts to be received. Note that these forced collisions will not be limited to a maximum of 16 consecutive collisions, and are independent of the normal back-off algorithm. Receive flow control does not depend on the value of the incoming frame destination address. A collision will be generated for any incoming packet, regardless of the destination address.

24.11.4.8.9.2.1.2 IEEE 802.3X Based Receive Flow Control

IEEE 802.3x based receive flow control provides a means of preventing frame reception when the port is operating in full-duplex mode (FULLDUPLEX is set in [SL_MACCONTROL](#)). When receive flow control is enabled and triggered, the port will transmit a pause frame to request that the sending station stop transmitting for the period indicated within the transmitted pause frame.

The CPGMAC_SL will transmit a pause frame to the reserved multicast address at the first available opportunity (immediately if currently idle, or following the completion of the frame currently being transmitted). The pause frame will contain the maximum possible value for the pause time (FFFFh). The MAC will count the receive pause frame time (decrements FF00h down to 0) and retransmit an outgoing pause frame if the count reaches zero. When the flow control request is removed, the MAC will transmit a pause frame with a zero pause time to cancel the pause request.

Note that transmitted pause frames are only a request to the other end station to stop transmitting. Frames that are received during the pause interval will be received normally (provided the RX FIFO is not full).

Pause frames will be transmitted if enabled and triggered regardless of whether or not the port is observing the pause time period from an incoming pause frame.

The CPGMAC_SL will transmit pause frames as:

- The 48-bit reserved multicast destination address 01.80.C2.00.00.01.
- The 48-bit source address - from SL_SA[47:0] input.
- The 16-bit length/type field containing the value 88.08
- The 16-bit pause opcode equal to 00.01
- The 16-bit pause time value FF.FF. A pause-quantum is 512 bit-times. Pause frames sent to cancel a pause request will have a pause time value of 00.00.
- Zero padding to 64-byte data length (The CPGMAC_SL will transmit only 64 byte pause frames).
- The 32-bit frame-check sequence (CRC word).

All quantities above are hexadecimal and are transmitted most-significant byte first. The least-significant bit is transferred first in each byte.

If RX_FLOW_EN is cleared to 0 while the pause time is nonzero, then the pause time will be cleared to 0 and a zero count pause frame will be sent.

24.11.4.8.9.2.2 Transmit Flow Control

Incoming pause frames are acted upon, when enabled, to prevent the CPGMAC_SL from transmitting any further frames. Incoming pause frames are only acted upon when the FULLDUPLEX and TX_FLOW_EN bits in the [SL_MACCONTROL](#) register are set. Pause frames are not acted upon in half-duplex mode. Pause frame action will be taken if enabled, but normally the frame will be filtered and not transferred to memory. MAC control frames will be transferred to memory if the RX_CMF_EN (copy MAC frames) bit in the [SL_MACCONTROL](#) register is set. The TX_FLOW_EN and FULLDUPLEX bits effect whether or not MAC control frames are acted upon, but they have no effect upon whether or not MAC control frames are transferred to memory or filtered.

Pause frames are a subset of MAC Control Frames with an opcode field = 0001h. Incoming pause frames will only be acted upon by the port if:

- TX_FLOW_EN is set in [SL_MACCONTROL](#) register, and
- the frame's length is 64 to [SL_RX_MAXLEN](#) bytes inclusive, and
- the frame contains no CRC error or align/code errors.

The pause time value from valid frames will be extracted from the two bytes following the opcode. The pause time will be loaded into the port's transmit pause timer and the transmit pause time period will begin.

If a valid pause frame is received during the transmit pause time period of a previous transmit pause frame then:

- if the destination address is not equal to the reserved multicast address or any enabled or disabled unicast address, then the transmit pause timer will immediately expire, or
- if the new pause time value is zero then the transmit pause timer will immediately expire, else
- the port transmit pause timer will immediately be set to the new pause frame pause time value. (Any remaining pause time from the previous pause frame will be discarded).

If TX_FLOW_EN in [SL_MACCONTROL](#) register is cleared, then the pause-timer will immediately expire.

The port will not start the transmission of a new data frame any sooner than 512-bit times after a pause frame with a non-zero pause time has finished being received (MRXDV going inactive). No transmission will begin until the pause timer has expired (the port may transmit pause frames in order to initiate outgoing flow control). Any frame already in transmission when a pause frame is received will be completed and unaffected.

Incoming pause frames consist of the below:

- A 48-bit destination address equal to:
 - The reserved multicast destination address 01.80.C2.00.00.01
 - , or the CPGMAC_SL SL_SA [47:0] input.
- The 48-bit source address of the transmitting device.
- The 16-bit length/type field containing the value 88.08
- The 16-bit pause opcode equal to 00.01
- The 16-bit pause_time. A pause-quantum is 512 bit-times.
- Padding to 64-byte data length.
- The 32-bit frame-check sequence (CRC word).

All quantities above are hexadecimal and are transmitted most-significant byte first. The least-significant bit is transferred first in each byte.

The padding is required to make up the frame to a minimum of 64 bytes. The standard allows pause frames longer than 64 bytes to be discarded or interpreted as valid pause frames. The CPGMAC_SL will recognize any pause frame between 64 bytes and RX_MAXLEN bytes in length.

24.11.4.8.10 Short Gap

The port 1 (and port 2) transmit inter-packet gap (IPG) may be shortened by eight bit times when enabled and triggered. The TX_SHORT_GAP_EN bit in the [SL_MACCONTROL](#) register enables the gap to be shortened when triggered. The condition is triggered when the port 1 (port 2) transmit FIFO has a user defined number of FIFO blocks used. The port 1 transmit FIFO blocks used determines if the port 1 gap is shortened, and the port 2 transmit FIFO blocks used determines if the port 2 gap is shortened. The [CPSW_GAP_THRESH](#) register value determines the port 1 short gap threshold, and the [CPSW_GAP_THRESH](#) register value determines the port 2 short gap threshold.

24.11.4.8.11 Switch Latency

The CPSW_3G is a store and forward switch. The switch latency is defined as the amount of time between the end of packet reception of the received packet to the start of the output packet transmit.

Table 24-1268. Switch Latency

Mode	Latency
Gig (1000)	880 ns
100	1.3 μ s
10	6.5 μ s

24.11.4.8.12 Emulation Control

The emulation control input (EMUSUSP) and submodule emulation control registers allow CPSW_3G operation to be completely or partially suspended. There are three CPSW_3G submodules that contain emulation control registers (CPGMAC_SL1, CPGMAC_SL2, and CPDMA). The submodule emulation control registers must be accessed to facilitate CPSW_3G emulation control. The CPSW_3G module enters the emulation suspend state if all three submodules are configured for emulation suspend and the emulation suspend input is asserted. A partial emulation suspend state is entered if one or two submodules is configured for emulation suspend and the emulation suspend input is asserted. Emulation suspend occurs at packet boundaries. The emulation control feature is implemented for compatibility with other peripherals.

CPGMAC_SL Emulation Control

The emulation control input (TBEMUSUP) and register bits (SOFT and FREE bits in the [SL_EMCONTROL](#) register) allow CPGMAC_SL operation to be suspended. When the emulation suspend state is entered, the CPGMAC_SL will stop processing receive and transmit frames at the next frame boundary. Any frame currently in reception or transmission will be completed normally without suspension. For receive, frames that are detected by the CPGMAC_SL after the suspend state is entered are ignored. Emulation control is implemented for compatibility with other peripherals.

CPDMA Emulation Control

The emulation control input (TBEMUSUP) and register bits (SOFT and FREE bits in the [CPDMA_EMCONTROL](#) register) allow CPDMA operation to be suspended. When the emulation suspend state is entered, the CPDMA will stop processing receive and transmit frames at the next frame boundary. Any frame currently in reception or transmission will be completed normally without suspension. For transmission, any complete or partial frame in the tx cell FIFO will be transmitted. For receive, frames that are detected by the CPDMA after the suspend state is entered are ignored. No statistics will be kept for ignored frames. Emulation control is implemented for compatibility with other peripherals.

[Table 24-1269](#) shows the operations of the emulation control input and register bits.

Table 24-1269. Emulation Control Input

EMUSUSP	SOFT	FREE	Description
0	X	X	Normal Operation
1	0	0	Normal Operation
1	1	0	Emulation Suspend
1	X	1	Normal Operation

24.11.4.8.13 FIFO Loopback

FIFO loopback mode is entered when the FIFO_LOOPBACK bit in the [CPSW_CONTROL](#) register is set. FIFO loopback mode causes packets received on a port to be turned around and transmitted back on the same port. Port 0 receive is fixed on channel 0 in FIFO loopback mode. The RXSOFOVERRUN statistic is incremented for each packet sent in FIFO loopback mode. Packets sent in with errors are returned with errors (they are not dropped). FIFO loopback is intended as a simple mechanism for test purposes. FIFO loopback should be performed in full duplex mode only.

24.11.4.8.14 Device Level Ring (DLR) Support

Device Level Ring (DLR) support is enabled by setting the DLR_EN bit in the [CPSW_CONTROL](#) register. When enabled, incoming received DLR packets are detected and sent to queue 3 (highest priority) of the egress port(s). If the host port is the egress port for a DLR packet then the packet is sent on the CPDMA Rx channel selected by the P0_DLR_CPDMA_CH field in the [P0_CONTROL](#) register. The supervisor node MAC address feature is supported with the dlr_unicast bit in the unicast address table entry. When set, the dlr_unicast bit causes a packet with the matching destination address to be flooded to the vlan_member_list minus the receive port and minus the host port (the port_number field in the unicast address table entry is a don't care). Matching dlr_unicast packets are flooded regardless of whether the packet is a DLR packet or not. The EN_P0_UNI_FLOOD bit in the [ALE_CONTROL](#) register has no effect on DLR unicast packets. Packets are determined to be DLR packets as shown below:

1. DLR is enabled (DLR_EN is set in the [CPSW_CONTROL](#)).
2. One of the sequences below are true.
 1. The first packet ltype matches [CPSW_VLAN_LTYPE](#)[15:0] VLAN_LTYPE1 and Px_CONTROL[20] Px_VLAN_LTYPE1_EN is set and the second packet ltype matches [CPSW_DLR_LTYPE](#)[15:0] DLR_LTYPE.
 2. The first packet ltype matches [CPSW_VLAN_LTYPE](#)[31:16] VLAN_LTYPE2 and Px_CONTROL[21] Px_VLAN_LTYPE2_EN is set and the second packet ltype matches [CPSW_DLR_LTYPE](#)[15:0] DLR_LTYPE.
 3. The first packet ltype matches [CPSW_VLAN_LTYPE](#)[15:0] VLAN_LTYPE1 and Px_CONTROL[20] Px_VLAN_LTYPE1_EN is set and the second packet ltype matches [CPSW_VLAN_LTYPE](#)[31:16] VLAN_LTYPE2 and Px_CONTROL[21] Px_VLAN_LTYPE2_EN is set and the third packet ltype matches [CPSW_DLR_LTYPE](#)[15:0] DLR_LTYPE.

24.11.4.8.15 Energy Efficient Ethernet Support (802.3az)

NOTE: CM_GMAC_CLKSTCTRL[1:0]CLKTRCTRL bit field must not be programmed for SW_SLEEP or HW_AUTO.

Energy Efficient Ethernet (EEE) allows the PRCM to turn off the module clock during inactive periods as determined by network and host traffic. The module can then be awakened by host queued transmit packet(s) or by a port's external Ethernet PHY. EEE operations are configured as shown below:

1. The 10-bit EEE clock pre-scale value is written to the [CPSW_EEE_PRESCALE](#) register. The pre-scaler is used to clock all EEE-related counters
2. The port Idle to LPI count values (Px_IDLE2LPI) are written with the desired values
3. The port LPI to Wake count values (Px_LPI2WAKE) are written with the desired values
4. The EEE_EN bit is set in the switch [CPSW_CONTROL](#) register
5. Set the [WR_CONTROL](#)[8] SS_EEE_EN bit to enable energy efficient operations at subsystem level.

EEE operation can begin after configuration. The host allows (through PRCM) the CPSW_3G to enter a low power state by asserting the CLKSTOP_REQ signal. There are no requirements on host queues or traffic in order for the host to assert or de-assert CLKSTOP_REQ to the CPSW_3G.

Each ethernet port has a transmit and a receive LPI (low power indicate) state. The receive LPI state is entered when the port's corresponding PHY indicates the LPI state via the CPSW_3G GMII interface. The PHY indicates LPI by asserting MRXER with a MRXD[7:0] value of 0x01 while MRXDV is deasserted (inter-packet gap). The Ethernet transmit port indicates LPI after the Px_IDLE2LPI value has been counted (the transmit port has gone idle for the configured amount of time). If another packet is received for transmit during the count then the count is restarted. When the transmit port has been idle for the Idle to LPI time, the transmit port enters the LPI state and indicates LPI to the associated PHY. The LPI is indicated to the external PHY by an asserted MTXER with a MTXD[7:0] while MTXEN is deasserted (inter-packet gap). The CPDMA LPI state includes transmit and receive. The CPDMA LPI state is entered when the CPDMA transmit and receive have both been idle for the Idle to LPI time ([P0_IDLE2LPI](#)). The Idle to LPI time value for all ports must be large relative to the switch latency to ensure that the count is not able to complete between successive packets.

NOTE: The procedure above is described for the GMII interfaces at the CPSW_3G boundary. External PHY signaling has the following conditions:

- GMII interface is used only in MII mode. Therefore, only MRXD[3:0] and MTXD[3:0] are pinned out
- RGMII is a DDR interface. TXEN and TXER are the sampled values of TX_CTL at the rising and the falling TXC_CLK edges, respectively. RXDV and RXER are the sampled values of RX_CTL at the rising and the falling RXC_CLK edges, respectively
- In RMII mode, EEE is not supported.

When all transmit and receive ports are in the LPI state (CPSW LPI state), the CLKSTOP_ACK signal is asserted, and the PRCM is allowed to stop the module clock. When CLKSTOP_ACK is asserted, the clock may be turned on and off as desired by the host. The host is allowed to restart the clock, perform slave read/write operations to the CPSW_3G memory address space, and then turn off the clock again while CLKSTOP_ACK is asserted.

The software can remove and disable from re-entering the CPSW LPI state by restarting the module clock and then de-asserting CLKSTOP_REQ. The host may queue transmit packets at any time including without regard to the CPSW_3G LPI state (the clock must be restarted in order to write the CPSW_3G slave address space as described above). Host writes to transmit head descriptor pointers will cause the CLKSTOP_WAKEUP signal to be asserted if the CPSW_3G is in the low power state (if CLKSTOP_ACK is asserted).

The external Ethernet PHY's can also wakeup the PRCM by removing the Ethernet receive LPI indication. If the module is in the CPSW Idle state with CLKSTOP_ACK asserted and the receive LPI indication is removed, the CLKSTOP_WAKEUP signal will be asynchronously asserted. On wakeup, the PRCM restarts the clock and de-asserts the CLKSTOP_REQ signal. The CLKSTOP_WAKEUP signal will be synchronously deasserted with CLKSTOP_ACK. Upon the deassertion of CLKSTOP_REQ, the Ethernet ports will count the Px_LPI2WAKE time for each port at which time the port is available for transmit. Upon the de-assertion of CLKSTOP_REQ, the CPDMA transmit will count the PO_LPI2WAKE count at which time the CPDMA will begin to send any packets that the host has queued (switch ingress). The wait time on CPDMA transmit is included to preclude the host from filling up the Ethernet port transmit FIFO's while the Ethernet ports are in the LPI to wake time. There is no LPI to wake time on CPDMA receive (switch egress).

24.11.4.8.16 CPSW_3G Network Statistics

The CPSW_3G has a set of statistics that record events associated with frame traffic on selected switch ports. The statistics values are cleared to zero 38 clocks after the rising edge of GMAC_RST. When one or more port enable (Pn_STAT_EN) bits in the CPSW_STAT_PORT_EN register are set, all statistics registers are write to decrement. The value written will be subtracted from the register value with the result being stored in the register. If a value greater than the statistics value is written, then zero will be written to the register (writing 0xFFFF FFFF clears a statistics location). When all port enable bits are cleared to zero, all statistics registers are read/write (normal write direct, so writing 0x0000 0000 clears a statistics location). All write accesses must be 32-bit accesses. In the below statistics descriptions, "the port" refers to any enabled port (with a corresponding set Pn_STAT_EN bit).

The statistics interrupt (STAT_PEND) will be issued if enabled when any statistics value is greater than or equal to 0x8000 0000. The statistics interrupt is removed by writing to decrement any statistics value greater than 0x8000 0000. The statistics are mapped into internal memory space and are 32-bits wide. All statistics rollover from 0xFFFF FFFF to 0x0000 0000.

See [Section 24.11.6.5, STATS Registers](#) for description of every network statistic.

[Table 24-1270](#) and [Table 24-1271](#) summarize network statistics.

Table 24-1270. Rx Statistics Summary

Rx Statistic	Frame /Oct	Rx/Rx +Tx	Frame Type					Frame Size (bytes)								Event					
			MAC control		Data ⁽¹⁾			<64	64	65-127	128-255	256-511	512-1023	1024-rx_maxlen	>rx_maxlen	Flow Coll. ⁽²⁾	CRC Error	Align/Code	Overrun	Addr. Disc.	
			Pause frame	Non-pause ⁽³⁾	Multicast	Broadcast	Unicast														
Good Rx Frames	F	R	(y ⁽⁴⁾	y	y	y	y)	n	(y	y	y	y	y	y	y)	n	- ⁽⁵⁾	n	n	-	n
Broadcast Rx Frames	F	R	(% ⁽⁶⁾	%	n	y)	n	n	(y	y	y	y	y	y	y)	n	-	n	n	-	n
Multicast Rx Frames	F	R	(%	%	y)	n	n	n	(y	y	y	y	y	y	y)	n	-	n	n	-	n
Pause Rx Frames	F	R	y	n	n	n	n	n	(y	y	y	y	y	y	y)	n	-	n	n	-	-
Rx CRC Errors	F	R	(y	y	y	y	y)	n	(y	y	y	y	y	y	y)	n	-	y	n	-	n
Rx Align/Code Errors	F	R	(y	y	y	y	y)	n	(y	y	y	y	y	y	y)	n	-	-	y	-	n
Oversized Rx Frames	F	R	(y	y	y	y	y)	n	n	n	n	n	n	n	y)	n	-	n	n	-	n
Rx Jabbers	F	R	(y	y	y	y	y)	n	n	n	n	n	n	n	y)	n	-	(y	y)	-	n
Undersized Rx Frames	F	R	n	n	(y	y	y)	y	n	n	n	n	n	n	n)	n	-	n	n	-	n
Rx Fragments	F	R	n	n	(y	y	y)	y ⁽⁷⁾	n	n	n	n	n	n	n)	n	-	(y	y)	-	-
Rx Overruns ⁽⁸⁾	F	R	(y	y	y	y	y)	(y	y	y	y	y	y	y	y)	n	-	-	-	y	n
64octet Frames	F	R+T ⁽⁹⁾	(y	y	y	y	y)	n	y	n	n	n	n	n	n)	n	-	-	-	-	n
65-127octet Frames	F	R+T	(y	y	y	y	y)	n	n	y	n	n	n	n	n)	n	-	-	-	-	n
128-255octet Frames	F	R+T	(y	y	y	y	y)	n	n	n	y	n	n	n	n)	n	-	-	-	-	n
256-511octet Frames	F	R+T	(y	y	y	y	y)	n	n	n	n	y	n	n	n)	n	-	-	-	-	n
512-1023octet Frames	F	R+T	(y	y	y	y	y)	n	n	n	n	n	y	n	n)	n	-	-	-	-	n
1024-UPoctet Frames	F	R+T	(y	y	y	y	y)	n	n	n	n	n	n	y	n)	n	-	-	-	-	n
Rx Octets	O	R	(y	y	y	y	y)	n	(y	y	y	y	y	y	y)	n	-	n	n	-	n
Net Octets	O	R+T	(y	y	y	y	y)	(y	y	y	y	y	y	y	y)	y)	-	-	-	-	-

⁽¹⁾ The multicast, broadcast and unicast columns in the table refer to non-MAC Control/non-pause frames (i.e. data frames).

⁽²⁾ Flow coll. are half-duplex collisions forced by the MAC to achieve flow-control. A collision will be forced during the first 8 bytes so should not show in frame fragments. Some of the '-'s in this column might in reality be 'n's.

⁽³⁾ The non-pause column refers to all MAC control frames (for example, frames with length/type=88.08) with opcodes other than 0x0001. The pauseframe column refers to MAC frames with the opcode=0x0001.

⁽⁴⁾ "AND" is assumed horizontally across the table between all conditions which form the statistic (marked y or n) except where (y|y), meaning "OR" is indicated. Parentheses are significant.

⁽⁵⁾ "-" indicates conditions which are ignored in the formations of the statistic.

⁽⁶⁾ "%" If either a MAC control frame or pause frame has a multicast or broadcast destination address then the appropriate statistics will be updated.

⁽⁷⁾ "y^" Frame fragments are not counted if less than 8 bytes.

⁽⁸⁾ The rx_overruns stat is for RX_MOF_OVERRUNS and RX_SOF_OVERRUNS added together.

⁽⁹⁾ Statistics marked "R+T" are formed by summing the Rx and Tx statistics, each of which is formed independently.

Table 24-1271. Tx Statistics Summary

Tx Statistic ⁽¹⁾	Frame/Octet	Tx/Rx+Tx	Frame Type					Frame Size (bytes)							Event											
			MAC control ⁽²⁾		Data			64	65-127	128-255	256-511	512-1023	1024-1535	>1535	CRC Error	Collision Type					No Carrier	Queued	Deferred	Underrun		
			Pause-MAC	Any-CPU	Multicast	Broadcast	Unicast									Flow ⁽³⁾	1	2-15	16	Late						
Good Tx Frames	F	T	(y) ⁽⁴⁾	y	y	y	y	(y)	(y)	(y)	(y)	(y)	(y)	(y)	(y)	- ⁽⁵⁾	-	-	-	n	n	n	-	-	n	
Broadcast Tx Frames	F	T	n	(%) ⁽⁶⁾	n	y	n	(y)	(y)	(y)	(y)	(y)	(y)	(y)	(y)	-	-	-	-	n	n	n	-	-	n	
Multicast Tx Frames	F	T	(y)	(%)	y	n	n	(y)	(y)	(y)	(y)	(y)	(y)	(y)	(y)	-	-	-	-	n	n	n	-	-	n	
Pause Tx Frames	F	T	y	n	n	n	n	y	n	n	n	n	n	n	n	-	-	-	-	-	-	-	-	-	-	
Collisions	F	T	n	(y)	y	y	y	(y)	(y)	(y)	(y)	(y)	(y)	(y)	(y)	-	(+) ⁽⁷⁾	+	+	+	+	+	n	-	-	-
Single Collision Tx Frames	F	T	n	(y)	y	y	y	(y)	(y)	(y)	(y)	(y)	(y)	(y)	(y)	-	-	y	n	n	n	n	-	-	-	
Multiple Collision Tx Frames	F	T	n	(y)	y	y	y	(y)	(y)	(y)	(y)	(y)	(y)	(y)	(y)	-	-	n	y	n	n	n	-	-	-	
Excessive Collisions	F	T	n	(y)	y	y	y	(y)	(y)	(y)	(y)	(y)	(y)	(y)	(y)	-	-	n	n	y	n	n	-	-	-	
Late Collisions	F	T	n	(y)	y	y	y	n	(y)	(y)	(y)	(y)	(y)	(y)	(y)	-	-	-	-	-	y	-	-	-	-	
Deferred Tx Frames	F	T	n	(y)	y	y	y	(y)	(y)	(y)	(y)	(y)	(y)	(y)	(y)	-	-	n	n	n	n	n	-	y	n	
Carrier Sense Errors	F	T	(y)	y	y	y	y	(y)	(y)	(y)	(y)	(y)	(y)	(y)	(y)	-	-	-	-	-	-	y	-	-	-	
64octet Frames	F	R+T ⁽⁸⁾	(y)	y	y	y	y	y	n	n	n	n	n	n	n	-	-	-	-	n	n	n	-	-	-	
65-127octet Frames	F	R+T	(y)	y	y	y	y	n	y	n	n	n	n	n	n	-	-	-	-	n	n	n	-	-	-	
128-255octet Frames	F	R+T	(y)	y	y	y	y	n	n	y	n	n	n	n	n	-	-	-	-	n	n	n	-	-	-	

(1) When the transmit Tx FIFO is drained due to the MAC being disabled or link being lost, then the frames being purged will not appear in the Tx statistics.

(2) Pause (MAC) frames are issued in the MAC as perfect (no CRC error) 64 byte frames in full duplex only, so they cannot collide.

(3) The flow collision type is for half-duplex collisions forced by the MAC to achieve flow control. Some of the '-'s in this column might in reality be 'n's. To prevent double-counting, Net Octets are unaffected by the jam sequence – the 'received' bytes, however, are counted. (See [Table 24-1270](#).)

(4) "AND" is assumed horizontally across the table between all conditions which form the statistic (marked y or n) except where (y|y), meaning "OR" is indicated. Parentheses are significant.

(5) "-" indicates conditions which are ignored in the formations of the statistic.

(6) "%" If a CPU sourced MAC control frame has a multicast or broadcast destination address then the appropriate statistics will be updated.

(7) "+" indicates collisions which are "summed" (i.e. every collision is counted in the Collisions statistic). Jam sequences used for halfduplex flow control are also counted.

(8) Statistics marked "R+T" are formed by summing the Rx and Tx statistics, each of which is formed independently.

Table 24-1271. Tx Statistics Summary (continued)

Tx Statistic ⁽¹⁾	Frame/Octet	Tx/Rx+Tx	Frame Type					Frame Size (bytes)							Event									
			MAC control ⁽²⁾			Data		64	65-127	128-255	256-511	512-1023	1024-1535	>1535	CRC Error	Collision Type					No Carrier	Queued	Deferred	Underrun
			Pause-MAC	Any-CPU	Multicast	Broadcast	Unicast									Flow ⁽³⁾	1	2-15	16	Late				
256-511octet Frames	F	R+T	(y)	(y)	(y)	(y)	(y)	n	n	n	y	n	n	n	-	-	-	-	n	n	n	-	-	-
512-1023octet Frames	F	R+T	(y)	(y)	(y)	(y)	(y)	n	n	n	n	y	n	n	-	-	-	-	n	n	n	-	-	-
1024-UPoctet Frames	F	R+T	(y)	(y)	(y)	(y)	(y)	n	n	n	n	n	y	y	-	-	-	-	n	n	n	-	-	-
Tx Octets	O	T	(y)	(y)	(y)	(y)	(y)	(y)	(y)	(y)	(y)	(y)	(y)	(y)	-	-	-	-	n	n	n	-	-	n
Net Octets	O	R+T	(y)	(y)	(y)	(y)	(y)	(y)	(y)	(y)	(y)	(y)	(y)	(y)	-	-	\$ ⁽⁹⁾	\$	\$	\$	\$	-	-	-

⁽⁹⁾ "\$" Every byte written on the wire during each retry attempt is also counted in addition to frames which experience no collisions or carrier loss.

24.11.4.9 Static Packet Filter (SPF)

24.11.4.9.1 SPF Overview

The Static Packet Filter (SPF) provides protection against some of the most common forms of Denial of Service (DoS) attacks that exploit the Layer 3 and Layer 4 functions of the network stack running on a system. The DoS attacks that are mitigated by the SPF module are:

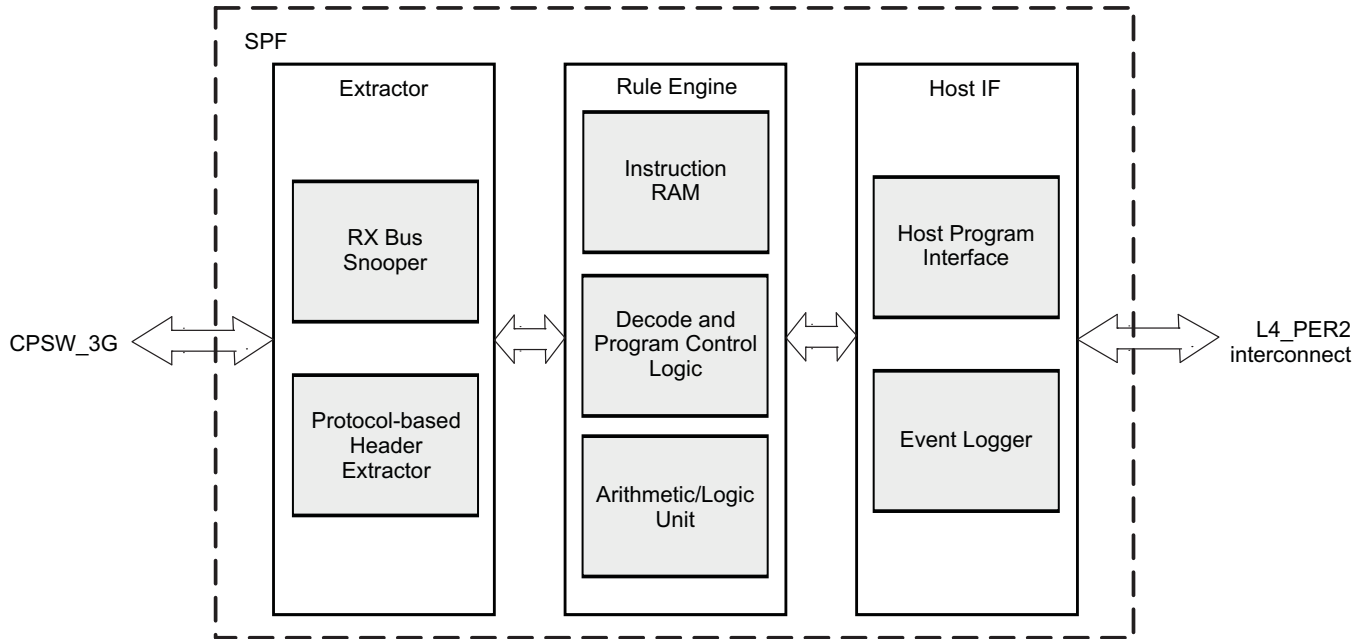
- ARP Flood
- Fraggle
- Illegal Fragment Offset
- Illegal TCP Options
- Jolt2
- Jolt
- Land
- Micro Fragment
- Null Scan
- Ping Flood
- Short ICMP Packet
- Smurf
- SSPing
- SYN Fragment
- TCP SYN Flood
- Xmas Scan

24.11.4.9.2 SPF Functional Description

24.11.4.9.2.1 SPF Block Diagram

[Figure 24-204](#) shows the block diagram of the Static Packet Filter module. There are three main components of the static packet filter – packet header extractor to decode packet formats, rule engine to check for malformed protocol header fields and a host interface to provide control and configuration access to a host processor and to keep a log of filtered packets in system memory.

Figure 24-204. SPF Block Diagram



gmacsw-024

The packet parser interfaces to the three-port Ethernet switch (CPSW_3G). The CPSW_3G signals are snooped for receive traffic and the packet contents are provided to the packet header extractor. The parser can decode various network packet formats and determine the location of the header corresponding to each of the specified protocols and store the values in internal registers. The packet parser can decode VLAN, PPPoE, IP, TCP, UDP and ICMP frame formats and determine the location of each protocol header in a frame. The location of each of these headers is used by the rule engine for performing checks against preprogrammed conditions.

The rule engine monitors information in the header fields and upon detection of an abnormal combination of values in these packet header fields, issues an instruction to drop the packet to the external RFIFO interface. The rule engine can also monitor the receive rate of a particular class of packets and can limit the number of packets that actually pass through the system. The operation of rule engine is programmable and that gives flexibility to perform a range of different checks on the contents of packet to determine whether or not it should be accepted.

The event logger captures the activity in the packet filter. In addition, based upon the settings programmed by the host software, the event logger writes detailed information about any frames that have been dropped thus far. This information is written to a part of the system memory as configured by the host software.

24.11.4.9.2.2 Interrupts

The Static Packet Filter has one interrupt that is used to inform the host about excessive number of logged packet drops. The addresses of the instructions (or drop codes) in the instruction memory that cause packet to be dropped are associated with a threshold. When the threshold is met, the packet drop is logged. Each time a packet drop is logged, it is counted. When the number of logged records reaches the value specified by the `SPF_INTCNT` register, the host is interrupted. The threshold settings can be controlled by host software to limit the frequency of interrupts. Writing a zero to `SPF_INTCNT` disables the interrupt in this scenario. Whenever interrupt is enabled and is triggered, it can be cleared by writing one to either Raw register or Masked register.

Interrupts are controlled by the following registers:

1. Raw register `SPF_INT_RAW`: Holds the Raw state of interrupt, that is, without mask. The hardware interrupt is latched in this register and is only cleared when a one is written to either Raw register or Masked register. Writing a zero has no effect on this register.
2. Masked register `SPF_INT_MASKED`: This is the actual interrupt given to the system. It is the result of

bitwise AND operation of Raw and Mask registers. Once the interrupt is sensed by the system, this register should be cleared by writing one to this register or to Raw register during ISR execution. Writing zero has no effect on this register

3. Mask set register [SPF_MASK_SET](#): Writing one to this register enables the interrupt. By default, the interrupt is disabled and needs to be enabled by writing a one to this register. Writing a zero has no effect on this register. Writing to this register also set clear register.
4. Mask clear register [SPF_MASK_CLR](#): Writing one to this register disables interrupt. Writing a zero has no effect on this register.

24.11.4.9.2.3 Protocol Header Extractor

The extractor module has a protocol aware state machine. It decodes the header field in the current protocol header to determine the encapsulating protocol type and extracts various parameters used for software logging. The extractor module also provides the offset to octets in the packet, where Layer 3 and Layer 4 protocol headers start, to the rule engine. These protocol headers correspond to the location of IP and TCP/UDP/ICMP headers from the beginning of the packet.

Ethernet packets with VLAN, PPPoE, IP, IP Options, and ICMP/TCP/UDP protocol are supported by the extractor. When unknown protocols are detected, the extractor skips any additional packet processing. Some examples of how packet parsing is done by the Extractor are given below.

- Ethernet – VLAN - PPPoE – IP – IP Options –TCP/UDP/ICMP – Payload
- Ethernet – VLAN – PPPoE – IP – IP options – Unknown – Payload
- Ethernet – VLAN – PPPoE – IP – TCP/UDP/ICMP – Payload
- Ethernet – VLAN – PPPoE – IP – Unknown – Payload
- Ethernet – VLAN – PPPoE – Fragmented IP – Unknown – Payload
- Ethernet – VLAN – IP – IP Options –TCP/UDP/ICMP – Payload
- Ethernet – VLAN – IP – IP options – Unknown – Payload
- Ethernet – VLAN – IP – TCP/UDP/ICMP – Payload
- Ethernet – VLAN – IP – Unknown – Payload
- Ethernet – VLAN – Fragmented IP – Unknown – Payload
- Ethernet – IP – IP Options –TCP/UDP/ICMP – Payload
- Ethernet – IP – IP options – Unknown – Payload
- Ethernet – IP – TCP/UDP/ICMP – Payload
- Ethernet – IP – Unknown – Payload
- Ethernet – Fragmented IP – Unknown – Payload
- Ethernet – Unknown

The flow of Extractor state machine flow is as follows.

1. Wait for start of packet and proceed to step 2 if start of packet detected.
2. Read Ethernet header Length/Type field (at offset 13). Go to step 3 if next header is VLAN, to step 4 if it is PPP header, to step 5 if it is IP header and to step 8 otherwise.
3. Allow VLAN header to pass and read the Length/Type field. Go to step 4 if next header is PPP, to step 5 if it is IP header and to step 8 otherwise.
4. Read the protocol type in PPP header. Go to step 5 if protocol is IP and to step 8 for unknown protocol
5. Extract source IP address and destination IP address from the IP header. Determine if the packet has IP options or if the packet is fragmented. Go to step 6 if the packet has IP options and to step 8 if the packet is fragmented. If there are no options and the next protocol header is TCP/UDP, go to step 7. Otherwise, skip processing and go to step 8 because the packet has unrecognized protocol header
6. Skip IP options and determines the next protocol header. Go to step 7 if next header is TCP/UDP/ICMP. In case the packet contains an IP fragment or if the protocol in the next header is unknown, skip processing and go to step 8.
7. The packet has TCP/UDP/ICMP header. Extract TCP/UDP source and destination port numbers for logging or ICMP type and code fields and go to step 8.

8. Wait for end of frame and go to step 1 at end of frame.

In case the packet is aborted (indicated by address 0x10 on VBUSP with request and write ready asserted), the extractor state machine flushes its current state, goes back to the idle state and waits for next packet.

The Extractor provides information to rule engine about location of Layer 3 and Layer 4 protocols. When this information is provided to rule engine, the Base Register 1 and Base register 2 are loaded with Layer 3 start offset and Layer 4 start offset respectively. Until the extractor completes decoding of these protocol headers and sends the offset values to rule engine, the rule engine does not execute any instruction that operates on fields in these protocol headers.

Extractor module extracts IP protocol, Source IP address, Destination IP address, TCP/UDP source port, TCP/UDP destination port and ICMP type/code from incoming packet and provides this information to the Host logger module for software reporting. In case IP header or TCP/UDP header does not contain the extractable fields then the corresponding field is logged as zero.

In case packet has unknown Layer 4 protocol or IP packet is fragmented such that the packet does not contain TCP/UDP/ICMP header then TCP/UDP source/destination ports or ICMP type/code fields are logged as zeros.

24.11.4.9.2.4 Programmable Rule Engine

The rule engine is a micro-coded machine that is programmed by the host software. The rule engine is programmed to evaluate various expressions involving the header fields of different protocols that the incoming packet belongs to. These expressions are coded into the instructions that are stored in an internal RAM and are used to check whether a packet is mal-formed or is potentially a DoS attack packet. The rule engine executes the instructions for each incoming packet and makes a decision about accepting or rejecting the packet.

Since each packet can have multiple distinct protocol headers, the location of the headers can be different from packet to packet. The rule engine gets information about the location of the protocol headers from the packet header extractor. The packet header extractor can decode several different protocol types. The octet number at which a particular protocol header is stored is loaded into SPF Base Registers. An application may require SPF to filter packets based on protocols that are not decoded by the extractor. In such cases, SPF allows bypassing the header extractor and then the rule engine can be programmed to analyze packets and figure out the location of each header.

The Rule Engine instructions are programmed before the SPF module is enabled. The instructions cannot be overwritten while the rule engine is processing packets. To modify the contents of code RAM during operation, SPF must be disabled temporarily and then new instructions can be loaded.

Once SPF is enabled, the rule engine starts to fetch instructions one at a time. For each instruction, the operands are obtained from either the packet octets that are being received, from internal registers or from the immediate values inside the instruction itself. If the octet that is needed for execution has not yet been received, then the execution stalls until the required octet is received. In case the operand specified in the instruction refers to a packet octet that has already gone by and is not available in the packet buffer, then the execution stalls until the end of packet. An instruction is executed only when all the required operands are available. Based on the instruction execution results, the packet may immediately be dropped or the results of the evaluated expressions may be stored for future use. In addition, the current instruction can also cause the rule engine to skip a specified number of instructions (immediately following the current instruction) and resume from another location in the instruction RAM.

The rule engine operates on multiple operands and performs multiple tasks in each clock cycle. In each cycle, it can perform one arithmetic and/or logical operation on two pairs of operands. The operands are masked with a 32-bit mask that is generated from the information provided in the instruction. The mask allows for operations that involve variable sized operands. Each operation generates a 32-bit number and a flag bit. The 32-bit number is typically either the sum or the output of bit-wise logical operation. The flag is a single bit result of a comparison operation. The result of each operation can be saved in the internal registers if a specified condition is satisfied. Similarly, depending on the result of the operation, the rule

engine can jump to another location in the instruction memory. The program can instruct the rule engine to either perform two save operations, two conditional jumps or one jump and one save. The conditions must be mutually exclusive to prevent unspecified operation. In addition to providing an alternate path for execution, the instruction can cause the rule engine to accept or reject the current packet and exit from the program until the next packet is received.

When the execution of an instruction does not result in a decision to accept or reject the packet, the rule engine progresses to the next instruction. Instructions are executed until a final decision is made. If a packet is aborted in the middle at the network interface, the rule engine aborts execution and clears all base registers, program counter, octet counter and packet buffer. It is then ready to process next packet.

From a hardware perspective, the rule engine contains a buffer to store packet octets, several internal registers for temporary storage, instruction decoding logic and control circuitry. A description of each of the hardware resources in the rule engine follows.

24.11.4.9.2.4.1 Internal Registers

Several different types of registers are provided in the rule engine. The description of each of these is provided below.

- Base Registers (B0-B4): There are four hardware base registers (B1-B4) that store the location of various protocol headers. The B0 register is not a hardware register and it always means a reference to the first octet in a packet. Each base register is eight bits wide and is used to reference octets in a packet. The base registers can point to any octet in the packet upto 255 octets. These registers are readable and writable by the rule engine. In addition, base registers B1 and B2 are loaded with data provided by the extractor when the rule engine is not running in extractor bypass mode (`SPF_CONTROL[2] SPF_EXT_BYPASS`). The rule engine can write to base registers irrespective of whether extractor bypass is enabled. When an operand needs to use contents of B1-B4 registers, the instruction only executes if the specified base register was loaded at least once after the beginning of current packet. If the specified base register was not loaded during the current packet, then the operand referenced by this base register cannot be extracted from the packet and will cause the rule engine to stall.
- Constant Registers (C0-C7): The rule engine can refer to any of eight 32-bit constant values. These are programmed by the host (`SPF_CONSTj`, $j = 0$ to 7) and the rule engine only has read access to these registers. Each of these registers can be changed at any time by the host software. However, changing the value of these registers is not recommended as unpredictable behavior may occur if contents are changed while the rule engine is executing instructions that use the C0-C7 values.
- General Purpose 32-bit registers (R0-R7): There are eight 32-bit registers that can be read/written by the rule engine. These are general purpose registers and can be used as temporary storage. In addition, when the rule engine is required to provide logging information, R4-R7 are used to store information that will be written to memory.
- Rate limit registers (L0-L3): Four 8-bit rate limit registers are used by rule engine to count specific types of packets that are to be rate limited. These registers are counters that are loaded with programmed threshold values (`SPF_RATELIMI`, $i = 0$ to 3) at the end of time interval determined by the clock pre-scaler (`SPF_PRESCALE`).
- General Purpose 1-bit registers (T0-T3): Four 1-bit registers are provided to store comparison results by the rule engine. These registers can be used to store 1-bit output from ALUs. In addition, the logical OR and logical AND of the flags can also be stored in T0-T3 registers. The 32-bit ALU results may also be stored in T0-T3 registers but only the LSB will be stored.

The rule engine instructions refer to these internal registers during execution. More details about instruction encoding are in subsequent sections.

24.11.4.9.2.4.2 Packet Buffer

When the rule engine is processing a packet, it stored a snapshot of latest 32 octets in an internal buffer. This buffer allows evaluation of expressions on packet octets even after the packet octets have gone by on the external receive VBUSP network interface.

At the start of packet, the first eight octets received are loaded into the first eight locations of the packet buffer. When the next eight octets arrive, these are loaded into the first eight locations and the existing octets are moved to the following eight locations. This process is continued until the packet buffer is full. When packet buffer is full and additional octets arrive, the oldest eight octets are shifted out and are no longer available to the rule engine. Thus, the packet buffer provides a snapshot of most recent octets received.

When the rule engine encounters instructions that reference packet octets which have not yet been received then the rule engine stalls until the required octets are available. Similarly, instructions which require octets that have already been shifted out of the packet buffer will cause rule engine to stall. And since these octets will never be available, the rule engine will not execute any further instructions for the current packet. It will return to the first instruction when the packet ends.

Figure 24-205. Packet Octets as Stored in the Packet Buffer

RFIFO VBUSP	63:56	55:48	47:40	39:32	31:24	23:16	15:8	7:0
	↓	↓	↓	↓	↓	↓	↓	↓
Clock 0	8	7	6	5	4	3	2	1
Clock 8	16	15	14	13	12	11	10	9
	8	7	6	5	4	3	2	1
Clock 16	24	23	22	21	20	19	18	17
	16	15	14	13	12	11	10	9
	8	7	6	5	4	3	2	1
Clock 24	32	31	30	29	28	27	26	25
	24	23	22	21	20	19	18	17
	16	15	14	13	12	11	10	9
	8	7	6	5	4	3	2	1
Clock 40	48	47	46	45	44	43	42	41
	40	39	38	37	36	35	34	33
	32	31	30	29	28	27	26	25
	24	23	22	21	20	19	18	17

gmacsw-025

The contents of a packet, when used as one or more operands in an instruction, are always fetched from the packet buffer. The Base registers (B0-B4) in conjunction with an offset and bits are used to specify which octets are to be used as operands.

24.11.4.9.2.5 Intrusion Event Logger

The activity of the static packet filter is logged by the intrusion event logger. Based on the configuration, the event logger writes specific fields of the incoming packet that violate a particular rule to the system memory for software diagnostics.

The logging module allows controlling the frequency at which events are logged to the memory. A set of nine counters are provided and, of these, eight can be mapped to any address of the rule engine’s instruction RAM using map registers. This mapping logically associates the log information with the instruction that caused the packet to be dropped. The 9th counter is not associated with any particular instruction and it can be used to count the packets that were dropped at instructions not mapped to any of the other eight counters.

For each of the nine counters, there is a register to store the minimum number of attacks that must be detected before any information is logged to memory. Only when this threshold is met and logging is enabled, the host interface module writes log data in system memory. The memory area used to log is specified by the host in the [SPF_LOG_BEGIN](#) address and [SPF_LOG_END](#) address registers.

The event logger continues to write data to memory until it runs out of space and the log overwrite is disabled. With each update of the log, the [SPF_LOG_HWPTR](#) is updated. This information can be used by the host to determine how much data has been logged. The software in turn keeps the [SPF_LOG_SWPTR](#) updated to inform the SPF about the next address from where information will be read by the host software. It is required that software program correct value of [SPF_LOG_END](#) address to enable hardware to determine roll-over location. The SPF considers all space before the [SPF_LOG_SWPTR](#) as available for logging. In case [SPF_CONTROL](#)[9] [SPF_LOGOW_EN](#) control bit is set, SPF ignores [SPF_LOG_SWPTR](#) and logs data irrespective of software read log status. Note that the memory space allocated for logging is a multiple of four 32-bit words and end address [SPF_LOG_END](#) should be loaded with byte address of the next byte following the last log entry. For example if 16 bytes space is allocated for SPF logging from address 0x1400_0000, then [SPF_LOG_BEGIN](#) should be 0x1400_0000 and [SPF_LOG_END](#) should be 0x1400_0010.

The host software must set [SPF_CONTROL](#)[8] [SPF_LOG_EN](#) bit to activate logging. The setting of [SPF_LOG_EN](#) bit has no effect on the threshold based counters and they are always active. In addition to the log counters, SPF has one master drop count register ([SPF_DROPCNT](#)) which tracks the total number of packets dropped thus far. This counter does not roll over and must be cleared for re-run by the host processor once it reaches the maximum value.

The format in which packet information is written in the memory by the event logger is shown in [Table 24-1272](#) and [Table 24-1273](#).

Table 24-1272. Format for TCP/UDP Packets

Drop Code	-	-	Protocol
Source IP Address			
Destination IP Address			
Source TCP/UDP Port		Destination TCP/UDP Port	

Table 24-1273. Format for ICMP Packets

Drop Code	-	-	Protocol
Source IP Address			
Destination IP Address			
Type	Code	Checksum	

Each entry logged to memory has a drop code associated with it. The drop code is the address in instruction memory that actually triggered the drop. Up to eight drop codes can be monitored in this manner. In addition to drop code, the protocol, IP addresses and source/destination ports associated with the dropped packet are recorded.

Log data can be supplied by either Extractor module or by Rule engine. The [SPF_CONTROL](#)[3] [SPF_RULE_LOG](#) bit must be set to use log data from Rule Engine and cleared to use data supplied by the Extractor.

When logging is done through the Rule Engine, contents of internal registers R4-R7 are written to memory. The format of packet information stored can be programmed in the rule engine except for the drop code field which is static and cannot be changed. The format in which rule engine information is written in the memory by the event logger is shown in [Table 24-1274](#).

Table 24-1274. Rule Engine Format

Drop Code	Register 4[23:0]
	Register 5[31:0]
	Register 6[31:0]

Table 24-1274. Rule Engine Format (continued)

Register 7[31:0]

The rule engine programming must ensure that these registers contain all required information that is to be recorded before the packet drop instruction is executed. As soon as the drop instruction is executed, the logging module starts to send data from the registers R4, R5, R6 and R7 to the system memory and is not possible to modify the contents of these registers.

24.11.4.9.2.6 Rate Limiter

The static packet filter provides a way to limit the rate of specific types of incoming packets. The SPF module provides four rate limit registers (L0-L3) that are used in conjunction with a clock prescaler (**SPF_PRESCALE**) and rule engine instructions. The clock prescaler is a clock divider and every count down to zero and the subsequent roll-over indicates end of a time interval. At every such event, each of the four rate limit registers is loaded with a preset value (**SPF_RATELIM_i**, $i = 0$ to 3) that is programmable by the host processor. When packets are received, the rule engine can identify packets of particular types and execute a limit operation. The limit operation specifies a condition (described in [Table 24-1292](#)) and a limit register. If the condition evaluates to true, the packet is dropped if the rate limit register is zero. If it is non-zero, then the rate limit register is decremented by one.

Thus, by using the prescaler and the limit registers, it is possible to control the rate of specific type of packets. By controlling the value of prescale counter (common to all rate limit registers) and the rate limit thresholds, the granularity of the rate can be modified. A lower value of prescale counter will cause frequent reloads of the rate limit registers and will allow rate control over small time intervals. Keeping the prescale counter at extremely small values may cause the rate limiter to be ineffective because the limit registers will be reloaded too frequently to count down to zero. Conversely, a higher value of prescale counter will cause less frequent reloads of the rate limit registers and the rate control will be over longer time intervals. The reload value of each 8-bit rate limit register and the prescale register are programmed by the host processor before SPF is enabled. A reload value of 0xFF can be used to disable any of the rate limiters at run-time without changing the firmware. Both the prescale and limit registers can be modified during run-time.

24.11.4.9.2.7 Rule Engine Instruction Set Architecture

24.11.4.9.2.7.1 Instruction Format

The design supports 64 deep instruction memory. Each of the instructions is 78 bit wide and is stored in a RAM internal to the SPF module. Each instruction can have up to four operands, two arithmetic/logical operations and two conditional jump/save actions based on the outcome of the operations.

The operand field is 52 bits wide and it can have up to four operands. The arithmetic and logical operation codes are four bits each. The operation codes are nine bits each.

Table 24-1275. Instruction Format

Bits	Field Name	Description
77:26	OPERAND	Up to four operands are specified in this field. The source of the operands can be the packet that is being received at the network interface, one of the internal register values or an 8/16/32 bit operand specified within the instruction.
25:22	FUNCTION0	This field specifies a single or dual operand Arithmetic/Logic Function. This function is applied to one or both of first two operands specified in the instruction.
21:18	FUNCTION1	This field also specifies a single or dual operand Arithmetic/Logic Function. This function is applied to one or both of the third and fourth operands specified in the instruction.

Table 24-1275. Instruction Format (continued)

Bits	Field Name	Description
17:9	OPERATION0	<p>A Save/Jump/Limit/Nop operation is specified in this function.</p> <p>Save operation code includes the source and destination information. The save source is the output of functions and the destination is one of the internal registers where data should be saved.</p> <p>Jump operation code has information about a condition and a destination. The jump occurs when the condition, which is based on the result of function0 and function1, is true. The Jump destination controls the flow of instruction execution.</p> <p>Jump to location 1 results in the packet being dropped. Rule engine goes back to initial instruction and waits for next packet. The event logger writes information to memory.</p> <p>Jump to location zero results in the packet being accepted. The rule engine goes back to initial instruction and waits for next packet.</p> <p>Limit operation code has information about a condition and a rate limit register. The Limit operation either causes the packet to be dropped or results in the specified rate limit register to be decremented by one.</p>
8:0	OPERATION1	This field specifies a second save/jump operation. The format for this field is same as for Operation0.

24.11.4.9.2.7.2 Operand Field

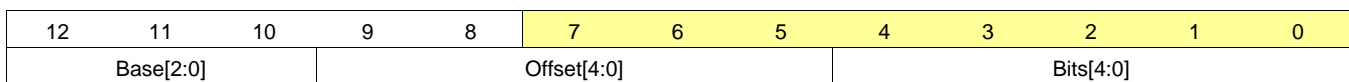
The operand field specifies up to four operands. Each operand is obtained from the incoming packet data, from an internal register or as an immediate value specified in the instruction itself. In addition, there is a bit mask associated with each operand. The mask values are encoded in the instruction itself and the mask for each operand is applied before it is used by the Arithmetic and Logic Unit.

The operands are input to the two 32-bit Arithmetic and Logic units. For all calculations, a mask is used with each operand. The mask is a 32-bit number that is generated from a 5-bit code provided in the instruction or from an immediate value in the instruction. The 5-bit mask code specifies how many bits (from the LSB side) will be input to the ALU. An immediate mask must be used when the mask is not a continuous sequence of 1's. Whenever an immediate mask value is specified, the mask value specified by the 'Bits' fields is ignored.

Each operand is at least 13-bits long and the encoding for each operand types is shown in [Table 24-1276](#) to [Table 24-1283](#).

Table 24-1276. Packet Data Operand

Description	This type of operand is derived from the packet itself. The encoding specifies a number of bits (up to 32) to be extracted from a location in the packet indicated by the selected base register and offset. The format of 13-bit operand code is shown below. Internally, a 32-bit number is obtained from the packet. Then, a mask is created from the bits[4:0] field and bitwise ANDed with the 32- bits extracted from the packet.
--------------------	---



Bits	Field Name	Description
12:10	Base[2:0]	The Base field selects one of the Base registers B0, B1, B2, B3 or B4. The operand comprises of (Bits+1) bits extracted from the packet. The offset from where the operand octets are extracted is determined by the sum of the value of specified base register (Base 0 to Base 4) and the specified offset. Base 0 is start of packet.
9:5	Offset[4:0]	The value of the selected base register plus the specified offset is the octet location in the packet from where the specified number of bits will be picked.
4:0	Bits[4:0]	The number of bits to be used as operand is specified by Bits+1. When Bits[4:0] is zero, only one bit is used as operand. When Bits[4:0] is 31, then 32 bits are used as operand.

Table 24-1277. Constant Operand

Description		One of the eight constants programmed by the host software can be used as operand. The bits field specifies the mask to be applied to the selected 32-bit constant.											
12	11	10	9	8	7	6	5	4	3	2	1	0	
1	0	1	0	0	C[2:0]			Bits[4:0]					
Bits	Field Name	Description											
7:5	C[2:0]	This field selects one of the constants (C0-C7).											
4:0	Bits[4:0]	The number of bits to be used as operand is specified by Bits+1. When Bits[4:0] is zero, the least significant bit is used as operand. When Bits[4:0] is 2, then two LSBs are used as operand and so on.											

Table 24-1278. 32-bit Register Operand

Description		One of eight 32-bit registers is used as operand and bits[4:0] field specifies the bitmask to be applied to that register.											
12	11	10	9	8	7	6	5	4	3	2	1	0	
1	0	1	0	1	R[2:0]			Bits[4:0]					
Bits	Field Name	Description											
7:5	R[2:0]	This field selects one of the 32-bits registers (R0-R7).											
4:0	Bits[4:0]	The number of bits to be used as operand is specified by Bits+1. When Bits[4:0] is zero, the least significant bit is used as operand. When Bits[4:0] is 2, then two LSBs are used as operand and so on.											

Table 24-1279. 1-bit Register Operand

Description		One of the four 1-bit registers is used as operand.											
12	11	10	9	8	7	6	5	4	3	2	1	0	
1	0	1	1	0	0	T[1:0]		0	0	0	0	0	
Bits	Field Name	Description											
6:5	T[1:0]	This field selects one of the four 1-bits registers (T0-T3).											

Table 24-1280. Base Register Operand

Description		One of the base registers is used. The 2-bit codes are 00, 01, 10 and 11 for B1 to B4 respectively.											
12	11	10	9	8	7	6	5	4	3	2	1	0	
1	0	1	1	1	1	B[1:0]		0	0	Bits[2:0]			
Bits	Field Name	Description											
6:5	B[1:0]	This field selects one of the four base registers (B1-B4). Note that B0 is a virtual register which is always zero and specifies the start of packet.											
2:0	Bits[2:0]	The number of bits to be used as operand is specified by Bits+1. When Bits[4:0] is zero, the least significant bit is used as operand. When Bits[4:0] is 2, then two LSBs are used as operand and so on.											

When the operand field is all-ones it does not specify any operand and is considered zero.

The tables below list the combinations in which operands may be programmed in an instruction. In this list, Pkt/Reg operand is an operand consisting of octets from the packet or the contents of one of the internal registers; mask specifies the value that is used as a mask instead of the mask generated from the Bits field in the instruction; immediate operand (immediate[7:0], immediate[15:0] and immediate[31:0]) is an 8/16/32 bit number that is used as an operand. The format of Pkt/Reg operand is as shown previously. The decoding of operands for each ALU is dependent upon the type of operation specified in the ALU and the format of the operand field. When there are four operands in the operand field, the first and second operands are used in ALU0 and the rest by ALU1. When ALU0 needs only one operand, then the remaining operands are fed to ALU1. The order of decoding operands is designed to first provide operands to ALU0 from the more significant side of operand field and then to ALU1. If the number of operands specified in instruction does not match with the number of operands required by the ALUs, unspecified behavior can occur. For an instruction to execute, both ALUs must have valid data. If any of the ALUs uses a packet data operand which is not yet available then the rule engine stalls until data is available. During the stall phase, the instruction is decoded every cycle and all required operands must be available simultaneously for the instruction to be executed. In addition, if an instruction refers to packet octets that are no longer available, the rule engine stalls until the end of packet.

Table 24-1285. Operand Field With Four Operands

Pkt / Reg / Imm[7:0] Operand[12:0]	Pkt / Reg / Imm [7:0] Operand[12:0]	Pkt / Reg / Imm [7:0] Operand[12:0]	Pkt / Reg / Imm [7:0] Operand[12:0]
---------------------------------------	--	--	--

Table 24-1286. Operand Field With Three Operands

Pkt / Reg / Imm[7:0] Operand[12:0]	Pkt / Reg / Imm [7:0] Operand[12:0]	Pkt / Reg / Imm [7:0] Operand[12:0]	Reserved
---------------------------------------	--	--	----------

Pkt/Reg Operand[12:0]	11000 Mask[7:0]	Pkt / Reg / Imm [7:0] Operand[12:0]	Pkt / Reg / Imm [7:0] Operand[12:0]
-----------------------	-----------------	--	--

Pkt / Reg / Imm[7:0] Operand[12:0]	Pkt/Reg Operand[12:0]	11000 Mask[7:0]	Pkt / Reg / Imm [7:0] Operand[12:0]
---------------------------------------	-----------------------	-----------------	--

Pkt / Reg / Imm[7:0] Operand[12:0]	Pkt / Reg / Imm [7:0] Operand[12:0]	Pkt/Reg Operand[12:0]	11000 Mask[7:0]
---------------------------------------	--	-----------------------	-----------------

11101 Immediate[15:0] 11111		Pkt / Reg / Imm[7:0] Operand[12:0]	Pkt / Reg / Imm[7:0] Operand[12:0]
-----------------------------	--	---------------------------------------	---------------------------------------

Pkt / Reg / Imm[7:0] Operand[12:0]	11101 Immediate[15:0] 11111		Pkt / Reg / Imm[7:0] Operand[12:0]
---------------------------------------	-----------------------------	--	---------------------------------------

Table 24-1287. Operand Field With Two Operands

Pkt / Reg / Imm[7:0] Operand[12:0]	Pkt / Reg / Imm [7:0] Operand[12:0]	Reserved	Reserved
---------------------------------------	--	----------	----------

Pkt / Reg / Imm[7:0] Operand[12:0]	Pkt/Reg Operand[12:0]	11000 Mask[7:0]	Reserved
---------------------------------------	-----------------------	-----------------	----------

Pkt/Reg Operand[12:0]	11000 Mask[7:0]	Pkt / Reg / Imm[7:0] Operand[12:0]	Reserved
-----------------------	-----------------	---------------------------------------	----------

Pkt/Reg Operand[12:0]	11000 Mask[7:0]	Pkt/Reg Operand[12:0]	11000 Mask[7:0]
11101 Immediate[15:0] 11111		Pkt/Reg Operand[12:0]	11000 Mask[7:0]
Pkt / Reg / Imm[7:0] Operand[12:0]	11101 Immediate[15:0] 11111		Reserved
Pkt/Reg Operand[12:0]	11000 Mask[7:0]	11101 Immediate[15:0] 11111	
11101 Immediate[15:0] 11111		11101 Immediate[15:0] 11111	
11101 Immediate[15:0] 11111		Pkt / Reg / Imm[7:0] Operand[12:0]	Reserved
Pkt/Reg Operand[12:0]	11001 Mask[15:0] 11111		Pkt / Reg / Imm[7:0] Operand[12:0]
Pkt / Reg / Imm[7:0] Operand[12:0]	Pkt/Reg Operand[12:0]	11001 Mask[15:0] 11111	
Pkt/Reg Operand[12:0]	1101 Mask[15:0] 01 Immediate[15:0]		
Pkt / Reg / Imm[7:0] Operand[12:0]	11110 Immediate[31:0] 11		
11110 Immediate[31:0] 11			Pkt / Reg / Imm[7:0] Operand[12:0]

Table 24-1288. Operand Field With One Operand

Pkt / Reg / Imm[7:0] Operand[12:0]	Reserved	Reserved	Reserved
Pkt/Reg Operand[12:0]	11000 Mask[7:0]	Reserved	Reserved
Pkt/Reg Operand[12:0]	11001 Mask[15:0] 11111		Reserved
11101 Immediate[15:0] 11111		Reserved	Reserved
11110 Immediate[31:0] 11			Reserved

The formats in which operands are specified in the operand field have certain restrictions:

- a mask cannot follow an immediate value
- a mask cannot follow a previous mask
- a reserved field should have all following fields reserved as well
- the first field cannot be a mask

24.11.4.9.2.7.3 Arithmetic/Logical Function Field

There can be two codes for arithmetic and logical functions in each instruction. Each of the operations can involve one or two operands.

The location of each function field in an instruction is listed in [Table 24-1289](#).

Table 24-1289. Arithmetic/Logical Instruction Field

Bits	Description
23:20	Single or Dual operand Arithmetic/Logic Function (function 0)
19:16	Single or Dual operand Arithmetic/Logic Function (function 1)

The bit codes for each arithmetic/logic function that can be performed on the operands of an instruction are listed in [Table 24-1290](#).

Table 24-1290. Arithmetic/Logical Operation Codes

Code	Description	Operands Required	32-bit result	1-bit flag result
0x0	Less Than	2	0	Set if true
0x1	Less Than Equal To	2	0	Set if true
0x2	Greater Than	2	0	Set if true
0x3	Greater Than Equal To	2	0	Set if true
0x4	Equal to Zero	1	0	Set if true
0x5	Not Equal to Zero	1	0	Set if true
0x6	Equal to One	1	0	Set if true
0x7	Not Equal to One	1	0	Set if true
0x8	Equal	2	0	Set if true
0x9	Not Equal	2	0	Set if true
0xA	Add	2	Sum	Set if overflow
0xB	Subtract	2	Difference	Set if output is negative
0xC	Bitwise AND	2	Bitwise AND	0
0xD	Bitwise OR	2	Bitwise OR	0
0xE	Result is same as Operand	1	Same as operand	0
0xF	No Function (NOF)	0	0	0

The ALU0 and ALU1 are assigned function0 and function1 respectively. In case only one function is to be performed in an instruction, function0 field should be used to do that. An instruction with no function for ALU0 and a valid function for ALU1 will result in unspecified behavior.

The output of each function is in the form of a 32-bit number and a single bit value. The single bit value is either the carry bit from an add/subtract operation or the Boolean result from a comparison function. The single bit output from each function is referred as the flag0 or flag1 result. The 32-bit number is the outcome of arithmetic or a bitwise logical operation and it is referred to as the word0 or word1 result.

24.11.4.9.2.7.4 Operation Field

The operation field specifies a limit, save or a jump operation. All of these operations involve two arguments that are specified within the instruction.

In case of limit operation, one of the arguments is a condition and the other argument is a limit register. In case of save operation, one of the arguments is source data and the other argument is a destination where the data will be saved. In jump operation, the first argument is a condition that must be true for the jump to occur and the second argument is a destination to which the program control will be moved to. The destination argument in a jump operation also specifies specific destinations that lead to the current packet being immediately rejected or accepted.

The location of operation field in an instruction is shown in [Table 24-1291](#).

Table 24-1291. Operation Fields

Bits	Description
17:9	Limit/Save/Jump Operation (operation 0) For limit operation, [17:16] is the operation field, [15:13] is the condition field and [12:9] is a limit register. For save operation, [17:16] is the operation field, [15:13] is the source field, and [12:9] is the destination field. For jump operation, [17:16] is the operation field, [15:13] is the condition field, and [12:9] is the destination field
8:0	Limit/Save/Jump Operation (operation 1) For limit operation, [8:7] is the operation field, [6:4] is the condition field and [3:0] is a limit register. For save operation, [8:7] is the operation field, [6:4] is the source field, and [3:0] is the destination field. For jump operation, [8:7] is the operation field, [6:4] is the condition field, and [3:0] is the destination field.

Table 24-1292. Limit Operation

Description	In a limit operation, the condition argument specifies a condition that must be true for the specified limit register to be decremented if non-zero or the packet to be dropped if the limit register is zero.
--------------------	--

8	7	6	5	4	3	2	1	0
0	0	Condition Code			Limit Register			

Bits	Field Name	Description
6:4	Condition Code	It is a 3-bit code that specifies the condition that must be true for the operation to be executed. 0x0: Single bit flag (flag0 from function 0) 0x1: Single bit flag (flag1 from function 1) 0x2: Logical OR of flags (flag0 flag1) 0x3: Logical NOR of flags (!(flag0 flag1)) 0x4: Logical AND of flags (flag0 & flag1) 0x5: Logical NAND of flags (!(flag0 & flag1)) 0x6: XOR of flags (flag0 ^ flag1) 0x7: Unconditional Decrement/Limit
3:0	Limit Register	It is a 4-bit code that specifies the limit register that is to be decremented or checked for zero value. 0x0: Rate limit register L0 0x1: Rate limit register L1 0x2: Rate limit register L2 0x3: Rate limit register L3 0x4-0xF: Reserved

Table 24-1293. Save Operation

Description	The arguments for a save operation include a code for source data and a code for the destination. The source is either a single bit data or a 32-bit word. The single bit data is either a flag from the functions or a logical OR/AND of the flags. The 32-bit word is the result of the ALU arithmetic/logical functions.
--------------------	---

8	7	6	5	4	3	2	1	0
0	1	Source Data Code			Destination Register Code			

Bits	Field Name	Description
6:4	Source Data Code	It is a 3-bit code that specifies the source data which is to be save in another register 0x0: Single bit flag (flag0 from function 0) 0x1: Single bit flag (flag1 from function 1) 0x2: Logical OR of flags (flag0 flag1) 0x3: Logical AND of flags (flag0 & flag1) 0x4: Output of function (word0) 0x5: Output of function (word1) 0x6-0x7: Reserved
3:0	Destination Register Code	It is a 4-bit code that specified the register in which source data is to be stored 0x0-0x3: Single Bit register (T0-T3) 0x4-0x7: Base Register (B1-B3) 0x8-0xF: 32-bit Register (R0-R7)

For some instructions, the rule engine extracts the operand from the current packet. To determine the packet bits to be used as operands, it refers to one or more base registers. Whenever an instruction causes a change in value of any of the base registers, it cause the rule engine to wait for one clock cycle before executing the next instruction. The rule engine is a pipelined processor and change in the value of a base register causes the prefetched operand values to become stale and these need to be fetched again. The clock cycle inserted allows rule-engine to fetch the data again before the instruction using this data is executed. Only the instructions that use packet data will be delayed by a clock cycle if the previous instruction caused a change in the base register that is referenced in the current instruction.

Table 24-1294. Jump Operation

Description	For jump operation, one of the operands is a condition that must evaluate to true for the jump operation to occur. The other operand is the destination to which the program counter will move to if the jump operation is executed. The condition in a jump operation is either one of the flags from the output of the arithmetic/logic unit or a logical AND/OR of the flags.								
	8	7	6	5	4	3	2	1	0
	1	0	Condition Code			Destination Code			
Bits	Field Name	Description							
6:4	Condition Code	Condition Code 0x0: Single bit flag (flag0 from function 0) 0x1: Single bit flag (flag1 from function 1) 0x2: Logical OR of flags (flag0 flag1) 0x3: Logical NOR of flags (!(flag0 flag1)) 0x4: Logical AND of flags (flag0 & flag1) 0x5: Logical NAND of flags (!(flag0 & flag1)) 0x6: XOR of flags (flag0 ^ flag1) 0x7: Unconditional Jump							
3:0	Destination Code	Destination Code 0x0: Accept packet, return to instruction zero and wait for the next packet. 0x1: Reject packet and return to instruction zero. 0x2-0xF: Go to instruction at offset +2 ...+15							

The jump operation results in a change of program execution flow. The jump destination determines the next instruction that will be executed by the rule engine. The destination is only specified as a positive offset to the current value of the program counter. The program counter can result in the rule engine skipping a given number of instructions instead of executing the next instruction. In addition, the destination field can instruct the rule engine to immediately reject or accept the current packet without any further checks. The rule engine then goes back to the first instruction and waits for a new packet to arrive before it executes any further instructions.

The rule engine is a pipelined processor. When it executes a jump operation, there is a delay of one clock cycle before the next instruction is executed.

The operations specified in the two operation fields are independent of each other. However, it is possible that conflicting operations are specified in the operation fields of an instruction. When conflicting operations are specified and conditions of both operations evaluate to true; then the execution flow is determined as described below:

1. If one of the ALUs has a limit/jump operation that will cause the packet to be dropped, then the packet will be dropped irrespective of what the other ALU indicates.
2. If case 1 above is false and one of the ALUs has a jump operation that will cause the packet to be accepted, then the packet will be accepted and the rule engine will return to idle state.
3. If case 1 and 2 above are false and one of the ALUs has a jump to offset with the respective condition true, the jump will be executed. If there is conflicting jump to offset information in the two ALUs, ALU0 is given priority.

Table 24-1295. No Operation

Description		If there is no Save, Jump or Limit operation specified in the operation field, it is interpreted as a no operation. There is no change in execution flow, no change in any register values or rate limit registers when a no operation is encountered.							
8	7	6	5	4	3	2	1	0	
1	1	Reserved			Reserved				

It is expected that the rule engine will be programmed such that a decision to accept or discard the current packet is made before all instructions have executed. If the rule engine reaches the last instruction and it does not result in a decision to accept/reject the packet, then the execution flow does not stop and all instructions from the first instruction are executed again until the end of packet is reached.

24.11.4.9.3 Programming Guide

24.11.4.9.3.1 Initialization Routine

The packet filter must be initialized in order for it to operate as specified. A typical order in which the module can be initialized is shown below:

1. Initialize the firmware by programming the internal memory and verify it (SPF_INSTR_W2, SPF_INSTR_W1, SPF_INSTR_W0, [SPF_INSTR_CTL](#))
2. Allocate memory for logs written by SPF and initialized the log space parameters ([SPF_LOG_BEGIN](#), [SPF_LOG_END](#), SPF_SW_PTR)
3. Program the log map registers to associate drop codes with the log thresholds. ([SPF_LOG_MAP0](#), [SPF_LOG_MAP1](#))
4. Program log thresholds ([SPF_LOG_THRESHk](#), where k = 0 to 8)
5. Program constant registers if required by the firmware ([SPF_CONSTj](#), where j = 0 to 7)
6. Program clock prescale counters and rate limit registers if required by the firmware ([SPF_PRESCALE](#), [SPF_RATELIMI](#), where i = 0 to 3)
7. Program the interrupt frequency control register and interrupt mask register to setup interrupts ([SPF_INTCNT](#), [SPF_MASK_SET](#))
8. Program the control registers to enable SPF filter and logger ([SPF_CONTROL](#)).

24.11.4.9.3.2 Interrupt Service Routine

The interrupt service routine in SPF should be designed to process the data logs generated by SPF. It should trigger a higher layer application software that can analyze the data logs and determine if any remedial measures are required based on the information in the logs. At the minimum, the interrupt service routine must reprogram the software pointer for the logging machine to be able to continue logging.

The typical tasks performed following an interrupt are listed in the pseudo code below.

```
SPF_ISR {
  read log hardware pointer
  read log software pointer
  determine how many log entries are to be read
  read each log entry starting with the software pointer
  update software pointer to reflect the next unread entry
  clear interrupt
}
```

24.11.4.9.3.3 Rule Engine Example Program

Here is an example of how the rule engine can be programmed to detect packets that resemble Denial of Service traffic. The pseudo code is shown below.

```
IDLE:
  jump to ICMP if start_of_packet
```

```

ICMP:
if (protocol==ICMP)
limit_ICMP
if (fragmented packet)
drop and jump to IDLE
accept and jump to IDLE
else
jump to IP
IP:
if (source_ip==dest_ip)
drop and jump to IDLE
if (fragmented and (fragment_offset+ip_size)>2^16)
drop and jump to IDLE
accept the packet and jump to IDLE
    
```

24.11.4.10 Common Platform Time Sync (CPTS)

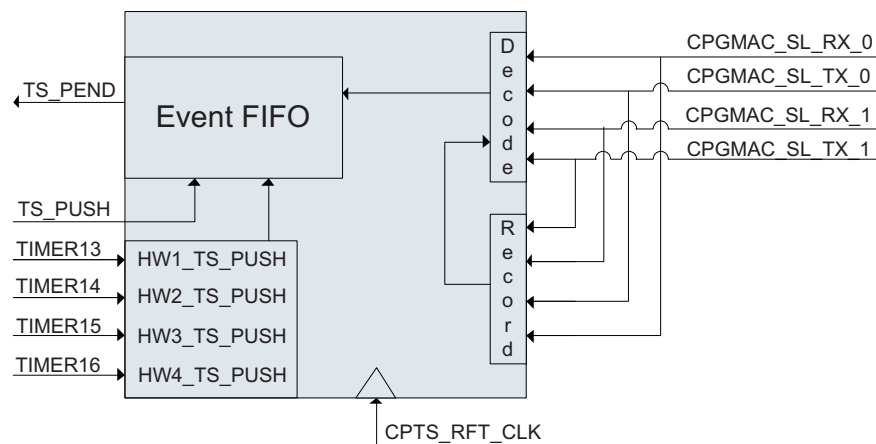
The Common Platform Time Sync (CPTS) module is used to facilitate host control of time sync operations. It enables compliance with the IEEE 1588-2008 standard for a precision clock synchronization protocol.

24.11.4.10.1 CPTS Architecture

Figure 24-206 shows the architecture of the CPTS module inside the GMAC_SW Ethernet Subsystem. Time stamp values for every packet transmitted or received on either port of the GMAC_SW are recorded. At the same time, each packet is decoded to determine if it is a valid time sync event. If so, an event is loaded into the Event FIFO for processing containing the recorded time stamp value when the packet was transmitted or received.

In addition, both hardware (HWx_TS_PUSH) and software (TS_PUSH) can be used to read the current time stamp value through the Event FIFO

Figure 24-206. CPTS Block Diagram



The reference clock used for the time stamp (CPTS_RFT_CLK) can be derived from several sources. See Chapter 3, PRCM for more details.

24.11.4.10.2 CPTS Initialization

The CPTS module should be configured as:

1. Reset the CPTS module.
2. Clear the CPTS_EN bit in the CPTS_CONTROL register.
3. Write the CLKSEL_RFT value in the CM_GMAC_GMAC_CLKCTRL register in the PRCM with the desired reference clock selection.
4. Set the CPTS_EN bit in the CPTS_CONTROL register.

5. If using interrupts and not polling, enable the interrupt by setting the TS_PEND_EN bit in the [CPTS_INT_ENABLE](#) register.

24.11.4.10.3 Time Stamp Value

The time stamp value is a 32-bit value that increments on each CPTS_RFT_CLK rising edge when CPTS_EN is set to 1. When CPTS_EN is cleared to 0, the time stamp value is reset to 0.

If more than 32-bits of time stamp are required by the application, the host software must maintain the necessary number of upper bits. The upper time stamp value should be incremented by the host when the rollover event is detected.

For test purposes, the time stamp can be written via the time stamp load function ([CPTS_TS_LOAD_VAL](#) and [CPTS_TS_LOAD_EN](#) registers).

24.11.4.10.4 Event FIFO

All time sync events are push onto the Event FIFO. There are 16 locations in the event FIFO with no overrun indication supported. Software must service the event FIFO in a timely manner to prevent FIFO overrun.

24.11.4.10.5 Time Sync Events

Time Sync events are 64-bit values that are pushed onto the event FIFO and read in two 32-bit reads. Two 32-bit registers, [CPTS_EVENT_HIGH](#) and [CPTS_EVENT_LOW](#) hold the data of a time sync event. There are five types of sync events:

- Time stamp push event
- Time stamp counter rollover event
- Time stamp counter half-rollover event
- Ethernet receive event
- Ethernet transmit event

24.11.4.10.5.1 Time Stamp Push Event

Software can obtain the current time stamp value (at the time of the write) by initiating a time stamp push event. The push event is initiated by setting the TS_PUSH bit of the [CPTS_TS_PUSH](#) register. The time stamp value is returned in the event, along with a time stamp push event code. Software should not push a second time stamp event on to the FIFO until the first time stamp value has been read from the event FIFO.

24.11.4.10.5.2 Time Stamp Counter Rollover Event

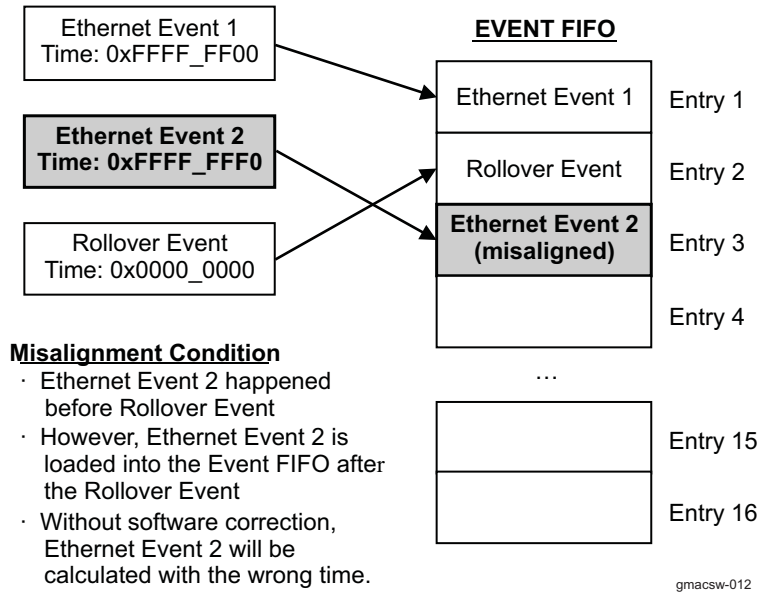
The CPTS module contains a 32-bit time stamp value. The counter upper bits are maintained by host software. The rollover event indicates to software that the time stamp counter has rolled over from FFFF FFFFh to 0000 0000h, and the software maintained upper count value should be incremented.

24.11.4.10.5.3 Time Stamp Counter Half-rollover Event

The CPTS includes a time stamp counter half-rollover event. The half-rollover event indicates to software that the time stamp value has incremented from 7FFF FFFFh to 8000 0000h. The half-rollover event is included to enable software to correct a misaligned event condition. The half-rollover event is included to enable software to determine the correct time for each event that contains a valid time stamp value, such as an Ethernet event. If an Ethernet event occurs around a counter rollover (full rollover), the rollover event could possibly be loaded into the event FIFO before the Ethernet event, even though the Ethernet event time was actually taken before the rollover. [Figure 24-207](#) shows a misalignment condition.

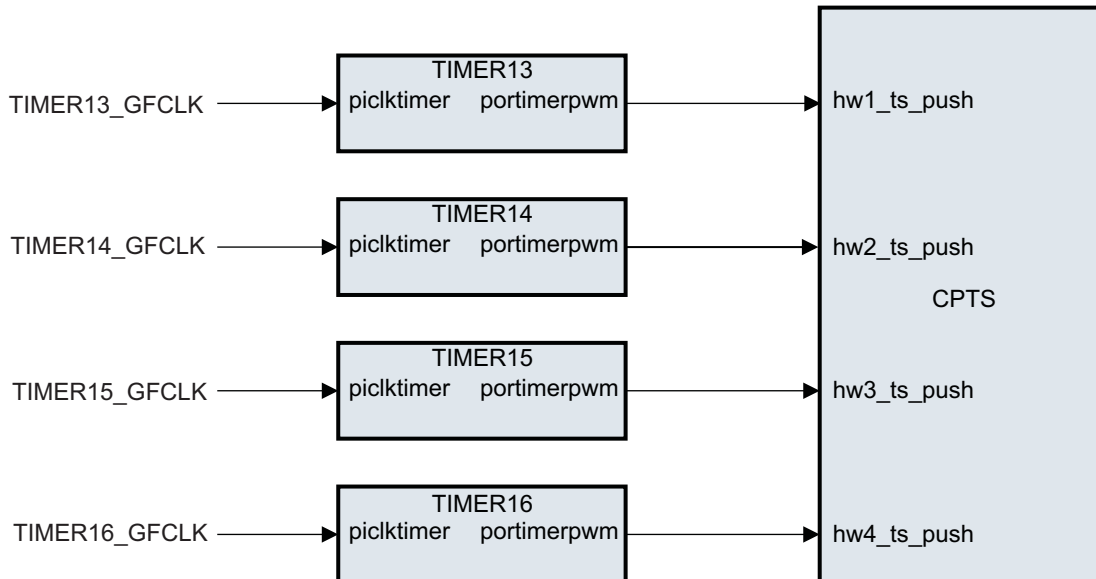
Host software must detect and correct for misaligned event conditions. For every event after a rollover and before a half-rollover, software must examine the time stamp most significant bit. If bit 31 of the time stamp value is low (0000 0000h through 7FFF FFFFh), then the event time stamp was taken after the rollover and no correction is required. If the value is high (8000 0000h through FFFF FFFFh), the time stamp value was taken before the rollover and a misalignment is detected. The misaligned case indicates to software that it must subtract one from the upper count value stored in software to calculate the correct time for the misaligned event. The misaligned event occurs only on the rollover boundary and not on the half-rollover boundary. Software only needs to check for misalignment from a rollover event to a half-rollover event.

Figure 24-207. Event FIFO Misalignment Condition



24.11.4.10.5.4 Hardware Time Stamp Push Event

There are four hardware time stamp inputs (HW1/4_TS_PUSH) that can cause hardware time stamp push events to be loaded into the Event FIFO. Each hardware time stamp input is internally connected to the PORTIMERPWM output of each timer as shown in [Figure 24-208](#).

Figure 24-208. HW1/4_TSP_PUSH Connection


The event is loaded into the event FIFO on the rising edge of the timer, and the PORT_NUMBER field in the [CPTS_EVENT_HIGH](#) register indicates the hardware time stamp input that caused the event.

Each hardware time stamp input must be asserted for at least 10 periods of the selected RCLK clock. Each input can be enabled or disabled by setting the respective bits in the [CPTS_CONTROL](#) register.

Hardware time stamps are intended to be an extremely low frequency signals, such that the event FIFO does not overrun. Software must keep up with the event FIFO and ensure that there is no overrun, or events will be lost.

24.11.4.10.5.5 Ethernet Port Events

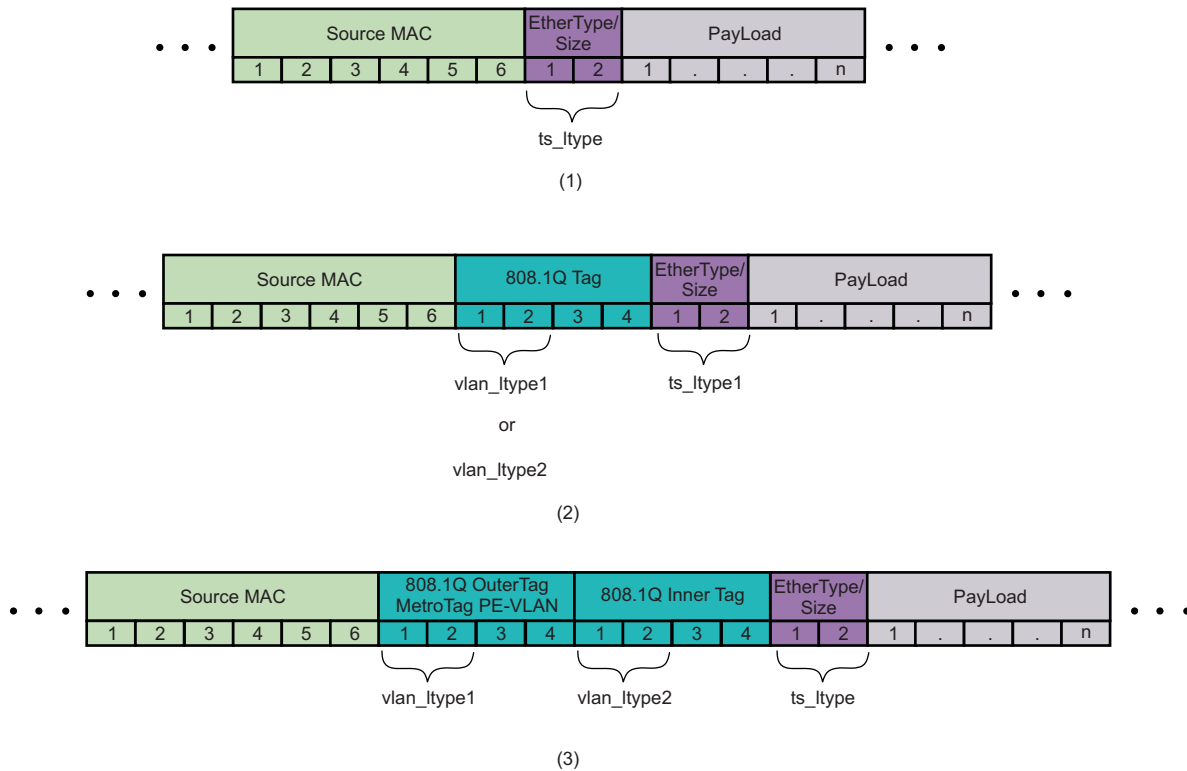
Packets transmitted or received on each Ethernet port can generate Ethernet Transmit Events or Ethernet Receive Events, respectively. The CPTS hardware will decode each packet to determine if it is a valid CPTS time sync event.

According to the IEEE 802.3 Ethernet standard, each Ethernet frame contains a 2-octet EtherType field to indicate which protocol is encapsulated in the Payload field, as shown in [Figure 24-209](#). For standard time sync packets, this will contain the EtherType for the Precision Time Protocol (IEEE 1588), which is defined as 0x88F7. The CPTS hardware will compare this field to the TS_LTYPE1 field or the TS_LTYPE2 field (depending on which enable bit was set) in the [CPSW_TS_LTYPE](#) register, which should also be programmed to 88F7h.

When a virtual LAN is used, an additional 4-octet 802.1Q tag is inserted in the Ethernet frame before the EtherType field, as shown in [Figure 24-209](#). To indicate to the CPTS hardware that a virtual LAN is in use, the Pn_TS_VLAN_LTYPE1_EN (or Pn_TS_VLAN_LTYPE2_EN) enable bit must be set in the Pn_CONTROL register. The EtherType for the 802.1Q tag is defined as 0x8100, and the CPTS hardware will compare this value to the VLAN_LTYPE1 (or VLAN_LTYPE2 depending on which enable bit was set) field in the [CPSW_VLAN_LTYPE](#) register, which should also be programmed to 0x8100.

When two stacked VLANs are used, two additional 4-octet 801.Q tags are inserted in the Ethernet frame before the EtherType field, as shown in [Figure 24-209](#). In this case, both VLAN_LTYPE1 and VLAN_LTYPE2 must be enabled. The outer tag must match the value of the VLAN_LTYPE1 field, and the inner tag must match the value of the VLAN_LTYPE2 field.

Figure 24-209. Partial Ethernet-II Frames Showing Register Mapping of EtherTypes for a Simple Frame (1), a Single 1Q Tag Added (2), and Two 1Q Tags Added (3)



To enable transmit/receive event packets on a given Ethernet port, perform the following steps, where n is the port number:

1. Set the [1] Pn_TS_TX_EN or the [0] Pn_TS_RX_EN bit in the Pn_CONTROL register to enable transmit/receive event packets
2. Configure the register fields as follows:
 1. Set the Pn_CONTROL[2] Pn_TS_LTYPE1_EN or [3] Pn_TS_LTYPE2_EN bit to 1
 2. Set the CPSW_TS_LTYPE[15:0] TS_LTYPE1 or [31:16] TS_LTYPE2 (depending on which enable bit was set in 2(a)) field to 88F7h, which corresponds to the Precision Time Protocol (IEEE 1588) EtherType.
 3. Set the Pn_TS_SEQ_MTYPE[21:16] Pn_TS_SEQ_ID_OFFSET field to 1Eh, which is the sequence ID offset in the common message header given in the IEEE 1588 specification.
3. To enable support for VLAN tagging (IEEE 802.1Q):
 1. Set the [20] Pn_TS_VLAN_LTYPE1_EN or [21] Pn_TS_VLAN_LTYPE2_EN bit in the Pn_CONTROL register.
 2. Set the CPSW_VLAN_LTYPE[15:0] VLAN_LTYPE1 or [31:16] VLAN_LTYPE2 field (matching what was used in step 3a) to 8100h, which corresponds to the VLAN-tagged frame (IEEE 802.1Q) EtherType.
4. To enable support for up to two stacked VLANs (IEEE 802.1ad):
 1. Set the Pn_TS_VLAN_LTYPE1_EN and Pn_TS_VLAN_LTYPE2_EN bits in the Pn_CONTROL register.
 2. Set the VLAN_LTYPE1 field in the CPSW_VLAN_LTYPE register to match the EtherType of the outer tag.
 3. Set the VLAN_LTYPE2 field in the CPSW_VLAN_LTYPE register to 8100h, which corresponds to the VLAN-tagged frame (IEEE 802.1Q) EtherType of the inner tag.
5. Set the Pn_TS_SEQ_MTYPE[15:0] Pn_TS_MSG_TYPE_EN field to choose which types of time stamp messages will push events onto the Event FIFO. Table 9-20 lists the message types defined in the

IEEE 1588-2008 specification. [Table 24-1296](#) lists the message types defined in the IEEE 1588-2008 specification.

Table 24-1296. Values of Message Type Field

Message Type	Value (hex)
Sync	0
Delay_Req	1
Pdelay_Req	2
Pdelay_Resp	3
Reserved	4-7
Follow_Up	8
Delay_Resp	9
Pdelay_Resp_Follow_Up	A
Announce	B
Signaling	C
Management	D
Reserved	E-F

Once a transmitted or received packet is determined to be a valid time sync packet, the Ethernet Transmit Event or Ethernet Receive Event is loaded onto the Event FIFO. The [CPTS_EVENT_HIGH](#) register contains the Message Type and Sequence ID values from the original time sync packet. The [CPTS_EVENT_LOW](#) register contains the time stamp value when the packet arrived at the corresponding port.

24.11.4.10.6 CPTS Interrupt Handling

When an event is push onto the Event FIFO, an interrupt can be generated to indicate to software that a time sync event occurred. The following steps should be taken to process time sync events using interrupts:

1. Enable the TS_PEND interrupt by setting the TS_PEND_EN bit of the [CPTS_INT_ENABLE](#) register.
2. Upon interrupt, read the [CPTS_EVENT_LOW](#) and [CPTS_EVENT_HIGH](#) registers values.
3. Set the EVENT_POP field (bit 0) of the [CPTS_EVENT_POP](#) register to pop the previously read value off of the event FIFO.
4. Process the interrupt as required by the application software.

Software has the option of processing more than a single event from the event FIFO in the interrupt service routine in the following way:

1. Enable the TS_PEND interrupt by setting the TS_PEND_EN bit of the [CPTS_INT_ENABLE](#) register.
2. Upon interrupt, read the [CPTS_EVENT_LOW](#) and [CPTS_EVENT_HIGH](#) registers values.
3. Set the EVENT_POP bit of the [CPTS_EVENT_POP](#) register to pop the previously read value off of the event FIFO.
4. Wait for an amount of time greater than four CPTS_RFT_CLK periods plus four MAIN_CLK periods.
5. Read the TS_PEND_RAW bit in the [CPTS_INTSTAT_RAW](#) register to determine if another valid event is in the event FIFO. If it is asserted, go to step 2; otherwise, go to step 6.
6. Process the interrupt(s) as required by the application software.

Software also has the option of disabling the interrupt and polling the TS_PEND_RAW bit of the [CPTS_INTSTAT_RAW](#) register to determine if a valid event is on the event FIFO.

24.11.4.11 CPPI Buffer Descriptors

The buffer descriptor is a central part of the GMAC_SW Ethernet Subsystem and is how the application software describes Ethernet packets to be sent and empty buffers to be filled with incoming packet data.

Host Software sends and receives network frames via the CPPI compliant host interface. The host interface includes module registers and host memory data structures. The host memory data structures are buffer descriptors and data buffers. Buffer descriptors are data structures that contain information about a single data buffer. Buffer descriptors may be linked together to describe frames or queues of frames for transmission of data and free buffer queues available for received data.

NOTE: The 8K bytes of Ethernet Subsystem CPPI RAM begin at address 0x4848 6000 and end at 0x4848 7FFF from the GMAC_SW perspective. The buffer descriptors programmed to access the CPPI RAM memory should use this address range.

24.11.4.11.1 TX Buffer Descriptors

A TX buffer descriptor (Table 24-1297) is a contiguous block of four 32-bit data words aligned on a 32-bit word boundary.

Table 24-1297. TX Buffer Descriptor Format

31	30	29	28	27	26	25	24	23	22	21	20	19	18	17	16	15	14	13	12	11	10	9	8	7	6	5	4	3	2	1	0
Next Descriptor Pointer																															
31	30	29	28	27	26	25	24	23	22	21	20	19	18	17	16	15	14	13	12	11	10	9	8	7	6	5	4	3	2	1	0
Buffer Pointer																															
31	30	29	28	27	26	25	24	23	22	21	20	19	18	17	16	15	14	13	12	11	10	9	8	7	6	5	4	3	2	1	0
Buffer Offset																Buffer Length															
31	30	29	28	27	26	25	24	23	22	21	20	19	18	17	16	15	14	13	12	11	10	9	8	7	6	5	4	3	2	1	0
SOP	EOP	OWNER	EOQ	TDOWNCMPLT	PASSCRC	RESERVED						TO_PORT_EN	RESERVED	TO_PORT	RESERVED						Packet Length										

24.11.4.11.1.1 CPPI TX Data Word 0

Next Descriptor Pointer

The next descriptor pointer points to the 32-bit word aligned memory address of the next buffer descriptor in the transmit queue. This pointer is used to create a linked list of buffer descriptors. If the value of this pointer is zero, then the current buffer is the last buffer in the queue. The software application must set this value prior to adding the descriptor to the active transmit list. This pointer is not altered by the EMAC. The value of pNext should never be altered once the descriptor is in an active transmit queue, unless its current value is NULL. If the pNext pointer is initially NULL, and more packets need to be queued for transmit, the software application may alter this pointer to point to a newly appended descriptor. The EMAC will use the new pointer value and proceed to the next descriptor unless the pNext value has already been read. In this latter case, the transmitter will halt on the transmit channel in question, and the software application may restart it at that time. The software can detect this case by checking for an end of queue (EOQ) condition flag on the updated packet descriptor when it is returned by the EMAC

24.11.4.11.1.2 CPPI TX Data Word 1

Buffer Pointer

The byte aligned memory address of the buffer associated with the buffer descriptor. The host sets the `buffer_pointer`. The software application must set this value prior to adding the descriptor to the active transmit list. This pointer is not altered by the EMAC.

24.11.4.11.1.3 CPPI TX Data Word 2

Buffer Offset

Indicates how many unused bytes are at the start of the buffer. A value of 0000h indicates that no unused bytes are at the start of the buffer and that valid data begins on the first byte of the buffer. A value of 000Fh (decimal 15) indicates that the first 15 bytes of the buffer are to be ignored by the port and that valid buffer data starts on byte 16 of the buffer. The host sets the `Buffer_Offset` value (which may be zero to the buffer length minus 1). Valid only on SOP.

Buffer Length

Indicates how many valid data bytes are in the buffer. Unused or protocol specific bytes at the beginning of the buffer are not counted in the `Buffer_Length` field. The host sets the `Buffer_Length`. The `Buffer_Length` must be greater than zero.

24.11.4.11.1.4 CPPI TX Data Word 3

Packet Length

Specifies the number of bytes in the entire packet. Offset bytes are not included. The sum of the `Buffer_Length` fields should equal the `Packet_Length`. Valid only on SOP. The packet length must be greater than zero. The packet data will be truncated to the packet length if the packet length is shorter than the sum of the packet buffer descriptor buffer lengths. A host error occurs if the packet length is greater than the sum of the packet buffer descriptor buffer lengths.

Start of Packet (SOP) Flag

When set, this flag indicates that the descriptor points to a packet buffer that is the start of a new packet. In the case of a single fragment packet, both the SOP and end of packet (EOP) flags are set. Otherwise, the descriptor pointing to the last packet buffer for the packet sets the EOP flag. This bit is set by the software application and is not altered by the EMAC.

0 - Not start of packet buffer.

1 - Start of packet buffer.

End of Packet (EOP) Flag

When set, this flag indicates that the descriptor points to a packet buffer that is last for a given packet. In the case of a single fragment packet, both the start of packet (SOP) and EOP flags are set. Otherwise, the descriptor pointing to the last packet buffer for the packet sets the EOP flag. This bit is set by the software application and is not altered by the EMAC.

0 - Not end of packet buffer.

1 - End of packet buffer.

Ownership (OWNER) Flag

When set this flag indicates that all the descriptors for the given packet (from SOP to EOP) are currently owned by the EMAC. This flag is set by the software application on the SOP packet descriptor before adding the descriptor to the transmit descriptor queue. For a single fragment packet, the SOP, EOP, and OWNER flags are all set. The OWNER flag is cleared by the EMAC once it is finished with all the descriptors for the given packet. Note that this flag is valid on SOP descriptors only.

0 - The packet is owned by the host

1 - The packet is owned by the port

End of Queue (EOQ) Flag

When set, this flag indicates that the descriptor in question was the last descriptor in the transmit queue for a given transmit channel, and that the transmitter has halted. This flag is initially cleared by the software application prior to adding the descriptor to the transmit queue. This bit is set by the EMAC when the EMAC identifies that a descriptor is the last for a given packet (the EOP flag is set), and there are no more descriptors in the transmit list (next descriptor pointer is NULL).

The software application can use this bit to detect when the EMAC transmitter for the corresponding channel has halted. This is useful when the application appends additional packet descriptors to a transmit queue list that is already owned by the EMAC. Note that this flag is valid on EOP descriptors only.

0 - The TX queue has more packets to transfer.

1 - The Descriptor buffer is the last buffer in the last packet in the queue.

Teardown Complete (TDOWNCMPLT) Flag

This flag is used when a transmit queue is being torn down, or aborted, instead of allowing it to be transmitted. This would happen under device driver reset or shutdown conditions. The EMAC sets this bit in the SOP descriptor of each packet as it is aborted from transmission. Note that this flag is valid on SOP descriptors only. Also note that only the first packet in an unsent list has the TDOWNCMPLT flag set. Subsequent descriptors are not processed by the EMAC.

0 - The port has not completed the teardown process.

1 - The port has completed the commanded teardown process.

Pass CRC (PASSCRC) Flag

This flag is set by the software application in the SOP packet descriptor before it adds the descriptor to the transmit queue. Setting this bit indicates to the EMAC that the 4 byte Ethernet CRC is already present in the packet data, and that the EMAC should not generate its own version of the CRC. When the CRC flag is cleared, the EMAC generates and appends the 4-byte CRC. The buffer length and packet length fields do not include the CRC bytes. When the CRC flag is set, the 4-byte CRC is supplied by the software application and is already appended to the end of the packet data. The buffer length and packet length fields include the CRC bytes, as they are part of the valid packet data. Note that this flag is valid on SOP descriptors only.

0 - The CRC is not included with the packet data and packet length.

1 - The CRC is included with the packet data and packet length.

TO_PORT

Port number to send the directed packet to. This field is set by the host. This field is valid on SOP. Directed packets go to the directed port, but an ALE lookup is performed to determine untagged egress in VLAN_AWARE mode.

1 - Send the packet to port 1 if TO_PORT_EN is asserted.

2 - Send the packet to port 2 if TO_PORT_EN is asserted.

TO_PORT_ENABLE

Indicates when set that the packet is a directed packet to be sent to the TO_PORT field port number. This field is set by the host. The packet is sent to one port only (index not mask). This bit is valid on SOP.

0 - not a directed packet

1 - directed packet

24.11.4.11.2 RX Buffer Descriptors

A RX buffer descriptor ([Table 24-1298](#)) is a contiguous block of four 32-bit data words aligned on a 32-bit word boundary.

Table 24-1298. RX Buffer Descriptor Format

31	30	29	28	27	26	25	24	23	22	21	20	19	18	17	16	15	14	13	12	11	10	9	8	7	6	5	4	3	2	1	0
Next Descriptor Pointer																															

31	30	29	28	27	26	25	24	23	22	21	20	19	18	17	16	15	14	13	12	11	10	9	8	7	6	5	4	3	2	1	0
Buffer Pointer																															

31	30	29	28	27	26	25	24	23	22	21	20	19	18	17	16	15	14	13	12	11	10	9	8	7	6	5	4	3	2	1	0
RESERVED								Buffer Offset								RESERVED								Buffer Length							

31	30	29	28	27	26	25	24	23	22	21	20	19	18	17	16	15	14	13	12	11	10	9	8	7	6	5	4	3	2	1	0
SOP	EOP	OWNER	EOQ	TDOWNCMPLT	PASSCRC	LONG	SHORT	MAC_CTL	OVERRUN	PKT_ERR	RX_VLAN_ENCAP	FROM_PORT	RESERVED										Packet Length								

24.11.4.11.2.1 CPPI RX Data Word 0

Next Descriptor Pointer

The 32-bit word aligned memory address of the next buffer descriptor in the RX queue. This is the mechanism used to reference the next buffer descriptor from the current buffer descriptor. If the value of this pointer is zero then the current buffer is the last buffer in the queue. The host sets the Next_Descriptor_Pointer.

24.11.4.11.2.2 CPPI RX Data Word 1

Buffer Pointer

The byte aligned memory address of the buffer associated with the buffer descriptor. The host sets the Buffer_Pointer.

24.11.4.11.2.3 CPPI RX Data Word 2

Buffer Offset

Indicates how many unused bytes are at the start of the buffer. A value of 0000h indicates that there are no unused bytes at the start of the buffer and that valid data begins on the first byte of the buffer. A value of 000Fh (decimal 15) indicates that the first 15 bytes of the buffer are to be ignored by the port and that valid buffer data starts on byte 16 of the buffer. The port writes the Buffer_Offset with the value from the CPDMA_RX_BUFFER_OFFSET register value. The host initializes the Buffer_Offset to zero for free buffers. The Buffer_Length must be greater than the CPDMARX_BUFFER_OFFSET register value. The buffer offset is valid only on SOP.

Buffer Length

Indicates how many valid data bytes are in the buffer. Unused or protocol specific bytes at the beginning of the buffer are not counted in the Buffer Length field. The host initializes the Buffer_Length, but the port may overwrite the host initiated value with the actual buffer length value on SOP and/or EOP buffer descriptors. SOP buffer length values will be overwritten if the packet size is less than the size of the buffer or if the offset is nonzero. EOP buffer length values will be overwritten if the entire buffer is not filled up with data. The Buffer_Length must be greater than zero.

24.11.4.11.2.4 CPPI RX Data Word 3

Packet Length

Specifies the number of bytes in the entire packet. Offset bytes are not included. The sum of the Buffer_Length fields should equal the Packet_Length. Valid only on SOP.

Start of Packet (SOP) Flag

When set, this flag indicates that the descriptor points to a packet buffer that is the start of a new packet. In the case of a single fragment packet, both the SOP and end of packet (EOP) flags are set. Otherwise, the descriptor pointing to the last packet buffer for the packet has the EOP flag set. This flag is initially cleared by the software application before adding the descriptor to the receive queue. This bit is set by the EMAC on SOP descriptors.

End of Packet (EOP) Flag

When set, this flag indicates that the descriptor points to a packet buffer that is last for a given packet. In the case of a single fragment packet, both the start of packet (SOP) and EOP flags are set. Otherwise, the descriptor pointing to the last packet buffer for the packet has the EOP flag set. This flag is initially cleared by the software application before adding the descriptor to the receive queue. This bit is set by the EMAC on EOP descriptors.

Ownership (OWNER) Flag

When set, this flag indicates that the descriptor is currently owned by the EMAC. This flag is set by the software application before adding the descriptor to the receive descriptor queue. This flag is cleared by the EMAC once it is finished with a given set of descriptors, associated with a received packet. The flag is updated by the EMAC on SOP descriptor only. So when the application identifies that the OWNER flag is cleared on an SOP descriptor, it may assume that all descriptors up to and including the first with the EOP flag set have been released by the EMAC. (Note that in the case of single buffer packets, the same descriptor will have both the SOP and EOP flags set.)

End of Queue (EOQ) Flag

When set, this flag indicates that the descriptor in question was the last descriptor in the receive queue for a given receive channel, and that the corresponding receiver channel has halted. This flag is initially cleared by the software application prior to adding the descriptor to the receive queue. This bit is set by the EMAC when the EMAC identifies that a descriptor is the last for a given packet received (also sets the EOP flag), and there are no more descriptors in the receive list (next descriptor pointer is NULL). The software application can use this bit to detect when the EMAC receiver for the corresponding channel has halted. This is useful when the application appends additional free buffer descriptors to an active receive queue. Note that this flag is valid on EOP descriptors only.

Teardown Complete (TDOWNCMPLT) Flag

This flag is used when a receive queue is being torn down, or aborted, instead of being filled with received data. This would happen under device driver reset or shutdown conditions. The EMAC sets this bit in the descriptor of the first free buffer when the tear down occurs. No additional queue processing is performed.

Pass CRC (PASSCRC) Flag

This flag is set by the EMAC in the SOP buffer descriptor if the received packet includes the 4-byte CRC. This flag should be cleared by the software application before submitting the descriptor to the receive queue.

Long (Jabber) Flag

This flag is set by the EMAC in the SOP buffer descriptor, if the received packet is a jabber frame and was not discarded because the RX_CEF_EN bit was set in the [SL_MACCONTROL](#) register. Jabber frames are frames that exceed the RXMAXLEN in length, and have CRC, code, or alignment errors.

Short (Fragment) Flag

This flag is set by the EMAC in the SOP buffer descriptor, if the received packet is only a packet fragment and was not discarded because the RX_CSF_EN bit was set in the [SL_MACCONTROL](#) register.

Control Flag

This flag is set by the EMAC in the SOP buffer descriptor, if the received packet is an EMAC control frame and was not discarded because the RX_CMF_EN bit was set in the [SL_MACCONTROL](#) register.

Overrun Flag

This flag is set by the EMAC in the SOP buffer descriptor, if the received packet was aborted due to a receive overrun.

Packet Error (PKT_ERR) Flag

Packet Contained Error on Ingress:

00 - no error

01 - CRC error on ingress

10 - Code error on ingress

11 - Align error on ingress

VLAN Encapsulated Packet (RX_VLAN_ENCAP)

Indicates when set that the packet data contains a 32-bit VLAN header word that is included in the packet byte count. This field is set by the port to be the value of the [CPSW_CONTROL](#) register RX_VLAN_ENCAP bit.

FROM_PORT

Indicates the port number that the packet was received on (ingress to the switch).

24.11.4.12 MDIO

The MII Management interface module implements the 802.3 serial management interface to interrogate and control two Ethernet PHYs simultaneously using a shared two-wire bus. Two user access registers ([MDIO_USERACCESS0/MDIO_USERACCESS1](#)) control and monitor up to two PHYs simultaneously.

24.11.4.12.1 MDIO Frame Formats

[Table 24-1299](#) shows the read format and [Table 24-1300](#) shows the write format of the 32-bit MII Management interface frames.

Table 24-1299. MDIO Read Frame Format

Pre-amble	Start Delimiter	Operation Code	PHY Address	Register Address	Turnaround	Data
FFFF FFFFh	01	10	AAAAA	RRRRR	Z0	DDDD.DDDD.DDDD.DDDD

Table 24-1300. MDIO Write Frame Format

Pre-amble	Start Delimiter	Operation Code	PHY Address	Register Address	Turnaround	Data
FFFF FFFFh	01	01	AAAAA	RRRRR	10	DDDD.DDDD.DDDD.DDDD

The default or idle state of the two wire serial interface is a logic one. All tri-state drivers should be disabled and the PHY's pull-up resistor will pull the MDIO line to a logic 1. Prior to initiating any other transaction, the station management entity shall send a preamble sequence of 32 contiguous logic 1 bits on the MDIO line with 32 corresponding cycles on MDCLK to provide the PHY with a pattern that it can use to establish synchronization. A PHY shall observe a sequence of 32 contiguous logic one bits on MDIO with 32 corresponding MDCLK cycles before it responds to any other transaction.

Preamble

The start of a frame is indicated by a preamble, which consists of a sequence of 32 contiguous bits all of which are a 1. This sequence provides the PHY a pattern to use to establish synchronization.

Start Delimiter

The preamble is followed by the start delimiter which is indicated by a 01 pattern. The pattern assures transitions from the default logic 1 state to logic 0, and back to logic 1.

Operation Code

The operation code for a read is 10, while the operation code for a write is a 01.

PHY Address

The PHY address is 5 bits allowing 32 unique values. The first bit transmitted is the MSB of the PHY address.

Register Address

The Register address is 5 bits allowing 32 registers to be addressed within each PHY. Refer to the 10/100 PHY address map for addresses of individual registers.

Turnaround

An idle bit time during which no device actively drives the MDIO signal shall be inserted between the register address field and the data field of a read frame in order to avoid contention. During a read frame, the PHY shall drive a zero bit onto MDIO for the first bit time following the idle bit and preceding the Data field. During a write frame, this field shall consist of a one bit followed by a zero bit.

Data

The Data field is 16 bits. The first bit transmitted and received is the MSB of the data word.

24.11.4.12.2 MDIO Functional Description

The MII Management I/F will remain idle until enabled by setting the ENABLE bit in the [MDIO_CONTROL](#) register. The MII Management I/F will then continuously poll the link status from within the Generic Status Register of all possible 32 PHY addresses in turn recording the results in the [MDIO_LINK](#) register. The LINKSEL bit in the [MDIO_USERPHYSEL0/1](#) register determines the status input that is used. A change in the link status of the two PHYs being monitored will set the appropriate bit in the [MDIO_LINKINTRAW](#) register and the [MDIO_LINKINTMASKED](#) register, if enabled by the LINKINT_ENABLE bit in the [MDIO_USERPHYSEL0/1](#) register.

The [MDIO_ALIVE](#) register is updated by the MII Management I/F module if the PHY acknowledged the read of the generic status register. In addition, any PHY register read transactions initiated by the host also cause the [MDIO_ALIVE](#) register to be updated.

At any time, the host can define a transaction for the MII Management interface module to undertake using the DATA, PHYADR, REGADR, and WRITE fields in a [MDIO_USERACCESS0/1](#) register. When the host sets the GO bit in this register, the MII Management interface module will begin the transaction without any further intervention from the host. Upon completion, the MII Management interface will clear the GO bit and set the USERINTRAW bit in the [MDIO_USERINTRAW](#) register corresponding to the [MDIO_USERACCESS0/1](#) register being used. The corresponding bit in the [MDIO_USERINTMASKED](#) register may also be set depending on the mask setting in the [MDIO_USERINTMASKSET](#) and [MDIO_USERINTMASKCLR](#) registers. A round-robin arbitration scheme is used to schedule transactions that may be queued by the host in different [MDIO_USERACCESS0/1](#) registers. The host should check the status of the GO bit in the [MDIO_USERACCESS0/1](#) register before initiating a new transaction to ensure that the previous transaction has completed. The host can use the ACK bit in the [MDIO_USERACCESS0/1](#) register to determine the status of a read transaction.

It is necessary for software to use the MII Management interface module to setup the auto-negotiation parameters of each PHY attached to a MAC port, retrieve the negotiation results, and setup the [SL_MACCONTROL](#) register in the corresponding MAC.

24.11.5 GMAC_SW Programming Guide

24.11.5.1 Transmit Operation

After reset, the host must write zeroes to all TX DMA State head descriptor pointers. The TX port may then be enabled. To initiate packet transmission the host constructs transmit queues in memory (one or more packets for transmission) and then writes the appropriate TX DMA state head descriptor pointers. For each buffer added to a transmit queue, the host must initialize the TX buffer descriptor values as follows:

1. Write the Next Descriptor Pointer with the 32-bit aligned address of the next descriptor in the queue (zero if last descriptor)
2. Write the Buffer Pointer with the byte aligned address of the buffer data
3. Write the Buffer Length with the number of bytes in the buffer
4. Write the Buffer Offset with the number of bytes in the offset to the data (nonzero with SOP only)
5. Set the SOP, EOP, and Ownership bits as appropriate
6. Clear the End Of Queue bit

The port begins TX packet transmission on a given channel when the host writes the channel's TX queue head descriptor pointer with the address of the first buffer descriptor in the queue (nonzero value). Each channel may have one or more queues, so each channel may have one or more head descriptor pointers. The first buffer descriptor for each TX packet must have the Start of Packet (SOP) bit and the Ownership bit set to one by the host. The last buffer descriptor for each TX packet must have the End of Packet (EOP) bit set to one by the host. The port will transmit packets until all queued packets have been transmitted and the queue(s) are empty. When each packet transmission is complete, the port will clear the Ownership bit in the packet's SOP buffer descriptor and issue an interrupt to the host by writing the packet's last buffer descriptor address to the queue's TX DMA State Completion Pointer. The interrupt is generated by the write, regardless of the value written. When the last packet in a queue has been transmitted, the port sets the End Of Queue bit in the EOP buffer descriptor, clears the Ownership bit in the SOP Descriptor, zeroes the appropriate DMA state head descriptor pointer, and then issues a TX interrupt to the host by writing to the queue's associated TX completion pointer (address of the last buffer descriptor processed by the port). The port issues a maskable level interrupt (which may then be routed through external interrupt control logic to the host).

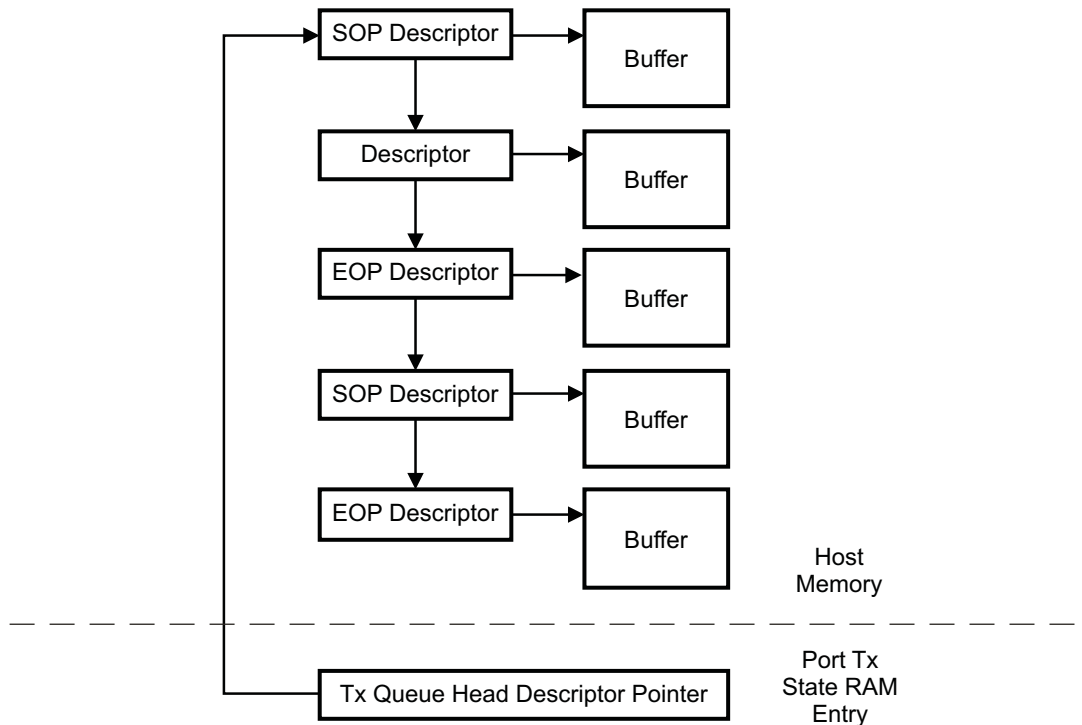
On interrupt from the port, the host processes the buffer queue, detecting transmitted packets by the status of the Ownership bit in the SOP buffer descriptor. If the Ownership bit is cleared to zero, then the packet has been transmitted and the host may reclaim the buffers associated with the packet. The host continues queue processing until the end of the queue or until a SOP buffer descriptor is read that contains a set Ownership bit indicating that the packet transmission is not complete. The host determines that all packets in the queue have been transmitted when the last packet in the queue has a cleared Ownership bit in the SOP buffer descriptor, the End of Queue bit is set in the last packet EOP buffer descriptor, and the Next Descriptor Pointer of the last packet EOP buffer descriptor is zero. The host acknowledges an interrupt by writing the address of the last buffer descriptor to the queue's associated TX Completion Pointer in the TX DMA State. If the host written buffer address value is different from the buffer address written by the port, then the level interrupt remains asserted. If the host written buffer address value is equal to the port written value, then the level interrupt is de-asserted. The port write to the completion pointer actually stores the value in the state register (RAM). The host written value is actually not written to the register location. The host written value is compared to the register contents (which was written by the port) and if the two values are equal, the interrupt is removed, otherwise the interrupt remains asserted. The host may process multiple packets previous to acknowledging an interrupt, or the host may acknowledge interrupts for every packet.

A mis-queued packet condition may occur when the host adds a packet to a queue for transmission as the port finishes transmitting the previous last packet in the queue. The mis-queued packet is detected by the host when queue processing detects a cleared Ownership bit in the SOP buffer descriptor, a set End of Queue bit in the EOP buffer descriptor, and a nonzero Next Descriptor Pointer in the EOP buffer descriptor. A mis-queued packet means that the port read the last EOP buffer descriptor before the host added the new last packet to the queue, so the port determined queue empty just before the last packet was added. The host corrects the mis-queued packet condition by initiating a new packet transfer for the mis-queued packet by writing the mis-queued packet's SOP buffer descriptor address to the appropriate DMA State TX Queue head Descriptor Pointer.

The host may add packets to the tail end of an active TX queue at any time by writing the Next Descriptor Pointer to the current last descriptor in the queue. If a TX queue is empty (inactive), the host may initiate packet transmission at any time by writing the appropriate TX DMA State head descriptor pointer. The host software should always check for and reinitiate transmission for mis-queued packets during queue processing on interrupt from the port. In order to preclude software underrun, the host should avoid adding buffers to an active queue for any TX packet that is not complete and ready for transmission.

The port determines that a packet is the last packet in the queue by detecting the End of Packet bit set with a zero Next Descriptor Pointer in the packet buffer descriptor. If the End of Packet bit is set and the Next Descriptor Pointer is nonzero, then the queue still contains one or more packets to be transmitted. If the EOP bit is set with a zero Next Descriptor Pointer, then the port will set the EOQ bit in the packet's EOP buffer descriptor and then zero the appropriate head descriptor pointer previous to interrupting the port (by writing the completion pointer) when the packet transmission is complete.

Figure 24-210. TX Queue Head Descriptor



24.11.5.2 Receive Operation

After reset, the host must write zeroes to all RX DMA State head descriptor pointers. The RX port may then be enabled. To initiate packet reception, the host constructs receive queues in memory and then writes the appropriate RX DMA state head descriptor pointer. For each RX buffer descriptor added to the queue, the host must initialize the RX buffer descriptor values as follows:

1. Write the Next Descriptor Pointer with the 32-bit aligned address of the next descriptor in the queue (zero if last descriptor)
2. Write the Buffer Pointer with the byte aligned address of the buffer data
3. Clear the Offset field
4. Write the Buffer Length with the number of bytes in the buffer
5. Clear the SOP, EOP, and EOQ bits
6. Set the Ownership bit

The host enables packet reception on a given channel by writing the address of the first buffer descriptor in the queue (nonzero value) to the channel's head descriptor pointer in the channel's RX DMA state. When packet reception begins on a given channel, the port fills each RX buffer with data in order starting with the first buffer and proceeding through the RX queue. If the Buffer Offset in the RX DMA State is nonzero, then the port will begin writing data after the offset number of bytes in the SOP buffer. The port performs the following operations at the end of each packet reception:

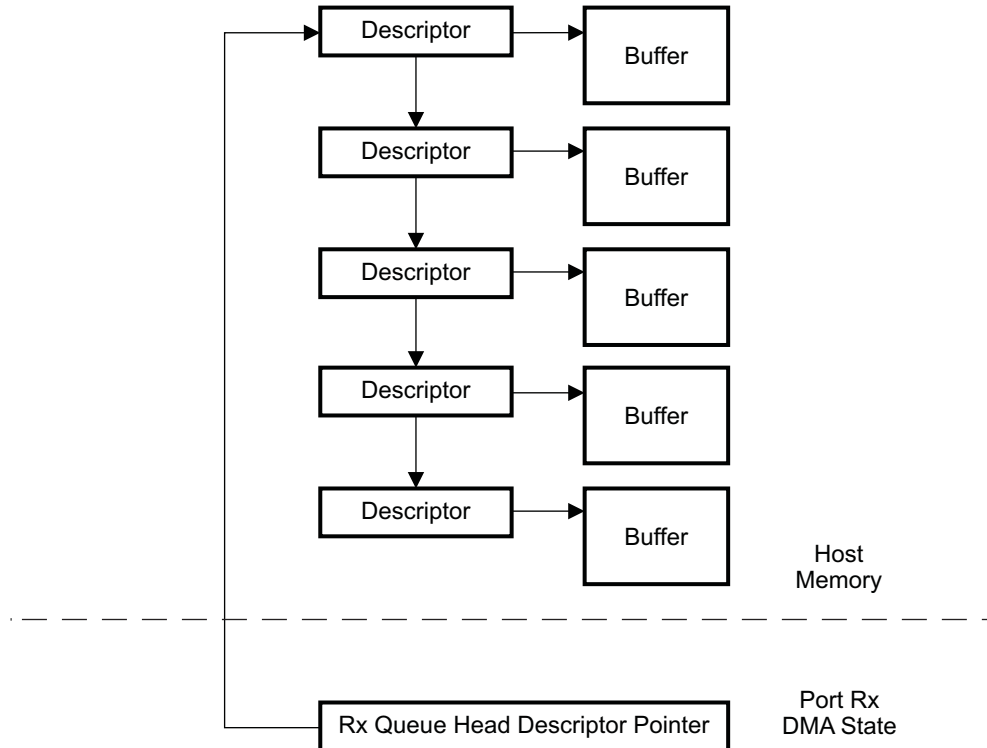
1. Overwrite the buffer length in the packet's EOP buffer descriptor with the number of bytes actually received in the packet's last buffer. The host initialized value is the buffer size. The overwritten value

- will be less than or equal to the host initialized value.
2. Set the EOP bit in the packet's EOP buffer descriptor.
 3. Set the EOQ bit in the packet's EOP buffer descriptor if the current packet is the last packet in the queue.
 4. Overwrite the packet's SOP buffer descriptor Buffer Offset with the RX DMA state value (the host initialized the buffer descriptor Buffer Offset value to zero). All non SOP buffer descriptors must have a zero Buffer Offset initialized by the host.
 5. Overwrite the packet's SOP buffer descriptor buffer length with the number of valid data bytes in the buffer. If the buffer is filled up, the buffer length will be the buffer size minus buffer offset.
 6. Set the SOP bit in the packet's SOP buffer descriptor.
 7. Write the SOP buffer descriptor Packet Length field.
 8. Clear the Ownership bit in the packet's SOP buffer descriptor.
 9. Issue an RX host interrupt by writing the address of the packet's last buffer descriptor to the queue's RX DMA State Completion Pointer. The interrupt is generated by the write to the RX DMA State Completion Pointer address location, regardless of the value written.

On interrupt the host processes the RX buffer queue detecting received packets by the status of the Ownership bit in each packet's SOP buffer descriptor. If the Ownership bit is cleared then the packet has been completely received and is available to be processed by the host. The host may continue RX queue processing until the end of the queue or until a buffer descriptor is read that contains a set Ownership bit indicating that the next packet's reception is not complete. The host determines that the RX queue is empty when the last packet in the queue has a cleared Ownership bit in the SOP buffer descriptor, a set End of Queue bit in the EOP buffer descriptor, and the Next Descriptor Pointer in the EOP buffer descriptor is zero.

A mis-queued buffer may occur when the host adds buffers to a queue as the port finishes the reception of the previous last packet in the queue. The mis-queued buffer is detected by the host when queue processing detects a cleared Ownership bit in the SOP buffer descriptor, a set End of Queue bit in the EOP buffer descriptor, and a nonzero Next Descriptor Pointer in the EOP buffer descriptor. A mis-queued buffer means that the port read the last EOP buffer descriptor before the host added buffer descriptor(s) to the queue, so the port determined queue empty just before the host added more buffer descriptor(s). In the transmit case, the packet transmission is delayed by the time required for the host to determine the condition and reinitiate the transaction, but the packet is not actually lost. In the receive case, receive overrun condition may occur in the mis-queued buffer case. If a new packet reception is begun during the time that the port has determined the end of queue condition, then the received packet will overrun (start of packet overrun). If the mis-queued buffer occurs during the middle of a packet reception then middle of packet overrun may occur. If the mis-queued buffer occurs after the last packet has completed, and is corrected before the next packet reception begins, then overrun will not occur. The host acts on the mis-queued buffer condition by writing the added buffer descriptor address to the appropriate RX DMA State Head Descriptor Pointer.

Figure 24-211. RX Queue Head Descriptor



24.11.5.3 MDIO Software Interface

24.11.5.3.1 Initializing the MDIO Module

The following steps are performed by the application software or device driver to initialize the MDIO device:

1. Configure the PREAMBLE and CLKDIV bits in the MDIO Control register ([MDIO_CONTROL](#)).
2. Enable the MDIO module by setting the ENABLE bit in [MDIO_CONTROL](#).
3. The MDIO PHY alive status register ([MDIO_ALIVE](#)) can be read in polling fashion until a PHY connected to the system responded, and the MDIO PHY link status register ([MDIO_LINK](#)) can determine whether this PHY already has a link.
4. Setup the appropriate PHY addresses in the MDIO user PHY select register ([MDIO_USERPHYSEL0/1](#)), and set the LINKINTENB bit to enable a link change event interrupt if desirable.
5. If an interrupt on general MDIO register access is desired, set the corresponding bit in the MDIO user command complete interrupt mask set register ([MDIO_USERINTMASKSET](#)) to use the MDIO user access register ([MDIO_USERACCESS0/1](#)). Since only one PHY is used in this device, the application software can use one [MDIO_USERACCESS0/1](#) to trigger a completion interrupt; the other [MDIO_USERACCESS0/1](#) is not setup.

24.11.5.3.2 Writing Data To a PHY Register

The MDIO module includes a user access register ([MDIO_USERACCESS0/1](#)) to directly access a specified PHY device. To write a PHY register, perform the following:

1. Check to ensure that the GO bit in the MDIO user access register ([MDIO_USERACCESS0/1](#)) is cleared.
2. Write to the GO, WRITE, REGADR, PHYADR, and DATA bits in [MDIO_USERACCESS0/1](#) corresponding to the PHY and PHY register you want to write.

3. The write operation to the PHY is scheduled and completed by the MDIO module. Completion of the write operation can be determined by polling the GO bit in [MDIO_USERACCESS0/1](#) for a 0.
4. Completion of the operation sets the corresponding USERINTRAW bit (0 or 1) in the MDIO user command complete interrupt register ([MDIO_USERINTRAW](#)) corresponding to [MDIO_USERACCESS0/1](#) used. If interrupts have been enabled on this bit using the MDIO user command complete interrupt mask set register ([MDIO_USERINTMASKSET](#)), then the bit is also set in the MDIO user command complete interrupt register ([MDIO_USERINTMASKED](#)) and an interrupt is triggered on the host processor.

24.11.5.3.3 Reading Data From a PHY Register

The MDIO module includes a user access register ([MDIO_USERACCESS0/1](#)) to directly access a specified PHY device. To read a PHY register, perform the following:

1. Check to ensure that the GO bit in the MDIO user access register ([MDIO_USERACCESSn](#)) is cleared.
2. Write to the GO, REGADR, and PHYADR bits in [MDIO_USERACCESS0/1](#) corresponding to the PHY and PHY register you want to read.
3. The read data value is available in the DATA bits in [MDIO_USERACCESS0/1](#) after the module completes the read operation on the serial bus. Completion of the read operation can be determined by polling the GO and ACK bits in [MDIO_USERACCESS0/1](#). After the GO bit has cleared, the ACK bit is set on a successful read.
4. Completion of the operation sets the corresponding USERINTRAW bit (0 or 1) in the MDIO user command complete interrupt register ([MDIO_USERINTRAW](#)) corresponding to [MDIO_USERACCESS0/1](#) used. If interrupts have been enabled on this bit using the MDIO user command complete interrupt mask set register ([MDIO_USERINTMASKSET](#)), then the bit is also set in the MDIO user command complete interrupt register ([MDIO_USERINTMASKED](#)) and an interrupt is triggered on the host processor.

24.11.5.4 Initialization and Configuration of CPSW

To configure the GMAC_SW Ethernet Subsystem for operation, the host must perform the following:

1. Select the Interface (G/MII, RGMII, RMII) Mode
2. Configure pads (PIN muxing), as per the interface selected.
3. Enable the GMAC_SW Ethernet Subsystem Clocks
4. Configure the PRCM registers [CM_GMAC_CLKSTCTRL](#) and [CM_GMAC_GMAC_CLKCTRL](#) to enable power and clocks to GMAC_SW Ethernet Subsystem.
5. Apply Soft Reset to GMAC_SW Subsystem, [CPSW_3G](#), [CPGMAC_SL1/2](#), and [CPDMA](#)
6. Initialize the HDPs (Header Description Pointer) and CPs (Completion Pointer) to NULL
7. Configure the Interrupts
8. Configure the [CPSW_CONTROL](#) register
9. Configure the [CPSW_STAT_PORT_EN](#) register
10. Configure the ALE
11. Configure the MDIO
12. Configure the CPDMA receive DMA controller
13. Configure the CPDMA transmit DMA controller
14. Configure the CPPI TX and RX Descriptors
15. Configure [CPGMAC_SL1](#) and [CPGMAC_SL2](#), as per the desired mode of operations.
16. Start up RX and TX DMA (Write to HDP of RX and TX)
17. Wait for the completion of Transfer (HDP cleared to 0)

24.11.6 GMAC_SW Register Manual

24.11.6.1 GMAC_SW Instance Summary

Table 24-1301. GMAC_SW Instance Summary

Module Name	Module Base Address	Size
SS	0x4848 4000	80 Bytes
PORT	0x4848 4100	1792 Bytes
CPDMA	0x4848 4800	256 Bytes
STATS	0x4848 4900	128 Bytes
STATERAM	0x4848 4A00	288 Bytes
CPTS	0x4848 4C00	240 Bytes
ALE	0x4848 4D00	88 Bytes
SL1	0x4848 4D80	64 Bytes
SL2	0x4848 4DC0	64 Bytes
MDIO	0x4848 5000	192 Bytes
WR	0x4848 5200	352 Bytes
SPF1	0x4848 5C00	512 Bytes
SPF2	0x4848 5E00	512 Bytes

NOTE: CPPI RAM address space starts at 0x4848 6000 and is 8 KiB deep. For details about CPPI RAM, see [Section 24.11.4.11, CPPI Buffer Descriptors.](#)

24.11.6.2 SS Registers

24.11.6.2.1 SS Register Summary

Table 24-1302. SS Registers Mapping Summary

Register Name	Type	Register Width (Bits)	Address Offset	SS Physical Address
CPSW_ID_VER	R	32	0x0000 0000	0x4848 4000
CPSW_CONTROL	RW	32	0x0000 0004	0x4848 4004
CPSW_SOFT_RESET	RW	32	0x0000 0008	0x4848 4008
CPSW_STAT_PORT_EN	RW	32	0x0000 000C	0x4848 400C
CPSW_PTYPE	RW	32	0x0000 0010	0x4848 4010
CPSW_SOFT_IDLE	RW	32	0x0000 0014	0x4848 4014
CPSW_THRU_RATE	RW	32	0x0000 0018	0x4848 4018
CPSW_GAP_THRESH	RW	32	0x0000 001C	0x4848 401C
CPSW_TX_START_WDS	RW	32	0x0000 0020	0x4848 4020
CPSW_FLOW_CONTROL	RW	32	0x0000 0024	0x4848 4024
CPSW_VLAN_LTYPE	RW	32	0x0000 0028	0x4848 4028
CPSW_TS_LTYPE	RW	32	0x0000 002C	0x4848 402C
CPSW_DLR_LTYPE	RW	32	0x0000 0030	0x4848 4030
CPSW_EEE_PRESCALE	RW	32	0x0000 0034	0x4848 4034

24.11.6.2.2 SS Register Description
Table 24-1303. CPSW_ID_VER

Address Offset	0x0000 0000	Instance	SS
Physical Address	0x4848 4000		
Description	CPSW_3G ID version register		
Type	R		

31	30	29	28	27	26	25	24	23	22	21	20	19	18	17	16	15	14	13	12	11	10	9	8	7	6	5	4	3	2	1	0
REVISION																															

Bits	Field Name	Description	Type	Reset
31:0	REVISION	CPSW_3G Revision Value	R	0x-

Table 24-1304. Register Call Summary for Register CPSW_ID_VER

Gigabit Ethernet Switch (GMAC_SW)

- [SS Register Summary: \[0\]](#)

Table 24-1305. CPSW_CONTROL

Address Offset	0x0000 0004	Instance	SS
Physical Address	0x4848 4004		
Description	Switch control register		
Type	RW		

31	30	29	28	27	26	25	24	23	22	21	20	19	18	17	16	15	14	13	12	11	10	9	8	7	6	5	4	3	2	1	0	
RESERVED																												EEE_EN	DLR_EN	RX_VLAN_ENCAP	VLAN_AWARE	FIFO_LOOPBACK

Bits	Field Name	Description	Type	Reset
31:5	RESERVED		R	0x0
4	EEE_EN	EEE (Energy Efficient Ethernet) enable 0 – EEE is disabled. 1 – EEE is enabled	RW	0x0
3	DLR_EN	DLR enable 0 - DLR is disabled. DLR packets will not be moved to queue priority 3 and will not be separated out onto dlr_cpdma_ch. 1 - DLR is disabled. DLR packets be moved to destination port transmit queue priority 3 and will be separated out onto dlr_cpdma_ch when packet is to egress on port 0.	RW	0x0
2	RX_VLAN_ENCAP	Port 0 VLAN Encapsulation (egress): 0 - Port 0 receive packets (from CPSW_3G) are not VLAN encapsulated. 1 - Port 0 receive packets (from CPSW_3G) are VLAN encapsulated.	RW	0x0
1	VLAN_AWARE	VLAN Aware Mode: 0 - CPSW_3G is in the VLAN unaware mode. 1 - CPSW_3G is in the VLAN aware mode.	RW	0x0

Bits	Field Name	Description	Type	Reset
0	FIFO_LOOPBACK	FIFO Loopback Mode 0 - Loopback is disabled 1 - FIFO Loopback mode enabled. Each packet received is turned around and sent out on the same port's transmit path. Port 2 receive is fixed on channel zero. The RXSOFOVERRUN statistic will increment for every packet sent in FIFO loopback mode.	RW	0x0

Table 24-1306. Register Call Summary for Register CPSW_CONTROL

Gigabit Ethernet Switch (GMAC_SW)

- [Address Lookup Engine \(ALE\): \[0\]\[1\]\[2\]\[3\]](#)
- [FIFO Transmit Queue Control: \[4\]](#)
- [FIFO Loopback: \[5\]](#)
- [Device Level Ring \(DLR\) Support: \[6\]\[7\]](#)
- [Energy Efficient Ethernet Support \(802.3az\): \[8\]](#)
- [RX Buffer Descriptors: \[9\]](#)
- [Initialization and Configuration of CPSW: \[10\]](#)
- [SS Register Summary: \[11\]](#)

Table 24-1307. CPSW_SOFT_RESET

Address Offset	0x0000 0008	Instance	SS
Physical Address	0x4848 4008		
Description	Soft reset register		
Type	RW		

31	30	29	28	27	26	25	24	23	22	21	20	19	18	17	16	15	14	13	12	11	10	9	8	7	6	5	4	3	2	1	0	
RESERVED																																SOFT_RESET

Bits	Field Name	Description	Type	Reset
31:1	RESERVED		R	0x0
0	SOFT_RESET	Software reset - Writing a one to this bit causes the 3G logic (INT, REGS, CPPI, and SPF modules) to be reset. After writing a one to this bit, it may be polled to determine if the reset has occurred. If a one is read, the reset has not yet occurred. If a zero is read then reset has occurred.	RW	0x0

Table 24-1308. Register Call Summary for Register CPSW_SOFT_RESET

Gigabit Ethernet Switch (GMAC_SW)

- [Software Reset: \[0\]](#)
- [SS Register Summary: \[1\]](#)

Table 24-1309. CPSW_STAT_PORT_EN

Address Offset	0x0000 000C	Instance	SS
Physical Address	0x4848 400C		
Description	Statistics port enable register		
Type	RW		

31	30	29	28	27	26	25	24	23	22	21	20	19	18	17	16	15	14	13	12	11	10	9	8	7	6	5	4	3	2	1	0
RESERVED																P2_STAT_EN			P1_STAT_EN			P0_STAT_EN									

Bits	Field Name	Description	Type	Reset
31:3	RESERVED		R	0x0
2	P2_STAT_EN	Port 2 (GMII2 and Port 2 FIFO) Statistics Enable 0 - Port 2 statistics are not enabled. 1 - Port 2 statistics are enabled.	RW	0x0
1	P1_STAT_EN	Port 1 (GMII1 and Port 1 FIFO) Statistics Enable 0 - Port 1 statistics are not enabled. 1 - Port 1 statistics are enabled.	RW	0x0
0	P0_STAT_EN	Port 0 Statistics Enable 0 - Port 0 statistics are not enabled 1 - Port 0 statistics are enabled. FIFO overruns (SOFOVERRUNS) are the only port 0 statistics that are enabled to be kept.	RW	0x0

Table 24-1310. Register Call Summary for Register CPSW_STAT_PORT_EN

Gigabit Ethernet Switch (GMAC_SW)

- [CPSW_3G Network Statistics: \[0\]](#)
- [Initialization and Configuration of CPSW: \[1\]](#)
- [SS Register Summary: \[2\]](#)

Table 24-1311. CPSW_PTYPE

Address Offset	0x0000 0010	Instance	SS
Physical Address	0x4848 4010		
Description	Transmit priority type register		
Type	RW		

31	30	29	28	27	26	25	24	23	22	21	20	19	18	17	16	15	14	13	12	11	10	9	8	7	6	5	4	3	2	1	0		
RESERVED										P2_PRI3_SHAPE_EN			P2_PRI2_SHAPE_EN			P2_PRI1_SHAPE_EN			P1_PRI3_SHAPE_EN			P1_PRI2_SHAPE_EN			P1_PRI1_SHAPE_EN			RESERVED			ESC_PRI_LD_VAL		

Bits	Field Name	Description	Type	Reset
31:22	RESERVED		R	0x0
21	P2_PRI3_SHAPE_EN	Port 2 Queue Priority 3 Transmit Shape Enable - If there is only one shaping queue then it must be priority 3.	RW	0x0

Bits	Field Name	Description	Type	Reset
20	P2_PRI2_SHAPE_EN	Port 2 Queue Priority 2 Transmit Shape Enable - If there are two shaping queues then they must be priorities 3 and 2.	RW	0x0
19	P2_PRI1_SHAPE_EN	Port 2 Queue Priority 1 Transmit Shape Enable - If there are three shaping queues all three bits should be set.	RW	0x0
18	P1_PRI3_SHAPE_EN	Port 1 Queue Priority 3 Transmit Shape Enable - If there is only one shaping queue then it must be priority 3.	RW	0x0
17	P1_PRI2_SHAPE_EN	Port 1 Queue Priority 2 Transmit Shape Enable- If there are two shaping queues then they must be priorities 3 and 2.	RW	0x0
16	P1_PRI1_SHAPE_EN	Port 1 Queue Priority 1 Transmit Shape Enable- If there are three shaping queues all three bits should be set.	RW	0x0
15:11	RESERVED		R	0x0
10	P2_PTYPE_ESC	Port 2 Priority Type Escalate - 0 - Port 2 priority type fixed 1 - Port 2 priority type escalate Escalate should not be used with queue shaping.	RW	0x0
9	P1_PTYPE_ESC	Port 1 Priority Type Escalate - 0 - Port 1 priority type fixed 1 - Port 1 priority type escalate Escalate should not be used with queue shaping.	RW	0x0
8	P0_PTYPE_ESC	Port 0 Priority Type Escalate - 0 - Port 0 priority type fixed 1 - Port 0 priority type escalate Escalate should not be used with queue shaping.	RW	0x0
7:5	RESERVED		R	0x0
4:0	ESC_PRI_LD_VAL	Escalate Priority Load Value When a port is in escalate priority, this is the number of higher priority packets sent before the next lower priority is allowed to send a packet. Escalate priority allows lower priority packets to be sent at a fixed rate relative to the next higher priority.	RW	0x0

Table 24-1312. Register Call Summary for Register CPSW_PTYPE

Gigabit Ethernet Switch (GMAC_SW)

- [FIFO Transmit Queue Control: \[0\]](#)
- [Audio Video Bridging: \[1\]](#)
- [SS Register Summary: \[2\]](#)
- [PORT Register Description: \[3\]\[4\]\[5\]\[6\]\[7\]\[8\]](#)

Table 24-1313. CPSW_SOFT_IDLE

Address Offset	0x0000 0014	Instance	SS
Physical Address	0x4848 4014		
Description	Software idle		
Type	RW		

31	30	29	28	27	26	25	24	23	22	21	20	19	18	17	16	15	14	13	12	11	10	9	8	7	6	5	4	3	2	1	0	
RESERVED																																SOFT_IDLE

Bits	Field Name	Description	Type	Reset
31:1	RESERVED		R	0x0
0	SOFT_IDLE	Software Idle - Setting this bit causes the switch fabric to stop forwarding packets at the next start of packet.	RW	0x0

Table 24-1314. Register Call Summary for Register CPSW_SOFT_IDLE

Gigabit Ethernet Switch (GMAC_SW)

- [Software IDLE: \[0\]](#)
- [SS Register Summary: \[1\]](#)

Table 24-1315. CPSW_THRU_RATE

Address Offset	0x0000 0018	Instance	SS
Physical Address	0x4848 4018		
Description	Throughput rate		
Type	RW		

31	30	29	28	27	26	25	24	23	22	21	20	19	18	17	16	15	14	13	12	11	10	9	8	7	6	5	4	3	2	1	0
RESERVED																SL_RX_THRU_RATE				RESERVED								CPDMA_THRU_RATE			

Bits	Field Name	Description	Type	Reset
31:16	RESERVED		R	0x0
15:12	SL_RX_THRU_RATE	CPGMAC_SL Switch FIFO receive through rate. This register value is the maximum throughput of the ethernet ports to the crossbar SCR. The default is one 8-byte word for every 3 MAIN_CLK periods maximum.	RW	0x3
11:4	RESERVED		R	0x0
3:0	CPDMA_THRU_RATE	CPDMA Switch FIFO receive through rate. This register value is the maximum throughput of the CPDMA host port to the crossbar SCR. The default is one 8-byte word for every 3 MAIN_CLK periods maximum.	RW	0x3

Table 24-1316. Register Call Summary for Register CPSW_THRU_RATE

Gigabit Ethernet Switch (GMAC_SW)

- [SS Register Summary: \[0\]](#)

Table 24-1317. CPSW_GAP_THRESH

Address Offset	0x0000 001C	Instance	SS
Physical Address	0x4848 401C		
Description	CPGMAC_SL short gap threshold		
Type	RW		

31	30	29	28	27	26	25	24	23	22	21	20	19	18	17	16	15	14	13	12	11	10	9	8	7	6	5	4	3	2	1	0
RESERVED																GAP_THRESH															

Bits	Field Name	Description	Type	Reset
31:5	RESERVED		R	0x0
4:0	GAP_THRESH	CPGMAC_SL Short Gap Threshold - This is the CPGMAC_SL associated FIFO transmit block usage value for triggering TX_SHORT_GAP.	RW	0xB

Table 24-1318. Register Call Summary for Register CPSW_GAP_THRESH

Gigabit Ethernet Switch (GMAC_SW)

- [Short Gap: \[0\]\[1\]](#)
- [SS Register Summary: \[2\]](#)

Table 24-1319. CPSW_TX_START_WDS

Address Offset	0x0000 0020	Instance	SS
Physical Address	0x4848 4020		
Description	Transmit start words		
Type	RW		

31	30	29	28	27	26	25	24	23	22	21	20	19	18	17	16	15	14	13	12	11	10	9	8	7	6	5	4	3	2	1	0
RESERVED																TX_START_WDS															

Bits	Field Name	Description	Type	Reset
31:11	RESERVED		R	0x0
10:0	TX_START_WDS	FIFO Packet Transmit (egress) Start Words. This value is the number of required packet words in the transmit FIFO before the packet egress will begin. This value is non-zero to preclude underrun. Decimal 32 is the recommended value. It should not be increased unnecessarily to prevent adding to the switch latency.	RW	0x20

Table 24-1320. Register Call Summary for Register CPSW_TX_START_WDS

Gigabit Ethernet Switch (GMAC_SW)

- [SS Register Summary: \[0\]](#)

Table 24-1321. CPSW_FLOW_CONTROL

Address Offset	0x0000 0024	Instance	SS
Physical Address	0x4848 4024		
Description	Flow control		
Type	RW		

31	30	29	28	27	26	25	24	23	22	21	20	19	18	17	16	15	14	13	12	11	10	9	8	7	6	5	4	3	2	1	0
RESERVED																P2_FLOW_EN	P1_FLOW_EN	P0_FLOW_EN													

Bits	Field Name	Description	Type	Reset
31:3	RESERVED		R	0x0
2	P2_FLOW_EN	Port 2 Receive flow control enable	RW	0x0
1	P1_FLOW_EN	Port 1 Receive flow control enable	RW	0x0
0	P0_FLOW_EN	Port 0 Receive flow control enable	RW	0x1

Table 24-1322. Register Call Summary for Register CPSW_FLOW_CONTROL

Gigabit Ethernet Switch (GMAC_SW)

- [Flow Control: \[0\]](#)
- [SS Register Summary: \[1\]](#)

Table 24-1323. CPSW_VLAN_LTYPE

Address Offset	0x0000 0028	Instance	SS
Physical Address	0x4848 4028		
Description	LTYPE1 and LTYPE 2 Register		
Type	RW		

31	30	29	28	27	26	25	24	23	22	21	20	19	18	17	16	15	14	13	12	11	10	9	8	7	6	5	4	3	2	1	0
VLAN_LTYPE2																VLAN_LTYPE1															

Bits	Field Name	Description	Type	Reset
31:16	VLAN_LTYPE2	Time Sync VLAN LTYPE2 This VLAN LTYPE value is used for tx and rx. This is the inner VLAN if both are present.	RW	0x8100
15:0	VLAN_LTYPE1	Time Sync VLAN LTYPE1 This VLAN LTYPE value is used for tx and rx. This is the outer VLAN if both are present.	RW	0x8100

Table 24-1324. Register Call Summary for Register CPSW_VLAN_LTYPE

Gigabit Ethernet Switch (GMAC_SW)

- [Device Level Ring \(DLR\) Support: \[0\]\[1\]\[2\]\[3\]](#)
- [Time Sync Events: \[4\]\[5\]\[6\]\[7\]](#)
- [SS Register Summary: \[8\]](#)

Table 24-1325. CPSW_TS_LTYPE

Address Offset	0x0000 002C	Instance	SS
Physical Address	0x4848 402C		
Description	VLAN_LTYPE1 and VLAN_LTYPE2 Register		
Type	RW		

31	30	29	28	27	26	25	24	23	22	21	20	19	18	17	16	15	14	13	12	11	10	9	8	7	6	5	4	3	2	1	0
TS_LTYPE2																TS_LTYPE1															

Bits	Field Name	Description	Type	Reset
31:16	TS_LTYPE2	Time Sync LTYPE2 This is an Ethertype value to match for tx and rx time sync packets.	RW	0x0
15:0	TS_LTYPE1	Time Sync LTYPE1 This is an ethertype value to match for tx and rx time sync packets.	RW	0x0

Table 24-1326. Register Call Summary for Register CPSW_TS_LTYPE

Gigabit Ethernet Switch (GMAC_SW)

- [Time Sync Events: \[0\]\[1\]](#)
- [SS Register Summary: \[2\]](#)

Table 24-1327. CPSW_DLR_LTYPE

Address Offset	0x0000 0030	Instance	SS
Physical Address	0x4848 4030		
Description	DLR LTYPE register		
Type	RW		

31	30	29	28	27	26	25	24	23	22	21	20	19	18	17	16	15	14	13	12	11	10	9	8	7	6	5	4	3	2	1	0
RESERVED																DLR_LTYPE															

Bits	Field Name	Description	Type	Reset
31:16	RESERVED		R	0x0
15:0	DLR_LTYPE	DLR LTYPE. This is the ethertype value to match for DLR packets.	RW	0x80E1

Table 24-1328. Register Call Summary for Register CPSW_DLR_LTYPE

Gigabit Ethernet Switch (GMAC_SW)

- [Device Level Ring \(DLR\) Support: \[0\]\[1\]\[2\]](#)
- [SS Register Summary: \[3\]](#)

Table 24-1329. CPSW_EEE_PRESCALE

Address Offset	0x0000 0034	Instance	SS
Physical Address	0x4848 4034		
Description	EEE Pre-scale Counter Load Value Register		
Type	RW		

31	30	29	28	27	26	25	24	23	22	21	20	19	18	17	16	15	14	13	12	11	10	9	8	7	6	5	4	3	2	1	0
RESERVED																EEE_PRESCALE															

Bits	Field Name	Description	Type	Reset
31:12	RESERVED		R	0x0
11:0	EEE_PRESCALE	Energy Efficient Ethernet Pre-scale count load value – This value is loaded into the EEE pre-scale counter each time the pre-scale count decrements to zero. The EEE counters are enabled to decrement each time the pre-scale counter reaches zero (and the EEE counters are enabled to count time). If this value is zero then the EEE counters decrement on every clock. If this value is 0x001 then the counters decrement on every other clock (and so on).	RW	0x0

Table 24-1330. Register Call Summary for Register CPSW_EEE_PRESCALE

Gigabit Ethernet Switch (GMAC_SW)

- [Energy Efficient Ethernet Support \(802.3az\): \[0\]](#)
- [SS Register Summary: \[1\]](#)

24.11.6.3 PORT Registers

24.11.6.3.1 PORT Register Summary

Table 24-1331. PORT Registers Mapping Summary

Register Name	Type	Register Width (Bits)	Address Offset	PORT Physical Address
P0_CONTROL	RW	32	0x0000 0000	0x4848 4100
P0_MAX_BLKs	RW	32	0x0000 0008	0x4848 4108
P0_BLK_CNT	RW	32	0x0000 000C	0x4848 410C
P0_TX_IN_CTL	RW	32	0x0000 0010	0x4848 4110
P0_PORT_VLAN	RW	32	0x0000 0014	0x4848 4114
P0_TX_PRI_MAP	RW	32	0x0000 0018	0x4848 4118
P0_CPDMA_TX_PRI_MAP	RW	32	0x0000 001C	0x4848 411C
P0_CPDMA_RX_CH_MAP	RW	32	0x0000 0020	0x4848 4120
P0_RX_DSCP_PRI_MAP0	RW	32	0x0000 0030	0x4848 4130
P0_RX_DSCP_PRI_MAP1	RW	32	0x0000 0034	0x4848 4134
P0_RX_DSCP_PRI_MAP2	RW	32	0x0000 0038	0x4848 4138
P0_RX_DSCP_PRI_MAP3	RW	32	0x0000 003C	0x4848 413C
P0_RX_DSCP_PRI_MAP4	RW	32	0x0000 0040	0x4848 4140
P0_RX_DSCP_PRI_MAP5	RW	32	0x0000 0044	0x4848 4144
P0_RX_DSCP_PRI_MAP6	RW	32	0x0000 0048	0x4848 4148
P0_RX_DSCP_PRI_MAP7	RW	32	0x0000 004C	0x4848 414C
P0_IDLE2LPI	RW	32	0x0000 0050	0x4848 4150
P0_LPI2WAKE	RW	32	0x0000 0054	0x4848 4154
P1_CONTROL	RW	32	0x0000 0100	0x4848 4200
P1_MAX_BLKs	RW	32	0x0000 0108	0x4848 4208
P1_BLK_CNT	RW	32	0x0000 010C	0x4848 420C
P1_TX_IN_CTL	RW	32	0x0000 0110	0x4848 4210
P1_PORT_VLAN	RW	32	0x0000 0114	0x4848 4214
P1_TX_PRI_MAP	RW	32	0x0000 0118	0x4848 4218
P1_TS_SEQ_MTYPE	RW	32	0x0000 011C	0x4848 421C
P1_SA_LO	RW	32	0x0000 0120	0x4848 4220
P1_SA_HI	RW	32	0x0000 0124	0x4848 4224
P1_SEND_PERCENT	RW	32	0x0000 0128	0x4848 4228
P1_RX_DSCP_PRI_MAP0	RW	32	0x0000 0130	0x4848 4230
P1_RX_DSCP_PRI_MAP1	RW	32	0x0000 0134	0x4848 4234
P1_RX_DSCP_PRI_MAP2	RW	32	0x0000 0138	0x4848 4238
P1_RX_DSCP_PRI_MAP3	RW	32	0x0000 013C	0x4848 423C
P1_RX_DSCP_PRI_MAP4	RW	32	0x0000 0140	0x4848 4240
P1_RX_DSCP_PRI_MAP5	RW	32	0x0000 0144	0x4848 4244
P1_RX_DSCP_PRI_MAP6	RW	32	0x0000 0148	0x4848 4248
P1_RX_DSCP_PRI_MAP7	RW	32	0x0000 014C	0x4848 424C
P1_IDLE2LPI	RW	32	0x0000 0150	0x4848 4250
P1_LPI2WAKE	RW	32	0x0000 0154	0x4848 4254
P2_CONTROL	RW	32	0x0000 0200	0x4848 4300
P2_MAX_BLKs	RW	32	0x0000 0208	0x4848 4308
P2_BLK_CNT	RW	32	0x0000 020C	0x4848 430C
P2_TX_IN_CTL	RW	32	0x0000 0210	0x4848 4310
P2_PORT_VLAN	RW	32	0x0000 0214	0x4848 4314

Table 24-1331. PORT Registers Mapping Summary (continued)

Register Name	Type	Register Width (Bits)	Address Offset	PORT Physical Address
P2_TX_PRI_MAP	RW	32	0x0000 0218	0x4848 4318
P2_TS_SEQ_MTYPE	RW	32	0x0000 021C	0x4848 431C
P2_SA_LO	RW	32	0x0000 0220	0x4848 4320
P2_SA_HI	RW	32	0x0000 0224	0x4848 4324
P2_SEND_PERCENT	RW	32	0x0000 0228	0x4848 4328
P2_RX_DSCP_PRI_MAP0	RW	32	0x0000 0230	0x4848 4330
P2_RX_DSCP_PRI_MAP1	RW	32	0x0000 0234	0x4848 4334
P2_RX_DSCP_PRI_MAP2	RW	32	0x0000 0238	0x4848 4338
P2_RX_DSCP_PRI_MAP3	RW	32	0x0000 023C	0x4848 433C
P2_RX_DSCP_PRI_MAP4	RW	32	0x0000 0240	0x4848 4340
P2_RX_DSCP_PRI_MAP5	RW	32	0x0000 0244	0x4848 4344
P2_RX_DSCP_PRI_MAP6	RW	32	0x0000 0248	0x4848 4348
P2_RX_DSCP_PRI_MAP7	RW	32	0x0000 024C	0x4848 434C
P2_IDLE2LPI	RW	32	0x0000 0250	0x4848 4350
P2_LPI2WAKE	RW	32	0x0000 0254	0x4848 4354

24.11.6.3.2 PORT Register Description
Table 24-1332. P0_CONTROL

Address Offset	0x0000 0000	Instance	PORT
Physical Address	0x4848 4100		
Description	CPSW PORT 0 control register		
Type	RW		

31	30	29	28	27	26	25	24	23	22	21	20	19	18	17	16	15	14	13	12	11	10	9	8	7	6	5	4	3	2	1	0
RESERVED	P0_DLR_CPDMA_CH			RESERVED	P0_PASS_PRI_TAGGED			RESERVED	P0_VLAN_LTYPE2_EN	P0_VLAN_LTYPE1_EN	RESERVED	P0_DSCP_PRI_EN					RESERVED														

Bits	Field Name	Description	Type	Reset
31	RESERVED		R	0x0
30:28	P0_DLR_CPDMA_CH	Port 0 DLR CPDMA Channel This field indicates the CPDMA channel that DLR packets will be received on.	RW	0x0
27:25	RESERVED		R	0x0
24	P0_PASS_PRI_TAGGED	Port 0 Pass Priority Tagged 0 - Priority tagged packets have the zero VID replaced with the input port P0_PORT_VLAN [11:0] 1 - Priority tagged packets are processed unchanged.	RW	0x0
23:22	RESERVED		R	0x0
21	P0_VLAN_LTYPE2_EN	Port 0 VLAN LTYPE 2 enable 0 - disabled 1 - enabled	RW	0x0

Bits	Field Name	Description	Type	Reset
20	P0_VLAN_LTYPE1_EN	Port 0 VLAN LTYPE 1 enable 0 - disabled 1 - enabled	RW	0x0
19:17	RESERVED		R	0x0
16	P0_DSCP_PRI_EN	Port 0 DSCP Priority Enable 0 - DSCP priority disabled 1 - DSCP priority enabled. All non-tagged IPV4 packets have their received packet priority determined by mapping the 6 TOS bits through the port DSCP priority mapping registers.	RW	0x0
15:0	RESERVED		RW	0x0

Table 24-1333. Register Call Summary for Register P0_CONTROL

Gigabit Ethernet Switch (GMAC_SW)

- [Device Level Ring \(DLR\) Support: \[0\]](#)
- [PORT Register Summary: \[1\]](#)

Table 24-1334. P0_MAX_BLKs

Address Offset	0x0000 0008	Instance	PORT
Physical Address	0x4848 4108		
Description	CPSW PORT 0 maximum FIFO blocks register		
Type	RW		

31	30	29	28	27	26	25	24	23	22	21	20	19	18	17	16	15	14	13	12	11	10	9	8	7	6	5	4	3	2	1	0
RESERVED																P0_TX_MAX_BLKs				P0_RX_MAX_BLKs											

Bits	Field Name	Description	Type	Reset
31:9	RESERVED		R	0x0
8:4	P0_TX_MAX_BLKs	Transmit FIFO Maximum Blocks - This value is the maximum number of 1k memory blocks that may be allocated to the FIFO's logical transmit priority queues. 0x10 is the recommended value of P0_TX_MAX_BLKs. Port 0 should remain in flow control mode. 0xE is the minimum value P0_TX_MAX_BLKs.	RW	0x10
3:0	P0_RX_MAX_BLKs	Receive FIFO Maximum Blocks - This value is the maximum number of 1k memory blocks that may be allocated to the FIFO's logical receive queue. 0x4 is the recommended value. 0x3 is the minimum value P0_RX_MAX_BLKs and 0x6 is the maximum value.	RW	0x4

Table 24-1335. Register Call Summary for Register P0_MAX_BLKs

Gigabit Ethernet Switch (GMAC_SW)

- [PORT Register Summary: \[0\]](#)

Table 24-1336. P0_BLK_CNT

Address Offset	0x0000 000C	Instance	PORT
Physical Address	0x4848 410C		
Description	CPSW PORT 0 FIFO block usage count (read only)		
Type	R		

31	30	29	28	27	26	25	24	23	22	21	20	19	18	17	16	15	14	13	12	11	10	9	8	7	6	5	4	3	2	1	0
RESERVED																P0_TX_BLK_CNT								P0_RX_BLK_CNT							

Bits	Field Name	Description	Type	Reset
31:9	RESERVED		R	0x0
8:4	P0_TX_BLK_CNT	Port 0 Transmit Block Count Usage - This value is the number of blocks allocated to the FIFO logical transmit queues.	R	0x4
3:0	P0_RX_BLK_CNT	Port 0 Receive Block Count Usage - This value is the number of blocks allocated to the FIFO logical receive queues.	R	0x1

Table 24-1337. Register Call Summary for Register P0_BLK_CNT

Gigabit Ethernet Switch (GMAC_SW)

- [PORT Register Summary: \[0\]](#)

Table 24-1338. P0_TX_IN_CTL

Address Offset	0x0000 0010	Instance	PORT
Physical Address	0x4848 4110		
Description	CPSW PORT 0 transmit FIFO control		
Type	RW		

31	30	29	28	27	26	25	24	23	22	21	20	19	18	17	16	15	14	13	12	11	10	9	8	7	6	5	4	3	2	1	0
RESERVED								TX_RATE_EN	RESERVED	TX_IN_SEL	TX_BLKS_REM	RESERVED	TX_PRI_WDS																		

Bits	Field Name	Description	Type	Reset
31:24	RESERVED		R	0x0
23:20	TX_RATE_EN	Transmit FIFO Input Rate Enable	RW	0x0
19:18	RESERVED		R	0x0

Bits	Field Name	Description	Type	Reset
17:16	TX_IN_SEL	Transmit FIFO Input Queue Type Select 00 - Normal priority mode 01 - Dual MAC mode 10 - Rate Limit mode 11 - reserved Note that Dual MAC mode is not compatible with escalation or shaping because dual MAC mode forces round robin priority on FIFO egress. Rate-limiting and shaping are still available for Port 1 and Port 2 when Port 0 is set in dual MAC mode.	RW	0x0
15:12	TX_BLKs_REM	Transmit FIFO Input Blocks to subtract in dual MAC mode	RW	0x4
11:10	RESERVED		R	0x0
9:0	TX_PRI_WDS	Transmit FIFO Words in queue	RW	0xC0

Table 24-1339. Register Call Summary for Register P0_TX_IN_CTL

Gigabit Ethernet Switch (GMAC_SW)

- [FIFO Transmit Queue Control: \[0\]\[1\]](#)
- [PORT Register Summary: \[2\]](#)

Table 24-1340. P0_PORT_VLAN

Address Offset	0x0000 0014	Instance	PORT
Physical Address	0x4848 4114		
Description	CPSW PORT 0 VLAN register		
Type	RW		

31	30	29	28	27	26	25	24	23	22	21	20	19	18	17	16	15	14	13	12	11	10	9	8	7	6	5	4	3	2	1	0
RESERVED																PORT_PRI		PORT_CFI	PORT_VID												

Bits	Field Name	Description	Type	Reset
31:16	RESERVED		R	0x0
15:13	PORT_PRI	Port VLAN Priority (7 is highest priority)	RW	0x0
12	PORT_CFI	Port CFI bit	RW	0x0
11:0	PORT_VID	Port VLAN ID	RW	0x0

Table 24-1341. Register Call Summary for Register P0_PORT_VLAN

Gigabit Ethernet Switch (GMAC_SW)

- [PORT Register Summary: \[0\]](#)
- [PORT Register Description: \[1\]](#)

Table 24-1342. P0_TX_PRI_MAP

Address Offset	0x0000 0018
Physical Address	0x4848 4118
Description	CPSW PORT 0 TX header priority to switch priority mapping register
Type	RW

31	30	29	28	27	26	25	24	23	22	21	20	19	18	17	16	15	14	13	12	11	10	9	8	7	6	5	4	3	2	1	0
RESERVED		PRI7		RESERVED		PRI6		RESERVED		PRI5		RESERVED		PRI4		RESERVED		PRI3		RESERVED		PRI2		RESERVED		PRI1		RESERVED		PRI0	

Bits	Field Name	Description	Type	Reset
31:30	RESERVED		R	0x0
29:28	PRI7	Priority 7 - A packet header priority of 0x7 is given this switch queue priority.	RW	0x3
27:26	RESERVED		R	0x0
25:24	PRI6	Priority 6 - A packet header priority of 0x6 is given this switch queue priority.	RW	0x3
23:22	RESERVED		R	0x0
21:20	PRI5	Priority 5 - A packet header priority of 0x5 is given this switch queue priority.	RW	0x2
19:18	RESERVED		R	0x0
17:16	PRI4	Priority 4 - A packet header priority of 0x4 is given this switch queue priority.	RW	0x2
15:14	RESERVED		R	0x0
13:12	PRI3	Priority 3 - A packet header priority of 0x3 is given this switch queue priority.	RW	0x1
11:10	RESERVED		R	0x0
9:8	PRI2	Priority 2 - A packet header priority of 0x2 is given this switch queue priority.	RW	0x0
7:6	RESERVED		R	0x0
5:4	PRI1	Priority 1 - A packet header priority of 0x1 is given this switch queue priority.	RW	0x0
3:2	RESERVED		R	0x0
1:0	PRI0	Priority 0 - A packet header priority of 0x0 is given this switch queue priority.	RW	0x1

Table 24-1343. Register Call Summary for Register P0_TX_PRI_MAP

Gigabit Ethernet Switch (GMAC_SW)

- [PORT Register Summary: \[0\]](#)

Table 24-1344. P0_CPDMA_TX_PRI_MAP

Address Offset	0x0000 001C	Instance	PORT
Physical Address	0x4848 411C		
Description	CPSW CPDMA TX (PORT 0 RX) packet priority to header priority		
Type	RW		

31	30	29	28	27	26	25	24	23	22	21	20	19	18	17	16	15	14	13	12	11	10	9	8	7	6	5	4	3	2	1	0
RESERVED	PRI7			RESERVED	PRI6			RESERVED	PRI5			RESERVED	PRI4			RESERVED	PRI3			RESERVED	PRI2			RESERVED	PRI1			RESERVED	PRI0		

Bits	Field Name	Description	Type	Reset
31	RESERVED		R	0x0
30:28	PRI7	Priority 7 - A packet pri of 0x7 is mapped (changed) to this header packet priority.	RW	0x7
27	RESERVED		R	0x0
26:24	PRI6	Priority 6 - A packet pri of 0x6 is mapped (changed) to this header packet priority.	RW	0x6
23	RESERVED		R	0x0
22:20	PRI5	Priority 5 - A packet pri of 0x5 is mapped (changed) to this header packet priority.	RW	0x5
19	RESERVED		R	0x0
18:16	PRI4	Priority 4 - A packet pri of 0x4 is mapped (changed) to this header packet priority.	RW	0x4
15	RESERVED		R	0x0
14:12	PRI3	Priority 3 - A packet pri of 0x3 is mapped (changed) to this header packet priority.	RW	0x3
11	RESERVED		R	0x0
10:8	PRI2	Priority 2 - A packet pri of 0x2 is mapped (changed) to this header packet priority.	RW	0x2
7	RESERVED		R	0x0
6:4	PRI1	Priority 1 - A packet pri of 0x1 is mapped (changed) to this header packet priority.	RW	0x1
3	RESERVED		R	0x0
2:0	PRI0	Priority 0 - A packet pri of 0x0 is mapped (changed) to this header packet priority.	RW	0x0

Table 24-1345. Register Call Summary for Register P0_CPDMA_TX_PRI_MAP

Gigabit Ethernet Switch (GMAC_SW)

- [PORT Register Summary: \[0\]](#)

Table 24-1346. P0_CPDMA_RX_CH_MAP

Address Offset	0x0000 0020	Instance	PORT
Physical Address	0x4848 4120		
Description	CPSW CPDMA RX (PORT 0 TX) switch priority to DMA channel		
Type	RW		

31	30	29	28	27	26	25	24	23	22	21	20	19	18	17	16	15	14	13	12	11	10	9	8	7	6	5	4	3	2	1	0
RESERVED	P2_PRI3			RESERVED	P2_PRI2			RESERVED	P2_PRI1			RESERVED	P2_PRI0			RESERVED	P1_PRI3			RESERVED	P1_PRI2			RESERVED	P1_PRI1			RESERVED	P1_PRI0		

Bits	Field Name	Description	Type	Reset
31	RESERVED		R	0x0
30:28	P2_PRI3	Port 2 Priority 3 packets go to this CPDMA Rx Channel	RW	0x0
27	RESERVED		R	0x0
26:24	P2_PRI2	Port 2 Priority 2 packets go to this CPDMA Rx Channel	RW	0x0
23	RESERVED		R	0x0
22:20	P2_PRI1	Port 2 Priority 1 packets go to this CPDMA Rx Channel	RW	0x0
19	RESERVED		R	0x0
18:16	P2_PRI0	Port 2 Priority 0 packets go to this CPDMA Rx Channel	RW	0x0
15	RESERVED		R	0x0
14:12	P1_PRI3	Port 1 Priority 3 packets go to this CPDMA Rx Channel	RW	0x0
11	RESERVED		R	0x0
10:8	P1_PRI2	Port 1 Priority 2 packets go to this CPDMA Rx Channel	RW	0x0
7	RESERVED		R	0x0
6:4	P1_PRI1	Port 1 Priority 1 packets go to this CPDMA Rx Channel	RW	0x0
3	RESERVED		R	0x0
2:0	P1_PRI0	Port 1 Priority 0 packets go to this CPDMA Rx Channel	RW	0x0

Table 24-1347. Register Call Summary for Register P0_CPDMA_RX_CH_MAP

Gigabit Ethernet Switch (GMAC_SW)

- [Address Lookup Engine \(ALE\): \[0\]](#)
- [PORT Register Summary: \[1\]](#)

Table 24-1348. P0_RX_DSCP_PRI_MAP0

Address Offset	0x0000 0030	Instance	PORT
Physical Address	0x4848 4130		
Description	CPSW PORT 0 RX DSCP priority to RX packet mapping reg 0		
Type	RW		

31	30	29	28	27	26	25	24	23	22	21	20	19	18	17	16	15	14	13	12	11	10	9	8	7	6	5	4	3	2	1	0
RESERVED	PRI7			RESERVED	PRI6			RESERVED	PRI5			RESERVED	PRI4			RESERVED	PRI3			RESERVED	PRI2			RESERVED	PRI1			RESERVED	PRI0		

Bits	Field Name	Description	Type	Reset
31	RESERVED		R	0x0
30:28	PRI7	Priority 7 - A packet TOS of 0d7 is mapped to this received packet priority.	RW	0x0
27	RESERVED		R	0x0
26:24	PRI6	Priority 6 - A packet TOS of 0d6 is mapped to this received packet priority.	RW	0x0
23	RESERVED		R	0x0
22:20	PRI5	Priority 5 - A packet TOS of 0d5 is mapped to this received packet priority.	RW	0x0
19	RESERVED		R	0x0
18:16	PRI4	Priority 4 - A packet TOS of 0d4 is mapped to this received packet priority.	RW	0x0
15	RESERVED		R	0x0
14:12	PRI3	Priority 3 - A packet TOS of 0d3 is mapped to this received packet priority.	RW	0x0
11	RESERVED		R	0x0
10:8	PRI2	Priority 2 - A packet TOS of 0d2 is mapped to this received packet priority.	RW	0x0
7	RESERVED		R	0x0
6:4	PRI1	Priority 1 - A packet TOS of 0d1 is mapped to this received packet priority.	RW	0x0
3	RESERVED		R	0x0
2:0	PRI0	Priority 0 - A packet TOS of 0d0 is mapped to this received packet priority.	RW	0x0

Table 24-1349. Register Call Summary for Register P0_RX_DSCP_PRI_MAP0

Gigabit Ethernet Switch (GMAC_SW)

- [PORT Register Summary: \[0\]](#)

Table 24-1350. P0_RX_DSCP_PRI_MAP1

Address Offset	0x0000 0034	Instance	PORT
Physical Address	0x4848 4134	Description	CPSW PORT 0 RX DSCP priority to RX packet mapping reg 1
Type	RW		

31	30	29	28	27	26	25	24	23	22	21	20	19	18	17	16	15	14	13	12	11	10	9	8	7	6	5	4	3	2	1	0	
RESERVED				RESERVED				RESERVED				RESERVED				RESERVED				RESERVED				RESERVED				RESERVED				RESERVED

Bits	Field Name	Description	Type	Reset
31	RESERVED		R	0x0
30:28	PRI15	Priority 15 - A packet TOS of 0d15 is mapped to this received packet priority.	RW	0x0
27	RESERVED		R	0x0
26:24	PRI14	Priority 14 - A packet TOS of 0d14 is mapped to this received packet priority.	RW	0x0
23	RESERVED		R	0x0
22:20	PRI13	Priority 13 - A packet TOS of 0d13 is mapped to this received packet priority.	RW	0x0
19	RESERVED		R	0x0

Bits	Field Name	Description	Type	Reset
18:16	PRI12	Priority 12 - A packet TOS of 0d12 is mapped to this received packet priority.	RW	0x0
15	RESERVED		R	0x0
14:12	PRI11	Priority 11 - A packet TOS of 0d11 is mapped to this received packet priority.	RW	0x0
11	RESERVED		R	0x0
10:8	PRI10	Priority 10 - A packet TOS of 0d10 is mapped to this received packet priority.	RW	0x0
7	RESERVED		R	0x0
6:4	PRI9	Priority 9 - A packet TOS of 0d9 is mapped to this received packet priority.	RW	0x0
3	RESERVED		R	0x0
2:0	PRI8	Priority 8 - A packet TOS of 0d8 is mapped to this received packet priority.	RW	0x0

Table 24-1351. Register Call Summary for Register P0_RX_DSCP_PRI_MAP1

Gigabit Ethernet Switch (GMAC_SW)

- [PORT Register Summary: \[0\]](#)

Table 24-1352. P0_RX_DSCP_PRI_MAP2

Address Offset	0x0000 0038	Instance	PORT
Physical Address	0x4848 4138		
Description	CPSW PORT 0 RX DSCP priority to RX packet mapping reg 2		
Type	RW		

31	30	29	28	27	26	25	24	23	22	21	20	19	18	17	16	15	14	13	12	11	10	9	8	7	6	5	4	3	2	1	0								
RESERVED	PRI23				RESERVED	PRI22				RESERVED	PRI21				RESERVED	PRI20				RESERVED	PRI19				RESERVED	PRI18				RESERVED	PRI17				RESERVED	PRI16			

Bits	Field Name	Description	Type	Reset
31	RESERVED		R	0x0
30:28	PRI23	Priority 23 - A packet TOS of 0d23 is mapped to this received packet priority.	RW	0x0
27	RESERVED		R	0x0
26:24	PRI22	Priority 22 - A packet TOS of 0d22 is mapped to this received packet priority.	RW	0x0
23	RESERVED		R	0x0
22:20	PRI21	Priority 21 - A packet TOS of 0d21 is mapped to this received packet priority.	RW	0x0
19	RESERVED		R	0x0
18:16	PRI20	Priority 20 - A packet TOS of 0d20 is mapped to this received packet priority.	RW	0x0
15	RESERVED		R	0x0
14:12	PRI19	Priority 19 - A packet TOS of 0d19 is mapped to this received packet priority.	RW	0x0
11	RESERVED		R	0x0
10:8	PRI18	Priority 18 - A packet TOS of 0d18 is mapped to this received packet priority.	RW	0x0
7	RESERVED		R	0x0

Bits	Field Name	Description	Type	Reset
6:4	PRI17	Priority 17 - A packet TOS of 0d17 is mapped to this received packet priority.	RW	0x0
3	RESERVED		R	0x0
2:0	PRI16	Priority 16 - A packet TOS of 0d16 is mapped to this received packet priority.	RW	0x0

Table 24-1353. Register Call Summary for Register P0_RX_DSCP_PRI_MAP2

Gigabit Ethernet Switch (GMAC_SW)

- [PORT Register Summary: \[0\]](#)

Table 24-1354. P0_RX_DSCP_PRI_MAP3

Address Offset	0x0000 003C	Instance	PORT
Physical Address	0x4848 413C		
Description	CPSW PORT 0 RX DSCP priority to RX packet mapping reg 3		
Type	RW		

31	30	29	28	27	26	25	24	23	22	21	20	19	18	17	16	15	14	13	12	11	10	9	8	7	6	5	4	3	2	1	0
RESERVED	PRI31	RESERVED	PRI30	RESERVED	PRI29	RESERVED	PRI28	RESERVED	PRI27	RESERVED	PRI26	RESERVED	PRI25	RESERVED	PRI24																

Bits	Field Name	Description	Type	Reset
31	RESERVED		R	0x0
30:28	PRI31	Priority 31 - A packet TOS of 0d31 is mapped to this received packet priority.	RW	0x0
27	RESERVED		R	0x0
26:24	PRI30	Priority 30 - A packet TOS of 0d30 is mapped to this received packet priority.	RW	0x0
23	RESERVED		R	0x0
22:20	PRI29	Priority 29 - A packet TOS of 0d39 is mapped to this received packet priority.	RW	0x0
19	RESERVED		R	0x0
18:16	PRI28	Priority 28 - A packet TOS of 0d28 is mapped to this received packet priority.	RW	0x0
15	RESERVED		R	0x0
14:12	PRI27	Priority 27 - A packet TOS of 0d27 is mapped to this received packet priority.	RW	0x0
11	RESERVED		R	0x0
10:8	PRI26	Priority 26 - A packet TOS of 0d26 is mapped to this received packet priority.	RW	0x0
7	RESERVED		R	0x0
6:4	PRI25	Priority 25 - A packet TOS of 0d25 is mapped to this received packet priority.	RW	0x0
3	RESERVED		R	0x0
2:0	PRI24	Priority 24 - A packet TOS of 0d24 is mapped to this received packet priority.	RW	0x0

Table 24-1355. Register Call Summary for Register P0_RX_DSCP_PRI_MAP3

Gigabit Ethernet Switch (GMAC_SW)

- [PORT Register Summary: \[0\]](#)

Table 24-1356. P0_RX_DSCP_PRI_MAP4

Address Offset	0x0000 0040
Physical Address	0x4848 4140
Description	CPSW PORT 0 RX DSCP priority to RX packet mapping reg 4
Type	RW

31	30	29	28	27	26	25	24	23	22	21	20	19	18	17	16	15	14	13	12	11	10	9	8	7	6	5	4	3	2	1	0								
RESERVED	PRI39				RESERVED	PRI38				RESERVED	PRI37				RESERVED	PRI36				RESERVED	PRI35				RESERVED	PRI34				RESERVED	PRI33				RESERVED	PRI32			

Bits	Field Name	Description	Type	Reset
31	RESERVED		R	0x0
30:28	PRI39	Priority 39 - A packet TOS of 0d39 is mapped to this received packet priority.	RW	0x0
27	RESERVED		R	0x0
26:24	PRI38	Priority 38 - A packet TOS of 0d38 is mapped to this received packet priority.	RW	0x0
23	RESERVED		R	0x0
22:20	PRI37	Priority 37 - A packet TOS of 0d37 is mapped to this received packet priority.	RW	0x0
19	RESERVED		R	0x0
18:16	PRI36	Priority 36 - A packet TOS of 0d36 is mapped to this received packet priority.	RW	0x0
15	RESERVED		R	0x0
14:12	PRI35	Priority 35 - A packet TOS of 0d35 is mapped to this received packet priority.	RW	0x0
11	RESERVED		R	0x0
10:8	PRI34	Priority 34 - A packet TOS of 0d34 is mapped to this received packet priority.	RW	0x0
7	RESERVED		R	0x0
6:4	PRI33	Priority 33 - A packet TOS of 0d33 is mapped to this received packet priority.	RW	0x0
3	RESERVED		R	0x0
2:0	PRI32	Priority 32 - A packet TOS of 0d32 is mapped to this received packet priority.	RW	0x0

Table 24-1357. Register Call Summary for Register P0_RX_DSCP_PRI_MAP4

Gigabit Ethernet Switch (GMAC_SW)

- [PORT Register Summary: \[0\]](#)

Table 24-1358. P0_RX_DSCP_PRI_MAP5

Address Offset	0x0000 0044	Instance	PORT
Physical Address	0x4848 4144		
Description	CPSW PORT 0 RX DSCP priority to RX packet mapping reg 5		
Type	RW		

31	30	29	28	27	26	25	24	23	22	21	20	19	18	17	16	15	14	13	12	11	10	9	8	7	6	5	4	3	2	1	0
RESERVED	PRI47			RESERVED	PRI46			RESERVED	PRI45			RESERVED	PRI44			RESERVED	PRI43			RESERVED	PRI42			RESERVED	PRI41			RESERVED	PRI40		

Bits	Field Name	Description	Type	Reset
31	RESERVED		R	0x0
30:28	PRI47	Priority 47 - A packet TOS of 0d47 is mapped to this received packet priority.	RW	0x0
27	RESERVED		R	0x0
26:24	PRI46	Priority 46 - A packet TOS of 0d46 is mapped to this received packet priority.	RW	0x0
23	RESERVED		R	0x0
22:20	PRI45	Priority 45 - A packet TOS of 0d45 is mapped to this received packet priority.	RW	0x0
19	RESERVED		R	0x0
18:16	PRI44	Priority 44 - A packet TOS of 0d44 is mapped to this received packet priority.	RW	0x0
15	RESERVED		R	0x0
14:12	PRI43	Priority 43 - A packet TOS of 0d43 is mapped to this received packet priority.	RW	0x0
11	RESERVED		R	0x0
10:8	PRI42	Priority 42 - A packet TOS of 0d42 is mapped to this received packet priority.	RW	0x0
7	RESERVED		R	0x0
6:4	PRI41	Priority 41 - A packet TOS of 0d41 is mapped to this received packet priority.	RW	0x0
3	RESERVED		R	0x0
2:0	PRI40	Priority 40 - A packet TOS of 0d40 is mapped to this received packet priority.	RW	0x0

Table 24-1359. Register Call Summary for Register P0_RX_DSCP_PRI_MAP5

Gigabit Ethernet Switch (GMAC_SW)

- [PORT Register Summary: \[0\]](#)

Table 24-1360. P0_RX_DSCP_PRI_MAP6

Address Offset	0x0000 0048
Physical Address	0x4848 4148
Description	CPSW PORT 0 RX DSCP priority to RX packet mapping reg 6
Type	RW

31	30	29	28	27	26	25	24	23	22	21	20	19	18	17	16	15	14	13	12	11	10	9	8	7	6	5	4	3	2	1	0								
RESERVED	PRI55				RESERVED	PRI54				RESERVED	PRI53				RESERVED	PRI52				RESERVED	PRI51				RESERVED	PRI50				RESERVED	PRI49				RESERVED	PRI48			

Bits	Field Name	Description	Type	Reset
31	RESERVED		R	0x0
30:28	PRI55	Priority 55 - A packet TOS of 0d55 is mapped to this received packet priority.	RW	0x0
27	RESERVED		R	0x0
26:24	PRI54	Priority 54 - A packet TOS of 0d54 is mapped to this received packet priority.	RW	0x0
23	RESERVED		R	0x0
22:20	PRI53	Priority 53 - A packet TOS of 0d53 is mapped to this received packet priority.	RW	0x0
19	RESERVED		R	0x0
18:16	PRI52	Priority 52 - A packet TOS of 0d52 is mapped to this received packet priority.	RW	0x0
15	RESERVED		R	0x0
14:12	PRI51	Priority 51 - A packet TOS of 0d51 is mapped to this received packet priority.	RW	0x0
11	RESERVED		R	0x0
10:8	PRI50	Priority 50 - A packet TOS of 0d50 is mapped to this received packet priority.	RW	0x0
7	RESERVED		R	0x0
6:4	PRI49	Priority 49 - A packet TOS of 0d49 is mapped to this received packet priority.	RW	0x0
3	RESERVED		R	0x0
2:0	PRI48	Priority 48 - A packet TOS of 0d48 is mapped to this received packet priority.	RW	0x0

Table 24-1361. Register Call Summary for Register P0_RX_DSCP_PRI_MAP6

Gigabit Ethernet Switch (GMAC_SW)

- [PORT Register Summary: \[0\]](#)

Table 24-1362. P0_RX_DSCP_PRI_MAP7

Address Offset	0x0000 004C	Instance	PORT
Physical Address	0x4848 414C		
Description	CPSW PORT 0 RX DSCP priority to RX packet mapping reg 7		
Type	RW		

31	30	29	28	27	26	25	24	23	22	21	20	19	18	17	16	15	14	13	12	11	10	9	8	7	6	5	4	3	2	1	0
RESERVED	PRI63			RESERVED	PRI62			RESERVED	PRI61			RESERVED	PRI60			RESERVED	PRI59			RESERVED	PRI58			RESERVED	PRI57			RESERVED	PRI56		

Bits	Field Name	Description	Type	Reset
31	RESERVED		R	0x0
30:28	PRI63	Priority 63 - A packet TOS of 0d63 is mapped to this received packet priority.	RW	0x0
27	RESERVED		R	0x0
26:24	PRI62	Priority 62 - A packet TOS of 0d62 is mapped to this received packet priority.	RW	0x0
23	RESERVED		R	0x0
22:20	PRI61	Priority 61 - A packet TOS of 0d61 is mapped to this received packet priority.	RW	0x0
19	RESERVED		R	0x0
18:16	PRI60	Priority 60 - A packet TOS of 0d60 is mapped to this received packet priority.	RW	0x0
15	RESERVED		R	0x0
14:12	PRI59	Priority 59 - A packet TOS of 0d59 is mapped to this received packet priority.	RW	0x0
11	RESERVED		R	0x0
10:8	PRI58	Priority 58 - A packet TOS of 0d58 is mapped to this received packet priority.	RW	0x0
7	RESERVED		R	0x0
6:4	PRI57	Priority 57 - A packet TOS of 0d57 is mapped to this received packet priority.	RW	0x0
3	RESERVED		R	0x0
2:0	PRI56	Priority 56 - A packet TOS of 0d56 is mapped to this received packet priority.	RW	0x0

Table 24-1363. Register Call Summary for Register P0_RX_DSCP_PRI_MAP7

Gigabit Ethernet Switch (GMAC_SW)

- [PORT Register Summary: \[0\]](#)

Table 24-1364. P0_IDLE2LPI

Address Offset	0x0000 0050	
Physical Address	0x4848 4150	Instance PORT
Description	Port 0 EEE Idle to LPI Counter Load Value Register	
Type	RW	

31	30	29	28	27	26	25	24	23	22	21	20	19	18	17	16	15	14	13	12	11	10	9	8	7	6	5	4	3	2	1	0
RESERVED												P0_IDLE2LPI																			

Bits	Field Name	Description	Type	Reset
31:20	RESERVED		R	0x0
19:0	P0_IDLE2LPI	Port 0 EEE Idle to LPI counter load value - After CLKSTOP_REQ is asserted, this value is loaded into the port 0 idle to LPI counter on each clock that the port 0 transmit is not idle. Port 0 enters the transmit LPI state when this counter decrements to zero. This counter decrements each time the EEE prescale counter decrements to zero.	RW	0x0

Table 24-1365. Register Call Summary for Register P0_IDLE2LPI

Gigabit Ethernet Switch (GMAC_SW)

- [Energy Efficient Ethernet Support \(802.3az\): \[0\]](#)
- [PORT Register Summary: \[1\]](#)
- [PORT Register Description: \[2\]](#)

Table 24-1366. P0_LPI2WAKE

Address Offset	0x0000 0054	
Physical Address	0x4848 4154	Instance PORT
Description	Port 0 EEE LPI to Wake Counter Load Value Register	
Type	RW	

31	30	29	28	27	26	25	24	23	22	21	20	19	18	17	16	15	14	13	12	11	10	9	8	7	6	5	4	3	2	1	0
RESERVED												P0_LPI2WAKE																			

Bits	Field Name	Description	Type	Reset
31:20	RESERVED		R	0x0
19:0	P0_LPI2WAKE	Port 0 EEE LPI to wake counter load value – When the port is in the transmit LPI state and the CLKSTOP_REQ signal is deasserted, this value is loaded into the port 0 LPI to wake counter. Transmit packet operations may begin (resume) when the LPI to wake count decrements to zero (on the pre-scale count). This is the time that the CPDMA transmit must wait before transmit (switch ingress) packet operations begin (resume after wakeup).	RW	0x0

Table 24-1367. Register Call Summary for Register P0_LPI2WAKE

Gigabit Ethernet Switch (GMAC_SW)

- [Energy Efficient Ethernet Support \(802.3az\): \[0\]](#)
- [PORT Register Summary: \[1\]](#)
- [PORT Register Description: \[2\]](#)

Table 24-1368. P1_CONTROL

Address Offset	0x0000 0100	Instance	PORT
Physical Address	0x4848 4200		
Description	CPSW PORT 1 control register		
Type	RW		

31	30	29	28	27	26	25	24	23	22	21	20	19	18	17	16	15	14	13	12	11	10	9	8	7	6	5	4	3	2	1	0
RESERVED								RESERVED		RESERVED		RESERVED		P1_DSCP_PRI_EN	P1_TS_107	P1_TS_320	P1_TS_319	P1_TS_132	P1_TS_131	P1_TS_130	P1_TS_129	P1_TS_TTL_NONZERO	P1_TS_UNI_EN	P1_TS_ANNEX_F_EN	P1_TS_ANNEX_E_EN	P1_TS_ANNEX_D_EN	P1_TS_LTYPE2_EN	P1_TS_LTYPE1_EN	P1_TS_TX_EN	P1_TS_RX_EN	

Bits	Field Name	Description	Type	Reset
31:26	RESERVED		R	0x0
25	P1_TX_CLKSTOP_EN	Port 1 Transmit clockstop enable 0 – RGMII transmit clockstop not enabled 1 – RGMII transmit clockstop enabled. The transmit clock will be stopped after the LPI state is entered (and indicated to the CPRGMII) and the P1_Idle2LPI time is counted (counter value reused). The P1_Idle2LPI counter value must be greater than 9 transmit clocks (slowest clock)	RW	0x0
24	P1_PASS_PRI_TAGGED	Port 1 Pass Priority Tagged 0 - Priority tagged packets have the zero VID replaced with the input port P1_PORT_VLAN [11:0] 1 - Priority tagged packets are processed unchanged.	RW	0x0
23:22	RESERVED		R	0x0
21	P1_VLAN_LTYPE2_EN	Port 1 VLAN LTYPE 2 enable 0 - disabled 1 - VLAN LTYPE2 enabled on transmit and receive	RW	0x0
20	P1_VLAN_LTYPE1_EN	Port 1 VLAN LTYPE 1 enable 0 - disabled 1 - VLAN LTYPE1 enabled on transmit and receive	RW	0x0
19:17	RESERVED		R	0x0
16	P1_DSCP_PRI_EN	Port 1 DSCP Priority Enable 0 - DSCP priority disabled 1 - DSCP priority enabled. All non-tagged IPV4 packets have their received packet priority determined by mapping the 6 TOS bits through the port DSCP priority mapping registers.	RW	0x0
15	P1_TS_107	Port 1 Time Sync Destination IP Address 107 enable 0 – disabled 1 – destination IP address (dec) 224.0.0.107 is enabled.	RW	0x0
14	P1_TS_320	Port 1 Time Sync Destination Port Number 320 enable 0 - disabled 1 - Annex D (UDP/IPv4) time sync packet destination port number 320 (decimal) is enabled.	RW	0x0
13	P1_TS_319	Port 1 Time Sync Destination Port Number 319 enable 0 - disabled 1 - Annex D (UDP/IPv4) time sync packet destination port number 319 (decimal) is enabled.	RW	0x0
12	P1_TS_132	Port 1 Time Sync Destination IP Address 132 enable 0 - disabled 1 - Annex D (UDP/IPv4) time sync packet destination IP address number 132 (decimal) is enabled.	RW	0x0

Bits	Field Name	Description	Type	Reset
11	P1_TS_131	Port 1 Time Sync Destination IP Address 131 enable 0 - disabled 1 - Annex D (UDP/IPv4) time sync packet destination IP address number 131 (decimal) is enabled.	RW	0x0
10	P1_TS_130	Port 1 Time Sync Destination IP Address 130 enable 0 - disabled 1 - Annex D (UDP/IPv4) time sync packet destination IP address number 130 (decimal) is enabled.	RW	0x0
9	P1_TS_129	Port 1 Time Sync Destination IP Address 129 enable 0 - disabled 1 - Annex D (UDP/IPv4) time sync packet destination IP address number 129 (decimal) is enabled.	RW	0x0
8	P1_TS_TTL_NONZERO	Port 1 Time Sync Time To Live Non-zero enable. 0 = TTL must be zero. 1 = TTL may be any value.	RW	0x0
7	P1_TS_UNI_EN	Port 1 Time Sync Unicast Enable 0 – Unicast disabled 1 – Unicast enabled	RW	0x0
6	P1_TS_ANNEX_F_EN	Port 1 Time Sync Annex F enable 0 – Annex F disabled 1 – Annex F enabled	RW	0x0
5	P1_TS_ANNEX_E_EN	Port 1 Time Sync Annex E enable 0 – Annex E disabled 1 – Annex E enabled	RW	0x0
4	P1_TS_ANNEX_D_EN	Port 1 Time Sync Annex D enable 0 - Annex D disabled 1 - Annex D enabled	RW	0x0
3	P1_TS_LTYPE2_EN	Port 1 Time Sync LTYPE 2 enable 0 - disabled 1 - enabled	RW	0x0
2	P1_TS_LTYPE1_EN	Port 1 Time Sync LTYPE 1 enable 0 - disabled 1 - enabled	RW	0x0
1	P1_TS_TX_EN	Port 1 Time Sync Transmit Enable 0 - disabled 1 - enabled	RW	0x0
0	P1_TS_RX_EN	Port 1 Time Sync Receive Enable 0 - Port 1 Receive Time Sync disabled 1 - Port 1 Receive Time Sync enabled	RW	0x0

Table 24-1369. Register Call Summary for Register P1_CONTROL

Gigabit Ethernet Switch (GMAC_SW)

- [PORT Register Summary: \[0\]](#)

Table 24-1370. P1_MAX_BLKs

Address Offset	0x0000 0108		
Physical Address	0x4848 4208	Instance	PORT
Description	CPSW PORT 1 maximum FIFO blocks register		
Type	RW		

31	30	29	28	27	26	25	24	23	22	21	20	19	18	17	16	15	14	13	12	11	10	9	8	7	6	5	4	3	2	1	0
RESERVED																P1_TX_MAX_BLKs				P1_RX_MAX_BLKs											

Bits	Field Name	Description	Type	Reset
31:9	RESERVED		R	0x0
8:4	P1_TX_MAX_BLKs	Transmit FIFO Maximum Blocks - This value is the maximum number of 1k memory blocks that may be allocated to the FIFO's logical transmit priority queues. 0x11 is the recommended value of P1_TX_MAX_BLKs unless the port is in full duplex flow control mode. In flow control mode, the P1_RX_MAX_BLKs will need to increase in order to accept the required run out in full duplex mode. This value will need to decrease by the amount of increase in P1_RX_MAX_BLKs. 0xE is the minimum value for P1_TX_MAX_BLKs.	RW	0x11
3:0	P1_RX_MAX_BLKs	Receive FIFO Maximum Blocks - This value is the maximum number of 1k memory blocks that may be allocated to the FIFO's logical receive queue. This value must be greater than or equal to 0x3. It should be increased in full duplex flow control mode to 0x5 or 0x6 depending on the required runout space. The P1_TX_MAX_BLKs value must be decreased by the amount of increase in P1_RX_MAX_BLKs. 0x6 is the maximum value for P1_RX_MAX_BLKs.	RW	0x3

Table 24-1371. Register Call Summary for Register P1_MAX_BLKs

Gigabit Ethernet Switch (GMAC_SW)

- [PORT Register Summary: \[0\]](#)

Table 24-1372. P1_BLK_CNT

Address Offset	0x0000 010C	Instance	PORT
Physical Address	0x4848 420C		
Description	CPSW PORT 1 FIFO block usage count (read only)		
Type	R		

31	30	29	28	27	26	25	24	23	22	21	20	19	18	17	16	15	14	13	12	11	10	9	8	7	6	5	4	3	2	1	0
RESERVED																P1_TX_BLK_CNT							P1_RX_BLK_CNT								

Bits	Field Name	Description	Type	Reset
31:9	RESERVED		R	0x0
8:4	P1_TX_BLK_CNT	Port 1 Transmit Block Count Usage - This value is the number of blocks allocated to the FIFO logical transmit queues.	R	0x4
3:0	P1_RX_BLK_CNT	Port 1 Receive Block Count Usage - This value is the number of blocks allocated to the FIFO logical receive queues.	R	0x1

Table 24-1373. Register Call Summary for Register P1_BLK_CNT

Gigabit Ethernet Switch (GMAC_SW)

- [PORT Register Summary: \[0\]](#)

Table 24-1374. P1_TX_IN_CTL

Address Offset	0x0000 0110	Instance	PORT
Physical Address	0x4848 4210		
Description	CPSW PORT 1 transmit FIFO control		
Type	RW		

31	30	29	28	27	26	25	24	23	22	21	20	19	18	17	16	15	14	13	12	11	10	9	8	7	6	5	4	3	2	1	0		
RESERVED								HOST_BLKs_REM				TX_RATE_EN				RESERVED		TX_IN_SEL		TX_BLKs_REM				RESERVED		TX_PRI_WDS							

Bits	Field Name	Description	Type	Reset
31:28	RESERVED		R	0x0
27:24	HOST_BLKs_REM	Transmit FIFO Blocks that must be free before a non rate-limited CPDMA channel can begin sending a packet to the FIFO.	RW	0x8
23:20	TX_RATE_EN	Transmit FIFO Input Rate Enable	RW	0x0
19:18	RESERVED		R	0x0
17:16	TX_IN_SEL	Transmit FIFO Input Queue Type Select 0x0 - Normal priority mode 0x1 - reserved 0x2 - Rate Limit mode 0x3 - reserved	RW	0x0
15:12	TX_BLKs_REM	Transmit FIFO Input blocks to subtract on non rate-limited traffic in rate limit mode.	RW	0x4
11:10	RESERVED		R	0x0
9:0	TX_PRI_WDS	Transmit FIFO Words in queue	RW	0xc0

Table 24-1375. Register Call Summary for Register P1_TX_IN_CTL

Gigabit Ethernet Switch (GMAC_SW)

- [Audio Video Bridging: \[0\]\[1\]](#)
- [PORT Register Summary: \[2\]](#)

Table 24-1376. P1_PORT_VLAN

Address Offset	0x0000 0114	Instance	PORT
Physical Address	0x4848 4214		
Description	CPSW PORT 1 VLAN register		
Type	RW		

31	30	29	28	27	26	25	24	23	22	21	20	19	18	17	16	15	14	13	12	11	10	9	8	7	6	5	4	3	2	1	0
RESERVED																PORT_PRI		PORT_CFI	PORT_VID												

Bits	Field Name	Description	Type	Reset
31:16	RESERVED		R	0x0
15:13	PORT_PRI	Port VLAN Priority (7 is highest priority)	RW	0x0
12	PORT_CFI	Port CFI bit	RW	0x0

Bits	Field Name	Description	Type	Reset
11:0	PORT_VID	Port VLAN ID	RW	0x0

Table 24-1377. Register Call Summary for Register P1_PORT_VLAN

Gigabit Ethernet Switch (GMAC_SW)

- [PORT Register Summary: \[0\]](#)
- [PORT Register Description: \[1\]](#)

Table 24-1378. P1_TX_PRI_MAP

Address Offset	0x0000 0118	Instance	PORT
Physical Address	0x4848 4218		
Description	CPSW PORT 1 TX header priority to switch priority mapping register		
Type	RW		

31	30	29	28	27	26	25	24	23	22	21	20	19	18	17	16	15	14	13	12	11	10	9	8	7	6	5	4	3	2	1	0				
RESERVED				RESERVED				RESERVED				RESERVED				RESERVED				RESERVED				RESERVED				RESERVED				RESERVED			
			PRI7							PRI5				PRI4					PRI3								PRI1							PRI0	

Bits	Field Name	Description	Type	Reset
31:30	RESERVED		R	0x0
29:28	PRI7	Priority 7 - A packet header priority of 0x7 is given this switch queue priority	RW	0x3
27:26	RESERVED		R	0x0
25:24	PRI6	Priority 6 - A packet header priority of 0x6 is given this switch queue priority	RW	0x3
23:22	RESERVED		R	0x0
21:20	PRI5	Priority 5 - A packet header priority of 0x5 is given this switch queue priority	RW	0x2
19:18	RESERVED		R	0x0
17:16	PRI4	Priority 4 - A packet header priority of 0x4 is given this switch queue priority	RW	0x2
15:14	RESERVED		R	0x0
13:12	PRI3	Priority 3 - A packet header priority of 0x3 is given this switch queue priority	RW	0x1
11:10	RESERVED		R	0x0
9:8	PRI2	Priority 2 - A packet header priority of 0x2 is given this switch queue priority	RW	0x0
7:6	RESERVED		R	0x0
5:4	PRI1	Priority 1 - A packet header priority of 0x1 is given this switch queue priority	RW	0x0
3:2	RESERVED		R	0x0
1:0	PRI0	Priority 0 - A packet header priority of 0x0 is given this switch queue priority	RW	0x1

Table 24-1379. Register Call Summary for Register P1_TX_PRI_MAP

Gigabit Ethernet Switch (GMAC_SW)

- [PORT Register Summary: \[0\]](#)

Table 24-1380. P1_TS_SEQ_MTYPE

Address Offset	0x0000 011C	Instance	PORT
Physical Address	0x4848 421C		
Description	CPSW PORT 1 time sync sequence ID offset and message type.		
Type	RW		

31	30	29	28	27	26	25	24	23	22	21	20	19	18	17	16	15	14	13	12	11	10	9	8	7	6	5	4	3	2	1	0
RESERVED								P1_TS_SEQ_ID_OFFSET								P1_TS_MSG_TYPE_EN															

Bits	Field Name	Description	Type	Reset
31:22	RESERVED		R	0x0
21:16	P1_TS_SEQ_ID_OFFSET	Port 1 Time Sync Sequence ID Offset This is the number of octets that the sequence ID is offset in the tx and rx time sync message header. The minimum value is 6.	RW	0x1E
15:0	P1_TS_MSG_TYPE_EN	Port 1 Time Sync Message Type Enable - Each bit in this field enables the corresponding message type in receive and transmit time sync messages (Bit 0 enables message type 0 etc.).	RW	0x0

Table 24-1381. Register Call Summary for Register P1_TS_SEQ_MTYPE

Gigabit Ethernet Switch (GMAC_SW)

- [PORT Register Summary: \[0\]](#)

Table 24-1382. P1_SA_LO

Address Offset	0x0000 0120	Instance	PORT
Physical Address	0x4848 4220		
Description	CPSW CPGMAC_SL1 source address low register		
Type	RW		

31	30	29	28	27	26	25	24	23	22	21	20	19	18	17	16	15	14	13	12	11	10	9	8	7	6	5	4	3	2	1	0
RESERVED								MACSRCADDR_7_0								MACSRCADDR_15_8															

Bits	Field Name	Description	Type	Reset
31:16	RESERVED		R	0x0
15:8	MACSRCADDR_7_0	Source Address Lower 8 bits (byte 0)	RW	0x0
7:0	MACSRCADDR_15_8	Source Address bits 15:8 (byte 1)	RW	0x0

Table 24-1383. Register Call Summary for Register P1_SA_LO

Gigabit Ethernet Switch (GMAC_SW)

- [PORT Register Summary: \[0\]](#)

Table 24-1384. P1_SA_HI

Address Offset	0x0000 0124		
Physical Address	0x4848 4224	Instance	PORT
Description	CPSW CPGMAC_SL1 source address high register		
Type	RW		

31	30	29	28	27	26	25	24	23	22	21	20	19	18	17	16	15	14	13	12	11	10	9	8	7	6	5	4	3	2	1	0
MACSRCADDR_23_16								MACSRCADDR_31_24								MACSRCADDR_39_32								MACSRCADDR_47_40							

Bits	Field Name	Description	Type	Reset
31:24	MACSRCADDR_23_16	Source Address bits 23:16 (byte 2)	RW	0x0
23:16	MACSRCADDR_31_24	Source Address bits 31:24 (byte 3)	RW	0x0
15:8	MACSRCADDR_39_32	Source Address bits 39:32 (byte 4)	RW	0x0
7:0	MACSRCADDR_47_40	Source Address bits 47:40 (byte 5)	RW	0x0

Table 24-1385. Register Call Summary for Register P1_SA_HI

Gigabit Ethernet Switch (GMAC_SW)

- [PORT Register Summary: \[0\]](#)

Table 24-1386. P1_SEND_PERCENT

Address Offset	0x0000 0128		
Physical Address	0x4848 4228	Instance	PORT
Description	CPSW PORT 1 transmit queue send percentages		
Type	RW		

31	30	29	28	27	26	25	24	23	22	21	20	19	18	17	16	15	14	13	12	11	10	9	8	7	6	5	4	3	2	1	0		
RESERVED								PRI3_SEND_PERCENT								RESERVED	PRI2_SEND_PERCENT								RESERVED	PRI1_SEND_PERCENT							

Bits	Field Name	Description	Type	Reset
31:23	RESERVED		R	0x0
22:16	PRI3_SEND_PERCENT	Priority 3 Transmit Percentage - This percentage value is sent from FIFO priority 3 (maximum) when CPSW_PTYPE[18] P1_PRI3_SHAPE_EN is set (queue shaping enabled). This is the percentage of the wire that packets from priority 3 receive (which includes interpacket gap and preamble bytes). If shaping is enabled on this queue then this value must be between zero and 0d100 (not inclusive).	RW	0x0
15	RESERVED		R	0x0
14:8	PRI2_SEND_PERCENT	Priority 2 Transmit Percentage - This percentage value is sent from FIFO priority 2 (maximum) when CPSW_PTYPE[17] P1_PRI2_SHAPE_EN is set (queue shaping enabled). This is the percentage of the wire that packets from priority 2 receive (which includes interpacket gap and preamble bytes). If shaping is enabled on this queue then this value must be between zero and 0d100 (not inclusive).	RW	0x0
7	RESERVED		R	0x0

Bits	Field Name	Description	Type	Reset
6:0	PRI1_SEND_PERCENT	Priority 1 Transmit Percentage - This percentage value is sent from FIFO priority 1 (maximum) when the CPSW_PTYPE[16] P1_PRI1_SHAPE_EN is set (queue shaping enabled). This is the percentage of the wire that packets from priority 1 receive (which includes interpacket gap and preamble bytes). If shaping is enabled on this queue then this value must be between zero and 0d100 (not inclusive).	RW	0x0

Table 24-1387. Register Call Summary for Register P1_SEND_PERCENT

Gigabit Ethernet Switch (GMAC_SW)

- [Audio Video Bridging: \[0\]](#)
- [PORT Register Summary: \[1\]](#)

Table 24-1388. P1_RX_DSCP_PRI_MAP0

Address Offset	0x0000 0130	Instance	PORT
Physical Address	0x4848 4230		
Description	CPSW PORT 1 RX DSCP priority to RX packet mapping reg 0		
Type	RW		

31	30	29	28	27	26	25	24	23	22	21	20	19	18	17	16	15	14	13	12	11	10	9	8	7	6	5	4	3	2	1	0
RESERVED	PRI7			RESERVED	PRI6			RESERVED	PRI5			RESERVED	PRI4			RESERVED	PRI3			RESERVED	PRI2			RESERVED	PRI1			RESERVED	PRI0		

Bits	Field Name	Description	Type	Reset
31	RESERVED		R	0x0
30:28	PRI7	Priority 7 - A packet TOS of 0d7 is mapped to this received packet priority.	RW	0x0
27	RESERVED		R	0x0
26:24	PRI6	Priority 6 - A packet TOS of 0d6 is mapped to this received packet priority.	RW	0x0
23	RESERVED		R	0x0
22:20	PRI5	Priority 5 - A packet TOS of 0d5 is mapped to this received packet priority.	RW	0x0
19	RESERVED		R	0x0
18:16	PRI4	Priority 4 - A packet TOS of 0d4 is mapped to this received packet priority.	RW	0x0
15	RESERVED		R	0x0
14:12	PRI3	Priority 3 - A packet TOS of 0d3 is mapped to this received packet priority.	RW	0x0
11	RESERVED		R	0x0
10:8	PRI2	Priority 2 - A packet TOS of 0d2 is mapped to this received packet priority.	RW	0x0
7	RESERVED		R	0x0
6:4	PRI1	Priority 1 - A packet TOS of 0d1 is mapped to this received packet priority.	RW	0x0
3	RESERVED		R	0x0
2:0	PRI0	Priority 0 - A packet TOS of 0d0 is mapped to this received packet priority.	RW	0x0

Table 24-1389. Register Call Summary for Register P1_RX_DSCP_PRI_MAP0

Gigabit Ethernet Switch (GMAC_SW)

- [PORT Register Summary: \[0\]](#)

Table 24-1390. P1_RX_DSCP_PRI_MAP1

Address Offset	0x0000 0134	Instance	PORT
Physical Address	0x4848 4234		
Description	CPSW PORT 1 RX DSCP priority to RX packet mapping reg 1		
Type	RW		

31	30	29	28	27	26	25	24	23	22	21	20	19	18	17	16	15	14	13	12	11	10	9	8	7	6	5	4	3	2	1	0
RESERVED	PRI15			RESERVED	PRI14			RESERVED	PRI13			RESERVED	PRI12			RESERVED	PRI11			RESERVED	PRI10			RESERVED	PRI9			RESERVED	PRI8		

Bits	Field Name	Description	Type	Reset
31	RESERVED		R	0x0
30:28	PRI15	Priority 15 - A packet TOS of 0d15 is mapped to this received packet priority.	RW	0x0
27	RESERVED		R	0x0
26:24	PRI14	Priority 14 - A packet TOS of 0d14 is mapped to this received packet priority.	RW	0x0
23	RESERVED		R	0x0
22:20	PRI13	Priority 13 - A packet TOS of 0d13 is mapped to this received packet priority.	RW	0x0
19	RESERVED		R	0x0
18:16	PRI12	Priority 12 - A packet TOS of 0d12 is mapped to this received packet priority.	RW	0x0
15	RESERVED		R	0x0
14:12	PRI11	Priority 11 - A packet TOS of 0d11 is mapped to this received packet priority.	RW	0x0
11	RESERVED		R	0x0
10:8	PRI10	Priority 10 - A packet TOS of 0d10 is mapped to this received packet priority.	RW	0x0
7	RESERVED		R	0x0
6:4	PRI9	Priority 9 - A packet TOS of 0d9 is mapped to this received packet priority.	RW	0x0
3	RESERVED		R	0x0
2:0	PRI8	Priority 8 - A packet TOS of 0d8 is mapped to this received packet priority.	RW	0x0

Table 24-1391. Register Call Summary for Register P1_RX_DSCP_PRI_MAP1

Gigabit Ethernet Switch (GMAC_SW)

- [PORT Register Summary: \[0\]](#)

Table 24-1392. P1_RX_DSCP_PRI_MAP2

Address Offset	0x0000 0138
Physical Address	0x4848 4238
Description	CPSW PORT 1 RX DSCP priority to RX packet mapping reg 2
Type	RW

31	30	29	28	27	26	25	24	23	22	21	20	19	18	17	16	15	14	13	12	11	10	9	8	7	6	5	4	3	2	1	0
RESERVED	PRI23			RESERVED	PRI22			RESERVED	PRI21			RESERVED	PRI20			RESERVED	PRI19			RESERVED	PRI18			RESERVED	PRI17			RESERVED	PRI16		

Bits	Field Name	Description	Type	Reset
31	RESERVED		R	0x0
30:28	PRI23	Priority 23 - A packet TOS of 0d23 is mapped to this received packet priority.	RW	0x0
27	RESERVED		R	0x0
26:24	PRI22	Priority 22 - A packet TOS of 0d22 is mapped to this received packet priority.	RW	0x0
23	RESERVED		R	0x0
22:20	PRI21	Priority 21 - A packet TOS of 0d21 is mapped to this received packet priority.	RW	0x0
19	RESERVED		R	0x0
18:16	PRI20	Priority 20 - A packet TOS of 0d20 is mapped to this received packet priority.	RW	0x0
15	RESERVED		R	0x0
14:12	PRI19	Priority 19 - A packet TOS of 0d19 is mapped to this received packet priority.	RW	0x0
11	RESERVED		R	0x0
10:8	PRI18	Priority 18 - A packet TOS of 0d18 is mapped to this received packet priority.	RW	0x0
7	RESERVED		R	0x0
6:4	PRI17	Priority 17 - A packet TOS of 0d17 is mapped to this received packet priority.	RW	0x0
3	RESERVED		R	0x0
2:0	PRI16	Priority 16 - A packet TOS of 0d16 is mapped to this received packet priority.	RW	0x0

Table 24-1393. Register Call Summary for Register P1_RX_DSCP_PRI_MAP2

Gigabit Ethernet Switch (GMAC_SW)

- [PORT Register Summary: \[0\]](#)

Table 24-1394. P1_RX_DSCP_PRI_MAP3

Address Offset	0x0000 013C	Instance	PORT
Physical Address	0x4848 423C		
Description	CPSW PORT 1 RX DSCP priority to RX packet mapping reg 3		
Type	RW		

31	30	29	28	27	26	25	24	23	22	21	20	19	18	17	16	15	14	13	12	11	10	9	8	7	6	5	4	3	2	1	0
RESERVED	PRI31		RESERVED	PRI30		RESERVED	PRI29		RESERVED	PRI28		RESERVED	PRI27		RESERVED	PRI26		RESERVED	PRI25		RESERVED	PRI24		RESERVED	PRI24		RESERVED	PRI24			

Bits	Field Name	Description	Type	Reset
31	RESERVED		R	0x0
30:28	PRI31	Priority 31 - A packet TOS of 0d31 is mapped to this received packet priority.	RW	0x0
27	RESERVED		R	0x0
26:24	PRI30	Priority 30 - A packet TOS of 0d30 is mapped to this received packet priority.	RW	0x0
23	RESERVED		R	0x0
22:20	PRI29	Priority 29 - A packet TOS of 0d39 is mapped to this received packet priority.	RW	0x0
19	RESERVED		R	0x0
18:16	PRI28	Priority 28 - A packet TOS of 0d28 is mapped to this received packet priority.	RW	0x0
15	RESERVED		R	0x0
14:12	PRI27	Priority 27 - A packet TOS of 0d27 is mapped to this received packet priority.	RW	0x0
11	RESERVED		R	0x0
10:8	PRI26	Priority 26 - A packet TOS of 0d26 is mapped to this received packet priority.	RW	0x0
7	RESERVED		R	0x0
6:4	PRI25	Priority 25 - A packet TOS of 0d25 is mapped to this received packet priority.	RW	0x0
3	RESERVED		R	0x0
2:0	PRI24	Priority 24 - A packet TOS of 0d24 is mapped to this received packet priority.	RW	0x0

Table 24-1395. Register Call Summary for Register P1_RX_DSCP_PRI_MAP3

Gigabit Ethernet Switch (GMAC_SW)

- [PORT Register Summary: \[0\]](#)

Table 24-1396. P1_RX_DSCP_PRI_MAP4

Address Offset	0x0000 0140
Physical Address	0x4848 4240
Description	CPSW PORT 1 RX DSCP priority to RX packet mapping reg 4
Type	RW

31	30	29	28	27	26	25	24	23	22	21	20	19	18	17	16	15	14	13	12	11	10	9	8	7	6	5	4	3	2	1	0								
RESERVED	PRI39				RESERVED	PRI38				RESERVED	PRI37				RESERVED	PRI36				RESERVED	PRI35				RESERVED	PRI34				RESERVED	PRI33				RESERVED	PRI32			

Bits	Field Name	Description	Type	Reset
31	RESERVED		R	0x0
30:28	PRI39	Priority 39 - A packet TOS of 0d39 is mapped to this received packet priority.	RW	0x0
27	RESERVED		R	0x0
26:24	PRI38	Priority 38 - A packet TOS of 0d38 is mapped to this received packet priority.	RW	0x0
23	RESERVED		R	0x0
22:20	PRI37	Priority 37 - A packet TOS of 0d37 is mapped to this received packet priority.	RW	0x0
19	RESERVED		R	0x0
18:16	PRI36	Priority 36 - A packet TOS of 0d36 is mapped to this received packet priority.	RW	0x0
15	RESERVED		R	0x0
14:12	PRI35	Priority 35 - A packet TOS of 0d35 is mapped to this received packet priority.	RW	0x0
11	RESERVED		R	0x0
10:8	PRI34	Priority 34 - A packet TOS of 0d34 is mapped to this received packet priority.	RW	0x0
7	RESERVED		R	0x0
6:4	PRI33	Priority 33 - A packet TOS of 0d33 is mapped to this received packet priority.	RW	0x0
3	RESERVED		R	0x0
2:0	PRI32	Priority 32 - A packet TOS of 0d32 is mapped to this received packet priority.	RW	0x0

Table 24-1397. Register Call Summary for Register P1_RX_DSCP_PRI_MAP4

Gigabit Ethernet Switch (GMAC_SW)

- [PORT Register Summary: \[0\]](#)

Table 24-1398. P1_RX_DSCP_PRI_MAP5

Address Offset	0x0000 0144	Instance	PORT
Physical Address	0x4848 4244		
Description	CPSW PORT 1 RX DSCP priority to RX packet mapping reg 5		
Type	RW		

31	30	29	28	27	26	25	24	23	22	21	20	19	18	17	16	15	14	13	12	11	10	9	8	7	6	5	4	3	2	1	0
RESERVED	PRI47			RESERVED	PRI46			RESERVED	PRI45			RESERVED	PRI44			RESERVED	PRI43			RESERVED	PRI42			RESERVED	PRI41			RESERVED	PRI40		

Bits	Field Name	Description	Type	Reset
31	RESERVED		R	0x0
30:28	PRI47	Priority 47 - A packet TOS of 0d47 is mapped to this received packet priority.	RW	0x0
27	RESERVED		R	0x0
26:24	PRI46	Priority 46 - A packet TOS of 0d46 is mapped to this received packet priority.	RW	0x0
23	RESERVED		R	0x0
22:20	PRI45	Priority 45 - A packet TOS of 0d45 is mapped to this received packet priority.	RW	0x0
19	RESERVED		R	0x0
18:16	PRI44	Priority 44 - A packet TOS of 0d44 is mapped to this received packet priority.	RW	0x0
15	RESERVED		R	0x0
14:12	PRI43	Priority 43 - A packet TOS of 0d43 is mapped to this received packet priority.	RW	0x0
11	RESERVED		R	0x0
10:8	PRI42	Priority 42 - A packet TOS of 0d42 is mapped to this received packet priority.	RW	0x0
7	RESERVED		R	0x0
6:4	PRI41	Priority 41 - A packet TOS of 0d41 is mapped to this received packet priority.	RW	0x0
3	RESERVED		R	0x0
2:0	PRI40	Priority 40 - A packet TOS of 0d40 is mapped to this received packet priority.	RW	0x0

Table 24-1399. Register Call Summary for Register P1_RX_DSCP_PRI_MAP5

Gigabit Ethernet Switch (GMAC_SW)

- [PORT Register Summary: \[0\]](#)

Table 24-1400. P1_RX_DSCP_PRI_MAP6

Address Offset	0x0000 0148
Physical Address	0x4848 4248
Description	CPSW PORT 1 RX DSCP priority to RX packet mapping reg 6
Type	RW

31	30	29	28	27	26	25	24	23	22	21	20	19	18	17	16	15	14	13	12	11	10	9	8	7	6	5	4	3	2	1	0								
RESERVED	PRI55				RESERVED	PRI54				RESERVED	PRI53				RESERVED	PRI52				RESERVED	PRI51				RESERVED	PRI50				RESERVED	PRI49				RESERVED	PRI48			

Bits	Field Name	Description	Type	Reset
31	RESERVED		R	0x0
30:28	PRI55	Priority 55 - A packet TOS of 0d55 is mapped to this received packet priority.	RW	0x0
27	RESERVED		R	0x0
26:24	PRI54	Priority 54 - A packet TOS of 0d54 is mapped to this received packet priority.	RW	0x0
23	RESERVED		R	0x0
22:20	PRI53	Priority 53 - A packet TOS of 0d53 is mapped to this received packet priority.	RW	0x0
19	RESERVED		R	0x0
18:16	PRI52	Priority 52 - A packet TOS of 0d52 is mapped to this received packet priority.	RW	0x0
15	RESERVED		R	0x0
14:12	PRI51	Priority 51 - A packet TOS of 0d51 is mapped to this received packet priority.	RW	0x0
11	RESERVED		R	0x0
10:8	PRI50	Priority 50 - A packet TOS of 0d50 is mapped to this received packet priority.	RW	0x0
7	RESERVED		R	0x0
6:4	PRI49	Priority 49 - A packet TOS of 0d49 is mapped to this received packet priority.	RW	0x0
3	RESERVED		R	0x0
2:0	PRI48	Priority 48 - A packet TOS of 0d48 is mapped to this received packet priority.	RW	0x0

Table 24-1401. Register Call Summary for Register P1_RX_DSCP_PRI_MAP6

Gigabit Ethernet Switch (GMAC_SW)

- [PORT Register Summary: \[0\]](#)

Table 24-1402. P1_RX_DSCP_PRI_MAP7

Address Offset	0x0000 014C	Instance	PORT
Physical Address	0x4848 424C		
Description	CPSW PORT 1 RX DSCP priority to RX packet mapping reg 7		
Type	RW		

31	30	29	28	27	26	25	24	23	22	21	20	19	18	17	16	15	14	13	12	11	10	9	8	7	6	5	4	3	2	1	0
RESERVED	PRI63			RESERVED	PRI62			RESERVED	PRI61			RESERVED	PRI60			RESERVED	PRI59			RESERVED	PRI58			RESERVED	PRI57			RESERVED	PRI56		

Bits	Field Name	Description	Type	Reset
31	RESERVED		R	0x0
30:28	PRI63	Priority 63 - A packet TOS of 0d63 is mapped to this received packet priority.	RW	0x0
27	RESERVED		R	0x0
26:24	PRI62	Priority 62 - A packet TOS of 0d62 is mapped to this received packet priority.	RW	0x0
23	RESERVED		R	0x0
22:20	PRI61	Priority 61 - A packet TOS of 0d61 is mapped to this received packet priority.	RW	0x0
19	RESERVED		R	0x0
18:16	PRI60	Priority 60 - A packet TOS of 0d60 is mapped to this received packet priority.	RW	0x0
15	RESERVED		R	0x0
14:12	PRI59	Priority 59 - A packet TOS of 0d59 is mapped to this received packet priority.	RW	0x0
11	RESERVED		R	0x0
10:8	PRI58	Priority 58 - A packet TOS of 0d58 is mapped to this received packet priority.	RW	0x0
7	RESERVED		R	0x0
6:4	PRI57	Priority 57 - A packet TOS of 0d57 is mapped to this received packet priority.	RW	0x0
3	RESERVED		R	0x0
2:0	PRI56	Priority 56 - A packet TOS of 0d56 is mapped to this received packet priority.	RW	0x0

Table 24-1403. Register Call Summary for Register P1_RX_DSCP_PRI_MAP7

Gigabit Ethernet Switch (GMAC_SW)

- [PORT Register Summary: \[0\]](#)

Table 24-1404. P1_IDLE2LPI

Address Offset	0x0000 0150	
Physical Address	0x4848 4250	Instance PORT
Description	Port 1 EEE Idle to LPI Counter Load Value Register	
Type	RW	

31	30	29	28	27	26	25	24	23	22	21	20	19	18	17	16	15	14	13	12	11	10	9	8	7	6	5	4	3	2	1	0
RESERVED												P1_IDLE2LPI																			

Bits	Field Name	Description	Type	Reset
31:20	RESERVED		R	0x0
19:0	P1_IDLE2LPI	Port 1 EEE Idle to LPI counter load value - After CLKSTOP_REQ is asserted, this value is loaded into the port 1 idle to LPI counter on each clock that the port 1 transmit is not idle. Port 0 enters the transmit LPI state when this counter decrements to zero. This counter decrements each time the EEE prescale counter decrements to zero.	RW	0x0

Table 24-1405. Register Call Summary for Register P1_IDLE2LPI

Gigabit Ethernet Switch (GMAC_SW)

- [PORT Register Summary: \[0\]](#)
- [PORT Register Description: \[1\]](#)

Table 24-1406. P1_LPI2WAKE

Address Offset	0x0000 0154	
Physical Address	0x4848 4254	Instance PORT
Description	Port 1 EEE LPI to Wake Counter Load Value Register	
Type	RW	

31	30	29	28	27	26	25	24	23	22	21	20	19	18	17	16	15	14	13	12	11	10	9	8	7	6	5	4	3	2	1	0
RESERVED												P1_LPI2WAKE																			

Bits	Field Name	Description	Type	Reset
31:20	RESERVED		R	0x0
19:0	P1_LPI2WAKE	Port 1 EEE LPI to wake counter load value – When the port is in the transmit LPI state and the CLKSTOP_REQ signal is deasserted, this value is loaded into the port 1 LPI to wake counter. Transmit packet operations may begin (resume) when the LPI to wake count decrements to zero (on the pre-scale count). This is the time that the CPDMA transmit must wait before transmit (switch ingress) packet operations begin (resume after wakeup).	RW	0x0

Table 24-1407. Register Call Summary for Register P1_LPI2WAKE

Gigabit Ethernet Switch (GMAC_SW)

- [PORT Register Summary: \[0\]](#)
- [PORT Register Description: \[1\]](#)

Table 24-1408. P2_CONTROL

Address Offset	0x0000 0200	Instance	PORT
Physical Address	0x4848 4300		
Description	CPSW_3GF PORT 2 control register		
Type	RW		

31	30	29	28	27	26	25	24	23	22	21	20	19	18	17	16	15	14	13	12	11	10	9	8	7	6	5	4	3	2	1	0					
RESERVED								RESERVED		RESERVED		RESERVED								P2_TS_TTL_NONZERO	P2_TS_UNI_EN	P2_TS_ANNEX_F_EN	P2_TS_ANNEX_E_EN	P2_TS_ANNEX_D_EN	P2_TS_LTYPE2_EN	P2_TS_LTYPE1_EN	P2_TS_TX_EN	P2_TS_RX_EN								
P2_TX_CLKSTOP_EN								P2_PASS_PRI_TAGGED		P2_VLAN_LTYPE2_EN		P2_VLAN_LTYPE1_EN		P2_DSCP_PRI_EN								P2_TS_107	P2_TS_320	P2_TS_319	P2_TS_132	P2_TS_131	P2_TS_130	P2_TS_129								

Bits	Field Name	Description	Type	Reset
31:26	RESERVED		R	0x0
25	P2_TX_CLKSTOP_EN	Port 2 Transmit clockstop enable 0 – RGMII transmit clockstop not enabled 1 – RGMII transmit clockstop enabled. The transmit clock will be stopped after the LPI state is entered (and indicated to the CPRGMII) and the P2_Idle2LPI time is counted (counter value reused). The P2_Idle2LPI counter value must be greater than 9 transmit clocks (slowest clock)	RW	0x0
24	P2_PASS_PRI_TAGGED	Port 2 Pass Priority Tagged 0 - Priority tagged packets have the zero VID replaced with the input port P2_PORT_VLAN [11:0] 1 - Priority tagged packets are processed unchanged.	RW	0x0
23:22	RESERVED		R	0x0
21	P2_VLAN_LTYPE2_EN	Port 2 VLAN LTYPE 2 enable 0 - disabled 1 - VLAN LTYPE2 enabled on transmit and receive	RW	0x0
20	P2_VLAN_LTYPE1_EN	Port 2 VLAN LTYPE 1 enable 0 - disabled 1 - VLAN LTYPE1 enabled on transmit and receive	RW	0x0
19:17	RESERVED		R	0x0
16	P2_DSCP_PRI_EN	Port 0 DSCP Priority Enable 0 - DSCP priority disabled 1 - DSCP priority enabled. All non-tagged IPV4 packets have their received packet priority determined by mapping the 6 TOS bits through the port DSCP priority mapping registers.	RW	0x0
15	P2_TS_107	Port 2 Time Sync Destination IP Address 107 enable 0 – disabled 1 – destination IP address (dec) 224.0.0.107 is enabled.	RW	0x0
14	P2_TS_320	Port 2 Time Sync Destination Port Number 320 enable 0 - disabled 1 - Annex D (UDP/IPv4) time sync packet destination port number 320 (decimal) is enabled.	RW	0x0
13	P2_TS_319	Port 2 Time Sync Destination Port Number 319 enable 0 - disabled 1 - Annex D (UDP/IPv4) time sync packet destination port number 319 (decimal) is enabled.	RW	0x0
12	P2_TS_132	Port 2 Time Sync Destination IP Address 132 enable 0 - disabled 1 - Annex D (UDP/IPv4) time sync packet destination IP address number 132 (decimal) is enabled.	RW	0x0

Bits	Field Name	Description	Type	Reset
11	P2_TS_131	Port 2 Time Sync Destination IP Address 131 enable 0 - disabled 1 - Annex D (UDP/IPv4) time sync packet destination IP address number 131 (decimal) is enabled.	RW	0x0
10	P2_TS_130	Port 2 Time Sync Destination IP Address 130 enable 0 - disabled 1 - Annex D (UDP/IPv4) time sync packet destination IP address number 130 (decimal) is enabled.	RW	0x0
9	P2_TS_129	Port 2 Time Sync Destination IP Address 129 enable 0 - disabled 1 - Annex D (UDP/IPv4) time sync packet destination IP address number 129 (decimal) is enabled.	RW	0x0
8	P2_TS_TTL_NONZERO	Port 2 Time Sync Time To Live Non-zero enable. 0 = TTL must be zero. 1 = TTL may be any value.	RW	0x0
7	P2_TS_UNI_EN	Port 2 Time Sync Unicast Enable 0 – Unicast disabled 1 – Unicast enabled	RW	0x0
6	P2_TS_ANNEX_F_EN	Port 2 Time Sync Annex F enable 0 – Annex F disabled 1 – Annex F enabled	RW	0X0
5	P2_TS_ANNEX_E_EN	Port 2 Time Sync Annex E enable 0 – Annex E disabled 1 – Annex E enabled	RW	0X0
4	P2_TS_ANNEX_D_EN	Port 2 Time Sync Annex D enable 0 - Annex D disabled 1 - Annex D enabled	RW	0x0
3	P2_TS_LTYPE2_EN	Port 2 Time Sync LTYPE 2 enable 0 - disabled 1 - enabled	RW	0x0
2	P2_TS_LTYPE1_EN	Port 2 Time Sync LTYPE 1 enable 0 - disabled 1 - enabled	RW	0x0
1	P2_TS_TX_EN	Port 2 Time Sync Transmit Enable 0 - disabled 1 - enabled	RW	0x0
0	P2_TS_RX_EN	Port 2 Time Sync Receive Enable 0 - Port 1 Receive Time Sync disabled 1 - Port 1 Receive Time Sync enabled	RW	0x0

Table 24-1409. Register Call Summary for Register P2_CONTROL

Gigabit Ethernet Switch (GMAC_SW)

- [PORT Register Summary: \[0\]](#)

Table 24-1410. P2_MAX_BLKs

Address Offset	0x0000 0208		
Physical Address	0x4848 4308	Instance	PORT
Description	CPSW PORT 2 maximum FIFO blocks register		
Type	RW		

31	30	29	28	27	26	25	24	23	22	21	20	19	18	17	16	15	14	13	12	11	10	9	8	7	6	5	4	3	2	1	0
RESERVED																P2_TX_MAX_BLKs						P2_RX_MAX_BLKs									

Bits	Field Name	Description	Type	Reset
31:9	RESERVED		RW	0x0
8:4	P2_TX_MAX_BLKs	Transmit FIFO Maximum Blocks - This value is the maximum number of 1k memory blocks that may be allocated to the FIFO's logical transmit priority queues. 0x11 is the recommended value of P2_TX_MAX_BLKs unless the port is in fullduplex flow control mode. In flow control mode, the P2_RX_MAX_BLKs will need to increase in order to accept the required run out in fullduplex mode. This value will need to decrease by the amount of increase in P2_RX_MAX_BLKs. 0xE is the minimum value P2_TX_MAX_BLKs.	RW	0x11
3:0	P2_RX_MAX_BLKs	Receive FIFO Maximum Blocks - This value is the maximum number of 1k memory blocks that may be allocated to the FIFO's logical receive queue. This value must be greater than or equal to 0x3. It should be increased In fullduplex flow control mode to 0x5 or 0x6 depending on the required runout space. The P2_TX_MAX_BLKs value must be decreased by the amount of increase in P2_RX_MAX_BLKs. 0x3 is the minimum value P2_RX_MAX_BLKs and 0x6 is the maximum value.	RW	0x3

Table 24-1411. Register Call Summary for Register P2_MAX_BLKs

Gigabit Ethernet Switch (GMAC_SW)

- [PORT Register Summary: \[0\]](#)

Table 24-1412. P2_BLK_CNT

Address Offset	0x0000 020C	Instance	PORT
Physical Address	0x4848 430C		
Description	CPSW PORT 2 FIFO block usage count (read only)		
Type	R		

31	30	29	28	27	26	25	24	23	22	21	20	19	18	17	16	15	14	13	12	11	10	9	8	7	6	5	4	3	2	1	0
RESERVED																P2_TX_BLK_CNT							P2_RX_BLK_CNT								

Bits	Field Name	Description	Type	Reset
31:9	RESERVED		R	0x0
8:4	P2_TX_BLK_CNT	Port 2 Transmit Block Count Usage - This value is the number of blocks allocated to the FIFO logical transmit queues.	R	0x4
3:0	P2_RX_BLK_CNT	Port 2 Receive Block Count Usage - This value is the number of blocks allocated to the FIFO logical receive queues.	R	0x1

Table 24-1413. Register Call Summary for Register P2_BLK_CNT

Gigabit Ethernet Switch (GMAC_SW)

- [PORT Register Summary: \[0\]](#)

Table 24-1414. P2_TX_IN_CTL

Address Offset	0x0000 0210	Instance	PORT
Physical Address	0x4848 4310		
Description	CPSW PORT 2 transmit FIFO control		
Type	RW		

31	30	29	28	27	26	25	24	23	22	21	20	19	18	17	16	15	14	13	12	11	10	9	8	7	6	5	4	3	2	1	0		
RESERVED								HOST_BLKs_REM				TX_RATE_EN				RESERVED		TX_IN_SEL		TX_BLKs_REM				RESERVED		TX_PRI_WDS							

Bits	Field Name	Description	Type	Reset
31:28	RESERVED		RW	0x0
27:24	HOST_BLKs_REM	Transmit FIFO Blocks that must be free before a non rate-limited CPDMA channel can begin sending a packet to the FIFO.	RW	0x8
23:20	TX_RATE_EN	Transmit FIFO Input Rate Enable	RW	0x0
19:18	RESERVED		RW	0x0
17:16	TX_IN_SEL	Transmit FIFO Input Queue Type Select 0x0 - Normal priority mode 0x1 - reserved 0x2 - Rate Limit mode 0x3 - reserved	RW	0x0
15:12	TX_BLKs_REM	Transmit FIFO Input blocks to subtract on non rate-limited traffic in rate limit mode.	RW	0x4
11:10	RESERVED		RW	0x0
9:0	TX_PRI_WDS	Transmit FIFO Words in queue	RW	0xc0

Table 24-1415. Register Call Summary for Register P2_TX_IN_CTL

Gigabit Ethernet Switch (GMAC_SW)

- [PORT Register Summary: \[0\]](#)

Table 24-1416. P2_PORT_VLAN

Address Offset	0x0000 0214	Instance	PORT
Physical Address	0x4848 4314		
Description	CPSW PORT 2 VLAN register		
Type	RW		

31	30	29	28	27	26	25	24	23	22	21	20	19	18	17	16	15	14	13	12	11	10	9	8	7	6	5	4	3	2	1	0
RESERVED																PORT_PRI		PORT_CFI	PORT_VID												

Bits	Field Name	Description	Type	Reset
31:16	RESERVED		R	0x0
15:13	PORT_PRI	Port VLAN Priority (7 is highest priority)	RW	0x0
12	PORT_CFI	Port CFI bit	RW	0x0
11:0	PORT_VID	Port VLAN ID	RW	0x0

Table 24-1417. Register Call Summary for Register P2_PORT_VLAN

Gigabit Ethernet Switch (GMAC_SW)

- [PORT Register Summary: \[0\]](#)
- [PORT Register Description: \[1\]](#)

Table 24-1418. P2_TX_PRI_MAP

Address Offset	0x0000 0218	Instance	PORT
Physical Address	0x4848 4318		
Description	CPSW PORT 2 TX header priority to switch priority mapping register		
Type	RW		

31	30	29	28	27	26	25	24	23	22	21	20	19	18	17	16	15	14	13	12	11	10	9	8	7	6	5	4	3	2	1	0
RESERVED		PRI7		RESERVED		PRI6		RESERVED		PRI5		RESERVED		PRI4		RESERVED		PRI3		RESERVED		PRI2		RESERVED		PRI1		RESERVED		PRI0	

Bits	Field Name	Description	Type	Reset
31:30	RESERVED		R	0x0
29:28	PRI7	Priority 7 - A packet header priority of 0x7 is given this switch queue priority.	RW	0x3
27:26	RESERVED		R	0x0
25:24	PRI6	Priority 6 - A packet header priority of 0x6 is given this switch queue priority.	RW	0x3
23:22	RESERVED		R	0x0
21:20	PRI5	Priority 5 - A packet header priority of 0x5 is given this switch queue priority.	RW	0x2
19:18	RESERVED		R	0x0
17:16	PRI4	Priority 4 - A packet header priority of 0x4 is given this switch queue priority.	RW	0x2
15:14	RESERVED		R	0x0
13:12	PRI3	Priority 3 - A packet header priority of 0x3 is given this switch queue priority.	RW	0x1
11:10	RESERVED		R	0x0
9:8	PRI2	Priority 2 - A packet header priority of 0x2 is given this switch queue priority.	RW	0x0
7:6	RESERVED		R	0x0
5:4	PRI1	Priority 1 - A packet header priority of 0x1 is given this switch queue priority.	RW	0x0
3:2	RESERVED		R	0x0
1:0	PRI0	Priority 0 - A packet header priority of 0x0 is given this switch queue priority.	RW	0x1

Table 24-1419. Register Call Summary for Register P2_TX_PRI_MAP

Gigabit Ethernet Switch (GMAC_SW)

- [PORT Register Summary: \[0\]](#)

Table 24-1420. P2_TS_SEQ_MTYPE

Address Offset	0x0000 021C	Instance	PORT
Physical Address	0x4848 431C		
Description	CPSW_3GF PORT 2 time sync sequence ID offset and message type.		
Type	RW		

31	30	29	28	27	26	25	24	23	22	21	20	19	18	17	16	15	14	13	12	11	10	9	8	7	6	5	4	3	2	1	0
RESERVED								P2_TS_SEQ_ID_OFFSET								P2_TS_MSG_TYPE_EN															

Bits	Field Name	Description	Type	Reset
31:22	RESERVED		R	0x0
21:16	P2_TS_SEQ_ID_OFFSET	Port 2 Time Sync Sequence ID Offset This is the number of octets that the sequence ID is offset in the tx and rx time sync message header. The minimum value is 6.	RW	0x1E
15:0	P2_TS_MSG_TYPE_EN	Port 2 Time Sync Message Type Enable - Each bit in this field enables the corresponding message type in receive and transmit time sync messages (Bit 0 enables message type 0 etc.).	RW	0x0

Table 24-1421. Register Call Summary for Register P2_TS_SEQ_MTYPE

Gigabit Ethernet Switch (GMAC_SW)

- [PORT Register Summary: \[0\]](#)

Table 24-1422. P2_SA_LO

Address Offset	0x0000 0220	Instance	PORT
Physical Address	0x4848 4320		
Description	CPSW CPGMAC_SL2 source address low register		
Type	RW		

31	30	29	28	27	26	25	24	23	22	21	20	19	18	17	16	15	14	13	12	11	10	9	8	7	6	5	4	3	2	1	0
RESERVED								MACSRCADDR_7_0								MACSRCADDR_15_8															

Bits	Field Name	Description	Type	Reset
31:16	RESERVED		R	0x0
15:8	MACSRCADDR_7_0	Source Address Lower 8 bits (byte 0)	RW	0x0
7:0	MACSRCADDR_15_8	Source Address bits 15:8 (byte 1)	RW	0x0

Table 24-1423. Register Call Summary for Register P2_SA_LO

Gigabit Ethernet Switch (GMAC_SW)

- [PORT Register Summary: \[0\]](#)

Table 24-1424. P2_SA_HI

Address Offset	0x0000 0224		
Physical Address	0x4848 4324	Instance	PORT
Description	CPSW CPGMAC_SL2 source address high register		
Type	RW		

31 30 29 28 27 26 25 24	23 22 21 20 19 18 17 16	15 14 13 12 11 10 9 8	7 6 5 4 3 2 1 0
MACSRCADDR_23_16	MACSRCADDR_31_23	MACSRCADDR_39_32	MACSRCADDR_47_40

Bits	Field Name	Description	Type	Reset
31:24	MACSRCADDR_23_16	Source Address bits 23:16 (byte 2)	RW	0x0
23:16	MACSRCADDR_31_23	Source Address bits 31:23 (byte 3)	RW	0x0
15:8	MACSRCADDR_39_32	Source Address bits 39:32 (byte 4)	RW	0x0
7:0	MACSRCADDR_47_40	Source Address bits 47:40 (byte 5)	RW	0x0

Table 24-1425. Register Call Summary for Register P2_SA_HI

Gigabit Ethernet Switch (GMAC_SW)

- [PORT Register Summary: \[0\]](#)

Table 24-1426. P2_SEND_PERCENT

Address Offset	0x0000 0228		
Physical Address	0x4848 4328	Instance	PORT
Description	CPSW PORT 2 transmit queue send percentages		
Type	RW		

31 30 29 28 27 26 25 24	23 22 21 20 19 18 17 16	15 14 13 12 11 10 9 8	7 6 5 4 3 2 1 0
RESERVED	PRI3_SEND_PERCENT	RESERVED	PRI2_SEND_PERCENT
		RESERVED	PRI1_SEND_PERCENT

Bits	Field Name	Description	Type	Reset
31:23	RESERVED		R	0x0
22:16	PRI3_SEND_PERCENT	Priority 3 Transmit Percentage - This percentage value is sent from FIFO priority 3 (maximum) when the CPSW_PTYPE[21] P2_PRI3_SHAPE_EN is set (queue shaping enabled). This is the percentage of the wire that packets from priority 3 receive (which includes interpacket gap and preamble bytes). If shaping is enabled on this queue then this value must be between zero and 0d100 (not inclusive).	RW	0x0
15	RESERVED		R	0x0
14:8	PRI2_SEND_PERCENT	Priority 2 Transmit Percentage - This percentage value is sent from FIFO priority 2 (maximum) when the CPSW_PTYPE[20] P2_PRI2_SHAPE_EN is set (queue shaping enabled). This is the percentage of the wire that packets from priority 2 receive (which includes interpacket gap and preamble bytes). If shaping is enabled on this queue then this value must be between zero and 0d100 (not inclusive).	RW	0x0
7	RESERVED		R	0x0

Bits	Field Name	Description	Type	Reset
6:0	PRI1_SEND_PERCENT	Priority 1 Transmit Percentage - This percentage value is sent from FIFO priority 1 (maximum) when the CPSW_PTYPE[19] P2_PRI1_SHAPE_EN is set (queue shaping enabled). This is the percentage of the wire that packets from priority 1 receive (which includes interpacket gap and preamble bytes). If shaping is enabled on this queue then this value must be between zero and 0d100 (not inclusive).	RW	0x0

Table 24-1427. Register Call Summary for Register P2_SEND_PERCENT

Gigabit Ethernet Switch (GMAC_SW)

- [PORT Register Summary: \[0\]](#)

Table 24-1428. P2_RX_DSCP_PRI_MAP0

Address Offset	0x0000 0230	Instance	PORT
Physical Address	0x4848 4330		
Description	CPSW PORT 2 RX DSCP priority to RX packet mapping reg 0		
Type	RW		

31	30	29	28	27	26	25	24	23	22	21	20	19	18	17	16	15	14	13	12	11	10	9	8	7	6	5	4	3	2	1	0
RESERVED	PRI7			RESERVED	PRI6			RESERVED	PRI5			RESERVED	PRI4			RESERVED	PRI3			RESERVED	PRI2			RESERVED	PRI1			RESERVED	PRI0		

Bits	Field Name	Description	Type	Reset
31	RESERVED		R	0x0
30:28	PRI7	Priority 7 - A packet TOS of 0d7 is mapped to this received packet priority.	RW	0x0
27	RESERVED		R	0x0
26:24	PRI6	Priority 6 - A packet TOS of 0d6 is mapped to this received packet priority.	RW	0x0
23	RESERVED		R	0x0
22:20	PRI5	Priority 5 - A packet TOS of 0d5 is mapped to this received packet priority.	RW	0x0
19	RESERVED		R	0x0
18:16	PRI4	Priority 4 - A packet TOS of 0d4 is mapped to this received packet priority.	RW	0x0
15	RESERVED		R	0x0
14:12	PRI3	Priority 3 - A packet TOS of 0d3 is mapped to this received packet priority.	RW	0x0
11	RESERVED		R	0x0
10:8	PRI2	Priority 2 - A packet TOS of 0d2 is mapped to this received packet priority.	RW	0x0
7	RESERVED		R	0x0
6:4	PRI1	Priority 1 - A packet TOS of 0d1 is mapped to this received packet priority.	RW	0x0
3	RESERVED		R	0x0
2:0	PRI0	Priority 0 - A packet TOS of 0d0 is mapped to this received packet priority.	RW	0x0

Table 24-1429. Register Call Summary for Register P2_RX_DSCP_PRI_MAP0

Gigabit Ethernet Switch (GMAC_SW)

- [PORT Register Summary: \[0\]](#)

Table 24-1430. P2_RX_DSCP_PRI_MAP1

Address Offset	0x0000 0234	Instance	PORT
Physical Address	0x4848 4334		
Description	CPSW PORT 2 RX DSCP priority to RX packet mapping reg 1		
Type	RW		

31	30	29	28	27	26	25	24	23	22	21	20	19	18	17	16	15	14	13	12	11	10	9	8	7	6	5	4	3	2	1	0
RESERVED	PRI15			RESERVED	PRI14			RESERVED	PRI13			RESERVED	PRI12			RESERVED	PRI11			RESERVED	PRI10			RESERVED	PRI9			RESERVED	PRI8		

Bits	Field Name	Description	Type	Reset
31	RESERVED		R	0x0
30:28	PRI15	Priority 15 - A packet TOS of 0d15 is mapped to this received packet priority.	RW	0x0
27	RESERVED		R	0x0
26:24	PRI14	Priority 14 - A packet TOS of 0d14 is mapped to this received packet priority.	RW	0x0
23	RESERVED		R	0x0
22:20	PRI13	Priority 13 - A packet TOS of 0d13 is mapped to this received packet priority.	RW	0x0
19	RESERVED		R	0x0
18:16	PRI12	Priority 12 - A packet TOS of 0d12 is mapped to this received packet priority.	RW	0x0
15	RESERVED		R	0x0
14:12	PRI11	Priority 11 - A packet TOS of 0d11 is mapped to this received packet priority.	RW	0x0
11	RESERVED		R	0x0
10:8	PRI10	Priority 10 - A packet TOS of 0d10 is mapped to this received packet priority.	RW	0x0
7	RESERVED		R	0x0
6:4	PRI9	Priority 9 - A packet TOS of 0d9 is mapped to this received packet priority.	RW	0x0
3	RESERVED		R	0x0
2:0	PRI8	Priority 8 - A packet TOS of 0d8 is mapped to this received packet priority.	RW	0x0

Table 24-1431. Register Call Summary for Register P2_RX_DSCP_PRI_MAP1

Gigabit Ethernet Switch (GMAC_SW)

- [PORT Register Summary: \[0\]](#)

Table 24-1432. P2_RX_DSCP_PRI_MAP2

Address Offset	0x0000 0238
Physical Address	0x4848 4338
Description	CPSW PORT 2 RX DSCP priority to RX packet mapping reg 2
Type	RW

31	30	29	28	27	26	25	24	23	22	21	20	19	18	17	16	15	14	13	12	11	10	9	8	7	6	5	4	3	2	1	0								
RESERVED	PRI23				RESERVED	PRI22				RESERVED	PRI21				RESERVED	PRI20				RESERVED	PRI19				RESERVED	PRI18				RESERVED	PRI17				RESERVED	PRI16			

Bits	Field Name	Description	Type	Reset
31	RESERVED		R	0x0
30:28	PRI23	Priority 23 - A packet TOS of 0d23 is mapped to this received packet priority.	RW	0x0
27	RESERVED		R	0x0
26:24	PRI22	Priority 22 - A packet TOS of 0d22 is mapped to this received packet priority.	RW	0x0
23	RESERVED		R	0x0
22:20	PRI21	Priority 21 - A packet TOS of 0d21 is mapped to this received packet priority.	RW	0x0
19	RESERVED		R	0x0
18:16	PRI20	Priority 20 - A packet TOS of 0d20 is mapped to this received packet priority.	RW	0x0
15	RESERVED		R	0x0
14:12	PRI19	Priority 19 - A packet TOS of 0d19 is mapped to this received packet priority.	RW	0x0
11	RESERVED		R	0x0
10:8	PRI18	Priority 18 - A packet TOS of 0d18 is mapped to this received packet priority.	RW	0x0
7	RESERVED		R	0x0
6:4	PRI17	Priority 17 - A packet TOS of 0d17 is mapped to this received packet priority.	RW	0x0
3	RESERVED		R	0x0
2:0	PRI16	Priority 16 - A packet TOS of 0d16 is mapped to this received packet priority.	RW	0x0

Table 24-1433. Register Call Summary for Register P2_RX_DSCP_PRI_MAP2

Gigabit Ethernet Switch (GMAC_SW)

- [PORT Register Summary: \[0\]](#)

Table 24-1434. P2_RX_DSCP_PRI_MAP3

Address Offset	0x0000 023C	Instance	PORT
Physical Address	0x4848 433C		
Description	CPSW PORT 2 RX DSCP priority to RX packet mapping reg 3		
Type	RW		

31	30	29	28	27	26	25	24	23	22	21	20	19	18	17	16	15	14	13	12	11	10	9	8	7	6	5	4	3	2	1	0
RESERVED	PRI31		RESERVED	PRI30		RESERVED	PRI29		RESERVED	PRI28		RESERVED	PRI27		RESERVED	PRI26		RESERVED	PRI25		RESERVED	PRI24		RESERVED	PRI24		RESERVED	PRI24			

Bits	Field Name	Description	Type	Reset
31	RESERVED		R	0x0
30:28	PRI31	Priority 31 - A packet TOS of 0d31 is mapped to this received packet priority.	RW	0x0
27	RESERVED		R	0x0
26:24	PRI30	Priority 30 - A packet TOS of 0d30 is mapped to this received packet priority.	RW	0x0
23	RESERVED		R	0x0
22:20	PRI29	Priority 29 - A packet TOS of 0d39 is mapped to this received packet priority.	RW	0x0
19	RESERVED		R	0x0
18:16	PRI28	Priority 28 - A packet TOS of 0d28 is mapped to this received packet priority.	RW	0x0
15	RESERVED		R	0x0
14:12	PRI27	Priority 27 - A packet TOS of 0d27 is mapped to this received packet priority.	RW	0x0
11	RESERVED		R	0x0
10:8	PRI26	Priority 26 - A packet TOS of 0d26 is mapped to this received packet priority.	RW	0x0
7	RESERVED		R	0x0
6:4	PRI25	Priority 25 - A packet TOS of 0d25 is mapped to this received packet priority.	RW	0x0
3	RESERVED		R	0x0
2:0	PRI24	Priority 24 - A packet TOS of 0d24 is mapped to this received packet priority.	RW	0x0

Table 24-1435. Register Call Summary for Register P2_RX_DSCP_PRI_MAP3

Gigabit Ethernet Switch (GMAC_SW)

- [PORT Register Summary: \[0\]](#)

Table 24-1436. P2_RX_DSCP_PRI_MAP4

Address Offset	0x0000 0240
Physical Address	0x4848 4340
Description	CPSW PORT 2 RX DSCP priority to RX packet mapping reg 4
Type	RW

31	30	29	28	27	26	25	24	23	22	21	20	19	18	17	16	15	14	13	12	11	10	9	8	7	6	5	4	3	2	1	0
RESERVED	PRI39			RESERVED	PRI38			RESERVED	PRI37			RESERVED	PRI36			RESERVED	PRI35			RESERVED	PRI34			RESERVED	PRI33			RESERVED	PRI32		

Bits	Field Name	Description	Type	Reset
31	RESERVED		R	0x0
30:28	PRI39	Priority 39 - A packet TOS of 0d39 is mapped to this received packet priority.	RW	0x0
27	RESERVED		R	0x0
26:24	PRI38	Priority 38 - A packet TOS of 0d38 is mapped to this received packet priority.	RW	0x0
23	RESERVED		R	0x0
22:20	PRI37	Priority 37 - A packet TOS of 0d37 is mapped to this received packet priority.	RW	0x0
19	RESERVED		R	0x0
18:16	PRI36	Priority 36 - A packet TOS of 0d36 is mapped to this received packet priority.	RW	0x0
15	RESERVED		R	0x0
14:12	PRI35	Priority 35 - A packet TOS of 0d35 is mapped to this received packet priority.	RW	0x0
11	RESERVED		R	0x0
10:8	PRI34	Priority 34 - A packet TOS of 0d34 is mapped to this received packet priority.	RW	0x0
7	RESERVED		R	0x0
6:4	PRI33	Priority 33 - A packet TOS of 0d33 is mapped to this received packet priority.	RW	0x0
3	RESERVED		R	0x0
2:0	PRI32	Priority 32 - A packet TOS of 0d32 is mapped to this received packet priority.	RW	0x0

Table 24-1437. Register Call Summary for Register P2_RX_DSCP_PRI_MAP4

Gigabit Ethernet Switch (GMAC_SW)

- [PORT Register Summary: \[0\]](#)

Table 24-1438. P2_RX_DSCP_PRI_MAP5

Address Offset	0x0000 0244	Instance	PORT
Physical Address	0x4848 4344		
Description	CPSW PORT 2 RX DSCP priority to RX packet mapping reg 5		
Type	RW		

31	30	29	28	27	26	25	24	23	22	21	20	19	18	17	16	15	14	13	12	11	10	9	8	7	6	5	4	3	2	1	0
RESERVED	PRI47			RESERVED	PRI46			RESERVED	PRI45			RESERVED	PRI44			RESERVED	PRI43			RESERVED	PRI42			RESERVED	PRI41			RESERVED	PRI40		

Bits	Field Name	Description	Type	Reset
31	RESERVED		R	0x0
30:28	PRI47	Priority 47 - A packet TOS of 0d47 is mapped to this received packet priority.	RW	0x0
27	RESERVED		R	0x0
26:24	PRI46	Priority 46 - A packet TOS of 0d46 is mapped to this received packet priority.	RW	0x0
23	RESERVED		R	0x0
22:20	PRI45	Priority 45 - A packet TOS of 0d45 is mapped to this received packet priority.	RW	0x0
19	RESERVED		R	0x0
18:16	PRI44	Priority 44 - A packet TOS of 0d44 is mapped to this received packet priority.	RW	0x0
15	RESERVED		R	0x0
14:12	PRI43	Priority 43 - A packet TOS of 0d43 is mapped to this received packet priority.	RW	0x0
11	RESERVED		R	0x0
10:8	PRI42	Priority 42 - A packet TOS of 0d42 is mapped to this received packet priority.	RW	0x0
7	RESERVED		R	0x0
6:4	PRI41	Priority 41 - A packet TOS of 0d41 is mapped to this received packet priority.	RW	0x0
3	RESERVED		R	0x0
2:0	PRI40	Priority 40 - A packet TOS of 0d40 is mapped to this received packet priority.	RW	0x0

Table 24-1439. Register Call Summary for Register P2_RX_DSCP_PRI_MAP5

Gigabit Ethernet Switch (GMAC_SW)

- [PORT Register Summary: \[0\]](#)

Table 24-1440. P2_RX_DSCP_PRI_MAP6

Address Offset	0x0000 0248
Physical Address	0x4848 4348
Description	CPSW PORT 2 RX DSCP priority to RX packet mapping reg 6
Type	RW

31	30	29	28	27	26	25	24	23	22	21	20	19	18	17	16	15	14	13	12	11	10	9	8	7	6	5	4	3	2	1	0								
RESERVED	PRI55				RESERVED	PRI54				RESERVED	PRI53				RESERVED	PRI52				RESERVED	PRI51				RESERVED	PRI50				RESERVED	PRI49				RESERVED	PRI48			

Bits	Field Name	Description	Type	Reset
31	RESERVED		R	0x0
30:28	PRI55	Priority 55 - A packet TOS of 0d55 is mapped to this received packet priority.	RW	0x0
27	RESERVED		R	0x0
26:24	PRI54	Priority 54 - A packet TOS of 0d54 is mapped to this received packet priority.	RW	0x0
23	RESERVED		R	0x0
22:20	PRI53	Priority 53 - A packet TOS of 0d53 is mapped to this received packet priority.	RW	0x0
19	RESERVED		R	0x0
18:16	PRI52	Priority 52 - A packet TOS of 0d52 is mapped to this received packet priority.	RW	0x0
15	RESERVED		R	0x0
14:12	PRI51	Priority 51 - A packet TOS of 0d51 is mapped to this received packet priority.	RW	0x0
11	RESERVED		R	0x0
10:8	PRI50	Priority 50 - A packet TOS of 0d50 is mapped to this received packet priority.	RW	0x0
7	RESERVED		R	0x0
6:4	PRI49	Priority 49 - A packet TOS of 0d49 is mapped to this received packet priority.	RW	0x0
3	RESERVED		R	0x0
2:0	PRI48	Priority 48 - A packet TOS of 0d48 is mapped to this received packet priority.	RW	0x0

Table 24-1441. Register Call Summary for Register P2_RX_DSCP_PRI_MAP6

Gigabit Ethernet Switch (GMAC_SW)

- [PORT Register Summary: \[0\]](#)

Table 24-1442. P2_RX_DSCP_PRI_MAP7

Address Offset	0x0000 024C	Instance	PORT
Physical Address	0x4848 434C		
Description	CPSW PORT 2 RX DSCP priority to RX packet mapping reg 7		
Type	RW		

31	30	29	28	27	26	25	24	23	22	21	20	19	18	17	16	15	14	13	12	11	10	9	8	7	6	5	4	3	2	1	0
RESERVED	PRI63			RESERVED	PRI62			RESERVED	PRI61			RESERVED	PRI60			RESERVED	PRI59			RESERVED	PRI58			RESERVED	PRI57			RESERVED	PRI56		

Bits	Field Name	Description	Type	Reset
31	RESERVED		R	0x0
30:28	PRI63	Priority 63 - A packet TOS of 0d63 is mapped to this received packet priority.	RW	0x0
27	RESERVED		R	0x0
26:24	PRI62	Priority 62 - A packet TOS of 0d62 is mapped to this received packet priority.	RW	0x0
23	RESERVED		R	0x0
22:20	PRI61	Priority 61 - A packet TOS of 0d61 is mapped to this received packet priority.	RW	0x0
19	RESERVED		R	0x0
18:16	PRI60	Priority 60 - A packet TOS of 0d60 is mapped to this received packet priority.	RW	0x0
15	RESERVED		R	0x0
14:12	PRI59	Priority 59 - A packet TOS of 0d59 is mapped to this received packet priority.	RW	0x0
11	RESERVED		R	0x0
10:8	PRI58	Priority 58 - A packet TOS of 0d58 is mapped to this received packet priority.	RW	0x0
7	RESERVED		R	0x0
6:4	PRI57	Priority 57 - A packet TOS of 0d57 is mapped to this received packet priority.	RW	0x0
3	RESERVED		R	0x0
2:0	PRI56	Priority 56 - A packet TOS of 0d56 is mapped to this received packet priority.	RW	0x0

Table 24-1443. Register Call Summary for Register P2_RX_DSCP_PRI_MAP7

Gigabit Ethernet Switch (GMAC_SW)

- [PORT Register Summary: \[0\]](#)

Table 24-1444. P2_IDLE2LPI

Address Offset	0x0000 0250	Instance	PORT
Physical Address	0x4848 4350		
Description	Port 2 EEE Idle to LPI Counter Load Value Register		
Type	RW		

31	30	29	28	27	26	25	24	23	22	21	20	19	18	17	16	15	14	13	12	11	10	9	8	7	6	5	4	3	2	1	0
RESERVED												P2_IDLE2LPI																			

Bits	Field Name	Description	Type	Reset
31:20	RESERVED		R	0x0
19:0	P2_IDLE2LPI	Port 2 EEE Idle to LPI counter load value - After CLKSTOP_REQ is asserted, this value is loaded into the port 2 idle to LPI counter on each clock that the port 2 transmit is not idle. Port 2 enters the transmit LPI state when this counter decrements to zero. This counter decrements each time the EEE prescale counter decrements to zero.	RW	0x0

Table 24-1445. Register Call Summary for Register P2_IDLE2LPI

Gigabit Ethernet Switch (GMAC_SW)

- [PORT Register Summary: \[0\]](#)
- [PORT Register Description: \[1\]](#)

Table 24-1446. P2_LPI2WAKE

Address Offset	0x0000 0254	Instance	PORT
Physical Address	0x4848 4354		
Description	Port 2 EEE LPI to Wake Counter Load Value Register		
Type	RW		

31	30	29	28	27	26	25	24	23	22	21	20	19	18	17	16	15	14	13	12	11	10	9	8	7	6	5	4	3	2	1	0
RESERVED												P2_LPI2WAKE																			

Bits	Field Name	Description	Type	Reset
31:20	RESERVED		R	0x0
19:0	P2_LPI2WAKE	Port 2 EEE LPI to wake counter load value – When the port is in the transmit LPI state and the CLKSTOP_REQ signal is deasserted, this value is loaded into the port 2 LPI to wake counter. Transmit packet operations may begin (resume) when the LPI to wake count decrements to zero (on the pre-scale count). This is the time that the CPDMA transmit must wait before transmit (switch ingress) packet operations begin (resume after wakeup).	RW	0x0

Table 24-1447. Register Call Summary for Register P2_LPI2WAKE

Gigabit Ethernet Switch (GMAC_SW)

- [PORT Register Summary: \[0\]](#)

24.11.6.4 CPDMA registers

24.11.6.4.1 CPDMA Register Summary

Table 24-1448. CPDMA Registers Mapping Summary

Register Name	Type	Register Width (Bits)	Address Offset	CPDMA Physical Address
CPDMA_TX_IDVER	R	32	0x0000 0000	0x4848 4800
CPDMA_TX_CONTROL	RW	32	0x0000 0004	0x4848 4804
CPDMA_TX_TEARDOWN	RW	32	0x0000 0008	0x4848 4808
CPDMA_RX_IDVER	R	32	0x0000 0010	0x4848 4810
CPDMA_RX_CONTROL	RW	32	0x0000 0014	0x4848 4814
CPDMA_RX_TEARDOWN	RW	32	0x0000 0018	0x4848 4818
CPDMA_SOFT_RESET	RW	32	0x0000 001C	0x4848 481C
CPDMA_DMACONTROL	RW	32	0x0000 0020	0x4848 4820
CPDMA_DMASTATUS	R	32	0x0000 0024	0x4848 4824
CPDMA_RX_BUFFER_OFFSET	RW	32	0x0000 0028	0x4848 4828
CPDMA_EMCONTROL	RW	32	0x0000 002C	0x4848 482C
CPDMA_TX_PRI0_RATE	RW	32	0x0000 0030	0x4848 4830
CPDMA_TX_PRI1_RATE	RW	32	0x0000 0034	0x4848 4834
CPDMA_TX_PRI2_RATE	RW	32	0x0000 0038	0x4848 4838
CPDMA_TX_PRI3_RATE	RW	32	0x0000 003C	0x4848 483C
CPDMA_TX_PRI4_RATE	RW	32	0x0000 0040	0x4848 4840
CPDMA_TX_PRI5_RATE	RW	32	0x0000 0044	0x4848 4844
CPDMA_TX_PRI6_RATE	RW	32	0x0000 0048	0x4848 4848
CPDMA_TX_PRI7_RATE	RW	32	0x0000 004C	0x4848 484C
CPDMA_TX_INTSTAT_RAW	R	32	0x0000 0080	0x4848 4880
CPDMA_TX_INTSTAT_MASKED	R	32	0x0000 0084	0x4848 4884
CPDMA_TX_INTMASK_SET	W	32	0x0000 0088	0x4848 4888
CPDMA_TX_INTMASK_CLEAR	W	32	0x0000 008C	0x4848 488C
CPDMA_IN_VECTOR	R	32	0x0000 0090	0x4848 4890
CPDMA_EOI_VECTOR	RW	32	0x0000 0094	0x4848 4894
CPDMA_RX_INTSTAT_RAW	R	32	0x0000 00A0	0x4848 48A0
CPDMA_RX_INTSTAT_MASKED	R	32	0x0000 00A4	0x4848 48A4
CPDMA_RX_INTMASK_SET	RW	32	0x0000 00A8	0x4848 48A8
CPDMA_RX_INTMASK_CLEAR	RW	32	0x0000 00AC	0x4848 48AC
CPDMA_DMA_INTSTAT_RAW	R	32	0x0000 00B0	0x4848 48B0
CPDMA_DMA_INTSTAT_MASKED	R	32	0x0000 00B4	0x4848 48B4
CPDMA_DMA_INTMASK_SET	W	32	0x0000 00B8	0x4848 48B8
CPDMA_DMA_INTMASK_CLEAR	RW	32	0x0000 00BC	0x4848 48BC
CPDMA_RX0_PENDTHRESH	RW	32	0x0000 00C0	0x4848 48C0
CPDMA_RX1_PENDTHRESH	RW	32	0x0000 00C4	0x4848 48C4
CPDMA_RX2_PENDTHRESH	RW	32	0x0000 00C8	0x4848 48C8
CPDMA_RX3_PENDTHRESH	RW	32	0x0000 00CC	0x4848 48CC
CPDMA_RX4_PENDTHRESH	RW	32	0x0000 00D0	0x4848 48D0
CPDMA_RX5_PENDTHRESH	RW	32	0x0000 00D4	0x4848 48D4
CPDMA_RX6_PENDTHRESH	RW	32	0x0000 00D8	0x4848 48D8
CPDMA_RX7_PENDTHRESH	RW	32	0x0000 00DC	0x4848 48DC
CPDMA_RX0_FREEBUFFER	W	32	0x0000 00E0	0x4848 48E0
CPDMA_RX1_FREEBUFFER	W	32	0x0000 00E4	0x4848 48E4

Table 24-1448. CPDMA Registers Mapping Summary (continued)

Register Name	Type	Register Width (Bits)	Address Offset	CPDMA Physical Address
CPDMA_RX2_FREEBUFFER	W	32	0x0000 00E8	0x4848 48E8
CPDMA_RX3_FREEBUFFER	W	32	0x0000 00EC	0x4848 48EC
CPDMA_RX4_FREEBUFFER	W	32	0x0000 00F0	0x4848 48F0
CPDMA_RX5_FREEBUFFER	W	32	0x0000 00F4	0x4848 48F4
CPDMA_RX6_FREEBUFFER	W	32	0x0000 00F8	0x4848 48F8
CPDMA_RX7_FREEBUFFER	W	32	0x0000 00FC	0x4848 48FC

24.11.6.4.2 CPDMA Register Description**Table 24-1449. CPDMA_TX_IDVER**

Address Offset	0x0000 0000	Instance	CPDMA
Physical Address	0x4848 4800		
Description	CPDMA_REGS TX revision register		
Type	R		

31	30	29	28	27	26	25	24	23	22	21	20	19	18	17	16	15	14	13	12	11	10	9	8	7	6	5	4	3	2	1	0
REVISION																															

Bits	Field Name	Description	Type	Reset
31:0	REVISION	CPDMA TX Revision Value	R	0x-

Table 24-1450. Register Call Summary for Register CPDMA_TX_IDVER

Gigabit Ethernet Switch (GMAC_SW)

- [CPDMA Register Summary: \[0\]](#)

Table 24-1451. CPDMA_TX_CONTROL

Address Offset	0x0000 0004	Instance	CPDMA
Physical Address	0x4848 4804		
Description	CPDMA_REGS TX control register		
Type	RW		

31	30	29	28	27	26	25	24	23	22	21	20	19	18	17	16	15	14	13	12	11	10	9	8	7	6	5	4	3	2	1	0
RESERVED																															TX_EN

Bits	Field Name	Description	Type	Reset
31:1	RESERVED		R	0x0
0	TX_EN	TX Enable 0 - Disabled 1 - Enabled	RW	0x0

Table 24-1452. Register Call Summary for Register CPDMA_TX_CONTROL

Gigabit Ethernet Switch (GMAC_SW)

- [CPDMA RX and TX Interfaces: \[0\]](#)
- [CPDMA Register Summary: \[1\]](#)

Table 24-1453. CPDMA_TX_TEARDOWN

Address Offset	0x0000 0008	Instance	CPDMA
Physical Address	0x4848 4808		
Description	CPDMA_REGS TX teardown register		
Type	RW		

31	30	29	28	27	26	25	24	23	22	21	20	19	18	17	16	15	14	13	12	11	10	9	8	7	6	5	4	3	2	1	0
TX_TDN_RDY		RESERVED																TX_TDN_CH													

Bits	Field Name	Description	Type	Reset
31	TX_TDN_RDY	Tx Teardown Ready - read as zero, but is always assumed to be one (unused).	R	0x0
30:3	RESERVED		R	0x0
2:0	TX_TDN_CH	Tx Teardown Channel - Transmit channel teardown is commanded by writing the encoded value of the transmit channel to be torn down. The teardown register is read as zero.	RW	0x0

Table 24-1454. Register Call Summary for Register CPDMA_TX_TEARDOWN

Gigabit Ethernet Switch (GMAC_SW)

- [CPDMA RX and TX Interfaces: \[0\]](#)
- [CPDMA Register Summary: \[1\]](#)

Table 24-1455. CPDMA_RX_IDVER

Address Offset	0x0000 0010	Instance	CPDMA
Physical Address	0x4848 4810		
Description	CPDMA_REGS RX revision register		
Type	R		

31	30	29	28	27	26	25	24	23	22	21	20	19	18	17	16	15	14	13	12	11	10	9	8	7	6	5	4	3	2	1	0
REVISION																															

Bits	Field Name	Description	Type	Reset
31:0	REVISION	RX Revision Value	R	0x-

Table 24-1456. Register Call Summary for Register CPDMA_RX_IDVER

Gigabit Ethernet Switch (GMAC_SW)

- [CPDMA Register Summary: \[0\]](#)

Table 24-1457. CPDMA_RX_CONTROL

Address Offset	0x0000 0014	Instance	CPDMA
Physical Address	0x4848 4814		
Description	CPDMA_REGS RX control register		
Type	RW		

31	30	29	28	27	26	25	24	23	22	21	20	19	18	17	16	15	14	13	12	11	10	9	8	7	6	5	4	3	2	1	0
RESERVED																												RX_EN			

Bits	Field Name	Description	Type	Reset
31:1	RESERVED		R	0x0
0	RX_EN	RX DMA Enable 0 - Disabled 1 - Enabled	RW	0x0

Table 24-1458. Register Call Summary for Register CPDMA_RX_CONTROL

Gigabit Ethernet Switch (GMAC_SW)

- [CPDMA RX and TX Interfaces: \[0\]](#)
- [CPDMA Register Summary: \[1\]](#)

Table 24-1459. CPDMA_RX_TEARDOWN

Address Offset	0x0000 0018	Instance	CPDMA
Physical Address	0x4848 4818		
Description	CPDMA_REGS RX teardown register		
Type	RW		

31	30	29	28	27	26	25	24	23	22	21	20	19	18	17	16	15	14	13	12	11	10	9	8	7	6	5	4	3	2	1	0
RX_TDN_RDY	RESERVED																										RX_TDN_CH				

Bits	Field Name	Description	Type	Reset
31	RX_TDN_RDY	Teardown Ready - read as zero, but is always assumed to be one (unused).	R	0x0
30:3	RESERVED		R	0x0
2:0	RX_TDN_CH	Rx Teardown Channel -Receive channel teardown is commanded by writing the encoded value of the receive channel to be torn down. The teardown register is read as zero.	RW	0x0

Table 24-1460. Register Call Summary for Register CPDMA_RX_TEARDOWN

Gigabit Ethernet Switch (GMAC_SW)

- [CPDMA RX and TX Interfaces: \[0\]](#)
- [CPDMA Register Summary: \[1\]](#)

Table 24-1461. CPDMA_SOFT_RESET

Address Offset	0x0000 001C	Instance	CPDMA
Physical Address	0x4848 481C		
Description	CPDMA_REGS soft reset register		
Type	RW		

31	30	29	28	27	26	25	24	23	22	21	20	19	18	17	16	15	14	13	12	11	10	9	8	7	6	5	4	3	2	1	0
RESERVED																												SOFT_RESET			

Bits	Field Name	Description	Type	Reset
31:1	RESERVED		R	0x0
0	SOFT_RESET	Software reset - Writing a one to this bit causes the CPDMA logic to be reset. Software reset occurs when the RX and TX DMA Controllers are in an idle state to avoid locking up the VBUSP bus. After writing a one to this bit, it may be polled to determine if the reset has occurred. If a one is read, the reset has not yet occurred. If a zero is read then reset has occurred.	RW	0x0

Table 24-1462. Register Call Summary for Register CPDMA_SOFT_RESET

Gigabit Ethernet Switch (GMAC_SW)

- [Software Reset: \[0\]](#)
- [CPDMA Register Summary: \[1\]](#)

Table 24-1463. CPDMA_DMACONTROL

Address Offset	0x0000 0020	Instance	CPDMA
Physical Address	0x4848 4820		
Description	CPDMA_REGS CPDMA control register		
Type	RW		

31	30	29	28	27	26	25	24	23	22	21	20	19	18	17	16	15	14	13	12	11	10	9	8	7	6	5	4	3	2	1	0		
RESERVED																TX_RLIM												RESERVED	RX_CEF	CMD_IDLE	RX_OFFLEN_BLOCK	RX_OWNERSHIP	TX_PTYPE

Bits	Field Name	Description	Type	Reset
31:16	RESERVED		R	0x0
15:8	TX_RLIM	Transmit Rate Limit Channel Bus 00000000 - no rate-limited channels 10000000 - channel 7 is rate-limited 11000000 - channels 7 downto 6 are rate-limited 11100000 - channels 7 downto 5 are rate-limited 11110000 - channels 7 downto 4 are rate-limited 11111000 - channels 7 downto 3 are rate-limited 11111100 - channels 7 downto 2 are rate-limited 11111110 - channels 7 downto 1 are rate-limited 11111111 - channels 7 downto 0 are rate-limited all others invalid - this bus must be set MSB towards LSB. TX_PTYPE must be set if any TX_RLIM bit is set for fixed priority.	RW	0x0
7:5	RESERVED		R	0x0
4	RX_CEF	RX Copy Error Frames Enable - Enables DMA overrun frames to be transferred to memory (up to the point of overrun). The overrun error bit will be set in the frame EOP buffer descriptor. Overrun frame data will be filtered when RX_CEF is not set. Frames coming from the receive FIFO with other error bits set are not effected by this bit. 0 - Frames containing overrun errors are filtered. 1 - Frames containing overrun errors are transferred to memory.	RW	0x0
3	CMD_IDLE	Command Idle 0 - Idle not commanded 1 - Idle Commanded (read IDLE in CPDMA_DMASTATUS)	RW	0x0
2	RX_OFFLEN_BLOCK	Receive Offset/Length word write block. 0 - Do not block the DMA writes to the receive buffer descriptor offset/buffer length word. The offset/buffer length word is written as specified in CPPI 3.0. 1 - Block all CPDMA DMA controller writes to the receive buffer descriptor offset/buffer length words during CPPI packet processing. when this bit is set, the CPDMA will never write the third word to any receive buffer descriptor.	RW	0x0
1	RX_OWNERSHIP	Receive Ownership Write Bit Value. 0 - The CPDMA writes the receive ownership bit to zero at the end of packet processing as specified in CPPI 3.0. 1 - The CPDMA writes the receive ownership bit to one at the end of packet processing. Users who do not use the ownership mechanism can use this mode to preclude the necessity of software having to set this bit each time the buffer descriptor is used.	RW	0x0
0	TX_PTYPE	Transmit Queue Priority Type 0 - The queue uses a round robin scheme to select the next channel for transmission. 1 - The queue uses a fixed (channel 7 highest priority) priority scheme to select the next channel for transmission	RW	0x0

Table 24-1464. Register Call Summary for Register CPDMA_DMACONTROL

Gigabit Ethernet Switch (GMAC_SW)

- [CPDMA RX and TX Interfaces: \[0\]\[1\]\[2\]](#)
- [FIFO Transmit Queue Control: \[3\]\[4\]](#)
- [Audio Video Bridging: \[5\]](#)
- [CPDMA Register Summary: \[6\]](#)

Table 24-1465. CPDMA_DMASTATUS

Address Offset	0x0000 0024	Instance	CPDMA
Physical Address	0x4848 4824		
Description	CPDMA_REGS CPDMA status register		
Type	R		

31	30	29	28	27	26	25	24	23	22	21	20	19	18	17	16	15	14	13	12	11	10	9	8	7	6	5	4	3	2	1	0
IDLE	RESERVED							TX_HOST_ERR_CODE			RESERVED	TX_ERR_CH			RX_HOST_ERR_CODE			RESERVED	RX_ERR_CH			RESERVED									

Bits	Field Name	Description	Type	Reset
31	IDLE	Idle Status Bit - Indicates when set that the CPDMA is not transferring a packet on transmit or receive.	R	0x0
30:24	RESERVED		R	0x0
23:20	TX_HOST_ERR_CODE	TX Host Error Code - This field is set to indicate CPDMA detected TX DMA related host errors. The host should read this field after a HOST_ERR_INT to determine the error. Host error Interrupts require hardware reset in order to recover. A zero packet length is an error, but it is not detected. 0x0 - No error 0x1 - SOP error. 0x2 - Ownership bit not set in SOP buffer. 0x3 - Zero Next Buffer Descriptor Pointer Without EOP 0x4 - Zero Buffer Pointer. 0x5 - Zero Buffer Length 0x6 - Packet Length Error (sum of buffers is less than packet length) 0x7 - 1xF - reserved	R	0x0
19	RESERVED		R	0x0
18:16	TX_ERR_CH	TX Host Error Channel - This field indicates which TX channel (if applicable) the host error occurred on. This field is cleared to zero on a host read.	R	0x0
15:12	RX_HOST_ERR_CODE	RX Host Error Code - This field is set to indicate CPDMA detected RX DMA related host errors. The host should read this field after a HOST_ERR_INT to determine the error. Host error Interrupts require hardware reset in order to recover. 0x0 - No error 0x1 - reserved 0x2 - Ownership bit not set in input buffer. 0x3 - reserved 0x4 - Zero Buffer Pointer. 0x5 - Zero buffer length on non-SOP descriptor 0x6 - SOP buffer length not greater than offset 0x7 - 1xF - reserved	R	0x0
11	RESERVED		R	0x0
10:8	RX_ERR_CH	RX Host Error Channel - This field indicates which RX channel the host error occurred on. This field is cleared to zero on a host read.	R	0x0
7:0	RESERVED		R	0x0

Table 24-1466. Register Call Summary for Register CPDMA_DMASSTATUS

Gigabit Ethernet Switch (GMAC_SW)

- [CPDMA Register Summary: \[0\]](#)
- [CPDMA Register Description: \[1\]](#)

Table 24-1467. CPDMA_RX_BUFFER_OFFSET

Address Offset	0x0000 0028	Instance	CPDMA
Physical Address	0x4848 4828		
Description	CPDMA_REGS receive buffer offset		
Type	RW		

31	30	29	28	27	26	25	24	23	22	21	20	19	18	17	16	15	14	13	12	11	10	9	8	7	6	5	4	3	2	1	0
RESERVED																RX_BUFFER_OFFSET															

Bits	Field Name	Description	Type	Reset
31:16	RESERVED		R	0x0
15:0	RX_BUFFER_OFFSET	Receive Buffer Offset Value - The RX_BUFFER_OFFSET will be written by the port into each frame SOP buffer descriptor buffer_offset field. The frame data will begin after the rx_buffer_offset value of bytes. A value of 0x0000 indicates that there are no unused bytes at the beginning of the data and that valid data begins on the first byte of the buffer. A value of 0x000F (decimal 15) indicates that the first 15 bytes of the buffer are to be ignored by the port and that valid buffer data starts on byte 16 of the buffer. This value is used for all channels.	RW	0x0

Table 24-1468. Register Call Summary for Register CPDMA_RX_BUFFER_OFFSET

Gigabit Ethernet Switch (GMAC_SW)

- [CPDMA RX and TX Interfaces: \[0\]](#)
- [RX Buffer Descriptors: \[1\]](#)
- [CPDMA Register Summary: \[2\]](#)

Table 24-1469. CPDMA_EMCONTROL

Address Offset	0x0000 002C	Instance	CPDMA
Physical Address	0x4848 482C		
Description	CPDMA_REGS emulation control		
Type	RW		

31	30	29	28	27	26	25	24	23	22	21	20	19	18	17	16	15	14	13	12	11	10	9	8	7	6	5	4	3	2	1	0
RESERVED																SOFT	FREE														

Bits	Field Name	Description	Type	Reset
31:2	RESERVED		R	0x0
1	SOFT	Emulation Soft Bit	RW	0x0
0	FREE	Emulation Free Bit	RW	0x0

Table 24-1470. Register Call Summary for Register CPDMA_EMCONTROL

Gigabit Ethernet Switch (GMAC_SW)

- [Emulation Control: \[0\]](#)
- [CPDMA Register Summary: \[1\]](#)

Table 24-1471. CPDMA_TX_PRI0_RATE

Address Offset	0x0000 0030	Instance	CPDMA
Physical Address	0x4848 4830		
Description	CPDMA_REGS transmit (ingress) priority 0 rate		
Type	RW		

31	30	29	28	27	26	25	24	23	22	21	20	19	18	17	16	15	14	13	12	11	10	9	8	7	6	5	4	3	2	1	0
RESERVED								PRIN_IDLE_CNT								RESERVED								PRIN_SEND_CNT							

Bits	Field Name	Description	Type	Reset
31:30	RESERVED		R	0x0
29:16	PRIN_IDLE_CNT	Priority (7:0) idle count	RW	0x0
15:14	RESERVED		R	0x0
13:0	PRIN_SEND_CNT	Priority (7:0) send count	RW	0x0

Table 24-1472. Register Call Summary for Register CPDMA_TX_PRI0_RATE

Gigabit Ethernet Switch (GMAC_SW)

- [CPDMA Register Summary: \[0\]](#)

Table 24-1473. CPDMA_TX_PRI1_RATE

Address Offset	0x0000 0034	Instance	CPDMA
Physical Address	0x4848 4834		
Description	CPDMA_REGS transmit (ingress) priority 1 rate		
Type	RW		

31	30	29	28	27	26	25	24	23	22	21	20	19	18	17	16	15	14	13	12	11	10	9	8	7	6	5	4	3	2	1	0
RESERVED								PRIN_IDLE_CNT								RESERVED								PRIN_SEND_CNT							

Bits	Field Name	Description	Type	Reset
31:30	RESERVED		R	0x0
29:16	PRIN_IDLE_CNT	Priority (7:0) idle count	RW	0x0
15:14	RESERVED		R	0x0
13:0	PRIN_SEND_CNT	Priority (7:0) send count	RW	0x0

Table 24-1474. Register Call Summary for Register CPDMA_TX_PRI1_RATE

Gigabit Ethernet Switch (GMAC_SW)

- [CPDMA Register Summary: \[0\]](#)

Table 24-1475. CPDMA_TX_PRI2_RATE

Address Offset	0x0000 0038	Instance	CPDMA
Physical Address	0x4848 4838		
Description	CPDMA_REGS transmit (ingress) priority 2 rate		
Type	RW		

31	30	29	28	27	26	25	24	23	22	21	20	19	18	17	16	15	14	13	12	11	10	9	8	7	6	5	4	3	2	1	0
RESERVED								PRIN_IDLE_CNT								RESERVED								PRIN_SEND_CNT							

Bits	Field Name	Description	Type	Reset
31:30	RESERVED		R	0x0
29:16	PRIN_IDLE_CNT	Priority (7:0) idle count	RW	0x0
15:14	RESERVED		R	0x0
13:0	PRIN_SEND_CNT	Priority (7:0) send count	RW	0x0

Table 24-1476. Register Call Summary for Register CPDMA_TX_PRI2_RATE

Gigabit Ethernet Switch (GMAC_SW)

- [CPDMA Register Summary: \[0\]](#)

Table 24-1477. CPDMA_TX_PRI3_RATE

Address Offset	0x0000 003C	Instance	CPDMA
Physical Address	0x4848 483C		
Description	CPDMA_REGS transmit (ingress) priority 3 rate		
Type	RW		

31	30	29	28	27	26	25	24	23	22	21	20	19	18	17	16	15	14	13	12	11	10	9	8	7	6	5	4	3	2	1	0
RESERVED								PRIN_IDLE_CNT								RESERVED								PRIN_SEND_CNT							

Bits	Field Name	Description	Type	Reset
31:30	RESERVED		R	0x0
29:16	PRIN_IDLE_CNT	Priority (7:0) idle count	RW	0x0
15:14	RESERVED		R	0x0
13:0	PRIN_SEND_CNT	Priority (7:0) send count	RW	0x0

Table 24-1478. Register Call Summary for Register CPDMA_TX_PRI3_RATE

Gigabit Ethernet Switch (GMAC_SW)

- [CPDMA Register Summary: \[0\]](#)

Table 24-1479. CPDMA_TX_PRI4_RATE

Address Offset	0x0000 0040	Instance	CPDMA
Physical Address	0x4848 4840		
Description	CPDMA_REGS transmit (ingress) priority 4 rate		
Type	RW		

31	30	29	28	27	26	25	24	23	22	21	20	19	18	17	16	15	14	13	12	11	10	9	8	7	6	5	4	3	2	1	0
RESERVED								PRIN_IDLE_CNT								RESERVED								PRIN_SEND_CNT							

Bits	Field Name	Description	Type	Reset
31:30	RESERVED		R	0x0
29:16	PRIN_IDLE_CNT	Priority (7:0) idle count	RW	0x0
15:14	RESERVED		R	0x0
13:0	PRIN_SEND_CNT	Priority (7:0) send count	RW	0x0

Table 24-1480. Register Call Summary for Register CPDMA_TX_PRI4_RATE

Gigabit Ethernet Switch (GMAC_SW)

- [CPDMA Register Summary: \[0\]](#)

Table 24-1481. CPDMA_TX_PRI5_RATE

Address Offset	0x0000 0044	Instance	CPDMA
Physical Address	0x4848 4844		
Description	CPDMA_REGS transmit (ingress) priority 5 rate		
Type	RW		

31	30	29	28	27	26	25	24	23	22	21	20	19	18	17	16	15	14	13	12	11	10	9	8	7	6	5	4	3	2	1	0
RESERVED								PRIN_IDLE_CNT								RESERVED								PRIN_SEND_CNT							

Bits	Field Name	Description	Type	Reset
31:30	RESERVED		R	0x0
29:16	PRIN_IDLE_CNT	Priority (7:0) idle count	RW	0x0
15:14	RESERVED		R	0x0
13:0	PRIN_SEND_CNT	Priority (7:0) send count	RW	0x0

Table 24-1482. Register Call Summary for Register CPDMA_TX_PRI5_RATE

Gigabit Ethernet Switch (GMAC_SW)

- [CPDMA Register Summary: \[0\]](#)

Table 24-1483. CPDMA_TX_PRI6_RATE

Address Offset	0x0000 0048	Instance	CPDMA
Physical Address	0x4848 4848		
Description	CPDMA_REGS TRANSMIT (INGRESS) PRIORITY 6 RATE		
Type	RW		

31	30	29	28	27	26	25	24	23	22	21	20	19	18	17	16	15	14	13	12	11	10	9	8	7	6	5	4	3	2	1	0
RESERVED								PRIN_IDLE_CNT								RESERVED								PRIN_SEND_CNT							

Bits	Field Name	Description	Type	Reset
31:30	RESERVED		R	0x0
29:16	PRIN_IDLE_CNT	Priority (7:0) idle count	RW	0x0
15:14	RESERVED		R	0x0
13:0	PRIN_SEND_CNT	Priority (7:0) send count	RW	0x0

Table 24-1484. Register Call Summary for Register CPDMA_TX_PRI6_RATE

Gigabit Ethernet Switch (GMAC_SW)

- [Audio Video Bridging: \[0\]](#)
- [CPDMA Register Summary: \[1\]](#)

Table 24-1485. CPDMA_TX_PRI7_RATE

Address Offset	0x0000 004C	Instance	CPDMA
Physical Address	0x4848 484C		
Description	CPDMA_REGS transmit (ingress) priority 7 rate		
Type	RW		

31	30	29	28	27	26	25	24	23	22	21	20	19	18	17	16	15	14	13	12	11	10	9	8	7	6	5	4	3	2	1	0
RESERVED								PRIN_IDLE_CNT								RESERVED								PRIN_SEND_CNT							

Bits	Field Name	Description	Type	Reset
31:30	RESERVED		R	0x0
29:16	PRIN_IDLE_CNT	Priority (7:0) idle count	RW	0x0
15:14	RESERVED		R	0x0
13:0	PRIN_SEND_CNT	Priority (7:0) send count	RW	0x0

Table 24-1486. Register Call Summary for Register CPDMA_TX_PRI7_RATE

Gigabit Ethernet Switch (GMAC_SW)

- [Audio Video Bridging: \[0\]](#)
- [CPDMA Register Summary: \[1\]](#)

Table 24-1487. CPDMA_TX_INTSTAT_RAW

Address Offset	0x0000 0080	Instance	CPDMA
Physical Address	0x4848 4880		
Description	CPDMA_INT TX interrupt status register (raw value)		
Type	R		

31	30	29	28	27	26	25	24	23	22	21	20	19	18	17	16	15	14	13	12	11	10	9	8	7	6	5	4	3	2	1	0
RESERVED																								TX7_PEND	TX6_PEND	TX5_PEND	TX4_PEND	TX3_PEND	TX2_PEND	TX1_PEND	TX0_PEND

Bits	Field Name	Description	Type	Reset
31:8	RESERVED		R	0x0
7	TX7_PEND	TX7_PEND raw int read (before mask).	R	0x0
6	TX6_PEND	TX6_PEND raw int read (before mask).	R	0x0
5	TX5_PEND	TX5_PEND raw int read (before mask).	R	0x0
4	TX4_PEND	TX4_PEND raw int read (before mask).	R	0x0
3	TX3_PEND	TX3_PEND raw int read (before mask).	R	0x0
2	TX2_PEND	TX2_PEND raw int read (before mask).	R	0x0
1	TX1_PEND	TX1_PEND raw int read (before mask).	R	0x0
0	TX0_PEND	TX0_PEND raw int read (before mask).	R	0x0

Table 24-1488. Register Call Summary for Register CPDMA_TX_INTSTAT_RAW

Gigabit Ethernet Switch (GMAC_SW)

- [Transmit Packet Completion Pulse Interrupt \(TX_PULSE\): \[0\]](#)
- [Miscellaneous Pulse Interrupt \(MISC_PULSE\): \[1\]\[2\]](#)
- [CPDMA Register Summary: \[3\]](#)

Table 24-1489. CPDMA_TX_INTSTAT_MASKED

Address Offset	0x0000 0084	Instance	CPDMA
Physical Address	0x4848 4884		
Description	CPDMA_INT TX interrupt status register (masked value)		
Type	R		

31	30	29	28	27	26	25	24	23	22	21	20	19	18	17	16	15	14	13	12	11	10	9	8	7	6	5	4	3	2	1	0
RESERVED																								TX7_PEND	TX6_PEND	TX5_PEND	TX4_PEND	TX3_PEND	TX2_PEND	TX1_PEND	TX0_PEND

Bits	Field Name	Description	Type	Reset
31:8	RESERVED		R	0x0
7	TX7_PEND	TX7_PEND masked interrupt read.	R	0x0
6	TX6_PEND	TX6_PEND masked interrupt read.	R	0x0
5	TX5_PEND	TX5_PEND masked interrupt read.	R	0x0
4	TX4_PEND	TX4_PEND masked interrupt read.	R	0x0
3	TX3_PEND	TX3_PEND masked interrupt read.	R	0x0
2	TX2_PEND	TX2_PEND masked interrupt read.	R	0x0
1	TX1_PEND	TX1_PEND masked interrupt read.	R	0x0

Bits	Field Name	Description	Type	Reset
0	TX0_PEND	TX0_PEND masked interrupt read.	R	0x0

Table 24-1490. Register Call Summary for Register CPDMA_TX_INTSTAT_MASKED

Gigabit Ethernet Switch (GMAC_SW)

- [Transmit Packet Completion Pulse Interrupt \(TX_PULSE\): \[0\]](#)
- [Miscellaneous Pulse Interrupt \(MISC_PULSE\): \[1\]\[2\]](#)
- [CPDMA Register Summary: \[3\]](#)

Table 24-1491. CPDMA_TX_INTMASK_SET

Address Offset	0x0000 0088			
Physical Address	0x4848 4888	Instance	CPDMA	
Description	CPDMA_INT TX interrupt mask set register			
Type	RW			

31	30	29	28	27	26	25	24	23	22	21	20	19	18	17	16	15	14	13	12	11	10	9	8	7	6	5	4	3	2	1	0
RESERVED																							TX7_MASK	TX6_MASK	TX5_MASK	TX4_MASK	TX3_MASK	TX2_MASK	TX1_MASK	TX0_MASK	

Bits	Field Name	Description	Type	Reset
31:8	RESERVED		R	0x0
7	TX7_MASK	TX Channel 7 Mask - Write one to enable interrupt.	RW	0x0
6	TX6_MASK	TX Channel 6 Mask - Write one to enable interrupt.	RW	0x0
5	TX5_MASK	TX Channel 5 Mask - Write one to enable interrupt.	RW	0x0
4	TX4_MASK	TX Channel 4 Mask - Write one to enable interrupt.	RW	0x0
3	TX3_MASK	TX Channel 3 Mask - Write one to enable interrupt.	RW	0x0
2	TX2_MASK	TX Channel 2 Mask - Write one to enable interrupt.	RW	0x0
1	TX1_MASK	TX Channel 1 Mask - Write one to enable interrupt.	RW	0x0
0	TX0_MASK	TX Channel 0 Mask - Write one to enable interrupt.	RW	0x0

Table 24-1492. Register Call Summary for Register CPDMA_TX_INTMASK_SET

Gigabit Ethernet Switch (GMAC_SW)

- [Transmit Packet Completion Pulse Interrupt \(TX_PULSE\): \[0\]](#)
- [CPDMA RX and TX Interfaces: \[1\]](#)
- [CPDMA Register Summary: \[2\]](#)

Table 24-1493. CPDMA_TX_INTMASK_CLEAR

Address Offset	0x0000 008C			
Physical Address	0x4848 488C	Instance	CPDMA	
Description	CPDMA_INT TX Interrupt mask clear register			
Type	W			

31	30	29	28	27	26	25	24	23	22	21	20	19	18	17	16	15	14	13	12	11	10	9	8	7	6	5	4	3	2	1	0
RESERVED																							TX7_MASK	TX6_MASK	TX5_MASK	TX4_MASK	TX3_MASK	TX2_MASK	TX1_MASK	TX0_MASK	

Bits	Field Name	Description	Type	Reset
31:8	RESERVED		R	0x0
7	TX7_MASK	TX Channel 7 Mask - Write one to disable interrupt.	RW	0x0
6	TX6_MASK	TX Channel 6 Mask - Write one to disable interrupt.	RW	0x0
5	TX5_MASK	TX Channel 5 Mask - Write one to disable interrupt.	RW	0x0
4	TX4_MASK	TX Channel 4 Mask - Write one to disable interrupt.	RW	0x0
3	TX3_MASK	TX Channel 3 Mask - Write one to disable interrupt.	RW	0x0
2	TX2_MASK	TX Channel 2 Mask - Write one to disable interrupt.	RW	0x0
1	TX1_MASK	TX Channel 1 Mask - Write one to disable interrupt.	RW	0x0
0	TX0_MASK	TX Channel 0 Mask - Write one to disable interrupt.	RW	0x0

Table 24-1494. Register Call Summary for Register CPDMA_TX_INTMASK_CLEAR

Gigabit Ethernet Switch (GMAC_SW)

- [Transmit Packet Completion Pulse Interrupt \(TX_PULSE\): \[0\]](#)
- [CPDMA Register Summary: \[1\]](#)

Table 24-1495. CPDMA_IN_VECTOR

Address Offset	0x0000 0090	Instance	CPDMA
Physical Address	0x4848 4890		
Description	CPDMA_INT input vector (read only)		
Type	R		

31	30	29	28	27	26	25	24	23	22	21	20	19	18	17	16	15	14	13	12	11	10	9	8	7	6	5	4	3	2	1	0
DMA_IN_VECTOR																															

Bits	Field Name	Description	Type	Reset
31:0	DMA_IN_VECTOR	DMA Input Vector - The value of DMA_IN_VECTOR is reset to zero, but will change to the IN_VECTOR bus value one clock after reset is deasserted. Thereafter, this value will change to a new IN_VECTOR value one clock after the IN_VECTOR value changes.	R	0x0

Table 24-1496. Register Call Summary for Register CPDMA_IN_VECTOR

Gigabit Ethernet Switch (GMAC_SW)

- [CPDMA Register Summary: \[0\]](#)

Table 24-1497. CPDMA_EOI_VECTOR

Address Offset	0x0000 0094	Instance	CPDMA
Physical Address	0x4848 4894		
Description	CPDMA_INT end of interrupt vector		
Type	RW		

31	30	29	28	27	26	25	24	23	22	21	20	19	18	17	16	15	14	13	12	11	10	9	8	7	6	5	4	3	2	1	0
RESERVED																DMA_EOI_VECTOR															

Bits	Field Name	Description	Type	Reset
31:5	RESERVED		R	0x0
4:0	DMA_EOI_VECTOR	DMA End of Interrupt Vector - The EOI_VECTOR(4:0) pins reflect the value written to this location one MAIN_CLK cycle after a write to this location. The EOI_WR signal is asserted for a single clock cycle after a latency of two MAIN_CLK cycles when a write is performed to this location.	RW	0x0

Table 24-1498. Register Call Summary for Register CPDMA_EOI_VECTOR

Gigabit Ethernet Switch (GMAC_SW)

- [Receive Packet Completion Pulse Interrupt \(RX_PULSE\): \[0\]](#)
- [Transmit Packet Completion Pulse Interrupt \(TX_PULSE\): \[1\]](#)
- [Receive Threshold Pulse Interrupt \(RX_THRESH_PULSE\): \[2\]](#)
- [Miscellaneous Pulse Interrupt \(MISC_PULSE\): \[3\]](#)
- [CPDMA Register Summary: \[4\]](#)

Table 24-1499. CPDMA_RX_INTSTAT_RAW

Address Offset	0x0000 00A0	Instance	CPDMA
Physical Address	0x4848 48A0		
Description	CPDMA_INT RX Interrupt status register (raw value)		
Type	R		

31	30	29	28	27	26	25	24	23	22	21	20	19	18	17	16	15	14	13	12	11	10	9	8	7	6	5	4	3	2	1	0
RESERVED																RX7_THRESH_PEND	RX6_THRESH_PEND	RX5_THRESH_PEND	RX4_THRESH_PEND	RX3_THRESH_PEND	RX2_THRESH_PEND	RX1_THRESH_PEND	RX0_THRESH_PEND	RX7_PEND	RX6_PEND	RX5_PEND	RX4_PEND	RX3_PEND	RX2_PEND	RX1_PEND	RX0_PEND

Bits	Field Name	Description	Type	Reset
31:16	RESERVED		R	0x0
15	RX7_THRESH_PEND	RX7_THRESH_PEND raw int read (before mask).	R	0x0
14	RX6_THRESH_PEND	RX6_THRESH_PEND raw int read (before mask).	R	0x0
13	RX5_THRESH_PEND	RX5_THRESH_PEND raw int read (before mask).	R	0x0
12	RX4_THRESH_PEND	RX4_THRESH_PEND raw int read (before mask).	R	0x0
11	RX3_THRESH_PEND	RX3_THRESH_PEND raw int read (before mask).	R	0x0
10	RX2_THRESH_PEND	RX2_THRESH_PEND raw int read (before mask).	R	0x0
9	RX1_THRESH_PEND	RX1_THRESH_PEND raw int read (before mask).	R	0x0
8	RX0_THRESH_PEND	RX0_THRESH_PEND raw int read (before mask).	R	0x0
7	RX7_PEND	RX7_PEND raw int read (before mask).	R	0x0
6	RX6_PEND	RX6_PEND raw int read (before mask).	R	0x0
5	RX5_PEND	RX5_PEND raw int read (before mask).	R	0x0
4	RX4_PEND	RX4_PEND raw int read (before mask).	R	0x0
3	RX3_PEND	RX3_PEND raw int read (before mask).	R	0x0
2	RX2_PEND	RX2_PEND raw int read (before mask).	R	0x0
1	RX1_PEND	RX1_PEND raw int read (before mask).	R	0x0
0	RX0_PEND	RX0_PEND raw int read (before mask).	R	0x0

Table 24-1500. Register Call Summary for Register CPDMA_RX_INTSTAT_RAW

Gigabit Ethernet Switch (GMAC_SW)

- [Receive Packet Completion Pulse Interrupt \(RX_PULSE\): \[0\]](#)
- [Receive Threshold Pulse Interrupt \(RX_THRESH_PULSE\): \[1\]](#)
- [CPDMA Register Summary: \[2\]](#)

Table 24-1501. CPDMA_RX_INTSTAT_MASKED

Address Offset	0x0000 00A4	Instance	CPDMA
Physical Address	0x4848 48A4		
Description	CPDMA_INT RX interrupt status register (masked value)		
Type	R		

31	30	29	28	27	26	25	24	23	22	21	20	19	18	17	16	15	14	13	12	11	10	9	8	7	6	5	4	3	2	1	0
RESERVED																RX7_THRESH_PEND	RX6_THRESH_PEND	RX5_THRESH_PEND	RX4_THRESH_PEND	RX3_THRESH_PEND	RX2_THRESH_PEND	RX1_THRESH_PEND	RX0_THRESH_PEND	RX7_PEND	RX6_PEND	RX5_PEND	RX4_PEND	RX3_PEND	RX2_PEND	RX1_PEND	RX0_PEND

Bits	Field Name	Description	Type	Reset
31:16	RESERVED		R	0x0
15	RX7_THRESH_PEND	RX7_THRESH_PEND masked int read.	R	0x0
14	RX6_THRESH_PEND	RX6_THRESH_PEND masked int read.	R	0x0
13	RX5_THRESH_PEND	RX5_THRESH_PEND masked int read.	R	0x0
12	RX4_THRESH_PEND	RX4_THRESH_PEND masked int read.	R	0x0
11	RX3_THRESH_PEND	RX3_THRESH_PEND masked int read.	R	0x0
10	RX2_THRESH_PEND	RX2_THRESH_PEND masked int read.	R	0x0
9	RX1_THRESH_PEND	RX1_THRESH_PEND masked int read.	R	0x0
8	RX0_THRESH_PEND	RX0_THRESH_PEND masked int read.	R	0x0
7	RX7_PEND	RX7_PEND masked int read.	R	0x0
6	RX6_PEND	RX6_PEND masked int read.	R	0x0
5	RX5_PEND	RX5_PEND masked int read.	R	0x0
4	RX4_PEND	RX4_PEND masked int read.	R	0x0
3	RX3_PEND	RX3_PEND masked int read.	R	0x0
2	RX2_PEND	RX2_PEND masked int read.	R	0x0
1	RX1_PEND	RX1_PEND masked int read.	R	0x0
0	RX0_PEND	RX0_PEND masked int read.	R	0x0

Table 24-1502. Register Call Summary for Register CPDMA_RX_INTSTAT_MASKED

Gigabit Ethernet Switch (GMAC_SW)

- [Receive Packet Completion Pulse Interrupt \(RX_PULSE\): \[0\]](#)
- [Receive Threshold Pulse Interrupt \(RX_THRESH_PULSE\): \[1\]](#)
- [CPDMA Register Summary: \[2\]](#)

Table 24-1503. CPDMA_RX_INTMASK_SET

Address Offset	0x0000 00A8	Instance	CPDMA
Physical Address	0x4848 48A8		
Description	CPDMA_INT RX interrupt mask set register		
Type	RW		

31	30	29	28	27	26	25	24	23	22	21	20	19	18	17	16	15	14	13	12	11	10	9	8	7	6	5	4	3	2	1	0
RESERVED																RX7_THRESH_PEND_MASK	RX6_THRESH_PEND_MASK	RX5_THRESH_PEND_MASK	RX4_THRESH_PEND_MASK	RX3_THRESH_PEND_MASK	RX2_THRESH_PEND_MASK	RX1_THRESH_PEND_MASK	RX0_THRESH_PEND_MASK	RX7_PEND_MASK	RX6_PEND_MASK	RX5_PEND_MASK	RX4_PEND_MASK	RX3_PEND_MASK	RX2_PEND_MASK	RX1_PEND_MASK	RX0_PEND_MASK

Bits	Field Name	Description	Type	Reset
31:16	RESERVED		R	0x0
15	RX7_THRESH_PEND_MASK	RX Channel 7 Threshold Pending Int. Mask - Write one to enable Int.	RW	0x0
14	RX6_THRESH_PEND_MASK	RX Channel 6 Threshold Pending Int. Mask - Write one to enable Int.	RW	0x0
13	RX5_THRESH_PEND_MASK	RX Channel 5 Threshold Pending Int. Mask - Write one to enable Int.	RW	0x0
12	RX4_THRESH_PEND_MASK	RX Channel 4 Threshold Pending Int. Mask - Write one to enable Int.	RW	0x0
11	RX3_THRESH_PEND_MASK	RX Channel 3 Threshold Pending Int. Mask - Write one to enable Int.	RW	0x0
10	RX2_THRESH_PEND_MASK	RX Channel 2 Threshold Pending Int. Mask - Write one to enable Int.	RW	0x0
9	RX1_THRESH_PEND_MASK	RX Channel 1 Threshold Pending Int. Mask - Write one to enable Int.	RW	0x0
8	RX0_THRESH_PEND_MASK	RX Channel 0 Threshold Pending Int. Mask - Write one to enable Int.	RW	0x0
7	RX7_PEND_MASK	RX Channel 7 Pending Int. Mask - Write one to enable Int.	RW	0x0
6	RX6_PEND_MASK	RX Channel 6 Pending Int. Mask - Write one to enable Int.	RW	0x0
5	RX5_PEND_MASK	RX Channel 5 Pending Int. Mask - Write one to enable Int.	RW	0x0
4	RX4_PEND_MASK	RX Channel 4 Pending Int. Mask - Write one to enable Int.	RW	0x0
3	RX3_PEND_MASK	RX Channel 3 Pending Int. Mask - Write one to enable Int.	RW	0x0
2	RX2_PEND_MASK	RX Channel 2 Pending Int. Mask - Write one to enable Int.	RW	0x0
1	RX1_PEND_MASK	RX Channel 1 Pending Int. Mask - Write one to enable Int.	RW	0x0
0	RX0_PEND_MASK	RX Channel 0 Pending Int. Mask - Write one to enable Int.	RW	0x0

Table 24-1504. Register Call Summary for Register CPDMA_RX_INTMASK_SET

Gigabit Ethernet Switch (GMAC_SW)

- [Receive Packet Completion Pulse Interrupt \(RX_PULSE\): \[0\]](#)
- [Receive Threshold Pulse Interrupt \(RX_THRESH_PULSE\): \[1\]](#)
- [CPDMA RX and TX Interfaces: \[2\]](#)
- [CPDMA Register Summary: \[3\]](#)

Table 24-1505. CPDMA_RX_INTMASK_CLEAR

Address Offset	0x0000 00AC	Instance	CPDMA
Physical Address	0x4848 48AC		
Description	CPDMA_INT RX interrupt mask clear register		
Type	RW		

31	30	29	28	27	26	25	24	23	22	21	20	19	18	17	16	15	14	13	12	11	10	9	8	7	6	5	4	3	2	1	0
RESERVED																RX7_THRESH_PEND_MASK	RX6_THRESH_PEND_MASK	RX5_THRESH_PEND_MASK	RX4_THRESH_PEND_MASK	RX3_THRESH_PEND_MASK	RX2_THRESH_PEND_MASK	RX1_THRESH_PEND_MASK	RX0_THRESH_PEND_MASK	RX7_PEND_MASK	RX6_PEND_MASK	RX5_PEND_MASK	RX4_PEND_MASK	RX3_PEND_MASK	RX2_PEND_MASK	RX1_PEND_MASK	RX0_PEND_MASK

Bits	Field Name	Description	Type	Reset
31:16	RESERVED		R	0x0
15	RX7_THRESH_PEND_MASK	RX Channel 7 Threshold Pending Int. Mask - Write one to disable Int.	RW	0x0
14	RX6_THRESH_PEND_MASK	RX Channel 6 Threshold Pending Int. Mask - Write one to disable Int.	RW	0x0
13	RX5_THRESH_PEND_MASK	RX Channel 5 Threshold Pending Int. Mask - Write one to disable Int.	RW	0x0
12	RX4_THRESH_PEND_MASK	RX Channel 4 Threshold Pending Int. Mask - Write one to disable Int.	RW	0x0
11	RX3_THRESH_PEND_MASK	RX Channel 3 Threshold Pending Int. Mask - Write one to disable Int.	RW	0x0
10	RX2_THRESH_PEND_MASK	RX Channel 2 Threshold Pending Int. Mask - Write one to disable Int.	RW	0x0
9	RX1_THRESH_PEND_MASK	RX Channel 1 Threshold Pending Int. Mask - Write one to disable Int.	RW	0x0
8	RX0_THRESH_PEND_MASK	RX Channel 0 Threshold Pending Int. Mask - Write one to disable Int.	RW	0x0
7	RX7_PEND_MASK	RX Channel 7 Pending Int. Mask - Write one to disable Int.	RW	0x0
6	RX6_PEND_MASK	RX Channel 6 Pending Int. Mask - Write one to disable Int.	RW	0x0
5	RX5_PEND_MASK	RX Channel 5 Pending Int. Mask - Write one to disable Int.	RW	0x0
4	RX4_PEND_MASK	RX Channel 4 Pending Int. Mask - Write one to disable Int.	RW	0x0
3	RX3_PEND_MASK	RX Channel 3 Pending Int. Mask - Write one to disable Int.	RW	0x0
2	RX2_PEND_MASK	RX Channel 2 Pending Int. Mask - Write one to disable Int.	RW	0x0

Bits	Field Name	Description	Type	Reset
1	RX1_PEND_MASK	RX Channel 1 Pending Int. Mask - Write one to disable Int.	RW	0x0
0	RX0_PEND_MASK	RX Channel 0 Pending Int. Mask - Write one to disable Int.	RW	0x0

Table 24-1506. Register Call Summary for Register CPDMA_RX_INTMASK_CLEAR

Gigabit Ethernet Switch (GMAC_SW)

- [Receive Packet Completion Pulse Interrupt \(RX_PULSE\): \[0\]](#)
- [Receive Threshold Pulse Interrupt \(RX_THRESH_PULSE\): \[1\]](#)
- [CPDMA Register Summary: \[2\]](#)

Table 24-1507. CPDMA_DMA_INTSTAT_RAW

Address Offset	0x0000 00B0		
Physical Address	0x4848 48B0	Instance	CPDMA
Description	CPDMA_INT DMA interrupt status register (raw value)		
Type	R		

31	30	29	28	27	26	25	24	23	22	21	20	19	18	17	16	15	14	13	12	11	10	9	8	7	6	5	4	3	2	1	0
RESERVED																HOST_PEND		STAT_PEND													

Bits	Field Name	Description	Type	Reset
31:2	RESERVED		R	0x0
1	HOST_PEND	Host Pending Interrupt - raw int read (before mask).	R	0x0
0	STAT_PEND	Statistics Pending Interrupt - raw int read (before mask).	R	0x0

Table 24-1508. Register Call Summary for Register CPDMA_DMA_INTSTAT_RAW

Gigabit Ethernet Switch (GMAC_SW)

- [CPDMA Register Summary: \[0\]](#)

Table 24-1509. CPDMA_DMA_INTSTAT_MASKED

Address Offset	0x0000 00B4		
Physical Address	0x4848 48B4	Instance	CPDMA
Description	CPDMA_INT DMA interrupt status register (masked value)		
Type	R		

31	30	29	28	27	26	25	24	23	22	21	20	19	18	17	16	15	14	13	12	11	10	9	8	7	6	5	4	3	2	1	0
RESERVED																HOST_PEND		STAT_PEND													

Bits	Field Name	Description	Type	Reset
31:2	RESERVED		R	0x0
1	HOST_PEND	Host Pending Interrupt - masked interrupt read.	R	0x0
0	STAT_PEND	Statistics Pending Interrupt - masked interrupt read.	R	0x0

Table 24-1510. Register Call Summary for Register CPDMA_DMA_INTSTAT_MASKED

Gigabit Ethernet Switch (GMAC_SW)

- [CPDMA Register Summary: \[0\]](#)

Table 24-1511. CPDMA_DMA_INTMASK_SET

Address Offset	0x0000 00B8	Instance	CPDMA
Physical Address	0x4848 48B8		
Description	CPDMA_INT DMA interrupt mask set register		
Type	W		

31	30	29	28	27	26	25	24	23	22	21	20	19	18	17	16	15	14	13	12	11	10	9	8	7	6	5	4	3	2	1	0
RESERVED																HOST_ERR_INT_MASK		STAT_INT_MASK													

Bits	Field Name	Description	Type	Reset
31:2	RESERVED		R	0x0
1	HOST_ERR_INT_MASK	Host Error Interrupt Mask - Write one to enable interrupt.	W	0x0
0	STAT_INT_MASK	Statistics Interrupt Mask - Write one to enable interrupt.	R	0x0

Table 24-1512. Register Call Summary for Register CPDMA_DMA_INTMASK_SET

Gigabit Ethernet Switch (GMAC_SW)

- [Miscellaneous Pulse Interrupt \(MISC_PULSE\): \[0\]\[1\]](#)
- [CPDMA Register Summary: \[2\]](#)

Table 24-1513. CPDMA_DMA_INTMASK_CLEAR

Address Offset	0x0000 00BC	Instance	CPDMA
Physical Address	0x4848 48BC		
Description	CPDMA_INT DMA interrupt mask clear register		
Type	RW		

31	30	29	28	27	26	25	24	23	22	21	20	19	18	17	16	15	14	13	12	11	10	9	8	7	6	5	4	3	2	1	0
RESERVED																HOST_ERR_INT_MASK		STAT_INT_MASK													

Bits	Field Name	Description	Type	Reset
31:2	RESERVED		R	0x0
1	HOST_ERR_INT_MASK	Host Error Interrupt Mask - Write one to disable interrupt.	RW	0x0
0	STAT_INT_MASK	Statistics Interrupt Mask - Write one to disable interrupt.	RW	0x0

Table 24-1514. Register Call Summary for Register CPDMA_DMA_INTMASK_CLEAR

Gigabit Ethernet Switch (GMAC_SW)

- [Miscellaneous Pulse Interrupt \(MISC_PULSE\): \[0\]](#)
- [CPDMA Register Summary: \[1\]](#)

Table 24-1515. CPDMA_RX0_PENDTHRESH

Address Offset	0x0000 00C0	Instance	CPDMA
Physical Address	0x4848 48C0		
Description	CPDMA_INT receive threshold pending register channel 0		
Type	RW		

31	30	29	28	27	26	25	24	23	22	21	20	19	18	17	16	15	14	13	12	11	10	9	8	7	6	5	4	3	2	1	0
RESERVED																RX_PENDTHRESH															

Bits	Field Name	Description	Type	Reset
31:8	RESERVED		R	0x0
7:0	RX_PENDTHRESH	Rx Flow Threshold - This field contains the threshold value for issuing receive threshold pending interrupts (when enabled).	RW	0x0

Table 24-1516. Register Call Summary for Register CPDMA_RX0_PENDTHRESH

Gigabit Ethernet Switch (GMAC_SW)

- [CPDMA Register Summary: \[0\]](#)
- [CPDMA Register Description: \[1\]](#)

Table 24-1517. CPDMA_RX1_PENDTHRESH

Address Offset	0x0000 00C4	Instance	CPDMA
Physical Address	0x4848 48C4		
Description	CPDMA_INT receive threshold pending register channel 1		
Type	RW		

31	30	29	28	27	26	25	24	23	22	21	20	19	18	17	16	15	14	13	12	11	10	9	8	7	6	5	4	3	2	1	0
RESERVED																RX_PENDTHRESH															

Bits	Field Name	Description	Type	Reset
31:8	RESERVED		R	0x0
7:0	RX_PENDTHRESH	Rx Flow Threshold - This field contains the threshold value for issuing receive threshold pending interrupts (when enabled).	RW	0x0

Table 24-1518. Register Call Summary for Register CPDMA_RX1_PENDTHRESH

Gigabit Ethernet Switch (GMAC_SW)

- [CPDMA Register Summary: \[0\]](#)
- [CPDMA Register Description: \[1\]](#)

Table 24-1519. CPDMA_RX2_PENDTHRESH

Address Offset	0x0000 00C8	Instance	CPDMA
Physical Address	0x4848 48C8		
Description	CPDMA_INT receive threshold pending register channel 2		
Type	RW		

31	30	29	28	27	26	25	24	23	22	21	20	19	18	17	16	15	14	13	12	11	10	9	8	7	6	5	4	3	2	1	0
RESERVED																RX_PENDTHRESH															

Bits	Field Name	Description	Type	Reset
31:8	RESERVED		R	0x0
7:0	RX_PENDTHRESH	Rx Flow Threshold - This field contains the threshold value for issuing receive threshold pending interrupts (when enabled).	RW	0x0

Table 24-1520. Register Call Summary for Register CPDMA_RX2_PENDTHRESH

Gigabit Ethernet Switch (GMAC_SW)

- [CPDMA Register Summary: \[0\]](#)
- [CPDMA Register Description: \[1\]](#)

Table 24-1521. CPDMA_RX3_PENDTHRESH

Address Offset	0x0000 00CC	Instance	CPDMA
Physical Address	0x4848 48CC		
Description	CPDMA_INT receive threshold pending register channel 3		
Type	RW		

31	30	29	28	27	26	25	24	23	22	21	20	19	18	17	16	15	14	13	12	11	10	9	8	7	6	5	4	3	2	1	0
RESERVED																RX_PENDTHRESH															

Bits	Field Name	Description	Type	Reset
31:8	RESERVED		R	0x0
7:0	RX_PENDTHRESH	Rx Flow Threshold - This field contains the threshold value for issuing receive threshold pending interrupts (when enabled).	RW	0x0

Table 24-1522. Register Call Summary for Register CPDMA_RX3_PENDTHRESH

Gigabit Ethernet Switch (GMAC_SW)

- [CPDMA Register Summary: \[0\]](#)
- [CPDMA Register Description: \[1\]](#)

Table 24-1523. CPDMA_RX4_PENDTHRESH

Address Offset	0x0000 00D0	Instance	CPDMA
Physical Address	0x4848 48D0		
Description	CPDMA_INT receive threshold pending register channel 4		
Type	RW		

31	30	29	28	27	26	25	24	23	22	21	20	19	18	17	16	15	14	13	12	11	10	9	8	7	6	5	4	3	2	1	0
RESERVED																RX_PENDTHRESH															

Bits	Field Name	Description	Type	Reset
31:8	RESERVED		R	0x0
7:0	RX_PENDTHRESH	Rx Flow Threshold - This field contains the threshold value for issuing receive threshold pending interrupts (when enabled).	RW	0x0

Table 24-1524. Register Call Summary for Register CPDMA_RX4_PENDTHRESH

Gigabit Ethernet Switch (GMAC_SW)

- [CPDMA Register Summary: \[0\]](#)
- [CPDMA Register Description: \[1\]](#)

Table 24-1525. CPDMA_RX5_PENDTHRESH

Address Offset	0x0000 00D4	Instance	CPDMA
Physical Address	0x4848 48D4		
Description	CPDMA_INT receive threshold pending register channel 5		
Type	RW		

31	30	29	28	27	26	25	24	23	22	21	20	19	18	17	16	15	14	13	12	11	10	9	8	7	6	5	4	3	2	1	0
RESERVED																RX_PENDTHRESH															

Bits	Field Name	Description	Type	Reset
31:8	RESERVED		R	0x0
7:0	RX_PENDTHRESH	Rx Flow Threshold - This field contains the threshold value for issuing receive threshold pending interrupts (when enabled).	RW	0x0

Table 24-1526. Register Call Summary for Register CPDMA_RX5_PENDTHRESH

Gigabit Ethernet Switch (GMAC_SW)

- [CPDMA Register Summary: \[0\]](#)
- [CPDMA Register Description: \[1\]](#)

Table 24-1527. CPDMA_RX6_PENDTHRESH

Address Offset	0x0000 00D8	Instance	CPDMA
Physical Address	0x4848 48D8		
Description	CPDMA_INT receive threshold pending register channel 6		
Type	RW		

31	30	29	28	27	26	25	24	23	22	21	20	19	18	17	16	15	14	13	12	11	10	9	8	7	6	5	4	3	2	1	0
RESERVED																RX_PENDTHRESH															

Bits	Field Name	Description	Type	Reset
31:8	RESERVED		R	0x0
7:0	RX_PENDTHRESH	Rx Flow Threshold - This field contains the threshold value for issuing receive threshold pending interrupts (when enabled).	RW	0x0

Table 24-1528. Register Call Summary for Register CPDMA_RX6_PENDTHRESH

Gigabit Ethernet Switch (GMAC_SW)

- [CPDMA Register Summary: \[0\]](#)
- [CPDMA Register Description: \[1\]](#)

Table 24-1529. CPDMA_RX7_PENDTHRESH

Address Offset	0x0000 00DC	Instance	CPDMA
Physical Address	0x4848 48DC		
Description	CPDMA_INT receive threshold pending register channel 7		
Type	RW		

31	30	29	28	27	26	25	24	23	22	21	20	19	18	17	16	15	14	13	12	11	10	9	8	7	6	5	4	3	2	1	0
RESERVED																RX_PENDTHRESH															

Bits	Field Name	Description	Type	Reset
31:8	RESERVED		R	0x0
7:0	RX_PENDTHRESH	Rx Flow Threshold - This field contains the threshold value for issuing receive threshold pending interrupts (when enabled).	RW	0x0

Table 24-1530. Register Call Summary for Register CPDMA_RX7_PENDTHRESH

Gigabit Ethernet Switch (GMAC_SW)

- [CPDMA Register Summary: \[0\]](#)
- [CPDMA Register Description: \[1\]](#)

Table 24-1531. CPDMA_RX0_FREEBUFFER

Address Offset	0x0000 00E0	Instance	CPDMA
Physical Address	0x4848 48E0		
Description	CPDMA_INT receive free buffer register channel 0		
Type	W		

31	30	29	28	27	26	25	24	23	22	21	20	19	18	17	16	15	14	13	12	11	10	9	8	7	6	5	4	3	2	1	0
RESERVED																RX_FREEBUFFER															

Bits	Field Name	Description	Type	Reset
31:16	RESERVED		R	0x0
15:0	RX_FREEBUFFER	Rx Free Buffer Count - This field contains the count of free buffers available. The CPDMA_RX0_PENDTHRESH[7:0] RX_PENDTHRESH value is compared with this field to determine if the receive threshold pending interrupt should be asserted (if enabled). This is a write to increment field. This field rolls over to zero on overflow. If receive threshold pending interrupts are used, the host must initialize this field to the number of available buffers (one register per channel). The port decrements (by the number of buffers in the received frame) the associated channel register for each received frame. This is a write to increment field. The host must write this field with the number of buffers that have been freed due to host processing.	W	0x0

Table 24-1532. Register Call Summary for Register CPDMA_RX0_FREEBUFFER

Gigabit Ethernet Switch (GMAC_SW)

- [CPDMA Register Summary: \[0\]](#)

Table 24-1533. CPDMA_RX1_FREEBUFFER

Address Offset	0x0000 00E4	Instance	CPDMA
Physical Address	0x4848 48E4		
Description	CPDMA_INT receive free buffer register channel 1		
Type	W		

31	30	29	28	27	26	25	24	23	22	21	20	19	18	17	16	15	14	13	12	11	10	9	8	7	6	5	4	3	2	1	0
RESERVED																RX_FREEBUFFER															

Bits	Field Name	Description	Type	Reset
31:16	RESERVED		R	0x0
15:0	RX_FREEBUFFER	Rx Free Buffer Count - This field contains the count of free buffers available. The CPDMA_RX1_PENDTHRESH[7:0] RX_PENDTHRESH value is compared with this field to determine if the receive threshold pending interrupt should be asserted (if enabled). This is a write to increment field. This field rolls over to zero on overflow. If receive threshold pending interrupts are used, the host must initialize this field to the number of available buffers (one register per channel). The port decrements (by the number of buffers in the received frame) the associated channel register for each received frame. This is a write to increment field. The host must write this field with the number of buffers that have been freed due to host processing.	W	0x0

Table 24-1534. Register Call Summary for Register CPDMA_RX1_FREEBUFFER

Gigabit Ethernet Switch (GMAC_SW)

- [CPDMA Register Summary: \[0\]](#)

Table 24-1535. CPDMA_RX2_FREEBUFFER

Address Offset	0x0000 00E8	Instance	CPDMA
Physical Address	0x4848 48E8		
Description	CPDMA_INT receive free buffer register channel 2		
Type	W		

31	30	29	28	27	26	25	24	23	22	21	20	19	18	17	16	15	14	13	12	11	10	9	8	7	6	5	4	3	2	1	0
RESERVED																RX_FREEBUFFER															

Bits	Field Name	Description	Type	Reset
31:16	RESERVED		R	0x0
15:0	RX_FREEBUFFER	Rx Free Buffer Count - This field contains the count of free buffers available. The CPDMA_RX2_PENDTHRESH[7:0] RX_PENDTHRESH value is compared with this field to determine if the receive threshold pending interrupt should be asserted (if enabled). This is a write to increment field. This field rolls over to zero on overflow. If receive threshold pending interrupts are used, the host must initialize this field to the number of available buffers (one register per channel). The port decrements (by the number of buffers in the received frame) the associated channel register for each received frame. This is a write to increment field. The host must write this field with the number of buffers that have been freed due to host processing.	W	0x0

Table 24-1536. Register Call Summary for Register CPDMA_RX2_FREEBUFFER

Gigabit Ethernet Switch (GMAC_SW)

- [CPDMA Register Summary: \[0\]](#)

Table 24-1537. CPDMA_RX3_FREEBUFFER

Address Offset	0x0000 00EC	Instance	CPDMA
Physical Address	0x4848 48EC		
Description	CPDMA_INT receive free buffer register channel 3		
Type	W		

31	30	29	28	27	26	25	24	23	22	21	20	19	18	17	16	15	14	13	12	11	10	9	8	7	6	5	4	3	2	1	0
RESERVED																RX_FREEBUFFER															

Bits	Field Name	Description	Type	Reset
31:16	RESERVED		R	0x0
15:0	RX_FREEBUFFER	Rx Free Buffer Count - This field contains the count of free buffers available. The CPDMA_RX3_PENDTHRESH [7:0] RX_PENDTHRESH value is compared with this field to determine if the receive threshold pending interrupt should be asserted (if enabled). This is a write to increment field. This field rolls over to zero on overflow. If receive threshold pending interrupts are used, the host must initialize this field to the number of available buffers (one register per channel). The port decrements (by the number of buffers in the received frame) the associated channel register for each received frame. This is a write to increment field. The host must write this field with the number of buffers that have been freed due to host processing.	W	0x0

Table 24-1538. Register Call Summary for Register CPDMA_RX3_FREEBUFFER

Gigabit Ethernet Switch (GMAC_SW)

- [CPDMA Register Summary: \[0\]](#)

Table 24-1539. CPDMA_RX4_FREEBUFFER

Address Offset	0x0000 00F0		
Physical Address	0x4848 48F0	Instance	CPDMA
Description	CPDMA_INT receive free buffer register channel 4		
Type	W		

31	30	29	28	27	26	25	24	23	22	21	20	19	18	17	16	15	14	13	12	11	10	9	8	7	6	5	4	3	2	1	0
RESERVED								RX_FREEBUFFER																							

Bits	Field Name	Description	Type	Reset
31:16	RESERVED		R	0x0
15:0	RX_FREEBUFFER	Rx Free Buffer Count - This field contains the count of free buffers available. The CPDMA_RX4_PENDTHRESH [7:0] RX_PENDTHRESH value is compared with this field to determine if the receive threshold pending interrupt should be asserted (if enabled). This is a write to increment field. This field rolls over to zero on overflow. If receive threshold pending interrupts are used, the host must initialize this field to the number of available buffers (one register per channel). The port decrements (by the number of buffers in the received frame) the associated channel register for each received frame. This is a write to increment field. The host must write this field with the number of buffers that have been freed due to host processing.	W	0x0

Table 24-1540. Register Call Summary for Register CPDMA_RX4_FREEBUFFER

Gigabit Ethernet Switch (GMAC_SW)

- [CPDMA Register Summary: \[0\]](#)

Table 24-1541. CPDMA_RX5_FREEBUFFER

Address Offset	0x0000 00F4	Instance	CPDMA
Physical Address	0x4848 48F4		
Description	CPDMA_INT receive free buffer register channel 5		
Type	W		

31	30	29	28	27	26	25	24	23	22	21	20	19	18	17	16	15	14	13	12	11	10	9	8	7	6	5	4	3	2	1	0
RESERVED																RX_FREEBUFFER															

Bits	Field Name	Description	Type	Reset
31:16	RESERVED		R	0x0
15:0	RX_FREEBUFFER	Rx Free Buffer Count - This field contains the count of free buffers available. The CPDMA_RX5_PENDTHRESH [7:0] RX_PENDTHRESH value is compared with this field to determine if the receive threshold pending interrupt should be asserted (if enabled). This is a write to increment field. This field rolls over to zero on overflow. If receive threshold pending interrupts are used, the host must initialize this field to the number of available buffers (one register per channel). The port decrements (by the number of buffers in the received frame) the associated channel register for each received frame. This is a write to increment field. The host must write this field with the number of buffers that have been freed due to host processing.	W	0x0

Table 24-1542. Register Call Summary for Register CPDMA_RX5_FREEBUFFER

Gigabit Ethernet Switch (GMAC_SW)

- [CPDMA Register Summary: \[0\]](#)

Table 24-1543. CPDMA_RX6_FREEBUFFER

Address Offset	0x0000 00F8	Instance	CPDMA
Physical Address	0x4848 48F8		
Description	CPDMA_INT receive free buffer register channel 6		
Type	W		

31	30	29	28	27	26	25	24	23	22	21	20	19	18	17	16	15	14	13	12	11	10	9	8	7	6	5	4	3	2	1	0
RESERVED																RX_FREEBUFFER															

Bits	Field Name	Description	Type	Reset
31:16	RESERVED		R	0x0
15:0	RX_FREEBUFFER	Rx Free Buffer Count - This field contains the count of free buffers available. The CPDMA_RX6_PENDTHRESH [7:0] RX_PENDTHRESH value is compared with this field to determine if the receive threshold pending interrupt should be asserted (if enabled). This is a write to increment field. This field rolls over to zero on overflow. If receive threshold pending interrupts are used, the host must initialize this field to the number of available buffers (one register per channel). The port decrements (by the number of buffers in the received frame) the associated channel register for each received frame. This is a write to increment field. The host must write this field with the number of buffers that have been freed due to host processing.	W	0x0

Table 24-1544. Register Call Summary for Register CPDMA_RX6_FREEBUFFER

Gigabit Ethernet Switch (GMAC_SW)

- [CPDMA Register Summary: \[0\]](#)

Table 24-1545. CPDMA_RX7_FREEBUFFER

Address Offset	0x0000 00FC	
Physical Address	0x4848 48FC	Instance CPDMA
Description	CPDMA_INT receive free buffer register channel 7	
Type	W	

31	30	29	28	27	26	25	24	23	22	21	20	19	18	17	16	15	14	13	12	11	10	9	8	7	6	5	4	3	2	1	0
RESERVED																RX_FREEBUFFER															

Bits	Field Name	Description	Type	Reset
31:16	RESERVED		R	0x0
15:0	RX_FREEBUFFER	Rx Free Buffer Count - This field contains the count of free buffers available. The CPDMA_RX7_PENDTHRESH[7:0] RX_PENDTHRESH value is compared with this field to determine if the receive threshold pending interrupt should be asserted (if enabled). This is a write to increment field. This field rolls over to zero on overflow. If receive threshold pending interrupts are used, the host must initialize this field to the number of available buffers (one register per channel). The port decrements (by the number of buffers in the received frame) the associated channel register for each received frame. This is a write to increment field. The host must write this field with the number of buffers that have been freed due to host processing.	W	0x0

Table 24-1546. Register Call Summary for Register CPDMA_RX7_FREEBUFFER

Gigabit Ethernet Switch (GMAC_SW)

- [CPDMA Register Summary: \[0\]](#)

24.11.6.5 STATS Registers

24.11.6.5.1 STATS Register Summary

Table 24-1547. STATS Registers Mapping Summary

Register Name	Type	Register Width (Bits)	Address Offset	STATS Physical Address
GOOD_RX_FRAMES	RW	32	0x0000 0000	0x4848 4900
BROADCAST_RX_FRAMES	RW	32	0x0000 0004	0x4848 4904
MULTICAST_RX_FRAMES	RW	32	0x0000 0008	0x4848 4908
PAUSE_RX_FRAMES	RW	32	0x0000 000C	0x4848 490C
RX_CRC_ERRORS	RW	32	0x0000 0010	0x4848 4910
RX_ALIGN_CODE_ERRORS	RW	32	0x0000 0014	0x4848 4914
OVERSIZE_RX_FRAMES	RW	32	0x0000 0018	0x4848 4918
RX_JABBERS	RW	32	0x0000 001C	0x4848 491C
UNDERSIZE_RX_FRAMES	RW	32	0x0000 0020	0x4848 4920
RX_FRAGMENTS	RW	32	0x0000 0024	0x4848 4924
RX_OCTETS	RW	32	0x0000 0030	0x4848 4930

Table 24-1547. STATS Registers Mapping Summary (continued)

Register Name	Type	Register Width (Bits)	Address Offset	STATS Physical Address
GOOD_TX_FRAMES	RW	32	0x0000 0034	0x4848 4934
BROADCAST_TX_FRAMES	RW	32	0x0000 0038	0x4848 4938
MULTICAST_TX_FRAMES	RW	32	0x0000 003C	0x4848 493C
PAUSE_TX_FRAMES	RW	32	0x0000 0040	0x4848 4940
DEFERRED_TX_FRAMES	RW	32	0x0000 0044	0x4848 4944
COLLISIONS	RW	32	0x0000 0048	0x4848 4948
SINGLE_COLLISION_TX_FRAMES	RW	32	0x0000 004C	0x4848 494C
MULTIPLE_COLLISION_TX_FRAMES	RW	32	0x0000 0050	0x4848 4950
EXCESSIVE_COLLISIONS	RW	32	0x0000 0054	0x4848 4954
LATE_COLLISIONS	RW	32	0x0000 0058	0x4848 4958
TX_UNDERRUN	RW	32	0x0000 005C	0x4848 495C
CARRIER_SENSE_ERRORS	RW	32	0x0000 0060	0x4848 4960
TX_OCTETS	RW	32	0x0000 0064	0x4848 4964
RX_TX_64_OCTET_FRAMES	RW	32	0x0000 0068	0x4848 4968
RX_TX_65_127_OCTET_FRAMES	RW	32	0x0000 006C	0x4848 496C
RX_TX_128_255_OCTET_FRAMES	RW	32	0x0000 0070	0x4848 4970
RX_TX_256_511_OCTET_FRAMES	RW	32	0x0000 0074	0x4848 4974
RX_TX_512_1023_OCTET_FRAMES	RW	32	0x0000 0078	0x4848 4978
RX_TX_1024_UP_OCTET_FRAMES	RW	32	0x0000 007C	0x4848 497C
NET_OCTETS	RW	32	0x0000 0080	0x4848 4980
RX_START_OF_FRAME_OVERRUNS	RW	32	0x0000 0084	0x4848 4984
RX_MIDDLE_OF_FRAME_OVERRUNS	RW	32	0x0000 0088	0x4848 4988
RX_DMA_OVERRUNS	RW	32	0x0000 008C	0x4848 498C

24.11.6.5.2 STATS Register Description

Table 24-1548. GOOD_RX_FRAMES

Address Offset	0x0000 0000																																																																
Physical Address	0x4848 4900																																																																
Description	<p>The total number of good frames received on the port. A good frame is defined to be:</p> <ul style="list-style-type: none"> - Any data or MAC control frame which matched a unicast, broadcast or multicast address, or matched due to promiscuous mode - Had a length of 64 to SL_RX_MAXLEN[13:0] RX_MAXLEN bytes inclusive - Had no CRC error, alignment error or code error. <p>See the RX_ALIGN_CODE_ERRORS and RX_CRC_ERRORS statistic descriptions for definitions of alignment, code and CRC errors. Overruns have no effect upon this statistic.</p>																																																																
Type	RW																																																																
<table border="1" style="width:100%; text-align:center;"> <tr> <td>31</td><td>30</td><td>29</td><td>28</td><td>27</td><td>26</td><td>25</td><td>24</td> <td>23</td><td>22</td><td>21</td><td>20</td><td>19</td><td>18</td><td>17</td><td>16</td> <td>15</td><td>14</td><td>13</td><td>12</td><td>11</td><td>10</td><td>9</td><td>8</td> <td>7</td><td>6</td><td>5</td><td>4</td><td>3</td><td>2</td><td>1</td><td>0</td> </tr> <tr> <td colspan="32">VALUE</td> </tr> </table>		31	30	29	28	27	26	25	24	23	22	21	20	19	18	17	16	15	14	13	12	11	10	9	8	7	6	5	4	3	2	1	0	VALUE																															
31	30	29	28	27	26	25	24	23	22	21	20	19	18	17	16	15	14	13	12	11	10	9	8	7	6	5	4	3	2	1	0																																		
VALUE																																																																	
Bits	31:0																																																																
Field Name	VALUE																																																																
Description	Statistic value																																																																
Type	RW																																																																
Reset	0x0000 0000																																																																

Table 24-1549. Register Call Summary for Register GOOD_RX_FRAMES

Gigabit Ethernet Switch (GMAC_SW)

- [STATS Register Summary: \[0\]](#)

Table 24-1550. BROADCAST_RX_FRAMES

Address Offset	0x0000 0004		
Physical Address	0x4848 4904	Instance	STATS
Description	<p>The total number of good broadcast frames received on the port. A good broadcast frame is defined to be:</p> <ul style="list-style-type: none"> - Any data or MAC control frame which was destined for only address 0xFFFFFFFF - Had a length of SL_RX_MAXLEN[13:0] RX_MAXLEN bytes inclusive - Had no CRC error, alignment error or code error. <p>See the RX_ALIGN_CODE_ERRORS and RX_CRC_ERRORS statistic descriptions for definitions of alignment, code and CRC errors. Overruns have no effect upon this statistic.</p>		
Type	RW		

31	30	29	28	27	26	25	24	23	22	21	20	19	18	17	16	15	14	13	12	11	10	9	8	7	6	5	4	3	2	1	0
VALUE																															

Bits	Field Name	Description	Type	Reset
31:0	VALUE	Statistic value	RW	0x0000 0000

Table 24-1551. Register Call Summary for Register BROADCAST_RX_FRAMES

Gigabit Ethernet Switch (GMAC_SW)

- [STATS Register Summary: \[0\]](#)

Table 24-1552. MULTICAST_RX_FRAMES

Address Offset	0x0000 0008		
Physical Address	0x4848 4908	Instance	STATS
Description	<p>The total number of good multicast frames received on the port. A good multicast frame is defined to be:</p> <ul style="list-style-type: none"> - Any data or MAC control frame which was destined for any multicast address other than 0xFFFFFFFF - Had a length of SL_RX_MAXLEN[13:0] RX_MAXLEN bytes inclusive - Had no CRC error, alignment error or code error. <p>See the RX_ALIGN_CODE_ERRORS and RX_CRC_ERRORS statistic descriptions for definitions of alignment, code and CRC errors. Overruns have no effect upon this statistic.</p>		
Type	RW		

31	30	29	28	27	26	25	24	23	22	21	20	19	18	17	16	15	14	13	12	11	10	9	8	7	6	5	4	3	2	1	0
VALUE																															

Bits	Field Name	Description	Type	Reset
31:0	VALUE	Statistic value	RW	0x0000 0000

Table 24-1553. Register Call Summary for Register MULTICAST_RX_FRAMES

Gigabit Ethernet Switch (GMAC_SW)

- [STATS Register Summary: \[0\]](#)

Table 24-1554. PAUSE_RX_FRAMES

Address Offset	0x0000 000C	Instance	STATS
Physical Address	0x4848 490C		
Description	<p>The total number of IEEE 802.3X pause frames received by the port (whether acted upon or not). Such a frame:</p> <ul style="list-style-type: none"> - Contained any unicast, broadcast, or multicast address - Contained the length/type field value 88.08 (hex) and the opcode 0x0001 - Was of length 64 to SL_RX_MAXLEN[13:0] RX_MAXLEN bytes inclusive - Had no CRC error, alignment error or code error - Pause-frames had been enabled on the port (SL_MACCONTROL[4] TX_FLOW_EN = 1). The port could have been in either half or full-duplex mode. <p>See the RX_ALIGN_CODE_ERRORS and RX_CRC_ERRORS statistic descriptions for definitions of alignment, code and CRC errors. Overruns have no effect upon this statistic.</p>		
Type	RW		

31	30	29	28	27	26	25	24	23	22	21	20	19	18	17	16	15	14	13	12	11	10	9	8	7	6	5	4	3	2	1	0
VALUE																															

Bits	Field Name	Description	Type	Reset
31:0	VALUE	Statistic value	RW	0x0000 0000

Table 24-1555. Register Call Summary for Register PAUSE_RX_FRAMES

Gigabit Ethernet Switch (GMAC_SW)

- [STATS Register Summary: \[0\]](#)

Table 24-1556. RX_CRC_ERRORS

Address Offset	0x0000 0010	Instance	STATS
Physical Address	0x4848 4910		
Description	<p>The total number of frames received on the port that experienced a CRC error. Such a frame:</p> <ul style="list-style-type: none"> - Was any data or MAC control frame which matched a unicast, broadcast or multicast address, or matched due to promiscuous mode - Was of length 64 to SL_RX_MAXLEN[13:0] RX_MAXLEN bytes inclusive - Had no code/align error, - Had a CRC error Overruns have no effect upon this statistic. <p>A CRC error is defined to be:</p> <ul style="list-style-type: none"> - A frame containing an even number of nibbles - Failing the Frame Check Sequence test 		
Type	RW		

31	30	29	28	27	26	25	24	23	22	21	20	19	18	17	16	15	14	13	12	11	10	9	8	7	6	5	4	3	2	1	0
VALUE																															

Bits	Field Name	Description	Type	Reset
31:0	VALUE	Statistic value	RW	0x0000 0000

Table 24-1557. Register Call Summary for Register RX_CRC_ERRORS

Gigabit Ethernet Switch (GMAC_SW)

- [STATS Register Summary: \[0\]](#)
- [STATS Register Description: \[1\]\[2\]\[3\]\[4\]\[5\]\[6\]\[7\]\[8\]\[9\]\[10\]](#)

Table 24-1558. RX_ALIGN_CODE_ERRORS

Address Offset	0x0000 0014
Physical Address	0x4848 4914
Instance	STATS
Description	<p>The total number of frames received on the port that experienced an alignment error or code error. Such a frame:</p> <ul style="list-style-type: none"> - Was any data or MAC control frame which matched a unicast, broadcast or multicast address, or matched due to promiscuous mode - Was of length 64 to SL_RX_MAXLEN[13:0] RX_MAXLEN bytes inclusive - Had either an alignment error or a code error <p>Overruns have no effect upon this statistic. An alignment error is defined to be:</p> <ul style="list-style-type: none"> - A frame containing an odd number of nibbles - Failing the Frame Check Sequence test if the final nibble is ignored <p>A code error is defined to be a frame which has been discarded because the port's MRXER pin driven with a one for at least one bit-time's duration at any point during the frame's reception.</p> <p>Note: RFC 1757 etherStatsCRCAlignErrors Ref. 1.5 can be calculated by summing RX_ALIGN_CODE_ERRORS and RX_CRC_ERRORS.</p>
Type	RW

31	30	29	28	27	26	25	24	23	22	21	20	19	18	17	16	15	14	13	12	11	10	9	8	7	6	5	4	3	2	1	0
VALUE																															

Bits	Field Name	Description	Type	Reset
31:0	VALUE	Statistic value	RW	0x0000 0000

Table 24-1559. Register Call Summary for Register RX_ALIGN_CODE_ERRORS

Gigabit Ethernet Switch (GMAC_SW)

- [STATS Register Summary: \[0\]](#)
- [STATS Register Description: \[1\]\[2\]\[3\]\[4\]\[5\]\[6\]\[7\]\[8\]\[9\]\[10\]](#)

Table 24-1560. OVERSIZE_RX_FRAMES

Address Offset	0x0000 0018
Physical Address	0x4848 4918
Instance	STATS
Description	<p>The total number of oversized frames received on the port. An oversized frame is defined to be:</p> <ul style="list-style-type: none"> - Was any data or MAC control frame which matched a unicast, broadcast or multicast address, or matched due to promiscuous mode - Was greater than SL_RX_MAXLEN[13:0] RX_MAXLEN in bytes - Had no CRC error, alignment error or code error <p>See the RX_ALIGN_CODE_ERRORS and RX_CRC_ERRORS statistic descriptions for definitions of alignment, code and CRC errors. Overruns have no effect upon this statistic.</p>
Type	RW

31	30	29	28	27	26	25	24	23	22	21	20	19	18	17	16	15	14	13	12	11	10	9	8	7	6	5	4	3	2	1	0
VALUE																															

Bits	Field Name	Description	Type	Reset
31:0	VALUE	Statistic value	RW	0x0000 0000

Table 24-1561. Register Call Summary for Register OVERSIZE_RX_FRAMES

Gigabit Ethernet Switch (GMAC_SW)

- [STATS Register Summary: \[0\]](#)

Table 24-1562. RX_JABBERS

Address Offset	0x0000 001C	Instance	STATS
Physical Address	0x4848 491C		
Description	The total number of jabber frames received on the port. A jabber frame: <ul style="list-style-type: none"> - Was any data or MAC control frame which matched a unicast, broadcast or multicast address, or matched due to promiscuous mode - Was greater than SL_RX_MAXLEN[13:0] RX_MAXLEN in bytes - Had no CRC error, alignment error or code error See the RX_ALIGN_CODE_ERRORS and RX_CRC_ERRORS statistic descriptions for definitions of alignment, code and CRC errors. Overruns have no effect upon this statistic.		
Type	RW		

31	30	29	28	27	26	25	24	23	22	21	20	19	18	17	16	15	14	13	12	11	10	9	8	7	6	5	4	3	2	1	0
VALUE																															

Bits	Field Name	Description	Type	Reset
31:0	VALUE	Statistic value	RW	0x0000 0000

Table 24-1563. Register Call Summary for Register RX_JABBERS

Gigabit Ethernet Switch (GMAC_SW)

- [STATS Register Summary: \[0\]](#)

Table 24-1564. UNDERSIZE_RX_FRAMES

Address Offset	0x0000 0020	Instance	STATS
Physical Address	0x4848 4920		
Description	The total number of undersized frames received on the port. An undersized frame is defined to be: <ul style="list-style-type: none"> - Was any data frame which matched a unicast, broadcast or multicast address, or matched due to promiscuous mode - Was less than 64 octets long - Had no CRC error, alignment error or code error See the RX_ALIGN_CODE_ERRORS and RX_CRC_ERRORS statistic descriptions for definitions of alignment, code and CRC errors. Overruns have no effect upon this statistic.		
Type	RW		

31	30	29	28	27	26	25	24	23	22	21	20	19	18	17	16	15	14	13	12	11	10	9	8	7	6	5	4	3	2	1	0
VALUE																															

Bits	Field Name	Description	Type	Reset
31:0	VALUE	Statistic value	RW	0x0000 0000

Table 24-1565. Register Call Summary for Register UNDERSIZE_RX_FRAMES

Gigabit Ethernet Switch (GMAC_SW)

- [STATS Register Summary: \[0\]](#)

Table 24-1566. RX_FRAGMENTS

Address Offset	0x0000 0024		
Physical Address	0x4848 4924	Instance	STATS
Description	<p>The total number of frame fragments received on the port. A frame fragment is defined to be:</p> <ul style="list-style-type: none"> - Any data frame (address matching does not matter) - Less than 64 bytes long - Having a CRC error, an alignment error, or a code error - Not the result of a collision caused by half duplex, collision based flow control <p>See the RX_ALIGN_CODE_ERRORS and RX_CRC_ERRORS statistic descriptions for definitions of alignment, code and CRC errors. Overruns have no effect upon this statistic.</p>		
Type	RW		

31	30	29	28	27	26	25	24	23	22	21	20	19	18	17	16	15	14	13	12	11	10	9	8	7	6	5	4	3	2	1	0
VALUE																															

Bits	Field Name	Description	Type	Reset
31:0	VALUE	Statistic value	RW	0x0000 0000

Table 24-1567. Register Call Summary for Register RX_FRAGMENTS

Gigabit Ethernet Switch (GMAC_SW)

- [STATS Register Summary: \[0\]](#)

Table 24-1568. RX_OCTETS

Address Offset	0x0000 0030		
Physical Address	0x4848 4930	Instance	STATS
Description	<p>The total number of bytes in all good frames received on the port. A good frame is defined to be:</p> <ul style="list-style-type: none"> - Any data or MAC control frame which matched a unicast, broadcast or multicast address, or matched due to promiscuous mode - Of length 64 to SL_RX_MAXLEN[13:0] RX_MAXLEN bytes inclusive - Had no CRC error, alignment error or code error <p>See the RX_ALIGN_CODE_ERRORS and RX_CRC_ERRORS statistic descriptions for definitions of alignment, code and CRC errors. Overruns have no effect upon this statistic.</p>		
Type	RW		

31	30	29	28	27	26	25	24	23	22	21	20	19	18	17	16	15	14	13	12	11	10	9	8	7	6	5	4	3	2	1	0
VALUE																															

Bits	Field Name	Description	Type	Reset
31:0	VALUE	Statistic value	RW	0x0000 0000

Table 24-1569. Register Call Summary for Register RX_OCTETS

Gigabit Ethernet Switch (GMAC_SW)

- [STATS Register Summary: \[0\]](#)

Table 24-1570. GOOD_TX_FRAMES

Address Offset	0x0000 0034
Physical Address	0x4848 4934 Instance STATS
Description	The total number of good frames received on the port. A good frame is defined to be: - Any data or MAC control frame which matched a unicast, broadcast or multicast address, or matched due to promiscuous mode - Any length - Had no late or excessive collisions, no carrier loss and no underrun
Type	RW

31 30 29 28 27 26 25 24	23 22 21 20 19 18 17 16	15 14 13 12 11 10 9 8	7 6 5 4 3 2 1 0
VALUE			

Bits	Field Name	Description	Type	Reset
31:0	VALUE	Statistic value	RW	0x0000 0000

Table 24-1571. Register Call Summary for Register GOOD_TX_FRAMES

Gigabit Ethernet Switch (GMAC_SW)

- [STATS Register Summary: \[0\]](#)

Table 24-1572. BROADCAST_TX_FRAMES

Address Offset	0x0000 0038
Physical Address	0x4848 4938 Instance STATS
Description	The total number of good broadcast frames received on the port. A good broadcast frame is defined to be: - Any data or MAC control frame which was destined for only address 0xFFFFFFFF - Any length - Had no late or excessive collisions, no carrier loss and no underrun
Type	RW

31 30 29 28 27 26 25 24	23 22 21 20 19 18 17 16	15 14 13 12 11 10 9 8	7 6 5 4 3 2 1 0
VALUE			

Bits	Field Name	Description	Type	Reset
31:0	VALUE	Statistic value	RW	0x0000 0000

Table 24-1573. Register Call Summary for Register BROADCAST_TX_FRAMES

Gigabit Ethernet Switch (GMAC_SW)

- [STATS Register Summary: \[0\]](#)

Table 24-1574. MULTICAST_TX_FRAMES

Address Offset	0x0000 003C
Physical Address	0x4848 493C
Description	The total number of good multicast frames received on the port. A good multicast frame is defined to be: <ul style="list-style-type: none"> - Any data or MAC control frame which was destined for any multicast address other than 0xFFFFFFFF - Any length - Had no late or excessive collisions, no carrier loss and no underrun
Type	RW

31	30	29	28	27	26	25	24	23	22	21	20	19	18	17	16	15	14	13	12	11	10	9	8	7	6	5	4	3	2	1	0
VALUE																															

Bits	Field Name	Description	Type	Reset
31:0	VALUE	Statistic value	RW	0x0000 0000

Table 24-1575. Register Call Summary for Register MULTICAST_TX_FRAMES

Gigabit Ethernet Switch (GMAC_SW)

- [STATS Register Summary: \[0\]](#)
- [STATS Register Description: \[1\]](#)

Table 24-1576. PAUSE_TX_FRAMES

Address Offset	0x0000 0040
Physical Address	0x4848 4940
Description	This statistic indicates the number of IEEE 802.3X pause frames transmitted by the port. Pause frames cannot underrun or contain a CRC error because they are created in the transmitting MAC, so these error conditions have no effect upon the statistic. Pause frames sent by software will not be included in this count. Since pause frames are only transmitted in full duplex carrier loss and collisions have no effect upon this statistic. Transmitted pause frames are always 64 byte multicast frames so will appear in the MULTICAST_TX_FRAMES and RX_TX_64_OCTET_FRAMES statistics.
Type	RW

31	30	29	28	27	26	25	24	23	22	21	20	19	18	17	16	15	14	13	12	11	10	9	8	7	6	5	4	3	2	1	0
VALUE																															

Bits	Field Name	Description	Type	Reset
31:0	VALUE	Statistic value	RW	0x0000 0000

Table 24-1577. Register Call Summary for Register PAUSE_TX_FRAMES

Gigabit Ethernet Switch (GMAC_SW)

- [STATS Register Summary: \[0\]](#)

Table 24-1578. DEFERRED_TX_FRAMES

Address Offset	0x0000 0044	Instance	STATS
Physical Address	0x4848 4944		
Description	The total number of frames transmitted on the port that first experienced deferment. Such a frame: <ul style="list-style-type: none"> - Was any data or MAC control frame destined for any unicast, broadcast or multicast address - Was any size - Had no carrier loss and no underrun - Experienced no collisions before being successfully transmitted - Found the medium busy when transmission was first attempted, so had to wait. CRC errors have no effect upon this statistic. 		
Type	RW		

31	30	29	28	27	26	25	24	23	22	21	20	19	18	17	16	15	14	13	12	11	10	9	8	7	6	5	4	3	2	1	0
VALUE																															

Bits	Field Name	Description	Type	Reset
31:0	VALUE	Statistic value	RW	0x0000 0000

Table 24-1579. Register Call Summary for Register DEFERRED_TX_FRAMES

Gigabit Ethernet Switch (GMAC_SW)

- [STATS Register Summary: \[0\]](#)

Table 24-1580. COLLISIONS

Address Offset	0x0000 0048	Instance	STATS
Physical Address	0x4848 4948		
Description	This statistic records the total number of times that the port experienced a collision. Collisions occur under two circumstances. <ol style="list-style-type: none"> 1. When a transmit data or MAC control frame: <ul style="list-style-type: none"> - Was destined for any unicast, broadcast or multicast address - Was any size - Had no carrier loss and no underrun 2. When the port is in half-duplex mode, flow control is active, and a frame reception begins. A jam sequence is sent for every non-late collision, so this statistic will increment on each occasion if a frame experiences multiple collisions (and increments on late collisions) CRC errors have no effect upon this statistic.		
Type	RW		

31	30	29	28	27	26	25	24	23	22	21	20	19	18	17	16	15	14	13	12	11	10	9	8	7	6	5	4	3	2	1	0
VALUE																															

Bits	Field Name	Description	Type	Reset
31:0	VALUE	Statistic value	RW	0x0000 0000

Table 24-1581. Register Call Summary for Register COLLISIONS

Gigabit Ethernet Switch (GMAC_SW)

- [STATS Register Summary: \[0\]](#)

Table 24-1582. SINGLE_COLLISION_TX_FRAMES

Address Offset	0x0000 004C		
Physical Address	0x4848 494C	Instance	STATS
Description	<p>The total number of frames transmitted on the port that experienced exactly one collision. Such a frame:</p> <ul style="list-style-type: none"> - Was any data or MAC control frame destined for any unicast, broadcast or multicast address - Was any size - Had no carrier loss and no underrun - Experienced one collision before successful transmission. The collision was not late. CRC errors have no effect upon this statistic. 		
Type	RW		

31	30	29	28	27	26	25	24	23	22	21	20	19	18	17	16	15	14	13	12	11	10	9	8	7	6	5	4	3	2	1	0
VALUE																															

Bits	Field Name	Description	Type	Reset
31:0	VALUE	Statistic value	RW	0x0000 0000

Table 24-1583. Register Call Summary for Register SINGLE_COLLISION_TX_FRAMES

Gigabit Ethernet Switch (GMAC_SW)

- [STATS Register Summary: \[0\]](#)

Table 24-1584. MULTIPLE_COLLISION_TX_FRAMES

Address Offset	0x0000 0050		
Physical Address	0x4848 4950	Instance	STATS
Description	<p>The total number of frames transmitted on the port that experienced multiple collisions. Such a frame:</p> <ul style="list-style-type: none"> - Was any data or MAC control frame destined for any unicast, broadcast or multicast address - Was any size - Had no carrier loss and no underrun - Experienced 2 to 15 collisions before being successfully transmitted. None of the collisions were late. CRC errors have no effect upon this statistic. 		
Type	RW		

31	30	29	28	27	26	25	24	23	22	21	20	19	18	17	16	15	14	13	12	11	10	9	8	7	6	5	4	3	2	1	0
VALUE																															

Bits	Field Name	Description	Type	Reset
31:0	VALUE	Statistic value	RW	0x0000 0000

Table 24-1585. Register Call Summary for Register MULTIPLE_COLLISION_TX_FRAMES

Gigabit Ethernet Switch (GMAC_SW)

- [STATS Register Summary: \[0\]](#)

Table 24-1586. EXCESSIVE_COLLISIONS

Address Offset	0x0000 0054	Instance	STATS
Physical Address	0x4848 4954		
Description	The total number of frames for which transmission was abandoned due to excessive collisions. Such a frame: <ul style="list-style-type: none"> - Was any data or MAC control frame destined for any unicast, broadcast or multicast address - Was any size - Had no carrier loss and no underrun - Experienced 16 collisions before abandoning all attempts at transmitting the frame. None of the collisions were late. CRC errors have no effect upon this statistic.		
Type	RW		

31	30	29	28	27	26	25	24	23	22	21	20	19	18	17	16	15	14	13	12	11	10	9	8	7	6	5	4	3	2	1	0
VALUE																															

Bits	Field Name	Description	Type	Reset
31:0	VALUE	Statistic value	RW	0x0000 0000

Table 24-1587. Register Call Summary for Register EXCESSIVE_COLLISIONS

Gigabit Ethernet Switch (GMAC_SW)

- [STATS Register Summary: \[0\]](#)

Table 24-1588. LATE_COLLISIONS

Address Offset	0x0000 0058	Instance	STATS
Physical Address	0x4848 4958		
Description	The total number of frames on the port for which transmission was abandoned because they experienced a late collision. Such a frame: <ul style="list-style-type: none"> - Was any data or MAC control frame destined for any unicast, broadcast or multicast address - Was any size - Experienced a collision later than 512 bit-times into the transmission. There may have been up to 15 previous (non-late) collisions which had previously required the transmission to be re-attempted. The Late Collisions statistic dominates over the single, multiple and excessive Collisions statistics - if a late collision occurs the frame will not be counted in any of these other three statistics. CRC errors have no effect upon this statistic.		
Type	RW		

31	30	29	28	27	26	25	24	23	22	21	20	19	18	17	16	15	14	13	12	11	10	9	8	7	6	5	4	3	2	1	0
VALUE																															

Bits	Field Name	Description	Type	Reset
31:0	VALUE	Statistic value	RW	0x0000 0000

Table 24-1589. Register Call Summary for Register LATE_COLLISIONS

Gigabit Ethernet Switch (GMAC_SW)

- [STATS Register Summary: \[0\]](#)

Table 24-1590. TX_UNDERRUN

Address Offset	0x0000 005C
Physical Address	0x4848 495C
Description	There should be no transmitted frames that experience underrun.
Type	RW

31	30	29	28	27	26	25	24	23	22	21	20	19	18	17	16	15	14	13	12	11	10	9	8	7	6	5	4	3	2	1	0
VALUE																															

Bits	Field Name	Description	Type	Reset
31:0	VALUE	Statistic value	RW	0x0000 0000

Table 24-1591. Register Call Summary for Register TX_UNDERRUN

Gigabit Ethernet Switch (GMAC_SW)

- [STATS Register Summary: \[0\]](#)

Table 24-1592. CARRIER_SENSE_ERRORS

Address Offset	0x0000 0060
Physical Address	0x4848 4960
Description	The total number of frames received on the port that had a CPDMA middle of frame (MOF) overrun. MOF overrun frame is defined to be: - Was any data or MAC control frame destined for any unicast, broadcast or multicast address - Was any size - The carrier sense condition was lost or never asserted when transmitting the frame (the frame is not retransmitted). This is a transmit only statistic. Carrier Sense is a don't care for received frames. Transmit frames with carrier sense errors are sent until completion and are not aborted. CRC errors have no effect upon this statistic.
Type	RW

31	30	29	28	27	26	25	24	23	22	21	20	19	18	17	16	15	14	13	12	11	10	9	8	7	6	5	4	3	2	1	0
VALUE																															

Bits	Field Name	Description	Type	Reset
31:0	VALUE	Statistic value	RW	0x0000 0000

Table 24-1593. Register Call Summary for Register CARRIER_SENSE_ERRORS

Gigabit Ethernet Switch (GMAC_SW)

- [STATS Register Summary: \[0\]](#)

Table 24-1594. TX_OCTETS

Address Offset	0x0000 0064	Instance	STATS
Physical Address	0x4848 4964		
Description	The total number of bytes in all good frames transmitted on the port. A good frame is defined to be: - Any data or MAC control frame which was destined for any unicast, broadcast or multicast address - Was any size - Had no late or excessive collisions, no carrier loss and no underrun.		
Type	RW		

31	30	29	28	27	26	25	24	23	22	21	20	19	18	17	16	15	14	13	12	11	10	9	8	7	6	5	4	3	2	1	0
VALUE																															

Bits	Field Name	Description	Type	Reset
31:0	VALUE	Statistic value	RW	0x0000 0000

Table 24-1595. Register Call Summary for Register TX_OCTETS

Gigabit Ethernet Switch (GMAC_SW)

- [STATS Register Summary: \[0\]](#)

Table 24-1596. RX_TX_64_OCTET_FRAMES

Address Offset	0x0000 0068	Instance	STATS
Physical Address	0x4848 4968		
Description	The total number of 64-byte frames received and transmitted on the port. Such a frame is defined to be: - Any data or MAC control frame which was destined for any unicast, broadcast or multicast address - Did not experience late collisions, excessive collisions, or carrier sense error - Was exactly 64 bytes long. (If the frame was being transmitted and experienced carrier loss that resulted in a frame of this size being transmitted, then the frame will be recorded in this statistic). CRC errors, code/align errors and overruns do not affect the recording of frames in this statistic.		
Type	RW		

31	30	29	28	27	26	25	24	23	22	21	20	19	18	17	16	15	14	13	12	11	10	9	8	7	6	5	4	3	2	1	0
VALUE																															

Bits	Field Name	Description	Type	Reset
31:0	VALUE	Statistic value	RW	0x0000 0000

Table 24-1597. Register Call Summary for Register RX_TX_64_OCTET_FRAMES

Gigabit Ethernet Switch (GMAC_SW)

- [STATS Register Summary: \[0\]](#)
- [STATS Register Description: \[1\]](#)

Table 24-1598. RX_TX_65_127_OCTET_FRAMES

Address Offset	0x0000 006C	Instance	STATS
Physical Address	0x4848 496C		
Description	<p>The total number of frames of size 65 to 127 bytes received and transmitted on the port. Such a frame is defined to be:</p> <ul style="list-style-type: none"> - Any data or MAC control frame which was destined for any unicast, broadcast or multicast address - Did not experience late collisions, excessive collisions, or carrier sense error - Was 65 to 127 bytes long <p>CRC errors, code/align errors, underruns and overruns do not affect the recording of frames in this statistic.</p>		
Type	RW		

31	30	29	28	27	26	25	24	23	22	21	20	19	18	17	16	15	14	13	12	11	10	9	8	7	6	5	4	3	2	1	0
VALUE																															

Bits	Field Name	Description	Type	Reset
31:0	VALUE	Statistic value	RW	0x0000 0000

Table 24-1599. Register Call Summary for Register RX_TX_65_127_OCTET_FRAMES

Gigabit Ethernet Switch (GMAC_SW)

- [STATS Register Summary: \[0\]](#)

Table 24-1600. RX_TX_128_255_OCTET_FRAMES

Address Offset	0x0000 0070	Instance	STATS
Physical Address	0x4848 4970		
Description	<p>The total number of frames of size 128 to 255 bytes received and transmitted on the port. Such a frame is defined to be:</p> <ul style="list-style-type: none"> - Any data or MAC control frame which was destined for any unicast, broadcast or multicast address - Did not experience late collisions, excessive collisions, or carrier sense error - Was 128 to 255 bytes long <p>CRC errors, code/align errors, underruns and overruns do not affect the recording of frames in this statistic.</p>		
Type	RW		

31	30	29	28	27	26	25	24	23	22	21	20	19	18	17	16	15	14	13	12	11	10	9	8	7	6	5	4	3	2	1	0
VALUE																															

Bits	Field Name	Description	Type	Reset
31:0	VALUE	Statistic value	RW	0x0000 0000

Table 24-1601. Register Call Summary for Register RX_TX_128_255_OCTET_FRAMES

Gigabit Ethernet Switch (GMAC_SW)

- [STATS Register Summary: \[0\]](#)

Table 24-1602. RX_TX_256_511_OCTET_FRAMES

Address Offset	0x0000 0074		
Physical Address	0x4848 4974	Instance	STATS
Description	The total number of frames of size 256 to 511 bytes received and transmitted on the port. Such a frame is defined to be: <ul style="list-style-type: none"> - Any data or MAC control frame which was destined for any unicast, broadcast or multicast address - Did not experience late collisions, excessive collisions, or carrier sense error - Was 256 to 511 bytes long CRC errors, code/align errors, underruns and overruns do not affect the recording of frames in this statistic.		
Type	RW		

31	30	29	28	27	26	25	24	23	22	21	20	19	18	17	16	15	14	13	12	11	10	9	8	7	6	5	4	3	2	1	0
VALUE																															

Bits	Field Name	Description	Type	Reset
31:0	VALUE	Statistic value	RW	0x0000 0000

Table 24-1603. Register Call Summary for Register RX_TX_256_511_OCTET_FRAMES

Gigabit Ethernet Switch (GMAC_SW)

- [STATS Register Summary: \[0\]](#)

Table 24-1604. RX_TX_512_1023_OCTET_FRAMES

Address Offset	0x0000 0078		
Physical Address	0x4848 4978	Instance	STATS
Description	The total number of frames of size 512 to 1023 bytes received and transmitted on the port. Such a frame is defined to be: <ul style="list-style-type: none"> - Any data or MAC control frame which was destined for any unicast, broadcast or multicast address - Did not experience late collisions, excessive collisions, or carrier sense error - Was 512 to 1023 bytes long CRC errors, code/align errors, underruns and overruns do not affect the recording of frames in this statistic.		
Type	RW		

31	30	29	28	27	26	25	24	23	22	21	20	19	18	17	16	15	14	13	12	11	10	9	8	7	6	5	4	3	2	1	0
VALUE																															

Bits	Field Name	Description	Type	Reset
31:0	VALUE	Statistic value	RW	0x0000 0000

Table 24-1605. Register Call Summary for Register RX_TX_512_1023_OCTET_FRAMES

Gigabit Ethernet Switch (GMAC_SW)

- [STATS Register Summary: \[0\]](#)

Table 24-1606. RX_TX_1024_UP_OCTET_FRAMES

Address Offset	0x0000 007C		
Physical Address	0x4848 497C	Instance	STATS
Description	<p>The total number of frames of size 1024 to SL_RX_MAXLEN[13:0] RX_MAXLEN bytes for receive or 1024 up for transmit on the port. Such a frame is defined to be:</p> <ul style="list-style-type: none"> - Any data or MAC control frame which was destined for any unicast, broadcast or multicast address - Did not experience late collisions, excessive collisions, or carrier sense error - Was 1024 to SL_RX_MAXLEN[13:0] RX_MAXLEN bytes long on receive, or any size on transmit <p>CRC errors, code/align errors, underruns and overruns do not affect the recording of frames in this statistic.</p>		
Type	RW		

31	30	29	28	27	26	25	24	23	22	21	20	19	18	17	16	15	14	13	12	11	10	9	8	7	6	5	4	3	2	1	0
VALUE																															

Bits	Field Name	Description	Type	Reset
31:0	VALUE	Statistic value	RW	0x0000 0000

Table 24-1607. Register Call Summary for Register RX_TX_1024_UP_OCTET_FRAMES

Gigabit Ethernet Switch (GMAC_SW)

- [STATS Register Summary: \[0\]](#)

Table 24-1608. NET_OCTETS

Address Offset	0x0000 0080		
Physical Address	0x4848 4980	Instance	STATS
Description	<p>The total number of bytes of frame data received and transmitted on the port. Each frame counted:</p> <ul style="list-style-type: none"> - was any data or MAC control frame destined for any unicast, broadcast or multicast address (address match does not matter) - Any length (including less than 64 bytes and greater than SL_RX_MAXLEN[13:0] RX_MAXLEN bytes) <p>Also counted in this statistic is:</p> <ul style="list-style-type: none"> - Every byte transmitted before a carrier- loss was experienced - Every byte transmitted before each collision was experienced, (i.e. multiple retries are counted each time) - Every byte received if the port is in half-duplex mode until a jam sequence was transmitted to initiate flow control. (The jam sequence was not counted to prevent double-counting) <p>Error conditions such as alignment errors, CRC errors, code errors, overruns and underruns do not affect the recording of bytes by this statistic. The objective of this statistic is to give a reasonable indication of ethernet utilization</p>		
Type	RW		

31	30	29	28	27	26	25	24	23	22	21	20	19	18	17	16	15	14	13	12	11	10	9	8	7	6	5	4	3	2	1	0
VALUE																															

Bits	Field Name	Description	Type	Reset
31:0	VALUE	Statistic value	RW	0x0000 0000

Table 24-1609. Register Call Summary for Register NET_OCTETS

Gigabit Ethernet Switch (GMAC_SW)

- [STATS Register Summary: \[0\]](#)

Table 24-1610. RX_START_OF_FRAME_OVERRUNS

Address Offset	0x0000 0084	Instance	STATS
Physical Address	0x4848 4984		
Description	<p>The total number of frames received on the port that had a CPDMA start of frame (SOF) overrun or were dropped by due to FIFO resource limitations, or were dropped by the SPF. SOF overrun frame is defined to be:</p> <ul style="list-style-type: none"> - Any data or MAC control frame which matched a unicast, broadcast or multicast address, or matched due to promiscuous mode - Any length (including less than 64 bytes and greater than SL_RX_MAXLEN[13:0] RX_MAXLEN bytes) - The CPDMA had a start of frame overrun or the packet was dropped due to FIFO resource limitations 		
Type	RW		

31	30	29	28	27	26	25	24	23	22	21	20	19	18	17	16	15	14	13	12	11	10	9	8	7	6	5	4	3	2	1	0
VALUE																															

Bits	Field Name	Description	Type	Reset
31:0	VALUE	Statistic value	RW	0x0000 0000

Table 24-1611. Register Call Summary for Register RX_START_OF_FRAME_OVERRUNS

Gigabit Ethernet Switch (GMAC_SW)

- [STATS Register Summary: \[0\]](#)

Table 24-1612. RX_MIDDLE_OF_FRAME_OVERRUNS

Address Offset	0x0000 0088	Instance	STATS
Physical Address	0x4848 4988		
Description	<p>The total number of frames received on the port that had a CPDMA middle of frame (MOF) overrun. MOF overrun frame is defined to be:</p> <ul style="list-style-type: none"> - Any data or MAC control frame which matched a unicast, broadcast or multicast address, or matched due to promiscuous mode - Any length (including less than 64 bytes and greater than SL_RX_MAXLEN[13:0] RX_MAXLEN bytes) - The CPDMA had a middle of frame overrun 		
Type	RW		

31	30	29	28	27	26	25	24	23	22	21	20	19	18	17	16	15	14	13	12	11	10	9	8	7	6	5	4	3	2	1	0
VALUE																															

Bits	Field Name	Description	Type	Reset
31:0	VALUE	Statistic value	RW	0x0000 0000

Table 24-1613. Register Call Summary for Register RX_MIDDLE_OF_FRAME_OVERRUNS

Gigabit Ethernet Switch (GMAC_SW)

- [STATS Register Summary: \[0\]](#)

Table 24-1614. RX_DMA_OVERRUNS

Address Offset	0x0000 008C
Physical Address	0x4848 498C
Description	<p>The total number of frames received on the port that had either a DMA start of frame (SOF) overrun or a DMA MOF overrun. An Rx DMA overrun frame is defined to be:</p> <ul style="list-style-type: none"> - Any data or MAC control frame which matched a unicast, broadcast or multicast address, or matched due to promiscuous mode - Any length (including less than 64 bytes and greater than SL_RX_MAXLEN[13:0] RX_MAXLEN bytes) - The CPGMAC_SL was unable to receive it because it did not have the DMA buffer resources to receive it (zero head descriptor pointer at the start or during the middle of the frame reception) <p>CRC errors, alignment errors and code errors have no effect upon this statistic.</p>
Type	RW

31	30	29	28	27	26	25	24	23	22	21	20	19	18	17	16	15	14	13	12	11	10	9	8	7	6	5	4	3	2	1	0
VALUE																															

Bits	Field Name	Description	Type	Reset
31:0	VALUE	Statistic value	RW	0x0000 0000

Table 24-1615. Register Call Summary for Register RX_DMA_OVERRUNS

Gigabit Ethernet Switch (GMAC_SW)

- [STATS Register Summary: \[0\]](#)

24.11.6.6 STATERAM Registers

24.11.6.6.1 STATERAM Register Summary

Table 24-1616. STATERAM Registers Mapping Summary

Register Name	Type	Register Width (Bits)	Address Offset	STATERAM Physical Address
TX0_HDP	RW	32	0x0000 0000	0x4848 4A00
TX1_HDP	RW	32	0x0000 0004	0x4848 4A04
TX2_HDP	RW	32	0x0000 0008	0x4848 4A08
TX3_HDP	RW	32	0x0000 000C	0x4848 4A0C
TX4_HDP	RW	32	0x0000 0010	0x4848 4A10
TX5_HDP	RW	32	0x0000 0014	0x4848 4A14
TX6_HDP	RW	32	0x0000 0018	0x4848 4A18
TX7_HDP	RW	32	0x0000 001C	0x4848 4A1C
RX0_HDP	RW	32	0x0000 0020	0x4848 4A20
RX1_HDP	RW	32	0x0000 0024	0x4848 4A24
RX2_HDP	RW	32	0x0000 0028	0x4848 4A28
RX3_HDP	RW	32	0x0000 002C	0x4848 4A2C
RX4_HDP	RW	32	0x0000 0030	0x4848 4A30
RX5_HDP	RW	32	0x0000 0034	0x4848 4A34
RX6_HDP	RW	32	0x0000 0038	0x4848 4A38
RX7_HDP	RW	32	0x0000 003C	0x4848 4A3C
TX0_CP	RW	32	0x0000 0040	0x4848 4A40
TX1_CP	RW	32	0x0000 0044	0x4848 4A44
TX2_CP	RW	32	0x0000 0048	0x4848 4A48
TX3_CP	RW	32	0x0000 004C	0x4848 4A4C
TX4_CP	RW	32	0x0000 0050	0x4848 4A50

Table 24-1616. STATERAM Registers Mapping Summary (continued)

Register Name	Type	Register Width (Bits)	Address Offset	STATERAM Physical Address
TX5_CP	RW	32	0x0000 0054	0x4848 4A54
TX6_CP	RW	32	0x0000 0058	0x4848 4A58
TX7_CP	RW	32	0x0000 005C	0x4848 4A5C
RX0_CP	RW	32	0x0000 0060	0x4848 4A60
RX1_CP	RW	32	0x0000 0064	0x4848 4A64
RX2_CP	RW	32	0x0000 0068	0x4848 4A68
RX3_CP	RW	32	0x0000 006C	0x4848 4A6C
RX4_CP	RW	32	0x0000 0070	0x4848 4A70
RX5_CP	RW	32	0x0000 0074	0x4848 4A74
RX6_CP	RW	32	0x0000 0078	0x4848 4A78
RX7_CP	RW	32	0x0000 007C	0x4848 4A7C

24.11.6.6.2 STATERAM Register Description

Table 24-1617. TX0_HDP

Address Offset	0x0000 0000	Instance	STATERAM
Physical Address	0x4848 4A00		
Description	CPDMA_STATERAM TX channel 0 head descriptor pointer		
Type	RW		

31	30	29	28	27	26	25	24	23	22	21	20	19	18	17	16	15	14	13	12	11	10	9	8	7	6	5	4	3	2	1	0
TX_HDP																															

Bits	Field Name	Description	Type	Reset
31:0	TX_HDP	TX Channel (0..7) DMA Head Descriptor Pointer - Writing a TX DMA Buffer Descriptor address to a head pointer location initiates TX DMA operations in the queue for the selected channel. Writing to these locations when they are non-zero is an error (except at reset). Host software must initialize these locations to zero on reset.	RW	0x0

Table 24-1618. Register Call Summary for Register TX0_HDP

- Gigabit Ethernet Switch (GMAC_SW)
- [STATERAM Register Summary: \[0\]](#)

Table 24-1619. TX1_HDP

Address Offset	0x0000 0004	Instance	STATERAM
Physical Address	0x4848 4A04		
Description	CPDMA_STATERAM TX channel 1 head descriptor pointer		
Type	RW		

31	30	29	28	27	26	25	24	23	22	21	20	19	18	17	16	15	14	13	12	11	10	9	8	7	6	5	4	3	2	1	0
TX_HDP																															

Bits	Field Name	Description	Type	Reset
31:0	TX_HDP	TX Channel (0..7) DMA Head Descriptor Pointer - Writing a TX DMA Buffer Descriptor address to a head pointer location initiates TX DMA operations in the queue for the selected channel. Writing to these locations when they are non-zero is an error (except at reset). Host software must initialize these locations to zero on reset.	RW	0x0

Table 24-1620. Register Call Summary for Register TX1_HDP

Gigabit Ethernet Switch (GMAC_SW)

- [STATERAM Register Summary: \[0\]](#)

Table 24-1621. TX2_HDP

Address Offset	0x0000 0008	Instance	STATERAM
Physical Address	0x4848 4A08		
Description	CPDMA_STATERAM TX channel 2 head descriptor pointer		
Type	RW		

31	30	29	28	27	26	25	24	23	22	21	20	19	18	17	16	15	14	13	12	11	10	9	8	7	6	5	4	3	2	1	0
TX_HDP																															

Bits	Field Name	Description	Type	Reset
31:0	TX_HDP	TX Channel (0..7) DMA Head Descriptor Pointer - Writing a TX DMA Buffer Descriptor address to a head pointer location initiates TX DMA operations in the queue for the selected channel. Writing to these locations when they are non-zero is an error (except at reset). Host software must initialize these locations to zero on reset.	RW	0x0

Table 24-1622. Register Call Summary for Register TX2_HDP

Gigabit Ethernet Switch (GMAC_SW)

- [STATERAM Register Summary: \[0\]](#)

Table 24-1623. TX3_HDP

Address Offset	0x0000 000C	Instance	STATERAM
Physical Address	0x4848 4A0C		
Description	CPDMA_STATERAM TX channel 3 head descriptor pointer		
Type	RW		

31	30	29	28	27	26	25	24	23	22	21	20	19	18	17	16	15	14	13	12	11	10	9	8	7	6	5	4	3	2	1	0
TX_HDP																															

Bits	Field Name	Description	Type	Reset
31:0	TX_HDP	TX Channel (0..7) DMA Head Descriptor Pointer - Writing a TX DMA Buffer Descriptor address to a head pointer location initiates TX DMA operations in the queue for the selected channel. Writing to these locations when they are non-zero is an error (except at reset). Host software must initialize these locations to zero on reset.	RW	0x0

Table 24-1624. Register Call Summary for Register TX3_HDP

Gigabit Ethernet Switch (GMAC_SW)

- [STATERAM Register Summary: \[0\]](#)

Table 24-1625. TX4_HDP

Address Offset	0x0000 0010	Instance	STATERAM
Physical Address	0x4848 4A10		
Description	CPDMA_STATERAM TX channel 4 head descriptor pointer		
Type	RW		

31	30	29	28	27	26	25	24	23	22	21	20	19	18	17	16	15	14	13	12	11	10	9	8	7	6	5	4	3	2	1	0
TX_HDP																															

Bits	Field Name	Description	Type	Reset
31:0	TX_HDP	TX Channel (0..7) DMA Head Descriptor Pointer - Writing a TX DMA Buffer Descriptor address to a head pointer location initiates TX DMA operations in the queue for the selected channel. Writing to these locations when they are non-zero is an error (except at reset). Host software must initialize these locations to zero on reset.	RW	0x0

Table 24-1626. Register Call Summary for Register TX4_HDP

Gigabit Ethernet Switch (GMAC_SW)

- [STATERAM Register Summary: \[0\]](#)

Table 24-1627. TX5_HDP

Address Offset	0x0000 0014	Instance	STATERAM
Physical Address	0x4848 4A14		
Description	CPDMA_STATERAM TX channel 5 head descriptor pointer		
Type	RW		

31	30	29	28	27	26	25	24	23	22	21	20	19	18	17	16	15	14	13	12	11	10	9	8	7	6	5	4	3	2	1	0
TX_HDP																															

Bits	Field Name	Description	Type	Reset
31:0	TX_HDP	TX Channel (0..7) DMA Head Descriptor Pointer - Writing a TX DMA Buffer Descriptor address to a head pointer location initiates TX DMA operations in the queue for the selected channel. Writing to these locations when they are non-zero is an error (except at reset). Host software must initialize these locations to zero on reset.	RW	0x0

Table 24-1628. Register Call Summary for Register TX5_HDP

Gigabit Ethernet Switch (GMAC_SW)

- [STATERAM Register Summary: \[0\]](#)

Table 24-1629. TX6_HDP

Address Offset	0x0000 0018	Instance	STATERAM
Physical Address	0x4848 4A18		
Description	CPDMA_STATERAM TX channel 6 head descriptor pointer		
Type	RW		

31	30	29	28	27	26	25	24	23	22	21	20	19	18	17	16	15	14	13	12	11	10	9	8	7	6	5	4	3	2	1	0
TX_HDP																															

Bits	Field Name	Description	Type	Reset
31:0	TX_HDP	TX Channel (0..7) DMA Head Descriptor Pointer - Writing a TX DMA Buffer Descriptor address to a head pointer location initiates TX DMA operations in the queue for the selected channel. Writing to these locations when they are non-zero is an error (except at reset). Host software must initialize these locations to zero on reset.	RW	0x0

Table 24-1630. Register Call Summary for Register TX6_HDP

Gigabit Ethernet Switch (GMAC_SW)

- [STATERAM Register Summary: \[0\]](#)

Table 24-1631. TX7_HDP

Address Offset	0x0000 001C	Instance	STATERAM
Physical Address	0x4848 4A1C		
Description	CPDMA_STATERAM TX channel 7 head descriptor pointer		
Type	RW		

31	30	29	28	27	26	25	24	23	22	21	20	19	18	17	16	15	14	13	12	11	10	9	8	7	6	5	4	3	2	1	0
TX_HDP																															

Bits	Field Name	Description	Type	Reset
31:0	TX_HDP	TX Channel (0..7) DMA Head Descriptor Pointer - Writing a TX DMA Buffer Descriptor address to a head pointer location initiates TX DMA operations in the queue for the selected channel. Writing to these locations when they are non-zero is an error (except at reset). Host software must initialize these locations to zero on reset.	RW	0x0

Table 24-1632. Register Call Summary for Register TX7_HDP

Gigabit Ethernet Switch (GMAC_SW)

- [STATERAM Register Summary: \[0\]](#)

Table 24-1633. RX0_HDP

Address Offset	0x0000 0020	Instance	STATERAM
Physical Address	0x4848 4A20		
Description	CPDMA_STATERAM RX 0 channel 0 head descriptor pointer		
Type	RW		

31	30	29	28	27	26	25	24	23	22	21	20	19	18	17	16	15	14	13	12	11	10	9	8	7	6	5	4	3	2	1	0
RX_HDP																															

Bits	Field Name	Description	Type	Reset
31:0	RX_HDP	RX DMA Head Descriptor Pointer - Writing an RX DMA Buffer Descriptor address to this location allows RX DMA operations in the selected channel when a channel frame is received. Writing to these locations when they are non-zero is an error (except at reset). Host software must initialize these locations to zero on reset.	RW	0x0

Table 24-1634. Register Call Summary for Register RX0_HDP

- Gigabit Ethernet Switch (GMAC_SW)
- [STATERAM Register Summary: \[0\]](#)

Table 24-1635. RX1_HDP

Address Offset	0x0000 0024	Instance	STATERAM
Physical Address	0x4848 4A24		
Description	CPDMA_STATERAM RX 1 channel 1 head descriptor pointer		
Type	RW		

31	30	29	28	27	26	25	24	23	22	21	20	19	18	17	16	15	14	13	12	11	10	9	8	7	6	5	4	3	2	1	0
RX_HDP																															

Bits	Field Name	Description	Type	Reset
31:0	RX_HDP	RX DMA Head Descriptor Pointer - Writing an RX DMA Buffer Descriptor address to this location allows RX DMA operations in the selected channel when a channel frame is received. Writing to these locations when they are non-zero is an error (except at reset). Host software must initialize these locations to zero on reset.	RW	0x0

Table 24-1636. Register Call Summary for Register RX1_HDP

- Gigabit Ethernet Switch (GMAC_SW)
- [STATERAM Register Summary: \[0\]](#)

Table 24-1637. RX2_HDP

Address Offset	0x0000 0028	Instance	STATERAM
Physical Address	0x4848 4A28		
Description	CPDMA_STATERAM RX 2 channel 2 head descriptor pointer		
Type	RW		

31	30	29	28	27	26	25	24	23	22	21	20	19	18	17	16	15	14	13	12	11	10	9	8	7	6	5	4	3	2	1	0
RX_HDP																															

Bits	Field Name	Description	Type	Reset
31:0	RX_HDP	RX DMA Head Descriptor Pointer - Writing an RX DMA Buffer Descriptor address to this location allows RX DMA operations in the selected channel when a channel frame is received. Writing to these locations when they are non-zero is an error (except at reset). Host software must initialize these locations to zero on reset.	RW	0x0

Table 24-1638. Register Call Summary for Register RX2_HDP

Gigabit Ethernet Switch (GMAC_SW)

- [STATERAM Register Summary: \[0\]](#)

Table 24-1639. RX3_HDP

Address Offset	0x0000 002C	Instance	STATERAM
Physical Address	0x4848 4A2C		
Description	CPDMA_STATERAM RX 3 channel 3 head descriptor pointer		
Type	RW		

31	30	29	28	27	26	25	24	23	22	21	20	19	18	17	16	15	14	13	12	11	10	9	8	7	6	5	4	3	2	1	0
RX_HDP																															

Bits	Field Name	Description	Type	Reset
31:0	RX_HDP	RX DMA Head Descriptor Pointer - Writing an RX DMA Buffer Descriptor address to this location allows RX DMA operations in the selected channel when a channel frame is received. Writing to these locations when they are non-zero is an error (except at reset). Host software must initialize these locations to zero on reset.	RW	0x0

Table 24-1640. Register Call Summary for Register RX3_HDP

Gigabit Ethernet Switch (GMAC_SW)

- [STATERAM Register Summary: \[0\]](#)

Table 24-1641. RX4_HDP

Address Offset	0x0000 0030	Instance	STATERAM
Physical Address	0x4848 4A30		
Description	CPDMA_STATERAM RX 4 channel 4 head descriptor pointer		
Type	RW		

31	30	29	28	27	26	25	24	23	22	21	20	19	18	17	16	15	14	13	12	11	10	9	8	7	6	5	4	3	2	1	0
RX_HDP																															

Bits	Field Name	Description	Type	Reset
31:0	RX_HDP	RX DMA Head Descriptor Pointer - Writing an RX DMA Buffer Descriptor address to this location allows RX DMA operations in the selected channel when a channel frame is received. Writing to these locations when they are non-zero is an error (except at reset). Host software must initialize these locations to zero on reset.	RW	0x0

Table 24-1642. Register Call Summary for Register RX4_HDP

- Gigabit Ethernet Switch (GMAC_SW)
- [STATERAM Register Summary: \[0\]](#)

Table 24-1643. RX5_HDP

Address Offset	0x0000 0034	Instance	STATERAM
Physical Address	0x4848 4A34		
Description	CPDMA_STATERAM RX 5 channel 5 head descriptor pointer		
Type	RW		

31	30	29	28	27	26	25	24	23	22	21	20	19	18	17	16	15	14	13	12	11	10	9	8	7	6	5	4	3	2	1	0
RX_HDP																															

Bits	Field Name	Description	Type	Reset
31:0	RX_HDP	RX DMA Head Descriptor Pointer - Writing an RX DMA Buffer Descriptor address to this location allows RX DMA operations in the selected channel when a channel frame is received. Writing to these locations when they are non-zero is an error (except at reset). Host software must initialize these locations to zero on reset.	RW	0x0

Table 24-1644. Register Call Summary for Register RX5_HDP

- Gigabit Ethernet Switch (GMAC_SW)
- [STATERAM Register Summary: \[0\]](#)

Table 24-1645. RX6_HDP

Address Offset	0x0000 0038	Instance	STATERAM
Physical Address	0x4848 4A38		
Description	CPDMA_STATERAM RX 6 channel 6 head desc pointer		
Type	RW		

31	30	29	28	27	26	25	24	23	22	21	20	19	18	17	16	15	14	13	12	11	10	9	8	7	6	5	4	3	2	1	0
RX_HDP																															

Bits	Field Name	Description	Type	Reset
31:0	RX_HDP	RX DMA Head Descriptor Pointer - Writing an RX DMA Buffer Descriptor address to this location allows RX DMA operations in the selected channel when a channel frame is received. Writing to these locations when they are non-zero is an error (except at reset). Host software must initialize these locations to zero on reset.	RW	0x0

Table 24-1646. Register Call Summary for Register RX6_HDP

Gigabit Ethernet Switch (GMAC_SW)

- [STATERAM Register Summary: \[0\]](#)

Table 24-1647. RX7_HDP

Address Offset	0x0000 003C	Instance	STATERAM
Physical Address	0x4848 4A3C		
Description	CPDMA_STATERAM RX 7 channel 7 head desc pointer		
Type	RW		

31	30	29	28	27	26	25	24	23	22	21	20	19	18	17	16	15	14	13	12	11	10	9	8	7	6	5	4	3	2	1	0
RX_HDP																															

Bits	Field Name	Description	Type	Reset
31:0	RX_HDP	RX DMA Head Descriptor Pointer - Writing an RX DMA Buffer Descriptor address to this location allows RX DMA operations in the selected channel when a channel frame is received. Writing to these locations when they are non-zero is an error (except at reset). Host software must initialize these locations to zero on reset.	RW	0x0

Table 24-1648. Register Call Summary for Register RX7_HDP

Gigabit Ethernet Switch (GMAC_SW)

- [STATERAM Register Summary: \[0\]](#)

Table 24-1649. TX0_CP

Address Offset	0x0000 0040	Instance	STATERAM
Physical Address	0x4848 4A40		
Description	CPDMA_STATERAM TX channel 0 completion pointer register		
Type	RW		

31	30	29	28	27	26	25	24	23	22	21	20	19	18	17	16	15	14	13	12	11	10	9	8	7	6	5	4	3	2	1	0
TX_CP																															

Bits	Field Name	Description	Type	Reset
31:0	TX_CP	Tx Completion Pointer Register - This register is written by the host with the buffer descriptor address for the last buffer processed by the host during interrupt processing. The port uses the value written to determine if the interrupt should be deasserted.	RW	0x0

Table 24-1650. Register Call Summary for Register TX0_CP

- Gigabit Ethernet Switch (GMAC_SW)
- [STATERAM Register Summary: \[0\]](#)

Table 24-1651. TX1_CP

Address Offset	0x0000 0044	Instance	STATERAM
Physical Address	0x4848 4A44		
Description	CPDMA_STATERAM TX channel 1 completion pointer register		
Type	RW		

31	30	29	28	27	26	25	24	23	22	21	20	19	18	17	16	15	14	13	12	11	10	9	8	7	6	5	4	3	2	1	0
TX_CP																															

Bits	Field Name	Description	Type	Reset
31:0	TX_CP	Tx Completion Pointer Register - This register is written by the host with the buffer descriptor address for the last buffer processed by the host during interrupt processing. The port uses the value written to determine if the interrupt should be deasserted.	RW	0x0

Table 24-1652. Register Call Summary for Register TX1_CP

- Gigabit Ethernet Switch (GMAC_SW)
- [STATERAM Register Summary: \[0\]](#)

Table 24-1653. TX2_CP

Address Offset	0x0000 0048	Instance	STATERAM
Physical Address	0x4848 4A48		
Description	CPDMA_STATERAM TX channel 2 completion pointer register		
Type	RW		

31	30	29	28	27	26	25	24	23	22	21	20	19	18	17	16	15	14	13	12	11	10	9	8	7	6	5	4	3	2	1	0
TX_CP																															

Bits	Field Name	Description	Type	Reset
31:0	TX_CP	Tx Completion Pointer Register - This register is written by the host with the buffer descriptor address for the last buffer processed by the host during interrupt processing. The port uses the value written to determine if the interrupt should be deasserted.	RW	0x0

Table 24-1654. Register Call Summary for Register TX2_CP

Gigabit Ethernet Switch (GMAC_SW)

- [STATERAM Register Summary: \[0\]](#)

Table 24-1655. TX3_CP

Address Offset	0x0000 004C		
Physical Address	0x4848 4A4C	Instance	STATERAM
Description	CPDMA_STATERAM TX channel 3 completion pointer register		
Type	RW		

31	30	29	28	27	26	25	24	23	22	21	20	19	18	17	16	15	14	13	12	11	10	9	8	7	6	5	4	3	2	1	0
TX_CP																															

Bits	Field Name	Description	Type	Reset
31:0	TX_CP	Tx Completion Pointer Register - This register is written by the host with the buffer descriptor address for the last buffer processed by the host during interrupt processing. The port uses the value written to determine if the interrupt should be deasserted.	RW	0x0

Table 24-1656. Register Call Summary for Register TX3_CP

Gigabit Ethernet Switch (GMAC_SW)

- [STATERAM Register Summary: \[0\]](#)

Table 24-1657. TX4_CP

Address Offset	0x0000 0050		
Physical Address	0x4848 4A50	Instance	STATERAM
Description	CPDMA_STATERAM TX channel 4 completion pointer register		
Type	RW		

31	30	29	28	27	26	25	24	23	22	21	20	19	18	17	16	15	14	13	12	11	10	9	8	7	6	5	4	3	2	1	0
TX_CP																															

Bits	Field Name	Description	Type	Reset
31:0	TX_CP	Tx Completion Pointer Register - This register is written by the host with the buffer descriptor address for the last buffer processed by the host during interrupt processing. The port uses the value written to determine if the interrupt should be deasserted.	RW	0x0

Table 24-1658. Register Call Summary for Register TX4_CP

Gigabit Ethernet Switch (GMAC_SW)

- [STATERAM Register Summary: \[0\]](#)

Table 24-1659. TX5_CP

Address Offset	0x0000 0054	Instance	STATERAM
Physical Address	0x4848 4A54		
Description	CPDMA_STATERAM TX channel 5 completion pointer register		
Type	RW		

31	30	29	28	27	26	25	24	23	22	21	20	19	18	17	16	15	14	13	12	11	10	9	8	7	6	5	4	3	2	1	0
TX_CP																															

Bits	Field Name	Description	Type	Reset
31:0	TX_CP	Tx Completion Pointer Register - This register is written by the host with the buffer descriptor address for the last buffer processed by the host during interrupt processing. The port uses the value written to determine if the interrupt should be deasserted.	RW	0x0

Table 24-1660. Register Call Summary for Register TX5_CP

- Gigabit Ethernet Switch (GMAC_SW)
- [STATERAM Register Summary: \[0\]](#)

Table 24-1661. TX6_CP

Address Offset	0x0000 0058	Instance	STATERAM
Physical Address	0x4848 4A58		
Description	CPDMA_STATERAM TX channel 6 completion pointer register		
Type	RW		

31	30	29	28	27	26	25	24	23	22	21	20	19	18	17	16	15	14	13	12	11	10	9	8	7	6	5	4	3	2	1	0
TX_CP																															

Bits	Field Name	Description	Type	Reset
31:0	TX_CP	Tx Completion Pointer Register - This register is written by the host with the buffer descriptor address for the last buffer processed by the host during interrupt processing. The port uses the value written to determine if the interrupt should be deasserted.	RW	0x0

Table 24-1662. Register Call Summary for Register TX6_CP

- Gigabit Ethernet Switch (GMAC_SW)
- [STATERAM Register Summary: \[0\]](#)

Table 24-1663. TX7_CP

Address Offset	0x0000 005C	Instance	STATERAM
Physical Address	0x4848 4A5C		
Description	CPDMA_STATERAM TX channel 7 completion pointer register		
Type	RW		

31	30	29	28	27	26	25	24	23	22	21	20	19	18	17	16	15	14	13	12	11	10	9	8	7	6	5	4	3	2	1	0
TX_CP																															

Bits	Field Name	Description	Type	Reset
31:0	TX_CP	Tx Completion Pointer Register - This register is written by the host with the buffer descriptor address for the last buffer processed by the host during interrupt processing. The port uses the value written to determine if the interrupt should be deasserted.	RW	0x0

Table 24-1664. Register Call Summary for Register TX7_CP

Gigabit Ethernet Switch (GMAC_SW)

- [STATERAM Register Summary: \[0\]](#)

Table 24-1665. RX0_CP

Address Offset	0x0000 0060		
Physical Address	0x4848 4A60	Instance	STATERAM
Description	CPDMA_STATERAM RX channel 0 completion pointer register		
Type	RW		

31	30	29	28	27	26	25	24	23	22	21	20	19	18	17	16	15	14	13	12	11	10	9	8	7	6	5	4	3	2	1	0
RX_CP																															

Bits	Field Name	Description	Type	Reset
31:0	RX_CP	Rx Completion Pointer Register - This register is written by the host with the buffer descriptor address for the last buffer processed by the host during interrupt processing. The port uses the value written to determine if the interrupt should be deasserted. Note: The value read is the completion pointer (interrupt acknowledge) value that was written by the CPDMA DMA controller (port). The value written to this register by the host is compared with the value that the port wrote to determine if the interrupt should remain asserted. The value written is not actually stored in the location. The interrupt is deasserted if the two values are equal.	RW	0x0

Table 24-1666. Register Call Summary for Register RX0_CP

Gigabit Ethernet Switch (GMAC_SW)

- [STATERAM Register Summary: \[0\]](#)

Table 24-1667. RX1_CP

Address Offset	0x0000 0064		
Physical Address	0x4848 4A64	Instance	STATERAM
Description	CPDMA_STATERAM RX channel 1 completion pointer register		
Type	RW		

31	30	29	28	27	26	25	24	23	22	21	20	19	18	17	16	15	14	13	12	11	10	9	8	7	6	5	4	3	2	1	0
RX_CP																															

Bits	Field Name	Description	Type	Reset
31:0	RX_CP	Rx Completion Pointer Register - This register is written by the host with the buffer descriptor address for the last buffer processed by the host during interrupt processing. The port uses the value written to determine if the interrupt should be deasserted. Note: The value read is the completion pointer (interrupt acknowledge) value that was written by the CPDMA DMA controller (port). The value written to this register by the host is compared with the value that the port wrote to determine if the interrupt should remain asserted. The value written is not actually stored in the location. The interrupt is deasserted if the two values are equal.	RW	0x0

Table 24-1668. Register Call Summary for Register RX1_CP

Gigabit Ethernet Switch (GMAC_SW)

- [STATERAM Register Summary: \[0\]](#)

Table 24-1669. RX2_CP

Address Offset	0x0000 0068	Instance	STATERAM
Physical Address	0x4848 4A68		
Description	CPDMA_STATERAM RX channel 2 completion pointer register		
Type	RW		

31	30	29	28	27	26	25	24	23	22	21	20	19	18	17	16	15	14	13	12	11	10	9	8	7	6	5	4	3	2	1	0
RX_CP																															

Bits	Field Name	Description	Type	Reset
31:0	RX_CP	Rx Completion Pointer Register - This register is written by the host with the buffer descriptor address for the last buffer processed by the host during interrupt processing. The port uses the value written to determine if the interrupt should be deasserted. Note: The value read is the completion pointer (interrupt acknowledge) value that was written by the CPDMA DMA controller (port). The value written to this register by the host is compared with the value that the port wrote to determine if the interrupt should remain asserted. The value written is not actually stored in the location. The interrupt is deasserted if the two values are equal.	RW	0x0

Table 24-1670. Register Call Summary for Register RX2_CP

Gigabit Ethernet Switch (GMAC_SW)

- [STATERAM Register Summary: \[0\]](#)

Table 24-1671. RX3_CP

Address Offset	0x0000 006C	Instance	STATERAM
Physical Address	0x4848 4A6C		
Description	CPDMA_STATERAM RX channel 3 completion pointer register		
Type	RW		

31	30	29	28	27	26	25	24	23	22	21	20	19	18	17	16	15	14	13	12	11	10	9	8	7	6	5	4	3	2	1	0
RX_CP																															

Bits	Field Name	Description	Type	Reset
31:0	RX_CP	Rx Completion Pointer Register - This register is written by the host with the buffer descriptor address for the last buffer processed by the host during interrupt processing. The port uses the value written to determine if the interrupt should be deasserted. Note: The value read is the completion pointer (interrupt acknowledge) value that was written by the CPDMA DMA controller (port). The value written to this register by the host is compared with the value that the port wrote to determine if the interrupt should remain asserted. The value written is not actually stored in the location. The interrupt is deasserted if the two values are equal.	RW	0x0

Table 24-1672. Register Call Summary for Register RX3_CP

Gigabit Ethernet Switch (GMAC_SW)

- [STATERAM Register Summary: \[0\]](#)

Table 24-1673. RX4_CP

Address Offset	0x0000 0070	Instance	STATERAM
Physical Address	0x4848 4A70		
Description	CPDMA_STATERAM RX channel 4 completion pointer register		
Type	RW		

31	30	29	28	27	26	25	24	23	22	21	20	19	18	17	16	15	14	13	12	11	10	9	8	7	6	5	4	3	2	1	0
RX_CP																															

Bits	Field Name	Description	Type	Reset
31:0	RX_CP	Rx Completion Pointer Register - This register is written by the host with the buffer descriptor address for the last buffer processed by the host during interrupt processing. The port uses the value written to determine if the interrupt should be deasserted. Note: The value read is the completion pointer (interrupt acknowledge) value that was written by the CPDMA DMA controller (port). The value written to this register by the host is compared with the value that the port wrote to determine if the interrupt should remain asserted. The value written is not actually stored in the location. The interrupt is deasserted if the two values are equal.	RW	0x0

Table 24-1674. Register Call Summary for Register RX4_CP

Gigabit Ethernet Switch (GMAC_SW)

- [STATERAM Register Summary: \[0\]](#)

Table 24-1675. RX5_CP

Address Offset	0x0000 0074	Instance	STATERAM
Physical Address	0x4848 4A74		
Description	CPDMA_STATERAM RX channel 5 completion pointer register		
Type	RW		

31	30	29	28	27	26	25	24	23	22	21	20	19	18	17	16	15	14	13	12	11	10	9	8	7	6	5	4	3	2	1	0
RX_CP																															

Bits	Field Name	Description	Type	Reset
31:0	RX_CP	Rx Completion Pointer Register - This register is written by the host with the buffer descriptor address for the last buffer processed by the host during interrupt processing. The port uses the value written to determine if the interrupt should be deasserted. Note: The value read is the completion pointer (interrupt acknowledge) value that was written by the CPDMA DMA controller (port). The value written to this register by the host is compared with the value that the port wrote to determine if the interrupt should remain asserted. The value written is not actually stored in the location. The interrupt is deasserted if the two values are equal.	RW	0x0

Table 24-1676. Register Call Summary for Register RX5_CP

Gigabit Ethernet Switch (GMAC_SW)

- [STATERAM Register Summary: \[0\]](#)

Table 24-1677. RX6_CP

Address Offset	0x0000 0078	Instance	STATERAM
Physical Address	0x4848 4A78		
Description	CPDMA_STATERAM RX channel 6 completion pointer register		
Type	RW		

31	30	29	28	27	26	25	24	23	22	21	20	19	18	17	16	15	14	13	12	11	10	9	8	7	6	5	4	3	2	1	0
RX_CP																															

Bits	Field Name	Description	Type	Reset
31:0	RX_CP	Rx Completion Pointer Register - This register is written by the host with the buffer descriptor address for the last buffer processed by the host during interrupt processing. The port uses the value written to determine if the interrupt should be deasserted. Note: The value read is the completion pointer (interrupt acknowledge) value that was written by the CPDMA DMA controller (port). The value written to this register by the host is compared with the value that the port wrote to determine if the interrupt should remain asserted. The value written is not actually stored in the location. The interrupt is deasserted if the two values are equal.	RW	0x0

Table 24-1678. Register Call Summary for Register RX6_CP

Gigabit Ethernet Switch (GMAC_SW)

- [STATERAM Register Summary: \[0\]](#)

Table 24-1679. RX7_CP

Address Offset	0x0000 007C	Instance	STATERAM
Physical Address	0x4848 4A7C		
Description	CPDMA_STATERAM RX channel 7 completion pointer register		
Type	RW		

31	30	29	28	27	26	25	24	23	22	21	20	19	18	17	16	15	14	13	12	11	10	9	8	7	6	5	4	3	2	1	0
RX_CP																															

Bits	Field Name	Description	Type	Reset
31:0	RX_CP	Rx Completion Pointer Register - This register is written by the host with the buffer descriptor address for the last buffer processed by the host during interrupt processing. The port uses the value written to determine if the interrupt should be deasserted. Note: The value read is the completion pointer (interrupt acknowledge) value that was written by the CPDMA DMA controller (port). The value written to this register by the host is compared with the value that the port wrote to determine if the interrupt should remain asserted. The value written is not actually stored in the location. The interrupt is deasserted if the two values are equal.	RW	0x0

Table 24-1680. Register Call Summary for Register RX7_CP

- Gigabit Ethernet Switch (GMAC_SW)
- [STATERAM Register Summary: \[0\]](#)

24.11.6.7 CPTS registers

24.11.6.7.1 CPTS Register Summary

Table 24-1681. CPTS Registers Mapping Summary

Register Name	Type	Register Width (Bits)	Address Offset	CPTS Physical Address
CPTS_IDVER	R	32	0x0000 0000	0x4848 4C00
CPTS_CONTROL	RW	32	0x0000 0004	0x4848 4C04
CPTS_TS_PUSH	W	32	0x0000 000C	0x4848 4C0C
CPTS_TS_LOAD_VAL	RW	32	0x0000 0010	0x4848 4C10
CPTS_TS_LOAD_EN	W	32	0x0000 0014	0x4848 4C14
CPTS_INTSTAT_RAW	RW	32	0x0000 0020	0x4848 4C20
CPTS_INTSTAT_MASKED	R	32	0x0000 0024	0x4848 4C24
CPTS_INT_ENABLE	RW	32	0x0000 0028	0x4848 4C28
CPTS_EVENT_POP	W	32	0x0000 0030	0x4848 4C30
CPTS_EVENT_LOW	R	32	0x0000 0034	0x4848 4C34
CPTS_EVENT_HIGH	R	32	0x0000 0038	0x4848 4C38

24.11.6.7.2 CPTS Register Description

Table 24-1682. CPTS_IDVER

Address Offset	0x0000 0000																																																																																														
Physical Address	0x4848 4C00																Instance	CPTS																																																																													
Description	CPTS revision																																																																																														
Type	R																																																																																														
<table border="1" style="width:100%; text-align:center;"> <tr> <td>31</td><td>30</td><td>29</td><td>28</td><td>27</td><td>26</td><td>25</td><td>24</td> <td>23</td><td>22</td><td>21</td><td>20</td><td>19</td><td>18</td><td>17</td><td>16</td> <td>15</td><td>14</td><td>13</td><td>12</td><td>11</td><td>10</td><td>9</td><td>8</td> <td>7</td><td>6</td><td>5</td><td>4</td><td>3</td><td>2</td><td>1</td><td>0</td> </tr> <tr> <td colspan="32">REVISION</td> </tr> </table>																																31	30	29	28	27	26	25	24	23	22	21	20	19	18	17	16	15	14	13	12	11	10	9	8	7	6	5	4	3	2	1	0	REVISION																															
31	30	29	28	27	26	25	24	23	22	21	20	19	18	17	16	15	14	13	12	11	10	9	8	7	6	5	4	3	2	1	0																																																																
REVISION																																																																																															
Bits	31:0																																																																																														
Field Name	REVISION																																																																																														
Description	CPTS revision value																																																																																														
Type	R																																																																																														
Reset	0x-																																																																																														

Table 24-1683. Register Call Summary for Register CPTS_IDVER

Gigabit Ethernet Switch (GMAC_SW)

- [CPTS Register Summary: \[0\]](#)

Table 24-1684. CPTS_CONTROL

Address Offset	0x0000 0004	Instance	CPTS
Physical Address	0x4848 4C04		
Description	Time sync control register		
Type	RW		

31	30	29	28	27	26	25	24	23	22	21	20	19	18	17	16	15	14	13	12	11	10	9	8	7	6	5	4	3	2	1	0
RESERVED																RESERVED				INT_TEST	CPTS_EN										
											HW4_TS_PUSH_EN	HW3_TS_PUSH_EN	HW2_TS_PUSH_EN	HW1_TS_PUSH_EN																	

Bits	Field Name	Description	Type	Reset
31:12	RESERVED		R	0x0
11	HW4_TS_PUSH_EN	Hardware push 4 enable	RW	0x0
10	HW3_TS_PUSH_EN	Hardware push 3 enable	RW	0x0
9	HW2_TS_PUSH_EN	Hardware push 2 enable	RW	0x0
8	HW1_TS_PUSH_EN	Hardware push 1 enable	RW	0x0
7:2	RESERVED		R	0x0
1	INT_TEST	Interrupt Test - When set, this bit allows the raw interrupt to be written to facilitate interrupt test.	RW	0x0
0	CPTS_EN	Time Sync Enable - When disabled (cleared to zero), the RCLK domain is held in reset. 0 - Time Sync Disabled 1 - Time Sync Enabled	RW	0x0

Table 24-1685. Register Call Summary for Register CPTS_CONTROL

Gigabit Ethernet Switch (GMAC_SW)

- [CPTS Initialization: \[0\]\[1\]](#)
- [Time Sync Events: \[2\]](#)
- [CPTS Register Summary: \[3\]](#)
- [CPTS Register Description: \[4\]](#)

Table 24-1686. CPTS_TS_PUSH

Address Offset	0x0000 000C	Instance	CPTS
Physical Address	0x4848 4C0C		
Description	Time stamp event push register		
Type	W		

31	30	29	28	27	26	25	24	23	22	21	20	19	18	17	16	15	14	13	12	11	10	9	8	7	6	5	4	3	2	1	0
RESERVED																	TS_PUSH														

Bits	Field Name	Description	Type	Reset
31:1	RESERVED		R	0x0
0	TS_PUSH	Time stamp event push - When a logic high is written to this bit a time stamp event is pushed onto the event FIFO. The time stamp value is the time of the write of this register, not the time of the event read. The time stamp value can then be read on interrupt via the event registers. Software should not push a second time stamp event onto the event FIFO until the first time stamp value has been read from the event FIFO (there should be only one time stamp event in the event FIFO at any given time). This bit is write only and always reads zero.	W	0x0

Table 24-1687. Register Call Summary for Register CPTS_TS_PUSH

Gigabit Ethernet Switch (GMAC_SW)

- [Time Sync Events: \[0\]](#)
- [CPTS Register Summary: \[1\]](#)

Table 24-1688. CPTS_TS_LOAD_VAL

Address Offset	0x0000 0010	Instance	CPTS
Physical Address	0x4848 4C10		
Description	Time stamp load value register		
Type	RW		

31	30	29	28	27	26	25	24	23	22	21	20	19	18	17	16	15	14	13	12	11	10	9	8	7	6	5	4	3	2	1	0
TS_LOAD_VAL																															

Bits	Field Name	Description	Type	Reset
31:0	TS_LOAD_VAL	Time Stamp Load Value - Writing the CPTS_TS_LOAD_EN[0] TS_LOAD_EN bit causes the value contained in this register to be written into the time stamp. The time stamp value is read by initiating a time stamp push event, not by reading this register. When reading this register, the value read is not the time stamp, but is the value that was last written to this register.	RW	0x0

Table 24-1689. Register Call Summary for Register CPTS_TS_LOAD_VAL

Gigabit Ethernet Switch (GMAC_SW)

- [Time Stamp Value: \[0\]](#)
- [CPTS Register Summary: \[1\]](#)
- [CPTS Register Description: \[2\]](#)

Table 24-1690. CPTS_TS_LOAD_EN

Address Offset	0x0000 0014	Instance	CPTS
Physical Address	0x4848 4C14		
Description	Time stamp load enable register		
Type	W		

31	30	29	28	27	26	25	24	23	22	21	20	19	18	17	16	15	14	13	12	11	10	9	8	7	6	5	4	3	2	1	0
RESERVED																															
																															TS_LOAD_EN

Bits	Field Name	Description	Type	Reset
31:1	RESERVED		R	0x0
0	TS_LOAD_EN	Time Stamp Load - Writing a one to this bit enables the time stamp value to be written via the CPTS_TS_LOAD_VAL register. This feature is included for test purposes. This bit is write only.	W	0x0

Table 24-1691. Register Call Summary for Register CPTS_TS_LOAD_EN

Gigabit Ethernet Switch (GMAC_SW)

- [Time Stamp Value: \[0\]](#)
- [CPTS Register Summary: \[1\]](#)
- [CPTS Register Description: \[2\]](#)

Table 24-1692. CPTS_INTSTAT_RAW

Address Offset	0x0000 0020	Instance	CPTS
Physical Address	0x4848 4C20		
Description	Time sync interrupt status raw register		
Type	RW		

31	30	29	28	27	26	25	24	23	22	21	20	19	18	17	16	15	14	13	12	11	10	9	8	7	6	5	4	3	2	1	0
RESERVED																TS_PEND_RAW															

Bits	Field Name	Description	Type	Reset
31:1	RESERVED		R	0x0
0	TS_PEND_RAW	TS_PEND_RAW int read (before enable). Writable when CPTS_CONTROL[1] INT_TEST = 1. A one in this bit indicates that there is one or more events in the event FIFO.	RW	0x0

Table 24-1693. Register Call Summary for Register CPTS_INTSTAT_RAW

Gigabit Ethernet Switch (GMAC_SW)

- [CPTS Interrupt Handling: \[0\]\[1\]](#)
- [CPTS Register Summary: \[2\]](#)

Table 24-1694. CPTS_INTSTAT_MASKED

Address Offset	0x0000 0024	Instance	CPTS
Physical Address	0x4848 4C24		
Description	Time sync interrupt status masked register		
Type	R		

31	30	29	28	27	26	25	24	23	22	21	20	19	18	17	16	15	14	13	12	11	10	9	8	7	6	5	4	3	2	1	0
RESERVED																TS_PEND															

Bits	Field Name	Description	Type	Reset
31:1	RESERVED		R	0x0
0	TS_PEND	TS_PEND masked interrupt read (after enable).	R	0x0

Table 24-1695. Register Call Summary for Register CPTS_INTSTAT_MASKED

Gigabit Ethernet Switch (GMAC_SW)

- [CPTS Register Summary: \[0\]](#)

Table 24-1696. CPTS_INT_ENABLE

Address Offset	0x0000 0028		
Physical Address	0x4848 4C28	Instance	CPTS
Description	Time sync interrupt enable register		
Type	RW		

31	30	29	28	27	26	25	24	23	22	21	20	19	18	17	16	15	14	13	12	11	10	9	8	7	6	5	4	3	2	1	0
RESERVED																															TS_PEND_EN

Bits	Field Name	Description	Type	Reset
31:1	RESERVED		R	0x0
0	TS_PEND_EN	TS_PEND masked interrupt enable.	RW	0x0

Table 24-1697. Register Call Summary for Register CPTS_INT_ENABLE

Gigabit Ethernet Switch (GMAC_SW)

- [CPTS Initialization: \[0\]](#)
- [CPTS Interrupt Handling: \[1\]\[2\]](#)
- [CPTS Register Summary: \[3\]](#)

Table 24-1698. CPTS_EVENT_POP

Address Offset	0x0000 0030		
Physical Address	0x4848 4C30	Instance	CPTS
Description	Event interrupt pop register		
Type	W		

31	30	29	28	27	26	25	24	23	22	21	20	19	18	17	16	15	14	13	12	11	10	9	8	7	6	5	4	3	2	1	0
RESERVED																															EVENT_POP

Bits	Field Name	Description	Type	Reset
31:1	RESERVED		R	0x0
0	EVENT_POP	Event Pop - When a logic high is written to this bit an event is popped off the event FIFO. The event FIFO pop occurs as part of the interrupt process after the event has been read in the CPTS_EVENT_LOW and CPTS_EVENT_HIGH registers. Popping an event discards the event and causes the next event, if any, to be moved to the top of the FIFO ready to be read by software on interrupt.	W	0x0

Table 24-1699. Register Call Summary for Register CPTS_EVENT_POP

Gigabit Ethernet Switch (GMAC_SW)

- [CPTS Interrupt Handling: \[0\]\[1\]](#)
- [CPTS Register Summary: \[2\]](#)

Table 24-1700. CPTS_EVENT_LOW

Address Offset	0x0000 0034		
Physical Address	0x4848 4C34	Instance	CPTS
Description	Lower 32-bits of the event value		
Type	R		

31	30	29	28	27	26	25	24	23	22	21	20	19	18	17	16	15	14	13	12	11	10	9	8	7	6	5	4	3	2	1	0
TIME_STAMP																															

Bits	Field Name	Description	Type	Reset
31:0	TIME_STAMP	Time Stamp - The timestamp is valid for transmit, receive, and time stamp push event types. The timestamp value is not valid for counter roll event types.	R	0x0

Table 24-1701. Register Call Summary for Register CPTS_EVENT_LOW

Gigabit Ethernet Switch (GMAC_SW)

- [Time Sync Events: \[0\]\[1\]](#)
- [CPTS Interrupt Handling: \[2\]\[3\]](#)
- [CPTS Register Summary: \[4\]](#)
- [CPTS Register Description: \[5\]](#)

Table 24-1702. CPTS_EVENT_HIGH

Address Offset	0x0000 0038		
Physical Address	0x4848 4C38	Instance	CPTS
Description	Upper 32-bits of the event value		
Type	R		

31	30	29	28	27	26	25	24	23	22	21	20	19	18	17	16	15	14	13	12	11	10	9	8	7	6	5	4	3	2	1	0
RESERVED				PORT_NUMBER				EVENT_TYPE				MESSAGE_TYPE				SEQUENCE_ID															

Bits	Field Name	Description	Type	Reset
31:29	RESERVED		R	0x0
28:24	PORT_NUMBER	Port Number - indicates the port number of an ethernet event or the hardware push pin number (1 to 4).	R	0x0
23:20	EVENT_TYPE	Time Sync Event Type 0x0 - Time Stamp Push Event 0x1 - Time Stamp Rollover Event 0x2 - Time Stamp Half Rollover Event 0x3 - Hardware Time Stamp Push Event 0x4 - Ethernet Receive Event 0x5 - Ethernet Transmit Event	R	0x0
19:16	MESSAGE_TYPE	Message type - The message type value that was contained in an ethernet transmit or receive time sync packet. This field is valid only for ethernet transmit or receive events.	R	0x0
15:0	SEQUENCE_ID	Sequence ID - The 16-bit sequence id is the value that was contained in an ethernet transmit or receivetime sync packet. This field is valid only for ethernet transmit or receive events.	R	0x0

Table 24-1703. Register Call Summary for Register CPTS_EVENT_HIGH

Gigabit Ethernet Switch (GMAC_SW)

- [Time Sync Events: \[0\]\[1\]\[2\]](#)
- [CPTS Interrupt Handling: \[3\]\[4\]](#)
- [CPTS Register Summary: \[5\]](#)
- [CPTS Register Description: \[6\]](#)

24.11.6.8 ALE registers

24.11.6.8.1 ALE Register Summary

Table 24-1704. ALE Registers Mapping Summary

Register Name	Type	Register Width (Bits)	Address Offset	ALE Physical Address
ALE_IDVER	R	32	0x0000 0000	0x4848 4D00
ALE_CONTROL	RW	32	0x0000 0008	0x4848 4D08
ALE_PRESCALE	RW	32	0x0000 0010	0x4848 4D10
ALE_UNKNOWN_VLAN	RW	32	0x0000 0018	0x4848 4D18
ALE_TBLCTL	RW	32	0x0000 0020	0x4848 4D20
ALE_TBLW2	RW	32	0x0000 0034	0x4848 4D34
ALE_TBLW1	RW	32	0x0000 0038	0x4848 4D38
ALE_TBLW0	RW	32	0x0000 003C	0x4848 4D3C
ALE_PORTCTL0	RW	32	0x0000 0040	0x4848 4D40
ALE_PORTCTL1	RW	32	0x0000 0044	0x4848 4D44
ALE_PORTCTL2	RW	32	0x0000 0048	0x4848 4D48
ALE_PORTCTL3	RW	32	0x0000 004C	0x4848 4D4C
ALE_PORTCTL4	RW	32	0x0000 0050	0x4848 4D50
ALE_PORTCTL5	RW	32	0x0000 0054	0x4848 4D54

24.11.6.8.2 ALE Register Description
Table 24-1705. ALE_IDVER

Address Offset	0x0000 0000	Instance	ALE
Physical Address	0x4848 4D00		
Description	ADDRESS LOOKUP ENGINE revision register		
Type	R		

31	30	29	28	27	26	25	24	23	22	21	20	19	18	17	16	15	14	13	12	11	10	9	8	7	6	5	4	3	2	1	0
REVISION																															

Bits	Field Name	Description	Type	Reset
31:0	REVISION	ALE Revision Value	R	0x-

Table 24-1706. Register Call Summary for Register ALE_IDVER

Gigabit Ethernet Switch (GMAC_SW)

- [ALE Register Summary: \[0\]](#)

Table 24-1707. ALE_CONTROL

Address Offset	0x0000 0008	Instance	ALE
Physical Address	0x4848 4D08		
Description	Address lookup engine control register		
Type	RW		

31	30	29	28	27	26	25	24	23	22	21	20	19	18	17	16	15	14	13	12	11	10	9	8	7	6	5	4	3	2	1	0
ENABLE_ALE	CLEAR_TABLE	AGE_OUT_NOW	RESERVED													EN_P0_UNI_FLOOD	LEARN_NO_VID	EN_VID0_MODE	ENABLE_OUI_DENY	BYPASS	RATE_LIMIT_TX	VLAN_AWARE	ENABLE_AUTH_MODE	ENABLE_RATE_LIMIT							

Bits	Field Name	Description	Type	Reset
31	ENABLE_ALE	Enable ALE - 0 - Drop all packets 1 - Enable ALE packet processing	RW	0x0
30	CLEAR_TABLE	Clear ALE address table - Setting this bit causes the ALE hardware to write all table bit values to zero. Software must perform a clear table operation as part of the ALE setup/configuration process. Setting this bit causes all ALE accesses to be held up for 64 clocks while the clear is performed. Access to all ALE registers will be blocked (wait states) until the 64 clocks have completed. This bit cannot be read as one because the read is blocked until the clear table is completed at which time this bit is cleared to zero.	RW	0x0
29	AGE_OUT_NOW	Age Out Address Table Now - Setting this bit causes the ALE hardware to remove (free up) any ageable table entry that does not have a set touch bit. This bit is cleared when the age out process has completed. This bit may be read. The age out process takes 4096 clocks best case (no ale packet processing during ageout) and 66550 clocks absolute worst case.	RW	0x0

Bits	Field Name	Description	Type	Reset
28:9	RESERVED		R	0x0
8	EN_P0_UNI_FLOOD	Enable Port 0 (Host Port) unicast flood 0 - do not flood unknown unicast packets to host port (p0) 1 - flood unknown unicast packets to host port (p0)	RW	0x0
7	LEARN_NO_VID	Learn No VID - 0 - VID is learned with the source address 1 - VID is not learned with the source address (source address is not tied to VID).	RW	0x0
6	EN_VID0_MODE	Enable VLAN ID = 0 Mode 0 - Process the packet with VID = PORT_VLAN[11:0]. 1 - Process the packet with VID = 0.	RW	0x0
5	ENABLE_OUI_DENY	Enable OUI Deny Mode - When set this bit indicates that a packet with a non OUI table entry matching source address will be dropped to the host unless the destination address matches a multicast table entry with the super bit set.	RW	0x0
4	BYPASS	ALE Bypass - When set, all packets received on ports 0 and 1 are sent to the host (only to the host).	RW	0x0
3	RATE_LIMIT_TX	Rate Limit Transmit mode - 0 - Broadcast and multicast rate limit counters are received port based 1 - Broadcast and multicast rate limit counters are transmit port based.	RW	0x0
2	VLAN_AWARE	ALE VLAN Aware - Determines what is done if VLAN not found. 0 - Flood if VLAN not found 1 - Drop packet if VLAN not found	RW	0x0
1	ENABLE_AUTH_MODE	Enable MAC Authorization Mode - Mac authorization mode requires that all table entries be made by the host software. There are no learned address in authorization mode and the packet will be dropped if the source address is not found (and the destination address is not a multicast address with the super table entry bit set). 0 - The ALE is not in MAC authorization mode 1 - The ALE is in MAC authorization mode	RW	0x0
0	ENABLE_RATE_LIMIT	Enable Broadcast and Multicast Rate Limit 0 - Broadcast/Multicast rates not limited 1 - Broadcast/Multicast packet reception limited to the port control register rate limit fields.	RW	0x0

Table 24-1708. Register Call Summary for Register ALE_CONTROL

Gigabit Ethernet Switch (GMAC_SW)

- [Address Lookup Engine \(ALE\): \[0\]\[1\]\[2\]](#)
- [FIFO Transmit Queue Control: \[3\]](#)
- [Device Level Ring \(DLR\) Support: \[4\]](#)
- [ALE Register Summary: \[5\]](#)

Table 24-1709. ALE_PRESCALE

Address Offset	0x0000 0010																														
Physical Address	0x4848 4D10								Instance								ALE														
Description	Address lookup engine prescale register																														
Type	RW																														
31	30	29	28	27	26	25	24	23	22	21	20	19	18	17	16	15	14	13	12	11	10	9	8	7	6	5	4	3	2	1	0
RESERVED								PRESCALE																							

Bits	Field Name	Description	Type	Reset
31:20	RESERVED		R	0x0
19:0	PRESCALE	ALE Prescale Register - The input clock is divided by this value for use in the multicast/broadcast rate limiters. The minimum operating value is 0x10. The prescaler is off when the value is zero.	RW	0x0

Table 24-1710. Register Call Summary for Register ALE_PRESCALE

Gigabit Ethernet Switch (GMAC_SW)

- [ALE Register Summary: \[0\]](#)

Table 24-1711. ALE_UNKNOWN_VLAN

Address Offset	0x0000 0018	Instance	ALE
Physical Address	0x4848 4D18		
Description	Address lookup engine unknown vlan register		
Type	RW		

31	30	29	28	27	26	25	24	23	22	21	20	19	18	17	16	15	14	13	12	11	10	9	8	7	6	5	4	3	2	1	0																																
RESERVED								UNKNOWN_FORCE_UNTAGGED_EGRESS								RESERVED								UNKNOWN_REG_MCAST_FLOOD_MASK								RESERVED								UNKNOWN_MCAST_FLOOD_MASK								RESERVED								UNKNOWN_VLAN_MEMBER_LIST							

Bits	Field Name	Description	Type	Reset
31:30	RESERVED		R	0x0
29:24	UNKNOWN_FORCE_UNTAGGED_EGRESS	Unknown VLAN Force Untagged Egress.	RW	0x0
23:22	RESERVED		R	0x0
21:16	UNKNOWN_REG_MCAST_FLOOD_MASK	Unknown VLAN Registered Multicast Flood Mask	RW	0x0
15:14	RESERVED		R	0x0
13:8	UNKNOWN_MCAST_FLOOD_MASK	Unknown VLAN Multicast Flood Mask	RW	0x0
7:6	RESERVED		R	0x0
5:0	UNKNOWN_VLAN_MEMBER_LIST	Unknown VLAN Member List	RW	0x0

Table 24-1712. Register Call Summary for Register ALE_UNKNOWN_VLAN

Gigabit Ethernet Switch (GMAC_SW)

- [ALE Register Summary: \[0\]](#)

Table 24-1713. ALE_TBLCTL

Address Offset	0x0000 0020	Instance	ALE
Physical Address	0x4848 4D20		
Description	Address lookup engine table control		
Type	RW		

31	30	29	28	27	26	25	24	23	22	21	20	19	18	17	16	15	14	13	12	11	10	9	8	7	6	5	4	3	2	1	0
WRITE_RDZ	RESERVED																ENTRY_POINTER														

Bits	Field Name	Description	Type	Reset
31	WRITE_RDZ	Write Bit - This bit is always read as zero. Writing a 1 to this bit causes the three table word register values to be written to the entry_pointer location in the address table. Writing a 0 to this bit causes the three table word register values to be loaded from the entry_pointer location in the address table so that they may be subsequently read. A read of any ALE address location will be stalled until the read or write has completed.	RW	0x0
30:10	RESERVED		R	0x0
9:0	ENTRY_POINTER	Table Entry Pointer - The entry_pointer contains the table entry value that will be read/written with accesses to the table word registers.	RW	0x0

Table 24-1714. Register Call Summary for Register ALE_TBLCTL

Gigabit Ethernet Switch (GMAC_SW)

- [ALE Register Summary: \[0\]](#)

Table 24-1715. ALE_TBLW2

Address Offset	0x0000 0034	Instance	ALE
Physical Address	0x4848 4D34		
Description	Address lookup engine table word 2 register		
Type	RW		

31	30	29	28	27	26	25	24	23	22	21	20	19	18	17	16	15	14	13	12	11	10	9	8	7	6	5	4	3	2	1	0
RESERVED																ENTRY71_64															

Bits	Field Name	Description	Type	Reset
31:8	RESERVED		R	0x0
7:0	ENTRY71_64	Table entry bits 71:64	RW	0x0

Table 24-1716. Register Call Summary for Register ALE_TBLW2

Gigabit Ethernet Switch (GMAC_SW)

- [ALE Register Summary: \[0\]](#)

Table 24-1717. ALE_TBLW1

Address Offset	0x0000 0038	Instance	ALE
Physical Address	0x4848 4D38		
Description	Address lookup engine table word 1 register		
Type	RW		

31	30	29	28	27	26	25	24	23	22	21	20	19	18	17	16	15	14	13	12	11	10	9	8	7	6	5	4	3	2	1	0
ENTRY63_32																															

Bits	Field Name	Description	Type	Reset
31:0	ENTRY63_32	Table entry bits 63:32	RW	0x0

Table 24-1718. Register Call Summary for Register ALE_TBLW1

Gigabit Ethernet Switch (GMAC_SW)

- [ALE Register Summary: \[0\]](#)

Table 24-1719. ALE_TBLW0

Address Offset	0x0000 003C	Instance	ALE
Physical Address	0x4848 4D3C		
Description	Address lookup engine table word 0 register		
Type	RW		

31	30	29	28	27	26	25	24	23	22	21	20	19	18	17	16	15	14	13	12	11	10	9	8	7	6	5	4	3	2	1	0
ENTRY31_0																															

Bits	Field Name	Description	Type	Reset
31:0	ENTRY31_0	Table entry bits 31:0	RW	0x0

Table 24-1720. Register Call Summary for Register ALE_TBLW0

Gigabit Ethernet Switch (GMAC_SW)

- [ALE Register Summary: \[0\]](#)

Table 24-1721. ALE_PORTCTL0

Address Offset	0x0000 0040	Instance	ALE
Physical Address	0x4848 4D40		
Description	Address lookup engine port 0 control register		
Type	RW		

31	30	29	28	27	26	25	24	23	22	21	20	19	18	17	16	15	14	13	12	11	10	9	8	7	6	5	4	3	2	1	0
BCAST_LIMIT								MCAST_LIMIT								RESERVED								NO_SA_UPDATE	NO_LEARN	VID_INGRESS_CHECK	DROP_UNTAGGED	PORT_STATE			

Bits	Field Name	Description	Type	Reset
31:24	BCAST_LIMIT	Broadcast Packet Rate Limit - Each prescale pulse loads this field into the port broadcast rate limit counter. The port counters are decremented with each packet received or transmitted depending on whether the mode is transmit or receive. If the counters decrement to zero, then further packets are rate limited until the next prescale pulse. Broadcast rate limiting is enabled by a non-zero value in this field	RW	0x0
23:16	MCAST_LIMIT	Multicast Packet Rate Limit - Each prescale pulse loads this field into the port multicast rate limit counter. The port counters are decremented with each packet received or transmitted depending on whether the mode is transmit or receive. If the counters decrement to zero, then further packets are rate limited until the next prescale pulse. Multicast rate limiting is enabled by a non-zero value in this field.	RW	0x0
15:6	RESERVED		R	0x0
5	NO_SA_UPDATE	No Source Address Update - When set the port is disabled from updating the source port number in an ALE table entry.	RW	0x0
4	NO_LEARN	No Learn Mode - When set the port is disabled from learning an address.	RW	0x0
3	VID_INGRESS_CHECK	VLAN ID Ingress Check - If VLAN not found then drop the packet. Packets with an unknown (default) VLAN will be dropped.	RW	0x0
2	DROP_UNTAGGED	Drop Untagged Packets - Drop non-VLAN tagged ingress packets.	RW	0x0
1:0	PORT_STATE	Port State 0x0 - Disabled 0x1 - Blocked 0x2 - Learn 0x3 - Forward	RW	0x0

Table 24-1722. Register Call Summary for Register ALE_PORTCTL0

Gigabit Ethernet Switch (GMAC_SW)

- [ALE Register Summary: \[0\]](#)

Table 24-1723. ALE_PORTCTL1

Address Offset	0x0000 0044	Instance	ALE
Physical Address	0x4848 4D44		
Description	Address lookup engine port 1 control register		
Type	RW		

31	30	29	28	27	26	25	24	23	22	21	20	19	18	17	16	15	14	13	12	11	10	9	8	7	6	5	4	3	2	1	0
BCAST_LIMIT								MCAST_LIMIT								RESERVED								NO_SA_UPDATE	NO_LEARN	VID_INGRESS_CHECK	DROP_UNTAGGED	PORT_STATE			

Bits	Field Name	Description	Type	Reset
31:24	BCAST_LIMIT	Broadcast Packet Rate Limit - Each prescale pulse loads this field into the port broadcast rate limit counter. The port counters are decremented with each packet received or transmitted depending on whether the mode is transmit or receive. If the counters decrement to zero, then further packets are rate limited until the next prescale pulse. Broadcast rate limiting is enabled by a non-zero value in this field	RW	0x0
23:16	MCAST_LIMIT	Multicast Packet Rate Limit - Each prescale pulse loads this field into the port multicast rate limit counter. The port counters are decremented with each packet received or transmitted depending on whether the mode is transmit or receive. If the counters decrement to zero, then further packets are rate limited until the next prescale pulse. Multicast rate limiting is enabled by a non-zero value in this field.	RW	0x0
15:6	RESERVED		R	0x0
5	NO_SA_UPDATE	No Source Address Update - When set the port is disabled from updating the source port number in an ALE table entry.	RW	0x0
4	NO_LEARN	No Learn Mode - When set the port is disabled from learning an address.	RW	0x0
3	VID_INGRESS_CHECK	VLAN ID Ingress Check - If VLAN not found then drop the packet. Packets with an unknown (default) VLAN will be dropped.	RW	0x0
2	DROP_UNTAGGED	Drop Untagged Packets - Drop non-VLAN tagged ingress packets.	RW	0x0
1:0	PORT_STATE	Port State 0x0 - Disabled 0x1 - Blocked 0x2 - Learn 0x3 - Forward	RW	0x0

Table 24-1724. Register Call Summary for Register ALE_PORTCTL1

Gigabit Ethernet Switch (GMAC_SW)

- [ALE Register Summary: \[0\]](#)

Table 24-1725. ALE_PORTCTL2

Address Offset	0x0000 0048	Instance	ALE
Physical Address	0x4848 4D48		
Description	Address lookup engine port 2 control register		
Type	RW		

31	30	29	28	27	26	25	24	23	22	21	20	19	18	17	16	15	14	13	12	11	10	9	8	7	6	5	4	3	2	1	0
BCAST_LIMIT								MCAST_LIMIT								RESERVED								NO_SA_UPDATE	NO_LEARN	VID_INGRESS_CHECK	DROP_UNTAGGED	PORT_STATE			

Bits	Field Name	Description	Type	Reset
31:24	BCAST_LIMIT	Broadcast Packet Rate Limit - Each prescale pulse loads this field into the port broadcast rate limit counter. The port counters are decremented with each packet received or transmitted depending on whether the mode is transmit or receive. If the counters decrement to zero, then further packets are rate limited until the next prescale pulse. Broadcast rate limiting is enabled by a non-zero value in this field	RW	0x0
23:16	MCAST_LIMIT	Multicast Packet Rate Limit - Each prescale pulse loads this field into the port multicast rate limit counter. The port counters are decremented with each packet received or transmitted depending on whether the mode is transmit or receive. If the counters decrement to zero, then further packets are rate limited until the next prescale pulse. Multicast rate limiting is enabled by a non-zero value in this field.	RW	0x0
15:6	RESERVED		R	0x0
5	NO_SA_UPDATE	No Source Address Update - When set the port is disabled from updating the source port number in an ALE table entry.	RW	0x0
4	NO_LEARN	No Learn Mode - When set the port is disabled from learning an address.	RW	0x0
3	VID_INGRESS_CHECK	VLAN ID Ingress Check - If VLAN not found then drop the packet. Packets with an unknown (default) VLAN will be dropped.	RW	0x0
2	DROP_UNTAGGED	Drop Untagged Packets - Drop non-VLAN tagged ingress packets.	RW	0x0
1:0	PORT_STATE	Port State 0x0 - Disabled 0x1 - Blocked 0x2 - Learn 0x3 - Forward	RW	0x0

Table 24-1726. Register Call Summary for Register ALE_PORTCTL2

Gigabit Ethernet Switch (GMAC_SW)

- [ALE Register Summary: \[0\]](#)

Table 24-1727. ALE_PORTCTL3

Address Offset	0x0000 004C	Instance	ALE
Physical Address	0x4848 4D4C		
Description	Address lookup engine port 3 control register		
Type	RW		

31	30	29	28	27	26	25	24	23	22	21	20	19	18	17	16	15	14	13	12	11	10	9	8	7	6	5	4	3	2	1	0
BCAST_LIMIT								MCAST_LIMIT								RESERVED								NO_SA_UPDATE	NO_LEARN	VID_INGRESS_CHECK	DROP_UNTAGGED	PORT_STATE			

Bits	Field Name	Description	Type	Reset
31:24	BCAST_LIMIT	Broadcast Packet Rate Limit - Each prescale pulse loads this field into the port broadcast rate limit counter. The port counters are decremented with each packet received or transmitted depending on whether the mode is transmit or receive. If the counters decrement to zero, then further packets are rate limited until the next prescale pulse. Broadcast rate limiting is enabled by a non-zero value in this field	RW	0x0
23:16	MCAST_LIMIT	Multicast Packet Rate Limit - Each prescale pulse loads this field into the port multicast rate limit counter. The port counters are decremented with each packet received or transmitted depending on whether the mode is transmit or receive. If the counters decrement to zero, then further packets are rate limited until the next prescale pulse. Multicast rate limiting is enabled by a non-zero value in this field.	RW	0x0
15:6	RESERVED		R	0x0
5	NO_SA_UPDATE	No Source Address Update - When set the port is disabled from updating the source port number in an ALE table entry.	RW	0x0
4	NO_LEARN	No Learn Mode - When set the port is disabled from learning an address.	RW	0x0
3	VID_INGRESS_CHECK	VLAN ID Ingress Check - If VLAN not found then drop the packet. Packets with an unknown (default) VLAN will be dropped.	RW	0x0
2	DROP_UNTAGGED	Drop Untagged Packets - Drop non-VLAN tagged ingress packets.	RW	0x0
1:0	PORT_STATE	Port State 0x0 - Disabled 0x1 - Blocked 0x2 - Learn 0x3 - Forward	RW	0x0

Table 24-1728. Register Call Summary for Register ALE_PORTCTL3

Gigabit Ethernet Switch (GMAC_SW)

- [ALE Register Summary: \[0\]](#)

Table 24-1729. ALE_PORTCTL4

Address Offset	0x0000 0050																																																																																							
Physical Address	0x4848 4D50																Instance ALE																																																																							
Description	Address lookup engine port 4 control register																																																																																							
Type	RW																																																																																							
<table border="1" style="width:100%; border-collapse: collapse;"> <thead> <tr> <th style="width: 5%;">31</th><th style="width: 5%;">30</th><th style="width: 5%;">29</th><th style="width: 5%;">28</th><th style="width: 5%;">27</th><th style="width: 5%;">26</th><th style="width: 5%;">25</th><th style="width: 5%;">24</th> <th style="width: 5%;">23</th><th style="width: 5%;">22</th><th style="width: 5%;">21</th><th style="width: 5%;">20</th><th style="width: 5%;">19</th><th style="width: 5%;">18</th><th style="width: 5%;">17</th><th style="width: 5%;">16</th> <th style="width: 5%;">15</th><th style="width: 5%;">14</th><th style="width: 5%;">13</th><th style="width: 5%;">12</th><th style="width: 5%;">11</th><th style="width: 5%;">10</th><th style="width: 5%;">9</th><th style="width: 5%;">8</th> <th style="width: 5%;">7</th><th style="width: 5%;">6</th><th style="width: 5%;">5</th><th style="width: 5%;">4</th><th style="width: 5%;">3</th><th style="width: 5%;">2</th><th style="width: 5%;">1</th><th style="width: 5%;">0</th> </tr> </thead> <tbody> <tr> <td colspan="8" style="text-align: center; vertical-align: middle;">BCAST_LIMIT</td> <td colspan="8" style="text-align: center; vertical-align: middle;">MCAST_LIMIT</td> <td colspan="10" style="text-align: center; vertical-align: middle;">RESERVED</td> <td style="writing-mode: vertical-rl; text-orientation: mixed; text-align: center;">NO_SA_UPDATE</td> <td style="writing-mode: vertical-rl; text-orientation: mixed; text-align: center;">NO_LEARN</td> <td style="writing-mode: vertical-rl; text-orientation: mixed; text-align: center;">VID_INGRESS_CHECK</td> <td style="writing-mode: vertical-rl; text-orientation: mixed; text-align: center;">DROP_UNTAGGED</td> <td style="writing-mode: vertical-rl; text-orientation: mixed; text-align: center;">PORT_STATE</td> </tr> </tbody> </table>																										31	30	29	28	27	26	25	24	23	22	21	20	19	18	17	16	15	14	13	12	11	10	9	8	7	6	5	4	3	2	1	0	BCAST_LIMIT								MCAST_LIMIT								RESERVED										NO_SA_UPDATE	NO_LEARN	VID_INGRESS_CHECK	DROP_UNTAGGED	PORT_STATE
31	30	29	28	27	26	25	24	23	22	21	20	19	18	17	16	15	14	13	12	11	10	9	8	7	6	5	4	3	2	1	0																																																									
BCAST_LIMIT								MCAST_LIMIT								RESERVED										NO_SA_UPDATE	NO_LEARN	VID_INGRESS_CHECK	DROP_UNTAGGED	PORT_STATE																																																										

Bits	Field Name	Description	Type	Reset
31:24	BCAST_LIMIT	Broadcast Packet Rate Limit - Each prescale pulse loads this field into the port broadcast rate limit counter. The port counters are decremented with each packet received or transmitted depending on whether the mode is transmit or receive. If the counters decrement to zero, then further packets are rate limited until the next prescale pulse. Broadcast rate limiting is enabled by a non-zero value in this field	RW	0x0
23:16	MCAST_LIMIT	Multicast Packet Rate Limit - Each prescale pulse loads this field into the port multicast rate limit counter. The port counters are decremented with each packet received or transmitted depending on whether the mode is transmit or receive. If the counters decrement to zero, then further packets are rate limited until the next prescale pulse. Multicast rate limiting is enabled by a non-zero value in this field.	RW	0x0
15:6	RESERVED		R	0x0
5	NO_SA_UPDATE	No Source Address Update - When set the port is disabled from updating the source port number in an ALE table entry.	RW	0x0
4	NO_LEARN	No Learn Mode - When set the port is disabled from learning an address.	RW	0x0
3	VID_INGRESS_CHECK	VLAN ID Ingress Check - If VLAN not found then drop the packet. Packets with an unknown (default) VLAN will be dropped.	RW	0x0
2	DROP_UNTAGGED	Drop Untagged Packets - Drop non-VLAN tagged ingress packets.	RW	0x0
1:0	PORT_STATE	Port State 0x0 - Disabled 0x1 - Blocked 0x2 - Learn 0x3 - Forward	RW	0x0

Table 24-1730. Register Call Summary for Register ALE_PORTCTL4

Gigabit Ethernet Switch (GMAC_SW)

- [ALE Register Summary: \[0\]](#)

Table 24-1731. ALE_PORTCTL5

Address Offset	0x0000 0054	Instance	ALE
Physical Address	0x4848 4D54		
Description	Address lookup engine port 5 control register		
Type	RW		

31	30	29	28	27	26	25	24	23	22	21	20	19	18	17	16	15	14	13	12	11	10	9	8	7	6	5	4	3	2	1	0
BCAST_LIMIT								MCAST_LIMIT								RESERVED								NO_SA_UPDATE	NO_LEARN	VID_INGRESS_CHECK	DROP_UNTAGGED	PORT_STATE			

Bits	Field Name	Description	Type	Reset
31:24	BCAST_LIMIT	Broadcast Packet Rate Limit - Each prescale pulse loads this field into the port broadcast rate limit counter. The port counters are decremented with each packet received or transmitted depending on whether the mode is transmit or receive. If the counters decrement to zero, then further packets are rate limited until the next prescale pulse. Broadcast rate limiting is enabled by a non-zero value in this field	RW	0x0
23:16	MCAST_LIMIT	Multicast Packet Rate Limit - Each prescale pulse loads this field into the port multicast rate limit counter. The port counters are decremented with each packet received or transmitted depending on whether the mode is transmit or receive. If the counters decrement to zero, then further packets are rate limited until the next prescale pulse. Multicast rate limiting is enabled by a non-zero value in this field.	RW	0x0
15:6	RESERVED		R	0x0
5	NO_SA_UPDATE	No Source Address Update - When set the port is disabled from updating the source port number in an ALE table entry.	RW	0x0
4	NO_LEARN	No Learn Mode - When set the port is disabled from learning an address.	RW	0x0
3	VID_INGRESS_CHECK	VLAN ID Ingress Check - If VLAN not found then drop the packet. Packets with an unknown (default) VLAN will be dropped.	RW	0x0
2	DROP_UNTAGGED	Drop Untagged Packets - Drop non-VLAN tagged ingress packets.	RW	0x0
1:0	PORT_STATE	Port State 0x0 - Disabled 0x1 - Blocked 0x2 - Learn 0x3 - Forward	RW	0x0

Table 24-1732. Register Call Summary for Register ALE_PORTCTL5

Gigabit Ethernet Switch (GMAC_SW)

- [ALE Register Summary: \[0\]](#)

24.11.6.9 SL registers

24.11.6.9.1 SL Register Summary

Table 24-1733. SL Registers Mapping Summary

Register Name	Type	Register Width (Bits)	Address Offset	SL1 Physical Address	SL2 Physical Address
SL_IDVER	R	32	0x0000 0000	0x4848 4D80	0x4848 4DC0
SL_MACCONTROL	RW	32	0x0000 0004	0x4848 4D84	0x4848 4DC4
SL_MACSTATUS	R	32	0x0000 0008	0x4848 4D88	0x4848 4DC8
SL_SOFT_RESET	RW	32	0x0000 000C	0x4848 4D8C	0x4848 4DCC
SL_RX_MAXLEN	RW	32	0x0000 0010	0x4848 4D90	0x4848 4DD0
SL_BOFFTEST	RW	32	0x0000 0014	0x4848 4D94	0x4848 4DD4
SL_RX_PAUSE	R	32	0x0000 0018	0x4848 4D98	0x4848 4DD8
SL_TX_PAUSE	R	32	0x0000 001C	0x4848 4D9C	0x4848 4DDC
SL_EMCONTROL	RW	32	0x0000 0020	0x4848 4DA0	0x4848 4DE0
SL_RX_PRI_MAP	RW	32	0x0000 0024	0x4848 4DA4	0x4848 4DE4
SL_TX_GAP	RW	32	0x0000 0028	0x4848 4DA8	0x4848 4DE8

24.11.6.9.2 SL Register Description
Table 24-1734. SL_IDVER

Address Offset	0x0000 0000		
Physical Address	0x4848 4D80 0x4848 4DC0	Instance	SL1 SL2
Description	CPGMAC_SL revision register		
Type	R		

31	30	29	28	27	26	25	24	23	22	21	20	19	18	17	16	15	14	13	12	11	10	9	8	7	6	5	4	3	2	1	0
REVISION																															

Bits	Field Name	Description	Type	Reset
31:0	REVISION	CPGMAC_SL revision Value	R	0x-

Table 24-1735. Register Call Summary for Register SL_IDVER

Gigabit Ethernet Switch (GMAC_SW)

- [SL Register Summary: \[0\]](#)

Table 24-1736. SL_MACCONTROL

Address Offset	0x0000 0004		
Physical Address	0x4848 4D84 0x4848 4DC4	Instance	SL1 SL2
Description	CPGMAC_SL MAC control register		
Type	RW		

31	30	29	28	27	26	25	24	23	22	21	20	19	18	17	16	15	14	13	12	11	10	9	8	7	6	5	4	3	2	1	0
RESERVED								RX_CMF_EN	RX_CSF_EN	RX_CEF_EN	TX_SHORT_GAP_LIM_EN	RESERVED	EXT_EN	GIG_FORCE	IFCTL_B	IFCTL_A	RESERVED	CMD_IDLE	TX_SHORT_GAP_EN	RESERVED	GIG	TX_PACE	GMII_EN	TX_FLOW_EN	RX_FLOW_EN	MTEST	LOOPBACK	FULLDUPLEX			

Bits	Field Name	Description	Type	Reset
31:25	RESERVED		R	0x0
24	RX_CMF_EN	RX Copy MAC Control Frames Enable - Enables MAC control frames to be transferred to memory. MAC control frames are normally acted upon (if enabled), but not copied to memory. MAC control frames that are pause frames will be acted upon if enabled in the SL_MACCONTROL register, regardless of the value of RX_CMF_EN. Frames transferred to memory due to RX_CMF_EN will have the control bit set in their EOP buffer descriptor. 0 - MAC control frames are filtered (but acted upon if enabled). 1 - MAC control frames are transferred to memory.	RW	0x0

Bits	Field Name	Description	Type	Reset
23	RX_CSF_EN	RX Copy Short Frames Enable - Enables frames or fragments shorter than 64 bytes to be copied to memory. Frames transferred to memory due to RX_CSF_EN will have the fragment or undersized bit set in their receive footer. Fragments are short frames that contain CRC/align/code errors and undersized are short frames without errors. 0 - Short frames are filtered 1 - Short frames are transferred to memory.	RW	0x0
22	RX_CEF_EN	RX Copy Error Frames Enable - Enables frames containing errors to be transferred to memory. The appropriate error bit will be set in the frame receive footer. Frames containing errors will be filtered when RX_CEF_EN is not set. 0 - Frames containing errors are filtered. 1 - Frames containing errors are transferred to memory.	RW	0x0
21	TX_SHORT_GAP_LIM_EN	Transmit Short Gap Limit Enable When set this bit limits the number of short gap packets transmitted to 100ppm. Each time a short gap packet is sent, a counter is loaded with 10,000 and decremented on each wireside clock. Another short gap packet will not be sent out until the counter decrements to zero. This mode is included to preclude the host from filling up the FIFO and sending every packet out with short gap which would violate the maximum number of packets per second allowed.	RW	0x0
20:19	RESERVED		R	0x0
18	EXT_EN	Control Enable - Enables the full duplex and gigabit mode to be selected from the FULLDUPLEX_IN and GIG_IN input signals and not from the FULLDUPLEX and GIG bits in this register. The FULLDUPLEX_MODE bit reflects the actual full duplex mode selected 0 - Use this setting for RMII/GMII mode . 1 - Use this setting for RGMII mode	RW	0x0
17	GIG_FORCE	Gigabit Mode Force - This bit is used to force the CPGMAC_SL into gigabit mode if the input GMII_MTCLK has been stopped by the PHY.	RW	0x0
16	IFCTL_B	Interface Control B (NOT FUNCTIONAL) 0 - 10Mbps operation 1 - 100Mbps operation	RW	0x0
15	IFCTL_A	Interface Control A 0 - 10Mbps operation 1 - 100Mbps operation	RW	0x0
14:12	RESERVED		R	0x0
11	CMD_IDLE	Command Idle 0 - Idle not commanded 1 - Idle Commanded (read IDLE in SL_MACSTATUS)	RW	0x0
10	TX_SHORT_GAP_EN	Transmit Short Gap Enable 0 - Transmit with a short IPG is disabled 1 - Transmit with a short IPG (when TX_SHORT_GAP input is asserted) is enabled.	RW	0x0
9:8	RESERVED		R	0x0
7	GIG	Gigabit Mode - 0 - 10/100 mode 1 - Gigabit mode (full duplex only) The GIG_OUT output is the value of this bit.	RW	0x0
6	TX_PACE	Transmit Pacing Enable 0 - Transmit Pacing Disabled 1 - Transmit Pacing Enabled	RW	0x0
5	GMII_EN	GMII Enable - 0 - GMII RX and TX held in reset. 1 - GMII RX and TX released from reset.	RW	0x0

Bits	Field Name	Description	Type	Reset
4	TX_FLOW_EN	Transmit Flow Control Enable - Determines if incoming pause frames are acted upon in full-duplex mode. Incoming pause frames are not acted upon in half-duplex mode regardless of this bit setting. The RX_MBP_Enable bits determine whether or not received pause frames are transferred to memory. 0 - Transmit Flow Control Disabled. Full-duplex mode - Incoming pause frames are not acted upon. 1 - Transmit Flow Control Enabled . Full-duplex mode - Incoming pause frames are acted upon.	RW	0x0
3	RX_FLOW_EN	Receive Flow Control Enable - 0 - Receive Flow Control Disabled Half-duplex mode - No flow control generated collisions are sent. Full-duplex mode - No outgoing pause frames are sent. 1 - Receive Flow Control Enabled Half-duplex mode - Collisions are initiated when receive flow control is triggered. Full-duplex mode - Outgoing pause frames are sent when receive flow control is triggered.	RW	0x0
2	MTEST	Manufacturing Test mode - This bit must be set to allow writes to the SL_BOFFTEST and SL_RX_PAUSE/SL_TX_PAUSE registers.	RW	0x0
1	LOOPBACK	Loop Back Mode - Loopback mode forces internal fullduplex mode regardless of whether the FULLDUPLEX bit is set or not. The LOOPBACK bit should be changed only when GMII_EN is deasserted. 0 - Not looped back 1 - Loop Back Mode enabled	RW	0x0
0	FULLDUPLEX	Full Duplex mode - Gigabit mode forces fullduplex mode regardless of whether the FULLDUPLEX bit is set or not. The FULLDUPLEX_OUT output is the value of this register bit 0 - half duplex mode 1 - full duplex mode	RW	0x0

Table 24-1737. Register Call Summary for Register SL_MACCONTROL

Gigabit Ethernet Switch (GMAC_SW)

- [G/MII Interface](#):
- [Address Lookup Engine \(ALE\): \[1\]\[2\]](#)
- [Ethernet MAC Sliver \(CPGMAC_SL\): \[3\]\[4\]\[5\]\[6\]\[7\]](#)
- [Flow Control: \[8\]\[9\]\[10\]\[11\]\[12\]\[13\]\[14\]\[15\]](#)
- [Short Gap: \[16\]](#)
- [RX Buffer Descriptors: \[17\]\[18\]\[19\]](#)
- [MDIO Functional Description: \[20\]](#)
- [STATS Register Description: \[21\]](#)
- [SL Register Summary: \[22\]](#)
- [SL Register Description: \[23\]](#)

Table 24-1738. SL_MACSTATUS

Address Offset	0x0000 0008		
Physical Address	0x4848 4D88 0x4848 4DC8	Instance	SL1 SL2
Description	CPGMAC_SL MAC status register		
Type	R		

31	30	29	28	27	26	25	24	23	22	21	20	19	18	17	16	15	14	13	12	11	10	9	8	7	6	5	4	3	2	1	0
IDLE	RESERVED																										EXT_GIG	EXT_FULLDUPLEX	RESERVED	RX_FLOW_ACT	TX_FLOW_ACT

Bits	Field Name	Description	Type	Reset
31	IDLE	CPGMAC_SL IDLE - The CPGMAC_SL is in the idle state (valid after an idle command) 0 - The CPGMAC_SL is not in the idle state. 1 - The CPGMAC_SL is in the idle state.	R	0x1
30:5	RESERVED		R	0x0
4	EXT_GIG	External GIG - This is the value of the EXT_GIG input bit.	R	0x0
3	EXT_FULLDUPLEX	External Fullduplex - This is the value of the EXT_FULLDUPLEX input bit.	R	0x0
2	RESERVED		R	0x0
1	RX_FLOW_ACT	Receive Flow Control Active - When asserted, indicates that receive flow control is enabled and triggered.	R	0x0
0	TX_FLOW_ACT	Transmit Flow Control Active - When asserted, this bit indicates that the pause time period is being observed for a received pause frame. No new transmissions will begin while this bit is asserted except for the transmission of pause frames. Any transmission in progress when this bit is asserted will complete.	R	0x0

Table 24-1739. Register Call Summary for Register SL_MACSTATUS

Gigabit Ethernet Switch (GMAC_SW)

- [SL Register Summary: \[0\]](#)
- [SL Register Description: \[1\]](#)

Table 24-1740. SL_SOFT_RESET

Address Offset	0x0000 000C		
Physical Address	0x4848 4D8C 0x4848 4DCC	Instance	SL1 SL2
Description	CPGMAC_SL soft reset register		
Type	RW		

31	30	29	28	27	26	25	24	23	22	21	20	19	18	17	16	15	14	13	12	11	10	9	8	7	6	5	4	3	2	1	0
RESERVED																															SOFT_RESET

Bits	Field Name	Description	Type	Reset
31:1	RESERVED		R	0x0
0	SOFT_RESET	Software reset - Writing a one to this bit causes the CPGMAC_SL logic to be reset. After writing a one to this bit, it may be polled to determine if the reset has occurred. If a one is read, the reset has not yet occurred. If a zero is read then reset has occurred.	RW	0x0

Table 24-1741. Register Call Summary for Register SL_SOFT_RESET

Gigabit Ethernet Switch (GMAC_SW)

- [Software Reset: \[0\]](#)
- [SL Register Summary: \[1\]](#)

Table 24-1742. SL_RX_MAXLEN

Address Offset	0x0000 0010	
Physical Address	0x4848 4D90 0x4848 4DD0	Instance
		SL1 SL2
Description	CPGMAC_SL RX Maximum length register	
Type	RW	

31	30	29	28	27	26	25	24	23	22	21	20	19	18	17	16	15	14	13	12	11	10	9	8	7	6	5	4	3	2	1	0
RESERVED																RX_MAXLEN															

Bits	Field Name	Description	Type	Reset
31:14	RESERVED		R	0x0
13:0	RX_MAXLEN	RX Maximum Frame Length - This field determines the maximum length of a received frame. The reset value is 1518 (dec). Frames with byte counts greater than rx_maxlen are long frames. Long frames with no errors are oversized frames. Long frames with CRC, code, or alignment error are jabber frames. The maximum value is 16,383.	RW	0x5EE

Table 24-1743. Register Call Summary for Register SL_RX_MAXLEN

Gigabit Ethernet Switch (GMAC_SW)

- [Ethernet MAC Sliver \(CPGMAC_SL\): \[0\]\[1\]](#)
- [Flow Control: \[2\]](#)
- [STATS Register Description: \[3\]\[4\]\[5\]\[6\]\[7\]\[8\]\[9\]\[10\]\[11\]\[12\]\[13\]\[14\]\[15\]\[16\]\[17\]](#)
- [SL Register Summary: \[18\]](#)

Table 24-1744. SL_BOFFTEST

Address Offset	0x0000 0014	
Physical Address	0x4848 4D94 0x4848 4DD4	Instance
		SL1 SL2
Description	CPGMAC_SL backoff test register	
Type	RW	

31	30	29	28	27	26	25	24	23	22	21	20	19	18	17	16	15	14	13	12	11	10	9	8	7	6	5	4	3	2	1	0
RESERVED	PACEVAL				RNDNUM				COLL_COUNT				RESERVED	TX_BACKOFF																	

Bits	Field Name	Description	Type	Reset
31	RESERVED		R	0x0
30:26	PACEVAL	Pacing Register Current Value. A non-zero value in this field indicates that transmit pacing is active. A transmit frame collision or deferral causes PACEVAL to loaded with decimal 31, good frame transmissions (with no collisions or deferrals) cause PACEVAL to be decremented down to zero. When PACEVAL is nonzero, the transmitter delays 4 IPGs between new frame transmissions after each successfully transmitted frame that had no deferrals or collisions. Transmit pacing helps reduce 'capture' effects improving overall network bandwidth.	RW	0x0
25:16	RNDNUM	Backoff Random Number Generator - This field allows the Backoff Random Number Generator to be read (or written in test mode only). This field can be written only when mtest has previously been set. Reading this field returns the generator's current value. The value is reset to zero and begins counting on the clock after the deassertion of reset.	RW	0x0
15:12	COLL_COUNT	Collision Count - The number of collisions the current frame has experienced.	R	0x0
11:10	RESERVED		R	0x0
9:0	TX_BACKOFF	Backoff Count - This field allows the current value of the backoff counter to be observed for test purposes. This field is loaded automatically according to the backoff algorithm, and is decremented by one for each slot time after the collision.	R	0x0

Table 24-1745. Register Call Summary for Register SL_BOFFTEST

Gigabit Ethernet Switch (GMAC_SW)

- [SL Register Summary: \[0\]](#)
- [SL Register Description: \[1\]](#)

Table 24-1746. SL_RX_PAUSE

Address Offset	0x0000 0018		
Physical Address	0x4848 4D98 0x4848 4DD8	Instance	SL1 SL2
Description	CPGMAC_SL receive pause timer register		
Type	R		

31	30	29	28	27	26	25	24	23	22	21	20	19	18	17	16	15	14	13	12	11	10	9	8	7	6	5	4	3	2	1	0
RESERVED																RX_PAUSETIMER															

Bits	Field Name	Description	Type	Reset
31:16	RESERVED		R	0x0
15:0	RX_PAUSETIMER	RX Pause Timer Value - This field allows the contents of the receive pause timer to be observed (and written in test mode). The receive pause timer is loaded with 0xFF00 when the CPGMAC_SL sends an outgoing pause frame (with pause time of 0xFFFF). The receive pause timer is decremented at slot time intervals. If the receive pause timer decrements to zero, then another outgoing pause frame will be sent and the load/decrement process will be repeated.	R	0x0

Table 24-1747. Register Call Summary for Register SL_RX_PAUSE

Gigabit Ethernet Switch (GMAC_SW)

- [SL Register Summary: \[0\]](#)
- [SL Register Description: \[1\]](#)

Table 24-1748. SL_TX_PAUSE

Address Offset	0x0000 001C	
Physical Address	0x4848 4D9C 0x4848 4DDC	Instance SL1 SL2
Description	CPGMAC_SL transmit pause timer register	
Type	R	

31	30	29	28	27	26	25	24	23	22	21	20	19	18	17	16	15	14	13	12	11	10	9	8	7	6	5	4	3	2	1	0
RESERVED																TX_PAUSETIMER															

Bits	Field Name	Description	Type	Reset
31:16	RESERVED		R	0x0
15:0	TX_PAUSETIMER	TX Pause Timer Value - This field allows the contents of the transmit pause timer to be observed (and written in test mode). The transmit pause timer is loaded by a received (incoming) pause frame, and then decremented, at slottime intervals, down to zero at which time CPGMAC_SL transmit frames are again enabled.	R	0x0

Table 24-1749. Register Call Summary for Register SL_TX_PAUSE

Gigabit Ethernet Switch (GMAC_SW)

- [SL Register Summary: \[0\]](#)
- [SL Register Description: \[1\]](#)

Table 24-1750. SL_EMCONTROL

Address Offset	0x0000 0020	
Physical Address	0x4848 4DA0 0x4848 4DE0	Instance SL1 SL2
Description	CPGMAC_SL emulation control register	
Type	RW	

31	30	29	28	27	26	25	24	23	22	21	20	19	18	17	16	15	14	13	12	11	10	9	8	7	6	5	4	3	2	1	0
RESERVED																SOFT	FREE														

Bits	Field Name	Description	Type	Reset
31:2	RESERVED		R	0x0
1	SOFT	Emulation Soft Bit. Emulation soft bit. This bit is used in conjunction with FREE bit to determine the emulation suspend mode. This bit has no effect if FREE = 1.	RW	0x0
0	FREE	Emulation Free Bit. Emulation free bit. This bit is used in conjunction with SOFT bit to determine the emulation suspend mode.	RW	0x0

Table 24-1751. Register Call Summary for Register SL_EMCONTROL

Gigabit Ethernet Switch (GMAC_SW)

- [Emulation Control: \[0\]](#)
- [SL Register Summary: \[1\]](#)

Table 24-1752. SL_RX_PRI_MAP

Address Offset	0x0000 0024	Instance	SL1 SL2
Physical Address	0x4848 4DA4 0x4848 4DE4		
Description	CPGMAC_SL RX packet priority to header priority mapping register		
Type	RW		

31	30	29	28	27	26	25	24	23	22	21	20	19	18	17	16	15	14	13	12	11	10	9	8	7	6	5	4	3	2	1	0
RESERVED	PRI7			RESERVED	PRI6			RESERVED	PRI5			RESERVED	PRI4			RESERVED	PRI3			RESERVED	PRI2			RESERVED	PRI1			RESERVED	PRI0		

Bits	Field Name	Description	Type	Reset
31	RESERVED		R	0x0
30:28	PRI7	Priority 7 - A packet priority of 0x7 is mapped (changed) to this value.	RW	0x7
27	RESERVED		R	0x0
26:24	PRI6	Priority 6 - A packet priority of 0x6 is mapped (changed) to this value.	RW	0x6
23	RESERVED		R	0x0
22:20	PRI5	Priority 5 - A packet priority of 0x5 is mapped (changed) to this value.	RW	0x5
19	RESERVED		R	0x0
18:16	PRI4	Priority 4 - A packet priority of 0x4 is mapped (changed) to this value.	RW	0x4
15	RESERVED		R	0x0
14:12	PRI3	Priority 3 - A packet priority of 0x3 is mapped (changed) to this value.	RW	0x3
11	RESERVED		R	0x0
10:8	PRI2	Priority 2 - A packet priority of 0x2 is mapped (changed) to this value.	RW	0x2
7	RESERVED		R	0x0
6:4	PRI1	Priority 1 - A packet priority of 0x1 is mapped (changed) to this value.	RW	0x1
3	RESERVED		R	0x0
2:0	PRI0	Priority 0 - A packet priority of 0x0 is mapped (changed) to this value.	RW	0x0

Table 24-1753. Register Call Summary for Register SL_RX_PRI_MAP

Gigabit Ethernet Switch (GMAC_SW)

- [SL Register Summary: \[0\]](#)

Table 24-1754. SL_TX_GAP

Address Offset	0x0000 0028	
Physical Address	0x4848 4DA8 0x4848 4DE8	Instance SL1 SL2
Description	Transmit inter-packet gap register	
Type	RW	

31	30	29	28	27	26	25	24	23	22	21	20	19	18	17	16	15	14	13	12	11	10	9	8	7	6	5	4	3	2	1	0
RESERVED																TX_GAP															

Bits	Field Name	Description	Type	Reset
31:9	RESERVED		R	0x0
8:0	TX_GAP	Transmit Inter-Packet Gap	RW	0xC

Table 24-1755. Register Call Summary for Register SL_TX_GAP

Gigabit Ethernet Switch (GMAC_SW)

- [Ethernet MAC Sliver \(CPGMAC_SL\): \[0\]](#)
- [SL Register Summary: \[1\]](#)

24.11.6.10 MDIO registers

24.11.6.10.1 MDIO Register Summary

Table 24-1756. MDIO Registers Mapping Summary

Register Name	Type	Register Width (Bits)	Address Offset	MDIO Physical Address
MDIO_VER	RW	32	0x0000 0000	0x4848 5000
MDIO_CONTROL	RW	32	0x0000 0004	0x4848 5004
MDIO_ALIVE	RW	32	0x0000 0008	0x4848 5008
MDIO_LINK	R	32	0x0000 000C	0x4848 500C
MDIO_LINKINTRAW	RW	32	0x0000 0010	0x4848 5010
MDIO_LINKINTMASKED	RW	32	0x0000 0014	0x4848 5014
MDIO_USERINTRAW	RW	32	0x0000 0020	0x4848 5020
MDIO_USERINTMASKED	RW	32	0x0000 0024	0x4848 5024
MDIO_USERINTMASKSET	RW	32	0x0000 0028	0x4848 5028
MDIO_USERINTMASKCLR	RW	32	0x0000 002C	0x4848 502C
MDIO_USERACCESS0	RW	32	0x0000 0080	0x4848 5080
MDIO_USERPHYSELO	RW	32	0x0000 0084	0x4848 5084
MDIO_USERACCESS1	RW	32	0x0000 0088	0x4848 5088
MDIO_USERPHYSEL1	RW	32	0x0000 008C	0x4848 508C

24.11.6.10.2 MDIO Register Description
Table 24-1757. MDIO_VER

Address Offset	0x0000 0000	Instance	MDIO
Physical Address	0x4848 5000		
Description	MDIO Revision		
Type	RW		

31	30	29	28	27	26	25	24	23	22	21	20	19	18	17	16	15	14	13	12	11	10	9	8	7	6	5	4	3	2	1	0
REVISION																															

Bits	Field Name	Description	Type	Reset
31:0	REVISION	MDIO revision value	RW	0x-

Table 24-1758. Register Call Summary for Register MDIO_VER

Gigabit Ethernet Switch (GMAC_SW)

- [MDIO Register Summary: \[0\]](#)

Table 24-1759. MDIO_CONTROL

Address Offset	0x0000 0004	Instance	MDIO
Physical Address	0x4848 5004		
Description	MDIO Control register		
Type	RW		

31	30	29	28	27	26	25	24	23	22	21	20	19	18	17	16	15	14	13	12	11	10	9	8	7	6	5	4	3	2	1	0
IDLE	ENABLE	RESERVED	HIGHEST_USER_CHANNEL				RESERVED	PREAMBLE	FAULT	FAULTENB	INTTESTENB	RESERVED	CLKDIV																		

Bits	Field Name	Description	Type	Reset
31	IDLE	MDIO state machine IDLE. Set to 1 when the state machine is in the idle state. 0: State machine is not in idle state. 1: State machine is in idle state.	R	0x0
30	ENABLE	Enable control. If the MDIO state machine is active at the time it is disabled, it will complete the current operation before halting and setting the IDLE bit. If using byte access, the ENABLE bit has to be the last bit written in this register. 0: Disables the MDIO state machine. 1: Enable the MDIO state machine.	RW	0x0
29	RESERVED		R	0x0
28:24	HIGHEST_USER_CHANNEL	Highest user channel. This field specifies the highest user access channel that is available in the module and is currently set to 1. This implies that the MDIO_USERACCESS1 register is the highest available user access channel.	R	0x0

Bits	Field Name	Description	Type	Reset
23:21	RESERVED		R	0x0
20	PREAMBLE	Preamble disable. 0: Standard MDIO preamble is used. 1: Disables this device from sending MDIO frame preambles.	RW	0x0
19	FAULT	Fault indicator. This bit is set to 1 if the MDIO pins fail to read back what the device is driving onto them. This indicates a physical layer fault and the module state machine is reset. Writing a 1 to it clears this bit. 0: No failure. 1: Physical layer fault; the MDIO state machine is reset.	RW	0x0
18	FAULTENB	Fault detect enable. This bit has to be set to 1 to enable the physical layer fault detection. 0: Disables the physical layer fault detection. 1: Enables the physical layer fault detection.	RW	0x0
17	INTTESTENB	Interrupt test enable. This bit can be set to 1 to enable the host to set the USERINT and LINKINT bits for test purposes. 0: Interrupt bits are not set. 1: Enables the host to set the USERINT and LINKINT bits for test purposes.	RW	0x0
16	RESERVED		R	0x0
15:0	CLKDIV	Clock divider. This field specifies the division ratio between ICLK and the frequency of MDCLK. MDCLK is disabled when CLKDIV is set to 0. MDCLK frequency = ICLK frequency/(CLKDIV+1).	RW	0x0

Table 24-1760. Register Call Summary for Register MDIO_CONTROL

Gigabit Ethernet Switch (GMAC_SW)

- [Interface Clocking: \[0\]](#)
- [MDIO Functional Description: \[1\]](#)
- [Initializing the MDIO Module: \[2\]\[3\]](#)
- [MDIO Register Summary: \[4\]](#)
- [MDIO Register Description: \[5\]\[6\]\[7\]](#)

Table 24-1761. MDIO_ALIVE

Address Offset	0x0000 0008																																																																																														
Physical Address	0x4848 5008																Instance	MDIO																																																																													
Description	PHY Alive Status Register																																																																																														
Type	RW																																																																																														
<table border="1" style="width:100%; text-align:center;"> <tr> <td>31</td><td>30</td><td>29</td><td>28</td><td>27</td><td>26</td><td>25</td><td>24</td><td>23</td><td>22</td><td>21</td><td>20</td><td>19</td><td>18</td><td>17</td><td>16</td><td>15</td><td>14</td><td>13</td><td>12</td><td>11</td><td>10</td><td>9</td><td>8</td><td>7</td><td>6</td><td>5</td><td>4</td><td>3</td><td>2</td><td>1</td><td>0</td> </tr> <tr> <td colspan="32">ALIVE</td> </tr> </table>																																31	30	29	28	27	26	25	24	23	22	21	20	19	18	17	16	15	14	13	12	11	10	9	8	7	6	5	4	3	2	1	0	ALIVE																															
31	30	29	28	27	26	25	24	23	22	21	20	19	18	17	16	15	14	13	12	11	10	9	8	7	6	5	4	3	2	1	0																																																																
ALIVE																																																																																															
Bits	Field Name	Description	Type	Reset																																																																																											
31:0	ALIVE	MDIO alive. Each of the 32 bits of this register is set if the most recent access to the PHY with address corresponding to the register bit number was acknowledged by the PHY, the bit is reset if the PHY fails to acknowledge the access. Both the user and polling accesses to a PHY will cause the corresponding alive bit to be updated. The alive bits are only meant to be used to give an indication of the presence or not of a PHY with the corresponding address. Writing a 1 to any bit will clear it, writing a 0 has no effect.	RW	0x0																																																																																											

Table 24-1762. Register Call Summary for Register MDIO_ALIVE

Gigabit Ethernet Switch (GMAC_SW)

- [MDIO Functional Description: \[0\]\[1\]](#)
- [Initializing the MDIO Module: \[2\]](#)
- [MDIO Register Summary: \[3\]](#)

Table 24-1763. MDIO_LINK

Address Offset	0x0000 000C	Instance	MDIO
Physical Address	0x4848 500C		
Description	PHY Link Status		
Type	R		

31	30	29	28	27	26	25	24	23	22	21	20	19	18	17	16	15	14	13	12	11	10	9	8	7	6	5	4	3	2	1	0
LINK																															

Bits	Field Name	Description	Type	Reset
31:0	LINK	MDIO link state. This register is updated after a read of the Generic Status Register of a PHY. The bit is set if the PHY with the corresponding address has link and the PHY acknowledges the read transaction. The bit is reset if the PHY indicates it does not have link or fails to acknowledge the read transaction. Writes to the register have no effect. In addition, the status of the two PHYs specified in the MDIO_USERPHYSEL registers can be determined using the MLINK input pins (NOT PINNED OUT). This is determined by the LINKSEL bit in the MDIO_USERPHYSEL register.	R	0x0

Table 24-1764. Register Call Summary for Register MDIO_LINK

Gigabit Ethernet Switch (GMAC_SW)

- [Miscellaneous Pulse Interrupt \(MISC_PULSE\): \[0\]\[1\]\[2\]\[3\]](#)
- [MDIO Functional Description: \[4\]](#)
- [Initializing the MDIO Module: \[5\]](#)
- [MDIO Register Summary: \[6\]](#)

Table 24-1765. MDIO_LINKINTRA

Address Offset	0x0000 0010	Instance	MDIO
Physical Address	0x4848 5010		
Description			
Type	RW		

31	30	29	28	27	26	25	24	23	22	21	20	19	18	17	16	15	14	13	12	11	10	9	8	7	6	5	4	3	2	1	0
RESERVED																LINKINTRA															

Bits	Field Name	Description	Type	Reset
31:2	RESERVED		R	0x0
1:0	LINKINTRA	MDIO link change event, raw value.	RW	0x0

Table 24-1766. Register Call Summary for Register MDIO_LINKINTRAW

Gigabit Ethernet Switch (GMAC_SW)

- [MDIO Functional Description: \[0\]](#)
- [MDIO Register Summary: \[1\]](#)

Table 24-1767. MDIO_LINKINTMASKED

Address Offset	0x0000 0014	Instance	MDIO
Physical Address	0x4848 5014		
Description	MDIO Link Status Change Interrupt Register		
Type	RW		

31	30	29	28	27	26	25	24	23	22	21	20	19	18	17	16	15	14	13	12	11	10	9	8	7	6	5	4	3	2	1	0
RESERVED																LINKINTMASKED															

Bits	Field Name	Description	Type	Reset
31:2	RESERVED		R	0x0
1:0	LINKINTMASKED	MDIO link change interrupt, masked value. When asserted 1, a bit indicates that there was an MDIO link change event (i.e. change in the MDIO Link register) corresponding to the PHY address in the MDIO_USERPHYSEL register and the corresponding LINKINTENB bit was set. LINKINTMASKED[0] and LINKINTMASKED[1] correspond to MDIO_USERPHYSEL0 and MDIO_USERPHYSEL1 , respectively. Writing a 1 will clear the interrupt and writing 0 has no effect. If the INTTESTENB bit in the MDIO_CONTROL register is set, the host may set the LINKINT bits to a 1. This mode may be used for test purposes.	RW	0x0

Table 24-1768. Register Call Summary for Register MDIO_LINKINTMASKED

Gigabit Ethernet Switch (GMAC_SW)

- [Miscellaneous Pulse Interrupt \(MISC_PULSE\): \[0\]\[1\]](#)
- [MDIO Functional Description: \[2\]](#)
- [MDIO Register Summary: \[3\]](#)

Table 24-1769. MDIO_USERINTRAW

Address Offset	0x0000 0020	Instance	MDIO
Physical Address	0x4848 5020		
Description	MDIO User Command Complete Interrupt		
Type	RW		

31	30	29	28	27	26	25	24	23	22	21	20	19	18	17	16	15	14	13	12	11	10	9	8	7	6	5	4	3	2	1	0
RESERVED																USERINTRAW															

Bits	Field Name	Description	Type	Reset
31:2	RESERVED		R	0x0
1:0	USERINTRAW	Raw value of MDIO user command complete event for the MDIO_USERACCESS1 and MDIO_USERACCESS0 register, respectively. When asserted 1, a bit indicates that the previously scheduled PHY read or write command using that particular MDIO_USERACCESS register has completed. Writing a 1 will clear the event and writing 0 has no effect. If the INTTESTENB bit in the MDIO_CONTROL register is set, the host may set the USERINTRAW bits to a 1. This mode may be used for test purposes.	RW	0x0

Table 24-1770. Register Call Summary for Register MDIO_USERINTRAW

Gigabit Ethernet Switch (GMAC_SW)

- [MDIO Functional Description: \[0\]](#)
- [Writing Data To a PHY Register: \[1\]](#)
- [Reading Data From a PHY Register: \[2\]](#)
- [MDIO Register Summary: \[3\]](#)

Table 24-1771. MDIO_USERINTMASKED

Address Offset	0x0000 0024	Instance	MDIO
Physical Address	0x4848 5024		
Description	MDIO User Command Complete Interrupt		
Type	RW		

31	30	29	28	27	26	25	24	23	22	21	20	19	18	17	16	15	14	13	12	11	10	9	8	7	6	5	4	3	2	1	0
RESERVED																USERINTMASKED															

Bits	Field Name	Description	Type	Reset
31:2	RESERVED		R	0x0
1:0	USERINTMASKED	Masked value of MDIO user command complete interrupt for the MDIO_USERACCESS1 and MDIO_USERACCESS0 register, respectively. When asserted 1, a bit indicates that the previously scheduled PHY read or write command using that particular MDIO_USERACCESS register has completed and the corresponding USERINTMASKSET bit is set to 1. Writing a 1 will clear the interrupt and writing 0 has no effect. If the INTTESTENB bit in the MDIO_CONTROL register is set, the host may set the USERINTMASKED bits to a 1. This mode may be used for test purposes.	RW	0x0

Table 24-1772. Register Call Summary for Register MDIO_USERINTMASKED

Gigabit Ethernet Switch (GMAC_SW)

- [Miscellaneous Pulse Interrupt \(MISC_PULSE\): \[0\]\[1\]](#)
- [MDIO Functional Description: \[2\]](#)
- [Writing Data To a PHY Register: \[3\]](#)
- [Reading Data From a PHY Register: \[4\]](#)
- [MDIO Register Summary: \[5\]](#)

Table 24-1773. MDIO_USERINTMASKSET

Address Offset	0x0000 0028	Instance	MDIO
Physical Address	0x4848 5028		
Description	MDIO User Command Complete Interrupt Mask Set		
Type	RW		

31	30	29	28	27	26	25	24	23	22	21	20	19	18	17	16	15	14	13	12	11	10	9	8	7	6	5	4	3	2	1	0
RESERVED																USERINTMASKSET															

Bits	Field Name	Description	Type	Reset
31:2	RESERVED		R	0x0
1:0	USERINTMASKSET	MDIO user interrupt mask set for USERINTMASKED[1:0], respectively. Writing a bit to 1 will enable MDIO user command complete interrupts for that particular MDIO_USERACCESS register. MDIO user interrupt for a particular MDIO_USERACCESS register is disabled if the corresponding bit is 0. Writing a 0 to this register has no effect.	RW	0x0

Table 24-1774. Register Call Summary for Register MDIO_USERINTMASKSET

Gigabit Ethernet Switch (GMAC_SW)

- [Miscellaneous Pulse Interrupt \(MISC_PULSE\): \[0\]](#)
- [MDIO Functional Description: \[1\]](#)
- [Initializing the MDIO Module: \[2\]](#)
- [Writing Data To a PHY Register: \[3\]](#)
- [Reading Data From a PHY Register: \[4\]](#)
- [MDIO Register Summary: \[5\]](#)

Table 24-1775. MDIO_USERINTMASKCLR

Address Offset	0x0000 002C	Instance	MDIO
Physical Address	0x4848 502C		
Description	MDIO User Command Complete Interrupt Mask Clear		
Type	RW		

31	30	29	28	27	26	25	24	23	22	21	20	19	18	17	16	15	14	13	12	11	10	9	8	7	6	5	4	3	2	1	0
RESERVED																USERINTMASKCLR															

Bits	Field Name	Description	Type	Reset
31:2	RESERVED		R	0x0
1:0	USERINTMASKCLEAR	MDIO user command complete interrupt mask clear for USERINTMASKED[1:0], respectively. Writing a bit to 1 will disable further user command complete interrupts for that particular MDIO_USERACCESS register. Writing a 0 to this register has no effect.	RW	0x0

Table 24-1776. Register Call Summary for Register MDIO_USERINTMASKCLR

Gigabit Ethernet Switch (GMAC_SW)

- [MDIO Functional Description: \[0\]](#)
- [MDIO Register Summary: \[1\]](#)

Table 24-1777. MDIO_USERACCESS0

Address Offset	0x0000 0080	Instance	MDIO
Physical Address	0x4848 5080		
Description	MDIO_User_Access		
Type	RW		

31	30	29	28	27	26	25	24	23	22	21	20	19	18	17	16	15	14	13	12	11	10	9	8	7	6	5	4	3	2	1	0
GO	WRITE	ACK	RESERVED				REGADR					PHYADR					DATA														

Bits	Field Name	Description	Type	Reset
31	GO	Go. Writing a 1 to this bit causes the MDIO state machine to perform an MDIO access when it is convenient for it to do so, this is not an instantaneous process. Writing a 0 to this bit has no effect. This bit is write able only if the MDIO state machine is enabled. This bit will self clear when the requested access has been completed. Any writes to the MDIO_USERACCESS0 register are blocked when the GO bit is 1. If byte access is being used, the GO bit should be written last.	RW	0x0
30	WRITE	Write enable. Setting this bit to a 1 causes the MDIO transaction to be a register write, otherwise it is a register read.	RW	0x0
29	ACK	Acknowledge. This bit is set if the PHY acknowledged the read transaction.	RW	0x0
28:26	RESERVED		R	0x0
25:21	REGADR	Register address. Specifies the PHY register to be accessed for this transaction.	RW	0x0
20:16	PHYADR	PHY address. Specifies the PHY to be accesses for this transaction.	RW	0x0
15:0	DATA	User data. The data value read from or to be written to the specified PHY register.	RW	0x0

Table 24-1778. Register Call Summary for Register MDIO_USERACCESS0

Gigabit Ethernet Switch (GMAC_SW)

- [MDIO: \[0\]](#)
- [MDIO Functional Description: \[1\]\[2\]\[3\]\[4\]\[5\]](#)
- [Initializing the MDIO Module: \[6\]\[7\]\[8\]](#)
- [Writing Data To a PHY Register: \[9\]\[10\]\[11\]\[12\]\[13\]](#)
- [Reading Data From a PHY Register: \[14\]\[15\]\[16\]\[17\]\[18\]](#)
- [MDIO Register Summary: \[19\]](#)
- [MDIO Register Description: \[20\]\[21\]\[22\]](#)

Table 24-1779. MDIO_USERPHYSEL0

Address Offset	0x0000 0084	Instance	MDIO
Physical Address	0x4848 5084		
Description	MDIO User PHY Select		
Type	RW		

31	30	29	28	27	26	25	24	23	22	21	20	19	18	17	16	15	14	13	12	11	10	9	8	7	6	5	4	3	2	1	0
RESERVED																LINKSEL	LINKINTENB	RESERVED	PHYADDRMON												

Bits	Field Name	Description	Type	Reset
31:8	RESERVED		R	0x0
7	LINKSEL	Link status determination select. Set to 1 to determine link status using the MLINK pin (NOT PINNED OUT). Default value is 0 which implies that the link status is determined by the MDIO state machine.	RW	0x0
6	LINKINTENB	Link change interrupt enable. Set to 1 to enable link change status interrupts for PHY address specified in PHYADDRMON. Link change interrupts are disabled if this bit is set to 0. 0: Link change interrupts are disabled. 1: Link change status interrupts for PHY address specified in PHYADDRMON bits are enabled.	RW	0x0
5	RESERVED		R	0x0
4:0	PHYADDRMON	PHY address whose link status is to be monitored.	RW	0x0

Table 24-1780. Register Call Summary for Register MDIO_USERPHYSEL0

Gigabit Ethernet Switch (GMAC_SW)

- [MDIO Functional Description: \[0\]\[1\]](#)
- [Initializing the MDIO Module: \[2\]](#)
- [MDIO Register Summary: \[3\]](#)
- [MDIO Register Description: \[4\]](#)

Table 24-1781. MDIO_USERACCESS1

Address Offset	0x0000 0088	Instance	MDIO
Physical Address	0x4848 5088		
Description	MDIO User Access		
Type	RW		

31	30	29	28	27	26	25	24	23	22	21	20	19	18	17	16	15	14	13	12	11	10	9	8	7	6	5	4	3	2	1	0
GO	WRITE	ACK	RESERVED	REGADR				PHYADR				DATA																			

Bits	Field Name	Description	Type	Reset
31	GO	Go. Writing a 1 to this bit causes the MDIO state machine to perform an MDIO access when it is convenient for it to do so, this is not an instantaneous process. Writing a 0 to this bit has no effect. This bit is write able only if the MDIO state machine is enabled. This bit will self clear when the requested access has been completed. Any writes to the MDIO_USERACCESS1 register are blocked when the GO bit is 1. If byte access is being used, the GO bit should be written last.	RW	0x0
30	WRITE	Write enable. Setting this bit to a 1 causes the MDIO transaction to be a register write, otherwise it is a register read.	RW	0x0
29	ACK	Acknowledge. This bit is set if the PHY acknowledged the read transaction.	RW	0x0
28:26	RESERVED		R	0x0
25:21	REGADR	Register address. Specifies the PHY register to be accessed for this transaction.	RW	0x0
20:16	PHYADR	PHY address. Specifies the PHY to be accesses for this transaction.	RW	0x0
15:0	DATA	User data. The data value read from or to be written to the specified PHY register.	RW	0x0

Table 24-1782. Register Call Summary for Register MDIO_USERACCESS1

Gigabit Ethernet Switch (GMAC_SW)

- MDIO: [0]
- MDIO Register Summary: [1]
- MDIO Register Description: [2][3][4][5]

Table 24-1783. MDIO_USERPHYSEL1

Address Offset	0x0000 008C	Instance	MDIO
Physical Address	0x4848 508C		
Description	MDIO User PHY Select		
Type	RW		

31	30	29	28	27	26	25	24	23	22	21	20	19	18	17	16	15	14	13	12	11	10	9	8	7	6	5	4	3	2	1	0
RESERVED													LINKSEL	LINKTENB	RESERVED	PHYADDRMON															

Bits	Field Name	Description	Type	Reset
31:8	RESERVED		R	0x0
7	LINKSEL	Link status determination select. Set to 1 to determine link status using the MLINK pin (NOT PINNED OUT). Default value is 0 which implies that the link status is determined by the MDIO state machine.	RW	0x0
6	LINKINTENB	Link change interrupt enable. Set to 1 to enable link change status interrupts for PHY address specified in PHYADDRMON. Link change interrupts are disabled if this bit is set to 0. 0: Link change interrupts are disabled. 1: Link change status interrupts for PHY address specified in PHYADDRMON bits are enabled.	RW	0x0
5	RESERVED		R	0x0
4:0	PHYADDRMON	PHY address whose link status is to be monitored.	RW	0x0

Table 24-1784. Register Call Summary for Register MDIO_USERPHYSEL1

Gigabit Ethernet Switch (GMAC_SW)

- [MDIO Register Summary: \[0\]](#)
- [MDIO Register Description: \[1\]](#)

24.11.6.11 WR registers

24.11.6.11.1 WR Register Summary

Table 24-1785. WR Registers Mapping Summary

Register Name	Type	Register Width (Bits)	Address Offset	WR Physical Address
WR_IDVER	R	32	0x0000 0000	0x4848 5200
WR_SOFT_RESET	RW	32	0x0000 0004	0x4848 5204
WR_CONTROL	RW	32	0x0000 0008	0x4848 5208
WR_INT_CONTROL	RW	32	0x0000 000C	0x4848 520C
WR_C0_RX_THRESH_EN	RW	32	0x0000 0010	0x4848 5210
WR_C0_RX_EN	RW	32	0x0000 0014	0x4848 5214
WR_C0_TX_EN	RW	32	0x0000 0018	0x4848 5218
WR_C0_MISC_EN	RW	32	0x0000 001C	0x4848 521C
WR_C0_RX_THRESH_STAT	R	32	0x0000 0040	0x4848 5240
WR_C0_RX_STAT	R	32	0x0000 0044	0x4848 5244
WR_C0_TX_STAT	R	32	0x0000 0048	0x4848 5248
WR_C0_MISC_STAT	R	32	0x0000 004C	0x4848 524C
WR_C0_RX_IMAX	RW	32	0x0000 0070	0x4848 5270
WR_C0_TX_IMAX	RW	32	0x0000 0074	0x4848 5274
WR_RGMII_CTL	R	32	0x0000 0088	0x4848 5288
WR_STATUS	R	32	0x0000 008C	0x4848 528C

24.11.6.11.2 WR Register Description
Table 24-1786. WR_IDVER

Address Offset	0x0000 0000	Instance	WR
Physical Address	0x4848 5200		
Description	Subsystem wrapper revision register		
Type	R		

31	30	29	28	27	26	25	24	23	22	21	20	19	18	17	16	15	14	13	12	11	10	9	8	7	6	5	4	3	2	1	0
REVISION																															

Bits	Field Name	Description	Type	Reset
31:0	REVISION	Wrapper revision value	R	0x-

Table 24-1787. Register Call Summary for Register WR_IDVER

Gigabit Ethernet Switch (GMAC_SW)

- [WR Register Summary: \[0\]](#)

Table 24-1788. WR_SOFT_RESET

Address Offset	0x0000 0004	Instance	WR
Physical Address	0x4848 5204		
Description	Subsystem soft reset register		
Type	RW		

31	30	29	28	27	26	25	24	23	22	21	20	19	18	17	16	15	14	13	12	11	10	9	8	7	6	5	4	3	2	1	0
RESERVED																															SOFT_RESET

Bits	Field Name	Description	Type	Reset
31:1	RESERVED		R	0x0
0	SOFT_RESET	Software reset - Writing a one to this bit causes the CPGMACSS_R logic to be reset (INT, REGS, CPPI). Software reset occurs on the clock following the register bit write.	RW	0x0

Table 24-1789. Register Call Summary for Register WR_SOFT_RESET

Gigabit Ethernet Switch (GMAC_SW)

- [Software Reset: \[0\]](#)
- [WR Register Summary: \[1\]](#)

Table 24-1790. WR_CONTROL

Address Offset	0x0000 0008	Instance	WR
Physical Address	0x4848 5208		
Description	Subsystem control register		
Type	RW		

31	30	29	28	27	26	25	24	23	22	21	20	19	18	17	16	15	14	13	12	11	10	9	8	7	6	5	4	3	2	1	0
RESERVED																SS_EEE_EN					MMR_STDBYMODE	MMR_IDLEMODE									

Bits	Field Name	Description	Type	Reset
31:9	RESERVED	Reserved	R	0x0
8	SS_EEE_EN	Subsystem Energy Efficient Ethernet enable 0: EEE disabled 1: EEE enabled	RW	0x0
7:4	RESERVED	Reserved	R	0x0
3:2	MMR_STDBYMODE	Configuration of the local initiator state management mode. By definition, initiator may generate read/write transaction as long as it is out of STANDBY state. 0x0: Force-standby mode : Local initiator is unconditionally placed in standby state. 0x1: No-standby mode : Local initiator is unconditionally placed out of standby state. 0x3: Reserved : Reserved. 0x2: Reserved : Reserved.	RW	0x0
1:0	MMR_IDLEMODE	Configuration of the local initiator state management mode. By definition, initiator may generate read/write transaction as long as it is out of IDLE state. 0x0: Force-idle mode : Local initiator is unconditionally placed in idle state. 0x1: No-idle mode : Local initiator is unconditionally placed out of idle state. 0x3: Reserved : Reserved. 0x2: Reserved : Reserved.	RW	0x0

Table 24-1791. Register Call Summary for Register WR_CONTROL

Gigabit Ethernet Switch (GMAC_SW)

- [Energy Efficient Ethernet Support \(802.3az\): \[0\]](#)
- [WR Register Summary: \[1\]](#)

Table 24-1792. WR_INT_CONTROL

Address Offset	0x0000 000C	Instance	WR
Physical Address	0x4848 520C		
Description	Subsystem interrupt control		
Type	RW		

31	30	29	28	27	26	25	24	23	22	21	20	19	18	17	16	15	14	13	12	11	10	9	8	7	6	5	4	3	2	1	0
RESERVED								INT_PACE_EN								RESERVED								INT_PRESCALE							

Bits	Field Name	Description	Type	Reset
31	INT_TEST	Interrupt Test - Test bit to the interrupt pacing blocks	RW	0x0
30:22	RESERVED		R	0x0
21:16	INT_PACE_EN	Interrupt Pacing Enable INT_PACE_EN[0] – Enables RX_PULSE Pacing (0 is pacing bypass) INT_PACE_EN[1] – Enables TX_PULSE Pacing (0 is pacing bypass)	RW	0x0
15:12	RESERVED		R	0x0
11:0	INT_PRESCALE	Interrupt Counter Prescaler - The number of MAIN_CLK periods in 4 μ s.	RW	0x0

Table 24-1793. Register Call Summary for Register WR_INT_CONTROL

Gigabit Ethernet Switch (GMAC_SW)

- [Interrupt Pacing: \[0\]](#)
- [WR Register Summary: \[1\]](#)

Table 24-1794. WR_C0_RX_THRESH_EN

Address Offset	0x0000 0010	Instance	WR
Physical Address	0x4848 5210		
Description	Subsystem core 0 receive threshold int enable register		
Type	RW		

31	30	29	28	27	26	25	24	23	22	21	20	19	18	17	16	15	14	13	12	11	10	9	8	7	6	5	4	3	2	1	0
RESERVED																C0_RX_THRESH_EN															

Bits	Field Name	Description	Type	Reset
31:8	RESERVED		R	0x0
7:0	C0_RX_THRESH_EN	Core 0 Receive Threshold Enable - Each bit in this register corresponds to the bit in the receive threshold interrupt that is enabled to generate an interrupt on RX_THRESH_PULSE.	RW	0x0

Table 24-1795. Register Call Summary for Register WR_C0_RX_THRESH_EN

Gigabit Ethernet Switch (GMAC_SW)

- [Receive Threshold Pulse Interrupt \(RX_THRESH_PULSE\): \[0\]\[1\]](#)
- [WR Register Summary: \[2\]](#)

Table 24-1796. WR_C0_RX_EN

Address Offset	0x0000 0014	Instance	WR
Physical Address	0x4848 5214		
Description	Subsystem core 0 receive interrupt enable register		
Type	RW		

31	30	29	28	27	26	25	24	23	22	21	20	19	18	17	16	15	14	13	12	11	10	9	8	7	6	5	4	3	2	1	0
RESERVED																C0_RX_EN															

Bits	Field Name	Description	Type	Reset
31:8	RESERVED		R	0x0
7:0	C0_RX_EN	Core 0 Receive Enable - Each bit in this register corresponds to the bit in the rx interrupt that is enabled to generate an interrupt on RX_PULSE.	RW	0x0

Table 24-1797. Register Call Summary for Register WR_C0_RX_EN

Gigabit Ethernet Switch (GMAC_SW)

- [Receive Packet Completion Pulse Interrupt \(RX_PULSE\): \[0\]\[1\]](#)
- [WR Register Summary: \[2\]](#)

Table 24-1798. WR_C0_TX_EN

Address Offset	0x0000 0018	Instance	WR
Physical Address	0x4848 5218		
Description	Subsystem core 0 transmit interrupt enable register		
Type	RW		

31	30	29	28	27	26	25	24	23	22	21	20	19	18	17	16	15	14	13	12	11	10	9	8	7	6	5	4	3	2	1	0
RESERVED																C0_TX_EN															

Bits	Field Name	Description	Type	Reset
31:8	RESERVED		R	0x0
7:0	C0_TX_EN	Core 0 Transmit Enable - Each bit in this register corresponds to the bit in the tx interrupt that is enabled to generate an interrupt on TX_PULSE.	RW	0x0

Table 24-1799. Register Call Summary for Register WR_C0_TX_EN

Gigabit Ethernet Switch (GMAC_SW)

- [Transmit Packet Completion Pulse Interrupt \(TX_PULSE\): \[0\]\[1\]](#)
- [WR Register Summary: \[2\]](#)

Table 24-1800. WR_C0_MISC_EN

Address Offset	0x0000 001C	Instance	WR
Physical Address	0x4848 521C		
Description	Subsystem core 0 misc interrupt enable register		
Type	RW		

31	30	29	28	27	26	25	24	23	22	21	20	19	18	17	16	15	14	13	12	11	10	9	8	7	6	5	4	3	2	1	0
RESERVED																C0_MISC_EN															

Bits	Field Name	Description	Type	Reset
31:5	RESERVED		R	0x0
4:0	C0_MISC_EN	Core 0 Misc Enable - Each bit in this register corresponds to the miscellaneous interrupt (SPF2_PEND, SPF1_PEND, EVNT_PEND, STAT_PEND, HOST_PEND, MDIO_LINKINT, MDIO_USERINT) that is enabled to generate an interrupt on MISC_PULSE.	RW	0x0

Table 24-1801. Register Call Summary for Register WR_C0_MISC_EN

Gigabit Ethernet Switch (GMAC_SW)

- [Miscellaneous Pulse Interrupt \(MISC_PULSE\): \[0\]](#)
- [WR Register Summary: \[1\]](#)

Table 24-1802. WR_C0_RX_THRESH_STAT

Address Offset	0x0000 0040	Instance	WR
Physical Address	0x4848 5240		
Description	Subsystem core 0 rx threshold masked int status register		
Type	R		

31	30	29	28	27	26	25	24	23	22	21	20	19	18	17	16	15	14	13	12	11	10	9	8	7	6	5	4	3	2	1	0
RESERVED																C0_RX_THRESH_STAT															

Bits	Field Name	Description	Type	Reset
31:8	RESERVED		R	0x0
7:0	C0_RX_THRESH_STAT	Core 0 Receive Threshold Masked Interrupt Status - Each bit in this read only register corresponds to the bit in the receive threshold interrupt that is enabled and generating an interrupt on RX_THRESH_PULSE.	R	0x0

Table 24-1803. Register Call Summary for Register WR_C0_RX_THRESH_STAT

Gigabit Ethernet Switch (GMAC_SW)

- [Receive Threshold Pulse Interrupt \(RX_THRESH_PULSE\): \[0\]](#)
- [WR Register Summary: \[1\]](#)

Table 24-1804. WR_C0_RX_STAT

Address Offset	0x0000 0044	Instance	WR
Physical Address	0x4848 5244		
Description	Subsystem core 0 rx interrupt masked int status register		
Type	R		

31	30	29	28	27	26	25	24	23	22	21	20	19	18	17	16	15	14	13	12	11	10	9	8	7	6	5	4	3	2	1	0
RESERVED																C0_RX_STAT															

Bits	Field Name	Description	Type	Reset
31:8	RESERVED		R	0x0
7:0	C0_RX_STAT	Core 0 Receive Masked Interrupt Status - Each bit in this read only register corresponds to the bit in the Rx interrupt that is enabled and generating an interrupt on RX_PULSE.	R	0x0

Table 24-1805. Register Call Summary for Register WR_C0_RX_STAT

Gigabit Ethernet Switch (GMAC_SW)

- [Receive Packet Completion Pulse Interrupt \(RX_PULSE\): \[0\]\[1\]](#)
- [WR Register Summary: \[2\]](#)

Table 24-1806. WR_C0_TX_STAT

Address Offset	0x0000 0048	Instance	WR
Physical Address	0x4848 5248		
Description	Subsystem core 0 tx interrupt masked int status register		
Type	R		

31	30	29	28	27	26	25	24	23	22	21	20	19	18	17	16	15	14	13	12	11	10	9	8	7	6	5	4	3	2	1	0
RESERVED																C0_TX_STAT															

Bits	Field Name	Description	Type	Reset
31:8	RESERVED		R	0x0
7:0	C0_TX_STAT	Core 0 Transmit Masked Interrupt Status - Each bit in this read only register corresponds to the bit in the Tx interrupt that is enabled and generating an interrupt on TX_PULSE .	R	0x0

Table 24-1807. Register Call Summary for Register WR_C0_TX_STAT

Gigabit Ethernet Switch (GMAC_SW)

- [Transmit Packet Completion Pulse Interrupt \(TX_PULSE\): \[0\]](#)
- [WR Register Summary: \[1\]](#)

Table 24-1808. WR_C0_MISC_STAT

Address Offset	0x0000 004C	Instance	WR
Physical Address	0x4848 524C		
Description	Subsystem core 0 misc interrupt masked int status register		
Type	R		

31	30	29	28	27	26	25	24	23	22	21	20	19	18	17	16	15	14	13	12	11	10	9	8	7	6	5	4	3	2	1	0
RESERVED																C0_MISC_STAT															

Bits	Field Name	Description	Type	Reset
31:5	RESERVED		R	0x0
4:0	C0_MISC_STAT	Core 0 Misc Masked Interrupt Status - Each bit in this register corresponds to the miscellaneous interrupt (SPF2_PEND, SPF1_PEND, EVNT_PEND, STAT_PEND, HOST_PEND, MDIO_LINKINT, MDIO_USERINT) that is enabled and generating an interrupt on MISC_PULSE .	R	0x0

Table 24-1809. Register Call Summary for Register WR_C0_MISC_STAT

Gigabit Ethernet Switch (GMAC_SW)

- [Miscellaneous Pulse Interrupt \(MISC_PULSE\): \[0\]\[1\]](#)
- [WR Register Summary: \[2\]](#)

Table 24-1810. WR_C0_RX_IMAX

Address Offset	0x0000 0070	Instance	WR
Physical Address	0x4848 5270		
Description	Subsystem core 0 receive interrupts per millisecond		
Type	RW		

31	30	29	28	27	26	25	24	23	22	21	20	19	18	17	16	15	14	13	12	11	10	9	8	7	6	5	4	3	2	1	0
RESERVED																C0_RX_IMAX															

Bits	Field Name	Description	Type	Reset
31:6	RESERVED		R	0x0
5:0	C0_RX_IMAX	Core 0 Receive Interrupts per Millisecond - The maximum number of interrupts per millisecond generated on RX_PULSE if pacing is enabled for this interrupt.	RW	0x0

Table 24-1811. Register Call Summary for Register WR_C0_RX_IMAX

Gigabit Ethernet Switch (GMAC_SW)

- [Interrupt Pacing: \[0\]](#)
- [WR Register Summary: \[1\]](#)

Table 24-1812. WR_C0_TX_IMAX

Address Offset	0x0000 0074	Instance	WR
Physical Address	0x4848 5274		
Description	Subsystem core 0 transmit interrupts per millisecond		
Type	RW		

31	30	29	28	27	26	25	24	23	22	21	20	19	18	17	16	15	14	13	12	11	10	9	8	7	6	5	4	3	2	1	0
RESERVED																C0_TX_IMAX															

Bits	Field Name	Description	Type	Reset
31:6	RESERVED		R	0x0
5:0	C0_TX_IMAX	Core 0 Transmit Interrupts per Millisecond - The maximum number of interrupts per millisecond generated on TX_PULSE if pacing is enabled for this interrupt.	RW	0x0

Table 24-1813. Register Call Summary for Register WR_C0_TX_IMAX

Gigabit Ethernet Switch (GMAC_SW)

- [Interrupt Pacing: \[0\]](#)
- [WR Register Summary: \[1\]](#)

Table 24-1814. WR_RGMII_CTL

Address Offset	0x0000 0088	Instance	WR
Physical Address	0x4848 5288		
Description	RGMII control signal register		
Type	R		

31	30	29	28	27	26	25	24	23	22	21	20	19	18	17	16	15	14	13	12	11	10	9	8	7	6	5	4	3	2	1	0
RESERVED																RGMI12_FULDDUPLEX	RGMI12_SPEED	RGMI12_LINK	RGMI11_FULDDUPLEX	RGMI11_SPEED	RGMI11_LINK										

Bits	Field Name	Description	Type	Reset
31:8	RESERVED		R	0x0
7	RGMI12_FULDDUPLEX	RGMI12 Fullduplex - This is the CPRGMII fullduplex output signal. 0 - Half-duplex mode 1 - Full-duplex mode	R	0x0
6:5	RGMI12_SPEED	RGMI12 Speed - This is the CPRGMII speed output signal 0x0 - 10Mbps mode 0x1 - 100Mbps mode 0x2 - 1000Mbps (gig) mode 0x3 - reserved	R	0x0
4	RGMI12_LINK	RGMI12 Link Indicator - This is the CPRGMII link output signal 0 - RGMI12 link is down 1 - RGMI12 link is up	R	0x0

Bits	Field Name	Description	Type	Reset
3	RGMI11_FULLLDUPLEX	RGMI11 Full duplex - This is the CPRGMII full duplex output signal. 0 - Half-duplex mode 1 - Full-duplex mode	R	0x0
2:1	RGMI11_SPEED	RGMI11 Speed - This is the CPRGMII speed output signal 0x0 - 10Mbps mode 0x1 - 100Mbps mode 0x2 - 1000Mbps (gig) mode 0x3 - reserved	R	0x0
0	RGMI11_LINK	RGMI11 Link Indicator - This is the CPRGMII link output signal 0 - RGMI11 link is down 1 - RGMI11 link is up	R	0x0

Table 24-1815. Register Call Summary for Register WR_RGMI1_CTL

Gigabit Ethernet Switch (GMAC_SW)

- [WR Register Summary: \[0\]](#)

Table 24-1816. WR_STATUS

Address Offset	0x0000 008C	Instance	WR
Physical Address	0x4848 528C		
Description	Subsystem Status register		
Type	R		

31	30	29	28	27	26	25	24	23	22	21	20	19	18	17	16	15	14	13	12	11	10	9	8	7	6	5	4	3	2	1	0
RESERVED																								SPF2_CLKSTOP_ACK	SPF1_CLKSTOP_ACK	EEE_CLKSTOP_ACK					

Bits	Field Name	Description	Type	Reset
31:3	RESERVED		R	0x0
2	SPF2_CLKSTOP_ACK	SPF2 Clockstop Acknowledge – When asserted the subsystem gated clock is not turned on due to SPF2.	R	0x0
1	SPF1_CLKSTOP_ACK	SPF1 Clockstop Acknowledge – When asserted the subsystem gated clock is not turned on due to SPF1.	R	0x0
0	EEE_CLKSTOP_ACK	CPSW_3G Clockstop Acknowledge – When asserted the subsystem gated clock is not turned on due to the CPSW_3G.	R	0x0

Table 24-1817. Register Call Summary for Register WR_STATUS

Gigabit Ethernet Switch (GMAC_SW)

- [WR Register Summary: \[0\]](#)

24.11.6.12 SPF Registers

24.11.6.12.1 SPF Register Summary

Table 24-1818. SPF Registers Mapping Summary

Register Name	Type	Register Width (Bits)	Address Offset	SPF1 Physical Address	SPF2 Physical Address
SPF_IDVER	R	32	0x0000 0000	0x4848 5C00	0x4848 5E00
SPF_STATUS	RW	32	0x0000 0004	0x4848 5C04	0x4848 5E04
SPF_CONTROL	RW	32	0x0000 0008	0x4848 5C08	0x4848 5E08
SPF_DROP_COUNT	R	32	0x0000 000C	0x4848 5C0C	0x4848 5E0C
SPF_SWRESET	RW	32	0x0000 0010	0x4848 5C10	0x4848 5E10
SPF_PRESCALE	RW	32	0x0000 0014	0x4848 5C14	0x4848 5E14
SPF_RATELIMIT ⁽¹⁾	RW	32	0x0000 0018 + (i * 4)	0x4848 5C18 + (i * 4)	0x4848 5E18 + (i * 4)
SPF_CONSTJ ⁽²⁾	RW	32	0x0000 001C + (j * 4)	0x4848 5C1C + (j * 4)	0x4848 5E1C + (j * 4)
SPF_INSTRW2	RW	32	0x0000 0050	0x4848 5C50	0x4848 5E50
SPF_INSTRW1	RW	32	0x0000 0054	0x4848 5C54	0x4848 5E54
SPF_INSTRW0	RW	32	0x0000 0058	0x4848 5C58	0x4848 5E58
SPF_INSTR_CTL	RW	32	0x0000 005C	0x4848 5C5C	0x4848 5E5C
SPF_LOG_BEGIN	RW	32	0x0000 0060	0x4848 5C60	0x4848 5E60
SPF_LOG_END	RW	32	0x0000 0064	0x4848 5C64	0x4848 5E64
SPF_LOG_HWPTR	R	32	0x0000 0068	0x4848 5C68	0x4848 5E68
SPF_LOG_SWPTR	RW	32	0x0000 006C	0x4848 5C6C	0x4848 5E6C
SPF_LOG_MAP0	RW	32	0x0000 0070	0x4848 5C70	0x4848 5E70
SPF_LOG_MAP1	RW	32	0x0000 0074	0x4848 5C74	0x4848 5E74
SPF_LOG_THRESHOLD ⁽³⁾	RW	32	0x0000 0078 + (k * 4)	0x4848 5C78 + (k * 4)	0x4848 5E78 + (k * 4)
SPF_INT_CNT	RW	32	0x0000 009C	0x4848 5C9C	0x4848 5E9C
SPF_INT_RAW	RW	32	0x0000 00A0	0x4848 5CA0	0x4848 5EA0
SPF_INT_MASKED	RW	32	0x0000 00A4	0x4848 5CA4	0x4848 5EA4
SPF_MASK_SET	RW	32	0x0000 00A8	0x4848 5CA8	0x4848 5EA8
SPF_MASK_CLR	RW	32	0x0000 00AC	0x4848 5CAC	0x4848 5EAC

⁽¹⁾ i = 0 to 3

⁽²⁾ j = 0 to 7

⁽³⁾ k = 0 to 8

24.11.6.12.2 SPF Register Description
Table 24-1819. SPF_IDVER

Address Offset	0x0000 0000		
Physical Address	0x4848 5C00 0x4848 5E00	Instance	SPF1 SPF2
Description	SPF revision register		
Type	R		

31	30	29	28	27	26	25	24	23	22	21	20	19	18	17	16	15	14	13	12	11	10	9	8	7	6	5	4	3	2	1	0
REVISION																															

Bits	Field Name	Description	Type	Reset
31:0	REVISION	SPF revision value	R	0x-

Table 24-1820. Register Call Summary for Register SPF_IDVER

Gigabit Ethernet Switch (GMAC_SW)

- [SPF Register Summary: \[0\]](#)

Table 24-1821. SPF_STATUS

Address Offset	0x0000 0004		
Physical Address	0x4848 5C04 0x4848 5E04	Instance	SPF1 SPF2
Description	Status register		
Type	RW		

31	30	29	28	27	26	25	24	23	22	21	20	19	18	17	16	15	14	13	12	11	10	9	8	7	6	5	4	3	2	1	0
RESERVED																															SPF_BUSY

Bits	Field Name	Description	Type	Reset
31:1	RESERVED		R	0x0
0	SPF_BUSY	SPF is Busy/Idle, Busy Packet processing or logging in progress.	RW	0x0

Table 24-1822. Register Call Summary for Register SPF_STATUS

Gigabit Ethernet Switch (GMAC_SW)

- [SPF Register Summary: \[0\]](#)

Table 24-1823. SPF_CONTROL

Address Offset	0x0000 0008	Instance	SPF1 SPF2
Physical Address	0x4848 5C08 0x4848 5E08		
Description	SPF control register		
Type	RW		

31	30	29	28	27	26	25	24	23	22	21	20	19	18	17	16	15	14	13	12	11	10	9	8	7	6	5	4	3	2	1	0
RESERVED																SPF_LOGOW_EN	SPF_LOG_EN	RESERVED				SPF_RULE_LOG	SPF_EXT_BYPASS	SPF_DROP	SPF_ENABLE						

Bits	Field Name	Description	Type	Reset
31:10	RESERVED		R	0x0
9	SPF_LOGOW_EN	SPF Log Overwrite Enable. Setting this bit will cause SPF to overwrite previously logged data whether or not software has updated the software_working_pointer. Overwriting only occurs if there is new data but no space to write it in the space indicated by log_start_address and log_end_address.	RW	0x0
8	SPF_LOG_EN	SPF Log Enable. Setting this bit will allow SPF to log information about dropped packets to memory.	RW	0x0
7:4	RESERVED		R	0x0
3	SPF_RULE_LOG	SPF Rule Engine Log Enable. Setting this bit will allow SPF to log data from rule engine. The default is log data from extractor.	RW	0x0
2	SPF_EXT_BYPASS	SPF Extractor Bypass Enable. The extractor will not provide any offset information to rule engine if this bit is set. The rule engine must load each of the base registers it intends to use to determine if the packet should be discarded.	RW	0x0
1	SPF_DROP	SPF Drop Enable. This bit must be set to activate packet drops.	RW	0x0
0	SPF_ENABLE	SPF Enable. This bit must be set to enable any operation in SPF. The SPF instruction memory can only be accessed by host processor when the spf_enable is deasserted. Once spf_enable is set, writing a zero to this bit will only take effect when spf_busy signal is low. This ensures that spf stops only on packet boundaries.	RW	0x0

Table 24-1824. Register Call Summary for Register SPF_CONTROL

Gigabit Ethernet Switch (GMAC_SW)

- [SPF Functional Description: \[0\]\[1\]\[2\]\[3\]](#)
- [Programming Guide: \[4\]](#)
- [SPF Register Summary: \[5\]](#)

Table 24-1825. SPF_DROPCOUNT

Address Offset	0x0000 000C		
Physical Address	0x4848 5C0C 0x4848 5E0C	Instance	SPF1 SPF2
Description	Drop Count Register		
Type	R		

31	30	29	28	27	26	25	24	23	22	21	20	19	18	17	16	15	14	13	12	11	10	9	8	7	6	5	4	3	2	1	0
RESERVED								SPF_DROPCNT																							

Bits	Field Name	Description	Type	Reset
31:24	RESERVED		R	0x0
23:0	SPF_DROPCNT	SPF Drop counter indicates the number of packets dropped so far. This counter does not roll over and must be cleared by writing 0x00FFFFFF.	R	0x0

Table 24-1826. Register Call Summary for Register SPF_DROPCOUNT

Gigabit Ethernet Switch (GMAC_SW)

- [SPF Register Summary: \[0\]](#)

Table 24-1827. SPF_SWRESET

Address Offset	0x0000 0010		
Physical Address	0x4848 5C10 0x4848 5E10	Instance	SPF1 SPF2
Description	Software Reset Register		
Type	RW		

31	30	29	28	27	26	25	24	23	22	21	20	19	18	17	16	15	14	13	12	11	10	9	8	7	6	5	4	3	2	1	0
RESERVED																															SPF_SWRST

Bits	Field Name	Description	Type	Reset
31:1	RESERVED		R	0x0
0	SPF_SWRST	SPF Software reset bit can be set to initiate a software reset. It stays high until the reset has not completed, this reset clears all registers to default value.	RW	0x0

Table 24-1828. Register Call Summary for Register SPF_SWRESET

Gigabit Ethernet Switch (GMAC_SW)

- [SPF Register Summary: \[0\]](#)

Table 24-1829. SPF_PRESCALE

Address Offset	0x0000 0014		Instance	SPF1 SPF2
Physical Address	0x4848 5C14 0x4848 5E14			
Description	Rate Limit Prescale Register			
Type	RW			

31	30	29	28	27	26	25	24	23	22	21	20	19	18	17	16	15	14	13	12	11	10	9	8	7	6	5	4	3	2	1	0
RESERVED												SPF_PRESCALE																			

Bits	Field Name	Description	Type	Reset
31:20	RESERVED		R	0x0
19:0	SPF_PRESCALE	The MAIN clock is divided by this value for use in Rate Limiters. It is used to create rolling time intervals for use in rate limiting feature.	RW	0x0

Table 24-1830. Register Call Summary for Register SPF_PRESCALE

Gigabit Ethernet Switch (GMAC_SW)

- [SPF Functional Description: \[0\]\[1\]](#)
- [Programming Guide: \[2\]](#)
- [SPF Register Summary: \[3\]](#)
- [SPF Register Description: \[4\]\[5\]](#)

Table 24-1831. SPF_RATELIMI

Address Offset	0x0000 0018 + (i * 4)		Index	i = 0 to 3
Physical Address	0x4848 5C18 + (i * 4) 0x4848 5E18 + (i * 4)		Instance	SPF1 SPF2
Description	Rate Limit Register			
Type	RW			

31	30	29	28	27	26	25	24	23	22	21	20	19	18	17	16	15	14	13	12	11	10	9	8	7	6	5	4	3	2	1	0
RESERVED												SPF_RATELIMI																			

Bits	Field Name	Description	Type	Reset
31:8	RESERVED		R	0x0
7:0	SPF_RATELIMI	SPF Rate Limit Register. The number of packets corresponding to a filter that will be allowed per unit time interval. The filters are programmed in the rule engine and time interval is determined by the SPF_PRESCALE register.	RW	0x0

Table 24-1832. Register Call Summary for Register SPF_RATELIMI

Gigabit Ethernet Switch (GMAC_SW)

- [SPF Functional Description: \[0\]\[1\]](#)
- [Programming Guide: \[2\]](#)
- [SPF Register Summary: \[3\]](#)

Table 24-1833. SPF_CONSTj

Address Offset	0x0000 0028 + (j * 4)	Index	j = 0 to 7
Physical Address	0x4848 5C1C + (j * 4) 0x4848 5E1C + (j * 4)	Instance	SPF1 SPF2
Description	Constant Register		
Type	RW		

31	30	29	28	27	26	25	24	23	22	21	20	19	18	17	16	15	14	13	12	11	10	9	8	7	6	5	4	3	2	1	0
SPF_CONST																															

Bits	Field Name	Description	Type	Reset
31:0	SPF_CONST	SPF Constant Register. The contents of this register are used as input to any instruction that references it.	RW	0x0

Table 24-1834. Register Call Summary for Register SPF_CONSTj

Gigabit Ethernet Switch (GMAC_SW)

- [SPF Functional Description: \[0\]](#)
- [Programming Guide: \[1\]](#)
- [SPF Register Summary: \[2\]](#)

Table 24-1835. SPF_INSTRW2

Address Offset	0x0000 0050	
Physical Address	0x4848 5C50 0x4848 5E50	Instance SPF1 SPF2
Description	Instruction Word 2 Register	
Type	RW	

31	30	29	28	27	26	25	24	23	22	21	20	19	18	17	16	15	14	13	12	11	10	9	8	7	6	5	4	3	2	1	0
RESERVED																SPF_INSTR_W2															

Bits	Field Name	Description	Type	Reset
31:14	RESERVED		R	0x0
13:0	SPF_INSTR_W2	SPF Rule Engine Instruction Word [75:64] is read from or written to this field.	RW	0x0

Table 24-1836. Register Call Summary for Register SPF_INSTRW2

Gigabit Ethernet Switch (GMAC_SW)

- [SPF Register Summary: \[0\]](#)

Table 24-1837. SPF_INSTRW1

Address Offset	0x0000 0054		
Physical Address	0x4848 5C54 0x4848 5E54	Instance	SPF1 SPF2
Description	Instruction Word 1 Register		
Type	RW		

31	30	29	28	27	26	25	24	23	22	21	20	19	18	17	16	15	14	13	12	11	10	9	8	7	6	5	4	3	2	1	0
SPF_INSTR_W1																															

Bits	Field Name	Description	Type	Reset
31:0	SPF_INSTR_W1	SPF Rule Engine Instruction Word [63:32] is read from or written to this field.	RW	0x0

Table 24-1838. Register Call Summary for Register SPF_INSTRW1

Gigabit Ethernet Switch (GMAC_SW)

- [SPF Register Summary: \[0\]](#)

Table 24-1839. SPF_INSTRW0

Address Offset	0x0000 0058		
Physical Address	0x4848 5C58 0x4848 5E58	Instance	SPF1 SPF2
Description	Instruction Word 0 Register		
Type	RW		

31	30	29	28	27	26	25	24	23	22	21	20	19	18	17	16	15	14	13	12	11	10	9	8	7	6	5	4	3	2	1	0
SPF_INSTR_W0																															

Bits	Field Name	Description	Type	Reset
31:0	SPF_INSTR_W0	SPF Rule Engine Instruction Word [31:0] is read from or written to this field.	RW	0x0

Table 24-1840. Register Call Summary for Register SPF_INSTRW0

Gigabit Ethernet Switch (GMAC_SW)

- [SPF Register Summary: \[0\]](#)

Table 24-1841. SPF_INSTR_CTL

Address Offset	0x0000 005C		
Physical Address	0x4848 5C5C 0x4848 5E5C	Instance	SPF1 SPF2
Description	Instruction Control Register		
Type	RW		

31	30	29	28	27	26	25	24	23	22	21	20	19	18	17	16	15	14	13	12	11	10	9	8	7	6	5	4	3	2	1	0
SPF_INSTR_WEN	SPF_INSTR_REN	RESERVED																								SPF_INSTR_PTR					

Bits	Field Name	Description	Type	Reset
31	SPF_INSTR_WEN	SPF Write enable bit specifies whether a write operation is to be performed. To read or write instructions, spf processing must be stopped. When the rule engine is processing instructions, the instruction memory cannot be accessed. This bit is set to perform a write and the data in the SPF_INSTR_W2, SPF_INSTR_W1 and SPF_INSTR_W0 registers is written to the instruction RAM at address specified in the SPF_INSTR_PTR field. This bit is always read as zero.	W	0x0
30	SPF_INSTR_REN	SPF Read enable bit specifies whether a read operation is to be performed. This bit is set to perform a read and read data is available in the SPF_INSTR_W2, SPF_INSTR_W1 and SPF_INSTR_W0 registers once read operation has completed. This bit is always read as zero.	W	0x0
29:6	RESERVED		R	0x0
5:0	SPF_INSTR_PTR	The address in the instruction memory that is to be accessed.	RW	0x0

Table 24-1842. Register Call Summary for Register SPF_INSTR_CTL

Gigabit Ethernet Switch (GMAC_SW)

- [Programming Guide: \[0\]](#)
- [SPF Register Summary: \[1\]](#)

Table 24-1843. SPF_LOG_BEGIN

Address Offset	0x0000 0060	Instance	SPF1 SPF2
Physical Address	0x4848 5C60 0x4848 5E60		
Description	Log Begin Address Register		
Type	RW		

31	30	29	28	27	26	25	24	23	22	21	20	19	18	17	16	15	14	13	12	11	10	9	8	7	6	5	4	3	2	1	0	
SPF_LOG_BEGIN																																

Bits	Field Name	Description	Type	Reset
31:0	SPF_LOG_BEGIN	SPF starts to write log data to memory starting from address given in this field.	RW	0x0

Table 24-1844. Register Call Summary for Register SPF_LOG_BEGIN

Gigabit Ethernet Switch (GMAC_SW)

- [SPF Functional Description: \[0\]\[1\]](#)
- [Programming Guide: \[2\]](#)
- [SPF Register Summary: \[3\]](#)
- [SPF Register Description: \[4\]\[5\]\[6\]](#)

Table 24-1845. SPF_LOG_END

Address Offset	0x0000 0064		
Physical Address	0x4848 5C64 0x4848 5E64	Instance	SPF1 SPF2
Description	Log End Address Register		
Type	RW		

31	30	29	28	27	26	25	24	23	22	21	20	19	18	17	16	15	14	13	12	11	10	9	8	7	6	5	4	3	2	1	0
SPF_LOG_END																															

Bits	Field Name	Description	Type	Reset
31:0	SPF_LOG_END	This register along with SPF_LOG_BEGIN register defines the memory range for writing log data, the range(SPF_LOG_END SPF_LOG_BEGIN) should be multiple of 4 words(32 bits), as this is a look ahead register therefore the value programmed should be next word address. (i.e. last word address + 4).	RW	0x00001000

Table 24-1846. Register Call Summary for Register SPF_LOG_END

Gigabit Ethernet Switch (GMAC_SW)

- [SPF Functional Description: \[0\]\[1\]\[2\]\[3\]](#)
- [Programming Guide: \[4\]](#)
- [SPF Register Summary: \[5\]](#)
- [SPF Register Description: \[6\]\[7\]\[8\]](#)

Table 24-1847. SPF_LOG_HWPTR

Address Offset	0x0000 0068		
Physical Address	0x4848 5C68 0x4848 5E68	Instance	SPF1 SPF2
Description	Log Hardware Pointer Register		
Type	RW		

31	30	29	28	27	26	25	24	23	22	21	20	19	18	17	16	15	14	13	12	11	10	9	8	7	6	5	4	3	2	1	0
SPF_LOG_HWPTR																															

Bits	Field Name	Description	Type	Reset
31:0	SPF_LOG_HWPTR	This register indicated the address of next location in memory that the SPF will log information to.	RW	0x0

Table 24-1848. Register Call Summary for Register SPF_LOG_HWPTR

Gigabit Ethernet Switch (GMAC_SW)

- [SPF Functional Description: \[0\]](#)
- [SPF Register Summary: \[1\]](#)
- [SPF Register Description: \[2\]](#)

Table 24-1849. SPF_LOG_SWPTR

Address Offset	0x0000 006C		
Physical Address	0x4848 5C6C 0x4848 5E6C	Instance	SPF1 SPF2
Description	Log Software Pointer Register		
Type	RW		

31	30	29	28	27	26	25	24	23	22	21	20	19	18	17	16	15	14	13	12	11	10	9	8	7	6	5	4	3	2	1	0
SPF_LOG_SWPTR																															

Bits	Field Name	Description	Type	Reset
31:0	SPF_LOG_SWPTR	This register specifies the address where software shall do next read, software must inform SPF about memory roll over by writing SPF_LOG_END into this register.	RW	0x0

Table 24-1850. Register Call Summary for Register SPF_LOG_SWPTR

Gigabit Ethernet Switch (GMAC_SW)

- [SPF Functional Description: \[0\]\[1\]\[2\]](#)
- [SPF Register Summary: \[3\]](#)
- [SPF Register Description: \[4\]](#)

Table 24-1851. SPF_LOG_MAP0

Address Offset	0x0000 0070		
Physical Address	0x4848 5C70 0x4848 5E70	Instance	SPF1 SPF2
Description	Filter Code Map Register 0		
Type	RW		

31	30	29	28	27	26	25	24	23	22	21	20	19	18	17	16	15	14	13	12	11	10	9	8	7	6	5	4	3	2	1	0
SPF_LOGMAP3								SPF_LOGMAP2								SPF_LOGMAP1								SPF_LOGMAP0							

Bits	Field Name	Description	Type	Reset
31:24	SPF_LOGMAP3	Mapping of drop code 3 to log threshold 3	RW	0x0
23:16	SPF_LOGMAP2	Mapping of drop code 2 to log threshold 2	RW	0x0
15:8	SPF_LOGMAP1	Mapping of drop code 1 to log threshold 1	RW	0x0
7:0	SPF_LOGMAP0	Mapping of drop code 0 to log threshold 0	RW	0x0

Table 24-1852. Register Call Summary for Register SPF_LOG_MAP0

Gigabit Ethernet Switch (GMAC_SW)

- [Programming Guide: \[0\]](#)
- [SPF Register Summary: \[1\]](#)

Table 24-1853. SPF_LOG_MAP1

Address Offset	0x0000 0074	Instance	SPF1 SPF2
Physical Address	0x4848 5C74 0x4848 5E74		
Description	Filter Code Map Register 1		
Type	RW		

31 30 29 28 27 26 25 24	23 22 21 20 19 18 17 16	15 14 13 12 11 10 9 8	7 6 5 4 3 2 1 0
SPF_LOGMAP7	SPF_LOGMAP6	SPF_LOGMAP5	SPF_LOGMAP4

Bits	Field Name	Description	Type	Reset
31:24	SPF_LOGMAP7	Mapping of drop code 7 to log threshold 7	RW	0x0
23:16	SPF_LOGMAP6	Mapping of drop code 6 to log threshold 6	RW	0x0
15:8	SPF_LOGMAP5	Mapping of drop code 5 to log threshold 5	RW	0x0
7:0	SPF_LOGMAP4	Mapping of drop code 4 to log threshold 4	RW	0x0

Table 24-1854. Register Call Summary for Register SPF_LOG_MAP1

Gigabit Ethernet Switch (GMAC_SW)

- [Programming Guide: \[0\]](#)
- [SPF Register Summary: \[1\]](#)

Table 24-1855. SPF_LOG_THRESHk

Address Offset	0x0000 0078 + (k * 4)	Index	k = 0 to 8
Physical Address	0x4848 5C78 + (k * 4) 0x4848 5E78 + (k * 4)	Instance	SPF1 SPF2
Description	Log Threshold and Count Register		
Type	RW		

31 30 29 28 27 26 25 24	23 22 21 20 19 18 17 16	15 14 13 12 11 10 9 8	7 6 5 4 3 2 1 0
SPF_COUNT		SPF_THRESH	

Bits	Field Name	Description	Type	Reset
31:16	SPF_COUNT	Number of packets dropped for drop code k (8 is default)	R	0x0
15:0	SPF_THRESH	Number of packets to be dropped before logging starts	RW	0xA

Table 24-1856. Register Call Summary for Register SPF_LOG_THRESHk

Gigabit Ethernet Switch (GMAC_SW)

- [Programming Guide: \[0\]](#)
- [SPF Register Summary: \[1\]](#)

Table 24-1857. SPF_INTCNT

Address Offset	0x0000 009C		
Physical Address	0x4848 5C9C 0x4848 5E9C	Instance	SPF1 SPF2
Description	Interrupt Frequency Control Register		
Type	RW		

31	30	29	28	27	26	25	24	23	22	21	20	19	18	17	16	15	14	13	12	11	10	9	8	7	6	5	4	3	2	1	0
RESERVED																SPF_INTCNT															

Bits	Field Name	Description	Type	Reset
31:5	RESERVED		R	0x0
4:0	SPF_INTCNT	Number of time thresholds must be met before a drop interrupt is triggered.	RW	0x0

Table 24-1858. Register Call Summary for Register SPF_INTCNT

Gigabit Ethernet Switch (GMAC_SW)

- [SPF Functional Description: \[0\]\[1\]](#)
- [Programming Guide: \[2\]](#)
- [SPF Register Summary: \[3\]](#)
- [SPF Register Description: \[4\]](#)

Table 24-1859. SPF_INT_RAW

Address Offset	0x0000 00A0		
Physical Address	0x4848 5CA0 0x4848 5EA0	Instance	SPF1 SPF2
Description	Raw Interrupt Status register		
Type	RW		

31	30	29	28	27	26	25	24	23	22	21	20	19	18	17	16	15	14	13	12	11	10	9	8	7	6	5	4	3	2	1	0
RESERVED																SPF_INT_RAW															

Bits	Field Name	Description	Type	Reset
31:1	RESERVED		R	0x0
0	SPF_INT_RAW	Status of Raw interrupt signal	RW	0x0

Table 24-1860. Register Call Summary for Register SPF_INT_RAW

Gigabit Ethernet Switch (GMAC_SW)

- [SPF Functional Description: \[0\]](#)
- [SPF Register Summary: \[1\]](#)
- [SPF Register Description: \[2\]](#)

Table 24-1861. SPF_INT_MASKED

Address Offset	0x0000 00A4		
Physical Address	0x4848 5CA4 0x4848 5EA4	Instance	SPF1 SPF2
Description	Interrupt Status register		
Type	RW		

31	30	29	28	27	26	25	24	23	22	21	20	19	18	17	16	15	14	13	12	11	10	9	8	7	6	5	4	3	2	1	0
RESERVED																															SPF_INT_MASKED

Bits	Field Name	Description	Type	Reset
31:1	RESERVED		R	0x0
0	SPF_INT_MASKED	Status of interrupt signal with mask	RW	0x0

Table 24-1862. Register Call Summary for Register SPF_INT_MASKED

Gigabit Ethernet Switch (GMAC_SW)

- [SPF Functional Description: \[0\]](#)
- [SPF Register Summary: \[1\]](#)
- [SPF Register Description: \[2\]](#)

Table 24-1863. SPF_MASK_SET

Address Offset	0x0000 00A8		
Physical Address	0x4848 5CA8 0x4848 5EA8	Instance	SPF1 SPF2
Description	Interrupt Mask Set Register		
Type	RW		

31	30	29	28	27	26	25	24	23	22	21	20	19	18	17	16	15	14	13	12	11	10	9	8	7	6	5	4	3	2	1	0
RESERVED																															SPF_MASKSET

Bits	Field Name	Description	Type	Reset
31:1	RESERVED		R	0x0
0	SPF_MASKSET	Write a 1 to this bit to enable the interrupt.	RW	0x0

Table 24-1864. Register Call Summary for Register SPF_MASK_SET

Gigabit Ethernet Switch (GMAC_SW)

- [SPF Functional Description: \[0\]](#)
- [Programming Guide: \[1\]](#)
- [SPF Register Summary: \[2\]](#)

Table 24-1865. SPF_MASK_CLR

Address Offset	0x0000 00AC	Instance	SPF1 SPF2
Physical Address	0x4848 5CAC 0x4848 5EAC		
Description	Interrupt Mask Clear Register		
Type	RW		

31	30	29	28	27	26	25	24	23	22	21	20	19	18	17	16	15	14	13	12	11	10	9	8	7	6	5	4	3	2	1	0
RESERVED																															
SPF_MASKCLR																															

Bits	Field Name	Description	Type	Reset
31:1	RESERVED		R	0x0
0	SPF_MASKCLR	Write a 1 to this bit to disable the interrupt.	RW	0x0

Table 24-1866. Register Call Summary for Register SPF_MASK_CLR

Gigabit Ethernet Switch (GMAC_SW)

- [SPF Functional Description: \[0\]](#)
- [SPF Register Summary: \[1\]](#)

24.12 Media Local Bus (MLB)

NOTE: Media Local Bus (MLB) is not supported on the AM571x / AM570x family of devices.

eMMC/SD/SDIO

This chapter describes the features and functions of the eMMC/SD/SDIO interface of the device.

Topic	Page
25.1 eMMC/SD/SDIO Overview	6693
25.2 eMMC/SD/SDIO Environment.....	6697
25.3 eMMC/SD/SDIO Integration.....	6704
25.4 eMMC/SD/SDIO Functional Description	6710
25.5 eMMC/SD/SDIO Programming Guide	6741
25.6 eMMC/SD/SDIO Register Manual	6767

25.1 eMMC/SD/SDIO Overview

The eMMC/SD/SDIO host controller provides an interface between a local host (LH) such as a microprocessor unit (MPU) or digital signal processor (DSP) and either eMMC, SD® memory cards, or SDIO cards and handles eMMC/SD/SDIO transactions with minimal LH intervention.

Optionally, the controller is connected to the L3_MAIN interconnect to have a direct access to system memory. It also supports two direct memory access (DMA) slave channels or a DMA master access (in this case, slave DMA channels are deactivated) depending on its integration.

The eMMC/SD/SDIO host controller deals with eMMC/SD/SDIO protocol at transmission level, data packing, adding cyclic redundancy checks (CRCs), start/end bit, and checking for syntactical correctness.

The application interface can send every eMMC/SD/SDIO command and poll for the status of the adapter or wait for an interrupt request, which is sent back in case of exceptions or to warn of end of operation.

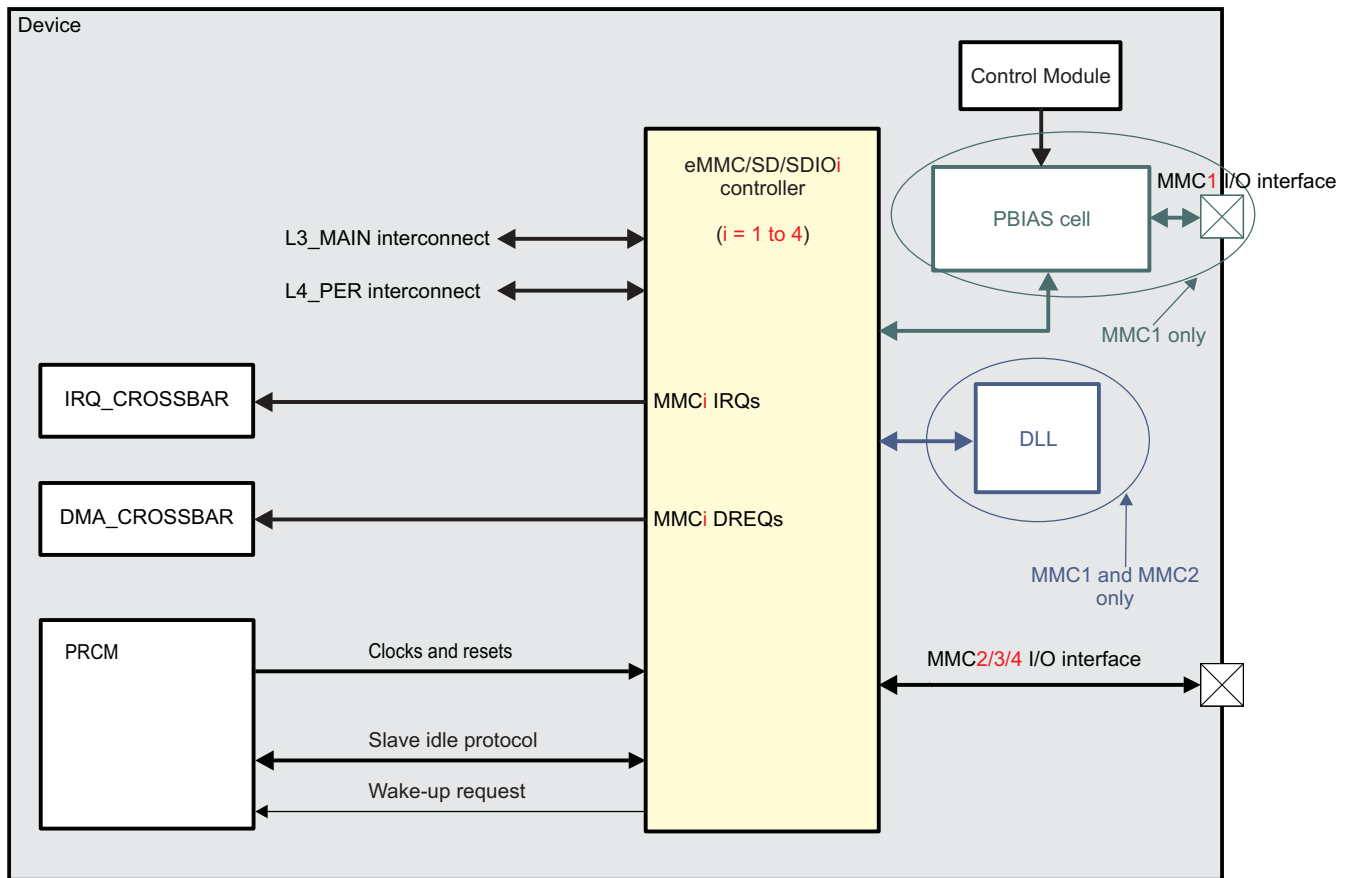
The application interface can read card responses or flag registers. It can also mask individual interrupt sources. All these operations can be performed by reading and writing control registers. The eMMC/SD/SDIO host controller also supports two DMA channels.

There are four eMMC/SD/SDIO host controllers inside the device. [Figure 25-1](#) gives an overview of the eMMC/SD/SDIO_i (i = 1 to 4) controllers.

Each controller has the following data width:

- eMMC/SD/SDIO1 - 4-bit wide data bus
- eMMC/SD/SDIO2 - 8-bit wide data bus
- eMMC/SD/SDIO3 - 8-bit wide data bus
- eMMC/SD/SDIO4 - 4-bit wide data bus

The eMMC/SD/SDIO_i controller is also referred to as MMC_i.

Figure 25-1. eMMC/SD/SDIOi Overview (i = 1 to 4)


mmchs-001

25.1.1 eMMC/SD/SDIO Features

This section describes the features supplied by the eMMC/SD/SDIO controllers.

Compliance with standards:

- Full compliance with MMC/eMMC command/response sets as defined in the JC64 MMC/eMMC standard specification, v4.5.
- Full compliance with SD command/response sets as defined in the SD Physical Layer specification v3.01
- Full compliance with SDIO command/response sets and interrupt/read-wait suspend-resume operations as defined in the SD part E1 specification v3.00
- Full compliance with SD Host Controller Standard Specification sets as defined in the SD card specification Part A2 v3.00

Main features of the eMMC/SD/SDIO host controllers:

- Flexible architecture allowing support for new command structure
- 32-bit wide access bus to maximize bus throughput
- Designed for low power
- Programmable clock generation
- Dedicated DLL to support SDR104 mode (MMC1 only)
- Dedicated DLL to support HS200 mode (MMC2 only)
- Card insertion/removal detection and write protect detection
- L4 slave interface supports:

- 32-bit data bus width
- 8/16/32 bit access supported
- 9-bit address bus width
- Streaming burst supported only with burst length up to 7
- WNP supported
- L3 initiator interface Supports:
 - 32-bit data bus width
 - 8/16/32 bit access supported
 - 32-bit address bus width
 - Burst supported
- Built-in 1024-byte buffer for read or write
- Two DMA channels, one interrupt line
- Support JC 64 v4.4.1 boot mode operations
- Support SDA 3.00 Part A2 programming model
- Support SDA 3.00 Part A2 DMA feature (ADMA2)
- Supported data transfer rates:
 - MMCi supports the following SD v3.0 data transfer rates:
 - DS mode (3.3V IOs): up to 12 MBps (24 MHz clock)
 - HS mode (3.3V IOs): up to 24 MBps (48 MHz clock)
 - SDR12 (1.8V IOs): up to 12 MBps (24 MHz clock)
 - SDR25 (1.8V IOs): up to 24 MBps (48 MHz clock)
 - SDR50 (1.8V IOs): up to 48 MBps (96 MHz clock) - MMC1 and MMC3 only
 - DDR50 (1.8V IOs): up to 48 MBps (48 MHz clock) - MMC1 only
 - SDR104 (1.8V IOs) cards can be supported up to 192 MHz clock (96 MBps max) - MMC1 only
 - MMCi supports the Default SD mode 1-bit data transfer up to 24Mbps (3MBps)
 - Only MMC2 supports also the following JC64 v4.5 data transfer rates:
 - Up to 192 MBps in eMMC mode, 8-bit SDR mode (192 MHz clock frequency)
 - Up to 96 MBps in eMMC mode, 8-bit DDR mode (48 MHz clock frequency)
- All eMMC/SD/SDIO controllers are connected to 1,8V/3.3V compatible I/Os to support 1,8V/3.3V signaling

NOTE: eMMC functionality is supported fully by MMC2 only. The other MMC modules are capable of eMMC functionality, but are not timing-optimized for eMMC. For more information about timing limitations, see the data manual of the device.

The differences between the eMMC/SD/SDIO host controllers and a standard SD host controller defined by the *SD Card Specification, Part A2, SD Host Controller Standard Specification, v3.00* are:

- The clock divider in the eMMC/SD/SDIO host controller supports a wider range of frequency than specified in the *SD Memory Card Specifications, v3.0*. The eMMC/SD/SDIO host controller supports odd and even clock ratio.
- The eMMC/SD/SDIO host controller supports configurable busy time-out.
- ADMA2 64-bit mode is not supported.
- There is no external LED control.

NOTE: Only even ratios are supported in DDR mode.

Table 25-1 lists the features supported in the 4.5 standard.

Table 25-1. Standard 4.5 Supported Features

Feature	Support	Limitation	Comment
Bus width	1-bit mode		x 1, 4, 8 bits
	4-bit mode		
	8-bit mode		
Support density	No hardware limitation for density support	Limitation can come from file system (32 GiB).	
Simple boot (CMD, alternate boot)	Yes		Device ROM code supports the following boot modes: <ol style="list-style-type: none"> 1. Alternate Boot 2. Raw (UDA) Boot 3. File System For more information about boot modes, see Section 33.3.7, Memory Booting , in Chapter 33, Initialization .
Sleep mode	Yes		
Reliable write	Yes		
Secure write protection	Yes		
Hardware reset	No		Use the reset command if hardware reset is needed.
Secure memory block (RPMB)	Yes		
Partition feature	Yes		
Secure erase	Yes		
DDR interface (bandwidth)	Up to 96 MBps in DDR mode – 8-bit		
High-priority interrupt (read while write)	Yes		
Background operation	Yes		
Enhanced reliable write	Yes		
HS200 mode	Yes		

Table 25-2 shows the supported by each MMCi host controller transfer rates and functionalities (SD, eMMC and SDIO).

Table 25-2. MMCi Supported Transfer Rates and Functionalities

	SD ⁽¹⁾	eMMC	SDIO
MMC1	Yes (Up to SDR104 mode)	Yes (Up to High Speed DDR mode; timings optimized for SD)	Yes (timings optimized for SD)
MMC2	Yes (Up to SDR25 mode; timings optimized for eMMC)	Yes (Up to HS200 mode)	Yes (timings optimized for eMMC)
MMC3	Yes (Up to SDR50 mode)	Yes (Up to High Speed SDR mode; timings optimized for SD/SDIO)	Yes (Up to SDR50 mode)
MMC4	Yes (Up to SDR25 mode)	Yes (Up to High Speed SDR mode; timings optimized for SD/SDIO)	Yes (Up to SDR25 mode)

⁽¹⁾ 3.3V IO required for initial SD Card communication.

25.2 eMMC/SD/SDIO Environment

One eMMC/SD/SDIO host controller can support one eMMC memory card, one SD memory card, or one SDIO card.

Other combinations (for example, two SD cards, one eMMC, and one SD card) are not supported through a single controller. The following is supported:

- The MMC1 instance supports 1- and 4-bit data transfers. (mainly used for connection with SD cards)
- The MMC2 instance supports 1-, 4-, and 8-bit data transfers. (mainly used for connection with eMMC cards)
- The MMC3 instance supports 1-, 4-, and 8-bit data transfers. (mainly used for connection with SDIO cards)
- The MMC4 instance supports 1- and 4-bit data transfers. (mainly used for connection with SDIO cards)

25.2.1 eMMC/SD/SDIO Functional Modes

25.2.1.1 eMMC/SD/SDIO Connected to an eMMC, SD, or SDIO Card

Figure 25-2 shows the eMMC/SD/SDIO_i host controller (where *i* = 1 to 4) connected to an eMMC, SD, or SDIO card and its related external connections.

Figure 25-2. eMMC/SD/SDIO_i Controller Connected to an eMMC, SD, or SDIO Card (where *i* = 1 to 4)

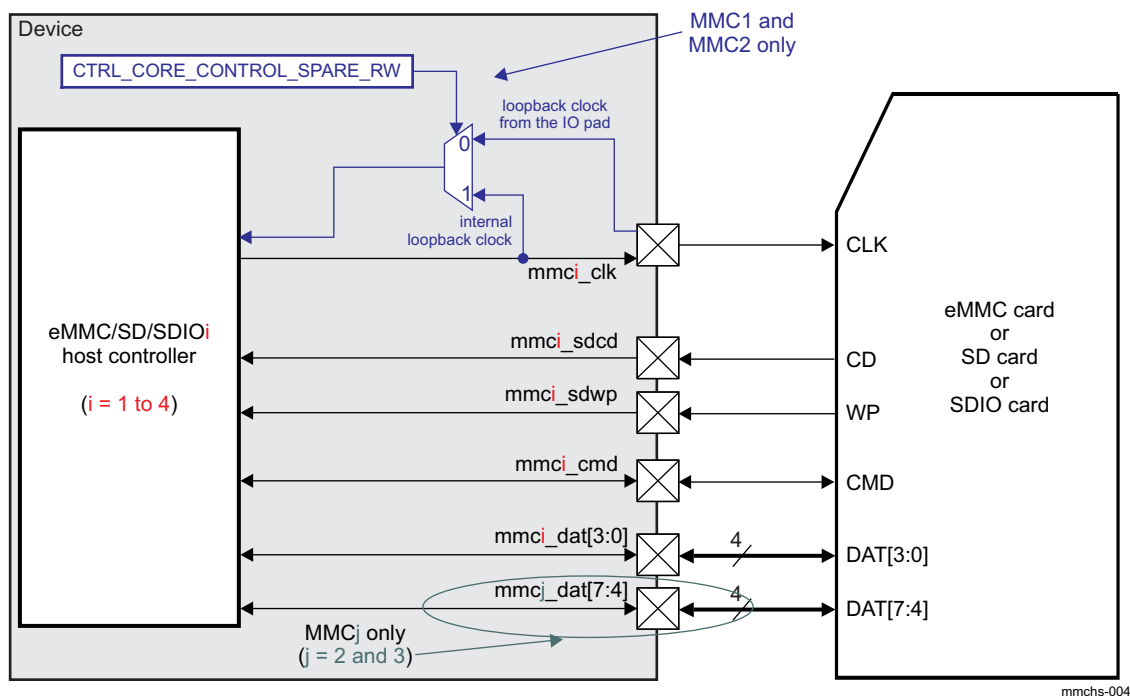


Table 25-3 describes the eMMC/SD/SDIO_i host controller I/O's (where *i* = 1 to 4).

Table 25-3. Description of eMMC/SD/SDIOi host controller I/O's (where i = 1 to 4)

Instance	Signal name	I/O ⁽¹⁾	Description	Reset Value ⁽²⁾
MMC1	mmc1_clk	I/O	External clock for eMMC/SD/SDIO card	0
	mmc1_cmd	I/O	Command line	Hi-Z ⁽³⁾
	mmc1_dat[3:0]	I/O	Data signals	Hi-Z ⁽³⁾
	mmc1_sdcd	I	Card insertion/removal detection signal	Hi-Z
	mmc1_sdwp	I	Write protect detection signal	Hi-Z
MMC2	mmc2_clk	I/O	External clock for eMMC/SD/SDIO card	0
	mmc2_cmd	I/O	Command line	Hi-Z ⁽³⁾
	mmc2_dat[7:0]	I/O	Data signals	Hi-Z ⁽³⁾
	mmc2_cd	I	Card insertion/removal detection signal	Hi-Z
	mmc2_wp	I	Write protect detection signal	Hi-Z
MMC3	mmc3_clk	I/O	External clock for eMMC/SD/SDIO card	0
	mmc3_cmd	I/O	Command line	Hi-Z ⁽³⁾
	mmc3_dat[7:0]	I/O	Data signals	Hi-Z ⁽³⁾
	mmc3_cd	I	Card insertion/removal detection signal	Hi-Z
	mmc3_wp	I	Write protect detection signal	Hi-Z
MMC4	mmc4_clk	I/O	External clock for eMMC/SD/SDIO card	0
	mmc4_cmd	I/O	Command line	Hi-Z ⁽³⁾
	mmc4_dat[3:0]	I/O	Data signals	Hi-Z ⁽³⁾
	mmc4_cd	I	Card insertion/removal detection signal	Hi-Z
	mmc4_wp	I	Write protect detection signal	Hi-Z

⁽¹⁾ I = Input; O = Output; I/O = Bidirectional

⁽²⁾ Hi-Z = High Impedance

⁽³⁾ Initialized as input upon reset

NOTE: For mmc2_clk, mmc3_clk and mmc4_clk signals to work properly, the INPUTENABLE bit of the appropriate CTRL_CORE_PAD_x registers must be set to 0x1 by software. This is because the eMMC/SD/SDIO controller uses the input from the pad as loopback clock, which the controller can use for read capture depending on the mode it is in.

NOTE: On SR2.x devices the internal PU/PD resistors on pads mmc2_dat[7:0] can be permanently disabled. For more information, see [Section 18.4.6.1.1.1, Permanent PU/PD disabling \(SR 2.x only\)](#) in [Chapter 18, Control Module](#).

25.2.2 Protocol and Data Format

The bus protocol between the eMMC/SD/SDIOi host controller and the card is message-based. Each message is represented by one of the following parts:

- **Command:** A command starts an operation. The command is transferred serially from the eMMC/SD/SDIO host controller to the card on the CMD line.
- **Response:** A response is an answer to a command. The response is sent from the card to the

eMMC/SD/SDIO host controller. It is transferred serially on the CMD line.

- Data: Data are transferred from the eMMC/SD/SDIO host controller to the card or from a card to the eMMC/SD/SDIO host controller using the data lines.
- Busy: The DAT[0] signal is maintained low by the card as far as it is programming the data received.
- CRC status: The CRC result is sent by the card through the DAT[0] line when executing a write transfer. In the case of transmission error, occurring on any of the active data lines, the card sends a negative CRC status on DAT[0]. In the case of successful transmission, over all active data lines, the card sends a positive CRC status on DAT[0] and starts the data programming procedure.

25.2.2.1 Protocol

There are two types of data transfer:

- Sequential operation
- Block-oriented operation

There are specific commands for each type of operation (sequential or block-oriented).

For information about commands and programming sequences supported by the MMC, SD, and SDIO cards, see the *Multimedia Card System Specification*, *SD Memory Card Specifications*, and *SDIO Card Specification (Part E1)*.

Figure 25-3 and Figure 25-4 show how sequential operations are defined. Sequential operation is only for 1-bit transfer and initiates a continuous data stream. The transfer terminates when a stop command follows on the mmci_cmd line.

NOTE: Stream commands are supported only by MMC cards.

Figure 25-3. Sequential Read Operation (MMC Cards Only)

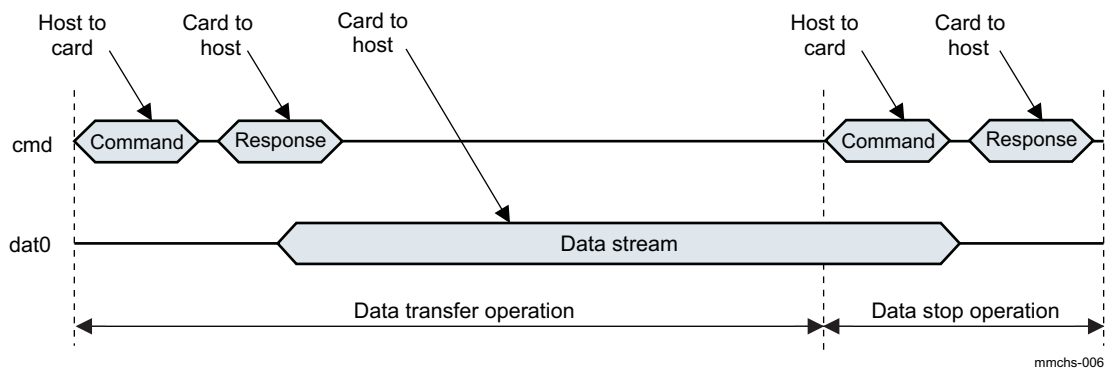


Figure 25-4. Sequential Write Operation (MMC Cards Only)

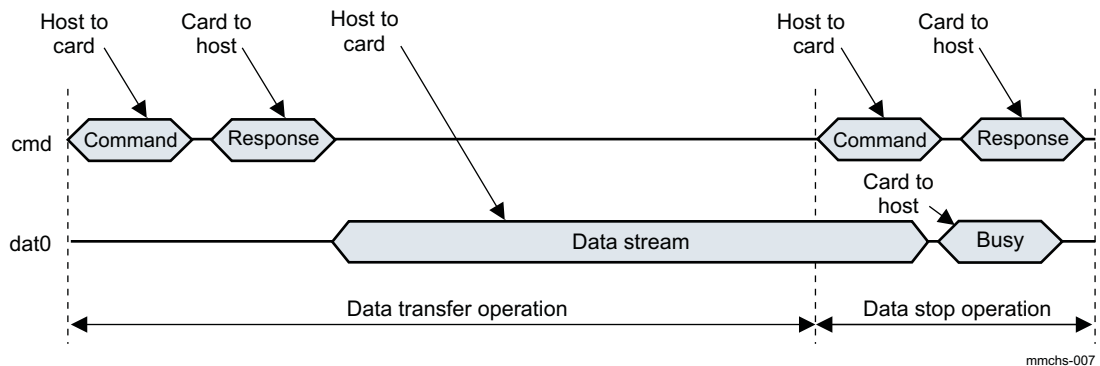
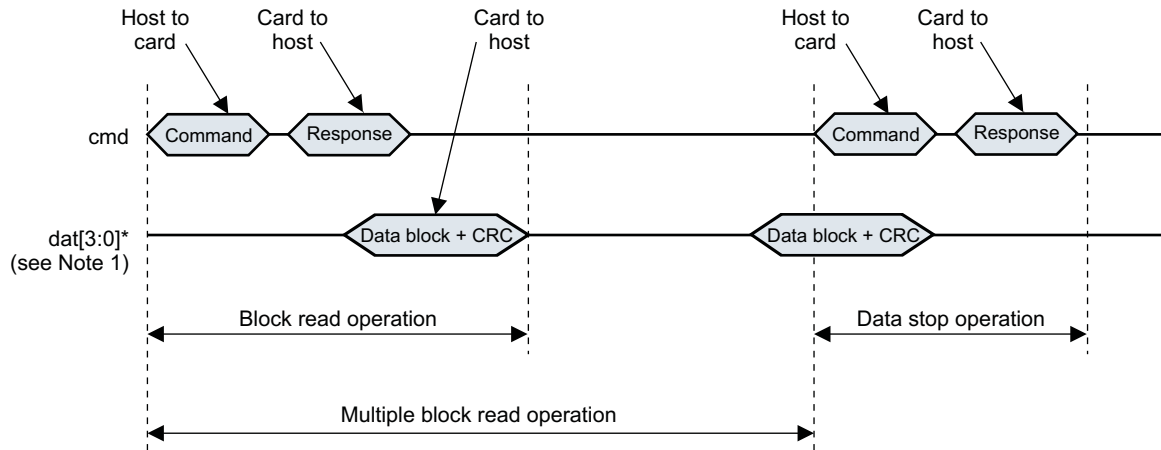


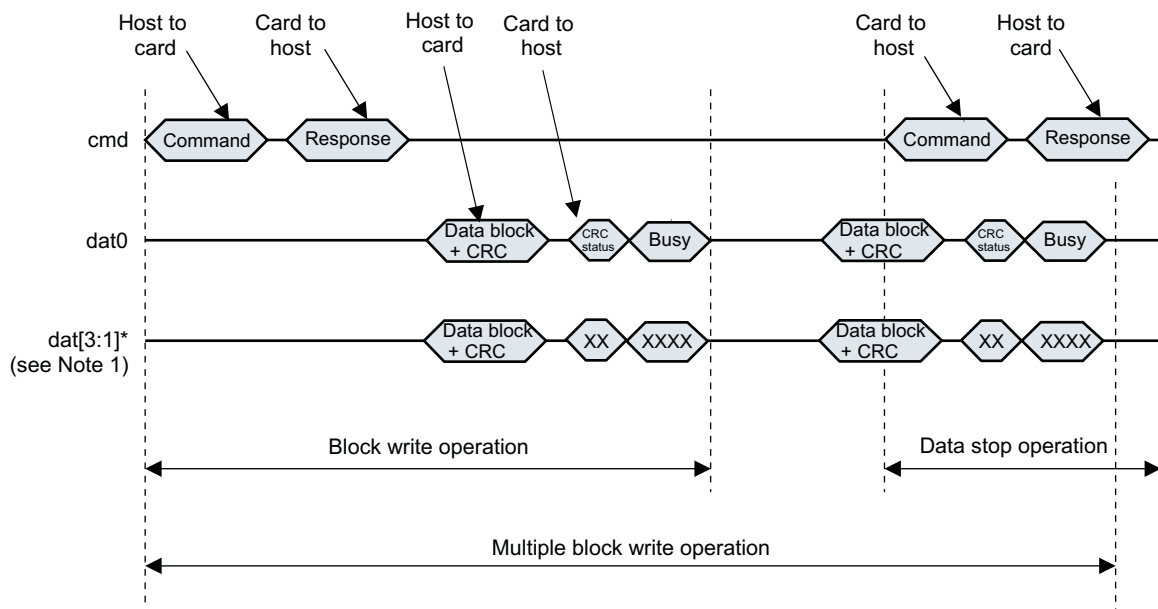
Figure 25-5 and Figure 25-6 show how multiple block-oriented operations are defined. A multiple block-oriented operation sends a data block plus CRC bits. The transfer terminates when a stop command follows on the mmci_cmd line. These operations are available for all kinds of cards.

Figure 25-5. Multiple Block Read Operation



mmchs-008

Figure 25-6. Multiple Block Write Operation With Card Busy Signal



mmchs-009

NOTE:

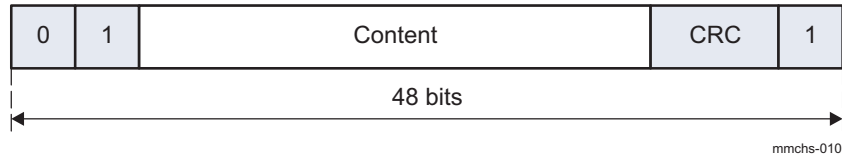
- The card busy signal is not always generated by the card; refer to Figure 25-5 and Figure 25-6, that show a particular case.
- Software must perform a software reset (set the MMCI.MMCHS_SYSCTL[26] SRD bit to 0x1) after a data time-out to ensure that CLK is stopped.
- For multiblock transfer, and especially for MMC cards, a transfer can be aborted without using a stop command. If a CMD23 is used before data transfer to define the number of blocks that will be transferred, then the transfer stops automatically after the last block (if the MMC card supports this feature).

25.2.2.2 Data Format

Coding Scheme for Command Token

Command tokens always start with 0 and end with 1. The second bit is a transmitter bit: 1 for a host command. The content is the command index (coded by 6 bits) and an argument (for example, an address), coded by 32 bits. The content is protected by 7-bit CRC checksum (see [Figure 25-7](#)).

Figure 25-7. Command Token Format



Coding Scheme for Response Token

Response tokens always start with 0 and end with 1. The second bit is a transmitter bit: 0 for a card response. The content is different for each type of response (R1, R2, R3, R4, and R5, R6, R7 [for SD]) and the content is protected by 7-bit CRC checksum (see [Figure 25-8](#) and [Figure 25-9](#)). Depending on the type of commands sent to the card, the `MMCHS_CMD` register must be configured differently to avoid false CRC or index errors to be flagged on command response (see [Table 25-4](#)). For more information about response types, see the *Multimedia Card System Specification*, *SD Memory Card Specifications*, and *SDIO Card Specification*.

Figure 25-8. Response Token Format (R1, R3, R4, R5, R6, R7)

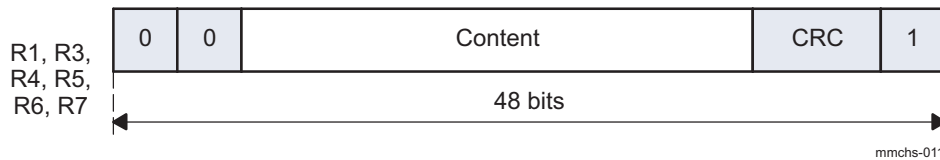


Figure 25-9. Response Token Format (R2)

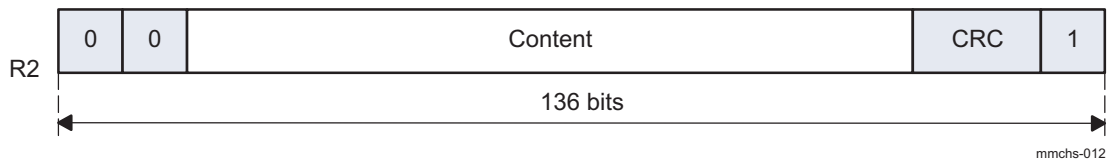


Table 25-4. Relationship Between Configuration and Name of Response Type

Response Type MMCi.MMCHS_CMD[17:16] RSP_TYPE	Index Check Enable MMCi.MMCHS_CMD[20] CICE	CRC Check Enable MMCi.MMCHS_CMD[19] CCCE	Name of Response Type
00	0	0	No response
01	0	1	R2
10	0	0	R3 (R4 for SD cards)
10	1	1	R1, R6, R5, (R7 for SD cards)
11	1	1	R1b, R5b

Coding Scheme for Data Token

Data tokens always start with 0 and end with 1 (see [Figure 25-10](#) through [Figure 25-12](#)).

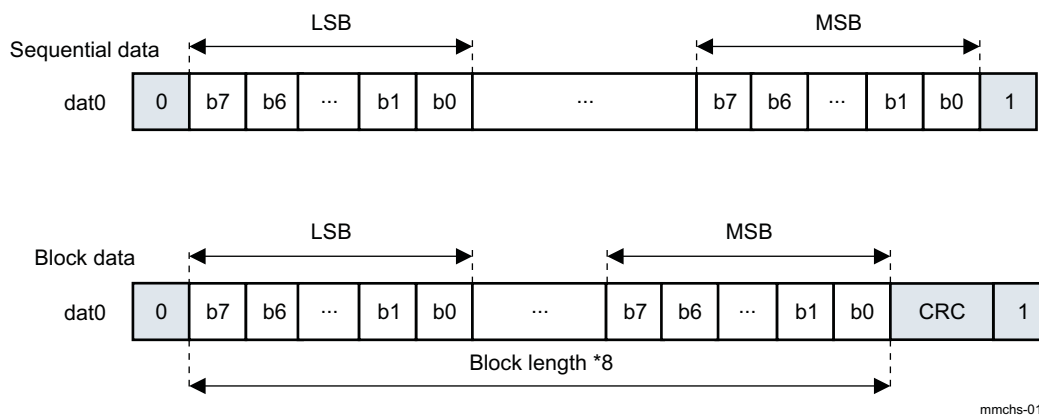
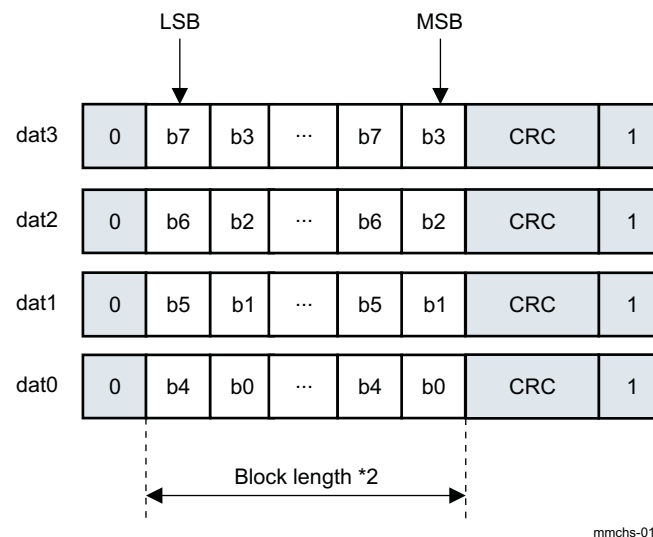
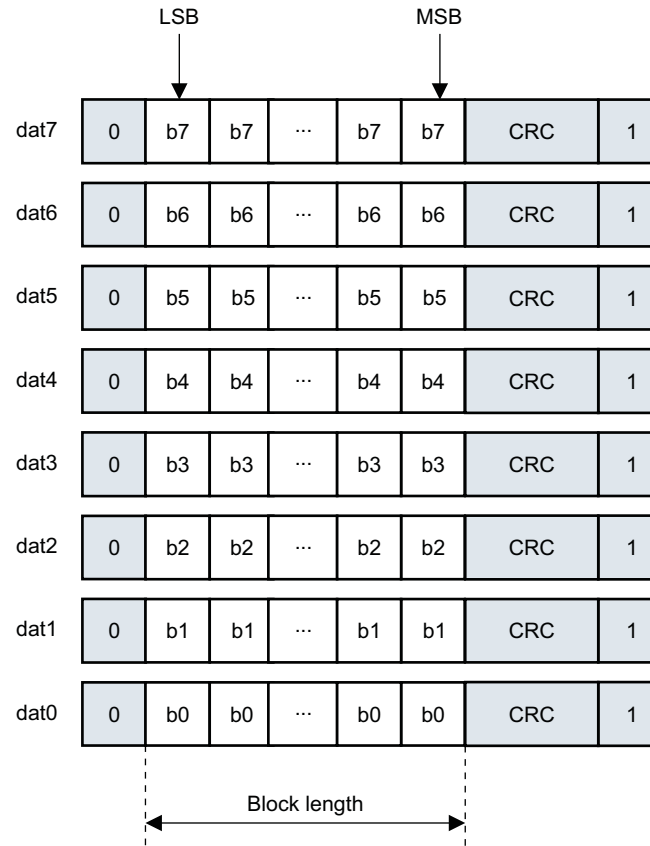
Figure 25-10. Data Token Format for 1-Bit Transfers

Figure 25-11. Data Token Format for 4-Bit Transfers


Figure 25-12. Data Token Format for 8-Bit Transfers



mmchs-015

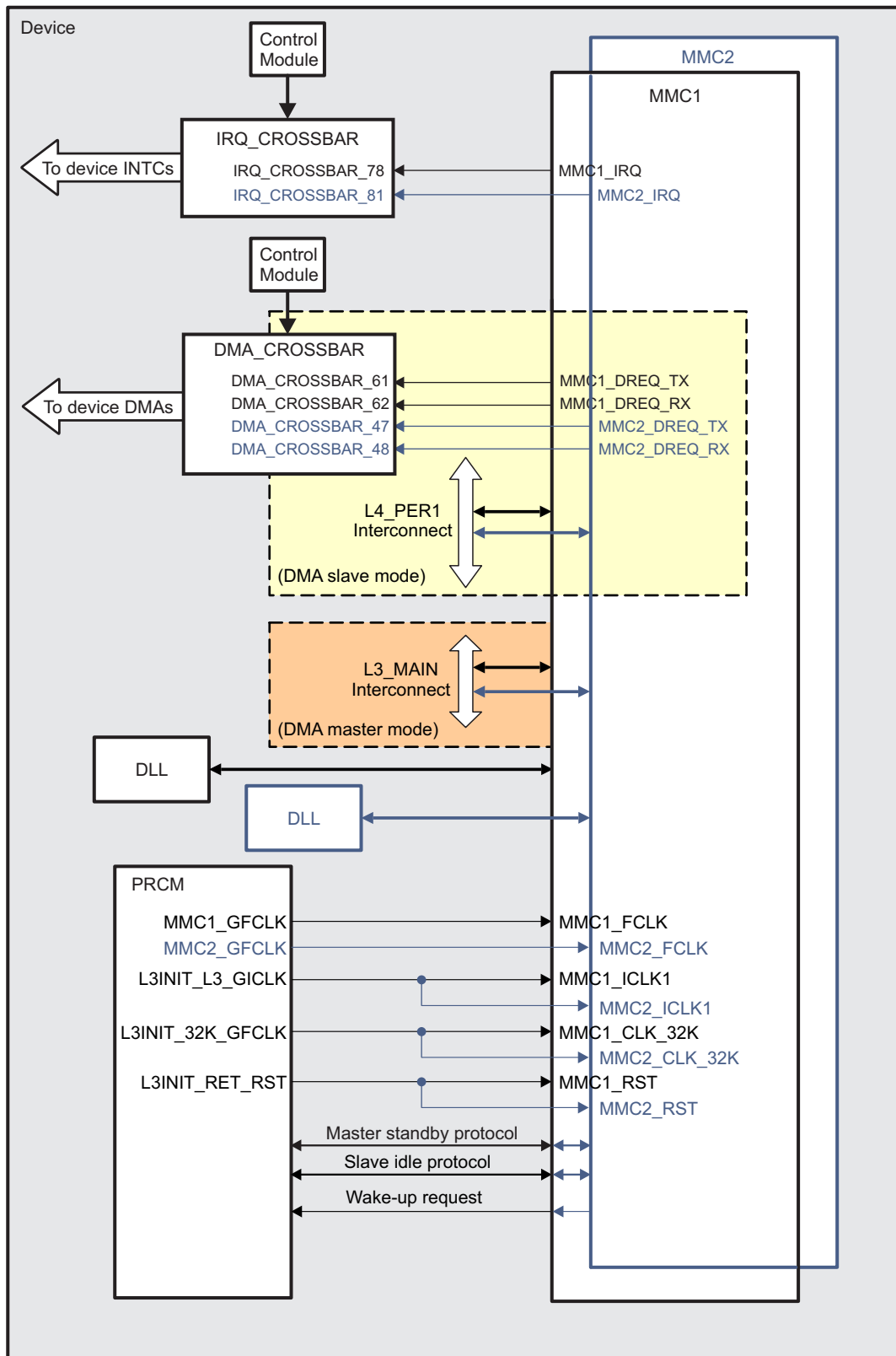
25.3 eMMC/SD/SDIO Integration

This section describes module integration in the device, including information about clocks, resets, and hardware requests.

[Figure 25-13](#) shows the integration of the MMC1 and MMC2 controllers which are connected to both L3_MAIN and L4_PER1 interconnects and are able to act as master or slave. In master mode the L3_MAIN interconnect is used. In slave mode the L4_PER1 interconnect is used.

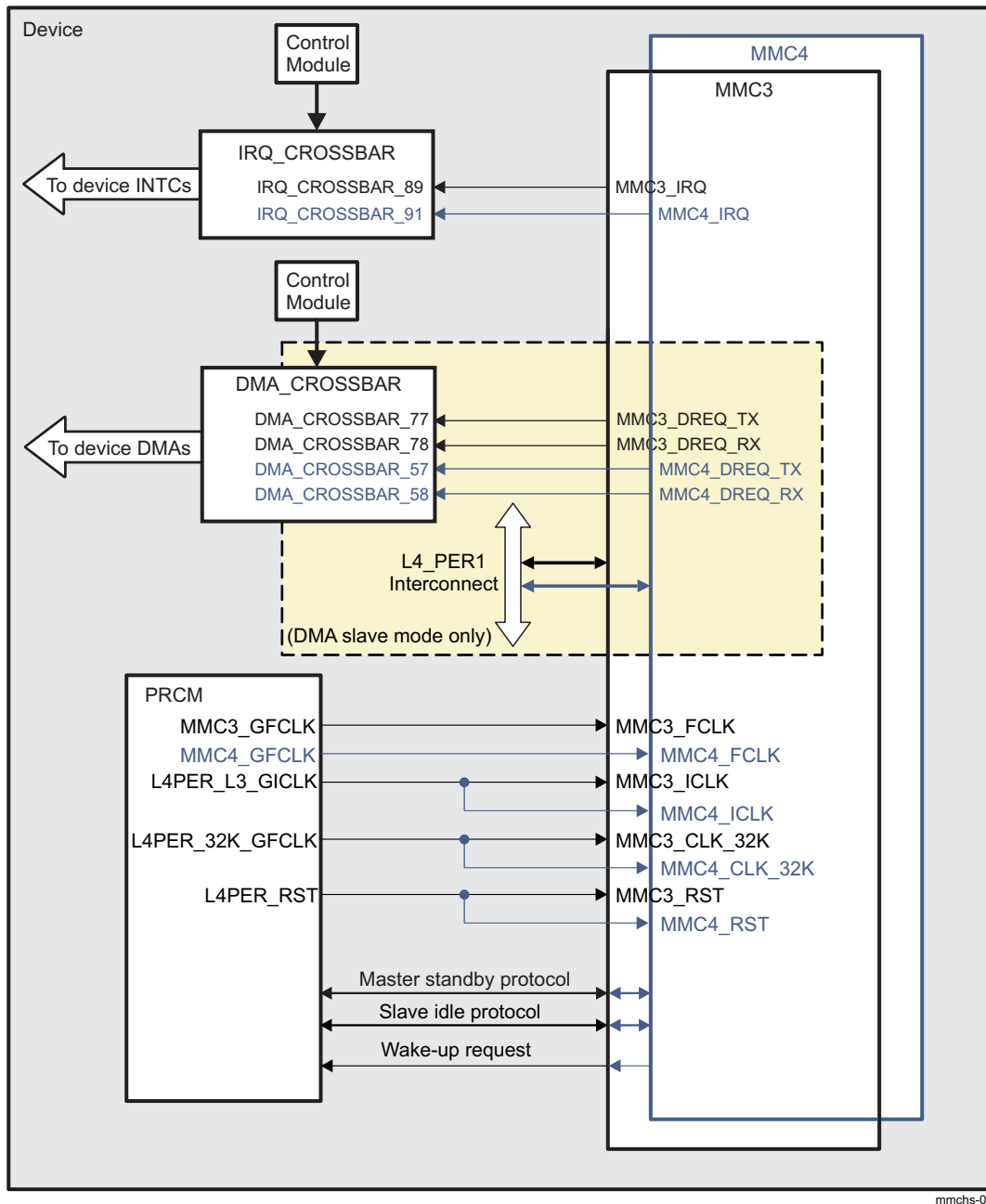
[Figure 25-14](#) shows the integration of the MMC3 and MMC4 controllers which are connected to the L4_PER1 interconnect and act as a slave only.

Figure 25-13. Integration of MMC1 and MMC2 Controllers – Master and Slave Capable



mmchs-016

Figure 25-14. Integration of MMC3 and MMC4 Controllers – Slave Capable Only



mmchs-045

NOTE: For more information about the slave idle protocol and the wake-up request, see [Section 3.1.1, Device Power-Management Architecture Building Blocks](#), in [Chapter 3, Power, Reset, and Clock Management](#).

Table 25-5 through Table 25-7 summarize the integration of the module in the device.

Table 25-5. MMC Integration Attributes

Module Instance	Attributes	
	Power Domain	Interconnect
MMC1	PD_COREAON	L3_MAIN L4_PER1

Table 25-5. MMC Integration Attributes (continued)

MMC2	PD_COREAON	L3_MAIN L4_PER1
MMC3	PD_COREAON	L4_PER1
MMC4	PD_COREAON	L4_PER1

Table 25-6. MMC Clocks and Resets

Clocks				
Module Instance	Destination Signal Name	Source Signal Name	Source	Description
MMC1	MMC1_FCLK	MMC1_GFCLK	PRCM	MMC1 function clock
	MMC1_ICLK1	L3INIT_L3_GICLK	PRCM	MMC1 interface clock
	MMC1_CLK_32K	L3INIT_32K_GFCLK	PRCM	MMC1 debounce clock
MMC2	MMC2_FCLK	MMC2_GFCLK	PRCM	MMC2 function clock
	MMC2_ICLK1	L3INIT_L3_GICLK	PRCM	MMC2 interface clock
	MMC2_CLK_32K	L3INIT_32K_GFCLK	PRCM	MMC2 debounce clock
MMC3	MMC3_ICLK	L4PER_L3_GICLK	PRCM	MMC3 interface clock
	MMC3_FCLK	MMC3_GFCLK	PRCM	MMC3 function clock
	MMC3_CLK_32K	L4PER_32K_GFCLK	PRCM	MMC3 debounce clock
MMC4	MMC4_ICLK	L4PER_L3_GICLK	PRCM	MMC4 interface clock
	MMC4_FCLK	MMC4_GFCLK	PRCM	MMC4 function clock
	MMC4_CLK_32K	L4PER_32K_GFCLK	PRCM	MMC4 debounce clock
Resets				
Module Instance	Destination Signal Name	Source Signal Name	Source	Description
MMC1	MMC1_RST	L3INIT_RET_RST	PRCM	L3 reset to MMC1
MMC2	MMC2_RST	L3INIT_RET_RST	PRCM	L3 reset to MMC2
MMC3	MMC3_RST	L4PER_RST	PRCM	Reset to MMC3
MMC4	MMC4_RST	L4PER_RST	PRCM	Reset to MMC4

Table 25-7. MMC Hardware Requests

Interrupt Requests				
Module Instance	Source Signal Name	Destination IRQ_CROSSBAR Input	Default Mapping	Description
MMC1	MMC1_IRQ	IRQ_CROSSBAR_78	MPU_IRQ_83 IPU1_IRQ_66 IPU2_IRQ_66	MMC1 interrupt request
MMC2	MMC2_IRQ	IRQ_CROSSBAR_81	MPU_IRQ_86 IPU1_IRQ_67 IPU2_IRQ_67	MMC2 interrupt request
MMC3	MMC3_IRQ	IRQ_CROSSBAR_89	MPU_IRQ_94 IPU1_IRQ_68 IPU2_IRQ_68	MMC3 interrupt request
MMC4	MMC4_IRQ	IRQ_CROSSBAR_91	MPU_IRQ_96	MMC4 interrupt request
DMA Requests				
Module Instance	Source Signal Name	Destination DMA_CROSSBAR Input	Default Mapping	Description
MMC1	MMC1_DREQ_TX	DMA_CROSSBAR_61	DMA_SYSTEM_DREQ_60 DMA_EDMA_DREQ_60	MMC1 DMA TX
	MMC1_DREQ_RX	DMA_CROSSBAR_62	DMA_SYSTEM_DREQ_61 DMA_EDMA_DREQ_61	MMC1 DMA RX
MMC2	MMC2_DREQ_TX	DMA_CROSSBAR_47	DMA_SYSTEM_DREQ_46 DMA_EDMA_DREQ_46	MMC2 DMA TX
	MMC2_DREQ_RX	DMA_CROSSBAR_48	DMA_SYSTEM_DREQ_47 DMA_EDMA_DREQ_47	MMC2 DMA RX
MMC3	MMC3_DREQ_TX	DMA_CROSSBAR_77	DMA_SYSTEM_DREQ_76	MMC3 DMA TX
	MMC3_DREQ_RX	DMA_CROSSBAR_78	DMA_SYSTEM_DREQ_77	MMC3 DMA RX
MMC4	MMC4_DREQ_TX	DMA_CROSSBAR_57	DMA_SYSTEM_DREQ_56 DMA_EDMA_DREQ_56	MMC4 DMA TX
	MMC4_DREQ_RX	DMA_CROSSBAR_58	DMA_SYSTEM_DREQ_57 DMA_EDMA_DREQ_57	MMC4 DMA RX

NOTE: The “**Default Mapping**” column in [Table 25-7 MMC Hardware Requests](#) shows the default mapping of module IRQ and DREQ source signals. These module IRQ and DREQ source signals can also be mapped to other lines of each device Interrupt or DMA controller through the IRQ_CROSSBAR and DMA_CROSSBAR modules, respectively.

For more information about the IRQ_CROSSBAR module, see [Section 18.4.6.4, IRQ_CROSSBAR Module Functional Description](#), in [Chapter 18, Control Module](#).

For more information about the DMA_CROSSBAR module, see [Section 18.4.6.5, DMA_CROSSBAR Module Functional Description](#), in [Chapter 18, Control Module](#).

For more information about the device interrupt controllers, see [Chapter 17, Interrupt Controllers](#).

For more information about the device DMA_SYSTEM module, see [Section 16.1, System DMA](#).

For more information about the device EDMA module, see [Section 16.2, Enhanced DMA](#).

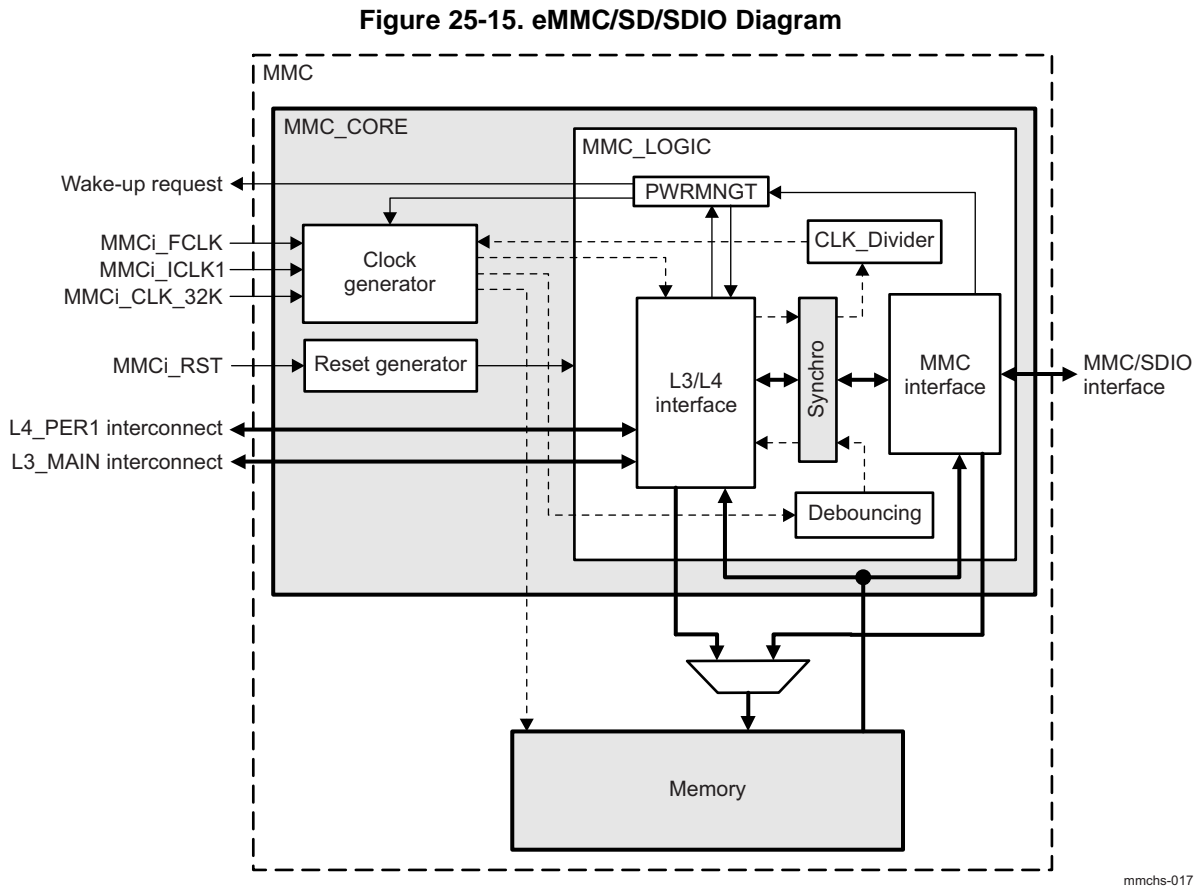
NOTE:

- For a description of the interrupt source, see [Section 25.4.4, Interrupt Requests](#).
 - For a description of the DMA source, see [Section 25.4.5, DMA Modes](#).
-

25.4 eMMC/SD/SDIO Functional Description

25.4.1 Block Diagram

Figure 25-15 is a block diagram of the eMMC/SD/SDIOi host controller.



mmchs-017

25.4.2 Resets

25.4.2.1 Hardware Reset

The module is reinitialized by the hardware (see [Table 25-6](#) for more information about reset signals).

The `MMCi.MMCHS_SYSSTATUS[0] RESETDONE` bit can be monitored by software to check whether the module is ready to use after a hardware reset.

NOTE: The functional clock (`MMCi_FCLK`) and interface clock (`MMCi_ICLK`) must be provided to the module to allow the `RESETDONE` status bit to be set.

The debounce clock (`MMCi_32K`) must be active to reset the module correctly.

This hardware reset signal has a global reset action on the module. All configuration registers and all state-machines are reset in all clock domains.

25.4.2.2 Software Reset

The module is reinitialized by software through the `MMCi.MMCHS_SYSCONFIG[1] SOFTRESET` bit. This bit has the same effect on the module logic as the hardware signal (`MMCi_RST`), with the following exceptions:

- Debounce logic

- MMCi.MMCHS_PSTATE, MMCi.MMCHS_CAPA, and MMCi.MMCHS_CUR_CAPA registers (see the corresponding register description)

The SOFTRESET bit is active high. The bit is automatically reinitialized to 0 by hardware. The MMCi.MMCHS_SYSCTL[24] SRA bit has the same action on the design as the SOFTRESET bit.

The MMCi.MMCHS_SYSSTATUS[0] RESETDONE bit can be monitored by software to check whether the module is ready to use after a software reset.

Moreover, two partial software reset bits are provided:

- MMCi.MMCHS_SYSCTL[26] SRD
- MMCi.MMCHS_SYSCTL[25] SRC

These 2 reset bits are useful to reinitialize data or command processes, respectively, in case of line conflict. When these bits are set to 1, a reset process is automatically released when the reset completes:

- The MMCi.MMCHS_SYSCTL[26] SRD bit resets all finite state-machines (FSMs) and status management that handle data transfers on the interface and functional sides.
- The MMCi.MMCHS_SYSCTL[25] SRC bit resets all FSMs and status management that handle command transfers on the interface and functional sides.

25.4.3 Power Management

The eMMC/SD/SDIO host controller can enter into different modes and save power:

- Normal mode
- Idle mode

The two modes are mutually exclusive (the module can be in normal mode or in idle mode). The eMMC/SD/SDIO host controller is compliant with the handshake protocol of the power, reset, and clock management (PRCM) module.

Normal Mode

The autogating of interface and functional clocks occurs when the following conditions are met:

- The MMCi.MMCHS_SYSCONFIG[0] AUTOIDLE bit is set to 1.
- There is no transaction on the MMC interface.

The autogating of interface and functional clocks stops when the following conditions are met:

- A register access occurs through the L4 interconnect.
- A wake-up event occurs (card insertion, card removal, an interrupt from a SDIO card).
- A transaction on the MMC/SD/SDIO interface starts.

When a card removal event is detected the eMMC/SD/SDIO host controller automatically clears MMCHS_HCTL[8] SDBP and MMCHS_SYSCTL[2] CEN bits. Then it enters into low power state with auto gated interface clock even if MMCHS_SYSCONFIG[0] AUTOIDLE bit is set to 0. The functional clock is internally switched off and only interconnect read and write accesses are allowed.

Idle Mode

The MMCi_ICLK and MMCi_FCLK clocks provided to the eMMC/SD/SDIO host controller are switched off upon a PRCM module request. They are switched back upon module request.

The eMMC/SD/SDIO host controller complies with the handshaking protocol of the PRCM module:

- IDLE request from the system power manager
- Idle acknowledgment from the eMMC/SD/SDIO host controller
- Wake-up request from the eMMC/SD/SDIO host controller

The idle acknowledgment varies according to the MMCi.MMCHS_SYSCONFIG[4:3] SIDLEMODE bit field:

- 0x0: Force-idle mode. The eMMC/SD/SDIO host controller acknowledges the system power manager request unconditionally.
- 0x1: No-idle mode. The eMMC/SD/SDIO host controller ignores the system power manager request and behaves normally as if the request was not asserted.

- 0x2: Smart-idle mode. The eMMC/SD/SDIO host controller acknowledges the system power manager request according to its internal state.
- 0x3: Smart-idle wake-up-capable mode. The eMMC/SD/SDIO host controller acknowledges the system power manager request according to its internal state. However, the module may generate wake-up events when it is in IDLE state (related to IRQ or DMA requests)

During the smart-idle mode period, the eMMC/SD/SDIO host controller acknowledges that the MMCi_ICLK and MMCi_FCLK clocks may be switched off, regardless of the value set in the MMCi.MMCHS_SYSCONFIG[9:8] CLOCKACTIVITY bit field.

The debounce clock is used to debounce the signals related to the card insertion and the card removal that are also sources of wake-up in idle mode. The debounce clock must never be switched off by the system power manager in order to detect card removal in functional mode, and detect wake-up in idle mode.

Transition From Normal Mode to Smart-Idle Mode

Smart-idle mode is enabled when the MMCi.MMCHS_SYSCONFIG[4:3] SIDLEMODE bit field is set to 0x2 or 0x3.

The eMMC/SD/SDIOi host controller goes into idle mode when the PRCM issues an IDLE request, according to its internal activity.

The eMMC/SD/SDIO host controller acknowledges the IDLE request from the PRCM after ensuring the following:

- The current multi- or single-block transfer is complete.
- Any interrupt or DMA request is asserted.
- There is no card interrupt on the DATA[1] signal.

As long as the eMMC/SD/SDIOi controller does not acknowledge the IDLE request, if an event occurs, the eMMC/SD/SDIOi host controller can still generate an interrupt or a DMA request. In this case, the module ignores the IDLE request from the PRCM module.

As soon as the eMMC/SD/SDIOi controller acknowledges the IDLE request from the PRCM module:

- If smart-idle mode: The module does not assert any new interrupt or DMA request.
- If smart-idle wake-up-capable mode: The module may generate wake-up events related to an interrupt or DMA request.

Wake-Up Event in Smart-Idle Mode

The wake-up feature is enabled when both the MMCi.MMCHS_SYSCONFIG[2] ENAWAKEUP bit and one of the three bits MMCi.MMCHS_HCTL[26] REM, MMCi.MMCHS_HCTL[25] INS, MMCi.MMCHS_HCTL[24] IWE are set to 0x1.

The corresponding interrupt status enable bits must also be set before going in idle mode. Setting one of the following bits:

- MMCi.MMCHS_IE[8] CIRQ_ENABLE
- MMCi.MMCHS_IE[7] CREM_ENABLE
- MMCi.MMCHS_IE[6] CINS_ENABLE

to 0x1 enables the wakeup event detection. The source of wakeup can be identified after idle mode exiting by reading one of the corresponding MMCHS_STAT bits.

The wakeup is generated only in smart-idle mode, when the module is in idle mode.

Table 25-8 lists the supported cases in smart-idle mode.

Table 25-8. Smart-Idle Mode and Wake-Up Capabilities

Mode	MMCi_ICLK Clock	MMCi_FCLK Clock	Wake-Up Event
Card interrupt	May be switched off ⁽¹⁾	May be switched off ⁽¹⁾	The module sends an asynchronous wake-up request when a card interrupt on the DATA[1] signal is detected.
Card insertion	May be switched off ⁽¹⁾	May be switched off ⁽¹⁾	The module sends an asynchronous wake-up request when card insertion is detected.
Card removal	May be switched off ⁽¹⁾	May be switched off ⁽¹⁾	The module sends an asynchronous wake-up request when card removal is detected.

⁽¹⁾ The eMMC/SD/SDIOi host controller assumes that both clocks may be switched off, regardless of the value set in the MMCi.MMCHS_SYSCONFIG[9:8] CLOCKACTIVITY bit field.

Transition From Smart-Idle Mode to Normal Mode

The eMMC/SD/SDIO host controller detects the end of the idle period when the PRCM module deasserts the IDLE request.

For the wake-up event, there is a corresponding interrupt status in the MMCi.MMCHS_STAT register. The eMMC/SD/SDIOi host controller operates the conversion between the wake-up and interrupt (or DMA request) upon exit from smart-idle mode, if the associated enable bit is set in the MMCi.MMCHS_ISE register.

Interrupts and wake-up events have independent enable and disable controls, accessible through the MMCi.MMCHS_HCTL and MMCi.MMCHS_ISE registers. The overall consistency must be ensured by software.

One of the bits MMCHS_STAT[8] CIRQ, MMCHS_STAT[7] CREM, MMCHS_STAT[6] CINS in the interrupt status register is updated with the event that caused the wake-up when one of the bits MMCHS_IE[8] CIRQ_ENABLE, MMCHS_IE[7] CREM_ENABLE, MMCHS_IE[6] CINS_ENABLE is enabled.

Then, the wake-up event at the origin of the transition from smart-idle mode to normal mode is converted into its corresponding interrupt or DMA request. (The MMCi.MMCHS_STAT register is updated and the status of the interrupt signal changes.)

When the IDLE request from the PRCM module is deasserted, the module switches back to normal mode. The module is fully operational.

Force-Idle Mode

Force-idle mode is enabled when the MMCi.MMCHS_SYSCONFIG[4:3] SIDLEMODE bit field is set to 0x0.

Force-idle mode is an idle mode in which the eMMC/SD/SDIOi host controller responds unconditionally to the IDLE request from the PRCM module. Moreover, in this mode, the eMMC/SD/SDIOi host controller unconditionally deasserts interrupts and DMA request lines if they are asserted.

The transition from normal mode to force-idle mode does not affect the bits of the MMCi.MMCHS_STAT register.

In force-idle mode, the interrupt and DMA request lines are deasserted. MMCi_ICLK and MMCi_FCLK can be switched off.

CAUTION

In force-idle mode, an IDLE request from the PRCM module during a command or a data transfer can lead to an unexpected and unpredictable result. When the module is idle, any access to the module generates an error as long as the MMCi_ICLK clock is alive.

The module exits force-idle mode when the PRCM module deasserts the IDLE request. Then the module switches back to normal mode. The module is fully operational. Interrupt and DMA request lines are optionally asserted one clock cycle later.

Standby Mode

The eMMC/SD/SDIO host controller also provides standby information to the system power manager if the generic parameter `MMCHS_HL_HWINFO[0] MADMA_EN` is set to 1.

The eMMC/SD/SDIO host controller complies with the handshaking protocol of the PRCM module:

- Standby request from the eMMC/SD/SDIO host controller
- Wait acknowledgement from the PRCM module

The standby request varies according to the `MMCi.MMCHS_SYSCONFIG[13:12] STANDBYMODE` bit field:

- 0x0: Force-standby. The eMMC/SD/SDIO host controller sends the standby request to the system power manager unconditionally.
- 0x1: No-standby. The eMMC/SD/SDIO host controller does not generate any standby request to the system power manager and behaves normally
- 0x2: Smart-standby. The eMMC/SD/SDIO host controller sends the standby request to the system power manager according to the master L3 interface state.

Power Pad Control

The eMMC/SD/SDIO host controller has the ability to reduce the pad power leakage when no transfer is sent through the pad. According to the `MMCHS_CON[15] PADEN` there are two different pad power management modes: automatic and manual.

If `MMCHS_CON[15] PADEN` is set to 1, pads CLK, CMD, DAT[0] and DATA[i] (where i = 2 through 7) are always powered on.

If `MMCHS_CON[15] PADEN` is set to 0, the power for pads CLK, CMD, DAT[0] and DATA[i] (where i = 2 through 7) is "ON" only when there is a transfer on going. This is automatically managed by an internal state machine of the eMMC/SD/SDIO host controller.

The DATA[1] pad active state is controlled through `MMCHS_CON[11] CTPL` in order to detect SDIO asynchronous interrupt when there is no transaction.

The delay between pad power "ON" and the command transmission is controlled through the `MMCHS_PWCNT` register which act as a programmable counter. It is also used to delay the pad power "OFF" after the end of transmission. By default this counter is reset which means that no additional delay is added. But there is approximately 6-7 clock cycles margin between pad power "ON" and real start of the command due to an internal state machine of the eMMC/SD/SDIO host controller.

NOTE: The `MMCHS_PWCNT` register is considered as static. No dynamic configuration during the transfer is supported. This results in an unpredictable behavior.

Local Power Management

Table 25-9 describes the power-management features available for the eMMC/SD/SDIOi modules.

NOTE: For information about source clock gating and a description of the sleep/wake-up transitions, see Section 3.6, *Clock Management Functional Description*, in Chapter 3, *Power, Reset, and Clock Management*.

Table 25-9. Local Power-Management Features

Feature	Registers	Description
Clock auto gating	<code>MMCHS_SYSCONFIG[0] AUTOIDLE</code>	This bit allows a local power optimization inside the module by gating the <code>MMCi_ICLK</code> clock upon the interface activity, or gating the <code>MMCi_FCLK</code> clock upon the internal activity.

Table 25-9. Local Power-Management Features (continued)

Feature	Registers	Description
Slave-idle modes	MMCHS_SYSCONFIG [3:4] SIDLEMODE	Force-idle, No-idle, Smart-idle and Smart-idle wake-up-capable modes are available.
Clock activity	MMCHS_SYSCONFIG [8:9] CLOCKACTIVITY	For configuration details, see Table 25-10 .
Master standby modes	MMCHS_SYSCONFIG [12:13] STANDBYMODE	Force-standby, No-standby and Smart-standby modes are available.
Global wake-up enable	MMCHS_SYSCONFIG [2] ENAWAKEUP	This bit enables the wake-up feature at the module level.
Wake-up sources enable	MMCHS_HCTL register	This register holds one active-high enable bit per event source that is able to generate a wake-up signal.

Table 25-10. Clock Activity Settings

CLOCKACTIVITY Values	Clock State When Module is in IDLE State		Features Available When Module is in IDLE State	Wake-Up Events
	MMCi_ICLK	MMCi_FCLK		
00	OFF	OFF	None	Card interrupt, Card insertion, Card removal
10	OFF	ON	None	
01	ON	OFF	None	
11	ON	ON	All	

CAUTION

The PRCM module has no hardware means of reading CLOCKACTIVITY settings. Thus, software must ensure consistent programming between the CLOCKACTIVITY and MMCi clock PRCM control bits. For a description of the Clock activity feature, see [Section 3.1.1.1.2, Module-Level Clock Management](#), in [Chapter 3, Power, Reset, and Clock Management](#).

25.4.4 Interrupt Requests

Several internal module events can generate an interrupt. Each interrupt has a status bit, an interrupt enable bit, and a signal status enable:

- The status of each type of interrupt is automatically updated in the MMCi.[MMCHS_STAT](#) register; it indicates which service is required.
- The interrupt status enable bits of the MMCi.[MMCHS_IE](#) register enable or disable the automatic update of the MMCi.[MMCHS_STAT](#) register on an event-by-event basis.
- The interrupt signal enable bits of the MMCi.[MMCHS_ISE](#) register enable or disable the transmission of an interrupt request on the interrupt line MMCi_IRQ on an event-by-event basis.

If an interrupt status is disabled in the MMCi.[MMCHS_IE](#) register, then the corresponding interrupt request is not transmitted, and the value of the corresponding interrupt signal enable in the MMCi.[MMCHS_ISE](#) register is ignored.

When an interrupt event occurs, the corresponding status bit is automatically set to 0x1 (the eMMC/SD/SDIOi host controller updates the status bit) in the MMCi.[MMCHS_STAT](#) register. If a mask is later applied on the interrupt in the MMCi.[MMCHS_ISE](#) register, the interrupt request is deactivated.

When the interrupt source has not been serviced, if the interrupt status is cleared in the MMCi.[MMCHS_STAT](#) register and the corresponding mask is removed from the MMCi.[MMCHS_ISE](#) register, the interrupt status is not asserted again in the MMCi.[MMCHS_STAT](#) register and the eMMC/SD/SDIOi host controller does not transmit an interrupt request.

NOTE: If the buffer write ready (BWR) interrupt or the buffer read ready (BRR) only interrupt are not serviced and are cleared in the MMCi.MMCHS_STAT register, and the corresponding mask is removed, then the eMMC/SD/SDIOi host controller waits for the service of the interrupt without updating the status MMCi.MMCHS_STAT register or transmitting an interrupt request.

Table 25-11 lists the event flags, and their mask, that can cause module interrupts.

Table 25-11. Events

Event Flag	Event Mask	Map to	Description
MMCHS_STAT[29] BADA	MMCHS_IE[29] BADA_ENABLE	MMCi_IRQ	<p>Bad access to data space. This bit is set automatically to indicate a bad access to buffer when not allowed:</p> <p>This bit is set during a read access to the data register (MMCHS_DATA) while buffer reads are not allowed (MMCHS_PSTATE[11] BRE = 0).</p> <p>This bit is set during a write access to the data register (MMCHS_DATA) while buffer writes are not allowed (MMCHS_PSTATE[10] BWE = 0).</p>
MMCHS_STAT[28] CERR	MMCHS_IE[28] CERR_ENABLE	MMCi_IRQ	<p>Card error. This bit is set automatically when there is at least one error in a response of type R1, R1b, R6, R5, or R5b. Only bits referenced as type E (error) in the status field in the response can set a card status error. An error bit in the response is flagged only if the corresponding bit in the card status response error MMCHS_CSRE is set. There is no card error detection for the auto CMD12 command.</p>
MMCHS_STAT[26] TE	MMCHS_IE[26] TE_ENABLE	MMCi_IRQ	<p>Tuning Error. This bit is set when an unrecoverable error is detected in a tuning circuit except during tuning procedure. The Tuning Error is with higher priority than the other error interrupts generated during data transfer.</p>
MMCHS_STAT[25] ADMAE	MMCHS_IE[25] ADMAE_ENABLE	MMCi_IRQ	<p>ADMA error. This bit is set when the host controller detects errors during an ADMA-based data transfer. The state of the ADMA at an error occurrence is saved in the ADMA error status register. In addition, the host controller generates this interrupt when it detects invalid descriptor data (Valid=0) at the ST_FDS state.</p>
MMCHS_STAT[24] ACE	MMCHS_IE[24] ACE_ENABLE	MMCi_IRQ	<p>Auto CMD12 error and Auto CMD23 error. This bit is set automatically when one of the bits MMCHS_AC12[4:0] changes from 0 to 1.</p>
MMCHS_STAT[22] DEB	MMCHS_IE[22] DEB_ENABLE	MMCi_IRQ	<p>Data end bit error. This bit is set automatically when detecting a 0 at the end bit position of read data on the DAT line or at the end position of the CRC status in write mode.</p>
MMCHS_STAT[21] DCRC	MMCHS_IE[21] DCRC_ENABLE	MMCi_IRQ	<p>Data CRC error. This bit is set automatically when there is a CRC16 error in the data phase response following a block read command or if there is a 3-bit CRC status difference of a position 010 token during a block write command.</p>
MMCHS_STAT[20] DTO	MMCHS_IE[20] DTO_ENABLE	MMCi_IRQ	<p>Data time-out error. This bit is set automatically according to the following conditions:</p> <ul style="list-style-type: none"> • Busy time-out for R1b, R5b response type • Busy time-out after write CRC status • Write CRC status time-out • Read data time-out

Table 25-11. Events (continued)

Event Flag	Event Mask	Map to	Description
MMCHS_STAT[19] CIE	MMCHS_IE[19] CIE_ENABLE	MMCi_IRQ	Command index error. This bit is set automatically when the response index differs from the corresponding command index previously emitted. The check is enabled through the MMCHS_CMD[20] CICE bit.
MMCHS_STAT[18] CEB	MMCHS_IE[18] CEB_ENABLE	MMCi_IRQ	Command end bit error. This bit is set automatically when detecting a 0 at the end bit position of a command response.
MMCHS_STAT[17] CCRC	MMCHS_IE[17] CCRC_ENABLE	MMCi_IRQ	Command CRC error. This bit is set automatically when a CRC7 error occurs in the command response. CRC check is enabled through the MMCHS_CMD[19] CCCE bit.
MMCHS_STAT[16] CTO	MMCHS_IE[16] CTO_ENABLE	MMCi_IRQ	Command time-out error. This bit is set automatically when no response is received within 64 clock cycles from the end bit of the command. For commands that reply within five clock cycles, the time-out is still detected at 64 clock cycles.
MMCHS_STAT[15] ERR1	MMCHS_IE[15] ERR1_ENABLE	MMCi_IRQ	Error interrupt. If any of the bits in the error interrupt status register (MMCHS_STAT[31:16]) are set, this bit is set to 1.
MMCHS_STAT[10] BSR	MMCHS_IE[10] BSR_ENABLE	MMCi_IRQ	Boot status received interrupt. This bit is set automatically when the MMCHS_CON[18] BOOT_CF0 bit is set to 0x1 or 0x2 and a boot status is received on the dat0 line. This interrupt is useful only for the MMC card.
MMCHS_STAT[8] CIRQ	MMCHS_IE[8] CIRQ_ENABLE	MMCi_IRQ	Card interrupt. This bit is used only for SD, SDIO, and CE-ATA cards. In 1-bit mode, the interrupt source is asynchronous (can be a source of asynchronous wakeup). In 4-bit mode, the interrupt source is sampled during the interrupt cycle. In CE-ATA mode, the interrupt source is detected when the card drives the CMD line to 0 during one cycle after data transmission end.
MMCHS_STAT[7] CREM	MMCHS_IE[7] CREM_ENABLE	MMCi_IRQ	Card removal. This bit is set automatically when MMCHS_PSTATE[16] CINS changes from 1 to 0.
MMCHS_STAT[6] CINS	MMCHS_IE[6] CINS_ENABLE	MMCi_IRQ	Card insertion. This bit is set automatically when MMCHS_PSTATE[16] CINS changes from 0 to 1.
MMCHS_STAT[5] BRR	MMCHS_IE[5] BRR_ENABLE	MMCi_IRQ	Buffer read ready. This bit is set automatically during a read operation to the card (see class 2 block-oriented read commands) when one block specified by the MMCHS_BLK[10:0] BLEN bit field is completely written in the buffer. It indicates that the memory card has filled out the buffer and that the LH must empty the buffer by reading it.
MMCHS_STAT[4] BWR	MMCHS_IE[4] BWR_ENABLE	MMCi_IRQ	Buffer write ready. This bit is set automatically during a write operation to the card (see class 4 block-oriented write command) when the host can write a complete block as specified by the MMCHS_BLK[10:0] BLEN bit field. It indicates that the memory card has emptied one block from the buffer and that the LH can write one block of data into the buffer.
MMCHS_STAT[3] DMA	MMCHS_IE[3] DMA_ENABLE	MMCi_IRQ	DMA interrupt. This status is set when an interrupt is required in the ADMA instruction and after the data transfer completes.

Table 25-11. Events (continued)

Event Flag	Event Mask	Map to	Description
MMCHS_STAT[2] BGE	MMCHS_IE[2] BGE_ENABLE	MMCi_IRQ	Block gap event. When a stop at the block gap is requested (MMCHS_HCTL[16] SBGR), this bit is automatically set when transaction is stopped at the block gap during a read or write operation.
MMCHS_STAT[1] TC	MMCHS_IE[1] TC_ENABLE	MMCi_IRQ	Transfer completed. This bit is always set when a read/write transfer is complete or between two blocks when the transfer is stopped because of a stop at block gap request (MMCHS_HCTL[16] SBGR). <ul style="list-style-type: none"> In read mode: This bit is automatically set when a read transfer completes (MMCHS_PSTATE[9] RTA). In write mode: This bit is automatically set when the DAT line use completes (MMCHS_PSTATE[2] DLA).
MMCHS_STAT[0] CC	MMCHS_IE[0] CC_ENABLE	MMCi_IRQ	Command complete. This bit is set when a 1-to-0 transition occurs in the register command inhibit (MMCHS_PSTATE[0] CMDI). If the command is a type for which no response is expected, then the command complete interrupt is generated at the end of the command. A command time-out error (MMCHS_STAT[16] CTO) has higher priority than command complete (MMCHS_STAT[0] CC). If a response is expected but none is received, then a command time-out error is detected and signaled, instead of the command complete interrupt.

NOTE: To send an interrupt request to the MMCi_IRQ line, the mask/unmask bit must be set in the MMCi.MMCHS_IE and MMCi.MMCHS_ISE registers.

The eMMC/SD/SDIOi host controller supports interrupt-driven operation and polling.

25.4.4.1 Interrupt-Driven Operation

An interrupt-enable bit must be set in the MMCi.MMCHS_IE register to enable the module internal source of interrupt.

When an interrupt event occurs, the single interrupt line is asserted and the LH must:

1. Read the MMCi.MMCHS_STAT register to identify which event occurred.
2. Write 1 into the corresponding bit of the MMCi.MMCHS_STAT register to clear the interrupt status and release the interrupt line (if a read is done after this write, this returns 0).

NOTE: In the MMCi.MMCHS_STAT register, the card interrupt (CIRQ) and error interrupt (ERRI) bits cannot be cleared.

The MMCi.MMCHS_STAT[8] CIRQ status bit must be masked by disabling the MMCi.MMCHS_IE[8] CIRQ_ENABLE bit (set to 0x0), and then the interrupt routine must clear the SDIO interrupt source in the SDIO card common control register (CCCR).

The MMCi.MMCHS_STAT[15] ERRI bit is automatically cleared when all status bits in the MMCi.MMCHS_STAT register (bits 31 through 16) are cleared.

25.4.4.2 Polling

When the interrupt capability of an event is disabled in the MMCi.MMCHS_ISE register, the interrupt line is not asserted:

- Software can poll the status bit in the MMCi.MMCHS_STAT register to detect when the corresponding event occurs.
- Writing 1 into the corresponding bit of the MMCi.MMCHS_STAT register clears the interrupt status and does not affect the interrupt line state.

NOTE: See the previous note concerning clearing of the CIRQ and ERRI bits.

25.4.4.3 Asynchronous Interrupt

Asynchronous interrupt is defined in *SDIO Card Specification version 3.00, part E*. This interrupt is effective in 4-bit mode and is generated without SD clock. Asynchronous interrupt period is defined in the synchronous interrupt period after the last data block and until a next command is received.

Asynchronous interrupt period in a multiple block write operation.

If MMCHS_CAPA[29] AIS is set to 0, writing to MMCHS_AC12[30] AI_ENABLE is ignored. This bit is set to 0. A synchronous interrupt period starts two clocks after the last data block. If MMCHS_AC12[30] AI_ENABLE is set to 1, the asynchronous interrupt period starts four clocks after the start of the synchronous interrupt period. Four clocks after the start bit of the next command, the asynchronous interrupt period ends and goes back to the synchronous interrupt period.

25.4.5 DMA Modes

Two DMA management modes can be used to load data from memory to the internal buffer of the controller (or vice versa). These modes are exclusive and depend on the module integration.

- DMA master mode:

DMA master mode is selected by setting the MMCHS_CON[20] DMA_MNS bit to 1. In this case, the controller has direct access to data using a specific algorithm called ADMA2 (prevents the system from being interrupted). Data are exchanged using the L3_MAIN master interface, which supports burst accesses to maximize throughput.

NOTE: This mode is supported only by modules connected to the L3_MAIN interconnect. For more information and/or to check the value of the MMCHS_HL_HWINFO[0] MADMA_EN bit, see [Section 25.1, eMMC/SD/SDIO Overview](#).

This mode is available for modules MMC1 and MMC2.

- DMA slave mode:

DMA slave mode is selected by setting the MMCHS_CON[20] DMA_MNS bit to 0. In this case, the controller is slave on the DMA transaction managed by two separated requests (MMCi_DMA_TX and MMCi_DMA_RX).

NOTE: This mode is the only mode supported by modules that are not connected to the L3_MAIN interconnect (regardless of the value of the MMCHS_CON[20] DMA_MNS bit). For more information and/or to check the value of the MMCHS_HL_HWINFO[0] MADMA_EN bit, see [Section 25.1, eMMC/SD/SDIO Overview](#).

This mode is available for all MMC modules.

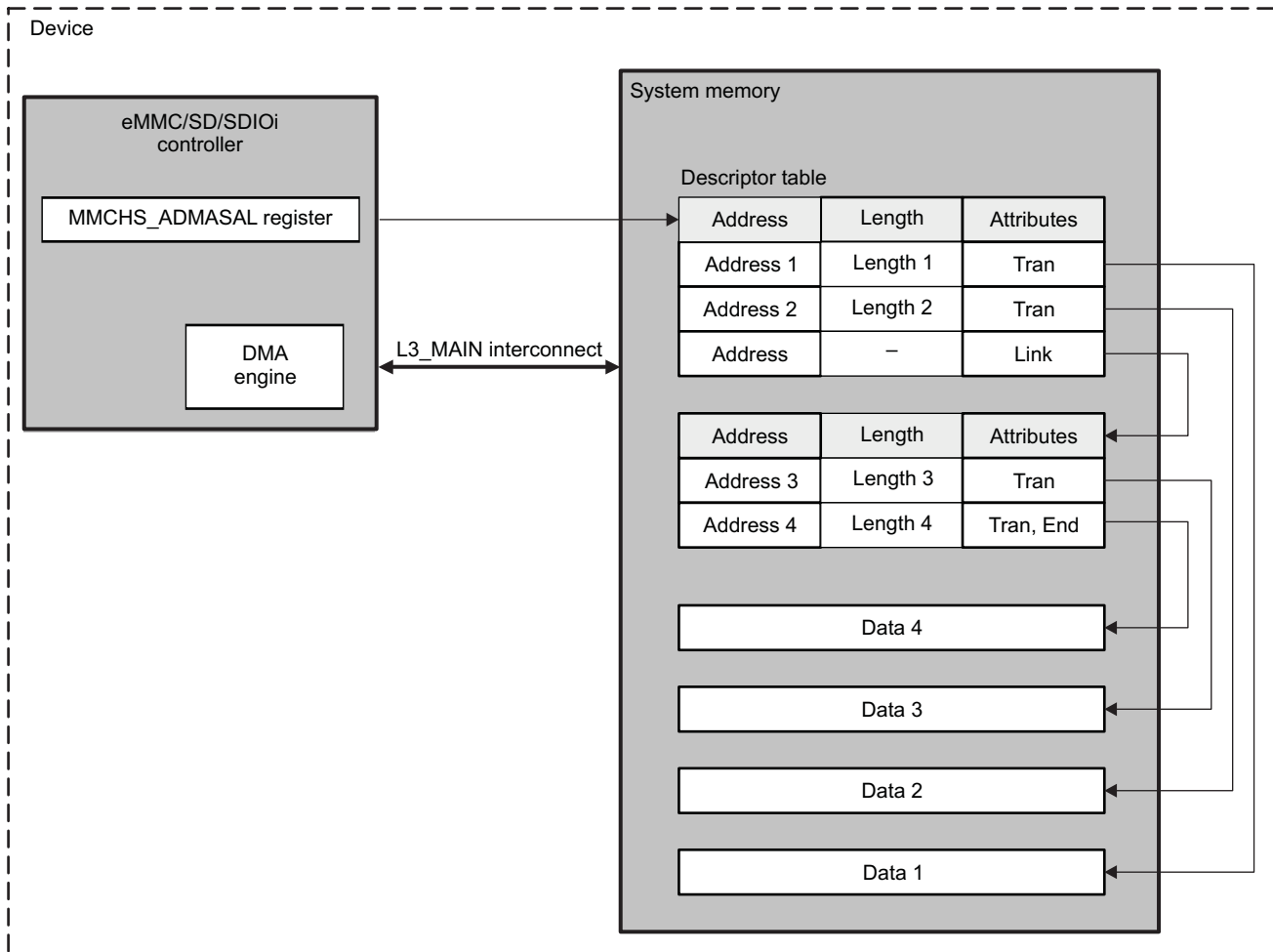
25.4.5.1 Master DMA Operations

The eMMC/SD/SDIOi host controller has direct access to the internal data. This feature is called advanced DMA (ADMA). It follows a specific algorithm (ADMA2) defined by an instruction in memory that starts at an address previously loaded in the MMCHS_ADMASAL register before any data command issued to the MMC card. Only 32-bit address spacing is supported by the controller for data storage.

NOTE: This mode is supported only by modules connected to the L3_MAIN interconnect. For more information and/or to check the value of the MMCHS_HL_HWINFO[0] MADMA_EN bit, see Section 25.1, eMMC/SD/SDIO Overview.

These instructions must be loaded by software in a 32-bit-addressed descriptor table in system memory, as shown in Figure 25-16. In this case the MMCHS_ADMASAL register is used as the program address pointer

Figure 25-16. ADMA Block Diagram Overview



mmchs-018

25.4.5.1.1 Descriptor Table Description

Each descriptor line contains an address, a length, and attributes fields. The attributes define which operation will be processed. Every descriptor line is a 64-bit-wide register that is fetched in the controller using the L3_MAIN master interface, and requires two 32-bit accesses to memory.

Table 25-12 shows the structure of a descriptor line.

Table 25-12. Descriptor Line Overview

Address Field		Length		Reserved		Attributes					
63	32	31	16	15	6	5	4	3	2	1	0
32-bit address		16-bit length		0x0		Act2	Act1	0	Int	Ent	Valid

The attribute of the descriptor line is divided into two parts:

- Attributes[5:4]: The action to be processed by the ADMA engine
- Attributes[3:0]: Additional parameters characterizing the behavior of the ADMA engine

Table 25-13 describes the available actions of a descriptor line.

Table 25-13. Available Actions of a Descriptor Line

Act2	Act1	Symbol	Comment	Operation
0	0	Nop	No operation	Do not execute the current line and go to the next line.
0	1	Rsv	Reserved	Reserved action. Behaves the same as the Nop command.
1	0	Tran	Transfer data	Transfer data of one descriptor line.
1	1	Link	Link descriptor	Link to another descriptor.

Table 25-14 describes the additional parameters of a descriptor line.

Table 25-14. Additional Parameters of a Descriptor Line

Bit	Description
Valid	Valid = 1 indicates that this descriptor line is effective. If Valid = 0, an ADMA error interrupt is generated and the ADMA is stopped. This prevents runaways.
End	End = 1 indicates the end of a descriptor. The transfer-complete interrupt is generated when the operation of the descriptor line is complete.
Int	Int = 1 generates a DMA interrupt when the operation of the descriptor line is complete.

25.4.5.1.2 Requirements for Descriptors

The following sections discuss restrictions and tips on how to correctly configure the descriptors to be used by the ADMA engine.

25.4.5.1.2.1 Data Length

There are three requirements to program descriptors:

- The minimum unit of address is 4 bytes.
- The maximum data length of each descriptor line is less than 64 KiB.
- Total length = Length₁ + Length₂ + Length₃ + ... + Length_n must be a multiple of the block size.

If the total length of a descriptor is not a multiple of the block size, data transfer with the ADMA engine may not have been terminated. In this case, the controller returns a data time-out event and the transfer is aborted.

The block count register (the [MMCHS_BLK\[31:16\]](#) NBLK bit field) is defined as 16 bits and limits data transfers to a maximum of 65,535 blocks. If the ADMA data transfer size is less than or equal to the 65,535-block transfer, the block count register can be used. In this case, the total length of the descriptor table must be equivalent to "block size" by "block count." If the ADMA data transfer is greater than 65,535 blocks, the block count register must be disabled by setting the block count enable bit ([MMCHS_CMD\[1\] BCE](#)) to 0. In this case, the length of the data transfer is not designated by the block count but by the descriptor table.

NOTE: The timing for detecting the last block on the SD bus may differ, which affects control of the read transfer active ([MMCHS_PSTATE\[9\] RTA](#)), write transfer active ([MMCHS_PSTATE\[8\] WTA](#)), and DAT line active ([MMCHS_PSTATE\[2\] DLA](#)) bits. In case of a read operation, more blocks than required may be read from the card. The host driver must ignore an out-of-range error if the read operation is for the last block of the memory area.

25.4.5.1.2.2 Supported Features

The ADMA engine does not support the suspend/resume function. However, the stop and continue functions are available.

When the stop-at-block-gap request (the `MMCHS_HCTL[16]` SBGR bit) is set during the ADMA operation, the block gap event interrupt is generated when the ADMA is stopped at block gap (the `MMCHS_STAT[2]` BGE bit). The host controller must stop the ADMA read operation by using read wait or by stopping the SD clock. While stopping ADMA, SD commands cannot be issued.

25.4.5.1.2.3 Error Generation

When an error occurs during an ADMA transfer, the ADMA operation is stopped and the ADMA error interrupt is generated. The ADMA error state field (the `MMCHS_ADMAES[1:0]` AES bit field) holds the state of the ADMA when it is stopped. Software can identify the erroneous descriptor line by using the following method:

- If the ADMA stopped at `ST_FDS` state, the ADMA system address register (`MMCHS_ADMASAL`) points to the erroneous descriptor line.
- If the ADMA stopped at `ST_TFR` or `ST_STOP` state, the ADMA system address register points to the descriptor line following the erroneous one.

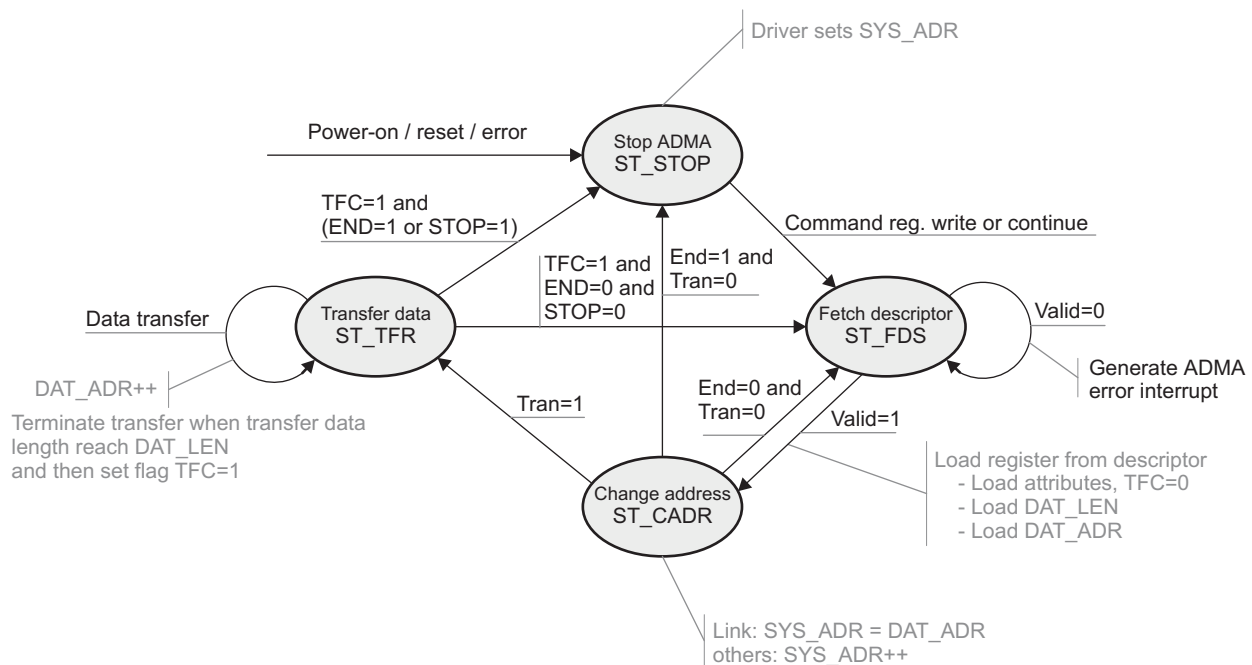
25.4.5.1.3 Advanced DMA Description

The ADMA is a DMA controller embedded in each eMMC controller. It can be seen as a small sequencer that fetches a descriptor line and executes the corresponding action. The base address of the descriptor table is stored in the `MMCHS_ADMASAL` register.

NOTE: Software must write the base address of the descriptor table in the `MMCHS_ADMASAL` register before the first use of the ADMA engine.

The ADMA program is executed according to descriptor attributes (see [Section 25.4.5.1.1, Descriptor Table Description](#)) and an FSM, as shown in [Figure 25-17](#).

Figure 25-17. ADMA Finite State-Machine



[Table 25-15](#) describes each state of the ADMA FSM.

Table 25-15. ADMA2 States Description

State Name	Operation
ST_FDS (fetch descriptor)	ADMA2 fetches a descriptor line and sets parameters in internal registers. It then goes to ST_CADR state.
ST_CADR (change address)	Link operation loads another descriptor address to the ADMA system address register (MMCHS_ADMASAL). In other operations, the ADMA system address register is incremented to point to the next descriptor line. If End = 0, go to ST_FDS state. NOTE: ADMA2 does not stop at this state if some errors occur.
ST_TFR (transfer data)	Data transfer of one descriptor line is executed between system memory and the SD card: <ul style="list-style-type: none"> If data transfer continues (End = 0), go to ST_FDS state. If data transfer completes, go to ST_STOP state.
ST_STOP (stop DMA)	ADMA2 stays in this state in the following cases: <ul style="list-style-type: none"> After power-on reset (POR) or software reset All descriptor data transfers are complete. If a new ADMA operation is stated by writing the command register, go to ST_FDS state.

[Table 25-16](#) gives the description of each symbol used in the ADMA FSM (see [Figure 25-17](#)).

Table 25-16. ADMA FSM Symbol Definition

Symbol	Definition
SYS_ADR	ADMA system address register
SYS_ADR++	Point to next descriptor line
DAT_ADR	Data address register (internal)
DAT_LEN	Data length register (internal)
TFC	Transfer complete flag (internal)
STOP	Stop-at-block-gap request

25.4.5.2 Slave DMA Operations

The eMMC/SD/SDIOi host controller can be interfaced with a DMA controller. At the system level, the advantage is to discharge the LH of the data transfers. The module does not support wide DMA access (more than 1024 bytes) for SD cards, as specified in the *SD Card Specification* and *SD Host Controller Standard Specification*.

NOTE: This mode is implied by modules that are not connected to the L3_MAIN interconnect (regardless of the value of the [MMCHS_CON\[20\]](#) DMA_MNS bit). For more information and/or to check the value of the [MMCHS_HL_HWINFO\[0\]](#) MADMA_EN bit, see [Section 25.4.5.1, Master DMA Operations](#).

The DMA request is issued if the following conditions are met:

- The MMCi.[MMCHS_CMD\[0\]](#) DE bit is set to 1 to trigger the initial DMA request (the write must be done when running the data transfer command).
- A command was emitted on the CMD line.
- There is enough space in the buffer of the eMMC/SD/SDIOi host controller to write an entire block (BLEN writes).

25.4.5.2.1 DMA Receive Mode

In a DMA block read operation (single or multiple), the request signal MMCi_DMA_RX is asserted to its active level when a complete block is written in the buffer. The block size transfer is specified in the MMCi.[MMCHS_BLK\[10:0\]](#) BLEN bit field.

MMCi_DMA_RX is deasserted to its inactive level when the a certain device DMA module reads one word from the buffer.

Only one request is sent per block; the DMA controller can make a 1-shot read access or several DMA bursts, in which case the DMA controller must manage the number of burst accesses, according to the BLEN bit field block size.

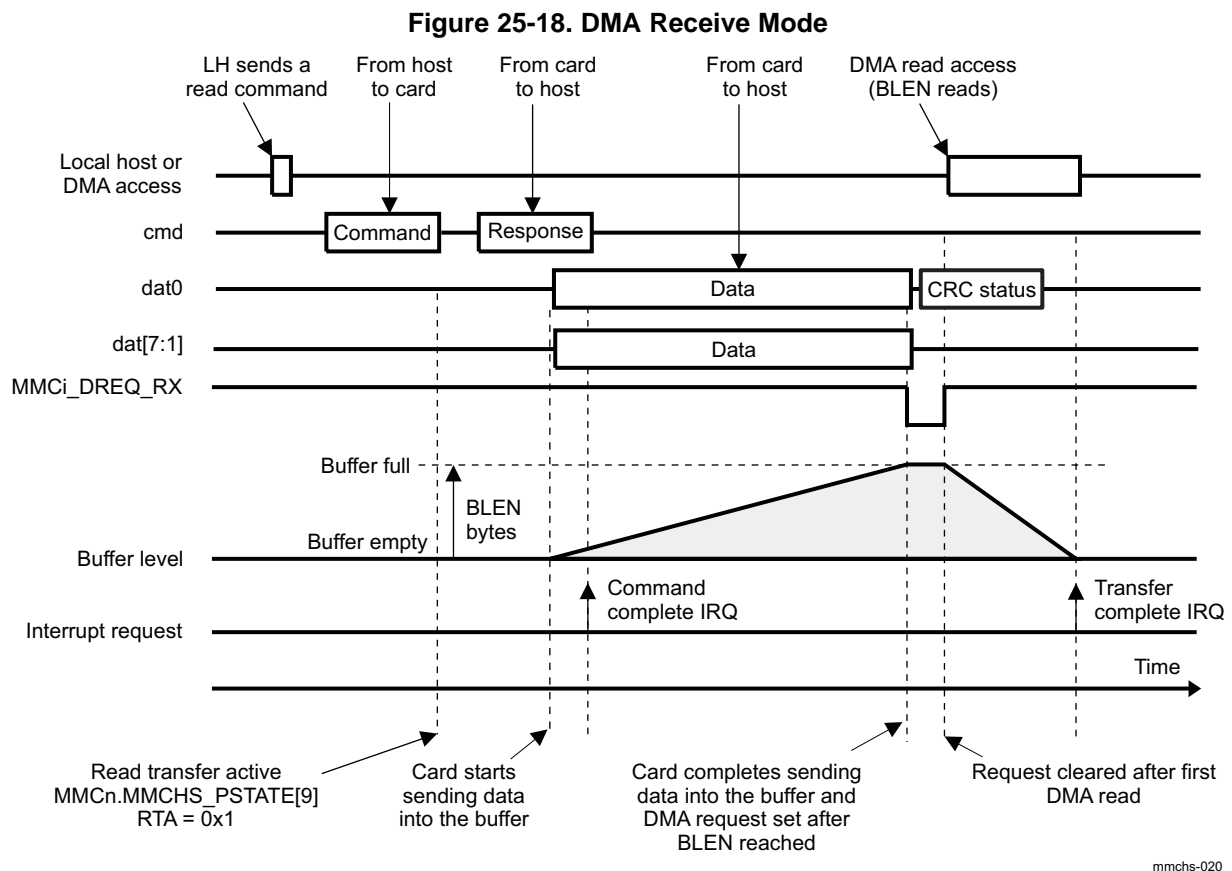
New DMA requests are internally masked if the DMA has not read exactly BLEN bytes and a new complete block is not ready. Because DMA accesses are 32-bit accesses, the number of DMA reads is $\text{Integer}(\text{BLEN} / 4) + 1$.

The receive buffer never overflows. In multiple block transfers for block sizes larger than 512 bytes, when the buffer becomes full, the `mmci_clk` clock signal (provided to the card) is momentarily stopped until a certain device DMA or the MPU performs a read access, which reads a complete block in the buffer.

To summarize:

- DMA transfer size = BLEN buffer size in one shot or by burst
- One DMA request per block

Figure 25-18 shows DMA receive mode.



25.4.5.2.2 DMA Transmit Mode

In a DMA block write operation (single or multiple), the request signal `MMCi_DMA_TX` is asserted to its active level when a complete block is to be written to the buffer. The block size transfer is specified in the `MMCi.MMCHS_BLK[10:0]` BLEN bit field.

`MMCi_DMA_TX` is deasserted to its inactive level when a certain device DMA writes one word to the buffer.

Only one request is sent per block; the DMA controller can make a 1-shot write access or multiple write DMA bursts, in which case the DMA controller must manage the number of burst accesses, according to the BLEN bit field block size.

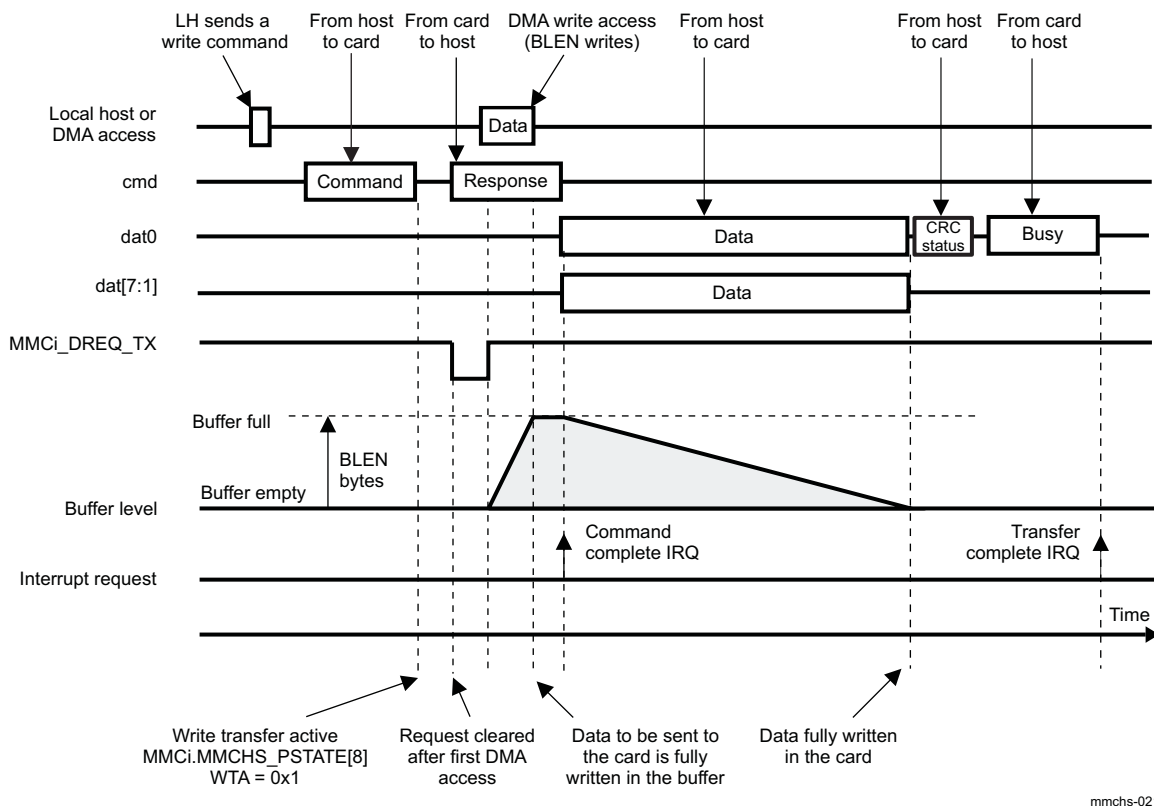
New DMA requests are internally masked if the DMA has not written exactly BLEN bytes (because DMA accesses are 32-bit accesses, the number of DMA reads is Integer(BLEN / 4) + 1) and if there is not enough memory space to write a complete block in the buffer.

To summarize:

- DMA transfer size = BLEN buffer size in one shot or by burst
- One DMA request per block

Figure 25-19 shows DMA transmit mode.

Figure 25-19. DMA Transmit Mode



mmchs-021

25.4.6 Mode Selection

The eMMC/SD/SDIO host controller can be used in two modes: MMC and SD/SDIO. It has been designed to be the most transparent with the type of card.

The type of the card connected is differentiated by the software initialization procedure. Software identifies the type of card connected during software initialization. For each card type, there are corresponding commands. Some commands are not supported by all cards. For more information, see the *Multimedia Card System Specification*, *SD Memory Card Specifications*, and *SDIO Card Specification, Part E1*.

The purpose of the module is to transfer commands and data to whatever card is connected, respecting the protocol of the connected card.

Writes and reads to the card must respect the appropriate protocol of that card.

25.4.7 Buffer Management

25.4.7.1 Data Buffer

The eMMC/SD/SDIOi host controller uses a data buffer. This buffer transfers data from one data bus (interconnect) to another data bus (SD/SDIO or MMC card bus) and vice versa.

The buffer is the heart of the interface and ensures the transfer between the two interfaces (interconnect and the card).

To enhance performance, the data buffer is completed by a prefetch register and a post-write buffer that are not accessible by the host controller.

The read access time of the prefetch register is faster than that of the data buffer. The prefetch register allows data to be read from the data buffer at an increased speed by preloading data into the prefetch register.

The entry point of the prefetch buffer and the post-write buffer is the 32-bit MMCI.MMCHS_DATA register. A write access to the MMCI.MMCHS_DATA register followed by a read access from the MMCI.MMCHS_DATA register corresponds to a write access to the post-write buffer followed by a read access to the prefetch buffer. As a consequence, it is normal that the data of the write access to the MMCI.MMCHS_DATA register and the data of the read access to the MMCI.MMCHS_DATA register are different.

The number of 32-bit accesses to the MMCI.MMCHS_DATA register that are needed to read (or write) a data block with a size of the MMCI.MMCHS_BLK[11:0] BLEN bit field is equal to the rounded up result of BLEN divided by 4.

The maximum block size supported by the host controller is hard-coded in the MMCI.MMCHS_CAPA[17:16] MBL bit field and cannot be changed.

A read access to the MMCI.MMCHS_DATA register is allowed only when the buffer read-enable status is set to 1 (the MMCI.MMCHS_PSTATE[11] BRE bit); otherwise, a bad access (the MMCI.MMCHS_STAT[29] BADA bit) is signaled.

A write access to the MMCI.MMCHS_DATA register is allowed only when the buffer write-enable status is set to 1 (the MMCI.MMCHS_PSTATE[10] BWE bit); otherwise, a bad access (the MMCI.MMCHS_STAT[29] BADA bit) is signaled and the data are not written.

The data buffer has two modes of operation to store and read of the first and second portions of the data buffer:

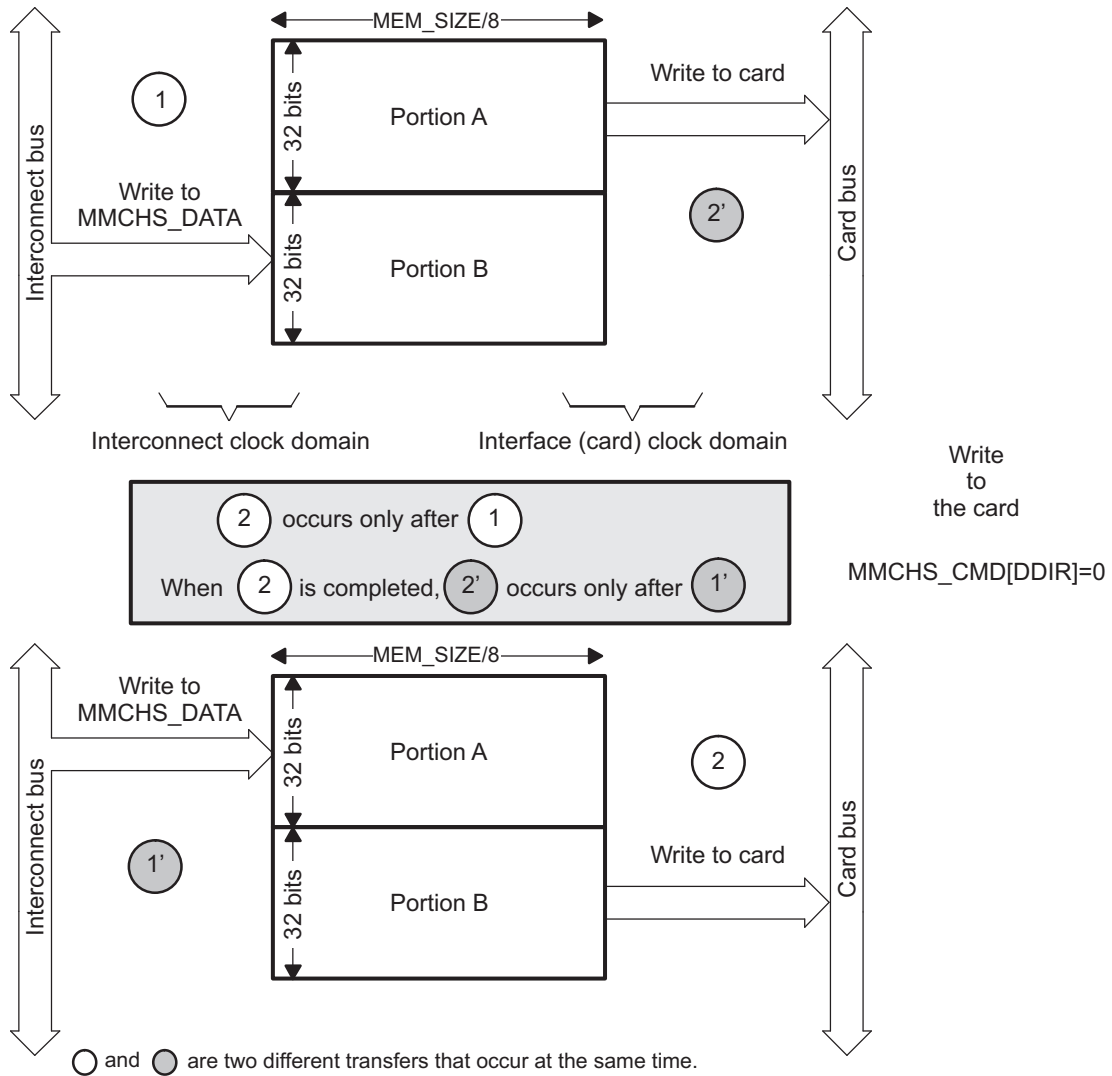
- When the size of the data block to transfer is less than or equal to MEM_SIZE/2 (in double-buffering), two data transfers can occur at the same time from one data bus to the other data bus, and vice versa. The eMMC/SD/SDIOi host controller uses the two portions of the data buffer in a ping-pong manner so that storing and reading the first and second portions of the data buffer are automatically interchanged from time to time. In this way, data can be read from one portion (for instance, through a DMA read access on the interconnect bus) while data (for instance, from the card) are being stored into the other portion, and vice versa. When BLEN is less than or equal to 0x200 (that is, less than or equal to 512 bytes), each of the two portions of the buffer that can be used have a size of BLEN (that is, 32 bits × BLEN divided by 4). No more than this total size of 2 × 32 bits × BLEN divided by 4 can be used.

CAUTION

The MMCI.MMCHS_CMD[4] DDIR bit must be configured before a transfer to indicate the direction of the transfer.

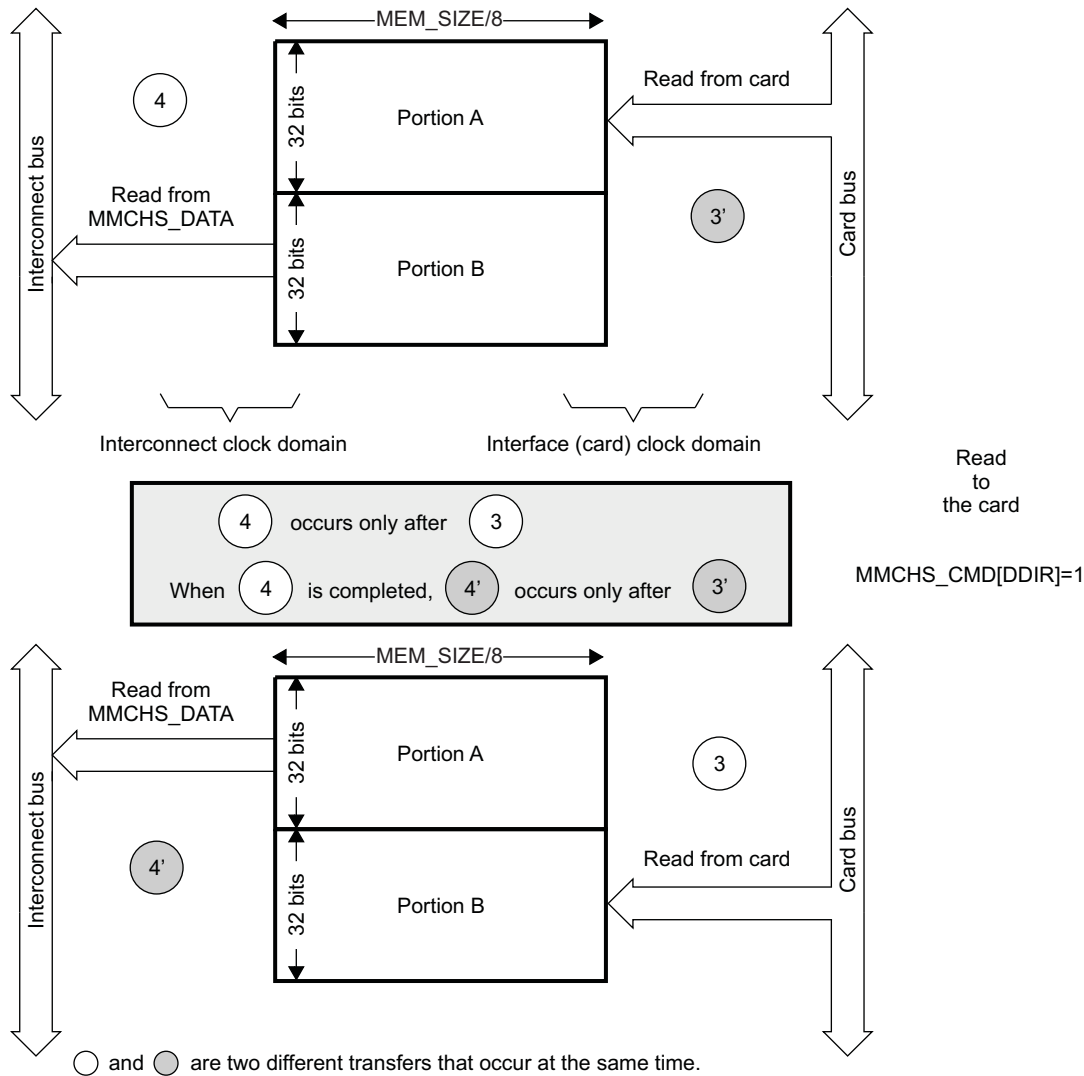
Figure 25-20 and Figure 25-21 show the buffer management for a write and a read, respectively.

Figure 25-20. Buffer Management for a Write



mmchs-022

Figure 25-21. Buffer Management for a Read



mmchs-023

- When the size of the data block to transfer is larger than $MEM_SIZE / 2$, only one data transfer at a time can occur from one data bus to the other data bus. The eMMC/SD/SDIOi host controller uses the entire data buffer as a single portion.

In this mode, a bad access (the MMCi.MMCHS_STAT[29] BADA bit) is signaled when two data transfers occur at the same time from one data bus to the other data bus, and vice versa.

25.4.7.1.1 Memory Size, Block Length, and Buffer-Management Relationship

The maximum block length and buffer management that can be targeted by the system depend on the memory depth setting (see Table 25-17).

NOTE: Double-buffering is always the buffer management for large memory depth.

Table 25-17. Memory Size, BLEN, and Buffer Relationship

Memory Size (MMCHS_HL_HWINFO[5:2] MEM_SIZE in bytes)	512	1024
Maximum block length supported	512	1024

Table 25-17. Memory Size, BLEN, and Buffer Relationship (continued)

Memory Size (MMCHS_HL_HWINFO[5:2] MEM_SIZE in bytes)	512	1024
Double-buffering for maximum block length	N/A	BLEN <= 512
Single-buffering for block length	BLEN <= 512	512 < BLEN <= 1024

NOTE: For single-buffering management, throughput on the MMC bus interface deteriorates in multiblock transfers, because the controller must wait for the filling or emptying of the buffer between each block transfer on the MMC bus. The clock is maintained on write MMC transfers (the MMCHS_CMD[4] DDIR bit is 0) and halted on read MMC transfers (the MMCHS_CMD[4] DDIR bit is 1).

25.4.7.1.2 Data Buffer Status

The data buffer status is defined in the following interrupt status register and status register:

- Interrupt status registers:
 - MMCi.MMCHS_STAT[29] BADA: Bad access to data space
 - MMCi.MMCHS_STAT[5] BRR: Buffer read ready
 - MMCi.MMCHS_STAT[4] BWR: Buffer write ready
- Status registers:
 - MMCi.MMCHS_PSTATE[11] BRE: Buffer read enable
 - MMCi.MMCHS_PSTATE[10] BWE: Buffer write enable

25.4.8 Transfer Process

The process of a transfer depends on the type of command. It can be with or without a response, and with or without data.

25.4.8.1 Different Types of Commands

Different types of commands are specific to the MMC, SD, and SDIO cards. For more information, see the *Multimedia Card System Specification*, *SD Memory Card Specifications*, *SDIO Card Specification, Part E1*; or the *SD Card Specification, Part A2*, *SD Host Controller Standard Specification*.

25.4.8.2 Different Types of Responses

Different types of responses are specific to the eMMC, SD, and SDIO cards. For more information, see the *Multimedia Card System Specification*; *SD Memory Card Specifications*; *SDIO Card Specification, Part E1*, or the *SD Card Specification, Part A2*, *SD Host Controller Standard Specification*.

Table 25-18 describes how the eMMC, SD, and SDIO responses are stored in the MMCHS_RSPxx registers.

Table 25-18. MMC, SD, SDIO Responses in the MMCHS_RSPxx Registers

Type of Response	Response Field	Response Register
R1, R1b (normal response), R3, R4, R5, R5b, R6, R7	RESP[39:8] ⁽¹⁾	MMCHS_RSP10[31:0]
R1b (Auto CMD12 response), R1(Auto CMD23 response)	RESP[39:8] ⁽¹⁾	MMCHS_RSP76[31:0]
R2	RESP[127:0] ⁽¹⁾	MMCHS_RSP76[31:0] MMCHS_RSP54[31:0] MMCHS_RSP32[31:0] MMCHS_RSP10[31:0]

⁽¹⁾ RESP refers to the command response format described in the specifications mentioned.

When the host controller modifies part of the MMCHS_RSPxx registers, it preserves the unmodified bits.

The host controller stores the Auto CMD12 response in the MMCHS_RSP76[31:0] register because the host controller may execute multiple block data transfers on the DATA line concurrently with a command. This allows the host controller to avoid overwriting the response of Auto CMD12 with the command response stored in the MMCHS_RSP10 register, and vice versa.

While executing Auto CMD23 the response of CMD23 is saved in the MMCHS_RSP76[31:0] register and the response of multiple-block read and write command is saved in the MMCHS_RSP10 register. The response error of CMD23 is indicated in the MMCHS_AC12 register, bits [7:0].

25.4.9 Transfer or Command Status and Errors Reporting

Flags in the eMMC/SD/SDIOi host controller show the status of communication with the card:

- A time-out (of a command, data, or response)
- A CRC error

Error conditions generate interrupts. For more information, see [Table 25-19](#) and the register description.

Table 25-19. CC and TC Values Upon Error Detected

Error Hold in MMChS_MMCHS_STAT	CC	TC	Comments
29 BADA			No dependency with CC or TC BADA is related to the MMCHS_DATA register accesses. Its assertion does not depend on the ongoing transfer.
28 CERR	1		CC is set upon CERR.
22 DEB		1	TC is set upon DEB.
21 DCRC		1	TC is set upon DCRC.
20 DTO			DTO and TC are mutually exclusive. DCRC and DEB cannot occur with DTO.
19 CIE	1		CC is set upon CIE.
18 CEB	1		CC is set upon CEB.
17 CCRC	1		CC can be set upon CCRC. See CTO comment.
16 CTO			CTO and CC are mutually exclusive. CIE, CEB, and CERR cannot occur with CTO. CTO can occur at the same time as CCRC: It indicates a command abort due to contention on the CMD line. In this case no CC appears.

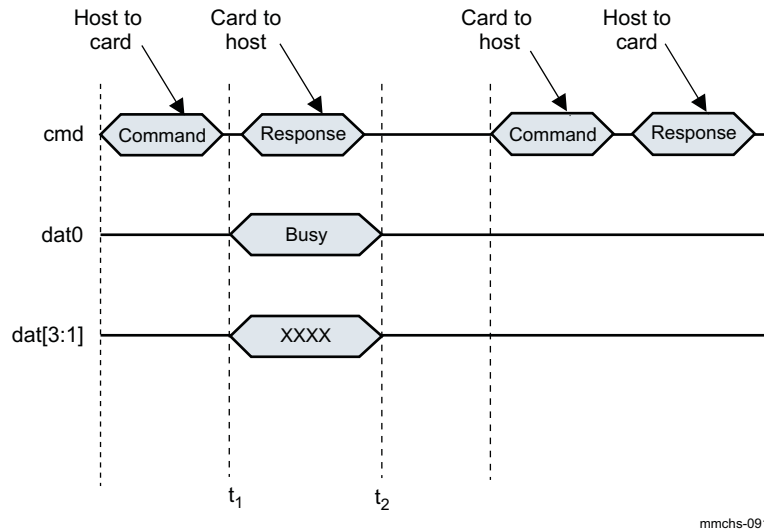
A MMCHS_STAT[20] DTO event can be asserted in the following conditions:

- Busy time-out for R1b, R5b response type
- Busy time-out after write CRC status
- Write CRC status time-out
- Read data time-out
- Boot acknowledge time-out

25.4.9.1 Busy Time-Out for R1b, R5b Response Type

Figure 25-22 shows the DTO event condition asserted when there is a busy time-out for Rb1, R5b response.

Figure 25-22. Busy Time-Out for R1b, R5b Response Type



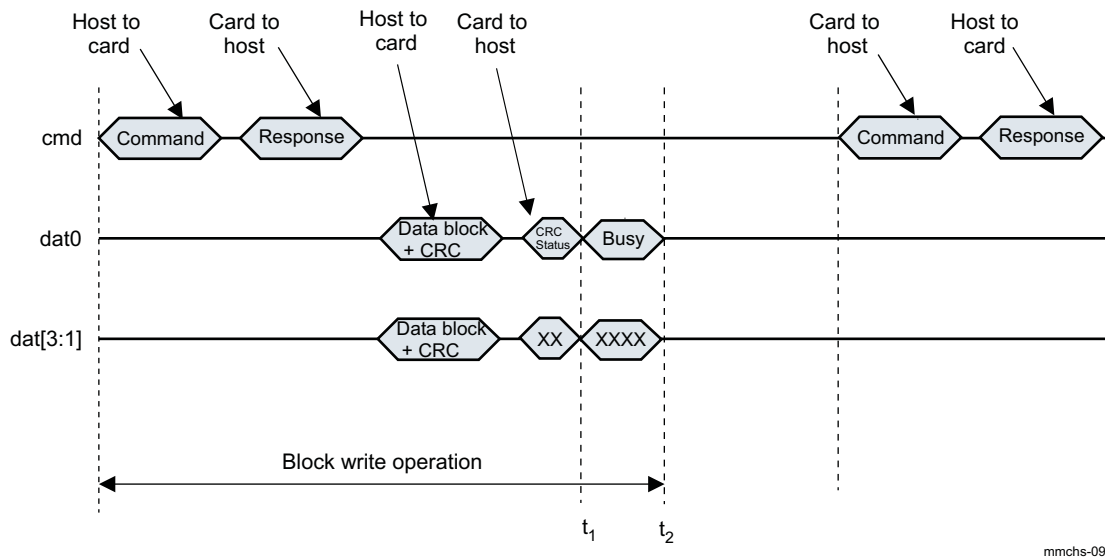
t₁ – Data time-out counter is loaded and starts after R1b, R5b response type.

t₂ – Data time-out counter stops and if it is 0, the MMCHS_STAT[20] DTO bit is generated.

25.4.9.2 Busy Time-Out After Write CRC Status

Figure 25-23 shows the DTO event condition asserted when there is a busy time-out after write CRC status.

Figure 25-23. Busy Time-Out After Write CRC Status

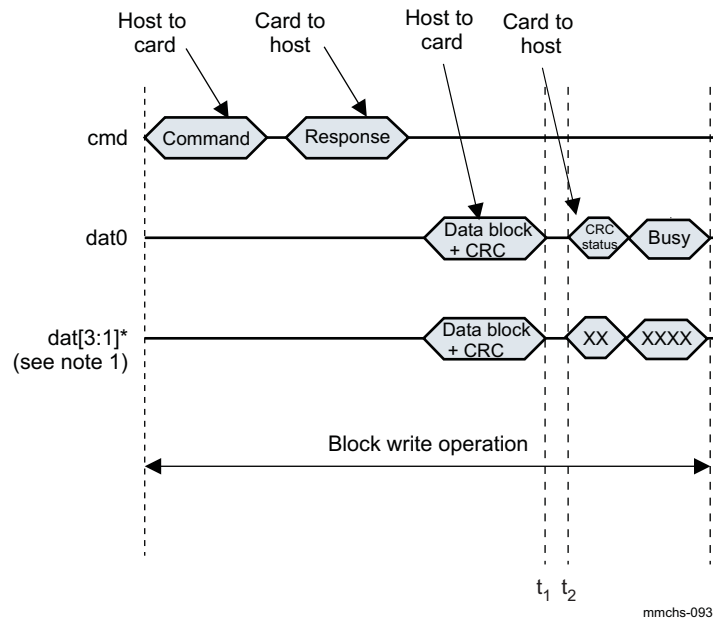


t₁ – Data time-out counter is loaded and starts after CRC status.

t₂ – Data time-out counter stops and if it is 0, the MMCHS_STAT[20] DTO bit is generated.

25.4.9.3 Write CRC Status Time-Out

Figure 25-24 shows the DTO event condition asserted when there is a write CRC status time-out.

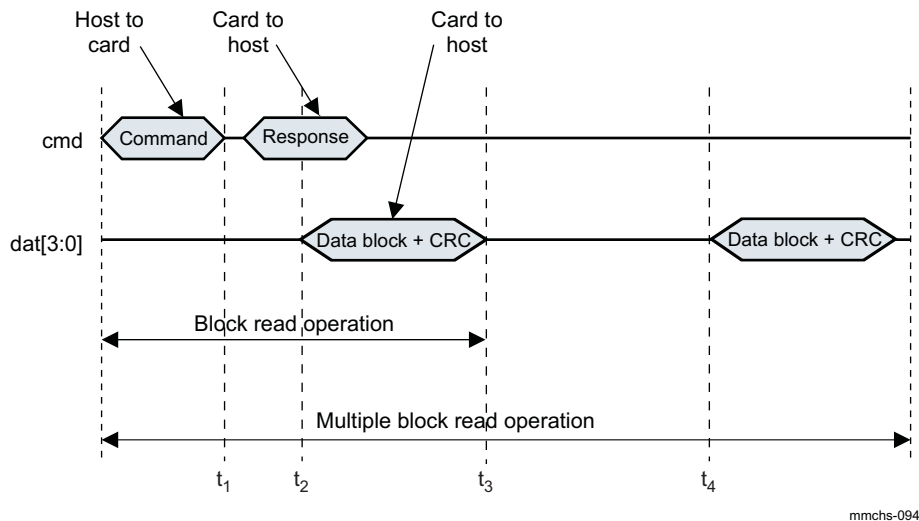
Figure 25-24. Write CRC Status Time-Out


t_1 – Data time-out counter is loaded and starts after data block + CRC.

t_2 – Data time-out counter stops and if it is 0, the `MMCHS_STAT[20]` DTO bit is generated.

25.4.9.4 Read Data Time-Out

Figure 25-25 shows the DTO event condition asserted when there is a read data time-out.

Figure 25-25. Read Data Time-Out


t_1 – Data time-out counter is loaded and starts after command transmission.

t_2 – Data time-out counter stops and if it is 0, the `MMCHS_STAT[20]` DTO bit is generated.

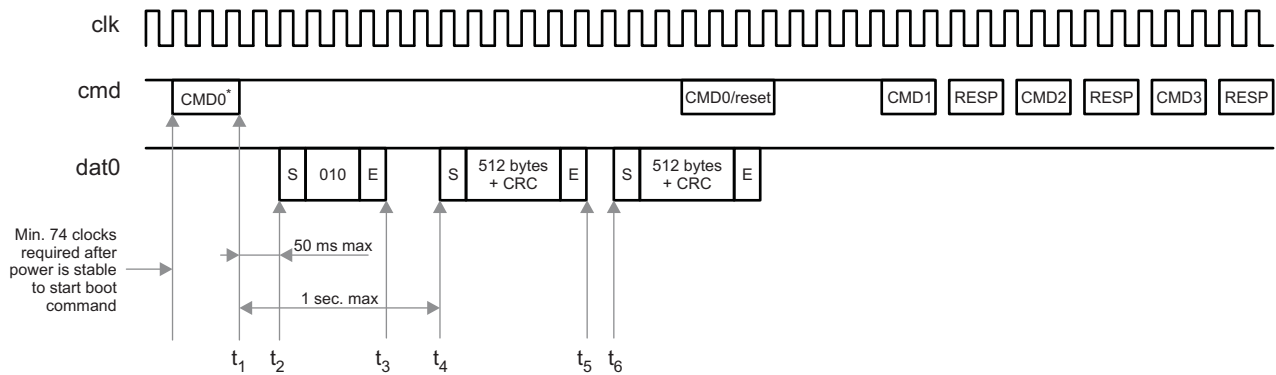
t_3 – Data time-out counter is loaded and starts after data block + CRC transmission.

t_4 – Data time-out counter stops and if it is 0, the `MMCHS_STAT[20]` DTO bit is generated.

25.4.9.5 Boot Acknowledge Time-Out

Figure 25-26 shows the DTO event condition asserted when there is a boot acknowledge time-out and CMD0 is used.

Figure 25-26. Boot Acknowledge Time-Out When Using CMD0



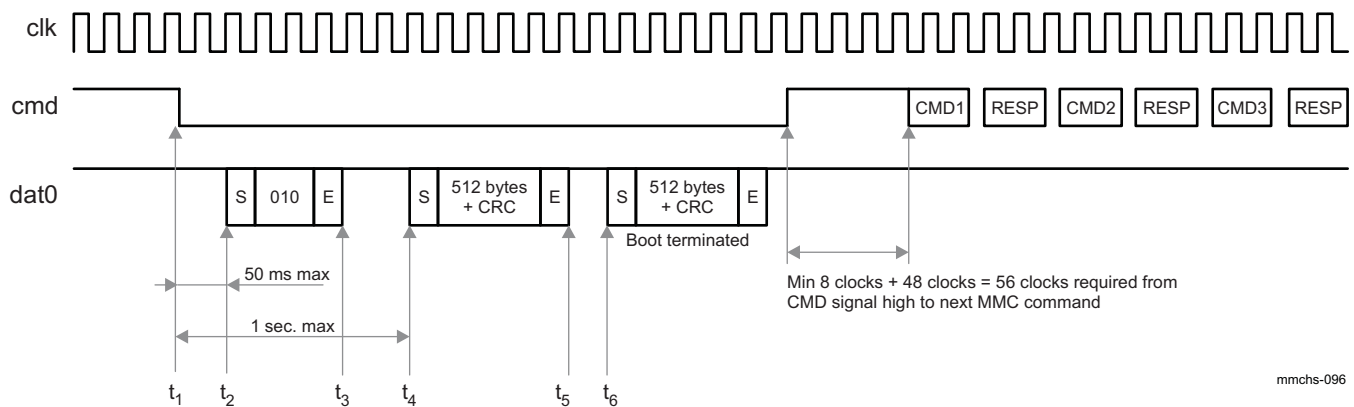
* Refer to MMC specification for correct Argument

mmchs-095

- t₁ – Data time-out counter is loaded and starts after CMD0.
- t₂ – Data time-out counter stops and if it is 0, the [MMCHS_STAT\[20\]](#) DTO bit is generated.
- t₃ – Data time-out counter is loaded and starts.
- t₄ – Data time-out counter stops and if it is 0, the [MMCHS_STAT\[20\]](#) DTO bit is generated.
- t₅ – Data time-out counter is loaded and starts after data + CRC transmission.
- t₆ – Data time-out counter stops and if it is 0, the [MMCHS_STAT\[20\]](#) DTO bit is generated.

Figure 25-27 shows the DTO event condition asserted when there is a boot acknowledge time-out when the CMD line is tied to 0.

Figure 25-27. Boot Acknowledge Time-Out When CMD Line Tied to 0



mmchs-096

- t₁ – Data time-out counter is loaded and starts after the CMD line is tied to 0.
- t₂ – Data time-out counter stops and if it is 0, the [MMCHS_STAT\[20\]](#) DTO bit is generated.
- t₃ – Data time-out counter is loaded and starts.
- t₄ – Data time-out counter stops and if it is 0, the [MMCHS_STAT\[20\]](#) DTO bit is generated.
- t₅ – Data time-out counter is loaded and starts after data + CRC transmission.
- t₆ – Data time-out counter stops and if it is 0, the [MMCHS_STAT\[20\]](#) DTO bit is generated.

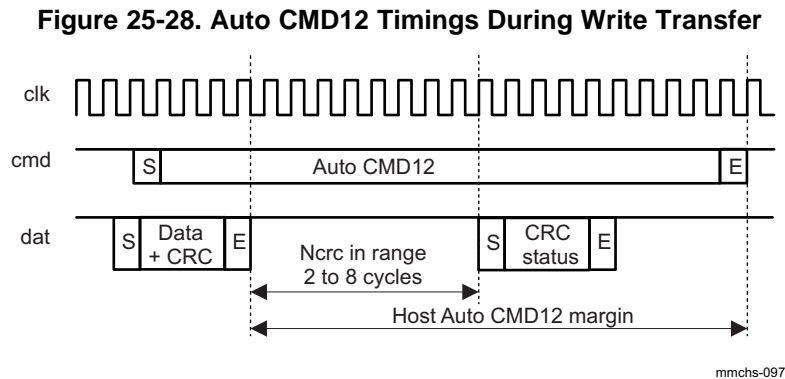
25.4.10 Auto Command 12 Timings

With the UHS definition of SD cards with higher frequency for MMC clock up to 208, the SD standard imposes a specific timing for the arrival of the auto command 12 (Auto CMD12) end bit.

25.4.10.1 Auto CMD12 Timings During Write Transfer

A margin named Nrc in the range of two to eight cycles has been defined for SDR50 and SDR104 card components for write data transfers, because the Auto CMD12 end bit must arrive after the CRC status end bit.

Figure 25-28 shows the Auto CMD12 timings during write transfer.

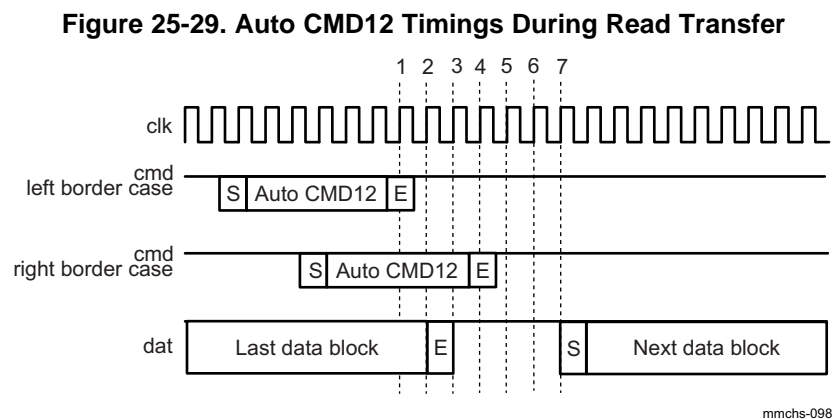


The host controller has a margin of 18 clock cycles to ensure that the Auto CMD12 end bit arrives after the CRC status. This margin does not depend on the MMC/SD bus configuration, DDR, or standard transfer, 1-, 4-, or 8-bit bus width.

25.4.10.2 Auto CMD12 Timings During Read Transfer

With UHS cards, the gap timing between two successive cards is extended from two cycles to four cycles. It provides more flexibility for the host Auto CMD12 arrival to receive the last complete and reliable block. The MMCHS controller follows only the left border case defined by the SD UHS specification.

Figure 25-29 shows Auto CMD12 timings during read transfer.



The Auto CMD12 arrival sent by the host controller is not sensitive to the MMC/SD bus configuration, whether it is a DDR or standard transfer and whether it is a 1-, 4-, or 8-bit bus width transfer.

25.4.11 Transfer Stop

Whenever a transfer is initiated, the transmission can be stopped before it finishes. Several cases are possible, depending on the transfer type:

- Multiple-block-oriented transfers (transfer length is known)

- Continuous stream transfers (transfer has an infinite length)

NOTE: Because the eMMC/SD/SDIOi controller manages transfers based on a block granularity, the buffer accepts a block only if there is enough space to store it completely. Consequently, if a block is pending in the buffer, no command is sent to the card because the card clock will be shut off by the controller.

The eMMC/SD/SDIOi controller includes three features that make a transfer stop more convenient and easier to manage:

- Auto CMD12/Auto CMD23 (for eMMC and SD only):
Auto CMD12/Auto CMD23 feature is enabled by setting the MMCi.MMCHS_CMD[3:2] ACEN bit field to 0x1 or to 0x2 respectively (this setting is relevant for an MMC/SD transfer with a known number of blocks to transfer). When the Auto CMD12/Auto CMD23 feature is enabled, the eMMC/SD/SDIOi controller automatically issues a CMD12/CMD23 command when the expected number of blocks is exchanged.
- Stop at block gap:
This feature is enabled by setting the MMCi.MMCHS_HCTL[16] SBGR bit to 0x1. When enabled, this capability holds the transfer on until the end of a block boundary. If a stop transmission is needed, software can use this pause to send a CMD12 to the card.
- ADMA mode:
For ADMA-capable modules (MMC1 and MMC2) (for more information, see [Section 25.4.5, DMA Modes](#)), the last instruction can stop the transfer (the END bit is enabled in the descriptor line).

NOTE: For eMMC and SD cards, the stop-at-block-gap feature is not supported in read mode.

For SDIO cards, this setting can be supported in read mode if the card has read-wait capability.

NOTE: In SDR104 mode Auto CMD23 is used to stop multiple block read/write operation instead of Auto CMD12. In the other bus speed modes, if the card supports CMD23, Auto CMD23 is used instead of Auto CMD12.

[Table 25-20](#) shows the common way to stop a transfer, indicating the command to send and the features to enable.

Table 25-20. eMMC/SD/SDIOi Controller Transfer Stop Command Summary

		Write Transfer		Read Transfer	
		SD/MMC	SDIO	SD/MMC	SDIO
Single block		Transfer ends automatically. Wait TC.	Transfer ends automatically. Wait TC.	Transfer ends automatically. Wait TC.	Transfer ends automatically. Wait TC.
Multiblocks (finite or infinite)	Before the programmed block boundary	Send CMD12/CMD23. Wait TC.	Send CMD52. Wait TC.	Send CMD12/CMD23. Wait TC.	Send CMD52. Wait TC.
	Stop at the end of the transfer (finite transfer only)	Auto CMD12/Auto CMD23 active. Transfer ends automatically. Wait TC.	Set MMCi.MMCHS_HCTL[16] SBGR bit to 0x1. Send CMD52. Wait TC.	Auto CMD12/Auto CMD23 active. Transfer ends automatically. Wait TC.	If READ_WAIT supported Stop at block gap. Wait TC. If READ_WAIT not supported Send CMD52. Wait TC.

NOTE: The eMMC/SD/SDIOi controller sends the stop command to the card on a block boundary, regardless of when the command was written to the controller registers.

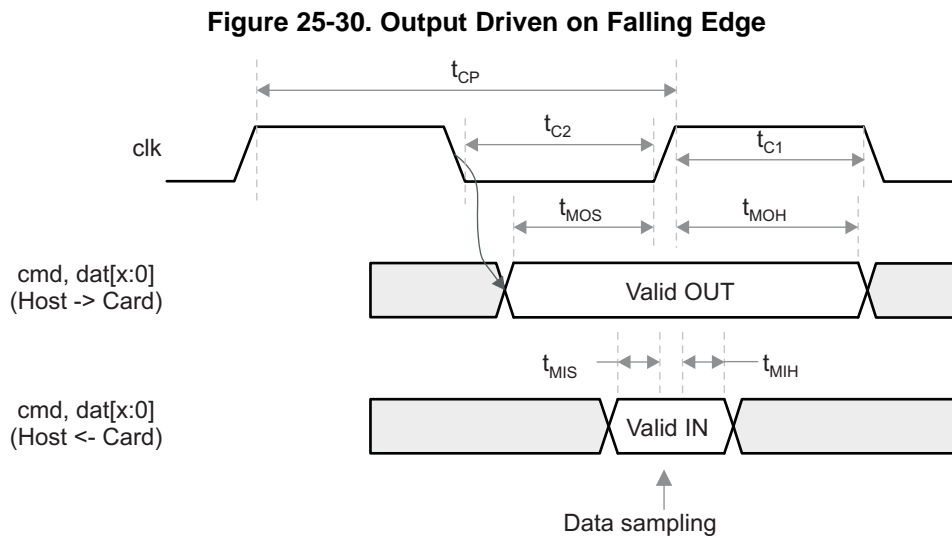
25.4.12 Output Signals Generation

The eMMC/SD/SDIO output signals can be driven on the falling edge or rising edge, depending on the [MMCHS_HCTL\[2\]](#) HSPE bit.

25.4.12.1 Generation on Falling Edge of MMC Clock

The controller defaults to this mode to maximize hold timings. In this case, the [MMCHS_HCTL\[2\]](#) HSPE bit is set to 0.

[Figure 25-30](#) shows the output signals of the module when generating from the falling edge of the MMC clock.



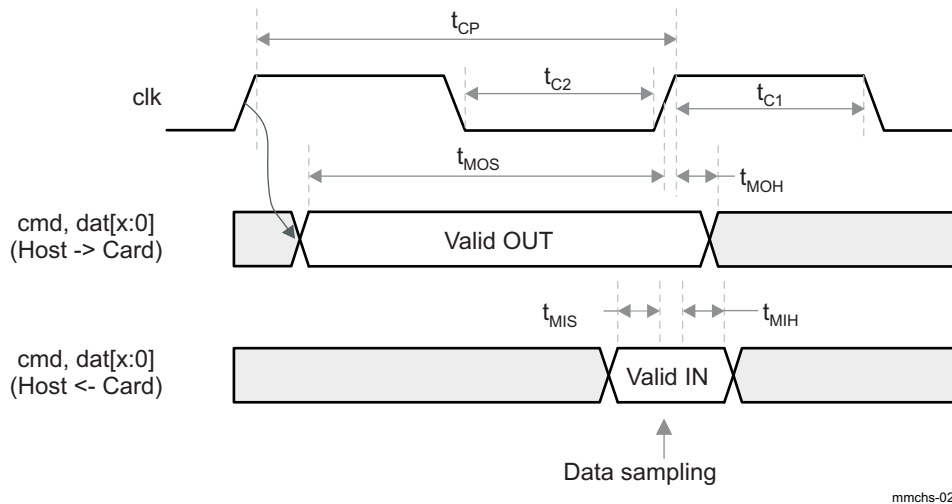
25.4.12.2 Generation on Rising Edge of MMC Clock

This mode is intended to increase setup timings. This feature is activated by setting the [MMCHS_HCTL\[2\]](#) HSPE bit to 1.

NOTE: Do not use this feature in DDR mode (when the [MMCHS_CON\[19\]](#) DDR bit is set to 1).

[Figure 25-31](#) shows the output signals of the module when generating from the rising edge of the MMC clock.

Figure 25-31. Output Driven on Rising Edge



25.4.13 Sampling Clock Tuning

In UHS-I mode the SD bus operates in high clock frequency mode and the data window from the card on CMD and DAT lines get smaller. The position of the data window varies depending on the card and the host system. To adjust the sampling clock when SDR104/HS200 operation mode is used the eMMC/SD/SDIOi host controller supports a tuning circuit. This tuning circuit is a dedicated DLL which delays the clock signal used for data sampling. The DLL is not part of the eMMC/SD/SDIOi host controller. It is instantiated at top level between the IOs and the host controller. There are two DLLs. One for MMC1 when SDR104 mode is used and one for MMC2 when HS200 mode is used.

In the default, lower frequency operation, a fixed sampling clock is used to receive signals on CMD and DAT lines. Before using the SDR104/HS200 or SDR50 (if `MMCHS_CAPA2[13] TSDR50 = 0x1`) modes software must execute the tuning procedure at the initialization sequence regardless of `MMCHS_CAPA2[15:14] RTM` value.

The software starts the tuning sequence by setting `MMCHS_DLL[20] SWT` to 1. Then it issues CMD19 for a SD card or CMD21 for an eMMC device repeatedly while cycling through 32 DLL ratios and recording pass/fail results for each. Thereafter the `MMCHS_AC12[23] SCLK_SEL` bit is checked and if it is set to 0 this indicates that the tuning procedure has failed. When `MMCHS_AC12[23] SCLK_SEL` is set to 1, this indicates that the tuning procedure has completed successfully. For more information about the DLL tuning procedure, see [Section 25.5.1.2.4, SDR104/HS200 DLL Tuning Procedure](#).

NOTE: The eMMC/SD/SDIO controller supports a Conflict Error (CFT Error) on the CMD line. This error detection logic must be disabled for SDR104/HS200 mode by setting the `MMCHS_DLL[20] SWT` bit to 0x1 during the DLL tuning procedure. This value (0x1) must be kept while SDR104/HS200 mode is used.

The eMMC/SD/SDIO controller generates a CFT error when it detects that the value sent on the CMD line is not the same as the value returned, indicating an external source is overriding the value.

25.4.14 Card Boot Mode Management

Boot operation mode lets the eMMC/SD/SDIOi host controller read boot data from the connected slave (MMC device) by keeping the CMD line low after power on (or sending CMD0 with a specific argument) before issuing CMD1. The data can be read from the boot area or user area, depending on the register setting.

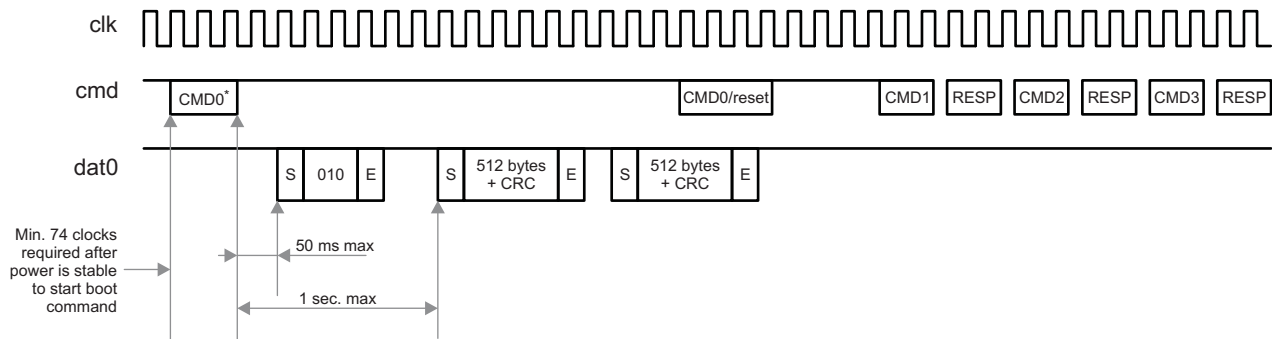
Power-on boot defines a way for the boot code to be accessed by the eMMC/SD/SDIOi host controller without an upper-level software driver, thus speeding the time it takes for a controller to access the boot code.

The two possible ways to issue a boot command (issuing a CMD0 or driving the CMD line to 0 during the whole boot phase) are described in the following sections.

25.4.14.1 Boot Mode Using CMD0

Figure 25-32 shows the timing diagram of a boot sequence using CMD0.

Figure 25-32. Boot Mode Using the CMD0 Timing Diagram



* Refer to MMC specification for correct Argument

mmchs-026

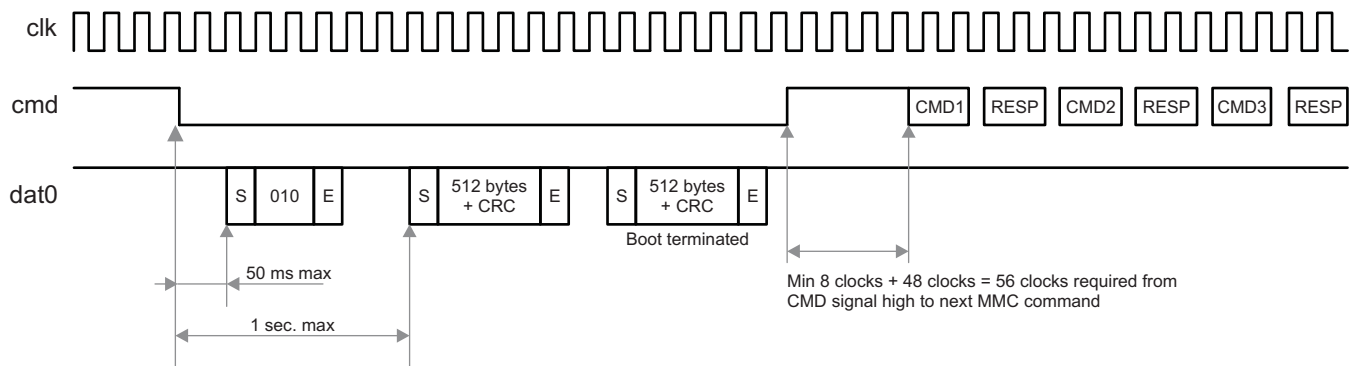
NOTE: Refer to MMC specification for correct Argument.

For more information about how to configure the eMMC/SD/SDIO host controller, see [Section 25.5.1.2.3.1, Boot Using the CMD0](#).

25.4.14.2 Boot Mode With CMD Line Tied to 0

Figure 25-33 shows the timing diagram of a boot sequence with CMD line tied to 0.

Figure 25-33. Boot Mode With CMD Line Tied to 0 Timing Diagram



mmchs-027

For more information about how to configure the eMMC/SD/SDIO host controller, see [Section 25.5.1.2.3.2, Boot With CMD Line Tied to 0](#).

25.4.15 MMC CE-ATA Command Completion Disable Management

The eMMC/SD/SDIOi host controller supports CE-ATA features, in particular the detection of the command completion token. When a command that requires a CCS (the `MMCHS_CON[12]` CEATA bit is set to 1 and the `MMCHS_CMD[3:2]` ACEN bit field is set to 0x1) is launched, the host system is no longer allowed to emit a new command in parallel to the data transfer unless it is a command completion disable token.

The settings to emit a command completion disable token are:

- Set the `MMCHS_CON[12]` CEATA bit to 1.
- Set the `MMCHS_CON[2]` HR bit to 1.
- Clear the `MMCHS_ARG` register.
- Write into the `MMCHS_CMD` register with the value 0x00000000.

When a command completion disable token was emitted (that is, the `MMCHS_STAT[0]` CC bit is received), the host system is again allowed to emit another type of command (for example, a CMD12 to abort transfer).

A critical case can be encountered when CCSD is emitted during the last data block transfer, and the sequence on the command line is sent close to the CCS token sent by the card.

Three possible cases are:

- CCS is received immediately before CCSD is emitted:
An interrupt CIRQ is generated when CCS is detected, CCSD is transmitted to the card, and then an interrupt CC is generated when CCSD ends. In this case, the card considers the CCSD sequence.
- CCS is not generated or is generated during the CCSD transfer:
The CCS bit cannot be detected (conflict is not possible because they drive the same level on the command line, and no CIRQ interrupt is generated; a CC interrupt is generated when CCSD ends).
- CCS is generated without CCSD token required:
Only the interrupt CIRQ is generated when CCS is detected.

25.4.16 Test Registers

Test registers are available to comply with the *SD Host Controller Specification*. This feature is useful to generate interrupts manually for driver debugging.

The force event register (`MMCHS_FE`) is used to control the error status and error interrupt status for Auto CMD12 and Auto CMD23.

The system test register (`MMCHS_SYSTEST`) is used to control the signals that connect to I/O pins when the module is configured in the system test mode (the `MMCHS_CON[4]` MODE bit = 1) for boundary connectivity verification.

The `MMCHS_HCTL[7]` CDSS and `MMCHS_HCTL[6]` CDTL bits enable manual control of `MMCHS_PSTATE[16]` CINS and interrupt generating indicated in `MMCHS_STAT[7]` CREM and `MMCHS_STAT[6]` CINS.

25.4.17 eMMC/SD/SDIO Hardware Status Features

Table 25-21 describes the eMMC/SD/SDIO hardware status features.

Table 25-21. eMMC/SD/SDIO Hardware Status Features

Feature	Type	Register/Bit Field	Description
Interrupt flags		See Section 25.4.4, <i>Interrupt Requests</i> .	
CMD line signal level	Status	<code>MMCHS_PSTATE[24]</code> CLEV	Indicates the level of the command line
DAT lines signal level	Status	<code>MMCHS_PSTATE[23:20]</code> DLEV	Indicates the level of the data lines
Write protect switch pin level	Status	<code>MMCHS_PSTATE[19]</code> WP	Indicates whether the SD card is write protected or not.

Table 25-21. eMMC/SD/SDIO Hardware Status Features (continued)

Feature	Type	Register/Bit Field	Description
Card detect pin level	Status	MMCHS_PSTATE [18] CDPL	Indicates the level of the mmci_sdcd signal/pad
Card State Stable	Status	MMCHS_PSTATE [17] CSS	Used for testing. Indicates mmci_sdcd stable state
Card inserted	Status	MMCHS_PSTATE [16] CINS	Indicates whether the SD card is inserted
Buffer read enable	Status	MMCHS_PSTATE [11] BRE	Readable data exists in the buffer.
Buffer write enable	Status	MMCHS_PSTATE [10] BWE	Indicates whether there is enough space in the buffer to write BLEN bytes of data
Read transfer active	Status	MMCHS_PSTATE [9] RTA	Used to detect completion of a read transfer.
Write transfer active	Status	MMCHS_PSTATE [8] WTA	Indicates a write transfer active
Re - Tuning Request	Status	MMCHS_PSTATE [3] RTR	Indicates whether the sampling clock needs re - tuning or not.
Data line active	Status	MMCHS_PSTATE [2] DLA	Indicates whether the data lines are active
Command Inhibit (DAT lines)	Status	MMCHS_PSTATE [1] DATI	Indicates whether issuing of command using data lines is allowed. For example, commands with busy mechanism (that is, R1b response), data transfer commands.
Command inhibit (CMD line)	Status	MMCHS_PSTATE [0] CMDI	Indicates whether issuing of command using command line is allowed

[Table 25-22](#) describes the eMMC/SD/SDIO preset value features.

Table 25-22. eMMC/SD/SDIO Preset Value Registers

Feature	Type	Register	Description
Preset value register	Status	MMCHS_PVINITSD	Preset Values for Initialization and Default Speed modes
Preset value register	Status	MMCHS_PVHSSDR12	Preset Values for High Speed and SDR12 speed modes
Preset value register	Status	MMCHS_PVSDR25SDR50	Preset Values for SDR25 and SDR50 speed modes
Preset value register	Status	MMCHS_PVSDR104DDR50	Preset Values for SDR104 and DDR50 speed modes

25.5 eMMC/SD/SDIO Programming Guide

25.5.1 Low-Level Programming Models

25.5.1.1 Global Initialization

25.5.1.1.1 Surrounding Modules Global Initialization

This section identifies the requirements for initializing the surrounding modules when the module must be used for the first time after a device reset. This initialization of surrounding modules is based on the integration and environment of the eMMC/SD/SDIO modules. For more information, see [Section 25.3, eMMC/SD/SDIO Integration](#), and [Section 25.2, eMMC/SD/SDIO Environment](#). [Table 25-23](#) shows the global initialization of surrounding modules.

Table 25-23. Global Initialization of Surrounding Modules

Surrounding Modules	Comments
PRCM	Module interface and functional clocks must be enabled. See Chapter 3, Power, Reset, and Clock Management .
Control module	Module-specific pad muxing and configuration must be set in the control module. See Chapter 18, Control Module .
DMA_CROSSBAR	DMA_CROSSBAR configuration must be done to allow module DREQs to be mapped to certain device DMA line. For more information see Section 18.4.6.5, DMA_CROSSBAR Module Functional Description , in Chapter 18, Control Module .
Device DMAs	Device DMAs configuration must be done to enable the module DMA channel requests.
IRQ_CROSSBAR	IRQ_CROSSBAR configuration must be done to allow module IRQs to be mapped to certain device INTC line. For more information see Section 18.4.6.4, IRQ_CROSSBAR Module Functional Description , in Chapter 18, Control Module .
Device INTCs	Device INTCs must be configured to enable the interrupt request generation. For more information see Chapter 17 Interrupt Controllers .

25.5.1.1.2 eMMC/SD/SDIO Host Controller Initialization Flow

[Table 25-24](#) shows the general boot process.

Table 25-24. eMMC/SD/SDIO Controller Meta Initialization Steps

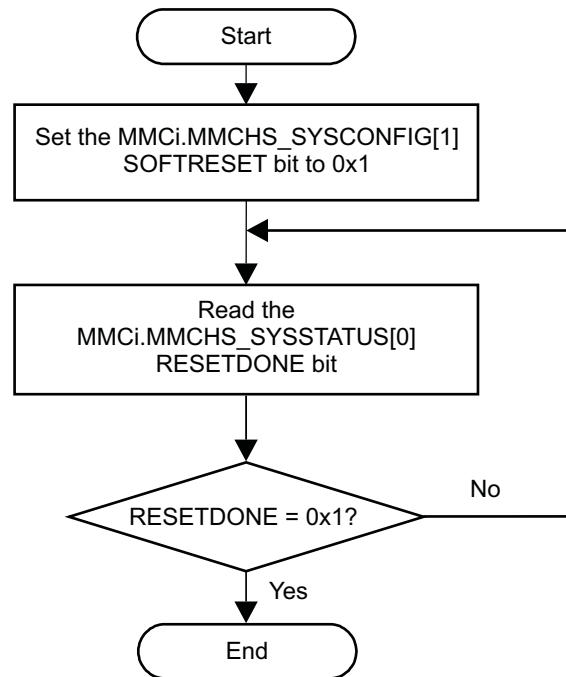
Step	Access Type	Register/Bit Field/Programming Model	Value
Initialize clocks.		See Section 25.5.1.1.2.1, Enable Interface and Functional Clock for MMC Controller .	
Software reset of the controller.		See Section 25.5.1.1.2.2, MMCHS Soft Reset Flow .	
Set module hardware capabilities.		See Section 25.5.1.1.2.3, Set MMCHS Default Capabilities .	
Set module idle and wake-up modes.		See Section 25.5.1.1.2.4, Wake-Up Configuration .	

25.5.1.1.2.1 Enable Interface and Functional Clock for MMC Controller

Before any MMCHS register access, the MMCHS interface clock and functional clock in the PRCM module registers must be enabled. See [Section 3.6.4.1.4, Clock Domain Module Attributes](#), in [Chapter 3, Power, Reset, and Clock Management](#).

25.5.1.1.2.2 MMCHS Soft Reset Flow

[Figure 25-34](#) shows the soft reset process of the MMCHS controller.

Figure 25-34. eMMC/SD/SDIO Controller Software Reset Flow


mmchs-028

Table 25-25. Register Call Summary for Main Sequence – Software Reset Flow

Register Name	Register Name
MMCHS_SYSCONFIG	MMCHS_SYSSTATUS

25.5.1.1.2.3 Set MMCHS Default Capabilities

Software must read capabilities (in boot ROM, for example) and is allowed to set (write) the [MMCi.MMCHS_CAPA\[26:24\]](#) and [MMCi.MMCHS_CUR_CAPA\[23:0\]](#) bit fields before the eMMC/SD/SDIO host driver is started.

25.5.1.1.2.4 Wake-Up Configuration

[Table 25-26](#) describes the MMCHS controller wake-up configuration.

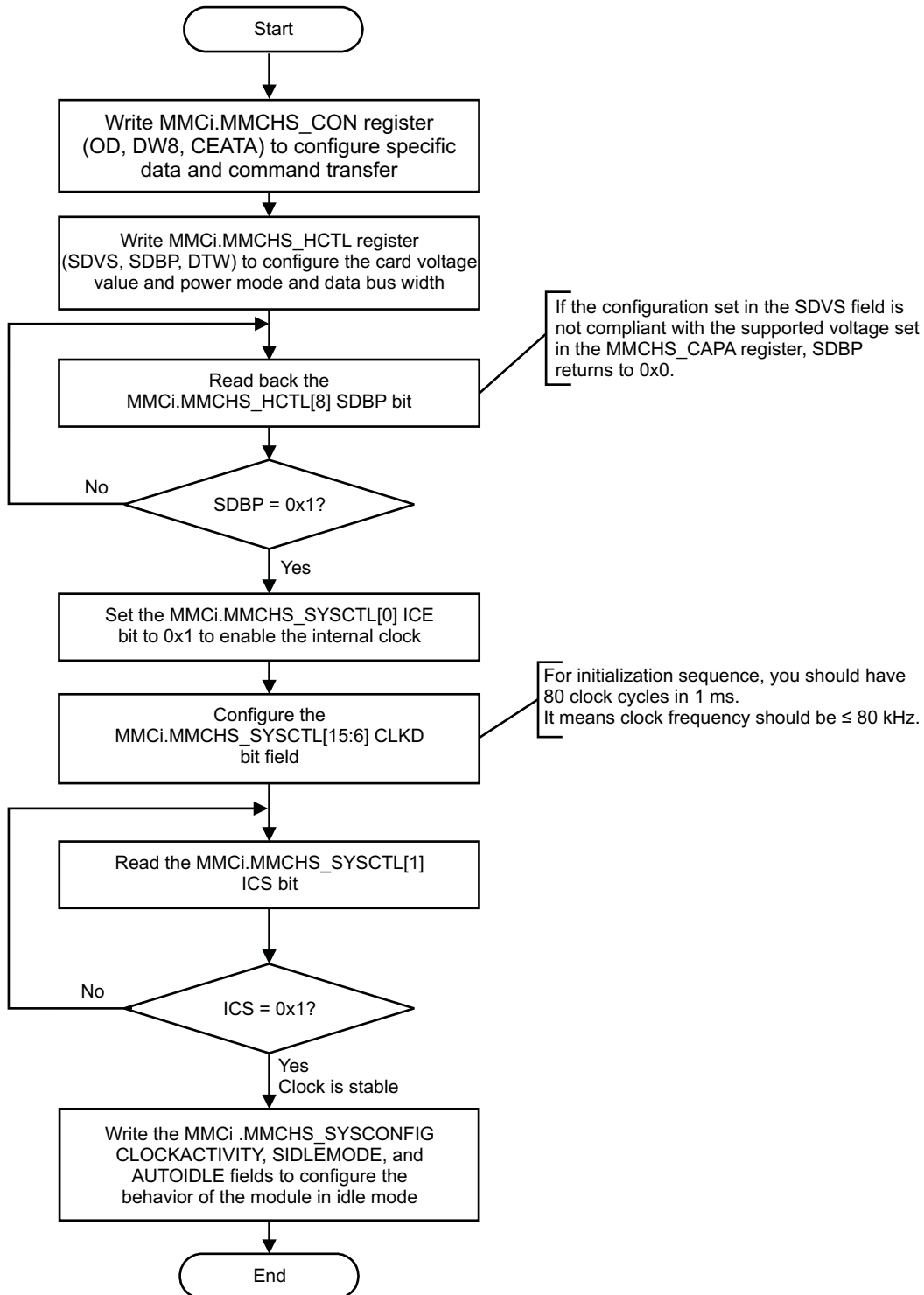
Table 25-26. eMMC/SD/SDIO Controller Wake-Up Configuration

Step	Access Type	Register/Bit Field/Programming Model	Value
Configure wake-up bit (if necessary).	W	MMCi.MMCHS_SYSCONFIG[2] ENAWAKEUP	0x1
Enable wake-up events on SD card interrupt (if necessary).	W	MMCi.MMCHS_HCTL[24] IWE	0x1
SDIO card only: Enable card interrupt (if necessary).	W	MMCi.MMCHS_IE[8] CIRQ_ENABLE	0x1

25.5.1.1.2.5 MMC Host and Bus Configuration

Figure 25-35 shows the MMC bus configuration process.

Figure 25-35. eMMC/SD/SDIO Controller Bus Configuration



mmchs-029

Table 25-27. Register Call Summary for Main Sequence – Bus Configuration

Register Name	Register Name
MMCHS_CON	MMCHS_HCTL
MMCHS_SYSCONFIG	MMCHS_SYSCTL

25.5.1.2 Operational Modes Configuration

25.5.1.2.1 Basic Operations for eMMC/SD/SDIO Host Controller

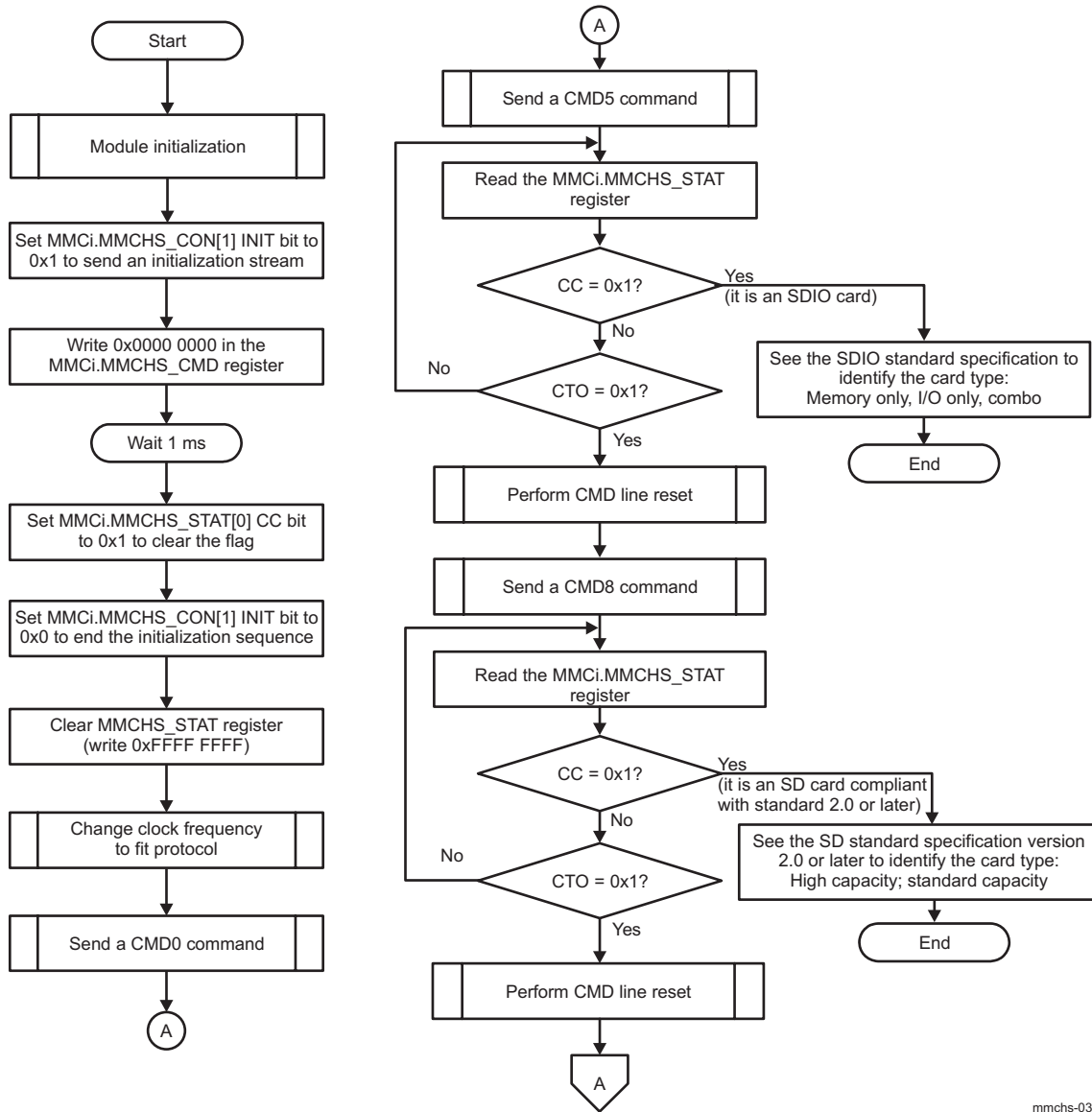
The eMMC/SD/SDIO host controller performs data transfers: data to card (referred to as write transfers) and data from card (referred to as read transfers).

The host controller requires transfers to run on a block-by-block basis rather than on a DMA burst size basis. A single DMA request (or block request interrupt) is signaled for each block. Pipelining is supported as long as the block size is less than one half of the memory buffer size.

25.5.1.2.1.1 Card Detection, Identification, and Selection

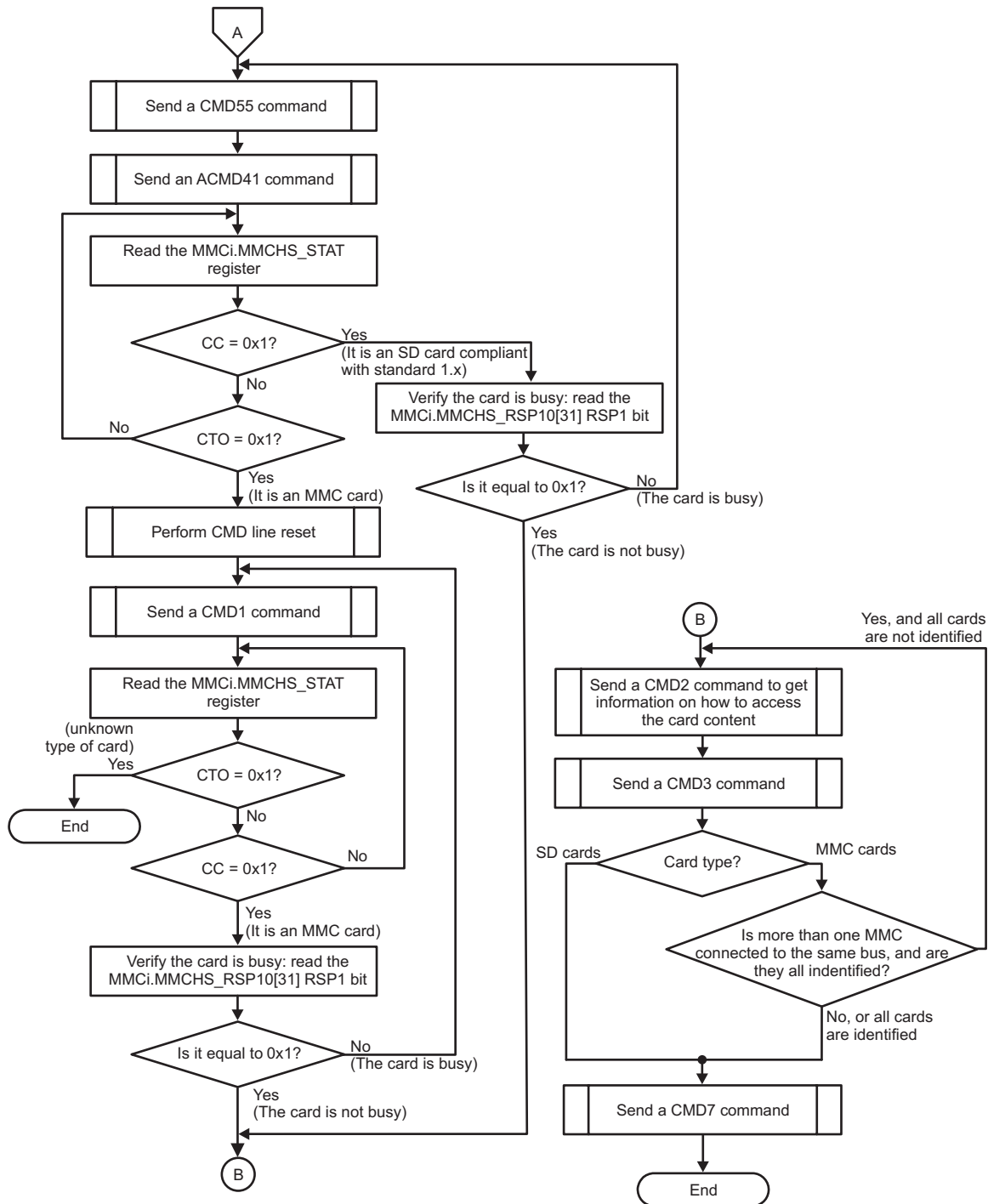
[Figure 25-36](#) and [Figure 25-37](#) show the card detection, identification and selection process.

Figure 25-36. eMMC/SD/SDIO Controller Card Identification and Selection – Part 1



mmchs-030

Figure 25-37. eMMC/SD/SDIO Controller Card Identification and Selection – Part 2



mmchs-031

Table 25-28. Register Call Summary for Main Sequence – Card Identification and Selection

Register Name	Register Name	Register Name
MMCHS_CON	MMCHS_CMD	MMCHS_STAT
MMCHS_SYSCTL	MMCHS_RSP10	

Table 25-29 lists the subprocess call summary.

Table 25-29. Subprocess Call Summary for Main Sequence – Card Identification and Selection

Subprocess Name	Cross-Reference
Initialize module.	See Section 25.5.1.1.2 , <i>eMMC/SD/SDIO Host Controller Initialization Flow</i> .
Change clock frequency to fit protocol.	See Section 25.5.1.2.1.7.2 , <i>MMCHS Clock Frequency Change</i> .
Send a command.	See Section 25.5.1.2.1.7.1 , <i>Command Transfer Flow</i> .
Perform CMD line reset.	See Section 25.5.1.2.1.1.1 , <i>CMD Line Reset Procedure</i> .

25.5.1.2.1.1.1 *CMD Line Reset Procedure*

[Table 25-30](#) lists the CML line reset.

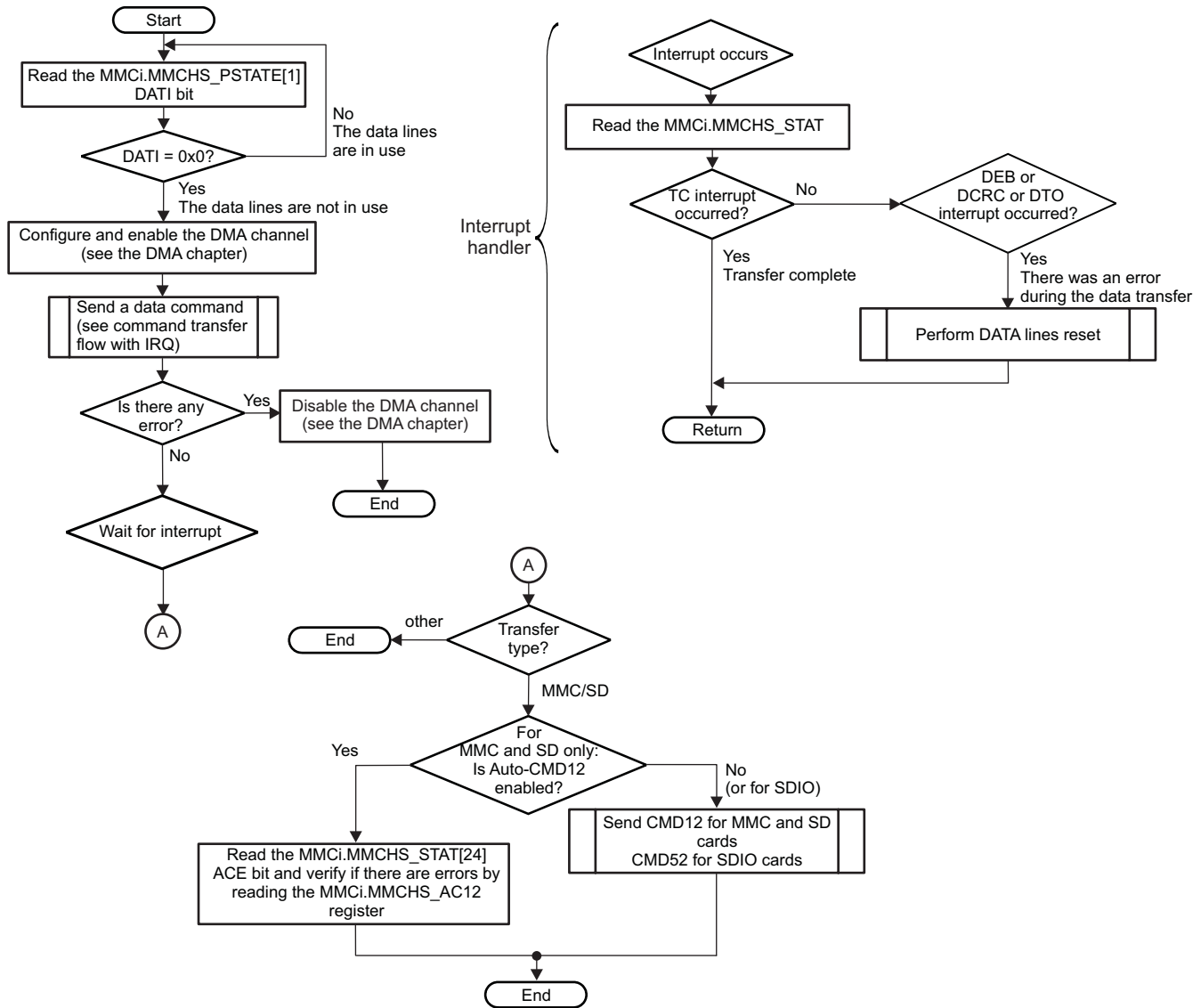
Table 25-30. CMD Line Reset

Step	Access Type	Register/Bit Field/Programming Model	Value
Initiate CMD line reset.	W	MMCi.MMCHS_SYSCTL[25] SRC	0x1
Poll the SRC bit until it is set to 0x1.	R	MMCi.MMCHS_SYSCTL[25] SRC	= 0x1
Wait until the SRC bit returns to 0x0 (reset procedure is completed).	R	MMCi.MMCHS_SYSCTL[25] SRC	= 0x0

25.5.1.2.1.2 Read/Write Transfer Flow in DMA Mode With Interrupt

Figure 25-38 shows the read and write protocol in DMA slave mode with interrupt signaling.

Figure 25-38. eMMC/SD/SDIO Controller Read/Write Transfer Flow in DMA Slave Mode With interrupt



mmchs-032

Table 25-31. Register Call Summary for Main Sequence – Read/Write Transfer Flow in DMA Mode With interrupt

Register Name	Register Name
MMCHS_PSTATE	MMCHS_STAT
MMCHS_SYSCTL	MMCHS_CMD

Table 25-32. Subprocess Call Summary for Main Sequence – eMMC/SD/SDIO Controller Read/Write Transfer Flow in DMA Mode With interrupt

Subprocess Name	Cross-Reference
Send a data command.	See Figure 25-45.
Perform DATA lines reset.	See Section 25.5.1.2.1.2.1, DATA Lines Reset Procedure.

25.5.1.2.1.2.1 DATA Lines Reset Procedure

Table 25-33 describes the DATA lines reset.

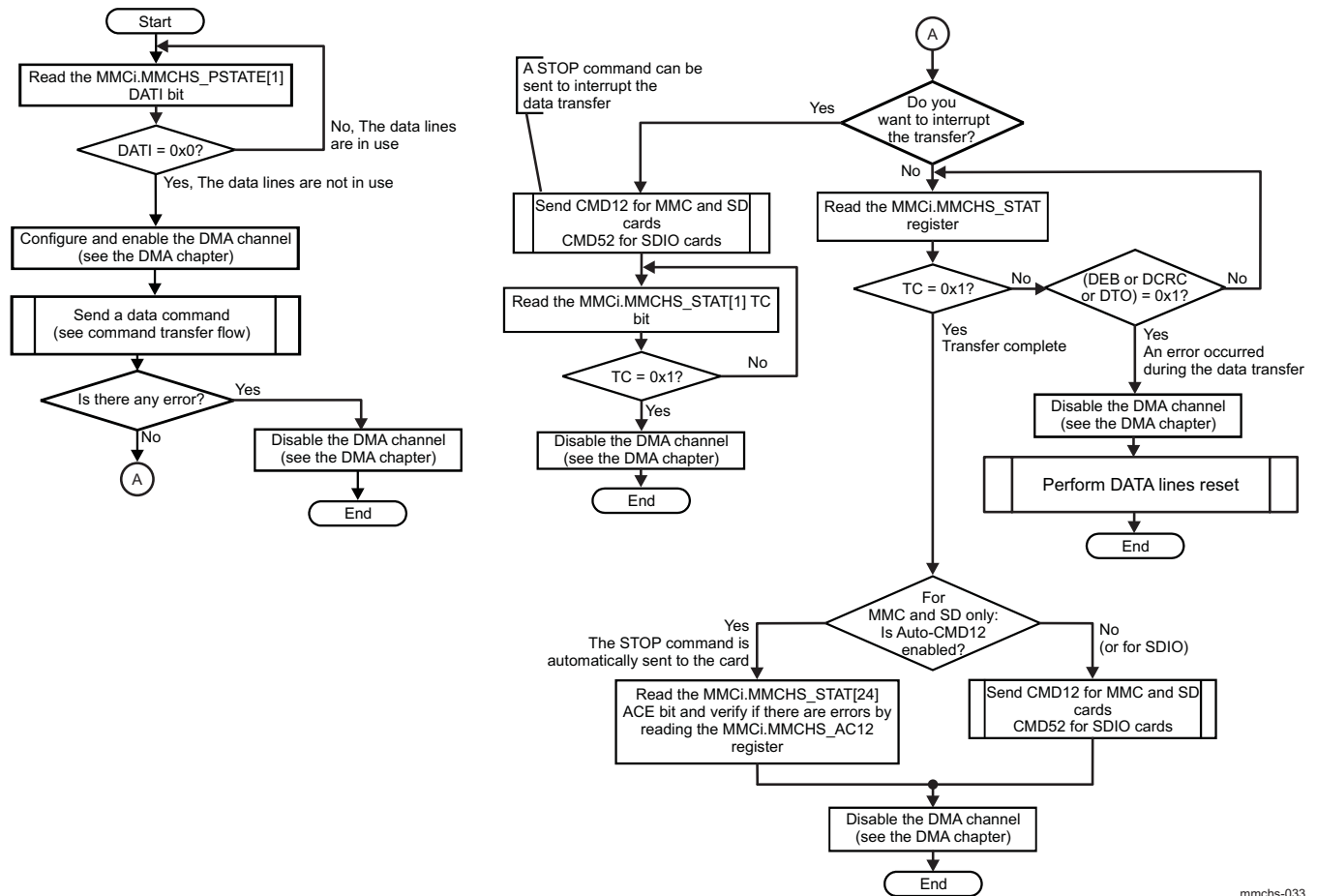
Table 25-33. DATA Lines Reset

Step	Access Type	Register/Bit Field/Programming Model	Value
Initiate DATA lines reset.	W	MMCi.MMCHS_SYSCTL[26] SRD	0x1
Poll the SRD bit until it is set to 0x1.	R	MMCi.MMCHS_SYSCTL[26] SRD	= 0x1
Wait until the SRD bit returns to 0x0 (reset procedure is complete).	R	MMCi.MMCHS_SYSCTL[26] SRD	= 0x0

25.5.1.2.1.3 Read/Write Transfer Flow in DMA Mode With Polling

Figure 25-39 shows the read and write protocol in DMA mode.

Figure 25-39. eMMC/SD/SDIO Controller Read/Write Transfer Flow in DMA Mode With Polling



mmchs-033

Table 25-34. Register Call Summary for Main Sequence – Read/Write Transfer Flow in DMA Mode With Polling

Register Name	Register Name	Register Name
MMCHS_PSTATE	MMCHS_STAT	MMCHS_SYSCTL
MMCHS_CMD	MMCHS_AC12	

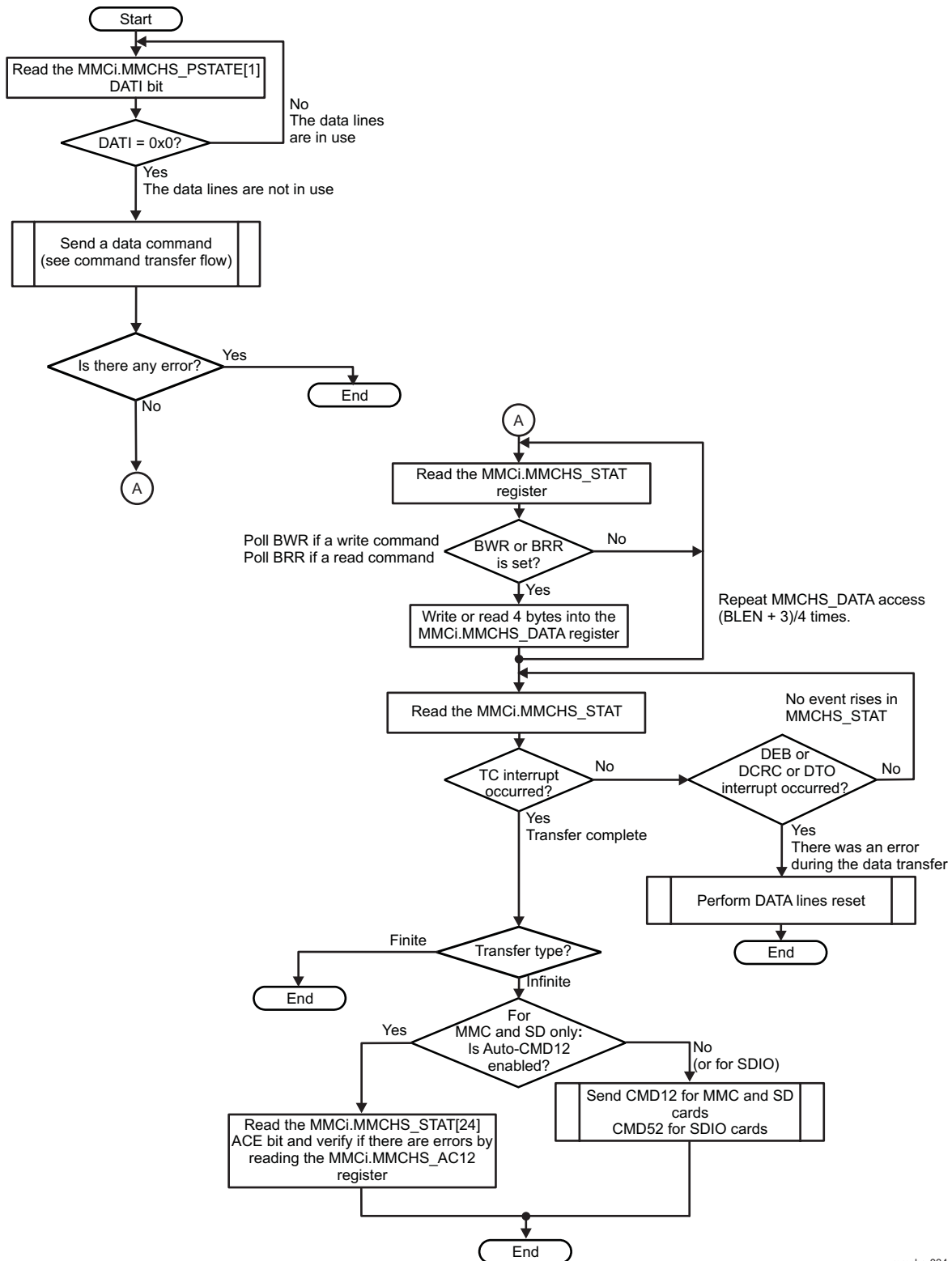
Table 25-35. Subprocess Call Summary for Main Sequence – Read/Write Transfer Flow in DMA Mode With Polling

Subprocess Name	Cross-Reference
Send command.	See Section 25.5.1.2.1.7.1 , <i>Command Transfer Flow</i> .
Perform DATA lines reset.	See Section 25.5.1.2.1.2.1 , <i>DATA Lines Reset Procedure</i> .

25.5.1.2.1.4 Read/Write Transfer Flow Without DMA With Polling

Figure 25-40 shows a read/write transfer without using the DMA and with polling.

Figure 25-40. eMMC/SD/SDIO Controller Read/Write Transfer Flow Without DMA and With Polling



mmchs-034

Table 25-36. Register Call Summary for Main Sequence – Read/Write Transfer Flow Without DMA With Polling

Register Name	Register Name	Register Name
MMCHS_PSTATE	MMCHS_DATA	MMCHS_STAT
MMCHS_SYSCTL	MMCHS_CMD	MMCHS_AC12

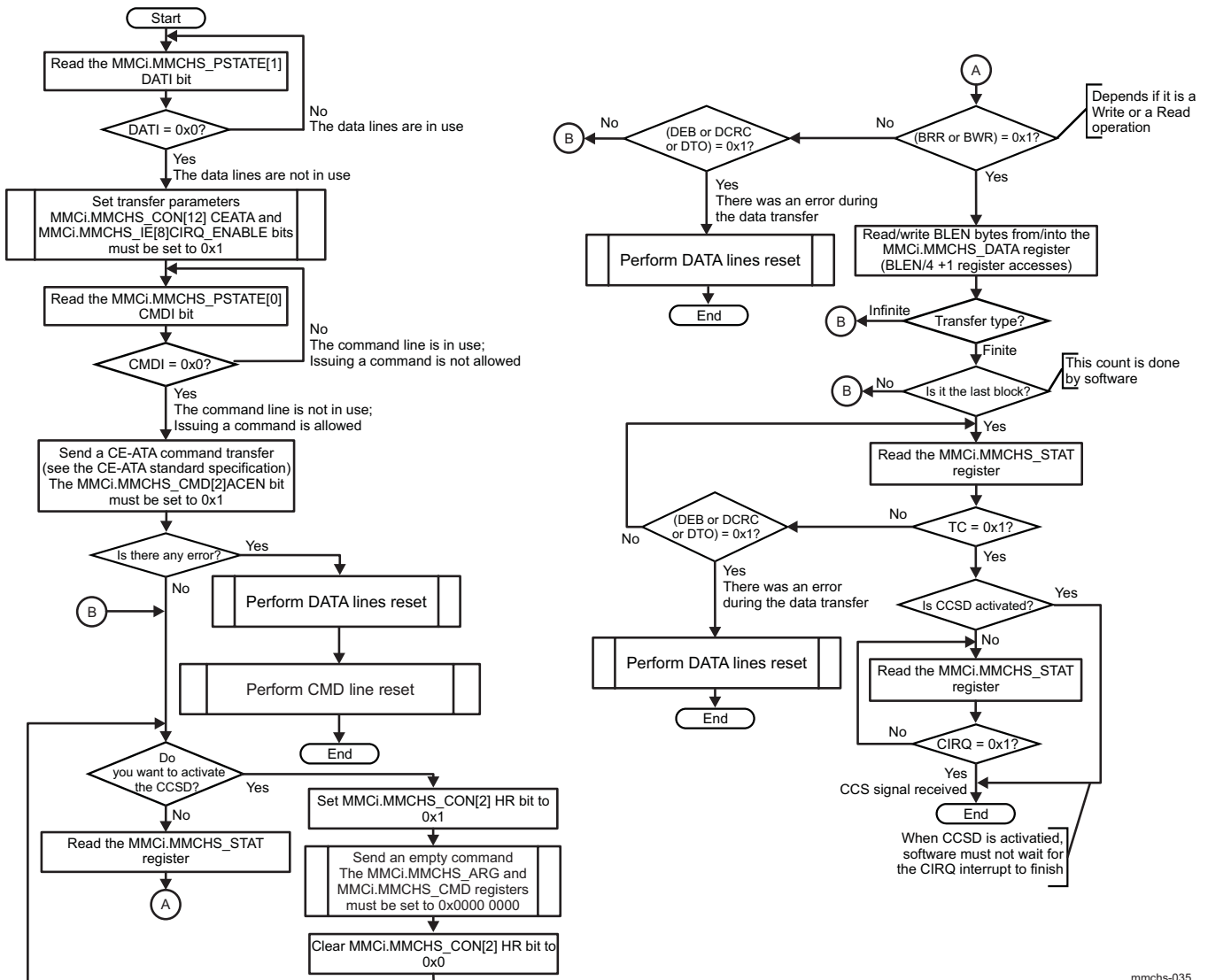
Table 25-37. Subprocess Call Summary for Main Sequence – Read/Write Transfer Flow Without DMA With Polling

Subprocess Name	Cross-Reference
Send data command.	See Section 25.5.1.2.1.7.1, Command Transfer Flow.
Perform DATA lines reset.	See Section 25.5.1.2.1.2.1, DATA Lines Reset Procedure.

25.5.1.2.1.5 Read/Write Transfer Flow in CE-ATA Mode

Figure 25-41 shows the read and write CE-ATA protocol when in polling mode.

Figure 25-41. eMMC/SD/SDIO Controller Read/Write in CE-ATA Mode



mmchs-035

Table 25-38. Register Call Summary for Main Sequence – Read/Write in CE-ATA Mode

Register Name	Register Name	Register Name
MMCHS_PSTATE	MMCHS_CON	MMCHS_IE
MMCHS_CMD	MMCHS_STAT	
MMCHS_ARG	MMCHS_SYSCTL	

Table 25-39. Subprocess Call Summary for Main Sequence – Read/Write in CE-ATA Mode

Subprocess Name	Cross-Reference
Perform CMD line reset.	See Section 25.5.1.2.1.1.1 , <i>CMD Line Reset Procedure</i> .
Perform DATA lines reset.	See Section 25.5.1.2.1.2.1 , <i>DATA Lines Reset Procedure</i> .

CAUTION

CE-ATA protocol is supported only by MMC cards.

In CE-ATA mode, issuing a command during the transfer (except a CCSD command) is not allowed.

In CE-ATA mode, infinite transfers are not allowed; only finite transfers are permitted.

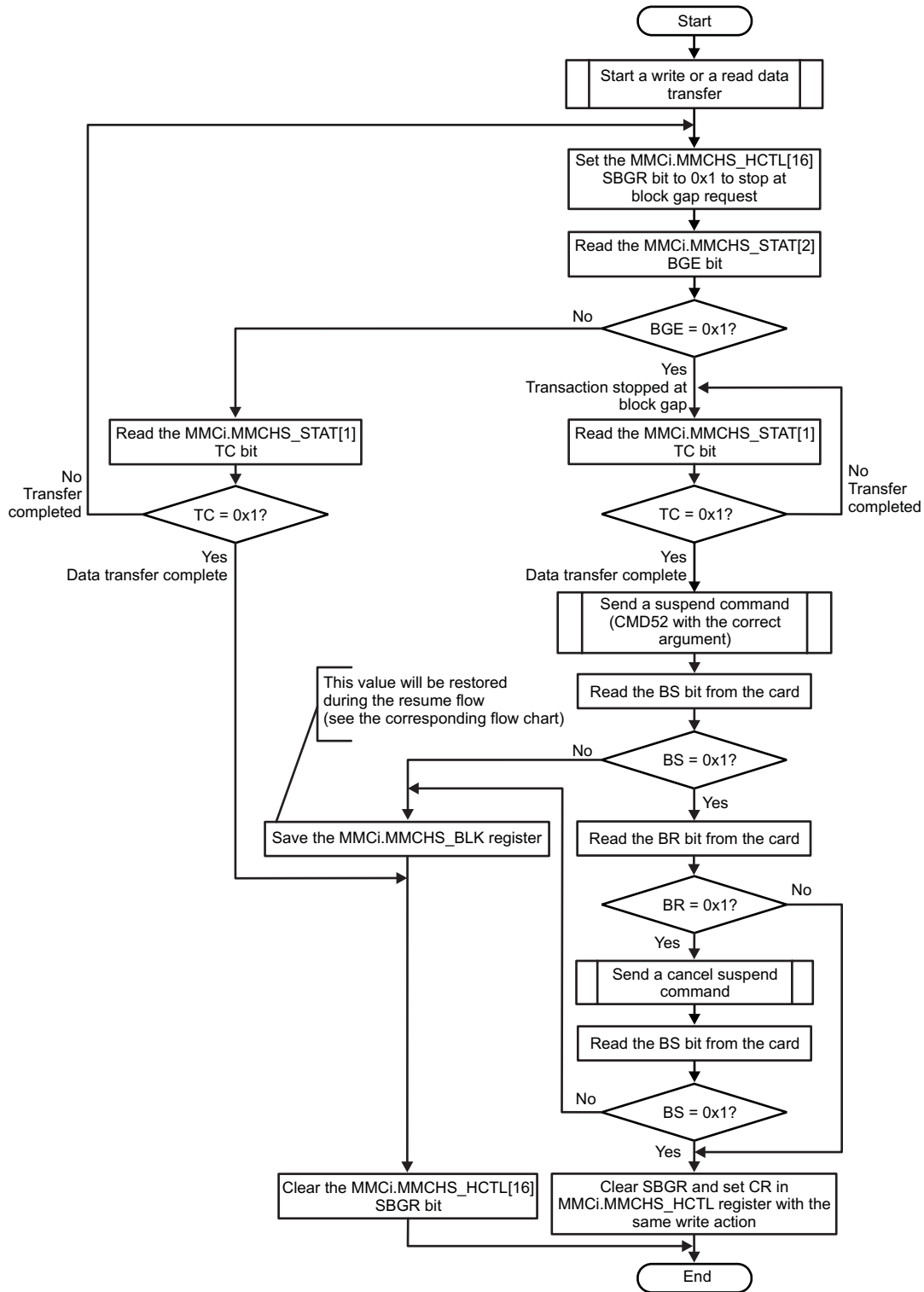
25.5.1.2.1.6 Suspend-Resume Flow

The suspend-and-resume feature is supported only by SDIO cards.

25.5.1.2.1.6.1 Suspend Flow

[Figure 25-42](#) shows the suspend flow for SDIO cards.

Figure 25-42. eMMC/SD/SDIO Controller Suspend Flow



mmchs-036

Table 25-40. Register Call Summary for Main Sequence – Suspend Flow

Register Name	Register Name	Register Name
MMCHS_HCTL	MMCHS_STAT	MMCHS_BLK

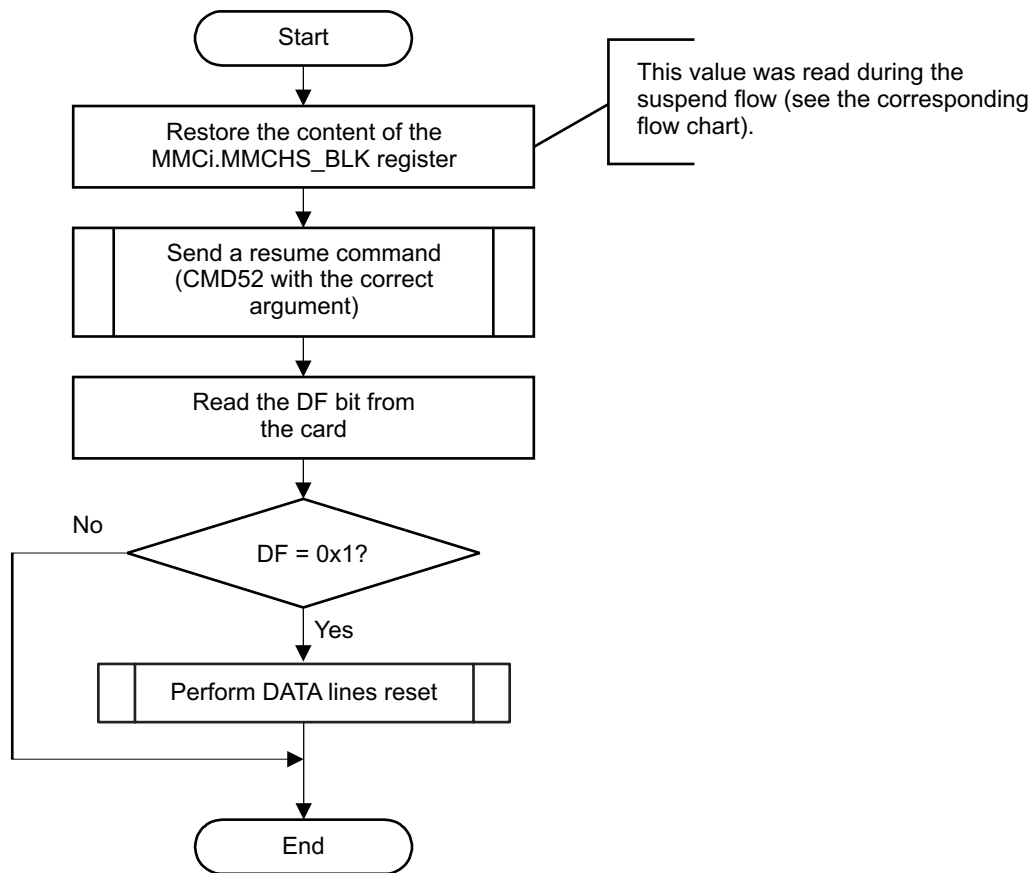
Table 25-41. Subprocess Call Summary for Main Sequence – Suspend Flow

Subprocess Name	Cross-Reference
Start a write or a read data transfer.	See Section 25.5.1.2.1, Basic Operations for eMMC/SD/SDIO Host Controller.
Send a suspend command (CMD52 with the correct argument).	See Section 25.5.1.2.1.7.1, Command Transfer Flow.
Send a cancel suspend command.	See Section 25.5.1.2.1.7.1, Command Transfer Flow.

25.5.1.2.1.6.2 Resume Flow

Figure 25-43 shows the resume flow for SDIO cards.

Figure 25-43. eMMC/SD/SDIO Controller Resume Flow



mmchs-037

Table 25-42. Register Call Summary for Main Sequence - Resume Flow

Register Name	Register Name
MMCHS_BLK	MMCHS_SYCTL

Table 25-43. Subprocess Call Summary for Main Sequence - Resume Flow

Subprocess Name	Cross-Reference
Send a resume command (CMD52 with the correct argument).	See Section 25.5.1.2.1.7.1, Command Transfer Flow.
Perform DATA lines reset.	See Section 25.5.1.2.1.2.1, DATA Lines Reset Procedure.

25.5.1.2.1.7 Basic Operations – Steps Detailed

25.5.1.2.1.7.1 Command Transfer Flow

Figure 25-44 shows how to send a command to the card using polling instead of interrupts for event signaling.

Figure 25-44. eMMC/SD/SDIO Controller Command Transfer Flow With Polling

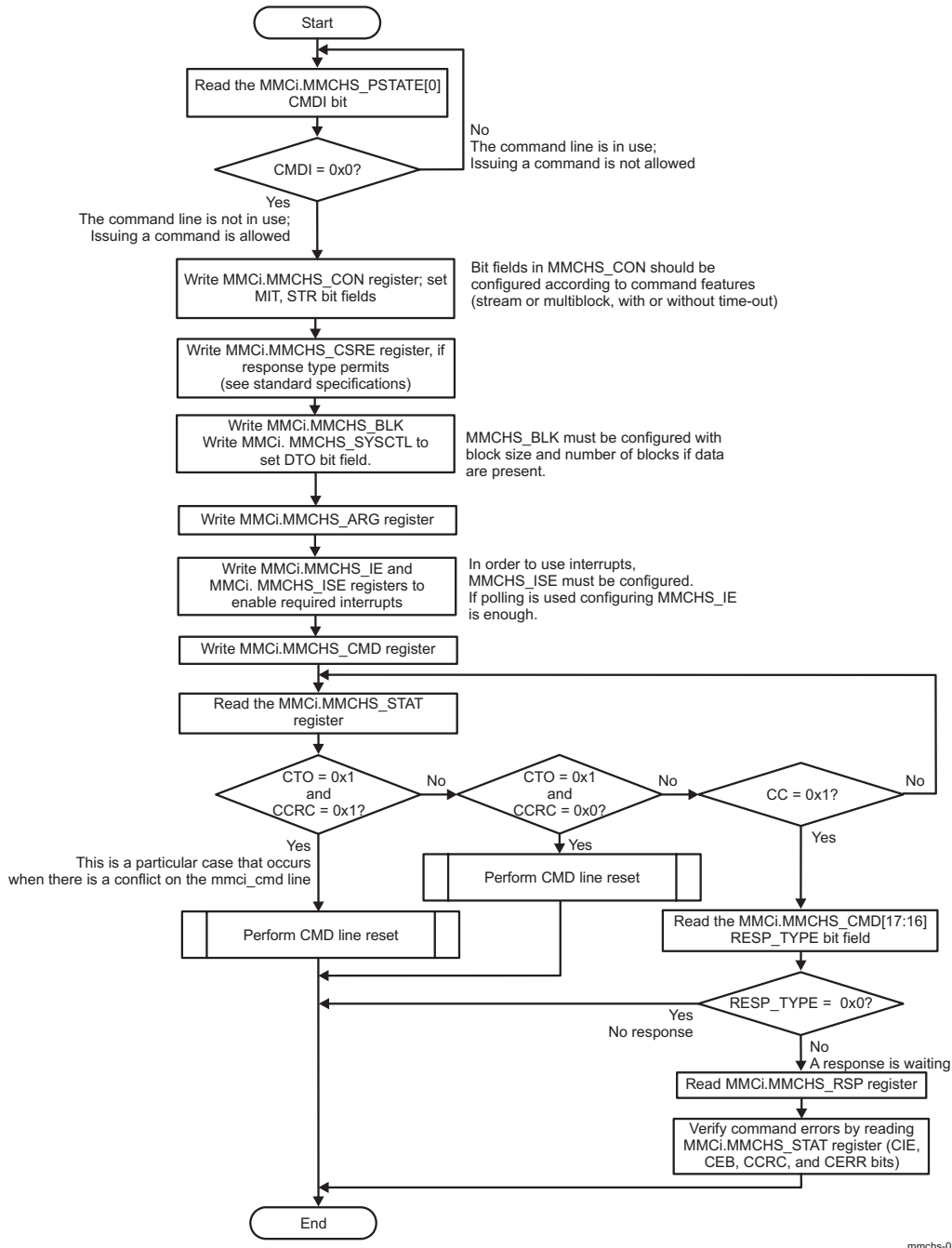


Table 25-44. Register Call Summary for Main Sequence – Command Transfer Flow With Polling

Register Name	Register Name	Register Name
MMCHS_PSTATE	MMCHS_CON	MMCHS_CSRE

Table 25-44. Register Call Summary for Main Sequence – Command Transfer Flow With Polling (continued)

Register Name	Register Name	Register Name
MMCHS_STAT	MMCHS_BLK	MMCHS_SYSCTL
MMCHS_ARG	MMCHS_IE	MMCHS_CMD
MMCHS_RSP10	MMCHS_RSP32	MMCHS_RSP54
MMCHS_RSP76		

Table 25-45. Subprocess Call Summary for Main Sequence – Command Transfer Flow With Polling

Subprocess Name	Cross-Reference
Perform CMD line reset.	See Section 25.5.1.2.1.1.1 , <i>CMD Line Reset Procedure</i> .

Figure 25-45 shows how to send a command to the card using interrupts for event signaling.

Figure 25-45. eMMC/SD/SDIO Controller Command Transfer Flow With interrupts

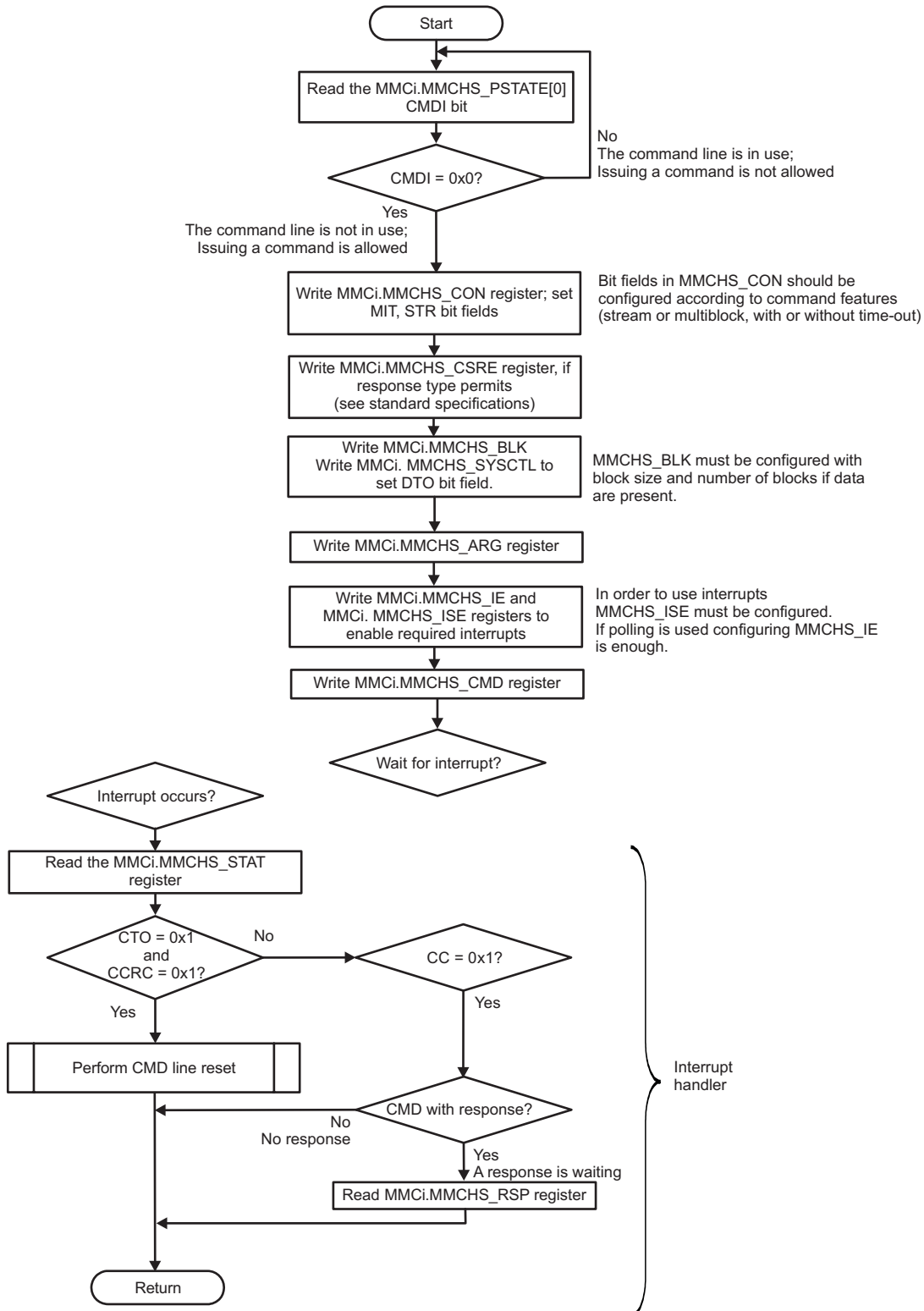


Table 25-46. Register Call Summary for Main Sequence – Command Transfer Flow With Interrupts

Register Name	Register Name	Register Name
MMCHS_PSTATE	MMCHS_CON	MMCHS_CSRE
MMCHS_STAT	MMCHS_BLK	MMCHS_SYSCTL
MMCHS_ARG	MMCHS_IE	MMCi.MMCHS_ISE
MMCHS_RSP10	MMCHS_RSP32	MMCHS_RSP54
MMCHS_RSP76	MMCHS_CMD	

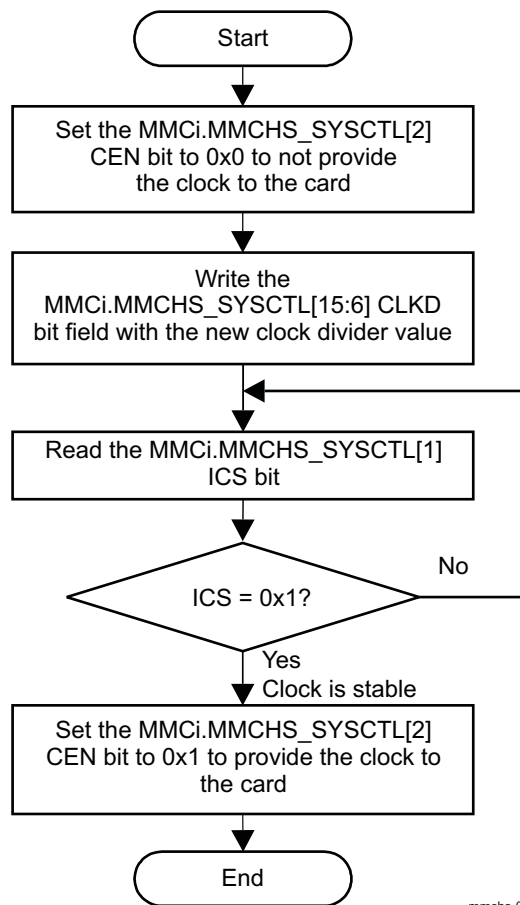
Table 25-47. Subprocess Call Summary for Main Sequence – Command Transfer Flow With Interrupts

Subprocess Name	Cross-Reference
Perform CMD line reset.	See Section 25.5.1.2.1.1.1 , <i>CMD Line Reset Procedure</i> .

25.5.1.2.1.7.2 MMCHS Clock Frequency Change

Figure 25-46 shows the different steps that allow changing the eMMC/SD/SDIO output clock frequency.

Figure 25-46. eMMC/SD/SDIO Controller Clock Frequency Change Flow



mmchs-040

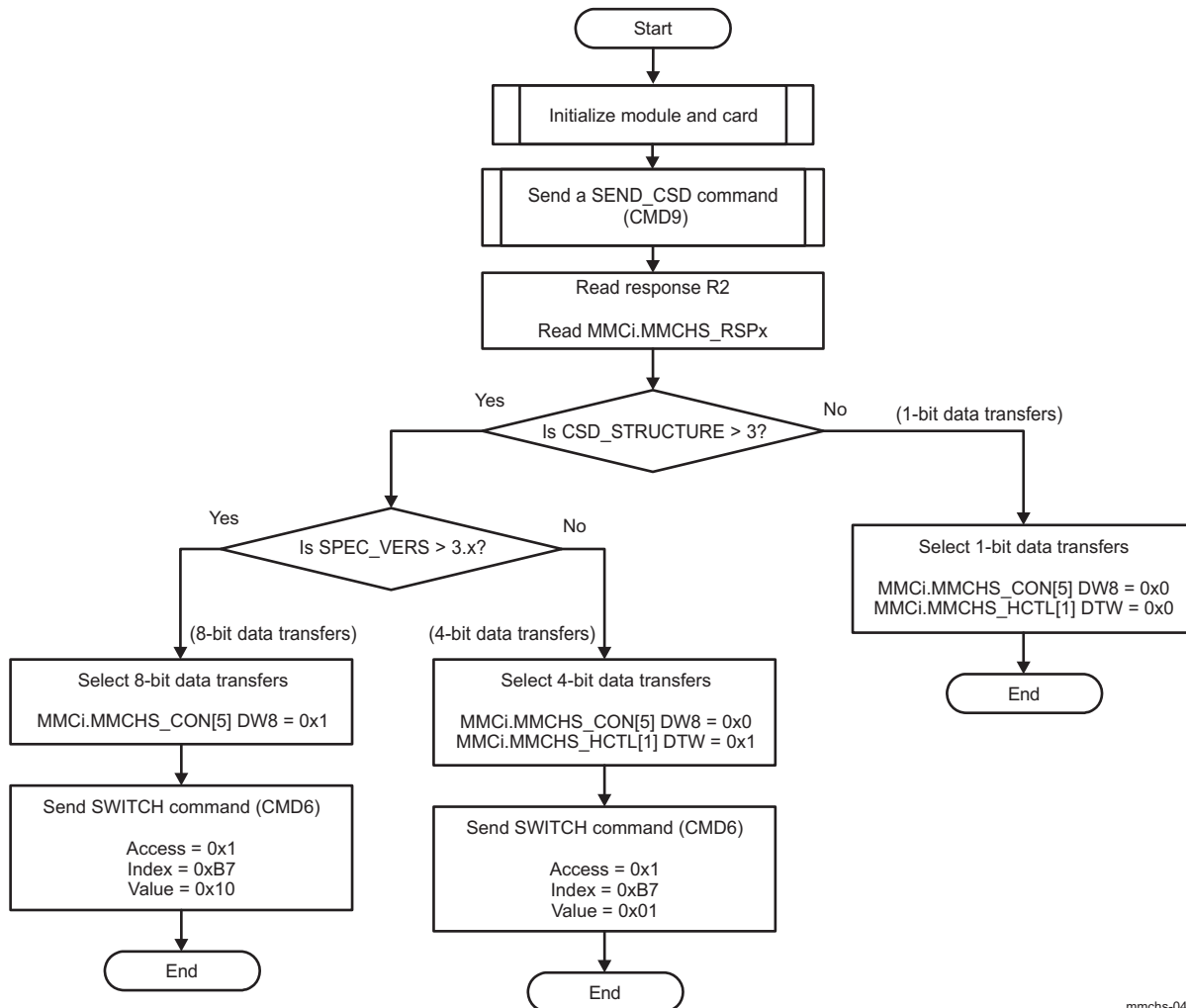
Table 25-48. Register Call Summary for Main Sequence – Clock Frequency Change Flow

Register Name
MMCHS_SYSCTL

25.5.1.2.1.7.3 Bus Width Selection

Figure 25-47 shows the different steps that allow changing the eMMC/SD/SDIO bus width.

Figure 25-47. eMMC/SD/SDIO Controller Bus Width Configuration Flow



mmchs-041

Table 25-49. Register Call Summary for Main Sequence – Bus Width Configuration Flow

Register Name	Register Name	Register Name
MMCHS_RSP10	MMCHS_RSP32	MMCHS_RSP54
MMCHS_RSP76	MMCHS_CON	MMCHS_HCTL

Table 25-50. Subprocess Call Summary for Main Sequence – Bus Width Configuration Flow

Subprocess Name	Cross-Reference
Initialize module and card.	See Section 25.5.1.1.2, eMMC/SD/SDIO Host Controller Initialization Flow. See Section 25.5.1.2.1.1, Card Detection, Identification, and Selection.
Send a SEND_CSD command (CMD9).	See Section 25.5.1.2.1.7.1, Command Transfer Flow.
Send SWITCH command (CMD6).	See Section 25.5.1.2.1.7.1, Command Transfer Flow.

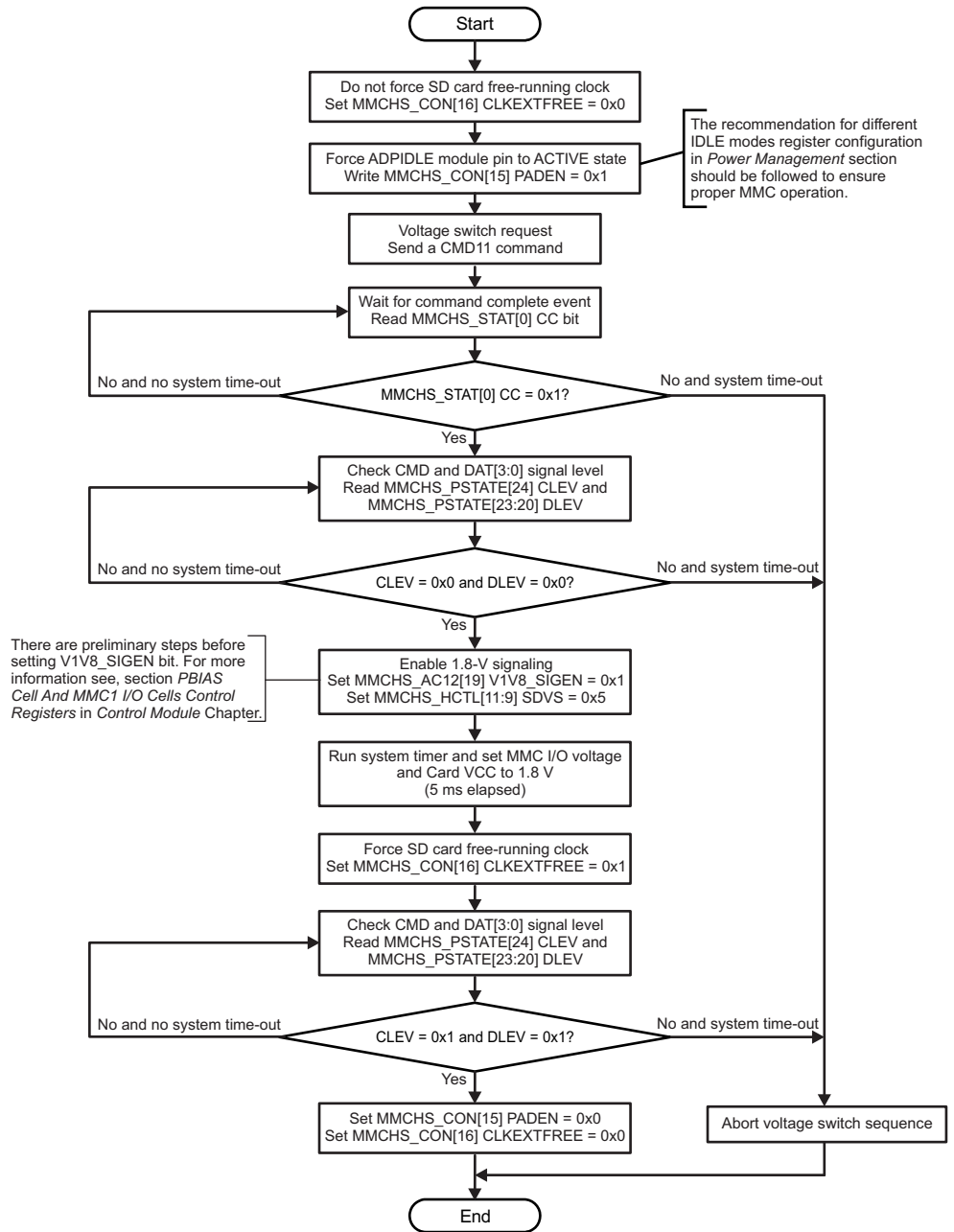
25.5.1.2.2 Bus Voltage Selection

The eMMC/SD/SDIO1 controller can operate with two types of card voltages: 1.8 V and 3.3 V. For this reason, dual voltage pads are implemented on this interface. For technological concerns, those pads must have an internal bias voltage reference to operate. The PBIAS module supplies this bias voltage, depending on the settings of the CTRL_CORE_CONTROL_PBIAS register.

For more information about the PBIAS cell, see Section 18.4.6.3, PBIAS Cell And MMC1 I/O Cells Control Registers, in Chapter 18, Control Module.

Figure 25-48 shows how to configure the MMC1 controller to fit with power switching sequence.

Figure 25-48. eMMC/SD/SDIO Power Switching Procedure



mmchs-042

Table 25-51. Register Call Summary for Main Sequence – Power Switching Procedure

Register Name	Register Name
MMCHS_STAT	MMCHS_PSTATE
MMCHS_CMD	MMCHS_CON

Table 25-52. Subprocess Call Summary for Main Sequence – Power Switching Procedure

Subprocess Name	Cross-Reference
Send a READ_DAT_UNTIL_STOP command (CMD11).	See Section 25.5.1.2.1.7.1 , <i>Command Transfer Flow</i> .

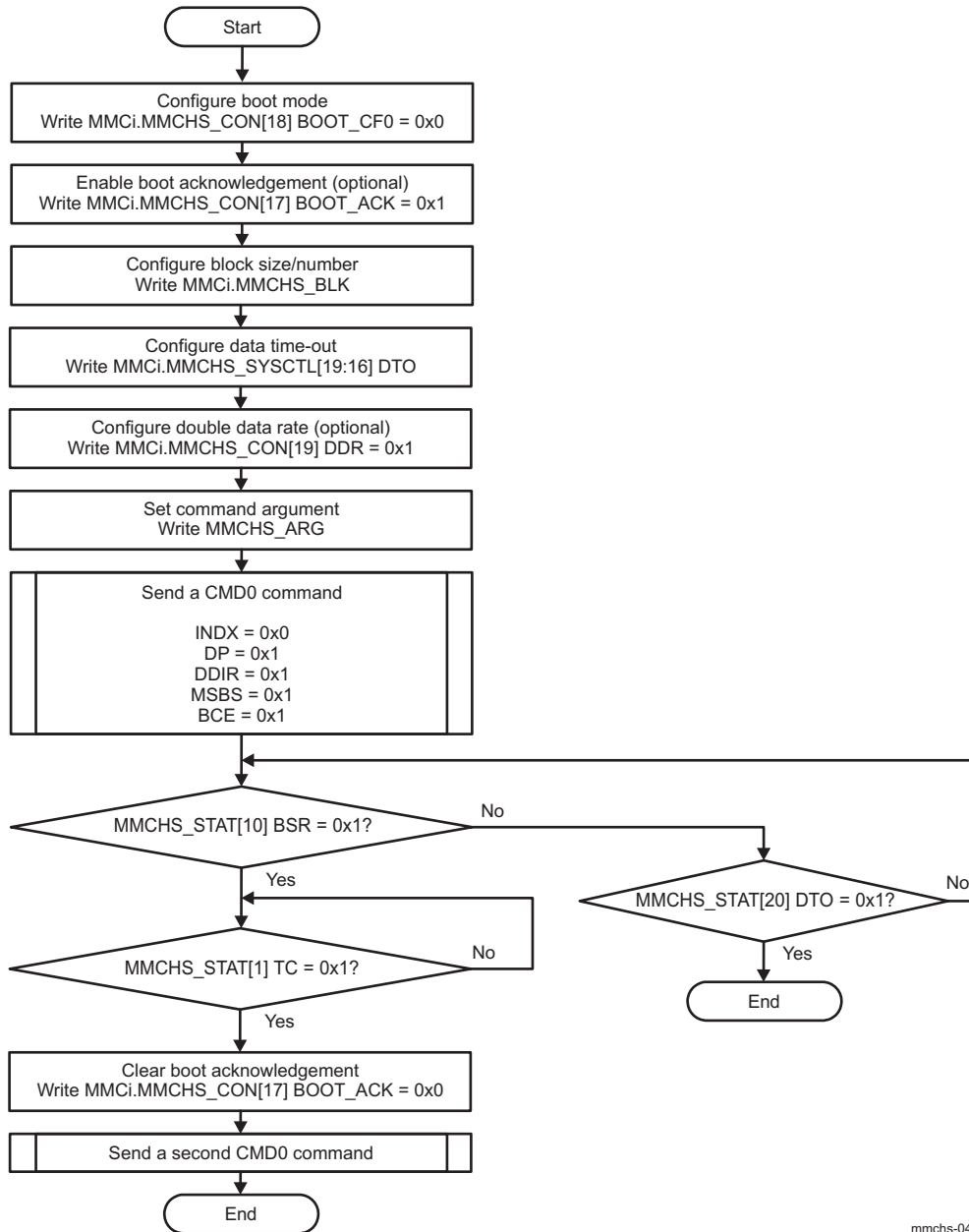
25.5.1.2.3 Boot Mode Configuration

The following sections describe the two possible ways to issue a boot command: issue a CMD0 or drive the CMD line to 0 during the whole boot phase.

25.5.1.2.3.1 Boot Using CMD0

[Figure 25-49](#) shows the necessary steps to configure the controller boot mode using CMD0.

Figure 25-49. eMMC/SD/SDIO Controller Boot Using CMD0



mmchs-043

To abort a boot sequence, the system must issue a CMD0 with the **MMCHS_CMD[23:22] CMD_TYPE** bit field set to 0x3 (the **MMCHS_CON[17] BOOT_ACK** bit previously cleared to 0x0) during the transfer to abort the transfer and enable the card to exit from boot state.

Table 25-53. Register Call Summary for Main Sequence – Boot Using CMD0

Register Name	Register Name	Register Name
MMCHS_CON	MMCHS_BLK	MMCHS_SYSCTL
MMCHS_ARG	MMCHS_STAT	

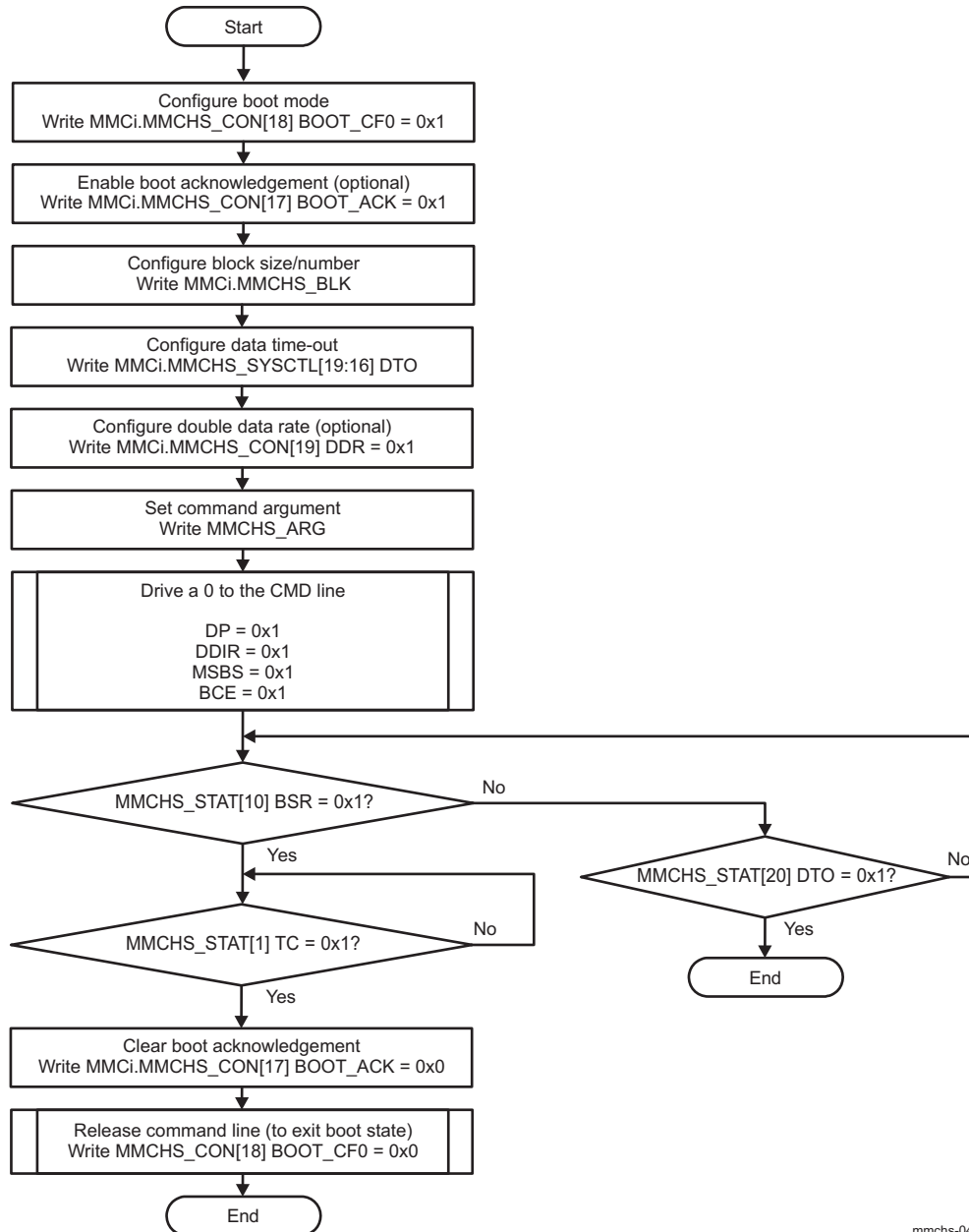
Table 25-54. Subprocess Call Summary for Main Sequence – Boot Using CMD0

Subprocess Name	Cross-Reference
Send a CMD0 command.	See Section 25.5.1.2.1.7.1, Command Transfer Flow.

25.5.1.2.3.2 Boot With CMD Line Tied to 0

Figure 25-50 shows the necessary steps to configure the controller in this mode; the driver must follow this sequence.

Figure 25-50. eMMC/SD/SDIO Controller Boot With CMD Line Tied to 0



mmchs-044

To abort the boot sequence, the system must clear the [MMCHS_CON\[18\] BOOT_CF0](#) bit to 0x0 during the transfer to abort the transfer and enable the card to exit from boot state.

Table 25-55. Register Call Summary for Main Sequence – Boot Using CMD0

Register Name	Register Name	Register Name
MMCHS_CON	MMCHS_BLK	MMCHS_SYSCTL
MMCHS_ARG	MMCHS_STAT	MMCHS_CMD

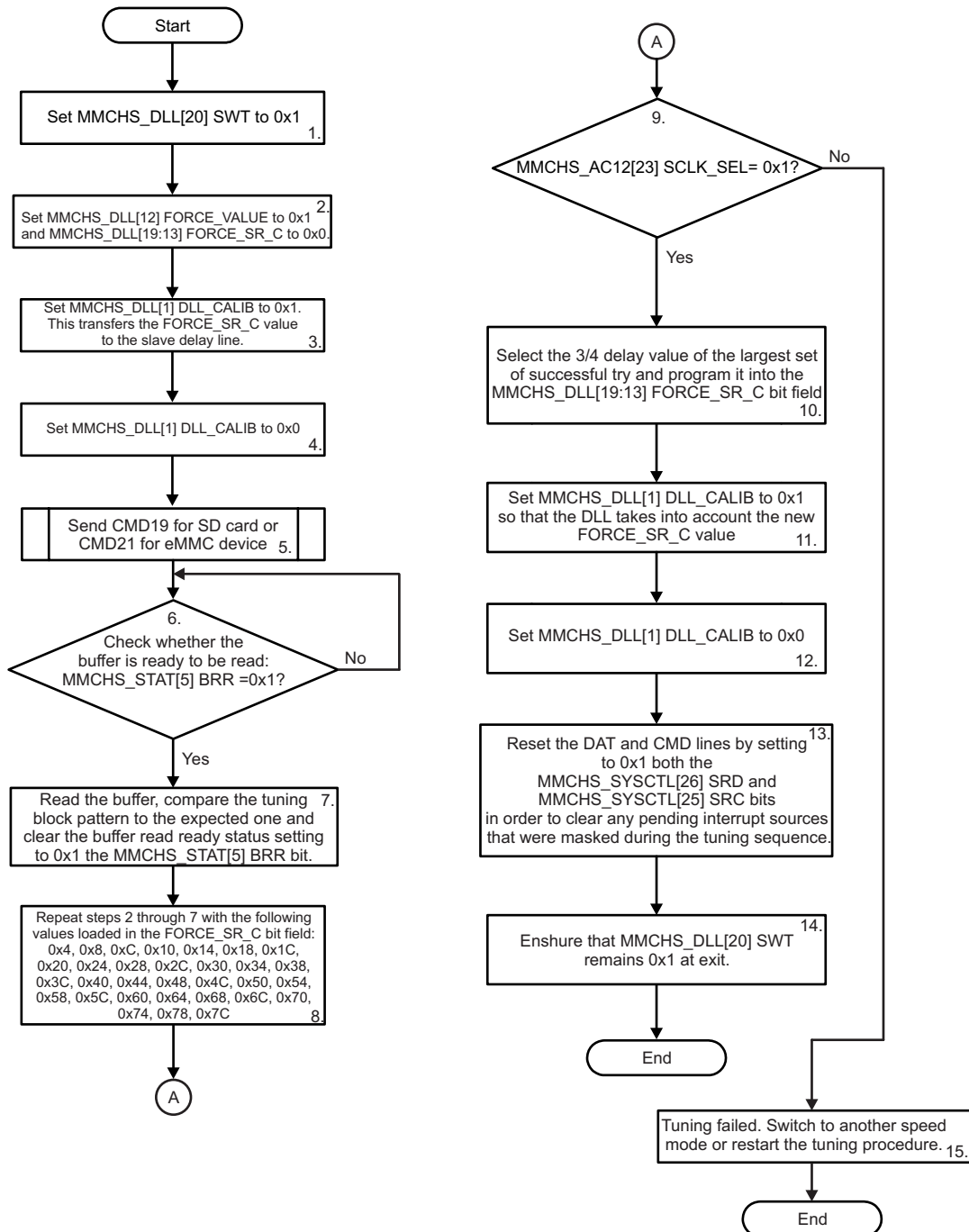
Table 25-56. Subprocess Call Summary for Main Sequence – Boot Using CMD0

Subprocess Name	Cross-Reference
Send a CMD0 command.	See Section 25.5.1.2.1.7.1 , <i>Command Transfer Flow</i> .

25.5.1.2.4 SDR104/HS200 DLL Tuning Procedure

[Figure 25-51](#) shows the DLL tuning procedure when SDR104 and HS200 modes are used.

NOTE: The BRR interrupt has to be enabled during tuning for functionality to succeed. The other error flags in [MMCHS_IE](#) can also be enabled for debug purposes. The [MMCHS_SYSCTL\[25\]](#) SRC bit can be set for command related interrupts, but caution has to be taken such that the [MMCHS_SYSCTL\[26\]](#) SRD bit is not set even when DAT related errors occurred, until after tuning completion.

Figure 25-51. SDR104/HS200 DLL Tuning Procedure


mmchs-100

25.6 eMMC/SD/SDIO Register Manual

25.6.1 eMMC/SD/SDIO Instance Summary

Table 25-57 lists the eMMC/SD/SDIO instances.

Table 25-57. eMMC/SD/SDIO Instance Summary

Module Name	Module Base Address	Size
MMC1	0x4809 C000	4 KiB
MMC2	0x480B 4000	4 KiB
MMC3	0x480A D000	4 KiB
MMC4	0x480D 1000	4 KiB

25.6.2 eMMC/SD/SDIO Registers

25.6.2.1 eMMC/SD/SDIO Register Summary

Table 25-58 lists the eMMC/SD/SDIO registers.

Table 25-58. MMC Registers Mapping Summary

Register Name	Type	Register Width (Bits)	Address Offset	MMC1 Physical Address	MMC2 Physical Address
MMCHS_HL_REV	R	32	0x0000 0000	0x4809 C000	0x480B 4000
MMCHS_HL_HWINFO	R	32	0x0000 0004	0x4809 C004	0x480B 4004
MMCHS_HL_SYSCONFIG	RW	32	0x0000 0010	0x4809 C010	0x480B 4010
MMCHS_SYSCONFIG	RW	32	0x0000 0110	0x4809 C110	0x480B 4110
MMCHS_SYSSTATUS	R	32	0x0000 0114	0x4809 C114	0x480B 4114
MMCHS_CSRE	RW	32	0x0000 0124	0x4809 C124	0x480B 4124
MMCHS_SYSTEST	RW	32	0x0000 0128	0x4809 C128	0x480B 4128
MMCHS_CON	RW	32	0x0000 012C	0x4809 C12C	0x480B 412C
MMCHS_PWCNT	RW	32	0x0000 0130	0x4809 C130	0x480B 4130
MMCHS_DLL	RW	32	0x0000 0134	0x4809 C134	0x480B 4134
MMCHS_SDMASA	RW	32	0x0000 0200	0x4809 C200	0x480B 4200
MMCHS_BLK	RW	32	0x0000 0204	0x4809 C204	0x480B 4204
MMCHS_ARG	RW	32	0x0000 0208	0x4809 C208	0x480B 4208
MMCHS_CMD	RW	32	0x0000 020C	0x4809 C20C	0x480B 420C
MMCHS_RSP10	R	32	0x0000 0210	0x4809 C210	0x480B 4210
MMCHS_RSP32	R	32	0x0000 0214	0x4809 C214	0x480B 4214
MMCHS_RSP54	R	32	0x0000 0218	0x4809 C218	0x480B 4218
MMCHS_RSP76	R	32	0x0000 021C	0x4809 C21C	0x480B 421C
MMCHS_DATA	RW	32	0x0000 0220	0x4809 C220	0x480B 4220
MMCHS_PSTATE	R	32	0x0000 0224	0x4809 C224	0x480B 4224
MMCHS_HCTL	RW	32	0x0000 0228	0x4809 C228	0x480B 4228
MMCHS_SYSCTL	RW	32	0x0000 022C	0x4809 C22C	0x480B 422C
MMCHS_STAT	RW	32	0x0000 0230	0x4809 C230	0x480B 4230
MMCHS_IE	RW	32	0x0000 0234	0x4809 C234	0x480B 4234
MMCHS_ISE	RW	32	0x0000 0238	0x4809 C238	0x480B 4238
MMCHS_AC12	RW	32	0x0000 023C	0x4809 C23C	0x480B 423C
MMCHS_CAPA	RW	32	0x0000 0240	0x4809 C240	0x480B 4240
MMCHS_CAPA2	R	32	0x0000 0244	0x4809 C244	0x480B 4244
MMCHS_CUR_CAPA	RW	32	0x0000 0248	0x4809 C248	0x480B 4248
MMCHS_FE	W	32	0x0000 0250	0x4809 C250	0x480B 4250
MMCHS_ADMAES	RW	32	0x0000 0254	0x4809 C254	0x480B 4254

Table 25-58. MMC Registers Mapping Summary (continued)

Register Name	Type	Register Width (Bits)	Address Offset	MMC1 Physical Address	MMC2 Physical Address
MMCHS_ADMASAL	RW	32	0x0000 0258	0x4809 C258	0x480B 4258
MMCHS_PVINITSD	R	32	0x0000 0260	0x4809 C260	0x480B 4260
MMCHS_PVHSSDR12	R	32	0x0000 0264	0x4809 C264	0x480B 4264
MMCHS_PVSDR25SDR50	R	32	0x0000 0268	0x4809 C268	0x480B 4268
MMCHS_PVSDR104DDR50	R	32	0x0000 026C	0x4809 C26C	0x480B 426C
MMCHS_REV	R	32	0x0000 02FC	0x4809 C2FC	0x480B 42FC

Table 25-59. MMC Registers Mapping Summary

Register Name	Type	Register Width (Bits)	Address Offset	MMC3 Physical Address	MMC4 Physical Address
MMCHS_HL_REV	R	32	0x0000 0000	0x480A D000	0x480D 1000
MMCHS_HL_HWINFO	R	32	0x0000 0004	0x480A D004	0x480D 1004
MMCHS_HL_SYSCONFIG	RW	32	0x0000 0010	0x480A D010	0x480D 1010
MMCHS_SYSCONFIG	RW	32	0x0000 0110	0x480A D110	0x480D 1110
MMCHS_SYSSTATUS	R	32	0x0000 0114	0x480A D114	0x480D 1114
MMCHS_CSRE	RW	32	0x0000 0124	0x480A D124	0x480D 1124
MMCHS_SYSTEST	RW	32	0x0000 0128	0x480A D128	0x480D 1128
MMCHS_CON	RW	32	0x0000 012C	0x480A D12C	0x480D 112C
MMCHS_PWCNT	RW	32	0x0000 0130	0x480A D130	0x480D 1130
RESERVED	R	32	0x0000 0134	0x480A D134	0x480D 1134
MMCHS_SDMASA	RW	32	0x0000 0200	0x480A D200	0x480D 1200
MMCHS_BLK	RW	32	0x0000 0204	0x480A D204	0x480D 1204
MMCHS_ARG	RW	32	0x0000 0208	0x480A D208	0x480D 1208
MMCHS_CMD	RW	32	0x0000 020C	0x480A D20C	0x480D 120C
MMCHS_RSP10	R	32	0x0000 0210	0x480A D210	0x480D 1210
MMCHS_RSP32	R	32	0x0000 0214	0x480A D214	0x480D 1214
MMCHS_RSP54	R	32	0x0000 0218	0x480A D218	0x480D 1218
MMCHS_RSP76	R	32	0x0000 021C	0x480A D21C	0x480D 121C
MMCHS_DATA	RW	32	0x0000 0220	0x480A D220	0x480D 1220
MMCHS_PSTATE	R	32	0x0000 0224	0x480A D224	0x480D 1224
MMCHS_HCTL	RW	32	0x0000 0228	0x480A D228	0x480D 1228
MMCHS_SYSCTL	RW	32	0x0000 022C	0x480A D22C	0x480D 122C
MMCHS_STAT	RW	32	0x0000 0230	0x480A D230	0x480D 1230
MMCHS_IE	RW	32	0x0000 0234	0x480A D234	0x480D 1234
MMCHS_ISE	RW	32	0x0000 0238	0x480A D238	0x480D 1238
MMCHS_AC12	RW	32	0x0000 023C	0x480A D23C	0x480D 123C
MMCHS_CAPA	RW	32	0x0000 0240	0x480A D240	0x480D 1240
MMCHS_CAPA2	R	32	0x0000 0244	0x480A D244	0x480D 1244
MMCHS_CUR_CAPA	RW	32	0x0000 0248	0x480A D248	0x480D 1248
MMCHS_FE	W	32	0x0000 0250	0x480A D250	0x480D 1250
MMCHS_ADMAES	RW	32	0x0000 0254	0x480A D254	0x480D 1254
MMCHS_ADMASAL	RW	32	0x0000 0258	0x480A D258	0x480D 1258
MMCHS_PVINITSD	R	32	0x0000 0260	0x480A D260	0x480D 1260
MMCHS_PVHSSDR12	R	32	0x0000 0264	0x480A D264	0x480D 1264
MMCHS_PVSDR25SDR50	R	32	0x0000 0268	0x480A D268	0x480D 1268
MMCHS_PVSDR104DDR50	R	32	0x0000 026C	0x480A D26C	0x480D 126C
MMCHS_REV	R	32	0x0000 02FC	0x480A D2FC	0x480D 12FC

25.6.2.2 eMMC/SD/SDIO Register Description
Table 25-60. MMCHS_HL_REV

Address Offset	0x0000 0000		
Physical Address	0x4809 C000 0x480B 4000 0x480A D000 0x480D 1000	Instance	MMC1 MMC2 MMC3 MMC4
Description	IP Revision Identifier (X.Y.R) Used by software to track features, bugs, and compatibility		
Type	R		

31	30	29	28	27	26	25	24	23	22	21	20	19	18	17	16	15	14	13	12	11	10	9	8	7	6	5	4	3	2	1	0
REVISION																															

Bits	Field Name	Description	Type	Reset
31:0	REVISION	IP Revision	R	TI internal data

Table 25-61. Register Call Summary for Register MMCHS_HL_REV

eMMC/SD/SDIO Register Manual

- [eMMC/SD/SDIO Register Summary: \[0\]\[1\]](#)

Table 25-62. MMCHS_HL_HWINFO

Address Offset	0x0000 0004		
Physical Address	0x4809 C004 0x480B 4004 0x480A D004 0x480D 1004	Instance	MMC1 MMC2 MMC3 MMC4
Description	Information about the IP module's hardware configuration.		
Type	R		

31	30	29	28	27	26	25	24	23	22	21	20	19	18	17	16	15	14	13	12	11	10	9	8	7	6	5	4	3	2	1	0
RESERVED																								RETMODE	MEM_SIZE				MERGE_MEM	MADMA_EN	

Bits	Field Name	Description	Type	Reset
31:7	RESERVED		R	0x-
6	RETMODE	Retention Mode generic parameter This bit field indicates whether the retention mode is supported using the pin PIRFFRET. Read 0x1: Retention mode enabled Read 0x0: Retention mode disabled	R	0x-

Bits	Field Name	Description	Type	Reset
5:2	MEM_SIZE	Memory size for FIFO buffer: Read 0x2: Memory of 1024 bytes, max block length is 1024 bytes Read 0x1: Memory of 512 bytes, max block length is 512 bytes Read 0x8: Memory of 4096 bytes, max block length is 2048 bytes Read 0x4: Memory of 2048 bytes, max block length is 2048 bytes	R	0x-
1	MERGE_MEM	Memory merged for FIFO buffer: This register defines the configuration of FIFO buffer architecture. If the bit is set STA and DFT shall support clock multiplexing and balancing. Read 0x1: A single memory is used with multiplexed addresses, data and clocks. Read 0x0: 2 memories instantiated, one per data transfer direction.	R	0x-
0	MADMA_EN	Master DMA enabled generic parameter: This register defines the configuration of the controller to know if it supports the master DMA management called ADMA. Read 0x1: Controller supports ADMA Read 0x0: No Master DMA (ADMA) management supported	R	0x-

Table 25-63. Register Call Summary for Register MMCHS_HL_HWINFO

eMMC/SD/SDIO Functional Description

- [Power Management: \[0\]](#)
- [DMA Modes: \[1\]\[2\]](#)
- [Master DMA Operations: \[3\]](#)
- [Slave DMA Operations: \[4\]](#)
- [Data Buffer: \[5\]](#)

eMMC/SD/SDIO Register Manual

- [eMMC/SD/SDIO Register Summary: \[6\]\[7\]](#)
- [eMMC/SD/SDIO Register Description: \[8\]](#)

Table 25-64. MMCHS_HL_SYSCONFIG

Address Offset	0x0000 0010																						
Physical Address	0x4809 C010				0x480B 4010				0x480A D010				0x480D 1010				Instance	MMC1					
																		MMC2					
																		MMC3					
																		MMC4					
Description	Clock Management Configuration Register																						
Type	RW																						
																7	6	5	4	3	2	1	0
RESERVED																STANDBYMODE		IDLEMODE		FREEEMU		SOFTRESET	

Bits	Field Name	Description	Type	Reset
31:6	RESERVED		R	0x000 0000
5:4	STANDBYMODE	<p>Configuration of the local initiator state management mode.</p> <p>By definition, initiator may generate read/write transaction as long as it is out of STANDBY state.</p> <p>0x0: Force-standby mode: local initiator is unconditionally placed in standby state.Backup mode, for debug only.</p> <p>0x1: No-standby mode: local initiator is unconditionally placed out of standby state.Backup mode, for debug only.</p> <p>0x3: Smart-Standby wakeup-capable mode: local initiator standby status depends on local conditions, i.e. the module's functional requirement from the initiator. IP module may generate (master-related) wakeup events when in standby state.Mode is only relevant if the appropriate IP module "mwakeup" output is implemented.</p> <p>0x2: Smart-standby mode: local initiator standby status depends on local conditions, i.e. the module's functional requirement from the initiator.IP module shall not generate (initiator-related) wakeup events.</p>	RW	0x2
3:2	IDLEMODE	<p>Configuration of the local target state management mode. By definition, target can handle read/write transaction as long as it is out of IDLE state.</p> <p>0x0: Force-idle mode: local target's idle state follows (acknowledges) the system's IDLE requests unconditionally, i.e. regardless of the IP module's internal requirements.Backup mode, for debug only.</p> <p>0x1: No-idle mode: local target never enters idle state.Backup mode, for debug only.</p> <p>0x3: Smart-idle wakeup-capable mode: local target's idle state eventually follows (acknowledges) the system's IDLE requests, depending on the IP module's internal requirements.IP module may generate (IRQ- or DMA-request-related) wakeup events when in idle state.Mode is only relevant if the appropriate IP module "swakeup" output(s) is (are) implemented.</p> <p>0x2: Smart-idle mode: local target's idle state eventually follows (acknowledges) the system's IDLE requests, depending on the IP module's internal requirements.IP module shall not generate (IRQ- or DMA-request-related) wakeup events.</p>	RW	0x2
1	FREEEMU	<p>Sensitivity to emulation (debug) suspend input signal. Functionality NOT implemented in MMCHS.</p> <p>0x0: IP module is sensitive to emulation suspend</p> <p>0x1: IP module is not sensitive to emulation suspend</p>	RW	0
0	SOFTRESET	<p>Software reset. (Optional)</p> <p>Write 0x0: No action</p> <p>Write 0x1: Initiate software reset</p> <p>Read 0x1: Reset (software or other) ongoing</p> <p>Read 0x0: Reset done, no pending action</p>	RW	0

Table 25-65. Register Call Summary for Register MMCHS_HL_SYSCONFIG

eMMC/SD/SDIO Register Manual

- [eMMC/SD/SDIO Register Summary: \[0\]\[1\]](#)

Table 25-66. MMCHS_SYSCONFIG

Address Offset	0x0000 0110		
Physical Address	0x4809 C110 0x480B 4110 0x480A D110 0x480D 1110	Instance	MMC1 MMC2 MMC3 MMC4
Description	System Configuration Register This register allows controlling various parameters of the Interconnect interface.		
Type	RW		

31	30	29	28	27	26	25	24	23	22	21	20	19	18	17	16	15	14	13	12	11	10	9	8	7	6	5	4	3	2	1	0
RESERVED																STANDBYMODE		RESERVED		CLOCKACTIVITY		RESERVED		SIDLEMODE		ENAWAKEUP	SOFTRESET	AUTOIDLE			

Bits	Field Name	Description	Type	Reset
31:14	RESERVED		R	0x0 0000
13:12	STANDBYMODE	Master interface power Management, standby/wait control. The bit field is only useful when generic parameter MMCHS_HL_HWINFO[0] MADMA_EN (Master ADMA enable) is set as active, otherwise it is a read only register read a '0'. 0x0: Force-standby. Mstandby is forced unconditionally. 0x1: No-standby. Mstandby is never asserted. 0x2: Smart-standby mode: local initiator standby status depends on local conditions, i.e. the module's functional requirement from the initiator.IP module shall not generate (initiator-related) wake up events.	RW	0x2
11:10	RESERVED		R	0x0
9:8	CLOCKACTIVITY	Clocks activity during wake up mode period. Bit8: Interface clock Bit9: Functional clock 0x0: Interface and Functional clock may be switched off. 0x1: Interface clock is maintained. Functional clock may be switched-off. 0x3: Interface and Functional clocks are maintained. 0x2: Functional clock is maintained. Interface clock may be switched-off.	RW	0x0
7:5	RESERVED	This bit is initialized to zero, and writes to it are ignored. Reads return 0.	R	0x0

Bits	Field Name	Description	Type	Reset
4:3	SIDLEMODE	<p>Power management</p> <p>0x0: If an IDLE request is detected, the MMCHS acknowledges it unconditionally and goes in Inactive mode. Interrupt and DMA requests are unconditionally de-asserted.</p> <p>0x1: If an IDLE request is detected, the request is ignored and the module keeps on behaving normally.</p> <p>0x3: Smart-idle wakeup-capable mode: local target's idle state eventually follows (acknowledges) the system's IDLE requests, depending on the IP module's internal requirements. IP module may generate (IRQ- or DMA-request-related) wakeup events when in idle state. Mode is only relevant if the appropriate IP module "swakeup" output(s) is (are) implemented.</p> <p>0x2: Smart-idle mode: local target's idle state eventually follows (acknowledges) the system's IDLE requests, depending on the IP module's internal requirements. IP module shall not generate (IRQ- or DMA-request-related) wakeup events.</p>	RW	0x2
2	ENAWAKEUP	<p>Wakeup feature control</p> <p>0x0: Wakeup capability is disabled</p> <p>0x1: Wakeup capability is enabled</p>	RW	1
1	SOFTRESET	<p>Software reset.</p> <p>The bit is automatically reset by the hardware. During reset, it always returns 0.</p> <p>Write 0x0: No effect.</p> <p>Write 0x1: Trigger a module reset.</p> <p>Read 0x1: The module is reset.</p> <p>Read 0x0: Normal mode</p>	RW	0
0	AUTOIDLE	<p>Internal Clock gating strategy</p> <p>0x0: Clocks are free-running</p> <p>0x1: Automatic clock gating strategy is applied, based on the Interconnect and MMC interface activity</p>	RW	1

Table 25-67. Register Call Summary for Register MMCHS_SYSCONFIG

eMMC/SD/SDIO Functional Description

- [Software Reset: \[0\]](#)
- [Power Management: \[1\]\[2\]\[3\]\[4\]\[5\]\[6\]\[7\]\[8\]\[9\]\[10\]\[11\]\[12\]\[13\]\[14\]](#)

eMMC/SD/SDIO Programming Guide

- [Global Initialization: \[15\]\[16\]\[17\]](#)

eMMC/SD/SDIO Register Manual

- [eMMC/SD/SDIO Register Summary: \[18\]\[19\]](#)
- [eMMC/SD/SDIO Register Description: \[20\]\[21\]\[22\]\[23\]\[24\]\[25\]](#)

Table 25-68. MMCHS_SYSSTATUS

Address Offset	0x0000 0114		
Physical Address	0x4809 C114 0x480B 4114 0x480A D114 0x480D 1114	Instance	MMC1 MMC2 MMC3 MMC4
Description	System Status Register This register provides status information about the module excluding the interrupt status information		
Type	R		

31	30	29	28	27	26	25	24	23	22	21	20	19	18	17	16	15	14	13	12	11	10	9	8	7	6	5	4	3	2	1	0
RESERVED																RESETDONE															

Bits	Field Name	Description	Type	Reset
31:1	RESERVED		R	0x0000 0000
0	RESETDONE	Internal Reset Monitoring Note: the debounce clock , the system clock (Interface) and the functional clock shall be provided to the MMC/SD/SDIO host controller to allow the internal reset monitoring. Read 0x1: Reset completed. Read 0x0: Internal module reset is on-going	R	0

Table 25-69. Register Call Summary for Register MMCHS_SYSSTATUS

eMMC/SD/SDIO Functional Description

- [Hardware Reset: \[0\]](#)
- [Software Reset: \[1\]](#)

eMMC/SD/SDIO Programming Guide

- [Global Initialization: \[2\]](#)

eMMC/SD/SDIO Register Manual

- [eMMC/SD/SDIO Register Summary: \[3\]\[4\]](#)

Table 25-70. MMCHS_CSRE

Address Offset	0x0000 0124		
Physical Address	0x4809 C124 0x480B 4124 0x480A D124 0x480D 1124	Instance	MMC1 MMC2 MMC3 MMC4
Description	<p>Card Status Response Error</p> <p>This register enables the host controller to detect card status errors of response type R1, R1b for all cards and of R5, R5b and R6 response for cards types SD or SDIO.</p> <p>When a bit MMCHS_CSRE[i] is set to 1, if the corresponding bit at the same position in the response MMCHS_RSP0[i] is set to 1, the host controller indicates a card error (MMCHS_STAT[CERR]) interrupt status to avoid the host driver reading the response register (MMCHS_RSP0).</p> <p>Note: No automatic card error detection for autoCMD12 is implemented; the host system has to check autoCMD12 response register (MMCHS_RESP76) for possible card errors.</p>		
Type	RW		

31	30	29	28	27	26	25	24	23	22	21	20	19	18	17	16	15	14	13	12	11	10	9	8	7	6	5	4	3	2	1	0
CSRE																															

Bits	Field Name	Description	Type	Reset
31:0	CSRE	Card status response error	RW	0x0000 0000

Table 25-71. Register Call Summary for Register MMCHS_CSRE

eMMC/SD/SDIO Functional Description

- [Interrupt Requests: \[0\]](#)

eMMC/SD/SDIO Programming Guide

- [Operational Modes Configuration: \[1\]\[2\]](#)

eMMC/SD/SDIO Register Manual

- [eMMC/SD/SDIO Register Summary: \[3\]\[4\]](#)
- [eMMC/SD/SDIO Register Description: \[5\]\[6\]](#)

Table 25-72. MMCHS_SYSTEST

Address Offset	0x0000 0128		
Physical Address	0x4809 C128 0x480B 4128 0x480A D128 0x480D 1128	Instance	MMC1 MMC2 MMC3 MMC4
Description	<p>System Test Register</p> <p>This register is used to control the signals that connect to I/O pins when the module is configured in system test (SYSTEST) mode for boundary connectivity verification.</p> <p>Note: In SYSTEST mode, a write into MMCHS_CMD register will not start a transfer. The buffer behaves as a stack accessible only by the local host (push and pop operations). In this mode, the Transfer Block Size (MMCHS_BLK[BLEN]) and the Blocks count for current transfer (MMCHS_BLK[NBLK]) are needed to generate a Buffer write ready interrupt (MMCHS_STAT[BWR]) or a Buffer read ready interrupt (MMCHS_STAT[BRR]) and DMA requests if enabled.</p>		
Type	RW		

31	30	29	28	27	26	25	24	23	22	21	20	19	18	17	16	15	14	13	12	11	10	9	8	7	6	5	4	3	2	1	0	
RESERVED																OBI	SDCD	SDWP	WAKD	SSB	D7D	D6D	D5D	D4D	D3D	D2D	D1D	D0D	DDIR	CDAT	CDIR	MCKD

Bits	Field Name	Description	Type	Reset
31:17	RESERVED		R	0x0000
16	OBI	Out-Of-Band Interrupt (OBI) data value Read 0x1: The Out-of-Band Interrupt pin is driven high. Read 0x0: The Out-of-Band Interrupt pin is driven low.	R	0
15	SDCD	Card detect input signal (mmci_sdcd) data value Read 0x1: The card detect pin is driven high. Read 0x0: The card detect pin is driven low.	R	0
14	SDWP	Write protect input signal (mmci_sdwp) data value Read 0x1: The write protect pin mmci_sdwp is driven high. Read 0x0: The write protect pin mmci_sdwp is driven low.	R	0
13	WAKD	Wake request output signal data value Write 0x0: The pin SWAKEUP is driven low. Write 0x1: The pin SWAKEUP is driven high. Read 0x1: No action. Returns 1. Read 0x0: No action. Returns 0.	RW	0
12	SSB	Set status bit This bit must be cleared prior attempting to clear a status bit of the interrupt status register (MMCHS_STAT). Write 0x0: Clear this SSB bitfield. Writing 0 does not clear already set status bits; Write 0x1: Force to 1 all status bits of the interrupt status register (MMCHS_STAT) only if the corresponding bitfield in the Interrupt signal enable register (MMCHS_ISE) is set. Read 0x1: No action. Returns 1. Read 0x0: No action. Returns 0.	RW	0
11	D7D	DAT7 input/output signal data value Write 0x0: If SYSTEST[DDIR] = 0 (output mode direction), the DAT7 line is driven low. If SYSTEST[DDIR] = 1 (input mode direction), no effect. Write 0x1: If SYSTEST[DDIR] = 0 (output mode direction), the DAT7 line is driven high. If SYSTEST[DDIR] = 1 (input mode direction), no effect. Read 0x1: If SYSTEST[DDIR] = 1 (input mode direction), returns the value on the DAT7 line (high) If SYSTEST[DDIR] = 0 (output mode direction), returns 1 Read 0x0: If SYSTEST[DDIR] = 1 (input mode direction), returns the value on the DAT7 line (low). If SYSTEST[DDIR] = 0 (output mode direction), returns 0	RW	0
10	D6D	DAT6 input/output signal data value Write 0x0: If SYSTEST[DDIR] = 0 (output mode direction), the DAT6 line is driven low. If SYSTEST[DDIR] = 1 (input mode direction), no effect. Write 0x1: If SYSTEST[DDIR] = 0 (output mode direction), the DAT6 line is driven high. If SYSTEST[DDIR] = 1 (input mode direction), no effect. Read 0x1: If SYSTEST[DDIR] = 1 (input mode direction), returns the value on the DAT6 line (high) If SYSTEST[DDIR] = 0 (output mode direction), returns 1 Read 0x0: If SYSTEST[DDIR] = 1 (input mode direction), returns the value on the DAT6 line (low). If SYSTEST[DDIR] = 0 (output mode direction), returns 0	RW	0

Bits	Field Name	Description	Type	Reset
9	D5D	<p>DAT5 input/output signal data value</p> <p>Write 0x0: If SYSTEST[DDIR] = 0 (output mode direction), the DAT5 line is driven low. If SYSTEST[DDIR] = 1 (input mode direction), no effect.</p> <p>Write 0x1: If SYSTEST[DDIR] = 0 (output mode direction), the DAT5 line is driven high. If SYSTEST[DDIR] = 1 (input mode direction), no effect.</p> <p>Read 0x1: If SYSTEST[DDIR] = 1 (input mode direction), returns the value on the DAT5 line (high) If SYSTEST[DDIR] = 0 (output mode direction), returns 1</p> <p>Read 0x0: If SYSTEST[DDIR] = 1 (input mode direction), returns the value on the DAT5 line (low). If SYSTEST[DDIR] = 0 (output mode direction), returns 0</p>	RW	0
8	D4D	<p>DAT4 input/output signal data value</p> <p>Write 0x0: If SYSTEST[DDIR] = 0 (output mode direction), the DAT4 line is driven low. If SYSTEST[DDIR] = 1 (input mode direction), no effect.</p> <p>Write 0x1: If SYSTEST[DDIR] = 0 (output mode direction), the DAT4 line is driven high. If SYSTEST[DDIR] = 1 (input mode direction), no effect.</p> <p>Read 0x1: If SYSTEST[DDIR] = 1 (input mode direction), returns the value on the DAT4 line (high) If SYSTEST[DDIR] = 0 (output mode direction), returns 1</p> <p>Read 0x0: If SYSTEST[DDIR] = 1 (input mode direction), returns the value on the DAT4 line (low). If SYSTEST[DDIR] = 0 (output mode direction), returns 0</p>	RW	0
7	D3D	<p>DAT3 input/output signal data value</p> <p>Write 0x0: If SYSTEST[DDIR] = 0 (output mode direction), the DAT3 line is driven low. If SYSTEST[DDIR] = 1 (input mode direction), no effect.</p> <p>Write 0x1: If SYSTEST[DDIR] = 0 (output mode direction), the DAT3 line is driven high. If SYSTEST[DDIR] = 1 (input mode direction), no effect.</p> <p>Read 0x1: If SYSTEST[DDIR] = 1 (input mode direction), returns the value on the DAT3 line (high) If SYSTEST[DDIR] = 0 (output mode direction), returns 1</p> <p>Read 0x0: If SYSTEST[DDIR] = 1 (input mode direction), returns the value on the DAT3 line (low). If SYSTEST[DDIR] = 0 (output mode direction), returns 0</p>	RW	0
6	D2D	<p>DAT2 input/output signal data value</p> <p>Write 0x0: If SYSTEST[DDIR] = 0 (output mode direction), the DAT2 line is driven low. If SYSTEST[DDIR] = 1 (input mode direction), no effect.</p> <p>Write 0x1: If SYSTEST[DDIR] = 0 (output mode direction), the DAT2 line is driven high. If SYSTEST[DDIR] = 1 (input mode direction), no effect.</p> <p>Read 0x1: If SYSTEST[DDIR] = 1 (input mode direction), returns the value on the DAT2 line (high) If SYSTEST[DDIR] = 0 (output mode direction), returns 1</p> <p>Read 0x0: If SYSTEST[DDIR] = 1 (input mode direction), returns the value on the DAT2 line (low). If SYSTEST[DDIR] = 0 (output mode direction), returns 0</p>	RW	0

Bits	Field Name	Description	Type	Reset
5	D1D	<p>DAT1 input/output signal data value</p> <p>Write 0x0: If SYSTEST[DDIR] = 0 (output mode direction), the DAT1 line is driven low. If SYSTEST[DDIR] = 1 (input mode direction), no effect.</p> <p>Write 0x1: If SYSTEST[DDIR] = 0 (output mode direction), the DAT1 line is driven high. If SYSTEST[DDIR] = 1 (input mode direction), no effect.</p> <p>Read 0x1: If SYSTEST[DDIR] = 1 (input mode direction), returns the value on the DAT1 line (high) If SYSTEST[DDIR] = 0 (output mode direction), returns 1</p> <p>Read 0x0: If SYSTEST[DDIR] = 1 (input mode direction), returns the value on the DAT1 line (low). If SYSTEST[DDIR] = 0 (output mode direction), returns 0</p>	RW	0
4	D0D	<p>DAT0 input/output signal data value</p> <p>Write 0x0: If SYSTEST[DDIR] = 0 (output mode direction), the DAT0 line is driven low. If SYSTEST[DDIR] = 1 (input mode direction), no effect.</p> <p>Write 0x1: If SYSTEST[DDIR] = 0 (output mode direction), the DAT0 line is driven high. If SYSTEST[DDIR] = 1 (input mode direction), no effect.</p> <p>Read 0x1: If SYSTEST[DDIR] = 1 (input mode direction), returns the value on the DAT0 line (high) If SYSTEST[DDIR] = 0 (output mode direction), returns 1</p> <p>Read 0x0: If SYSTEST[DDIR] = 1 (input mode direction), returns the value on the DAT0 line (low). If SYSTEST[DDIR] = 0 (output mode direction), returns 0</p>	RW	0
3	DDIR	<p>Control of the DAT[7:0] pins direction.</p> <p>Write 0x0: The DAT lines are outputs (host to card) Write 0x1: The DAT lines are inputs (card to host)</p> <p>Read 0x1: No action. Returns 1. Read 0x0: No action. Returns 0.</p>	RW	0
2	CDAT	<p>CMD input/output signal data value</p> <p>Write 0x0: If SYSTEST[CDIR] = 0 (output mode direction), the CMD line is driven low. If SYSTEST[CDIR] = 1 (input mode direction), no effect.</p> <p>Write 0x1: If SYSTEST[CDIR] = 0 (output mode direction), the CMD line is driven high. If SYSTEST[CDIR] = 1 (input mode direction), no effect.</p> <p>Read 0x1: If SYSTEST[CDIR] = 1 (input mode direction), returns the value on the CMD line (high) If SYSTEST[CDIR] = 0 (output mode direction), returns 1</p> <p>Read 0x0: If SYSTEST[CDIR] = 1 (input mode direction), returns the value on the CMD line (low). If SYSTEST[CDIR] = 0 (output mode direction), returns 0</p>	RW	0
1	CDIR	<p>Control of the CMD pin direction.</p> <p>Write 0x0: The CMD line is an output (host to card) Write 0x1: The CMD line is an input (card to host)</p> <p>Read 0x1: No action. Returns 1. Read 0x0: No action. Returns 0.</p>	RW	0
0	MCKD	<p>MMC clock output signal data value</p> <p>Write 0x0: The output clock is driven low. Write 0x1: The output clock is driven high.</p> <p>Read 0x1: No action. Returns 1. Read 0x0: No action. Returns 0.</p>	RW	0

Table 25-73. Register Call Summary for Register MMCHS_SYSTEST

eMMC/SD/SDIO Functional Description

- [Test Registers: \[0\]](#)

eMMC/SD/SDIO Register Manual

- [eMMC/SD/SDIO Register Summary: \[1\]\[2\]](#)

Table 25-74. MMCHS_CON

Address Offset	0x0000 012C		
Physical Address	0x4809 C12C 0x480B 412C 0x480A D12C 0x480D 112C	Instance	MMC1 MMC2 MMC3 MMC4
Description	Configuration Register This register is used: <ul style="list-style-type: none"> - to select the functional mode or the SYSTEST mode for any card. - to send an initialization sequence to any card. - to enable the detection on DAT[1] of a card interrupt for SDIO cards only. and also to configure : <ul style="list-style-type: none"> - specific data and command transfers for MMC cards only. - the parameters related to the card detect and write protect input signals. 		
Type	RW		

31	30	29	28	27	26	25	24	23	22	21	20	19	18	17	16	15	14	13	12	11	10	9	8	7	6	5	4	3	2	1	0
RESERVED								SDMA_LNE	DMA_MNS	DDR	BOOT_CFO	BOOT_ACK	CLKEXTFREE	PADEN	OBIE	OBIP	CEATA	CTPL	DVAL	WPP	CDP	MIT	DW8	MODE	STR	HR	INIT	OD			

Bits	Field Name	Description	Type	Reset
31:22	RESERVED		R	0x000
21	SDMA_LNE	Slave DMA Level/Edge Request: The waveform of the DMA request can be configured either edge sensitive with early de-assertion on first access to MMCHS_DATA register or late de-assertion, request remains active until last allowed data written into MMCHS_DATA . 0x0: Slave DMA edge sensitive, Early DMA de-assertion 0x1: Slave DMA level sensitive, Late DMA de-assertion	RW	0
20	DMA_MNS	DMA Master or Slave selection: When this bit is set and the controller is configured to use the DMA, Interconnect master interface is used to get datas from system using ADMA2 procedure (direct access to the memory). This option is only available if generic parameter MADMA_EN is asserted to '1'. 0x0: The controller is slave on data transfers with system. 0x1: The controller is master on data exchange with system, controller must be configured as using DMA.	RW	0

Bits	Field Name	Description	Type	Reset
19	DDR	<p>Dual Data Rate mode: When this register is set, the controller uses both clock edge to emit or receive data. Odd bytes are transmitted on falling edges and even bytes are transmitted on rise edges. It only applies on Data bytes and CRC, Start, end bits and CRC status are kept full cycle. This bit field is only meaningful and active for even clock divider ratio of MMCHS_SYSCTL[CLKD], it is insensitive to MMCHS_HCTL[HSPE] setting.</p> <p>0x0: Standard mode : data are transmitted on a single edge depending on MMCHS_HCTRL[HSPE].</p> <p>0x1: Data Bytes and CRC are transmitted on both edge.</p>	RW	0
18	BOOT_CFO	<p>Boot status supported: This register is set when the CMD line need to be forced to '0' for a boot sequence. CMD line is driven to '0' after writing in MMCHS_CMD. The line is released when this bit field is de-asserted and abort data transfer in case of a pending transaction.</p> <p>Write 0x0: CMD line is released when it was previously forced to '0' by a boot sequence.</p> <p>Write 0x1: CMD line forced to '0' is enabled and will be active after writing into MMCHS_CMD</p> <p>Read 0x1: CMD line forced to '0' is enabled</p> <p>Read 0x0: CMD line not forced</p>	RW	0
17	BOOT_ACK	<p>Boot acknowledge received: When this bit is set the controller should receive a boot status on DAT0 line after next command issued. If no status is received a data timeout will be generated.</p> <p>0x0: No acknowledge to be received</p> <p>0x1: A boot status will be received on DAT0 line after issuing a command.</p>	RW	0
16	CLKEXTFREE	<p>External clock free running: This register is used to maintain card clock out of transfer transaction to enable slave module for example to generate a synchronous interrupt on DAT[1]. The Clock will be maintain only if MMCHS_SYSCTL[CEN] is set.</p> <p>0x0: External card clock is cut off outside active transaction period.</p> <p>0x1: External card clock is maintain even out of active transaction period only if MMCHS_SYSCTL[CEN] is set.</p>	RW	0
15	PADEN	<p>Control Power for MMC Lines: This register is only useful when MMC PADs contain power saving mechanism to minimize its leakage power. It works as a GPIO that directly control the ACTIVE pin of PADs. Excepted for DAT[1], the signal is also combine outside the module with the dedicated power control MMCHS_CON[CTPL] bit.</p> <p>0x0: ADPIDLE module pin is not forced, it is automatically generated by the MMC fsms.</p> <p>0x1: ADPIDLE module pin is forced to active state.</p>	RW	0
14	OBIE	<p>Out-of-Band Interrupt Enable MMC cards only: This bit enables the detection of Out-of-Band Interrupt on MMCOBI input pin. The usage of the Out-of-Band signal (OBI) is optional and depends on the system integration.</p> <p>0x0: Out-of-Band interrupt detection disabled</p> <p>0x1: Out-of-Band interrupt detection enabled</p>	RW	0

Bits	Field Name	Description	Type	Reset
13	OBIP	Out-of-Band Interrupt Polarity MMC cards only: This bit selects the active level of the out-of-band interrupt coming from MMC cards. The usage of the Out-of-Band signal (OBI) is optional and depends on the system integration. 0x0: Active high level 0x1: Active low level	RW	0
12	CEATA	CE-ATA control mode MMC cards compliant with CE-ATA:By default, this bit is set to 0. It is used to indicate that next commands are considered as specific CE-ATA commands that potentially use 'command completion' features. 0x0: Standard MMC/SD/SDIO mode. 0x1: CE-ATA mode next commands are considered as CE-ATA commands.	RW	0
11	CTPL	Control Power for DAT[1] line MMC and SD cards: By default, this bit is set to 0 and the host controller automatically disables all the input buffers outside of a transaction to minimize the leakage current. SDIO cards: When this bit is set to 1, the host controller automatically disables all the input buffers except the buffer of DAT[1] outside of a transaction in order to detect asynchronous card interrupt on DAT[1] line and minimize the leakage current of the buffers. 0x0: Disable all the input buffers outside of a transaction. 0x1: Disable all the input buffers except the buffer of DAT[1] outside of a transaction.	RW	0
10:9	DVAL	Debounce filter value All cards This register is used to define a debounce period to filter the card detect input signal (mmci_sdcd). The usage of the card detect input signal (mmci_sdcd) is optional and depends on the system integration and the type of the connector housing that accommodates the card. 0x0: 33 us debounce period 0x1: 231 us debounce period 0x3: 8,4 ms debounce period 0x2: 1 ms debounce period	RW	0x3
8	WPP	Write protect polarity For SD and SDIO cards only This bit selects the active level of the write protect input signal (mmci_sdwp). The usage of the write protect input signal (mmci_sdwp) is optional and depends on the system integration and the type of the connector housing that accommodates the card. 0x0: Active high level 0x1: Active low level	RW	0
7	CDP	Card detect polarity All cards This bit selects the active level of the card detect input signal (mmci_sdcd). The usage of the card detect input signal (mmci_sdcd) is optional and depends on the system integration and the type of the connector housing that accommodates the card. 0x0: Active low level 0x1: Active high level	RW	0

Bits	Field Name	Description	Type	Reset
6	MIT	<p>MMC interrupt command Only for MMC cards. This bit must be set to 1, when the next write access to the command register (MMCHS_CMD) is for writing a MMC interrupt command (CMD40) requiring the command timeout detection to be disabled for the command response.</p> <p>0x0: Command timeout enabled 0x1: Command timeout disabled</p>	RW	0
5	DW8	<p>8-bit mode MMC select For SD/SDIO cards, this bit must be set to 0. For MMC card, this bit must be set following a valid SWITCH command (CMD6) with the correct value and extend CSD index written in the argument. Prior to this command, the MMC card configuration register (CSD and EXT_CSD) must be verified for compliancy with MMC standard specification 4.x (see section 3.6).</p> <p>0x0: 1-bit or 4-bit Data width (DAT[0] used, MMC, SD cards) 0x1: 8-bit Data width (DAT[7:0] used, MMC cards)</p>	RW	0
4	MODE	<p>Mode select All cards This bit select between Functional mode and SYSTEST mode.</p> <p>0x0: Functional mode. Transfers to the MMC/SD/SDIO cards follow the card protocol. MMC clock is enabled. MMC/SD transfers are operated under the control of the CMD register.</p> <p>0x1: SYSTEST mode The signal pins are configured as general-purpose input/output and the 1024-byte buffer is configured as a stack memory accessible only by the local host or system DMA. The pins retain their default type (input, output or in-out). SYSTEST mode is operated under the control of the SYSTEST register.</p>	RW	0
3	STR	<p>Stream command Only for MMC cards. This bit must be set to 1 only for the stream data transfers (read or write) of the adtc commands. Stream read is a class 1 command (CMD11: READ_DAT_UNTIL_STOP). Stream write is a class 3 command (CMD20: WRITE_DAT_UNTIL_STOP).</p> <p>0x0: Block oriented data transfer 0x1: Stream oriented data transfer</p>	RW	0
2	HR	<p>Broadcast host response Only for MMC cards. This register is used to force the host to generate a 48-bit response for bc command type. It can be used to terminate the interrupt mode by generating a CMD40 response by the core (see section 4.3, "Interrupt Mode", in the MMC specification). In order to have the host response to be generated in open drain mode, the register MMCHS_CON[OD] must be set to 1. When MMCHS_CON[CEATA] is set to 1 and MMCHS_ARG set to 0x00000000 when writing 0x00000000 into MMCHS_CMD register, the host controller performs a 'command completion signal disable' token i.e. CMD line held to '0' during 47 cycles followed by a 1.</p> <p>0x0: The host does not generate a 48-bit response instead of a command. 0x1: The host generates a 48-bit response instead of a command or a command completion signal disable token.</p>	RW	0

Bits	Field Name	Description	Type	Reset
1	INIT	<p>Send initialization stream All cards.</p> <p>When this bit is set to 1, and the card is idle, an initialization sequence is sent to the card. An initialization sequence consists of setting the CMD line to 1 during 80 clock cycles. The initialisation sequence is mandatory - but it is not required to do it through this bit - this bit makes it easier. Clock divider (MMCHS_SYSCTL[CLKD]) should be set to ensure that 80 clock periods are greater than 1ms. (see section 9.3, "Power-Up", in the MMC card specification, or section 6.4 in the SD card specification).</p> <p>Note: in this mode, there is no command sent to the card and no response is expected</p> <p>0x0: The host does not send an initialization sequence.</p> <p>0x1: The host sends an initialization sequence.</p>	RW	0
0	OD	<p>Card open drain mode. Only for MMC cards.</p> <p>This bit must be set to 1 for MMC card commands 1, 2, 3 and 40, and if the MMC card bus is operating in open-drain mode during the response phase to the command sent. Typically, during card identification mode when the card is either in idle, ready or ident state. It is also necessary to set this bit to 1, for a broadcast host response (see Broadcast host response register MMCHS_CON[HR])</p> <p>0x0: No Open Drain</p> <p>0x1: Open Drain or Broadcast host response</p>	RW	0

Table 25-75. Register Call Summary for Register MMCHS_CON

eMMC/SD/SDIO Functional Description

- [Power Management: \[0\]\[1\]\[2\]\[3\]](#)
- [Interrupt Requests: \[4\]](#)
- [DMA Modes: \[5\]\[6\]\[7\]](#)
- [Slave DMA Operations: \[8\]](#)
- [Generation on Rising Edge of MMC Clock: \[9\]](#)
- [MMC CE-ATA Command Completion Disable Management: \[10\]\[11\]\[12\]](#)
- [Test Registers: \[13\]](#)

eMMC/SD/SDIO Programming Guide

- [Global Initialization: \[14\]](#)
- [Operational Modes Configuration: \[15\]\[16\]\[17\]\[18\]\[19\]\[20\]\[21\]\[22\]\[23\]\[24\]](#)

eMMC/SD/SDIO Register Manual

- [eMMC/SD/SDIO Register Summary: \[25\]\[26\]](#)
- [eMMC/SD/SDIO Register Description: \[27\]\[28\]\[29\]\[30\]\[31\]\[32\]\[33\]\[34\]\[35\]\[36\]\[37\]\[38\]\[39\]\[40\]\[41\]\[42\]\[43\]\[44\]\[45\]\[46\]\[47\]](#)

Table 25-76. MMCHS_PWCNT

Address Offset	0x0000 0130		
Physical Address	0x4809 C130 0x480B 4130 0x480A D130 0x480D 1130	Instance	MMC1 MMC2 MMC3 MMC4
Description	Power Counter Register This register is used to program a mmc counter to delay command transfers after activating the PAD power, this value depends on PAD characteristics and voltage.		
Type	RW		

31	30	29	28	27	26	25	24	23	22	21	20	19	18	17	16	15	14	13	12	11	10	9	8	7	6	5	4	3	2	1	0
RESERVED																PWCNT															

Bits	Field Name	Description	Type	Reset
31:16	RESERVED		R	0x0000
15:0	PWCNT	Power counter register. This register is used to introduce a delay between the PAD ACTIVE pin assertion and the command issued. 0xFFFF: TCF x 65535 delay (card clock period) 0x0: No additional delay added 0x1: TCF delay (card clock period) 0xFFFE: TCF x 65534 delay (card clock period) 0x2: TCF x 2 delay (card clock period)	RW	0x0000

Table 25-77. Register Call Summary for Register MMCHS_PWCNT

eMMC/SD/SDIO Functional Description

- [Power Management: \[0\]\[1\]](#)

eMMC/SD/SDIO Register Manual

- [eMMC/SD/SDIO Register Summary: \[2\]\[3\]](#)

Table 25-78. MMCHS_DLL

Address Offset	0x0000 0134		
Physical Address	0x4809 C134 0x480B 4134	Instance	MMC1 MMC2
Description	DLL control and status register This register is used for tuning procedure required for SDR104/HS200 speed mode. It gives visibility and control on the DLL		
Type	RW		

31	30	29	28	27	26	25	24	23	22	21	20	19	18	17	16	15	14	13	12	11	10	9	8	7	6	5	4	3	2	1	0
DLL_SOFT_RESET	LOCK_TIMER	MAX_LOCK_DIFF						FORCE_SR_F	SWT	FORCE_SR_C						FORCE_VALUE	SLAVE_RATIO						RESERVED	DLL_UNLOCK_CLEAR	DLL_UNLOCK_STICKY	DLL_CALIB	DLL_LOCK				

Bits	Field Name	Description	Type	Reset
31	DLL_SOFT_RESET	Soft reset for DLL, active HIGH. Write 0x0: No action. Write 0x1: Issue soft reset Read 0x1: Reset is in progress Read 0x0: Reset completed.	RW	1
30	LOCK_TIMER	Timer for the dll_lock signal to be asserted after reset. 0x0: 1024 cycles (equivalent to DLL fast mode lock) 0x1: 66560 cycles	RW	0
29:22	MAX_LOCK_DIFF	Maximum number of taps that the master DLL clock period measurement can deviate without resulting in the master DLL losing lock.	RW	0x00
21	FORCE_SR_F	Forced fine delay value.	RW	0x0
20	SWT	Software Tuning enable. The bit shall be set to manage the tuning sequence fully in software. NOTE: For proper operation when SDR104/HS200 mode is used this bit must be set to 0x1 which disables the Conflict Error (CFT Error) on the CMD line. 0x0: No software tuning sequence. 0x1: Execute software tuning sequence.	RW	0x0
19:13	FORCE_SR_C	Forced coarse delay value	RW	0x00
12	FORCE_VALUE	Put forced values to slave DLL, ignoring master DLL output and ratio value. 0x0: Do not put force value 0x1: Put force value.	RW	0
11:6	SLAVE_RATIO	Fraction of a clock cycle for the shift to be implemented, in units of 256ths of a clock cycle. 0x6: 135 degrees delay 0x3F: 4 clocks delay 0x8: 180 degrees delay 0x2: 45 degrees delay 0xA: 225 degrees delay 0x10: Full clock delay 0x0: 0 degree delay 0xC: 270 degrees delay 0x4: 90 degrees delay 0xE: 315 degrees delay	RW	0x00
5:4	RESERVED		R	0x0
3	DLL_UNLOCK_CLEAR	Clears the phy_reg_status_mdll_unlock_sticky flags of the DLL. 0x0: No effect. 0x1: Clears the flag.	RW	0
2	DLL_UNLOCK_STICKY	Asserted when any single period measurement exceeds MAX_LOCK_DIFF.	R	0
1	DLL_CALIB	Enables Slave DLL to update new delay values. 0x0: Disabled 0x1: Enabled	RW	0
0	DLL_LOCK	Master DLL lock status. Read 0x1: DLL is locked Read 0x0: DLL is not locked	R	0

Table 25-79. Register Call Summary for Register MMCHS_DLL

eMMC/SD/SDIO Functional Description

- [Sampling Clock Tuning: \[0\]\[1\]](#)

eMMC/SD/SDIO Register Manual

- [eMMC/SD/SDIO Register Summary: \[2\]](#)

Table 25-80. MMCHS_SDMASA

Address Offset	0x0000 0200		
Physical Address	0x4809 C200 0x480B 4200 0x480A D200 0x480D 1200	Instance	MMC1 MMC2 MMC3 MMC4
Description	SDMA System Address / Argument 2 Register		
Type	RW		

31	30	29	28	27	26	25	24	23	22	21	20	19	18	17	16	15	14	13	12	11	10	9	8	7	6	5	4	3	2	1	0
SDMA_ARG2																															

Bits	Field Name	Description	Type	Reset
31:0	SDMA_ARG2	<p>SDMA System Address / Argument 2</p> <p>This register contains the physical system memory address used for DMA transfers or the second argument for the Auto CMD23.</p> <p>(1) SDMA System Address</p> <p>This register contains the system memory address for a SDMA transfer. When the Host Controller stops a SDMA transfer, this register shall point to the system address of the next contiguous data position. It can be accessed only if no transaction is executing (i.e., after a transaction has stopped). Read operations during transfers may return an invalid value.</p> <p>The Host Driver shall initialize this register before starting a SDMA transaction. After SDMA has stopped, the next system address of the next contiguous data position can be read from this register.</p> <p>The SDMA transfer waits at the every boundary specified by the Host SDMA Buffer Boundary in the Block Size register. The Host Controller generates DMA Interrupt to request the Host Driver to update this register. The Host Driver sets the next system address of the next data position to this register. When the most upper byte of this register (003h) is written, the Host Controller restarts the SDMA transfer.</p> <p>When restarting SDMA by the Resume command or by setting Continue Request in the Block Gap Control register, the Host Controller shall start at the next contiguous address stored here in the SDMA System Address register.</p> <p>ADMA does not use this register.</p> <p>(2) Argument 2</p> <p>This register is used with the Auto CMD23 to set a 32-bit block count value to the argument of the CMD23 while executing Auto CMD23.</p> <p>If Auto CMD23 is used with ADMA, the full 32-bit block count value can be used. If Auto CMD23 is used without AMDA, the available block count value is limited by the Block Count register. 65535 blocks is the maximum value in this case.</p>	RW	0x0000 0000

Table 25-81. Register Call Summary for Register MMCHS_SDMASA

eMMC/SD/SDIO Register Manual

- eMMC/SD/SDIO Register Summary: [0][1]
- eMMC/SD/SDIO Register Description: [2]

Table 25-82. MMCHS_BLK

Address Offset	0x0000 0204		
Physical Address	0x4809 C204 0x480B 4204 0x480A D204 0x480D 1204	Instance	MMC1 MMC2 MMC3 MMC4
Description	Transfer Length Configuration Register MMCHS_BLK[BLK] is the block size register. MMCHS_BLK[NBLK] is the block count register. This register shall be used for any card.		
Type	RW		

31	30	29	28	27	26	25	24	23	22	21	20	19	18	17	16	15	14	13	12	11	10	9	8	7	6	5	4	3	2	1	0
NBLK																RESERVED			BLEN												

Bits	Field Name	Description	Type	Reset
31:16	NBLK	<p>Blocks count for current transfer</p> <p>This register is enabled when Block count Enable (MMCHS_CMD[BCE]) is set to 1 and is valid only for multiple block transfers. Setting the block count to 0 results no data blocks being transferred.</p> <p>Note: The host controller decrements the block count after each block transfer and stops when the count reaches zero.</p> <p>This register can be accessed only if no transaction is executing (i.e, after a transaction has stopped). Read operations during transfers may return an invalid value and write operation will be ignored.</p> <p>In suspend context, the number of blocks yet to be transferred can be determined by reading this register. When restoring transfer context prior to issuing a Resume command, The local host shall restore the previously saved block count.</p> <p>0xFFFF: 65535 blocks</p> <p>0x0: Stop count</p> <p>0x1: 1 block</p> <p>0x2: 2 blocks</p>	RW	0x0000
15:12	RESERVED		R	0x0

Bits	Field Name	Description	Type	Reset
11:0	BLEN	Transfer Block Size. This register specifies the block size for block data transfers. Read operations during transfers may return an invalid value, and write operations are ignored. When a CMD12 command is issued to stop the transfer, a read of the BLEN field after transfer completion (MMCHS_STAT[TC] set to 1) will not return the true byte number of data length while the stop occurs but the value written in this register before transfer is launched. 0x1: 1 byte block length 0x7FF: 2047 bytes block length 0x0: No data transfer 0x1FF: 511 bytes block length 0x800: 2048 bytes block length 0x2: 2 bytes block length 0x3: 3 bytes block length 0x200: 512 bytes block length	RW	0x000

Table 25-83. Register Call Summary for Register MMCHS_BLK

eMMC/SD/SDIO Functional Description

- [Interrupt Requests: \[0\]\[1\]](#)
- [Master DMA Operations: \[2\]](#)
- [Slave DMA Operations: \[3\]\[4\]](#)
- [Data Buffer: \[5\]](#)

eMMC/SD/SDIO Programming Guide

- [Operational Modes Configuration: \[6\]\[7\]\[8\]\[9\]\[10\]\[11\]](#)

eMMC/SD/SDIO Register Manual

- [eMMC/SD/SDIO Register Summary: \[12\]\[13\]](#)
- [eMMC/SD/SDIO Register Description: \[14\]\[15\]\[16\]\[17\]\[18\]\[19\]\[20\]\[21\]\[22\]](#)

Table 25-84. MMCHS_ARG

Address Offset	0x0000 0208		
Physical Address	0x4809 C208 0x480B 4208 0x480A D208 0x480D 1208	Instance	MMC1 MMC2 MMC3 MMC4
Description	Command Argument Register This register contains command argument specified as bit 39-8 of Command-Format These registers must be initialized prior to sending the command itself to the card (write action into the register MMCHS_CMD register). Only exception is for a command index specifying stuff bits in arguments, making a write unnecessary.		
Type	RW		

31	30	29	28	27	26	25	24	23	22	21	20	19	18	17	16	15	14	13	12	11	10	9	8	7	6	5	4	3	2	1	0
ARG																															

Bits	Field Name	Description	Type	Reset
31:0	ARG	Command argument bits [31:0]	RW	0x0000 0000

Table 25-85. Register Call Summary for Register MMCHS_ARG

eMMC/SD/SDIO Functional Description

- [MMC CE-ATA Command Completion Disable Management: \[0\]](#)

eMMC/SD/SDIO Programming Guide

- [Operational Modes Configuration: \[1\]\[2\]\[3\]\[4\]\[5\]](#)

eMMC/SD/SDIO Register Manual

- [eMMC/SD/SDIO Register Summary: \[6\]\[7\]](#)
- [eMMC/SD/SDIO Register Description: \[8\]](#)

Table 25-86. MMCHS_CMD

Address Offset	0x0000 020C		
Physical Address	0x4809 C20C 0x480B 420C 0x480A D20C 0x480D 120C	Instance	MMC1 MMC2 MMC3 MMC4
Description	<p>Command and Transfer Mode Register MMCHS_CMD[31:16] = the command register MMCHS_CMD[15:0] = the transfer mode. This register configures the data and command transfers. A write into the most significant byte send the command. A write into MMCHS_CMD[15:0] registers during data transfer has no effect. This register shall be used for any card. Note: In SYSTEST mode, a write into MMCHS_CMD register will not start a transfer.</p>		
Type	RW		

31	30	29	28	27	26	25	24	23	22	21	20	19	18	17	16	15	14	13	12	11	10	9	8	7	6	5	4	3	2	1	0
RESERVED		INDX						CMD_TYPE	DP	CICE	CCCE	RESERVED	RSP_TYPE	RESERVED											MSBS	DDIR	ACEN	BCE	DE		

Bits	Field Name	Description	Type	Reset
31:30	RESERVED		R	0x0
29:24	INDX	Command index Binary encoded value from 0 to 63 specifying the command number send to card 0xD: CMD13 or ACMD13 0x33: CMD51 or ACMD51 0x3B: CMD59 or ACMD59 0x15: CMD21 or ACMD21 0x1E: CMD30 or ACMD30 0x8: CMD8 or ACMD8 0x5: CMD5 or ACMD5 0x2E: CMD46 or ACMD46 0x1B: CMD27 or ACMD27 0x2C: CMD44 or ACMD44 0x36: CMD54 or ACMD54 0x2: CMD2 or ACMD2 0x3E: CMD62 or ACMD62 0x4: CMD4 or ACMD4 0x39: CMD57 or ACMD57 0x32: CMD50 or ACMD50 0x6: CMD6 or ACMD6 0x1: CMD1 or ACMD1	RW	0x00

Bits	Field Name	Description	Type	Reset
		0x1D: CMD29 or ACMD29		
		0x3F: CMD63 or ACMD63		
		0x28: CMD40 or ACMD40		
		0x3A: CMD58 or ACMD58		
		0x24: CMD36 or ACMD36		
		0x0: CMD0 or ACMD0		
		0x2D: CMD45 or ACMD45		
		0x38: CMD56 or ACMD56		
		0x3C: CMD60 or ACMD60		
		0xB: CMD11 or ACMD11		
		0x3D: CMD61 or ACMD61		
		0x20: CMD32 or ACMD32		
		0x3: CMD3 or ACMD3		
		0x17: CMD23 or ACMD23		
		0x30: CMD48 or ACMD48		
		0x31: CMD49 or ACMD49		
		0x11: CMD17 or ACMD17		
		0x23: CMD35 or ACMD35		
		0x35: CMD53 or ACMD53		
		0x2F: CMD47 or ACMD47		
		0xA: CMD10 or ACMD10		
		0x9: CMD9 or ACMD9		
		0x10: CMD16 or ACMD16		
		0x26: CMD38 or ACMD38		
		0x21: CMD33 or ACMD33		
		0x25: CMD37 or ACMD37		
		0x12: CMD18 or ACMD18		
		0x13: CMD19 or ACMD19		
		0x2B: CMD43 or ACMD43		
		0x37: CMD55 or ACMD55		
		0x18: CMD24 or ACMD24		
		0x14: CMD20 or ACMD20		
		0xE: CMD14 or ACMD14		
		0x16: CMD22 or ACMD22		
		0x2A: CMD42 or ACMD42		
		0x1C: CMD28 or ACMD28		
		0x7: CMD7 or ACMD7		
		0x19: CMD25 or ACMD25		
		0x1F: CMD31 or ACMD31		
		0x34: CMD52 or ACMD52		
		0x1A: CMD26 or ACMD26		
		0x29: CMD41 or ACMD41		
		0xF: CMD15 or ACMD15		
		0xC: CMD12 or ACMD12		
		0x27: CMD39 or ACMD39		
		0x22: CMD34 or ACMD34		
23:22	CMD_TYPE	Command type This register specifies three types of special command: Suspend, Resume and Abort.	RW	0x0

Bits	Field Name	Description	Type	Reset
		<p>These bits shall be set to 00b for all other commands.</p> <p>0x0: Others Commands</p> <p>0x1: CMD52 for writing "Bus Suspend" in CCCR</p> <p>0x3: Abort command CMD12, CMD52 for writing " I/O Abort" in CCCR</p> <p>0x2: CMD52 for writing "Function Select" in CCCR</p>		
21	DP	<p>Data present select</p> <p>This register indicates that data is present and DAT line shall be used.</p> <p>It must be set to 0 in the following conditions:</p> <ul style="list-style-type: none"> - command using only CMD line - command with no data transfer but using busy signal on DAT[0] - Resume command <p>0x0: Command with no data transfer</p> <p>0x1: Command with data transfer</p>	RW	0
20	CICE	<p>Command Index check enable</p> <p>This bit must be set to 1 to enable index check on command response to compare the index field in the response against the index of the command.</p> <p>If the index is not the same in the response as in the command, it is reported as a command index error (MMCHS_STAT[CIE] set to 1).</p> <p>Note: The register CICE cannot be configured for an Auto CMD12, then index check is automatically checked when this command is issued.</p> <p>0x0: Index check disable</p> <p>0x1: Index check enable</p>	RW	0
19	CCCE	<p>Command CRC check enable</p> <p>This bit must be set to 1 to enable CRC7 check on command response to protect the response against transmission errors on the bus.</p> <p>If an error is detected, it is reported as a command CRC error (MMCHS_STAT[CCRC] set to 1).</p> <p>Note: The register CCCE cannot be configured for an Auto CMD12, and then CRC check is automatically checked when this command is issued.</p> <p>0x0: CRC7 check disable</p> <p>0x1: CRC7 check enable</p>	RW	0
18	RESERVED		R	0
17:16	RSP_TYPE	<p>Response type</p> <p>This bits defines the response type of the command</p> <p>0x0: No response</p> <p>0x1: Response Length 136 bits</p> <p>0x3: Response Length 48 bits with busy after response</p> <p>0x2: Response Length 48 bits</p>	RW	0x0
15:6	RESERVED		R	0x000
5	MSBS	<p>Multi/Single block select</p> <p>This bit must be set to 1 for data transfer in case of multi block command.</p> <p>For any others command this bit shall be set to 0.</p> <p>0x0: Single block.</p> <p>If this bit is 0, it is not necessary to set the register MMCHS_BLK[NBLK].</p>	RW	0

Bits	Field Name	Description	Type	Reset
		0x1: Multi block. When Block Count is disabled (MMCHS_CMD[BCE] is set to 0) in Multiple block transfers (MMCHS_CMD[MSBS] is set to 1), the module can perform infinite transfer.		
4	DDIR	Data transfer Direction Select This bit defines either data transfer will be a read or a write. 0x0: Data Write (host to card) 0x1: Data Read (card to host)	RW	0
3:2	ACEN	Auto CMD Enable - SD card only. This field determines use of auto command functions. There are two methods to stop Multiple-block read and write operation 1. Auto CMD12 Enable When this field is set to 01b, the Host Controller issues CMD12 automatically when last block transfer is completed. Auto CMD12 error is indicated to the Auto CMD Error Status register (MMCHS_AC12). The Host Driver shall not set this bit if the command does not require CMD12. In particular, secure commands defined in the Part 3 File Security specification do not require CMD12. 2. Auto CMD23 Enable When this bit field is set to 10b, the Host Controller issues a CMD23 automatically before issuing a command specified in the Command Register. The Host Controller Version 3.00 and later shall support this function. The following conditions are required to use the Auto CMD23. – Auto CMD23 Supported (Host Controller Version is 3.00 or later) – A memory card that supports CMD23 (SCR[33]=1) – If DMA is used, it shall be ADMA. –Only when CMD18 or CMD25 is issued (Note: the Host Controller does not check command index.) Auto CMD23 can be used with or without ADMA. By writing the Command register, the Host Controller issues a CMD23 first and then issues a command specified by the Command Index in Command register. If response errors of CMD23 are detected, the second command is not issued. A CMD23 error is indicated in the Auto CMD Error Status register (MMCHS_AC12). 32-bit block count value for CMD23 is set to SDMA System Address / Argument 2 register (MMCHS_SDMASA). 0x0: Auto Command Disabled 0x1: Auto CMD12 enable or CCS detection enabled. 0x3: Reserved 0x2: Auto CMD23 Enable	RW	0x0
1	BCE	Block Count Enable Multiple block transfers only.	RW	0

Bits	Field Name	Description	Type	Reset
		This bit is used to enable the block count register (MMCHS_BLK[NBLK]).		
		When Block Count is disabled (MMCHS_CMD[BCE] is set to 0) in Multiple block transfers (MMCHS_CMD[MSBS] is set to 1), the module can perform infinite transfer.		
		0x0: Block count disabled for infinite transfer.		
		0x1: Block count enabled for multiple block transfer with known number of blocks		
0	DE	DMA Enable	RW	0
		This bit is used to enable DMA mode for host data access.		
		0x0: DMA mode disable		
		0x1: DMA mode enable		

Table 25-87. Register Call Summary for Register MMCHS_CMD

eMMC/SD/SDIO Environment

- [Data Format: \[0\]\[1\]\[2\]\[3\]](#)

eMMC/SD/SDIO Functional Description

- [Interrupt Requests: \[4\]\[5\]](#)
- [Master DMA Operations: \[6\]](#)
- [Slave DMA Operations: \[7\]](#)
- [Data Buffer: \[8\]\[9\]\[10\]](#)
- [Transfer Stop: \[11\]](#)
- [MMC CE-ATA Command Completion Disable Management: \[12\]\[13\]](#)

eMMC/SD/SDIO Programming Guide

- [Operational Modes Configuration: \[14\]\[15\]\[16\]\[17\]\[18\]\[19\]\[20\]\[21\]\[22\]\[23\]](#)

eMMC/SD/SDIO Register Manual

- [eMMC/SD/SDIO Register Summary: \[24\]\[25\]](#)
- [eMMC/SD/SDIO Register Description: \[26\]\[27\]\[28\]\[29\]\[30\]\[31\]\[32\]\[33\]\[34\]\[35\]\[36\]\[37\]\[38\]\[39\]\[40\]\[41\]\[42\]\[43\]\[44\]\[45\]](#)

Table 25-88. MMCHS_RSP10

Address Offset	0x0000 0210		
Physical Address	0x4809 C210 0x480B 4210 0x480A D210 0x480D 1210	Instance	MMC1 MMC2 MMC3 MMC4
Description	Command Response[31:0] Register (bits [31:0] of the internal RSP register) This 32-bit register holds bits positions [31:0] of command response type R1/R1b/R2/R3/R4/R5/R5b/R6/R7		
Type	R		

31	30	29	28	27	26	25	24	23	22	21	20	19	18	17	16	15	14	13	12	11	10	9	8	7	6	5	4	3	2	1	0
RSP1																RSP0															

Bits	Field Name	Description	Type	Reset
31:16	RSP1	Command Response [31:16]	R	0x0000
15:0	RSP0	Command Response [15:0]	R	0x0000

Table 25-89. Register Call Summary for Register MMCHS_RSP10

eMMC/SD/SDIO Functional Description

- [Different Types of Responses: \[0\]\[1\]\[2\]\[3\]](#)

eMMC/SD/SDIO Programming Guide

- [Operational Modes Configuration: \[4\]\[5\]\[6\]\[7\]](#)

eMMC/SD/SDIO Register Manual

- [eMMC/SD/SDIO Register Summary: \[8\]\[9\]](#)

Table 25-90. MMCHS_RSP32

Address Offset	0x0000 0214	
Physical Address	0x4809 C214 0x480B 4214 0x480A D214 0x480D 1214	Instance MMC1 MMC2 MMC3 MMC4
Description	Command Response[63:32] Register (bits [63:32] of the internal RSP register) This 32-bit register holds bits positions [63:32] of command response type R2	
Type	R	

31	30	29	28	27	26	25	24	23	22	21	20	19	18	17	16	15	14	13	12	11	10	9	8	7	6	5	4	3	2	1	0
RSP3								RSP2																							

Bits	Field Name	Description	Type	Reset
31:16	RSP3	Command Response [63:48]	R	0x0000
15:0	RSP2	Command Response [47:32]	R	0x0000

Table 25-91. Register Call Summary for Register MMCHS_RSP32

eMMC/SD/SDIO Functional Description

- [Different Types of Responses: \[0\]](#)

eMMC/SD/SDIO Programming Guide

- [Operational Modes Configuration: \[1\]\[2\]\[3\]](#)

eMMC/SD/SDIO Register Manual

- [eMMC/SD/SDIO Register Summary: \[4\]\[5\]](#)

Table 25-92. MMCHS_RSP54

Address Offset	0x0000 0218	
Physical Address	0x4809 C218 0x480B 4218 0x480A D218 0x480D 1218	Instance MMC1 MMC2 MMC3 MMC4
Description	Command Response[95:64] Register (bits [95:64] of the internal RSP register) This 32-bit register holds bits positions [95:64] of command response type R2	
Type	R	

31	30	29	28	27	26	25	24	23	22	21	20	19	18	17	16	15	14	13	12	11	10	9	8	7	6	5	4	3	2	1	0
RSP5								RSP4																							

Bits	Field Name	Description	Type	Reset
31:16	RSP5	Command Response [95:80]	R	0x0000
15:0	RSP4	Command Response [79:64]	R	0x0000

Table 25-93. Register Call Summary for Register MMCHS_RSP54

eMMC/SD/SDIO Functional Description

- [Different Types of Responses: \[0\]](#)

eMMC/SD/SDIO Programming Guide

- [Operational Modes Configuration: \[1\]\[2\]\[3\]](#)

eMMC/SD/SDIO Register Manual

- [eMMC/SD/SDIO Register Summary: \[4\]\[5\]](#)

Table 25-94. MMCHS_RSP76

Address Offset	0x0000 021C		
Physical Address	0x4809 C21C 0x480B 421C 0x480A D21C 0x480D 121C	Instance	MMC1 MMC2 MMC3 MMC4
Description	Command Response[127:96] Register (bits [127:96] of the internal RSP register) This 32-bit register holds bits positions [127:96] of command response type R1(Auto CMD23)/R1b(Auto CMD12)/R2		
Type	R		

31	30	29	28	27	26	25	24	23	22	21	20	19	18	17	16	15	14	13	12	11	10	9	8	7	6	5	4	3	2	1	0
RSP7																RSP6															

Bits	Field Name	Description	Type	Reset
31:16	RSP7	Command Response [127:112]	R	0x0000
15:0	RSP6	Command Response [111:96]	R	0x0000

Table 25-95. Register Call Summary for Register MMCHS_RSP76

eMMC/SD/SDIO Functional Description

- [Different Types of Responses: \[0\]\[1\]\[2\]\[3\]](#)

eMMC/SD/SDIO Programming Guide

- [Operational Modes Configuration: \[4\]\[5\]\[6\]](#)

eMMC/SD/SDIO Register Manual

- [eMMC/SD/SDIO Register Summary: \[7\]\[8\]](#)
- [eMMC/SD/SDIO Register Description: \[9\]](#)

Table 25-96. MMCHS_DATA

Address Offset	0x0000 0220		
Physical Address	0x4809 C220 0x480B 4220 0x480A D220 0x480D 1220	Instance	MMC1 MMC2 MMC3 MMC4
Description	Data Register This register is the 32-bit entry point of the buffer for read or write data transfers. The buffer size is 32bits x256(1024 bytes). Bytes within a word are stored and read in little endian format. This buffer can be used as two 512 byte buffers to transfer data efficiently without reducing the throughput. Sequential and contiguous access is necessary to increment the pointer correctly. Random or skipped access is not allowed. In little endian, if the local host accesses this register byte-wise or 16bit-wise, the least significant byte (bits [7:0]) must always be written/read first. The update of the buffer address is done on the most significant byte write for full 32-bit DATA register or on the most significant byte of the last word of block transfer. Example 1: Byte or 16-bit access Mbyteen[3:0]=0001 (1-byte) => Mbyteen[3:0]=0010 (1-byte) => Mbyteen[3:0]=1100 (2-bytes) OK Mbyteen[3:0]=0001 (1-byte) => Mbyteen[3:0]=0010 (1-byte) => Mbyteen[3:0]=0100 (1-byte) OK Mbyteen[3:0]=0001 (1-byte) => Mbyteen[3:0]=0010 (1-byte) => Mbyteen[3:0]=1000 (1-byte) Bad		
Type	RW		

31	30	29	28	27	26	25	24	23	22	21	20	19	18	17	16	15	14	13	12	11	10	9	8	7	6	5	4	3	2	1	0
DATA																															

Bits	Field Name	Description	Type	Reset
31:0	DATA	Data Register [31:0] In functional mode (MMCHS_CON[MODE] set to the default value 0) , A read access to this register is allowed only when the buffer read enable status is set to 1 (MMCHS_PSTATE[BRE]), otherwise a bad access (MMCHS_STAT[BADA]) is signaled. A write access to this register is allowed only when the buffer write enable status is set to 1(MMCHS_STATE[BWE]), otherwise a bad access (MMCHS_STAT[BADA]) is signaled and the data is not written.	RW	0x0000 0000

Table 25-97. Register Call Summary for Register MMCHS_DATA

eMMC/SD/SDIO Functional Description

- [Interrupt Requests: \[0\]\[1\]](#)
- [Data Buffer: \[2\]\[3\]\[4\]\[5\]\[6\]\[7\]\[8\]\[9\]](#)
- [Transfer or Command Status and Errors Reporting: \[10\]](#)

eMMC/SD/SDIO Programming Guide

- [Operational Modes Configuration: \[11\]](#)

eMMC/SD/SDIO Register Manual

- [eMMC/SD/SDIO Register Summary: \[12\]\[13\]](#)
- [eMMC/SD/SDIO Register Description: \[14\]\[15\]\[16\]\[17\]\[18\]\[19\]](#)

Table 25-98. MMCHS_PSTATE

Address Offset	0x0000 0224		
Physical Address	0x4809 C224 0x480B 4224 0x480A D224 0x480D 1224	Instance	MMC1 MMC2 MMC3 MMC4
Description	Present State Register The Host can get status of the Host Controller from this 32-bit read only register.		
Type	R		

31	30	29	28	27	26	25	24	23	22	21	20	19	18	17	16	15	14	13	12	11	10	9	8	7	6	5	4	3	2	1	0		
RESERVED								CLEV	DLEV				WP	CDPL	CSS	CINS	RESERVED					BRE	BWE	RTA	WTA	RESERVED				RTR	DLA	DATI	CMDI

Bits	Field Name	Description	Type	Reset
31:25	RESERVED		R	0x00
24	CLEV	CMD line signal level This status is used to check the CMD line level to recover from errors, and for debugging. The value of this register after reset depends on the CMD line level at that time. Read 0x1: The CMD line level is 1. Read 0x0: The CMD line level is 0.	R	-
23:20	DLEV	DAT[3:0] line signal level DAT[3] => bit 23 DAT[2] => bit 22 DAT[1] => bit 21 DAT[0] => bit 20 This status is used to check DAT line level to recover from errors, and for debugging. This is especially useful in detecting the busy signal level from DAT[0]. The value of these registers after reset depends on the DAT lines level at that time.	R	0x-
19	WP	Write protect switch pin level For SDIO cards only. This bit reflects the write protect input pin (mmci_sdwp) level. The value of this register after reset depends on the protect input pin (mmci_sdwp) level at that time. Read 0x1: If MMCHS_CON [WPP] is set to 0 (default), the card is not write protected, otherwise the card is protected. Read 0x0: If MMCHS_CON [WPP] is set to 0 (default), the card is write protected, otherwise the card is not protected.	R	-
18	CDPL	Card detect pin level This bit reflects the inverse value of the card detect input pin (mmci_sdcd), debouncing is not performed on this bit and bit is valid only when Card State Stable (MMCHS_PSTAE [CSS]) is set to 1. Use of this bit is limited to testing since it must be debounced by software. The value of this register after reset depends on the card detect input pin (mmci_sdcd) level at that time. Read 0x1: The value of the card detect input pin (mmci_sdcd) is 0 Read 0x0: The value of the card detect input pin (mmci_sdcd) is 1	R	-

Bits	Field Name	Description	Type	Reset
17	CSS	<p>Card State Stable</p> <p>This bit is used for testing. It is set to 1 only when Card Detect Pin Level is stable (MMCHS_PSTATE[CDPL]). Debouncing is performed on the card detect input pin (<code>mmci_sdcd</code>) to detect card stability. This bit is not affected by a software reset.</p> <p>Read 0x1: No card or card inserted</p> <p>Read 0x0: Reset or Debouncing</p>	R	0
16	CINS	<p>Card inserted</p> <p>This bit is the debounced value of the card detect input pin (<code>mmci_sdcd</code>). An inactive to active transition of the card detect input pin (<code>mmci_sdcd</code>) will generate a card insertion interrupt (MMCHS_STAT[CINS]). A active to inactive transition of the card detect input pin (<code>mmci_sdcd</code>) will generate a card removal interrupt (MMCHS_STAT[REM]). This bit is not affected by a software reset.</p> <p>Read 0x1: If MMCHS_CON[CDP] is set to 1, the card has been inserted from the card slot. If MMCHS_CON[CDP] is set to 0, no card is detected. The card may have been removed from the card slot.</p> <p>Read 0x0: If MMCHS_CON[CDP] is set to 1, no card is detected. The card may have been removed from the card slot. If MMCHS_CON[CDP] is set to 0, the card has been inserted.</p>	R	0
15:12	RESERVED		R	0x0
11	BRE	<p>Buffer read enable</p> <p>This bit is used for non-DMA read transfers. It indicates that a complete block specified by MMCHS_BLK[BLN] has been written in the buffer and is ready to be read. It is set to 0 when the entire block is read from the buffer. It is set to 1 when a block data is ready in the buffer and generates the Buffer read ready status of interrupt (MMCHS_STAT[BRR]).</p> <p>Read 0x1: Read BLEN bytes enable. Readable data exists in the buffer.</p> <p>Read 0x0: Read BLEN bytes disable</p>	R	0
10	BWE	<p>Buffer Write enable</p> <p>This status is used for non-DMA write transfers. It indicates if space is available for write data.</p> <p>Read 0x1: There is enough space in the buffer to write BLEN bytes of data.</p> <p>Read 0x0: There is no room left in the buffer to write BLEN bytes of data.</p>	R	0
9	RTA	<p>Read transfer active</p> <p>This status is used for detecting completion of a read transfer. It is set to 1 after the end bit of read command or by activating a continue request (MMCHS_HCTL[CR]) following a stop at block gap request. This bit is set to 0 when all data have been read by the local host after last block or after a stop at block gap request.</p> <p>Read 0x1: read data transfer on going.</p> <p>Read 0x0: No valid data on the DAT lines.</p>	R	0

Bits	Field Name	Description	Type	Reset
8	WTA	<p>Write transfer active</p> <p>This status indicates a write transfer active. It is set to 1 after the end bit of write command or by activating a continue request (MMCHS_HCTL[CR]) following a stop at block gap request. This bit is set to 0 when CRC status has been received after last block or after a stop at block gap request.</p> <p>Read 0x1: Write data transfer on going.</p> <p>Read 0x0: No valid data on the DAT lines.</p>	R	0
7:4	RESERVED		R	0x0
3	RTR	<p>Re-Tuning Request</p> <p>Host Controller may request Host Driver to execute re-tuning sequence by setting this bit when the data window is shifted by temperature drift and a tuned sampling point does not have a good margin to receive correct data.</p> <p>This bit is cleared when a command is issued with setting MMCHS_AC12[22] ET.</p> <p>This bit isn't set to 1 if MMCHS_AC12[23] SCLK_SEL is set to 0 (using fixed sampling clock). Refer to MMCHS_CAPA2[15:14] RTM for more detail.</p> <p>Read 0x1: Sampling clock needs re-tuning</p> <p>Read 0x0: Fixed or well tuned sampling clock</p>	R	0
2	DLA	<p>DAT line active</p> <p>This status bit indicates whether one of the DAT line is in use.</p> <p>In the case of read transactions (card to host):</p> <p>This bit is set to 1 after the end bit of read command or by activating continue request MMCHS_HCTL[CR]. This bit is set to 0 when the host controller received the end bit of the last data block or at the beginning of the read wait mode.</p> <p>In the case of write transactions (host to card):</p> <p>This bit is set to 1 after the end bit of write command or by activating continue request MMCHS_HCTL[CR]. This bit is set to 0 on the end of busy event for the last block; host controller must wait 8 clock cycles with line not busy to really consider not "busy state" or after the busy block as a result of a stop at gap request.</p> <p>Read 0x1: DAT Line active</p> <p>Read 0x0: DAT Line inactive</p>	R	0
1	DATI	<p>Command inhibit(DAT)</p> <p>This status bit is generated if either DAT line is active (MMCHS_PSTATE[DLA]) or Read transfer is active (MMCHS_PSTATE[RTA]) or when a command with busy is issued. This bit prevents the local host to issue a command.</p> <p>A change of this bit from 1 to 0 generates a transfer complete interrupt (MMCHS_STAT[TC]).</p> <p>Read 0x1: Issuing of command using DAT lines is not allowed</p> <p>Read 0x0: Issuing of command using the DAT lines is allowed</p>	R	0

Bits	Field Name	Description	Type	Reset
0	CMDI	<p>Command inhibit(CMD)</p> <p>This status bit indicates that the CMD line is in use. This bit is set to 0 when the most significant byte is written into the command register. This bit is not set when Auto CMD12 is transmitted.</p> <p>This bit is set to 0 in either the following cases:</p> <ul style="list-style-type: none"> - After the end bit of the command response, excepted if there is a command conflict error (MMCHS_STAT[CCRC] or MMCHS_STAT[CEB] set to 1) or a Auto CMD12 is not executed (MMCHS_AC12[ACNE]). - After the end bit of the command without response (MMCHS_CMD[RSP_TYPE] set to "00") <p>In case of a command data error is detected (MMCHS_STAT[CTO] set to 1), this register is not automatically cleared.</p> <p>Read 0x1: Issuing of command using CMD line is not allowed</p> <p>Read 0x0: Issuing of command using CMD line is allowed</p>	R	0

Table 25-99. Register Call Summary for Register MMCHS_PSTATE

eMMC/SD/SDIO Functional Description

- [Software Reset: \[0\]](#)
- [Interrupt Requests: \[1\]\[2\]\[3\]\[4\]\[5\]\[6\]\[7\]](#)
- [Master DMA Operations: \[8\]\[9\]\[10\]](#)
- [Data Buffer: \[11\]\[12\]\[13\]\[14\]](#)
- [Test Registers: \[15\]](#)
- [eMMC/SD/SDIO Hardware Status Features: \[16\]\[17\]\[18\]\[19\]\[20\]\[21\]\[22\]\[23\]\[24\]\[25\]\[26\]\[27\]\[28\]\[29\]](#)

eMMC/SD/SDIO Programming Guide

- [Operational Modes Configuration: \[30\]\[31\]\[32\]\[33\]\[34\]\[35\]\[36\]](#)

eMMC/SD/SDIO Register Manual

- [eMMC/SD/SDIO Register Summary: \[37\]\[38\]](#)
- [eMMC/SD/SDIO Register Description: \[39\]\[40\]\[41\]\[42\]\[43\]\[44\]\[45\]\[46\]\[47\]\[48\]\[49\]\[50\]\[51\]\[52\]\[53\]\[54\]\[55\]](#)

Table 25-100. MMCHS_HCTL

Address Offset	0x0000 0228																	
Physical Address	0x4809 C228				0x480B 4228				0x480A D228				0x480D 1228				Instance	MMC1
																		MMC2
																		MMC3
																		MMC4
Description	Host Control Register This register defines the host controls to set power, wakeup and transfer parameters. MMCHS_HCTL[31:24] = Wakeup control MMCHS_HCTL[23:16] = Block gap control MMCHS_HCTL[15:8] = Power control MMCHS_HCTL[7:0] = Host control																	
Type	RW																	

31	30	29	28	27	26	25	24	23	22	21	20	19	18	17	16	15	14	13	12	11	10	9	8	7	6	5	4	3	2	1	0
RESERVED				OBWE	REM	INS	IWE	RESERVED				IBG	RWC	CR	SBGR	RESERVED				SDVS	SDBP	CDSS	CDTL	RESERVED	DMAS	HSPE	DTW	LED			

Bits	Field Name	Description	Type	Reset
31:28	RESERVED		R	0x0
27	OBWE	<p>Wakeup event enable for 'Out-of-Band' Interrupt. This bit enables wakeup events for 'Out-of-Band' assertion.</p> <p>Wakeup is generated if the wakeup feature is enabled (MMCHS_SYSCONFIG[ENAWAKEUP]).</p> <p>The write to this register is ignored when MMCHS_CON[OBIE] is not set.</p> <p>0x0: Disable wakeup on 'Out-of-Band' Interrupt 0x1: Enable wakeup on 'Out-of-Band' Interrupt</p>	RW	0
26	REM	<p>Wakeup event enable on SD card removal. This bit enables wakeup events for card removal assertion. Wakeup is generated if the wakeup feature is enabled (MMCHS_SYSCONFIG[ENAWAKEUP]).</p> <p>0x0: Disable wakeup on card removal 0x1: Enable wakeup on card removal</p>	RW	0
25	INS	<p>Wakeup event enable on SD card insertion. This bit enables wakeup events for card insertion assertion. Wakeup is generated if the wakeup feature is enabled (MMCHS_SYSCONFIG[ENAWAKEUP]).</p> <p>0x0: Disable wakeup on card insertion 0x1: Enable wakeup on card insertion</p>	RW	0
24	IWE	<p>Wakeup event enable on SD card interrupt. This bit enables wakeup events for card interrupt assertion. Wakeup is generated if the wakeup feature is enabled (MMCHS_SYSCONFIG[ENAWAKEUP]).</p> <p>0x0: Disable wakeup on card interrupt 0x1: Enable wakeup on card interrupt</p>	RW	0
23:20	RESERVED		R	0x0
19	IBG	<p>Interrupt block at gap. This bit is valid only in 4-bit mode of SDIO card to enable interrupt detection in the interrupt cycle at block gap for a multiple block transfer. For MMC cards and for SD card this bit should be set to 0.</p> <p>0x0: Disable interrupt detection at the block gap in 4-bit mode 0x1: Enable interrupt detection at the block gap in 4-bit mode</p>	RW	0
18	RWC	<p>Read wait control. The read wait function is optional only for SDIO cards. If the card supports read wait, this bit must be enabled, then requesting a stop at block gap (MMCHS_HCTL[SBGR]) generates a read wait period after the current end of block. Be careful, if read wait is not supported it may cause a conflict on DAT line.</p> <p>0x0: Disable Read Wait Control. Suspend/Resume cannot be supported. 0x1: Enable Read Wait Control</p>	RW	0
17	CR	<p>Continue request. This bit is used to restart a transaction that was stopped by requesting a stop at block gap (MMCHS_HCTL[SBGR]). Set this bit to 1 restarts the transfer. The bit is automatically set to 0 by the host controller when transfer has restarted i.e DAT line is active (MMCHS_PSTATE[DLA]) or transferring data (MMCHS_PSTATE[WTA]).</p> <p>The Stop at block gap request must be disabled (MMCHS_HCTL[SBGR]=0) before setting this bit.</p> <p>0x0: No affect 0x1: transfer restart</p>	RW	0

Bits	Field Name	Description	Type	Reset
16	SBGR	<p>Stop at block gap request</p> <p>This bit is used to stop executing a transaction at the next block gap. The transfer can restart with a continue request (MMCHS_HCTL[CR]) or during a suspend/resume sequence.</p> <p>In case of read transfer, the card must support read wait control.</p> <p>In case of write transfer, the host driver shall set this bit after all block data written.</p> <p>Until the transfer completion (MMCHS_STAT[TC] set to 1), the host driver shall leave this bit set to 1.</p> <p>If this bit is set, the local host shall not write to the data register (MMCHS_DATA).</p> <p>0x0: Transfer mode</p> <p>0x1: Stop at block gap</p>	RW	0
15:12	RESERVED		R	0x0
11:9	SDVS	<p>SD bus voltage select</p> <p>All cards.</p> <p>The host driver should set to these bits to select the voltage level for the card according to the voltage supported by the system (MMCHS_CAPA[VS18,VS30,VS33]) before starting a transfer.</p> <p>0x6: 3.0V (Typical)</p> <p>0x7: 3.3V (Typical)</p> <p>0x5: 1.8V (Typical)</p>	RW	0x0
8	SDBP	<p>SD bus power</p> <p>Before setting this bit, the host driver shall select the SD bus voltage (MMCHS_HCTL[SDVS]). If the host controller detects the No card state, this bit is automatically set to 0. If the module is power off, a write in the command register (MMCHS_CMD) will not start the transfer. A write to this bit has no effect if the selected SD bus voltage MMCHS_HCTL[SDVS] is not supported according to capability register (MMCHS_CAPA[VS*]).</p> <p>0x0: Power off</p> <p>0x1: Power on</p>	RW	0
7	CDSS	<p>Card Detect Signal Selection</p> <p>This bit selects source for the card detection. When the source for the card detection is switched, the interrupt should be disabled during the switching period by clearing the Interrupt Status/Signal Enable register in order to mask unexpected interrupts caused by the glitch. The Interrupt Status/Signal Enable should be disabled during over the period of debouncing.</p> <p>0x0: mmci_sdcd is selected (for normal use)</p> <p>0x1: MMCHS_HCTL[6] CDTL is selected (for test purpose)</p>	RW	0
6	CDTL	<p>Card Detect Test Level:</p> <p>This bit is enabled while MMCHS_HCTL[7] CDSS is set to 1 and it indicates whether the card is inserted or not.</p> <p>0x0: No Card</p> <p>0x1: Card Inserted</p>	RW	0
5	RESERVED		R	0

Bits	Field Name	Description	Type	Reset
4:3	DMAS	<p>DMA Select Mode:</p> <p>One of supported DMA modes can be selected. The host driver shall check support of DMA modes by referring the Capabilities register MMCHS_CAPA . Use of selected DMA is determined by DMA Enable of the Transfer Mode register. This register is only meaningful when MADMA_EN is set to 1. When MADMA_EN is set to 0 the bit field is read only and returned value is 0.</p> <p>0x0: Reserved</p> <p>0x1: Reserved</p> <p>0x3: Reserved</p> <p>0x2: 32-bit Address ADMA2 is selected</p>	RW	0x0
2	HSPE	<p>Before setting this bit, the Host Driver shall check the MMCHS_CAPA[21] HSS. This bit shall not be set when dual data rate mode is activated in MMCHS_CON[DDR].</p> <p>0x0: The Host Controller outputs CMD line and DAT lines at the falling edge of the SD Clock</p> <p>0x1: The Host Controller outputs CMD line and DAT lines at the rising edge of the SD Clock</p> <p>NOTE: Do not set this bit to 0x1 because device was timing closed with HSPE bit set to 0x0 for all supported modes of operation.</p>	RW	0
1	DTW	<p>Data transfer width</p> <p>For MMC card, this bit must be set following a valid SWITCH command (CMD6) with the correct value and extend CSD index written in the argument. Prior to this command, the MMC card configuration register (CSD and EXT_CSD) must be verified for compliance with MMC standard specification 4.x (see section 3.6).</p> <p>This register has no effect when the MMC 8-bit mode is selected (register MMCHS_CON[DW8] set to 1),</p> <p>For SD/SDIO cards, this bit must be set following a valid SET_BUS_WIDTH command (ACMD6) with the value written in bit 1 of the argument. Prior to this command, the SD card configuration register (SCR) must be verified for the supported bus width by the SD card.</p> <p>0x0: 1-bit Data width (DAT[0] used)</p> <p>0x1: 4-bit Data width (DAT[3:0] used)</p>	RW	0
0	LED	<p>Reserved bit.</p> <p>LED control feature is not supported</p> <p>This bit is initialized to zero, and writes to it are ignored.</p>	R	0

Table 25-101. Register Call Summary for Register MMCHS_HCTL

eMMC/SD/SDIO Functional Description

- [Power Management: \[0\]\[1\]\[2\]\[3\]\[4\]\[5\]](#)
- [Interrupt Requests: \[6\]\[7\]](#)
- [Master DMA Operations: \[8\]](#)
- [Transfer Stop: \[9\]\[10\]](#)
- [Output Signals Generation: \[11\]](#)
- [Generation on Falling Edge of MMC Clock: \[12\]](#)
- [Generation on Rising Edge of MMC Clock: \[13\]](#)
- [Test Registers: \[14\]\[15\]](#)

eMMC/SD/SDIO Programming Guide

- [Global Initialization: \[16\]\[17\]](#)
- [Operational Modes Configuration: \[18\]\[19\]](#)

eMMC/SD/SDIO Register Manual

- [eMMC/SD/SDIO Register Summary: \[20\]\[21\]](#)
- [eMMC/SD/SDIO Register Description: \[22\]\[23\]\[24\]\[25\]\[26\]\[27\]\[28\]\[29\]\[30\]\[31\]\[32\]\[33\]\[34\]\[35\]\[36\]\[37\]\[38\]\[39\]\[40\]\[41\]\[42\]](#)

Table 25-102. MMCHS_SYSCTL

Address Offset	0x0000 022C		
Physical Address	0x4809 C22C 0x480B 422C 0x480A D22C 0x480D 122C	Instance	MMC1 MMC2 MMC3 MMC4
Description	SD System Control Register This register defines the system controls to set software resets, clock frequency management and data timeout. MMCHS_SYSCTL[31:24] = Software resets MMCHS_SYSCTL[23:16] = Timeout control MMCHS_SYSCTL[15:0] = Clock control		
Type	RW		

31	30	29	28	27	26	25	24	23	22	21	20	19	18	17	16	15	14	13	12	11	10	9	8	7	6	5	4	3	2	1	0
RESERVED				SRD	SRC	SRA	RESERVED	DIO				CLKD				CGS	RESERVED	CEN	ICS	ICE											

Bits	Field Name	Description	Type	Reset
31:27	RESERVED		R	0x00
26	SRD	Software reset for DAT line This bit is set to 1 for reset and released to 0 when completed. For more information about SRD bit manipulation, see Section 25.5.1.2.1.2.1 DATA Lines Reset Procedure . DAT finite state machine in both clock domain are also reset. Here below are the registers cleared by MMCHS_SYSCTL[SRD]: - MMCHS_DATA - MMCHS_PSTATE: BRE, BWE, RTA, WTA, DLA and DATI - MMCHS_HCTL: SBGR and CR - MMCHS_STAT: BRR, BWR, BGE and TC Interconnect and MMC buffer data management is reinitialized. 0x0: Reset completed 0x1: Software reset for DAT line	RW	0
25	SRC	Software reset for CMD line For more information about SRC bit manipulation, see Section 25.5.1.2.1.1.1 CMD Line Reset Procedure . This bit is set to 1 for reset and released to 0 when completed. CMD finite state machine in both clock domain are also reset. Here below are the registers cleared by MMCHS_SYSCTL[SRC]: - MMCHS_PSTATE: CMDI - MMCHS_STAT: CC Interconnect and MMC command status management is reinitialized. 0x0: Reset completed 0x1: Software reset for CMD line	RW	0

Bits	Field Name	Description	Type	Reset
24	SRA	Software reset for all This bit is set to 1 for reset , and released to 0 when completed. This reset affects the entire host controller except for the capabilities registers (MMCHS_CAPA and MMCHS_CUR_CAPA). 0x0: Reset completed 0x1: Software reset for all the design	RW	0
23:20	RESERVED		R	0x0
19:16	DTO	Data timeout counter value and busy timeout. This value determines the interval by which DAT lines timeouts are detected. The host driver needs to set this bitfield based on - the maximum read access time (NAC) (Refer to the SD Specification Part1 Physical Layer), - the data read access time values (TAAC and NSAC) in the card specific data register (CSD) of the card, - the timeout clock base frequency (MMCHS_CAPA [TCF]). If the card does not respond within the specified number of cycles, a data timeout error occurs (MMCHS_STA [DTO]). The MMCHS_SYSCTL [DTO] register is also used to check busy duration, to generate busy timeout for commands with busy response or for busy programming during a write command. Timeout on CRC status is generated if no CRC token is present after a block write. 0xF: Reserved 0x0: TCF x 2 ¹³ 0x1: TCF x 2 ¹⁴ 0xE: TCF x 2 ²⁷	RW	0x0
15:6	CLKD	Clock frequency select These bits define the ratio between MMCi_FCLK and the output clock frequency on the CLK pin of either the memory card (MMC, SD or SDIO). 0x0: MMCi_FCLK bypass 0x1: MMCi_FCLK bypass 0x2: MMCi_FCLK / 2 0x3: MMCi_FCLK / 3 0x3FF: MMCi_FCLK / 1023	RW	0x000
5	CGS	Clock Generator Select - For SD cards Host Controller Version 3.00 supports this bit. This bit is used to select the clock generator mode in MMCHS_SYSCTL [15:6] CLKD. If the Programmable Clock Mode is supported (non-zero value is set to MMCHS_CAPA2 [23:16] CM), this bit attribute is RW, and if not supported, this bit attribute is RO and zero is read. This bit depends on the setting of MMCHS_AC12 [31] PV_ENABLE. If PV_ENABLE = 0, this bit is set by Host Driver. If PV_ENABLE = 1, this bit is automatically set to a value specified in one of Preset Value registers, see, Table 25-22 .	R	0
4:3	RESERVED		R	0x0
2	CEN	Clock enable This bit controls if the clock is provided to the card or not. 0x0: The clock is not provided to the card . Clock frequency can be changed . 0x1: The clock is provided to the card and can be automatically gated when MMCHS_SYSCONFIG [AUTOIDLE] is set to 1 (default value) . The host driver shall wait to set this bit to 1 until the Internal clock is stable (MMCHS_SYSCTL [ICS]).	RW	0

Bits	Field Name	Description	Type	Reset
1	ICS	Internal clock stable (status) This bit indicates either the internal clock is stable or not. Read 0x1: The internal clock is stable after enabling the clock (MMCHS_SYSCTL[ICE]) or after changing the clock ratio (MMCHS_SYSCTL[CLKD]). Read 0x0: The internal clock is not stable.	R	0
0	ICE	Internal clock enable This register controls the internal clock activity. In very low power state, the internal clock is stopped. Note: The activity of the debounce clock (used for wakeup events) and the interface clock (used for reads and writes to the module register map) are not affected by this register. 0x0: The internal clock is stopped (very low power state). 0x1: The internal clock oscillates and can be automatically gated when MMCHS_SYSCONFIG[AUTOIDLE] is set to 1 (default value) .	RW	0

Table 25-103. Register Call Summary for Register MMCHS_SYSCTL

eMMC/SD/SDIO Environment

- [Protocol: \[0\]](#)

eMMC/SD/SDIO Functional Description

- [Software Reset: \[1\]\[2\]\[3\]\[4\]\[5\]](#)
- [Power Management: \[6\]](#)

eMMC/SD/SDIO Programming Guide

- [Global Initialization: \[7\]](#)
- [Operational Modes Configuration: \[8\]\[9\]\[10\]\[11\]\[12\]\[13\]\[14\]\[15\]\[16\]\[17\]\[18\]\[19\]\[20\]\[21\]\[22\]\[23\]\[24\]\[25\]\[26\]](#)

eMMC/SD/SDIO Register Manual

- [eMMC/SD/SDIO Register Summary: \[27\]\[28\]](#)
- [eMMC/SD/SDIO Register Description: \[29\]\[30\]\[31\]\[32\]\[33\]\[34\]\[35\]\[36\]\[37\]\[38\]\[39\]\[40\]\[41\]\[42\]\[43\]\[44\]\[45\]\[46\]\[47\]\[48\]\[49\]\[50\]\[51\]\[52\]\[53\]\[54\]\[55\]\[56\]\[57\]\[58\]\[59\]\[60\]](#)

Table 25-104. MMCHS_STAT

Address Offset	0x0000 0230		
Physical Address	0x4809 C230 0x480B 4230 0x480A D230 0x480D 1230	Instance	MMC1 MMC2 MMC3 MMC4
Description	Interrupt Status Register The interrupt status regroups all the status of the module internal events that can generate an interrupt. MMCHS_STAT[31:16] = Error Interrupt Status MMCHS_STAT[15:0] = Normal Interrupt Status		
Type	RW		

31	30	29	28	27	26	25	24	23	22	21	20	19	18	17	16	15	14	13	12	11	10	9	8	7	6	5	4	3	2	1	0
RESERVED	BADA	CERR	RESERVED	TE	ADMAE	ACE	RESERVED	DEB	DCRC	DTO	CIE	CEB	CCRC	CTO	ERRI	RESERVED	BSR	OBI	CIRQ	CREM	CINS	BRR	BWR	DMA	BGE	TC	CC				

Bits	Field Name	Description	Type	Reset
31:30	RESERVED		R	0x0
29	BADA	<p>Bad access to data space This bit is set automatically to indicate a bad access to buffer when not allowed:</p> <ul style="list-style-type: none"> -This bit is set during a read access to the data register (MMCHS_DATA) while buffer reads are not allowed (MMCHS_PSTATE[BRE] =0) -This bit is set during a write access to the data register (MMCHS_DATA) while buffer writes are not allowed (MMCHS_STATE[BWE] =0) <p>Write 0x0: Status bit unchanged Write 0x1: Status is cleared Read 0x1: Bad Access Read 0x0: No Interrupt.</p>	RW	0
28	CERR	<p>Card error This bit is set automatically when there is at least one error in a response of type R1, R1b, R6, R5 or R5b. Only bits referenced as type E(error) in status field in the response can set a card status error. An error bit in the response is flagged only if corresponding bit in card status response error MMCHS_CSRE in set. There is no card error detection for autoCMD12 command. The host driver shall read MMCHS_RSP76 register to detect error bits in the command response.</p> <p>Write 0x0: Status bit unchanged Write 0x1: Status is cleared Read 0x1: Card error Read 0x0: No Error</p>	RW	0
27	RESERVED		R	0
26	TE	<p>Tuning Error This bit is set when an unrecoverable error is detected in a tuning circuit except during tuning procedure (Occurrence of an error during tuning procedure is indicated by Sampling Select). By detecting Tuning Error, Host Driver needs to abort a command executing and perform tuning. To reset tuning circuit, Sampling Clock shall be set to 0 before executing tuning procedure. The Tuning Error is higher priority than the other error interrupts generated during data transfer. By detecting Tuning Error, the Host Driver should discard data transferred by a current read/write command and retry data transfer after the Host Controller retrieved from tuning circuit error. The bit is set if the lock is lost (but not during the tuning process) or if the lock counter expires without the lock being asserted. If the latter happens, the SW can decide to ignore the interrupt and wait some more for the lock to be set.</p> <p>0x0: No Error 0x1: Error</p>	RW	0
25	ADMAE	<p>ADMA Error: This bit is set when the Host Controller detects errors during ADMA based data transfer. The state of the ADMA at an error occurrence is saved in the ADMA Error Status Register. In addition, the Host Controller generates this interrupt when it detects invalid descriptor data (Valid=0) at the ST_FDS state. ADMA Error State in the ADMA Error Status indicates that an error occurs in ST_FDS state. The Host Driver may find that Valid bit is not set at the error descriptor.</p> <p>Write 0x0: Status bit unchanged Write 0x1: Status is cleared Read 0x1: ADMA error Read 0x0: No Interrupt.</p>	RW	0

Bits	Field Name	Description	Type	Reset
24	ACE	<p>Auto CMD error</p> <p>Auto CMD12 and Auto CMD23 use this error status. This bit is set when detecting that one of the bits D00-D04 in Auto CMD Error Status register (MMCHS_AC12) has changed from 0 to 1. In case of Auto CMD12, this bit is set to 1, not only when the errors in Auto CMD12 occur but also when Auto CMD12 is not executed due to the previous command error.</p> <p>Write 0x0: Status bit unchanged</p> <p>Write 0x1: Status is cleared</p> <p>Read 0x1: Auto CMD error</p> <p>Read 0x0: No Error.</p>	RW	0
23	RESERVED		R	0
22	DEB	<p>Data End Bit error</p> <p>This bit is set automatically when detecting a 0 at the end bit position of read data on DAT line or at the end position of the CRC status in write mode.</p> <p>Write 0x0: Status bit unchanged</p> <p>Write 0x1: Status is cleared</p> <p>Read 0x1: Data end bit error</p> <p>Read 0x0: No Error</p>	RW	0
21	DCRC	<p>Data CRC Error</p> <p>This bit is set automatically when there is a CRC16 error in the data phase response following a block read command or if there is a 3-bit CRC status different of a position "010" token during a block write command.</p> <p>Write 0x0: Status bit unchanged</p> <p>Write 0x1: Status is cleared</p> <p>Read 0x1: Data CRC error</p> <p>Read 0x0: No Error.</p>	RW	0
20	DTO	<p>Data timeout error</p> <p>This bit is set automatically according to the following conditions:</p> <ul style="list-style-type: none"> - busy timeout for R1b, R5b response type - busy timeout after write CRC status - write CRC status timeout - read data timeout <p>Write 0x0: Status bit unchanged</p> <p>Write 0x1: Status is cleared</p> <p>Read 0x1: Time out</p> <p>Read 0x0: No error.</p>	RW	0
19	CIE	<p>Command index error</p> <p>This bit is set automatically when response index differs from corresponding command index previously emitted. It depends on the enable in MMCHS_CMD[CICE] register.</p> <p>Write 0x0: Status bit unchanged</p> <p>Write 0x1: Status is cleared</p> <p>Read 0x1: Command index error</p> <p>Read 0x0: No error.</p>	RW	0
18	CEB	<p>Command end bit error</p> <p>This bit is set automatically when detecting a 0 at the end bit position of a command response.</p> <p>Write 0x0: Status bit unchanged</p> <p>Write 0x1: Status is cleared</p> <p>Read 0x1: Command end bit error</p> <p>Read 0x0: No error.</p>	RW	0

Bits	Field Name	Description	Type	Reset
17	CCRC	<p>Command CRC Error</p> <p>This bit is set automatically when there is a CRC7 error in the command response depending on the enable in MMCHS_CMD[CCCE] register.</p> <p>Write 0x0: Status bit unchanged</p> <p>Write 0x1: Status is cleared</p> <p>Read 0x1: Command CRC error</p> <p>Read 0x0: No Error.</p>	RW	0
16	CTO	<p>Command Timeout Error</p> <p>This bit is set automatically when no response is received within 64 clock cycles from the end bit of the command. For commands that reply within 5 clock cycles - the timeout is still detected at 64 clock cycles.</p> <p>Write 0x0: Status bit unchanged</p> <p>Write 0x1: Status is cleared</p> <p>Read 0x1: Time Out</p> <p>Read 0x0: No error</p>	RW	0
15	ERRI	<p>Error Interrupt</p> <p>If any of the bits in the Error Interrupt Status register (MMCHS_STAT[31:16]) are set, then this bit is set to 1. Therefore the host driver can efficiently test for an error by checking this bit first. Writes to this bit are ignored.</p> <p>Read 0x1: Error interrupt event(s) occurred</p> <p>Read 0x0: No Interrupt.</p>	R	0
14:11	RESERVED		R	0x0
10	BSR	<p>Boot status received interrupt</p> <p>This bit is set automatically when MMCHS_CON[BOOT] is set 0x1 or 0x2 and a boot status is received on DAT[0] line. This interrupt is only useful for MMC card.</p> <p>Write 0x0: Status bit unchanged</p> <p>Write 0x1: Status is cleared</p> <p>Read 0x1: Boot status received interrupt.</p> <p>Read 0x0: No Interrupt.</p>	RW	0
9	OBI	<p>Out-Of-Band interrupt</p> <p>This bit is set automatically when MMCHS_CON[OBIE] is set and an Out-of-Band interrupt occurs on OBI pin. The interrupt detection depends on polarity controlled by MMCHS_CON[OBIP].</p> <p>This interrupt is only useful for MMC card. The Out-of-Band interrupt signal is a system specific feature for future use, this signal is not required for existing specification implementation.</p> <p>Write 0x0: Status bit unchanged</p> <p>Write 0x1: Status is cleared</p> <p>Read 0x1: Interrupt Out-Of-Band occurs</p> <p>Read 0x0: No Out-Of-Band interrupt.</p>	RW	0

Bits	Field Name	Description	Type	Reset
8	CIRQ	<p>Card interrupt</p> <p>This bit is only used for SD and SDIO and CE-ATA cards. In 1-bit mode, interrupt source is asynchronous (can be a source of asynchronous wakeup). In 4-bit mode, interrupt source is sampled during the interrupt cycle. In CE-ATA mode, interrupt source is detected when the card drives CMD line to zero during one cycle after data transmission end. All modes above are fully exclusive. The controller interrupt must be clear by setting MMCHS_IE[CIRQ] to 0, then the host driver must start the interrupt service with card (clearing card interrupt status) to remove card interrupt source. Otherwise the Controller interrupt will be reasserted as soon as MMCHS_IE[CIRQ] is set to 1. Writes to this bit are ignored.</p> <p>Read 0x1: Generate card interrupt</p> <p>Read 0x0: No card interrupt</p>	R	0
7	CREM	<p>Card removal</p> <p>This bit is set automatically when MMCHS_PSTATE[CINS] changes from 1 to 0. A clear of this bit doesn't affect Card inserted present state (MMCHS_PSTATE[CINS]).</p> <p>Write 0x0: Status bit unchanged</p> <p>Write 0x1: Status is cleared</p> <p>Read 0x1: Card removed</p> <p>Read 0x0: Card state stable or Debouncing</p>	RW	0
6	CINS	<p>Card insertion</p> <p>This bit is set automatically when MMCHS_PSTATE[CINS] changes from 0 to 1. A clear of this bit doesn't affect Card inserted present state (MMCHS_PSTATE[CINS]).</p> <p>Write 0x0: Status bit unchanged</p> <p>Write 0x1: Status is cleared</p> <p>Read 0x1: Card inserted</p> <p>Read 0x0: Card state stable or debouncing</p>	RW	0
5	BRR	<p>Buffer read ready</p> <p>This bit is set automatically during a read operation to the card (see class 2 - block oriented read commands) when one block specified by MMCHS_BLK[BLN] is completely written in the buffer. It indicates that the memory card has filled out the buffer and that the local host needs to empty the buffer by reading it. Note: If the DMA receive-mode is enabled, this bit is never set; instead a DMA receive request to the main DMA controller of the system is generated.</p> <p>Write 0x0: Status bit unchanged</p> <p>Write 0x1: Status is cleared</p> <p>Read 0x1: Ready to read buffer</p> <p>Read 0x0: Not Ready to read buffer</p>	RW	0

Bits	Field Name	Description	Type	Reset
4	BWR	<p>Buffer write ready</p> <p>This bit is set automatically during a write operation to the card (see class 4 - block oriented write command) when the host can write a complete block as specified by MMCHS_BLK[BLLEN]. It indicates that the memory card has emptied one block from the buffer and that the local host is able to write one block of data into the buffer.</p> <p>Note: If the DMA transmit mode is enabled, this bit is never set; instead, a DMA transmit request to the main DMA controller of the system is generated.</p> <p>Write 0x0: Status bit unchanged</p> <p>Write 0x1: Status is cleared</p> <p>Read 0x1: Ready to write buffer</p> <p>Read 0x0: Not Ready to write buffer</p>	RW	0
3	DMA	<p>DMA interrupt :</p> <p>This status is set when an interrupt is required in the ADMA instruction and after the data transfer completion.</p> <p>Write 0x0: Status bit unchanged</p> <p>Write 0x1: Status is cleared</p> <p>Read 0x1: No dma interrupt</p> <p>Read 0x0: Dma interrupt detected</p>	RW	0
2	BGE	<p>Block gap event</p> <p>When a stop at block gap is requested (MMCHS_HCTL[SBGR]), this bit is automatically set when transaction is stopped at the block gap during a read or write operation.</p> <p>This event does not occur when the stop at block gap is requested on the last block.</p> <p>In read mode, a 1-to-0 transition of the DAT Line active status (MMCHS_PSTATE[DLA]) between data blocks generates a Block gap event interrupt.</p> <p>Write 0x0: Status bit unchanged</p> <p>Write 0x1: Status is cleared</p> <p>Read 0x1: Transaction stopped at block gap</p> <p>Read 0x0: No block gap event</p>	RW	0
1	TC	<p>Transfer completed</p> <p>This bit is always set when a read/write transfer is completed or between two blocks when the transfer is stopped due to a stop at block gap request (MMCHS_HCTL[SBGR]).</p> <p>In Read mode: This bit is automatically set on completion of a read transfer (MMCHS_PSTATE[RTA]).</p> <p>In write mode: This bit is set automatically on completion of the DAT line use (MMCHS_PSTATE[DLA]).</p> <p>Write 0x0: Status bit unchanged</p> <p>Write 0x1: Status is cleared</p> <p>Read 0x1: Data transfer complete</p> <p>Read 0x0: No transfer complete</p>	RW	0

Bits	Field Name	Description	Type	Reset
0	CC	<p>Command complete</p> <p>This bit is set when a 1-to-0 transition occurs in the register command inhibit (MMCHS_PSTATE[CMDI])</p> <p>If the command is a type for which no response is expected, then the command complete interrupt is generated at the end of the command.</p> <p>A command timeout error (MMCHS_STAT[CTO]) has higher priority than command complete (MMCHS_STAT[CC]).</p> <p>If a response is expected but none is received, then a command timeout error is detected and signaled instead of the command complete interrupt.</p> <p>Write 0x0: Status bit unchanged</p> <p>Write 0x1: Status is cleared</p> <p>Read 0x1: Command complete</p> <p>Read 0x0: No Command complete</p>	RW	0

Table 25-105. Register Call Summary for Register MMCHS_STAT

eMMC/SD/SDIO Functional Description

- [Power Management: \[0\]\[1\]\[2\]\[3\]\[4\]\[5\]\[6\]](#)
- [Interrupt Requests: \[7\]\[8\]\[9\]\[10\]\[11\]\[12\]\[13\]\[14\]\[15\]\[16\]\[17\]\[18\]\[19\]\[20\]\[21\]\[22\]\[23\]\[24\]\[25\]\[26\]\[27\]\[28\]\[29\]\[30\]\[31\]\[32\]\[33\]\[34\]\[35\]\[36\]\[37\]\[38\]\[39\]](#)
- [Interrupt-Driven Operation: \[40\]\[41\]\[42\]\[43\]\[44\]\[45\]](#)
- [Polling: \[46\]\[47\]](#)
- [Master DMA Operations: \[48\]](#)
- [Data Buffer: \[49\]\[50\]\[51\]\[52\]\[53\]\[54\]](#)
- [Transfer or Command Status and Errors Reporting: \[55\]\[56\]](#)
- [Busy Time-Out for R1b, R5b Response Type: \[57\]](#)
- [Busy Time-Out After Write CRC Status: \[58\]](#)
- [Write CRC Status Time-Out: \[59\]](#)
- [Read Data Time-Out: \[60\]\[61\]](#)
- [Boot Acknowledge Time-Out: \[62\]\[63\]\[64\]\[65\]\[66\]\[67\]](#)
- [MMC CE-ATA Command Completion Disable Management: \[68\]](#)
- [Test Registers: \[69\]\[70\]](#)

eMMC/SD/SDIO Programming Guide

- [Operational Modes Configuration: \[71\]\[72\]\[73\]\[74\]\[75\]\[76\]\[77\]\[78\]\[79\]\[80\]\[81\]](#)

eMMC/SD/SDIO Register Manual

- [eMMC/SD/SDIO Register Summary: \[82\]\[83\]](#)
- [eMMC/SD/SDIO Register Description: \[84\]\[85\]\[86\]\[87\]\[88\]\[89\]\[90\]\[91\]\[92\]\[93\]\[94\]\[95\]\[96\]\[97\]\[98\]\[99\]\[100\]\[101\]\[102\]\[103\]\[104\]\[105\]\[106\]\[107\]\[108\]\[109\]\[110\]\[111\]\[112\]](#)

Table 25-106. MMCHS_IE

Address Offset	0x0000 0234		
Physical Address	0x4809 C234 0x480B 4234 0x480A D234 0x480D 1234	Instance	MMC1 MMC2 MMC3 MMC4
Description	Interrupt Status Enable Register This register allows to enable/disable the module to set status bits, on an event-by-event basis. MMCHS_IE[31:16] = Error Interrupt Status Enable MMCHS_IE[15:0] = Normal Interrupt Status Enable		
Type	RW		

31	30	29	28	27	26	25	24	23	22	21	20	19	18	17	16	15	14	13	12	11	10	9	8	7	6	5	4	3	2	1	0
RESERVED	BADA_ENABLE	CERR_ENABLE	RESERVED	TE_ENABLE	ADMAE_ENABLE	ACE_ENABLE	RESERVED	DEB_ENABLE	DCRC_ENABLE	DTO_ENABLE	CIE_ENABLE	CEB_ENABLE	CCRC_ENABLE	CTO_ENABLE	NULL	RESERVED	BSR_ENABLE	OBI_ENABLE	CIRQ_ENABLE	CREM_ENABLE	CINS_ENABLE	BRR_ENABLE	BWR_ENABLE	DMA_ENABLE	BGE_ENABLE	TC_ENABLE	CC_ENABLE				

Bits	Field Name	Description	Type	Reset
31:30	RESERVED		R	0x0
29	BADA_ENABLE	Bad access to data space Status Enable 0x0: Masked 0x1: Enabled	RW	0
28	CERR_ENABLE	Card Error Status Enable 0x0: Masked 0x1: Enabled	RW	0
27	RESERVED		R	0
26	TE_ENABLE	Tuning Error Status Enable 0x0: Masked 0x1: Enabled	RW	0
25	ADMAE_ENABLE	ADMA Error Status Enable 0x0: Masked 0x1: Enabled	RW	0
24	ACE_ENABLE	Auto CMD Error Status Enable 0x0: Masked 0x1: Enabled	RW	0
23	RESERVED		R	0
22	DEB_ENABLE	Data End Bit Error Status Enable 0x0: Masked 0x1: Enabled	RW	0
21	DCRC_ENABLE	Data CRC Error Status Enable 0x0: Masked 0x1: Enabled	RW	0
20	DTO_ENABLE	Data Timeout Error Status Enable 0x0: The data timeout detection is deactivated. The host controller provides the clock to the card until the card sends the data or the transfer is aborted. 0x1: The data timeout detection is enabled.	RW	0
19	CIE_ENABLE	Command Index Error Status Enable 0x0: Masked 0x1: Enabled	RW	0

Bits	Field Name	Description	Type	Reset
18	CEB_ENABLE	Command End Bit Error Status Enable 0x0: Masked 0x1: Enabled	RW	0
17	CCRC_ENABLE	Command CRC Error Status Enable 0x0: Masked 0x1: Enabled	RW	0
16	CTO_ENABLE	Command Timeout Error Status Enable 0x0: Masked 0x1: Enabled	RW	0
15	NULL	Fixed to 0 The host driver shall control error interrupts using the Error Interrupt Signal Enable register. Writes to this bit are ignored	R	0
14:11	RESERVED		R	0x0
10	BSR_ENABLE	Boot Status Enable A write to this register when MMCHS_CON[BOOT_ACK] is set to 0x0 is ignored. 0x0: Masked 0x1: Enabled	RW	0
9	OBI_ENABLE	Out-of-Band Status Enable A write to this register when MMCHS_CON[OBIE] is set to '0' is ignored. 0x0: Masked 0x1: Enabled	RW	0
8	CIRQ_ENABLE	Card Status Enable A clear of this bit also clears the corresponding status bit. During 1-bit mode, if the interrupt routine doesn't remove the source of a card interrupt in the SDIO card, the status bit is reasserted when this bit is set to 1. 0x0: Masked 0x1: Enabled	RW	0
7	CREM_ENABLE	Card Removal Status Enable 0x0: Masked 0x1: Enabled	RW	0
6	CINS_ENABLE	Card Insertion Status Enable 0x0: Masked 0x1: Enabled	RW	0
5	BRR_ENABLE	Buffer Read Ready Status Enable 0x0: Masked 0x1: Enabled	RW	0
4	BWR_ENABLE	Buffer Write Ready Status Enable 0x0: Masked 0x1: Enabled	RW	0
3	DMA_ENABLE	DMA Status Enable 0x0: Masked 0x1: Enabled	RW	0
2	BGE_ENABLE	Block Gap Event Status Enable 0x0: Masked 0x1: Enabled	RW	0
1	TC_ENABLE	Transfer Complete Status Enable 0x0: Masked 0x1: Enabled	RW	0

Bits	Field Name	Description	Type	Reset
0	CC_ENABLE	Command Complete Status Enable 0x0: Masked 0x1: Enabled	RW	0

Table 25-107. Register Call Summary for Register MMCHS_IE

eMMC/SD/SDIO Functional Description

- [Power Management: \[0\]\[1\]\[2\]\[3\]\[4\]\[5\]](#)
- [Interrupt Requests: \[6\]\[7\]\[8\]\[9\]\[10\]\[11\]\[12\]\[13\]\[14\]\[15\]\[16\]\[17\]\[18\]\[19\]\[20\]\[21\]\[22\]\[23\]\[24\]\[25\]\[26\]\[27\]\[28\]\[29\]\[30\]\[31\]](#)
- [Interrupt-Driven Operation: \[32\]\[33\]](#)

eMMC/SD/SDIO Programming Guide

- [Global Initialization: \[34\]](#)
- [Operational Modes Configuration: \[35\]\[36\]\[37\]\[38\]](#)

eMMC/SD/SDIO Register Manual

- [eMMC/SD/SDIO Register Summary: \[39\]\[40\]](#)
- [eMMC/SD/SDIO Register Description: \[41\]\[42\]\[43\]\[44\]](#)

Table 25-108. MMCHS_ISE

Address Offset	0x0000 0238	Instance	MMC1
Physical Address	0x4809 C238 0x480B 4238 0x480A D238 0x480D 1238		MMC2 MMC3 MMC4
Description	Interrupt Signal Enable Register This register allows to enable/disable the module internal sources of status, on an event-by-event basis. MMCHS_ISE[31:16] = Error Interrupt Signal Enable MMCHS_ISE[15:0] = Normal Interrupt Signal Enable		
Type	RW		

31	30	29	28	27	26	25	24	23	22	21	20	19	18	17	16	15	14	13	12	11	10	9	8	7	6	5	4	3	2	1	0
RESERVED	BADA_SIGEN	CERR_SIGEN	RESERVED	TE_SIGEN	ADMAE_SIGEN	ACE_SIGEN	RESERVED	DEB_SIGEN	DCRC_SIGEN	DTO_SIGEN	CIE_SIGEN	CEB_SIGEN	CCRC_SIGEN	CTO_SIGEN	NULL	RESERVED	BSR_SIGEN	OBI_SIGEN	CIRQ_SIGEN	CREM_SIGEN	CINS_SIGEN	BRR_SIGEN	BWR_SIGEN	DMA_SIGEN	BGE_SIGEN	TC_SIGEN	CC_SIGEN				

Bits	Field Name	Description	Type	Reset
31:30	RESERVED		R	0x0
29	BADA_SIGEN	Bad access to data space Signal Enable 0x0: Masked 0x1: Enabled	RW	0
28	CERR_SIGEN	Card Error Interrupt Signal Enable 0x0: Masked 0x1: Enabled	RW	0
27	RESERVED		R	0
26	TE_SIGEN	Tuning Error Signal Enable 0x0: Masked 0x1: Enabled	RW	0
25	ADMAE_SIGEN	ADMA Error Signal Enable 0x0: Masked 0x1: Enabled	RW	0

Bits	Field Name	Description	Type	Reset
24	ACE_SIGEN	Auto CMD Error Signal Enable 0x0: Masked 0x1: Enabled	RW	0
23	RESERVED		R	0
22	DEB_SIGEN	Data End Bit Error Signal Enable 0x0: Masked 0x1: Enabled	RW	0
21	DCRC_SIGEN	Data CRC Error Signal Enable 0x0: Masked 0x1: Enabled	RW	0
20	DTO_SIGEN	Data Timeout Error Signal Enable 0x0: Masked 0x1: Enabled	RW	0
19	CIE_SIGEN	Command Index Error Signal Enable 0x0: Masked 0x1: Enabled	RW	0
18	CEB_SIGEN	Command End Bit Error Signal Enable 0x0: Masked 0x1: Enabled	RW	0
17	CCRC_SIGEN	Command CRC Error Signal Enable 0x0: Masked 0x1: Enabled	RW	0
16	CTO_SIGEN	Command timeout Error Signal Enable 0x0: Masked 0x1: Enabled	RW	0
15	NULL	Fixed to 0 The host driver shall control error interrupts using the Error Interrupt Signal Enable register. Writes to this bit are ignored	R	0
14:11	RESERVED		R	0x0
10	BSR_SIGEN	Boot Status Signal Enable A write to this register when MMCHS_CON[BOOT_ACK] is set to 0x0 is ignored. 0x0: Masked 0x1: Enabled	RW	0
9	OBI_SIGEN	Out-Of-Band Interrupt Signal Enable A write to this register when MMCHS_CON[OBIE] is set to '0' is ignored. 0x0: Masked 0x1: Enabled	RW	0
8	CIRQ_SIGEN	Card Interrupt Signal Enable 0x0: Masked 0x1: Enabled	RW	0
7	CREM_SIGEN	Card Removal Signal Enable 0x0: Masked 0x1: Enabled	RW	0
6	CINS_SIGEN	Card Insertion Signal Enable 0x0: Masked 0x1: Enabled	RW	0

Bits	Field Name	Description	Type	Reset
5	BRR_SIGEN	Buffer Read Ready Signal Enable 0x0: Masked 0x1: Enabled	RW	0
4	BWR_SIGEN	Buffer Write Ready Signal Enable 0x0: Masked 0x1: Enabled	RW	0
3	DMA_SIGEN	DMA Interrupt Signal Enable 0x0: Masked 0x1: Enabled	RW	0
2	BGE_SIGEN	Black Gap Event Signal Enable 0x0: Masked 0x1: Enabled	RW	0
1	TC_SIGEN	Transfer Completed Status Enable 0x0: Masked 0x1: Enabled	RW	0
0	CC_SIGEN	Command Complete Status Enable 0x0: Masked 0x1: Enabled	RW	0

Table 25-109. Register Call Summary for Register MMCHS_ISE

eMMC/SD/SDIO Functional Description

- [Power Management: \[0\]\[1\]](#)
- [Interrupt Requests: \[2\]\[3\]\[4\]\[5\]\[6\]](#)
- [Polling: \[7\]](#)

eMMC/SD/SDIO Programming Guide

- [Operational Modes Configuration: \[8\]](#)

eMMC/SD/SDIO Register Manual

- [eMMC/SD/SDIO Register Summary: \[9\]\[10\]](#)
- [eMMC/SD/SDIO Register Description: \[11\]\[12\]\[13\]](#)

Table 25-110. MMCHS_AC12

Address Offset	0x0000 023C	
Physical Address	0x4809 C23C 0x480B 423C 0x480A D23C 0x480D 123C	Instance MMC1 MMC2 MMC3 MMC4
Description	Host Control 2 Register and Auto CMD Error Status Register This register is used to indicate CMD12 response error of Auto CMD12 and CMD23 response error of Auto CMD23. The Host driver can determine what kind of Auto CMD12 / CMD23 errors occur by this register. Auto CMD23 errors are indicated only in bits[4:1]. Bits[7:0] are valid only when the MMCHS_CMD[3:2] ACEN bitfield is configured to enable Auto CMD and the Auto CMD Error bit (MMCHS_STAT[24] ACE) is set.	
Type	RW	

31	30	29	28	27	26	25	24	23	22	21	20	19	18	17	16	15	14	13	12	11	10	9	8	7	6	5	4	3	2	1	0
PV_ENABLE	AL_ENABLE	RESERVED						SCLK_SEL	ET	DS_SEL	V1V8_SIGEN	UHSMS				RESERVED						CNI	RESERVED	ACIE	ACEB	ACCE	ACTO	ACNE			

Bits	Field Name	Description	Type	Reset
31	PV_ENABLE	<p>Preset Value Enable</p> <p>Host Controller Version 3.00 supports this bit.</p> <p>As the operating SDCLK frequency and I/O driver strength depend on the Host System implementation, it is difficult to determine these parameters in the Standard Host Driver. When Preset Value Enable is set, automatic SDCLK frequency generation and driver strength selection is performed without considering system specific conditions. This bit enables the functions defined in the Preset Value registers, see, Table 25-22.</p> <p>If this bit is set to 0, MMCHS_SYSCTL[15:6] CLKD, MMCHS_SYSCTL[5] CGS and MMCHS_AC12[21:20] DS_SEL are set by Host Driver.</p> <p>If this bit is set to 1, MMCHS_SYSCTL[15:6] CLKD, MMCHS_SYSCTL[5] CGS and MMCHS_AC12[21:20] DS_SEL are set by Host Controller as specified in the Preset Value registers, see, Table 25-22.</p> <p>0x0: SDCLK and Driver Strength (DS_SEL) are controlled by Host Driver.</p> <p>0x1: Automatic Selection by Preset Value are Enabled.</p>	RW	0
30	AI_ENABLE	<p>Asynchronous Interrupt Enable</p> <p>This bit can be set to 1 if a card supports asynchronous interrupts and MMCHS_CAPA[29] AIS is set to 1. Asynchronous interrupt is effective when DAT[1] interrupt is used in 4-bit SD mode (and zero is set to Interrupt Pin Select in the Shared Bus Control register). If this bit is set to 1, the Host Driver can stop the SDCLK during asynchronous interrupt period to save power. During this period, the Host Controller continues to deliver the Card Interrupt to the host when it is asserted by the Card.</p> <p>0x0: Disabled</p> <p>0x1: Enabled</p>	RW	0
29:24	RESERVED		R	0x00
23	SCLK_SEL	<p>Sampling Clock Select</p> <p>Host Controller uses this bit to select sampling clock to receive CMD and DAT. This bit is set by tuning procedure and valid after the completion of tuning (when MMCHS_AC12[22] ET is cleared). Setting 1 means that tuning is completed successfully and setting 0 means that tuning is failed. Writing 1 to this bit is meaningless and ignored. A tuning circuit is reset by writing to 0. This bit can be cleared with setting MMCHS_AC12[22] ET. Once the tuning circuit is reset, it will take time to complete tuning sequence. Therefore, Host Driver should keep this bit to 1 to perform re-tuning sequence to complete re-tuning sequence in a short time. Change of this bit is not allowed while the Host Controller is receiving response or a read data block.</p> <p>0x0: Fixed clock is used to sample data</p> <p>0x1: Tuned clock is used to sample data</p>	RW	0
22	ET	<p>Execute Tuning</p> <p>This bit is set to 1 to start tuning procedure and automatically cleared when tuning procedure is completed. The result of tuning is indicated to MMCHS_AC12[23] SCLK_SEL. Tuning procedure is aborted by writing 0.</p> <p>This is Read-Write with automatic clear register</p> <p>0x0: Not Tuned or Tuning Completed</p> <p>0x1: Execute Tuning</p>	RW	0

Bits	Field Name	Description	Type	Reset
21:20	DS_SEL	<p>Driver Strength Select</p> <p>Host Controller output driver in 1.8V signaling is selected by this bit. In 3.3V signaling, this field is not effective. This field can be set depending on Driver Type A, C and D support bits (DTA, DTC and DTD respectively) in the MMCHS_CAPA2 register.</p> <p>This bit depends on setting of Preset Value Enable. If Preset Value Enable = 0, this field is set by Host Driver. If Preset Value Enable = 1, this field is automatically set by a value specified in the one of Preset Value registers, see, Table 25-22.</p> <p>0x0: Driver Type B is selected (Default)</p> <p>0x1: Driver Type A is selected</p> <p>0x3: Driver Type D is selected</p> <p>0x2: Driver Type C is selected</p>	RW	0x0
19	V1V8_SIGEN	<p>1.8V Signaling Enable</p> <p>This bit controls voltage regulator for I/O cell. 3.3V is supplied to the card regardless of signaling voltage. Setting this bit from 0 to 1 starts changing signal voltage from 3.3V to 1.8V. 1.8V regulator output shall be stable within 5ms. Host Controller clears this bit if switching to 1.8V signaling fails.</p> <p>Clearing this bit from 1 to 0 starts changing signal voltage from 1.8V to 3.3V. 3.3V regulator output shall be stable within 5ms.</p> <p>Host Driver can set this bit to 1 when Host Controller supports 1.8V signaling (One of support bits is set to 1: SDR50, SDR104 or DDR50 in MMCHS_CAPA2 register) and the card or device supports UHS-I (S18A=1. Refer to Bus Signal Voltage Switch Sequence in the Physical Layer Specification Version 3.0x).</p> <p>0x0: 3.3V Signaling</p> <p>0x1: 1.8V Signaling</p>	RW	0
18:16	UHSMS	<p>UHS Mode Select</p> <p>This field is used to select one of UHS-I modes or eMMC HS200 mode and is effective when 1.8V Signaling Enable is set to 1.</p> <p>If MMCHS_AC12[31] PV_ENABLE is set to 1, Host Controller sets MMCHS_SYSCTL[15:6] CLKD, MMCHS_SYSCTL[5] CGS and MMCHS_AC12[21:20] DS_SEL according to Preset Value registers, see, Table 25-22. In this case, one of preset value registers is selected by this field. Host Driver needs to reset MMCHS_SYSCTL[2] CEN before changing this field to avoid generating clock glitch. After setting this field, Host Driver sets MMCHS_SYSCTL[2] CEN again.</p> <p>When SDR50, SDR104 or DDR50 is selected for SDIO card, interrupt detection at the block gap shall not be used. Read Wait timing is changed for these modes. Refer to the SDIO Specification Version 3.00 for more detail.</p> <p>0x0: SDR12</p> <p>0x1: SDR25</p> <p>0x2: SDR50</p> <p>0x3: SDR104/HS200</p> <p>0x4: DDR50</p> <p>0x5: Reserved</p> <p>0x6: Reserved</p> <p>0x7: Reserved</p>	RW	0x0
15:8	RESERVED		R	0x00

Bits	Field Name	Description	Type	Reset
7	CNI	<p>Command Not Issued By Auto CMD12 Error Setting this bit to 1 means CMD_wo_DAT is not executed due to an Auto CMD12 Error (D04-D01) in this register. This bit is set to 0 when Auto CMD Error is generated by Auto CMD23.</p> <p>Read 0x1: Command not issued Read 0x0: No error</p>	R	0
6:5	RESERVED		R	0x0
4	ACIE	<p>Auto CMD Index Error - For Auto CMD12 and Auto CMD23 This bit is set if the Command Index error occurs in response to a command.</p> <p>Read 0x1: Error Read 0x0: No error</p>	R	0
3	ACEB	<p>Auto CMD End Bit Error - For Auto CMD12 and Auto CMD23 This bit is set when detecting that the end bit of command response is 0.</p> <p>Read 0x1: End bit Error Generated Read 0x0: No error</p>	R	0
2	ACCE	<p>Auto CMD CRC Error - For Auto CMD12 and Auto CMD23 This bit is set when detecting a CRC error in the command response.</p> <p>Read 0x1: CRC Error Generated Read 0x0: No error</p>	R	0
1	ACTO	<p>Auto CMD Timeout Error - For Auto CMD12 and Auto CMD23 This bit is set if no response is returned within 64 SDCLK cycles from the end bit of command. If this bit is set to 1, the other error status bits (D04-D02) are meaningless.</p> <p>Read 0x1: Auto CMD Time Out Read 0x0: No error</p>	R	0
0	ACNE	<p>Auto CMD12 Not Executed If memory multiple block data transfer is not started due to command error, this bit is not set because it is not necessary to issue Auto CMD12. Setting this bit to 1 means the Host Controller cannot issue Auto CMD12 to stop memory multiple block data transfer due to some error. If this bit is set to 1, other error status bits (D04-D01) are meaningless. This bit is set to 0 when Auto CMD Error is generated by Auto CMD23.</p> <p>Read 0x1: Auto CMD12 Not Executed Read 0x0: Auto CMD12 Executed</p>	R	0

Table 25-111. Register Call Summary for Register MMCHS_AC12

eMMC/SD/SDIO Functional Description

- [Interrupt Requests: \[0\]](#)
- [Asynchronous Interrupt: \[1\]\[2\]](#)
- [Different Types of Responses: \[3\]](#)
- [Sampling Clock Tuning: \[4\]\[5\]](#)

eMMC/SD/SDIO Programming Guide

- [Operational Modes Configuration: \[6\]\[7\]](#)

eMMC/SD/SDIO Register Manual

- [eMMC/SD/SDIO Register Summary: \[8\]\[9\]](#)
- [eMMC/SD/SDIO Register Description: \[10\]\[11\]\[12\]\[13\]\[14\]\[15\]\[16\]\[17\]\[18\]\[19\]\[20\]\[21\]\[22\]\[23\]\[24\]](#)

Table 25-112. MMCHS_CAPA

Address Offset	0x0000 0240		
Physical Address	0x4809 C240 0x480B 4240 0x480A D240 0x480D 1240	Instance	MMC1 MMC2 MMC3 MMC4
Description	Capabilities Register This register lists the capabilities of the MMC/SD/SDIO host controller.		
Type	RW		

31	30	29	28	27	26	25	24	23	22	21	20	19	18	17	16	15	14	13	12	11	10	9	8	7	6	5	4	3	2	1	0		
RESERVED	RESERVED	AIS	BIT64	RESERVED	VS18	VS30	VS33	SRS	DS	HSS	RESERVED	AD2S	RESERVED	MBL											TCU	RESERVED							TCF

Bits	Field Name	Description	Type	Reset
31:30	RESERVED		R	0x0
29	AIS	Asynchronous Interrupt Support Refer to SDIO Specification Version 3.00 about asynchronous interrupt. Read 0x1: Asynchronous Interrupt Supported Read 0x0: Asynchronous Interrupt Not Supported	R	1
28	BIT64	64 Bit System Bus Support Setting 1 to this bit indicates that the Host Controller supports 64-bit address descriptor mode and is connected to 64-bit address system bus. Read 0x1: 64 bit System bus address Read 0x0: 32 bit System bus address	R	0
27	RESERVED		R	0
26	VS18	Voltage support 1.8V Initialization of this register (via a write access to this register) depends on the system capabilities. The host driver shall not modify this register after the initialization. This register is only reinitialized by a hard reset (via RESETN signal) Write 0x0: 1.8V Not supported Write 0x1: 1.8V Supported Read 0x1: 1.8V Supported Read 0x0: 1.8V Not Supported	RW	0
25	VS30	Voltage support 3.0V Initialization of this register (via a write access to this register) depends on the system capabilities. The host driver shall not modify this register after the initialization. This register is only reinitialized by a hard reset (via RESETN signal) Write 0x0: 3.0V Not supported Write 0x1: 3.0V Supported Read 0x1: 3.0V Supported Read 0x0: 3.0V Not Supported	RW	0

Bits	Field Name	Description	Type	Reset
24	VS33	<p>Voltage support 3.3V</p> <p>Initialization of this register (via a write access to this register) depends on the system capabilities. The host driver shall not modify this register after the initialization. This register is only reinitialized by a hard reset (via RESETN signal)</p> <p>Write 0x0: 3.3V Not supported</p> <p>Write 0x1: 3.3V Supported</p> <p>Read 0x1: 3.3V Supported</p> <p>Read 0x0: 3.3V Not Supported</p>	RW	0
23	SRS	<p>Suspend/Resume support (SDIO cards only)</p> <p>This bit indicates whether the host controller supports Suspend/Resume functionality.</p> <p>Read 0x1: The Host controller supports Suspend/Resume functionality.</p> <p>Read 0x0: The Host controller does not Suspend/Resume functionality.</p>	R	1
22	DS	<p>DMA support</p> <p>This bit indicates that the Host Controller is able to use DMA to transfer data between system memory and the Host Controller directly.</p> <p>Read 0x1: DMA Supported</p> <p>Read 0x0: DMA Not Supported</p>	R	1
21	HSS	<p>High speed support</p> <p>This bit indicates that the host controller supports high speed operations and can supply an up-to maximum card frequency.</p> <p>Read 0x1: High Speed Supported</p> <p>Read 0x0: High Speed Not Supported</p> <p>NOTE: High Speed modes are supported, but MMCHS_HCTL[HSPE] bit must always be set to 0x0 because device was timing closed with HSPE bit set to 0x0 for all supported modes of operation.</p>	R	1
20	RESERVED		R	0
19	AD2S	<p>ADMA2 Support</p> <p>This bit indicates whether the Host Controller is capable of using ADMA2. It depends on setting of generic parameter MADMA_EN</p> <p>Read 0x1: ADMA2 Supported</p> <p>Read 0x0: ADMA2 not Supported</p>	R	0
18	RESERVED		R	0
17:16	MBL	<p>Maximum block length</p> <p>This value indicates the maximum block size that the host driver can read and write to the buffer in the host controller.</p> <p>This value depends on definition of generic parameter with a max value of 2048 bytes.</p> <p>The host controller supports 512 bytes and 1024 bytes block transfers.</p> <p>Read 0x2: 2048 bytes</p> <p>Read 0x1: 1024 bytes</p> <p>Read 0x0: 512 bytes</p>	R	0x1

Bits	Field Name	Description	Type	Reset
15:8	BCF	<p>Base Clock Frequency For SD Clock This value indicates the base (maximum) clock frequency for the SD Clock. 8-bit Base Clock Frequency This mode is supported by the Host Controller Version 3.00. Unit values are 1MHz. The supported clock range is 10MHz to 255MHz. FFh : 255MHz : 02h : 2MHz 01h : 1MHz 00h : Get information via another method If the real frequency is 16.5MHz, the larger value shall be set 0001 0001b (17MHz) because the Host Driver use this value to calculate the clock divider value (Refer to MMCHS_SYSCTL[15:6] CLKD) and it shall not exceed upper limit of the SD Clock frequency. If these bits are all 0, the Host System has to get information via another method.</p> <p>Read 0x0: The value indicating the base (maximum) frequency for the output clock provided to the card is system dependent and is not available in this register. Get the information via another method.</p>	R	0x00
7	TCU	<p>Timeout clock unit This bit shows the unit of base clock frequency used to detect Data Timeout Error (MMCHS_STAT[DTO]).</p> <p>Read 0x1: MHz Read 0x0: KHz</p>	R	1
6	RESERVED		R	0
5:0	TCF	<p>Timeout clock frequency The timeout clock frequency is used to detect Data Timeout Error (MMCHS_STAT[DTO]).</p> <p>Read 0x0: The timeout clock frequency depends on the frequency of the clock provided to the card. The value of the timeout clock frequency is not available in this register.</p>	R	0x00

Table 25-113. Register Call Summary for Register MMCHS_CAPA

eMMC/SD/SDIO Functional Description

- [Software Reset: \[0\]](#)
- [Asynchronous Interrupt: \[1\]](#)
- [Data Buffer: \[2\]](#)

eMMC/SD/SDIO Programming Guide

- [Global Initialization: \[3\]](#)

eMMC/SD/SDIO Register Manual

- [eMMC/SD/SDIO Register Summary: \[4\]\[5\]](#)
- [eMMC/SD/SDIO Register Description: \[6\]\[7\]\[8\]\[9\]\[10\]\[11\]\[12\]\[13\]](#)

Table 25-114. MMCHS_CAPA2

Address Offset	0x0000 0244		
Physical Address	0x4809 C244 0x480B 4244 0x480A D244 0x480D 1244	Instance	MMC1 MMC2 MMC3 MMC4
Description	Capabilities 2 Register This register provides the Host Driver with information specific to the Host Controller implementation. The Host Controller may implement these values as fixed or loaded from flash memory during power on initialization. Refer to Software Reset For All in the Software Reset register for loading from flash memory and completion timing control.		
Type	R		

31	30	29	28	27	26	25	24	23	22	21	20	19	18	17	16	15	14	13	12	11	10	9	8	7	6	5	4	3	2	1	0		
RESERVED								CM								RTM		TSDR50		RESERVED		TCRT				RESERVED	DTD	DTC	DTA	RESERVED	DDR50	SDR104	SDR50

Bits	Field Name	Description	Type	Reset
31:24	RESERVED		R	0x00
23:16	CM	Clock Multiplier This field indicates clock multiplier value of programmable clock generator. Refer to MMCHS_SYSCTL [15:0]. Setting 00h means that Host Controller does not support programmable clock generator. 00h : Clock Multiplier is Not Supported 01h : Clock Multiplier M = 2 02h : Clock Multiplier M = 3 : FFh : Clock Multiplier M = 256	R	0x00

Bits	Field Name	Description	Type	Reset
15:14	RTM	<p>Re-Tuning Modes</p> <p>This field selects re-tuning method and limits the maximum data length.</p> <p>Bit47-46 Re-Tuning Mode Re-Tuning Method Data Length</p> <p>There are two re-tuning timings: Re-Tuning Request controlled by the Host Controller and expiration of a Re-Tuning Timer controlled by the Host Driver. By receiving either timing, the Host Driver executes the re-tuning procedure just before a next command issue. The maximum data length per read/write command is restricted so that re-tuning procedures can be inserted during data transfers.</p> <p>(1) Re-Tuning Mode 1</p> <p>The host controller does not have any internal logic to detect when the re-tuning needs to be performed. In this case, the Host Driver should maintain all re-tuning timings by using a Re-Tuning Timer. To enable inserting the re-tuning procedure during data transfers, the data length per read/write command shall be limited up to 4 MiB.</p> <p>(2) Re-Tuning Mode 2</p> <p>The host controller has the capability to indicate the re-tuning timing by Re-Tuning Request during data transfers. Then the data length per read/write command shall be limited up to 4 MiB. During non data transfer, re-tuning timing is determined by either Re-Tuning Request or Re-Tuning Timer. If Re-Tuning Request is used, Re-Tuning Timer should be disabled.</p> <p>(3) Re-Tuning Mode 3</p> <p>The host controller has the capability to take care of the re-tuning during data transfer (Auto Re-Tuning). Re-Tuning Request shall not be generated during data transfers and there is no limitation to data length per read/write command. During non data transfer, re-tuning timing is determined by either Re-Tuning Request or Re-Tuning Timer. If Re-Tuning Request is used, Re-Tuning Timer should be disabled.</p> <p>Re-Tuning Timer Control Example for Re-Tuning Mode 1</p> <p>The initial value of re-tuning timer is provided by Timer Count for Re-Tuning field in this register. The timer starts counting by loading the initial value. When the timer expires, the Host Driver marks an expiration flag. On receiving a command request, the Host driver checks the expiration flag. If the expiration flag is set, then the Host Driver should perform the re-tuning procedure before issuing a command. If the expiration flag is not set, then the Host Driver issues a command without performing the re-tuning procedure. Every time the re-tuning procedure is performed, the timer loads the new initial value and the expiration flag is cleared.</p> <p>Re-Tuning Timer Control Example for Re-Tuning Mode 2 and Mode 3</p> <p>The timer control is almost the same as Re-Tuning Mode 1 except the timer loads the new initial value after data transfer (when receiving Transfer Complete). In case of Mode 3, Timer Count for Re-Tuning is set either smaller value: Tuning effective time after re-tuning procedure or after data transfer. If a Host System goes into power down mode, the Host Driver should stop the re-tuning timer and set the expiration flag to 1 when the Host System resumes from power down mode.</p> <p>Read 0x3: Reserved</p> <p>Read 0x2: Auto Re-Tuning (for transfer) - Timer and Re-Tuning Request</p> <p>Read 0x1: Timer and Re-Tuning Request - Max data length 4 MiB</p> <p>Read 0x0: Timer - Max data length 4 MiB</p>	R	0x0

Bits	Field Name	Description	Type	Reset
13	TSDR50	Use Tuning for SDR50 If this bit is set to 1, this Host Controller requires tuning to operate SDR50. (Tuning is always required to operate SDR104.) Read 0x1: SDR50 requires tuning. Read 0x0: SDR50 does not require tuning.	R	0
12	RESERVED		R	0
11:8	TCRT	Timer Count for Re-Tuning This field indicates an initial value of the Re-Tuning Timer for Re-Tuning Mode 1 to 3. Setting to 0 disables Re-Tuning Timer. Read 0x3: 4 seconds Read 0xE: Reserved Read 0xC: Reserved Read 0x4: 8 seconds Read 0xB: 1024 seconds Read 0xF: Get information from other source Read 0x2: 2 seconds Read 0x0: Re-Tuning Timer disabled Read 0xA: 512 seconds Read 0x6: 32 seconds Read 0x1: 1 second Read 0x8: 128 seconds Read 0x7: 64 seconds Read 0x9: 256 seconds Read 0xD: Reserved Read 0x5: 16 seconds	R	0xF
7	RESERVED		R	0
6	DTD	Driver Type D Support This bit indicates support of Driver Type D for 1.8 Signaling. Read 0x1: Driver Type D is Supported Read 0x0: Driver Type D is Not Supported.	R	1
5	DTC	Driver Type C Support This bit indicates support of Driver Type C for 1.8 Signaling. Read 0x1: Driver Type C is Supported. Read 0x0: Driver Type C is Not Supported.	R	1
4	DTA	Driver Type A Support This bit indicates support of Driver Type A for 1.8 Signaling. Read 0x1: Driver Type A is Supported. Read 0x0: Driver Type A is Not Supported.	R	1
3	RESERVED		R	0
2	DDR50	DDR50 Support Read 0x1: DDR50 is Supported. Read 0x0: DDR50 is Not Supported.	R	1 ⁽¹⁾
1	SDR104	SDR104 Support SDR104 requires tuning. Read 0x1: SDR104 is Supported. Read 0x0: SDR104 is Not Supported.	R	1 ⁽¹⁾

⁽¹⁾ This bit is only supported by the MMC modules listed in [Table 25-116](#). The value should be ignored for any modules not listed.

Bits	Field Name	Description	Type	Reset
0	SDR50	SDR50 Support If SDR104 is supported, this bit shall be set to 1. Bit 13 indicates whether SDR50 requires tuning or not. Read 0x1: SDR50 is Supported. Read 0x0: SDR50 is Not Supported.	R	1 ⁽¹⁾

Table 25-115. Register Call Summary for Register MMCHS_CAPA2

eMMC/SD/SDIO Functional Description

- [Sampling Clock Tuning: \[0\]\[1\]](#)

eMMC/SD/SDIO Register Manual

- [eMMC/SD/SDIO Register Summary: \[2\]\[3\]](#)
- [eMMC/SD/SDIO Register Description: \[4\]\[5\]\[6\]\[7\]](#)

Table 25-116. Supported Data Rate Modes

Supported Mode	Supported By
DDR50	MMC1
SDR104/HS200	MMC1, MMC2
SDR50	MMC1, MMC3

Table 25-117. MMCHS_CUR_CAPA

Address Offset	0x0000 0248		
Physical Address	0x4809 C248 0x480B 4248 0x480A D248 0x480D 1248	Instance	MMC1 MMC2 MMC3 MMC4
Description	Maximum Current Capabilities Register This register indicates the maximum current capability for each voltage. The value is meaningful if the voltage support is set in the capabilities register (MMCHS_CAPA). Initialization of this register (via a write access to this register) depends on the system capabilities. The host driver shall not modify this register after the initialization. This register is only reinitialized by a hard reset (via RESETN signal)		
Type	RW		

31	30	29	28	27	26	25	24	23	22	21	20	19	18	17	16	15	14	13	12	11	10	9	8	7	6	5	4	3	2	1	0
RESERVED								CUR_1V8								CUR_3V0								CUR_3V3							

Bits	Field Name	Description	Type	Reset
31:24	RESERVED		R	0x00
23:16	CUR_1V8	Maximum current for 1.8V Read 0x0: The maximum current capability for this voltage is not available. Feature not implemented.	RW	0x00
15:8	CUR_3V0	Maximum current for 3.0V Read 0x0: The maximum current capability for this voltage is not available. Feature not implemented.	RW	0x00
7:0	CUR_3V3	Maximum current for 3.3V Read 0x0: The maximum current capability for this voltage is not available. Feature not implemented.	RW	0x00

Table 25-118. Register Call Summary for Register MMCHS_CUR_CAPA

eMMC/SD/SDIO Functional Description

- [Software Reset: \[0\]](#)

eMMC/SD/SDIO Programming Guide

- [Global Initialization: \[1\]](#)

eMMC/SD/SDIO Register Manual

- [eMMC/SD/SDIO Register Summary: \[2\]\[3\]](#)
- [eMMC/SD/SDIO Register Description: \[4\]](#)

Table 25-119. MMCHS_FE

Address Offset	0x0000 0250			
Physical Address	0x4809 C250 0x480B 4250 0x480A D250 0x480D 1250	Instance	MMC1 MMC2 MMC3 MMC4	
Description	Force Event Register for Auto CMD Error Status and Error Interrupt status The Force Event Register is not a physically implemented register. Rather, it is an address at which the Auto CMD Error Status Register (MMCHS_AC12) can be written. Writing 1 : set each bit of the Auto CMD Error Status Register Writing 0 : no effect Rather, it is an address at which the Error Interrupt Status register can be written. The effect of a write to this address will be reflected in the Error Interrupt Status Register if the corresponding bit of the Error Interrupt Status Enable Register is set. Writing 1 : set each bit of the Error Interrupt Status Register Writing 0 : no effect Note: By setting this register, the Error Interrupt can be set in the Error Interrupt Status register. In order to generate interrupt signal, both the Error Interrupt Status Enable and Error Interrupt Signal Enable shall be set.			
Type	W			

31	30	29	28	27	26	25	24	23	22	21	20	19	18	17	16	15	14	13	12	11	10	9	8	7	6	5	4	3	2	1	0
RESERVED	FE_BADA	FE_CERR	RESERVED	FE_ADMAE	FE_ACE	RESERVED	FE_DEB	FE_DCRD	FE_DTO	FE_CIE	FE_CEB	FE_CCRD	FE_CTO	RESERVED								FE_CNI	RESERVED	FE_ACIE	FE_ACEB	FE_ACCE	FE_ACTO	FE_ACNE			

Bits	Field Name	Description	Type	Reset
31:30	RESERVED		NA	0x0
29	FE_BADA	Force Event Bad access to data space. Write 0x0: No effect, No Interrupt. Write 0x1: Interrupt Forced	W	0
28	FE_CERR	Force Event Card error. Write 0x0: No effect, No Interrupt. Write 0x1: Interrupt Forced	W	0
27:26	RESERVED		NA	0x0
25	FE_ADMAE	Force Event ADMA Error. Write 0x0: No effect, No Interrupt. Write 0x1: Interrupt Forced	W	0
24	FE_ACE	Force Event for Auto CMD Error - For Auto CMD12 and Auto CMD23 Write 0x0: No effect, No Interrupt. Write 0x1: Interrupt Forced	W	0
23	RESERVED		NA	0

Bits	Field Name	Description	Type	Reset
22	FE_DEB	Force Event Data End Bit error. Write 0x0: No effect, No Interrupt. Write 0x1: Interrupt Forced	W	0
21	FE_DCRC	Force Event Data CRC Error. Write 0x0: No effect, No Interrupt. Write 0x1: Interrupt Forced	W	0
20	FE_DTO	Force Event Data Timeout Error. Write 0x0: No effect, No Interrupt. Write 0x1: Interrupt Forced	W	0
19	FE_CIE	Force Event Command Index Error. Write 0x0: No effect, No Interrupt. Write 0x1: Interrupt Forced	W	0
18	FE_CEB	Force Event Command End Bit Error. Write 0x0: No effect, No Interrupt. Write 0x1: Interrupt Forced	W	0
17	FE_CCRC	Force Event Command CRC Error. Write 0x0: No effect, No Interrupt. Write 0x1: Interrupt Forced	W	0
16	FE_CTO	Command Timeout Error This bit is set automatically when no response is received within 64 clock cycles from the end bit of the command. For commands that reply within 5 clock cycles - the timeout is still detected at 64 clock cycles. Write 0x0: Status bit unchanged Write 0x1: Status is cleared	W	0
15:8	RESERVED		NA	0x00
7	FE_CNI	Force Event Command not issue by Auto CMD12 error Write 0x0: No effect, No Interrupt. Write 0x1: Interrupt Forced	W	0
6:5	RESERVED		NA	0x0
4	FE_ACIE	Force Event for Auto CMD Index Error - For Auto CMD12 and Auto CMD23 Write 0x0: No effect, No Interrupt. Write 0x1: Interrupt Forced	W	0
3	FE_ACEB	Force Event Auto CMD End Bit Error Write 0x0: No effect, No Interrupt. Write 0x1: Interrupt Forced	W	0
2	FE_ACCE	Force Event Auto CMD CRC Error Write 0x0: No effect, No Interrupt. Write 0x1: Interrupt Forced	W	0
1	FE_ACTO	Force Event Auto CMD Timeout Error Write 0x0: No effect, No Interrupt. Write 0x1: Interrupt Forced	W	0
0	FE_ACNE	Force Event Auto CMD12 Not Executed Write 0x0: No effect, No Interrupt. Write 0x1: Interrupt Forced	W	0

Table 25-120. Register Call Summary for Register MMCHS_FE

eMMC/SD/SDIO Functional Description

- [Test Registers: \[0\]](#)

eMMC/SD/SDIO Register Manual

- [eMMC/SD/SDIO Register Summary: \[1\]\[2\]](#)

Table 25-121. MMCHS_ADMAES

Address Offset	0x0000 0254		
Physical Address	0x4809 C254 0x480B 4254 0x480A D254 0x480D 1254	Instance	MMC1 MMC2 MMC3 MMC4
Description	ADMA Error Status Register When ADMA Error Interrupt is occurred, the ADMA Error States field in this register holds the ADMA state and the ADMA System Address Register holds the address around the error descriptor. For recovering the error, the Host Driver requires the ADMA state to identify the error descriptor address as follows: ST_STOP: Previous location set in the ADMA System Address register is the error descriptor address ST_FDS: Current location set in the ADMA System Address register is the error descriptor address ST_CADR: This state is never set because do not generate ADMA error in this state. ST_TFR: Previous location set in the ADMA System Address register is the error descriptor address In case of write operation, the Host Driver should use ACMD22 to get the number of written block rather than using this information, since unwritten data may exist in the Host Controller. The Host Controller generates the ADMA Error Interrupt when it detects invalid descriptor data (Valid=0) at the ST_FDS state. In this case, ADMA Error State indicates that an error occurs at ST_FDS state. The Host Driver may find that the Valid bit is not set in the error descriptor.		
Type	RW		

31	30	29	28	27	26	25	24	23	22	21	20	19	18	17	16	15	14	13	12	11	10	9	8	7	6	5	4	3	2	1	0
RESERVED																LME		AES													

Bits	Field Name	Description	Type	Reset
31:3	RESERVED		R	0x0000 0000
2	LME	ADMA Length Mismatch Error: (1) While Block Count Enable being set, the total data length specified by the Descriptor table is different from that specified by the Block Count and Block Length. (2) Total data length can not be divided by the block length. 0x0: No Error 0x1: Error	RW	0
1:0	AES	ADMA Error State This field indicates the state of ADMA when error occurred during ADMA data transfer. This field will never be 0x2 because ADMA never stops in that state. 0x0: ST_STOP (STOP_ADMA). Previous SYS_ADR is the error descriptor address 0x1: ST_FDS (Fetch Descriptor). Content of current SYS_ADR is the error descriptor address 0x2: Not used. Error never set in this state 0x3: ST_TFR (Transfer Data). Previous SYS_ADR is the error descriptor address	RW	0x0

Table 25-122. Register Call Summary for Register MMCHS_ADMAES

eMMC/SD/SDIO Functional Description

- [Master DMA Operations: \[0\]](#)

eMMC/SD/SDIO Register Manual

- [eMMC/SD/SDIO Register Summary: \[1\]\[2\]](#)

Table 25-123. MMCHS_ADMASAL

Address Offset	0x0000 0258			
Physical Address	0x4809 C258 0x480B 4258 0x480A D258 0x480D 1258	Instance	MMC1 MMC2 MMC3 MMC4	
Description	ADMA System address Low bits			
Type	RW			

31	30	29	28	27	26	25	24	23	22	21	20	19	18	17	16	15	14	13	12	11	10	9	8	7	6	5	4	3	2	1	0
ADMA_A32B																															

Bits	Field Name	Description	Type	Reset
31:0	ADMA_A32B	ADMA System address 32 bits. This register holds byte address of executing command of the Descriptor table. 32-bit Address Descriptor uses lower 32-bit of this register. At the start of ADMA, the Host Driver shall set start address of the Descriptor table. The ADMA increments this register address, which points to next line, when every fetching a Descriptor line. When the ADMA Error Interrupt is generated, this register shall hold valid Descriptor address depending on the ADMA state. The Host Driver shall program Descriptor Table on 32-bit boundary and set 32-bit boundary address to this register. ADMA2 ignores lower 2-bit of this register and assumes it to be 00b.	RW	0x0000 0000

Table 25-124. Register Call Summary for Register MMCHS_ADMASAL

eMMC/SD/SDIO Functional Description

- [Master DMA Operations: \[0\]\[1\]\[2\]\[3\]\[4\]\[5\]](#)

eMMC/SD/SDIO Register Manual

- [eMMC/SD/SDIO Register Summary: \[6\]\[7\]](#)

Table 25-125. MMCHS_PVINITSD

Address Offset	0x0000 0260		
Physical Address	0x4809 C260 0x480B 4260 0x480A D260 0x480D 1260	Instance	MMC1 MMC2 MMC3 MMC4
Description	Preset Value for Initialization and Default Speed modes		
Type	R		

31	30	29	28	27	26	25	24	23	22	21	20	19	18	17	16	15	14	13	12	11	10	9	8	7	6	5	4	3	2	1	0		
DSDS_SEL			RESERVED			DSCLKGEN_SEL			DSSDCLK_SEL								INITDS_SEL			RESERVED			INITCLKGEN_SEL			INITSDCLK_SEL							

Bits	Field Name	Description	Type	Reset
31:30	DSDS_SEL	Driver Strength Select Value - Default Speed mode Driver Strength is supported by 1.8V signaling bus speed modes. This field is meaningless for 3.3V signaling. Read 0x3: Driver Type D is Selected. Read 0x2: Driver Type C is Selected. Read 0x1: Driver Type A is Selected. Read 0x0: Driver Type B is Selected.	R	0x0
29:27	RESERVED		R	0x0
26	DSCLKGEN_SEL	Clock Generator Select Value - Default Speed mode This bit is effective when Host Controller supports programmable clock generator. Read 0x1: Programmable Clock Generator. Read 0x0: Host Controller Ver2.00 Compatible Clock Generator.	R	0
25:16	DSSDCLK_SEL	SDCLK Frequency Select Value - Default Speed mode 10-bit preset value to set MMCHS_SYSCTL[15:6] CLKD is described by a host system.	R	0x004
15:14	INITDS_SEL	Driver Strength Select Value - Initialization mode Driver Strength is supported by 1.8V signaling bus speed modes. This field is meaningless for 3.3V signaling. Read 0x3: Driver Type D is Selected Read 0x2: Driver Type C is Selected Read 0x1: Driver Type A is Selected Read 0x0: Driver Type B is Selected	R	0x0
13:11	RESERVED		R	0x0
10	INITCLKGEN_SEL	Clock Generator Select Value - Initialization mode This bit is effective when Host Controller supports programmable clock generator. Read 0x1: Programmable Clock Generator. Read 0x0: Host Controller Ver2.00 Compatible Clock Generator.	R	0
9:0	INITSDCLK_SEL	SDCLK Frequency Select Value - Initialization mode 10-bit preset value to set MMCHS_SYSCTL[15:6] CLKD is described by a host system.	R	0x1E0

Table 25-126. Register Call Summary for Register MMCHS_PVINITSD

eMMC/SD/SDIO Functional Description

- [eMMC/SD/SDIO Hardware Status Features: \[0\]](#)

eMMC/SD/SDIO Register Manual

- [eMMC/SD/SDIO Register Summary: \[1\]\[2\]](#)

Table 25-127. MMCHS_PVHSSDR12

Address Offset	0x0000 0264	Instance	MMC1 MMC2 MMC3 MMC4
Physical Address	0x4809 C264 0x480B 4264 0x480A D264 0x480D 1264		
Description	Preset Value for High Speed and SDR12 speed modes		
Type	R		

31	30	29	28	27	26	25	24	23	22	21	20	19	18	17	16	15	14	13	12	11	10	9	8	7	6	5	4	3	2	1	0		
SDR12DS_SEL			RESERVED			SDR12CLKGEN_SEL			SDR12SDCLK_SEL								HSDS_SEL			RESERVED			HSCCLKGEN_SEL			HSSDCLK_SEL							

Bits	Field Name	Description	Type	Reset
31:30	SDR12DS_SEL	Driver Strength Select Value - SDR12 mode Driver Strength is supported by 1.8V signaling bus speed modes. This field is meaningless for 3.3V signaling. Read 0x3: Driver Type D is Selected. Read 0x2: Driver Type C is Selected. Read 0x1: Driver Type A is Selected. Read 0x0: Driver Type B is Selected.	R	0x0
29:27	RESERVED		R	0x0
26	SDR12CLKGEN_SEL	Clock Generator Select Value - SDR12 mode This bit is effective when Host Controller supports programmable clock generator. Read 0x1: Programmable Clock Generator. Read 0x0: Host Controller Ver2.00 Compatible Clock Generator.	R	0
25:16	SDR12SDCLK_SEL	SDCLK Frequency Select Value - SDR12 mode 10-bit preset value to set MMCHS_SYSCCTL[15:6] CLKD is described by a host system.	R	0x004
15:14	HSDS_SEL	Driver Strength Select Value - High Speed mode Driver Strength is supported by 1.8V signaling bus speed modes. This field is meaningless for 3.3V signaling. Read 0x3: Driver Type D is Selected. Read 0x2: Driver Type C is Selected. Read 0x1: Driver Type A is Selected. Read 0x0: Driver Type B is Selected.	R	0x0
13:11	RESERVED		R	0x0

Bits	Field Name	Description	Type	Reset
10	HSCLKGEN_SEL	Clock Generator Select Value - High Speed mode This bit is effective when Host Controller supports programmable clock generator. Read 0x1: Programmable Clock Generator. Read 0x0: Host Controller Ver2.00 Compatible Clock Generator.	R	0
9:0	HSSDCLK_SEL	SDCLK Frequency Select Value - High Speed mode 10-bit preset value to set MMCHS_SYSCTL[15:6] CLKD is described by a host system.	R	0x002

Table 25-128. Register Call Summary for Register MMCHS_PVHSSDR12

eMMC/SD/SDIO Functional Description

- [eMMC/SD/SDIO Hardware Status Features: \[0\]](#)

eMMC/SD/SDIO Register Manual

- [eMMC/SD/SDIO Register Summary: \[1\]\[2\]](#)

Table 25-129. MMCHS_PVSDR25SDR50

Address Offset	0x0000 0268	Instance	MMC1 MMC2 MMC3 MMC4
Physical Address	0x4809 C268 0x480B 4268 0x480A D268 0x480D 1268		
Description	Preset Value for SDR25 and SDR50 speed modes		
Type	R		

31	30	29	28	27	26	25	24	23	22	21	20	19	18	17	16	15	14	13	12	11	10	9	8	7	6	5	4	3	2	1	0		
SDR50DS_SEL			RESERVED			SDR50CLKGEN_SEL			SDR50SDCLK_SEL								SDR25DS_SEL			RESERVED			SDR25CLKGEN_SEL			SDR25SDCLK_SEL							

Bits	Field Name	Description	Type	Reset
31:30	SDR50DS_SEL	Driver Strength Select Value - SDR50 mode Driver Strength is supported by 1.8V signaling bus speed modes. This field is meaningless for 3.3V signaling. Read 0x3: Driver Type D is Selected. Read 0x2: Driver Type C is Selected. Read 0x1: Driver Type A is Selected. Read 0x0: Driver Type B is Selected.	R	0x0
29:27	RESERVED		R	0x0
26	SDR50CLKGEN_SEL	Clock Generator Select Value - SDR50 mode This bit is effective when Host Controller supports programmable clock generator. Read 0x1: Programmable Clock Generator. Read 0x0: Host Controller Ver2.00 Compatible Clock Generator.	R	0
25:16	SDR50SDCLK_SEL	SDCLK Frequency Select Value - SDR50 mode 10-bit preset value to set MMCHS_SYSCTL[15:6] CLKD is described by a host system.	R	0x001

Bits	Field Name	Description	Type	Reset
15:14	SDR25DS_SEL	Driver Strength Select Value - SDR25 mode Driver Strength is supported by 1.8V signaling bus speed modes. This field is meaningless for 3.3V signaling. Read 0x3: Driver Type D is Selected. Read 0x2: Driver Type C is Selected. Read 0x1: Driver Type A is Selected. Read 0x0: Driver Type B is Selected.	R	0x0
13:11	RESERVED		R	0x0
10	SDR25CLKGEN_SEL	Clock Generator Select Value - SDR25 mode This bit is effective when Host Controller supports programmable clock generator. Read 0x1: Programmable Clock Generato. Read 0x0: Host Controller Ver2.00 Compatible Clock Generator.	R	0
9:0	SDR25SDCLK_SEL	SDCLK Frequency Select Value - SDR25 mode 10-bit preset value to set MMCHS_SYSCTL [15:6] CLKD is described by a host system.	R	0x002

Table 25-130. Register Call Summary for Register MMCHS_PVSDR25SDR50

eMMC/SD/SDIO Functional Description

- [eMMC/SD/SDIO Hardware Status Features: \[0\]](#)

eMMC/SD/SDIO Register Manual

- [eMMC/SD/SDIO Register Summary: \[1\]\[2\]](#)

Table 25-131. MMCHS_PVSDR104DDR50

Address Offset	0x0000 026C	Instance	MMC1 MMC2 MMC3 MMC4
Physical Address	0x4809 C26C 0x480B 426C 0x480A D26C 0x480D 126C		
Description	Preset Value for SDR104 and DDR50 speed modes		
Type	R		

31	30	29	28	27	26	25	24	23	22	21	20	19	18	17	16	15	14	13	12	11	10	9	8	7	6	5	4	3	2	1	0		
DDR50DS_SEL	RESERVED					DDR50CLKGEN_SEL	DDR50SDCLK_SEL										SDR104DS_SEL	RESERVED					SDR104CLKGEN_SEL	SDR104SDCLK_SEL									

Bits	Field Name	Description	Type	Reset
31:30	DDR50DS_SEL	Driver Strength Select Value - DDR50 mode Driver Strength is supported by 1.8V signaling bus speed modes. This field is meaningless for 3.3V signaling. Read 0x3: Driver Type D is Selected. Read 0x2: Driver Type C is Selected. Read 0x1: Driver Type A is Selected. Read 0x0: Driver Type B is Selected.	R	0x0
29:27	RESERVED		R	0x0

Bits	Field Name	Description	Type	Reset
26	DDR50CLKGEN_SEL	Clock Generator Select Value - DDR50 mode This bit is effective when Host Controller supports programmable clock generator. Read 0x1: Programmable Clock Generator Read 0x0: Host Controller Ver2.00 Compatible Clock Generator	R	0
25:16	DDR50SDCLK_SEL	SDCLK Frequency Select Value - DDR50 mode 10-bit preset value to set MMCHS_SYSCTL[15:6] CLKD is described by a host system.	R	0x002
15:14	SDR104DS_SEL	Driver Strength Select Value - SDR104 mode Driver Strength is supported by 1.8V signaling bus speed modes. This field is meaningless for 3.3V signaling. Read 0x3: Driver Type D is Selected. Read 0x2: Driver Type C is Selected. Read 0x1: Driver Type A is Selected. Read 0x0: Driver Type B is Selected.	R	0x0
13:11	RESERVED		R	0x0
10	SDR104CLKGEN_SEL	Clock Generator Select Value - SDR104 mode This bit is effective when Host Controller supports programmable clock generator. Read 0x1: Programmable Clock Generator. Read 0x0: Host Controller Ver2.00 Compatible Clock Generator.	R	0
9:0	SDR104SDCLK_SEL	SDCLK Frequency Select Value - SDR104 mode 10-bit preset value to set MMCHS_SYSCTL[15:6] CLKD is described by a host system.	R	0x000

Table 25-132. Register Call Summary for Register MMCHS_PVSDR104DDR50

eMMC/SD/SDIO Functional Description

- [eMMC/SD/SDIO Hardware Status Features: \[0\]](#)

eMMC/SD/SDIO Register Manual

- [eMMC/SD/SDIO Register Summary: \[1\]\[2\]](#)

Table 25-133. MMCHS_REV

Address Offset	0x0000 02FC																														
Physical Address	0x4809 C2FC				0x480B 42FC				0x480A D2FC				0x480D 12FC				Instance	MMC1													
																		MMC2													
																		MMC3													
																		MMC4													
Description	Versions Register This register contains the hard coded RTL vendor revision number, the version number of SD specification compliancy and a slot status bit. MMCHS_REV[31:16] = Host controller version MMCHS_REV[15:0] = Slot Interrupt Status																														
Type	R																														
31	30	29	28	27	26	25	24	23	22	21	20	19	18	17	16	15	14	13	12	11	10	9	8	7	6	5	4	3	2	1	0
VREV								SREV								RESERVED										5					

Bits	Field Name	Description	Type	Reset
31:24	VREV	Vendor Version Number: IP revision [7:4] Major revision [3:0] Minor revision Examples: 0x10 for 1.0 0x21 for 2.1	R	0x--
23:16	SREV	Specification Version Number This status indicates the Host Controller Spec. Version. The upper and lower 4-bits indicate the version. Read 0x3: Reserved Read 0x2: SD Host Specification Version 3.00. Read 0x1: SD Host Specification Version 2.00 - Including the feature of the ADMA and Test Register. Read 0x0: SD Host Specification Version 1.00.	R	0x02
15:1	RESERVED		R	0x0000
0	SIS	Slot Interrupt Status This status bit indicates the inverted state of interrupt signal for the module. By a power on reset or by setting a software reset for all (MMCHS_HCTL[SRA]), the interrupt signal shall be de-asserted and this status shall read 0.	R	0

Table 25-134. Register Call Summary for Register MMCHS_REV

eMMC/SD/SDIO Register Manual

- [eMMC/SD/SDIO Register Summary: \[0\]\[1\]](#)
- [eMMC/SD/SDIO Register Description: \[2\]\[3\]](#)

Shared PHY Component Subsystem

This chapter describes the shared PHY component subsystems of the device.

Topic	Page
26.1 SATA PHY Subsystem	6839
26.2 USB3_PHY Subsystem	6859
26.3 USB3 PHY and SATA PHY Register Manual	6879
26.4 PCIe PHY Subsystem	6896

26.1 SATA PHY Subsystem

This chapter describes the features and functions of the serial advanced technology attachment (SATA) PHY subsystem of the device.

26.1.1 SATA PHY Subsystem Overview

NOTE: SATA is not supported on the AM570x family of devices.

The physical layer (PHY) is responsible for transmitting and receiving the parallel 8b/10b encoded information as a serial data stream on the wire.

The SATA host controller subsystem instantiates a single serializer (transmitter), SATA_PHY_TX, and a single deserializer (receiver), SATA_PHY_RX. Together the transmitter and receiver are also signified as SATA_PHY throughout this chapter. The role of the TX and RX components is to adapt SATA Link parallel 10-bit input/output (I/O) data stream for a serialized differential transmission and reception over SATA electrical interface, respectively.

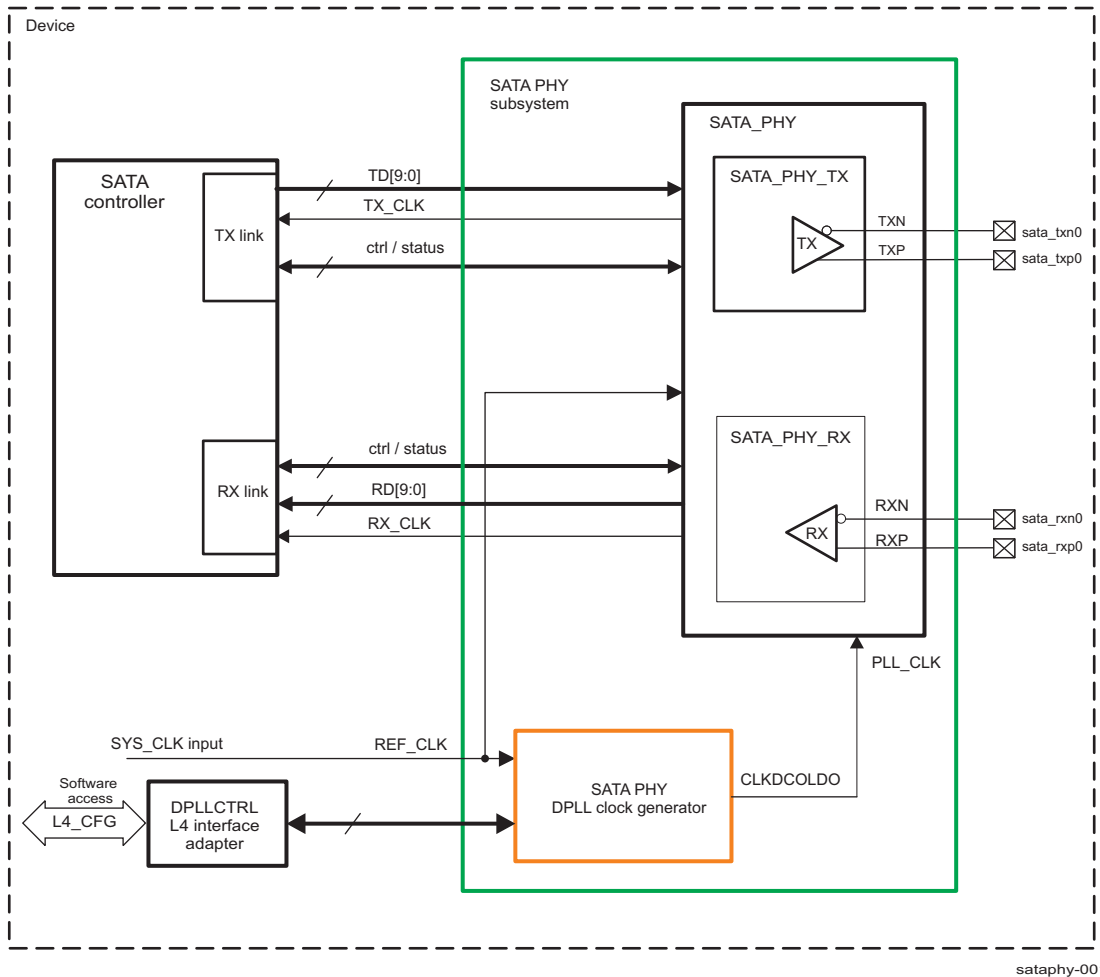
The high speed transmission clock is generated by and integrated into the SATA host subsystem dpll (DPLL_SATA).

The DPLL_SATA is configured and controlled through a SATA dedicated PLL controller (DPLLCTRL_SATA) with associated registers, accessible over a L4_CFG interface adapter.

The components (SATA_PHY_RX, SATA_PHY_TX, DPLL_SATA, DPLLCTRL_SATA, and DPLLCTRL_SATA L4-interface adapter) build the SATA PHY subsystem. This subsystem is responsible for PHY components clock generation and physical layer transmission/reception within the device SATA subsystem.

[Figure 26-1](#) gives an overview of the SATA PHY subsystem. As shown in [Figure 26-1](#), at one side the SATA_PHY components directly interface the attached to host controller SATA mass storage device (over TXP/TXN transmission and RXP/RXN reception interface I/Os) and on the other side they interface the SATA controller, described in detail in [Section 24.8, SATA Controller](#).

Figure 26-1. SATA PHY Subsystem Overview



26.1.2 SATA PHY Subsystem Environment

NOTE: SATA is not supported on the AM570x family of devices.

26.1.2.1 SATA PHY I/O Signals

Table 26-1 lists the module pins and their corresponding signal names at the device level, and also specifies their links to functions.

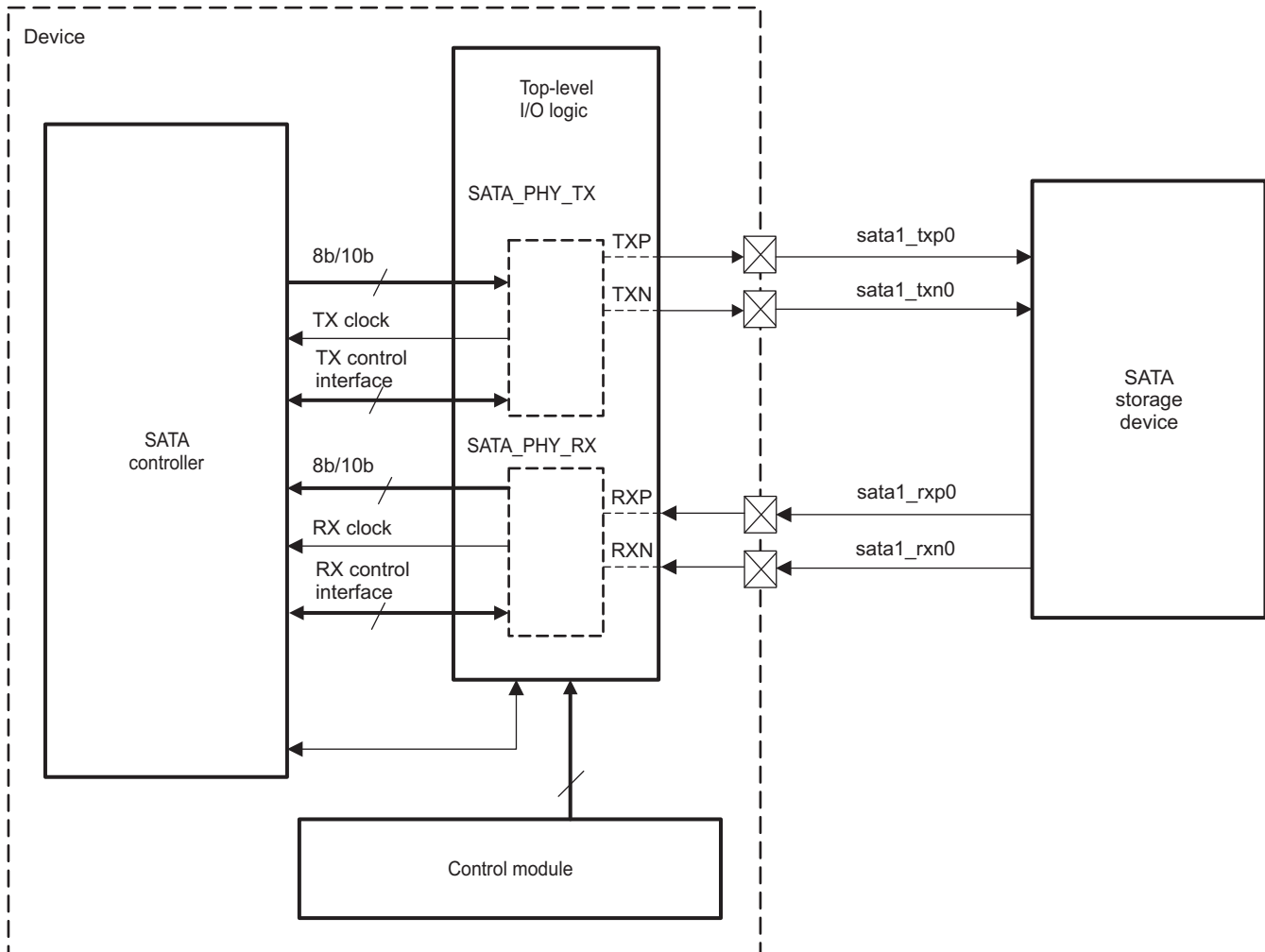
Table 26-1. SATA PHY I/O Signals

Module Signal	Device Pin	I/O ⁽¹⁾	Description	Pin Reset Value
TXP	sata_txp0	O	TXP output of the SATA PHY differential transmission lane	HiZ
TXN	sata_txn0	O	TXN output of the SATA PHY differential transmission lane	HiZ
RXP	sata_rxp0	I	RXP input of the SATA PHY differential reception lane	HiZ
RXN	sata_rxn0	I	RXN input of the SATA PHY differential reception lane	HiZ

⁽¹⁾ I = Input; O = Output

Figure 26-2 shows module pin signals mapping to SATA PHY I/O signals visible at device pad level.

Figure 26-2. SATA PHY I/O Signals



sataphy-002

NOTE: The path from module pin to device pad(s) is defined at the device I/O logic level. The I/O logic maps the module signals to the different pads of the device and is programmable in the control module registers. See [Chapter 18, Control Module](#), for more information.

26.1.3 SATA PHY Subsystem Integration

NOTE: SATA is not supported on the AM570x family of devices.

This section describes the SATA PHY subsystem-related components (SATA_PHY, DPLL_SATA, DPLLCTRL_SATA, OCP2SCP3) integration in the device, including information about clocks, resets, and hardware requests.

Figure 26-3 shows the SATA_PHY integration.

The SATA_PHY module integration features are:

- A low-power nonretention reset, L3INIT_RST
- A DPLL reference input clock, PLL_CLK
- Parallel 10-bit TD[9:0] (SATA_PHY_TX) and 10-bit RD[9:0] (SATA_PHY_RX) data interfaces to SATA controller
- TX_CLK output clock for the parallel TX data interface between SATA_PHY.SATA_PHY_TX and SATA controller
- RX_CLK output clock for the parallel RX data interface between SATA_PHY.SATA_PHY_RX and SATA controller
- REF_CLK clock input (SATA_REF_GFCLK)
- A device core control module command port to the SATA_PHY integrated power sequencer

The DPLL_SATA integration features are:

- A low-power nonretention reset, L3INIT_RST
- A power, reset, and clock management (PRCM) gated version of SYS_CLK (SATA_REF_GFCLK) supplying the DPLL_SATA.CLKINP pin
- A single high-frequency clock output (DPLL_SATA.CLKDCOLDO to the SATA_PHY TX/RX components)
- No high-speed (HS) divider integration
- Idle signaling implementation
- LDO and DCO PWRDNZ monitoring signals
- A DPLL_LOCK locked status indication output to SATA_PHY and the SATA controller

The DPLLCTRL_SATA integration features are:

- A low-power nonretention reset, L3INIT_RST
- (OCP2SCP3) Interconnect adapter target interface
- Configuration/control programming interface to the DPLL_SATA
- No direct gate control for DPLL_SATA.CLKINP and CLKDCOLDO

Figure 26-3. SATA PHY Subsystem Integration

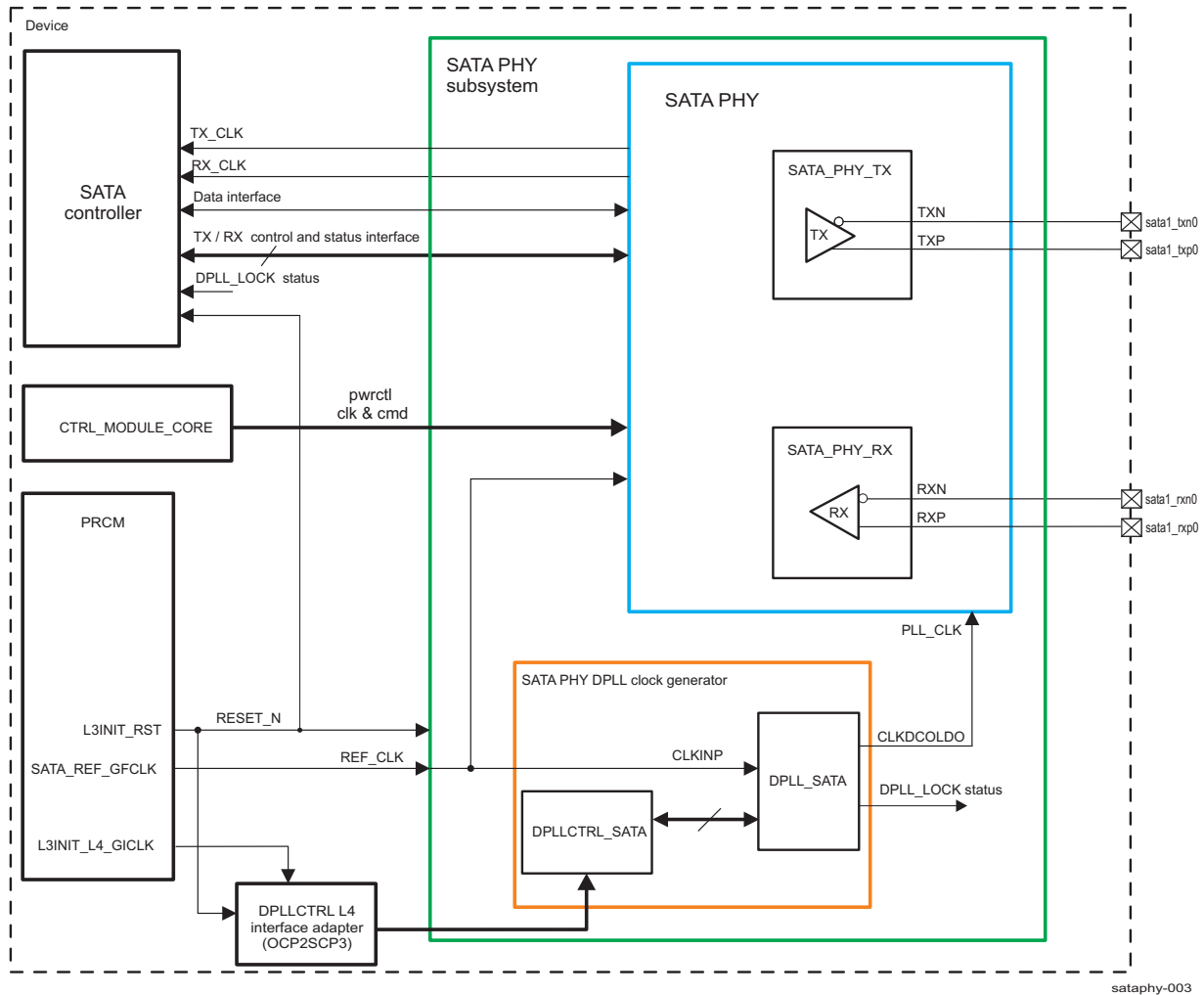


Table 26-2 through Table 26-4 summarize the integration of the module in the device.

Table 26-2. SATA PHY Integration Attributes

Module Instance	Attributes	
	Power Domain	Interconnect
DPLLCTRL_SATA	PD_L3INIT PD_COREAON	OCP2SCP3 adapter SCP interconnects
DPLL_SATA		
OCP2SCP3		L4_CFG

Table 26-3. SATA PHY Clocks

Clocks				
Module Instance	Destination Signal Name	Source Signal Name	Source	Description
DPLL_SATA/SATA_PHY	REF_CLK	SATA_REF_GFCLK	PRCM	SATA DPLL and SATA PHY reference functional clock (SYS_CLK)
OCP2SCP3	L4CFG_ADAPTER_CLKIN	L3INIT_L4_GICLK	PRCM	PHY/DPLL L4_CFG adapter interface clock

Table 26-4. SATA PHY Resets

Module Instance	Destination Signal Name	Resets		Description
		Source Signal Name	Source	
SATA_PHY subsystem	RESET_N	L3INIT_RST	PRCM	A nonretention reset to all SATA_PHY subsystem components

NOTE: The SATA_PHY, DPLL_SATA, and DPLLCTRL_SATA modules do not generate DMA, interrupt, or wakeup hardware requests to the surrounding modules integrated in the device.

26.1.4 SATA PHY Subsystem Functional Description

NOTE: SATA is not supported on the AM570x family of devices.

26.1.4.1 SATA PLL Controller L4 Interface Adapter Functional Description

The L4_CFG interconnect adapter (OCP2SCP3), allows user software to configure the DPLLCTRL_SATA registers over the L4_CFG port. Hence it is expected that this adapter is configured to operate before any programming of the DPLLCTRL_SATA.

Aa value of 0x6 or more should be written to the register bitfield `OCP2SCP_TIMING[3:0]` SYNC2.

L4_CFG interconnect adapter software reset is performed via writing `OCP2SCP_SYSCONFIG[1]` SOFTRESET to 0b1. The software reset completion is observed in bit `OCP2SCP_SYSSTATUS[0]` RESETDONE.

By default a smart-idle power mode is selected for OCP2SCP3. The smart-idle mode supported by OCP2SCP3 is not wake-up capable, which means software must explicitly take care to wake the OCP2SCP3 by setting the `OCP2SCP_SYSCONFIG [4:3]` IDLEMODE bit field to 0x1 (no idle), once it has previously gone to an idle mode.

By default `OCP2SCP_SYSCONFIG[0]` AUTOIDLE = 0x1, which defines that the PLLCTRL L4 interface adapter automatically gates its L4 input clock based on L4_CFG interconnect activity. To enable a free-running clock, one should set bit AUTOIDLE to 0x0.

26.1.4.2 SATA PHY Serializer and Deserializer Functional Descriptions

26.1.4.2.1 SATA PHY Reset

No software reset is applicable to SATA_PHY. L3INIT reset assertion is automatically managed by hardware.

26.1.4.2.2 SATA_PHY Clocking

26.1.4.2.2.1 SATA_PHY Input Clocks

A standard high-speed 1.5 GHz input clock of SATA_PHY is provided by the DPLL_SATA.CLKDCOLDO output. PRCM. SATA_REF_GFCLK (derived from the SYS_CLK) should be enabled, to provide the necessary DPLL_SATA and SATA_PHY clocking within the SATA subsystem.

Depending on the SATA_REF_GFCLK (SYS_CLK derived) frequency, following settings should be made in the CTRL_MODULE_CORE.CONTROL_PHY_POWER_SATA[31:22] SATA_PWRCTL_CLK_FREQ bitfield for proper operation:

- 0x26: If SYSCLK = 38.4 MHz
- 0x1A: If SYSCLK = 26.0 MHz
- 0x13: If SYSCLK = 19.2 MHz
- 0x10: If SYSCLK = 16.8 MHz
- 0x0C: If SYSCLK = 12.0 MHz

26.1.4.2.2.2 SATA_PHY Output Clocks

The 10-bit data parallelly transmitted data between SATA_PHY_TX and SATA controller link logic is sampled with respect to the TX_CLK. Frequency of this clock is obtained as the SATA_PHY.PLL_CLK clock frequency:

- Divided by 10 if a 1.5-Gbps limit is negotiated by software setting `DWC_ahsata.SATA_PxSCTL[7:4]` SPD = 0x1
- Divided by 5 if a 3-Gbps limit is negotiated by software setting `DWC_ahsata.SATA_PxSCTL[7:4]` SPD = 0x0 or 0x2

The actually negotiated between host and the attached SATA device speed is indicated in the read-only SATA controller.SATA_PxSSTS[7:4] SPD bit field. For more information, see [Section 24.8.6](#), *SATA Controller Register Manual*, in [Section 24.8](#), *SATA Controller*.

RX_CLK: The SATA_PHY_RX output RX_CLK is a clock that is recovered from the serial data received over the RXP/RXN lanes serial data. The RX_CLK clock supplies the SATA controller link parallel 10-bit data reception logic.

26.1.4.2.3 SATA_PHY Power Management

The SATA_PHY power sequencer receives a power-up/power-down command input from the device general core control module. The power sequencer takes care to execute different stages of the SATA_PHY_TX and SATA_PHY_RX power-up/-down processes. Besides a power-up/-down functionality, the SATA PHY accepts power transition commands/states (Ready state, Partial or Slumber states) from the SATA controller link power management port .

26.1.4.2.3.1 SATA_PHY Power-Up/-Down Sequences

Powering up/down the SATA_PHY_TX and SATA_PHY_RX modules is triggered by software writing corresponding power-up/-down commands in the CTRL_MODULE_CORE.

CONTROL_PHY_POWER_SATA register of the device core control module, as follows:

- CONTROL_PHY_POWER_SATA[21:14] SATA_PWRCTL_CLK_CMD = 0x0 (default value), commands both SATA_PHY_TX and SATA_PHY_RX to power-down (OFF) state.
- CONTROL_PHY_POWER_SATA[21:14] SATA_PWRCTL_CLK_CMD = 0x1, powers up the SATA_PHY_RX only.
- CONTROL_PHY_POWER_SATA[21:14] SATA_PWRCTL_CLK_CMD = 0x2, powers up the SATA_PHY_TX only.
- CONTROL_PHY_POWER_SATA[21:14] SATA_PWRCTL_CLK_CMD = 0x3, simultaneously powers up the SATA_PHY_RX and the SATA_PHY_TX.

For more information, see [Chapter 18](#), *Control Module*.

26.1.4.2.3.2 SATA_PHY Low-Power Modes

Setting the DWC_ahsata.SATA_PxSCTL[3:0] DET bit field to 0x4 automatically puts the SATA_PHY_RX deserializer in offline mode. This software operation has no impact over the SATA_PHY_TX serializer.

NOTE: The SATA controller transition to partial or slumber mode has no impact over the SATA_PHY_RX deserializer.

NOTE: The SATA_PHY_TX.TX_CLK output clock is a free-running clock and cannot be gated, even when the transmitter is disabled by a SATA controller.

26.1.4.2.4 SATA_PHY Hardware Requests

No DMA, interrupt or wake-up requests are generated by the SATA_PHY to the surrounding SATA controller subsystem components.

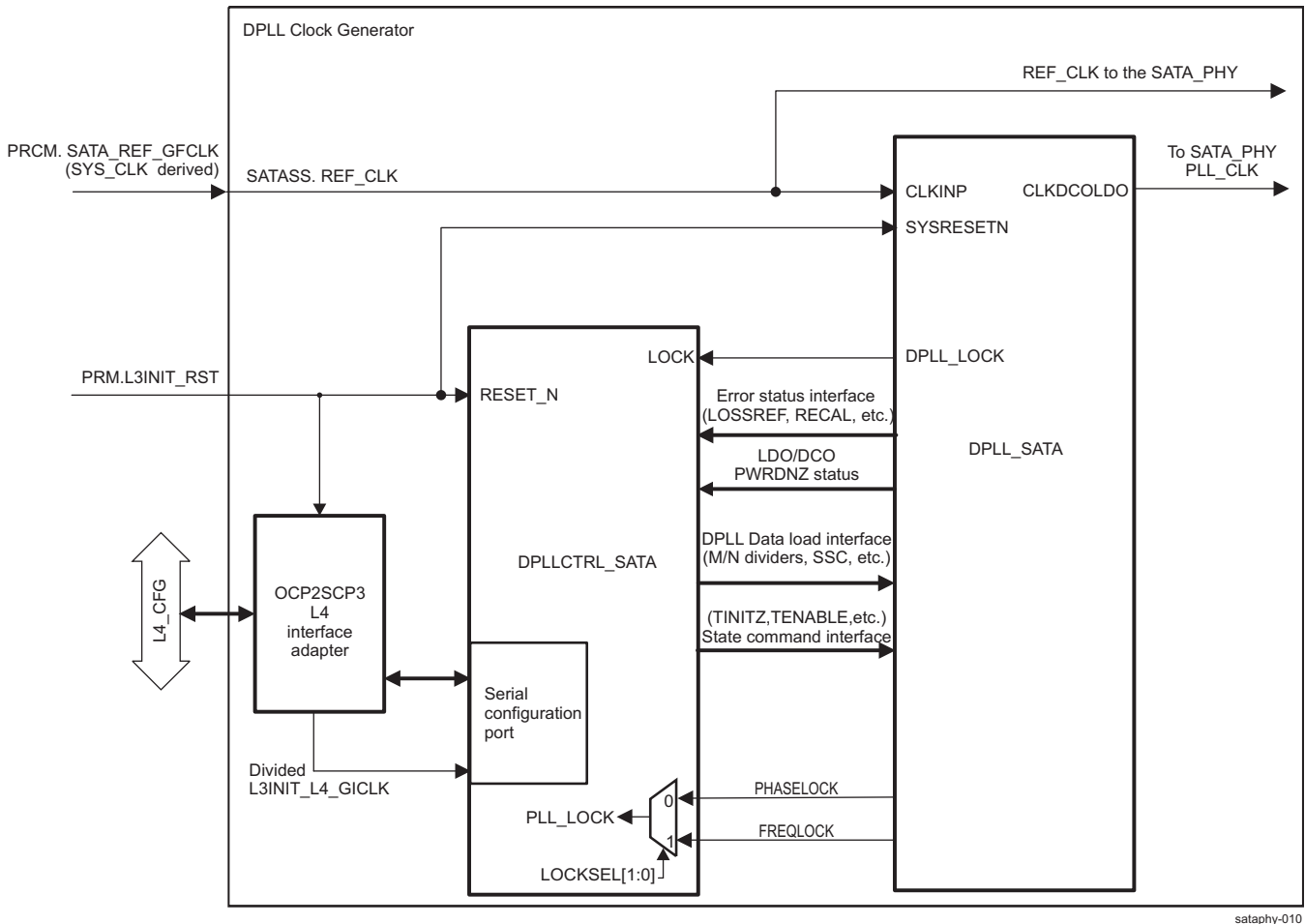
26.1.4.3 SATA Clock Generator Subsystem Functional Description

The DPLL_SATA, which is located outside the PRCM boundaries and is part of the SATA host controller subsystem, directly injects a high-speed clock into the SATA_PHY serializer/deserializer input, PLL_CLK. The DPLL generator is controlled through a programmable interface from a dedicated PLL controller, DPLLCTRL_SATA.

26.1.4.3.1 SATA DPLL Clock Generator Overview

The SCP interface of the SATA PLL controller (the DPLLCTRL_SATA instance) is used to set the configuration of the digital phase-locked loop (DPLL) modules, primarily the various counter values. Figure 26-4 is an overview of the DPLL clock generator embedded into the SATA host controller subsystem.

Figure 26-4. SATA DPLL Clock Generator Overview



NOTE: The DPLLCTRL_SATA module is user accessible on the L4_CFG interconnect. However, to make access possible, the user must configure the OCP2SCP3 instance prior to accessing the DPLLCTRL_SATA registers.

The DPLL_SATA features are:

- A programmable 8-bit input divider: N
- A programmable 12-bit integer, 18-bit fractional loop multiplier: M
- Digital control and loop filter
- Internal oscillator output clock on internal LDO domain (CLKDCOLDO output)
- DPLL output clock spread spectrum clocking (SSC) support
- No retention capabilities
- No idle-bypass fast relock capabilities
- Idle-bypass low-power mode
- M/N bypass mode

- Relock from standby

The DPLLCTRL_SATA components features are:

- DPLL error and status notification
- DPLL initialization and configuration
- DPLL lock criteria selectable between frequency and phase lock
- Idle command implementation
- No software reset implementation

26.1.4.3.2 SATA DPLL Clock Generator Reset

The SATA PLL controller and SATA DPLL clock generator share a common hardware nonretention reset (L3INIT_RST) which comes from the device power and reset manager. When the DPLL_SATA hardware reset completes, the DPLLCTRL_SATA.PLL_STATUS[0] PLLCTRL_RESET_DONE bit is automatically updated to 1. For more information on the hardware reset source, see [Section 3.5.5, Reset Domains](#), in [Chapter 3, Power, Reset, and Clock Management](#).

The DPLLCTRL_SATA itself has no software reset capabilities.

The DPLLCTRL_SATA performs a software reset sequence on the DPLL_SATA in hardware (through the TINITZ signal activation).

26.1.4.3.3 SATA DPLL Low-Power Modes

The power-management port (PMP) is not integrated for DPLLCTRL_SATA. The DPLL_SATA has no retention capabilities. This means the DPLL digital power supply remains switched on during all modes of operation.

The low-power (LP) modes supported by DPLL_SATA are idle-bypass low power and MN-bypass modes, which are both characterized by:

- Internal LDO switched off
- DCO oscillator switched off
- CLKDCOLDO output pulled low

For more details on the PLL settings and conditions necessary to enter idle-bypass and MN-bypass low-power modes, see [Section 26.1.4.3.6.4, SATA DPLL Idle-Bypass Low-Power Mode](#), and [Section 26.1.4.3.6.5, SATA DPLL MN-Bypass Mode](#).

DPLL_SATA is held in a similar low-power state (DCO and LDO switched off, with CLKDCOLDO = 0) after POR, before the first [PLL_GO](#) command has been software-triggered on the PLL controller. See [Section 26.1.4.3.6.1, SATA Clock Generator Power Up](#).

26.1.4.3.4 SATA DPLL Clocks Configuration

26.1.4.3.4.1 SATA DPLL Input Clock Control

The DPLL_SATA accepts the functional clock (SATA_REF_GFCLK) on its CLKINP pin (REF_CLK input at SATA SS level) directly from the device PRCM, without involving any DPLLCTRL_SATA interactions. The SATA_REF_GFCLK is derived from SYS_CLK1, and can be optionally software-gated by setting the PRCM.CM_L3INIT_SATA_CLKCTRL[8] OPTFCLKEN_REF_CLK bit. The status of the SATA_REF_GFCLK clock can be monitored in the PRCM.CM_L3INIT_CLKSTCTRL[19] CLKACTIVITY_SATA_REF_GFCLK bit. See [Section 3.6.4.1.4, Clock Domain Module Attributes](#) in [Chapter 3, Power, Reset, and Clock Management](#).

If CLKINP signal is lost for some time, the LOSSREF output signal, which serves as a feedback to DPLLCTRL_SATA, is asserted high. When CLKINP resumes, the LOSSREF signal goes low (LOSSREF inactive state). The LOSSREF status signal can be monitored by software in the DPLLCTRL_SATA.PLL_STATUS[3] PLL_LOSSREF bit.

26.1.4.3.4.2 SATA DPLL Output Clock Configuration

Only the DPLL_SATA output, CLKDCOLDO, is used to provide the high-speed clock at the PLL_CLK pin of the SATA_PHY. Only the REGM, REGN, and SD divider values are used within the DPLL clock generator subsystem to adjust the CLKDCOLDO output clock frequency. This is done by programming the DPLLCTRL_SATA.PLL_CONFIGURATION1[20:9] PLL_REGM, DPLLCTRL_SATA.PLL_CONFIGURATION1[8:1] PLL_REGN, and DPLLCTRL_SATA.PLL_CONFIGURATION3[17:10] PLL_SD bit fields, respectively. The SATA DPLL CLKOUT and CLKOUTLDO outputs are not used, and internal REGM2 and REGM1 dividers are not software controllable.

NOTE: At the DPLL/PLLCTRL integration level, the PLL_REGM1[3:0] and PLL_REGM2[6:0] divider control signals are tied-off by hardware to 0x0 and 0x1, respectively.

For more details on output clock settings sequence, see [Section 26.1.4.3.7.2, SATA DPLL Clock Programming Sequence](#).

26.1.4.3.4.2.1 SATA DPLL Output Clock Gating

There is no direct software gate control for the DPLL_SATA.CLKDCOLDO output.

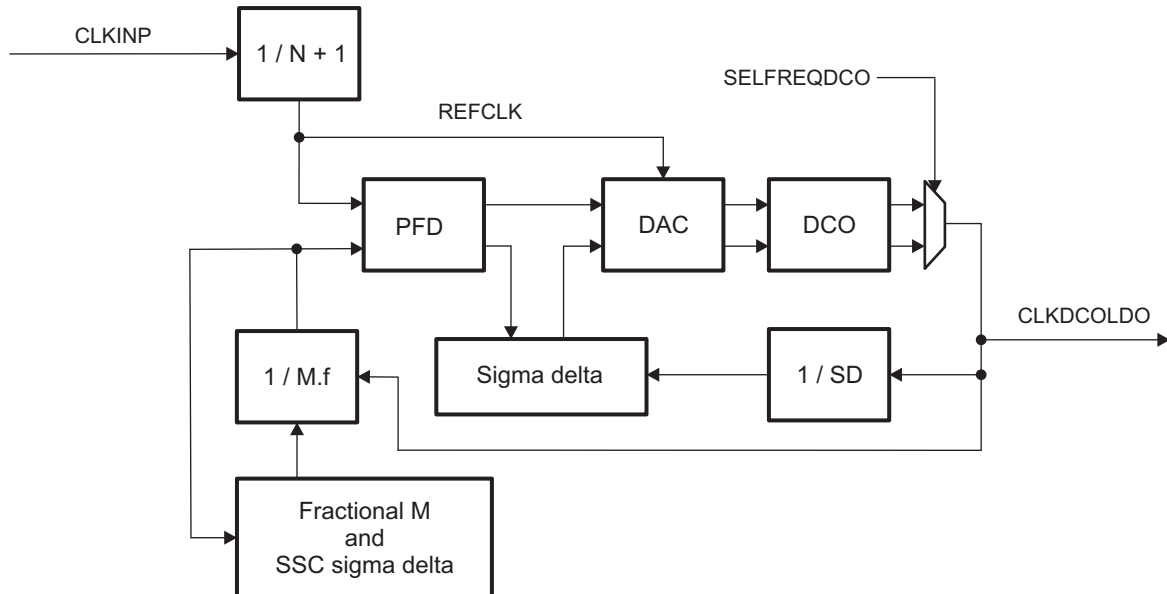
The DPLL_SATA.CLKDCOLDO clock output is automatically gated (CLKDCOLDO pulled low) in the following scenarios:

- DPLL power-up sequence. For more information on the power-up sequence, see [Section 26.1.4.3.6.1, SATA Clock Generator Power Up](#).
- DPLL entering a relock sequence. For more information on the relocking sequence, see [Section 26.1.4.3.6.2, SATA DPLL Sequences](#).
- DPLL entering idle-bypass low-power mode. For more information on idle-bypass mode, see [Section 26.1.4.3.6.4, SATA DPLL Idle-Bypass Mode](#).
- DPLL entering MN-bypass mode. For more information on MN-bypass mode, see [Section 26.1.4.3.6.5, SATA DPLL MN Bypass Mode](#).

26.1.4.3.5 SATA DPLL Subsystem Architecture

[Figure 26-5](#) is a simplified block diagram of the DPLL_SATA instance integration in the SATA clock generator subsystem.

Figure 26-5. DPLL_SATA Functional Block Diagram



sataphy-012

The input clock CLKINP goes to a predivider $N + 1$. The entire loop runs on the REFCLK clock after this predivider. The value of $N + 1$ is controlled through the DPLLCTRL_SATA.PLL_CONFIGURATION1[8:1] PLL_REGN bit field.

The frequency ranges for the DPLL_SATA input clock (CLKINP) and the DPLL internal reference clock (REFCLK = CLKINP/ $N + 1$) are:

- 0.62 to 60 MHz for CLKINP
- 0.62 to 2.5 MHz for the REFCLK

The output clock CLKDCOLDO is synthesized by digitally controlled oscillator (the DCO block), that automatically detects the frequency range. The CLKDCOLDO frequency can be given with CLKDCOLDO = CLKINP \times M/($N + 1$). For that purpose the feedback multiplier M must be configured through the DPLLCTRL_SATA.PLL_CONFIGURATION1[20:9] PLL_REGM bit field.

The DPLL_SATA module supports fractional synthesis (that is, the frequency multiplication factor M can be programmed as fractional). This is achieved by having a sigma delta feedback divider (M). A fractional value (Fractional M) of 18 bits is supported enabling control for a better accuracy. Programming the 18-bit Fractional M value is done by setting the DPLLCTRL_SATA.PLL_CONFIGURATION4[17:0] PLL_REGM_F bit field (similar to REGM). To enable integer only division Fractional M should be set to 000...0.

NOTE: Fractional synthesis is not supported for $M > 4093$.

26.1.4.3.6 SATA DPLL Clock Generator Modes and State Transitions

The DPLL_SATA can be set in different modes during operation. PLLCTRL triggers DPLL_SATA state transitions to different static modes by means of TINITZ and TENABLE hardware control signals.

26.1.4.3.6.1 SATA Clock Generator Power Up

After power up, the DPLL_SATA.SYSRESETN input is automatically pulled low by PRM, together with DPLLCTRL_SATA.RESET_N input. Because PRM.L3INIT_RST is an asynchronous reset, the DPLL_SATA input clock (DPLL_SATA.CLKINP) is not demanded upon reset. The LOSSREF signal, which monitors the presence of CLKINP clock, remains 1 during SYSRESETN = 0 irrespective of presence/absence on the CLKINP clock. If CLKINP is present upon reset assertion, the LOSSREF signal is deasserted to 0, a certain time after the hardware reset completion. During DPLL power-up mode, CLKDCOLDO clock is maintained inactive (pulled low). After POR, the DPLL_LOCK (internal lock loop) signal is maintained deasserted, too.

26.1.4.3.6.2 SATA DPLL Sequences

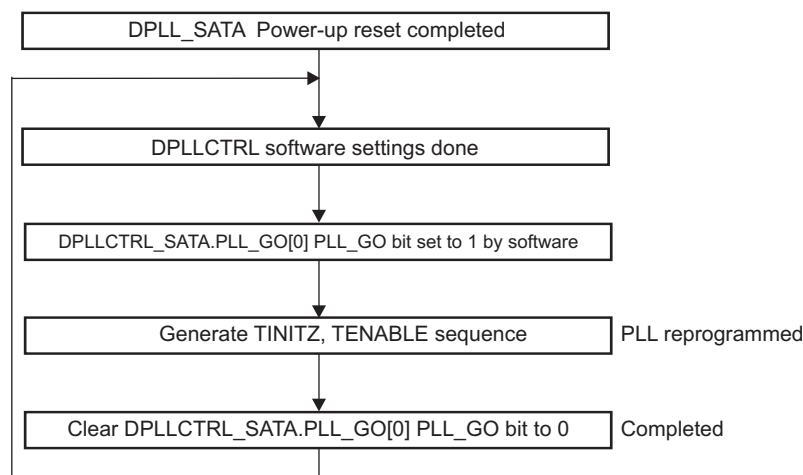
Once all the configuration values have been initially programmed into the DPLLCTRL_SATA registers (see Section 26.1.4.3.7.2, *SATA DPLL Clock Programming Sequence*), the DPLLCTRL_SATA.PLL_GO[0] PLL_GO bit should be set to update the configuration values and start the DPLL calibration and locking sequence.

After DPLLCTRL_SATA.PLL_GO[0] PLL_GO bit is set high in software, the DPLLCTRL_SATA state-machine takes the following action:

1. Sets TINITZ signal to 0. TINITZ acts as a soft reset to DPLL_SATA. This starts the DPLL initialization procedure. During initialization mode, the CLKDCOLDO, FREQLOCK, and PHASELOCK signals are kept at 0 and the BYPASSACK signal is kept at 1.
VDDA power supply of DPLL should be active before DPLL_SATA initialization is performed, but it is not required to be switched on immediately after device power up.
2. The TENABLE signal is asserted high by the PLLCTRL hardware to load the user-programmed values of REGM, REGN, REGSD, and SELFREQDCO into DPLL registers.
3. After TENABLE is asserted, TINITZ is driven high (disabled) by the PLLCTRL to trigger a DPLL calibration and lock sequence after the loop control values are loaded. The module calibration-lock sequence will begin from the first CLKINP edge after TINITZ is disabled.

Figure 26-6 summarizes the software and hardware sequences flow of DPLL_SATA.

Figure 26-6. SATA PLL GO Sequence



sataphy-015

NOTE: All thick-outlined blocks in Figure 26-6 show operations performed by software. Other blocks show operations performed by hardware.

DPLL_SATA Relock Sequence: When DPLL leaves a lost clock condition (LOSSREF = 1 → 0) or idle-bypass mode it enters relock sequence from the first CLKINP edge (after bypass mode leaving). Relock sequence is the same as calibration-lock sequence already described.

A DPLL relock sequence is also software triggered by setting DPLLCTRL_SATA.PLL_GO[0] PLL_GO bit to 0b1 for DPLL parameters update.

When DPLL_SATA enters a relock sequence, CLKDCOLDO is pulled low. FREQLOCK and PHASELOCK status signals are also low. CLKDCOLDO output clock is activated after FREQLOCK or PHASELOCK signal goes high, depending on the selected locking criteria.

The DPLLCTRL_SATA.PLL_GO[0] PLL_GO bit can be used by software to monitor if PLLCTRL locking process is still pending (PLL_GO = 0b1).

26.1.4.3.6.3 SATA DPLL Locked Mode

When DPLL_SATA finishes calibration and lock sequences it enters the LOCKED state. During the LOCKED state, LOSSREF is deasserted, BYPASSACK is deasserted, and the FREQLOCK or PHASELOCK signals are asserted.

DPLL lock event criteria (FREQLOCK or PHASELOCK) is software selectable through the DPLLCTRL_SATA.PLL_CONFIGURATION2[10:9] PLL_LOCKSEL bit field.

The DPLL indicates it is in the LOCKED state to the DPLLCTRL_SATA, SATA controller core controller, and SATA_PHY through assertion of the DPLL_LOCK signal, which reflects the internal lock loop status. The user software can monitor the DPLL locked event in the DPLLCTRL_SATA.PLL_STATUS[1] PLL_LOCK bit, which is active high.

26.1.4.3.6.4 SATA DPLL Idle-Bypass Mode

Idle-bypass fast relock mode is not supported for DPLL_SATA.

DPLL_SATA supports idle-bypass low-power mode. A transition from a normal operation to idle-bypass mode is performed when software sets the DPLLCTRL_SATA.PLL_CONFIGURATION2[0] PLL_IDLE bit to 0x1. IDLE signal assertion triggers a power-down sequence on DPLL internal LDO analog blocks and DCO oscillator.

In idle-bypass low-power mode, the PHASELOCK and FREQLOCK output signals are asserted low and CLKDCOLDO goes low, respectively. Also, the internal reference clock REFCLK = CLKINP/N + 1 is gated inside the DPLL digital control logic to save power.

In the functional mode, DPLL_SATA.TICOPWDN output indicates to the PLL controller the status of the power-down signal (active high) of the internal DCO oscillator. The internal DCO oscillator is powered down in idle-bypass mode or during period from SYSRESETN 0 → 1 to module initialization. The DCO oscillator exits power down (TICOPWDN goes low) whenever the module internally tries to lock or relock after initialization or exiting idle-bypass mode.

In the functional mode, DPLL_SATA.LDOPWDN output indicates to the PLL controller the status of the power-down signal (active high) of the internal LDO. LDOPWDN goes high as soon as the internal LDO is powered down. LDOPWDN goes low after the LDO output voltage is stable. The internal LDO is powered down in period from SYSRESETN 0 → 1 to module initialization or when entering into idle-bypass mode. LDOPWDN is cleared whenever the module internally tries to lock or relock after initialization or exiting idle-bypass mode after the internal LDO output voltage has stabilized.

The DCO and LDO power ON/OFF states are reflected within the read-only DPLLCTRL_SATA.PLL_STATUS[16] PLL_TICOPWDN and DPLLCTRL_SATA.PLL_STATUS[15] LDOPWDN monitor bits.

To exit idle-bypass mode and restore clock generation, the user should set DPLLCTRL_SATA.PLL_CONFIGURATION2[0] PLL_IDLE to 0x0, which deasserts the IDLE signal and DPLL_SATA automatically enters a relock sequence. The CLKDCOLDO output clock is activated after the FREQLOCK or PHASELOCK signal goes high, depending on selected locking criteria.

26.1.4.3.6.5 SATA DPLL MN-Bypass Mode

The MN-Bypass mode will be activated if REGM = 0 or 1 is loaded into the module on the rising edge of TENABLE. TINITZ also should be pulsed to enter MN-Bypass mode. The module enters a low-power mode by gating all its internal clocks (REFCLK) and powering down the internal LDO (LDOPWDN = 1) and DCO (DCOPWDN = 1). CLKDCOLDO remains gated (low) during this mode.

NOTE: When the DPLLCTRL_SATA.PLL_CONFIGURATION1[20:9] PLL_REGM bit field is updated to 0x0 or 0x1, the CLKDCOLDO output clock is gated.

26.1.4.3.6.6 SATA DPLL Error Conditions

The PLL lock and recalibration signals can be monitored to detect the loss of lock condition and the DPLL requirement to recalibrate (caused by a large temperature change since the last lock request):

- The DPLLCTRL_SATA.PLL_STATUS[2] PLL_RECAL bit informs whether the DPLL_SATA must be recalibrated.

The PLL reference clock (CLKINP) loss status and PLL-in-high-jitter condition can also be monitored:

- The DPLLCTRL_SATA.PLL_STATUS[1] PLL_LOCK bit gives the SATA PLL LOCKED state.
- The DPLLCTRL_SATA.PLL_STATUS[3] PLL_LOSSREF bit informs whether the DPLLCTRL_SATA has lost the reference clock.
- The DPLLCTRL_SATA.PLL_STATUS[5] PLL_HIGHJITTER bit informs whether the PLL has entered a high-jitter condition.

26.1.4.3.7 SATA PLL Controller Functions

26.1.4.3.7.1 SATA PLL Controller Register Access

The configuration registers are accessed through the OCP2SCP3 L4 adapter register space using the SCP interface of the DPLLCTRL_SATA. This includes all the configuration signals and returning status signals.

CAUTION

All writes must be 32-bit operations, because the SCP interface always transfers 32 bits; 16- or 8-bit operations may lead to unpredictable errors.

NOTE: Because the SATA_PHY directly provides parallel data interface clocks RX_CLK and TX_CLK to the SATA controller, the DPLLCTRL_SATA and DPLL_SATA must be configured before any data transfer between the SATA controller and an external SATA storage device.

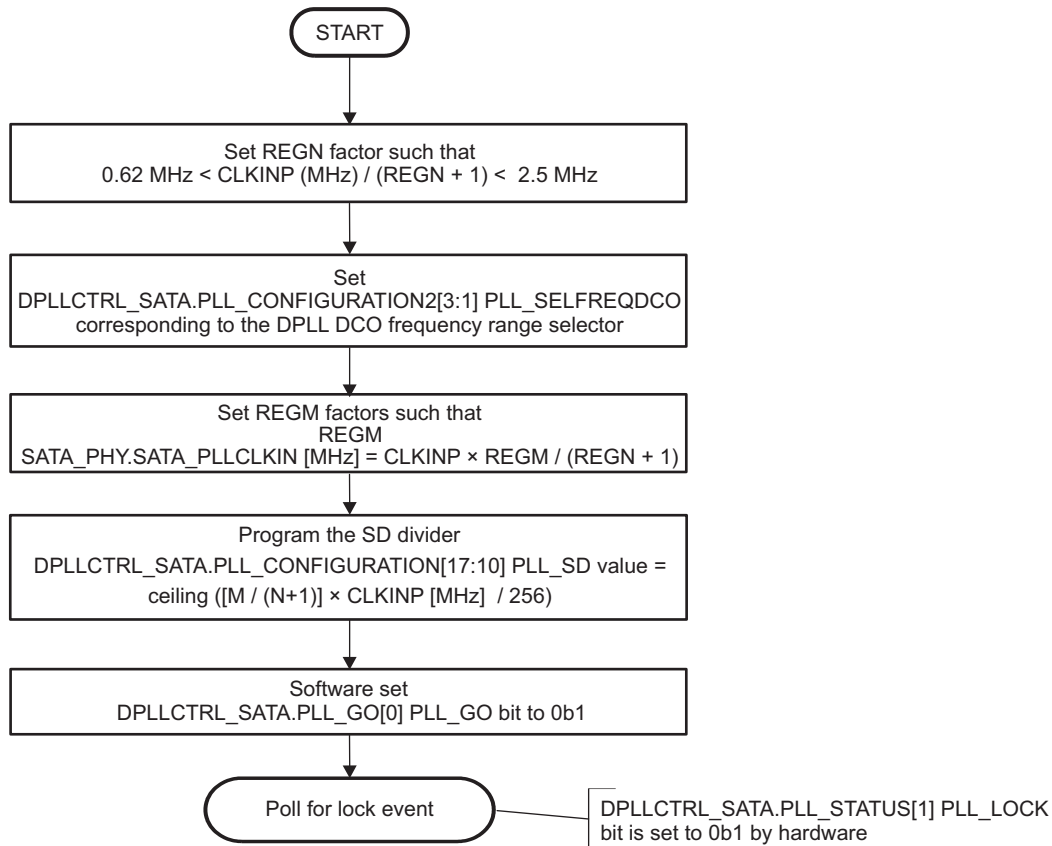
26.1.4.3.7.2 SATA DPLL Clock Programming Sequence

The DPLL_SATA factors must be calculated based on the required input and output frequencies, keeping the PLL internal reference frequency (REFCLK) in the appropriate range (0.62 to 2.5 MHz).

- The REGM factor is programmed in the DPLLCTRL_SATA.PLL_CONFIGURATION1[20:9] PLL_REGM bit field.
- The fractional part of REGM factor is programmed in the DPLLCTRL_SATA.PLL_CONFIGURATION4[17:0] PLL_REGM_F bit field.
- The REGN factor is programmed in the DPLLCTRL_SATA.PLL_CONFIGURATION1[8:1] PLL_REGN bit field.
- The DCO frequency range is set in the DPLLCTRL_SATA.PLL_CONFIGURATION2[3:1] PLL_SELFREQDCO bit field.
 - PLL_SELFREQDCO should be set to 0x2, if 750 MHz < CLKDCOLDO [MHz] < 1500 MHz
 - PLL_SELFREQDCO should be set to 0x4, if 1250 MHz < CLKDCOLDO [MHz] < 2500 MHz
- The SD divider is programmed in the DPLLCTRL_SATA.PLL_CONFIGURATION3[17:10] PLL_SD bit field. The DPLLCTRL_SATA.PLL_CONFIGURATION2[3:1] PLL_SELFREQDCO bit field should be programmed depending on the value of $CLKDCOLDO = CLKINP \times M/(N + 1)$. The formulas are shown in [Figure 26-7](#).

[Figure 26-7](#) shows the programming sequence.

Figure 26-7. SATA PLL Programming Sequence



sataphy-014

NOTE:

- The equation for SATA_PHY_TX/SATA_PHY_RX (MHz) applies to the CLKDCOLDO of the DPLL_SATA.
- For normal operation CLKDCOLDO output frequency of the DPLL_SATA should be either 750 MHz (SATA-1 mode) or 1500 MHz (SATA-2 mode).

Table 26-5 summarizes the registers for the DPLLCTRL_SATA programming sequence.

Table 26-5. Register Call Summary for SATA PLL Programming Sequence

Register Name	Register Name	Register Name	Register Name
DPLLCTRL_SATA.PLL_CONFIG URATION2	DPLLCTRL_SATA.PLL_GO	DPLLCTRL_SATA.PLL_STATUS	DPLLCTRL_SATA.PLL_CONFIG URATION3

26.1.4.3.7.3 SATA DPLL Recommended Values

Table 26-6 lists the DPLL_SATA recommended values.

Table 26-6. Recommended Programming Values

Field Name	Value	Description
DPLLCTRL_SATA.PLL_CONFIGURATION1[20:9] PLL_REGM	See ⁽¹⁾ .	Feedback clock divider

⁽¹⁾ The value of the bit field must be set according to the desired clock frequencies – 750 MHz for SATA-1 and 1.5 GHz for SATA-2 speeds.

Table 26-6. Recommended Programming Values (continued)

Field Name	Value	Description
DPLLCTRL_SATA.PLL_CONFIGURATION1[8:1] PLL_REGN	See ⁽¹⁾ .	Reference clock divider
DPLLCTRL_SATA.PLL_CONFIGURATION2[10:9] PLL_LOCKSEL	0x-	Criteria to lock the PLL
DPLLCTRL_SATA.PLL_CONFIGURATION2[3:1] PLL_SELFREQDCO	See ⁽¹⁾ .	Program based on the PLL choice and lock frequency.
DPLLCTRL_SATA.PLL_CONFIGURATION2[0] PLL_IDLE	0	PLL active
DPLLCTRL_SATA.PLL_CONFIGURATION3[17:10] PLL_SD	See ⁽¹⁾ .	Ceiling { [PLL_REGM/(PLL_REGN + 1)] × CLKINP(MHz)/256 }
DPLLCTRL_SATA.PLL_GO[0] PLL_GO	0x1	Write 1 when PLL is to be (re)locked with new parameters. This bit is cleared by hardware when the PLL request completes.

26.1.5 SATA PHY Subsystem Low-Level Programming Model

NOTE: SATA is not supported on the AM570x family of devices.

Table 26-7 summarizes the low-level programming sequence to set up the SATA PHY subsystem for SATA I/O operations.

Table 26-7. SATA PHY Subsystem Low-Level Programming Sequence

Step	Description	Comment
1.	Set the startup low-performance OPP in the appropriate PRCM registers.	For more information regarding demanded OPP, see the device <i>Data Manual</i> .
2.	Enable the PRCM.SATA_REF_GFCLK.	See Section 3.6.4.1.4, <i>Clock Domain Module Attributes</i> , in Chapter 3, <i>Power, Reset, and Clock Management</i> .
3.	Enable the PRCM.L3INIT_L4_GICLK clock to enable the OCP2SCP3 interface adapter operation.	See Section 3.6.4.1.4, <i>Clock Domain Module Attributes</i> , in Chapter 3, <i>Power, Reset, and Clock Management</i> .
4.	Software reset the OCP2SCP3 and poll until soft reset completion is indicated in status.	See Section 26.1.4.1.
5.	Set up division ratio between the OCP clock (PRCM.L3INIT_L4_GICLK) and SCP clock to supply the serial configuration register domains of the DPLLCTRL_SATA.	See Section 26.1.4.1.
6.	Set up necessary SYNC1 and SYNC2 timings to ensure no blocking of transactions over the SCP bus.	. See Section 26.1.4.1. After this step user is ready to access DPLLCTRL_SATA.
7.	Configure DPLL_SATA to generate frequency (CLKDCOLDO) = 1.5 GHz.	See Section 26.1.4.3.7.2 and Table 26-8.
8.	Soft assert bit DPLLCTRL_SATA.PLL_GO[0] PLL_GO to 0x1.	Start the DPLL lock with desired parameters.
9.	Poll DPLLCTRL_SATA.PLL_STATUS[1] PLL_LOCK bit until it is seen 1.	DPLL locked event
10.	Perform a SATA_PHY tuning required for SATA i/f operation	Follow steps described in Table 26-9, <i>SATA PHY Tuning Table</i> .
11.	Software trigger the SATA_PHY_TX power-up sequence.	For more details, see Section 26.1.4.2.3.1, <i>SATA_PHY Power-Up/-Down Sequences</i> .
12.	Software trigger the SATA_PHY_RX power-up sequence.	For more details, see Section 26.1.4.2.3.1, <i>SATA_PHY Power-Up/-Down Sequences</i> .

Table 26-8. DPLL CLKDCOLDO Recommended Settings

Parameter	Setting				
F(CLKDCOLDO) MHz	1500				
SYS_CLK (MHz)	12	16.8	19.2	26	38.4
N	4	6	7	12	15
SELFREQDCO[2:0]	100	100	100	100	100
M	625	625	625	750	625
Frac	0	0	0	0	0
SD	6	7	6	6	6

Table 26-9. SATA PHY Tuning Table

Physical address ⁽¹⁾ [bits to modify]	Preferred value setting ⁽²⁾
0x4A09 600C [31:27]	0b01000 for SATA 1.5 Gbps mode 0b00100 for SATA 3 Gbps mode
0x4A09 600C [17:14]	0b1010 for SATA-Gen1x and SATA-Gen2x ⁽³⁾ 0b0101 for SATA-Gen1m and SATA-Gen2m
0x4A09 6028 [23:19]	0b11100 if spread-spectrum is ON 0b00001 if spread-spectrum is OFF
0x4A09 6028 [18:11]	0b01100110 (regardless of spread-spectrum being ON or OFF)
0x4A09 600C [6:5]	0b00
0x4A09 601C [31:30]	0b01
0x4A09 6024 [31:30]	0b10
0x4A09 6038 [31:16]	0x0000
0x4A09 6038 [15:7]	0b111110000
0x4A09 6038 [2:1]	0b11
0x4A09 6044 [10:9]	0b00

⁽¹⁾ Accesses to these locations have to be done in 32-bits only. User must NOT modify SATA PHY bits different than those described in [Table 26-9](#).

⁽²⁾ These are the preferred settings of SATA_PHY, in case that SATA PHY PLL_CLK=1.5 GHz.

⁽³⁾ For SATA Genx and Genm description, please refer to *Serial ATA II Electrical Specification 1.0*.

26.2 USB3_PHY Subsystem

This chapter describes the features and functions of the USB3_PHY subsystem of the device.

26.2.1 USB3_PHY Subsystem Overview

The USB3.0 physical layer (PHY) is responsible for transmitting the USB1 controller media access layer (MAC) 32-bit parallel data output as a serial data stream over a differential pair (TXP/TXN) and converting the differentially received serial data (RXP/RXN) to 32-bit parallel input data demanded by the MAC receiver logic.

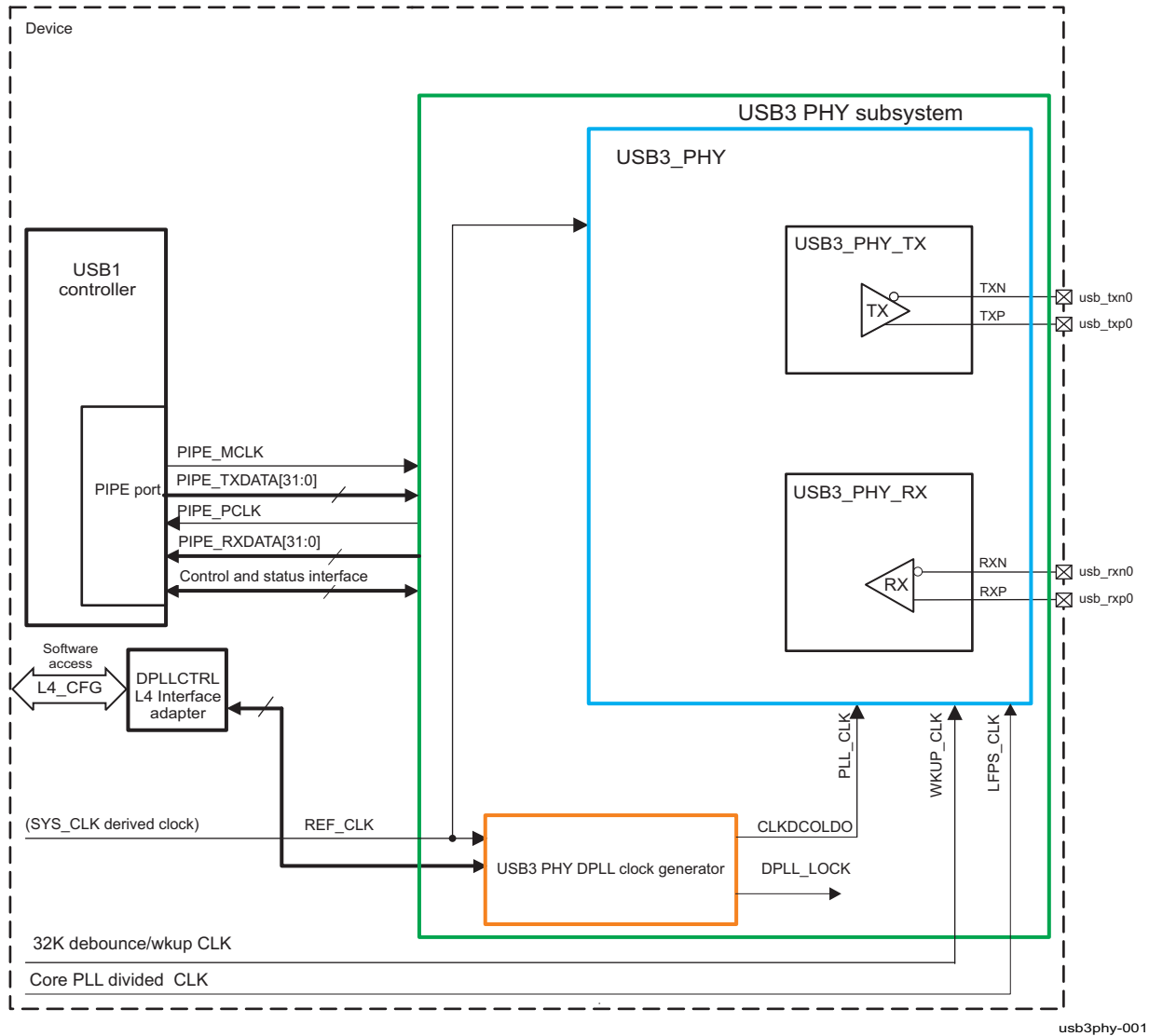
The USB3_PHY component operates with a 2.5 GHz-source clock, to achieve the USB 3.0 super-speed throughput of 5 Gbps. The USB3_PHY serializer/deserializer source clock is generated by a DPLL clock generator (DPLL_USB_OTG_SS) which is integrated into the USB1 host subsystem.

The DPLL_USB_OTG_SS is configured and controlled through the USB3_PHY dedicated PLL controller (DPLLCTRL_USB_OTG_SS) with associated serial configuration port (SCP) accessible registers.

A common interconnect adapter component, OCP2SCP1, lets the user program the USB3_PHY serializer/deserializer and DPLLCTRL_USB_OTG_SS through the L4_CFG interconnect.

[Figure 26-8](#) gives an overview of the USB3_PHY subsystem. [Figure 26-8](#) shows that the USB3_PHY serializer and deserializer directly interact with the attached to USB OTG SS controller USB3.0 compatible device (over TXP/TXN transmission and RXP/RXN reception interface I/Os). The PIPE port interacts with the USB1 MAC port, described in details in [Section 24.7](#), *SuperSpeed USB DRD*.

Figure 26-8. USB3_PHY Subsystem Overview



26.2.2 USB3_PHY Subsystem Environment

26.2.2.1 USB3_PHY I/O Signals

Table 26-10 represents module pins and their corresponding signal names at the device level, and also specifies their links to functions.

Table 26-10. USB3_PHY I/O Signals

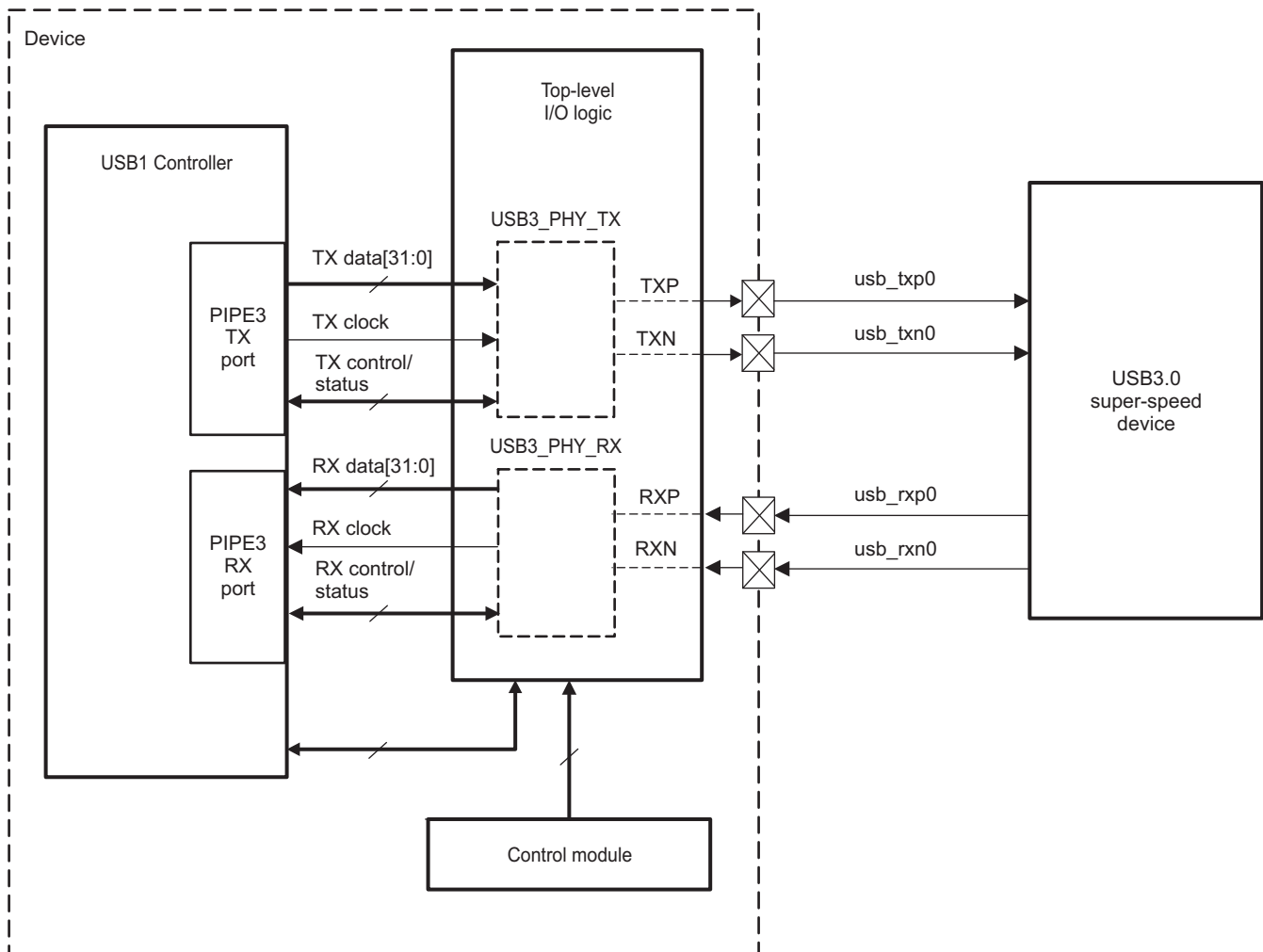
Module Pin Name	Device-Level Signal Name	I/O ⁽¹⁾	Description	Module Pin Reset Value ⁽²⁾
TXP	usb_txp0	O	TX output of the USB3_PHY differential transmission line	0
TXN	usb_txn0	O	TY output of the USB3_PHY differential transmission line	0
RXP	usb_rxp0	I	RX input of the USB3_PHY differential reception line	HiZ
RXN	usb_rxn0	I	RY input of the USB3_PHY differential reception line	HiZ

(1) I = Input; O = Output

(2) HiZ = High impedance

Figure 26-9 shows module pin signals mapping to USB3_PHY signals visible at the device pad level.

Figure 26-9. USB3_PHY I/O Signals



usb3phy-002

26.2.3 USB3_PHY Subsystem Integration

This section describes the USB3_PHY subsystem-related components (USB3_PHY module, DPLL_USB_OTG_SS, DPLLCTRL_USB_OTG_SS, and OCP2SPC1) integration in the device, including information about clocks, resets, and hardware requests.

Figure 26-10 shows the USB3_PHY integration.

The USB3_PHY module integration features:

- A low-power nonretention reset, L3INIT_RST
- (OCP2SPC1) Interconnect adapter target interface
- A high-frequency input clock (PLL_CLK) tied to the DPLL_USB_OTG_SS.CLKDCOLDO output
- A local port connected to the USB1 MAC PIPE3 port
- A clock output (PIPE_PCLK) to the USB1 PIPE port
- A clock output (PIPE_MCLK) from the USB1 PIPE port
- A common clock from PRCM - REF_CLK, to supply DPLL and PHY RX/TX logic
- PRCM.CORE_USB_OTG_SS_LFPS_TX_CLK clock tied to the USB3_PHY_TX
- A device CORE CONTROL MODULE command port to the power sequencer

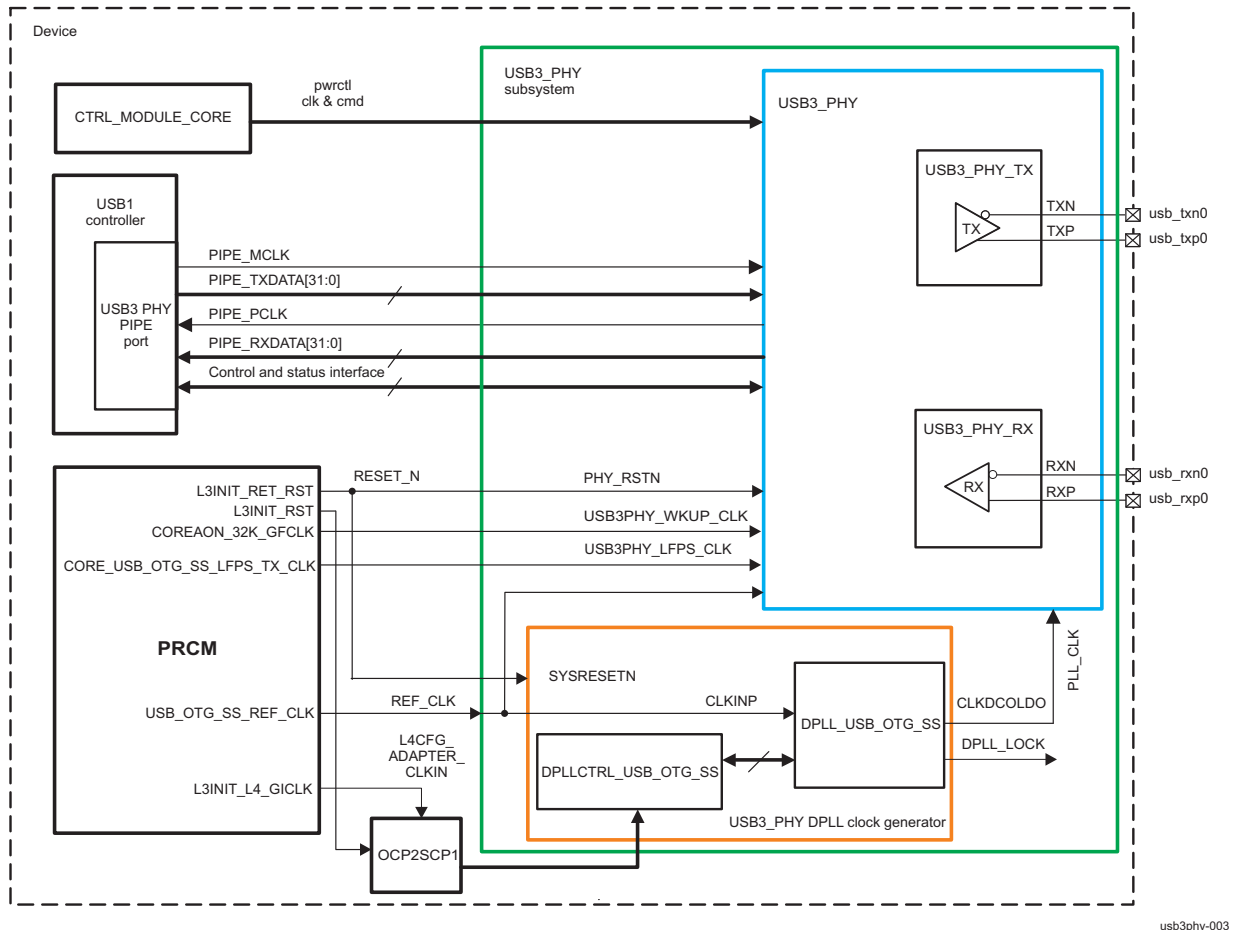
The DPLL_USB_OTG_SS integration features:

- A low-power nonretention reset, L3INIT_RST
- A PRCM gated version of the device SYS_CLK (USB_OTG_SS_REF_CLK) supplying DPLL_USB_OTG_SS.CLKINP pin
- A single high-frequency clock output, DPLL_USB_OTG_SS.CLKDCOLDO, to the PLL_CLK input of the USB3_PHY_TX/RX components.
- No HS divider integration
- IDLE signaling implementation
- LDO and DCO PWRDNZ monitoring signals
- A DPLL_LOCK LOCKED status indication

The DPLLCTRL_USB_OTG_SS integration features:

- A low-power nonretention reset, L3INIT_RST
- (OCP2SPC1) Interconnect adapter target interface also providing the input SCP clock to the DPLLCTRL_USB_OTG_SS
- Configuration/control programming interface to the DPLL_USB_OTG_SS
- No direct gate control for DPLL_USB_OTG_SS.CLKINP and CLKDCOLDO

Figure 26-10. USB3_PHY Subsystem Integration



usb3phy-003

Table 26-11 through Table 26-13 summarize the integration of the module in the device.

Table 26-11. Integration Attributes

Module Instance	Attributes	
	Power Domain	Interconnect
USB3_PHY_TX	PD_L3INIT	OCP2SCP1 SCP interconnects
USB3_PHY_RX		OCP2SCP1 SCP interconnects
USB3_PHY (wrapper)		CTRL_CORE_MODULE power control
DPLLCTRL_USB_OTG_SS		OCP2SCP1 adapter SCP interconnect
DPLL_USB_OTG_SS	PD_COREAON	
OCP2SCP1		L4_CFG

Table 26-12. Clocks

Clocks				
Module Instance	Destination Signal Name	Source Signal Name	Source	Description
DPLL_USB_OTG_SS	CLKINP	USB_OTG_SS_REF_CLK ⁽¹⁾	PRCM	DPLL_USB_OTG_SS reference functional clock (SYS_CLK based)
USB3_PHY	USB3PHY_PWRS_CLK	USB_OTG_SS_REF_CLK	PRCM	USB3_PHY wrapper power sequencer functional clock (SYS_CLK)

⁽¹⁾ This clock is connected to a single clock input pin - REF_CLK at the USB3_PHY subsystem level

Table 26-12. Clocks (continued)

USB3_PHY_TX	USB3PHY_LFPS_CLK	CORE_USB_OTG_SS_LFP S_TX_CLK	PRCM	Fixed frequency USB3TX functional clock used for LFPS pattern generation
USB3_PHY_RX	USB3PHY_WKUP_CLK	COREAON_32K_GFCLK	PRCM	I/O wakeup and debounce 32-kHz functional clock at USB3_PHY_RX Receiver side
OCP2SCP1	L4CFG_ADAPTER_CLKIN	L3INIT_L4_GICLK	PRCM	L4_CFG adapter interface clock

Table 26-13. Resets

Resets				
Module Instance	Destination Signal Name	Source Signal Name	Source	Description
USB3_PHY subsystem	RESET_N	L3INIT_RST	PRCM	A nonretention reset to all USB3_PHY subsystem components

NOTE: The USB3_PHY_RX generates a hardware wakeup request to the PRCM module.

26.2.4 USB3_PHY Subsystem Functional Description

26.2.4.1 Super-Speed USB PLL Controller L4 Interface Adapter Functional Description

The L4_CFG interconnect adapter (OCP2SCP1), allows user software to configure the DPLLCTRL_USB_OTG_SS registers over the L4_CFG port. Hence it is expected that this adapter is configured to operate before any programming of the DPLLCTRL_USB_OTG_SS.

Before initiating any software reset to this adapter, a value $\geq 0x6$ should be written to the register bitfield [OCP2SCP_TIMING\[3:0\] SYNC2](#).

L4_CFG interconnect adapter software reset is performed via writing [OCP2SCP_SYSCONFIG\[1\] SOFTRESET](#) to 0b1. The software reset completion is observed in bit [OCP2SCP_SYSSTATUS\[0\] RESETDONE](#).

By default a smart-idle power mode is selected for OCP2SCP1. The smart-idle mode supported by OCP2SCP1 is not wake-up capable, which means software must explicitly take care to wake the OCP2SCP1 by setting the [OCP2SCP_SYSCONFIG \[4:3\] IDLEMODE](#) bit field to 0x1 (no idle), once it has previously gone to an idle mode.

By default [OCP2SCP_SYSCONFIG\[0\] AUTOIDLE](#) = 0x1, which defines that the DPLLCTRL L4 interface adapter automatically gates its L4 input clock based on L4_CFG interconnect activity. To enable a free-running clock, one should set bit AUTOIDLE to 0x0.

26.2.4.2 USB3_PHY Serializer and Deserializer Functional Descriptions

26.2.4.2.1 USB3_PHY Module Resets

26.2.4.2.1.1 Hardware Reset

The USB3_PHY active low reset which is sourced from PRCM module. L3INIT_RST is hardware-asserted upon power up. For more information on the hardware reset source, see [Section 3.5.5, Reset Domains](#), in [Chapter 3, Power, Reset, and Clock Management](#).

26.2.4.2.1.2 Software Reset

The USB3_PHY PIPE i/f logic is software reset from USB1 over PIPE port by software assertion of the USBOTGSS_GUSB3PIPECTL[31] PHYSOFTTRST bit to 0x1. The user must set USBOTGSS_GUSB3PIPECTL[31] PHYSOFTTRST to 0x1 before triggering the serializer and deserializer power-up sequence in the CTRL_CORE_PHY_POWER_USB register. For more information on power-up sequence, see [Section 26.2.4.2.3.1, USB3_PHY Power-Up/Down Sequences](#).

The user should deassert USBOTGSS_GUSB3PIPECTL[31] PHYSOFTTRST to 0x0, after the serializer and deserializer power-up sequence completes. For more information, see [Section 26.2.4.2.3.1, USB3_PHY Power-Up/Down Sequences](#).

26.2.4.2.2 USB3_PHY Subsystem Clocking

26.2.4.2.2.1 USB3_PHY Subsystem Input Clocks

The USB3_PHY component receives a feedback clock, PIPE_MCLK, which is the reflected version of the PIPE_PCLK (PIPE port synchronizing clock) generated by the USB3_PHY component. The clock is turned on/off according to the PIPE power-down port states. As PIPE port works in source-synchronous mode, all data movement from the MAC layer to the PIPE interface is synchronous to PIPE_PCLK.

The USB3_PHY.PLL_CLK high-speed transmission (2.5 GHz) clock input pin is connected to the DPLL_USB_OTG_SS clock output, CLKDCOLDO. For more information on the DPLL_USB_OTG_SS.CLKDCOLDO output clock settings, see [Section 26.2.4.3.4.2, USB3_PHY DPLL Output Clock Configuration](#).

As shown in [Figure 26-11](#), the same PRCM-sourced clock (USB_OTG_SS_REF_CLK), tied at the USB3_PHY subsystem REF_CLK input, supplies the USB3_PHY RX/TX components and the DPLL_USB_OTG_SS.CLKINP inputs.

The PHY associated power sequencer receives PRCM.USB_OTG_SS_REF_CLK as a functional clock. Software must notify the PHY logic about which REF_CLK frequency is selected by writing the CTRL_CORE_PHY_POWER_USB[31:22] USB_PWRCTL_CLK_FREQ bit field, as follows:

- 0x26: If SYSCLK = 38.4 MHz
- 0x1A: If SYSCLK = 26.0 MHz
- 0x13: If SYSCLK = 19.2 MHz
- 0x10: If SYSCLK = 16.8 MHz
- 0x0C: If SYSCLK = 12.0 MHz

The USB3PHY_LFPS_CLK clock input is used to support different USB3_PHY functions, such as the low-frequency periodic signaling (LFPS) generator. This USB3_PHY_TX clock input is tied to the PRCM.CORE_USB_OTG_SS_LFPS_TX_CLK functional clock.

The USB3_PHY_RX deserializer I/O wake-up logic is supported by the PRCM.COREAON_32K_GFCLK clock, applied at the USB3PHY_WKUP_CLK input.

26.2.4.2.2 USB3_PHY Subsystem Output Clocks

- PIPE_PCLK: The PIPE interface is source-synchronous. A PIPE_PCLK clock is generated by the USB3_PHY component, used to synchronize USB1 PIPE port inputs, and reflected back as the PIPE_MCLK along with the PIPE outputs. The clock is turned on/off according to the power control port. All data movement from the PIPE interface to the USB1 MAC layer is synchronous to this clock.

The PIPE_PCLK clock which drives the PIPE3 logic is sourced by the on-chip USB3_PHY. The PIPE interface is source-synchronous (that is, the clock is received from the PHY), used to synchronize USB1 PIPE inputs, and reflected back along with the PIPE outputs as the PIPE_MCLK. The PIPE_PCLK clock is turned on/off according to the USB3_PHY power control port. For more details, see [Section 26.2.4.2.3, USB3_PHY Power Management](#).

26.2.4.2.3 USB3_PHY Power Management

From one side the control over power up/down states of the USB3_PHY is provided through a power sequencer module tightly integrated with the the USB3_PHY physical layer TX/RX components.

26.2.4.2.3.1 USB3_PHY Power-Up/Down Sequences

Powering-up/-down the USB3_PHY_TX and USB3_PHY_RX modules is triggered through software writing corresponding power-up/down commands in the CTRL_CORE_PHY_POWER_USB register of the device core control module, as follows:

- CONTROL_PHY_POWER_USB[21:14] USB_PWRCTL_CLK_CMD=0x0 (default value) commands both USB3_PHY_TX and USB3_PHY_RX to power-down (OFF) state.
- CONTROL_PHY_POWER_USB[21:14] USB_PWRCTL_CLK_CMD=0x1 powers up the USB3_PHY_RX only.
- CONTROL_PHY_POWER_USB[21:14] USB_PWRCTL_CLK_CMD=0x2 powers up the USB3_PHY_TX only.
- CONTROL_PHY_POWER_USB[21:14] USB_PWRCTL_CLK_CMD=0x3 simultaneously powers up the USB3_PHY_RX and the USB3_PHY_TX

For more information, see [Chapter 18, Control Module](#).

26.2.4.2.3.2 USB3_PHY Low-Power Modes

An implemented powerdown control port allows USB3_PHY to support four low-power states:

- 0b00: P0, normal operation (used for all Polling, Configuration, Recovery, Loopback, and Hot_Reset states, and U0 state),
- 0b01: P1, low recovery time latency, power saving state (used for U1 state)
- 0b10: P2, longer recovery time latency, lower power state (used for U2, Rx.Detect and SS.Inactive states)

- 0b11: P2, lowest power state (used for SS.disabled and U3)

The USB3_PHY transitions from P0-active mode to low-power P1, or either of the two P2 states, is synchronized with USB1 transitions from U0 active state to U1, U2, and U3 low-power states through the input PIPE_POWERDOWN[1:0]. The PIPE port low-power behavior is configured from various bit fields inside the USB1.USB_GUSB3PIPECTL register. For more information on PIPE port low-power (LP) configuration, see , *USB Register Description* in [Section 24.7](#), *SuperSpeed USB DRD*.

26.2.4.2.3.3 Clock Gating

The USB3_PHY component high-speed clocks, PLL_CLK and PIPE_PCLK, are gated during the P1 low-power state.

26.2.4.2.4 USB3_PHY Hardware Requests

An asynchronous wake-up request is generated to the PRCM module by the USB3_PHY_RX I/Os (RXP, RXN). When the wake-up request is acknowledged, the DPLL_USB_OTG_SS and PIPE_PCLK are restarted.

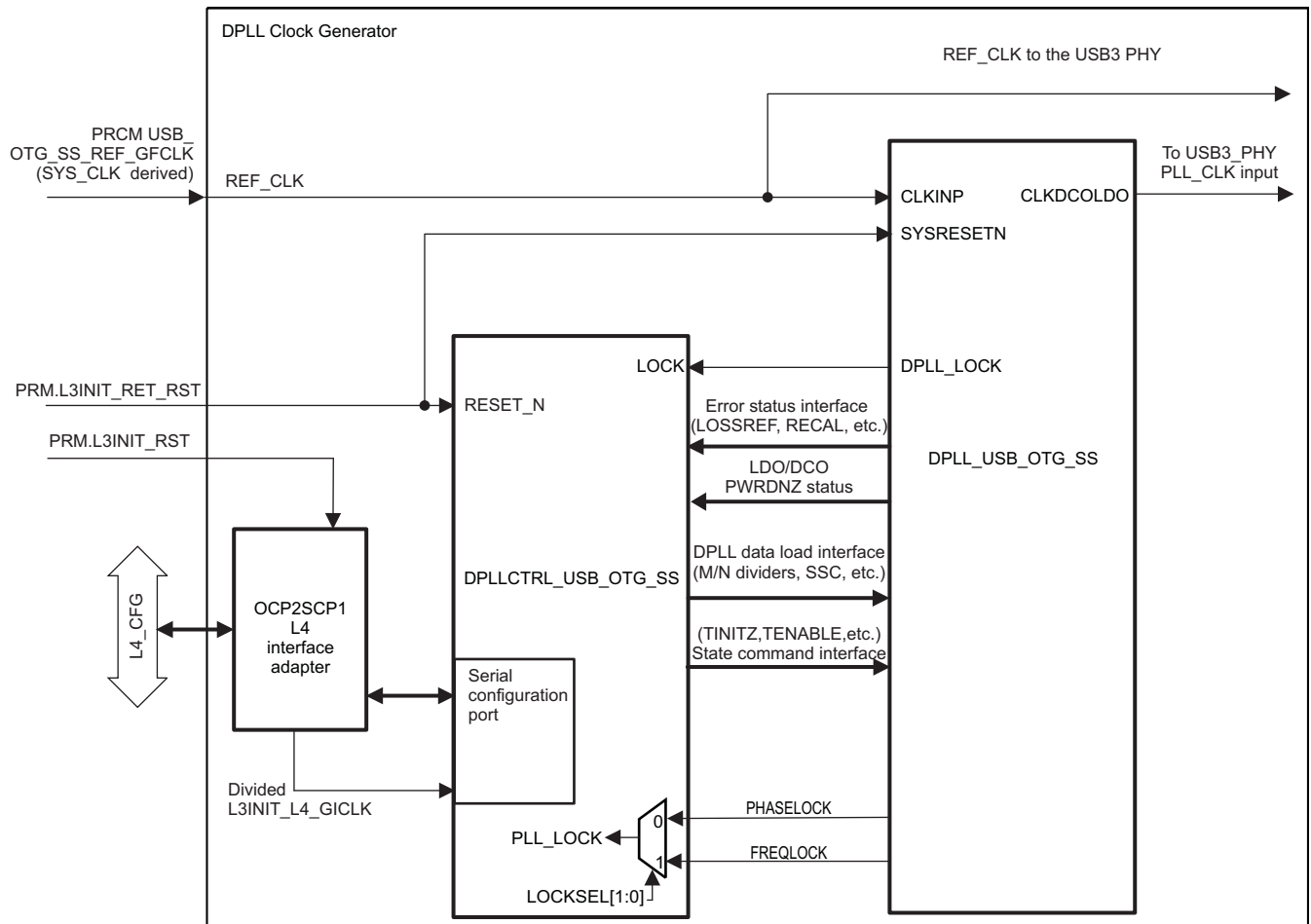
Neither interrupt nor DMA requests are generated.

26.2.4.3 USB3_PHY Clock Generator Subsystem Functional Description

The DPLL_USB_OTG_SS, which is located outside the PRCM boundaries and is part of the USB1 controller subsystem, directly injects a high-speed clock into the USB3_PHY serializer/deserializer input, PLL_CLK. The DPLL generator is controlled through a programmable interface from a dedicated PLL controller, DPLLCTRL_USB_OTG_SS.

26.2.4.3.1 USB3_PHY DPLL Clock Generator Overview

The SCP interface of the USB3_PHY PLL controller (DPLLCTRL_USB_OTG_SS instance) is used to set the configuration of the DPLL modules, primarily the various counter values. [Figure 26-11](#) is an overview of the DPLL clock generator embedded into the USB1 controller subsystem.

Figure 26-11. USB3_PHY DPLL Clock Generator Overview


usb3phy-005

The DPLL_USB_OTG_SS features:

- A programmable 8-bit input divider: N
- A programmable 12-bit integer, 18-bit fractional loop multiplier: M
- Digital control and loop filter
- Internal oscillator output clock on internal LDO domain (CLKDCOLDO output)
- DPLL output clock SSC (spread spectrum clocking) support
- No retention capabilities
- No Idle-bypass fast relock capabilities
- Idle-bypass low-power mode
- M/N bypass mode
- Relock from standby

The DPLLCTRL_USB_OTG_SS components features:

- DPLL error and status notification
- DPLL initialization and configuration
- DPLL lock criteria selectable between frequency and phase lock
- Idle command implementation
- No software reset implementation
- Automatic enable/disable control, synchronized with USB1 controller PIPE port commands to set

USB3_PHY to P1, P2, and P3 low-power states

26.2.4.3.2 USB3_PHY DPLL Clock Generator Reset

The USB3_PHY PLL controller and USB3_PHY DPLL clock generator share a common hardware nonretention reset, L3INIT_RST, which comes from the device power and reset manager. Upon DPLL_USB_OTG_SS hardware reset completion, the DPLLCTRL_USB_OTG_SS.PLL_STATUS[0] PLLCTRL_RESET_DONE bit is automatically updated to 1. For more information on the hardware reset source, see [Section 3.5.5, Reset Domains](#) in [Chapter 3, Power, Reset, and Clock Management](#).

The DPLLCTRL_USB_OTG_SS itself has no software reset capabilities.

DPLLCTRL_USB_OTG_SS performs a software reset sequence on the DPLL_USB_OTG_SS in hardware (through the TINITZ signal activation).

26.2.4.3.3 USB3_PHY DPLL Low-Power Modes

The power-management port (PMP) is not integrated for DPLLCTRL_USB_OTG_SS. The DPLL_USB_OTG_SS has no retention capabilities. This means, the DPLL digital power supply remains switched on during all modes of operation.

The low-power modes supported by DPLL_USB_OTG_SS are Idle-bypass low-power and MN-bypass modes, which are both characterized by:

- Internal LDO switched off
- DCO oscillator switched off
- CLKDCOLDO output pulled low

For more details on the PLL settings and conditions necessary to enter Idle-bypass and MN-bypass low-power modes, see [Section 26.2.4.3.6.4, USB3_PHY DPLL Idle-bypass low-power Mode](#), and [Section 26.2.4.3.6.5, USB3_PHY DPLL MN-Bypass Mode](#).

DPLL_USB_OTG_SS is held in a similar low-power state (DCO and LDO switched off, with CLKDCOLDO = 0) after Power-up Reset, before first PLL_GO command has been software triggered on the PLL controller. See [Section 26.2.4.3.6.1, USB3_PHY Clock Generator Power Up](#).

26.2.4.3.4 USB3_PHY DPLL Clocks Configuration

26.2.4.3.4.1 USB3_PHY DPLL Input Clock Control

The DPLL_USB_OTG_SS accepts the functional clock, USB_OTG_SS_REF_CLK, on its CLKINP pin (REF_CLK input at USB3_PHY subsystem level) directly from the device PRCM, without involving any DPLLCTRL_USB_OTG_SS interactions. The USB_OTG_SS_REF_CLK is derived from SYS_CLK1. See [Section 3.6.4.1.4, Clock Domain Module Attributes](#) in [Chapter 3, Power, Reset, and Clock Management](#).

If the CLKINP signal is lost for some time, the LOSSREF output signal, which serves as a feedback to DPLLCTRL_USB_OTG_SS, is asserted high. When CLKINP resumes, LOSSREF goes low (LOSSREF inactive state). The LOSSREF status signal can be software-monitored in the DPLLCTRL_USB_OTG_SS.PLL_STATUS[3] PLL_LOSSREF bit.

NOTE: DPLLCTRL_USB_OTG_SS has no software or hardware mechanisms to control DPLL_USB_OTG_SS input clock (CLKINP).

26.2.4.3.4.2 USB3_PHY DPLL Output Clock Configuration

Only the DPLL_USB_OTG_SS output, CLKDCOLDO, is used to provide the high-speed clock at the PLL_CLK pin of the USB3_PHY. Only the REGM, REGN, and SD divider values are used within the DPLL clock generator subsystem to adjust the CLKDCOLDO output clock frequency. This is done through programming the DPLLCTRL_USB_OTG_SS.DPLLCTRL_USB_OTG_SS.PLL_CONFIGURATION1[20:9], PLL_REGM, DPLLCTRL_USB_OTG_SS.PLL_CONFIGURATION1[8:1], PLL_REGN, and DPLLCTRL_USB_OTG_SS.PLL_CONFIGURATION3[17:10] PLL_SD bit fields, respectively. The USB3_PHY DPLL CLKOUT and CLKOUTLDO outputs are not used, and internal REGM2 and REGM1 dividers are not software controllable.

NOTE: At DPLL/DPLLCTRL integration level the PLL_REGM1[3:0] and PLL_REGM2[6:0] divider control signals are hardware tie-off to 0x0 and 0x1, respectively.

For more details on output clock settings sequence, see [Section 26.2.4.3.7.2, USB3_PHY DPLL Clock Programming Sequence](#).

26.2.4.3.4.2.1 USB3_PHY DPLL Output Clock Gating

There is no direct software gate control for the DPLL_USB_OTG_SS.CLKDCOLDO output.

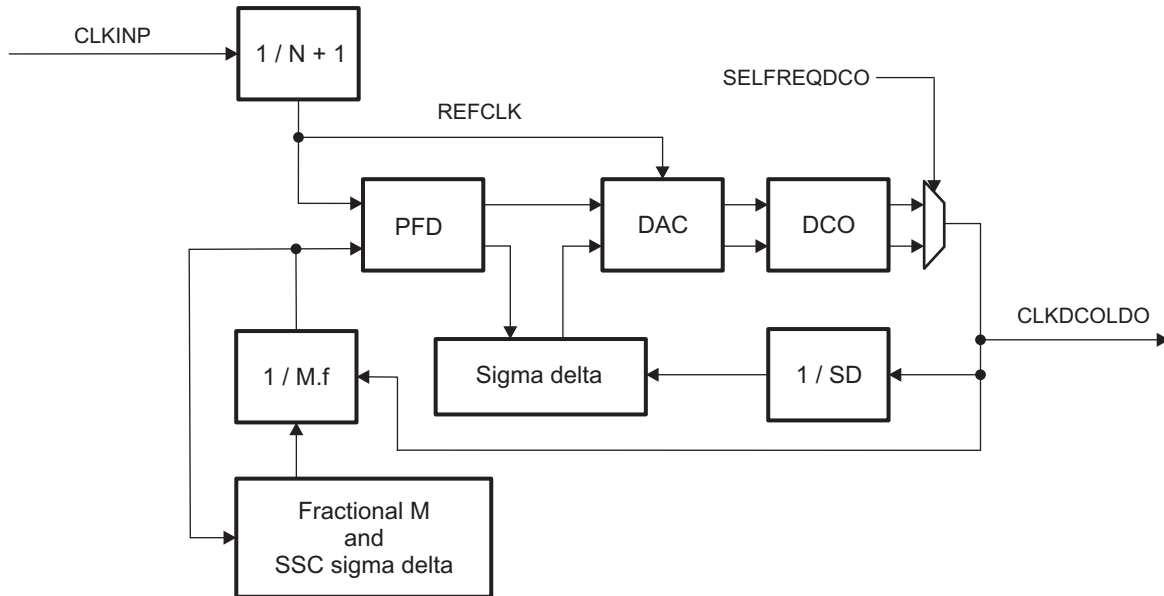
DPLL_USB_OTG_SS.CLKDCOLDO clock output is automatically gated (CLKDCOLDO pulled low) in the following scenarios:

- DPLL power-up sequence. For more information on power-up sequence, see [Section 26.2.4.3.6.1, USB3_PHY Clock Generator Power Up](#).
- DPLL entering a relock sequence. For more information on relocking sequence, see [Section 26.2.4.3.6.2, USB3_PHY DPLL Sequences](#).
- DPLL entering Idle-bypass low-power mode. For more information on idle-bypass mode, see [Section 26.2.4.3.6.4, USB3_PHY DPLL Idle-Bypass Mode](#).
- DPLL entering MN-bypass mode. For more information on MN-bypass mode, see [Section 26.2.4.3.6.5, USB3_PHY DPLL MN-Bypass Mode](#).

26.2.4.3.5 USB3_PHY DPLL Subsystem Architecture

[Figure 26-12](#) is a simplified block diagram of the DPLL_USB_OTG_SS instance integration in the USB3_PHY clock generator subsystem.

Figure 26-12. DPLL_USB_OTG_SS Functional Block Diagram



usb3phy-012

The input clock CLKINP goes to a predivider $N + 1$. The entire loop runs on the REFCLK clock after this predivider. The value of $N + 1$ is controlled through the `DPLLCTRL_USB_OTG_SS.PLL_CONFIGURATION1[8:1] PLL_REGN` bit field.

The frequency ranges for the DPLL_USB_OTG_SS input clock - CLKINP and the DPLL internal reference clock, $REFCLK = CLKINP/N + 1$ are:

- 0.62 to 60 MHz for CLKINP
- 0.62 to 2.5 MHz for the REFCLK

The output clock CLKDCOLDO is synthesized by digitally controlled oscillator (the DCO block), that automatically detects the frequency range. The CLKDCOLDO frequency can be given with $CLKDCOLDO = CLKINP \times M / (N + 1)$. For that purpose the feedback multiplier M must be configured through the `DPLLCTRL_USB_OTG_SS.PLL_CONFIGURATION1[20:9] PLL_REGM` bit field.

The DPLL_USB_OTG_SS module supports fractional synthesis (that is, the frequency multiplication factor M can be programmed as fractional). This is achieved by having a sigma delta feedback divider (M). A fractional value (Fractional M) of 18 bits is supported, thus enabling control for a better accuracy. Programming the 18-bit Fractional M value is done by setting the `DPLLCTRL_USB_OTG_SS.PLL_CONFIGURATION4[17:0] PLL_REGM_F` bit field (similar to REGM). To enable integer only division, Fractional M should be set to 000...0.

NOTE: Fractional synthesis is not supported for $M > 4093$.

The module also supports SSC on its output clocks. SSC is used to spread the spectral peaking of the clock to reduce any electromagnetic interference (EMI). When SSC is enabled, the clock spectrum is spread by the amount of frequency spread, and the attenuation is given by the ratio of the frequency spread (df) and the modulation frequency (fm); that is, $\{10 \times \log_{10}(df/fm)\}$ dB.

The SSC is performed by changing the feedback divider (M) in a triangular pattern, which means the frequency of the output clock varies in a triangular pattern. The frequency of the triangular pattern is modulation frequency (fm). The peak (dM) or the amplitude of the triangular pattern as a percent of M is equal to the percent of the frequency spread (df); that is, $dM/M = df/F_{OUT}$.

Because this is in-band modulation for the DPLL_USB_OTG_SS, the modulation frequency must be within the loop bandwidth of the DPLL. A higher modulation frequency would result in less spreading in the output clock.

The SSC can be enabled and disabled by asserting the DPLLCTRL_USB_OTG_SS.PLL_SSC_CONFIGURATION1[0] EN_SSC bit. The acknowledge signal SSCACK, observed by the DPLLCTRL_USB_OTG_SS.PLL_STATUS[12] SSC_EN_ACK bit, notifies the exact start and end of SSC. When EN_SSC is deasserted, SSC is disabled only after completion of one full cycle of the triangular pattern given by the modulation frequency. This is done to maintain the average frequency.

The modulation frequency (fm) can be programmed as a ratio of REFCLK/4; that is, the value programmed in the DPLLCTRL_USB_OTG_SS.PLL_SSC_CONFIGURATION2[29:20] MODFREQDIVIDER bit field must be = REFCLK/(4×fm). The ModFreqDivider is split into Mantissa and 2^{Exponent} (ModFreqDivider = ModFreqDividerMantissa × 2^{ModFreqDividerExponent}).

- The Mantissa is controlled by bits [29:23] of the DPLLCTRL_USB_OTG_SS.PLL_SSC_CONFIGURATION2[29:20] MODFREQDIVIDER bit field.
- The Exponent is controlled by bits [22:20] of the DPLLCTRL_USB_OTG_SS.PLL_SSC_CONFIGURATION2[29:20] MODFREQDIVIDER bit field.

Although the same value of ModFreqDivider could be obtained by different combinations of Mantissa and Exponent values, it is preferred to get the target ModFreqDivider by programming maximum Mantissa and minimum Exponent values.

To define the frequency spread (df), dM must be controlled as previously explained. To define dM, the step size of M for each REFCLK during the triangular pattern must be programmed. This is defined as follows:

- $dM = (2^{\text{ModFreqDividerExponent}}) \times \text{ModFreqDividerMantissa} \times \text{DeltaMStep}$, if ModFreqDividerExponent ≤ 3
- $dM = 8 \times \text{ModFreqDividerMantissa} \times \text{DeltaMStep}$, if ModFreqDividerExponent > 3

DeltaMStep value is split into integer part and fractional part, as follows:

- The MSB of 3-bit integer part, DeltaMStepInteger, is controlled by the DPLLCTRL_USB_OTG_SS.PLL_SSC_CONFIGURATION2[30] DELTAM2 bit and the remaining LSBs by bits [19:18] of the DPLLCTRL_USB_OTG_SS.PLL_SSC_CONFIGURATION2[19:0] DELTAM bit field.
- The 18-bit fractional part, DeltaMStepFraction, is controlled by bits [17:0] of the DPLLCTRL_USB_OTG_SS.PLL_SSC_CONFIGURATION2[19:0] DELTAM bit field.

If the DPLLCTRL_USB_OTG_SS.PLL_SSC_CONFIGURATION1[2] DOWNSPREAD bit is set to 1, the frequency spread on the lower side is twice the programmed value. The frequency spread on the higher side is 0 (except for 20 percent overshoot).

26.2.4.3.6 USB3_PHY DPLL Clock Generator Modes and State Transitions

The DPLL_USB_OTG_SS can be set in different modes during operation. DPLLCTRL triggers DPLL_USB_OTG_SS state transitions to different static modes by means of the TINITZ and TENABLE hardware control signals.

26.2.4.3.6.1 USB3_PHY Clock Generator Power Up

After power up, the DPLL_USB_OTG_SS.SYSRESETN input is automatically pulled low by the PRM, together with the DPLLCTRL_USB_OTG_SS.RESET_N input. Because PRM.L3INIT_RST is an asynchronous reset, the DPLL_USB_OTG_SS input clock (DPLL_USB_OTG_SS.CLKINP) is not demanded upon reset. The LOSSREF signal, which monitors the presence of CLKINP clock, remains 1 during SYSRESETN = 0 irrespective of presence/absence of the CLKINP clock. If CLKINP is present when reset is asserted, the LOSSREF signal is deasserted to 0, a certain time after the hardware reset completes. During DPLL power-up mode, CLKDCOLDO clock is maintained inactive (pulled low). After power-up reset, the DPLL_LOCK (internal lock loop) signal is maintained deasserted, too.

26.2.4.3.6.2 USB3_PHY DPLL Sequences

Once all the configuration values have been initially programmed into the DPLLCTRL_USB_OTG_SS registers (see Section 26.2.4.3.7.2), the DPLLCTRL_USB_OTG_SS.PLL_GO[0] PLL_GO bit should be set to update the configuration values and start the DPLL calibration and locking sequence.

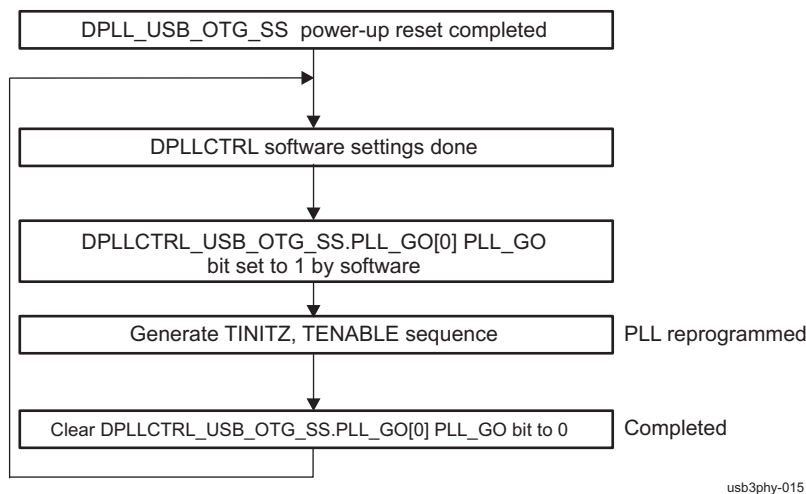
After the DPLLCTRL_USB_OTG_SS.PLL_GO[0] PLL_GO bit is set high in software, the DPLLCTRL_USB_OTG_SS state-machine takes the following action:

1. Sets the TINITZ signal to 0, which acts as a soft reset to DPLL_USB_OTG_SS. This starts the DPLL initialization procedure. During initialization mode, the CLKDCOLDO, FREQLOCK, and PHASELOCK signals are kept at 0 and the BYPASSACK signal is kept at 1.
VDDA power supply of DPLL should be active before DPLL_USB_OTG_SS Initialization is performed, but it is not required to be switched on immediately after device power up.
2. The TENABLE signal is asserted high by DPLLCTRL hardware to load the user-programmed values of REGM, REGN, REGSD, and SELFREQDCO into DPLL registers.
3. After TENABLE is asserted, TINITZ is driven high (disabled) by the DPLLCTRL to trigger a DPLL calibration and lock sequence after the loop control values are loaded. The module calibration-lock sequence will begin from the first CLKINP edge after TINITZ is disabled.

Figure 26-13 summarizes the software and hardware sequences flow of DPLL_USB_OTG_SS.

NOTE: All thick-outlined blocks show operations performed by software. Other blocks show operations performed by hardware.

Figure 26-13. USB3_PHY PLL GO Sequence



DPLL_USB_OTG_SS relock sequence:

When the DPLL leaves a lost clock condition (LOSSREF = 1 → 0) or idle-bypass mode it enters relock sequence from the first CLKINP edge (after bypass mode leaving). Relock sequence is the same as calibration-lock sequence already described.

A DPLL relock sequence is also software triggered by setting the DPLLCTRL_USB_OTG_SS.PLL_GO[0] PLL_GO bit to 0b1 for DPLL parameters update.

When DPLL_USB_OTG_SS enters a relock sequence, CLKDCOLDO is pulled low. FREQLOCK and PHASELOCK status signals are also low. CLKDCOLDO output clock is activated after the FREQLOCK or PHASELOCK signal goes high, depending on the selected locking criteria.

The DPLLCTRL_USB_OTG_SS.PLL_GOUSB3PHY_PLL_GO[0] PLL_GO bit can be used by software to monitor if DPLLCTRL locking process is still pending (PLL_GO = 0b1).

26.2.4.3.6.3 USB3_PHY DPLL Locked Mode

When DPLL_USB_OTG_SS finishes calibration and lock sequences it enters a locked state. During the locked state, LOSSREF and BYPASSACK are deasserted, FREQLOCK or PHASELOCK is asserted.

DPLL lock event criteria (FREQLOCK or PHASELOCK) is software-selectable through the DPLLCTRL_USB_OTG_SS.PLL_CONFIGURATION2[10:9] PLL_LOCKSEL bit field.

The DPLL signalizes the locked state to DPLLCTRL_USB_OTG_SS, USB_OTG_SS core controller, and USB3_PHY through assertion of the DPLL_LOCK signal, which reflects the internal lock loop status. The user software can monitor the DPLL locked event in the DPLLCTRL_USB_OTG_SS.PLL_STATUS[1] PLL_LOCK bit, which is active high.

26.2.4.3.6.4 USB3_PHY DPLL Idle-Bypass Mode

Idle-bypass fast relock mode is not supported for DPLL_USB_OTG_SS.

DPLL_USB_OTG_SS supports idle-bypass low-power mode. A transition from a normal operation to idle-bypass mode is performed when software sets the DPLLCTRL_USB_OTG_SS.PLL_CONFIGURATION2[0] PLL_IDLE bit to 0x1. IDLE signal assertion triggers a power-down sequence on DPLL internal LDO analog blocks and the DCO oscillator.

In idle-bypass low-power mode, the PHASELOCK and FREQLOCK output signals are asserted low and CLKDCOLDO goes low. Also, the internal reference clock REFCLK = CLKINP/N + 1 is gated inside the DPLL digital control logic to save power.

In the functional mode, the DPLL_USB_OTG_SS.TICOPWDN output indicates to the PLL controller the status of the power-down signal (active high) of the internal DCO oscillator. The internal DCO oscillator is powered down in idle-bypass mode or during period from SYSRESETN 0->1 to module initialization. The DCO oscillator exits power-down (TICOPWDN goes low) whenever the module internally tries to lock/relock after initialization or exiting idle-bypass mode.

In the functional mode, DPLL_USB_OTG_SS.LDOPWDN output indicates to the PLL controller the status of the power-down signal (active high) of the internal LDO. LDOPWDN goes high as soon as the internal LDO is powered down. LDOPWDN goes low after the LDO output voltage is stable. The internal LDO is powered down in the period from SYSRESETN 0 → 1 to module initialization or when entering into idle-bypass mode. LDOPWDN is cleared whenever the module internally tries to lock/relock after initialization or exiting idle-bypass mode after the internal LDO output voltage has stabilized.

The DCO and LDO power ON and OFF states are reflected within the read-only DPLLCTRL_USB_OTG_SS.PLL_STATUS[16] PLL_TICOPWDN and DPLLCTRL_USB_OTG_SS.PLL_STATUS[15] LDOPWDN monitor bits.

To exit idle-bypass mode and restore clock generation, the user should write DPLLCTRL_USB_OTG_SS.PLL_CONFIGURATION2[0] PLL_IDLE to 0x0, which deasserts the IDLE signal, and DPLL_USB_OTG_SS automatically enters a relock sequence. CLKDCOLDO output clock is activated after the FREQLOCK or the PHASELOCK signal goes high, depending on selected locking criteria.

26.2.4.3.6.5 USB3_PHY DPLL MN-Bypass Mode

The MN-bypass mode will be activated if REGM = 0 or 1 is loaded into the module on the rising edge of TENABLE. TINITZ also should be pulsed to enter MN-bypass mode. The module enters a low-power mode by gating all its internal clocks (REFCLK) and powering down internal LDO (LDOPWDN = 1) and DCO (DCOPWDN = 1). CLKDCOLDO remains gated (low) during this mode.

NOTE: When the DPLLCTRL_USB_OTG_SS.PLL_CONFIGURATION1[20:9] PLL_REGM bit field is updated to 0x0 or 0x1, the CLKDCOLDO is gated.

26.2.4.3.6.6 USB3_PHY DPLL Error Conditions

The PLL lock and recalibration signals can be monitored to detect the loss-of-lock condition and the DPLL requirement to recalibrate (caused by a large temperature change since the last lock request):

- The DPLLCTRL_USB_OTG_SS.PLL_STATUS[2] PLL_RECAL bit informs whether the DPLL_USB_OTG_SS must be recalibrated.

The PLL reference clock (CLKINP) loss status and PLL-in-high-jitter condition can also be monitored:

- The DPLLCTRL_USB_OTG_SS.PLL_STATUS[1] PLL_LOCK bit gives the USB3_PHY PLL lock state.

- The DPLLCTRL_USB_OTG_SS.PLL_STATUS[3] PLL_LOSSREF bit informs whether the DPLLCTRL_USB_OTG_SS has lost the reference clock.
- The DPLLCTRL_USB_OTG_SS.PLL_STATUS[5] PLL_HIGHJITTER bit informs whether the PLL has entered a high-jitter condition.

26.2.4.3.7 USB3_PHY PLL Controller Functions

26.2.4.3.7.1 USB3_PHY PLL Controller Register Access

The configuration registers are accessed through the OCP2SCP1 L4 adapter register space using the SCP interface of the DPLLCTRL_USB_OTG_SS. This includes all the configuration signals and returning status signals.

CAUTION

All writes must be 32-bit operations, because the SCP interface always transfers 32 bits; 16- or 8-bit operations may lead to unpredictable errors.

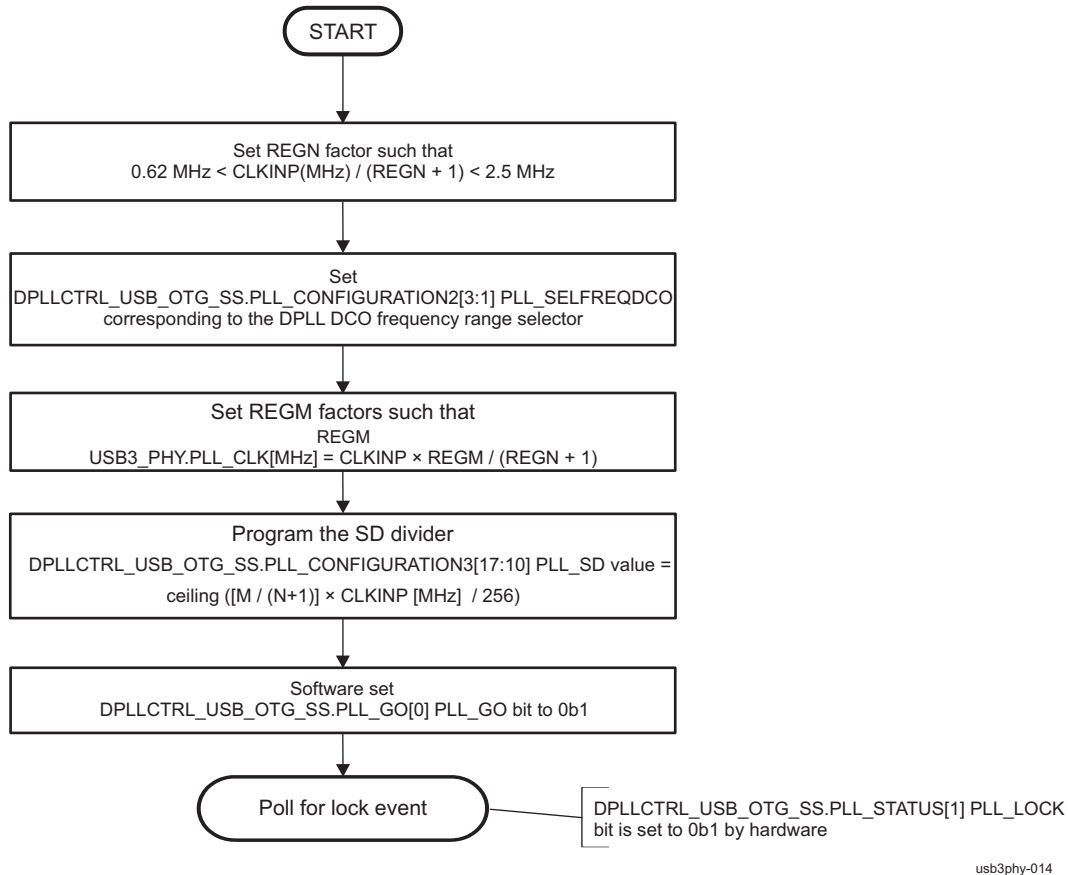
NOTE: Because the USB3_PHY directly provides parallel data interface clocks RX_CLK and TX_CLK to the USB1 MAC controller, the DPLLCTRL_USB_OTG_SS and DPLL_USB_OTG_SS must be configured before any data transfer between the USB1 controller MAC layer and an external USB3 device.

26.2.4.3.7.2 USB3_PHY DPLL Clock Programming Sequence

The DPLL_USB_OTG_SS factors must be calculated based on the required input and output frequencies, keeping the PLL internal reference frequency (REFCLK) in the appropriate range (0.62 to 2.5 MHz).

- REGM factor is programmed in the DPLLCTRL_USB_OTG_SS.PLL_CONFIGURATION1[20:9] PLL_REGM bit field.
- Fractional part of REGM factor is programmed in the DPLLCTRL_USB_OTG_SS.PLL_CONFIGURATION4[17:0] PLL_REGM_F bit field.
- REGN factor is programmed in the DPLLCTRL_USB_OTG_SS.PLL_CONFIGURATION1[8:1] PLL_REGN bit field.
- DCO frequency range is set in the DPLLCTRL_USB_OTG_SS.PLL_CONFIGURATION2[3:1] PLL_SELFREQDCO bit field.
 - PLL_SELFREQDCO should be set to 0x2 if 750 MHz < CLKDCOLDO [MHz] < 1500 MHz.
 - PLL_SELFREQDCO should be set to 0x4 if 1250 MHz < CLKDCOLDO [MHz] < 2500 MHz.
- SD divider is programmed in the DPLLCTRL_USB_OTG_SS.PLL_CONFIGURATION3[17:10] PLL_SD bit field. The DPLLCTRL_USB_OTG_SS.PLL_CONFIGURATION2[3:1] PLL_SELFREQDCO register bit field should be programmed depending on the value of $CLKDCOLDO = CLKINP \times M / (N + 1)$.

Figure 26-14 shows the formulae and programming sequence.

Figure 26-14. USB3_PHY PLL Programming Sequence

NOTE:

- The equation for USB3_PHY_TX/USB3_PHY_RX (MHz) applies to the CLKDCOLDO of the DPLL_USB_OTG_SS.
- CLKDCOLDO output frequency of the DPLL_USB_OTG_SS should be programmed to 2.5 GHz, for the super-speed USB (5 Gbps) mode.

Table 26-14 summarizes the registers for the DPLLCTRL_USB_OTG_SS programming sequence.

Table 26-14. Register Call Summary for USB3_PHY PLL Programming Sequence

Register Name	Register Name	Register Name	Register Name
DPLLCTRL_USB_OTG_SS.PLL_CONFIGURATION2	DPLLCTRL_USB_OTG_SS.PLL_GO	DPLLCTRL_USB_OTG_SS.PLL_STATUS	DPLLCTRL_USB_OTG_SS.PLL_CONFIGURATION3

26.2.4.3.7.3 USB3_PHY DPLL Recommended Values

Table 26-15 lists the DPLL_USB_OTG_SS recommended values.

Table 26-15. Recommended Programming Values

Field Name	Value	Description
DPLLCTRL_USB_OTG_SS.PLL_CONFIGURATION3[17:10] PLL_SD	See ⁽¹⁾ .	Feedback clock divider
DPLLCTRL_USB_OTG_SS.PLL_CONFIGURATION2[3:1] PLL_REGM	See ⁽¹⁾ .	Reference clock divider

⁽¹⁾ The value of the bit field must be set according to the desired clock frequency.

Table 26-15. Recommended Programming Values (continued)

Field Name	Value	Description
DPLLCTRL_USB_OTG_SS.PLL_CONFIGURATIO N2[10:9] PLL_LOCKSEL	0x-	Criteria to lock the PLL
DPLLCTRL_USB_OTG_SS.PLL_CONFIGURATIO N2[3:1] PLL_SELFREQDCO	See ⁽¹⁾ .	Program based on the PLL choice and lock frequency.
DPLLCTRL_USB_OTG_SS.PLL_CONFIGURATIO N2[0] PLL_IDLE	0	PLL active
DPLLCTRL_USB_OTG_SS.PLL_CONFIGURATIO N3[17:10] PLL_SD	See ⁽¹⁾ .	Ceiling { [PLL_REGM/(PLL_REGN+1)] × CLKINP(MHz)/256 }
DPLLCTRL_USB_OTG_SS.PLL_GO[0] PLL_GO	0x1	Write 1 when PLL is to be (re)locked with new parameters. This bit is cleared by hardware when the PLL request completes.

26.2.5 USB3_PHY Subsystem Low-Level Programming Model

The low-level programming sequence to set up the USB3_PHY subsystem for USB superspeed I/O operations is summarized in the [Table 26-16](#)

Table 26-16. USB3_PHY Subsystem Low-Level Programming Sequence

Step	Description	Comment
1.	Set the startup low performance OPP in the appropriate PRCM registers.	For more information regarding demanded OPP, see the device <i>Data Manual</i> .
2.	Enable the PRCM.USB_OTG_SS_REF_CLK.	See Section 3.6.4.1.4, Clock Domain Module Attributes , in Chapter 3, Power, Reset, and Clock Management .
3.	Enable the PRCM.L3INIT_L4_GICLK to enable the OCP2SCP1 interface adapter operation.	See Section 3.6.4.1.4, Clock Domain Module Attributes , in Chapter 3, Power, Reset, and Clock Management .
4.	Software reset the OCP2SCP1 and poll until soft reset completion is indicated in status.	See Section 26.2.4.1 .
5.	Set up division ratio between the OCP clock (PRCM.L3INIT_L4_GICLK) and SCP clock to supply the serial configuration register domains of the DPLLCTRL_USB_OTG_SS.	See Section 26.2.4.1 .
6.	Set up necessary SYNC1 and SYNC2 timings to ensure no blocking of transactions over the SCP bus.	See Section 26.2.4.1 . After this step, the user is ready to access the DPLLCTRL_USB_OTG_SS registers.
7.	Configure DPLL_USB_OTG_SS to generate frequency (CLKDCOLDO) = 2.5 GHz.	See Section 26.2.4.3.7.2 .
8.	Software-assert the DPLLCTRL_USB_OTG_SS.PLL_GO[0] PLL_GO bit to 0x1	Start the DPLL lock with desired parameters.
9.	Poll the DPLLCTRL_USB_OTG_SS.PLL_STATUS[1] PLL_LOCK bit until it reads 1.	DPLL locked event
10.	Perform a USB3_PHY tuning required for the Super-Speed OTG USB i/f operation	Follow steps described in Table 26-17, USB3_PHY Tuning Table .
11.	Set USBOTGSS_GUSB3PIPECTL[31] PHYSOFTRST to 0x1	Software reset the USB3_PHY over USB OTG SS controller PIPE port. Note that this reset does not impact settings made in step 10.
12.	Software-trigger the USB3_PHY_TX power-up sequence.	For more details, see Section 26.2.4.2.3.1 .
13.	Software-trigger the USB3_PHY_RX power-up sequence.	For more details, see Section 26.2.4.2.3.1 .
14.	Clear USBOTGSS_GUSB3PIPECTL[31] PHYSOFTRST to 0x0	Deassert the software reset bit after power-up sequence completion is indicated

Table 26-17. USB3_PHY Tuning Table

Physical address ⁽¹⁾ [bits to modify]	Preferred value setting ⁽²⁾
0x4A08 440C [31:27]	0b10000
0x4A08 440C [17:14]	0b1010
0x4A08 4428 [23:11]	0b1110001100110
0x4A08 4428 [28:26]	0b001
0x4A08 440C [6:5]	0b00
0x4A08 441C [31:30]	0b10
0x4A08 4424 [31:30]	0b11
0x4A08 4438 [10:7]	0b1001
0x4A08 4438 [2]	0b0

⁽¹⁾ Accesses to these locations have to be done in 32-bits only. User must not modify USB3_PHY bits different than those described in [Table 26-17](#).

⁽²⁾ These are the preferred settings of USB3_PHY, in case that USB3_PHY PLL_CLK=2.5 GHz.

26.3 USB3 PHY and SATA PHY Register Manual

This chapter summarizes and describes the registers for USB3 PHY and SATA PHY subsystems.

26.3.1 USB3 PHY and SATA PHY Instance Summary

NOTE: For OCP2SCP1 registers, please refer to [Section 26.4.6, PCIe PHY Subsystem Register Manual](#).

Table 26-18. USB3 PHY and SATA PHY Instance Summary

Module Name	Module Base Address	Size
USB3_PHY_RX	0x4A08 4400	128 bytes
USB3_PHY_TX	0x4A08 4800	100 bytes
DPLLCTRL_USB_OTG_SS	0x4A08 4C00	64 bytes
DPLLCTRL_SATA	0x4A09 6800	64 bytes

NOTE: SATA is not supported on the AM570x family of devices.

26.3.2 USB3_PHY_RX Registers

26.3.2.1 USB3_PHY_RX Register Summary

Table 26-19. USB3_PHY_RX Registers Mapping Summary

Register Name	Type	Register Width (Bits)	Address Offset	USB3_PHY_RX Physical Address
RESERVED	R	32	0x0000 0000	0x4A08 4400
RESERVED	R	32	0x0000 0004	0x4A08 4404
RESERVED	R	32	0x0000 0008	0x4A08 4408
USB3PHYRX_ANA_PROGRAMMABILITY_REG1	RW	32	0x0000 000C	0x4A08 440C
RESERVED	R	32	0x0000 0010	0x4A08 4410
RESERVED	R	32	0x0000 0014	0x4A08 4414
RESERVED	R	32	0x0000 0018	0x4A08 4418
USB3PHYRX_TRIM_REG4	RW	32	0x0000 001C	0x4A08 441C
RESERVED	R	32	0x0000 0020	0x4A08 4420
USB3PHYRX_DLL_REG1	RW	32	0x0000 0024	0x4A08 4424
USB3PHYRX_DIGITAL_MODES_REG1	RW	32	0x0000 0028	0x4A08 4428
RESERVED	R	32	0x0000 002C	0x4A08 442C
RESERVED	R	32	0x0000 0030	0x4A08 4430
RESERVED	R	32	0x0000 0034	0x4A08 4434
USB3PHYRX_EQUALIZER_REG1	RW	32	0x0000 0038	0x4A08 4438
RESERVED	R	32	0x0000 003C	0x4A08 443C
RESERVED	R	32	0x0000 0040	0x4A08 4440
RESERVED	R	32	0x0000 0044	0x4A08 4444
RESERVED	R	32	0x0000 0048	0x4A08 4448
RESERVED	R	32	0x0000 004C	0x4A08 444C
RESERVED	R	32	0x0000 0050	0x4A08 4450
RESERVED	R	32	0x0000 0054	0x4A08 4454
RESERVED	R	32	0x0000 0058	0x4A08 4458

Table 26-19. USB3_PHY_RX Registers Mapping Summary (continued)

Register Name	Type	Register Width (Bits)	Address Offset	USB3_PHY_RX Physical Address
RESERVED	R	32	0x0000 005C	0x4A08 445C
RESERVED	R	32	0x0000 0060	0x4A08 4460
RESERVED	R	32	0x0000 0064	0x4A08 4464

26.3.2.2 USB3_PHY_RX Register Description

Table 26-20. USB3PHYRX_ANA_PROGRAMMABILITY_REG1

Address Offset	0x0000 000C	Instance	USB3_PHY_RX
Physical Address	0x4A08 440C		
Description	Some programmability for different analog circuits in the PHY.		
Type	RW		

31	30	29	28	27	26	25	24	23	22	21	20	19	18	17	16	15	14	13	12	11	10	9	8	7	6	5	4	3	2	1	0
MEM_ANAMODE																MEM_EN_PLLBYP		MEM_PLLDIV		RESERVED											

Bits	Field Name	Description	Type	Reset
31:8	MEM_ANAMODE	Programmability for Analog circuits in the IP. The top 5 bits - MEM_ANAMODE[31:27] indicate the serial Interface using this PHY module. To select USB Super-Speed interface mode, user must set bit MEM_ANAMODE [31] to '0b1', and the other bits must be written to '0b0', as follows: MEM_ANAMODE[31:27] = '0b10000' for the USB Super-Speed. Bits [17:14] of the MEM_ANAMODE bitfield are used to control loss-of-signal detection (LOSD) threshold.	RW	0x00 0000
7	MEM_EN_PLLBYP	0: USB Mode (uses PLL_CLK input clock) 1: PCIe Mode (uses PLLBYPCLK input clock)	RW	0
6:5	MEM_PLLDIV	This is a test mode. SoC Users are requested to leave this at default value. The input PLL_CLK (after being muxed with PLLBYPCLK) is divided by the following factors indicated by this register. 00=1 01=2 10=4 11=RESERVED. All references to PLL_CLK in this register descriptions are AFTER considering this division.	RW	0x0
4:0	RESERVED		R	0x00

Table 26-21. Register Call Summary for Register USB3PHYRX_ANA_PROGRAMMABILITY_REG1

USB3_PHY Subsystem

- [USB3_PHY Subsystem Low-Level Programming Model:](#)

USB3_PHY_RX Registers

- [USB3_PHY_RX Register Summary: \[3\]](#)

PCIe PHY Subsystem

- [PCIePHY Subsystem Low-Level Programming Model: \[4\]\[5\]\[6\]\[7\]](#)

Table 26-22. USB3PHYRX_TRIM_REG4

Address Offset	0x0000 001C	Instance	USB3_PHY_RX
Physical Address	0x4A08 441C		
Description	The IP requires some values to be remembered in EFUSE. This register provides an alternative to EFUSE.		
Type	RW		

31	30	29	28	27	26	25	24	23	22	21	20	19	18	17	16	15	14	13	12	11	10	9	8	7	6	5	4	3	2	1	0
RESERVED																															

Bits	Field Name	Description	Type	Reset
31:30	MEM_DLL_TRIM_SEL	Determines which of the 4 EFUSE registers EFUSE_dll_rateN_coarsetrim should be used as the trim code by the DLL. This feature is so that the user may find and store the trim codes corresponding to different (at most 4) DLL frequencies (PLL_CLK (after the bypassing by MEM_EN_PLLBYP and the division by MEM_PLLDIV) frequencies) and at wake-up, instruct the IP to choose one of these available trim values depending on the Application's frequency requirement. 00 selects dll_rate0_coarsetrim 01 selects dll_rate1_coarsetrim 10 selects dll_rate2_coarsetrim 11 selects dll_rate3_coarsetrim.	RW	0x0
29:0	RESERVED		RW	0x0000 0000

Table 26-23. Register Call Summary for Register USB3PHYRX_TRIM_REG4

USB3_PHY Subsystem

- [USB3_PHY Subsystem Low-Level Programming Model:](#)

USB3_PHY_RX Registers

- [USB3_PHY_RX Register Summary: \[1\]](#)

PCIe PHY Subsystem

- [PCIePHY Subsystem Low-Level Programming Model: \[2\]](#)

Table 26-24. USB3PHYRX_DLL_REG1

Address Offset	0x0000 0024	Instance	USB3_PHY_RX
Physical Address	0x4A08 4424		
Description	This register is used to program DLL settings.		
Type	RW		

MEM_DLL_PHINT_RATE	31	30	29	28	27	26	25	24	23	22	21	20	19	18	17	16	15	14	13	12	11	10	9	8	7	6	5	4	3	2	1	0
RESERVED																																

Bits	Field Name	Description	Type	Reset
31:30	MEM_DLL_PHINT_RATE	Programs the DLL and the Phase Interpolator analog circuits to work with different clock frequencies. The frequency of PLL_CLK (after the bypassing by MEM_EN_PLLBYP and the division by MEM_PLLDIV) should be indicated by this register. 00=0.625GHz to 0.75GHz 01=RESERVED 10=1.25GHz to 1.5GHz 11=2.5GHz to 2.9GHz.	RW	0x3
29:0	RESERVED		R	0x00A4 1915

Table 26-25. Register Call Summary for Register USB3PHYRX_DLL_REG1

USB3_PHY Subsystem

- [USB3_PHY Subsystem Low-Level Programming Model:](#)

USB3_PHY_RX Registers

- [USB3_PHY_RX Register Summary: \[1\]](#)

PCIe PHY Subsystem

- [PCIePHY Subsystem Low-Level Programming Model: \[2\]](#)

Table 26-26. USB3PHYRX_DIGITAL_MODES_REG1

Address Offset	0x0000 0028	Instance	USB3_PHY_RX
Physical Address	0x4A08 4428		
Description	This register contains control bits which affect different circuits in digital section of the PHY.		
Type	RW		

MEM_INV_RXPN_PAIR	31	30	29	28	27	26	25	24	23	22	21	20	19	18	17	16	15	14	13	12	11	10	9	8	7	6	5	4	3	2	1	0
MEM_OVRD_INV_RXPN_PAIR																																
RESERVED																																
MEM_HS_RATE																																
MEM_OVRD_HS_RATE																																
RESERVED																																
MEM_CDR_FASTLOCK																																
MEM_CDR_LBW																																
MEM_CDR_STEPCNT																																
MEM_CDR_STL																																
MEM_CDR_THR																																
MEM_CDR_THR_MODE																																
MEM_CDR_2NDO_SDM_MODE																																
RESERVED																																

Bits	Field Name	Description	Type	Reset
31	MEM_INV_RXPN_PAIR	If '1', interchanges RXP and RXN effectively by inverting the received data samples.	RW	0
30	MEM_OVRD_INV_RXPN_PAIR	Pin override control. See register bit MEM_INV_RXPN_PAIR.	RW	0

Bits	Field Name	Description	Type	Reset
29	RESERVED		R	0
28:27	MEM_HS_RATE	Determines the ratio of PLL_CLK (after the bypassing by MEM_EN_PLLBYP and the division by MEM_PLLDIV) frequency and the output data rate. Full Rate means PLL_CLK (after the bypassing by MEM_EN_PLLBYP and the division by MEM_PLLDIV) frequency = Data Rate/2 00=Full Rate 01=Half Rate 10=Quarter Rate 11=RESERVED. This takes effect only if register bit MEM_OVRD_HS_RATE is '1', else the same is controlled by input pins hs_rate.	RW	0x0
26	MEM_OVRD_HS_RATE	Pin override control. See register bit MEM_HS_RATE.	RW	0
25:24	RESERVED		R	0x2
23	MEM_CDR_FASTLOCK	'1' to reduce lock time of CDR (clock-data-recovery circuit).	RW	1
22:21	MEM_CDR_LBW	CDR band-width control.	RW	0x3
20:19	MEM_CDR_STEPCNT	CDR 2nd order setting.	RW	0x0
18:16	MEM_CDR_STL	CDR settling time. Determines the number of vote clocks to blank ELV (Early-Late-Voter circuit) after update of phase.	RW	0x3
15:13	MEM_CDR_THR	CDR 1st order threshold. Determines how much early/late votes should differ by before a phase change in the receiver sampling clock is triggered.	RW	0x1
12	MEM_CDR_THR_MODE	CDR 1st order threshold.	RW	1
11	MEM_CDR_2NDO_SDM_MODE	If '1', the 2nd Order CDR block uses a 1st order Sigma Delta Modulator to accomplish frequency offset If '0', a simple rate transformer is used for the same purpose.	RW	0
10:0	RESERVED		R	0x000

Table 26-27. Register Call Summary for Register USB3PHYRX_DIGITAL_MODES_REG1

USB3_PHY Subsystem

- [USB3_PHY I/O Signals:](#)
- [USB3_PHY Subsystem Low-Level Programming Model:](#)

USB3_PHY_RX Registers

- [USB3_PHY_RX Register Summary: \[12\]](#)

PCIe PHY Subsystem

- [PCIePHY Subsystem Low-Level Programming Model: \[13\]\[14\]\[15\]\[16\]\[17\]\[18\]\[19\]\[20\]](#)

Table 26-28. USB3PHYRX_EQUALIZER_REG1

Address Offset	0x0000 0038		
Physical Address	0x4A08 4438	Instance	USB3_PHY_RX
Description	<p>The IP has an Equalizer (with analog and digital parts) which addresses Inter Symbol Interference (ISI). This register is for its controllability.</p> <p>The equalizer can be configured via the EQCTL bits which are part of the SCP register. The options are:</p> <p>No adaptive equalisation. The equalizer provides a flat response at the maximum gain. This setting may be appropriate if jitter at the receiver occurs predominantly as a result of crosstalk rather than frequency dependent loss.</p> <p>Fully adaptive equalisation. Both the low frequency gain and zero position of the equalizer are determined algorithmically by analysing the data patterns and transition positions in the received data. This setting should be used for most applications.</p> <p>Partially adaptive equalisation. The low frequency gain of the equalizer is determined algorithmically by analysing the data patterns and transition positions in the received data. The zero position is fixed in one of eight zero positions.</p> <p>When enabled, the receiver equalization logic analyzes data patterns and transition times to determine whether the low frequency gain of the equalizer should be increased or decreased. For the fully adaptive setting (EQCTL = 0001), if the low frequency gain reaches the minimum value, the zero frequency is then reduced. Likewise, if it reaches the maximum value, the zero frequency is then increased.</p>		
Type	RW		

31	30	29	28	27	26	25	24	23	22	21	20	19	18	17	16	15	14	13	12	11	10	9	8	7	6	5	4	3	2	1	0
MEM_EQLEV								MEM_EQFTC				MEM_EQCTL				RESERVED				MEM_OVRD_EQLEV	MEM_OVRD_EQFTC	RESERVED									

Bits	Field Name	Description	Type	Reset
31:16	MEM_EQLEV	Equalizer level control.	RW	0x0000
15:11	MEM_EQFTC	Equalizer zero freq control.	RW	0x00
10:7	MEM_EQCTL	0000 - Equalizer disabled 0001 - Fully adaptive; FTC normal 0010 - Fully adaptive; FTC inverted 0011 - Hold eq state 01xx - Init eq to fully adaptive start/midpoint 1000 - Partially adaptive; zero=1084 MHz 1001 - Partially adaptive; zero= 805 MHz 1010 - Partially adaptive; zero= 573 MHz 1011 - Partially adaptive; zero= 402 MHz 1100 - Partially adaptive; zero= 304 MHz 1101 - Partially adaptive; zero= 216 MHz 1110 - Partially adaptive; zero= 156 MHz 1111 - Partially adaptive; zero= 135 MHz	RW	0x0
6:3	RESERVED		R	0
2	MEM_OVRD_EQLEV	Continuously forces the Equalizer output with the eqlev[15:0].	RW	0
1	MEM_OVRD_EQFTC	Continuously forces the Equalizer output with the eqftc[4:0].	RW	0
0	RESERVED		R	0

Table 26-29. Register Call Summary for Register USB3PHYRX_EQUALIZER_REG1

USB3_PHY Subsystem

- [USB3_PHY Subsystem Low-Level Programming Model:](#)

USB3_PHY_RX Registers

- [USB3_PHY_RX Register Summary: \[4\]](#)

Table 26-29. Register Call Summary for Register USB3PHYRX_EQUALIZER_REG1 (continued)

PCIe PHY Subsystem

- [PCIePHY Subsystem Low-Level Programming Model: \[5\]\[6\]\[7\]\[8\]\[9\]](#)
-

26.3.3 USB3_PHY_TX Registers

26.3.3.1 USB3_PHY_TX Register Summary

Table 26-30. USB3_PHY_TX Registers Mapping Summary

Register Name	Type	Register Width (Bits)	Address Offset	USB3_PHY_TX Physical Address
RESERVED	R	32	0x0000 0000	0x4A08 4800
RESERVED	R	32	0x0000 0004	0x4A08 4804
RESERVED	R	32	0x0000 0008	0x4A08 4808
USB3PHYTX_FUNC_CONFIG_REG	RW	32	0x0000 000C	0x4A08 480C
RESERVED	R	32	0x0000 0010	0x4A08 4810
RESERVED	R	32	0x0000 0014	0x4A08 4814
RESERVED	R	32	0x0000 0018	0x4A08 4818
RESERVED	R	32	0x0000 001C	0x4A08 481C
RESERVED	R	32	0x0000 0020	0x4A08 4820
RESERVED	R	32	0x0000 0024	0x4A08 4824
RESERVED	R	32	0x0000 0028	0x4A08 4828
USB3PHYTX_TEST_CONFIG_REG	RW	32	0x0000 002C	0x4A08 482C
USB3PHYTX_PATTGEN_PRELOAD	RW	32	0x0000 0030	0x4A08 4830
RESERVED	R	32	0x0000 0034	0x4A08 4834

26.3.3.2 USB3_PHY_TX Register Description

Table 26-31. USB3PHYTX_FUNC_CONFIG_REG

Address Offset	0x0000 000C	Instance	USB3_PHY_TX
Physical Address	0x4A08 480C		
Description	Functional Configuration registers		
Type	RW		

31	30	29	28	27	26	25	24	23	22	21	20	19	18	17	16	15	14	13	12	11	10	9	8	7	6	5	4	3	2	1	0
RESERVED																															

Bits	Field Name	Description	Type	Reset
31	MEM_INVPAIR	Invert polarity of TXP/TXN	RW	0
30:0	RESERVED		R	0x0000 0000

Table 26-32. Register Call Summary for Register USB3PHYTX_FUNC_CONFIG_REG

USB3_PHY Subsystem

- [USB3_PHY I/O Signals:](#)

USB3_PHY_TX Registers

- [USB3_PHY_TX Register Summary: \[1\]](#)

Table 26-33. USB3PHYTX_TEST_CONFIG_REG

Address Offset	0x0000 002C	Instance	USB3_PHY_TX
Physical Address	0x4A08 482C		
Description	Test related configuration registers		
Type	RW		

31	30	29	28	27	26	25	24	23	22	21	20	19	18	17	16	15	14	13	12	11	10	9	8	7	6	5	4	3	2	1	0
MEM_ENTESTCLK	MEM_EN_LPBK	MEM_ENTXPATT	MEM_TESTPATT	RESERVED																											

Bits	Field Name	Description	Type	Reset
31	MEM_ENTESTCLK	0: USB Mode (uses PLL_CLK input clock) 1: PCIe Mode (uses CLK_SLICER clock)	RW	0
30	MEM_EN_LPBK	Loopback enable for test	RW	0
29	MEM_ENTXPATT	Enable Test pattern to input of the serializer instead of TD	RW	0
28:26	MEM_TESTPATT	Select the LFSR mode to generate the required pattern 000: 31-bit LFSR mode 011: 23-bit LFSR mode 010: 7-bit LFSR mode 001: generate 1010 pattern 100: Fixed 31-bit value from PATTGEN_PRELOAD_VAL	RW	0x0
25:0	RESERVED		RW	0x0

Table 26-34. Register Call Summary for Register USB3PHYTX_TEST_CONFIG_REG

USB3_PHY_TX Registers

- [USB3_PHY_TX Register Summary: \[0\]](#)

PCIe PHY Subsystem

- [PCIePHY Subsystem Low-Level Programming Model: \[1\]](#)

Table 26-35. USB3PHYTX_PATTGEN_PRELOAD

Address Offset	0x0000 0030	Instance	USB3_PHY_TX
Physical Address	0x4A08 4830		
Description	Pattern generator (31 bit) LFSR Seed or preload value		
Type	RW		

31	30	29	28	27	26	25	24	23	22	21	20	19	18	17	16	15	14	13	12	11	10	9	8	7	6	5	4	3	2	1	0
MEM_PATTGEN_PRELOAD_VAL																															RESERVED

Bits	Field Name	Description	Type	Reset
31:1	MEM_PATTGEN_PRELOAD_VAL	Preload value to the LFSR pattern generator	RW	0x0000 0000
0	RESERVED		RW	0

Table 26-36. Register Call Summary for Register USB3PHYTX_PATTGEN_PRELOAD

USB3_PHY_TX Registers

- [USB3_PHY_TX Register Summary: \[0\]](#)
-

26.3.4 DPLLCTRL Registers

26.3.4.1 DPLLCTRL Register Summary

Table 26-37. DPLLCTRL Registers Mapping Summary

Register Name	Type	Register Width (Bits)	Address Offset	DPLLCTRL_USB_OTG_SS Physical Address	DPLLCTRL_SATA Physical Address
RESERVED	R	32	0x0000 0000	0x4A08 4C00	0x4A09 6800
PLL_STATUS	R	32	0x0000 0004	0x4A08 4C04	0x4A09 6804
PLL_GO	RW	32	0x0000 0008	0x4A08 4C08	0x4A09 6808
PLL_CONFIGURATION1	RW	32	0x0000 000C	0x4A08 4C0C	0x4A09 680C
PLL_CONFIGURATION2	RW	32	0x0000 0010	0x4A08 4C10	0x4A09 6810
PLL_CONFIGURATION3	RW	32	0x0000 0014	0x4A08 4C14	0x4A09 6814
PLL_SSC_CONFIGURATION1	RW	32	0x0000 0018	0x4A08 4C18	0x4A09 6818
PLL_SSC_CONFIGURATION2	RW	32	0x0000 001C	0x4A08 4C1C	0x4A09 681C
PLL_CONFIGURATION4	RW	32	0x0000 0020	0x4A08 4C20	0x4A09 6820

26.3.4.2 DPLLCTRL Register Description

NOTE: SATA is not supported on the AM570x family of devices.

Table 26-38. PLL_STATUS

Address Offset	0x0000 0004	Instance	DPLLCTRL_USB_OTG_SS DPLLCTRL_SATA
Physical Address	0x4A08 4C04 0x4A09 6804		
Description	This register contains the status information		
Type	R		

31	30	29	28	27	26	25	24	23	22	21	20	19	18	17	16	15	14	13	12	11	10	9	8	7	6	5	4	3	2	1	0		
RESERVED																PLL_TICOPWDN	PLL_LDOPWDN	RESERVED	SSC_EN_ACK	RESERVED								PLL_HIGHJITTER	RESERVED	PLL_LOSSREF	PLL_RECAL	PLL_LOCK	PLLCTRL_RESET_DONE

Bits	Field Name	Description	Type	Reset
31:17	RESERVED		R	0x0000
16	PLL_TICOPWDN	PLL TICOPWDN status. Read 0x1: Internal oscillator power down Read 0x0: Internal oscillator power up	R	0
15	PLL_LDOPWDN	PLL LDOPWDN status. Read 0x1: PLL's internal LDO is power down Read 0x0: PLL's internal LDO is power up	R	0
14:13	RESERVED			0

Bits	Field Name	Description	Type	Reset
12	SSC_EN_ACK	Spread Spectrum Clocking acknowledge Read 0x1: Spread Spectrum Clocking active Read 0x0: Spread Spectrum Clocking inactive	R	0
11:6	RESERVED		R	0x00
5	PLL_HIGHJITTER	PLL High Jitter status Read 0x1: PLL in high jitter condition: Phase error > 24% Read 0x0: PLL in normal jitter condition	R	0
4	RESERVED	Read returns zero.	R	0
3	PLL_LOSSREF	PLL Reference Loss status Read 0x1: Reference input inactive Read 0x0: Reference input active	R	0
2	PLL_RECAL	PLL re-calibration status If this bit is active, the PLL needs to be re-calibrated Read 0x1: Recalibration is required Read 0x0: Recalibration is not required	R	0
1	PLL_LOCK	PLL Lock status See the programming guide for the use of this bit Read 0x1: PLL is locked Read 0x0: PLL is not locked	R	0
0	PLLCTRL_RESET_DONE	PLLCTRL reset done status Read 0x1: Reset has completed Read 0x0: Reset is in progress	R	0

Table 26-39. Register Call Summary for Register PLL_STATUS

USB3_PHY Subsystem

- [USB3_PHY DPLL Clock Generator Reset: \[0\]](#)
- [USB3_PHY DPLL Clocks Configuration: \[1\]](#)
- [USB3_PHY DPLL Subsystem Architecture: \[2\]](#)
- [USB3_PHY DPLL Clock Generator Modes and State Transitions: \[3\]\[4\]\[5\]\[6\]\[7\]\[8\]\[9\]](#)
- [USB3_PHY PLL Controller Functions: \[10\]](#)
- [USB3_PHY Subsystem Low-Level Programming Model: \[11\]](#)

SATA PHY Subsystem

- [SATA DPLL Clock Generator Reset: \[12\]](#)
- [SATA DPLL Clocks Configuration: \[13\]](#)
- [SATA DPLL Subsystem Architecture:](#)
- [SATA DPLL Clock Generator Modes and State Transitions: \[15\]\[16\]\[17\]\[18\]\[19\]\[20\]\[21\]](#)
- [SATA PLL Controller Functions: \[22\]](#)
- [SATA PHY Subsystem Low-Level Programming Model: \[23\]](#)

SATA_PHY_TX Registers

- [DPLLCTRL Register Summary: \[24\]](#)

Table 26-40. PLL_GO

Address Offset	0x0000 0008	Instance	DPLLCTRL_USB_OTG_SS DPLLCTRL_SATA
Physical Address	0x4A08 4C08 0x4A09 6808		
Description	This register contains the GO bit		
Type	RW		

31	30	29	28	27	26	25	24	23	22	21	20	19	18	17	16	15	14	13	12	11	10	9	8	7	6	5	4	3	2	1	0
RESERVED																												PLL_GO			

Bits	Field Name	Description	Type	Reset
31:1	RESERVED	Reads return zero.	RW	0x0000 0000
0	PLL_GO	Request (re-)locking sequence of the PLL. 0x0: No pending action 0x1: Request PLL (re-)locking/locking pending	RW	0

Table 26-41. Register Call Summary for Register PLL_GO

USB3_PHY Subsystem

- [USB3_PHY DPLL Low-Power Modes: \[0\]](#)
- [USB3_PHY DPLL Clock Generator Modes and State Transitions: \[1\]\[2\]\[3\]\[4\]\[5\]\[6\]\[7\]\[8\]\[9\]\[10\]](#)
- [USB3_PHY PLL Controller Functions: \[11\]\[12\]\[13\]](#)
- [USB3_PHY Subsystem Low-Level Programming Model: \[14\]\[15\]](#)

SATA PHY Subsystem

- [SATA DPLL Low-Power Modes: \[16\]](#)
- [SATA DPLL Clock Generator Modes and State Transitions: \[17\]\[18\]\[19\]\[20\]\[21\]\[22\]\[23\]\[24\]\[25\]](#)
- [SATA PLL Controller Functions: \[26\]\[27\]\[28\]](#)
- [SATA PHY Subsystem Low-Level Programming Model: \[29\]\[30\]](#)

SATA_PHY_TX Registers

- [DPLLCTRL Register Summary: \[31\]](#)
- [DPLLCTRL Register Description: \[32\]](#)

Table 26-42. PLL_CONFIGURATION1

Address Offset	0x0000 000C	Instance	DPLLCTRL_USB_OTG_SS DPLLCTRL_SATA
Physical Address	0x4A08 4C0C 0x4A09 680C		
Description	This register contains the latched PLL and HSDIVDER configuration bits		
Type	RW		

31	30	29	28	27	26	25	24	23	22	21	20	19	18	17	16	15	14	13	12	11	10	9	8	7	6	5	4	3	2	1	0
RESERVED								PLL_REGM								PLL_REGN								RESERVED							

Bits	Field Name	Description	Type	Reset
31:21	RESERVED		RW	0x000
20:9	PLL_REGM	M Divider for PLL	RW	0x000
8:1	PLL_REGN	N Divider for PLL (Reference)	RW	0x00
0	RESERVED	Read returns zero.	R	0

Table 26-43. Register Call Summary for Register PLL_CONFIGURATION1

USB3_PHY Subsystem
<ul style="list-style-type: none"> • USB3_PHY DPLL Clocks Configuration: [0][1] • USB3_PHY DPLL Subsystem Architecture: [2][3] • USB3_PHY DPLL Clock Generator Modes and State Transitions: [4] • USB3_PHY PLL Controller Functions: [5][6][7][8]
SATA PHY Subsystem
<ul style="list-style-type: none"> • SATA DPLL Clocks Configuration: [9][10] • SATA DPLL Subsystem Architecture: [11][12] • SATA DPLL Clock Generator Modes and State Transitions: [13] • SATA PLL Controller Functions: [14][15][16][17]
SATA_PHY_TX Registers
<ul style="list-style-type: none"> • DPLLCTRL Register Summary: [18]

Table 26-44. PLL_CONFIGURATION2

Address Offset	0x0000 0010		
Physical Address	0x4A08 4C10 0x4A09 6810	Instance	DPLLCTRL_USB_OTG_SS DPLLCTRL_SATA
Description	This register contains the unlatched PLL and HSDIVDER configuration bits These bits are "shadowed" when automatic mode is selected		
Type	RW		

31	30	29	28	27	26	25	24	23	22	21	20	19	18	17	16	15	14	13	12	11	10	9	8	7	6	5	4	3	2	1	0
RESERVED																PLL_LOCKSEL		RESERVED						PLL_SELFREQDCO		PLL_IDLE					

Bits	Field Name	Description	Type	Reset
31:11	RESERVED		RW	0x00004
10:9	PLL_LOCKSEL	Selects the lock criteria for the PLL 0x0: Phase Lock 0x1: Frequency Lock Other values: Reserved	RW	0x0
8:4	RESERVED		RW	0x00
3:1	PLL_SELFREQDCO	DCO frequency range selector for DPLL_USB_OTG_SS / DPLLCTRL_SATA 0x2 Set if DCO frequency is between 750MHz and 1500MHz 0x4 Set if DCO frequency is between 1250MHz and 2500MHz Other values: Reserved	RW	0x4
0	PLL_IDLE	PLL IDLE: 0x0: IDLE is not selected 0x1: IDLE is selected	RW	0

Table 26-45. Register Call Summary for Register PLL_CONFIGURATION2

USB3_PHY Subsystem
<ul style="list-style-type: none"> • USB3_PHY DPLL Clock Generator Modes and State Transitions: [0][1][2] • USB3_PHY PLL Controller Functions: [3][4][5][6][7][8]

Table 26-45. Register Call Summary for Register PLL_CONFIGURATION2 (continued)

SATA PHY Subsystem
<ul style="list-style-type: none"> • SATA DPLL Clock Generator Modes and State Transitions: [9][10][11] • SATA PLL Controller Functions: [12][13][14][15][16][17]
SATA_PHY_TX Registers
<ul style="list-style-type: none"> • DPLLCTRL Register Summary: [18]

Table 26-46. PLL_CONFIGURATION3

Address Offset	0x0000 0014	
Physical Address	0x4A08 4C14 0x4A09 6814	Instance DPLLCTRL_USB_OTG_SS DPLLCTRL_SATA
Description	HSDIVIDER configuration bits for the M5 and M6 dividers	
Type	RW	

31	30	29	28	27	26	25	24	23	22	21	20	19	18	17	16	15	14	13	12	11	10	9	8	7	6	5	4	3	2	1	0
RESERVED								PLL_SD								RESERVED															

Bits	Field Name	Description	Type	Reset
31:18	RESERVED		R	0x0000
17:10	PLL_SD	Sigma delta divider setting for DPLL_USB_OTG_SS based on the PLL lock configuration.	RW	0x00
9:0	RESERVED		RW	0x000

Table 26-47. Register Call Summary for Register PLL_CONFIGURATION3

USB3_PHY Subsystem
<ul style="list-style-type: none"> • USB3_PHY DPLL Clocks Configuration: [0] • USB3_PHY PLL Controller Functions: [1][2][3]
SATA PHY Subsystem
<ul style="list-style-type: none"> • SATA DPLL Clocks Configuration: [4] • SATA PLL Controller Functions: [5][6][7]
SATA_PHY_TX Registers
<ul style="list-style-type: none"> • DPLLCTRL Register Summary: [8]

Table 26-48. PLL_SSC_CONFIGURATION1

Address Offset	0x0000 0018	
Physical Address	0x4A08 4C18 0x4A09 6818	Instance DPLLCTRL_USB_OTG_SS DPLLCTRL_SATA
Description	Configuration for PLL Spread Spectrum Clocking modulation	
Type	RW	

31	30	29	28	27	26	25	24	23	22	21	20	19	18	17	16	15	14	13	12	11	10	9	8	7	6	5	4	3	2	1	0
RESERVED																										DOWNSPREAD	RESERVED	EN_SSC			

Bits	Field Name	Description	Type	Reset
31:3	RESERVED		R	0x0000 0000
2	DOWNSPREAD	Forces the clock spreading only in the down spectrum. 0x0: Clock spreading not forced. 0x1: Spectrum spreading only in down direction.	RW	0
1	RESERVED		RW	0
0	EN_SSC	Spread Spectrum Clocking enable 0x0: Spread Spectrum Clocking disabled 0x1: Spread Spectrum Clocking enabled	RW	0

Table 26-49. Register Call Summary for Register PLL_SSC_CONFIGURATION1

USB3_PHY Subsystem

- [USB3_PHY DPLL Subsystem Architecture: \[0\]\[1\]](#)

SATA PHY Subsystem

- [SATA DPLL Subsystem Architecture:](#)

SATA_PHY_TX Registers

- [DPLLCTRL Register Summary: \[4\]](#)

Table 26-50. PLL_SSC_CONFIGURATION2

Address Offset	0x0000 001C	Instance	DPLLCTRL_USB_OTG_SS DPLLCTRL_SATA
Physical Address	0x4A08 4C1C 0x4A09 681C		
Description			
Type	RW		

31	30	29	28	27	26	25	24	23	22	21	20	19	18	17	16	15	14	13	12	11	10	9	8	7	6	5	4	3	2	1	0
RESERVED	DELTAM2	MODFREQDIVIDER										DELTAM																			

Bits	Field Name	Description	Type	Reset
31	RESERVED	Reads as zero	R	0
30	DELTAM2	MSB of DeltaM control bus.	RW	0
29:20	MODFREQDIVIDER	Modulation Frequency Divider control for SSC.	RW	0x000
19:0	DELTAM	DeltaM control for SSC.	RW	0x0 0000

Table 26-51. Register Call Summary for Register PLL_SSC_CONFIGURATION2

USB3_PHY Subsystem

- [USB3_PHY DPLL Subsystem Architecture: \[0\]\[1\]\[2\]\[3\]\[4\]\[5\]](#)

SATA PHY Subsystem

- [SATA DPLL Subsystem Architecture:](#)

SATA_PHY_TX Registers

- [DPLLCTRL Register Summary: \[12\]](#)

Table 26-52. PLL_CONFIGURATION4

Address Offset	0x0000 0020	
Physical Address	0x4A08 4C20 0x4A09 6820	Instance DPLLCTRL_USB_OTG_SS DPLLCTRL_SATA
Description	Allows setting the fractional M divider and M2 divider for PLL.	
Type	RW	

31	30	29	28	27	26	25	24	23	22	21	20	19	18	17	16	15	14	13	12	11	10	9	8	7	6	5	4	3	2	1	0
RESERVED														PLL_REGM_F																	

Bits	Field Name	Description	Type	Reset
31:18	RESERVED	Reads as 0x1	RW	0x0001
17:0	PLL_REGM_F	Fractional part of M divider.	RW	0x0 0000

Table 26-53. Register Call Summary for Register PLL_CONFIGURATION4

USB3_PHY Subsystem

- [USB3_PHY DPLL Subsystem Architecture: \[0\]](#)
- [USB3_PHY PLL Controller Functions: \[1\]](#)

SATA PHY Subsystem

- [SATA DPLL Subsystem Architecture: \[2\]](#)
- [SATA PLL Controller Functions: \[3\]](#)

SATA_PHY_TX Registers

- [DPLLCTRL Register Summary: \[4\]](#)

26.4 PCIe PHY Subsystem

This chapter describes the features and functions of the device Peripheral Component Interconnect Express (PCIe) physical layer (PHY) subsystem.

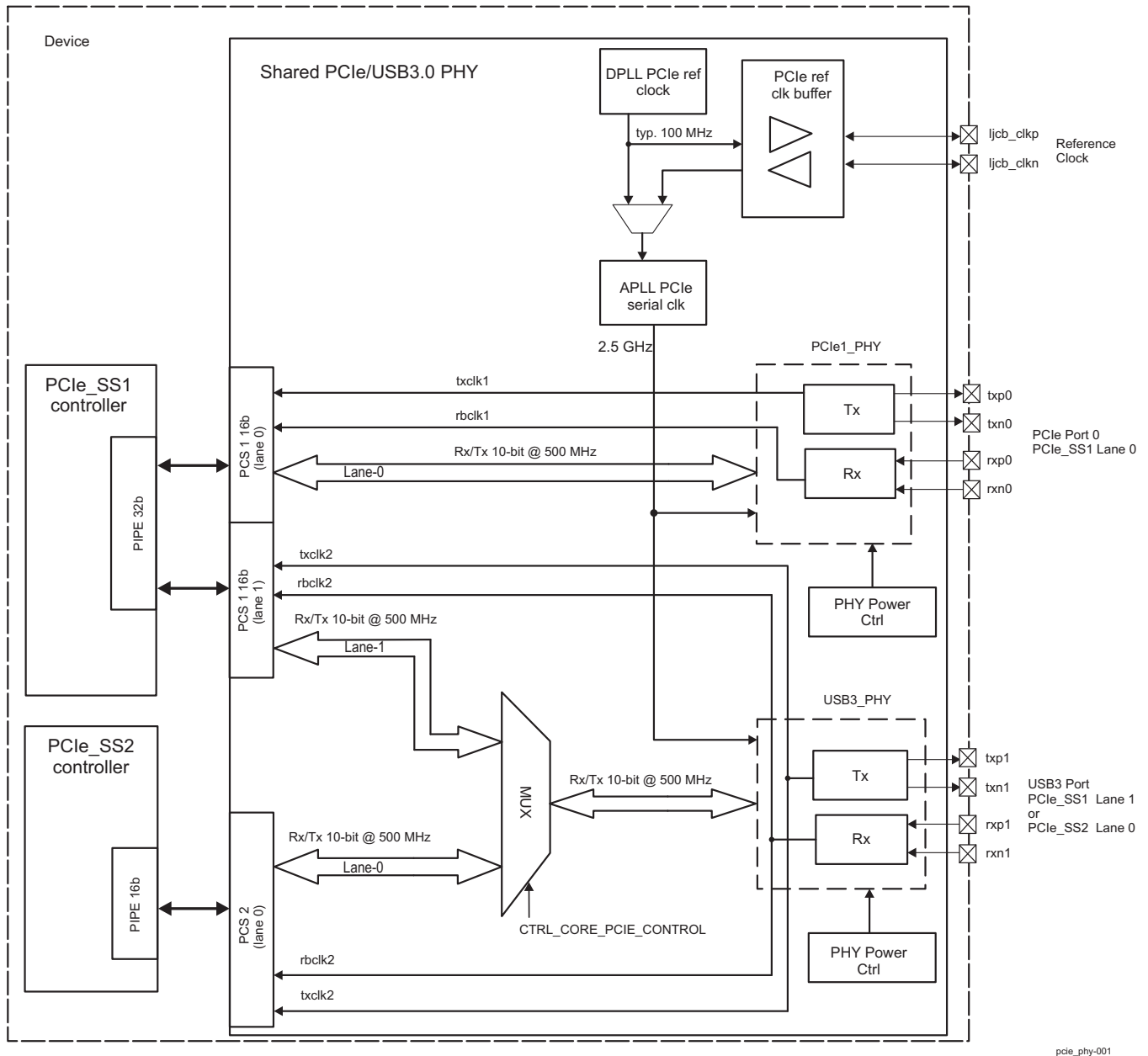
26.4.1 PCIe PHY Subsystem Overview

The device has two PCI Express physical ports - PCIe 0 and USB (shared). Each of the two device PCIe ports has an associated PMA (physical media attachment) component pair of a high-speed operating differential transmitter (serializer) and a differential receiver (de-serializer). While the device PCIe port 0 PHY is always mapped to device PCIe_SS1 controller, the device PCIe port 1 PHY can be software multiplexed to the PCIe_SS1 (dual-lane configuration) or to the PCIe_SS2 (single-lane configuration) or to USB3.0. In addition, the PCIe shared PHY subsystem encompasses a PCIe PCS (physical coding sublayer), a PCIe power management logic, APLL, a DPLL reference clock generator and an APLL low-jitter clock buffer.

- PCIe PCS (a physical coding sublayer component) converts an 8-bit portion of parallel data over a PCIe lane to a 10-bit parallel data to adapt the process of serialization and deserialization in the TX/RX PHYs to various requirements. At the same time it transforms the transmission rate to maintain the PCIe Gen2 bandwidth. A PCS component is hardware mapped to each of the PCIe_SS1 (16-bit) and PCIe_SS2 controller (32-bit) PIPE ports.
- A programmable multiplexing logic which maps either PCIe_SS1 or PCIe_SS2 PCS logic to USB3.0 PHY
- PHY serializer (TX) and deserializer (RX) components with associated power control logic, building the so called PMA (physical media attachment) part.
- DPLL_PCIE_REF is a DPLL clock source, controlled from the device PRCM, that provides (typically 20 MHz/100 MHz) clock to the PCIe PHY serializer/de-serializer components reference clock inputs.
- Contains an integrated APLL (APLLPCIe) which multiplies the DPLL_PCIE_REF clock to 2.5 GHz.
- The APLLPCIe low-jitter buffer and additional logic takes care to provide the PCIe APLL reference input clock.
- An L4_CFG interface adapter - OCP2SCP3 enables accessing the PCIe PHY serial configuration protocol compatible (SCP) registers via L4_CFG interconnect accesses.

[Figure 26-15](#) shows an overview of the device PCIe subsystem with its integrated components.

Figure 26-15. PCIe Controller Subsystem Overview



pcie_phy-001

26.4.1.1 PCIe PHY Subsystem Key Features

This section describes the features supplied by the PCIe PHY subsystem. The device integrated PCIe PHY comply with the following standard:

- PHY Interface for PCI Express Gen 2 and USB3.0 architectures (PIPE for USB3)

The device supports PCI express interface in the following configurations:

- The PCIe PHYs can be mapped either as 2-lane to one controller (PCIe_SS1) or two separate lanes to two controllers (PCIe_SS1 and PCIe_SS2), as follows:
 - One 2x-lane functional (Gen2) PCIe port, built on the device two PCIe PHY ports (0 and 1), using the dual-lane PCIe_SS1 controller (the PCIe_SS1 controller)
 - Two 1x-lane (Gen2) PCIe ports - PCIe port 0 and USB, mapped to the PCIe_SS1 and PCIe_SS2 controllers, each configured to operate in a single-lane mode, respectively. In this case the two

device PCIe PHY ports function independently from each other.

- A power control module for each PCIe port which:
 - ensures the Rx/Tx PHYs power-up sequence
 - ensures the Rx/Tx PHYs power-down sequence
- Embedded PCIe DPLL generator, software controlled in device PRCM
- A PLL reference clock - (typically 20MHz or 100MHz), which can be programmed to be:
 - an externally supplied differential clock
 - internally supplied by DPLL_PCIE_REF generated clock, controlled from device PRCM
 - output to external systems when supplied by the DPLL_PCIE_REF
- A bidirectional low-jitter asynchronous buffer which:
 - is used to supply an external reference clock to the PCIe APLL.
 - can output DPLL_PCIE_REF clock to external chips
 - can be bypassed, when DPLL clock is used but NOT output to external chips.
- Polarity inversion on receiver

26.4.2 PCIe PHY Subsystem Environment

26.4.2.1 PCIe PHY I/O Signals

Table 26-54 represents module pins and their corresponding signal names at the device level, and also specifies their links to functions.

Table 26-54. PCIe PHY I/O Signals

Module Pin Name	Device-Level Signal Name	I/O ⁽¹⁾	Description	Pin Reset Value ⁽²⁾
TXP0	pcie_txp0	O	TXP output of the PCIe Port 0 PHY differential transmission line	0
TXN0	pcie_txn0	O	TXN output of the PCIe Port 0 PHY differential transmission line	0
RXP0	pcie_rxp0	I	RXP input of the PCIe Port 0 PHY differential reception line	HiZ
RXN0	pcie_rxn0	I	RXN input of the PCIe Port 0 PHY differential reception line	HiZ
TXP1	usb_txp0	O	TXP output of the USB3 PHY differential transmission line, used as TXP output of the PCIe Port 1	0
TXN1	usb_txn0	O	TXN output of the USB3 PHY differential transmission line, used as TXN output of the PCIe Port 1	0
RXP1	usb_rxp0	I	RXP input of the USB3 PHY differential reception line, used as RXP output of the PCIe Port 1	HiZ
RXN1	usb_rxn0	I	RXN input of the USB3 PHY differential reception line, used as RXN output of the PCIe Port 1	HiZ
LJCB_CLKP	ljcb_clkp	I/O	Differential input/output of reference clock buffer (positive)	HiZ
LJCB_CLKN	ljcb_clkn	I/O	Differential input/output of reference clock buffer (negative)	HiZ

⁽¹⁾ I = Input, O = Output

⁽²⁾ HiZ = High-impedance

To swap polarity of the PHY_TX serializer outputs - TXP and TXN such that, TXP becomes the negative and TXN becomes the positive terminal, user software has to assert bit [PCIEPHYTX_FUNC_CONFIG_REG\[31\] MEM_INVPAIR](#) to 0b1.

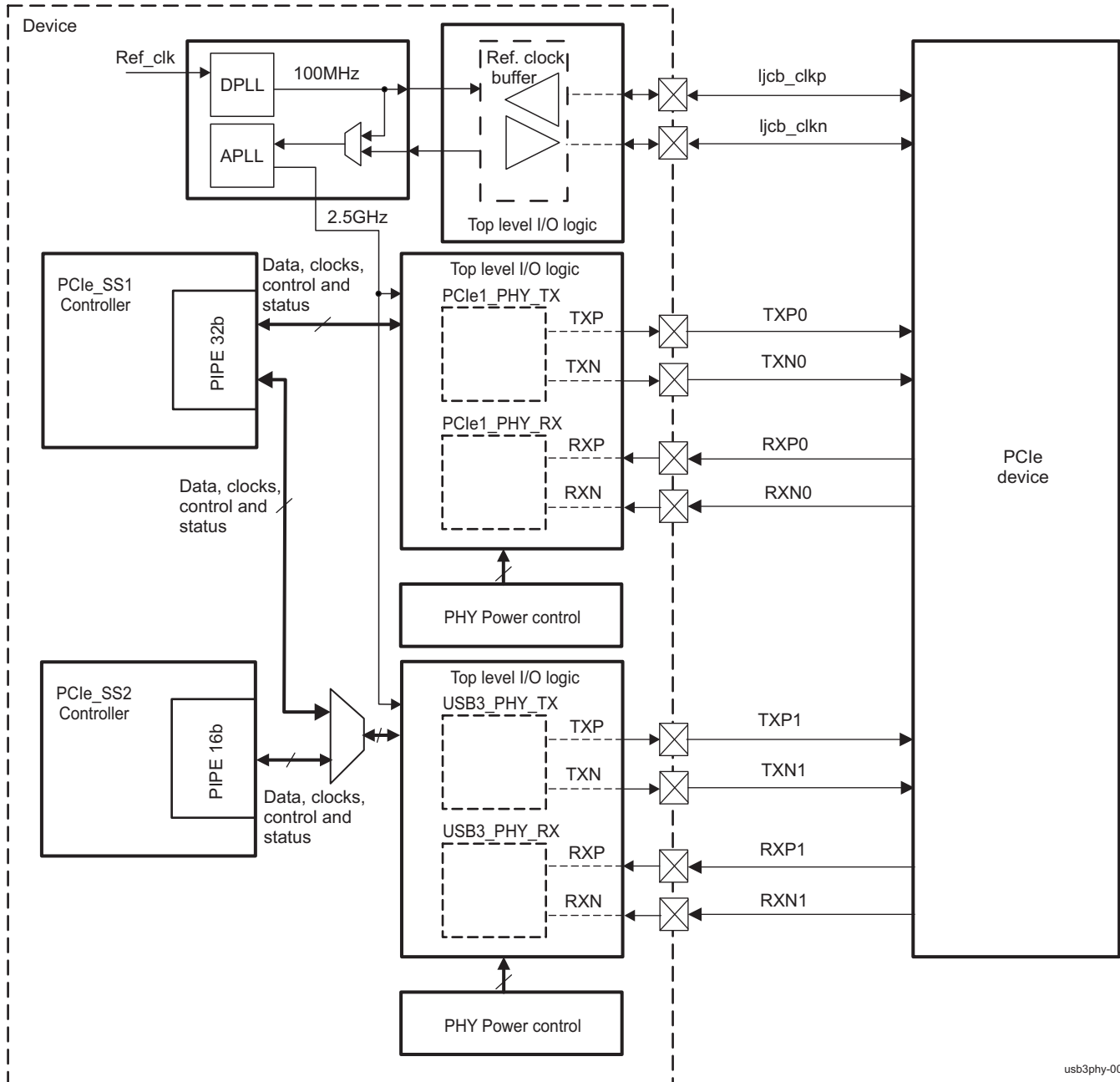
To swap polarity of the PHY_RX de-serializer inputs - RXP and RXN, such that, RXP becomes the negative and RXN becomes the positive terminal, user software has to:

- First assert the bit [PCIEPHYRX_DIGITAL_MODES_REG1\[30\] MEM_OVRD_INV_RXPN_PAIR](#) to 0b1, in order to be able to override the internal HW polarity control of the de-serializer.
- Assert bit [PCIEPHYRX_DIGITAL_MODES_REG1\[31\] MEM_INV_RXPN_PAIR](#) to 0b1.

For more information on the necessary SCP register access configuration refer to [Section 26.4.6, PCIe PHY Subsystem Register Manual](#) and [Section 26.4.5, PCIePHY Subsystem Low-Level Programming Model](#).

Figure 26-16 shows module pin signals mapping to PCIe PHY signals visible at the device pad level.

Figure 26-16. PCIe PHY I/O Signals



usb3phy-002

NOTE: The path from module pin to device pad(s) is defined at the device I/O logic level. The I/O logic maps the module signals to the different pads of the device and can be programmed in the control module registers. For more information, see [Section 18.4.6.1.1, Pad Configuration Rregisters](#), and [Section 18.5, Control Module Register Manual](#), in [Chapter 18, Control Module](#).

26.4.3 PCIe Shared PHY Subsystem Integration

This section describes the PCIe PHY subsystem-related components (PCIe_PHY, DPLL_PCIE_REF, APLL_PCIE, and OCP2SCP3) integration in the device, including information about clocks, resets, and hardware requests.

Figure 26-17 shows the PCIe PHY integration.

The PCIe PHY module integration features:

- A low-power non retention reset, L3INIT_RST
- A low power non retention Power-on Reset, L3INIT_PWRON_RST
- Interconnect adapter target interface (OCP2SCP3)
- A high-frequency input clock for RX module PCIE_PHY_GCLK, tied to the PCIE_APLL.CLKVCOLDO output
- A high frequency divided input clock for TX module PCIE_PHY_DIV_GCLK, tied to PCIE_APLL.CLKVCOLDO_DIV output
- A local PCIE PHY PIPE compatible port connected to the PCIe_SS1 controller PIPE port
- A clock output (PIPE_PCLK) to the PCIe_SS module PIPE port
- A clock input (PIPE_MCLK) from the PCIe_SS module PIPE port
- A power control logic integrated for PCIe PHY receiver/transmitter pair
- PRCM.PCIE_32K_GFCLK for debounce and wakeup logic inside the PCIe1_PHY_RX
- PRCM.PCIE_REF_GFCLK clock (based on PRCM.CORE_USB_OTG_SS_LFPS_TX_CLK clock) tied to the PCIe1_PHY_TX input
- PRCM.PCIE_SYS_GFCLK clock tied to power control module clock input
- A device CORE CONTROL MODULE command port to the power control module

The DPLL_PCIE_REF integration features:

- A low-power non retention reset, COREAON_PWRON_RST
- A gated version of the device SYS_CLK1 - PCIE_DPLL_CLK supplying DPLL_PCIE_REF.CLKINP pin.
- A single clock output, DPLL_PCIE_REF.CLKOUTLDO, to the APLL_PCIE input multiplexer
- No HS divider integration
- Direct PRCM register control

The APLL_PCIE integration features:

- A low-power non retention reset, COREAON_PWRON_RST
- Direct PRCM register control
- Selectable input clock from DPLL_PCIE_REF.CLKOUTLDO or external differential input clock conducted from device PCIe_ljcb_clkp/n pads via the ACSPCIE buffer
- High frequency output clock on APLL_PCIE.CLKVCOLDO output tied to PCIE PHY RX modules
- High frequency divided output clock on APLL_PCIE.CLKVCOLDO_DIV output tied to PCIE PHY TX modules

The ACSPCIE integration features:

- A differential clock input from the device pads or differential output to device pads supplied from DPLL_PCIE_REF.CLKOUTLDO.
- Single ended clock output to APLL_PCIE input multiplexer

The OCP2SCP3 (interconnect adapter) integration features:

- L4_CFG slave configuration interface
- One interface clock, L3INIT_L4_GICLK
- A nonretention reset, L3INIT_RST

Figure 26-17. PCIe PHY Subsystem Integration

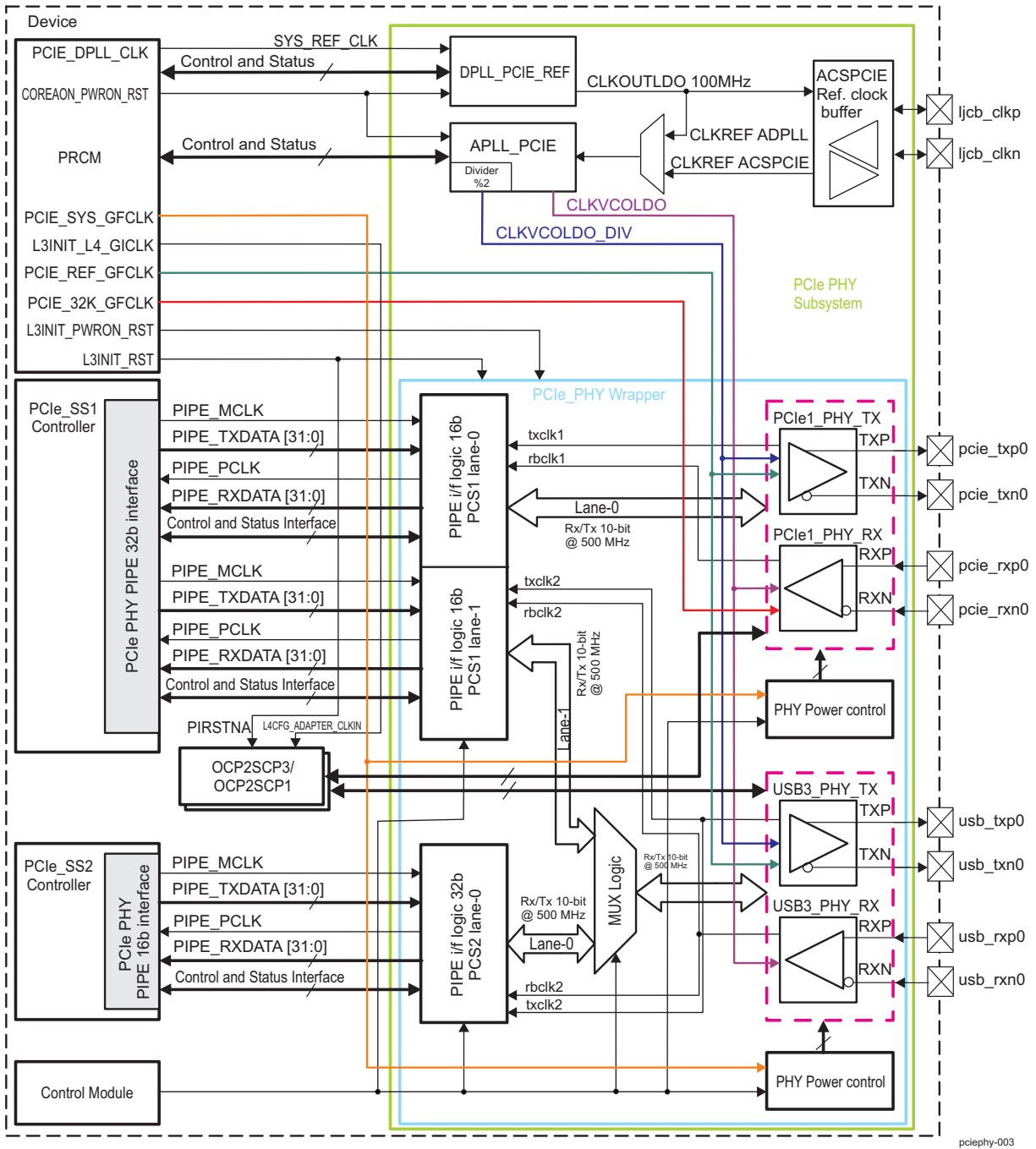


Table 26-55 through Table 26-57 summarize the integration of the module in the device.

Table 26-55. Integration Attributes

Module Instance	Attributes	
	Power Domain	Interconnect
PCIe1_PHY_TX	PD_L3INIT	OCP2SCP3 SCP interconnects
PCIe1_PHY_RX	PD_L3INIT	OCP2SCP3 SCP interconnects
PCIE PHY (wrapper power controller)	PD_L3INIT	A device CTRL_CORE_MODULE power control bus

Table 26-55. Integration Attributes (continued)

OCP2SCP3	PD_COREAON	L4_CFG
DPLL_PCIE_REF	PD_COREAON	Direct PRCM module register control
APLL_PCIE	PD_COREAON	Direct PRCM module register control

Table 26-56. Clocks

Clocks				
Module Instance	Destination Signal Name	Source Signal Name	Source	Description
DPLL_PCIE_REF	REF_CLK	PCIE_DPLL_CLK	PRCM	DPLL_PCIE_REF reference functional clock (SYS_CLK1 based)
PCIe1_PHY	PCIe1_PWR_CLK	PCIE_SYS_GFCLK	PRCM	PCIe power control logic reference functional clock (SYS_CLK1 based)
PCIe1_PHY_TX	PCIe1_REF_CLKIN	PCIE_REF_GFCLK ⁽¹⁾	PRCM	Fixed frequency PCIe functional clock used for LFPS pattern generation (CORE_USB_OTG_SS_LFPS_TX_CLK based)
PCIe1_PHY_RX	PCIe1_PHY_WKUP_CLK	PCIE_32K_GFCLK	PRCM	I/O wakeup and debounce 32-kHz functional clock at PCIe1_PHY_RX Receiver side
OCP2SCP3	L4CFG_ADAPTER_CLKIN	L3INIT_L4_GICLK	PRCM	L4_CFG adapter interface clock

⁽¹⁾ This clock is connected to a single clock input pin - REF_CLKIN at the PCIe PHY subsystem level

Table 26-57. Resets

Resets				
Module Instance	Destination Signal Name	Source Signal Name	Source	Description
OCP2SCP3	PIRSTNA	L3INIT_RST	PRCM	A non retention reset to L4_CFG interface adapter
PCIe_PHY	PHY_RSTN_MAIN	L3INIT_RST	PRCM	A non retention reset to the PCIe_PHY
	PHY_RSTN_POR	L3INIT_PWRON_RST	PRCM	A non retention POR reset to the PCIe_PHY
DPLL_PCIE_REF	SYSRESETN	COREAON_PWRON_RST	PRCM	A non retention POR reset to DPLL reference clock generator
APLL_PCIE	APLLRESETN	COREAON_PWRON_RST	PRCM	A non retention POR reset to APLL clock generator

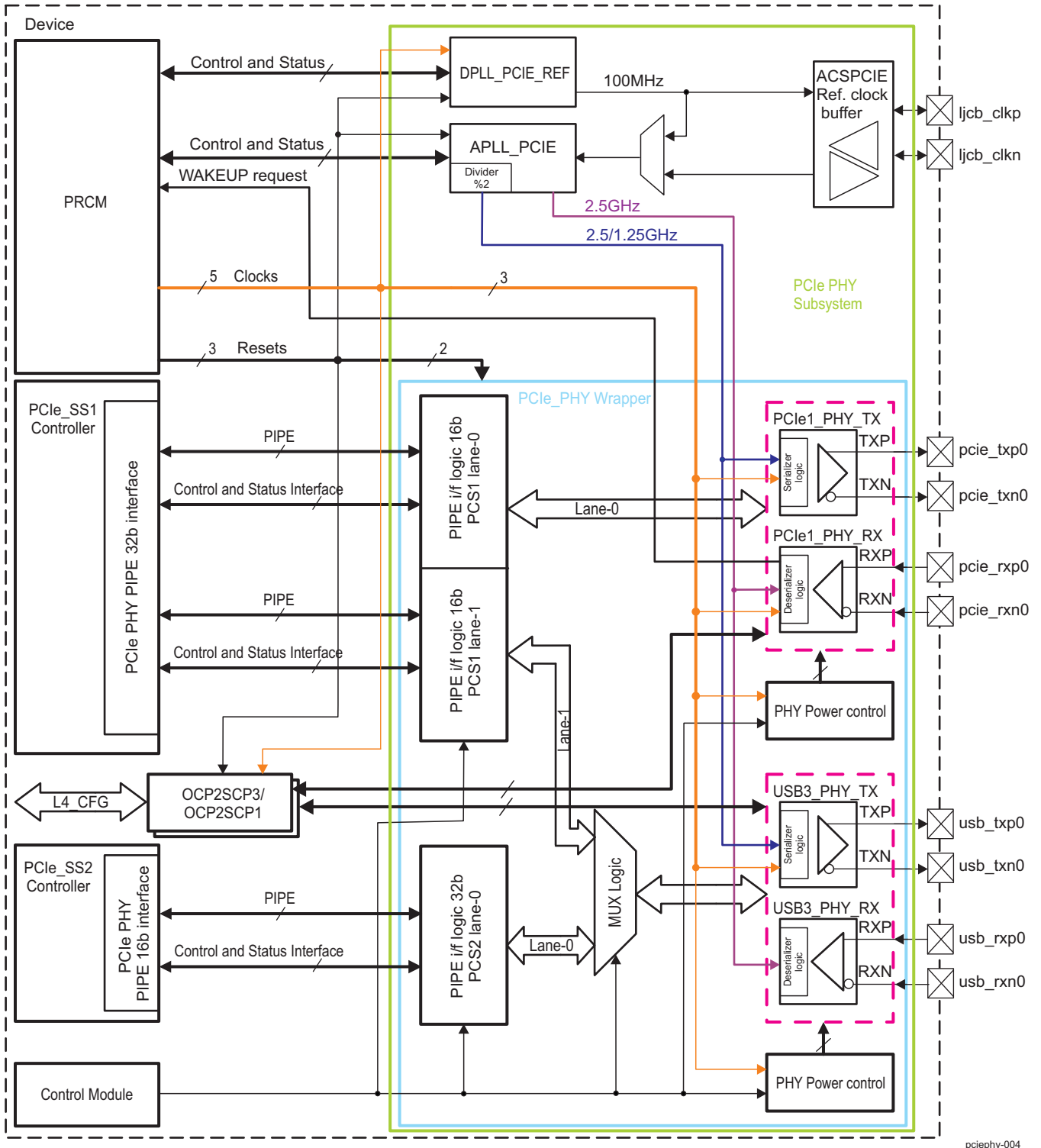
NOTE: The PCIe1_PHY_RX generates a hardware wakeup request to the PRCM module.

26.4.4 PCIe PHY Subsystem Functional Description

26.4.4.1 PCIe PHY Subsystem Block Diagram

Figure 26-18 shows a block diagram of the PCIe PHY subsystem.

Figure 26-18. PCIe PHY Subsystem Block Diagram



pciephy-004

26.4.4.2 OCP2SCP Functional Description

The OCP2SCP3 module (OCP2SCP instantiation 3), allows user software to configure the PCIe_PHY over the L4_CFG port. All PCIe_PHY_TX and PCIe_PHY_RX configuration registers are accessible through OCP2SCP3.

26.4.4.2.1 OCP2SCP Reset

26.4.4.2.1.1 Hardware Reset

The module receives an asynchronous hardware reset (L3INIT_RST) upon power-on reset (POR) at its active low PIRSTNA input. [Table 26-57](#) lists the OCP2SCP3 system reset signal. For more information on the hardware reset source, see [Section 3.5.5, Reset Domains](#) in [Chapter 3, Power Reset and Clock Management](#).

26.4.4.2.1.2 Software Reset

Setting the [OCP2SCP_SYSCONFIG\[1\] SOFTRESET](#) bit to 1 triggers a software reset on the OCP2SCP interconnect adapter. The [OCP2SCP_SYSSTATUS\[0\] RESETDONE](#) bit is used by software to monitor the status of reset completion. Hardware keeps this bit at 0 while the reset is being executed. A RESETDONE bit transition from 0 to 1 indicates OCP2SCP reset completion.

26.4.4.2.2 OCP2SCP Power Management

The OCP2SCP features idle acknowledgement protocol with the PRCM module.

26.4.4.2.2.1 Idle Mode

The smart-idle mode supported by OCP2SCP is not wake-up capable, which means software must explicitly take care to wake the OCP2SCP by setting the [OCP2SCP_SYSCONFIG\[4:3\] IDLEMODE](#) bit field to 0x1 (no idle), once it has previously gone to an idle mode.

For more information, see [Section 3.1.1.1.2, Module-Level Clock Management](#) in [Chapter 3, Power, Reset, and Clock Management](#).

NOTE: Software must take the OCP2SCP module out of IDLE state by setting the [OCP2SCP_SYSCONFIG\[4:3\] IDLEMODE](#) bit field to 0x1, once smart-idle mode has been selected ([OCP2SCP_SYSCONFIG\[4:3\] IDLEMODE](#) = 0x2).

26.4.4.2.2.2 Clock Gating

The OCP2SCP module has local support for an automatic clock gating based on L4_CFG interconnect activity. This feature is enabled by setting the [OCP2SCP_SYSCONFIG\[0\] AUTOIDLE](#) bit to 0x1, otherwise the module interface clock is free running.

For more information, see [Section 3.1.1.1.4, Clock Domain-Level Clock Management](#) in [Chapter 3, Power, Reset, and Clock Management](#).

26.4.4.2.3 OCP2SCP Timing Registers

The timing configuration register sets various parameters controlling the timing constraints of the OCP2SCP module.

The division ratio between the L4_CFG interconnect clock (L3INIT_L4_GICLK) and the serial configuration port output clock is set through the [OCP2SCP_TIMING\[9:7\] DIVISIONRATIO](#) bit field, with a valid range of 0x1 to 0x7.

The [OCP2SCP_TIMING\[6:4\] SYNC1](#) timing information is programmable in the range 0 to 7 clock cycles, and shows the acceptable delay between the enable and command availability on SCP. The value of [OCP2SCP_TIMING\[3:0\] SYNC2](#) is also programmable in the range of 1 to 15 clock cycles, measured from the moment the command is available on SCP until data is accessible.

NOTE: When the value 000 is programmed for the SCP clock division ratio, and the transaction to be made is a valid transaction on the SCP interface, the value of the DIVISIONRATIO bit field is set internally to 0x7 (to avoid a block on the L4_CFG interconnect interface).

NOTE: When the value 0000 is programmed for the SYNC2 bit field, and the transaction to be made is a valid transaction on the SCP interface, the value of SYNC2 is set to the minimum allowed 0x0001 (to avoid a block on the L4_CFG interconnect interface).

CAUTION

To ensure correct operation, DIVISIONRATIO must not be modified and the value of SYNC2 must be set to 0x6 or more. See [OCP2SCP_TIMING](#) register for details.

26.4.4.3 PCIe PHY Serializer and Deserializer Functional Descriptions

26.4.4.3.1 PCIe PHY Module Resets

26.4.4.3.1.1 Hardware Reset

The PCIe PHY Serializer and Deserializer modules receives two active low non-retention resets from PRCM modules.

- The Power-on reset L3INIT_PWRON_RST
- The main reset L3INIT_RST

For more information on the hardware reset source, see [Section 3.5.5, Reset Domains](#), in [Chapter 3, Power, Reset, and Clock Management](#).

26.4.4.3.1.2 Software Reset

No software reset is available for PCIe PHY Serializer and Deserializer modules.

26.4.4.3.2 PCIe PHY Subsystem Clocking

There are two clock domains within the PCIe PHY:

- PCIe_PHY PIPE port clock domain (PIPE_PCLK and PIPE_MCLK), where 32/16 bit-data is transferred between PCIe_SS controller and PCIe_PHY
- txclk/rbclk functional clock domain in which PCIe PHY generates clock: txclk for 10-bit parallel data transmission, and recovers the rbclk from serially received data.

26.4.4.3.2.1 PCIe PHY Subsystem Input Clocks

The PCIe PHY component receives a feedback clock, PIPE_MCLK, which is the loopback version of the PIPE_PCLK (PIPE port synchronizing clock) generated by the PCIe PHY component. The clock is turned on/off according to the PIPE power-down port states. As PIPE port works in source-synchronous mode, all data movement from the MAC layer to the PIPE interface is synchronous to PIPE_PCLK.

The high speed transmission clock input of the PCIe_PHY serializer and deserializer are connected to APLL_PCIE output pins. The PHY_RX module input clock pin is tied to APLL_PCIE_REF.CLKVCOLDO (PCIE_PHY_GCLK) clock. The PHY_TX input clock pin is tied to divided APLL_PCIE_REF.CLKVCOLDO_DIV (PCIE_PHY_DIV_GCLK) output clock. For more information on the APLL_PCIE_REF.CLKVCOLDO and APLL_PCIE_REF.CLKVCOLDO_DIV output clocks settings, see [Section 26.4.4.1.4.2, PCIe PHY APLL Output Clock Configuration](#).

The high speed clock APLL_PCIE_REF.CLKVCOLDO_DIV (PCIE_PHY_DIV_GCLK) could be divided by 2 on two places, in the APLL_PCIE own by-2-divider or in the PHY_TX internal by-2-divider. These dividers support force-bypass mode where the divider is bypassed and no division is performed. The dividers of the APLL_PCIE and of the PHY_TX are cascaded: one divider should always be bypassed, and the other active. For one lane operation the APLL_PCIE divider could be force-bypassed and only internal PCIe_PHY divider to be active.

The APLL_PCIE by-2-divider bypass is controlled in PRCM register CM_CLKMODE_APLL_PCIE[8] CLKDIV_BYPASS bit.

The PCIe1_PHY_TX by-2-divider bypass mode is controlled by PCIe1_PHY_TX.PCIEPHYTX_DRIVER_DATA_CONFIG1 register bits as follows:

- Bypassed not forced: FB=0 (default mode):
[PCIEPHYTX_DRIVER_DATA_CONFIG1\[1\]](#) MEM_OVRD_HS_RATE_ANA_OVERRIDE = 0b0
- Bypassed forced: FB=1:
[PCIEPHYTX_DRIVER_DATA_CONFIG1\[1\]](#) MEM_OVRD_HS_RATE_ANA_OVERRIDE = 0b1
[PCIEPHYTX_DRIVER_DATA_CONFIG1\[3:2\]](#) MEM_HS_RATE_ANA_OVERRIDE = 0b00

The receivers PCIe1_PHY_RX always supplied with non divided clock APLL_PCIE_REF.CLKVCOLDO (PCIE_PHY_GCLK) and the internal dividers always active and controlled by the PCIe controllers.

The APLL_PCIE input clock is MUX selectable between DPLL_PCIE_REF.CLKOUTLDO output and ACSPCIE output derived from device differential clock input pins.

The DPLL_PCIE_REF input clock pin CLKINP is tied to PRCM.PCIE_DPLL_CLK (SYS_CLK1 based) clock.

As shown in [Table 26-56](#), the PCIe PHY Power control module clock input is supplied from SYS_CLK1 based clock PRCM.PCIE_SYS_GFCLK.

Software must notify the PHY logic about which clock frequency is selected by writing CTRL_CORE_PHY_POWER_PCIESS1[31:22] PCIESS1_PWRCTL_CLKFREQ bit field.

The REF_CLKIN clock input is used to support different PCIe_PHY functions. REF_CLKIN clock input is tied to the PRCM.PCIE_REF_GFCLK (CORE_USB_OTG_SS_LFPS_TX_CLK based) functional clock.

The PCIe1_PHY_RX deserializer I/O wake-up logic is supported by the PRCM.PCIE_32K_GFCLK clock, applied at the logic clock input.

The input clock for PCIe_PHY SCP port configuration interface is delivered from the OCP2SCP3 interface adaclockptcr.

The SCP port clock input of PCIe_PHY is driven by the OCP2SCP3 gateable output . The ratio of the OCP2SCP3 gateable output clock to the OCP2SCP3 input clock (L3INIT_L4_GICLK) is controlled through the [OCP2SCP_TIMING\[9:7\]](#) DIVISIONRATIO bit field. For more information, see [Section 26.4.4.2.3, OCP2SCP3 Timing Registers](#).

26.4.4.3.2.2 PCIe PHY Subsystem Output Clocks

- PIPE_PCLK: The PIPE interface is source-synchronous. A PIPE_PCLK clock is generated by the PCIe_PHY components, used to synchronize PCIe_SS PIPE port inputs, and reflected back as the PIPE_MCLK along with the PIPE outputs. The clock is turned on/off according to the power control port. All data movement from the PIPE interface to the PCIe_SS MAC layer is synchronous to this clock.
- txclk1: Some clock division is performed over the high frequency PCIE_PHY_DIV_GCLK signal before its derivative txclk1 clock is output from the PCIe1_PHY_TX.
- rbclk1: The PCIe1_PHY_RX output rbclk1 is the clock recovered by the PCIe1_PHY_RX on base of the serial data, received over the RXP0 and RXN0 lines from the attached to the PCIe PHY external device. The rbclk1 clock supplies the PCS1 link parallel 10-bit data reception logic.

The PIPE_PCLK clock which drives the PIPE logic is sourced by the on-chip PCIe_PHY. The PIPE interface is source-synchronous (that is, the clock is received from the PHY), used to synchronize PCIe_SS1 and PSle_SS2 PIPE inputs, and reflected back along with the PIPE outputs as the PIPE_MCLK. The PIPE_PCLK clock is turned on/off according to the PCIe_PHY power control port. For more details, see [Section 26.4.4.3.3, PCIe PHY Power Management](#).

26.4.4.3.3 PCIe PHY Power Management

From one side the control over power up/down states of the USB3_PHY is provided through a Power control modules tightly integrated with the the PCIe1_PHY and PCIe2_PHY physical layer TX/RX components. On the other side, the PCIe_PHY PIPE i/f logic of the PCIe_PHY wrapper conveys power transition commands/states (L0–L3) from the PCIe_SS1 and PCIe_SS2 MAC PIPE power management-ports to the PCIe1_PHY and PCIe2_PHY components as their corresponding P0 (active) and P0s, P1, P2 (low-power) states.

26.4.4.3.3.1 PCIe PHY Power-Up/-Down Sequences

The PHY power control module receives a power-up/power-down command input from the device general core control module. The power control module takes care to execute different stages of the PHY_TX and PHY_RX power-up/-down processes and ensures that the necessary timing intervals are applied between these stages.

Powering-up/-down the PHY_TX and PHY_RX modules is triggered through software writing corresponding power-up/down commands in the CTRL_CORE_PHY_POWER_PCIESS1 register of the device core control module.

For more information, see [Chapter 18, Control Module](#).

26.4.4.3.3.2 PCIe PHY Low-Power Modes

An implemented powerdown control port allows PCIe_PHY to support four low-power states:

- **P0 (pipe_powerdown = 0b00): active state**, for high-speed (HS) data transmission and reception. Used for L0 link state.
- **P0s (pipe_powerdown = 0b01): active HS receiver, suspended transmitter**. Used for L0s link state.
- **P1 (pipe_powerdown = 0b10): Suspended HS receiver and transmitter, but PIPE clock still running**.
- **P2 (pipe_powerdown = 0b11): Suspended HS receiver and transmitter, PIPE clock stopped (i.e. asynchronous mode)**. Th to transmit and receive the "beacon".

The PCIe PHY power transitions are managed from connected PCIe_SS controller power management state machines according to desired Link and physical layer power states via signal PIPE_POWERDOWN[1:0]. For more information see [Section 24.9.4.5 PCIe Controller Power Management](#) in [Section 24.9 PCIe Controllers](#) chapter.

26.4.4.3.3.3 Clock Gating

The PCIe_PHY component high-speed clocks, PLL_CLK and PIPE_PCLK, are gated during the P2 low-power state.

26.4.4.3.4 PCIe PHY Hardware Requests

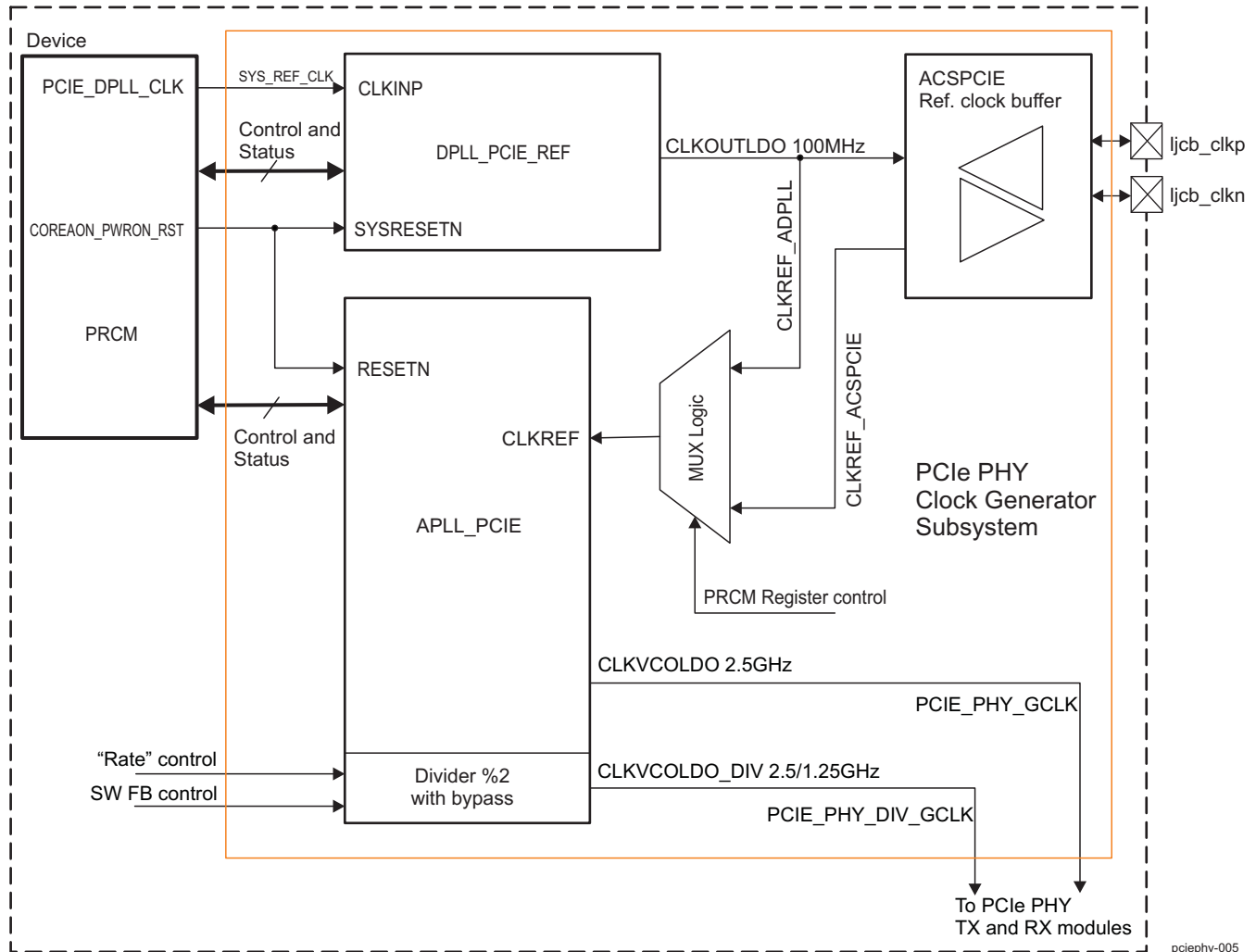
An asynchronous wake-up request is generated to the PRCM module by the PCIe1_PHY_RX I/Os (RXP0, RXN0).

Neither interrupt nor DMA requests are generated.

26.4.4.4 PCIe PHY Clock Generator Subsystem Functional Description

The clock generator subsystem of PCIe PHY module consists of integrated DPLL generator DPLL_PCIE_REF, an APLL high frequency generator for PHY transmission clocks APLL_PCIE and ACSPCIE input/output reference low-jitter clock buffer for connecting with external PCIe device. [Figure 26-19](#) shows the block diagram of Clock Generator Subsystem of PCIe PHY module.

Figure 26-19. PCIe PHY Clock Generator Overview



The DPLL_PCIE_REF clock generator receives its input clock directly from PRCM as PCIE_DPLL_CLK (SYS_CLK1 based). The status and control registers for DPLL_PCIE_REF are located in the PRCM module and allow direct programming of the DPLL_PCIE_REF. The output clock of DPLL_PCIE_REF is on output pin CLKOUTLDO and is fed directly in the APLL_PCIE input clock multiplexer. In input mode, the reference low-jitter clock buffer ACSPCIE receives his clock from differential input pins directly from outside device and after only buffering feeds this clock to the APLL_PCIE input clock multiplexer.

The APLL_PCIE input clock multiplexer chooses the input clock for APLL_PCIE according to register programming and feeds it to the input of APLL_PCIE. The selection of clock source is made by the register PRCM.CM_CLKMODE_APLL_PCIE[7] REFSEL bit as follows:

PRCM.CM_CLKMODE_APLL_PCIE[7] REFSEL = 0b0 - input clock CLKREF_ADPLL, APLL reference input clock is from DPLL_PCIE_REF

PRCM.CM_CLKMODE_APLL_PCIE[7] REFSEL = 0b1 - input clock CLKREF_ACSPCIE, APLL reference input clock is from ACSPCIE

The APLL_PCIE has two output high frequency transmission clocks. The main undivided clock PCIE_PHY_GCLK is delivered from output CLKVCOLDO and is fed directly to the PHY RX module. The second divided clock PCIE_PHY_DIV_GCLK is delivered after passing the main APLL output clock through a by-2-divider (with baypass capabilities) and is outputted on CLKVCOLDO_DIV output. This clock is fed to the PCIe PHY TX modules and delivers synchronization of the TX modules in two lane mode.

26.4.4.4.1 PCIe PHY DPLL Clock Generator

This section describes the PCIe PHY DPLL reference clock generator DPLL_PCIE_REF.

26.4.4.4.1.1 PCIe PHY DPLL Clock Generator Overview

The DPLL module integrated in the PCIe PHY is a single instance high speed clock generator, used to deliver the reference clock to the main clock generator APLL_PCIE. The DPLL_PCIE_REF is directly controlled from the PRCM module and all the necessary control and status signals are exported by the subsystem.

The DPLL_PCIE_REF features:

- A programmable 8-bit input divider: N
- A programmable 12-bit integer multiplier: M
- A programmable 7-bit integer post divider M2
- Digital control and loop filter
- Internal oscillator divided output clock (CLKOUTLDO output)
- Idle-bypass low-power mode
- Low Power Stop mode

26.4.4.4.1.2 PCIe PHY DPLL Clock Generator Reset

The PCIe PHY DPLL clock generator receive hardware non-retention reset, COREAON_PWRON_RST, which comes from the device power and reset manager. For more information on the hardware reset source, see [Section 3.5.5, Reset Domains](#) in [Chapter 3, Power, Reset, and Clock Management](#).

The DPLL_PCIE_REF itself has no software reset capabilities.

26.4.4.4.1.3 PCIe PHY DPLL Low-Power Modes

The DPLL_PCIE_REF module supports two types of low power mode controlled by the PRCM register PRCM.CM_CLKMODE_DPLL_PCIE_REF[2:0] DPLL_EN bits.

The low-power modes supported by DPLL_PCIE_REF are Idle-bypass low-power and Low Power Stop modes, which are both characterized by:

- Internal LDO switched off
- DCO oscillator switched off
- CLKOUTLDO output pulled low

For more details on the DPLL settings and conditions necessary to enter Idle-bypass and Low Power Stop modes, see [Section 26.4.4.4.1.6.4, PCIe PHY DPLL Idle-bypass low-power Mode](#), and [Section 26.4.4.4.1.6.5, PCIe PHY DPLL Low Power Stop Mode](#).

DPLL_PCIE_PHY is held in a similar low-power state (DCO and LDO switched off, with CLKOUTLDO = 0) after Power-up Reset.

26.4.4.4.1.4 PCIe PHY DPLL Clocks Configuration

26.4.4.4.1.4.1 PCIe PHY DPLL Input Clock Control

The DPLL_PCIE_REF accepts the functional clock, PCIE_DPLL_CLK, on its CLKINP pin directly from the device PRCM, without involving any control interactions. The PCIE_DPLL_CLK is derived from SYS_CLK1. See [Section 3.6.4.1.4, Clock Domain Module Attributes](#) in [Chapter 3, Power, Reset, and Clock Management](#).

26.4.4.4.1.4.2 PCIe PHY DPLL Output Clock Configuration

Only the DPLL_PCIE_REF output CLKOUTLDO is used to supply the reference clock to the APLL input multiplexer. To adjust the output clock frequency and jitter, the following values must be programmed, dividers SD, N and M2 and the multiplier M. The values for these parameters must be programmed in the corresponding registers in PRCM as follows:

PRCM.CM_CLKSEL_DPLL_PCIE_REF[31:24] DPLL_SD_DIV - Sigma-Delta divider SD, must be set by software to ensure optimum jitter performance.

PRCM.CM_CLKSEL_DPLL_PCIE_REF[19:8] DPLL_MULT - multiplier M, multiplier factor (2 to 4095).

PRCM.CM_CLKSEL_DPLL_PCIE_REF[7:0] DPLL_DIV - divider N, input clock divider factor (0 to 255) (actual division factor is N+1).

PRCM.CM_DIV_M2_DPLL_PCIE_REF[6:0] DIVHS - divider M2, output clock post-divider factor (1 to 127).

The state of the output clock CLKOUTLDO is indicated by the PRCM.CM_DIV_M2_DPLL_PCIE_REF[10] CLKLDOST bit.

For more details on output clock settings sequence, see [Section 26.4.4.4.1.6.6](#), *PCIe PHY DPLL Clock Programming Sequence*.

26.4.4.4.1.4.2.1 PCIe PHY DPLL Output Clock Gating

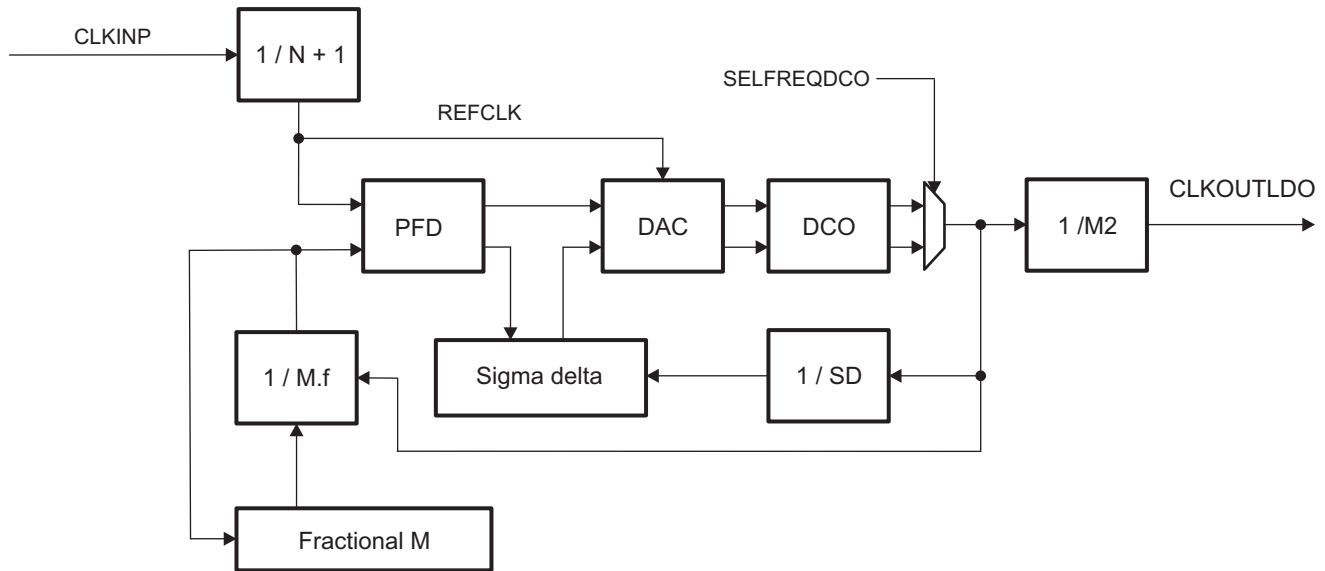
There is no direct software gate control for the DPLL_PCIE_REF.CLKOUTLDO output.

DPLL_PCIE_REF.CLKOUTLDO clock output is automatically gated (CLKOUTLDO pulled low) in the following scenarios:

- DPLL power-up sequence. For more information on power-up sequence, see [Section 26.4.4.4.1.6.1](#), *PCIe PHY Clock Generator Power Up*.
- DPLL entering a relock sequence. For more information on relocking sequence, see [Section 26.4.4.4.1.6.2](#), *PCIe PHY DPLL Sequences*.
- DPLL entering Idle-bypass low-power mode. For more information on idle-bypass mode, see [Section 26.4.4.4.1.6.4](#), *PCIe PHY DPLL Idle-Bypass Mode*.
- DPLL entering Low Power Stop mode. For more information on Low Power Stop mode, see [Section 26.4.4.4.1.6.5](#), *PCIe PHY DPLL Low Power Stop Mode*.

26.4.4.4.1.5 PCIe PHY DPLL Subsystem Architecture

[Figure 26-20](#) is a simplified block diagram of the DPLL_PCIE_REF instance integrated in the PCIe PHY clock generator subsystem.

Figure 26-20. DPLL_PCIE_REF Functional Block Diagram


pciephy-006

The input clock CLKINP goes to a predivider $N + 1$. The entire loop runs on the REFCLK clock after this predivider. The value of $N + 1$ is controlled through the `PRCM.CM_CLKSEL_DPLL_PCIE_REF[7:0]` `DPLL_DIV` bit field.

The frequency ranges for the DPLL_PCIE_REF input clock - CLKINP and the DPLL internal reference clock, $\text{REFCLK} = \text{CLKINP}/N + 1$ are:

- 0.62 to 60 MHz for CLKINP
- 0.62 to 2.5 MHz for the REFCLK

The output clock CLKOUTLDO is synthesized by digitally controlled oscillator (the DCO block), that automatically detects the frequency range divided by the M2 value. The CLKOUTLDO frequency can be given with $\text{CLKOUTLDO} = [\text{CLKINP} \times M / (N + 1)] / M2$. For that purpose the feedback multiplier M must be configured through the `PRCM.CM_CLKSEL_DPLL_PCIE_REF[19:8]` `DPLL_MULT` bit field and the output clock divider M2 must be configured through the `PRCM.CM_DIV_M2_DPLL_PCIE_REF[6:0]` `DIVHS` bit field.

NOTE: Fractional synthesis is not supported for M.

26.4.4.4.1.6 PCIe PHY DPLL Clock Generator Modes and State Transitions

The DPLL_PCIE_REF can be set in different modes during operation. PRCM triggers DPLL_PCIE_REF state transitions to different static modes by setting the bit field of the `PRCM.CM_CLKMODE_DPLL_PCIE_REF[2:0]` `DPLL_EN`. Automatic state transitions could be enabled if corresponding bits in `PRCM.CM_AUTOIDLE_DPLL_PCIE_REF` register are set. The DPLL_PCIE_REF then can automatically enter the low power condition as follows:

If `PRCM.CM_AUTOIDLE_DPLL_PCIE_REF[2:0]` `AUTO_DPLL_MODE` is set to 0x0 - automatic control is disabled.

If `PRCM.CM_AUTOIDLE_DPLL_PCIE_REF[2:0]` `AUTO_DPLL_MODE` is set to 0x1 - The DPLL is automatically put in Low Power Stop mode when its DPLL generated clocks are not required anymore. It is also restarted automatically.

If `PRCM.CM_AUTOIDLE_DPLL_PCIE_REF[2:0]` `AUTO_DPLL_MODE` is set to 0x5 - The DPLL is automatically put in Idle Bypass Low Power mode when its DPLL generated clocks are not required anymore. It is also restarted automatically.

For more information see [Chapter 3, Power, Reset, and Clock Management](#).

26.4.4.4.1.6.1 PCIe PHY Clock Generator Power Up

After power up, the DPLL_PCIE_REF.SYSRESETN input is automatically pulled low by the PRM, together with the APLL_PCIE.RESETN input. Because PRM.COREAON_PWRON_RST is an asynchronous reset, the DPLL_PCIE_REF input clock (DPLL_PCIE_REF.CLKINP) is not demanded upon reset. During DPLL power-up mode, CLKOUTLDO clock is maintained inactive (pulled low). After power-up reset, the DPLL_LOCK (internal lock loop) signal is maintained deasserted, too. The default value of the mode select register bit field PRCM.CM_CLKMODE_DPLL_PCIE_REF[2:0] DPLL_EN puts the DPLL_PCIE_REF in Idle Bypass Low Power mode. It is software responsibility to change the state of the DPLL_PCIE_REF to desired mode after PRCM reset.

26.4.4.4.1.6.2 PCIe PHY DPLL Sequences

Once all the configuration values have been initially programmed into the PRCM registers controlling DPLL_PCIE_REF (see [Section 26.4.4.4.1.4.2](#)), the PRCM.CM_CLKMODE_DPLL_PCIE_REF[2:0] DPLL_EN bit should be set to 0x7 to start the DPLL calibration and locking sequence. After performing the locking sequence a lock status is indicated for DPLL_PCIE_REF by PRCM.CM_IDLEST_DPLL_PCIE_REF[0] ST_DPLL_CLK bit asserted to 0b1.

26.4.4.4.1.6.3 PCIe PHY DPLL Locked Mode

When DPLL_PCIE_REF finishes calibration and lock sequences it enters a locked state. DPLL_PCIE_REF locked state is indicated by PRCM.CM_IDLEST_DPLL_PCIE_REF[0] ST_DPLL_CLK bit asserted to 0b1. In locked mode all the parameters of DPLL_PCIE_REF are set and the loop is running. The output clock CLKOUTLDO is active.

26.4.4.4.1.6.4 PCIe PHY DPLL Idle-Bypass Mode

Idle-bypass fast relock mode is not supported for DPLL_PCIE_REF.

DPLL_PCIE_REF supports idle-bypass low-power mode. A transition from a normal operation to idle-bypass mode is performed when software sets the PRCM.CM_CLKMODE_DPLL_PCIE_REF[2:0] DPLL_EN bit field to 0x5. IDLE signal assertion triggers a power-down sequence on DPLL internal LDO analog blocks and the DCO oscillator. This mode is also the default state after PRCM reset for the DPLL_PCIE_REF.

In idle-bypass low-power mode, the CLKOUTLDO goes low. Also, the internal reference clock REFCLK = CLKINP/N + 1 is gated inside the DPLL digital control logic to save power, the internal LDO and the DCO are turned off.

To exit idle-bypass mode and restore clock generation, the user should write PRCM.CM_CLKMODE_DPLL_PCIE_REF[2:0] DPLL_EN bit field to 0x7, which deasserts the IDLE signal, and DPLL_PCIE_REF automatically enters a relock sequence. CLKOUTLDO output clock is activated after DPLL_PCIE_REF enters locked mode.

26.4.4.4.1.6.5 PCIe PHY DPLL Low Power Stop Mode

The Low Power Stop mode will be activated if software writes PRCM.CM_CLKMODE_DPLL_PCIE_REF[2:0] DPLL_EN bit field to 0x1. The module enters a low Power Stop mode by gating all its internal clocks (REFCLK) and powering down internal LDO and DCO. CLKOUTLDO remains gated (low) during this mode.

NOTE: When the DPLL_PCIE_REF is in Low Power Stop mode, the input clock on CLKINP pin is not needed.

26.4.4.4.1.6.6 PCIe PHY DPLL Clock Programming Sequence

The DPLL_PCIE_REF factors must be calculated based on the required input and output frequencies, keeping the PLL internal reference frequency (REFCLK) in the appropriate range (0.62 to 2.5 MHz).

The values that must be considered during programming are:

- The internal reference frequency REFCLK. Must be kept in the range of 0.62 to 2.5 MHz. The value is calculated as $REFCLK = CLKINP/(N+1)$.
- The Sigma-Delta divider to ensure optimum jitter performance. Must ensure that the sigma-delta operation frequency is as close as possible, but less than 250MHz for optimal performance. The value is calculated as $SD = CEILING([(M)/(N+1)] \times CLKINP/250)$ where CLKINP is the input clock of the DPLL in MHz.
- The output clock CLKOUTLDO frequency. This frequency must be programmed to 100 MHz fixed value for correct PCIe operation. The value is calculated as $CLKOUTLDO = [CLKINP \times M / (N + 1)] / M2$
- The DCO frequency range must be set according to needed DCO output clock $DCOCLK = CLKINP \times [M/(N+1)]$. The value of the SELFREQDCO[2:0] DPLL input selects the DCO internal oscillator ICO1 or ICO2 as follows:
 - If $750 < DCOCLK < 1500$, SELFREQDCO[2:0] must be set to 0b010 (HS2 mode, ICO2 selected)
 - If $1250 < DCOCLK < 2500$, SELFREQDCO[2:0] must be set to 0b100 (HS1 mode, ICO1 selected)
 - All other combinations of SELFREQDCO[2:0] are reserved

The following registers set the required parameters values for the DPLL_PCIE_REF.

- PRCM.CM_CLKSEL_DPLL_PCIE_REF[7:0] DPLL_DIV - sets divider N, input clock divider factor (0 to 255) (actual division factor is N+1)
- PRCM.CM_CLKSEL_DPLL_PCIE_REF[21] DPLL_SELFREQDCO bit sets DCO frequency range.
 - DPLL_SELFREQDCO should be set to 0b0 if $750 \text{ MHz} < CLKDCOLDO \text{ [MHz]} < 1500 \text{ MHz}$ (SELFREQDCO[2:0] set to 0b010)
 - DPLL_SELFREQDCO should be set to 0b1 if $1250 \text{ MHz} < CLKDCOLDO \text{ [MHz]} < 2500 \text{ MHz}$ (SELFREQDCO[2:0] set to 0b100).
- PRCM.CM_CLKSEL_DPLL_PCIE_REF[19:8] DPLL_MULT - sets multiplier M, multiplier factor (2 to 4095).
- PRCM.CM_DIV_M2_DPLL_PCIE_REF[6:0] DIVHS - sets divider M2, output clock post-divider factor (1 to 127).
- PRCM.CM_CLKSEL_DPLL_PCIE_REF[31:24] DPLL_SD_DIV - sets Sigma-Delta divider SD, must be set by software to ensure optimum jitter performance.

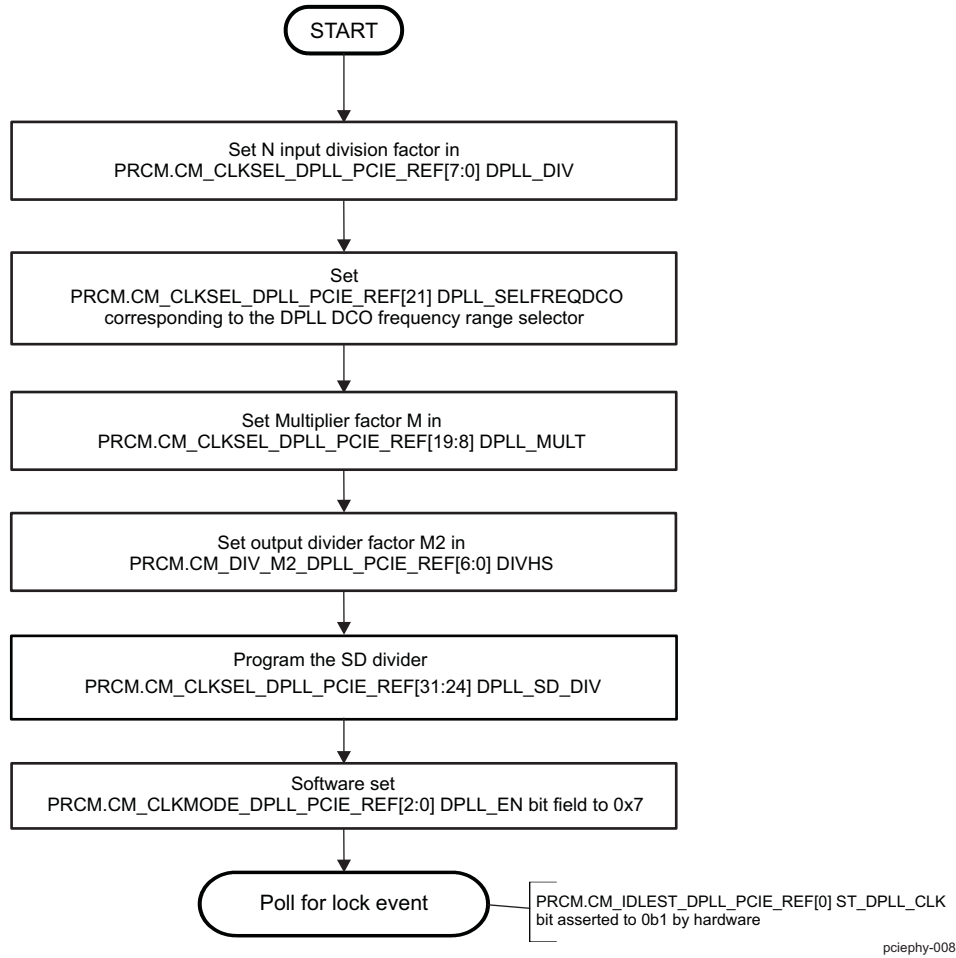
To maintain proper PCIe operation of the PCIe PHY submodule a set of parameters values are recommended. The DCO frequency of the PCIe reference DPLL is not used directly, so it can be changed to optimize jitter, power, or lock time. Only the divided-by-M2 CLKOUTLDO output clock is a required. The tables below give ratios that have been verified to meet PCIe jitter requirements. Other ratios combinations exist, to obtain a lower DCO frequency and lower power, but they should be checked against the PCIe standard.

Table 26-58. DPLL_PCIE_REF Recommended Configuration

CLKINP (MHz)	N	N+1	REFCLK (MHz)	M	DCOCLK (GHz)	DPLL_SELFREQDCO	M2	CLKOUTLDO (MHz)
20	9	10	2	750	1.5	0	15	100

Figure 26-21 shows the programming sequence for DPLL_PCIE_REF.

Figure 26-21. DPLL_PCIE_REF Programming Sequence



NOTE:

- The sequence applies to the CLKOUTLDO output of the DPLL_PCIE_REF.
- CLKOUTLDO output frequency of the PLL_PCIE_REF should be programmed to 100 MHz, for the proper PCIe operation.

Table 26-59 summarizes the PRCM registers for the DPLL_PCIE_REF programming sequence.

Table 26-59. Register Call Summary for DPLL_PCIE_REF Programming Sequence

Register Name	Register Name	Register Name
CM_CLKSEL_DPLL_PCIE_REF	CM_DIV_M2_DPLL_PCIE_REF	CM_CLKMODE_DPLL_PCIE_REF

26.4.4.4.1.6.7 PCIe PHY DPLL Recommended Values

Table 26-60 lists the DPLL_PCIE_REF setup registers in PRCM recommended values.

Table 26-60. Recommended Programming Values

Field Name	Value	Description
CM_CLKSEL_DPLL_PCIE_REF[7:0] DPLL_DIV	See Table 26-58	Sets divider N, input clock divider factor (0 to 255) (actual division factor is N+1)

Table 26-60. Recommended Programming Values (continued)

Field Name	Value	Description
CM_CLKSEL_DPLL_PCIE_REF[21] DPLL_SELFREQDCO	See Table 26-58	Sets DCO frequency range
CM_CLKSEL_DPLL_PCIE_REF[19:8] DPLL_MULT	See Table 26-58	Sets multiplier M, multiplier factor (2 to 4095)
CM_DIV_M2_DPLL_PCIE_REF[6:0] DIVHS	See Table 26-58	Sets divider M2, output clock post-divider factor (1 to 127)
CM_CLKSEL_DPLL_PCIE_REF[31:24] DPLL_SD_DIV	See ⁽¹⁾	Sets Sigma-Delta divider SD, SD = CEILING([(M)/(N+1)] × CLKINP/250)
CM_CLKMODE_DPLL_PCIE_REF[2:0] DPLL_EN	0x7	Enables the DPLL in Lock mode
CM_IDLEST_DPLL_PCIE_REF[0] ST_DPLL_CLK	=1	Poll this bit for DPLL lock status. Set by hardware.

⁽¹⁾ The value of the bit field must be set according to the desired clock frequency and M, N and input frequency values.

26.4.4.4.2 PCIe PHY APLL Clock Generator

This section describes the PCIe PHY APLL high speed clock generator APLL_PCIE.

26.4.4.4.2.1 PCIe PHY APLL Clock Generator Overview

The APLL module integrated in the PCIe PHY is a single instance high speed clock generator, used to deliver the high speed clocks to the PCIe PHY RX and TX modules. The APLL_PCIE is directly controlled from the PRCM module and all the necessary control and status signals are exported by the subsystem.

The APLL_PCIE features:

- Fixed multiplication ratio to generate 2.5 GHz output clock
- High frequency direct output CLKVCOLDO
- High frequency divided output CLKVCOLDO_DIV
- A bypass feature of by-2-divider of CLKVCOLDO_DIV
- Internal voltage controlled oscillator VCO
- Auto Idle mode

26.4.4.4.2.2 PCIe PHY APLL Clock Generator Reset

The PCIe PHY APLL_PCIE clock generator receive hardware non-retention reset, COREAON_PWRON_RST, which comes from the device power and reset manager. For more information on the hardware reset source, see [Section 3.5.5, Reset Domains](#) in [Chapter 3, Power, Reset, and Clock Management](#).

The APLL_PCIE itself has no software reset capabilities.

26.4.4.4.2.3 PCIe PHY APLL Low-Power Mode

The APLL_PCIE module supports one type of low power mode controlled by the PRCM register PRCM.CM_CLKMODE_APLL_PCIE[1:0] MODE_SELECT bits.

The low-power mode supported by APLL_PCIE is Auto Idle mode.

26.4.4.4.2.4 PCIe PHY APLL Clocks Configuration

26.4.4.4.2.4.1 PCIe PHY APLL Input Clock Control

The APLL_PCIE accepts the functional clock from its input multiplexer, which selects between the DPLL_PCIE_REF output clock CLKREF_ADPLL and the clock from the reference clock buffer ACSPCIE output (delivered from outside the device) CLKREF_ACSPCIE. The selection is made by PRCM register PRCM.CM_CLKMODE_APLL_PCIE[7] REFSEL bit as follows:

- PRCM.CM_CLKMODE_APLL_PCIE[7] REFSEL = 0b0 - input clock CLKREF_ADPLL, APLL reference input clock is from DPLL_PCIE_REF
- PRCM.CM_CLKMODE_APLL_PCIE[7] REFSEL = 0b1 - input clock CLKREF_ACSPCIE, APLL reference input clock is from ACSPCIE

The APLL module does not have software capabilities for gating the input clock.

26.4.4.4.2.4.2 PCIe PHY APLL Output Clock Configuration

Two high frequency output clocks are available from APLL_PCIE. The direct output CLKVCOLDO supplies 2.5 GHz high speed transmission clock for the PCIe PHY RX module and the divided by 2 clock output CLKVCOLDO_DIV supplies high speed transmission clock (1.25 or 2.5 GHz) for the PCIe PHY TX module. The internal parameters of APLL (multipliers, dividers) are fixed and do not need programming to generate the output clocks. The output clock CLKVCOLDO_DIV is by default the divided by 2 version of the CLKVCOLDO. The divider is controlled by the RATE signal from the PCIe_SS controller. The by-2-divider has a bypass feature to ignore the division control from PCIe_SS and to output a clock with same frequency like CLKVCOLDO. This bypass feature is controlled by PRCM.CM_CLKMODE_APLL_PCIE[8] CLKDIV_BYPASS bit as follows:

- PRCM.CM_CLKMODE_APLL_PCIE[8] CLKDIV_BYPASS = 0b0 - the division by 2 is controlled from Rate signal from PCIe_SS controller;
- PRCM.CM_CLKMODE_APLL_PCIE[8] CLKDIV_BYPASS = 0b1 - the CLKOUTLDO_DIV is not divided by 2 and has same frequency like CLKVCOLDO. Select this option for the current device.

The frequency of CLKVCOLDO_DIV can be changed on-the-fly, but glitches can occur on the clock. Best approach is to disable the CLKVCOLDO_DIV when changing the frequency. See [Section 26.4.4.4.2.4.2.1 PCIe PHY APLL Output Clock Gating](#) for CLKVCOLDO_DIV gating options.

The availability of the APLL_PCIE output clocks can be monitored in PRCM.CM_CLKVCOLDO_APLL_PCIE register as follows:

- PRCM.CM_CLKVCOLDO_APLL_PCIE[9] CLKST bit gives the status (gated or enabled) of CLKVCOLDO clock
- PRCM.CM_CLKVCOLDO_APLL_PCIE[10] CLK_DIVST bit gives the status (gated or enabled) of CLKVCOLDO_DIV clock.

26.4.4.4.2.4.2.1 PCIe PHY APLL Output Clock Gating

Because the APLL_PCIE.CLKVCOLDO and APLL_PCIE.CLKVCOLDO_DIV are implemented as optional functional clocks the PRCM has software control on them. The two clocks can be controlled by PRCM registers corresponding to the implemented PCIe_SS controllers.

PRCM.CM_PCIE_PCISS1_CLKCTRL[9] OPTFCLKEN_PCIEPHY_CLK bit controls the CLKVCOLDO clock for the PCIe PHY modules.

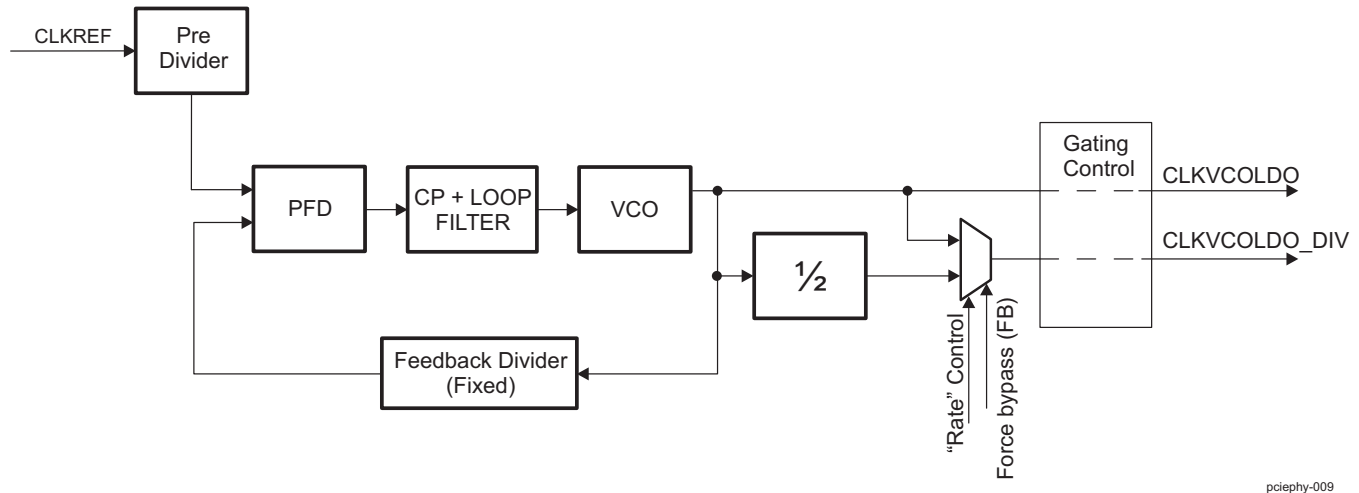
PRCM.CM_PCIE_PCISS1_CLKCTRL[10] OPTFCLKEN_PCIEPHY_CLK_DIV bit controls the CLKVCOLDO_DIV clock for the PCIe PHY modules.

APLL_PCIE.CLKVCOLDO and APLL_PCIE.CLKVCOLDO_DIV clock outputs are automatically gated (pulled low) in the following scenarios:

- APLL power-up sequence. For more information on power-up sequence, see [Section 26.4.4.4.2.6.1, PCIe PHY APLL Clock Generator Power Up](#).
- APLL entering Auto Idle mode.

26.4.4.4.2.5 PCIe PHY APLL Subsystem Architecture

[Figure 26-22](#) is a simplified block diagram of the APLL_PCIE instance integrated in the PCIe PHY clock generator subsystem.

Figure 26-22. APLL_PCIE Functional Block Diagram


The input clock CLKINP goes to a predivider with fixed value. Then goes to the clock generation loop with fixed Feedback Divider. The output of the VCO is split in two. One path directly goes out on CLKVCOLDO output. The other path passes the internal divider by 2 and then goes to bypass multiplexor where is selected the output frequency of the CLKVCOLDO_DIV output. The selection is made either from "Rate" signal from PCIe_SS controller or with higher priority from Force bypass signal controlled from PRCM.CM_CLKMODE_APLL_PCIE[8] CLKDIV_BYPASS bit.

The frequency of the VCO output is fixed to 2.5 GHz and is not programmable in software. No changes could be made on the internal parameters of the APLL_PCIE. Output clocks are controllable through PRCM registers and can be gated by software. See [Section 26.4.4.2.4.2.1 PCIe PHY APLL Output Clock Gating](#) for more information.

26.4.4.2.6 PCIe PHY APLL Clock Generator Modes and State Transitions

NOTE: In order to disable the APLL_PCIE, the user needs to disable PCIe_SSx (where x = 1 or 2) using the CM_PCIE_PCISSx_CLKCTRL[1:0] MODULEMODE registers. When PCIe_SS is disabled, the PRCM module automatically disables the APLL_PCIE. Please note that setting CM_CLKMODE_APLL_PCIE[1:0] MODE_SELECT bitfield to 0x0 does not disable the APLL_PCIE.

The APLL_PCIE can be set in different modes during operation. PRCM triggers APLL_PCIE state transitions to different static modes by setting the bit field of the PRCM.CM_CLKMODE_APLL_PCIE[1:0] MODE_SELECT. Only two static modes are available for APLL_PCIE:

- PRCM.CM_CLKMODE_APLL_PCIE[1:0] MODE_SELECT = 0x1 – APLL_FORCE_LOCK_MODE is set. This puts the APLL in Force Lock mode
- PRCM.CM_CLKMODE_APLL_PCIE[1:0] MODE_SELECT = 0x2 – APLL_FORCE_IDLE_MODE is set. This puts the APLL in Auto Idle mode

For more information see [Chapter 3, Power, Reset, and Clock Management](#).

26.4.4.2.6.1 PCIe PHY APLL Clock Generator Power Up

After power up, the APLL_PCIE.RESETN input is automatically pulled low by the PRM, together with the DPLL_PCIE_REF.SYSRESETN input. Because PRM.COREAON_PWRON_RST is an asynchronous reset, the DPLL_PCIE_REF input clock (DPLL_PCIE_REF.CLKINP) is not demanded upon reset. During APLL power-up mode, CLKVCOLDO and CLKVCOLDO_DIV clocks are maintained inactive (pulled low). After power-up reset, the APLL_LOCK (internal lock loop) signal is maintained deasserted, too. The default value of the mode select register bit field PRCM.CM_CLKMODE_APLL_PCIE[1:0] MODE_SELECT = 0x0 puts the DPLL_PCIE_REF in unknown state. It is software responsibility to change the state of the APLL_PCIE to desired mode after PRCM reset.

26.4.4.4.2.6.2 PCIe PHY APLL Sequences

After setting the APLL_PCIE in Force Lock mode, a initial lock sequence is started and the module enters working state. The output clocks CLKVCOLDO and CLKVCOLDO_DIV are gated until the lock sequence is finished and APLL_LOCK signal is asserted. After that all clocks are operational and their states depend on the software control.

26.4.4.4.2.6.3 PCIe PHY APLL Locked Mode

When APLL_PCIE finishes calibration and lock sequences it enters a locked state. APLL_PCIE locked state is indicated by PRCM.CM_IDLEST_APLL_PCIE[0] ST_APLL_CLK bit asserted to 0b1. In locked mode all the parameters of DPLL_PCIE_REF are set and the loop is running. The output clocks CLKVCOLDO and CLKVCOLDO_DIV are active under software control.

26.4.4.4.3 ACSPCIE reference clock buffer

The ACSPCIE module is a clock buffer circuit, which has both receive (RX) and transmission (TX) mode. This clock buffer is used to provide low jitter input clock to APLL. In receive mode it takes in an external differential clock and converts it to single-ended CMOS level clock signal. In transmission mode it takes in an internal single-ended clock and converts it to differential HCSL[1] level (in presence of external terminations). The I/O pins of ACSPCIE are *ljcb_clkp* and *ljcb_clkn* differential pair.

- Receive mode: RX is a clock slicer that receives HCSL or LVDS differential clock (typically from on-board Crystal Oscillator) between *ljcb_clkp* and *ljcb_clkn* and converts it to CMOS single-ended output CLKREF_ACSPCIE. This CMOS clock signal is the input clock for APLL.
- Transmission mode: TX is a current switching driver that receives CMOS single-ended clock CLKREF_ADPLL at it's input pin from DPLL_PCIE_REF and converts it to HCSL differential-ended output *ljcb_clkp* and *ljcb_clkn*. The termination for TX is on-board and 50 Ohms single-ended or 100 Ohms differential.

The ACSPCIE module has two modes of operation:

- Functional mode: The module is powered up automatically and acts as either an input or output buffer.
- Power-down mode: The module is powered down. RX output is held low and TX output is tri-stated/terminated.

26.4.5 PCIePHY Subsystem Low-Level Programming Model

The low-level programming sequence to set up the PCIe PHY subsystem is summarized in the [Table 26-61](#).

NOTE: Registers prefixed with CM_ are system Clock Manager registers and are described in [Chapter 3, Power, Reset, and Clock Management](#).

Registers prefixed with CTRL_ are system Control Module registers and are described in [Chapter 18, Control Module](#).

Table 26-61. PCIePHY Subsystem Low-Level Programming Sequence

Step	Register/Bit Field/Programming Model	Value
Start a software forced wake-up transition on the PCIe clock domain	CM_PCIE_CLKSTCTRL[1:0] CLKTRCTRL	0x2
Start a software forced wake-up transition on the L3INIT clock domain	CM_L3INIT_CLKSTCTRL[1:0] CLKTRCTRL	0x2
Configure the PCIESS1 module to be explicitly enabled	CM_PCIE_PCIESS1_CLKCTRL[1:0] MODULEMODE	0x2
Poll for PCIESS1 module fully functional?	CM_PCIE_PCIESS1_CLKCTRL[17:16] IDLEST	=0x0
Optional: Configure the PCIESS2 module to be explicitly enabled	CM_PCIE_PCIESS2_CLKCTRL[1:0] MODULEMODE	0x2
Optional: Poll for PCIESS2 module fully functional?	CM_PCIE_PCIESS2_CLKCTRL[17:16] IDLEST	=0x0

Table 26-61. PCIePHY Subsystem Low-Level Programming Sequence (continued)

Step	Register/Bit Field/Programming Model	Value
Configure the OCP2SCP3 module to be managed automatically by hardware according to clock domain transition	CM_L3INIT_OCP2SCP3_CLKCTRL [1:0] MODULEMODE	0x1
Perform a software reset on OCP2SCP3	OCP2SCP_SYSCONFIG [1] SOFTRESET	1
Wait until reset is finished?	OCP2SCP_SYSSTATUS [0] RESETDONE	=1
Configure the OCP2SCP3 Division Ratio and SYNC values	OCP2SCP_TIMING	0x8F
IF: Either PCI ESS1 Second Lane or PCI ESS2 is required (both are available via USB3 PHY)	Software test condition	
Configure the OCP2SCP1 module to be managed automatically by hardware according to clock domain transition	CM_L3INIT_OCP2SCP1_CLKCTRL [1:0] MODULEMODE	0x1
Perform a software reset on OCP2SCP1	OCP2SCP_SYSCONFIG [1] SOFTRESET	1
Wait until reset is finished?	OCP2SCP_SYSSTATUS [0] RESETDONE	=1
Configure the OCP2SCP1 Division Ratio and SYNC values	OCP2SCP_TIMING	0x8F
ENDIF		
Configure DPLL_PCIE_REF registers to select CLKOUTLDO = 100 MHz. Lock the PLL.	See Section 26.4.4.4.1.6.7, PCIe PHY DPLL Recommended Values.	
Select the desired direction of the ACSPCIE buffer (connected to the ljcp_clkn/ljcp_clkp pins)	CTRL_CORE_SMA_SW_6 [17:16] PCIE_TX_RX_CONTROL	0x1 (output) 0x2 (input)
Select the APLL_PCIE 100MHz reference clock source	CM_CLKMODE_APLL_PCIE [7] REFSEL	0 (DPLL_PCIE) 1 (ACSPCIE)
Configure APLL_PCIE registers to select CLKVCOLDO = 2.5 GHz and CLKVCOLDO_DIV = 2.5 GHz	See Section 26.4.4.4.2.4, PCIe PHY APLL Clocks Configuration.	
Request the APLL_PCIE Force Lock mode	CM_CLKMODE_APLL_PCIE [1:0] MODE_SELECT	0x1
Wait for APLL_PCIE Lock	CM_IDLEST_APLL_PCIE [0] ST_APLL_CLK	=1
Configure the PCIE PHYs to x1 or x2 mode	CTRL_CORE_PCIE_CONTROL [3:2] PCIE_B1C0_MODE_SEL CTRL_CORE_PCIE_CONTROL [0] PCIE_B0_B1_TSYNCEN	0x0 (x1 mode) 0x1 (x2 mode) 0 (x1 mode) 1 (x2 mode)
Enable the CLKVCOLDO clock for the PCI ESS1 PHY	CM_PCIE_PCI ESS1_CLKCTRL [9] OPTFCLKEN_PCIEPHY_CLK	1
Enable the CLKVCOLDO_DIV clock for the PCI ESS1 PHY	CM_PCIE_PCI ESS1_CLKCTRL [10] OPTFCLKEN_PCIEPHY_CLK_DIV	1
IF: PCI ESS2 is enabled	Software test condition	
Enable the CLKVCOLDO clock for the PCI ESS2 PHY	CM_PCIE_PCI ESS2_CLKCTRL [9] OPTFCLKEN_PCIEPHY_CLK	1
Enable the CLKVCOLDO_DIV clock for the PCI ESS2 PHY	CM_PCIE_PCI ESS2_CLKCTRL [10] OPTFCLKEN_PCIEPHY_CLK_DIV	1
ENDIF		
IF: Either PCI ESS1 Second Lane or PCI ESS2 is required (both are available via USB3 PHY)	Software test condition	
Configure USB3PHYTX to select the CLK_SLICER clock	USB3PHYTX_TEST_CONFIG_REG [31] MEM_ENTESTCLK	1
Configure USB3PHYRX to select the PLLBYPCLK input clock	USB3PHYRX_ANA_PROGRAMMABILITY_REG1 [7] MEM_EN_PLLBYP	1
ENDIF		
Configure the PCI ESS1 Power Control clock frequency to match SYS_CLK1 in MHz	CTRL_CORE_PHY_POWER_PCI ESS1 [31:22] PCI ESS1_PWRCTL_CLKFREQ	0x14 (20 MHz)
Power up PCI ESS1_PHY_TX and PCI ESS1_PHY_RX	CTRL_CORE_PHY_POWER_PCI ESS1 [21:14] PCI ESS1_PWRCTL_CMD	0x3
IF: Either PCI ESS1 Second Lane or PCI ESS2 is required	Software test condition	

Table 26-61. PCIePHY Subsystem Low-Level Programming Sequence (continued)

Step	Register/Bit Field/Programming Model	Value
Configure the PCI ESS2 Power Control clock frequency to match SYS_CLK1 in MHz	CTRL_CORE_PHY_POWER_PCIESS2 [31:22] PCIESS2_PWRCTL_CLKFREQ	0x14 (20 MHz)
Power up PCI ESS2_PHY_TX and PCI ESS2_PHY_RX	CTRL_CORE_PHY_POWER_PCIESS2 [21:14] PCIESS2_PWRCTL_CMD	0x3
ENDIF		
IF: Either PCI ESS1 Second Lane or PCI ESS2 is required (both are available via USB3 PHY)	Software test condition	
Configure the USB3 Power Control clock frequency to match SYS_CLK1 in MHz	CTRL_CORE_PHY_POWER_USB [31:22] USB_PWRCTL_CLKFREQ	0x14 (20 MHz)
Power up USB3_PHY_TX and USB3_PHY_RX	CTRL_CORE_PHY_POWER_USB [21:14] USB_PWRCTL_CMD	0x3
ENDIF		
Configure the proper Delay Count	CTRL_CORE_PCIE_PCS [23:16] PCIESS_PCS_RC_DELAY_COUNT	0x96
Configure PCIe_PHY_RX SCP Settings	See PCIe_PHY_RX preferred SCP settings in Table 26-62 .	
IF: Either PCI ESS1 Second Lane or PCI ESS2 is required (both are available via USB3 PHY)	Software test condition	
Configure USB3_PHY_RX SCP Settings.	See USB3_PHY_RX preferred SCP settings in Table 26-63 .	
ENDIF		
PHY_TX settings must remain at default values.	No additional tuning in PHY_TX SCP registers is required.	

Table 26-62. Preferred PCIe_PHY_RX SCP Register Settings

Register	Preferred Value Setting
PCIEPHYRX_ANA_PROGRAMMABILITY_REG1 [31:27] MEM_ANATESTMODE	0b00001
PCIEPHYRX_ANA_PROGRAMMABILITY_REG1 [17:14] MEM_ANATESTMODE	0b1010
PCIEPHYRX_DIGITAL_MODES_REG1 [23] MEM_CDR_FASTLOCK	0b1
PCIEPHYRX_DIGITAL_MODES_REG1 [22:21] MEM_CDR_LBW	0b11
PCIEPHYRX_DIGITAL_MODES_REG1 [20:19] MEM_CDR_STEPCNT	0b00
PCIEPHYRX_DIGITAL_MODES_REG1 [18:16] MEM_CDR_STL	0b011
PCIEPHYRX_DIGITAL_MODES_REG1 [15:13] MEM_CDR_THR	0b001
PCIEPHYRX_DIGITAL_MODES_REG1 [12] MEM_CDR_THR_MODE	0b1
PCIEPHYRX_DIGITAL_MODES_REG1 [11] MEM_CDR_2NDO_SDM_MODE	0b0
PCIEPHYRX_DIGITAL_MODES_REG1 [26] MEM_OVRD_HS_RATE	0b0
PCIEPHYRX_ANA_PROGRAMMABILITY_REG1 [6:5] MEM_PLLDIV	0b00
PCIEPHYRX_TRIM_REG4 [31:30] MEM_DLL_TRIM_SEL	0b10
PCIEPHYRX_DLL_REG1 [31:30] MEM_DLL_PHINT_RATE	0b11
PCIEPHYRX_EQUALIZER_REG1 [31:16] MEM_EQLEV	0b0000 0000 0000 0000
PCIEPHYRX_EQUALIZER_REG1 [15:11] MEM_EQFTC	0b11111
PCIEPHYRX_EQUALIZER_REG1 [10:7] MEM_EQCTL	0b0001
PCIEPHYRX_EQUALIZER_REG1 [2] MEM_OVRD_EQLEV	0b0
PCIEPHYRX_EQUALIZER_REG1 [1] MEM_OVRD_EQFTC	0b0

Table 26-63. Preferred USB3_PHY_RX SCP Register Settings

Register	Preferred Value Setting
USB3PHYRX_ANA_PROGRAMMABILITY_REG1 [31:27] MEM_ANATESTMODE	0b00001
USB3PHYRX_ANA_PROGRAMMABILITY_REG1 [17:14] MEM_ANATESTMODE	0b1010

Table 26-63. Preferred USB3_PHY_RX SCP Register Settings (continued)

Register	Preferred Value Setting
USB3PHYRX_DIGITAL_MODES_REG1[23] MEM_CDR_FASTLOCK	0b1
USB3PHYRX_DIGITAL_MODES_REG1[22:21] MEM_CDR_LBW	0b11
USB3PHYRX_DIGITAL_MODES_REG1[20:19] MEM_CDR_STEPCNT	0b00
USB3PHYRX_DIGITAL_MODES_REG1[18:16] MEM_CDR_STL	0b011
USB3PHYRX_DIGITAL_MODES_REG1[15:13] MEM_CDR_THR	0b001
USB3PHYRX_DIGITAL_MODES_REG1[12] MEM_CDR_THR_MODE	0b1
USB3PHYRX_DIGITAL_MODES_REG1[11] MEM_CDR_2NDO_SDM_MODE	0b0
USB3PHYRX_DIGITAL_MODES_REG1[26] MEM_OVRD_HS_RATE	0b0
USB3PHYRX_ANA_PROGRAMMABILITY_REG1[6:5] MEM_PLLDIV	0b00
USB3PHYRX_TRIM_REG4[31:30] MEM_DLL_TRIM_SEL	0b10
USB3PHYRX_DLL_REG1[31:30] MEM_DLL_PHINT_RATE	0b11
USB3PHYRX_EQUALIZER_REG1[31:16] MEM_EQLEV	0b0000 0000 0000 0000
USB3PHYRX_EQUALIZER_REG1[15:11] MEM_EQFTC	0b11111
USB3PHYRX_EQUALIZER_REG1[10:7] MEM_EQCTL	0b0001
USB3PHYRX_EQUALIZER_REG1[2] MEM_OVRD_EQLEV	0b0
USB3PHYRX_EQUALIZER_REG1[1] MEM_OVRD_EQFTC	0b0

26.4.6 PCle PHY Subsystem Register Manual

This chapter summarizes and describes the shared PHY component registers for the PCle PHY subsystems.

26.4.6.1 PCle PHY Instance Summary

Table 26-64. PCle PHY Subsystem Instance Summary

Module Name	Module Base Address	Size
PCle1_PHY_RX	0x4A09 4000	1 KiB
PCle1_PHY_TX	0x4A09 4400	1 KiB
OCP2SCP1	0x4A08 0000	1 KiB
OCP2SCP3	0x4A09 0000	1 KiB

NOTE: For USB3_PHY_RX and USB3_PHY_TX registers, see [Section 26.2, USB3_PHY Subsystem](#).

26.4.6.1.1 PCle_PHY_RX Registers

26.4.6.1.1.1 PCle_PHY_RX Register Summary

Table 26-65. PCle1_PHY_RX Registers Mapping Summary

Register Name	Type	Register Width (Bits)	Address Offset	PCle1_PHY_RX Physical Address
RESERVED	R	32	0x0000 0000	0x4A09 4000
RESERVED	R	32	0x0000 0004	0x4A09 4004
RESERVED	R	32	0x0000 0008	0x4A09 4008
PCIEPHYRX_ANA_PROGRAMMABILITY_REG1	RW	32	0x0000 000C	0x4A09 400C
RESERVED	R	32	0x0000 0010	0x4A09 4010
RESERVED	R	32	0x0000 0014	0x4A09 4014
RESERVED	R	32	0x0000 0018	0x4A09 4018
PCIEPHYRX_TRIM_REG4	RW	32	0x0000 001C	0x4A09 401C
RESERVED	R	32	0x0000 0020	0x4A09 4020
PCIEPHYRX_DLL_REG1	RW	32	0x0000 0024	0x4A09 4024
PCIEPHYRX_DIGITAL_MODES_REG1	RW	32	0x0000 0028	0x4A09 4028
RESERVED	R	32	0x0000 002C	0x4A09 402C
RESERVED	R	32	0x0000 0030	0x4A09 4030
RESERVED	R	32	0x0000 0034	0x4A09 4034
PCIEPHYRX_EQUALIZER_REG1	RW	32	0x0000 0038	0x4A09 4038
RESERVED	R	32	0x0000 003C	0x4A09 403C
RESERVED	R	32	0x0000 0040	0x4A09 4040
RESERVED	R	32	0x0000 0044	0x4A09 4044
RESERVED	R	32	0x0000 0048	0x4A09 4048
RESERVED	R	32	0x0000 004C	0x4A09 404C
RESERVED	R	32	0x0000 0050	0x4A09 4050
RESERVED	R	32	0x0000 0054	0x4A09 4054
RESERVED	R	32	0x0000 0058	0x4A09 4058
RESERVED	R	32	0x0000 005C	0x4A09 405C
RESERVED	R	32	0x0000 0060	0x4A09 4060

Table 26-65. PCIe1_PHY_RX Registers Mapping Summary (continued)

Register Name	Type	Register Width (Bits)	Address Offset	PCIe1_PHY_RX Physical Address
RESERVED	R	32	0x0000 0064	0x4A09 4064

26.4.6.1.1.2 PCIe_PHY_RX Register Description
Table 26-66. PCIEPHYRX_ANA_PROGRAMMABILITY_REG1

Address Offset	0x0000 000C	Instance	PCIe1_PHY_RX
Physical Address	0x4A09 400C		
Description	Programmability for different analog circuits in the PHY.		
Type	RW		

31	30	29	28	27	26	25	24	23	22	21	20	19	18	17	16	15	14	13	12	11	10	9	8	7	6	5	4	3	2	1	0
MEM_ANATESTMODE																RESERVED	MEM_PLLDIV	RESERVED													

Bits	Field Name	Description	Type	Reset
31:8	MEM_ANATESTMODE	Programmability for Analog circuits in the PHY. The top 5 bits - MEM_ANATESTMODE[31:27] indicate the serial Interface using this PHY module. Bits [17:14] are used to control loss-of-signal detection (LOSD) threshold.	RW	0x00 0000
7	RESERVED		RW	0
6:5	MEM_PLLDIV	This is a test mode. SoC Users are requested to leave this at default value. The input PLL_CLK (after being muxed with PLLBYPCLK) is divided by the following factors indicated by this register. 00=1 01=2 10=4 11=RESERVED. All references to PLL_CLK in this register descriptions are AFTER considering this division.	RW	0x0
4:0	RESERVED		R	0x00

Table 26-67. Register Call Summary for Register PCIEPHYRX_ANA_PROGRAMMABILITY_REG1

PCIe PHY Subsystem

- [PCIePHY Subsystem Low-Level Programming Model: \[0\]\[1\]\[2\]](#)
- [PCIe_PHY_RX Registers: \[3\]](#)

Table 26-68. PCIEPHYRX_TRIM_REG4

Address Offset	0x0000 001C	Instance	PCIe1_PHY_RX
Physical Address	0x4A09 401C		
Description	The IP requires some values to be remembered in EFUSE. This register provides an alternative to EFUSE.		
Type	RW		

31	30	29	28	27	26	25	24	23	22	21	20	19	18	17	16	15	14	13	12	11	10	9	8	7	6	5	4	3	2	1	0
RESERVED																															

Bits	Field Name	Description	Type	Reset
31:30	MEM_DLL_TRIM_SEL	Determines which of the 4 EFUSE registers EFUSE_dll_rateN_coarsetrim should be used as the trim code by the DLL. This feature is so that the user may find and store the trim codes corresponding to different (at most 4) DLL frequencies (pll_clk pll_clk (after the bypassing by MEM_en_pllby and the division by MEM_plldiv) frequencies) and at wake-up, instruct the IP to choose one of these available trim values depending on the Application's frequency requirement. 00 selects dll_rate0_coarsetrim 01 selects dll_rate1_coarsetrim 10 selects dll_rate2_coarsetrim 11 selects dll_rate3_coarsetrim.	RW	0x0
29:0	RESERVED		RW	0x0000 0000

Table 26-69. Register Call Summary for Register PCIEPHYRX_TRIM_REG4

PCIe PHY Subsystem

- [PCIePHY Subsystem Low-Level Programming Model: \[0\]](#)
- [PCIe_PHY_RX Registers: \[1\]](#)

Table 26-70. PCIEPHYRX_DLL_REG1

Address Offset	0x0000 0024	Instance	PCIe1_PHY_RX
Physical Address	0x4A09 4024		
Description	This register is used to program DLL settings.		
Type	RW		

31	30	29	28	27	26	25	24	23	22	21	20	19	18	17	16	15	14	13	12	11	10	9	8	7	6	5	4	3	2	1	0
RESERVED																															

Bits	Field Name	Description	Type	Reset
31:30	MEM_DLL_PHINT_RATE	Programs the DLL and the Phase Interpolator analog circuits to work with different clock frequencies. The frequency of pll_clk (after the bypassing by MEM_en_pllby and the division by MEM_plldiv) should be indicated by this register. 00=0.625GHz to 0.75GHz 01=RESERVED 10=1.25GHz to 1.5GHz 11=2.5GHz to 2.9GHz.	RW	0x3
29:0	RESERVED		R	0x00A4 1915

Table 26-71. Register Call Summary for Register PCIEPHYRX_DLL_REG1

PCIe PHY Subsystem

- [PCIePHY Subsystem Low-Level Programming Model: \[0\]](#)
- [PCIe_PHY_RX Registers: \[1\]](#)

Table 26-72. PCIEPHYRX_DIGITAL_MODES_REG1

Address Offset	0x0000 0028	Instance	PCIe1_PHY_RX
Physical Address	0x4A09 4028		
Description	This register contains control bits which affect different circuits in digital section		
Type	RW		

31	30	29	28	27	26	25	24	23	22	21	20	19	18	17	16	15	14	13	12	11	10	9	8	7	6	5	4	3	2	1	0
MEM_INV_RXPN_PAIR	MEM_OVRD_INV_RXPN_PAIR	RESERVED	MEM_HS_RATE	MEM_OVRD_HS_RATE	RESERVED	MEM_CDR_FASTLOCK	MEM_CDR_LBW	MEM_CDR_STEPCNT	MEM_CDR_STL	MEM_CDR_THR	MEM_CDR_THR_MODE	MEM_CDR_2NDO_SDM_MODE	RESERVED																		

Bits	Field Name	Description	Type	Reset
31	MEM_INV_RXPN_PAIR	If '1', interchanges RXP and RXN effectively by inverting the received data samples.	RW	0
30	MEM_OVRD_INV_RXPN_PAIR	Pin override control. See register bit MEM_inv_rxpn_pair.	RW	0
29	RESERVED		R	0
28:27	MEM_HS_RATE	Determines the ratio of pll_clk (after the bypassing by MEM_en_pllby and the division by MEM_plldiv) frequency and the output data rate. Full Rate means pll_clk (after the bypassing by MEM_en_pllby and the division by MEM_plldiv) frequency = Data Rate/2 00=Full Rate 01=Half Rate 10=Quarter Rate 11=RESERVED. This takes effect only if register bit MEM_ovrd_hs_rate is '1', else the same is controlled by input pins hs_rate.	RW	0x0
26	MEM_OVRD_HS_RATE	Pin override control. See register bit MEM_hs_rate.	RW	0
25:24	RESERVED		R	0x2
23	MEM_CDR_FASTLOCK	'1' to reduce lock time of CDR (clock-data-recovery circuit).	RW	1
22:21	MEM_CDR_LBW	CDR band-width control.	RW	0x3

Bits	Field Name	Description	Type	Reset
20:19	MEM_CDR_STEPCNT	CDR 2nd order setting.	RW	0x0
18:16	MEM_CDR_STL	CDR settling time. Determines the number of vote clocks to blank ELV (Early-Late-Voter circuit) after update of phase.	RW	0x3
15:13	MEM_CDR_THR	CDR 1st order threshold. Determines how much early/late votes should differ by before a phase change in the receiver sampling clock is triggered.	RW	0x1
12	MEM_CDR_THR_MODE	CDR 1st order threshold.	RW	1
11	MEM_CDR_2NDO_SDM_MODE	If '1', the 2nd Order CDR block uses a 1st order Sigma Delta Modulator to accomplish frequency offset If '0', a simple rate transformer is used for the same purpose.	RW	0
10:0	RESERVED		R	0x000

Table 26-73. Register Call Summary for Register PCIEPHYRX_DIGITAL_MODES_REG1

PCIe PHY Subsystem

- [PCIe PHY I/O Signals: \[0\]\[1\]](#)
- [PCIePHY Subsystem Low-Level Programming Model: \[4\]\[5\]\[6\]\[7\]\[8\]\[9\]\[10\]\[11\]](#)
- [PCIe_PHY_RX Registers: \[12\]](#)

Table 26-74. PCIEPHYRX_EQUALIZER_REG1

Address Offset	0x0000 0038	Instance	PCIe1_PHY_RX
Physical Address	0x4A09 4038		
Description	<p>The module has an Equalizer (with analog and digital parts) which addresses Inter Symbol Interference (ISI). The equalizer can be configured via the EQCTL bits. The options are:</p> <p>No adaptive equalization. The equalizer provides a flat response at the maximum gain. This setting may be appropriate if jitter at the receiver occurs predominantly as a result of crosstalk rather than frequency dependent loss.</p> <p>Fully adaptive equalization. Both the low frequency gain and zero position of the equalizer are determined algorithmically by analysing the data patterns and transition positions in the received data. This setting should be used for most applications.</p> <p>Partially adaptive equalization. The low frequency gain of the equalizer is determined algorithmically by analysing the data patterns and transition positions in the received data. The zero position is fixed in one of eight zero positions.</p> <p>When enabled, the receiver equalization logic analyzes data patterns and transition times to determine whether the low frequency gain of the equalizer should be increased or decreased. For the fully adaptive setting (EQCTL = 0001), if the low frequency gain reaches the minimum value, the zero frequency is then reduced. Likewise, if it reaches the maximum value, the zero frequency is then increased.</p>		
Type	RW		

31	30	29	28	27	26	25	24	23	22	21	20	19	18	17	16	15	14	13	12	11	10	9	8	7	6	5	4	3	2	1	0
MEM_EQLEV								MEM_EQFTC				MEM_EQCTL				RESERVED				MEM_OVRD_EQLEV	MEM_OVRD_EQFTC	RESERVED									

Bits	Field Name	Description	Type	Reset
31:16	MEM_EQLEV	Equalizer level control.	RW	0x0000
15:11	MEM_EQFTC	Equalizer zero freq control.	RW	0x00
10:7	MEM_EQCTL	0000 - Equalizer disabled 0001 - Fully adaptive; FTC normal 0010 - Fully adaptive; FTC inverted 0011 - Hold equalizer state 01xx - Init equalizer to fully adaptive start/midpoint 1000 - Partially adaptive; zero=1084 MHz 1001 - Partially adaptive; zero= 805 MHz 1010 - Partially adaptive; zero= 573 MHz 1011 - Partially adaptive; zero= 402 MHz 1100 - Partially adaptive; zero= 304 MHz 1101 - Partially adaptive; zero= 216 MHz 1110 - Partially adaptive; zero= 156 MHz 1111 - Partially adaptive; zero= 135 MHz	RW	0x0
6:3	RESERVED		R	0
2	MEM_OVRD_EQLEV	Continuously forces the Equalizer output with the MEM_EQLEV[15:0].	RW	0
1	MEM_OVRD_EQFTC	Continuously forces the Equalizer output with the MEM_EQFTC[4:0].	RW	0
0	RESERVED		R	0

Table 26-75. Register Call Summary for Register PCIEPHYRX_EQUALIZER_REG1

PCIe PHY Subsystem

- [PCIePHY Subsystem Low-Level Programming Model: \[0\]\[1\]\[2\]\[3\]\[4\]](#)
- [PCIe_PHY_RX Registers: \[5\]](#)

26.4.6.1.2 PCIe_PHY_TX Registers

26.4.6.1.2.1 PCIe_PHY_TX Register Summary

Table 26-76. PCIe1_PHY_TX Registers Mapping Summary

Register Name	Type	Register Width (Bits)	Address Offset	PCIe1_PHY_TX Physical Address
RESERVED	R	32	0x0000 0000	0x4A09 4400
RESERVED	R	32	0x0000 0004	0x4A09 4404
RESERVED	R	32	0x0000 0008	0x4A09 4408
PCIEPHYTX_FUNC_CONFIG_REG	RW	32	0x0000 000C	0x4A09 440C
PCIEPHYTX_DRIVER_DATA_CONFIG1	R	32	0x0000 0010	0x4A09 4410
RESERVED	R	32	0x0000 0014	0x4A09 4414
RESERVED	R	32	0x0000 0018	0x4A09 4418
RESERVED	R	32	0x0000 001C	0x4A09 441C
RESERVED	R	32	0x0000 0020	0x4A09 4420
RESERVED	R	32	0x0000 0024	0x4A09 4424
RESERVED	R	32	0x0000 0028	0x4A09 4428
PCIEPHYTX_TEST_CONFIG_REG	RW	32	0x0000 002C	0x4A09 442C
PCIEPHYTX_PATTGEN_PRELOAD	RW	32	0x0000 0030	0x4A09 4430
RESERVED	R	32	0x0000 0034	0x4A09 4434

26.4.6.1.2.2 PCIe_PHY_TX Register Description

Table 26-77. PCIEPHYTX_FUNC_CONFIG_REG

Address Offset	0x0000 000C	Instance	PCIe1_PHY_TX
Physical Address	0x4A09 440C		
Description	Functional Configuration registers		
Type	RW		

31	30	29	28	27	26	25	24	23	22	21	20	19	18	17	16	15	14	13	12	11	10	9	8	7	6	5	4	3	2	1	0
RESERVED																															

Bits	Field Name	Description	Type	Reset
31	MEM_INVPAIR	Invert polarity of TXP/TXN	RW	0
30:0	RESERVED		R	0x0000 0000

Table 26-78. Register Call Summary for Register PCIEPHYTX_FUNC_CONFIG_REG

PCIe PHY Subsystem

- [PCIe PHY I/O Signals: \[0\]](#)
- [PCIe_PHY_TX Registers: \[1\]](#)

Table 26-79. PCIEPHYTX_DRIVER_DATA_CONFIG1

Address Offset	0x0000 0010	Instance	PCIe1_PHY_TX
Physical Address	0x4A09 4410		
Description	Configures the Driver data pattern		
Type	RW		

31	30	29	28	27	26	25	24	23	22	21	20	19	18	17	16	15	14	13	12	11	10	9	8	7	6	5	4	3	2	1	0						
MEM_EVEN_OUT_CONFIG0								MEM_ODD_OUT_CONFIG0								MEM_EVEN_OUT_CONFIG1								MEM_ODD_OUT_CONFIG1								MEM_HS_RATE_ANA_OVERRIDE		MEM_OVRD_HS_RATE_ANA_OVERRIDE		RESERVED	

Bits	Field Name	Description	Type	Reset
31:25	MEM_EVEN_OUT_CONFIG0	Overriding the even TX data driver - to AFE	RW	0x0
24:18	MEM_ODD_OUT_CONFIG0	Overriding the odd TX data driver - to AFE	RW	0x0
17:11	MEM_EVEN_OUT_CONFIG1	Overriding the even TX data driver - to AFE	RW	0x0
10:4	MEM_ODD_OUT_CONFIG1	Overriding the odd TX data driver - to AFE	RW	0x0
3:2	MEM_HS_RATE_ANA_OVERRIDE	Override for the HS rate signal going to the AFE	RW	0x0
1	MEM_OVRD_HS_RATE_ANA_OVERRIDE	Pin override for the hs_rate_ana_override	RW	0x0
0	RESERVED	Reserved	RW	0x0

Table 26-80. Register Call Summary for Register PCIEPHYTX_DRIVER_DATA_CONFIG1

PCIe PHY Subsystem

- [PCIe PHY Subsystem Clocking: \[0\]\[2\]\[3\]\[4\]](#)
- [PCIe_PHY_TX Registers: \[5\]](#)

Table 26-81. PCIEPHYTX_TEST_CONFIG_REG

Address Offset	0x0000 002C	Instance	PCIe1_PHY_TX
Physical Address	0x4A09 442C		
Description	Test related configuration registers		
Type	RW		

31	30	29	28	27	26	25	24	23	22	21	20	19	18	17	16	15	14	13	12	11	10	9	8	7	6	5	4	3	2	1	0
RESERVED	MEM_EN_LPBK	MEM_ENTXPATT	MEM_TESTPATT	RESERVED																											

Bits	Field Name	Description	Type	Reset
31	RESERVED	Keep at 0	R	0
30	MEM_EN_LPBK	Loopback enable for test	RW	0
29	MEM_ENTXPATT	Enable Test pattern to input of the serializer instead of TD	RW	0
28:26	MEM_TESTPATT	Select the LFSR mode to generate the required pattern 000 - 31 bit LFSR mode 011 - 23 bit LFSR mode 010 - 7 bit LFSR mode 001 - generate 1010 pattern 100 - Fixed 31 bit value from pattgen_preload_val	RW	0x0
25:0	RESERVED		RW	0x0

Table 26-82. Register Call Summary for Register PCIEPHYTX_TEST_CONFIG_REG

PCIe PHY Subsystem

- [PCIe_PHY_TX Registers: \[0\]](#)

Table 26-83. PCIEPHYTX_PATTGEN_PRELOAD

Address Offset	0x0000 0030	Instance	PCIe1_PHY_TX
Physical Address	0x4A09 4430		
Description	Pattern generator (31 bit) LFSR Seed or preload value		
Type	RW		

31	30	29	28	27	26	25	24	23	22	21	20	19	18	17	16	15	14	13	12	11	10	9	8	7	6	5	4	3	2	1	0
MEM_PATTGEN_PRELOAD_VAL																															RESERVED

Bits	Field Name	Description	Type	Reset
31:1	MEM_PATTGEN_PRELOAD_VAL	Preload value to the LFSR pattern generator	RW	0x0000 0000
0	RESERVED		RW	0

Table 26-84. Register Call Summary for Register PCIEPHYTX_PATTGEN_PRELOAD

PCIe PHY Subsystem

- [PCIe_PHY_TX Registers: \[0\]](#)

26.4.6.1.3 OCP2SCP Registers

26.4.6.1.3.1 OCP2SCP Register Summary

Table 26-85. OCP2SCP Registers Mapping Summary

Register Name	Type	Register Width (Bits)	Address Offset	OCP2SCP1 Physical Address	OCP2SCP3 Physical Address
OCP2SCP_REVISION	R	32	0x0000 0000	0x4A08 0000	0x4A09 0000
OCP2SCP_SYSCONFIG	RW	32	0x0000 0010	0x4A08 0010	0x4A09 0010
OCP2SCP_SYSSTATUS	R	32	0x0000 0014	0x4A08 0014	0x4A09 0014
OCP2SCP_TIMING	RW	32	0x0000 0018	0x4A08 0018	0x4A09 0018

26.4.6.1.3.2 OCP2SCP Register Description

Table 26-86. OCP2SCP_REVISION

Address Offset	0x0000 0000			
Physical Address	0x4A08 0000 0x4A09 0000	Instance	OCP2SCP1 OCP2SCP3	
Description	Revision register			
Type	R			

31	30	29	28	27	26	25	24	23	22	21	20	19	18	17	16	15	14	13	12	11	10	9	8	7	6	5	4	3	2	1	0
REVISION																															

Bits	Field Name	Description	Type	Reset
31:0	REVISION	Module revision number	R	0x-

Table 26-87. Register Call Summary for Register OCP2SCP_REVISION

PCIe PHY Subsystem

- [OCP2SCP Registers: \[0\]](#)

Table 26-88. OCP2SCP_SYSCONFIG

Address Offset	0x0000 0010			
Physical Address	0x4A08 0010 0x4A09 0010	Instance	OCP2SCP1 OCP2SCP3	
Description	System configuration register			
Type	RW			

31	30	29	28	27	26	25	24	23	22	21	20	19	18	17	16	15	14	13	12	11	10	9	8	7	6	5	4	3	2	1	0
RESERVED																												IDLEMODE	RESERVED	SOFTRESET	AUTOIDLE

Bits	Field Name	Description	Type	Reset
31:5	RESERVED	Reserved	R	0x000 0000
4:3	IDLEMODE	Idle mode 0x0: Force Idle mode. An idle request is acknowledged unconditionally. 0x1: No Idle mode. An idle request is never acknowledged. 0x2: Smart Idle mode. The acknowledgement to an idle request is given based on the internal activity. 0x3: Smart Idle Wakeup.	RW	0x2
2	RESERVED	Reserved.	R	0
1	SOFTRESET	Software Reset. Set this bit to 1 to trigger a module reset. The bit is automatically reset by the hardware. During reads, it always returns 0. 0x0: Normal Mode 0x1: The module is reset.	RW	0
0	AUTOIDLE	OCP interface clock gating control. 0x0: Internal OCP interface clock is free-running 0x1: Automatic internal OCP interface clock gating, based on the OCP interface activity	RW	1

Table 26-89. Register Call Summary for Register OCP2SCP_SYSCONFIG

USB3_PHY Subsystem

- [Super-Speed USB PLL Controller L4 Interface Adapter Functional Description: \[5\]\[6\]\[7\]](#)

SATA PHY Subsystem

- [SATA PLL Controller L4 Interface Adapter Functional Description: \[13\]\[14\]\[15\]](#)

PCIe PHY Subsystem

- [OCP2SCP Reset: \[16\]](#)
- [OCP2SCP Power Management: \[17\]\[18\]\[19\]\[20\]](#)
- [PCIePHY Subsystem Low-Level Programming Model: \[21\]\[22\]](#)
- [OCP2SCP Registers: \[23\]](#)

Table 26-90. OCP2SCP_SYSSTATUS

Address Offset	0x0000 0014	Instance	OCP2SCP1 OCP2SCP3
Physical Address	0x4A08 0014 0x4A09 0014		
Description	System Status register.		
Type	R		

31	30	29	28	27	26	25	24	23	22	21	20	19	18	17	16	15	14	13	12	11	10	9	8	7	6	5	4	3	2	1	0
RESERVED																															RESETDONE

Bits	Field Name	Description	Type	Reset
31:1	RESERVED	Reserved	R	0x0000 0000
0	RESETDONE	Reset done Read 0x1: Reset completed Read 0x0: Internal Reset is on-going	R	1

Table 26-91. Register Call Summary for Register OCP2SCP_SYSSTATUS

USB3_PHY Subsystem
<ul style="list-style-type: none"> • Super-Speed USB PLL Controller L4 Interface Adapter Functional Description: [1]
SATA PHY Subsystem
<ul style="list-style-type: none"> • SATA PLL Controller L4 Interface Adapter Functional Description: [3]
PCIe PHY Subsystem
<ul style="list-style-type: none"> • OCP2SCP Reset: [4] • PCIePHY Subsystem Low-Level Programming Model: [5][6] • OCP2SCP Registers: [7]

Table 26-92. OCP2SCP_TIMING

Address Offset	0x0000 0018	Instance	OCP2SCP1 OCP2SCP3
Physical Address	0x4A08 0018 0x4A09 0018		
Description	Timing register		
Type	RW		

31	30	29	28	27	26	25	24	23	22	21	20	19	18	17	16	15	14	13	12	11	10	9	8	7	6	5	4	3	2	1	0
RESERVED																DIVISIONRATIO		SYNC1			SYNC2										

Bits	Field Name	Description	Type	Reset
31:10	RESERVED	Reserved.	R	0x00 0000
9:7	DIVISIONRATIO ⁽¹⁾	Division Ratio of the SCP clock in relation to OCP input clock.	RW	0x0
6:4	SYNC1	Number of SCPclock cycles defining SYNC1	RW	0x0
3:0	SYNC2	Number of SCPclock cycles defining SYNC2	RW	0x1

⁽¹⁾ When value "000" is programmed for the SCP clock division ratio, and the transaction to be made is a valid transaction on the SCP interface, the DIVISIONRATIO value is set internally to 0x7 (to avoid a block on the OCP interface).

Table 26-93. Register Call Summary for Register OCP2SCP_TIMING

USB3_PHY Subsystem
<ul style="list-style-type: none"> • Super-Speed USB PLL Controller L4 Interface Adapter Functional Description: [4] • USB3_PHY Subsystem Clocking:
SATA PHY Subsystem
<ul style="list-style-type: none"> • SATA PLL Controller L4 Interface Adapter Functional Description: [9] • SATA_PHY Clocking:
PCIe PHY Subsystem
<ul style="list-style-type: none"> • OCP2SCP Timing Registers: [11][12][13][14] • PCIe PHY Subsystem Clocking: [15] • PCIePHY Subsystem Low-Level Programming Model: [16][17] • OCP2SCP Registers: [18]

CAUTION

To ensure correct operation, DIVISIONRATIO must not be modified. CAUTION:
To ensure correct operation, the value of SYNC2 must be set to 0x6 or more.

General-Purpose Interface

This chapter describes the general-purpose interface for the device.

Topic	Page
27.1 General-Purpose Interface Overview	6936
27.2 General-Purpose Interface Environment	6939
27.3 General-Purpose Interface Integration	6943
27.4 General-Purpose Interface Functional Description	6948
27.5 General-Purpose Interface Programming Guide.....	6963
27.6 General-Purpose Interface Register Manual	6965

27.1 General-Purpose Interface Overview

The general-purpose interface combines eight general-purpose input/output (GPIO) banks.

Each GPIO module provides 32 dedicated general-purpose pins with input and output capabilities; thus, the general-purpose interface supports up to 256 (8 × 32) pins. Some of the pins may be reserved in this Device. For more information of the supported number of GPIO pins, see the device Data Manual.

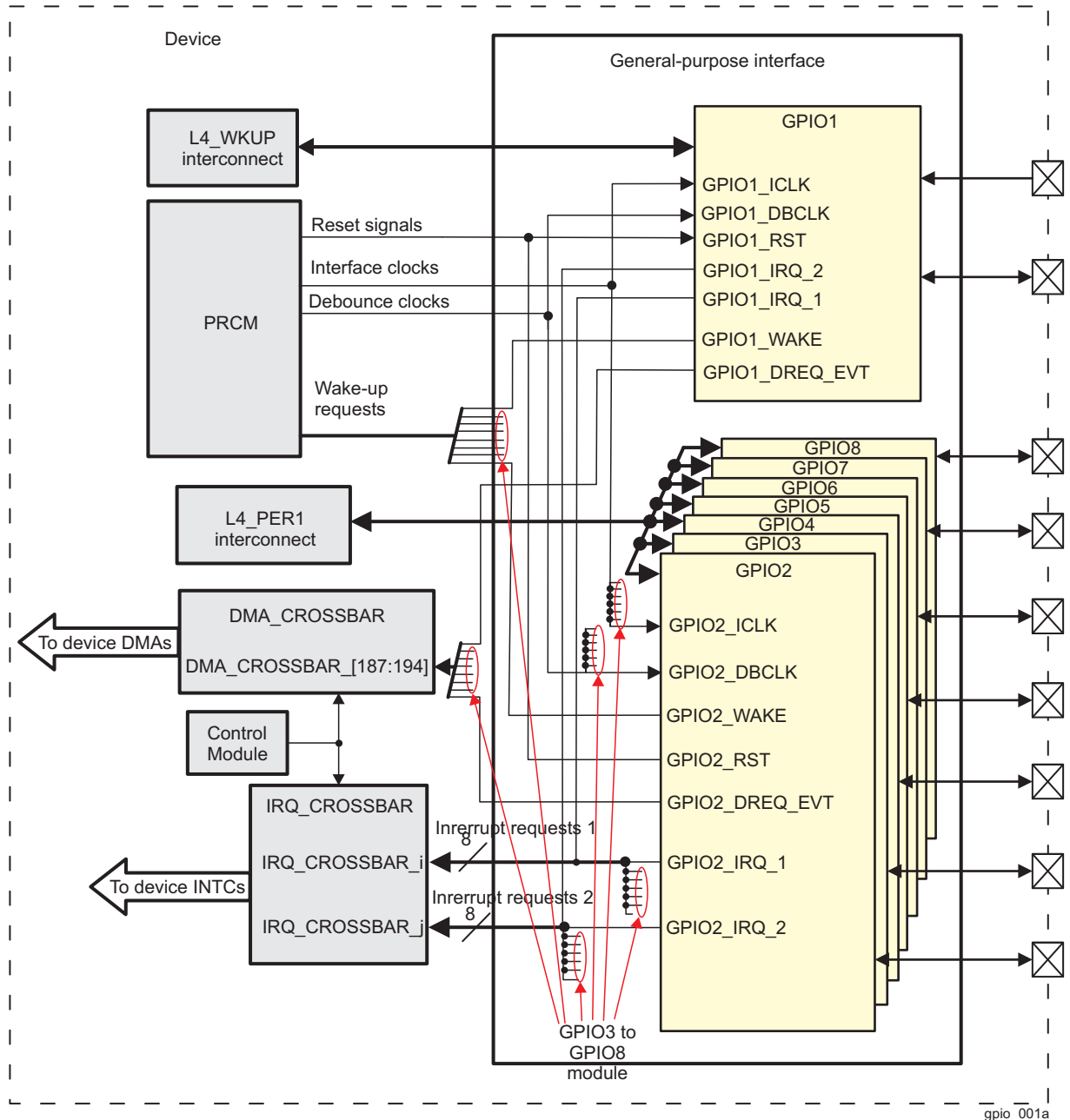
These pins can be configured for the following applications:

- Data input (capture)/output (drive)
- Keyboard interface with a debounce cell
- Interrupt generation in active mode upon the detection of external events. Detected events are processed by two parallel independent interrupt-generation submodules to support biprocessor operations.
- Wake-up request generation in idle mode upon the detection of external events

These modules do not include pad control (pullup/down control, open-drain feature). For more information, see [Section 18.4.6.1.1](#), *Pad Configuration Registers*, in [Chapter 18](#), *Control Module*.

[Figure 27-1](#) is an overview of the general-purpose interface.

Figure 27-1. General-Purpose Interface Overview



gpio_001a

The GPIO modules include the following global features:

- Two identical submodules can process synchronous interrupt requests from each channel to be used independently in a biprocessor environment. Each submodule controls its own synchronous interrupt request line. Each submodule also has its own interrupt-enable and interrupt status registers. The interrupt-enable register (GPIO_IRQSTATUS_SET_x [where x = 0 or 1]) selects the channel considered for the interrupt request generation. The interrupt status register (GPIO_IRQSTATUS_RAW_x) determines which channel has activated the interrupt request. Event detection on GPIO channels is reflected into GPIO_IRQSTATUS_RAW independently from the content of the interrupt-enable registers.
- Wake-up requests in idle mode from input channels are merged together to issue one wake-up signal per GPIO module.
- Data input (capture)/output (drive)

- Power-management support

The general-purpose interface has 16 interrupt lines (two interrupt lines on GPIO1 through GPIO8 modules).

Each GPIO module produces a wake-up request signal to the power, reset, and clock management (PRCM) module.

Each channel in the GPIO modules has the following features:

- The GPIOi.GPIO_OE register controls the output capability for each pin.
- The output line level reflects the value written in the GPIOi.GPIO_DATAOUT register through the level 4 (L4_WKUP and L4_PER1) interconnect.
- The input line can be fed to the GPIO module through an optional and configurable debounce cell. (Because the debouncing time value is global for all ports of one GPIO module, up to five different debouncing time values are possible.)
- The value of the input line is sampled into the GPIOi.GPIO_DATAIN register and can be read through the L4 (L4_WKUP and L4_PER1) interconnect.
- In active mode, the input line can be used through level and edge detectors to trigger synchronous interrupts. The edge (rising, falling, or both) or the level used (logical 0, logical 1, or both) can be configured.
- In idle mode, the input line can be used to activate the asynchronous wake-up request (on edge detection: rising edge, falling edge, or both).

The module provides an alternative to the atomic test and set operations for the data-output register (GPIO_DATAOUT). For this register, the module implements the set-and-clear protocol register update (see [Section 27.4.9, General-Purpose Interface Set-and-Clear Protocol](#)).

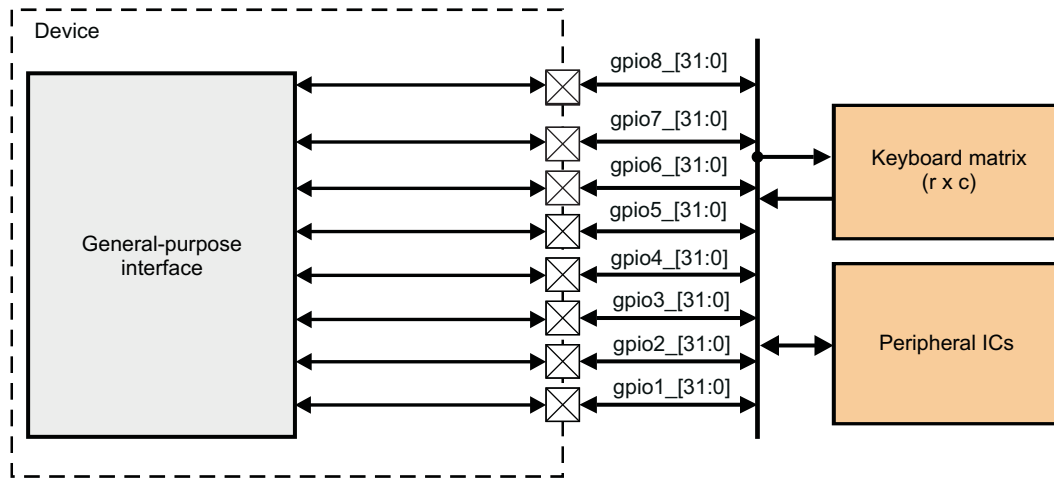
All module registers are 8-, 16-, or 32-bit accessible through the OCP-compatible interface (little-endian encoding)

27.2 General-Purpose Interface Environment

The general-purpose interface combines eight GPIO modules for a flexible, user-programmable, general-purpose input/output (I/O) controller. The general-purpose interface implements functions that are not implemented with the dedicated controllers in the device and require simple input and/or output software-controlled signals. The GPIO allows a variety of custom connections and expands the I/O capabilities of the system to the real world.

Figure 27-2 shows a typical application using the general-purpose interface.

Figure 27-2. General-Purpose Interface Typical Application

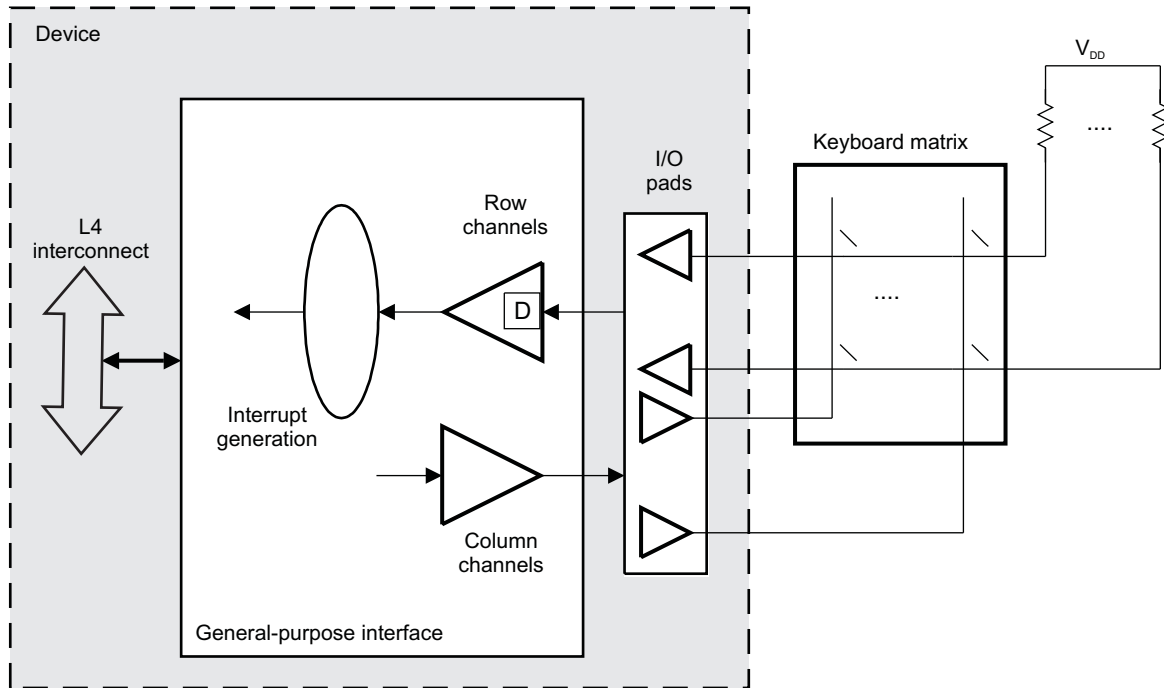


gpio-002

The general-purpose interface can physically connect the device to a keyboard matrix and peripheral integrated circuits (ICs).

27.2.1 General-Purpose Interface as a Keyboard Interface

The general-purpose interface can be used as a keyboard interface. Channels can be dedicated based on the keyboard matrix ($r \times c$). Figure 27-3 shows row channels configured as inputs with the input debounce feature enabled. The row channels are driven high with an external pullup. Column channels are configured as outputs and drive a low level.

Figure 27-3. General-Purpose Interface Used as a Keyboard Interface


gpio-003

When a keyboard matrix key is pressed, the corresponding row and column lines are shorted together and a low level is driven on the corresponding row channel. This generates an interrupt based on the proper configuration (see [Section 27.4.6, Interrupt and Wake-up Requests](#)).

When the keyboard interrupt is received, the processor (microprocessor unit [MPU] and/or digital signal processor [DSP] subsystem) can disable the keyboard interrupt and scan the column channels for the key coordinates.

- The scanning sequence has as many states as column channels: For each step in the sequence, the processor drives one column channel low and the others high.
- The processor reads the values of the row channels and thus detects which keys in the column are pressed.

At the end of the scanning sequence, the processor establishes which keys are pressed. The keyboard interface can then be reconfigured in the interrupt waiting state.

27.2.2 General-Purpose Interface Signals

[Table 27-1](#) describes the module signals.

Table 27-1. I/O Description

Signal	I/O ⁽¹⁾	Description	Reset Value ⁽²⁾
gpio1_0	I	GPIO (input only)	Hi-Z
gpio1_3	I	GPIO (input only)	Hi-Z
gpio1_[4:31]	I/O	GPIO	Hi-Z
gpio2_[0:29]	I/O	GPIO	Hi-Z
gpio3_[28:31]	I/O	GPIO	Hi-Z
gpio4_[0:31]	I/O	GPIO	Hi-Z
gpio5_[0:31]	I/O	GPIO	Hi-Z
gpio6_[4:31]	I/O	GPIO	Hi-Z

⁽¹⁾ I = Input; O = Output; I/O = Bidirectional

⁽²⁾ Hi-Z = High Impedance

Table 27-1. I/O Description (continued)

Signal	I/O ⁽¹⁾	Description	Reset Value ⁽²⁾
gpio7_[0:19]	I/O	GPIO	Hi-Z
gpio7_[22:31]	I/O	GPIO	Hi-Z
gpio8_[0:23]	I/O	GPIO	Hi-Z
gpio8_27	I	GPIO (input only)	Hi-Z
gpio8_[28:31]	I/O	GPIO	Hi-Z

Figure 27-4 shows the signal connections of GPIO1.

Figure 27-4. GPIO1 Signal Connections

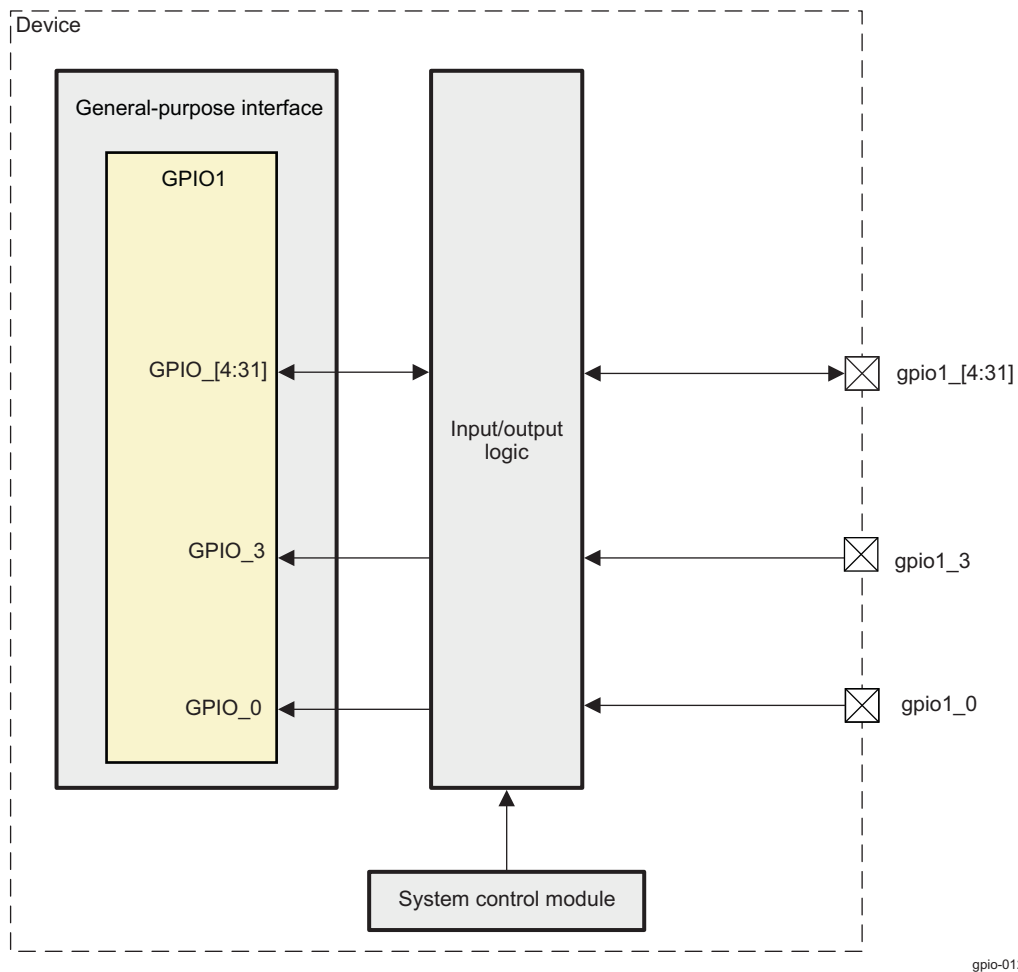
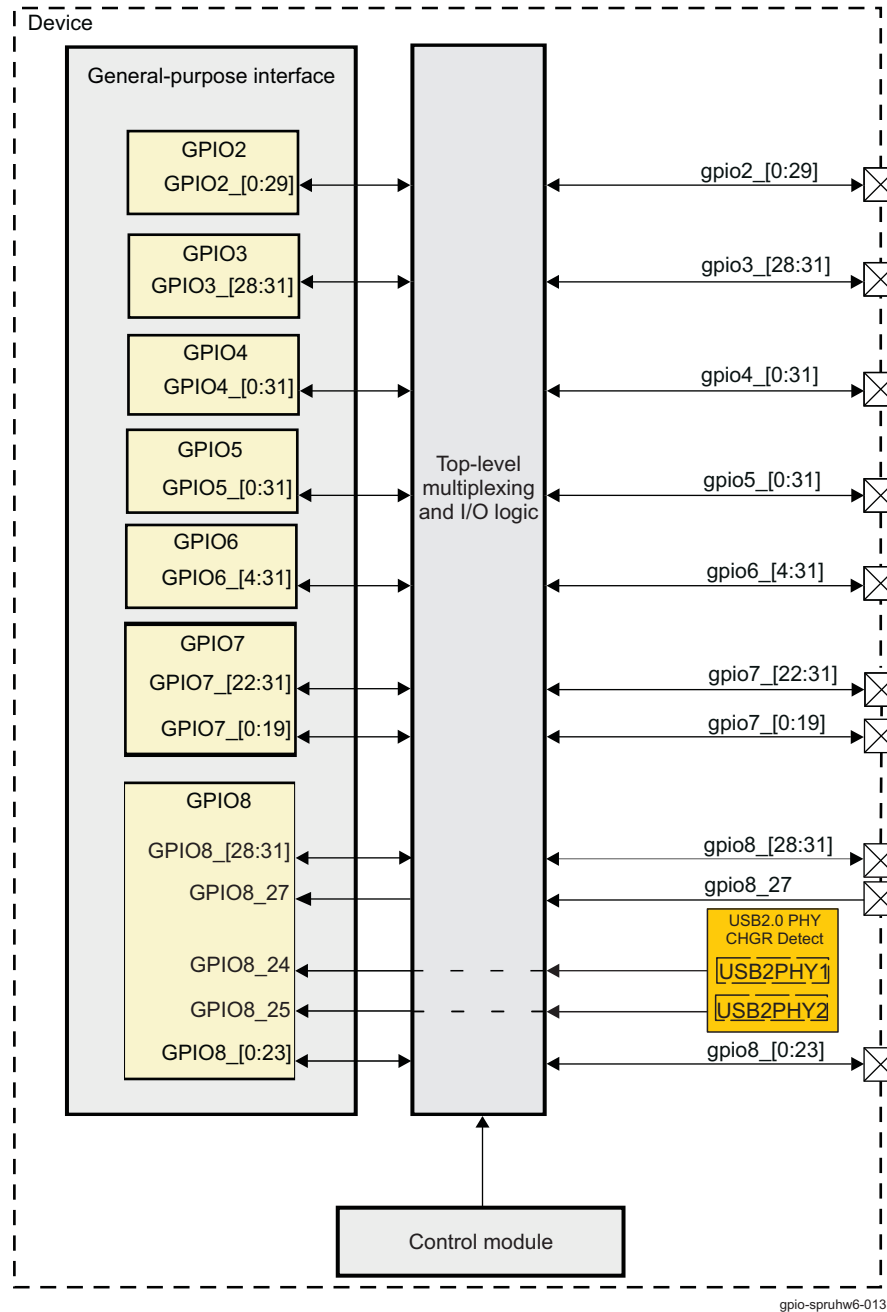


Figure 27-5 shows the signal connections of GPIO2 through GPIO8.

Figure 27-5. GPIO2 Through GPIO8 Signal Connections



gpio-spruhw6-013

NOTE: For more information about the GPIO1 through GPIO8 signals and channel description, see [Section 27.4.7, General-Purpose Interface Channels Description](#).

NOTE: For more information about GPIO signal multiplexing, see [Section 18.4.6.1.1, Pad Configuration Registers](#), and in [Chapter 18, Control Module](#).

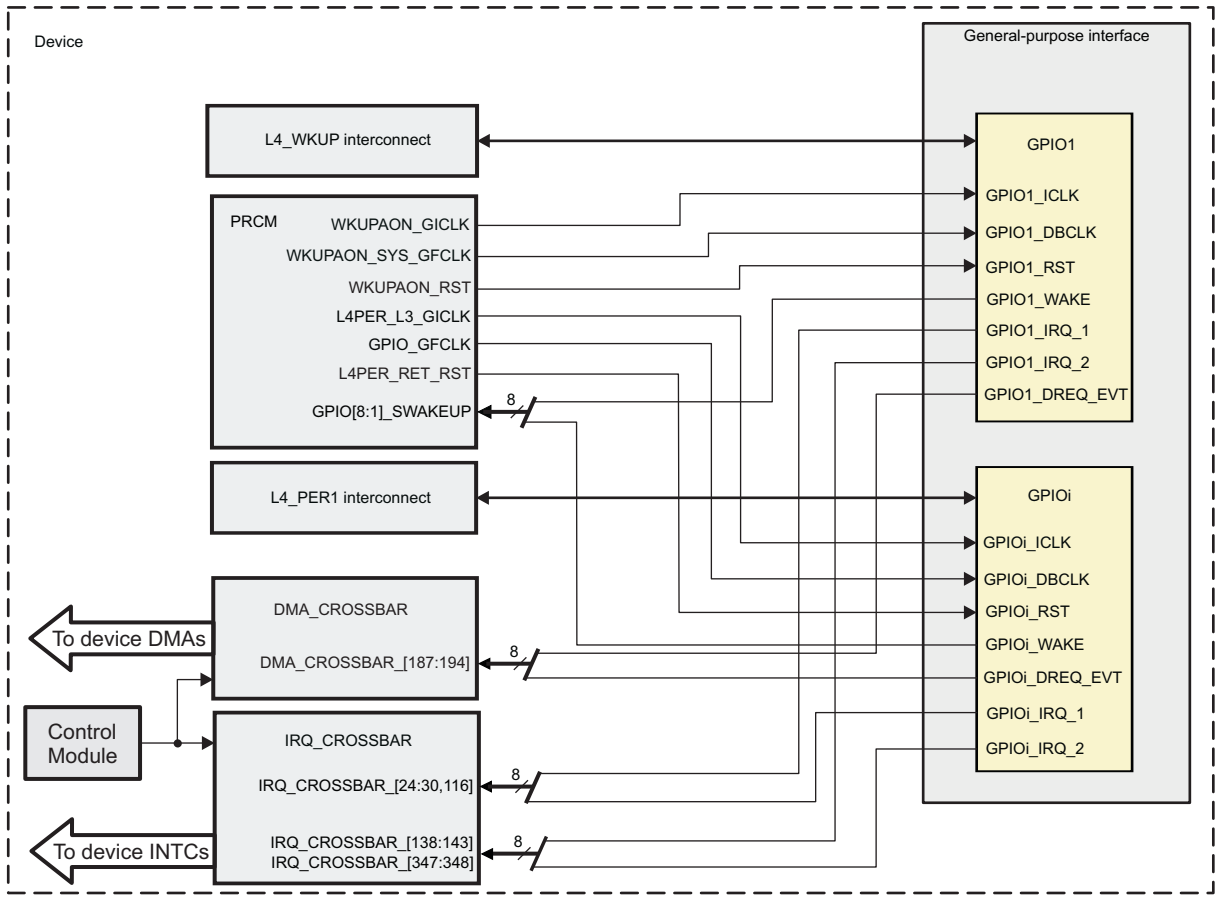
NOTE: GPIO pins can directly snoop device pads even if those are configured in the other modes. For GPIO output user needs to set pad mux.

27.3 General-Purpose Interface Integration

This section describes module integration in the device, including information about clocks, resets, and hardware requests.

Figure 27-6 shows this module integration.

Figure 27-6. GPIO Integration



i = 2 to 8
 IRQ_CROSSBAR_[24:30] - GPIO1 to GPIO7 interrupt line 1
 IRQ_CROSSBAR_116 - GPIO8 interrupt line 1
 IRQ_CROSSBAR_[138:143] - GPIO1 to GPIO6 interrupt line 2
 IRA_CROSSBAR_[347:348] - GPIO7 and GPIO8 interrupt line 2

gpio-004

NOTE: For more information about the slave idle protocol and the wake-up request, see [Section 3.1.1.1, Clock Management](#), in [Chapter 3, Power, Reset, and Clock Management](#).

Table 27-2 through Table 27-4 summarize the integration of the module in the device.

Table 27-2. GPIO Integration Attributes

Module Instance	Attributes	
	Power Domain	Interconnect
GPIO1	PD_WKUPAON	L4_WKUP
GPIOi (where i = 2 to 8)	PD_COREAON	L4_PER1

Table 27-3. GPIO Clocks and Resets

Clocks				
Module Instance	Destination Signal Name	Source Signal Name	Source	Description
GPIO1	GPIO1_ICLK	WKUPAON_GICLK	PRCM	GPIO interface clock
	GPIO1_DBCLK	WKUPAON_SYS_GFCLK	PRCM	GPIO functional clock
GPIO2	GPIO2_ICLK	L4PER_L3_GICLK	PRCM	GPIO interface clock
	GPIO2_DBCLK	GPIO_GFCLK	PRCM	GPIO functional clock
GPIO3	GPIO3_ICLK	L4PER_L3_GICLK	PRCM	GPIO interface clock
	GPIO3_DBCLK	GPIO_GFCLK	PRCM	GPIO functional clock
GPIO4	GPIO4_ICLK	L4PER_L3_GICLK	PRCM	GPIO interface clock
	GPIO4_DBCLK	GPIO_GFCLK	PRCM	GPIO functional clock
GPIO5	GPIO5_ICLK	L4PER_L3_GICLK	PRCM	GPIO interface clock
	GPIO5_DBCLK	GPIO_GFCLK	PRCM	GPIO functional clock
GPIO6	GPIO6_ICLK	L4PER_L3_GICLK	PRCM	GPIO interface clock
	GPIO6_DBCLK	GPIO_GFCLK	PRCM	GPIO functional clock
GPIO7	GPIO7_ICLK	L4PER_L3_GICLK	PRCM	GPIO interface clock
	GPIO7_DBCLK	GPIO_GFCLK	PRCM	GPIO functional clock
GPIO8	GPIO8_ICLK	L4PER_L3_GICLK	PRCM	GPIO interface clock
	GPIO8_DBCLK	GPIO_GFCLK	PRCM	GPIO functional clock
Resets				
GPIO1	GPIO1_RST	WKUPAON_RST	PRCM	GPIO reset signal
GPIO2	GPIO2_RST	L4PER_RET_RST	PRCM	GPIO reset signal
GPIO3	GPIO3_RST	L4PER_RET_RST	PRCM	GPIO reset signal
GPIO4	GPIO4_RST	L4PER_RET_RST	PRCM	GPIO reset signal
GPIO5	GPIO5_RST	L4PER_RET_RST	PRCM	GPIO reset signal
GPIO6	GPIO6_RST	L4PER_RET_RST	PRCM	GPIO reset signal
GPIO7	GPIO7_RST	L4PER_RET_RST	PRCM	GPIO reset signal
GPIO8	GPIO8_RST	L4PER_RET_RST	PRCM	GPIO reset signal

Table 27-4. GPIO Hardware Requests

Module Instance	Source Signal Name	Interrupt Requests		Description
		Destination IRQ_CROSSBAR Input	Default Mapping	
GPIO1	GPIO1_IRQ_2	IRQ_CROSSBAR_138	N/A	GPIO1 interrupt request (second interrupt line). This IRQ source signal is not mapped by default to any device INTC.
	GPIO1_IRQ_1	IRQ_CROSSBAR_24	MPU_IRQ_29	GPIO1 interrupt request to MPU (first interrupt line)
			DSP1_IRQ_55	GPIO1 interrupt request to DSP1 (first interrupt line)
			IPU1_IRQ_51	GPIO1 interrupt request to IPU1 (first interrupt line)
			IPU2_IRQ_51	GPIO1 interrupt request to IPU2 (first interrupt line)
			PRUSS1_IRQ_55	GPIO1 interrupt request to PRU-ICSS1 (first interrupt line)
			PRUSS2_IRQ_55	GPIO1 interrupt request to PRU-ICSS2 (first interrupt line)
GPIO2	GPIO2_IRQ_2	IRQ_CROSSBAR_139	N/A	GPIO2 interrupt request (second interrupt line). This IRQ source signal is not mapped by default to any device INTC
	GPIO2_IRQ_1	IRQ_CROSSBAR_25	MPU_IRQ_30	GPIO2 interrupt request to MPU (first interrupt line)
			DSP1_IRQ_56	GPIO2 interrupt request to DSP1 (first interrupt line)
			IPU1_IRQ_52	GPIO2 interrupt request to IPU1 (first interrupt line)
			IPU2_IRQ_52	GPIO2 interrupt request to IPU2 (first interrupt line)
			PRUSS1_IRQ_56	GPIO2 interrupt request to PRU-ICSS1 (first interrupt line)
			PRUSS2_IRQ_56	GPIO2 interrupt request to PRU-ICSS2 (first interrupt line)
GPIO3	GPIO3_IRQ_2	IRQ_CROSSBAR_140	N/A	GPIO3 interrupt request (second interrupt line). This IRQ source signal is not mapped by default to any device INTC
	GPIO3_IRQ_1	IRQ_CROSSBAR_26	MPU_IRQ_31	GPIO3 interrupt request to MPU (first interrupt line)
			DSP1_IRQ_57	GPIO3 interrupt request to DSP1 (first interrupt line)
			PRUSS1_IRQ_57	GPIO3 interrupt request to PRU-ICSS1 (first interrupt line)
			PRUSS2_IRQ_57	GPIO3 interrupt request to PRU-ICSS2 (first interrupt line)
GPIO4	GPIO4_IRQ_2	IRQ_CROSSBAR_141	N/A	GPIO4 interrupt request (second interrupt line). This IRQ source signal is not mapped by default to any device INTC
	GPIO4_IRQ_1	IRQ_CROSSBAR_27	MPU_IRQ_32	GPIO4 interrupt request to MPU (first interrupt line)
			DSP1_IRQ_58	GPIO4 interrupt request to DSP1 (first interrupt line)
			PRUSS1_IRQ_58	GPIO4 interrupt request to PRU-ICSS1 (first interrupt line)
			PRUSS2_IRQ_58	GPIO4 interrupt request to PRU-ICSS2 (first interrupt line)

Table 27-4. GPIO Hardware Requests (continued)

GPIO5	GPIO5_IRQ_2	IRQ_CROSSBAR_142	N/A	GPIO5 interrupt request (second interrupt line). This IRQ source signal is not mapped by default to any device INTC
	GPIO5_IRQ_1	IRQ_CROSSBAR_28	MPU_IRQ_33	GPIO5 interrupt request to MPU (first interrupt line)
			DSP1_IRQ_59	GPIO5 interrupt request to DSP1 (first interrupt line)
			PRUSS1_IRQ_59	GPIO5 interrupt request to PRU-ICSS1 (first interrupt line)
	PRUSS2_IRQ_59		GPIO5 interrupt request to PRU-ICSS2 (first interrupt line)	
GPIO6	GPIO6_IRQ_2	IRQ_CROSSBAR_143	N/A	GPIO6 interrupt request (second interrupt line). This IRQ source signal is not mapped by default to any device INTC
	GPIO6_IRQ_1	IRQ_CROSSBAR_29	MPU_IRQ_34	GPIO6 interrupt request to MPU (first interrupt line)
			DSP1_IRQ_60	GPIO6 interrupt request to DSP1 (first interrupt line)
			PRUSS1_IRQ_60	GPIO6 interrupt request to PRU-ICSS1 (first interrupt line)
	PRUSS2_IRQ_60		GPIO6 interrupt request to PRU-ICSS2 (first interrupt line)	
GPIO7	GPIO7_IRQ_2	IRQ_CROSSBAR_347	N/A	GPIO7 interrupt request (second interrupt line). This IRQ source signal is not mapped by default to any device INTC
	GPIO7_IRQ_1	IRQ_CROSSBAR_30	MPU_IRQ_35	GPIO7 interrupt request to MPU (first interrupt line)
			DSP1_IRQ_61	GPIO7 interrupt request to DSP1 (first interrupt line)
			PRUSS1_IRQ_61	GPIO7 interrupt request to PRU-ICSS1 (first interrupt line)
	PRUSS2_IRQ_61		GPIO7 interrupt request to PRU-ICSS2 (first interrupt line)	
GPIO8	GPIO8_IRQ_2	IRQ_CROSSBAR_348	N/A	GPIO8 interrupt request (second interrupt line). This IRQ source signal is not mapped by default to any device INTC
	GPIO8_IRQ_1	IRQ_CROSSBAR_116	MPU_IRQ_121	GPIO8 interrupt request to MPU (first interrupt line)

DMA Requests

Module Instance	Source Signal Name	Destination DMA_CROSSBAR Input	Default Mapping	Description
GPIO1	GPIO1_DREQ_EVT	DMA_CROSSBAR_187	N/A	GPIO1 module - event/interrupt1. This DREQ source signal is not mapped by default to any device DMA controller.
GPIO2	GPIO2_DREQ_EVT	DMA_CROSSBAR_188	N/A	GPIO2 module - event/interrupt1. This DREQ source signal is not mapped by default to any device DMA controller.
GPIO3	GPIO3_DREQ_EVT	DMA_CROSSBAR_189	N/A	GPIO3 module - event/interrupt1. This DREQ source signal is not mapped by default to any device DMA controller.

Table 27-4. GPIO Hardware Requests (continued)

GPIO4	GPIO4_DREQ_EVT	DMA_CROSSBAR_190	N/A	GPIO4 module - event/interrupt1. This DREQ source signal is not mapped by default to any device DMA controller.
GPIO5	GPIO5_DREQ_EVT	DMA_CROSSBAR_191	N/A	GPIO5 module - event/interrupt1. This DREQ source signal is not mapped by default to any device DMA controller.
GPIO6	GPIO6_DREQ_EVT	DMA_CROSSBAR_192	N/A	GPIO6 module - event/interrupt1. This DREQ source signal is not mapped by default to any device DMA controller.
GPIO7	GPIO7_DREQ_EVT	DMA_CROSSBAR_193	N/A	GPIO7 module - event/interrupt1. This DREQ source signal is not mapped by default to any device DMA controller.
GPIO8	GPIO8_DREQ_EVT	DMA_CROSSBAR_194	N/A	GPIO8 module - event/interrupt1. This DREQ source signal is not mapped by default to any device DMA controller.

NOTE: The “**Default Mapping**” column in [Table 27-4 GPIO Hardware Requests](#) shows the default mapping of module IRQ and DREQ source signals. These module IRQ and DREQ source signals can also be mapped to other lines of each device Interrupt or DMA controller through the IRQ_CROSSBAR and DMA_CROSSBAR modules, respectively.
 For more information about the IRQ_CROSSBAR module, see [Section 18.4.6.4, IRQ_CROSSBAR Module Functional Description](#), in [Chapter 18, Control Module](#).
 For more information about the DMA_CROSSBAR module, see [Section 18.4.6.5, DMA_CROSSBAR Module Functional Description](#), in [Chapter 18, Control Module](#).
 For more information about the device interrupt controllers, see [Chapter 17, Interrupt Controllers](#).

NOTE: For the description of the interrupt source, see [Section 27.4.6, Interrupt and Wake-Up Requests](#).

27.4 General-Purpose Interface Functional Description

27.4.1 General-Purpose Interface Block Diagram

Figure 27-7 shows the general-purpose interface block diagram.

Figure 27-7. General-Purpose Interface Block Diagram

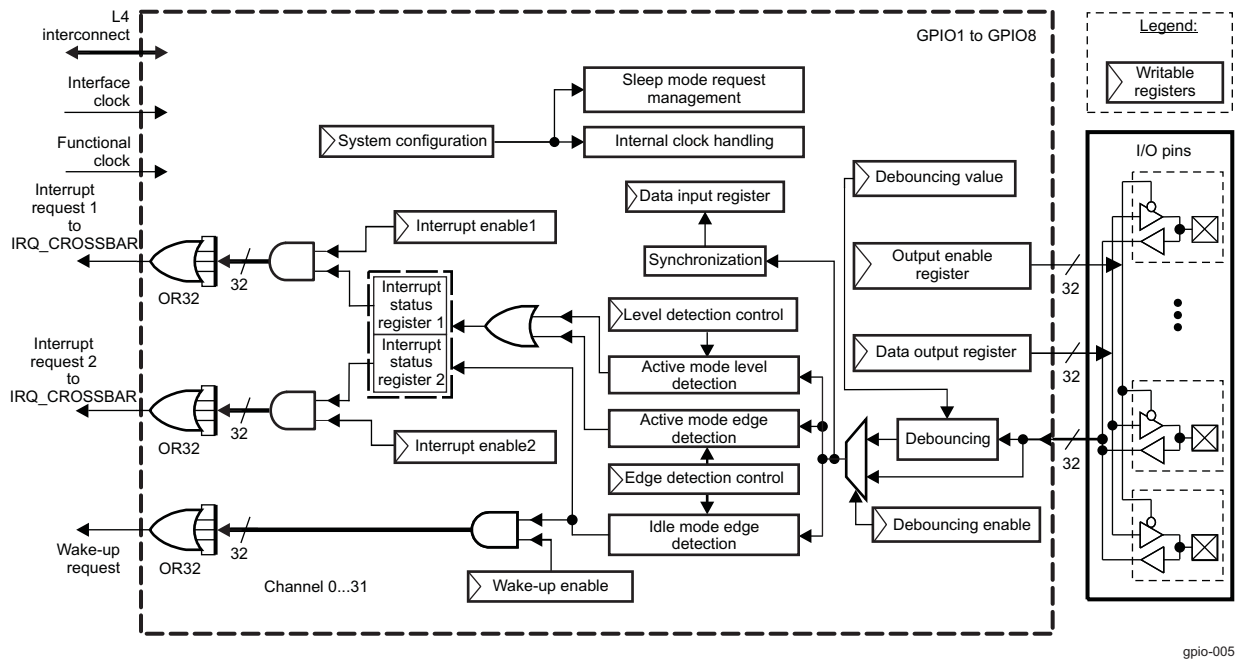
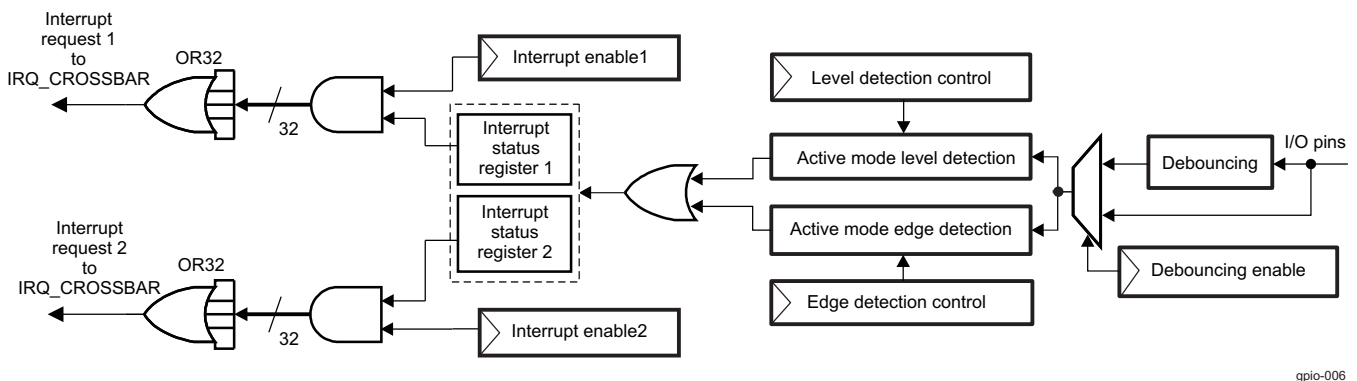


Figure 27-7 shows the details of the GPIO modules in the general-purpose interface block diagram, including their configuration registers and main functional paths:

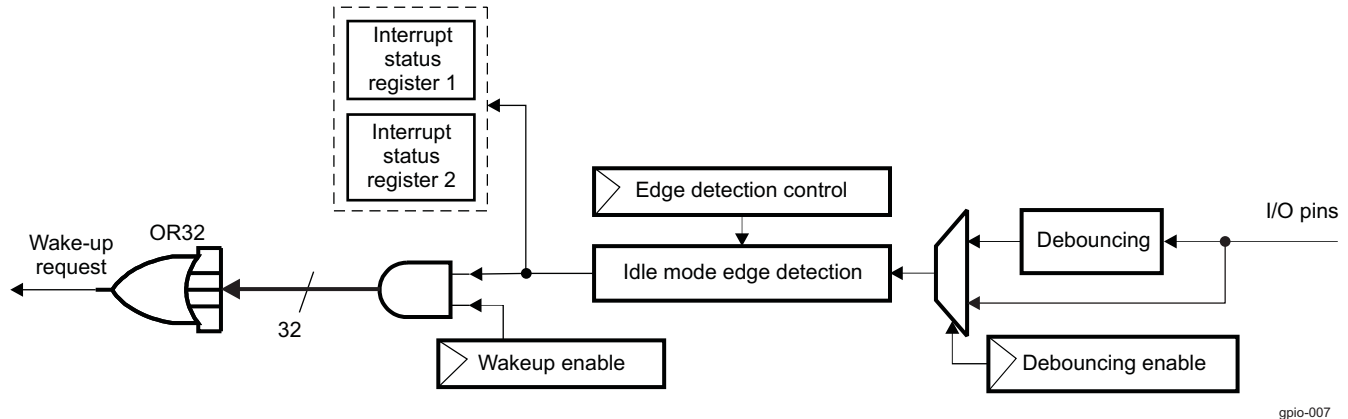
- The synchronous path (for active mode operation) used to generate a synchronous interrupt request on expected event detection on any input GPIO. Synchronous interrupt request lines 1 and 2 are active based on their respective interrupt-enable1 and 2 registers (GPIOi.GPIO_IRQSTATUS_SET_0, GPIOi.GPIO_IRQSTATUS_SET_1, GPIOi.GPIO_IRQSTATUS_CLR_0, and GPIOi.GPIO_IRQSTATUS_CLR_1). See Figure 27-8.

Figure 27-8. Synchronous Path



- The asynchronous path (for idle mode operation) used to generate an asynchronous wake-up request on the expected edge detection on any input GPIO. The asynchronous wake-up request line is active based on the wake-up-enable register. See Figure 27-9.

Figure 27-9. Asynchronous Path



- The blocks handling the internal clock (clock gating) and managing the sleep mode request/acknowledge protocol (enabling the synchronous path in active mode and the asynchronous path in idle mode)

27.4.2 General-Purpose Interface Interrupt and Wake-Up Features

27.4.2.1 Synchronous Path: Interrupt Request Generation

The general-purpose interface has 16 interrupt lines (two interrupt lines per GPIO module instance). The 16 interrupt signals are GPIOi_IRQ_1 (used by the MPU, DSP and IPU subsystems) and GPIOi_IRQ_2 (used by the CROSSBAR), where i = 1 to 8.

Synchronous interrupt requests from each channel are processed by two identical interrupt generation submodules used independently by the CROSSBAR subsystem on one side and by the MPU, IPU, and DSP subsystems on the other side. Each submodule controls its own synchronous interrupt request line and has its own interrupt-enable registers (GPIOi.GPIO_IRQSTATUS_SET_0, GPIOi.GPIO_IRQSTATUS_SET_1, GPIOi.GPIO_IRQSTATUS_CLR_0, and GPIOi.GPIO_IRQSTATUS_CLR_1) and interrupt status registers (GPIOi.GPIO_IRQSTATUS_RAW_0 and GPIOi.GPIO_IRQSTATUS_RAW_1). The interrupt-enable register selects the channel(s) considered for the interrupt request generation, and the interrupt status register determines which channel(s) activate the interrupt request. Event detection on GPIO channels is reflected in the interrupt status registers independent of the content of the interrupt-enable registers.

In active mode, when the GPIO configuration registers are set to enable the interrupt generation (see Section 27.4.6, *General-Purpose Interface Interrupt and Wake-Up Requests*), a synchronous path samples the transitions and levels on the input GPIO with the internally gated interface clock (see Section 27.4.5.2.4, *Module Power Saving*). When an event matches the programmed settings (see Section 27.4.6, *General-Purpose Interface Interrupt and Wake-Up Requests*), the corresponding bit in the interrupt status register (GPIO_IRQSTATUS_RAW_x [where x = 0 or 1]) is set to 1, and on the following interface clock cycle, interrupt lines 1 and/or 2 are activated (depending on the interrupt-enable registers GPIO_IRQSTATUS_SET_x [where x = 0 or 1]).

Because of the sampling operation, the minimum pulse width on the input GPIO to trigger a synchronous interrupt request is two times the internally gated interface clock period (that is, N times the interface clock period; see Section 27.4.5.2.4, *Module Power Saving*). This minimum pulse width must be met before and after any expected level transition detection. Level detection requires the selected level to be stable for at least two times the internally gated interface clock period to trigger a synchronous interrupt.

Because the module is synchronous, latency is minimal between the expected event occurrence and the activation of the interrupt line(s). This latency must not exceed three internally gated interface clock cycles plus two interface clock cycles when the debounce feature is not used.

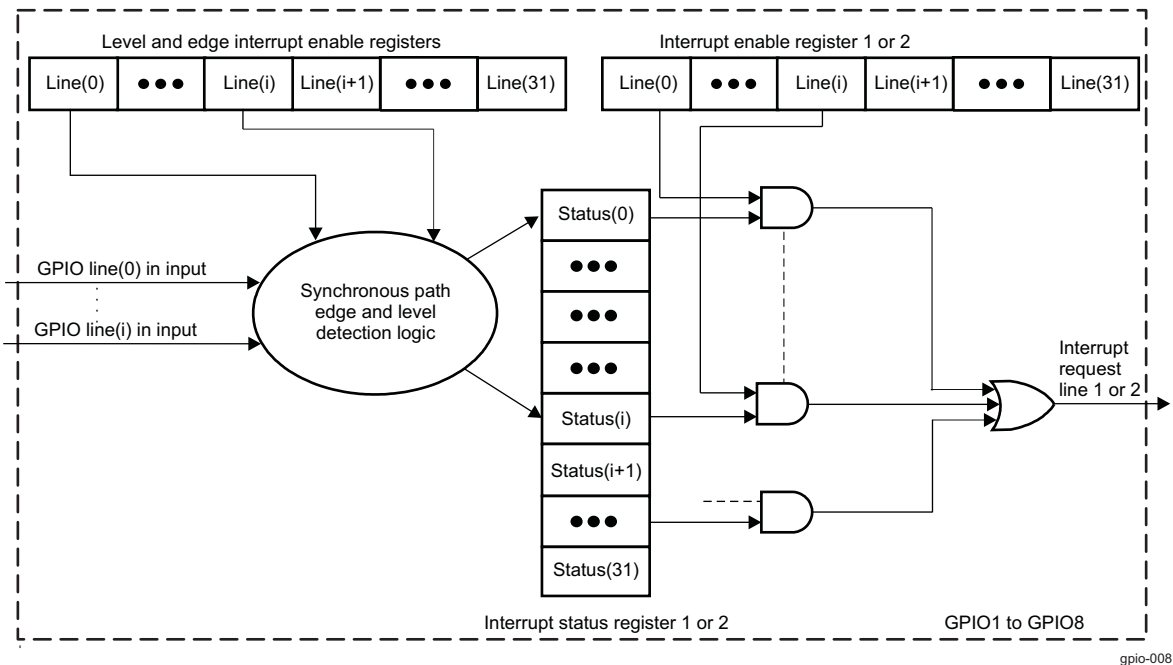
When the debounce feature is active, the latency depends on the value of the debouncing time register (GPIOi.GPIO_DEBOUNCINGTIME) (see Section 27.4.3, *General-Purpose Interface Clock Configuration*) and is less than three internally gated interface clock cycles plus two interface clock cycles plus GPIOi.GPIO_DEBOUNCINGTIME register value debounce clock cycles plus three debounce clock cycles.

Synchronous interrupt request line 1 is default mapped on the MPU, IPU, DSP subsystems.

Synchronous interrupt request line 2 is mapped on the CROSSBAR.

Figure 27-10 is an overview of the interrupt request generation.

Figure 27-10. Interrupt Request Generation



27.4.2.2 Asynchronous Path: Wake-Up Request Generation

The general-purpose interface has eight wake-up lines (one wake-up line per GPIO module instance) connected to the PRCM module.

Asynchronous wake-up requests from input channels are merged to issue one wake-up signal to the system per GPIO module. The wake-up-enable registers (GPIOi.GPIO_IRQWAKEN_0 and GPIOi.GPIO_IRQWAKEN_1) select the channel(s) considered for the wake-up request generation. The asynchronous wake-up request is reflected into the synchronous interrupt status registers (GPIOi.GPIO_IRQSTATUS_RAW_0 and GPIOi.GPIO_IRQSTATUS_RAW_1).

In idle mode (the interface clock is shut down and the GPIO configuration registers are programmed; see Section 27.4.6, *General-Purpose Interface Interrupt and Wake-Up Requests*), an asynchronous path detects the expected transition(s) on a GPIO input (based on register programming) and activates an asynchronous wake-up request by the sideband signal (GPIOi_SWAKEUP [where $i = 1$ to 8]), if the wake-up-enable register is set.

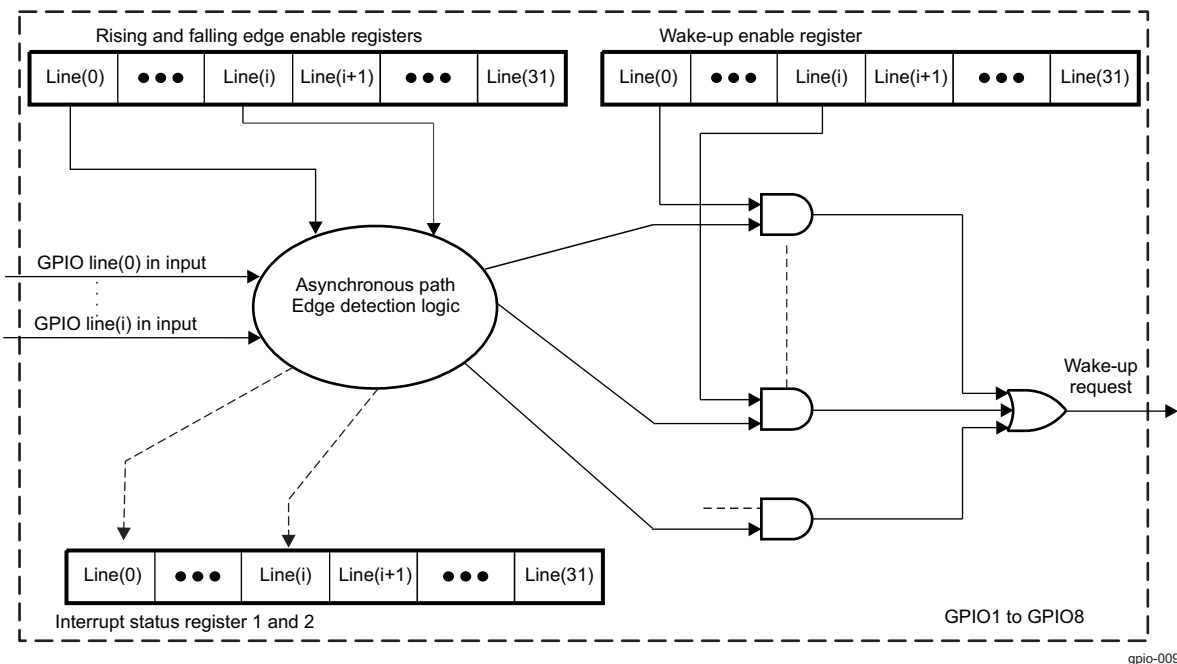
When the system is awakened, the interface clock is restarted and synchronously set to 1 based on the input GPIO pin triggering the wake-up request and the corresponding bit in the interrupt status registers (GPIOi.GPIO_IRQSTATUS_RAW_0 and GPIOi.GPIO_IRQSTATUS_RAW). On the following internal clock cycle, interrupt lines 1 and/or 2 are active (active high) when the corresponding bits are set in the interrupt-enable registers (GPIOi.GPIO_IRQSTATUS_SET_0, GPIOi.GPIO_IRQSTATUS_SET_0, GPIOi.GPIO_IRQSTATUS_CLR_0, and GPIOi.GPIO_IRQSTATUS_CLR_1).

NOTE:

- If the debouncing is not enabled, there is no minimum input pulse width to trigger the wake-up request, because there is no sampling operation.
- If the debouncing is used, the minimum pulse width is set by the debouncing specified time.
- The ENAWAKEUP bit of the `GPIO_SYSCONFIG` register allows the enabling or disabling of the GPIO wake-up feature globally: if this bit is set to 0, `GPIO_IRQWAKEN_x` has no effect

Figure 27-11 is an overview of the wake-up request generation.

Figure 27-11. Wake-Up Request Generation



27.4.2.3 Wake-Up Event Conditions During Transition To/From IDLE State

In phase A, only the synchronous path is enabled. A synchronous interrupt request (see Section 27.4.2.1, *Synchronous Path: Interrupt Request Generation*) activates the interrupt line(s) and prevents the GPIO from transitioning into IDLE state until the interrupt is cleared.

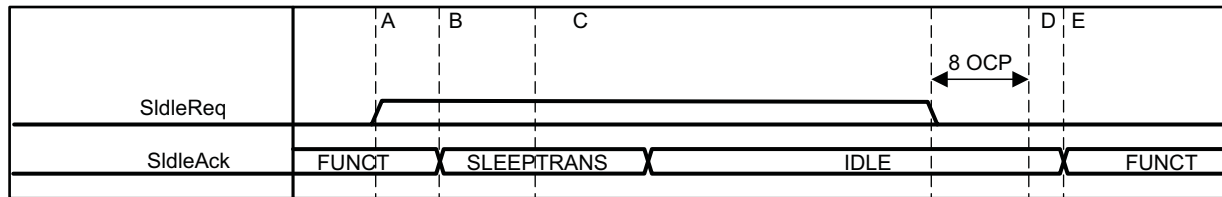
In phase B, the asynchronous path and synchronous path are enabled during the first five functional clock cycles of SLEEPTRANS state. During this period a synchronous interrupt request (see Section 27.4.2.1, *Synchronous Path: Interrupt Request Generation*) prevents the GPIO from transitioning into IDLE state. A shorter pulse puts the module into IDLE state but triggers a wakeup once in IDLE.

In phase C, only the asynchronous path is enabled. A wake-up request (see Section 27.4.2.2, *Asynchronous Path: Wake-Up Request Generation*) triggers a wake-up request from the GPIO and when the module is awakened an interrupt is generated. If debouncing is not enabled, there is no minimum input pulse width to trigger the wake-up request.

In phase D, eight open-core protocol (OCP) clock cycles occur until the module is in FUNCT state, the synchronous path is enabled, and an event that fulfills the pulse width requirements (see Section 27.4.2.1, *Synchronous Path: Interrupt Request Generation*) activates the interrupt line(s).

In phase E, only the synchronous path is enabled. A synchronous interrupt request (see Section 27.4.2.1, *Synchronous Path: Interrupt Request Generation*) activates the interrupt line(s).

Figure 27-12 shows the wake-up event conditions.

Figure 27-12. Wake-Up Event Conditions


gpio-014

27.4.2.4 Interrupt (or Wake-Up) Line Release

When the host processor (the MPU and/or DSP subsystem in the device) receives an interrupt request issued by the GPIO module, it reads the corresponding interrupt status register (GPIOi.GPIO_IRQSTATUS_0 or GPIOi.GPIO_IRQSTATUS_1) to determine which GPIO input triggered the interrupt (or the wake-up request).

After servicing the interrupt (or acknowledging the wake-up request), the software resets the status bit and releases the interrupt line by setting the corresponding bit of the interrupt status register to 1. If there is still a pending interrupt request to serve (all bits in the interrupt status register that are not masked by the interrupt-enable register are not cleared), the interrupt line is reasserted.

NOTE: The status bit must be reset to re-enter idle mode.

27.4.3 General-Purpose Interface Clock Configuration

27.4.3.1 Clocking

Each GPIO module uses two clocks:

- **Debounce clock:** The 32-kHz debounce clock, GPIOi_DBCLK (where i = 1 to 8 with one debounce clock per module), comes from the PRCM module and is used to debounce the submodule logic (without the corresponding configuration registers). This module can sample the input line and filter the input level using a programmed delay.

The debouncing value register (GPIOi.GPIO_DEBOUNCINGTIME) is used to set the debouncing time for all input lines in the GPIO module. Because the value is global for all the ports of one GPIO module, up to eight different debouncing values are possible. The debounce cell runs with the debounce clock (32 kHz). This register represents the number of clock cycle(s) to be used.

The following formula describes the required input stable time to be propagated to the debounced output:

Required input line stable = (the value of the GPIOi.GPIO_DEBOUNCINGTIME[7:0] DEBOUNCETIME bit field + 1) × 31,

where the value of the GPIOi.GPIO_DEBOUNCINGTIME[7:0] DEBOUNCETIME bit field is from 0 to 255.

For more information, see [Section 3.6.4.5, CD_L4_PER1 Clock Domain](#), and [Section 3.6.4.1, CD_WKUPAON Clock Domain](#), in [Chapter 3, Power, Reset, and Clock Management](#).

- **Interface clock:** The interface clock, GPIOi_ICLK (where i = 1 to 8), comes from the PRCM module and is used throughout the GPIO module (except within the debounce cell logic). GPIOi_ICLK clocks the data exchanges between the L4 interconnect and the internal logic. The clock-gating features allow module power consumption to be adapted to the activity.

For more information, see [Section 3.6.4.5, CD_L4_PER1 Clock Domain](#), and [Section 3.6.4.1, CD_WKUPAON Clock Domain](#), in [Chapter 3, Power, Reset, and Clock Management](#).

[Table 27-3](#) describes the clocks in the GPIO modules.

[Table 27-5](#) summarizes the functional clock configuration.

Table 27-5. Functional Clock Configuration

Interface Clock	GPIO_CTRL[2:1]GATINGRATIO	Functional Clock
GPIOi_ICLK (where i = 1 to 8)	00	GPIOi_ICLK /1
GPIOi_ICLK (where i = 1 to 8)	01	GPIOi_ICLK /2
GPIOi_ICLK (where i = 1 to 8)	10	GPIOi_ICLK /4
GPIOi_ICLK (where i = 1 to 8)	11	GPIOi_ICLK /8

27.4.4 General-Purpose Interface Hardware and Software Reset

The GPIO can be reset by using the domain reset (hardware reset) or by setting a dedicated configuration bit (software reset) in each GPIO module.

- **Hardware reset:** The GPIO2 to GPIO8 modules are attached to the L4PER_RET_RST reset domain. GPIO1 is attached to the WKUPAON_RST reset domain.

The hardware reset has a global reset action on the GPIO modules of the general-purpose interface. All configuration registers and internal logic are reset when it is active (low level). In each GPIO module, the GPIOi.GPIO_SYSSTATUS[0] RESETDONE bit monitors the internal reset status; it is set when the reset completes. For more information, see [Section 3.5.5, Reset Domains](#), in [Chapter 3, Power, Reset, and Clock Management](#).

- **Software reset:** Each GPIO module has its own software reset using the GPIOi.GPIO_SYSCONFIG[1] SOFTRESET bit. The software reset has the same effect as the hardware reset signal, but this reset can be applied on one or more modules.

Setting the GPIOi.GPIO_SYSCONFIG[1] SOFTRESET bit to 1 resets the module. A bit value of 1 remains until the reset completes. When the software reset completes, the

GPIOi.GPIO_SYSCONFIG[1] SOFTRESET bit is automatically reset to 0 and has the same effect as a hardware reset. The GPIOi.GPIO_SYSSTATUS[0] RESETDONE bit is cleared during a software reset. RESETDONE is set to 1 when the software reset completes.

27.4.5 General-Purpose Interface Power Management

27.4.5.1 Power Domain

GPIO1 is attached to the PD_WKUPAON power domain (see [Section 3.1.1.2, Power Management](#), in [Chapter 3, Power, Reset, and Clock Management](#)). This domain is composed of the logic permanently supplied to manage domain power state transitions and detect wake-up events. The WKUPAON power domain is continuously active. The GPIO2 to GPIO8 modules are attached to the PD_L4PER power domain (see [Section 3.1.1.2, Power Management](#), in [Chapter 3, Power, Reset, and Clock Management](#)). The PD_L4PER power domain is not active continuously.

27.4.5.2 Power Management

27.4.5.2.1 Idle Scheme

To reduce dynamic consumption, an efficient idle scheme is based on the following:

- Efficient local autoclock gating for each module
- The implementation of control sideband signals between the PRCM module and each module

This enhanced idle control allows clocks to be activated and deactivated safely without requiring complex software management.

The idle mode request, idle acknowledge, and wake-up request (GPIOi_WAKEUP) are sideband signals between the PRCM module and the general-purpose interface (see [Section 27.4.6.2, Wake-Up Requests Generation](#)).

27.4.5.2.2 Operating Modes

Three operating modes are defined for the module:

- Active mode: The module runs synchronously on the interface clock; interrupts can be generated based on the configuration and external signals.
- Idle mode: Power-saving mode with the module in a waiting state. The interface clock can be stopped, an interrupt cannot be generated, and a wake-up signal can be generated based on the configuration and external signals.

If the debounce clock provided by the PRCM module is active, the debounce cell can sample and filter the input to generate a wake-up event. If the debounce clock is inactive, the debounce cell gates all input signals and thus cannot be used.

- Disabled mode: The module is not used. The internal clock paths are gated, and an interrupt or wake-up request cannot be generated.

Idle mode is configured within the module and activated on request by the host processor through sideband signals (see [Section 27.4.5.2.3, System Power Management and Wakeup](#)).

The disabled mode is set by software through a dedicated configuration bit, GPIOi.GPIO_CTRL[0] DISABLEMODULE (0: The module is enabled and clocks are not gated; 1: The module is disabled and clocks are gated). It unconditionally gates the internal clock paths that are not used for the system interface. When setting the GPIO_CTRL[0] DISABLEMODULE bit (enabling or disabling the GPIO module), it is important to switch the debouncing clock on or off in the following order:

- The GPIO optional debouncing clock must be enabled before the GPIO module is set (GPIO_CTRL[0]DISABLEMODULE = 0x0).
- The GPIO optional debouncing clock must be disabled after the GPIO module is disabled (GPIO_CTRL[0]DISABLEMODULE = 0x1).

27.4.5.2.3 System Power Management and Wakeup

The PRCM module can require the GPIO modules to be idled for power-saving purposes.

The general-purpose interface has eight identical idle mode request/acknowledge (handshake) mechanisms with the PRCM module (see [Section 27.4.6.2, Wake-Up Requests Generation](#)): one per GPIO module. The general-purpose interface allows the GPIO modules to enter idle mode based on the GPIOi.GPIO_SYSCONFIG[4:3] IDLEMODE bit field.

Idle acknowledge depends on the configuration and activity of each GPIO module:

- Smart-idle mode

When the GPIO module is configured in smart-idle mode, it checks for more activity (capture of the input GPIO pins in the GPIOi.GPIO_DATAIN register is complete with no pending interrupt; all interrupt status bits are cleared), and there is no write access to the GPIO.GPIO_DEBOUNCINGTIME register, which is waiting to be synchronized.

Idle acknowledge is then asserted and the module enters into idle mode. It waits for active system clock gating by the PRCM module (when all peripherals supplied by the same L4 interface clock domain are also ready for idle).

In idle mode (that is, when the PRCM module gates the interface clock), no interrupt occurs.

- Smart-idle wake-up mode

If the GPIOi.GPIO_SYSCONFIG[4:3] IDLEMODE bit field selects smart-idle or smart-idle wake-up mode, the GPIO module evaluates its internal capability to have the interface clock switched off. Once all internal activity ceases (the DATA INPUT REGISTER completed to capture the input GPIO pins, there is no pending interrupt, all interrupt status bits are cleared, and there is no write access to the GPIO_DEBOUNCINGTIME register pending to be synchronized), the idle acknowledge is asserted and the GPIO enters into Idle mode, ready to issue a wake-up request when the expected transition occurs on an enabled GPIO input pin. This wake-up request is effectively sent only if the GPIOi.GPIO_SYSCONFIG[2] ENAWAKEUP bit of the system configuration register enables the GPIO wake-up capability (see). When the system is awake, the IDLE request goes inactive, the idle acknowledge and wake-up request (if the GPIO triggered the wake-up in the system) signals are immediately deasserted, and the asynchronous wake-up request (if it exists) is reflected into the synchronous interrupt status registers.

- Force-idle mode

When the GPIO module is configured in force-idle mode (the GPIOi.GPIO_SYSCONFIG[4:3] IDLEMODE bit field = 0x0) and receives an IDLE request from the PRCM module, the GPIO module waits unconditionally for active system clock gating by the PRCM module. (This occurs only when all peripherals supplied by the same L4 interface clock domain are also ready for idle.)

When in idle mode (that is, when the PRCM module gates the interface clock), the module (in inactive mode) has no activity, the interface clock paths are gated, an interrupt cannot be generated, and the wake-up feature is totally inhibited.

- No-idle mode

When the GPIO module is configured in no-idle mode (the GPIOi.GPIO_SYSCONFIG[4:3] IDLEMODE bit field = 0x1) and receives an IDLE request from the PRCM module, the GPIO module does not go into idle mode and the idle acknowledge is never sent.

NOTE: For more information about the idle modes, see [Section 3.1.1.2, Power Management](#), in [Chapter 3, Power, Reset, and Clock Management](#).

27.4.5.2.4 Module Power Saving

The GPIO module has local power management by internal clock-gating features:

- Internal interface clock gating: The clock for the system interface logic can be gated when the module is not accessed, if the GPIOi.GPIO_SYSCONFIG[0] AUTOIDLE bit is set. Otherwise, this logic is free-running on the interface clock.
- Clock gating for the input data sample logic: Clock for the input data sample logic can be gated when the data in the GPIOi.GPIO_DATAIN register is not accessed.

- Clock gating for the event detection logic: Each GPIO module implements four clock groups used for the logic in the synchronous event detection. Each group of eight input GPIO pins has a separate enable signal depending on the edge/level detection register setting (because the input is 32 bits, four groups of eight inputs are defined for each GPIO module). If a group requires no detection, the corresponding clock is gated off.
All channels are also gated using a one-out-of-N scheme. N is the GPIOi.GPIO_CTRL[2:1] GATINGRATIO bit field and can take the values 1, 2, 4, and 8. The interface clock is enabled for this logic one cycle every N cycles. When N is 1, there is no gating and this logic is free-running on the interface clock. When N is 2, 4, or 8, this logic runs at the equivalent frequency of interface clock frequency divided by N.
- Inactive mode: In inactive mode, all internal clock paths are gated.
- Disabled mode: All internal clock paths not used for the L4 interconnect are gated. The GPIOi.GPIO_CTRL[0] DISABLEMODULE bit controls a clock-gating feature at the module level. Setting this bit to 1 forces clock gating for all internal clock paths. Module internal activity is suspended. The L4 interconnect is not affected by this bit.

The interface clock gating is controlled with the GPIOi.GPIO_SYSCONFIG[0] AUTOIDLE bit, which is used to save power when the module is not used because of the multiplexing configuration selected at the chip level. This bit has precedence over all other internal configuration bits.

Table 27-6 describes the power-management features available for the general-purpose interface module.

NOTE: For information about source clock gating and sleep/wake-up transitions, see Section 3.1.1.1.2, *Module-Level Clock Management*, in Chapter 3, *Power, Reset, and Clock Management*.

For descriptions of the EnaWakeUp, IdleMode, ClockActivity, and StandbyMode features, see Section 3.1.1.1.2, *Module-Level Clock Management*, in Chapter 3, *Power, Reset, and Clock Management*.

Table 27-6. Local Power-Management Features

Feature	Register Bits/Bit Fields	Description
Clock autogating	GPIOi.GPIO_SYSCONFIG[0] AUTOIDLE	It sets the clock-gating strategy for the OCP interface block.
Slave-idle modes	GPIOi.GPIO_SYSCONFIG[4:3] IDLEMODE	Force-idle, no-idle, and smart-idle wake-up-capable modes are available.
Clock activity	GPIOi.GPIO_CTRL[0] DISABLEMODULE	Enable and disable the module.
Debouncing enable	GPIOi.GPIO_DEBOUNCENABLE[31:0] DEBOUNCEENABLE	Debouncing mode is available.
Global wake-up enable	GPIOi.GPIO_SYSCONFIG[2] ENAWAKEUP	This bit enables the wake-up feature at the module level.
Wake-up sources enable	GPIOi.GPIO_IRQWAKEN_0[31:0] INTLINE GPIOi.GPIO_IRQWAKEN_1[31:0] INTLINE	This register enables or disables a specific IRQ request source to generate a wake-up signal.

Table 27-7 describes the clock activity settings.

Table 27-7. Clock Activity Settings

GPIOi.GPIO_SYSCONFIG[4:3] IDLEMODE	Selected Mode	Description	Wake-Up Events
00	Force-idle	The GPIO module goes into inactive mode independently of the internal module state, and the IDLE acknowledge is never sent.	No
01	No-idle	The GPIO module does not go into Idle mode and the IDLE acknowledge is never sent.	No

Table 27-7. Clock Activity Settings (continued)

GPIOi.GPIO_SYSCONFIG[4:3] IDLEMODE	Selected Mode	Description	Wake-Up Events
10	Smart-idle	The GPIO module evaluates its internal capability to have the interface clock switched off. If there is no more internal activity, the IDLE acknowledge is asserted and the GPIO enters idle mode.	No
11	Smart-idle wake-up	The GPIO module evaluates its internal capability to have the interface clock switched off. If there is no more internal activity, the IDLE acknowledge is asserted and the GPIO enters idle mode.	Yes

27.4.6 General-Purpose Interface Interrupt and Wake-Up Requests

27.4.6.1 Interrupt Requests Generation

All interrupt sources (the 32 GPIO input channels) are merged to issue two synchronous interrupt requests in each GPIO module. Thus, the general-purpose interface has 16 interrupt lines (two interrupt lines per GPIO module instance).

- Synchronous interrupt request line 1 is default mapped on the MPU,DSP and IPU INTC subsystem.
- Synchronous interrupt request line 2 is mapped on the CROSSBAR.

Table 27-8 lists the event flags, and their mask, that can cause module interrupts.

Table 27-8. Events

Event Flag	Event Mask	Synchronou s	Sensitivity	Description
GPIOi.GPIO_IRQSTATUS_0 [31:0] INTLINE	GPIOi.GPIO_IRQSTATUS_SET_0[31:0] INTLINE	Yes	Edge/ level	Corresponding to the first line of interrupt
GPIOi.GPIO_IRQSTATUS_1 [31:0] INTLINE	GPIOi.GPIO_IRQSTATUS_SET_1[31:0] INTLINE	Yes	Edge/ level	Corresponding to the second line of interrupt
GPIOi.GPIO_IRQSTATUS_0 [31:0] INTLINE	GPIOi.GPIO_IRQSTATUS_SET_0[31:0] INTLINE	Yes	Edge/ level	Corresponding to the first line of interrupt
GPIOi.GPIO_IRQSTATUS_1 [31:0] INTLINE	GPIOi.GPIO_IRQSTATUS_SET_1[31:0] INTLINE	Yes	Edge/ level	Corresponding to the second line of interrupt
GPIOi.GPIO_IRQSTATUS_0 [31:0] INTLINE	GPIOi.GPIO_IRQSTATUS_CLR_0[31:0] INTLINE	Yes	Edge/ level	Corresponding to the first line of interrupt
GPIOi.GPIO_IRQSTATUS_1 [31:0] INTLINE	GPIOi.GPIO_IRQSTATUS_CLR_1[31:0] INTLINE	Yes	Edge/ level	Corresponding to the second line of interrupt
GPIOi.GPIO_IRQSTATUS_0 [31:0] INTLINE	GPIOi.GPIO_IRQWAKEN_0 [31:0] INTLINE	No	Edge/ level	Corresponding to the first line of interrupt
GPIOi.GPIO_IRQSTATUS_1 [31:0] INTLINE	GPIOi.GPIO_IRQWAKEN_1 [31:0] INTLINE	No	Edge/ level	Corresponding to the second line of interrupt

NOTE: For more information about interrupt mapping, see [Table 27-4, GPIO Hardware Request](#).

Synchronous interrupt request line 1 and line 2 are active depending on their respective interrupt-enable1 and interrupt-enable 2 registers (GPIOi.GPIO_IRQSTATUS_SET_0, GPIOi.GPIO_IRQSTATUS_SET_1, GPIOi.GPIO_IRQSTATUS_CLR_0, and GPIOi.GPIO_IRQSTATUS_CLR_1).

- interrupt-enable registers (GPIOi.GPIO_IRQSTATUS_SET_0 and GPIOi.GPIO_IRQSTATUS_SET_1)
The interrupt enable1 (or interrupt enable2) register allows masking of the expected transition on input GPIO to prevent the generation of an interrupt request on line 1 (or line 2). The interrupt-enable registers are programmed synchronously with the interface clock.

These registers can be accessed with direct read/write operations or by using the alternate set-and-

clear protocol feature for register update. This feature allows setting or clearing explicit bits of these registers with a single write access (see [Section 27.4.9, General-Purpose Interface Set-and-Clear Protocol](#)).

- Interrupt status registers (GPIOi.GPIO_IRQSTATUS_0 and GPIOi.GPIO_IRQSTATUS_1)

The interrupt status 1 (or interrupt status 2) register determines which of the input GPIO pins triggered the interrupt line1 (or interrupt line 2) request (or the wake-up line).

When a bit in this register is set to 1, it indicates that the corresponding GPIO pin is requesting the interrupt (or the wakeup). To reset a bit in this register, set the appropriate bit to 1. However, an interrupt cannot be generated by writing 1 to the interrupt status 1 (or interrupt status 2) register.

If 0 is written to a bit in this register, the value in the corresponding bit in the interrupt status 1 and remains unchanged. The interrupt status 1 (or interrupt status 2) register is synchronous with the interface clock. In idle mode, the event is detected through an asynchronous path, and interrupt status 2 registers are set when the GPIO module is awoken.

CAUTION

After servicing the interrupt, the status bit in the interrupt status register (GPIOi.GPIO_IRQSTATUS_0 or GPIOi.GPIO_IRQSTATUS_1) must be reset and the interrupt line released (by setting the corresponding bit of the interrupt status register to 1).

Before enabling an interrupt for the GPIO channel in the interrupt-enable register (GPIOi.GPIO_IRQSTATUS_SET_0 or GPIOi.GPIO_IRQSTATUS_SET_1) the corresponding status bit in the interrupt status register (GPIOi.GPIO_IRQSTATUS_0 or GPIOi.GPIO_IRQSTATUS_1) must be reset to prevent the occurrence of unexpected interrupts when enabling an interrupt for the GPIO channel.

27.4.6.2 Wake-Up Requests Generation

The GPIO1 module of the general-purpose interface is attached to the WKUPAON power domain (see [Section 3.1.1.2, Power Management](#), in [Chapter 3, Power, Reset, and Clock Management](#), and can wake up the system.

NOTE: The GPIO2 to GPIO8 modules belong to the PD_L4PER power domain and thus their wake-up capabilities are operational only when the PD_L4PER power domain is active.

All wake-up sources (the 32 input GPIO channels) are merged together to issue a single asynchronous wake-up request in each GPIO module following the expected transition(s) (based on register programming). Each GPIO module generates a wake-up signal to the PRCM module.

NOTE: Only gpio1_[3:0] can be used to generate a direct wake-up event.

The asynchronous wake-up request line is active based on the GPIOi.GPIO_IRQWAKEN_0 and GPIO_IRQWAKEN_1 wake-up-enable registers (where i = 1 to 8).

The wake-up-enable register allows masking of the expected transition on input GPIO to prevent the generation of a wake-up request. The wake-up-enable register is programmed synchronously with the interface clock before any idle mode request coming from the host processor.

This register can be accessed with direct read/write operations.

NOTE: There must be a correlation between the wake-up enable and interrupt-enable registers. If a GPIO pin has a wake-up configured on it, it must also have the corresponding interrupt enabled (on one of the two interrupt lines). Otherwise, it is possible to have a wake-up event, but after exiting the IDLE state, no interrupt is generated; thus, the corresponding bit from the interrupt status register is not cleared, and the module does not acknowledge a future IDLE request.

Table 27-9 lists the mapping of the wake-up signals.

Table 27-9. Wake-Up Signals

Name	Mapping	Comments
GPIOI_WAKE	GPIOI_SWAKEUP	Where i = 1 to 8. The destination is the PRCM module.

27.4.7 General-Purpose Interface Channels Description

Table 27-10 describes the GPIO channels.

Table 27-10. GPIO Channels Description

Channel Number	Type ⁽¹⁾	Mapping	Wake-Up Feature	Comments
GPIO1				
[0]	I/O	gpio1_0	Yes	GPIO. Wake-up path. Input only.
[2:1]	-	Reserved	Reserved	Not pinned-out
[3]	I/O	gpio1_3	Yes	GPIO. Wake-up path. Input only.
[31:4]	I/O	gpio1_[31:4]	Yes	GPIO. Wake-up path.
GPIO2				
[29:0]	I/O	gpio2_[29:0]	Yes	GPIO
[31:30]	-	Reserved	Reserved	Not pinned-out.
GPIO3				
[27:0]	-	Reserved	Reserved	Not pinned-out.
[31:28]	I/O	gpio3_[31:28]	Yes	GPIO
GPIO4				
[31:0]	I/O	gpio4_[31:0]	Yes	GPIO
GPIO5				
[31:0]	I/O	gpio5_[31:0]	Yes	GPIO
GPIO6				
[3:0]	—	Reserved	Reserved	Not pinned out.
[31:4]	I/O	gpio6_[31:4]	Yes	GPIO
GPIO7				
[19:0]	I/O	gpio7_[19:0]	Yes	GPIO
[21:20]	—	Reserved	Reserved	Not pinned out.
[31:22]	I/O	gpio7_[31:22]	Yes	GPIO
GPIO8				
[23:0]	I/O	gpio8_[23:0]	Yes	GPIO
[24]	I	CHGDETECT1	Yes	Charge-detect interrupt from USB2PHY1.
[25]	I	CHGDETECT2	Yes	Charge-detect interrupt from USB2PHY2.

⁽¹⁾ I = Input; O = Output; I/O = bidirectional

Table 27-10. GPIO Channels Description (continued)

Channel Number	Type ⁽¹⁾	Mapping	Wake-Up Feature	Comments
[26]	—	Reserved	Reserved	Not pinned out.
[27]	I	gpio8_27	Yes	GPIO. Input only.
[31:28]	I/O	gpio8_in[31:28]	Yes	GPIO

NOTE: For more information about pin configuration, see [Section 18.4.6.1.1, Pad Configuration Registers](#), in [Chapter 18, Control Module](#).

NOTE: GPIO pins can directly snoop device pads even if those are configured in the other modes. For GPIO output user needs to set pad mux.

27.4.8 General-Purpose Interface Data Input/Output Capabilities

The output-enable register (GPIOi.GPIO_OE) controls the I/O capability of each pin. At reset, all the GPIO-related pins are configured as inputs, and their output capabilities are disabled. This register is not used within the module. Its only function is to carry the pad configuration.

When configured as an output (the desired bit reset in the GPIOi.GPIO_OE register), the value of the corresponding bit in the GPIOi.GPIO_DATAOUT register is driven on the corresponding GPIO pin. Data is written to the data-output register synchronously with the interface clock. This register can be accessed with read/write operations or by using the alternate set-and-clear protocol register update feature. This feature gives the possibility to set or clear specific bits of this register with a single write access to the set output data register (GPIOi.GPIO_SETDATAOUT) or to the clear output data register (GPIOi.GPIO_CLEARDATAOUT) address (see [Section 27.4.9, General-Purpose Interface Set-and-Clear Protocol](#)). If the application uses a pin as an output and does not want interrupt/wake-up generation from this pin, the application must properly configure the wake-up enable (GPIOi.GPIO_WAKEUPENABLE) and the interrupt-enable (GPIOi.GPIO_IRQSTATUS_SET_0 and GPIOi.GPIO_IRQSTATUS_SET_1) registers.

When configured as an input (the desired bit is set to 1 in the GPIOi.GPIO_OE register), the state of the input can be read from the corresponding bit in the GPIOi.GPIO_DATAIN register. The input data is sampled synchronously with the interface clock and then captured in the data input register synchronously with the interface clock. When the GPIO pin levels change, they are captured into this register after two interface clock cycles (the required cycles to synchronize and write data). If the application uses a pin as an input, the application must properly configure the wake-up enable (GPIOi.GPIO_IRQWAKEN_0 and GPIOi.GPIO_IRQWAKEN_1) and the interrupt-enable (GPIOi.GPIO_IRQSTATUS_SET_0 and GPIOi.GPIO_IRQSTATUS_SET_0) registers to the interrupt and wake-up feature as needed. For using the alternate set-and-clear protocol, see [Section 27.4.9, General-Purpose Interface Set-and-Clear Protocol](#).

27.4.9 General-Purpose Interface Set-and-Clear Protocol

27.4.9.1 Description

The GPIO module implements the set-and-clear protocol register update for the following registers:

- GPIOi.GPIO_DATAOUT
- GPIOi.GPIO_IRQSTATUS_CLR_0
- GPIOi.GPIO_IRQSTATUS_CLR_1
- GPIOi.GPIO_IRQSTATUS_SET_0
- GPIOi.GPIO_IRQSTATUS_SET_1

This protocol is an alternative to the atomic test and set operations and consists of writing operations at dedicated addresses (one address for setting bit[s] and one address for clearing bit[s]). The data to write is 1 at bit position(s) to clear (or to set) and 0 at unaffected bit(s). Registers can be accessed in two ways:

- Standard: Full register read and write operations at the primary register address
- Set and clear: Separate addresses are provided to set (and clear) bits in registers. Writing 1 at these addresses sets (or clears) the corresponding bit into the equivalent register; writing 0 has no effect.

Therefore, for these registers, three addresses are defined for one unique physical register. Reading these addresses has the same effect and returns the register value.

27.4.9.2 Clear Instruction

27.4.9.2.1 Clear Register Addresses

- Clear interrupt-enable registers (GPIOi.GPIO_IRQSTATUS_CLR_0 and GPIOi.GPIO_IRQSTATUS_CLR_1).

A write operation in the GPIO_IRQSTATUS_CLR_0 (or GPIO_IRQSTATUS_CLR_1) register clears the corresponding bit in the same register when the written bit is 1; a written bit at 0 has no effect.

A read of the clear interrupt enable0 (or enable1) register returns the value of the GPIO_IRQSTATUS_CLR_0 (or GPIO_IRQSTATUS_CLR_1) register.

- Clear data-output register (GPIOi.GPIO_CLEARDATAOUT).

A write operation in the clear data-output register clears the corresponding bit in the data-output register when the written bit is 1; a written bit at 0 has no effect.

A read of the clear data-output register returns the value of the data-output register.

27.4.9.2.2 Clear Instruction Example

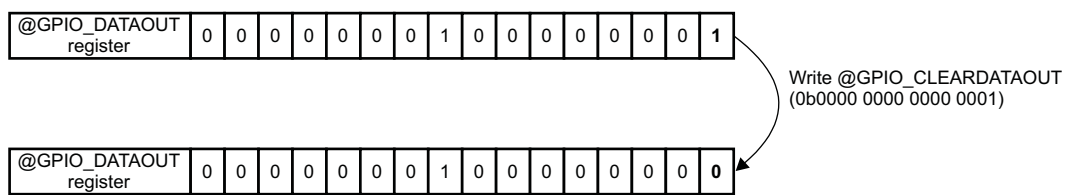
Assume the data-output register (or one of the interrupt or wake-up-enable registers) contains the binary value 0b0000 0001 0000 0001 and bit 0 is to be cleared.

With the clear instruction feature, write 0b0000 0000 0000 0001 at the address of the clear data-output register (or at the address of the clear interrupt or wake-up-enable register). After this write operation, a reading of the data-output register (or the interrupt or wake-up-enable register) returns 0b0000 0001 0000 0000; bit 0 is cleared.

NOTE: Although the general-purpose interface registers are 32 bits wide, only the 16 least-significant bits (LSBs) are represented in this example.

Figure 27-13 is an example of a clear instruction.

Figure 27-13. GPIO_CLEARDATAOUT Register Example



gpio-010

27.4.9.3 Set Instruction

27.4.9.3.1 Set Register Addresses

- Set interrupt-enable registers (GPIOi.GPIO_IRQSTATUS_SET_0 and GPIOi.GPIO_IRQSTATUS_SET_1).

A write operation in the GPIOi.GPIO_IRQSTATUS_SET_0 (or GPIOi.GPIO_IRQSTATUS_SET_1) register sets the corresponding bit in the same register when the written bit is 1; a written bit at 0 has no effect.

A read of the set interrupt-enable 0 (or enable1) register returns the value of the interrupt GPIOi.GPIO_IRQSTATUS_SET_0 (or GPIOi.GPIO_IRQSTATUS_SET_1) register.

- Set data-output register (GPIOi.GPIO_SETDATAOUT).
 A write operation in the set data-output register sets the corresponding bit in the data-output register when the written bit is 1; a written bit at 0 has no effect.
 A read of the set data-output register returns the value of the data-output register.

27.4.9.3.2 Set Instruction Example

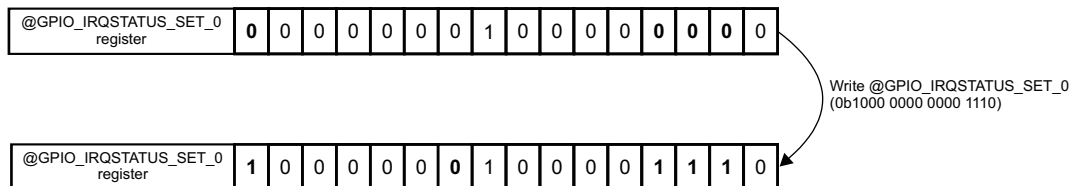
Assume the interrupt enable1 (or enable2) register (or the data-output register) contains the binary value 0b0000 0001 0000 0000 and bits 15, 3, 2, and 1 are to be set.

With the set instruction feature, the user has only to write 0b1000 0000 0000 1110 at the address of the GPIO_SETDATAOUT register. After this write operation, a reading of the GPIO_SETDATAOUT register returns 0b1000 0001 0000 1110: bits 15, 3, 2, and 1 have been set.

NOTE: Although the general-purpose interface registers are 32 bits wide, only the 16 LSBs are represented in this example.

Figure 27-14 is an example of a set instruction.

Figure 27-14. Write in GPIO_IRQSTATUS_SET_0 Register Example



gpio-011

The set wake-up-enable register offers the same feature with the wake-up-enable register.

27.5 General-Purpose Interface Programming Guide

27.5.1 General-Purpose Interface Low-Level Programming Models

27.5.1.1 Global Initialization

27.5.1.1.1 Surrounding Modules Global Initialization

This section identifies the requirements for initializing the surrounding modules when the general-purpose interface module is to be used for the first time after a device reset. This initialization of surrounding modules is based on the environment and integration of the general-purpose interface. For more information, see [Section 27.2, General-Purpose Interface Environment](#), and [Section 27.3, General-Purpose Interface Integration](#).

Table 27-11. Global Initialization of Surrounding Modules

Surrounding Modules	Comments
PRCM	Module interface and functional clocks must be enabled. For more information about the module configuration, see Section 3.1.1.1, Clock Management , in Chapter 3, Power, Reset, and Clock Management .
Control module	Module specific pad muxing must be set in the control module. For more information about the module configuration, see Section 18.4.6.1.1, Pad Configuration Registers , in Chapter 18, Control Module .
Device INTCs	Device INTCs must be configured to enable the interrupt request generation. For more information see Chapter 17, Interrupt Controllers .
IRQ_CROSSBAR	IRQ_CROSSBAR configuration must be done to allow module IRQs to be mapped to certain device INTC line. For more information see Section 18.4.6.4, IRQ_CROSSBAR Module Functional Description , in Chapter 18, Control Module .

27.5.1.1.2 General-Purpose Interface Module Global Initialization

This procedure initializes the general-purpose Interface module after a power-on reset (POR) or software reset.

Table 27-12. General-Purpose Interface Global Initialization

Step	Register/Bit Field/Programming Model	Value
Execute software reset.	GPIO_SYSCONFIG[1] SOFTRESET	0x1
Wait until reset completed?	GPIO_SYSSTATUS[0] RESETDONE	= 0x1
Configure idle mode.	GPIO_SYSCONFIG[4:3] IDLEMODE	0x-
Configure interface clock gating.	GPIO_SYSCONFIG[0] AUTOIDLE	0x-
Set clock-gating ratio.	GPIO_CTRL [2:1] GATINGRATIO	0x-
Configure GPIO channels as input or output.	GPIO_OE[31:0] OUTPUTEN	0x-
Set debounce time value.	GPIO_DEBOUNCINGTIME[7:0] DEBOUNCINGTIME	0x-
Enable/disable debouncing for desired input line. (For example, when used with a push-button)	GPIO_DEBOUNCENABLE[31:0] DEBOUNCENABLE	0x-
Interrupt and wake-up requests configuration		
(Optional) Enable/disable wake-up for desired input lines.	GPIO_IRQWAKEN_0[31:0] INTLINE and/or GPIO_IRQWAKEN_1[31:0] INTLINE	0x-
(Optional) Enable wake-up generation.	GPIO_SYSCONFIG[2] ENAWAKEUP	0x1

Table 27-12. General-Purpose Interface Global Initialization (continued)

Step	Register/Bit Field/Programming Model	Value
Configure detection events. NOTE: Simultaneous enabling of high-level and low-level detection for one given pin creates a constant-interrupt generator.	GPIO_LEVELDETECT0[31:0] LEVELDETECT0 and/or GPIO_LEVELDETECT1[31:0] LEVELDETECT1 and/or GPIO_RISINGDETECT[31:0] RISINGDETECT and/or GPIO_FALLINGDETECT[31:0] FALLINGDETECT	0x-
Clear interrupt status	GPIO_IRQSTATUS_0[31:0] INTLINE and/or GPIO_IRQSTATUS_1[31:0] INTLINE	0xFFFF FFFF
Enable interrupts for desired input lines. If wakeup is enabled, it is mandatory to enable the corresponding interrupt.	GPIO_IRQSTATUS_SET_0[31:0] INTLINE and/or GPIO_IRQSTATUS_SET_1[31:0] INTLINE	0x-

NOTE: Detection of events requires a functional clock running for every group of 8 bits. If detection of events is enabled only within one octet (for example, 0x0012 0000), power saving can be achieved. Else (for example, 0x0102 0000), using two octets requires one more clock to be run by the module.

27.5.1.2 General-Purpose Interface Operational Modes Configuration

27.5.1.2.1 General-Purpose Interface Read Input Register

Table 27-13. General-Purpose Interface Read Input Register

Step	Register/Bit Field/Programming Model	Value
Read interrupt status	GPIO_IRQSTATUS_0[31:0] INTLINE and/or GPIO_IRQSTATUS_1[31:0] INTLINE	0x-
Read input register value.	GPIO_DATAIN[31:0] DATAIN	0x-
Clear interrupt status	GPIO_IRQSTATUS_0[31:0] INTLINE and/or GPIO_IRQSTATUS_1[31:0] INTLINE	0xFFFF FFFF

27.5.1.2.2 General-Purpose Interface Set Bit Function

Table 27-14. General-Purpose Interface Set Bit Function

Step	Register/Bit Field/Programming Model	Value
Write 0x1 to set desired bit(s) in DATAOUT register.	GPIO_SETDATAOUT [31:0] INTLINE	0x-

27.5.1.2.3 General-Purpose Interface Clear Bit Function

Table 27-15. General-Purpose Interface Clear Bit Function

Step	Register/Bit Field/Programming Model	Value
Write 0x1 to clear desired bit(s) in DATAOUT register.	GPIO_CLEARDATAOUT [31:0] INTLINE	0x-

27.6 General-Purpose Interface Register Manual

27.6.1 General-Purpose Interface Instance Summary

Table 27-16 summarizes the general-purpose interface instance.

Table 27-16. Instance Summary

Module Name	Module Base Address	Size
GPIO7	0x4805 1000	408 Bytes
GPIO8	0x4805 3000	408 Bytes
GPIO2	0x4805 5000	408 Bytes
GPIO3	0x4805 7000	408 Bytes
GPIO4	0x4805 9000	408 Bytes
GPIO5	0x4805 B000	408 Bytes
GPIO6	0x4805 D000	408 Bytes
GPIO1	0x4AE1 0000	408 Bytes

27.6.2 General-Purpose Interface Registers

27.6.2.1 General-Purpose Interface Register Summary

Table 27-17 summarizes the general-purpose interface GPIO2, GPIO7 and GPIO8 registers.

Table 27-17. General-Purpose Interface GPIO2, GPIO7 and GPIO8 Registers Summary

Register Name	Type	Register Width (Bits)	Address Offset	GPIO7 L4_PER1 Physical Address	GPIO8 L4_PER1 Physical Address	GPIO2 L4_PER1 Physical Address
GPIO_REVISION	R	32	0x0000 0000	0x4805 1000	0x4805 3000	0x4805 5000
GPIO_SYSCONFIG	RW	32	0x0000 0010	0x4805 1010	0x4805 3010	0x4805 5010
GPIO_EOI	W	32	0x0000 0020	0x4805 1020	0x4805 3020	0x4805 5020
GPIO_IRQSTATUS_RAW_0	RW	32	0x0000 0024	0x4805 1024	0x4805 3024	0x4805 5024
GPIO_IRQSTATUS_RAW_1	RW	32	0x0000 0028	0x4805 1028	0x4805 3028	0x4805 5028
GPIO_IRQSTATUS_S_0	RW	32	0x0000 002C	0x4805 102C	0x4805 302C	0x4805 502C
GPIO_IRQSTATUS_S_1	RW	32	0x0000 0030	0x4805 1030	0x4805 3030	0x4805 5030
GPIO_IRQSTATUS_S_SET_0	RW	32	0x0000 0034	0x4805 1034	0x4805 3034	0x4805 5034
GPIO_IRQSTATUS_S_SET_1	RW	32	0x0000 0038	0x4805 1038	0x4805 3038	0x4805 5038
GPIO_IRQSTATUS_S_CLR_0	RW	32	0x0000 003C	0x4805 103C	0x4805 303C	0x4805 503C
GPIO_IRQSTATUS_S_CLR_1	RW	32	0x0000 0040	0x4805 1040	0x4805 3040	0x4805 5040
GPIO_IRQWAKE_N_0	RW	32	0x0000 0044	0x4805 1044	0x4805 3044	0x4805 5044
GPIO_IRQWAKE_N_1	RW	32	0x0000 0048	0x4805 1048	0x4805 3048	0x4805 5048
GPIO_SYSSTATUS	R	32	0x0000 0114	0x4805 1114	0x4805 3114	0x4805 5114
RESERVED	RW	32	0x0000 0118	0x4805 1118	0x4805 3118	0x4805 5118
RESERVED	RW	32	0x0000 011C	0x4805 111C	0x4805 311C	0x4805 511C

Table 27-17. General-Purpose Interface GPIO2, GPIO7 and GPIO8 Registers Summary (continued)

Register Name	Type	Register Width (Bits)	Address Offset	GPIO7 L4_PER1 Physical Address	GPIO8 L4_PER1 Physical Address	GPIO2 L4_PER1 Physical Address
RESERVED	RW	32	0x0000 0120	0x4805 1120	0x4805 3120	0x4805 5120
RESERVED	RW	32	0x0000 0128	0x4805 1128	0x4805 3128	0x4805 5128
RESERVED	RW	32	0x0000 012C	0x4805 112C	0x4805 312C	0x4805 512C
GPIO_CTRL	RW	32	0x0000 0130	0x4805 1130	0x4805 3130	0x4805 5130
GPIO_OE	RW	32	0x0000 0134	0x4805 1134	0x4805 3134	0x4805 5134
GPIO_DATAIN	R	32	0x0000 0138	0x4805 1138	0x4805 3138	0x4805 5138
GPIO_DATAOUT	RW	32	0x0000 013C	0x4805 113C	0x4805 313C	0x4805 513C
GPIO_LEVELDETECT0	RW	32	0x0000 0140	0x4805 1140	0x4805 3140	0x4805 5140
GPIO_LEVELDETECT1	RW	32	0x0000 0144	0x4805 1144	0x4805 3144	0x4805 5144
GPIO_RISINGDETECT	RW	32	0x0000 0148	0x4805 1148	0x4805 3148	0x4805 5148
GPIO_FALLINGDETECT	RW	32	0x0000 014C	0x4805 114C	0x4805 314C	0x4805 514C
GPIO_DEBOUNCEENABLE	RW	32	0x0000 0150	0x4805 1150	0x4805 3150	0x4805 5150
GPIO_DEBOUNCEINGTIME	RW	32	0x0000 0154	0x4805 1154	0x4805 3154	0x4805 5154
RESERVED	RW	32	0x0000 0160	0x4805 1160	0x4805 3160	0x4805 5160
RESERVED	RW	32	0x0000 0164	0x4805 1164	0x4805 3164	0x4805 5164
RESERVED	RW	32	0x0000 0170	0x4805 1170	0x4805 3170	0x4805 5170
RESERVED	RW	32	0x0000 0174	0x4805 1174	0x4805 3174	0x4805 5174
RESERVED	RW	32	0x0000 0180	0x4805 1180	0x4805 3180	0x4805 5180
RESERVED	RW	32	0x0000 0184	0x4805 1184	0x4805 3184	0x4805 5184
GPIO_CLEARDATAOUT	RW	32	0x0000 0190	0x4805 1190	0x4805 3190	0x4805 5190
GPIO_SETDATAOUT	RW	32	0x0000 0194	0x4805 1194	0x4805 3194	0x4805 5194

Table 27-18 summarizes the general-purpose interface GPIO3 to GPIO5 registers.

Table 27-18. General-Purpose Interface GPIO3 to GPIO5 Registers Summary

Register Name	Type	Register Width (Bits)	Address Offset	GPIO3 L4_PER1 Physical Address	GPIO4 L4_PER1 Physical Address	GPIO5 L4_PER1 Physical Address
GPIO_REVISION	R	32	0x0000 0000	0x4805 7000	0x4805 9000	0x4805 B000
GPIO_SYSCONFIG	RW	32	0x0000 0010	0x4805 7010	0x4805 9010	0x4805 B010
GPIO_EOI	W	32	0x0000 0020	0x4805 7020	0x4805 9020	0x4805 B020
GPIO_IRQSTATUS_RAW_0	RW	32	0x0000 0024	0x4805 7024	0x4805 9024	0x4805 B024
GPIO_IRQSTATUS_RAW_1	RW	32	0x0000 0028	0x4805 7028	0x4805 9028	0x4805 B028
GPIO_IRQSTATUS_0	RW	32	0x0000 002C	0x4805 702C	0x4805 902C	0x4805 B02C
GPIO_IRQSTATUS_1	RW	32	0x0000 0030	0x4805 7030	0x4805 9030	0x4805 B030
GPIO_IRQSTATUS_SET_0	RW	32	0x0000 0034	0x4805 7034	0x4805 9034	0x4805 B034

Table 27-18. General-Purpose Interface GPIO3 to GPIO5 Registers Summary (continued)

Register Name	Type	Register Width (Bits)	Address Offset	GPIO3 L4_PER1 Physical Address	GPIO4 L4_PER1 Physical Address	GPIO5 L4_PER1 Physical Address
GPIO_IRQSTATUS_SET_1	RW	32	0x0000 0038	0x4805 7038	0x4805 9038	0x4805 B038
GPIO_IRQSTATUS_CLR_0	RW	32	0x0000 003C	0x4805 703C	0x4805 903C	0x4805 B03C
GPIO_IRQSTATUS_CLR_1	RW	32	0x0000 0040	0x4805 7040	0x4805 9040	0x4805 B040
GPIO_IRQWAKE_N_0	RW	32	0x0000 0044	0x4805 7044	0x4805 9044	0x4805 B044
GPIO_IRQWAKE_N_1	RW	32	0x0000 0048	0x4805 7048	0x4805 9048	0x4805 B048
GPIO_SYSSTATUS	R	32	0x0000 0114	0x4805 7114	0x4805 9114	0x4805 B114
RESERVED	RW	32	0x0000 0118	0x4805 7118	0x4805 9118	0x4805 B118
RESERVED	RW	32	0x0000 011C	0x4805 711C	0x4805 911C	0x4805 B11C
RESERVED	RW	32	0x0000 0120	0x4805 7120	0x4805 9120	0x4805 B120
RESERVED	RW	32	0x0000 0128	0x4805 7128	0x4805 9128	0x4805 B128
RESERVED	RW	32	0x0000 012C	0x4805 712C	0x4805 912C	0x4805 B12C
GPIO_CTRL	RW	32	0x0000 0130	0x4805 7130	0x4805 9130	0x4805 B130
GPIO_OE	RW	32	0x0000 0134	0x4805 7134	0x4805 9134	0x4805 B134
GPIO_DATAIN	R	32	0x0000 0138	0x4805 7138	0x4805 9138	0x4805 B138
GPIO_DATAOUT	RW	32	0x0000 013C	0x4805 713C	0x4805 913C	0x4805 B13C
GPIO_LEVELDETECT0	RW	32	0x0000 0140	0x4805 7140	0x4805 9140	0x4805 B140
GPIO_LEVELDETECT1	RW	32	0x0000 0144	0x4805 7144	0x4805 9144	0x4805 B144
GPIO_RISINGDETECT	RW	32	0x0000 0148	0x4805 7148	0x4805 9148	0x4805 B148
GPIO_FALLINGDETECT	RW	32	0x0000 014C	0x4805 714C	0x4805 914C	0x4805 B14C
GPIO_DEBOUNCEENABLE	RW	32	0x0000 0150	0x4805 7150	0x4805 9150	0x4805 B150
GPIO_DEBOUNCEINGTIME	RW	32	0x0000 0154	0x4805 7154	0x4805 9154	0x4805 B154
RESERVED	RW	32	0x0000 0160	0x4805 7160	0x4805 9160	0x4805 B160
RESERVED	RW	32	0x0000 0164	0x4805 7164	0x4805 9164	0x4805 B164
RESERVED	RW	32	0x0000 0170	0x4805 7170	0x4805 9170	0x4805 B170
RESERVED	RW	32	0x0000 0174	0x4805 7174	0x4805 9174	0x4805 B174
RESERVED	RW	32	0x0000 0180	0x4805 7180	0x4805 9180	0x4805 B180
RESERVED	RW	32	0x0000 0184	0x4805 7184	0x4805 9184	0x4805 B184
GPIO_CLEARDATAOUT	RW	32	0x0000 0190	0x4805 7190	0x4805 9190	0x4805 B190
GPIO_SETDATAOUT	RW	32	0x0000 0194	0x4805 7194	0x4805 9194	0x4805 B194

Table 27-19 summarizes the general-purpose interface GPIO6 and GPIO1 registers.

Table 27-19. General-Purpose Interface GPIO6 and GPIO1 Registers Summary

Register Name	Type	Register Width (Bits)	Address Offset	GPIO6 L4_PER1 Physical Address	GPIO1 L4_WKUP Physical Address
GPIO_REVISION	R	32	0x0000 0000	0x4805 D000	0x4AE1 0000
GPIO_SYSCONFIG	RW	32	0x0000 0010	0x4805 D010	0x4AE1 0010

Table 27-19. General-Purpose Interface GPIO6 and GPIO1 Registers Summary (continued)

Register Name	Type	Register Width (Bits)	Address Offset	GPIO6 L4_PER1 Physical Address	GPIO1 L4_WKUP Physical Address
GPIO_EOI	W	32	0x0000 0020	0x4805 D020	0x4AE1 0020
GPIO_IRQSTATUS_RAW_0	RW	32	0x0000 0024	0x4805 D024	0x4AE1 0024
GPIO_IRQSTATUS_RAW_1	RW	32	0x0000 0028	0x4805 D028	0x4AE1 0028
GPIO_IRQSTATUS_0	RW	32	0x0000 002C	0x4805 D02C	0x4AE1 002C
GPIO_IRQSTATUS_1	RW	32	0x0000 0030	0x4805 D030	0x4AE1 0030
GPIO_IRQSTATUS_SET_0	RW	32	0x0000 0034	0x4805 D034	0x4AE1 0034
GPIO_IRQSTATUS_SET_1	RW	32	0x0000 0038	0x4805 D038	0x4AE1 0038
GPIO_IRQSTATUS_CLR_0	RW	32	0x0000 003C	0x4805 D03C	0x4AE1 003C
GPIO_IRQSTATUS_CLR_1	RW	32	0x0000 0040	0x4805 D040	0x4AE1 0040
GPIO_IRQWAKEN_0	RW	32	0x0000 0044	0x4805 D044	0x4AE1 0044
GPIO_IRQWAKEN_1	RW	32	0x0000 0048	0x4805 D048	0x4AE1 0048
GPIO_SYSSTATUS	R	32	0x0000 0114	0x4805 D114	0x4AE1 0114
RESERVED	RW	32	0x0000 0118	0x4805 D118	0x4AE1 0118
RESERVED	RW	32	0x0000 011C	0x4805 D11C	0x4AE1 011C
RESERVED	RW	32	0x0000 0120	0x4805 D120	0x4AE1 0120
RESERVED	RW	32	0x0000 0128	0x4805 D128	0x4AE1 0128
RESERVED	RW	32	0x0000 012C	0x4805 D12C	0x4AE1 012C
GPIO_CTRL	RW	32	0x0000 0130	0x4805 D130	0x4AE1 0130
GPIO_OE	RW	32	0x0000 0134	0x4805 D134	0x4AE1 0134
GPIO_DATAIN	R	32	0x0000 0138	0x4805 D138	0x4AE1 0138
GPIO_DATAOUT	RW	32	0x0000 013C	0x4805 D13C	0x4AE1 013C
GPIO_LEVELDETECT0	RW	32	0x0000 0140	0x4805 D140	0x4AE1 0140
GPIO_LEVELDETECT1	RW	32	0x0000 0144	0x4805 D144	0x4AE1 0144
GPIO_RISINGDETECT	RW	32	0x0000 0148	0x4805 D148	0x4AE1 0148
GPIO_FALLINGDETECT	RW	32	0x0000 014C	0x4805 D14C	0x4AE1 014C
GPIO_DEBOUNCENABLE	RW	32	0x0000 0150	0x4805 D150	0x4AE1 0150
GPIO_DEBOUNCEINGTIME	RW	32	0x0000 0154	0x4805 D154	0x4AE1 0154
RESERVED	RW	32	0x0000 0160	0x4805 D160	0x4AE1 0160
RESERVED	RW	32	0x0000 0164	0x4805 D164	0x4AE1 0164
RESERVED	RW	32	0x0000 0170	0x4805 D170	0x4AE1 0170
RESERVED	RW	32	0x0000 0174	0x4805 D174	0x4AE1 0174
RESERVED	RW	32	0x0000 0180	0x4805 D180	0x4AE1 0180
RESERVED	RW	32	0x0000 0184	0x4805 D184	0x4AE1 0184
GPIO_CLEARDATAOUT	RW	32	0x0000 0190	0x4805 D190	0x4AE1 0190
GPIO_SETDATAOUT	RW	32	0x0000 0194	0x4805 D194	0x4AE1 0194

27.6.2.2 General-Purpose Interface Register Description

through describe the individual general-purpose interface registers.

Table 27-20. GPIO_REVISION

Address Offset	0x0000 0000		
Physical Address	0x4805 1000 0x4805 3000 0x4805 5000 0x4805 7000 0x4805 9000 0x4805 B000 0x4805 D000 0x4AE1 0000	Instance	GPIO7 GPIO8 GPIO2 GPIO3 GPIO4 GPIO5 GPIO6 GPIO1
Description	IP revision identifier (X.Y.R)		
Type	R		

31	30	29	28	27	26	25	24	23	22	21	20	19	18	17	16	15	14	13	12	11	10	9	8	7	6	5	4	3	2	1	0	
REVISION																																

Bits	Field Name	Description	Type	Reset
31:0	REVISION	IP revision	R	See ⁽¹⁾

⁽¹⁾ TI Internal Data

Table 27-21. Register Call Summary for Register GPIO_REVISION

- General-Purpose Interface Register Manual
- [General-Purpose Interface Register Summary: \[0\]\[2\]\[3\]](#)

Table 27-22. GPIO_SYSCONFIG

Address Offset	0x0000 0010		
Physical Address	0x4805 1010 0x4805 3010 0x4805 5010 0x4805 7010 0x4805 9010 0x4805 B010 0x4805 D010 0x4AE1 0010	Instance	GPIO7 GPIO8 GPIO2 GPIO3 GPIO4 GPIO5 GPIO6 GPIO1
Description	System configuration register		
Type	R		

31	30	29	28	27	26	25	24	23	22	21	20	19	18	17	16	15	14	13	12	11	10	9	8	7	6	5	4	3	2	1	0
RESERVED														IDLEMODE	ENAWAKEUP	SOFTRESET	AUTOIDLE														

Bits	Field Name	Description	Type	Reset
31:5	RESERVED	Reserved	R	0x0000000
4:3	IDLEMODE	0x0: Force-idle: An IDLE request is acknowledged unconditionally. 0x1: No-idle: An IDLE request is never acknowledged. 0x2: Smart-idle: The acknowledgment to an IDLE request is given based on the internal activity (see Section 27.4.5.2.3, System Power Management and Wakeup). 0x3: Smart-idle wakeup	RW	0x0
2	ENAWAKEUP	Wake-up control. 0x0: Wake-up generation is disabled. 0x1: Wake-up capability is enabled upon expected transition on input GPIO pin	RW	0
1	SOFTRESET	Software reset. Set this bit to 1 to trigger a module reset. The bit is automatically reset by the hardware. During reads, it always returns 0. 0x0: Normal mode 0x1: The module is reset.	RW	0
0	AUTOIDLE	OCP clock gating control. 0x0: Internal interface OCP clock is free-running. 0x1: Automatic internal OCP clock gating, based on the OCP interface activity	RW	0

Table 27-23. Register Call Summary for Register GPIO_SYSCONFIG

General-Purpose Interface Functional Description

- [Asynchronous Path: Wake-Up Request Generation: \[0\]](#)
- [General-Purpose Interface Hardware and Software Reset: \[1\]\[2\]\[3\]](#)
- [Power Management: \[4\]\[5\]\[6\]\[7\]\[8\]\[9\]\[10\]\[11\]\[12\]\[13\]\[14\]](#)

General-Purpose Interface Programming Guide

- [Global Initialization: \[15\]\[16\]\[17\]\[18\]](#)

General-Purpose Interface Register Manual

- [General-Purpose Interface Register Summary: \[19\]\[21\]\[22\]](#)

Table 27-24. GPIO_EOI

Address Offset	0x0000 0020	Instance	GPIO7
Physical Address	0x4805 1020 0x4805 3020 0x4805 5020 0x4805 7020 0x4805 9020 0x4805 B020 0x4805 D020 0x4AE1 0020		GPIO8 GPIO2 GPIO3 GPIO4 GPIO5 GPIO6 GPIO1
Description	Software end of interrupt.		
Type	W		

31	30	29	28	27	26	25	24	23	22	21	20	19	18	17	16	15	14	13	12	11	10	9	8	7	6	5	4	3	2	1	0
RESERVED																	LINE_NUMBER														

Bits	Field Name	Description	Type	Reset
31:1	RESERVED	Reserved	R	0x0
0	LINE_NUMBER	Software End Of Interrupt (EOI) control. 0x0: EOI for interrupt line number 0. Read returns 0. 0x1: EOI for interrupt line number 1. Read returns 0.	W	0x0

Table 27-25. Register Call Summary for Register GPIO_EOI

General-Purpose Interface Register Manual

- [General-Purpose Interface Register Summary: \[0\]\[2\]\[3\]](#)

Table 27-26. GPIO_IRQSTATUS_RAW_0

Address Offset	0x0000 0024		
Physical Address	0x4805 1024 0x4805 3024 0x4805 5024 0x4805 7024 0x4805 9024 0x4805 B024 0x4805 D024 0x4AE1 0024	Instance	GPIO7 GPIO8 GPIO2 GPIO3 GPIO4 GPIO5 GPIO6 GPIO1
Description	Per-event raw interrupt status vector, showing all active events (enabled and not enabled), (corresponding to first line of interrupt)		
Type	RW		

31	30	29	28	27	26	25	24	23	22	21	20	19	18	17	16	15	14	13	12	11	10	9	8	7	6	5	4	3	2	1	0
INTLINE																															

Bits	Field Name	Description	Type	Reset
31:0	INTLINE	Status raw for interrupt line. Writing '1' to a bit will set it to '1.' Writing '0' has no effect	RW	0x0000 0000

Table 27-27. Register Call Summary for Register GPIO_IRQSTATUS_RAW_0

General-Purpose Interface Functional Description

- [Synchronous Path: Interrupt Request Generation: \[0\]](#)
- [Asynchronous Path: Wake-Up Request Generation: \[1\]\[2\]](#)

General-Purpose Interface Register Manual

- [General-Purpose Interface Register Summary: \[3\]\[5\]\[6\]](#)

Table 27-28. GPIO_IRQSTATUS_RAW_1

Address Offset	0x0000 0028		
Physical Address	0x4805 1028 0x4805 3028 0x4805 5028 0x4805 7028 0x4805 9028 0x4805 B028 0x4805 D028 0x4AE1 0028	Instance	GPIO7 GPIO8 GPIO2 GPIO3 GPIO4 GPIO5 GPIO6 GPIO1
Description	Per-event raw interrupt status vector, showing all active events (enabled and not enabled), (corresponding to second line of interrupt)		
Type	RW		

31	30	29	28	27	26	25	24	23	22	21	20	19	18	17	16	15	14	13	12	11	10	9	8	7	6	5	4	3	2	1	0
INTLINE																															

Bits	Field Name	Description	Type	Reset
31:0	INTLINE	Status raw for interrupt line Writing '1' to a bit will set it to '1.' Writing '0' has no effect	RW	0x0000 0000

Table 27-29. Register Call Summary for Register GPIO_IRQSTATUS_RAW_1

General-Purpose Interface Functional Description

- [Synchronous Path: Interrupt Request Generation: \[0\]](#)
- [Asynchronous Path: Wake-Up Request Generation: \[1\]](#)

General-Purpose Interface Register Manual

- [General-Purpose Interface Register Summary: \[2\]\[4\]\[5\]](#)

Table 27-30. GPIO_IRQSTATUS_0

Address Offset	0x0000 002C		
Physical Address	0x4805 102C 0x4805 302C 0x4805 502C 0x4805 702C 0x4805 902C 0x4805 B02C 0x4805 D02C 0x4AE1 002C	Instance	GPIO7 GPIO8 GPIO2 GPIO3 GPIO4 GPIO5 GPIO6 GPIO1
Description	Per-event interrupt status vector, showing all active and enabled events (corresponding to first line of interrupt)		
Type	RW		

31	30	29	28	27	26	25	24	23	22	21	20	19	18	17	16	15	14	13	12	11	10	9	8	7	6	5	4	3	2	1	0
INTLINE																															

Bits	Field Name	Description	Type	Reset
31:0	INTLINE	Status for interrupt line Writing 1 to a bit will clear it to 0. Writing 0 has no effect.	RW	0x0000 0000

Table 27-31. Register Call Summary for Register GPIO_IRQSTATUS_0

General-Purpose Interface Functional Description

- [Interrupt \(or Wake-Up\) Line Release: \[0\]](#)
- [Interrupt Requests Generation: \[1\]\[2\]\[3\]\[4\]\[5\]\[6\]\[7\]](#)

Table 27-31. Register Call Summary for Register GPIO_IRQSTATUS_0 (continued)

General-Purpose Interface Programming Guide

- [Global Initialization: \[8\]](#)
- [General-Purpose Interface Operational Modes Configuration: \[9\]\[10\]](#)

General-Purpose Interface Register Manual

- [General-Purpose Interface Register Summary: \[11\]\[13\]\[14\]](#)

Table 27-32. GPIO_IRQSTATUS_1

Address Offset	0x0000 0030		
Physical Address	0x4805 1030 0x4805 3030 0x4805 5030 0x4805 7030 0x4805 9030 0x4805 B030 0x4805 D030 0x4AE1 0030	Instance	GPIO7 GPIO8 GPIO2 GPIO3 GPIO4 GPIO5 GPIO6 GPIO1
Description	Per-event enabled interrupt status vector, showing all active and enabled events (corresponding to second line of interrupt)		
Type	RW		

31	30	29	28	27	26	25	24	23	22	21	20	19	18	17	16	15	14	13	12	11	10	9	8	7	6	5	4	3	2	1	0
INTLINE																															

Bits	Field Name	Description	Type	Reset
31:0	INTLINE	Status for interrupt line Writing 1 to a bit will clear it to 0. Writing 0 has no effect.	RW	0x0000 0000

Table 27-33. Register Call Summary for Register GPIO_IRQSTATUS_1

General-Purpose Interface Functional Description

- [Interrupt \(or Wake-Up\) Line Release: \[0\]](#)
- [Interrupt Requests Generation: \[1\]\[2\]\[3\]\[4\]\[5\]\[6\]\[7\]](#)

General-Purpose Interface Programming Guide

- [Global Initialization: \[8\]](#)
- [General-Purpose Interface Operational Modes Configuration: \[9\]\[10\]](#)

General-Purpose Interface Register Manual

- [General-Purpose Interface Register Summary: \[11\]\[13\]\[14\]](#)

Table 27-34. GPIO_IRQSTATUS_SET_0

Address Offset	0x0000 0034		
Physical Address	0x4805 1034 0x4805 3034 0x4805 5034 0x4805 7034 0x4805 9034 0x4805 B034 0x4805 D034 0x4AE1 0034	Instance	GPIO7 GPIO8 GPIO2 GPIO3 GPIO4 GPIO5 GPIO6 GPIO1
Description	Per-event interrupt-enable set vector (corresponding to first line of interrupt)		
Type	RW		

31	30	29	28	27	26	25	24	23	22	21	20	19	18	17	16	15	14	13	12	11	10	9	8	7	6	5	4	3	2	1	0
INTLINE																															

Bits	Field Name	Description	Type	Reset
31:0	INTLINE	Status set for interrupt line Writing 1 to a bit enables the corresponding interrupt event. Writing 0 has no effect.	RW	0x0000 0000

Table 27-35. Register Call Summary for Register GPIO_IRQSTATUS_SET_0

General-Purpose Interface Functional Description

- [General-Purpose Interface Block Diagram: \[0\]](#)
- [Synchronous Path: Interrupt Request Generation: \[1\]](#)
- [Asynchronous Path: Wake-Up Request Generation: \[2\]\[3\]](#)
- [Interrupt Requests Generation: \[4\]\[5\]\[6\]\[7\]\[8\]](#)
- [General-Purpose Interface Data Input/Output Capabilities: \[9\]\[10\]\[11\]](#)
- [Description: \[12\]](#)
- [Set Instruction: \[13\]\[14\]\[15\]](#)

General-Purpose Interface Programming Guide

- [Global Initialization: \[16\]](#)

General-Purpose Interface Register Manual

- [General-Purpose Interface Register Summary: \[17\]\[19\]\[20\]](#)

Table 27-36. GPIO_IRQSTATUS_SET_1

Address Offset	0x0000 0038		
Physical Address	0x4805 1038 0x4805 3038 0x4805 5038 0x4805 7038 0x4805 9038 0x4805 B038 0x4805 D038 0x4AE1 0038	Instance	GPIO7 GPIO8 GPIO2 GPIO3 GPIO4 GPIO5 GPIO6 GPIO1
Description	Per-event enable set interrupt vector (corresponding to second line of interrupt)		
Type	RW		

31	30	29	28	27	26	25	24	23	22	21	20	19	18	17	16	15	14	13	12	11	10	9	8	7	6	5	4	3	2	1	0
INTLINE																															

Bits	Field Name	Description	Type	Reset
31:0	INTLINE	Status set for interrupt line Writing 1 to a bit enables the corresponding interrupt event. Writing 0 has no effect.	RW	0x0000 0000

Table 27-37. Register Call Summary for Register GPIO_IRQSTATUS_SET_1

General-Purpose Interface Functional Description
<ul style="list-style-type: none"> • General-Purpose Interface Block Diagram: [0] • Synchronous Path: Interrupt Request Generation: [1] • Interrupt Requests Generation: [2][3][4][5][6] • General-Purpose Interface Data Input/Output Capabilities: [7] • Description: [8] • Set Instruction: [9][10][11]
General-Purpose Interface Programming Guide
<ul style="list-style-type: none"> • Global Initialization: [12]
General-Purpose Interface Register Manual
<ul style="list-style-type: none"> • General-Purpose Interface Register Summary: [13][15][16]

Table 27-38. GPIO_IRQSTATUS_CLR_0

Address Offset	0x0000 003C	
Physical Address	0x4805 103C 0x4805 303C 0x4805 503C 0x4805 703C 0x4805 903C 0x4805 B03C 0x4805 D03C 0x4AE1 003C	Instance GPIO7 GPIO8 GPIO2 GPIO3 GPIO4 GPIO5 GPIO6 GPIO1
Description	Per-event interrupt-enable clear vector (corresponding to first line of interrupt)	
Type	RW	

31	30	29	28	27	26	25	24	23	22	21	20	19	18	17	16	15	14	13	12	11	10	9	8	7	6	5	4	3	2	1	0
INTLINE																															

Bits	Field Name	Description	Type	Reset
31:0	INTLINE	Status clear for interrupt line Writing 1 to a bit disables the corresponding interrupt event. Writing 0 has no effect.	RW	0x0000 0000

Table 27-39. Register Call Summary for Register GPIO_IRQSTATUS_CLR_0

General-Purpose Interface Functional Description
<ul style="list-style-type: none"> • General-Purpose Interface Block Diagram: [0] • Synchronous Path: Interrupt Request Generation: [1] • Asynchronous Path: Wake-Up Request Generation: [2] • Interrupt Requests Generation: [3][4] • Description: [5] • Clear Instruction: [6][7][8]
General-Purpose Interface Register Manual
<ul style="list-style-type: none"> • General-Purpose Interface Register Summary: [9][11][12]

Table 27-40. GPIO_IRQSTATUS_CLR_1

Address Offset	0x0000 0040		
Physical Address	0x4805 1040 0x4805 3040 0x4805 5040 0x4805 7040 0x4805 9040 0x4805 B040 0x4805 D040 0x4AE1 0040	Instance	GPIO7 GPIO8 GPIO2 GPIO3 GPIO4 GPIO5 GPIO6 GPIO1
Description	Per-event enable clear interrupt vector (corresponding to second line of interrupt)		
Type	RW		

31	30	29	28	27	26	25	24	23	22	21	20	19	18	17	16	15	14	13	12	11	10	9	8	7	6	5	4	3	2	1	0
INTLINE																															

Bits	Field Name	Description	Type	Reset
31:0	INTLINE	Status clear for interrupt line Writing 1 to a bit disables the corresponding interrupt event. Writing 0 has no effect.	RW	0x0000 0000

Table 27-41. Register Call Summary for Register GPIO_IRQSTATUS_CLR_1

General-Purpose Interface Functional Description

- [General-Purpose Interface Block Diagram: \[0\]](#)
- [Synchronous Path: Interrupt Request Generation: \[1\]](#)
- [Asynchronous Path: Wake-Up Request Generation: \[2\]](#)
- [Interrupt Requests Generation: \[3\]\[4\]](#)
- [Description: \[5\]](#)
- [Clear Instruction: \[6\]\[7\]\[8\]](#)

General-Purpose Interface Register Manual

- [General-Purpose Interface Register Summary: \[9\]\[11\]\[12\]](#)

Table 27-42. GPIO_IRQWAKEN_0

Address Offset	0x0000 0044		
Physical Address	0x4805 1044 0x4805 3044 0x4805 5044 0x4805 7044 0x4805 9044 0x4805 B044 0x4805 D044 0x4AE1 0044	Instance	GPIO7 GPIO8 GPIO2 GPIO3 GPIO4 GPIO5 GPIO6 GPIO1
Description	Per-event wake-up enable set vector (corresponding to first line of interrupt)		
Type	RW		

31	30	29	28	27	26	25	24	23	22	21	20	19	18	17	16	15	14	13	12	11	10	9	8	7	6	5	4	3	2	1	0
INTLINE																															

Bits	Field Name	Description	Type	Reset
31:0	INTLINE	Wakeup set for interrupt line Setting a bit to 1 will enable wakeup for the corresponding event. Setting a bit to 0 will disable wakeup for the corresponding event.	RW	0x0000 0000

Table 27-43. Register Call Summary for Register GPIO_IRQWAKEN_0

General-Purpose Interface Functional Description
<ul style="list-style-type: none"> • Asynchronous Path: Wake-Up Request Generation: [0] • Power Management: [1] • Interrupt Requests Generation: [2] • Wake-Up Requests Generation: [3] • General-Purpose Interface Data Input/Output Capabilities: [4]
General-Purpose Interface Programming Guide
<ul style="list-style-type: none"> • Global Initialization: [5]
General-Purpose Interface Register Manual
<ul style="list-style-type: none"> • General-Purpose Interface Register Summary: [6][8][9]

Table 27-44. GPIO_IRQWAKEN_1

Address Offset	0x0000 0048	
Physical Address	0x4805 1048 0x4805 3048 0x4805 5048 0x4805 7048 0x4805 9048 0x4805 B048 0x4805 D048 0x4AE1 0048	Instance GPIO7 GPIO8 GPIO2 GPIO3 GPIO4 GPIO5 GPIO6 GPIO1
Description	Per-event wake-up enable set vector (corresponding to second line of interrupt)	
Type	RW	

31	30	29	28	27	26	25	24	23	22	21	20	19	18	17	16	15	14	13	12	11	10	9	8	7	6	5	4	3	2	1	0
INTLINE																															

Bits	Field Name	Description	Type	Reset
31:0	INTLINE	Wakeup set for interrupt line Setting a bit to 1 will enable wakeup for the corresponding event. Setting a bit to 0 will disable wakeup for the corresponding event.	RW	0x0000 0000

Table 27-45. Register Call Summary for Register GPIO_IRQWAKEN_1

General-Purpose Interface Functional Description
<ul style="list-style-type: none"> • Asynchronous Path: Wake-Up Request Generation: [0] • Power Management: [1] • Interrupt Requests Generation: [2] • Wake-Up Requests Generation: [3] • General-Purpose Interface Data Input/Output Capabilities: [4]
General-Purpose Interface Programming Guide
<ul style="list-style-type: none"> • Global Initialization: [5]
General-Purpose Interface Register Manual
<ul style="list-style-type: none"> • General-Purpose Interface Register Summary: [6][8][9]

Table 27-46. GPIO_SYSSTATUS

Address Offset	0x0000 0114		
Physical Address	0x4805 1114 0x4805 3114 0x4805 5114 0x4805 7114 0x4805 9114 0x4805 B114 0x4805 D114 0x4AE1 0114	Instance	GPIO7 GPIO8 GPIO2 GPIO3 GPIO4 GPIO5 GPIO6 GPIO1
Description	System status register		
Type	R		

31	30	29	28	27	26	25	24	23	22	21	20	19	18	17	16	15	14	13	12	11	10	9	8	7	6	5	4	3	2	1	0
RESERVED																RESETDONE															

Bits	Field Name	Description	Type	Reset
31:1	RESERVED	Reserved	R	0x0000 0000
0	RESETDONE	Read 0x0: Internal reset is ongoing. Read 0x1: Reset completed	R	0

Table 27-47. Register Call Summary for Register GPIO_SYSSTATUS

General-Purpose Interface Functional Description

- [General-Purpose Interface Hardware and Software Reset: \[0\]\[1\]](#)

General-Purpose Interface Programming Guide

- [Global Initialization: \[2\]](#)

General-Purpose Interface Register Manual

- [General-Purpose Interface Register Summary: \[3\]\[5\]\[6\]](#)

Table 27-48. GPIO_CTRL

Address Offset	0x0000 0130		
Physical Address	0x4805 1130 0x4805 3130 0x4805 5130 0x4805 7130 0x4805 9130 0x4805 B130 0x4805 D130 0x4AE1 0130	Instance	GPIO7 GPIO8 GPIO2 GPIO3 GPIO4 GPIO5 GPIO6 GPIO1
Description	GPIO control register		
Type	RW		

31	30	29	28	27	26	25	24	23	22	21	20	19	18	17	16	15	14	13	12	11	10	9	8	7	6	5	4	3	2	1	0
RESERVED																GATINGRATIO		DISABLEMODULE													

Bits	Field Name	Description	Type	Reset
31:3	RESERVED	Reserved	R	0x0000 0000
2:1	GATINGRATIO	Clock gating ratio for event detection 0x0: N = 1 0x1: N = 2 0x2: N = 4 0x3: N = 8	RW	0x1
0	DISABLEMODULE	0x0: Module is enabled, clocks are not gated. 0x1: Module is disabled, internal clocks are gated	RW	0

Table 27-49. Register Call Summary for Register GPIO_CTRL

General-Purpose Interface Functional Description

- [Clocking: \[0\]](#)
- [Power Management: \[1\]\[2\]\[3\]\[4\]\[5\]\[6\]\[7\]](#)

General-Purpose Interface Programming Guide

- [Global Initialization: \[8\]](#)

General-Purpose Interface Register Manual

- [General-Purpose Interface Register Summary: \[9\]\[11\]\[12\]](#)

Table 27-50. GPIO_OE

Address Offset	0x0000 0134																																																																																	
Physical Address	0x4805 1134 0x4805 3134 0x4805 5134 0x4805 7134 0x4805 9134 0x4805 B134 0x4805 D134 0x4AE1 0134																																																																																	
	Instance																																																																																	
	GPIO7 GPIO8 GPIO2 GPIO3 GPIO4 GPIO5 GPIO6 GPIO1																																																																																	
Description	Output enable register. 0 = Output enabled ; 1 = Output disabled																																																																																	
Type	RW																																																																																	
<table border="1" style="width: 100%; border-collapse: collapse;"> <tr> <td style="width: 2.5%;">31</td><td style="width: 2.5%;">30</td><td style="width: 2.5%;">29</td><td style="width: 2.5%;">28</td><td style="width: 2.5%;">27</td><td style="width: 2.5%;">26</td><td style="width: 2.5%;">25</td><td style="width: 2.5%;">24</td><td style="width: 2.5%; background-color: yellow;">23</td><td style="width: 2.5%; background-color: yellow;">22</td><td style="width: 2.5%; background-color: yellow;">21</td><td style="width: 2.5%; background-color: yellow;">20</td><td style="width: 2.5%; background-color: yellow;">19</td><td style="width: 2.5%; background-color: yellow;">18</td><td style="width: 2.5%; background-color: yellow;">17</td><td style="width: 2.5%; background-color: yellow;">16</td><td style="width: 2.5%;">15</td><td style="width: 2.5%;">14</td><td style="width: 2.5%;">13</td><td style="width: 2.5%;">12</td><td style="width: 2.5%;">11</td><td style="width: 2.5%;">10</td><td style="width: 2.5%;">9</td><td style="width: 2.5%;">8</td><td style="width: 2.5%; background-color: yellow;">7</td><td style="width: 2.5%; background-color: yellow;">6</td><td style="width: 2.5%; background-color: yellow;">5</td><td style="width: 2.5%; background-color: yellow;">4</td><td style="width: 2.5%; background-color: yellow;">3</td><td style="width: 2.5%; background-color: yellow;">2</td><td style="width: 2.5%; background-color: yellow;">1</td><td style="width: 2.5%; background-color: yellow;">0</td> </tr> <tr> <td colspan="34" style="text-align: center;">OUTPUTEN</td> </tr> </table>																	31	30	29	28	27	26	25	24	23	22	21	20	19	18	17	16	15	14	13	12	11	10	9	8	7	6	5	4	3	2	1	0	OUTPUTEN																																	
31	30	29	28	27	26	25	24	23	22	21	20	19	18	17	16	15	14	13	12	11	10	9	8	7	6	5	4	3	2	1	0																																																			
OUTPUTEN																																																																																		
Bits	Field Name	Description	Type	Reset																																																																														
31:0	OUTPUTEN	Output enable 0x0: Output enabled 0x1: Output disabled	RW	0xFFFF FFFF																																																																														

Table 27-51. Register Call Summary for Register GPIO_OE

General-Purpose Interface Overview

- [General-Purpose Interface Overview: \[0\]](#)

General-Purpose Interface Functional Description

- [General-Purpose Interface Data Input/Output Capabilities: \[1\]\[2\]\[3\]](#)

General-Purpose Interface Programming Guide

- [Global Initialization: \[4\]](#)

General-Purpose Interface Register Manual

- [General-Purpose Interface Register Summary: \[5\]\[7\]\[8\]](#)

Table 27-52. GPIO_DATAIN

Address Offset	0x0000 0138		
Physical Address	0x4805 1138 0x4805 3138 0x4805 5138 0x4805 7138 0x4805 9138 0x4805 B138 0x4805 D138 0x4AE1 0138	Instance	GPIO7 GPIO8 GPIO2 GPIO3 GPIO4 GPIO5 GPIO6 GPIO1
Description	Data input register (with sampled input data)		
Type	R		

31	30	29	28	27	26	25	24	23	22	21	20	19	18	17	16	15	14	13	12	11	10	9	8	7	6	5	4	3	2	1	0
DATAIN																															

Bits	Field Name	Description	Type	Reset
31:0	DATAIN	Sampled input data	R	0x0000 0000

Table 27-53. Register Call Summary for Register GPIO_DATAIN

General-Purpose Interface Overview

- [General-Purpose Interface Overview: \[0\]](#)

General-Purpose Interface Functional Description

- [Power Management: \[1\]\[2\]](#)
- [General-Purpose Interface Data Input/Output Capabilities: \[3\]](#)

General-Purpose Interface Programming Guide

- [General-Purpose Interface Operational Modes Configuration: \[4\]](#)

General-Purpose Interface Register Manual

- [General-Purpose Interface Register Summary: \[5\]\[7\]\[8\]](#)

Table 27-54. GPIO_DATAOUT

Address Offset	0x0000 013C		
Physical Address	0x4805 113C 0x4805 313C 0x4805 513C 0x4805 713C 0x4805 913C 0x4805 B13C 0x4805 D13C 0x4AE1 013C	Instance	GPIO7 GPIO8 GPIO2 GPIO3 GPIO4 GPIO5 GPIO6 GPIO1
Description	Data-output register (data to set on output pins)		
Type	RW		

31	30	29	28	27	26	25	24	23	22	21	20	19	18	17	16	15	14	13	12	11	10	9	8	7	6	5	4	3	2	1	0
DATAOUT																															

Bits	Field Name	Description	Type	Reset
31:0	DATAOUT	Data to set on output pins	RW	0x0000 0000

Table 27-55. Register Call Summary for Register GPIO_DATAOUT

General-Purpose Interface Overview

- [General-Purpose Interface Overview: \[0\]\[1\]](#)

General-Purpose Interface Functional Description

- [General-Purpose Interface Data Input/Output Capabilities: \[2\]](#)
- [Description: \[3\]](#)

General-Purpose Interface Register Manual

- [General-Purpose Interface Register Summary: \[4\]\[6\]\[7\]](#)

Table 27-56. GPIO_LEVELDETECT0

Address Offset	0x0000 0140		
Physical Address	0x4805 1140 0x4805 3140 0x4805 5140 0x4805 7140 0x4805 9140 0x4805 B140 0x4805 D140 0x4AE1 0140	Instance	GPIO7 GPIO8 GPIO2 GPIO3 GPIO4 GPIO5 GPIO6 GPIO1
Description	Detect low-level register. 0 = Low-level detection disabled; 1 = Low-level detection enabled		
Type	RW		

31	30	29	28	27	26	25	24	23	22	21	20	19	18	17	16	15	14	13	12	11	10	9	8	7	6	5	4	3	2	1	0
LEVELDETECT0																															

Bits	Field Name	Description	Type	Reset
31:0	LEVELDETECT0	Low-level detection 0x0: Low-level detection disabled 0x1: Low-level detection enabled	RW	0x0000 0000

Table 27-57. Register Call Summary for Register GPIO_LEVELDETECT0

General-Purpose Interface Programming Guide

- [Global Initialization: \[0\]](#)

General-Purpose Interface Register Manual

- [General-Purpose Interface Register Summary: \[1\]\[3\]\[4\]](#)

Table 27-58. GPIO_LEVELDETECT1

Address Offset	0x0000 0144		
Physical Address	0x4805 1144 0x4805 3144 0x4805 5144 0x4805 7144 0x4805 9144 0x4805 B144 0x4805 D144 0x4AE1 0144	Instance	GPIO7 GPIO8 GPIO2 GPIO3 GPIO4 GPIO5 GPIO6 GPIO1
Description	Detect high-level register		
Type	RW		

31	30	29	28	27	26	25	24	23	22	21	20	19	18	17	16	15	14	13	12	11	10	9	8	7	6	5	4	3	2	1	0
LEVELDETECT1																															

Bits	Field Name	Description	Type	Reset
31:0	LEVELDETECT1	0x0: High-level detection disabled 0x1: High-level detection enabled	RW	0x0000 0000

Table 27-59. Register Call Summary for Register GPIO_LEVELDETECT1

General-Purpose Interface Programming Guide

- [Global Initialization: \[0\]](#)

General-Purpose Interface Register Manual

- [General-Purpose Interface Register Summary: \[1\]\[3\]\[4\]](#)

Table 27-60. GPIO_RISINGDETECT

Address Offset	0x0000 0148	
Physical Address	0x4805 1148 0x4805 3148 0x4805 5148 0x4805 7148 0x4805 9148 0x4805 B148 0x4805 D148 0x4AE1 0148	Instance
		GPIO7 GPIO8 GPIO2 GPIO3 GPIO4 GPIO5 GPIO6 GPIO1
Description	Detect rising edge register	
Type	RW	

31	30	29	28	27	26	25	24	23	22	21	20	19	18	17	16	15	14	13	12	11	10	9	8	7	6	5	4	3	2	1	0
RISINGDETECT																															

Bits	Field Name	Description	Type	Reset
31:0	RISINGDETECT	0x0: Rising edge detection disabled 0x1: Rising edge detection enabled	RW	0x0000 0000

Table 27-61. Register Call Summary for Register GPIO_RISINGDETECT

General-Purpose Interface Programming Guide

- [Global Initialization: \[0\]](#)

General-Purpose Interface Register Manual

- [General-Purpose Interface Register Summary: \[1\]\[3\]\[4\]](#)

Table 27-62. GPIO_FALLINGDETECT

Address Offset	0x0000 014C		
Physical Address	0x4805 114C 0x4805 314C 0x4805 514C 0x4805 714C 0x4805 914C 0x4805 B14C 0x4805 D14C 0x4AE1 014C	Instance	GPIO7 GPIO8 GPIO2 GPIO3 GPIO4 GPIO5 GPIO6 GPIO1
Description	Detect falling edge register		
Type	RW		

31	30	29	28	27	26	25	24	23	22	21	20	19	18	17	16	15	14	13	12	11	10	9	8	7	6	5	4	3	2	1	0
FALLINGDETECT																															

Bits	Field Name	Description	Type	Reset
31:0	FALLINGDETECT	0x0: Falling edge detection disabled 0x1: Falling edge detection enabled	RW	0x0000 0000

Table 27-63. Register Call Summary for Register GPIO_FALLINGDETECT

General-Purpose Interface Programming Guide

- [Global Initialization: \[0\]](#)

General-Purpose Interface Register Manual

- [General-Purpose Interface Register Summary: \[1\]\[3\]\[4\]](#)

Table 27-64. GPIO_DEBOUNCENABLE

Address Offset	0x0000 0150		
Physical Address	0x4805 1150 0x4805 3150 0x4805 5150 0x4805 7150 0x4805 9150 0x4805 B150 0x4805 D150 0x4AE1 0150	Instance	GPIO7 GPIO8 GPIO2 GPIO3 GPIO4 GPIO5 GPIO6 GPIO1
Description	Debouncing enable register		
Type	RW		

31	30	29	28	27	26	25	24	23	22	21	20	19	18	17	16	15	14	13	12	11	10	9	8	7	6	5	4	3	2	1	0
DEBOUNCEENABLE																															

Bits	Field Name	Description	Type	Reset
31:0	DEBOUNCEENABLE	0x0: No debouncing 0x1: Debouncing activated	RW	0x0000 0000

Table 27-65. Register Call Summary for Register GPIO_DEBOUNCENABLE

General-Purpose Interface Functional Description

- [Power Management: \[0\]](#)

General-Purpose Interface Programming Guide

- [Global Initialization: \[1\]](#)

Table 27-65. Register Call Summary for Register GPIO_DEBOUNCENABLE (continued)

General-Purpose Interface Register Manual

- [General-Purpose Interface Register Summary: \[2\]\[4\]\[5\]](#)

Table 27-66. GPIO_DEBOUNCINGTIME

Address Offset	0x0000 0154		
Physical Address	0x4805 1154 0x4805 3154 0x4805 5154 0x4805 7154 0x4805 9154 0x4805 B154 0x4805 D154 0x4AE1 0154	Instance	GPIO7 GPIO8 GPIO2 GPIO3 GPIO4 GPIO5 GPIO6 GPIO1
Description	Debouncing value register		
Type	RW		

31	30	29	28	27	26	25	24	23	22	21	20	19	18	17	16	15	14	13	12	11	10	9	8	7	6	5	4	3	2	1	0
RESERVED																DEBOUNCETIME															

Bits	Field Name	Description	Type	Reset
31:8	RESERVED	Reserved	R	0x000000
7:0	DEBOUNCETIME	8-bit values specifying the debouncing time. It is n-periods of the muxed clock, which can come from either a true 32k oscillator/pad or from the system clock. It depends on which boot mode is selected. For more information see Chapter 33, Initialization .	RW	0x00

Table 27-67. Register Call Summary for Register GPIO_DEBOUNCINGTIME

General-Purpose Interface Functional Description

- [Synchronous Path: Interrupt Request Generation: \[0\]\[1\]](#)
- [Clocking: \[2\]\[3\]\[4\]](#)
- [Power Management: \[5\]\[6\]](#)

General-Purpose Interface Programming Guide

- [Global Initialization: \[7\]](#)

General-Purpose Interface Register Manual

- [General-Purpose Interface Register Summary: \[8\]\[10\]\[11\]](#)

Table 27-68. GPIO_CLEARDATAOUT

Address Offset	0x0000 0190		
Physical Address	0x4805 1190 0x4805 3190 0x4805 5190 0x4805 7190 0x4805 9190 0x4805 B190 0x4805 D190 0x4AE1 0190	Instance	GPIO7 GPIO8 GPIO2 GPIO3 GPIO4 GPIO5 GPIO6 GPIO1
Description	Clear data-output register		
Type	RW		

31	30	29	28	27	26	25	24	23	22	21	20	19	18	17	16	15	14	13	12	11	10	9	8	7	6	5	4	3	2	1	0
INTLINE																															

Bits	Field Name	Description	Type	Reset
31:0	INTLINE	0x0: No effect 0x1: Clear the corresponding bit in the data-output register	RW	0x0000 0000

Table 27-69. Register Call Summary for Register GPIO_CLEARDATAOUT

General-Purpose Interface Functional Description

- [General-Purpose Interface Data Input/Output Capabilities: \[0\]](#)
- [Clear Instruction: \[1\]](#)

General-Purpose Interface Programming Guide

- [General-Purpose Interface Operational Modes Configuration: \[2\]](#)

General-Purpose Interface Register Manual

- [General-Purpose Interface Register Summary: \[3\]\[5\]\[6\]](#)

Table 27-70. GPIO_SETDATAOUT

Address Offset	0x0000 0194		
Physical Address	0x4805 1194 0x4805 3194 0x4805 5194 0x4805 7194 0x4805 9194 0x4805 B194 0x4805 D194 0x4AE1 0194	Instance	GPIO7 GPIO8 GPIO2 GPIO3 GPIO4 GPIO5 GPIO6 GPIO1
Description	Set data-output register		
Type	RW		

31	30	29	28	27	26	25	24	23	22	21	20	19	18	17	16	15	14	13	12	11	10	9	8	7	6	5	4	3	2	1	0
INTLINE																															

Bits	Field Name	Description	Type	Reset
31:0	INTLINE	0x0: No effect 0x1: Set the corresponding bit in the data-output register	RW	0x0000 0000

Table 27-71. Register Call Summary for Register GPIO_SETDATAOUT

General-Purpose Interface Functional Description

- [General-Purpose Interface Data Input/Output Capabilities: \[0\]](#)
- [Set Instruction: \[1\]\[2\]\[3\]](#)

General-Purpose Interface Programming Guide

- [General-Purpose Interface Operational Modes Configuration: \[4\]](#)

General-Purpose Interface Register Manual

- [General-Purpose Interface Register Summary: \[5\]\[7\]\[8\]](#)
-

Keyboard Controller

This chapter describes the keyboard module (KBD) of the device.

Topic	Page
28.1 Keyboard Controller Overview	6988
28.2 Keyboard Controller Environment	6990
28.3 Keyboard Controller Integration	6993
28.4 Keyboard Controller Functional Description	6995
28.5 Keyboard Controller Programming Guide	7004
28.6 Keyboard Controller Register Manual	7008

28.1 Keyboard Controller Overview

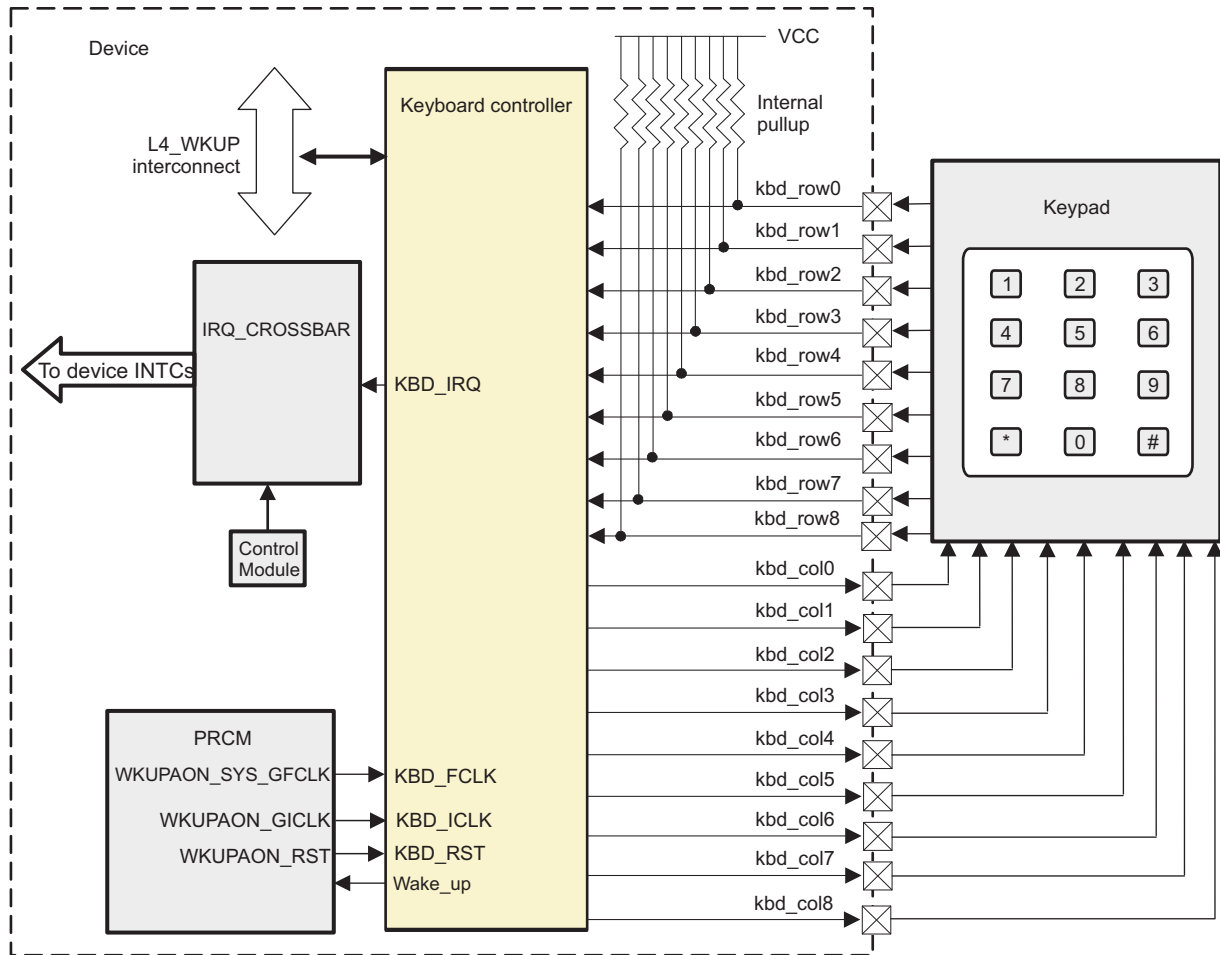
The keyboard controller implements a built-in scanning algorithm for hardware-based key-press decoding and reduces overhead in the microprocessor unit (MPU) software.

The keyboard controller includes a debouncing feature to ensure that only one key combination can be registered in the programmed time.

The keyboard controller can handle up to 9 × 9 keys, works on a 32-kHz clock, and can generate wake-up events when the chip is in sleep mode.

Figure 28-1 shows the keyboard controller.

Figure 28-1. Keyboard Controller Overview



kb-001

The keyboard controller includes the following main features:

- Support of multiconfiguration keyboards up to 9 rows × 9 columns
- Each key coded on 1 bit in two 32-bit registers
- Long-key value or repeat timing reconfigurable on the fly
- Event detection on key press and key release
- Multikey-press detection and decoding
- Long-key detection on prolonged key press
- Integrated timer with four programmable comparison values
- Programmable time-out on permanent key press or after keyboard release
- Programmable interrupt generation on key events

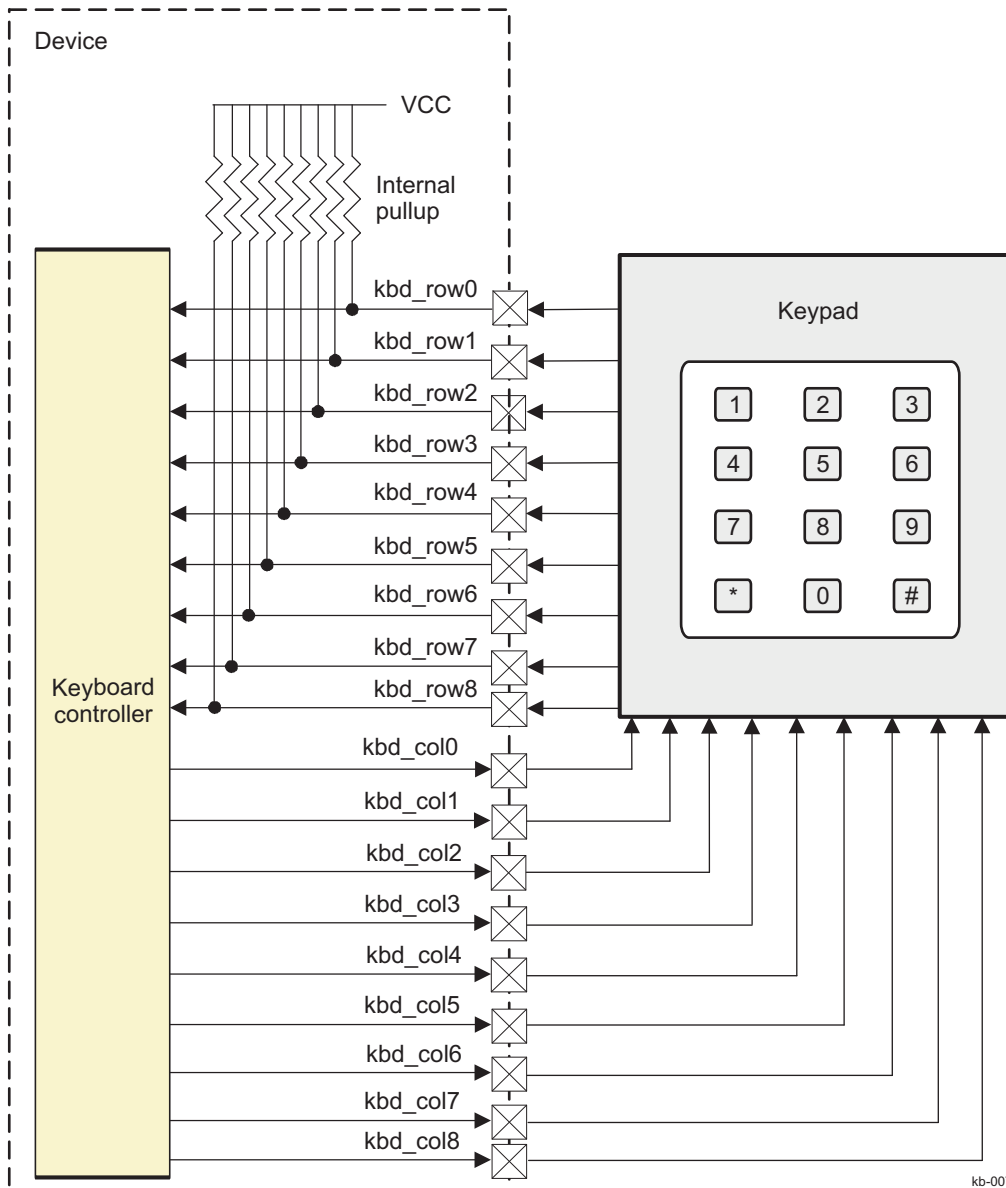
- Software reset capability
- Read/write-posted register access modes
- 8-/16-/32-bit access supported on the level 4 (L4) interface
- 32-bit data bus
- 7-bit address bus
- An over run generation if a master reads a register too late

28.2 Keyboard Controller Environment

The keyboard controller external interface pins map on the device pads when the device IO cells are configured and multiplexed for the keypad function by the control module. For more information, see [Section 18.4.6.1.1, Pad Configuration Registers](#), and [Section 27.2.1, General-Purpose Interface as a Keyboard interface](#).

The external keypad typically connects directly to the keyboard controller of the device (see [Figure 28-2](#)).

Figure 28-2. Typical Keyboard Environment



NOTE: To achieve the configuration shown in [Figure 28-2](#) software needs to reconfigure the internal pulls on the kbd_* pads appropriately. The settings of those pads default to pull down resistors selected, software must reconfigure to pull ups on rows and to disable the pulls on columns.

28.2.1 Keyboard Controller Functions/Modes

The keyboard controller executes two functions:

- Keypad scanning and decoding for input of the external key presses. For more information, see [Section 28.4.5, Keyboard Controller Software Mode](#), and [Section 28.4.6, Keyboard Controller Hardware Decoding Modes](#).
- Device wakeup by interrupt request to the processor when a key is pressed and the device is in idle or sleep mode. For more information, see [Section 28.4.6.4, Keyboard Controller Interrupt Generation](#).

28.2.2 Keyboard Controller Signals

Table 28-1 describes the module signals and specifies their links to functions.

Table 28-1. I/O External Keyboard Signals

Signal	I/O ⁽¹⁾	Description	Reset Value	Function	Wake-Up Capability
kbd_row0	I	Keypad row 0 feed	HiZ (pulled up)	Key reading	Yes
kbd_row1	I	Keypad row 1 feed	HiZ (pulled up)	Key reading	Yes
kbd_row2	I	Keypad row 2 feed	HiZ (pulled up)	Key reading	Yes
kbd_row3	I	Keypad row 3 feed	HiZ (pulled up)	Key reading	Yes
kbd_row4	I	Keypad row 4 feed	HiZ (pulled up)	Key reading	Yes
kbd_row5	I	Keypad row 5 feed	HiZ (pulled up)	Key reading	Yes
kbd_row6	I	Keypad row 6 feed	HiZ (pulled up)	Key reading	Yes
kbd_row7	I	Keypad row 7 feed	HiZ (pulled up)	Key reading	Yes
kbd_row8	I	Keypad row 8 feed	HiZ (pulled up)	Key reading	Yes
kbd_col0	O	Keypad column 0 feed, active low	HiZ	Key reading	No
kbd_col1	O	Keypad column 1 feed, active low	HiZ	Key reading	No
kbd_col2	O	Keypad column 2 feed, active low	HiZ	Key reading	No
kbd_col3	O	Keypad column 3 feed, active low	HiZ	Key reading	No
kbd_col4	O	Keypad column 4 feed, active low	HiZ	Key reading	No
kbd_col5	O	Keypad column 5 feed, active low	HiZ	Key reading	No
kbd_col6	O	Keypad column 6 feed, active low	HiZ	Key reading	No
kbd_col7	O	Keypad column 7 feed, active low	HiZ	Key reading	No
kbd_col8	O	Keypad column 8 feed, active low	HiZ	Key reading	No

⁽¹⁾ I = Input; O = Output

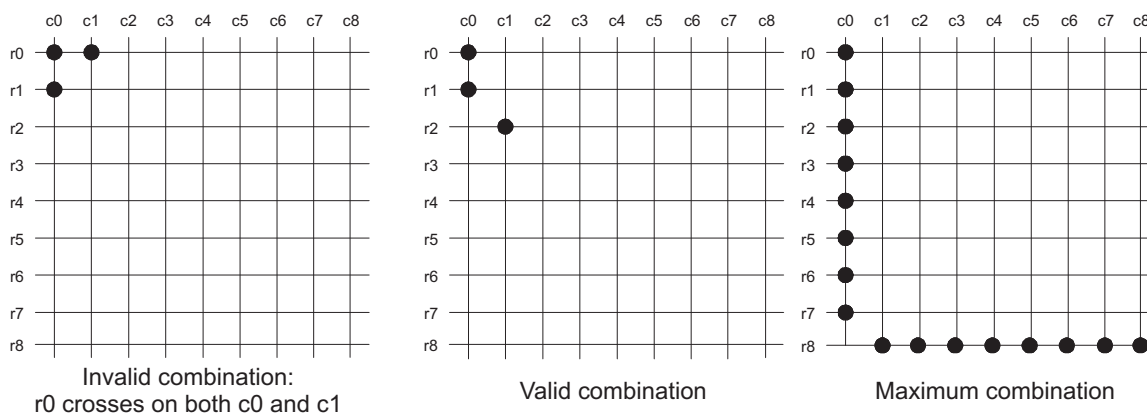
28.2.3 Protocols and Data Formats

The keyboard controller detects and decodes multikey combinations using the following rules:

- Any 2-key combination is valid and can be decoded.
- Combinations using more than two keys are valid only if the rows and columns used do not cross over on another key to be detected. This is caused by equipotent propagation on a row/column (multikey limitations).

Figure 28-3 shows an example of multikey limitation.

Figure 28-3. Multikey Limitation Example



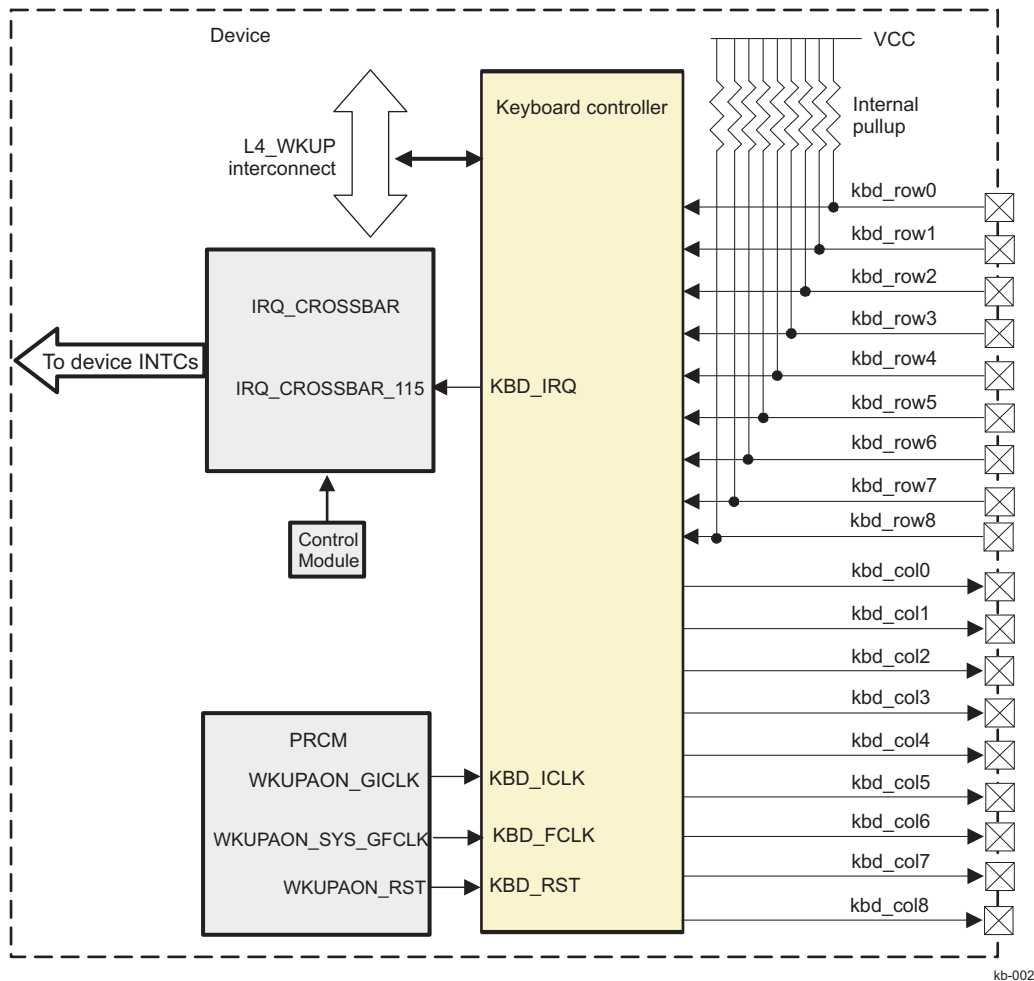
kb-006

NOTE: When using the keyboard controller with a smaller keypad (for example, 5 × 5), unused rows must be tied high to prevent disturbing the scanning process. Normally, all rows must be pulled up internally at the I/O cells of the device.

28.3 Keyboard Controller Integration

Figure 28-4 shows keyboard controller integration.

Figure 28-4. Keyboard Controller Integration



The control module must enable the internal pullups of the GPIO cells for all keypad rows (for more information about the configuration, see [Chapter 18, Control Module](#)).

[Table 28-2](#) through [Table 28-4](#) summarize the integration of the module in the device.

Table 28-2. Keyboard Controller Integration Attributes

Module Instance	Attributes		
	Power Domain	Wake-Up Capability	Interconnect
KBD	PD_WKUPAON	Yes	L4_WKUP

Table 28-3. Keyboard Controller Clocks and Resets

Module Instance	Destination Signal Name	Source Signal Name	Clocks		Description
			Source	Description	
KBD	KBD_FCLK	WKUPAON_SYS_G FCLK	PRCM		32-kHz functional clock. For information about PRCM clock gating and management, see Section 3.1.1.1.4, Clock Domain-Level Clock Management , in Chapter 3, Power, Reset, and Clock Management .

Table 28-3. Keyboard Controller Clocks and Resets (continued)

KBD	KBD_ICLK	WKUPAON_GICLK	PRCM	L4-interconnect interface clock. For information about PRCM clock gating and management, see Section 3.1.1.1.4, Clock Domain-Level Clock Management , in Chapter 3, Power, Reset, and Clock Management .
Resets				
KBD	KBD_RST	WKUPAON_RST	PRCM	Reset signal for the Keyboard controller.

Table 28-4. Keyboard Controller Hardware Requests

Interrupt Requests						
Module Instance	Source Signal Name	IRQ_CROSSBAR Input	Default Mapping	Description		
KBD	KBD_IRQ	IRQ_CROSSBAR_115	MPU_IRQ_120	Keyboard Controller interrupt request		

NOTE: The “**Default Mapping**” column in [Table 28-4 Keyboard Controller Hardware Requests](#) shows the default mapping of module IRQ source signals. These IRQ source signals can also be mapped to other lines of each device Interrupt controller through the IRQ_CROSSBAR module. For more information about the IRQ_CROSSBAR module, see [Section 18.4.6.4, IRQ_CROSSBAR Module Functional Description](#), in [Chapter 18, Control Module](#). For more information about the device interrupt controllers, see [Chapter 17, Interrupt Controllers](#).

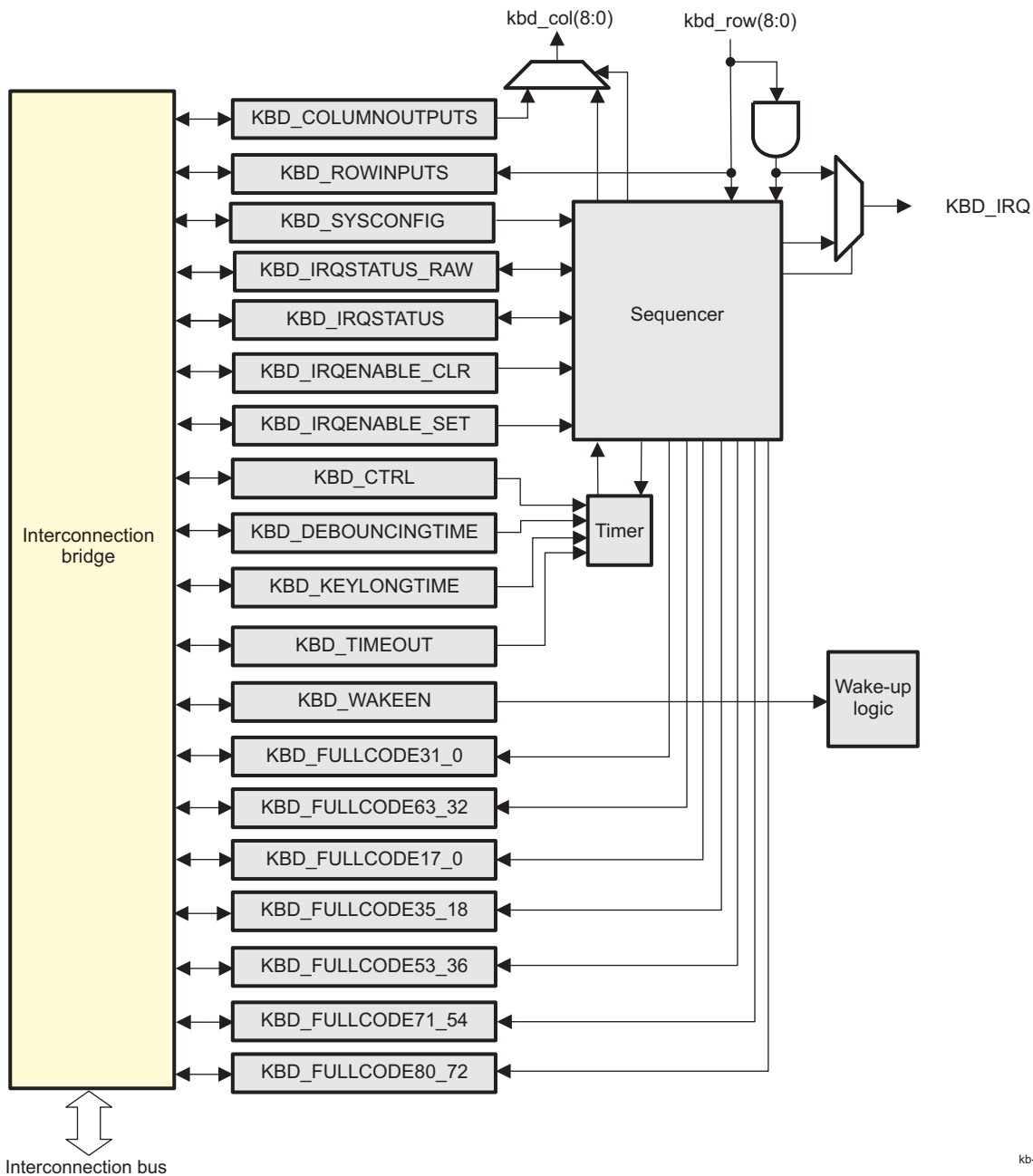
NOTE: For the description of the interrupt source, see [Section 28.4.4, Interrupt Requests](#).

28.4 Keyboard Controller Functional Description

28.4.1 Keyboard Controller Block Diagram

Figure 28-5 shows the functional specification block diagram of the keyboard controller.

Figure 28-5. Keyboard Controller Block Diagram



The keyboard controller detects events issued on any key of the connected keyboard and generates an interrupt to alert the host processor. The built-in hardware-scan algorithm decodes the pressed keys, including multikey combinations.

To reduce MPU software overhead, the hardware performs detecting and decoding in the keyboard controller state-machine. However, hardware decoding can be deactivated so that software handles the scanning algorithm.

The value of the columns output is determined in the [KBD_COLUMNOUTPUTS\[8:0\]](#) KBC_REG bit field. To activate a keypad row-column connection, the corresponding bit must be 0b0.

The following sections describe subfunctions and subfunction interactions (control and data paths).

28.4.2 Keyboard Controller Software Reset

To perform a software reset, set the [KBD_SYSCONFIG\[1\]](#) SOFTRESET bit to 1. When the software reset completes, the [KBD_SYSCONFIG\[1\]](#) SOFTRESET bit is automatically reset. Software must ensure that the software reset completes before performing mailbox operations.

28.4.3 Keyboard Controller Power Management

[Table 28-5](#) describes the power-management features available for the keyboard controller.

NOTE: For information about source clock gating and a description of the sleep/wake-up transitions, see [Section 3.1.1.1.4, Clock Domain-Level Clock Management](#), in *Power, Reset, and Clock Management*.

Table 28-5. Local Power-Management Features

Feature	Registers	Description
Slave idle modes	KBD_SYSCONFIG[4:3] IDLEMODE	Force-idle, no-idle, and smart-idle modes are available.
Master standby modes	N/A	N/A
Wake-up sources enable	KBD_IRQWAKEEN	This register holds one active-high enable bit per event source able to generate a wake-up signal.

28.4.4 Keyboard Controller Interrupt Requests

[Table 28-6](#) lists the event flags, and their mask, that can cause module interrupts.

Table 28-6. Events

Event Flag	Event Mask	Description
KBD_IRQSTATUS[3] MISS_EVENT	–	A miss event occurs.
KBD_IRQSTATUS[2] IT_TIMEOUT	KBD_IRQENABLE_SET/KBD_IRQENABLE_CLR [2] IT_TIMEOUT_EN	A time-out event is detected.
KBD_IRQSTATUS[1] IT_LONG_KEY	KBD_IRQENABLE_SET/KBD_IRQENABLE_CLR [1] IT_LONG_KEY_EN	A long-key event is detected.
KBD_IRQSTATUS[0] IT_EVENT	KBD_IRQENABLE_SET/KBD_IRQENABLE_CLR [0] IT_EVENT_EN	An event is detected.

28.4.5 Keyboard Controller Software Mode

The [KBD_CTRL\[1\]](#) NSOFTWARE_MODE bit selects software mode when it is set to 0.

In software mode, the keyboard controller internal sequencer, which performs automatic scanning and decoding, is disabled. Consequently, software must manually perform the scanning algorithm.

The scanning sequence is managed using the keyboard controller column outputs register ([KBD_COLUMNOUTPUTS](#)) and the keyboard controller row inputs register ([KBD_ROWINPUTS](#)). In this configuration, the keyboard interrupt is a logical ANDing of all bits of the [KBD_ROWINPUTS](#) register.

For more information about the software scan, see [Section 28.5.1, Keyboard Controller Low-Level Programming Model](#).

28.4.6 Keyboard Controller Hardware Decoding Modes

28.4.6.1 Functional Modes

When running in hardware (default) decoding mode (the [KBD_CTRL\[1\] NSOFTWARE_MODE](#) bit is set to 1), the keyboard controller offers several functional modes; these modes are summarized in [Table 28-7](#). The keyboard interrupt depends on the configuration in the keyboard controller interrupt-enable register ([KBD_IRQENABLE_SET](#)). If the event is enabled (bit 0 is set to 1), an interrupt is generated when the sequencer detects an event. Even if this interrupt is disabled, the flag status of the keyboard controller interrupt-status register ([KBD_IRQSTATUS](#)) is updated.

Table 28-7. Keyboard Controller Functional Modes

Functional Mode	Associated Interrupt	Associated Timer Value	Description	Control
Keyboard event	Event interrupt	Debouncing value	Occurs when a key is pressed or released Always enabled	KBD_CTRL[8:5] bits must be set to 0 to disable all the other features.
Long key	Long-key interrupt	Long-key value	Used to detect a key that is pressed for a long time Should be associated with the long-key time-out function or repeat mode	KBD_CTRL[5] LONG_KEY
Repeat key	Long-key interrupt	Long-key value	Generates an interrupt every long-key delay No time-out can be associated.	KBD_CTRL[8] REPEAT_MODE
Empty time-out	Time-out interrupt	Empty time-out value	Interrupt generated if no key is pressed during an empty time-out period.	KBD_CTRL[6] TIMEOUT_EMPTY
Long-key time-out	Time-out interrupt	Long-key time-out value	Associated with the long-key function Generated after a long-key interrupt if no event occurs during a long-key time-out period	KBD_CTRL[7] TIMEOUT_LONG_KEY

Each mode can be activated/deactivated by setting the corresponding bits (5, 6, 7, and 8) in the [KBD_CTRL](#) register with the appropriate values (for more information, see [Section 28.6, Keyboard Controller Register Manual](#)).

28.4.6.2 Keyboard Controller Timer

As described in the previous section, each functional mode is associated with a timer value. Depending on the selected mode, the keyboard controller timer is loaded with the corresponding value as set in the related registers:

- [KBD_DEBOUNCINGTIME](#)
- [KBD_KEYLONGTIME](#)
- [KBD_TIMEOUT](#)

[Table 28-8](#) summarizes the values of the keyboard controller timer.

Table 28-8. Keyboard Controller Timer Values

Timer Value	Associated Register Field	Description
Debouncing time	KBD_DEBOUNCINGTIME[5:0] DEBOUNCING_VALUE	To remove the effects of glitches when an event occurs on the keyboard, the controller waits for a debouncing period before taking a snapshot of the current state on the keyboard matrix. The timer is loaded with the debouncing time value after each detected event on the keyboard matrix. An event interrupt is generated after this delay.

Table 28-8. Keyboard Controller Timer Values (continued)

Timer Value	Associated Register Field	Description
Long-key time	KBD_KEYLONGTIME [11:0] LONG_KEY_VALUE	This is the delay before generating a long-key interrupt after an event interrupt. If the long-key mode is selected, the timer is loaded with the long-key time value after an event interrupt is generated. In repeat mode, the timer is reloaded with the same value after a long-key interrupt, and starts to count down again.
Long-key time-out	KBD_TIMEOUT [15:0] TIMEOUT_VALUE	The timer is loaded with the time-out value and then a long-key interrupt is generated and starts to count down. When it reaches 0, a time-out interrupt is generated and the keyboard controller returns to its IDLE state. This long-key time-out does not work in repeat mode.
Empty key time-out	KBD_TIMEOUT [15:0] TIMEOUT_VALUE	The time-out interrupt occurs if no key is pressed during this delay. The keyboard controller then returns to IDLE state.

The timer countdown period depends on three factors:

- The loaded value as set in:
 - [KBD_DEBOUNCINGTIME](#)
 - [KBD_KEYLONGTIME](#)
 - [KBD_TIMEOUT](#)
- The value of the prescale clock timer as set in the [KBD_CTRL](#)[4:2] PTV bit field. This programmable clock divider allows the reduction of the clock frequency used by the timer.
- The frequency of the keyboard controller functional clock (32 kHz). This clock is actually either 32K oscillator, or it is the SYSCLK1/610, depending on sysboot[9:8] state at power-on. For more information about sysboot states see [Chapter 33, Initialization](#).

The period is calculated as follows:

$$T_{\text{period}} = (T_{\text{value}} + 1) \times 2^{\text{PTV} + 1} \times T_{\text{clk}}$$

Where:

T_{value} is the value stored in the [KBD_DEBOUNCINGTIME](#), [KBD_KEYLONGTIME](#), or [KBD_TIMEOUT](#) register.

PTV is the value of the [KBD_CTRL](#)[4:2] PTV bit field.

T_{clk} is the period of the 32-kHz functional clock; that is, 31.25 μs or other (depending whether the 32K oscillator or the SYSCLK1/610 clock is selected as source).

The [KBD_CTRL](#)[4:2] PTV bit field determines the division factor of the timer clock. [Table 28-9](#) lists the divider rates.

Table 28-9. Timer Prescale Values

KBD_CTRL [4:2] PTV Value	Divisor
0	2
1	4
2	8
3	16
4	32
5	64
6	128
7	256

NOTE: The timer minimum period is 62.5 μs ; its maximum period is 524.288 seconds.

CAUTION

To prevent undefined results, the [KBD_CTRL\[4:2\]](#) PTV bit field must not be changed when the timer is running.

The timer value registers ([KBD_DEBOUNCINGTIME](#), [KBD_KEYLONGTIME](#), and [KBD_TIMEOUT](#)) can be updated at any time, whether or not the timer is running. Nevertheless, the timer is updated only on the fly for the long-key time value. The new debouncing and time-out values are loaded only on the next load. Depending on the updated register, two cases can occur:

- The [KBD_KEYLONGTIME](#) register is updated; the new value stored in the [KBD_KEYLONGTIME](#) register is loaded into the timer when the register is written. If the timer is already counting down when [KBD_KEYLONGTIME](#) is updated, it counts down from the new value loaded in [KBD_KEYLONGTIME](#).
- The [KBD_DEBOUNCINGTIME](#) or [KBD_TIMEOUT](#) register is updated; the new value is considered only when the next timer loads. If the timer is counting down when the registers are updated, the timer continues counting down from the previous value and is loaded with the new one on the next load.

Regardless of the timer state (stopped, counting down any of the values previously described, etc.), when a new event occurs on the keyboard, the timer is stopped and loaded with the debouncing time value. It then starts counting down.

28.4.6.3 State-Machine Status

To facilitate debugging, each state of the state-machine is coded in a register that indicates the current state of the machine. [Table 28-10](#) lists the corresponding codes.

Table 28-10. State-Machine Values

KBD_STATEMACHINE[3:0] Value	Description
0x0	Idle
0x1	Scanning
0x2	Load timer debouncing
0x3	Test timer debouncing
0x4	Generated interrupt event
0x6	Load timer long key
0x7	Test timer long key
0x8	Generated interrupt long key
0x9	Load timer time-out
0xA	Test timer time-out
0xB	Generated interrupt time-out
0xF	Other

28.4.6.4 Keyboard Controller Interrupt Generation

28.4.6.4.1 Interrupt-Generation Scheme

The keyboard controller generates the [KBD_IRQ](#) interrupt signal connected to the [IRQ_CROSSBAR_115](#) input. Each functional mode generates dedicated interrupt events (logged in the [KBD_IRQSTATUS](#) register) that can be masked using the [KBD_IRQENABLE_CLR](#) register or unmasked using the [KBD_IRQENABLE_SET](#) register.

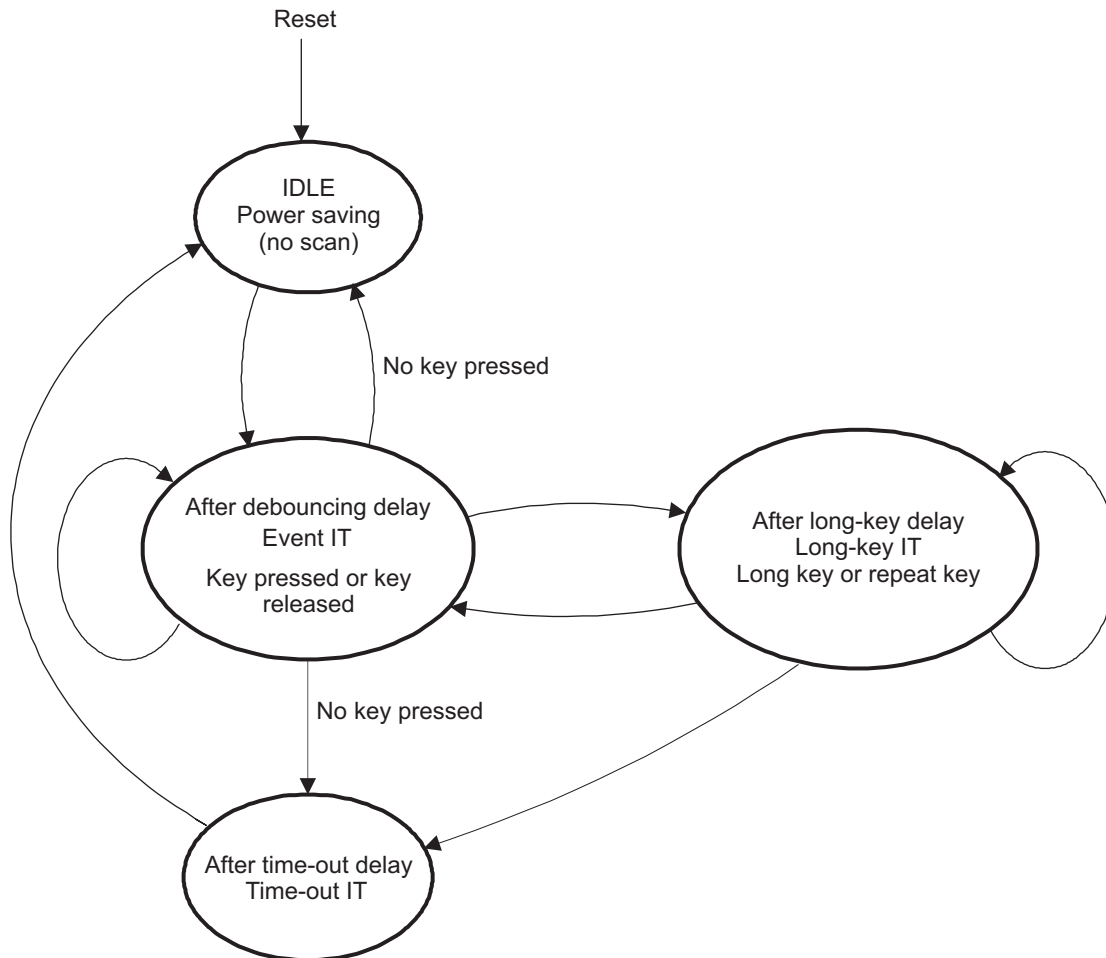
The [KBD_IRQSTATUS](#) register is updated when the selected functional mode generates an interrupt event. However, the [KBD_IRQ](#) signal is asserted on the related event only if the corresponding bit is set to 0x1 in the [KBD_IRQENABLE_SET](#) register.

NOTE: To reset the interrupt status bit, 1 must be written to the appropriate bit of the [KBD_IRQSTATUS](#) read/write register.

Figure 28-6 shows the different interrupt events generated in each keyboard controller functional mode and details the relationships between them.

NOTE: Depending on the selected mode, some interrupt events cannot be generated.

Figure 28-6. Functional Modes and Related Interrupt Events



kb-004

While running in hardware-decoding mode, the keyboard controller performs automatic scans when not in IDLE state. When a key-press event occurs on the keyboard matrix, the keyboard controller leaves IDLE state and an interrupt event (the [KBD_IRQSTATUS\[0\]](#) IT_EVENT bit) is set after the timer counts down the debouncing delay. An IT_EVENT is generated when a key is pressed or released.

NOTE: An IT_EVENT is generated regardless of the selected functional mode. If no time-out is set and no more keys are pressed, the keyboard controller returns to IDLE state.

If long-key detection mode is set when the timer counts down the long-key delay, an interrupt long key (the [KBD_IRQSTATUS\[1\]](#) IT_LONG_KEY bit) is generated. If the repeat mode is set, the IT_LONG_KEY interrupt is generated periodically every long-key delay.

A time-out can also be set in event detection or long-key detection mode. In this case, a time-out interrupt (the [KBD_IRQSTATUS\[2\]](#) IT_TIMEOUT bit) is generated after the time-out delay timer expires. After such an interrupt, the keyboard controller always returns to IDLE state.

NOTE: No time-out can be set in repeat mode. Only a keyboard event can stop the periodic interrupt generation.

28.4.6.4.2 Keyboard Buffer and Missed Events (Overrun Feature)

The keyboard controller has an overrun feature: A dedicated buffer allows the keyboard controller to memorize two successive events. If two successive events occur before a read is performed, the second event is stored and a second interrupt is generated when the first interrupt is cleared, allowing two consecutive key events to be received.

If a third event occurs before the first event is treated, a missed event interrupt (the `KBD_IRQSTATUS[3] MISS_EVENT` bit) is generated to report the lost event.

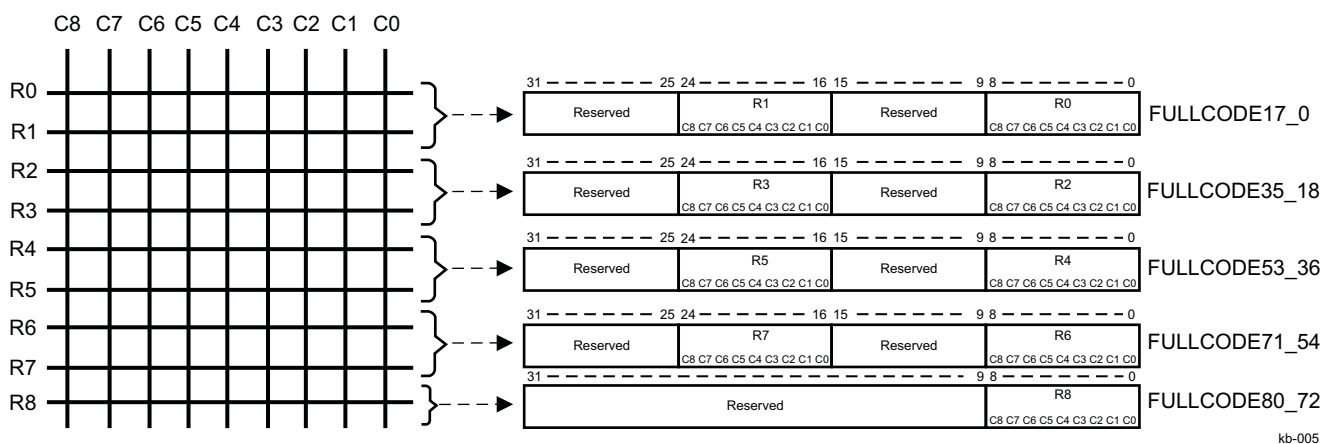
NOTE: The `MISS_EVENT` interrupt is not routed to the `KBD_IRQ` signal; software must check the `KBD_IRQSTATUS[3] MISS_EVENT` bit to detect any missed events.

28.4.7 Keyboard Controller Key Coding Registers

The keyboard controller matrix pressed keys state (indicating which columns/rows are connected) is reflected in the `KBD_FULLLCODE17_0` to `KBD_FULLLCODE80_72` registers, as shown in Figure 28-7. These registers are updated only when interrupt event status is inactive to prevent a lost event.

NOTE: The `KBD_FULLLCODE31_0` and `KBD_FULLLCODE63_32` registers, which are limited to supporting keyboards of a maximum 8 × 8 array size, can be used for back-to-back software compatibility.

Figure 28-7. Key Coding Registers



Each of the 9 × 9 keyboard size supporting registers (`KBD_FULLLCODE17_0` to `KBD_FULLLCODE71_54`) stores the state of two keyboard rows. The `KBD_FULLLCODE80_72` register stores the state of the last row, R8:

- The `KBD_FULLLCODE17_0` register code rows 0, 1 (row 0 is coded between bits 0 and 8, row 1 is coded between bits 16 and 24)
- The `KBD_FULLLCODE35_18` register code rows 2, 3 (row 2 is coded between bits 0 and 8, row 3 is coded between bits 16 and 24)
- The `KBD_FULLLCODE53_36` register code rows 4, 5 (row 4 is coded between bits 0 and 8, row 5 is coded between bits 16 and 24)
- The `KBD_FULLLCODE71_54` register code rows 6, 7 (row 6 is coded between bits 0 and 8, row 7 is coded between bits 16 and 24)
- The `KBD_FULLLCODE80_72` register code row 8 (row 8 is coded between bits 0 and 8)

In each of these registers (excluding [KBD_FULLCODE80_72](#)):

- Bit 0 corresponds to column(0) – row (i) key, ... , bit 8 corresponds to column(8) – row (i) key.
- Bits from 9 to 15 are reserved.
- Bit 16 corresponds to column(0) – row (i + 1) key, ... , bit 24 corresponds to column (8) – row (i + 1) key.
- Bits 31 to 25 are reserved, where i = 0, 2, 4, 6.

In the [KBD_FULLCODE80_72](#) register, bit 0 corresponds to column (0) – row (8) key, ..., the bit 8 corresponds to column (8) – row (8) key, and the remaining bits (from 9 to 31) are reserved.

Each of the 8 × 8-keyboard size supporting registers ([KBD_FULLCODE31_0](#) and [KBD_FULLCODE63_32](#)) stores the state of four keyboard rows:

- The [KBD_FULLCODE31_0](#) register code rows 0, 1, 2, and 3 (row 0 is coded between bits 0 and 7, row 1 is coded between bits 8 and 15, row 2 is coded between bits 16 and 23, and row 3 is coded between bits 24 and 31)
- The [KBD_FULLCODE63_32](#) register code rows 4, 5, 6, and 7 (row 4 is coded between bits 0 and 7, row 5 is coded between bits 8 and 15, row 6 is coded between bits 16 and 23, and row 7 is coded between bits 24 and 31)

In these registers:

- [KBD_FULLCODE31_0](#)[0] corresponds to column (0) – row (0) key, ..., [KBD_FULLCODE31_0](#)[7] corresponds to column (7) – row (0).
- [KBD_FULLCODE31_0](#)[8] corresponds to column (0) – row (1) key, ..., [KBD_FULLCODE31_0](#)[15] corresponds to column (7) – row (1).
- [KBD_FULLCODE31_0](#)[16] corresponds to column (0) – row (2) key, ..., [KBD_FULLCODE31_0](#)[23] corresponds to column (7) – row (2).
- [KBD_FULLCODE31_0](#)[24] corresponds to column (0) – row (3) key, ..., [KBD_FULLCODE31_0](#)[31] corresponds to column (7) – row (3).
- [KBD_FULLCODE63_32](#)[0] corresponds to column (0) – row (4) key, ..., [KBD_FULLCODE63_32](#)[7] corresponds to column (7) – row (4).
- [KBD_FULLCODE63_32](#)[8] corresponds to column (0) – row (5) key, ..., [KBD_FULLCODE63_32](#)[15] corresponds to column (7) – row (5).
- [KBD_FULLCODE63_32](#)[16] corresponds to column (0) – row (6) key, ..., [KBD_FULLCODE63_32](#)[23] corresponds to column (7) – row (6).
- [KBD_FULLCODE63_32](#)[24] corresponds to column (0) – row (7) key, ..., [KBD_FULLCODE63_32](#)[31] corresponds to column (7) – row (7).

NOTE: The keyboard fullcode registers are not updated in software mode.

NOTE: When using a smaller keyboard (for example, 5 × 5 or 4 × 4), the bits of the unused columns/rows are not used.

28.4.8 Keyboard Controller Register Access

28.4.8.1 Write Registers Access

The keyboard module uses a posted-write scheme to update any internal registers. This means the write transaction is immediately acknowledged on the L4 interface, although the effective write operation occurs later due to a resynchronization in the functional clock domain. This has the advantage of not stalling the interconnect system or the CPU that requested the write transaction. For each functional register, a pending bit is provided that is set if there is a pending write access to this register. The pending bits are accessible in the keyboard pending write register ([KBD_PENDING](#)).

In this mode, it is mandatory that the CPU checks the pending bits before any write access in the functional registers. If a write is attempted to a register with a previous access pending, the previous access is discarded without notice (this can also lead to unexpected results).

A register read following a posted write (on the same register) may not read the previous write value if the write posted process is not complete. Software synchronization must be used to avoid noncoherent read.

This posted period is defined as the interval between the posted write access request and the reset of the pending bit in the [KBD_PENDING](#) register, and can be quantified:

$$T \text{ (reset posted bit maximum)} = 3 \times \text{Tick} + 3 \times \text{Tfuncclk}$$

The time it takes to accomplish the writing is:

$$T \text{ (write accomplish maximum)} = 1 \times \text{Tick} + 3 \times \text{Tfuncclk}$$

where:

Tick is the L4 interface clock period, and Tfuncclk is the functional clock period.

28.4.8.2 Read Registers Access

The keyboard module uses a posted-read scheme for reading any internal register. The read transaction is immediately acknowledged on the L4 interface. The value of the functional register to be read must be previously synchronized. This has the advantage of not stalling the interconnect system or the CPU that requested the read transaction.

The posted-read scheme can be used only if $\text{Freq}(\text{KBD_FCLK}) < \text{Freq}(\text{KBD_ICLK})/4$.

28.5 Keyboard Controller Programming Guide

28.5.1 Keyboard Controller Low-Level Programming Models

This section describes the low-level hardware programming sequences for the configuration and use of the module.

28.5.1.1 Global Initialization

28.5.1.1.1 Surrounding Modules Global Initialization

This section identifies the requirements for initializing the surrounding modules when the keyboard module is to be used for the first time after a device reset. This initialization of surrounding modules is based on the integration and environment of the keyboard. For more information, see [Section 28.2, Keyboard Controller Environment](#), and [Section 28.3, Keyboard Controller Integration](#).

[Table 28-11](#) describes the global initialization of surrounding modules.

Table 28-11. Global Initialization of Surrounding Modules

Surrounding Modules	Comments
PRCM	The module interface and functional clocks must be enabled. See Chapter 3, Power, Reset, and Clock Management .
IRQ_CROSSBAR	IRQ_CROSSBAR configuration must be done to allow the keyboard controller IRQ to be mapped to certain device INTC line. For more information see Section 18.4.6.4, IRQ_CROSSBAR Module Functional Description , in Chapter 18, Control Module .
Interrupt controllers	Device INTCs must be configured to enable the interrupt request generation. For more information about enabling interrupts, see Chapter 17, Interrupt Controllers .
Control module	The pad configuration registers must be configured to map the keyboard interface signals to the device pads, to determine the signal directions and for all keyboard rows to enable the internal pull-ups of the associated IO cells . For more information about this configuration, see Section 18.4.6.1.1, Pad Configuration Registers .

28.5.1.1.2 Keyboard Controller Global Initialization

28.5.1.1.2.1 Main Sequence – Keyboard Controller Global Initialization

This procedure initializes the keyboard controller after a POR or software reset (see [Table 28-12](#)).

Table 28-12. Keyboard Controller Global Initialization

Step	Register/Bit Field/Programming Model	Value
Configure the debouncing time of filtering the glitches on pressing or releasing key.	KBD_DEBOUNCINGTIME [5:0] DEBOUNCING_VALUE	0x–
Configure the duration of a key press to allow shortcut detection (desired value of the long-key interrupt or repeat mode value).	KBD_KEYLONGTIME [11:0] LONG_KEY_VALUE	0x–
Configure the period of the long inactivity on the keyboard (desired value of the time-out interrupt).	KBD_TIMEOUT [15:0] TIMEOUT_VALUE	0x–
Define the logical value of the column outputs (KEYPAD configuration) (logical 0 bit = active column-row).	KBD_COLUMNOUTPUTS [8:0] KBC_REG	0x–
Perform the functional configuration of the keyboard module and the prescale clock timer value.	KBD_CTRL	0x00000–
Clear the interrupt-status register.	KBD_IRQSTATUS	0x0000000F
Enable (0b1)/disable (0b0) certain keyboard events for generating an interrupt request.	KBD_IRQENABLE_SET / KBD_IRQENABLE_CLR [2:0] IT_..._EN	0x–
Unmask (0b1)/mask (0b0) the expected source of wake-up event that generates a wake-up request.	KBD_IRQWAKEEN [2:0] WUP_..._ENA	0x–

28.5.1.2 Operational Modes Configuration

28.5.1.2.1 Keyboard Controller in Hardware Decoding Mode (Default Mode)

28.5.1.2.1.1 Main Sequence – Keyboard Controller Hardware Mode

After reset, all available functional modes are disabled, except detect-event mode, which is always active. [Table 28-13](#) describes the keyboard controller hardware mode.

Table 28-13. Keyboard Controller Hardware Mode

Step	Register/Bit Field/Programming Model	Value
Activate the internal keyboard controller sequencer by setting the bit.	KBD_CTRL [1] NSOFTWARE_MODE	0b1
Select the functional mode by setting its corresponding bit to 1.	KBD_CTRL [8:5]	0x–
Configure the duration of a key press to allow shortcut detection (desired value of the long-key interrupt or repeat mode value).	KBD_KEYLONGTIME [11:0] LONG_KEY_VALUE	0x–
Configure the period of the long inactivity on the keyboard (desired value of the time-out interrupt).	KBD_TIMEOUT [15:0] TIMEOUT_VALUE	0x–
Configure the debouncing time of filtering the glitches on pressing or releasing key.	KBD_DEBOUNCINGTIME [5:0] DEBOUNCING_VALUE	0x–
Clear the interrupt-status register.	KBD_IRQSTATUS	0x0000000F
Enable (by writing 1)/disable (by writing 0) certain keyboard event for generating an interrupt request	KBD_IRQENABLE_SET or KBD_IRQENABLE_CLR [2:0] IT_..._EN	0x–
Unmask (0b1)/mask (0b0) the expected source of wake-up event that generates a wake-up request.	KBD_IRQWAKEEN [2:0] WUP_..._ENA	0x–
Wait for the KBD_IRQ interrupt signal assertion.		
Read the interrupt-status register to determine which event caused the interrupt.	KBD_IRQSTATUS	
Read the KBD_FULLCODE17_0 to KBD_FULLCODE80_72 registers (or 8 × 8 keyboard-size-supporting KBD_FULLCODE31_0 and KBD_FULLCODE63_32 registers) to determine which key matrix combination was pressed.	KBD_FULLCODE17_0 [ROWi bits] (where i = 0 or 1) up to KBD_FULLCODE71_54 [ROWi bits] (where i = 6 or 7); KBD_FULLCODE80_72 [ROWi bits] (where i = 8); (or KBD_FULLCODE31_0 [j] FULL_CODE_31_0 and KBD_FULLCODE63_32 [k] FULL_CODE_63_32 bits (where j = 0 to 31, k = 32 to 63)	
Clear the corresponding bit(s) in the interrupt-status register by writing logical 1.	KBD_IRQSTATUS	0x1

NOTE: The long-key detection mode and the repeat mode cannot be used simultaneously, because they share the same interrupt status bit and are mutually exclusive. Software must ensure that only one of these modes at a time is selected.

NOTE: All interrupts are disabled on reset.

NOTE: When two events occur successively before the first event is read, the second interrupt is generated when the first interrupt is cleared. When more than two events in a row occur, the [KBD_IRQSTATUS](#)[3] MISS_EVENT bit is set. Software must check this bit, which is not reflected on the [KBD_IRQ](#) line.

NOTE: The keyboard controller uses a posted-write scheme to update any internal register. Software must read the pending write status bits to ensure that the next write access is not discarded because of ongoing write synchronization. For more information, see [Section 28.4.8.1, Write Registers Access](#).

28.5.1.2.2 Keyboard Controller Software Scanning Mode

28.5.1.2.2.1 Main Sequence – Keyboard Controller Software Mode

[Table 28-14](#) describes the keyboard controller software mode.

Table 28-14. Keyboard Controller Software Mode

Step	Register/Bit Field/Programming Model	Value D
Deactivate the internal keyboard controller sequencer by clearing the bit.	KBD_CTRL[1] NSOFTWARE_MODE	0b0
Enable the interrupt event by setting the bit.	KBD_IRQENABLE_SET[0] IT_EVENT_EN	0b1
Wait for the KBD_IRQ interrupt signal assertion. Begin the software scan when the interrupt signal is asserted:		
1) Disable all columns to drive a logical 0 on the kbd_col[8:0] output by writing 0xFF. (logical 1 bit = inactive column-row)	KBD_COLUMNOUTPUTS[8:0] KBC_REG	0xFF
2) Drive kbd_col(i) output, (where i = 0 to 8), to 0 to capture a pressed-key-event, at the corresponding row input.	KBD_COLUMNOUTPUTS[i] KBC_REG (where i = 0 to 8)	0b0
3) Read the KBR_LATCH bit field of the KBD_ROWINPUTS register to determine which is the pressed key. IF: KBR_LATCH k-bit = 0 , where k = 0 to 8 Then, the corresponding k-row is connected to the column being enabled. END IF	KBD_ROWINPUTS[8:0] KBR_LATCH	
Repeat step 2) and step 3) for all existing columns.	KBD_IRQWAKEEN[2:0] WUP_..._ENA	0x–

NOTE: In software mode, during the manual keyboard scan, an interrupt is generated when a pressed key is detected.

28.5.1.2.3 Using the Timer

For information about programming the keyboard controller timer, see [Section 28.4.6.2, Keyboard Controller Timer](#).

28.5.1.2.4 State-Machine Status Register

To see the state of the state-machine, see [Section 28.4.6.3, State-Machine Status](#).

28.5.1.3 Keyboard Controller Events Servicing

[Table 28-15](#) lists the keyboard controller event servicing.

Table 28-15. Keyboard Controller Event Servicing

Step	Register/Bit Field/Programming Model	Value
Clear all eventual previous indications of treated interrupts; write the IRQSTATUS register:	KBD_IRQSTATUS	0x0000000F
Enable the desired sources of interrupt by writing in:	KBD_IRQENABLE	0x0000000–

Table 28-15. Keyboard Controller Event Servicing (continued)

Step	Register/Bit Field/Programming Model	Value
Unmask (enable) the desired sources of interrupt by writing logical 1 in the desired bit fields.	KBD_IRQWAKEEN	0x0000000-
When event occurs:		
Read the status register.	KBD_IRQSTATUS	
IF: KBD_IRQSTATUS [3] MISS_EVENT = 1	Start the interrupt handler for missed event.	
ELSIF: KBD_IRQSTATUS [2] IT_TIMEOUT = 1	Start the interrupt handler for timeout event.	
ELSIF: KBD_IRQSTATUS [1] IT_LONG_KEY = 1	Start the interrupt handler for long key pressed event.	
ELSIF: KBD_IRQSTATUS [0] IT_EVENT = 1	Start the interrupt handler for pressed key event.	
ENDIF		
Wait for the execution of the corresponding interrupt handler.	Interrupt controller of the MPU	
Clear the corresponding IRQ status register bits by writing 1 there.	KBD_IRQSTATUS	0x0000000-
Disable the corresponding sources of interrupt if needed by writing 0 at the corresponding bit fields.	KBD_IRQENABLE or KBD_IRQWAKEEN	0x0000000-
Read the status register.	KBD_IRQSTATUS	
IF :	KBD_IRQSTATUS [2] IT_TIMEOUT	=1
Handle the timeout event.		
Clear the corresponding status flag.	KBD_IRQSTATUS [2] IT_TIMEOUT	0x1
ELSE IF:	KBD_IRQSTATUS [1] IT_LONG_KEY	=1
Handle the long pressed key event.		
Clear the corresponding status flag.	KBD_IRQSTATUS [1] IT_LONG_KEY	0x1
ELSE IF:	KBD_IRQSTATUS [0] IT_EVENT	=1
Handle the pressed key event.		
Clear the corresponding status flag.	KBD_IRQSTATUS [0] IT_EVENT	0x1
ENDIF		
Disable the interrupts if needed.	KBD_IRQENABLE_CLR [2:0]	0x1

28.6 Keyboard Controller Register Manual

28.6.1 Keyboard Controller Instance Summary

Table 28-16 summarizes the keyboard controller instances.

Table 28-16. Keyboard Controller Instance Summary

Module Name	Base Address	Size
KBD	0x4AE1 C000	112 Bytes

28.6.2 Keyboard Controller Registers

28.6.2.1 Keyboard Controller Register Summary

Table 28-17 summarizes the keyboard controller register mapping.

Table 28-17. Keyboard Controller Register Mapping Summary

Register Name	Type	Register Width (Bits)	Address Offset	KBD Physical Address
KBD_REVISION	R	32	0x0000 0000	0x4AE1 C000
KBD_SYSCONFIG	RW	32	0x0000 0010	0x4AE1 C010
KBD_EOI	RW	32	0x0000 001C	0x4AE1 C01C
KBD_IRQSTATUS_RAW	RW	32	0x0000 0020	0x4AE1 C020
KBD_IRQSTATUS	RW	32	0x0000 0024	0x4AE1 C024
KBD_IRQENABLE_SET	RW	32	0x0000 0028	0x4AE1 C028
KBD_IRQENABLE_CLR	RW	32	0x0000 002C	0x4AE1 C02C
KBD_IRQWAKEEN	RW	32	0x0000 0030	0x4AE1 C030
KBD_PENDING	R	32	0x0000 0034	0x4AE1 C034
KBD_CTRL	RW	32	0x0000 0038	0x4AE1 C038
KBD_DEBOUNCINGTIME	RW	32	0x0000 003C	0x4AE1 C03C
KBD_KEYLONGTIME	RW	32	0x0000 0040	0x4AE1 C040
KBD_TIMEOUT	RW	32	0x0000 0044	0x4AE1 C044
KBD_STATEMACHINE	R	32	0x0000 0048	0x4AE1 C048
KBD_ROWINPUTS	R	32	0x0000 004C	0x4AE1 C04C
KBD_COLUMNOUTPUTS	RW	32	0x0000 0050	0x4AE1 C050
KBD_FULLCODE31_0	R	32	0x0000 0054	0x4AE1 C054
KBD_FULLCODE63_32	R	32	0x0000 0058	0x4AE1 C058
KBD_FULLCODE17_0	R	32	0x0000 005C	0x4AE1 C05C
KBD_FULLCODE35_18	R	32	0x0000 0060	0x4AE1 C060
KBD_FULLCODE53_36	R	32	0x0000 0064	0x4AE1 C064
KBD_FULLCODE71_54	R	32	0x0000 0068	0x4AE1 C068
KBD_FULLCODE80_72	R	32	0x0000 006C	0x4AE1 C06C

28.6.2.2 Keyboard Controller Register Description
Table 28-18. KBD_REVISION

Address Offset	0x0000 0000	Instance	KBD
Physical Address	0x4AE1 C000		
Description	This register contains the IP revision code. A write to this register has no effect.		
Type	R		

31	30	29	28	27	26	25	24	23	22	21	20	19	18	17	16	15	14	13	12	11	10	9	8	7	6	5	4	3	2	1	0
Reserved																															

Bits	Field Name	Description	Type	Reset
31:0	Reserved	IP Revision	R	0x1

Table 28-19. Register Call Summary for Register KBD_REVISION

Keyboard Controller Register Manual

- [Keyboard Controller Register Summary: \[0\]](#)

Table 28-20. KBD_SYSCONFIG

Address Offset	0x0000 0010	Instance	KBD
Physical Address	0x4AE1 C010		
Description	This register controls the various parameters of the OCP interface		
Type	RW		

31	30	29	28	27	26	25	24	23	22	21	20	19	18	17	16	15	14	13	12	11	10	9	8	7	6	5	4	3	2	1	0	
RESERVED																												EMUFREE	IDLEMODE	RESERVED	SOFTRESET	RESERVED

Bits	Field Name	Description	Type	Reset
31:6	RESERVED	Reads return 0.	R	0x000 0000
5	EMUFREE	Emulation mode 0x0: The KBD OCP module is frozen in emulation mode (PINSUSPENDN signal active). 0x1: The KBD OCP module runs free, regardless of PINSUSPENDN value.	RW	0
4:3	IDLEMODE	Power Management, req/ack control 0x0: Force-idle. An idle request is acknowledged unconditionally. 0x1: No-idle. An idle request is never acknowledged. 0x3: Reserved. Do not use. 0x2: Smart-idle. Acknowledgement to an idle request is given based on the internal activity of the module.	RW	0x0
2	RESERVED	Reads return 0.	R	0
1	SOFTRESET	Software reset. Write: initiate software reset Read: Reset done (0) / Reset ongoing (1) 0x0: Normal mode 0x1: The module is reset	RW	0

Bits	Field Name	Description	Type	Reset
0	RESERVED	Reads return 0.	R	0

Table 28-21. Register Call Summary for Register KBD_SYSCONFIG

Keyboard Controller Functional Description

- [Keyboard Controller Software Reset: \[0\]\[1\]](#)
- [Keyboard Controller Power Management: \[2\]](#)

Keyboard Controller Register Manual

- [Keyboard Controller Register Summary: \[3\]](#)

Table 28-22. KBD_EOI

Address Offset	0x0000 001C	Instance	KBD
Physical Address	0x4AE1 C01C		
Description	Software End-Of-Interrupt: Allows the generation of further pulses on the interrupt line, if a new interrupt event is pending, when using the pulsed output. Unused when using the level interrupt line (depending on module integration).		
Type	RW		

31	30	29	28	27	26	25	24	23	22	21	20	19	18	17	16	15	14	13	12	11	10	9	8	7	6	5	4	3	2	1	0
RESERVED																															
LINE_NUMBER																															

Bits	Field Name	Description	Type	Reset
31:1	RESERVED	Reads return 0.	R	0x0
0	LINE_NUMBER	Software End Of Interrupt (EOI) control. Write number of interrupt output. 0x0: No event. 0x1: An event occurs.	RW	0x0

Table 28-23. Register Call Summary for Register KBD_EOI

Keyboard Controller Register Manual

- [Keyboard Controller Register Summary: \[0\]](#)

Table 28-24. KBD_IRQSTATUS_RAW

Address Offset	0x0000 0020	Instance	KBD
Physical Address	0x4AE1 C020		
Description	Per-event raw interrupt status vector Raw status is set even if event is not enabled. Write 1 to set the (raw) status, mostly for debug.		
Type	RW		

31	30	29	28	27	26	25	24	23	22	21	20	19	18	17	16	15	14	13	12	11	10	9	8	7	6	5	4	3	2	1	0
RESERVED																															
MISS_EVENT IT_TIMEOUT IT_LONG_KEY IT_EVENT																															

Bits	Field Name	Description	Type	Reset
31:4	RESERVED	Reads return 0	R	0x000 0000
3	MISS_EVENT	IRQ status for Miss event Read 0 : No event pending Write 0 : No action Read 1 : IRQ event pending Write 1 : Trigger IRQ event by software	RW	0
2	IT_TIMEOUT	IRQ status for Timeout Read 0 : No event pending Write 0 : No action Read 1 : IRQ event pending Write 1 : Trigger IRQ event by software	RW	0
1	IT_LONG_KEY	IRQ status for Long key Read 0 : No event pending Write 0 : No action Read 1 : IRQ event pending Write 1 : Trigger IRQ event by software	RW	0
0	IT_EVENT	IRQ status for Event Read 0 : No event pending Write 0 : No action Read 1 : IRQ event pending Write 1 : Trigger IRQ event by software	RW	0

Table 28-25. Register Call Summary for Register KBD_IRQSTATUS_RAW

Keyboard Controller Register Manual

- [Keyboard Controller Register Summary: \[0\]](#)

Table 28-26. KBD_IRQSTATUS

Address Offset	0x0000 0024		
Physical Address	0x4AE1 C024	Instance	KBD
Description	Per-event "enabled" interrupt status vector. Enabled status isn't set unless event is enabled. Write 1 to clear the status after interrupt has been serviced (raw status gets cleared, i.e. even if not enabled).		
Type	RW		

31	30	29	28	27	26	25	24	23	22	21	20	19	18	17	16	15	14	13	12	11	10	9	8	7	6	5	4	3	2	1	0
RESERVED																MISS_EVENT	IT_TIMEOUT	IT_LONG_KEY	IT_EVENT												

Bits	Field Name	Description	Type	Reset
31:4	RESERVED	Reads return 0	R	0x000 0000
3	MISS_EVENT	IRQ status for Miss event Read always returns zero Write 0 : No action Write 1 : Clear pending event, if any	RW	0
2	IT_TIMEOUT	IRQ status for Timeout Read 0 : No event pending Write 0 : No action Read 1 : IRQ event pending Write 1 : Clear pending event, if any	RW	0
1	IT_LONG_KEY	IRQ status for Long key Read 0 : No event pending Write 0 : No action Read 1 : IRQ event pending Write 1 : Clear pending event, if any	RW	0

Bits	Field Name	Description	Type	Reset
0	IT_EVENT	IRQ status for Event Read 0 : No event pending Write 0 : No action Read 1 : IRQ event pending Write 1 : Clear pending event, if any	RW	0

Table 28-27. Register Call Summary for Register KBD_IRQSTATUS

Keyboard Controller Functional Description

- [Keyboard Controller Interrupt Requests: \[0\]\[1\]\[2\]\[3\]](#)
- [Functional Modes: \[4\]](#)
- [Interrupt-Generation Scheme: \[5\]\[6\]\[7\]\[8\]\[9\]\[10\]](#)
- [Keyboard Buffer and Missed Events \(Overrun Feature\): \[11\]\[12\]](#)

Keyboard Controller Programming Guide

- [Keyboard Controller Global Initialization: \[13\]](#)
- [Keyboard Controller in Hardware Decoding Mode \(Default Mode\): \[14\]\[15\]\[16\]\[17\]](#)
- [Keyboard Controller Events Servicing: \[18\]\[19\]\[20\]\[21\]\[22\]\[23\]\[24\]\[25\]\[26\]\[27\]\[28\]\[29\]\[30\]\[31\]](#)

Keyboard Controller Register Manual

- [Keyboard Controller Register Summary: \[32\]](#)

Table 28-28. KBD_IRQENABLE_SET

Address Offset	0x0000 0028	Instance	KBD
Physical Address	0x4AE1 C028		
Description	Per-event interrupt enable bit vector Write 1 to set (enable interrupt). Readout equal to corresponding _CLR register.		
Type	RW		

31	30	29	28	27	26	25	24	23	22	21	20	19	18	17	16	15	14	13	12	11	10	9	8	7	6	5	4	3	2	1	0
RESERVED																IT_TIMEOUT_EN	IT_LONG_KEY_EN	IT_EVENT_EN													

Bits	Field Name	Description	Type	Reset
31:3	RESERVED	Reads return 0	R	0x0000 0000
2	IT_TIMEOUT_EN	IRQ enable for Timeout Read 0 : IRQ event is disabled Write 0 : No action Read 1 : IRQ event is enabled Write 1 : Set IRQ enable	RW	0
1	IT_LONG_KEY_EN	IRQ enable for Long key Read 0 : IRQ event is disabled Write 0 : No action Read 1 : IRQ event is enabled Write 1 : Set IRQ enable	RW	0
0	IT_EVENT_EN	IRQ enable for Event Read 0 : IRQ event is disabled Write 0 : No action Read 1 : IRQ event is enabled Write 1 : Set IRQ enable	RW	0

Table 28-31. Register Call Summary for Register KBD_IRQENABLE_CLR (continued)

Keyboard Controller Register Manual

- [Keyboard Controller Register Summary: \[7\]](#)

Table 28-32. KBD_IRQWAKEEN

Address Offset	0x0000 0030	Instance	KBD
Physical Address	0x4AE1 C030		
Description	The Keyboard Wake-up Enable Register allows the user to mask the expected source of wake-up event that will generate a wake-up request. The KBD_IRQWAKEEN is programmed synchronously with the interface clock before any idle mode request comes from the host processor.		
Type	RW		

31	30	29	28	27	26	25	24	23	22	21	20	19	18	17	16	15	14	13	12	11	10	9	8	7	6	5	4	3	2	1	0
RESERVED																WUP_TIMEOUT_ENA	WUP_LONG_KEY_ENA	WUP_EVENT_ENA													

Bits	Field Name	Description	Type	Reset
31:3	RESERVED	Reads return 0.	R	0x0000 0000
2	WUP_TIMEOUT_ENA	Timeout wakeup enable. 0x0: Timeout wakeup generation disabled. 0x1: Timeout wakeup generation enabled.	RW	0
1	WUP_LONG_KEY_ENA	Long key wakeup enable. 0x0: Long key wakeup generation disabled. 0x1: Long key wakeup generation enabled.	RW	0
0	WUP_EVENT_ENA	Event wakeup enable. 0x0: Event wakeup generation disabled. 0x1: Event wakeup generation enabled.	RW	0

Table 28-33. Register Call Summary for Register KBD_IRQWAKEEN

Keyboard Controller Functional Description

- [Keyboard Controller Power Management: \[0\]](#)

Keyboard Controller Programming Guide

- [Keyboard Controller Global Initialization: \[1\]](#)
- [Keyboard Controller in Hardware Decoding Mode \(Default Mode\): \[2\]](#)
- [Keyboard Controller Software Scanning Mode: \[3\]](#)
- [Keyboard Controller Events Servicing: \[4\]\[5\]](#)

Keyboard Controller Register Manual

- [Keyboard Controller Register Summary: \[6\]](#)
- [Keyboard Controller Register Description: \[7\]](#)

Table 28-34. KBD_PENDING

Address Offset	0x0000 0034
Physical Address	0x4AE1 C034
Instance	KBD
Description	The software must read the pending write bits to insure that following write access will not be discarded due to on going write synchronization process. These bits are automatically cleared by internal logic when the write to the corresponding register is acknowledged.
Type	R

31	30	29	28	27	26	25	24	23	22	21	20	19	18	17	16	15	14	13	12	11	10	9	8	7	6	5	4	3	2	1	0
RESERVED																PEND_TIMEOUT	PEND_LONG_KEY	PEND_DEBOUNCING	PEND_CTRL												

Bits	Field Name	Description	Type	Reset
31:4	RESERVED	Reads return 0.	R	0x000 0000
3	PEND_TIMEOUT	Write pending bit for KBD_TIMEOUT register Read 0x1: A write is pending to the KBD_TIMEOUT register Read 0x0: No write pending to the KBD_TIMEOUT register	R	0
2	PEND_LONG_KEY	Write pending bit for KBD_KEYLONGTIME register Read 0x1: A write is pending to the KBD_KEYLONGTIME register Read 0x0: No write pending to the KBD_KEYLONGTIME register	R	0
1	PEND_DEBOUNCING	Write pending bit for KBD_DEBOUNCINGTIME register Read 0x1: A write is pending to the KBD_DEBOUNCINGTIME register Read 0x0: No write pending to the KBD_DEBOUNCINGTIME register	R	0
0	PEND_CTRL	Write pending bit for KBD_CTRL register Read 0x1: A write is pending to the KBD_CTRL register Read 0x0: No write pending to the KBD_CTRL register	R	0

Table 28-35. Register Call Summary for Register KBD_PENDING

Keyboard Controller Functional Description

- [Write Registers Access: \[0\]\[1\]](#)

Keyboard Controller Register Manual

- [Keyboard Controller Register Summary: \[2\]](#)

Table 28-36. KBD_CTRL

Address Offset	0x0000 0038	Instance	KBD
Physical Address	0x4AE1 C038		
Description	This register sets the functional configuration of the module.		
Type	RW		

31	30	29	28	27	26	25	24	23	22	21	20	19	18	17	16	15	14	13	12	11	10	9	8	7	6	5	4	3	2	1	0
RESERVED																REPEAT_MODE	TIMEOUT_LONG_KEY	TIMEOUT_EMPTY	LONG_KEY	PTV			NSOFTWARE_MODE	RESERVED							

Bits	Field Name	Description	Type	Reset
31:9	RESERVED	Reads return 0.	R	0x00 0000
8	REPEAT_MODE	Repeat mode enable. 0x0: Repeat mode detection disabled. 0x1: Repeat mode detection enabled.	RW	0
7	TIMEOUT_LONG_KEY	Timeout long key mode enable. 0x0: Timeout long key mode disabled. 0x1: Timeout long key mode enabled.	RW	0
6	TIMEOUT_EMPTY	Timeout empty mode enable. 0x0: Timeout long key mode disabled. 0x1: Timeout long key mode enabled.	RW	0
5	LONG_KEY	Long key mode enable. 0x0: Long key mode disabled. 0x1: Long key mode enabled.	RW	0
4:2	PTV	Pre-scale clock timer value.	RW	0x7
1	NSOFTWARE_MODE	Select hardware or software mode for key decoding. 0x0: Enable software mode. 0x1: Enable hardware decoding using internal sequencer.	RW	1
0	RESERVED	Reads return 0.	R	0

Table 28-37. Register Call Summary for Register KBD_CTRL

Keyboard Controller Functional Description

- [Keyboard Controller Software Mode: \[0\]](#)
- [Functional Modes: \[1\]\[2\]\[3\]\[4\]\[5\]\[6\]\[7\]](#)
- [Keyboard Controller Timer: \[8\]\[9\]\[10\]\[11\]\[12\]](#)

Keyboard Controller Programming Guide

- [Keyboard Controller Global Initialization: \[13\]](#)
- [Keyboard Controller in Hardware Decoding Mode \(Default Mode\): \[14\]\[15\]](#)
- [Keyboard Controller Software Scanning Mode: \[16\]](#)

Keyboard Controller Register Manual

- [Keyboard Controller Register Summary: \[17\]](#)
- [Keyboard Controller Register Description: \[18\]\[19\]\[20\]](#)

Table 28-38. KBD_DEBOUNCINGTIME

Address Offset	0x0000 003C	Instance	KBD
Physical Address	0x4AE1 C03C		
Description	This register is used to filter glitches on the press key or release key.		
Type	RW		

31	30	29	28	27	26	25	24	23	22	21	20	19	18	17	16	15	14	13	12	11	10	9	8	7	6	5	4	3	2	1	0
RESERVED																DEBOUNCING_VALUE															

Bits	Field Name	Description	Type	Reset
31:6	RESERVED	Reads return 0.	R	0x000 0000
5:0	DEBOUNCING_VALUE	This value correspond to the desired value of debouncing time.	RW	0x00

Table 28-39. Register Call Summary for Register KBD_DEBOUNCINGTIME

Keyboard Controller Functional Description

- [Keyboard Controller Timer: \[0\]\[1\]\[2\]\[3\]\[4\]\[5\]](#)

Keyboard Controller Programming Guide

- [Keyboard Controller Global Initialization: \[6\]](#)
- [Keyboard Controller in Hardware Decoding Mode \(Default Mode\): \[7\]](#)

Keyboard Controller Register Manual

- [Keyboard Controller Register Summary: \[8\]](#)
- [Keyboard Controller Register Description: \[9\]\[10\]\[11\]](#)

Table 28-40. KBD_KEYLONGTIME

Address Offset	0x0000 0040	Instance	KBD
Physical Address	0x4AE1 C040		
Description	This register is used to measure duration of a key press, to allow, shortcut detection.		
Type	RW		

31	30	29	28	27	26	25	24	23	22	21	20	19	18	17	16	15	14	13	12	11	10	9	8	7	6	5	4	3	2	1	0
RESERVED																LONG_KEY_VALUE															

Bits	Field Name	Description	Type	Reset
31:12	RESERVED	Reads return 0.	R	0x0 0000
11:0	LONG_KEY_VALUE	This value correspond to the desired value of the long key interrupt or repeat mode value.	RW	0x000

Table 28-41. Register Call Summary for Register KBD_KEYLONGTIME

Keyboard Controller Functional Description

- [Keyboard Controller Timer: \[0\]\[1\]\[2\]\[3\]\[4\]\[5\]\[6\]\[7\]\[8\]](#)

Keyboard Controller Programming Guide

- [Keyboard Controller Global Initialization: \[9\]](#)
- [Keyboard Controller in Hardware Decoding Mode \(Default Mode\): \[10\]](#)

Keyboard Controller Register Manual

- [Keyboard Controller Register Summary: \[11\]](#)
- [Keyboard Controller Register Description: \[12\]\[13\]\[14\]](#)

Table 28-42. KBD_TIMEOUT

Address Offset	0x0000 0044	Instance	KBD
Physical Address	0x4AE1 C044		
Description	This register is used to detect a long inactivity on the keyboard.		
Type	RW		

31	30	29	28	27	26	25	24	23	22	21	20	19	18	17	16	15	14	13	12	11	10	9	8	7	6	5	4	3	2	1	0
RESERVED																TIMEOUT_VALUE															

Bits	Field Name	Description	Type	Reset
31:16	RESERVED	Reads return 0.	R	0x0000
15:0	TIMEOUT_VALUE	This value correspond to the desired value of the time out interrupt.	RW	0x0000

Table 28-43. Register Call Summary for Register KBD_TIMEOUT

Keyboard Controller Functional Description

- [Keyboard Controller Timer: \[0\]\[1\]\[2\]\[3\]\[4\]\[5\]\[6\]](#)

Keyboard Controller Programming Guide

- [Keyboard Controller Global Initialization: \[7\]](#)
- [Keyboard Controller in Hardware Decoding Mode \(Default Mode\): \[8\]](#)

Keyboard Controller Register Manual

- [Keyboard Controller Register Summary: \[9\]](#)
- [Keyboard Controller Register Description: \[10\]\[11\]\[12\]](#)

Table 28-44. KBD_STATEMACHINE

Address Offset	0x0000 0048	Instance	KBD
Physical Address	0x4AE1 C048		
Description	This register indicates the state of the sequencer.		
Type	R		

31	30	29	28	27	26	25	24	23	22	21	20	19	18	17	16	15	14	13	12	11	10	9	8	7	6	5	4	3	2	1	0
RESERVED																STATE_MACHINE															

Bits	Field Name	Description	Type	Reset
31:4	RESERVED	Reads return 0	R	0x000 0000
3:0	STATE_MACHINE	The state of internal state machine.	R	0x0

Table 28-45. Register Call Summary for Register KBD_STATEMACHINE

Keyboard Controller Functional Description

- [State-Machine Status: \[0\]](#)

Keyboard Controller Register Manual

- [Keyboard Controller Register Summary: \[1\]](#)

Table 28-46. KBD_ROWINPUTS

Address Offset	0x0000 004C		
Physical Address	0x4AE1 C04C	Instance	KBD
Description	This register stores the value of the rows input.		
Type	R		

31	30	29	28	27	26	25	24	23	22	21	20	19	18	17	16	15	14	13	12	11	10	9	8	7	6	5	4	3	2	1	0
RESERVED																KBR_LATCH															

Bits	Field Name	Description	Type	Reset
31:9	RESERVED	Reads return 0.	R	0x00 0000
8:0	KBR_LATCH	The value of the rows input.	R	0x000

Table 28-47. Register Call Summary for Register KBD_ROWINPUTS

Keyboard Controller Functional Description

- [Keyboard Controller Software Mode: \[0\]\[1\]](#)

Keyboard Controller Programming Guide

- [Keyboard Controller Software Scanning Mode: \[2\]\[3\]](#)

Keyboard Controller Register Manual

- [Keyboard Controller Register Summary: \[4\]](#)

Table 28-48. KBD_COLUMNOUTPUTS

Address Offset	0x0000 0050		
Physical Address	0x4AE1 C050	Instance	KBD
Description	This register holds the value of the columns output.		
Type	RW		

31	30	29	28	27	26	25	24	23	22	21	20	19	18	17	16	15	14	13	12	11	10	9	8	7	6	5	4	3	2	1	0
RESERVED																KBC_REG															

Bits	Field Name	Description	Type	Reset
31:9	RESERVED	Reads return 0.	R	0x00 0000
8:0	KBC_REG	The value of the columns output.	RW	0x000

Table 28-49. Register Call Summary for Register KBD_COLUMNOUTPUTS

Keyboard Controller Functional Description

- [Keyboard Controller Block Diagram: \[0\]](#)
- [Keyboard Controller Software Mode: \[1\]](#)

Keyboard Controller Programming Guide

- [Keyboard Controller Global Initialization: \[2\]](#)
- [Keyboard Controller Software Scanning Mode: \[3\]\[4\]](#)

Keyboard Controller Register Manual

- [Keyboard Controller Register Summary: \[5\]](#)

Table 28-50. KBD_FULLCODE31_0

Address Offset	0x0000 0054	Instance	KBD
Physical Address	0x4AE1 C054		
Description	The KBD_FULLCODE31_0 register codes the row 0, row 1, row 2 and row 3		
Type	R		

31	30	29	28	27	26	25	24	23	22	21	20	19	18	17	16	15	14	13	12	11	10	9	8	7	6	5	4	3	2	1	0
FULL_CODE_31_0																															

Bits	Field Name	Description	Type	Reset
31:0	FULL_CODE_31_0	A bit at one indicate that the corresponding key is pressed.	R	0x0000 0000

Table 28-51. Register Call Summary for Register KBD_FULLCODE31_0

Keyboard Controller Functional Description

- [Keyboard Controller Key Coding Registers: \[0\]\[1\]\[2\]\[3\]\[4\]\[5\]\[6\]\[7\]\[8\]\[9\]\[10\]](#)

Keyboard Controller Programming Guide

- [Keyboard Controller in Hardware Decoding Mode \(Default Mode\): \[11\]\[12\]](#)

Keyboard Controller Register Manual

- [Keyboard Controller Register Summary: \[13\]](#)
- [Keyboard Controller Register Description: \[14\]](#)

Table 28-52. KBD_FULLCODE63_32

Address Offset	0x0000 0058	Instance	KBD
Physical Address	0x4AE1 C058		
Description	The KBD_FULLCODE63_32 register codes the row 4, row 5, row 6 and row 7.		
Type	R		

31	30	29	28	27	26	25	24	23	22	21	20	19	18	17	16	15	14	13	12	11	10	9	8	7	6	5	4	3	2	1	0
FULL_CODE_63_32																															

Bits	Field Name	Description	Type	Reset
31:0	FULL_CODE_63_32	A bit at one indicate that the corresponding key is pressed.	R	0x0000 0000

Table 28-53. Register Call Summary for Register KBD_FULLCODE63_32

Keyboard Controller Functional Description

- [Keyboard Controller Key Coding Registers: \[0\]\[1\]\[2\]\[3\]\[4\]\[5\]\[6\]\[7\]\[8\]\[9\]\[10\]](#)

Keyboard Controller Programming Guide

- [Keyboard Controller in Hardware Decoding Mode \(Default Mode\): \[11\]\[12\]](#)

Keyboard Controller Register Manual

- [Keyboard Controller Register Summary: \[13\]](#)
- [Keyboard Controller Register Description: \[14\]](#)

Table 28-54. KBD_FULLCODE17_0

Address Offset	0x0000 005C	Instance	KBD
Physical Address	0x4AE1 C05C		
Description	The KBD_FULLCODE17_0 register codes the row 0 and row 1. The row 0 is coded between bit 0 and 8, the row 1 is coded between bit 24 and		
Type	R		

31	30	29	28	27	26	25	24	23	22	21	20	19	18	17	16	15	14	13	12	11	10	9	8	7	6	5	4	3	2	1	0
RESERVED								ROW1								RESERVED								ROW0							

Bits	Field Name	Description	Type	Reset
31:25	RESERVED		R	0x00
24:16	ROW1	A bit at one indicate that the corresponding key is pressed.	R	0x000
15:9	RESERVED		R	0x00
8:0	ROW0	A bit at one indicate that the corresponding key is pressed.	R	0x000

Table 28-55. Register Call Summary for Register KBD_FULLCODE17_0

Keyboard Controller Functional Description

- [Keyboard Controller Key Coding Registers: \[0\]\[1\]\[2\]](#)

Keyboard Controller Programming Guide

- [Keyboard Controller in Hardware Decoding Mode \(Default Mode\): \[3\]\[4\]](#)

Keyboard Controller Register Manual

- [Keyboard Controller Register Summary: \[5\]](#)
- [Keyboard Controller Register Description: \[6\]](#)

Table 28-56. KBD_FULLCODE35_18

Address Offset	0x0000 0060	Instance	KBD
Physical Address	0x4AE1 C060		
Description	The KBD_FULLCODE35_18 register codes the row 2 and row 3. The row 2 is coded between bit 0 and 8, the row 3 is coded between bit 24 and 16		
Type	R		

31	30	29	28	27	26	25	24	23	22	21	20	19	18	17	16	15	14	13	12	11	10	9	8	7	6	5	4	3	2	1	0
RESERVED								ROW3								RESERVED								ROW2							

Bits	Field Name	Description	Type	Reset
31:25	RESERVED		R	0x00
24:16	ROW3	A bit at one indicate that the corresponding key is pressed.	R	0x000
15:9	RESERVED		R	0x00
8:0	ROW2	A bit at one indicate that the corresponding key is pressed.	R	0x000

Table 28-57. Register Call Summary for Register KBD_FULLCODE35_18

Keyboard Controller Functional Description

- [Keyboard Controller Key Coding Registers: \[0\]](#)

Keyboard Controller Register Manual

- [Keyboard Controller Register Summary: \[1\]](#)
- [Keyboard Controller Register Description: \[2\]](#)

Table 28-58. KBD_FULLCODE53_36

Address Offset	0x0000 0064	Instance	KBD
Physical Address	0x4AE1 C064		
Description	The KBD_FULLCODE53_36 register codes the row 4 and row 5. The row 4 is coded between bit 0 and 8, the row 5 is coded between bit 24 and 16.		
Type	R		

31	30	29	28	27	26	25	24	23	22	21	20	19	18	17	16	15	14	13	12	11	10	9	8	7	6	5	4	3	2	1	0
RESERVED								ROW5								RESERVED								ROW4							

Bits	Field Name	Description	Type	Reset
31:25	RESERVED		R	0x00
24:16	ROW5	A bit at one indicate that the corresponding key is pressed.	R	0x000
15:9	RESERVED		R	0x00
8:0	ROW4	A bit at one indicate that the corresponding key is pressed.	R	0x000

Table 28-59. Register Call Summary for Register KBD_FULLCODE53_36

Keyboard Controller Functional Description

- [Keyboard Controller Key Coding Registers: \[0\]](#)

Keyboard Controller Register Manual

- [Keyboard Controller Register Summary: \[1\]](#)
- [Keyboard Controller Register Description: \[2\]](#)

Table 28-60. KBD_FULLCODE71_54

Address Offset	0x0000 0068	Instance	KBD
Physical Address	0x4AE1 C068		
Description	The KBD_FULLCODE71_54 register codes the row 6 and row 7. The row 0 is coded between bit 0 and 8, the row 1 is coded between bit 24 and 16		
Type	R		

31	30	29	28	27	26	25	24	23	22	21	20	19	18	17	16	15	14	13	12	11	10	9	8	7	6	5	4	3	2	1	0
RESERVED								ROW7								RESERVED								ROW6							

Bits	Field Name	Description	Type	Reset
31:25	RESERVED		R	0x00
24:16	ROW7	A bit at one indicate that the corresponding key is pressed.	R	0x000
15:9	RESERVED		R	0x00
8:0	ROW6	A bit at one indicate that the corresponding key is pressed.	R	0x000

Table 28-61. Register Call Summary for Register KBD_FULLCODE71_54

Keyboard Controller Functional Description

- [Keyboard Controller Key Coding Registers: \[0\]\[1\]](#)

Keyboard Controller Programming Guide

- [Keyboard Controller in Hardware Decoding Mode \(Default Mode\): \[2\]](#)

Keyboard Controller Register Manual

- [Keyboard Controller Register Summary: \[3\]](#)
- [Keyboard Controller Register Description: \[4\]](#)

Table 28-62. KBD_FULLLCODE80_72

Address Offset	0x0000 006C	Instance	KBD
Physical Address	0x4AE1 C06C		
Description	The KBD_FULLLCODE80_72 register codes the row 8. The row 8 is coded between bit 0 and 8.		
Type	R		

31	30	29	28	27	26	25	24	23	22	21	20	19	18	17	16	15	14	13	12	11	10	9	8	7	6	5	4	3	2	1	0
RESERVED																ROW8															

Bits	Field Name	Description	Type	Reset
31:9	RESERVED		R	0x00 0000
8:0	ROW8	A bit at one indicate that the corresponding key is pressed.	R	0x000

Table 28-63. Register Call Summary for Register KBD_FULLLCODE80_72

Keyboard Controller Functional Description

- [Keyboard Controller Key Coding Registers: \[0\]\[1\]\[2\]\[3\]\[4\]](#)

Keyboard Controller Programming Guide

- [Keyboard Controller in Hardware Decoding Mode \(Default Mode\): \[5\]\[6\]](#)

Keyboard Controller Register Manual

- [Keyboard Controller Register Summary: \[7\]](#)
- [Keyboard Controller Register Description: \[8\]](#)

Pulse-Width Modulation Subsystem

This chapter describes the Pulse-Width Modulation (PWM) subsystem in the device.

Topic	Page
29.1 PWM Subsystem Resources	7025
29.2 Enhanced PWM (ePWM) Module	7041
29.3 Enhanced Capture (eCAP) Module	7137
29.4 Enhanced Quadrature Encoder Pulse (eQEP) Module	7161

- Support PWM chopping by high frequency carrier signal, used for pulse transformer gate drives.
- High-resolution module with programmable delay line:
 - Programmable on a per PWM period basis
 - Can be inserted either on the rising edge or falling edge of the PWM pulse or both or not at all

eCAP

- Dedicated input Capture pin
- 32 bit Time Base (counter)
- 4 x 32 bit Time-stamp Capture registers ([PWMSS_ECAP_CAP1](#) - [PWMSS_ECAP_CAP4](#))
- 4 stage sequencer (Mod4 counter) which is synchronized to external events (ECAPx pin edges)
- Independent Edge polarity (Rising/Falling edge) selection for all 4 events
- Input Capture signal pre-scaling (from 1 to 16)
- One-shot compare register (2 bits) to freeze captures after 1 to 4 Time-stamp events
- Control for continuous Time-stamp captures using a 4 deep circular buffer ([PWMSS_ECAP_CAP1](#) - [PWMSS_ECAP_CAP4](#)) scheme
- Interrupt capabilities on any of the 4 capture events

eQEP

- Input Synchronization
- Three Stage/Six Stage Digital Noise Filter
- Quadrature Decoder Unit
- Position Counter and Control unit for position measurement
- Quadrature Edge Capture unit for low speed measurement
- Unit Time base for speed/frequency measurement
- Watchdog Timer for detecting stalls

At a PWMSS system level :

- each of the three PWMSS generates 2x eHRPWM, 1x eCAP and 1x eQEP event mapped to both the device IRQ crossbar.
- Three of the interrupt events (excluding ePWM tripzone event) are also mapped as DMA requests to the device DMA crossbar.
- The different PWMSS - ePWM/eHRPWM and eCAP modules have their synchronization input /output signals coupled in a daisy chain implemented between PWMSS1, PWMSS2 and PWMSS3 within the device.

29.1.1.2 PWMSS Unsupported Features

The PWMSS limitations in the device are :

- No ePWM inputs are pinned-out (available at the off-chip boundary)
- Only one ePWM tripzone input is pinned-out
- No ePWM digital comparator inputs are pinned-out
- Only input signals of QEP are pinned-out.

Table 29-1. PWMSS Unsupported Features

Feature	Reason
ePWM inputs	Not pinned out
ePWM tripzone 1-5 inputs	Only Tripzone0 is pinned out
ePWM digital comparators	Inputs not connected
eQEP quadrature outputs	Only input signals are connected

29.1.2 PWMSS Environment

29.1.2.1 PWMSS I/O Interface

Table 29-2 shows the device integrated PWMSS subsystems interface signals to external devices.

Table 29-2. PWM Subsystems I/O Signals

PWMSS Modules Level Signal Name	Device Level Signal Name	I/O Type ⁽¹⁾	Description	Module Pin Reset Value
PWMSS1				
EPWM1A	ehrpwm1A	O	PWM1 output A	0
EPWM1B	ehrpwm1B	O	PWM1 output B	0
EPWM1SYNCl	ehrpwm1_syncl	I	PWM1 Sync input	HiZ
EPWM1SYNCO	ehrpwm1_synco	O	PWM1 Sync output	0
EPWM1_TRIP_TZ[0]	ehrpwm1_tripzone_input	I	PWM1 TripZone input	HiZ
ECAP1_CAPIN_APWMOUT	eCAP1_in_PWM1_out	I/O	eCAP1 Capture input/PWM1 output	HiZ
EQEP1_A	eQEP1A_in	I	eQEP1 Quadrature input	HiZ
EQEP1_B	eQEP1B_in	I	eQEP1 Quadrature input	HiZ
EQEP1_INDEX	eQEP1_index	I/O	eQEP1 Index input/output	HiZ
EQEP1_STROBE	eQEP1_strobe	I/O	eQEP1 Strobe input/output	HiZ
PWMSS2				
EPWM2A	ehrpwm2A	O	PWM2 output A	0
EPWM2B	ehrpwm2B	O	PWM2 output B	0
EPWM2_TRIP_TZ[0]	ehrpwm2_tripzone_input	I	PWM2 TripZone input	HiZ
ECAP2_CAPIN_APWMOUT	eCAP2_in_PWM2_out	I/O	eCAP2 Capture input/PWM2 output	HiZ
EQEP2_A	eQEP2A_in	I	eQEP2 Quadrature input	HiZ
EQEP2_B	eQEP2B_in	I	eQEP2 Quadrature input	HiZ
EQEP2_INDEX	eQEP2_index	I/O	eQEP2 Index input/output	HiZ
EQEP2_STROBE	eQEP2_strobe	I/O	eQEP2 Strobe input/output	HiZ
PWMSS3				
EPWM3A	ehrpwm3A	O	PWM3 output A	0
EPWM3B	ehrpwm3B	O	PWM3 output B	0
EPWM3_TRIP_TZ[0]	ehrpwm3_tripzone_input	I	PWM3 TripZone input	HiZ
ECAP3_CAPIN_APWMOUT	eCAP3_in_PWM3_out	I/O	eCAP3 Capture input/PWM3 output	HiZ
EQEP3_A	eQEP3A_in	I	eQEP3 Quadrature input	HiZ
EQEP3_B	eQEP3B_in	I	eQEP3 Quadrature input	HiZ
EQEP3_INDEX	eQEP3_index	I/O	eQEP3 Index input/output	HiZ
EQEP3_STROBE	eQEP3_strobe	I/O	eQEP3 Strobe input/output	HiZ

⁽¹⁾ I = Input; O = Output

NOTE: The PWMSSn (where n=1 to 3 synchronization I/O signals which are NOT available at chip pad level are as follows:

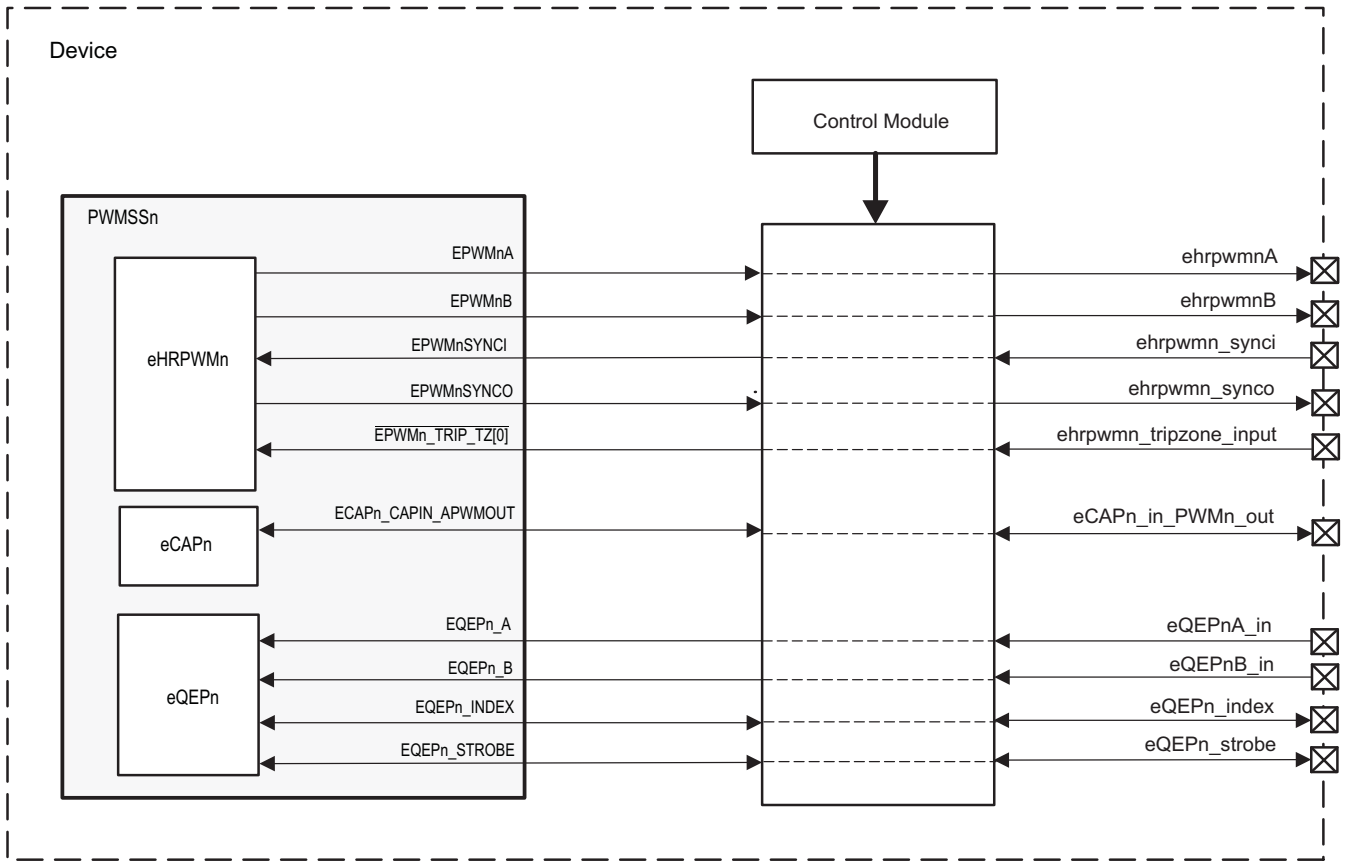
- ePWM2SYNCl/SYNCO, ePWM3SYNCl/SYNCO
- eCAP1SYNCl/SYNCO, eCAP2SYNCl/SYNCO, eCAP3SYNCl/SYNCO

These signals are interconnected via a daisy chain implemented within the device. See also [Section 29.1.3.1.2](#).

For more details on synchronization daisy-chain which exist between the PWMSS1, PWMSS2 and PWMSS3, refer to the [Section 29.1.3.1.2](#).

Figure 29-2 shows the external interface I/Os for the integrated modules in PWMSSn (where n=1 to 3) .

Figure 29-2. PWMSS External Interface I/Os



pwmss-002

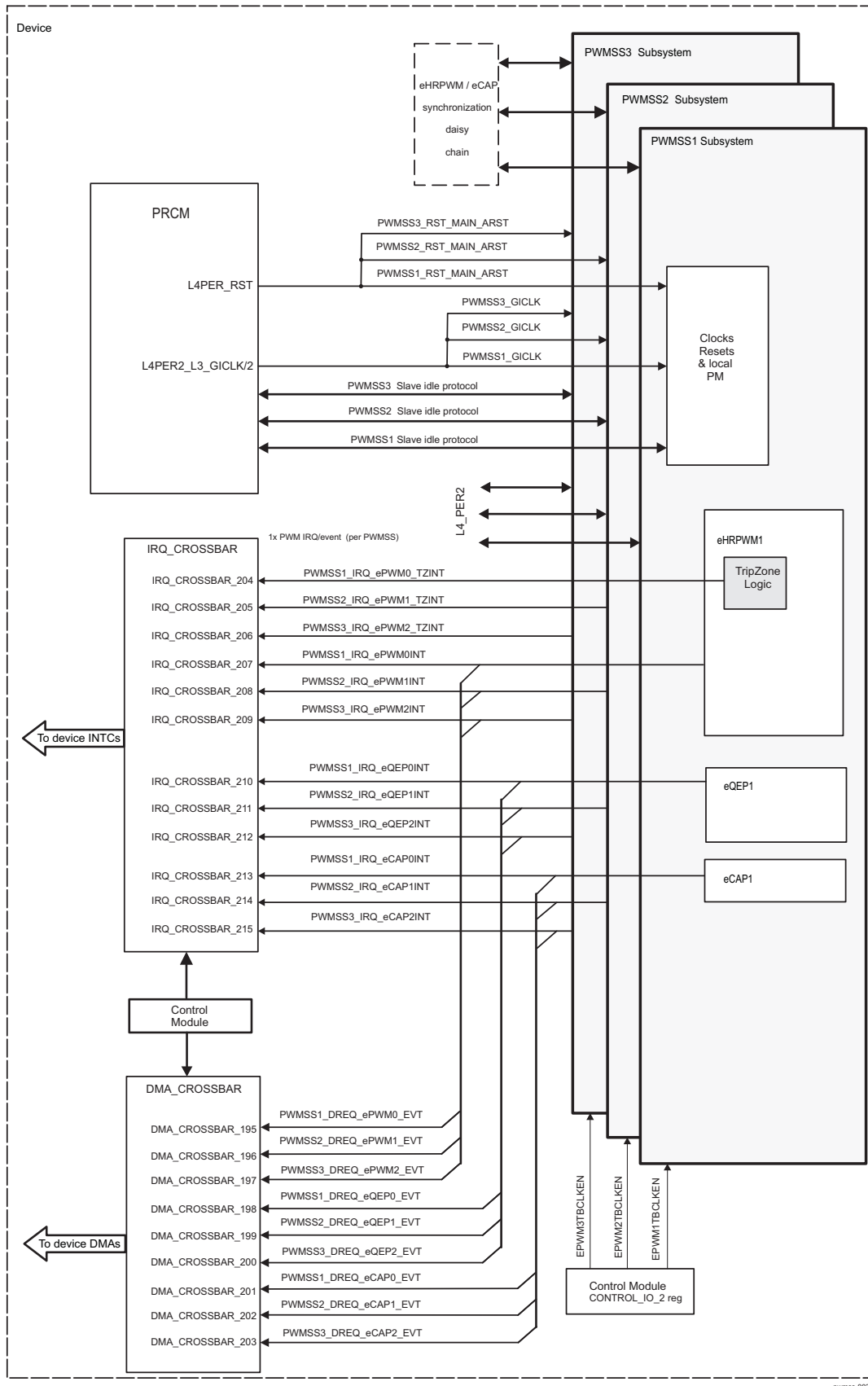
NOTE: The path from module pin to device pad(s) is defined at the device I/O logic level. The I/O logic maps the module signals to the different pads of the device and is programmable in the Control Module registers. For more information, refer to the [Section 18.4.6.1.1, Pad Configuration Registers](#), in the chapter, *Control Module*.

29.1.3 PWMSS Integration

There are three instances of the PWMSS integrated in the device. Each of the the Pulse Width Modulation Subsystems (PWMSS) includes a single instance of one pulse width modulator (ePWM) including an Enhanced High Resolution Modulator (eHRPWM), one Enhanced Capture (eCAP), and one Enhanced Quadrature Encoded Pulse (eQEP) modules.

NOTE: Let's assume that the letter "x" is used to denote the number of a PWMSS submodule (ePWM/eCAP and eQEP) within the device, and NOT within the PWMSSn itself. Because there is only one ePWM/eCAP and eQEP per device PWMSS, device point of view, the index - "x" of a module matches the PWMSS index "n". Therefore the ePWM1/eHRPWM1, eCAP1 and eQEP1 correspond to PWMSS1; ePWM2/eHRPWM2/eCAP2 and eQEP2 correspond to PWMSS2; ePWM3/eHRPWM3/eCAP3 and eQEP3 correspond to PWMSS3, i.e. $x=n$.

Figure 29-3. PWMSS Integration



pwmss-003

At system level the PWMSS1 through PWMSS3 integration features:

- A 32-bit slave configuration port on the L4_PER2 interconnect.
- A single gateable interface and functional clock from PRCM shared between the 3 PWMSS.
- A slave idle protocol with the device PRCM
- A "non-wakeup capable Smart Idle" mode supported

NOTE: For more information about the slave idle protocol, see [Section 3.1.1.1.2, Module Level Clock Management](#) in [Chapter 3, Power, Reset, and Clock Management](#).

- A non-retention hardware reset from PRCM to all 3 PWMSS simultaneously
- A PWMSS global level software reset which impacts all registers of a PWMSS at the same time
- 4 hardware events per PWMSS, i.e. a total of 12 events. From these events each PWMSS :
 - generates 4 interrupts to the device IRQ_CROSSBAR
 - generates 3 DMA requests, mapped to the device DMA_CROSSBAR
- A synchronization input/output daisy chain-like connection exists between the PWMSS1, PWMSS2 and PWMSS3. For more details, refer to [Section 29.1.3.1.2](#).

[Table 29-3](#) through [Table 29-5](#) summarize the integration of the module in the device.

Table 29-3. PWMSS Integration Attributes

Module Instance	Attributes	
	Power Domain	Interconnect
PWMSS1	PD_COREAON	L4_PER2
PWMSS2		
PWMSS3		

Table 29-4. PWMSS Clocks and Resets

Clocks						
Module Instance	Destination Signal Name	Source Signal Name	Source	Description		
PWMSS1	PWMSS1_GICLK	L4PER2_L3_GICLK/2	PRCM	PWMSS1 gated interface and functional clock		
PWMSS2	PWMSS2_GICLK	L4PER2_L3_GICLK/2	PRCM	PWMSS2 gated interface and functional clock		
PWMSS3	PWMSS3_GICLK	L4PER2_L3_GICLK/2	PRCM	PWMSS3 gated interface and functional clock		
Resets						
Module Instance	Destination Signal Name	Source Signal Name	Source	Description		
PWMSS1	PWMSS1_RST_MAIN_ARST	L4PER_RST	PRCM	A nonretention hardware main reset to the PWMSS1		
PWMSS2	PWMSS2_RST_MAIN_ARST	L4PER_RST	PRCM	A nonretention hardware main reset to the PWMSS2		
PWMSS3	PWMSS3_RST_MAIN_ARST	L4PER_RST	PRCM	A nonretention hardware main reset to the PWMSS3		

Table 29-5. PWMSS Hardware Requests

Interrupt Requests				
Module Instance	Source Signal Name	Destination IRQ_CROSSBAR Input	Default Mapping	Description

Table 29-5. PWMSS Hardware Requests (continued)

PWMSS1	PWMSS1_IRQ_ePWM0_TZIN T	IRQ_CROSSBAR_204	-	eHRPWM1 tripzone event/interrupt.
	PWMSS1_IRQ_ePWM0INT	IRQ_CROSSBAR_207	-	eHRPWM1 event/interrupt.
	PWMSS1_IRQ_eQEP0INT	IRQ_CROSSBAR_210	-	eQEP1 event/interrupt.
	PWMSS1_IRQ_eCAP0INT	IRQ_CROSSBAR_213	-	eCAP1 event/interrupt.
PWMSS2	PWMSS2_IRQ_ePWM1_TZIN T	IRQ_CROSSBAR_205	-	eHRPWM2 tripzone event/interrupt.
	PWMSS2_IRQ_ePWM1INT	IRQ_CROSSBAR_208	-	eHRPWM2 event/interrupt.
	PWMSS2_IRQ_eQEP1INT	IRQ_CROSSBAR_211	-	eQEP2 event/interrupt.
	PWMSS2_IRQ_eCAP1INT	IRQ_CROSSBAR_214	-	eCAP2 event/interrupt.
PWMSS3	PWMSS3_IRQ_ePWM2_TZIN T	IRQ_CROSSBAR_206	-	eHRPWM3 tripzone event/interrupt.
	PWMSS3_IRQ_ePWM2INT	IRQ_CROSSBAR_209	-	eHRPWM3 event/interrupt.
	PWMSS3_IRQ_eQEP2INT	IRQ_CROSSBAR_212	-	eQEP3 event/interrupt.
	PWMSS3_IRQ_eCAP2INT	IRQ_CROSSBAR_215	-	eCAP3 event/interrupt.

DMA Requests

Module Instance	Source Signal Name	Destination DMA_CROSSBAR Input	Default Mapping	Description
PWMSS1	PWMSS1_DREQ_ePWM0_EV T	DMA_CROSSBAR_195	-	eHRPWM1 event DMA request.
	PWMSS1_DREQ_eQEP0_EVT	DMA_CROSSBAR_198	-	eQEP1 event DMA request.
	PWMSS1_DREQ_eCAP0_EVT	DMA_CROSSBAR_201	-	eCAP1 event DMA request.
PWMSS2	PWMSS2_DREQ_ePWM1_EV T	DMA_CROSSBAR_196	-	eHRPWM2 event DMA request.
	PWMSS2_DREQ_eQEP1_EVT	DMA_CROSSBAR_199	-	eQEP2 event DMA request.
	PWMSS2_DREQ_eCAP1_EVT	DMA_CROSSBAR_202	-	eCAP2 event DMA request.
PWMSS3	PWMSS3_DREQ_ePWM2_EV T	DMA_CROSSBAR_197	-	eHRPWM3 event DMA request.
	PWMSS3_DREQ_eQEP2_EVT	DMA_CROSSBAR_200	-	eQEP3 event DMA request.
	PWMSS3_DREQ_eCAP2_EVT	DMA_CROSSBAR_203	-	eCAP3 event DMA request.

NOTE: The “Default Mapping” column in [Table 29-5, PWMSS Hardware Requests](#) shows the default mapping of module IRQ and DREQ source signals. These module IRQ and DREQ source signals can also be mapped to other lines of each device Interrupt or DMA controller through the IRQ_CROSSBAR and DMA_CROSSBAR modules, respectively.

For more information about the IRQ_CROSSBAR module, see [Section 18.4.6.4, IRQ_CROSSBAR Module Functional Description](#), in [Chapter 18, Control Module](#).

For more information about the DMA_CROSSBAR module, see [Section 18.4.6.5, DMA_CROSSBAR Module Functional Description](#), in [Chapter 18, Control Module](#).

For more information about the device interrupt controllers, see [Chapter 17, Interrupt Controllers](#).

For more information about the device DMA_SYSTEM module, see [Section 16.1, System DMA](#).

For more information about the device EDMA module, see [Section 16.2, Enhanced DMA](#).

29.1.3.1 PWMSS Module Interfaces Implementation

This section describes how the different PWMSSn (where n=1 to 3 for the device) submodules - ePWM/eHRPWM, eQEP and eCAP can be used in terms of their functional interfaces considering PWMSS device specific integration.

29.1.3.1.1 Device Specific PWMSS Features

A High-Resolution PWM (HRPWM) modulator is added to the ePWM module in each of the device PWMSS subsystems, hence the device ePWMs are signified as eHRPWMs.

NOTE: The HR PWM option applies only to the ePWMxA output channel of the PWMSSn (ehre n=1 to 3 for the device). The PWMSSn ePWMxB channel has conventional capabilities. For more details on HRPWM features of ePWM modules refer to the [Section 29.2.2.10](#).

While the eCAP functionalities are fully implemented in the device, the eHRPWM and eQEP module interface have some restrictions in functionality. The eHRPWM and eQEP restrictions which are common between the PWMSS1, PWMSS2 and PWMSS3 subsystems are, as follows:

- For ePWM comparators - only the outputs (ehrpwmxA and ehrpwmxB) are available at chip level
- Only one tripzone input pin - EPWMx_TRIP_TZ[0] of ePWM/eHRPWM is available to user at chip level
- Only QEP inputs (A/ B/INDEX and STROBE) are available to user at chip level

The eHRPWM and eQEP functional interface signals which are NOT available to user for the PWMSS1, PWMSS2 and PWMSS3 are summarized in [Table 29-6](#).

Table 29-6. Device Limitations for the eHRPWM and eQEP Functional Interfaces of PWMSSn

Module Interface	Signal	Description	Comment
PWMSSn eHRPWM (where n= 1 to 3)	EPWM_COMP_EPWMDCMAH	ePWM Comparator A input (HIGH)	Not available at chip boundary (can not be used)
	EPWM_COMP_EPWMDCMAL	ePWM Comparator A input (LOW)	
	EPWM_COMP_EPWMDCMBH	ePWM Comparator B input (HIGH)	
	EPWM_COMP_EPWMDCMBL	ePWM Comparator B input (LOW)	
	EPWM_EPWMA_i	ePWM A input	
	EPWM_EPWMB_i	ePWM B input	
	EPWM_TRIP_TZ[5:1]	ePWM Tripzone inputs [5:1]	
	EPWM_ADC_SOCA	ePWM Start of ADC conversion A output	
	EPWM_ADC_SOCB	ePWM Start of ADC conversion B output	
PWMSSn eQEP (where n= 1 to 3)	EPWM_TRIP_TZ_O[5:0]	ePWM Tripzone outputs	Not available at chip boundary (can not be used)
	EQEP_ERR_PHASE_ERR	eQEP phase error output	
	EQEP_EQEPA_O	eQEP quadrature A output	
	EQEP_EQEPB_O	eQEP quadrature B output	

NOTE: Only for the device eHRPWM1 module, the SYNCI input and SYNCO output signals are available at chip-level – these are the signals ehripwm1_synci and ehripwm1_synco, respectively. The eHRPWM2 and eHRPWM3 SYNCi and SYNCO signals are not available on device pads. For more information, see section, PWMSS Environment.

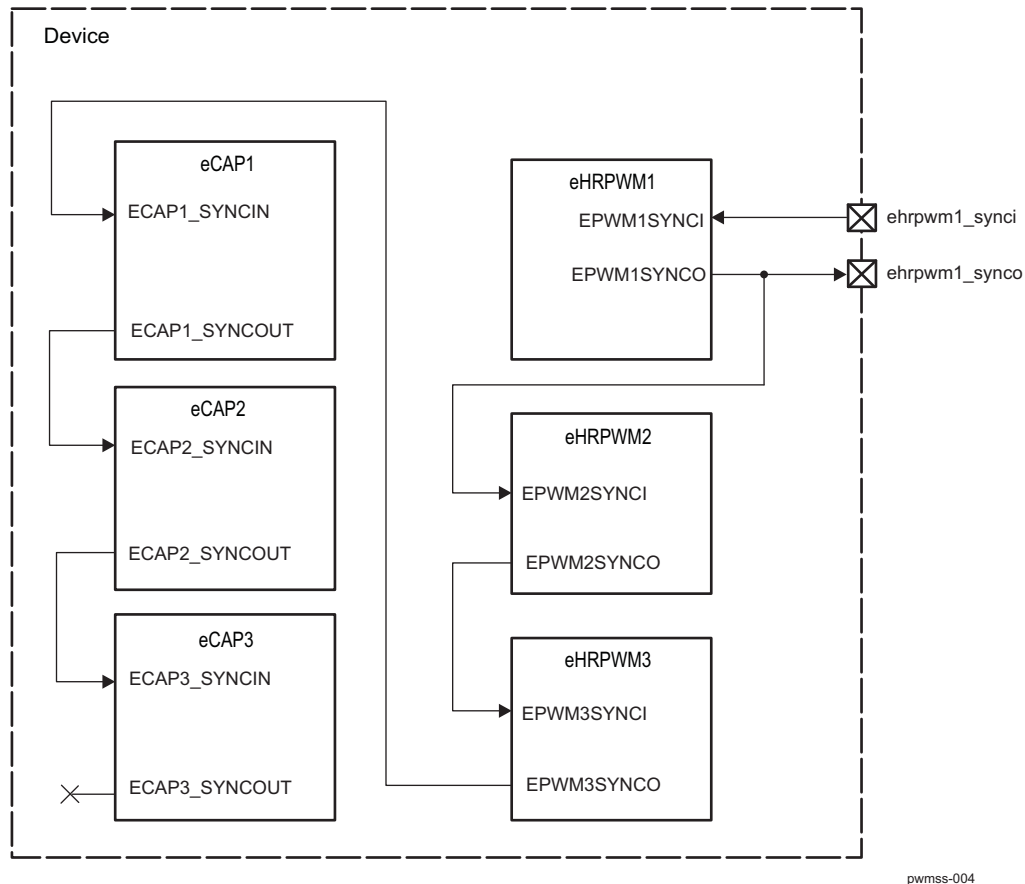
29.1.3.1.2 Daisy-Chain Connectivity between PWMSS Modules

The PWM (eHRPWM) and capture (eCAP) components of the PWMSSn (where n= 1 through 3 for the device) provide synchronization signals to allow them to be synchronized to other modules or events. In the device, these signals are connected in a daisy-chain fashion as shown in [Figure 29-4](#). Only the PWMSS1 eHRPWM input synchronization signal is terminated at a device pad (ehripwm1_synci signal), such that device external sync events can be directly applied only to the PWMSS1 eHRPWM (eHRPWM1) submodule. A synchronization output from device PWMSS is available only from the eHRPWM1 on the ehripwm1_synco output pin. The PWMSS2 and PWMSS3 rely on synchronization signals from its neighbour PWM subsystem within device ,as shown in [Figure 29-4](#).

NOTE: The PWMSS1.EPWM1SYNCI signal (device ehrpwm1_synci input signal) triggers the event of the eHRPWM1 Phase Register being loaded into the Counter register (TBCNT -> TBPHS). This event is synchronous to the PWMSS1 eHRPWM **time-base clock** (TBCLK).

The PWMSS1 EPWM1SYNCO (device ehrpwm1_synco output signal) is implicitly synchronous to the time-base clock, as this signal has a programmable source of event (in [EPWM_TBCTL\[5:4\] SYNCOSSEL](#)) triggered synchronously to the eHRPWM1 TBCLK.

Figure 29-4. Synchronization between PWMSS1, PWMSS2 and PWMSS3



29.1.3.1.3 eHRPWM Modules Time Base Clock Gating

Each PWMSSn ePWM/eHRPWM module has an EPWMTBCLKEN module input used to individually enable/disable its ePWM time-base clock. For each PWMSSn (where n=1 to 3), the ePWM/eHRPWM time-base clock enable input comes from the device core control module register - CTRL_CORE_CONTROL_IO_2, as follows:

- PWMSS1 ePWM -> CTRL_CORE_CONTROL_IO_2[22] PWMSS3_TBCLKEN bit
- PWMSS2 ePWM -> CTRL_CORE_CONTROL_IO_2[21] PWMSS2_TBCLKEN bit
- PWMSS3 ePWM -> CTRL_CORE_CONTROL_IO_2[20] PWMSS1_TBCLKEN bit

This individual TBCLKEN control can be used to align the ePWM time base clock between the three device PWMSS subsystems. PWMSSn_TBCLKEN bit set to 0b0, holds the TBCLK generation counter in its reset state. When PWMSSn_TBCLKEN is set to 0b1, then the TBCLK generation counter is allowed to count.

For more details on the CTRL_CORE_CONTROL_IO_2, refer to the [Section 18.5, Control Module Register Manual](#), in the chapter *Control Module*.

29.1.4 PWMSS Subsystem Power, Reset and Clock Configuration

29.1.4.1 PWMSS Local Clock Management

The system configuration register - [PWMSS_SYSCONFIG](#) is used to configure the local clock management of a PWMSSn slave configuration port on the device L4_PER2 interconnect. Note that this register impacts the behaviour of the root interface and functional clock PWMSSn_GICLK inside PWMSSn (n=1 to 3) shared between the ePWM/eHRPWM, eQEP and eCAP modules within a subsystem. An idle handshaking protocol is supported between PWMSSn and the device PRCM.

NOTE: For more information about the slave idle protocol, see [Section 3.1.1.1.2, Module Level Clock Management](#) in [Chapter 3, Power, Reset, and Clock Management](#).

Table 29-7. Local IDLE Clock Management Features

Feature	Register bitfield	Description
Slave idle mode	PWMSS_SYSCONFIG [3:2] IDLEMODE	The available modes are: Force-idle, no-idle, and smart-idle (non-wakeup capable) modes.

NOTE: The device PWM subsystems are part of the CD_L4_PER2 clock domain. For more details on the PWM subsystems top level clock-management modes and control, refer to the [Section 3.6.4.1.4, Clock Domain Module Attributes](#), in the [Chapter 3, Power, Reset, and Clock Management](#).

29.1.4.2 PWMSS Modules Local Clock Gating

NOTE: PWMSS Modules Local Clock Gating feature is not supported in this family of devices.

In addition to PWMSS level IDLE clock management, described above, a clock configuration register - [PWMSS_CLKCONFIG](#) is used to individually gate (stop) or enable interface and functional clock to the ePWM/eHRPWM, eCAP and eQEP modules. By default, the interface/functional clocks are enabled to all modules.

The clock status register - [PWMSS_CLKSTATUS](#) is used in the PWMSS submodule to indicated acknowledgement of a clock stop or clock enable request.

The [PWMSS_CLKCONFIG](#) and [PWMSS_CLKSTATUS](#) role is described in [Table 29-8](#).

Table 29-8. Local Module Clock Control and Status Features

Clock Control/Status Feature	PWMSSn Module	Register bit
Request "stop interface and functional clock" to module	ePWM/eHRPWM	PWMSS_CLKCONFIG [9] EPWM_CLKSTOP_REQ
	eQEP	PWMSS_CLKCONFIG [5] EQEP_CLKSTOP_REQ
	eCAP	PWMSS_CLKCONFIG [1] ECAP_CLKSTOP_REQ
"Stop module interface and functional clock" acknowledged status	ePWM/eHRPWM	PWMSS_CLKSTATUS [9] EPWM_CLKSTOP_ACK
	eQEP	PWMSS_CLKSTATUS [5] EQEP_CLKSTOP_ACK
	eCAP	PWMSS_CLKSTATUS [1] ECAP_CLKSTOP_ACK
Request "enable interface and functional clock" to module	ePWM/eHRPWM	PWMSS_CLKCONFIG [8] EPWM_CLK_EN
	eQEP	PWMSS_CLKCONFIG [4] EQEP_CLK_EN
	eCAP	PWMSS_CLKCONFIG [0] ECAP_CLK_EN
"Enable module Interface and functional clock" acknowledged status	ePWM/eHRPWM	PWMSS_CLKSTATUS [8] EPWM_CLK_EN_ACK
	eQEP	PWMSS_CLKSTATUS [4] EQEP_CLK_EN_ACK
	eCAP	PWMSS_CLKSTATUS [0] ECAP_CLK_EN_ACK

NOTE: In order for PWMSSn to enter "Idle state", all PWMSSn submodules must have acknowledged a stop clock request, i.e. the [PWMSS_CLKSTATUS](#) bits EPWM_CLKSTOP_ACK, ECAP_CLKSTOP_ACK and EQEP_CLKSTOP_ACK must be raised 'HIGH'.

29.1.4.3 PWMSS Software Reset

The [PWMSS_SYSCONFIG](#)[0] SOFTRESET bit can be used to exert a "PWMSS" software reset impacting ePWM/eHRPWM, eCAP and eQEP modules of PWMSSn at the same time. The software has to poll the same bit until it is deasserted by HW, to insure software reset of all modules is completed.

29.1.5 PWMSS_CFG Register Manual

This section provides description of the PWM subsystem (top) level functional registers.

29.1.5.1 PWMSS_CFG Instance Summary

Table 29-9. PWMSS_CFG Instance Summary

Module Name	Module Base Address L4_PER2 Interconnect	Size (Bytes)
PWMSS1_CFG	0x4843 E000	48 Bytes
PWMSS2_CFG	0x4844 0000	48 Bytes
PWMSS3_CFG	0x4844 2000	48 Bytes

29.1.5.2 PWMSS_CFG Registers

29.1.5.2.1 PWMSS_CFG Register Summary

Table 29-10. PWMSSn_CFG Registers Mapping Summary

Register Name	Type	Register Width (Bits)	Address Offset	PWMSS1_CFG Physical Address	PWMSS2_CFG Physical Address	PWMSS3_CFG Physical Address
PWMSS_IDVER	RW	32	0x0000 0000	0x4843 E000	0x4844 0000	0x4844 2000
PWMSS_SYSCONFIG	RW	32	0x0000 0004	0x4843 E004	0x4844 0004	0x4844 2004
PWMSS_CLKCONFIG	RW	32	0x0000 0008	0x4843 E008	0x4844 0008	0x4844 2008
PWMSS_CLKSTATUS	RW	32	0x0000 000C	0x4843 E00C	0x4844 000C	0x4844 200C

29.1.5.2.2 PWMSS_CFG Register Description
Table 29-11. PWMSS_IDVER

Address Offset	0x0000 0000		
Physical Address	0x4843 E000 0x4844 0000 0x4844 2000	Instance	PWMSS1_CFG PWMSS2_CFG PWMSS3_CFG
Description	IP Revision Register		
Type	R		

31	30	29	28	27	26	25	24	23	22	21	20	19	18	17	16	15	14	13	12	11	10	9	8	7	6	5	4	3	2	1	0
REVISION																															

Bits	Field Name	Description	Type	Reset
31:0	REVISION	IP Revision value	R	0x- ⁽¹⁾

⁽¹⁾ TI Internal data

Table 29-12. Register Call Summary for Register PWMSS_IDVER

PWM Subsystem Resources

- [PWMSS_CFG Register Summary: \[0\]](#)

Table 29-13. PWMSS_SYSCONFIG

Address Offset	0x0000 0004		
Physical Address	0x4843 E004 0x4844 0004 0x4844 2004	Instance	PWMSS1_CFG PWMSS2_CFG PWMSS3_CFG
Description	This register controls the PWMSSn (where n= 1 to 3) local Idle mode clock management and software reset		
Type	RW		

31	30	29	28	27	26	25	24	23	22	21	20	19	18	17	16	15	14	13	12	11	10	9	8	7	6	5	4	3	2	1	0
RESERVED																IDLEMODE	RESERVED	SOFTRESET													

Bits	Field Name	Description	Type	Reset
31:4	RESERVED		R	0x0000
3:2	IDLEMODE	<p>Configuration of the local target state management mode. By definition, the target can handle read/write transaction as long as it is out of IDLE state.</p> <p>0x0: Force-idle mode: The local target IDLE state follows (acknowledges) the system idle requests unconditionally, that is, regardless of the internal requirements of the IP module. Backup mode, for debug only.</p> <p>0x1: No-idle mode: The local target never enters IDLE state. Backup mode, for debug only.</p> <p>0x2: Smart-idle mode: The local target IDLE state eventually follows (acknowledges) the system idle requests, depending on the internal requirements of the IP module. IP module does not generate (IRQ- or DMA-request-related) wakeup events.</p> <p>0x3: Reserved</p>	RW	0x2
1	RESERVED		R	0
0	SOFTRESET	<p>Software reset :</p> <p>0x0 : Software reset is completed</p> <p>0x1 : Software reset assertion</p>	RW	0x0

Table 29-14. Register Call Summary for Register PWMSS_SYSCONFIG

PWM Subsystem Resources

- [PWMSS Local Clock Management: \[0\]\[1\]](#)
- [PWMSS Software Reset: \[2\]](#)
- [PWMSS_CFG Register Summary: \[3\]](#)

Table 29-15. PWMSS_CLKCONFIG

Address Offset	0x0000 0008	Instance	PWMSS1_CFG PWMSS2_CFG PWMSS3_CFG
Physical Address	0x4843 E008 0x4844 0008 0x4844 2008		
Description	<p>The clock configuration register is used in the PWMSSn (where n = 1 to 3) for clkstop req and clk_en control to the ePWM/ eHRPWM, eCAP and eQEP submodules within the PWMSSn subsystem.</p> <p>Note: PWMSS Modules Local Clock Gating feature is not supported. This register should not be modified. Clock gating functionality is controlled by PRCM.</p>		
Type	RW		

31	30	29	28	27	26	25	24	23	22	21	20	19	18	17	16	15	14	13	12	11	10	9	8	7	6	5	4	3	2	1	0
RESERVED																EPWM_CLKSTOP_REQ		EPWM_CLK_EN		RESERVED		EQEP_CLKSTOP_REQ		EQEP_CLK_EN		RESERVED		ECAP_CLKSTOP_REQ		ECAP_CLK_EN	

Bits	Field Name	Description	Type	Reset
31:10	RESERVED		R	0x000000
9	EPWM_CLKSTOP_REQ	This bit controls the clock stop input to the ePWM/eHRPWM module : 0: No effect 1: A request to stop interface clock to the module is asserted	RW	0
8	EPWM_CLK_EN	This bit controls the interface clock enable (clk_en) input to the ePWM/eHRPWM module: 0: No effect 1: Enables the interface clock to the module	RW	1
7:6	RESERVED		R	0x0
5	EQEP_CLKSTOP_REQ	This bit controls the clock stop input to the eQEP module : 0: No effect 1: A request to stop interface clock to the module is asserted	RW	0
4	EQEP_CLK_EN	This bit controls the interface clock enable (clk_en) input to the eQEP module : 0: No effect 1: Enables the interface clock to the module	RW	1
3:2	RESERVED		R	0x0
1	ECAP_CLKSTOP_REQ	This bit controls the clock stop input to the eCAP module : 0: No effect 1: A request to stop interface clock to the module is asserted	RW	0
0	ECAP_CLK_EN	This bit controls the interface clock enable (clk_en) input to the eCAP module : 0: No effect 1: Enables the interface clock to the module	RW	1

Table 29-16. Register Call Summary for Register PWMSS_CLKCONFIG

PWM Subsystem Resources

- [PWMSS Modules Local Clock Gating: \[0\]\[1\]\[2\]\[3\]\[4\]\[5\]\[6\]\[7\]](#)
- [PWMSS_CFG Register Summary: \[8\]](#)

Table 29-17. PWMSS_CLKSTATUS

Address Offset	0x0000 000C	Instance	PWMSS1_CFG PWMSS2_CFG PWMSS3_CFG
Physical Address	0x4843 E00C 0x4844 000C 0x4844 200C		
Description	<p>The clock status register is used in the PWMSSn (where n = 1 to 3) to indicate clock stop acknowledge (clkstop_ack) and clock enable (clk_en) acknowledge status for the ePWM/ eHRPWM, eCAP and eQEP submodules within the PWMSSn subsystem.</p> <p>Note: PWMSS Modules Local Clock Gating feature is not supported. Clock gating functionality is controlled by PRCM.</p>		
Type	R		

31	30	29	28	27	26	25	24	23	22	21	20	19	18	17	16	15	14	13	12	11	10	9	8	7	6	5	4	3	2	1	0
RESERVED																							EPWM_CLKSTOP_ACK	EPWM_CLK_EN_ACK	RESERVED	EQEP_CLKSTOP_ACK	EQEP_CLK_EN_ACK	RESERVED	ECAP_CLKSTOP_ACK	ECAP_CLK_EN_ACK	

Bits	Field Name	Description	Type	Reset
31:10	RESERVED		R	0x000000
9	EPWM_CLKSTOP_ACK	This bit is the clkstop_req_ack status output of the ePWM/eHRPWM module : 0: No interface clock stop acknowledged 1: Interface clock stop request is acknowledged for the module	R	0
8	EPWM_CLK_EN_ACK	This bit is the clk_en status output of the ePWM/eHRPWM module : 0: No clock enable request acknowledged 1: Interface clock enable request is acknowledged for the module	R	0
7:6	RESERVED		R	0x0
5	EQEP_CLKSTOP_ACK	This bit is the clkstop_req_ack status output of the eQEP module : 0: No interface clock stop acknowledged 1: Interface clock stop request is acknowledged for the module	R	0
4	EQEP_CLK_EN_ACK	This bit is the clk_en status output of the eQEP module : 0: No clock enable request acknowledged 1: Interface clock enable request is acknowledged for the module	R	0
3:2	RESERVED		R	0x0
1	ECAP_CLKSTOP_ACK	TThis bit is the clkstop_req_ack status output of the eCAP module : 0: No interface clock stop acknowledged 1: Interface clock stop request is acknowledged for the module	R	0
0	ECAP_CLK_EN_ACK	TThis bit is the clk_en status output of the eCAP module : 0: No clock enable request acknowledged 1: Interface clock enable request is acknowledged for the module	R	0

Table 29-18. Register Call Summary for Register PWMSS_CLKSTATUS

PWM Subsystem Resources

- [PWMSS Modules Local Clock Gating: \[0\]\[1\]\[2\]\[3\]\[4\]\[5\]\[6\]\[7\]\[8\]](#)
- [PWMSS_CFG Register Summary: \[9\]](#)

29.2 Enhanced PWM (ePWM) Module

29.2.1 ePWM Overview

An effective PWM peripheral must be able to generate complex pulse width waveforms with minimal CPU overhead or intervention. It needs to be highly programmable and very flexible while being easy to understand and use. The ePWM unit described here addresses these requirements by allocating all needed timing and control resources on a per PWM channel basis. Cross coupling or sharing of resources has been avoided; instead, the ePWM is built up from smaller single channel modules with separate resources and that can operate together as required to form a system. This modular approach results in an orthogonal architecture and provides a more transparent view of the peripheral structure, helping users to understand its operation quickly.

As already described in [Section 29.1.3](#), the letter x within a signal or module name is used to indicate a generic ePWM instance on a device. For example, output signals EPWMxA and EPWMxB refer to the output signals from the ePWMx instance. Thus, EPWM1A and EPWM1B belong to ePWM1, EPWM2A and EPWM2B belong to ePWM2, etc.

The ePWM module represents one complete PWM channel composed of two PWM outputs: EPWMxA and EPWMxB. A given ePWM module functionality can be extended with the so called **High-Resolution Pulse Width modulator**. Refer to the [Section 29.1.3](#), to determine which ePWM instances include the HRPWM feature. The HRPWM functionalities are described in [Section 29.2.2.10](#). Each ePWM module is indicated by a numerical value starting with 1. For example ePWM1 is the first instance, the ePWM2 is the second instance in the device, etc. The ePWMx indicates any instance.

As also described in [Section 29.1.3.1.2](#), the ePWM modules are chained together via a clock synchronization scheme that allows them to operate as a single system when required. Additionally, the PWMSSn integration allows this synchronization scheme to be extended to the capture peripheral modules (eCAP). The number of modules is device-dependent and based on target application needs. Modules can also operate stand-alone.

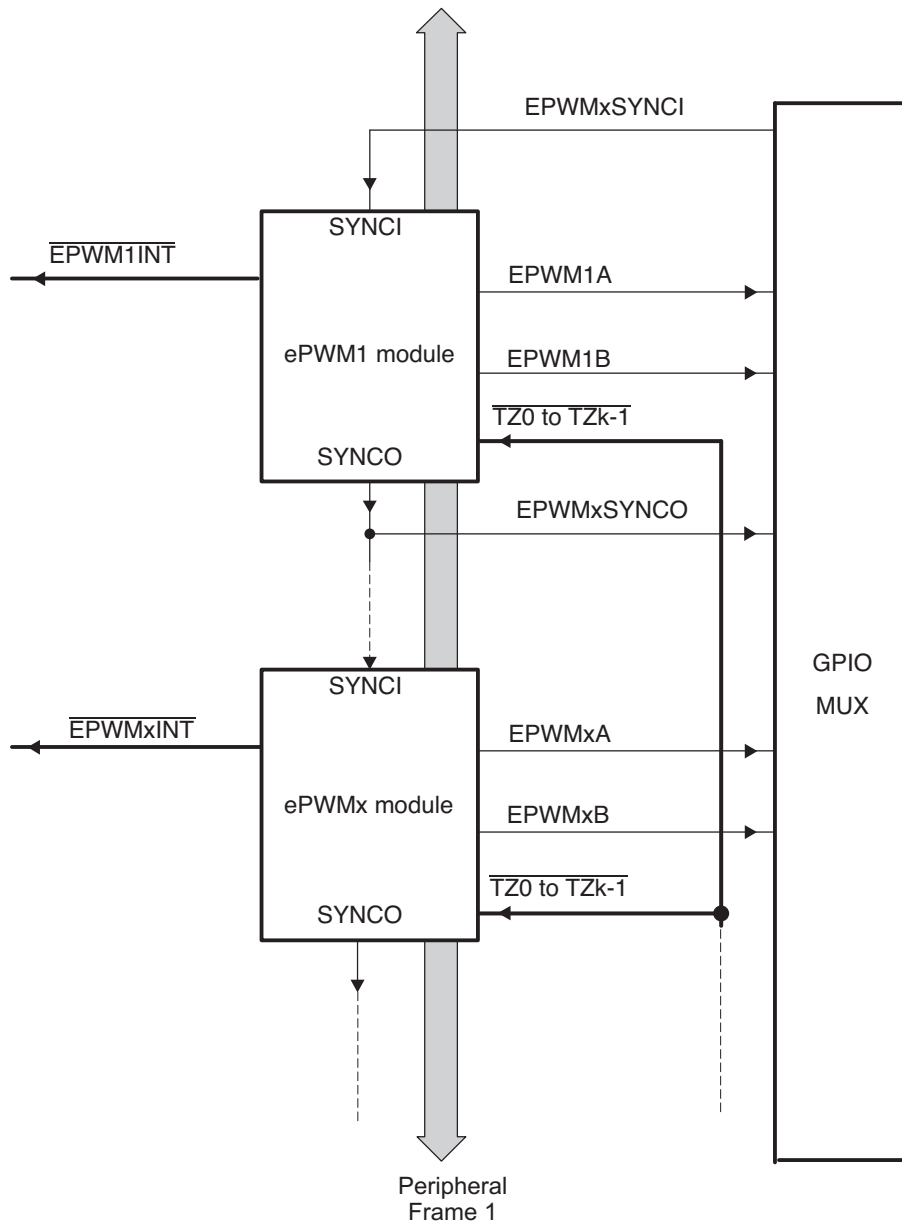
Each ePWM module supports the following features:

- **Dedicated 16-bit time-base counter with period and frequency control**
- **Two PWM outputs (EPWMxA and EPWMxB) that can be used in the following configurations:**
 - Two independent PWM outputs with single-edge operation
 - Two independent PWM outputs with dual-edge symmetric operation
 - One independent PWM output with dual-edge asymmetric operation
- **Asynchronous override control of PWM signals through software.**
- **Programmable phase-control support for lag or lead operation relative to other ePWM modules.**
- **Hardware-locked (synchronized) phase relationship on a cycle-by-cycle basis.**
- **Dead-band generation with independent rising and falling edge delay control.**
- **Programmable trip zone allocation of both cycle-by-cycle trip and one-shot trip on fault conditions.**
- **A trip condition can force either high, low, or high-impedance state logic levels at PWM outputs.**
- **Programmable event prescaling minimizes CPU overhead on interrupts.**
- **PWM chopping by high-frequency carrier signal, useful for pulse transformer gate drives.**

Each ePWM module is connected to the input/output signals shown in [Figure 29-5](#). The signals are described in detail in subsequent sections.

The order in which the ePWM modules are connected may differ from what is shown in [Figure 29-5](#). See [Section 29.1.3.1.2](#) for the actual synchronization scheme implemented in the device. Each ePWM module consists of seven submodules and is connected within a system via the signals shown in [Figure 29-6](#).

Figure 29-5. Multiple ePWM Modules



epwm-001

Figure 29-6. Submodules and Signal Connections for an ePWM Module

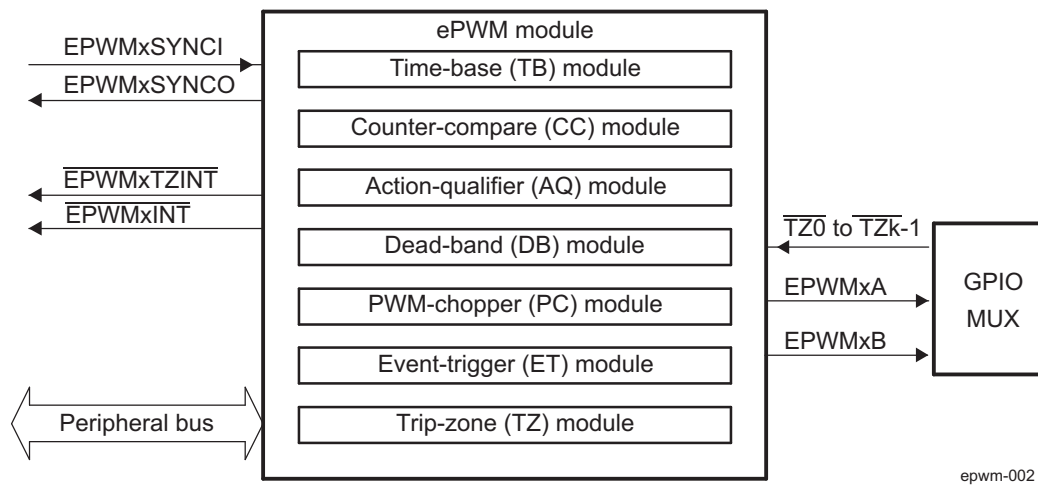


Figure 29-7 shows more internal details of a single ePWM module. The main signals used by the ePWM module are:

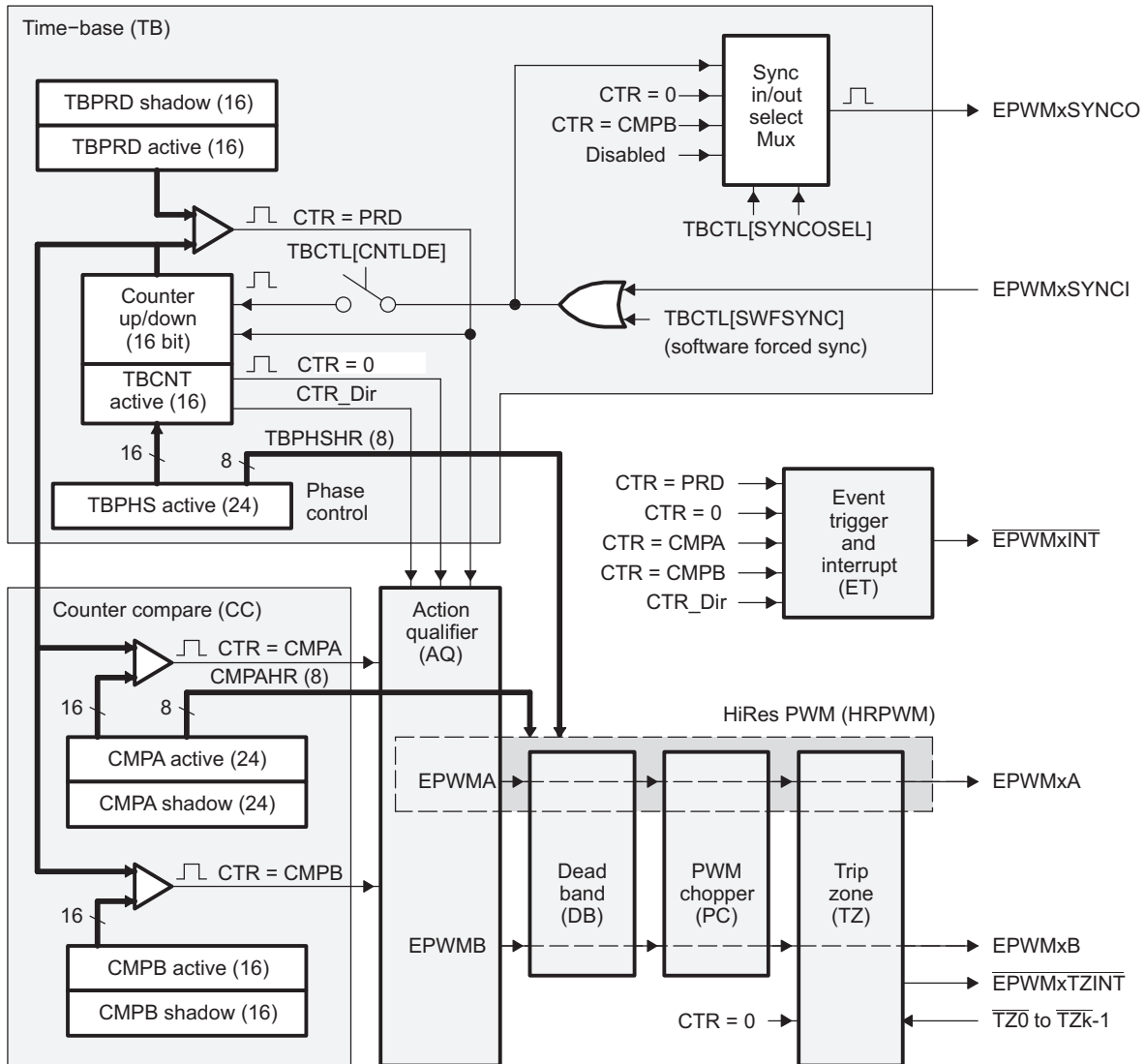
- **PWM output signals (EPWMxA and EPWMxB).** The PWM output signals are made available external to the device through the GPIO peripheral described in the system control and interrupts guide for your device.
- **Trip-zone signals ($\overline{TZ0}$ to $\overline{TZk-1}$).** These k input signals alert the ePWM module of an external fault condition. Each module on a device can be configured to either use or ignore any of the trip-zone signals. The trip-zone signal can be configured as an asynchronous input through the GPIO peripheral.

NOTE: According to the device ePWMx (where $x=1$ to 3) trip zone i/f implementation, the number of input signals implemented is $k=1$, which means **ONLY the ePWMx $\overline{TZ0}$ input is available at chip level.** Refer to the [Section 29.1.3](#), for details on trip zone input implementation.

- **Time-base synchronization input (EPWMxSYNCl) and output (EPWMxSYNCO) signals.** The synchronization signals daisy chain the ePWM modules together. Each module can be configured to either use or ignore its synchronization input. The clock synchronization input and output signal are brought out to pins only for ePWM1 (ePWM module #1). **The synchronization output for ePWM3 (EPWM3SYNCO) is also connected to the eCAP1SYNCl of the first enhanced capture module (eCAP1).**
- **Peripheral Bus.** The peripheral bus is 32-bits wide and allows both 16-bit and 32-bit writes to the ePWM register file.

Figure 29-7 also shows the key internal submodule interconnect signals. Each submodule is described in [Section 29.2.2](#).

Figure 29-7. ePWM Submodules and Critical Internal Signal Interconnects



epwm-003

29.2.2 ePWM Functional Description

Seven submodules are included in each ePWM peripheral. There are some instances that include a high-resolution submodule that allows more precise control of the PWM outputs. Each of these submodules performs specific tasks that can be configured by software.

29.2.2.1 ePWM Submodule Features

Table 29-19 lists the eight key submodules together with a list of their main configuration parameters. For example, if you need to adjust or control the duty cycle of a PWM waveform, then you should see the counter-compare submodule in Section 29.2.2.4 for relevant details.

Table 29-19. Submodule Configuration Parameters

Submodule	Configuration Parameter or Option
Time-base (TB)	<ul style="list-style-type: none"> • Scale the time-base clock (TBCLK) relative to the system clock (SYSCLKOUT). • Configure the PWM time-base counter (TBCNT) frequency or period. • Set the mode for the time-base counter: <ul style="list-style-type: none"> – count-up mode: used for asymmetric PWM – count-down mode: used for asymmetric PWM – count-up-and-down mode: used for symmetric PWM • Configure the time-base phase relative to another ePWM module. • Synchronize the time-base counter between modules through hardware or software. • Configure the direction (up or down) of the time-base counter after a synchronization event. • Configure how the time-base counter will behave when the device is halted by an emulator. • Specify the source for the synchronization output of the ePWM module: <ul style="list-style-type: none"> – Synchronization input signal – Time-base counter equal to zero – Time-base counter equal to counter-compare B (CMPB) – No output synchronization signal generated.
Counter-compare (CC)	<ul style="list-style-type: none"> • Specify the PWM duty cycle for output EPWMxA and/or output EPWMxB • Specify the time at which switching events occur on the EPWMxA or EPWMxB output
Action-qualifier (AQ)	<ul style="list-style-type: none"> • Specify the type of action taken when a time-base or counter-compare submodule event occurs: <ul style="list-style-type: none"> – No action taken – Output EPWMxA and/or EPWMxB switched high – Output EPWMxA and/or EPWMxB switched low – Output EPWMxA and/or EPWMxB toggled • Force the PWM output state through software control • Configure and control the PWM dead-band through software
Dead-band (DB)	<ul style="list-style-type: none"> • Control of traditional complementary dead-band relationship between upper and lower switches • Specify the output rising-edge-delay value • Specify the output falling-edge delay value • Bypass the dead-band module entirely. In this case the PWM waveform is passed through without modification.
PWM-chopper (PC)	<ul style="list-style-type: none"> • Create a chopping (carrier) frequency. • Pulse width of the first pulse in the chopped pulse train. • Duty cycle of the second and subsequent pulses. • Bypass the PWM-chopper module entirely. In this case the PWM waveform is passed through without modification.

Table 29-19. Submodule Configuration Parameters (continued)

Submodule	Configuration Parameter or Option
Trip-zone (TZ)	<ul style="list-style-type: none"> • Configure the ePWM module to react to one, all, or none of the trip-zone pins. • Specify the tripping action taken when a fault occurs: <ul style="list-style-type: none"> – Force EPWMxA and/or EPWMxB high – Force EPWMxA and/or EPWMxB low – Force EPWMxA and/or EPWMxB to a high-impedance state – Configure EPWMxA and/or EPWMxB to ignore any trip condition. • Configure how often the ePWM will react to the trip-zone pin: <ul style="list-style-type: none"> – One-shot – Cycle-by-cycle • Enable the trip-zone to initiate an interrupt. • Bypass the trip-zone module entirely.
Event-trigger (ET)	<ul style="list-style-type: none"> • Enable the ePWM events that will trigger an interrupt. • Specify the rate at which events cause triggers (every occurrence or every second or third occurrence) • Poll, set, or clear event flags
High-Resolution PWM (HRPWM)	<ul style="list-style-type: none"> • Enable extended time resolution capabilities • Configure finer time granularity control or edge positioning

NOTE: The system clock - SYSCLKOUT is the ePWM functional clock derived from the PWMSSn gateable interface and functional clock PWMSSn_GICLK, described in the [Section 29.1.3](#).

Code examples are provided in the remainder of this chapter that show how to implement various ePWM module configurations. These examples use the constant definitions shown in [Example 29-1](#).

Example 29-1. Constant Definitions Used in the ePWM Code Examples

```
// TBCTL (Time-Base Control)
// = = = = =
// TBCNT MODE bits
#define TB_COUNT_UP 0x0
#define TB_COUNT_DOWN 0x1
#define TB_COUNT_UPDOWN 0x2
#define TB_FREEZE 0x3
// PHSEN bit
#define TB_DISABLE 0x0
#define TB_ENABLE 0x1
// PRDL bit
#define TB_SHADOW 0x0
#define TB_IMMEDIATE 0x1
// SYNCSEL bits
#define TB_SYNC_IN 0x0
#define TB_CTR_ZERO 0x1
#define TB_CTR_CMPB 0x2
#define TB_SYNC_DISABLE 0x3
// HSPCLKDIV and CLKDIV bits
#define TB_DIV1 0x0
#define TB_DIV2 0x1
#define TB_DIV4 0x2
// PHSDIR bit
#define TB_DOWN 0x0
#define TB_UP 0x1
// CMPCTL (Compare Control)
// = = = = =
// LOADAMODE and LOADBMODE bits
```

Example 29-1. Constant Definitions Used in the ePWM Code Examples (continued)

```

#define          CC_CTR_ZERO          0x0
#define          CC_CTR_PRD           0x1
#define          CC_CTR_ZERO_PRD     0x2
#define          CC_LD_DISABLE        0x3
// SHDWAMODE and SHDWBMODE bits
#define          CC_SHADOW             0x0
#define          CC_IMMEDIATE         0x1
// AQCTLA and AQCTLB (Action-qualifier Control)
// = = = = =
// ZRO, PRD, CAU, CAD, CBU, CBD bits
#define          AQ_NO_ACTION         0x0
#define          AQ_CLEAR             0x1
#define          AQ_SET               0x2
#define          AQ_TOGGLE           0x3
// DBCTL (Dead-Band Control)
// = = = = =
// MODE bits
#define          DB_DISABLE           0x0
#define          DBA_ENABLE           0x1
#define          DBB_ENABLE           0x2
#define          DB_FULL_ENABLE       0x3
// POLSEL bits
#define          DB_ACTV_HI           0x0
#define          DB_ACTV_LO           0x1
#define          DB_ACTV_HIC          0x2
#define          DB_ACTV_LO           0x3
// PCCTL (chopper control)
// = = = = =
// CHPEN bit
#define          CHP_ENABLE           0x0
#define          CHP_DISABLE          0x1
// CHPFREQ bits
#define          CHP_DIV1             0x0
#define          CHP_DIV2             0x1
#define          CHP_DIV3             0x2
#define          CHP_DIV4             0x3
#define          CHP_DIV5             0x4
#define          CHP_DIV6             0x5
#define          CHP_DIV7             0x6
#define          CHP_DIV8             0x7
// CHPDUTY bits
#define          CHP1_8TH             0x0
#define          CHP2_8TH             0x1
#define          CHP3_8TH             0x2
#define          CHP4_8TH             0x3
#define          CHP5_8TH             0x4
#define          CHP6_8TH             0x5
#define          CHP7_8TH             0x6
// TZSEL (Trip-zone Select)
// = = = = =
// CBCn and OSHn bits
#define          TZ_ENABLE            0x0
#define          TZ_DISABLE           0x1
// TZCTL (Trip-zone Control)
// = = = = =
// TZA and TZB bits
#define          TZ_HIZ               0x0
#define          TZ_FORCE_HI          0x1
#define          TZ_FORCE_LO          0x2
#define          TZ_DISABLE           0x3
// ETSEL (Event-trigger Select)
// = = = = =
// INTSEL, SOCASEL, SOCBSEL bits
#define          ET_CTR_ZERO          0x1

```

Example 29-1. Constant Definitions Used in the ePWM Code Examples (continued)

```

#define      ET_CTR_PRD          0x2
#define      ET_CTRU_CMPA       0x4
#define      ET_CTRD_CMPA       0x5
#define      ET_CTRU_CMPB       0x6
#define      ET_CTRD_CMPB       0x7
// ETPS (Event-trigger Prescale)
// = = = = =
// INTPRD, SOCAPRD, SOCBPRD bits
#define      ET_DISABLE         0x0
#define      ET_1ST             0x1
#define      ET_2ND             0x2
#define      ET_3RD             0x3
    
```

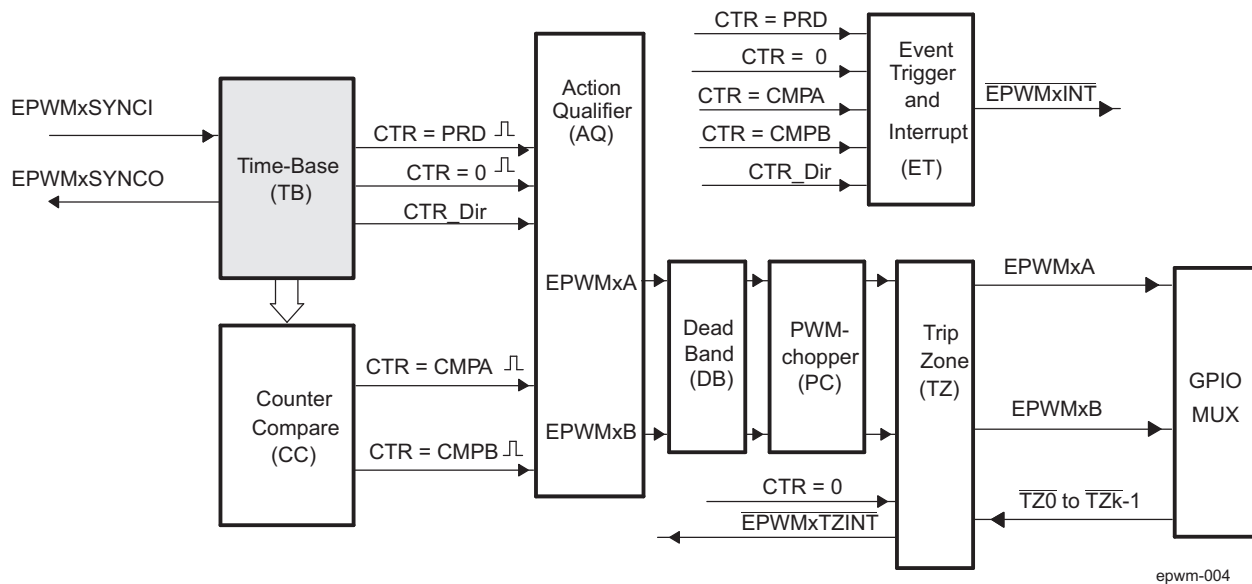
29.2.2.2 Proper ePWM Interrupt Initialization Procedure

When the ePWM peripheral clock is enabled it may be possible that interrupt flags may be set due to spurious events due to the ePWM registers not being properly initialized. The proper procedure for initializing the ePWM peripheral is:

1. Disable global interrupts (CPU INTM flag)
2. Disable ePWM interrupts
3. Initialize peripheral registers
4. Clear any spurious ePWM flags
5. Enable ePWM interrupts
6. Enable global interrupts

29.2.2.3 ePWM Time-Base (TB) Submodule

Each ePWM module has its own time-base submodule that determines all of the event timing for the ePWM module. Built-in synchronization logic allows the time-base of multiple ePWM modules (ePWMx) to work together as a single system. [Figure 29-8](#) illustrates the time-base module's place within the ePWM.

Figure 29-8. ePWM Time-Base Submodule Block Diagram


29.2.2.3.1 Purpose of the ePWM Time-Base Submodule

You can configure the time-base submodule for the following:

- Specify the ePWMx time-base counter (TBCNT) frequency or period in the [EPWM_TBCNT](#) register to control how often events occur.
- Manage time-base synchronization with other ePWMx modules.
- Maintain a phase relationship with other ePWMx modules.
- Set the time-base counter to count-up, count-down, or count-up-and-down mode.
- Generate the following events:
 - TBCNT = PRD: Time-base counter ([EPWM_TBCNT](#) register) equal to the specified period in [EPWM_TBPRD](#) register (i.e. TBCNT = TBPRD) .
 - TBCNT = 0: Time-base counter equal to zero (TBCNT = 0000h).
- Configure the rate of the time-base clock; a prescaled version of the CPU system clock (SYSCLKOUT). This allows the time-base counter to increment/decrement at a slower rate.

29.2.2.3.2 Controlling and Monitoring the ePWM Time-Base Submodule

Table 29-20 lists the registers used to control and monitor the time-base submodule.

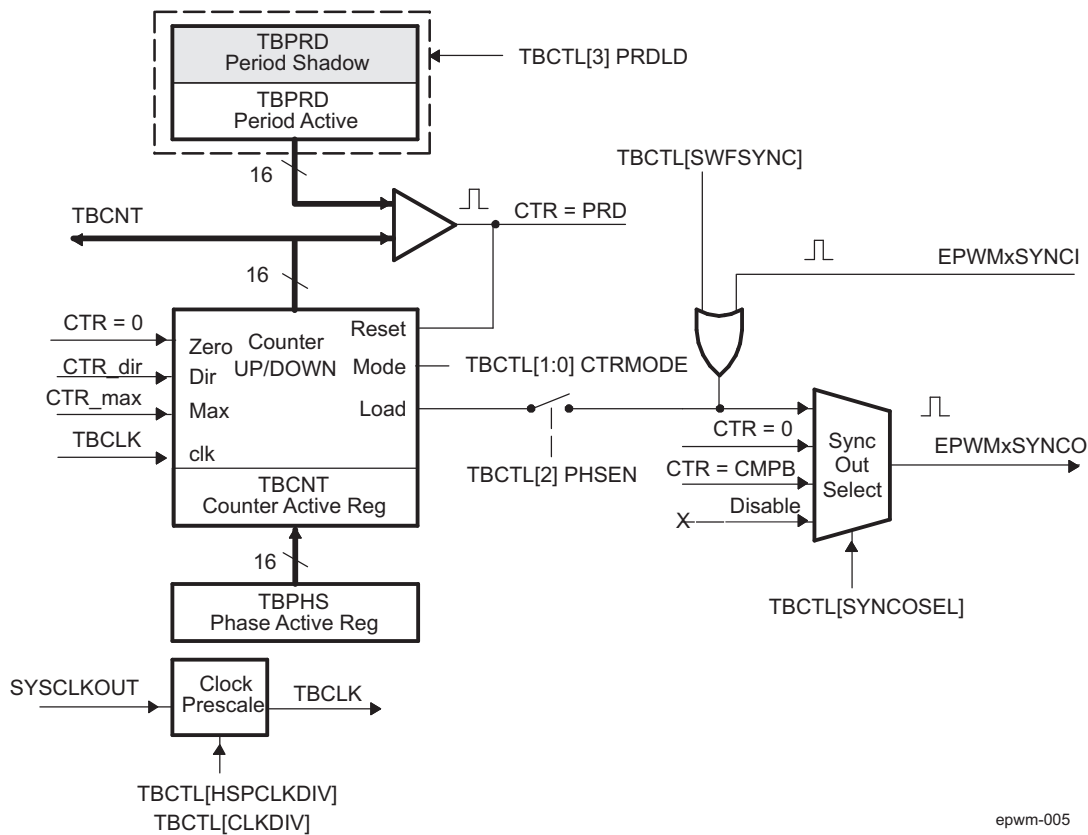
Table 29-20. ePWM Time-Base Submodule Registers

Acronym	Register Description	Address Offset	Shadowed
EPWM_TBCTL	Time-Base Control Register	0h	No
EPWM_TBSTS	Time-Base Status Register	2h	No
HRPWM_TBPHSHR	HRPWM extension Phase Register ⁽¹⁾	4h	No
EPWM_TBPHS	Time-Base Phase Register	6h	No
EPWM_TBCNT	Time-Base Counter Register	8h	No
EPWM_TBPRD	Time-Base Period Register	Ah	Yes

⁽¹⁾ This register is available only on ePWM instances that include the high-resolution extension (HRPWM). On ePWM modules that do not include the HRPWM, this location is reserved. See Section 29.1.3 to determine which ePWM instances include this feature.

Figure 29-9 shows the critical signals and registers of the time-base submodule. Table 29-21 provides descriptions of the key signals associated with the time-base submodule.

Figure 29-9. ePWM Time-Base Submodule Signals and Registers



epwm-005

Table 29-21. ePWM Key Time-Base Signals

Signal	Description
EPWMxSYNCl	Time-base synchronization input. Input pulse used to synchronize the time-base counter with the counter of ePWM module earlier in the synchronization chain. An ePWM peripheral can be configured to use or ignore this signal. For the first ePWM module (EPWM1) this signal comes from a device pin. For subsequent ePWM modules this signal is passed from another ePWM peripheral. For example, EPWM2SYNCl is generated by the ePWM1 peripheral and the EPWM3SYNCl is generated by ePWM2. See Section 29.2.2.3.3.2 for information on the synchronization order of a particular device.
EPWMxSYNCO	Time-base synchronization output. This output pulse is used to synchronize the counter of an ePWM module later in the synchronization chain. The ePWM module generates this signal from one of three event sources: <ol style="list-style-type: none"> 1. EPWMxSYNCl (Synchronization input pulse) 2. TBCNT = 0: The time-base counter (register EPWM_TBCNT) equal to zero (TBCNT = 0000h). 3. TBCNT = CMPB: The time-base counter (register EPWM_TBCNT) equal to the counter-compare B register - EPWM_CMPB (i.e. bitfield TBCNT = bitfield CMPB) .
TBCNT = PRD	Time-base counter equal to the specified period. This signal is generated whenever the counter value is equal to the active period register value. That is when TBCNT = TBPRD.
TBCNT = 0	Time-base counter equal to zero. This signal is generated whenever the counter value is zero. That is when TBCNT equals 0000h.
TBCNT = CMPB	Time-base counter equal to active counter-compare B register (TBCNT = CMPB). This event is generated by the counter-compare submodule and used by the synchronization out logic.
CTR_dir	Time-base counter direction. Indicates the current direction of the ePWM's time-base counter. This signal is high when the counter is increasing and low when it is decreasing.
CTR_max	Time-base counter equal max value. (TBCNT = FFFFh) Generated event when the EPWM_TBCNT value reaches its maximum value. This signal is only used only as a status bit.
TBCLK	Time-base clock. This is a prescaled version of the system clock - SYSCLKOUT ⁽¹⁾ and is used by all submodules within the ePWMn. This clock determines the rate at which time-base counter increments or decrements.

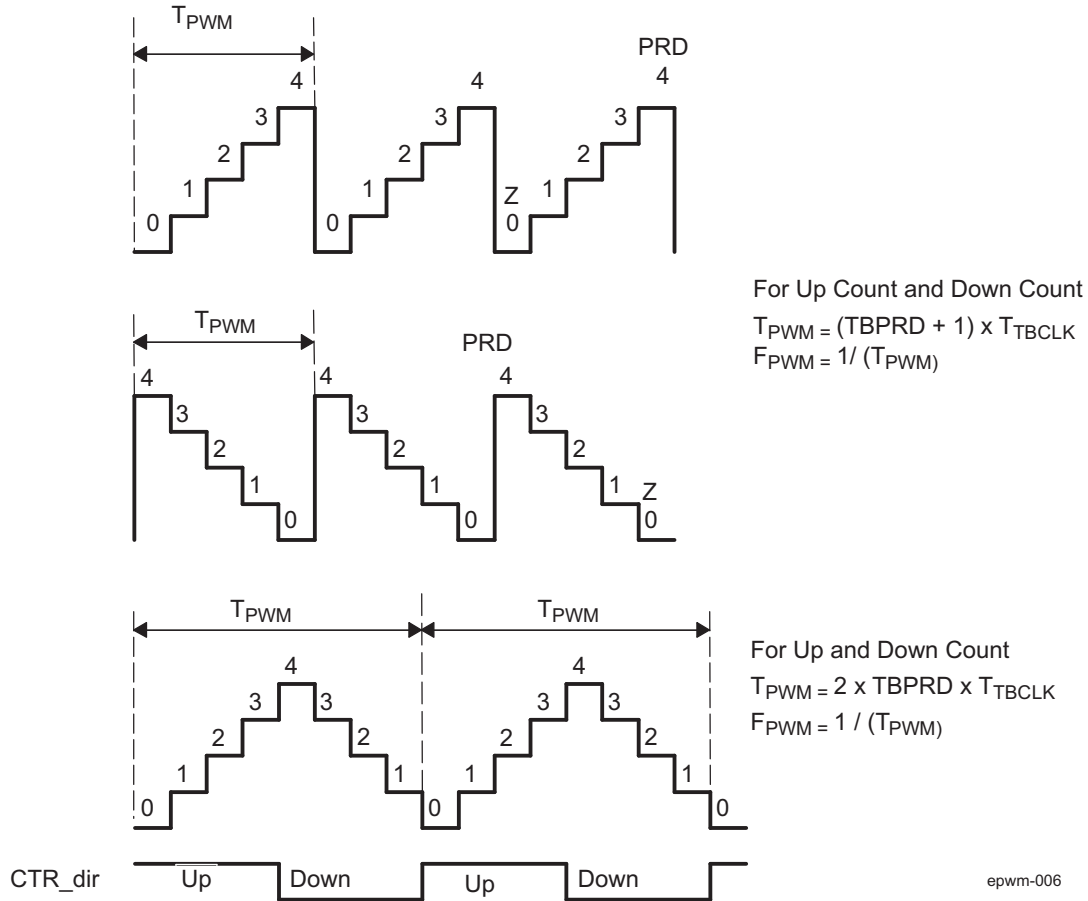
⁽¹⁾ The system clock - SYSCLKOUT is the ePWM functional clock derived from the PWMSSn gateable interface and functional clock PWMSSn_GICLK, described in [Section 29.1.3](#).

29.2.2.3.3 Calculating PWM Period and Frequency

The frequency of PWM events is controlled by the time-base period ([EPWM_TBPRD](#)) register and the mode of the time-base counter. [Figure 29-10](#) shows the period (T_{pwm}) and frequency (F_{pwm}) relationships for the up-count, down-count, and up-down-count time-base counter modes when the period is set to 4 ([EPWM_TBPRD](#) register bitfield TBPRD = 0x4). The time increment for each step is defined by the time-base clock (TBCLK) which is a prescaled version of the system clock (SYSCLKOUT).

The time-base counter has three modes of operation selected by the time-base control register ([EPWM_TBCTL](#)):

- **Up-Down-Count Mode:** In up-down-count mode, the time-base counter starts from zero and increments until the period (TBPRD) value is reached. When the period value is reached, the time-base counter then decrements until it reaches zero. At this point the counter repeats the pattern and begins to increment.
- **Up-Count Mode:** In this mode, the time-base counter starts from zero and increments until it reaches the value in the period register (TBPRD). When the period value is reached, the time-base counter resets to zero and begins to increment once again.
- **Down-Count Mode:** In down-count mode, the time-base counter starts from the period (TBPRD) value and decrements until it reaches zero. When it reaches zero, the time-base counter is reset to the period value and it begins to decrement once again.

Figure 29-10. ePWM Time-Base Frequency and Period


29.2.2.3.3.1 ePWM Time-Base Period Shadow Register

The time-base period register ([EPWM_TBPRD](#)) has a shadow register. Shadowing allows the register update to be synchronized with the hardware. The following definitions are used to describe all shadow registers in the ePWM module:

- **Active Register:** The active register controls the hardware and is responsible for actions that the hardware causes or invokes.
- **Shadow Register:** The shadow register buffers or provides a temporary holding location for the active register. It has no direct effect on any control hardware. At a strategic point in time the shadow register's content is transferred to the active register. This prevents corruption or spurious operation due to the register being asynchronously modified by software.

The memory address of the shadow period register is the same as the active register. Which register is written to or read from is determined by the [EPWM_TBCTL\[3\]](#) PRDL D bit. This bit enables and disables the [EPWM_TBPRD](#) shadow register as follows:

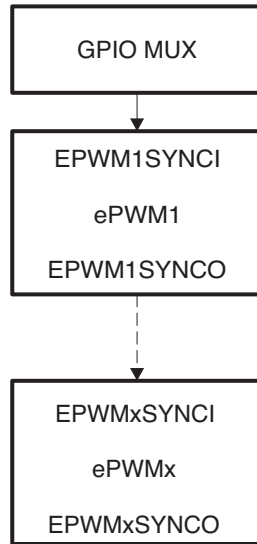
- **Time-Base Period Shadow Mode:** The [EPWM_TBPRD](#) shadow register is enabled when [EPWM_TBCTL\[3\]](#) PRDL D = 0. Reads from and writes to the [EPWM_TBPRD](#) memory address go to the shadow register. The shadow register contents are transferred to the active register ([EPWM_TBPRD](#) (Active) ← [EPWM_TBPRD](#) (shadow)) when the time-base counter (register [EPWM_TBCNT](#)) equals zero (TBCNT = 0000h). By default the [EPWM_TBPRD](#) shadow register is enabled.
- **Time-Base Period Immediate Load Mode:** If immediate load mode is selected ([EPWM_TBCTL\[3\]](#) PRDL D = 1), then a read from or a write to the TBPRD memory address goes directly to the active

register.

29.2.2.3.3.2 ePWM Time-Base Counter Synchronization

A time-base synchronization scheme connects all of the ePWM modules on a device. Each ePWM module has a synchronization input (EPWMxSYNCl) and a synchronization output (EPWMxSYNCO). The input synchronization for the first instance (ePWM1) comes from an external pin. For the device ePWM environment sync pin details refer to the [Section 29.1.2](#). The possible synchronization connections for the remaining ePWM modules is shown in [Figure 29-11](#).

Figure 29-11. ePWM Time-Base Counter Synchronization Scheme 1



epwm-007

Each ePWM module can be configured to use or ignore the synchronization input. If the [EPWM_TBCTL\[2\]](#) PHSEN bit is set, then the time-base counter (TBCNT) of the ePWM module (register [EPWM_TBCNT](#)) will be automatically loaded with the phase register ([EPWM_TBPHS](#)) contents when one of the following conditions occur:

- **EPWMxSYNCl: Synchronization Input Pulse:** The value of the phase register is loaded into the counter register when an input synchronization pulse is detected ([EPWM_TBPHS](#) → [EPWM_TBCNT](#)). This operation occurs on the next valid time-base clock (TBCLK) edge.
- **Software Forced Synchronization Pulse:** Writing a 1 to the [EPWM_TBCTL\[6\]](#) SWFSYNC control bit invokes a software forced synchronization. This pulse is ORed with the synchronization input signal, and therefore has the same effect as a pulse on EPWMxSYNCl.

This feature enables the ePWM module to be automatically synchronized to the time base of another ePWM module. Lead or lag phase control can be added to the waveforms generated by different ePWM modules to synchronize them. In up-down-count mode, the [EPWM_TBCTL\[13\]](#) PHSDIR bit configures the direction of the time-base counter immediately after a synchronization event. The new direction is independent of the direction prior to the synchronization event. The TBPHS bit is ignored in count-up or count-down modes. See [Figure 29-12](#) through [Figure 29-15](#) for examples.

Clearing the [EPWM_TBCTL\[2\]](#) PHSEN bit configures the ePWM to ignore the synchronization input pulse. The synchronization pulse can still be allowed to flow-through to the EPWMxSYNCO and be used to synchronize other ePWM modules. In this way, you can set up a master time-base (for example, ePWM1) and downstream modules (ePWM2 - ePWMx) may elect to run in synchronization with the master.

29.2.2.3.4 Phase Locking the Time-Base Clocks of Multiple ePWM Modules

As already described in the [Section 29.1.3.1.3](#), PWMSS1_TBCLKEN through PWMSS3_TBCLKEN bits in the CTRL_CORE_CONTROL_IO_2 register of the device Core Control Module can be used to individually control or globally synchronize the time-base clocks of all enabled ePWM modules on a device. When all PWMSSn_TBCLKEN (where n = 1 to 3) bits are set to 0b0, the time-base clocks of all ePWMx (where x = 1 to 3) modules are stopped (default). When all PWMSSn_TBCLKEN bits are simultaneously set in SW to 0b1, all ePWMx modules (x = 1 to 3) time-base clocks are started with the rising edge of TBCLK aligned. For perfectly synchronized TBCLKs, the prescaler bits in the [EPWM_TBCTL](#) register of each ePWM module must be set identically. The proper procedure for enabling the ePWM clocks is as follows:

1. Enable the ePWM module clocks.
2. Set PWMSSn_TBCLKEN = 0. This will stop the time-base clock within any enabled ePWMx module.
3. Configure the prescaler values and desired ePWM modes per each involved ePWMx.
4. Simultaneously set bits PWMSSn_TBCLKEN to 0b1 (where n = 1 to 3) 1.

29.2.2.3.5 ePWM Time-Base Counter Modes and Timing Waveforms

The time-base counter operates in one of four modes:

- Up-count mode which is asymmetrical.
- Down-count mode which is asymmetrical.
- Up-down-count which is symmetrical.
- Frozen where the time-base counter is held constant at the current value.

To illustrate the operation of the first three modes, [Figure 29-12](#) to [Figure 29-15](#) show when events are generated and how the time-base responds to an EPWMxSYNCl signal.

Figure 29-12. ePWM Time-Base Up-Count Mode Waveforms

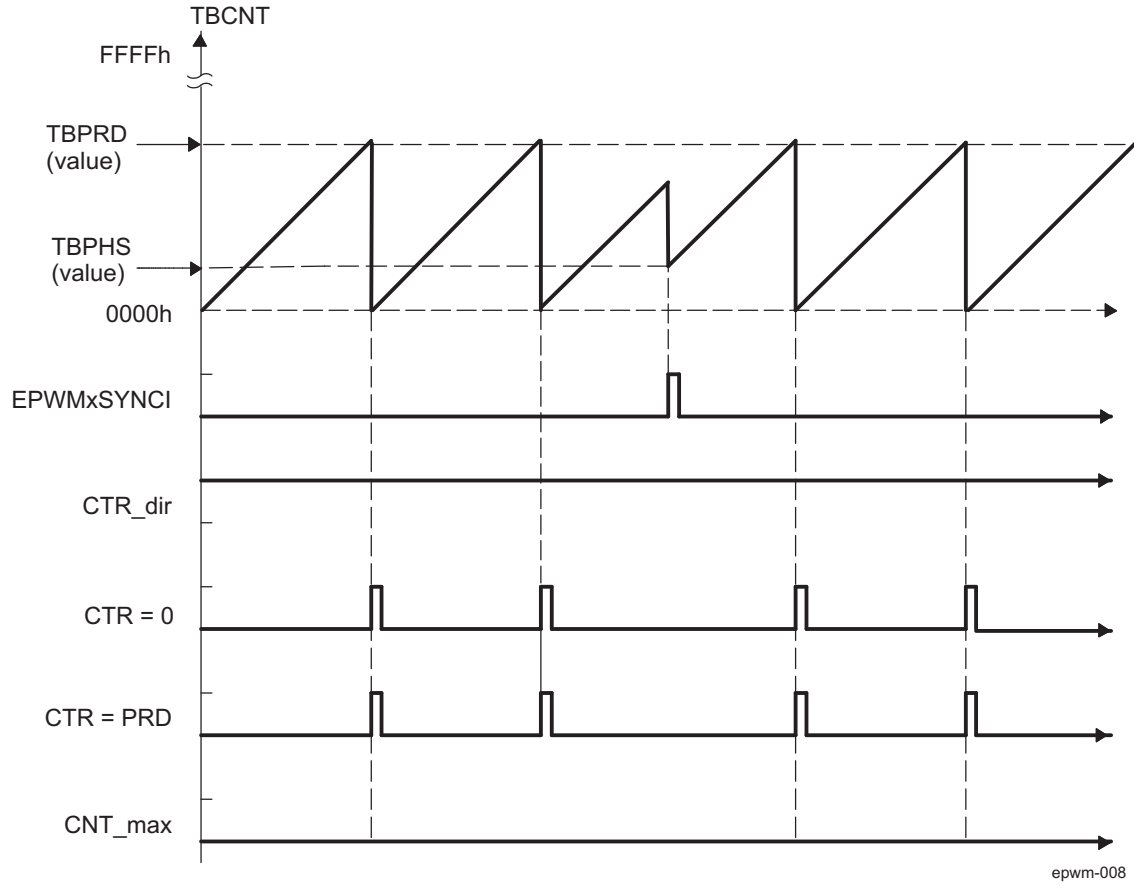


Figure 29-13. ePWM Time-Base Down-Count Mode Waveforms

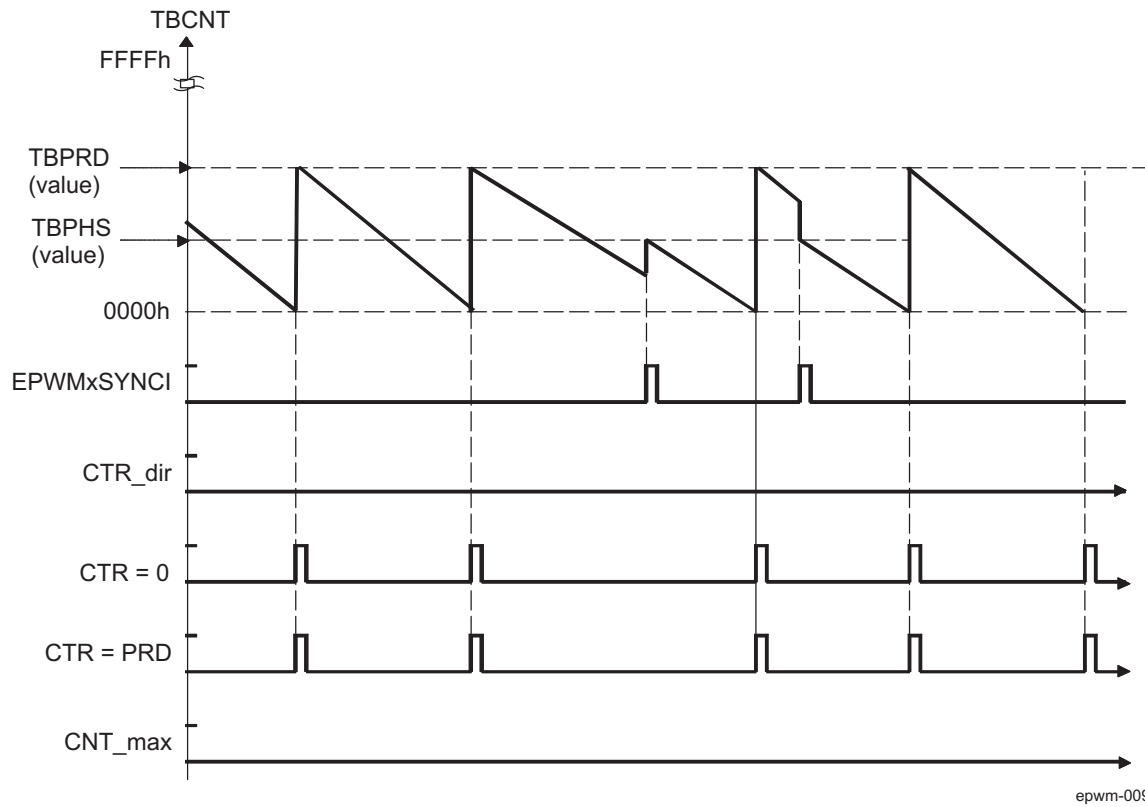


Figure 29-14. ePWM Time-Base Up-Down-Count Waveforms, EPWM_TBCTL[13] PHSDIR = 0 Count Down on Synchronization Event

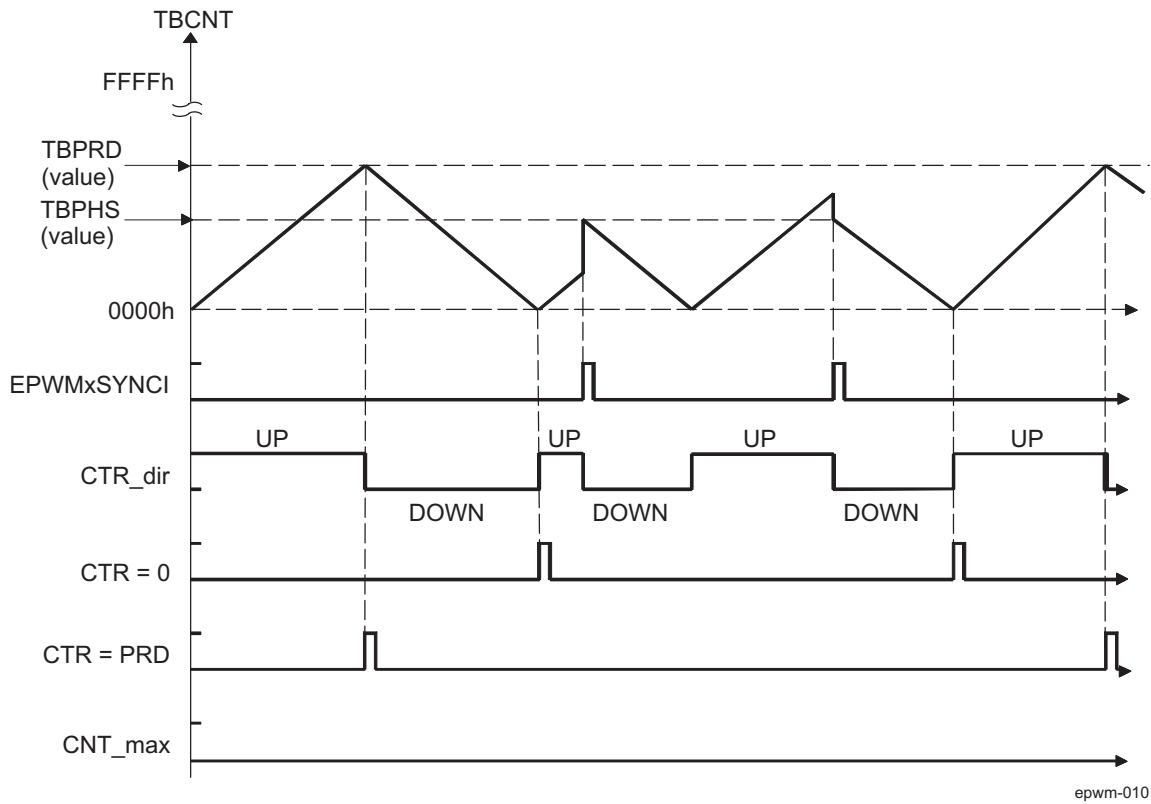
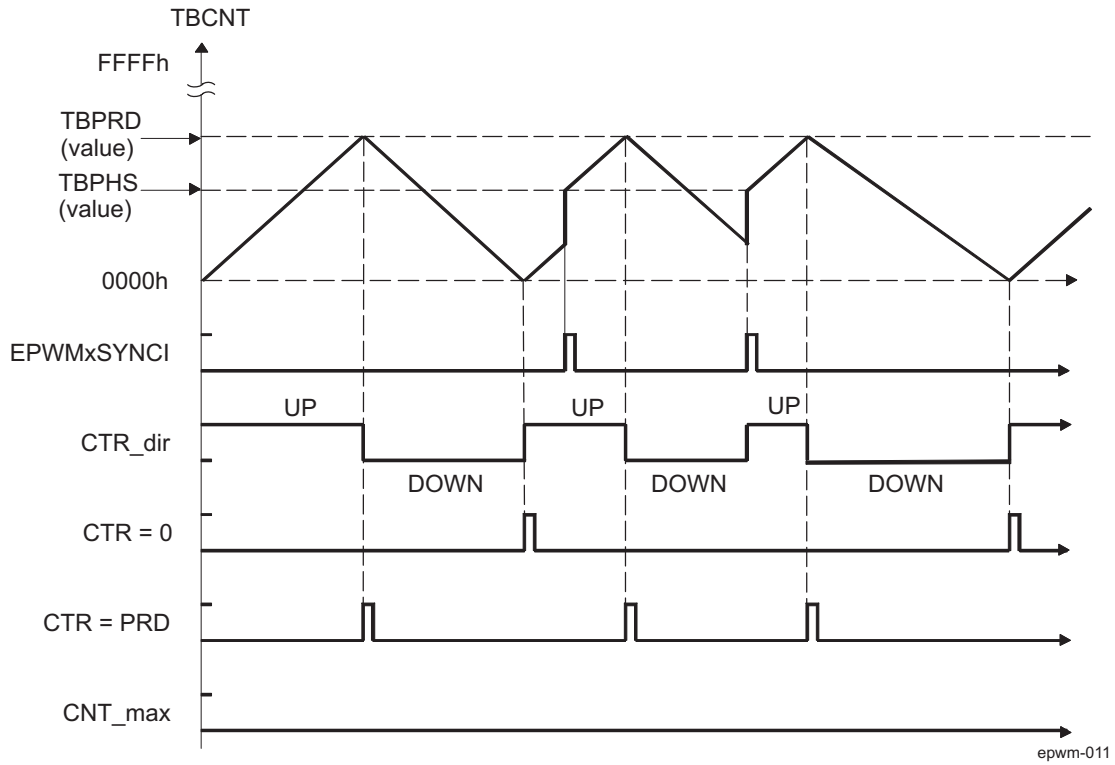


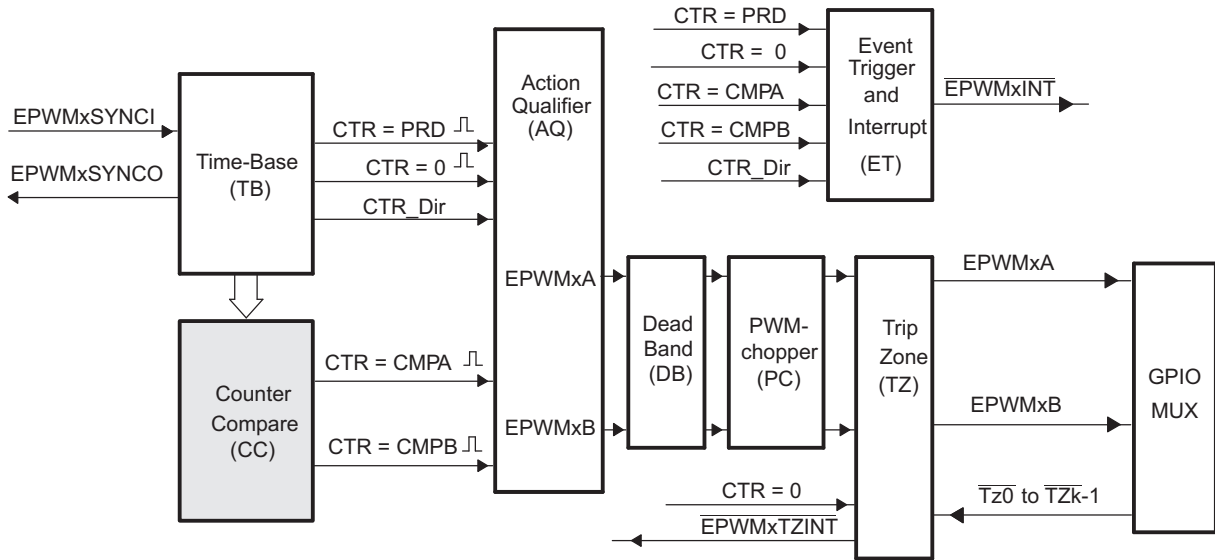
Figure 29-15. ePWM Time-Base Up-Down Count Waveforms, EPWM_TBCTL[13] PHSDIR = 1 Count Up on Synchronization Event



29.2.2.4 ePWM Counter-Compare (CC) Submodule

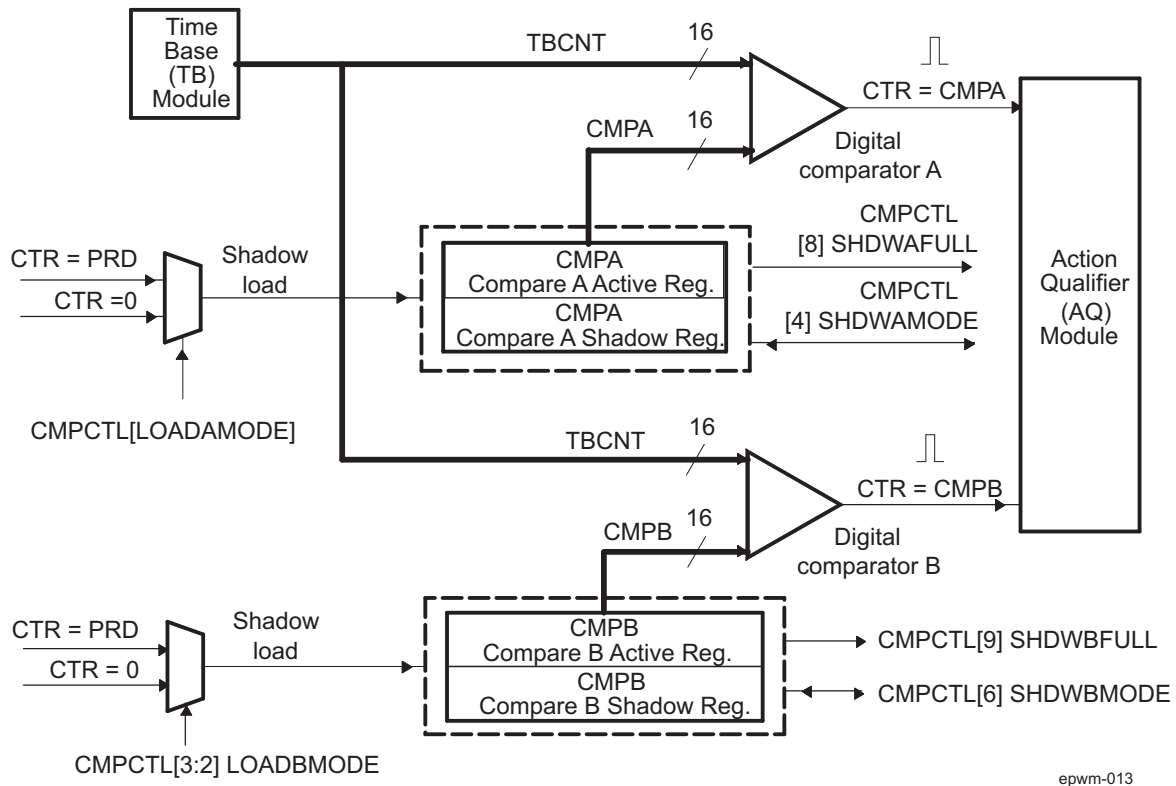
Figure 29-16 illustrates the counter-compare submodule within the ePWM. Figure 29-17 shows the basic structure of the counter-compare submodule.

Figure 29-16. ePWM Counter-Compare Submodule



epwm-012

Figure 29-17. ePWM Counter-Compare Submodule Signals and Registers



epwm-013

29.2.2.4.1 Purpose of the ePWM Counter-Compare Submodule

The counter-compare submodule takes as input the time-base counter value. This value is continuously compared to the counter-compare A (EPWM_CMPA) and counter-compare B (EPWM_CMPB) registers. When the time-base counter is equal to one of the compare registers, the counter-compare unit generates an appropriate event.

The counter-compare submodule:

- Generates events based on programmable time stamps using the EPWM_CMPA and EPWM_CMPB registers
 - TBCNT = CMPA: Time-base counter equals counter-compare A register (TBCNT = CMPA).
 - TBCNT = CMPB: Time-base counter equals counter-compare B register (TBCNT = CMPB)
- Controls the PWM duty cycle if the action-qualifier submodule is configured appropriately
- Shadows new compare values to prevent corruption or glitches during the active PWM cycle

29.2.2.4.2 Controlling and Monitoring the ePWM Counter-Compare Submodule

Table 29-22 lists the registers used to control and monitor the counter-compare submodule. Table 29-23 lists the key signals associated with the counter-compare submodule.

Table 29-22. ePWM Counter-Compare Submodule Registers

Acronym	Register Description	Address Offset	Shadowed
EPWM_CMPCTL	Counter-Compare Control Register.	Eh	No
HRPWM_CMPAHR	HRPWM Counter-Compare A Extension Register ⁽¹⁾	10h	Yes
EPWM_CMPA	Counter-Compare A Register	12h	Yes

⁽¹⁾ This register is available only on ePWM modules with the high-resolution extension (HRPWM). On ePWM modules that do not include the HRPWM, this location is reserved. See Section 29.1.3 to determine which ePWM instances include this feature.

Table 29-22. ePWM Counter-Compare Submodule Registers (continued)

Acronym	Register Description	Address Offset	Shadowed
EPWM_CMPB	Counter-Compare B Register	14h	Yes

Table 29-23. ePWM Counter-Compare Submodule Key Signals

Signal	Description of Event	Register Bitfields Compared
TBCNT = CMPA	Time-base counter equal to the active counter-compare A value	TBCNT = CMPA
TBCNT = CMPB	Time-base counter equal to the active counter-compare B value	TBCNT = CMPB
TBCNT = PRD	Time-base counter equal to the active period. Used to load active counter-compare A and B registers from the shadow register	TBCNT = TBPRD
TBCNT = 0	Time-base counter equal to zero. Used to load active counter-compare A and B registers from the shadow register	TBCNT = 0000h

29.2.2.4.3 Operational Highlights for the ePWM Counter-Compare Submodule

The counter-compare submodule is responsible for generating two independent compare events based on two compare registers:

1. TBCNT = CMPA: Time-base counter equal to counter-compare A register ([EPWM_TBCNT](#) = [EPWM_CMPA](#)).
2. TBCNT = CMPB: Time-base counter equal to counter-compare B register (TBCNT = CMPB).

For up-count or down-count mode, each event occurs only once per cycle. For up-down-count mode each event occurs twice per cycle, if the compare value is between 0000h and TBPRD; and occurs once per cycle, if the compare value is equal to 0000h or equal to TBPRD. These events are fed into the action-qualifier submodule where they are qualified by the counter direction and converted into actions if enabled. Refer to [Section 29.2.2.5.1](#) for more details.

The counter-compare registers [EPWM_CMPA](#) and [EPWM_CMPB](#) each have an associated shadow register. Shadowing provides a way to keep updates to the registers synchronized with the hardware. When shadowing is used, updates to the active registers only occurs at strategic points. This prevents corruption or spurious operation due to the register being asynchronously modified by software. The memory address of the active register and the shadow register is identical. Which register is written to or read from is determined by the [EPWM_CMPCTL\[4\]](#) SHDWAMODE and [EPWM_CMPCTL\[6\]](#) SHDWBMODE bits. These bits enable and disable the [EPWM_CMPA](#) shadow register and [EPWM_CMPB](#) shadow register respectively. The behavior of the two load modes is described below:

- **Shadow Mode:** The shadow mode for the [EPWM_CMPA](#) is enabled by clearing the [EPWM_CMPCTL\[4\]](#) SHDWAMODE bit and the shadow register for CMPB is enabled by clearing the [EPWM_CMPCTL\[6\]](#) SHDWBMODE bit. Shadow mode is enabled by default for both [EPWM_CMPA](#) and [EPWM_CMPB](#).

If the shadow register is enabled then the content of the shadow register is transferred to the active register on one of the following events:

- TBCNT = PRD: Time-base counter equal to the period (TBCNT = TBPRD).
- TBCNT = 0: Time-base counter equal to zero (TBCNT = 0000h)
- Both TBCNT = PRD and TBCNT = 0

Which of these three events is specified by the [EPWM_CMPCTL\[1:0\]](#) LOADAMODE and [EPWM_CMPCTL\[3:2\]](#) LOADBMODE register bits. Only the active register contents are used by the counter-compare submodule to generate events to be sent to the action-qualifier.

- **Immediate Load Mode:** If immediate load mode is selected ([EPWM_TBCTL\[4\]](#) SHDWAMODE = 1 or [EPWM_TBCTL\[6\]](#) SHDWBMODE = 1), then a read from or a write to the register will go directly to the active register.

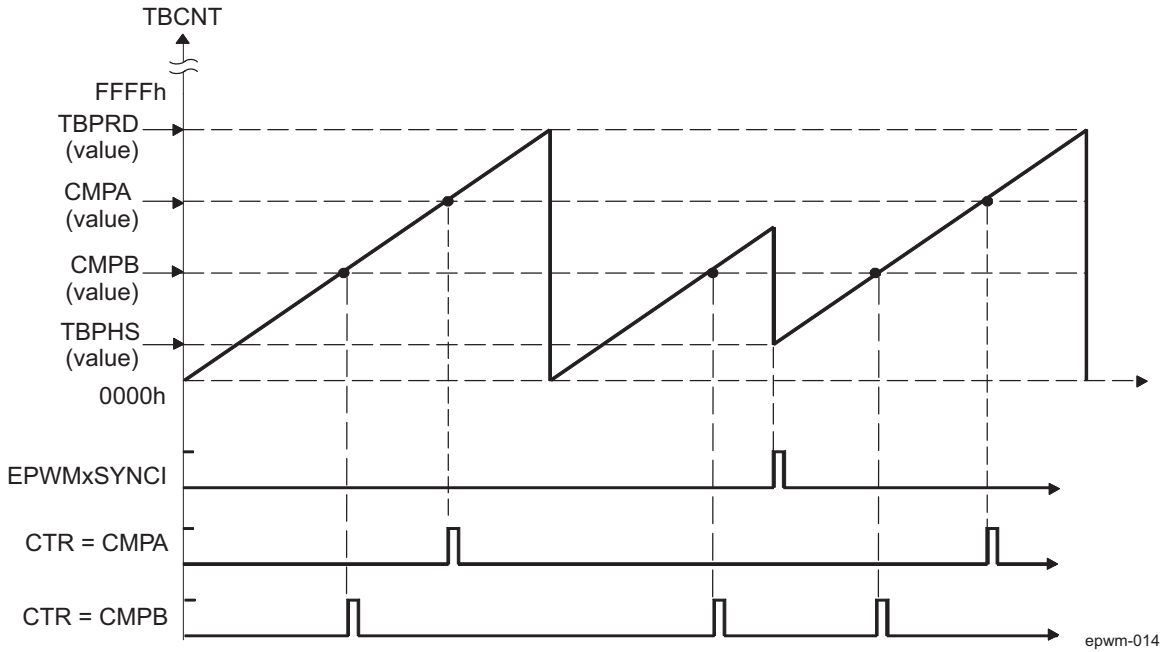
29.2.2.4.4 ePWM Count Mode Timing Waveforms

The counter-compare module can generate compare events in all three count modes:

- Up-count mode: used to generate an asymmetrical PWM waveform.
- Down-count mode: used to generate an asymmetrical PWM waveform.
- Up-down-count mode: used to generate a symmetrical PWM waveform.

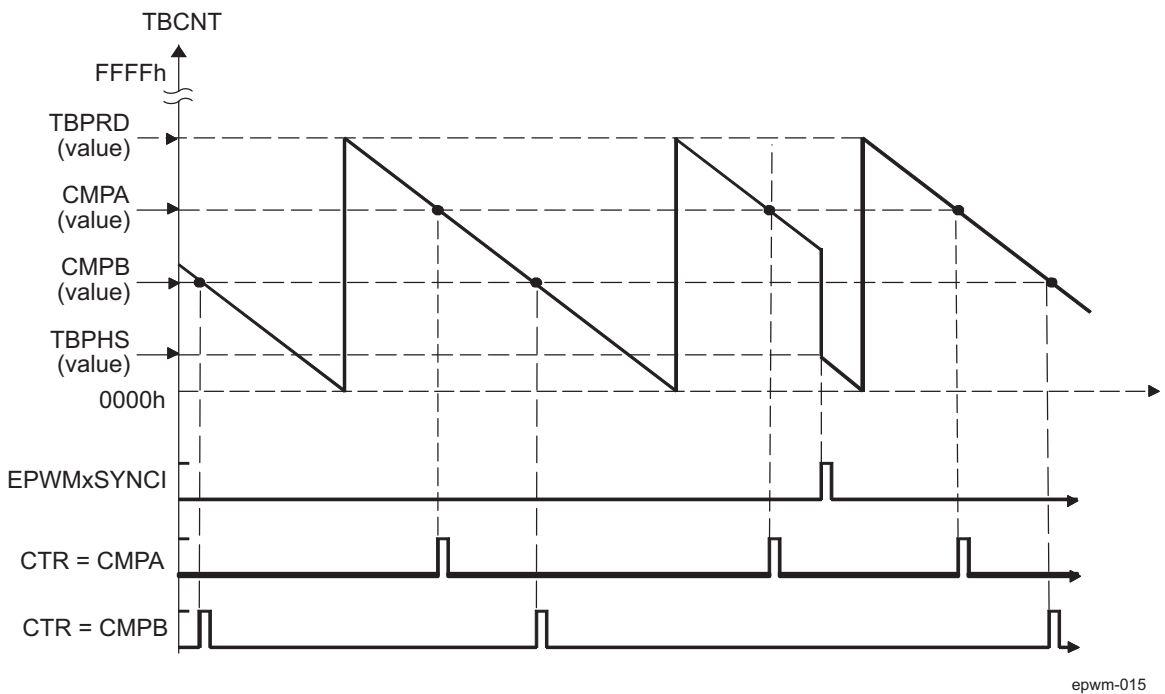
To best illustrate the operation of the first three modes, the timing diagrams in [Figure 29-18](#) to [Figure 29-21](#) show when events are generated and how the EPWMxSYNCl signal interacts.

Figure 29-18. ePWM Counter-Compare Event Waveforms in Up-Count Mode



NOTE: An EPWMxSYNCl external synchronization event can cause a discontinuity in the TBCNT count sequence. This can lead to a compare event being skipped. This skipping is considered normal operation and must be taken into account.

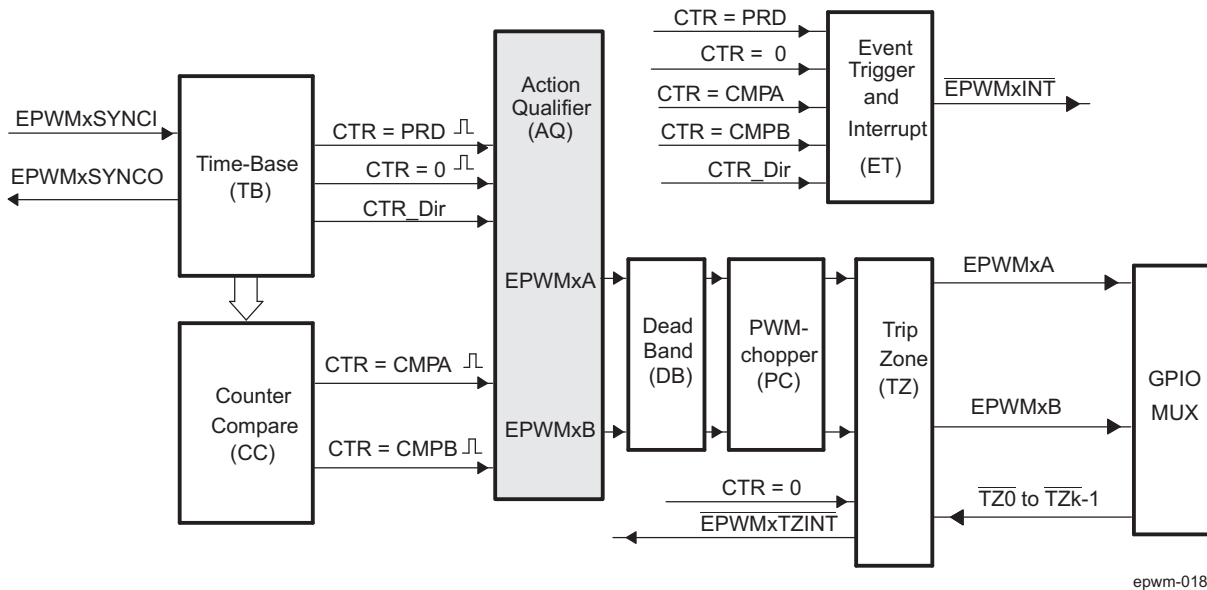
Figure 29-19. ePWM Counter-Compare Events in Down-Count Mode



29.2.2.5 ePWM Action-Qualifier (AQ) Submodule

Figure 29-22 shows the action-qualifier (AQ) submodule (see shaded block) in the ePWM system. The action-qualifier submodule has the most important role in waveform construction and PWM generation. It decides which events are converted into various action types, thereby producing the required switched waveforms at the EPWMxA and EPWMxB outputs.

Figure 29-22. ePWM Action-Qualifier Submodule



29.2.2.5.1 Purpose of the ePWM Action-Qualifier Submodule

The action-qualifier submodule is responsible for the following:

- Qualifying and generating actions (set, clear, toggle) based on the following events:
 - TBCNT = PRD: Time-base counter equal to the period (TBCNT = TBPRD)
 - TBCNT = 0: Time-base counter equal to zero (TBCNT = 0000h)
 - TBCNT = CMPA: Time-base counter equal to the counter-compare A register (TBCNT = CMPA)
 - TBCNT = CMPB: Time-base counter equal to the counter-compare B register (TBCNT = CMPB)
- Managing priority when these events occur concurrently
- Providing independent control of events when the time-base counter is increasing and when it is decreasing.

29.2.2.5.2 Controlling and Monitoring the ePWM Action-Qualifier Submodule

Table 29-24 lists the registers used to control and monitor the action-qualifier submodule.

Table 29-24. Action-Qualifier Submodule Registers

Acronym	Register Description	Address Offset	Shadowed
EPWM_AQCTLA	Action-Qualifier Control Register For Output A (EPWMxA)	16h	No
EPWM_AQCTLB	Action-Qualifier Control Register For Output B (EPWMxB)	18h	No
EPWM_AQSFRC	Action-Qualifier Software Force Register	1Ah	No
EPWM_AQCSFRC	Action-Qualifier Continuous Software Force	1Ch	Yes

The action-qualifier submodule is based on event-driven logic. It can be thought of as a programmable cross switch with events at the input and actions at the output, all of which are software controlled via the set of registers shown in [Figure 29-23](#). The possible input events are summarized again in [Table 29-25](#).

Figure 29-23. ePWM Action-Qualifier Submodule Inputs and Outputs

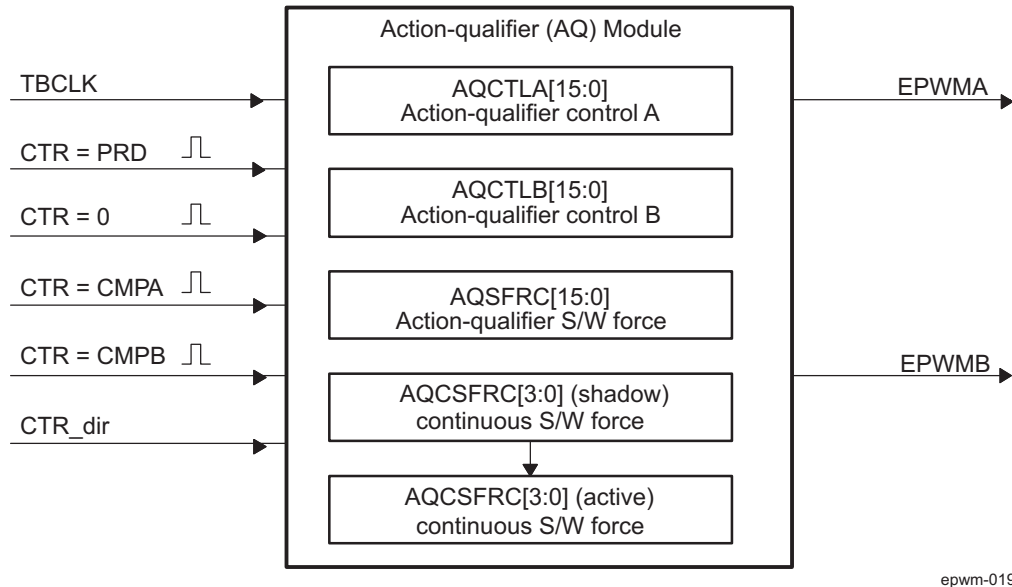


Table 29-25. ePWM Action-Qualifier Submodule Possible Input Events

Signal	Description	Register Bitfield Compared
TBCNT = PRD	Time-base counter equal to the period value	TBCNT = TBPRD
TBCNT = 0	Time-base counter equal to zero	TBCNT = 0000h
TBCNT = CMPA	Time-base counter equal to the counter-compare A	TBCNT = CMPA
TBCNT = CMPB	Time-base counter equal to the counter-compare B	TBCNT = CMPB
Software forced event	Asynchronous event initiated by software	

The software forced action is a useful asynchronous event. This control is handled by registers [EPWM_AQSFR](#) and [EPWM_AQCSFRC](#).

The action-qualifier submodule controls how the two outputs EPWMxA and EPWMxB behave when a particular event occurs. The event inputs to the action-qualifier submodule are further qualified by the counter direction (up or down). This allows for independent action on outputs on both the count-up and count-down phases.









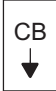









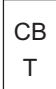

The possible actions imposed on outputs EPWMxA and EPWMxB are:

- **Set High:** Set output EPWMxA or EPWMxB to a high level.
- **Clear Low:** Set output EPWMxA or EPWMxB to a low level.
- **Toggle:** If EPWMxA or EPWMxB is currently pulled high, then pull the output low. If EPWMxA or EPWMxB is currently pulled low, then pull the output high.
- **Do Nothing:** Keep outputs EPWMxA and EPWMxB at same level as currently set. Although the "Do Nothing" option prevents an event from causing an action on the EPWMxA and EPWMxB outputs, this event can still trigger interrupts. See the event-trigger submodule description in [Section 29.2.2.9](#) for details.

Actions are specified independently for either output (EPWMxA or EPWMxB). Any or all events can be configured to generate actions on a given output. For example, both TBCNT = CMPA and TBCNT = CMPB can operate on output EPWMxA. All qualifier actions are configured via the control registers found at the end of this section.

For clarity, the drawings in this chapter use a set of symbolic actions. These symbols are summarized in [Figure 29-24](#). Each symbol represents an action as a marker in time. Some actions are fixed in time (zero and period) while the CMPA and CMPB actions are moveable and their time positions are programmed via the counter-compare A and B registers, respectively. To turn off or disable an action, use the "Do Nothing option"; it is the default at reset.

Figure 29-24. Possible Action-Qualifier Actions for EPWMxA and EPWMxB Outputs

S/W force	TB Counter equals:				Actions
	Zero	Comp A	Comp B	Period	
					Do Nothing
					Clear Low
					Set High
					Toggle

epwm-020

29.2.2.5.3 ePWM Action-Qualifier Event Priority

It is possible for the ePWM action qualifier to receive more than one event at the same time. In this case events are assigned a priority by the hardware. The general rule is events occurring later in time have a higher priority and software forced events always have the highest priority. The event priority levels for up-down-count mode are shown in [Table 29-26](#). A priority level of 1 is the highest priority and level 7 is the lowest. The priority changes slightly depending on the direction of TBCNT.

Table 29-26. ePWM Action-Qualifier Event Priority for Up-Down-Count Mode

Priority Level	Event if TBCNT is Incrementing TBCNT = 0 up to TBCNT = TBPRD	Event if TBCNT is Decrementing TBCNT = TBPRD down to TBCNT = 1
1 (Highest)	Software forced event	Software forced event
2	Counter equals CMPB on up-count (CBU)	Counter equals CMPB on down-count (CBD)
3	Counter equals CMPA on up-count (CAU)	Counter equals CMPA on down-count (CAD)
4	Counter equals zero	Counter equals period (TBPRD in EPWM_TBPRD active register)
5	Counter equals CMPB on down-count (CBD) ⁽¹⁾	Counter equals CMPB on up-count (CBU) ⁽¹⁾
6 (Lowest)	Counter equals CMPA on down-count (CAD) ⁽¹⁾	Counter equals CMPA on up-count (CAU) ⁽¹⁾

⁽¹⁾ To maintain symmetry for up-down-count mode, both up-events (CAU/CBU) and down-events (CAD/CBD) can be generated for TBPRD. Otherwise, up-events can occur only when the counter is incrementing and down-events can occur only when the counter is decrementing.

[Table 29-27](#) shows the action-qualifier priority for up-count mode. In this case, the counter direction is always defined as up and thus down-count events will never be taken.

Table 29-27. ePWM Action-Qualifier Event Priority for Up-Count Mode

Priority Level	Event
1 (Highest)	Software forced event
2	Counter equal to period (TBPRD)
3	Counter equal to CMPB on up-count (CBU)
4	Counter equal to CMPA on up-count (CAU)
5 (Lowest)	Counter equal to Zero

[Table 29-28](#) shows the action-qualifier priority for down-count mode. In this case, the counter direction is always defined as down and thus up-count events will never be taken.

Table 29-28. ePWM Action-Qualifier Event Priority for Down-Count Mode

Priority Level	Event
1 (Highest)	Software forced event
2	Counter equal to Zero
3	Counter equal to CMPB on down-count (CBD)
4	Counter equal to CMPA on down-count (CAD)
5 (Lowest)	Counter equal to period (TBPRD)

It is possible to set the compare value greater than the period. In this case the action will take place as shown in [Table 29-29](#).

Table 29-29. Behavior if CMPA/CMPB is Greater than the Period

Counter Mode	Compare on Up-Count Event CAU/CBU	Compare on Down-Count Event CAU/CBU
Up-Count Mode	<p>If $CMPA/CMPB \leq TBPRD$ period, then the event occurs on a compare match ($TBCNT = CMPA$ or $CMPB$).</p> <p>If $CMPA/CMPB > TBPRD$, then the event will not occur.</p>	Never occurs.
Down-Count Mode	Never occurs.	<p>If $CMPA/CMPB < TBPRD$, the event will occur on a compare match ($TBCNT = CMPA$ or $CMPB$).</p> <p>If $CMPA/CMPB \geq TBPRD$, the event will occur on a period match ($TBCNT = TBPRD$).</p>
Up-Down-Count Mode	<p>If $CMPA/CMPB < TBPRD$ and the counter is incrementing, the event occurs on a compare match ($TBCNT = CMPA$ or $CMPB$).</p> <p>If $CMPA/CMPB \geq TBPRD$, the event will occur on a period match ($TBCNT = TBPRD$).</p>	<p>If $CMPA/CMPB < TBPRD$ and the counter is decrementing, the event occurs on a compare match ($TBCNT = CMPA$ or $CMPB$).</p> <p>If $CMPA/CMPB \geq TBPRD$, the event occurs on a period match ($TBCNT = TBPRD$).</p>

29.2.2.5.4 Waveforms for Common ePWM Configurations

NOTE: The waveforms in this chapter show the ePWMs behavior for a static compare register value. In a running system, the active compare registers ([EPWM_CMPA](#) and [EPWM_CMPB](#)) are typically updated from their respective shadow registers once every period. The user specifies when the update will take place; either when the time-base counter reaches zero or when the time-base counter reaches period. There are some cases when the action based on the new value can be delayed by one period or the action based on the old value can take effect for an extra period. Some PWM configurations avoid this situation. These include, but are not limited to, the following:

Use up-down-count mode to generate a symmetric PWM:

- If you load [EPWM_CMPA/EPWM_CMPB](#) on zero, then use [EPWM_CMPA/EPWM_CMPB](#) values greater than or equal to 1.
- If you load [EPWM_CMPA/EPWM_CMPB](#) on period, then use [EPWM_CMPA/EPWM_CMPB](#) values less than or equal to $TBPRD - 1$.

This means there will always be a pulse of at least one TBCLK cycle in a PWM period which, when very short, tend to be ignored by the system.

Use up-down-count mode to generate an asymmetric PWM:

- To achieve 50%-0% asymmetric PWM use the following configuration: Load [EPWM_CMPA/EPWM_CMPB](#) on period and use the period action to clear the PWM and a compare-up action to set the PWM. Modulate the compare value from 0 to TBPRD to achieve 50%-0% PWM duty.

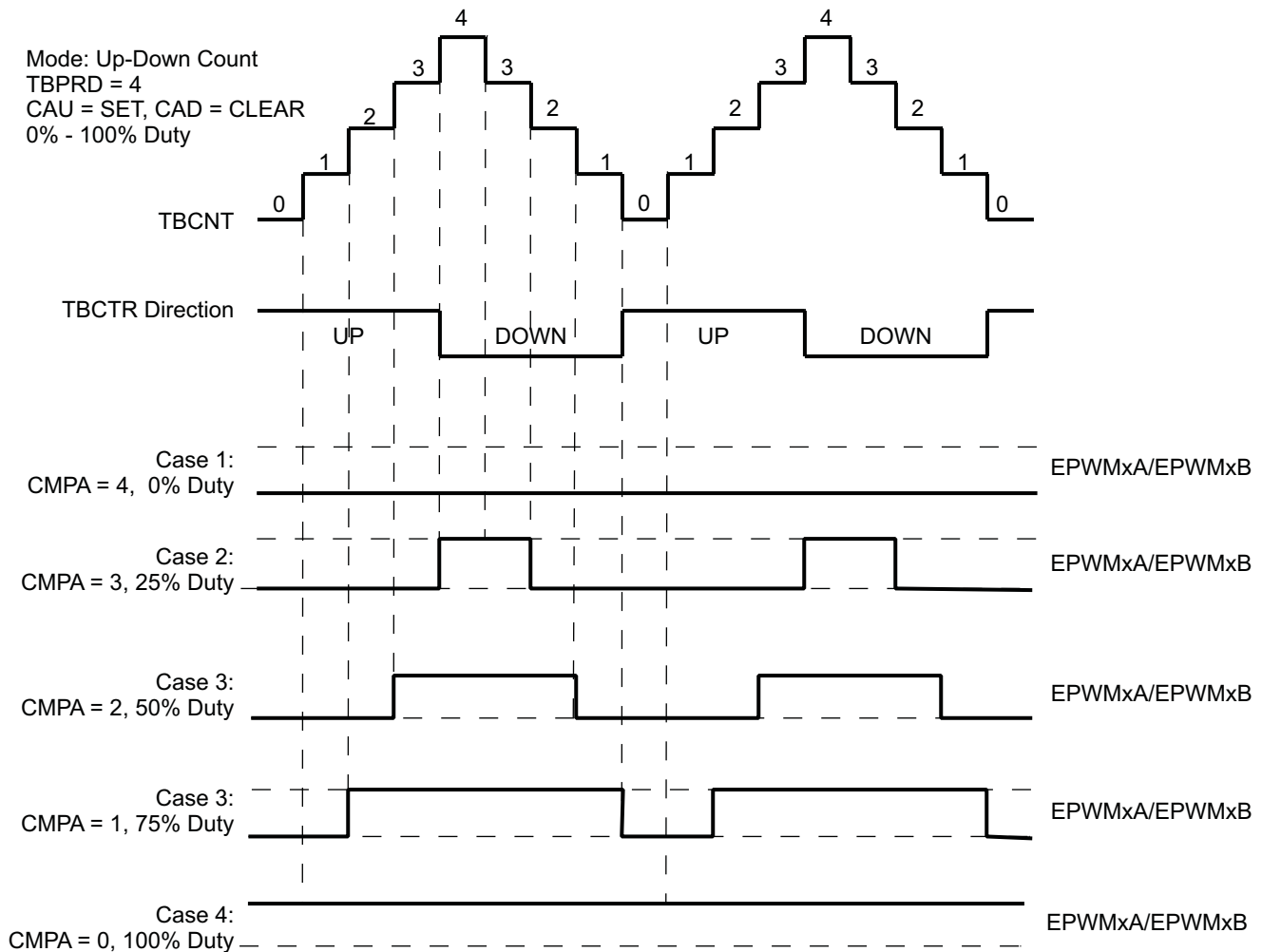
When using up-count mode to generate an asymmetric PWM:

- To achieve 0-100% asymmetric PWM use the following configuration: Load [EPWM_CMPA/EPWM_CMPB](#) on TBPRD. Use the Zero action to set the PWM and a compare-up action to clear the PWM. Modulate the compare value from 0 to $TBPRD+1$ to achieve 0-100% PWM duty.

Figure 29-25 shows how a symmetric PWM waveform can be generated using the up-down-count mode of the TBCNT. In this mode 0%-100% DC modulation is achieved by using equal compare matches on the up count and down count portions of the waveform. In the example shown, CMPA is used to make the comparison. When the counter is incrementing the CMPA match will pull the PWM output high. Likewise, when the counter is decrementing the compare match will pull the PWM signal low. When $CMPA = 0$, the PWM signal is low for the entire period giving the 0% duty waveform. When $EPWM_CMPA = EPWM_TBPRD$, the PWM signal is high achieving 100% duty.

When using this configuration in practice, if you load $CMPA/CMPB$ on zero, then use $CMPA/CMPB$ values greater than or equal to 1. If you load $CMPA/CMPB$ on period, then use $CMPA/CMPB$ values less than or equal to $TBPRD-1$. This means there will always be a pulse of at least one $TBCLK$ cycle in a PWM period which, when very short, tend to be ignored by the system.

Figure 29-25. ePWM Up-Down-Count Mode Symmetrical Waveform



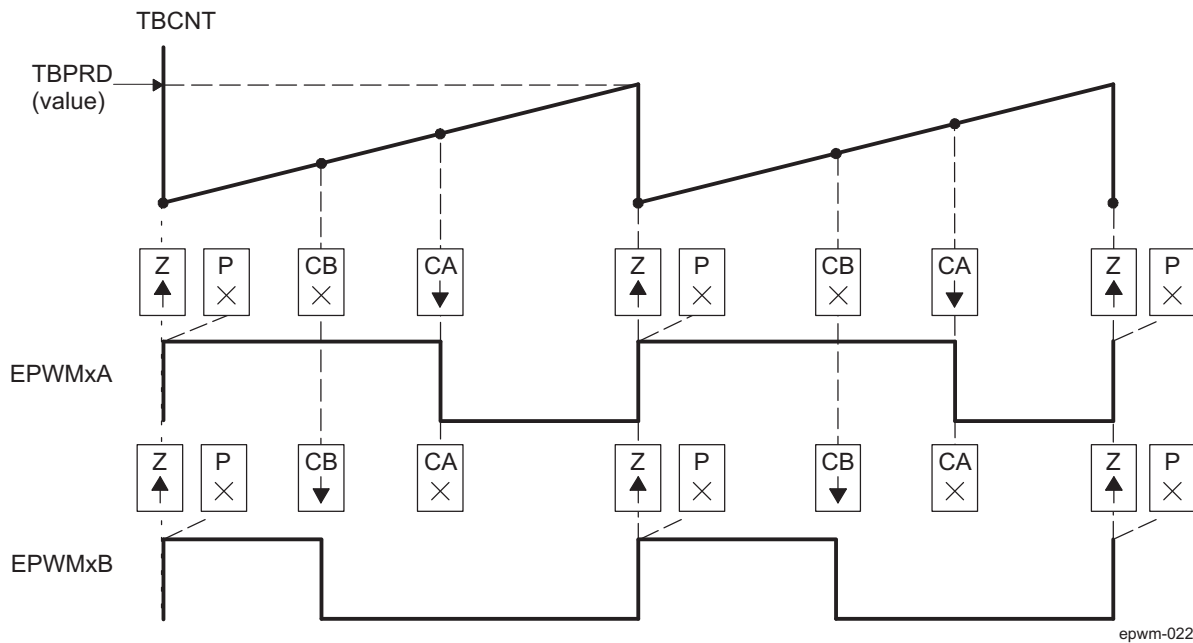
epwm-021

The PWM waveforms in [Figure 29-26](#) through [Figure 29-31](#) show some common action-qualifier configurations. Some conventions used in the figures are as follows:

- TBPRD, CMPA, and CMPB refer to the value written in their respective registers ([EPWM_TBPRD](#), [EPWM_CMPA](#), and [EPWM_CMPB](#)). The active register, not the shadow register, is used by the hardware.
- CMPx, refers to either CMPA or CMPB.
- EPWMxA and EPWMxB refer to the output signals from ePWMx
- Up-Down means Count-up-and-down mode, Up means up-count mode and Dwn means down-count mode
- Sym = Symmetric, Asym = Asymmetric

[Table 29-30](#) and [Table 29-31](#) contains initialization and runtime register configurations for the waveforms in [Figure 29-26](#).

Figure 29-26. Up, Single Edge Asymmetric Waveform, With Independent Modulation on EPWMxA and EPWMxB—Active High



- (1) $PWM\ period = (TBPRD + 1) \times T_{TBCLK}$
- (2) Duty modulation for EPWMxA is set by CMPA, and is active high (that is, high time duty proportional to CMPA).
- (3) Duty modulation for EPWMxB is set by CMPB and is active high (that is, high time duty proportional to CMPB).
- (4) The "Do Nothing" actions (X) are shown for completeness, but will not be shown on subsequent diagrams.
- (5) Actions at zero and period, although appearing to occur concurrently, are actually separated by one TBCLK period. TBCNT wraps from period to 0000h.

Table 29-30. EPWMx Initialization for Figure 29-26

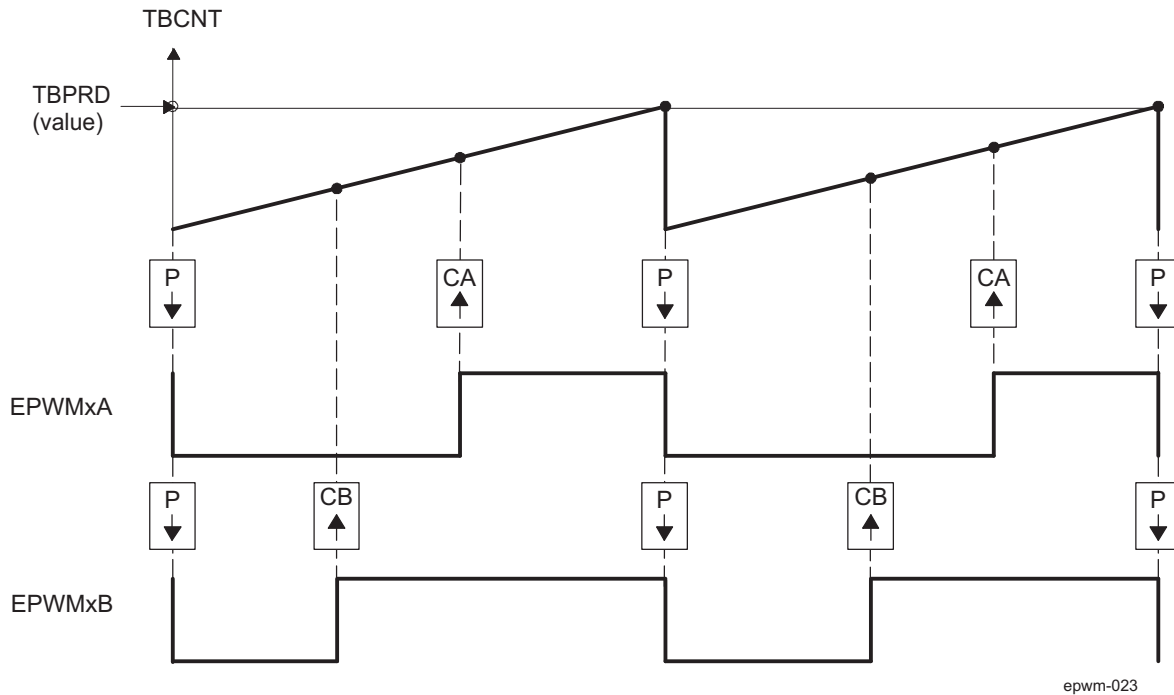
Register	Bitfield	Value	Comments
EPWM_TBPRD	TBPRD	600 (258h)	Period = 601 TBCLK counts
EPWM_TBPHS	TBPHS	0	Clear Phase Register to 0
EPWM_TBCNT	TBCNT	0	Clear TB counter
EPWM_TBCTL	CTRMODE	TB_UP	
	PHSEN	TB_DISABLE	Phase loading disabled
	PRDL	TB_SHADOW	
	SYNCOSEL	TB_SYNC_DISABLE	
	HSPCLKDIV	TB_DIV1	TBCLK = SYSCLKOUT
	CLKDIV	TB_DIV1	
EPWM_CMPA	CMPA	350 (15Eh)	Compare A = 350 TBCLK counts
EPWM_CMPB	CMPB	200 (C8h)	Compare B = 200 TBCLK counts
EPWM_CMPCTL	SHDWAMODE	CC_SHADOW	
	SHDWBMODE	CC_SHADOW	
	LOADAMODE	CC_CTR_ZERO	Load on TBCNT = 0
	LOADBMODE	CC_CTR_ZERO	Load on TBCNT = 0
EPWM_AQCTLA	ZRO	AQ_SET	
	CAU	AQ_CLEAR	
EPWM_AQCTLB	ZRO	AQ_SET	
	CBU	AQ_CLEAR	

Table 29-31. EPWMx Run Time Changes for Figure 29-26

Register	Bitfield	Value	Comments
EPWM_CMPA	CMPA	Duty1A	Adjust duty for output EPWM1A
EPWM_CMPB	CMPB	Duty1B	Adjust duty for output EPWM1B

Table 29-32 and Table 29-33 contains initialization and runtime register configurations for the waveforms in Figure 29-27.

Figure 29-27. Up, Single Edge Asymmetric Waveform With Independent Modulation on EPWMxA and EPWMxB—Active Low



epwm-023

- (1) $\text{PWM period} = (\text{TBPRD} + 1) \times T_{\text{TBCLK}}$
- (2) Duty modulation for EPWMxA is set by CMPA, and is active low (that is, the low time duty is proportional to CMPA).
- (3) Duty modulation for EPWMxB is set by CMPB and is active low (that is, the low time duty is proportional to CMPB).
- (4) The Do Nothing actions (X) are shown for completeness here, but will not be shown on subsequent diagrams.
- (5) Actions at zero and period, although appearing to occur concurrently, are actually separated by one TBCLK period. TBCNT wraps from period to 0000h.

Table 29-32. EPWMx Initialization for Figure 29-27

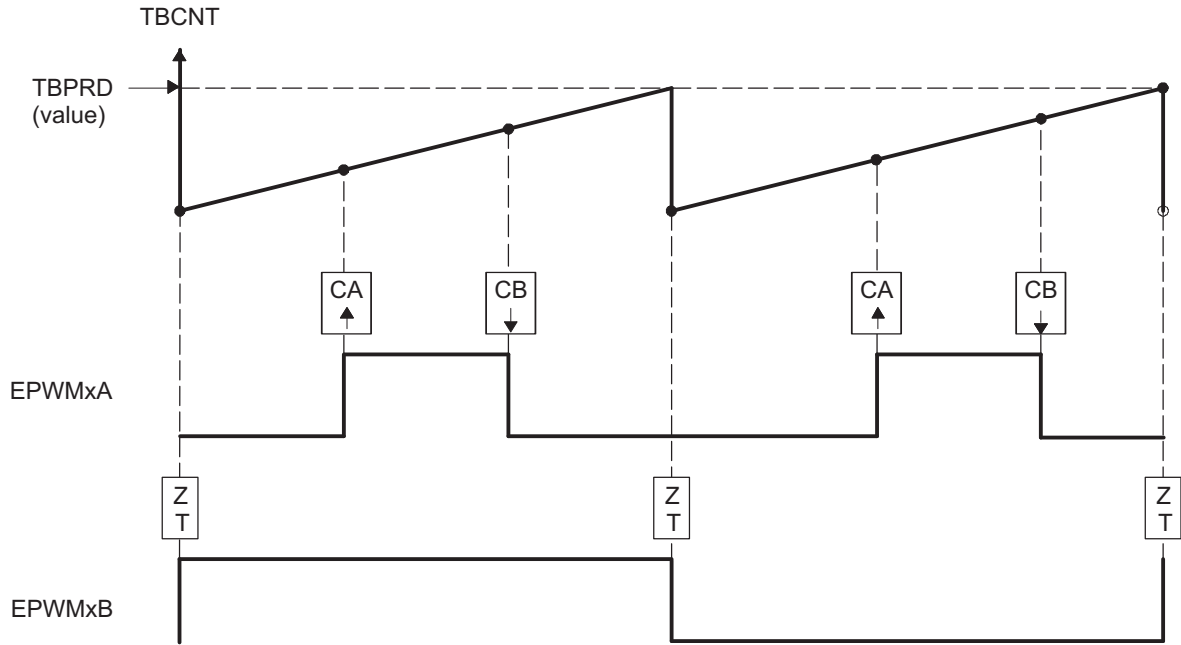
Register	Bitfiled	Value	Comments
EPWM_TBPRD	TBPRD	600 (258h)	Period = 601 TBCLK counts
EPWM_TBPHS	TBPHS	0	Clear Phase Register to 0
EPWM_TBCNT	TBCNT	0	Clear TB counter
EPWM_TBCTL	CTRMODE	TB_UP	
	PHSEN	TB_DISABLE	Phase loading disabled
	PRDL	TB_SHADOW	
	SYNCOSEL	TB_SYNC_DISABLE	
	HSPCLKDIV	TB_DIV1	TBCLK = SYSCLKOUT
	CLKDIV	TB_DIV1	
EPWM_CMPA	CMPA	350 (15Eh)	Compare A = 350 TBCLK counts
EPWM_CMPB	CMPB	200 (C8h)	Compare B = 200 TBCLK counts
EPWM_CMPCTL	SHDWAMODE	CC_SHADOW	
	SHDWBMODE	CC_SHADOW	
	LOADAMODE	CC_CTR_ZERO	Load on TBCNT = 0
	LOADBMODE	CC_CTR_ZERO	Load on TBCNT = 0
EPWM_AQCTLA	PRD	AQ_CLEAR	
	CAU	AQ_SET	
EPWM_AQCTLB	PRD	AQ_CLEAR	
	CBU	AQ_SET	

Table 29-33. EPWMx Run Time Changes for Figure 29-27

Register	Bit	Value	Comments
EPWM_CMPA	CMPA	Duty1A	Adjust duty for output EPWM1A
EPWM_CMPB	CMPB	Duty1B	Adjust duty for output EPWM1B

Table 29-34 and Table 29-35 contains initialization and runtime register configurations for the waveforms Figure 29-28. Use the code in Example 29-1 to define the headers.

Figure 29-28. Up-Count, Pulse Placement Asymmetric Waveform With Independent Modulation on EPWMxA



epwm-024

- (1) $PWM\ frequency = 1 / ((TBPRD + 1) \times T_{TBCLK})$
- (2) Pulse can be placed anywhere within the PWM cycle (0000h - TBPRD)
- (3) High time duty proportional to (CMPB - CMPA)
- (4) EPWMxB can be used to generate a 50% duty square wave with frequency = $1/2 \times ((TBPRD + 1) \times TBCLK)$

Table 29-34. EPWMx Initialization for Figure 29-28

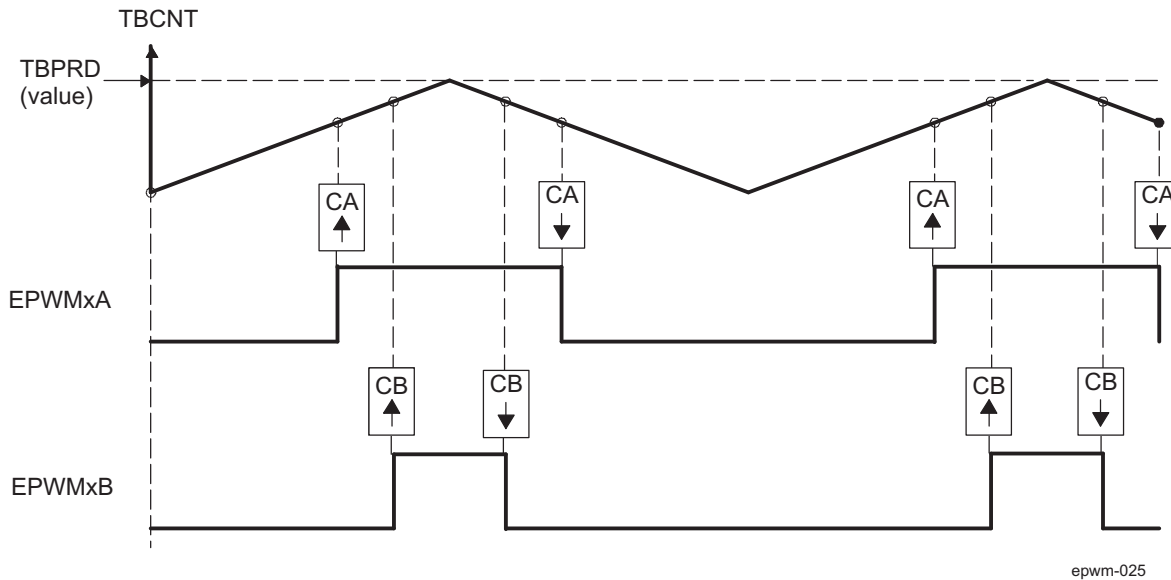
Register	Bitfield	Value	Comments
EPWM_TBPRD	TBPRD	600 (258h)	Period = 601 TBCLK counts
EPWM_TBPHS	TBPHS	0	Clear Phase Register to 0
EPWM_TBCNT	TBCNT	0	Clear TB counter
EPWM_TBCTL	CTRMODE	TB_UP	
	PHSEN	TB_DISABLE	Phase loading disabled
	PRDL	TB_SHADOW	
	SYNCOSEL	TB_SYNC_DISABLE	
	HSPCLKDIV	TB_DIV1	TBCLK = SYSCLKOUT
	CLKDIV	TB_DIV1	
EPWM_CMPA	CMPA	200 (C8h)	Compare A = 200 TBCLK counts
EPWM_CMPB	CMPB	400 (190h)	Compare B = 400 TBCLK counts
EPWM_CMPCTL	SHDWAMODE	CC_SHADOW	
	SHDWBMODE	CC_SHADOW	
	LOADAMODE	CC_CTR_ZERO	Load on TBCNT = 0
	LOADBMODE	CC_CTR_ZERO	Load on TBCNT = 0
EPWM_AQCTLA	CAU	AQ_SET	
	CBU	AQ_CLEAR	
EPWM_AQCTLB	ZRO	AQ_TOGGLE	

Table 29-35. EPWMx Run Time Changes for Figure 29-28

Register	Bitfield	Value	Comments
EPWM_CMPA	CMPA	EdgePosA	Adjust duty for output EPWM1A
EPWM_CMPB	CMPB	EdgePosB	

Table 29-36 and Table 29-37 contains initialization and runtime register configurations for the waveforms in Figure 29-29. Use the code in Example 29-1 to define the headers.

Figure 29-29. Up-Down-Count, Dual Edge Symmetric Waveform, With Independent Modulation on EPWMxA and EPWMxB — Active Low



- (1) $PWM\ period = 2 \times TBPRD \times T_{TBCLK}$
- (2) Duty modulation for EPWMxA is set by CMPA, and is active low (that is, the low time duty is proportional to CMPA).
- (3) Duty modulation for EPWMxB is set by CMPB and is active low (that is, the low time duty is proportional to CMPB).
- (4) Outputs EPWMxA and EPWMxB can drive independent power switches

Table 29-36. EPWMx Initialization for Figure 29-29

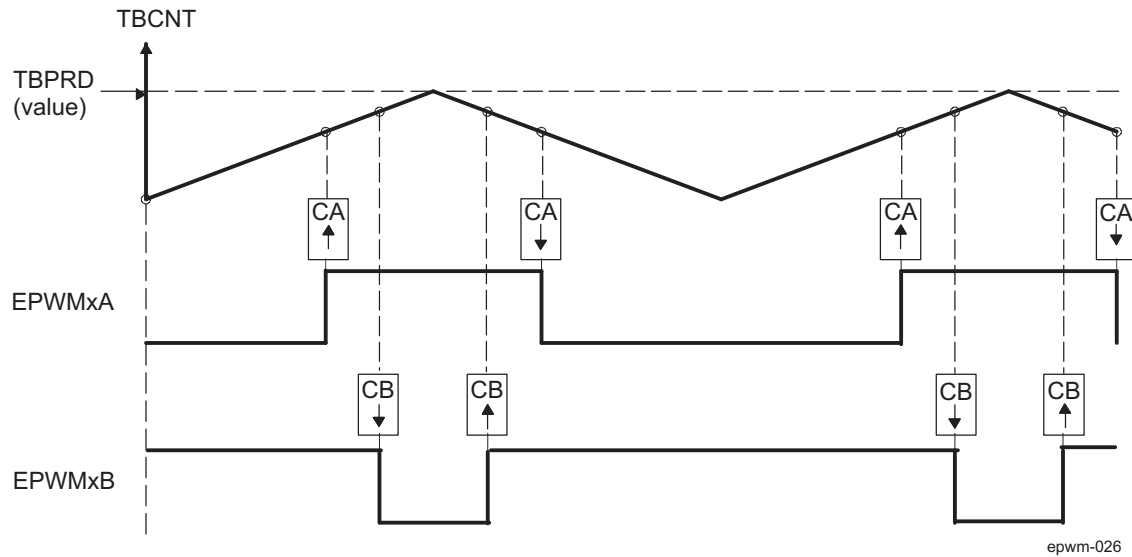
Register	Bitfield	Value	Comments
EPWM_TBPRD	TBPRD	600 (258h)	Period = 601 TBCLK counts
EPWM_TBPHS	TBPHS	0	Clear Phase Register to 0
EPWM_TBCNT	TBCNT	0	Clear TB counter
EPWM_TBCTL	CTRMODE	TB_UPDOWN	
	PHSEN	TB_DISABLE	Phase loading disabled
	PRDL	TB_SHADOW	
	SYNCOSEL	TB_SYNC_DISABLE	
	HSPCLKDIV	TB_DIV1	TBCLK = SYSCLKOUT
	CLKDIV	TB_DIV1	
EPWM_CMPA	CMPA	400 (190h)	Compare A = 400 TBCLK counts
EPWM_CMPB	CMPB	500 (1F4h)	Compare B = 500 TBCLK counts
EPWM_CMPCTL	SHDWAMODE	CC_SHADOW	
	SHDWBMODE	CC_SHADOW	
	LOADAMODE	CC_CTR_ZERO	Load on TBCNT = 0
	LOADBMODE	CC_CTR_ZERO	Load on TBCNT = 0
EPWM_AQCTLA	CAU	AQ_SET	
	CAD	AQ_CLEAR	
EPWM_AQCTLB	CBU	AQ_SET	
	CBD	AQ_CLEAR	

Table 29-37. EPWMx Run Time Changes for Figure 29-29

Register	Bitfield	Value	Comments
EPWM_CMPA	CMPA	Duty1A	Adjust duty for output EPWM1A
EPWM_CMPB	CMPB	Duty1B	Adjust duty for output EPWM1B

Table 29-38 and Table 29-39 contains initialization and runtime register configurations for the waveforms in Figure 29-30. Use the code in Example 29-1 to define the headers.

Figure 29-30. Up-Down-Count, Dual Edge Symmetric Waveform, With Independent Modulation on EPWMxA and EPWMxB — Complementary



- (1) $PWM\ period = 2 \times TBPRD \times T_{TBCLK}$
- (2) Duty modulation for EPWMxA is set by CMPA, and is active low, i.e., low time duty proportional to CMPA
- (3) Duty modulation for EPWMxB is set by CMPB and is active high, i.e., high time duty proportional to CMPB
- (4) Outputs EPWMx can drive upper/lower (complementary) power switches
- (5) Dead-band = $CMPB - CMPA$ (fully programmable edge placement by software). Note the dead-band module is also available if the more classical edge delay method is required.

Table 29-38. EPWMx Initialization for Figure 29-30

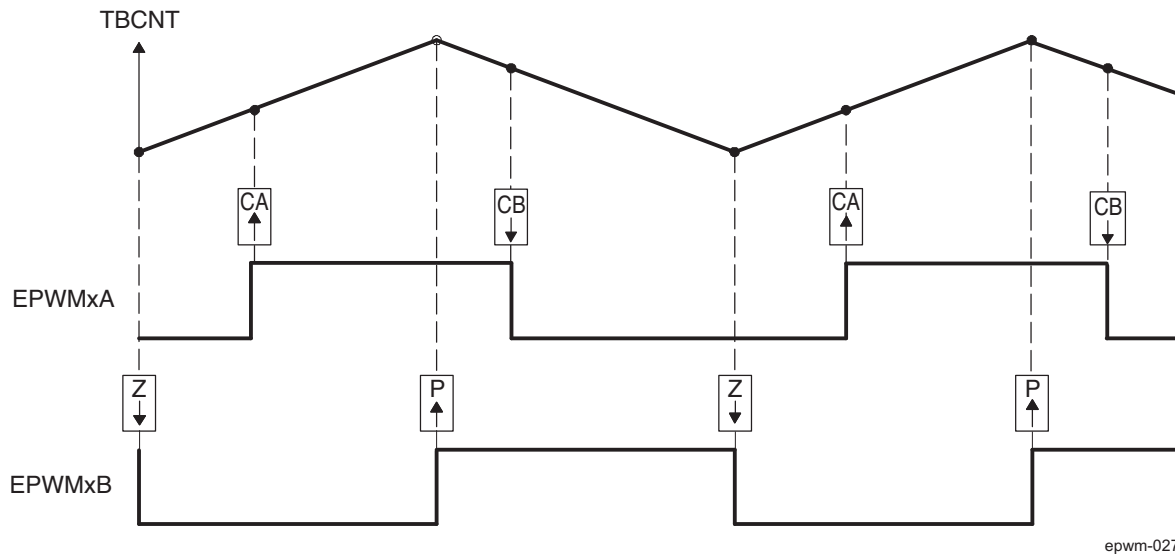
Register	Bitfield	Value	Comments
EPWM_TBPRD	TBPRD	600 (258h)	Period = 601 TBCLK counts
EPWM_TBPHS	TBPHS	0	Clear Phase Register to 0
EPWM_TBCNT	TBCNT	0	Clear TB counter
EPWM_TBCTL	CTRMODE	TB_UPDOWN	
	PHSEN	TB_DISABLE	Phase loading disabled
	PRDL	TB_SHADOW	
	SYNCOSEL	TB_SYNC_DISABLE	
	HSPCLKDIV	TB_DIV1	TBCLK = SYSCLKOUT
	CLKDIV	TB_DIV1	
EPWM_CMPA	CMPA	350 (15Eh)	Compare A = 350 TBCLK counts
EPWM_CMPB	CMPB	400 (190h)	Compare B = 400 TBCLK counts
EPWM_CMPCTL	SHDWAMODE	CC_SHADOW	
	SHDWBMODE	CC_SHADOW	
	LOADAMODE	CC_CTR_ZERO	Load on TBCNT = 0
	LOADBMODE	CC_CTR_ZERO	Load on TBCNT = 0
EPWM_AQCTLA	CAU	AQ_SET	
	CAD	AQ_CLEAR	
EPWM_AQCTLB	CBU	AQ_CLEAR	
	CBD	AQ_SET	

Table 29-39. EPWMx Run Time Changes for Figure 29-30

Register	Bitfield	Value	Comments
EPWM_CMPA	CMPA	Duty1A	Adjust duty for output EPWM1A
EPWM_CMPB	CMPB	Duty1B	Adjust duty for output EPWM1B

Table 29-40 and Table 29-41 contains initialization and runtime register configurations for the waveforms in Figure 29-31. Use the code in Example 29-1 to define the headers.

Figure 29-31. Up-Down-Count, Dual Edge Asymmetric Waveform, With Independent Modulation on EPWMxA—Active Low



epwm-027

- (1) PWM period = $2 \times \text{TBPRD} \times \text{TBCLK}$
- (2) Rising edge and falling edge can be asymmetrically positioned within a PWM cycle. This allows for pulse placement techniques.
- (3) Duty modulation for EPWMxA is set by CMPA and CMPB.
- (4) Low time duty for EPWMxA is proportional to $(\text{CMPA} + \text{CMPB})$.
- (5) To change this example to active high, CMPA and CMPB actions need to be inverted (i.e., Set ! Clear and Clear Set).
- (6) Duty modulation for EPWMxB is fixed at 50% (utilizes spare action resources for EPWMxB)

Table 29-40. EPWMx Initialization for Figure 29-31

Register	Bitfield	Value	Comments
EPWM_TBPRD	TBPRD	600 (258h)	Period = 601 TBCLK counts
EPWM_TBPHS	TBPHS	0	Clear Phase Register to 0
EPWM_TBCNT	TBCNT	0	Clear TB counter
EPWM_TBCTL	CTRMODE	TB_UPDOWN	
	PHSEN	TB_DISABLE	Phase loading disabled
	PRDL	TB_SHADOW	
	SYNCOSEL	TB_SYNC_DISABLE	
	HSPCLKDIV	TB_DIV1	TBCLK = SYSCLKOUT
	CLKDIV	TB_DIV1	
EPWM_CMPA	CMPA	250 (FAh)	Compare A = 250 TBCLK counts
EPWM_CMPB	CMPB	450 (1C2h)	Compare B = 450 TBCLK counts
EPWM_CMPCTL	SHDWAMODE	CC_SHADOW	
	SHDWBMODE	CC_SHADOW	
	LOADAMODE	CC_CTR_ZERO	Load on TBCNT = 0
	LOADBMODE	CC_CTR_ZERO	Load on TBCNT = 0
EPWM_AQCTLA	CAU	AQ_SET	
	CBD	AQ_CLEAR	
EPWM_AQCTLB	ZRO	AQ_CLEAR	
	PRD	AQ_SET	

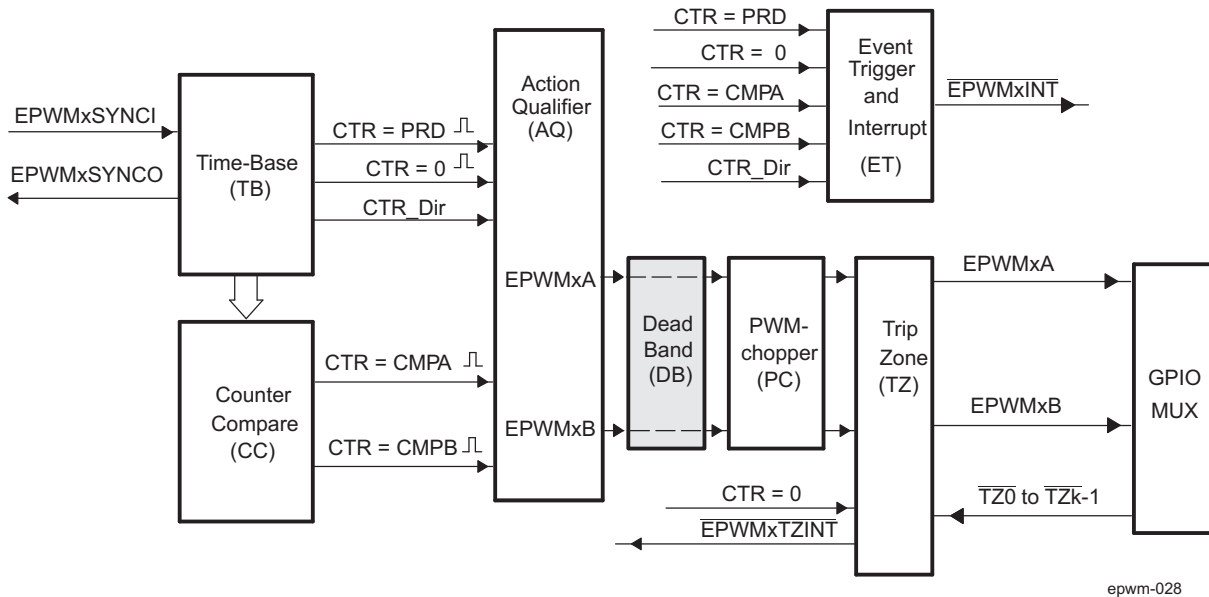
Table 29-41. EPWMx Run Time Changes for Figure 29-31

Register	Bitfield	Value	Comments
EPWM_CMPA	CMPA	EdgePosA	Adjust duty for output EPWM1A
EPWM_CMPB	CMPB	EdgePosB	

29.2.2.6 ePWM Dead-Band Generator (DB) Submodule

Figure 29-32 illustrates the dead-band generator submodule within the ePWM module.

Figure 29-32. Dead-Band Generator Submodule



29.2.2.6.1 Purpose of the ePWM Dead-Band Submodule

The "Action-qualifier (AQ) Module" section discussed how it is possible to generate the required dead-band by having full control over edge placement using both the CMPA and CMPB resources of the ePWM module. However, if the more classical edge delay-based dead-band with polarity control is required, then the dead-band generator submodule should be used.

The key functions of the dead-band generator submodule are:

- Generating appropriate signal pairs (EPWMxA and EPWMxB) with dead-band relationship from a single EPWMxA input
- Programming signal pairs for:
 - Active high (AH)
 - Active low (AL)
 - Active high complementary (AHC)
 - Active low complementary (ALC)
- Adding programmable delay to rising edges (RED)
- Adding programmable delay to falling edges (FED)
- Can be totally bypassed from the signal path (note dotted lines in diagram)

29.2.2.6.2 Controlling and Monitoring the ePWM Dead-Band Submodule

The dead-band generator submodule operation is controlled and monitored via the following registers:

Table 29-42. Dead-Band Generator Submodule Registers

Acronym	Register Description	Address Offset	Shadowed
EPWM_DBCTL	Dead-Band Control Register	1Eh	No
EPWM_DBRED	Dead-Band Rising Edge Delay Count Register	20h	No
EPWM_DBFED	Dead-Band Falling Edge Delay Count Register	22h	No

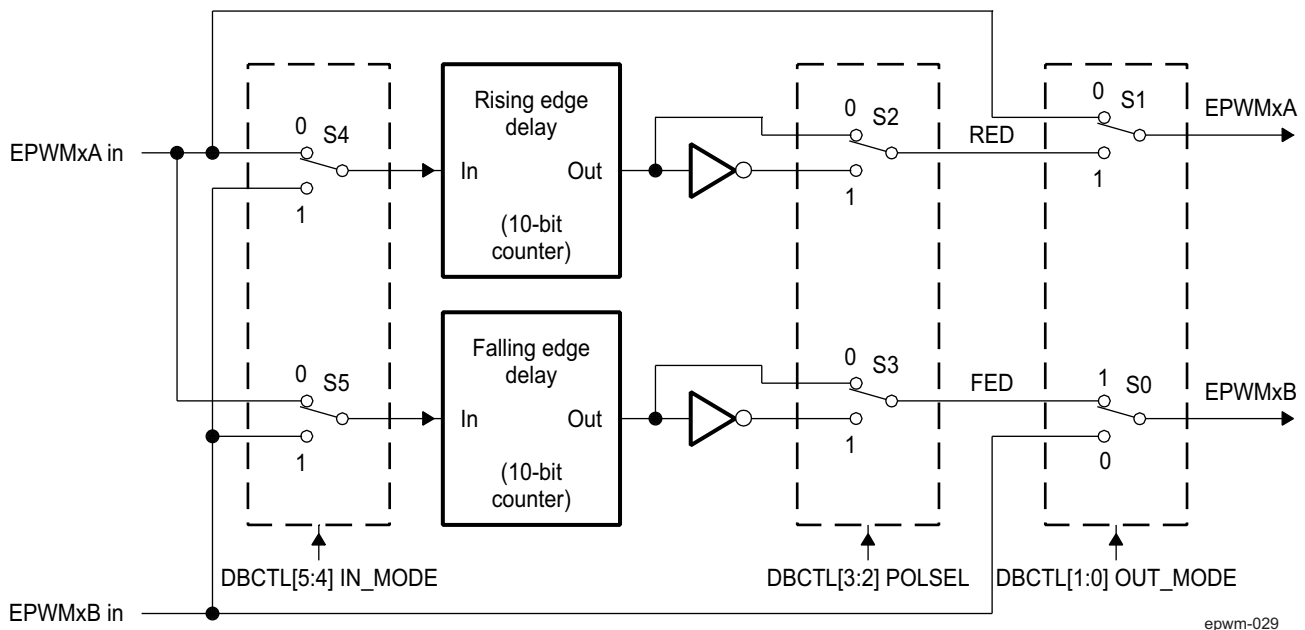
29.2.2.6.3 Operational Highlights for the ePWM Dead-Band Generator Submodule

The following sections provide the operational highlights.

The dead-band submodule has two groups of independent selection options as shown in [Figure 29-33](#).

- Input Source Selection:** The input signals to the dead-band module are the EPWMxA and EPWMxB output signals from the action-qualifier. In this section they will be referred to as EPWMxA In and EPWMxB In. Using the [EPWM_DBCTL\[5:4\] IN_MODE](#) control bits, the signal source for each delay, falling-edge or rising-edge, can be selected:
 - EPWMxA In is the source for both falling-edge and rising-edge delay. This is the default mode.
 - EPWMxA In is the source for falling-edge delay, EPWMxB In is the source for rising-edge delay.
 - EPWMxA In is the source for rising edge delay, EPWMxB In is the source for falling-edge delay.
 - EPWMxB In is the source for both falling-edge and rising-edge delay.
- Output Mode Control:** The output mode is configured by way of the [EPWM_DBCTL\[1:0\] OUT_MODE](#) bits. These bits determine if the falling-edge delay, rising-edge delay, neither, or both are applied to the input signals.
- Polarity Control:** The polarity control ([EPWM_DBCTL\[3:2\] POLSEL](#)) allows you to specify whether the rising-edge delayed signal and/or the falling-edge delayed signal is to be inverted before being sent out of the dead-band submodule.

Figure 29-33. Configuration Options for the ePWM Dead-Band Generator Submodule



epwm-029

Although all combinations are supported, not all are typical usage modes. [Table 29-43](#) lists some classical dead-band configurations. These modes assume that the `EPWM_DBCTL[5:4] IN_MODE` is configured such that EPWMxA In is the source for both falling-edge and rising-edge delay. Enhanced, or non-traditional modes can be achieved by changing the input signal source. The modes shown in [Table 29-43](#) fall into the following categories:

- **Mode 1: Bypass both falling-edge delay (FED) and rising-edge delay (RED)** Allows you to fully disable the dead-band submodule from the PWM signal path.
- **Mode 2-5: Classical Dead-Band Polarity Settings** These represent typical polarity configurations that should address all the active high/low modes required by available industry power switch gate drivers. The waveforms for these typical cases are shown in [Figure 29-34](#). Note that to generate equivalent waveforms to [Figure 29-34](#), configure the action-qualifier submodule to generate the signal as shown for EPWMxA.
- **Mode 6: Bypass rising-edge-delay and Mode 7: Bypass falling-edge-delay** Finally the last two entries in [Table 29-43](#) show combinations where either the falling-edge-delay (FED) or rising-edge-delay (RED) blocks are bypassed.

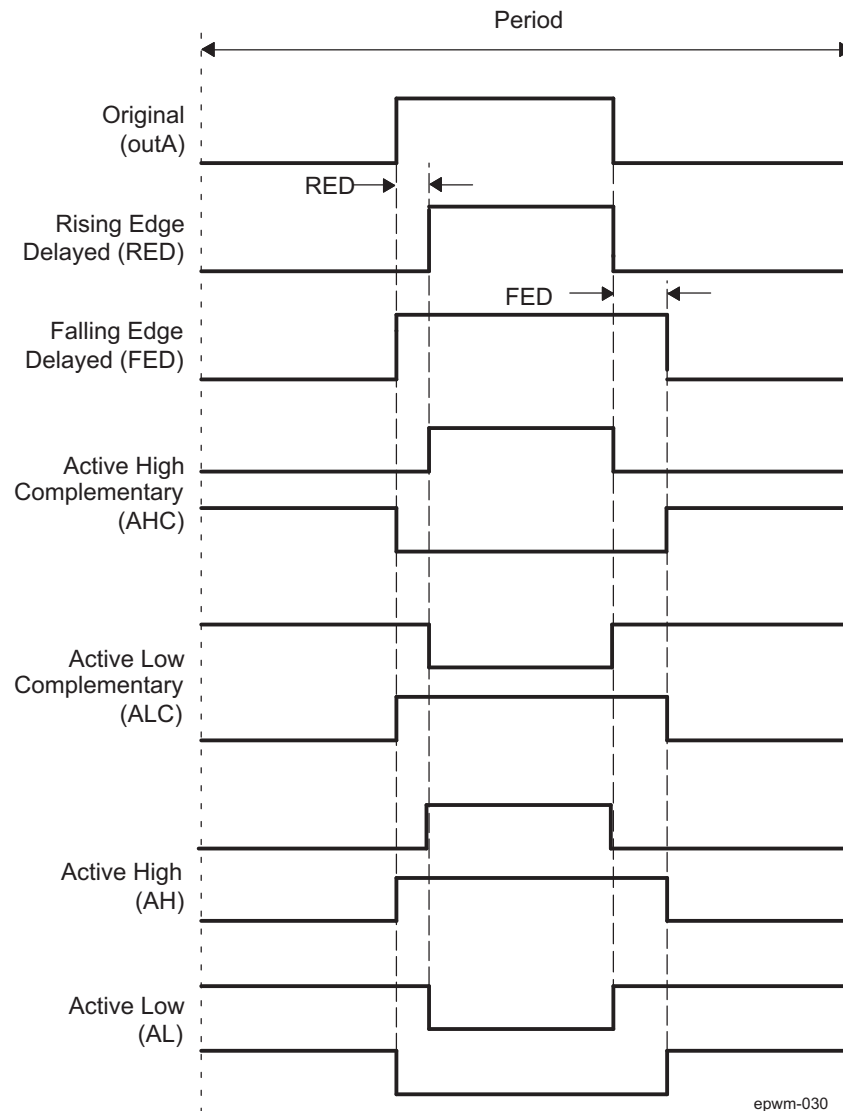
Table 29-43. Classical Dead-Band Operating Modes

Mode	Mode Description ⁽¹⁾	EPWM_DBCTL[3:2] POLSEL		EPWM_DBCTL[1:0] OUT_MODE	
		S3	S2	S1	S0
1	EPWMxA and EPWMxB Passed Through (No Delay)	x	x	0	0
2	Active High Complementary (AHC)	1	0	1	1
3	Active Low Complementary (ALC)	0	1	1	1
4	Active High (AH)	0	0	1	1
5	Active Low (AL)	1	1	1	1
6	EPWMxA Out = EPWMxA In (No Delay)	0 or 1	0 or 1	0	1
	EPWMxB Out = EPWMxA In with Falling Edge Delay			0	
7	EPWMxA Out = EPWMxA In with Rising Edge Delay	0 or 1	0 or 1	1	0
	EPWMxB Out = EPWMxB In with No Delay				

⁽¹⁾ These are classical dead-band modes and assume that `EPWM_DBCTL[5:4] IN_MODE = 0b00`. That is, EPWMxA in is the source for both the falling-edge and rising-edge delays. Enhanced, non-traditional modes can be achieved by changing the `IN_MODE` configuration.

Figure 29-34 shows waveforms for typical cases where 0% < duty < 100%.

Figure 29-34. Dead-Band Waveforms for Typical Cases (0% < Duty < 100%)



The dead-band submodule supports independent values for rising-edge (RED) and falling-edge (FED) delays. The amount of delay is programmed using the [EPWM_DBRED](#) and [EPWM_DBFED](#) registers. These are 10-bit registers and their value represents the number of time-base clock, TBCLK, periods a signal edge is delayed by. For example, the formula to calculate falling-edge-delay and rising-edge-delay are:

$$\text{FED} = \text{EPWM_DBFED} \times T_{\text{TBCLK}}$$

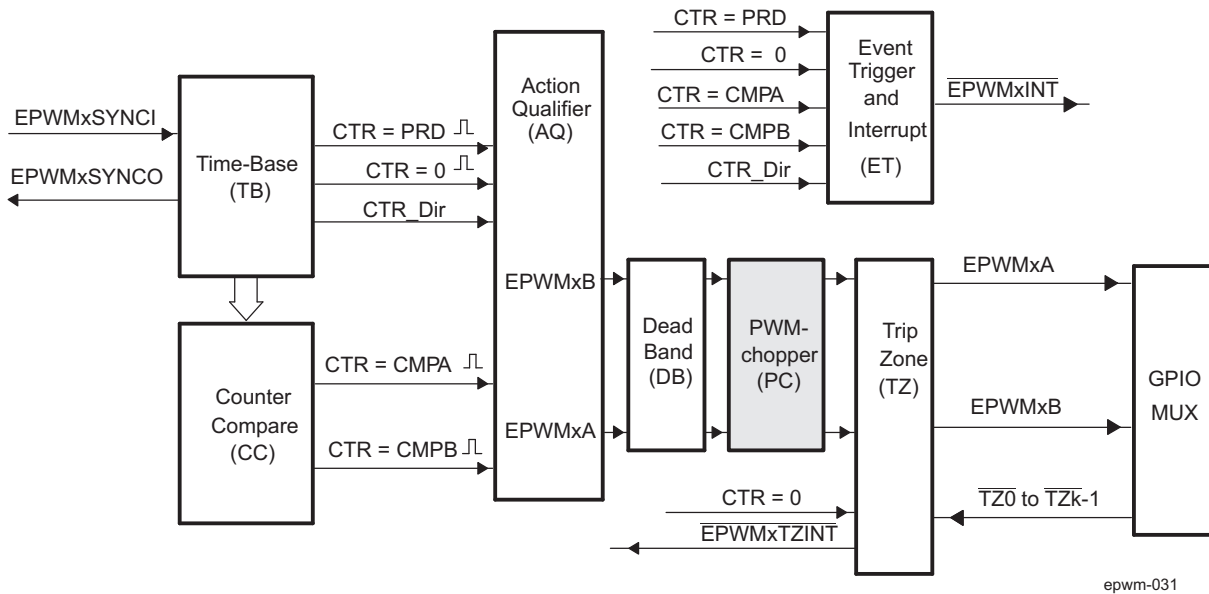
$$\text{RED} = \text{EPWM_DBRED} \times T_{\text{TBCLK}}$$

Where T_{TBCLK} is the period of TBCLK, the prescaled version of SYSCLKOUT.

29.2.2.7 PWM-Chopper (PC) Submodule

Figure 29-35 illustrates the PWM-chopper (PC) submodule within the ePWM module. The PWM-chopper submodule allows a high-frequency carrier signal to modulate the PWM waveform generated by the action-qualifier and dead-band submodules. This capability is important if you need pulse transformer-based gate drivers to control the power switching elements.

Figure 29-35. PWM-Chopper Submodule



epwm-031

29.2.2.7.1 Purpose of the PWM-Chopper Submodule

The key functions of the PWM-chopper submodule are:

- Programmable chopping (carrier) frequency
- Programmable pulse width of first pulse
- Programmable duty cycle of second and subsequent pulses
- Can be fully bypassed if not required

29.2.2.7.2 Controlling the PWM-Chopper Submodule

The PWM-chopper submodule operation is controlled via the register in Table 29-44.

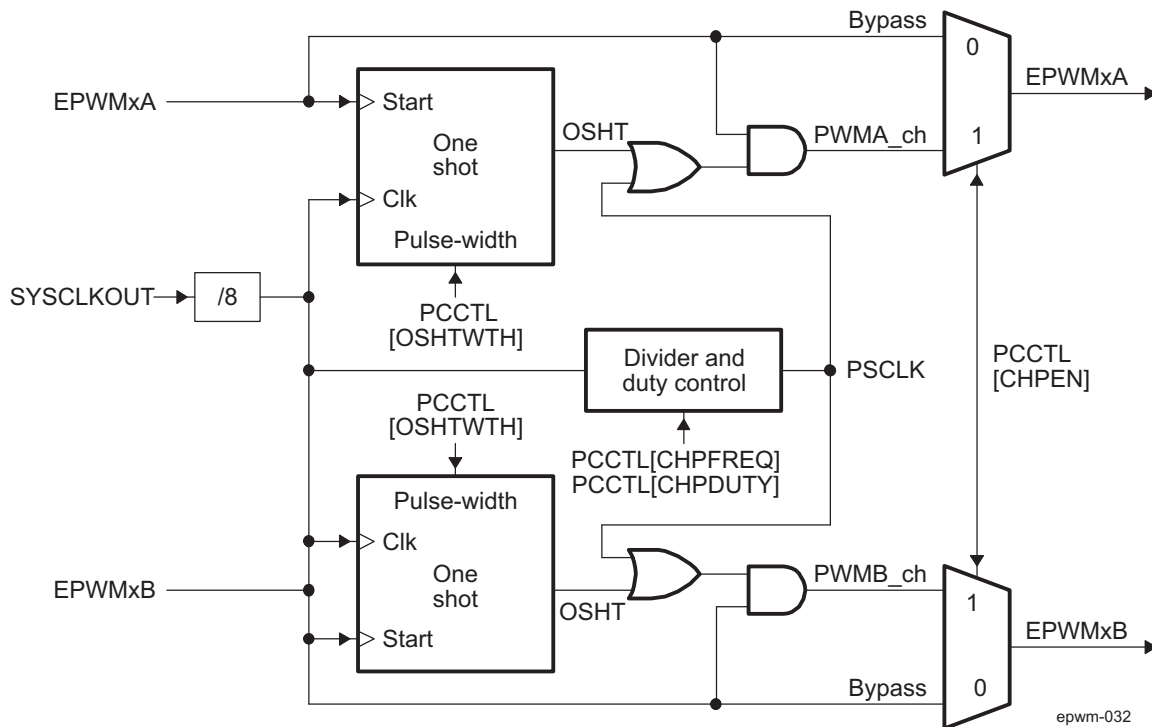
Table 29-44. PWM-Chopper Submodule Registers

Acronym	Register Description	Address Offset	Shadowed
EPWM_PCCTL	PWM-chopper Control Register	3Ch	No

29.2.2.7.3 Operational Highlights for the PWM-Chopper Submodule

Figure 29-36 shows the operational details of the PWM-chopper submodule. The carrier clock is derived from SYSCLKOUT. Its frequency and duty cycle are controlled via the CHPFREQ and CHPDUTY bits in the EPWM_PCCTL register. The one-shot block is a feature that provides a high energy first pulse to ensure hard and fast power switch turn on, while the subsequent pulses sustain pulses, ensuring the power switch remains on. The one-shot width is programmed via the OSHTWTH bits. The PWM-chopper submodule can be fully disabled (bypassed) via the CHPEN bit.

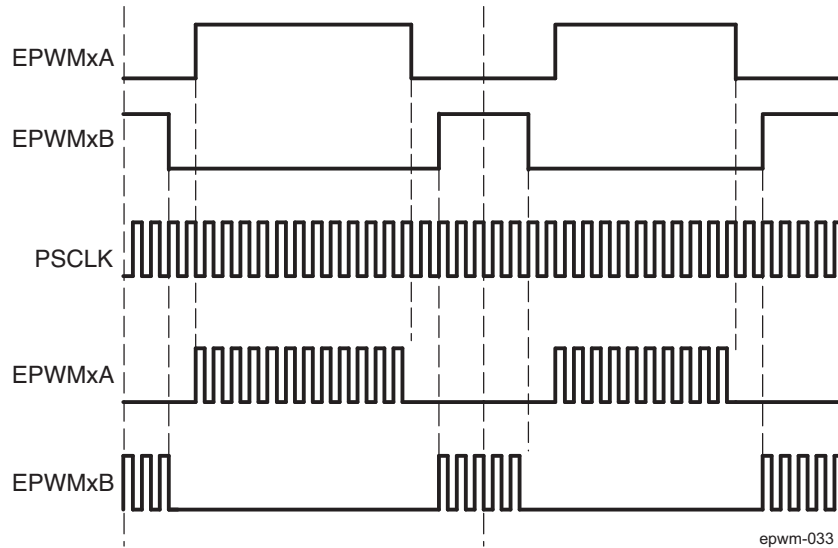
Figure 29-36. PWM-Chopper Submodule Signals and Registers



29.2.2.7.4 PWM Chopper Waveforms

Figure 29-37 shows simplified waveforms of the chopping action only; one-shot and duty-cycle control are not shown. Details of the one-shot and duty-cycle control are discussed in the following sections.

Figure 29-37. Simple PWM-Chopper Submodule Waveforms Showing Chopping Action Only



29.2.2.7.4.1 PWM-Chopper One-Shot Pulse

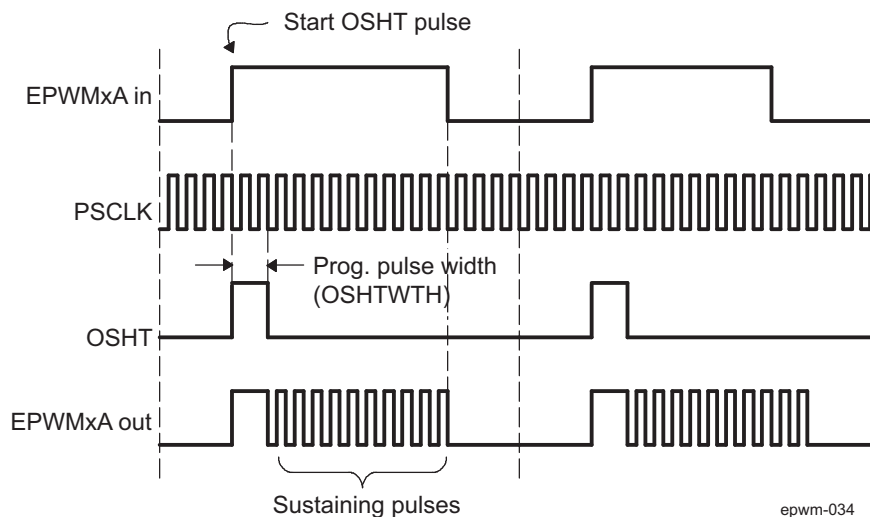
The width of the first pulse can be programmed to any of 16 possible pulse width values. The width or period of the first pulse is given by:

$$T_{1stpulse} = T_{SYCLKOUT} \times 8 \times OSHTWTH$$

Where $T_{SYCLKOUT}$ is the period of the system clock (SYCLKOUT) and OSHTWTH is the four control bits (value from 1 to 16)

Figure 29-38 shows the first and subsequent sustaining pulses.

Figure 29-38. PWM-Chopper Submodule Waveforms Showing the First Pulse and Subsequent Sustaining Pulses

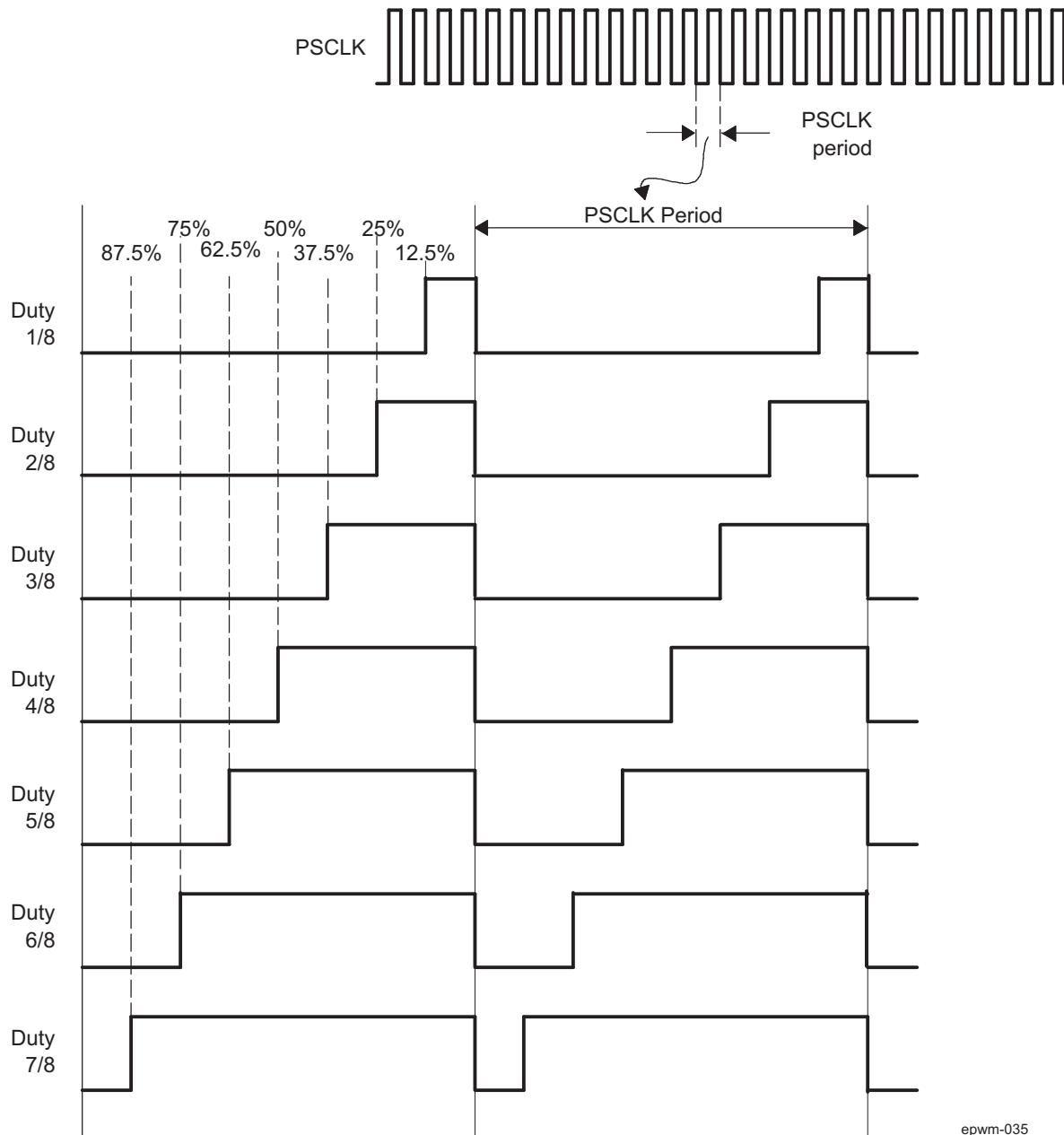


29.2.2.7.4.2 PWM-Chopper Duty Cycle Control

Pulse transformer-based gate drive designs need to comprehend the magnetic properties or characteristics of the transformer and associated circuitry. Saturation is one such consideration. To assist the gate drive designer, the duty cycles of the second and subsequent pulses have been made programmable. These sustaining pulses ensure the correct drive strength and polarity is maintained on the power switch gate during the on period, and hence a programmable duty cycle allows a design to be tuned or optimized via software control.

Figure 29-39 shows the duty cycle control that is possible by programming the CHPDUTY bits. One of seven possible duty ratios can be selected ranging from 12.5% to 87.5%.

Figure 29-39. PWM-Chopper Submodule Waveforms Showing the Pulse Width (Duty Cycle) Control of Sustaining Pulses

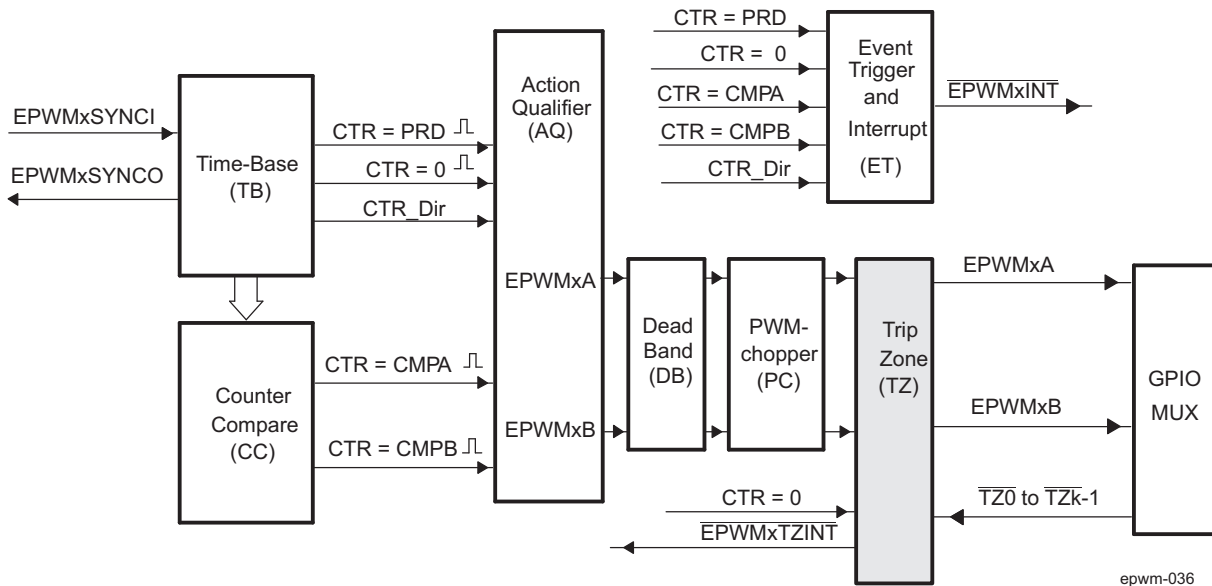


epwm-035

29.2.2.8 ePWM Trip-Zone (TZ) Submodule

Figure 29-40 shows how the trip-zone (TZ) submodule fits within the ePWM module. Each ePWM module is connected to every \overline{TZ} signal that are sourced from the GPIO MUX. These signals indicates external fault or trip conditions, and the ePWM outputs can be programmed to respond accordingly when faults occur. See Section 29.1.3 to determine the number of trip-zone pins available for the device.

Figure 29-40. ePWM Trip-Zone Submodule



epwm-036

29.2.2.8.1 Purpose of the ePWM Trip-Zone Submodule

The key functions of the trip-zone submodule are:

- Trip inputs $\overline{TZ0}$ to $\overline{TZk-1}$ can be flexibly mapped to any ePWM module.
- Upon a fault condition, outputs EPWMxA and EPWMxB can be forced to one of the following:
 - High
 - Low
 - High-impedance
 - No action taken
- Support for one-shot trip (OSHT) for major short circuits or over-current conditions.
- Support for cycle-by-cycle tripping (CBC) for current limiting operation.
- Each trip-zone input pin can be allocated to either one-shot or cycle-by-cycle operation.
- Interrupt generation is possible on any trip-zone pin.
- Software-forced tripping is also supported.
- The trip-zone submodule can be fully bypassed if it is not required.

NOTE: For each ePWMx, from the tripzone inputs EPWM_TRIP_TZ[5:0], ONLY the EPWM_TRIP_TZ[0] input of ePWM tripzone is chip accessible and usable, i.e. k=1.

29.2.2.8.2 Controlling and Monitoring the ePWM Trip-Zone Submodule

The trip-zone submodule operation is controlled and monitored through the following registers:

Table 29-45. ePWM Trip-Zone Submodule Registers

Acronym	Register Description	Address Offset	Shadowed
EPWM_TZSEL	Trip-Zone Select Register	24h	No
EPWM_TZCTL	Trip-Zone Control Register	28h	No
EPWM_TZEINT	Trip-Zone Enable Interrupt Register	2Ah	No
EPWM_TZFLG	Trip-Zone Flag Register	2Ch	No
EPWM_TZCLR	Trip-Zone Clear Register	2Eh	No
EPWM_TZFRC	Trip-Zone Force Register	30h	No

29.2.2.8.3 Operational Highlights for the ePWM Trip-Zone Submodule

The following sections describe the operational highlights and configuration options for the trip-zone submodule.

The trip-zone signals at pin $\overline{TZ0}$ to $\overline{TZk-1}$ is an active-low input signal. When the pin goes low, it indicates that a trip event has occurred. Each ePWM module can be individually configured to ignore or use each of the trip-zone pins. Which trip-zone pins are used by a particular ePWM module is determined by the EPWM_TZSEL register for that specific ePWM module. The trip-zone signal may or may not be synchronized to the system clock (SYSCLKOUT). A minimum of 1 SYSCLKOUT low pulse on the \overline{TZn} inputs is sufficient to trigger a fault condition in the ePWM module. The asynchronous trip makes sure that if clocks are missing for any reason, the outputs can still be tripped by a valid event present on the \overline{TZk} inputs.

NOTE: Only the TZ[0] input is accessible at chip level (i.e. k=1).

The \overline{TZk} input can be individually configured to provide either a cycle-by-cycle or one-shot trip event for a ePWM module. The configuration is determined by the EPWM_TZSEL[7:0] CBCk and EPWM_TZSEL[15:8] OSHTk bits (where k corresponds to the trip pin) respectively.

- Cycle-by-Cycle (CBC):** When a cycle-by-cycle trip event occurs, the action specified in the EPWM_TZCTL register is carried out immediately on the EPWMxA and/or EPWMxB output. Table 29-46 lists the possible actions. In addition, the cycle-by-cycle trip event flag (EPWM_TZFLG[1] CBC) is set and a EPWMxTZINT interrupt is generated if it is enabled in the EPWM_TZEINT register.

The specified condition on the pins is automatically cleared when the ePWM time-base counter reaches zero (EPWM_TBCNT bitfield TBCNT = 0000h) if the trip event is no longer present. Therefore, in this mode, the trip event is cleared or reset every PWM cycle. The EPWM_TZFLG[1] CBC flag bit will remain set until it is manually cleared by writing to the EPWM_TZCLR[1] CBC bit. If the cycle-by-cycle trip event is still present when the EPWM_TZFLG[1] CBC bit is cleared, then it will again be immediately set.
- One-Shot (OSHT):** When a one-shot trip event occurs, the action specified in the EPWM_TZCTL register is carried out immediately on the EPWMxA and/or EPWMxB output. Table 29-46 lists the possible actions. In addition, the one-shot trip event flag (EPWM_TZFLG[2] OST) is set and a EPWMxTZINT interrupt is generated if it is enabled in the EPWM_TZEINT register. The one-shot trip condition must be cleared manually by writing to the EPWM_TZCLR[2] OST bit.

The action taken when a trip event occurs can be configured individually for each of the ePWM output pins by way of the EPWM_TZCTL[1:0] TZA and EPWM_TZCTL[3:2] TZB register bits. One of four possible actions, shown in Table 29-46, can be taken on a trip event.

Table 29-46. Possible Actions On an ePWM Trip Event

EPWM_TZCTL[1:0] TZA and/or EPWM_TZCTL[3:2] TZB	EPWMxA and/or EPWMxB	Comment
0	High-Impedance	Tripped
1h	Force to High State	Tripped
2h	Force to Low State	Tripped
3h	No Change	Do Nothing. No change is made to the output.

Example 29-2. ePWM Trip-Zone Configurations
Scenario A:

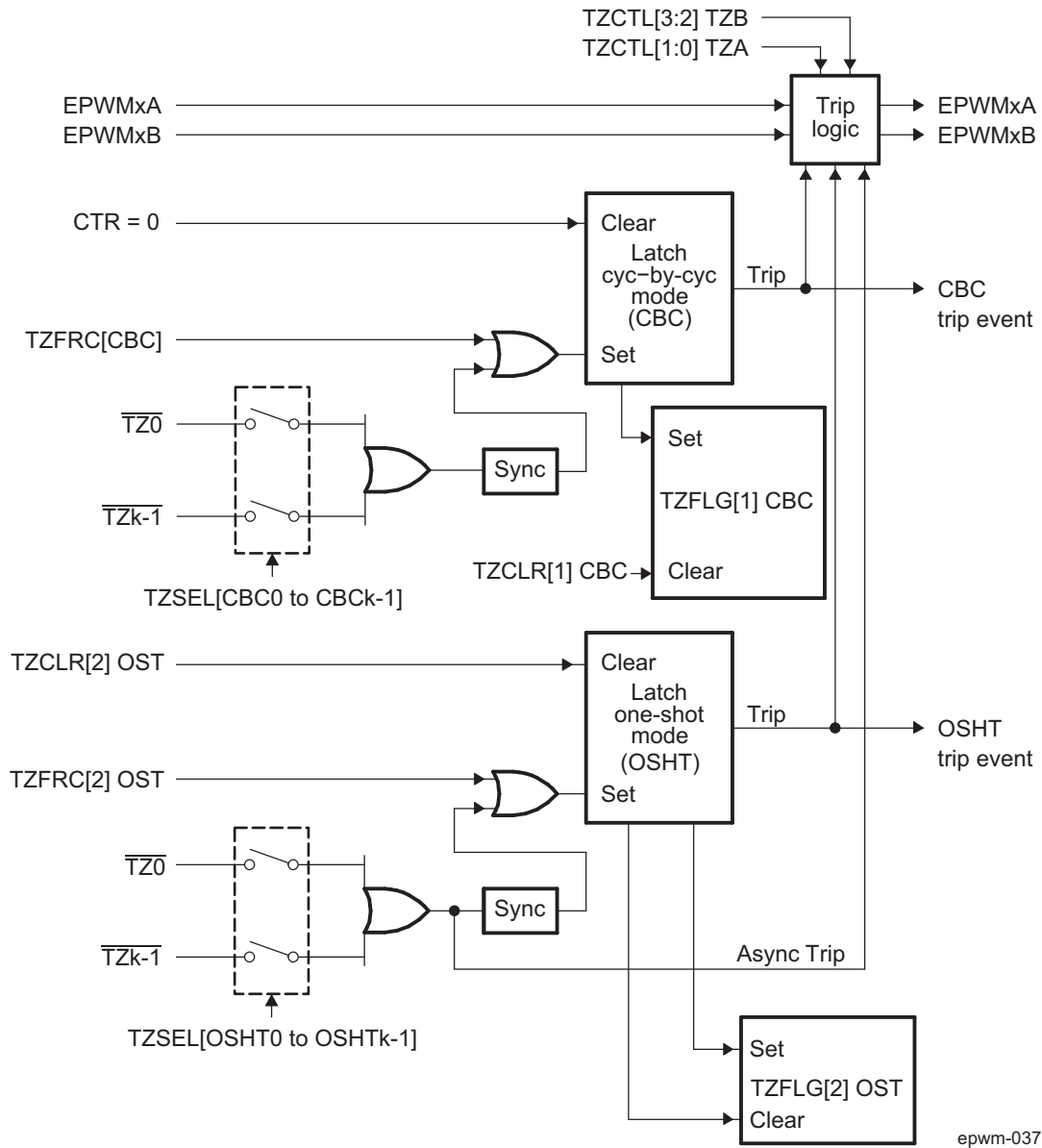
A one-shot trip event on $\overline{TZ0}$ pulls both EPWM1A, EPWM1B low and also forces EPWM2A and EPWM2B high.

- Configure the ePWM1 registers as follows:
 - EPWM_TZSEL[8] OSHT1 = 1: enables \overline{TZ} as a one-shot event source for ePWM1
 - EPWM_TZCTL[1:0] TZA = 2: EPWM1A will be forced low on a trip event.
 - EPWM_TZCTL[3:2] TZB = 2: EPWM1B will be forced low on a trip event.
- Configure the ePWM2 registers as follows:
 - EPWM_TZSEL[8] OSHT1 = 1: enables \overline{TZ} as a one-shot event source for ePWM2
 - EPWM_TZCTL[1:0] TZA = 1: EPWM2A will be forced high on a trip event.
 - EPWM_TZCTL[3:2] TZB = 1: EPWM2B will be forced high on a trip event.

29.2.2.8.4 Generating ePWM Trip Event Interrupts

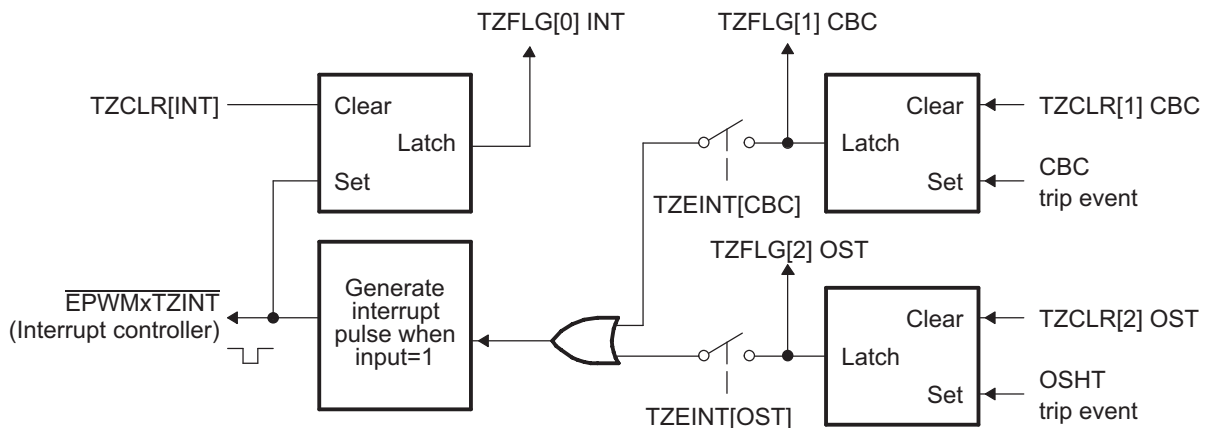
Figure 29-41 and Figure 29-42 illustrate the trip-zone submodule control and interrupt logic, respectively.

Figure 29-41. ePWM Trip-Zone Submodule Mode Control Logic



epwm-037

Figure 29-42. ePWM Trip-Zone Submodule Interrupt Logic



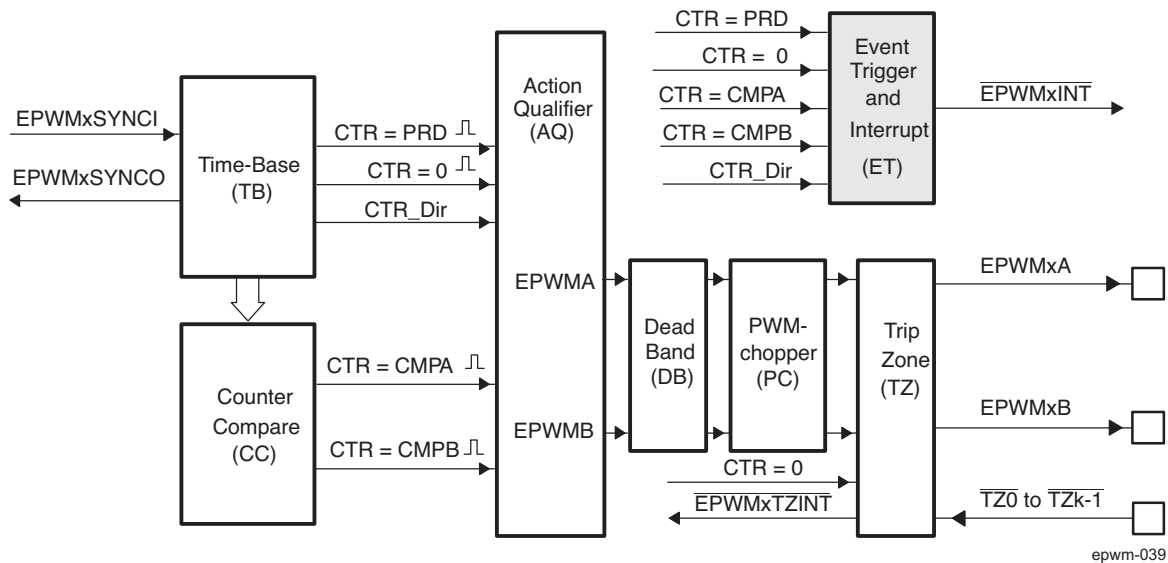
epwm-038

29.2.2.9 ePWM Event-Trigger (ET) Submodule

Figure 29-43 shows the event-trigger (ET) submodule in the ePWM system. The event-trigger submodule manages the events generated by the time-base submodule and the counter-compare submodule to generate an aggregated interrupt request.

NOTE: The ePWMx ET interrupt request output is further routed via the device **IRQ_CROSSBAR**, to different device host interrupt controllers, located outside PWMSSn. For more details on interrupt event routing outside the ePWM, refer to the [Section 29.1.3](#).

Figure 29-43. ePWM Event-Trigger Submodule



29.2.2.9.1 Purpose of the ePWM Event-Trigger Submodule

The key functions of the event-trigger submodule are:

- Receives event inputs generated by the time-base and counter-compare submodules
- Uses the time-base direction information for up/down event qualification
- Uses prescaling logic to issue interrupt requests at:
 - Every event
 - Every second event
 - Every third event
- Provides full visibility of event generation via event counters and flags

29.2.2.9.2 Controlling and Monitoring the ePWM Event-Trigger Submodule

The key registers used to configure the event-trigger submodule are shown in [Table 29-47](#):

Table 29-47. Event-Trigger Submodule Registers

Acronym	Register Description	Address Offset	Shadowed
EPWM_ETSEL	Event-Trigger Selection Register	32h	No
EPWM_ETPS	Event-Trigger Prescale Register	34h	No
EPWM_ETFLG	Event-Trigger Flag Register	36h	No

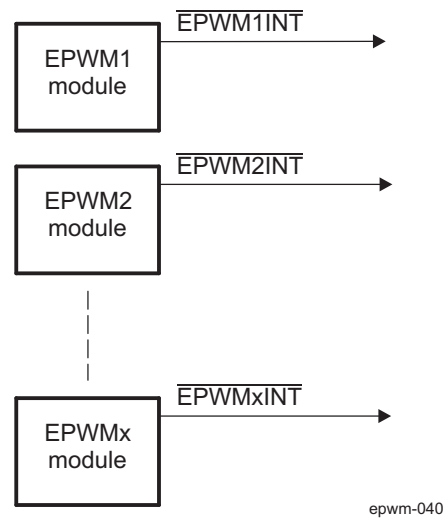
Table 29-47. Event-Trigger Submodule Registers (continued)

Acronym	Register Description	Address Offset	Shadowed
EPWM_ETCLR	Event-Trigger Clear Register	38h	No
EPWM_ETFRC	Event-Trigger Force Register	3Ah	No

29.2.2.9.3 Operational Overview of the ePWM Event-Trigger Submodule

The following sections describe the event-trigger submodule's operational highlights.

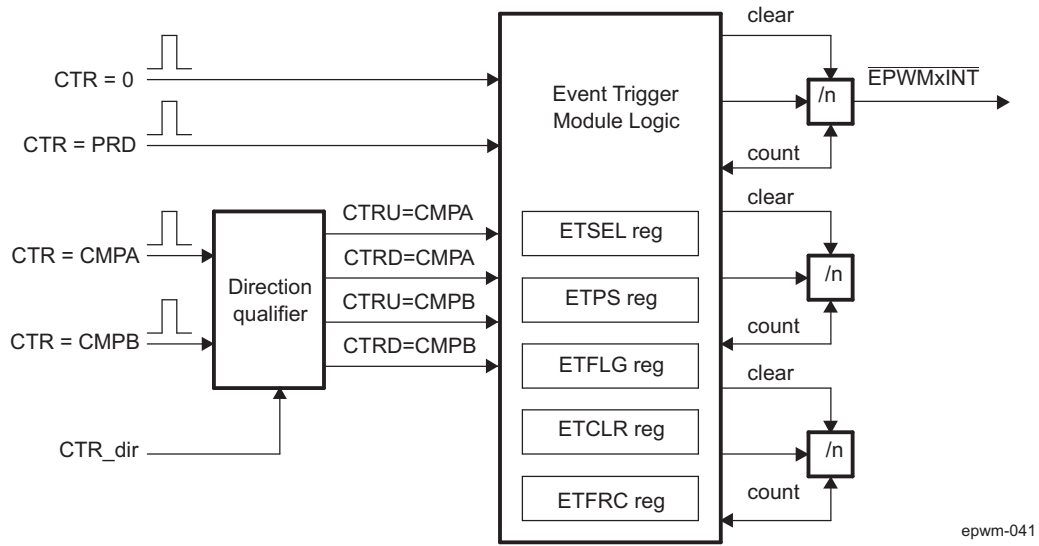
Each ePWM module has one interrupt request line as shown in [Figure 29-44](#). Mapping interrupt lines to device host interrupt controllers is device specific and is covered in the [Section 29.1.3](#).

Figure 29-44. ePWM Event-Trigger Submodule Inter-Connectivity to Interrupt Controller


The event-trigger submodule monitors various event conditions (the left side inputs to event-trigger submodule shown in [Figure 29-45](#)) and can be configured to prescale these events before issuing an Interrupt request. The event-trigger prescaling logic can issue Interrupt requests at:

- Every event
- Every second event
- Every third event

Figure 29-45. ePWM Event-Trigger Submodule Showing Event Inputs and Prescaled Outputs



- **ETSEL**—This selects which of the possible events will trigger an interrupt.
- **ETPS**—This programs the event prescaling options previously mentioned.
- **ETFLG**—These are flag bits indicating status of the selected and prescaled events.
- **ETCLR**—These bits allow you to clear the flag bits in the **EPWM_ETFLG** register via software.
- **ETFRC**—These bits allow software forcing of an event. Useful for debugging or software intervention.

A more detailed look at how the various register bits interact with the Interrupt is shown in [Figure 29-46](#).

[Figure 29-46](#) shows the event-trigger's interrupt generation logic. The interrupt-period (**EPWM_ETPS**[1:0] **INTPRD**) bits specify the number of events required to cause an interrupt pulse to be generated. The choices available are:

- Do not generate an interrupt
- Generate an interrupt on every event
- Generate an interrupt on every second event
- Generate an interrupt on every third event

An interrupt cannot be generated on every fourth or more events.

Which event can cause an interrupt is configured by the interrupt selection (**EPWM_ETSEL**[2:0] **INTSEL**) bits. The event can be one of the following:

- Time-base counter equal to zero (**EPWM_TBCNT** bitfield **TBCNT** = 0000h).
- Time-base counter equal to period (**EPWM_TBCNT** bitfield **TBCNT** = **TBPRD** value in **EPWM_TBPRD** active register).
- Time-base counter equal to the compare A register (**EPWM_CMPA**) when the timer is incrementing.
- Time-base counter equal to the compare A register (**EPWM_CMPA**) when the timer is decrementing.
- Time-base counter equal to the compare B register (**EPWM_CMPB**) when the timer is incrementing.
- Time-base counter equal to the compare B register (**EPWM_CMPB**) when the timer is decrementing.

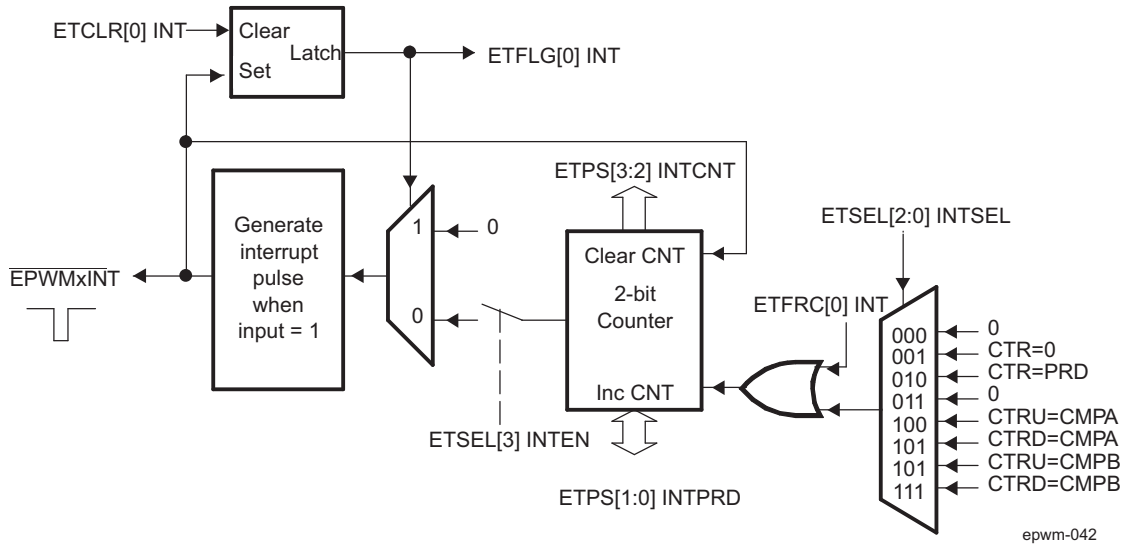
The number of events that have occurred can be read from the interrupt event counter (**EPWM_ETPS**[3:2] **INTCNT**) register bits. That is, when the specified event occurs the **EPWM_ETPS**[3:2] **INTCNT** bits are incremented until they reach the value specified by **EPWM_ETPS**[1:0] **INTPRD**. When **EPWM_ETPS**[3:2] **INTCNT** = **EPWM_ETPS**[1:0] **INTPRD** the counter stops counting and its output is set. The counter is only cleared when an interrupt is sent to the interrupt controller.

When **EPWM_ETPS**[3:2] **INTCNT** reaches **EPWM_ETPS**[1:0] **INTPRD**, one of the following behaviors will occur:

- If interrupts are enabled, **EPWM_ETSEL**[3] **INTEN** = 1 and the interrupt flag is clear, **EPWM_ETFLG**[0] **INT** = 0, then an interrupt pulse is generated and the interrupt flag is set, **EPWM_ETFLG**[0] **INT** = 1, and the event counter is cleared **EPWM_ETPS**[3:2] **INTCNT** = 0. The counter will begin counting events again.
- If interrupts are disabled, **EPWM_ETSEL**[3] **INTEN** = 0, or the interrupt flag is set, **EPWM_ETFLG**[0] **INT** = 1, the counter stops counting events when it reaches the period value **EPWM_ETPS**[3:2] **INTCNT** = **EPWM_ETPS**[1:0] **INTPRD**.
- If interrupts are enabled, but the interrupt flag is already set, then the counter will hold its output high until the **ENTFLG**[0] **INT** flag is cleared. This allows for one interrupt to be pending while one is serviced.

Writing to the **INTPRD** bits will automatically clear the counter **INTCNT** = 0 and the counter output will be reset (so no interrupts are generated). Writing a 1 to the **EPWM ETFRC**[0] **INT** bit will increment the event counter **INTCNT**. The counter will behave as described above when **INTCNT** = **INTPRD**. When **INTPRD** = 0, the counter is disabled and hence no events will be detected and the **EPWM ETFRC**[0] **INT** bit is also ignored.

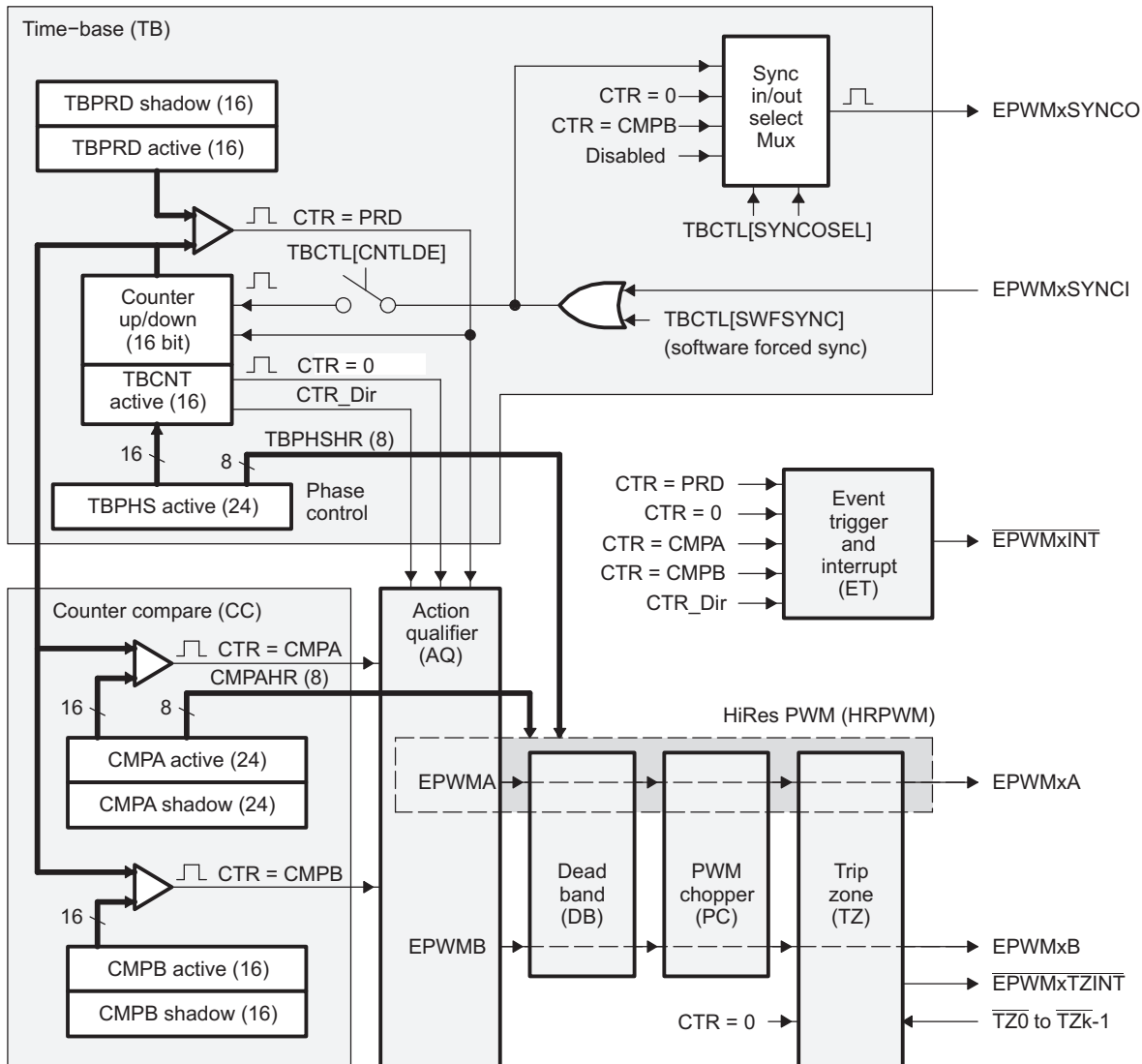
Figure 29-46. ePWM Event-Trigger Interrupt Generator



29.2.2.10 High-Resolution PWM (HRPWM) Submodule

Figure 29-47 shows the high-resolution PWM (HRPWM) submodule in the ePWM system. Some devices include the high-resolution PWM submodule, see Section 29.1.3 to determine which ePWM instances include this feature.

Figure 29-47. HRPWM System Interface



ehrpwm-043

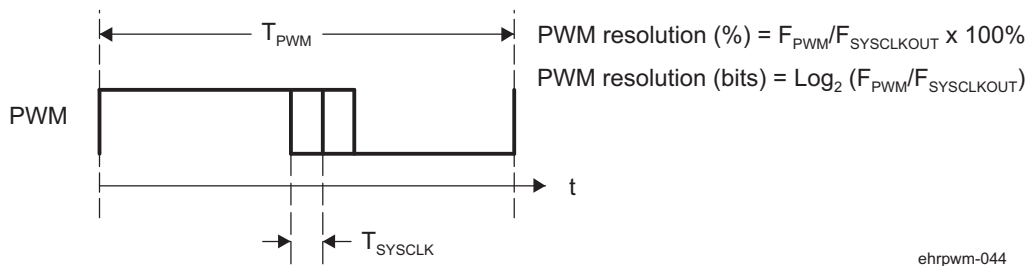
29.2.2.10.1 Purpose of the High-Resolution PWM Submodule

The enhanced high-resolution pulse-width modulator (eHRPWM) extends the time resolution capabilities of the conventionally derived digital pulse-width modulator (PWM). HRPWM is typically used when PWM resolution falls below ~9-10 bits. The key features of HRPWM are:

- Extended time resolution capability
- Used in both duty cycle and phase-shift control methods
- Finer time granularity control or edge positioning using extensions to the Compare A and Phase registers
- Implemented using the A signal path of PWM, that is, on the EPWMxA output. **EPWMxB output has conventional PWM capabilities**

The ePWM peripheral is used to perform a function that is mathematically equivalent to a digital-to-analog converter (DAC). As shown in Figure 29-48, the effective resolution for conventionally generated PWM is a function of PWM frequency (or period) and system clock frequency.

Figure 29-48. Resolution Calculations for Conventionally Generated PWM



If the required PWM operating frequency does not offer sufficient resolution in PWM mode, you may want to consider HRPWM. As an example of improved performance offered by HRPWM, Table 29-48 shows resolution in bits for various PWM frequencies. Table 29-48 values assume a MEP step size of 180 ps. See your device-specific data manual for typical and maximum performance specifications for the MEP.

Table 29-48. Resolution for PWM and HRPWM

PWM Frequency (kHz)	Regular Resolution (PWM)		High Resolution (HRPWM)	
	Bits	%	Bits	%
20	12.3	0.0	18.1	0.000
50	11.0	0.0	16.8	0.001
100	10.0	0.1	15.8	0.002
150	9.4	0.2	15.2	0.003
200	9.0	0.2	14.8	0.004
250	8.6	0.3	14.4	0.005
500	7.6	0.5	13.8	0.007
1000	6.6	1.0	12.4	0.018
1500	6.1	1.5	11.9	0.027
2000	5.6	2.0	11.4	0.036

Although each application may differ, typical low-frequency PWM operation (below 250 kHz) may not require HRPWM. HRPWM capability is most useful for high-frequency PWM requirements of power conversion topologies such as:

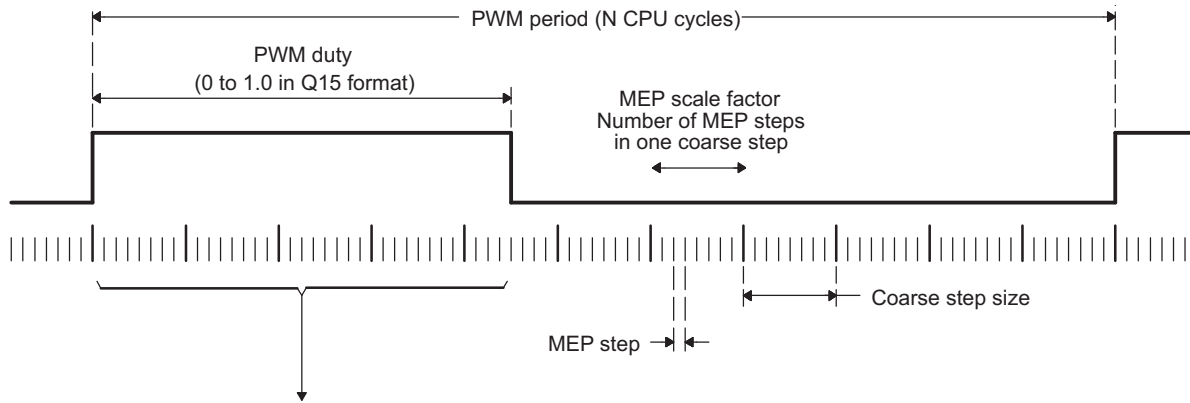
- Single-phase buck, boost, and flyback
- Multi-phase buck, boost, and flyback
- Phase-shifted full bridge
- Direct modulation of D-Class power amplifiers

29.2.2.10.2 Architecture of the High-Resolution PWM Submodule

The HRPWM is based on micro edge positioner (MEP) technology. MEP logic is capable of positioning an edge very finely by sub-dividing one coarse system clock of a conventional PWM generator. The time step accuracy is on the order of 150 ps. The HRPWM also has a self-check software diagnostics mode to check if the MEP logic is running optimally, under all operating conditions.

Figure 29-49 shows the relationship between one coarse system clock and edge position in terms of MEP steps, which are controlled via an 8-bit field in the Compare A extension register ([HRPWM_CMPAHR](#)).

Figure 29-49. Operating Logic Using MEP



$$\begin{aligned} \text{Number of coarse steps} &= \text{integer}(\text{PWMduty} * \text{PWMperiod}) \\ \text{Number of MEP steps} &= \text{fraction}(\text{PWMduty} * \text{PWMperiod}) * (\text{MEPScaleFactor}) \end{aligned}$$

16-bit CMPA register value	= number of coarse steps
16-bit CMPAHR register value	= (number of MEP steps) << 8 + 0x180 (rounding) ^(A)

ehrpwm-045

A For MEP range and rounding adjustment.

To generate an HRPWM waveform, configure the TBM, CCM, and AQM registers as you would to generate a conventional PWM of a given frequency and polarity. The HRPWM works together with the TBM, CCM, and AQM registers to extend edge resolution, and should be configured accordingly. Although many programming combinations are possible, only a few are needed and practical.

29.2.2.10.3 Controlling and Monitoring the High-Resolution PWM Submodule

The MEP of the HRPWM is controlled by two extension registers, each 8-bits wide. These two HRPWM registers are concatenated with the 16-bit [EPWM_TBPHS](#) and [EPWM_CMPA](#) registers used to control PWM operation.

- [HRPWM_TBPHSHR](#) - Time-Base Phase High-Resolution Register
- [HRPWM_CMPAHR](#) - Counter-Compare A High-Resolution Register

Table 29-49 lists the registers used to control and monitor the high-resolution PWM submodule.

Table 29-49. HRPWM Submodule Registers

Acronym	Register Description	Address Offset	Shadowed
HRPWM_TBPHSHR	Extension Register for HRPWM Phase	4h	No
HRPWM_CMPAHR	Extension Register for HRPWM Duty	10h	Yes
HRPWM_HRCTL	HRPWM Configuration Register	1040h	No

29.2.2.10.4 Configuring the High-Resolution PWM Submodule

Once the ePWM has been configured to provide conventional PWM of a given frequency and polarity, the HRPWM is configured by programming the [HRPWM_HRCTL](#) register located at offset address 1040h. This register provides configuration options for the following key operating modes:

- **Edge Mode:** The MEP can be programmed to provide precise position control on the rising edge (RE), falling edge (FE), or both edges (BE) at the same time. FE and RE are used for power topologies requiring duty cycle control, while BE is used for topologies requiring phase shifting, for example, phase shifted full bridge.
- **Control Mode:** The MEP is programmed to be controlled either from the [HRPWM_CMPAHR](#) register (duty cycle control) or the [HRPWM_TBPHSHR](#) register (phase control). RE or FE control mode should be used with [HRPWM_CMPAHR](#) register. BE control mode should be used with [HRPWM_TBPHSHR](#) register.
- **Shadow Mode:** This mode provides the same shadowing (double buffering) option as in regular PWM mode. This option is valid only when operating from the [HRPWM_CMPAHR](#) register and should be chosen to be the same as the regular load option for the CMPA register. If [HRPWM_TBPHSHR](#) is used, then this option has no effect.

29.2.2.10.5 Operational Highlights for the High-Resolution PWM Submodule

The MEP logic is capable of placing an edge in one of 255 (8 bits) discrete time steps, each of which has a time resolution on the order of 150 ps. The MEP works with the TBM and CCM registers to be certain that time steps are optimally applied and that edge placement accuracy is maintained over a wide range of PWM frequencies, system clock frequencies and other operating conditions. [Table 29-50](#) shows the typical range of operating frequencies supported by the HRPWM.

Table 29-50. Relationship Between MEP Steps, PWM Frequency and Resolution

System (MHz)	MEP Steps Per SYSCLKOUT ^{(1) (2) (3)}	PWM Minimum (Hz) ⁽⁴⁾	PWM Maximum (MHz)	Resolution at Maximum (Bits) ⁽⁵⁾
50.0	111	763	2.50	11.1
60.0	93	916	3.00	10.9
70.0	79	1068	3.50	10.6
80.0	69	1221	4.00	10.4
90.0	62	1373	4.50	10.3
100.0	56	1526	5.00	10.1

⁽¹⁾ System frequency = SYSCLKOUT, that is, CPU clock. TBCLK = SYSCLKOUT

⁽²⁾ Table data based on a MEP time resolution of 180 ps (this is an example value)

⁽³⁾ MEP steps applied = $T_{\text{SYSCLKOUT}}/180$ ps in this example.

⁽⁴⁾ PWM minimum frequency is based on a maximum period value, TBPRD = 65 535. PWM mode is asymmetrical up-count.

⁽⁵⁾ Resolution in bits is given for the maximum PWM frequency stated.

29.2.2.10.5.2 HRPWM Scaling Considerations

The mechanics of how to position an edge precisely in time has been demonstrated using the resources of the standard ([EPWM_CMPA](#)) and MEP ([HRPWM_CMPAHR](#)) registers. In a practical application, however, it is necessary to seamlessly provide the CPU a mapping function from a per-unit (fractional) duty cycle to a final integer (non-fractional) representation that is written to the [CMPA:CMPAHR] register combination.

To do this, first examine the scaling or mapping steps involved. It is common in control software to express duty cycle in a per-unit or percentage basis. This has the advantage of performing all needed math calculations without concern for the final absolute duty cycle, expressed in clock counts or high time in ns. Furthermore, it makes the code more transportable across multiple converter types running different PWM frequencies.

To implement the mapping scheme, a two-step scaling procedure is required.

Assumptions for this example:

System clock, SYSCLKOUT	= 10 ns (100 MHz)
PWM frequency	= 1.25 MHz (1/800 ns)
Required PWM duty cycle, PWMDuty	= 0.405 (40.5%)
PWM period in terms of coarse steps, PWMperiod (800 ns/10 ns)	= 80
Number of MEP steps per coarse step at 180 ps (10 ns/180 ps), MEP_SF	= 55
Value to keep CMPAHR within the range of 1-255 and fractional rounding constant (default value)	= 180h

Step 1: Percentage Integer Duty value conversion for [EPWM_CMPA](#) register

EPWM_CMPA register value	= int(PWMDuty × PWMperiod); int means integer part
	= int(0.405 × 80)
	= int(32.4)
EPWM_CMPA register value	= 32 (20h)

Step 2: Fractional value conversion for [HRPWM_CMPAHR](#) register

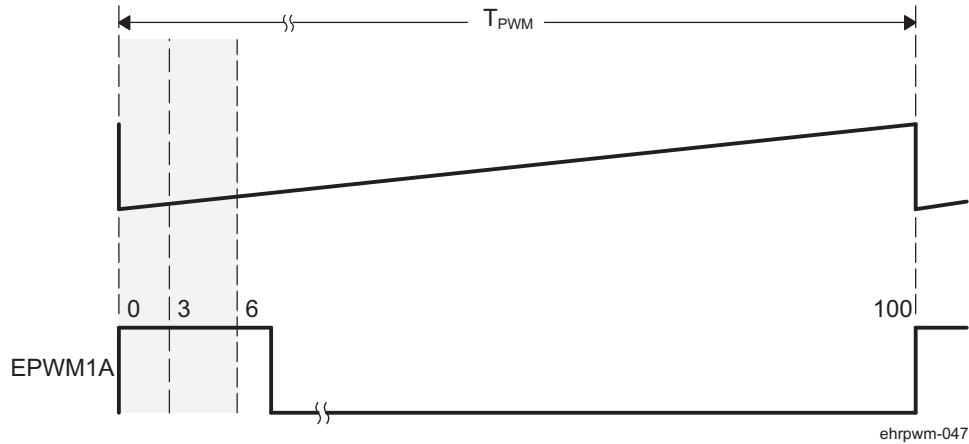
HRPWM_CMPAHR register value	= (frac(PWMDuty × PWMperiod) × MEP_SF) << 8) + 180h; frac means fractional part
	= (frac(32.4) × 55 <<8) + 180h; Shift is to move the value as CMPAHR high byte
	= ((0.4 × 55) <<8) + 180h
	= (22 <<8) + 180h
	= 22 × 256 + 180h ; Shifting left by 8 is the same multiplying by 256.
	= 5632 + 180h
	= 1600h + 180h
HRPWM_CMPAHR value	= 1780h; HRPWM_CMPAHR value = 1700h, lower 8 bits will be ignored by hardware.

29.2.2.10.5.3 HRPWM Duty Cycle Range Limitation

In high resolution mode, the MEP is not active for 100% of the PWM period. It becomes operational 3 SYSCLKOUT cycles after the period starts.

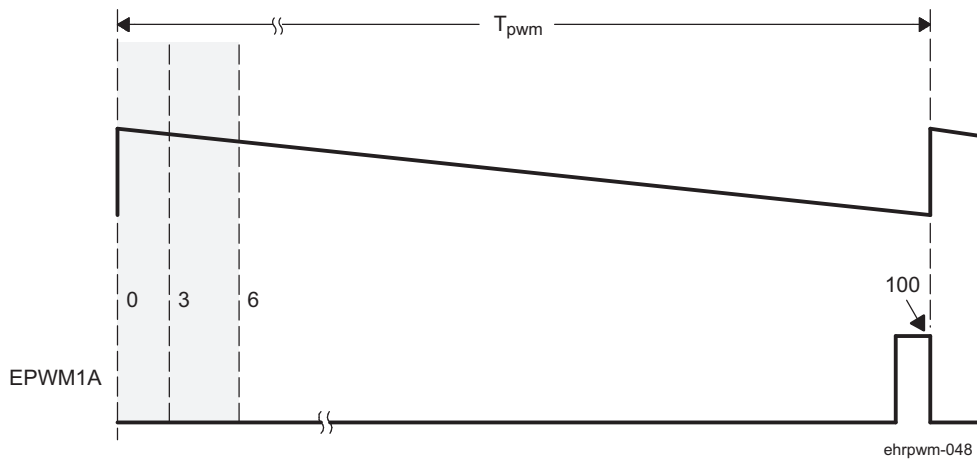
Duty cycle range limitations are illustrated in Figure 29-51. This limitation imposes a lower duty cycle limit on the MEP. For example, precision edge control is not available all the way down to 0% duty cycle. Although for the first 3 or 6 cycles, the HRPWM capabilities are not available, regular PWM duty control is still fully operational down to 0% duty. In most applications this should not be an issue as the controller regulation point is usually not designed to be close to 0% duty cycle.

Figure 29-51. Low % Duty Cycle Range Limitation Example When PWM Frequency = 1 MHz



If the application demands HRPWM operation in the low percent duty cycle region, then the HRPWM can be configured to operate in count-down mode with the rising edge position (REP) controlled by the MEP. This is illustrated in Figure 29-52. In this case low percent duty limitation is no longer an issue.

Figure 29-52. High % Duty Cycle Range Limitation Example when PWM Frequency = 1 MHz



29.2.2.11 eHRPWM Functional Register Groups

The Table 29-52 lists the groups of ePWM and the high-resolution PWM module registers according to their functionalities.

Table 29-52. ePWM/HRPWM Module Control and Status Registers Grouped by Submodule

Register Name	Offset	Size (x16)	Shadow	Register Description
Time-Base Submodule Registers				

Table 29-52. ePWM/HRPWM Module Control and Status Registers Grouped by Submodule (continued)

Register Name	Offset	Size (x16)	Shadow	Register Description
EPWM_TBCTL	0h	1	No	Time-Base Control Register
EPWM_TBSTS	2h	1	No	Time-Base Status Register
EPWM_TBPHS	6h	1	No	Time-Base Phase Register
EPWM_TBCNT	8h	1	No	Time-Base Counter Register
EPWM_TBPRD	Ah	1	Yes	Time-Base Period Register
Counter-Compare Submodule Registers				
EPWM_CMPCTL	Eh	1	No	Counter-Compare Control Register
EPWM_CMPA	12h	1	Yes	Counter-Compare A Register
EPWM_CMPB	14h	1	Yes	Counter-Compare B Register
Action-Qualifier Submodule Registers				
EPWM_AQCTLA	16h	1	No	Action-Qualifier Control Register for Output A (EPWMxA)
EPWM_AQCTLB	18h	1	No	Action-Qualifier Control Register for Output B (EPWMxB)
EPWM_AQSFRCL	1Ah	1	No	Action-Qualifier Software Force Register
EPWM_AQCSFRCS	1Ch	1	Yes	Action-Qualifier Continuous S/W Force Register Set
Dead-Band Generator Submodule Registers				
EPWM_DBCTL	1Eh	1	No	Dead-Band Generator Control Register
EPWM_DBRED	20h	1	No	Dead-Band Generator Rising Edge Delay Count Register
EPWM_DBFED	22h	1	No	Dead-Band Generator Falling Edge Delay Count Register
Trip-Zone Submodule Registers				
EPWM_TZSEL	24h	1	No	Trip-Zone Select Register
EPWM_TZCTL	28h	1	No	Trip-Zone Control Register
EPWM_TZEINT	2Ah	1	No	Trip-Zone Enable Interrupt Register
EPWM_TZFLG	2Ch	1	No	Trip-Zone Flag Register
EPWM_TZCLR	2Eh	1	No	Trip-Zone Clear Register
EPWM_TZFRC	30h	1	No	Trip-Zone Force Register
Event-Trigger Submodule Registers				
EPWM_ETSEL	32h	1	No	Event-Trigger Selection Register
EPWM_ETPS	34h	1	No	Event-Trigger Pre-Scale Register
EPWM_ETFLG	36h	1	No	Event-Trigger Flag Register
EPWM_ETCLR	38h	1	No	Event-Trigger Clear Register
EPWM ETFRC	3Ah	1	No	Event-Trigger Force Register
PWM-Chopper Submodule Registers				
EPWM_PCCTL	3Ch	1	No	PWM-Chopper Control Register
High-Resolution PWM (HRPWM) Submodule Registers				
HRPWM_TBPHSHR	4h	1	No	Extension for HRPWM Phase Register
HRPWM_CMPAHR	10h	1	No	Extension for HRPWM Counter-Compare A Register
HRPWM_HRCTL	40h	1	No	HRPWM Control Register

29.2.3 PWMSS_EPWM Register Manual

This section provides description of the device PWMSS ePWM and High Resolution-PWM relevant functional registers.

29.2.3.1 PWMSS_EPWM Instance Summary

Table 29-53. PWMSS_EPWM Instance Summary

Module Name	Module Base Address L4_PER2 Interconnect	Size (Bytes)
PWMSS1_EPWM	0x4843 E200	136 Bytes
PWMSS2_EPWM	0x4844 0200	136 Bytes
PWMSS3_EPWM	0x4844 2200	136 Bytes

29.2.3.2 PWMSS_EPWM Registers

29.2.3.2.1 PWMSS_EPWM Register Summary

Table 29-54. PWMSSn_EPWM Registers Mapping Summary

Register Name	Type	Register Width (Bits)	Address Offset	PWMSS1_EPWM Physical Address L4_PER2 Interconnect	PWMSS2_EPWM Physical Address L4_PER2 Interconnect	PWMSS3_EPWM Physical Address L4_PER2 Interconnect
EPWM_TBCTL	RW	16	0x0000 0000	0x4843 E200	0x4844 0200	0x4844 2200
EPWM_TBSTS	RW	16	0x0000 0002	0x4843 E202	0x4844 0202	0x4844 2202
HRPWM_TBPHSHR	RW	16	0x0000 0004	0x4843 E204	0x4844 0204	0x4844 2204
EPWM_TBPHS	RW	16	0x0000 0006	0x4843 E206	0x4844 0206	0x4844 2206
EPWM_TBCNT	RW	16	0x0000 0008	0x4843 E208	0x4844 0208	0x4844 2208
EPWM_TBPRD	RW	16	0x0000 000A	0x4843 E20A	0x4844 020A	0x4844 220A
EPWM_CMPCTL	RW	16	0x0000 000E	0x4843 E20E	0x4844 020E	0x4844 220E
HRPWM_CMPAHR	RW	16	0x0000 0010	0x4843 E210	0x4844 0210	0x4844 2210
EPWM_CMPA	RW	16	0x0000 0012	0x4843 E212	0x4844 0212	0x4844 2212
EPWM_CMPB	RW	16	0x0000 0014	0x4843 E214	0x4844 0214	0x4844 2214
EPWM_AQCTLA	RW	16	0x0000 0016	0x4843 E216	0x4844 0216	0x4844 2216
EPWM_AQCTLB	RW	16	0x0000 0018	0x4843 E218	0x4844 0218	0x4844 2218
EPWM_AQSFRCA	RW	16	0x0000 001A	0x4843 E21A	0x4844 021A	0x4844 221A
EPWM_AQCSFRCB	RW	16	0x0000 001C	0x4843 E21C	0x4844 021C	0x4844 221C
EPWM_DBCTL	RW	16	0x0000 001E	0x4843 E21E	0x4844 021E	0x4844 221E
EPWM_DBRED	RW	16	0x0000 0020	0x4843 E220	0x4844 0220	0x4844 2220
EPWM_DBFED	RW	16	0x0000 0022	0x4843 E222	0x4844 0222	0x4844 2222
EPWM_TZSEL	RW	16	0x0000 0024	0x4843 E224	0x4844 0224	0x4844 2224
EPWM_TZCTL	RW	16	0x0000 0028	0x4843 E228	0x4844 0228	0x4844 2228
EPWM_TZEINT	RW	16	0x0000 002A	0x4843 E22A	0x4844 022A	0x4844 222A
EPWM_TZFLG	R	16	0x0000 002C	0x4843 E22C	0x4844 022C	0x4844 222C
EPWM_TZCLR	RW	16	0x0000 002E	0x4843 E22E	0x4844 022E	0x4844 222E
EPWM_TZFRCA	RW	16	0x0000 0030	0x4843 E230	0x4844 0230	0x4844 2230
EPWM_TZSEL	RW	16	0x0000 0032	0x4843 E232	0x4844 0232	0x4844 2232
EPWM_ETPS	RW	16	0x0000 0034	0x4843 E234	0x4844 0234	0x4844 2234
EPWM_ETFLG	R	16	0x0000 0036	0x4843 E236	0x4844 0236	0x4844 2236
EPWM_ETCLR	RW	16	0x0000 0038	0x4843 E238	0x4844 0238	0x4844 2238
EPWM_ETFRCA	RW	16	0x0000 003A	0x4843 E23A	0x4844 023A	0x4844 223A
EPWM_PCCTL	RW	16	0x0000 003C	0x4843 E23C	0x4844 023C	0x4844 223C

Table 29-54. PWMSSn_EPWM Registers Mapping Summary (continued)

Register Name	Type	Register Width (Bits)	Address Offset	PWMSS1_EPWM Physical Address L4_PER2 Interconnect	PWMSS2_EPWM Physical Address L4_PER2 Interconnect	PWMSS3_EPWM Physical Address L4_PER2 Interconnect
HRPWM_HRCTL	RW	16	0x0000 00C0	0x4843 E2C0	0x4844 02C0	0x4844 22C0

29.2.3.2.2 PWMSS_EPWM Register Description
Table 29-55. EPWM_TBCTL

Address Offset	0x0000 0000	Instance	PWMSS1_EPWM PWMSS2_EPWM PWMSS3_EPWM
Physical Address	0x4843 E200 0x4844 0200 0x4844 2200		
Description			
Type	RW		

15	14	13	12	11	10	9	8	7	6	5	4	3	2	1	0
FREE_SOFT		PHSDIR	CLKDIV			HSPCLKDIV		SWFSYNC	SYNCOSEL		PRDLD	PHSEN	CTRMODE		

Bits	Field Name	Description	Type	Reset
15:14	FREE_SOFT	Emulation Mode Bits. These bits select the behavior of the ePWM time-base counter during emulation events: 0x0 = Stop after the next time-base counter increment or decrement 0x1 = Stop when counter completes a whole cycle. (a) Up-count mode: stop when the time-base counter = period (EPWM_TBCNT bitfield TBCNT = TBPRD in EPWM_TBPRD active register). (b) Down-count mode: stop when the time-base counter = 0000 (EPWM_TBCNT bitfield TBCNT = 0000h). (c) Up-down-count mode: stop when the time-base counter = 0000 (EPWM_TBCNT bitfield TBCNT = 0000h). 0x2 = Free run 0x3 = Free run	RW	0x0
13	PHSDIR	Phase Direction Bit. This bit is only used when the time-base counter is configured in the up-down-count mode. The PHSDIR bit indicates the direction the time-base counter (EPWM_TBCNT) will count after a synchronization event occurs and a new phase value is loaded from the phase (EPWM_TBPHS) register. This is irrespective of the direction of the counter before the synchronization event.. In the up-count and down-count modes this bit is ignored. 0x0 = Count down after the synchronization event. 0x1 = Count up after the synchronization event.	RW	0x0
12:10	CLKDIV	Time-base Clock Prescale Bits. These bits determine part of the time-base clock prescale value. $TBCLK = SYSCLKOUT / (HSPCLKDIV \times CLKDIV)$ 0x0 = /1 (default on reset) 0x1 = /2 0x2 = /4 0x3 = /8 0x4 = /16 0x5 = /32 0x6 = /64 0x7 = /128	RW	0x0

Bits	Field Name	Description	Type	Reset
9:7	HSPCLKDIV	High-Speed Time-base Clock Prescale Bits. These bits determine part of the time-base clock prescale value. TBCLK = SYSCLKOUT/(HSPCLKDIV x CLKDIV). This divisor emulates the HSPCLK in the TMS320x281x system as used on the Event Manager (EV) peripheral. 0x0 = /1 0x1 = /2 (default on reset) 0x2 = /4 0x3 = /6 0x4 = /8 0x5 = /10 0x6 = /12 0x7 = /14	RW	0x0
6	SWFSYNC	Software Forced Synchronization Pulse. 0x0 = Writing a 0 has no effect and reads always return a 0. 0x1 = Writing a 1 forces a one-time synchronization pulse to be generated. This event is ORed with the EPWMxSYNCl input of the ePWM module. SWFSYNC is valid (operates) only when EPWMxSYNCl is selected by SYNCOSSEL = 00.	RW	0x0
5:4	SYNCOSSEL	Synchronization Output Select. These bits select the source of the EPWMxSYNCO signal. 0x0 = EPWMxSYNCO: 0x1 = TBCNT = 0: Time-base counter equal to zero (EPWM_TBCNT bitfield TBCNT= 0000h) 0x2 = TBCNT = CMPB : Time-base counter equal to counter-compare B (EPWM_TBCNT bitfield TBCNT = CMPB bitfield in EPWM_CMPB) 0x3 = Disable EPWMxSYNCO signal	RW	0x0
3	PRDL	Active Period Register Load From Shadow Register Select 0x0 = The period register (EPWM_TBPRD) is loaded from its shadow register when the time-base counter, TBCNT, is equal to zero. A write or read to the EPWM_TBPRD register accesses the shadow register. 0x1 = Load the EPWM_TBPRD register immediately without using a shadow register. A write or read to the EPWM_TBPRD register directly accesses the active register.	RW	0x0
2	PHSEN	Counter Register Load From Phase Register Enable 0x0 = Do not load the time-base counter (EPWM_TBCNT) from the time-base phase register (EPWM_TBPHS) 0x1 = Load the time-base counter with the phase register when an EPWMxSYNCl input signal occurs or when a software synchronization is forced by the SWFSYNC bit.	RW	0x0
1:0	CTRM	Counter Mode. The time-base counter mode is normally configured once and not changed during normal operation. If you change the mode of the counter, the change will take effect at the next TBCLK edge and the current counter value shall increment or decrement from the value before the mode change. These bits set the time-base counter mode of operation as follows: 0x0 = Up-count mode 0x1 = Down-count mode 0x2 = Up-down-count mode 0x3 = Stop-freeze counter operation (default on reset)	RW	0x0

Table 29-56. Register Call Summary for Register EPWM_TBCTL

PWM Subsystem Resources

- [Daisy-Chain Connectivity between PWMSS Modules: \[0\]](#)

Enhanced PWM (ePWM) Module

- [Controlling and Monitoring the ePWM Time-Base Submodule: \[1\]](#)
- [Calculating PWM Period and Frequency: \[2\]\[3\]\[4\]\[5\]\[6\]\[7\]\[8\]\[9\]](#)
- [Phase Locking the Time-Base Clocks of Multiple ePWM Modules: \[10\]](#)
- [Operational Highlights for the ePWM Counter-Compare Submodule: \[11\]\[12\]](#)
- [Waveforms for Common ePWM Configurations: \[13\]\[14\]\[15\]\[16\]\[17\]\[18\]](#)
- [eHRPWM Functional Register Groups: \[19\]](#)
- [PWMSS_EPWM Register Summary: \[20\]](#)
- [PWMSS_EPWM Register Description: \[21\]\[22\]\[23\]\[24\]\[25\]\[26\]](#)

Table 29-57. EPWM_TBSTS

Address offset	0x2		
Physical Address	0x4843 E202 0x4844 0202 0x4844 2202	Instance	PWMSS1_EPWM PWMSS2_EPWM PWMSS3_EPWM
Description			
Type	RW		

15	14	13	12	11	10	9	8	7	6	5	4	3	2	1	0
RESERVED													CTRMAX	SYNCI	CTDIR

Bits	Field Name	Description	Type	Reset
15:3	RESERVED		R	0x0000
2	CTRMAX	Time-Base Counter Max Latched Status Bit. 0x0 = Reading a 0 indicates the time-base counter never reached its maximum value. Writing a 0 will have no effect. 0x1 = Reading a 1 on this bit indicates that the time-base counter reached the max value 0xFFFF. Writing a 1 to this bit will clear the latched event.	RW1C	0x0
1	SYNCI	Input Synchronization Latched Status Bit. 0x0 = Writing a 0 will have no effect. Reading a 0 indicates no external synchronization event has occurred. 0x1 = Reading a 1 on this bit indicates that an external synchronization event has occurred (EPWMxSYNCI). Writing a 1 to this bit will clear the latched event.	RW1C	0x0
0	CTDIR	Time-Base Counter Direction Status Bit. At reset, the counter is frozen, therefore, this bit has no meaning. To make this bit meaningful, you must first set the appropriate mode via EPWM_TBCTL[1:0] CTRMODE . 0x0 = Time-Base Counter is currently counting down. 0x1 = Time-Base Counter is currently counting up.	R	0x0

Table 29-58. Register Call Summary for Register EPWM_TBSTS

Enhanced PWM (ePWM) Module

- [Controlling and Monitoring the ePWM Time-Base Submodule: \[0\]](#)
- [eHRPWM Functional Register Groups: \[1\]](#)
- [PWMSS_EPWM Register Summary: \[2\]](#)

Table 29-59. HRPWM_TBPHSHR

Address offset	0x4															
Physical Address	0x4843 E204							Instance	PWMSS1_EPWM							
	0x4844 0204								PWMSS2_EPWM							
	0x4844 2204								PWMSS3_EPWM							
Description																
Type	RW															
	15	14	13	12	11	10	9	8	7	6	5	4	3	2	1	0
	TBPHSH								RESERVED							
Bits	15:8		7:0													
Field Name	TBPHSH		RESERVED													
Description	Time-base phase high-resolution bits															
Type	RW		R													
Reset	0x0		0x0													

Table 29-60. Register Call Summary for Register HRPWM_TBPHSHR

Enhanced PWM (ePWM) Module

- [Controlling and Monitoring the ePWM Time-Base Submodule: \[0\]](#)
- [Controlling and Monitoring the High-Resolution PWM Submodule: \[1\]\[2\]](#)
- [Configuring the High-Resolution PWM Submodule: \[3\]\[4\]\[5\]](#)
- [eHRPWM Functional Register Groups: \[6\]](#)
- [PWMSS_EPWM Register Summary: \[7\]](#)

Table 29-61. EPWM_TBPHS

Address offset	0x6															
Physical Address	0x4843 E206							Instance	PWMSS1_EPWM							
	0x4844 0206								PWMSS2_EPWM							
	0x4844 2206								PWMSS3_EPWM							
Description																
Type	RW															
	15	14	13	12	11	10	9	8	7	6	5	4	3	2	1	0
	TBPHS															
Bits	15:0															
Field Name	TBPHS															
Description	These bits set time-base counter phase of the selected ePWM relative to the time-base that is supplying the synchronization input signal. (a) If EPWM_TBCTL[2] PHSEN = 0, then the synchronization event is ignored and the time-base counter is not loaded with the phase. (b) If EPWM_TBCTL[2] PHSEN = 1, then the time-base counter (TBCNT) will be loaded with the phase (TBPHS) when a synchronization event occurs. The synchronization event can be initiated by the input synchronization signal (EPWMxSYNCl) or by a software forced synchronization.															
Type	RW															
Reset	0x0															

Table 29-62. Register Call Summary for Register EPWM_TBPHS

Enhanced PWM (ePWM) Module

- [Controlling and Monitoring the ePWM Time-Base Submodule: \[0\]](#)
- [Calculating PWM Period and Frequency: \[1\]\[2\]](#)
- [Waveforms for Common ePWM Configurations: \[3\]\[4\]\[5\]\[6\]\[7\]\[8\]](#)
- [Controlling and Monitoring the High-Resolution PWM Submodule: \[9\]](#)
- [eHRPWM Functional Register Groups: \[10\]](#)
- [PWMSS_EPWM Register Summary: \[11\]](#)
- [PWMSS_EPWM Register Description: \[12\]\[13\]](#)

Table 29-63. EPWM_TBCNT

Address offset	0x8																					
Physical Address	0x4843 E208				0x4844 0208				0x4844 2208				Instance	PWMSS1_EPWM			PWMSS2_EPWM			PWMSS3_EPWM		
Description																						
Type	RW																					
	15	14	13	12	11	10	9	8	7	6	5	4	3	2	1	0						
	TBCNT																					
Bits	15:0		Field Name	TBCNT										Description	Type	Reset						
	15:0		TBCNT	Reading these bits gives the current time-base counter value. Writing to these bits sets the current time-base counter value. The update happens as soon as the write occurs. The write is NOT synchronized to the time-base clock (TBCLK) and the register is not shadowed.										RW	0x0							

Table 29-64. Register Call Summary for Register EPWM_TBCNT

Enhanced PWM (ePWM) Module

- [Purpose of the ePWM Time-Base Submodule: \[0\]\[1\]](#)
- [Controlling and Monitoring the ePWM Time-Base Submodule: \[2\]\[3\]\[4\]\[5\]](#)
- [Calculating PWM Period and Frequency: \[6\]\[7\]\[8\]](#)
- [Operational Highlights for the ePWM Counter-Compare Submodule: \[9\]](#)
- [Waveforms for Common ePWM Configurations: \[10\]\[11\]\[12\]\[13\]\[14\]\[15\]](#)
- [Operational Highlights for the ePWM Trip-Zone Submodule: \[16\]](#)
- [Operational Overview of the ePWM Event-Trigger Submodule: \[17\]\[18\]](#)
- [eHRPWM Functional Register Groups: \[19\]](#)
- [PWMSS_EPWM Register Summary: \[20\]](#)
- [PWMSS_EPWM Register Description: \[21\]\[22\]\[23\]\[24\]\[25\]\[26\]\[27\]\[28\]\[29\]\[30\]\[31\]\[32\]\[33\]\[34\]](#)

Table 29-65. EPWM_TBPRD

Address offset	0xA													
Physical Address	0x4843 E20A							Instance						
	0x4844 020A							PWMSS1_EPWM						
	0x4844 220A							PWMSS2_EPWM						
								PWMSS3_EPWM						
Description														
Type	RW													

15	14	13	12	11	10	9	8	7	6	5	4	3	2	1	0
TBPRD															

Bits	Field Name	Description	Type	Reset
15:0	TBPRD	These bits determine the period of the time-base counter. This sets the PWM frequency. Shadowing of this register is enabled and disabled by the EPWM_TBCTL[3] PRDL bit. By default this register is shadowed. (a) If EPWM_TBCTL[3] PRDL = 0, then the shadow is enabled and any write or read will automatically go to the shadow register. In this case, the active register will be loaded from the shadow register when the time-base counter equals zero. (b) If EPWM_TBCTL[3] PRDL = 1, then the shadow is disabled and any write or read will go directly to the active register, that is the register actively controlling the hardware. (c) The active and shadow registers share the same memory map address.	RW	0x0

Table 29-66. Register Call Summary for Register EPWM_TBPRD

Enhanced PWM (ePWM) Module

- [Purpose of the ePWM Time-Base Submodule: \[0\]](#)
- [Controlling and Monitoring the ePWM Time-Base Submodule: \[1\]](#)
- [Calculating PWM Period and Frequency: \[2\]\[3\]\[4\]\[5\]\[6\]\[7\]\[8\]\[9\]\[10\]](#)
- [ePWM Action-Qualifier Event Priority: \[11\]](#)
- [Waveforms for Common ePWM Configurations: \[12\]\[13\]\[14\]\[15\]\[16\]\[17\]\[18\]\[19\]](#)
- [Operational Overview of the ePWM Event-Trigger Submodule: \[20\]](#)
- [eHRPWM Functional Register Groups: \[21\]](#)
- [PWMSS_EPWM Register Summary: \[22\]](#)
- [PWMSS_EPWM Register Description: \[23\]\[24\]\[25\]\[26\]\[27\]\[28\]\[29\]](#)

Table 29-67. EPWM_CMPCTL

Address offset	0xE													
Physical Address	0x4843 E20E							Instance						
	0x4844 020E							PWMSS1_EPWM						
	0x4844 220E							PWMSS2_EPWM						
								PWMSS3_EPWM						
Description														
Type	RW													

15	14	13	12	11	10	9	8	7	6	5	4	3	2	1	0
RESERVED							SHDWBFULL	SHDWAFULL	RESERVED	SHDWBMODE	RESERVED	SHDWAMODE	LOADBMODE		LOADAMODE

Bits	Field Name	Description	Type	Reset
15:10	RESERVED		R	0x0
9	SHDWBFULL	Counter-compare B (EPWM_CMPB) Shadow Register Full Status Flag. This bit self clears once a load-strobe occurs. 0x0 = CMPB shadow FIFO not full yet 0x1 = Indicates the CMPB shadow FIFO is full. A CPU write will overwrite current shadow value.	R	0x0
8	SHDWAFULL	Counter-compare A (EPWM_CMPA) Shadow Register Full Status Flag. The flag bit is set when a 32 bit write to CMPA:CMPAHR register or a 16 bit write to EPWM_CMPA register is made. A 16 bit write to HRPWM_CMPAHR register will not affect the flag. This bit self clears once a load-strobe occurs. 0x0 = CMPA shadow FIFO not full yet 0x1 = Indicates the CMPA shadow FIFO is full, a CPU write will overwrite the current shadow value.	R	0x0
7	RESERVED		R	0x0
6	SHDWBMODE	Counter-compare B (EPWM_CMPB) Register Operating Mode. 0x0 = Shadow mode. Operates as a double buffer. All writes via the CPU access the shadow register. 0x1 = Immediate mode. Only the active compare B register is used. All writes and reads directly access the active register for immediate compare action.	RW	0x0
5	RESERVED		R	0x0
4	SHDWAMODE	Counter-compare A (EPWM_CMPA) Register Operating Mode. 0x0 = Shadow mode. Operates as a double buffer. All writes via the CPU access the shadow register. 0x1 = Immediate mode. Only the active compare register is used. All writes and reads directly access the active register for immediate compare action	RW	0x0
3:2	LOADBMODE	Active Counter-Compare B (CMPB) Load From Shadow Select Mode. This bit has no effect in immediate mode (EPWM_CMPCTL [6] SHDWBMODE = 1). 0x0 = Load on TBCNT = 0: Time-base counter equal to zero (EPWM_TBCNT bitfield TBCNT= 0000h) 0x1 = Load on TBCNT = PRD: Time-base counter equal to period (EPWM_TBCNT bitfield TBCNT = TBPRD bitfield of the active EPWM_TBPRD) 0x2 = Load on either TBCNT = 0 or TBCNT = PRD 0x3 = Freeze (no loads possible)	RW	0x0
1:0	LOADAMODE	Active Counter-Compare A (EPWM_CMPA) Load From Shadow Select Mode. This bit has no effect in immediate mode (EPWM_CMPCTL [4] SHDWAMODE = 1). 0x0 = Load on TBCNT = 0: Time-base counter equal to zero (EPWM_TBCNT bitfield TBCNT = 0000h) 0x1 = Load on TBCNT = PRD: Time-base counter equal to period (EPWM_TBCNT bitfield TBCNT= TBPRD bitfield of the active EPWM_TBPRD) 0x2 = Load on either TBCNT = 0 or TBCNT = PRD 0x3 = Freeze (no loads possible)	RW	0x0

Table 29-68. Register Call Summary for Register EPWM_CMPCTL

Enhanced PWM (ePWM) Module

- [Controlling and Monitoring the ePWM Counter-Compare Submodule: \[0\]](#)
- [Operational Highlights for the ePWM Counter-Compare Submodule: \[1\]\[2\]\[3\]\[4\]\[5\]\[6\]](#)
- [Waveforms for Common ePWM Configurations: \[7\]\[8\]\[9\]\[10\]\[11\]\[12\]](#)
- [eHRPWM Functional Register Groups: \[13\]](#)
- [PWMSS_EPWM Register Summary: \[14\]](#)
- [PWMSS_EPWM Register Description: \[15\]\[16\]\[17\]\[18\]\[19\]\[20\]\[21\]\[22\]\[23\]\[24\]\[25\]\[26\]\[27\]](#)

Table 29-69. HRPWM_CMPAHR

Address offset	0x10														
Physical Address	0x4843 E210					Instance					PWMSS1_EPWM				
	0x4844 0210										PWMSS2_EPWM				
	0x4844 2210										PWMSS3_EPWM				
Description															
Type	RW														

15	14	13	12	11	10	9	8	7	6	5	4	3	2	1	0
CMPAHR								RESERVED							

Bits	Field Name	Description	Type	Reset
15:8	CMPAHR	Compare A High-Resolution register bits for MEP step control. A minimum value of 1h is needed to enable HRPWM capabilities. Valid MEP range of operation 1-255h.	RW	0x1
7:0	RESERVED		R	0x0

Table 29-70. Register Call Summary for Register HRPWM_CMPAHR

Enhanced PWM (ePWM) Module

- [Controlling and Monitoring the ePWM Counter-Compare Submodule: \[0\]](#)
- [Architecture of the High-Resolution PWM Submodule: \[1\]](#)
- [Controlling and Monitoring the High-Resolution PWM Submodule: \[2\]\[3\]](#)
- [Configuring the High-Resolution PWM Submodule: \[4\]\[5\]\[6\]](#)
- [Operational Highlights for the High-Resolution PWM Submodule: \[7\]\[8\]\[9\]\[10\]\[11\]\[12\]](#)
- [eHRPWM Functional Register Groups: \[13\]](#)
- [PWMSS_EPWM Register Summary: \[14\]](#)
- [PWMSS_EPWM Register Description: \[15\]](#)

Table 29-71. EPWM_CMPA

Address offset	0x12														
Physical Address	0x4843 E212					Instance					PWMSS1_EPWM				
	0x4844 0212										PWMSS2_EPWM				
	0x4844 2212										PWMSS3_EPWM				
Description															
Type	RW														

15	14	13	12	11	10	9	8	7	6	5	4	3	2	1	0
CMPA															

Bits	Field Name	Description	Type	Reset
15:0	CMPA	The value in the active EPWM_CMPA register is continuously compared to the time-base counter (register EPWM_TBCNT). When the values are equal, the counter-compare module generates a "time-base counter equal to counter compare A" event. This event is sent to the action-qualifier where it is qualified and converted it into one or more actions. These actions can be applied to either the EPWMxA or the EPWMxB output depending on the configuration of the EPWM_AQCTLA and EPWM_AQCTLB registers. The actions that can be defined in the EPWM_AQCTLA and EPWM_AQCTLB registers include the following. (a) Do nothing the event is ignored. (b) Clear: Pull the EPWMxA and/or EPWMxB signal low. (c) Set: Pull the EPWMxA and/or EPWMxB signal high. (d) Toggle the EPWMxA and/or EPWMxB signal. Shadowing of this register is enabled and disabled by the EPWM_CMPCTL [4] SHDWAMODE bit. By default this register is shadowed. (a) If EPWM_CMPCTL [4] SHDWAMODE = 0, then the shadow is enabled and any write or read will automatically go to the shadow register. In this case, the EPWM_CMPCTL [1:0] LOADAMODE bit field determines which event will load the active register from the shadow register. (b) Before a write, the EPWM_CMPCTL [8] SHDWAFULL bit can be read to determine if the shadow register is currently full. (c) If EPWM_CMPCTL [4] SHDWAMODE = 1, then the shadow register is disabled and any write or read will go directly to the active register, that is the register actively controlling the hardware. (d) In either mode, the active and shadow registers share the same memory map address.	RW	0x0

Table 29-72. Register Call Summary for Register EPWM_CMPA

Enhanced PWM (ePWM) Module

- [Purpose of the ePWM Counter-Compare Submodule: \[0\]\[1\]](#)
- [Controlling and Monitoring the ePWM Counter-Compare Submodule: \[2\]](#)
- [Operational Highlights for the ePWM Counter-Compare Submodule: \[3\]\[4\]\[5\]\[6\]\[7\]](#)
- [Waveforms for Common ePWM Configurations: \[8\]\[9\]\[10\]\[11\]\[12\]\[13\]\[14\]\[15\]\[16\]\[17\]\[18\]\[19\]\[20\]\[21\]\[22\]\[23\]\[24\]\[25\]\[26\]\[27\]\[28\]](#)
- [Operational Overview of the ePWM Event-Trigger Submodule: \[29\]\[30\]](#)
- [Controlling and Monitoring the High-Resolution PWM Submodule: \[31\]](#)
- [Operational Highlights for the High-Resolution PWM Submodule: \[32\]\[33\]\[34\]\[35\]](#)
- [eHRPWM Functional Register Groups: \[36\]](#)
- [PWMSS_EPWM Register Summary: \[37\]](#)
- [PWMSS_EPWM Register Description: \[38\]\[39\]\[40\]\[41\]\[42\]\[43\]\[44\]\[45\]\[46\]](#)

Table 29-73. EPWM_CMPB

Address offset	0x14															
Physical Address	0x4843 E214					0x4844 0214					0x4844 2214					
Description																
Type	RW															
	15	14	13	12	11	10	9	8	7	6	5	4	3	2	1	0
	CMPB															

Bits	Field Name	Description	Type	Reset
9:8	CBU	Action when the counter equals the active EPWM_CMPB register and the counter is incrementing. 0x0 = Do nothing (action disabled) 0x1 = Clear: force EPWMxA output low. 0x2 = Set: force EPWMxA output high. 0x3 = Toggle EPWMxA output: low output signal will be forced high, and a high signal will be forced low.	RW	0x0
7:6	CAD	Action when the counter equals the active EPWM_CMPA register and the counter is decrementing. 0x0 = Do nothing (action disabled) 0x1 = Clear: force EPWMxA output low. 0x2 = Set: force EPWMxA output high. 0x3 = Toggle EPWMxA output: low output signal will be forced high, and a high signal will be forced low.	RW	0x0
5:4	CAU	Action when the counter equals the active EPWM_CMPA register and the counter is incrementing. 0x0 = Do nothing (action disabled) 0x1 = Clear: force EPWMxA output low. 0x2 = Set: force EPWMxA output high. 0x3 = Toggle EPWMxA output: low output signal will be forced high, and a high signal will be forced low.	RW	0x0
3:2	PRD	Action when the counter equals the period. Note: By definition, in count up-down mode when the counter equals period the direction is defined as 0 or counting down. 0x0 = Do nothing (action disabled) 0x1 = Clear: force EPWMxA output low. 0x2 = Set: force EPWMxA output high. 0x3 = Toggle EPWMxA output: low output signal will be forced high, and a high signal will be forced low.	RW	0x0
1:0	ZRO	Action when counter equals zero. Note: By definition, in count up-down mode when the counter equals 0 the direction is defined as 1 or counting up. 0x0 = Do nothing (action disabled) 0x1 = Clear: force EPWMxA output low. 0x2 = Set: force EPWMxA output high. 0x3 = Toggle EPWMxA output: low output signal will be forced high, and a high signal will be forced low.	RW	0x0

Table 29-76. Register Call Summary for Register EPWM_AQCTLA

Enhanced PWM (ePWM) Module

- [Controlling and Monitoring the ePWM Action-Qualifier Submodule: \[0\]](#)
- [Waveforms for Common ePWM Configurations: \[1\]\[2\]\[3\]\[4\]\[5\]\[6\]](#)
- [eHRPWM Functional Register Groups: \[7\]](#)
- [PWMSS_EPWM Register Summary: \[8\]](#)
- [PWMSS_EPWM Register Description: \[9\]\[10\]\[11\]\[12\]](#)

Table 29-77. EPWM_AQCTLB

Address offset	0x18											
Physical Address	0x4843 E218				0x4844 0218				0x4844 2218			
	Instance								PWMSS1_EPWM			
									PWMSS2_EPWM			
									PWMSS3_EPWM			
Description												
Type	RW											

15	14	13	12	11	10	9	8	7	6	5	4	3	2	1	0
RESERVED				CBD		CBU		CAD		CAU		PRD		ZRO	

Bits	Field Name	Description	Type	Reset
15:12	RESERVED		R	0x0
11:10	CBD	Action when the counter equals the active EPWM_CMPB register and the counter is decrementing. 0x0 = Do nothing (action disabled) 0x1 = Clear: force EPWMxB output low. 0x2 = Set: force EPWMxB output high. 0x3 = Toggle EPWMxB output: low output signal will be forced high, and a high signal will be forced low.	RW	0x0
9:8	CBU	Action when the counter equals the active EPWM_CMPB register and the counter is incrementing. 0x0 = Do nothing (action disabled) 0x1 = Clear: force EPWMxB output low. 0x2 = Set: force EPWMxB output high. 0x3 = Toggle EPWMxB output: low output signal will be forced high, and a high signal will be forced low.	RW	0x0
7:6	CAD	Action when the counter equals the active EPWM_CMPA register and the counter is decrementing. 0x0 = Do nothing (action disabled) 0x1 = Clear: force EPWMxB output low. 0x2 = Set: force EPWMxB output high. 0x3 = Toggle EPWMxB output: low output signal will be forced high, and a high signal will be forced low.	RW	0x0
5:4	CAU	Action when the counter equals the active EPWM_CMPA register and the counter is incrementing. 0x0 = Do nothing (action disabled) 0x1 = Clear: force EPWMxB output low. 0x2 = Set: force EPWMxB output high. 0x3 = Toggle EPWMxB output: low output signal will be forced high, and a high signal will be forced low.	RW	0x0
3:2	PRD	Action when the counter equals the period. Note: By definition, in count up-down mode when the counter equals period the direction is defined as 0 or counting down. 0x0 = Do nothing (action disabled) 0x1 = Clear: force EPWMxB output low. 0x2 = Set: force EPWMxB output high. 0x3 = Toggle EPWMxB output: low output signal will be forced high, and a high signal will be forced low.	RW	0x0
1:0	ZRO	Action when counter equals zero. Note: By definition, in count up-down mode when the counter equals 0 the direction is defined as 1 or counting up. 0x0 = Do nothing (action disabled) 0x1 = Clear: force EPWMxB output low. 0x2 = Set: force EPWMxB output high. 0x3 = Toggle EPWMxB output: low output signal will be forced high, and a high signal will be forced low.	RW	0x0

Table 29-78. Register Call Summary for Register EPWM_AQCTLB

Enhanced PWM (ePWM) Module

- [Controlling and Monitoring the ePWM Action-Qualifier Submodule: \[0\]](#)
- [Waveforms for Common ePWM Configurations: \[1\]\[2\]\[3\]\[4\]\[5\]\[6\]](#)
- [eHRPWM Functional Register Groups: \[7\]](#)
- [PWMSS_EPWM Register Summary: \[8\]](#)
- [PWMSS_EPWM Register Description: \[9\]\[10\]\[11\]\[12\]](#)

Table 29-79. EPWM_AQSFRC

Address offset	0x1A	Instance	PWMSS1_EPWM PWMSS2_EPWM PWMSS3_EPWM
Physical Address	0x4843 E21A 0x4844 021A 0x4844 221A		
Description			
Type	RW		

15	14	13	12	11	10	9	8	7	6	5	4	3	2	1	0
RESERVED								RLDCSF	OTSFB	ACTSFB	OTSFA	ACTSFA			

Bits	Field Name	Description	Type	Reset
15:8	RESERVED		R	0x0
7:6	RLDCSF	EPWM_AQCSFRC Active Register Reload From Shadow Options. 0x0 = Load on event counter equals zero 0x1 = Load on event counter equals period 0x2 = Load on event counter equals zero or counter equals period 0x3 = Load immediately (the active register is directly accessed by the CPU and is not loaded from the shadow register).	RW	0x0
5	OTSFB	One-Time Software Forced Event on Output B. 0x0 = Writing a 0 (zero) has no effect. Always reads back a 0. This bit is auto cleared once a write to this register is complete, that is, a forced event is initiated. This is a one-shot forced event. It can be overridden by another subsequent event on output B. 0x1 = Initiates a single s/w forced event	RW	0x0
4:3	ACTSFB	Action when One-Time Software Force B Is Invoked 0x0 = Does nothing (action disabled) 0x1 = Clear (low) 0x2 = Set (high) 0x3 = Toggle (Low -> High, High -> Low). Note: This action is not qualified by counter direction (CNT_dir)	RW	0x0
2	OTSFA	One-Time Software Forced Event on Output A. 0x0 = Writing a 0 (zero) has no effect. Always reads back a 0. This bit is auto cleared once a write to this register is complete (that is, a forced event is initiated). 0x1 = Initiates a single software forced event.	RW	0x0
1:0	ACTSFA	Action When One-Time Software Force A Is Invoked. 0x0 = Does nothing (action disabled). 0x1 = Clear (low). 0x2 = Set (high). 0x3 = Toggle (Low -> High, High -> Low). Note: This action is not qualified by counter direction (CNT_dir)	RW	0x0

Table 29-80. Register Call Summary for Register EPWM_AQSFRC

Enhanced PWM (ePWM) Module

- [Controlling and Monitoring the ePWM Action-Qualifier Submodule: \[0\]\[1\]](#)
- [eHRPWM Functional Register Groups: \[2\]](#)
- [PWMSS_EPWM Register Summary: \[3\]](#)
- [PWMSS_EPWM Register Description: \[4\]](#)

Table 29-81. EPWM_AQCSFRC

Address offset	0x1C																					
Physical Address	0x4843 E21C				0x4844 021C				0x4844 221C				Instance	PWMSS1_EPWM			PWMSS2_EPWM			PWMSS3_EPWM		
Description																						
Type	RW																					
	15	14	13	12	11	10	9	8	7	6	5	4	3	2	1	0						
	RESERVED											CSFB		CSFA								
Bits	Field Name		Description											Type	Reset							
15:4	RESERVED													R	0x0							
3:2	CSFB		Continuous Software Force on Output B. In immediate mode, a continuous force takes effect on the next TBCLK edge. In shadow mode, a continuous force takes effect on the next TBCLK edge after a shadow load into the active register. To configure shadow mode, use EPWM_AQSFRC[7:6] RLDCSF. 0x0 = Forcing disabled, that is, has no effect 0x1 = Forces a continuous low on output B 0x2 = Forces a continuous high on output B 0x3 = Software forcing is disabled and has no effect											RW	0x0							
1:0	CSFA		Continuous Software Force on Output A In immediate mode, a continuous force takes effect on the next TBCLK edge. In shadow mode, a continuous force takes effect on the next TBCLK edge after a shadow load into the active register. 0x0 = Forcing disabled, that is, has no effect 0x1 = Forces a continuous low on output A 0x2 = Forces a continuous high on output A 0x3 = Software forcing is disabled and has no effect											RW	0x0							

Table 29-82. Register Call Summary for Register EPWM_AQCSFRC

Enhanced PWM (ePWM) Module

- [Controlling and Monitoring the ePWM Action-Qualifier Submodule: \[0\]\[1\]](#)
- [eHRPWM Functional Register Groups: \[2\]](#)
- [PWMSS_EPWM Register Summary: \[3\]](#)
- [PWMSS_EPWM Register Description: \[4\]](#)

Table 29-83. EPWM_DBCTL

Address offset	0x1E																		
Physical Address	0x4843 E21E					0x4844 021E					0x4844 221E					Instance	PWMSS1_EPWM	PWMSS2_EPWM	PWMSS3_EPWM
Description																			
Type	RW																		
	15	14	13	12	11	10	9	8	7	6	5	4	3	2	1	0			
	RESERVED								IN_MODE		POLSEL		OUT_MODE						
Bits	Field Name		Description													Type	Reset		
15:6	RESERVED															R	0x0		
5:4	IN_MODE		Dead Band Input Mode Control. Bit 5 controls the S5 switch and bit 4 controls the S4 switch. This allows you to select the input source to the falling-edge and rising-edge delay. To produce classical dead-band waveforms, the default is EPWMxA In is the source for both falling and rising-edge delays. 0x0 = EPWMxA In (from the action-qualifier) is the source for both falling-edge and rising-edge delay. 0x1 = EPWMxB In (from the action-qualifier) is the source for rising-edge delayed signal. EPWMxA In (from the action-qualifier) is the source for falling-edge delayed signal. 0x2 = EPWMxA In (from the action-qualifier) is the source for rising-edge delayed signal. EPWMxB In (from the action-qualifier) is the source for falling-edge delayed signal. 0x3 = EPWMxB In (from the action-qualifier) is the source for both rising-edge delay and falling-edge delayed signal.													RW	0x0		
3:2	POLSEL		Polarity Select Control. Bit 3 controls the S3 switch and bit 2 controls the S2 switch. This allows you to selectively invert one of the delayed signals before it is sent out of the dead-band submodule. The following descriptions correspond to classical upper/lower switch control as found in one leg of a digital motor control inverter. These assume that EPWM_DBCTL[1:0] OUT_MODE = 0b11 and EPWM_DBCTL[5:4] IN_MODE = 0b00 . Other enhanced modes are also possible, but not regarded as typical usage modes. 0x0 = Active high (AH) mode. Neither EPWMxA nor EPWMxB is inverted (default). 0x1 = Active low complementary (ALC) mode. EPWMxA is inverted. 0x2 = Active high complementary (AHC). EPWMxB is inverted. 0x3 = Active low (AL) mode. Both EPWMxA and EPWMxB are inverted.													RW	0x0		

Bits	Field Name	Description	Type	Reset
1:0	OUT_MODE	<p>Dead-band Output Mode Control. Bit 1 controls the S1 switch and bit 0 controls the S0 switch. This allows you to selectively enable or bypass the dead-band generation for the falling-edge and rising-edge delay.</p> <p>0x0 = Dead-band generation is bypassed for both output signals. In this mode, both the EPWMxA and EPWMxB output signals from the action-qualifier are passed directly to the PWM-chopper submodule. In this mode, the POLSEL and IN_MODE bits have no effect.</p> <p>0x1 = Disable rising-edge delay. The EPWMxA signal from the action-qualifier is passed straight through to the EPWMxA input of the PWM-chopper submodule. The falling-edge delayed signal is seen on output EPWMxB. The input signal for the delay is determined by EPWM_DBCTL[5:4] IN_MODE.</p> <p>0x2 = Disable falling-edge delay. The EPWMxB signal from the action-qualifier is passed straight through to the EPWMxB input of the PWM-chopper submodule. The rising-edge delayed signal is seen on output EPWMxA. The input signal for the delay is determined by EPWM_DBCTL[5:4] IN_MODE.</p> <p>0x3 = Dead-band is fully enabled for both rising-edge delay on output EPWMxA and falling-edge delay on output EPWMxB. The input signal for the delay is determined by EPWM_DBCTL[5:4] IN_MODE.</p>	RW	0x0

Table 29-84. Register Call Summary for Register EPWM_DBCTL

Enhanced PWM (ePWM) Module

- [Controlling and Monitoring the ePWM Dead-Band Submodule: \[0\]](#)
- [Operational Highlights for the ePWM Dead-Band Generator Submodule: \[1\]\[2\]\[3\]\[4\]\[5\]\[6\]](#)
- [eHRPWM Functional Register Groups: \[7\]](#)
- [PWMSS_EPWM Register Summary: \[8\]](#)
- [PWMSS_EPWM Register Description: \[9\]\[10\]\[11\]\[12\]\[13\]](#)

Table 29-85. EPWM_DBRED

Address offset	0x20																
Physical Address	0x4843 E220					0x4844 0220					0x4844 2220						
Description																	
Type	RW																
	15	14	13	12	11	10	9	8	7	6	5	4	3	2	1	0	
	RESERVED							DEL									
Bits	15:10		9:0														
Field Name	RESERVED		DEL														
Description			Rising Edge Delay Count. 10 bit counter.														
Type	R		RW														
Reset	0x0		0x0														

Table 29-86. Register Call Summary for Register EPWM_DBRED

Enhanced PWM (ePWM) Module

- [Controlling and Monitoring the ePWM Dead-Band Submodule: \[0\]](#)
- [Operational Highlights for the ePWM Dead-Band Generator Submodule: \[1\]\[2\]](#)
- [eHRPWM Functional Register Groups: \[3\]](#)
- [PWMSS_EPWM Register Summary: \[4\]](#)

Table 29-90. Register Call Summary for Register EPWM_TZSEL

Enhanced PWM (ePWM) Module

- [Controlling and Monitoring the ePWM Trip-Zone Submodule: \[0\]](#)
- [Operational Highlights for the ePWM Trip-Zone Submodule: \[1\]\[2\]\[3\]](#)
- [ePWM Trip-Zone Configurations: \[4\]\[5\]](#)
- [eHRPWM Functional Register Groups: \[6\]](#)
- [PWMSS_EPWM Register Summary: \[7\]](#)
- [PWMSS_EPWM Register Description: \[8\]\[9\]](#)

Table 29-91. EPWM_TZCTL

Address offset	0x28																								
Physical Address	0x4843 E228					0x4844 0228					0x4844 2228					Instance	PWMSS1_EPWM			PWMSS2_EPWM			PWMSS3_EPWM		
Description																									
Type	RW																								
	15	14	13	12	11	10	9	8	7	6	5	4	3	2	1	0	RESERVED			TZB			TZA		
Bits	15:4		3:2		1:0																				
Field Name	RESERVED		TZB		TZA																				
Description	<p>When a trip event occurs the following action is taken on output EPWMxB. Which trip-zone pins can cause an event is defined in the EPWM_TZSEL register.</p> <p>0x0 = High impedance (EPWMxB = High-impedance state) 0x1 = Force EPWMxB to a high state 0x2 = Force EPWMxB to a low state 0x3 = Do nothing, no action is taken on EPWMxB.</p>																								
Type	R		RW		RW																				
Reset	0x0		0x0		0x0																				

Table 29-92. Register Call Summary for Register EPWM_TZCTL

Enhanced PWM (ePWM) Module

- [Controlling and Monitoring the ePWM Trip-Zone Submodule: \[0\]](#)
- [Operational Highlights for the ePWM Trip-Zone Submodule: \[1\]\[2\]\[3\]\[4\]\[5\]\[6\]](#)
- [ePWM Trip-Zone Configurations: \[7\]\[8\]\[9\]\[10\]](#)
- [eHRPWM Functional Register Groups: \[11\]](#)
- [PWMSS_EPWM Register Summary: \[12\]](#)
- [PWMSS_EPWM Register Description: \[13\]\[14\]](#)

Table 29-93. EPWM_TZEINT

Address offset	0x2A	Instance	PWMSS1_EPWM PWMSS2_EPWM PWMSS3_EPWM
Physical Address	0x4843 E22A 0x4844 022A 0x4844 222A		
Description			
Type	RW		

15	14	13	12	11	10	9	8	7	6	5	4	3	2	1	0
RESERVED													OST	CBC	RESERVED

Bits	Field Name	Description	Type	Reset
15:3	RESERVED		R	0x0
2	OST	Trip-zone One-Shot Interrupt Enable 0x0 = Disable one-shot interrupt generation 0x1 = Enable Interrupt generation; a one-shot trip event will cause a EPWMxTZINT interrupt.	RW	0x0
1	CBC	Trip-zone Cycle-by-Cycle Interrupt Enable 0x0 = Disable cycle-by-cycle interrupt generation. 0x1 = Enable interrupt generation; a cycle-by-cycle trip event will cause an EPWMxTZINT interrupt.	RW	0x0
0	RESERVED		R	0x0

Table 29-94. Register Call Summary for Register EPWM_TZEINT

Enhanced PWM (ePWM) Module

- [Controlling and Monitoring the ePWM Trip-Zone Submodule: \[0\]](#)
- [Operational Highlights for the ePWM Trip-Zone Submodule: \[1\]\[2\]](#)
- [eHRPWM Functional Register Groups: \[3\]](#)
- [PWMSS_EPWM Register Summary: \[4\]](#)

Table 29-95. EPWM_TZFLG

Address offset	0x2C	Instance	PWMSS1_EPWM PWMSS2_EPWM PWMSS3_EPWM
Physical Address	0x4843 E22C 0x4844 022C 0x4844 222C		
Description			
Type	R		

15	14	13	12	11	10	9	8	7	6	5	4	3	2	1	0
RESERVED													OST	CBC	INT

Bits	Field Name	Description	Type	Reset
15:3	RESERVED		R	0x0
2	OST	Latched Status Flag for A One-Shot Trip Event. 0x0 = No one-shot trip event has occurred. 0x1 = Indicates a trip event has occurred on a pin selected as a one-shot trip source. This bit is cleared by writing the appropriate value to the EPWM_TZCLR register.	R	0x0

Bits	Field Name	Description	Type	Reset
1	CBC	Latched Status Flag for Cycle-By-Cycle Trip Event 0x0 = No cycle-by-cycle trip event has occurred. 0x1 = Indicates a trip event has occurred on a pin selected as a cycle-by-cycle trip source. The EPWM_TZFLG[1] CBC bit will remain set until it is manually cleared by the user. If the cycle-by-cycle trip event is still present when the CBC bit is cleared, then CBC will be immediately set again. The specified condition on the pins is automatically cleared when the ePWM time-base counter reaches zero (EPWM_TBCNT bitfield TBCNT = 0000h) if the trip condition is no longer present. The condition on the pins is only cleared when the TBCNT = 0000h no matter where in the cycle the CBC flag is cleared. This bit is cleared by writing the appropriate value to the EPWM_TZCLR register.	R	0x0
0	INT	Latched Trip Interrupt Status Flag 0x0 = Indicates no interrupt has been generated. 0x1 = Indicates an EPWMxTZINT interrupt was generated because of a trip condition. No further EPWMxTZINT interrupts will be generated until this flag is cleared. If the interrupt flag is cleared when either CBC or OST is set, then another interrupt pulse will be generated. Clearing all flag bits will prevent further interrupts. This bit is cleared by writing the appropriate value to the EPWM_TZCLR register.	R	0x0

Table 29-96. Register Call Summary for Register EPWM_TZFLG

Enhanced PWM (ePWM) Module

- [Controlling and Monitoring the ePWM Trip-Zone Submodule: \[0\]](#)
- [Operational Highlights for the ePWM Trip-Zone Submodule: \[1\]\[2\]\[3\]\[4\]](#)
- [eHRPWM Functional Register Groups: \[5\]](#)
- [PWMSS_EPWM Register Summary: \[6\]](#)
- [PWMSS_EPWM Register Description: \[7\]\[8\]\[9\]\[10\]\[11\]](#)

Table 29-97. EPWM_TZCLR

Address offset	0x2E														
Physical Address	0x4843 E22E			0x4844 022E			0x4844 222E			Instance	PWMSS1_EPWM				
											PWMSS2_EPWM				
											PWMSS3_EPWM				
Description															
Type	RW														
15	14	13	12	11	10	9	8	7	6	5	4	3	2	1	0
RESERVED													OST	CBC	INT
Bits	Field Name	Description	Type	Reset											
15:3	RESERVED		R	0x0											
2	OST	Clear Flag for One-Shot Trip (OST) Latch 0x0 = Has no effect. Always reads back a 0. 0x1 = Clears this Trip (set) condition.	RW	0x0											
1	CBC	Clear Flag for Cycle-By-Cycle (CBC) Trip Latch 0x0 = Has no effect. Always reads back a 0. 0x1 = Clears this Trip (set) condition.	RW	0x0											

Bits	Field Name	Description	Type	Reset
0	INT	Global Interrupt Clear Flag 0x0 = Has no effect. Always reads back a 0. 0x1 = Clears the trip-interrupt flag for this ePWM module (EPWM_TZFLG[0] INT). Note: No further EPWMxTZINT interrupts will be generated until the flag is cleared. If the EPWM_TZFLG[0] INT bit is cleared and any of the other flag bits are set, then another interrupt pulse will be generated. Clearing all flag bits will prevent further interrupts.	RW	0x0

Table 29-98. Register Call Summary for Register EPWM_TZCLR

Enhanced PWM (ePWM) Module

- [Controlling and Monitoring the ePWM Trip-Zone Submodule: \[0\]](#)
- [Operational Highlights for the ePWM Trip-Zone Submodule: \[1\]\[2\]](#)
- [eHRPWM Functional Register Groups: \[3\]](#)
- [PWMSS_EPWM Register Summary: \[4\]](#)
- [PWMSS_EPWM Register Description: \[5\]\[6\]\[7\]\[8\]](#)

Table 29-99. EPWM_TZFRC

Address offset	0x30	Instance	PWMSS1_EPWM PWMSS2_EPWM PWMSS3_EPWM
Physical Address	0x4843 E230 0x4844 0230 0x4844 2230		
Description			
Type	RW		

15	14	13	12	11	10	9	8	7	6	5	4	3	2	1	0
RESERVED													OST	CBC	RESERVED

Bits	Field Name	Description	Type	Reset
15:3	RESERVED		R	0x0
2	OST	Force a One-Shot Trip Event via Software 0x0 = Writing of 0 is ignored. Always reads back a 0. 0x1 = Forces a one-shot trip event and sets the EPWM_TZFLG[2] OST bit.	RW	0x0
1	CBC	Force a Cycle-by-Cycle Trip Event via Software 0x0 = Writing of 0 is ignored. Always reads back a 0. 0x1 = Forces a cycle-by-cycle trip event and sets the EPWM_TZFLG[1] CBC bit.	RW	0x0
0	RESERVED		R	0x0

Table 29-100. Register Call Summary for Register EPWM_TZFRC

Enhanced PWM (ePWM) Module

- [Controlling and Monitoring the ePWM Trip-Zone Submodule: \[0\]](#)
- [eHRPWM Functional Register Groups: \[1\]](#)
- [PWMSS_EPWM Register Summary: \[2\]](#)

Table 29-101. EPWM_ETSEL

Address offset	0x32																		
Physical Address	0x4843 E232					0x4844 0232					0x4844 2232					Instance	PWMSS1_EPWM	PWMSS2_EPWM	PWMSS3_EPWM
Description																			
Type	RW																		
15	14	13	12	11	10	9	8	7	6	5	4	3	2	1	0				
RESERVED												INTEN	INTSEL						
Bits	Field Name	Description												Type	Reset				
15:4	RESERVED													R	0x0				
3	INTEN	Enable ePWM Interrupt (EPWMx_INT) Generation 0x0 = Disable EPWMx_INT generation 0x1 = Enable EPWMx_INT generation												RW	0x0				
2:0	INTSEL	ePWM Interrupt (EPWMx_INT) Selection Options 0x0 = Reserved 0x1 = Enable event time-base counter equal to zero. (TBCNT = 0000h) 0x2 = Enable event time-base counter equal to period (TBCNT = TBPRD) 0x3 = Reserved 0x4 = Enable event time-base counter equal to CMPA when the timer is incrementing. 0x5 = Enable event time-base counter equal to CMPA when the timer is decrementing. 0x6 = Enable event: time-base counter equal to CMPB when the timer is incrementing. 0x7 = Enable event: time-base counter equal to CMPB when the timer is decrementing.												RW	0x0				

Table 29-102. Register Call Summary for Register EPWM_ETSEL

Enhanced PWM (ePWM) Module

- [Controlling and Monitoring the ePWM Event-Trigger Submodule: \[0\]](#)
- [Operational Overview of the ePWM Event-Trigger Submodule: \[1\]\[2\]\[3\]](#)
- [eHRPWM Functional Register Groups: \[4\]](#)
- [PWMSS_EPWM Register Summary: \[5\]](#)
- [PWMSS_EPWM Register Description: \[6\]\[7\]\[8\]\[9\]\[10\]](#)

Table 29-103. EPWM_ETPS

Address offset	0x34																		
Physical Address	0x4843 E234					0x4844 0234					0x4844 2234					Instance	PWMSS1_EPWM	PWMSS2_EPWM	PWMSS3_EPWM
Description																			
Type	RW																		
15	14	13	12	11	10	9	8	7	6	5	4	3	2	1	0				
RESERVED												INTCNT	INTPRD						

Bits	Field Name	Description	Type	Reset
15:4	RESERVED		R	0x0
3:2	INTCNT	<p>ePWM Interrupt Event (EPWMx_INT) Counter Register. These bits indicate how many selected EPWM_ETSEL[2:0] INTSEL events have occurred. These bits are automatically cleared when an interrupt pulse is generated. If interrupts are disabled, EPWM_ETSEL[0] INT = 0 or the interrupt flag is set, EPWM_ETFLG[0] INT = 1, the counter will stop counting events when it reaches the period value EPWM_ETPS[3:2] INTCNT = EPWM_ETPS[1:0] INTPRD.</p> <p>0x0 = No events have occurred. 0x1 = 1 event has occurred. 0x2 = 2 events have occurred. 0x3 = 3 events have occurred.</p>	R	0x0
1:0	INTPRD	<p>ePWM Interrupt (EPWMx_INT) Period Select. These bits determine how many selected EPWM_ETSEL[2:0] INTSEL events need to occur before an interrupt is generated. To be generated, the interrupt must be enabled (EPWM_ETSEL[0] INT = 1). If the interrupt status flag is set from a previous interrupt (EPWM_ETFLG[0] INT = 1) then no interrupt will be generated until the flag is cleared via the EPWM_ETCLR[0] INT bit. This allows for one interrupt to be pending while another is still being serviced. Once the interrupt is generated, the EPWM_ETPS[3:2] INTCNT bits will automatically be cleared. Writing a INTPRD value that is the same as the current counter value will trigger an interrupt if it is enabled and the status flag is clear. Writing a INTPRD value that is less than the current counter value will result in an undefined state. If a counter event occurs at the same instant as a new zero or non-zero INTPRD value is written, the counter is incremented.</p> <p>0x0 = Disable the interrupt event counter. No interrupt will be generated and EPWM ETFRC[0] INT is ignored. 0x1 = Generate an interrupt on the first event INTCNT = 01 (first event) 0x2 = Generate interrupt on EPWM_ETPS[3:2] INTCNT = 0b10 (second event) 0x3 = Generate interrupt on EPWM_ETPS[3:2] INTCNT = 0b11 (third event)</p>	RW	0x0

Table 29-104. Register Call Summary for Register EPWM_ETPS

Enhanced PWM (ePWM) Module

- [Controlling and Monitoring the ePWM Event-Trigger Submodule: \[0\]](#)
- [Operational Overview of the ePWM Event-Trigger Submodule: \[1\]\[2\]\[3\]\[4\]\[5\]\[6\]\[7\]\[8\]\[9\]\[10\]\[11\]](#)
- [eHRPWM Functional Register Groups: \[12\]](#)
- [PWMSS_EPWM Register Summary: \[13\]](#)
- [PWMSS_EPWM Register Description: \[14\]\[15\]\[16\]\[17\]\[18\]](#)

Table 29-105. EPWM_ETFLG

Address offset	0x36															
Physical Address	0x4843 E236							Instance								
	0x4844 0236							PWMSS1_EPWM								
	0x4844 2236							PWMSS2_EPWM								
								PWMSS3_EPWM								
Description																
Type	R															
	15	14	13	12	11	10	9	8	7	6	5	4	3	2	1	0
	RESERVED															
	INT															

Bits	Field Name	Description	Type	Reset
15:1	RESERVED		R	0x0
0	INT	Latched ePWM Interrupt (EPWMx_INT) Status Flag 0x0 = Indicates no event occurred 0x1 = Indicates that an ePWMx interrupt (EPWMx_INT) was generated. No further interrupts will be generated until the flag bit is cleared. Up to one interrupt can be pending while the EPWM_ETFLG[0] INT bit is still set. If an interrupt is pending, it will not be generated until after the EPWM_ETFLG[0] INT bit is cleared.	R	0x0

Table 29-106. Register Call Summary for Register EPWM_ETFLG

Enhanced PWM (ePWM) Module

- [Controlling and Monitoring the ePWM Event-Trigger Submodule: \[0\]](#)
- [Operational Overview of the ePWM Event-Trigger Submodule: \[1\]\[2\]\[3\]\[4\]](#)
- [eHRPWM Functional Register Groups: \[5\]](#)
- [PWMSS_EPWM Register Summary: \[6\]](#)
- [PWMSS_EPWM Register Description: \[7\]\[8\]\[9\]\[10\]\[11\]](#)

Table 29-107. EPWM_ETCLR

Address offset	0x38																
Physical Address	0x4843 E238					0x4844 0238					0x4844 2238					Instance	PWMSS1_EPWM
																	PWMSS2_EPWM
																	PWMSS3_EPWM
Description																	
Type	RW																
	15	14	13	12	11	10	9	8	7	6	5	4	3	2	1	0	
	RESERVED															INT	
Bits	Field Name	Description	Type	Reset													
15:1	RESERVED		R	0x0													
0	INT	ePWM Interrupt (EPWMx_INT) Flag Clear Bit 0x0 = Writing a 0 has no effect. Always reads back a 0. 0x1 = Writing 1 clears the EPWM_ETFLG[0] INT flag bit and enable further interrupts pulses to be generated.	RW	0x0													

Table 29-108. Register Call Summary for Register EPWM_ETCLR

Enhanced PWM (ePWM) Module

- [Controlling and Monitoring the ePWM Event-Trigger Submodule: \[0\]](#)
- [eHRPWM Functional Register Groups: \[1\]](#)
- [PWMSS_EPWM Register Summary: \[2\]](#)
- [PWMSS_EPWM Register Description: \[3\]](#)

Table 29-109. EPWM_ETFRC

Address offset	0x3A																		
Physical Address	0x4843 E23A					0x4844 023A					0x4844 223A					Instance	PWMSS1_EPWM	PWMSS2_EPWM	PWMSS3_EPWM
Description																			
Type	RW																		

15	14	13	12	11	10	9	8	7	6	5	4	3	2	1	0
RESERVED															INT

Bits	Field Name	Description	Type	Reset
15:1	RESERVED		R	0x0
0	INT	INT Force Bit. The interrupt will only be generated if the event is enabled in the EPWM_ETSEL register. The INT flag bit will be set regardless. 0x0 = Writing 0 to this bit will be ignored. Always reads back a 0. 0x1 = Writing 1 generates an interrupt on EPWMxINT and set the INT flag bit. This bit is used for test purposes.	RW	0x0

Table 29-110. Register Call Summary for Register EPWM_ETFRC

Enhanced PWM (ePWM) Module

- [Controlling and Monitoring the ePWM Event-Trigger Submodule: \[0\]](#)
- [Operational Overview of the ePWM Event-Trigger Submodule: \[1\]\[2\]](#)
- [eHRPWM Functional Register Groups: \[3\]](#)
- [PWMSS_EPWM Register Summary: \[4\]](#)
- [PWMSS_EPWM Register Description: \[5\]](#)

Table 29-111. EPWM_PCCTL

Address offset	0x3C																		
Physical Address	0x4843 E23C					0x4844 023C					0x4844 223C					Instance	PWMSS1_EPWM	PWMSS2_EPWM	PWMSS3_EPWM
Description																			
Type	RW																		

15	14	13	12	11	10	9	8	7	6	5	4	3	2	1	0
RESERVED							CHPDUTY	CHPFREQ	OSHTWTH					CHPEN	

Bits	Field Name	Description	Type	Reset
15:11	RESERVED		R	0x0
10:8	CHPDUTY	Chopping Clock Duty Cycle 0x0 = Duty = 1/8 (12.5%) 0x1 = Duty = 2/8 (25.0%) 0x2 = Duty = 3/8 (37.5%) 0x3 = Duty = 4/8 (50.0%) 0x4 = Duty = 5/8 (62.5%) 0x5 = Duty = 6/8 (75.0%) 0x6 = Duty = 7/8 (87.5%) 0x7 = Reserved.	RW	0x0

Bits	Field Name	Description	Type	Reset
7:5	CHPFREQ	Chopping Clock Frequency 0x0 = Divide by 1 (no prescale). 0x1 = Divide by 2. 0x2 = Divide by 3. 0x3 = Divide by 4. 0x4 = Divide by 5. 0x5 = Divide by 6. 0x6 = Divide by 7. 0x7 = Divide by 8.	RW	0x0
4:1	OSHTWTH	One-Shot Pulse Width 0x0 = 1 - SYSCLKOUT/8 wide 0x1 = 2 - SYSCLKOUT/8 wide 0x2 = 3 - SYSCLKOUT/8 wide 0x3 = 4 - SYSCLKOUT/8 wide 0xF = 16 - SYSCLKOUT/8 wide	RW	0x0
0	CHPEN	PWM-chopping Enable 0x0 = Disable (bypass) PWM chopping function 0x1 = Enable chopping function	RW	0x0

Table 29-112. Register Call Summary for Register EPWM_PCCTL

Enhanced PWM (ePWM) Module

- [Controlling the PWM-Chopper Submodule: \[0\]](#)
- [Operational Highlights for the PWM-Chopper Submodule: \[1\]](#)
- [eHRPWM Functional Register Groups: \[2\]](#)
- [PWMSS_EPWM Register Summary: \[3\]](#)

Table 29-113. HRPWM_HRCTL

Address offset	0xC0																				
Physical Address	0x4843 E2C0			0x4844 02C0			0x4844 22C0			Instance	PWMSS1_EPWM PWMSS2_EPWM PWMSS3_EPWM										
Description																					
Type	RW																				
	15	14	13	12	11	10	9	8	7	6	5	4	3	2	1	0					
	RESERVED											PULSESEL	DELBUSSEL	DELMODE							
Bits	15:4											3		2		1		0			
Field Name	RESERVED											PULSESEL		DELBUSSEL		DELMODE					
Description												Pulse select bits. Selects which pulse to use for timing events in the HRPWM module. Note: The user needs to select the pulse to match the selection in the EPWM module. If TBPHSHR bus is selected, then CNT_zero pulse should be used. If COMPAHR bus is selected, then it should match the bit setting of the EPWM_CMPCTL[LOADMODE] bits in the EPWM module as follows. 0: CNT_zero pulse. 1h: PRD_eq pulse. 2h: CNT_zero or PRD_eq (should not use with HRPWM). 3h: No loads (should not use with HRPWM). 0x0 = Select CNT_zero pulse 0x1 = Select PRD_eq pulse		RW		0x0		0x0			

Bits	Field Name	Description	Type	Reset
2	DELBUSSEL	Delay Bus Select Bit: Selects which bus is used to select the delay for the PWM pulse. 0x0 = Select CMPAHR(8) bus from compare module of EPWM (default on reset). 0x1 = Select TBPHSHR(8) bus from time base module.	RW	0x0
1:0	DELMODE	Delay Mode Bits: Selects which edge of the PWM pulse the delay is inserted. Note: When DELMODE = 0b00, the HRCALM[CALMODE] bits are ignored and the delay line is in by-pass mode. Additionally, DLYIN is connected to CALIN and a continuous low value is fed to the delay line to minimize activity in the module. 0x0 = No delay inserted (default on reset) 0x1 = Delay inserted rising edge 0x2 = Delay inserted falling edge 0x3 = Delay inserted on both edges	RW	0x0

Table 29-114. Register Call Summary for Register HRPWM_HRCTL

Enhanced PWM (ePWM) Module

- [Controlling and Monitoring the High-Resolution PWM Submodule: \[0\]](#)
- [Configuring the High-Resolution PWM Submodule: \[1\]](#)
- [eHRPWM Functional Register Groups: \[2\]](#)
- [PWMSS_EPWM Register Summary: \[3\]](#)

29.3 Enhanced Capture (eCAP) Module

29.3.1 eCAP Overview

29.3.1.1 Purpose of the eCAP Peripheral

Uses for eCAP include:

- Sample rate measurements of audio inputs
- Speed measurements of rotating machinery (for example, toothed sprockets sensed via Hall sensors)
- Elapsed time measurements between position sensor pulses
- Period and duty cycle measurements of pulse train signals
- Decoding current or voltage amplitude derived from duty cycle encoded current/voltage sensors

29.3.1.2 eCAP Features

The eCAP module includes the following features:

- 32-bit time base counter
- 4-event time-stamp registers (each 32 bits)
- Edge polarity selection for up to four sequenced time-stamp capture events
- Interrupt on either of the four events
- Single shot capture of up to four event time-stamps
- Continuous mode capture of time-stamps in a four-deep circular buffer
- Absolute time-stamp capture
- Difference (Delta) mode time-stamp capture
- All above resources dedicated to a single input pin
- When not used in capture mode, the ECAP module can be configured as a single channel PWM output

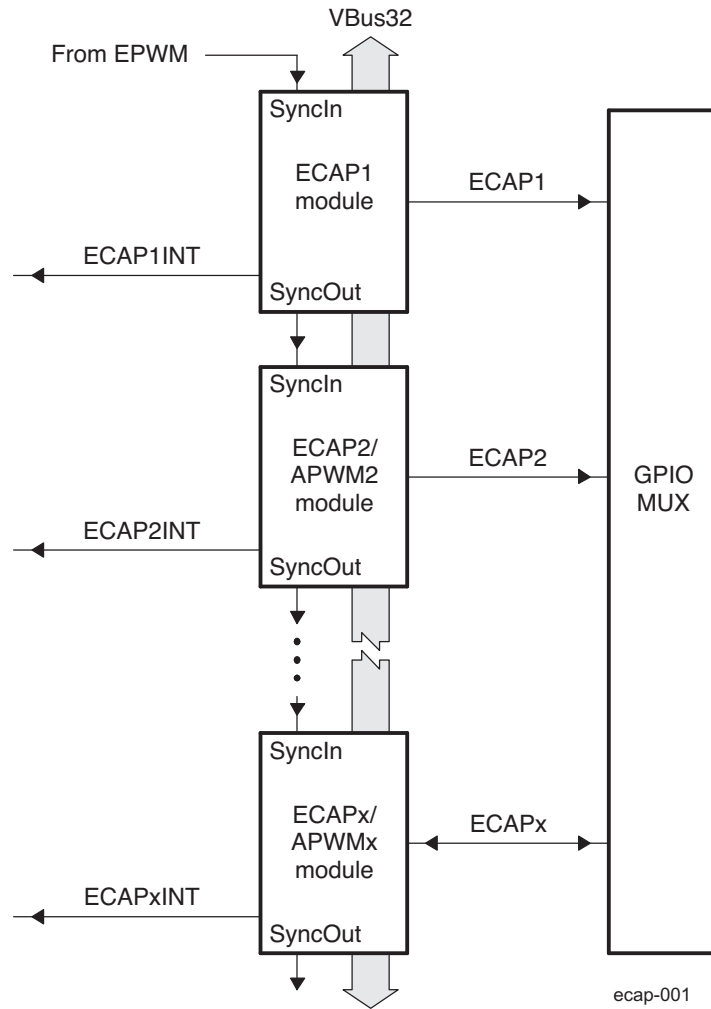
29.3.2 eCAP Functional Description

The eCAP module represents one complete capture channel that can be instantiated multiple times depending on the target device. In the context of this guide, one eCAP channel has the following independent key resources:

- Dedicated input capture pin
- 32-bit time base counter
- 4 × 32-bit time-stamp capture registers ([PWMSS_ECAP_CAP1-PWMSS_ECAP_CAP4](#))
- 4-stage sequencer (Modulo4 counter) that is synchronized to external events, ECAP pin rising/falling edges.
- Independent edge polarity (rising/falling edge) selection for all 4 events
- Input capture signal prescaling (from 2-62)
- One-shot compare register (2 bits) to freeze captures after 1 to 4 time-stamp events
- Control for continuous time-stamp captures using a 4-deep circular buffer ([PWMSS_ECAP_CAP1-PWMSS_ECAP_CAP4](#)) scheme
- Interrupt capabilities on any of the 4 capture events

Multiple identical eCAP modules can be contained in a system as shown in [Figure 29-53](#). For actual number of eCAP modules integrated in the device, refer to the [Section 29.1.3](#). As already described in [Section 29.1.3](#), the letter x within a signal or module name is used to indicate a generic eCAP instance on a device. For example, output interrupt request, ECAP1INT belongs to eCAP1, ECAP2INT belongs to eCAP2, etc.

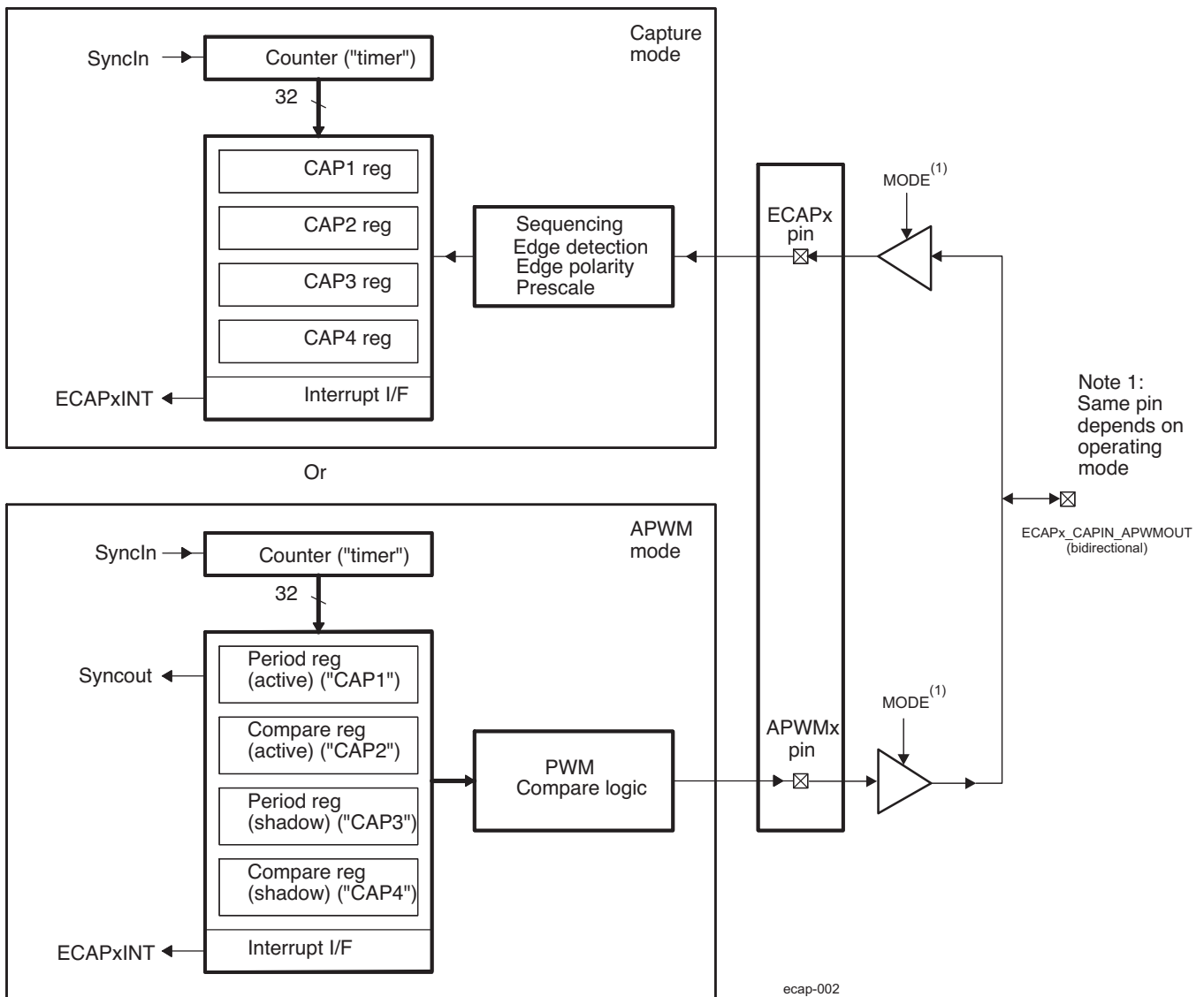
Figure 29-53. Multiple eCAP Modules



29.3.2.1 Capture and APWM Operating Mode

The eCAP module resources can be used to implement a single-channel PWM generator (with 32 bit capabilities) when it is not being used for input captures. The counter operates in count-up mode, providing a time-base for asymmetrical pulse width modulation (PWM) waveforms. The [PWMSS_ECAP_CAP1](#) and [PWMSS_ECAP_CAP2](#) registers become the active period and compare registers, respectively, while [PWMSS_ECAP_CAP3](#) and [PWMSS_ECAP_CAP4](#) registers become the period and capture shadow registers, respectively. [Figure 29-54](#) is a high-level view of both the capture and auxiliary pulse-width modulator (APWM) modes of operation.

Figure 29-54. Capture and APWM Modes of Operation

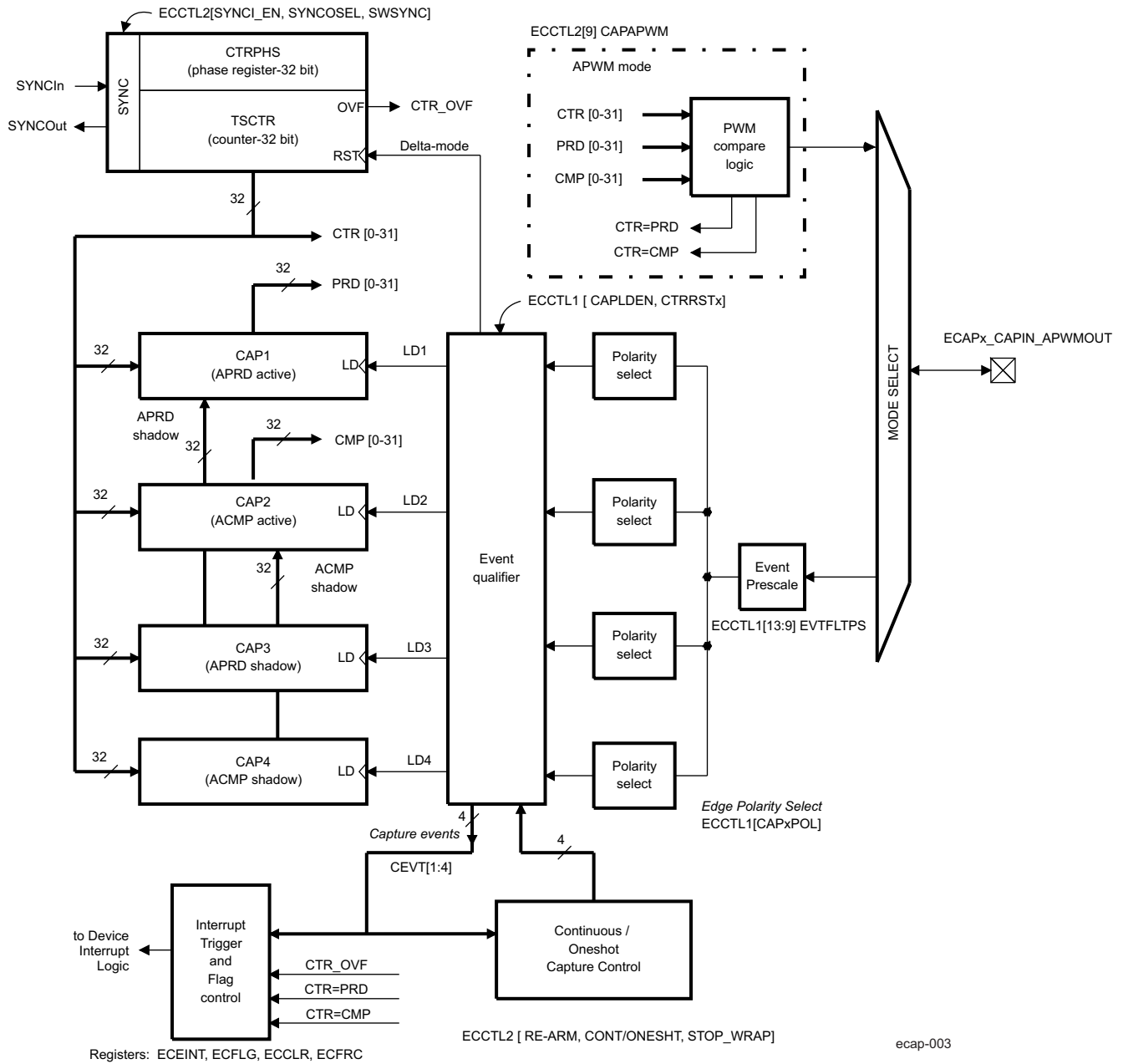


- (1) A single pin is shared between CAP and APWM functions. In capture mode, it is an input; in APWM mode, it is an output.
- (2) In APWM mode, writing any value to [PWMSS_ECAP_CAP1/PWMSS_ECAP_CAP2](#) active registers also writes the same value to the corresponding shadow registers [PWMSS_ECAP_CAP3/PWMSS_ECAP_CAP4](#). This emulates immediate mode. Writing to the shadow registers [PWMSS_ECAP_CAP3/PWMSS_ECAP_CAP4](#) invokes the shadow mode.

29.3.2.2 eCAP Capture Mode Description

Figure 29-55 shows the various components that implement the capture function.

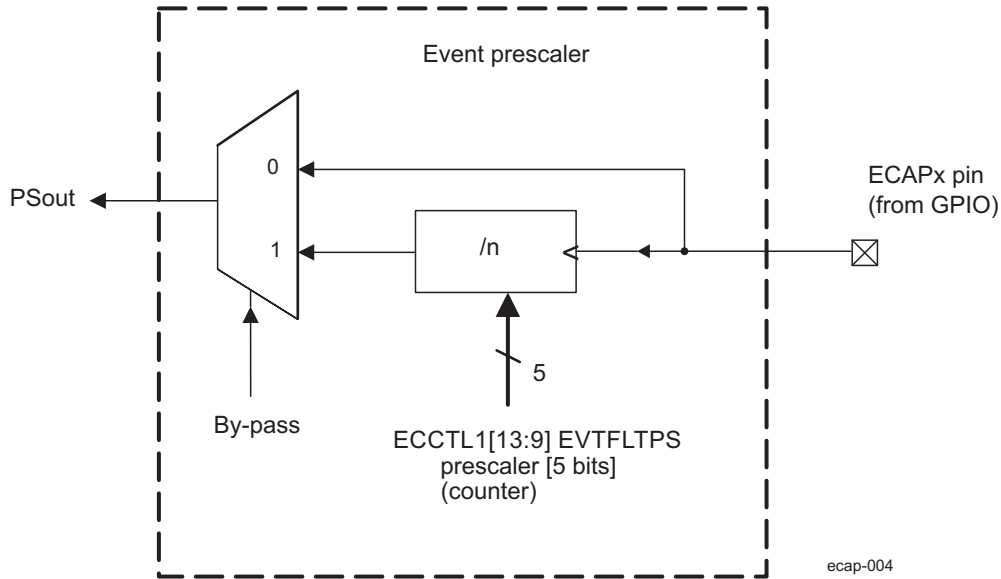
Figure 29-55. Capture Function Diagram



29.3.2.2.1 eCAP Event Prescaler

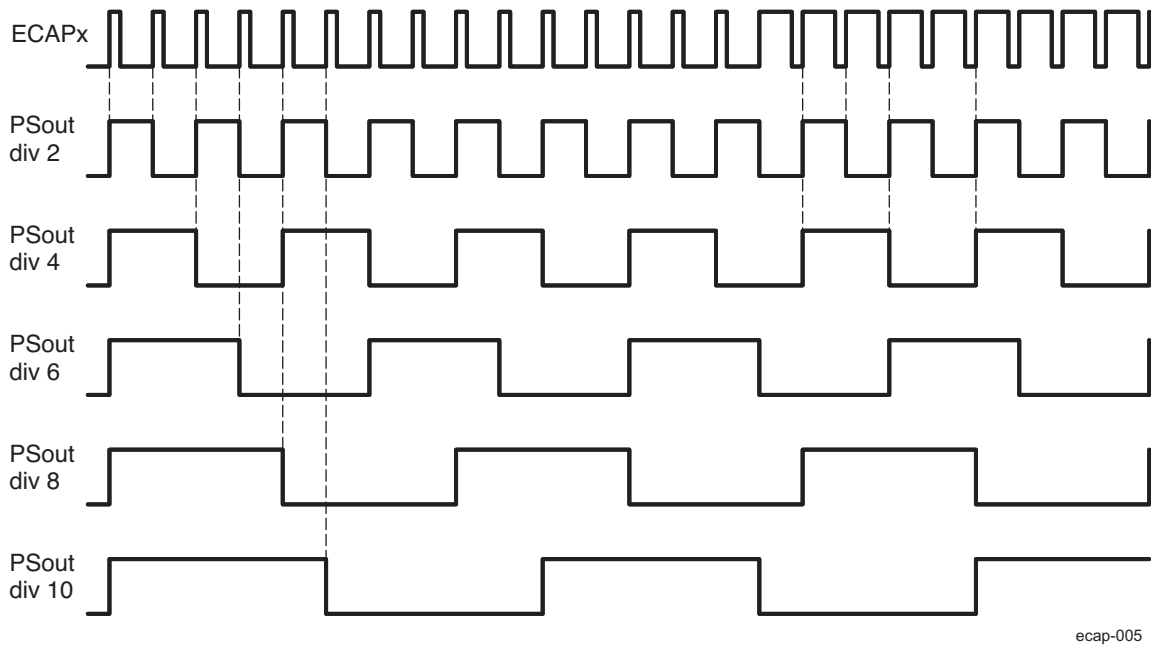
An input capture signal (pulse train) can be prescaled by $N = 2-62$ (in multiples of 2) or can bypass the prescaler. This is useful when very high frequency signals are used as inputs. Figure 29-56 shows a functional diagram and Figure 29-57 shows the operation of the prescale function.

Figure 29-56. Event Prescale Control



- (1) When a prescale value of 1 is chosen ($PWMSS_ECAP_ECCTL1[13:9] EVTFLTPTS = 0b0000$) the input capture signal by-passes the prescale logic completely.

Figure 29-57. Prescale Function Waveforms



29.3.2.2.2 eCAP Edge Polarity Select and Qualifier

- Four independent edge polarity (rising edge/falling edge) selection multiplexers are used, one for each capture event.
- Each edge (up to 4) is event qualified by the Modulo4 sequencer.
- The edge event is gated to its respective CAP n register by the Mod4 counter. The CAP n register is loaded on the falling edge.

29.3.2.2.3 eCAP Continuous/One-Shot Control

- The Mod4 (2 bit) counter is incremented via edge qualified events (CEVT1-CEVT4).
- The Mod4 counter continues counting (0->1->2->3->0) and wraps around unless stopped.
- A 2-bit stop register is used to compare the Mod4 counter output, and when equal stops the Mod4 counter and inhibits further loads of the PWMSS_ECAP_CAP1-PWMSS_ECAP_CAP4 registers. This occurs during one-shot operation.

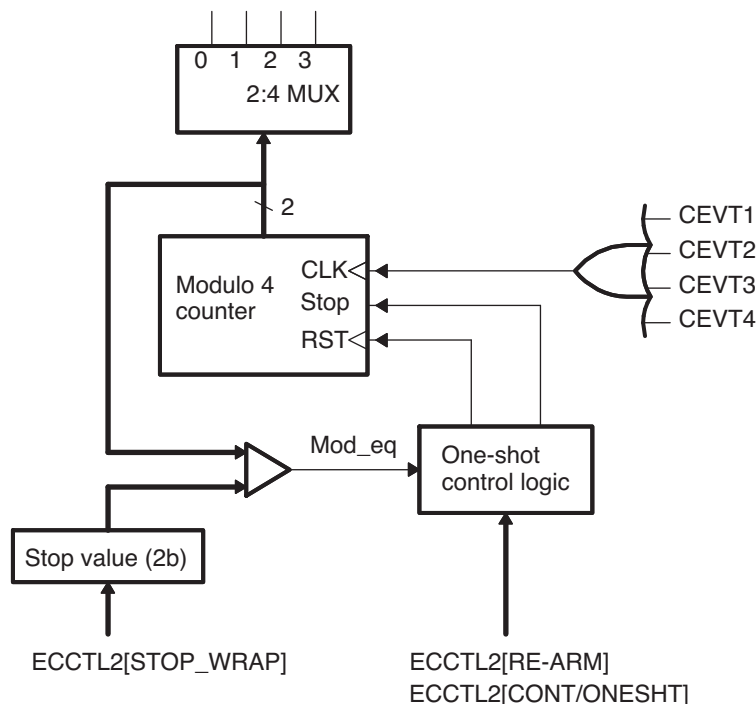
The continuous/one-shot block (Figure 29-58) controls the start/stop and reset (zero) functions of the Mod4 counter via a mono-shot type of action that can be triggered by the stop-value comparator and re-armed via software control.

Once armed, the eCAP module waits for 1-4 (defined by stop-value) capture events before freezing both the Mod4 counter and contents of PWMSS_ECAP_CAP1-4 registers (time-stamps).

Re-arming prepares the eCAP module for another capture sequence. Also re-arming clears (to zero) the Mod4 counter and permits loading of PWMSS_ECAP_CAP1-4 registers again, providing the CAPLDEN bit is set.

In continuous mode, the Mod4 counter continues to run (0->1->2->3->0, the one-shot action is ignored, and capture values continue to be written to PWMSS_ECAP_CAP1-4 in a circular buffer sequence.

Figure 29-58. eCAP Continuous/One-shot Block Diagram



ecap-006

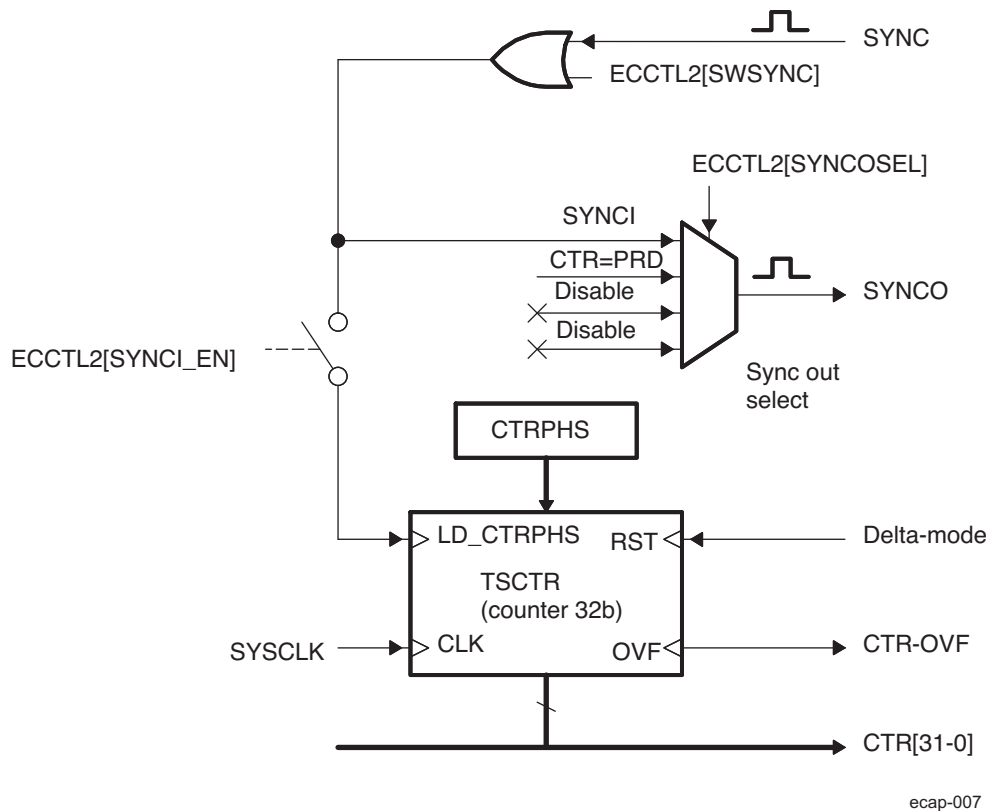
29.3.2.2.4 eCAP 32-Bit Counter and Phase Control

This counter (Figure 29-59) provides the time-base for event captures, and is clocked via the system clock.

A phase register is provided to achieve synchronization with other counters, via a hardware and software forced sync. This is useful in APWM mode when a phase offset between modules is needed.

On any of the four event loads, an option to reset the 32-bit counter is given. This is useful for time difference capture. The 32-bit counter value is captured first, then it is reset to 0 by any of the LD1-LD4 signals.

Figure 29-59. eCAP Counter and Synchronization Block Diagram



ecap-007

29.3.2.2.5 CAP1-CAP4 Registers

These 32-bit registers are fed by the 32-bit counter timer bus, CTR[0-31] and are loaded (capture a time-stamp) when their respective LD inputs are strobed.

Loading of the capture registers can be inhibited via control bit CAPLDEN. During one-shot operation, this bit is cleared (loading is inhibited) automatically when a stop condition occurs, StopValue = Mod4.

[PWMSS_ECAP_CAP1](#) and [PWMSS_ECAP_CAP2](#) registers become the active period and compare registers, respectively, in APWM mode.

[PWMSS_ECAP_CAP3](#) and [PWMSS_ECAP_CAP4](#) registers become the respective shadow registers (APRD and ACMP) for [PWMSS_ECAP_CAP1](#) and [PWMSS_ECAP_CAP2](#) during APWM operation.

29.3.2.2.6 eCAP Interrupt Control

An interrupt can be generated on capture events (CEVT1-CEVT4, CNTOVF) or APWM events (TSCNT = PRD, TSCNT = CMP). See [Figure 29-60](#).

A counter overflow event (FFFF FFFFh->0000 0000h) is also provided as an interrupt source (CNTOVF).

The capture events are edge and sequencer qualified (that is, ordered in time) by the polarity select and Mod4 gating, respectively.

One of these events can be selected as the interrupt source (from the eCAP_n module) going to the interrupt controller.

Seven interrupt events (CEVT1, CEVT2, CEVT3, CEVT4, CNTOVF, TSCNT = PRD, TSCNT = CMP) can be generated. The interrupt enable register ([PWMSS_ECAP_ECEINT](#)) is used to enable/disable individual interrupt event sources. The interrupt flag register ([PWMSS_ECAP_ECFLG](#)) indicates if any interrupt event has been latched and contains the global interrupt flag bit (INT). An interrupt pulse is generated to the interrupt controller only if any of the interrupt events are enabled, the flag bit is 1, and the INT flag bit is 0. The interrupt service routine must clear the global interrupt flag bit and the serviced event via the interrupt clear register ([PWMSS_ECAP_ECCLR](#)) before any other interrupt pulses are generated. You can force an interrupt event via the interrupt force register ([PWMSS_ECAP_ECFRC](#)). This is useful for test purposes.

29.3.2.2.7 eCAP Shadow Load and Lockout Control

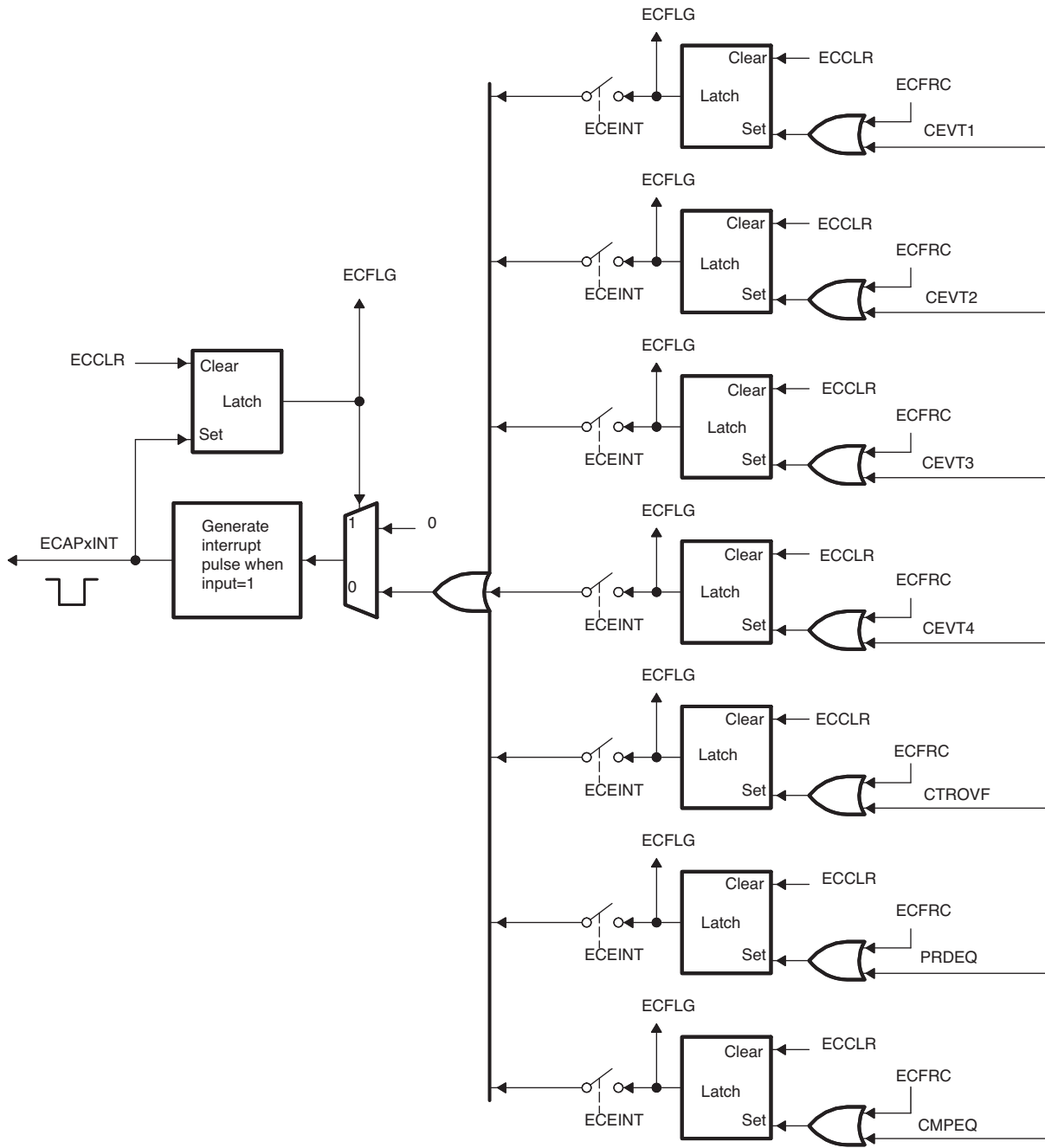
In capture mode, this logic inhibits (locks out) any shadow loading of [PWMSS_ECAP_CAP1](#) or [PWMSS_ECAP_CAP2](#) from APRD and ACMP registers, respectively.

In APWM mode, shadow loading is active and two choices are permitted:

- Immediate - APRD or ACMP are transferred to [PWMSS_ECAP_CAP1](#) or [PWMSS_ECAP_CAP2](#) immediately upon writing a new value.
- On period equal, CTR[31:0] = PRD[31:0]

NOTE: The CEVT1, CEVT2, CEVT3, CEVT4 flags are only active in capture mode ([PWMSS_ECAP_ECCTL2](#)[9] CAPAPWM == 0). The TSCNT = PRD, TSCNT = CMP flags are only valid in APWM mode ([PWMSS_ECAP_ECCTL2](#)[9] CAPAPWM == 1). CNTOVF flag is valid in both modes.

Figure 29-60. Interrupts in eCAP Module



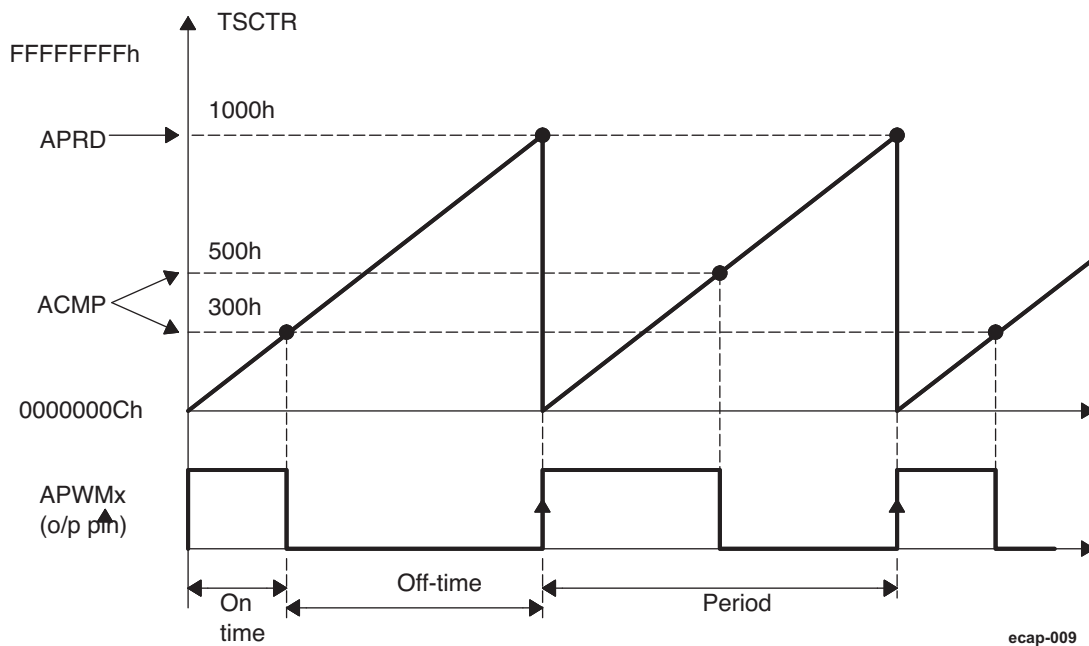
ecap-008

29.3.2.2.8 eCAP Module APWM Mode Operation

Main operating highlights of the APWM section:

- The time-stamp counter bus is made available for comparison via 2 digital (32-bit) comparators.
- When `PWMSS_ECAP_CAP1/2` registers are not used in capture mode, their contents can be used as Period and Compare values in APWM mode.
- Double buffering is achieved via shadow registers `APRD` and `ACMP` (`PWMSS_ECAP_CAP3/4`). The shadow register contents are transferred over to `PWMSS_ECAP_CAP1/2` registers either immediately upon a write, or on a `TSCNT = PRD` trigger.
- In APWM mode, writing to `PWMSS_ECAP_CAP1/PWMSS_ECAP_CAP2` active registers will also write the same value to the corresponding shadow registers `PWMSS_ECAP_CAP3/PWMSS_ECAP_CAP4`. This emulates immediate mode. Writing to the shadow registers `PWMSS_ECAP_CAP3/PWMSS_ECAP_CAP4` will invoke the shadow mode.
- During initialization, you must write to the active registers for both period and compare. This automatically copies the initial values into the shadow values. For subsequent compare updates, during run-time, you only need to use the shadow registers.

Figure 29-61. PWM Waveform Details Of eCAP APWM Mode Operation



The behavior of APWM active-high mode (`APWMPOL == 0`) is:

- `CMP = 0x00000000`, output low for duration of period (0% duty)
- `CMP = 0x00000001`, output high 1 cycle
- `CMP = 0x00000002`, output high 2 cycles
- `CMP = PERIOD`, output high except for 1 cycle (<100% duty)
- `CMP = PERIOD+1`, output high for complete period (100% duty)
- `CMP > PERIOD+1`, output high for complete period

The behavior of APWM active-low mode (`APWMPOL == 1`) is:

- `CMP = 0x00000000`, output high for duration of period (0% duty)
- `CMP = 0x00000001`, output low 1 cycle
- `CMP = 0x00000002`, output low 2 cycles
- `CMP = PERIOD`, output low except for 1 cycle (<100% duty)

CMP = PERIOD+1, output low for complete period (100% duty)

CMP > PERIOD+1, output low for complete period

29.3.2.3 Summary of eCAP Functional Registers

Table 29-115 shows the eCAP module control and status register set. All 32-bit registers are aligned on even address boundaries and are organized in little-endian mode. The 16 least-significant bits of a 32-bit register are located on lowest address (even address).

NOTE: In APWM mode, writing to [PWMSS_ECAP_CAP1/PWMSS_ECAP_CAP2](#) active registers also writes the same value to the corresponding shadow registers [PWMSS_ECAP_CAP3/PWMSS_ECAP_CAP4](#). This emulates immediate mode. Writing to the shadow registers [PWMSS_ECAP_CAP3/PWMSS_ECAP_CAP4](#) invokes the shadow mode.

Table 29-115. eCAP Control and Status Functional Registers

Offset	Register Name	Description	Size (x16)
0h	PWMSS_ECAP_TSCNT	Time-Stamp Counter Register	2
4h	PWMSS_ECAP_CNTPHS	Counter Phase Offset Value Register	2
8h	PWMSS_ECAP_CAP1	Capture 1 Register	2
Ch	PWMSS_ECAP_CAP2	Capture 2 Register	2
10h	PWMSS_ECAP_CAP3	Capture 3 Register	2
14h	PWMSS_ECAP_CAP4	Capture 4 Register	2
28h	PWMSS_ECAP_ECCTL1	Capture Control Register 1	1
2Ah	PWMSS_ECAP_ECCTL2	Capture Control Register 2	1
2Ch	PWMSS_ECAP_ECEINT	Capture Interrupt Enable Register	1
2Eh	PWMSS_ECAP_ECFLG	Capture Interrupt Flag Register	1
30h	PWMSS_ECAP_ECCLR	Capture Interrupt Clear Register	1
32h	PWMSS_ECAP_ECFRC	Capture Interrupt Force Register	1
5Ch	PWMSS_ECAP_PID	Revision ID Register	2

29.3.3 PWMSS_ECAP Register Manual

This section provides description of the PWMSS eCAP relevant functional registers.

29.3.3.1 PWMSS_ECAP Instance Summary

Table 29-116. PWMSS_ECAP Instance Summary

Module Name	Module Base Address L4_PER2 Interconnect	Size (Bytes)
PWMSS1_ECAP	0x4843 E100	400 Bytes
PWMSS2_ECAP	0x4844 0100	400 Bytes
PWMSS3_ECAP	0x4844 2100	400 Bytes

29.3.3.2 PWMSS_ECAP Registers

29.3.3.2.1 PWMSS_ECAP Register Summary

Table 29-117. PWMSSn_ECAP Registers Mapping Summary

Register Name	Type	Register Width (Bits)	Address Offset	PWMSS1_ECAP Physical Address L4_PER2 Interconnect	PWMSS2_ECAP Physical Address L4_PER2 Interconnect	PWMSS3_ECAP Physical Address L4_PER2 Interconnect
PWMSS_ECAP_TSCNT	RW	32	0x0	0x4843 E100	0x4844 0100	0x4844 2100
PWMSS_ECAP_CNTPHS	RW	32	0x4	0x4843 E104	0x4844 0104	0x4844 2104
PWMSS_ECAP_CAP1	RW	32	0x8	0x4843 E108	0x4844 0108	0x4844 2108
PWMSS_ECAP_CAP2	RW	32	0xC	0x4843 E10C	0x4844 010C	0x4844 210C
PWMSS_ECAP_CAP3	RW	32	0x10	0x4843 E110	0x4844 0110	0x4844 2110
PWMSS_ECAP_CAP4	RW	32	0x14	0x4843 E114	0x4844 0114	0x4844 2114
PWMSS_ECAP_ECCTL1	RW	16	0x28	0x4843 E128	0x4844 0128	0x4844 2128
PWMSS_ECAP_ECCTL2	RW	16	0x2A	0x4843 E12A	0x4844 012A	0x4844 212A
PWMSS_ECAP_ECEINT	RW	16	0x2C	0x4843 E12C	0x4844 012C	0x4844 212C
PWMSS_ECAP_ECFLG	R	16	0x2E	0x4843 E12E	0x4844 012E	0x4844 212E
PWMSS_ECAP_ECCLR	RW	16	0x30	0x4843 E130	0x4844 0130	0x4844 2130
PWMSS_ECAP_ECFRC	RW	16	0x32	0x4843 E132	0x4844 0132	0x4844 2132
PWMSS_ECAP_PID	R	32	0x5C	0x4843 E15C	0x4844 015C	0x4844 215C

29.3.3.2.2 PWMSS_ECAP Register Description

Table 29-118. PWMSS_ECAP_TSCNT

Address Offset	0x0000 0000	Instance	PWMSS1_ECAP PWMSS2_ECAP PWMSS3_ECAP
Physical Address	0x4843 E100 0x4844 0100 0x4844 2100		
Description	Time Stamp Counter Register		
Type	RW		

31	30	29	28	27	26	25	24	23	22	21	20	19	18	17	16	15	14	13	12	11	10	9	8	7	6	5	4	3	2	1	0
TSCNT																															

Bits	Field Name	Description	Type	Reset
31:0	TSCNT	Active 32 bit-counter register that is used as the capture time-base	RW	0x0

Table 29-119. Register Call Summary for Register PWMSS_ECAP_TSCNT

Enhanced Capture (eCAP) Module

- [Summary of eCAP Functional Registers: \[0\]](#)
- [PWMSS_ECAP Register Summary: \[1\]](#)
- [PWMSS_ECAP Register Description: \[2\]](#)

Table 29-120. PWMSS_ECAP_CNTPHS

Address Offset	0x0000 0004	Instance	PWMSS1_ECAP PWMSS2_ECAP PWMSS3_ECAP
Physical Address	0x4843 E104 0x4844 0104 0x4844 2104		

Table 29-120. PWMSS_ECAP_CNTPHS (continued)

Description	Counter Phase Control Register
Type	RW

31	30	29	28	27	26	25	24	23	22	21	20	19	18	17	16	15	14	13	12	11	10	9	8	7	6	5	4	3	2	1	0
CNTPHS																															

Bits	Field Name	Description	Type	Reset
31:0	CNTPHS	Counter phase value register that can be programmed for phase lag/lead. This register shadows TSCNT and is loaded into PWMSS_ECAP_TSCNT upon either a SYNCI event or S/W force via a control bit. Used to achieve phase control synchronization with respect to other eCAP and EPWM time-bases.	RW	0x0

Table 29-121. Register Call Summary for Register PWMSS_ECAP_CNTPHS

Enhanced Capture (eCAP) Module

- [Summary of eCAP Functional Registers: \[0\]](#)
- [PWMSS_ECAP Register Summary: \[1\]](#)
- [PWMSS_ECAP Register Description: \[2\]](#)

Table 29-122. PWMSS_ECAP_CAP1

Address Offset	0x0000 0008	Instance	PWMSS1_ECAP PWMSS2_ECAP PWMSS3_ECAP
Physical Address	0x4843 E108 0x4844 0108 0x4844 2108		
Description	Capture-1 Register		
Type	RW		

31	30	29	28	27	26	25	24	23	22	21	20	19	18	17	16	15	14	13	12	11	10	9	8	7	6	5	4	3	2	1	0
CAP1																															

Bits	Field Name	Description	Type	Reset
31:0	CAP1	This register can be loaded (written) by the following. (a) Time-Stamp (that is, counter value) during a capture event. (b) Software may be useful for test purposes. (c) APRD active register when used in APWM mode.	RW	0x0

Table 29-123. Register Call Summary for Register PWMSS_ECAP_CAP1

PWM Subsystem Resources

- [PWMSS Key Features: \[0\]\[1\]](#)

Enhanced Capture (eCAP) Module

- [eCAP Functional Description: \[2\]\[3\]](#)
- [Capture and APWM Operating Mode: \[4\]\[5\]](#)
- [eCAP Continuous/One-Shot Control: \[6\]\[7\]\[8\]\[9\]](#)
- [CAP1-CAP4 Registers: \[10\]\[11\]](#)
- [eCAP Shadow Load and Lockout Control: \[12\]\[13\]](#)
- [eCAP Module APWM Mode Operation: \[14\]\[15\]\[16\]](#)
- [Summary of eCAP Functional Registers: \[17\]\[18\]](#)
- [PWMSS_ECAP Register Summary: \[19\]](#)
- [PWMSS_ECAP Register Description: \[20\]\[21\]\[22\]\[23\]\[24\]\[25\]\[26\]](#)

Table 29-124. PWMSS_ECAP_CAP2

Address Offset	0x0000 000C		
Physical Address	0x4843 E10C 0x4844 010C 0x4844 210C	Instance	PWMSS1_ECAP PWMSS2_ECAP PWMSS3_ECAP
Description	Capture-2 Register		
Type	RW		

31	30	29	28	27	26	25	24	23	22	21	20	19	18	17	16	15	14	13	12	11	10	9	8	7	6	5	4	3	2	1	0
CAP2																															

Bits	Field Name	Description	Type	Reset
31:0	CAP2	This register can be loaded (written) by the following. (a) Time- Stamp (that is, counter value) during a capture event. (b) Software may be useful for test purposes. (c) APRD active register when used in APWM mode.	RW	0x0

Table 29-125. Register Call Summary for Register PWMSS_ECAP_CAP2

Enhanced Capture (eCAP) Module

- [Capture and APWM Operating Mode: \[0\]\[1\]](#)
- [CAP1-CAP4 Registers: \[2\]\[3\]](#)
- [eCAP Shadow Load and Lockout Control: \[4\]\[5\]](#)
- [eCAP Module APWM Mode Operation: \[6\]](#)
- [Summary of eCAP Functional Registers: \[7\]\[8\]](#)
- [PWMSS_ECAP Register Summary: \[9\]](#)
- [PWMSS_ECAP Register Description: \[10\]\[11\]](#)

Table 29-126. PWMSS_ECAP_CAP3

Address Offset	0x0000 0010		
Physical Address	0x4843 E110 0x4844 0110 0x4844 2110	Instance	PWMSS1_ECAP PWMSS2_ECAP PWMSS3_ECAP
Description	Capture-3 Register		
Type	RW		

31	30	29	28	27	26	25	24	23	22	21	20	19	18	17	16	15	14	13	12	11	10	9	8	7	6	5	4	3	2	1	0
CAP3																															

Bits	Field Name	Description	Type	Reset
31:0	CAP3	In CMP mode, this is a time-stamp capture register. In APWM mode, this is the period shadow (APRD) register. User SW updates the PWM period value through this register. In this mode, CAP3 shadows CAP1.	RW	0x0

Table 29-127. Register Call Summary for Register PWMSS_ECAP_CAP3

Enhanced Capture (eCAP) Module

- [Capture and APWM Operating Mode: \[0\]\[1\]\[2\]](#)
- [CAP1-CAP4 Registers: \[3\]](#)
- [eCAP Module APWM Mode Operation: \[4\]\[5\]\[6\]](#)
- [Summary of eCAP Functional Registers: \[7\]\[8\]\[9\]](#)
- [PWMSS_ECAP Register Summary: \[10\]](#)

Table 29-128. PWMSS_ECAP_CAP4

Address Offset	0x0000 0014		
Physical Address	0x4843 E114 0x4844 0114 0x4844 2114	Instance	PWMSS1_ECAP PWMSS2_ECAP PWMSS3_ECAP
Description	Capture-4 Register		
Type	RW		

31	30	29	28	27	26	25	24	23	22	21	20	19	18	17	16	15	14	13	12	11	10	9	8	7	6	5	4	3	2	1	0
CAP4																															

Bits	Field Name	Description	Type	Reset
31:0	CAP4	In CMP mode, this is a time-stamp capture register. In APWM mode, this is the compare shadow (ACMP) register. User SW updates the PWM compare value through this register. In this mode, CAP4 shadows CAP2.	RW	0x0

Table 29-129. Register Call Summary for Register PWMSS_ECAP_CAP4

PWM Subsystem Resources

- [PWMSS Key Features: \[0\]\[1\]](#)

Enhanced Capture (eCAP) Module

- [eCAP Functional Description: \[2\]\[3\]](#)
- [Capture and APWM Operating Mode: \[4\]\[5\]\[6\]](#)
- [eCAP Continuous/One-Shot Control: \[7\]](#)
- [CAP1-CAP4 Registers: \[8\]](#)
- [eCAP Module APWM Mode Operation: \[9\]\[10\]](#)
- [Summary of eCAP Functional Registers: \[11\]\[12\]\[13\]](#)
- [PWMSS_ECAP Register Summary: \[14\]](#)
- [PWMSS_ECAP Register Description: \[15\]\[16\]\[17\]\[18\]\[19\]](#)

Table 29-130. PWMSS_ECAP_ECCTL1

Address Offset	0x0000 0028		
Physical Address	0x4843 E128 0x4844 0128 0x4844 2128	Instance	PWMSS1_ECAP PWMSS2_ECAP PWMSS3_ECAP
Description	ECAP Control Register1		
Type	RW		

15	14	13	12	11	10	9	8	7	6	5	4	3	2	1	0	
FREE_SOFT		EVTFLTPS						CAPLDEN	CTRRST4	CAP4POL	CTRRST3	CAP3POL	CTRRST2	CAP2POL	CTRRST1	CAP1POL

Bits	Field Name	Description	Type	Reset
15:14	FREE_SOFT	Emulation Control 0x0 = TSCNT counter stops immediately on emulation suspend. 0x1 = TSCNT counter runs until = 0. 0x2 = TSCNT counter is unaffected by emulation suspend (Run Free). 0x3 = TSCNT counter is unaffected by emulation suspend (Run Free).	RW	0x0

Bits	Field Name	Description	Type	Reset
13:9	EVTFLTPTS	Event Filter prescale select: 0x0 = Divide by 1 (i.e., no prescale, by-pass the prescaler) 0x1 = Divide by 2 0x2 = Divide by 4 0x3 = Divide by 6 0x4 = Divide by 8 0x5 = Divide by 10 ... 0x1E = Divide by 60 0x1F = Divide by 62	RW	0x0
8	CAPLDEN	Enable Loading of PWMSS_ECAP_CAP1 to PWMSS_ECAP_CAP4 registers on a capture event 0x0 = Disable PWMSS_ECAP_CAP1 - PWMSS_ECAP_CAP4 register loads at capture event time. 0x1 = Enable PWMSS_ECAP_CAP1 - PWMSS_ECAP_CAP4 register loads at capture event time.	RW	0x0
7	CTRRST4	Counter Reset on Capture Event 4 0x0 = Do not reset counter on Capture Event 4 (absolute time stamp operation) 0x1 = Reset counter after Capture Event 4 time-stamp has been captured (used in difference mode operation)	RW	0x0
6	CAP4POL	Capture Event 4 Polarity select 0x0 = Capture Event 4 triggered on a rising edge (RE) 0x1 = Capture Event 4 triggered on a falling edge (FE)	RW	0x0
5	CTRRST3	Counter Reset on Capture Event 3 0x0 = Do not reset counter on Capture Event 3 (absolute time stamp) 0x1 = Reset counter after Event 3 time-stamp has been captured (used in difference mode operation)	RW	0x0
4	CAP3POL	Capture Event 3 Polarity select 0x0 = Capture Event 3 triggered on a rising edge (RE) 0x1 = Capture Event 3 triggered on a falling edge (FE)	RW	0x0
3	CTRRST2	Counter Reset on Capture Event 2 0x0 = Do not reset counter on Capture Event 2 (absolute time stamp) 0x1 = Reset counter after Event 2 time-stamp has been captured (used in difference mode operation)	RW	0x0
2	CAP2POL	Capture Event 2 Polarity select 0x0 = Capture Event 2 triggered on a rising edge (RE) 0x1 = Capture Event 2 triggered on a falling edge (FE)	RW	0x0
1	CTRRST1	Counter Reset on Capture Event 1 0x0 = Do not reset counter on Capture Event 1 (absolute time stamp) 0x1 = Reset counter after Event 1 time-stamp has been captured (used in difference mode operation)	RW	0x0
0	CAP1POL	Capture Event 1 Polarity select 0x0 = Capture Event 1 triggered on a rising edge (RE) 0x1 = Capture Event 1 triggered on a falling edge (FE)	RW	0x0

Table 29-131. Register Call Summary for Register PWMSS_ECAP_ECCTL1

Enhanced Capture (eCAP) Module

- [eCAP Event Prescaler: \[0\]](#)
- [Summary of eCAP Functional Registers: \[1\]](#)
- [PWMSS_ECAP Register Summary: \[2\]](#)

Table 29-132. PWMSS_ECAP_ECCTL2

Address Offset	0x0000 002A	Instance	PWMSS1_ECAP PWMSS2_ECAP PWMSS3_ECAP
Physical Address	0x4843 E12A 0x4844 012A 0x4844 212A		
Description	ECAP Control Register 2		
Type	RW		

15	14	13	12	11	10	9	8	7	6	5	4	3	2	1	0
RESERVED					APWMPOL	CAPAPWM	SWSYNC	SYNCO_SEL	SYNCL_EN	TSCNTSTP	REARMRESET	STOPVALUE		CONTONESHT	

Bits	Field Name	Description	Type	Reset
15:11	RESERVED		R	0x0
10	APWMPOL	APWM output polarity select. This is applicable only in APWM operating mode 0x0 = Output is active high (Compare value defines high time) 0x1 = Output is active low (Compare value defines low time)	RW	0x0
9	CAPAPWM	CAP/APWM operating mode select 0x0 = ECAP module operates in capture mode. This mode forces the following configuration. (a) Inhibits TSCNT resets via TSCNT = PRD event. (b) Inhibits shadow loads on PWMSS_ECAP_CAP1 and PWMSS_ECAP_CAP2 registers. (c) Permits user to enable PWMSS_ECAP_CAP1-PWMSS_ECAP_CAP4 register load. (d) ECAP input/APWM output pin operates as a capture input. 0x1 = ECAP module operates in APWM mode. This mode forces the following configuration. (a) Resets TSCNT on TSCNT = PRD event (period boundary). (b) Permits shadow loading on PWMSS_ECAP_CAP1 and PWMSS_ECAP_CAP2 registers. (c) Disables loading of time-stamps into PWMSS_ECAP_CAP1 - PWMSS_ECAP_CAP4 registers. (d) ECAP input/APWM output pin operates as a APWM output.	RW	0x0
8	SWSYNC	Software-forced Counter (TSCNT) Synchronizing. This provides a convenient software method to synchronize some or all ECAP time bases. In APWM mode, the synchronizing can also be done via the TSCNT = PRD event. Note: Selection TSCNT = PRD is meaningful only in APWM mode. However, you can choose it in CAP mode if you find doing so useful. 0x0 = Writing a zero has no effect. Reading always returns a zero 0x1 = Writing a one forces a TSCNT shadow load of current ECAP module and any ECAP modules downstream providing the SYNCO_SEL bits are 0b00. After writing a 1, this bit returns to a zero.	RW	0x0

Bits	Field Name	Description	Type	Reset
7:6	SYNCO_SEL	Sync-Out Select 0x0 = Select sync-in event to be the sync-out signal (pass through) 0x1 = Select TSCNT = PRD event to be the sync-out signal 0x2 = Disable sync out signal 0x3 = Disable sync out signal	RW	0x0
5	SYNCI_EN	Counter (TSCNT) Sync-In select mode 0x0 = Disable sync-in option 0x1 = Enable counter (TSCNT) to be loaded from PWMSS_ECAP_CNTPHS register upon either a SYNCI signal or a S/W force event.	RW	0x0
4	TSCNTSTP	Time Stamp (TSCNT) Counter Stop (freeze) Control 0x0 = TSCNT stopped 0x1 = TSCNT free-running	RW	0x0
3	REARMRESET	One-Shot Re-Arming Control, that is, wait for stop trigger. Note: The re-arm function is valid in one shot or continuous mode. 0x0 = Has no effect (reading always returns a 0) 0x1 = Arms the one-shot sequence as follows: 1) Resets the Mod4 counter to zero. 2) Unfreezes the Mod4 counter. 3) Enables capture register loads.	RW	0x0
2:1	STOPVALUE	Stop value for one-shot mode. This is the number (between 1 and 4) of captures allowed to occur before the CAP (1 through 4) registers are frozen, that is, capture sequence is stopped. Wrap value for continuous mode. This is the number (between 1 and 4) of the capture register in which the circular buffer wraps around and starts again. Notes: STOPVALUE is compared to Mod4 counter and, when equal, the following two actions occur. (1) Mod4 counter is stopped (frozen). (2) Capture register loads are inhibited. In one-shot mode, further interrupt events are blocked until re-armed. 0x0 = Stop after Capture Event 1 in one-shot mode. Wrap after Capture Event 1 in continuous mode. 0x1 = Stop after Capture Event 2 in one-shot mode. Wrap after Capture Event 2 in continuous mode. 0x2 = Stop after Capture Event 3 in one-shot mode. Wrap after Capture Event 3 in continuous mode. 0x3 = Stop after Capture Event 4 in one-shot mode. Wrap after Capture Event 4 in continuous mode.	RW	0x3
0	CONTONESHT	Continuous or one-shot mode control (applicable only in capture mode) 0x0 = Operate in continuous mode 0x1 = Operate in one-shot mode	RW	0x0

Table 29-133. Register Call Summary for Register PWMSS_ECAP_ECCTL2

Enhanced Capture (eCAP) Module

- [eCAP Shadow Load and Lockout Control: \[0\]\[1\]](#)
- [Summary of eCAP Functional Registers: \[2\]](#)
- [PWMSS_ECAP Register Summary: \[3\]](#)

Table 29-134. PWMSS_ECAP_ECEINT

Address Offset	0x0000 002C		
Physical Address	0x4843 E12C 0x4844 012C 0x4844 212C	Instance	PWMSS1_ECAP PWMSS2_ECAP PWMSS3_ECAP
Description	ECAP Interrupt Enable Register		

Table 29-134. PWMSS_ECAP_ECEINT (continued)

Type		RW													
15	14	13	12	11	10	9	8	7	6	5	4	3	2	1	0
RESERVED								CMPEQ	PRDEQ	CNTOVF	CEVT4	CEVT3	CEVT2	CEVT1	RESERVED

Bits	Field Name	Description	Type	Reset
15:8	RESERVED		R	0x0
7	CMPEQ	Counter Equal Compare Interrupt Enable. 0x0 = Disable Compare Equal as an Interrupt source. 0x1 = Enable Compare Equal as an Interrupt source.	RW	0x0
6	PRDEQ	Counter Equal Period Interrupt Enable. 0x0 = Disable Period Equal as an Interrupt source. 0x1 = Enable Period Equal as an Interrupt source.	RW	0x0
5	CNTOVF	Counter Overflow Interrupt Enable. 0x0 = Disable counter Overflow as an Interrupt source. 0x1 = Enable counter Overflow as an Interrupt source.	RW	0x0
4	CEVT4	Capture Event 4 Interrupt Enable. 0x0 = Disable Capture Event 4 as an Interrupt source. 0x1 = Enable Capture Event 4 as an Interrupt source.	RW	0x0
3	CEVT3	Capture Event 3 Interrupt Enable. 0x0 = Disable Capture Event 3 as an Interrupt source. 0x1 = Enable Capture Event 3 as an Interrupt source.	RW	0x0
2	CEVT2	Capture Event 2 Interrupt Enable. 0x0 = Disable Capture Event 2 as an Interrupt source. 0x1 = Enable Capture Event 2 as an Interrupt source.	RW	0x0
1	CEVT1	Capture Event 1 Interrupt Enable . 0x0 = Disable Capture Event 1 as an Interrupt source. 0x1 = Enable Capture Event 1 as an Interrupt source.	RW	0x0
0	RESERVED		R	0x0

Table 29-135. Register Call Summary for Register PWMSS_ECAP_ECEINT

Enhanced Capture (eCAP) Module

- [eCAP Interrupt Control: \[0\]](#)
- [Summary of eCAP Functional Registers: \[1\]](#)
- [PWMSS_ECAP Register Summary: \[2\]](#)

Table 29-136. PWMSS_ECAP_ECFLG

Address Offset	0x0000 002E		
Physical Address	0x4843 E12E 0x4844 012E 0x4844 212E	Instance	PWMSS1_ECAP PWMSS2_ECAP PWMSS3_ECAP
Description	ECAP Interrupt Flag Register		
Type	R		

15	14	13	12	11	10	9	8	7	6	5	4	3	2	1	0
RESERVED								CMPEQ	PRDEQ	CNTOVF	CEVT4	CEVT3	CEVT2	CEVT1	INT

Bits	Field Name	Description	Type	Reset
15:8	RESERVED		R	0x0
7	CMPEQ	Compare Equal Compare Status Flag. This flag is only active in APWM mode. 0x0 = Indicates no event occurred 0x1 = Indicates the counter (TSCNT) reached the compare register value (ACMP)	R	0x0
6	PRDEQ	Counter Equal Period Status Flag. This flag is only active in APWM mode. 0x0 = Indicates no event occurred 0x1 = Indicates the counter (TSCNT) reached the period register value (APRD) and was reset.	R	0x0
5	CNTOVF	Counter Overflow Status Flag. This flag is active in CAP and APWM mode. 0x0 = Indicates no event occurred. 0x1 = Indicates the counter (TSCNT) has made the transition from 0xFFFFFFFF to 0x00000000	R	0x0
4	CEVT4	Capture Event 4 Status Flag This flag is only active in CAP mode. 0x0 = Indicates no event occurred 0x1 = Indicates the fourth event occurred at ECAPn pin	R	0x0
3	CEVT3	Capture Event 3 Status Flag. This flag is active only in CAP mode. 0x0 = Indicates no event occurred. 0x1 = Indicates the third event occurred at ECAPn pin.	R	0x0
2	CEVT2	Capture Event 2 Status Flag. This flag is only active in CAP mode. 0x0 = Indicates no event occurred. 0x1 = Indicates the second event occurred at ECAPn pin.	R	0x0
1	CEVT1	Capture Event 1 Status Flag. This flag is only active in CAP mode. 0x0 = Indicates no event occurred. 0x1 = Indicates the first event occurred at ECAPn pin.	R	0x0
0	INT	Global Interrupt Status Flag 0x0 = Indicates no interrupt generated. 0x1 = Indicates that an interrupt was generated.	R	0x0

Table 29-137. Register Call Summary for Register PWMSS_ECAP_ECFLG

Enhanced Capture (eCAP) Module

- [eCAP Interrupt Control: \[0\]](#)
- [Summary of eCAP Functional Registers: \[1\]](#)
- [PWMSS_ECAP Register Summary: \[2\]](#)

Table 29-138. PWMSS_ECAP_ECCLR

Address Offset	0x0000 0030	Instance	PWMSS1_ECAP PWMSS2_ECAP PWMSS3_ECAP
Physical Address	0x4843 E130 0x4844 0130 0x4844 2130		
Description	ECAP Interrupt Clear Register		

Table 29-138. PWMSS_ECAP_ECCLR (continued)

Type		RW													
15	14	13	12	11	10	9	8	7	6	5	4	3	2	1	0
RESERVED								CMPEQ	PRDEQ	CNTOVF	CEVT4	CEVT3	CEVT2	CEVT1	INT

Bits	Field Name	Description	Type	Reset
15:8	RESERVED		R	0x0
7	CMPEQ	Counter Equal Compare Status Flag 0x0 = Writing a 0 has no effect. Always reads back a 0 0x1 = Writing a 1 clears the TSCNT=CMP flag condition	RW	0x0
6	PRDEQ	Counter Equal Period Status Flag 0x0 = Writing a 0 has no effect. Always reads back a 0 0x1 = Writing a 1 clears the TSCNT=PRD flag condition	RW	0x0
5	CNTOVF	Counter Overflow Status Flag 0x0 = Writing a 0 has no effect. Always reads back a 0 0x1 = Writing a 1 clears the CNTOVF flag condition	RW	0x0
4	CEVT4	Capture Event 4 Status Flag 0x0 = Writing a 0 has no effect. Always reads back a 0. 0x1 = Writing a 1 clears the CEVT3 flag condition.	RW	0x0
3	CEVT3	Capture Event 3 Status Flag 0x0 = Writing a 0 has no effect. Always reads back a 0. 0x1 = Writing a 1 clears the CEVT3 flag condition.	RW	0x0
2	CEVT2	Capture Event 2 Status Flag 0x0 = Writing a 0 has no effect. Always reads back a 0. 0x1 = Writing a 1 clears the CEVT2 flag condition.	RW	0x0
1	CEVT1	Capture Event 1 Status Flag 0x0 = Writing a 0 has no effect. Always reads back a 0. 0x1 = Writing a 1 clears the CEVT1 flag condition.	RW	0x0
0	INT	Global Interrupt Clear Flag 0x0 = Writing a 0 has no effect. Always reads back a 0. 0x1 = Writing a 1 clears the INT flag and enable further interrupts to be generated if any of the event flags are set to 1.	RW	0x0

Table 29-139. Register Call Summary for Register PWMSS_ECAP_ECCLR

Enhanced Capture (eCAP) Module

- [eCAP Interrupt Control: \[0\]](#)
- [Summary of eCAP Functional Registers: \[1\]](#)
- [PWMSS_ECAP Register Summary: \[2\]](#)

Table 29-140. PWMSS_ECAP_ECFRC

Address Offset	0x0000 0034	Instance	PWMSS1_ECAP PWMSS2_ECAP PWMSS3_ECAP
Physical Address	0x4843 E132 0x4844 0132 0x4844 2132		
Description	ECAP Interrupt Forcing Register		
Type	RW		

15	14	13	12	11	10	9	8	7	6	5	4	3	2	1	0
RESERVED								CMPEQ	PRDEQ	CNTOVF	CEVT4	CEVT3	CEVT2	CEVT1	RESERVED

Bits	Field Name	Description	Type	Reset
15:8	RESERVED		R	0x0
7	CMPEQ	Force Counter Equal Compare Interrupt 0x0 = No effect. Always reads back a 0. 0x1 = Writing a 1 sets the TSCNT=CMP flag bit.	RW	0x0
6	PRDEQ	Force Counter Equal Period Interrupt 0x0 = No effect. Always reads back a 0. 0x1 = Writing a 1 sets the TSCNT=PRD flag bit.	RW	0x0
5	CNTOVF	Force Counter Overflow 0x0 = No effect. Always reads back a 0. 0x1 = Writing a 1 to this bit sets the CNTOVF flag bit.	RW	0x0
4	CEVT4	Force Capture Event 4 0x0 = No effect. Always reads back a 0. 0x1 = Writing a 1 sets the CEVT4 flag bit	RW	0x0
3	CEVT3	Force Capture Event 3 0x0 = No effect. Always reads back a 0. 0x1 = Writing a 1 sets the CEVT3 flag bit	RW	0x0
2	CEVT2	Force Capture Event 2 0x0 = No effect. Always reads back a 0. 0x1 = Writing a 1 sets the CEVT2 flag bit.	RW	0x0
1	CEVT1	Always reads back a 0. Force Capture Event 1 0x0 = No effect. 0x1 = Writing a 1 sets the CEVT1 flag bit.	RW	0x0
0	RESERVED		R	0x0

Table 29-141. Register Call Summary for Register PWMSS_ECAP_ECFRC

Enhanced Capture (eCAP) Module

- [eCAP Interrupt Control: \[0\]](#)
- [Summary of eCAP Functional Registers: \[1\]](#)
- [PWMSS_ECAP Register Summary: \[2\]](#)

Table 29-142. PWMSS_ECAP_PID

Address Offset	0x0000 005C	Instance	PWMSS1_ECAP
Physical Address	0x4843 E15C 0x4844 015C 0x4844 215C		PWMSS2_ECAP PWMSS3_ECAP
Description	ECAP Revision ID		
Type	R		

31	30	29	28	27	26	25	24	23	22	21	20	19	18	17	16	15	14	13	12	11	10	9	8	7	6	5	4	3	2	1	0
REVISION																															

Bits	Field Name	Description	Type	Reset
31:0	REVISION	IP Revision	R	0x- ⁽¹⁾

⁽¹⁾ TI Internal information

Table 29-143. Register Call Summary for Register PWMSS_ECAP_PID

Enhanced Capture (eCAP) Module

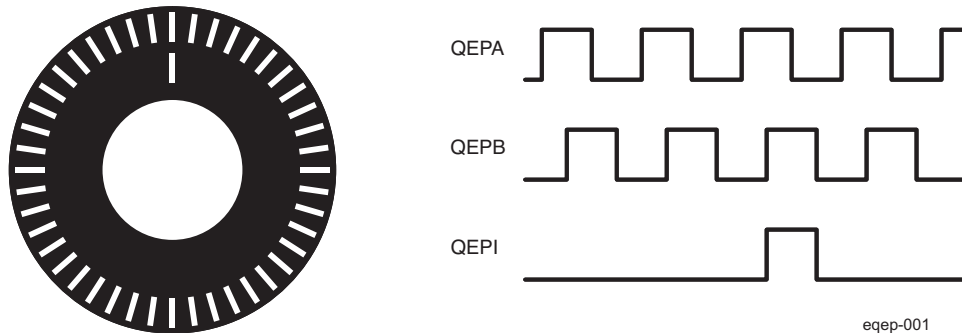
- [Summary of eCAP Functional Registers: \[0\]](#)
 - [PWMSS_ECAP Register Summary: \[1\]](#)
-

29.4 Enhanced Quadrature Encoder Pulse (eQEP) Module

29.4.1 eQEP Overview

A single track of slots patterns the periphery of an incremental encoder disk, as shown in [Figure 29-62](#). These slots create an alternating pattern of dark and light lines. The disk count is defined as the number of dark/light line pairs that occur per revolution (lines per revolution). As a rule, a second track is added to generate a signal that occurs once per revolution (index signal: QEPI), which can be used to indicate an absolute position. Encoder manufacturers identify the index pulse using different terms such as index, marker, home position, and zero reference.

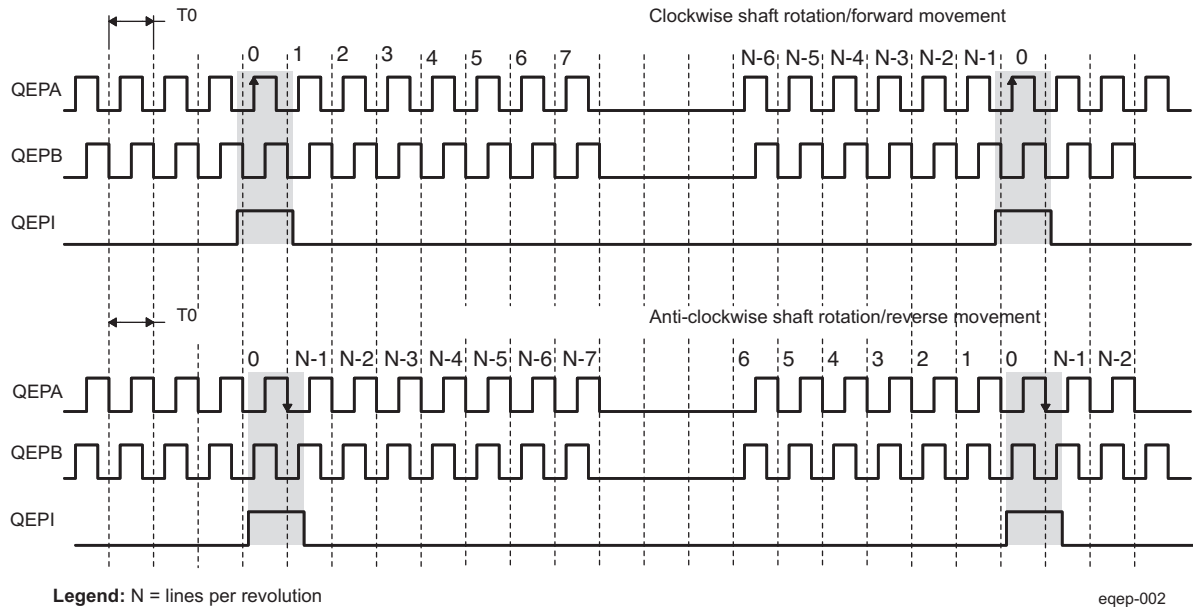
Figure 29-62. Optical Encoder Disk



To derive direction information, the lines on the disk are read out by two different photo-elements that "look" at the disk pattern with a mechanical shift of 1/4 the pitch of a line pair between them. This shift is realized with a reticle or mask that restricts the view of the photo-element to the desired part of the disk lines. As the disk rotates, the two photo-elements generate signals that are shifted 90 degrees out of phase from each other. These are commonly called the quadrature QEPA and QEPB signals. The clockwise direction for most encoders is defined as the QEPA channel going positive before the QEPB channel and vice versa as shown in [Figure 29-63](#).

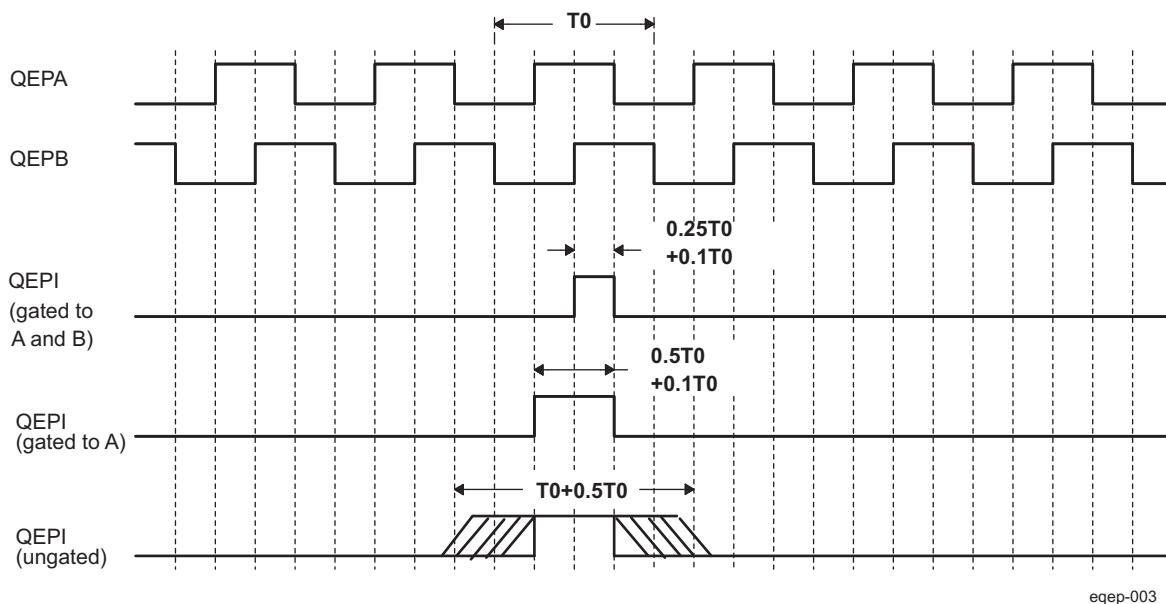
The encoder wheel typically makes one revolution for every revolution of the motor or the wheel may be at a geared rotation ratio with respect to the motor. Therefore, the frequency of the digital signal coming from the QEPA and QEPB outputs varies proportionally with the velocity of the motor. For example, a 2000-line encoder directly coupled to a motor running at 5000 revolutions per minute (rpm) results in a frequency of 166.6 KHz, so by measuring the frequency of either the QEPA or QEPB output, the processor can determine the velocity of the motor.

Figure 29-63. QEP Encoder Output Signal for Forward/Reverse Movement



Quadrature encoders from different manufacturers come with two forms of index pulse (gated index pulse or ungated index pulse) as shown in Figure 29-64. A nonstandard form of index pulse is ungated. In the ungated configuration, the index edges are not necessarily coincident with A and B signals. The gated index pulse is aligned to any of the four quadrature edges and width of the index pulse and can be equal to a quarter, half, or full period of the quadrature signal.

Figure 29-64. Index Pulse Example



Some typical applications of shaft encoders include robotics and even computer input in the form of a mouse. Inside your mouse you can see where the mouse ball spins a pair of axles (a left/right, and an up/down axle). These axles are connected to optical shaft encoders that effectively tell the computer how fast and in what direction the mouse is moving.

General Issues: Estimating velocity from a digital position sensor is a cost-effective strategy in motor control. Two different first order approximations for velocity may be written as:

$$V(k) \approx \frac{X(k) - X(k-1)}{T} = \frac{\Delta X}{T} \quad \text{eqep-004} \quad (8)$$

$$V(k) \approx \frac{X}{t(k) - t(k-1)} = \frac{X}{\Delta T} \quad \text{eqep-005} \quad (9)$$

where

v(k): Velocity at time instant k

x(k): Position at time instant k

x(k-1): Position at time instant k - 1

T: Fixed unit time or inverse of velocity calculation rate

ΔX : Incremental position movement in unit time

t(k): Time instant "k"

t(k-1): Time instant "k - 1"

X: Fixed unit position

ΔT : Incremental time elapsed for unit position movement.

Equation 8 is the conventional approach to velocity estimation and it requires a time base to provide unit time event for velocity calculation. Unit time is basically the inverse of the velocity calculation rate.

The encoder count (position) is read once during each unit time event. The quantity $[x(k) - x(k-1)]$ is formed by subtracting the previous reading from the current reading. Then the velocity estimate is computed by multiplying by the known constant $1/T$ (where T is the constant time between unit time events and is known in advance).

Estimation based on **Equation 8** has an inherent accuracy limit directly related to the resolution of the position sensor and the unit time period T. For example, consider a 500-line per revolution quadrature encoder with a velocity calculation rate of 400 Hz. When used for position the quadrature encoder gives a four-fold increase in resolution, in this case, 2000 counts per revolution. The minimum rotation that can be detected is therefore 0.0005 revolutions, which gives a velocity resolution of 12 rpm when sampled at 400 Hz. While this resolution may be satisfactory at moderate or high speeds, for example, 1% error at 1200 rpm, it would clearly prove inadequate at low speeds. In fact, at speeds below 12 rpm, the speed estimate would erroneously be zero much of the time.

At low speed, **Equation 9** provides a more accurate approach. It requires a position sensor that outputs a fixed interval pulse train, such as the aforementioned quadrature encoder. The width of each pulse is defined by motor speed for a given sensor resolution. **Equation 9** can be used to calculate motor speed by measuring the elapsed time between successive quadrature pulse edges. However, this method suffers from the opposite limitation, as does **Equation 8**. A combination of relatively large motor speeds and high sensor resolution makes the time interval ΔT small, and thus more greatly influenced by the timer resolution. This can introduce considerable error into high-speed estimates.

For systems with a large speed range (that is, speed estimation is needed at both low and high speeds), one approach is to use **Equation 9** at low speed and have the software switch over to **Equation 8** when the motor speed rises above some specified threshold.

29.4.2 eQEP Module Functional Description

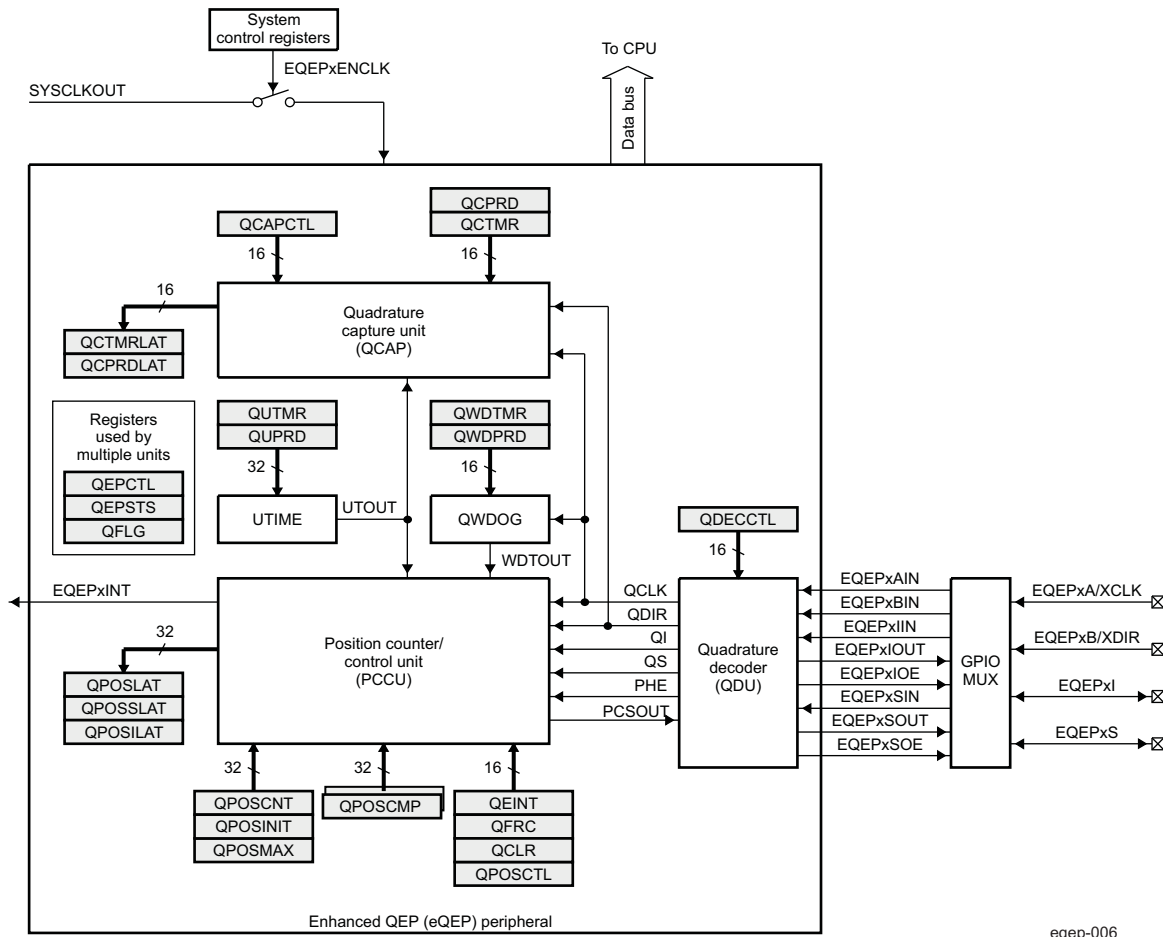
This section provides the eQEP functional description and corresponding functional details about EQEPx inputs .

NOTE: Multiple identical eQEP modules can be contained in a system. For actual number of eQEP modules integrated in the device, refer to the [Section 29.1.3](#). The letter x within a signal or module name is used to indicate a generic eQEP instance on a device. For example, output interrupt request, EQEP1A belongs to eQEP1, EQEP2A belongs to eQEP2, etc.

The eQEP peripheral contains the following major functional units (as shown in [Figure 29-65](#)):

- Programmable input qualification for each pin (part of the GPIO MUX)
- Quadrature decoder unit (QDU)
- Position counter and control unit for position measurement (PCCU)
- Quadrature edge-capture unit for low-speed measurement (QCAP)
- Unit time base for speed/frequency measurement (UTIME)
- Watchdog timer for detecting stalls (QWDOG)

Figure 29-65. Functional Block Diagram of the eQEP Peripheral



29.4.2.1 eQEP Inputs

The eQEP inputs include two pins for quadrature-clock mode or direction-count mode, an index (or 0 marker), and a strobe input.

- QEPxA/XCLK and QEPB/XDIR: These two pins can be used in quadrature-clock mode or direction-

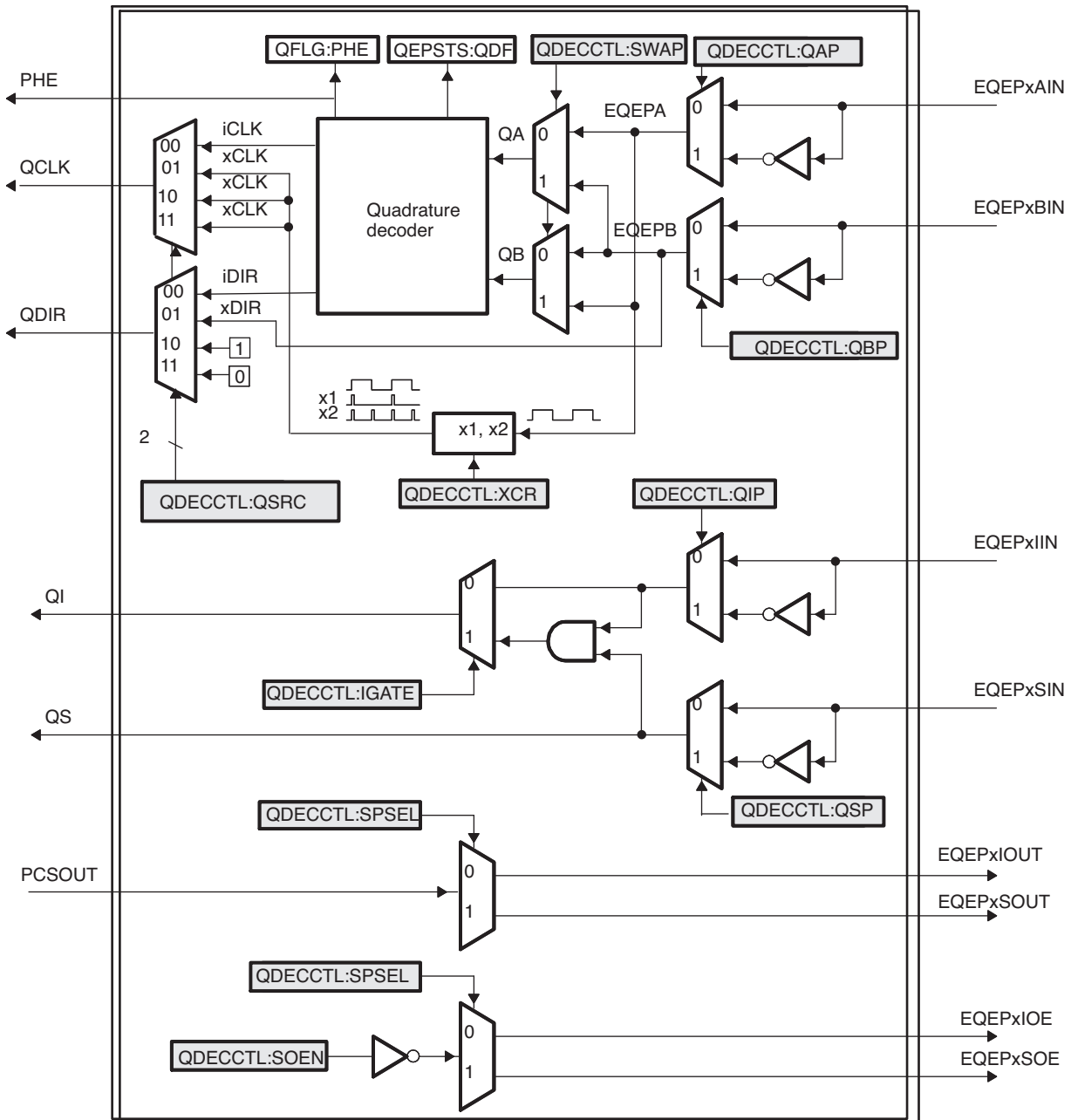
count mode.

- Quadrature-clock Mode: The eQEP encoders provide two square wave signals (A and B) 90 electrical degrees out of phase whose phase relationship is used to determine the direction of rotation of the input shaft and number of eQEP pulses from the index position to derive the relative position information. For forward or clockwise rotation, QEPA signal leads QEPB signal and vice versa. The quadrature decoder uses these two inputs to generate quadrature-clock and direction signals.
- Direction-count Mode: In direction-count mode, direction and clock signals are provided directly from the external source. Some position encoders have this type of output instead of quadrature output. The QEPA pin provides the clock input and the QEPB pin provides the direction input.
- QEPI: Index or Zero Marker: The eQEP encoder uses an index signal to assign an absolute start position from which position information is incrementally encoded using quadrature pulses. This pin is connected to the index output of the eQEP encoder to optionally reset the position counter for each revolution. This signal can be used to initialize or latch the position counter on the occurrence of a desired event on the index pin.
- QEPS: Strobe Input: This general-purpose strobe signal can initialize or latch the position counter on the occurrence of a desired event on the strobe pin. This signal is typically connected to a sensor or limit switch to notify that the motor has reached a defined position.

29.4.2.2 eQEP Quadrature Decoder Unit (QDU)

Figure 29-66 shows a functional block diagram of the QDU.

Figure 29-66. Functional Block Diagram of Decoder Unit



eqep-007

29.4.2.2.1 eQEP Position Counter Input Modes

Clock and direction input to position counter is selected using the QSRC bit in the eQEP decoder control register ([EQEP_QDECCTL](#)), based on interface input requirement as follows:

- Quadrature-count mode
- Direction-count mode
- UP-count mode
- DOWN-count mode

29.4.2.2.1.1 Quadrature Count Mode

The quadrature decoder generates the direction and clock to the position counter in quadrature count mode.

Direction Decoding— The direction decoding logic of the eQEP circuit determines which one of the sequences (QEPA, QEPB) is the leading sequence and accordingly updates the direction information in the QDF bit in the eQEP status register ([EQEP_QEPSTS](#)). [Table 29-144](#) and [Figure 29-67](#) show the direction decoding logic in truth table and state machine form. Both edges of the QEPA and QEPB signals are sensed to generate count pulses for the position counter. Therefore, the frequency of the clock generated by the eQEP logic is four times that of each input sequence. [Figure 29-68](#) shows the direction decoding and clock generation from the eQEP input signals.

Phase Error Flag— In normal operating conditions, quadrature inputs QEPA and QEPB will be 90 degrees out of phase. The phase error flag (PHE) is set in the [EQEP_QFLG](#) register when edge transition is detected simultaneously on the QEPA and QEPB signals to optionally generate interrupts. State transitions marked by dashed lines in [Figure 29-67](#) are invalid transitions that generate a phase error.

Count Multiplication— The eQEP position counter provides 4x times the resolution of an input clock by generating a quadrature-clock (QCLK) on the rising/falling edges of both eQEP input clocks (QEPA and QEPB) as shown in [Figure 29-68](#).

Reverse Count— In normal quadrature count operation, QEPA input is fed to the QA input of the quadrature decoder and the QEPB input is fed to the QB input of the quadrature decoder. Reverse counting is enabled by setting the SWAP bit in the eQEP decoder control register ([EQEP_QDECCTL](#)). This will swap the input to the quadrature decoder thereby reversing the counting direction.

Table 29-144. Quadrature Decoder Truth Table

Previous Edge	Present Edge	QDIR	QPOSCNT
QA↑	QB↑	UP	Increment
	QB↓	DOWN	Decrement
	QA↓	TOGGLE	Increment or Decrement
QA↓	QB↓	UP	Increment
	QB↑	DOWN	Decrement
	QA↑	TOGGLE	Increment or Decrement
QB↑	QA↑	DOWN	Increment
	QA↓	UP	Decrement
	QB↓	TOGGLE	Increment or Decrement
QB↓	QA↓	DOWN	Increment
	QA↑	UP	Decrement
	QB↑	TOGGLE	Increment or Decrement

Figure 29-67. Quadrature Decoder State Machine

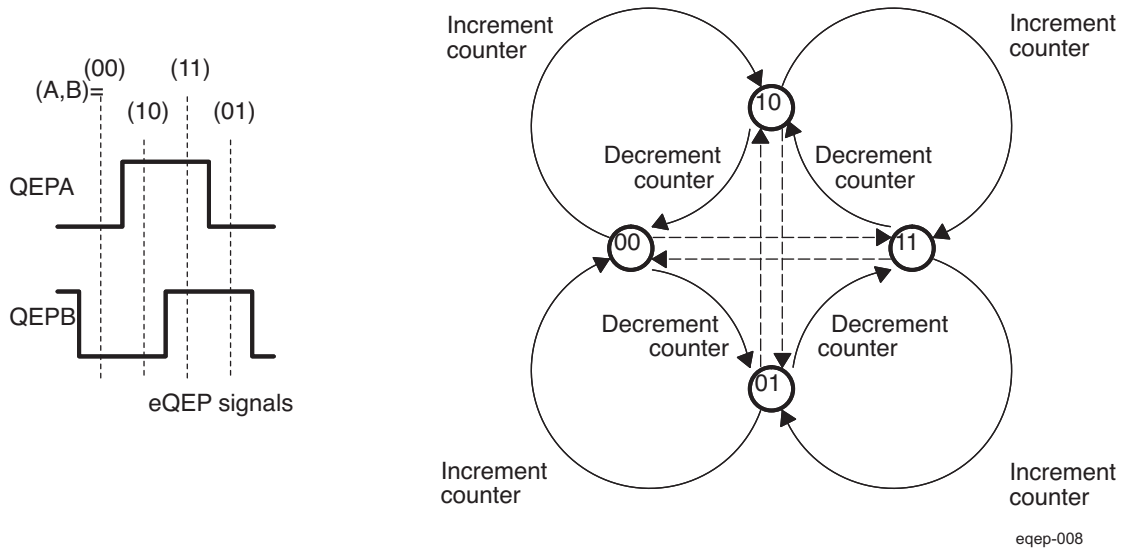
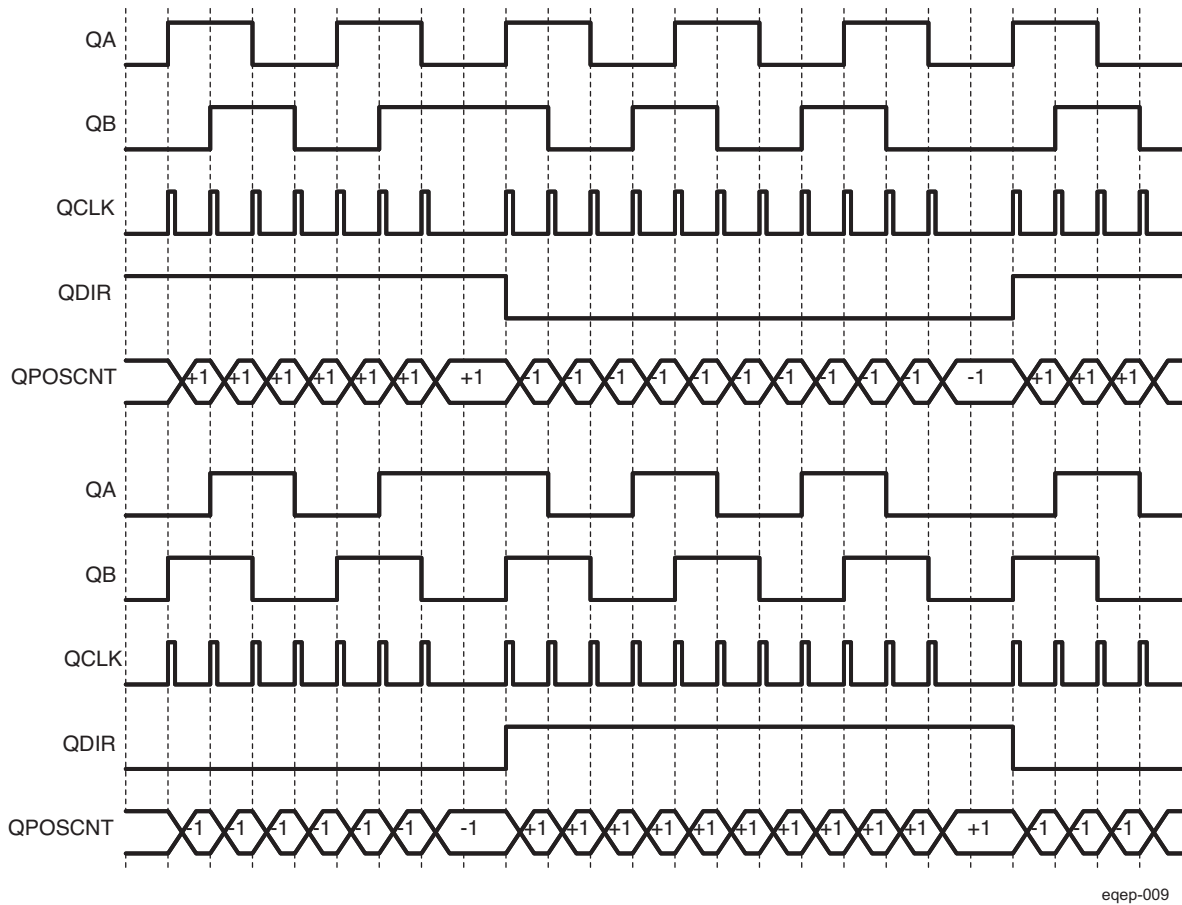


Figure 29-68. Quadrature-clock and Direction Decoding



29.4.2.2.1.2 eQEP Direction-count Mode

Some position encoders provide direction and clock outputs, instead of quadrature outputs. In such cases, direction-count mode can be used. QEPA input will provide the clock for position counter and the QEPB input will have the direction information. The position counter is incremented on every rising edge of a QEPA input when the direction input is high and decremented when the direction input is low.

29.4.2.2.1.3 eQEP Up-Count Mode

The counter direction signal is hard-wired for up count and the position counter is used to measure the frequency of the QEPA input. Setting of the XCR bit in the eQEP decoder control register ([EQEP_QDECCTL](#)) enables clock generation to the position counter on both edges of the QEPA input, thereby increasing the measurement resolution by 2x factor.

29.4.2.2.1.4 eQEP Down-Count Mode

The counter direction signal is hardwired for a down count and the position counter is used to measure the frequency of the QEPA input. Setting of the XCR bit in the eQEP decoder control register ([EQEP_QDECCTL](#)) enables clock generation to the position counter on both edges of a QEPA input, thereby increasing the measurement resolution by 2x factor.

29.4.2.2.2 eQEP Input Polarity Selection

Each eQEP input can be inverted using the in the eQEP decoder control register ([EQEP_QDECCTL\[8:5\]](#)) control bits. As an example, setting of the QIP bit in [EQEP_QDECCTL](#) inverts the index input.

29.4.2.2.3 eQEP Position-Compare Sync Output

The eQEP peripheral includes a position-compare unit that is used to generate the position-compare sync signal on compare match between the position counter register ([EQEP_QPOSCNT](#)) and the position-compare register ([EQEP_QPOSCMP](#)). This sync signal can be output using an index pin or strobe pin of the EQEP peripheral.

Setting the SOEN bit in the eQEP decoder control register ([EQEP_QDECCTL](#)) enables the position-compare sync output and the SPSEL bit in [EQEP_QDECCTL](#) selects either an eQEP index pin or an eQEP strobe pin.

29.4.2.3 eQEP Position Counter and Control Unit (PCCU)

The position counter and control unit provides two configuration registers ([EQEP_QEPCTL](#) and [EQEP_QPOSCTL](#)) for setting up position counter operational modes, position counter initialization/latch modes and position-compare logic for sync signal generation.

29.4.2.3.1 eQEP Position Counter Operating Modes

Position counter data may be captured in different manners. In some systems, the position counter is accumulated continuously for multiple revolutions and the position counter value provides the position information with respect to the known reference. An example of this is the quadrature encoder mounted on the motor controlling the print head in the printer. Here the position counter is reset by moving the print head to the home position and then position counter provides absolute position information with respect to home position.

In other systems, the position counter is reset on every revolution using index pulse and position counter provides rotor angle with respect to index pulse position.

Position counter can be configured to operate in following four modes

- Position Counter Reset on Index Event
- Position Counter Reset on Maximum Position
- Position Counter Reset on the first Index Event
- Position Counter Reset on Unit Time Out Event (Frequency Measurement)

In all the above operating modes, position counter is reset to 0 on overflow and to QPOS MAX bifield value in EQEP_QPOS MAX register on underflow. Overflow occurs when the position counter counts up after QPOS MAX value. Underflow occurs when position counter counts down after "0". Interrupt flag is set to indicate overflow/underflow in EQEP_QFLG register.

29.4.2.3.1.1 eQEP Position Counter Reset on Index Event (EQEP_QEPCTL[31:12] PCRM] = 0b00)

If the index event occurs during the forward movement, then position counter is reset to 0 on the next eQEP clock. If the index event occurs during the reverse movement, then the position counter is reset to the value in the EQEP_QPOS MAX register on the next eQEP clock.

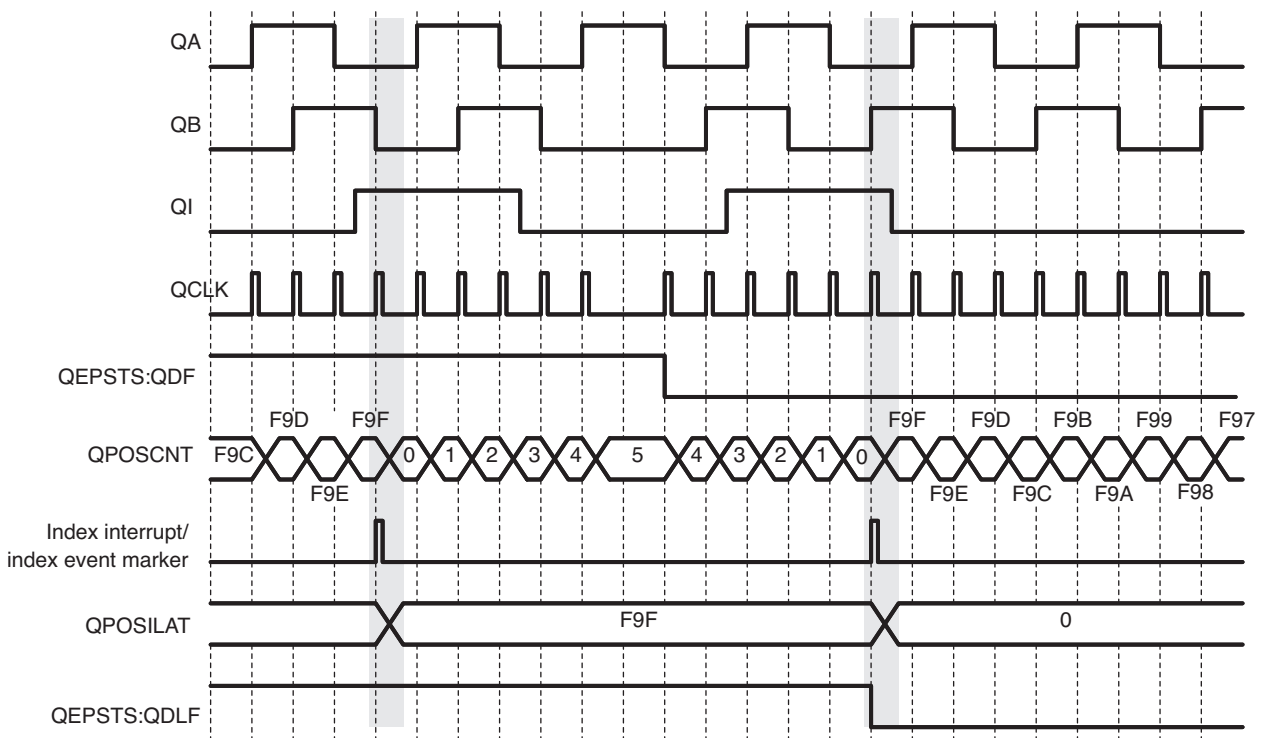
First index marker is defined as the quadrature edge following the first index edge. The eQEP peripheral records the occurrence of the first index marker (EQEP_QEPSTS[FIMF]) and direction on the first index event marker (EQEP_QEPSTS[FIDF]) in EQEP_QEPSTS registers, it also remembers the quadrature edge on the first index marker so that same relative quadrature transition is used for index event reset operation.

For example, if the first reset operation occurs on the falling edge of QEPB during the forward direction, then all the subsequent reset must be aligned with the falling edge of QEPB for the forward rotation and on the rising edge of QEPB for the reverse rotation as shown in Figure 29-69.

The position-counter value is latched to the EQEP_QPOSILAT register and direction information is recorded in the EQEP_QEPSTS[QDLF] bit on every index event marker. The position-counter error flag (EQEP_QEPSTS[PCEF]) and error interrupt flag (EQEP_QFLG[PCE]) are set if the latched value is not equal to 0 or QPOS MAX. The position-counter error flag (EQEP_QEPSTS[PCEF]) is updated on every index event marker and an interrupt flag (EQEP_QFLG[PCE]) will be set on error that can be cleared only through software.

The index event latch configuration EQEP_QEPCTL[5:4] IEL bits are ignored in this mode and position counter error flag/interrupt flag are generated only in index event reset mode.

Figure 29-69. Position Counter Reset by Index Pulse for 1000 Line Encoder (QPOS MAX = 3999 or F9Fh)



eqep-010

29.4.2.3.1.3 Position Counter Reset on the First Index Event (EQEP_QEPCTL[13:12] PCRM = 0b10)

If the index event occurs during forward movement, then the position counter is reset to 0 on the next eQEP clock. If the index event occurs during the reverse movement, then the position counter is reset to the value in the EQEP_QPOSMAX register on the next eQEP clock. Note that this is done only on the first occurrence and subsequently the position counter value is not reset on an index event; rather, it is reset based on maximum position as described in Section 29.4.2.3.1.2.

First index marker is defined as the quadrature edge following the first index edge. The eQEP peripheral records the occurrence of the first index marker (EQEP_QEPSTS[FIMF]) and direction on the first index event marker (EQEP_QEPSTS[FIDF]) in EQEP_QEPSTS registers. It also remembers the quadrature edge on the first index marker so that same relative quadrature transition is used for software index marker (EQEP_QEPCTL[5:4] IEL= 0b11).

29.4.2.3.1.4 Position Counter Reset on Unit Time out Event (EQEP_QEPCTL[13:12] PCRM = 0b11)

In this mode, the QPOSCNT value is latched to the EQEP_QPOSILAT register and then the QPOSCNT field is reset (to 0 or the QPOSMAX value in the EQEP_QPOSMAX register, depending on the direction mode selected by EQEP_QDECCTL[QSRC] bits on a unit time event). This is useful for frequency measurement.

29.4.2.3.2 eQEP Position Counter Latch

The eQEP index and strobe input can be configured to latch the position counter QPOSCNT (EQEP_QPOSCNT) into QPOSILAT (EQEP_QPOSILAT register) and QPOSSLAT (EQEP_QPOSSLAT register) bitfields, respectively, on occurrence of a definite event on these pins.

29.4.2.3.2.1 Index Event Latch

In some applications, it may not be desirable to reset the position counter on every index event and instead it may be required to operate the position counter in full 32-bit mode (EQEP_QEPCTL[13:12] PCRM = 0b01 and EQEP_QEPCTL[13:12] PCRM = 0b10 modes).

In such cases, the eQEP position counter can be configured to latch on the following events and direction information is recorded in the EQEP_QEPSTS[QDLF] bit on every index event marker.

- Latch on Rising edge (EQEP_QEPCTL[5:4] IEL = 0b01)
- Latch on Falling edge (EQEP_QEPCTL[5:4] IEL = 0b10)
- Latch on Index Event Marker (EQEP_QEPCTL[5:4] IEL = 0b11)

This is particularly useful as an error checking mechanism to check if the position counter accumulated the correct number of counts between index events. As an example, the 1000-line encoder must count 4000 times when moving in the same direction between the index events.

The index event latch interrupt flag (EQEP_QFLG[IEL]) is set when the position counter is latched to the EQEP_QPOSILAT register. The index event latch configuration bits (QEPCTZ[IEL]) are ignored when EQEP_QEPCTL[13:12] PCRM = 0b00.

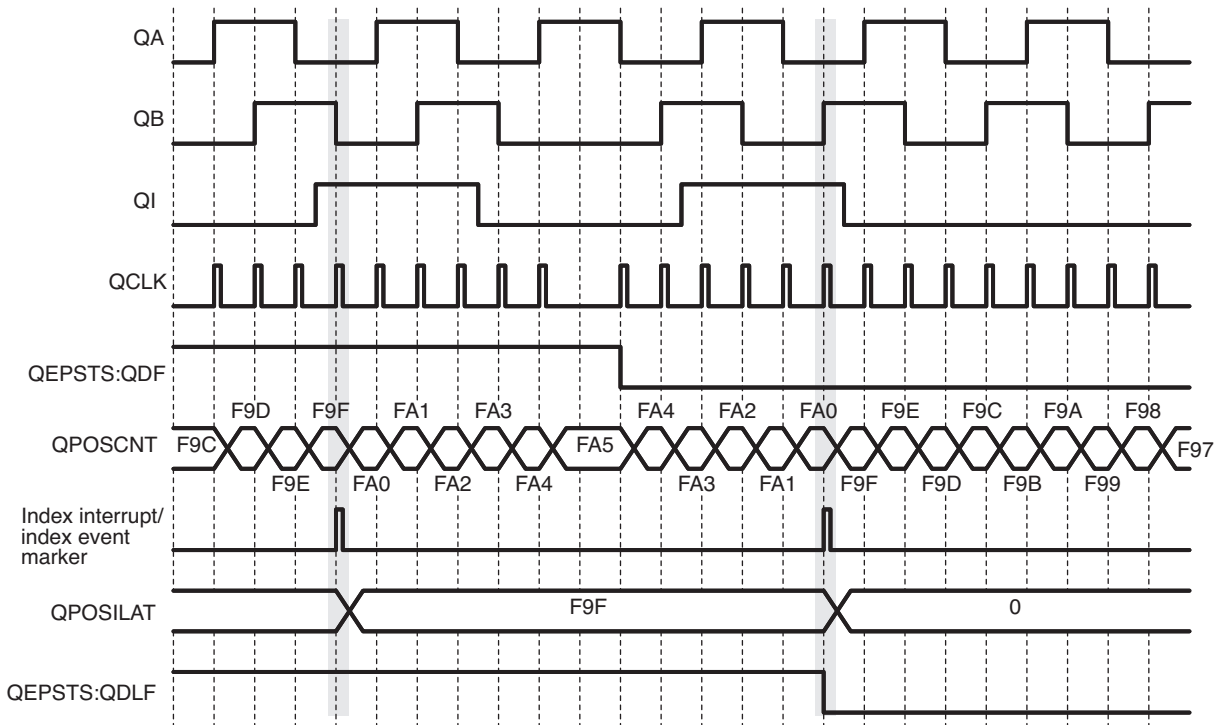
Latch on Rising Edge (EQEP_QEPCTL[5:4] IEL = 0b01)— The position counter value (QPOSCNT) is latched to the EQEP_QPOSILAT register on every rising edge of an index input.

Latch on Falling Edge (EQEP_QEPCTL[5:4] IEL = 0b10)— The position counter value (QPOSCNT) is latched to the EQEP_QPOSILAT register on every falling edge of index input.

Latch on Index Event Marker/Software Index Marker (EQEP_QEPCTL[5:4] IEL = 0b11)— The first index marker is defined as the quadrature edge following the first index edge. The eQEP peripheral records the occurrence of the first index marker (EQEP_QEPSTS[FIMF]) and direction on the first index event marker (EQEP_QEPSTS[FIDF]) in the EQEP_QEPSTS registers. It also remembers the quadrature edge on the first index marker so that same relative quadrature transition is used for latching the position counter (EQEP_QEPCTL[5:4] IEL = 0b11).

Figure 29-71 shows the position counter latch using an index event marker.

Figure 29-71. Software Index Marker for 1000-line Encoder (EQEP_QEPCTL[5:4] IEL = 0b01)



eqep-012

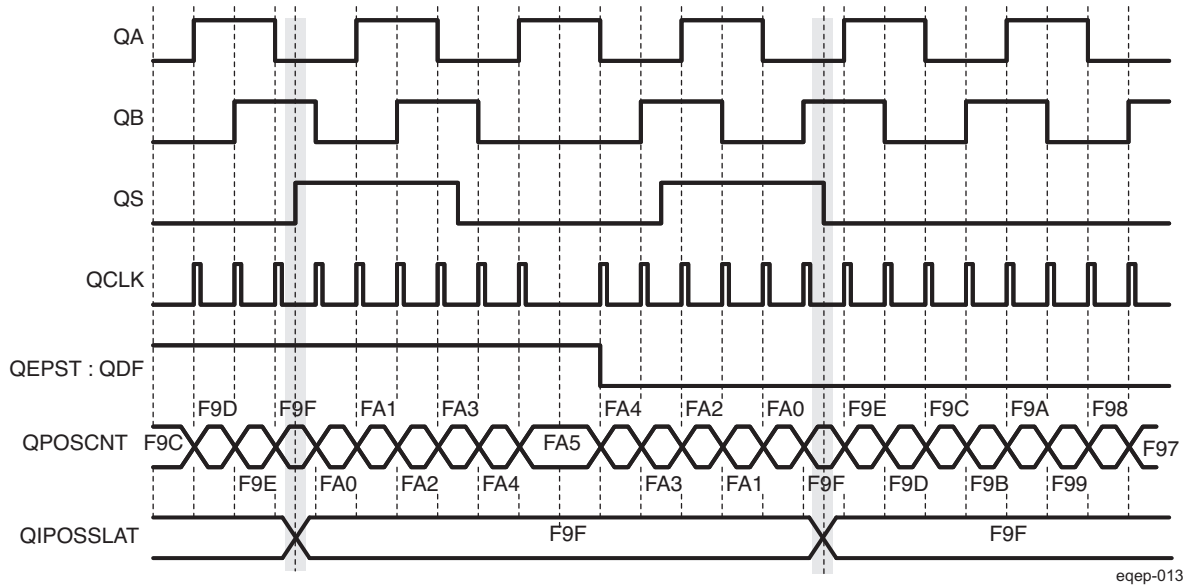
29.4.2.3.2.2 eQEP Strobe Event Latch

The position-counter value is latched to the `EQEP_QPOSSLAT` register on the rising edge of the strobe input by clearing the `EQEP_QEPCTL[6]` SEL bit.

If the `EQEP_QEPCTL[6]` SEL bit is set, then the position counter value is latched to the `EQEP_QPOSSLAT` register on the rising edge of the strobe input for forward direction and on the falling edge of the strobe input for reverse direction as shown in [Figure 29-72](#).

The strobe event latch interrupt flag (`EQEP_QFLG[SEL]`) is set when the position counter is latched to the `EQEP_QPOSSLAT` register.

Figure 29-72. eQEP Strobe Event Latch (EQEP_QEPCTL[6] SEL = 0b1)



eqep-013

29.4.2.3.3 eQEP Position Counter Initialization

The position counter can be initialized using following events:

- Index event
- Strobe event
- Software initialization

Index Event Initialization (IEI)— The QEPI index input can be used to trigger the initialization of the position counter at the rising or falling edge of the index input.

If the `EQEP_QEPCTL[9:8]` IEI bits are 0b10, then the position counter (`EQEP_QPOSCNT`) is initialized with a value in the `EQEP_QPOSINIT` register on the rising edge of strobe input for forward direction and on the falling edge of strobe input for reverse direction.

The index event initialization interrupt flag (`EQEP_QFLG[IEI]`) is set when the position counter is initialized with a value in the `EQEP_QPOSINIT` register.

Strobe Event Initialization (SEI)— If the `EQEP_QEPCTL[11:10]` SEI bits are 0b10, then the position counter is initialized with a value in the `EQEP_QPOSINIT` register on the rising edge of strobe input.

If the `EQEP_QEPCTL[11:10]` SEI bits are 0b11, then the position counter (`EQEP_QPOSCNT`) is initialized with a value in the `EQEP_QPOSINIT` register on the rising edge of strobe input for forward direction and on the falling edge of strobe input for reverse direction.

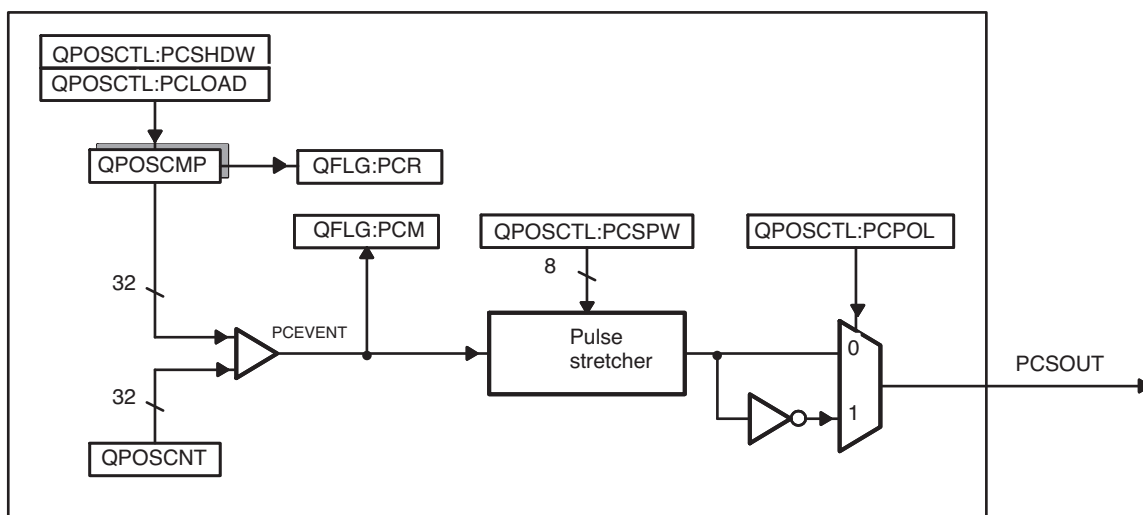
The strobe event initialization interrupt flag (`EQEP_QFLG[SEI]`) is set when the position counter is initialized with a value in the `EQEP_QPOSINIT` register.

Software Initialization (SWI)— The position counter can be initialized in software by writing a '1' to the `EQEP_QEPCTL[7]` SWI bit, which will automatically be cleared after initialization.

29.4.2.3.4 eQEP Position-Compare Unit

The eQEP peripheral includes a position-compare unit that is used to generate a sync output and/or interrupt on a position-compare match. Figure 29-73 shows a diagram. The position-compare (`EQEP_QPOSCTL`) register is shadowed and shadow mode can be enabled or disabled using the `EQEP_QPOSCTL[PSSHDW]` bit. If the shadow mode is not enabled, the CPU writes directly to the active position compare register.

Figure 29-73. eQEP Position-compare Unit



eqep-014

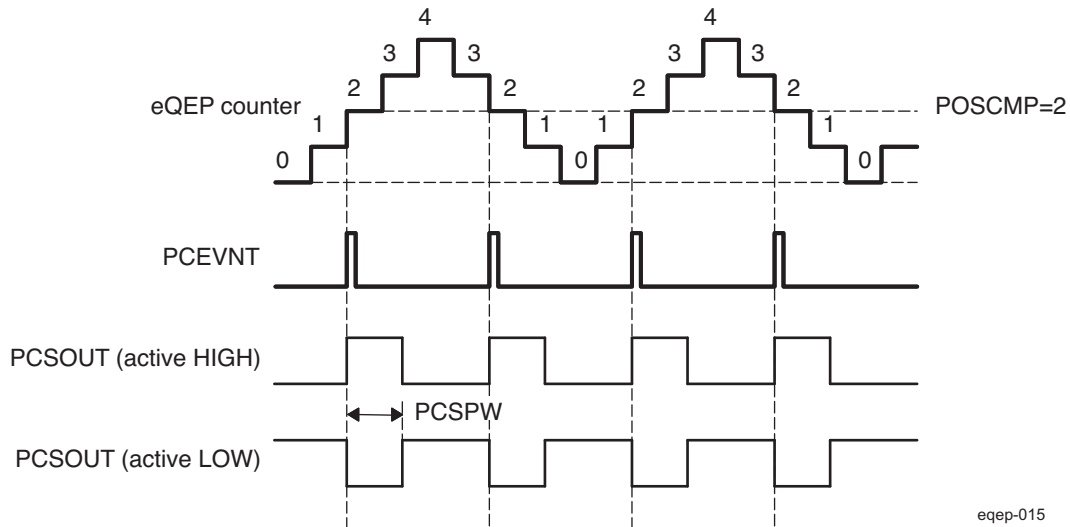
In shadow mode, you can configure the position-compare unit (`EQEP_QPOSCTL[PCLOAD]`) to load the shadow register value into the active register on the following events and to generate the position-compare ready (`EQEP_QFLG[PCR]`) interrupt after loading.

- Load on compare match
- Load on position-counter zero event

The position-compare match ([EQEP_QFLG\[PCM\]](#)) is set when the position-counter value (QPOSCNT) matches with the active position-compare register ([EQEP_QPOSCMP](#)) and the position-compare sync output of the programmable pulse width is generated on compare match to trigger an external device.

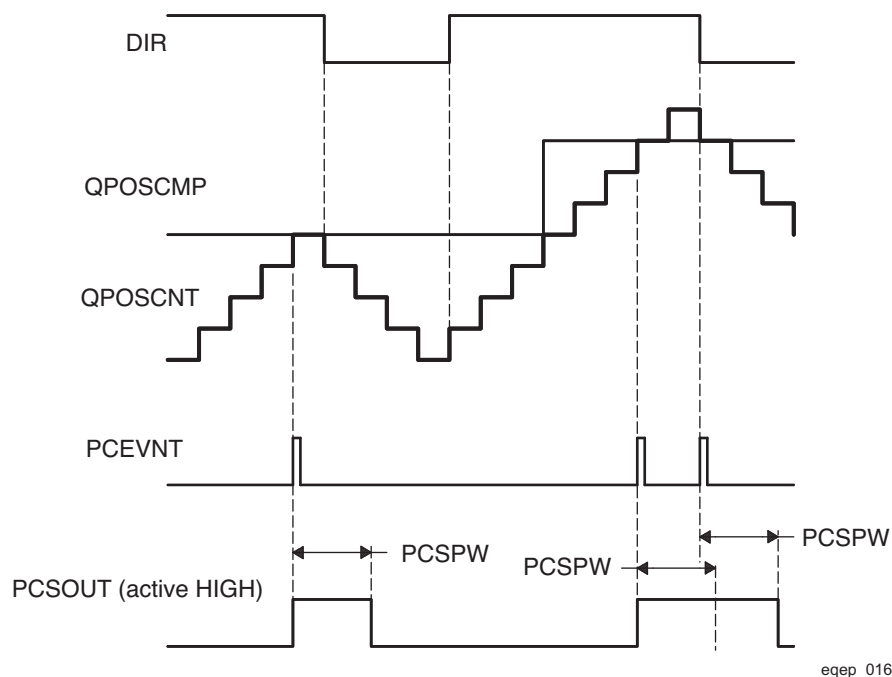
For example, if [EQEP_QPOSCMP](#) bitfield QPOSCMP = 0x2, the position-compare unit generates a position-compare event on 1 to 2 transitions of the eQEP position counter for forward counting direction and on 3 to 2 transitions of the eQEP position counter for reverse counting direction (see [Figure 29-74](#)).

Figure 29-74. eQEP Position-compare Event Generation Points



The pulse stretcher logic in the position-compare unit generates a programmable position-compare sync pulse output on the position-compare match. In the event of a new position-compare match while a previous position-compare pulse is still active, then the pulse stretcher generates a pulse of specified duration from the new position-compare event as shown in [Figure 29-75](#).

Figure 29-75. eQEP Position-compare Sync Output Pulse Stretcher



29.4.2.4 eQEP Edge Capture Unit

The eQEP peripheral includes an integrated edge capture unit to measure the elapsed time between the unit position events as shown in [Figure 29-76](#). This feature is typically used for low speed measurement using the following equation:

$$V(k) = \frac{X}{t(k) - t(k-1)} = \frac{X}{\Delta T}$$

eQEP-017

(10)

where,

- X - Unit position is defined by integer multiple of quadrature edges (see [Figure 29-77](#))
- ΔT - Elapsed time between unit position events
- v(k) - Velocity at time instant "k"

The eQEP capture timer (QCTMR bitfield in [EQEP_QCTMR](#) register) runs from prescaled SYSCLKOUT and the prescaler is programmed by the [EQEP_QCAPCTL\[CCPS\]](#) bits. The capture timer QCTMR value is latched into the capture period register ([EQEP_QCPRD](#)) on every unit position event and then the capture timer is reset, a flag is set in [EQEP_QEPSTS\[UPEVNT\]](#) to indicate that new value is latched into the [EQEP_QCPRD](#) register. Software can check this status flag before reading the period register for low speed measurement and clear the flag by writing 1.

NOTE: The system clock - SYSCLKOUT is the eQEP functional clock derived from the PWMSSn gateable interface and functional clock PWMSSn_GICLK, described in [Section 29.1.3](#).

Time measurement (ΔT) between unit position events will be correct if the following conditions are met:

- No more than 65,535 counts have occurred between unit position events.
- No direction change between unit position events.

The capture unit sets the eQEP overflow error flag ([EQEP_QEPSTS\[COEF\]](#)) in the event of capture timer overflow between unit position events. If a direction change occurs between the unit position events, then an error flag is set in the status register ([EQEP_QEPSTS\[CDEF\]](#)).

Capture Timer ([EQEP_QCTMR](#) register) and Capture period register ([EQEP_QCPRD](#)) can be configured to latch on following events.

- CPU read of [EQEP_QPOSCNT](#) register
- Unit time-out event

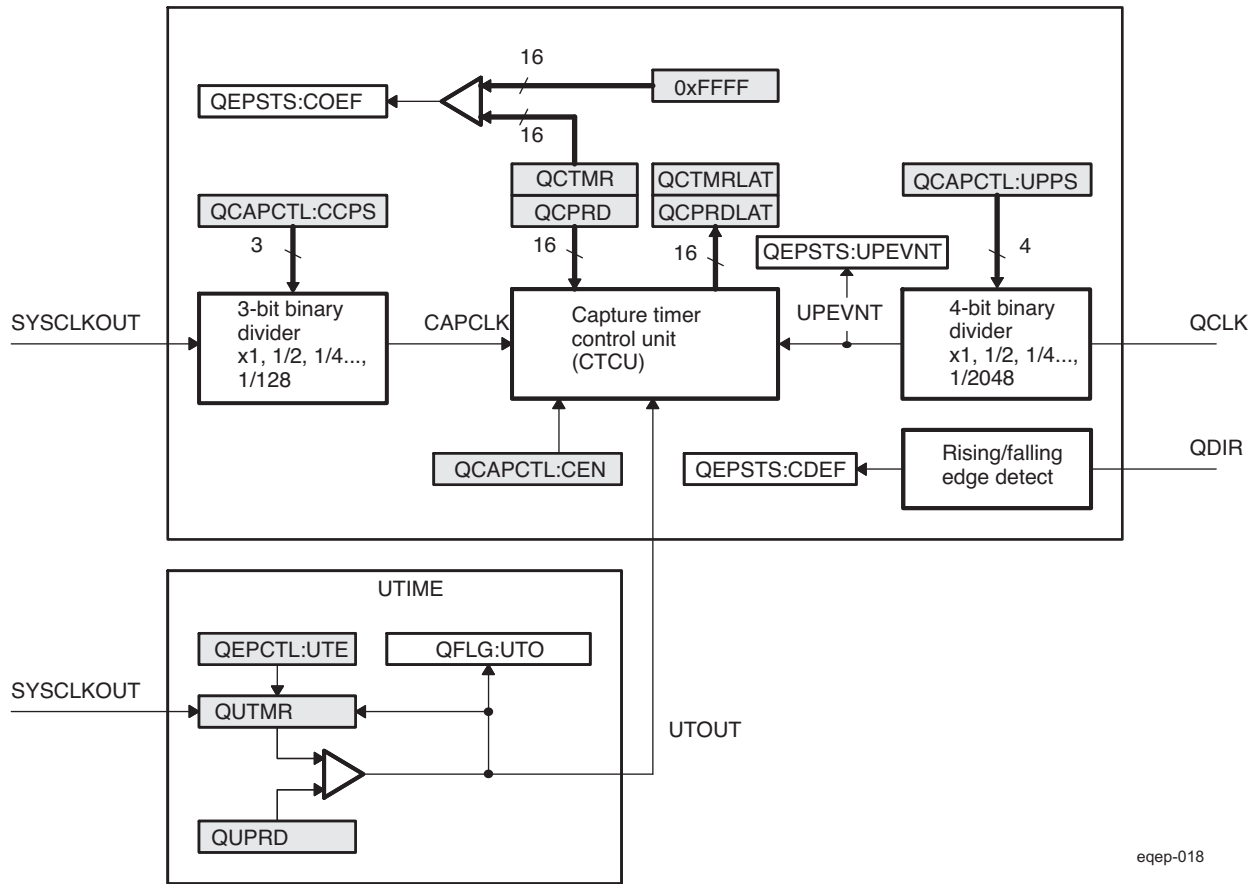
If the [EQEP_QEPCTL\[2\]](#) QCLM bit is cleared, then the capture timer and capture period values are latched into the [EQEP_QCTMRLAT](#) and [EQEP_QCPRDLAT](#) registers, respectively, when the CPU reads the position counter in [EQEP_QPOSCNT](#).

If the [EQEP_QEPCTL\[2\]](#) QCLM bit is set, then the position counter, capture timer, and capture period values are latched into the [EQEP_QPOSLAT](#), [EQEP_QCTMRLAT](#) and [EQEP_QCPRDLAT](#) registers, respectively, on unit time out.

[Figure 29-78](#) shows the capture unit operation along with the position counter.

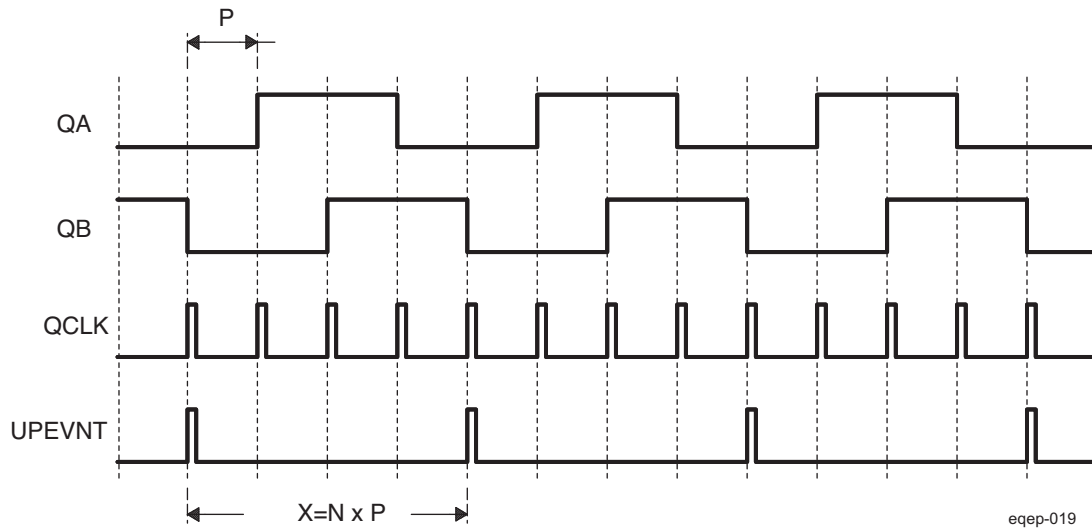
NOTE: The [EQEP_QCAPCTL](#) register should not be modified dynamically (such as switching CAPCLK prescaling mode from QCLK/4 to QCLK/8). The capture unit must be disabled before changing the prescaler.

Figure 29-76. eQEP Edge Capture Unit



eqep-018

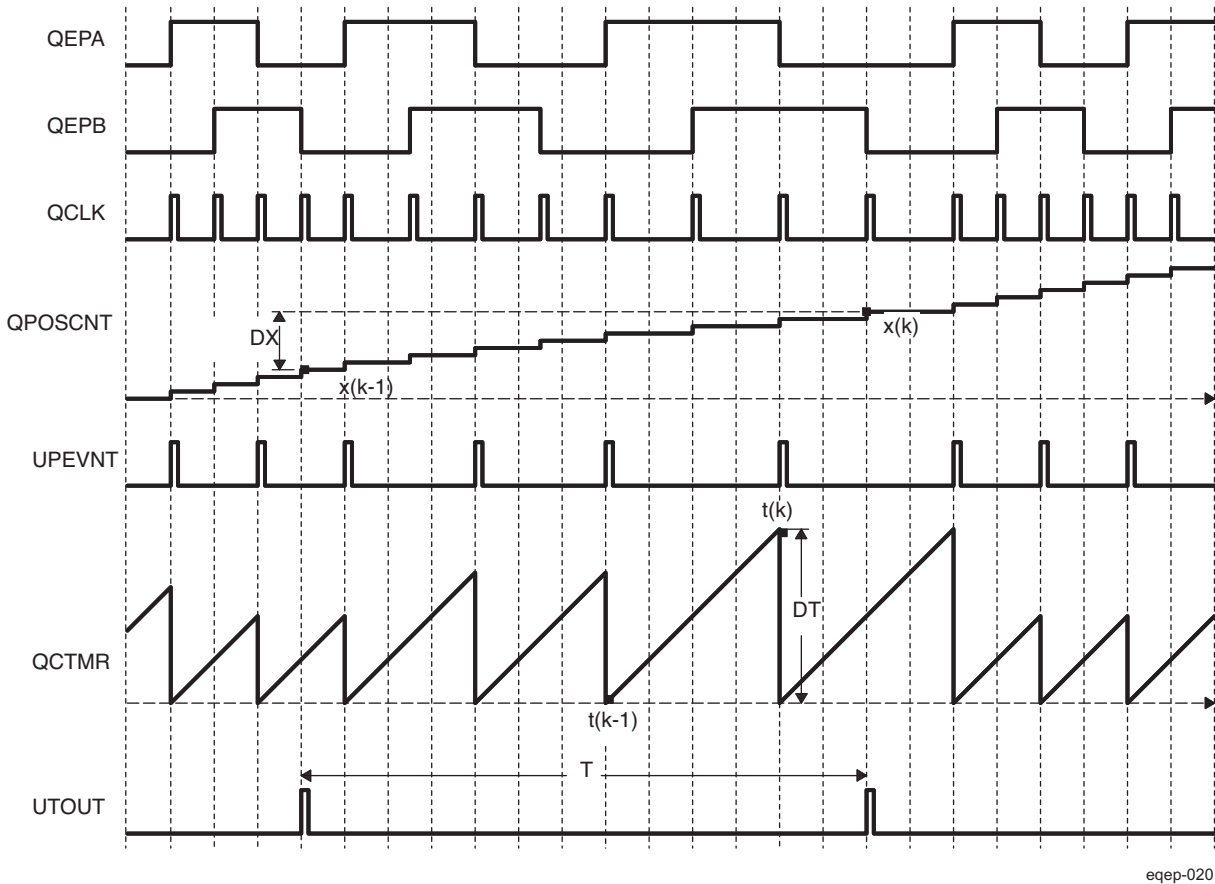
Figure 29-77. Unit Position Event for Low Speed Measurement (EQEP_QCAPCTL[UPPS] = 0010)



eqep-019

N - Number of quadrature periods selected using EQEP_QCAPCTL[UPPS] bits

Figure 29-78. eQEP Edge Capture Unit - Timing Details



eqep-020

Velocity Calculation Equations:

$$V(k) = \frac{x(k) - x(k-1)}{T} = \frac{\Delta X}{T} \circ$$

eqep_021

(11)

where

$v(k)$: Velocity at time instant k

$x(k)$: Position at time instant k

$x(k-1)$: Position at time instant $k - 1$

T : Fixed unit time or inverse of velocity calculation rate

ΔX : Incremental position movement in unit time

X : Fixed unit position

ΔT : Incremental time elapsed for unit position movement

$t(k)$: Time instant " k "

$t(k-1)$: Time instant " $k - 1$ "

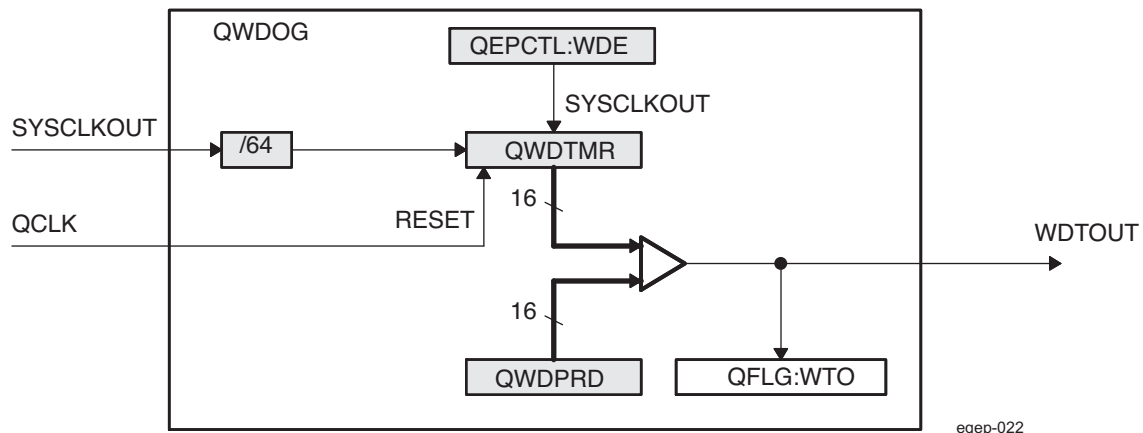
Unit time (T) and unit period (X) are configured using the [EQEP_QUPRD](#) and [EQEP_QCAPCTL\[UPPS\]](#) registers. Incremental position output and incremental time output is available in the [EQEP_QOSLAT](#) and [EQEP_QCPRDLAT](#) registers.

Parameter	Relevant Register to Configure or Read the Information
T	Unit Period Register (EQEP_QUPRD)
ΔX	Incremental Position = QOSLAT(k) - QOSLAT(K - 1)
X	Fixed unit position defined by sensor resolution and ZCAPCTL[UPPS] bits
ΔT	Capture Period Latch (QCPRDLAT)

29.4.2.5 eQEP Watchdog

The eQEP peripheral contains a 16-bit watchdog timer that monitors the quadrature-clock to indicate proper operation of the motion-control system. The eQEP watchdog timer is clocked from SYSCLKOUT/64 and the quadrature clock event (pulse) resets the watchdog timer. If no quadrature-clock event is detected until a period match ($QWDPRD = QWDTMR$), then the watchdog timer will time out and the watchdog interrupt flag will be set (EQEP_QFLG[WTO]). The time-out value is programmable through the watchdog period register (EQEP_QWDPRD).

Figure 29-79. eQEP Watchdog Timer

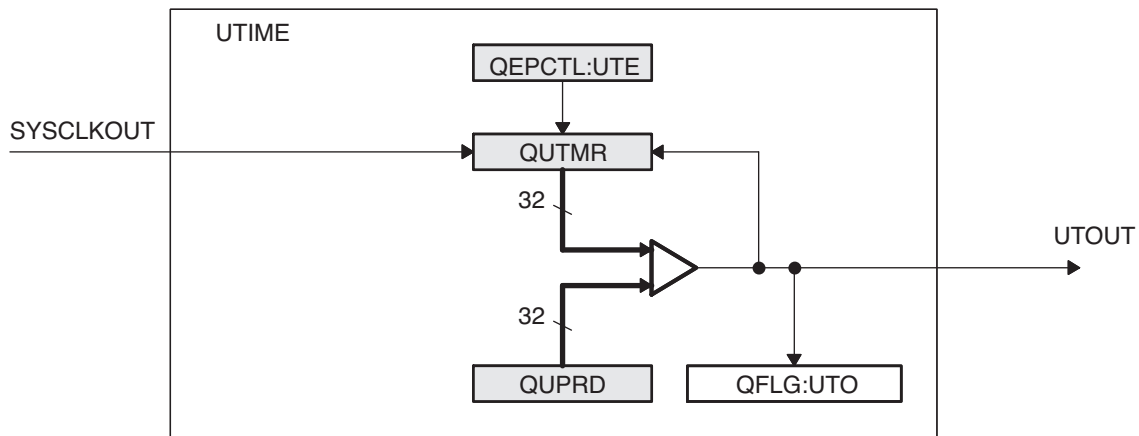


29.4.2.6 Unit Timer Base

The eQEP peripheral includes a 32-bit timer (QUTMR) that is clocked by SYSCLKOUT to generate periodic interrupts for velocity calculations. The unit time out interrupt is set (EQEP_QFLG[UTO]) when the unit timer (QUTMR) matches the unit period register (EQEP_QUPRD).

The eQEP peripheral can be configured to latch the position counter, capture timer, and capture period values on a unit time out event so that latched values are used for velocity calculation as described in Section 29.4.2.4.

Figure 29-80. eQEP Unit Time Base

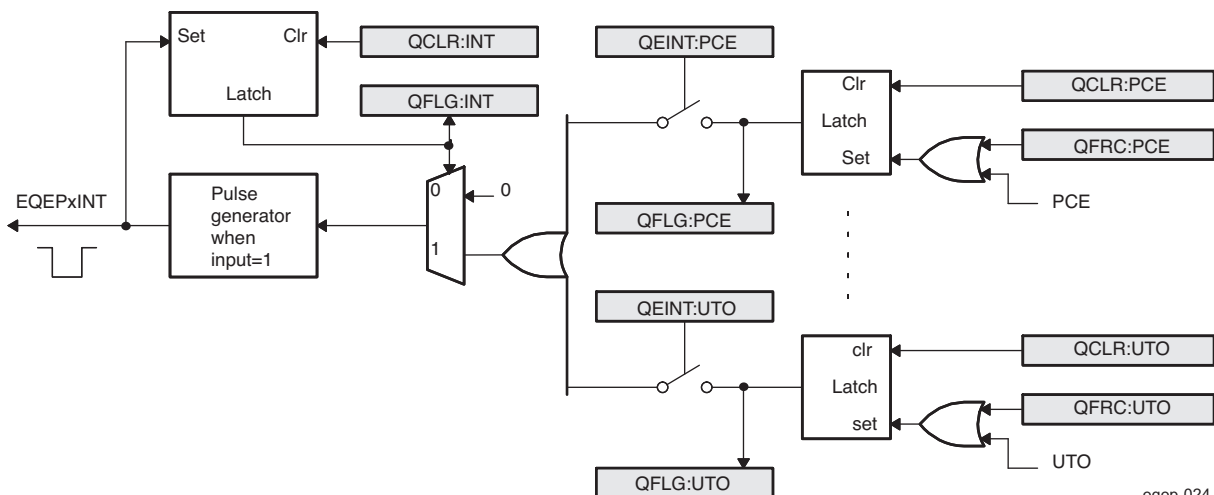


eqep-023

29.4.2.7 eQEP Interrupt Structure

Figure 29-81 shows how the interrupt mechanism works in the EQEP module.

Figure 29-81. EQEP Interrupt Generation



eqep-024

Eleven interrupt events (PCE, PHE, QDC, WTO, PCU, PCO, PCR, PCM, SEL, IEL, and UTO) can be generated. The interrupt control register (EQEP_QEINT) is used to enable/disable individual interrupt event sources. The interrupt flag register (EQEP_QFLG) indicates if any interrupt event has been latched and contains the global interrupt flag bit (INT). An interrupt pulse is generated only to the interrupt controller if any of the interrupt events is enabled, the flag bit is 1 and the INT flag bit is 0. The interrupt service routine will need to clear the global interrupt flag bit and the serviced event, via the interrupt clear register (EQEP_QCLR), before any other interrupt pulses are generated. You can force an interrupt event by way of the interrupt force register (EQEP_QFRC), which is useful for test purposes.

29.4.2.8 Summary of PWMSS eQEP Functional Registers

Table 29-145 lists the registers with their memory locations, sizes, and reset values.

Table 29-145. eQEP Control and Status Functional Registers

Offset	Acronym	Register Description	Size(x16)/ #shadow
0h	EQEP_QPOSCNT	eQEP Position Counter Register	2/0
4h	EQEP_QPOSINIT	eQEP Position Counter Initialization Register	2/0
8h	EQEP_QPOSMAX	eQEP Maximum Position Count Register	2/0
Ch	EQEP_QPOSCMP	eQEP Position-Compare Register	2/1
10h	EQEP_QPOSILAT	eQEP Index Position Latch Register	2/0
14h	EQEP_QPOSSLAT	eQEP Strobe Position Latch Register	2/0
18h	EQEP_QPOSLAT	eQEP Position Counter Latch Register	2/0
1Ch	EQEP_QUTMR	eQEP Unit Timer Register	2/0
20h	EQEP_QUPRD	eQEP Unit Period Register	2/0
24h	EQEP_QWDTMR	eQEP Watchdog Timer Register	1/0
26h	EQEP_QWDPRD	eQEP Watchdog Period Register	1/0
28h	EQEP_QDECCTL	eQEP Decoder Control Register	1/0
2Ah	EQEP_QEPCTL	eQEP Control Register	1/0
2Ch	EQEP_QCAPCTL	eQEP Capture Control Register	1/0
2Eh	EQEP_QPOSCTL	eQEP Position-Compare Control Register	1/0
30h	EQEP_QEINT	eQEP Interrupt Enable Register	1/0
32h	EQEP_QFLG	eQEP Interrupt Flag Register	1/0
34h	EQEP_QCLR	eQEP Interrupt Clear Register	1/0
36h	EQEP_QFRC	eQEP Interrupt Force Register	1/0
38h	EQEP_QEPSTS	eQEP Status Register	1/0
3Ah	EQEP_QCTMR	eQEP Capture Timer Register	1/0
3Ch	EQEP_QCPRD	eQEP Capture Period Register	1/0
3Eh	EQEP_QCTMRLAT	eQEP Capture Timer Latch Register	1/0
40h	EQEP_QCPRDLAT	eQEP Capture Period Latch Register	1/0
5Ch	EQEP_REVID	eQEP Revision ID Register	2/0

29.4.3 PWMSS_EQEP Register Manual

This section provides description of the PWMSS eQEP relevant functional registers.

29.4.3.1 PWMSS_EQEP Instance Summary

Table 29-146. PWMSS_EQEP Instance Summary

Module Name	Module Base Address L4_PER2 Interconnect	Size (Bytes)
PWMSS1_EQEP	0x4843 E180	116 Bytes
PWMSS2_EQEP	0x4844 0180	116 Bytes
PWMSS3_EQEP	0x4844 2180	116 Bytes

29.4.3.2 PWMSS_EQEP Registers

29.4.3.2.1 PWMSS_EQEP Register Summary

Table 29-147. PWMSSn_EQEP Registers Mapping Summary

Register Name	Type	Register Width (Bits)	Address Offset	PWMSS1_EQEP Physical Address L4_PER2 Interconnect	PWMSS2_EQEP Physical Address L4_PER2 Interconnect	PWMSS3_EQEP Physical Address L4_PER2 Interconnect
EQEP_QPOSCNT	RW	32	0x0	0x4843 E180	0x4844 0180	0x4844 2180
EQEP_QPOSINIT	RW	32	0x4	0x4843 E184	0x4844 0184	0x4844 2184
EQEP_QPOSMAX	RW	32	0x8	0x4843 E188	0x4844 0188	0x4844 2188
EQEP_QPOSCMP	RW	32	0xC	0x4843 E18C	0x4844 018C	0x4844 218C
EQEP_QPOSILAT	R	32	0x10	0x4843 E190	0x4844 0190	0x4844 2190
EQEP_QPOSSLAT	R	32	0x14	0x4843 E194	0x4844 0194	0x4844 2194
EQEP_QPOSLAT	R	32	0x18	0x4843 E198	0x4844 0198	0x4844 2198
EQEP_QUTMR	RW	32	0x1C	0x4843 E19C	0x4844 019C	0x4844 219C
EQEP_QUPRD	RW	32	0x20	0x4843 E1A0	0x4844 01A0	0x4844 21A0
EQEP_QWDTMR	RW	16	0x24	0x4843 E1A4	0x4844 01A4	0x4844 21A4
EQEP_QWDPRD	RW	16	0x26	0x4843 E1A6	0x4844 01A6	0x4844 21A6
EQEP_QDECCTL	RW	16	0x28	0x4843 E1A8	0x4844 01A8	0x4844 21A8
EQEP_QEPCTL	RW	16	0x2A	0x4843 E1AA	0x4844 01AA	0x4844 21AA
EQEP_QCAPCTL	RW	16	0x2C	0x4843 E1AC	0x4844 01AC	0x4844 21AC
EQEP_QPOSCTL	RW	16	0x2E	0x4843 E1AE	0x4844 01AE	0x4844 21AE
EQEP_QEINT	RW	16	0x30	0x4843 E1B0	0x4844 01B0	0x4844 21B0
EQEP_QFLG	R	16	0x32	0x4843 E1B2	0x4844 01B2	0x4844 21B2
EQEP_QCLR	RW	16	0x34	0x4843 E1B4	0x4844 01B4	0x4844 21B4
EQEP_QFRC	RW	16	0x36	0x4843 E1B6	0x4844 01B6	0x4844 21B6
EQEP_QEPSTS	RW	16	0x38	0x4843 E1B8	0x4844 01B8	0x4844 21B8
EQEP_QCTMR	RW	16	0x3A	0x4843 E1BA	0x4844 01BA	0x4844 21BA
EQEP_QCPRD	RW	16	0x3C	0x4843 E1BC	0x4844 01BC	0x4844 21BC
EQEP_QCTMRLAT	R	16	0x3E	0x4843 E1BE	0x4844 01BE	0x4844 21BE
EQEP_QCPRDLAT	RW	16	0x40	0x4843 E1C0	0x4844 01C0	0x4844 21C0
EQEP_REVID	R	32	0x5C	0x4843 E1DC	0x4844 01DC	0x4844 21DC

29.4.3.2.2 PWMSS_EQEP Register Description
Table 29-148. EQEP_QPOSCNT

Address offset	0x0	
Physical Address	0x4843 E180 0x4844 0180 0x4844 2180	Instance PWMSS1_EQEP PWMSS2_EQEP PWMSS3_EQEP
Description		
Type	RW	

31	30	29	28	27	26	25	24	23	22	21	20	19	18	17	16	15	14	13	12	11	10	9	8	7	6	5	4	3	2	1	0
QPOSCNT																															

Bits	Field Name	Description	Type	Reset
31:0	QPOSCNT	This 32 bit position counter register counts up/down on every eQEP pulse based on direction input. This counter acts as a position integrator whose count value is proportional to position from a give reference point.	RW	0x0

Table 29-149. Register Call Summary for Register EQEP_QPOSCNT

Enhanced Quadrature Encoder Pulse (eQEP) Module

- [eQEP Position-Compare Sync Output: \[0\]](#)
- [eQEP Position Counter Latch: \[1\]](#)
- [eQEP Position Counter Initialization: \[2\]\[3\]](#)
- [eQEP Edge Capture Unit: \[4\]\[5\]](#)
- [Summary of PWMSS eQEP Functional Registers: \[6\]](#)
- [PWMSS_EQEP Register Summary: \[7\]](#)
- [PWMSS_EQEP Register Description: \[8\]\[9\]\[10\]](#)

Table 29-150. EQEP_QPOSINIT

Address offset	0x4	
Physical Address	0x4843 E184 0x4844 0184 0x4844 2184	Instance PWMSS1_EQEP PWMSS2_EQEP PWMSS3_EQEP
Description		
Type	RW	

31	30	29	28	27	26	25	24	23	22	21	20	19	18	17	16	15	14	13	12	11	10	9	8	7	6	5	4	3	2	1	0
QPOSINIT																															

Bits	Field Name	Description	Type	Reset
31:0	QPOSINIT	This register contains the position value that is used to initialize the position counter based on external strobe or index event. The position counter can be initialized through software.	RW	0x0

Table 29-151. Register Call Summary for Register EQEP_QPOSINIT

Enhanced Quadrature Encoder Pulse (eQEP) Module

- [eQEP Position Counter Initialization: \[0\]\[1\]\[2\]\[3\]\[4\]](#)
- [Summary of PWMSS eQEP Functional Registers: \[5\]](#)
- [PWMSS_EQEP Register Summary: \[6\]](#)

Table 29-152. EQEP_QPOSMAX

Address offset	0x8		
Physical Address	0x4843 E188 0x4844 0188 0x4844 2188	Instance	PWMSS1_EQEP PWMSS2_EQEP PWMSS3_EQEP
Description			
Type	RW		

31	30	29	28	27	26	25	24	23	22	21	20	19	18	17	16	15	14	13	12	11	10	9	8	7	6	5	4	3	2	1	0
QPOSMAX																															

Bits	Field Name	Description	Type	Reset
31:0	QPOSMAX	This register contains the maximum position counter value.	RW	0x0

Table 29-153. Register Call Summary for Register EQEP_QPOSMAX

Enhanced Quadrature Encoder Pulse (eQEP) Module

- [eQEP Position Counter Operating Modes: \[0\]\[1\]\[2\]\[3\]\[4\]](#)
- [Summary of PWMSS eQEP Functional Registers: \[5\]](#)
- [PWMSS_EQEP Register Summary: \[6\]](#)

Table 29-154. EQEP_QPOSCMP

Address offset	0xC		
Physical Address	0x4843 E18C 0x4844 018C 0x4844 218C	Instance	PWMSS1_EQEP PWMSS2_EQEP PWMSS3_EQEP
Description			
Type	RW		

31	30	29	28	27	26	25	24	23	22	21	20	19	18	17	16	15	14	13	12	11	10	9	8	7	6	5	4	3	2	1	0
QPOSCMP																															

Bits	Field Name	Description	Type	Reset
31:0	QPOSCMP	The position-compare value in this register is compared with the position counter (QPOSCNT field in EQEP_QPOSCNT) to generate sync output and/or interrupt on compare match.	RW	0x0

Table 29-155. Register Call Summary for Register EQEP_QPOSCMP

Enhanced Quadrature Encoder Pulse (eQEP) Module

- [eQEP Position-Compare Sync Output: \[0\]](#)
- [eQEP Position-Compare Unit: \[1\]\[2\]\[3\]](#)
- [Summary of PWMSS eQEP Functional Registers: \[4\]](#)
- [PWMSS_EQEP Register Summary: \[5\]](#)

Table 29-156. EQEP_QPOSILAT

Address offset	0x10		
Physical Address	0x4843 E190 0x4844 0190 0x4844 2190	Instance	PWMSS1_EQEP PWMSS2_EQEP PWMSS3_EQEP
Description			
Type	R		

31	30	29	28	27	26	25	24	23	22	21	20	19	18	17	16	15	14	13	12	11	10	9	8	7	6	5	4	3	2	1	0
QPOSILAT																															

Bits	Field Name	Description	Type	Reset
31:0	QPOSILAT	The position-counter value is latched into this register on an index event as defined by the QEPTL[IEL] bits.	R	0x0

Table 29-157. Register Call Summary for Register EQEP_QPOSILAT

Enhanced Quadrature Encoder Pulse (eQEP) Module

- [eQEP Position Counter Operating Modes: \[0\]](#)
- [eQEP Position Counter Latch: \[1\]\[2\]\[3\]\[4\]](#)
- [Summary of PWMSS eQEP Functional Registers: \[5\]](#)
- [PWMSS_EQEP Register Summary: \[6\]](#)
- [PWMSS_EQEP Register Description: \[7\]](#)

Table 29-158. EQEP_QPOSSLAT

Address offset	0x14		
Physical Address	0x4843 E194 0x4844 0194 0x4844 2194	Instance	PWMSS1_EQEP PWMSS2_EQEP PWMSS3_EQEP
Description			
Type	R		

31	30	29	28	27	26	25	24	23	22	21	20	19	18	17	16	15	14	13	12	11	10	9	8	7	6	5	4	3	2	1	0
QPOSSLAT																															

Bits	Field Name	Description	Type	Reset
31:0	QPOSSLAT	The position-counter value is latched into this register on strobe event as defined by the QEPTL[SEL] bits.	R	0x0

Table 29-159. Register Call Summary for Register EQEP_QPOSSLAT

Enhanced Quadrature Encoder Pulse (eQEP) Module

- [eQEP Position Counter Latch: \[0\]\[1\]\[2\]\[3\]](#)
- [Summary of PWMSS eQEP Functional Registers: \[4\]](#)
- [PWMSS_EQEP Register Summary: \[5\]](#)
- [PWMSS_EQEP Register Description: \[6\]](#)

Table 29-160. EQEP_QOSLAT

Address offset	0x18	
Physical Address	0x4843 E198 0x4844 0198 0x4844 2198	Instance PWMSS1_EQEP PWMSS2_EQEP PWMSS3_EQEP
Description		
Type	R	

31	30	29	28	27	26	25	24	23	22	21	20	19	18	17	16	15	14	13	12	11	10	9	8	7	6	5	4	3	2	1	0
QOSLAT																															

Bits	Field Name	Description	Type	Reset
31:0	QOSLAT	The position-counter value is latched into this register on unit time out event.	R	0x0

Table 29-161. Register Call Summary for Register EQEP_QOSLAT

Enhanced Quadrature Encoder Pulse (eQEP) Module

- [eQEP Position Counter Operating Modes: \[0\]](#)
- [eQEP Edge Capture Unit: \[1\]\[2\]](#)
- [Summary of PWMSS eQEP Functional Registers: \[3\]](#)
- [PWMSS_EQEP Register Summary: \[4\]](#)
- [PWMSS_EQEP Register Description: \[5\]](#)

Table 29-162. EQEP_QUTMR

Address offset	0x1C	
Physical Address	0x4843 E19C 0x4844 019C 0x4844 219C	Instance PWMSS1_EQEP PWMSS2_EQEP PWMSS3_EQEP
Description		
Type	RW	

31	30	29	28	27	26	25	24	23	22	21	20	19	18	17	16	15	14	13	12	11	10	9	8	7	6	5	4	3	2	1	0
QUTMR																															

Bits	Field Name	Description	Type	Reset
31:0	QUTMR	This register acts as time base for unit time event generation. When this timer value matches with unit time period value, unit time event is generated.	RW	0x0

Table 29-163. Register Call Summary for Register EQEP_QUTMR

Enhanced Quadrature Encoder Pulse (eQEP) Module

- [Summary of PWMSS eQEP Functional Registers: \[0\]](#)
- [PWMSS_EQEP Register Summary: \[1\]](#)

Table 29-164. EQEP_QUPRD

Address offset	0x20		
Physical Address	0x4843 E1A0 0x4844 01A0 0x4844 21A0	Instance	PWMSS1_EQEP PWMSS2_EQEP PWMSS3_EQEP
Description			
Type	RW		

31	30	29	28	27	26	25	24	23	22	21	20	19	18	17	16	15	14	13	12	11	10	9	8	7	6	5	4	3	2	1	0
QUPRD																															

Bits	Field Name	Description	Type	Reset
31:0	QUPRD	This register contains the period count for unit timer to generate periodic unit time events to latch the eQEP position information at periodic interval and optionally to generate interrupt.	RW	0x0

Table 29-165. Register Call Summary for Register EQEP_QUPRD

Enhanced Quadrature Encoder Pulse (eQEP) Module

- [eQEP Edge Capture Unit: \[0\]\[1\]](#)
- [Unit Timer Base: \[2\]](#)
- [Summary of PWMSS eQEP Functional Registers: \[3\]](#)
- [PWMSS_EQEP Register Summary: \[4\]](#)

Table 29-166. EQEP_QWDTMR

Address offset	0x24		
Physical Address	0x4843 E1A4 0x4844 01A4 0x4844 21A4	Instance	PWMSS1_EQEP PWMSS2_EQEP PWMSS3_EQEP
Description			
Type	RW		

15	14	13	12	11	10	9	8	7	6	5	4	3	2	1	0
QWDTMR															

Bits	Field Name	Description	Type	Reset
15:0	QWDTMR	This register acts as time base for watch dog to detect motor stalls. When this timer value matches with watch dog period value, watch dog timeout interrupt is generated. This register is reset upon edge transition in quadrature-clock indicating the motion.	RW	0x0

Table 29-167. Register Call Summary for Register EQEP_QWDTMR

Enhanced Quadrature Encoder Pulse (eQEP) Module

- [Summary of PWMSS eQEP Functional Registers: \[0\]](#)
- [PWMSS_EQEP Register Summary: \[1\]](#)

Table 29-168. EQEP_QWDPD

Address offset	0x26																													
Physical Address	0x4843 E1A6					0x4844 01A6					0x4844 21A6					Instance	PWMSS1_EQEP	PWMSS2_EQEP	PWMSS3_EQEP											
Description																														
Type	RW																													
															15	14	13	12	11	10	9	8	7	6	5	4	3	2	1	0
																		QWDPD												
Bits	Field Name	Description														Type	Reset													
15:0	QWDPD	This register contains the time-out count for the eQEP peripheral watch dog timer. When the watchdog timer value matches the watchdog period value, a watchdog timeout interrupt is generated.														RW	0x0													

Table 29-169. Register Call Summary for Register EQEP_QWDPD

Enhanced Quadrature Encoder Pulse (eQEP) Module

- [eQEP Watchdog: \[0\]](#)
- [Summary of PWMSS eQEP Functional Registers: \[1\]](#)
- [PWMSS_EQEP Register Summary: \[2\]](#)

Table 29-170. EQEP_QDECCTL

Address offset	0x28																													
Physical Address	0x4843 E1A8					0x4844 01A8					0x4844 21A8					Instance	PWMSS1_EQEP	PWMSS2_EQEP	PWMSS3_EQEP											
Description																														
Type	RW																													
															15	14	13	12	11	10	9	8	7	6	5	4	3	2	1	0
		QSRC	SOEN	SPSEL	XCR	SWAP	IGATE	QAP	QBP	QIP	QSP	RESERVED																		
Bits	Field Name	Description														Type	Reset													
15:14	QSRC	Position-counter source selection. 0x0 = Quadrature count mode (QCLK = iCLK, QDIR = iDIR) 0x1 = Direction-count mode (QCLK = xCLK, QDIR = xDIR) 0x2 = UP count mode for frequency measurement (QCLK = xCLK, QDIR = 1) 0x3 = DOWN count mode for frequency measurement (QCLK = xCLK, QDIR = 0)														RW	0x0													
13	SOEN	Sync output-enable 0x0 = Disable position-compare sync output 0x1 = Enable position-compare sync output														RW	0x0													
12	SPSEL	Sync output pin selection 0x0 = Index pin is used for sync output 0x1 = Strobe pin is used for sync output														RW	0x0													
11	XCR	External clock rate 0x0 = 2x resolution: Count the rising/falling edge 0x1 = 1x resolution: Count the rising edge only														RW	0x0													

Bits	Field Name	Description	Type	Reset
10	SWAP	Swap quadrature clock inputs. This swaps the input to the quadrature decoder, reversing the counting direction. 0x0 = Quadrature-clock inputs are not swapped 0x1 = Quadrature-clock inputs are swapped	RW	0x0
9	IGATE	Index pulse gating option 0x0 = Disable gating of Index pulse 0x1 = Gate the index pin with strobe	RW	0x0
8	QAP	QEPA input polarity 0x0 = No effect 0x1 = Negates QEPA input	RW	0x0
7	QBP	QEPB input polarity 0x0 = No effect 0x1 = Negates QEPB input	RW	0x0
6	QIP	QEPI input polarity 0x0 = No effect 0x1 = Negates QEPI input	RW	0x0
5	QSP	QEPS input polarity 0x0 = No effect 0x1 = Negates QEPS input	RW	0x0
4:0	RESERVED		R	0x0

Table 29-171. Register Call Summary for Register EQEP_QDECCTL

Enhanced Quadrature Encoder Pulse (eQEP) Module

- [eQEP Position Counter Input Modes: \[0\]\[1\]\[2\]\[3\]](#)
- [eQEP Input Polarity Selection: \[4\]\[5\]](#)
- [eQEP Position-Compare Sync Output: \[6\]\[7\]](#)
- [eQEP Position Counter Operating Modes: \[8\]](#)
- [Summary of PWMSS eQEP Functional Registers: \[9\]](#)
- [PWMSS_EQEP Register Summary: \[10\]](#)
- [PWMSS_EQEP Register Description: \[11\]](#)

Table 29-172. EQEP_QEPCTL

Address offset	0x2A	Instance	PWMSS1_EQEP PWMSS2_EQEP PWMSS3_EQEP
Physical Address	0x4843 E1AA 0x4844 01AA 0x4844 21AA		
Description			
Type	RW		

15	14	13	12	11	10	9	8	7	6	5	4	3	2	1	0
FREE_SOFT		PCRM		SEI		IEI		SWI	SEL		IEL	PHEN	QCLM	UTE	WDE

Bits	Field Name	Description	Type	Reset
15:14	FREE_SOFT	Emulation Control Bits. In the values 0 through 3 listed below, x is different for the four following behaviors. EQEP_QPOSCNT behavior, x refers to the Position counter. QWDTMR behavior, x refers to the Watchdog counter. QUTMR behavior, x refers to the Unit timer. QCTMR behavior, x refers to the Capture timer. 0x0 = x stops immediately. For QPOSCNT behavior, the stop is on emulation suspend. 0x1 = x continues to count until the rollover. 0x2 = x is unaffected by emulation suspend. 0x3 = x is unaffected by emulation suspend.	RW	0x0

Bits	Field Name	Description	Type	Reset
13:12	PCRM	Position counter reset mode 0x0 = Position counter reset on an index event 0x1 = Position counter reset on the maximum position 0x2 = Position counter reset on the first index event 0x3 = Position counter reset on a unit time event	RW	0x0
11:10	SEI	Strobe event initialization of position counter 0x0 = Does nothing (action disabled) 0x1 = Does nothing (action disabled) 0x2 = Initializes the position counter on rising edge of the QEPS signal 0x3 = Clockwise Direction: Initializes the position counter on the rising edge of QEPS strobe. Counter Clockwise Direction: Initializes the position counter on the falling edge of QEPS strobe	RW	0x0
9:8	IEI	Index event initialization of position counter 0x0 = Do nothing (action disabled) 0x1 = Do nothing (action disabled) 0x2 = Initializes the position counter on the rising edge of the QEPI signal (QPOSCNT = QPOSINIT) 0x3 = Initializes the position counter on the falling edge of QEPI signal (QPOSCNT = QPOSINIT)	RW	0x0
7	SWI	Software initialization of position counter 0x0 = Do nothing (action disabled) 0x1 = Initialize position counter, this bit is cleared automatically	RW	0x0
6	SEL	Strobe event latch of position counter 0x0 = The position counter is latched on the rising edge of QEPS strobe (QPOSSLAT = POSCCNT). Latching on the falling edge can be done by inverting the strobe input using the QSP bit in the EQEP_QDECCTL register. 0x1 = Clockwise Direction: Position counter is latched on rising edge of QEPS strobe. Counter Clockwise Direction: Position counter is latched on falling edge of QEPS strobe.	RW	0x0
5:4	IEL	Index event latch of position counter (software index marker) 0x0 = Reserved 0x1 = Latches position counter on rising edge of the index signal 0x2 = Latches position counter on falling edge of the index signal 0x3 = Software index marker. Latches the position counter and quadrature direction flag on index event marker. The position counter is latched to the EQEP_QPOSILAT register and the direction flag is latched in the EQEP_QEPSTS[QDLF] bit. This mode is useful for software index marking.	RW	0x0
3	PHEN	Quadrature position counter enable/software reset 0x0 = Reset the eQEP peripheral internal operating flags/read-only registers. Control/configuration registers are not disturbed by a software reset. 0x1 = eQEP position counter is enabled	RW	0x0
2	QCLM	eQEP capture latch mode 0x0 = Latch on position counter read by CPU. Capture timer and capture period values are latched into EQEP_QCTMRLAT and EQEP_QCPRDLAT registers when CPU reads the EQEP_QPOSCNT register. 0x1 = Latch on unit time out. Position counter, capture timer and capture period values are latched into EQEP_QPOSLAT , EQEP_QCTMRLAT and EQEP_QCPRDLAT registers on unit time out.	RW	0x0
1	UTE	eQEP unit timer enable 0x0 = Disable eQEP unit timer 0x1 = Enable unit timer	RW	0x0

Bits	Field Name	Description	Type	Reset
0	WDE	eQEP watchdog enable 0x0 = Disable the eQEP watchdog timer 0x1 = Enable the eQEP watchdog timer	RW	0x0

Table 29-173. Register Call Summary for Register EQEP_QEPCTL

Enhanced Quadrature Encoder Pulse (eQEP) Module

- [eQEP Position Counter and Control Unit \(PCCU\): \[0\]](#)
- [eQEP Position Counter Operating Modes: \[1\]\[2\]\[3\]](#)
- [eQEP Position Counter Latch: \[4\]\[5\]\[6\]\[7\]\[8\]\[9\]\[10\]\[11\]\[12\]](#)
- [eQEP Position Counter Initialization: \[13\]\[14\]\[15\]\[16\]](#)
- [eQEP Edge Capture Unit: \[17\]\[18\]](#)
- [Summary of PWMSS eQEP Functional Registers: \[19\]](#)
- [PWMSS_EQEP Register Summary: \[20\]](#)

Table 29-174. EQEP_QCAPCTL

Address offset	0x2C	Instance	PWMSS1_EQEP PWMSS2_EQEP PWMSS3_EQEP
Physical Address	0x4843 E1AC 0x4844 01AC 0x4844 21AC		
Description			
Type	RW		

15	14	13	12	11	10	9	8	7	6	5	4	3	2	1	0
CEN	RESERVED							CCPS			UPPS				

Bits	Field Name	Description	Type	Reset
15	CEN	Enable eQEP capture 0x0 = eQEP capture unit is disabled 0x1 = eQEP capture unit is enabled	RW	0x0
14:7	RESERVED		R	0x0
6:4	CCPS	eQEP capture timer clock prescaler 0x0 = CAPCLK = SYSCLKOUT/1 0x1 = CAPCLK = SYSCLKOUT/2 0x2 = CAPCLK = SYSCLKOUT/4 0x3 = CAPCLK = SYSCLKOUT/8 0x4 = CAPCLK = SYSCLKOUT/16 0x5 = CAPCLK = SYSCLKOUT/32 0x6 = CAPCLK = SYSCLKOUT/64 0x7 = CAPCLK = SYSCLKOUT/128	RW	0x0

Bits	Field Name	Description	Type	Reset
3:0	UPPS	Unit position event prescaler 0x0 = UPEVNT = QCLK/1 0x1 = UPEVNT = QCLK/2 0x2 = UPEVNT = QCLK/4 0x3 = UPEVNT = QCLK/8 0x4 = UPEVNT = QCLK/16 0x5 = UPEVNT = QCLK/32 0x6 = UPEVNT = QCLK/64 0x7 = UPEVNT = QCLK/128 0x8 = UPEVNT = QCLK/256 0x9 = UPEVNT = QCLK/512 0xA = UPEVNT = QCLK/1024 0xB = UPEVNT = QCLK/2048 0xC = Reserved 0xD = Reserved 0xE = Reserved 0xF = Reserved	RW	0x0

Table 29-175. Register Call Summary for Register EQEP_QCAPCTL

Enhanced Quadrature Encoder Pulse (eQEP) Module

- [eQEP Edge Capture Unit: \[0\]\[1\]\[2\]\[3\]](#)
- [Summary of PWMSS eQEP Functional Registers: \[4\]](#)
- [PWMSS_EQEP Register Summary: \[5\]](#)

Table 29-176. EQEP_QPOSCTL

Address offset	0x2E	Instance	PWMSS1_EQEP PWMSS2_EQEP PWMSS3_EQEP
Physical Address	0x4843 E1AE 0x4844 01AE 0x4844 21AE		
Description			
Type	RW		

15	14	13	12	11	10	9	8	7	6	5	4	3	2	1	0
PCSHDW	PCLOAD	PCPOL	PCE	PCSPW											

Bits	Field Name	Description	Type	Reset
15	PCSHDW	Position-compare shadow enable 0x0 = Shadow disabled, load Immediate 0x1 = Shadow enabled	RW	0x0
14	PCLOAD	Position-compare shadow load mode 0x0 = Load on QPOSCNT = 0 0x1 = Load when QPOSCNT = QPOSCMP	RW	0x0
13	PCPOL	Polarity of sync output 0x0 = Active HIGH pulse output 0x1 = Active LOW pulse output	RW	0x0
12	PCE	Position-compare enable/disable 0x0 = Disable position compare unit 0x1 = Enable position compare unit	RW	0x0

Bits	Field Name	Description	Type	Reset
11:0	PCSPW	Select-position-compare sync output pulse width ... 0x0 = 1 x 4 x SYCLKOUT cycles 0x1 = 2 x 4 x SYCLKOUT cycles 0x2 = 3 x 4 x SYCLKOUT cycles to 4096 x 4 x SYCLKOUT cycles 0xFF = 3 x 4 x SYCLKOUT cycles to 4096 x 4 x SYCLKOUT cycles	RW	0x0

Table 29-177. Register Call Summary for Register EQEP_QPOSCTL

Enhanced Quadrature Encoder Pulse (eQEP) Module

- [eQEP Position Counter and Control Unit \(PCCU\): \[0\]](#)
- [eQEP Position-Compare Unit: \[1\]\[2\]](#)
- [Summary of PWMSS eQEP Functional Registers: \[3\]](#)
- [PWMSS_EQEP Register Summary: \[4\]](#)

Table 29-178. EQEP_QEINT

Address offset	0x30	Instance	PWMSS1_EQEP PWMSS2_EQEP PWMSS3_EQEP
Physical Address	0x4843 E1B0 0x4844 01B0 0x4844 21B0		
Description			
Type	RW		

15	14	13	12	11	10	9	8	7	6	5	4	3	2	1	0
RESERVED				UTO	IEL	SEL	PCM	PCR	PCO	PCU	WTO	QDC	PHE	PCE	RESERVED

Bits	Field Name	Description	Type	Reset
15:12	RESERVED		R	0x0
11	UTO	Unit time out interrupt enable 0x0 = Interrupt is disabled 0x1 = Interrupt is enabled	RW	0x0
10	IEL	Index event latch interrupt enable 0x0 = Interrupt is disabled 0x1 = Interrupt is enabled	RW	0x0
9	SEL	Strobe event latch interrupt enable 0x0 = Interrupt is disabled 0x1 = Interrupt is enabled	RW	0x0
8	PCM	Position-compare match interrupt enable 0x0 = Interrupt is disabled 0x1 = Interrupt is enabled	RW	0x0
7	PCR	Position-compare ready interrupt enable 0x0 = Interrupt is disabled 0x1 = Interrupt is enabled	RW	0x0
6	PCO	Position counter overflow interrupt enable 0x0 = Interrupt is disabled 0x1 = Interrupt is enabled	RW	0x0

Bits	Field Name	Description	Type	Reset
5	PCU	Position counter underflow interrupt enable 0x0 = Interrupt is disabled 0x1 = Interrupt is enabled	RW	0x0
4	WTO	Watchdog time out interrupt enable 0x0 = Interrupt is disabled 0x1 = Interrupt is enabled	RW	0x0
3	QDC	Quadrature direction change interrupt enable 0x0 = Interrupt is disabled 0x1 = Interrupt is enabled	RW	0x0
2	PHE	Quadrature phase error interrupt enable 0x0 = Interrupt is disabled 0x1 = Interrupt is enabled	RW	0x0
1	PCE	Position counter error interrupt enable 0x0 = Interrupt is disabled 0x1 = Interrupt is enabled	RW	0x0
0	RESERVED		R	0x0

Table 29-179. Register Call Summary for Register EQEP_QEINT

Enhanced Quadrature Encoder Pulse (eQEP) Module

- [eQEP Interrupt Structure: \[0\]](#)
- [Summary of PWMSS eQEP Functional Registers: \[1\]](#)
- [PWMSS_EQEP Register Summary: \[2\]](#)

Table 29-180. EQEP_QFLG

Address offset	0x32																					
Physical Address	0x4843 E1B2				0x4844 01B2				0x4844 21B2				Instance	PWMSS1_EQEP			PWMSS2_EQEP			PWMSS3_EQEP		
Description																						
Type	R																					
15	14	13	12	11	10	9	8	7	6	5	4	3	2	1	0							
RESERVED				UTO	IEL	SEL	PCM	PCR	PCO	PCU	WTO	QDC	PHE	PCE	INT							

Bits	Field Name	Description	Type	Reset
15:12	RESERVED		R	0x0
11	UTO	Unit time out interrupt flag 0x0 = No interrupt generated 0x1 = Set by eQEP unit timer period match	R	0x0
10	IEL	Index event latch interrupt flag 0x0 = No interrupt generated 0x1 = This bit is set after latching the QPOSCNT to QPOSILAT	R	0x0
9	SEL	Strobe event latch interrupt flag 0x0 = No interrupt generated 0x1 = This bit is set after latching the QPOSCNT to EQEP_QPOSSLAT	R	0x0
8	PCM	eQEP compare match event interrupt flag 0x0 = No interrupt generated 0x1 = This bit is set on position-compare match	R	0x0

Bits	Field Name	Description	Type	Reset
7	PCR	Position-compare ready interrupt flag 0x0 = No interrupt generated 0x1 = This bit is set after transferring the shadow register value to the active position compare register.	R	0x0
6	PCO	Position counter overflow interrupt flag 0x0 = No interrupt generated 0x1 = This bit is set on position counter overflow.	R	0x0
5	PCU	Position counter underflow interrupt flag 0x0 = No interrupt generated 0x1 = This bit is set on position counter underflow.	R	0x0
4	WTO	Watchdog timeout interrupt flag 0x0 = No interrupt generated 0x1 = Set by watch dog timeout	R	0x0
3	QDC	Quadrature direction change interrupt flag 0x0 = No interrupt generated 0x1 = This bit is set during change of direction	R	0x0
2	PHE	Quadrature phase error interrupt flag 0x0 = No interrupt generated 0x1 = Set on simultaneous transition of QEPA and QEPB	R	0x0
1	PCE	Position counter error interrupt flag 0x0 = No interrupt generated 0x1 = Position counter error	R	0x0
0	INT	Global interrupt status flag 0x0 = No interrupt generated 0x1 = Interrupt was generated	R	0x0

Table 29-181. Register Call Summary for Register EQEP_QFLG

Enhanced Quadrature Encoder Pulse (eQEP) Module

- [eQEP Position Counter Input Modes: \[0\]](#)
- [eQEP Position Counter Operating Modes: \[1\]\[2\]\[3\]](#)
- [eQEP Position Counter Latch: \[4\]\[5\]](#)
- [eQEP Position Counter Initialization: \[6\]\[7\]](#)
- [eQEP Position-Compare Unit: \[8\]\[9\]](#)
- [eQEP Watchdog: \[10\]](#)
- [Unit Timer Base: \[11\]](#)
- [eQEP Interrupt Structure: \[12\]](#)
- [Summary of PWMSS eQEP Functional Registers: \[13\]](#)
- [PWMSS_EQEP Register Summary: \[14\]](#)

Table 29-182. EQEP_QCLR

Address offset	0x34																					
Physical Address	0x4843 E1B4				0x4844 01B4				0x4844 21B4				Instance	PWMSS1_EQEP			PWMSS2_EQEP			PWMSS3_EQEP		
Description																						
Type	RW																					
	15	14	13	12	11	10	9	8	7	6	5	4	3	2	1	0						
	RESERVED				UTO	IEL	SEL	PCM	PCR	PCO	PCU	WTO	QDC	PHE	PCE	INT						

Bits	Field Name	Description	Type	Reset
15:12	RESERVED		R	0x0
11	UTO	Clear unit time out interrupt flag 0x0 = No effect 0x1 = Clears the interrupt flag	RW	0x0
10	IEL	Clear index event latch interrupt flag 0x0 = No effect 0x1 = Clears the interrupt flag	RW	0x0
9	SEL	Clear strobe event latch interrupt flag 0x0 = No effect 0x1 = Clears the interrupt flag	RW	0x0
8	PCM	Clear eQEP compare match event interrupt flag 0x0 = No effect 0x1 = Clears the interrupt flag	RW	0x0
7	PCR	Clear position-compare ready interrupt flag 0x0 = No effect 0x1 = Clears the interrupt flag	RW	0x0
6	PCO	Clear position counter overflow interrupt flag 0x0 = No effect 0x1 = Clears the interrupt flag	RW	0x0
5	PCU	Clear position counter underflow interrupt flag 0x0 = No effect 0x1 = Clears the interrupt flag	RW	0x0
4	WTO	Clear watchdog timeout interrupt flag 0x0 = No effect 0x1 = Clears the interrupt flag	RW	0x0
3	QDC	Clear quadrature direction change interrupt flag 0x0 = No effect 0x1 = Clears the interrupt flag	RW	0x0
2	PHE	Clear quadrature phase error interrupt flag 0x0 = No effect 0x1 = Clears the interrupt flag	RW	0x0
1	PCE	Clear position counter error interrupt flag 0x0 = No effect 0x1 = Clears the interrupt flag	RW	0x0
0	INT	Global interrupt clear flag 0x0 = No effect 0x1 = Clears the interrupt flag and enables further interrupts to be generated if an event flags is set to 1.	RW	0x0

Table 29-183. Register Call Summary for Register EQEP_QCLR

Enhanced Quadrature Encoder Pulse (eQEP) Module

- [eQEP Interrupt Structure: \[0\]](#)
- [Summary of PWMSS eQEP Functional Registers: \[1\]](#)
- [PWMSS_EQEP Register Summary: \[2\]](#)

Table 29-184. EQEP_QFRC

Address offset	0x36	Instance	PWMSS1_EQEP PWMSS2_EQEP PWMSS3_EQEP
Physical Address	0x4843 E1B6 0x4844 01B6 0x4844 21B6		
Description			
Type	RW		

15	14	13	12	11	10	9	8	7	6	5	4	3	2	1	0
RESERVED				UTO	IEL	SEL	PCM	PCR	PCO	PCU	WTO	QDC	PHE	PCE	RESERVED

Bits	Field Name	Description	Type	Reset
15:12	RESERVED		R	0x0
11	UTO	Force unit time out interrupt 0x0 = No effect 0x1 = Force the interrupt	RW	0x0
10	IEL	Force index event latch interrupt 0x0 = No effect 0x1 = Force the interrupt	RW	0x0
9	SEL	Force strobe event latch interrupt 0x0 = No effect 0x1 = Force the interrupt	RW	0x0
8	PCM	Force position-compare match interrupt 0x0 = No effect 0x1 = Force the interrupt	RW	0x0
7	PCR	Force position-compare ready interrupt 0x0 = No effect 0x1 = Force the interrupt	RW	0x0
6	PCO	Force position counter overflow interrupt 0x0 = No effect 0x1 = Force the interrupt	RW	0x0
5	PCU	Force position counter underflow interrupt 0x0 = No effect 0x1 = Force the interrupt	RW	0x0
4	WTO	Force watchdog time out interrupt 0x0 = No effect 0x1 = Force the interrupt	RW	0x0
3	QDC	Force quadrature direction change interrupt 0x0 = No effect 0x1 = Force the interrupt	RW	0x0
2	PHE	Force quadrature phase error interrupt 0x0 = No effect 0x1 = Force the interrupt	RW	0x0
1	PCE	Force position counter error interrupt 0x0 = No effect 0x1 = Force the interrupt	RW	0x0
0	RESERVED		R	0x0

Table 29-185. Register Call Summary for Register EQEP_QFRC

Enhanced Quadrature Encoder Pulse (eQEP) Module

- [eQEP Interrupt Structure: \[0\]](#)
- [Summary of PWMSS eQEP Functional Registers: \[1\]](#)
- [PWMSS_EQEP Register Summary: \[2\]](#)

Table 29-186. EQEP_QEPSTS

Address offset	0x38	Instance	PWMSS1_EQEP PWMSS2_EQEP PWMSS3_EQEP
Physical Address	0x4843 E1B8 0x4844 01B8 0x4844 21B8		
Description			
Type	RW		

15	14	13	12	11	10	9	8	7	6	5	4	3	2	1	0
RESERVED								UPEVNT	FDF	QDF	QDLF	COEF	CDEF	FIMF	PCEF

Bits	Field Name	Description	Type	Reset
15:8	RESERVED		R	0x0
7	UPEVNT	Unit position event flag 0x0 = No unit position event detected 0x1 = Unit position event detected. Write 1 to clear.	R	0x0
6	FDF	Direction on the first index marker. Status of the direction is latched on the first index event marker. 0x0 = Counter-clockwise rotation (or reverse movement) on the first index event 0x1 = Clockwise rotation (or forward movement) on the first index event	R	0x0
5	QDF	Quadrature direction flag 0x0 = Counter-clockwise rotation (or reverse movement) 0x1 = Clockwise rotation (or forward movement)	R	0x0
4	QDLF	eQEP direction latch flag. Status of direction is latched on every index event marker. 0x0 = Counter-clockwise rotation (or reverse movement) on index event marker 0x1 = Clockwise rotation (or forward movement) on index event marker	R	0x0
3	COEF	Capture overflow error flag 0x0 = Sticky bit, cleared by writing 1 0x1 = Overflow occurred in eQEP Capture timer (QEPCTMR)	RW	0x0
2	CDEF	Capture direction error flag 0x0 = Sticky bit, cleared by writing 1 0x1 = Direction change occurred between the capture position event.	RW	0x0
1	FIMF	First index marker flag 0x0 = Sticky bit, cleared by writing 1 0x1 = Set by first occurrence of index pulse	RW	0x0
0	PCEF	Position counter error flag. This bit is not sticky and it is updated for every index event. 0x0 = No error occurred during the last index transition. 0x1 = Position counter error	R	0x0

Table 29-187. Register Call Summary for Register EQEP_QEPSTS

Enhanced Quadrature Encoder Pulse (eQEP) Module

- [eQEP Position Counter Input Modes: \[0\]](#)
- [eQEP Position Counter Operating Modes: \[1\]\[2\]\[3\]\[4\]\[5\]\[6\]\[7\]\[8\]\[9\]\[10\]\[11\]\[12\]](#)
- [eQEP Position Counter Latch: \[13\]\[14\]\[15\]\[16\]](#)
- [eQEP Edge Capture Unit: \[17\]\[18\]\[19\]](#)
- [Summary of PWMSS eQEP Functional Registers: \[20\]](#)
- [PWMSS_EQEP Register Summary: \[21\]](#)
- [PWMSS_EQEP Register Description: \[22\]](#)

Table 29-188. EQEP_QCTMR

Address offset	0x3A																					
Physical Address	0x4843 E1BA				0x4844 01BA				0x4844 21BA				Instance	PWMSS1_EQEP			PWMSS2_EQEP			PWMSS3_EQEP		
Description																						
Type	RW																					
	15	14	13	12	11	10	9	8	7	6	5	4	3	2	1	0						
	QCTMR																					
Bits	15:0		Field Name	QCTMR		Description	This register provides time base for edge capture unit.					Type	RW		Reset	0x0						

Table 29-189. Register Call Summary for Register EQEP_QCTMR

Enhanced Quadrature Encoder Pulse (eQEP) Module

- [eQEP Edge Capture Unit: \[0\]\[1\]](#)
- [Summary of PWMSS eQEP Functional Registers: \[2\]](#)
- [PWMSS_EQEP Register Summary: \[3\]](#)

Table 29-190. EQEP_QCPRD

Address offset	0x3C																					
Physical Address	0x4843 E1BC				0x4844 01BC				0x4844 21BC				Instance	PWMSS1_EQEP			PWMSS2_EQEP			PWMSS3_EQEP		
Description																						
Type	RW																					
	15	14	13	12	11	10	9	8	7	6	5	4	3	2	1	0						
	QCPRD																					
Bits	15:0		Field Name	QCPRD		Description	This register holds the period count value between the last successive eQEP position events					Type	RW		Reset	0x0						

Table 29-191. Register Call Summary for Register EQEP_QCPRD

Enhanced Quadrature Encoder Pulse (eQEP) Module

- [eQEP Edge Capture Unit: \[0\]\[1\]\[2\]](#)
- [Summary of PWMSS eQEP Functional Registers: \[3\]](#)
- [PWMSS_EQEP Register Summary: \[4\]](#)

Table 29-192. EQEP_QCTMRLAT

Address offset	0x3E																
Physical Address	0x4843 E1BE					0x4844 01BE					0x4844 21BE					Instance	PWMSS1_EQEP
																	PWMSS2_EQEP
																	PWMSS3_EQEP
Description																	
Type	R																

15	14	13	12	11	10	9	8	7	6	5	4	3	2	1	0
QCTMRLAT															

Bits	Field Name	Description	Type	Reset
15:0	QCTMRLAT	The eQEP capture timer value can be latched into this register on two events, that is, unit timeout event, reading the eQEP position counter.	R	0x0

Table 29-193. Register Call Summary for Register EQEP_QCTMRLAT

Enhanced Quadrature Encoder Pulse (eQEP) Module

- [eQEP Edge Capture Unit: \[0\]\[1\]](#)
- [Summary of PWMSS eQEP Functional Registers: \[2\]](#)
- [PWMSS_EQEP Register Summary: \[3\]](#)
- [PWMSS_EQEP Register Description: \[4\]\[5\]](#)

Table 29-194. EQEP_QCPRDLAT

Address offset	0x40																
Physical Address	0x4843 E1C0					0x4844 01C0					0x4844 21C0					Instance	PWMSS1_EQEP
																	PWMSS2_EQEP
																	PWMSS3_EQEP
Description																	
Type	RW																

15	14	13	12	11	10	9	8	7	6	5	4	3	2	1	0
QCPRDLAT															

Bits	Field Name	Description	Type	Reset
15:0	QCPRDLAT	eQEP capture period value can be latched into this register on two events, that is, unit timeout event, reading the eQEP position counter.	RW	0x0

Table 29-195. Register Call Summary for Register EQEP_QCPRDLAT

Enhanced Quadrature Encoder Pulse (eQEP) Module

- [eQEP Edge Capture Unit: \[0\]\[1\]\[2\]](#)
- [Summary of PWMSS eQEP Functional Registers: \[3\]](#)
- [PWMSS_EQEP Register Summary: \[4\]](#)
- [PWMSS_EQEP Register Description: \[5\]\[6\]](#)

Table 29-196. EQEP_REVID

Address offset	0x5C		
Physical Address	0x4843 E1DC 0x4844 01DC 0x4844 21DC	Instance	PWMSS1_EQEP PWMSS2_EQEP PWMSS3_EQEP
Description			
Type	R		

31	30	29	28	27	26	25	24	23	22	21	20	19	18	17	16	15	14	13	12	11	10	9	8	7	6	5	4	3	2	1	0
REVISION																															

Bits	Field Name	Description	Type	Reset
31:0	REVISION	IP Revision	R	0x- ⁽¹⁾

⁽¹⁾ TI Internal data

Table 29-197. Register Call Summary for Register EQEP_REVID

Enhanced Quadrature Encoder Pulse (eQEP) Module

- [Summary of PWMSS eQEP Functional Registers: \[0\]](#)
- [PWMSS_EQEP Register Summary: \[1\]](#)

Programmable Real-Time Unit Subsystem and Industrial Communication Subsystem

Topic	Page
30.1 PRU-ICSS Overview	7204
30.2 PRU-ICSS Environment	7207
30.3 PRU-ICSS Integration	7218
30.4 PRU-ICSS Level Resources Functional Description	7222
30.5 PRU-ICSS PRU Cores	7253
30.6 PRU-ICSS Local Interrupt Controller	7335
30.7 PRU-ICSS UART Module	7360
30.8 PRU-ICSS eCAP Module	7390
30.9 PRU-ICSS MII RT Module	7402
30.10 PRU-ICSS MII MDIO Module	7440
30.11 PRU-ICSS Industrial Ethernet Peripheral (IEP).....	7455

30.1 PRU-ICSS Overview

The Programmable Real-Time Unit Subsystem and Industrial Communication Subsystem (PRU-ICSS) consists of:

- Two 32-bit load/store RISC CPU cores - Programmable Real-Time Units (PRU0 and PRU1)
- Data RAMs per PRU core
- Instruction RAMs per PRU core
- Shared RAM
- Peripheral modules
- Interrupt controller (PRUSS_INTC)

The programmable nature of the PRU cores, along with their access to pins, events and all device resources, provides flexibility in implementing fast real-time responses, specialized data handling operations, custom peripheral interfaces, and in offloading tasks from the other processor cores of the device.

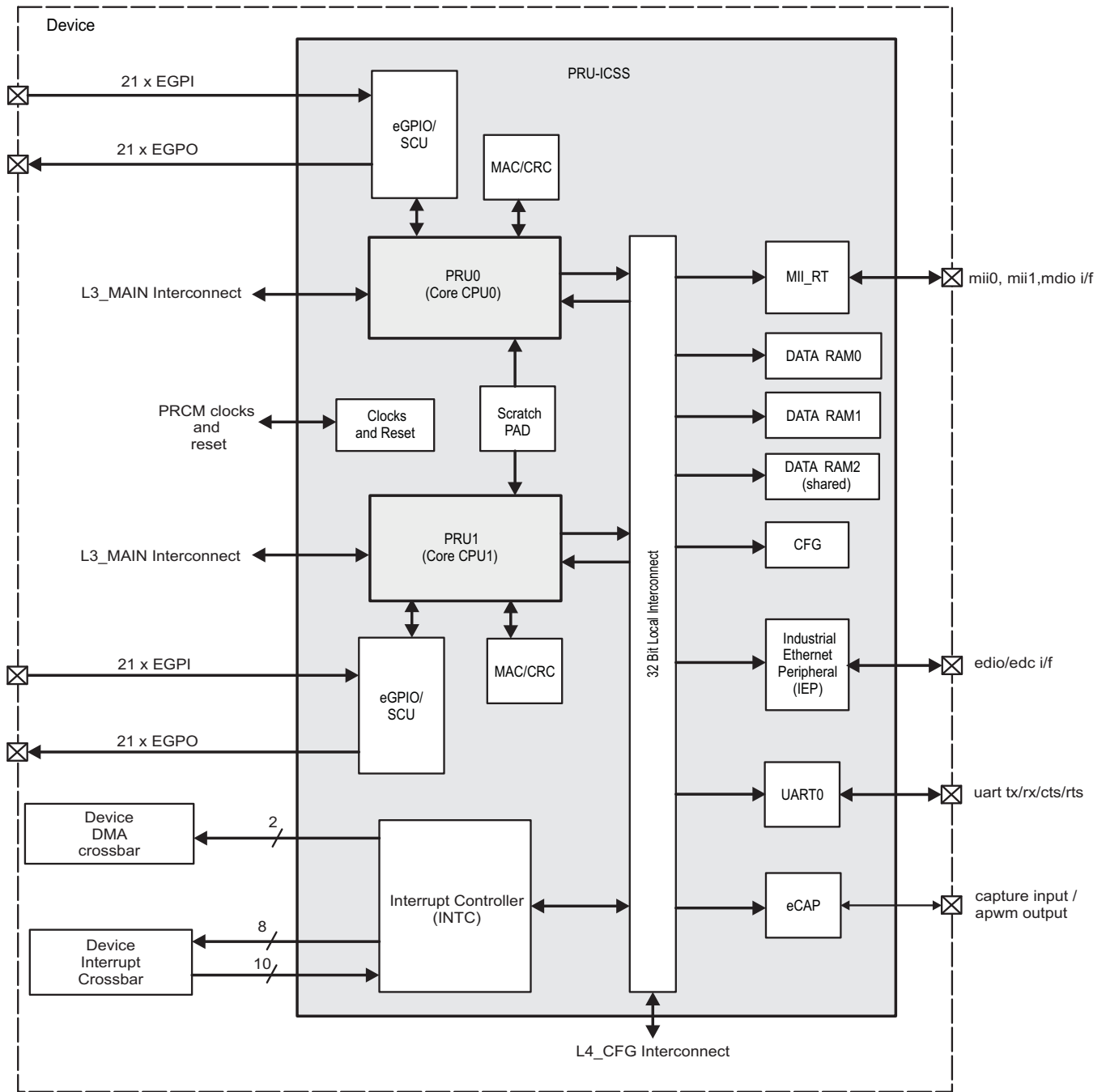
The device has integrated two identical PRU subsystems (PRU-ICSS1 and PRU-ICSS2). The PRUs have access to all resources on the device through a master port on the L3_MAIN interconnect, and vice versa, the external host processors can access the PRU-ICSS resources through a L3_MAIN slave port.

The PRU-ICSS L2 interconnect, provides access to the various internal and external masters to the resources inside the PRU-ICSS. A subsystem local Interrupt Controller - PRUSS_INTC handles system input events and posts events back to the device-level host CPUs.

The PRU cores are programmed with a small, deterministic instruction set. Each PRU can operate independently or in coordination with each other and can also work in coordination with the device-level host CPU. This interaction between processors is determined by the nature of the firmware loaded into the PRU's instruction memory.

[Figure 30-1](#) shows an overview of the PRU subsystem.

Figure 30-1. PRU-ICSS Overview



pruss-001

NOTE: PRU-ICSS2 UART and eCAP are not supported on the AM570x family of devices.

PRU-ICSS2 IEP I/Os are not pinned out on AM570x. However, some internal features (such as the IEP timer) are still supported.

Also, some PRU-ICSS2 GPI/GPOs are not pinned out on AM570x. See [Table 30-2](#) for details.

30.1.1 PRU-ICSS Key Features

PRU-ICSS includes the following main features:

- Two PRU CPUs
 - 21 Enhanced General-Purpose Inputs (EGPI) and 21 Enhanced General-Purpose Outputs (EGPO)
 - Asynchronous capture [Serial Capture Unit (SCU)] with EnDat 2.2 protocol and Sigma-Delta demodulation support
 - Multiplier with optional accumulation (MAC)
 - CRC16/CRC32
 - 12-KiB program RAM per PRU CPU (signified IRAM0 for PRU0 and IRAM1 for PRU1)
 - 8-KiB data RAM per PRU CPU (signified RAM0 for PRU0 and RAM1 for PRU1)
 - Two high-performance master (initiator) ports on the L3_MAIN interconnect - one per PRU
- 32-KiB general purpose memory RAM (signified RAM2) shared between PRU0 and PRU1
- One Scratch-Pad (SPAD) memory
 - 3 Banks of 30 × 32-bit registers
- Broadside direct connect between PRU cores within subsystem. Optional address translation for PRU transaction to External Host
- 16 software events generated by two PRUs
- One Ethernet MII_RT module (PRUSS_MII_RT_CFG) with two MII ports and configurable connections to PRUs
- MDIO Port (PRUSS_MII_MDIO) to control external Ethernet PHY
- Industrial Ethernet Peripheral (IEP) to manage/generate Industrial Ethernet functions
- 16550-compatible UART with a dedicated 192-MHz clock to support 12-Mbps PROFIBUS
- Industrial Ethernet timer with 7/9 capture and 16 compare events
- Enhanced Capture Module (ECAP)
- Interrupt Controller (PRUSS_INTC)
 - Up to 64 input events supported
 - Interrupt mapping to 10 interrupt channels via an interrupt crossbar
 - 10 Host interrupts (2 to PRU0 and PRU1, 8 outputs to device level)
 - Each system event can be enabled and disabled
 - Each host event can be enabled and disabled
 - Hardware prioritization of events
 - Two level-sensitive DMA requests generated by the local PRUSS INTC to the device DMA Crossbar
- One Slave (target) port for memory mapped register and internal memories access through device L3_MAIN
- Two (master and slave) 32-bit ports for low-latency interface between PRU-ICSS subsystems
- Flexible power management support
- Integrated 32-bit interconnect
- Parity control supported by all memories

NOTE: There is no Sigma-Delta modulator inside the PRU. However, Sigma-Delta support is enabled through digital filtering hardware in the PRU to perform Sinc filtering.

PRU-ICSS unsupported features:

- PR1_PRU0 GPI and GPO signals are not pinned out
- Only 8 bits are supported of the 32-bit ECAT Digital Data Input
- Only 8 bits are supported of the 32-bit ECAT Digital Data Output

- UART Modem interface is not supported

30.2 PRU-ICSS Environment

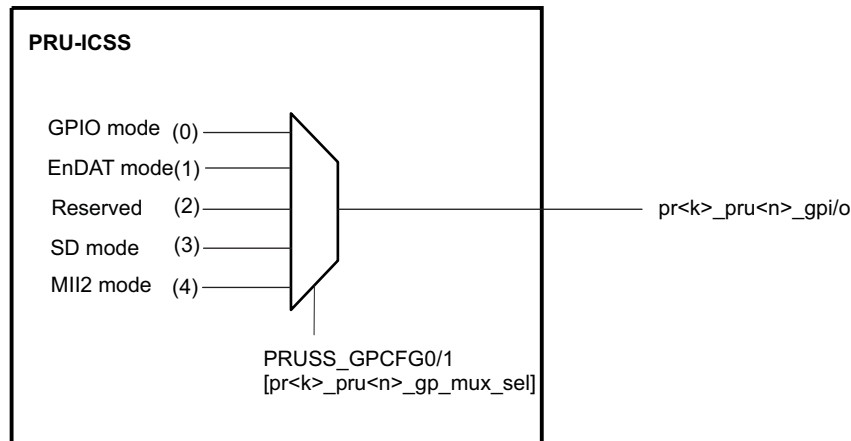
This section specifies the PRU-ICSS subsystem (top) interface signals to the device environment components.

30.2.1 PRU-ICSS I/O Interface

The PRU-ICSS1 and PRU-ICSS2 external interface signals are described in [Table 30-1](#) and [Table 30-2](#), respectively. The PRU-ICSS has a large number of available I/O signals. Most of these are multiplexed with other functional signals at the device level.

The PRU-ICSS1 and PRU-ICSS2 also support an internal wrapper multiplexing that expands the device top-level multiplexing. This wrapper multiplexing is controlled by the PRUSS_GPCFGx register in the PRU-ICSS CFG register space and allows MII_RT, EnDAT, and Sigma Delta functionality to be muxed with the PRU GPIO device signals, as shown in [Figure 30-2](#). The PRU-ICSS wrapper multiplexing is described with the device-level signals in [Table 30-1](#) and [Table 30-2](#). Note that the device top-level muxing has higher priority over the internal wrapper muxing.

Figure 30-2. PRU-ICSS Internal Wrapper Multiplexing



pruss_sprhw6-001

NOTE: Additionally to PRU-ICSS wrapper multiplexing the device I/O logic maps the PRU-ICSS signals to the different device pads by programming in the Control Module. For more information, refer to the [Section 18.4.6.1.1, Pad Configuration Registers](#) in the [Chapter 18, Control Module](#).

Table 30-1. PRU-ICSS1 I/O Signals

Device Signal	I/O	Description	Reset	PRU-ICSS Signal		
				PRUSS_GPCFG1[29:26] PR1_PRU1_GP_MUX_SEL=		
From PRU-ICSS Wrapper Mux				0x0 - GPIO	0x3 - SD	0x4 - MII2
pr1_pru1_gpo[0]	O	PRU1 R30 Output	0	pr1_pru1_pru_r30_out[0]		
pr1_pru1_gpo[1]	O	PRU1 R30 Output/Mux options	0	pr1_pru1_pru_r30_out[1]		pr1_mii1_txd1 ⁽¹⁾
pr1_pru1_gpo[2]	O	PRU1 R30 Output/Mux options	0	pr1_pru1_pru_r30_out[2]		pr1_mii1_txd0 ⁽¹⁾
pr1_pru1_gpo[3]	O	PRU1 R30 Output/Mux options	0	pr1_pru1_pru_r30_out[3]		
pr1_pru1_gpo[4]	O	PRU1 R30 Output/Mux options	0	pr1_pru1_pru_r30_out[4]		
pr1_pru1_gpo[5]	O	PRU1 R30 Output/Mux options	0	pr1_pru1_pru_r30_out[5]		
pr1_pru1_gpo[6]	O	PRU1 R30 Output/Mux options	0	pr1_pru1_pru_r30_out[6]		
pr1_pru1_gpo[7:19]	O	PRU1 R30 Outputs	0	pr1_pru1_pru_r30_out[7:19]		
pr1_pru1_gpo[20]	O	PRU1 R30 Outputs/Mux options	0	pr1_pru1_pru_r30_out[20]		
pr1_pru1_gpi[0]	I	PRU1 R31 Input/Mux options	HiZ	pr1_pru1_pru_r31_in[0]		pr1_mii1_col ⁽¹⁾
pr1_pru1_gpi[1:20]	I	PRU1 R31 Inputs	HiZ	pr1_pru1_pru_r31_in[1:20]		
MII				MII		
pr1_mii_mr0_clk	I	MII0 Receive Clock	HiZ	pr1_mii_mr0_clk		
pr1_mii0_rxdv	I	MII0 Receive Data Valid	HiZ	pr1_mii0_rxdv		
pr1_mii0_rxd[0:3]	I	MII0 Receive Data	HiZ	pr1_mii0_rxd[0:3]		
pr1_mii0_rxlink	I	MII0 Receive Link	HiZ	pr1_mii0_rxlink		
pr1_mii0_rxer	I	MII0 Receive Data Error	HiZ	pr1_mii0_rxer		
pr1_mii0_crs	I	MII0 Carrier Sense	HiZ	pr1_mii0_crs		
pr1_mii0_col	I	MII0 Collision Detect	HiZ	pr1_mii0_col		
pr1_mii_mt0_clk	I	MII0 Transmit Clock	HiZ	pr1_mii_mt0_clk		
pr1_mii0_txen	O	MII0 Transmit Enable	0	pr1_mii0_txen		
pr1_mii0_txd[0:3]	O	MII0 Transmit Data	0	pr1_mii0_txd[0:3]		
pr1_mii_mr1_clk	I	MII1 Receive Clock	HiZ	pr1_mii_mr1_clk		
pr1_mii1_rxdv	I	MII1 Receive Data Valid	HiZ	pr1_mii1_rxdv		
pr1_mii1_rxd[0:3]	I	MII1 Receive Data	HiZ	pr1_mii1_rxd[0:3]		
pr1_mii1_rxlink	I	MII1 Receive Link	HiZ	pr1_mii1_rxlink		

⁽¹⁾ In AM570x SR2.x, the MII2 mode can only be used to provide an alternate mux option for pr1_edc_sync0_out, pr2_edc_sync0_out, pr1_edc_latch0_in, and pr2_edc_latch0_in. The MII signals in this mode are not supported and shall not be used. Additionally, the MII2 mode cannot be selected if PRU-ICSS1 MII0 or PRU-ICSS1 MII1 are used in any capacity.

Table 30-1. PRU-ICSS1 I/O Signals (continued)

Device Signal	I/O	Description	Reset	PRU-ICSS Signal
pr1_mii1_rxer	I	MII1 Receive Data Error	HiZ	pr1_mii1_rxer
pr1_mii1_crs	I	MII1 Carrier Sense	HiZ	pr1_mii1_crs
pr1_mii1_col	I	MII1 Collision Detect	HiZ	pr1_mii1_col
pr1_mii_mt1_clk	I	MII1 Transmit Clock	HiZ	pr1_mii_mt1_clk
pr1_mii1_txen	O	MII1 Transmit Enable	0	pr1_mii1_txen
pr1_mii1_txd[0:3]	O	MII1 Transmit Data	0	pr1_mii1_txd[0:3]
MDIO			MDIO	
pr1_mdio_mdclk	O	MDIO Clock	0	pr1_mdio_mdclk
pr1_mdio_data	I/O	MDIO Data	HiZ	pr1_mdio_data
ECAT			ECAT	
pr1_edio_sof	O	ECAT Digital I/O Start of Frame	0	pr1_edio_sof
pr1_edio_latch_in	I	ECAT Digital I/O Latch In	HiZ	pr1_edio_latch_in
pr1_edio_data_in[0:7]	I	ECAT Digital I/Os Data In	HiZ	pr1_edio_data_in[0:7]
pr1_edio_data_out[0:7]	O	ECAT Digital I/Os Data Out	0	pr1_edio_data_out[0:7]
pr1_edc_sync0_out	O	ECAT Distributed Clock Sync Out	0	pr1_edc_sync0_out
pr1_edc_sync1_out	O	ECAT Distributed Clock Sync Out	0	pr1_edc_sync1_out
pr1_edc_latch0_in	I	ECAT Distributed Clock Latch In	HiZ	pr1_edc_latch0_in
pr1_edc_latch1_in	I	ECAT Distributed Clock Latch In	HiZ	pr1_edc_latch1_in
UART			UART	
pr1_uart0_cts_n	I	UART Clear to Send	HiZ	pr1_uart0_cts_n
pr1_uart0_rts_n	O	UART Request to Send	0	pr1_uart0_rts_n
pr1_uart0_rxd	I	UART Receive Data	HiZ	pr1_uart0_rxd
pr1_uart0_txd	O	UART Transmit Data	0	pr1_uart0_txd
ECAP			ECAP	
pr1_ecap0_ecap_capin_apwm_o	I/O	Enhanced capture (ECAP) input or Auxiliary PWM out	HiZ	pr1_ecap0_ecap_capin_apwm_o

Table 30-2. PRU-ICSS2 I/O Signals

Device Signal	I/O	Description	Reset	PRU-ICSS Signal			
				0x0 - GPIO	PRUSS_GPCFG0[29:26] PR1_PRU0_GP_MUX_SEL=		
From PRU-ICSS Wrapper Mux				0x0 - GPIO	0x1 - EnDat	0x3 - SD	0x4 - MII2
pr2_pru0_gpo[0]	O	PRU0 R30 Output	0	pr2_pru0_pru_r30_out[0]			
pr2_pru0_gpo[1]	O	PRU0 R30 Output	0	pr2_pru0_pru_r30_out[1]		pr2_pru0_pru_r30_out[1]	
pr2_pru0_gpo[2:5]	O	PRU0 R30 Outputs	0	pr2_pru0_pru_r30_out[2:5]			
pr2_pru0_gpo[6]	O	PRU0 R30 Output/Mux options	0	pr2_pru0_pru_r30_out[6]			pr1_mii0_txd3 ⁽¹⁾
pr2_pru0_gpo[7]	O	PRU0 R30 Output/Mux options	0	pr2_pru0_pru_r30_out[7]			pr1_mii0_txd2 ⁽¹⁾
pr2_pru0_gpo[8]	O	PRU0 R30 Output/Mux options	0	pr2_pru0_pru_r30_out[8]			pr1_mii0_txen ⁽¹⁾
pr2_pru0_gpo[9]	O	PRU0 R30 Output/Mux options	0	pr2_pru0_pru_r30_out[9]			pr1_mii0_txd1 ⁽¹⁾
pr2_pru0_gpo[10]	O	PRU0 R30 Output/Mux options	0	pr2_pru0_pru_r30_out[10]			pr1_mii0_txd0 ⁽¹⁾
pr2_pru0_gpo[11]	O	PRU0 R30 Output	0	pr2_pru0_pru_r30_out[11]			
pr2_pru0_gpo[12]	O	PRU0 R30 Output/Mux options	0	pr2_pru0_pru_r30_out[12]			pr1_edc_sync0_out ⁽²⁾
pr2_pru0_gpo[13]	O	PRU0 R30 Output/Mux options	0	pr2_pru0_pru_r30_out[13]			pr2_edc_sync0_out ⁽²⁾
pr2_pru0_gpo[14:20]	O	PRU0 R30 Outputs	0	pr2_pru0_pru_r30_out[14:20]			
pr2_pru0_gpi[0]	I	PRU0 R31 Input/Mux options	HiZ	pr2_pru0_pru_r31_in[0]		pr2_pru0_sd0_clk	pr1_mii1_rxdv ⁽¹⁾
pr2_pru0_gpi[1]	I	PRU0 R31 Input/Mux options	HiZ	pr2_pru0_pru_r31_in[1]		pr2_pru0_sd0_d	pr1_mii1_rxd3 ⁽¹⁾
pr2_pru0_gpi[2]	I	PRU0 R31 Input/Mux options	HiZ	pr2_pru0_pru_r31_in[2]		pr2_pru0_sd1_clk	pr1_mii1_rxd2 ⁽¹⁾
pr2_pru0_gpi[3]	I	PRU0 R31 Input/Mux options	HiZ	pr2_pru0_pru_r31_in[3]		pr2_pru0_sd1_d	pr1_mii1_rxd1 ⁽¹⁾
pr2_pru0_gpi[4]	I	PRU0 R31 Input/Mux options	HiZ	pr2_pru0_pru_r31_in[4]		pr2_pru0_sd2_clk	pr1_mii1_rxd0 ⁽¹⁾
pr2_pru0_gpi[5]	I	PRU0 R31 Input/Mux options	HiZ	pr2_pru0_pru_r31_in[5]		pr2_pru0_sd2_d	pr1_mii_mt0_clk ⁽¹⁾
pr2_pru0_gpi[6]	I	PRU0 R31 Input/Mux options	HiZ	pr2_pru0_pru_r31_in[6]		pr2_pru0_sd3_clk	

⁽¹⁾ In AM570x SR2.x, the MII2 mode can only be used to provide an alternate mux option for pr1_edc_sync0_out, pr2_edc_sync0_out, pr1_edc_latch0_in, and pr2_edc_latch0_in. The MII signals in this mode are not supported and shall not be used. Additionally, the MII2 mode cannot be selected if PRU-ICSS1 MII0 or PRU-ICSS1 MII1 are used in any capacity.

⁽²⁾ PRU-ICSS signals from PRU-ICSS wrapper mux only for SR2.x.

Table 30-2. PRU-ICSS2 I/O Signals (continued)

Device Signal	I/O	Description	Reset	PRU-ICSS Signal		
pr2_pru0_gpi[7]	I	PRU0 R31 Input/Mux options	HiZ	pr2_pru0_pru_r31_in[7]	pr2_pru0_sd3_d	
pr2_pru0_gpi[8]	I	PRU0 R31 Input/Mux options	HiZ	pr2_pru0_pru_r31_in[8]	pr2_pru0_sd4_clk	
pr2_pru0_gpi[9]	I	PRU0 R31 Input/Mux options	HiZ	pr2_pru0_pru_r31_in[9]	pr2_pru0_sd4_d	
pr2_pru0_gpi[10]	I	PRU0 R31 Input/Mux options	HiZ	pr2_pru0_pru_r31_in[10]	pr2_pru0_sd5_clk	
pr2_pru0_gpi[11]	I	PRU0 R31 Input/Mux options	HiZ	pr2_pru0_pru_r31_in[11]	pr2_pru0_sd5_d	pr1_mii_mr0_clk ⁽¹⁾
pr2_pru0_gpi[12]	I	PRU0 R31 Input/Mux options	HiZ	pr2_pru0_pru_r31_in[12]	pr2_pru0_sd6_clk	pr1_mii0_rxdv ⁽¹⁾
pr2_pru0_gpi[13]	I	PRU0 R31 Input/Mux options	HiZ	pr2_pru0_pru_r31_in[13]	pr2_pru0_sd6_d	pr1_mii0_rxd3 ⁽¹⁾
pr2_pru0_gpi[14]	I	PRU0 R31 Input/Mux options	HiZ	pr2_pru0_pru_r31_in[14]	pr2_pru0_sd7_clk	pr1_mii0_rxd2 ⁽¹⁾
pr2_pru0_gpi[15]	I	PRU0 R31 Input/Mux options	HiZ	pr2_pru0_pru_r31_in[15]	pr2_pru0_sd7_d	pr1_mii0_rxd1 ⁽¹⁾
pr2_pru0_gpi[16]	I	PRU0 R31 Input/Mux options	HiZ	pr2_pru0_pru_r31_in[16]	pr2_pru0_sd8_clk/pr2_pru0_pru_r31_in[16]	pr1_mii0_rxd0 ⁽¹⁾
pr2_pru0_gpi[17]	I	PRU0 R31 Input/Mux options	HiZ	pr2_pru0_pru_r31_in[17]	pr2_pru0_sd8_d	pr1_mii0_rxer ⁽¹⁾
pr2_pru0_gpi[18]	I	PRU0 R31 Input/Mux options	HiZ	pr2_pru0_pru_r31_in[18]	pr1_mii0_rmlink ⁽¹⁾	
pr2_pru0_gpi[19]	I	PRU0 R31 Input/Mux options	HiZ	pr2_pru0_pru_r31_in[19]	pr1_mii0_col ⁽¹⁾	
pr2_pru0_gpi[20]	I	PRU0 R31 Input/Mux options	HiZ	pr2_pru0_pru_r31_in[20]	pr1_mii0_crs ⁽¹⁾	
From PRU-ICSS Wrapper Mux			0x0 - GPIO	PRUSS_GPCFG1[29:26] PR1_PRU1_GP_MUX_SEL=		
			0x0 - GPIO	0x1 - EnDat	0x3 - SD	0x4 - MII2
pr2_pru1_gpo[0]	O	PRU1 R30 Output/Mux options	0	pr2_pru1_pru_r30_out[0]	pr2_pru1_endat0_clk	
pr2_pru1_gpo[1]	O	PRU1 R30 Output/Mux options	0	pr2_pru1_pru_r30_out[1]	pr2_pru1_endat0_out	
pr2_pru1_gpo[2]	O	PRU1 R30 Output/Mux options	0	pr2_pru1_pru_r30_out[2]	pr2_pru1_endat0_out_en	
pr2_pru1_gpo[3]	O	PRU1 R30 Output/Mux options	0	pr2_pru1_pru_r30_out[3]	pr2_pru1_endat1_clk	
pr2_pru1_gpo[4]	O	PRU1 R30 Output/Mux options	0	pr2_pru1_pru_r30_out[4]	pr2_pru1_endat1_out	

Table 30-2. PRU-ICSS2 I/O Signals (continued)

Device Signal	I/O	Description	Reset	PRU-ICSS Signal	
pr2_pru1_gpo[5]	O	PRU1 R30 Output/Mux options	0	pr2_pru1_pru_r30_out[5]	pr2_pru1_endat1_out_en
pr2_pru1_gpo[6]	O	PRU1 R30 Output/Mux options	0	pr2_pru1_pru_r30_out[6]	pr2_pru1_endat2_clk
pr2_pru1_gpo[7]	O	PRU1 R30 Output/Mux options	0	pr2_pru1_pru_r30_out[7]	pr2_pru1_endat2_out
pr2_pru1_gpo[8]	O	PRU1 R30 Output/Mux options	0	pr2_pru1_pru_r30_out[8]	pr2_pru1_endat2_out_en
pr2_pru1_gpo[9:20] ⁽³⁾	O	PRU1 R30 Outputs	0	pr2_pru1_pru_r30_out[9:20]	
pr2_pru1_gpi[0:4]	I	PRU1 R31 Inputs	HiZ	pr2_pru1_pru_r31_in[0:4]	
pr2_pru1_gpi[5]	I	PRU1 R31 Input/Mux options	HiZ	pr2_pru1_pru_r31_in[5]	pr1_edc_latch0_in ⁽²⁾
pr2_pru1_gpi[6]	I	PRU1 R31 Input/Mux options	HiZ	pr2_pru1_pru_r31_in[6]	pr2_edc_latch0_in ⁽²⁾
pr2_pru1_gpi[7:8]	I	PRU1 R31 Inputs	HiZ	pr2_pru1_pru_r31_in[7:8]	
pr2_pru1_gpi[9]	I	PRU1 R31 Input/Mux options	HiZ	pr2_pru1_pru_r31_in[9]	pr2_pru1_endat0_in
pr2_pru1_gpi[10]	I	PRU1 R31 Input/Mux options	HiZ	pr2_pru1_pru_r31_in[10]	pr2_pru1_endat1_in
pr2_pru1_gpi[11]	I	PRU1 R31 Input/Mux options	HiZ	pr2_pru1_pru_r31_in[11]	pr2_pru1_endat2_in
pr2_pru1_gpi[12:15]	I	PRU1 R31 Inputs/Mux options	HiZ	pr2_pru1_pru_r31_in[12:15]	
pr2_pru1_gpi[16]	I	PRU1 R31 Input	HiZ	pr2_pru1_pru_r31_in[16]	pr2_pru1_pru_r31_in[16]
pr2_pru1_gpi[17] ⁽³⁾	I	PRU1 R31 Input/Mux options	HiZ	pr2_pru1_pru_r31_in[17]	pr1_mii1_rxer ⁽¹⁾
pr2_pru1_gpi[18] ⁽³⁾	I	PRU1 R31 Input/Mux options	HiZ	pr2_pru1_pru_r31_in[18]	pr1_mii1_rxlink ⁽¹⁾
pr2_pru1_gpi[19] ⁽³⁾	I	PRU1 R31 Input/Mux options	HiZ	pr2_pru1_pru_r31_in[19]	pr1_mii1_crs ⁽¹⁾
pr2_pru1_gpi[20] ⁽³⁾	I	PRU1 R31 Input/Mux options	HiZ	pr2_pru1_pru_r31_in[20]	pr1_mii_mr1_clk ⁽¹⁾
MII			MII		
pr2_mii_mr0_clk	I	MII0 Receive Clock	HiZ	pr2_mii_mr0_clk	
pr2_mii0_rxdv	I	MII0 Receive Data Valid	HiZ	pr2_mii0_rxdv	
pr2_mii0_rxd[0:3]	I	MII0 Receive Data	HiZ	pr2_mii0_rxd[0:3]	
pr2_mii0_rxlink	I	MII0 Receive Link	HiZ	pr2_mii0_rxlink	

⁽³⁾ pr2_pru1_gpo[20:17] and pr2_pru1_gpi[20:17] are not pinned out on the AM570x family of devices.

Table 30-2. PRU-ICSS2 I/O Signals (continued)

Device Signal	I/O	Description	Reset	PRU-ICSS Signal
pr2_mii0_rxer	I	MII0 Receive Data Error	HiZ	pr2_mii0_rxer
pr2_mii0_crs	I	MII0 Carrier Sense	HiZ	pr2_mii0_crs
pr2_mii0_col	I	MII0 Collision Detect	HiZ	pr2_mii0_col
pr2_mii_mt0_clk	I	MII0 Transmit Clock	HiZ	pr2_mii_mt0_clk
pr2_mii0_txen	O	MII0 Transmit Enable	0	pr2_mii0_txen
pr2_mii0_txd[0:3]	O	MII0 Transmit Data	0	pr2_mii0_txd[0:3]
pr2_mii_mr1_clk	I	MII1 Receive Clock	HiZ	pr2_mii_mr1_clk
pr2_mii1_rxdv	I	MII1 Receive Data Valid	HiZ	pr2_mii1_rxdv
pr2_mii1_rxd[0:3]	I	MII1 Receive Data	HiZ	pr2_mii1_rxd[0:3]
pr2_mii1_rxlink	I	MII1 Receive Link	HiZ	pr2_mii1_rxlink
pr2_mii1_rxer	I	MII1 Receive Data Error	HiZ	pr2_mii1_rxer
pr2_mii1_crs	I	MII1 Carrier Sense	HiZ	pr2_mii1_crs
pr2_mii1_col	I	MII1 Collision Detect	HiZ	pr2_mii1_col
pr2_mii_mt1_clk	I	MII1 Transmit Clock	HiZ	pr2_mii_mt1_clk
pr2_mii1_txen	O	MII1 Transmit Enable	0	pr2_mii1_txen
pr2_mii1_txd[0:3]	O	MII1 Transmit Data	0	pr2_mii1_txd[0:3]
MDIO				MDIO
pr2_mdio_mdclk	O	MDIO Clock	0	pr2_mdio_mdclk
pr2_mdio_data	I/O	MDIO Data	HiZ	pr2_mdio_data
ECAT ⁽⁴⁾				ECAT
pr2_edio_sof	O	ECAT Digital I/O Start of Frame	0	pr2_edio_sof
pr2_edio_latch_in	I	ECAT Digital I/O Latch In	HiZ	pr2_edio_latch_in
pr2_edio_data_in[0:7]	I	ECAT Digital I/Os Data In	HiZ	pr2_edio_data_in[0:7]
pr2_edio_data_out[0:7]	O	ECAT Digital I/Os Data Out	0	pr2_edio_data_out[0:7]
pr2_edc_sync0_out	O	ECAT Distributed Clock Sync Out	0	pr2_edc_sync0_out
pr2_edc_sync1_out	O	ECAT Distributed Clock Sync Out	0	pr2_edc_sync1_out
pr2_edc_latch0_in	I	ECAT Distributed Clock Latch In	HiZ	pr2_edc_latch0_in
pr2_edc_latch1_in	I	ECAT Distributed Clock Latch In	HiZ	pr2_edc_latch1_in
UART ⁽⁴⁾				UART

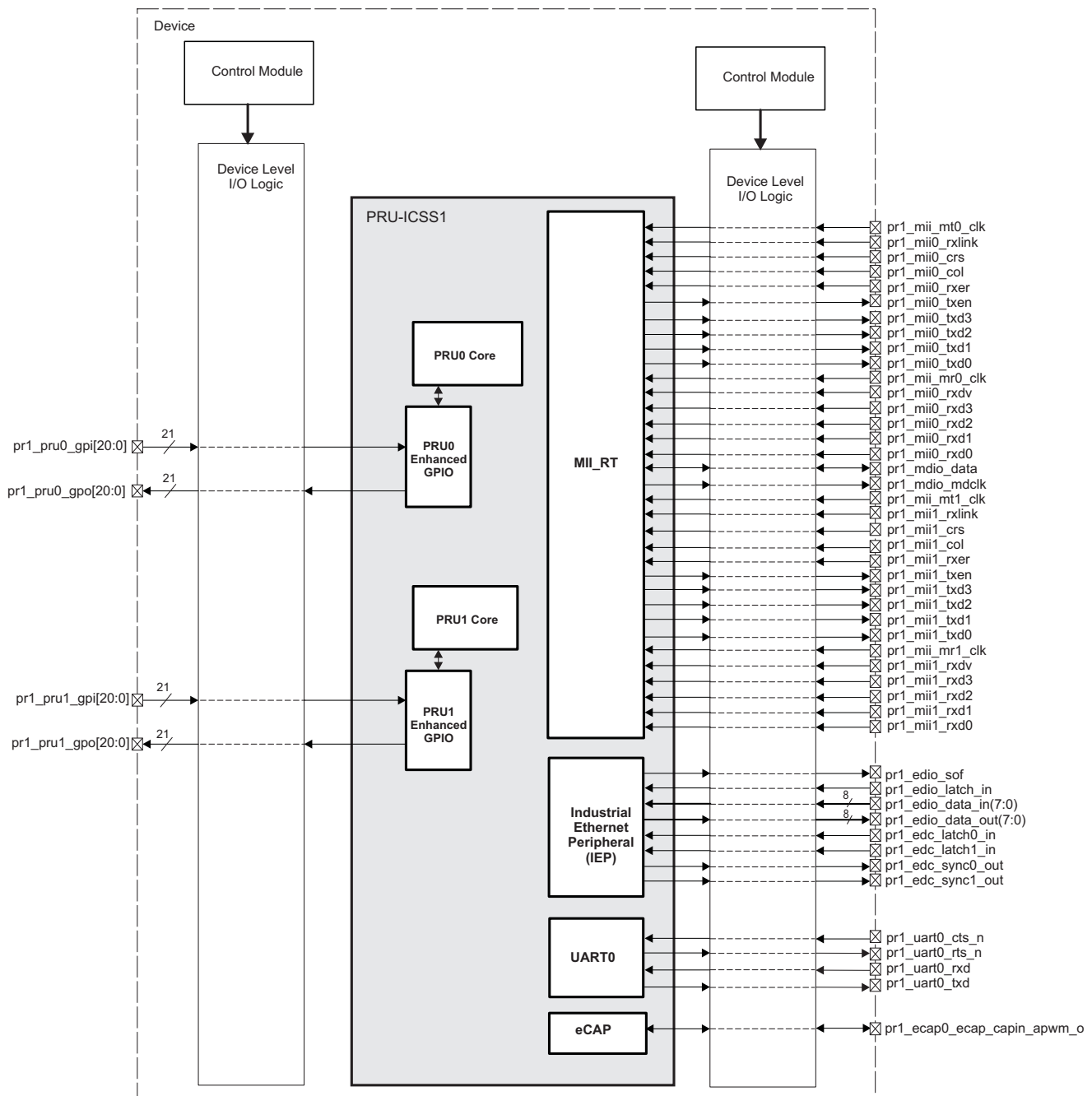
⁽⁴⁾ PRU-ICSS2 ECAT (IEP), UART, and ECAP signals are not pinned out on the AM570x family of devices.

Table 30-2. PRU-ICSS2 I/O Signals (continued)

Device Signal	I/O	Description	Reset	PRU-ICSS Signal
pr2_uart0_cts_n	I	UART Clear to Send	HiZ	pr2_uart0_cts_n
pr2_uart0_rts_n	O	UART Request to Send	0	pr2_uart0_rts_n
pr2_uart0_rxd	I	UART Receive Data	HiZ	pr2_uart0_rxd
pr2_uart0_txd	O	UART Transmit Data	0	pr2_uart0_txd
ECAP ⁽⁴⁾			ECAP	
pr2_ecap0_ecap_capin_ apwm_o	I/O	Enhanced capture (ECAP) input or Auxiliary PWM out	HiZ	pr2_ecap0_ecap_capin_a pwm_o

Figure 30-3 illustrates the PRU-ICSS1 I/O interface signals at the device boundary.

Figure 30-3. PRU-ICSS1 External Interface I/Os

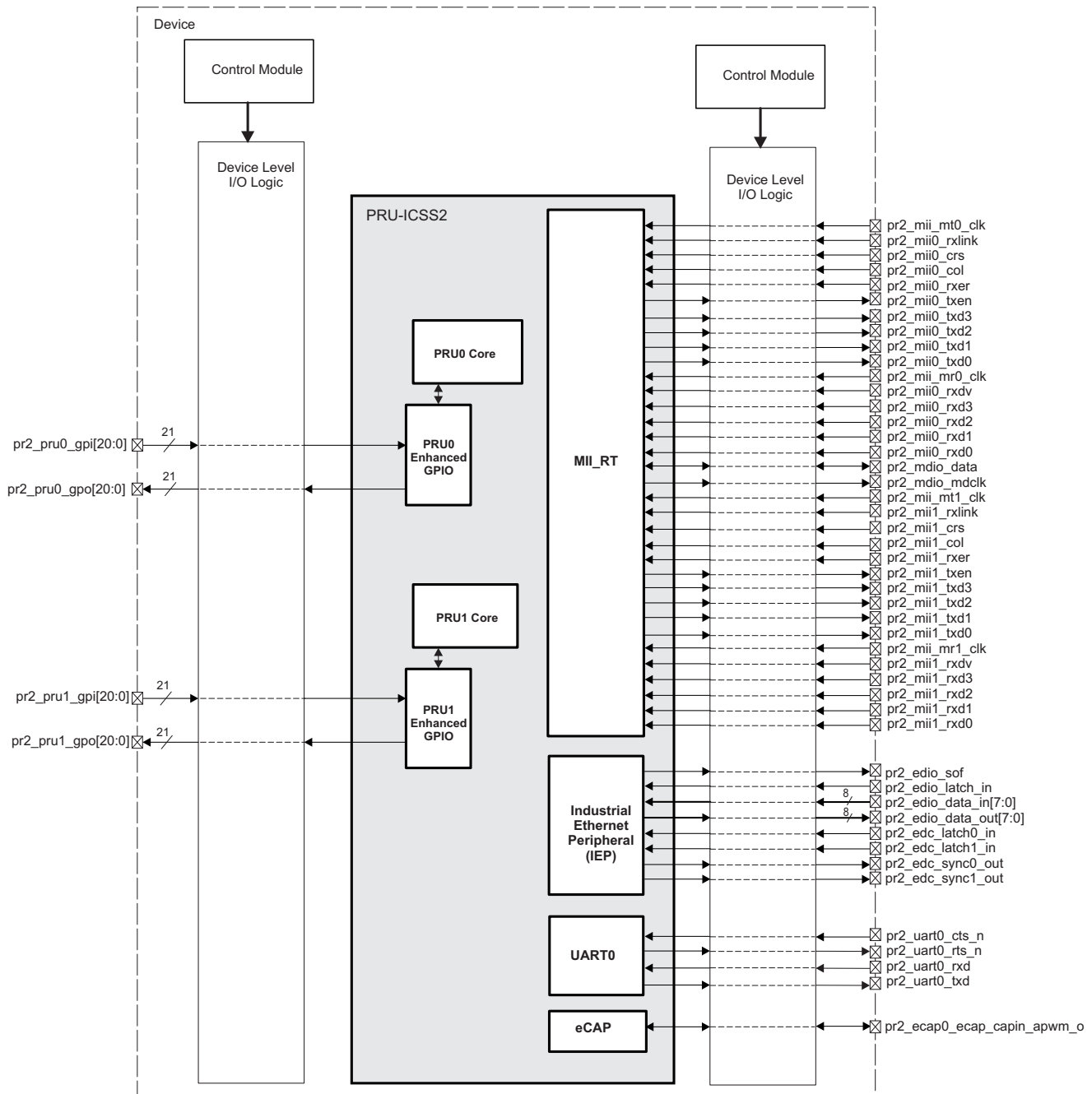


pruss-002

NOTE: pr1_pru0_gpi[20:0] and pr1_pru0_gpo[20:0] pins are not available on this device.

Figure 30-4 illustrates the PRU-ICSS2 I/O interface signals at the device boundary.

Figure 30-4. PRU-ICSS2 External Interface I/Os



pruss-002

NOTE: PRU-ICSS2 UART and eCAP are not supported on the AM570x family of devices.

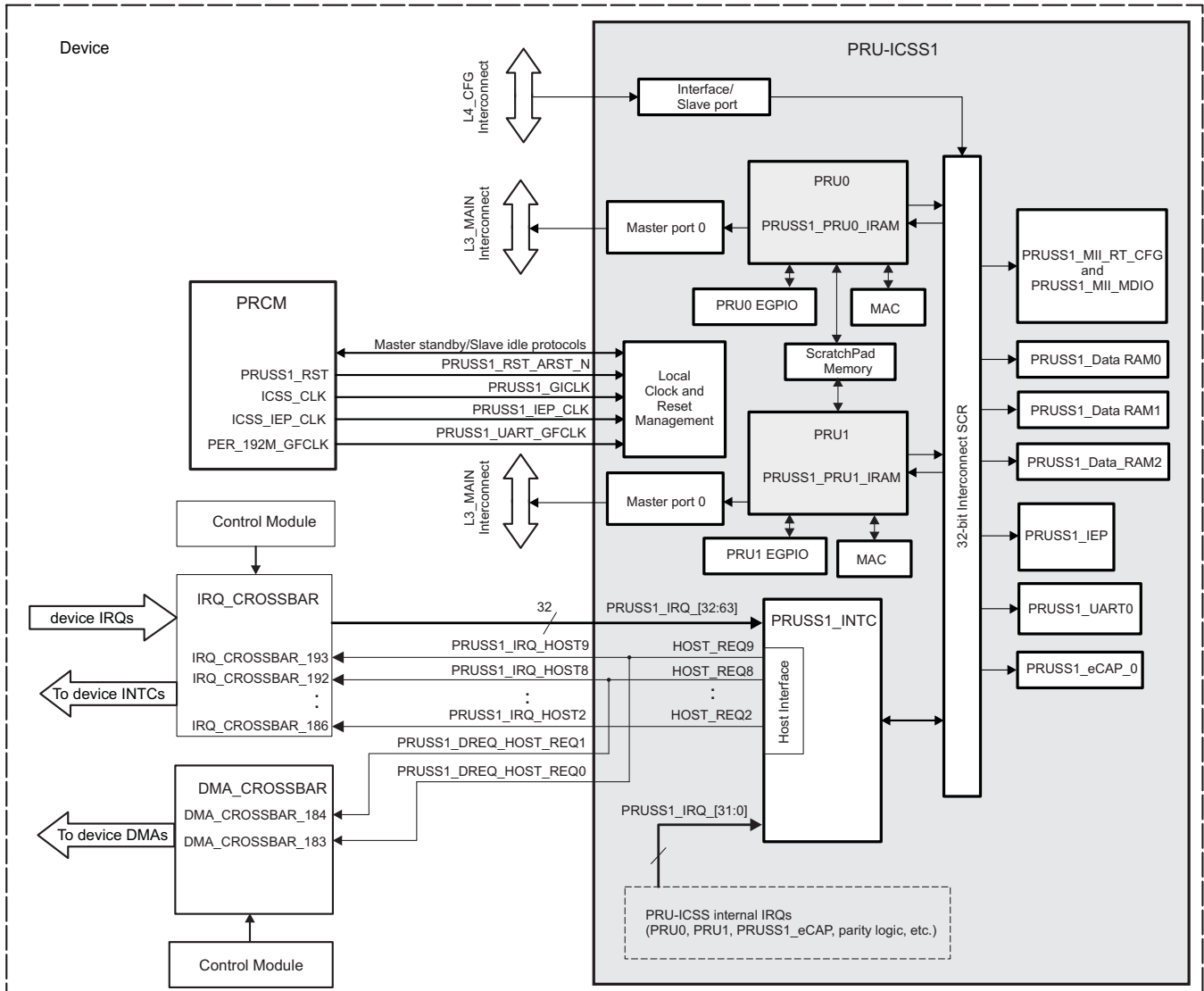
PRU-ICSS2 IEP I/Os are not pinned out on AM570x. However, some internal features (such as the IEP timer) are still supported.

pr2_pru1_gpo[20:17] and pr2_pru1_gpi[20:17] are not pinned out on the AM570x family of devices.

30.3 PRU-ICSS Integration

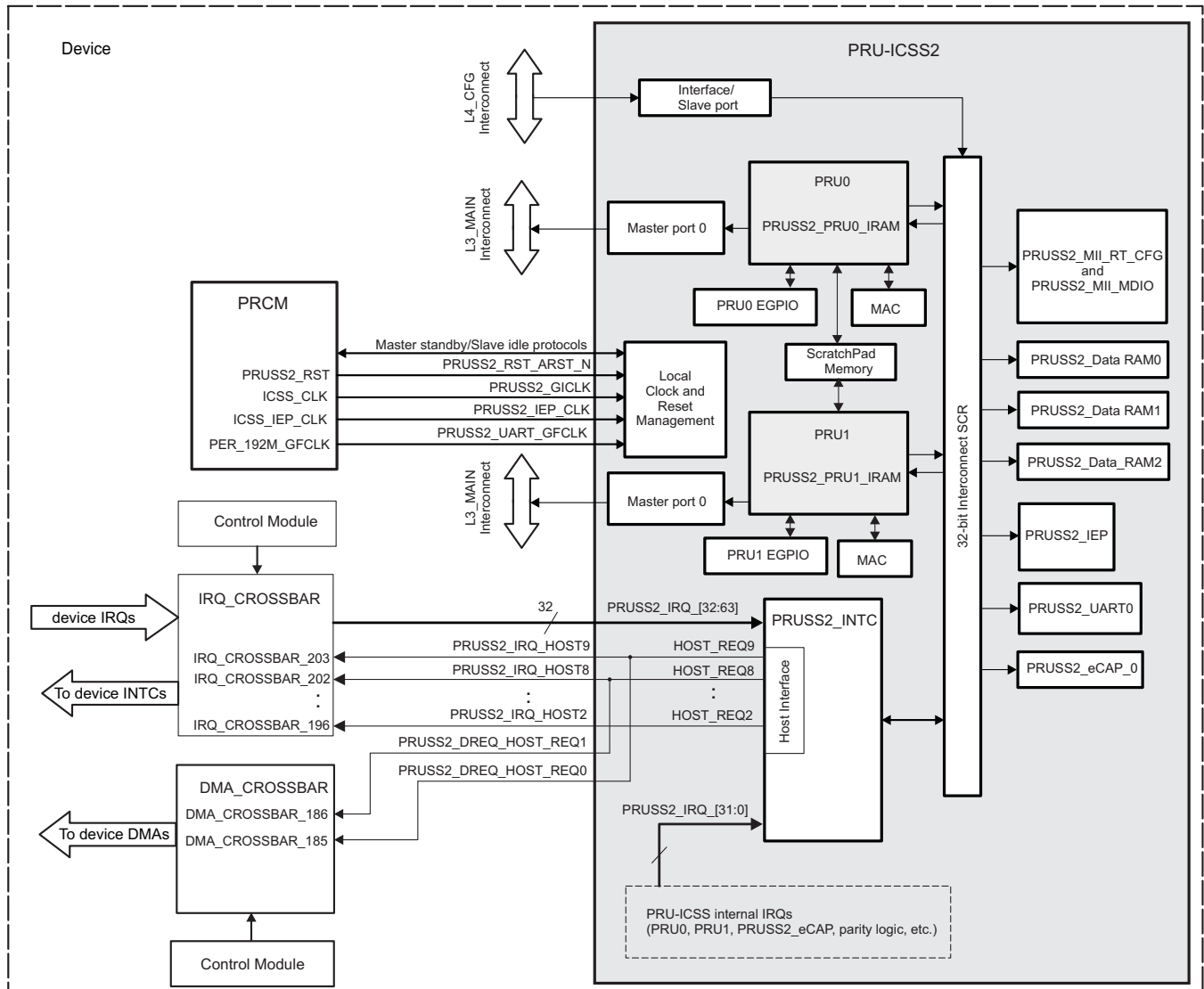
The PRU-ICSS1 and PRU-ICSS2 subsystems integration in the device is shown in [Figure 30-5](#) and [Figure 30-6](#), respectively.

Figure 30-5. PRU-ICSS1 Integration in the Device



pruss1-004

Figure 30-6. PRU-ICSS2 Integration in the Device



pruss1-004

NOTE: PRU-ICSS2 UART and eCAP are not supported on the AM570x family of devices.

PRU-ICSS2 IEP I/Os are not pinned out on AM570x. However, some internal features (such as the IEP timer) are still supported.

PRUSSn_IRQ_HOST[2:9] correspond to PRU-ICSSn HOST_INT[0:7] or PRU-ICSSn EVTOUT[0:7] in other TI Sitara devices' SoC-level interrupt controller.

The PRU-ICSS1 and PRU-ICSS2 integration in the device features:

- PD_L4PER power domain instantiation
- two master ports (PRU0 and PRU1 core initiators) on the device L3_MAIN interconnect
- Non-wakeup capable - smart Standby protocol with the device PRCM
- Software assertion of a standby request "MStandby" (for master port clock disable) with local (PRU-ICSS) monitoring of the PRCM "MWait" acknowledge.
- one slave (configuration) port on the L3_MAIN interconnect for device hosts (MPU, DSP1, etc.) to access various memories and registers of PRU-ICSS

- Non-wakeup capable - smart Idle protocol with the device PRCM
- 10 output interrupt events from local interrupt controller - PRUSS_INTC:
 - 2 events to each PRU core (events 0 and 1)
 - 8 events mapped to the device IRQ_CROSSBAR which further remaps them to device interrupt controllers (events 2 through 9)
 - 2 events mapped to the device DMA_CROSSBAR, that remaps them to device DMA controllers (events 8 and 9)
- 32 external interrupts are mapped via the device IRQ_CROSSBAR to the local PRUSS_INTC
- A local software gating of clocks to several modules within PRU subsystem (local clock management protocol), as follows:
 - PRUSS_IEP
 - PRUSS_eCAP_0
 - PRUSS_UART0
 - PRUSS_INTC
 - PRUSS_PRU0
 - PRUSS_PRU1
- 3 input clocks obtained from device PRCM:
 - a PRU-ICSS top level gatable interface clock
 - a PRUSS IEP functional clock
 - a PRUSS UART0
- No memory/register retention is supported
- One hardware non-retention (level sensitive) reset

Table 30-3 through Table 30-5 summarize the integration of the module in the device.

Table 30-3. PRU-ICSS Integration Attributes

Module Instance	Attributes	
	Power Domain	Interconnect
PRU-ICSS1	PD_COREAON	L3_MAIN L4_CFG
PRU-ICSS2	PD_COREAON	L3_MAIN L4_CFG

Table 30-4. PRU-ICSS Clocks and Resets

Module Instance	Destination Signal Name	Clocks		
		Source Signal Name	Source	Description
PRU-ICSS1	PRUSS1_GICKLK	ICSS_CLK	PRCM	PRU-ICSS1 gated interface clock derived from DPLL_GMAC
	PRUSS1_UART_GFCLK	PER_192M_GFCLK	PRCM	PRUSS1_UART gated functional clock derived from DPLL_PER
	PRUSS1_IEP_CLK	ICSS_IEP_CLK	PRCM	PRUSS1_IEP functional clock derived from DPLL_GMAC
	PRUSS1_MII_MR0_CLK	pr1_mii_mr0_clk	pr1_mii_mr0_clk pin	MII0 RT RX functional clock
	PRUSS1_MII_MR1_CLK	pr1_mii_mr1_clk	pr1_mii_mr1_clk pin	MII1 RT RX functional clock
	PRUSS1_MII_MT0_CLK	pr1_mii_mt0_clk	pr1_mii_mt0_clk pin	MII0 RT TX functional clock
	PRUSS1_MII_MT1_CLK	pr1_mii_mt1_clk	pr1_mii_mt1_clk pin	MII1 RT TX functional clock
PRU-ICSS2	PRUSS2_GICKLK	ICSS_CLK	PRCM	PRU-ICSS2 gated interface clock derived from DPLL_GMAC
	PRUSS2_UART_GFCLK	PER_192M_GFCLK	PRCM	PRUSS2_UART gated functional clock derived from DPLL_PER

Table 30-4. PRU-ICSS Clocks and Resets (continued)

Module Instance	Destination Signal Name	Source Signal Name	Source	Description
	PRUSS2_IEP_CLK	ICSS_IEP_CLK	PRCM	PRUSS2_IEP functional clock derived from DPLL_GMAC
	PRUSS2_MII_MR0_CLK	pr2_mii_mr0_clk	pr2_mii_mr0_clk pin	MII0 RT RX functional clock
	PRUSS2_MII_MR1_CLK	pr2_mii_mr1_clk	pr2_mii_mr1_clk pin	MII1 RT RX functional clock
	PRUSS2_MII_MT0_CLK	pr2_mii_mt0_clk	pr2_mii_mt0_clk pin	MII0 RT TX functional clock
	PRUSS2_MII_MT1_CLK	pr2_mii_mt1_clk	pr2_mii_mt1_clk pin	MII1 RT TX functional clock
Resets				
Module Instance	Destination Signal Name	Source Signal Name	Source	Description
PRU-ICSS1	PRUSS1_RST_MAIN_ARST_N	PRUSS1_RST	PRCM	Non-retention hardware main reset to the PRU-ICSS1
PRU-ICSS2	PRUSS2_RST_MAIN_ARST_N	PRUSS2_RST	PRCM	Non-retention hardware main reset to the PRU-ICSS2

Table 30-5. PRU-ICSS Hardware Requests

Interrupt Requests				
Module Instance	Source Signal Name	IRQ_CROSSBAR Input	Default Mapping	Description
PRU-ICSS1	PRUSS1_IRQ_HOST2 ⁽¹⁾	IRQ_CROSSBAR_186	-	PRU-ICSS1 Host interrupt 2
	PRUSS1_IRQ_HOST3 ⁽¹⁾	IRQ_CROSSBAR_187	-	PRU-ICSS1 Host interrupt 3
	PRUSS1_IRQ_HOST4 ⁽¹⁾	IRQ_CROSSBAR_188	-	PRU-ICSS1 Host interrupt 4
	PRUSS1_IRQ_HOST5 ⁽¹⁾	IRQ_CROSSBAR_189	-	PRU-ICSS1 Host interrupt 5
	PRUSS1_IRQ_HOST6 ⁽¹⁾	IRQ_CROSSBAR_190	-	PRU-ICSS1 Host interrupt 6
	PRUSS1_IRQ_HOST7 ⁽¹⁾	IRQ_CROSSBAR_191	-	PRU-ICSS1 Host interrupt 7
	PRUSS1_IRQ_HOST8 ⁽¹⁾	IRQ_CROSSBAR_192	-	PRU-ICSS1 Host interrupt 8
	PRUSS1_IRQ_HOST9 ⁽¹⁾	IRQ_CROSSBAR_193	-	PRU-ICSS1 Host interrupt 9
	PRU-ICSS2	PRUSS2_IRQ_HOST2 ⁽¹⁾	IRQ_CROSSBAR_196	-
PRUSS2_IRQ_HOST3 ⁽¹⁾		IRQ_CROSSBAR_197	-	PRU-ICSS2 Host interrupt 3
PRUSS2_IRQ_HOST4 ⁽¹⁾		IRQ_CROSSBAR_198	-	PRU-ICSS2 Host interrupt 4
PRUSS2_IRQ_HOST5 ⁽¹⁾		IRQ_CROSSBAR_199	-	PRU-ICSS2 Host interrupt 5
PRUSS2_IRQ_HOST6 ⁽¹⁾		IRQ_CROSSBAR_200	-	PRU-ICSS2 Host interrupt 6
PRUSS2_IRQ_HOST7 ⁽¹⁾		IRQ_CROSSBAR_201	-	PRU-ICSS2 Host interrupt 7
PRUSS2_IRQ_HOST8 ⁽¹⁾		IRQ_CROSSBAR_202	-	PRU-ICSS2 Host interrupt 8
PRUSS2_IRQ_HOST9 ⁽¹⁾		IRQ_CROSSBAR_203	-	PRU-ICSS2 Host interrupt 9
DMA Requests				
Module Instance	Source Signal Name	DMA_CROSSBAR Input	Default Mapping	Description
PRU-ICSS1	PRUSS1_DREQ_HOST_REQ0	DMA_CROSSBAR_183	-	PRU-ICSS1 Host DMA request 0. Source is host interrupt 9
	PRUSS1_DREQ_HOST_REQ1	DMA_CROSSBAR_184	-	PRU-ICSS1 Host DMA request 1. Source is host interrupt 8
PRU-ICSS2	PRUSS2_DREQ_HOST_REQ0	DMA_CROSSBAR_185	-	PRU-ICSS2 Host DMA request 0. Source is host interrupt 9
	PRUSS2_DREQ_HOST_REQ1	DMA_CROSSBAR_186	-	PRU-ICSS2 Host DMA request 1. Source is host interrupt 8

⁽¹⁾ PRUSSn_IRQ_HOST[2:9] correspond to PRU-ICSSn HOST_INT[0:7] or PRU-ICSSn EVTOUT[0:7] in other TI Sitara devices' SoC-level interrupt controller.

NOTE: For more information about the IRQ_CROSSBAR module, see [Section 18.4.6.4, IRQ_CROSSBAR Module Functional Description](#), in [Chapter 18, Control Module](#).

For more information about the DMA_CROSSBAR module, see [Section 18.4.6.5, DMA_CROSSBAR Module Functional Description](#), in [Chapter 18, Control Module](#).

For more information about the device interrupt controllers, see [Chapter 17, Interrupt Controllers](#).

For more information about the device SDMA module, see [Section 16.1, System DMA](#).

For more information about the device EDMA module, see [Section 16.2, Enhanced DMA](#).

30.4 PRU-ICSS Level Resources Functional Description

This section provides functional description of the device integrated PRU Subsystems modules.

30.4.1 PRU-ICSS Reset Management

An individual PRCM cold and warm hardware reset is available per PRU-ICSS1 (PRUSS1_RST) and PRU-ICSS2 (PRUSS2_RST). It is asserted by the PRCM upon cold reset and warm reset events.

For more details on the PRU-ICSS resets mapping, see also the [Section 30.3](#).

NOTE: A hardware reset event (PRUSS_RST_MAIN_ARST_N input assertion) forces the PRU-ICSS to go to an IDLE and STANDBY state. For more details on PRU-ICSS clock management defined states refer to the [Section 30.4.2](#).

NOTE: No global software reset is available at the PRU-ICSS top level.

30.4.2 PRU-ICSS Power and Clock Management

The PRU-ICSS supports 2 levels of clock gating. First level gates all clocks inside the PRU-ICSS when it is placed into IDLE and STANDBY state. The second level allows user software to enable/disable clocks in the clock gating register [PRUSS_CGR](#) to some internal modules, as follows:

- PRUSS1_IEP
- PRUSS1_eCAP_0
- PRUSS1_UART0
- PRUSS1_INTC
- PRUSS1_PRU0_Control /PRUSS1_PRU0_IRAM
- PRUSS1_PRU1_Control/PRUSS1_PRU1_IRAM
- PRUSS2_IEP
- PRUSS2_eCAP_0
- PRUSS2_UART0
- PRUSS2_INTC
- PRUSS2_PRU0_Control /PRUSS2_PRU0_IRAM
- PRUSS2_PRU1_Control/PRUSS2_PRU1_IRAM

NOTE: PRU-ICSS2 UART and eCAP are not supported on the AM570x family of devices.

PRU-ICSS2 IEP I/Os are not pinned out on AM570x. However, some internal features (such as the IEP timer) are still supported.

The appropriate configuration registers block controls its local module set inside PRU-ICSS.

30.4.2.1 PRU-ICSS Idle and Standby States

The below [Table 30-6](#) lists the clock management settings applicable at PRU-ICSS subsystem level (first level of local power management).

NOTE: For more details on the slave idle protocol (slave port) and master standby protocol (master port) between PRU-ICSS and device PRCM, refer to the [Section 3.1.1.1.2, Module-Level Clock Management](#) in the [Chapter 3, Power, Reset and Clock Management](#).

Table 30-6. PRU-ICSS Idle/Standby Support

IDLE/STANDBY Mode	Comments
NO IDLE	
SMART IDLE	Default State
Wake-up capable SMART IDLE	not supported
FORCE IDLE	
NO STANDBY	
SMART STANDBY	Default State
Wake-up capable SMART STANDBY	not supported
FORCE STANDBY	

NOTE: Not all of the PRU-ICSS outputs meet the IDLE state. Only the power protocol and L3_MAIN signals are Idled with all functional and interface clocks being shut-down.

A transition from an ACTIVE/Normal state to an IDLE (L3_MAIN slave) + STANDBY (L3_MAIN masters) state is performed as per the sequence:

1. The host (i.e. device MPU, DSP1, etc.) requests that the PRU firmware goes into IDLE state and waits for acknowledgement.
2. The host issues Clock Stop Request in register [PRUSS_CGR](#) to modules with gateable clocks defined at second power management level (see [Section 30.4.2](#))
3. The host initiates MStandby via assertion to HIGH of the bit: [PRUSS_SYSCFG](#) [4] STANDBY_INIT (PRU-ICSS clock management configuration register).
4. The host software gets the device PRCM to issue an IDLE Request (IdleReq) towards the PRU-ICSS slave port. This is done via writing to device PRCM clock management registers dedicated to PRU-ICSS: [CM_L4PER2_PRUSS1_CLKCTRL](#) and [CM_L4PER2_PRUSS2_CLKCTRL](#) in [Section 3.12, PRCM Register Manual of the Chapter 3, Power Reset and Clock Management](#).
5. The PRU-ICSS acknowledges IDLE Request and enters the IDLE+STANDBY state.

A transition from an IDLE + STANDBY state to an ACTIVE/ Normal state is performed as per the sequence:

1. The host (i.e. device MPU, DSP1, etc.) software gets the PRCM to de-assert IDLE Request - This is done via writing to device PRCM clock management registers dedicated to PRU-ICSS: [CM_L4PER2_PRUSS1_CLKCTRL](#) and [CM_L4PER2_PRUSS2_CLKCTRL](#) in [Section 3.12, PRCM Register Manual of the Chapter 3, Power Reset and Clock Management](#).
2. The host CPU de-asserts the ClockStopReq to modules with gateable clocks defined at second power management level, and wait for the ClockStopAck to be asserted. This is done via PRU-ICSS host writing/reading the [PRUSS_CGR](#).
3. The host CPU enables "NO STANDBY" via assertion of the [PRUSS_SYSCFG](#)[3:2] STANDBY_MODE to 0x1.

30.4.2.2 Module Clock Configurations at PRU-ICSS Top Level

IEP functional clock source selection: The clock source selection between PRUSS_IEP_CLK (default) and PRUSS_GICLK to the IEP module is done in register [PRUSS_IEPCLK\[0\] OCP_EN](#) in the PRUSS_CFG location. For more information on these PRU-ICSS level input clocks from PRCM, refer to the [Section 30.3](#).

Enhanced GPIO clock divider settings: In certain sample/shift clock settings of the PRU0 and PRU1 EGPIOs (when enabled in serial mode) two cascaded fractional dividers are done in the PRUSS_CFG top level configuration registers [PRUSS_GPCFG0](#) and [PRUSS_GPCFG1](#). In addition, EGPIO clock active edge selection control can be exerted via the bit PRU0_GPI_CLK_MODE for PRU0_EGPI and PRU1_GPI_CLK_MODE for the PRU1_EGPI.

- For the serial PRU0's EGPOs:
 - [PRUSS_GPCFG0](#) [24:20]PRU0_GPO_DIV1
 - [PRUSS_GPCFG0](#) [19:15]PRU0_GPO_DIV0
- For the serial PRU0's EGPIs:
 - [PRUSS_GPCFG0](#) [12:8]PRU0_GPI_DIV1
 - [PRUSS_GPCFG0](#) [7:3]PRU0_GPI_DIV0
- For the serial PRU1's EGPOs:
 - [PRUSS_GPCFG1](#) [24:20]PRU1_GPO_DIV1
 - [PRUSS_GPCFG1](#) [19:15]PRU1_GPO_DIV0
- For the serial PRU1's EGPIs:
 - [PRUSS_GPCFG1](#) [12:8]PRU1_GPI_DIV1
 - [PRUSS_GPCFG1](#) [7:3]PRU1_GPI_DIV0

30.4.3 Other PRU-ICSS Module Functional Registers at Subsystem Level

Enhanced GPIO. The other functional mode setting for PRUs EGPIOs at PRU-ICSS top registers level are:

- [PRUSS_GPCFG0/PRUSS_GPCFG1](#) [14] PRU1_GPO_MODE - to select between direct or serial EGPO output mode of operation.
- [PRUSS_GPCFG0/PRUSS_GPCFG1](#) [25] PRU1_GPO_SH_SEL - to select between the EGPO shadow registers 0 and 1 used for output shifting. For more details, refer to the [Section 30.5.2.2.3.4, Enhanced General-Purpose Module Outputs \(R30\)](#).
- [PRUSS_GPCFG0/PRUSS_GPCFG1](#) [1:0] PRU1_GPI_MODE - selects the EGPI input mode of operation (selects between direct input, parallel capture, 28-bit shift or MII_RT modes).
- [PRUSS_GPCFG0/PRUSS_GPCFG1](#) [13] PRU1_GPI_SB - **start bit event status for 28-bit EGPI input shift mode**. For more details, refer to the [Section 30.5.2.2.3, Enhanced General-Purpose Module Inputs \(R31\)](#).

PRU 0/1 cores IRAM and DRAM parity error events: [PRUSS_ISRP](#) (raw status), [PRUSS_ISP](#) (interrupt status) and [PRUSS_IESP](#) (interrupt enable) and [PRUSS_IECP](#) (interrupt clear) registers.

PRU 0/1 cores IRAM and DRAM parity error events: [PRUSS_ISRP](#) (raw status), [PRUSS_ISP](#) (interrupt status) and [PRUSS_IESP](#) (interrupt enable) and [PRUSS_IECP](#) (interrupt clear) registers.

Enable address offset ("-0x0008_0000") feature individually per PRU0 and PRU1 master ports in the [PRUSS_PMAO](#) register in case of accessing peripherals located in the PRU-ICSS space.

PRUSS_MII_RT_CFG interrupts mapping to PRUSS_INTC is enabled in the [PRUSS_MII_RT](#) register

PRUs scratchpad (SPAD) memory priority and configuration related bits are located in the [PRUSS_SPP](#) register.

30.4.4 PRU-ICSS Memory Maps

The PRU-ICSS comprises various distinct addressable regions that are mapped to both a local and global memory map. The local memory maps are maps with respect to the PRU point of view. The global memory maps are maps with respect to the Host point of view, but can also be accessed by the PRU-ICSS.

30.4.4.1 PRU-ICSS Local Memory Map

The PRU-ICSS memory map is documented in [Table 30-7](#) (Instruction Space) and in [Table 30-8](#) (Data Space). Note that these two memory maps are implemented inside the PRU-ICSS and are local to the components of the PRU-ICSS.

30.4.4.1.1 PRU-ICSS Local Instruction Memory Map

Each PRU (PRU0 and PRU1) has a dedicated 12KiB of Instruction Memory (12KiB for PRU0 and 12KiB for PRU1) which needs to be initialized by a Host processor that is external to the PRU-ICSS using the following initialization sequence before a PRU core executes any instructions.

Initialization Sequence:

1. Initialize the entire Instruction Memory to 0x00000000
2. Issue a soft reset of the PRU core
3. Load PRU firmware into the Instruction Memory
4. Run the PRU core

CAUTION

The PRUSS_PRU0/1_IRAM regions are ONLY accessible to PRU-ICSS masters (external hosts like MPU Cortex-A15, DSP1, etc.) when the PRU0/PRU1 is not running. The access is via PRU-ICSS slave port on the device L3_MAIN interconnect

Table 30-7. PRU-ICSS Local Instruction Memory Map

Start Address	PRU0	PRU1
0x0000_0000	12 KiB IRAM	12 KiB IRAM

30.4.4.1.2 PRU-ICSS Local Data Memory Map

The local data memory map in [Table 30-8](#) allows each PRU core to access the PRU-ICSS addressable regions and the external host's memory map.

The PRU accesses the external Host memory map through the device L3_MAIN interconnect Interface Master port (System OCP_HP0/1) starting at address 0x0008_0000. By default, memory addresses between 0x0000_0000 – 0x0007_FFFF will correspond to the PRU-ICSS local address in [Table 30-8](#). To access an address between 0x0000_0000–0x0007_FFFF of the external host map, the address offset of " – 0x0008_0000" feature is enabled through the [PRUSS_PMAO\[1\]](#) PMAO_PRU1 (for PRU1 CPU) and [PRUSS_PMAO\[0\]](#) PMAO_PRU0 (for PRU0 CPU) bits in the PRUSS_CFG subsystem level register space.

Table 30-8. PRU-ICSS Local Data Memory Map

Start Address	PRUSS_PRU0	PRUSS_PRU1
0x0000_0000	Data 8 KiB RAM0	Data 8 KiB RAM1
0x0000_2000	Data 8 KiB RAM1 ⁽¹⁾	Data 8 KiB RAM0 ⁽¹⁾
0x0000_4000	Reserved	Reserved

⁽¹⁾ Direct access from PRU0 to Data RAM 1 and PRU1 to Data RAM 0.

Table 30-8. PRU-ICSS Local Data Memory Map (continued)

Start Address	PRUSS_PRU0	PRUSS_PRU1
0x0001_0000	Data 32 KiB RAM2 (Shared RAM)	Data 32 KiB RAM2 (Shared RAM)
0x0002_0000	PRUSS_INTC	PRUSS_INTC
0x0002_2000	PRU0 Control	PRU0 Control
0x0002_2400	Reserved	Reserved
0x0002_4000	PRU1 Control	PRU1 Control
0x0002_4400	Reserved	Reserved
0x0002_6000	CFG	CFG
0x0002_8000	UART0	UART0
0x0002_A000	Reserved	Reserved
0x0002_C000	Reserved	Reserved
0x0002_E000	IEP	IEP
0x0003_0000	eCAP0	eCAP0
0x0003_2000	MII_RT_CFG	MII_RT_CFG
0x0003_2400	MII_MDIO	MII_MDIO
0x0003_4000	Reserved	Reserved
0x0003_7000	Reserved	Reserved
0x0003_8000	Reserved	Reserved
0x0003_B000	Reserved	Reserved
0x0004_0000	External PRU subsystem	External PRU subsystem
0x0008_0000	PRU-ICSS master port 0 on device L3_MAIN interconnect (OCP_HP0) ⁽²⁾	PRU-ICSS master port 1 on device L3_MAIN interconnect (OCP_HP1) ⁽²⁾

⁽²⁾ For details see [Section 2.7](#), *PRU-ICSS Memory Map*.

NOTE: PRU-ICSS2 UART and eCAP are not supported on the AM570x family of devices.

PRU-ICSS2 IEP I/Os are not pinned out on AM570x. However, some internal features (such as the IEP timer) are still supported.

30.4.4.2 PRU-ICSS Global Memory Map

The PRU-ICSS Global Instruction Memory Map is documented in [Table 30-9](#).

The global view of the PRU-ICSS internal memories and control ports is shown in [Table 30-10](#). The offset addresses of each region are implemented inside the PRU-ICSS but the global device **L3_MAIN memory mapping** places the PRU-ICSS slave port in the address range shown in the external PRU-ICSS host L3_MAIN memory map.

The global memory map is with respect to the Host point of view (i.e. device MPU Cortex-A15, DSP1, etc. view of PRU-ICSS1/PRU-ICSS2 in the L3_MAIN memory space), but it can also be accessed by the PRU-ICSS1/PRU-ICSS2 itself. This is implemented via L3_MAIN redirecting PRU-ICSS master port traffic in the address range (0x0008_0000 - 0x000B_FFFF) to the PRU-ICSS slave port when PMAO_PRU0/PMAO_PRU1 = '0b1'. Note that PRU0 and PRU1 can use either the local or global addresses to access their internal memories, but using the local addresses provides access time several cycles faster than using the global addresses. This is because when accessing via the global address the access has to be routed through the L3_MAIN switch fabric outside PRU-ICSS and back in through the PRU-ICSS slave port.

Example 1: PRU1 accesses its own data RAM - Data_RAM1 in the global space:

- The PRU1 CPU sets the [PRUSS_PMAO\[1\]](#) PMAO_PRU1 to 1 (using PRU1 local CFG address: 0x0002_6028 of that register) and generates destination address 0x0008_2000. Thus, traffic passes through master port 1 towards PRU-ICSS1 slave port over L3_MAIN to reach Data_RAM1 (location 0x0008_2000 - 0x0008_0000 = 0x0000_2000 in the [Table 30-10](#)).

Example 2: PRU1 accesses PRU0 data RAM - Data_RAM0 in the global space:

- The PRU1 CPU sets the [PRUSS_PMAO\[1\]](#) PMAO_PRU1 to 1 (using PRU1 local CFG MMR address: 0x0002_6028 of that register) and generates destination address 0x0008_0000. Thus traffic passes through master port 1 towards PRU-ICSS1 slave port over L3_MAIN to reach Data_RAM0.

Example 3: DSP1 accesses the PRU0_IRAM in the global memory space to load instructions to be executed by the PRU0 upon boot time:

- Because the DSP1 is an external host to PRU-ICSS1, it has to target at first place the PRU-ICSS configuration and memory space in the L3_MAIN space. For PRU-ICSS1, slave port the base address is 0x4B20_0000.
- According to the [Table 30-10](#), the PRU0_PRUSS1_PRU0_IRAM_TARG offset is 0x0003_4000. Hereby the physical address that DSP1 must use to store the PRU0 booting instructions to PRU0_IRAM is 0x4B23_4000.

Example 4: PRU0 accesses a non-PRU-ICSS peripheral in the global space (address offset >= 0x2000_0000):

- To access the McASP1 config space the PRU0 keeps [PRUSS_PMAO\[0\]](#) PMAO_PRU0 at 0b0 and generates the McASP1 cfg slave base address 0x4580_0000. Thus traffic passes through master port 0 and reaches McASP1 config MMRs over L3_MAIN.

Example 5: PRUSS1_PRU1 host configures the PRU-ICSS2 module PRUSS2_MII_RT:

- Note that in case of PRUSS1_PRU0 accessing a PRU-ICSS2 peripheral, it must again disable the PMAO feature (writing at 0x0002_6028 [PRUSS_PMAO\[1\]](#) PMAO_PRU1 =0b0) and generate the physical address through its master port (1) adding global memory space offset of the IEP (0x0002_E000 from the [Table 30-10](#)) to the PRU-ICSS2 L3_MAIN base address (0x4B28_0000). The physical address generated from PRU-ICSS1 PRU1 therefore equals 0x4B2A E000).

Each of the PRU cores can access the rest of the device memory (including memory mapped peripheral and configuration registers) using the global memory space addresses. For details on the L3_MAIN base address of the PRU-ICSS slave configuration memory space, refer to the [Chapter 2, Memory Mapping](#).

Table 30-9. PRU-ICSS Global Instruction Memory Map

Start Address	Target	Range
0x0003_4000	PRU0 IRAM	12 KiB
0x0003_8000	PRU1 IRAM	12 KiB

Table 30-10. PRU-ICSS Global Memory Map

Offset Address	Target
0x0000_0000	Data 8 KiB RAM0
0x0000_2000	Data 8 KiB RAM1
0x0001_0000	Data 32 KiB RAM2 (shared)
0x0002_0000	PRUSS_INTC
0x0002_2000	PRU0 Control
0x0002_2400	PRU0 Debug
0x0002_4000	PRU1 Control
0x0002_4400	PRU1 Debug
0x0002_6000	CFG
0x0002_8000	UART0
0x0002_A000	Reserved
0x0002_C000	Reserved
0x0002_E000	IEP
0x0003_0000	eCAP0
0x0003_2000	MII_RT_CFG
0x0003_2400	MII_MDIO

Table 30-10. PRU-ICSS Global Memory Map (continued)

Offset Address	Target
0x0003_4000	PRU0 12 KiB IRAM
0x0003_8000	PRU1 12 KiB IRAM
0x0004_0000	External PRU-ICSS

NOTE: PRU-ICSS2 UART and eCAP are not supported on the AM570x family of devices.

PRU-ICSS2 IEP I/Os are not pinned out on AM570x. However, some internal features (such as the IEP timer) are still supported.

NOTE: The 0x0008_0000-offset-subtraction feature must be enabled only in case of PRU global accesses (0x0008_0000 - 0x000B_FFFF) to resources within the PRU subsystem. The PMAO feature must be disabled when accessing PRU-ICSS external locations.

30.4.5 PRUSS_CFG Register Manual

This section describes the PRU-ICSS subsystem top-level registers.

30.4.5.1 PRUSS_CFG Instance Summary

Table 30-11. PRUSS_CFG Instance Summary

Module Name	Base Address	Size
PRUSS1_CFG	0x4B22 6000	68 Bytes
PRUSS2_CFG	0x4B2A 6000	68 Bytes

30.4.5.2 PRUSS_CFG Registers

30.4.5.2.1 PRUSS_CFG Register Summary

Table 30-12. PRUSS_CFG Registers Mapping Summary 1

Register Name	Type	Register Width (Bits)	Address Offset	PRUSS1_CFG Physical Address
PRUSS_REVID	R	32	0x0000 0000	0x4B22 6000
PRUSS_SYSCFG	RW	32	0x0000 0004	0x4B22 6004
PRUSS_GPCFG0	RW	32	0x0000 0008	0x4B22 6008
PRUSS_GPCFG1	RW	32	0x0000 000C	0x4B22 600C
PRUSS_CGR	RW	32	0x0000 0010	0x4B22 6010
PRUSS_ISRP	RW	32	0x0000 0014	0x4B22 6014
PRUSS_ISP	RW	32	0x0000 0018	0x4B22 6018
PRUSS_IESP	RW	32	0x0000 001C	0x4B22 601C
PRUSS_IECP	RW	32	0x0000 0020	0x4B22 6020
RESERVED	RW	32	0x0000 0024	0x4B22 6024
PRUSS_PMAO	RW	32	0x0000 0028	0x4B22 6028
PRUSS_MII_RT	RW	32	0x0000 002C	0x4B22 602C
PRUSS_IEPCLK	RW	32	0x0000 0030	0x4B22 6030
PRUSS_SPP	RW	32	0x0000 0034	0x4B22 6034

Table 30-12. PRUSS_CFG Registers Mapping Summary 1 (continued)

Register Name	Type	Register Width (Bits)	Address Offset	PRUSS1_CFG Physical Address
PRUSS_PIN_MX	RW	32	0x0000 0040	0x4B22 6040
PRUSS_SD_PRU0_CLK_SEL_REGIST ER _i ⁽¹⁾	RW	32	0x0000 0048 + (0x8 * i)	0x4B22 6048 + (0x8 * i)
PRUSS_SD_PRU0_SAMPLE_SIZE_RE GISTER _i ⁽¹⁾	RW	32	0x0000 004C + (0x8 * i)	0x4B22 604C + (0x8 * i)
PRUSS_SD_PRU1_CLK_SEL_REGIST ER _i ⁽¹⁾	RW	32	0x0000 0094 + (0x8 * i)	0x4B22 6094 + (0x8 * i)
PRUSS_SD_PRU1_SAMPLE_SIZE_RE GISTER _i ⁽¹⁾	RW	32	0x0000 0098 + (0x8 * i)	0x4B22 6098 + (0x8 * i)
PRUSS_ED_PRU0_RX_CFG_REGISTE R	RW	32	0x0000 00E0	0x4B22 60E0
PRUSS_ED_PRU0_TX_CFG_REGISTE R	RW	32	0x0000 00E4	0x4B22 60E4
PRUSS_ED_PRU0_CH _j _CFG0_REGIS TER ⁽²⁾	RW	32	0x0000 00E8 + (0x8 * j)	0x4B22 60E8 + (0x8 * j)
PRUSS_ED_PRU0_CH _j _CFG1_REGIS TER ⁽²⁾	RW	32	0x0000 00EC + (0x8 * j)	0x4B22 60EC + (0x8 * j)
PRUSS_ED_PRU1_RX_CFG_REGISTE R	RW	32	0x0000 0100	0x4B22 6100
PRUSS_ED_PRU1_TX_CFG_REGISTE R	RW	32	0x0000 0104	0x4B22 6104
PRUSS_ED_PRU1_CH _j _CFG0_REGIS TER ⁽²⁾	RW	32	0x0000 0108 + (0x8 * j)	0x4B22 6108 + (0x8 * j)
PRUSS_ED_PRU1_CH _j _CFG1_REGIS TER ⁽²⁾	RW	32	0x0000 010C + (0x8 * j)	0x4B22 610C + (0x8 * j)

⁽¹⁾ i = 0 to 8

⁽²⁾ j = 0 to 2

Table 30-13. PRUSS_CFG Registers Mapping Summary 2

Register Name	Type	Register Width (Bits)	Address Offset	PRUSS2_CFG Physical Address
PRUSS_REVID	R	32	0x0000 0000	0x4B2A 6000
PRUSS_SYSCFG	RW	32	0x0000 0004	0x4B2A 6004
PRUSS_GPCFG0	RW	32	0x0000 0008	0x4B2A 6008
PRUSS_GPCFG1	RW	32	0x0000 000C	0x4B2A 600C
PRUSS_CGR	RW	32	0x0000 0010	0x4B2A 6010
PRUSS_ISR	RW	32	0x0000 0014	0x4B2A 6014
PRUSS_ISP	RW	32	0x0000 0018	0x4B2A 6018
PRUSS_IESP	RW	32	0x0000 001C	0x4B2A 601C
PRUSS_IECP	RW	32	0x0000 0020	0x4B2A 6020
RESERVED	RW	32	0x0000 0024	0x4B2A 6024
PRUSS_PMAO	RW	32	0x0000 0028	0x4B2A 6028
PRUSS_MII_RT	RW	32	0x0000 002C	0x4B2A 602C
PRUSS_IEPCLK	RW	32	0x0000 0030	0x4B2A 6030
PRUSS_SPP	RW	32	0x0000 0034	0x4B2A 6034
PRUSS_PIN_MX	RW	32	0x0000 0040	0x4B2A 6040
PRUSS_SD_PRU0_CLK_SEL_REGIST ER _i ⁽¹⁾	RW	32	0x0000 0048 + (0x8 * i)	0x4B2A 6048 + (0x8 * i)
PRUSS_SD_PRU0_SAMPLE_SIZE_RE GISTER _i ⁽¹⁾	RW	32	0x0000 004C + (0x8 * i)	0x4B2A 604C + (0x8 * i)

⁽¹⁾ i = 0 to 8

Table 30-13. PRUSS_CFG Registers Mapping Summary 2 (continued)

Register Name	Type	Register Width (Bits)	Address Offset	PRUSS2_CFG Physical Address
PRUSS_SD_PRU1_CLK_SEL_REGIST ER _i ⁽¹⁾	RW	32	0x0000 0094 + (0x8 * i)	0x4B2A 6094 + (0x8 * i)
PRUSS_SD_PRU1_SAMPLE_SIZE_RE GISTER _i ⁽¹⁾	RW	32	0x0000 0098 + (0x8 * i)	0x4B2A 6098 + (0x8 * i)
PRUSS_ED_PRU0_RX_CFG_REGISTE R	RW	32	0x0000 00E0	0x4B2A 60E0
PRUSS_ED_PRU0_TX_CFG_REGISTE R	RW	32	0x0000 00E4	0x4B2A 60E4
PRUSS_ED_PRU0_CH _j _CFG0_REGIS TER ⁽²⁾	RW	32	0x0000 00E8 + (0x8 * j)	0x4B2A 60E8 + (0x8 * j)
PRUSS_ED_PRU0_CH _j _CFG1_REGIS TER ⁽²⁾	RW	32	0x0000 00EC + (0x8 * j)	0x4B2A 60EC + (0x8 * j)
PRUSS_ED_PRU1_RX_CFG_REGISTE R	RW	32	0x0000 0100	0x4B2A 6100
PRUSS_ED_PRU1_TX_CFG_REGISTE R	RW	32	0x0000 0104	0x4B2A 6104
PRUSS_ED_PRU1_CH _j _CFG0_REGIS TER ⁽²⁾	RW	32	0x0000 0108 + (0x8 * j)	0x4B2A 6108 + (0x8 * j)
PRUSS_ED_PRU1_CH _j _CFG1_REGIS TER ⁽²⁾	RW	32	0x0000 010C + (0x8 * j)	0x4B2A 610C + (0x8 * j)

⁽²⁾ j = 0 to 2

30.4.5.2.2 PRUSS_CFG Register Description

Table 30-14. PRUSS_REVID

Address Offset	0x0000 0000	Instance	PRUSS1_CFG PRUSS2_CFG
Physical Address	0x4B22 6000 0x4B2A 6000		
Description	The Revision Register contains the ID and revision information.		
Type	R		

31	30	29	28	27	26	25	24	23	22	21	20	19	18	17	16	15	14	13	12	11	10	9	8	7	6	5	4	3	2	1	0
REVISION																															

Bits	Field Name	Description	Type	Reset
31:0	REVISION	IP Revision	R	0x- ⁽¹⁾

⁽¹⁾ TI Internal data

Table 30-15. Register Call Summary for Register PRUSS_REVID

PRU-ICSS Level Resources Functional Description

- [PRUSS_CFG Register Summary: \[0\]\[1\]](#)

Table 30-16. PRUSS_SYSCFG

Address Offset	0x0000 0004	Instance	PRUSS1_CFG PRUSS2_CFG
Physical Address	0x4B22 6004 0x4B2A 6004		
Description	The System Configuration Register defines the power IDLE and STANDBY modes.		
Type	RW		

31	30	29	28	27	26	25	24	23	22	21	20	19	18	17	16	15	14	13	12	11	10	9	8	7	6	5	4	3	2	1	0
RESERVED																SUB_MWAIT		STANDBY_INIT		STANDBY_MODE		IDLE_MODE									

Bits	Field Name	Description	Type	Reset
31:6	RESERVED		R	0x0
5	SUB_MWAIT	Status bit for wait state. 0x0 = Ready for Transaction 0x1 = Wait until 0	R	0x0
4	STANDBY_INIT	0x1 = Initiate standby sequence. 0x0 = Enable OCP master ports.	RW	0x1
3:2	STANDBY_MODE	0x0 = Force standby mode: Initiator unconditionally in standby (standby = 1) 0x1 = No standby mode: Initiator unconditionally out of standby (standby = 0) 0x2 = Smart standby mode: Standby requested by initiator depending on internal conditions 0x3 = Reserved	RW	0x2
1:0	IDLE_MODE	0x0 = Force-idle mode 0x1 = No-idle mode 0x2 = Smart-idle mode 0x3 = Reserved	RW	0x2

Table 30-17. Register Call Summary for Register PRUSS_SYSCFG

PRU-ICSS Level Resources Functional Description

- [PRU-ICSS Idle and Standby States: \[0\]\[1\]](#)
- [PRUSS_CFG Register Summary: \[2\]\[3\]](#)

Table 30-18. PRUSS_GPCFG0

Address Offset	0x0000 0008	Instance	PRUSS1_CFG PRUSS2_CFG
Physical Address	0x4B22 6008 0x4B2A 6008		
Description	The General Purpose Configuration 0 Register defines the GPIO configuration for PRU0.		
Type	RW		

31	30	29	28	27	26	25	24	23	22	21	20	19	18	17	16	15	14	13	12	11	10	9	8	7	6	5	4	3	2	1	0
RESERVED		PR1_PRU0_GP_MUX_SEL		PRU0_GPO_SH_SEL		PRU0_GPO_DIV1				PRU0_GPO_DIV0				PRU0_GPI_MODE		PRU0_GPI_SB		PRU0_GPI_DIV1				PRU0_GPI_DIV0				PRU0_GPI_CLK_MODE		PRU0_GPI_MODE			

Bits	Field Name	Description	Type	Reset
31:30	RESERVED		R	0x0
29:26	PR1_PRU0_GP_MUX_SEL	Controls the icss_wrap mux select 0000: GP selected 0001: EnDAT mode 0010: Reserved 0011: SD mode 0100: MII2 mode	R/W	0x0

Bits	Field Name	Description	Type	Reset
31:30	RESERVED		R	0x0
29:26	PR1_PRU1_GP_MUX_SEL	Controls the icss_wrap mux select 0000: GP selected 0001: EnDAT mode 0010: Reserved 0011: SD mode 0100: MII2 mode	R/W	0x0
25	PRU1_GPO_SH_SEL	Defines which shadow register is currently getting used for GPO shifting. 0x0 = gpo_sh0 is selected 0x1 = gpo_sh1 is selected	R	0x0
24:20	PRU1_GPO_DIV1	Divisor value (divide by PRU1_GPO_DIV1 + 1). 0x00 = div 1.0 0x01 = div 1.5 0x02 = div 2.0 .. 0x1e = div 16.0 0x1f = reserved	RW	0x0
19:15	PRU1_GPO_DIV0	Divisor value (divide by PRU1_GPO_DIV0 + 1). 0x00 = div 1.0 0x01 = div 1.5 0x02 = div 2.0 .. 0x1e = div 16.0 0x1f = reserved	RW	0x0
14	PRU1_GPO_MODE	0x0 = Direct output mode 0x1 = Serial output mode	RW	0x0
13	PRU1_GPI_SB	28-bit shift mode Start Bit event. PRU1_GPI_SB (pru1_r31_status[29]) is set when first capture of a 1 on pru1_r31_status[0]. Read 1: Start Bit event occurred. Read 0: Start Bit event has not occurred. Write 1: Will clear PRU1_GPI_SB and clear the whole shift register. Write 0: No Effect.	RW	0x0
12:8	PRU1_GPI_DIV1	Divisor value (divide by PRU1_GPI_DIV1 + 1). 0x00 = div 1.0 0x01 = div 1.5 0x02 = div 2.0 .. 0x1e = div 16.0 0x1f = reserved	RW	0x0
7:3	PRU1_GPI_DIV0	Divisor value (divide by PRU1_GPI_DIV0 + 1). 0x00 = div 1.0 0x01 = div 1.5 0x02 = div 2.0 .. 0x1e = div 16.0 0x1f = reserved	RW	0x0
2	PRU1_GPI_CLK_MODE	Parallel 16-bit capture mode clock edge. 0x0 = Use the positive edge of pru1_r31_status[16] 0x1 = Use the negative edge of pru1_r31_status[16]	RW	0x0
1:0	PRU1_GPI_MODE	0x0 = Direct input mode 0x1 = 16-bit parallel capture mode 0x2 = 28-bit shift mode 0x3 = MII_RT mode	RW	0x0

Table 30-21. Register Call Summary for Register PRUSS_GPCFG1

PRU-ICSS Environment

- [PRU-ICSS I/O Interface: \[0\]\[1\]](#)

PRU-ICSS Level Resources Functional Description

- [Module Clock Configurations at PRU-ICSS Top Level: \[2\]\[3\]\[4\]\[5\]\[6\]](#)
- [Other PRU-ICSS Module Functional Registers at Subsystem Level: \[7\]\[8\]\[9\]\[10\]](#)
- [PRUSS_CFG Register Summary: \[11\]\[12\]](#)

Table 30-22. PRUSS_CGR

Address Offset	0x0000 0010	Instance	PRUSS1_CFG PRUSS2_CFG
Physical Address	0x4B22 6010 0x4B2A 6010		
Description	<p>The Clock Gating Register controls the state of Clock Management of the different modules. Software should not clear {module}_CLK_EN until {module}_CLK_STOP_ACK is 0x1.</p> <p>Note: PRU-ICSS2 UART and eCAP are not supported on the AM570x family of devices.</p> <p>Note: PRU-ICSS2 IEP I/Os are not pinned out on AM570x. However, some internal features (such as the IEP timer) are still supported.</p>		
Type	RW		

31	30	29	28	27	26	25	24	23	22	21	20	19	18	17	16	15	14	13	12	11	10	9	8	7	6	5	4	3	2	1	0		
RESERVED																IEP_CLK_EN	IEP_CLK_STOP_ACK	IEP_CLK_STOP_REQ	ECAP_CLK_EN	ECAP_CLK_STOP_ACK	ECAP_CLK_STOP_REQ	UART_CLK_EN	UART_CLK_STOP_ACK	UART_CLK_STOP_REQ	PRUSS_INTC_CLK_EN	PRUSS_INTC_CLK_STOP_ACK	PRUSS_INTC_CLK_STOP_REQ	PRU1_CLK_EN	PRU1_CLK_STOP_ACK	PRU1_CLK_STOP_REQ	PRU0_CLK_EN	PRU0_CLK_STOP_ACK	PRU0_CLK_STOP_REQ

Bits	Field Name	Description	Type	Reset
31:18	RESERVED		R	0x0
17	IEP_CLK_EN	IEP clock enable. 0x0 = Disable Clock 0x1 = Enable Clock	RW	0x1
16	IEP_CLK_STOP_ACK	Acknowledgement that IEP clock can be stopped. 0x0 = Not Ready to Gate Clock 0x1 = Ready to Gate Clock	R	0x0
15	IEP_CLK_STOP_REQ	IEP request to stop clock. 0x0 = do not request to stop Clock 0x1 = request to stop Clock	RW	0x0
14	ECAP_CLK_EN	ECAP clock enable. 0x0 = Disable Clock 0x1 = Enable Clock	RW	0x1
13	ECAP_CLK_STOP_ACK	Acknowledgement that ECAP clock can be stopped. 0x0 = Not Ready to Gate Clock 0x1 = Ready to Gate Clock	R	0x0
12	ECAP_CLK_STOP_REQ	ECAP request to stop clock. 0x0 = do not request to stop Clock 0x1 = request to stop Clock	RW	0x0
11	UART_CLK_EN	UART clock enable. 0x0 = Disable Clock 0x1 = Enable Clock	RW	0x1
10	UART_CLK_STOP_ACK	Acknowledgement that UART clock can be stopped. 0x0 = Not Ready to Gate Clock 0x1 = Ready to Gate Clock	R	0x0
9	UART_CLK_STOP_REQ	UART request to stop clock. 0x0 = do not request to stop Clock 0x1 = request to stop Clock	RW	0x0
8	PRUSS_INTC_CLK_EN	PRUSS_INTC clock enable. 0x0 = Disable Clock 0x1 = Enable Clock	RW	0x1
7	PRUSS_INTC_CLK_STOP_ACK	Acknowledgement that PRUSS_INTC clock can be stopped. 0x0 = Not Ready to Gate Clock 0x1 = Ready to Gate Clock	R	0x0
6	PRUSS_INTC_CLK_STOP_REQ	PRUSS_INTC request to stop clock. 0x0 = do not request to stop Clock 0x1 = request to stop Clock	RW	0x0
5	PRU1_CLK_EN	PRU1 clock enable. 0x0 = Disable Clock 0x1 = Enable Clock	RW	0x1
4	PRU1_CLK_STOP_ACK	Acknowledgement that PRU1 clock can be stopped. 0x0 = Not Ready to Gate Clock 0x1 = Ready to Gate Clock	R	0x0
3	PRU1_CLK_STOP_REQ	PRU1 request to stop clock. 0x0 = do not request to stop Clock 0x1 = request to stop Clock	RW	0x0
2	PRU0_CLK_EN	PRU0 clock enable. 0x0 = Disable Clock 0x1 = Enable Clock	RW	0x1
1	PRU0_CLK_STOP_ACK	Acknowledgement that PRU0 clock can be stopped. 0x0 = Not Ready to Gate Clock 0x1 = Ready to Gate Clock	R	0x0
0	PRU0_CLK_STOP_REQ	PRU0 request to stop clock. 0x0 = do not request to stop Clock 0x1 = request to stop Clock	RW	0x0

Table 30-23. Register Call Summary for Register PRUSS_CGR

PRU-ICSS Level Resources Functional Description

- [PRU-ICSS Power and Clock Management: \[0\]](#)
- [PRU-ICSS Idle and Standby States: \[1\]\[2\]](#)
- [PRUSS_CFG Register Summary: \[3\]\[4\]](#)

Table 30-24. PRUSS_ISRP

Address Offset	0x0000 0014	Instance	PRUSS1_CFG PRUSS2_CFG
Physical Address	0x4B22 6014 0x4B2A 6014		
Description	The IRQ Status Raw Parity register is a snapshot of the IRQ raw status for the PRUSS memory parity events. The raw status is set even if the event is not enabled.		
Type	RW		

31	30	29	28	27	26	25	24	23	22	21	20	19	18	17	16	15	14	13	12	11	10	9	8	7	6	5	4	3	2	1	0
RESERVED								RAM_PE_RAW				PRU1_DMEM_PE_RAW				PRU1_IMEM_PE_RAW				PRU0_DMEM_PE_RAW				PRU0_IMEM_PE_RAW							

Bits	Field Name	Description	Type	Reset
31:20	RESERVED		R	0
19:16	RAM_PE_RAW	RAM Parity Error RAW for Byte3, Byte2, Byte1, Byte0. Note RAM_PE_RAW[0] maps to Byte0. Write 0: No action. Read 0: No event pending. Read 1: Event pending. Write 1: Set event (debug).	RW	0x0
15:12	PRU1_DMEM_PE_RAW	PRU1 DMEM Parity Error RAW for Byte3, Byte2, Byte1, Byte0. Note PRU1_DMEM_PE_RAW[0] maps to Byte0. Write 0: No action. Read 0: No event pending. Read 1: Event pending. Write 1: Set event (debug).	RW	0x0
11:8	PRU1_IMEM_PE_RAW	PRU1 IMEM Parity Error RAW for Byte3, Byte2, Byte1, Byte0. Note PRU1_IMEM_PE_RAW[0] maps to Byte0. Write 0: No action. Read 0: No event pending. Read 1: Event pending. Write 1: Set event (debug).	RW	0x0
7:4	PRU0_DMEM_PE_RAW	PRU0 DMEM Parity Error RAW for Byte3, Byte2, Byte1, Byte0. Note PRU0_DMEM_PE_RAW[0] maps to Byte0. Write 0: No action. Read 0: No event pending. Read 1: Event pending. Write 1: Set event (debug).	RW	0x0
3:0	PRU0_IMEM_PE_RAW	PRU0 IMEM Parity Error RAW for Byte3, Byte2, Byte1, Byte0. Note PRU0_IRAM_PE_RAW[0] maps to Byte0. Write 0: No action. Read 0: No event pending. Read 1: Event pending. Write 1: Set event (debug).	RW	0x0

Table 30-25. Register Call Summary for Register PRUSS_ISRP

PRU-ICSS Level Resources Functional Description

- [Other PRU-ICSS Module Functional Registers at Subsystem Level: \[0\]\[1\]](#)
- [PRUSS_CFG Register Summary: \[2\]\[3\]](#)

Table 30-26. PRUSS_ISP

Address Offset	0x0000 0018	Instance	PRUSS1_CFG PRUSS2_CFG
Physical Address	0x4B22 6018 0x4B2A 6018		
Description	The IRQ Status Parity Register is a snapshot of the IRQ status for the PRUSS memory parity events. The status is set only if the event is enabled. Write 1 to clear the status after the interrupt has been serviced.		
Type	RW		

31	30	29	28	27	26	25	24	23	22	21	20	19	18	17	16	15	14	13	12	11	10	9	8	7	6	5	4	3	2	1	0
RESERVED								RAM_PE				PRU1_DMEMP_PE				PRU1_IMEMP_PE				PRU0_DMEMP_PE				PRU0_IMEMP_PE							

Bits	Field Name	Description	Type	Reset
31:20	RESERVED		R	0x0
19:16	RAM_PE	RAM Parity Error for Byte3, Byte2, Byte1, Byte0. Note RAM_PE[0] maps to Byte0. Write 0: No action. Read 0: No (enabled) event pending. Read 1: Event pending. Write 1: Clear event.	RW	0x0
15:12	PRU1_DMEMP_PE	PRU1 DMEMP Parity Error for Byte3, Byte2, Byte1, Byte0. Note PRU1_DMEMP_PE[0] maps to Byte0. Write 0: No action. Read 0: No (enabled) event pending. Read 1: Event pending. Write 1: Clear event.	RW	0x0
11:8	PRU1_IMEMP_PE	PRU1 IMEMP Parity Error for Byte3, Byte2, Byte1, Byte0. Note PRU1_IMEMP_PE[0] maps to Byte0. Write 0: No action. Read 0: No (enabled) event pending. Read 1: Event pending. Write 1: Clear event.	RW	0x0
7:4	PRU0_DMEMP_PE	PRU0 DMEMP Parity Error for Byte3, Byte2, Byte1, Byte0. Note PRU0_DMEMP_PE[0] maps to Byte0. Write 0: No action. Read 0: No(enabled) event pending. Read 1: Event pending. Write 1: Clear event.	RW	0x0
3:0	PRU0_IMEMP_PE	PRU0 IMEMP Parity Error for Byte3, Byte2, Byte1, Byte0. Note PRU0_IMEMP_PE[0] maps to Byte0. Write 0: No action. Read 0: No (enabled) event pending. Read 1: Event pending. Write 1: Clear event.	RW	0x0

Table 30-27. Register Call Summary for Register PRUSS_ISP

PRU-ICSS Level Resources Functional Description

- [Other PRU-ICSS Module Functional Registers at Subsystem Level: \[0\]\[1\]](#)
- [PRUSS_CFG Register Summary: \[2\]\[3\]](#)

Table 30-28. PRUSS_IESP

Address Offset	0x0000 001C	Instance	PRUSS1_CFG PRUSS2_CFG
Physical Address	0x4B22 601C 0x4B2A 601C		
Description	The IRQ Enable Set Parity Register enables the IRQ PRUSS memory parity events.		
Type	RW		

31	30	29	28	27	26	25	24	23	22	21	20	19	18	17	16	15	14	13	12	11	10	9	8	7	6	5	4	3	2	1	0
RESERVED								RAM_PE_SET				PRU1_DMEMP_PE_SET				PRU1_IMEMP_PE_SET				PRU0_DMEMP_PE_SET				PRU0_IMEMP_PE_SET							

Bits	Field Name	Description	Type	Reset
31:20	RESERVED		R	0x0
19:16	RAM_PE_SET	RAM Parity Error Set Enable for Byte3, Byte2, Byte1, Byte0. Note RAM_PE_SET[0] maps to Byte0. Write 0: No action. Read 0: Interrupt disabled (masked). Read 1: Interrupt enabled. Write 1: Enable interrupt.	RW	0x0
15:12	PRU1_DMEM_PE_SET	PRU1 DMEM Parity Error Set Enable for Byte3, Byte2, Byte1, Byte0. Note PRU1_DMEM_PE_SET[0] maps to Byte0. Write 0: No action. Read 0: Interrupt disabled (masked). Read 1: Interrupt enabled. Write 1: Enable interrupt.	RW	0x0
11:8	PRU1_IMEM_PE_SET	PRU1 IMEM Parity Error Set Enable for Byte3, Byte2, Byte1, Byte0. Note PRU1_IMEM_PE_SET[0] maps to Byte0. Write 0: No action. Read 0: Interrupt disabled (masked). Read 1: Interrupt enabled. Write 1: Enable interrupt.	RW	0x0
7:4	PRU0_DMEM_PE_SET	PRU0 DMEM Parity Error Set Enable for Byte3, Byte2, Byte1, Byte0. Note PRU0_DMEM_PE_SET[0] maps to Byte0. Write 0: No action. Read 0: Interrupt disabled (masked). Read 1: Interrupt enabled. Write 1: Enable interrupt.	RW	0x0
3:0	PRU0_IMEM_PE_SET	PRU0 IMEM Parity Error Set Enable for Byte3, Byte2, Byte1, Byte0. Note PRU0_IMEM_PE_SET[0] maps to Byte0. Write 0: No action. Read 0: Interrupt disabled (masked). Read 1: Interrupt enabled. Write 1: Enable interrupt.	RW	0x0

Table 30-29. Register Call Summary for Register PRUSS_IESP

PRU-ICSS Level Resources Functional Description

- [Other PRU-ICSS Module Functional Registers at Subsystem Level: \[0\]\[1\]](#)
- [PRUSS_CFG Register Summary: \[2\]\[3\]](#)

Table 30-30. PRUSS_IECP

Address Offset	0x0000 0020	Instance	PRUSS1_CFG PRUSS2_CFG
Physical Address	0x4B22 6020 0x4B2A 6020		
Description	The IRQ Enable Clear Parity Register disables the IRQ PRUSS memory parity events.		
Type	RW		

31	30	29	28	27	26	25	24	23	22	21	20	19	18	17	16	15	14	13	12	11	10	9	8	7	6	5	4	3	2	1	0
RESERVED																PRU1_DMEM_PE_CLR		PRU1_IMEM_PE_CLR		PRU0_DMEM_PE_CLR		PRU0_IMEM_PE_CLR									

Bits	Field Name	Description	Type	Reset
31:16	RESERVED		R	0x0
15:12	PRU1_DMEM_PE_CLR	PRU1 DMEM Parity Error Clear Enable for Byte3, Byte2, Byte1, Byte0. Note PRU1_DMEM_PE_CLR[0] maps to Byte0. Write 0: No action. Read 0: Interrupt disabled (masked). Read 1: Interrupt enabled. Write 1: Disable interrupt.	RW	0x0

Table 30-34. PRUSS_MII_RT

Address Offset	0x0000 002C		
Physical Address	0x4B22 602C 0x4B2A 602C	Instance	PRUSS1_CFG PRUSS2_CFG
Description	The MII_RT Event Enable Register enables MII_RT mode events to the PRUSS.PRUSS_INTC.		
Type	RW		

31	30	29	28	27	26	25	24	23	22	21	20	19	18	17	16	15	14	13	12	11	10	9	8	7	6	5	4	3	2	1	0
RESERVED																															MII_RT_EVENT_EN

Table 30-35. Register Call Summary for Register PRUSS_MII_RT

PRU-ICSS Level Resources Functional Description

- [Other PRU-ICSS Module Functional Registers at Subsystem Level: \[0\]](#)
- [PRUSS_CFG Register Summary: \[1\]\[2\]](#)

PRU-ICSS Local Interrupt Controller

- [PRU-ICSS Interrupt Controller System Events: \[3\]](#)
- [PRU-ICSS Interrupt Requests Mapping: \[4\]\[5\]\[6\]\[7\]](#)

Table 30-36. PRUSS_IEPCLK

Address Offset	0x0000 0030		
Physical Address	0x4B22 6030 0x4B2A 6030	Instance	PRUSS1_CFG PRUSS2_CFG
Description	The IEP Clock Source Register defines the source of the IEP clock.		
Type	RW		

31	30	29	28	27	26	25	24	23	22	21	20	19	18	17	16	15	14	13	12	11	10	9	8	7	6	5	4	3	2	1	0
RESERVED																															OCP_EN

Bits	Field Name	Description	Type	Reset
31:1	RESERVED		R	0x0
0	OCP_EN	IEP clock source 0x0 = IEP_CLK is the source 0x1 = ICLK is the source. While this is selected no transactions should be active. It can only be cleared by a hardware reset.	RW	0x0

Table 30-37. Register Call Summary for Register PRUSS_IEPCLK

PRU-ICSS Level Resources Functional Description

- [Module Clock Configurations at PRU-ICSS Top Level: \[0\]](#)
- [PRUSS_CFG Register Summary: \[1\]\[2\]](#)

PRU-ICSS Industrial Ethernet Peripheral (IEP)

- [PRU-ICSS IEP Clock Generation: \[3\]\[4\]](#)

Table 30-38. PRUSS_SPP

Address Offset	0x0000 0034	Instance	PRUSS1_CFG PRUSS2_CFG
Physical Address	0x4B22 6034 0x4B2A 6034		
Description	The Scratch Pad Priority and Configuration Register defines the access priority assigned to the PRU cores and configures the scratch pad XFR shift functionality.		
Type	RW		

31	30	29	28	27	26	25	24	23	22	21	20	19	18	17	16	15	14	13	12	11	10	9	8	7	6	5	4	3	2	1	0
RESERVED																XFR_SHIFT_EN		PRU1_PAD_HP_EN													

Bits	Field Name	Description	Type	Reset
31:2	RESERVED		R	0x0
1	XFR_SHIFT_EN	Enables XIN XOUT shift functionality. When enabled, R0[4:0] (internal to PRU) defines the 32-bit offset for XIN and XOUT operations with the scratch pad. 0x0 = Disabled. 0x1 = Enabled.	RW	0x0
0	PRU1_PAD_HP_EN	Defines which PRU wins write cycle arbitration to a common scratch pad bank. The PRU which has higher priority will always perform the write cycle with no wait states. The lower PRU will get stalled wait states until higher PRU is not performing write cycles. If the lower priority PRU writes to the same byte has the higher priority PRU, then the lower priority PRU will over write the bytes. 0x0 = PRU0 has highest priority. 0x1 = PRU1 has highest priority.	RW	0x0

Table 30-39. Register Call Summary for Register PRUSS_SPP

PRU-ICSS Level Resources Functional Description

- [Other PRU-ICSS Module Functional Registers at Subsystem Level: \[0\]](#)
- [PRUSS_CFG Register Summary: \[1\]\[2\]](#)

PRU-ICSS PRU Cores

- [Optional XIN/XOUT Shift: \[3\]\[4\]](#)

Table 30-40. PRUSS_PIN_MX

Address Offset	0x0000 0040	Instance	PRUSS1_CFG PRUSS2_CFG
Physical Address	0x4B22 6040 0x4B2A 6040		
Description	The Pin Mux Select Register defines the state of the PRUSS internal pinmuxing.		
Type	RW		

31	30	29	28	27	26	25	24	23	22	21	20	19	18	17	16	15	14	13	12	11	10	9	8	7	6	5	4	3	2	1	0
RESERVED																PWM3_REMAP_EN		PWM0_REMAP_EN	RESERVED												

Bits	Field Name	Description	Type	Reset
31:10	RESERVED	Reserved. Always write 0.	R	0x0
9	PWM3_REMAP_EN	UNUSED IN THIS DEVICE	RW	0x0
8	PWM0_REMAP_EN	If enabled, host intr6 of PRUSS2 controls epwm_sync_in of PWMSS1 instead of ehrpwm1_syncl device pin	RW	0x0
7:0	RESERVED	Reserved	R	0x0

Table 30-41. Register Call Summary for Register PRUSS_PIN_MX

PRU-ICSS Environment

PRU-ICSS Level Resources Functional Description

- [Other PRU-ICSS Module Functional Registers at Subsystem Level:](#)
- [PRUSS_CFG Register Summary: \[4\]\[5\]](#)

PRU-ICSS PRU Cores

- [General-Purpose Inputs \(R31\): Enhanced PRU GP Module:](#)

Table 30-42. PRUSS_SD_PRU0_CLK_SEL_REGISTERi

Address Offset	0x0000 0048 + (0x8 * i)	Index	i = 0 to 8
Physical Address	0x4B22 6048 + (0x8 * i) 0x4B2A 6048 + (0x8 * i)	Instance	PRUSS1_CFG PRUSS2_CFG
Description	SD acc and clock select		
Type	RW		

31	30	29	28	27	26	25	24	23	22	21	20	19	18	17	16	15	14	13	12	11	10	9	8	7	6	5	4	3	2	1	0
RESERVED																PRU0_SD_ACC2_SEL	RESERVED	PRU0_SD_CLK_INV	PRU0_SD_CLK_SEL												

Bits	Field Name	Description	Type	Reset
31:5	RESERVED	Reserved	R	0x0
4	PRU0_SD_ACC2_SEL	acc3/acc2 mux 0: acc3 is selected 1: acc2 is selected	RW	0x0
3	RESERVED	Reserved	R	0x0
2	PRU0_SD_CLK_INV	Optional clock inversion post clock selection mux 0 = No inversion 1 = Inversion	RW	0x0
1:0	PRU0_SD_CLK_SEL	Selects the clock source 0x0: pr1/2_pru0_gp[16] 0x1: pr1/2_pru0_sdi_clk 0x2: pr1/2_pru0_sd0_clk for sd0, sd1, and sd2; pr1/2_pru0_sd3_clk for sd3, sd4, and sd5; pr1/2_pru0_sd6_clk for sd6, sd7, and sd8 0x3: reserved	RW	0x0

Table 30-43. Register Call Summary for Register PRUSS_SD_PRU0_CLK_SEL_REGISTERi

PRU-ICSS Level Resources Functional Description

- [PRUSS_CFG Register Summary: \[0\]\[1\]](#)

Table 30-44. PRUSS_SD_PRU0_SAMPLE_SIZE_REGISTERi

Address Offset	0x0000 004C + (0x8 * i)	Index	i = 0 to 8
Physical Address	0x4B22 604C + (0x8 * i) 0x4B2A 604C + (0x8 * i)	Instance	PRUSS1_CFG PRUSS2_CFG
Description	SD oversample size		
Type	RW		

31	30	29	28	27	26	25	24	23	22	21	20	19	18	17	16	15	14	13	12	11	10	9	8	7	6	5	4	3	2	1	0
RESERVED																PRU0_SD_SAMPLE_SIZE															

Bits	Field Name	Description	Type	Reset
31:8	RESERVED	Reserved	R	0x0
7:0	PRU0_SD_SAMPLE_SIZE	SD Sample Size. This field defines the sample size window to latch selected accumulator. 0 = Reserved 1 = Reserved 2 = Reserved 3 = 4 samples 4 = 5 samples 5 = 6 samples 6 = 7 samples 7 = 8 samples N = N+1 samples Max value (N) may be capped by number of bits supported by accumulator. Note this value is only loaded into a shadow copy when channel_en is 0 OR re_init is asserted.	RW	0x7

Table 30-45. Register Call Summary for Register PRUSS_SD_PRU0_SAMPLE_SIZE_REGISTERi

PRU-ICSS Level Resources Functional Description

- [PRUSS_CFG Register Summary: \[0\]\[1\]](#)

PRU-ICSS PRU Cores

- [General-Purpose Inputs \(R31\): Enhanced PRU GP Module:](#)

Table 30-46. PRUSS_SD_PRU1_CLK_SEL_REGISTERi

Address Offset	0x0000 0094 + (0x8 * i)	Index	i = 0 to 8
Physical Address	0x4B22 6094 + (0x8 * i) 0x4B2A 6094 + (0x8 * i)	Instance	PRUSS1_CFG PRUSS2_CFG
Description	SD acc and clock select		
Type	RW		

31	30	29	28	27	26	25	24	23	22	21	20	19	18	17	16	15	14	13	12	11	10	9	8	7	6	5	4	3	2	1	0
RESERVED																PRU1_SD_ACC2_SEL	RESERVED	PRU1_SD_CLK_INV	PRU1_SD_CLK_SEL												

Bits	Field Name	Description	Type	Reset
31:5	RESERVED	Reserved	R	0x0
4	PRU1_SD_ACC2_SEL	acc3/acc2 mux 0: acc3 is selected 1: acc2 is selected	RW	0x0
3	RESERVED	Reserved	R	0x0
2	PRU1_SD_CLK_INV	Optional clock inversion post clock selection mux 0 = No inversion 1 = Inversion	RW	0x0
1:0	PRU1_SD_CLK_SEL	Selects the clock source 0x0: pr1/2_pru1_gpi[16] 0x1: pr1/2_pru1_sdi_clk 0x2: pr1/2_pru1_sd0_clk for sd0, sd1, and sd2; pr1/2_pru1_sd3_clk for sd3, sd4, and sd5; pr1/2_pru1_sd6_clk for sd6, sd7, and sd8 0x3: reserved	RW	0x0

Table 30-47. Register Call Summary for Register PRUSS_SD_PRU1_CLK_SEL_REGISTERi

PRU-ICSS Level Resources Functional Description

- [PRUSS_CFG Register Summary: \[0\]\[1\]](#)

Table 30-48. PRUSS_SD_PRU1_SAMPLE_SIZE_REGISTERi

Address Offset	0x0000 0098 + (0x8 * i)	Index	i = 0 to 8
Physical Address	0x4B22 6098 + (0x8 * i) 0x4B2A 6098 + (0x8 * i)	Instance	PRUSS1_CFG PRUSS2_CFG
Description	SD oversample size		
Type	RW		

31	30	29	28	27	26	25	24	23	22	21	20	19	18	17	16	15	14	13	12	11	10	9	8	7	6	5	4	3	2	1	0
RESERVED																PRU1_SD_SAMPLE_SIZE															

Bits	Field Name	Description	Type	Reset
31:8	RESERVED	Reserved	R	0x0
7:0	PRU1_SD_SAMPLE_SIZE	SD Sample Size. This field defines the sample size window to latch selected accumulator. 0 = Reserved 1 = Reserved 2 = Reserved 3 = 4 samples 4 = 5 samples 5 = 6 samples 6 = 7 samples 7 = 8 samples N = N+1 samples Max value (N) may be capped by number of bits supported by accumulator. Note this value is only loaded into a shadow copy when channel_en is 0 OR re_init is asserted.	RW	0x7

Table 30-49. Register Call Summary for Register PRUSS_SD_PRU1_SAMPLE_SIZE_REGISTERi

PRU-ICSS Level Resources Functional Description

- [PRUSS_CFG Register Summary: \[0\]\[1\]](#)

Table 30-50. PRUSS_ED_PRU0_RX_CFG_REGISTER

Address Offset	0x0000 00E0	Instance	PRUSS1_CFG PRUSS2_CFG
Physical Address	0x4B22 60E0 0x4B2A 60E0		
Description	Endat Rx Config		
Type	RW		

31	30	29	28	27	26	25	24	23	22	21	20	19	18	17	16	15	14	13	12	11	10	9	8	7	6	5	4	3	2	1	0
PRU0_ED_RX_DIV_FACTOR																PRU0_ED_RX_DIV_FACTOR_FRAC	RESERVED										PRU0_ED_RX_CLK_SEL	RESERVED	PRU0_ED_RX_SAMPLE_SIZE		

Bits	Field Name	Description	Type	Reset
31:16	PRU0_ED_RX_DIV_FACTOR	Division factor for divh16. Effective value is PRU0_ED_RX_DIV_FACTOR + 1. 0 = Div 1 1 = Div 2 N = Div (N+1)	RW	0x0
15	PRU0_ED_RX_DIV_FACTOR_F RAC	Enable Fractional division before the divh16. 0: div 1 1: div 1.5	RW	0x0
14:5	RESERVED		R	0x0
4	PRU0_ED_RX_CLK_SEL	Selects the clock source for the divh16fr. 0: 192 MHz UART_CLK 1: 200MHz ICLK	RW	0x0
3	RESERVED		R	0x0
2:0	PRU0_ED_RX_SAMPLE_SIZE	Over Sample size. This field defines the number of samples before the shadow copy gets updated and the VAL flag gets set. The effective count is (RX_SAMPLE_SIZE + 1). 0 = Reserved 1 = Reserved 2 = Reserved 3 = Over Sample of 4 4 = Over Sample of 5 5 = Over Sample of 6 6 = Over Sample of 7 7 = Over Sample of 8 Note the Over Sample Clock rate divided by the TX Clock rate must equal the Over Sample size.	RW	0x7

Table 30-51. Register Call Summary for Register PRUSS_ED_PRU0_RX_CFG_REGISTER

PRU-ICSS Level Resources Functional Description

- [PRUSS_CFG Register Summary: \[0\]\[1\]](#)

Table 30-52. PRUSS_ED_PRU0_TX_CFG_REGISTER

Address Offset	0x0000 00E4	Instance	PRUSS1_CFG PRUSS2_CFG
Physical Address	0x4B22 60E4 0x4B2A 60E4		
Description	Endat Tx Config		
Type	RW		

31	30	29	28	27	26	25	24	23	22	21	20	19	18	17	16	15	14	13	12	11	10	9	8	7	6	5	4	3	2	1	0						
PRU0_ED_TX_DIV_FACTOR																PRU0_ED_TX_DIV_FACTOR_FRAC	RESERVED							PRU0_ENDAT2_CLK_SYNC	PRU0_ENDAT1_CLK_SYNC	PRU0_ENDAT0_CLK_SYNC	PRU0_ED_BUSY_2	PRU0_ED_BUSY_1	PRU0_ED_BUSY_0	PRU0_ED_TX_CLK_SEL	RESERVED						

Bits	Field Name	Description	Type	Reset
31:16	PRU0_ED_TX_DIV_FACTOR	Division factor for divh16. Effective value is PRU0_ED_TX_DIV_FACTOR + 1. 0 = Div 1 1 = Div 2 N = Div (N+1)	RW	0x0
15	PRU0_ED_TX_DIV_FACTOR_F RAC	Enable Fractional division before the divh16. 0: div1 1: div 1.5	RW	0x0
14:11	RESERVED		R	0x0
10	PRU0_ENDAT2_CLK_SYNC	Observation of pr1/2_pru0_endat2_clk pin. Note this is part of the Peripheral Interface configuration settings. The usage of this signal is not restricted to only ENDAT interfaces.	R	0x0
9	PRU0_ENDAT1_CLK_SYNC	Observation of pr1/2_pru0_endat1_clk pin. Note this is part of the Peripheral Interface configuration settings. The usage of this signal is not restricted to only ENDAT interfaces.	R	0x0
8	PRU0_ENDAT0_CLK_SYNC	Observation of pr1/2_pru0_endat0_clk pin. Note this is part of the Peripheral Interface configuration settings. The usage of this signal is not restricted to only ENDAT interfaces.	R	0x0
7	PRU0_ED_BUSY_2	Determines when is allowed to assert tx go for channel 2. 0: ready to go 1: busy	R	0x0
6	PRU0_ED_BUSY_1	Determines when is allowed to assert tx go for channel 1. 0: ready to gob 1: busy	R	0x0
5	PRU0_ED_BUSY_0	Determines when is allowed to assert tx go for channel 0. 0: ready to go 1: busy	R	0x0
4	PRU0_ED_TX_CLK_SEL	Selects the clock source for the divh16fr. 0: 192 MHz UART_CLK 1: 200MHz ICLK	RW	0x0
3:0	RESERVED		R	0x0

Table 30-53. Register Call Summary for Register PRUSS_ED_PRU0_TX_CFG_REGISTER

PRU-ICSS Level Resources Functional Description

- [PRUSS_CFG Register Summary: \[0\]\[1\]](#)

Table 30-54. PRUSS_ED_PRU0_CHj_CFG0_REGISTER

Address Offset	0x0000 00E8 + (0x8 * j)	Index	j = 0 to 2
Physical Address	0x4B22 60E8 + (0x8 * j) 0x4B2A 60E8 + (0x8 * j)	Instance	PRUSS1_CFG PRUSS2_CFG
Description	Endat Channel j Config 0 register		
Type	RW		

31	30	29	28	27	26	25	24	23	22	21	20	19	18	17	16	15	14	13	12	11	10	9	8	7	6	5	4	3	2	1	0
PRU0_ED_TX_FIFO_SWAP_BITS	PRU0_ED_SW_CLK_OUT	PRU0_ED_CLK_OUT_OVR_EN	PRU0_ED_RX_SNOOP	PRU0_ED_RX_FRAME_SIZE												PRU0_ED_TX_FRAME_SIZE	PRU0_ED_TX_WDLY														

Bits	Field Name	Description	Type	Reset
31	PRU0_ED_TX_FIFO_SWAP_BITS	Enables the swapping of the bits when they are loaded into the TX FIFO. 0: no swap 1: swap [7:0] -> [0:7] NOTE: FIFO MSB always exports bit [7] first.	RW	0x0
30	PRU0_ED_SW_CLK_OUT	This controls the state of pr1/2_pru0_endatj_clk pin when PRU0_ED_CLK_OUT_OVR_EN is set. Note this is part of the Peripheral Interface configuration settings. The usage of this signal is not restricted to only ENDAT interfaces.	RW	0x0
29	PRU0_ED_CLK_OUT_OVR_EN	When set, enables the software to control pr1/2_pru0_endatj_clk pin. WARNING: Do not override clock during free running mode. This will cause clock duty cycle violation.	RW	0x0
28	PRU0_ED_RX_SNOOP	Direct view of pr1/2_pru0_endatj_in pin. Note this is part of the Peripheral Interface configuration settings. The usage of this signal is not restricted to only ENDAT interfaces.	R	0x0
27:16	PRU0_ED_RX_FRAME_SIZE	RX frame size, after start bit is detected 0: = Special case for TX only phase, ignores start bit, in this case TX_CLK_OUT will stop after last TX 1: = TX_CLK_OUT will stop after 1 X Over Sample 8: = TX_CLK_OUT will stop after 8 X Over Sample 9: = TX_CLK_OUT will stop after 9 X Over Sample 4095 TX_CLK_OUT will stop after 2047 X Over Sample Note X Over Sample means the number of VAL events. 1 VAL per Over Sample event. When the TX_CLK_MODE[1:0] is either 0x0 or 0x1, when this RX_FRAME_SIZE is reached, the tx master CLK_OUT will remain high or low. WARNING: Software must not de-assert RX_EN before RX_FRAME_SIZE expires.	RW	0x0

Bits	Field Name	Description	Type	Reset
15:11	PRU0_ED_TX_FRAME_SIZE	TX frame size 0: disabled, the FIFO will transmit until empty then stop 1: TX FIFO will transmit 1 bits then stop 2: TX FIFO will transmit 2 bits then stop 31: TX FIFO will transmit 31 bits then stop Note: At TX completion, pr1/2_pru0_endatj_out_en will deassert.	RW	0x0
10:0	PRU0_ED_TX_WDLY	EnDAT TX wire delay using 200-MHz steps (ICLK). Software must program a number divisible by 5. 0: = no delay 5: = 5 ns delay 10: = 10 ns delay 15: = 15 ns delay 2024 = 2.045 μ s delay. This is used during TX state when CLK_OUT goes from high to low, this transmission can be compensated. Hardware will keep count of clocks and add 5 each time. Note the first rising edge of EnDAT CLK from a TX GO event is tx_wire_dly + tst_delay_counter + $\frac{1}{2}$ EnDAT CLK period +/- 15ns. Note this is part of the Peripheral Interface configuration settings. The usage of this signal is not restricted to only ENDAT interfaces.	RW	0x0

Table 30-55. Register Call Summary for Register PRUSS_ED_PRU0_CHj_CFG0_REGISTER

PRU-ICSS Level Resources Functional Description

- [PRUSS_CFG Register Summary: \[0\]\[1\]](#)

Table 30-56. PRUSS_ED_PRU0_CHj_CFG1_REGISTER

Address Offset	0x0000 00EC + (0x8 * j)	Index	j = 0 to 2
Physical Address	0x4B22 60EC + (0x8 * j) 0x4B2A 60EC + (0x8 * j)	Instance	PRUSS1_CFG PRUSS2_CFG
Description	Endat Channel j Config 1 register		
Type	RW		

31	30	29	28	27	26	25	24	23	22	21	20	19	18	17	16	15	14	13	12	11	10	9	8	7	6	5	4	3	2	1	0
PRU0_ED_RX_EN_COUNTER																PRU0_ED_TST_DELAY_COUNTER															

Bits	Field Name	Description	Type	Reset
31:16	PRU0_ED_RX_EN_COUNTER	This counter will start counting after the last TX bit is sent. When it expires, the HW will automatically arm the receiver (RX_EN = 1). Program to 0 if HW support is not desired. Counts in ICLK cycles. Software must program value in increments of 5 (hardware will count by 5s). For example 30, will be 6 ICLK cycles. All channels must be use this feature if enabled. The HW does not allow support of some channels with auto enable and others manual enable.	RW	0x0
15:0	PRU0_ED_TST_DELAY_COUNTER	This counter will start after the tx_wire_delay has been met. After this counter expires the 1st transmit clock will be driven high. Counts in ICLK cycles. Software must program value divisible by 5, and hardware will count by 5. For example 30, will be 6 ICLK cycles. Note the first rising edge of EnDAT CLK from a TX GO event is tx_wire_dly + tst_delay_counter + $\frac{1}{2}$ EnDAT CLK period +/- 15ns	RW	0x0

Table 30-57. Register Call Summary for Register PRUSS_ED_PRU0_CHj_CFG1_REGISTER

PRU-ICSS Level Resources Functional Description

- [PRUSS_CFG Register Summary: \[0\]\[1\]](#)

Table 30-58. PRUSS_ED_PRU1_RX_CFG_REGISTER

Address Offset	0x0000 0100	Instance	PRUSS1_CFG PRUSS2_CFG
Physical Address	0x4B22 6100 0x4B2A 6100		
Description	Endat Rx Config		
Type	RW		

31	30	29	28	27	26	25	24	23	22	21	20	19	18	17	16	15	14	13	12	11	10	9	8	7	6	5	4	3	2	1	0
PRU1_ED_RX_DIV_FACTOR																PRU1_ED_RX_DIV_FACTOR_FRAC	RESERVED										PRU1_ED_RX_CLK_SEL	RESERVED	PRU1_ED_RX_SAMPLE_SIZE		

Bits	Field Name	Description	Type	Reset
31:16	PRU1_ED_RX_DIV_FACTOR	Division factor for divh16. Effective value is PRU1_ED_RX_DIV_FACTOR + 1. 0 = Div 1 1 = Div 2 N = Div (N+1)	RW	0x0
15	PRU1_ED_RX_DIV_FACTOR_F RAC	Enable Fractional division before the divh16. 0: div 1 1: div 1.5.	RW	0x0
14:5	RESERVED		R	0x0
4	PRU1_ED_RX_CLK_SEL	Selects the clock source for the divh16fr. 0: 192 MHz UART_CLK 1: 200MHz ICLK	RW	0x0
3	RESERVED		R	0x0
2:0	PRU1_ED_RX_SAMPLE_SIZE	Over Sample size. This field defines the number of samples before the shadow copy gets updated and the VAL flag gets set. The effective count is (RX_SAMPLE_SIZE + 1). 0 = Reserved 1 = Reserved 2 = Reserved 3 = Over Sample of 4 4 = Over Sample of 5 5 = Over Sample of 6 6 = Over Sample of 7 7 = Over Sample of 8 Note the Over Sample Clock rate divided by the TX Clock rate must equal the Over Sample size.	RW	0x7

Table 30-59. Register Call Summary for Register PRUSS_ED_PRU1_RX_CFG_REGISTER

PRU-ICSS Level Resources Functional Description

- [PRUSS_CFG Register Summary: \[0\]\[1\]](#)

Table 30-60. PRUSS_ED_PRU1_TX_CFG_REGISTER

Address Offset	0x0000 0104	Instance	PRUSS1_CFG PRUSS2_CFG
Physical Address	0x4B22 6104 0x4B2A 6104		
Description	Endat Tx Config		
Type	RW		

31	30	29	28	27	26	25	24	23	22	21	20	19	18	17	16	15	14	13	12	11	10	9	8	7	6	5	4	3	2	1	0						
PRU1_ED_TX_DIV_FACTOR																PRU1_ED_TX_DIV_FACTOR_FRAC	RESERVED							PRU1_ENDAT2_CLK_SYNC	PRU1_ENDAT1_CLK_SYNC	PRU1_ENDAT0_CLK_SYNC	PRU1_ED_BUSY_2	PRU1_ED_BUSY_1	PRU1_ED_BUSY_0	PRU1_ED_TX_CLK_SEL	RESERVED						

Bits	Field Name	Description	Type	Reset
31:16	PRU1_ED_TX_DIV_FACTOR	Division factor for divh16. Effective value is PRU1_ED_TX_DIV_FACTOR + 1. 0 = Div 1 1 = Div 2 N = Div (N+1)	RW	0x0
15	PRU1_ED_TX_DIV_FACTOR_FRAC	Enable Fractional division before the divh16. 0: div1 1: div 1.5	RW	0x0
14:11	RESERVED		R	0x0
10	PRU1_ENDAT2_CLK_SYNC	Observation of pr1/2_pru1_endat2_clk pin. Note this is part of the Peripheral Interface configuration settings. The usage of this signal is not restricted to only ENDAT interfaces.	R	0x0
9	PRU1_ENDAT1_CLK_SYNC	Observation of pr1/2_pru1_endat1_clk pin. Note this is part of the Peripheral Interface configuration settings. The usage of this signal is not restricted to only ENDAT interfaces.	R	0x0
8	PRU1_ENDAT0_CLK_SYNC	Observation of pr1/2_pru1_endat0_clk pin. Note this is part of the Peripheral Interface configuration settings. The usage of this signal is not restricted to only ENDAT interfaces.	R	0x0
7	PRU1_ED_BUSY_2	Determines when is allowed to assert tx go for channel 2. 0: ready to go 1: busy	R	0x0
6	PRU1_ED_BUSY_1	Determines when is allowed to assert tx go for channel 1. 0: ready to go 1: busy	R	0x0
5	PRU1_ED_BUSY_0	Determines when is allowed to assert tx go for channel 0. 0: ready to go 1: busy	R	0x0
4	PRU1_ED_TX_CLK_SEL	Selects the clock source for the divh16fr. 0: 192 MHz UART_CLK 1: 200MHz ICLK	RW	0x0
3:0	RESERVED		R	0x0

Table 30-61. Register Call Summary for Register PRUSS_ED_PRU1_TX_CFG_REGISTER

PRU-ICSS Level Resources Functional Description

- [PRUSS_CFG Register Summary: \[0\]\[1\]](#)

Table 30-62. PRUSS_ED_PRU1_CHj_CFG0_REGISTER

Address Offset	0x0000 0108 + (0x8 * j)	Index	j = 0 to 2
Physical Address	0x4B22 6108 + (0x8 * j) 0x4B2A 6108 + (0x8 * j)	Instance	PRUSS1_CFG PRUSS2_CFG
Description	Endat Channel j Config 0 register		
Type	RW		

31	30	29	28	27	26	25	24	23	22	21	20	19	18	17	16	15	14	13	12	11	10	9	8	7	6	5	4	3	2	1	0
PRU1_ED_TX_FIFO_SWAP_BITS	PRU1_ED_SW_CLK_OUT	PRU1_ED_CLK_OUT_OVR_EN	PRU1_ED_RX_SNOOP	PRU1_ED_RX_FRAME_SIZE												PRU1_ED_TX_FRAME_SIZE	PRU1_ED_TX_WDLY														

Bits	Field Name	Description	Type	Reset
31	PRU1_ED_TX_FIFO_SWAP_BITS	Enables the swapping of the bits when they are loaded into the TX FIFO. 0: no swap 1: swap [7:0] -> [0:7] NOTE: FIFO MSB always exports bit [7] first.	RW	0x0
30	PRU1_ED_SW_CLK_OUT	This controls the state of pr1/2_pru1_endatj_clk pin when PRU1_ED_CLK_OUT_OVR_EN is set. Note this is part of the Peripheral Interface configuration settings. The usage of this signal is not restricted to only ENDAT interfaces.	RW	0x0
29	PRU1_ED_CLK_OUT_OVR_EN	When set, enables the software to control pr1/2_pru1_endatj_clk pin. WARNING: Do not override clock during free running mode. This will cause clock duty cycle violation.	RW	0x0
28	PRU1_ED_RX_SNOOP	Direct view of pr1/2_pru1_endatj_in pin. Note this is part of the Peripheral Interface configuration settings. The usage of this signal is not restricted to only ENDAT interfaces.	R	0x0
27:16	PRU1_ED_RX_FRAME_SIZE	RX frame size, after start bit is detected 0: = Special case for TX only phase, ignores start bit, in this case TX_CLK_OUT will stop after last TX 1: = tx_clk out will stop after 1 X Over Sample 8: = tx_clk out will stop after 8 X Over Sample 9: = tx_clk out will stop after 9 X Over Sample 4095 tx_clk out will stop after 2047 X Over Sample Note X Over Sample means the number of VAL events. 1 VAL per Over Sample event. When the TX_CLK_MODE[1:0] is either 0x0 or 0x1, when this RX_FRAME_SIZE is reached, the tx master CLOCK_OUT will remain high or low. WARNING: Software must not de-assert RX_EN before RX_FRAME_SIZE expires.	RW	0x0

Bits	Field Name	Description	Type	Reset
15:11	PRU1_ED_TX_FRAME_SIZE	TX frame size 0: disabled, the FIFO will transmit until empty then stop 1: TX FIFO will transmit 1 bits then stop 2: TX FIFO will transmit 2 bits then stop ... 31: TX FIFO will transmit 31 bits then stop Note: At TX completion, pr1/2_pru1_endatj_out_en will deassert.	RW	0x0
10:0	PRU1_ED_TX_WDLY	EnDAT TX wire delay using 200-MHz steps (ICLK). Software must program a number divisible by 5. 0: = no delay 5: = 5 ns delay 10: = 10 ns delay 15: = 15 ns delay 2024 = 2.045 μ s delay. This is used during TX state when CLK_OUT goes from high to low, this transmission can be compensated. Hardware will keep count of clocks and add 5 each time. Note the first rising edge of EnDAT CLK from a TX GO event is tx_wire_dly + tst_delay_counter + $\frac{1}{2}$ EnDAT CLK period +/- 15ns. Note this is part of the Peripheral Interface configuration settings. The usage of this signal is not restricted to only ENDAT interfaces.	RW	0x0

Table 30-63. Register Call Summary for Register PRUSS_ED_PRU1_CHj_CFG0_REGISTER

PRU-ICSS Level Resources Functional Description

- [PRUSS_CFG Register Summary: \[0\]\[1\]](#)

Table 30-64. PRUSS_ED_PRU1_CHj_CFG1_REGISTER

Address Offset	0x0000 010C + (0x8 * j)	Index	j = 0 to 2
Physical Address	0x4B22 610C + (0x8 * j) 0x4B2A 610C + (0x8 * j)	Instance	PRUSS1_CFG PRUSS2_CFG
Description	Endat Channel j Config 1 register		
Type	RW		

31	30	29	28	27	26	25	24	23	22	21	20	19	18	17	16	15	14	13	12	11	10	9	8	7	6	5	4	3	2	1	0
PRU1_ED_RX_EN_COUNTER																PRU1_ED_TST_DELAY_COUNTER															

Bits	Field Name	Description	Type	Reset
31:16	PRU1_ED_RX_EN_COUNTER	This counter will start counting after the last TX bit is sent. When it expires, the HW will automatically arm the receiver (RX_EN = 1). Program to 0 if HW support is not desired. Counts in ICLK cycles. Software must program value in increments of 5 (hardware will count by 5s). For example 30, will be 6 ICLK cycles. All channels must be use this feature if enabled. The HW does not allow support of some channels with auto enable and others manual enable.	RW	0x0
15:0	PRU1_ED_TST_DELAY_COUNTER	This counter will start after the tx_wire_delay has been met. After this counter expires the 1st transmit clock will be driven high. Counts in ICLK cycles. Software must program value divisible by 5, and hardware will count by 5. For example 30, will be 6 ICLK cycles. Note the first rising edge of EnDAT CLK from a TX GO event is tx_wire_dly + tst_delay_counter + $\frac{1}{2}$ EnDAT CLK period +/- 15ns	RW	0x0

Table 30-65. Register Call Summary for Register PRUSS_ED_PRU1_CHj_CFG1_REGISTER

PRU-ICSS Level Resources Functional Description

- [PRUSS_CFG Register Summary: \[0\]\[1\]](#)
-

30.5 PRU-ICSS PRU Cores

This section describes the functionality of the two Programmable Real-time Unit (PRU) processors (PRU0 and PRU1) integrated in each of the device PRUSS.

30.5.1 PRU Cores Overview

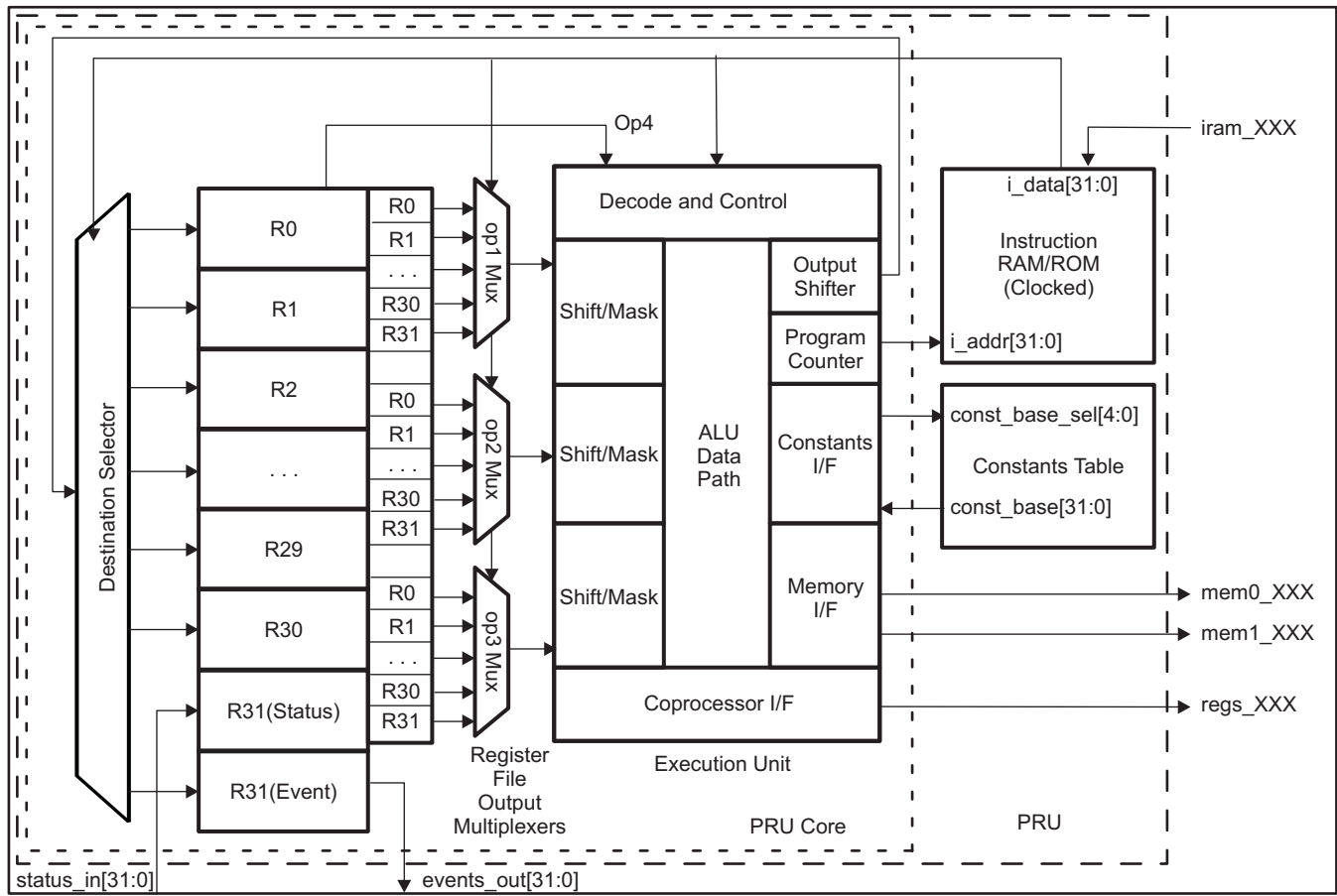
The PRU is a processor optimized for performing embedded tasks that require manipulation of packed memory mapped data structures, handling of system events that have tight real-time constraints and interfacing with systems external to the SoC. The PRU is both very small and very efficient at handling such tasks.

The major attributes of the PRU are in [Table 30-66](#).

Table 30-66. PRU Features

Attribute	Value
IO Architecture	Load/Store
Data Flow Architecture	Register to Register
<i>Core Level Bus Architecture</i>	
Type	4-Bus Harvard (1 Instruction, 3 Data)
Instruction I/F	32-Bit
Memory I/F 0	32-Bit
Memory I/F 1	32-Bit
<i>Execution Model</i>	
Issue Type	Scalar
Pipelining	None (Purposefully)
Ordering	In Order
ALU Type	Unsigned Integer
<i>Registers</i>	
General Purpose (GP)	30 (R1 – R30)
External Status	1 (R31)
GP/Indexing	1 (R0)
Addressability in Instruction	Bit, Byte (8-bit), Half-word (16-bit), Word (32-bit), Pointer
<i>Addressing Modes</i>	
Load Immediate	16-bit Immediate
Load/Store – Memory	Register Base + Register Offset Register Base + 8-bit Immediate Offset Register Base with auto increment/decrement Constant Table Base + Register Offset Constant Table Base + 8-bit Immediate Offset Constant Table Base with auto increment/decrement
Data Path Width	32-bit
Instruction Width	32-bit
Accessibility to Internal PRU Structures	Provides 32-bit slave with three regions: <ul style="list-style-type: none"> • Instruction RAM • Control/Status registers • Debug access to internal registers (R0-R31) and constant table

The processor is based on a four-bus architecture which allows instructions to be fetched and executed concurrently with data transfers. In addition, an input is provided in order to allow external status information to be reflected in the internal processor status register. Figure 30-7 shows a block diagram of the processing element and the associated instruction RAM/ROM that contains the code that is to be executed.

Figure 30-7. PRU Block Diagram


pruss-005

30.5.2 PRU Cores Functional Description

This section describes the PRU cores supported functionality by describing the constant table, module interface and enhanced GPIOs.

30.5.2.1 PRUs Constant Table

The PRU Constants Table is a structure of hard-coded memory addresses for commonly used peripherals and memories. The constants table exists to more efficiently load/store data to these commonly accessed addresses by:

- Reduce a PRU instruction by not needing to pre-load an address into the internal register file before loading/storing data to memory address.
- Maximizing the usage of the PRU register file for embedded processing applications by moving many of the commonly used constant or deterministically calculated base addresses from the internal register file to an external table.

Table 30-67. PRU0/1 Constant Table

Entry No.	Region Pointed To	Value [31:0]
0	PRU-ICSS INTC (local)	0x0002_0000
1	Reserved	0x4804_0000
2	Reserved	0x4802_A000
3	PRU-ICSS eCAP (local)	0x0003_0000
4	PRU-ICSS CFG (local)	0x0002_6000
5	I2C3	0x4806_0000
6	Reserved	0x4803_0000
7	PRU-ICSS UART0 (local)	0x0002_8000
8	MCASP3_DAT	0x4600_0000
9	Reserved	0x4A10_0000
10	Reserved	0x4831_8000
11	Reserved	0x4802_2000
12	Reserved	0x4802_4000
13	Reserved	0x4831_0000
14	Reserved	0x481C_C000
15	Reserved	0x481D_0000
16	Reserved	0x481A_0000
17	Reserved	0x4819_C000
18	Reserved	0x4830_0000
19	Reserved	0x4830_2000
20	Reserved	0x4830_4000
21	PRU-ICSS MDIO (local)	0x0003_2400
22	Reserved	0x480C_8000
23	Reserved	0x480C_A000
24	PRU-ICSS PRU0/1 Data RAM (local)	0x0000_0n00, n = c24_blk_index[3:0]
25	PRU-ICSS PRU1/0 Data RAM (local)	0x0000_2n00, n = c25_blk_index[3:0]
26	PRU-ICSS IEP (local)	0x0002_En00, n = c26_blk_index[3:0]
27	PRU-ICSS MII_RT (local)	0x0003_2n00, n = c27_blk_index[3:0]
28	PRU-ICSS Shared RAM (local)	0x00nn_nn00, nnnn = c28_pointer[15:0]
29	OCMC_RAM2_CBUF	0x49nn_nn00, nnnn = c29_pointer[15:0]
30	OCMC_RAM	0x40nn_nn00, nnnn = c30_pointer[15:0]
31	EMIF1_SDRAM_CS0	0x80nn_nn00, nnnn = c31_pointer[15:0]

NOTE: PRU-ICSS2 UART and eCAP are not supported on the AM570x family of devices.

PRU-ICSS2 IEP I/Os are not pinned out on AM570x. However, some internal features (such as the IEP timer) are still supported.

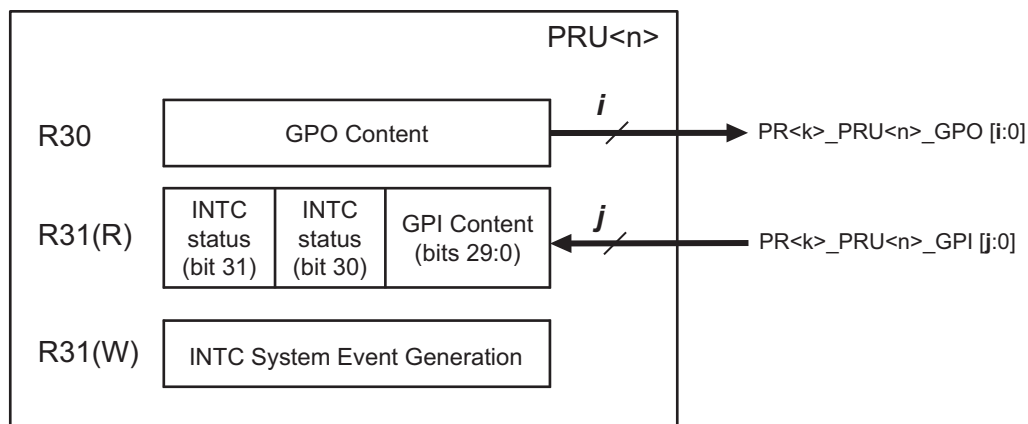
NOTE: The addresses in constants entries 24–31 are partially programmable. Their programmable bit field (for example, c24_blk_index[3:0]) is programmable through the PRU CTRL register space. As a general rule, the PRU should configure this field before using the partially programmable constant entries.

30.5.2.2 PRU Module Interface

The PRU module interface consists of the PRU internal registers 30 and 31 (R30 and R31). Figure 30-8 shows the PRU module interface and the functionality of R30 and R31. The register R31 serves as an interface with the dedicated PRU general purpose input (GPI) pins and PRUSS_INTC. Reading R31 returns status information from the GPI pins and PRUSS_INTC via the PRU Real Time Status Interface. Writing to R31 generates PRU system events via the PRU Event Interface. The register R30 serves as an interface with the dedicated PRU general purpose output (GPO) pins.

NOTE: The below sections cover different functional modes of the PRU_n cores, (where n=0,1), enhanced GPIO (EGPIO) interface. The register bits which control EGPIO functionalities are part of the (PRUSS1_CFG and PRUSS2_CFG) space. For descriptions of these EGPIO register bitfield controls, refer to the Section 30.4.3.

Figure 30-8. PRU Module Interface



pruss-005a

30.5.2.2.1 Real-Time Status Interface Mapping (R31): Interrupt Events Input

The PRU Real Time Status Interface directly feeds information into register 31 (R31) of the PRU’s internal register file. The firmware on the PRU uses the status information to make decisions during execution. The status interface is comprised of signals from different modules inside of the PRU-ICSS which require some level of interaction with the PRU. More details on the Host interrupts imported into bit 30 and 31 of register R31 of both the PRUs is provided in the Section 30.6, PRU-ICSS Local Interrupt Controller.

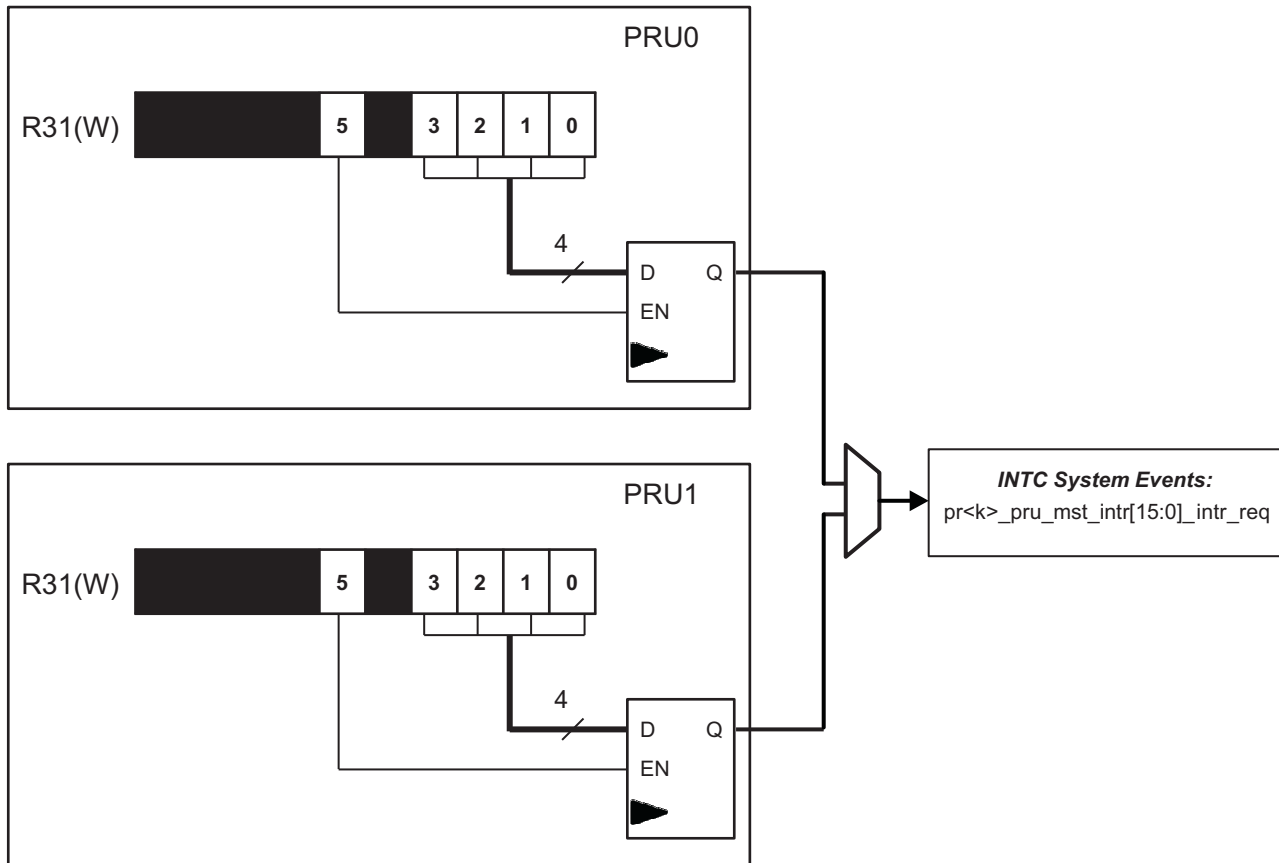
Table 30-68. Real-Time Status Interface Mapping (R31) Field Descriptions

Bit	Field	Description
31	pru_intr_in[1]	PRU Host Interrupt 1 from local PRUSS_INTC
30	pru_intr_in[0]	PRU Host Interrupt 0 from local PRUSS_INTC
29:0	prun_r31_status[29:0]	Status inputs from primary input via Enhanced GPI port

30.5.2.2.2 Event Interface Mapping (R31): PRU System Events

This PRU Event Interface directly feeds pulsed event information out of the PRU’s internal ALU. These events are exported out of the PRU-ICSS and need to be connected to the system interrupt controller at the SoC level. The event interface can be used by the firmware to create software interrupts from the PRU to the Host processor.

Figure 30-9. Event Interface Mapping (R31)



pruss-005b

Table 30-69. Event Interface Mapping (R31) Field Descriptions

Bit	Field	Description
31:6	Reserved	
5	prun_r31_vec_valid	Valid strobe for vector output
4	Reserved	
3:0	prun_r31_vec[3:0]	Vector output

Simultaneously writing a '1' to prun_r31_vec_valid (R31 bit 5) and a channel number from 0 to 15 to prun_r31_vec[3:0] (R31 bits 3:0) creates a pulse on the output of the corresponding prk_pru_mst_intr[x]_intr_req INTC system event. For example, writing '100000' will generate a pulse on prk_pru_mst_intr[0]_intr_req, writing '100001' will generate a pulse on prk_pru_mst_intr[1]_intr_req, and so on to where writing '101111' will generate a pulse on prk_pru_mst_intr[15]_intr_req and writing '0xxxxx' will not generate any system event pulses. The output values from both PRU cores in a subsystem are ORed together.

The output channels 0-15 are connected to the PRUSS_INTC system events 16-31, respectively. This allows the PRU to assert one of the system events 16-31 by writing to its own R31 register. The system event is used to either post a completion event to one of the host CPUs (ARMSS) or to signal the other PRU. The host to be signaled is determined by the system interrupt to interrupt channel mapping (programmable). The 16 events are named as prk_pru_mst_intr<15:0>_intr_req. See the [Section 30.6.4, PRU-ICSS Interrupt Requests Mapping](#), in the section, *PRU-ICSS Local Interrupt Controller*, for more details.

30.5.2.2.3 General-Purpose Inputs (R31): Enhanced PRU GP Module

The PRU-ICSS implements an enhanced General Purpose Input/Output (GPIO) module with SCU that supports the following general-purpose input modes: direct input, 16-bit parallel capture, 28-bit serial shift in. Register R31 serves as an interface with the general-purpose inputs. [Table 30-70](#) describes the input modes in detail.

NOTE: Each PRU core can only be configured for one GPI mode at a time. Each mode uses the same R31 signals and internal register bits for different purposes. A summary is found in [Table 30-71](#).

NOTE: The [PRUSS_GPCFG0/1](#) register, bit PR1_PRUn_GP_MUX_SEL in the PRU-ICSS CFG register space needs to be set to 0x0 for GP mode. For a given PRU core, the following IO modes are mutually exclusive: GP mode, Sigma Delta mode, and 3 channel Peripheral I/F mode.

Table 30-70. PRU R31 (GPI) Modes

Mode	Function	Configuration
Direct input	GPI[20:0] feeds directly into the PRU R31	Default state
16-bit parallel capture	DATAIN[0:15] is captured by the posedge or negedge of CLOCKIN	<ul style="list-style-type: none"> Enabled by CFG_GPCFGn register CLOCKIN edge selected by CFG_GPCFGn register
28-bit shift in	DATAIN is sampled and shifted into a 28-bit shift register. Shift Counter (Cnt_16) feature uses ... <ul style="list-style-type: none"> Shift Counter (Cnt_16) feature is mapped to pru<n>_r31_status[28]. SB (Start Bit detection) feature is mapped to pru<n>_r31_status[29]. 	<ul style="list-style-type: none"> Enabled by CFG_GPCFGn register Cnt_16 is self clearing and is connected to the PRU INTC Start Bit (SB) is cleared by CFG_GPCFGn register

Table 30-71. PRU GPI Signals and Configurations⁽¹⁾

Pad Names at Device Level	GPI Modes		
	Direct input	Parallel Capture	28-Bit Shift in
pr<k>_pru<n>_gpi0	GPI0	DATAIN0	DATAIN
pr<k>_pru<n>_gpi1	GPI1	DATAIN1	
pr<k>_pru<n>_gpi2	GPI2	DATAIN2	
pr<k>_pru<n>_gpi3	GPI3	DATAIN3	
pr<k>_pru<n>_gpi4	GPI4	DATAIN4	
pr<k>_pru<n>_gpi5	GPI5	DATAIN5	
pr<k>_pru<n>_gpi6	GPI6	DATAIN6	
pr<k>_pru<n>_gpi7	GPI7	DATAIN7	
pr<k>_pru<n>_gpi8	GPI8	DATAIN8	
pr<k>_pru<n>_gpi9	GPI9	DATAIN9	
pr<k>_pru<n>_gpi10	GPI10	DATAIN10	
pr<k>_pru<n>_gpi11	GPI11	DATAIN11	
pr<k>_pru<n>_gpi12	GPI12	DATAIN12	
pr<k>_pru<n>_gpi13	GPI13	DATAIN13	
pr<k>_pru<n>_gpi14	GPI14	DATAIN14	
pr<k>_pru<n>_gpi15	GPI15	DATAIN15	
pr<k>_pru<n>_gpi16	GPI16	CLOCKIN	
pr<k>_pru<n>_gpi17	GPI17		

⁽¹⁾ These pins also being used for Sigma Delta or Peripheral I/F mode.

Table 30-71. PRU GPI Signals and Configurations⁽¹⁾ (continued)

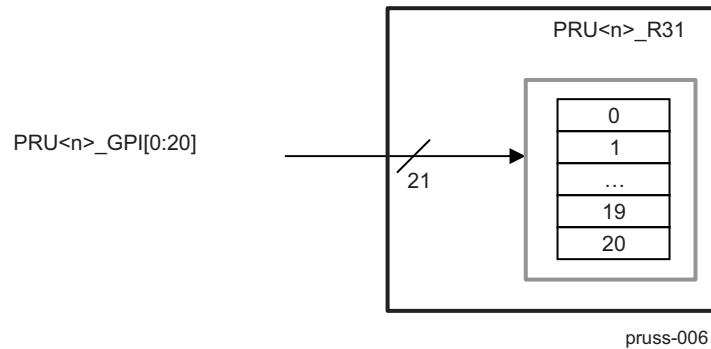
Pad Names at Device Level	GPI Modes		
	Direct input	Parallel Capture	28-Bit Shift in
pr<k>_pru<n>_gpi18	GPI18		
pr<k>_pru<n>_gpi19	GPI19		
pr<k>_pru<n>_gpi20	GPI20		

NOTE: See Section 30.2 for pin limitations on the AM570x family of devices.

30.5.2.2.3.1 PRU EGPIs Direct Input

The prun_r31_status [0:20] bits of the internal PRU register file are mapped to device-level, general purpose input pins (PRUn_GPI [0:20]). In GPI Direct Input mode, PRUn_GPI [0:20] feeds directly to prun_r31_status [0:20]. Each PRU of the PRU-ICSS has a separate mapping to device input signals - pr1_pru0_gpi[20:0] / pr2_pru0_gpi[20:0] for the PRUSS1/ PRUSS2 PRU0 core and pr1_pru1_gpi[20:0] / pr2_pru1_gpi[20:0] for the PRUSS1 / PRUSS2 PRU1 core so that there are 42 total general purpose inputs to the PRUSS1 / PRUSS2. For more details, refer also to the Section 30.2. See the device's system reference guide or datasheet for device specific pin mapping.

Figure 30-10. PRU R31 (EGPI) Direct Input Mode Block Diagram

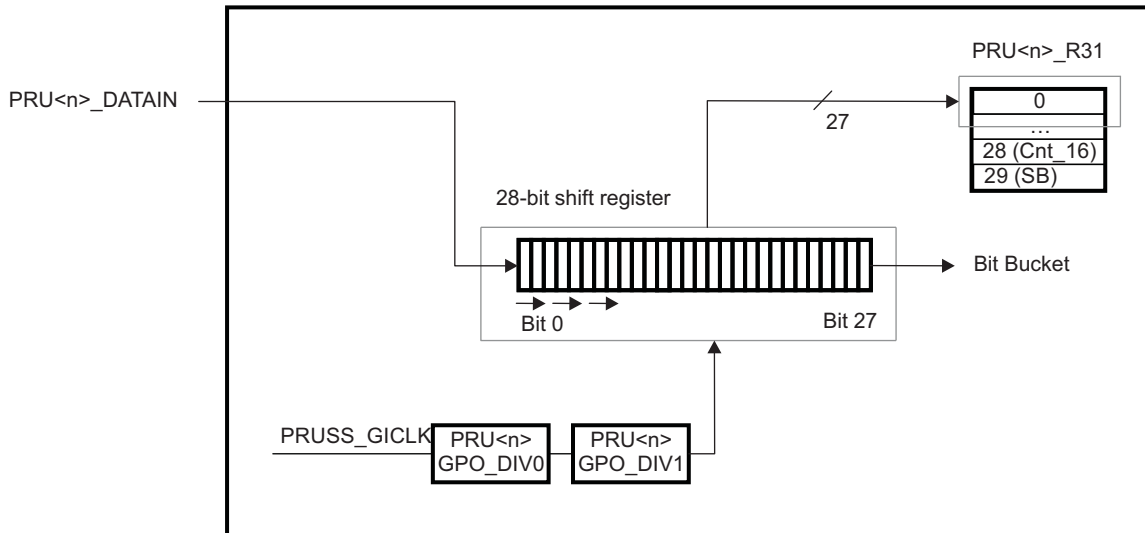


30.5.2.2.3.2 PRU EGPIs 16-Bit Parallel Capture

The prun_r31_status [0:15] and prun_r31_status [16] bits of the internal PRU register file mapped to device-level, general purpose input pins (PRUn_DATAIN [0:15] and PRUn_CLOCKIN, respectively). PRUn_CLOCKIN is designated for an external strobe clock, and is used to capture PRUn_DATAIN [0:15].

The PRUn_DATAIN can be captured either by the positive or the negative edge of PRUn_CLOCK, programmable through the PRU-ICSS CFG register space. If the clocking is configured through the PRUICSS CFG register to be positive, then it will equal PRU<n>_CLOCK; however, if the clocking is configured to be negative, then it will equal PRU<n>_CLOCK inverted.

Figure 30-12. PRU R31 (EGPI) 28-Bit Shift Mode



pruss-008

30.5.2.2.3.4 General-Purpose Outputs (R30): Enhanced PRU GP Module

The PRU-ICSS implements an enhanced General Purpose Input/Output (GPIO) module that supports two general-purpose output modes: direct output and shift out.

Table 30-73 describes these modes in detail.

NOTE: Each PRU core can only be configured for one GPO mode at a time. Each mode uses the same R30 signals and internal register bits for different purposes. A summary is found in Table 30-73.

NOTE: The PRUSS_GPCFG0/1 register, bit PR1_PRU0_GP_MUX_SEL in the PRU-ICSS CFG register space needs to be set to 0x0 for GP mode. For a given PRU core, the following IO modes are mutually exclusive: GP mode, Sigma Delta mode, and 3 channel Peripheral I/F mode.

Table 30-73. PRU R30 (EGPO) Output Mode

Mode	Function	Configuration
Direct output	pru<n>_r30[20:0] feeds directly to GPO[20:0]	Default state
Shift out	<ul style="list-style-type: none"> pru<n>_r30[0] is shifted out on DATAOUT on every rising edge of pru<n>_r30[1] (CLOCKOUT). LOAD_GPO_SH0 (Load Shadow Register 0) is mapped to pru<n>_r30[29]. LOAD_GPO_SH1 (Load Shadow Register 1) is mapped to pru<n>_r30[30]. ENABLE_SHIFT is mapped to pru<n>_r30[31]. 	Enabled by CFG_GPCFGn register

Table 30-74. GPO Mode Descriptions⁽¹⁾

Pad Names at Device Level	GPO Modes	
	Direct output	Shift out
pr<k>_pru<n>_gpo0	GPO0	DATAOUT

⁽¹⁾ These pins also being used for Sigma Delta or Peripheral I/F mode.

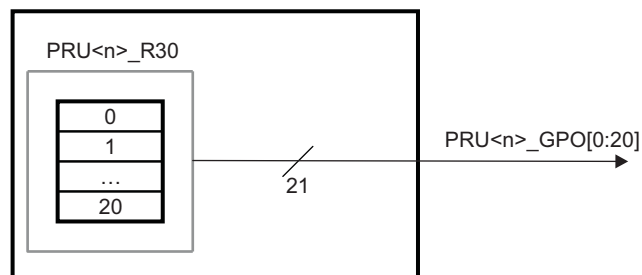
Table 30-74. GPO Mode Descriptions⁽¹⁾ (continued)

Pad Names at Device Level	GPO Modes	
	Direct output	Shift out
pr<k>_pru<n>_gpo1	GPO1	CLOCKOUT
pr<k>_pru<n>_gpo2	GPO2	
pr<k>_pru<n>_gpo3	GPO3	
pr<k>_pru<n>_gpo4	GPO4	
pr<k>_pru<n>_gpo5	GPO5	
pr<k>_pru<n>_gpo6	GPO6	
pr<k>_pru<n>_gpo7	GPO7	
pr<k>_pru<n>_gpo8	GPO8	
pr<k>_pru<n>_gpo9	GPO9	
pr<k>_pru<n>_gpo10	GPO10	
pr<k>_pru<n>_gpo11	GPO11	
pr<k>_pru<n>_gpo12	GPO12	
pr<k>_pru<n>_gpo13	GPO13	
pr<k>_pru<n>_gpo14	GPO14	
pr<k>_pru<n>_gpo15	GPO15	
pr<k>_pru<n>_gpo16	GPO16	
pr<k>_pru<n>_gpo17	GPO17	
pr<k>_pru<n>_gpo18	GPO18	
pr<k>_pru<n>_gpo19	GPO19	
pr<k>_pru<n>_gpo20	GPO20	

NOTE: See Section 30.2 for pin limitations on the AM570x family of devices.

30.5.2.2.3.4.1 PRU EGPOs Direct Output

The prun_r30 [20:0] bits of the internal PRU register files are mapped to device-level, general-purpose output pins (PRUn_GPO[0:20]). In GPO Direct Output mode, prun_r30[0:20] feed directly to PRUn_GPO[0:20]. Each PRU of the PRU-ICSS has a separate mapping to pins, so that there are 42 total general-purpose outputs from the PRU-ICSS. See Section 30.2, *PRU-ICSS Environment*, and device Data Manual for device-specific pin mapping.

Figure 30-13. PRU R30 (EGPO) Direct Output Mode Block Diagram


pruss-009

NOTE: R30 is not initialized after reset. To avoid unintended output signals, R30 should be initialized before pinmux configuration of PRU signals.

30.5.2.2.3.4.2 PRU EGPO Shift Out

In shift out mode, data is shifted out of prun_r30[0] (PRUn_DATAOUT) on every rising edge of prun_r30[1] (PRUn_CLOCK). The shift rate is controlled by the effective divisor of two cascaded dividers applied to the 200-MHz clock. These cascaded dividers can each be configured through the PRU-ICSS CFG register space to a value of {1, 1.5, ..., 16}. Table 30-75 shows sample effective clock values and the divisor values that can be used to generate these clocks. Note that PRUn_CLOCKOUT is a free-running clock that starts when the PRU GPO mode is set to shift out mode.

Table 30-75. Effective Clock Values

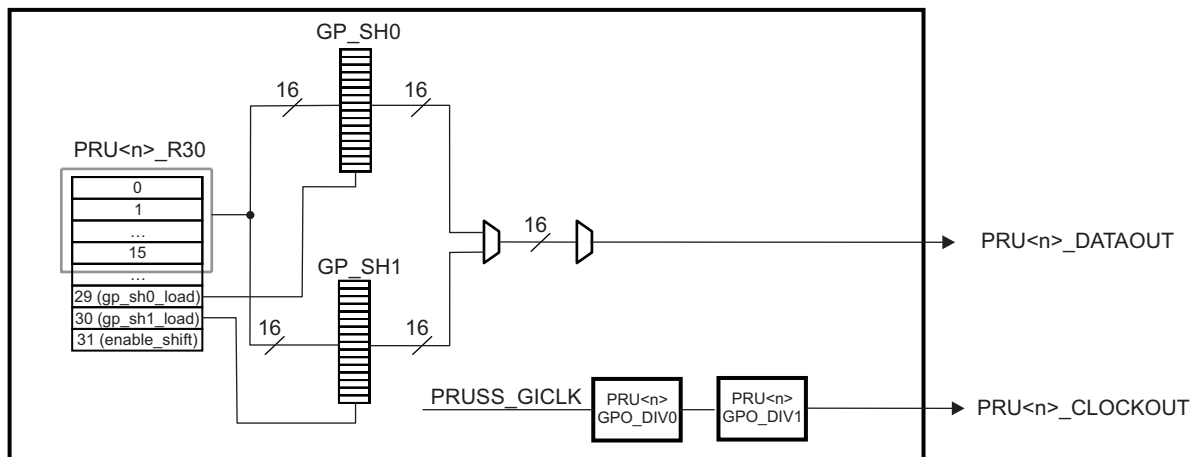
Generated Clock	PRUn_GPO_DIV0	PRUn_GPO_DIV1
8 MHz	12.5 (0x17)	2 (0x02)
10 MHz	10 (0x12)	2 (0x02)
16 MHz	16 (0x1e)	1 (0x00)
20 MHz	10 (0x12)	1 (0x00)

Shift out mode uses two 16-bit shadow registers (gpo_sh0 and gpo_sh1) to support ping-pong buffers. Each shadow register has independent load controls programmable through prun_r30[29:30] (PRUn_LOAD_GPO_SH [0:1]). While PRUn_LOAD_GPO_SH [0/1] is set, the contents of prun_r30[0:15] are loaded into gpo_sh0/1.

NOTE: If any device-level pins mapped to prun_r30[2:15] are configured for the prun_r30 [2:15] pinmux mode, then these pins will reflect the shadow register value written to prun_r30. Any pin configured for a different pinmux setting will not reflect the shadow register value written to prun_r30.

The data shift will start from the LSB of gpo_sh0 when prun_r30[31] (PRUn_ENABLE_SHIFT) is set. Note that if no new data is loaded into gpo_shnn after shift operation, the shift operation will continue looping and shifting out the pre-loaded data. When PRUn_ENABLE_SHIFT is cleared, the shift operation will finish shifting out the current shadow register, stop, and then reset.

Figure 30-14. PRU R30 (GPO) Shift Out Mode Block Diagram



pruss-010

Follow these steps to use the GPO shift out mode:

Step One: Initialization

1. Load 16-bits of data into gpo_sh0:
 - (a) Set R30[29] = 1 (PRUn_LOAD_GPO_SH0)
 - (b) Load data in R30[15:0]
 - (c) Clear R30[29] to turn off load controller

2. Load 16-bits of data into gpo_sh1:
 - (a) Set R30[30] = 1 (PRUn_LOAD_GPO_SH1)
 - (b) Load data in R30[15:0]
 - (c) Clear R30[30] to turn off load controller
3. Start shift operation:
 - (a) Set R30[31] = 1 (PRUn_ENABLE_SHIFT)

Step 2: Shift Loop

1. Monitor when a shadow register has finished shifting out data and can be loaded with new data:
 - (a) Poll PRUn_GPI_SH_SEL bit of the [PRUSS_GPCFG0/1](#) register
 - (b) Load new 16-bits of data into gpo_sh0 if PRUn_GPI_SH_SEL = 1
 - (c) Load new 16-bits of data into gpo_sh1 if PRUn_GPI_SH_SEL = 0
2. If more data to be shifted out, loop to Shift Loop
3. If no more data, exit loop

Step 3: Exit

1. End shift operation:
 - (a) Clear R30[31] to turn off shift operation

NOTE: Until the shift operation is disabled, the shift loop will continue looping and shifting out the pre-loaded data if no new data has been loaded into gpo_shn.

30.5.2.2.3.5 Sigma Delta (SD) Decimation Filtering H/W

Sigma-delta Sinc filtering is achieved by the combination of PRU hardware and firmware. PRU hardware provides hardware integrators that do the accumulation part of Sinc filtering, while the differentiation part is done in firmware.

The integrator serves to count the number of 1's per clock event. Each channel has three cascaded counters, which are the accumulators for the Sinc3 filter. Each counter is 24 bits, giving a maximum count of 16,777,215. Each channel has a free running rollover clock counter. This sample counter updates the count value on the effective clock event for that channel. Each channel also contains a programmable counter compare block, and the compare register has a size of 8 bits. However, the minimum value is 4 and maximum value is 202 due to the 24-bit accumulator. Once sample counter compare value is reached, the shadow register copy is updated and the shadow register copy flag is set.

Features of the integrators in PRUs SD Demodulator:

- Up to nine channels with concurrent counting
- Flexible clock source configuration for each channel; option of independent clock source for each channel or one clock source for three channels
- Programmable, 8-bit sample counter compare register; used to set the OSR of Sinc filter
- Three 24-bit cascaded counters per channel for accumulation, only Sinc3 and Sinc2 modes supported
- Common channel enable (all channels are active or none are active)

30.5.2.2.3.5.1 Block Diagram and Signals

The Sigma Delta's I/Os are multiplexed with the PRU GPI/GPO signals, as shown in [Table 30-76](#). Note the PR<k>_PRU<n>_GP_MUX_SEL bitfield in the [PRUSS_GPCFG0/1](#) register must be set to 0x3 for configure the GPI/GPO signals for SD mode.

Table 30-76. PRU GPI Signals and Configurations for Sigma Delta

Pad Names at Device Level ⁽¹⁾⁽²⁾	Sigma Delta (SD) Mode (PRUSS_GPCFG0/1 [PR1_PRUn_GP_MUX_SEL] = 0x3)
pr<k>_pru<n>_gpi0	SD0_CLK
pr<k>_pru<n>_gpi1	SD0_D
pr<k>_pru<n>_gpi2	SD1_CLK
pr<k>_pru<n>_gpi3	SD1_D
pr<k>_pru<n>_gpi4	SD2_CLK
pr<k>_pru<n>_gpi5	SD2_D
pr<k>_pru<n>_gpi6	SD3_CLK
pr<k>_pru<n>_gpi7	SD3_D
pr<k>_pru<n>_gpi8	SD4_CLK
pr<k>_pru<n>_gpi9	SD4_D
pr<k>_pru<n>_gpi10	SD5_CLK
pr<k>_pru<n>_gpi11	SD5_D
pr<k>_pru<n>_gpi12	SD6_CLK
pr<k>_pru<n>_gpi13	SD6_D
pr<k>_pru<n>_gpi14	SD7_CLK
pr<k>_pru<n>_gpi15	SD7_D
pr<k>_pru<n>_gpi16	SD8_CLK
pr<k>_pru<n>_gpi17	SD8_D
pr<k>_pru<n>_gpi18	
pr<k>_pru<n>_gpi19	
pr<k>_pru<n>_gpi20	
pr<k>_pru<n>_gpi21	
pr<k>_pru<n>_gpi22	
pr<k>_pru<n>_gpi23	
pr<k>_pru<n>_gpi24	
pr<k>_pru<n>_gpi25	
pr<k>_pru<n>_gpi26	
pr<k>_pru<n>_gpi27	
pr<k>_pru<n>_gpi28	
pr<k>_pru<n>_gpi29	

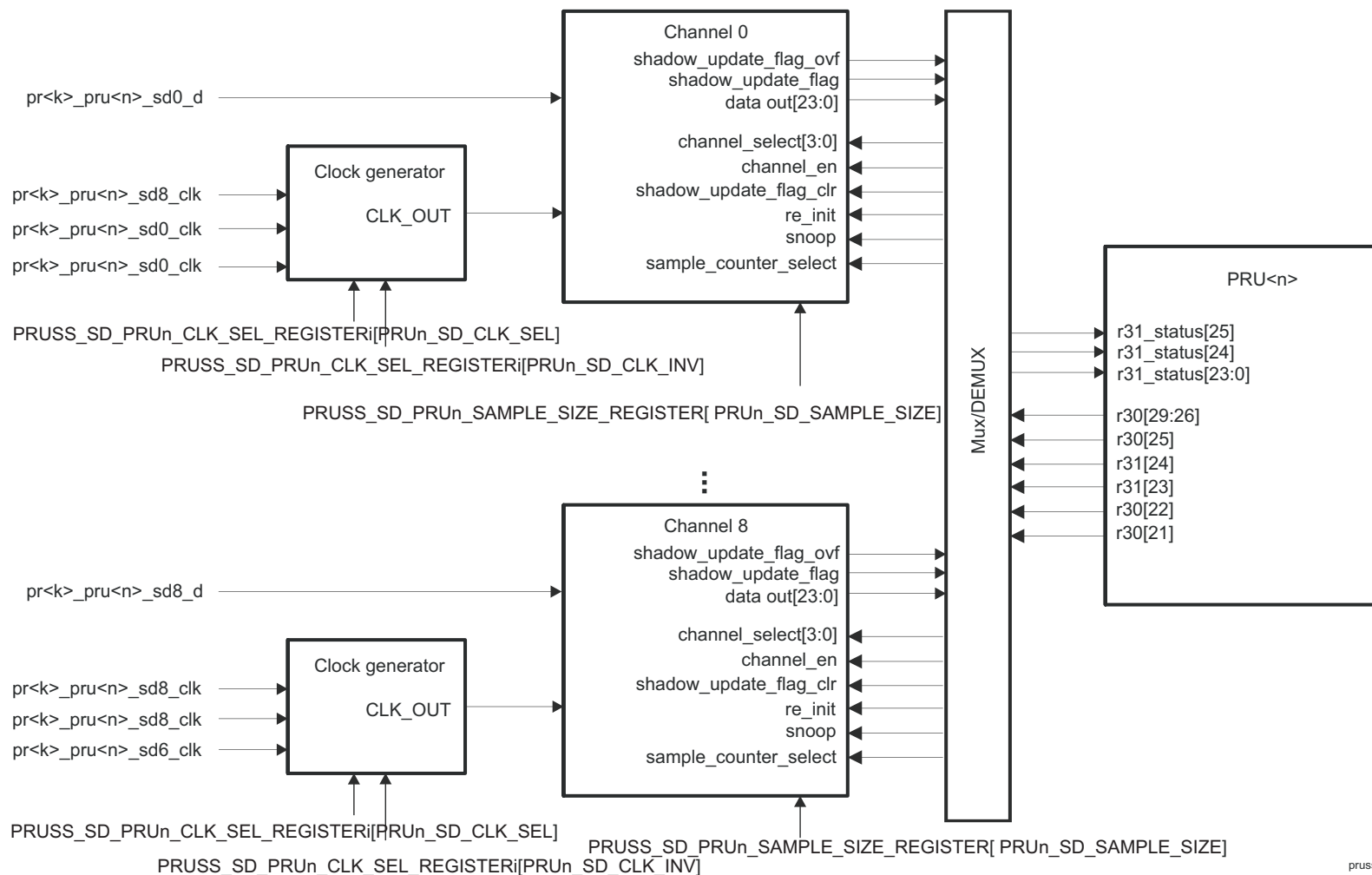
⁽¹⁾ Note these signals are shared with the GP and Peripheral I/Fs. To configure for Sigma Delta, [PRUSS_GPCFG0/1](#) [[PR1_PRUn_GP_MUX_SEL](#)] needs to be set to 0x3 for SD mode.

⁽²⁾ NOTE: Some devices may not pin out all 32 bits of R30. For which pins are available on this device, see , PRU-ICSS Pin List. See the device data sheet for device-specific pin mapping.

The pr<k>_pru0_gpi1 signal (muxed with SD0_D) can be used as SD_CLKOUT when PRU-ICSS generates clock. This is a trade-off as PRU application will lose one SD channel. SD_CLKOUT needs to go through a clock generator chip if driving multiple sigma delta modulators and also be looped back into PRU-ICSS as SD_CLKIN, typically pru_gpi16.

Note to output the SD clock on pr<k>_pru0_gpi1, this device requires that the PRU core be configured for both SD and shift out mode ([PRUSS_GPCFG0/1](#) [[PR1_PRUn_GP_MUX_SEL](#)] = 0x3 and [PRUSS_GPCFG0/1](#) [[PRUn_GPO_MODE](#)] = 0x1). Be sure to configure the shift out mode's clock divisors before enabling shift out mode ([PRUSS_GPCFG0/1](#) [[PRUn_GPO_MODE](#)] = 0x1). [Figure 30-15](#) shows a block diagram of the Sigma Delta implementation. Full description of the PRU R30 and R31 registers are shown in [Table 30-78](#) and [Table 30-79](#).

Figure 30-15. Sigma Delta Block Diagram



pruss-046

Note each channel can independently be configured to use one of three external clock sources. [Table 30-77](#) shows the clock source options, selectable through `PRUSS_SD_PRUn_CLK_SEL_REGISTERi[PRU<n>_SD_CLK_SEL]`.

Table 30-77. External Clock Sources

PRU<n>_SD_CLK_SEL value	Clock Source
0	pr<k>_pru<n>_gpi[16]
1	pr<k>_pru<n>_sdi_clk
2	pr<k>_pru<n>_sd0_clk for sd0, sd1, and sd2; pr<k>_pru<n>_sd3_clk for sd3, sd4, and sd5; pr<k>_pru<n>_sd6_clk for sd6, sd7, and sd8

30.5.2.2.3.5.2 PRU R30 / R31 Interface

The PRU uses the R30 and R31 registers to interface with the Sigma Delta interface. [Table 30-78](#) shows the R31 and R30 interface for the Sigma Delta mode. Note that only the parameters and data for one channel can be viewed at a time. The channel to be viewed is determined by the r30[29-26] (channel_select).

**Table 30-78. PRU R31: SD Output Interface
Delta Sigma PRU registers: R31**

Bits	Field Name	Description
29-26	Reserved	
25	shadow_update_flag_ovf / shadow_update_flag_ovf_clr	Shadow update flag overflow, set when over sample count equals over sample size and shadow_update_flag is still set. Set this bit to clear the flag.
24	shadow_update_flag / shadow_update_flag_clr	Shadow update flag overflow, set when over sample count equals over sample size and shadow_update_flag is still set. Set this bit to clear the flag.
23	re_init/data_out[23]	re_init (write): Set to reset all counters, flags, and shadow copy. Updates over_sample_size based on the current PRUSS_SD_PRUn_SAMPLE_SIZE_REGISTERi register on the selected channel. data_out[23](read): most-significant bit of sample data
22-0	data_out[22:0]	Selected sample data excluding most-significant bit

**Table 30-79. PRU R30: SD Input Interface
Delta Sigma PRU registers: R30**

Bits	Field Name	Description
31-30	Reserved	
29-26	channel_select[3:0]	Select Channel. 0x0 = Channel 0 0x8 = Channel 8 0x9-0xF = Unused
25	channel_en	Global Channel enable (effects all 9 channels). 0x0 = All channels disabled. Counters/flags are cleared. 0x1 = All channels enabled.
24-23	Reserved	
22	snoop	Enable snoop (i.e. fetch data) on the selected channel. 0x0 = acc2/acc3 shadow copy 0x1 = current acc2/acc3
21	sample_counter_select	Read sample counter. 0x0 = Not selected 0x1 = Sample count selected
20-0	Reserved	

The PRU_ICSS CFG register space has additional MMRs for controlling the SD demodulator module:

- PRUSS_SD_PRUn_CLK_SEL_REGISTERi[PRUn_SD_ACC2_SEL] - Selects accumulator 2 as source
- PRUSS_SD_PRUn_CLK_SEL_REGISTERi[PRUn_SD_CLK_INV] - Inverts clock
- PRUSS_SD_PRUn_CLK_SEL_REGISTERi[PRUn_SD_CLK_SEL] - Selects clock source
- PRUSS_SD_PRUn_SAMPLE_SIZE_REGISTERi[PRUn_SD_SAMPLE_SIZE] - Selects number of samples to read before giving output

30.5.2.2.3.5.3 Sigma Delta Description

Figure 30-16 shows a block diagram of the Sigma Delta hardware integrators and integration with the PRU R30 / R31 interface for a single channel.

Figure 30-16. Sigma Delta Hardware Integrators Block Diagram (snoop = 0)

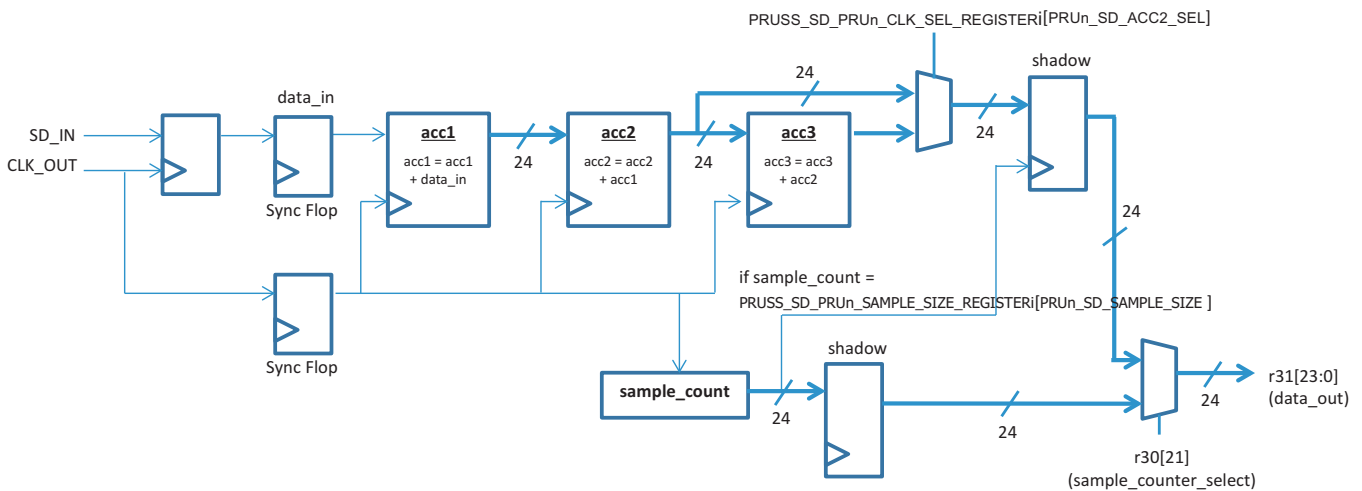
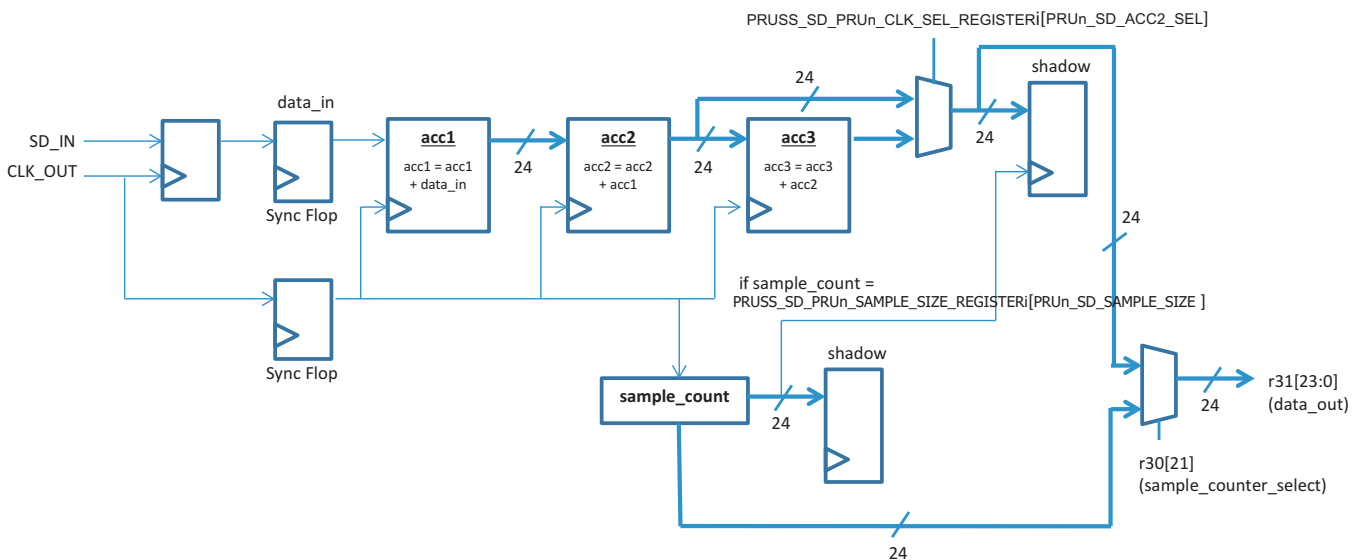


Figure 30-17. Sigma Delta Hardware Integrators Block Diagram (snoop = 1)



The three accumulators (acc1-acc3) for each channel are simple 24 bit adders. The input for acc1 is 1-bit, while the inputs for acc2 and acc3 are 24-bits. On each positive edge of the CLK_OUT, all three 24-bit counters (acc1-acc3) and the sample counter for each channel will get updated as follows:

```
acc1 = acc1 + data_in
acc2 = acc2 + acc1
acc3 = acc3 + acc2
```

```
sample_count = sample_count + 1
```

Each accumulator will rollover at 0xFF_FFFF. For example if acc2 = 0x10 and acc3 = 0xFF_FFFF, then acc3 will update to 0x00_0000F on the next clock event. Sample_count will rollover when it equals the defined sample size (PRUSS_SD_PRUn_SAMPLE_SIZE_REGISTERi [PRUn_SD_SAMPLE_SIZE]).

Note that while the channels are not enabled, no operations are performed and all flags and counters are cleared. If a new sample size is to be loaded, the PRU firmware should assert re_init (r31[23]), and all stored count values are cleared to 0.

The Sigma Delta interface has two status flags:

- Shadow update flag (r31[24])
- Shadow update flag overflow (r31[25])

When sample_count equals the defined sample size (PRUSS_SD_PRUn_SAMPLE_SIZE_REGISTERi [PRUn_SD_SAMPLE_SIZE]), then the acc2/acc3 shadow register copy will be updated, the shadow_update_flag (r31[24]) will be set, and sample_count will rollover to 0. The PRU firmware can clear this flag by writing '1' to shadow_update_flag_clr (r31[24]). If sample_count equals the defined sample size and the shadow_update_flag is still set, then shadow_update_flag_ovf (r31[25]) will be set. Similarly, the PRU firmware can clear this flag by writing '1' to shadow_update_flag_ovf_clr (r31[25]). Note that the clear operation for both flags has a higher priority than the set event.

The PRU firmware can monitor the acc2/acc3 and sample_count values through data_out[23:0] (r31[23:0]). [Table 30-80](#) shows the configuration options for data_out[23:0].

Table 30-80. Data_out[23:0] Configuration Options

snoop (r30[22])	sample_counter_select (r30[21])	data_out (r31[23:0])
0	0	Reads acc2/acc3 shadow register copy
1	0	Reads acc2/acc3 directly
0	1	Reads sample_count shadow register copy
1	1	Reads sample_count directly

30.5.2.2.3.5.4 Basic Programming Example

The following programming example assumes that the PRU is configured for Sigma Delta Mode ([PRUSS_GPCFG0](#) / 1 [PR1_PRUn<n>_GP_MUX_SEL] = 3).

1. Configure clock sources, accumulator source, and sample size:
 - a. PRUSS_SD_PRUn_CLK_SEL_REGISTERi[PRUn_SD_CLK_SEL] for clock source
 - b. PRUSS_SD_PRUn_CLK_SEL_REGISTERi[PRUn_SD_CLK_INV] for clock polarity
 - c. PRUSS_SD_PRUn_CLK_SEL_REGISTERi[PRUn_SD_ACC2_SEL] for accumulator source
 - d. PRUSS_SD_PRUn_SAMPLE_SIZE_REGISTERi[PRUn_SD_SAMPLE_SIZE] for sample size
2. Reinitialize all channels whose sample size was configured
 - a. Select channel by writing to channel_select (r30[29-26])
 - b. Delay at least 1 PRU cycle before executing re_int in step 2c.
 - c. Reinitialize selected channel by writing to re_init (r31[23])
 - d. Repeat steps 2a & 2b for all configured channels
3. Enable all channels by writing '1' to channel_en (r30[25])
4. Select channel by writing to channel_select (r30[29-26])
 - a. Poll shadow_update_flag (r31[24]) to detect when acc2/acc3 shadow register copy data is ready to be ready
 - b. Delay at least 1 PRU cycle before polling shadow_update_flag in Step 4c.
 - c. Read data_out[23:0] (r31[23:0])
 - d. Clear shadow_update_flag by writing '1' to r31[24]
5. Repeat step 4 for new channel

30.5.2.2.3.6 3 Channel Peripheral Interface

The 3 channel Peripheral Interface supports functionality for operations utilizing the EnDat 2.2 and BiSS protocols.

This module supports the following features:

- 3 channels with baud range from 100 kHz to 16 MHz
- PRUSSn_UART_GFCLK (default) or PRUSSn_GICLK master clock is an input to independent clock dividers to produce a 1X clock (ENDAT<m>_CLK) and oversampling clock
- Half-duplex (TX and RX are not supported concurrently)
- TX FIFO size of 32 bits
- RX FIFO size of 32 bits
- Configurable shift size/oversampling on RX
- Optional RX frame size auto shut off
- Programmable HW delay 1 (wire delay, controlling when the clock signal is first driven low) and delay 2 (test delay, controlling when the clock signal is first driven high) on TX operation
- Optional programmable TX termination
- Individual TX channel start trigger (tx_channel_go) or simultaneous TX start trigger for all channels (tx_global_go)
- Flexible HW assisted clock output generation to allow free running, stop high and stop low (after last RX data), or stop high (after last TX data) operation with optional software clock override feature
- Optional SW direct snoop of data input

30.5.2.2.3.6.1 Block Diagram and Signal Configuration

The Peripheral Interface's I/Os are multiplexed with the PRU GPI/GPO signals, as shown in [Table 30-81](#). The PR<k>_PRUn<n>_GP_MUX_SEL bitfield in the [PRUSS_GPCFG0/1](#) register must be set to 0x1 for configure the GPI/GPO signals for Peripheral I/F mode.

Table 30-81. PRU GPI/GPO Signals and Configurations for Peripheral I/F⁽¹⁾

Pad Names at Device Level ⁽²⁾⁽³⁾	Peripheral I/F Mode (PRUSS_GPCFG0/1 [PR1_PRUn_GP_MUX_SEL] = 0x1)
pr<k>_pru<n>_gpi0	
pr<k>_pru<n>_gpi1	
pr<k>_pru<n>_gpi2	
pr<k>_pru<n>_gpi3	
pr<k>_pru<n>_gpi4	
pr<k>_pru<n>_gpi5	
pr<k>_pru<n>_gpi6	
pr<k>_pru<n>_gpi7	
pr<k>_pru<n>_gpi8	
pr<k>_pru<n>_gpi9	ENDAT0_IN
pr<k>_pru<n>_gpi10	ENDAT1_IN
pr<k>_pru<n>_gpi11	ENDAT2_IN
pr<k>_pru<n>_gpi12	
pr<k>_pru<n>_gpi13	
pr<k>_pru<n>_gpi14	
pr<k>_pru<n>_gpi15	
pr<k>_pru<n>_gpi16	

⁽¹⁾ Usage of the Peripheral Interface signals are not restricted to only ENDAT interfaces.

⁽²⁾ Note these signals are shared with the GP and Sigma Delta modes. To configure for Periph I/F, [PRUSS_GPCFG0/1](#) [PR1_PRUn_GP_MUX_SEL] needs to be set to 0x1 for Periph I/F mode.

⁽³⁾ Some devices may not pin out all 29 bits of R31 and all 32 bits of R30. See the device Data Manual for device-specific pin mapping.

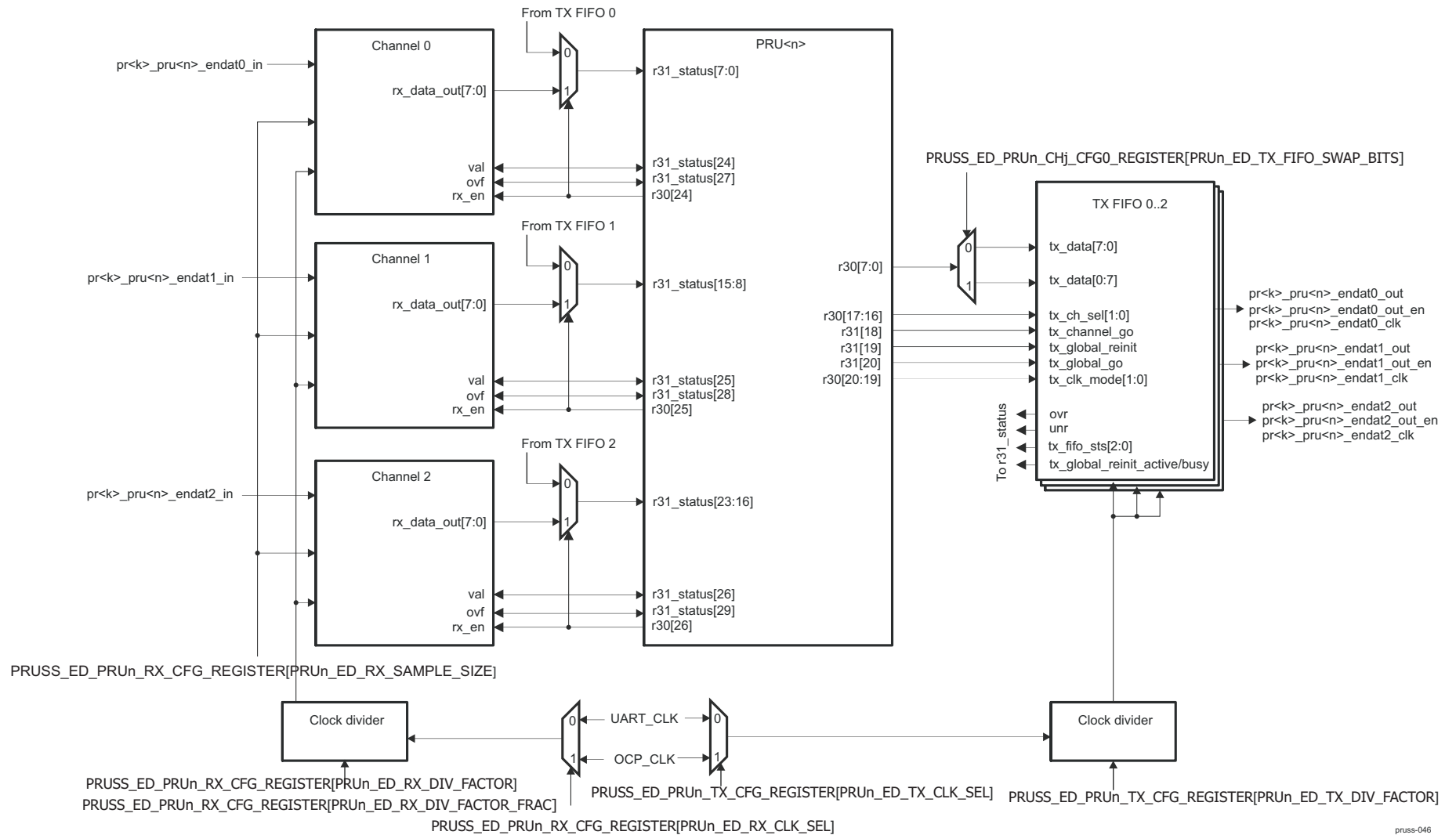
Table 30-81. PRU GPI/GPO Signals and Configurations for Peripheral I/F⁽¹⁾ (continued)

Pad Names at Device Level ⁽²⁾⁽³⁾	Peripheral I/F Mode (PRUSS_GPCFG0/1 [PR1_PRUn_GP_MUX_SEL] = 0x1)
pr<k>_pru<n>_gpi17	
pr<k>_pru<n>_gpi18	
pr<k>_pru<n>_gpi19	
pr<k>_pru<n>_gpi20	
pr<k>_pru<n>_gpi21	
pr<k>_pru<n>_gpi22	
pr<k>_pru<n>_gpi23	
pr<k>_pru<n>_gpi24	
pr<k>_pru<n>_gpi25	
pr<k>_pru<n>_gpi26	
pr<k>_pru<n>_gpi27	
pr<k>_pru<n>_gpi28	
pr<k>_pru<n>_gpi29	
pr<k>_pru<n>_gpo0	ENDAT0_CLK
pr<k>_pru<n>_gpo1	ENDAT0_OUT
pr<k>_pru<n>_gpo2	ENDAT0_OUT_EN
pr<k>_pru<n>_gpo3	ENDAT1_CLK
pr<k>_pru<n>_gpo4	ENDAT1_OUT
pr<k>_pru<n>_gpo5	ENDAT1_OUT_EN
pr<k>_pru<n>_gpo6	ENDAT2_CLK
pr<k>_pru<n>_gpo7	ENDAT2_OUT
pr<k>_pru<n>_gpo8	ENDAT2_OUT_EN
pr<k>_pru<n>_gpo9	
pr<k>_pru<n>_gpo10	
pr<k>_pru<n>_gpo11	
pr<k>_pru<n>_gpo12	
pr<k>_pru<n>_gpo13	
pr<k>_pru<n>_gpo14	
pr<k>_pru<n>_gpo15	
pr<k>_pru<n>_gpo16	
pr<k>_pru<n>_gpo17	
pr<k>_pru<n>_gpo18	
pr<k>_pru<n>_gpo19	
pr<k>_pru<n>_gpo20	
pr<k>_pru<n>_gpo21	
pr<k>_pru<n>_gpo22	
pr<k>_pru<n>_gpo23	
pr<k>_pru<n>_gpo24	
pr<k>_pru<n>_gpo25	
pr<k>_pru<n>_gpo26	
pr<k>_pru<n>_gpo27	
pr<k>_pru<n>_gpo28	
pr<k>_pru<n>_gpo29	
pr<k>_pru<n>_gpo30	
pr<k>_pru<n>_gpo31	

A block diagram for the Peripheral I/F is included in [Figure 30-18](#). As shown, each channel is composed of four I/Os:

- ENDAT<m>_IN - RX input data
- ENDAT<m>_CLK - Clock (CLK_OUT) generated by the 1x (or TX) clock. The default value is 1.
- ENDAT<m>_OUT - TX output data. The default value is 0.
- ENDAT<m>_OUT_EN - TX enable output (1 = TX mode, 0 = RX mode). The default value is 0. Note this signal is auto controlled by hardware.

Figure 30-18. Peripheral I/F Block Diagram



pruss-046

30.5.2.2.3.6.2 PRU R30 and R31 Interface

The PRU uses the R30 and R31 registers to interface with the Peripheral I/F. [Table 30-82](#) shows the R31 and R30 interface for the Peripheral I/F RX mode, and [Table 30-82](#) shows the comparable interface for the TX mode.

Table 30-82. Peripheral I/F: RX

Register	Bits	Field Name	Description
R31	31-30	Reserved	PRU Host Interrupts 1/0 from local INTC
	29	ovf2	Overflow Flag for Channel 2. Write 1 to clear.
	28	ovf1	Overflow Flag for Channel 1. Write 1 to clear.
	27	ovf0	Overflow Flag for Channel 0. Write 1 to clear.
	26	val2	Valid Flag for Channel 2. Write 1 to clear.
	25	val1	Valid Flag for Channel 1. Write 1 to clear.
	24	val0	Valid Flag for Channel 0. Write 1 to clear.
	23-16	rx_data_out2	Oversampled Data Output for Channel 2. Note these bits are shared with the TX Interface. When TX_FIFO has stopped transmission, RX data will be selected.
	15-8	rx_data_out1	Oversampled Data Output for Channel 1. Note these bits are shared with the TX Interface. When TX_FIFO has stopped transmission, RX data will be selected.
7-0	rx_data_out0	Oversampled Data Output for Channel 0. Note these bits are shared with the TX Interface. When TX_FIFO has stopped transmission, RX data will be selected.	
R30	31-27	Reserved	
	26	rx_en2	RX Enable for Channel 2. 0: Channel not enabled, all counters/flags will get reset 1: Channel is enabled
	25	rx_en1	RX Enable for Channel 1. 0: Channel not enabled, all counters/flags will get reset 1: Channel is enabled
	24	rx_en0	RX Enable for Channel 0. 0: Channel not enabled, all counters/flags will get reset 1: Channel is enabled
	23-0	Reserved	

Table 30-83. Peripheral I/F: TX

Register	Bits	Field Name	Description
R31	31-30	Reserved	
	29:22	Reserved	
	21	tx_global_reinit_active/busy2	<p>Tx_global_reinit action has some latency do to clocking. This status shows if action is completed.</p> <p>1 = Active 0 = Done</p> <p>For non reinit case, this bit states that last bit is on tx wire. It does not mean the clock is off.</p> <p>1 = Last bit is not done 0 = Last bit on tx wire</p> <p>Note that by using rx auto arm feature, the observation is lost at rx enable. This can be used to determine when to enable rx during non-auto arm case.</p>
	20	tx_global_go	<p>TX global start of all channels.</p> <p>Note: FIFO must not be empty. If empty, transmit will not start.</p>
	19	tx_global_reinit	<p>Reinit all channels into default mode. This clears all flags and state machines for all channels.</p> <p>Note: Sequence should be assert tx_global_reinit then de-assert rx_en. This will ensure TX and RX are in reset/default state. User must assert this after the frame has been sent and TX is not busy.</p>
	18	tx_channel_go	<p>TX start the channel transmit (selected by tx_ch_sel).</p> <p>Note: FIFO must not be empty.</p>
	17	unr2	Under Run Flag for Channel 2. This flag is only set when the tx_frame_count is nonzero and FIFO is empty at time to send data.
	16	ovr2	Over Run Flag for Channel 2
	15-14	Reserved	
	13	tx_global_reinit_active/busy1	<p>Tx_global_reinit action has some latency do to clocking. This status shows if action is completed.</p> <p>1 = Active 0 = Done</p> <p>For non reinit case, this bit states that last bit is on tx wire. It does not mean the clock is off.</p> <p>1 = Last bit is not done 0 = Last bit on tx wire</p> <p>Note that by using rx auto arm feature, the observation is lost at rx enable. This can be used to determine when to enable rx during non-auto arm case.</p>
	12:10	tx_fifo_sts1	<p>TX FIFO occupancy status for Channel 1</p> <p>0 = Empty 1 = 1 word 2 = 2 words 3 = 3 words 4 = Full 5-7 = Reserved</p>
	9	unr1	Under Run Flag for Channel 1. This flag is only set when the tx_frame_count is nonzero and FIFO is empty at time to send data.
	8	ovr1	Over Run Flag for Channel 1
7:6	Reserved		

Table 30-83. Peripheral I/F: TX (continued)

Register	Bits	Field Name	Description
R31	5	tx_global_reinit_active/busy0	<p>Tx_global_reinit action has some latency do to clocking. This status shows if action is completed.</p> <p>1 = Active 0 = Done</p> <p>For non reinit case, this bit states that last bit is on tx wire. It does not mean the clock is off.</p> <p>1 = Last bit is not done 0 = Last bit on tx wire</p> <p>Note that by using rx auto arm feature, the observation is lost at rx enable. This can be used to determine when to enable rx during non-auto arm case.</p>
	4:2	tx_fifo_sts0	<p>TX FIFO occupancy status for Channel 0</p> <p>0 = Empty 1 = 1 word 2 = 2 words 3 = 3 words 4 = Full 5-7 = Reserved</p>
	1	unr0	Under Run Flag. This flag is only set when the tx_frame_count is nonzero and FIFO is empty at time to send data.
	0	ovr0	Over Run Flag for Channel 0

Table 30-83. Peripheral I/F: TX (continued)

Register	Bits	Field Name	Description
R30	31:21	Reserved	
	20:19	clk_mode	CLK_OUT mode. 0 = Free-running/stop-low. Clock will remain free-running until the receive module has received the number of bits indicated in rx_frame_counter and then the clock will stop low. 1 (default) = Free-running/stop-high. Clock will remain free-running until the receive module has received the number of bits indicated in rx_frame_counter and then the clock will stop high. Note this is the default/reset state, and a hardware reset or reinit will return clk_mode to this state. Note the initial state of the clock will be high, but the clock will not start until TX GO event. 2 = Free-run. NOTE: A reinit to get out of this clock mode is done before an update of clk_mode to a different mode. Also if multiple TX GO are done, the 2nd go should have tst_delay and wire_delay zero since the clock is free running after the first go. 3= Stop high after transmit. Clock will run until the last TX bit is sent and stops high.
	18	Reserved	
	17:16	tx_ch_sel	TX channel select. 0 = Channel 0 1 = Channel 1 2 = Channel 2 3 = Reserved
	15:9	Reserved	
	7:0	tx_data	TX data for FIFO. Notes: FIFO transmits MSB first and is 32-bits deep. TX_FIFO_SWAP_BITS bit in the PRU-ICSS CFG register space can be used to flip the load order of bits. The FIFO has 2 modes of operation: <ol style="list-style-type: none"> 1. Preload and Go. This should be done for EnDAT and frames less than 32-bits. 2. Continuous mode. This should be done for frames bigger than 32-bits. In continuous mode, software needs to keep up with the line rate and ensure that the FIFO is never empty. When the FIFO is at 2 byte level, software needs to load the next 2 bytes. If software waits till the end of the empty state, it is possible to get the TX into a bad state. The FIFO state can be recovered via re-init.

Note the PRU-ICSS CFG register space has additional MMRs for controlling the Peripheral I/F module.

30.5.2.2.3.6.3 Clock Generation

30.5.2.2.3.6.3.1 Configuration

The Peripheral I/F module has two source clock options, PRUSSn_UART_GFCLK (default) and PRUSSn_GICLK. There are two independent clock dividers (div16) for the 1x and oversampling (OS) clocks, and each clock divider is configurable by two cascading dividers:

- PRUn_ED_TX_DIV_FACTOR and PRUn_ED_TX_DIV_FACTOR_FRAC for the 1x clock
- PRUn_ED_RX_DIV_FACTOR and PRUn_ED_RX_DIV_FACTOR_FRAC for the OS clock

The 1x clock is output on the ENDAT<m>_CLK signal. In TX mode, the output data is read from the TX FIFO at this 1x clock rate. The default value of this clock is high and the start and stop conditions for this clock are described in [Section 30.5.2.2.3.6.3.2](#) and [Section 30.5.2.2.3.6.3.5](#).

In RX mode, the input data is sampled at the OS clock rate. Note the OS clock rate divided by the 1x clock rate must equal PRUn_ED_RX_SAMPLE_SIZE.

Example clock rates and divisor values relative to the 192-MHz PRUSSn_UART_GFCLK source are shown in [Table 30-84](#).

Table 30-84. Clock Rate Examples for 192-MHz PRUSSn_UART_GFCLK Clock Source

TX_DIV_FACTOR	1x Clock	RX_DIV_FACTOR	RX_DIV_FACTOR_FRA C	OS Clock	Oversample Factor
12	16 MHz	1	1.5	128 MHz	8x
16	12 MHz	2	1	96 MHz	8x
24	8 MHz	3	1	64 MHz	8x
32	6 MHz	4	1	48 MHz	8x
48	4 MHz	6	1	32 MHz	8x
96	2 MHz	12	1	16 MHz	8x
192	1 MHz	24	1	8 MHz	8x

30.5.2.2.3.6.3.2 Clock Output Start Conditions

This section describes the configurable start conditions for the ENDAT<m>_CLK. The software can completely control via PRUSS_ED_PRUn_CHj_CFG0_REGISTER when PRUn_ED_CLK_OUT_OVR_EN = 1. By default however, the PRU hardware will control the clocks as described in the following sections.

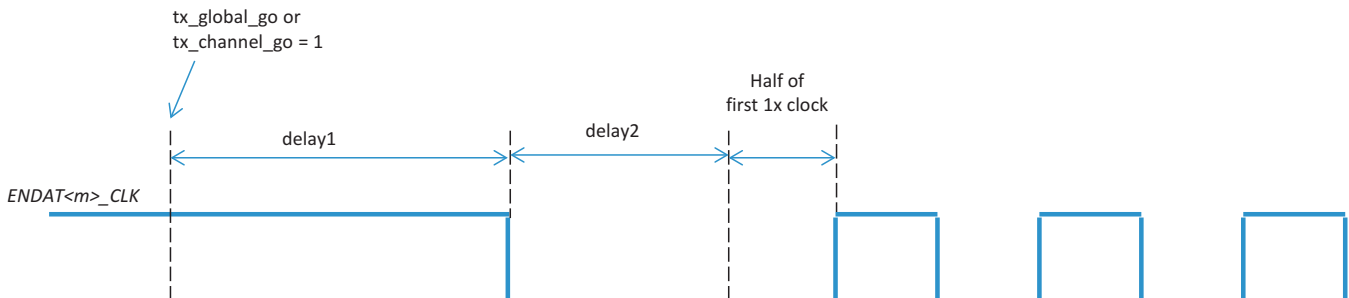
30.5.2.2.3.6.3.3 TX Mode (RX_EN = 0)

In TX mode, the ENDAT<m>_CLK begins after the firmware loads the TX FIFO and sets either r30[20] (tx_global_go) or r30[17:16] (tx_channel_go) to 1. After the “go” bit is set, the delay1 (wire delay) compensation counter for each channel begins. After delay1 is complete, ENDAT<m>_CLK is driven low and then the delay2 (tst) counter begins. After the delay2 counter expires, the ENDAT<m>_CLK starts running (first low and then high). Therefore, first rising edge of ENDAT<m>_CLK (measured from the go bit) = delay1 (tx wire delay) + delay2 (tst_counter delay) + half of the 1x clock frequency (since the clock starts low).

[Figure 30-19](#) shows the start condition for TX mode. As shown in the figure, the default value of clock is high. The PRU-ICSS CFG register space has additional MMRs for controlling the TX start timing delay values:

- Delay 1: PRUSS_ED_PRUn_CHj_CFG0_REGISTER [PRUn_ED_TX_WDLY]
- Delay 2: PRUSS_ED_PRUn_CHj_CFG0_REGISTER [PRUn_ED_TST_DELAY_COUNTER]

Figure 30-19. TX Mode Start Condition



30.5.2.2.3.6.3.4 RX Mode (RX_EN = 1)

In RX mode, the ENDAT<m>_CLK will start running whenever the RX_EN is set. Note that the PRU firmware in this mode is responsible for any delay conditions.

The hardware can also auto-enable RX mode at the end of a TX transaction. The PRUSS_ED_PRUn_CHj_CFG1_REGISTER [PRUn_ED_RX_EN_COUNTER] is used to program a delay between the last TX bit sent and when the RX_EN is set.

30.5.2.2.3.6.3.5 Stop Conditions

The r30[20:19] (clk_mode[1:0]) value determines the stop condition for ENDAT<m>_CLK. There are 4 options available:

clk_mode_value	Description
0	Stop low on last RX frame
1	Stop high on last RX frame
2	Run continuously
3	Stop high on last TX bit

The last RX frame is configured by PRUSS_ED_PRUn_CHj_CFG0_REGISTER [PRUn_ED_RX_FRAME_SIZE], and the last TX bit is configured by PRUSS_ED_PRUn_CHj_CFG0_REGISTER [PRUn_ED_TX_FRAME_SIZE]. Each stop condition is shown in Figure 30-20 through Figure 30-23.

Figure 30-20. ENDAT<m>_CLK Stop High on Last RX Frame

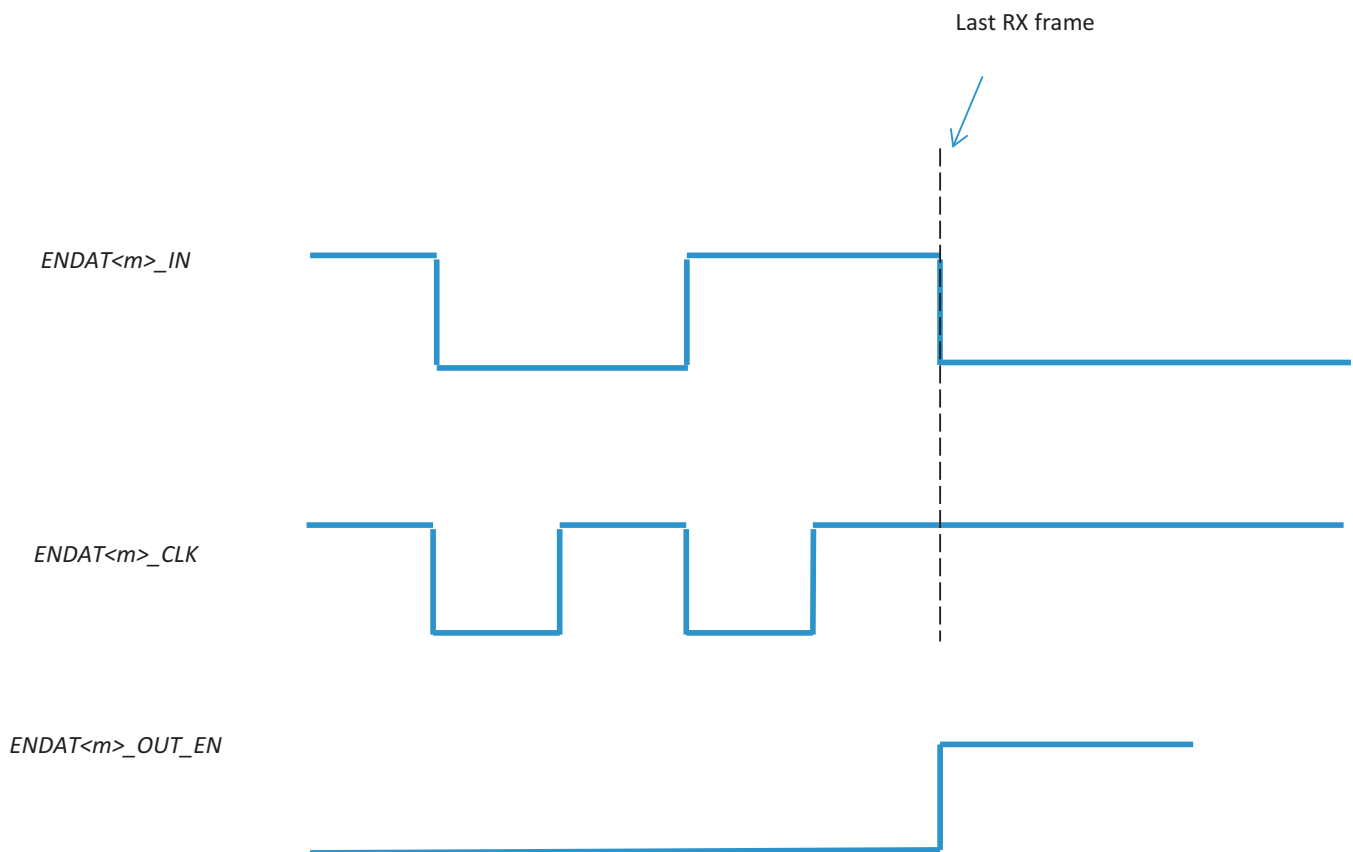


Figure 30-21. ENDAT<m>_CLK Stop Low on Last RX Frame

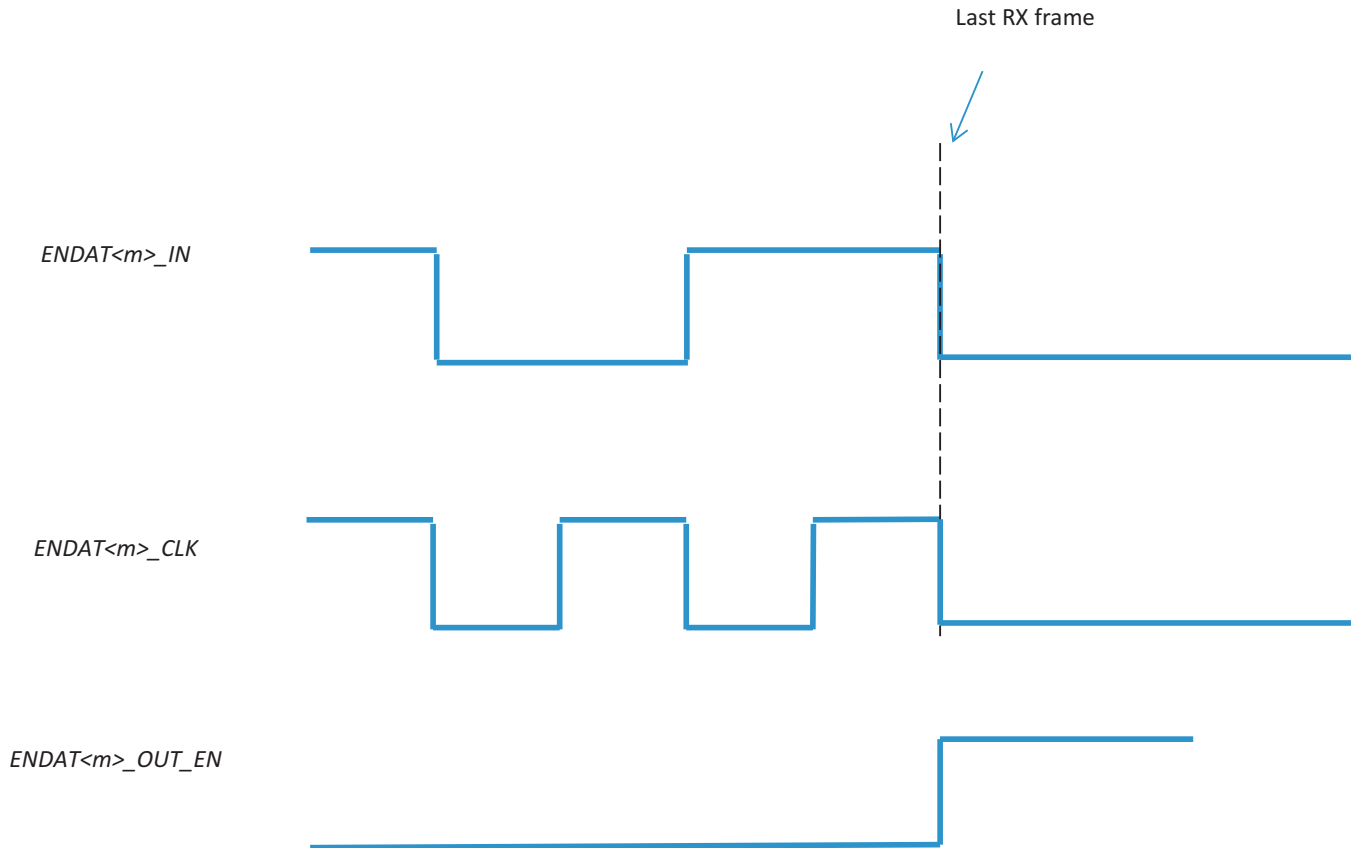


Figure 30-22. ENDAT<m>_CLK Run Continuously

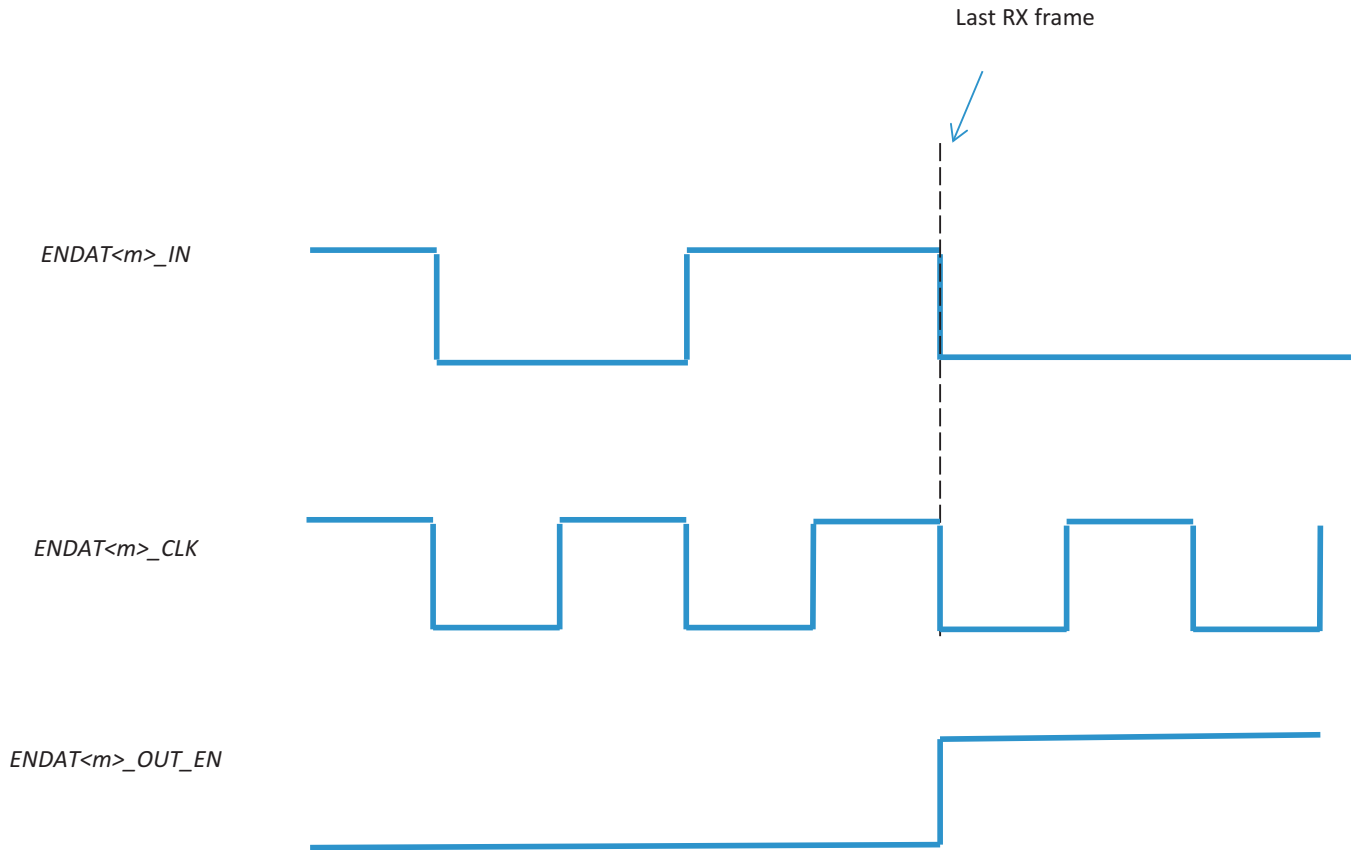
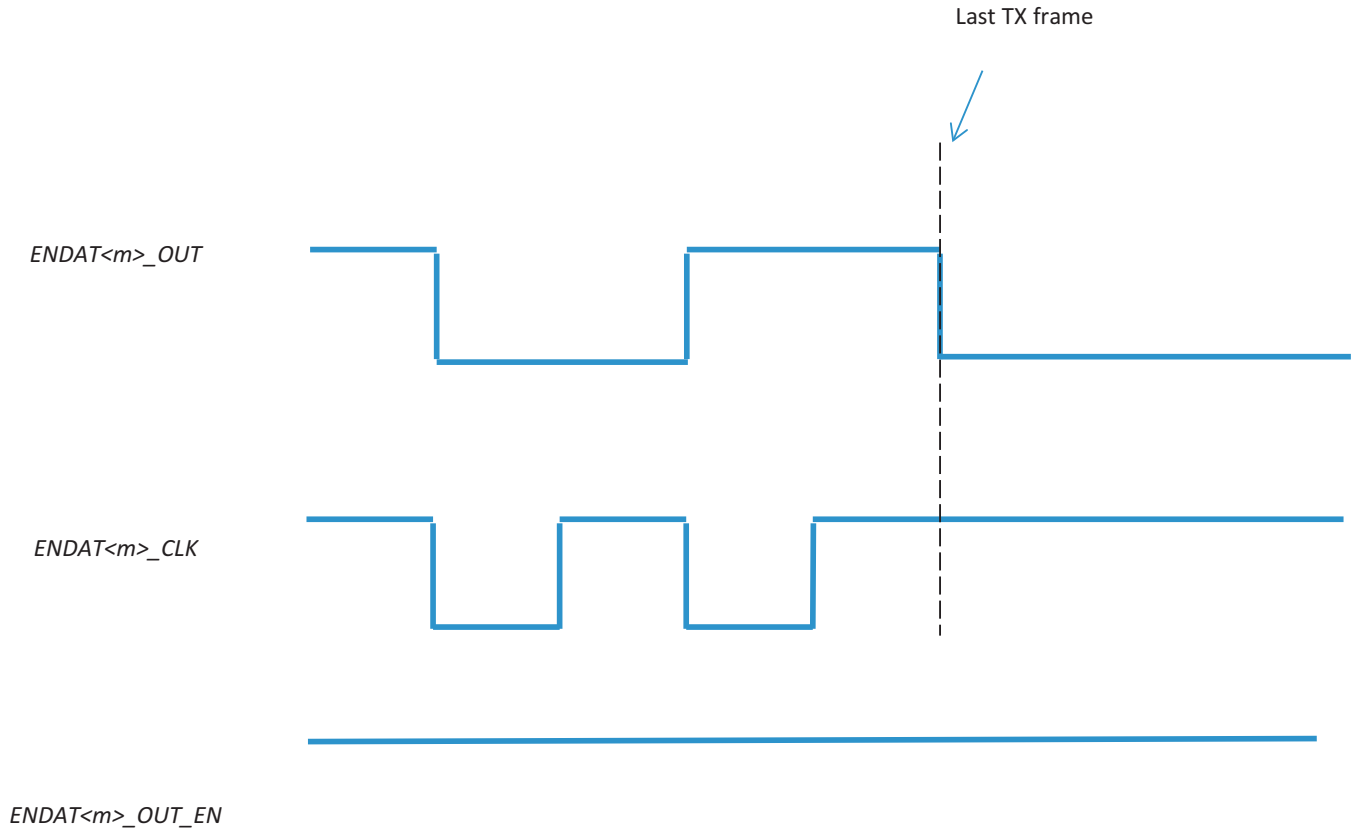


Figure 30-23. ENDAT<m>_CLK Stop High on Last TX Bit


30.5.2.2.3.6.4 Basic Programming Model

The following programming models assume that the PRU is configured for 3 Peripheral Mode ([PRUSS_GPCFG0/1](#) [PR1_PRUn_GP_MUX_SEL] = 0x1).

30.5.2.2.3.6.4.1 Clock Generation

Follow these steps to configure Peripheral I/F clocks using the HW control of the clock:

1. Select TX and RX clock sources:
 - a. PRUSS_ED_PRUn_TX_CFG_REGISTER [PRUn_ED_TX_CLK_SEL] for the TX clock source
 - b. PRUSS_ED_PRUn_RX_CFG_REGISTER [PRUn_ED_RX_CLK_SEL] for the RX clock source
2. Configure the 1x (TX) clock frequency:
 - a. Write Division Factor to PRUSS_ED_PRUn_TX_CFG_REGISTER [PRUn_ED_TX_DIV_FACTOR]
 - b. Write Fraction division factor to PRUSS_ED_PRUn_TX_CFG_REGISTER [PRUn_ED_TX_DIV_FACTOR_FRAC]
3. Configure the oversampling (RX) frequency and oversample size:
 - a. Write Division Factor to PRUSS_ED_PRUn_RX_CFG_REGISTER [PRUn_ED_RX_DIV_FACTOR]
 - b. Write Fraction division factor to PRUSS_ED_PRUn_RX_CFG_REGISTER [PRUn_ED_RX_DIV_FACTOR_FRAC]
 - c. Write RX oversample size to PRUSS_ED_PRUn_RX_CFG_REGISTER [PRUn_ED_RX_SAMPLE_SIZE]
4. Select the clk_mode to configure how the ENDAT<m>_CLK signal ends after TX/RX:
 - a. Write to r30[20:19] (clk_mode). Note the clk_mode setting can also be changed per transaction.
5. Configure the wire, tst, and rx_en_counter delay values:

- a. PRUSS_ED_PRUn_CHj_CFG0_REGISTER [PRUn_ED_TX_WDLy] for wire delay
- b. PRUSS_ED_PRUn_CHj_CFG1_REGISTER [PRUn_ED_TST_DELAY_COUNTER] for tst delay
- c. PRUSS_ED_PRUn_CHj_CFG1_REGISTER [PRUn_ED_RX_EN_COUNTER] for auto-delay between TX and RX

30.5.2.2.3.6.4.2 TX - Single Shot

Follow these steps to configure the Peripheral I/F channel(s) for a single shot transmission:

1. (Optional) Configure TX FIFO for MSB (default) or LSB:
 1. PRUSS_ED_PRUn_CHj_CFG0_REGISTER [PRUn_ED_TX_FIFO_SWAP_BITS]
2. Pre-load TX FIFO:
 1. Select TX channel by writing the desired channel number to R30[17:16] (tx_ch_sel)
 2. Write 1-4 bytes of data to r30[7:0] (tx_data). At each r30[7:0] write, data will be pushed into the FIFO.
 3. Repeat Steps 2a and 2b for all desired channels.
3. Configure TX frame size if less than 4 full bytes loaded into FIFO:
 1. PRUSS_ED_PRUn_CHj_CFG0_REGISTER [PRUn_ED_TX_FRAME_SIZE]
4. Push TX FIFO data to ENDAT<m>_OUT (see [Section 30.5.2.2.3.6.3.2](#) for the ENDAT<m>_CLK and ENDAT<m>_OUT start time relationship);
 1. To start TX on all channels, set r31[20] = 1 (tx_global_go).
 2. To start TX on individual channel:
 - i. Select TX channel by writing the desired channel number to R30[17:16] (tx_ch_sel)
 - ii. Set R31[18] = 1 (tx_channel_go)
5. If PRUSS_ED_PRUn_CHj_CFG0_REGISTER [PRUn_ED_RX_EN_COUNTER] > 0, then the channel will automatically switch into RX mode. See [Section 30.5.2.2.3.6.4.4](#) for an example of how to program and configure RX content.
6. If PRUSS_ED_PRUn_CHj_CFG0_REGISTER [PRUn_ED_RX_EN_COUNTER] = 0, poll either r31[21, 13, or 5] (tx_global_reinit_active/busy[2,1,0]) or PRUSS_ED_PRUn_TX_CFG_REGISTER [PRUn_ED_BUSY_i] for when TX is complete

NOTE: The ENDAT<m>_CLK Peripheral I/F requires that ENDAT<m>_CLK be in a high state at the beginning of a new transaction. If the clock ended the single shot transmission in low state, then the clock needs to be reset before sending more data. The steps to reset ENDAT<m>_CLK are:

1. Set R31[19] = 1 (tx_global_reinit) to reset clock high
 2. Wait until tx_busy<m> is cleared
 3. Re-configure R30[20:19] (clk_mode), since reinit will reset the clk_mode to "Free-running/stop-high" mode
-

30.5.2.2.3.6.4.3 TX - Continuous FIFO Loading

Follow these steps to configure the Peripheral I/F channel(s) for a continuous loading transmission:

1. (Optional) Configure TX FIFO for MSB (default) or LSB:
 - a. PRUSS_ED_PRUn_CHj_CFG0_REGISTER [PRUn_ED_TX_FIFO_SWAP_BITS]
2. Pre-load TX FIFO:
 - a. Select TX channel by writing the desired channel number to r30[17:16] (tx_ch_sel)
 - b. Write 1-4 bytes of data to r30[7:0] (tx_data). At each r30[7:0] write, data will be pushed into the FIFO.
 - c. Repeat Steps 2a and 2b for all desired channels.
3. Configure TX frame size to continuously transmit the TX FIFO until empty:

- a. Set PRUSS_ED_PRUn_CHj_CFG0_REGISTER [PRUn_ED_TX_FRAME_SIZE] = 0
4. Push TX FIFO data to ENDAT<m>_OUT (see [Section 30.5.2.2.3.6.3.2](#) for the ENDAT<m>_CLK and ENDAT<m>_OUT start time relationship):
 - a. To start TX on all channels, set r31[20] = 1 (tx_global_go).
 - b. To start TX on individual channel:
 - i. Select TX channel by writing the desired channel number to r30[17:16] (tx_ch_sel)
 - ii. Set r31[18] = 1 (tx_channel_go)
5. Monitor line rate and reload FIFO:
 - a. Polling r31[xx, 12:10, 4:2] (tx_fifo_sts<m>)
 - b. When FIFO level is at 2 bytes, load next 2 bytes of data (see Step 2). Do not let the FIFO get close to 0. Once the FIFO runs empty, the hardware will assume the PRU has reached end of the last transmit. Any new writes to the FIFO will not be sent until the software sends another tx_channel_go bit. Note there are also underrun and overrun error flags that can be monitored.
6. To end TX operation, do not send any new data to FIFO.
 - a. If PRUSS_ED_PRUn_CHj_CFG1_REGISTER [PRUn_ED_RX_EN_COUNTER] > 0, then the channel will automatically switch into RX mode. See [Section 30.5.2.2.3.6.4.4](#) for an example of how to program and configure RX content.
 - b. If PRUSS_ED_PRUn_CHj_CFG1_REGISTER [PRUn_ED_RX_EN_COUNTER] = 0, poll either r31[21, 13, or 5] (tx_global_reinit_active/busy[2,1,0]) or PRUSS_ED_PRUn_TX_CFG_REGISTER [PRUn_ED_BUSY_i] for when TX is complete

NOTE: The ENDAT<m>_CLK Peripheral I/F requires that ENDAT<m>_CLK be in a high state at the beginning of a new transaction. If the clock ended the continuous loading transmission in low state, then the clock needs to be reset before sending more data. The steps to reset ENDAT<m>_CLK are:

1. Set R31[19] = 1 (tx_global_reinit) to reset clock high
 2. Wait until tx_busy<m> is cleared
 3. Re-configure R30[20:19] (clk_mode), since reinit will reset the clk_mode to "Free-running/stop-high" mode
-

30.5.2.2.3.6.4.4 RX - Auto Arm or Non-Auto Arm

Follow these steps to configure the Peripheral I/F channel(s) to receive data:

1. Configure RX and frame size:
 - a. PRUSS_ED_PRUn_CHj_CFG0_REGISTER [PRUn_ED_RX_FRAME_SIZE]
2. To start ENDAT<m>_CLK:
 - a. For the non-auto arm use case, set r30[26, 25, 24] = 1 (rx_en<m>)
 - b. For the auto arm use case, rx_en<m> will be automatically enabled at the end of a TX operation when PRUSS_ED_PRUn_CHj_CFG1_REGISTER [PRUn_ED_RX_EN_COUNTER] > 0
3. RX FIFO will start filling on the first start bit (ENDAT<m>_IN = 1). The data will be captured on the positive edge of the ENDAT<m>_CLK and shifted into the LSB position of the 8-bit shadow register.
4. Poll for r31[26, 25, 24] (val<m>) assertion. The valid flag will be asserted when n bits of data (determined by PRUSS_ED_PRUn_RX_CFG_REGISTER [PRUn_ED_RX_SAMPLE_SIZE]) have been collected.
5. Fetch data by reading r31[23-16, 15-8, 7-0] (rx_data_out<m>). The data will remain constant for one data frame, and PRU must read data and clear valid flag within this time. Otherwise, an overflow will occur – r31[29, 28, 27] (ovf<m>) = 1 - indicating that val<m> has been continuously asserted for longer than one data frame.
6. The clock will be stopped based on the r30[20:19] (clk_mode) configured before the start of the RX operation.
7. Clear r30[26, 25, 24] (rx_en<m>) to disable RX mode. All counters and flags will be reset.

30.5.3 PRU Multiplier with Optional Accumulation (MPY/MAC)

This section describes the MAC (multiplier with optional accumulation) module integrated to PRU0 and PRU1 cores of PRU-ICSS1/PRU-ICSS2.

30.5.3.1 PRU MACs Overview

Each of the two PRU cores (PRU0 and PRU1) has a designated unsigned multiplier with optional accumulation (MPY/MAC). The MAC supports two modes of operation: Multiply Only and Multiply and Accumulate.

The MAC is directly connected with the PRU internal registers R25-R29 and uses the broadside load/store PRU interface and XFR instructions to both control and mode of the MAC and import the multiplication results into the PRU.

30.5.3.1.1 PRU MAC Key Features

The MPY/MAC instantiated separately to each PRU core (PRU0 and PRU1) features:

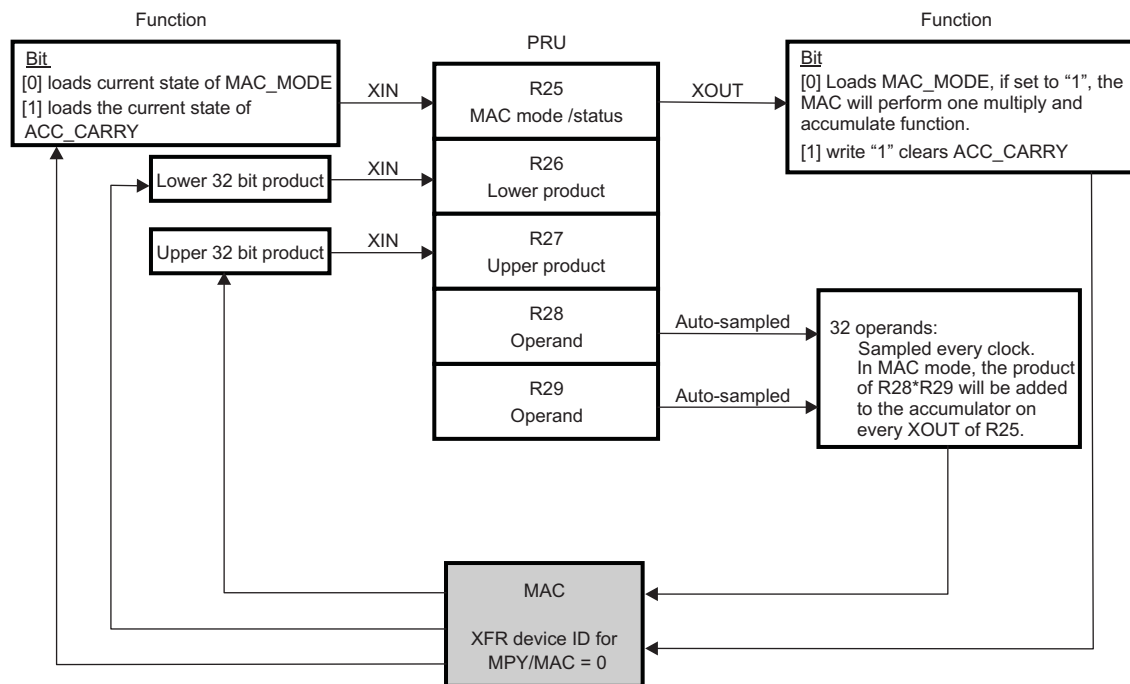
- Configurable Multiply Only and Multiply and Accumulate functionality via PRU register R25
- 32-bit operands with direct connection to PRU registers R28 and R29
- 64-bit result (with carry flag) with direct connection to PRU registers R26 and R27
- PRU broadside interface and XFR instructions (XIN, XOUT) allow for importing multiplication results and initiating accumulate function

30.5.3.1.2 PRU MAC Operations

30.5.3.1.2.1 PRU versus MAC Interface

The MAC directly connects with the PRU internal registers R25-R29 through use of the PRU broadside interface and XFR instructions. Figure 30-24 shows the functionality of each register.

Figure 30-24. Integration of the PRU and MPY/MAC



The XFR instructions (XIN and XOUT) are used to load/store register contents between the PRU core and the MAC. These instructions define the start, size, direction of the operation, and device ID. The device ID number corresponding to the MPY/MAC is shown in [Table 30-85](#).

Table 30-85. MPY/MAC XFR ID

Device ID	Function
0	Selects MPY/MAC

The PRU register R25 is mapped to the MAC_CTRL_STATUS register ([Table 30-86](#)). The MAC's current status (MAC_MODE and ACC_CARRY states) is loaded into R25 using the XIN command on R25. The PRU sets the MAC's mode and clears the ACC_CARRY using the XOUT command on R25.

Table 30-86. MAC_CTRL_STATUS Register (R25) Field Descriptions

Bit	Field	Description
7-2	RESERVED	Reserved
1	ACC_CARRY	Write 1 to clear. 0 - 64-bit accumulator carry has not occurred 1 - 64-bit accumulator carry occurred
0	MAC_MODE	0 - Accumulation mode disabled and accumulator is cleared 1 - Accumulation mode enabled

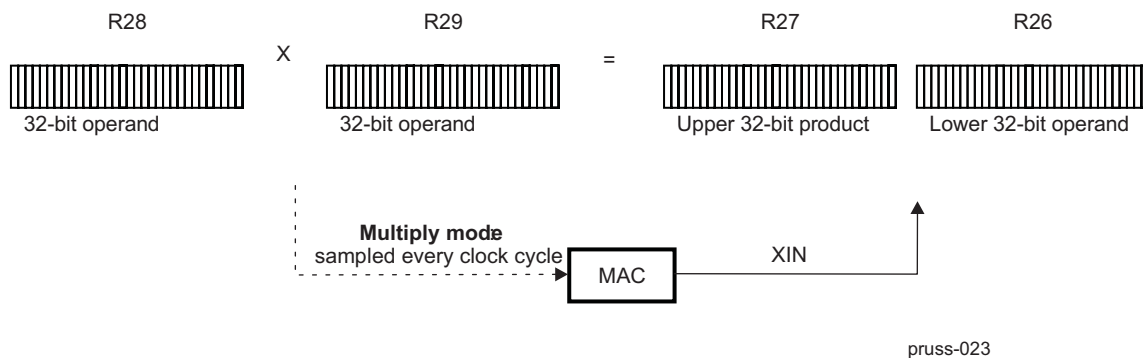
The two 32-bit operands for the multiplication are loaded into R28 and R29. These registers have a direction connection with the MAC. Therefore, XOUT is not required to load the MAC. In multiply mode, the MAC samples these registers every clock cycle. In multiply and accumulate mode, the MAC samples these registers every XOUT R25[7:0] transaction when MAC_MODE = 1.

The product from the MAC is linked to R26 (lower 32 bits) and R27 (upper 32 bits). The product is loaded into register R26 and R27 using XIN.

30.5.3.1.2.2 Multiply only mode(default state), MAC_MODE = 0

The [Figure 30-25](#) summarizes the MAC operation in "Multiply-only" mode, in which the MAC multiplies the contents of R28 and R29 on every clock cycle.

Figure 30-25. MAC Multiply-only Mode- Functional Diagram



pruss-023

30.5.3.1.2.2.1 Programming PRU MAC in "Multiply-ONLY" mode

The following steps are performed by the PRU firmware for multiply-only mode:

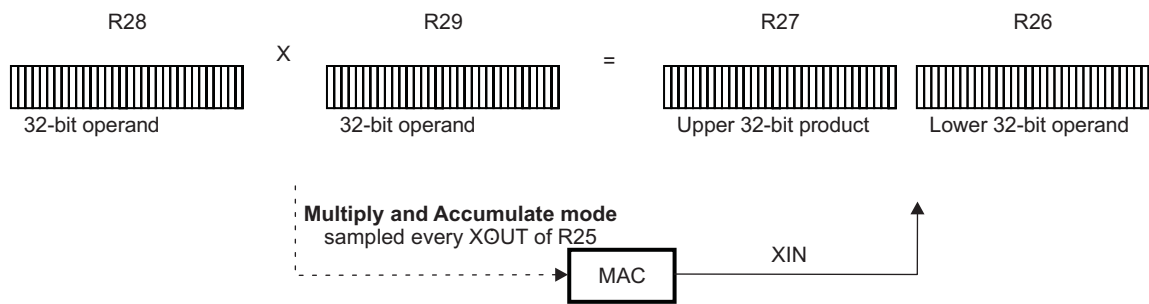
1. Enable multiply only MAC_MODE.
 1. Clear R25[0] for multiply only mode.
 2. Store MAC_MODE to MAC using XOUT instruction with the following parameters:
 - Device ID = 0
 - Base register = R25

- Size = 1
2. Load operands into R28 and R29.
 3. Delay at least 1 PRU cycle before executing XIN in step 4.
 4. Load product into PRU using XIN instruction on R26, R27.
- Repeat steps 2-4 for each new operand.

30.5.3.1.2.3 Multiply and Accumulate Mode, MAC_MODE = 1

The Figure 30-26 summarizes the MAC operation in "Multiply and Accumulate" mode. On every XOUT R25_REG[7:0] transaction, the MAC multiplies the contents of R28 and R29, adds the product to its accumulated result, and sets ACC_CARRY if an accumulation overflow occurs.

Figure 30-26. MAC Multiply and Accumulate Mode Functional Diagram



30.5.3.1.2.3.1 Programming PRU MAC in "Multiply and Accumulate" mode

The following steps are performed by the PRU firmware for multiply and accumulate mode:

1. Enable multiply and accumulate MAC_MODE.
 1. Set R25[1:0] = 1 for accumulate mode.
 2. Store MAC_MODE to MAC using XOUT instruction with the following parameters:
 - Device ID = 0
 - Base register = R25
 - Size = 1
2. Clear accumulator and carry flag.
 1. Set R25[1:0] = 3 to clear accumulator (R25[1]=1) and preserve accumulate mode (R25[0]=1).
 2. Store accumulator to MAC using XOUT instruction on R25.
3. Load operands into R28 and R29.
4. Multiply and accumulate, XOUT R25[1:0] = 1

Repeat step 4 for each multiply and accumulate using same operands.
Repeat step 3 and 4 for each multiply and accumulate for new operands.
5. Load the accumulated product into R26, R27, and the ACC_CARRY status into R25 using the XIN instruction.

NOTE: Steps one and two are required to set the accumulator mode and clear the accumulator and carry flag.

30.5.4 CRC16/32

The PRU0 and PRU1 cores of PRU-ICSS1/PRU-ICSS2 each have a designated CRC16/32 module.

In general, CRC adds error detection capability to communication systems. The CRC encoder appends redundant bits (or CRC bits) to the systematic data message. During reception of the data message, the received data is also encoded with the same CRC encoder. The 2 sets of CRC bits are compared together. If they match, there were no transmission errors; and if they don't match, a transmission error has been detected.

30.5.4.1 Features

CRC16/32 supports the following features:

- Supports CRC32:
 - $x^{32}+x^{26}+x^{23}+x^{22}+x^{16}+x^{12}+x^{11}+x^{10}+x^8+x^7+x^5+x^4+x^2+x+1$
- Supports CRC16:
 - $x^{16}+x^{15}+x^2+1$
- PRU broadside interface and XFR instructions (XIN, XOUT) allow for importing CRC results and executing accumulate function

30.5.4.2 PRU and CRC16/32 Interface

The CRC16/32 module directly connects with the PRU internal registers R25-R29 through use of the PRU broadside interface and XFR instructions. [Table 30-87](#) shows the functionality of each register.

The XFR instructions (XIN and XOUT) are used to load/store register contents between the PRU core and the CRC16/32 module. These instructions define the start, size, direction of the operation, and device ID. The XFR device ID number corresponding to the CRC16/32 module is 1.

Table 30-87. CRC Register to PRU Port Mapping

CRC Register	R/W	Description	PRU Mapping
CRC_CFG	W	bit [0] CRC32_ENABLE: 0: CRC16 mode is selected. Hardware will auto-set init state of CRC_SEED to 0x0000_0000. Note CRC16 result value is only 16-bits 1: CRC32 mode is selected. Hardware will auto-set init state of CRC_SEED will be 0xffff_ffff. Always write all 4 bytes.	R25_reg
CRC_DATA_8_BFLIP	R	8-bit flip of CRC_DATA. CRC_DATA_8_BFLIP has the same byte order as CRC_DATA[31:0], but each byte has all bits flipped. CRC_DATA_32_FLIP[7:0] = CRC_DATA[0:7] CRC_DATA_32_FLIP[15:8] = CRC_DATA[8:15] CRC_DATA_32_FLIP[23:16] = CRC_DATA[16:23] CRC_DATA_32_FLIP[31:24] = CRC_DATA[24:31] For CRC16, only CRC_DATA_8_BFLIP[15:0] are valid. No auto reset on CRC_DATA_8_BFLIP read.	R27_reg
CRC_SEED	W	CRC SEED value. Hardware will auto-initialize the CRC_SEED value to 0x0000_0000 for CRC16 and 0xFFFF_FFFF for CRC32. Software only needs to initialize CRC_SEED if a different default value is required. Always write 4 bytes. Note when CRC_CFG[CRC32_ENABLE] is enabled, the hardware will switch the CRC_SEED value to 0xFFFF_FFFF. Reading the CRC_DATA register will reset the CRC value to the CRC_SEED state.	R28_reg
CRC_DATA_32_BFLIP	R	Full 32-bit flip of CRC_DATA CRC_DATA_32_BFLIP[0] = CRC_DATA[31] ... CRC_DATA_32_BFLIP[31] = CRC_DATA[0] For CRC16, only CRC_DATA_32_BFLIP[31:16] are valid. No auto reset on CRC_DATA_32_BFLIP read.	R28_reg
CRC_DATA	RW	For Write, must use a fixed width throughout the session. The CRC module supports lower 8-bit, or lower 16-bit, or full 32-bit data widths. For Read, LSB or CRC_DATA[0] is first bit on the wire. Note for CRC16, only CRC_DATA[15:0] is valid. Hardware will delay CRC_DATA read operation up to 1 clock if it occurs back to back with a CRC_DATA write.	R29_reg

30.5.4.3 Programming Model

The following steps are performed by the PRU firmware to use the CRC module:

Step1: Configuration (optional)

1. Configure CRC type:
For CRC32 operation, set CRC32_ENABLE using XOUT instruction with the following parameters:
 - Device ID = 1
 - Base register = R25
 - Size = 1
2. Update CRC_SEED, if required using XOUT with the following parameters:
 - Device ID = 1
 - Base register = R28
 - Size = 1 to 4

Step 2:

1. Load new CRC data into R29
2. Push CRC data to the CRC16/32 module using XOUT with the following parameters:
 - Device ID = 1
 - Base register = R29
 - Size = 1 to 4
3. Load the accumulated CRC result into the PRU using the XIN instruction with the following parameters:
 - Device ID = 1
 - Base register = R29
 - Size = 4

Repeat Step 2, numbers 1 and 2 for each new CRC data.

NOTE: When a session starts, the PRU firmware must use the same write data width throughout the session.

30.5.5 PRU0 and PRU1 Scratch Pad Memory

The PRU-ICSS supports a scratch pad with three independent banks accessible by the PRU cores. The PRU cores interact with the scratch pad through broadside load/store PRU interface and XFR instructions. The scratch pad can be used as a temporary place holder for the register contents of the PRU cores. Direct connection between the PRU cores is also supported for transferring register contents directly between the cores. This section describes the Scratch Pad Memory shared between and directly accessible by the PRU0 and PRU1 cores, as well as the XFR direct method used by the PRU cores of the PRU-ICSS1 /PRU-ICSS2.

30.5.5.1 PRU0/1 Scratch Pad Overview

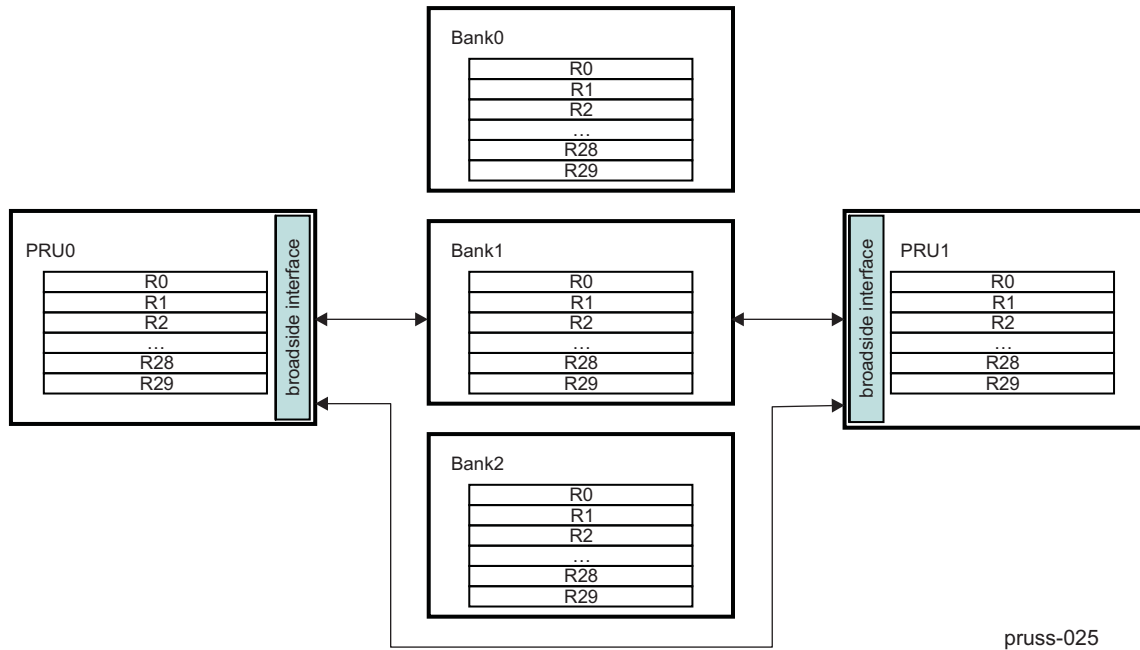
The PRU-ICSS scratch pad supports the following features:

- Three scratch pad banks of 30, 32-bit registers (R29:0)
- Flexible load/store options
 - User-defined start byte and length of the transfer
 - Length of transfer ranges from one byte of a register to the entire register content (R29 to R0)
 - Simultaneous transactions supported between PRU0 ↔ Bank<n> and PRU1 ↔ Bank<m>
 - Direct connection of PRU0 → PRU1 or PRU1 → PRU0 for all registers R29-R0
- XFR instructions operate in one clock cycle
- Optional XIN/XOUT shift functionality allows remapping of registers (R<n> → R<m>) during load/store

operation

Figure 30-27 shows a simplified model of the ScratchPad integration.

Figure 30-27. ScratchPad and PRU Integration



30.5.5.2 PRU0 /1 Scratch Pad Operations

XFR instructions are used to load/store register contents between the PRU cores and the scratch pad banks. These instructions define the start, size, direction of the operation, and device ID. The device ID corresponds to the external source or destination (either a scratch pad bank or the other PRU core). The device ID numbers are shown in Table 30-88. Note the direct connect mode (device ID 14) can be used to synchronize the PRU cores. This mode requires the transmitting PRU core to execute XOUT and the receiving PRU core to execute XIN.

Table 30-88. Scratch Pad XFR ID

Device ID	Function
10	Selects Bank0
11	Selects Bank1
12	Selects Bank2
13	Reserved
14	Selects other PRU core (Direct connect mode)

A collision occurs when two XOUT commands simultaneously access the same asset or device ID. Table 30-89 shows the priority assigned to each operation when a collision occurs. In direct connect mode (device ID 14), any PRU transaction will be terminated if the stall is greater than 1024 cycles. This will generate the event `pr<k>_xfr_timeout` that is connected to INTC.

Table 30-89. Scratch Pad XFR Collision and Stall Conditions

Operation	Collision and Stall Handling
PRU <n> XOUT (→) bank[j]	If both PRU cores access the same bank simultaneously, PRU0 is given priority. PRU1 will temporarily stall until the PRU0 operation completes.

Table 30-89. Scratch Pad XFR Collision and Stall Conditions (continued)

Operation	Collision and Stall Handling
PRU <n> XOUT (→) PRU<m>	Direct connect mode requires the transmitting core (PRU<n>) to execute XOUT and the receiving core (PRU<m>) to execute XIN. If PRU<n> executes XOUT before PRU<m> executes XIN, then PRU<n> will stall until either PRU<m> executes XIN or the stall is greater than 1024 cycles.
PRU<m> XIN (←) PRU<n>	Direct connect mode requires the transmitting core (PRU<n>) to execute XOUT and the receiving core (PRU<m>) to execute XIN. If PRU<m> executes XIN before PRU<n> executes XOUT, then PRU<m> will stall until either PRU<n> executes XOUT or the stall is greater than 1024 cycles.

30.5.5.2.1 Optional XIN/XOUT Shift

The optional XIN/XOUT shift functionality allows register contents to be remapped or shifted within the destination's register space. For example, the contents of PRU0 R6-R8 could be remapped to Bank1 R10-12. The XIN/XOUT shift feature is not supported for direct connect mode, only for transfers between a PRU core and scratch pad bank.

The shift feature is enabled or disabled through the PRU subsystem level register [PRUSS_SPP\[1\]](#) XFR_SHIFT_EN bit. When enabled, R0[4:0] (internal to the PRU) defines the number of 32-bit registers in which content is shifted in the scratch pad bank. Note that scratch pad banks do not have registers R30 or R31.

The following PRU firmware examples demonstrate the shift functionality. Note these assume the XFR_SHIFT_EN bit of the [PRUSS_SPP](#) register of the PRU-ICSS CFG register space has been set.

XOUT Shift By 4 Registers

Store R4:R7 to R8:R11 in bank0:

- Load 4 into R0.b0
- XOUT using the following parameters:
 - Device ID = 10
 - Base register = R4
 - Size = 16

XOUT Shift By 9 Registers, With Wrap Around

Store R25:R29 to R4:R8 in bank1:

- Load 9 into R0.b0
- XOUT using the following parameters:
 - Device ID = 11
 - Base register = R25
 - Size = 20

XIN Shift By 10 Registers

Load R14:R16 from bank2 to R4:R6:

- Load 10 into R0.b0
- XIN using the following parameters:
 - Device ID = 12
 - Base register = R4
 - Size = 12

30.5.6 PRUSS_PRU_CTRL Register Manual

This section describes the PRUSS PRU0 and PRU1 cores memory mapped registers.

30.5.6.1 PRUSS_PRU_CTRL Instance Summary

Table 30-90. PRUSS_PRU_CTRL Instance Summary

Module Name	Base Address	Size
PRUSS1_PRU0_CTRL	0x4B22 2000	48 Bytes
PRUSS1_PRU1_CTRL	0x4B22 4000	48 Bytes
PRUSS2_PRU0_CTRL	0x4B2A 2000	48 Bytes
PRUSS2_PRU1_CTRL	0x4B2A 4000	48 Bytes

30.5.6.2 PRUSS_PRU_CTRL Registers

30.5.6.2.1 PRUSS_PRU_CTRL Register Summary

Table 30-91. PRUSS1_PRun_CTRL Registers Mapping Summary

Register Name	Type	Register Width (Bits)	Address Offset	PRUSS1_PRU0_CTL RL Physical Address	PRUSS1_PRU1_CTL RL Physical Address
PRU_CONTROL	RW	32	0x0000 0000	0x4B22 2000	0x4B22 4000
PRU_STATUS	R	32	0x0000 0004	0x4B22 2004	0x4B22 4004
PRU_WAKEUP_EN	RW	32	0x0000 0008	0x4B22 2008	0x4B22 4008
PRU_CYCLE	RW	32	0x0000 000C	0x4B22 200C	0x4B22 400C
PRU_STALL	RW	32	0x0000 0010	0x4B22 2010	0x4B22 4010
PRU_CTBIRO	RW	32	0x0000 0020	0x4B22 2020	0x4B22 4020
PRU_CTBIRO1	RW	32	0x0000 0024	0x4B22 2024	0x4B22 4024
PRU_CTPPR0	RW	32	0x0000 0028	0x4B22 2028	0x4B22 4028
PRU_CTPPR1	RW	32	0x0000 002C	0x4B22 202C	0x4B22 402C

Table 30-92. PRUSS2_PRun_CTRL Registers Mapping Summary

Register Name	Type	Register Width (Bits)	Address Offset	PRUSS2_PRU0_CTL RL Physical Address	PRUSS2_PRU1_CTL RL Physical Address
PRU_CONTROL	RW	32	0x0000 0000	0x4B2A 2000	0x4B2A 4000
PRU_STATUS	R	32	0x0000 0004	0x4B2A 2004	0x4B2A 4004
PRU_WAKEUP_EN	RW	32	0x0000 0008	0x4B2A 2008	0x4B2A 4008
PRU_CYCLE	RW	32	0x0000 000C	0x4B2A 200C	0x4B2A 400C
PRU_STALL	RW	32	0x0000 0010	0x4B2A 2010	0x4B2A 4010
PRU_CTBIRO	RW	32	0x0000 0020	0x4B2A 2020	0x4B2A 4020
PRU_CTBIRO1	RW	32	0x0000 0024	0x4B2A 2024	0x4B2A 4024
PRU_CTPPR0	RW	32	0x0000 0028	0x4B2A 2028	0x4B2A 4028
PRU_CTPPR1	RW	32	0x0000 002C	0x4B2A 202C	0x4B2A 402C

30.5.6.2.2 PRUSS_PRU_CTRL Register Description

Table 30-93. PRU_CONTROL

Address Offset	Physical Address	Instance
0x0000 0000	0x4B22 2000	PRUSS1_PRU0_CTRL
	0x4B22 4000	PRUSS1_PRU1_CTRL
	0x4B2A 2000	PRUSS2_PRU0_CTRL
	0x4B2A 4000	PRUSS2_PRU1_CTRL

Table 30-93. PRU_CONTROL (continued)

Description	CONTROL REGISTER
Type	RW

31	30	29	28	27	26	25	24	23	22	21	20	19	18	17	16	15	14	13	12	11	10	9	8	7	6	5	4	3	2	1	0
PCOUNTER_RST_VAL																RUNSTATE	BIG_ENDIAN	RESERVED					SINGLE_STEP	RESERVED			COUNTER_ENABLE	SLEEPING	ENABLE	SOFT_RST_N	

Bits	Field Name	Description	Type	Reset
31:16	PCOUNTER_RST_VAL	Program Counter Reset Value: This field controls the address where the PRU will start executing code from after it is taken out of reset.	RW	0x0
15	RUNSTATE	Run State: This bit indicates whether the PRU is currently executing an instruction or is halted. 0 = PRU is halted and host has access to the instruction RAM and debug registers regions. 1 = PRU is currently running and the host is locked out of the instruction RAM and debug registers regions. This bit is used by an external debug agent to know when the PRU has actually halted when waiting for a HALT instruction to execute, a single step to finish, or any other time when the pru_enable has been cleared.	R	0x0
14	BIG_ENDIAN		R	0x0
13:9	RESERVED		R	0x0
8	SINGLE_STEP	Single Step Enable: This bit controls whether or not the PRU will only execute a single instruction when enabled. 0 = PRU will free run when enabled. 1 = PRU will execute a single instruction and then the pru_enable bit will be cleared. Note that this bit does not actually enable the PRU, it only sets the policy for how much code will be run after the PRU is enabled. The pru_enable bit must be explicitly asserted. It is legal to initialize both the single_step and pru_enable bits simultaneously. (Two independent writes are not required to cause the stated functionality.)	RW	0x0
7:4	RESERVED		R	0x0
3	COUNTER_ENABLE	PRU Cycle Counter Enable: Enables PRU cycle counters. 0 = Counters not enabled 1 = Counters enabled	RW	0x0
2	SLEEPING	PRU Sleep Indicator: This bit indicates whether or not the PRU is currently asleep. 0 = PRU is not asleep 1 = PRU is asleep If this bit is written to a 0, the PRU will be forced to power up from sleep mode.	RW	0x0

Bits	Field Name	Description	Type	Reset
1	ENABLE	Processor Enable: This bit controls whether or not the PRU is allowed to fetch new instructions. 0 = PRU is disabled. 1 = PRU is enabled. If this bit is de-asserted while the PRU is currently running and has completed the initial cycle of a multi-cycle instruction (LBxO,SBxO,SCAN, etc.), the current instruction will be allowed to complete before the PRU pauses execution. Otherwise, the PRU will halt immediately. Because of the unpredictability timing sensitivity of the instruction execution loop, this bit is not a reliable indication of whether or not the PRU is currently running. The pru_state bit should be consulted for an absolute indication of the run state of the core. When the PRU is halted, its internal state remains coherent therefore this bit can be reasserted without issuing a software reset and the PRU will resume processing exactly where it left off in the instruction stream.	RW	0x0
0	SOFT_RST_N	Soft Reset: When this bit is cleared, the PRU will be reset. This bit is set back to 1 on the next cycle after it has been cleared.	RW	0x1

Table 30-94. Register Call Summary for Register PRU_CONTROL

PRU-ICSS PRU Cores

- [PRUSS_PRU_CTRL Register Summary: \[0\]\[1\]](#)

Table 30-95. PRU_STATUS

Address Offset	0x0000 0004	Instance	PRUSS1_PRU0_CTRL PRUSS1_PRU1_CTRL PRUSS2_PRU0_CTRL PRUSS2_PRU1_CTRL
Physical Address	0x4B22 2004 0x4B22 4004 0x4B2A 2004 0x4B2A 4004		
Description	STATUS REGISTER		
Type	R		

31	30	29	28	27	26	25	24	23	22	21	20	19	18	17	16	15	14	13	12	11	10	9	8	7	6	5	4	3	2	1	0
RESERVED																PCOUNTER															

Bits	Field Name	Description	Type	Reset
31:16	RESERVED		R	0x0000
15:0	PCOUNTER	Program Counter: This field is a registered (1 cycle delayed) reflection of the PRU program counter. Note that the PC is an instruction address where each instruction is a 32 bit word. This is not a byte address and to compute the byte address just multiply the PC by 4 (PC of 2 = byte address of 0x8, or PC of 8 = byte address of 0x20).	R	0x0

Table 30-96. Register Call Summary for Register PRU_STATUS

PRU-ICSS PRU Cores

- [PRUSS_PRU_CTRL Register Summary: \[0\]\[1\]](#)

Table 30-97. PRU_WAKEUP_EN

Address Offset	0x0000 0008		
Physical Address	0x4B22 2008 0x4B22 4008 0x4B2A 2008 0x4B2A 4008	Instance	PRUSS1_PRU0_CTRL PRUSS1_PRU1_CTRL PRUSS2_PRU0_CTRL PRUSS2_PRU1_CTRL
Description	WAKEUP ENABLE REGISTER		
Type	RW		

31	30	29	28	27	26	25	24	23	22	21	20	19	18	17	16	15	14	13	12	11	10	9	8	7	6	5	4	3	2	1	0
BITWISE_ENABLES																															

Bits	Field Name	Description	Type	Reset
31:0	BITWISE_ENABLES	Wakeup Enables: This field is ANDed with the incoming R31 status inputs (whose bit positions were specified in the stmap parameter) to produce a vector which is unary ORed to produce the status_wakeup source for the core. Setting any bit in this vector will allow the corresponding status input to wake up the core when it is asserted high. The PRU should set this enable vector prior to executing a SLP (sleep) instruction to ensure that the desired sources can wake up the core.	RW	0x0

Table 30-98. Register Call Summary for Register PRU_WAKEUP_EN

PRU-ICSS PRU Cores

- [PRUSS_PRU_CTRL Register Summary: \[0\]\[1\]](#)

Table 30-99. PRU_CYCLE

Address Offset	0x0000 000C		
Physical Address	0x4B22 200C 0x4B22 400C 0x4B2A 200C 0x4B2A 400C	Instance	PRUSS1_PRU0_CTRL PRUSS1_PRU1_CTRL PRUSS2_PRU0_CTRL PRUSS2_PRU1_CTRL
Description	CYCLE COUNT. This register counts the number of cycles for which the PRU has been enabled.		
Type	RW		

31	30	29	28	27	26	25	24	23	22	21	20	19	18	17	16	15	14	13	12	11	10	9	8	7	6	5	4	3	2	1	0
CYCLECOUNT																															

Bits	Field Name	Description	Type	Reset
31:0	CYCLECOUNT	This value is incremented by 1 for every cycle during which the PRU is enabled and the counter is enabled (both bits ENABLE and COUNTENABLE set in the PRU control register). Counting halts while the PRU is disabled or counter is disabled, and resumes when re-enabled. Counter clears the COUNTENABLE bit in the PRU control register when the count reaches 0xFFFFFFFF. (Count does not wrap). The register can be read at any time. The register can be cleared when the counter or PRU is disabled. Clearing this register also clears the PRU Stall Count Register.	RW	0x0

Table 30-100. Register Call Summary for Register PRU_CYCLE

PRU-ICSS PRU Cores

- [PRUSS_PRU_CTRL Register Summary: \[0\]\[1\]](#)

Table 30-101. PRU_STALL

Address Offset	0x0000 0010		
Physical Address	0x4B22 2010 0x4B22 4010 0x4B2A 2010 0x4B2A 4010	Instance	PRUSS1_PRU0_CTRL PRUSS1_PRU1_CTRL PRUSS2_PRU0_CTRL PRUSS2_PRU1_CTRL
Description	STALL COUNT. This register counts the number of cycles for which the PRU has been enabled, but unable to fetch a new instruction. It is linked to the Cycle Count Register (0x0C) such that this register reflects the stall cycles measured over the same cycles as counted by the cycle count register. Thus the value of this register is always less than or equal to cycle count.		
Type	RW		

31	30	29	28	27	26	25	24	23	22	21	20	19	18	17	16	15	14	13	12	11	10	9	8	7	6	5	4	3	2	1	0
STALLCOUNT																															

Bits	Field Name	Description	Type	Reset
31:0	STALLCOUNT	This value is incremented by 1 for every cycle during which the PRU is enabled and the counter is enabled (both bits ENABLE and COUNTENABLE set in the PRU control register), and the PRU was unable to fetch a new instruction for any reason.	RW	0x0

Table 30-102. Register Call Summary for Register PRU_STALL

PRU-ICSS PRU Cores

- [PRUSS_PRU_CTRL Register Summary: \[0\]\[1\]](#)

Table 30-103. PRU_CTBIRO

Address Offset	0x0000 0020		
Physical Address	0x4B22 2020 0x4B22 4020 0x4B2A 2020 0x4B2A 4020	Instance	PRUSS1_PRU0_CTRL PRUSS1_PRU1_CTRL PRUSS2_PRU0_CTRL PRUSS2_PRU1_CTRL
Description	CONSTANT TABLE BLOCK INDEX REGISTER 0. This register is used to set the block indices which are used to modify entries 24 and 25 in the PRU Constant Table. This register can be written by the PRU whenever it needs to change to a new base pointer for a block in the State Scratchpad RAM. This function is useful since the PRU is often processing multiple processing threads which require it to change contexts. The PRU can use this register to avoid requiring excessive amounts of code for repetitive context switching.		
Type	RW		

31	30	29	28	27	26	25	24	23	22	21	20	19	18	17	16	15	14	13	12	11	10	9	8	7	6	5	4	3	2	1	0
RESERVED								C25_BLK_INDEX								RESERVED								C24_BLK_INDEX							

Bits	Field Name	Description	Type	Reset
31:24	RESERVED		R	0x00
23:16	C25_BLK_INDEX	PRU Constant Entry 25 Block Index: This field sets the value that will appear in bits 11:8 of entry 25 in the PRU Constant Table.	RW	0x0
15:8	RESERVED		R	0x00
7:0	C24_BLK_INDEX	PRU Constant Entry 24 Block Index: This field sets the value that will appear in bits 11:8 of entry 24 in the PRU Constant Table.	RW	0x0

Table 30-104. Register Call Summary for Register PRU_CTBIRO

PRU-ICSS PRU Cores

- [PRUSS_PRU_CTRL Register Summary: \[0\]\[1\]](#)

Table 30-105. PRU_CTBIRO

Address Offset	0x0000 0024		
Physical Address	0x4B22 2024 0x4B22 4024 0x4B2A 2024 0x4B2A 4024	Instance	PRUSS1_PRU0_CTRL PRUSS1_PRU1_CTRL PRUSS2_PRU0_CTRL PRUSS2_PRU1_CTRL
Description	CONSTANT TABLE BLOCK INDEX REGISTER 1. This register is used to set the block indices which are used to modify entries 26 and 27 in the PRU Constant Table. This register can be written by the PRU whenever it needs to change to a new base pointer for a block in the State Scratchpad RAM. This function is useful since the PRU is often processing multiple processing threads which require it to change contexts. The PRU can use this register to avoid requiring excessive amounts of code for repetitive context switching.		
Type	RW		

31	30	29	28	27	26	25	24	23	22	21	20	19	18	17	16	15	14	13	12	11	10	9	8	7	6	5	4	3	2	1	0
RESERVED								C27_BLK_INDEX								RESERVED								C26_BLK_INDEX							

Bits	Field Name	Description	Type	Reset
31:24	RESERVED		R	0x00
23:16	C27_BLK_INDEX	PRU Constant Entry 27 Block Index: This field sets the value that will appear in bits 11:8 of entry 27 in the PRU Constant Table.	RW	0x0
15:8	RESERVED		R	0x00
7:0	C26_BLK_INDEX	PRU Constant Entry 26 Block Index: This field sets the value that will appear in bits 11:8 of entry 26 in the PRU Constant Table.	RW	0x0

Table 30-106. Register Call Summary for Register PRU_CTBIRO

PRU-ICSS PRU Cores

- [PRUSS_PRU_CTRL Register Summary: \[0\]\[1\]](#)

Table 30-107. PRU_CTPPRO

Address Offset	0x0000 0028		
Physical Address	0x4B22 2028 0x4B22 4028 0x4B2A 2028 0x4B2A 4028	Instance	PRUSS1_PRU0_CTRL PRUSS1_PRU1_CTRL PRUSS2_PRU0_CTRL PRUSS2_PRU1_CTRL
Description	CONSTANT TABLE PROGRAMMABLE POINTER REGISTER 0. This register allows the PRU to set up the 256-byte page index for entries 28 and 29 in the PRU Constant Table which serve as general purpose pointers which can be configured to point to any locations inside the session router address map. This register is useful when the PRU needs to frequently access certain structures inside the session router address space whose locations are not hard coded such as tables in scratchpad memory.		
Type	RW		

31	30	29	28	27	26	25	24	23	22	21	20	19	18	17	16	15	14	13	12	11	10	9	8	7	6	5	4	3	2	1	0
C29_POINTER								C28_POINTER																							

Bits	Field Name	Description	Type	Reset
31:16	C29_POINTER	PRU Constant Entry 29 Pointer: This field sets the value that will appear in bits 23:8 of entry 29 in the PRU Constant Table.	RW	0x0
15:0	C28_POINTER	PRU Constant Entry 28 Pointer: This field sets the value that will appear in bits 23:8 of entry 28 in the PRU Constant Table.	RW	0x0

Table 30-108. Register Call Summary for Register PRU_CTPPR0

PRU-ICSS PRU Cores

- [PRUSS_PRU_CTRL Register Summary: \[0\]\[1\]](#)

Table 30-109. PRU_CTPPR1

Address Offset	0x0000 002C	Instance	PRUSS1_PRU0_CTRL PRUSS1_PRU1_CTRL PRUSS2_PRU0_CTRL PRUSS2_PRU1_CTRL
Physical Address	0x4B22 202C 0x4B22 402C 0x4B2A 202C 0x4B2A 402C		
Description	CONSTANT TABLE PROGRAMMABLE POINTER REGISTER 1. This register functions the same as the PRU Constant Table Programmable Pointer Register 0 but allows the PRU to control entries 30 and 31 in the PRU Constant Table.		
Type	RW		

31	30	29	28	27	26	25	24	23	22	21	20	19	18	17	16	15	14	13	12	11	10	9	8	7	6	5	4	3	2	1	0
C31_POINTER																C30_POINTER															

Bits	Field Name	Description	Type	Reset
31:16	C31_POINTER	PRU Constant Entry 31 Pointer: This field sets the value that will appear in bits 23:8 of entry 31 in the PRU Constant Table.	RW	0x0
15:0	C30_POINTER	PRU Constant Entry 30 Pointer: This field sets the value that will appear in bits 23:8 of entry 30 in the PRU Constant Table.	RW	0x0

Table 30-110. Register Call Summary for Register PRU_CTPPR1

PRU-ICSS PRU Cores

- [PRUSS_PRU_CTRL Register Summary: \[0\]\[1\]](#)

30.5.7 PRUSS_PRU_DEBUG Register Manual

30.5.7.1 PRUSS_PRU_DEBUG Instance Summary

Table 30-111. PRUSS_PRU_DEBUG Instances Summary

Module Name	Base Address	Size
PRUSS1_PRU0_DEBUG	0x20AA 2400	144 Bytes
PRUSS1_PRU1_DEBUG	0x20AA 4400	144 Bytes
PRUSS2_PRU0_DEBUG	0x20AE 2400	144 Bytes
PRUSS2_PRU1_DEBUG	0x20AE 4400	144 Bytes

30.5.7.2 PRUSS_PRU_DEBUG Registers

30.5.7.2.1 PRUSS_PRU_DEBUG Register Summary

Table 30-112. PRUSS1_PRU_DEBUG Registers Mapping Summary

Acronym	Type	Register Width (Bits)	Address Offset	PRUSS1_PRU0_D EBUG Physical Address	PRUSS1_PRU1_D EBUG Physical Address
PRUSS_DBG_GPREG0	RW	32	0x0000 0000	0x20AA 2400	0x20AA 4400
PRUSS_DBG_GPREG1	RW	32	0x0000 0004	0x20AA 2404	0x20AA 4404
PRUSS_DBG_GPREG2	RW	32	0x0000 0008	0x20AA 2408	0x20AA 4408
PRUSS_DBG_GPREG3	RW	32	0x0000 000C	0x20AA 240C	0x20AA 440C
PRUSS_DBG_GPREG4	RW	32	0x0000 0010	0x20AA 2410	0x20AA 4410
PRUSS_DBG_GPREG5	RW	32	0x0000 0014	0x20AA 2414	0x20AA 4414
PRUSS_DBG_GPREG6	RW	32	0x0000 0018	0x20AA 2418	0x20AA 4418
PRUSS_DBG_GPREG7	RW	32	0x0000 001C	0x20AA 241C	0x20AA 441C
PRUSS_DBG_GPREG8	RW	32	0x0000 0020	0x20AA 2420	0x20AA 4420
PRUSS_DBG_GPREG9	RW	32	0x0000 0024	0x20AA 2424	0x20AA 4424
PRUSS_DBG_GPREG10	RW	32	0x0000 0028	0x20AA 2428	0x20AA 4428
PRUSS_DBG_GPREG11	RW	32	0x0000 002C	0x20AA 242C	0x20AA 442C
PRUSS_DBG_GPREG12	RW	32	0x0000 0030	0x20AA 2430	0x20AA 4430
PRUSS_DBG_GPREG13	RW	32	0x0000 0034	0x20AA 2434	0x20AA 4434
PRUSS_DBG_GPREG14	RW	32	0x0000 0038	0x20AA 2438	0x20AA 4438
PRUSS_DBG_GPREG15	RW	32	0x0000 003C	0x20AA 243C	0x20AA 443C
PRUSS_DBG_GPREG16	RW	32	0x0000 0040	0x20AA 2440	0x20AA 4440
PRUSS_DBG_GPREG17	RW	32	0x0000 0044	0x20AA 2444	0x20AA 4444
PRUSS_DBG_GPREG18	RW	32	0x0000 0048	0x20AA 2448	0x20AA 4448
PRUSS_DBG_GPREG19	RW	32	0x0000 004C	0x20AA 244C	0x20AA 444C
PRUSS_DBG_GPREG20	RW	32	0x0000 0050	0x20AA 2450	0x20AA 4450
PRUSS_DBG_GPREG21	RW	32	0x0000 0054	0x20AA 2454	0x20AA 4454
PRUSS_DBG_GPREG22	RW	32	0x0000 0058	0x20AA 2458	0x20AA 4458
PRUSS_DBG_GPREG23	RW	32	0x0000 005C	0x20AA 245C	0x20AA 445C
PRUSS_DBG_GPREG24	RW	32	0x0000 0060	0x20AA 2460	0x20AA 4460
PRUSS_DBG_GPREG25	RW	32	0x0000 0064	0x20AA 2464	0x20AA 4464
PRUSS_DBG_GPREG26	RW	32	0x0000 0068	0x20AA 2468	0x20AA 4468
PRUSS_DBG_GPREG27	RW	32	0x0000 006C	0x20AA 246C	0x20AA 446C
PRUSS_DBG_GPREG28	RW	32	0x0000 0070	0x20AA 2470	0x20AA 4470
PRUSS_DBG_GPREG29	RW	32	0x0000 0074	0x20AA 2474	0x20AA 4474
PRUSS_DBG_GPREG30	RW	32	0x0000 0078	0x20AA 2478	0x20AA 4478
PRUSS_DBG_GPREG31	RW	32	0x0000 007C	0x20AA 247C	0x20AA 447C
PRUSS_DBG_CT_REG0	R	32	0x0000 0080	0x20AA 2480	0x20AA 4480
PRUSS_DBG_CT_REG1	R	32	0x0000 0084	0x20AA 2484	0x20AA 4484
PRUSS_DBG_CT_REG2	R	32	0x0000 0088	0x20AA 2488	0x20AA 4488
PRUSS_DBG_CT_REG3	R	32	0x0000 008C	0x20AA 248C	0x20AA 448C
PRUSS_DBG_CT_REG4	R	32	0x0000 0090	0x20AA 2490	0x20AA 4490
PRUSS_DBG_CT_REG5	R	32	0x0000 0094	0x20AA 2494	0x20AA 4494
PRUSS_DBG_CT_REG6	R	32	0x0000 0098	0x20AA 2498	0x20AA 4498
PRUSS_DBG_CT_REG7	R	32	0x0000 009C	0x20AA 249C	0x20AA 449C
PRUSS_DBG_CT_REG8	R	32	0x0000 00A0	0x20AA 24A0	0x20AA 44A0
PRUSS_DBG_CT_REG9	R	32	0x0000 00A4	0x20AA 24A4	0x20AA 44A4

Table 30-112. PRUSS1_PRU_DEBUG Registers Mapping Summary (continued)

Acronym	Type	Register Width (Bits)	Address Offset	PRUSS1_PRU0_D EBUG Physical Address	PRUSS1_PRU1_D EBUG Physical Address
PRUSS_DBG_CT_REG10	R	32	0x0000 00A8	0x20AA 24A8	0x20AA 44A8
PRUSS_DBG_CT_REG11	R	32	0x0000 00AC	0x20AA 24AC	0x20AA 44AC
PRUSS_DBG_CT_REG12	R	32	0x0000 00B0	0x20AA 24B0	0x20AA 44B0
PRUSS_DBG_CT_REG13	R	32	0x0000 00B4	0x20AA 24B4	0x20AA 44B4
PRUSS_DBG_CT_REG14	R	32	0x0000 00B8	0x20AA 24B8	0x20AA 44B8
PRUSS_DBG_CT_REG15	R	32	0x0000 00BC	0x20AA 24BC	0x20AA 44BC
PRUSS_DBG_CT_REG16	R	32	0x0000 00C0	0x20AA 24C0	0x20AA 44C0
PRUSS_DBG_CT_REG17	R	32	0x0000 00C4	0x20AA 24C4	0x20AA 44C4
PRUSS_DBG_CT_REG18	R	32	0x0000 00C8	0x20AA 24C8	0x20AA 44C8
PRUSS_DBG_CT_REG19	R	32	0x0000 00CC	0x20AA 24CC	0x20AA 44CC
PRUSS_DBG_CT_REG20	R	32	0x0000 00D0	0x20AA 24D0	0x20AA 44D0
PRUSS_DBG_CT_REG21	R	32	0x0000 00D4	0x20AA 24D4	0x20AA 44D4
PRUSS_DBG_CT_REG22	R	32	0x0000 00D8	0x20AA 24D8	0x20AA 44D8
PRUSS_DBG_CT_REG23	R	32	0x0000 00DC	0x20AA 24DC	0x20AA 44DC
PRUSS_DBG_CT_REG24	R	32	0x0000 00E0	0x20AA 24E0	0x20AA 44E0
PRUSS_DBG_CT_REG25	R	32	0x0000 00E4	0x20AA 24E4	0x20AA 44E4
PRUSS_DBG_CT_REG26	R	32	0x0000 00E8	0x20AA 24E8	0x20AA 44E8
PRUSS_DBG_CT_REG27	R	32	0x0000 00EC	0x20AA 24EC	0x20AA 44EC
PRUSS_DBG_CT_REG28	R	32	0x0000 00F0	0x20AA 24F0	0x20AA 44F0
PRUSS_DBG_CT_REG29	R	32	0x0000 00F4	0x20AA 24F4	0x20AA 44F4
PRUSS_DBG_CT_REG30	R	32	0x0000 00F8	0x20AA 24F8	0x20AA 44F8
PRUSS_DBG_CT_REG31	R	32	0x0000 00FC	0x20AA 24FC	0x20AA 44FC

Table 30-113. PRUSS2_PRU_DEBUG Registers Mapping Summary

Acronym	Type	Register Width (Bits)	Address Offset	PRUSS2_PRU0_D EBUG Physical Address	PRUSS2_PRU1_D EBUG Physical Address
PRUSS_DBG_GPREG0	RW	32	0x0000 0000	0x20AE 2400	0x20AE 4400
PRUSS_DBG_GPREG1	RW	32	0x0000 0004	0x20AE 2404	0x20AE 4404
PRUSS_DBG_GPREG2	RW	32	0x0000 0008	0x20AE 2408	0x20AE 4408
PRUSS_DBG_GPREG3	RW	32	0x0000 000C	0x20AE 240C	0x20AE 440C
PRUSS_DBG_GPREG4	RW	32	0x0000 0010	0x20AE 2410	0x20AE 4410
PRUSS_DBG_GPREG5	RW	32	0x0000 0014	0x20AE 2414	0x20AE 4414
PRUSS_DBG_GPREG6	RW	32	0x0000 0018	0x20AE 2418	0x20AE 4418
PRUSS_DBG_GPREG7	RW	32	0x0000 001C	0x20AE 241C	0x20AE 441C
PRUSS_DBG_GPREG8	RW	32	0x0000 0020	0x20AE 2420	0x20AE 4420
PRUSS_DBG_GPREG9	RW	32	0x0000 0024	0x20AE 2424	0x20AE 4424
PRUSS_DBG_GPREG10	RW	32	0x0000 0028	0x20AE 2428	0x20AE 4428
PRUSS_DBG_GPREG11	RW	32	0x0000 002C	0x20AE 242C	0x20AE 442C
PRUSS_DBG_GPREG12	RW	32	0x0000 0030	0x20AE 2430	0x20AE 4430
PRUSS_DBG_GPREG13	RW	32	0x0000 0034	0x20AE 2434	0x20AE 4434
PRUSS_DBG_GPREG14	RW	32	0x0000 0038	0x20AE 2438	0x20AE 4438
PRUSS_DBG_GPREG15	RW	32	0x0000 003C	0x20AE 243C	0x20AE 443C
PRUSS_DBG_GPREG16	RW	32	0x0000 0040	0x20AE 2440	0x20AE 4440
PRUSS_DBG_GPREG17	RW	32	0x0000 0044	0x20AE 2444	0x20AE 4444
PRUSS_DBG_GPREG18	RW	32	0x0000 0048	0x20AE 2448	0x20AE 4448

Table 30-113. PRUSS2_PRU_DEBUG Registers Mapping Summary (continued)

Acronym	Type	Register Width (Bits)	Address Offset	PRUSS2_PRU0_D EBUG Physical Address	PRUSS2_PRU1_D EBUG Physical Address
PRUSS_DBG_GPREG19	RW	32	0x0000 004C	0x20AE 244C	0x20AE 444C
PRUSS_DBG_GPREG20	RW	32	0x0000 0050	0x20AE 2450	0x20AE 4450
PRUSS_DBG_GPREG21	RW	32	0x0000 0054	0x20AE 2454	0x20AE 4454
PRUSS_DBG_GPREG22	RW	32	0x0000 0058	0x20AE 2458	0x20AE 4458
PRUSS_DBG_GPREG23	RW	32	0x0000 005C	0x20AE 245C	0x20AE 445C
PRUSS_DBG_GPREG24	RW	32	0x0000 0060	0x20AE 2460	0x20AE 4460
PRUSS_DBG_GPREG25	RW	32	0x0000 0064	0x20AE 2464	0x20AE 4464
PRUSS_DBG_GPREG26	RW	32	0x0000 0068	0x20AE 2468	0x20AE 4468
PRUSS_DBG_GPREG27	RW	32	0x0000 006C	0x20AE 246C	0x20AE 446C
PRUSS_DBG_GPREG28	RW	32	0x0000 0070	0x20AE 2470	0x20AE 4470
PRUSS_DBG_GPREG29	RW	32	0x0000 0074	0x20AE 2474	0x20AE 4474
PRUSS_DBG_GPREG30	RW	32	0x0000 0078	0x20AE 2478	0x20AE 4478
PRUSS_DBG_GPREG31	RW	32	0x0000 007C	0x20AE 247C	0x20AE 447C
PRUSS_DBG_CT_REG0	R	32	0x0000 0080	0x20AE 2480	0x20AE 4480
PRUSS_DBG_CT_REG1	R	32	0x0000 0084	0x20AE 2484	0x20AE 4484
PRUSS_DBG_CT_REG2	R	32	0x0000 0088	0x20AE 2488	0x20AE 4488
PRUSS_DBG_CT_REG3	R	32	0x0000 008C	0x20AE 248C	0x20AE 448C
PRUSS_DBG_CT_REG4	R	32	0x0000 0090	0x20AE 2490	0x20AE 4490
PRUSS_DBG_CT_REG5	R	32	0x0000 0094	0x20AE 2494	0x20AE 4494
PRUSS_DBG_CT_REG6	R	32	0x0000 0098	0x20AE 2498	0x20AE 4498
PRUSS_DBG_CT_REG7	R	32	0x0000 009C	0x20AE 249C	0x20AE 449C
PRUSS_DBG_CT_REG8	R	32	0x0000 00A0	0x20AE 24A0	0x20AE 44A0
PRUSS_DBG_CT_REG9	R	32	0x0000 00A4	0x20AE 24A4	0x20AE 44A4
PRUSS_DBG_CT_REG10	R	32	0x0000 00A8	0x20AE 24A8	0x20AE 44A8
PRUSS_DBG_CT_REG11	R	32	0x0000 00AC	0x20AE 24AC	0x20AE 44AC
PRUSS_DBG_CT_REG12	R	32	0x0000 00B0	0x20AE 24B0	0x20AE 44B0
PRUSS_DBG_CT_REG13	R	32	0x0000 00B4	0x20AE 24B4	0x20AE 44B4
PRUSS_DBG_CT_REG14	R	32	0x0000 00B8	0x20AE 24B8	0x20AE 44B8
PRUSS_DBG_CT_REG15	R	32	0x0000 00BC	0x20AE 24BC	0x20AE 44BC
PRUSS_DBG_CT_REG16	R	32	0x0000 00C0	0x20AE 24C0	0x20AE 44C0
PRUSS_DBG_CT_REG17	R	32	0x0000 00C4	0x20AE 24C4	0x20AE 44C4
PRUSS_DBG_CT_REG18	R	32	0x0000 00C8	0x20AE 24C8	0x20AE 44C8
PRUSS_DBG_CT_REG19	R	32	0x0000 00CC	0x20AE 24CC	0x20AE 44CC
PRUSS_DBG_CT_REG20	R	32	0x0000 00D0	0x20AE 24D0	0x20AE 44D0
PRUSS_DBG_CT_REG21	R	32	0x0000 00D4	0x20AE 24D4	0x20AE 44D4
PRUSS_DBG_CT_REG22	R	32	0x0000 00D8	0x20AE 24D8	0x20AE 44D8
PRUSS_DBG_CT_REG23	R	32	0x0000 00DC	0x20AE 24DC	0x20AE 44DC
PRUSS_DBG_CT_REG24	R	32	0x0000 00E0	0x20AE 24E0	0x20AE 44E0
PRUSS_DBG_CT_REG25	R	32	0x0000 00E4	0x20AE 24E4	0x20AE 44E4
PRUSS_DBG_CT_REG26	R	32	0x0000 00E8	0x20AE 24E8	0x20AE 44E8
PRUSS_DBG_CT_REG27	R	32	0x0000 00EC	0x20AE 24EC	0x20AE 44EC
PRUSS_DBG_CT_REG28	R	32	0x0000 00F0	0x20AE 24F0	0x20AE 44F0
PRUSS_DBG_CT_REG29	R	32	0x0000 00F4	0x20AE 24F4	0x20AE 44F4
PRUSS_DBG_CT_REG30	R	32	0x0000 00F8	0x20AE 24F8	0x20AE 44F8
PRUSS_DBG_CT_REG31	R	32	0x0000 00FC	0x20AE 24FC	0x20AE 44FC

30.5.7.2.2 PRUSS_PRU_DEBUG Register Description
Table 30-114. PRUSS_DBG_GPREG0

Address Offset	0x0000 0000		
Physical Address	0x20AA 2400 0x20AA 4400 0x20AE 2400 0x20AE 4400	Instance	PRUSS1_PRU0_DEBUG PRUSS1_PRU1_DEBUG PRUSS2_PRU0_DEBUG PRUSS2_PRU1_DEBUG
Description	DEBUG PRU GENERAL PURPOSE REGISTER 0. This register allows an external agent to debug the PRU while it is disabled. Reading or writing to these registers will have the same effect as a read or write to these registers from an internal instruction in the PRU. For R30, this includes generation of the pulse outputs whenever the register is written.		
Type	RW		

31	30	29	28	27	26	25	24	23	22	21	20	19	18	17	16	15	14	13	12	11	10	9	8	7	6	5	4	3	2	1	0
GP_REG0																															

Bits	Field Name	Description	Type	Reset
31:0	GP_REG0	PRU Internal GP Register n: Reading / writing this field directly inspects/modifies the corresponding internal register in the PRU internal regfile	RW	0x0

Table 30-115. Register Call Summary for Register PRUSS_DBG_GPREG0

PRU-ICSS PRU Cores

- [PRUSS_PRU_DEBUG Register Summary: \[0\]\[1\]](#)

Table 30-116. PRUSS_DBG_GPREG1

Address Offset	0x0000 0004		
Physical Address	0x20AA 2404 0x20AA 4404 0x20AE 2404 0x20AE 4404	Instance	PRUSS1_PRU0_DEBUG PRUSS1_PRU1_DEBUG PRUSS2_PRU0_DEBUG PRUSS2_PRU1_DEBUG
Description	DEBUG PRU GENERAL PURPOSE REGISTER 1. This register allows an external agent to debug the PRU while it is disabled. Reading or writing to these registers will have the same effect as a read or write to these registers from an internal instruction in the PRU. For R30, this includes generation of the pulse outputs whenever the register is written.		
Type	RW		

31	30	29	28	27	26	25	24	23	22	21	20	19	18	17	16	15	14	13	12	11	10	9	8	7	6	5	4	3	2	1	0
GP_REG1																															

Bits	Field Name	Description	Type	Reset
31:0	GP_REG1	PRU Internal GP Register n: Reading / writing this field directly inspects/modifies the corresponding internal register in the PRU internal regfile	RW	0x0

Table 30-117. Register Call Summary for Register PRUSS_DBG_GPREG1

PRU-ICSS PRU Cores

- [PRUSS_PRU_DEBUG Register Summary: \[0\]\[1\]](#)

Table 30-118. PRUSS_DBG_GPREG2

Address Offset	0x0000 0008		
Physical Address	0x20AA 2408 0x20AA 4408 0x20AE 2408 0x20AE 4408	Instance	PRUSS1_PRU0_DEBUG PRUSS1_PRU1_DEBUG PRUSS2_PRU0_DEBUG PRUSS2_PRU1_DEBUG
Description	DEBUG PRU GENERAL PURPOSE REGISTER 2. This register allows an external agent to debug the PRU while it is disabled. Reading or writing to these registers will have the same effect as a read or write to these registers from an internal instruction in the PRU. For R30, this includes generation of the pulse outputs whenever the register is written.		
Type	RW		

31	30	29	28	27	26	25	24	23	22	21	20	19	18	17	16	15	14	13	12	11	10	9	8	7	6	5	4	3	2	1	0
GP_REG2																															

Bits	Field Name	Description	Type	Reset
31:0	GP_REG2	PRU Internal GP Register n: Reading / writing this field directly inspects/modifies the corresponding internal register in the PRU internal regfile	RW	0x0

Table 30-119. Register Call Summary for Register PRUSS_DBG_GPREG2

PRU-ICSS PRU Cores

- [PRUSS_PRU_DEBUG Register Summary: \[0\]\[1\]](#)

Table 30-120. PRUSS_DBG_GPREG3

Address Offset	0x0000 000C		
Physical Address	0x20AA 240C 0x20AA 440C 0x20AE 240C 0x20AE 440C	Instance	PRUSS1_PRU0_DEBUG PRUSS1_PRU1_DEBUG PRUSS2_PRU0_DEBUG PRUSS2_PRU1_DEBUG
Description	DEBUG PRU GENERAL PURPOSE REGISTER 3. This register allows an external agent to debug the PRU while it is disabled. Reading or writing to these registers will have the same effect as a read or write to these registers from an internal instruction in the PRU. For R30, this includes generation of the pulse outputs whenever the register is written.		
Type	RW		

31	30	29	28	27	26	25	24	23	22	21	20	19	18	17	16	15	14	13	12	11	10	9	8	7	6	5	4	3	2	1	0
GP_REG3																															

Bits	Field Name	Description	Type	Reset
31:0	GP_REG3	PRU Internal GP Register n: Reading / writing this field directly inspects/modifies the corresponding internal register in the PRU internal regfile	RW	0x0

Table 30-121. Register Call Summary for Register PRUSS_DBG_GPREG3

PRU-ICSS PRU Cores

- [PRUSS_PRU_DEBUG Register Summary: \[0\]\[1\]](#)

Table 30-122. PRUSS_DBG_GPREG4

Address Offset	0x0000 0010		
Physical Address	0x20AA 2410 0x20AA 4410 0x20AE 2410 0x20AE 4410	Instance	PRUSS1_PRU0_DEBUG PRUSS1_PRU1_DEBUG PRUSS2_PRU0_DEBUG PRUSS2_PRU1_DEBUG
Description	DEBUG PRU GENERAL PURPOSE REGISTER 4. This register allows an external agent to debug the PRU while it is disabled. Reading or writing to these registers will have the same effect as a read or write to these registers from an internal instruction in the PRU. For R30, this includes generation of the pulse outputs whenever the register is written.		
Type	RW		

31	30	29	28	27	26	25	24	23	22	21	20	19	18	17	16	15	14	13	12	11	10	9	8	7	6	5	4	3	2	1	0
GP_REG4																															

Bits	Field Name	Description	Type	Reset
31:0	GP_REG4	PRU Internal GP Register n: Reading / writing this field directly inspects/modifies the corresponding internal register in the PRU internal regfile	RW	0x0

Table 30-123. Register Call Summary for Register PRUSS_DBG_GPREG4

PRU-ICSS PRU Cores

- [PRUSS_PRU_DEBUG Register Summary: \[0\]\[1\]](#)

Table 30-124. PRUSS_DBG_GPREG5

Address Offset	0x0000 0014		
Physical Address	0x20AA 2414 0x20AA 4414 0x20AE 2414 0x20AE 4414	Instance	PRUSS1_PRU0_DEBUG PRUSS1_PRU1_DEBUG PRUSS2_PRU0_DEBUG PRUSS2_PRU1_DEBUG
Description	DEBUG PRU GENERAL PURPOSE REGISTER 5. This register allows an external agent to debug the PRU while it is disabled. Reading or writing to these registers will have the same effect as a read or write to these registers from an internal instruction in the PRU. For R30, this includes generation of the pulse outputs whenever the register is written.		
Type	RW		

31	30	29	28	27	26	25	24	23	22	21	20	19	18	17	16	15	14	13	12	11	10	9	8	7	6	5	4	3	2	1	0
GP_REG5																															

Bits	Field Name	Description	Type	Reset
31:0	GP_REG5	PRU Internal GP Register n: Reading / writing this field directly inspects/modifies the corresponding internal register in the PRU internal regfile	RW	0x0

Table 30-125. Register Call Summary for Register PRUSS_DBG_GPREG5

PRU-ICSS PRU Cores

- [PRUSS_PRU_DEBUG Register Summary: \[0\]\[1\]](#)

Table 30-126. PRUSS_DBG_GPREG6

Address Offset	0x0000 0018		
Physical Address	0x20AA 2418 0x20AA 4418 0x20AE 2418 0x20AE 4418	Instance	PRUSS1_PRU0_DEBUG PRUSS1_PRU1_DEBUG PRUSS2_PRU0_DEBUG PRUSS2_PRU1_DEBUG
Description	DEBUG PRU GENERAL PURPOSE REGISTER 6. This register allows an external agent to debug the PRU while it is disabled. Reading or writing to these registers will have the same effect as a read or write to these registers from an internal instruction in the PRU. For R30, this includes generation of the pulse outputs whenever the register is written.		
Type	RW		

31	30	29	28	27	26	25	24	23	22	21	20	19	18	17	16	15	14	13	12	11	10	9	8	7	6	5	4	3	2	1	0	
GP_REG6																																

Bits	Field Name	Description	Type	Reset
31:0	GP_REG6	PRU Internal GP Register n: Reading / writing this field directly inspects/modifies the corresponding internal register in the PRU internal regfile	RW	0x0

Table 30-127. Register Call Summary for Register PRUSS_DBG_GPREG6

PRU-ICSS PRU Cores

- [PRUSS_PRU_DEBUG Register Summary: \[0\]\[1\]](#)

Table 30-128. PRUSS_DBG_GPREG7

Address Offset	0x0000 001C		
Physical Address	0x20AA 241C 0x20AA 441C 0x20AE 241C 0x20AE 441C	Instance	PRUSS1_PRU0_DEBUG PRUSS1_PRU1_DEBUG PRUSS2_PRU0_DEBUG PRUSS2_PRU1_DEBUG
Description	DEBUG PRU GENERAL PURPOSE REGISTER 7. This register allows an external agent to debug the PRU while it is disabled. Reading or writing to these registers will have the same effect as a read or write to these registers from an internal instruction in the PRU. For R30, this includes generation of the pulse outputs whenever the register is written.		
Type	RW		

31	30	29	28	27	26	25	24	23	22	21	20	19	18	17	16	15	14	13	12	11	10	9	8	7	6	5	4	3	2	1	0	
GP_REG7																																

Bits	Field Name	Description	Type	Reset
31:0	GP_REG7	PRU Internal GP Register n: Reading / writing this field directly inspects/modifies the corresponding internal register in the PRU internal regfile	RW	0x0

Table 30-129. Register Call Summary for Register PRUSS_DBG_GPREG7

PRU-ICSS PRU Cores

- [PRUSS_PRU_DEBUG Register Summary: \[0\]\[1\]](#)

Table 30-130. PRUSS_DBG_GPREG8

Address Offset	0x0000 0020		
Physical Address	0x20AA 2420 0x20AA 4420 0x20AE 2420 0x20AE 4420	Instance	PRUSS1_PRU0_DEBUG PRUSS1_PRU1_DEBUG PRUSS2_PRU0_DEBUG PRUSS2_PRU1_DEBUG
Description	DEBUG PRU GENERAL PURPOSE REGISTER 8. This register allows an external agent to debug the PRU while it is disabled. Reading or writing to these registers will have the same effect as a read or write to these registers from an internal instruction in the PRU. For R30, this includes generation of the pulse outputs whenever the register is written.		
Type	RW		

31	30	29	28	27	26	25	24	23	22	21	20	19	18	17	16	15	14	13	12	11	10	9	8	7	6	5	4	3	2	1	0
GP_REG8																															

Bits	Field Name	Description	Type	Reset
31:0	GP_REG8	PRU Internal GP Register n: Reading / writing this field directly inspects/modifies the corresponding internal register in the PRU internal regfile	RW	0x0

Table 30-131. Register Call Summary for Register PRUSS_DBG_GPREG8

PRU-ICSS PRU Cores

- [PRUSS_PRU_DEBUG Register Summary: \[0\]\[1\]](#)

Table 30-132. PRUSS_DBG_GPREG9

Address Offset	0x0000 0024		
Physical Address	0x20AA 2424 0x20AA 4424 0x20AE 2424 0x20AE 4424	Instance	PRUSS1_PRU0_DEBUG PRUSS1_PRU1_DEBUG PRUSS2_PRU0_DEBUG PRUSS2_PRU1_DEBUG
Description	DEBUG PRU GENERAL PURPOSE REGISTER 9. This register allows an external agent to debug the PRU while it is disabled. Reading or writing to these registers will have the same effect as a read or write to these registers from an internal instruction in the PRU. For R30, this includes generation of the pulse outputs whenever the register is written.		
Type	RW		

31	30	29	28	27	26	25	24	23	22	21	20	19	18	17	16	15	14	13	12	11	10	9	8	7	6	5	4	3	2	1	0
GP_REG9																															

Bits	Field Name	Description	Type	Reset
31:0	GP_REG9	PRU Internal GP Register n: Reading / writing this field directly inspects/modifies the corresponding internal register in the PRU internal regfile	RW	0x0

Table 30-133. Register Call Summary for Register PRUSS_DBG_GPREG9

PRU-ICSS PRU Cores

- [PRUSS_PRU_DEBUG Register Summary: \[0\]\[1\]](#)

Table 30-134. PRUSS_DBG_GPREG10

Address Offset	0x0000 0028		
Physical Address	0x20AA 2428 0x20AA 4428 0x20AE 2428 0x20AE 4428	Instance	PRUSS1_PRU0_DEBUG PRUSS1_PRU1_DEBUG PRUSS2_PRU0_DEBUG PRUSS2_PRU1_DEBUG
Description	DEBUG PRU GENERAL PURPOSE REGISTER 10. This register allows an external agent to debug the PRU while it is disabled. Reading or writing to these registers will have the same effect as a read or write to these registers from an internal instruction in the PRU. For R30, this includes generation of the pulse outputs whenever the register is written.		
Type	RW		

31	30	29	28	27	26	25	24	23	22	21	20	19	18	17	16	15	14	13	12	11	10	9	8	7	6	5	4	3	2	1	0	
GP_REG10																																

Bits	Field Name	Description	Type	Reset
31:0	GP_REG10	PRU Internal GP Register n: Reading / writing this field directly inspects/modifies the corresponding internal register in the PRU internal regfile	RW	0x0

Table 30-135. Register Call Summary for Register PRUSS_DBG_GPREG10

PRU-ICSS PRU Cores

- [PRUSS_PRU_DEBUG Register Summary: \[0\]\[1\]](#)

Table 30-136. PRUSS_DBG_GPREG11

Address Offset	0x0000 002C		
Physical Address	0x20AA 242C 0x20AA 442C 0x20AE 242C 0x20AE 442C	Instance	PRUSS1_PRU0_DEBUG PRUSS1_PRU1_DEBUG PRUSS2_PRU0_DEBUG PRUSS2_PRU1_DEBUG
Description	DEBUG PRU GENERAL PURPOSE REGISTER 11. This register allows an external agent to debug the PRU while it is disabled. Reading or writing to these registers will have the same effect as a read or write to these registers from an internal instruction in the PRU. For R30, this includes generation of the pulse outputs whenever the register is written.		
Type	RW		

31	30	29	28	27	26	25	24	23	22	21	20	19	18	17	16	15	14	13	12	11	10	9	8	7	6	5	4	3	2	1	0	
GP_REG11																																

Bits	Field Name	Description	Type	Reset
31:0	GP_REG11	PRU Internal GP Register n: Reading / writing this field directly inspects/modifies the corresponding internal register in the PRU internal regfile	RW	0x0

Table 30-137. Register Call Summary for Register PRUSS_DBG_GPREG11

PRU-ICSS PRU Cores

- [PRUSS_PRU_DEBUG Register Summary: \[0\]\[1\]](#)

Table 30-138. PRUSS_DBG_GPREG12

Address Offset	0x0000 0030		
Physical Address	0x20AA 2430 0x20AA 4430 0x20AE 2430 0x20AE 4430	Instance	PRUSS1_PRU0_DEBUG PRUSS1_PRU1_DEBUG PRUSS2_PRU0_DEBUG PRUSS2_PRU1_DEBUG
Description	DEBUG PRU GENERAL PURPOSE REGISTER 12. This register allows an external agent to debug the PRU while it is disabled. Reading or writing to these registers will have the same effect as a read or write to these registers from an internal instruction in the PRU. For R30, this includes generation of the pulse outputs whenever the register is written.		
Type	RW		

31	30	29	28	27	26	25	24	23	22	21	20	19	18	17	16	15	14	13	12	11	10	9	8	7	6	5	4	3	2	1	0
GP_REG12																															

Bits	Field Name	Description	Type	Reset
31:0	GP_REG12	PRU Internal GP Register n: Reading / writing this field directly inspects/modifies the corresponding internal register in the PRU internal regfile	RW	0x0

Table 30-139. Register Call Summary for Register PRUSS_DBG_GPREG12

PRU-ICSS PRU Cores

- [PRUSS_PRU_DEBUG Register Summary: \[0\]\[1\]](#)

Table 30-140. PRUSS_DBG_GPREG13

Address Offset	0x0000 0034		
Physical Address	0x20AA 2434 0x20AA 4434 0x20AE 2434 0x20AE 4434	Instance	PRUSS1_PRU0_DEBUG PRUSS1_PRU1_DEBUG PRUSS2_PRU0_DEBUG PRUSS2_PRU1_DEBUG
Description	DEBUG PRU GENERAL PURPOSE REGISTER 13. This register allows an external agent to debug the PRU while it is disabled. Reading or writing to these registers will have the same effect as a read or write to these registers from an internal instruction in the PRU. For R30, this includes generation of the pulse outputs whenever the register is written.		
Type	RW		

31	30	29	28	27	26	25	24	23	22	21	20	19	18	17	16	15	14	13	12	11	10	9	8	7	6	5	4	3	2	1	0
GP_REG13																															

Bits	Field Name	Description	Type	Reset
31:0	GP_REG13	PRU Internal GP Register n: Reading / writing this field directly inspects/modifies the corresponding internal register in the PRU internal regfile	RW	0x0

Table 30-141. Register Call Summary for Register PRUSS_DBG_GPREG13

PRU-ICSS PRU Cores

- [PRUSS_PRU_DEBUG Register Summary: \[0\]\[1\]](#)

Table 30-142. PRUSS_DBG_GPREG14

Address Offset	0x0000 0038		
Physical Address	0x20AA 2438 0x20AA 4438 0x20AE 2438 0x20AE 4438	Instance	PRUSS1_PRU0_DEBUG PRUSS1_PRU1_DEBUG PRUSS2_PRU0_DEBUG PRUSS2_PRU1_DEBUG
Description	DEBUG PRU GENERAL PURPOSE REGISTER 14. This register allows an external agent to debug the PRU while it is disabled. Reading or writing to these registers will have the same effect as a read or write to these registers from an internal instruction in the PRU. For R30, this includes generation of the pulse outputs whenever the register is written.		
Type	RW		

31	30	29	28	27	26	25	24	23	22	21	20	19	18	17	16	15	14	13	12	11	10	9	8	7	6	5	4	3	2	1	0
GP_REG14																															

Bits	Field Name	Description	Type	Reset
31:0	GP_REG14	PRU Internal GP Register n: Reading / writing this field directly inspects/modifies the corresponding internal register in the PRU internal regfile	RW	0x0

Table 30-143. Register Call Summary for Register PRUSS_DBG_GPREG14

PRU-ICSS PRU Cores

- [PRUSS_PRU_DEBUG Register Summary: \[0\]\[1\]](#)

Table 30-144. PRUSS_DBG_GPREG15

Address Offset	0x0000 003C		
Physical Address	0x20AA 243C 0x20AA 443C 0x20AE 243C 0x20AE 443C	Instance	PRUSS1_PRU0_DEBUG PRUSS1_PRU1_DEBUG PRUSS2_PRU0_DEBUG PRUSS2_PRU1_DEBUG
Description	DEBUG PRU GENERAL PURPOSE REGISTER 15. This register allows an external agent to debug the PRU while it is disabled. Reading or writing to these registers will have the same effect as a read or write to these registers from an internal instruction in the PRU. For R30, this includes generation of the pulse outputs whenever the register is written.		
Type	RW		

31	30	29	28	27	26	25	24	23	22	21	20	19	18	17	16	15	14	13	12	11	10	9	8	7	6	5	4	3	2	1	0
GP_REG15																															

Bits	Field Name	Description	Type	Reset
31:0	GP_REG15	PRU Internal GP Register n: Reading / writing this field directly inspects/modifies the corresponding internal register in the PRU internal regfile	RW	0x0

Table 30-145. Register Call Summary for Register PRUSS_DBG_GPREG15

PRU-ICSS PRU Cores

- [PRUSS_PRU_DEBUG Register Summary: \[0\]\[1\]](#)

Table 30-146. PRUSS_DBG_GPREG16

Address Offset	0x0000 0040		
Physical Address	0x20AA 2440 0x20AA 4440 0x20AE 2440 0x20AE 4440	Instance	PRUSS1_PRU0_DEBUG PRUSS1_PRU1_DEBUG PRUSS2_PRU0_DEBUG PRUSS2_PRU1_DEBUG
Description	DEBUG PRU GENERAL PURPOSE REGISTER 16. This register allows an external agent to debug the PRU while it is disabled. Reading or writing to these registers will have the same effect as a read or write to these registers from an internal instruction in the PRU. For R30, this includes generation of the pulse outputs whenever the register is written.		
Type	RW		

31	30	29	28	27	26	25	24	23	22	21	20	19	18	17	16	15	14	13	12	11	10	9	8	7	6	5	4	3	2	1	0
GP_REG16																															

Bits	Field Name	Description	Type	Reset
31:0	GP_REG16	PRU Internal GP Register n: Reading / writing this field directly inspects/modifies the corresponding internal register in the PRU internal regfile	RW	0x0

Table 30-147. Register Call Summary for Register PRUSS_DBG_GPREG16

PRU-ICSS PRU Cores

- [PRUSS_PRU_DEBUG Register Summary: \[0\]\[1\]](#)

Table 30-148. PRUSS_DBG_GPREG17

Address Offset	0x0000 0044		
Physical Address	0x20AA 2444 0x20AA 4444 0x20AE 2444 0x20AE 4444	Instance	PRUSS1_PRU0_DEBUG PRUSS1_PRU1_DEBUG PRUSS2_PRU0_DEBUG PRUSS2_PRU1_DEBUG
Description	DEBUG PRU GENERAL PURPOSE REGISTER 17. This register allows an external agent to debug the PRU while it is disabled. Reading or writing to these registers will have the same effect as a read or write to these registers from an internal instruction in the PRU. For R30, this includes generation of the pulse outputs whenever the register is written.		
Type	RW		

31	30	29	28	27	26	25	24	23	22	21	20	19	18	17	16	15	14	13	12	11	10	9	8	7	6	5	4	3	2	1	0
GP_REG17																															

Bits	Field Name	Description	Type	Reset
31:0	GP_REG17	PRU Internal GP Register n: Reading / writing this field directly inspects/modifies the corresponding internal register in the PRU internal regfile	RW	0x0

Table 30-149. Register Call Summary for Register PRUSS_DBG_GPREG17

PRU-ICSS PRU Cores

- [PRUSS_PRU_DEBUG Register Summary: \[0\]\[1\]](#)

Table 30-150. PRUSS_DBG_GPREG18

Address Offset	0x0000 0048		
Physical Address	0x20AA 2448 0x20AA 4448 0x20AE 2448 0x20AE 4448	Instance	PRUSS1_PRU0_DEBUG PRUSS1_PRU1_DEBUG PRUSS2_PRU0_DEBUG PRUSS2_PRU1_DEBUG
Description	DEBUG PRU GENERAL PURPOSE REGISTER 18. This register allows an external agent to debug the PRU while it is disabled. Reading or writing to these registers will have the same effect as a read or write to these registers from an internal instruction in the PRU. For R30, this includes generation of the pulse outputs whenever the register is written.		
Type	RW		

31	30	29	28	27	26	25	24	23	22	21	20	19	18	17	16	15	14	13	12	11	10	9	8	7	6	5	4	3	2	1	0
GP_REG18																															

Bits	Field Name	Description	Type	Reset
31:0	GP_REG18	PRU Internal GP Register n: Reading / writing this field directly inspects/modifies the corresponding internal register in the PRU internal regfile	RW	0x0

Table 30-151. Register Call Summary for Register PRUSS_DBG_GPREG18

PRU-ICSS PRU Cores

- [PRUSS_PRU_DEBUG Register Summary: \[0\]\[1\]](#)

Table 30-152. PRUSS_DBG_GPREG19

Address Offset	0x0000 004C		
Physical Address	0x20AA 244C 0x20AA 444C 0x20AE 244C 0x20AE 444C	Instance	PRUSS1_PRU0_DEBUG PRUSS1_PRU1_DEBUG PRUSS2_PRU0_DEBUG PRUSS2_PRU1_DEBUG
Description	DEBUG PRU GENERAL PURPOSE REGISTER 19. This register allows an external agent to debug the PRU while it is disabled. Reading or writing to these registers will have the same effect as a read or write to these registers from an internal instruction in the PRU. For R30, this includes generation of the pulse outputs whenever the register is written.		
Type	RW		

31	30	29	28	27	26	25	24	23	22	21	20	19	18	17	16	15	14	13	12	11	10	9	8	7	6	5	4	3	2	1	0
GP_REG19																															

Bits	Field Name	Description	Type	Reset
31:0	GP_REG19	PRU Internal GP Register n: Reading / writing this field directly inspects/modifies the corresponding internal register in the PRU internal regfile	RW	0x0

Table 30-153. Register Call Summary for Register PRUSS_DBG_GPREG19

PRU-ICSS PRU Cores

- [PRUSS_PRU_DEBUG Register Summary: \[0\]\[1\]](#)

Table 30-154. PRUSS_DBG_GPREG20

Address Offset	0x0000 0050		
Physical Address	0x20AA 2450 0x20AA 4450 0x20AE 2450 0x20AE 4450	Instance	PRUSS1_PRU0_DEBUG PRUSS1_PRU1_DEBUG PRUSS2_PRU0_DEBUG PRUSS2_PRU1_DEBUG
Description	DEBUG PRU GENERAL PURPOSE REGISTER 20. This register allows an external agent to debug the PRU while it is disabled. Reading or writing to these registers will have the same effect as a read or write to these registers from an internal instruction in the PRU. For R30, this includes generation of the pulse outputs whenever the register is written.		
Type	RW		

31	30	29	28	27	26	25	24	23	22	21	20	19	18	17	16	15	14	13	12	11	10	9	8	7	6	5	4	3	2	1	0
GP_REG20																															

Bits	Field Name	Description	Type	Reset
31:0	GP_REG20	PRU Internal GP Register n: Reading / writing this field directly inspects/modifies the corresponding internal register in the PRU internal regfile	RW	0x0

Table 30-155. Register Call Summary for Register PRUSS_DBG_GPREG20

PRU-ICSS PRU Cores

- [PRUSS_PRU_DEBUG Register Summary: \[0\]\[1\]](#)

Table 30-156. PRUSS_DBG_GPREG21

Address Offset	0x0000 0054		
Physical Address	0x20AA 2454 0x20AA 4454 0x20AE 2454 0x20AE 4454	Instance	PRUSS1_PRU0_DEBUG PRUSS1_PRU1_DEBUG PRUSS2_PRU0_DEBUG PRUSS2_PRU1_DEBUG
Description	DEBUG PRU GENERAL PURPOSE REGISTER 21. This register allows an external agent to debug the PRU while it is disabled. Reading or writing to these registers will have the same effect as a read or write to these registers from an internal instruction in the PRU. For R30, this includes generation of the pulse outputs whenever the register is written.		
Type	RW		

31	30	29	28	27	26	25	24	23	22	21	20	19	18	17	16	15	14	13	12	11	10	9	8	7	6	5	4	3	2	1	0
GP_REG21																															

Bits	Field Name	Description	Type	Reset
31:0	GP_REG21	PRU Internal GP Register n: Reading / writing this field directly inspects/modifies the corresponding internal register in the PRU internal regfile	RW	0x0

Table 30-157. Register Call Summary for Register PRUSS_DBG_GPREG21

PRU-ICSS PRU Cores

- [PRUSS_PRU_DEBUG Register Summary: \[0\]\[1\]](#)

Table 30-158. PRUSS_DBG_GPREG22

Address Offset	0x0000 0058		
Physical Address	0x20AA 2458 0x20AA 4458 0x20AE 2458 0x20AE 4458	Instance	PRUSS1_PRU0_DEBUG PRUSS1_PRU1_DEBUG PRUSS2_PRU0_DEBUG PRUSS2_PRU1_DEBUG
Description	DEBUG PRU GENERAL PURPOSE REGISTER 22. This register allows an external agent to debug the PRU while it is disabled. Reading or writing to these registers will have the same effect as a read or write to these registers from an internal instruction in the PRU. For R30, this includes generation of the pulse outputs whenever the register is written.		
Type	RW		

31	30	29	28	27	26	25	24	23	22	21	20	19	18	17	16	15	14	13	12	11	10	9	8	7	6	5	4	3	2	1	0
GP_REG22																															

Bits	Field Name	Description	Type	Reset
31:0	GP_REG22	PRU Internal GP Register n: Reading / writing this field directly inspects/modifies the corresponding internal register in the PRU internal regfile	RW	0x0

Table 30-159. Register Call Summary for Register PRUSS_DBG_GPREG22

PRU-ICSS PRU Cores

- [PRUSS_PRU_DEBUG Register Summary: \[0\]\[1\]](#)

Table 30-160. PRUSS_DBG_GPREG23

Address Offset	0x0000 005C		
Physical Address	0x20AA 245C 0x20AA 445C 0x20AE 245C 0x20AE 445C	Instance	PRUSS1_PRU0_DEBUG PRUSS1_PRU1_DEBUG PRUSS2_PRU0_DEBUG PRUSS2_PRU1_DEBUG
Description	DEBUG PRU GENERAL PURPOSE REGISTER 23. This register allows an external agent to debug the PRU while it is disabled. Reading or writing to these registers will have the same effect as a read or write to these registers from an internal instruction in the PRU. For R30, this includes generation of the pulse outputs whenever the register is written.		
Type	RW		

31	30	29	28	27	26	25	24	23	22	21	20	19	18	17	16	15	14	13	12	11	10	9	8	7	6	5	4	3	2	1	0
GP_REG23																															

Bits	Field Name	Description	Type	Reset
31:0	GP_REG23	PRU Internal GP Register n: Reading / writing this field directly inspects/modifies the corresponding internal register in the PRU internal regfile	RW	0x0

Table 30-161. Register Call Summary for Register PRUSS_DBG_GPREG23

PRU-ICSS PRU Cores

- [PRUSS_PRU_DEBUG Register Summary: \[0\]\[1\]](#)

Table 30-162. PRUSS_DBG_GPREG24

Address Offset	0x0000 0060		
Physical Address	0x20AA 2460 0x20AA 4460 0x20AE 2460 0x20AE 4460	Instance	PRUSS1_PRU0_DEBUG PRUSS1_PRU1_DEBUG PRUSS2_PRU0_DEBUG PRUSS2_PRU1_DEBUG
Description	DEBUG PRU GENERAL PURPOSE REGISTER 24. This register allows an external agent to debug the PRU while it is disabled. Reading or writing to these registers will have the same effect as a read or write to these registers from an internal instruction in the PRU. For R30, this includes generation of the pulse outputs whenever the register is written.		
Type	RW		

31	30	29	28	27	26	25	24	23	22	21	20	19	18	17	16	15	14	13	12	11	10	9	8	7	6	5	4	3	2	1	0
GP_REG24																															

Bits	Field Name	Description	Type	Reset
31:0	GP_REG24	PRU Internal GP Register n: Reading / writing this field directly inspects/modifies the corresponding internal register in the PRU internal regfile	RW	0x0

Table 30-163. Register Call Summary for Register PRUSS_DBG_GPREG24

PRU-ICSS PRU Cores

- [PRUSS_PRU_DEBUG Register Summary: \[0\]\[1\]](#)

Table 30-164. PRUSS_DBG_GPREG25

Address Offset	0x0000 0064		
Physical Address	0x20AA 2464 0x20AA 4464 0x20AE 2464 0x20AE 4464	Instance	PRUSS1_PRU0_DEBUG PRUSS1_PRU1_DEBUG PRUSS2_PRU0_DEBUG PRUSS2_PRU1_DEBUG
Description	DEBUG PRU GENERAL PURPOSE REGISTER 25. This register allows an external agent to debug the PRU while it is disabled. Reading or writing to these registers will have the same effect as a read or write to these registers from an internal instruction in the PRU. For R30, this includes generation of the pulse outputs whenever the register is written.		
Type	RW		

31	30	29	28	27	26	25	24	23	22	21	20	19	18	17	16	15	14	13	12	11	10	9	8	7	6	5	4	3	2	1	0
GP_REG25																															

Bits	Field Name	Description	Type	Reset
31:0	GP_REG25	PRU Internal GP Register n: Reading / writing this field directly inspects/modifies the corresponding internal register in the PRU internal regfile	RW	0x0

Table 30-165. Register Call Summary for Register PRUSS_DBG_GPREG25

PRU-ICSS PRU Cores

- [PRUSS_PRU_DEBUG Register Summary: \[0\]\[1\]](#)

Table 30-166. PRUSS_DBG_GPREG26

Address Offset	0x0000 0068		
Physical Address	0x20AA 2468 0x20AA 4468 0x20AE 2468 0x20AE 4468	Instance	PRUSS1_PRU0_DEBUG PRUSS1_PRU1_DEBUG PRUSS2_PRU0_DEBUG PRUSS2_PRU1_DEBUG
Description	DEBUG PRU GENERAL PURPOSE REGISTER 26. This register allows an external agent to debug the PRU while it is disabled. Reading or writing to these registers will have the same effect as a read or write to these registers from an internal instruction in the PRU. For R30, this includes generation of the pulse outputs whenever the register is written.		
Type	RW		

31	30	29	28	27	26	25	24	23	22	21	20	19	18	17	16	15	14	13	12	11	10	9	8	7	6	5	4	3	2	1	0
GP_REG26																															

Bits	Field Name	Description	Type	Reset
31:0	GP_REG26	PRU Internal GP Register n: Reading / writing this field directly inspects/modifies the corresponding internal register in the PRU internal regfile	RW	0x0

Table 30-167. Register Call Summary for Register PRUSS_DBG_GPREG26

PRU-ICSS PRU Cores

- [PRUSS_PRU_DEBUG Register Summary: \[0\]\[1\]](#)

Table 30-168. PRUSS_DBG_GPREG27

Address Offset	0x0000 006C		
Physical Address	0x20AA 246C 0x20AA 446C 0x20AE 246C 0x20AE 446C	Instance	PRUSS1_PRU0_DEBUG PRUSS1_PRU1_DEBUG PRUSS2_PRU0_DEBUG PRUSS2_PRU1_DEBUG
Description	DEBUG PRU GENERAL PURPOSE REGISTER 27. This register allows an external agent to debug the PRU while it is disabled. Reading or writing to these registers will have the same effect as a read or write to these registers from an internal instruction in the PRU. For R30, this includes generation of the pulse outputs whenever the register is written.		
Type	RW		

31	30	29	28	27	26	25	24	23	22	21	20	19	18	17	16	15	14	13	12	11	10	9	8	7	6	5	4	3	2	1	0
GP_REG27																															

Bits	Field Name	Description	Type	Reset
31:0	GP_REG27	PRU Internal GP Register n: Reading / writing this field directly inspects/modifies the corresponding internal register in the PRU internal regfile	RW	0x0

Table 30-169. Register Call Summary for Register PRUSS_DBG_GPREG27

PRU-ICSS PRU Cores

- [PRUSS_PRU_DEBUG Register Summary: \[0\]\[1\]](#)

Table 30-170. PRUSS_DBG_GPREG28

Address Offset	0x0000 0070		
Physical Address	0x20AA 2470 0x20AA 4470 0x20AE 2470 0x20AE 4470	Instance	PRUSS1_PRU0_DEBUG PRUSS1_PRU1_DEBUG PRUSS2_PRU0_DEBUG PRUSS2_PRU1_DEBUG
Description	DEBUG PRU GENERAL PURPOSE REGISTER 28. This register allows an external agent to debug the PRU while it is disabled. Reading or writing to these registers will have the same effect as a read or write to these registers from an internal instruction in the PRU. For R30, this includes generation of the pulse outputs whenever the register is written.		
Type	RW		

31	30	29	28	27	26	25	24	23	22	21	20	19	18	17	16	15	14	13	12	11	10	9	8	7	6	5	4	3	2	1	0
GP_REG28																															

Bits	Field Name	Description	Type	Reset
31:0	GP_REG28	PRU Internal GP Register n: Reading / writing this field directly inspects/modifies the corresponding internal register in the PRU internal regfile	RW	0x0

Table 30-171. Register Call Summary for Register PRUSS_DBG_GPREG28

PRU-ICSS PRU Cores

- [PRUSS_PRU_DEBUG Register Summary: \[0\]\[1\]](#)

Table 30-172. PRUSS_DBG_GPREG29

Address Offset	0x0000 0074		
Physical Address	0x20AA 2474 0x20AA 4474 0x20AE 2474 0x20AE 4474	Instance	PRUSS1_PRU0_DEBUG PRUSS1_PRU1_DEBUG PRUSS2_PRU0_DEBUG PRUSS2_PRU1_DEBUG
Description	DEBUG PRU GENERAL PURPOSE REGISTER 29. This register allows an external agent to debug the PRU while it is disabled. Reading or writing to these registers will have the same effect as a read or write to these registers from an internal instruction in the PRU. For R30, this includes generation of the pulse outputs whenever the register is written.		
Type	RW		

31	30	29	28	27	26	25	24	23	22	21	20	19	18	17	16	15	14	13	12	11	10	9	8	7	6	5	4	3	2	1	0
GP_REG29																															

Bits	Field Name	Description	Type	Reset
31:0	GP_REG29	PRU Internal GP Register n: Reading / writing this field directly inspects/modifies the corresponding internal register in the PRU internal regfile	RW	0x0

Table 30-173. Register Call Summary for Register PRUSS_DBG_GPREG29

PRU-ICSS PRU Cores

- [PRUSS_PRU_DEBUG Register Summary: \[0\]\[1\]](#)

Table 30-174. PRUSS_DBG_GPREG30

Address Offset	0x0000 0078		
Physical Address	0x20AA 2478 0x20AA 4478 0x20AE 2478 0x20AE 4478	Instance	PRUSS1_PRU0_DEBUG PRUSS1_PRU1_DEBUG PRUSS2_PRU0_DEBUG PRUSS2_PRU1_DEBUG
Description	DEBUG PRU GENERAL PURPOSE REGISTER 30. This register allows an external agent to debug the PRU while it is disabled. Reading or writing to these registers will have the same effect as a read or write to these registers from an internal instruction in the PRU. For R30, this includes generation of the pulse outputs whenever the register is written.		
Type	RW		

31	30	29	28	27	26	25	24	23	22	21	20	19	18	17	16	15	14	13	12	11	10	9	8	7	6	5	4	3	2	1	0
GP_REG30																															

Bits	Field Name	Description	Type	Reset
31:0	GP_REG30	PRU Internal GP Register n: Reading / writing this field directly inspects/modifies the corresponding internal register in the PRU internal regfile	RW	0x0

Table 30-175. Register Call Summary for Register PRUSS_DBG_GPREG30

PRU-ICSS PRU Cores

- [PRUSS_PRU_DEBUG Register Summary: \[0\]\[1\]](#)

Table 30-176. PRUSS_DBG_GPREG31

Address Offset	0x0000 007C		
Physical Address	0x20AA 247C 0x20AA 447C 0x20AE 247C 0x20AE 447C	Instance	PRUSS1_PRU0_DEBUG PRUSS1_PRU1_DEBUG PRUSS2_PRU0_DEBUG PRUSS2_PRU1_DEBUG
Description	DEBUG PRU GENERAL PURPOSE REGISTER 31. This register allows an external agent to debug the PRU while it is disabled. Reading or writing to these registers will have the same effect as a read or write to these registers from an internal instruction in the PRU. For R30, this includes generation of the pulse outputs whenever the register is written.		
Type	RW		

31	30	29	28	27	26	25	24	23	22	21	20	19	18	17	16	15	14	13	12	11	10	9	8	7	6	5	4	3	2	1	0
GP_REG31																															

Bits	Field Name	Description	Type	Reset
31:0	GP_REG31	PRU Internal GP Register n: Reading / writing this field directly inspects/modifies the corresponding internal register in the PRU internal regfile	RW	0x0

Table 30-177. Register Call Summary for Register PRUSS_DBG_GPREG31

PRU-ICSS PRU Cores

- [PRUSS_PRU_DEBUG Register Summary: \[0\]\[1\]](#)

Table 30-178. PRUSS_DBG_CT_REG0

Address Offset	0x0000 0080		
Physical Address	0x20AA 2480 0x20AA 4480 0x20AE 2480 0x20AE 4480	Instance	PRUSS1_PRU0_DEBUG PRUSS1_PRU1_DEBUG PRUSS2_PRU0_DEBUG PRUSS2_PRU1_DEBUG
Description	DEBUG PRU CONSTANTS TABLE ENTRY 0. This register allows an external agent to debug the PRU while it is disabled. Since some of the constants table entries may actually depend on system inputs / and or the internal state of the PRU, these registers are provided to allow an external agent to easily determine the state of the constants table.		
Type	R		

31	30	29	28	27	26	25	24	23	22	21	20	19	18	17	16	15	14	13	12	11	10	9	8	7	6	5	4	3	2	1	0
CT_REG0																															

Bits	Field Name	Description	Type	Reset
31:0	CT_REG0	PRU Internal Constants Table Entry n: Reading this field directly inspects the corresponding entry in the PRU internal constants table.	R	0x02 0000

Table 30-179. Register Call Summary for Register PRUSS_DBG_CT_REG0

PRU-ICSS PRU Cores

- [PRUSS_PRU_DEBUG Register Summary: \[0\]\[1\]](#)

Table 30-180. PRUSS_DBG_CT_REG1

Address Offset	0x0000 0084		
Physical Address	0x20AA 2484 0x20AA 4484 0x20AE 2484 0x20AE 4484	Instance	PRUSS1_PRU0_DEBUG PRUSS1_PRU1_DEBUG PRUSS2_PRU0_DEBUG PRUSS2_PRU1_DEBUG
Description	DEBUG PRU CONSTANTS TABLE ENTRY 1. This register allows an external agent to debug the PRU while it is disabled. Since some of the constants table entries may actually depend on system inputs / and or the internal state of the PRU, these registers are provided to allow an external agent to easily determine the state of the constants table.		
Type	R		

31	30	29	28	27	26	25	24	23	22	21	20	19	18	17	16	15	14	13	12	11	10	9	8	7	6	5	4	3	2	1	0
CT_REG1																															

Bits	Field Name	Description	Type	Reset
31:0	CT_REG1	PRU Internal Constants Table Entry n: Reading this field directly inspects the corresponding entry in the PRU internal constants table.	R	0x4804 0000

Table 30-181. Register Call Summary for Register PRUSS_DBG_CT_REG1

PRU-ICSS PRU Cores

- [PRUSS_PRU_DEBUG Register Summary: \[0\]\[1\]](#)

Table 30-182. PRUSS_DBG_CT_REG2

Address Offset	0x0000 0088		
Physical Address	0x20AA 2488 0x20AA 4488 0x20AE 2488 0x20AE 4488	Instance	PRUSS1_PRU0_DEBUG PRUSS1_PRU1_DEBUG PRUSS2_PRU0_DEBUG PRUSS2_PRU1_DEBUG
Description	DEBUG PRU CONSTANTS TABLE ENTRY 2. This register allows an external agent to debug the PRU while it is disabled. Since some of the constants table entries may actually depend on system inputs / and or the internal state of the PRU, these registers are provided to allow an external agent to easily determine the state of the constants table.		
Type	R		

31	30	29	28	27	26	25	24	23	22	21	20	19	18	17	16	15	14	13	12	11	10	9	8	7	6	5	4	3	2	1	0
CT_REG2																															

Bits	Field Name	Description	Type	Reset
31:0	CT_REG2	PRU Internal Constants Table Entry n: Reading this field directly inspects the corresponding entry in the PRU internal constants table.	R	0x4802 A000

Table 30-183. Register Call Summary for Register PRUSS_DBG_CT_REG2

PRU-ICSS PRU Cores

- [PRUSS_PRU_DEBUG Register Summary: \[0\]\[1\]](#)

Table 30-184. PRUSS_DBG_CT_REG3

Address Offset	0x0000 008C		
Physical Address	0x20AA 248C 0x20AA 448C 0x20AE 248C 0x20AE 448C	Instance	PRUSS1_PRU0_DEBUG PRUSS1_PRU1_DEBUG PRUSS2_PRU0_DEBUG PRUSS2_PRU1_DEBUG
Description	DEBUG PRU CONSTANTS TABLE ENTRY 3. This register allows an external agent to debug the PRU while it is disabled. Since some of the constants table entries may actually depend on system inputs / and or the internal state of the PRU, these registers are provided to allow an external agent to easily determine the state of the constants table.		
Type	R		

31	30	29	28	27	26	25	24	23	22	21	20	19	18	17	16	15	14	13	12	11	10	9	8	7	6	5	4	3	2	1	0
CT_REG3																															

Bits	Field Name	Description	Type	Reset
31:0	CT_REG3	PRU Internal Constants Table Entry n: Reading this field directly inspects the corresponding entry in the PRU internal constants table.	R	0x03 0000

Table 30-185. Register Call Summary for Register PRUSS_DBG_CT_REG3

PRU-ICSS PRU Cores

- [PRUSS_PRU_DEBUG Register Summary: \[0\]\[1\]](#)

Table 30-186. PRUSS_DBG_CT_REG4

Address Offset	0x0000 0090		
Physical Address	0x20AA 2490 0x20AA 4490 0x20AE 2490 0x20AE 4490	Instance	PRUSS1_PRU0_DEBUG PRUSS1_PRU1_DEBUG PRUSS2_PRU0_DEBUG PRUSS2_PRU1_DEBUG
Description	DEBUG PRU CONSTANTS TABLE ENTRY 4. This register allows an external agent to debug the PRU while it is disabled. Since some of the constants table entries may actually depend on system inputs / and or the internal state of the PRU, these registers are provided to allow an external agent to easily determine the state of the constants table.		
Type	R		

31	30	29	28	27	26	25	24	23	22	21	20	19	18	17	16	15	14	13	12	11	10	9	8	7	6	5	4	3	2	1	0
CT_REG4																															

Bits	Field Name	Description	Type	Reset
31:0	CT_REG4	PRU Internal Constants Table Entry n: Reading this field directly inspects the corresponding entry in the PRU internal constants table.	R	0x02 6000

Table 30-187. Register Call Summary for Register PRUSS_DBG_CT_REG4

PRU-ICSS PRU Cores

- [PRUSS_PRU_DEBUG Register Summary: \[0\]\[1\]](#)

Table 30-188. PRUSS_DBG_CT_REG5

Address Offset	0x0000 0094		
Physical Address	0x20AA 2494 0x20AA 4494 0x20AE 2494 0x20AE 4494	Instance	PRUSS1_PRU0_DEBUG PRUSS1_PRU1_DEBUG PRUSS2_PRU0_DEBUG PRUSS2_PRU1_DEBUG
Description	DEBUG PRU CONSTANTS TABLE ENTRY 5. This register allows an external agent to debug the PRU while it is disabled. Since some of the constants table entries may actually depend on system inputs / and or the internal state of the PRU, these registers are provided to allow an external agent to easily determine the state of the constants table.		
Type	R		

31	30	29	28	27	26	25	24	23	22	21	20	19	18	17	16	15	14	13	12	11	10	9	8	7	6	5	4	3	2	1	0
CT_REG5																															

Bits	Field Name	Description	Type	Reset
31:0	CT_REG5	PRU Internal Constants Table Entry n: Reading this field directly inspects the corresponding entry in the PRU internal constants table.	R	0x4806 0000

Table 30-189. Register Call Summary for Register PRUSS_DBG_CT_REG5

PRU-ICSS PRU Cores

- [PRUSS_PRU_DEBUG Register Summary: \[0\]\[1\]](#)

Table 30-190. PRUSS_DBG_CT_REG6

Address Offset	0x0000 0098		
Physical Address	0x20AA 2498 0x20AA 4498 0x20AE 2498 0x20AE 4498	Instance	PRUSS1_PRU0_DEBUG PRUSS1_PRU1_DEBUG PRUSS2_PRU0_DEBUG PRUSS2_PRU1_DEBUG
Description	DEBUG PRU CONSTANTS TABLE ENTRY 6. This register allows an external agent to debug the PRU while it is disabled. Since some of the constants table entries may actually depend on system inputs / and or the internal state of the PRU, these registers are provided to allow an external agent to easily determine the state of the constants table.		
Type	R		

31	30	29	28	27	26	25	24	23	22	21	20	19	18	17	16	15	14	13	12	11	10	9	8	7	6	5	4	3	2	1	0
CT_REG6																															

Bits	Field Name	Description	Type	Reset
31:0	CT_REG6	PRU Internal Constants Table Entry n: Reading this field directly inspects the corresponding entry in the PRU internal constants table.	R	0x4803 0000

Table 30-191. Register Call Summary for Register PRUSS_DBG_CT_REG6

PRU-ICSS PRU Cores

- [PRUSS_PRU_DEBUG Register Summary: \[0\]\[1\]](#)

Table 30-192. PRUSS_DBG_CT_REG7

Address Offset	0x0000 009C		
Physical Address	0x20AA 249C 0x20AA 449C 0x20AE 249C 0x20AE 449C	Instance	PRUSS1_PRU0_DEBUG PRUSS1_PRU1_DEBUG PRUSS2_PRU0_DEBUG PRUSS2_PRU1_DEBUG
Description	DEBUG PRU CONSTANTS TABLE ENTRY 7. This register allows an external agent to debug the PRU while it is disabled. Since some of the constants table entries may actually depend on system inputs / and or the internal state of the PRU, these registers are provided to allow an external agent to easily determine the state of the constants table.		
Type	R		

31	30	29	28	27	26	25	24	23	22	21	20	19	18	17	16	15	14	13	12	11	10	9	8	7	6	5	4	3	2	1	0
CT_REG7																															

Bits	Field Name	Description	Type	Reset
31:0	CT_REG7	PRU Internal Constants Table Entry n: Reading this field directly inspects the corresponding entry in the PRU internal constants table.	R	0x02 8000

Table 30-193. Register Call Summary for Register PRUSS_DBG_CT_REG7

PRU-ICSS PRU Cores

- [PRUSS_PRU_DEBUG Register Summary: \[0\]\[1\]](#)

Table 30-194. PRUSS_DBG_CT_REG8

Address Offset	0x0000 00A0		
Physical Address	0x20AA 24A0 0x20AA 44A0 0x20AE 24A0 0x20AE 44A0	Instance	PRUSS1_PRU0_DEBUG PRUSS1_PRU1_DEBUG PRUSS2_PRU0_DEBUG PRUSS2_PRU1_DEBUG
Description	DEBUG PRU CONSTANTS TABLE ENTRY 8. This register allows an external agent to debug the PRU while it is disabled. Since some of the constants table entries may actually depend on system inputs / and or the internal state of the PRU, these registers are provided to allow an external agent to easily determine the state of the constants table.		
Type	R		

31	30	29	28	27	26	25	24	23	22	21	20	19	18	17	16	15	14	13	12	11	10	9	8	7	6	5	4	3	2	1	0
CT_REG8																															

Bits	Field Name	Description	Type	Reset
31:0	CT_REG8	PRU Internal Constants Table Entry n: Reading this field directly inspects the corresponding entry in the PRU internal constants table.	R	0x4600 0000

Table 30-195. Register Call Summary for Register PRUSS_DBG_CT_REG8

PRU-ICSS PRU Cores

- [PRUSS_PRU_DEBUG Register Summary: \[0\]\[1\]](#)

Table 30-196. PRUSS_DBG_CT_REG9

Address Offset	0x0000 00A4		
Physical Address	0x20AA 24A4 0x20AA 44A4 0x20AE 24A4 0x20AE 44A4	Instance	PRUSS1_PRU0_DEBUG PRUSS1_PRU1_DEBUG PRUSS2_PRU0_DEBUG PRUSS2_PRU1_DEBUG
Description	DEBUG PRU CONSTANTS TABLE ENTRY 9. This register allows an external agent to debug the PRU while it is disabled. Since some of the constants table entries may actually depend on system inputs / and or the internal state of the PRU, these registers are provided to allow an external agent to easily determine the state of the constants table.		
Type	R		

31	30	29	28	27	26	25	24	23	22	21	20	19	18	17	16	15	14	13	12	11	10	9	8	7	6	5	4	3	2	1	0
CT_REG9																															

Bits	Field Name	Description	Type	Reset
31:0	CT_REG9	PRU Internal Constants Table Entry n: Reading this field directly inspects the corresponding entry in the PRU internal constants table.	R	0x4A10 0000

Table 30-197. Register Call Summary for Register PRUSS_DBG_CT_REG9

PRU-ICSS PRU Cores

- [PRUSS_PRU_DEBUG Register Summary: \[0\]\[1\]](#)

Table 30-198. PRUSS_DBG_CT_REG10

Address Offset	0x0000 00A8		
Physical Address	0x20AA 24A8 0x20AA 44A8 0x20AE 24A8 0x20AE 44A8	Instance	PRUSS1_PRU0_DEBUG PRUSS1_PRU1_DEBUG PRUSS2_PRU0_DEBUG PRUSS2_PRU1_DEBUG
Description	DEBUG PRU CONSTANTS TABLE ENTRY 10. This register allows an external agent to debug the PRU while it is disabled. Since some of the constants table entries may actually depend on system inputs / and or the internal state of the PRU, these registers are provided to allow an external agent to easily determine the state of the constants table.		
Type	R		

31	30	29	28	27	26	25	24	23	22	21	20	19	18	17	16	15	14	13	12	11	10	9	8	7	6	5	4	3	2	1	0
CT_REG10																															

Bits	Field Name	Description	Type	Reset
31:0	CT_REG10	PRU Internal Constants Table Entry n: Reading this field directly inspects the corresponding entry in the PRU internal constants table.	R	0x4831 8000

Table 30-199. Register Call Summary for Register PRUSS_DBG_CT_REG10

PRU-ICSS PRU Cores

- [PRUSS_PRU_DEBUG Register Summary: \[0\]\[1\]](#)

Table 30-200. PRUSS_DBG_CT_REG11

Address Offset	0x0000 00AC		
Physical Address	0x20AA 24AC 0x20AA 44AC 0x20AE 24AC 0x20AE 44AC	Instance	PRUSS1_PRU0_DEBUG PRUSS1_PRU1_DEBUG PRUSS2_PRU0_DEBUG PRUSS2_PRU1_DEBUG
Description	DEBUG PRU CONSTANTS TABLE ENTRY 11. This register allows an external agent to debug the PRU while it is disabled. Since some of the constants table entries may actually depend on system inputs / and or the internal state of the PRU, these registers are provided to allow an external agent to easily determine the state of the constants table.		
Type	R		

31	30	29	28	27	26	25	24	23	22	21	20	19	18	17	16	15	14	13	12	11	10	9	8	7	6	5	4	3	2	1	0
CT_REG11																															

Bits	Field Name	Description	Type	Reset
31:0	CT_REG11	PRU Internal Constants Table Entry n: Reading this field directly inspects the corresponding entry in the PRU internal constants table.	R	0x4802 2000

Table 30-201. Register Call Summary for Register PRUSS_DBG_CT_REG11

PRU-ICSS PRU Cores

- [PRUSS_PRU_DEBUG Register Summary: \[0\]\[1\]](#)

Table 30-202. PRUSS_DBG_CT_REG12

Address Offset	0x0000 00B0		
Physical Address	0x20AA 24B0 0x20AA 44B0 0x20AE 24B0 0x20AE 44B0	Instance	PRUSS1_PRU0_DEBUG PRUSS1_PRU1_DEBUG PRUSS2_PRU0_DEBUG PRUSS2_PRU1_DEBUG
Description	DEBUG PRU CONSTANTS TABLE ENTRY 12. This register allows an external agent to debug the PRU while it is disabled. Since some of the constants table entries may actually depend on system inputs / and or the internal state of the PRU, these registers are provided to allow an external agent to easily determine the state of the constants table.		
Type	R		

31	30	29	28	27	26	25	24	23	22	21	20	19	18	17	16	15	14	13	12	11	10	9	8	7	6	5	4	3	2	1	0
CT_REG12																															

Bits	Field Name	Description	Type	Reset
31:0	CT_REG12	PRU Internal Constants Table Entry n: Reading this field directly inspects the corresponding entry in the PRU internal constants table.	R	0x4802 4000

Table 30-203. Register Call Summary for Register PRUSS_DBG_CT_REG12

PRU-ICSS PRU Cores

- [PRUSS_PRU_DEBUG Register Summary: \[0\]\[1\]](#)

Table 30-204. PRUSS_DBG_CT_REG13

Address Offset	0x0000 00B4		
Physical Address	0x20AA 24B4 0x20AA 44B4 0x20AE 24B4 0x20AE 44B4	Instance	PRUSS1_PRU0_DEBUG PRUSS1_PRU1_DEBUG PRUSS2_PRU0_DEBUG PRUSS2_PRU1_DEBUG
Description	DEBUG PRU CONSTANTS TABLE ENTRY 13. This register allows an external agent to debug the PRU while it is disabled. Since some of the constants table entries may actually depend on system inputs / and or the internal state of the PRU, these registers are provided to allow an external agent to easily determine the state of the constants table.		
Type	R		

31	30	29	28	27	26	25	24	23	22	21	20	19	18	17	16	15	14	13	12	11	10	9	8	7	6	5	4	3	2	1	0
CT_REG13																															

Bits	Field Name	Description	Type	Reset
31:0	CT_REG13	PRU Internal Constants Table Entry n: Reading this field directly inspects the corresponding entry in the PRU internal constants table.	R	0x4831 0000

Table 30-205. Register Call Summary for Register PRUSS_DBG_CT_REG13

PRU-ICSS PRU Cores

- [PRUSS_PRU_DEBUG Register Summary: \[0\]\[1\]](#)

Table 30-206. PRUSS_DBG_CT_REG14

Address Offset	0x0000 00B8		
Physical Address	0x20AA 24B8 0x20AA 44B8 0x20AE 24B8 0x20AE 44B8	Instance	PRUSS1_PRU0_DEBUG PRUSS1_PRU1_DEBUG PRUSS2_PRU0_DEBUG PRUSS2_PRU1_DEBUG
Description	DEBUG PRU CONSTANTS TABLE ENTRY 14. This register allows an external agent to debug the PRU while it is disabled. Since some of the constants table entries may actually depend on system inputs / and or the internal state of the PRU, these registers are provided to allow an external agent to easily determine the state of the constants table.		
Type	R		

31	30	29	28	27	26	25	24	23	22	21	20	19	18	17	16	15	14	13	12	11	10	9	8	7	6	5	4	3	2	1	0
CT_REG14																															

Bits	Field Name	Description	Type	Reset
31:0	CT_REG14	PRU Internal Constants Table Entry n: Reading this field directly inspects the corresponding entry in the PRU internal constants table.	R	0x481C C000

Table 30-207. Register Call Summary for Register PRUSS_DBG_CT_REG14

PRU-ICSS PRU Cores

- [PRUSS_PRU_DEBUG Register Summary: \[0\]\[1\]](#)

Table 30-208. PRUSS_DBG_CT_REG15

Address Offset	0x0000 00BC		
Physical Address	0x20AA 24BC 0x20AA 44BC 0x20AE 24BC 0x20AE 44BC	Instance	PRUSS1_PRU0_DEBUG PRUSS1_PRU1_DEBUG PRUSS2_PRU0_DEBUG PRUSS2_PRU1_DEBUG
Description	DEBUG PRU CONSTANTS TABLE ENTRY 15. This register allows an external agent to debug the PRU while it is disabled. Since some of the constants table entries may actually depend on system inputs / and or the internal state of the PRU, these registers are provided to allow an external agent to easily determine the state of the constants table.		
Type	R		

31	30	29	28	27	26	25	24	23	22	21	20	19	18	17	16	15	14	13	12	11	10	9	8	7	6	5	4	3	2	1	0
CT_REG15																															

Bits	Field Name	Description	Type	Reset
31:0	CT_REG15	PRU Internal Constants Table Entry n: Reading this field directly inspects the corresponding entry in the PRU internal constants table.	R	0x481D 0000

Table 30-209. Register Call Summary for Register PRUSS_DBG_CT_REG15

PRU-ICSS PRU Cores

- [PRUSS_PRU_DEBUG Register Summary: \[0\]\[1\]](#)

Table 30-210. PRUSS_DBG_CT_REG16

Address Offset	0x0000 00C0		
Physical Address	0x20AA 24C0 0x20AA 44C0 0x20AE 24C0 0x20AE 44C0	Instance	PRUSS1_PRU0_DEBUG PRUSS1_PRU1_DEBUG PRUSS2_PRU0_DEBUG PRUSS2_PRU1_DEBUG
Description	DEBUG PRU CONSTANTS TABLE ENTRY 16. This register allows an external agent to debug the PRU while it is disabled. Since some of the constants table entries may actually depend on system inputs / and or the internal state of the PRU, these registers are provided to allow an external agent to easily determine the state of the constants table.		
Type	R		

31	30	29	28	27	26	25	24	23	22	21	20	19	18	17	16	15	14	13	12	11	10	9	8	7	6	5	4	3	2	1	0
CT_REG16																															

Bits	Field Name	Description	Type	Reset
31:0	CT_REG16	PRU Internal Constants Table Entry n: Reading this field directly inspects the corresponding entry in the PRU internal constants table.	R	0x481A 0000

Table 30-211. Register Call Summary for Register PRUSS_DBG_CT_REG16

PRU-ICSS PRU Cores

- [PRUSS_PRU_DEBUG Register Summary: \[0\]\[1\]](#)

Table 30-212. PRUSS_DBG_CT_REG17

Address Offset	0x0000 00C4		
Physical Address	0x20AA 24C4 0x20AA 44C4 0x20AE 24C4 0x20AE 44C4	Instance	PRUSS1_PRU0_DEBUG PRUSS1_PRU1_DEBUG PRUSS2_PRU0_DEBUG PRUSS2_PRU1_DEBUG
Description	DEBUG PRU CONSTANTS TABLE ENTRY 17. This register allows an external agent to debug the PRU while it is disabled. Since some of the constants table entries may actually depend on system inputs / and or the internal state of the PRU, these registers are provided to allow an external agent to easily determine the state of the constants table.		
Type	R		

31	30	29	28	27	26	25	24	23	22	21	20	19	18	17	16	15	14	13	12	11	10	9	8	7	6	5	4	3	2	1	0
CT_REG17																															

Bits	Field Name	Description	Type	Reset
31:0	CT_REG17	PRU Internal Constants Table Entry n: Reading this field directly inspects the corresponding entry in the PRU internal constants table.	R	0x4819 C000

Table 30-213. Register Call Summary for Register PRUSS_DBG_CT_REG17

PRU-ICSS PRU Cores

- [PRUSS_PRU_DEBUG Register Summary: \[0\]\[1\]](#)

Table 30-214. PRUSS_DBG_CT_REG18

Address Offset	0x0000 00C8		
Physical Address	0x20AA 24C8 0x20AA 44C8 0x20AE 24C8 0x20AE 44C8	Instance	PRUSS1_PRU0_DEBUG PRUSS1_PRU1_DEBUG PRUSS2_PRU0_DEBUG PRUSS2_PRU1_DEBUG
Description	DEBUG PRU CONSTANTS TABLE ENTRY 18. This register allows an external agent to debug the PRU while it is disabled. Since some of the constants table entries may actually depend on system inputs / and or the internal state of the PRU, these registers are provided to allow an external agent to easily determine the state of the constants table.		
Type	R		

31	30	29	28	27	26	25	24	23	22	21	20	19	18	17	16	15	14	13	12	11	10	9	8	7	6	5	4	3	2	1	0
CT_REG18																															

Bits	Field Name	Description	Type	Reset
31:0	CT_REG18	PRU Internal Constants Table Entry n: Reading this field directly inspects the corresponding entry in the PRU internal constants table.	R	0x4830 0000

Table 30-215. Register Call Summary for Register PRUSS_DBG_CT_REG18

PRU-ICSS PRU Cores

- [PRUSS_PRU_DEBUG Register Summary: \[0\]\[1\]](#)

Table 30-216. PRUSS_DBG_CT_REG19

Address Offset	0x0000 00CC		
Physical Address	0x20AA 24CC 0x20AA 44CC 0x20AE 24CC 0x20AE 44CC	Instance	PRUSS1_PRU0_DEBUG PRUSS1_PRU1_DEBUG PRUSS2_PRU0_DEBUG PRUSS2_PRU1_DEBUG
Description	DEBUG PRU CONSTANTS TABLE ENTRY 19. This register allows an external agent to debug the PRU while it is disabled. Since some of the constants table entries may actually depend on system inputs / and or the internal state of the PRU, these registers are provided to allow an external agent to easily determine the state of the constants table.		
Type	R		

31	30	29	28	27	26	25	24	23	22	21	20	19	18	17	16	15	14	13	12	11	10	9	8	7	6	5	4	3	2	1	0
CT_REG19																															

Bits	Field Name	Description	Type	Reset
31:0	CT_REG19	PRU Internal Constants Table Entry n: Reading this field directly inspects the corresponding entry in the PRU internal constants table.	R	0x4830 2000

Table 30-217. Register Call Summary for Register PRUSS_DBG_CT_REG19

PRU-ICSS PRU Cores

- [PRUSS_PRU_DEBUG Register Summary: \[0\]\[1\]](#)

Table 30-218. PRUSS_DBG_CT_REG20

Address Offset	0x0000 00D0		
Physical Address	0x20AA 24D0 0x20AA 44D0 0x20AE 24D0 0x20AE 44D0	Instance	PRUSS1_PRU0_DEBUG PRUSS1_PRU1_DEBUG PRUSS2_PRU0_DEBUG PRUSS2_PRU1_DEBUG
Description	DEBUG PRU CONSTANTS TABLE ENTRY 20. This register allows an external agent to debug the PRU while it is disabled. Since some of the constants table entries may actually depend on system inputs / and or the internal state of the PRU, these registers are provided to allow an external agent to easily determine the state of the constants table.		
Type	R		

31	30	29	28	27	26	25	24	23	22	21	20	19	18	17	16	15	14	13	12	11	10	9	8	7	6	5	4	3	2	1	0
CT_REG20																															

Bits	Field Name	Description	Type	Reset
31:0	CT_REG20	PRU Internal Constants Table Entry n: Reading this field directly inspects the corresponding entry in the PRU internal constants table.	R	0x4830 4000

Table 30-219. Register Call Summary for Register PRUSS_DBG_CT_REG20

PRU-ICSS PRU Cores

- [PRUSS_PRU_DEBUG Register Summary: \[0\]\[1\]](#)

Table 30-220. PRUSS_DBG_CT_REG21

Address Offset	0x0000 00D4		
Physical Address	0x20AA 24D4 0x20AA 44D4 0x20AE 24D4 0x20AE 44D4	Instance	PRUSS1_PRU0_DEBUG PRUSS1_PRU1_DEBUG PRUSS2_PRU0_DEBUG PRUSS2_PRU1_DEBUG
Description	DEBUG PRU CONSTANTS TABLE ENTRY 21. This register allows an external agent to debug the PRU while it is disabled. Since some of the constants table entries may actually depend on system inputs / and or the internal state of the PRU, these registers are provided to allow an external agent to easily determine the state of the constants table.		
Type	R		

31	30	29	28	27	26	25	24	23	22	21	20	19	18	17	16	15	14	13	12	11	10	9	8	7	6	5	4	3	2	1	0
CT_REG21																															

Bits	Field Name	Description	Type	Reset
31:0	CT_REG21	PRU Internal Constants Table Entry n: Reading this field directly inspects the corresponding entry in the PRU internal constants table.	R	0x03 2400

Table 30-221. Register Call Summary for Register PRUSS_DBG_CT_REG21

PRU-ICSS PRU Cores

- [PRUSS_PRU_DEBUG Register Summary: \[0\]\[1\]](#)

Table 30-222. PRUSS_DBG_CT_REG22

Address Offset	0x0000 00D8		
Physical Address	0x20AA 24D8 0x20AA 44D8 0x20AE 24D8 0x20AE 44D8	Instance	PRUSS1_PRU0_DEBUG PRUSS1_PRU1_DEBUG PRUSS2_PRU0_DEBUG PRUSS2_PRU1_DEBUG
Description	DEBUG PRU CONSTANTS TABLE ENTRY 22. This register allows an external agent to debug the PRU while it is disabled. Since some of the constants table entries may actually depend on system inputs / and or the internal state of the PRU, these registers are provided to allow an external agent to easily determine the state of the constants table.		
Type	R		

31	30	29	28	27	26	25	24	23	22	21	20	19	18	17	16	15	14	13	12	11	10	9	8	7	6	5	4	3	2	1	0
CT_REG22																															

Bits	Field Name	Description	Type	Reset
31:0	CT_REG22	PRU Internal Constants Table Entry n: Reading this field directly inspects the corresponding entry in the PRU internal constants table.	R	0x480C 8000

Table 30-223. Register Call Summary for Register PRUSS_DBG_CT_REG22

PRU-ICSS PRU Cores

- [PRUSS_PRU_DEBUG Register Summary: \[0\]\[1\]](#)

Table 30-224. PRUSS_DBG_CT_REG23

Address Offset	0x0000 00DC		
Physical Address	0x20AA 24DC 0x20AA 44DC 0x20AE 24DC 0x20AE 44DC	Instance	PRUSS1_PRU0_DEBUG PRUSS1_PRU1_DEBUG PRUSS2_PRU0_DEBUG PRUSS2_PRU1_DEBUG
Description	DEBUG PRU CONSTANTS TABLE ENTRY 23. This register allows an external agent to debug the PRU while it is disabled. Since some of the constants table entries may actually depend on system inputs / and or the internal state of the PRU, these registers are provided to allow an external agent to easily determine the state of the constants table.		
Type	R		

31	30	29	28	27	26	25	24	23	22	21	20	19	18	17	16	15	14	13	12	11	10	9	8	7	6	5	4	3	2	1	0
CT_REG23																															

Bits	Field Name	Description	Type	Reset
31:0	CT_REG23	PRU Internal Constants Table Entry n: Reading this field directly inspects the corresponding entry in the PRU internal constants table.	R	0x480C A000

Table 30-225. Register Call Summary for Register PRUSS_DBG_CT_REG23

PRU-ICSS PRU Cores

- [PRUSS_PRU_DEBUG Register Summary: \[0\]\[1\]](#)

Table 30-226. PRUSS_DBG_CT_REG24

Address Offset	0x0000 00E0		
Physical Address	0x20AA 24E0 0x20AA 44E0 0x20AE 24E0 0x20AE 44E0	Instance	PRUSS1_PRU0_DEBUG PRUSS1_PRU1_DEBUG PRUSS2_PRU0_DEBUG PRUSS2_PRU1_DEBUG
Description	DEBUG PRU CONSTANTS TABLE ENTRY 24. This register allows an external agent to debug the PRU while it is disabled. Since some of the constants table entries may actually depend on system inputs / and or the internal state of the PRU, these registers are provided to allow an external agent to easily determine the state of the constants table.		
Type	R		

31	30	29	28	27	26	25	24	23	22	21	20	19	18	17	16	15	14	13	12	11	10	9	8	7	6	5	4	3	2	1	0
CT_REG24																															

Bits	Field Name	Description	Type	Reset
31:0	CT_REG24	PRU Internal Constants Table Entry n: Reading this field directly inspects the corresponding entry in the PRU internal constants table. This entry is partially programmable through the c24_blk_index in the PRU Control register. The reset value for this Constant Table Entry is 0x00000n00, n=c24_blk_index[3:0].	R	0x0

Table 30-227. Register Call Summary for Register PRUSS_DBG_CT_REG24

PRU-ICSS PRU Cores

- [PRUSS_PRU_DEBUG Register Summary: \[0\]\[1\]](#)

Table 30-228. PRUSS_DBG_CT_REG25

Address Offset	0x0000 00E4		
Physical Address	0x20AA 24E4 0x20AA 44E4 0x20AE 24E4 0x20AE 44E4	Instance	PRUSS1_PRU0_DEBUG PRUSS1_PRU1_DEBUG PRUSS2_PRU0_DEBUG PRUSS2_PRU1_DEBUG
Description	DEBUG PRU CONSTANTS TABLE ENTRY 25. This register allows an external agent to debug the PRU while it is disabled. Since some of the constants table entries may actually depend on system inputs / and or the internal state of the PRU, these registers are provided to allow an external agent to easily determine the state of the constants table.		
Type	R		

31	30	29	28	27	26	25	24	23	22	21	20	19	18	17	16	15	14	13	12	11	10	9	8	7	6	5	4	3	2	1	0
CT_REG25																															

Bits	Field Name	Description	Type	Reset
31:0	CT_REG25	PRU Internal Constants Table Entry n: Reading this field directly inspects the corresponding entry in the PRU internal constants table. This entry is partially programmable through the c25_blk_index in the PRU Control register. The reset value for this Constant Table Entry is 0x00002n00, n=c25_blk_index[3:0].	R	0x0

Table 30-229. Register Call Summary for Register PRUSS_DBG_CT_REG25

PRU-ICSS PRU Cores

- [PRUSS_PRU_DEBUG Register Summary: \[0\]\[1\]](#)

Table 30-230. PRUSS_DBG_CT_REG26

Address Offset	0x0000 00E8		
Physical Address	0x20AA 24E8 0x20AA 44E8 0x20AE 24E8 0x20AE 44E8	Instance	PRUSS1_PRU0_DEBUG PRUSS1_PRU1_DEBUG PRUSS2_PRU0_DEBUG PRUSS2_PRU1_DEBUG
Description	DEBUG PRU CONSTANTS TABLE ENTRY 26. This register allows an external agent to debug the PRU while it is disabled. Since some of the constants table entries may actually depend on system inputs / and or the internal state of the PRU, these registers are provided to allow an external agent to easily determine the state of the constants table.		
Type	R		

31	30	29	28	27	26	25	24	23	22	21	20	19	18	17	16	15	14	13	12	11	10	9	8	7	6	5	4	3	2	1	0
CT_REG26																															

Bits	Field Name	Description	Type	Reset
31:0	CT_REG26	PRU Internal Constants Table Entry n: Reading this field directly inspects the corresponding entry in the PRU internal constants table. This entry is partially programmable through the c26_blk_index in the PRU Control register. The reset value for this Constant Table Entry is 0x0002En00, n=c26_blk_index[3:0].	R	0x0

Table 30-231. Register Call Summary for Register PRUSS_DBG_CT_REG26

PRU-ICSS PRU Cores

- [PRUSS_PRU_DEBUG Register Summary: \[0\]\[1\]](#)

Table 30-232. PRUSS_DBG_CT_REG27

Address Offset	0x0000 00EC		
Physical Address	0x20AA 24EC 0x20AA 44EC 0x20AE 24EC 0x20AE 44EC	Instance	PRUSS1_PRU0_DEBUG PRUSS1_PRU1_DEBUG PRUSS2_PRU0_DEBUG PRUSS2_PRU1_DEBUG
Description	DEBUG PRU CONSTANTS TABLE ENTRY 27. This register allows an external agent to debug the PRU while it is disabled. Since some of the constants table entries may actually depend on system inputs / and or the internal state of the PRU, these registers are provided to allow an external agent to easily determine the state of the constants table.		
Type	R		

31	30	29	28	27	26	25	24	23	22	21	20	19	18	17	16	15	14	13	12	11	10	9	8	7	6	5	4	3	2	1	0
CT_REG27																															

Bits	Field Name	Description	Type	Reset
31:0	CT_REG27	PRU Internal Constants Table Entry n: Reading this field directly inspects the corresponding entry in the PRU internal constants table. This entry is partially programmable through the c27_blk_index in the PRU Control register. The reset value for this Constant Table Entry is 0x00032n00, n=c27_blk_index[3:0].	R	0x0

Table 30-233. Register Call Summary for Register PRUSS_DBG_CT_REG27

PRU-ICSS PRU Cores

- [PRUSS_PRU_DEBUG Register Summary: \[0\]\[1\]](#)

Table 30-234. PRUSS_DBG_CT_REG28

Address Offset	0x0000 00F0		
Physical Address	0x20AA 24F0 0x20AA 44F0 0x20AE 24F0 0x20AE 44F0	Instance	PRUSS1_PRU0_DEBUG PRUSS1_PRU1_DEBUG PRUSS2_PRU0_DEBUG PRUSS2_PRU1_DEBUG
Description	DEBUG PRU CONSTANTS TABLE ENTRY 28. This register allows an external agent to debug the PRU while it is disabled. Since some of the constants table entries may actually depend on system inputs / and or the internal state of the PRU, these registers are provided to allow an external agent to easily determine the state of the constants table.		
Type	R		

31	30	29	28	27	26	25	24	23	22	21	20	19	18	17	16	15	14	13	12	11	10	9	8	7	6	5	4	3	2	1	0
CT_REG28																															

Bits	Field Name	Description	Type	Reset
31:0	CT_REG28	PRU Internal Constants Table Entry n: Reading this field directly inspects the corresponding entry in the PRU internal constants table. This entry is partially programmable through the c28_pointer in the PRU Control register. The reset value for this Constant Table Entry is 0x00nnnn00, nnnn=c28_pointer[15:0].	R	0x0

Table 30-235. Register Call Summary for Register PRUSS_DBG_CT_REG28

PRU-ICSS PRU Cores

- [PRUSS_PRU_DEBUG Register Summary: \[0\]\[1\]](#)

Table 30-236. PRUSS_DBG_CT_REG29

Address Offset	0x0000 00F4		
Physical Address	0x20AA 24F4 0x20AA 44F4 0x20AE 24F4 0x20AE 44F4	Instance	PRUSS1_PRU0_DEBUG PRUSS1_PRU1_DEBUG PRUSS2_PRU0_DEBUG PRUSS2_PRU1_DEBUG
Description	DEBUG PRU CONSTANTS TABLE ENTRY 29. This register allows an external agent to debug the PRU while it is disabled. Since some of the constants table entries may actually depend on system inputs / and or the internal state of the PRU, these registers are provided to allow an external agent to easily determine the state of the constants table.		
Type	R		

31	30	29	28	27	26	25	24	23	22	21	20	19	18	17	16	15	14	13	12	11	10	9	8	7	6	5	4	3	2	1	0
CT_REG29																															

Bits	Field Name	Description	Type	Reset
31:0	CT_REG29	PRU Internal Constants Table Entry n: Reading this field directly inspects the corresponding entry in the PRU internal constants table. This entry is partially programmable through the c29_pointer in the PRU Control register. The reset value for this Constant Table Entry is 0x49nnnn00, nnnn=c29_pointer[15:0].	R	0x0

Table 30-237. Register Call Summary for Register PRUSS_DBG_CT_REG29

PRU-ICSS PRU Cores

- [PRUSS_PRU_DEBUG Register Summary: \[0\]\[1\]](#)

Table 30-238. PRUSS_DBG_CT_REG30

Address Offset	0x0000 00F8		
Physical Address	0x20AA 24F8 0x20AA 44F8 0x20AE 24F8 0x20AE 44F8	Instance	PRUSS1_PRU0_DEBUG PRUSS1_PRU1_DEBUG PRUSS2_PRU0_DEBUG PRUSS2_PRU1_DEBUG
Description	DEBUG PRU CONSTANTS TABLE ENTRY 30. This register allows an external agent to debug the PRU while it is disabled. Since some of the constants table entries may actually depend on system inputs / and or the internal state of the PRU, these registers are provided to allow an external agent to easily determine the state of the constants table.		
Type	R		

31	30	29	28	27	26	25	24	23	22	21	20	19	18	17	16	15	14	13	12	11	10	9	8	7	6	5	4	3	2	1	0
CT_REG30																															

Bits	Field Name	Description	Type	Reset
31:0	CT_REG30	PRU Internal Constants Table Entry n: Reading this field directly inspects the corresponding entry in the PRU internal constants table. This entry is partially programmable through the c30_pointer in the PRU Control register. The reset value for this Constant Table Entry is 0x40nnnn00, nnnn=c30_pointer[15:0].	R	0x0

Table 30-239. Register Call Summary for Register PRUSS_DBG_CT_REG30

PRU-ICSS PRU Cores

- [PRUSS_PRU_DEBUG Register Summary: \[0\]\[1\]](#)

Table 30-240. PRUSS_DBG_CT_REG31

Address Offset	0x0000 00FC		
Physical Address	0x20AA 24FC 0x20AA 44FC 0x20AE 24FC 0x20AE 44FC	Instance	PRUSS1_PRU0_DEBUG PRUSS1_PRU1_DEBUG PRUSS2_PRU0_DEBUG PRUSS2_PRU1_DEBUG
Description	DEBUG PRU CONSTANTS TABLE ENTRY 31. This register allows an external agent to debug the PRU while it is disabled. Since some of the constants table entries may actually depend on system inputs / and or the internal state of the PRU, these registers are provided to allow an external agent to easily determine the state of the constants table.		
Type	R		

31	30	29	28	27	26	25	24	23	22	21	20	19	18	17	16	15	14	13	12	11	10	9	8	7	6	5	4	3	2	1	0
CT_REG31																															

Bits	Field Name	Description	Type	Reset
31:0	CT_REG31	PRU Internal Constants Table Entry n: Reading this field directly inspects the corresponding entry in the PRU internal constants table. This entry is partially programmable through the c31_pointer in the PRU Control register. The reset value for this Constant Table Entry is 0x80nnnn00, nnnn=c31_pointer[15:0].	R	0x0

Table 30-241. Register Call Summary for Register PRUSS_DBG_CT_REG31

PRU-ICSS PRU Cores

- [PRUSS_PRU_DEBUG Register Summary: \[0\]\[1\]](#)

30.6 PRU-ICSS Local Interrupt Controller

This section describes functionality of the PRU-ICSS integrated Interrupt Controller - PRUSS_INTC.

30.6.1 PRU-ICSS Interrupt Controller Overview

The PRU-ICSS interrupt controller (PRUSS_INTC) maps interrupts coming from different parts of the device (mapped to PRU-ICSS1/PRU-ICSS2 via the device IRQ_CROSSBAR) to a reduced set of PRU-ICSS interrupt channels.

The PRUSS_INTC has the following features:

- Capturing up to 64 System Events (inputs)
- Supports up to 10 output interrupt channels.
- Generation of 10 Host Interrupts
 - 2 Host Interrupts for the PRUs.
 - 8 Host Interrupts exported from the PRU-ICSS for signaling the ARMSS interrupt controllers.
- Each system event can be enabled and disabled.
- Each host event can be enabled and disabled.
- Hardware prioritization of events.

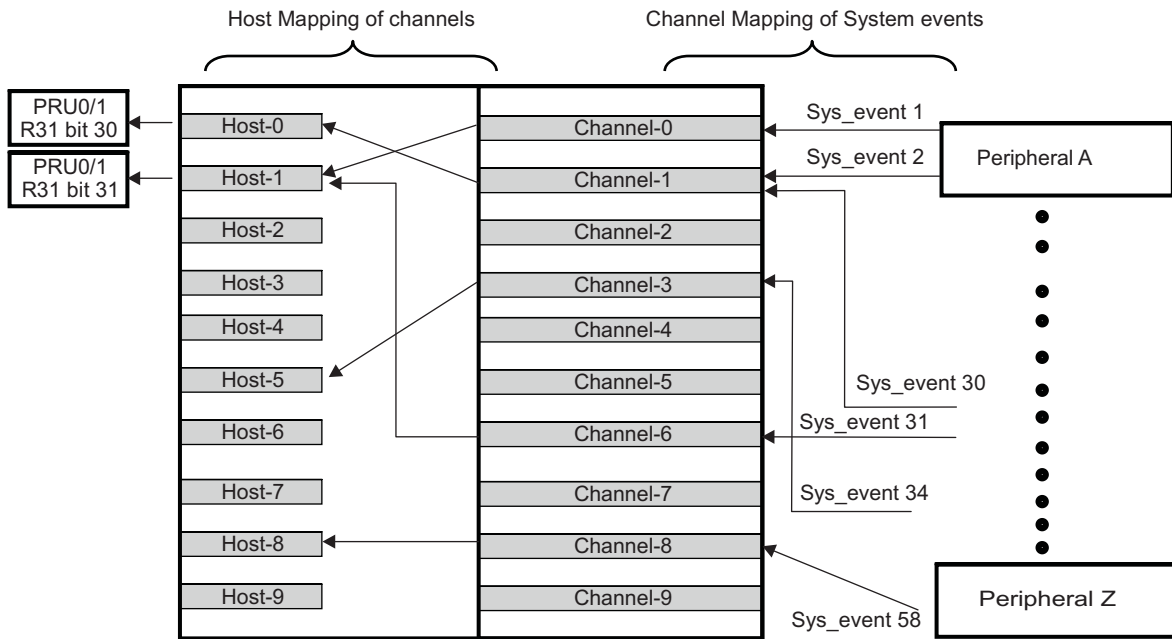
30.6.2 PRU-ICSS Interrupt Controller Functional Description

The PRU-ICSS incorporates an interrupt controller - PRUSS_INTC that supports up to 64 system interrupts from different peripherals (including 32 interrupts from PRU-ICSS located interrupt sources). The PRUSS_INTC maps these system events to 10 channels inside the PRUSS_INTC (see [Figure 30-28](#)). Interrupts from these 10 channels are further mapped to 10 Host Interrupts.

- Any of the 64 system interrupts can be mapped to any of the 10 channels.
- Multiple interrupts can be mapped to a single channel.
- An interrupt should not be mapped to more than one channel.
- Any of the 10 channels can be mapped to any of the 10 host interrupts. It is recommended to map channel “x” to host interrupt “x”, where x is from 0 to 9
- A channel should not be mapped to more than one host interrupt
- For channels mapping to the same host interrupt, lower number channels have higher priority.
- For interrupts on same channel, priority is determined by the hardware interrupt number. The lower the interrupt number, the higher the priority.
- Host Interrupt 0 is connected to bit 30 in register 31 (R31) of PRU0 and PRU1.
- Host Interrupt 1 is connected to bit 31 in register 31 (R31) for PRU0 and PRU1.
- Host Interrupts 2 through 9 exported from PRU-ICSS and mapped to interrupt controllers in the device.

NOTE: The Host interrupt 8 and host interrupt 9 are also exported as DMA requests to the device instantiated DMA_CROSSBAR which in turn can remap them to each line of the device integrated SDMA, EDMA, DSP1_EDMA and DSP2_EDMA controllers. For more details on PRU-ICSS DMA request outputs mapping, refer to the [Section 30.3](#).

Figure 30-28. PRU-ICSS Interrupt Controller Block Diagram



pruss-011

30.6.2.1 PRU-ICSS Interrupt Controller System Events

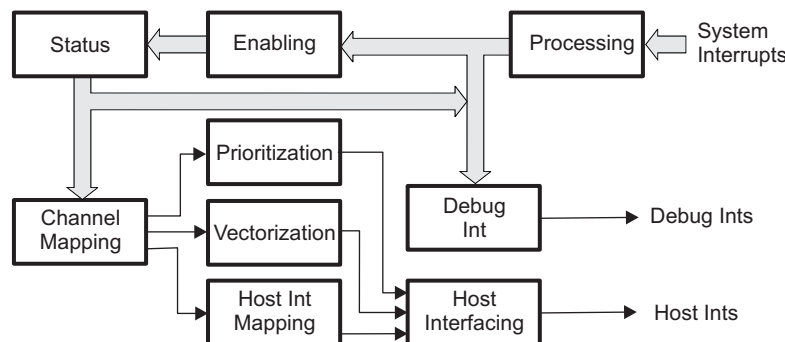
The PRU-ICSS system events - interrupt inputs. The device includes a internal mux that selects the Standard (default) or MII_RT mode system events. The mux control signal is controlled by [PRUSS_MII_RT\[0\]](#) MII_RT_EVENT_EN, which can be modified by software in PRU-ICSS CFG register space.

30.6.2.2 PRU-ICSS Interrupt Controller System Events Flow

The PRUSS_INTC module controls the system event mapping to the host interrupt interface. System events are generated by the device peripherals or PRUs. The PRUSS_INTC receives the system interrupts and maps them to internal channels. The channels are used to group interrupts together and to prioritize them. These channels are then mapped onto the host interrupts. Interrupts from the system side are active high in polarity. They are also pulse type of interrupts.

The PRUSS_INTC encompasses many functions to process the system interrupts and prepare them for the host interface. These functions are: processing, enabling, status, channel mapping, host interrupt mapping, prioritization, and host interfacing. [Figure 30-29](#) illustrates the flow of system interrupts through the functions to the host. The following subsections describe each part of the flow.

Figure 30-29. Flow of System Interrupts to Host



pruss-012

30.6.2.2.1 PRU-ICSS Interrupt Processing

This block does following tasks:

- Synchronization of slower and asynchronous interrupts
- Conversion of polarity to active high
- Conversion of interrupt type to pulse interrupts

After the processing block, all interrupts will be active high pulses.

30.6.2.2.1.1 PRU-ICSS Interrupt Enabling

The next stage of PRUSS_INTC is to enable system interrupts based on programmed settings. The following sequence is to be followed to enable interrupts:

- Enable required system interrupts: System interrupts that are required to get propagated to host are to be enabled individually by writing to INDEX field in the system interrupt enable indexed set register ([PRUSS_INTC_EISR](#)). The interrupt to enable is the index value written. This sets the Enable Register bit of the given index.
- Enable required host interrupts: By writing 1 to the appropriate bit of the INDEX field in the host interrupt enable indexed set register ([PRUSS_INTC_HIEISR](#)), enable the required host interrupts. The host interrupt to enable is the index value written. This enables the host interrupt output or triggers the output again if that host interrupt is already enabled.
- Enable all host interrupts: By setting the ENABLE bit in the global enable register ([PRUSS_INTC_GER](#)) to 1, all host interrupts will be enabled. Individual host interrupts are still enabled or disabled from their individual enables and are not overridden by the global enable.

30.6.2.2.2 PRU-ICSS Interrupt Status Checking

The next stage is to capture which system interrupts are pending. There are two kinds of pending status: raw status and enabled status. Raw status is the pending status of the system interrupt without regards to the enable bit for the system interrupt. Enabled status is the pending status of the system interrupts with the enable bits active. When the enable bit is inactive, the enabled status will always be inactive. The enabled status of system interrupts is captured in system interrupt status enabled/clear registers ([PRUSS_INTC_SECR1](#) and [PRUSS_INTC_SECR0](#)).

Status of system interrupt 'N' is indicated by the N-th bit of [PRUSS_INTC_SECR1](#) and [PRUSS_INTC_SECR0](#). Since there are 64 system interrupts, two 32-bit registers are used to capture the enabled status of interrupts. The pending status reflects whether the system interrupt occurred since the last time the status register bit was cleared. Each bit in the status register can be individually cleared.

30.6.2.2.3 PRU-ICSS Interrupt Channel Mapping

The PRUSS_INTC has 10 internal channels to which enabled system interrupts can be mapped. Channel 0 has highest priority and channel 9 has the lowest priority. Channels are used to group the system interrupts into a smaller number of priorities that can be given to a host interface with a very small number of interrupt inputs.

When multiple system interrupts are mapped to the same channel their interrupts are ORed together so that when either is active the output is active. The channel map registers ([PRUSS_INTC_CMRI_i](#), where $i=0$ to 15) define the channel for each system interrupt. There is one register per 4 system interrupts; therefore, there are 16 channel map registers for a system of 64 interrupts. The channel for each system interrupt can be set using these registers.

30.6.2.2.3.1 PRU-ICSS Host Interrupt Mapping

The hosts can be the local PRU processors (PRU0 and PRU1) as well as device processors located outside PRU-ICSS such as MPU Cortex-A15, DSP1, IPU1, EVEs, etc. The 10 channels from the PRUSS_INTC can be mapped to any of the 10 Host interrupts. The Host map registers ([PRUSS_INTC_HMR0](#) - [PRUSS_INTC_HMR2](#)) define the channel for each system interrupt. There is one register per 4 channels; therefore, there are 3 host map registers for 10 channels. When multiple channels are mapped to the same host interrupt, then prioritization is done to select which interrupt is in the highest-priority channel and which should be sent first to the host.

30.6.2.2.3.2 PRU-ICSS Interrupt Prioritization

The next stage of the PRUSS_INTC is prioritization. Since multiple interrupts can feed into a single channel and multiple channels can feed into a single host interrupt, it is to read the status of all system interrupts to determine the highest priority interrupt that is pending. The PRUSS_INTC provides hardware to perform this prioritization with a given scheme so that software does not have to do this. There are two levels of prioritizations:

- The first level of prioritization is between the active channels for a host interrupt. Channel 0 has the highest priority and channel 9 has the lowest. So the first level of prioritization picks the lowest numbered active channel.
- The second level of prioritization is between the active system interrupts for the prioritized channel. The system interrupt in position 0 has the highest priority and system interrupt 63 has the lowest priority. So the second level of prioritization picks the lowest position active system interrupt.

This is the final prioritized system interrupt for the host interrupt and is stored in the global prioritized index register ([PRUSS_INTC_GPIR](#)). The highest priority pending interrupt with respect to each host interrupts can be obtained using the host interrupt prioritized index registers ([PRUSS_INTC_HIPIRj](#) where j=0 to 9).

30.6.2.2.4 PRU-ICSS Interrupt Nesting

The PRUSS_INTC can also perform a nesting function in its prioritization. Nesting is a method of disabling certain interrupts (usually lower-priority interrupts) when an interrupt is taken so that only those desired interrupts can trigger to the host while it is servicing the current interrupt. The typical usage is to nest on the current interrupt and disable all interrupts of the same or lower priority (or channel). Then the host will only be interrupted from a higher priority interrupt.

The nesting is done in one of three methods:

1. Nesting for all host interrupts, based on channel priority: When an interrupt is taken, the nesting level is set to its channel priority. From then, that channel priority and all lower priority channels will be disabled from generating host interrupts and only higher priority channels are allowed. When the interrupt is completely serviced, the nesting level is returned to its original value. When there is no interrupt being serviced, there are no channels disabled due to nesting. The global nesting level register ([PRUSS_INTC_GNLR](#)) allows the checking and setting of the global nesting level across all host interrupts. The nesting level is the channel (and all of lower priority channels) that are nested out because of a current interrupt.
2. Nesting for individual host interrupts, based on channel priority: Always nest based on channel priority for each host interrupt individually. When an interrupt is taken on a host interrupt, then, the nesting level is set to its channel priority for just that host interrupt, and other host interrupts do not have their nesting affected. Then for that host interrupt, equal or lower priority channels will not interrupt the host but may on other host interrupts if programmed. When the interrupt is completely serviced the nesting level for the host interrupt is returned to its original value. The host interrupt nesting level registers ([PRUSS_INTC_HINLRj](#) where j=0 to 9) display and control the nesting level for each host interrupt. The nesting level controls which channel and lower priority channels are nested. There is one register per host interrupt.
3. Software manually performs the nesting of interrupts. When an interrupt is taken, the software will disable all the host interrupts, manually update the enables for any or all the system interrupts, and then re-enables all the host interrupts. This now allows only the system interrupts that are still enabled to trigger to the host. When the interrupt is completely serviced the software must reverse the changes to re-enable the nested out system interrupts. This method requires the most software interaction but gives the most flexibility if simple channel based nesting mechanisms are not adequate.

30.6.2.2.5 PRU-ICSS Interrupt Status Clearing

After servicing the interrupt (after execution of the ISR), interrupt status is to be cleared. If a system interrupt status is not cleared, then another host interrupt may not be triggered or another host interrupt may be triggered incorrectly. It is also essential to clear all system interrupts before the PRU is halted as the PRU does not power down unless all the interrupt status are cleared. For clearing the status of an interrupt, whose interrupt number is N, write a 1 to the Nth bit position in the system interrupt status enabled/clear registers ([PRUSS_INTC_SECR0](#) and [PRUSS_INTC_SECR1](#)). System interrupt N can also be cleared by writing the value N into the system interrupt status indexed clear register ([PRUSS_INTC_SICR](#)).

30.6.2.3 PRU-ICSS Interrupt Disabling

At any time, if any interrupt is not to be propagated to the host, then that interrupt should be disabled. For disabling an interrupt whose interrupt number is N, write a 1 to the Nth bit in the system interrupt enable clear registers ([PRUSS_INTC_ECR0](#) and [PRUSS_INTC_ECR1](#)). System interrupt N can also be disabled by writing the value N in the system interrupt enable indexed clear register ([PRUSS_INTC_EICR](#)).

30.6.3 PRU-ICSS Interrupt Controller Basic Programming Model

Follow these steps to configure the interrupt controller.

1. Set polarity and type of system event through the System Interrupt Polarity Registers ([PRUSS_INTC_SIPR1](#) and [PRUSS_INTC_SIPR0](#)) and the System Interrupt Type Registers ([PRUSS_INTC_SITR1](#) and [PRUSS_INTC_SITR0](#)). Polarity of all system interrupts is always high. Type of all system interrupts is always pulse.
2. Map system event to PRUSS_INTC channel through [PRUSS_INTC_CMRI](#) (i=0 to 15) channel mapping registers.
3. Map channel to host interrupt through [PRUSS_INTC_HMR0/1/2](#) registers. Recommended channel “x” to be mapped to host interrupt “x”.
4. Clear system interrupt by writing 1 to [PRUSS_INTC_SECR0/1](#) registers.
5. Enable host interrupt by writing index value to [PRUSS_INTC_HIEISR](#) register.
6. Enable interrupt nesting if desired.
7. Globally enable all interrupts through register [PRUSS_INTC_GER\[0\]](#) ENABLE_HINT_ANY bit.

30.6.4 PRU-ICSS Interrupt Requests Mapping

The PRU-ICSS1_INTC/PRUSS2_INTC lines 0 through 31 are mapped to events which are generated by PRU-ICSS integrated modules. [Table 30-242](#) shows mapping of the different PRU-ICSS internally sourced IRQ events to PRUSS1_INTC/PRUSS2_INTC interrupt lines 0 through 31.

Table 30-242. PRU-ICSS1/PRU-ICSS2 Internal Interrupts

PRU-ICSS INTC IRQ input	PRU-ICSS Internal Interrupt Signal Name	Source
PRUSS1_INTC		
PRUSS1_IRQ_31	pr1_pru_mst_intr15_intr_req	pru0 or pru1
PRUSS1_IRQ_30	pr1_pru_mst_intr14_intr_req	pru0 or pru1
PRUSS1_IRQ_29	pr1_pru_mst_intr[13]_intr_req	pru0 or pru1
PRUSS1_IRQ_28	pr1_pru_mst_intr[12]_intr_req	pru0 or pru1
PRUSS1_IRQ_27	pr1_pru_mst_intr[11]_intr_req	pru0 or pru1
PRUSS1_IRQ_26	pr1_pru_mst_intr[10]_intr_req	pru0 or pru1
PRUSS1_IRQ_25	pr1_pru_mst_intr[9]_intr_req	pru0 or pru1
PRUSS1_IRQ_24	pr1_pru_mst_intr[8]_intr_req	pru0 or pru1
PRUSS1_IRQ_23	pr1_pru_mst_intr[7]_intr_req	pru0 or pru1
PRUSS1_IRQ_22	pr1_pru_mst_intr[6]_intr_req	pru0 or pru1
PRUSS1_IRQ_21	pr1_pru_mst_intr[5]_intr_req	pru0 or pru1
PRUSS1_IRQ_20	pr1_pru_mst_intr[4]_intr_req	pru0 or pru1
PRUSS1_IRQ_19	pr1_pru_mst_intr[3]_intr_req	pru0 or pru1
PRUSS1_IRQ_18	pr1_pru_mst_intr[2]_intr_req	pru0 or pru1
PRUSS1_IRQ_17	pr1_pru_mst_intr[1]_intr_req	pru0 or pru1
PRUSS1_IRQ_16	pr1_pru_mst_intr[0]_intr_req	pru0 or pru1
PRUSS1_IRQ_15	pr1_ecap_intr_req	PRUSS1 eCAP
PRUSS1_IRQ_14	sync0_out_pend	PRUSS1 IEP
PRUSS1_IRQ_13	sync1_out_pend	PRUSS1 IEP
PRUSS1_IRQ_12	pr1_latch0_in (input to PRUSS1)	PRUSS1 IEP
PRUSS1_IRQ_11	pr1_latch1_in (input to PRUSS1)	PRUSS1 IEP
PRUSS1_IRQ_10	pdi_wd_exp_pend	PRUSS1 IEP
PRUSS1_IRQ_9	pd_wd_exp_pend	PRUSS1 IEP
PRUSS1_IRQ_8	digio_event_req	PRUSS1 IEP
PRUSS1_IRQ_7	pr1_iep_tim_cap_cmp_pend	PRUSS1 IEP
PRUSS1_IRQ_6	pr1_uart_uint_intr_req	PRUSS1 UART
PRUSS1_IRQ_5	pr1_uart_utxevt_intr_req	PRUSS1 UART
PRUSS1_IRQ_4	pr1_uart_urxevt_intr_req	PRUSS1 UART
PRUSS1_IRQ_3	pr1_xfr_timeout	PRUSS1 Scratch Pad
PRUSS1_IRQ_2	pr1_pru1_r31_status_cnt16	PRUSS1.PRU1 (Shift Capture)
PRUSS1_IRQ_1	pr1_pru0_r31_status_cnt16	PRUSS1.PRU0 (Shift Capture)
PRUSS1_IRQ_0	pr1_parity_err_intr_pend	PRUSS1 Parity Logic
PRUSS2_INTC		
PRUSS2_IRQ_31	pr2_pru_mst_intr[15]_intr_req	pru0 or pru1
PRUSS2_IRQ_30	pr2_pru_mst_intr[14]_intr_req	pru0 or pru1
PRUSS2_IRQ_29	pr2_pru_mst_intr[13]_intr_req	pru0 or pru1
PRUSS2_IRQ_28	pr2_pru_mst_intr[12]_intr_req	pru0 or pru1
PRUSS2_IRQ_27	pr2_pru_mst_intr[11]_intr_req	pru0 or pru1
PRUSS2_IRQ_26	pr2_pru_mst_intr[10]_intr_req	pru0 or pru1
PRUSS2_IRQ_25	pr2_pru_mst_intr[9]_intr_req	pru0 or pru1
PRUSS2_IRQ_24	pr2_pru_mst_intr[8]_intr_req	pru0 or pru1

Table 30-242. PRU-ICSS1/PRU-ICSS2 Internal Interrupts (continued)

PRU-ICSS INTC IRQ input	PRU-ICSS Internal Interrupt Signal Name	Source
PRUSS2_IRQ_23	pr2_pru_mst_intr[7]_intr_req	pru0 or pru1
PRUSS2_IRQ_22	pr2_pru_mst_intr[6]_intr_req	pru0 or pru1
PRUSS2_IRQ_21	pr2_pru_mst_intr[5]_intr_req	pru0 or pru1
PRUSS2_IRQ_20	pr2_pru_mst_intr[4]_intr_req	pru0 or pru1
PRUSS2_IRQ_19	pr2_pru_mst_intr[3]_intr_req	pru0 or pru1
PRUSS2_IRQ_18	pr2_pru_mst_intr[2]_intr_req	pru0 or pru1
PRUSS2_IRQ_17	pr2_pru_mst_intr[1]_intr_req	pru0 or pru1
PRUSS2_IRQ_16	pr2_pru_mst_intr[0]_intr_req	pru0 or pru1
PRUSS2_IRQ_15	pr2_ecap_intr_req	PRUSS2 eCAP
PRUSS2_IRQ_14	pr2_sync0_out_pend	PRUSS2 IEP
PRUSS2_IRQ_13	pr2_sync1_out_pend	PRUSS2 IEP
PRUSS2_IRQ_12	pr2_latch0_in (input to PRUSS2)	PRUSS2 IEP
PRUSS2_IRQ_11	pr2_latch1_in (input to PRUSS2)	PRUSS2 IEP
PRUSS2_IRQ_10	pr2_pdi_wd_exp_pend	PRUSS2 IEP
PRUSS2_IRQ_9	pr2_pd_wd_exp_pend	PRUSS2 IEP
PRUSS2_IRQ_8	pr2_digio_event_req	PRUSS2 IEP
PRUSS2_IRQ_7	pr2_iep_tim_cap_cmp_pend	PRUSS2 IEP
PRUSS2_IRQ_6	pr2_uart_uint_intr_req	PRUSS2 UART
PRUSS2_IRQ_5	pr2_uart_utxevt_intr_req	PRUSS2 UART
PRUSS2_IRQ_4	pr2_uart_urxevt_intr_req	PRUSS2 UART
PRUSS2_IRQ_3	pr2_xfr_timeout	PRUSS2 Scratch Pad
PRUSS2_IRQ_2	pr2_pru1_r31_status_cnt16	PRUSS2.PRU1 (Shift Capture)
PRUSS2_IRQ_1	pr2_pru0_r31_status_cnt16	PRUSS2.PRU0 (Shift Capture)
PRUSS2_IRQ_0	pr2_parity_err_intr_pend	PRUSS2 Parity Logic

NOTE: PRU-ICSS2 UART and eCAP are not supported on the AM570x family of devices.

PRU-ICSS2 IEP I/Os are not pinned out on AM570x. However, some internal features (such as the IEP timer) are still supported.

The IRQ input lines 32 through 63 receive interrupts which come from various device peripherals located outside PRU-ICSS1 and PRU-ICSS2. They are delivered on the PRUSS1_INTC / PRUSS2_INTC inputs (32 through 63) via the device IRQ_CROSSBAR. For more details on the device IRQ_CROSSBAR signals mapping to the PRUSS1_INTC / PRUSS2_INTC, refer to the [Chapter 17, Interrupt Controllers](#). For more details on how to program mapping of the external peripheral IRQ signals to PRUSS1_IRQ_32 through PRUSS1_IRQ_63 / PRUSS2_IRQ_32 through PRUSS2_IRQ_55 inputs of the PRUSS1_INTC/PRUSS2_INTC, respectively, refer to the [Section 18.4.6.4, IRQ_CROSSBAR Module Functional Description](#), in [Chapter 18, Control Module](#).

Note that for the PRUSS_INTC input lines **32 through 55**, there is an additional multiplexing option programmable in the PRUSS_CFG located register bit - [PRUSS_MII_RT\[0\] MII_RT_EVENT_EN](#). By default the MII_RT_EVENT_EN is set to 0b0 which selects the IRQ sources to be the PRU-ICSS dedicated device IRQ_CROSSBAR outputs ("**Standard**"). By setting MII_RT_EVENT_EN to 0b1, a set of PRU-ICSS MII_RT module associated events, are mapped to the same lines.

The [Table 30-243](#) and the [Table 30-244](#) shows PRU-ICSS1/PRU-ICSS2 MII_RT events mapping on the PRUSS1_INTC / PRUSS2_INTC inputs PRUSS1_IRQ_32 through PRUSS1_IRQ_55 / PRUSS2_IRQ_32 through PRUSS2_IRQ_55 valid for the "MII_RT" mode (with [PRUSS_MII_RT\[0\] MII_RT_EVENT_EN](#) register bit set to "0b1")

Table 30-243. PRU-ICSS1 MII_RT Mode Interrupts

PRU-ICSS1 IRQ ⁽¹⁾	Signal Name (MII_RT Mode enabled) - PRUSS_MII_RT[0] MII_RT_EVENT_EN=0b1
PRUSS1_IRQ_55	Reserved
PRUSS1_IRQ_54	PRU1_RX_EOF
PRUSS1_IRQ_53	MDIO_MII_LINK[1]
PRUSS1_IRQ_52	PORT1_TX_OVERFLOW
PRUSS1_IRQ_51	PORT1_TX_UNDERFLOW
PRUSS1_IRQ_50	PRU1_RX_OVERFLOW
PRUSS1_IRQ_49	PRU1_RX_NIBBLE_ODD
PRUSS1_IRQ_48	PRU1_RX_CRC
PRUSS1_IRQ_47	PRU1_RX_SOF
PRUSS1_IRQ_46	PRU1_RX_SFD
PRUSS1_IRQ_45	PRU1_RX_ERR32
PRUSS1_IRQ_44	PRU1_RX_ERR
PRUSS1_IRQ_43	Reserved
PRUSS1_IRQ_42	PRU0_RX_EOF
PRUSS1_IRQ_41	MDIO_MII_LINK[0]
PRUSS1_IRQ_40	PORT0_TX_OVERFLOW
PRUSS1_IRQ_39	PORT0_TX_UNDERFLOW
PRUSS1_IRQ_38	PRU0_RX_OVERFLOW
PRUSS1_IRQ_37	PRU0_RX_NIBBLE_ODD
PRUSS1_IRQ_36	PRU0_RX_CRC
PRUSS1_IRQ_35	PRU0_RX_SOF
PRUSS1_IRQ_34	PRU0_RX_SFD
PRUSS1_IRQ_33	PRU0_RX_ERR32
PRUSS1_IRQ_32	PRU0_RX_ERR

⁽¹⁾ Signals 63–56 and 31–0 for MII_RT Mode are the same as for Standard Mode.

Table 30-244. PRU-ICSS2 MII_RT Mode Interrupts

PRU-ICSS2 IRQ ⁽¹⁾	Signal Name (MII_RT Mode enabled) - PRUSS_MII_RT[0] MII_RT_EVENT_EN=0b1
PRUSS2_IRQ_55	Reserved
PRUSS2_IRQ_54	PRU1_RX_EOF
PRUSS2_IRQ_53	MDIO_MII_LINK[1]
PRUSS2_IRQ_52	PORT1_TX_OVERFLOW
PRUSS2_IRQ_51	PORT1_TX_UNDERFLOW
PRUSS2_IRQ_50	PRU1_RX_OVERFLOW
PRUSS2_IRQ_49	PRU1_RX_NIBBLE_ODD
PRUSS2_IRQ_48	PRU1_RX_CRC
PRUSS2_IRQ_47	PRU1_RX_SOF
PRUSS2_IRQ_46	PRU1_RX_SFD
PRUSS2_IRQ_45	PRU1_RX_ERR32
PRUSS2_IRQ_44	PRU1_RX_ERR
PRUSS2_IRQ_43	Reserved
PRUSS2_IRQ_42	PRU0_RX_EOF
PRUSS2_IRQ_41	MDIO_MII_LINK[0]
PRUSS2_IRQ_40	PORT0_TX_OVERFLOW
PRUSS2_IRQ_39	PORT0_TX_UNDERFLOW

⁽¹⁾ Signals 63–56 and 31–0 for MII_RT Mode are the same as for Standard Mode.

Table 30-244. PRU-ICSS2 MII_RT Mode Interrupts (continued)

PRU-ICSS2 IRQ ⁽¹⁾	Signal Name (MII_RT Mode enabled) - PRUSS_MII_RT[0] MII_RT_EVENT_EN=0b1
PRUSS2_IRQ_38	PRU0_RX_OVERFLOW
PRUSS2_IRQ_37	PRU0_RX_NIBBLE_ODD
PRUSS2_IRQ_36	PRU0_RX_CRC
PRUSS2_IRQ_35	PRU0_RX_SOF
PRUSS2_IRQ_34	PRU0_RX_SFD
PRUSS2_IRQ_33	PRU0_RX_ERR32
PRUSS2_IRQ_32	PRU0_RX_ERR

While in the Standard mode (default), the PRU-ICSS interrupt controller PRUSS_IRQ_32 through PRUSS_IRQ_55 input lines are mapped to PRU-ICSS external events via the device IRQ_CROSSBAR, in the MII_RT mode (bit MII_RT_EVENT_EN=0b1), the same PRUSS_INTC inputs are directly mapped to PRU-ICSS internally or externally generated MII_MDIO and MII_RT RX/TX signals (i.e. not through the IRQ_CROSSBAR).

For more details on the device IRQ_CROSSBAR signals mapping to the PRUSS1_INTC/PRUSS2_INTC, refer to the [Chapter 17, Interrupt Controllers](#). For more details on the PRU-ICSS1/PRU-ICSS2 external peripheral IRQ signals programmable mapping to PRUSS1_IRQ_32 through PRUSS1_IRQ_55 / PRUSS2_IRQ_32 through PRUSS2_IRQ_55 inputs of the PRUSS1_INTC/PRUSS2_INTC, respectively, refer to the [Section 18.4.6.4, IRQ_CROSSBAR Module Functional Description](#), in [Chapter 18, Control Module](#).

30.6.5 PRU-ICSS Interrupt Controller Register Manual

This section describes the PRU-ICSS interrupt controller registers.

30.6.5.1 PRUSS_INTC Instance Summary

Table 30-245. PRUSS_INTC Instance Summary

Module Name	Base Address	Size
PRUSS1_INTC	0x4B22 0000	5380 Bytes
PRUSS2_INTC	0x4B2A 0000	5380 Bytes

30.6.5.2 PRUSS_INTC Registers

30.6.5.2.1 PRUSS_INTC Register Summary

Table 30-246. PRUSS1_INTC Registers Mapping Summary

Register Name	Type	Register Width (Bits)	Address Offset	PRUSS1_INTC Base Address
PRUSS_INTC_REVID	R	32	0x0000 0000	0x4B22 0000
PRUSS_INTC_CR	RW	32	0x0000 0004	0x4B22 0004
PRUSS_INTC_GER	RW	32	0x0000 0010	0x4B22 0010
PRUSS_INTC_GNLR	RW	32	0x0000 001C	0x4B22 001C
PRUSS_INTC_SISR	W	32	0x0000 0020	0x4B22 0020
PRUSS_INTC_SICR	W	32	0x0000 0024	0x4B22 0024
PRUSS_INTC_EISR	W	32	0x0000 0028	0x4B22 0028
PRUSS_INTC_EICR	W	32	0x0000 002C	0x4B22 002C

Table 30-246. PRUSS1_INTC Registers Mapping Summary (continued)

Register Name	Type	Register Width (Bits)	Address Offset	PRUSS1_INTC Base Address
PRUSS_INTC_HIEISR	RW	32	0x0000 0034	0x4B22 0034
PRUSS_INTC_HIDISR	RW	32	0x0000 0038	0x4B22 0038
PRUSS_INTC_GPIR	R	32	0x0000 0080	0x4B22 0080
PRUSS_INTC_SRSR0	RW	32	0x0000 0200	0x4B22 0200
PRUSS_INTC_SRSR1	RW	32	0x0000 0204	0x4B22 0204
PRUSS_INTC_SECR0	RW	32	0x0000 0280	0x4B22 0280
PRUSS_INTC_SECR1	RW	32	0x0000 0284	0x4B22 0284
PRUSS_INTC_ESR0	RW	32	0x0000 0300	0x4B22 0300
PRUSS_INTC_ERS1	RW	32	0x0000 0304	0x4B22 0304
PRUSS_INTC_ECR0	W	32	0x0000 0380	0x4B22 0380
PRUSS_INTC_ECR1	W	32	0x0000 0384	0x4B22 0384
PRUSS_INTC_CMRI ⁽¹⁾	RW	32	0x0000 0400 + (0x4 ^{*i})	0x4B22 0400 + (0x4 ^{*i})
PRUSS_INTC_HMR0	RW	32	0x0000 0800	0x4B22 0800
PRUSS_INTC_HMR1	RW	32	0x0000 0804	0x4B22 0804
PRUSS_INTC_HMR2	RW	32	0x0000 0808	0x4B22 0808
PRUSS_INTC_HIPIRj ⁽²⁾	R	32	0x0000 0900 + (0x4 ^{*j})	0x4B22 0900 + (0x4 ^{*j})
PRUSS_INTC_SIPR0	RW	32	0x0000 0D00	0x4B22 0D00
PRUSS_INTC_SIPR1	RW	32	0x0000 0D04	0x4B22 0D04
PRUSS_INTC_SITR0	RW	32	0x0000 0D80	0x4B22 0D80
PRUSS_INTC_SITR1	RW	32	0x0000 0D84	0x4B22 0D84
PRUSS_INTC_HINLRj ⁽²⁾	RW	32	0x0000 1100 + (0x4 ^{*j})	0x4B22 1100 + (0x4 ^{*j})
PRUSS_INTC_HIER	RW	32	0x0000 1500	0x4B22 1500

⁽¹⁾ i=0 to 15

⁽²⁾ j=0 to 9

Table 30-247. PRUSS2_INTC Registers Mapping Summary

Register Name	Type	Register Width (Bits)	Address Offset	PRUSS2_INTC Base Address
PRUSS_INTC_REVID	R	32	0x0000 0000	0x4B2A 0000
PRUSS_INTC_CR	RW	32	0x0000 0004	0x4B2A 0004
PRUSS_INTC_GER	RW	32	0x0000 0010	0x4B2A 0010
PRUSS_INTC_GNLR	RW	32	0x0000 001C	0x4B2A 001C
PRUSS_INTC_SISR	W	32	0x0000 0020	0x4B2A 0020
PRUSS_INTC_SICR	W	32	0x0000 0024	0x4B2A 0024
PRUSS_INTC_EISR	W	32	0x0000 0028	0x4B2A 0028
PRUSS_INTC_EICR	W	32	0x0000 002C	0x4B2A 002C
PRUSS_INTC_HIEISR	RW	32	0x0000 0034	0x4B2A 0034
PRUSS_INTC_HIDISR	RW	32	0x0000 0038	0x4B2A 0038
PRUSS_INTC_GPIR	R	32	0x0000 0080	0x4B2A 0080
PRUSS_INTC_SRSR0	RW	32	0x0000 0200	0x4B2A 0200
PRUSS_INTC_SRSR1	RW	32	0x0000 0204	0x4B2A 0204
PRUSS_INTC_SECR0	RW	32	0x0000 0280	0x4B2A 0280
PRUSS_INTC_SECR1	RW	32	0x0000 0284	0x4B2A 0284
PRUSS_INTC_ESR0	RW	32	0x0000 0300	0x4B2A 0300
PRUSS_INTC_ERS1	RW	32	0x0000 0304	0x4B2A 0304
PRUSS_INTC_ECR0	W	32	0x0000 0380	0x4B2A 0380
PRUSS_INTC_ECR1	W	32	0x0000 0384	0x4B2A 0384

Table 30-247. PRUSS2_INTC Registers Mapping Summary (continued)

Register Name	Type	Register Width (Bits)	Address Offset	PRUSS2_INTC Base Address
PRUSS_INTC_CMRI ⁽¹⁾	RW	32	0x0000 0400 + (0x4*i)	0x4B2A 0400 + (0x4*i)
PRUSS_INTC_HMR0	RW	32	0x0000 0800	0x4B2A 0800
PRUSS_INTC_HMR1	RW	32	0x0000 0804	0x4B2A 0804
PRUSS_INTC_HMR2	RW	32	0x0000 0808	0x4B2A 0808
PRUSS_INTC_HIPIRj ⁽²⁾	R	32	0x0000 0900 + (0x4*j)	0x4B2A 0900 + (0x4*j)
PRUSS_INTC_SIPR0	RW	32	0x0000 0D00	0x4B2A 0D00
PRUSS_INTC_SIPR1	RW	32	0x0000 0D04	0x4B2A 0D04
PRUSS_INTC_SITR0	RW	32	0x0000 0D80	0x4B2A 0D80
PRUSS_INTC_SITR1	RW	32	0x0000 0D84	0x4B2A 0D84
PRUSS_INTC_HINLRj ⁽²⁾	RW	32	0x0000 1100 + (0x4*j)	0x4B2A 1100 + (0x4*j)
PRUSS_INTC_HIER	RW	32	0x0000 1500	0x4B2A 1500

⁽¹⁾ i=0 to 15⁽²⁾ j=0 to 9**30.6.5.2.2 PRUSS_INTC Register Description****Table 30-248. PRUSS_INTC_REVID**

Address Offset	0x0000 0000	Instance	PRUSS1_INTC PRUSS2_INTC
Physical Address	0x4B22 0000 0x4B2A 0000		
Description	Revision ID Register		
Type	R		

31	30	29	28	27	26	25	24	23	22	21	20	19	18	17	16	15	14	13	12	11	10	9	8	7	6	5	4	3	2	1	0
REVISION																															

Bits	Field Name	Description	Type	Reset
31:0	REVISION	IP Revision	R	0x- ⁽¹⁾

⁽¹⁾ TI Internal data**Table 30-249. Register Call Summary for Register PRUSS_INTC_REVID**

PRU-ICSS Local Interrupt Controller

- [PRUSS_INTC Register Summary: \[0\]\[1\]](#)

Table 30-250. PRUSS_INTC_CR

Address Offset	0x0000 0004	Instance	PRUSS1_INTC PRUSS2_INTC
Physical Address	0x4B22 0004 0x4B2A 0004		
Description	The Control Register holds global control parameters and can forces a soft reset on the module.		
Type	RW		

31	30	29	28	27	26	25	24	23	22	21	20	19	18	17	16	15	14	13	12	11	10	9	8	7	6	5	4	3	2	1	0
RESERVED																												PRIORITY_HOLD_MODE	NEST_MODE	WAKEUP_MODE	RESERVED

Bits	Field Name	Description	Type	Reset
31:5	RESERVED		R	0x00000
4	PRIORITY_HOLD_MODE	Reserved	RW	0x0
3:2	NEST_MODE	The nesting mode. 0 = no nesting 1 = automatic individual nesting (per host interrupt) 2 = automatic global nesting (over all host interrupts) 3 = manual nesting	RW	0x0
1	WAKEUP_MODE	Reserved	RW	0x0
0	RESERVED		R	0

Table 30-251. Register Call Summary for Register PRUSS_INTC_CR

PRU-ICSS Local Interrupt Controller

- [PRUSS_INTC Register Summary: \[0\]\[1\]](#)

Table 30-252. PRUSS_INTC_GER

Address Offset	0x0000 0010	Instance	PRUSS1_INTC PRUSS2_INTC
Physical Address	0x4B22 0010 0x4B2A 0010		
Description	The Global Host Interrupt Enable Register enables all the host interrupts. Individual host interrupts are still enabled or disabled from their individual enables and are not overridden by the global enable.		
Type	RW		

31	30	29	28	27	26	25	24	23	22	21	20	19	18	17	16	15	14	13	12	11	10	9	8	7	6	5	4	3	2	1	0
RESERVED																												ENABLE_HINT_ANY			

Bits	Field Name	Description	Type	Reset
31:1	RESERVED		R	0x0000 000
0	ENABLE_HINT_ANY	The current global enable value when read. Writes set the global enable.	RW	0

Table 30-253. Register Call Summary for Register PRUSS_INTC_GER

PRU-ICSS Local Interrupt Controller

- [PRU-ICSS Interrupt Processing: \[0\]](#)
- [PRU-ICSS Interrupt Controller Basic Programming Model: \[1\]](#)
- [PRUSS_INTC Register Summary: \[2\]\[3\]](#)

Table 30-254. PRUSS_INTC_GNLR

Address Offset	0x0000 001C	Instance	PRUSS1_INTC PRUSS2_INTC
Physical Address	0x4B22 001C 0x4B2A 001C		
Description	The Global Nesting Level Register allows the checking and setting of the global nesting level across all host interrupts when automatic global nesting mode is set. The nesting level is the channel (and all of lower priority) that are nested out because of a current interrupt. This register is only available when nesting is configured.		
Type	RW		

31	30	29	28	27	26	25	24	23	22	21	20	19	18	17	16	15	14	13	12	11	10	9	8	7	6	5	4	3	2	1	0
AUTO_OVERRIDE	RESERVED																GLB_NEST_LEVEL														

Bits	Field Name	Description	Type	Reset
31	AUTO_OVERRIDE	Always read as 0. Writes of 1 override the automatic nesting and set the nesting_level to the written data.	W	0x0
30:9	RESERVED		R	0x00000
8:0	GLB_NEST_LEVEL	The current global nesting level (highest channel that is nested). Writes set the nesting level. In auto nesting mode this value is updated internally unless the auto_override bit is set.	RW	0x100

Table 30-255. Register Call Summary for Register PRUSS_INTC_GNLR

PRU-ICSS Local Interrupt Controller

- [PRU-ICSS Interrupt Nesting: \[0\]](#)
- [PRUSS_INTC Register Summary: \[1\]\[2\]](#)

Table 30-256. PRUSS_INTC_SISR

Address Offset	0x0000 0020	Instance	PRUSS1_INTC PRUSS2_INTC
Physical Address	0x4B22 0020 0x4B2A 0020		
Description	The System Interrupt Status Indexed Set Register allows setting the status of an interrupt. The interrupt to set is the index value written. This sets the Raw Status Register bit of the given index.		
Type	W		

31	30	29	28	27	26	25	24	23	22	21	20	19	18	17	16	15	14	13	12	11	10	9	8	7	6	5	4	3	2	1	0
RESERVED																STATUS_SET_INDEX															

Bits	Field Name	Description	Type	Reset
31:10	RESERVED		R	0x0000 00
9:0	STATUS_SET_INDEX	Writes set the status of the interrupt given in the index value. Reads return 0.	W	0x00

Table 30-257. Register Call Summary for Register PRUSS_INTC_SISR

PRU-ICSS Local Interrupt Controller

- [PRUSS_INTC Register Summary: \[0\]\[1\]](#)

Table 30-258. PRUSS_INTC_SICR

Address Offset	0x0000 0024	Instance	PRUSS1_INTC PRUSS2_INTC
Physical Address	0x4B22 0024 0x4B2A 0024		
Description	The System Interrupt Status Indexed Clear Register allows clearing the status of an interrupt. The interrupt to clear is the index value written. This clears the Raw Status Register bit of the given index.		
Type	W		

31	30	29	28	27	26	25	24	23	22	21	20	19	18	17	16	15	14	13	12	11	10	9	8	7	6	5	4	3	2	1	0
RESERVED																STATUS_CLR_INDEX															

Bits	Field Name	Description	Type	Reset
31:10	RESERVED		R	0x0000 00
9:0	STATUS_CLR_INDEX	Writes clear the status of the interrupt given in the index value. Reads return 0.	W	0x0

Table 30-259. Register Call Summary for Register PRUSS_INTC_SICR

PRU-ICSS Local Interrupt Controller

- [PRU-ICSS Interrupt Status Clearing: \[0\]](#)
- [PRUSS_INTC Register Summary: \[1\]\[2\]](#)

Table 30-260. PRUSS_INTC_EISR

Address Offset	0x0000 0028	Instance	PRUSS1_INTC PRUSS2_INTC
Physical Address	0x4B22 0028 0x4B2A 0028		
Description	The System Interrupt Enable Indexed Set Register allows enabling an interrupt. The interrupt to enable is the index value written. This sets the Enable Register bit of the given index.		
Type	W		

31	30	29	28	27	26	25	24	23	22	21	20	19	18	17	16	15	14	13	12	11	10	9	8	7	6	5	4	3	2	1	0
RESERVED																ENABLE_SET_INDEX															

Bits	Field Name	Description	Type	Reset
31:10	RESERVED		R	0x0000 00
9:0	ENABLE_SET_INDEX	Writes set the enable of the interrupt given in the index value. Reads return 0.	W	0x0

Table 30-261. Register Call Summary for Register PRUSS_INTC_EISR

PRU-ICSS Local Interrupt Controller

- [PRU-ICSS Interrupt Processing: \[0\]](#)
- [PRUSS_INTC Register Summary: \[1\]\[2\]](#)

Table 30-262. PRUSS_INTC_EICR

Address Offset	0x0000 002C	Instance	PRUSS1_INTC PRUSS2_INTC
Physical Address	0x4B22 002C 0x4B2A 002C		
Description	The System Interrupt Enable Indexed Clear Register allows disabling an interrupt. The interrupt to disable is the index value written. This clears the Enable Register bit of the given index.		
Type	W		

31	30	29	28	27	26	25	24	23	22	21	20	19	18	17	16	15	14	13	12	11	10	9	8	7	6	5	4	3	2	1	0
RESERVED														ENABLE_CLR_INDEX																	

Bits	Field Name	Description	Type	Reset
31:10	RESERVED		R	0x0000 00
9:0	ENABLE_CLR_INDEX	Writes clear the enable of the interrupt given in the index value. Reads return 0.	W	0x0

Table 30-263. Register Call Summary for Register PRUSS_INTC_EICR

PRU-ICSS Local Interrupt Controller

- [PRU-ICSS Interrupt Disabling: \[0\]](#)
- [PRUSS_INTC Register Summary: \[1\]\[2\]](#)

Table 30-264. PRUSS_INTC_HIEISR

Address Offset	0x0000 0034	Instance	PRUSS1_INTC PRUSS2_INTC
Physical Address	0x4B22 0034 0x4B2A 0034		
Description	The Host Interrupt Enable Indexed Set Register allows enabling a host interrupt output. The host interrupt to enable is the index value written. This enables the host interrupt output or triggers the output again if already enabled.		
Type	RW		

31	30	29	28	27	26	25	24	23	22	21	20	19	18	17	16	15	14	13	12	11	10	9	8	7	6	5	4	3	2	1	0
RESERVED														HINT_ENABLE_SET_INDEX																	

Bits	Field Name	Description	Type	Reset
31:10	RESERVED		R	0x0000 00
9:0	HINT_ENABLE_SET_INDEX	Writes set the enable of the host interrupt given in the index value. Reads return 0.	RW	0x0

Table 30-265. Register Call Summary for Register PRUSS_INTC_HIEISR

PRU-ICSS Local Interrupt Controller

- [PRU-ICSS Interrupt Processing: \[0\]](#)
- [PRU-ICSS Interrupt Controller Basic Programming Model: \[1\]](#)
- [PRUSS_INTC Register Summary: \[2\]\[3\]](#)

Table 30-266. PRUSS_INTC_HIDISR

Address Offset	0x0000 0038	Instance	PRUSS1_INTC PRUSS2_INTC
Physical Address	0x4B22 0038 0x4B2A 0038		
Description	The Host Interrupt Enable Indexed Clear Register allows disabling a host interrupt output. The host interrupt to disable is the index value written. This disables the host interrupt output.		
Type	RW		

31	30	29	28	27	26	25	24	23	22	21	20	19	18	17	16	15	14	13	12	11	10	9	8	7	6	5	4	3	2	1	0
RESERVED														HINT_ENABLE_CLR_INDEX																	

Bits	Field Name	Description	Type	Reset
31:10	RESERVED		R	0x0000 00
9:0	HINT_ENABLE_CLR_INDEX	Writes clear the enable of the host interrupt given in the index value. Reads return 0.	RW	0x0

Table 30-267. Register Call Summary for Register PRUSS_INTC_HIDISR

PRU-ICSS Local Interrupt Controller

- [PRUSS_INTC Register Summary: \[0\]\[1\]](#)

Table 30-268. PRUSS_INTC_GPIR

Address Offset	0x0000 0080	Instance	PRUSS1_INTC PRUSS2_INTC
Physical Address	0x4B22 0080 0x4B2A 0080		
Description	The Global Prioritized Index Register shows the interrupt number of the highest priority interrupt pending across all the host interrupts.		
Type	R		

31	30	29	28	27	26	25	24	23	22	21	20	19	18	17	16	15	14	13	12	11	10	9	8	7	6	5	4	3	2	1	0
GLB_NONE	RESERVED																GLB_PRI_INTR														

Bits	Field Name	Description	Type	Reset
31	GLB_NONE	No Interrupt is pending. Can be used by host to test for a negative value to see if no interrupts are pending.	R	0x1
30:10	RESERVED		R	0x0000 00
9:0	GLB_PRI_INTR	The currently highest priority interrupt index pending across all the host interrupts.	R	0x0

Table 30-269. Register Call Summary for Register PRUSS_INTC_GPIR

PRU-ICSS Local Interrupt Controller

- [PRU-ICSS Interrupt Channel Mapping: \[0\]](#)
- [PRUSS_INTC Register Summary: \[1\]\[2\]](#)

Table 30-270. PRUSS_INTC_SRSR0

Address Offset	0x0000 0200	Instance	PRUSS1_INTC PRUSS2_INTC
Physical Address	0x4B22 0200 0x4B2A 0200		
Description	The System Interrupt Status Raw Set Register0 show the pending enabled status of the system interrupts 0 to 31. Software can write to the Status Set Registers to set a system interrupt without a hardware trigger. There is one bit per system interrupt.		
Type	RW		

31	30	29	28	27	26	25	24	23	22	21	20	19	18	17	16	15	14	13	12	11	10	9	8	7	6	5	4	3	2	1	0
RAW_STATUS_31_0																															

Bits	Field Name	Description	Type	Reset
31:0	RAW_STATUS_31_0	System interrupt raw status and setting of the system interrupts 0 to 31. Reads return the raw status. Write a 1 in a bit position to set the status of the system interrupt. Writing a 0 has no effect.	RW	0x0

Table 30-271. Register Call Summary for Register PRUSS_INTC_SRSR0

PRU-ICSS Local Interrupt Controller

- [PRUSS_INTC Register Summary: \[0\]\[1\]](#)

Table 30-272. PRUSS_INTC_SRSR1

Address Offset	0x0000 0204		
Physical Address	0x4B22 0204 0x4B2A 0204	Instance	PRUSS1_INTC PRUSS2_INTC
Description	The System Interrupt Status Raw Set Register1 show the pending enabled status of the system interrupts 32 to 63. Software can write to the Status Set Registers to set a system interrupt without a hardware trigger. There is one bit per system interrupt.		
Type	RW		

31	30	29	28	27	26	25	24	23	22	21	20	19	18	17	16	15	14	13	12	11	10	9	8	7	6	5	4	3	2	1	0
RAW_STATUS_63_32																															

Bits	Field Name	Description	Type	Reset
31:0	RAW_STATUS_63_32	System interrupt raw status and setting of the system interrupts 32 to 63. Reads return the raw status. Write a 1 in a bit position to set the status of the system interrupt. Writing a 0 has no effect.	RW	0x0

Table 30-273. Register Call Summary for Register PRUSS_INTC_SRSR1

PRU-ICSS Local Interrupt Controller

- [PRUSS_INTC Register Summary: \[0\]\[1\]](#)

Table 30-274. PRUSS_INTC_SECR0

Address Offset	0x0000 0280		
Physical Address	0x4B22 0280 0x4B2A 0280	Instance	PRUSS1_INTC PRUSS2_INTC
Description	The System Interrupt Status Enabled Clear Register0 show the pending enabled status of the system interrupts 0 to 31. Software can write to the Status Clear Registers to clear a system interrupt after it has been serviced. If a system interrupt status is not cleared then another host interrupt may not be triggered or another host interrupt may be triggered incorrectly. There is one bit per system interrupt.		
Type	RW		

31	30	29	28	27	26	25	24	23	22	21	20	19	18	17	16	15	14	13	12	11	10	9	8	7	6	5	4	3	2	1	0
ENA_STATUS_31_0																															

Bits	Field Name	Description	Type	Reset
31:0	ENA_STATUS_31_0	System interrupt enabled status and clearing of the system interrupts 0 to 31. Reads return the enabled status (before enabling with the Enable Registers). Write a 1 in a bit position to clear the status of the system interrupt. Writing a 0 has no effect.	RW	0x0

Table 30-275. Register Call Summary for Register PRUSS_INTC_SECR0

PRU-ICSS Local Interrupt Controller

- [PRU-ICSS Interrupt Status Checking: \[0\]\[1\]](#)
- [PRU-ICSS Interrupt Status Clearing: \[2\]](#)
- [PRU-ICSS Interrupt Controller Basic Programming Model: \[3\]](#)
- [PRUSS_INTC Register Summary: \[4\]\[5\]](#)

Table 30-276. PRUSS_INTC_SECR1

Address Offset	0x0000 0284	Instance	PRUSS1_INTC PRUSS2_INTC
Physical Address	0x4B22 0284 0x4B2A 0284		
Description	The System Interrupt Status Enabled Clear Register1 show the pending enabled status of the system interrupts 32 to 63. Software can write to the Status Clear Registers to clear a system interrupt after it has been serviced. If a system interrupt status is not cleared then another host interrupt may not be triggered or another host interrupt may be triggered incorrectly. There is one bit per system interrupt.		
Type	RW		

31	30	29	28	27	26	25	24	23	22	21	20	19	18	17	16	15	14	13	12	11	10	9	8	7	6	5	4	3	2	1	0
ENA_STATUS_63_32																															

Bits	Field Name	Description	Type	Reset
31:0	ENA_STATUS_63_32	System interrupt enabled status and clearing of the system interrupts 32 to 63. Reads return the enabled status (before enabling with the Enable Registers). Write a 1 in a bit position to clear the status of the system interrupt. Writing a 0 has no effect.	RW	0x0

Table 30-277. Register Call Summary for Register PRUSS_INTC_SECR1

PRU-ICSS Local Interrupt Controller

- [PRU-ICSS Interrupt Status Checking: \[0\]\[1\]](#)
- [PRU-ICSS Interrupt Status Clearing: \[2\]](#)
- [PRUSS_INTC Register Summary: \[3\]\[4\]](#)

Table 30-278. PRUSS_INTC_ESR0

Address Offset	0x0000 0300	Instance	PRUSS1_INTC PRUSS2_INTC
Physical Address	0x4B22 0300 0x4B2A 0300		
Description	The System Interrupt Enable Set Register0 enables system interrupts 0 to 31 to trigger outputs. System interrupts that are not enabled do not interrupt the host. There is a bit per system interrupt.		
Type	RW		

31	30	29	28	27	26	25	24	23	22	21	20	19	18	17	16	15	14	13	12	11	10	9	8	7	6	5	4	3	2	1	0
ENABLE_SET_31_0																															

Bits	Field Name	Description	Type	Reset
31:0	ENABLE_SET_31_0	System interrupt enables system interrupts 0 to 31. Read returns the enable value (0 = disabled, 1 = enabled). Write a 1 in a bit position to set that enable. Writing a 0 has no effect.	RW	0x0

Table 30-279. Register Call Summary for Register PRUSS_INTC_ESR0

PRU-ICSS Local Interrupt Controller

- [PRUSS_INTC Register Summary: \[0\]\[1\]](#)

Table 30-280. PRUSS_INTC_ERS1

Address Offset	0x0000 0304	Instance	PRUSS1_INTC PRUSS2_INTC
Physical Address	0x4B22 0304 0x4B2A 0304		
Description	The System Interrupt Enable Set Register1 enables system interrupts 32 to 63 to trigger outputs. System interrupts that are not enabled do not interrupt the host. There is a bit per system interrupt.		
Type	RW		

31	30	29	28	27	26	25	24	23	22	21	20	19	18	17	16	15	14	13	12	11	10	9	8	7	6	5	4	3	2	1	0
ENABLE_SET_63_32																															

Bits	Field Name	Description	Type	Reset
31:0	ENABLE_SET_63_32	System interrupt enables system interrupts 32 to 63. Read returns the enable value (0 = disabled, 1 = enabled). Write a 1 in a bit position to set that enable. Writing a 0 has no effect.	RW	0x0

Table 30-281. Register Call Summary for Register PRUSS_INTC_ERS1

PRU-ICSS Local Interrupt Controller

- [PRUSS_INTC Register Summary: \[0\]\[1\]](#)

Table 30-282. PRUSS_INTC_ECR0

Address Offset	0x0000 0380	Instance	PRUSS1_INTC PRUSS2_INTC
Physical Address	0x4B22 0380 0x4B2A 0380		
Description	The System Interrupt Enable Clear Register0 disables system interrupts 0 to 31 to map to channels. System interrupts that are not enabled do not interrupt the host. There is a bit per system interrupt.		
Type	W		

31	30	29	28	27	26	25	24	23	22	21	20	19	18	17	16	15	14	13	12	11	10	9	8	7	6	5	4	3	2	1	0
ENABLE_CLR_31_0																															

Bits	Field Name	Description	Type	Reset
31:0	ENABLE_CLR_31_0	System interrupt enables system interrupts 0 to 31. Write a 1 in a bit position to clear that enable. Writing a 0 has no effect.	W	0x0

Table 30-283. Register Call Summary for Register PRUSS_INTC_ECR0

PRU-ICSS Local Interrupt Controller

- [PRU-ICSS Interrupt Disabling: \[0\]](#)
- [PRUSS_INTC Register Summary: \[1\]\[2\]](#)

Table 30-284. PRUSS_INTC_ECR1

Address Offset	0x0000 0384	Instance	PRUSS1_INTC PRUSS2_INTC
Physical Address	0x4B22 0384 0x4B2A 0384		
Description	The System Interrupt Enable Clear Register1 disables system interrupts 32 to 63 to map to channels. System interrupts that are not enabled do not interrupt the host. There is a bit per system interrupt.		
Type	W		

31	30	29	28	27	26	25	24	23	22	21	20	19	18	17	16	15	14	13	12	11	10	9	8	7	6	5	4	3	2	1	0
ENABLE_CLR_63_32																															

Bits	Field Name	Description	Type	Reset
31:0	ENABLE_CLR_63_32	System interrupt enables system interrupts 32 to 63. Write a 1 in a bit position to clear that enable. Writing a 0 has no effect.	W	0x0

Table 30-285. Register Call Summary for Register PRUSS_INTC_ECR1

PRU-ICSS Local Interrupt Controller

- [PRU-ICSS Interrupt Disabling: \[0\]](#)
- [PRUSS_INTC Register Summary: \[1\]\[2\]](#)

Table 30-286. PRUSS_INTC_CMRI

Address Offset	0x0000 0400 + (0x4*i)	Index	i = 0 to 15
Physical Address	0x4B22 0400 + (0x4*i) 0x4B2A 0400 + (0x4*i)	Instance	PRUSS1_INTC PRUSS2_INTC
Description	There are 16 identical CMR registers (i=0 to 15). The Channel Map Register _i specify the channel for the system interrupts k to k+3, where k=4*i. There is one register per 4 system interrupts.		
Type	RW		

31	30	29	28	27	26	25	24	23	22	21	20	19	18	17	16	15	14	13	12	11	10	9	8	7	6	5	4	3	2	1	0
RESERVED				CH_MAP_3				RESERVED				CH_MAP_2				RESERVED				CH_MAP_1				RESERVED				CH_MAP_0			

Bits	Field Name	Description	Type	Reset
31:28	RESERVED		R	0x0
27:24	CH_MAP_3	Sets the channel for the system interrupt (k+3). Where k=i*4	RW	0x0
23:20	RESERVED		R	0x0
19:16	CH_MAP_2	Sets the channel for the system interrupt (k+2). Where k=i*4	RW	0x0
15:12	RESERVED		R	0x0
11:8	CH_MAP_1	Sets the channel for the system interrupt (k+1). Where k=i*4	RW	0x0
7:4	RESERVED		R	0x0
3:0	CH_MAP_0	Sets the channel for the system interrupt k. Where k=i*4	RW	0x0

Table 30-287. Register Call Summary for Register PRUSS_INTC_CMRI

PRU-ICSS Local Interrupt Controller

- [PRU-ICSS Interrupt Channel Mapping: \[0\]](#)
- [PRU-ICSS Interrupt Controller Basic Programming Model: \[1\]](#)
- [PRUSS_INTC Register Summary: \[2\]\[3\]](#)

Table 30-288. PRUSS_INTC_HMR0

Address Offset	0x0000 0800		
Physical Address	0x4B22 0800 0x4B2A 0800	Instance	PRUSS1_INTC PRUSS2_INTC
Description	The Host Interrupt Map Register0 define the host interrupt for channels 0 to 3. There is one register per 4 channels. Channels with forced host interrupt mappings will have their fields read-only.		
Type	RW		

31	30	29	28	27	26	25	24	23	22	21	20	19	18	17	16	15	14	13	12	11	10	9	8	7	6	5	4	3	2	1	0
RESERVED		HINT_MAP_3		RESERVED		HINT_MAP_2		RESERVED		HINT_MAP_1		RESERVED		HINT_MAP_0		RESERVED		HINT_MAP_0		RESERVED		HINT_MAP_0		RESERVED		HINT_MAP_0		RESERVED		HINT_MAP_0	

Bits	Field Name	Description	Type	Reset
31:28	RESERVED		R	0x0
27:24	HINT_MAP_3	HOST INTERRUPT MAP FOR CHANNEL 3	RW	0x0
23:20	RESERVED		R	0x0
19:16	HINT_MAP_2	HOST INTERRUPT MAP FOR CHANNEL 2	RW	0x0
15:12	RESERVED		R	0x0
11:8	HINT_MAP_1	HOST INTERRUPT MAP FOR CHANNEL 1	RW	0x0
7:4	RESERVED		R	0x0
3:0	HINT_MAP_0	HOST INTERRUPT MAP FOR CHANNEL 0	RW	0x0

Table 30-289. Register Call Summary for Register PRUSS_INTC_HMR0

PRU-ICSS Local Interrupt Controller

- [PRU-ICSS Interrupt Channel Mapping: \[0\]](#)
- [PRU-ICSS Interrupt Controller Basic Programming Model: \[1\]](#)
- [PRUSS_INTC Register Summary: \[2\]\[3\]](#)

Table 30-290. PRUSS_INTC_HMR1

Address Offset	0x0000 0804		
Physical Address	0x4B22 0804 0x4B2A 0804	Instance	PRUSS1_INTC PRUSS2_INTC
Description	The Host Interrupt Map Register1 define the host interrupt for channels 4 to 7. There is one register per 4 channels. Chan_statusnls with forced host interrupt mappings will have their fields read-only.		
Type	RW		

31	30	29	28	27	26	25	24	23	22	21	20	19	18	17	16	15	14	13	12	11	10	9	8	7	6	5	4	3	2	1	0
RESERVED		HINT_MAP_7		RESERVED		HINT_MAP_6		RESERVED		HINT_MAP_5		RESERVED		HINT_MAP_4		RESERVED		HINT_MAP_4		RESERVED		HINT_MAP_4		RESERVED		HINT_MAP_4		RESERVED		HINT_MAP_4	

Bits	Field Name	Description	Type	Reset
31:28	RESERVED		R	0x0
27:24	HINT_MAP_7	HOST INTERRUPT MAP FOR CHANNEL 7	RW	0x0
23:20	RESERVED		R	0x0
19:16	HINT_MAP_6	HOST INTERRUPT MAP FOR CHANNEL 6	RW	0x0
15:12	RESERVED		R	0x0
11:8	HINT_MAP_5	HOST INTERRUPT MAP FOR CHANNEL 5	RW	0x0
7:4	RESERVED		R	0x0
3:0	HINT_MAP_4	HOST INTERRUPT MAP FOR CHANNEL 4	RW	0x0

Table 30-291. Register Call Summary for Register PRUSS_INTC_HMR1

PRU-ICSS Local Interrupt Controller

- [PRUSS_INTC Register Summary: \[0\]\[1\]](#)

Table 30-292. PRUSS_INTC_HMR2

Address Offset	0x0000 0808	Instance	PRUSS1_INTC PRUSS2_INTC
Physical Address	0x4B22 0808 0x4B2A 0808		
Description	The Host Interrupt Map Register2 define the host interrupt for channels 8 to 9. There is one register per 4 channels. Channels with forced host interrupt mappings will have their fields read-only.		
Type	RW		

31	30	29	28	27	26	25	24	23	22	21	20	19	18	17	16	15	14	13	12	11	10	9	8	7	6	5	4	3	2	1	0
RESERVED																HINT_MAP_9				RESERVED				HINT_MAP_8							

Bits	Field Name	Description	Type	Reset
31:12	RESERVED		R	0x00000
11:8	HINT_MAP_9	HOST INTERRUPT MAP FOR CHANNEL 9	RW	0x0
7:4	RESERVED		R	0x0
3:0	HINT_MAP_8	HOST INTERRUPT MAP FOR CHANNEL 8	RW	0x0

Table 30-293. Register Call Summary for Register PRUSS_INTC_HMR2

PRU-ICSS Local Interrupt Controller

- [PRU-ICSS Interrupt Channel Mapping: \[0\]](#)
- [PRUSS_INTC Register Summary: \[1\]\[2\]](#)

Table 30-294. PRUSS_INTC_HIPIR_j

Address Offset	0x0000 0900 + (0x4*j)	Index	j = 0 to 9
Physical Address	0x4B22 0900 + (0x4*j) 0x4B2A 0900 + (0x4*j)	Instance	PRUSS1_INTC PRUSS2_INTC
Description	The Host Interrupt Prioritized Index Register _j (where j=0 to 9) shows the highest priority current pending interrupt for the host interrupt j. There is one register per host interrupt.		
Type	R		

31	30	29	28	27	26	25	24	23	22	21	20	19	18	17	16	15	14	13	12	11	10	9	8	7	6	5	4	3	2	1	0
NONE_HINT _j	RESERVED																PRI_HINT _j														

Bits	Field Name	Description	Type	Reset
31	NONE_HINT	No pending interrupt.	R	0x1
30:10	RESERVED		R	0x0000 00
9:0	PRI_HINT	HOST INT j PRIORITIZED INTERRUPT. Interrupt number of the highest priority pending interrupt for this host interrupt.	R	0x0

Table 30-295. Register Call Summary for Register PRUSS_INTC_HIPIRj

PRU-ICSS Local Interrupt Controller

- [PRU-ICSS Interrupt Channel Mapping: \[0\]](#)
- [PRUSS_INTC Register Summary: \[1\]\[2\]](#)

Table 30-296. PRUSS_INTC_SIPR0

Address Offset	0x0000 0D00	Instance	PRUSS1_INTC PRUSS2_INTC
Physical Address	0x4B22 0D00 0x4B2A 0D00		
Description	The System Interrupt Polarity Register0 define the polarity of the system interrupts 0 to 31. There is a polarity for each system interrupt. The polarity of all system interrupts is active high; always write 1 to the bits of this register.		
Type	RW		

31	30	29	28	27	26	25	24	23	22	21	20	19	18	17	16	15	14	13	12	11	10	9	8	7	6	5	4	3	2	1	0
POLARITY_31_0																															

Bits	Field Name	Description	Type	Reset
31:0	POLARITY_31_0	Interrupt polarity of the system interrupts 0 to 31. 0 = active low. 1 = active high.	RW	0x1

Table 30-297. Register Call Summary for Register PRUSS_INTC_SIPR0

PRU-ICSS Local Interrupt Controller

- [PRU-ICSS Interrupt Controller Basic Programming Model: \[0\]](#)
- [PRUSS_INTC Register Summary: \[1\]\[2\]](#)

Table 30-298. PRUSS_INTC_SIPR1

Address Offset	0x0000 0D04	Instance	PRUSS1_INTC PRUSS2_INTC
Physical Address	0x4B22 0D04 0x4B2A 0D04		
Description	The System Interrupt Polarity Register1 define the polarity of the system interrupts 32 to 63. There is a polarity for each system interrupt. The polarity of all system interrupts is active high; always write 1 to the bits of this register.		
Type	RW		

31	30	29	28	27	26	25	24	23	22	21	20	19	18	17	16	15	14	13	12	11	10	9	8	7	6	5	4	3	2	1	0
POLARITY_63_32																															

Bits	Field Name	Description	Type	Reset
31:0	POLARITY_63_32	Interrupt polarity of the system interrupts 32 to 63. 0 = active low. 1 = active high.	RW	0x1

Table 30-299. Register Call Summary for Register PRUSS_INTC_SIPR1

PRU-ICSS Local Interrupt Controller

- [PRU-ICSS Interrupt Controller Basic Programming Model: \[0\]](#)
- [PRUSS_INTC Register Summary: \[1\]\[2\]](#)

Table 30-300. PRUSS_INTC_SITR0

Address Offset	0x0000 0D80	Instance	PRUSS1_INTC PRUSS2_INTC
Physical Address	0x4B22 0D80 0x4B2A 0D80		
Description	The System Interrupt Type Register0 define the type of the system interrupts 0 to 31. There is a type for each system interrupt. The type of all system interrupts is pulse; always write 0 to the bits of this register.		
Type	RW		

31	30	29	28	27	26	25	24	23	22	21	20	19	18	17	16	15	14	13	12	11	10	9	8	7	6	5	4	3	2	1	0
TYPE_31_0																															

Bits	Field Name	Description	Type	Reset
31:0	TYPE_31_0	Interrupt type of the system interrupts 0 to 31. 0 = level or pulse interrupt. 1 = edge interrupt (required edge detect).	RW	0x0

Table 30-301. Register Call Summary for Register PRUSS_INTC_SITR0

PRU-ICSS Local Interrupt Controller

- [PRU-ICSS Interrupt Controller Basic Programming Model: \[0\]](#)
- [PRUSS_INTC Register Summary: \[1\]\[2\]](#)

Table 30-302. PRUSS_INTC_SITR1

Address Offset	0x0000 0D84	Instance	PRUSS1_INTC PRUSS2_INTC
Physical Address	0x4B22 0D84 0x4B2A 0D84		
Description	The System Interrupt Type Register1 define the type of the system interrupts 32 to 63. There is a type for each system interrupt. The type of all system interrupts is pulse; always write 0 to the bits of this register.		
Type	RW		

31	30	29	28	27	26	25	24	23	22	21	20	19	18	17	16	15	14	13	12	11	10	9	8	7	6	5	4	3	2	1	0
TYPE_63_32																															

Bits	Field Name	Description	Type	Reset
31:0	TYPE_63_32	Interrupt type of the system interrupts 32 to 63. 0 = level or pulse interrupt. 1 = edge interrupt (required edge detect).	RW	0x0

Table 30-303. Register Call Summary for Register PRUSS_INTC_SITR1

PRU-ICSS Local Interrupt Controller

- [PRU-ICSS Interrupt Controller Basic Programming Model: \[0\]](#)
- [PRUSS_INTC Register Summary: \[1\]\[2\]](#)

Table 30-304. PRUSS_INTC_HINLRj

Address Offset	0x0000 1100 + 0x4 * j	Index	j=0 to 9
Physical Address	0x4B22 1100 + (0x4*j) 0x4B2A 1100 + (0x4*j)	Instance	PRUSS1_INTC PRUSS2_INTC
Description	The Host Interrupt Nesting Level Register_j (where j=0 to 9) display and control the nesting level for host interrupt j. The nesting level controls which channel and lower priority channels are nested. There is one register per host interrupt.		
Type	RW		

31	30	29	28	27	26	25	24	23	22	21	20	19	18	17	16	15	14	13	12	11	10	9	8	7	6	5	4	3	2	1	0
AUTO_OVERRIDE	RESERVED																NEST_HINT _j														

Bits	Field Name	Description	Type	Reset
31	AUTO_OVERRIDE	Reads return 0. Writes of a 1 override the auto updating of the nesting_level and use the write data.	W	0x0
30:9	RESERVED		R	0x00000
8:0	NEST_HINT	Reads return the current nesting level for the host interrupt. Writes set the nesting level for the host interrupt. In auto mode the value is updated internally unless the auto_override is set and then the write data is used.	RW	0x100

Table 30-305. Register Call Summary for Register PRUSS_INTC_HINLR_j

PRU-ICSS Local Interrupt Controller

- [PRU-ICSS Interrupt Nesting: \[0\]](#)
- [PRUSS_INTC Register Summary: \[1\]\[2\]](#)

Table 30-306. PRUSS_INTC_HIER

Address Offset	0x0000 1500	Instance	PRUSS1_INTC PRUSS2_INTC
Physical Address	0x4B22 1500 0x4B2A 1500		
Description	The Host Interrupt Enable Registers enable or disable individual host interrupts. These work separately from the global enables. There is one bit per host interrupt. These bits are updated when writing to the Host Interrupt Enable Index Set and Host Interrupt Enable Index Clear registers.		
Type	RW		

31	30	29	28	27	26	25	24	23	22	21	20	19	18	17	16	15	14	13	12	11	10	9	8	7	6	5	4	3	2	1	0
RESERVED																ENABLE_HINT															

Bits	Field Name	Description	Type	Reset
31:10	RESERVED		R	0x0000 00
9:0	ENABLE_HINT	The enable of the host interrupts (one per bit). 0 = disabled 1 = enabled	RW	0x0

Table 30-307. Register Call Summary for Register PRUSS_INTC_HIER

PRU-ICSS Local Interrupt Controller

- [PRUSS_INTC Register Summary: \[0\]\[1\]](#)

30.7 PRU-ICSS UART Module

This section describes an Universal Asynchronous Receive and Transmit (UART) module which is part of the device integrated PRU-ICSS1 and PRU-ICSS2 - PRUSS1_UART0 and PRUSS2_UART0, respectively.

NOTE: PRU-ICSS2 UART is not supported on the AM570x family of devices.

30.7.1 PRU-ICSS UART Module Overview

30.7.1.1 Purpose of the PRU-ICSS integrated UART Peripheral

The PRUSS_UART0 peripheral is based on the industry standard TL16C550 asynchronous communications element, which in turn is a functional upgrade of the TL16C450. Functionally similar to the TL16C450 on power up (single character or TL16C450 mode), the PRUSS_UART0 can be placed in an alternate FIFO (TL16C550) mode. This relieves the CPU of excessive software overhead by buffering received and transmitted characters. The receiver and transmitter FIFOs store up to 16 bytes including three additional bits of error status per byte for the receiver FIFO.

The PRUSS_UART0 performs serial-to-parallel conversions on data received from a peripheral device and parallel-to-serial conversion on data received from the CPU. The CPU can read the PRUSS_UART0 status at any time. The PRUSS_UART0 includes control capability and a processor interrupt system that can be tailored to minimize software management of the communications link.

The PRUSS_UART0 includes a programmable baud generator capable of dividing the PRUSS_UART0 input clock by divisors from 1 to 65535 and producing a 16x reference clock or a 13x reference clock for the internal transmitter and receiver logic.

30.7.1.2 PRU-ICSS UART Key Features

30.7.1.2.1 PRU-ICSS UART Module Industry Standard Compliance Statement

The PRUSS_UART0 peripheral is based on the industry standard TL16C550 asynchronous communications element, which is a functional upgrade of the TL16C450. The information in this chapter assumes that user is familiar with these standards.

30.7.2 PRU-ICSS UART Environment

This section describes the PRUSS_UART0 module interface to the device environment

30.7.2.1 PRU-ICSS UART Pin Multiplexing

Extensive pin multiplexing is used to accommodate the largest number of peripheral functions in the smallest possible package. Pin multiplexing is controlled using a combination of hardware configuration at device reset and software programmable register settings. For more information on the PRUSS_UART0 pin multiplexing, refer to the [Section 18.4.6.1.1, Pad Configuration Registers](#) in the chapter, *Control Module*.

30.7.2.2 PRU-ICSS UART Signal Descriptions

The PRUSS_UART0 utilize a minimal number of signal connections to interface with external devices. The PRUSS_UART0 signal descriptions are included in [Table 30-308](#).

Table 30-308. PRUSS_UART0 Signal Descriptions

Signal Name	Signal Type	Function
UART0_TXD	Output	Serial data transmit
UART0_RXD	Input	Serial data receive
UART0_CTS	Input	Clear-to-Send handshaking signal

Table 30-308. PRUSS_UART0 Signal Descriptions (continued)

Signal Name	Signal Type	Function
UART0_RTS	Output	Request-to-Send handshaking signal

30.7.2.3 PRU-ICSS UART Data Format and Protocol Description

30.7.2.3.1 PRU-ICSS UART Transmission Protocol

The PRUSS_UART0 transmitter section includes a transmitter hold register (THR), memory mapped in the register [PRUSS_UART_RBR_THR_REGISTERS](#)[7:0] DATA bitfield and a transmitter shift register (TSR), which is not memory mapped. When the PRUSS_UART0 is in the FIFO mode, THR is a 16-byte FIFO. Transmitter section control is a function of the PRUSS_UART0 line control register [PRUSS_UART_LINE_CONTROL_REGISTER](#). Based on the settings chosen in this register, the PRUSS_UART0 transmitter sends the following to the receiving device:

- 1 START bit
- 5, 6, 7, or 8 data bits
- 1 PARITY bit (optional)
- 1, 1.5, or 2 STOP bits

30.7.2.3.2 PRU-ICSS UART Reception Protocol

The PRUSS_UART0 receiver section includes a receiver shift register (RSR), that is not memory mapped, and a receiver buffer register (RBR), memory mapped as the register [PRUSS_UART_RBR_THR_REGISTERS](#) [7:0] DATA bitfield. When the PRUSS_UART0 is in the FIFO mode, RBR is a 16-byte FIFO. Receiver section control is a function of the PRUSS_UART0 line control register - [PRUSS_UART_LINE_CONTROL_REGISTER](#). Based on the settings chosen in this register, the PRUSS_UART0 receiver accepts the following from the transmitting device:

- 1 START bit
- 5, 6, 7, or 8 data bits
- 1 PARITY bit (optional)
- 1 STOP bit (any other STOP bits transferred with the above data are not detected)

30.7.2.3.3 PRU-ICSS UART Data Format

The PRUSS_UART0 transmits in the following format:

1 START bit + data bits (5, 6, 7, 8) + 1 PARITY bit (optional) + STOP bit (1, 1.5, 2)

It transmits 1 START bit; 5, 6, 7, or 8 data bits, depending on the data width selection; 1 PARITY bit, if parity is selected; and 1, 1.5, or 2 STOP bits, depending on the STOP bit selection.

The PRUSS_UART0 receives in the following format:

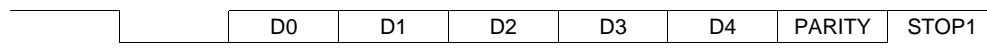
1 START bit + data bits (5, 6, 7, 8) + 1 PARITY bit (optional) + 1 STOP bit

It receives 1 START bit; 5, 6, 7, or 8 data bits, depending on the data width selection; 1 PARITY bit, if parity is selected; and 1 STOP bit.

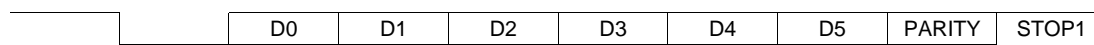
The protocol formats are shown in [Figure 30-30](#).

Figure 30-30. PRU-ICSS UART Protocol Formats

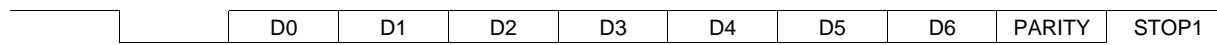
Transmit/Receive for 5-bit data, parity Enable, 1 STOP bit



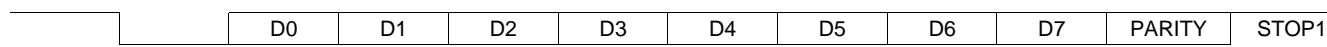
Transmit/Receive for 6-bit data, parity Enable, 1 STOP bit



Transmit/Receive for 7-bit data, parity Enable, 1 STOP bit



Transmit/Receive for 8-bit data, parity Enable, 1 STOP bit



30.7.2.3.3.1 Frame Formatting

Character length is specified using the [PRUSS_UART_LINE_CONTROL_REGISTER\[1-0\]](#) WLS bit field (see [Table 30-310](#)).

The number of stop-bits is specified using the [PRUSS_UART_LINE_CONTROL_REGISTER\[2\]](#) STB bit (see [Table 30-310](#)).

The parity bit is programmed using the [PRUSS_UART_LINE_CONTROL_REGISTER\[5-3\]](#) PEN, EPS, and SP bits (see [Table 30-309](#)).

Table 30-309. Relationship Between ST, EPS, and PEN Bits in UART_LCR

ST Bit	EPS Bit	PEN Bit	Parity Option
x	x	0	Parity disabled: No PARITY bit is transmitted or checked.
0	0	1	Odd parity selected: Odd number of logic 1s.
0	1	1	Even parity selected: Even number of logic 1s.
1	0	1	Stick parity selected with PARITY bit transmitted and checked as set.
1	1	1	Stick parity selected with PARITY bit transmitted and checked as cleared.

Table 30-310. Number of STOP Bits Generated

STB Bit	WLS Bit	Word Length Selected with WLS Bits	Number of STOP Bits Generated	Baud Clock (BCLK) Cycles
0	x	Any word length	1	16
1	0h	5 bits	1.5	24
1	1h	6 bits	2	32
1	2h	7 bits	2	32
1	3h	8 bits	2	32

30.7.2.4 PRU-ICSS UART Clock Generation and Control

The PRUSS_UART0 bit clock is derived from an input clock to the PRUSS_UART0. See the device-specific data manual to check the maximum data rate supported by the PRUSS_UART0.

Figure 30-31 is a conceptual clock generation diagram for the PRUSS_UART0. The processor clock generator receives a signal from an external clock source and produces a PRUSS_UART0 input clock with a programmed frequency. The PRUSS_UART0 contains a programmable baud generator that takes an input clock and divides it by a divisor in the range between 1 and $(2^{16} - 1)$ to produce a baud clock (BCLK). The frequency of BCLK is sixteen times (16x) the baud rate (each received or transmitted bit lasts 16 BCLK cycles) or thirteen times (13x) the baud rate (each received or transmitted bit lasts 13 BCLK cycles). When the PRUSS_UART0 is receiving, the bit is sampled in the 8th BCLK cycle for 16x over sampling mode and on the 6th BCLK cycle for 13x over-sampling mode. The 16x or 13x reference clock is selected by configuring the mode definition register (MDR) - [PRUSS_UART_MODE_DEFINITION_REGISTER](#) [0] OSM_SEL bit. The formula to calculate the divisor is:

$$\text{Divisor} = \frac{\text{UART input clock frequency}}{\text{Desired baud rate} \times 16} \quad [\text{MDR.OSM_SEL} = 0]$$

pruss-013

$$\text{Divisor} = \frac{\text{UART input clock frequency}}{\text{Desired baud rate} \times 13} \quad [\text{MDR.OSM_SEL} = 1]$$

pruss-014

Two 8-bit register fields:

- [PRUSS_UART_DIVISOR_REGISTER_MSB](#) [7:0] DLH
- [PRUSS_UART_DIVISOR_REGISTER_LSB](#) [7:0] DLL,

called divisor latches, hold this 16-bit divisor. DLH holds the most significant bits of the divisor, and DLL holds the least significant bits of the divisor. For information about these register fields, see the PRUSS_UART0 register descriptions in the [Section 30.7.4, PRU-ICSS UART Register Manual](#). These divisor latches must be loaded during initialization of the PRUSS_UART0 in order to ensure desired operation of the baud generator. Writing to the divisor latches results in two wait states being inserted during the write access while the baud generator is loaded with the new value.

Figure 30-32 summarizes the relationship between the transferred data bit, BCLK, and the PRUSS_UART0 input clock. Note that the timing relationship depicted in [Figure 30-32](#) shows that each bit lasts for 16 BCLK cycles. This is in case of 16x over-sampling mode. For 13x over-sampling mode each bit lasts for 13 BCLK cycles.

Example baud rates and divisor values relative to a 150-MHz PRUSS_UART0 input clock and 16x over-sampling mode are shown in [Table 30-311](#).

Figure 30-31. PRU-ICSS UART Clock Generation Diagram

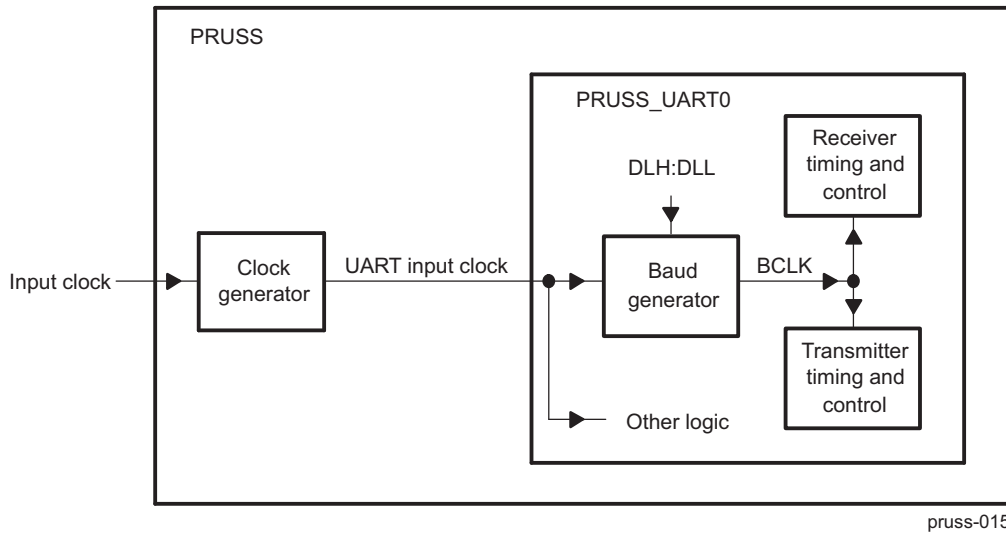


Figure 30-32. Relationships Between PRU-ICSS UART Data Bit, BCLK, and Input Clock

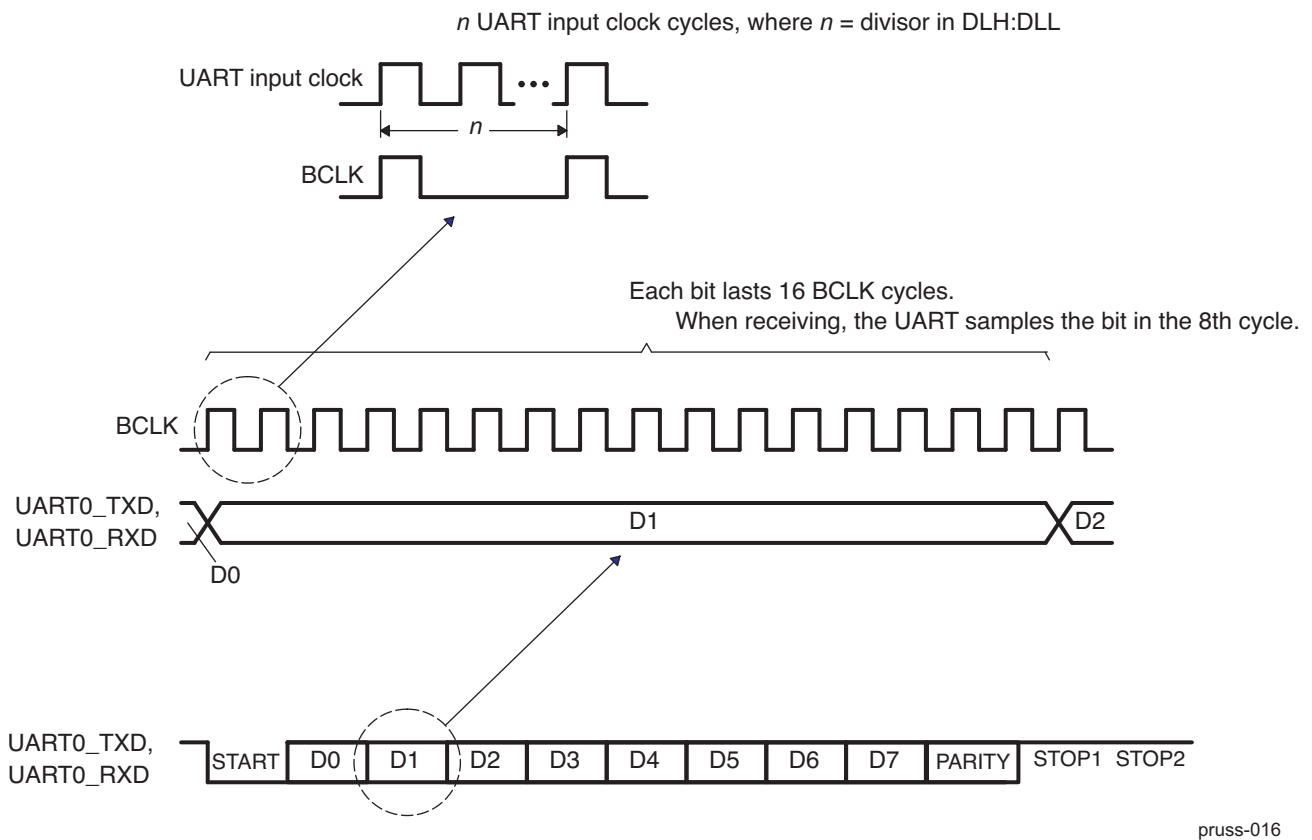


Table 30-311. Baud Rate Examples for 192-MHz PRU-ICSS UART Input Clock and 16x Oversampling Mode

Baud Rate	Divisor Value	Actual Baud Rate	Error (%)
2400	5000	2400	0.00
4800	2500	4800	0.00
9600	1250	9600	0.00

Table 30-311. Baud Rate Examples for 192-MHz PRU-ICSS UART Input Clock and 16x Over-sampling Mode (continued)

Baud Rate	Divisor Value	Actual Baud Rate	Error (%)
19200	625	19200	0.00
38400	313	38338.658	-0.16
56000	214	56074.766	0.13
115200	104	115384.6	0.16
128000	94	127659.574	-0.27
3000000	4	3000000	0.00
6000000	2	6000000	0.00
12000000	1	12000000	0.00

Table 30-312. Baud Rate Examples for 192-MHz PRU-ICSS UART Input Clock and 13x Over-sampling Mode

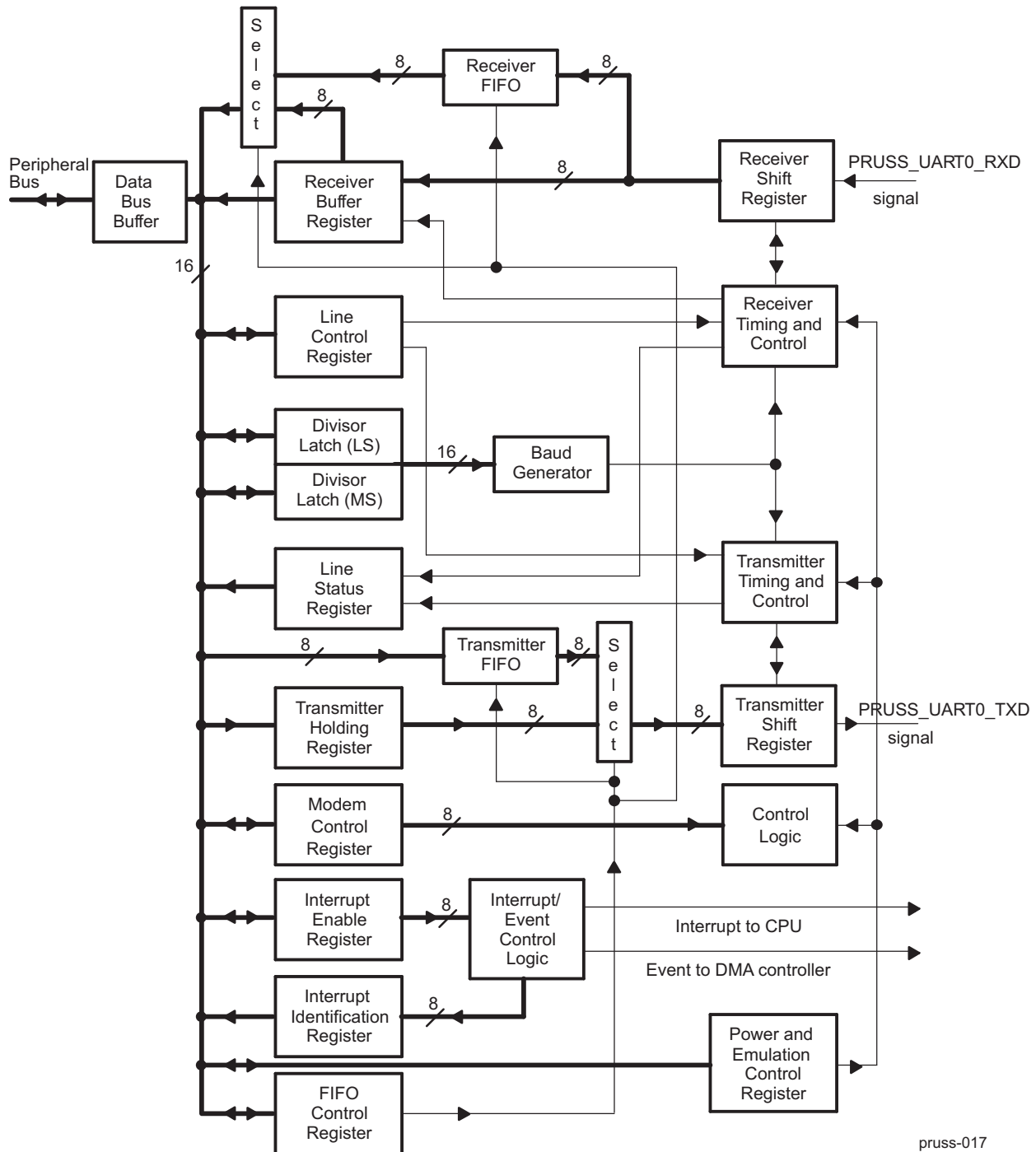
Baud Rate	Divisor Value	Actual Baud Rate	Error (%)
2400	6154	2399.940	-0.0025
4800	3077	4799.880	-0.0025
9600	1538	9602.881	0.03
19200	769	19205.762	0.03
38400	385	38361.638	-0.10
56000	264	55944.056	-0.10
115200	128	115384.6	0.16
128000	115	128428.094	0.33

30.7.3 PRU-ICSS UART Module Functional Description

30.7.3.1 PRU-ICSS UART Functional Block Diagram

A functional block diagram of the PRUSS_UART0 is shown in [Figure 30-33](#).

Figure 30-33. PRU-ICSS UART Block Diagram



pruss-017

NOTE: The value *n* indicates the applicable UART where there are multiple instances. For the PRU-ICSS, there is only one instance and all UART signals should reflect this (e.g., UART0_TXD instead of UART*n*_TXD).

30.7.3.2 PRU-ICSS UART Reset Considerations

30.7.3.2.1 PRU-ICSS UART Software Reset Considerations

Two bits in the power and emulation management register - [PRUSS_UART_POWERMANAGEMENT_AND_EMULATION_REGISTER](#), control resetting the parts of the PRUSS_UART0:

- The bit [14] UTRST controls resetting the transmitter only. If UTRST = 1, the transmitter is active; if UTRST = 0, the transmitter is in reset.
- The bit [13] URRST controls resetting the receiver only. If URRST = 1, the receiver is active; if URRST = 0, the receiver is in reset.

In each case, putting the receiver and/or transmitter in reset will reset the state machine of the affected portion but does not affect the PRUSS_UART0 registers.

30.7.3.2.2 PRU-ICSS UART Hardware Reset Considerations

When the processor RESET pin is asserted, the entire processor is reset and is held in the reset state until the RESET pin is released. As part of a device reset, the PRUSS_UART0 state machine is reset and the PRUSS_UART0 registers are forced to their default states.

30.7.3.3 PRU-ICSS UART Power Management

The PRUSS_UART0 peripheral can be placed in reduced-power modes to conserve power during periods of low activity. The power management of the PRUSS_UART0 peripheral and other PRU-ICSS peripherals is controlled by the device Power, Reset and Clock Manager (PRCM). For more details on the PRUSS_UART0 clock and power management, refer to the [Section 30.4.2, PRU-ICSS Power and Clock Management](#).

30.7.3.4 PRU-ICSS UART Interrupt Support

30.7.3.4.1 PRU-ICSS UART Interrupt Events and Requests

The PRUSS_UART0 generates the interrupt requests described in [Table 30-313](#). All requests are multiplexed through an arbiter to a single PRUSS_UART0 interrupt request to the CPU, as shown in [Figure 30-34](#). Each of the interrupt requests has an enable bit in the interrupt enable register (IER) - [PRUSS_UART_INTERRUPT_ENABLE_REGISTER](#) and is recorded in INTID bitfield of [PRUSS_UART_INTERRUPT_IDENTIFICATION_REGISTER_FIFO_CONTROL_REGISTER](#).

If an interrupt occurs and the corresponding enable bit is set to 1, the interrupt request is recorded in INTID bitfield and is forwarded to the CPU. If an interrupt occurs and the corresponding enable bit is cleared to 0, the interrupt request is blocked. The interrupt request is neither recorded in INTID, nor forwarded to the CPU.

30.7.3.4.2 PRU-ICSS UART Interrupt Multiplexing

The PRUSS_UART0 have dedicated interrupt signals to the CPU and the interrupts are not multiplexed with any other interrupt source.

Table 30-313. PRU-ICSS UART Interrupt Requests Descriptions

PRUSS_UART0 Interrupt Request	Interrupt Source	Comment
THREINT	THR-empty condition: The transmitter holding register (THR) or the transmitter FIFO is empty. All of the data has been copied from THR (i.e. PRUSS_UART_RBR_THR_REGISTERS [7:0] DATA) to the transmitter shift register (TSR).	If THREINT is enabled in PRUSS_UART_INTERRUPT_ENABLE_REGISTER , by setting the ETBEI bit, it is recorded in INTID bitfield. As an alternative to using THREINT, the CPU can poll the THRE bit in the line status register PRUSS_UART_LINE_STATUS_REGISTER .

Table 30-313. PRU-ICSS UART Interrupt Requests Descriptions (continued)

PRUSS_UART0 Interrupt Request	Interrupt Source	Comment
RDAINT	Receive data available in non-FIFO mode or trigger level reached in the FIFO mode.	If RDAINT is enabled in PRUSS_UART_INTERRUPT_ENABLE_REGISTER , by setting the ERBI bit, it is recorded in INTID bitfield. As an alternative to using RDAINT, the CPU can poll the DR bit in the line status register PRUSS_UART_LINE_STATUS_REGISTER . In the FIFO mode, this is not a functionally equivalent alternative because the DR bit does not respond to the FIFO trigger level. The DR bit only indicates the presence or absence of unread characters.
RTOINT	Receiver time-out condition (in the FIFO mode only): No characters have been removed from or input to the receiver FIFO during the last four character times (see Table 30-315), and there is at least one character in the receiver FIFO during this time.	The receiver time-out interrupt prevents the PRUSS_UART0 from waiting indefinitely, in the case when the receiver FIFO level is below the trigger level and thus does not generate a receiver data-ready interrupt. If RTOINT is enabled in PRUSS_UART_INTERRUPT_ENABLE_REGISTER , by setting the ERBI bit, it is recorded in INTID bitfield. There is no status bit to reflect the occurrence of a time-out condition.
RLSINT	Receiver line status condition: An overrun error, parity error, framing error, or break has occurred.	If RLSINT is enabled in PRUSS_UART_INTERRUPT_ENABLE_REGISTER , by setting the ELSI bit, it is recorded in INTID bitfield. As an alternative to using RLSINT, the CPU can poll the following bits in the line status register PRUSS_UART_LINE_STATUS_REGISTER : overrun error indicator (OE), parity error indicator (PE), framing error indicator (FE), and break indicator (BI).

Figure 30-34. PRU-ICSS UART Interrupt Request Enable Paths

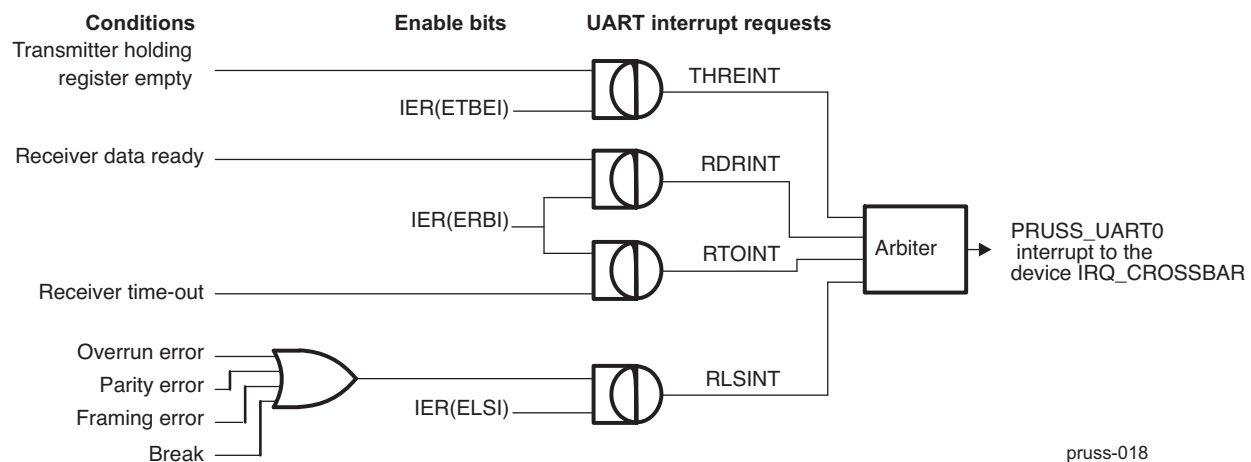


Table 30-314. Interrupt Identification and Interrupt Clearing Information

Priority Level	IIR Bits				Interrupt Type	Interrupt Source	Event That Clears Interrupt
	3	2	1	0			
None	0	0	0	1	None	None	None
1	0	1	1	0	Receiver line status	Overrun error, parity error, framing error, or break is detected.	For an overrun error, reading the PRUSS_UART_LINE_STATUS_REGISTER clears the interrupt. For a parity error, framing error, or break, the interrupt is cleared only after all the erroneous data have been read.
2	0	1	0	0	Receiver data-ready	Non-FIFO mode: Receiver data is ready.	Non-FIFO mode: The receiver buffer register (RBR) is read.
						FIFO mode: Trigger level reached. If four character times (see Table 30-315) pass with no access of the FIFO, the interrupt is asserted again.	FIFO mode: The FIFO drops below the trigger level. ⁽¹⁾
2	1	1	0	0	Receiver time-out	FIFO mode only: No characters have been removed from or input to the receiver FIFO during the last four character times (see Table 30-315), and there is at least one character in the receiver FIFO during this time.	One of the following events: <ul style="list-style-type: none"> • A character is read from the receiver FIFO ⁽¹⁾ • A new character arrives in the receiver FIFO • The URRST bit in the power and emulation management register (PRUSS_UART_POWERMANAGEMENT_AND_EMULATION_REGISTER) is loaded with 0.
3	0	0	1	0	Transmitter holding register empty	Non-FIFO mode: Transmitter holding register (THR) is empty.	A character is written to the transmitter holding register (THR) or the interrupt identification register (IIR) is read.
						FIFO mode: Transmitter FIFO is empty.	

⁽¹⁾ In the FIFO mode, the receiver data-ready interrupt or receiver time-out interrupt is cleared by the CPU or by the DMA controller, whichever reads from the receiver FIFO first.

30.7.3.5 PRU-ICSS UART DMA Event Support

In the FIFO mode, the PRUSS_UART0 generates the following two DMA events:

- **Receive event (URXEVT):** The trigger level for the receiver FIFO (1, 4, 8, or 14 characters) is set with the FIFO control [PRUSS_UART_INTERRUPT_IDENTIFICATION_REGISTER_FIFO_CONTROL_REGISTER](#) [7:6] FIFOEN_RXFIFTL bitfield. Every time the trigger level is reached or a receiver time-out occurs, the PRUSS_UART0 sends a receive event to the EDMA controller. In response, the EDMA controller reads the data from the receiver FIFO by way of the receiver buffer register [PRUSS_UART_RBR_THR_REGISTERS](#) [7:0] DATA. Note that the receive event is not asserted if the data at the top of the receiver FIFO is erroneous even if the trigger level has been reached.
- **Transmit event (UTXEVT):** When the transmitter FIFO is empty (when the last byte in the transmitter FIFO has been copied to the transmitter shift register), the PRUSS_UART0 sends an UTXEVT signal to the EDMA controller. In response, the EDMA controller refills the transmitter FIFO by way of the transmitter holding register (THR) - [PRUSS_UART_RBR_THR_REGISTERS](#) [7:0] DATA. The UTXEVT signal is also sent to the DMA controller when the PRUSS_UART0 is taken out of reset using the UTRST bit in the power and emulation management register ([PRUSS_UART_POWERMANAGEMENT_AND_EMULATION_REGISTER](#)).

Activity in DMA channels can be synchronized to these events. In the non-FIFO mode, the PRUSS_UART0 generates no DMA events. Any DMA channel synchronized to either of these events must be enabled at the time the PRUSS_UART0 event is generated. Otherwise, the DMA channel will miss the event and, unless the PRUSS_UART0 generates a new event, no data transfer will occur.

30.7.3.6 PRU-ICSS UART Operations

30.7.3.6.1 PRU-ICSS UART Transmission

The PRUSS_UART0 transmitter section includes a transmitter hold register (THR) mapped in the [PRUSS_UART_RBR_THR_REGISTERS](#) [7:0] DATA bitfield and a transmitter shift register (TSR). When the PRUSS_UART0 is in the FIFO mode, THR is a 16-byte FIFO. Transmitter section control is a function of the PRUSS_UART0 line control register [PRUSS_UART_LINE_CONTROL_REGISTER](#). Based on the settings chosen in this register, the PRUSS_UART0 transmitter sends the following to the receiving device:

- 1 START bit
- 5, 6, 7, or 8 data bits
- 1 PARITY bit (optional)
- 1, 1.5, or 2 STOP bits

THR receives data from the internal data bus, and when TSR is ready, the PRUSS_UART0 moves the data from THR to TSR. The PRUSS_UART0 serializes the data in TSR and transmits the data on the UART0_TXD pin.

In the non-FIFO mode, if THR is empty and the THR empty (THRE) interrupt is enabled in the interrupt enable register [PRUSS_UART_INTERRUPT_ENABLE_REGISTER](#), an interrupt is generated. This interrupt is cleared when a character is loaded into THR or the interrupt identification register [PRUSS_UART_INTERRUPT_IDENTIFICATION_REGISTER_FIFO_CONTROL_REGISTER](#) bitfield INTID is read. In the FIFO mode, the interrupt is generated when the transmitter FIFO is empty, and it is cleared when at least one byte is loaded into the FIFO or INTID bitfield is read.

30.7.3.6.2 PRU-ICSS UART Reception

The PRUSS_UART0 receiver section includes a receiver shift register (RSR) and a receiver buffer register (RBR) mapped in [PRUSS_UART_RBR_THR_REGISTERS](#) [7:0] DATA bitfield. When the PRUSS_UART0 is in the FIFO mode, RBR is a 16-byte FIFO. Timing is supplied by the 16x receiver clock. Receiver section control is a function of the PRUSS_UART0 line control register [PRUSS_UART_LINE_CONTROL_REGISTER](#). Based on the settings chosen in this register, the PRUSS_UART0 receiver accepts the following from the transmitting device:

- 1 START bit
- 5, 6, 7, or 8 data bits
- 1 PARITY bit (optional)
- 1 STOP bit (any other STOP bits transferred with the above data are not detected)

RSR receives the data bits from the UART0_RXD pin. Then RSR concatenates the data bits and moves the resulting value into RBR (or the receiver FIFO), accessible in the [PRUSS_UART_RBR_THR_REGISTERS](#) [7:0] DATA register bitfield. The PRUSS_UART0 also stores three bits of error status information next to each received character, to record a parity error, framing error, or break.

In the non-FIFO mode, when a character is placed in RBR and the receiver data-ready interrupt is enabled in the interrupt enable register - [PRUSS_UART_INTERRUPT_ENABLE_REGISTER](#), an interrupt is generated. This interrupt is cleared when the character is read from RBR. In the FIFO mode, the interrupt is generated when the FIFO is filled to the trigger level selected in the FIFO control MSB part of the register [PRUSS_UART_INTERRUPT_IDENTIFICATION_REGISTER_FIFO_CONTROL_REGISTER](#), and it is cleared when the FIFO contents drop below the trigger level.

30.7.3.6.3 PRU-ICSS UART FIFO Modes

The following two modes can be used for servicing the receiver and transmitter FIFOs:

- FIFO interrupt mode. The FIFO is enabled and the associated interrupts are enabled. Interrupts are sent to the CPU to indicate when specific events occur.
- FIFO poll mode. The FIFO is enabled but the associated interrupts are disabled. The CPU polls status bits to detect specific events.

Because the receiver FIFO and the transmitter FIFO are controlled separately, either one or both can be placed into the interrupt mode or the poll mode.

30.7.3.6.3.1 PRU-ICSS UART FIFO Interrupt Mode

When the receiver FIFO is enabled in the FIFO control register (FCR), mapped in the MSB part of the register [PRUSS_UART_INTERRUPT_IDENTIFICATION_REGISTER_FIFO_CONTROL_REGISTER](#), and the receiver interrupts are enabled in the interrupt enable register [PRUSS_UART_INTERRUPT_ENABLE_REGISTER](#), the interrupt mode is selected for the receiver FIFO. The following are important points about the receiver interrupts:

- The receiver data-ready interrupt is issued to the CPU when the FIFO has reached the trigger level that is programmed in FCR. It is cleared when the CPU or the DMA controller reads enough characters from the FIFO such that the FIFO drops below its programmed trigger level.
- The receiver line status interrupt is generated in response to an overrun error, a parity error, a framing error, or a break. This interrupt has higher priority than the receiver data-ready interrupt. For details, see [Section 30.7.3.4](#).
- The data-ready (DR) bit in the line status register (LSR) - [PRUSS_UART_LINE_STATUS_REGISTER](#), indicates the presence or absence of characters in the receiver FIFO. The DR bit is set when a character is transferred from the receiver shift register (RSR) to the empty receiver FIFO. The DR bit remains set until the FIFO is empty again.
- A receiver time-out interrupt occurs if all of the following conditions exist:
 - At least one character is in the FIFO,
 - The most recent character was received more than four continuous character times ago. A character time is the time allotted for 1 START bit, n data bits, 1 PARITY bit, and 1 STOP bit, where n depends on the word length selected with the WLS0 and WLS1 bits of the line control register [PRUSS_UART_LINE_CONTROL_REGISTER](#). See [Table 30-315](#).
 - The most recent read of the FIFO has occurred more than four continuous character times before.
- Character times are calculated by using the baud rate.
- When a receiver time-out interrupt has occurred, it is cleared and the time-out timer is cleared when the CPU or the EDMA controller reads one character from the receiver FIFO. The interrupt is also cleared if a new character is received in the FIFO or if the URRST bit is cleared in the power and emulation management register [PRUSS_UART_POWERMANAGEMENT_AND_EMULATION_REGISTER](#).
- If a receiver time-out interrupt has not occurred, the time-out timer is cleared after a new character is received or after the CPU or EDMA reads the receiver FIFO.

When the transmitter FIFO is enabled in [PRUSS_UART_INTERRUPT_IDENTIFICATION_REGISTER_FIFO_CONTROL_REGISTER](#) [0] IPEND_FIFOEN bit and the transmitter holding register empty (THRE) interrupt is enabled in [PRUSS_UART_INTERRUPT_ENABLE_REGISTER](#)[1] ETBEI bit, the interrupt mode is selected for the transmitter FIFO. The THRE interrupt occurs when the transmitter FIFO is empty. It is cleared when the transmitter hold register (THR) [PRUSS_UART_RBR_THR_REGISTERS](#) [7:0] DATA bitfield is loaded (1 to 16 characters may be written to the transmitter FIFO while servicing this interrupt) or the interrupt identification register INTID bitfield is read in the [PRUSS_UART_INTERRUPT_IDENTIFICATION_REGISTER_FIFO_CONTROL_REGISTER](#).

Table 30-315. Character Time for Word Lengths

Word Length (n)	Character Time	Four Character Times
5	Time for 8 bits	Time for 32 bits
6	Time for 9 bits	Time for 36 bits
7	Time for 10 bits	Time for 40 bits
8	Time for 11 bits	Time for 44 bits

30.7.3.6.3.2 PRU-ICSS UART FIFO Poll Mode

When the receiver FIFO is enabled in the FIFO control register (via setting the [PRUSS_UART_INTERRUPT_IDENTIFICATION_REGISTER_FIFO_CONTROL_REGISTER \[0\] IPEND_FIFOEN](#) to 0b1) and the receiver interrupts are disabled in the interrupt enable register ([PRUSS_UART_INTERRUPT_ENABLE_REGISTER](#)), the poll mode is selected for the receiver FIFO. Similarly, when the transmitter FIFO is enabled via setting the same bit ([PRUSS_UART_INTERRUPT_IDENTIFICATION_REGISTER_FIFO_CONTROL_REGISTER \[0\] IPEND_FIFOEN](#) to 0b1) and the transmitter interrupts are disabled, the transmitted FIFO is in the poll mode. In the poll mode, the CPU detects events by checking bits in the line status register - [PRUSS_UART_LINE_STATUS_REGISTER](#):

- The [PRUSS_UART_LINE_STATUS_REGISTER\[7\] RXFIFOE](#) bit indicates whether there are any errors in the receiver FIFO.
- The [PRUSS_UART_LINE_STATUS_REGISTER\[6\] TEMT](#) bit indicates that both the transmitter holding register (THR) and the transmitter shift register (TSR) are empty.
- The [PRUSS_UART_LINE_STATUS_REGISTER\[5\] THRE](#) bit indicates when THR (mapped in the [PRUSS_UART_RBR_THR_REGISTERS \[7:0\] DATA](#) bitfield) is empty.
- The following [PRUSS_UART_LINE_STATUS_REGISTER](#) bits specify which error or errors have occurred:
 - [PRUSS_UART_LINE_STATUS_REGISTER\[4\] BI](#) - Break Interrupt
 - [PRUSS_UART_LINE_STATUS_REGISTER\[3\] FE](#) – Framing Error
 - [PRUSS_UART_LINE_STATUS_REGISTER\[2\] PE](#) – Parity Error
 - [PRUSS_UART_LINE_STATUS_REGISTER\[1\] OE](#) – Overrun Error
- The [PRUSS_UART_LINE_STATUS_REGISTER\[0\] DR](#) (data-ready) bit is set as long as there is at least one byte in the receiver FIFO.

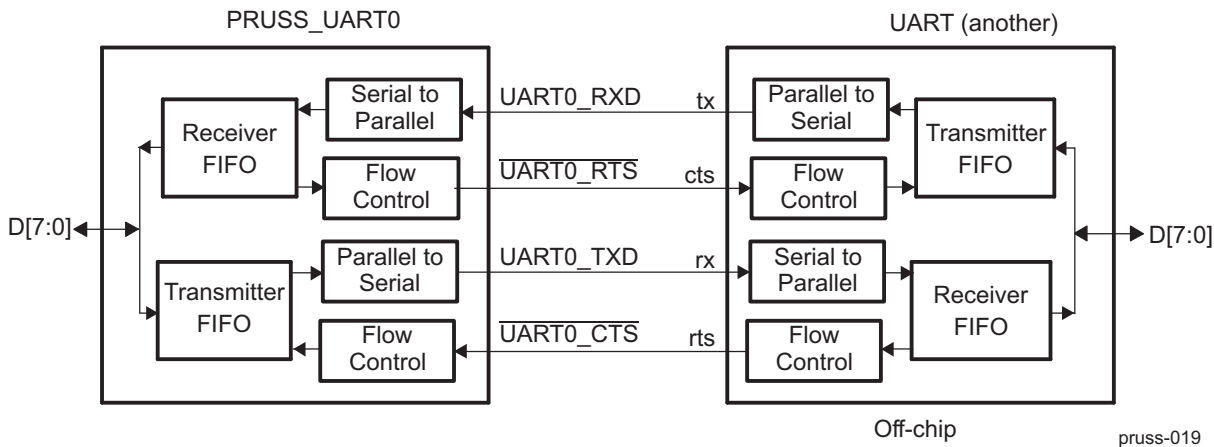
Also, in the FIFO poll mode:

- The interrupt identification register (INTID) bitfields are not affected by any events because the interrupts are disabled.
- The PRUSS_UART0 does not indicate when the receiver FIFO trigger level is reached or when a receiver time-out occurs.

30.7.3.6.4 PRU-ICSS UART Autoflow Control

The PRUSS_UART0 can employ autoflow control by connecting the [PRUSS_UART0_CTS](#) and [PRUSS_UART0_RTS](#) signals. The [PRUSS_UART0_CTS](#) input must be active before the transmitter FIFO can transmit data. The [PRUSS_UART0_RTS](#) becomes active when the receiver needs more data and notifies the sending device. When [PRUSS_UART0_RTS](#) is connected to [PRUSS_UART0_CTS](#), data transmission does not occur unless the receiver FIFO has space for the data. Therefore, when two UARTs are connected as shown in [Figure 30-35](#) with autoflow enabled, overrun errors are eliminated.

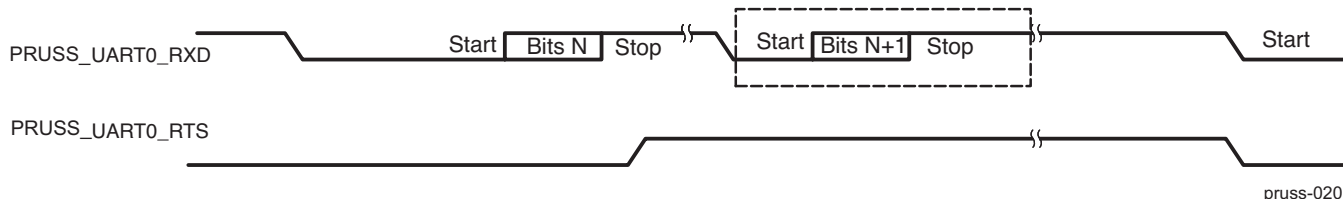
Figure 30-35. UART Interface Using Autoflow Diagram



30.7.3.6.4.1 PRU-ICSS UART Signal UART0_RTS Behavior

PRUSS_UART0_RTS data flow control originates in the receiver block (see Figure 30-33). When the receiver FIFO level reaches a trigger level of 1, 4, 8, or 14 (see Figure 30-36), PRUSS_UART0_RTS is deasserted. The sending UART may send an additional byte after the trigger level is reached (assuming the sending UART has another byte to send), because it may not recognize the deassertion of PRUSS_UART0_RTS until after it has begun sending the additional byte. For trigger level 1, 4, and 8, PRUSS_UART0_RTS is automatically reasserted once the receiver FIFO is emptied. For trigger level 14, PRUSS_UART0_RTS is automatically reasserted once the receiver FIFO drops below the trigger level.

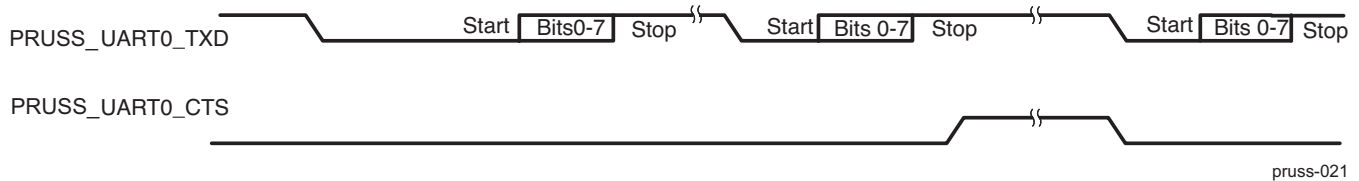
Figure 30-36. Autoflow Functional Timing Waveforms for PRUSS_UART0_RTS



- (1) N = Receiver FIFO trigger level.
- (2) The two blocks in dashed lines cover the case where an additional byte is sent.

30.7.3.6.4.2 PRU-ICSS UART Signal PRUSS_UART0_CTS Behavior

The transmitter checks PRUSS_UART0_CTS before sending the next data byte. If PRUSS_UART0_CTS is active, the transmitter sends the next byte. To stop the transmitter from sending the following byte, PRUSS_UART0_CTS must be released before the middle of the last STOP bit that is currently being sent (see Figure 30-37). When flow control is enabled, PRUSS_UART0_CTS level changes do not trigger interrupts because the device automatically controls its own transmitter. Without autoflow control, the transmitter sends any data present in the transmitter FIFO and a receiver overrun error may result.

Figure 30-37. Autoflow Functional Timing Waveforms for PRUSS_UART0_CTS


- (1) When `PRUSS_UART0_CTS` is active (low), the transmitter keeps sending serial data out.
- (2) When `PRUSS_UART0_CTS` goes high before the middle of the last STOP bit of the current byte, the transmitter finishes sending the current byte but it does not send the next byte.
- (3) When `PRUSS_UART0_CTS` goes from high to low, the transmitter begins sending data again.

30.7.3.6.5 PRU-ICSS UART Loopback Control

The PRUSS_UART0 can be placed in the diagnostic mode using the LOOP bit in the modem control register - [PRUSS_UART_MODEM_CONTROL_REGISTER](#), which internally connects the PRUSS_UART0 output back to the PRUSS_UART0's input. In this mode, the transmit and receive data paths, the transmitter and receiver interrupts, and the modem control interrupts can be verified without connecting to another UART.

30.7.3.7 PRU-ICSS UART Initialization

The following steps are required to initialize the PRUSS_UART0:

1. Perform the necessary device pin multiplexing setup (see the device-specific Data Manual).
2. Set the desired baud rate by writing the appropriate clock divisor values to the divisor latch registers [PRUSS_UART_DIVISOR_REGISTER_MSB_ \[7:0\] DLH](#) and [PRUSS_UART_DIVISOR_REGISTER_LSB_ \[7:0\] DLL](#).
3. If the FIFOs will be used, select the desired trigger level and enable the FIFOs by writing the appropriate values to the FIFO control register. The [PRUSS_UART_INTERRUPT_IDENTIFICATION_REGISTER_FIFO_CONTROL_REGISTER\[0\] IPEND_FIFOEN](#) bit must be set first, before the other bits in this register are configured.
4. Choose the desired protocol settings by writing the appropriate values to the line control register [PRUSS_UART_LINE_CONTROL_REGISTER](#).
5. If autoflow control is desired, write appropriate values to the modem control register [PRUSS_UART_MODEM_CONTROL_REGISTER](#).
6. Choose the desired response to emulation suspend events by configuring the FREE bit and enable the PRUSS_UART0 by setting the UTRST and URRST bits in the power and emulation management register -[PRUSS_UART_POWERMANAGEMENT_AND_EMULATION_REGISTER](#).

30.7.3.8 PRU-ICSS UART Exception Processing

30.7.3.8.1 PRU-ICSS UART Divisor Latch Not Programmed

Since the processor reset signal has no effect on the divisor latch, the divisor latch will have an unknown value after power up. If the divisor latch is not programmed after power up, the baud clock (BCLK) will not operate and will instead be set to a constant logic 1 state.

The divisor latch values should always be reinitialized following a processor reset.

30.7.3.8.2 Changing Operating Mode During Busy Serial Communication of PRU-ICSS UART

Since the serial link characteristics are based on how the control registers are programmed, the PRUSS_UART0 will expect the control registers to be static while it is busy engaging in a serial communication. Therefore, changing the control registers while the module is still busy communicating with another serial device will most likely cause an error condition and should be avoided.

30.7.4 PRUSS_UART Register Manual

This section describes the PRUSS_UART module registers.

30.7.4.1 PRUSS_UART Instance Summary

Table 30-316. PRUSS_UART Instance Summary

Module Name	Base Address	Size
PRUSS1_UART	0x4B22 8000	56 Bytes
PRUSS2_UART	0x4B2A 8000	56 Bytes

30.7.4.2 PRUSS_UART Registers

30.7.4.2.1 PRUSS_UART Register Summary

Table 30-317. PRUSS1_UART Registers Mapping Summary

Register Name	Type	Register Width (Bits)	Address Offset	PRUSS1_UART Physical Address
PRUSS_UART_RBR_THR_REGISTERS	W	32	0x0000 0000	0x4B22 8000
PRUSS_UART_INTERRUPT_ENABLE_REGISTER	RW	32	0x0000 0004	0x4B22 8004
PRUSS_UART_INTERRUPT_IDENTIFICATION_REGISTER_FIFO_CONTROL_REGISTER	W	32	0x0000 0008	0x4B22 8008
PRUSS_UART_LINE_CONTROL_REGISTER	RW	32	0x0000 000C	0x4B22 800C
PRUSS_UART_MODEM_CONTROL_REGISTER	RW	32	0x0000 0010	0x4B22 8010
PRUSS_UART_LINE_STATUS_REGISTER	R	32	0x0000 0014	0x4B22 8014
PRUSS_UART_MODEM_STATUS_REGISTER	R	32	0x0000 0018	0x4B22 8018
PRUSS_UART_SCRATCH_REGISTER	RW	32	0x0000 001C	0x4B22 801C
PRUSS_UART_DIVISOR_REGISTER_LSB_	RW	32	0x0000 0020	0x4B22 8020
PRUSS_UART_DIVISOR_REGISTER_MSB_	RW	32	0x0000 0024	0x4B22 8024
PRUSS_UART_PERIPHERAL_ID_REGISTER	R	32	0x0000 0028	0x4B22 8028
RESERVED	R	32	0x0000 002C	0x4B22 802C
PRUSS_UART_POWERMANAGEMENT_AND_EMULATION_REGISTER	RW	32	0x0000 0030	0x4B22 8030
PRUSS_UART_MODE_DEFINITION_REGISTER	RW	32	0x0000 0034	0x4B22 8034

Table 30-318. PRUSS2_UART Registers Mapping Summary

Register Name	Type	Register Width (Bits)	Address Offset	PRUSS2_UART Physical Address
PRUSS_UART_RBR_THR_REGISTERS	W	32	0x0000 0000	0x4B2A 8000
PRUSS_UART_INTERRUPT_ENABLE_REGISTER	RW	32	0x0000 0004	0x4B2A 8004
PRUSS_UART_INTERRUPT_IDENTIFICATION_REGISTER_FIFO_CONTROL_REGISTER	W	32	0x0000 0008	0x4B2A 8008
PRUSS_UART_LINE_CONTROL_REGISTER	RW	32	0x0000 000C	0x4B2A 800C
PRUSS_UART_MODEM_CONTROL_REGISTER	RW	32	0x0000 0010	0x4B2A 8010

Table 30-318. PRUSS2_UART Registers Mapping Summary (continued)

Register Name	Type	Register Width (Bits)	Address Offset	PRUSS2_UART Physical Address
PRUSS_UART_LINE_STATUS_REGISTER	R	32	0x0000 0014	0x4B2A 8014
PRUSS_UART_MODEM_STATUS_REGISTER	R	32	0x0000 0018	0x4B2A 8018
PRUSS_UART_SCRATCH_REGISTER	RW	32	0x0000 001C	0x4B2A 801C
PRUSS_UART_DIVISOR_REGISTER_LSB_	RW	32	0x0000 0020	0x4B2A 8020
PRUSS_UART_DIVISOR_REGISTER_MSB_	RW	32	0x0000 0024	0x4B2A 8024
PRUSS_UART_PERIPHERAL_ID_REGISTER	R	32	0x0000 0028	0x4B2A 8028
RESERVED	R	32	0x0000 002C	0x4B2A 802C
PRUSS_UART_POWERMANAGEMENT_AND_EMULATION_REGISTER	RW	32	0x0000 0030	0x4B2A 8030
PRUSS_UART_MODE_DEFINITION_REGISTER	RW	32	0x0000 0034	0x4B2A 8034

30.7.4.2.2 PRUSS_UART Register Description

Table 30-319. PRUSS_UART_RBR_THR_REGISTERS

Address Offset	0x0000 0000	Instance	PRUSS1_UART PRUSS2_UART
Physical Address	0x4B22 8000 0x4B2A 8000		
Description	In the non-FIFO mode, when a character is placed in Receiver buffer register and the receiver data-ready interrupt is enabled (DR = 1 in Interrupt identification register), an interrupt is generated. This interrupt is cleared when the character is read from Receiver buffer register. In the FIFO mode, the interrupt is generated when the FIFO is filled to the trigger level selected in the FIFO control register, and it is cleared when the FIFO contents drop below the trigger level. In the non-FIFO mode, if Transmitter holding register is empty and the THR empty (THRE) interrupt is enabled (ETBEI = 1 in Interrupt enable register), an interrupt is generated. This interrupt is cleared when a character is loaded into Transmitter holding register or the Interrupt identification register is read. In the FIFO mode, the interrupt is generated when the transmitter FIFO is empty, and it is cleared when at least one byte is loaded into the FIFO or Interrupt identification register is read.		
Type	RW		

31	30	29	28	27	26	25	24	23	22	21	20	19	18	17	16	15	14	13	12	11	10	9	8	7	6	5	4	3	2	1	0
RESERVED																DATA															

Bits	Field Name	Description	Type	Reset
31:8	RESERVED	Reserved	R	0x0
7:0	DATA	Read: Read Receive Buffer Register Write: Write Transmitter Holding Register	RW	0x0

Table 30-320. Register Call Summary for Register PRUSS_UART_RBR_THR_REGISTERS

PRU-ICSS UART Module

- [PRU-ICSS UART Transmission Protocol: \[0\]](#)
- [PRU-ICSS UART Reception Protocol: \[1\]](#)
- [PRU-ICSS UART Interrupt Multiplexing: \[2\]](#)
- [PRU-ICSS UART DMA Event Support: \[3\]\[4\]](#)
- [PRU-ICSS UART Transmission: \[5\]](#)
- [PRU-ICSS UART Reception: \[6\]\[7\]](#)
- [PRU-ICSS UART FIFO Modes: \[8\]\[9\]](#)
- [PRUSS_UART Register Summary: \[10\]\[11\]](#)

Table 30-321. PRUSS_UART_INTERRUPT_ENABLE_REGISTER

Address Offset	0x0000 0004	Instance	PRUSS1_UART PRUSS2_UART
Physical Address	0x4B22 8004 0x4B2A 8004		
Description	The Interrupt enable register is used to individually enable or disable each type of interrupt request that can be generated by the UART. Each interrupt request that is enabled in Interrupt enable register is forwarded to the CPU.		
Type	RW		

31	30	29	28	27	26	25	24	23	22	21	20	19	18	17	16	15	14	13	12	11	10	9	8	7	6	5	4	3	2	1	0
RESERVED																												EDSSI	ELSI	ETBEI	ERBI

Bits	Field Name	Description	Type	Reset
31:4	RESERVED	Reserved	R	0x0
3	EDSSI	Enable Modem Status Interrupt	RW	0x0
2	ELSI	Receiver line status interrupt enable. 0x0: Receiver line status interrupt is disabled. 0x1: Receiver line status interrupt is enabled.	RW	0x0
1	ETBEI	Transmitter holding register empty interrupt enable. 0x0: Transmitter holding register empty interrupt is disabled. 0x1: Transmitter holding register empty interrupt is enabled.	RW	0x0
0	ERBI	Receiver data available interrupt and character timeout indication interrupt enable. 0x0: Receiver data available interrupt and character timeout indication interrupt is disabled. 0x1: Receiver data available interrupt and character timeout indication interrupt is enabled.	RW	0x0

Table 30-322. Register Call Summary for Register PRUSS_UART_INTERRUPT_ENABLE_REGISTER

PRU-ICSS UART Module

- [PRU-ICSS UART Interrupt Events and Requests: \[0\]](#)
- [PRU-ICSS UART Interrupt Multiplexing: \[1\]\[2\]\[3\]\[4\]](#)
- [PRU-ICSS UART Transmission: \[5\]](#)
- [PRU-ICSS UART Reception: \[6\]](#)
- [PRU-ICSS UART FIFO Modes: \[7\]\[8\]\[9\]](#)
- [PRUSS_UART Register Summary: \[10\]\[11\]](#)

Table 30-323. PRUSS_UART_INTERRUPT_IDENTIFICATION_REGISTER_FIFO_CONTROL_REGISTER

Address Offset	0x0000 0008	Instance	PRUSS1_UART PRUSS2_UART
Physical Address	0x4B22 8008 0x4B2A 8008		
Description	The Interrupt identification register is a read-only register at the same address as the FIFO control register, which is a write-only register. When an interrupt is generated and enabled in the Interrupt enable register, Interrupt identification register indicates that an interrupt is pending in the IPEND bit and encodes the type of interrupt in the INTID bits. Reading Interrupt identification register clears any THR empty (THRE) interrupts that are pending. The FIFOEN bit in Interrupt identification register can be checked to determine whether the UART is in the FIFO mode or the non-FIFO mode. Use FIFO control register to enable and clear the FIFOs and to select the receiver FIFO trigger level. The FIFOEN bit in FIFO control register must be set to 1 before other FIFO control register bits are written to or the FIFO control register bits are not programmed.		

**Table 30-
323. PRUSS_UART_INTERRUPT_IDENTIFICATION_REGISTER_FIFO_CONTROL_REGISTER
(continued)**

Type																RW															
31	30	29	28	27	26	25	24	23	22	21	20	19	18	17	16	15	14	13	12	11	10	9	8	7	6	5	4	3	2	1	0
RESERVED																FIFOEN_RXFIFTL	RESERVED				INTID				IPEND_FIFOEN						
Bits	Field Name	Description	Type	Reset																											
31:8	RESERVED	Reserved	R	0x0																											
7:6	FIFOEN_RXFIFTL	<p>Read: FIFOs enabled.</p> <p>0x0: Non-FIFO mode</p> <p>0x1-0x2: Reserved</p> <p>0x3: FIFOs are enabled. FIFOEN bit in the FIFO control register (FCR) is set to 1.</p> <hr/> <p>Write: Receiver FIFO trigger level. RXFIFTL sets the trigger level for the receiver FIFO. When the trigger level is reached, a receiver data-ready interrupt is generated (if the interrupt request is enabled). Once the FIFO drops below the trigger level, the interrupt is cleared.</p> <p>0x0: 1 byte</p> <p>0x1: 4 bytes</p> <p>0x2: 8 bytes</p> <p>0x3: 14 bytes</p>	RW	0x0																											
5:4	RESERVED	Reserved	R	0x0																											

Bits	Field Name	Description	Type	Reset
3:1	INTID	<p>Read: Interrupt type. See Table 30-314.</p> <p>0x0: Reserved</p> <p>0x1: Transmitter holding register empty (priority 3)</p> <p>0x2: Receiver data available (priority 2)</p> <p>0x3: Receiver line status (priority 1, highest)</p> <p>0x4-0x5: Reserved</p> <p>0x6: Character timeout indication (priority 2)</p> <p>0x7: Reserved</p> <hr/> <p>Write:</p> <p>Bit 3: DMAMODE1: DMA MODE1 enable if FIFOs are enabled. Always write 1 to DMAMODE1. After a hardware reset, change DMAMODE1 from 0 to 1. DMAMODE1 = 1 is a requirement for proper communication between the UART and the EDMA controller.</p> <p>0x0: DMA MODE1 is disabled.</p> <p>0x1: DMA MODE1 is enabled.</p> <p>Bit 2: TXCLR: Transmitter FIFO clear. Write a 1 to TXCLR to clear the bit.</p> <p>0x0: No effect.</p> <p>0x1: Clears transmitter FIFO and resets the transmitter FIFO counter. The shift register is not cleared.</p> <p>Bit 1: RXCLR: Receiver FIFO clear. Write a 1 to RXCLR to clear the bit.</p> <p>0x0: No effect.</p> <p>0x1: Clears receiver FIFO and resets the receiver FIFO counter. The shift register is not cleared.</p>	RW	0x0
0	IPEND_FIFOEN	<p>Read: Interrupt pending. When any UART interrupt is generated and is enabled in IER, IPEND is forced to 0. IPEND remains 0 until all pending interrupts are cleared or until a hardware reset occurs. If no interrupts are enabled, IPEND is never forced to 0.</p> <p>0x0: Interrupts pending.</p> <p>0x1: No interrupts pending.</p> <hr/> <p>Write: Transmitter and receiver FIFOs mode enable. FIFOEN must be set before other FCR bits are written to or the FCR bits are not programmed. Clearing this bit clears the FIFO counters.</p> <p>0x0: Non-FIFO mode. The transmitter and receiver FIFOs are disabled, and the FIFO pointers are cleared.</p> <p>0x1: FIFO mode. The transmitter and receiver FIFOs are enabled.</p>	RW	0x1

**Table 30-324. Register Call Summary for Register
PRUSS_UART_INTERRUPT_IDENTIFICATION_REGISTER_FIFO_CONTROL_REGISTER**

PRU-ICSS UART Module

- [PRU-ICSS UART Interrupt Events and Requests: \[0\]](#)
- [PRU-ICSS UART Interrupt Multiplexing:](#)
- [PRU-ICSS UART DMA Event Support: \[2\]](#)
- [PRU-ICSS UART Transmission: \[3\]](#)
- [PRU-ICSS UART Reception: \[4\]](#)
- [PRU-ICSS UART FIFO Modes: \[5\]\[6\]\[7\]\[8\]\[9\]](#)
- [PRU-ICSS UART Initialization: \[10\]](#)
- [PRUSS_UART Register Summary: \[11\]\[12\]](#)

Table 30-325. PRUSS_UART_LINE_CONTROL_REGISTER

Address Offset	0x0000 000C	Instance	PRUSS1_UART PRUSS2_UART
Physical Address	0x4B22 800C 0x4B2A 800C		
Description	The system programmer controls the format of the asynchronous data communication exchange by using Line control register. In addition, the programmer can retrieve, inspect, and modify the content of line control register; this eliminates the need for separate storage of the line characteristics in system memory.		
Type	RW		

31	30	29	28	27	26	25	24	23	22	21	20	19	18	17	16	15	14	13	12	11	10	9	8	7	6	5	4	3	2	1	0
RESERVED																DLAB	BC	SP	EPS	PEN	STB	WLS1	WLS0								

Bits	Field Name	Description	Type	Reset
31:8	RESERVED	Reserved	R	0x0
7	DLAB	<p>Divisor latch access bit. The divisor latch registers (DLL and DLH) can be accessed at dedicated addresses or at addresses shared by RBR, THR, and IER. Using the shared addresses requires toggling DLAB to change which registers are selected. If the dedicated addresses are used, keep DLAB = 0.</p> <p>0x0: Allows access to the receiver buffer register (RBR), the transmitter holding register (THR), and the interrupt enable register (IER) selected. At the address shared by RBR, THR, and DLL, the CPU can read from RBR and write to THR. At the address shared by IER and DLH, the CPU can read from and write to IER.</p> <p>0x1: Allows access to the divisor latches of the baud generator during a read or write operation (DLL and DLH). At the address shared by RBR, THR, and DLL, the CPU can read from and write to DLL. At the address shared by IER and DLH, the CPU can read from and write to DLH.</p>	RW	0x0
6	BC	<p>Break control.</p> <p>0x0: Break condition is disabled.</p> <p>0x1: Break condition is transmitted to the receiving UART. A break condition is a condition where the UARTn_TXD signal is forced to the spacing (cleared) state.</p>	RW	0x0
5	SP	<p>Stick parity. The SP bit works in conjunction with the EPS and PEN bits. The relationship between the SP, EPS, and PEN bits is summarized in Table 30-309.</p> <p>0x0: Stick parity is disabled.</p> <p>0x1: Stick parity is enabled.</p> <ul style="list-style-type: none"> When odd parity is selected (EPS = 0), the PARITY bit is transmitted and checked as set. When even parity is selected (EPS = 1), the PARITY bit is transmitted and checked as cleared. 	RW	0x0
4	EPS	<p>Even parity select. Selects the parity when parity is enabled (PEN = 1). The EPS bit works in conjunction with the SP and PEN bits. The relationship between the SP, EPS, and PEN bits is summarized in Table 30-309.</p> <p>0x0: Odd parity is selected (an odd number of logic 1s is transmitted or checked in the data and PARITY bits).</p> <p>0x1: Even parity is selected (an even number of logic 1s is transmitted or checked in the data and PARITY bits).</p>	RW	0x0

Bits	Field Name	Description	Type	Reset
3	PEN	<p>Parity enable. The PEN bit works in conjunction with the SP and EPS bits. The relationship between the SP, EPS, and PEN bits is summarized in Table 30-309.</p> <p>0x0: No PARITY bit is transmitted or checked.</p> <p>0x1: Parity bit is generated in transmitted data and is checked in received data between the last data word bit and the first STOP bit.</p>	RW	0x0
2	STB	<p>Number of STOP bits generated. STB specifies 1, 1.5, or 2 STOP bits in each transmitted character. When STB = 1, the WLS bit determines the number of STOP bits. The receiver clocks only the first STOP bit, regardless of the number of STOP bits selected. The number of STOP bits generated is summarized in Table 30-310.</p> <p>0x0: 1 STOP bit is generated.</p> <p>0x1: WLS bit determines the number of STOP bits:</p> <ul style="list-style-type: none"> • When WLS = 0, 1.5 STOP bits are generated. • When WLS = 1h, 2h, or 3h, 2 STOP bits are generated. 	RW	0x0
1-0	WLS	<p>Word length select. Number of bits in each transmitted or received serial character. When STB = 1, the WLS bit determines the number of STOP bits.</p> <p>0x0: 5 bits</p> <p>0x1: 6 bits</p> <p>0x2: 7 bits</p> <p>0x3: 8 bits</p>	RW	0x0

Table 30-326. Register Call Summary for Register PRUSS_UART_LINE_CONTROL_REGISTER

PRU-ICSS UART Module

- [PRU-ICSS UART Transmission Protocol: \[0\]](#)
- [PRU-ICSS UART Reception Protocol: \[1\]](#)
- [PRU-ICSS UART Data Format: \[2\]\[3\]\[4\]](#)
- [PRU-ICSS UART Transmission: \[5\]](#)
- [PRU-ICSS UART Reception: \[6\]](#)
- [PRU-ICSS UART FIFO Modes: \[7\]](#)
- [PRU-ICSS UART Initialization: \[8\]](#)
- [PRUSS_UART Register Summary: \[9\]\[10\]](#)

Table 30-327. PRUSS_UART_MODEM_CONTROL_REGISTER

Address Offset	0x0000 0010	Instance	PRUSS1_UART PRUSS2_UART
Physical Address	0x4B22 8010 0x4B2A 8010		
Description	The Modem control register provides the ability to enable/disable the autoflow functions, and enable/disable the loopback function for diagnostic purposes.		
Type	RW		

31	30	29	28	27	26	25	24	23	22	21	20	19	18	17	16	15	14	13	12	11	10	9	8	7	6	5	4	3	2	1	0
RESERVED																							AFE	LOOP	OUT2	OUT1	RTS	RESERVED			

Bits	Field Name	Description	Type	Reset
31:6	RESERVED	Reserved	R	0x0
5	AFE	Autoflow control enable. Autoflow control allows the $\overline{\text{UARTn_RTS}}$ and $\overline{\text{UARTn_CTS}}$ signals to provide handshaking between UARTs during data transfer. When $\text{AFE} = 1$, the RTS bit determines the autoflow control enabled. Note that all UARTs do not support this feature, see the device-specific data manual for supported features. If this feature is not available, this bit is reserved in this device and should be cleared to 0. 0x0: Autoflow control is disabled. 0x1:Autoflow control is enabled: <ul style="list-style-type: none"> When $\text{RTS} = 0$, $\overline{\text{UARTn_CTS}}$ is only enabled. When $\text{RTS} = 1$, $\overline{\text{UARTn_RTS}}$ and $\overline{\text{UARTn_CTS}}$ are enabled. 	RW	0x0
4	LOOP	Loop back mode enable. LOOP is used for the diagnostic testing using the loop back feature. 0x0: Loop back mode is disabled. 0x1: Loop back mode is enabled. When LOOP is set, the following occur: <ul style="list-style-type: none"> The $\overline{\text{UARTn_TXD}}$ signal is set high. The $\overline{\text{UARTn_RXD}}$ pin is disconnected. The output of the transmitter shift register (TSR) is lopped back in to the receiver shift register (RSR) input. 	RW	0x0
3	OUT2	OUT2 Control Bit	RW	0x0
2	OUT1	OUT1 Control Bit	RW	0x0
1	RTS	RTS control. When $\text{AFE} = 1$, the RTS bit determines the autoflow control enabled. Note that all UARTs do not support this feature, see the device-specific data manual for supported features. If this feature is not available, this bit is reserved in this device and should be cleared to 0. 0x0: $\overline{\text{UARTn_RTS}}$ is disabled, $\overline{\text{UARTn_CTS}}$ is only enabled. 0x1: $\overline{\text{UARTn_RTS}}$ and $\overline{\text{UARTn_CTS}}$ are enabled.	RW	0x0
0	RESERVED	Reserved	R	0

Table 30-328. Register Call Summary for Register PRUSS_UART_MODEM_CONTROL_REGISTER

PRU-ICSS UART Module

- [PRU-ICSS UART Loopback Control: \[0\]](#)
- [PRU-ICSS UART Initialization: \[1\]](#)
- [PRUSS_UART Register Summary: \[2\]\[3\]](#)

Table 30-329. PRUSS_UART_LINE_STATUS_REGISTER

Address Offset	0x0000 0014	Instance	PRUSS1_UART PRUSS2_UART
Physical Address	0x4B22 8014 0x4B2A 8014		
Description	The Line status register provides information to the CPU concerning the status of data transfers. Line status register is intended for read operations only; do not write to this register. Bits 1 through 4 record the error conditions that produce a receiver line status interrupt.		
Type	R		

31	30	29	28	27	26	25	24	23	22	21	20	19	18	17	16	15	14	13	12	11	10	9	8	7	6	5	4	3	2	1	0
RESERVED																							RXFFOE	TEMT	THRE	BI	FE	PE	OE	DR	

Bits	Field Name	Description	Type	Reset
31:8	RESERVED	Reserved	R	0x0
7	RXFIFOE	Receiver FIFO error. In non-FIFO mode: 0x0: There has been no error, or RXFIFOE was cleared because the CPU read the erroneous character from the receiver buffer register (RBR). 0x1: There is a parity error, framing error, or break indicator in the receiver buffer register (RBR). <hr/> In FIFO mode: 0x0: There has been no error, or RXFIFOE was cleared because the CPU read the erroneous character from the receiver FIFO and there are no more errors in the receiver FIFO. 0x1: At least one parity error, framing error, or break indicator in the receiver FIFO.	R	0x0
6	TEMT	Transmitter empty (TEMT) indicator. In non-FIFO mode: 0x0: Either the transmitter holding register (THR) or the transmitter shift register (TSR) contains a data character. 0x1: Both the transmitter holding register (THR) and the transmitter shift register (TSR) are empty. <hr/> In FIFO mode: 0x0: Either the transmitter FIFO or the transmitter shift register (TSR) contains a data character. 0x1: Both the transmitter FIFO and the transmitter shift register (TSR) are empty.	R	0x1
5	THRE	Transmitter holding register empty (THRE) indicator. If the THRE bit is set and the corresponding interrupt enable bit is set (ETBEI = 1 in IER), an interrupt request is generated. In non-FIFO mode: 0x0: Transmitter holding register (THR) is not empty. THR has been loaded by the CPU. 0x1: Transmitter holding register (THR) is empty (ready to accept a new character). The content of THR has been transferred to the transmitter shift register (TSR). <hr/> In FIFO mode: 0x0: Transmitter FIFO is not empty. At least one character has been written to the transmitter FIFO. If the transmitter FIFO is not full a write can be done. 0x1: Transmitter FIFO is empty. The last character in the FIFO has been transferred to the transmitter shift register (TSR).	R	0x1

Bits	Field Name	Description	Type	Reset
4	BI	<p>Break indicator. The BI bit is set whenever the receive data input (UARTn_RXD) was held low for longer than a full-word transmission time. A full-word transmission time is defined as the total time to transmit the START, data, PARITY, and STOP bits. If the BI bit is set and the corresponding interrupt enable bit is set (ELSI = 1 in IER), an interrupt request is generated.</p> <p>In non-FIFO mode:</p> <p>0x0: No break has been detected, or the BI bit was cleared because the CPU read the erroneous character from the receiver buffer register (RBR).</p> <p>0x1: A break has been detected with the character in the receiver buffer register (RBR).</p> <hr/> <p>In FIFO mode:</p> <p>0x0: No break has been detected, or the BI bit was cleared because the CPU read the erroneous character from the receiver FIFO and the next character to be read from the FIFO has no break indicator.</p> <p>0x1: A break has been detected with the character at the top of the receiver FIFO.</p>	R	0x0
3	FE	<p>Framing error (FE) indicator. A framing error occurs when the received character does not have a valid STOP bit. In response to a framing error, the UART sets the FE bit and waits until the signal on the RX pin goes high. Once the RX signal goes high, the receiver is ready to detect a new START bit and receive new data. If the FE bit is set and the corresponding interrupt enable bit is set (ELSI = 1 in IER), an interrupt request is generated.</p> <p>In non-FIFO mode:</p> <p>0x0: No framing error has been detected, or the FE bit was cleared because the CPU read the erroneous data from the receiver buffer register (RBR).</p> <p>0x1: A framing error has been detected with the character in the receiver buffer register (RBR).</p> <hr/> <p>In FIFO mode:</p> <p>0x0: No framing error has been detected, or the FE bit was cleared because the CPU read the erroneous data from the receiver FIFO and the next character to be read from the FIFO has no framing error.</p> <p>0x1: A framing error has been detected with the character at the top of the receiver FIFO.</p>	R	0x0
2	PE	<p>Parity error (PE) indicator. A parity error occurs when the parity of the received character does not match the parity selected with the EPS bit in the line control register (LCR). If the PE bit is set and the corresponding interrupt enable bit is set (ELSI = 1 in IER), an interrupt request is generated.</p> <p>In non-FIFO mode:</p> <p>0x0: No parity error has been detected, or the PE bit was cleared because the CPU read the erroneous data from the receiver buffer register (RBR).</p> <p>0x1: A parity error has been detected with the character in the receiver buffer register (RBR).</p> <hr/> <p>In FIFO mode:</p> <p>0x0: No parity error has been detected, or the PE bit was cleared because the CPU read the erroneous data from the receiver FIFO and the next character to be read from the FIFO has no parity error.</p> <p>0x1: A parity error has been detected with the character at the top of the receiver FIFO.</p>	R	0x0

Bits	Field Name	Description	Type	Reset
1	OE	<p>Overrun error (OE) indicator. An overrun error in the non-FIFO mode is different from an overrun error in the FIFO mode. If the OE bit is set and the corresponding interrupt enable bit is set (ELSI = 1 in IER), an interrupt request is generated.</p> <p>In non-FIFO mode:</p> <p>0x0: No overrun error has been detected, or the OE bit was cleared because the CPU read the content of the line status register (LSR).</p> <p>0x1: Overrun error has been detected. Before the character in the receiver buffer register (RBR) could be read, it was overwritten by the next character arriving in RBR.</p> <hr/> <p>In FIFO mode:</p> <p>0x0: No overrun error has been detected, or the OE bit was cleared because the CPU read the content of the line status register (LSR).</p> <p>0x1: Overrun error has been detected. If data continues to fill the FIFO beyond the trigger level, an overrun error occurs only after the FIFO is full and the next character has been completely received in the shift register. An overrun error is indicated to the CPU as soon as it happens. The new character overwrites the character in the shift register, but it is not transferred to the FIFO.</p>	R	0x0
0	DR	<p>Data-ready (DR) indicator for the receiver. If the DR bit is set and the corresponding interrupt enable bit is set (ERBI = 1 in IER), an interrupt request is generated.</p> <p>In non-FIFO mode:</p> <p>0x0: Data is not ready, or the DR bit was cleared because the character was read from the receiver buffer register (RBR).</p> <p>0x1: Data is ready. A complete incoming character has been received and transferred into the receiver buffer register (RBR).</p> <hr/> <p>In FIFO mode:</p> <p>0x0: Data is not ready, or the DR bit was cleared because all of the characters in the receiver FIFO have been read.</p> <p>0x1: Data is ready. There is at least one unread character in the receiver FIFO. If the FIFO is empty, the DR bit is set as soon as a complete incoming character has been received and transferred into the FIFO. The DR bit remains set until the FIFO is empty again.</p>	R	0x0

Table 30-330. Register Call Summary for Register PRUSS_UART_LINE_STATUS_REGISTER

PRU-ICSS UART Module

- [PRU-ICSS UART Interrupt Multiplexing: \[0\]\[1\]\[2\]\[3\]](#)
- [PRU-ICSS UART FIFO Modes: \[4\]\[5\]\[6\]\[7\]\[8\]\[9\]\[10\]\[11\]\[12\]\[13\]\[14\]](#)
- [PRUSS_UART Register Summary: \[15\]\[16\]](#)

Table 30-331. PRUSS_UART_MODEM_STATUS_REGISTER

Address Offset	0x0000 0018		
Physical Address	0x4B22 8018 0x4B2A 8018	Instance	PRUSS1_UART PRUSS2_UART
Description	The Modem status register provides information to the CPU concerning the status of modem control signals. Modem status register is intended for read operations only; do not write to this register.		
Type	R		

31	30	29	28	27	26	25	24	23	22	21	20	19	18	17	16	15	14	13	12	11	10	9	8	7	6	5	4	3	2	1	0
RESERVED																								CD	RI	DSR	CTS	DCD	TERI	DDSR	DCTS

Bits	Field Name	Description	Type	Reset
31:8	RESERVED	Reserved	R	0x0
7	CD	Complement of the Carrier Detect input. When the UART is in the diagnostic test mode (loopback mode MCR[4] = 1), this bit is equal to the MCR bit 3 (OUT2).	R	0x0
6	RI	Complement of the Ring Indicator input. When the UART is in the diagnostic test mode (loopback mode MCR[4] = 1), this bit is equal to the MCR bit 2 (OUT1).	R	0x0
5	DSR	Complement of the Data Set Ready input. When the UART is in the diagnostic test mode (loopback mode MCR[4] = 1), this bit is equal to the MCR bit 0 (DTR).	R	0x0
4	CTS	Complement of the Clear To Send input. When the UART is in the diagnostic test mode (loopback mode MCR[4] = 1), this bit is equal to the MCR bit 1 (RTS).	R	0x0
3	DCD	Change in DCD indicator bit. DCD indicates that the DCD input has changed state since the last time it was read by the CPU. When DCD is set and the modem status interrupt is enabled, a modem status interrupt is generated.	R	0x0
2	TERI	Trailing edge of RI (TERI) indicator bit. TERI indicates that the RI input has changed from a low to a high. When TERI is set and the modem status interrupt is enabled, a modem status interrupt is generated.	R	0x0
1	DDSR	Change in DSR indicator bit. DDSR indicates that the DSR input has changed state since the last time it was read by the CPU. When DDSR is set and the modem status interrupt is enabled, a modem status interrupt is generated.	R	0x0
0	DCTS	Change in CTS indicator bit. DCTS indicates that the CTS input has changed state since the last time it was read by the CPU. When DCTS is set (autoflow control is not enabled and the modem status interrupt is enabled), a modem status interrupt is generated. When autoflow control is enabled, no interrupt is generated.	R	0x0

Table 30-332. Register Call Summary for Register PRUSS_UART_MODEM_STATUS_REGISTER

PRU-ICSS UART Module

- [PRUSS_UART Register Summary: \[0\]\[1\]](#)

Table 30-333. PRUSS_UART_SCRATCH_REGISTER

Address Offset	0x0000 001C	Instance	PRUSS1_UART PRUSS2_UART
Physical Address	0x4B22 801C 0x4B2A 801C		
Description	The Scratch Pad register is intended for programmer's use as a scratch pad. It temporarily holds the programmer's data without affecting UART operation.		
Type	R		

31	30	29	28	27	26	25	24	23	22	21	20	19	18	17	16	15	14	13	12	11	10	9	8	7	6	5	4	3	2	1	0
RESERVED																								SCR							

Bits	Field Name	Description	Type	Reset
31:8	RESERVED	Reserved	R	0x0
7:0	SCR	These bits are intended for the programmer's use as a scratch pad in the sense that it temporarily holds the programmer's data without affecting any other UART operation.	R	0x0

Table 30-334. Register Call Summary for Register PRUSS_UART_SCRATCH_REGISTER

PRU-ICSS UART Module

- [PRUSS_UART Register Summary: \[0\]\[1\]](#)

Table 30-335. PRUSS_UART_DIVISOR_REGISTER_LSB_

Address Offset	0x0000 0020		
Physical Address	0x4B22 8020 0x4B2A 8020	Instance	PRUSS1_UART PRUSS2_UART
Description	Two 8-bit register fields (DLL and DLH), called divisor latches, store the 16-bit divisor for generation of the baud clock in the baud generator. DLH holds the most-significant bits of the divisor, and DLL holds the least-significant bits of the divisor. These divisor latches must be loaded during initialization of the UART in order to ensure desired operation of the baud generator. Writing to the divisor latches results in two wait states being inserted during the write access while the baud generator is loaded with the new value.		
Type	RW		

31	30	29	28	27	26	25	24	23	22	21	20	19	18	17	16	15	14	13	12	11	10	9	8	7	6	5	4	3	2	1	0
RESERVED																DLL															

Bits	Field Name	Description	Type	Reset
31:8	RESERVED	Reserved	R	0x0
7:0	DLL	The 8 least-significant bits (LSBs) of the 16-bit divisor for generation of the baud clock in the baud rate generator.	RW	0x0

Table 30-336. Register Call Summary for Register PRUSS_UART_DIVISOR_REGISTER_LSB_

PRU-ICSS UART Module

- [PRU-ICSS UART Clock Generation and Control: \[0\]](#)
- [PRU-ICSS UART Initialization: \[1\]](#)
- [PRUSS_UART Register Summary: \[2\]\[3\]](#)

Table 30-337. PRUSS_UART_DIVISOR_REGISTER_MSB_

Address Offset	0x0000 0024		
Physical Address	0x4B22 8024 0x4B2A 8024	Instance	PRUSS1_UART PRUSS2_UART
Description	Two 8-bit register fields (DLL and DLH), called divisor latches, store the 16-bit divisor for generation of the baud clock in the baud generator. DLH holds the most-significant bits of the divisor, and DLL holds the least-significant bits of the divisor. These divisor latches must be loaded during initialization of the UART in order to ensure desired operation of the baud generator. Writing to the divisor latches results in two wait states being inserted during the write access while the baud generator is loaded with the new value.		
Type	RW		

31	30	29	28	27	26	25	24	23	22	21	20	19	18	17	16	15	14	13	12	11	10	9	8	7	6	5	4	3	2	1	0
RESERVED																DLH															

Bits	Field Name	Description	Type	Reset
31:8	RESERVED	Reserved	R	0x0
7:0	DLH	The 8 most-significant bits (MSBs) of the 16-bit divisor for generation of the baud clock in the baud rate generator.	RW	0x0

Table 30-338. Register Call Summary for Register PRUSS_UART_DIVISOR_REGISTER_MSB_

PRU-ICSS UART Module

- [PRU-ICSS UART Clock Generation and Control: \[0\]](#)
- [PRU-ICSS UART Initialization: \[1\]](#)
- [PRUSS_UART Register Summary: \[2\]\[3\]](#)

Table 30-339. PRUSS_UART_PERIPHERAL_ID_REGISTER

Address Offset	0x0000 0028	Instance	PRUSS1_UART PRUSS2_UART
Physical Address	0x4B22 8028 0x4B2A 8028		
Description	Peripheral Identification register		
Type	R		

31	30	29	28	27	26	25	24	23	22	21	20	19	18	17	16	15	14	13	12	11	10	9	8	7	6	5	4	3	2	1	0
PID																															

Bits	Field Name	Description	Type	Reset
31:0	PID		R	0x44141102

Table 30-340. Register Call Summary for Register PRUSS_UART_PERIPHERAL_ID_REGISTER

PRU-ICSS UART Module

- [PRUSS_UART Register Summary: \[0\]\[1\]](#)

Table 30-341. PRUSS_UART_POWERMANAGEMENT_AND_EMULATION_REGISTER

Address Offset	0x0000 0030	Instance	PRUSS1_UART PRUSS2_UART
Physical Address	0x4B22 8030 0x4B2A 8030		
Description	Power and emulation management register		
Type	RW		

31	30	29	28	27	26	25	24	23	22	21	20	19	18	17	16	15	14	13	12	11	10	9	8	7	6	5	4	3	2	1	0				
RESERVED																RESERVED	UTRST	URRST	RESERVED																FREE

Bits	Field Name	Description	Type	Reset
31:16	RESERVED	Reserved	R	0x0000
15	RESERVED	Reserved. This bit must always be written with a 0.	RW	0x0
14	UTRST	UART transmitter reset. Resets and enables the transmitter. 0x0: Transmitter is disabled and in reset state. 0x1: Transmitter is enabled.	RW	0x0

Bits	Field Name	Description	Type	Reset
13	URRST	UART receiver reset. Resets and enables the receiver. 0x0: Receiver is disabled and in reset state. 0x1: Receiver is enabled.	RW	0x0
12:1	RESERVED	Reserved	R	0x000
0	FREE	Free-running enable mode bit. This bit determines the emulation mode functionality of the UART. When halted, the UART can handle register read/write requests, but does not generate any transmission/reception, interrupts or events. 0x0: If a transmission is not in progress, the UART halts immediately. If a transmission is in progress, the UART halts after completion of the one-word transmission. 0x1: Free-running mode is enabled; UART continues to run normally.	RW	0x0

Table 30-342. Register Call Summary for Register PRUSS_UART_POWERMANAGEMENT_AND_EMULATION_REGISTER

PRU-ICSS UART Module

- [PRU-ICSS UART Software Reset Considerations: \[0\]](#)
- [PRU-ICSS UART Interrupt Multiplexing: \[1\]](#)
- [PRU-ICSS UART DMA Event Support: \[2\]](#)
- [PRU-ICSS UART FIFO Modes: \[3\]](#)
- [PRU-ICSS UART Initialization: \[4\]](#)
- [PRUSS_UART Register Summary: \[5\]\[6\]](#)

Table 30-343. PRUSS_UART_MODE_DEFINITION_REGISTER

Address Offset	0x0000 0034	Instance	PRUSS1_UART PRUSS2_UART
Physical Address	0x4B22 8034 0x4B2A 8034		
Description	The Mode definition register determines the over-sampling mode for the UART.		
Type	RW		

31	30	29	28	27	26	25	24	23	22	21	20	19	18	17	16	15	14	13	12	11	10	9	8	7	6	5	4	3	2	1	0
RESERVED																OSM_SEL															

Bits	Field Name	Description	Type	Reset
31:1	RESERVED	Reserved	R	0x0
0	OSM_SEL	Over-Sampling Mode Select. 0x0: 16x over-sampling. 0x1: 13x over-sampling.	RW	0x0

Table 30-344. Register Call Summary for Register PRUSS_UART_MODE_DEFINITION_REGISTER

PRU-ICSS UART Module

- [PRU-ICSS UART Clock Generation and Control: \[0\]](#)
- [PRUSS_UART Register Summary: \[1\]\[2\]](#)

30.8 PRU-ICSS eCAP Module

NOTE: PRU-ICSS2 ECAP is not supported on the AM570x family of devices.

30.8.1 PRU-ICSS eCAP Functional Description

A single instance of an **enhanced capture** event module is integrated in the device PRU-ICSS1 subsystem - PRUSS1_eCAP_0 and PRU-ICSS2 subsystem - PRUSS2_eCAP_0.

For more details on the PRUSS1_eCAP_0 and PRUSS2_eCAP_0 I/O signals available at device level, refer to the [Section 30.2](#). For PRUSS1_eCAP_0 and PRUSS2_eCAP_0 integration details and functionalities controlled at PRU-ICSS top level (functional clock control, etc.), refer to the [Section 30.3](#) and the [Section 30.4](#).

NOTE: The PRUSS1_eCAP_0 and PRUSS2_eCAP_0 "SYNCIn" hardware event synchronization input and "SYNCOut" hardware synchronization output are not implemented in the device PRU-ICSS1 and PRU-ICSS2, respectively. However, a software-forced synchronization via bit [PRUSS_ECAP_ECCTL2\[8\]](#) SWSYNC, can be used as an alternative, provided that [PRUSS_ECAP_ECCTL2\[5\]](#) SYNCI_EN bit is set to 0b1.

For full description of the PRUSS1_eCAP_0 and PRUSS2_eCAP_0 modules functionalities, refer to the [Section 29.3](#), *Enhanced Capture (eCAP) Module* of the [Chapter 29](#), *Pulse-Width Modulation Subsystem*.

30.8.2 PRUSS_ECAP Register Manual

This section describes the registers of the PRUSS_eCAP_0 module.

30.8.2.1 PRUSS_ECAP Instance Summary

Table 30-345. PRUSS_ECAP Instance Summary

Module Name	Module Base Address L3_MAIN	Size
PRUSS1_ECAP	0x4B23 0000	96 Bytes
PRUSS2_ECAP	0x4B2B 0000	96 Bytes

30.8.2.2 PRUSS_ECAP Registers

30.8.2.2.1 PRUSS_ECAP Register Summary

Table 30-346. PRUSS1_ECAP Registers Mapping Summary

Register Name	Type	Register Width (Bits)	Address Offset	PRUSS1_ECAP Physical Address
PRUSS_ECAP_TSCNT	RW	32	0x0000 0000	0x4B23 0000
PRUSS_ECAP_CNTPHS	RW	32	0x0000 0004	0x4B23 0004
PRUSS_ECAP_CAP1	RW	32	0x0000 0008	0x4B23 0008
PRUSS_ECAP_CAP2	RW	32	0x0000 000C	0x4B23 000C
PRUSS_ECAP_CAP3	RW	32	0x0000 0010	0x4B23 0010
PRUSS_ECAP_CAP4	RW	32	0x0000 0014	0x4B23 0014
PRUSS_ECAP_ECCTL1	RW	16	0x0000 0028	0x4B23 0028
PRUSS_ECAP_ECCTL2	RW	16	0x0000 002A	0x4B23 002A
PRUSS_ECAP_ECEINT	RW	16	0x0000 002C	0x4B23 002C
PRUSS_ECAP_ECFLG	R	16	0x0000 002E	0x4B23 002E

Table 30-346. PRUSS1_ECAP Registers Mapping Summary (continued)

Register Name	Type	Register Width (Bits)	Address Offset	PRUSS1_ECAP Physical Address
PRUSS_ECAP_ECCLR	RW	16	0x0000 0030	0x4B23 0030
PRUSS_ECAP_ECFRC	RW	16	0x0000 0034	0x4B23 0034
PRUSS_ECAP_PID	R	32	0x0000 005C	0x4B23 005C

Table 30-347. PRUSS2_ECAP Registers Mapping Summary

Register Name	Type	Register Width (Bits)	Address Offset	PRUSS2_ECAP Physical Address
PRUSS_ECAP_TSCNT	RW	32	0x0000 0000	0x4B2B 0000
PRUSS_ECAP_CNTPHS	RW	32	0x0000 0004	0x4B2B 0004
PRUSS_ECAP_CAP1	RW	32	0x0000 0008	0x4B2B 0008
PRUSS_ECAP_CAP2	RW	32	0x0000 000C	0x4B2B 000C
PRUSS_ECAP_CAP3	RW	32	0x0000 0010	0x4B2B 0010
PRUSS_ECAP_CAP4	RW	32	0x0000 0014	0x4B2B 0014
PRUSS_ECAP_ECCTL1	RW	16	0x0000 0028	0x4B2B 0028
PRUSS_ECAP_ECCTL2	RW	16	0x0000 002A	0x4B2B 002A
PRUSS_ECAP_ECEINT	RW	16	0x0000 002C	0x4B2B 002C
PRUSS_ECAP_ECFLG	R	16	0x0000 002E	0x4B2B 002E
PRUSS_ECAP_ECCLR	RW	16	0x0000 0030	0x4B2B 0030
PRUSS_ECAP_ECFRC	RW	16	0x0000 0034	0x4B2B 0034
PRUSS_ECAP_PID	R	32	0x0000 005C	0x4B2B 005C

30.8.2.2.2 PRUSS_ECAP Register Description**Table 30-348. PRUSS_ECAP_TSCNT**

Address Offset	0x0000 0000	Instance	PRUSS1_ECAP PRUSS2_ECAP
Physical Address	0x4B23 0000 0x4B2B 0000		
Description	Time Stamp Counter Register		
Type	RW		

31	30	29	28	27	26	25	24	23	22	21	20	19	18	17	16	15	14	13	12	11	10	9	8	7	6	5	4	3	2	1	0
TSCNT																															

Bits	Field Name	Description	Type	Reset
31:0	TSCNT	Active 32 bit-counter register that is used as the capture time-base	RW	0x0

Table 30-349. Register Call Summary for Register PRUSS_ECAP_TSCNT

PRU-ICSS eCAP Module

- [PRUSS_ECAP Register Summary: \[1\]\[2\]](#)
- [PRUSS_ECAP Register Description: \[3\]](#)

Table 30-350. PRUSS_ECAP_CNTPHS

Address Offset	0x0000 0004	Instance	PRUSS1_ECAP PRUSS2_ECAP
Physical Address	0x4B23 0004 0x4B2B 0004		
Description	Counter Phase Control Register		
Type	RW		

31	30	29	28	27	26	25	24	23	22	21	20	19	18	17	16	15	14	13	12	11	10	9	8	7	6	5	4	3	2	1	0
CNTPHS																															

Bits	Field Name	Description	Type	Reset
31:0	CNTPHS	Counter phase value register that can be programmed for phase lag/lead. This register shadows TSCNT and is loaded into PRUSS_ECAP_TSCNT upon either a SYNCI event or S/W force via a control bit. Used to achieve phase control synchronization with respect to other eCAP and EPWM time-bases.	RW	0x0

Table 30-351. Register Call Summary for Register PRUSS_ECAP_CNTPHS

PRU-ICSS eCAP Module

- [PRUSS_ECAP Register Summary: \[1\]\[2\]](#)
- [PRUSS_ECAP Register Description: \[3\]](#)

Table 30-352. PRUSS_ECAP_CAP1

Address Offset	0x0000 0008	Instance	PRUSS1_ECAP PRUSS2_ECAP
Physical Address	0x4B23 0008 0x4B2B 0008		
Description	Capture-1 Register		
Type	RW		

31	30	29	28	27	26	25	24	23	22	21	20	19	18	17	16	15	14	13	12	11	10	9	8	7	6	5	4	3	2	1	0
CAP1																															

Bits	Field Name	Description	Type	Reset
31:0	CAP1	This register can be loaded (written) by the following. (a) Time-Stamp (that is, counter value) during a capture event. (b) Software may be useful for test purposes. (c) APRD active register when used in APWM mode.	RW	0x0

Table 30-353. Register Call Summary for Register PRUSS_ECAP_CAP1

PRU-ICSS eCAP Module

- [PRU-ICSS eCAP Functional Description:](#)
- [PRUSS_ECAP Register Summary: \[17\]\[18\]](#)
- [PRUSS_ECAP Register Description: \[19\]\[20\]\[21\]\[22\]\[23\]\[24\]\[25\]](#)

Table 30-354. PRUSS_ECAP_CAP2

Address Offset	0x0000 000C	Instance	PRUSS1_ECAP PRUSS2_ECAP
Physical Address	0x4B23 000C 0x4B2B 000C		
Description	Capture-2 Register		
Type	RW		

31	30	29	28	27	26	25	24	23	22	21	20	19	18	17	16	15	14	13	12	11	10	9	8	7	6	5	4	3	2	1	0
CAP2																															

Bits	Field Name	Description	Type	Reset
31:0	CAP2	This register can be loaded (written) by the following. (a) Time- Stamp (that is, counter value) during a capture event. (b) Software may be useful for test purposes. (c) APRD active register when used in APWM mode.	RW	0x0

Table 30-355. Register Call Summary for Register PRUSS_ECAP_CAP2

PRU-ICSS eCAP Module

- [PRUSS_ECAP Register Summary: \[11\]\[12\]](#)
- [PRUSS_ECAP Register Description: \[13\]\[14\]](#)

Table 30-356. PRUSS_ECAP_CAP3

Address Offset	0x0000 0010	Instance	PRUSS1_ECAP PRUSS2_ECAP
Physical Address	0x4B23 0010 0x4B2B 0010		
Description	Capture-3 Register		
Type	RW		

31	30	29	28	27	26	25	24	23	22	21	20	19	18	17	16	15	14	13	12	11	10	9	8	7	6	5	4	3	2	1	0
CAP3																															

Bits	Field Name	Description	Type	Reset
31:0	CAP3	In CMP mode, this is a time-stamp capture register. In APWM mode, this is the period shadow (APRD) register. User software updates the PWM period value through this register. In this mode, CAP3 shadows CAP1.	RW	0x0

Table 30-357. Register Call Summary for Register PRUSS_ECAP_CAP3

PRU-ICSS eCAP Module

- [PRUSS_ECAP Register Summary: \[10\]\[11\]](#)

Table 30-358. PRUSS_ECAP_CAP4

Address Offset	0x0000 0014	Instance	PRUSS1_ECAP PRUSS2_ECAP
Physical Address	0x4B23 0014 0x4B2B 0014		
Description	Capture-4 Register		
Type	RW		

31	30	29	28	27	26	25	24	23	22	21	20	19	18	17	16	15	14	13	12	11	10	9	8	7	6	5	4	3	2	1	0
CAP4																															

Bits	Field Name	Description	Type	Reset
31:0	CAP4	In CMP mode, this is a time-stamp capture register. In APWM mode, this is the compare shadow (ACMP) register. User software updates the PWM compare value through this register. In this mode, CAP4 shadows CAP2.	RW	0x0

Table 30-359. Register Call Summary for Register PRUSS_ECAP_CAP4

PRU-ICSS eCAP Module

- [PRU-ICSS eCAP Functional Description](#):
- [PRUSS_ECAP Register Summary](#): [13][14]
- [PRUSS_ECAP Register Description](#): [15][16][17][18][19]

Table 30-360. PRUSS_ECAP_ECCTL1

Address Offset	0x0000 0028	Instance	PRUSS1_ECAP PRUSS2_ECAP
Physical Address	0x4B23 0028 0x4B2B 0028		
Description	ECAP Control Register1		
Type	RW		

15	14	13	12	11	10	9	8	7	6	5	4	3	2	1	0
FREE_SOFT		EVTFLTPTS					CAPLDEN	CTRRST4	CAP4POL	CTRRST3	CAP3POL	CTRRST2	CAP2POL	CTRRST1	CAP1POL

Bits	Field Name	Description	Type	Reset
15:14	FREE_SOFT	Emulation Control 0x0 = TSCNT counter stops immediately on emulation suspend. 0x1 = TSCNT counter runs until = 0. 0x2 = TSCNT counter is unaffected by emulation suspend (Run Free). 0x3 = TSCNT counter is unaffected by emulation suspend (Run Free).	RW	0x0
13:9	EVTFLTPTS	Event Filter prescale select: 0x0 = Divide by 1 (i.e., no prescale, by-pass the prescaler) 0x1 = Divide by 2 0x2 = Divide by 4 0x3 = Divide by 6 0x4 = Divide by 8 0x5 = Divide by 10 0x1E = Divide by 60 0x1F = Divide by 62	RW	0x0
8	CAPLDEN	Enable Loading of PRUSS_ECAP_CAP1 to PRUSS_ECAP_CAP4 registers on a capture event 0x0 = Disable PRUSS_ECAP_CAP1 - PRUSS_ECAP_CAP4 register loads at capture event time. 0x1 = Enable PRUSS_ECAP_CAP1 - PRUSS_ECAP_CAP4 register loads at capture event time.	RW	0x0
7	CTRRST4	Counter Reset on Capture Event 4 0x0 = Do not reset counter on Capture Event 4 (absolute time stamp operation) 0x1 = Reset counter after Capture Event 4 time-stamp has been captured (used in difference mode operation)	RW	0x0
6	CAP4POL	Capture Event 4 Polarity select 0x0 = Capture Event 4 triggered on a rising edge (RE) 0x1 = Capture Event 4 triggered on a falling edge (FE)	RW	0x0
5	CTRRST3	Counter Reset on Capture Event 3 0x0 = Do not reset counter on Capture Event 3 (absolute time stamp) 0x1 = Reset counter after Event 3 time-stamp has been captured (used in difference mode operation)	RW	0x0

Bits	Field Name	Description	Type	Reset
4	CAP3POL	Capture Event 3 Polarity select 0x0 = Capture Event 3 triggered on a rising edge (RE) 0x1 = Capture Event 3 triggered on a falling edge (FE)	RW	0x0
3	CTRRST2	Counter Reset on Capture Event 2 0x0 = Do not reset counter on Capture Event 2 (absolute time stamp) 0x1 = Reset counter after Event 2 time-stamp has been captured (used in difference mode operation)	RW	0x0
2	CAP2POL	Capture Event 2 Polarity select 0x0 = Capture Event 2 triggered on a rising edge (RE) 0x1 = Capture Event 2 triggered on a falling edge (FE)	RW	0x0
1	CTRRST1	Counter Reset on Capture Event 1 0x0 = Do not reset counter on Capture Event 1 (absolute time stamp) 0x1 = Reset counter after Event 1 time-stamp has been captured (used in difference mode operation)	RW	0x0
0	CAP1POL	Capture Event 1 Polarity select 0x0 = Capture Event 1 triggered on a rising edge (RE) 0x1 = Capture Event 1 triggered on a falling edge (FE)	RW	0x0

Table 30-361. Register Call Summary for Register PRUSS_ECAP_ECCTL1

PRU-ICSS eCAP Module

- [PRUSS_ECAP Register Summary: \[2\]\[3\]](#)

Table 30-362. PRUSS_ECAP_ECCTL2

Address Offset	0x0000 002A	Instance	PRUSS1_ECAP PRUSS2_ECAP
Physical Address	0x4B23 002A 0x4B2B 002A		
Description	ECAP Control Register 2		
Type	RW		

15	14	13	12	11	10	9	8	7	6	5	4	3	2	1	0
RESERVED					APWMPOL	CAPAPWM	SWSYNC	SYNCO_SEL	SYNCL_EN	TSCNTSTP	REARMRESET	STOPVALUE	CONTONESHT		

Bits	Field Name	Description	Type	Reset
15:11	RESERVED		R	0x0
10	APWMPOL	APWM output polarity select. This is applicable only in APWM operating mode 0x0 = Output is active high (Compare value defines high time) 0x1 = Output is active low (Compare value defines low time)	RW	0x0

Bits	Field Name	Description	Type	Reset
9	CAPAPWM	<p>CAP/APWM operating mode select</p> <p>0x0 = ECAP module operates in capture mode. This mode forces the following configuration.</p> <p>(a) Inhibits TSCNT resets via CTR = PRD event.</p> <p>(b) Inhibits shadow loads on PRUSS_ECAP_CAP1 and PRUSS_ECAP_CAP2 registers.</p> <p>(c) Permits user to enable PRUSS_ECAP_CAP1-PRUSS_ECAP_CAP4 register load.</p> <p>(d) ECAP input/APWM output pin operates as a capture input.</p> <p>0x1 = ECAP module operates in APWM mode. This mode forces the following configuration.</p> <p>(a) Resets TSCNT on CTR = PRD event (period boundary).</p> <p>(b) Permits shadow loading on PRUSS_ECAP_CAP1 and PRUSS_ECAP_CAP2 registers.</p> <p>(c) Disables loading of time-stamps into PRUSS_ECAP_CAP1 - PRUSS_ECAP_CAP4 registers.</p> <p>(d) ECAP input/APWM output pin operates as a APWM output.</p>	RW	0x0
8	SWSYNC	<p>Software-forced Counter (TSCNT) Synchronizing. This provides a convenient software method to synchronize some or all ECAP time bases. In APWM mode, the synchronizing can also be done via the CTR = PRD event. Note: Selection CTR = PRD is meaningful only in APWM mode. However, a choice of CAP mode is also available if it may be of use.</p> <p>0x0 = Writing a zero has no effect. Reading always returns a zero</p> <p>0x1 = Writing a one forces a TSCNT shadow load of current ECAP module and any ECAP modules downstream providing the SYNCO_SEL bits are 1'b00. After writing a 1, this bit returns to a zero.</p>	RW	0x0
7:6	SYNCO_SEL	<p>Sync-Out Select</p> <p>0x0 = Select sync-in event to be the sync-out signal (pass through)</p> <p>0x1 = Select CTR = PRD event to be the sync-out signal</p> <p>0x2 = Disable sync out signal</p> <p>0x3 = Disable sync out signal</p>	RW	0x0
5	SYNCI_EN	<p>Counter (TSCNT) Sync-In select mode</p> <p>0x0 = Disable sync-in option</p> <p>0x1 = Enable counter (TSCNT) to be loaded from PRUSS_ECAP_CNTPHS register upon either a SYNCI signal or a S/W force event.</p>	RW	0x0
4	TSCNTSTP	<p>Time Stamp (TSCNT) Counter Stop (freeze) Control</p> <p>0x0 = TSCNT stopped</p> <p>0x1 = TSCNT free-running</p>	RW	0x0
3	REARMRESET	<p>One-Shot Re-Arming Control, that is, wait for stop trigger. Note: The re-arm function is valid in one shot or continuous mode.</p> <p>0x0 = Has no effect (reading always returns a 0)</p> <p>0x1 = Arms the one-shot sequence as follows: 1) Resets the Mod4 counter to zero. 2) Unfreezes the Mod4 counter. 3) Enables capture register loads.</p>	RW	0x0

Bits	Field Name	Description	Type	Reset
2:1	STOPVALUE	Stop value for one-shot mode. This is the number (between 1 and 4) of captures allowed to occur before the CAP (1 through 4) registers are frozen, that is, capture sequence is stopped. Wrap value for continuous mode. This is the number (between 1 and 4) of the capture register in which the circular buffer wraps around and starts again. Notes: STOPVALUE is compared to Mod4 counter and, when equal, the following two actions occur. (1) Mod4 counter is stopped (frozen). (2) Capture register loads are inhibited. In one-shot mode, further interrupt events are blocked until re-armed. 0x0 = Stop after Capture Event 1 in one-shot mode. Wrap after Capture Event 1 in continuous mode. 0x1 = Stop after Capture Event 2 in one-shot mode. Wrap after Capture Event 2 in continuous mode. 0x2 = Stop after Capture Event 3 in one-shot mode. Wrap after Capture Event 3 in continuous mode. 0x3 = Stop after Capture Event 4 in one-shot mode. Wrap after Capture Event 4 in continuous mode.	RW	0x3
0	CONTONESHT	Continuous or one-shot mode control (applicable only in capture mode) 0x0 = Operate in continuous mode 0x1 = Operate in one-shot mode	RW	0x0

Table 30-363. Register Call Summary for Register PRUSS_ECAP_ECCTL2

PRU-ICSS eCAP Module

- [PRU-ICSS eCAP Functional Description: \[0\]\[1\]](#)
- [PRUSS_ECAP Register Summary: \[7\]\[8\]](#)

Table 30-364. PRUSS_ECAP_ECEINT

Address Offset	0x0000 002C	Instance	PRUSS1_ECAP PRUSS2_ECAP
Physical Address	0x4B23 002C 0x4B2B 002C		
Description	ECAP Interrupt Enable Register		
Type	RW		

15	14	13	12	11	10	9	8	7	6	5	4	3	2	1	0
RESERVED								CMPEQ	PRDEQ	CNTOVF	CEVT4	CEVT3	CEVT2	CEVT1	RESERVED

Bits	Field Name	Description	Type	Reset
15:8	RESERVED		R	0x0
7	CMPEQ	Counter Equal Compare Interrupt Enable. 0x0 = Disable Compare Equal as an Interrupt source. 0x1 = Enable Compare Equal as an Interrupt source.	RW	0x0
6	PRDEQ	Counter Equal Period Interrupt Enable. 0x0 = Disable Period Equal as an Interrupt source. 0x1 = Enable Period Equal as an Interrupt source.	RW	0x0
5	CNTOVF	Counter Overflow Interrupt Enable. 0x0 = Disable counter Overflow as an Interrupt source. 0x1 = Enable counter Overflow as an Interrupt source.	RW	0x0

Bits	Field Name	Description	Type	Reset
4	CEVT4	Capture Event 4 Interrupt Enable. 0x0 = Disable Capture Event 4 as an Interrupt source. 0x1 = Enable Capture Event 4 as an Interrupt source.	RW	0x0
3	CEVT3	Capture Event 3 Interrupt Enable. 0x0 = Disable Capture Event 3 as an Interrupt source. 0x1 = Enable Capture Event 3 as an Interrupt source.	RW	0x0
2	CEVT2	Capture Event 2 Interrupt Enable. 0x0 = Disable Capture Event 2 as an Interrupt source. 0x1 = Enable Capture Event 2 as an Interrupt source.	RW	0x0
1	CEVT1	Capture Event 1 Interrupt Enable. 0x0 = Disable Capture Event 1 as an Interrupt source. 0x1 = Enable Capture Event 1 as an Interrupt source.	RW	0x0
0	RESERVED		R	0x0

Table 30-365. Register Call Summary for Register PRUSS_ECAP_ECEINT

PRU-ICSS eCAP Module

- [PRUSS_ECAP Register Summary: \[2\]\[3\]](#)

Table 30-366. PRUSS_ECAP_ECFLG

Address Offset	0x0000 002E	Instance	PRUSS1_ECAP PRUSS2_ECAP
Physical Address	0x4B23 002E 0x4B2B 002E		
Description	ECAP Interrupt Flag Register		
Type	R		

15	14	13	12	11	10	9	8	7	6	5	4	3	2	1	0
RESERVED								CMPEQ	PRDEQ	CNTOVF	CEVT4	CEVT3	CEVT2	CEVT1	INT

Bits	Field Name	Description	Type	Reset
15:8	RESERVED		R	0x0
7	CMPEQ	Compare Equal Compare Status Flag. This flag is only active in APWM mode. 0x0 = Indicates no event occurred 0x1 = Indicates the counter (TSCNT) reached the compare register value (ACMP)	R	0x0
6	PRDEQ	Counter Equal Period Status Flag. This flag is only active in APWM mode. 0x0 = Indicates no event occurred 0x1 = Indicates the counter (TSCNT) reached the period register value (APRD) and was reset.	R	0x0
5	CNTOVF	Counter Overflow Status Flag. This flag is active in CAP and APWM mode. 0x0 = Indicates no event occurred. 0x1 = Indicates the counter (TSCNT) has made the transition from 0xFFFFFFFF to 0x00000000	R	0x0
4	CEVT4	Capture Event 4 Status Flag This flag is only active in CAP mode. 0x0 = Indicates no event occurred 0x1 = Indicates the fourth event occurred at ECAPn pin	R	0x0

Bits	Field Name	Description	Type	Reset
3	CEVT3	Capture Event 3 Status Flag. This flag is active only in CAP mode. 0x0 = Indicates no event occurred. 0x1 = Indicates the third event occurred at ECAPn pin.	R	0x0
2	CEVT2	Capture Event 2 Status Flag. This flag is only active in CAP mode. 0x0 = Indicates no event occurred. 0x1 = Indicates the second event occurred at ECAPn pin.	R	0x0
1	CEVT1	Capture Event 1 Status Flag. This flag is only active in CAP mode. 0x0 = Indicates no event occurred. 0x1 = Indicates the first event occurred at ECAPn pin.	R	0x0
0	INT	Global Interrupt Status Flag 0x0 = Indicates no interrupt generated. 0x1 = Indicates that an interrupt was generated.	R	0x0

Table 30-367. Register Call Summary for Register PRUSS_ECAP_ECFLG

PRU-ICSS eCAP Module

- [PRUSS_ECAP Register Summary: \[2\]\[3\]](#)

Table 30-368. PRUSS_ECAP_ECCLR

Address Offset	0x0000 0030	Instance	PRUSS1_ECAP PRUSS2_ECAP
Physical Address	0x4B23 0030 0x4B2B 0030		
Description	ECAP Interrupt Clear Register		
Type	RW		

15	14	13	12	11	10	9	8	7	6	5	4	3	2	1	0
RESERVED								CMPEQ	PRDEQ	CNTOVF	CEVT4	CEVT3	CEVT2	CEVT1	INT

Bits	Field Name	Description	Type	Reset
15:8	RESERVED		R	0x0
7	CMPEQ	Counter Equal Compare Status Flag 0x0 = Writing a 0 has no effect. Always reads back a 0 0x1 = Writing a 1 clears the CTR=CMP flag condition	RW	0x0
6	PRDEQ	Counter Equal Period Status Flag 0x0 = Writing a 0 has no effect. Always reads back a 0 0x1 = Writing a 1 clears the CTR=PRD flag condition	RW	0x0
5	CNTOVF	Counter Overflow Status Flag 0x0 = Writing a 0 has no effect. Always reads back a 0 0x1 = Writing a 1 clears the CNTOVF flag condition	RW	0x0
4	CEVT4	Capture Event 4 Status Flag 0x0 = Writing a 0 has no effect. Always reads back a 0. 0x1 = Writing a 1 clears the CEVT3 flag condition.	RW	0x0
3	CEVT3	Capture Event 3 Status Flag 0x0 = Writing a 0 has no effect. Always reads back a 0. 0x1 = Writing a 1 clears the CEVT3 flag condition.	RW	0x0

Bits	Field Name	Description	Type	Reset
2	CEVT2	Capture Event 2 Status Flag 0x0 = Writing a 0 has no effect. Always reads back a 0. 0x1 = Writing a 1 clears the CEVT2 flag condition.	RW	0x0
1	CEVT1	Capture Event 1 Status Flag 0x0 = Writing a 0 has no effect. Always reads back a 0. 0x1 = Writing a 1 clears the CEVT1 flag condition.	RW	0x0
0	INT	Global Interrupt Clear Flag 0x0 = Writing a 0 has no effect. Always reads back a 0. 0x1 = Writing a 1 clears the INT flag and enable further interrupts to be generated if any of the event flags are set to 1.	RW	0x0

Table 30-369. Register Call Summary for Register PRUSS_ECAP_ECCLR

PRU-ICSS eCAP Module

- [PRUSS_ECAP Register Summary: \[2\]\[3\]](#)

Table 30-370. PRUSS_ECAP_ECFRC

Address Offset	0x0000 0034	Instance	PRUSS1_ECAP PRUSS2_ECAP
Physical Address	0x4B23 0034 0x4B2B 0034		
Description	ECAP Interrupt Forcing Register		
Type	RW		

15	14	13	12	11	10	9	8	7	6	5	4	3	2	1	0
RESERVED								CMPEQ	PRDEQ	CNTOVF	CEVT4	CEVT3	CEVT2	CEVT1	RESERVED

Bits	Field Name	Description	Type	Reset
15:8	RESERVED		R	0x0
7	CMPEQ	Force Counter Equal Compare Interrupt 0x0 = No effect. Always reads back a 0. 0x1 = Writing a 1 sets the CTR=CMP flag bit.	RW	0x0
6	PRDEQ	Force Counter Equal Period Interrupt 0x0 = No effect. Always reads back a 0. 0x1 = Writing a 1 sets the CTR=PRD flag bit.	RW	0x0
5	CNTOVF	Force Counter Overflow 0x0 = No effect. Always reads back a 0. 0x1 = Writing a 1 to this bit sets the CNTOVF flag bit.	RW	0x0
4	CEVT4	Force Capture Event 4 0x0 = No effect. Always reads back a 0. 0x1 = Writing a 1 sets the CEVT4 flag bit	RW	0x0
3	CEVT3	Force Capture Event 3 0x0 = No effect. Always reads back a 0. 0x1 = Writing a 1 sets the CEVT3 flag bit	RW	0x0
2	CEVT2	Force Capture Event 2 0x0 = No effect. Always reads back a 0. 0x1 = Writing a 1 sets the CEVT2 flag bit.	RW	0x0

Bits	Field Name	Description	Type	Reset
1	CEVT1	Always reads back a 0. Force Capture Event 1 0x0 = No effect. 0x1 = Writing a 1 sets the CEVT1 flag bit.	RW	0x0
0	RESERVED		R	0x0

Table 30-371. Register Call Summary for Register PRUSS_ECAP_ECFRC

PRU-ICSS eCAP Module

- [PRUSS_ECAP Register Summary: \[2\]\[3\]](#)

Table 30-372. PRUSS_ECAP_PID

Address Offset	0x0000 005C	Instance	PRUSS1_ECAP PRUSS2_ECAP
Physical Address	0x4B23 005C 0x4B2B 005C		
Description	ECAP Revision ID		
Type	R		

31	30	29	28	27	26	25	24	23	22	21	20	19	18	17	16	15	14	13	12	11	10	9	8	7	6	5	4	3	2	1	0
REVISION																															

Bits	Field Name	Description	Type	Reset
31:0	REVISION	IP Revision	R	0x- ⁽¹⁾

⁽¹⁾ TI Internal information

Table 30-373. Register Call Summary for Register PRUSS_ECAP_PID

PRU-ICSS eCAP Module

- [PRUSS_ECAP Register Summary: \[1\]\[2\]](#)

30.9 PRU-ICSS MII RT Module

30.9.1 Introduction

The Real-time Media Independent Interface (MII_RT) provides a programmable I/O interface for the PRUs to access and control up to two MII ports. The MII_RT module can also be configured to push and pull data independent of the PRU cores.

NOTE: In order to guarantee the MII_RT IO timing values published in the device Data Manual, the PRUSS_GICLK clock must be configured for 200MHz (default value) and the TX_CLK_DELAY bitfield in the [PRUSS_MII_RT_TXCFG0/1](#) register must be configured as follows:

- 100 Mbps mode: 6h (non-default value)
 - 10 Mbps mode: 0h (default value)
-

30.9.1.1 Features

The PRU-ICSS MII_RT module supports:

- Two MII ports
 - Each MII port has:
 - 32-byte RX L1 FIFO
 - 64-byte RX L2 buffer
 - 96-byte TX L1 FIFO
 - Rate decoupling on TX L1 FIFO
 - Configurable pre-amble removal on RX L1 FIFO and insertion on TX L1 FIFO
 - Configurable TX L1 FIFO trigger (10 bits with 40 ns ticks)
- MII port multiplexer per direction to support line/ring structure
 - Link detection through RX_ERR
- Cyclic redundancy check (CRC)
 - CRC32 generation on TX path
 - CRC32 checker on RX path

30.9.1.2 Unsupported Features

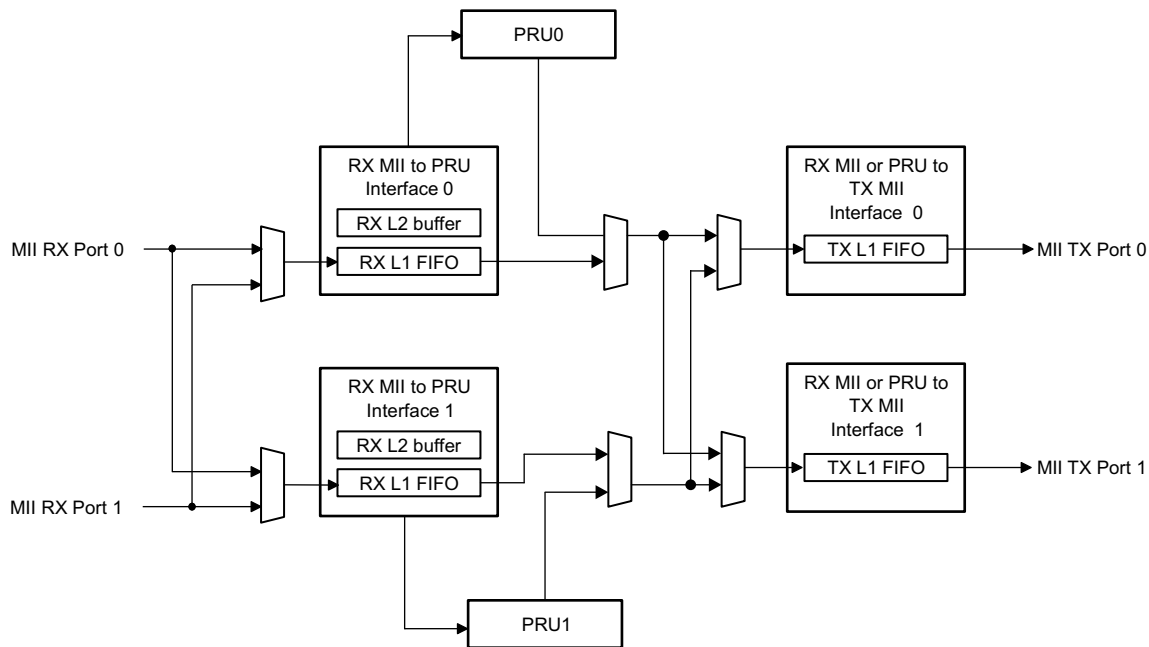
The PRU-ICSS MII_RT module does not support:

- Auto padding in TX L1 FIFO
- Dynamic TX multiplexer switching during packet handling
 - Can allow one PRU to handle both MII interfaces and a second PRU to manage the host and switch functions.

30.9.1.3 Block Diagram

[Figure 30-38](#) shows the MII_RT in context of the PRU-ICSS. This diagram is a conceptual block diagram and does not necessarily reflect actual topologies.

Figure 30-38. MII_RT Block Diagram



30.9.2 Functional Description

30.9.2.1 Data Path Configuration

The MII_RT module supports three basic data path configurations. These configurations are compared in [Table 30-374](#) and described in the following sections.

Table 30-374. Data Path Configuration Comparison

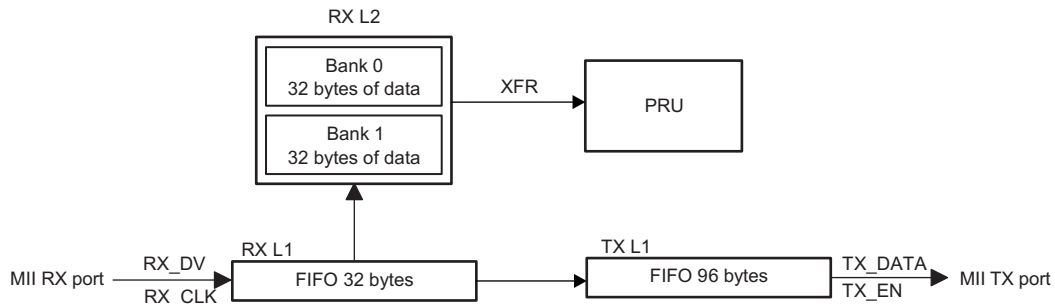
Configuration	PRU Dependency	Data Servicing	Port-to-Port Latency
Auto-forward	Snoop only	One word in flight	Low
8- or 16-bit processing with on-the-fly modifications (RX L1)	Yes	One word or byte in flight	Low
32-byte double buffer or ping-pong processing (RX L2)	Yes	Multi-words in flight	Medium (application-dependent)

30.9.2.1.1 Auto-forward with Optional PRU Snoop

Data is automatically forwarded from the MII RX port to the MII TX port without manipulations, as shown in [Figure 30-39](#). This configuration does not depend on the PRU core. However, it does support an option for PRU to snoop or monitor the received data through the RX L2, shown in [Figure 30-40](#). The PRU does not access data and status bits through R31, and it does not modify and push data.

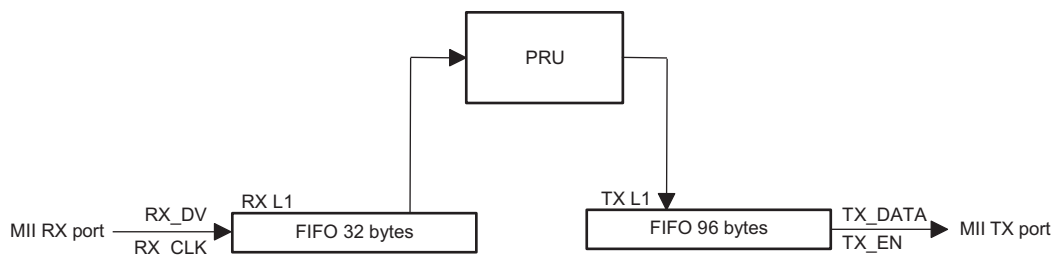
Figure 30-39. Auto-forward



Figure 30-40. Auto-forward with PRU Snoop


30.9.2.1.2 8- or 16-bit Processing with On-the-Fly Modifications

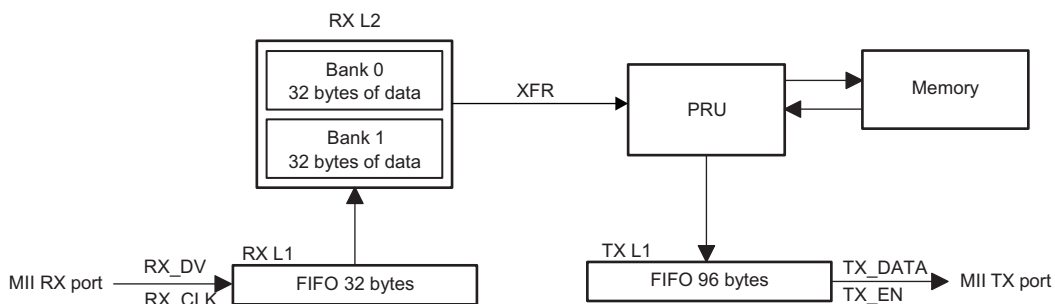
This configuration services one byte or word in flight and has low latency. The PRU has the option to manipulate the received word and control popping data from the RX L1 FIFO and pushing it on the TX L1 FIFO.

Figure 30-41. 8- or 16-bit Processing with On-the-Fly Modifications


30.9.2.1.3 32-byte Double Buffer or Ping-Pong Processing

This configuration supports high bandwidth, high efficiency transactions. Often implementations using this mode permit relaxed servicing requirements allowing the PRU to manipulate the received data before transmitting.

Data received in this configuration is passed into the RX L2 buffer. The PRU reads multiple bytes of data from one of the RX L2 banks through the high bandwidth broadside interface and XFR instructions. The PRU can then store or manipulate data before pushing it to the TX L1 FIFO for transmission on the MII TX port.

Figure 30-42. 32-byte Double Buffer or Ping-Pong Processing


30.9.2.2 Definition and Terms

30.9.2.2.1 Data Frame Structure

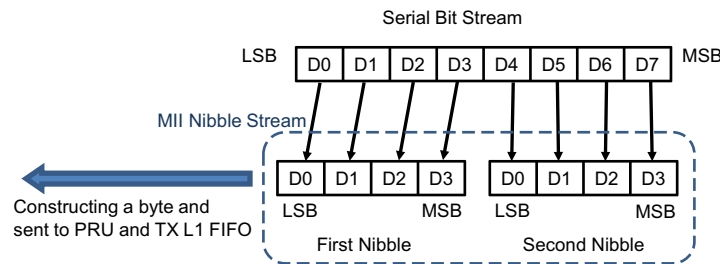
The data received and transmitted over MII conforms with the frame structure shown in [Table 30-375](#).

Table 30-375. Frame Structure

Inter-frame	Preamble	Start of Frame Delimiter (SFD)	Data	Cyclic Redundancy Check (CRC)
-------------	----------	--------------------------------	------	-------------------------------

The data following the SFD is formatted in a 4-bit nibble structure. [Figure 30-43](#) illustrates the nibble order. The MSB arriving first is on the LSB side of a nibble. When receiving data, the MII_RT receive logic will wait for the next nibble to arrive before constructing a byte and delivering to the PRU.

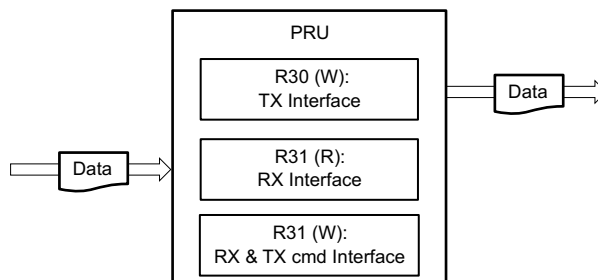
Figure 30-43. Data Nibble Structure



30.9.2.2.2 PRU R30 and R31

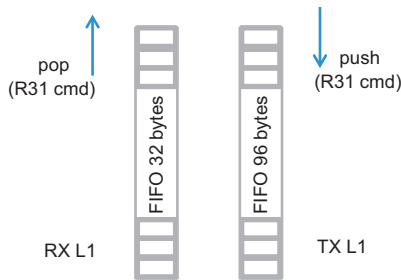
The PRU registers R30 and R31 are used to receive, transmit, and control the data for the PRU. As shown in [Figure 30-44](#), the R31 is used to access data in the RX L1 FIFO, the R30 is used to transmit data from the PRU, and the R31 output is used to control the flow of receive and transmit. For more details about these registers, see the following sections.

Figure 30-44. PRU R30, R31 Operations



30.9.2.2.3 RX and TX L1 FIFO Data Movement

To advance the next data byte seen by R31, the PRU must pop the data from the RX L1 FIFO. Likewise, the PRU can push the data from R30 to the TX L1 FIFO. These operations are illustrated in [Figure 30-45](#).

Figure 30-45. Reading and Writing FIFO Data


30.9.2.2.4 CRC Computation

30.9.2.2.4.1 Receive CRC Computation

For the incoming data, the MII_RT calculates CRC32 and then compares against the value provided in the incoming frame. If there is a mismatch, the MII RT signals `ERROR_CRC` to the PRU. If a previous node or Ethernet device appended an error nibble, the CRC calculation of received packet will be wrong because the longer frame and the frame length will end at a 4-bit boundary instead of the usual 8-bit boundary. When `RX_DV` goes inactive on the 4-bit boundary, the interface will assert `DATA_RDY` and `BYTE_RDY` flag with the `ERROR_NIBBLE`. The error event is also mapped into the PRU-ICSS INTC.

30.9.2.2.4.2 Transmit CRC Computation

For the outgoing data, the MII_RT calculates the CRC32 value and inserts it into outgoing packets. The CRC value computed on each MII transmit path is also available in memory map registers (MMRs) that can be read by the PRU and used primarily for debug and diagnostic purposes. The CRC is inserted into the outgoing packet based on the commands received through the R31 register of the PRU. The CRC will be inserted into the TX L1 FIFO, and there must be enough room to store the CRC value in the FIFO or else the FIFO will overflow. As [Table 30-376](#) shows, the CRC programming model supports three sequences that provide more flexibility. Note “cmdR31” indicates write to the mentioned bits of the R31 command interface.

Table 30-376. TX CRC Programming Models

Option 1	Step 1: cmdR31 [TX_CRC_HIGH + TX_CRC_LOW + TX_EOF]
Option 2	Step 1: cmdR31 [TX_CRC_HIGH] Step 2: wait > 6 clocks (PRU cycles) Step 3: cmdR31 [TX_CRC_LOW + TX_EOF]
Option 3	Step 1: cmdR31 [TX_CRC_HIGH] Step 2: wait > 6 clocks (PRU cycles) Step 3: read PRUSS_MII_RT_TX_CRC0/1 Step 4: modify CRC[15:0] Step 5: cmdR31 [TX_PUSH16 + TX_EOF + TX_ERROR_NIBBLE]

30.9.2.3 RX MII Interface

30.9.2.3.1 RX MII Submodule Overview

The RX MII interface is composed of multiple submodules that process the incoming frames and pass receive data and status information into the PRU register R31. These submodules include:

- Latch received data
- Start of frame detection
- Start frame delimiter detection

- CRC calculation and error detection
- Enhanced link detection through RX error detection

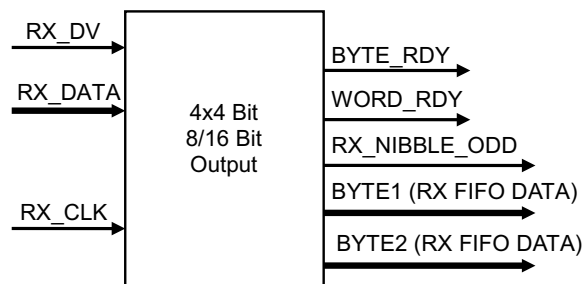
Table 30-377 includes more details about the internal signals and output of these submodules.

30.9.2.3.1.1 Receive Data Latch

The receive data from the MII interface is stored in the receive data FIFO which is 32 bytes. The PRU can access this data through the register R31. Depending on the configuration settings, the data can be latched on reception of one or two bytes. In each scheme, the configured number of nibbles is assembled before being copied into the PRU registers. Figure 30-46 shows the inputs and outputs of the data latch logic block.

The receiver logic in MII_RT can be programmed through the PRUSS_MII_RT_RXCFG0 and PRUSS_MII_RT_RXCFG1 registers to remove or retain the preamble + SFD from incoming frames.

Figure 30-46. RX Data Latch



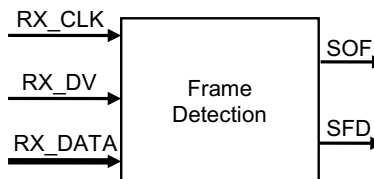
30.9.2.3.1.1.1 Start of Frame Detection

The start of frame detection logic tracks the frame boundaries and signals the beginning of a frame to other components of the PRU-ICSS. This logic detects two events:

- Start of Frame (SOF) event that occurs when Receive Data Valid MII signal is sampled high.
- Start of Frame Delimiter (SFD) event is seen on MII Receive Data bus.

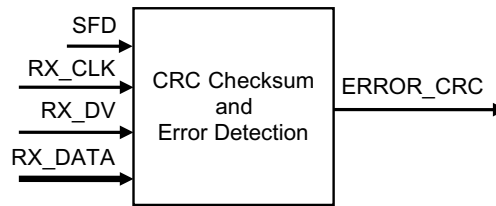
These event triggers can be used to add timestamp to the frames. The notification for these events is available through R31 as well as through INTC which is integrated in the PRU-ICSS. Figure 30-47 shows the inputs and outputs of the start of frame detection logic block.

Figure 30-47. Start of Frame Detection



30.9.2.3.1.1.2 CRC Error Detection

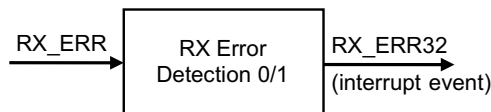
For each incoming frame, the CRC is calculated by the MII_RT and compared against the CRC included in the frame. When the two values do not match, a CRC error is flagged. The ERROR_CRC indication is available in the register interface (PRU R31 Receive Interface) as well as in the FIFO interface (RX L2 Status Interface). It is also provided to the INTC which is integrated in the PRU-ICSS. Figure 30-48 shows the inputs and outputs of CRC error detection logic block.

Figure 30-48. CRC Error Detection


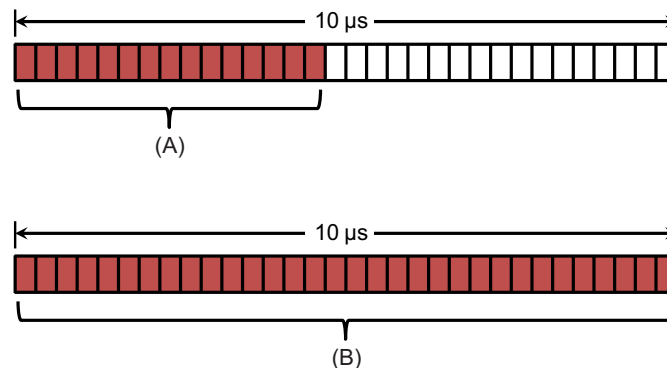
30.9.2.3.1.1.3 RX Error Detection and Action

The RX error detection logic tracks the receive error signaled by the physical layer and informs the PRU-ICSS INTC whenever an error is detected. Figure 30-49 shows the inputs and outputs of the RX error detection logic block. Note the following dependencies:

- RX_ERR signal is only sampled when RX_DV is asserted.
- All nibbles are discarded post RX_ERR event, including the nibble which had RX_ERR asserted. This state will remain until EOF occurs.
- Due to this fact, RX L1 FIFO and RX L2 FIFO will never receive any data with RX_ERR or post RX_ERR during that frame.

Figure 30-49. RX Error Detection


This submodule also keeps track of a running count of receive error events within a 10 μ s error detection window, as shown in Figure 30-50. The INTC is notified when 32 or more events have occurred in a 10 μ s error detection window. The error detection window is not a sliding window but a non-overlapping window with no specific initialization time with respect to incoming traffic. The timer starts its 10 μ s counts immediately after de-assertion of reset to the MII_RT module.

Figure 30-50. Error Detection Window with Running Counter


- A There are fewer than 32 consecutive error events in the 10 μ s window. The detection module will not forward to the interrupt controller (INTC).
- B There are more or equal to 32 error events in the 10 μ s window. The detection module will notify the interrupt controller (INTC).

30.9.2.3.1.2 RX Data Path Options to PRU

There are two data path options for delivering received data to the PRU, described further in the subsequent sections:

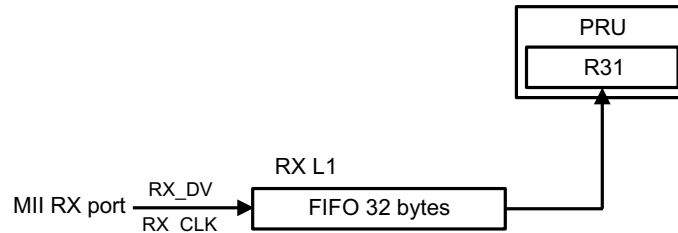
1. RX MII port \rightarrow RX L1 FIFO \rightarrow PRU (one word in flight)
2. RX MII port \rightarrow RX L1 FIFO \rightarrow RX L2 buffer \rightarrow PRU (multi-word in flight)

Once the PRU has received RX data, the PRU can both manipulate received data or send data to the TX MII Interface.

30.9.2.3.1.2.1 RX MII Port → RX L1 FIFO → PRU

The RX L1 FIFO to PRU interface is depicted in Figure 30-51. In this mode, the data received from the MII interface is fed into the 32-byte RX L1 FIFO. The first data byte into the FIFO is automatically available in R31 of the PRU. Therefore, the PRU firmware can directly operate on this data without having to read it in a separate instruction. This allows the PRU to access receive data with low latency.

Figure 30-51. RX L1 to PRU Interface



When the new data is received, the PRU is provided with up to two bytes at a time in the R31 register, as shown in Figure 30-52. Once the PRU processes the incoming data, it instructs the MII_RT by writing to the R31 command interface bits to pop one or two bytes of data from the 32-byte RX FIFO. The pop operation causes current contents of R31 to be refreshed with new data from the incoming packet. Each time the data is popped, the status bits change to indicate so. If the pop is completed and there is no new data, the status bits immediately change to indicate no new data. Note the current R31 content, including data, will be lost after issuing the pop operation. If this information needs to be accessed later, the PRU should store the existing R31 content before popping new data.

Figure 30-52. MII RX Data to PRU R31 (R) and RX FIFO

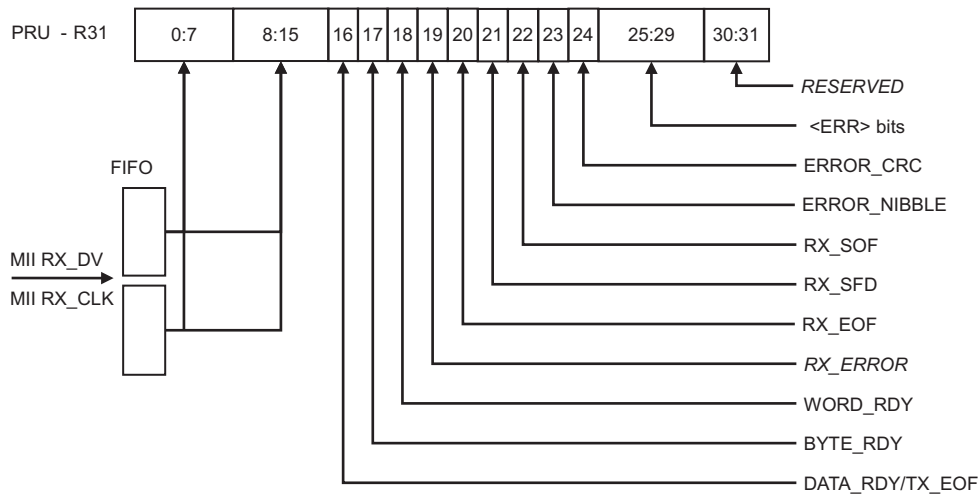


Table 30-377 describes the receive interface data and status contents provided by the R31 register. These contents are available when R31 is read. To configure this register, the PRU GPI mode should be set for MII_RT mode in the CFG register space. Note the following:

1. If the data from receive path is not read in time, it could cause an overflow event because the data is still continuously provided to the 32-byte receive FIFO. Due to the receive FIFO overflow, the data gets automatically discarded to avoid lack of space in the FIFO. At the same time, an interrupt is raised to the INTC through a system event (PRU<n>_RX_OVERFLOW). To detect an overflow condition, the PRU should poll for this system event condition and a RX RESET command through the R31 command interface is required to clear out from this condition. Note that the received Ethernet frame is corrupted and should not be used for further processing as bytes have been dropped due to the overflow condition. A FIFO reset is recommended.

2. The receive data in the R31 register is available following synchronization to the PRU clock domain. So, there is a finite delay (120 ns) when data is available from MII interface and it is accessible to the PRU.
3. The receive FIFO also has the capability to be reset through software. When reset, all contents of receive FIFO are purged and it may result in the current frame not being received as expected. When a frame is being received and the PRU resets the RX FIFO, the remaining frame is not placed into the RX FIFO. However, any new frame arriving on the receive MII port will be stored in the FIFO.

Table 30-377. PRU R31: Receive Interface Data and Status (Read Mode)

Bits	Field Name	Description
31:30	RESERVED	In case of register interface, these bits are provided to PRU by other modules in PRU-ICSS. From the MII_RT module point of view, these bits are always zero.
29	RX_MIN_FRM_CNT_ERR	RX_MIN_FRM_CNT_ERR is set to 1 when the count of total bytes of incoming frame is less than the value defined by RX_MIN_FRM_CNT. RX_MIN_FRM_CNT_ERR is cleared by RX_ERROR_CLR.
28	RX_MAX_FRM_CNT_ERR	RX_MAX_FRM_CNT_ERR is set to 1 when the count of total bytes of incoming frame is more than the value defined by RX_MAX_FRM_CNT_ERR. RX_MAX_FRM_CNT_ERR is cleared by RX_ERROR_CLR.
27	RX_EOF_ERROR	RX_EOF_ERROR is set to 1 when an RX_EOF event or RX_ERROR event occurs. RX_EOF_ERROR is cleared by RX_EOF_CLR and/or RX_ERROR_CLR.
26	RX_MAX_PRE_CNT_ERR	RX_MAX_PRE_CNT_ERR is set to 1 when the number of nibbles equaling 0x5 before SFD event (0xD5) is more than the value defined by PRUSS_MII_RT_RX_PCNT0/1 [RX_MAX_PCNT]. RX_MAX_PRE_CNT_ERR is cleared by RX_ERROR_CLR.
25	RX_ERR	RX_ERR is set to 1 when pr1_mii0/1_rxr is asserted while pr1_mii0/1_rxdv bit is set. RX_ERR is cleared by RX_ERROR_CLR.
24	ERROR_CRC	ERROR_CRC indicates that the frame has a CRC mismatch. This bit is valid when the RX_EOF bit is set. It should be noted that ERROR_CRC bit is ready in early status, which means it is calculated before data is available in RXL1 FIFO. ERROR_CRC is cleared by RX_ERROR_CLR.
23	ERROR_NIBBLE	ERROR_NIBBLE indicates that the frame ended in odd nibble. It should be considered valid only when the RX_EOF bit and pr1_mii0/1_rxdv are set. Nibble counter is enabled post SFD event. It should be noted that ERROR_NIBBLE bit is ready in early status, which means it is calculated before data is available in RXL1 FIFO. ERROR_NIBBLE is cleared by RX_ERROR_CLR.
22	RX_SOF	RX_SOF transitions from low to high when the frame data starts to arrive and pr1_mii0/1_rxdv is asserted. Note there will be a small sync delay of 0ns – 5ns. The recommended time to clear this bit via RX_SOF_CLR is at the end of frame (EOF). It should be noted that RX_SOF bit is ready in early status, which means it is calculated before data is available in RXL1 FIFO.
21	RX_SFD	RX_SFD transitions from low to high when the SFD sequence (0xD5) post RX_SOF is observed on the receive MII data. The recommended time to clear this bit via RX_SFD_CLR is at the end of frame (EOF). It should be noted that RX_SFD bit is ready in early status, which means it is calculated before data is available in RXL1 FIFO.
20	RX_EOF	RX_EOF indicates that the frame has ended and pr1_mii0/1_rxdv is de-asserted. It also validates the CRC match bit. Note there will be a small sync delay of 0ns – 5ns. It should be noted that RX_EOF bit is ready in early status, which means it is calculated before data is available in RXL1 FIFO. Note also if RX_L2_EOF_SCLR_DIS is set, then this flag will remain asserted when RX_L2 is enabled until RX_EOF_CLR.
19	RX_ERROR	RX_ERROR indicates one or more of the following errors occurred: <ul style="list-style-type: none"> • RX_MAX/MIN_FRM_CNT_ERR • RX_MAX/MIN_PRE_CNT_ERR • RX_ERR RX_ERROR is cleared by RX_ERROR_CLR.
18	WORD_RDY	WORD_RDY indicates that all four nibbles in R31 have valid data. There is a 2 clock cycle latency from the command RX_POP16 to WORD_RDY update. Therefore, firmware needs to insure it does not read WORD_RDY until 2 clock cycles after RX_POP16.
17	BYTE_RDY	BYTE_RDY indicates that the lower two nibbles in R31 have valid data. There is a 2 clock cycle latency from the command RX_POP8 to BYTE_RDY update. Therefore, PRU firmware needs to insure it does not read BYTE_RDY until 2 clock cycles after RX_POP8.

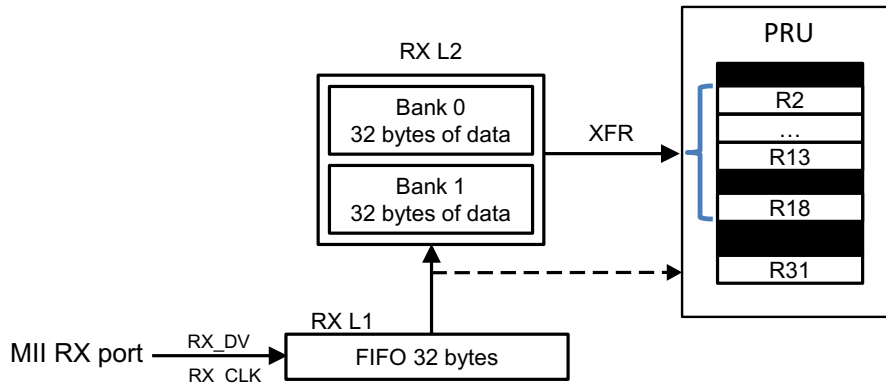
Table 30-377. PRU R31: Receive Interface Data and Status (Read Mode) (continued)

Bits	Field Name	Description
16	DATA_RDY/ TX_EOF	When RX_DATA_RDY_MODE_DIS = 0: DATA_RDY indicates there is valid data in R31 ready to be read. This bit goes to zero when the PRU does a POP8/16 and there is no new data left in the receive MII port. This bit is high if there is more receive data for PRU to read. There is a 2 clock cycle latency from the command RX_POP16/8 to WORD_RDY/BYTE_RDY update. Therefore, PRU firmware needs to insure it does not read BYTE_RDY/WORD_RDY until 2 clock cycles after RX_POP16/8. When RX_DATA_RDY_MODE_DIS = 1: TX_EOF indicates an TX EOF event (i.e. a 1 --> 0 transition on TX_EN) has occurred. After this bit has been set, a new TX frame can be loaded. This bit will clear when TX_RESET is set or when TX_FIFO is not empty.
15:8	BYTE1	Data Byte 1. This data is available such that it is safe to read by the PRU when the DATA_RDY/BYTE_RDY/WORD_RDY bits are asserted.
7:0	BYTE0	Data Byte 0. This data is available such that it is safe to read by the PRU when the DATA_RDY/BYTE_RDY/WORD_RDY bits are asserted.

30.9.2.3.1.2.2 RX MII Port → RX L1 FIFO → RX L2 Buffer → PRU

The RX L2 is an optional high performance buffer between the RX L1 FIFO and the PRU. [Figure 30-53](#) illustrates the receive data path using RX L2 buffer. This data path is characterized by multi-word in flight transactions.

Figure 30-53. RX L2 to PRU Interface



The 64-byte RX L2 buffer is divided into two 32 byte banks, or ping/pong buffers. When the RX L2 is enabled, the incoming data from the MII RX port will transmit first to the 32 byte RX L1 FIFO. RX L1 pushes data into RX L2, starting when the first byte is ready until the final EOF marker. The RX L2 buffer does not apply any backpressure to the RX L1 FIFO. Therefore, it is the PRU firmware’s responsibility to fetch the data in RX L2 before it is overwritten by the cyclic buffer. The RX L1 will remain near empty, with only one byte (nibble) stored.

Each RX L2 bank holds up to 32 bytes of data, and every four nibbles (or 16 bits) of data has a corresponding 8-bit status. The data and status information are stored in packed arrays. In each bank, R2 to R9 contains the data packed array and R10 to R13 contains the status packed array. [Figure 30-54](#) shows the relationship of the data registers and status registers. The RX L2 status registers record status information about the received data, such as ERROR_CRC, RX_ERROR, STATUS_RDY, etc. The RX L2 status register details are described in [Table 30-378](#). Note RX_RESET clears all Data and Status elements and resets R18.

Figure 30-54. Data and Status Register Dependency

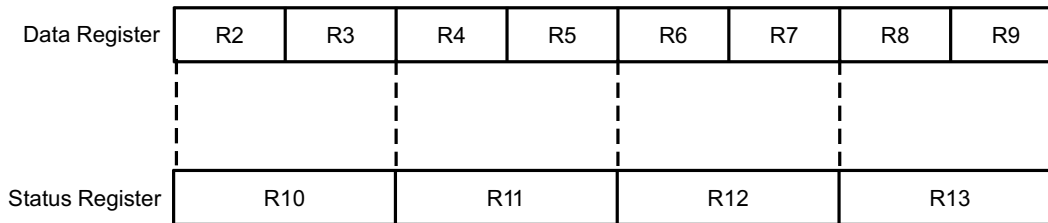


Table 30-378. RX L2 Status

Bit	Field Name	Description
7	ERROR_CRC	ERROR_CRC indicates that the frame has a CRC mismatch. This bit is valid when the RX_EOF bit is set. It should be noted that ERROR_CRC bit is ready in early status, which means it is calculated before data is available in RXL1 FIFO. ERROR_CRC will only be set for one entry, self clear on next entry.
6	ERROR_NIBBLE	ERROR_NIBBLE indicates that the frame ended in odd nibble. It should be considered valid only when the RX_EOF bit and pr1_mii0/1_rxdv are set. Nibble counter is enabled post SFD event. It should be noted that ERROR_NIBBLE bit is ready in early status, which means it is calculated before data is available in RXL1 FIFO. ERROR_NIBBLE will only be set for one entry, self clear on next entry.
5	RX_SOF	RX_SOF transitions from low to high when the frame data starts to arrive and pr1_mii0/1_rxdv is asserted. Note there will be a small sync delay of 0ns – 5ns. It should be noted that RX_SOF bit is ready in early status, which means it is calculated before data is available in RXL1 FIFO. RX_SOF will only be set for one entry, self clear on next entry.
4	RX_SFD	RX_SFD transitions from low to high when the SFD sequence (0xD5) post RX_SOF is observed on the receive MII data. It should be noted that RX_SFD bit is ready in early status, which means it is calculated before data is available in RXL1 FIFO. RX_SOF will only be set for one entry, self clear on next entry.
3	RX_EOF	RX_EOF indicates that the frame has ended and pr1_mii0/1_rxdv is de-asserted. It also validates the CRC match bit. Note there will be a small sync delay of 0ns – 5ns. It should be noted that RX_EOF bit is ready in early status, which means it is calculated before data is available in RXL1 FIFO. If RX_L2_EOF_SCLR_DIS = 1, then RX_EOF will remain set until RX_EOF_CLR event. Otherwise, RX_ERROR is self-clearing on next entry.
2	RX_ERROR	RX_ERROR indicates one or more of the following errors occurred: <ul style="list-style-type: none"> • RX_MAX/MIN_FRM_CNT_ERR • RX_MAX/MIN_PRE_CNT_ERR • RX_ERR RX_ERROR is cleared by RX_ERROR_CLR.
1	STATUS_RDY	STATUS_RDY is set when RX_EOF or write pointer advanced by 2. This is a simple method for software to determine if RX_EOF event has occurred or new data is available. If RX_EOF is not set, all status bits are static.
0	RX_ERR	RX_ERR is set to 1 when pr1_mii0/1_rxe is asserted while pr1_mii0/1_rxdv bit is set. It will get set for first pr1_mii0/1_rxe event and self clear on SOF for the next FRAME.

Bank 0 and Bank 1 are used as ping/pong buffers. RX L2 supports the reading of a write pointer in R18 that allows software to determine which bank has active write transactions, as well as the specific write address within packed data arrays.

The PRU interacts with the RX L2 buffer using the high performance XFR read instructions and broadcast interface. Table 30-379 shows the device XFR ID numbers for each bank.

Table 30-379. RX L2 XFR ID

Device ID	Function	Description
20	Selects RX L2 Bank0	R2:R9 Data packed array R10:R13 Status packed array
21	Selects RX L2 Bank1	R2:R9 Data packed array R10:R13 Status packed array
20/21	Byte pointer of current write	R18[5:0] Pointer indicating location of current write in data packed array. 0 = Bank0.R2.Byte0 (default and reset value) 1 = Bank0.R2.Byte1 2 = Bank0.R2.Byte2 3 = Bank0.R2.Byte3 4 = Bank0.R3.Byte0 ... 63=Bank1.R9.Byte3

XFR read transactions are passive and have no effect on any status or other states in RX L2. The firmware can also read R18 to determine which Bank has active write transactions and the location of the transaction. With this information, the firmware can read multiple times the stable preserved data. Note when RX L1 data is written to RX L2, the next status byte gets cleared at the same time the current status byte gets updated. The rest of the status buffer is persistent. When software is accessing any register of the ping/ pong buffer, software needs to issue an XFER read transaction to fetch the latest/current state of the ping/pong buffer. The PRU registers will not reflect the current snapshot of L2 unless an XFER is issued by software.

30.9.2.4 TX MII Interface

Data to be transmitted is loaded into the TX L1 FIFO. The transmit FIFO (TX L1) stores up to 96 bytes of transmit data. From the FIFO, the data is sent to the MII TX port of the PHY by the MII_RT transmit logic.

The transmit FIFO also has the capability to be reset through software (TX_RESET). When reset, all contents of transmit FIFO are purged and this may result in a frame not getting transmitted as expected, if the transmission is already ongoing. Any new data written in the transmit FIFO results in a new frame being composed and transmitted. An overflow event will require a TX_RESET to recover from this condition.

There are four dependencies that must be true for TX_EN to assert.

1. TX L1 FIFO not empty
2. Interpacket gap (IPG) timer expiration
3. RX_DV to TX_EN timer expiration
4. TX_EN compare timer expiration

The transmit interface also provides an underflow error signal in case there was no data loaded when TX_EN triggered. The transmit underflow signal is mapped to the INTC in PRU-ICSS. The PRU firmware must track the FIFO fill level, such as by a timer or the PRU cycle count register (PRU_ICSS_CTRL_CYCLE). The current FIFO fill level cannot be accessed by PRU firmware. The firmware can issue an R31 command via R31 bit 29 (TX_EOF) to indicate that the last byte has been written into the TX FIFO.

30.9.2.4.1 TX Data Path Options to TX L1 FIFO

There are two data path options for delivering data to the TX L1 FIFO and transmit port, described further in the subsequent sections:

1. PRU → TX L1 FIFO → TX MII port
2. RX L1 FIFO → TX L1 FIFO → TX MII port

30.9.2.4.1.1 PRU → TX L1 FIFO → TX MII Port

The PRU can be used to feed data into the TX L1 FIFO using the R30 and R31 registers, shown in Figure 30-55. The PRU has the option to write up to two or four bytes of R30 and then pushes the data into the TX L1 FIFO by writing to the R31 command interface.

Figure 30-55. PRU to TX L1 Interface

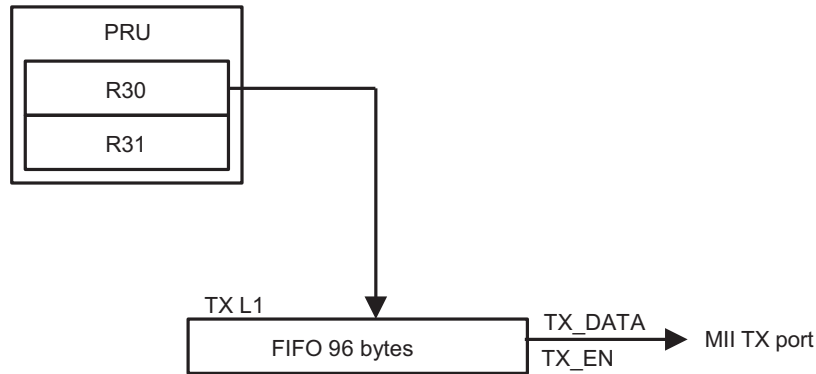


Figure 30-56 shows the R30 transmit interface. The lower 16 bits of the R30 (or FIFO transmit word) contain transmit data nibbles. When PRUSS_MII_RT_TXCFG0/1 [TX_32_MODE_EN] = 0, then the upper 16 bits contain mask information. Alternatively, when PRUSS_MII_RT_TXCFG0/1 [TX_32_MODE_EN] = 1, then the upper 16 bits contain transmit data nibbles. The operation to be performed on the transmit interface is controlled by PRU writes to the R31 command interface. Table 30-380 describes the supported configurations for 8, 16, and 32 bit TX push operations.

Figure 30-56. PRU to TX MII Interface

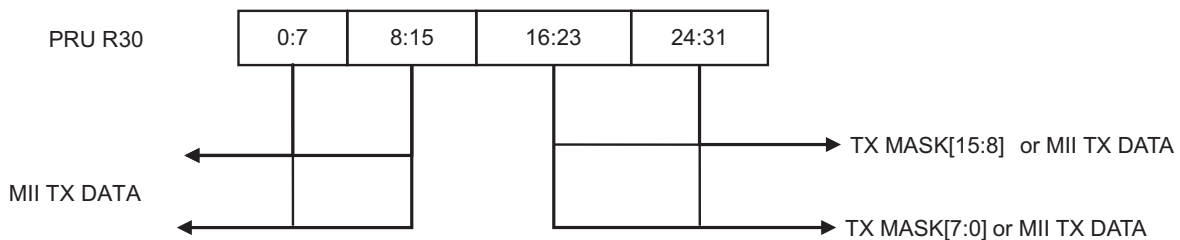


Table 30-380. TX Push

R31[25] TX_PUSH16/32	R31[24] TX_PUSH8/32	Supported R30 bits	TX_32_MODE_EN	TX_BYTE_SWAP	TX Push Action
0	1	X	0	X	8 bits of TXDATA (R30[7:0]) pushed post TX mask
1	0	X	0	X	16 bits of TXDATA (R30[15:0]) pushed post TX mask
1	1	X	0	X	Illegal
X	X	0x000000FF	1	0	8 bits of TXDATA (R30[7:0]) pushed
X	X	0x0000FFFF	1	0	16 bits of TXDATA (R30[15:0]) pushed
X	X	0xFFFFFFFF	1	X	32 bits of TXDATA (R30[31:0]) pushed
X	X	All other - reserved	1	X	Reserved

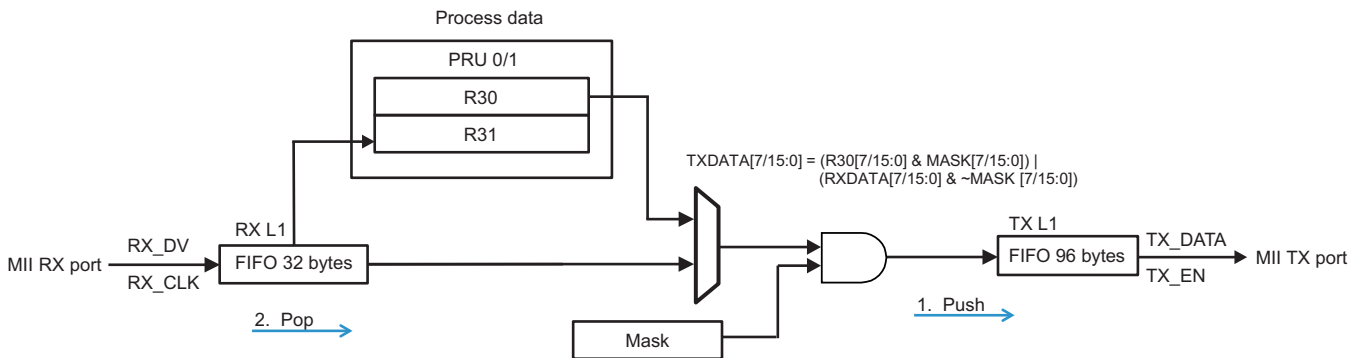
Using `PRUSS_MII_RT_TXCFG0/1 [TX_32_MODE_EN] = 0` and the TX mask, the PRU can send a mix of R30 and RX L1 FIFO data to the TX L1 FIFO. Note the TX mask is only available when the PRU is fed one word or byte at a time by the RX L1 FIFO. It is not applicable when the RX L2 buffer is enabled. To disable TX mask, set `TXMASK` to `0xFFFF`.

As shown in [Figure 30-57](#), the PRU drives the MII transmit interface through its R30 register. The contents of R30 and RX data from the receive interface are taken and fed into a 96 byte transmit FIFO.

If `PRUSS_MII_RT_TXCFG0/1 [TX_32_MODE_EN] = 0`, then before transmission, a mask is applied to the data portion of the R30 register. By using the mask, the PRU firmware can control whether received data from the RX L1 FIFO is sent to transmit, R30 data is sent to transmit, or a mix of the two is sent. The Boolean equation that is used by MII_RT to compose TX data is:

$$TXDATA[7/15:0] = (R30[7/15:0] \& MASK[7/15:0]) \mid (RXDATA[7/15:0] \& \sim MASK [7/15:0])$$

Figure 30-57. TX Mask Mode (PRUSS_MII_RT_TXCFG0/1 [TX_32_MODE_EN] = 0)



30.9.2.4.1.2 RX L1 FIFO → TX L1 FIFO → TX MII Port

When `PRUSS_MII_RT_TXCFG0/1[TX_AUTO_SEQUENCE]` is set, the data frame is passed from the RX to TX FIFOs without the any interaction of the PRU. This mode of operations is shown in [Figure 30-58](#). The RX L1 will push into TX L1 as long as it is enabled and not full.

There is no PRU dependency in this mode and no option for the PRU to perform any operation to the TX L1 FIFO. `RX_RESET` clears all data and status elements.

Figure 30-58. RX L1 to TX L1 Interface



30.9.2.5 PRU R31 Command Interface

The PRU uses writes to `R31[31:16]` to control the reception and transmission of packets in register mode. [Table 30-381](#) lists the available commands. Each bit in the table is a single clock pulse output from the PRU. When more than one action is to be performed in the same instant, the PRU firmware must set those command bits in one instruction.

Table 30-381. PRU R31: Command Interface (Write Mode)

Bit	Command	Description
31	TX_CRC_ERR	TX_CRC_ERR command when set will add 0xa5 byte to the TX L1 FIFO if the current FCS is valid. This bit can only be set with the TX_EOF command and optionally with the TX_ERROR_NIBBLE command. It cannot get set with any other commands, and the PRU firmware must wait > 2 clocks from the last command. Note for proper operations auto-forward preamble must be enabled.
30	TX_RESET	TX_RESET command is used to reset the transmit FIFO and clear all its contents. This is required to recover from a TX FIFO overrun.

Table 30-381. PRU R31: Command Interface (Write Mode) (continued)

Bit	Command	Description
29	TX_EOF	TX_EOF command is used to indicate that the data loaded is considered last for the current frame
28	TX_ERROR_NIBBLE	TX_ERROR_NIBBLE command is used to insert an error nibble. This makes the frame invalid. Also, it will add 0x0 after the 32-bit CRC.
27	TX_CRC_HIGH	TX_CRC_HIGH command ends the CRC calculations and pushes CRC[31:16] to append to the outgoing frame in the TX L1 FIFO. Note PRUSS_MII_RT_TX_CRC0/1 will become valid after 6 clock cycles.
26	TX_CRC_LOW	TX_CRC_LOW command pushes CRC[15:0] to append to the outgoing frame in the TX L1 FIFO.
25	TX_PUSH16	TX_PUSH16 command pushes R30[15:0] when PRUSS_MII_RT_TXCFG0/1 [TX_32_MODE_EN] = 0. See Table x, TX Push for more details. Note there are no restrictions on concurrent PUSH/POP nor R30 requirements to maintain data. Back to back PUSH is supported.
24	TX_PUSH8	TX_PUSH8 command pushes R30[7:0] when PRUSS_MII_RT_TXCFG0/1 [TX_32_MODE_EN] = 0. See Table x, TX Push for more details. Note there are no restrictions on concurrent PUSH/POP nor R30 requirements to maintain data. Back to back PUSH is supported.
23	RX_ERROR_CLR	RX_ERROR_CLR command is used to clear RX_ERROR indicator bit by writing 1.
22	RX_EOF_CLR	RX_EOF_CLR command is used to clear RX_EOF status indicator bit by writing 1.
21	RX_SFD_CLR	RX_SFD_CLR command is used to clear RX_SFD indicator bit by writing 1.
20	RX_SOF_CLR	RX_SOF_CLR command is used to clear RX_SOF indicator bit by writing 1.
19	Reserved	Reserved
18	RX_RESET	RX_RESET is used to reset the receive FIFO and clear all contents. This is required to recover from a RX FIFO overrun, if software does not want to undrain. The typical use case is assertion after RX_EOF. If asserted during an active frame, the following actions will occur: <ol style="list-style-type: none"> 1. Terminate the current frame 2. Block/terminate all new data 3. Flush/clear all FIFO elements 4. Cause RX state machine into an idle state 5. Cause EOF event 6. Cause minimum frame error, if the abortion happens before minimum size reached
17	RX_POP16	RX_POP16 command advances the receive traffic by two bytes. This is only required when R31 is used to read the data. After R31[15:0] is ready to read by PRU, it will set 1 to WORD_RDY, and the next new data will be allowed to advance. RX_POP16 to WORD_RDY update has 2 clock cycles latency. Firmware needs to insure it does not read WORD_RDY/BYTE_RDY until 2 clock cycles after RX_POP16.
16	RX_POP8	RX_POP8 command advances the receive traffic by one bytes. This is only required when R31 is used to read the data. After R31[7:0] is ready to read by PRU, it will set 1 to BYTE_RDY, and the next new data will be allowed to advance. RX_POP8 to BYTE_RDY update has 2 clock cycles latency. Firmware needs to insure it does not read WORD_RDY/BYTE_RDY until 2 clock cycles after RX_POP8.

30.9.2.6 Other Configuration Options

30.9.2.6.1 Nibble and Byte Order

The PRU core is little endian. To support big endian, the MII_RT supports optional nibble swapping on both the RX and TX side.

On the receive side, the order of the two data bytes in RX R31 and the RX L2 buffer are configurable through the RX_BYTE_SWAP bit in the [PRUSS_MII_RT_RXCFG0/1](#) registers, as shown in [Table 30-382](#). Note the Nibble0 is the first nibble received.

Table 30-382. RX Nibble and Byte Order

Configuration	Order
PRUSS_MII_RT_RXCFG0/1 [RX_BYTE_SWAP] = 0 (default)	R31[15:8] / RXL2[15:8] = Byte1{Nibble3, Nibble2} R31[7:0] / RXL2[7:0] = Byte0{Nibble1, Nibble0}
PRUSS_MII_RT_RXCFG0/1 [RX_BYTE_SWAP] = 1	R31[15:8] / RXL2[15:8] = Byte0{Nibble1, Nibble0} R31[7:0] / RXL2[7:0] = Byte1{Nibble3, Nibble2}

On the transmit side, the order of the two data bytes and mask bytes in TX R30 are configurable through the TX_BYTE_SWAP bit in the [PRUSS_MII_RT_TXCFG0/1](#) registers, as shown in [Table 30-383](#). Note the Nibble0 is the first nibble received.

Table 30-383. TX Nibble and Byte Order

Configuration	Order
PRUSS_MII_RT_TXCFG0/1 [TX_BYTE_SWAP] = 0 (default)	If PRUSS_MII_RT_TXCFG0/1 [TX_32_MODE_EN] = 0, R30[15:8] = Byte1{Nibble3, Nibble2} R30[7:0] = Byte0{Nibble1, Nibble0} R30[31:24] = TX_MASK[15:8] R30[23:16] = TX_MASK[7:0] If PRUSS_MII_RT_TXCFG0/1 [TX_32_MODE_EN] = 1, R30[31:24] = Byte3{Nibble7, Nibble6} R30[23:16] = Byte2{Nibble5, Nibble4} R30[15:8] = Byte1{Nibble3, Nibble2} R30[7:0] = Byte0{Nibble1, Nibble0}
PRUSS_MII_RT_TXCFG0/1 [TX_BYTE_SWAP] = 1	If PRUSS_MII_RT_TXCFG0/1 [TX_32_MODE_EN] = 0, R30[15:8] = Byte0{Nibble1, Nibble0} R30[7:0] = Byte1{Nibble3, Nibble2} R30[31:24] = TX_MASK[7:0] R30[23:16] = TX_MASK[15:8] If PRUSS_MII_RT_TXCFG0/1 [TX_32_MODE_EN] = 1, Only 32bit push is supported. R30[31:24] = Byte0{Nibble1, Nibble0} R30[23:16] = Byte1{Nibble3, Nibble2} R30[15:8] = Byte2{Nibble5, Nibble4} R30[7:0] = Byte3{Nibble7, Nibble6}

30.9.2.6.2 Preamble Source

The MII_RT module has the option to preserve and forward a received preamble in the TX data stream, use a preamble provided by the PRU, or auto-generate a preamble. These configurations are highlighted in [Table 30-384](#).

Table 30-384. Preamble Configuration Options

RX_CUT_PREAMBLE	Determines whether RX preamble is passed to the RX L1/L2 FIFO
RX_AUTO_FWD_PRE	Determines whether RX preamble is automatically passed to TX L1 FIFO

Table 30-384. Preamble Configuration Options (continued)

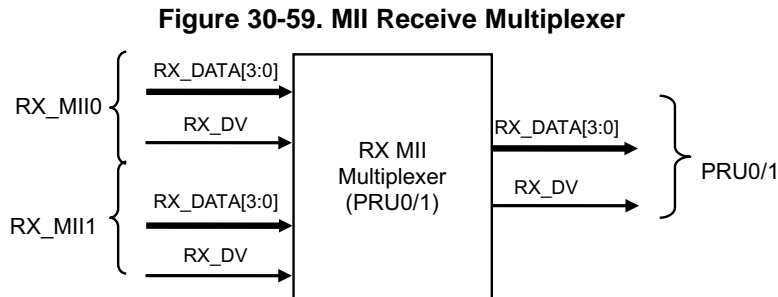
TX_AUTO_PREAMBLE	TX interface logic auto-generates and appends preamble to TX data stream with the first push of data into the TX L1 FIFO. Note that enabling this option does fill the TX FIFO with the preamble length, hence software has to consider this to not overrun the TX FIFO.
------------------	--

30.9.2.6.3 PRU and MII Port Multiplexer

The MII_RT module supports configurable PRU core to MII TXn / RXn port mapping. By default, PRU0 is mapped to TX1 and RX0 and PRU1 is mapped to TX0 and RX1. However, the system supports the flexibility to map any PRU core to any TX and RX port. Note the mapping options are destination fixed. For example, the input to PRU0 can be either RX_MII0 or RX_MII1. Similarly, the input to TX_MII0 can be either PRU0 or PRU1.

30.9.2.6.3.1 Receive Multiplexer

A multiplexer is provided to allow selecting either of the two MII interfaces for the receive data that is sent to PRU. [Figure 30-59](#) shows the symbol of receive multiplexer of PRU.

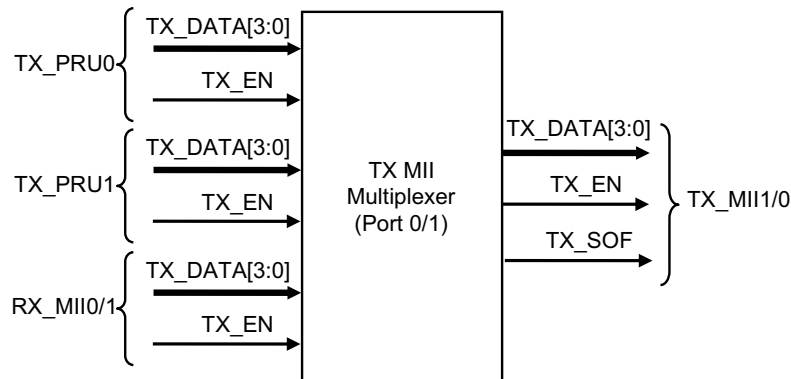


There are two receive multiplexer instances to enable selection of RX MII path for each PRU. The select lines of the RX multiplexers are driven from the PRU-ICSS programmable registers ([PRUSS_MII_RT_RXCFG0/1](#)).

30.9.2.6.3.2 Transmit Multiplexer

On the MII transmit ports, there is a multiplexer for each MII transmit port that enables selection of either the transmit data from the PRUs or from the RX MII interface of the other MII interface. [Figure 30-60](#) shows the symbol of transmit multiplexer of PRU.

Figure 30-60. MII Transmit Multiplexer

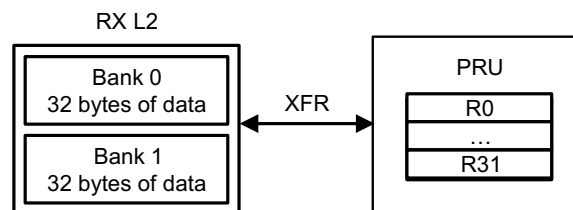


The transmit multiplexers enable the PRU-ICSS to either operate in a bypass mode where the PRU is not involved in processing MII traffic or use of one of the PRU cores for transmitting data into the MII interface. There are two instances of the TX MII multiplexer and the select lines for each TX multiplexer are provided by the PRU-ICSS. The select lines are common between register and FIFO interface. It is expected that the select lines will not change during the course of a frame so that can avoid data exchange error.

30.9.2.6.4 RX L2 Scratch Pad

When the RX L2 is disabled ([PRUSS_MII_RT_RXCFG0/1](#) [RX_L2_EN] = 0), the RX L2 banks can be used as a generic scratch pad. In scratch pad mode, RX L2 Bank0 and RX L2 Bank1 operate like simple write/read memory mapped registers (MMRs). All XFR size and start operations are supported. RX_RESET has no effect in this mode. This mode is shown in [Figure 30-61](#).

Figure 30-61. Scratch Pad Mode



30.9.3 PRU-ICSS MII RT Module Register Manual

This section describes the PRU-ICSS MII_RT module configuration registers.

30.9.3.1 PRUSS_MII_RT Instance Summary

Table 30-385. PRUSS_MII_RT Instance Summary

Module Name	Module Base Address L3_MAIN	Size
PRUSS1_MII_RT	0x4B23 2000	88 Bytes
PRUSS2_MII_RT	0x4B2B 2000	88 Bytes

30.9.3.2 PRUSS_MII_RT Registers

30.9.3.2.1 PRUSS_MII_RT Register Summary

Table 30-386. PRUSS1_MII_RT Registers Mapping Summary

Register Name	Type	Register Width (Bits)	Address Offset	Physical Address
PRUSS_MII_RT_RXCFG0	RW	32	0x0000 0000	0x4B23 2000
PRUSS_MII_RT_RXCFG1	RW	32	0x0000 0004	0x4B23 2004
PRUSS_MII_RT_TXCFG0	RW	32	0x0000 0010	0x4B23 2010
PRUSS_MII_RT_TXCFG1	RW	32	0x0000 0014	0x4B23 2014
PRUSS_MII_RT_TX_CRC0	R	32	0x0000 0020	0x4B23 2020
PRUSS_MII_RT_TX_CRC1	R	32	0x0000 0024	0x4B23 2024
PRUSS_MII_RT_TX_IPG0	RW	32	0x0000 0030	0x4B23 2030
PRUSS_MII_RT_TX_IPG1	RW	32	0x0000 0034	0x4B23 2034
PRUSS_MII_RT_PRS0	R	32	0x0000 0038	0x4B23 2038
PRUSS_MII_RT_PRS1	R	32	0x0000 003C	0x4B23 203C
PRUSS_MII_RT_RX_FRMS0	RW	32	0x0000 0040	0x4B23 2040
PRUSS_MII_RT_RX_FRMS1	RW	32	0x0000 0044	0x4B23 2044
PRUSS_MII_RT_RX_PCNT0	RW	32	0x0000 0048	0x4B23 2048
PRUSS_MII_RT_RX_PCNT1	RW	32	0x0000 004C	0x4B23 204C
PRUSS_MII_RT_RX_ERR0	RW	32	0x0000 0050	0x4B23 2050
PRUSS_MII_RT_RX_ERR1	RW	32	0x0000 0054	0x4B23 2054
PRUSS_MII_RT_RXFLV0	R	32	0x0000 0060	0x4B23 2060
PRUSS_MII_RT_RXFLV1	R	32	0x0000 0064	0x4B23 2064
PRUSS_MII_RT_TXFLV0	R	32	0x0000 0068	0x4B23 2068
PRUSS_MII_RT_TXFLV1	R	32	0x0000 006C	0x4B23 206C

Table 30-387. PRUSS2_MII_RT Registers Mapping Summary

Register Name	Type	Register Width (Bits)	Address Offset	Physical Address
PRUSS_MII_RT_RXCFG0	RW	32	0x0000 0000	0x4B2B 2000
PRUSS_MII_RT_RXCFG1	RW	32	0x0000 0004	0x4B2B 2004
PRUSS_MII_RT_TXCFG0	RW	32	0x0000 0010	0x4B2B 2010
PRUSS_MII_RT_TXCFG1	RW	32	0x0000 0014	0x4B2B 2014
PRUSS_MII_RT_TX_CRC0	R	32	0x0000 0020	0x4B2B 2020
PRUSS_MII_RT_TX_CRC1	R	32	0x0000 0024	0x4B2B 2024
PRUSS_MII_RT_TX_IPG0	RW	32	0x0000 0030	0x4B2B 2030
PRUSS_MII_RT_TX_IPG1	RW	32	0x0000 0034	0x4B2B 2034
PRUSS_MII_RT_PRS0	R	32	0x0000 0038	0x4B2B 2038
PRUSS_MII_RT_PRS1	R	32	0x0000 003C	0x4B2B 203C
PRUSS_MII_RT_RX_FRMS0	RW	32	0x0000 0040	0x4B2B 2040
PRUSS_MII_RT_RX_FRMS1	RW	32	0x0000 0044	0x4B2B 2044
PRUSS_MII_RT_RX_PCNT0	RW	32	0x0000 0048	0x4B2B 2048
PRUSS_MII_RT_RX_PCNT1	RW	32	0x0000 004C	0x4B2B 204C
PRUSS_MII_RT_RX_ERR0	RW	32	0x0000 0050	0x4B2B 2050
PRUSS_MII_RT_RX_ERR1	RW	32	0x0000 0054	0x4B2B 2054
PRUSS_MII_RT_RXFLV0	R	32	0x0000 0060	0x4B2B 2060
PRUSS_MII_RT_RXFLV1	R	32	0x0000 0064	0x4B2B 2064

Table 30-387. PRUSS2_MII_RT Registers Mapping Summary (continued)

Register Name	Type	Register Width (Bits)	Address Offset	Physical Address
PRUSS_MII_RT_TXFLV0	R	32	0x0000 0068	0x4B2B 2068
PRUSS_MII_RT_TXFLV1	R	32	0x0000 006C	0x4B2B 206C

30.9.3.2.2 PRUSS_MII_RT Register Description
Table 30-388. PRUSS_MII_RT_RXCFG0

Address Offset	0x0000 0000		
Physical Address	0x4B23 2000 0x4B2B 2000	Instance	PRUSS1_MII_RT PRUSS2_MII_RT
Description	MII RXCFG 0 REGISTER This register contains the PRU0 RXCFG configuration variables (PRUSS_MII_RT_RXCFG0) for the RX path. PRUSS_MII_RT_RXCFG0 is attached to PRU0. PRUSS_MII_RT_RXCFG0 controls which RX port is attached to PRU0.		
Type	RW		

31	30	29	28	27	26	25	24	23	22	21	20	19	18	17	16	15	14	13	12	11	10	9	8	7	6	5	4	3	2	1	0	
RESERVED																							RX_L2_EOF_SCLR_DIS	RX_ERR_RAW	RX_SFD_RAW	RX_AUTO_FWD_PRE	RX_BYTE_SWAP	RX_L2_EN	RX_MUX_SEL	RX_CUT_PREAMBLE	RX_DATA_RDY_MODE_DIS	RX_ENABLE

Bits	Field Name	Description	Type	Reset
31:10	RESERVED		R	0x000000
9	RX_L2_EOF_SCLR_DIS	0x0: RX_EOF flag in R31 and RXL2 is self cleared by hardware when RXL2 is enabled 0x1: RX_EOF flag in R31 and RXL2 is not self cleared by hardware when RXL2 is enabled. To clear this flag, RX_EOF_CLR must be set.	RW	0x0
8	RX_ERR_RAW	0x0: Error Raw Mode Disabled. RX_ERR is qualified with RX_DV, meaning RX_DV = 1 before RX_ERR action/event is generated. 0x1: Error Raw Mode Enabled. RX_ERR is not qualified with RX_DV, meaning RX_ERR action/event is generated even if RX_DV = 0.	RW	0x0
7	RX_SFD_RAW	0x0: SFD Raw Mode Disabled. RX_SFD requires a pattern of D5. 0x1: SFD Raw Mode Enable. The first byte of any pattern after RX_DV assertion will trigger RX_SFD event. The first nibble of the frame (RX_DV = 1) will be in the RX FIFO.	RW	0x0

Bits	Field Name	Description	Type	Reset
6	RX_AUTO_FWD_PRE	Enables auto-forward of received preamble. When enabled, this will forward the preamble nibbles including the SFD to the TX L1 FIFO that is attached to the PRU. First data byte seen by PRU R31 and/or RX L2 is destination address (DA). Note: Odd number of preamble nibbles is supported in this mode. For example, 0x55D Note that new RX should only occur after the current TX completes 0x0: Disable 0x1: Enable, it must disable RX_CUT_PREAMBLE and TX_AUTO_PREAMBLE.	RW	0x0
5	RX_BYTE_SWAP	Defines the order of Byte0/1 placement for RX R31 and RX L2. Note: that if TX_AUTO_SEQUENCE enabled, this bit cannot get enable since TX_BYTE_SWAP on swaps the PRU output. This bit must be selected/updated when the port is disabled or there is no traffic. 0x0: R31 [15:8]/RX L2 [15:8] = Byte1{Nibble3, Nibble2} R31[7:0]/RX L2 [7:0] = Byte0{Nibble1, Nibble0} 0x1: R31 [15:8]/RX L2 [15:8] = Byte0{Nibble1, Nibble0} R31[7:0]/RX L2 [7:0] = Byte1{Nibble3, Nibble2} Nibble0 is the first nibble received. Must be selected /updated when the port is disabled or no traffic It only effects R31 and RX L2 order	RW	0x0
4	RX_L2_EN	Enables RX L2 buffer. 0x0: Disable (RX L2 can function as generic scratch pad) 0x1: Enable	RW	0x0
3	RX_MUX_SEL	Selects receive data source. Typically, the setting for this will not be identical for the two MII receive configuration registers. 0x0: MII RX Data from Port 0 (default for PRUSS_MII_RT_RXCFG0) 0x1: MII RX Data from Port 1 (default for PRUSS_MII_RT_RXCFG1)	RW	0x0
2	RX_CUT_PREAMBLE	Removes received preamble. 0x0: All data from Ethernet PHY are passed on to PRU register. This assumes Ethernet PHY which does not shorten the preamble. 0x1: MII interface suppresses preamble and sync frame delimiter. First data byte seen by PRU register is DA	RW	0x0
1	RX_DATA_RDY_MODE_DIS	0x0: R31, Bit 16 is configured for DATA_RDY mode. 0x1: R31, Bit 16 is configured for TX_EOF mode.	RW	0x0
0	RX_ENABLE	Enables the receive traffic currently selected by RX_MUX_SELECT. 0x0 Disable 0x1 Enable	RW	0x0

Table 30-389. Register Call Summary for Register PRUSS_MII_RT_RXCFG0

PRU-ICSS MII RT Module

- [RX MII Submodule Overview: \[12\]](#)
- [Nibble and Byte Order: \[13\]\[14\]\[15\]](#)
- [PRU and MII Port Multiplexer: \[16\]](#)
- [RX L2 Scratch Pad: \[17\]](#)
- [PRUSS_MII_RT Register Summary: \[18\]\[19\]](#)
- [PRUSS_MII_RT Register Description: \[20\]\[21\]\[22\]\[23\]\[24\]](#)

Table 30-390. PRUSS_MII_RT_RXCFG1

Address Offset	Physical Address	Instance	
0x0000 0004	0x4B23 2004 0x4B2B 2004		PRUSS1_MII_RT PRUSS2_MII_RT

Table 30-390. PRUSS_MII_RT_RXCFG1 (continued)

Description	This register contains the PRU1 RXCFG configuration variables (PRUSS_MII_RT_RXCFG1) for the RX path. PRUSS_MII_RT_RXCFG1 is attached to PRU1. PRUSS_MII_RT_RXCFG1 controls which RX port is attached to PRU1
Type	RW

31	30	29	28	27	26	25	24	23	22	21	20	19	18	17	16	15	14	13	12	11	10	9	8	7	6	5	4	3	2	1	0
RESERVED																RX_L2_EOF_SCLR_DIS	RX_ERR_RAW	RX_SFD_RAW	RX_AUTO_FWD_PRE	RX_BYTE_SWAP	RX_L2_EN	RX_MUX_SEL	RX_CUT_PREAMBLE	RX_DATA_RDY_MODE_DIS	RX_ENABLE						

Bits	Field Name	Description	Type	Reset
31:10	RESERVED		R	0x000000
9	RX_L2_EOF_SCLR_DIS	0x0: RX_EOF flag in R31 and RXL2 is self cleared by hardware when RXL2 is enabled 0x1: RX_EOF flag in R31 and RXL2 is not self cleared by hardware when RXL2 is enabled. To clear this flag, RX_EOF_CLR must be set.	RW	0x0
8	RX_ERR_RAW	0x0: Error Raw Mode Disabled. RX_ERR is qualified with RX_DV, meaning RX_DV = 1 before RX_ERR action/event is generated. 0x1: Error Raw Mode Enabled. RX_ERR is not qualified with RX_DV, meaning RX_ERR action/event is generated even if RX_DV = 0.	RW	0x0
7	RX_SFD_RAW	0x0: SFD Raw Mode Disabled. RX_SFD requires a pattern of D5. 0x1: SFD Raw Mode Enable. The first byte of any pattern after RX_DV assertion will trigger RX_SFD event. The first nibble of the frame (RX_DV = 1) will be in the RX FIFO.	RW	0x0
6	RX_AUTO_FWD_PRE	Enables auto-forward of received preamble. When enabled, this will forward the preamble nibbles including the SFD to the TX L1 FIFO that is attached to the PRU. First data byte seen by PRU R31 and/or RX L2 is destination address (DA). Note: Odd number of preamble nibbles is supported in this mode. For example, 0x55D Note that new RX should only occur after the current TX completes 0x0: Disable 0x1: Enable, it must disable RX_CUT_PREAMBLE and TX_AUTO_PREAMBLE	RW	0x0
5	RX_BYTE_SWAP	Defines the order of Byte0/1 placement for RX R31 and RX L2. Note: If TX_AUTO_SEQUENCE is enabled, this bit cannot get enabled since TX_BYTE_SWAP on swaps the PRU output. This bit must be selected/updated when the port is disabled or there is no traffic. 0x0: R31 [15:8]/RXL2 [15:8] = Byte1{Nibble3, Nibble2} R31[7:0]/RXL2 [7:0] = Byte0{Nibble1, Nibble0} 0x1: R31 [15:8]/RXL2 [15:8] = Byte0{Nibble1, Nibble0} R31[7:0]/RXL2 [7:0] = Byte1{Nibble3, Nibble2} Nibble0 is the first nibble received.	RW	0x0
4	RX_L2_EN	Enables RX L2 buffer. 0x0: Disable (RX L2 can function as generic scratch pad) 0x1: Enable	RW	0x0

Bits	Field Name	Description	Type	Reset
3	RX_MUX_SEL	Selects receive data source. Typically, the setting for this will not be identical for the two MII receive configuration registers. 0x0: MII RX Data from Port 0 (default for PRUSS_MII_RT_RXCFG0) 0x1: MII RX Data from Port 1 (default for PRUSS_MII_RT_RXCFG1)	RW	0x1
2	RX_CUT_PREAMBLE	Removes received preamble. 0x0: All data from Ethernet PHY are passed on to PRU register. This assumes Ethernet PHY which does not shorten the preamble. 0x1: MII interface suppresses preamble and sync frame delimiter. First data byte seen by PRU register is destination address.	RW	0x0
1	RX_DATA_RDY_MODE_DIS	0x0: R31, Bit 16 is configured for DATA_RDY mode. 0x1: R31, Bit 16 is configured for TX_EOF mode.	RW	0x0
0	RX_ENABLE	Enables the receive traffic currently selected by RX_MUX_SELECT. 0x0: Disable 0x1: Enable	RW	0x0

Table 30-391. Register Call Summary for Register PRUSS_MII_RT_RXCFG1

PRU-ICSS MII RT Module

- [RX MII Submodule Overview: \[2\]](#)
- [PRUSS_MII_RT Register Summary: \[3\]\[4\]](#)
- [PRUSS_MII_RT Register Description: \[5\]\[6\]\[7\]\[8\]\[9\]](#)

Table 30-392. PRUSS_MII_RT_TXCFG0

Address Offset	0x0000 0010	Instance	PRUSS1_MII_RT PRUSS2_MII_RT
Physical Address	0x4B23 2010 0x4B2B 2010		
Description	This register contains the configuration variables for the transmit path on the MII interface port 0. PRUSS_MII_RT_TXCFG0 is attached to Port TX0. PRUSS_MII_RT_TXCFG0 controls which PRU is selected for TX0		
Type	RW		

31	30	29	28	27	26	25	24	23	22	21	20	19	18	17	16	15	14	13	12	11	10	9	8	7	6	5	4	3	2	1	0
RESERVED	TX_CLK_DELAY		RESERVED	TX_START_DELAY								RESERVED	TX_32_MODE_EN	RESERVED	TX_AUTO_SEQUENCE	TX_MUX_SEL	RESERVED	TX_BYTE_SWAP	TX_EN_MODE	TX_AUTO_PREAMBLE	TX_ENABLE										

Bits	Field Name	Description	Type	Reset
31	RESERVED		R	0
30:28	TX_CLK_DELAY	In order to guarantee the MII_RT IO timing values published in the device Data Manual, the PRUSS_GICLK clock must be configured for 200MHz (default value) and the TX_CLK_DELAY bitfield must be configured as follows: - 100 Mbps mode: 6h (non-default value) - 10 Mbps mode: 0h (default value)	RW	0x0
27:26	RESERVED		R	0x0

Bits	Field Name	Description	Type	Reset
25:16	TX_START_DELAY	<p>Defines the minimum time interval (delay) between receiving the RXDV for the current frame and the start of the transmit interface sending data to the MII interface. Delay value is in units of MII_RT clock cycles, which uses the PRUSS_GICLK (default is 200MHz, or 5ns). Default TX_START_DELAY value is 320ns, which is optimized for minimum latency at 16 bit processing. Counter is started with RX_DV signal going active. Transmit interface stops sending data when no more data is written into transmit interface by PRU along with TX_EOF marker bit set.</p> <p>If the TX FIFO has data when the delay expires, then TX will start sending data.</p> <p>But if the TX FIFO is empty, it will not start until the TX FIFO is not empty.</p> <p>It is possible to overflow the TX FIFO with the max delay setting when auto-forwarding is enabled since the time delay is larger than the amount of data it needs to store. As long as TX L1 FIFO overflows, software will need to issue a TX_RESET to reset the TX FIFO.</p> <p>The total delay is 96-byte times (size of TX FIFO), but delays for synchronization need to be allowed. Do to this fact, the maximum delay should be 80ns less when auto forwarding is enabled.</p> <p>Therefore, 0x3F0 is the maximum in this configuration.</p>	RW	0x40
15:12	RESERVED		R	0x0
11	TX_32_MODE_EN	<p>0x0 Disable 32-bit Data Push mode</p> <p>0x1 Enable 32-bit, 16-bit, and 8-bit Data Push mode with TX_MASK disabled. In this mode, the internal PRU R30 byte write strobes are used and not the R31 CMD TX_PUSH mode. Any update to R30 will trigger an TX PUSH. See Table 30-380</p>	RW	0x0
10	RESERVED		R	0x0
9	TX_AUTO_SEQUENCE	<p>Enables transmit auto-sequence. Note the transmit data source is determined by TX_MUX_SEL setting.</p> <p>0x0: Disable</p> <p>0x1: Enable, transmit state machine based on events on receiver path that is connected to the respective transmitter.</p> <p>Also, the masking logic is disabled and only the MII data is used.</p>	RW	0x0
8	TX_MUX_SEL	<p>Selects transmit data source.</p> <p>The default/reset setting for TX Port 0 is 1. This setting permits MII TX Port 0 to receive data from PRU1 and the MII TX Port 1 which is connected to PRU0 by default.</p> <p>0x0: Data from PRU0 (default for PRUSS_MII_RT_TXCFG1)</p> <p>0x1: Data from PRU1 (default for PRUSS_MII_RT_TXCFG0)</p>	RW	0x1
7:4	RESERVED		R	0x0

Bits	Field Name	Description	Type	Reset
3	TX_BYTE_SWAP	<p>Defines the order of Byte0/1 placement for TX R30. This bit must be selected/updated when the port is disabled or there is no traffic.</p> <p>0x0: If PRUSS_MII_RT_TXCFG0/1 [TX_32_MODE_EN] = 0, R30[15:8] = Byte1{Nibble3, Nibble2} R30[7:0] = Byte0{Nibble1, Nibble0} R30[31:24] = TX_MASK[15:8] R30[23:16] = TX_MASK[7:0]</p> <p>If PRUSS_MII_RT_TXCFG0/1 [TX_32_MODE_EN] = 1, R30[31:24] = Byte3{Nibble7, Nibble6} R30[23:16] = Byte2{Nibble5, Nibble4} R30[15:8] = Byte1{Nibble3, Nibble2} R30[7:0] = Byte0{Nibble1, Nibble0}</p> <p>0x1: If PRUSS_MII_RT_TXCFG0/1 [TX_32_MODE_EN] = 0, R30[15:8] = Byte0{Nibble1, Nibble0} R30[7:0] = Byte1{Nibble3, Nibble2} R30[31:24] = TX_MASK[7:0] R30[23:16] = TX_MASK[15:8]</p> <p>If PRUSS_MII_RT_TXCFG0/1 [TX_32_MODE_EN] = 1, (ONLY SUPPORT 32bit push) R30[31:24] = Byte0{Nibble1, Nibble0} R30[23:16] = Byte1{Nibble3, Nibble2} R30[15:8] = Byte2{Nibble5, Nibble4} R30[7:0] = Byte3{Nibble7, Nibble6}</p> <p>Note Nibble0 is the first nibble received.</p>	RW	0x0
2	TX_EN_MODE	<p>Enables transmit self clear on TX_EOF event. Note that iep_cmp[3] must be set before transmission will start for TX0, and iep_cmp[4] for TX1. This is a new dependency, in addition to TX L1 FIFO not empty and TX_START_DELAY expiration, to start transmission.</p> <p>0x0: Disable 0x1: Enable, TX_ENABLE will be clear for a TX_EOF event by itself.</p>	RW	0x0
1	TX_AUTO_PREAMBLE	<p>Transmit data auto-preamble.</p> <p>0x0: PRU will provide full preamble 0x1: TX FIFO will insert pre-amble automatically</p> <p>Note: the TX FIFO does not get preloaded with the preamble until the first write occurs. This can cause the latency to be larger the min latency.</p>	RW	0x0
0	TX_ENABLE	<p>Enables transmit traffic on TX PORT.</p> <p>If TX_EN_MODE is set, then TX_ENABLE will self clear during a TX_EOF event.</p> <p>Note Software can use this to pre-fill the TX FIFO and then start the TX frame during non-ECS operations.</p> <p>0x0: TX PORT is disabled/stopped immediately 0x1: TX PORT is enabled and the frame will start once the IPG counter expired and TX Start Delay counter has expired</p>	RW	0x0

Table 30-393. Register Call Summary for Register PRUSS_MII_RT_TXCFG0

PRU-ICSS MII RT Module

- [Introduction: \[7\]](#)
- [TX Data Path Options to TX L1 FIFO: \[8\]\[9\]\[10\]\[11\]\[12\]](#)
- [PRU R31 Command Interface: \[13\]\[14\]](#)
- [Nibble and Byte Order: \[15\]\[16\]\[17\]\[18\]\[19\]\[20\]\[21\]](#)
- [PRUSS_MII_RT Register Summary: \[22\]\[23\]](#)
- [PRUSS_MII_RT Register Description: \[24\]\[25\]\[26\]\[31\]](#)

PRU-ICSS Industrial Ethernet Peripheral (IEP)

- [PRU-ICSS Industrial Ethernet Timer Features:](#)

Table 30-394. PRUSS_MII_RT_TXCFG1

Address Offset	0x0000 0014	Instance	PRUSS1_MII_RT PRUSS2_MII_RT
Physical Address	0x4B23 2014 0x4B2B 2014		
Description	MII TXCFG 1 REGISTER This register contains the configuration variables for the transmit path on the MII interface port 1. PRUSS_MII_RT_TXCFG1 is attached to Port TX1. PRUSS_MII_RT_TXCFG1 controls which PRU is selected for TX1		
Type	RW		

31	30	29	28	27	26	25	24	23	22	21	20	19	18	17	16	15	14	13	12	11	10	9	8	7	6	5	4	3	2	1	0
RESERVED	TX_CLK_DELAY		RESERVED	TX_START_DELAY				RESERVED	TX_32_MODE_EN	RESERVED	TX_AUTO_SEQUENCE	TX_MUX_SEL	RESERVED	TX_BYTE_SWAP	TX_EN_MODE	TX_AUTO_PREAMBLE	TX_ENABLE														

Bits	Field Name	Description	Type	Reset
31	RESERVED		R	0
30:28	TX_CLK_DELAY	In order to guarantee the MII_RT IO timing values published in the device Data Manual, the PRUSS_GICLK clock must be configured for 200MHz (default value) and the TX_CLK_DELAY bitfield must be configured as follows: - 100 Mbps mode: 6h (non-default value) - 10 Mbps mode: 0h (default value).	RW	0x0
27:26	RESERVED		R	0x0
25:16	TX_START_DELAY	Defines the minimum time interval (delay) between receiving the RXDV for the current frame and the start of the transmit interface sending data to the MII interface. Delay value is in units of MII_RT clock cycles, which uses the PRUSS_GICLK (default is 200MHz, or 5ns). Default TX_START_DELAY value is 320ns, which is optimized for minimum latency at 16 bit processing. Counter is started with RX_DV signal going active. Transmit interface stops sending data when no more data is written into transmit interface by PRU along with TX_EOF marker bit set. If the TX FIFO has data when the delay expires, then TX will start sending data. But if the TX FIFO is empty, it will not start until the TX FIFO is not empty. It is possible to overflow the TX FIFO with the max delay setting when auto-forwarding is enabled since the time delay is larger than the amount of data it needs to store. As long as TX L1 FIFO overflows, software will need to issue a TX_RESET to reset the TX FIFO. The total delay is 96-byte times (size of TX FIFO), but delays for synchronization need to be allowed. Do to this fact, the maximum delay should be 80ns less when auto forwarding is enabled. Therefore, 0x3F0 is the maximum in this configuration.	RW	0x40
15:12	RESERVED		R	0x0
11	TX_32_MODE_EN	0x0 Disable 32-bit Data Push mode 0x1 Enable 32-bit, 16-bit, and 8-bit Data Push mode with TX_MASK disabled. In this mode, the internal PRU R30 byte write strobes are used and not the R31 CMD TX_PUSH mode. Any update to R30 will trigger an TX PUSH. See Table Table 30-380	RW	0x0

Bits	Field Name	Description	Type	Reset
10	RESERVED		R	0x0
9	TX_AUTO_SEQUENCE	Enables transmit auto-sequence. Note the transmit data source is determined by TX_MUX_SEL setting. 0x0: Disable 0x1: Enable, transmit state machine based on events on receiver path that is connected to the respective transmitter. TX data from PRU1 is selected Also, the masking logic is disabled and only the MII data is used.	RW	0x0
8	TX_MUX_SEL	Selects transmit data source. The default/reset setting for TX Port 0 is 1. This setting permits MII TX Port 0 to receive data from PRU1 and the MII TX Port 1 which is connected to PRU0 by default. 0x0: Data from PRU0 (default for PRUSS_MII_RT_TXCFG1) 0x1: Data from PRU1 (default for PRUSS_MII_RT_TXCFG0)	RW	0x0
7:4	RESERVED		R	0x0
3	TX_BYTE_SWAP	Defines the order of Byte0/1 placement for TX R30. This bit must be selected/updated when the port is disabled or there is no traffic. 0x0: If PRUSS_MII_RT_TXCFG0/1 [TX_32_MODE_EN] = 0, R30[15:8] = Byte1{Nibble3, Nibble2} R30[7:0] = Byte0{Nibble1, Nibble0} R30[31:24] = TX_MASK[15:8] R30[23:16] = TX_MASK[7:0] If PRUSS_MII_RT_TXCFG0/1 [TX_32_MODE_EN] = 1, R30[31:24] = Byte3{Nibble7, Nibble6} R30[23:16] = Byte2{Nibble5, Nibble4} R30[15:8] = Byte1{Nibble3, Nibble2} R30[7:0] = Byte0{Nibble1, Nibble0} 0x1: If PRUSS_MII_RT_TXCFG0/1 [TX_32_MODE_EN] = 0, R30[15:8] = Byte0{Nibble1, Nibble0} R30[7:0] = Byte1{Nibble3, Nibble2} R30[31:24] = TX_MASK[7:0] R30[23:16] = TX_MASK[15:8] If PRUSS_MII_RT_TXCFG0/1 [TX_32_MODE_EN] = 1, (ONLY SUPPORT 32bit push) R30[31:24] = Byte0{Nibble1, Nibble0} R30[23:16] = Byte1{Nibble3, Nibble2} R30[15:8] = Byte2{Nibble5, Nibble4} R30[7:0] = Byte3{Nibble7, Nibble6} Note Nibble0 is the first nibble received.	RW	0x0
2	TX_EN_MODE	Enables transmit self clear on TX_EOF event. Note that iep_cmp[3] must be set before transmission will start for TX0, and iep_cmp[4] for TX1. This is a new dependency, in addition to TX L1 FIFO not empty and TX_START_DELAY expiration, to start transmission. 0x0: Disable 0x1: Enable, TX_ENABLE will be clear for a TX_EOF event by itself.	RW	0x0
1	TX_AUTO_PREAMBLE	Transmit data auto-preamble. 0x0: PRU will provide full preamble 0x1: TX FIFO will insert pre-ambble automatically Note: the TX FIFO does not get preloaded with the preamble until the first write occurs. This can cause the latency to be larger the min latency.	RW	0x0

Bits	Field Name	Description	Type	Reset
0	TX_ENABLE	Enables transmit traffic on TX PORT. If TX_EN_MODE is set, then TX_ENABLE will self clear during a TX_EOF event. Note Software can use this to pre-fill the TX FIFO and then start the TX frame during non-ECS operations. 0x0: TX PORT is disabled/stopped immediately 0x1: TX PORT is enabled and the frame will start once the IPG counter expired and TX Start Delay counter has expired	RW	0x0

Table 30-395. Register Call Summary for Register PRUSS_MII_RT_TXCFG1

PRU-ICSS MII RT Module

- [PRUSS_MII_RT Register Summary: \[2\]\[3\]](#)
- [PRUSS_MII_RT Register Description: \[4\]\[5\]\[6\]\[7\]](#)

PRU-ICSS Industrial Ethernet Peripheral (IEP)

- [PRU-ICSS Industrial Ethernet Timer Features:](#)

Table 30-396. PRUSS_MII_RT_TX_CRC0

Address Offset	0x0000 0020	Instance	PRUSS1_MII_RT PRUSS2_MII_RT
Physical Address	0x4B23 2020 0x4B2B 2020		
Description	MII TXCRC 0 REGISTER It contains CRC32 which PRU0 reads		
Type	R		

31	30	29	28	27	26	25	24	23	22	21	20	19	18	17	16	15	14	13	12	11	10	9	8	7	6	5	4	3	2	1	0
TX_CRC																															

Bits	Field Name	Description	Type	Reset
31:0	TX_CRC	FCS (CRC32) data can be read by PRU for diagnostics. It is only valid after 6 clocks after a TX_CRC_HIGH command is given.	R	0x0

Table 30-397. Register Call Summary for Register PRUSS_MII_RT_TX_CRC0

PRU-ICSS MII RT Module

- [CRC Computation: \[2\]](#)
- [PRU R31 Command Interface: \[3\]](#)
- [PRUSS_MII_RT Register Summary: \[4\]\[5\]](#)

Table 30-398. PRUSS_MII_RT_TX_CRC1

Address Offset	0x0000 0024	Instance	PRUSS1_MII_RT PRUSS2_MII_RT
Physical Address	0x4B23 2024 0x4B2B 2024		
Description	MII TXCRC 1 REGISTER It contains CRC32 which PRU1 reads		
Type	R		

31	30	29	28	27	26	25	24	23	22	21	20	19	18	17	16	15	14	13	12	11	10	9	8	7	6	5	4	3	2	1	0
TX_CRC																															

Bits	Field Name	Description	Type	Reset
31:0	TX_CRC	FCS (CRC32) data can be read by PRU for diagnostics. It is only valid after 6 clocks after a TX_CRC_HIGH command is given.	R	0x0

Table 30-399. Register Call Summary for Register PRUSS_MII_RT_TX_CRC1

PRU-ICSS MII RT Module

- [PRUSS_MII_RT Register Summary: \[2\]\[3\]](#)

Table 30-400. PRUSS_MII_RT_TX_IPG0

Address Offset	0x0000 0030			
Physical Address	0x4B23 2030 0x4B2B 2030	Instance	PRUSS1_MII_RT PRUSS2_MII_RT	
Description	MII TXIPG 0 REGISTER			
Type	RW			

31	30	29	28	27	26	25	24	23	22	21	20	19	18	17	16	15	14	13	12	11	10	9	8	7	6	5	4	3	2	1	0
RESERVED																TX_IPG															

Bits	Field Name	Description	Type	Reset
31:10	RESERVED		R	0x0
9:0	TX_IPG	Defines the minimum of transmit Inter Packet Gap (IPG) which is the number of PRUSS_GICLK cycles between the de-assertion of TX_EN and the assertion of TX_EN. The start of the TX will get delayed when the incoming packet IPG is less than defined minimum value. In general, software should program in increments of 8, 40ns to insure the extra delays takes effect.	RW	0x28

Table 30-401. Register Call Summary for Register PRUSS_MII_RT_TX_IPG0

PRU-ICSS MII RT Module

- [PRUSS_MII_RT Register Summary: \[2\]\[3\]](#)

Table 30-402. PRUSS_MII_RT_TX_IPG1

Address Offset	0x0000 0034			
Physical Address	0x4B23 2034 0x4B2B 2034	Instance	PRUSS1_MII_RT PRUSS2_MII_RT	
Description	MII TXIPG 1 REGISTER			
Type	RW			

31	30	29	28	27	26	25	24	23	22	21	20	19	18	17	16	15	14	13	12	11	10	9	8	7	6	5	4	3	2	1	0
RESERVED																TX_IPG															

Bits	Field Name	Description	Type	Reset
31:10	RESERVED		R	0x0
9:0	TX_IPG	Defines the minimum of transmit Inter Packet Gap (IPG) which is the number of PRUSS_GICLK cycles between the de-assertion of TX_EN and the assertion of TX_EN. The start of the TX will get delayed when the incoming packet IPG is less than defined minimum value. In general, software should program in increments of 8, 40ns to insure the extra delays takes effect.	RW	0x28

Table 30-403. Register Call Summary for Register PRUSS_MII_RT_TX_IPG1

PRU-ICSS MII RT Module

- [PRUSS_MII_RT Register Summary: \[2\]\[3\]](#)

Table 30-404. PRUSS_MII_RT_PRS0

Address Offset	0x0000 0038	Instance	PRUSS1_MII_RT PRUSS2_MII_RT
Physical Address	0x4B23 2038 0x4B2B 2038		
Description	MII PORT STATUS 0 REGISTER		
Type	R		

31	30	29	28	27	26	25	24	23	22	21	20	19	18	17	16	15	14	13	12	11	10	9	8	7	6	5	4	3	2	1	0
RESERVED																MII_CRS	MII_COL														

Bits	Field Name	Description	Type	Reset
31:2	RESERVED		R	0x0
1	MII_CRS	Read the current state of pr1_mii0_crs	R	0x0
0	MII_COL	Read the current state of pr1_mii0_col	R	0x0

Table 30-405. Register Call Summary for Register PRUSS_MII_RT_PRS0

PRU-ICSS MII RT Module

- [PRUSS_MII_RT Register Summary: \[2\]\[3\]](#)

Table 30-406. PRUSS_MII_RT_PRS1

Address Offset	0x0000 003C	Instance	PRUSS1_MII_RT PRUSS2_MII_RT
Physical Address	0x4B23 203C 0x4B2B 203C		
Description	MII PORT STATUS 1 REGISTER		
Type	R		

31	30	29	28	27	26	25	24	23	22	21	20	19	18	17	16	15	14	13	12	11	10	9	8	7	6	5	4	3	2	1	0
RESERVED																MII_CRS	MII_COL														

Bits	Field Name	Description	Type	Reset
31:2	RESERVED		R	0x0
1	MII_CRS	Read the current state of pr1_mii1_crs	R	0x0
0	MII_COL	Read the current state of pr1_mii1_col	R	0x0

Table 30-407. Register Call Summary for Register PRUSS_MII_RT_PRS1

PRU-ICSS MII RT Module

- [PRUSS_MII_RT Register Summary: \[2\]\[3\]](#)

Table 30-408. PRUSS_MII_RT_RX_FRMS0

Address Offset	0x0000 0040	Instance	PRUSS1_MII_RT PRUSS2_MII_RT
Physical Address	0x4B23 2040 0x4B2B 2040		
Description	MII RXFRMS 0 REGISTER		
Type	RW		

31	30	29	28	27	26	25	24	23	22	21	20	19	18	17	16	15	14	13	12	11	10	9	8	7	6	5	4	3	2	1	0
RX_MAX_FRM																RX_MIN_FRM															

Bits	Field Name	Description	Type	Reset
31:16	RX_MAX_FRM	Defines the maximum received frame count. If the total byte count of received frame is more than defined value, RX_MAX_FRM_ERR will get set. 0x0 = 1 byte after SFD and including CRC N= N+1 bytes after SFD and including CRC Note if the incoming frame is truncated at the marker, RX_CRC and RX_NIBBLE_ODD will not get asserted.	RW	0x5F1
15:0	RX_MIN_FRM	Defines the minimum received frame count. If the total byte count of received frame is less than defined value, RX_MIN_FRM_ERR will get set. 0x0 = 1 byte after SFD and including CRC N=N+1 bytes after SFD and including CRC	RW	0x3F

Table 30-409. Register Call Summary for Register PRUSS_MII_RT_RX_FRMS0

PRU-ICSS MII RT Module

- [PRUSS_MII_RT Register Summary: \[2\]\[3\]](#)

Table 30-410. PRUSS_MII_RT_RX_FRMS1

Address Offset	0x0000 0044	Instance	PRUSS1_MII_RT PRUSS2_MII_RT
Physical Address	0x4B23 2044 0x4B2B 2044		
Description	MII RXFRMS 1 REGISTER		
Type	RW		

31	30	29	28	27	26	25	24	23	22	21	20	19	18	17	16	15	14	13	12	11	10	9	8	7	6	5	4	3	2	1	0
RX_MAX_FRM																RX_MIN_FRM															

Bits	Field Name	Description	Type	Reset
31:16	RX_MAX_FRM	Defines the maximum received frame count. If the total byte count of the received frame is more than defined value, RX_MAX_FRM_ERR will get set. 0x0 = 1 byte after SFD and including CRC N= N+1 bytes after SFD and including CRC Note if the incoming frame is truncated at the marker, RX_CRC and RX_NIBBLE_ODD will not get asserted.	RW	0x5F1
15:0	RX_MIN_FRM	Defines the minimum received frame count. If the total byte count of received frame is less than defined value, RX_MIN_FRM_ERR will get set. 0x0 = 1 byte after SFD and including CRC N=N+1 bytes after SFD and including CRC	RW	0x3F

Table 30-411. Register Call Summary for Register PRUSS_MII_RT_RX_FRMS1

PRU-ICSS MII RT Module

- [PRUSS_MII_RT Register Summary: \[2\]\[3\]](#)

Table 30-412. PRUSS_MII_RT_RX_PCNT0

Address Offset	0x0000 0048	Instance	PRUSS1_MII_RT PRUSS2_MII_RT
Physical Address	0x4B23 2048 0x4B2B 2048		
Description	MII RXPCNT 0 REGISTER		
Type	RW		

31	30	29	28	27	26	25	24	23	22	21	20	19	18	17	16	15	14	13	12	11	10	9	8	7	6	5	4	3	2	1	0
RESERVED																RX_MAX_PCNT				RX_MIN_PCNT											

Bits	Field Name	Description	Type	Reset
31:8	RESERVED		R	0x000000
7:4	RX_MAX_PCNT	Defines the maximum number of nibbles until the start of frame delimiter (SFD) event occurred (i.e. matches 0xD5). RX_MAX_PRE_COUNT_ERR will be set if the preamble counts more than the value of RX_MAX_PCNT. If the SFD does not occur within 16 nibbles, the error will assert and the incoming frame will be truncated. 0x0: Disabled 0x1: Reserved 0x2: 4th nibble needs to have built 0xD5 0xe: 16th nibble needs to have built 0xD5 Note the 16th nibble is transmitted. Note for firmware enabling preamble error detection, it is recommended to keep RX_MAX_PCNT disabled (0x0). Otherwise, hardware can truncate a valid frame with too long of a preamble.	RW	0xE
3:0	RX_MIN_PCNT	Defines the minimum number of nibbles until the start of frame delimiter (SFD) event occurred, which is matched the value 0xD5. RX_MIN_PRE_COUNT_ERR will be set if the preamble counts less than the value of RX_MIN_PCNT. 0x0 Disabled 0x1 1 0x5 before 0xD5 0x2 2 0x5 before 0xD5 N min of N 0x5 before 0xD5 Note it does not need to be "0x5"	RW	0x1

Table 30-413. Register Call Summary for Register PRUSS_MII_RT_RX_PCNT0

PRU-ICSS MII RT Module

- [RX MII Submodule Overview: \[2\]](#)
- [PRUSS_MII_RT Register Summary: \[3\]\[4\]](#)

Table 30-414. PRUSS_MII_RT_RX_PCNT1

Address Offset	0x0000 004C	Instance	PRUSS1_MII_RT PRUSS2_MII_RT
Physical Address	0x4B23 204C 0x4B2B 204C		

Table 30-414. PRUSS_MII_RT_RX_PCNT1 (continued)

Description	MII RXPCNT 1 REGISTER
Type	RW

31	30	29	28	27	26	25	24	23	22	21	20	19	18	17	16	15	14	13	12	11	10	9	8	7	6	5	4	3	2	1	0
RESERVED																RX_MAX_PCNT				RX_MIN_PCNT											

Bits	Field Name	Description	Type	Reset
31:8	RESERVED		R	0x000000
7:4	RX_MAX_PCNT	<p>Defines the maximum number of nibbles until the start of frame delimiter (SFD) event occurred (i.e. matches 0xD5).</p> <p>RX_MAX_PRE_COUNT_ERR will be set if the preamble counts more than the value of RX_MAX_PCNT.</p> <p>If the SFD does not occur within 16 nibbles, the error will assert and the incoming frame will be truncated.</p> <p>0x0: Disabled 0x1: Reserved 0x2: 4th nibble needs to have built 0xD5 0xe: 16th nibble needs to have built 0xD5</p> <p>Note the 16th nibble is transmitted</p> <p>Note for firmware enabling preamble error detection, it is recommended to keep RX_MAX_PCNT disabled (0x0). Otherwise, hardware can truncate a valid frame with too long of a preamble.</p>	RW	0xE
3:0	RX_MIN_PCNT	<p>Defines the minimum number of nibbles until the start of frame delimiter (SFD) event occurred, which is matched the value 0xD5.</p> <p>RX_MIN_PRE_COUNT_ERR will be set if the preamble counts less than the value of RX_MIN_PCNT.</p> <p>0x0 Disabled 0x1: 1 0x5 before 0xD5 0x2: 2 0x5 before 0xD5 N: N 0x5 before 0xD5</p> <p>Note it does not need to be "0x5"</p>	RW	0x1

Table 30-415. Register Call Summary for Register PRUSS_MII_RT_RX_PCNT1

PRU-ICSS MII RT Module

- [PRUSS_MII_RT Register Summary: \[2\]\[3\]](#)

Table 30-416. PRUSS_MII_RT_RX_ERR0

Address Offset	0x0000 0050	Instance	PRUSS1_MII_RT PRUSS2_MII_RT
Physical Address	0x4B23 2050 0x4B2B 2050		
Description	MII RXERR 0 REGISTER		
Type	RWr1Clr		

31	30	29	28	27	26	25	24	23	22	21	20	19	18	17	16	15	14	13	12	11	10	9	8	7	6	5	4	3	2	1	0
RESERVED																												RX_MAX_FRM_ERR	RX_MIN_FRM_ERR	RX_MAX_PCNT_ERR	RX_MIN_PCNT_ERR

Bits	Field Name	Description	Type	Reset
31:4	RESERVED		R	0x00000
3	RX_MAX_FRM_ERR	Error status of received frame is more than the value of RX_MAX_FRM. 0x0: No error occurred 0x1: Error occurred Write 1 to Clear	RWr1Clr	0x0
2	RX_MIN_FRM_ERR	Error status of received frame is less than the value of RX_MIN_FRM_CNT. 0x0: No error occurred 0x1: Error occurred Write 1 to Clear	RWr1Clr	0x0
1	RX_MAX_PCNT_ERR	Error status of received preamble nibble is more than the value of RX_MAX_PCNT. 0x0: No error occurred 0x1: Error occurred Write 1 to Clear	RWr1Clr	0x0
0	RX_MIN_PCNT_ERR	Error status of received preamble nibble is less than the value of RX_MIN_PCNT. 0x0: No error occurred 0x1: Error occurred Write 1 to Clear	RWr1Clr	0x0

Table 30-417. Register Call Summary for Register PRUSS_MII_RT_RX_ERR0

PRU-ICSS MII RT Module

- [PRUSS_MII_RT Register Summary: \[2\]\[3\]](#)

Table 30-418. PRUSS_MII_RT_RX_ERR1

Address Offset	0x0000 0054	Instance	PRUSS1_MII_RT PRUSS2_MII_RT
Physical Address	0x4B23 2054 0x4B2B 2054		
Description	MII RXERR 1 REGISTER		
Type	RWr1Clr		

31	30	29	28	27	26	25	24	23	22	21	20	19	18	17	16	15	14	13	12	11	10	9	8	7	6	5	4	3	2	1	0
RESERVED																												RX_MAX_FRM_ERR	RX_MIN_FRM_ERR	RX_MAX_PCNT_ERR	RX_MIN_PCNT_ERR

Bits	Field Name	Description	Type	Reset
31:4	RESERVED		R	0x00000
3	RX_MAX_FRM_ERR	Error status of received frame is more than the value of RX_MAX_FRM_CNT. 0x0: No error occurred 0x1: Error occurred Write 1 to Clear	RW	0x0
2	RX_MIN_FRM_ERR	Error status of received frame is less than the value of RX_MIN_FRM. 0x0: No error occurred 0x1: Error occurred Write 1 to Clear	RW	0x0
1	RX_MAX_PCNT_ERR	Error status of received preamble nibble is more than the value of RX_MAX_PCNT. 0x0: No error occurred 0x1: Error occurred Write 1 to Clear	RW	0x0
0	RX_MIN_PCNT_ERR	Error status of received preamble nibble is less than the value of RX_MIN_PCNT. 0x0: No error occurred 0x1: Error occurred Write 1 to Clear	RW	0x0

Table 30-419. Register Call Summary for Register PRUSS_MII_RT_RX_ERR1

PRU-ICSS MII RT Module

- [PRUSS_MII_RT Register Summary: \[2\]\[3\]](#)

Table 30-420. PRUSS_MII_RT_RXFLV0

Address Offset	0x0000 0060	Instance	PRUSS2_MII_RT
Physical Address	0x4B2B 2060 0x4B2B 2060		PRUSS2_MII_RT
Description	MII PRUSS_MII_RT_RXFLV0 REGISTER This register defines the number of valid bytes in the RX FIFO MII interface port 0. PRUSS_MII_RT_RXFLV0 is attached to Port RX0. PRUSS_MII_RT_RXFLV0 controls which PRU is selected for RX0		
Type	R		

31	30	29	28	27	26	25	24	23	22	21	20	19	18	17	16	15	14	13	12	11	10	9	8	7	6	5	4	3	2	1	0
RESERVED																RX_FIFO_LEVEL															

Bits	Field Name	Description	Type	Reset
31:8	RESERVED		R	0
7:0	RX_FIFO_LEVEL	Define the number of valid bytes in the RX FIFO 0 = empty 1 = 1 Byte/ 2 Nibbles 2 = 2 Byte/ 4 Nibble ... 32 = 32 Bytes/ 64 Nibbles	R	0x0

Table 30-421. Register Call Summary for Register PRUSS_MII_RT_RXFLV0

PRU-ICSS MII RT Module

- [PRUSS_MII_RT Register Summary: \[2\]\[3\]](#)
- [PRUSS_MII_RT Register Description: \[4\]\[5\]\[6\]](#)

Table 30-422. PRUSS_MII_RT_RXFLV1

Address Offset	0x0000 0064		
Physical Address	0x4B23 2064 0x4B2B 2064	Instance	PRUSS1_MII_RT PRUSS2_MII_RT
Description	MII PRUSS_MII_RT_RXFLV1 REGISTER This register defines the number of valid bytes in the RX FIFO MII interface port 1. PRUSS_MII_RT_RXFLV1 is attached to Port RX1. PRUSS_MII_RT_RXFLV1 controls which PRU is selected for RX1		
Type	R		

31	30	29	28	27	26	25	24	23	22	21	20	19	18	17	16	15	14	13	12	11	10	9	8	7	6	5	4	3	2	1	0
RESERVED																RX_FIFO_LEVEL															

Bits	Field Name	Description	Type	Reset
31:8	RESERVED		R	0
7:0	RX_FIFO_LEVEL	Define the number of valid bytes in the RX FIFO 0 = empty 1 = 1 Byte/ 2 Nibbles 2 = 2 Byte/ 4 Nibble ... 32 = 32 Bytes/ 64 Nibbles	R	0x0

Table 30-423. Register Call Summary for Register PRUSS_MII_RT_RXFLV1

PRU-ICSS MII RT Module

- [PRUSS_MII_RT Register Summary: \[2\]\[3\]](#)
- [PRUSS_MII_RT Register Description: \[4\]\[5\]\[6\]](#)

Table 30-424. PRUSS_MII_RT_TXFLV0

Address Offset	0x0000 0068		
Physical Address	0x4B23 2068 0x4B2B 2068	Instance	PRUSS1_MII_RT PRUSS2_MII_RT
Description	MII PRUSS_MII_RT_TXFLV0 REGISTER This register defines the number of valid bytes in the TX FIFO MII interface port 0. PRUSS_MII_RT_TXFLV0 is attached to Port TX0. PRUSS_MII_RT_TXFLV0 controls which PRU is selected for TX0.		
Type	R		

31	30	29	28	27	26	25	24	23	22	21	20	19	18	17	16	15	14	13	12	11	10	9	8	7	6	5	4	3	2	1	0
RESERVED																TX_FIFO_LEVEL															

Bits	Field Name	Description	Type	Reset
31:8	RESERVED		R	0
7:0	TX_FIFO_LEVEL	Define the number of valid bytes in the TX FIFO 0 = empty 1 = 1 Nibbles 2 = 1 Byte/ 2 Nibble ... 128 = 64 Bytes/ 128 Nibbles ... 192 = 96 Bytes/ 192 Nibbles	R	0x0

Table 30-425. Register Call Summary for Register PRUSS_MII_RT_TXFLV0

PRU-ICSS MII RT Module

- [PRUSS_MII_RT Register Summary: \[2\]\[3\]](#)
- [PRUSS_MII_RT Register Description: \[4\]\[5\]\[6\]](#)

Table 30-426. PRUSS_MII_RT_TXFLV1

Address Offset	0x0000 006C	Instance	PRUSS1_MII_RT PRUSS2_MII_RT
Physical Address	0x4B23 206C 0x4B2B 206C		
Description	MII PRUSS_MII_RT_TXFLV1 REGISTER This register defines the number of valid bytes in the TX FIFO MII interface port 1. PRUSS_MII_RT_TXFLV1 is attached to Port TX1. PRUSS_MII_RT_TXFLV1 controls which PRU is selected for TX1.		
Type	R		

31	30	29	28	27	26	25	24	23	22	21	20	19	18	17	16	15	14	13	12	11	10	9	8	7	6	5	4	3	2	1	0
RESERVED																TX_FIFO_LEVEL															

Bits	Field Name	Description	Type	Reset
31:8	RESERVED		R	0
7:0	TX_FIFO_LEVEL	Define the number of valid bytes in the TX FIFO 0 = empty 1 = 1 Nibbles 2 = 1 Byte/ 2 Nibble ... 128 = 64 Bytes/ 128 Nibbles ... 192 = 96 Bytes/ 192 Nibbles	R	0x0

Table 30-427. Register Call Summary for Register PRUSS_MII_RT_TXFLV1

PRU-ICSS MII RT Module

- [PRUSS_MII_RT Register Summary: \[2\]\[3\]](#)
- [PRUSS_MII_RT Register Description: \[4\]\[5\]\[6\]](#)

30.10 PRU-ICSS MII MDIO Module

This section describes the PRU-ICSS1 and PRU-ICSS2 integrated **MII management interface module - MII_MDIO** module (PRUSS1_MII_MDIO / PRUSS2_MII_MDIO, respectively).

30.10.1 PRU-ICSS MII MDIO Overview

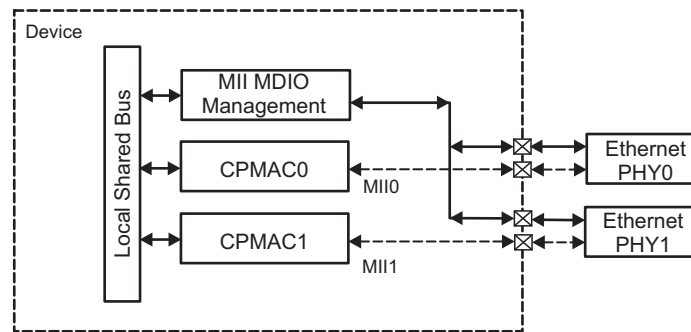
The following features are supported:

- Supports up to 32 PHY addresses.
- Two user access registers to control and monitor up to two PHYs simultaneously.
- Slave interface for configuration and control (MII RT MDIO CFG)

The PRU-ICSS MII MDIO management I/F module implements the **802.3 serial management interface** to interrogate and control two Ethernet PHYs simultaneously using a shared two-wire bus. Figure 1 shows a device with two MACs, each connected to an Ethernet PHY, being managed by the MII interface module using a shared bus.

The [Figure 30-62](#) gives an overview of the MII MDIO management interface.

Figure 30-62. Device PRU-ICSS MII MDIO Management Interface Overview



pruss-041

30.10.2 PRU-ICSS MII MDIO Functional Description

The MII Management interface incorporates:

- **MDIO Registers** - Host interaction with this module is facilitated through the registers in this block.
- **Control and Schedule** - The control and register logic in the MII Management Interface module contain the state machine and scheduling logic which control the wire side operation.
- **MDIO Interface** - The MDIO interface block provides the serial interface to the MDIO interface.

The MDIO logic is fully synchronous to the PRU-ICSS local shared bus clock.

30.10.2.1 MII MDIO Management Interface Frame Formats

The below [Table 30-428](#) shows the read and write format of the 32-bit MII Management interface frames, respectively.

Table 30-428. MII MDIO Frame Formats

Pre- amble	Start Delimiter	Operatio n Code	PHY Address	Register Address	Turnaround	Data
MDIO Read Frame Format						
0xFFFF FFF	01	10	AAAAA	RRRRR	Z0	DDDD.DDDD.DDD D.DDDD
MDIO Write Frame Format						
0xFFFF FFF	01	00	AAAAA	RRRRR	10	DDDD.DDDD.DDD D.DDDD

The default or idle state of the two wire serial interface is a logic one. All tri-state drivers should be disabled and the PHY's pull-up resistor will pull the **MDIO** line to a logic one. Prior to initiating any other transaction, the station management entity shall send a preamble sequence of 32 contiguous logic one bits on the **MDIO** line with 32 corresponding cycles on **MDCLK** to provide the PHY with a pattern that it can use to establish synchronization. A PHY shall observe a sequence of 32 contiguous logic one bits on **MDIO** with 32 corresponding **MDCLK** cycles before it responds to any other transaction.

Preamble

The start of a frame is indicated by a preamble, which consists of a sequence of 32 contiguous bits all of which are a "1". This sequence provides the Ethernet PHY a pattern to use to establish synchronization.

Start Delimiter

The preamble is followed by the start delimiter which is indicated by a "01" pattern. The pattern assures transitions from the default logic one state to zero and back to one.

Operation Code

The operation code for a read is "10", while the operation code for a write is a "00".

Ethernet PHY Address

The PHY address is 5 bits allowing 32 unique values. The first bit transmitted is the MSB of the PHY address.

Register Address

The Register address is 5 bits allowing 32 registers to be addressed within each PHY. Refer to the 10/100 PHY address map for addresses of individual registers.

Turnaround

An idle bit time during which no device actively drives the MDIO signal shall be inserted between the register address field and the data field of a read frame in order to avoid contention. During a read frame, the PHY shall drive a zero bit onto MDIO for the first bit time following the idle bit and preceding the Data field. During a write frame, this field shall consist of a one bit followed by a zero bit.

Data

The Data field is 16 bits. The first bit transmitted and received is the MSB of the data word.

The [Table 30-429](#) shows the PRU-ICSS1 / PRU-ICSS2 MII MDIO signals and their availability at the device boundary.

Table 30-429. PRU-ICSS MII MDIO Control and Interface Signals

MDIO Control Signals			
Pin Name	Type	Available as device I/O	Function
MDIO_LINKINT[1:0]	O	N.A.	Serial interface link change interrupt. Indicates a change in the state of the PHY link.
MDIO_USERINT[1:0]	O	N.A.	Serial interface user command event complete interrupt.
MDIO Interface Signals			
Pin Name	Type	Available as device I/O	Function
MDIO_I	I	device bidi pr1_mdio_data and pr2_mdio_mdclk pin in input mode	Serial data input
MDIO_O	O	device bidi pr1_mdio_data pr2_mdio_mdclk pin in output mode	Serial data output
MDIO_OE_N	O	N.A.	Serial data output enable. Asserted "0" when data output is valid
MDCLK_O	O	device output - pr1_mdio_mdclk pr2_mdio_mdclk	Serial clock output
MLINK_I[1:0]	I	N.A.	Optional link status inputs from PHY. Each input is connected to a single PHY. Unused inputs are tied '0'.

30.10.2.2 PRU-ICSS MII MDIO Interractions

The MII Management I/F will remain idle until enabled by setting the **enable** bit in the **MDIO Control** register. The MII Management I/F will then continuously poll the link status from within the Generic Status Register of all possible 32 PHY addresses in turn recording the results in the **MDIOLink** register. The link status of two of the 32 possible PHY addresses can also be determined using the **MLINK** pin inputs. The **linksel** bit in the **MDIOUserPhySel** register determines the status input that is used. A change in the link status of the two PHYs being monitored will set the appropriate bit in the **MDIOLinkIntRaw** register and the **MDIOLinkIntMasked** register, if enabled by the **linkint_enable** bit in the **MDIOUserPhySel** register.

The **MDIOAlive** register is updated by the MII Management I/F module if the PHY acknowledged the read of the generic status register. In addition, any PHY register read transactions initiated by the host also cause the **MDIOAlive** register to be updated.

At any time, the host can define a transaction for the MII Management interface module to undertake using the **data**, **Ethernet PHY address**, **register address**, and **write** fields in a **MDIOUserAccess** register. When the host sets the **go** bit in this register, the MII Management interface module will begin the transaction without any further intervention from the host. Upon completion, the MII Management interface will clear the **go** bit and set the **userintraw** bit in the **MDIOUserIntRaw** register corresponding to the **MDIOUserAccess** register being used. The corresponding bit in the **MDIOUserIntMasked** register may also be set depending on the mask setting in the **MDIOUserIntMaskSet** and **MDIOUserIntMaskClr** registers. A round-robin arbitration scheme is used to schedule transactions which may be queued by the host in different **MDIOUserAccess** registers. The host should check the status of the **go** bit in the **MDIOUserAccess** register before initiating a new transaction to ensure that the previous transaction has completed. The host can use the **ack** bit in the **MDIOUserAccess** register to determine the status of a read transaction.

It is necessary for software to use the MII Management interface module to setup the autonegotiation parameters of each PHY attached to a MAC port, retrieve the negotiation results, and setup the **MACControl** register in the corresponding MAC.

30.10.2.3 PRU-ICSS MII MDIO Interrupts

The MII Management interface state machine will assert the **MDIO_LINKINT** signals if there is a change in the link state of the Ethernet PHY corresponding to the address in the **phyadr_mon** field of the **MDIOUserPhySel** register and the corresponding **linkint_enable** bit is set. The **MDIO_LINKINT** event is also captured in the **MDIOLinkIntMasked** register. **MDIO_LINKINT[0]** and **MDIO_LINKINT[1]** correspond to the **MDIOUserPhySel0** and **MDIOUserPhySel1** registers, respectively.

When the "GO" bit in the **MDIOUserAccess** registers transitions from '1' to '0', indicating the completion of a user access, and the corresponding **userintmaskset** bit in the

MDIOUserIntMaskSet register is set, the **MDIO_USERINT** signal is asserted '1'. The **MDIO_USERINT** event is also captured in the **MDIOUserIntMasked** register. **MDIO_USERINT[0]** and **MDIO_USERINT[1]** correspond to the **MDIOUserAccess0** and **MDIOUserAccess1** registers, respectively.

30.10.3 PRU-ICSS MII MDIO Receive/Transmit Frame Host Software Interface

To facilitate transmission and reception of serial management frames, the host has to perform the following operations:

- Configure the **preamble** and **clkdiv** fields in the **MDIOControl** register.
- Enable the VBUS MII management module by setting the **enable** bit in the **MDIOControl** register. If Byte access is being used, the **enable** bit should be written last.
- The **MDIOAlive** register can be read after a delay to determine which Ethernet PHYs responded.
- Setup the appropriate PHY addresses in the **MDIOUserPhySel** registers.
- Setup the appropriate **linkint_enable** bit in the **MDIOUserPhySel** register.
- Setup the appropriate **linksel** fields in the **MDIOUserPhySel** register.
- Setup the appropriate **userintmaskset** bits in the **MDIOUserIntMaskSet** register.
- **To write to an Ethernet PHY register** the host should first check to ensure that the **go** bit in a **MDIOUserAccess** register is cleared. The **GO**, **write**, **regadr**, **phyadr** and **data** fields in that

MDIOUserAccess register can then be updated to be appropriate value. If byte access is being used, the go bit should be written last. The write operation to the PHY will be scheduled and completed by the module. Completion of the write operation can be determined by examining the go bit in the **MDIOUserAccess** register. It also results in a transition on the appropriate **MDIO_INT** signal and the corresponding bit in the **MDIOUserIntMasked** register based on the setting of the **MDIOUserIntMaskSet** register.

- **To read from** an Ethernet PHY register the host should first check to ensure that the "GO" bit in a **MDIOUserAccess** register bit is cleared. The **GO**, **regadr**, and **phyadr** fields in that **MDIOUserAccess** register can then be updated to the appropriate value. The read data value will be available in the data field of the MDIOUserAccess register after the module completes the read operation on the serial bus. The completion of the read operation can be determined by examining the "GO" and "ACK" bits in the **MDIOUserAccess** register. It also results in a transition on the appropriate **MDIO_INT** signal and the corresponding bit in the **MDIOUserIntMasked** register based on the setting of the **MDIOUserIntMaskSet** register.
- The module de-asserts the **MDIO_USERINT** signal when the host writes to the appropriate "userintmasked" bit in the **MDIOUserIntMasked** register or the **userintraw** bit in the **MDIOUserIntRaw** register.
- The host can poll the **MDIOLink** register periodically or use the **MDIO_LINKINT** signals to determine the state of the serial interface to a particular Ethernet PHY.
- The module de-asserts the **MDIO_LINKINT** when the host writes to the appropriate linkintraw bit in the **MDIOLinkIntRaw** register or the **linkintmasked** bit in the **MDIOLinkIntMasked** register.

Table 30-430. Summary of the PRU-ICSS MII MDIO Functional Registers

Address Offset	Register Mnemonic	Register Name	Register Purpose
0x04	MDIOControl	PRUSS_MII_MDIO_CONTROL	Module control register
0x08	MDIOAlive	PRUSS_MII_MDIO_ALIVE	Ethernet PHY acknowledge status register
0x0c	MDIOLink	PRUSS_MII_MDIO_LINK	Ethernet PHY link status register
0x10	MDIOLinkIntRaw	PRUSS_MII_MDIO_LINKINTRAW	Link status change interrupt register (raw value)
0x14	MDIOLinkIntMasked	PRUSS_MII_MDIO_LINKINTMASKED	Link status change interrupt register (masked value)
0x18-0x1c	Reserved	-	Reserved
0x20	MDIOUserIntRaw	PRUSS_MII_MDIO_USERINTRAW	User command complete interrupt register (raw value)
0x24	MDIOUserIntMasked	PRUSS_MII_MDIO_USERINTMASKED	User command complete interrupt register (masked value)
0x28	MDIOUserIntMaskSet	PRUSS_MII_MDIO_USERINTMASKSET	User interrupt mask set register
0x2c	MDIOUserIntMaskClr	PRUSS_MII_MDIO_USERINTMASKCLR	User interrupt mask clear register
0x30 – 0x7c	Reserved	-	Reserved
0x80	MDIOUserAccess0	PRUSS_MII_MDIO_USERACCESS0	User access register 0
0x84	MDIOUserPhySel0	PRUSS_MII_MDIO_USERPHYSEL0	User PHY select register 0
0x88	MDIOUserAccess1	PRUSS_MII_MDIO_USERACCESS1	User access register 1
0x8c	MDIOUserPhySel1	PRUSS_MII_MDIO_USERPHYSEL1	User PHY select register 1

Table 30-430. Summary of the PRU-ICSS MII MDIO Functional Registers (continued)

Address Offset	Register Mnemonic	Register Name	Register Purpose
0x90 – 0xff	Reserved	-	Reserved

30.10.4 PRU-ICSS MII MDIO Module Register Manual

30.10.4.1 PRUSS_MII_MDIO Instance Summary

Table 30-431. PRUSS_MII_MDIO Instance Summary

Module Name	Base Address	Size
PRUSS1_MII_MDIO	0x4B23 2400	144 Bytes
PRUSS2_MII_MDIO	0x4B2B 2400	144 Bytes

30.10.4.2 PRUSS_MII_MDIO Registers

30.10.4.2.1 PRUSS_MII_MDIO Register Summary

Table 30-432. PRUSS1_MII_MDIO Registers Mapping Summary

Register Name	Type	Register Width (Bits)	Address Offset	Physical Address
PRUSS_MII_MDIO_VER	R	32	0x0000 0000	0x4B23 2400
PRUSS_MII_MDIO_CONTROL	RW	32	0x0000 0004	0x4B23 2404
PRUSS_MII_MDIO_ALIVE	RW	32	0x0000 0008	0x4B23 2408
PRUSS_MII_MDIO_LINK	R	32	0x0000 000C	0x4B23 240C
PRUSS_MII_MDIO_LINKINTRAW	RW	32	0x0000 0010	0x4B23 2410
PRUSS_MII_MDIO_LINKINTMASKED	RW	32	0x0000 0014	0x4B23 2414
PRUSS_MII_MDIO_USERINTRAW	RW	32	0x0000 0020	0x4B23 2420
PRUSS_MII_MDIO_USERINTMASKED	RW	32	0x0000 0024	0x4B23 2424
PRUSS_MII_MDIO_USERINTMASKSET	RW	32	0x0000 0028	0x4B23 2428
PRUSS_MII_MDIO_USERINTMASKCLR	RW	32	0x0000 002C	0x4B23 242C
PRUSS_MII_MDIO_USERACCESS0	RW	32	0x0000 0080	0x4B23 2480
PRUSS_MII_MDIO_USERPHYSELO	RW	32	0x0000 0084	0x4B23 2484
PRUSS_MII_MDIO_USERACCESS1	RW	32	0x0000 0088	0x4B23 2488
PRUSS_MII_MDIO_USERPHYSEL1	RW	32	0x0000 008C	0x4B23 248C

Table 30-433. PRUSS2_MII_MDIO Registers Mapping Summary

Register Name	Type	Register Width (Bits)	Address Offset	Physical Address
PRUSS_MII_MDIO_VER	R	32	0x0000 0000	0x4B2B 2400
PRUSS_MII_MDIO_CONTROL	RW	32	0x0000 0004	0x4B2B 2404
PRUSS_MII_MDIO_ALIVE	RW	32	0x0000 0008	0x4B2B 2408
PRUSS_MII_MDIO_LINK	R	32	0x0000 000C	0x4B2B 240C
PRUSS_MII_MDIO_LINKINTRAW	RW	32	0x0000 0010	0x4B2B 2410
PRUSS_MII_MDIO_LINKINTMASKED	RW	32	0x0000 0014	0x4B2B 2414
PRUSS_MII_MDIO_USERINTRAW	RW	32	0x0000 0020	0x4B2B 2420
PRUSS_MII_MDIO_USERINTMASKED	RW	32	0x0000 0024	0x4B2B 2424
PRUSS_MII_MDIO_USERINTMASKSET	RW	32	0x0000 0028	0x4B2B 2428

Table 30-433. PRUSS2_MII_MDIO Registers Mapping Summary (continued)

Register Name	Type	Register Width (Bits)	Address Offset	Physical Address
PRUSS_MII_MDIO_USERINTMASKCLR	RW	32	0x0000 002C	0x4B2B 242C
PRUSS_MII_MDIO_USERACCESS0	RW	32	0x0000 0080	0x4B2B 2480
PRUSS_MII_MDIO_USERPHYSELO	RW	32	0x0000 0084	0x4B2B 2484
PRUSS_MII_MDIO_USERACCESS1	RW	32	0x0000 0088	0x4B2B 2488
PRUSS_MII_MDIO_USERPHYSEL1	RW	32	0x0000 008C	0x4B2B 248C

30.10.4.2.2 PRUSS_MII_MDIO Register Description
Table 30-434. PRUSS_MII_MDIO_VER

Address Offset	0x0000 0000		
Physical Address	0x4B23 2400 0x4B2B 2400	Instance	PRUSS1_MII_MDIO PRUSS2_MII_MDIO
Description	MDIO MODULE VERSION REGISTER		
Type	R		

31	30	29	28	27	26	25	24	23	22	21	20	19	18	17	16	15	14	13	12	11	10	9	8	7	6	5	4	3	2	1	0
REVISION																															

Bits	Field Name	Description	Type	Reset
31:0	REVISION	IP Revision.	R	0x- ⁽¹⁾

⁽¹⁾ TI Internal Data

Table 30-435. Register Call Summary for Register PRUSS_MII_MDIO_VER

PRU-ICSS MII MDIO Module

- [PRUSS_MII_MDIO Register Summary: \[0\]\[1\]](#)

Table 30-436. PRUSS_MII_MDIO_CONTROL

Address Offset	0x0000 0004		
Physical Address	0x4B23 2404 0x4B2B 2404	Instance	PRUSS1_MII_MDIO PRUSS2_MII_MDIO
Description	MDIO MODULE CONTROL REGISTER		
Type	RW		

31	30	29	28	27	26	25	24	23	22	21	20	19	18	17	16	15	14	13	12	11	10	9	8	7	6	5	4	3	2	1	0
IDLE	ENABLE	RESERVED	HIGHEST_USER_CHANNEL				RESERVED	PREAMBLE	FAULT	FAULT_DETECT_ENABLE	INT_TEST_ENABLE	RESERVED	CLKDIV																		

Bits	Field Name	Description	Type	Reset
31	IDLE	MDIO state machine IDLE. Set to 1 when the state machine is in the idle state.	R	0x1
30	ENABLE	Enable control. Writing a 1 to this bit enables the MDIO state machine, writing a 0 disables it. If the MDIO state machine is active at the time it is disabled, it will complete the current operation before halting and setting the idle bit. If using byte access, the enable bit has to be the last bit written in this register.	RW	0x0
29	RESERVED		R	0
28:24	HIGHEST_USER_CHANNEL	Highest user channel. This field specifies the highest useraccess channel that is available in the module and is currently set to 1. This implies that MDIOUserAccess1 is the highest available user access channel.	R	0x1
23:21	RESERVED		R	0x0
20	PREAMBLE	Preamble disable. Writing a 1 to this bit disables this device from sending MDIO frame preambles.	RW	0x0
19	FAULT	Fault indicator. This bit is set to 1 if the MDIO pins fail to read back what the device is driving onto them. This indicates a physical layer fault and the module state machine is reset. Writing a 1 to it clears this bit.	RW	0x0
18	FAULT_DETECT_ENABLE	Fault detect enable. This bit has to be set to 1 to enable the physical layer fault detection.	RW	0x0
17	INT_TEST_ENABLE	Interrupt test enable. This bit can be set to 1 to enable the host to set the userint and linkint bits for test purposes.	RW	0x0
16	RESERVED		R	0
15:0	CLKDIV	Clock Divider. This field specifies the division ratio between CLK and the frequency of MDCLK. MDCLK is disabled when clkdiv is set to 0. MDCLK frequency = clk frequency/(clkdiv+1).	RW	0xff

Table 30-437. Register Call Summary for Register PRUSS_MII_MDIO_CONTROL

PRU-ICSS MII MDIO Module

- [PRU-ICSS MII MDIO Receive/Transmit Frame Host Software Interface: \[0\]](#)
- [PRUSS_MII_MDIO Register Summary: \[1\]\[2\]](#)

Table 30-438. PRUSS_MII_MDIO_ALIVE

Address Offset	0x0000 0008	Instance	PRUSS1_MII_MDIO PRUSS2_MII_MDIO
Physical Address	0x4B23 2408 0x4B2B 2408		
Description	PHY ACKNOWLEDGE STATUS REGISTER		
Type	RWr1Clr		

31	30	29	28	27	26	25	24	23	22	21	20	19	18	17	16	15	14	13	12	11	10	9	8	7	6	5	4	3	2	1	0	
ALIVE																																

Bits	Field Name	Description	Type	Reset
31:0	ALIVE	MDIO Alive bitfield. Each of the 32 bits of this register is set if the most recent access to the PHY with address corresponding to the register bit number was acknowledged by the PHY, the bit is reset if the PHY fails to acknowledge the access. Both the user and polling accesses to a PHY will cause the corresponding alive bit to be updated. The alive bits are only meant to be used to give an indication of the presence or not of a PHY with the corresponding address. Writing a 1 to any bit will clear it, writing a 0 has no effect.	RWr1Clr	0x0

Table 30-439. Register Call Summary for Register PRUSS_MII_MDIO_ALIVE

PRU-ICSS MII MDIO Module

- [PRU-ICSS MII MDIO Receive/Transmit Frame Host Software Interface: \[0\]](#)
- [PRUSS_MII_MDIO Register Summary: \[1\]\[2\]](#)

Table 30-440. PRUSS_MII_MDIO_LINK

Address Offset	0x0000 000C	Instance	PRUSS1_MII_MDIO PRUSS2_MII_MDIO
Physical Address	0x4B23 240C 0x4B2B 240C		
Description	PHY LINK STATUS REGISTER		
Type	R		

31	30	29	28	27	26	25	24	23	22	21	20	19	18	17	16	15	14	13	12	11	10	9	8	7	6	5	4	3	2	1	0
LINK																															

Bits	Field Name	Description	Type	Reset
31:0	LINK	MDIO Link state. This register is updated after a read of the Generic Status Register of a PHY. The bit is set if the PHY with the corresponding address has link and the PHY acknowledges the read transaction. The bit is reset if the PHY indicates it does not have link or fails to acknowledge the read transaction. Writes to the register have no effect. In addition, the status of the two PHYs specified in the MDIOUserPhySel registers can be determined using the MLINK input pins. This is determined by the linksel bit in the MDIOUserPhySel register.	R	0x0

Table 30-441. Register Call Summary for Register PRUSS_MII_MDIO_LINK

PRU-ICSS MII MDIO Module

- [PRU-ICSS MII MDIO Receive/Transmit Frame Host Software Interface: \[0\]](#)
- [PRUSS_MII_MDIO Register Summary: \[1\]\[2\]](#)

Table 30-442. PRUSS_MII_MDIO_LINKINTRAW

Address Offset	0x0000 0010	Instance	PRUSS1_MII_MDIO PRUSS2_MII_MDIO
Physical Address	0x4B23 2410 0x4B2B 2410		
Description	LINK STATUS CHANGE INTERRUPT REGISTER (RAW VALUE)		
Type	RWr1Clr		

31	30	29	28	27	26	25	24	23	22	21	20	19	18	17	16	15	14	13	12	11	10	9	8	7	6	5	4	3	2	1	0
RESERVED																												LINKINTRAW			

Bits	Field Name	Description	Type	Reset
31:2	RESERVED		R	0x0000 000
1:0	LINKINTRAW	MDIO link change event, raw value. When asserted '1', a bit indicates that there was an MDIO link change event (i.e. change in the MDIOLink register) corresponding to the PHY address in the MDIOUserPhySel register. linkinraw[0] and linkinraw[1] correspond to MDIOUserPhySel0 and MDIOUserPhysel1 , respectively. Writing a '1' will clear the event and writing 0 has no effect. If the int_test bit in the MDIOControl register is set, the host may set the linkinraw bits to a '1'. This mode may be used for test purposes.	RWr1Clr	0x0

Table 30-443. Register Call Summary for Register PRUSS_MII_MDIO_LINKINTRAW

PRU-ICSS MII MDIO Module

- [PRU-ICSS MII MDIO Receive/Transmit Frame Host Software Interface: \[0\]](#)
- [PRUSS_MII_MDIO Register Summary: \[1\]\[2\]](#)

Table 30-444. PRUSS_MII_MDIO_LINKINTMASKED

Address Offset	0x0000 0014	Instance	PRUSS1_MII_MDIO PRUSS2_MII_MDIO
Physical Address	0x4B23 2414 0x4B2B 2414		
Description	LINK STATUS CHANGE INTERRUPT REGISTER (MASKED VALUE)		
Type	RW		

31	30	29	28	27	26	25	24	23	22	21	20	19	18	17	16	15	14	13	12	11	10	9	8	7	6	5	4	3	2	1	0
RESERVED																												LINKINTMASKED			

Bits	Field Name	Description	Type	Reset
31:2	RESERVED		R	0x0000 000
1:0	LINKINTMASKED	MDIO link change interrupt, masked value. When asserted '1', a bit indicates that there was an MDIO link change event (i.e. change in the MDIOLink register) corresponding to the PHY address in the MDIOUserPhySel register and the corresponding linkint_enable bit was set.. linkintmasked[0] and linkintmasked[1] correspond to MDIOUserPhySel0 and MDIOUserPhysel1, respectively. Writing a '1' will clear the interrupt and writing 0 has no effect. If the int_test bit in the MDIOControl register is set, the host may set the linkint bits to a '1'. This mode may be used for test purposes.	RW	0x0

Table 30-445. Register Call Summary for Register PRUSS_MII_MDIO_LINKINTMASKED

PRU-ICSS MII MDIO Module

- [PRU-ICSS MII MDIO Receive/Transmit Frame Host Software Interface: \[0\]](#)
- [PRUSS_MII_MDIO Register Summary: \[1\]\[2\]](#)

Table 30-446. PRUSS_MII_MDIO_USERINTRAW

Address Offset	0x0000 0020		
Physical Address	0x4B23 2420 0x4B2B 2420	Instance	PRUSS1_MII_MDIO PRUSS2_MII_MDIO
Description	USER COMMAND COMPLETE INTERRUPT REGISTER (RAW VALUE)		
Type	RW		

31	30	29	28	27	26	25	24	23	22	21	20	19	18	17	16	15	14	13	12	11	10	9	8	7	6	5	4	3	2	1	0
RESERVED																USERINTRAW															

Bits	Field Name	Description	Type	Reset
31:2	RESERVED		R	0x0000 000
1:0	USERINTRAW	Raw value of MDIO user command complete event for MDIOUserAccess1 through MDIOUserAccess0, respectively. When asserted '1', a bit indicates that the previously scheduled PHY read or write command using that particular MDIOUserAccess register has completed. Writing a '1' will clear the event and writing '0' has no effect. If the int_test bit in the MDIOControl register is set, the host may set the userintraw bits to a '1'. This mode may be used for test purposes.	RW	0x0

Table 30-447. Register Call Summary for Register PRUSS_MII_MDIO_USERINTRAW

PRU-ICSS MII MDIO Module

- [PRU-ICSS MII MDIO Receive/Transmit Frame Host Software Interface: \[0\]](#)
- [PRUSS_MII_MDIO Register Summary: \[1\]\[2\]](#)

Table 30-448. PRUSS_MII_MDIO_USERINTMASKED

Address Offset	0x0000 0024		
Physical Address	0x4B23 2424 0x4B2B 2424	Instance	PRUSS1_MII_MDIO PRUSS2_MII_MDIO
Description	USER COMMAND COMPLETE INTERRUPT REGISTER (MASKED VALUE)		
Type	RW		

31	30	29	28	27	26	25	24	23	22	21	20	19	18	17	16	15	14	13	12	11	10	9	8	7	6	5	4	3	2	1	0
RESERVED																USERINTMASKED															

Bits	Field Name	Description	Type	Reset
31:2	RESERVED		R	0x0000 000
1:0	USERINTMASKED	Masked value of MDIO user command complete interrupt for MDIOUserAccess1 through MDIOUserAccess0, respectively. When asserted '1', a bit indicates that the previously scheduled PHY read or write command using that particular MDIOUserAccess register has completed and the corresponding userintmaskset bit is set to '1'. Writing a '1' will clear the interrupt and writing '0' has no effect. If the int_test bit in the MDIOControl register is set, the host may set the userintmasked bits to a '1'. This mode may be used for test purposes.	RW	0x0

Table 30-449. Register Call Summary for Register PRUSS_MII_MDIO_USERINTMASKED

PRU-ICSS MII MDIO Module

- [PRU-ICSS MII MDIO Receive/Transmit Frame Host Software Interface: \[0\]](#)
- [PRUSS_MII_MDIO Register Summary: \[1\]\[2\]](#)

Table 30-450. PRUSS_MII_MDIO_USERINTMASKSET

Address Offset	0x0000 0028	Instance	PRUSS1_MII_MDIO PRUSS2_MII_MDIO
Physical Address	0x4B23 2428 0x4B2B 2428		
Description	USER INTERRUPT MASK SET REGISTER		
Type	RW		

31	30	29	28	27	26	25	24	23	22	21	20	19	18	17	16	15	14	13	12	11	10	9	8	7	6	5	4	3	2	1	0
RESERVED																												USERINTMASKEDSET			

Bits	Field Name	Description	Type	Reset
31:2	RESERVED		R	0x0000 000
1:0	USERINTMASKEDSET	MDIO user interrupt mask set for userintmasked[1:0], respectively. Writing a bit to '1' will enable MDIO user command complete interrupts for that particular MDIOUserAccess register. MDIO user interrupt for a particular MDIOUserAccess register is disabled if the corresponding bit is '0'. Writing a '0' to this register has no effect.	RW	0x0

Table 30-451. Register Call Summary for Register PRUSS_MII_MDIO_USERINTMASKSET

PRU-ICSS MII MDIO Module

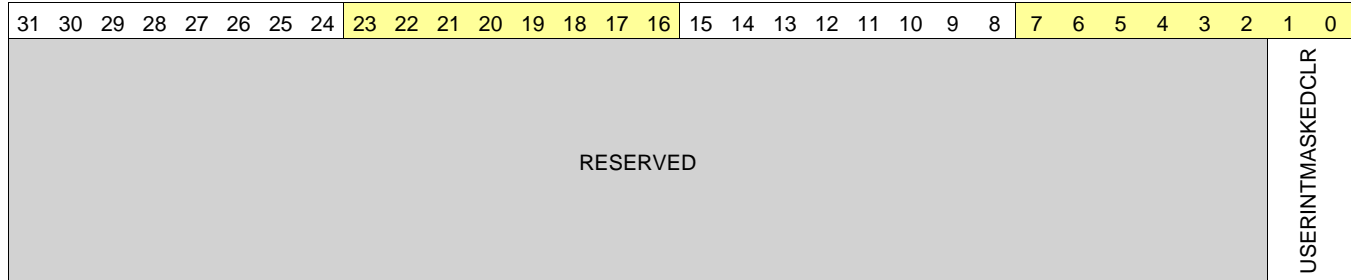
- [PRU-ICSS MII MDIO Receive/Transmit Frame Host Software Interface: \[0\]](#)
- [PRUSS_MII_MDIO Register Summary: \[1\]\[2\]](#)

Table 30-452. PRUSS_MII_MDIO_USERINTMASKCLR

Address Offset	0x0000 002C	Instance	PRUSS1_MII_MDIO PRUSS2_MII_MDIO
Physical Address	0x4B23 242C 0x4B2B 242C		

Table 30-452. PRUSS_MII_MDIO_USERINTMASKCLR (continued)

Description	USER INTERRUPT MASK CLEAR REGISTER
Type	RW



Bits	Field Name	Description	Type	Reset
31:2	RESERVED		R	0x0000 000
1:0	USERINTMASKEDCLR	MDIO user command complete interrupt mask clear for userintmasked[1:0], respectively. Writing a bit to '1' will disable further user command complete interrupts for that particular MDIOUserAccess register. Writing a '0' to this register has no effect.	RW	0x0

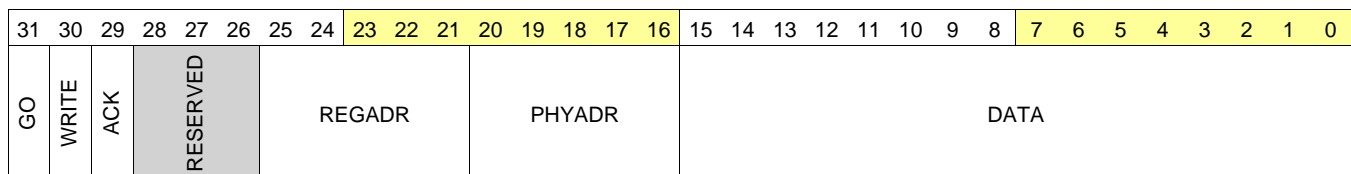
Table 30-453. Register Call Summary for Register PRUSS_MII_MDIO_USERINTMASKCLR

PRU-ICSS MII MDIO Module

- [PRU-ICSS MII MDIO Receive/Transmit Frame Host Software Interface: \[0\]](#)
- [PRUSS_MII_MDIO Register Summary: \[1\]\[2\]](#)

Table 30-454. PRUSS_MII_MDIO_USERACCESS0

Address Offset	0x0000 0080	
Physical Address	0x4B23 2480 0x4B2B 2480	Instance
		PRUSS1_MII_MDIO PRUSS2_MII_MDIO
Description	USER ACCESS REGISTER0	
Type	RW	



Bits	Field Name	Description	Type	Reset
31	GO	Go. Writing a 1 to this bit causes the MDIO state machine to perform an MDIO access when it is convenient for it to do so, this is not an instantaneous process. Writing a 0 to this bit has no effect. This bit is write able only if the MDIO state machine is enabled. This bit will self clear when the requested access has been completed. Any writes to the MDIOUserAccess0 register are blocked when the go bit is '1'. If byte access is being used, the go bit should be written last.	RW	0x0
30	WRITE	Write enable. Setting this bit to a 1 causes the MDIO transaction to be a register write, otherwise it is a register read.	RW	0x0

Bits	Field Name	Description	Type	Reset
29	ACK	Acknowledge. This bit is set if the PHY acknowledged the read transaction.	RW	0x0
28:26	RESERVED		R	0x0
25:21	REGADR	Register address. This field specifies the PHY register to be accessed for this transaction.	RW	0x0
20:16	PHYADR	PHY address. This field specifies the PHY to be accessed for this transaction.	RW	0x0
15:0	DATA	User data. The data value read from or to be written to the specified PHY register.	RW	0x0

Table 30-455. Register Call Summary for Register PRUSS_MII_MDIO_USERACCESS0

PRU-ICSS MII MDIO Module

- [PRU-ICSS MII MDIO Receive/Transmit Frame Host Software Interface: \[0\]](#)
- [PRUSS_MII_MDIO Register Summary: \[1\]\[2\]](#)

Table 30-456. PRUSS_MII_MDIO_USERPHYSEL0

Address Offset	0x0000 0084	Instance	PRUSS1_MII_MDIO PRUSS2_MII_MDIO
Physical Address	0x4B23 2484 0x4B2B 2484		
Description	USER PHY SELECT REGISTER0		
Type	RW		

31	30	29	28	27	26	25	24	23	22	21	20	19	18	17	16	15	14	13	12	11	10	9	8	7	6	5	4	3	2	1	0
RESERVED																LINKSEL	LINKINT_ENABLE	RESERVED	PHYADR_MON												

Bits	Field Name	Description	Type	Reset
31:8	RESERVED		R	0x0000 00
7	LINKSEL	Link status determination select. Set to '1' to determine link status using the MLINK pin. Default value is '0' which implies that the link status is determined by the MDIO state machine.	RW	0x0
6	LINKINT_ENABLE	Link change interrupt enable. Set to '1' to enable link change status interrupts for PHY address specified in phyadr_mon. Link change interrupts are disabled if this bit is set to '0'.	RW	0x0
5	RESERVED		R	0
4:0	PHYADR_MON	PHY address whose link status is to be monitored.	RW	0x0

Table 30-457. Register Call Summary for Register PRUSS_MII_MDIO_USERPHYSEL0

PRU-ICSS MII MDIO Module

- [PRU-ICSS MII MDIO Receive/Transmit Frame Host Software Interface: \[0\]](#)
- [PRUSS_MII_MDIO Register Summary: \[1\]\[2\]](#)

Table 30-458. PRUSS_MII_MDIO_USERACCESS1

Address Offset	0x0000 0088	Instance	PRUSS1_MII_MDIO PRUSS2_MII_MDIO
Physical Address	0x4B23 2488 0x4B2B 2488		
Description	USER ACCESS REGISTER1		
Type	RW		

31	30	29	28	27	26	25	24	23	22	21	20	19	18	17	16	15	14	13	12	11	10	9	8	7	6	5	4	3	2	1	0	
GO	WRITE	ACK	RESERVED					REGADR			PHYADR																					

Bits	Field Name	Description	Type	Reset
31	GO	Go. Writing a 1 to this bit causes the MDIO state machine to perform an MDIO access when it is convenient for it to do so, this is not an instantaneous process. Writing a 0 to this bit has no effect. This bit is write able only if the MDIO state machine is enabled. This bit will self clear when the requested access has been completed. Any writes to the MDIOUserAccess0 register are blocked when the go bit is '1'. If byte access is being used, the go bit should be written last.	RW	0x0
30	WRITE	Write enable. Setting this bit to a 1 causes the MDIO transaction to be a register write, otherwise it is a register read.	RW	0x0
29	ACK	Acknowledge. This bit is set if the PHY acknowledged the read transaction.	RW	0x0
28:26	RESERVED		R	0x0
25:21	REGADR	Register address. This field specifies the PHY register to be accessed for this transaction.	RW	0x0
20:16	PHYADR	PHY address. This field specifies the PHY to be accessed for this transaction.	RW	0x0
15:0	DATA	User data. The data value read from or to be written to the specified PHY register.	RW	0x0

Table 30-459. Register Call Summary for Register PRUSS_MII_MDIO_USERACCESS1

PRU-ICSS MII MDIO Module

- [PRU-ICSS MII MDIO Receive/Transmit Frame Host Software Interface: \[0\]](#)
- [PRUSS_MII_MDIO Register Summary: \[1\]\[2\]](#)

Table 30-460. PRUSS_MII_MDIO_USERPHYSEL1

Address Offset	0x0000 008C	Instance	PRUSS1_MII_MDIO PRUSS2_MII_MDIO
Physical Address	0x4B23 248C 0x4B2B 248C		
Description	USER PHY SELECT REGISTER1		
Type	RW		

31	30	29	28	27	26	25	24	23	22	21	20	19	18	17	16	15	14	13	12	11	10	9	8	7	6	5	4	3	2	1	0
RESERVED																LINKSEL	LINKINT_ENABLE	RESERVED	PHYADR_MON												

Bits	Field Name	Description	Type	Reset
31:8	RESERVED		R	0x0000 000
7	LINKSEL	Link status determination select. Set to '1' to determine link status using the MLINK pin. Default value is '0' which implies that the link status is determined by the MDIO state machine.	RW	0x0
6	LINKINT_ENABLE	Link change interrupt enable. Set to '1' to enable link change status interrupts for PHY address specified in phyadr_mon. Link change interrupts are disabled if this bit is set to '0'.	RW	0x0
5	RESERVED		R	0
4:0	PHYADR_MON	PHY address whose link status is to be monitored.	RW	0x0

Table 30-461. Register Call Summary for Register PRUSS_MII_MDIO_USERPHYSEL1

PRU-ICSS MII MDIO Module

- [PRU-ICSS MII MDIO Receive/Transmit Frame Host Software Interface: \[0\]](#)
- [PRUSS_MII_MDIO Register Summary: \[1\]\[2\]](#)

30.11 PRU-ICSS Industrial Ethernet Peripheral (IEP)

This section describes the Industrial Ethernet Peripheral (IEP) module which is part of the PRU-ICSS.

NOTE: PRU-ICSS2 IEP I/Os are not pinned out on AM570x. However, some internal features (such as the IEP timer) are still supported.

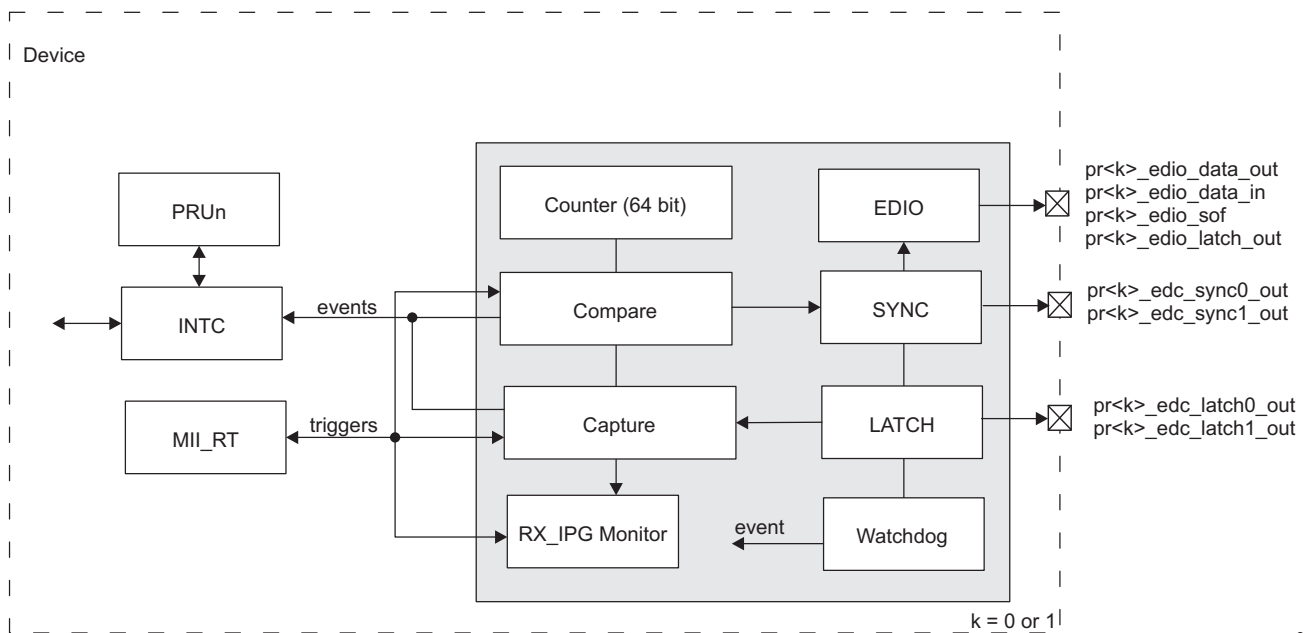
30.11.1 PRU-ICSS IEP Overview

The Industrial Ethernet Peripheral (IEP) performs hardware work required for industrial ethernet functions. The IEP module features an industrial ethernet timer with 16 compare events, industrial ethernet sync generator and latch capture, industrial ethernet watchdog timer, and a digital I/O port (DIGIO).

30.11.2 PRU-ICSS IEP Functional Description

This section provides the functional description of the IEP components. The IEP functional block diagram is shown in .

Figure 30-63. Functional Block Diagram



pruss-030

30.11.2.1 PRU-ICSS IEP Clock Generation

The IEP has a selectable module input clock (ICSS_IEP_CLK input, see also Section 30.3). The clock source is selected by the state of the IEPCLK.OCP_EN bit within the PRU-ICSS CFG register space.

Two clock sources are supported for the IEP input clock:

- PRUSS_IEP_CLK: The default functional clock for IEP derived from PRCM. Runs at 200 MHz.
- PRUSS_GICLK: The PRUSS_CFG gateable interface clock derived from PRCM.

Switching from PRUSS_IEP_CLK to PRUSS_GICLK is done by writing 1 to the PRUSS_IEPCLK.OCP_EN bit. This is a one time configuration step before enabling the IEP function. Switching back from PRUSS_GICLK to PRUSS_IEP_CLK is only supported through a hardware reset of the PRU-ICSS.

CAUTION

When software enables the clock (at PRU-ICSS level) to the IEP module clock input via setting bit [PRUSS_IEPCLK\[0\] OCP_EN](#) to 0b1 in the PRUSS_CFG space, there must be NO in-flight transactions to the IEP block.

CAUTION

ONLY switching from PRUSS_IEP_CLK (the IEP specific functional clock source) to the PRUSS_GICLK (top level interface clock) source is supported in software by device integrated PRU-ICSS. Switching back from PRUSS_GICLK to PRUSS_IEP_CLK is ONLY supported via assertion of a hardware reset to the PRU-ICSS.

30.11.2.2 PRU-ICSS Industrial Ethernet Timer

The industrial ethernet timer is a simple 64-bit timer. This timer is intended for use by industrial ethernet functions but can also be leveraged as a generic timer in other applications.

30.11.2.2.1 PRU-ICSS Industrial Ethernet Timer Features

The industrial ethernet timer supports the following features:

- One master 64-bit count-up counter with an overflow status bit.
 - Runs on PRUSS_IEP_CLK or PRUSS_GICLK.
 - Write 1 to clear status.
 - Supports a programmable increment value from 1 to 16 (default 5).
 - An optional compensation method allows the increment value to apply compensation increment value from 1 to 16 count up to 2^{24} PRUSS_IEP_CLK/PRUSS_GICLK events with additional slow compensation mode
- 10x 64-bit capture registers:
 - 8 capture inputs, with optional synchronous or asynchronous mode:
 - 6x rise capture, [PRUSS_IEP_CAPTURE_RISE0i/PRUSS_IEP_CAPTURE_RISE1i](#) (where i=0 to 5)
 - 2x rise capture- [PRUSS_IEP_CAPTURE_RISE06/PRUSS_IEP_CAPTURE_RISE16](#) and [PRUSS_IEP_CAPTURE_RISE07/PRUSS_IEP_CAPTURE_RISE17](#), each combined with a fall capture- [PRUSS_IEP_CAPTURE_FALL06/PRUSS_IEP_CAPTURE_FALL16](#) and [PRUSS_IEP_CAPTURE_FALL07/PRUSS_IEP_CAPTURE_FALL17](#), respectively
 - One global event (any capture event) output for interrupt
- 16x 64-bit compare registers: [PRUSS_IEP_COMPARE0j/PRUSS_IEP_COMPARE1j](#) (where j=0 to 15) and [PRUSS_IEP_COMPARE_STATUS](#).
 - 16 status bits, write 1 to clear
 - 16 individual event outputs
 - One global event output for interrupt generation triggered by any compare event
- 32 outputs, one high-level and one high-pulse for each compare hit event
- [PRUSS_IEP_COMPARE_CFG\[0\] CMP0_RST_CNT_EN](#), if enabled, will reset the master counter
- [pwm0_sync_out/pwm3_sync_out](#), if enabled, will reset the master counter
- master counter reset-state is programmable

30.11.2.2.2 Industrial Ethernet Mapping

Some of the capture inputs and compare registers are mapped to specific industrial ethernet functions in hardware, shown in [Table 30-462](#). All capture inputs are mapped to industrial ethernet functions, and these inputs are not available for any other application. The cmp1 and cmp2 compare registers also function as the start time triggers for SYNC0 and SYNC1, respectively.

Table 30-462. PRU-ICSS Industrial Ethernet Timer Mode Mapping

Capture Input	PRU-ICSS IEP line/function
CAP[0], rise only	PRU0_RX_SOF
CAP[1], rise only	PRU0_RX_SFD
CAP[2], rise only	PRU1_RX_SOF
CAP[3], rise only	PRU1_RX_SFD
CAP[4], rise only	PORT0_TX_SOF
CAP[5], rise only	PORT1_TX_SOF
CAP[6], rise and fall	pr1/2_edc_latch0_in (device input pin)
CAP[7], rise and fall	p1/2_edc_latch1_in (device input pin)
cmp[1]	For Sync0 trigger of start time
cmp[2]	For Sync1 trigger of start time; only valid in the independent mode
cmp[3]	For MII TX start trigger, if PRUSS_MII_RT_TXCFG0[0] TX_EN_MODE is enabled
cmp[4]	For MII TX start trigger, if PRUSS_MII_RT_TXCFG1[0] TX_EN_MODE is enabled

30.11.2.2.3 PRU-ICSS Industrial Ethernet Timer Basic Programming Sequence

Follow these basic steps to configure the IEP Timer.

Compare function:

- Initialize timer to known state (default values)
 - Disable counter ([PRUSS_IEP_GLOBAL_CFG\[0\]](#) CNT_ENABLE = 0)
 - Reset Count Register ([PRUSS_IEP_LOW_COUNTER](#), [PRUSS_IEP_HIGH_COUNTER](#)) by writing 0xFFFFFFFF to clear
 - Clear overflow status register ([PRUSS_IEP_STATUS\[0\]](#) CNT_OVF = 1)
 - Clear compare status ([PRUSS_IEP_COMPARE_STATUS](#)) by writing 0xFFFFFFFF to clear
- Set compare values [PRUSS_IEP_COMPARE0j](#),[PRUSS_IEP_COMPARE1j](#)
- Enable compare events ([PRUSS_IEP_COMPARE_CFG\[8:1\]](#) CMP_EN).
- Set increment value ([PRUSS_IEP_GLOBAL_CFG\[7:4\]](#) DEFAULT_INC).
- Set compensation value ([PRUSS_IEP_COMPENSATION\[23:0\]](#) COMPEN_CNT)
- Enable counter ([PRUSS_IEP_GLOBAL_CFG\[0\]](#) CNT_ENABLE = 1)

30.11.2.3 PRU-ICSS IEP Sync0/Sync1 Signals Generation

The industrial ethernet sync block supports the generation of two synchronization signals: SYNC0 and SYNC1. SYNC0 and SYNC1 can be directly mapped to output signals (pr1/2_edc_sync0_out and pr1/2_edc_sync1_out) for external devices to use. They can also be used for internal synchronization within the PRU-ICSS. These signals are also mapped as system events and can therefore be mapped to the ARMSS Host interrupts.

30.11.2.3.1 PRU-ICSS IEP Sync0/Sync1 Features

The industrial ethernet sync block supports the following features:

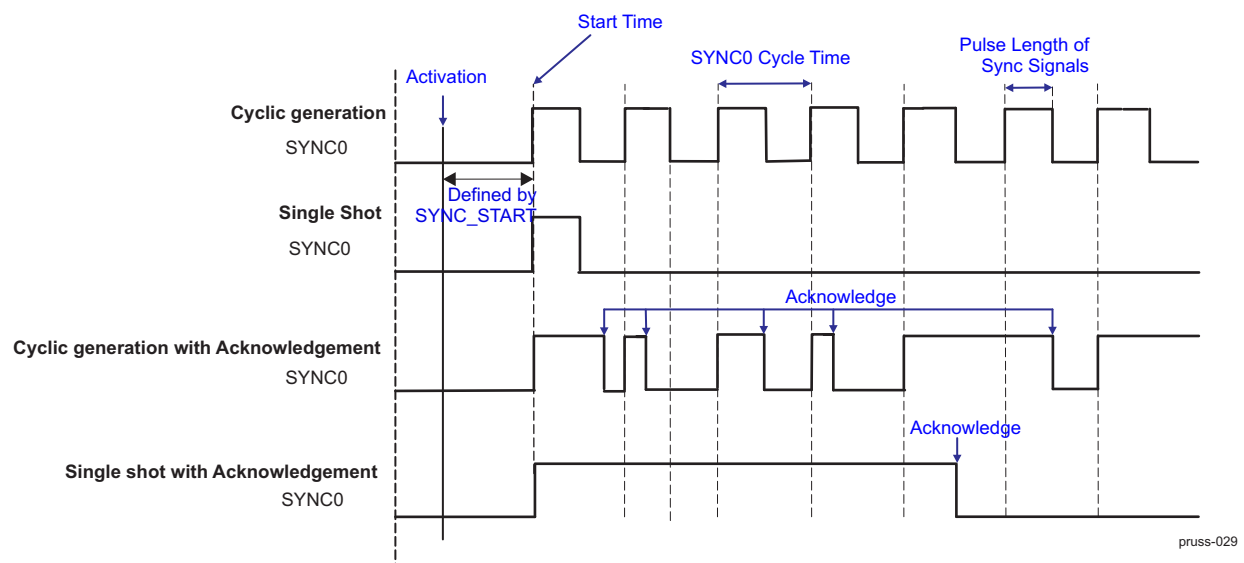
- Two synchronize generation signals (SYNC0, SYNC1)
 - Activation time synchronized with IEP Timer
 - CMP[1] triggers SYNC0 activation time

- CMP[2] triggers SYNC1 activation time (only valid in the independent mode)
 - Pulse width defined by registers or ack mode (remain asserted until software acknowledged)
 - Cyclic or single-shot operation
 - Option to enable or disable sync generation
- Programmable number of clock cycles between the start of SYNC0 to the start of SYNC1

30.11.2.3.2 PRU-ICSS IEP Sync0/Sync1 Generation Modes

There are four modes of operation for the sync signals: cyclic mode, single shot mode, cyclic with acknowledge mode, and single shot with acknowledge mode. Figure 30-64 shows examples of these modes. The start time is set by the `PRUSS_IEP_SYNC_START` register. The cycle time is configured by the `PRUSS_IEP_SYNC0_PERIOD` register. The pulse length is defined by `PRUSS_IEP_SYNC_PWIDTH` register.)

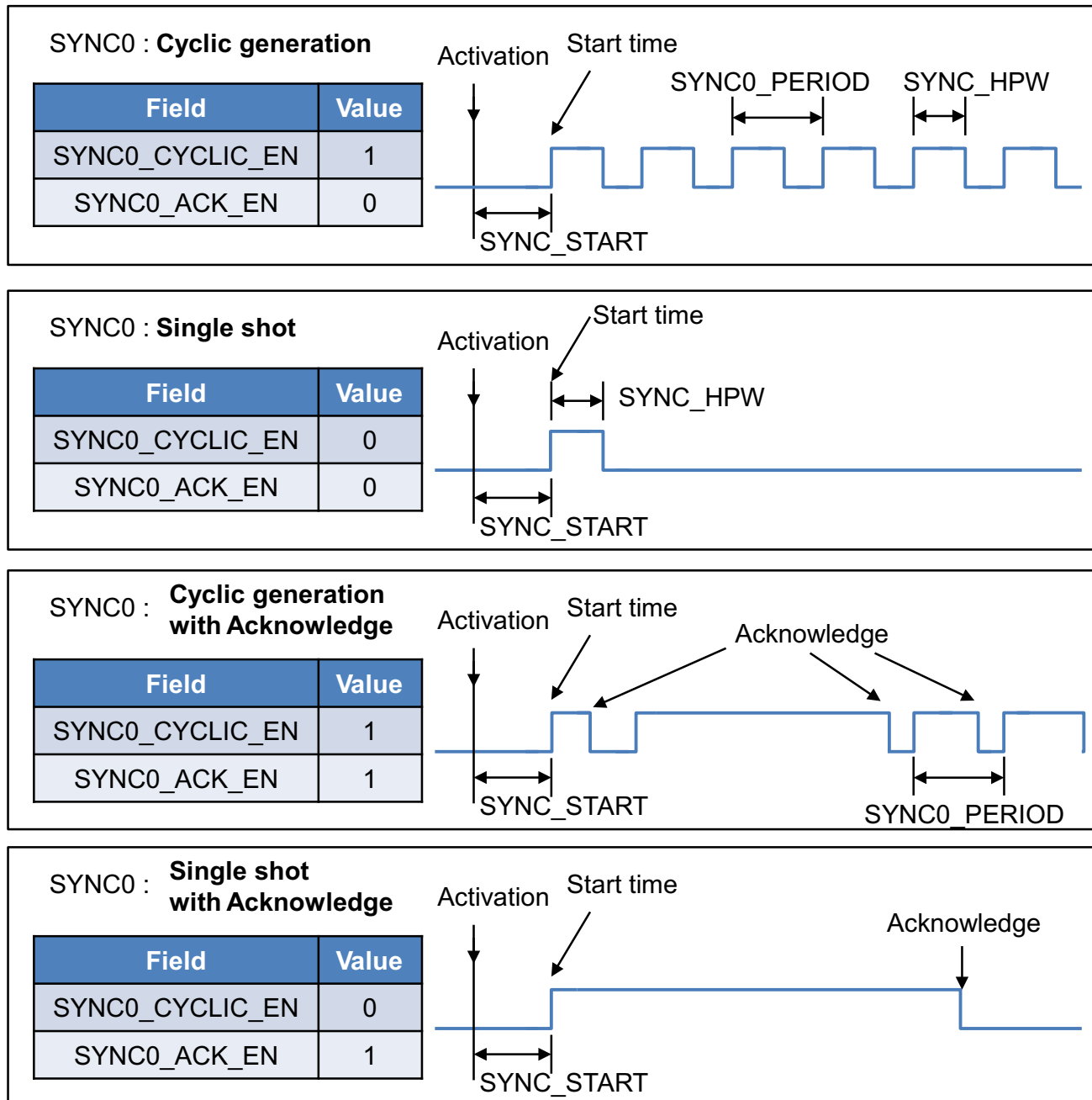
Figure 30-64. PRU-ICSS IEP SYNC0 Signal Generation Modes



In SYNC1 dependent mode (`PRUSS_IEP_SYNC_CTRL.SYNC1_IND_EN = 0`), SYNC1 depends on SYNC0 and the start time of the SYNC1 can be defined by the `PRUSS_IEP_SYNC1_DELAY` register. Figure 30-65 shows different examples when changing the value in the `PRUSS_IEP_SYNC1_DELAY` register. Note if the SYNC1 delay time is 0, SYNC1 reflects SYNC0.

Cyclic generation cannot be used for network time synchronized applications because only the CMP1/CMP2 hit occurs in the compensated time domain.

Figure 30-65. Examples of the Dependent Mode of SYNC1



pruss-031

30.11.2.4 PRU-ICSS Industrial Ethernet WatchDog

In industrial ethernet applications, the watchdog timer (WD) is used as a safety feature to monitor process data communication and to turn off the outputs of the digital input/output (DIGIO) functional block after a set time. The WD will thereby protect the system from errors or faults by timeout or expiration. The expiration is used to initiate corrective action in order to keep the system in a safe state and restore normal operation based on configuration. Therefore, if the system is stable, the watchdog timer should be regularly reset or cleared to avoid timeout or expiration.

30.11.2.4.1 Features

The PRU-ICSS IEP WatchDog (WD) timer features:

- One 32-bit pre-divider for generating a WD clock (default 100µs) based on iep_clk input
- Two 16-bit Watchdog Timers:
 - PDI_WD for Sync Managers WD, used in conjunction with digital input/output (DIGIO)
 - PD_WD for data link layer user WD, used in conjunction with data link layer or application layer interface actions

NOTE: For more details on the PRU-ICSS Industrial Ethernet Watchdog timer, refer also to the PRUSS_IEP_WD_x register descriptions covered in the [Section 30.11.3.2.2](#).

30.11.2.5 PRU-ICSS Industrial Ethernet Digital IOs

The IEP Digital I/O (DIGIO) block provides dedicated I/Os intended for industrial ethernet protocols, but they can also be used as generic I/Os in other applications. The digital inputs can be sampled when specific events occur, or continuously as a raw input. Likewise, driving the digital outputs can be triggered by specific events, or controlled by software. The timing, delay cycle clocks, data sources, and data valid of the digital input and outputs are controlled by the [PRUSS_IEP_DIGIO_CTRL](#) and [PRUSS_IEP_DIGIO_EXP](#) registers.

30.11.2.5.1 Features

The industrial ethernet digital I/O supports the following features:

- Digital data output
 - 8 channels (pr1_edio_data_out[7:0])
 - Five event options for driving output data output:
 - End of frame event (PRU0/1_RX_EOF)
 - SYNC0 events
 - SYNC1 events
 - Watchdog trigger
 - Software enable
- Digital data out enable (optional tri-state control)
- Digital data input
 - 8 channels (pr1_edio_data_in[7:0])
 - [PRUSS_IEP_DIGIO_DATA_IN_RAW](#) supports direct sampling of pr1_edio_data_in
 - DIGIO_DATA_IN supports four event options to trigger sampling of pr1_edio_data_in:
 - Start of frame event in start of frame (SOF) mode
 - pr1_edio_latch_in event
 - SYNC0 events
 - SYNC1 events

30.11.2.5.2 DIGIO Block Diagrams

[Figure 30-66](#) shows the signals and registers for capturing the DIGIO data in. Note that IN_MODE in the [PRUSS_IEP_DIGIO_CTRL](#) register must be set to 1 for data to be latched on the external pr1_edio_latch_in signal. In PRU0/1_RX_SOF mode, the delay time of capturing pr1_edio_data_in is programmable through the SOF_DLY bit of the [PRUSS_IEP_DIGIO_EXP](#) register.

Figure 30-66. IEP DIGIO Data In

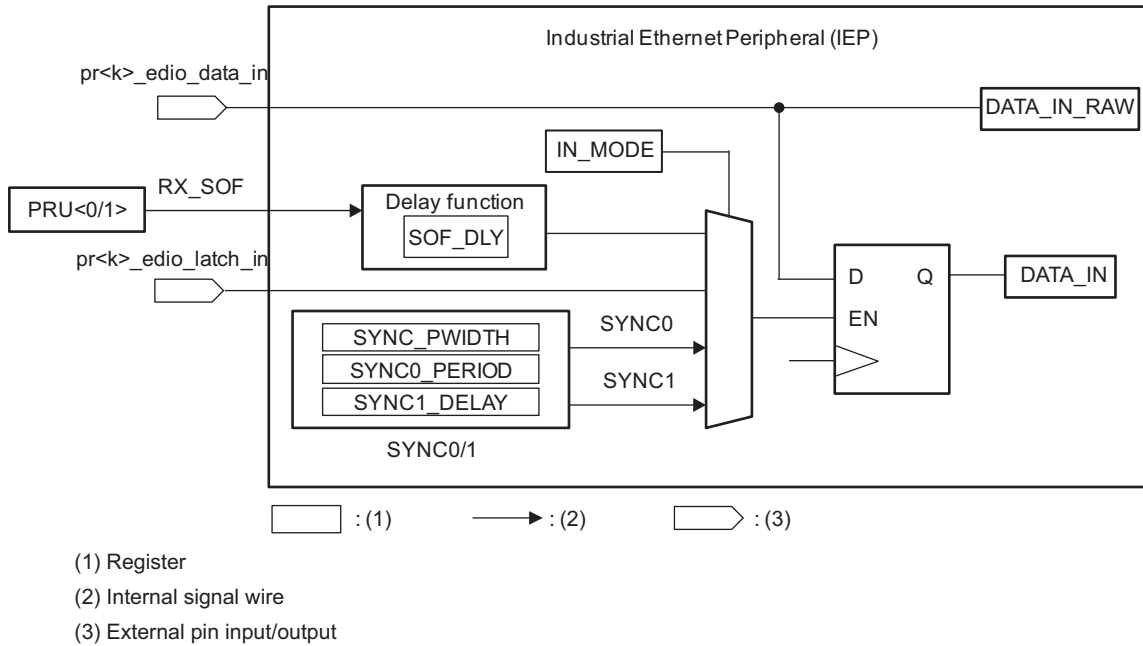
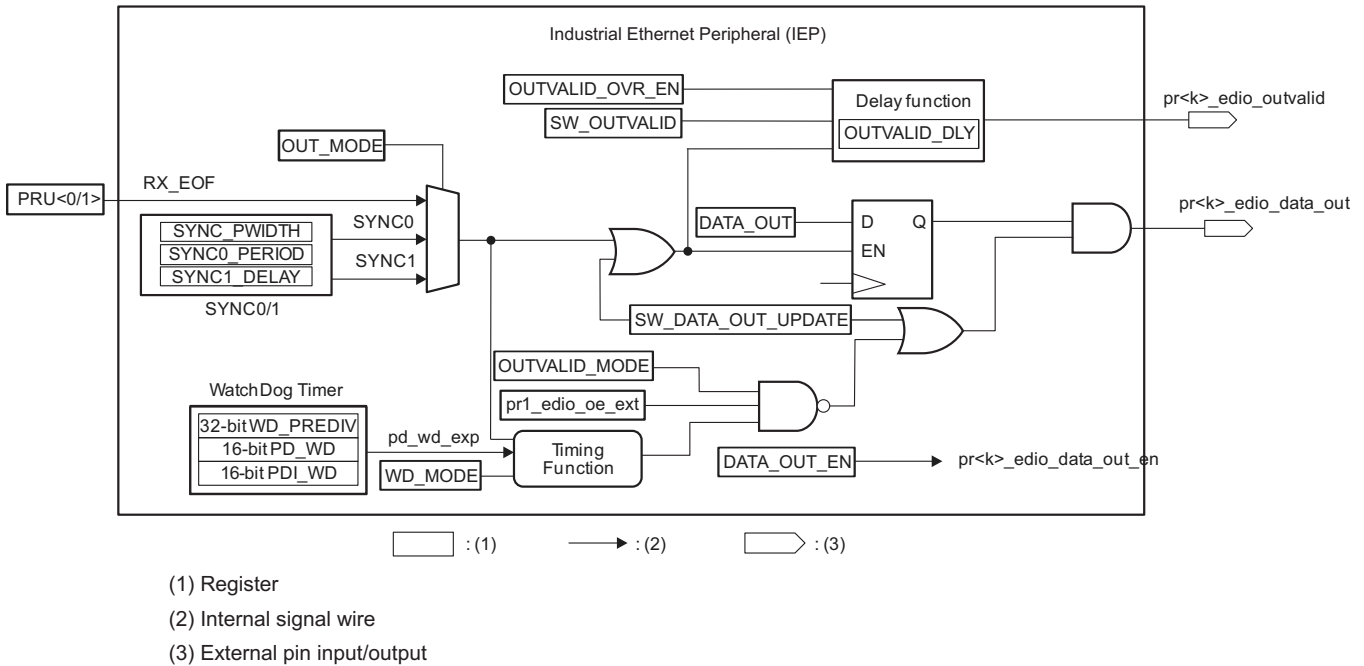


Figure 30-67 shows the signals and registers for driving the DIGIO data out. The `pr<k>_edio_data_out` is immediately forced to zero when `OUTVALID_MODE = 1`, `pr1_edio_oe_ext = 1`, and `PD_WD_EXP = 1`, or the next update hardware post `PD_WD_EXP`. Delay assertion of `pr<k>_edio_outvalid` from `pr<k>_edio_data_out` update events are controlled by software (`SW_OUTVALID`).

Figure 30-67. IEP DIGIO Data Out



30.11.2.5.3 Basic Programming Model

Follow these steps to configure and read the DIGIO Data Input.

1. Read [PRUSS_IEP_DIGIO_DATA_IN_RAW](#) for raw input data

or

1. Enable sampling of pr1_edio_data_in[7:0] by setting [PRUSS_IEP_DIGIO_CTRL\[5:4\]](#) IN_MODE = 0x1
2. Read [PRUSS_IEP_DIGIO_DATA_IN](#) for data sampled upon pr1_edio_latch_in posedge

Follow these steps to configure and write to the DIGIO Data Output.

1. Pre-configure DIGIO by setting [PRUSS_IEP_DIGIO_EXP\[1\]](#) OUTVALID_OVR_EN and [PRUSS_IEP_DIGIO_EXP\[0\]](#) SW_DATA_OUT_UPDATE
2. Write to [PRUSS_IEP_DIGIO_DATA_OUT](#) to configure output data
3. To Hi-Z output, set corresponding [PRUSS_IEP_DIGIO_DATA_OUT_EN](#) bits to 1 (clear to 0 to drive value stored in [PRUSS_IEP_DIGIO_DATA_OUT](#))

30.11.3 PRUSS_IEP Register Manual

This section describes the registers of the PRUSS_IEP module.

30.11.3.1 PRUSS_IEP Instance Summary

Table 30-463. PRUSS_IEP Instance Summary

Module Name	Base Address	Size
PRUSS1_IEP	0x4B22 E000	796 Bytes
PRUSS2_IEP	0x4B2A E000	796 Bytes

30.11.3.2 PRUSS_IEP Registers

30.11.3.2.1 PRUSS_IEP Register Summary

Table 30-464. PRUSS_IEP Registers Mapping Summary

Register Name	Type	Register Width (Bits)	Address Offset	PRUSS1_IEP Physical Address	PRUSS2_IEP Physical Address
PRUSS_IEP_GLOBAL_CFG	RW	32	0x0000 0000	0x4B22 E000	0x4B2A E000
PRUSS_IEP_STATUS	RW	32	0x0000 0004	0x4B22 E004	0x4B2A E004
PRUSS_IEP_COMPENSATION	RW	32	0x0000 0008	0x4B22 E008	0x4B2A E008
PRUSS_IEP_SLOW_COMPENSATION	RW	32	0x0000 000C	0x4B22 E00C	0x4B2A E00C
PRUSS_IEP_LOW_COUNTER	RW	32	0x0000 0010	0x4B22 E010	0x4B2A E010
PRUSS_IEP_HIGH_COUNTER	RW	32	0x0000 0014	0x4B22 E014	0x4B2A E014
PRUSS_IEP_CAPTURE_CFG	RW	32	0x0000 0018	0x4B22 E018	0x4B2A E018
PRUSS_IEP_CAPTURE_STATUS	RW	32	0x0000 001C	0x4B22 E01C	0x4B2A E01C
PRUSS_IEP_CAPTURE_RISE0i⁽¹⁾	R	32	0x0000 0020 + (0x8 * i)	0x4B22 E020 + (0x8 * i)	0x4B2A E020 + (0x8 * i)
PRUSS_IEP_CAPTURE_RISE1i⁽¹⁾	R	32	0x0000 0024 + (0x8 * i)	0x4B22 E024 + (0x8 * i)	0x4B2A E024 + (0x8 * i)
PRUSS_IEP_CAPTURE_RISE06	R	32	0x0000 0050	0x4B22 E050	0x4B2A E050
PRUSS_IEP_CAPTURE_RISE16	R	32	0x0000 0054	0x4B22 E054	0x4B2A E054
PRUSS_IEP_CAPTURE_FALL06	R	32	0x0000 0058	0x4B22 E058	0x4B2A E058
PRUSS_IEP_CAPTURE_FALL16	R	32	0x0000 005C	0x4B22 E05C	0x4B2A E05C
PRUSS_IEP_CAPTURE_RISE07	R	32	0x0000 0060	0x4B22 E060	0x4B2A E060
PRUSS_IEP_CAPTURE_RISE17	R	32	0x0000 0064	0x4B22 E064	0x4B2A E064
PRUSS_IEP_CAPTURE_FALL07	R	32	0x0000 0068	0x4B22 E068	0x4B2A E068
PRUSS_IEP_CAPTURE_FALL17	R	32	0x0000 006C	0x4B22 E06C	0x4B2A E06C
PRUSS_IEP_COMPARE_CFG	RW	32	0x0000 0070	0x4B22 E070	0x4B2A E070

⁽¹⁾ i=0 to 5

Table 30-464. PRUSS_IEP Registers Mapping Summary (continued)

Register Name	Type	Register Width (Bits)	Address Offset	PRUSS1_IEP Physical Address	PRUSS2_IEP Physical Address
PRUSS_IEP_COMPARE_STATUS	RW	32	0x0000 0074	0x4B22 E074	0x4B2A E074
PRUSS_IEP_COMPARE0j ⁽²⁾	RW	32	0x0000 0078 + (0x8 * j)	0x4B22 E078 + (0x8 * j)	0x4B2A E078 + (0x8 * j)
PRUSS_IEP_COMPARE1j ⁽²⁾	RW	32	0x0000 007C + (0x8 * j)	0x4B22 E07C + (0x8 * j)	0x4B2A E07C + (0x8 * j)
PRUSS_IEP_RXIPG0	RW	32	0x0000 00B8	0x4B22 E0B8	0x4B2A E0B8
PRUSS_IEP_RXIPG1	RW	32	0x0000 00BC	0x4B22 E0BC	0x4B2A E0BC
PRUSS_IEP_COMPARE0k ⁽³⁾	RW	32	0x0000 00C0 + (0x8 * k)	0x4B22 E0C0 + (0x8 * k)	0x4B2A E0C0 + (0x8 * k)
PRUSS_IEP_COMPARE1k ⁽³⁾	RW	32	0x0000 00C4 + (0x8 * k)	0x4B22 E0C4 + (0x8 * k)	0x4B2A E0C4 + (0x8 * k)
PRUSS_IEP_LOW_COUNTER_RESET_VALUE	RW	32	0x0000 0100	0x4B22 E100	0x4B2A E100
PRUSS_IEP_HIGH_COUNTER_RESET_VALUE	RW	32	0x0000 0104	0x4B22 E104	0x4B2A E104
PRUSS_IEP_PWM	RW	32	0x0000 0108	0x4B22 E108	0x4B2A E108
PRUSS_IEP_SYNC_CTRL	RW	32	0x0000 0180	0x4B22 E180	0x4B2A E180
PRUSS_IEP_SYNC_FIRST_STAT	R	32	0x0000 0184	0x4B22 E184	0x4B2A E184
PRUSS_IEP_SYNC0_STAT	RW	32	0x0000 0188	0x4B22 E188	0x4B2A E188
PRUSS_IEP_SYNC1_STAT	RW	32	0x0000 018C	0x4B22 E18C	0x4B2A E18C
PRUSS_IEP_SYNC_PWIDTH	RW	32	0x0000 0190	0x4B22 E190	0x4B2A E190
PRUSS_IEP_SYNC0_PERIOD	RW	32	0x0000 0194	0x4B22 E194	0x4B2A E194
PRUSS_IEP_SYNC1_DELAY	RW	32	0x0000 0198	0x4B22 E198	0x4B2A E198
PRUSS_IEP_SYNC_START	RW	32	0x0000 019C	0x4B22 E19C	0x4B2A E19C
PRUSS_IEP_WD_PREDIV	RW	32	0x0000 0200	0x4B22 E200	0x4B2A E200
PRUSS_IEP_PDI_WD_TIM	RW	32	0x0000 0204	0x4B22 E204	0x4B2A E204
PRUSS_IEP_PD_WD_TIM	RW	32	0x0000 0208	0x4B22 E208	0x4B2A E208
PRUSS_IEP_WD_STATUS	R	32	0x0000 020C	0x4B22 E20C	0x4B2A E20C
PRUSS_IEP_WD_EXP_CNT	RW	32	0x0000 0210	0x4B22 E210	0x4B2A E210
PRUSS_IEP_WD_CTRL	RW	32	0x0000 0214	0x4B22 E214	0x4B2A E214
PRUSS_IEP_DIGIO_CTRL	RW	32	0x0000 0300	0x4B22 E300	0x4B2A E300
RESERVED	R	32	0x0000 0304	0x4B22 E304	0x4B2A E304
PRUSS_IEP_DIGIO_DATA_IN	R	32	0x0000 0308	0x4B22 E308	0x4B2A E308
PRUSS_IEP_DIGIO_DATA_IN_RAW	R	32	0x0000 030C	0x4B22 E30C	0x4B2A E30C
PRUSS_IEP_DIGIO_DATA_OUT	RW	32	0x0000 0310	0x4B22 E310	0x4B2A E310
PRUSS_IEP_DIGIO_DATA_OUT_EN	RW	32	0x0000 0314	0x4B22 E314	0x4B2A E314
PRUSS_IEP_DIGIO_EXP	RW	32	0x0000 0318	0x4B22 E318	0x4B2A E318

⁽²⁾ j=0 to 7

⁽³⁾ k=8 to 15

30.11.3.2.2 PRUSS_IEP Register Description

Table 30-465. PRUSS_IEP_GLOBAL_CFG

Address Offset	0x0000 0000		
Physical Address	0x4B22 E000 0x4B2A E000	Instance	PRUSS1_IEP PRUSS2_IEP
Description	GLOBAL CFG		
Type	RW		

31	30	29	28	27	26	25	24	23	22	21	20	19	18	17	16	15	14	13	12	11	10	9	8	7	6	5	4	3	2	1	0
RESERVED								CMP_INC								DEFAULT_INC				RESERVED		CNT_ENABLE									

Bits	Field Name	Description	Type	Reset
31:20	RESERVED		R	0x0
19:8	CMP_INC	Defines the increment value when compensation is active	RW	0x5
7:4	DEFAULT_INC	Defines the default increment value	RW	0x5
3:1	RESERVED		R	0
0	CNT_ENABLE	Counter enable 0: Disables the counter. The counter maintains the current count. 1: Enables the counter.	RW	0x0

Table 30-466. Register Call Summary for Register PRUSS_IEP_GLOBAL_CFG

PRU-ICSS Industrial Ethernet Peripheral (IEP)

- [PRU-ICSS Industrial Ethernet Timer Basic Programming Sequence: \[0\]\[1\]\[2\]](#)
- [PRUSS_IEP Register Summary: \[5\]](#)

Table 30-467. PRUSS_IEP_STATUS

Address Offset	0x0000 0004	Instance	PRUSS1_IEP PRUSS2_IEP
Physical Address	0x4B22 E004 0x4B2A E004		
Description	STATUS		
Type	RWr1Clr		

31	30	29	28	27	26	25	24	23	22	21	20	19	18	17	16	15	14	13	12	11	10	9	8	7	6	5	4	3	2	1	0
RESERVED																CNT_OVF															

Bits	Field Name	Description	Type	Reset
31:1	RESERVED		R	0x0
0	CNT_OVF	Counter overflow status. 0: No overflow 1: Overflow occurred	RWr1Clr	0x0

Table 30-468. Register Call Summary for Register PRUSS_IEP_STATUS

PRU-ICSS Industrial Ethernet Peripheral (IEP)

- [PRU-ICSS Industrial Ethernet Timer Basic Programming Sequence: \[0\]](#)
- [PRUSS_IEP Register Summary: \[1\]](#)

Table 30-469. PRUSS_IEP_COMPENSATION

Address Offset	0x0000 0008	Instance	PRUSS1_IEP PRUSS2_IEP
Physical Address	0x4B22 E008 0x4B2A E008		
Description	COMPENSATION		

Table 30-469. PRUSS_IEP_COMPENSATION (continued)

Type		RW																													
31	30	29	28	27	26	25	24	23	22	21	20	19	18	17	16	15	14	13	12	11	10	9	8	7	6	5	4	3	2	1	0
RESERVED								COMPEN_CNT																							

Bits	Field Name	Description	Type	Reset
31:24	RESERVED		R	0
23:0	COMPEN_CNT	Compensation counter. Read returns the current COMPEN_CNT value. 0: Compensation is disabled and counter will increment by DEFAULT_INC. n: Compensation is enabled until COMPEN_CNT decrements to 0. The COMPEN_CNT value decrements on every iep_clk cycle. When COMPEN_CNT is greater than 0, then count value increments by CMP_INC. NOTE: SLOW_COMPEN_CNT MUST be set to zero IF COMPEN_CNT is not.	RW	0x0

Table 30-470. Register Call Summary for Register PRUSS_IEP_COMPENSATION

PRU-ICSS Industrial Ethernet Peripheral (IEP)

- [PRU-ICSS Industrial Ethernet Timer Basic Programming Sequence: \[0\]](#)
- [PRUSS_IEP Register Summary: \[1\]](#)

Table 30-471. PRUSS_IEP_SLOW_COMPENSATION

Address Offset	0x0000 000C	Instance	PRUSS1_IEP PRUSS2_IEP
Physical Address	0x4B22 E00C 0x4B2A E00C		
Description	SLOW COMPENSATION		
Type	RW		

31	30	29	28	27	26	25	24	23	22	21	20	19	18	17	16	15	14	13	12	11	10	9	8	7	6	5	4	3	2	1	0
SLOW_COMPEN_CNT																															

Bits	Field Name	Description	Type	Reset
31:0	SLOW_COMPEN_CNT	Slow compensation counter. Write: 0x0: Slow compensation is disabled and counter will increment by DEFAULT_INC 0xn: Compensation is enabled for 1 count for every SLOW_COMPEN_CNT cycle, this is free running and continuous until software clears the MMR. For example, SLOW_COMPEN_CNT = 16, every 16 clock cycles the compensation value is used for 1 count. Note COMPEN_CNT MUST be set to zero IF SLOW_COMPEN_CNT is not zero. Read: Software can read the number of cycles left until the compensation event. For example, software writes SLOW_COMPEN_CNT = 0x100 and reads SLOW_COMPEN_CNT = 0x7. This means in 6 more IEP_CLK cycles before the counter reaches 0x1 for the compensation event. If software writes SLOW_COMPEN_CNT = 0x8000 before compensation event, then the counter will reset to 0x8000.	RW	0x0

Table 30-472. Register Call Summary for Register PRUSS_IEP_SLOW_COMPENSATION

PRU-ICSS Industrial Ethernet Peripheral (IEP)

- [PRUSS_IEP Register Summary: \[0\]](#)

Table 30-473. PRUSS_IEP_LOW_COUNTER

Address Offset	0x0000 0010	Instance	PRUSS1_IEP PRUSS2_IEP
Physical Address	0x4B22 E010 0x4B2A E010		
Description	64 bit count value low		
Type	RW		

31	30	29	28	27	26	25	24	23	22	21	20	19	18	17	16	15	14	13	12	11	10	9	8	7	6	5	4	3	2	1	0
COUNT																															

Bits	Field Name	Description	Type	Reset
31:0	COUNT	64-bit count value (lower 32-bits). Increments by (DEFAULT_INC or CMP_INC) on every positive edge of PRUSS_IEP_CLK (200MHz) or PRUSS_GICLK.	RW	0x0

Table 30-474. Register Call Summary for Register PRUSS_IEP_LOW_COUNTER

PRU-ICSS Industrial Ethernet Peripheral (IEP)

- [PRU-ICSS Industrial Ethernet Timer Basic Programming Sequence: \[0\]](#)
- [PRUSS_IEP Register Summary: \[1\]](#)

Table 30-475. PRUSS_IEP_HIGH_COUNTER

Address Offset	0x0000 0014	Instance	PRUSS1_IEP PRUSS2_IEP
Physical Address	0x4B22 E014 0x4B2A E014		
Description	64 bit count value high		
Type	RW		

31	30	29	28	27	26	25	24	23	22	21	20	19	18	17	16	15	14	13	12	11	10	9	8	7	6	5	4	3	2	1	0
COUNT																															

Bits	Field Name	Description	Type	Reset
31:0	COUNT	64-bit count value (upper 32-bits). Increments by (DEFAULT_INC or CMP_INC) on every positive edge of PRUSS_IEP_CLK (200MHz) or PRUSS_GICLK.	RW	0x0

Table 30-476. Register Call Summary for Register PRUSS_IEP_HIGH_COUNTER

PRU-ICSS Industrial Ethernet Peripheral (IEP)

- [PRU-ICSS Industrial Ethernet Timer Basic Programming Sequence: \[0\]](#)
- [PRUSS_IEP Register Summary: \[1\]](#)

Table 30-477. PRUSS_IEP_CAPTURE_CFG

Address Offset	0x0000 0018	Instance	PRUSS1_IEP PRUSS2_IEP
Physical Address	0x4B22 E018 0x4B2A E018		
Description	CAPTURE_CFG		
Type	RW		

31	30	29	28	27	26	25	24	23	22	21	20	19	18	17	16	15	14	13	12	11	10	9	8	7	6	5	4	3	2	1	0
RESERVED								CAP_ASYNC_EN								CAP7F_1ST_EVENT_EN		CAP7R_1ST_EVENT_EN		CAP6F_1ST_EVENT_EN		CAP6R_1ST_EVENT_EN		CAP_1ST_EVENT_EN							

Bits	Field Name	Description	Type	Reset
31:18	RESERVED		R	0x0
17:10	CAP_ASYNC_EN	Synchronization of the capture inputs to the PRUSS_IEP_CLK/PRUSS_GICLK enable. Note if input capture signal is asynchronous to PRUSS_IEP_CLK, enabling synchronization will cause the capture contents to be invalid. CAP_ASYNC_EN[n] maps to CAPR[n]. 0: Disable synchronization 1: Enable synchronization	RW	0x7F
9	CAP7F_1ST_EVENT_EN	Capture 1st Event Enable for cap[7] fall 0: Continues mode. The capture status is not set when events occur. 1: First Event mode. The capture status is set when the first event occurs and must be cleared before new data will fill buffer. Time value is captured when first event occurs and held until time is read.	RW	0x0
8	CAP7R_1ST_EVENT_EN	Capture 1-st Event Enable for cap[7] rise 0: Continues mode. The capture status is not set when events occur. 1: First Event mode. The capture status is set when the first event occurs and must be cleared before new data will fill buffer. Time value is captured when first event occurs and held until time is read.	RW	0x0
7	CAP6F_1ST_EVENT_EN	Capture 1-st Event Enable for cap[6] fall 0: Continues mode. The capture status is not set when events occur. 1: First Event mode. The capture status is set when the first event occurs and must be cleared before new data will fill buffer. Time value is captured when first event occurs and held until time is read.	RW	0x0
6	CAP6R_1ST_EVENT_EN	Capture 1-st Event Enable for cap[6] risev	RW	0x0
5:0	CAP_1ST_EVENT_EN	Capture 1-st Event Enable for n 0: Continues mode. The capture status is not set when events occur. 1: First Event mode. The capture status is set when the first event occurs and must be cleared before new data will fill buffer. Time value is captured when first event occurs and held until time is read.	RW	0x0

Table 30-478. Register Call Summary for Register PRUSS_IEP_CAPTURE_CFG

PRU-ICSS Industrial Ethernet Peripheral (IEP)

- [PRUSS_IEP Register Summary: \[0\]](#)

Table 30-479. PRUSS_IEP_CAPTURE_STATUS

Address Offset	0x0000 001C	Instance	PRUSS1_IEP PRUSS2_IEP
Physical Address	0x4B22 E01C 0x4B2A E01C		
Description	CAPTURE STATUS		
Type	R		

31	30	29	28	27	26	25	24	23	22	21	20	19	18	17	16	15	14	13	12	11	10	9	8	7	6	5	4	3	2	1	0	
RESERVED								CAP_RAW								RESERVED				CAP_VALID	CAPF7_VALID	CAPR7_VALID	CAPF6_VALID	CAPR6_VALID	CAPR_VALID							

Bits	Field Name	Description	Type	Reset
31:24	RESERVED		R	0x0
23:16	CAP_RAW	Raw/Current status bit for each of the capture registers, where CAP_RAW[n] maps to CAPR[n]. 0: Current state is low for capn 1: Current state is high for capn	R	0x0
15:11	RESERVED		R	0x0
10	CAP_VALID	Valid status for capture function. Reflects the ORed result from CAP_STATUS [9:0]. 0: No Hit for any capture event, i.e., there are all 0 in CAP_STATUS [9:0]. 1: Hit for 1 or more captures events is pending, i.e., there has at least one value equal to 1 in CAP_STATUS [9:0].	R	0x0
9	CAPF7_VALID	Valid Status for PRUSS_IEP_CAPTURE_FALL07 0: No Hit, no capture event occurred 1: Hit, capture event occurred. Clear on read when its Capture Value is read CAP*_REG.	R	0x0
8	CAPR7_VALID	Valid Status for PRUSS_IEP_CAPTURE_RISE07 0: No Hit, no capture event occurred 1: Hit, capture event occurred. Clear on read when its Capture Value is read CAP*_REG.	R	0x0
7	CAPF6_VALID	Valid Status for PRUSS_IEP_CAPTURE_FALL06 0: No Hit, no capture event occurred 1: Hit, capture event occurred. Clear on read when its Capture Value is read CAP*_REG.	R	0x0
6	CAPR6_VALID	Valid Status for PRUSS_IEP_CAPTURE_RISE06 0: No Hit, no capture event occurred 1: Hit, capture event occurred. Clear on read when its Capture Value is read CAP*_REG.	R	0x0
5:0	CAPR_VALID	Valid Status capr_validn maps PRUSS_IEP_CAPRn_REG, where n=0 to 5, 0: No Hit, no capture event occurred 1: Hit, capture event occurred. Clear on read when its Capture Value is read CAP*_REG.	R	0x0

Table 30-480. Register Call Summary for Register PRUSS_IEP_CAPTURE_STATUS

PRU-ICSS Industrial Ethernet Peripheral (IEP)

- [PRUSS_IEP Register Summary: \[0\]](#)

Table 30-481. PRUSS_IEP_CAPTURE_RISE0i

Address Offset	0x0000 0020 + (0x8 * i)	Index	i = 0 to 5
Physical Address	0x4B22 E020 + (0x8 * i) 0x4B2A E020 + (0x8 * i)	Instance	PRUSS1_IEP PRUSS2_IEP
Description	CAPTURE RISE(i) low		
Type	R		

31	30	29	28	27	26	25	24	23	22	21	20	19	18	17	16	15	14	13	12	11	10	9	8	7	6	5	4	3	2	1	0
CAPR																															

Bits	Field Name	Description	Type	Reset
31:0	CAPR	Capture Value for capture rise i event low	R	0x0

Table 30-482. Register Call Summary for Register PRUSS_IEP_CAPTURE_RISE0i

PRU-ICSS Industrial Ethernet Peripheral (IEP)

- [PRU-ICSS Industrial Ethernet Timer Features: \[0\]](#)
- [PRUSS_IEP Register Summary: \[1\]](#)

Table 30-483. PRUSS_IEP_CAPTURE_RISE1i

Address Offset	0x0000 0024 + (0x8 * i)	Index	i = 0 to 5
Physical Address	0x4B22 E024 + (0x8 * i) 0x4B2A E024 + (0x8 * i)	Instance	PRUSS1_IEP PRUSS2_IEP
Description	CAPTURE RISE(i) high		
Type	R		

31	30	29	28	27	26	25	24	23	22	21	20	19	18	17	16	15	14	13	12	11	10	9	8	7	6	5	4	3	2	1	0
CAPR																															

Bits	Field Name	Description	Type	Reset
31:0	CAPR	Capture Value for capture rise i event high	R	0x0

Table 30-484. Register Call Summary for Register PRUSS_IEP_CAPTURE_RISE1i

PRU-ICSS Industrial Ethernet Peripheral (IEP)

- [PRU-ICSS Industrial Ethernet Timer Features: \[0\]](#)
- [PRUSS_IEP Register Summary: \[1\]](#)

Table 30-485. PRUSS_IEP_CAPTURE_RISE06

Address Offset	0x0000 0050	Instance	PRUSS1_IEP PRUSS2_IEP
Physical Address	0x4B22 E050 0x4B2A E050		
Description	CAPTURE RISE6 low		
Type	R		

31	30	29	28	27	26	25	24	23	22	21	20	19	18	17	16	15	14	13	12	11	10	9	8	7	6	5	4	3	2	1	0
CAPR																															

Bits	Field Name	Description	Type	Reset
31:0	CAPR	Capture Value for capr6 (rise) event low	R	0x0

Table 30-486. Register Call Summary for Register PRUSS_IEP_CAPTURE_RISE06

PRU-ICSS Industrial Ethernet Peripheral (IEP)

- [PRU-ICSS Industrial Ethernet Timer Features: \[0\]](#)
- [PRUSS_IEP Register Summary: \[1\]](#)
- [PRUSS_IEP Register Description: \[2\]](#)

Table 30-487. PRUSS_IEP_CAPTURE_RISE16

Address Offset	0x0000 0054	Instance	PRUSS1_IEP PRUSS2_IEP
Physical Address	0x4B22 E054 0x4B2A E054		
Description	CAPTURE RISE6 high		
Type	R		

31	30	29	28	27	26	25	24	23	22	21	20	19	18	17	16	15	14	13	12	11	10	9	8	7	6	5	4	3	2	1	0
CAPR																															

Bits	Field Name	Description	Type	Reset
31:0	CAPR	Capture Value for capr6 (rise) event high	R	0x0

Table 30-488. Register Call Summary for Register PRUSS_IEP_CAPTURE_RISE16

PRU-ICSS Industrial Ethernet Peripheral (IEP)

- [PRU-ICSS Industrial Ethernet Timer Features: \[0\]](#)
- [PRUSS_IEP Register Summary: \[1\]](#)

Table 30-489. PRUSS_IEP_CAPTURE_FALL06

Address Offset	0x0000 0058	Instance	PRUSS1_IEP PRUSS2_IEP
Physical Address	0x4B22 E058 0x4B2A E058		
Description	CAPTURE FALL6 low		
Type	R		

31	30	29	28	27	26	25	24	23	22	21	20	19	18	17	16	15	14	13	12	11	10	9	8	7	6	5	4	3	2	1	0
CAPF																															

Bits	Field Name	Description	Type	Reset
31:0	CAPF	Capture Value for capf6 (fall) event low	R	0x0

Table 30-490. Register Call Summary for Register PRUSS_IEP_CAPTURE_FALL06

PRU-ICSS Industrial Ethernet Peripheral (IEP)

- [PRU-ICSS Industrial Ethernet Timer Features: \[0\]](#)
- [PRUSS_IEP Register Summary: \[1\]](#)
- [PRUSS_IEP Register Description: \[2\]](#)

Table 30-491. PRUSS_IEP_CAPTURE_FALL16

Address Offset	0x0000 005C	Instance	PRUSS1_IEP PRUSS2_IEP
Physical Address	0x4B22 E05C 0x4B2A E05C		
Description	CAPTURE FALL6 high		
Type	R		

31	30	29	28	27	26	25	24	23	22	21	20	19	18	17	16	15	14	13	12	11	10	9	8	7	6	5	4	3	2	1	0
CAPF																															

Bits	Field Name	Description	Type	Reset
31:0	CAPF	Capture Value for capf6 (fall) event high	R	0x0

Table 30-492. Register Call Summary for Register PRUSS_IEP_CAPTURE_FALL16

PRU-ICSS Industrial Ethernet Peripheral (IEP)

- [PRU-ICSS Industrial Ethernet Timer Features: \[0\]](#)
- [PRUSS_IEP Register Summary: \[1\]](#)

Table 30-493. PRUSS_IEP_CAPTURE_RISE07

Address Offset	0x0000 0060	Instance	PRUSS1_IEP PRUSS2_IEP
Physical Address	0x4B22 E060 0x4B2A E060		
Description	CAPTURE RISE7 low		
Type	R		

31	30	29	28	27	26	25	24	23	22	21	20	19	18	17	16	15	14	13	12	11	10	9	8	7	6	5	4	3	2	1	0
CAPR																															

Bits	Field Name	Description	Type	Reset
31:0	CAPR	Capture Value for capr7 (rise) event low	R	0x0

Table 30-494. Register Call Summary for Register PRUSS_IEP_CAPTURE_RISE07

PRU-ICSS Industrial Ethernet Peripheral (IEP)

- [PRU-ICSS Industrial Ethernet Timer Features: \[0\]](#)
- [PRUSS_IEP Register Summary: \[1\]](#)
- [PRUSS_IEP Register Description: \[2\]](#)

Table 30-495. PRUSS_IEP_CAPTURE_RISE17

Address Offset	0x0000 0064	Instance	PRUSS1_IEP PRUSS2_IEP
Physical Address	0x4B22 E064 0x4B2A E064		
Description	CAPTURE RISE7 high		
Type	R		

31	30	29	28	27	26	25	24	23	22	21	20	19	18	17	16	15	14	13	12	11	10	9	8	7	6	5	4	3	2	1	0
CAPR																															

Bits	Field Name	Description	Type	Reset
31:0	CAPR	Capture Value for capr7 (rise) event high	R	0x0

Table 30-496. Register Call Summary for Register PRUSS_IEP_CAPTURE_RISE17

PRU-ICSS Industrial Ethernet Peripheral (IEP)

- [PRU-ICSS Industrial Ethernet Timer Features: \[0\]](#)
- [PRUSS_IEP Register Summary: \[1\]](#)

Table 30-497. PRUSS_IEP_CAPTURE_FALL07

Address Offset	0x0000 0068	Instance	PRUSS1_IEP PRUSS2_IEP
Physical Address	0x4B22 E068 0x4B2A E068		
Description	CAPTURE FALL7 low		
Type	R		

31	30	29	28	27	26	25	24	23	22	21	20	19	18	17	16	15	14	13	12	11	10	9	8	7	6	5	4	3	2	1	0
CAPF																															

Bits	Field Name	Description	Type	Reset
31:0	CAPF	Capture Value for capf7 (fall) event low	R	0x0

Table 30-498. Register Call Summary for Register PRUSS_IEP_CAPTURE_FALL07

PRU-ICSS Industrial Ethernet Peripheral (IEP)

- [PRU-ICSS Industrial Ethernet Timer Features: \[0\]](#)
- [PRUSS_IEP Register Summary: \[1\]](#)
- [PRUSS_IEP Register Description: \[2\]](#)

Table 30-499. PRUSS_IEP_CAPTURE_FALL17

Address Offset	0x0000 006C	Instance	PRUSS1_IEP PRUSS2_IEP
Physical Address	0x4B22 E06C 0x4B2A E06C		
Description	CAPTURE FALL7 high		
Type	R		

31	30	29	28	27	26	25	24	23	22	21	20	19	18	17	16	15	14	13	12	11	10	9	8	7	6	5	4	3	2	1	0
CAPF																															

Bits	Field Name	Description	Type	Reset
31:0	CAPF	Capture Value for capf7 (fall) event high	R	0x0

Table 30-500. Register Call Summary for Register PRUSS_IEP_CAPTURE_FALL17

PRU-ICSS Industrial Ethernet Peripheral (IEP)

- [PRU-ICSS Industrial Ethernet Timer Features: \[0\]](#)
- [PRUSS_IEP Register Summary: \[1\]](#)

Table 30-501. PRUSS_IEP_COMPARE_CFG

Address Offset	0x0000 0070	Instance	PRUSS1_IEP PRUSS2_IEP
Physical Address	0x4B22 E070 0x4B2A E070		
Description	COMPARE CFG		
Type	RW		

31	30	29	28	27	26	25	24	23	22	21	20	19	18	17	16	15	14	13	12	11	10	9	8	7	6	5	4	3	2	1	0
RESERVED																CMP_EN												CMP0_RST_CNT_EN			

Bits	Field Name	Description	Type	Reset
31:17	RESERVED		R	0x00000
16:1	CMP_EN	Enable bits for each of the compare registers CMP_EN =0: Disables CMPj/k Event CMP_EN=1: Enables CMPj/k Event CMP_EN[0] (bit 1 of register) maps to CMP0 event	RW	0x0
0	CMP0_RST_CNT_EN	Enable the reset of the counter 0: Disable 1: Enable the reset of the counter if a CMP0 event occurs	RW	0x0

Table 30-502. Register Call Summary for Register PRUSS_IEP_COMPARE_CFG

PRU-ICSS Industrial Ethernet Peripheral (IEP)

- [PRU-ICSS Industrial Ethernet Timer Features: \[0\]](#)
- [PRU-ICSS Industrial Ethernet Timer Basic Programming Sequence: \[1\]](#)
- [PRUSS_IEP Register Summary: \[2\]](#)

Table 30-503. PRUSS_IEP_COMPARE_STATUS

Address Offset	0x0000 0074	Instance	PRUSS1_IEP PRUSS2_IEP
Physical Address	0x4B22 E074 0x4B2A E074		
Description	COMPARE STATUS		
Type	RWr1Clr		

31	30	29	28	27	26	25	24	23	22	21	20	19	18	17	16	15	14	13	12	11	10	9	8	7	6	5	4	3	2	1	0
RESERVED																CMP_HIT															

Bits	Field Name	Description	Type	Reset
31:16	RESERVED		R	0x0000 00
15:0	CMP_HIT	Status bit for each of the compare registers "Match" indicates the current counter is greater than or equal to the compare value. Note it is the firmware's responsibility to handle the IEP overflow. CMP_HIT<n> = 0: No match has occurred CMP_HIT<n> = 1: A match occurred. The associated hardware event signal will assert and remain high until the status is cleared.	RWr1Clr	0x0

Table 30-504. Register Call Summary for Register PRUSS_IEP_COMPARE_STATUS

PRU-ICSS Industrial Ethernet Peripheral (IEP)

- [PRU-ICSS Industrial Ethernet Timer Features: \[0\]](#)
- [PRU-ICSS Industrial Ethernet Timer Basic Programming Sequence: \[1\]](#)
- [PRUSS_IEP Register Summary: \[2\]](#)

Table 30-505. PRUSS_IEP_COMPARE0j

Address Offset	0x0000 0078 + (0x8 * j)	Index	j = 0 to 7
Physical Address	0x4B22 E078 + (0x8 * j) 0x4B2A E078 + (0x8 * j)	Instance	PRUSS1_IEP PRUSS2_IEP
Description	COMPARE(j) low		
Type	RW		

31	30	29	28	27	26	25	24	23	22	21	20	19	18	17	16	15	14	13	12	11	10	9	8	7	6	5	4	3	2	1	0
CMP																															

Bits	Field Name	Description	Type	Reset
31:0	CMP	Compare j low value	RW	0x0

Table 30-506. Register Call Summary for Register PRUSS_IEP_COMPARE0j

PRU-ICSS Industrial Ethernet Peripheral (IEP)

- [PRU-ICSS Industrial Ethernet Timer Features: \[0\]](#)
- [PRU-ICSS Industrial Ethernet Timer Basic Programming Sequence: \[1\]](#)
- [PRUSS_IEP Register Summary: \[2\]](#)

Table 30-507. PRUSS_IEP_COMPARE1j

Address Offset	0x0000 007C + (0x8 * j)	Index	j = 0 to 7
Physical Address	0x4B22 E07C + (0x8 * j) 0x4B2A E07C + (0x8 * j)	Instance	PRUSS1_IEP PRUSS2_IEP
Description	COMPARE(j) high		
Type	RW		

31	30	29	28	27	26	25	24	23	22	21	20	19	18	17	16	15	14	13	12	11	10	9	8	7	6	5	4	3	2	1	0
CMP																															

Bits	Field Name	Description	Type	Reset
31:0	CMP	Compare j high value	RW	0x0

Table 30-508. Register Call Summary for Register PRUSS_IEP_COMPARE1j

PRU-ICSS Industrial Ethernet Peripheral (IEP)

- [PRU-ICSS Industrial Ethernet Timer Features: \[0\]](#)
- [PRU-ICSS Industrial Ethernet Timer Basic Programming Sequence: \[1\]](#)
- [PRUSS_IEP Register Summary: \[2\]](#)

Table 30-509. PRUSS_IEP_RXIPG0

Address Offset	0x0000 00B8	Instance	PRUSS1_IEP PRUSS2_IEP
Physical Address	0x4B22 E0B8 0x4B2A E0B8		

Table 30-509. PRUSS_IEP_RXIPG0 (continued)

Description	RXIPG0 This register can be used to determine the last RX IPG and the smallest RX IPG. RXIPG0 is the status for the RX port which is attached to PRU0.
Type	RW

31	30	29	28	27	26	25	24	23	22	21	20	19	18	17	16	15	14	13	12	11	10	9	8	7	6	5	4	3	2	1	0
RX_MIN_IPG																RX_IPG															

Bits	Field Name	Description	Type	Reset
31:16	RX_MIN_IPG	Defines the current minimum number of PRUSS_GICLK/PRUSS_IEP_CLK cycles that is RXDV is sampled low. It stores the current smallest RX_IPG Read: The value can be read at any time. It gets updated after RX_IPG update if RX_MIN_IPG > RX_IPG. Write: Any write will reset this bitfield to 0xffff	RW	0xffff
15:0	RX_IPG	Records the current number of PRUSS_GICLK/PRUSS_IEP_CLK cycles that RXDV is sampled low. Value is updated after RX_DV transitions from low to high. It will saturate at 0xffff.	R	0x0

Table 30-510. Register Call Summary for Register PRUSS_IEP_RXIPG0

PRU-ICSS Industrial Ethernet Peripheral (IEP)

- [PRUSS_IEP Register Summary: \[2\]](#)

Table 30-511. PRUSS_IEP_RXIPG1

Address Offset	0x0000 00BC	Instance	PRUSS1_IEP PRUSS2_IEP
Physical Address	0x4B22 E0BC 0x4B2A E0BC		
Description	RXIPG1 This register can be used to determine the last RX IPG and the smallest RX IPG. RXIPG1 is the status for the RX port which is attached to PRU1		
Type	RW		

31	30	29	28	27	26	25	24	23	22	21	20	19	18	17	16	15	14	13	12	11	10	9	8	7	6	5	4	3	2	1	0
RX_MIN_IPG																RX_IPG															

Bits	Field Name	Description	Type	Reset
31:16	RX_MIN_IPG	Defines the current minimum number of PRUSS_GICLK/PRUSS_IEP_CLK cycles that is RXDV is sampled low. It stores the current smallest RX_IPG Read: The value can be read at any time. It gets updated after RX_IPG update if RX_MIN_IPG > RX_IPG. Write: Any write will reset this bitfield to 0xffff	RW	0xffff
15:0	RX_IPG	Records the current number of PRUSS_GICLK/PRUSS_IEP_CLK cycles that RXDV is sampled low. Value is updated after RX_DV transitions from low to high. It will saturate at 0xffff.	R	0x0

Table 30-512. Register Call Summary for Register PRUSS_IEP_RXIPG1

PRU-ICSS Industrial Ethernet Peripheral (IEP)

- [PRUSS_IEP Register Summary: \[2\]](#)

Table 30-513. PRUSS_IEP_COMPARE0k

Address Offset	0x0000 0078 + (0x8 * k)	Index	k= 8 to 15
Physical Address	0x4B22 E0C0 + (0x8 *k) 0x4B2A E0C0 + (0x8 *k)	Instance	PRUSS1_IEP PRUSS2_IEP
Description	COMPARE(k) low		
Type	RW		

31	30	29	28	27	26	25	24	23	22	21	20	19	18	17	16	15	14	13	12	11	10	9	8	7	6	5	4	3	2	1	0
CMP																															

Bits	Field Name	Description	Type	Reset
31:0	CMP	Compare k low value	RW	0x0

Table 30-514. Register Call Summary for Register PRUSS_IEP_COMPARE0k

PRU-ICSS Industrial Ethernet Peripheral (IEP)

- [PRUSS_IEP Register Summary: \[0\]](#)

Table 30-515. PRUSS_IEP_COMPARE1k

Address Offset	0x0000 007C + (0x8 * k)	Index	k= 8 to 15
Physical Address	0x4B22 E0C4 + (0x8 *k) 0x4B2A E0C4 + (0x8 *k)	Instance	PRUSS1_IEP PRUSS2_IEP
Description	COMPARE(k) high		
Type	RW		

31	30	29	28	27	26	25	24	23	22	21	20	19	18	17	16	15	14	13	12	11	10	9	8	7	6	5	4	3	2	1	0
CMP																															

Bits	Field Name	Description	Type	Reset
31:0	CMP	Compare k high value	RW	0x0

Table 30-516. Register Call Summary for Register PRUSS_IEP_COMPARE1k

PRU-ICSS Industrial Ethernet Peripheral (IEP)

- [PRUSS_IEP Register Summary: \[0\]](#)

Table 30-517. PRUSS_IEP_LOW_COUNTER_RESET_VALUE

Address Offset	0x0000 0100	Instance	PRUSS1_IEP PRUSS2_IEP
Physical Address	0x4B22 E100 0x4B2A E100		
Description	LOW_COUNTER_RESET_VALUE		
Type	RW		

31	30	29	28	27	26	25	24	23	22	21	20	19	18	17	16	15	14	13	12	11	10	9	8	7	6	5	4	3	2	1	0
RESET_VAL																															

Bits	Field Name	Description	Type	Reset
31:0	RESET_VAL	Reset value (lower 32-bits). This register enables SW to define the reset state of the Master Counter, which can be reset by the following events (if enabled): CMP0 event; PWM0_SYNC_OUT event; PWM3_SYNC_OUT event. The RESET_VAL should be in increments of the DEFAULT_INC (default state is 5). For example, 0x0000_000A.	RW	0x0

Table 30-518. Register Call Summary for Register PRUSS_IEP_LOW_COUNTER_RESET_VALUE

PRU-ICSS Industrial Ethernet Peripheral (IEP)

- [PRUSS_IEP Register Summary: \[0\]](#)

Table 30-519. PRUSS_IEP_HIGH_COUNTER_RESET_VALUE

Address Offset	0x0000 0104		
Physical Address	0x4B22 E104 0x4B2A E104	Instance	PRUSS1_IEP PRUSS2_IEP
Description	HIGH_COUNTER_RESET_VALUE		
Type	RW		

31	30	29	28	27	26	25	24	23	22	21	20	19	18	17	16	15	14	13	12	11	10	9	8	7	6	5	4	3	2	1	0
RESET_VAL																															

Bits	Field Name	Description	Type	Reset
31:0	RESET_VAL	Reset value (upper 32-bits). This register enables SW to define the reset state of the Master Counter, which can be reset by the following events (if enabled): CMP0 event; PWM0_SYNC_OUT event; PWM3_SYNC_OUT event. The RESET_VAL should be in increments of the DEFAULT_INC (default state is 5). For example, 0x0000_000A.	RW	0x0

Table 30-520. Register Call Summary for Register PRUSS_IEP_HIGH_COUNTER_RESET_VALUE

PRU-ICSS Industrial Ethernet Peripheral (IEP)

- [PRUSS_IEP Register Summary: \[0\]](#)

Table 30-521. PRUSS_IEP_PWM

Address Offset	0x0000 0108		
Physical Address	0x4B22 E108 0x4B2A E108	Instance	PRUSS1_IEP PRUSS2_IEP
Description	PWM Sync Out		
Type	RW		

31	30	29	28	27	26	25	24	23	22	21	20	19	18	17	16	15	14	13	12	11	10	9	8	7	6	5	4	3	2	1	0		
RESERVED																														PWM3_HIT	PWM3_RST_CNT_EN	PWM0_HIT	PWM0_RST_CNT_EN

Bits	Field Name	Description	Type	Reset
31:4	RESERVED		R	0
3	PWM3_HIT	The raw status bit of pwm3_sync_out event. 0x0: No pwm3_sync_out event 0x1: pwm3_sync_out event occurred Write 1 to Clear.	RW1Clr	0
2	PWM3_RST_CNT_EN	Enable the reset of the counter by a pwm3_sync_out event. 0x0: Disable 0x1: Enable the reset of the counter if a pwm3_sync_out event occurs	RW	0x0
1	PWM0_HIT	The raw status bit of pwm0_sync_out event. 0x0: No pwm0_sync_out event 0x1: pwm0_sync_out event occurred Write 1 to Clear	RW1Clr	0x0
0	PWM0_RST_CNT_EN	Enable the reset of the counter by a pwm0_sync_out event. 0x0: Disable 0x1: Enable the reset of the counter if a pwm0_sync_out event occurs	RW	0x0

Table 30-522. Register Call Summary for Register PRUSS_IEP_PWM

PRU-ICSS Industrial Ethernet Peripheral (IEP)

- [PRUSS_IEP Register Summary: \[0\]](#)

Table 30-523. PRUSS_IEP_SYNC_CTRL

Address Offset	0x0000 0180	Instance	PRUSS1_IEP PRUSS2_IEP
Physical Address	0x4B22 E180 0x4B2A E180		
Description	SYNC CTRL		
Type	RW		

31	30	29	28	27	26	25	24	23	22	21	20	19	18	17	16	15	14	13	12	11	10	9	8	7	6	5	4	3	2	1	0
RESERVED																SYNC1_IND_EN	SYNC1_CYCLIC_EN	SYNC1_ACK_EN	SYNC0_CYCLIC_EN	SYNC0_ACK_EN	RESERVED	SYNC1_EN	SYNC0_EN	SYNC_EN							

Bits	Field Name	Description	Type	Reset
31:9	RESERVED		R	0
8	SYNC1_IND_EN	SYNC1 independent mode enable. Independent mode means the SYNC1 signal can be different from SYNC0. 0h: Dependent mode 1h: Independent mode	RW	0x0
7	SYNC1_CYCLIC_EN	SYNC1 single shot or cyclic/auto generation mode enable 0h: Disable, single shot mode 1h: Enable, cyclic generation mode	RW	0x0
6	SYNC1_ACK_EN	SYNC1 acknowledgement mode enable 0h: Disable, SYNC1 will go low after pulse width is met. 1h: Enable, SYNC1 will remain asserted until receiving software acknowledges by reading PRUSS_IEP_SYNC1_STAT which clears on read.	RW	0x0

Bits	Field Name	Description	Type	Reset
5	SYNC0_CYCLIC_EN	SYNC0 single shot or cyclic/auto generation mode enable 0h: Disable, single shot mode 1h: Enable, cyclic generation mode	RW	0x0
4	SYNC0_ACK_EN	SYNC0 acknowledgement mode enable 0h: Disable, SYNC0 will go low after pulse width is met. 1h: Enable, SYNC0 will remain asserted until receiving software acknowledges by reading PRUSS_IEP_SYNC0_STAT which clears on read.	RW	0x0
3	RESERVED		R	0
2	SYNC1_EN	SYNC1 generation enable 0: Disable SYNC1 generation. If SYNC1 is low, it will stop immediately. If SYNC1 is high, it will stop after SYNC1 goes low. 1: Enable SYNC1 generation	RW	0x0
1	SYNC0_EN	SYNC0 generation enable 0: Disable SYNC0 generation. If SYNC0 is low, it will stop immediately. If SYNC0 is high, it will stop after SYNC0 goes low. 1: Enable SYNC0 generation	RW	0x0
0	SYNC_EN	SYNC generation enable 0: Disable the generation and clocking of SYNC0 and SYNC1 logic. If SYNC0 AND SYNC1 is low, it will stop immediately. If SYNC0 OR SYNC1 is high, it will stop after SYNC0 AND SYNC1 goes low. Note that 1 extra high pulse might be get if this is disabled during a high pulse of one and the 2nd pulse goes high before the last pulse low if sync0_en and sync1_en are not de-asserted at the same time. SW should always de-assert both sync1_en and sync0_en at the same time as sync_en is de-asserted 1: Enables SYNC0 and SYNC1 generation	RW	0x0

Table 30-524. Register Call Summary for Register PRUSS_IEP_SYNC_CTRL

PRU-ICSS Industrial Ethernet Peripheral (IEP)

- [PRUSS_IEP Register Summary: \[6\]](#)

Table 30-525. PRUSS_IEP_SYNC_FIRST_STAT

Address Offset	0x0000 0184	Instance	PRUSS1_IEP PRUSS2_IEP
Physical Address	0x4B22 E184 0x4B2A E184		
Description	SYNC CTRL		
Type	R		

31	30	29	28	27	26	25	24	23	22	21	20	19	18	17	16	15	14	13	12	11	10	9	8	7	6	5	4	3	2	1	0
RESERVED																FIRST_SYNC1		FIRST_SYNC0													

Bits	Field Name	Description	Type	Reset
31:2	RESERVED		R	0x0
1	FIRST_SYNC1	SYNC1 First Event status 0: SYNC1 first event has not occurred 1: SYNC1 first event has occurred. This bits is cleared when sync1_en = 0	R	0x0

Bits	Field Name	Description	Type	Reset
0	FIRST_SYNC0	SYNC0 First Event status 0: SYNC0 first event has not occurred 1: SYNC0 first event has occurred. This bits is cleared when sync0_en = 0	R	0x0

Table 30-526. Register Call Summary for Register PRUSS_IEP_SYNC_FIRST_STAT

PRU-ICSS Industrial Ethernet Peripheral (IEP)

- [PRUSS_IEP Register Summary: \[2\]](#)

Table 30-527. PRUSS_IEP_SYNC0_STAT

Address Offset	0x0000 0188	Instance	PRUSS1_IEP PRUSS2_IEP
Physical Address	0x4B22 E188 0x4B2A E188		
Description	SYNC CTRL		
Type	RWr1Clr		

31	30	29	28	27	26	25	24	23	22	21	20	19	18	17	16	15	14	13	12	11	10	9	8	7	6	5	4	3	2	1	0
RESERVED																															SYNC0_PEND

Bits	Field Name	Description	Type	Reset
31:1	RESERVED		R	0x0
0	SYNC0_PEND	SYNC0 pending state 0: SYNC0 is not pending 1: SYNC0 is pending or has occurred when SYNC0_ACK_EN = 0 (Disable). Write "1" to clear.	RWr1Clr	0x0

Table 30-528. Register Call Summary for Register PRUSS_IEP_SYNC0_STAT

PRU-ICSS Industrial Ethernet Peripheral (IEP)

- [PRUSS_IEP Register Summary: \[3\]](#)
- [PRUSS_IEP Register Description: \[4\]](#)

Table 30-529. PRUSS_IEP_SYNC1_STAT

Address Offset	0x0000 018C	Instance	PRUSS1_IEP PRUSS2_IEP
Physical Address	0x4B22 E18C 0x4B2A E18C		
Description	SYNC CTRL		
Type	RWr1Clr		

31	30	29	28	27	26	25	24	23	22	21	20	19	18	17	16	15	14	13	12	11	10	9	8	7	6	5	4	3	2	1	0
RESERVED																															SYNC1_PEND

Bits	Field Name	Description	Type	Reset
31:1	RESERVED		R	0x0
0	SYNC1_PEND	SYNC1 pending state 0: SYNC1 is not pending 1 SYNC1 is pending or has occurred when SYNC1_ACK_EN = 0 (Disable). Write "1" to Clear.	RWr1Clr	0x0

Table 30-530. Register Call Summary for Register PRUSS_IEP_SYNC1_STAT

PRU-ICSS Industrial Ethernet Peripheral (IEP)

- [PRUSS_IEP Register Summary: \[2\]](#)
- [PRUSS_IEP Register Description: \[3\]](#)

Table 30-531. PRUSS_IEP_SYNC_PWIDTH

Address Offset	0x0000 0190	Instance	PRUSS1_IEP PRUSS2_IEP
Physical Address	0x4B22 E190 0x4B2A E190		
Description	SYNC CTRL		
Type	RW		

31	30	29	28	27	26	25	24	23	22	21	20	19	18	17	16	15	14	13	12	11	10	9	8	7	6	5	4	3	2	1	0
SYNC_HPWW																															

Bits	Field Name	Description	Type	Reset
31:0	SYNC_HPWW	Defines the number of clock cycles SYNC0/1 will be high. Note if SYNC0/1 is disabled during pulse width time (that is, SYNC_CTRL[SYNC0_EN SYNC1_EN SYNC_EN] = 0), the ongoing pulse will be terminated. 0x0: 1 clock cycle. 0x1: 2 clock cycles. N: N+1 clock cycles.	RW	0x0

Table 30-532. Register Call Summary for Register PRUSS_IEP_SYNC_PWIDTH

PRU-ICSS Industrial Ethernet Peripheral (IEP)

- [PRUSS_IEP Register Summary: \[2\]](#)

Table 30-533. PRUSS_IEP_SYNC0_PERIOD

Address Offset	0x0000 0194	Instance	PRUSS1_IEP PRUSS2_IEP
Physical Address	0x4B22 E194 0x4B2A E194		
Description	SYNC CTRL		
Type	RW		

31	30	29	28	27	26	25	24	23	22	21	20	19	18	17	16	15	14	13	12	11	10	9	8	7	6	5	4	3	2	1	0
SYNC0_PERIOD																															

Bits	Field Name	Description	Type	Reset
31:0	SYNC0_PERIOD	Defines the period between the rising edges of SYNC0. 0x0: Reserved 0x1: 2 clk cycles period N: N+1 clk cycles period	RW	0x1

Table 30-534. Register Call Summary for Register PRUSS_IEP_SYNC0_PERIOD

PRU-ICSS Industrial Ethernet Peripheral (IEP)

- [PRUSS_IEP Register Summary: \[2\]](#)

Table 30-535. PRUSS_IEP_SYNC1_DELAY

Address Offset	0x0000 0198	Instance	PRUSS1_IEP PRUSS2_IEP
Physical Address	0x4B22 E198 0x4B2A E198		
Description	SYNC CTRL		
Type	RW		

31	30	29	28	27	26	25	24	23	22	21	20	19	18	17	16	15	14	13	12	11	10	9	8	7	6	5	4	3	2	1	0
SYNC1_DELAY																															

Bits	Field Name	Description	Type	Reset
31:0	SYNC1_DELAY	When SYNC1_IND_EN = 0, defines number of clock cycles from the start of SYNC0 to the start of SYNC1. Note this is the delay before the start of SYNC1. 0h: No delay 1h: 1 clock cycle delay. Nh: N clock cycles delay. When SYNC1_IND_EN = 1, defines the period between the rising edges of SYNC1. 0h: Reserved. 1h: 2 clock cycles period. Nh: N+1 clock cycles period	RW	0x0

Table 30-536. Register Call Summary for Register PRUSS_IEP_SYNC1_DELAY

PRU-ICSS Industrial Ethernet Peripheral (IEP)

- [PRUSS_IEP Register Summary: \[2\]](#)

Table 30-537. PRUSS_IEP_SYNC_START

Address Offset	0x0000 019C	Instance	PRUSS1_IEP PRUSS2_IEP
Physical Address	0x4B22 E19C 0x4B2A E19C		
Description	SYNC CTRL		
Type	RW		

31	30	29	28	27	26	25	24	23	22	21	20	19	18	17	16	15	14	13	12	11	10	9	8	7	6	5	4	3	2	1	0
SYNC_START																															

Bits	Field Name	Description	Type	Reset
31:0	SYNC_START	Defines the start time after the activation event. 0h: 1 clock cycle delay. Nh: N+1 clock cycles delay.	RW	0x0

Table 30-538. Register Call Summary for Register PRUSS_IEP_SYNC_START

PRU-ICSS Industrial Ethernet Peripheral (IEP)

- [PRUSS_IEP Register Summary: \[2\]](#)

Table 30-539. PRUSS_IEP_WD_PREDIV

Address Offset	0x0000 0200		
Physical Address	0x4B22 E200 0x4B2A E200	Instance	PRUSS1_IEP PRUSS2_IEP
Description	WD		
Type	RW		

31	30	29	28	27	26	25	24	23	22	21	20	19	18	17	16	15	14	13	12	11	10	9	8	7	6	5	4	3	2	1	0
RESERVED																PRE_DIV															

Bits	Field Name	Description	Type	Reset
31:16	RESERVED		R	0x0000
15:0	PRE_DIV	Defines the number of iep_clk cycles per WD clock event. Note that the WD clock is a free-running clock. The value 0x4e20 (or 20000) generates a rate of 100 us if iep_clk is 200 MHz. seconds/(WD event) = (clock cycles per WD event)/(clock cycles per second) = 20000/(200 x [10] ⁶) = 100 us	RW	0x4E20

Table 30-540. Register Call Summary for Register PRUSS_IEP_WD_PREDIV

PRU-ICSS Industrial Ethernet Peripheral (IEP)

- [PRUSS_IEP Register Summary: \[2\]](#)

Table 30-541. PRUSS_IEP_PDI_WD_TIM

Address Offset	0x0000 0204		
Physical Address	0x4B22 E204 0x4B2A E204	Instance	PRUSS1_IEP PRUSS2_IEP
Description	WD		
Type	RW		

31	30	29	28	27	26	25	24	23	22	21	20	19	18	17	16	15	14	13	12	11	10	9	8	7	6	5	4	3	2	1	0
RESERVED																PDI_WD_TIME															

Bits	Field Name	Description	Type	Reset
31:16	RESERVED		R	0x0000
15:0	PDI_WD_TIME	Defines the number of WD ticks (or increments) for PDI WD, that is, the number of WD increments. If PRE_DIV is set to 100 us, then the value 0x03e8 (or 1000) provides a rate of 100ms. Read returns the current count. Counter is reset by software write to register or when Digital Data In capture occurs. WD is disabled if WD time is set to 0x0. Note when an expiration event occurs, the expiration counter (PDI_EXP_CNT) increments and status (PDI_WD_STAT) clears.	RW	0x3E8

Table 30-542. Register Call Summary for Register PRUSS_IEP_PDI_WD_TIM

PRU-ICSS Industrial Ethernet Peripheral (IEP)

- [PRUSS_IEP Register Summary: \[2\]](#)

Table 30-543. PRUSS_IEP_PD_WD_TIM

Address Offset	0x0000 0208	Instance	PRUSS1_IEP PRUSS2_IEP
Physical Address	0x4B22 E208 0x4B2A E208		
Description	WD		
Type	RW		

31	30	29	28	27	26	25	24	23	22	21	20	19	18	17	16	15	14	13	12	11	10	9	8	7	6	5	4	3	2	1	0
RESERVED																PD_WD_TIME															

Bits	Field Name	Description	Type	Reset
31:16	RESERVED		R	0x0000
15:0	PD_WD_TIME	Defines the number of WD ticks (or increments) for PDI WD, that is, the number of WD increments. If PRE_DIV is set to 100 us, then 0x03e8 (or 1000) provides a rate of 100ms. Read returns the current count. Counter is reset by software write to register or every write access to Sync Managers with WD trigger enable bit set. WD is disabled if WD time is set to 0x0. Expiration actions: Increment expiration counter, clear status. Digital Data out forced to zero if pr1_edio_oe_ext = 1 and DIGIO_EXT.SW_DATA_OUT_UPDATE = 0.	RW	0x3E8

Table 30-544. Register Call Summary for Register PRUSS_IEP_PD_WD_TIM

PRU-ICSS Industrial Ethernet Peripheral (IEP)

- [PRUSS_IEP Register Summary: \[2\]](#)

Table 30-545. PRUSS_IEP_WD_STATUS

Address Offset	0x0000 020C	Instance	PRUSS1_IEP PRUSS2_IEP
Physical Address	0x4B22 E20C 0x4B2A E20C		
Description	WD		
Type	R		

31	30	29	28	27	26	25	24	23	22	21	20	19	18	17	16	15	14	13	12	11	10	9	8	7	6	5	4	3	2	1	0
RESERVED																PDI_WD_STAT	RESERVED												PD_WD_STAT		

Bits	Field Name	Description	Type	Reset
31:17	RESERVED		R	0x000
16	PDI_WD_STAT	WD PDI status. 0h: Expired (PDI_WD_EXP event generated) 1h: Active or disabled	R	0x1
15:1	RESERVED		R	0x000
0	PD_WD_STAT	WD PD status (triggered by Sync Mangers status). 0h: Expired (PD_WD_EXP event generated) 1h: Active or disabled	R	0x1

Table 30-546. Register Call Summary for Register PRUSS_IEP_WD_STATUS

PRU-ICSS Industrial Ethernet Peripheral (IEP)

- [PRUSS_IEP Register Summary: \[3\]](#)

Table 30-547. PRUSS_IEP_WD_EXP_CNT

Address Offset	0x0000 0210	Instance	PRUSS1_IEP PRUSS2_IEP
Physical Address	0x4B22 E210 0x4B2A E210		
Description	WD		
Type	RWrClr		

31	30	29	28	27	26	25	24	23	22	21	20	19	18	17	16	15	14	13	12	11	10	9	8	7	6	5	4	3	2	1	0
RESERVED								PD_EXP_CNT								PDI_EXP_CNT															

Bits	Field Name	Description	Type	Reset
31:16	RESERVED		R	0x0000
15:8	PD_EXP_CNT	WD PD expiration counter. Counter increments on every PD time out and stops at FFh	RWrClr	0x0
7:0	PDI_EXP_CNT	WD PDI expiration counter. Counter increments on every PDI time out and stops at FFh.	RWrClr	0x0

Table 30-548. Register Call Summary for Register PRUSS_IEP_WD_EXP_CNT

PRU-ICSS Industrial Ethernet Peripheral (IEP)

- [PRUSS_IEP Register Summary: \[2\]](#)

Table 30-549. PRUSS_IEP_WD_CTRL

Address Offset	0x0000 0214	Instance	PRUSS1_IEP PRUSS2_IEP
Physical Address	0x4B22 E214 0x4B2A E214		
Description	WD		
Type	RW		

31	30	29	28	27	26	25	24	23	22	21	20	19	18	17	16	15	14	13	12	11	10	9	8	7	6	5	4	3	2	1	0		
RESERVED																RESERVED																	
																PDI_WD_EN																	PDI_WD_EN

Bits	Field Name	Description	Type	Reset
31:17	RESERVED		R	0x0000
16	PDI_WD_EN	Watchdog PDI 0: Disable 1: Enable	RW	0x0
15:1	RESERVED		R	0x0000
0	PD_WD_EN	Watchdog PD 0: Disable 1: Enable	RW	0x0

Table 30-550. Register Call Summary for Register PRUSS_IEP_WD_CTRL

PRU-ICSS Industrial Ethernet Peripheral (IEP)

- [PRUSS_IEP Register Summary: \[2\]](#)

Table 30-551. PRUSS_IEP_DIGIO_CTRL

Address Offset	0x0000 0300	Instance	PRUSS1_IEP PRUSS2_IEP
Physical Address	0x4B22 E300 0x4B2A E300		
Description	DIGIO		
Type	RW		

31	30	29	28	27	26	25	24	23	22	21	20	19	18	17	16	15	14	13	12	11	10	9	8	7	6	5	4	3	2	1	0
RESERVED																OUT_MODE	IN_MODE	WD_MODE	BIDI_MODE	OUTVALID_MODE	OUTVALID_POL										

Bits	Field Name	Description	Type	Reset
31:8	RESERVED		R	0x0
7:6	OUT_MODE	Defines event that triggers data out to be updated. Note if OUTVALID_MODE is set, then data out is forced to zero if a WD PD expiration occurs (PD_WD_EXP) from the WD block and pr1_edio_oe_ext = 1. 0: PRU0/1_RX_EOF 1: Reserved 2: DC SYNC0 event 3: DC SYNC1 event	RW	0x0
5:4	IN_MODE	Defines event that triggers data in to be sampled 0b00: PRU0/1_RX_SOF 0b01: Rising edge of external pr<k>-edio_latch_in signal 0b10: DC rising edge of SYNC0 event 0b11: DC rising edge of SYNC1 event	RW	0x0
3	WD_MODE	Defines Watchdog behavior 0: Outputs are reset immediately after watchdog expires 1: Outputs are reset with next output event that follows watchdog expiration	RW	0x0
2	BIDI_MODE	Indicates the digital input/output direction. DUE TO INTEGRATION, ACTUAL MODE IS UNIDIRECTIONAL IN THIS DEVICE. 0: Unidirectional mode: input/output direction of pins configured individually 1: Bidirectional mode: all I/O pins are bidirectional, direction configuration is ignored	R	0x1
1	OUTVALID_MODE	Defines OUTVALID mode 0: Output event signaling 1: Output data is updated if watchdog is triggered. Output data is forced to zero if PD_WD_EXP from the WD block and pr1_edio_oe_ext = 1	RW	0x0
0	OUTVALID_POL	Indicates OUTVALID polarity 0: Active High 1: Active Low	R	0x0

Table 30-552. Register Call Summary for Register PRUSS_IEP_DIGIO_CTRL

PRU-ICSS Industrial Ethernet Peripheral (IEP)

- [DIGIO Block Diagrams: \[0\]](#)
- [Basic Programming Model: \[1\]](#)
- [PRUSS_IEP Register Summary: \[5\]](#)
- [PRUSS_IEP Register Description: \[6\]](#)

Table 30-553. PRUSS_IEP_DIGIO_DATA_IN

Address Offset	0x0000 0308	Instance	PRUSS1_IEP PRUSS2_IEP
Physical Address	0x4B22 E308 0x4B2A E308		
Description	DIGIO		
Type	R		

31	30	29	28	27	26	25	24	23	22	21	20	19	18	17	16	15	14	13	12	11	10	9	8	7	6	5	4	3	2	1	0
DATA_IN																															

Bits	Field Name	Description	Type	Reset
31:0	DATA_IN	Data input. Digital inputs can be configured to be sampled in four ways. 1: Digital inputs are sampled at the start of each frame. The SOF signal can be used externally to update the input data, because the SOF is signaled before input data is sampled. 2: The sample time can be controlled externally by using the pr1_edio_latch_in signal. 3: Digital inputs are sampled at SYNC0 events. 4: Digital inputs are sampled at SYNC1 events. These can be configured by PRUSS_IEP_DIGIO_CTRL[5:4] IN_MODE . Only [7:0] are exported to device pins in this device.	R	0x-

Table 30-554. Register Call Summary for Register PRUSS_IEP_DIGIO_DATA_IN

PRU-ICSS Industrial Ethernet Peripheral (IEP)

- [Basic Programming Model: \[0\]](#)
- [PRUSS_IEP Register Summary: \[3\]](#)

Table 30-555. PRUSS_IEP_DIGIO_DATA_IN_RAW

Address Offset	0x0000 030C	Instance	PRUSS1_IEP PRUSS2_IEP
Physical Address	0x4B22 E30C 0x4B2A E30C		
Description	DIGIO		
Type	R		

31	30	29	28	27	26	25	24	23	22	21	20	19	18	17	16	15	14	13	12	11	10	9	8	7	6	5	4	3	2	1	0
DATA_IN_RAW																															

Bits	Field Name	Description	Type	Reset
31:0	DATA_IN_RAW	Raw Data Input. Direct sample of EDIO_DATA_IN[31:0]. Only [7:0] are exported to device pins in this device.	R	0x-

Table 30-556. Register Call Summary for Register PRUSS_IEP_DIGIO_DATA_IN_RAW

PRU-ICSS Industrial Ethernet Peripheral (IEP)

- [Features: \[0\]](#)
- [Basic Programming Model: \[1\]](#)
- [PRUSS_IEP Register Summary: \[4\]](#)

Table 30-557. PRUSS_IEP_DIGIO_DATA_OUT

Address Offset	0x0000 0310	Instance	PRUSS1_IEP PRUSS2_IEP
Physical Address	0x4B22 E310 0x4B2A E310		
Description	DIGIO		
Type	RW		

31	30	29	28	27	26	25	24	23	22	21	20	19	18	17	16	15	14	13	12	11	10	9	8	7	6	5	4	3	2	1	0
DATA_OUT																															

Bits	Field Name	Description	Type	Reset
31:0	DATA_OUT	Data output. Digital outputs can be configured to be updated in four ways. 1: Digital outputs are updated at the end of each frame (EOF mode). 2: Digital outputs are updated with SYNC0 events 3: Digital outputs are updated SYNC1 events. 4: Digital outputs are updated at the end of a frame which triggered the Process Data Watchdog. Digital Outputs are only updated if the frame was correct (WD_TRIG mode). These can be configured by out_mode.	RW	0x0

Table 30-558. Register Call Summary for Register PRUSS_IEP_DIGIO_DATA_OUT

PRU-ICSS Industrial Ethernet Peripheral (IEP)

- [Basic Programming Model: \[0\]\[1\]](#)
- [PRUSS_IEP Register Summary: \[4\]](#)

Table 30-559. PRUSS_IEP_DIGIO_DATA_OUT_EN

Address Offset	0x0000 0314	Instance	PRUSS1_IEP PRUSS2_IEP
Physical Address	0x4B22 E314 0x4B2A E314		
Description	DIGIO		
Type	RW		

31	30	29	28	27	26	25	24	23	22	21	20	19	18	17	16	15	14	13	12	11	10	9	8	7	6	5	4	3	2	1	0
DATA_OUT_EN																															

Bits	Field Name	Description	Type	Reset
31:0	DATA_OUT_EN	Enables tri-state control for pr<k>_edio_data_out[7:0].	RW	0x0

Table 30-560. Register Call Summary for Register PRUSS_IEP_DIGIO_DATA_OUT_EN

PRU-ICSS Industrial Ethernet Peripheral (IEP)

- [Basic Programming Model: \[0\]](#)
- [PRUSS_IEP Register Summary: \[3\]](#)

Table 30-561. PRUSS_IEP_DIGIO_EXP

Address Offset	0x0000 0318	Instance	PRUSS1_IEP PRUSS2_IEP
Physical Address	0x4B22 E318 0x4B2A E318		
Description	DIGIO		
Type	RW		

31	30	29	28	27	26	25	24	23	22	21	20	19	18	17	16	15	14	13	12	11	10	9	8	7	6	5	4	3	2	1	0
RESERVED																EOF_SEL		SOF_SEL		SOF_DLY				OUTVALID_DLY				RESERVED	SW_OUTVALID	OUTVALID_OVR_EN	SW_DATA_OUT_UPDATE

Bits	Field Name	Description	Type	Reset
31:14	RESERVED		R	0x0
13	EOF_SEL	Defines which RX_EOF is used for PR1_EDIO_DATA_IN[31:0] capture 0: PRU0_RX_EOF 1: PRU1_RX_EOF	RW	0x0
12	SOF_SEL	Defines which RX_SOF is used for PR1_EDIO_DATA_IN[31:0] capture 0: PRU0_RX_SOF 1: PRU1_RX_SOF	RW	0x0
11:8	SOF_DLY	Define the number of iep_clk (PRUSS_IEP_CLK) cycle delay of SOF PR1_EDIO_DATA_IN[31:0] capture	RW	0x0
7:4	OUTVALID_DLY	Define the number of iep_clk (PRUSS_IEP_CLK) cycle delay on assertion of PR1_EDIO_OUTVALID. Min is 2 clock cycles. Max is 16 clock cycles	RW	0x2
3	RESERVED		R	0
2	SW_OUTVALID	pr1_edio_outvalid = SW_OUTVALID, only if OUTVALID_OVR_EN is set.	RW	0x0
1	OUTVALID_OVR_EN	Enable software to control value of pr<k>_edio_data_out[7:0] 0: Disable 1: Enable	RW	0x0
0	SW_DATA_OUT_UPDATE	Defines the value of pr1_edio_data_out when OUTVALID_OVR_EN = 1. Read 1: Start bit event occurred Read 0: Start bit event has not occurred Write 1: pr1_edio_data_out by software data out. Write 0: No Effect	RW	0x0

Table 30-562. Register Call Summary for Register PRUSS_IEP_DIGIO_EXP

PRU-ICSS Industrial Ethernet Peripheral (IEP)

- [Basic Programming Model: \[1\]\[2\]](#)
- [PRUSS_IEP Register Summary: \[5\]](#)

Viterbi-Decoder Coprocessor

NOTE: Viterbi-Decoder Coprocessor (VCP) is not supported on the AM571x / AM570x family of devices.

Audio Tracking Logic

NOTE: Audio Tracking Logic (ATL) is not supported on the AM571x / AM570x family of devices.

Initialization

This chapter introduces the steps of the device initialization.

Topic	Page
33.1 Initialization Overview	7493
33.2 Preinitialization.....	7494
33.3 Device Initialization by ROM Code	7506
33.4 Services for HLOS Support	7571

33.1 Initialization Overview

This chapter provides an overview of the requirements to initialize the device from power on to operating system (OS) and application execution, the overall initialization process (including hardware- and software-related steps), the general ROM code operational requirements, and behavior expectations.

33.1.1 Terminology

- **Bootstrap:** Initial software launched by the ROM code during the memory booting phase
- **Configuration Header (CH):** Optional structure that precedes the initial software and allows the redefinition of the ROM code default settings
- **Downloaded software:** Initial software downloaded into the internal static RAM (SRAM) by the ROM code during the peripheral booting phase
- **eFuse:** A one-time programmable memory location usually set at the factory
- **Flash loader:** Downloaded software launched by the ROM code during the preflashing stage. It also programs an image in external memories.
- **Initial software:** Software executed by any of the ROM code mechanisms (memory booting or peripheral booting). Initial software is a generic term for bootstrap and downloaded software.
- **Memory booting:** ROM code mechanism that consists of executing initial software from external memory
- **Peripheral booting:** ROM code mechanism that consists of polling selected interfaces, downloading, and executing initial software (in this case, downloaded software) in the internal RAM
- **Permanent booting device:** Memory device containing, by default, the image to be executed during the booting sequence. It is the default memory booting device.
- **Preflashing:** A specific case of peripheral booting where the ROM code mechanism is used to program the external flash memory
- **ROM Code:** The on-chip software in device ROM that implements booting
- **ROM Code-controlled Boot Phase:** This phase covers the sequence operations from the time the platform releases the reset to the time first user- or customer-owned software starts execution. This phase is fully controlled by the device ROM code.

33.1.2 Initialization Process

Figure 33-1 is an overview of the initialization process and its steps:

- **Preinitialization:** Power, clock, and control connections must be present, and the boot configuration pins must be held at the desired logical levels.
- **Power, clock, reset ramp sequence:** Specific sequence that is applied by the power-management chip
- **ROM code:** Responsible for finding, for downloading, and for executing the initial software
- **Initial software:** Software that prepares and passes control to application software or to the high-level operating system (HLOS)
- **HLOS** or application (primarily for diagnostics)

Figure 33-1. Initialization Process



init-020

The first two steps in the initialization process are hardware-oriented; however, they require an understanding of the process of configuring these system interface pins (balls on the device), which have software-configurable functionality. This configuration is an essential part of the chip configuration and is application-dependent. This chapter discusses these system-interface pins and the associated configuration registers that are vital to the correct initialization of the device.

33.2 Preinitialization

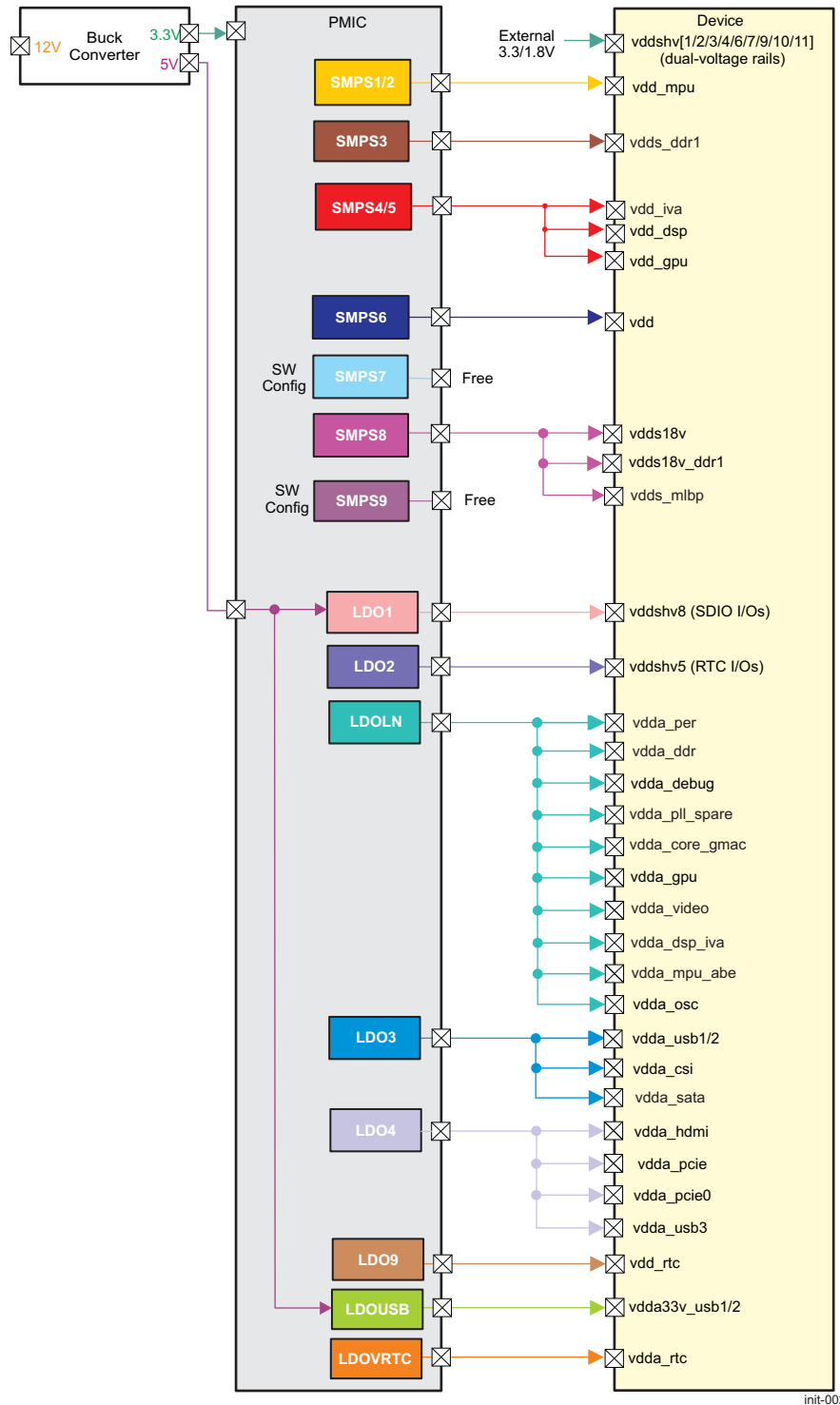
To accomplish a successful boot-up operation, certain hardware configuration settings must be in place. Clock, reset, and power connections, as well as pins involved in setting the boot memory space for the MPU, must be connected and driven correctly to successfully initialize the device. The following sections describe the specific requirements for the preinitialization stage.

33.2.1 Power Requirements

The device can be supplied by an external power-management integrated circuit (PMIC). TI provides a global solution with the device connected to the power-management IC companion chip. Refer to *Data Manual* for information about the power-management IC companion chips supported for this device.

[Figure 33-2](#) shows typical power connections between the device and a PMIC companion chip.

Figure 33-2. Power Supply Connections Example



NOTE: Figure 33-2 is an example of power connections between the device and the PMIC, representing only one of the multiple PMIC/OTP options. These connections depend on the actual application, PMIC, and OTP used. Refer to the *Device Data Manual*, respective *PMIC Data Sheet*, and all related application notes before starting a new design.

Table 33-1 describes the device power balls.

Table 33-1. Device Power Balls

Voltage Ball Name	Subsystems and Peripherals
vdd	Subsystems and modules supplied by CORE voltage domain
vdd_mpu ⁽¹⁾	MPU voltage domain
vdd_iva ⁽¹⁾	IVA voltage domain
vdd_dsp	DSP voltage domain
vdd_gpu ⁽¹⁾	GPU voltage domain
vdd_rtc ⁽¹⁾	RTC voltage domain
vdds18v	1.8V I/Os
vdds_mlbp	MLBSS I/Os
vdds_dds1	EMIF channel 1
vdds18v_dds1	EMIF channel 1 bias
vdda_video	Analog power supply for DPLL_VIDEO0/1
vdda_dds	Analog power supply for DPLL_DDR and DDR HSDIVIDER
vdda_mpu_abe	Analog power supply for DPLL_MPU, DPLL_ABE
vdda_per	Analog power supply for DPLL_PER, PER HSDIVIDER
vdda_core_gmac	Analog power supply for DPLL_GMAC DPLL_CORE, and CORE HSDIVIDER
vdda_hdmi	Analog power supply for HDMI I/Os and DPLL_HDMI
vdda_pcie	Analog power supply for DPLL_PCIE_REF and APLL_PCIE
vdda_pcie0 ⁽¹⁾	Analog power supply for PCIE0 I/Os
vdda_gpu	Analog power supply for DPLL_GPU
vdda_dsp_iva	Analog power supply for DPLL_DSP and DPLL_IVA
vdda_usb3	Analog power supply for USB1 DPLL_USB_OTG_SS and USB3.0 I/Os
vdda_usb1	Analog power supply for USB1 DPLL_USB and USB2.0 I/Os (1.8 V)
vdda33v_usb1	Analog power supply for USB1 I/Os (3.3 V)
vdda_usb2	Analog power supply for USB2 I/Os (1.8 V)
vdda33v_usb2	Analog power supply for USB2 I/Os (3.3 V)
vdda_pll_spere	Analog power supply for PLL_SPARE
vdda_csi	Analog power supply for CSI
vdda_sata ⁽¹⁾	Analog power supply for SATA I/Os and DPLL_SATA
vdda_debug	Analog power supply for DPLL_DEBUG
vddshv1	Dual-voltage VIN2 group I/Os
vddshv2 ⁽¹⁾	Dual-voltage VOUT group I/Os
vddshv3	Dual-voltage GENERAL group I/Os
vddshv4	Dual-voltage MMC4 group I/Os
vddshv5 ⁽¹⁾	Dual-voltage RTC group I/Os
vddshv6 ⁽¹⁾	Dual-voltage VIN1 group I/Os
vddshv7	Dual-voltage WIFI group I/Os
vddshv8	Dual-voltage MMC1 group I/Os
vddshv9	Dual-voltage RGMII group I/Os
vddshv10	Dual-voltage GPMC group I/Os
vddshv11	Dual-voltage MMC2 group I/Os
vdda_osc	System HF OSC0/1 XTAL oscillators
vdda_rtc ⁽¹⁾	RTC bias and LF RTC XTAL oscillator

⁽¹⁾ Not pinned out on the AM570x family of devices.

NOTE: For a complete description of the power balls on the device package, see the *Device Data Manual*.

For more information about power management, see [Section 3.6 Clock Management Functional Description](#), in [Chapter 3, Power, Reset, and Clock Management](#).

NOTE: **MLB is not supported on the AM571x / AM570x family of devices.**

33.2.2 Boot Device Conditions

The ROM code does not interact with the PMIC companion chip over an I²C or SPI interface. That is, ROM code is PMIC independent. The following system conditions must be met to perform device initialization:

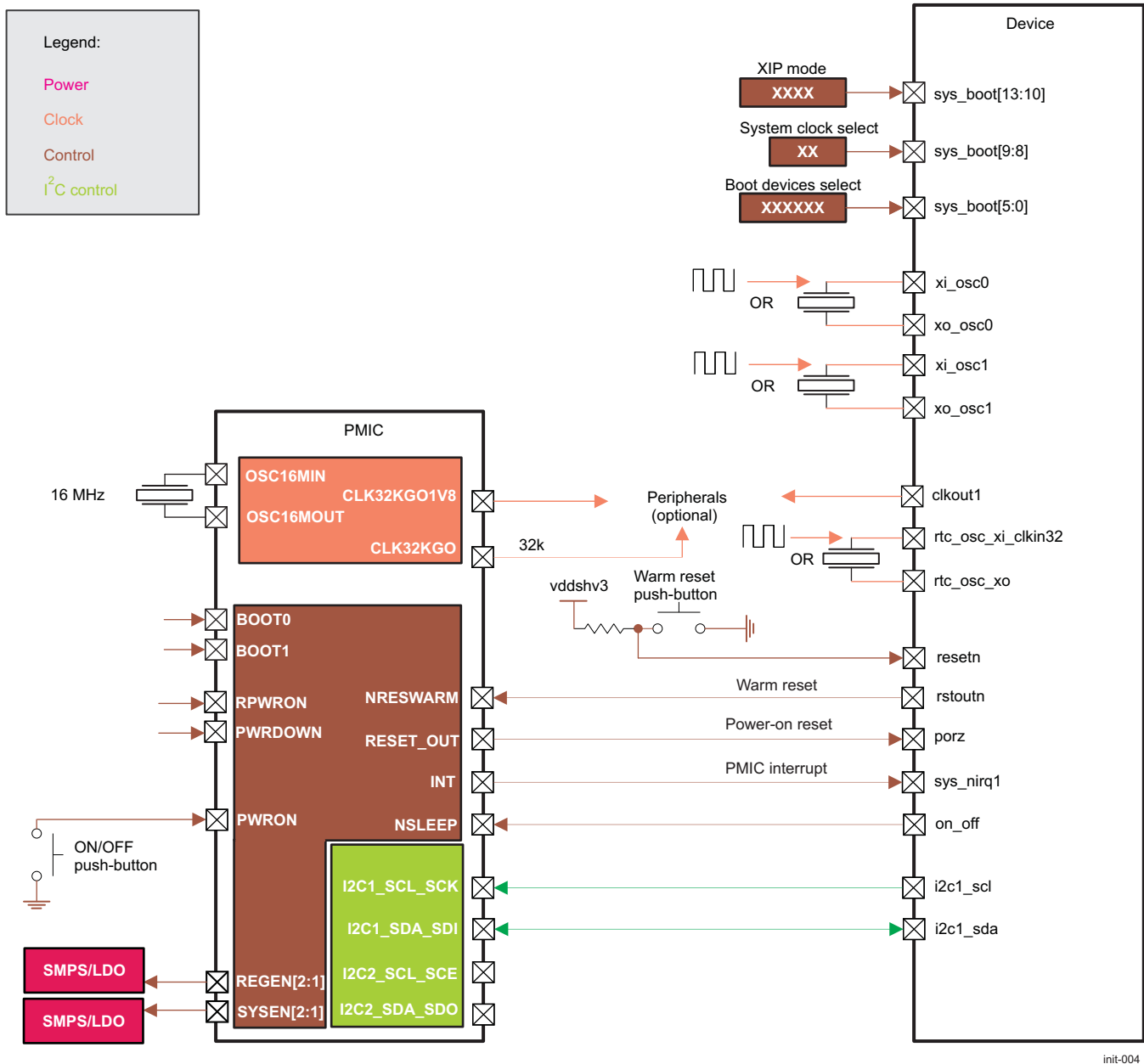
- The USB transceivers (USB2.0), are powered on reset, as expected by the USB peripheral booting feature.
- The SD card cage must be appropriately powered before entering the SD card boot feature on any reset.
- Devices must be appropriately powered and be up and ready at platform startup:
 - eMMC
 - QSPI
 - GPMC
 - SATA

33.2.3 Clock, Reset, and Control

33.2.3.1 Overview

Figure 33-3 shows the clock and reset environment where clocks and reset-related signals are gathered at the system level, the system-expansion signals, and the crystal oscillator connection.

Figure 33-3. Clock, Reset, and Control Environment Overview



init-004

NOTE: Figure 33-3 is a typical example of clock, reset and control connections between the device and a PMIC. Refer to the device *Data Manual* for the supported PMIC(s) for your device and for more information on these balls. For PMIC ball description, see the respective PMIC *Data Sheet*.

NOTE: The *rtc_osc_xi_clkin32* and *rtc_osc_xo* device pads are not available on the AM570x family of devices.

The main features of the system interface are:

- Accepts crystals connected between device *xi_osc0* and *xo_osc0* pads, and *xi_osc1* and *xo_osc1* pads to generate *SYS_CLK1* and *SYS_CLK2*, respectively
- Accepts external LVCMOS clock sources connected to *xi_osc0*, and *xi_osc1* pads for *SYS_CLK1* and *SYS_CLK2*, respectively
- A 32-kHz LVCMOS clock input (*clkin32*) for low-power operation
- Up to four reference clock inputs
- Up to three configurable clock outputs
- *sysboot[15:0]* input signals to define the boot mode, system clock speed, and GPMC in XIP mode
- Two reset sources
 - Power-on reset (cold reset)
 - Warm reset
- Three external interrupt lines (*sys_irq1*, *sys_irq2*, and *nmi_dsp*)
- Four external DMA requests

33.2.3.2 Clocking Scheme

The device operation requires external input clocks, as follows:

- 32k clock: A 16-MHz crystal is connected to the PMIC companion chip that embeds the 32k-oscillator (a square CMOS 32-kHz clock can also be delivered on the *OSC16MIN* pin of Power-management IC, if the 32k-crystal is connected on another device of the system). The resulting 32k-clock is delivered to the entire system on two outputs:
 - *CLK32KGO*
 - *CLK32KGO1V8*
- System clocks: The device supports two system clocks with two clock sources each:
 - *SYS_CLK1* (main system clock):
 - Crystal on *OSC0* pins. An internal oscillator (*OSC0*) embedded in the device is used.
 - External LVCMOS clock on *xi_osc0*
 - *SYS_CLK2* (optional system clock):
 - Crystal on *OSC1* pins. An internal oscillator (*OSC1*) embedded in the device is used.
 - External LVCMOS clock on *xi_osc1*
- The device can deliver digital clocks to peripherals ICs.

The device provides wide choice of clocks that can be delivered on *clkout[1:3]* pads to companion devices. For more information, see [Section 3.3, PRCM Subsystem Environment](#), in [Chapter 3, Power, Reset, and Clock Management](#). For more information on pad multiplexing, see [Chapter 18, Control Module](#).

[Table 33-2](#) lists the mapping for the device clock input sources. [Table 33-3](#) lists the PMIC clock requirements.

Table 33-2. Mapping for Input Sources

Clock	Clock Source	Ball Mapping	Frequency Range/List	Type
SYS_CLK1	Internal oscillator 0 (<i>OSC0</i>)	<i>xi_osc0</i> and <i>xo_osc0</i>	19.2, 20, and 27 MHz	Crystal connection pins
	External	<i>xi_osc0</i>	19.2, 20, and 27 MHz	External LVCMOS
SYS_CLK2	Internal oscillator 1 (<i>OSC1</i>)	<i>xi_osc1</i> and <i>xo_osc1</i>	19.2 ÷ 32 MHz	Crystal connection pins
	External	<i>xi_osc1</i>	12 ÷ 38.4 MHz	External LVCMOS

Table 33-3. PMIC Clock Requirements⁽¹⁾

Clock Source	Mapping	Frequency Range/List	Type
Internal oscillator	OSC16MIN and OSC16MOUT	16.384 MHz	Crystal connection pins
External	OSC16MIN	32.768 kHz (nom.)	External LVC MOS

⁽¹⁾ The PMIC does not need any external clock to operate properly. PMIC can run on internal RC-oscillator. The 16-MHz oscillator is in place to provide an accurate 32-kHz clock to its internal RTC, to the SoC or device in the system. See the corresponding PMIC datasheet for details.

33.2.3.3 Reset Configuration

33.2.3.3.1 ON/OFF Interconnect and Power-On-Reset

The entire system is typically awakened by an ON/OFF push button connected to the PMIC chip. This signal belongs to the VSYS - system power domain and is active low (the PMIC internal pullup ties it to VSYS). The PMIC power-up event is propagated through its NRESPWRON output pin to the device porz pad (that is, the PRM SYS_PWRON_RST signal) when the PMIC power-up sequence is achieved. The device porz input pin is held low all the time during VDD core and I/O power-up.

33.2.3.3.2 Warm Reset

A warm reset can be asserted by the device, by an external button (typically for development platform), or by any other chip connected to it (normally tied to PMIC companion NRESWARM output pin).

The device warm reset pad (resetrn - device signal SYS_WARM_IN_RST) is used to trigger a warm reset on the device, which resets part of the device when it has already booted (for example, to recover from a software crash). When an internal device reset occurs, SYS_NRES_WARM_OUT output and device pad rstoutn go low and reset all the peripherals.

The device releases the SYS_NRES_WARM_OUT output signal after SYS_PWRON_RST is deasserted.

33.2.3.3.3 Peripheral Reset by GPIO

Most peripherals can be reset and powered on or off by GPIO. By default, under POR, most device signals are in safe mode with a default value driven by the I/O cell. The value is driven by an internal pullup or pulldown. Depending on the peripheral reset active level, users must select one GPIO or another (according to the reset value).

Once POR is released, the value on the pad is driven by the default configuration of the device control module. Most of time, this configuration is aligned with the default value selected on the I/O cell.

The next step is application-dependent: Users must configure the device registers to validate GPIO use and the default configuration of the control module.

33.2.3.3.4 Warm Reset Impact on GPIOs

When a warm reset event occurs:

- The GPIO controller is reset. Consequently, the GPIO is automatically turned in input mode.
- The control module is not reset. Information related to signal multiplexing mode and pullup or pulldown configuration is still valid.

Therefore, when a warm reset event occurs, the output buffer is disabled. Consequently, two different behaviors can be defined with regard to what is expected by the platform:

- GPIO sensitive to warm reset:

To prevent a floating pad, user software is designed to have the internal pad PU and PD resistors enabled immediately, before the software warm reset action, because the warm reset-sensitive GPIO controllers will change I/O direction to input after an device warm reset. This is necessary if the warm reset-sensitive GPIO controller pin has been configured for output before the warm reset occurrence. The pulls-enabled-before-warm-reset condition should be set by default in case the user has configured a GPIO as an input, because in this case the user is expected to have enabled the internal PU and PD pads during GPIO configuration (unless external pull resistors were used).

NOTE: If the PU and PD resistors are enabled immediately by software after a POR (cold reset) for a GPIO that is planned to be used only as an output, then unnecessary consumption can occur.

While the dynamically-enable-the-pull-just-before-warm-reset condition is possible during a software warm reset (because the user software is aware of the exact moment a warm reset event occurs), it is not possible when the warm reset is triggered by hardware (for example, a watchdog reset, SYS_NRESWARM signal assertion, and so forth), because the software is not aware of the exact moment of these warm reset assertions.

- GPIO not sensitive to warm reset:

To avoid getting a floating signal during (and after) a warm reset event and to keep the same value that was driven before the reset, users must align the pull value with the drive value each time a dedicated GPIO register is accessed.

NOTE: To avoid unnecessary consumption, the user software must ensure that internal pull resistor is disabled when the GPIO buffer is driving.

For the description of the reset sequences and information about the device reset management, see [Section 3.5, Reset Management Functional Description](#), in [Chapter 3, Power, Reset and Clock Management](#).

33.2.3.4 PMIC Control

- I²C:

The device interfaces: system interface I/Os, and I2C1 are involved in system interactions between the device and external power, reset and clock management IC companions.

The device and PMIC companion implement the basic power-management interface, as follows:

- 32-kHz clock single input
- Two system resets: power-on (cold) reset and warm reset
- One interrupt

- INT:

PMIC companion device can activate its output interrupt request signal (INT) at any time when requires the device to monitor its activity. When receiving such an interruption, the device checks, through the I²C, to determine the source of the interrupt. INT pin is active low.

33.2.3.5 PMIC Request Signals

The PMIC drives three external enable-output signals, which allows switching on some external resources at different stages of the power-up sequence:

- REGEN1 and REGEN2 are driven high at the beginning of the power-up sequence, before any internal power source is turned on. They belong to the VSYS power domain. REGEN1 can typically be used for buck boost control.
- SYSEN is driven high immediately after the VCORE power output is turned on. SYSEN belongs to the VIO power domain.

The PMIC companion chip can receive two power resource requests: ENABLE1 and NSLEEP. These pins allow an external device to request PMIC internal resources. The PMIC companion power behavior when pins are activated must be programmed after the first boot (resources and ENABLE pins allocated by group, resource behavior upon group activation, and so forth).

The use of NSLEEP is especially required when PMIC chip is in sleep mode, because it cannot handle an I²C command. Any device that requires the PMIC companion resource to wake up must first activate its associated ENABLE signal. All power-management chip power regulators are off or in sleep mode when it is in sleep mode.

33.2.4 Sysboot Configuration

The device implements 16 sampled-on-reset sysboot pads.

Table 33-4. Sysboot Pads Description⁽¹⁾

Pads	Description
sysboot[15]	Must be pulled to vdd for proper device operation (SR1.0). ⁽²⁾ Used to permanently disable the internal PU/PD resistors on pads gpmc_a[27:24, 22:19] (SR2.x).
sysboot[14]	Must be pulled to vss for proper device operation.
sysboot[13:10]	Used to configure the GPMC interface when booting from XIP memory connected to GPMC. See Table 33-6 .
sysboot[9:8]	Selects the SYS_CLK1 clock speed. They must be set correctly according to the speed of the connected crystal. See Table 33-7 .
sysboot[7:6]	Sector offset for the location of the redundant SBL images in QSPI.
sysboot[5:0]	Select interfaces or devices for the booting list. See Table 33-9 .

⁽¹⁾ Boards should be implemented with a mechanism to easily modify the pull-up/down state to enable any future modifications.

⁽²⁾ The SR1.0 information is valid only for AM571x family of devices.

Table 33-5. MMC2 Configuration (SR2.x)⁽¹⁾

sysboot[15]	mmc2_dat[7:0] Pull-down Resistors
0b0	Internal pull-down resistors permanently disabled to avoid contention with the recommended per eMMC standard pull-ups that should be present on PCB. Software re-configuration of internal pull resistors is disabled.
0b1	Software re-configuration of pull resistors is allowed. Internal pull-downs on gpmc_a[n:19] are enabled by default to allow GPMC boot. Pulling low gpmc_a[n:19] is required in order to access the low-order address locations in the flash memory during boot (n = [27:24, 22:19] and depends on the memory volume).

⁽¹⁾ When internal pull-downs are permanently disabled (sysboot[15] = 0), gpmc_a[n:19] pads (where n = [27:24, 22:19]) require external pull-downs to enable GPMC boot.

All sysboot pads are sampled and latched onto the CTRL_CORE_BOOTSTRAP register (in control module) after POR. After booting, these pads can be used for other functions such as GPIOs, and the associated register bit field is not updated by the new functionality. For more information about pad multiplexing configuration, see [Section 18.4.6.1.1, Pad Configuration Registers](#), in [Chapter 18, Control Module](#).

NOTE: If used as GPIOs, the sysboot[15:0] pads must be used only in output mode to ensure that the input values always match a certain hardware predefined boot pattern, interpreted after each POR.

33.2.4.1 GPMC Configuration for XIP/NAND

[Table 33-6](#) describes the GPMC interface configuration used in XIP, fast XIP and NAND modes controlled by sysboot[13:10].

Table 33-6. GPMC for XIP Configuration

sysboot[13]	Bus Width
0b0	8-bit
0b1	16-bit
sysboot[12:11]	A/D-muxed/non-muxed Device on CS0
0b00	Non-muxed device
0b01	A/D-muxed device
sysboot[10]	Wait-pin Monitoring for Read Accesses

Table 33-6. GPMC for XIP Configuration (continued)

0b0	Disabled
0b1	Enabled

33.2.4.2 System Clock Speed Selection

There are three crystal speeds available to be selected by means of sysboot[9:8], as described in [Table 33-7](#). User is responsible to set the correct value depending on the actual clock supplied to the device.

Table 33-7. System Clock (SYS_CLK1) Speed Selection

sysboot[9:8]	SYS_CLK1 Speed
0b00	Reserved
0b01	20 MHz
0b10	27 MHz
0b11	19.2 MHz

33.2.4.3 QSPI Redundant SBL Images Offset

Four options are available to set the offset between the redundant SBL images as described in [Table 33-8](#). If not using the redundant SBL feature, there is no change required to sysboot pins as only the primary image is used and the sector offset is a don't care.

Table 33-8. Offset Between Redundant Images

sysboot[7:6]	Offset
0b00	64 KiB
0b01	128 KiB
0b10	256 KiB
0b11	512 KiB

33.2.4.4 Booting Device Order Selection

The ROM code creates the device list (order) based on information gathered from these locations:

- The first location is the sysboot[5:0] external configuration pins sensed in the device CTRL_CORE_BOOTSTRAP register. The sysboot[5:0] configuration pads have two main purposes: configure ROM code software in terms of interfaces and devices used for booting and configuring hardware after a POR or cold reset.

The SYSBOOT pins are used to index a booting device list from a table with possible booting scenarios. The order of examined booting devices is from the first to the third devices.

The following names are used in the tables:

- Memory types:
 - Execute in place (XIP): NOR (CFI) flash memory or other XIP device
 - NAND: NAND flash memories (non-XIP)
 - SD: Removable SD card device
 - eMMC: eMMC™ memory device
 - QSPI_1: 1-bit SPI flash memories
 - QSPI_4: 4-bit (Quad) SPI flash memories
 - SATA: SATA-compatible devices such as solid state drives (SSDs) or hard-disk drives (HDDs).
- Peripheral interfaces:

- USB: HS USB 2.0 interface
- UART: UART interface
- **Table 33-9** lists the permanent booting devices in bold typeface.

NOTE: After warm reset, the ROM code builds a device list featuring only the permanent booting devices (in **bold**).

Table 33-9 lists the booting device order selected by ROM code depending on sysboot[5:0] pins.

Table 33-9. Booting Devices Order

sysboot[5:4]	sysboot[3:0]	First Device	Second Device	Third Device
Peripheral Preferred Booting				
0b00	0b0000	USB	eMMC	
0b00	0b0001	USB	NAND	
0b00	0b0010	USB	SD	eMMC
0b00	0b0011	USB	SATA	SD
0b00	0b0100	USB	UART	XIP
0b00	0b0101	SD	XIP	
0b00	0b0110	SD	QSPI_1	
0b00	0b0111	SD	QSPI_4	
0b00	0b1010	SD	Fast XIP	
Recovery/Upgrade or Development Booting ⁽¹⁾				
0b01	0b0000	USB		
0b01	0b0011	UART		
0b01	0b0100	SD	USB	
0b01	0b0101	SD	USB	
0b01	0b0110	SD	USB	
0b01	0b0111	SD	USB	
0b01	0b1000	SD	USB	
0b01	0b1001	SD	USB	
0b01	0b1010	SD	USB	
0b01	0b1011	SD	USB	
Memory Preferred Booting				
0b10	0b0000	eMMC	USB	
0b10	0b0001	NAND	USB	
0b10	0b0010	SD	eMMC	USB
0b10	0b0011	SATA	SD	USB
0b10	0b0100	XIP	USB	UART
0b10	0b0101	XIP	SD	USB
0b10	0b0110	QSPI_1	SD	USB
0b10	0b0111	QSPI_4	SD	USB
Production Booting ⁽¹⁾				
0b11	0b0000	SD		
0b11	0b0100	SATA		
0b11	0b0101	XIP		
0b11	0b0110	QSPI_1		
0b11	0b0111	QSPI_4		
0b11	0b1000	eMMC		
0b11	0b1001	NAND		

⁽¹⁾ After 10 failed loops through the device list, ROM code initiates immediate global warm reset.

Table 33-9. Booting Devices Order (continued)

sysboot[5:4]	sysboot[3:0]	First Device	Second Device	Third Device
0b11	0b1010	Fast XIP		
0b11	0b1011	eMMC (boot part.) ⁽²⁾		

⁽²⁾ The ROM code boots from eMMC boot partition. If the ROM code fails to retrieve the booting image, it does not try boot from the user area contrary to other eMMC options.

NOTE: SATA is not supported on the AM570x family of devices.

33.2.4.5 Boot Peripheral Pin Multiplexing

Table 33-10 lists the code pin multiplexing configuration supported by ROM according to boot peripheral. These settings are not restored to default values at ROM Code exit.

NOTE: The ROM code examines the interfaces that are selected to be searched until a valid bootable interface or device is found. The activities on the pads of the searched interfaces must be considered if they are connected to any other peripherals for any other purposes (for example, a LED connected to a GPMC pad muxed internally to a GPIO).

Table 33-10. Pin Multiplexing According to Boot Peripheral

Boot Device	Boot Interface	Pads	MuxMode	Interface Signals
eMMC	MMC2	gpmc_a[19:27], gpmc_cs[1]	MuxMode=0x1	mmc2_dat[4:7]; mmc2_clk; mmc2_dat[0:3]; and mmc2_cmd
SD	MMC1	mmc1_clk, mmc1_cmd, mmc1_dat[0:3]	MuxMode=0x0	mmc1_clk, mmc1_cmd, mmc1_dat[0:3]
NAND	GPMC	GPMC on CS0	MuxMode=0x0	GPMC on CS0
XIP	GPMC	GPMC on CS0 ⁽¹⁾	MuxMode=0x0	GPMC on CS0, wait signal monitoring according to the SYSBOOT[10] setting
SATA	SATA	sata1_txp0, sata1_txn0, sata1_rxp0, sata1_rxn0	-	sata1_txp0, sata1_txn0, sata1_rxp0, sata1_rxn0
QSPI_1/QSPI_4	QSPI1	gpmc_a[13:18], gpmc_cs[2]	MuxMode=0x1	qspi1_rtclk qspi1_d[3:0]; qspi1_sclk; qspi1_cs[0]
USB	USB1	usb1_dp and usb1_dm	-	usb1_dp and usb1_dm
UART	UART3	uart2_rtsn uart2_ctsn	MuxMode=0x1 MuxMode=0x2	uart3_txd uart3_rxd

⁽¹⁾ ROM code does not use (mux) address lines above A18. These, however, are configured to pullups or pulldowns by hardware. See Table 33-5.

NOTE: SATA is not supported on the AM570x family of devices.

33.3 Device Initialization by ROM Code

This section describes high-level booting concepts and provides basic knowledge for booting on the device.

33.3.1 Booting Overview

33.3.1.1 Booting Types

Booting is the process of starting a bootstrap from one of the booting devices.

The ROM code has two functions for booting: Peripheral booting and memory booting.

- In peripheral booting, the ROM code polls a selected communication interface such as UART or USB, downloads the executable code over the interface, and executes it in internal RAM. Downloaded software from an external host can be used to program flash memories connected to the device. This special case of peripheral booting is called preflashing; software downloaded for preflashing is called the flash loader. The flash loader burns a new client application image in external flash memory. Initial software is a generic term for bootstrap, downloaded software, and flash loader. A software (warm) reset can be performed after the image is burned.
- In memory booting, the ROM code finds the bootstrap in permanent memories such as flash memory, memory cards, or SATA SSD or HDD memory devices and executes it. This process is normally performed after a cold or warm device reset.

The ROM code detects whether the device should download software from a peripheral interface (USB or UART) by using the sysboot pad configuration. This mechanism encompasses initial flashing in production (external memory is empty) and reflashing in service (external memory is already programmed).

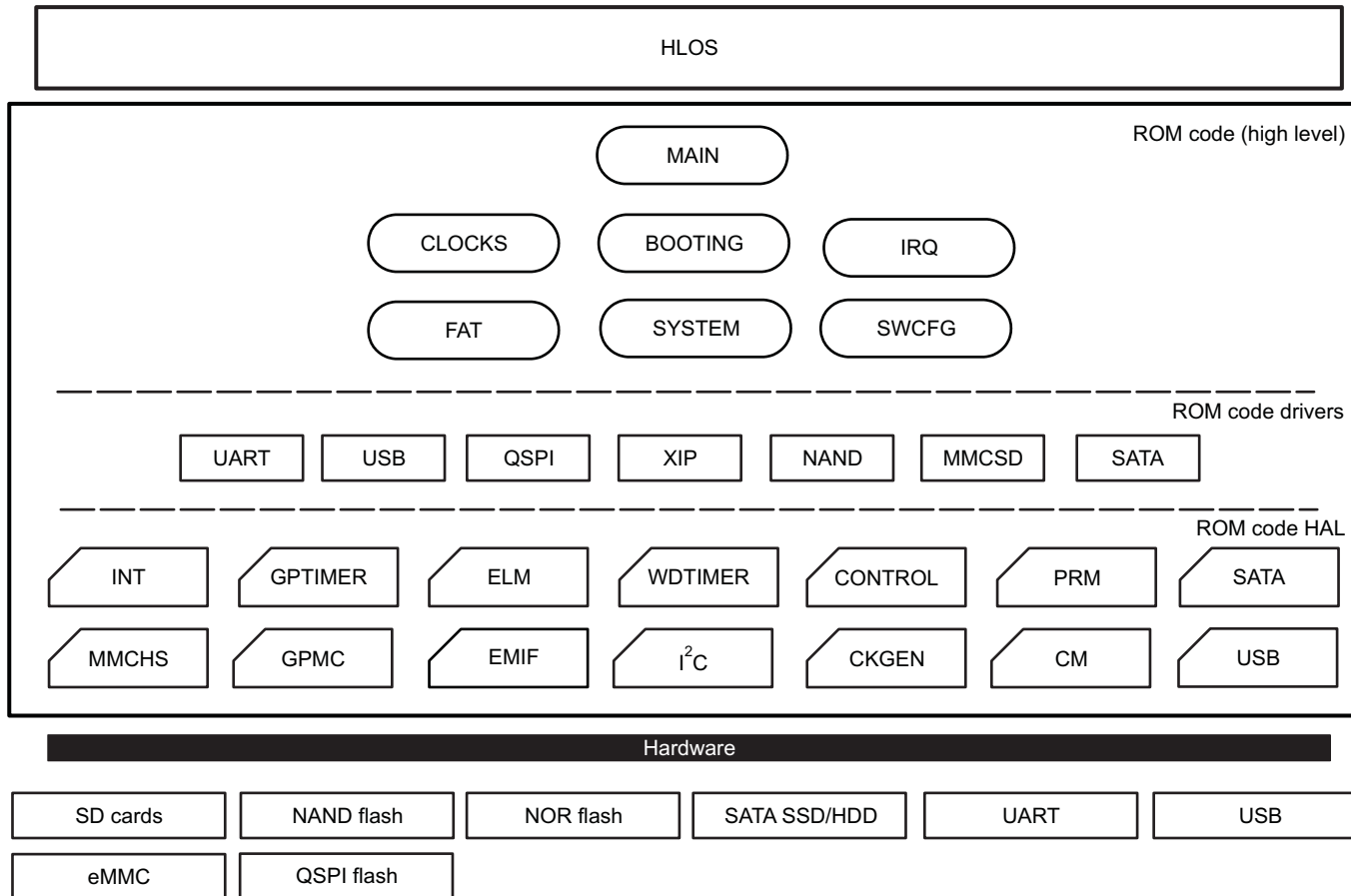
33.3.1.2 ROM Code Architecture

Figure 33-4 shows the ROM code architecture. It is split into three main layers with a top-down approach: high-level, drivers, and hardware abstraction layer (HAL). One layer communicates with a lower-level layer through a unified interface.

- The high-level layer performs the main tasks of the public ROM code: CPU startup, watchdog and clock configurations, interrupt management, and main booting routine.
- The driver layer implements the logical and communication protocols for any booting device in accordance with the interface specification.
- The HAL implements the lowest level code for interacting with the hardware infrastructure modules. End booting devices (typically external flash components) are attached to the device I/O pads.

Figure 33-4 shows the three layers with their modules.

Figure 33-4. ROM Code Architecture



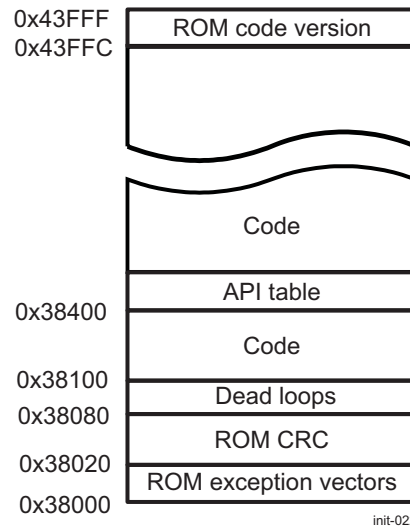
init-006

33.3.2 Memory Maps

33.3.2.1 ROM Memory Map

Figure 33-5 shows the 48-KiB ROM memory map.

Figure 33-5. ROM Memory Map



- ROM exception vectors

Exceptions are redirected to ROM exception vectors (see [Table 33-11](#)). The reset exception is redirected to the public ROM code startup. Other exceptions are redirected to RAM handlers by loading appropriate addresses to the PC register.

Table 33-11. ROM Exception Vectors

Address	Exception	Content
0x38000	Reset	Branch to the ROM code startup
0x38004	Undefined	PC = 0x4037 F004
0x38008	Software interrupt (SWI)	PC = 0x4037 F008
0x3800C	Prefetch abort	PC = 0x4037 F00C
0x38010	Data abort	PC = 0x4037 F010
0x38014	Unused	PC = 0x4037 F014
0x38018	IRQ	PC = 0x4037 F018
0x3801C	FIQ	PC = 0x4037 F01C

- ROM code cyclic redundancy check (CRC)

The ROM code CRC is calculated as 32-bit CRC code (CRC-32-IEEE 802.3) for the address range 0x38000–0x43FFF. The 4-byte CRC code is stored at location 0x38020.

- Dead loops

Dead loops are branch instructions coded in Arm mode. They have multiple purposes (see [Table 33-12](#)).

Table 33-12. Dead Loops

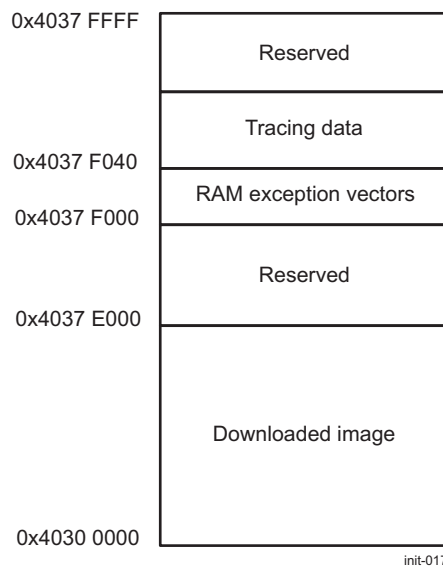
Address	Purpose
0x38080	Undefined exception default handler
0x38084	SWI exception default handler
0x38088	Prefetch abort exception default handler
0x3808C	Data abort exception default handler
0x38090	Unused exception default handler
0x38094	IRQ exception default handler
0x38098	FIQ exception default handler

- Code
This space is used to hold code and constant data.
- API table
The purpose of this table is to allow external code access to system maintenance, utility, and device driver functions which are used for ensuring the ROM code boot functionality. These functions can be reused at run time by calling a fixed address hardcoded in this table.
- ROM code version
The ROM code version consists of two BCD numbers: major and minor. It can be used to identify the ROM code release version burned in a given IC. The ROM code version is a 32-bit hexadecimal value at address 0x43FFC.
The ROM code version number is:
 - 0x2801 for SR1.0 and SR2.0
 - 0x2802 for SR2.1

33.3.2.2 RAM Memory Map

The partitioning of the on-chip SRAM (L3 OCM RAM) shown in [Figure 33-6](#) is used during the booting process. Tracing areas can also be accessed when calling API functions.

Figure 33-6. RAM Memory Map



- Downloaded image
This space is used by the public ROM code to store a downloaded booting image. It can be up to 504 KiB.
- RAM exception vectors
The RAM exception vectors provide an easy way to redirect exceptions to the custom handler.

Table 33-13 lists the contents of the RAM space reserved for RAM vectors. The first eight addresses are Arm instructions that load the value in the subsequent eight addresses into the PC. These instructions are executed when an exception occurs because they are called from ROM exception vectors. Undefined, SWI, unused, and FIQ exceptions are redirected to a hardcoded dead loop. Prefetch abort, data abort, and IRQ exception are redirected to predefined ROM handlers. Users can redirect an exception to another handler by writing its address to the appropriate location from 0x4037 F024 to 0x4037 F03C, or by overriding the branch (load into PC) instruction between addresses from 0x4037 F004 to 0x4037 F01C.

Table 33-13. RAM Exception Vectors

Address	Exception	Content
0x4037 F000	Reserved	Reserved
0x4037 F004	Undefined	PC = [0x4037 F024]
0x4037 F008	SWI	PC = [0x4037 F028]
0x4037 F00C	Prefetch abort	PC = [0x4037 F02C]
0x4037 F010	Data abort	PC = [0x4037 F030]
0x4037 F014	Unused	PC = [0x4037 F034]
0x4037 F018	Interrupt request (IRQ)	PC = [0x4037 F038]
0x4037 F01C	Fast interrupt request (FIQ)	PC = [0x4037 F03C]
0x4037 F020	Reserved	0x38090
0x4037 F024	Undefined	0x38080
0x4037 F028	SWI	0x38084
0x4037 F02C	Prefetch abort	Address of default prefetch abort handler ⁽¹⁾
0x4037 F030	Data abort	Address of default data abort handler ⁽¹⁾
0x4037 F034	Unused	0x38090
0x4037 F038	IRQ	Address of default IRQ handler
0x4037 F03C	FIQ	0x38098

⁽¹⁾ The default handlers for prefetch and data abort perform reads from CP15 debug registers to retrieve the reason for the abort:

- In case of prefetch abort: the IFAR register is read from CP15 and stored into R0. The IFSR register is read and stored into the R1 register. Then the ROM code jumps to the prefetch abort dead loop (38088h).
- In case of data abort: the DFAR register is read from CP15 and stored into R0. The DFSR register is read and stored into the R1 register. Then the ROM code jumps to the data abort dead loop (3808Ch).

- Tracing data

This area contains trace vectors reflecting the execution path of the ROM code. Table 33-14 describes the public ROM code tracing data. For more information about ROM code tracing, see Section 33.3.9, *Tracing*.

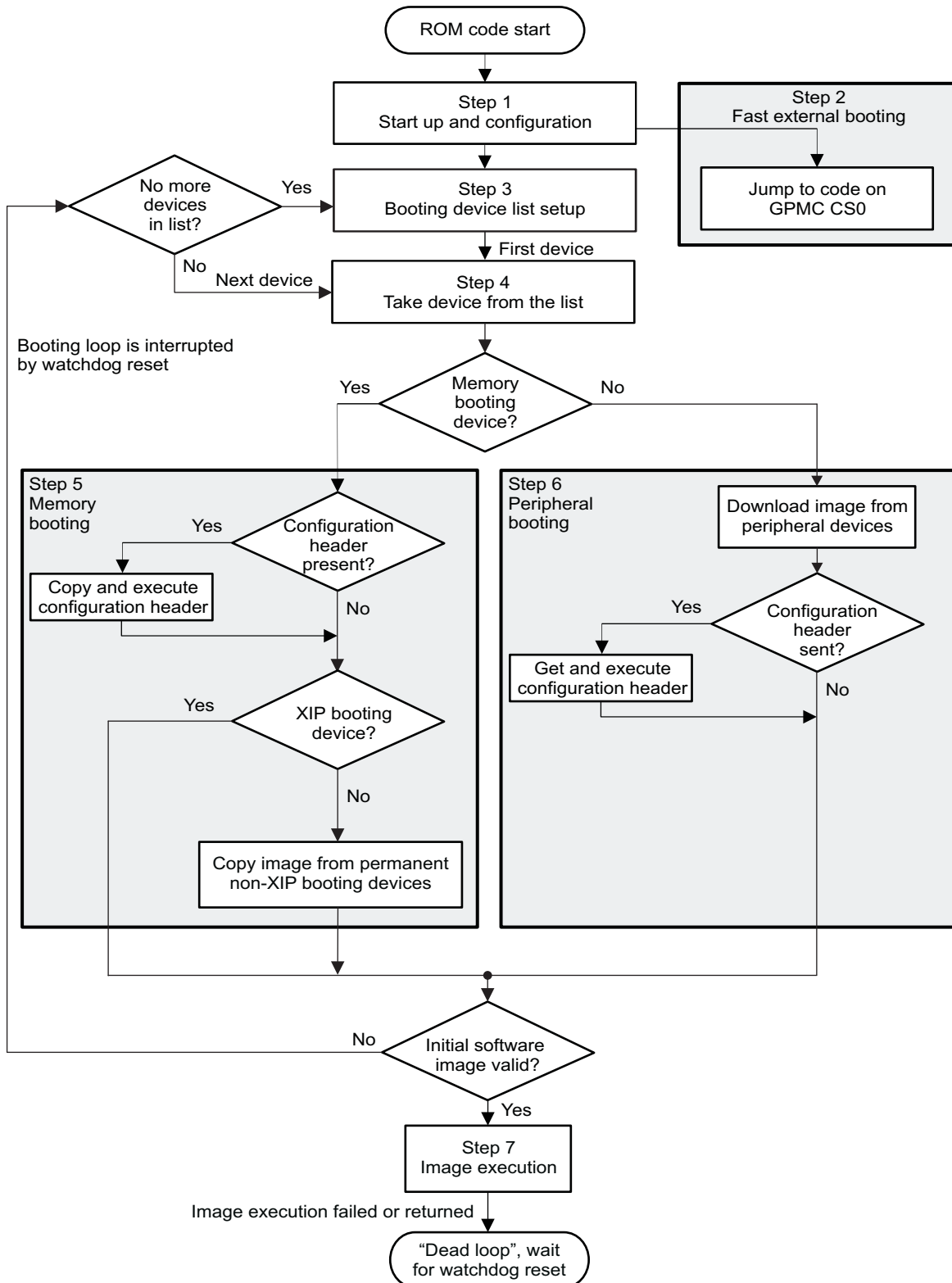
Table 33-14. Tracing Data

Address	Size	Description
0x4037 F040	32 bits	Current tracing vector, word 1
0x4037 F044	32 bits	Current tracing vector, word 2
0x4037 F048	32 bits	Current tracing vector, word 3
0x4037 F04C	32 bits	Current tracing vector, word 4
0x4037 F050	32 bits	Cold reset run tracing vector, word 1
0x4037 F054	32 bits	Cold reset run tracing vector, word 2
0x4037 F058	32 bits	Cold reset run tracing vector, word 3
0x4037 F05C	32 bits	Cold reset run tracing vector, word 4
0x4037 F060	32 bits	Current copy of the PRM_RSTST register (reset reasons)

33.3.3 Overall Booting Sequence

Figure 33-7 shows the ROM code flow chart.

Figure 33-7. Overall Booting Sequence



init-007

The main loop of the booting module goes through the booting device list and tries to get an image from the currently selected booting device. The ROM code performs the following steps:

- Step 1. Basic configuration and initialization. Reading of SYSBOOT pins.
- Step 2. The path named fast external boot is a special low-latency boot mode. It consists of a blind jump to an external addressable memory. See [Section 33.3.6, Fast External Booting](#).
- Step 3. A booting device list is created (see [Section 33.3.4.5, Booting Device List Setup](#)). The list consists of all devices to be searched for a booting image. The list is created based on the SYSBOOT pins.
- Step 4. The main loop of the booting procedure goes through the booting device list and tries to search for an image from the currently selected booting device. This loop is exited if a valid booting image is found and successfully executed or when the watchdog expires. If an image is found, ROM code executes memory booting or peripheral booting, depending on the type of the current booting device:
 - Memory booting is executed when the booting device is XIP memory, NAND, QSPI, eMMC or SD, SATA SSD/HDD.
 - Peripheral booting is executed when the booting device is UART or USB.
- Step 5. Memory booting reads data from memory-type devices. Memory booting is described in detail in [Section 33.3.7, Memory Booting](#).
- Step 6. Peripheral booting downloads data from communication interfaces. Peripheral booting is described in [Section 33.3.5, Peripheral Booting](#).
- Step 7. The image automatically starts.

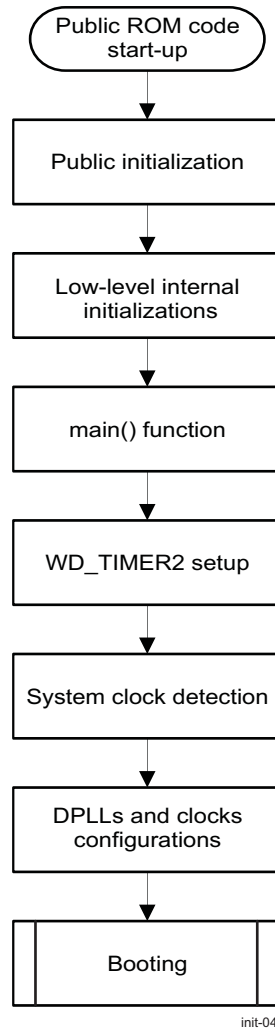
An additional feature of the booting module is the execution of the Configuration Header (CH). The CH configures the system for faster and more flexible booting from the selected permanent or peripheral booting device. The CH, which is optional, is described in [Section 33.3.8.2, Configuration Header](#).

33.3.4 Startup and Configuration

33.3.4.1 Startup

Figure 33-8 shows the ROM code start-up sequence.

Figure 33-8. ROM Code Start-Up Sequence



The MPU L1 instruction cache and branch prediction mechanisms are activated as part of the public boot process. The base address of the public vector is configured to the reset vector of ROM code (0x38000). The memory management unit (MMU) remains switched off during boot (thus, L1 data cache is off). The MPU performs the basic initialization of the public side. Next, the MPU configures WD_TIMER2 (set to 3 minutes), detects system clock, and configures the system clock. Finally, the MPU jumps to the booting routine.

33.3.4.2 Control Module Configuration

Table 33-15 lists the Control Module registers modified at each ROM code startup. It is a Control Module requirement to be met prior to modify any of the pad control registers. These registers are not reverted back to default values (that is, to LOCK state) when ROM code completes.

Table 33-15. Control Module Registers Modified by ROM Code at Each Startup

Register	Value	Meaning
CTRL_CORE_MMR_LOCK_1	0x2FF1AC2B	Unlock Control Module registers starting at address offset 0x0000 0100 and ending at 0x0000 079F
CTRL_CORE_MMR_LOCK_2	0xF757FDC0	Unlock Control Module registers starting at address offset 0x0000 07A0 and ending at 0x0000 0D9F
CTRL_CORE_MMR_LOCK_3	0xE2BC3A6D	Unlock Control Module registers starting at address offset 0x0000 0DA0 and ending at 0x0000 0FFF
CTRL_CORE_MMR_LOCK_4	0x1EBF131D	Unlock Control Module registers starting at address offset 0x0000 1000 and ending at 0x0000 13FF
CTRL_CORE_MMR_LOCK_5	0x6F361E05	Unlock Control Module registers starting at address offset 0x0000 1400 and ending at 0x0000 1FFF

Once the booting device list is completed, the ROM code applies the pin multiplexing settings as described in [Section 33.2.4.5, Pin Multiplexing According to Boot Peripheral](#).

33.3.4.3 PRCM Module Mode Configuration

[Table 33-16](#) lists the PRCM module mode, clock control, and power control registers modified at each ROM code startup. These registers are not reverted back to default values when ROM code completes.

Table 33-16. PRCM Module Mode Registers Modified by ROM Code

Register	Field	Value
CM_L3INSTR_L3_INSTR_CLKCTRL	MODULEMODE	DISABLED
CM_L3INSTR_OCP_WP_NOC_CLKCTRL	MODULEMODE	DISABLED
CM_CM_CORE_PROFILING_CLKCTRL	MODULEMODE	DISABLED
CM_PRM_PROFILING_CLKCTRL	MODULEMODE	DISABLED
CM_CM_CORE_AON_PROFILING_CLKCTRL	MODULEMODE	DISABLED
CM_EMU_CLKSTCTRL	CLKTRCTRL	HW_AUTO
CM_DSP1_CLKSTCTRL	CLKTRCTRL	HW_AUTO
CM_DSP1_DSP1_CLKCTRL	MODULEMODE	DISABLED
PM_DSP1_PWRSTCTRL	POWERSTATE	OFF
CM_IVA_CLKSTCTRL	CLKTRCTRL	HW_AUTO
PM_IVA_PWRSTCTRL	POWERSTATE	OFF

33.3.4.4 Clocking Configuration

The ROM code detects the system input clock frequency (SYS_CLK1) from the sysboot[9:8] pins value. The supported system frequencies in the device are:

- 19.2 MHz
- 20 MHz
- 27 MHz

See [Section 33.2.3.2, Clocking scheme](#), and [Section 33.2.4.2, System clock speed configuration](#).

After detecting the input clock, the ROM code configures the clocks and DPLLs required for ROM code execution.

The configured DPLLs are:

- DPLL_PER: locked to provide clocks to peripheral blocks
- DPLL_CORE: locked to provide L3_MAIN interconnect, L4 interconnect, and EMIF clocks
- DPLL_MPU: locked
- DPLL_USB_OTG_SS / DPLL_USB DPLLs: Locked only in case of USB peripheral booting. It is left untouched otherwise.

- DPLL_SATA: locked only in the case of the SATA memory booting. It is left untouched otherwise.

The DPLLs and PRCM clock dividers are configured with the default values of the ROM code (depending on the detected system input clock) after cold or warm reset in order to give the same working conditions to the ROM code sequence.

Table 33-17 summarizes the default ROM code clock settings.

Table 33-17. ROM Code Default Clock Settings

Clock	Frequency (MHz)	Source
DPLL_CORE clock with F _{DPLL} locked frequency	2128	Gated SYS_CLK1
EMIF_PHY_GCLK ⁽¹⁾	44.33	DPLL_DDR (M2)
EMIF_DLL_GCLK	266	DPLL_DDR.HSDIVIDER (H11)
CORE_X2_CLK	266	DPLL_CORE.HSDIVIDER (H12)
CORE_CLK	266	CORE_X2_CLK
CORE_USB_OTG_SS_LFPS_TX_CLK	34.3	DPLL_CORE.HSDIVIDER (H13)
CORE_GPU_CLK	212.8	DPLL_CORE.HSDIVIDER (H14)
CORE_IPU_ISS_BOOST_CLK	212.8	DPLL_CORE.HSDIVIDER (H22)
CORE_ISS_MAIN_CLK	152	DPLL_CORE.HSDIVIDER (H23)
BB2D_GFCLK	177.3	DPLL_CORE.HSDIVIDER(H24)
L3_ICLK	133	CORE_CLK
L4_ICLK	66.5	L3_ICLK
MPU_DPLL_HS_CLK	266	CORE_X2_CLK
IVA_DPLL_HS_CLK	266	CORE_X2_CLK
DPLL_PER – clock with F _{dpll} locked frequency	768	Gated SYS_CLK1
FUNC_192M_CLK	192	DPLL_PER (M2)
FUNC_256M_CLK	256	DPLL_PER.HSDIVIDER (H11)
DSS_GFCLK	192	DPLL_PER.HSDIVIDER (H12)
PER_QSPI_CLK	192	DPLL_PER.HSDIVIDER(H13)
PER_GPU_CLK	192	DPLL_PER.HSDIVIDER (H14)
DPLL_MPU - clock with F _{dpll} locked frequency	2352	Gated SYS_CLK1
MPU_DPLL_CLK	588	PRM
MPU_GCLK	588	DPLL_MPU (M2)
DPLL_USB - clock with F _{dpll} locked frequency ⁽²⁾	960	Gated SYS_CLK1
L3INIT_480M_GFCLK	480	DPLL_USB (M2)
L3INIT_60M_GFCLK	60	L3INIT_480M_GFCLK
DPLL_USB_OTG_SS - clock with F _{DPLL} locked frequency ⁽²⁾	2500	Gated SYS_CLK1
DPLL_SATA - clock with F _{dpll} locked frequency ⁽²⁾	1500	Gated SYS_CLK1

⁽¹⁾ This clock is intentionally set up at low frequency to ensure correct initialization of external DRAM components.

⁽²⁾ This clock is locked specifically if USB peripheral or SATA memory booting is selected.

However it is possible to override the default clock settings. There are three ways to change DPLLs and all related clock divider, gating, and multiplexer configurations during the boot:

- ROM code default settings, described in Table 33-17. They are always applied at any reset.
- The CH, described in Section 33.3.8.2, *Configuration Header*. The CH lets users have a known configuration (about GPMC and clock registers) after memory or peripheral booting.

33.3.4.5 Booting Device List Setup

The ROM code creates a device list based on these sources:

- The sysboot[5:0] signals latched in the control module are used to index the device table from which the list of devices is extracted.

shows how the ROM code sets up the device list depending on the reset source.

NOTE: Only permanent booting devices are put to the list when the reset is not power-on and the devices are taken from the sysboot pins.

33.3.5 Peripheral Booting

33.3.5.1 Description

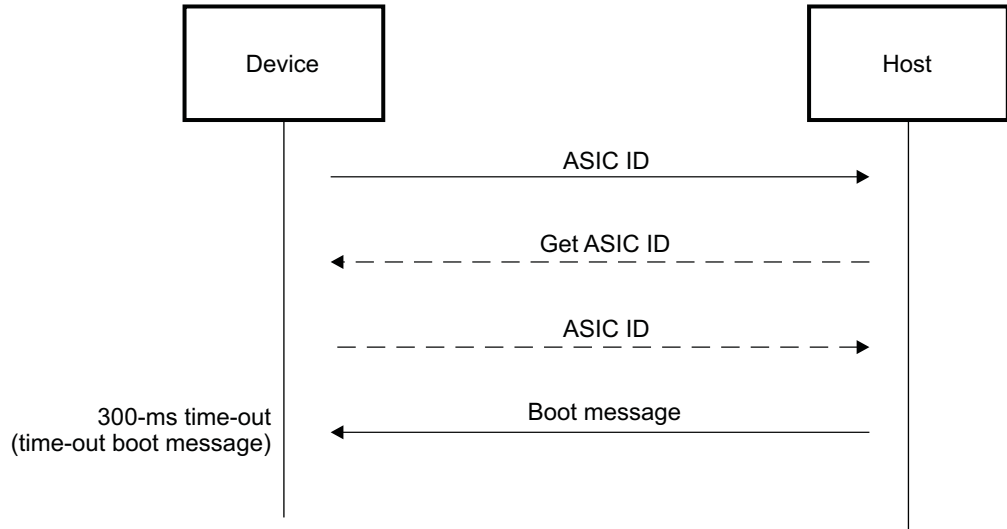
The ROM code can boot from these peripherals:

- USB1: High-, and Full-speed USB from USB1 internal transceivers
- UART3: 115.2 Kbps, 8 bits, even parity, 1 stop-bit, no flow control

The purpose of booting from a peripheral is to download a flash loader code from an external host. This booting method is used primarily for programming flash memories connected to the device (for example, in the case of initial flashing, firmware update or servicing). Figure 33-11 shows the overall peripheral booting procedure. It consists of a synchronization phase (handshake between the host and the device) and a transfer phase. The synchronization phase is similar for UART and USB boots. Both transfer phases use the same procedure.

When booting from the UART, the ROM code first initializes the UART3 interface. Then the ROM code sends an ASIC ID block of data. From there, it expects to receive a boot message from the host within 300 ms, by default. Figure 33-9 shows this procedure.

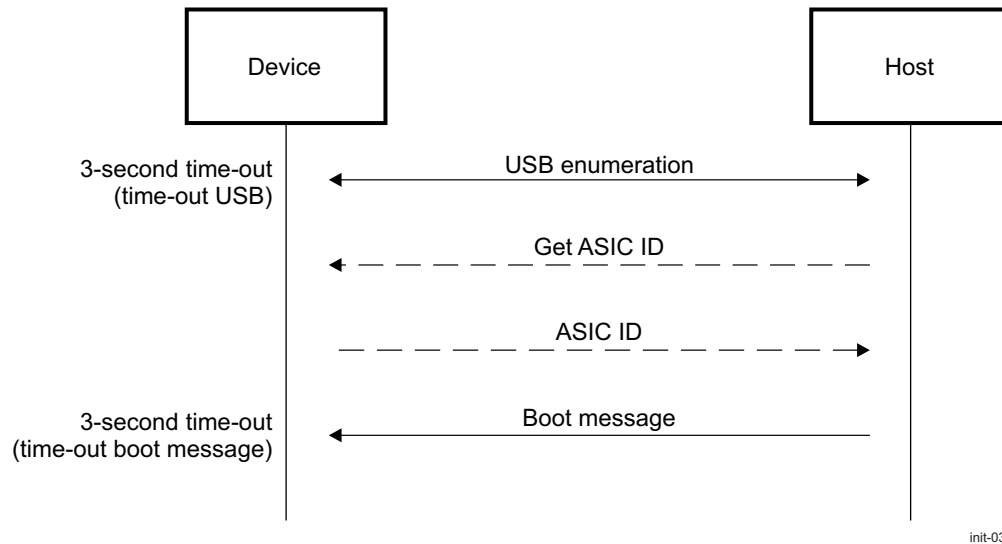
Figure 33-9. Synchronization Phase for UART



init-009

Figure 33-10 shows the procedure when booting from the USB.

Figure 33-10. Synchronization Phase for USB



During the synchronization phase (see [Figure 33-9](#) and [Figure 33-10](#)), the device can provide a small packet of data called the ASIC ID (described in [Table 33-18](#)). It is a simple structure that contains different kinds of information, such as ROM version, checksums, and ID.

The host can decide the desired operation by providing a booting message (see [Table 33-22](#)). This message can be: Get ASIC ID, peripheral boot, change device, or next device. If the device receives the Get ASIC ID boot message, it sends back the ASIC ID contents.

If the change device or next device message is received, the ROM code stops the current peripheral booting procedure and returns to the main booting, which decides about the next booting device according to the boot message received.

If the peripheral boot message is received without a time-out, the device is entering the transfer phase. From there, the flash loader image size (as a 32-bit word) and the flash loader image itself are expected to be received. The ROM code waits up to 1 minute for completion of image size reception, and up to 1 more minute to download the image. If the download procedure does not complete before this time, the peripheral booting procedure aborts. ROM code continues to examine the devices included in the booting device list. If the download procedure passes, then the image can be executed.

The flash loader image is downloaded directly into internal RAM from address 0x4030 0000 and the maximum size of the downloaded image is 504 KiB.

NOTE: Sending an image size of zero skips the peripheral booting procedure.

The USB or UART connection is left open at the end of the transfer phase and once exiting the ROM code for the initial software to take over. It means the initial software can reuse the currently established connection. In the case of a USB connection, the endpoints can be reused as such, without closing the connection and performing a full enumeration again.

Table 33-18. ASIC ID Structure

ASIC ID Item	Size (Bytes)	Description
Items	1	Number of subblocks
ID subblock	7	Device identification information
Reserved subblock	4	Reserved
Reserved subblock	23	Reserved
Reserved subblock	35	Reserved
Checksum subblock	11	CRC (4 bytes)

Table 33-19. Items

Offset	Size (Bytes)	Description
0x00	1	0x05: Number of subblocks USB 0x04: Number of subblocks UART ⁽¹⁾

⁽¹⁾ The checksum subblock is not transmitted over the UART.

Table 33-20. ID Subblock

Offset	Size (Bytes)	Description
0x01	1	0x01: Subblock ID
0x02	1	0x05: Subblock size
0x03	1	0x01: Fixed value
0x04	2	0x4A, 0x45: Device ID number
0x06	1	0x07: CH enabled 0x17: CH disabled
0x07	1	ROM code revision 0x01: SR1.0 and SR2.0 0x02: SR2.1

Table 33-21. Checksum Subblock⁽¹⁾

Offset	Size (Bytes)	Description
0x46	1	0x15: Subblock ID
0x47	1	0x09: Subblock size
0x48	1	0x01: Fixed value
0x49	4	ROM CRC
0x4D	4	0x0000 0000

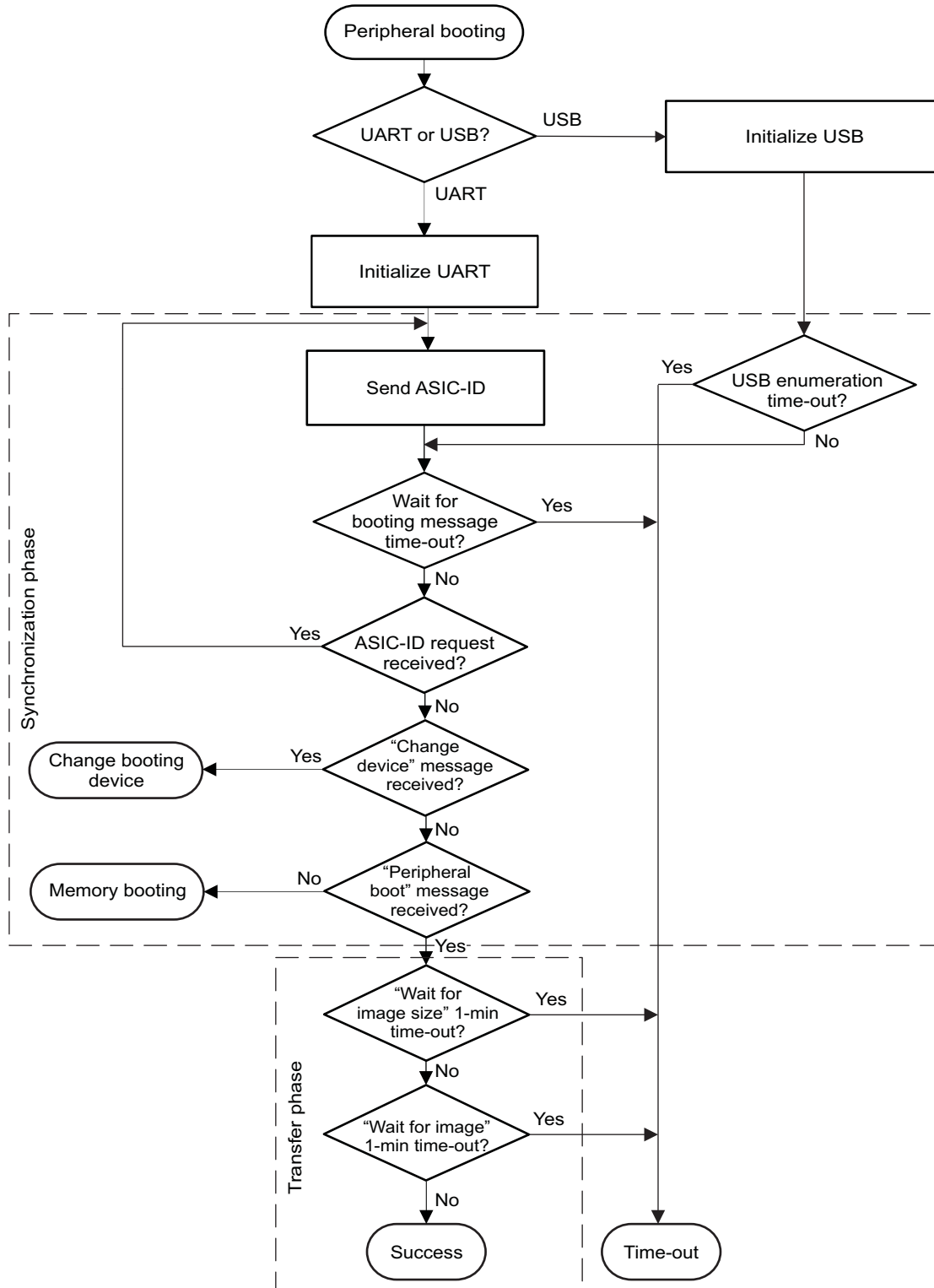
⁽¹⁾ The checksum subblock is not transmitted over the UART.

Table 33-22. Booting Messages

Message Name	Value	Description
Peripheral boot	0xF003 0002	Continue peripheral booting.
Get ASIC ID	0xF003 0003	ASIC ID request. The Get ASIC ID request message is optional. If received, the ROM code sends its ASIC ID data to the host in return. The host can issue the Get ASIC ID message multiple times if required. Table 33-18 describes the structure of the ASIC ID.
Change device	0xF003 xx06	Skip current peripheral booting and continue booting from device type indicated by xx: 0x01: XIP 0x02: XIP (with wait monitoring) 0x03: NAND 0x05: SD card 0x06: eMMC (from boot partition BP1 or BP2) 0x07: eMMC 0x09: SATA 0x0A: QSPI_1 0x0B: QSPI_4 0x43: UART 0x45: USB (from internal transceiver) Others: Reserved
Next device	0xFFFF FFFF	Skip current device and move to the next device on the device list.
Memory booting	Others	Skip current peripheral booting and move to the first device for memory booting.

Figure 33-11 shows the peripheral booting procedure.

Figure 33-11. Peripheral Booting Procedure



init-010

33.3.5.2 Initialization Phase for UART Boot

The ROM code supports booting from a UART interface with the following characteristics:

- UART3 interface
- Communication parameters set to 115.2 Kbps, 8 bits, even parity, 1 stop-bit, no flow control
- Two-pin interface: RX/TX
- The boot message default time-out is 300 ms (time-out boot message)

33.3.5.3 Initialization Phase for USB Boot

The ROM code supports booting from a USB interface with the following characteristics:

- Using the USB1 subsystem in USB2.0 mode
- Device integrated USB transceiver (USB2PHY1)
- Enumeration default time-out is 3 seconds (time-out USB)
- The boot message default time-out is 3 seconds (time-out boot message).

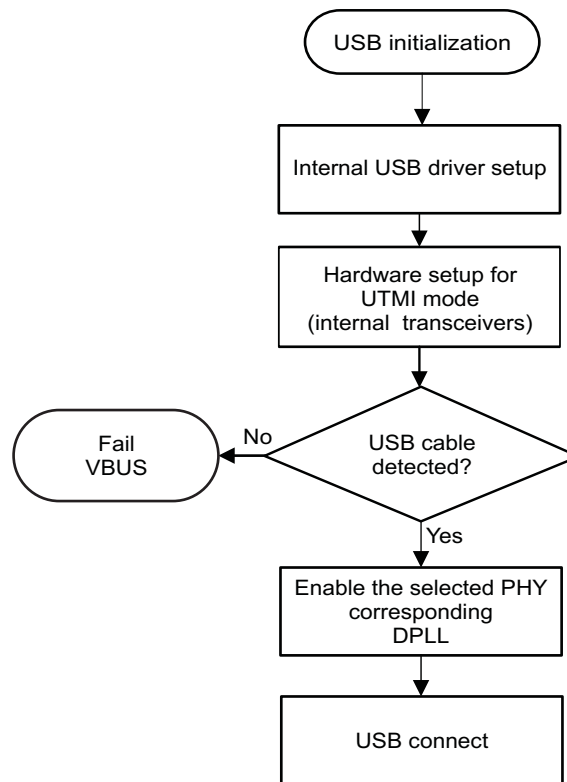
NOTE: The ROM code does not handle any OTG-specific features.

33.3.5.3.1 Initialization Procedure

NOTE: The internalUSB2PHY1 (HS) transceiver must be powered and configured upon startup. No action is expected from the device ROM code for its configuration.

Figure 33-12 shows the USB initialization procedure.

Figure 33-12. USB Initialization Procedure



init-037

NOTE: The ROM code does not consider the USB PHYs charger detection circuitry status.

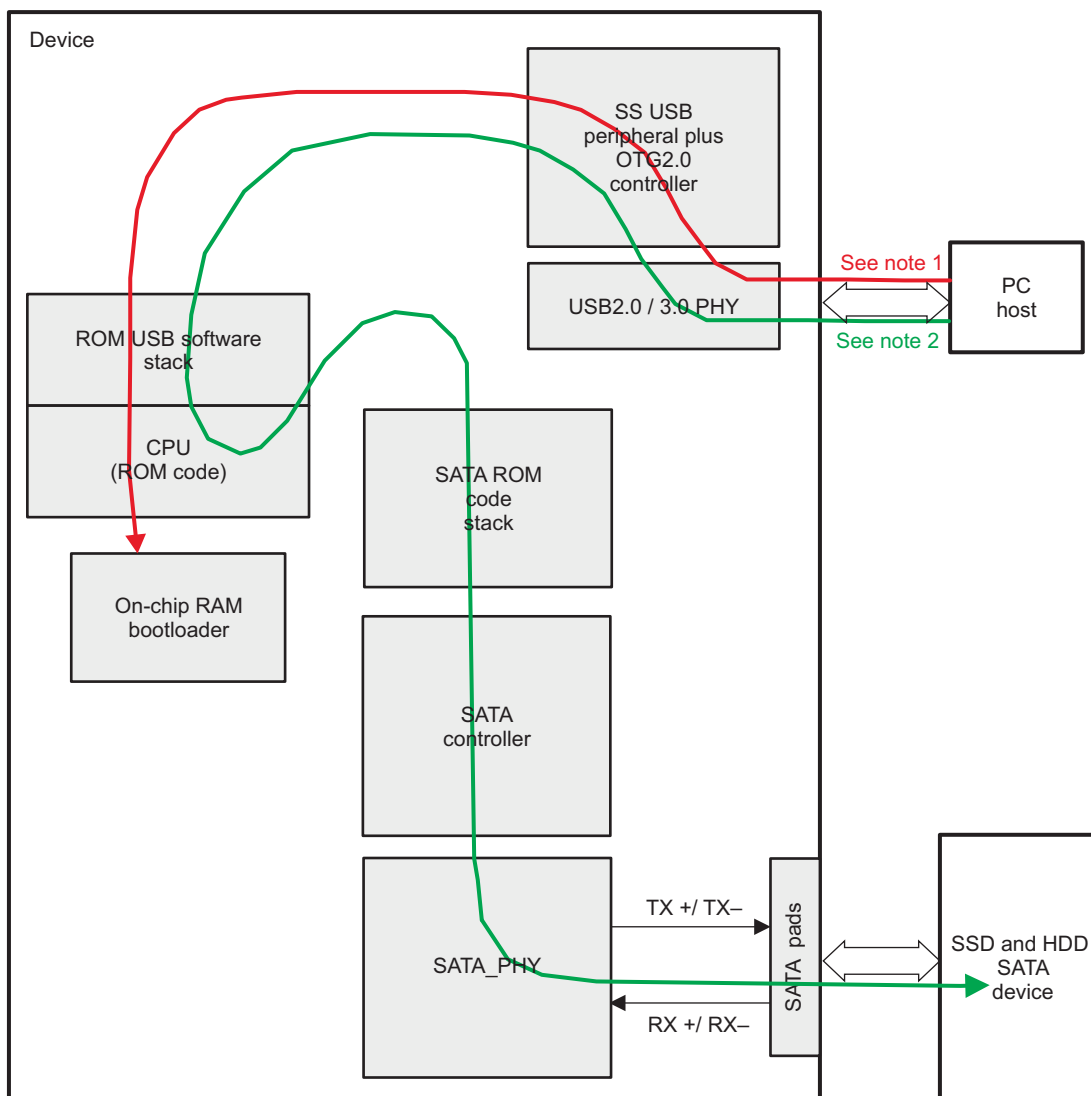
NOTE: The ROM code assumes that VBUS is always present.

33.3.5.3.2 SATA Peripheral Device Flashing over USB Interface

NOTE: SATA is not supported on the AM570x family of devices.

In the next scheme (see Figure 33-13), it is assumed that the new version of the firmware Flash Loader Host is located in the PC host. In the same way, the application loaded to device internal L3 On-chip RAM (using the peripheral boot function of the device ROM code) is called Flash Loader Second.

Figure 33-13. SATA Flashing Over USB



init-047

- (1) ROM boots from USB controller and downloads deviceFlash Second in RAM.
- (2) The PC host is allowed to flash the device firmware located in the SATA device.

33.3.5.3.3 USB Driver Descriptors

USB devices use descriptors to report their attributes. A descriptor is a data structure with a defined format. Each descriptor begins with a byte-wide field that contains the total number of bytes in the descriptor followed by a byte-wide field that identifies the descriptor type. Using descriptors allows concise storage of the attributes of individual configurations so that each configuration can reuse descriptors or portions of descriptors from other configurations that have the same characteristics. Where appropriate, descriptors contain references to string descriptors. String descriptors contain displayable, human-readable description information. These descriptor details can be used for tool development or debugging:

- Device descriptor

A device descriptor contains general information about a USB device, including global information that applies to the device and all device configurations. A USB device has only one device descriptor. A device-qualifier descriptor is required because the ROM code uses the HS feature of the USB core.

[Table 33-23](#) lists the device descriptors.

Table 33-23. Device Descriptor

Field	Value	Description
bLength	0x12	Size of this descriptor in bytes
bDescriptorType	0x01	Device descriptor type
bcdUSB	0x0210	USB specification release number in binary coded decimal (BCD) format
bDeviceClass	Vendor-specific (0xFF)	Class code
bDeviceSubClass	Vendor-specific (0xFF)	Subclass code
bDeviceProtocol	Vendor-specific (0xFF)	Protocol code
bMaxPacketSize0	0x40	Maximum packet size for endpoint 0
idVendor	0x0451	Vendor ID (Texas Instruments), TI default value
idProduct	0xD014	Product ID, TI default value
bcdDevice	0x0000	Device release number
iManufacturer	See Section 33.3.5.3.4 .	Index of string descriptor describing manufacturer
iProduct	See Section 33.3.5.3.4 .	Index of string descriptor describing product
iSerialNumber	See Section 33.3.5.3.4 .	Index of string descriptor describing device serial number
bNumConfigurations	0x01	Number of possible configurations

- Device-qualifier descriptor

The device-qualifier descriptor contains information about a HS-capable device that changes if the device operates at its other speed. This descriptor is retrieved by the host using the `GetDescriptor()` request (standard device request). [Table 33-24](#) lists the device-qualifier descriptors.

Table 33-24. Device-Qualifier Descriptor

Field	Value	Description
bLength	0x0a	Size of this descriptor in bytes
bDescriptorType	0x06	Device-qualifier descriptor type
bcdUSB	0x0210	USB specification release number in BCD
bDeviceClass	0xFF	Class code
bDeviceSubClass	0xFF	Subclass code
bDeviceProtocol	0xFF	Protocol code
bMaxPacketSize0	0x40	Maximum packet size for endpoint 0
bNumConfigurations	0x01	Number of possible configurations
bReserved	0x00	Reserved for future use

- Configuration descriptor

This descriptor gives information about a specific device configuration. It describes the number of interfaces supported by the configuration (see [Table 33-25](#)).

Table 33-25. Configuration Descriptor

Field	Value	Description
bLength	0x09	Size of this descriptor in bytes
bDescriptorType	0x02	Configuration descriptor type
wTotalLength	–	Combined length of all descriptors
bNumInterfaces	0x01	Number of interfaces supported
bConfigurationValue	0x01	Value to use as an argument for the SetConfiguration() request
iConfiguration	Index	Index of string descriptor describing this configuration
bmAttributes	0xC0	Power setting and remote wakeup
bMaxPower	0x32	Maximum power consumption of the USB device

- Other speed configuration descriptor
This descriptor describes the configuration of a HS-capable device if it operates at its other possible speed (see [Table 33-26](#)).

Table 33-26. Other Speed Configuration Descriptor

Field	Value	Description
bLength	0x09	Size of this descriptor in bytes
bDescriptorType	0x07	Other speed configuration descriptor type
wTotalLength	–	Combined length of all descriptors
bNumInterfaces	0x01	Number of interfaces supported
bConfigurationValue	0x01	Value to use as an argument for the SetConfiguration() request
iConfiguration	Index	Index of string descriptor describing this configuration
bmAttributes	0xC0	Power setting and remote wakeup
bMaxPower	0x32	Maximum power consumption of the USB device

- Interface descriptor
This descriptor describes a specific interface in a configuration (see [Table 33-27](#)).

Table 33-27. Interface Descriptor

Field	Value	Description
bLength	0x09	Size of this descriptor in bytes
bDescriptorType	0x04	Interface descriptor type
bInterfaceNumber	0x00	Number of this descriptor
bAlternateSetting	0x00	Value to select the alternate setting
bNumEndpoints	0x02	Number of endpoints used for this interface
bInterfaceClass	0xFF	Class code
bInterfaceSubClass	0xFF	Subclass code
bInterfaceProtocol	0xFF	Protocol code
iInterface	Index	Index of string descriptor describing this interface

- Endpoint descriptor
Each endpoint used for an interface has its own descriptor. This descriptor contains information required by the host to determine the bandwidth requirements of each endpoint. This descriptor is returned as part of the GetDescriptor(Configuration) request (see [Table 33-28](#) and [Table 33-29](#)).

Table 33-28. BULK IN Endpoint Descriptor

Field	Value	Description
bLength	0x07	Size of this descriptor in bytes
bDescriptorType	0x05	Endpoint descriptor type

Table 33-28. BULK IN Endpoint Descriptor (continued)

Field	Value	Description
bEndpointAddress	0x81 (1 IN)	Address of the endpoint on the USB device
bmAttributes	0x02 (Bulk)	Type of transfer
wMaxPacketSize	See ⁽¹⁾ .	Number of endpoints used for this interface
bInterval	0x00	Maximum NAK rate

⁽¹⁾ The maximum size is 0x0200 (512 bytes) for HS bulk endpoint and 0x0040 (64 bytes) for FS bulk endpoint.

Table 33-29. BULK OUT Endpoint Descriptor

Field	Value	Description
bLength	0x07	Size of this descriptor in bytes
bDescriptorType	0x05	Endpoint descriptor type
bEndpointAddress	0x01 (1 OUT)	Address of the endpoint on the USB device
bmAttributes	0x02 (Bulk)	Type of transfer
wMaxPacketSize	See ⁽¹⁾ .	Number of endpoints used for this interface
bInterval	0x00	Maximum NAK rate

⁽¹⁾ The maximum size is 0x0200 (512 bytes) for HS bulk endpoint and 0x0040 (64 bytes) for FS bulk endpoint.

- String descriptors

String descriptors use UNICODE encoding. The strings in a USB device can support multiple languages. When requesting a string descriptor, the requester specifies the desired language using a 16-bit language ID (LANGID) defined by the USB interface. String index 0 for all languages returns a string descriptor that contains an array of 2-byte LANGID codes supported by the device.

For the description of the different string descriptors, see:

- The language ID string descriptor ([Table 33-30](#))
- The manufacturer ID string descriptor ([Table 33-31](#))
- The product ID string descriptor ([Table 33-32](#))
- The configuration string descriptor ([Table 33-33](#))
- The interface string descriptor ([Table 33-34](#))

Table 33-30. Language ID String Descriptor

Field	Value	Description
bLength	0x04	Size of this descriptor in bytes
bDescriptorType	0x03	String descriptor type
wLangId	0x0409 (US English)	Language ID code

Table 33-31. Manufacturer ID String Descriptor

Field	Value	Description
bLength	0x24	Size of this descriptor in bytes
bDescriptorType	0x03	String descriptor type
bString	Texas Instruments	Manufacturer string

Table 33-32. Product ID String Descriptor

Field	Value	Description
bLength	0x12	Size of this descriptor in bytes
bDescriptorType	0x03	String descriptor type
bString	<string>	Product string

Table 33-33. Configuration String Descriptor

Field	Value	Description
bLength	0x08	Size of this descriptor in bytes
bDescriptorType	0x03	String descriptor type
bString	pbcb	Configuration string

Table 33-34. Interface String Descriptor

Field	Value	Description
bLength	0x08	Size of this descriptor in bytes
bDescriptorType	0x03	String descriptor type
bString	pbi	Interface string

33.3.5.3.4 USB Customized Vendor and Product IDs

When device ROM Code enumerates through USB, one may want to use his/her own vendor and product IDs rather than TI defaults. Product and Vendor IDs are transmitted as part of the USB Standard Device Descriptor during the USB device enumeration process (resp. idProduct and idVendor 16 bits fields).

Product IDs (PIDs) and vendor IDs (VIDs) are stored as part of device chip eFuses and readable from control module. The built-in USB ROM driver behaves differently whether the VID value is either left unfused, or fused with a customer-specific VID. Thus, two main cases are distinguished:

- VID is fused with a customer-specific ID value
- VID is left unfused

Table 33-35 lists standard USB ROM device descriptors. Table 33-36 lists USB ROM descriptor strings.

Table 33-35. USB ROM Standard Device Descriptor

Device Descriptor Field	Size (Bytes)	VID≠0x0000 ⁽¹⁾ (fused)	VID=0x0000 (unfused) ⁽²⁾
bLength	1		0x12
bDescriptorType	1		0x01
bcdUSB	2	0x0200 (if enumerated in USB2.0 HS or FS)	
bDeviceClass	1		0xFF
bDeviceSubClass	1		0xFF
bDeviceProtocol	1		0xFF
bMaxPacketSize0	1	0x40 (64 bytes if enumerated in USB2.0 HS or FS)	
idVendor	2	(VID value from control module)	0x0451
idProduct	2	(PID value from control module)	0xD014
bcdDevice	2		0x0000
iManufacturer	1	0x20	0x21
iProduct	1	0x24	0x25
iSerialNumber	1		0
bNumConfigurations	1		1

⁽¹⁾ VID other than 0x0 and VID other than 0xFFFF and VID other than 0x0451 values

⁽²⁾ VID=0x0 or VID=0xFFFF or VID=0x0451

Table 33-36. USB ROM Descriptor Strings

String Descriptor	Size (bytes)	VID ≠ 0x0000	VID=0x0000(unfused) ⁽¹⁾
Serial Number		N/A	
Configuration	8		"pbcb"

⁽¹⁾ VID=0x0451

Table 33-36. USB ROM Descriptor Strings (continued)

String Descriptor	Size (bytes)	VID ≠ 0x0000	VID=0x0000(unfused) ⁽¹⁾
Interface	8		"pbi"
Product	8/18	N/A	<string>
Manufacturer	8/36	N/A	"Texas Instruments"

The ROM code transmits additional descriptors as part of the enumeration procedure: configuration descriptor, device qualifier, language ID string, configuration string, interface string, and function string descriptors. Those do not depend on the VID or PID value.

33.3.5.3.5 USB Driver Functionality

- Transactions supported:
 - Control transactions: Used for standard device requests
 - Bulk transactions: Used for data transfer in the image downloading stage. The ASIC ID is sent to the BULK IN endpoint and the image is transferred from the host over the BULK OUT endpoint.

The device USB device first attaches to the host as an FS device. In the reset mechanism, the USB core requests HS operation. If the HS negotiation in the reset phase succeeds, further transactions are at HS; otherwise, they are at FS. After reset, the USB driver checks for the speed of the device, whether it is FS or HS. Depending on the speed configured by the host, the standard USB device requests are answered with the corresponding descriptors.

- Standard device request restrictions:

Some standard device requests are not supported by the driver because the USB driver is dedicated for use by the ROM code for peripheral booting. [Table 33-37](#) lists the standard device requests supported by the driver.

Table 33-37. Standard Device Requests Supported

Request	Description	Support
CLEAR_FEATURE	Sets or clears a specific feature	Supported only for the ENDPOINT_HALT feature
GET_CONFIGURATION	Returns the current device configuration value	Yes
GET_DESCRIPTOR	Returns the specified descriptor	Yes
GET_INTERFACE	Returns the selected alternate setting for the specified interface	Yes
GET_STATUS	Returns the status for the specified recipient	Yes
SET_ADDRESS	Sets the device address	Yes
SET_CONFIGURATION	Sets the device configuration	Yes
SET_DESCRIPTOR	Updates existing descriptors or adds new descriptors	Runtime updating of descriptors is not supported.
SET_FEATURE	Sets or enables a specific feature	Supported only for the ENDPOINT_HALT feature
SET_INTERFACE	Selects an alternate setting in an interface	Runtime setting of alternate features is not supported.
SYNCH_FRAME	Sets and reports an endpoint synchronization frame	No, because isochronous transfers are not used

33.3.6 Fast External Booting

33.3.6.1 Overview

The fast external boot is a special memory booting mode. It consists of a blind jump to a code in an external XIP memory device connected to GPMC CS0 and lets customers create their own booting code. Fast external booting is selected by means of the SYSBOOT[5:0] pins .

The NOR device must fulfill the following requirements for fast XIP mode:

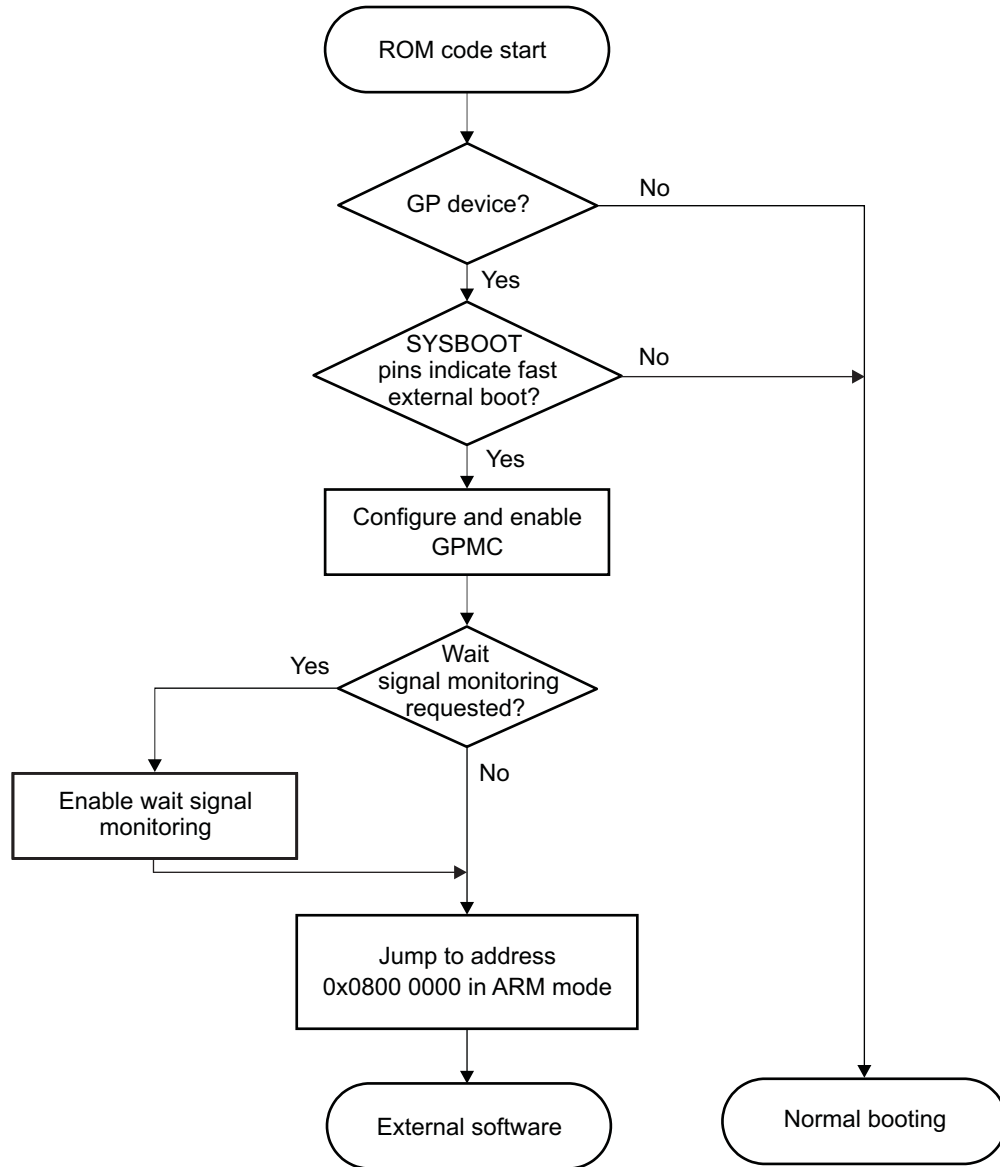
- Non-muxed or address/data multiplexed mode, configured through sysboot[12:11] (=0x1 for A/D mux)
- 8-bit or 16-bit data bus width, configured through sysboot[13] (=1 for 16-bit)
- CS0 chip select
- Device wait signal connected to the WAIT0 GPMC signal (if used)
- The wait monitoring enable/disable is based on the value of SYSBOOT[10]. SYSBOOT[10] value is exported to GPMC by hardware means.

The jump is performed with minimum on-chip ROM code execution.

33.3.6.2 Fast External Booting Procedure

[Figure 33-14](#) shows the procedure for fast external boot. The code does not use any RAM and is designed for fast execution.

Figure 33-14. Fast External Boot Procedure



init-013

33.3.7 Memory Booting

33.3.7.1 Overview

The memory booting process starts an external code in memory devices. ROM code can use only the memory type of booting devices as permanent booting devices (that is, devices examined after both cold [POR] and warm resets). Temporary booting devices are examined only after cold resets. The supported permanent booting devices are:

- NOR flash devices
- NAND flash devices
- SPI/QSPI flash memories
- eMMC memories
- SD cards
- SATA SSD and HDD storage memory devices

NOTE: SATA is not supported on the AM570x family of devices.

Two main groups of permanent booting devices are distinguished by code shadowing. Code shadowing means copying code from a nondirectly addressable device (non-XIP) to RAM, where the code can be executed. Directly addressable devices are XIP devices.

Figure 33-15 shows the general memory booting procedure common to all types of devices. First, CH is copied to internal RAM. It is copied even for XIP devices, because the device can temporarily lose a connection with XIP memory during CH execution (for example, while updating interface timings). The second step is to shadow the image, if the device is not XIP. The last step is image execution and any return from image results in a dead loop.

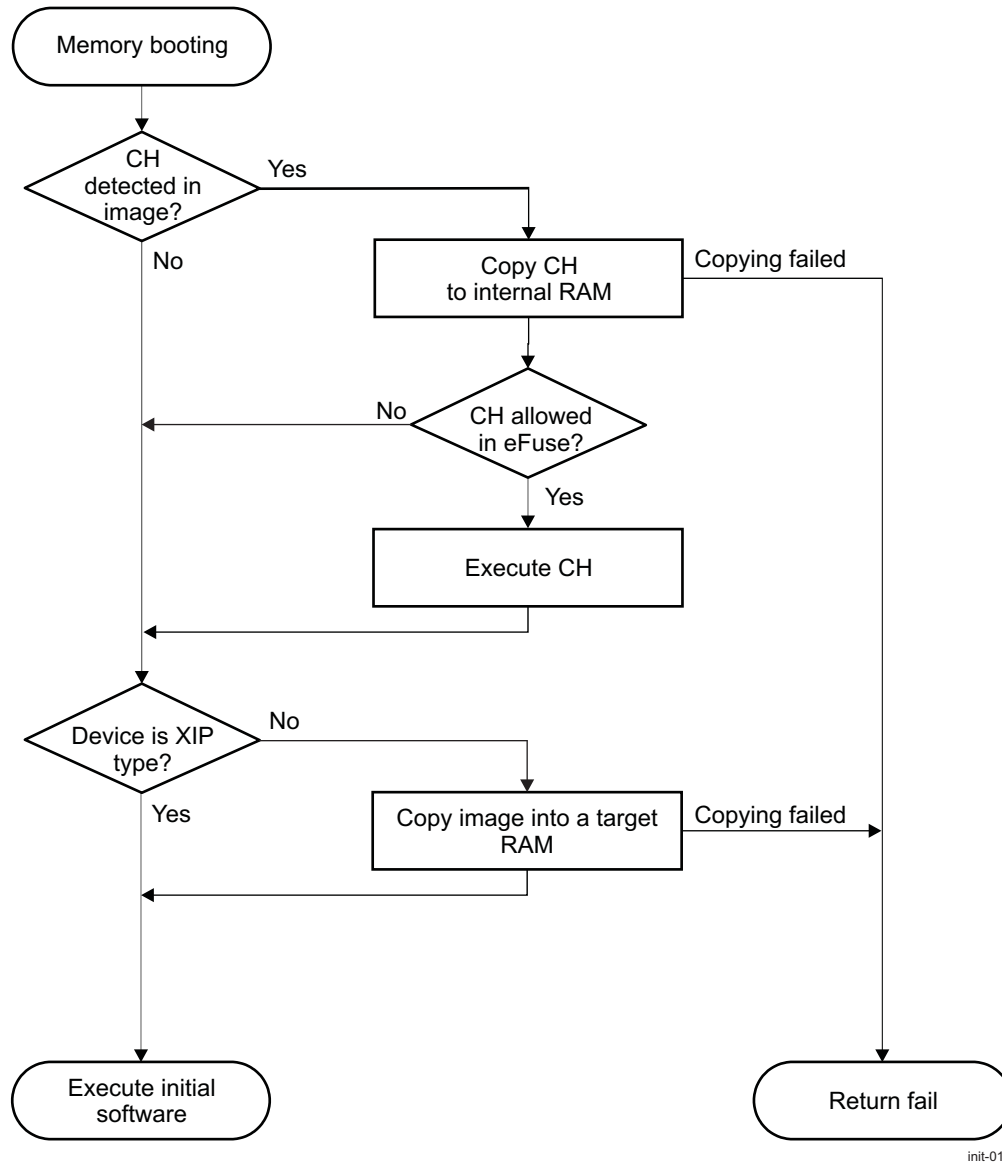
If CH copying or shadowing fails, memory booting returns to the main booting procedure, which selects the next device for booting.

NOTE: A booting image is considered to be present when the first 4-byte word of the sector is not equal to 0000 0000h or FFFF FFFFh.

During the first read sector (512 bytes) call, sectors are copied to a temporary device on-chip SRAM buffer. Once the image is found and the destination address is known, the content of the temporary buffer is moved to the target device on-chip SRAM location so it is required to reread the first image sector. GP header is not copied into target buffer location; therefore, only executable code is in device on-chip RAM, with the first executable instruction at the destination address.

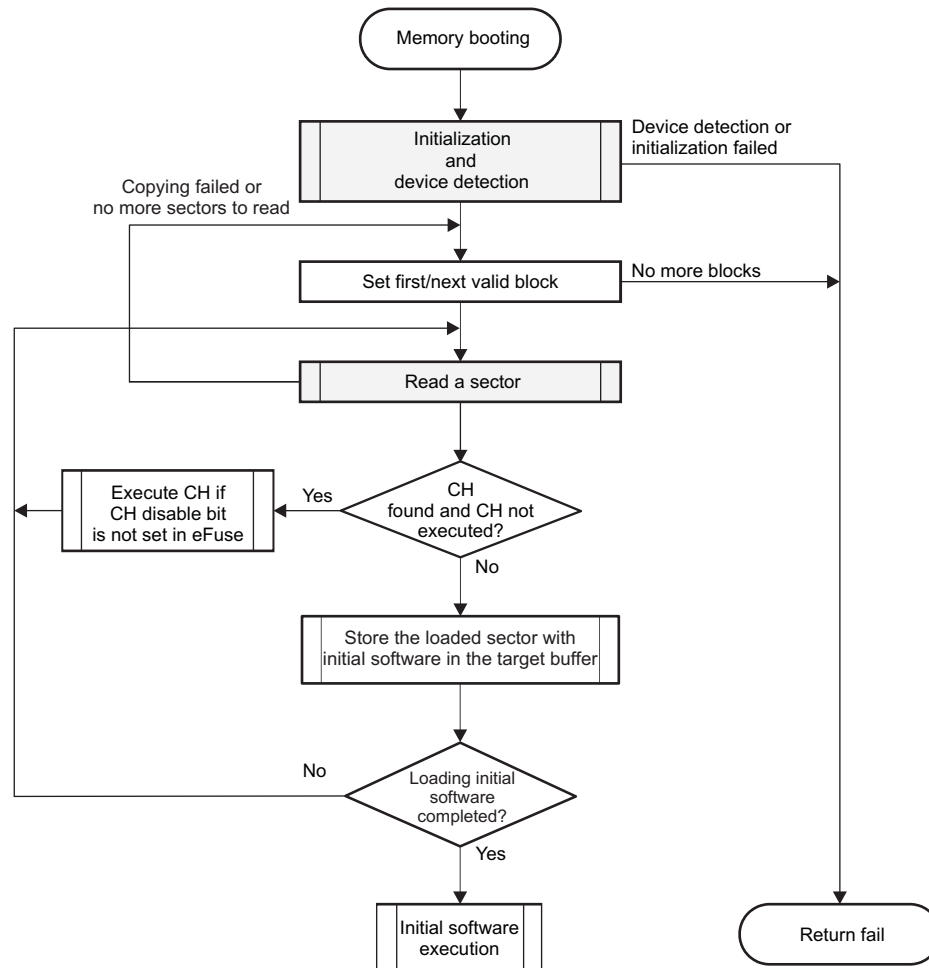
SATA, eMMC, SD cards, SPI/QSPI and NAND devices can hold up to four copies of the booting image. Therefore, the ROM code searches for one valid image out of the four copies, if present, by walking over the first blocks of mass storage space. Other XIP devices (NOR) use only one copy of the booting image.

Figure 33-15. Memory Booting Procedure



33.3.7.2 Non-XIP Memory

Figure 33-16 shows the procedure used when memory booting runs with non-XIP memories. The shaded procedures are specific to each memory. The ROM code searches for the image in the first four physical blocks of the memories. Other devices use only one copy of the image and the block loop runs only once. During image shadowing, the CH is expected to be in a separate sector before the initial software.

Figure 33-16. Image Shadowing


init-015

For more information about the GPMC module, see [Section 15.4, General-Purpose Memory Controller](#). The following sections describe the supported device types.

33.3.7.3 XIP Memory

The ROM code can boot directly from XIP devices, such as NOR flash memories, that have the following characteristics:

- The GPMC is the communication interface.
- Memories up to 1Gibit (128MiB) can be connected.
- 8-bit or 16-bit data bus width, configured through sysboot[13] (=1 for 16-bit)
- Non-muxed or address/data multiplexed mode, configured through sysboot[12:11] (=0x1 for A/D mux)
- The GPMC clock is 133 MHz.
- The device is connected to CS0 mapped to address 0x0800 0000.
- The wait pin gpmc_wait0 signal is monitored according to the sysboot[10] configuration pin (=1 is enabled)
- For an XIP memory booting, no user intervention is required; the following debugging steps are described. Only the CH, which is not mandatory, lets users change clock settings and GPMC parameters. Failure in CH copying causes a return to the main booting procedure, which selects the next device for booting.

Bootting from an XIP device consists of the following steps:

1. Configure the GPMC for XIP device access.
2. Verify that the CH is present at address 0x0800 0000. If the CH is present, copy the entire sector (512 bytes) to internal RAM and execute the CH.
3. Set the image location:
 - 0x0800 0000 if the CH is not found
 - 0x0800 0200 if the CH is found
4. Verify that a bootable image is at the image location.
5. If the image is found, execute it.
6. If the image is not found, return from XIP booting to the main booting loop.

33.3.7.3.1 GPMC Initialization

Table 33-38 lists the timing settings of the GPMC when set for XIP and other address-data accessible devices. Table 33-38 is included for debug information.

Table 33-38. XIP Timing Parameters

Parameter	Value (Clock Cycles) ⁽¹⁾	Register Initialization (where i = 0)
Write cycle period	17	GPMC_CONFIG5_i[12:8] WRCYCLETIME = 0x11
Read cycle period	17	GPMC_CONFIG5_i[4:0] RDCYCLETIME = 0x11
CS low time	1	GPMC_CONFIG2_i[3:0] CSONTIME = 0x1
CS high time	16	GPMC_CONFIG2_i[12:8] CSRDOFFTIME = 0x10
ADV low time	1	GPMC_CONFIG3_i[3:0] ADVONTIME = 0x1
ADV high time	2	GPMC_CONFIG3_i[12:8] ADVRDOFFTIME = 0x2
OE low time	3	GPMC_CONFIG4_i[3:0] OEONTIME = 0x3.
OE high time	16	GPMC_CONFIG4_i[12:8] OEOFFTIME = 0x10
WE low time	3	GPMC_CONFIG4_i[19:16] WEONTIME = 0x3
WE high time	15	GPMC_CONFIG4_i[28:24] WEOFFTIME = 0xF
Data latch time	15	GPMC_CONFIG5_i[20:16] RDACCESSTIME = 0xF

⁽¹⁾ The one clock cycle is approximately 7.5 ns, which corresponds to a 133-MHz frequency.

There is no specific identification routine executed before booting from an XIP device.

33.3.7.4 NAND

NAND flash memory is not an XIP device; it requires shadowing before the code can be executed. ROM code support for the NAND flash devices has the following characteristics:

- The GPMC is the communication interface.
- Device from 512 Mibit (64 MiB) to 64 Gibit (8 GiB)
- x8 and x16 bus width
- Support for large page size (2048 bytes + 64 spare bytes) or very large page size (4096 bytes + 128/218 spare bytes)
- Chip enable (CE) don't-care devices only
- Single-level cell (SLC) and multilevel cell (MLC) devices
- Device identification based on ONFI or ROM table
 - Note that the full ONFI spec is not supported – specifically, the NAND geometry identification uses the first parameter page only and doesn't check CRC on that page
- ECC correction: 8 bits per sector for most devices (16 bits per sector for devices with large spare area)
 - Note that ECC detection/correction is not used on ONFI parameter pages
- GPMC timings are adjusted for NAND access.
- The GPMC clock is 133 MHz.

- The device is connected to CS0.
- The gpmc_wait0 wait-pin signal is connected to the NAND BUSY output.
- Four physical blocks are searched for an image. Block size depends on the device.

For NAND memory booting, no user intervention is needed; the information in the following subsections is included for debugging. Only the CH, which is not mandatory, lets the user change clock settings and GPMC parameters. Failure in CH copying causes a return to the main booting procedure, which selects the next device for booting.

33.3.7.4.1 Initialization and NAND Detection

The initialization routine for NAND consists of three parts: GPMC initialization, device detection with parameter determination, and bad block detection.

- GPMC initialization

The GPMC interface is configured so that it can access NAND. Because NAND memories do not need the address bus, it is released. The data bus width is initially set to 8 bits. If necessary, it is changed to 16 bits after the device parameters are determined. [Table 33-39](#) shows the GPMC configuration used during NAND boot. [Table 33-39](#) is included for debug information.

Table 33-39. NAND Timing Parameters

Parameter	Value (Clock Cycles) ⁽¹⁾	Register Initialization (where i = 0)
Write cycle time	20	GPMC_CONFIG5_i[12:8] WRCYCLETIME = 0x14
Read cycle time	20	GPMC_CONFIG5_i[4:0] RDCYCLETIME = 0x14
CS low time	0	GPMC_CONFIG2_i[3:0] CSONTIME = 0x0
CS low to OE low time	5	GPMC_CONFIG4_i[3:0] OEONTIME = 0x5
CS low to OE high time	16	GPMC_CONFIG4_i[12:8] OEOFFTIME = 0x10
CS low to WE low time	1	GPMC_CONFIG4_i[19:16] WEONTIME = 0x1
CS low to WE high time	15	GPMC_CONFIG4_i[28:24] WEOFFTIME = 0xF
CS low to data latch time	14	GPMC_CONFIG5_i[20:16] RDACCESSTIME = 0xE

⁽¹⁾ The one clock cycle is approximately 7.5 ns, which corresponds to a 133-MHz frequency.

- Device detection and parameters

The ROM code first performs an initial wait for device auto initialization (with a 250-ms time-out) with polling of the ready information. Then, it must identify the NAND type connected to the GPMC interface. The GPMC is initialized using 8 bits, asynchronous mode. The NAND device is reset (command FFh) and its status is polled until ready for operation (with a 100-ms time-out). The ONFI Read ID (command 90h/address 20h) is sent to the NAND device. If it replies with the ONFI signature (4 bytes) then a Read parameters page (command ECh) is sent. The information provided in [Table 33-40](#) is then extracted: page size, spare area size, number of pages per block, and the addressing mode, and ECC. On SR2.1, if the CRC of the first parameter page read is not valid, ROM reads subsequent redundant parameter page copies until encountering one with a valid CRC. If ROM fails to read any of the redundant parameter pages without CRC errors, then it will give up attempting to identify the NAND device using the ONFI parameter page data and will fall back to the other NAND identification techniques (table lookup), which might result in NAND boot failing. The remaining data bytes from the parameter page stream are ignored.

Table 33-40. ONFI Parameters Page Description

Offset	Description	Size (Bytes)
6	Features supported	2
80	Number of data bytes per page	4
84	Number of spare bytes per page	2
92	Number of pages per block	4
101	Number of address cycles	1

If the ONFI Read ID command fails (it will be the case with any device not supporting ONFI), then the device is reset again with polling for device to be ready (with 100-ms time-out). Then, the standard Read ID (command 90h/address 00h) is sent. If the Device ID (second byte of the ID byte stream) is recognized as being a supported device, then the device parameters are extracted from an internal ROM code table. [Table 33-41](#) lists the supported NAND devices.

NOTE: Not all NAND geometries are supported – the NAND device datasheet must be compared to [Table 33-41](#) to confirm that the Read ID matches the Geometry specified in [Table 33-41](#).

Table 33-41. Supported NAND Devices

Capacity	Device ID	Bus Width	Page Size in Bytes
512 Mibit	F0h	8	2048
512 Mibit	C0h	16	2048
512 Mibit	A0h	8	2048
512 Mibit	B0h	16	2048
512 Mibit	F2h	8	2048
512 Mibit	C2h	16	2048
512 Mibit	A2h	8	2048
512 Mibit	B2h	16	2048
1 Gibit	F1h	8	2048
1 Gibit	C1h	16	2048
1 Gibit	A1h	8	2048
1 Gibit	B1h	16	2048
2 Gibit	DAh	8	2048
2 Gibit	CAh	16	2048
2 Gibit	AAh	8	2048
2 Gibit	BAh	16	2048
2 Gibit	83h	8	2048
2 Gibit	93h	16	2048
4 Gibit	DCh	8	2048
4 Gibit	CCh	16	2048
4 Gibit	ACh	8	2048 (4096)
4 Gibit	BCh	16	2048 (4096)
4 Gibit	84h	8	2048
4 Gibit	94h	16	2048
8 Gibit	D3h	8	2048 (4096)
8 Gibit	C3h	16	2048 (4096)
8 Gibit	A3h	8	2048 (4096)
8 Gibit	B3h	16	2048 (4096)
8 Gibit	85h	8	2048
8 Gibit	95h	16	2048
16 Gibit	D5h	8	2048 (4096)
16 Gibit	C5h	16	2048 (4096)
16 Gibit	A5h	8	2048 (4096)
16 Gibit	B5h	16	2048 (4096)
16 Gibit	86h	8	2048
16 Gibit	96h	16	2048
32 Gibit	D7h	8	2048 (4096)
32 Gibit	C7h	16	2048 (4096)
32 Gibit	A7h	8	2048 (4096)

Table 33-41. Supported NAND Devices (continued)

Capacity	Device ID	Bus Width	Page Size in Bytes
32 Gibit	B7h	16	2048 (4096)
32 Gibit	87h	8	2048
32 Gibit	97h	16	2048
64 Gibit	DEh	8	2048 (4096)
64 Gibit	CEh	16	2048 (4096)
64 Gibit	AEh	8	2048 (4096)
64 Gibit	BEh	16	2048 (4096)

After retrieving parameters from the table, the page size and block size are updated based on the fourth byte of the NAND ID data. Because of inconsistency among manufacturers, only devices recognized to be at least 2 Gibit have these parameters updated. Therefore, the ROM code supports 4-KiB page devices, but only if their size, according to the table, is at least 2 Gibit. Devices that are smaller than 2 Gibit have the block size parameter set to 128 KiB (when the page size is 2 KiB).

[Table 33-42](#) lists the fourth ID data byte encoding used in the ROM code.

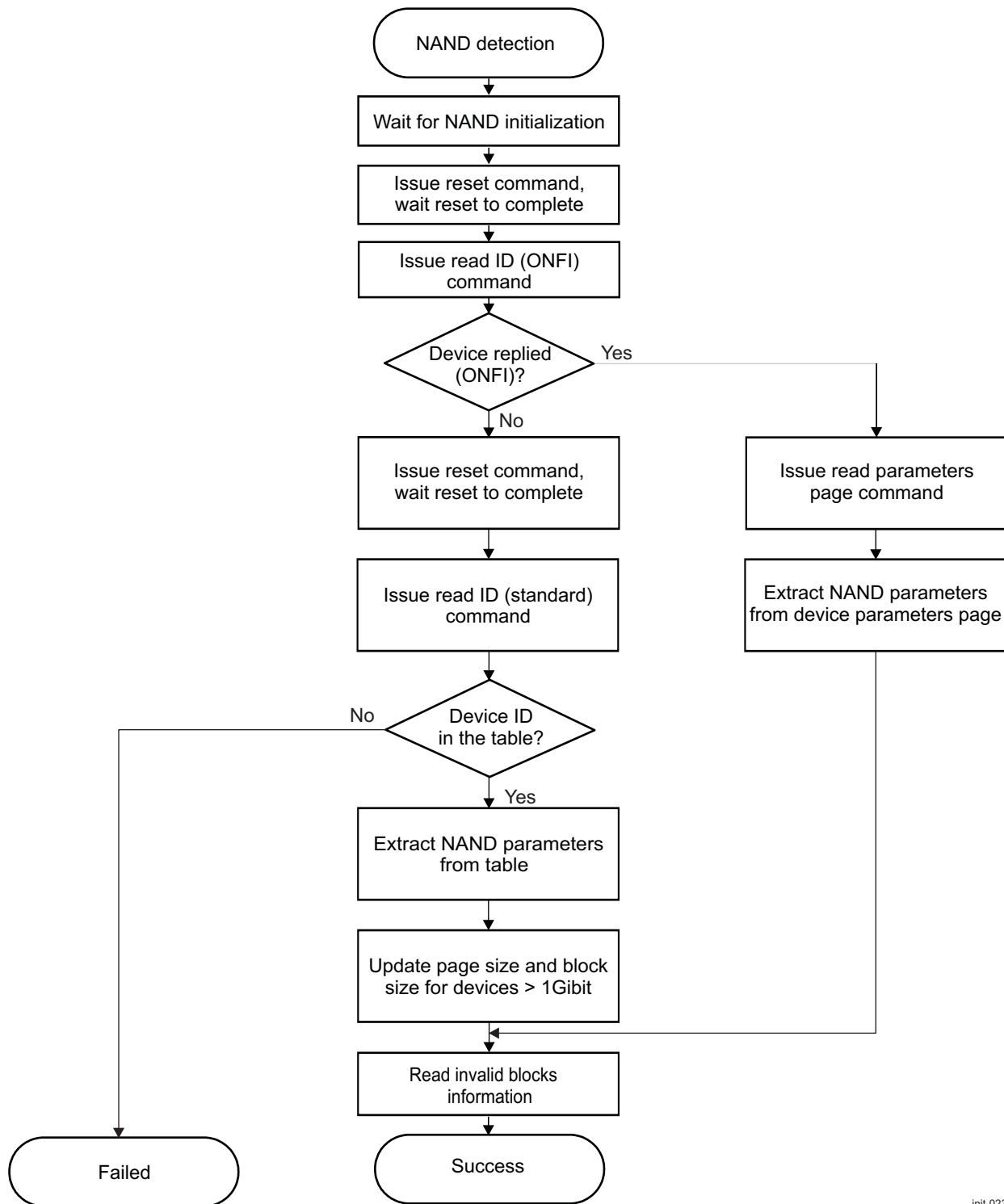
Table 33-42. Fourth NAND ID Data Byte

Item	Description	I/O Number							
		7	6	5	4	3	2	1	0
Page size	512 bytes							0	0
	2048 bytes							0	1
	4096 bytes							1	0
	8192 bytes							1	1
Cell type ⁽¹⁾	2 levels						0	0	
	4 levels						0	1	
	8 levels						1	0	
	16 levels						1	1	
Block size	64 KiB			0	0				
	128 KiB			0	1				
	256 KiB			1	0				
	512 KiB			1	1				

⁽¹⁾ Read by ROM code only when the manufacturer code (first ID byte) is 98h

Figure 33-17 shows the detection procedure. When the NAND device is successfully detected, the ROM code changes the GPMC to 16-bit bus width, if necessary.

Figure 33-17. NAND Device Detection



init-023

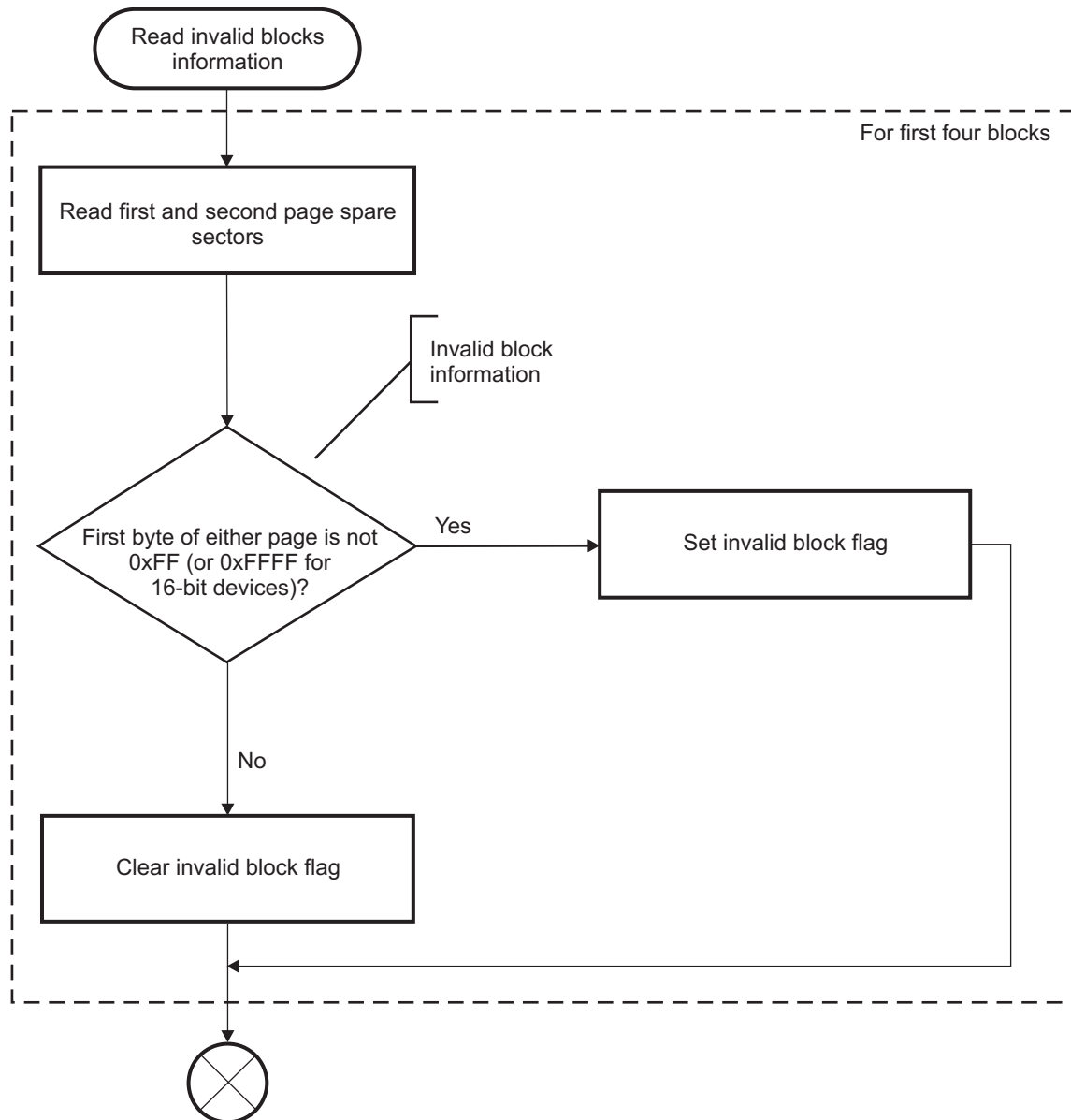
- Bad block verification

Invalid blocks contain invalid bits whose reliability cannot be ensured by the manufacturer. These bits are identified in the factory or during the programming and reported in the initial invalid block information in the spare area on the first and second page of each block. Because the ROM code

looks for an image in the first four blocks, it detects the validity status of these blocks. Blocks detected as invalid are not accessed later. Block validity status is coded in the spare areas of the first two pages of a block (first byte equal to FFh in the first and second pages for an 8-bit device/first word equal to FFFFh in the first and second pages for a 16-bit device).

Figure 33-18 shows the invalid block detection routine. The routine consists in reading spare areas and checking the validity data pattern.

Figure 33-18. Bad NAND – Invalid Block Detection



init-033

33.3.7.4.2 NAND Read Sector Procedure

During the booting procedure, the ROM code reads 512-byte sectors from the NAND device. The reading fails in two cases:

- The accessed sector is in a block marked as invalid.
- The accessed sector contains an error that cannot be corrected with ECC.

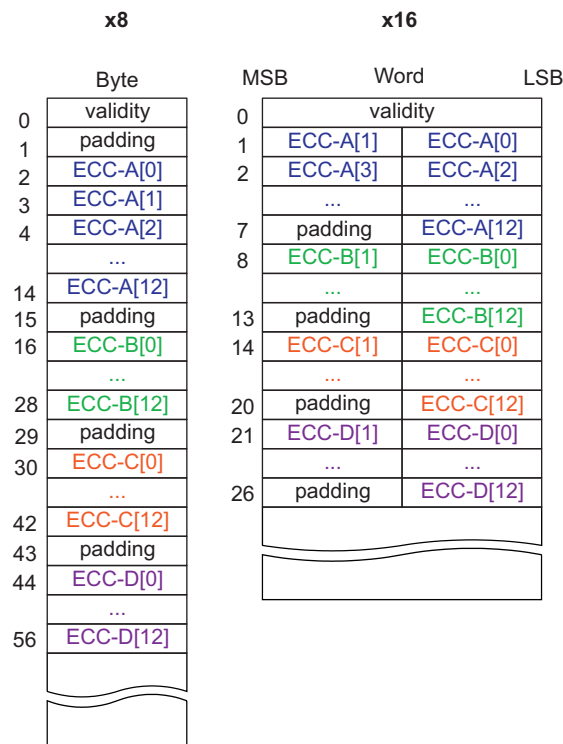
The ROM code uses normal read (command 00h 30h) for reading NAND page data.

Page data can contain errors caused by memory alteration. The ROM code uses an ECC correction algorithm to detect and possibly correct those errors. The default ECC correction applied is BCH 8b/sector using the GPMC and ELM hardware.

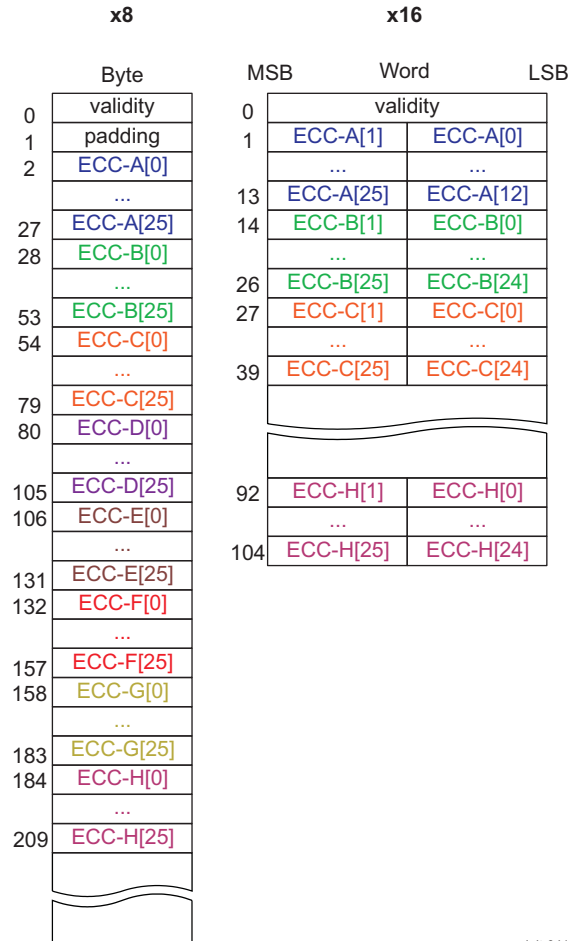
For device ID codes D3h, C3h, D5h, C5h, D7h, C7h, DEh, and CEh when the manufacturer code (first ID byte) is 98h, the cell type information is checked in the fourth byte of ID data. If it is equal to 10b, the ECC correction applied is BCH 16b/sector.

The BCH data is automatically calculated by the GPMC on reading each 512-byte sector. The computed ECC is compared against the ECC stored in the spare area for the corresponding page. Depending on the page size, the amount of ECC data bytes stored in the corresponding spare area is different. Figure 33-19 and Figure 33-20 show the mapping of ECC data inside the spare area for 2-KiB page and 4-KiB page devices, respectively. If both ECC data are equal, the read sector function returns the read 512-byte sector without error. Otherwise, the ROM code tries to correct errors in the corresponding sector (this procedure is assisted by the ELM hardware) and returns the data if successful. If errors are uncorrectable, the function returns with FAIL.

Figure 33-19. ECC Data Mapping for 2-KiB Page and 8b BCH Encoding



init-040

Figure 33-20. ECC Data Mapping for 4-KiB Page and 16b BCH Encoding


init-041

33.3.7.5 SPI/QSPI Flash Devices

SPI/QSPI Flash memories provide a storage solution for systems with limited space, pins and power.

The ROM code support for SPI/QSPI devices has the following characteristics:

- 24-bit addressing, up to 128 Mbit (16 MiB), no banking
- QSPI1 on CS0 is the communication interface
- Uses Mode 3:
 - Clock inactive state = high
 - Data input captured on rising edge of clock
 - Data output generated on falling edge of clock
- QSPI 4-bit data read mode at 48 MHz in configuration port mode
 - Read command is 0x6B (Fast Quad Read), 3 address bytes, 1 dummy bytes and read type is quad read
 - ROM will not perform any quad-enable sequence nor bank register update
- SPI 1-bit data read mode at 12 MHz in configuration port mode
 - Read command is 0x03 (Single Read), 3 address bytes, 0 dummy bytes and read type is normal read.
- Up to four redundant images can be stored on SPI/QSPI flash. The offset between them is set in sysboot[7:6] as described in [Table 33-8](#). If not using the redundant SBL feature, the offset set in sysboot[7:6] is a don't care. A booting image is considered to be present when the first 4 bytes word is

not equal to 0000 0000h or FFFF FFFFh.

NOTE: ROM code does not perform any specific action to detect, reset or power up the QSPI device. QSPI is assumed to be properly powered and reset to be completed before every attempt to boot by ROM code.

33.3.7.6 eMMC Memories and SD Cards

The device allows booting from eMMC embedded memories or SD cards connected to device embedded MMC2 or MMC1 controllers I/Os, respectively. The booting interface is selected by configuration of the SYSBOOT pins.

The device high speed MMC/SD/SDIO host controller handles the physical layer, while the ROM code handles the simplified logical protocol layer (read-only protocol). A limited range of commands is implemented in the ROM code.

The SD card interface supports 1.8-V/3-V digital I/Os. The selection on I/O voltage level is done using the PBIAS circuitry. The PBIAS reference level is sensed by the ROM code and PBIAS cell voltage setup appropriately before any communication with the SD card device. The eMMC interface supports also 1.8-V/3-V digital I/Os but with the difference that there is no PBIAS circuitry to select the I/O voltage level. This voltage depends only on the voltage provided to the eMMC associated power pads.

The device supports three booting modes:

- Raw (Boot): The booting image is read from one of the selectable partitions in raw mode (this mode is also called Alternative Boot Operation mode and applies to eMMC only).
- Raw (UDA): The booting image is read from the user data area (eMMC and SD).
- File system (FAT12/16/32 with or without master boot record): The image data is read from a booting file within a file system in the user data area (eMMC and SD).

NOTE: File system mode is only supported when booting from an eMMC user area. It is not supported in the eMMC boot area.

33.3.7.6.1 eMMC Memories

The ROM code supports booting from eMMC memories, with the following conditions:

- eMMC memory devices compliant with *Embedded MultiMediaCard (eMMC) eMMC/Card Product Standard, High Capacity, including Reliable Write Boot, and Sleep Modes, Dual Data Rate, Multiple Partitions Supports and Security Enhancement v4.5* from the MMCA Technical Committee. The exception is the hardware reset feature. For example, if the user software requires eMMC device hardware reset, it can be accomplished with a GPIO. To correctly boot from eMMC when using Alternative Boot Operation mode, it is recommended to tie the eMMC device RST_N signal to the platform warm reset.
- eMMC device connected to the device MMC2 controller I/O interface (only one device can be connected to the bus).
- The eMMC memory device is powered externally by a PMIC or other power supply.
- When booting from user area: Initial (default) 1-bit SDR mode, optional 4-bit and 8-bit SDR- and DDR- modes using Configuration Header
- Initial SDR- and DDR- modes supported
- Clock frequency when booting from user area:
 - Identification mode: 400 kHz
 - Data transfer mode: 10 MHz, optionally up to 48 MHz by Configuration Header
 - Support for eMMC boot partitions. eMMC booting from boot partitions (BPs), which is typical for booting in Alternative Boot operation mode, is always done at 8-bit / 48 MHz / DDR.

33.3.7.6.1.1 System Conditions and Limitations

The ROM code does not provide a bus direction control signaling in case of using MMC interface 2 with level shifters.

NOTE: The ROM Code does not support large 4-KiB sectors as defined in the latest standard.

The ROM code expects that the eMMC device is powered externally and supplies are set and stable when entering the booting procedure.

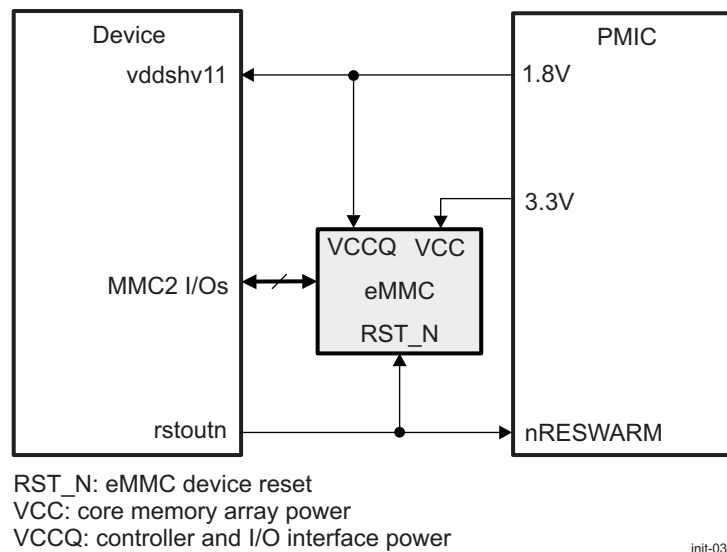
The ROM code supports the alternative boot operation mode specific to eMMC devices as described in the *Partition Management* and *Boot Operation Mode* sections of the eMMC Standard. It does not support the hardware boot operation mode (CMD line held low for 74 emmc_clk cycles) described in the same document.

33.3.7.6.1.2 eMMC Memory Connection

An eMMC device typically requires two supplies: one for the core memory array (VCC) and one for the device interface I/Os and controller (typical VCCQ = 1.8 V). Both memory device supply pins can possibly be merged into one, thus requiring only one power supply.

Figure 33-21 shows an example of the system connection between the PMIC, memory device, and device.

Figure 33-21. eMMC Connection



NOTE: For correct handling of eMMC boot partitions when using alternative boot operation mode, it is recommended to tie the eMMC RST_N signal to the signal indicating a platform warm reset (nRESWARM).

The ROM code performs the necessary I/O pin muxing configuration to route the MMC2 I/O signals on the eMMC pads depending on the selected SYSBOOT configuration.

33.3.7.6.2 SD Cards

The ROM code supports booting from SD cards under the following conditions:

- SD cards compliant with *SD Specifications Part 1 Physical Layer Specification Version 4.00* and the *SD Specifications Part 2 File System Specification Version 3.00* from the SD Association. These include low- (SDSC) and high-capacity (SDHC) cards.
- SD card connected to MMC1 controller I/Os. Only one card is allowed to be connected to the bus.

- 3-V VCC power supply
- 3-V or 1.8-V I/O voltages
- Initial 1-bit MMC mode, optional 4-bit mode
- Clock frequency:
 - Identification mode: 400 kHz
 - Data transfer mode: 10 MHz (optionally up to 19.2 MHz by Configuration Header)

33.3.7.6.2.1 System Conditions and Limitations

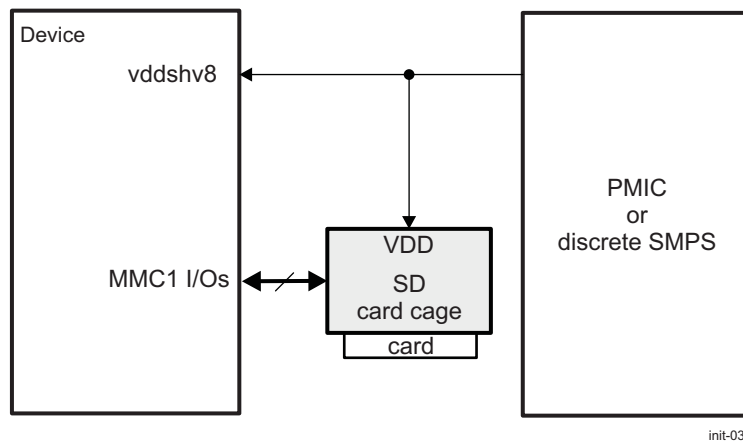
Even though the ROM Code identifies SDXC cards, it does not handle its specificities such as exFAT support. It does neither support UHS-I nor UHS-II speed grades.

33.3.7.6.2.2 SD Card Connection

An SD card can be connected to the SD card interface, typically through a card cage.

Figure 33-22 shows the typical connection between the power IC, the card, and the device.

Figure 33-22. MMC/SD Card Connection



NOTE: The ROM code does not handle the card detection feature on the card cage.

33.3.7.6.2.3 Booting Procedure

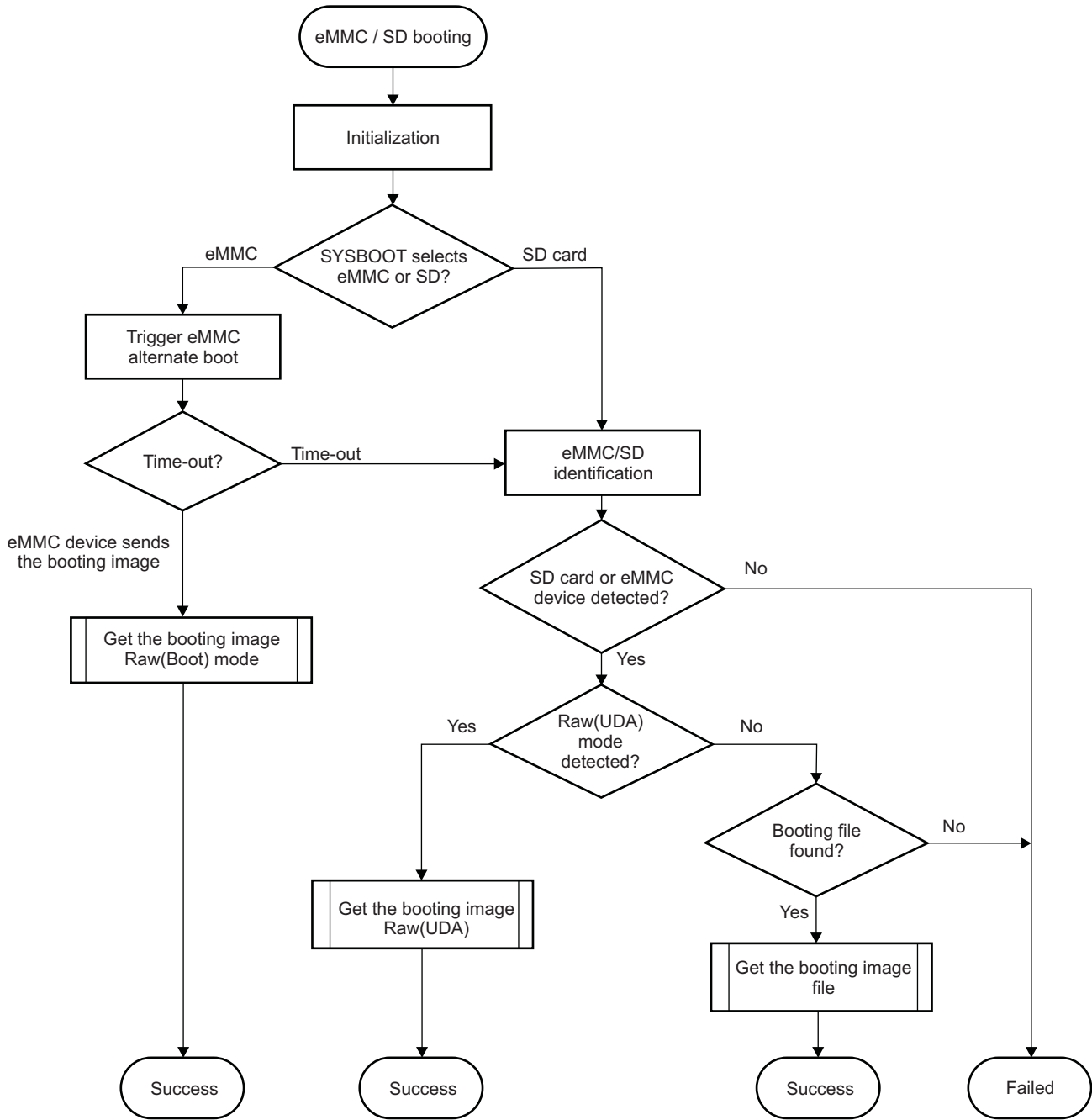
If the selected booting device is eMMC, then a first attempt to trigger alternative boot operation mode is tried. If the eMMC device replies within a fixed timeout, then the booting image is directly retrieved from one of the possible partitions specified in the local EXT_CSD.BOOT_PARTITION_ENABLE bit field for the eMMC device (this is referred to as the Raw(Boot) mode). Raw(Boot) mode improves the boot time by avoiding the regular eMMC/SD identification phase (usually done at low speed). When the booting image is retrieved, the ROM code continues the boot process.

If the time-out elapses, then the ROM code proceeds with normal identification. SD cards do not support Alternative Boot Operation mode, and therefore are always going through normal identification.

If normal identification succeeds, then it next determines whether the SD card or eMMC device contains a known file system. If the file system is known, then the booting image is extracted from the file system hierarchy. If a file system is not detected, then the Raw(UDA) mode is assumed.

Figure 33-23 is the high level flow chart of the eMMC and SD booting procedure.

Figure 33-23. eMMC and SD Booting



init-048

33.3.7.6.2.4 eMMC Partitions Handling in Alternative Boot Operation Mode

To trigger alternative boot operation mode, the ROM code sends a specific CMD0 + Argument 0xFFFF FFFA. Then, the ROM code waits up to 50 ms for the eMMC device to return a boot-acknowledge signal. If the time-out elapses, then the ROM code skips alternative boot operation mode. Booting from eMMC partitions can be done in 8-bit mode at 48 MHz / DDR. This configuration is static and cannot be changed.

33.3.7.6.2.4.1 eMMC Devices Preflashing

For correct handling of eMMC partitions in alternative boot operation mode, it is necessary to prepare the eMMC device at flashing time with the following settings applied to the device EXT_CSD register:

- The BOOT_ACK and BOOT_PARTITION_ENABLE fields must be updated accordingly (EXT_CSD[179], bit 6 and bits [5:3], respectively) to activate the boot acknowledge signal and select the partition from which to boot. There are several boot options selectable in the BOOT_PARTITION_ENABLE bit field, as follows:
 - Booting from boot partition 1 (BP1)
 - Booting from boot partition 2 (BP2)
 - Booting from User Area
 For more details, see the eMMC Standard documentation.
- RST_N must be enabled for correct handling of the warm reset cases (EXT_CSD[162] bits [1:0] = 0x1).
- The BOOT_BUS_WIDTH fields (EXT_CSD[177]) must be updated properly based on device alternate boot operation: 8-bit / 48 MHz / DDR mode.
- Optionally the BOOT_CONFIG_PROT (EXT_CSD[178]) may be updated for altering access permissions to the selected partitions.

NOTE: Although an alternate boot from user area is possible, alternate booting from BP1 or BP2 is recommended.

NOTE: It is possible to permanently or temporarily lock the boot configuration through the use of the BOOT_CONFIG_PROT register. For more details, see the eMMC Standard documentation.

NOTE:

- It is highly recommended to refer to the eMMC Standard for details on EXT_CSD handling.
 - The EXT_CSD is updated by using a SWITCH command as detailed in the eMMC standard.
 - The mentioned EXT_CSD fields are retained after a power cycle so only one “flashing” phase is required
-

33.3.7.6.2.4.2 eMMC Device State After ROM Code Execution

If alternative boot operation mode is successful, and the booting image is properly retrieved, then the eMMC device state remains in the BOOT state even after the execution has passed to the initial software. The initial software must bring the device out of the BOOT state.

33.3.7.6.2.4.3 Consideration on device Global Warm Reset

Once the system has booted and upon triggering a warm reset at device level (it can be triggered by the warm-reset push button, a timer, watchdog, etc.), it is important that the eMMC device is properly brought to its PRE-IDLE state so that the next Alternative Boot operation succeeds. This is ensured by the eMMC RST_N pin to be connected to device rstoutn pin (warm reset). Not doing so would make the boot procedure fail after a warm reset.

33.3.7.6.2.4.4 Booting Image Size

In Raw(Boot) mode, the size of the booting image is determined after the first sector read access. The boot image size is contained within the GP header. This ensures that the ROM code is only retrieving the necessary size of data and not the full contents of the partition.

33.3.7.6.2.4.5 Booting Image Layout

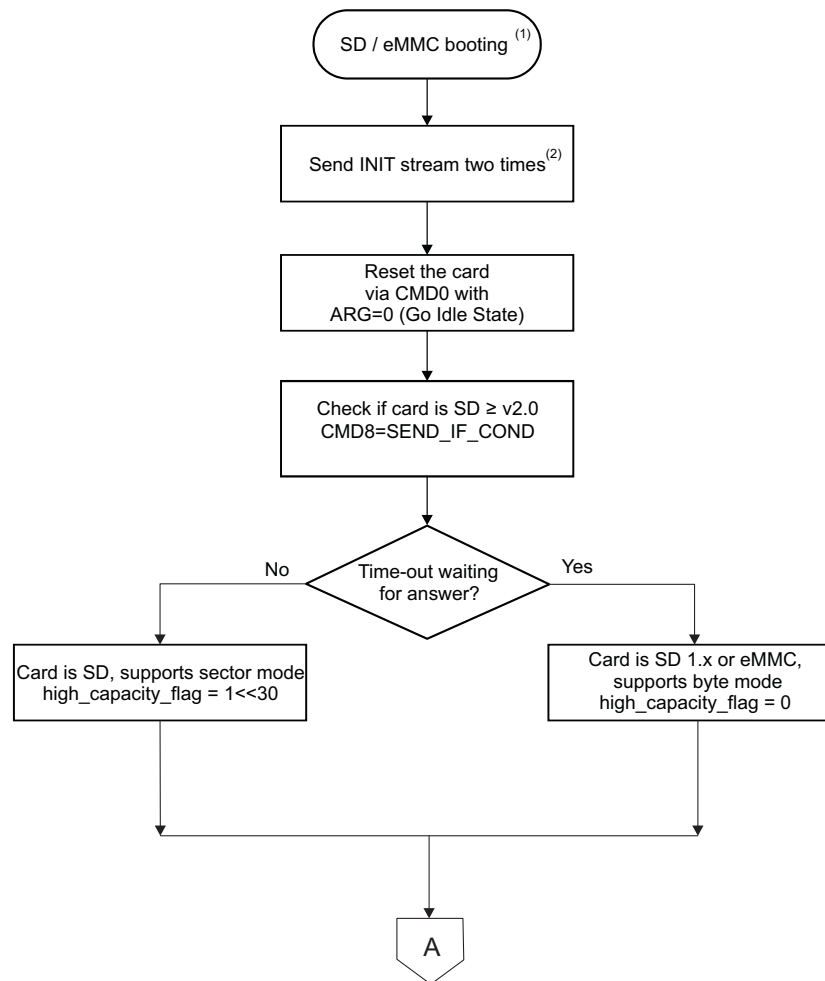
In Raw(Boot) mode only one copy of the booting image is maintained, as opposed to up to four copies in Raw(UDA) mode.

33.3.7.6.3 Initialization and Detection

If the eMMC Alternate Boot operation fails in time-out, or the requested boot device is an SD card, the ROM code initializes the memory device or card connected on the eMMC and SD card interface using 1.8 V for eMMC and standard high-voltage range (3.0 V) for SD card I/Os. If neither a card nor memory device is detected, the ROM code moves to the next booting device. The standard identification process and relative card address (RCA) assignment are performed. The ROM code assumes that only one memory or card is connected on the bus. This is done using the CMD line common to the SD and eMMC memory devices. The eMMC and SD standards describe this phase as the initialization phase. They differ in the commands involved, as described in [Figure 33-25](#). The ROM code uses CMD55 to discriminate between eMMC and SD cards; that is, CMD55 is only supported by the SD standard. Depending on response received or not, ACMD41 (the combination of CMD55 and CMD41 for SD) or CMD1 (for MMC) is sent. If no response is received this time, no devices are connected and the ROM code exits eMMC/SD booting with FAIL.

[Figure 33-24](#) shows the eMMC/SD detection procedure.

Figure 33-24. SD/eMMC Detection Procedure (part 1)



Note 1: MMC bus clk = 160 kHz

Note 2: MMC bus clk = 400 kHz

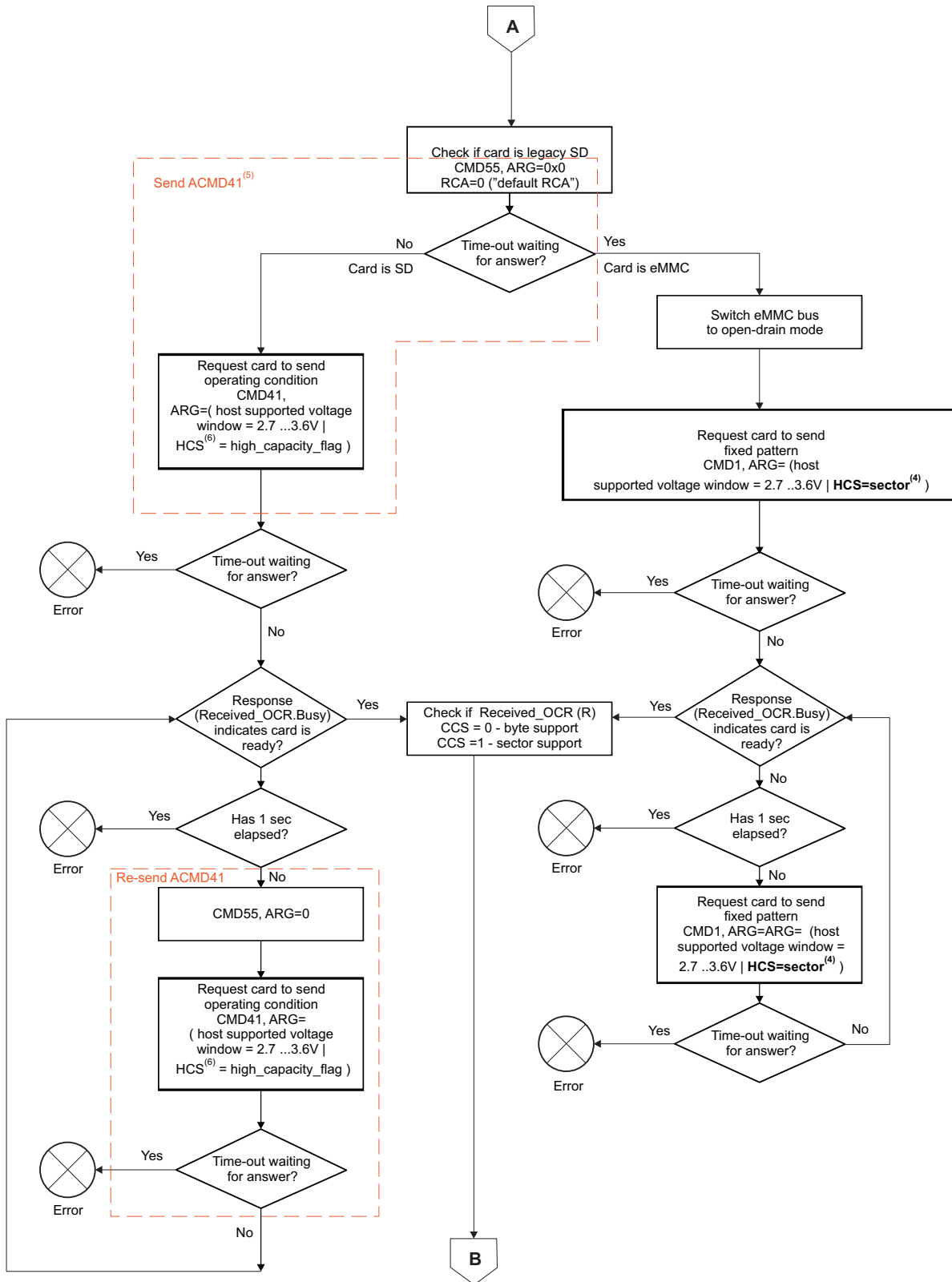
Note3: VHS / test pattern are specific to SD standard in this state.

eMMC CMD8 (=SEND_EXT_CSD) is NOT relevant in this state and this is the way to discriminate the SD v eMMC card

init-026a

[Figure 33-25](#) shows the eMMC/SD detection procedure.

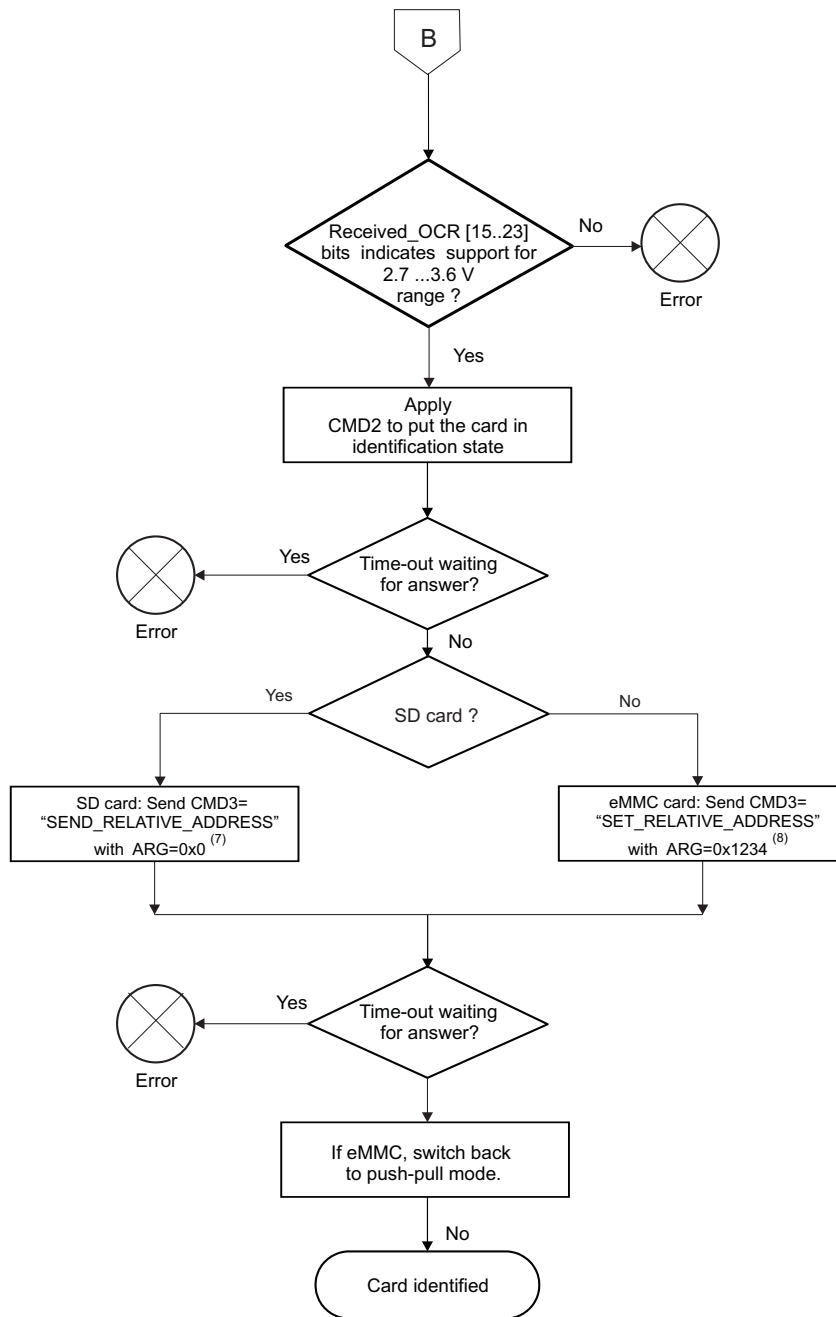
Figure 33-25. SD/eMMC Detection Procedure (part 2)



Note 4: Host indicates it is capable of sector addressing
 Note 5: Referred to as the first ACMD41 that starts initialization in SD standard. Subsequent ACMD41 provide same argument
 Note 6: Host sets hcs per response from CMD8 as described in SD standard

Figure 33-26 shows the eMMC/SD detection procedure.

Figure 33-26. SD/eMMC Detection Procedure (part 3)



Note 7 : Card sends back a new RCA value that ROM Code keeps internally

Note 8 : Card stores the new RCA value provided by the ROM Code.

init-026c

33.3.7.6.4 Read Sector Procedure

The contents of an eMMC or SD card may be formatted as raw binary (referred to as Raw(UDA) or within a FAT file system. The ROM Code reads out sectors from raw image or the booting file within the file system and boots from it.

- **Raw mode**

In Raw(UDA) mode, an image can be at one of the four consecutive locations in the main area: offset 0x0 (0 KiB)/0x20000 (128 KiB)/0x40000 (256 KiB)/0x60000 (384 KiB). For this reason, the size of a booting image must not exceed 128 KiB. However, a device with an image greater than 128 KiB can be flash starting at one of the aforementioned locations. Therefore, the ROM code does not check the image size. The only drawback is that the image crosses the subsequent image boundary. Raw mode is detected by reading sectors 0, 256, 512, and 768. The content of these sectors is verified for the presence of a TOC structure. GP header must be located at the beginning of the booting image, as described in [Section 33.3.8.2, Configuration Header](#). Image data is read directly from continuous sectors of a card. If raw mode is not detected, file system mode is assumed.

- File system handling

The read sector procedure uses the standard SD/eMMC read data procedure. The sector address is generated based on the booting memory file map collected during initialization. Thus, the ROM code can freely address sectors in the booting file space.

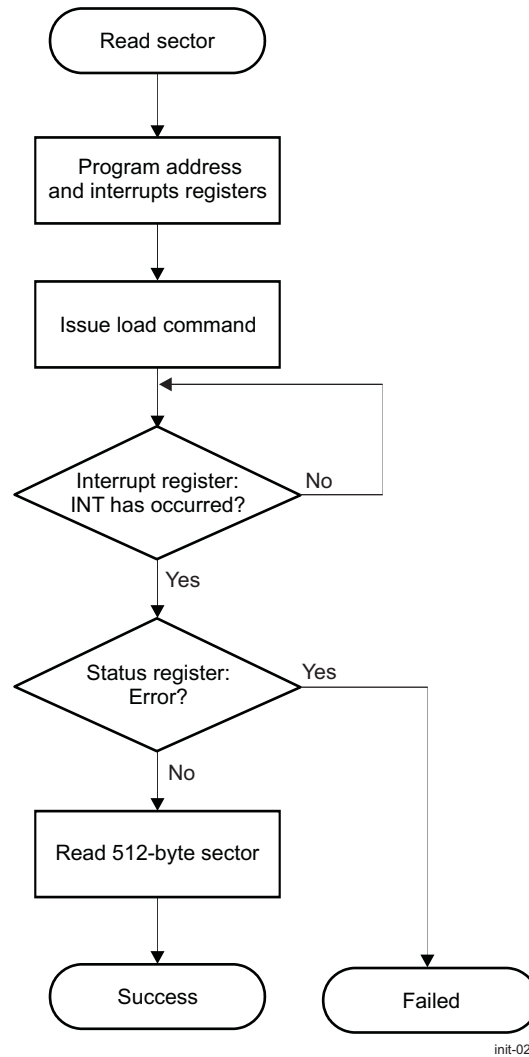
33.3.7.6.5 File System Handling

The eMMC / SD cards can hold a file system that the ROM code reads. The image used by the booting procedure is taken from a booting file named MLO. This file must be in the root directory on an **active** primary partition of type FAT12/16 or FAT32.

An eMMC/SD card can be configured as floppy-like or hard-drive-like:

- When acting like a floppy, the content of the card is a single FAT12/16/32 file system without an MBR holding a partition table.
- When acting like a hard drive, an MBR is present in the first sector of the card. This MBR holds a table of partitions, one of which must be FAT12/16/32, primary, and active.

According to the *MultiMediaCard FAT16 File System Specification* from the MMCA Technical Committee, the card must always hold an MBR, except when using a floppy-like file system. However, depending on the operating system used, the eMMC / SD card is formatted with or without partitions (using an MBR). The ROM code supports both types: floppy-like or hard-drive-like. The ROM code retrieves a map of the booting file from the FAT. The booting file map is a collection of all FAT entries related to the booting file (a FAT entry points to a cluster holding part of the file). The booting procedure uses this map to access any 512-byte sector in the booting file without involving the ROM code FAT module. [Figure 33-27](#) shows the complete process.

Figure 33-27. SD/MMC Get Booting File


33.3.7.6.5.1 MBR and FAT File System

This paragraph describes functions used by the ROM code to recognize whether an MBR with a FAT is used. It is not intended to fully describe the MBR and the FAT file system detection and reading procedure. The ROM code can detect FAT12/16/32 allocation table types. It cannot boot on devices with NTFS or Linux® FS partitions. Some memory devices that support file systems can be formatted with or without MBR; therefore, the first task of the ROM code is to detect whether the device is holding an MBR in the first sector.

The MBR is the first sector of a memory device. It consists of executable code, four partition entries, and one signature. The aim of such a structure is to divide the hard disk in partitions used primarily to boot different systems (for instance, Microsoft Windows®). [Table 33-43](#) describes this structure, and [Table 33-44](#) describes the partition table entry.

Table 33-43. Master Boot Record Structure

Offset	Length (Bytes)	Entry Description
0000h	446	Optional code
01BEh	16	Partition table entry
01CEh	16	Partition table entry
01DEh	16	Partition table entry

Table 33-43. Master Boot Record Structure (continued)

Offset	Length (Bytes)	Entry Description
01EEh	16	Partition table entry
01FEh	2	Signature (0xAA55)

Table 33-44. Partition Table Entry

Offset	Length (Bytes)	Entry Description	Value
0000h	1	Partition state	00h: Inactive 80h: Active
0001h	1	Partition start head	Hs
0002h	2	Partition start cylinder and sector	Cs[7:0] – Cs[9:8] – Ss[5:0]
0004h	1	Partition type	01h: FAT12 04h, 06h, 0Eh: FAT16 0Bh, 0Ch, 0Fh: FAT32
0005h	1	Partition end head	He
0006h	2	Partition end cylinder and sector	Ce[7:0]–Ce[9:8]–Se[5:0]
0008h	4	First sector position relative to the beginning of media	LBA _s = Cs.H.S + Hs.S + Ss – 1
000Ch	4	Number of sectors in partition	LBA _e = Ce.H.S + He.S + Se – 1 Nb s = LBA _e – LBA _s + 1

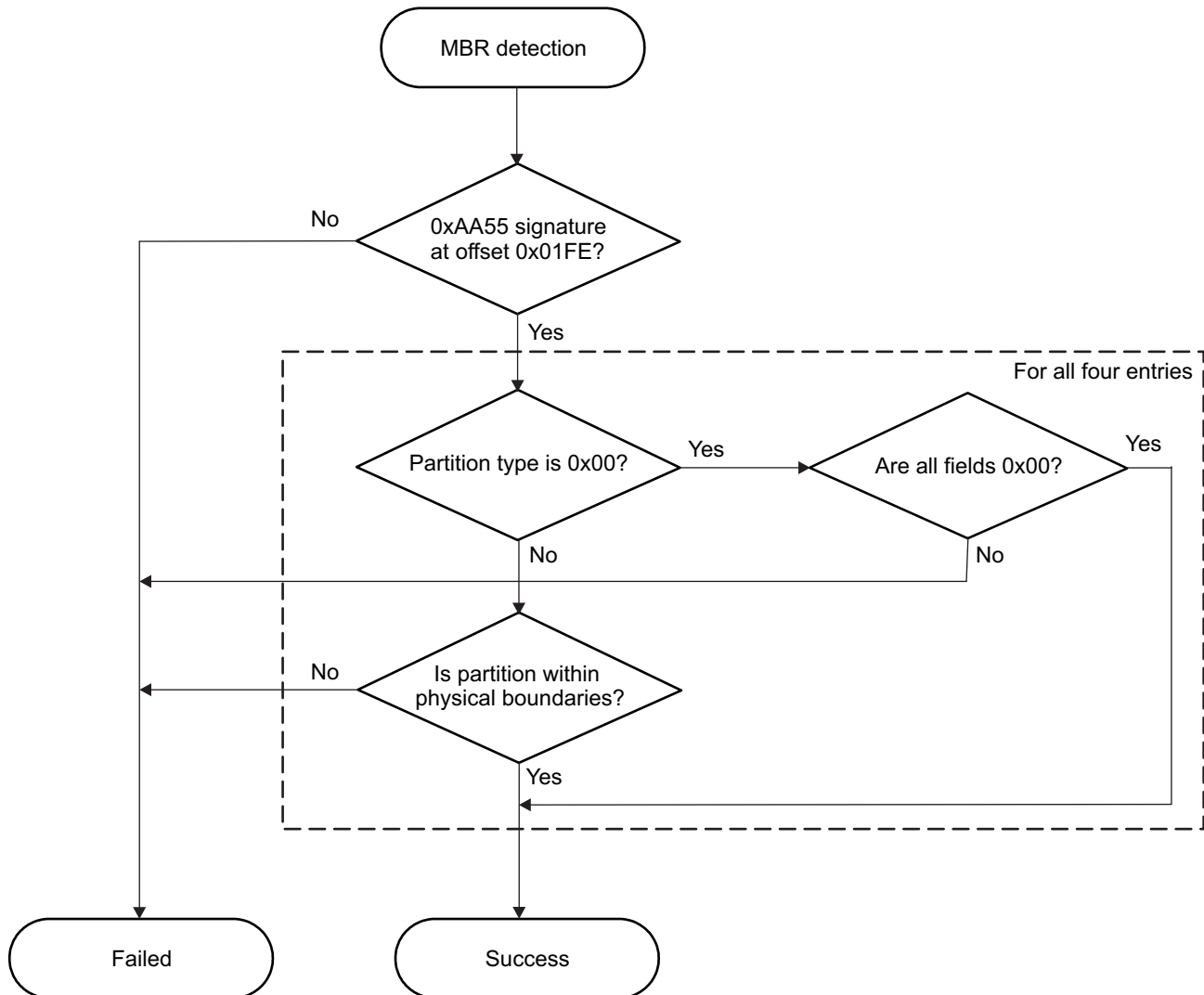
SD/eMMC booting consists of the following steps:

1. Detection of MBR

The ROM code first checks whether the MBR signature is present, and then it searches an active FAT12/16/32 partition in all four MBR partition entries, based on the Type field. If the MBR entries are not valid, or if no usable partition is found, the ROM code returns to the booting procedure with FAIL. The extended partitions are not checked; the booting file must reside in a primary partition. Each partition entry is checked to determine the following:

- a. If the partition type is set to 00h, all fields in the entry must be 00h.
- b. The partition is within physical boundaries (that is, the partition is inside and it fits the total physical sectors).

See [Figure 33-28](#) for more information about MBR detection.

Figure 33-28. MBR Detection Procedure


init-028

2. Get the MBR partition.

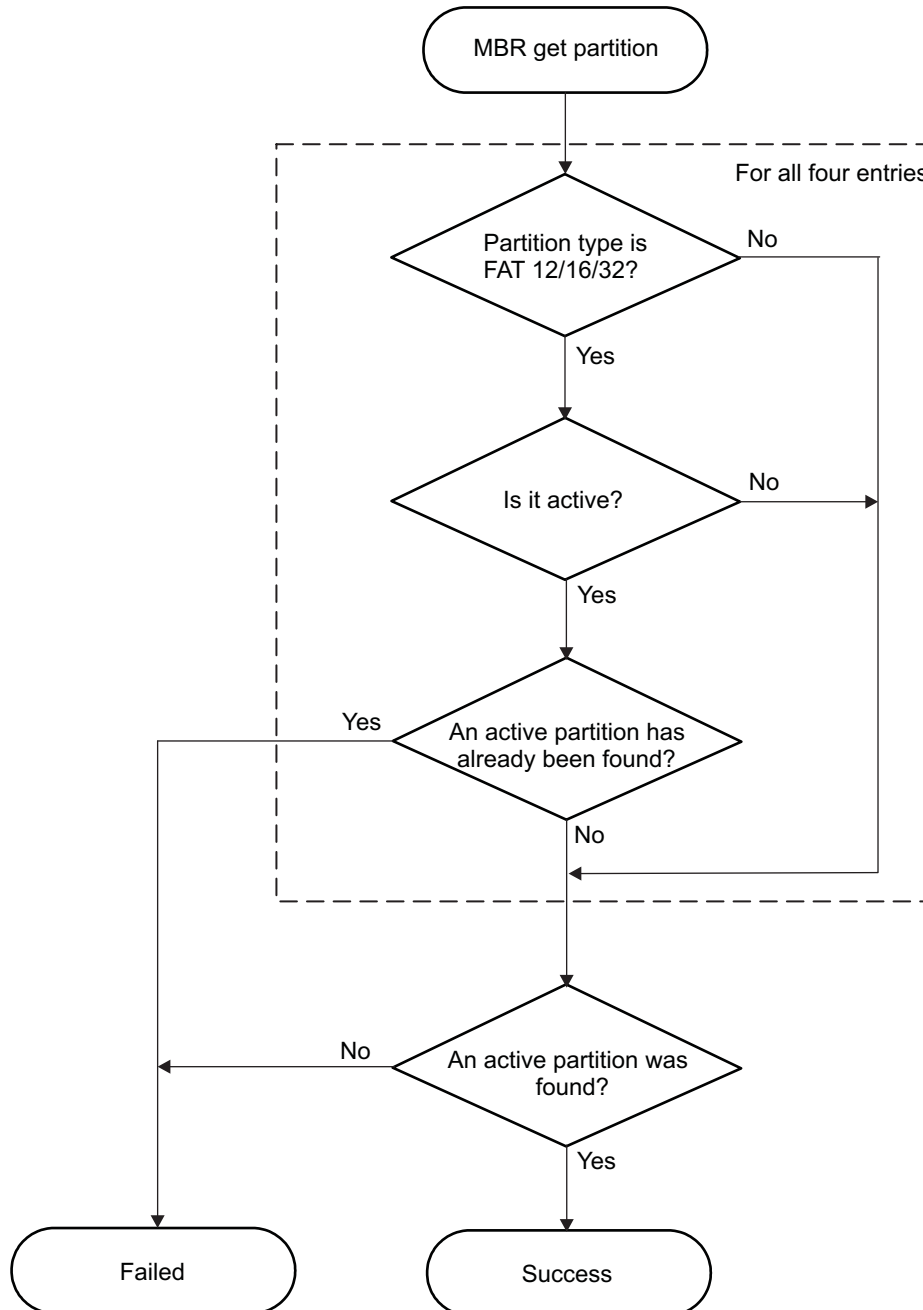
Once identified, the ROM code gets the partition using the procedure described in [Figure 33-28](#). The partition type is checked to be FAT12/16 or FAT32. Its state must be 00h (inactive) or 80h (active). The ROM code returns with FAIL if no active primary FAT12/16/32 is found, or the test fails if there is more than one active partition. If an active partition is found, its first sector is read and used later. If no MBR is present (in case of a floppy-like system), the first sector of the device is read and used later. The read sector is checked to be a valid FAT12/16 or FAT32 partition. If this fails, the ROM code returns with FAIL if another partition type is used (for instance, Linux FS) or if the partition is not valid.

The FAT file system consists of several parts:

- Boot sector, which holds the BIOS parameter block (BPB). Not all are used by the ROM code.
- FAT, which describes the use of each cluster of the partition
- Data area, which holds the files, directories, and root directory (for FAT12/16, the root directory has a specific fixed location)

To check whether a sector holds a valid FAT12/16/32 partition, many fields of the boot sector (used by all FAT types) that require specific values are checked. [Figure 33-29](#) shows more about getting the partition.

Figure 33-29. MBR, Get Partition



init-029

3. Find the booting file.

When a partition is found, the root directory entries are searched for a booting file named MLO in the root directory of the FAT12/16/32 file system. The file is not searched in any other location. For a FAT12/16 file system, the root directory has a fixed location, which is cluster 0. For a FAT32 file system, its cluster location is given by BPB_RootClus. The formula to find the sector number (relative to device sector 0, not partition sector 0) of a cluster is given by the following equation:

$$Cluster_{sector} = BPB_HiddSec + BPB_RsvdSecCnt + BPB_NumFATs \cdot BPB_FATSz + Cluster \cdot BPB_SecPerCLus$$

init-E001

NOTE: BPB_FATSz is BPB_FATSz16 for FAT12/16, or BPB_FATSz32 for FAT32.

NOTE: The BPB_HiddSec field can contain 0, even though the FAT file system is somewhere other than on sector 0 (floppy-like). The ROM code uses the partition offset taken from the MBR instead of this field, which can be wrong. If no MBR is found (floppy-like), the value 0 is used.

Each entry in the root directory is 32 bytes and holds information about the file (the filename, date of creation, rights, cluster location, and so forth). See [Table 33-45](#).

Table 33-45. FAT Directory Entry

Offset	Length (Bytes)	Name	Description
0000h	11	DIR_Name	Short Name (8 + 3)
000Bh	1	DIR_Attr	File attributes: 01h – ATTR_READ_ONLY 02h – ATTR_HIDDEN 04h – ATTR_SYSTEM 08h – ATTR_VOLUME_ID 10h – ATTR_DIRECTORY 20h – ATTR_ARCHIVE 0Fh – ATTR_LONG_NAME
000Ch	1	DIR_NTRes	Reserved. Set to 00h.
000Dh	1	DIR_CrtTimeTenth	Millisecond stamp at file creation
000Eh	2	DIR_CrtTime	Time file was created.
0010h	2	DIR_CrtDate	Date file was created.
0012h	2	DIR_LstAccDate	Last access date
0014h	2	DIR_FstClusHi	High word of the first cluster number of this entry
0016h	2	DIR_WrtTime	Time of last write
0018h	2	DIR_WrtDate	Date of last write
001Ah	2	DIR_FstClusLo	Low word of the first cluster number of this entry
001Ch	4	DIR_FileSize	File size in bytes

The ROM code checks each entry in the root directory until either the booting file is found or the entry is empty (first byte is 00h), or when the end of the root directory is reached. Entries with the ATTR_LONG_NAME attribute (LFN) and first byte at E5h (erased file) are ignored. When found, the first cluster offset of the file is read from the DIR_FstClusHi/DIR_FstClusLo fields. There is a slight difference between FAT12/16 and FAT32 when handling the root directory. On FAT12/16, this directory has a fixed location (see [Table 33-45](#)) and length fixed by BPB_RootEntCnt, which is the total of 32-byte entries. Therefore, handling this directory is straightforward. On FAT32, the root directory is like a standard file. The FAT must be used to retrieve each sector of the directory. Step 4 describes the way in which the FAT is handled.

4. Buffer FAT entries in the FAT buffer.

When the booting file is found, the ROM code reads the FAT and buffers the singly-linked chain of clusters in the FAT buffer that is used during boot to access the booting file directly, sector by sector. For FAT12/16 and for FAT32, multiple copies of the FAT exist (ROM code supports only two copies), after the boot sector.

$$FATn_{sector} = BPB_HiddSec + BPB_RsvdSecCnt + BP_FatSz \cdot n$$

init-E002

The size of the FAT buffer is given by BPB_FATSz16 or BPB_FATSz32. The ROM code checks each copy of the FAT if the values are identical. If the values are different, the ROM code uses the value from the last FAT copy. With the FAT32 file system, the copy system can be disabled according to a flag in BPB_ExtFlags[7]. If this flag is set, the FAT BPB_ExtFlags[3:0] bit field is used. In this case, no verification is made by the ROM code with other copies of FAT.

The FAT is a simple array of values, each referring to a cluster in the data area. One entry of the array is 12, 16, or 32 bits, depending on the file system in use. The value in an entry defines whether the

cluster is being used or not, and if another cluster must be considered. This creates a singly-linked chain of clusters defining the file. [Table 33-46](#) describes the meaning of an entry.

NOTE: For compatibility, cluster 0 and cluster 1 are not used for files, and these entries must contain:

- FF8h and FFFh (for FAT12)
- FFF8h and FFFFh (for FAT16)
- 0FFFFFFF8h and 0FFFFFFFh (for FAT32)

Table 33-46. FAT Entry Description

FAT12	FAT16	FAT32	Description
000h	0000h	00000000h	Free cluster
001h	0001h	00000001h	Reserved cluster
002h–FEFh	0002h– FFEFh	00000002h– 0FFFFFFEFh	Used cluster; value points to next cluster
FF0h–FF6h	FFF0h– FFF6h	0FFFFFFF0h– 0FFFFFFF6h	Reserved values
FF7h	FFF7h	0FFFFFFF7h	Bad cluster
FF8h–FFFh	FFF8h– FFFh	0FFFFFFF8h– 0FFFFFFFh	Last cluster in file

NOTE: FAT32 uses only bits [27:0]; the upper 4 bits are usually 0 and must remain untouched.

When accessing the root directory for FAT32, the ROM code starts from the root directory cluster entry and follows the linked chain to retrieve the clusters.

When the booting file has been found, the ROM code buffers each FAT entry corresponding to the file in a sector way. This means each cluster is translated to one or several sectors, depending on how many sectors are in a cluster (BPB_SecPerClus). This buffer is used later by the booting procedure to access the file.

33.3.7.7 SATA Device Boot Operation

NOTE: SATA is not supported on the AM570x family of devices.

The SATA is a host interface dedicated for mass storage memory devices. SATA aims to connect SATA disk drive compliant SSD (SATA solid state drive) or HDD (hard disk drive) for mass storage use case only.

The mass storage device (SSD or HDD) is intended to be connected through SATA standard connector (in case of HDD) or directly soldered on the board (in case of SSD). In the latter case, the SATA mass-storage device is actually permanently attached to the device.

The device embedded SATA host controller has a single port (P0) implementation, and one internal electrical transceiver (SATA_PHY). For more information on the device-embedded SATA (SATA AHCI core and wrapper), see [Section 24.8, SATA Controller](#). For more details on SATA subsystem integrated SATA PHY transceiver components, see [Section 26.1, SATA PHY Subsystem](#). A system integration block diagram is provided in following section.

33.3.7.7.1 SATA Booting Overview

The device attached to the device SATA for boot operation must meet the following requirements:

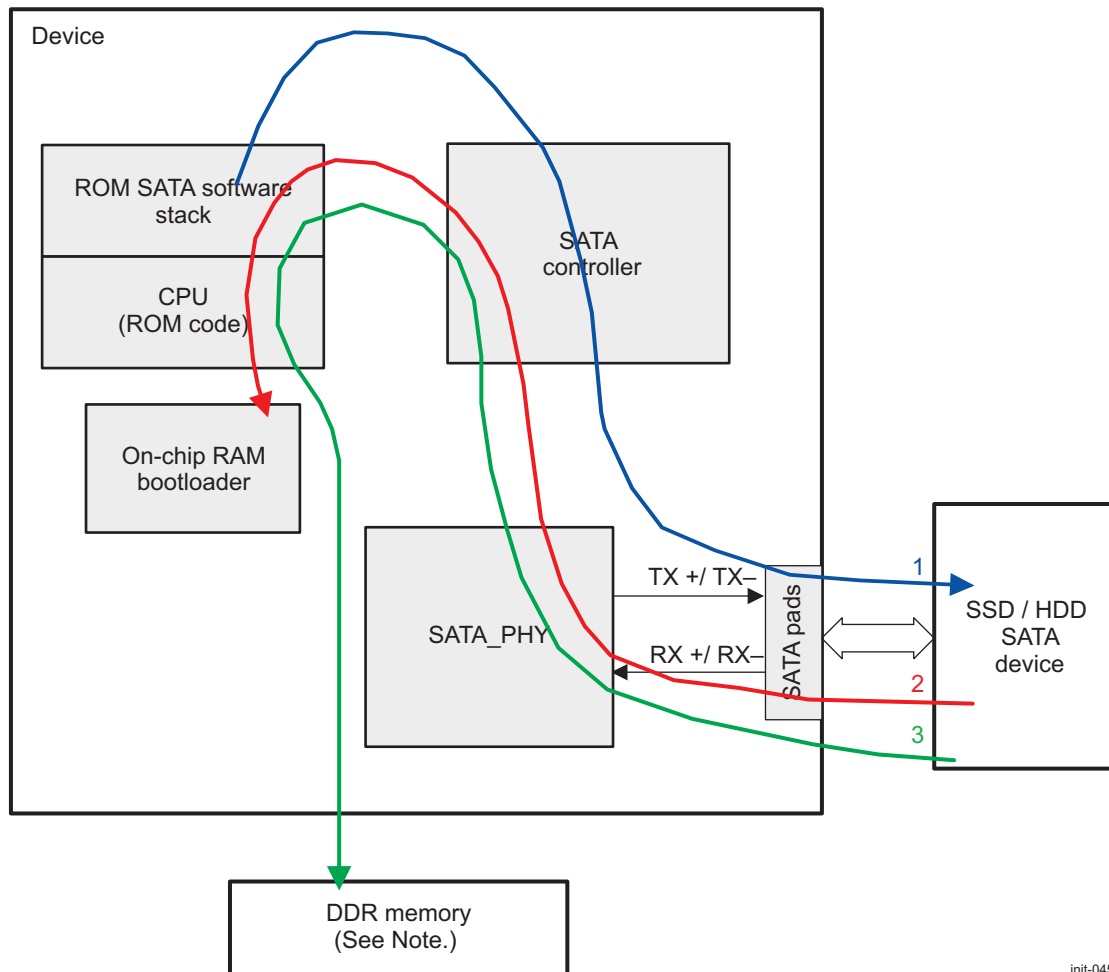
- It must be compliant with the *Serial ATA Standard* specification, rev. 2.6.
- It must support READ SECTOR(s) ATA command (code 0x20) as defined in the ATA / ATAPI - 7

specification.

- It must be connected directly to the device SATA IOs – sata_tx / sata_ty, sata_rx / sata_ry (no port multiplier connected).
- It must have been already powered by the companion chip or external supply before start of the boot procedure.
- It must be taken in consideration for the device that maximum power on ready time allowed by ROM Code is 900ms. First COMRESET procedure targeting the attached device is triggered 300ms after device SATA subsystem initialization by ROM Code.

Figure 33-30 highlights the booting of the platform from the SSD device.

Figure 33-30. Booting from a Permanently-Attached SSD Device



init-045

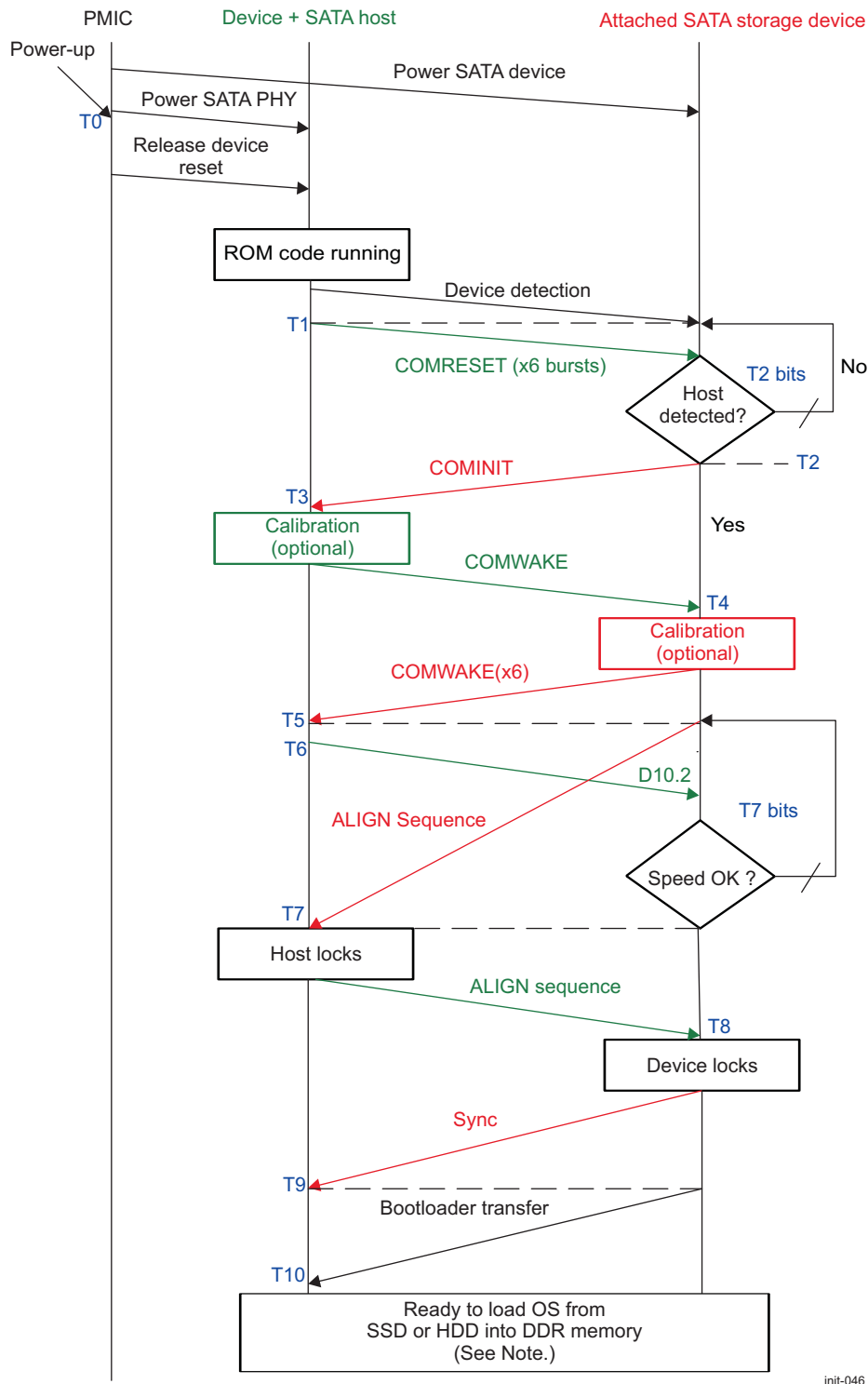
The device booting from an attached SATA mass storage memory device is performed in the following steps:

1. At reset or power on, the device ROM code boots and checks for the SSD / HDD to be ready.
2. The SSD / HDD transfers the boot-loader to the internal RAM of device.
3. The OS in the SSD or HDD is downloaded into DDR memory and the platform is ready.

33.3.7.7.2 SATA Power-Up Initialization Sequence

Figure 33-31 shows all messages exchanges between power-on event up to when the platform is ready. The sequencing aims to depict the complete sequence without any specific connecting issues that may appear.

Figure 33-31. SATA Power-on Initialization Sequencing



init-046

The following time phases can be identified during booting from SATA interface:

- T0: the SATA_PHY is powered and device reset is maintained until all Power-management IC companion powers are set.
- T1: the ROM code validates a SATA SSD device detection.
- Within the T1-T2 time interval: the SATA host issues a COMRESET sequence for a minimum of 6 bursts (and a multiple of 6) to force a hardware reset to the SATA peripheral device.

- T2: As long as the attached SATA SSD device does not explicit reset request (COMINIT), the host issues COMRESET sequences
- Within the T2-T3 time interval, once the host release the COMRESET sequence (made of 6 bursts minimum), the device responds with a COMINIT to request a communication initialization (It requests a reset from the host).
- Within the T3-T4 time interval, the SATA host controller may calibrate at T3, but issues a COMWAKE sequence to the peripheral in order to inform the other part the wish to use the link.
- Within the T4-T5 time interval, the SSD device responds and may calibrate. The device response is made of 6 burst COMWAKE sequence.
- Within the T5-T6 time interval, SATA host controller shall start transmitting D10.2 characters no later than a defined moment.
- Within the T6-T7 time interval, when the device host detects the COMWAKE from the device, it starts transmitting D10.2 character at its lowest speed.
- At the same time within T5-T7 time interval, continuous stream of device ALIGN sequence (following the 6 bursts COMWAKE sequence) starting at the device highest speed.
- T7: Without any SATA host's answer (D10.2 character), the device ALIGN sequence is repeated for as many slower speeds as are supported. When host receives ALIGN sequence, it locks.
- in case no proposed speeds are supported by the host, the device enters in error state.
- in case no ALIGNp sequence is received by the host within a defined time gap after detecting the release of the device COMWAKE, the host restarts the power on sequence indefinitely until stop by user intervention.
- Within the T7-T8 time interval, as soon as the device SATA host locks, it issues an ALIGN sequence to the attached SATA SSD device that also locks
- Within the T8-T9 time interval, the SATA peripheral device sends a SYNC primitive to inform the communication link is established.
- Within the T9-T10 time interval, once the link has been set successfully, the boot loader is transferred from the SATA peripheral device to device internal on-chip RAM

After passing through all above described phases, the device is ready to load OS source from SSD to the device DDR RAM.

33.3.7.7.3 System Conditions and Limitations for SATA Boot

The following system conditions and limitations are defined by ROM Code implementation:

- The ROM Code sets Gen2 speed (3 Gbps) for a SATA boot operation.
- The ROM Code expects that the SATA I/Os are connected to device SATA subsystem at system reset (i.e. a permanently attached boot device).
- The ROM Code expects that the SATA device is powered externally and supplies are set and stable upon entering the booting procedure. The ROM Code does not perform any software action to the companion device with respect to powering the SATA device.
- The ROM Code allows the SATA device 300ms power on ready time before starting the device detection. In case that the detection fails, the ROM Code retries 3 times with 200ms delay before returning and reporting a SATA boot failure.
- The ROM Code does not handle or enable advanced SATA power modes (slumber and partial).

The ROM Code initializes SATA subsystem after SATA boot is started, as defined in this chapter. The ROM Code does not close SATA connection after it was initialized following procedure defined in [Section 33.3.4.5, Booting Device List Setup](#).

33.3.7.7.4 SATA Read Sector Procedure in FAT Mode

The booting medium may hold a FAT file system which the ROM Code is able to read and process. The image used by the booting procedure is taken from a specific booting file named "HLO". This file has to be located in the root directory on an active primary partition of FAT12 / 16 or FAT32 type.

A SATA drive can be configured either as floppy-like or hard-drive-like.

- When acting as floppy-like, the content of the card is a single file system without any **Master Boot Record (MBR)** holding a partition table.
- When acting as hard-drive-like, a **MBR** is present in the first sector of the card. This **MBR** holds a table of partitions, one of which must be **FAT 12/ 16 / 32, primary and active**.

Refer to the [Section 33.3.7.6.5.1](#), *MBR and FAT File System*, for a more detailed description of FAT file system support.

33.3.8 Image Format

33.3.8.1 Overview

An image has two major parts:

- An optional CH
- Software to execute

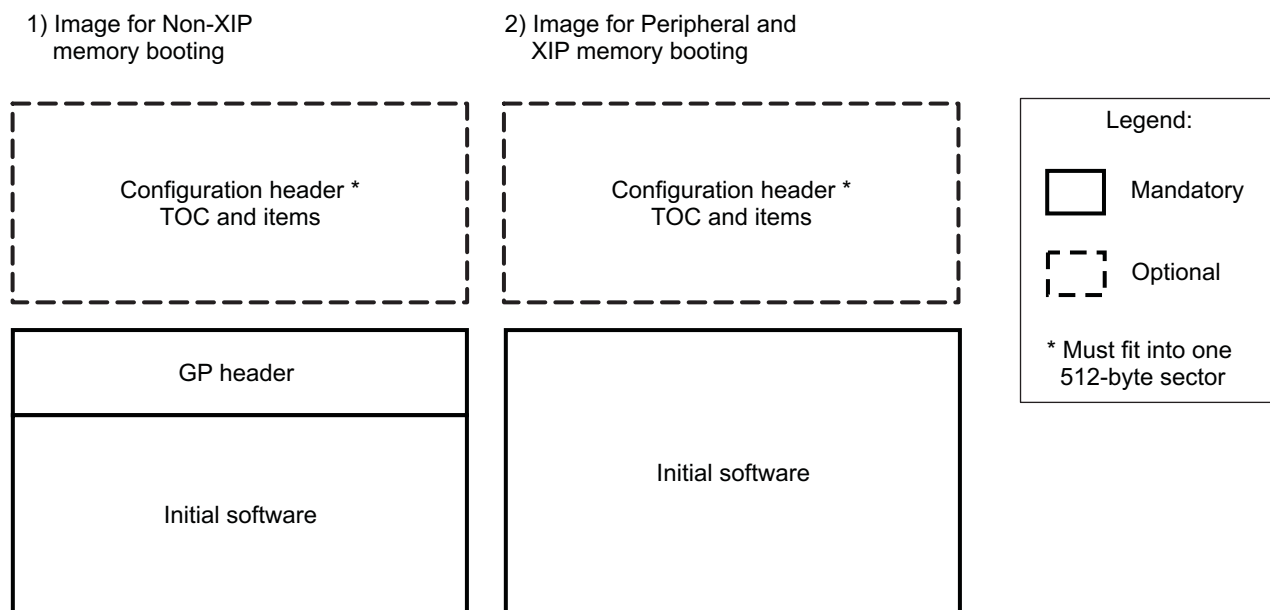
The CH can contain several parameters set by users to speed up booting. It is further described in [Section 33.3.8.2, Configuration Header](#).

The second part contains the software that is loaded into the memory and executed.

[Figure 33-32](#) is an overview of the boot image formats. There are two image types:

1. Non-XIP memory booting: This image type is used for memories that require shadowing (for example, NAND). Image for non-XIP memory may not contain a CH and start straight from the GP header. Next, there must be a small header (referred to as a GP header) that contains information about the size and the destination address.
2. When the memory device is of XIP type (for example, NOR), the GP header is not required, and the image can contain code for direct execution. Optionally, the first sector can contain a CH. The same image format is used for peripheral booting (where the code is transferred to internal RAM).

Figure 33-32. Image Formats



init-018

33.3.8.2 Configuration Header

The ROM code default settings (such as clock frequencies, EMIF, GPMC, MMCHS, or QSPI interfaces) can be tuned by the user by using the CH.

The CH can contain the following parts:

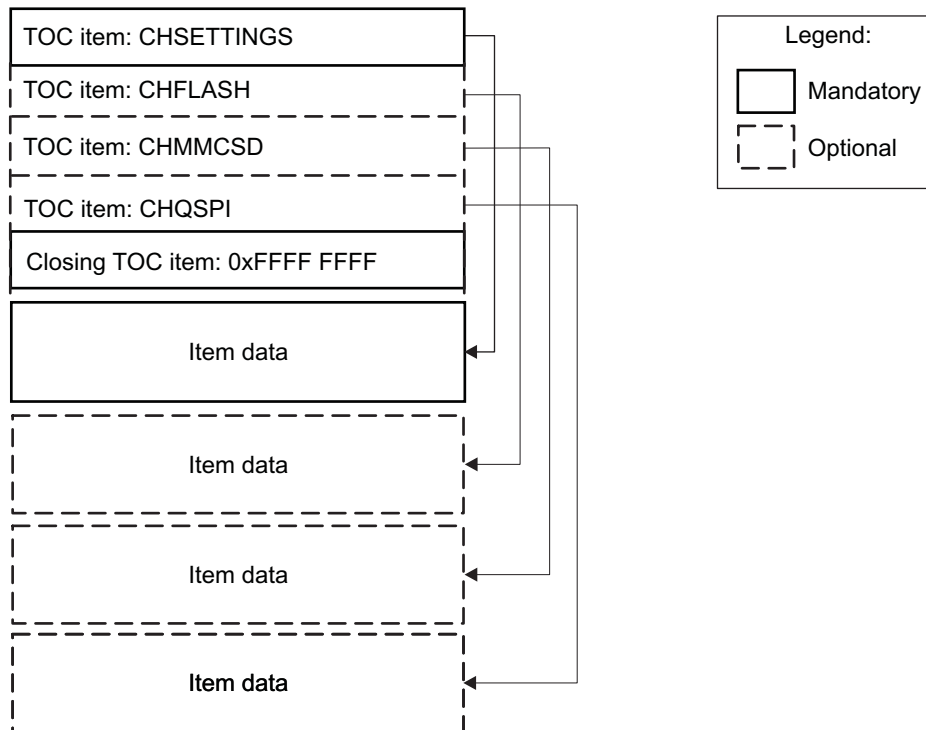
- Settings: Various clock settings (mandatory)
- FLASH: Flash interface (GPMC) settings
- eMMC / SD: MMC2 / MMC1 interface settings
- QSPI: QSPI interface settings

The beginning of the CH is a table of contents (TOC), which points to each item. This is described in [Figure 33-33](#). Each TOC item is a simple structure described in [Table 33-47](#). The complete CH (CH TOC and items) should fit in a 512-byte sector.

The ROM code identifies the presence of a CH by reading the first TOC item if it contains a known string (CHSETTINGS, CHFLASH, etc.). Next, the TOC is identified and searched until a 0xFFFF FFFF offset is found. The CH is read and parameters are executed sequentially.

For the sake of simplicity, each field represents the content of a register to be modified. Only fields required for the configuration are used; fields for status, for instance, are not modified and therefore are not shown in the tables.

Figure 33-33. CH Format



init-019

Table 33-47. CH TOC Item

Offset	Field	Size (Bytes)	Description
0x0000	Start	4	Offset from the start address of the TOC to the actual address of item contents
0x0004	Size	4	Size of item
0x0008	Reserved	4	Unused
0x000C	Reserved	4	Unused
0x0010	Reserved	4	Unused
0x0014	TOC Filename	12	12-character name of a TOC item, including the NULL termination character. That is, this is an array where first byte accomodates the first character.

The ROM Code recognizes sections pointed to by the TOC based on the filename as described in [Table 33-48](#)

- The 'X-LOADER', '2ND', 'MLO', 'ULO', or 'HLO' section contains the Initial Software
- Optionally, TOC may contain CH sections. The "CHSETTINGS" is a mandatory section of CH and is used to recognize CH presence.

Table 33-48. TOC Filenames

Filename	Item Type	Usage	Description
MLO	Initial Software	eMMC/SD Memory Booting	"Mmc LOader"
HLO	Initial Software	SATA Memory Booting	"Hdd LOader"
ULO	Initial Software	USB or UART Peripheral Booting	"Usb LOader"
2ND	Initial Software	USB or UART Peripheral Booting	"Secondary Loader"
X-LOADER	Initial Software	Other devices	"eXternal LOADER"
CHSETTINGS	Configuration Header	Memory and Peripheral Booting	Configuration Header General Setting Item
CHFLASH	Configuration Header	Memory and Peripheral Booting	Configuration Header GPMC Item
CHMMCS	Configuration Header	Memory and Peripheral Booting	Configuration Header eMMC/SD Item
CHQSPI	Configuration Header	Memory and Peripheral Booting	Configuration Header QSPI Item

33.3.8.2.1 CHSETTINGS Item

The CHSETTINGS configuration header contains settings specific to the clock system. The ROM code configures the device clocking to some default settings as described in [Section 33.3.4.4, Clocking Configuration](#). The CH CHSETTINGS section contains a method to override the ROM code default clock settings.

[Table 33-49](#) describes the fields.

Table 33-49. CHSETTINGS Item

Offset	Field	Description
0000h	Section key	Key used for item verification: C0C0C0C1h
0004h	Valid	Enables/disables the section: 00h: Disable Others: Enable
0005h	Version	Configuration header version 01h Others: Reserved
0006h	Reserved	
0008h	Clocking settings	See Table 33-50 .

Table 33-50. Clocking Settings

Field	Size (Bytes)	Description
		Flags
Flags	4	Bit mask of various switches, active when set to 1: Bit [0]: Clock configuration defined in this structure is applied. Bit [1]: Reserved Bit [2]: Apply general clock settings. Bit [3]: Set and lock DPLL_PER. Bit [4]: Set and lock DPLL_MPU. Bit [5]: Set and lock DPLL_CORE. Bit [6]: Set and lock DPLL_USB (USB HS DPLL). Bit [7]: Bypass DPLL_PER before setting clocks. Bit [8]: Bypass DPLL_MPU before setting clocks. Bit [9]: Bypass DPLL_CORE before setting clocks.

Table 33-50. Clocking Settings (continued)

Field	Size (Bytes)	Description
		Bit [10]: Bypass DPLL_USB (USB HS DPLL) before setting clocks. Others: Reserved
General Clock Settings		
CM_CLKSEL_CORE	4	Register value
CM_BYPCLK_DPLL_MPU	4	Register value
CM_BYPCLK_DPLL_IVA	4	Register value
CM_MPU_MPU_CLKCTRL	4	Register value
CM_CLKSEL_USB_60MHZ	4	Register value
MPU DPLL Settings		
CM_CLKMODE_DPLL_MPU	4	Register value
CM_AUTOIDLE_DPLL_MPU	4	Register value
CM_CLKSEL_DPLL_MPU	4	Register value
CM_DIV_M2_DPLL_MPU	4	Register value
Core DPLL Settings		
CM_CLKMODE_DPLL_CORE	4	Register value
CM_AUTOIDLE_DPLL_CORE	4	Register value
CM_CLKSEL_DPLL_CORE	4	Register value
CM_DIV_M2_DPLL_CORE	4	Register value
CM_DIV_M3_DPLL_CORE	4	Register value
CM_DIV_H11_DPLL_CORE	4	Register value
CM_DIV_H12_DPLL_CORE	4	Register value
CM_DIV_H13_DPLL_CORE	4	Register value
CM_DIV_H14_DPLL_CORE	4	Register value
CM_DIV_H21_DPLL_CORE	4	Register value
CM_DIV_H22_DPLL_CORE	4	Register value
CM_DIV_H23_DPLL_CORE	4	Register value
CM_DIV_H24_DPLL_CORE	4	Register value
PER DPLL Settings		
CM_CLKMODE_DPLL_PER	4	Register value
CM_AUTOIDLE_DPLL_PER	4	Register value
CM_CLKSEL_DPLL_PER	4	Register value
CM_DIV_M2_DPLL_PER	4	Register value
CM_DIV_M3_DPLL_PER	4	Register value
CM_DIV_H11_DPLL_PER	4	Register value
CM_DIV_H12_DPLL_PER	4	Register value
CM_DIV_H13_DPLL_PER	4	Register value
CM_DIV_H14_DPLL_PER	4	Register value
USB DPLL Settings		
CM_CLKMODE_DPLL_USB	4	Register value
CM_AUTOIDLE_DPLL_USB	4	Register value
CM_CLKSEL_DPLL_USB	4	Register value
CM_DIV_M2_DPLL_USB	4	Register value

33.3.8.2.2 CHFLASH Item

The CHFLASH configuration header contains settings specific to the general-purpose memory controller (GPMC). For more information, see [Section 15.4, General-Purpose Memory Controller](#). [Table 33-51](#) describes the fields.

Table 33-51. CHFLASH Item

Offset	Field	Description
0000h	Section Key	Key used for section verification: C0C0C0C3h.
0004h	Valid	Enables/disables the section: 00h: Disable Others: Enable
0005h	Reserved	
0008h	GPMC_SYSCONFIG (LSW)	Register values
000Ah	GPMC_IRQENABLE (LSW)	
000Ch	GPMC_TIMEOUT_CONTROL (LSW)	
000Eh	GPMC_CONFIG (LSW)	
0010h	GPMC_CONFIG1_0	
0014h	GPMC_CONFIG2_0	
0018h	GPMC_CONFIG3_0	
001Ch	GPMC_CONFIG4_0	
0020h	GPMC_CONFIG5_0	
0024h	GPMC_CONFIG6_0	
0028h	GPMC_CONFIG7_0	
002Ch	GPMC_PREFETCH_CONFIG1	
0030h	GPMC_PREFETCH_CONFIG2 (LSW)	
0032h	GPMC_PREFETCH_CONTROL (LSW)	
0034h	GPMC_ECC_CONFIG (LSW)	
0036h	GPMC_ECC_CONTROL (LSW)	
0038h	GPMC_ECC_SIZE_CONFIG	
003Ch	Reserved	

33.3.8.2.3 CHMMCS D Item

The CHMMCS D configuration header contains settings specific to the high-speed MMC/SD/SDIO host controller (MMCHS). For more information, see [Chapter 25, eMMC/SD/SDIO](#). [Table 33-52](#) describes the fields.

Table 33-52. CHMMCS D Item

Offset	Field	Description
0000h	Section key	Key used for section verification C0C0C0C4h
0004h	Valid	Enables/disables the section: 00h: Disable Other: Enable
0005h	Reserved	
0008h	CLKD	Functional clock divisor MMCHS_SYSCCTL[15:6] CLKD = 0x0: FCLK/1 0x1: FCLK/1 0x2: FCLK/2 ... 0x3FF: FCLK/1023 0xFFFF FFFF: Do not modify clock divisor

Table 33-52. CHMMCS D Item (continued)

Offset	Field	Description
000Ch	MMCHS interface bus width	Configure the MMCHS interface bus width according to the field value : 1: Configured to 1 bit (SDR) 2: Configured to 4 bits (SDR) 4: Configured to 8 bits (SDR) ⁽¹⁾ 8: Configured to 4 bits (DDR) ⁽¹⁾ 16: Configured to 8 bits (DDR) ⁽¹⁾ 0xFFFF FFFF: Do not update bus width. Others: Reserved

⁽¹⁾ The 8 bits SDR and 4-/8-bits DDR (respective values 4, 8, and 16) are only applicable to eMMC devices.

The ROM code provides a booting parameter structure to the initial software (see [Section 33.3.8.4, Image Execution](#)). This structure contains a field that indicates whether the configuration header items have been correctly processed. For a CHMMCS D item, if the MMCHS_SYSCTL and bus width fields are set to 0xFFFF FFFF, the booting parameters report that the CHMMCS D section has not been executed, regardless of the value of the Valid field.

33.3.8.2.4 CHQSPI Item

The CHQSPI configuration header contains settings specific to the QSPI interface controller. For more information, see [Section 24.5, Quad Serial Peripheral Interface](#). [Table 33-53](#) describes the fields.

Table 33-53. CHQSPI Item

Offset	Register Field Modified	Description
0000h	Section key	Key used for section verification C0C0C0C6h
0004h	Valid	Enables/disables the section: 00h: Disable Other: Enable
0005h	Reserved	
0008h	SPI Clock	SPI clock rate: 0x03: 32 MHz 0x07: 16 MHz 0x13: 48 MHz 0x17: 24 MHz 0x1F: 12 MHz All other: reserved
0009h	RCMD	Read command
000Ah	READ_TYPE	Determines if the read command is a single, dual or quad read mode command
000Bh	NUM_A_BYTES	Number of address bytes to be sent
000Ch	NUM_D_BYTES	Number of dummy bytes to be used for fast read

33.3.8.3 GP Header

When the booting memory device is non-XIP (for example, NAND) the image must contain a small header, located before the executable code, and having the size of the software to load and the destination address of where to store it. [Table 33-54](#) describes the image format. The GP header is not required when booting from an XIP memory device (for example, NOR) or in case of peripheral booting. In this case, the peripheral or memory booting image starts directly with executable code.

Table 33-54. GP Header Image Format

Field	Non-XIP Device Offset	XIP Device Offset	Size (Bytes)	Description
Size	0x0000	–	4	Size of the image (including GP header)
Destination	0x0004	–	4	Address where to store the code or code entry point
Image Code	0x0008	0x0000	x	Executable code

NOTE: The Destination address field stands for:

- Target address for the image copy from the non-XIP storage to the target XIP location (for example, internal RAM or SDRAM)
- Entry point for image code

Users must take care to locate the code entry point to the target address for image copy.

33.3.8.4 Image Execution

The image is executed when the ROM code performs the branch to the first executable instruction in the initial software. In non-XIP, the execution address is the first word after the GP header. The branch is performed in public Arm supervisor mode. The R0 register points to the booting parameter structure that contains information about booting execution. [Table 33-55](#) shows the booting parameter structure.

Table 33-55. Booting Parameter Structure

Offset	Field	Size (Bytes)	Description
0x00	Booting message	4	Last received booting message
0x04	Memory booting device descriptor	4	Pointer to the memory device descriptor that has been used during the memory booting process
0x08	Current booting device	1	Code of device used for booting: 0x01: XIP 0x02: XIP (with wait monitoring) 0x03: NAND 0x05: SD cards 0x06: eMMC (boot partition) 0x07: eMMC 0x09: SATA 0x0A: QSPI_1 0x0B: QSPI_4 0x43: UART 0x45: USB Others: Reserved
0x09	Reset reason	1	Current reset reason bit mask (bit = 1, event present): direct copy from lower byte of PRM_RSTST (more bits exist in PRM_RSTST register): [0]: Power-on (cold) reset [1]: Global software warm reset [2]: Reserved [3]: MPU watchdog reset [4]: Reserved [5]: External warm reset [6]: VDD_MPU voltage manager reset [7]: VDD_MM voltage manager reset

Table 33-55. Booting Parameter Structure (continued)

Offset	Field	Size (Bytes)	Description
0x0A	CH flags	1	Configuration header items flag. Each item is described by 1 bit. A set bit indicates that the item was executed: [0]: CHSETTINGS [2]: CHFLASH [3]: CHMMCSD [4]: CHQSPI Other bits: Reserved

33.3.9 Tracing

Tracing in the public ROM code consists in 32-bit vectors for which each bit corresponds to a particular way point in the ROM code execution sequence. [Table 33-56](#) through [Table 33-59](#) list the organization of the tracing data in RAM. Tracing vectors are initialized at the beginning of the start-up phase and are updated all along the boot process.

There are two sets of tracing vectors ([Table 33-14](#), *Tracing Data*). The first set is the current trace information (after a cold or warm reset). The second set holds a copy of trace vectors collected at the first ROM code run after a cold reset. As a result, after a warm reset it is possible to have visibility on the boot scenario that occurred during a cold reset.

[Table 33-56](#) lists the organization of tracing vector 1.

Table 33-56. Tracing Vector 1

Bit	Group	Meaning
0	Boot	Passed the public reset vector
1	Boot	Entered main function
2	Boot	Running after the cold reset
3	Boot	Main booting routine entered
4	Memory boot	Memory booting started
5	Peripheral boot	Peripheral booting started
6	Boot	Booting loop reached last device
7	Boot	GP header found
8	Peripheral Boot	Booting message Skip peripheral booting received
9	Peripheral Boot	Booting message Change device received
10	Peripheral boot	Booting message Peripheral booting received
11	Peripheral boot	Booting message Get ASIC ID received
12	Peripheral boot	Device initialized
13	Peripheral boot	ASIC ID sent
14	Peripheral boot	Image received
15	Peripheral boot	Peripheral booting failed
16	Peripheral boot	Booting message not received (time-out)
17	Peripheral boot	Image size not received (time-out)
18	Peripheral boot	Image not received (time-out)
19	Reserved	
20	Boot	Configuration header found
21	Boot	CHSETTINGS item processed
22	Boot	Reserved
23	Boot	CHFLASH item processed
24	Boot	CHMMCSDD item processed (clock)
25	Boot	CHMMCSDD item processed (bus width)
26	Boot	CHMMCSDD item processed (eMMC DDR mode)
27	Reserved	
28	Boot	SWCFG general detected
29	Boot	SWCFG clocks detected
30	Boot	SWCFG time-out detected
31	Reserved	

[Table 33-57](#) lists the organization of tracing vector 2.

Table 33-57. Tracing Vector 2

Bit	Group	Meaning
0	Configuration Header	CHSATA item processed
1:3	Reserved	
4	USB	USB connected
5	USB	USB configured
6:7	Reserved	
8	Configuration Header	CHQSPI item processed (clock speed)
9	Configuration Header	CHQSPI item processed (Read command)
10:11	Reserved	Reserved
12	Memory boot	Memory booting trial (first block)
13	Memory boot	Memory booting trial (second block)
14	Memory boot	Memory booting trial (third block)
15	Memory boot	Memory booting trial (fourth block)
16:27	Reserved	
28:29	Reserved	
30	Boot	Jumping to Initial Software
31	Reserved	

Table 33-58 lists the organization of tracing vector 3.

Table 33-58. Tracing Vector 3

Bit	Group	Meaning
0	Reserved	
1	Memory boot	Memory booting device XIP
2	Memory boot	Memory booting device XIPWAIT
3	Memory boot	Memory booting device NAND
4	Reserved	
5	Memory boot	Memory booting device SD
6	Memory boot	Memory booting device: eMMC (from boot partition)
7	Memory boot	Memory booting device MMC2: eMMC (from user area)
8	Reserved	
9	Memory boot	Memory booting device: SATA
10	Memory boot	Memory booting device: QSPI_1
11	Memory boot	Memory booting device: QSPI_4
12:15	Reserved	
16:18	Reserved	
19	Peripheral boot	Peripheral booting device UART3
20	Reserved	
21	Peripheral boot	Peripheral booting device USB
22:23	Reserved	
24:27	Reserved	
28	Boot	Reserved
29	Boot	Reserved
30:31	Reserved	

Table 33-59 lists the organization of tracing vector 4.

Table 33-59. Tracing Vector 4

Bit	Group	Meaning
0:23	Reserved	
24	MMC/SD	SD card detected PBIAS configuration is 1.8V
25:27	Reserved	
28	SATA	SATA is configured
29	SATA	SATA retried
30	SATA	SATA failed
31	Reserved	

NOTE: SATA is not supported on the AM570x family of devices.

33.4 Services for HLOS Support

The ROM code provides different services that can be called for L1 and L2-cache maintenance, Enter in Low Power, etc. These services are implemented in monitor mode and must be called by using the SMC instruction. The caller must ensure the save and restore of the processor registers before and after calling the Monitor Service.

The following code example shows how the monitor ROM code functions can be accessed by an application running in public mode:

```

;-----
;FUNCTION: SetL2CacheLatency
;
; DESCRIPTION: Function calls the Monitor Service to setup the L2 Cache Latency
;
; INPUTS: r0 Tag RAM Latency to set
;         r1 Data RAM Latency to set
; RETURN:
;
;-----
SetL2CacheLatency FUNCTION

    PUSH {R1-R12, LR}
    LDR R12, =0x105
    SMC 0x1
    POP {R1-R12, PC}
    ENDFUNC

```

33.4.1 Hypervisor

Table 33-60. Start Hypervisor

Function ID	Description	
R12 = 0x102	This function starts the CPU Hypervisor mode. Start address of the Hypervisor software must be given in R0.	
Parameters		
Type	Location	Description
Input	R0	Start address of the Hypervisor software
Output		
Return		

33.4.2 Caches Maintenance

Table 33-61. Clean L1 and/or L2 cache

Function ID	Description	
R12 = 0x103	This function cleans and invalidates the CPU L1-cache and if requested in the input parameter R0, clean the full L2-cache.	
Parameters		
Type	Location	Description
Input	R0	if not equal to 0, clean L2-cache
Output		
Return		

33.4.3 CP15 Registers

Table 33-62. Write L2 Cache Auxiliary Control

Function ID	Description	
R12 = 0x104	This function writes the CP15 L2 Cache Auxiliary Control Register with the input given value in R0.	
Parameters		
Type	Location	Description
Input	R0	Value to set in the register
Output		
Return		

Table 33-63. L2 Control Register

Function ID	Description	
R12 = 0x105	This function writes the L2 Cache Tag, Data RAM Latency, and ECC enable fields in the CP15 L2 Control Register with the input given value in R0. The R0 value must be formatted as per L2CTRL register.	
Parameters		
Type	Location	Description
Input	R0	Value to set in the register
Output		
Return		

Table 33-64. Write L2 Cache Prefetch Control Register

Function ID	Description	
R12 = 0x106	This function writes the CP15 L2 Cache Prefetch Control Register with the input given value in R0.	
Parameters		
Type	Location	Description
Input	R0	Value to set in the register
Output		
Return		

Table 33-65. Write Auxiliary Control Register

Function ID	Description	
R12 = 0x107	This function writes the CP15 Auxiliary Control Register with the input given value in R0.	
Parameters		
Type	Location	Description
Input	R0	Value to set in the register
Output		
Return		

33.4.4 Wakeup Generator

Table 33-66. Write AMBA IF Register

Function ID	Description	
R12 = 0x108	This function writes the WakeupGen AMBA I/F Register with the input given value in R0.	
Parameters		
Type	Location	Description
Input	R0	Value to set in the register
Output		
Return		

33.4.5 Arm Timer

Table 33-67. Set Timer CNTFRQ Register

Function ID	Description	
R12 = 0x109	This function sets the Arm Timer CNTFRQ (CP15 register) with the input given value in R0.	
Parameters		
Type	Location	Description
Input	R0	Value to set in the register
Output		
Return		

33.4.6 MReq Domain

This function is introduced to SR2.1.

Table 33-68. Set MReq Domain

Function ID	Description	
R12 = 0x10A	This function sets a given value in the CONTROL_CORE_MREQDOMAIN_EXP1-5 registers.	
Parameters		
Type	Location	Description
Input	R0	RegOffset. Valid values for RegOffset are: 0x00000008 for CTRL_CORE_MREQDOMAIN_EXP1 0x0000000C for CTRL_CORE_MREQDOMAIN_EXP2 0x00000010 for CTRL_CORE_MREQDOMAIN_EXP3 0x00000300 for CTRL_CORE_MREQDOMAIN_EXP4 0x00000304 for CTRL_CORE_MREQDOMAIN_EXP5
	R1	Value to set in the register
Output		
Return	R0	0x0: Success

On-Chip Debug Support

This chapter describes the on-chip debug support.

NOTE: The L3_MAIN interconnect is instantiation of the NoC interconnect from Arteris, Inc. Arteris is a registered trademark of Arteris, Inc.

This document contains materials that are ©Arteris, Inc., and that constitute proprietary information of Arteris, Inc.

All materials and trademarks are used under license from Arteris, Inc. For additional information, see the Arteris Reference manuals, or contact Arteris, Inc.

NoC is an abbreviation for Network On Chip.

Topic	Page
34.1 Introduction	7575
34.2 Debug Interfaces.....	7578
34.3 Debugger Connection.....	7580
34.4 Primary Debug Support	7584
34.5 Real-Time Debug	7589
34.6 Power, Reset, and Clock Management Debug Support	7590
34.7 Performance Monitoring	7593
34.8 MPU Memory Adaptor (MPU_MA) Watchpoint	7596
34.9 Processor Trace	7597
34.10 System Instrumentation	7600
34.11 Concurrent Debug Modes	7624
34.12 DRM Register Manual.....	7625

34.1 Introduction

Debugging a system that contains an embedded processor involves an environment that connects high-level debugging software running on a host computer to a low-level debug interface supported by the target device. Between these levels, a debug and trace controller (DTC) facilitates communication between the host debugger and the debug support logic on the target chip.

The DTC is a combination of hardware and software that connects the host debugger to the target system. The DTC uses one or more hardware interfaces and/or protocols to convert actions dictated by the debugger user to JTAG® commands and scans that execute the core hardware.

The debug software and hardware components let the user control multiple central processing unit (CPU) cores embedded in the device in a global or local manner. This environment provides:

- Synchronized global starting and stopping of multiple processors
- Starting and stopping of an individual processor
- Each processor can generate triggers that can be used to alter the execution flow of other processors

System topics include but are not limited to:

- System clocking and power-down issues
- Interconnection of multiple devices
- Trigger channels

For easy integration into applications, a set of application-programming interfaces (APIs) for debug-IP programming and a software message library are provided. CToolsLib is a library of embedded target APIs to enable easy programmatic access to the chip tools (CTools), which are system-level debug facilities included in the debug subsystem capabilities of TI devices. More information about the APIs, download files, and other useful links for available libraries can be found on the CToolsLib Wiki site:

<http://processors.wiki.ti.com/index.php/CToolsLib>

The previous link connects to TI community resources. Linked contents are provided “AS IS” by the respective contributors. They do not constitute TI specifications and do not necessarily reflect TI's views; see TI's [Terms of Use](#).

34.1.1 Key Features

NOTE: For AM570x: The supported set of features and peripherals is device part number dependent. For more information, see device Data Manual.

The device deploys Texas Instrument's CTools debug technology for on-chip debug and trace support. It provides the following features:

- External debug interfaces:
 - Primary debug interface - IEEE1149.1 (JTAG)
 - Used for debugger connection
 - Controls ICEPick™ (generic test access port [TAP] for dynamic TAP insertion) to allow the debugger to access several debug resources through its secondary (output) JTAG ports (for more information, see [Section 34.3.3.1, ICEPick Secondary TAPs](#)).
 - For more information about IEEE1149.1, see [Section 34.2.1, IEEE1149.1](#).
 - Debug (trace) port
 - Can be used to export processor or system trace off-chip (to an external trace receiver)
 - Can be used for cross-triggering with an external device
 - Configured through debug resources manager (DRM) module instantiated in the debug subsystem
 - For more information about debug (trace) port, see [Section 34.2.2, Debug \(Trace\) Port](#), and [Section 34.11, Concurrent Debug Modes](#).
- JTAG based processor debug on:

- Cortex-A15 in MPU
- C66x in DSP1
- Cortex-M4 (x2) in IPU1, IPU2
- Arm968 (x2) in IVA
- PRU (x2) in PRU-ICSS1, PRU-ICSS2
- Dynamic TAP insertion
 - Controlled by ICEPick
 - For more information, see [Section 34.3.3, Dynamic TAP Insertion](#).
- Power and clock management
 - Debugger can get the status of the power domain associated to each TAP.
 - Debugger may prevent the application software switching off the power domain.
 - Application power management behavior can be preserved during debug across power transitions.
 - For more information, see [Section 34.6.1, Power and Clock Management](#).
- Reset management
 - Debugger can configure ICEPick to assert, block, or extend the reset of a given subsystem.
 - For more information, see [Section 34.6.2, Reset Management](#).
- Cross-triggering
 - Provides a way to propagate debug (trigger) events from one processor, subsystem, or module to another:
 - Subsystem A can be programmed to generate a debug event, which can then be exported as a global trigger across the device.
 - Subsystem B can be programmed to be sensitive to the trigger line input and to generate an action on trigger detection.
 - Two global trigger lines are implemented
 - Device-level cross-triggering is handled by the XTRIG (TI cross-trigger) module implemented in the debug subsystem
 - Various Arm® CoreSight™ cross-trigger modules implemented to provide support for CoreSight triggers distribution
 - CoreSight Cross-Trigger Interface (CS_CTI) modules
 - CoreSight Cross-Trigger Matrix (CS_CTM) modules
 - For more information about cross-triggering, see [Section 34.4.2, Cross-Triggering](#).
- Suspend
 - Provides a way to stop a closely coupled hardware process running on a peripheral module when the host processor enters debug state
 - For more information about suspend, see [Section 34.4.3, Suspend](#).
- MPU watchpoint
 - Embedded in MPU subsystem
 - Provides visibility on MPU to EMIF direct paths
 - For more information, see [Section 34.8, MPU Memory Adaptor \(MPU_MA\) Watchpoint](#)
- Processor trace
 - Cortex-A15 (MPU) and C66x (DSP) processor trace is supported
 - Program trace only for MPU (no data trace)
 - MPU trace supported by a CoreSight Program Trace Macrocell (CS_PTM) module
 - Three exclusive trace sinks:
 - CoreSight Trace Port Interface Unit (CS_TPIU) – trace export to an external trace receiver
 - CTools Trace Buffer Router (CT_TBR) in system bridge mode – trace export through USB
 - CT_TBR in buffer mode – trace history store into on-chip trace buffer

- For more information, see [Section 34.9, Processor Trace](#).
- System instrumentation (trace)
 - Supported by a CTools System Trace Module (CT_STM), implementing MIPI System Trace Protocol (STP) (rev 2.0)
 - Real-time software trace
 - MPU software instrumentation through CoreSight STM (CS_STM) (STP2.0)
 - System-on-chip (SoC) software instrumentation through CT_STM (STP2.0)
 - OCP watchpoint (OCP_WP_NOC)
 - OCP target traffic monitoring: OCP_WP_NOC can be configured to generate a trigger upon watchpoint match (that is, when target transaction attributes match the user-defined attributes).
 - SoC events trace
 - DMA transfer profiling
 - Statistics collector (performance probes)
 - Computes traffic statistics within a user-defined window and periodically reports to the user through the CT_STM interface
 - Embedded in the L3_MAIN interconnect
 - 10 instances:
 - 1 instance dedicated to target (SDRAM) load monitoring
 - 9 instances dedicated to master latency monitoring
 - IVA instrumentation (hardware accelerator [HWA] profiling)
 - Supported through a software message and system trace event (SMSET) module embedded in the IVA subsystem
 - Power-management events profiling (PM instrumentation [PMI])
 - Monitoring major power-management events. The PM state changes are handled as generic events and encapsulated in STP messages.
 - Clock-management events profiling (CM instrumentation [CMI])
 - Monitoring major clock management events. The CM state changes are handled as generic events and encapsulated in STP messages.
 - Two instances, one per CM
 - CM1 Instrumentation (CMI1) module mapped in the PD_CORE_AON power domain
 - CM2 Instrumentation (CMI2) module mapped in the PD_CORE power domain
 - For more information, see [Section 34.10, System Instrumentation](#).
- Performance monitoring
 - Supported by subsystem counter timer module (SCTM) for IPU
 - Supported by performance monitoring unit (PMU) for MPU subsystem
 - For more information, see [Section 34.7, Performance Monitoring](#).

34.2 Debug Interfaces

34.2.1 IEEE1149.1

The target debug interface has the following signals:

- Five standard IEEE1149.1 JTAG signals: nTRST, TCK, TMS, TDI, and TDO
- A return clock (RTCK) due to the clocking requirements of the Arm968™ processor
- Two EMU [1:0] TI extensions

Table 34-1 describes the IEEE1149.1 signals.

Table 34-1. IEEE1149.1 Signals

Device Pad Name	Internal Signal Name	Type ⁽¹⁾	Function	Description
trstn	nTRST	I	Test reset	When asserted (active low), resets all test and debug logic in the device along with the IEEE1149.1 interface.
tclk	TCK	I	Test clock	This is the test clock used to drive an IEEE1149.1 TAP state-machine and logic. This is either a free-running clock or a gated clock, depending on the DTC attached to the device and the RTCK monitoring.
rtck	RTCK	O	Returned (synchronized) test clock	Depending on the DTC attached to the device, the JTAG signals are either clocked from RTCK or the RTCK is monitored by the DTC to the gate TCK.
tms	TMS	I/O	Test mode select input	Directs the next state of the IEEE1149.1 TAP state-machine.
tdi	TDI	I	Test data input	Scans data input to the device.
tdo	TDO	O	Test data output	Scans data output by the device.
emu0	EMU0	I/O	Emulation 0	Channel 0 trigger or boot mode or trace port.
emu1	EMU1	I/O	Emulation 1	Channel 1 trigger or boot mode or trace port.

(1) I = Input; O = Output; I/O = bidirectional

NOTE: For more information about device pads pull type resistors, see the device Data Manual, Section Signal Descriptions in Chapter Terminal Configuration and Functions.

NOTE: The device JTAG ID code can be accessed through ICEPick. For information about the JTAG ID code value, see [Chapter 1, Introduction](#).

34.2.2 Debug (Trace) Port

On-chip debug and trace events can be exported to external equipment through the debug (trace) port of the device. The following exportable debug events and trace sources are supported:

- Debug events
 - Triggers. For more information about triggers, see [Section 34.4.2, Cross-Triggering](#).
- Trace sources
 - Processor trace: Cortex-A15 MPU and C66x DSP traces are supported. For more information about the processor trace, see [Section 34.9, Processor Trace](#).
 - System trace: Trace coming from various system instrumentation modules, and supported by the CT_STM module. For more information about the system trace, see [Section 34.10, System Instrumentation](#).

Note that not all debug and trace features can be supported concurrently because of the limited number of pins allocated to debug. Thus, multiplexing among debug and trace sources is implemented. The configuration and the debug/trace source selection occur through the DRM module embedded in the debug subsystem.

Table 34-2 describes the trace port signals.

Table 34-2. Trace Port Signals

Pin Name	Internal Signal Name	I/O ⁽¹⁾	Pull Type ⁽²⁾	Description
emu19	EMU19	O	PD	Emulator pin 19
emu18	EMU18	O	PD	Emulator pin 18
emu17	EMU17	O	PD	Emulator pin 17
emu16	EMU16	O	PD	Emulator pin 16
emu15	EMU15	O	PD	Emulator pin 15
emu14	EMU14	O	PD	Emulator pin 14
emu13	EMU13	O	PD	Emulator pin 13
emu12	EMU12	O	PD	Emulator pin 12
emu11	EMU11	O	PD	Emulator pin 11
emu10	EMU10	O	PD	Emulator pin 10
emu9	EMU9	O	PD	Emulator pin 9
emu8	EMU8	O	PD	Emulator pin 8
emu7	EMU7	O	PD	Emulator pin 7
emu6	EMU6	O	PD	Emulator pin 6
emu5	EMU5	O	PD	Emulator pin 5
emu4	EMU4	O	PD	Emulator pin 4
emu3	EMU3	O	PD	Emulator pin 3
emu2	EMU2	O	PD	Emulator pin 2
emu1	EMU1	I/O	PU	Emulator pin 1
emu0	EMU0	I/O	PU	Emulator pin 0

⁽¹⁾ I = Input; O = Output; I/O = bidirectional

⁽²⁾ PU = internal pullup; PD = internal pulldown

NOTE: The emu[19:0] pins are shared with other functional (application) pins on the device boundary. To use the emu[19:0] pins, the user must program the device application pin manager (Control Module) appropriately. For more information, see [Chapter 18, Control Module](#).

For more information about DRM multiplexing and concurrent debug modes, see [Section 34.11, Concurrent Debug Modes](#).

34.2.3 Trace Connector and Board Layout Considerations

Texas Instruments supports a variety of eXtended Development System (XDS) JTAG controllers with various debug capabilities beyond only JTAG support. Because this device supports the export of processor trace and system trace over the EMU pins, if you want your target to be compatible with XDS products capable of acquiring either trace types, see the following document for guidelines: *Emulation and Trace Headers* (literature number SPRU655). You can also find more information at the “XDS Target Connection Guide” TI wiki page:

http://processors.wiki.ti.com/index.php/XDS_Target_Connection_Guide

The previous link connects to TI community resources. Linked contents are provided “AS IS” by the respective contributors. They do not constitute TI specifications and do not necessarily reflect TI's views; see TI's [Terms of Use](#).

34.3 Debugger Connection

34.3.1 ICEPick Module

The debugger connects to the device through its JTAG interface. The first level of debug interface seen by the debugger is the ICEPick module embedded in the debug subsystem.

NOTE: ICEPick version D (ICEPick-D) is used in the device.

SoC designs typically have multiple processors, each having a JTAG TAP embedded in the processor. The ICEPick module manages these TAPs and the power, reset, and clock controls for modules that have TAPs.

The ICEPick module is visible only from the debugger point of view and thus cannot be programmed by application software. The debugger can configure ICEPick through its own TAP controller. The ICEPick TAP has an instruction length of 6 bits and is the primary TAP. It is always visible in the scan chain and is used to control and monitor the other secondary TAPs.

ICEPick provides the following debug capabilities:

- Debug connect logic for enabling or disabling most ICEPick instructions
- Dynamic TAP insertion
 - Serially linking up to 32 TAP controllers
 - Individually selecting one or more of the TAPs for scan without disrupting the instruction register (IR) state of other TAPs
- Power, reset, and clock management (PRCM)
 - Provides the power and clock states of each domain
 - Provides debugger control of the power domain of a processor. Can force the domain power and clocks on, and prohibit the domain from being clock-gated or powered down while a debugger is connected.
 - Applies system reset
 - Provides wait-in-reset (WIR) boot mode
 - Provides global and local WIR release
 - Provides global and local reset blocking

The ICEPick module implements a connect register, which must be configured with a predefined key to enable the full set of JTAG instructions. Once the debug connect key is properly programmed, ICEPick signals and subsystems emulation logics should be turned on.

For more information about ICEPick dynamic TAP insertion, see [Section 34.3.3, Dynamic TAP Insertion](#).

For more information about ICEPick PRCM features, see [Section 34.6, Power, Reset, and Clock Management Debug Support](#).

34.3.2 ICEPick Boot Modes

The initial configuration of ICEPick is determined by the level of the EMU0 and EMU1 pins at POR release. At POR, EMU0 and EMU1 are automatically configured as inputs. The EMU0 and EMU1 pins are free when POR is released.

[Table 34-3](#) summarizes the ICEPick boot modes.

Table 34-3. ICEPick Boot Modes at POR

EMU1	EMU0	TAPs in the TDI → TDO Path	Other Effects/Comments
0	0	None	Reserved (do not use)
0	1	None	Reserved (do not use)
1	0	ICEPick	TAP only + WIR mode
1	1	ICEPick	TAP only (default mode)

34.3.2.1 Default Boot Mode

In ICEPick-only configuration, none of the secondary TAPs are selected. The ICEPick TAP is the only TAP between device-level TDI and TDO pins. This mode is the recommended boot mode.

34.3.2.2 Wait-In-Reset

The device can boot to invoke WIR mode. If the device is booted in this mode, all processors within the device that support a TAP through ICEPick are held in reset until released. Individual processors can be released from reset (local), or all processors held in the reset state can be released at the same time (global).

34.3.3 Dynamic TAP Insertion

34.3.3.1 ICEPick Secondary TAPs

To include more or fewer secondary TAPs in the scan chain, the debugger must use the ICEPick TAP router to program the TAPs. At its root, ICEPick is a scan-path linker that lets the DTC selectively choose which subsystem TAPs are accessible through the device-level debug interface. Each secondary TAP can be dynamically included in or excluded from the scan path. From the external JTAG interface point of view, secondary TAPs that are not selected appear not to exist.

[Table 34-4](#) lists the secondary debug TAPs connected to the ICEPick scan chain along with the modules that can be accessed. The TAP number shows the position of the TAP in the scan chain.

Table 34-4. ICEPick Secondary Debug TAPs Mapping

Secondary JTAG Port	CoreSight	TAP Number	Modules Accessed Through That JTAG Port	
Debug Bank				
Reserved	No	0	–	
DSP1	No	1	C66x / ICEMaker	
IVA ICONT1	No	2	Arm968 / ICECrusher™-9	
IVA ICONT2	No	3	Arm968 / ICECrusher-9	
IPU1	No	4	Cortex-M4 / ICECrusher-CS	
	No	5	Cortex-M4 / ICECrusher-CS	
Reserved	No	6-7	–	
IPU2	No	8	Cortex-M4 / ICECrusher-CS	
	No	9	Cortex-M4 / ICECrusher-CS	
Reserved	No	10-14	–	
CS_DAP (APB-AP)	Yes	15	MPU Subsystem	Cortex-A15
	Yes			CS_PTM
	Yes			CS_CTI
	Yes			CS_STM
	Yes			CS_TF_MPU
	No			DAP_PC
	No			ATB_FIFO_SGU
	No		Debug Subsystem	CT_TBR
	Yes			CS_TF_DEBUGSS
	Yes			CS_TPIU
	No			DRM
	No			CT_STM
	Yes			CS_CTI
CS_DAP (AHB-AP)	No		IVA	SMSET
	No			Hardware accelerators
	No		PRU-ICSS1	PRU (x2)

Table 34-4. ICEPick Secondary Debug TAPs Mapping (continued)

Secondary JTAG Port	CoreSight	TAP Number	Modules Accessed Through That JTAG Port	
	No		PRU-ICSS2	PRU (x2)
	No		DSP1	ADTF
	No		L3 NoC statistics collectors	All instances
	No		L3 OCP watchpoint	OCP_WP_NOC
	No		Clock management instrumentation	CMI1
	No			CMI2
	No		Power management instrumentation	PMI
Test Bank				
DFT-SS	No	0	P1500 for DFT	
CATSCAN	No	1	CATSCAN	
System Control	No	2	P1500	
Reserved	No	3	Reserved	
Reserved	No	4	Reserved	

NOTE:

1. MPU_MA watchpoint programming is restricted to the MPU. Programming from the CS_DAP APB access port is not supported.
2. The MPU timestamp registers are part of the MPU_PRCM programming model and can be accessed from the MPU core.

For more information about ICEPick scan sequences (adding one or more TAPs to the scan chain), see:

http://processors.wiki.ti.com/images/f/f6/Router_Scan_Sequence-ICEpick-D.pdf

The preceding link connects to TI community resources. Linked contents are provided “AS IS” by the respective contributors. They do not constitute TI specifications and do not necessarily reflect the views of TI; see the TI [Terms of Use](#).

Besides secondary debug TAPs, ICEPick also supports power, reset, and clock controls for non-JTAG debug cores. The debug cores are accessible through CS_DAP.

[Table 34-5](#) summarizes the ICEPick debug core mapping.

Table 34-5. ICEPick Debug Core Mapping

Debug Core #	Module
0	MPU
1	IVA ILF3
2	IVA IME3
3	IVA CALC3
4	IVA IPE3
5	IVA MC3
6	IVA ECD3
7	PRU0 in PRU-ICSS1
8	PRU1 in PRU-ICSS1
9	Reserved
10	Reserved
11	Reserved
12	Reserved
13	Reserved
14	Reserved

Table 34-5. ICEPick Debug Core Mapping (continued)

Debug Core #	Module
15	Reserved

34.4 Primary Debug Support

34.4.1 Processor Native Debug Support

34.4.1.1 Cortex-A15 Processor

The dual Cortex-A15 processor supports the following native debug features:

- Halt mode and monitor mode debugging
- Six breakpoints and four watchpoints
- Asynchronous aborts
- Performance monitoring
- Cross-triggering: Allows stopping one CPU upon debug event (for example, breakpoint) detection in the other CPU

For more information about Cortex-A15 native debug support features, see the *Cortex-A15 Technical Reference Manual*.

34.4.1.2 Cortex-M4 Processor

The Cortex-M4 processor supports the following native debug features:

- Program halt and stepping
- Hardware breakpoints, breakpoint instruction
- Data watchpoint on access to data add, add range, and data value
- Register value accesses
- Debug monitor exception
- Memories accesses

For more information about Cortex-M4 native debug support features, see the *Cortex-M4 Technical Reference Manual*.

34.4.1.3 DSP C66x

The main components of the DSP subsystem are:

- TMS320C66x DSP core with an execution control and analysis module that uses TI's ICEMaker™ technology. The core includes the following debug capabilities:
 - Up to four hardware breakpoints and a breakpoint counter
 - Software breakpoints
 - Internally and externally generated triggers
 - Reset control
 - Emulation interrupt support
 - Modes for debugging without halting time-critical blocks of code
 - Options to protect user-selected blocks of code against debug activity
- Emulation memory access hardware. This hardware enables several methods for reading and writing memory and registers in the DSP subsystem during debugging.
- Advanced Event Triggering (AET) unit is used to generate debug actions for managing breakpoints, watchpoint, trace, timers/counters, event outputs to external logic of DSP, based on events detected by instruction and data bus comparators or by auxiliary event detectors. DSP's AET can also handle complex events with event state machine and event counters.

34.4.1.4 IVA Arm968

The Arm968E-S processor (in each ICONT) supports the following native debug features through its EmbeddedICE-RT logic:

- Two hardware watchpoints/breakpoints

- Halt mode and monitor mode debugging
- Debug control and status registers
- Debug communications channel

For more information about Arm968 native debug support features, see the *Arm968E-S Technical Reference Manual*.

34.4.1.5 PRU

The PRU processors in the PRU-ICSS support the following native debug features:

- Manual halt
- Single-step execution
- Software Breakpoint

34.4.2 Cross-Triggering

The device supports a cross-triggering feature that provides a way to propagate debug (trigger) events from one processor subsystem/module to another. For example, a given subsystem A can be programmed to generate a debug event, which can then be exported as a global trigger across the device. Another subsystem B can be programmed to be sensitive to the trigger line input and to generate an action on trigger detection.

Examples of debug events are: Processor entering debug state, watchpoint match, CS_PTM trigger, and so forth.

Examples of debug actions are: Debug request generation, restart (Cortex-A15 synchronous run), interrupt request generation, start/stop trace, and so forth.

The device implements two global cross-triggering lines: Trigger0 and Trigger1, also referred to as EMU0 and EMU1, respectively.

Subsystem cross-triggering is consolidated at the device level by the XTRIG module, which is embedded in the debug subsystem.

NOTE: XTRIG is not programmatically visible from the JTAG interface or any device processor. Thus, cross-triggering is programmed at the subsystem level.

The Trigger0 and Trigger1 lines can also be configured as external triggers and contribute to cross-triggering.

34.4.2.1 SoC-Level Cross-Triggering

Device-level cross-triggering is handled by the XTRIG module. XTRIG manages two emulation triggers: Trigger0 and Trigger1. These trigger lines are shared by all the device subsystems implementing cross-triggering and are used to facilitate co-emulation.

Table 34-6 summarizes the device cross-triggering capabilities.

Table 34-6. Device Cross-Triggering

Subsystem	Module		MPU Core	CS_PT M /CT_TBR	Cortex- M4	Cortex- M4	DSP1 C66x	IVA Arm96 8	IVA Arm96 8	HWA	SMSET	PMI	CMI	NOC_SC	OCP_ WP_ NO C	EMU0/ EMU1
		Trigger Input	✓	✓	✓	✓	✓	✓	✓	–	✓	✓	✓	✓	✓	✓
		Trigger Source														
MPU	MPU Core	✓		✓	✓	✓	✓	✓	✓	–	✓	✓	✓	✓	✓	✓
	CS_PT M / CT_TBR	✓	✓		✓	✓	–	–	–	–	✓	✓	✓	✓	✓	–
IPUx	Cortex-M4	✓	✓	–		✓	✓	✓	✓	–	✓	✓	✓	✓	✓	–
	Cortex-M4	✓	✓	–	✓		✓	✓	✓	–	✓	✓	✓	✓	✓	–
DSP1	C66x	✓	✓	–	✓	✓		✓	✓	✓	✓	✓	✓	✓	✓	✓
IVA	Arm968 ICONT1	✓	✓	–	✓	✓	✓		✓	✓	✓	✓	✓	✓	✓	✓
	Arm968 ICONT2	✓	✓	–	✓	✓	✓	✓		✓	✓	✓	✓	✓	✓	✓
	HWA	–	–	–	–	–	–	–	–		–	–	–	–	–	–
	SMSET	–	–	–	–	–	–	–	–	–		–	–	–	–	–
PM	PMI	–	–	–	–	–	–	–	–	–		–	–	–	–	–
CM	CMI	–	–	–	–	–	–	–	–	–	–		–	–	–	–
SoC	NOC_SC	–	–	–	–	–	–	–	–	–	–	–	–		–	–
	OCP_ WP_ NO C	✓	✓	✓	✓	✓	✓	✓	✓	–	✓	✓	✓	✓		✓
	EMU0, EMU1	✓	✓	✓	✓	✓	✓	✓	✓	–	✓	✓	✓	✓	✓	

34.4.2.2 Cross-Triggering With External Device

Based on DRM settings, the Trigger0 and Trigger1 lines may also be used as external triggers. Trigger0 is connected to the EMU0 device pin, and Trigger1 is connected to the EMU1 device pin. The user must make sure to program the DRM module in accordance with [Table 34-32](#).

34.4.3 Suspend

The device supports a suspend feature, which provides a way to stop a closely coupled hardware process running on a peripheral-IP when the host processor enters debug state. The suspend mechanism is important for debug to ensure that peripheral-IPs operate in a lock-step manner with a host controller processor.

An entry is provided for each peripheral-IP that must consider the suspend signals from a number of processors (MPU or DSP). For each peripheral-IP, sensitivity to the suspend signals is defined within two possibilities (and so coded using 1 bit):

- Peripheral-IP is sensitive to the suspend line request.
- Peripheral-IP ignores the suspend line request.

For more information about how to program the sensitivity, see the corresponding peripheral-IP TRM chapter.

34.4.3.1 Debug Aware Peripherals and Host Processors

[Table 34-7](#) lists the mapping of the device processors to the suspend control input lines.

Table 34-7. Debug Subsystem Suspend Input Lines

Suspend Input Line	Host Processor
0	DSP1
1	IVA ICONT1
2	IVA ICONT2
3	IPU1_C0
4	IPU1_C1
5	MPU_C0
6	Reserved
7	Reserved
8	IPU2_C0
9	IPU2_C1
10	Reserved
11	Reserved
12	Reserved
13	Reserved
14	Reserved
15	Reserved
16	Reserved
17	Reserved
18	Reserved

[Table 34-8](#) lists the mapping of the device peripheral-IPs to the suspend control output lines.

Table 34-8. Debug Subsystem Suspend Output Lines

Suspend Output Line	Peripheral-IP Module	DRM Suspend Control Register
0	KBD	DRM_SUSPEND_CTRL0
1	DCAN1	DRM_SUSPEND_CTRL1

Table 34-8. Debug Subsystem Suspend Output Lines (continued)

Suspend Output Line	Peripheral-IP Module	DRM Suspend Control Register
2	DCAN2	DRM_SUSPEND_CTRL2
3	PRU-ICSS1	DRM_SUSPEND_CTRL3
4	PRU-ICSS2	DRM_SUSPEND_CTRL4
5	TIMER5	DRM_SUSPEND_CTRL5
6	TIMER6	DRM_SUSPEND_CTRL6
7	TIMER7	DRM_SUSPEND_CTRL7
8	TIMER8	DRM_SUSPEND_CTRL8
9	Reserved	DRM_SUSPEND_CTRL9
10	TIMER13	DRM_SUSPEND_CTRL10
11	Reserved	DRM_SUSPEND_CTRL11
12	TIMER14	DRM_SUSPEND_CTRL12
13	PWMSS1	DRM_SUSPEND_CTRL13
14	PWMSS2	DRM_SUSPEND_CTRL14
15	Reserved	DRM_SUSPEND_CTRL15
16	TIMER1	DRM_SUSPEND_CTRL16
17	TIMER2	DRM_SUSPEND_CTRL17
18	TIMER3	DRM_SUSPEND_CTRL18
19	TIMER4	DRM_SUSPEND_CTRL19
20	TIMER9	DRM_SUSPEND_CTRL20
21	TIMER10	DRM_SUSPEND_CTRL21
22	TIMER11	DRM_SUSPEND_CTRL22
23	TIMER12	DRM_SUSPEND_CTRL23
24	TIMER15	DRM_SUSPEND_CTRL24
25	I2C1	DRM_SUSPEND_CTRL25
26	I2C2	DRM_SUSPEND_CTRL26
27	I2C3	DRM_SUSPEND_CTRL27
28	I2C4	DRM_SUSPEND_CTRL28
29	TIMER16	DRM_SUSPEND_CTRL29
30	DMA_SYSTEM	DRM_SUSPEND_CTRL30
31	COUNTER_32K	DRM_SUSPEND_CTRL31
32	Statistics collector	DRM_SUSPEND_CTRL32
33	I2C5	DRM_SUSPEND_CTRL33
34	VCP1 ⁽¹⁾	DRM_SUSPEND_CTRL34
35	VCP2 ⁽¹⁾	DRM_SUSPEND_CTRL35
36	PWMSS3	DRM_SUSPEND_CTRL36
37	WD_TIMER2	DRM_SUSPEND_CTRL37

⁽¹⁾ VCP1 and VCP2 are not supported on the AM571x / AM570x family of devices.

NOTE: Table 34-8 lists only peripherals that support the suspend feature. For modules not listed in this table, the suspend feature is not supported.

34.5 Real-Time Debug

34.5.1 Real-Time Debug Events

34.5.1.1 Emulation Interrupts

A few device interrupt channels are dedicated to debug support. [Table 34-9](#) summarizes the emulation interrupt events.

Table 34-9. Emulation Interrupts

Interrupt Request	Subsystem	Source	Description	
COMMRX	MPU	MPU	Debug Communication Channel	
COMMTX				
PMUIRQ				Performance Monitoring
IRQ[0]		MPU	L2 Cache	
IRQ[1]		CS_CTL_MPU_C0	Emulation trigger; Trace buffer full;	
IRQ[2]		Reserved	Trace acquisition complete	
RTOS_INT	DSP	DSP ICEMaker	RTOS interrupt from analysis event	
DLOG_INT				Data logging transfer complete
EMUINT2				Monitor mode debug
ICNEMUIINTR	IVA	Arm968 ICECrusher-9	Debug Control & Status register; Emulation trigger	
ICNCOMMRX				Debug Communication Channel
ICNCOMMTX				
ICNEMUIINTR		Arm968 ICECrusher-9	Debug Control & Status register; Emulation trigger	
ICNCOMMRX				Debug Communication Channel
ICNCOMMTX				
ICNEMUIINTR	IPU	Cortex-M4 ICECrusher-CS	Debug Control & Status register; Emulation trigger	
ICNCOMMRX				Debug Communication Channel
ICNCOMMTX				
ICNEMUIINTR		Cortex-M4 ICECrusher-CS	Debug Control & Status register; Emulation trigger	
ICNCOMMRX				Debug Communication Channel
ICNCOMMTX				
SC_ALERT	L3_MAIN	Statistics collectors	Performance monitoring alert (metric out of range)	
DCC_UART_TX	DEBUGSS	CT_UART (BDX client)	Transmit empty	
DCC_UART_RX				Receiver data available

34.6 Power, Reset, and Clock Management Debug Support

The global PRCM module implements facilities to support debug across power and clock domain cycles. The debugger can control or get the status of each power and clock domain associated with an ICEPick secondary TAP.

ICEPick provides a set of directives allowing the debugger to:

- Get visibility on the associated power and clock domains state. This includes:
 - Current power setting indicating whether the power domain is on or off
 - Loss of power detected since the software last checked the status
 - Current clock setting indicating whether the clock domain is on or off
 - Sleep desired (PM and CM indicate that the debug settings in ICEPick are changing the application state. If it were not for the ICEPick controls, the power or clock would be turned off.)
 - Subsystem reset state
 - Subsystem has entered a debug state that requires the attention of the host debug software.
- Override power/clock control settings to wake up a power or clock domain or to prevent a power or clock domain from going to sleep once it is in ACTIVE state
- Assert/block/extend reset; release from extended reset (WIR)

34.6.1 Power and Clock Management

34.6.1.1 Power and Clock Control Override From Debugger

The debugger can override the application software power and clock management settings through the ICEPick module. It can configure ICEPick to force a domain active or prevent it from going to sleep once it is active. This can be achieved through the following debugger directives:

- FORCEACTIVE
- INHIBITSLEEP

34.6.1.1.1 Debugger Directives

34.6.1.1.1.1 FORCEACTIVE Debugger Directive

To ensure that the subsystem debug registers can always be accessed, regardless of the application power-management scenarios, a FORCEACTIVE directive can be issued through the debugger along the entire debug session. From an application standpoint, the system state, status, and timing are preserved, but the subsystem power domain is never shut down. Therefore, the emulation setup is preserved across power transitions, regardless of where the debug hardware is implemented.

If the debugger connects and the subsystem were previously powered down, a FORCEACTIVE directive wakes up the system and allows the debugger to take control of the system.

34.6.1.1.1.2 INHIBITSLEEP Debugger Directive

The debugger can use the INHIBITSLEEP directive to keep a subsystem powered and clocked, even if the applicative settings request that this subsystem go to sleep. Contrary to the FORCEACTIVE directive, the INHIBITSLEEP command does not wake up a subsystem that is already powered down by the application.

The typical use of the INHIBITSLEEP directive is to prevent power and clock transitions on the subsystem during a debug session. In this situation, when the applicative scenario initiates a transition, the transition does not take place, but from an applicative point of view the subsystem is not accessible.

34.6.1.1.2 Intrusive Debug Model

The use of debugger directives is intrusive from the standpoint of the power and clock controls, because they affect the power-management behavior of the application.

34.6.1.2 Debug Across Power Transition

34.6.1.2.1 Nonintrusive Debug Model

To preserve the power-management behavior of the device and allow the subsystem power and clock to be switched off by application software, the subsystem TAP must be disconnected from the ICEPick scan chain. The subsystem is then completely ignored by the debugger and the host-to-target communication is no longer affected by the state of the subsystem power and clocks. The debugger can still be informed that the disconnected subsystem entered the debug state by polling the Debug Attention status bit from ICEPick. The debugger can then insert the TAP, take control of the subsystem power and clock, and examine the system state.

This debug model is nonintrusive, because it allows the power-management behavior of the application to be preserved.

34.6.1.2.2 Debug Context Save and Restore

34.6.1.2.2.1 Debug Context Save

The device partitioning is such that not all the debug components are mapped to an always-on domain. Typically, the programmer wants the debug setup to be preserved along a debug session, including subsystem power cycling. When debug registers are memory mapped and not implemented within the emulation power domain, the application software must save the state of the debug registers before going to sleep and restore them upon wakeup.

34.6.1.2.2.2 Debug Context Restore

When the application software performs a context restore, it must be able to write to all the debug registers to restore their contents, regardless of the previous ownership. After subsystem power domain ramp up, the debug resources are in the available state, and ownership is restored. The debug context save and restore sequences are protected. All debug functionality is disabled and debugger accesses are blocked.

34.6.2 Reset Management

The debugger can take control of the system reset for each subsystem through ICEPick. The debugger can configure ICEPick to assert, block, or extend the subsystem reset.

34.6.2.1 Debugger Directives

34.6.2.1.1 Assert Reset

The debugger can program ICEPick to generate a subsystem reset request to the device reset management module. The debugger reset event is then merged with system reset events.

34.6.2.1.2 Block Reset

The debugger can program ICEPick to request the device reset management module to block an unsafe application system or subsystem reset event.

A reset originated by some safe reset sources cannot be blocked by the debugger.

34.6.2.1.3 Wait-In-Reset

WIR mode is latched from boot mode (see [Section 34.3.2, Boot Modes](#)) and allows the user to hold a secondary TAP module in reset state when a reset is applied (and thus, extend the reset). This mode lets the user control the following system level activities:

- Gain emulation control of any processor in a power domain at POR
- Capture and extend system-generated functional resets while running (under emulation control or not)
- Hold an entire power domain in reset until emulation control of the subsystem can be established

- Stall the entire system while reset is extended to a power domain
- Reset extension is visible external to the power domain.
- Debug execution of code from the first cycle of execution
- Prevent processor execution of random instructions in uninitialized program memory at power up
- Download code before any code execution takes place
- Coordinate debug initialization across multiple cores before code execution begins

WIR mode extends only the processor reset. During reset extension, the debugger can still access modules such as L2 memory and MMU, even if they are embedded in the device subsystem affected by WIR.

When the debugger task is complete, the DTC releases the subsystem reset by programming the corresponding ICEPick TAP control register.

34.7 Performance Monitoring

34.7.1 MPU Subsystem Performance Monitoring

34.7.1.1 Performance Monitoring Unit

The Cortex-A15 processor includes a PMU that enables events, such as cache misses and instructions executed, to be counted over a period of time. The PMU provides six counters to gather statistics about the operation of the processor and memory system. Each counter can count any of the events available in Cortex-A15. Upon counter overflow, PMU can generate an interrupt on its PMUIRQ output. This interrupt signal is mapped to the CTITRIGIN[1] input and routed to an MPU_INTC input (MPU_IRQ_131 for Cortex-A15 CPU0 PMU; MPU_IRQ_132 for Cortex-A15 CPU1 PMU).

The Cortex-A15 PMU outputs events to CS_PTM. For details of PMU events, please refer to the Arm Cortex-A15 TRM, available at infocenter.arm.com/help/index.jsp.

34.7.1.2 L2 Cache Controller

The MPU subsystem includes 2 MiB of L2 cache (L2CACHE_MPU) and L2 cache controller (L2CACHE_CTRL_MPU). The L2 cache controller includes logic to support cache event monitoring.

[Table 34-10](#) summarizes the L2 cache events.

Table 34-10. L2 Cache Events

Event	Event Description
0	Eviction of a line from the L2 cache
1	Data read hit in the L2 cache
2	Data read lookup to the L2 cache. Subsequently results in a hit or miss.
3	Data write hit in the L2 cache
4	Data write lookup to the L2 cache. Subsequently results in a hit or miss.
5	Data write lookup to the L2 cache with Write-Through attribute. Subsequently results in a hit or miss.
6	Instruction read hit in the L2 cache
7	Instruction read lookup to the L2 cache. Subsequently results in a hit or miss.
8	Prefetch line-fill sent to L3
9	Allocation into the L2 cache caused by a write (with Write-Allocate attribute) miss

The L2 cache controller implements two 32-bit event counters. The L2 cache controller can be configured to generate interrupts on error conditions or event counter overflow or increment. The L2 cache controller interrupt is routed to MPU_IRQ_0. When an interrupt occurs, software can look at the relevant interrupt status register to determine the source of the interrupt.

34.7.2 IPU Subsystem Performance Monitoring

34.7.2.1 Subsystem Counter Timer Module

The IPU subsystem includes a subsystem counter timer module (SCTM), which is embedded in shared cache and provides additional data to the user timing or profiling capability. SCTM integrates eight profiling counters that collect:

- Forty-four shared cache events
- Four sleep/deep-sleep events from Cortex-M4 cores (one sleep and one deep sleep event per core)

[Table 34-11](#) describes the repartition of the IPU SCTM counters.

Table 34-11. IPU SCTM Counters Repartition

Counters	Features
0–1	Timer and event
2–3	64-bit chained + shadowing
4–5	64-bit chained + shadowing
6–7	Event

34.7.2.2 Cache Events

Table 34-12 summarizes the SCTM events for the IPU subsystem.

Table 34-12. SCTM Events for IPU Subsystem

Input Index	Event Description
1	Cache locks
2	Cache line replacements
3	Cache evictions
4	Cache maintenance operations (slave 0)
5	Cache maintenance operations (slave 1)
6	Cache maintenance operations (slave 2)
7	Cache maintenance operations (slave 3)
8	Cache OCP access (slave 0)
9	Cache OCP access (slave 1)
10	Cache OCP access (slave 2)
11	Cache OCP access (slave 3)
12	Cacheable access (slave 0)
13	Cacheable access (slave 1)
14	Cacheable access (slave 2)
15	Cacheable access (slave 3)
16	Cache bank conflicts (slave 0)
17	Cache bank conflicts (slave 1)
18	Cache bank conflicts (slave 2)
19	Cache bank conflicts (slave 3)
20	Cache allocations
21	Cache write buffer accesses (slave 0)
22	Cache write buffer accesses (slave 1)
23	Cache write buffer accesses (slave 2)
24	Cache write buffer accesses (slave 3)
25	Cache line fills (slave 0)
26	Cache line fills (slave 1)
27	Cache line fills (slave 2)
28	Cache line fills (slave 3)
29	Cache write fills (slave 0)
30	Cache write fills (slave 1)
31	Cache write fills (slave 2)
32	Cache write fills (slave 3)
33	Cache read fills (slave 0)
34	Cache read fills (slave 1)
35	Cache read fills (slave 2)
36	Cache read fills (slave 3)
37	Cache misses (slave 0)

Table 34-12. SCTM Events for IPU Subsystem (continued)

Input Index	Event Description
38	Cache misses (slave 1)
39	Cache misses (slave 2)
40	Cache misses (slave 3)
41	Cache hits (slave 0)
42	Cache hits (slave 1)
43	Cache hits (slave 2)
44	Cache hits (slave 3)
45	IPU_C1 deep sleep
46	IPU_C1 sleep
47	IPU_C0 deep sleep
48	IPU_C0 sleep

NOTE: Input index [0] is reserved for free-running subsystem clock (used for total cycle profiling).

34.7.3 DSP Subsystem Performance Monitoring

34.7.3.1 Advanced Event Triggering

The Advanced Event Trigger (AET) unit has the capability to generate the debug actions based on events detected by instruction and data bus comparators or by auxiliary event detectors to manage:

- **Hardware Program Breakpoints:** specify addresses or address ranges that can generate events such as halting the processor or triggering the trace capture.
- **Data Watchpoints:** specify data variable address, address ranges, or data values that can generate events such as halting the processor or triggering the trace captures.
- **Counters:** count the occurrence of an event or cycles for performance monitoring.
- **State Sequencing:** allows combinations of hardware program breakpoint and data Watchpoints to precisely generate events for complex sequences.

For more information on AET, see the following documents:

- *Using Advanced Event triggering to Find and Fix Intermittent Real-Time Bugs* application report (SPRA753).
- *Using Advanced Event Triggering to Debug Real-Time Problems in High Speed Embedded Microprocessor System* application report (SPRA387)

34.8 MPU Memory Adaptor (MPU_MA) Watchpoint

The MPU subsystem implements a watchpoint allowing the user tracking the MPU_MA transactions from/to external memory.

The watchpoint can be programmed to generate a trigger when a MPU_MA transaction satisfies a set of user-defined attributes:

- Access within or outside an address region
- Access type (instruction, data, read, write)
- Transaction target (on-chip, memory channel, chip select)
- Qualifier
- Transaction originating from a specific core
- Specific transaction followed by memory barrier (DSB, DMB)
- Memory barrier (DSB, DMB) followed by specific transaction

When the MPU_MA transaction attributes match the debug use case setup, the MPU debug logic captures the transaction data and associated qualifiers:

- Read or write data (128-bit) for the specific beat of the burst
- Address (MSB field)
- MReqInfo (19-bit)
- Byte enables
- Burst type
- Burst length
- Target

When the MPU_MA watchpoint is configured to track memory barriers in order to investigate potential ordering issues, the debugger will report:

- Attributes of the transaction immediately following the memory barrier
- Attributes of the matching transaction chained to the memory barrier

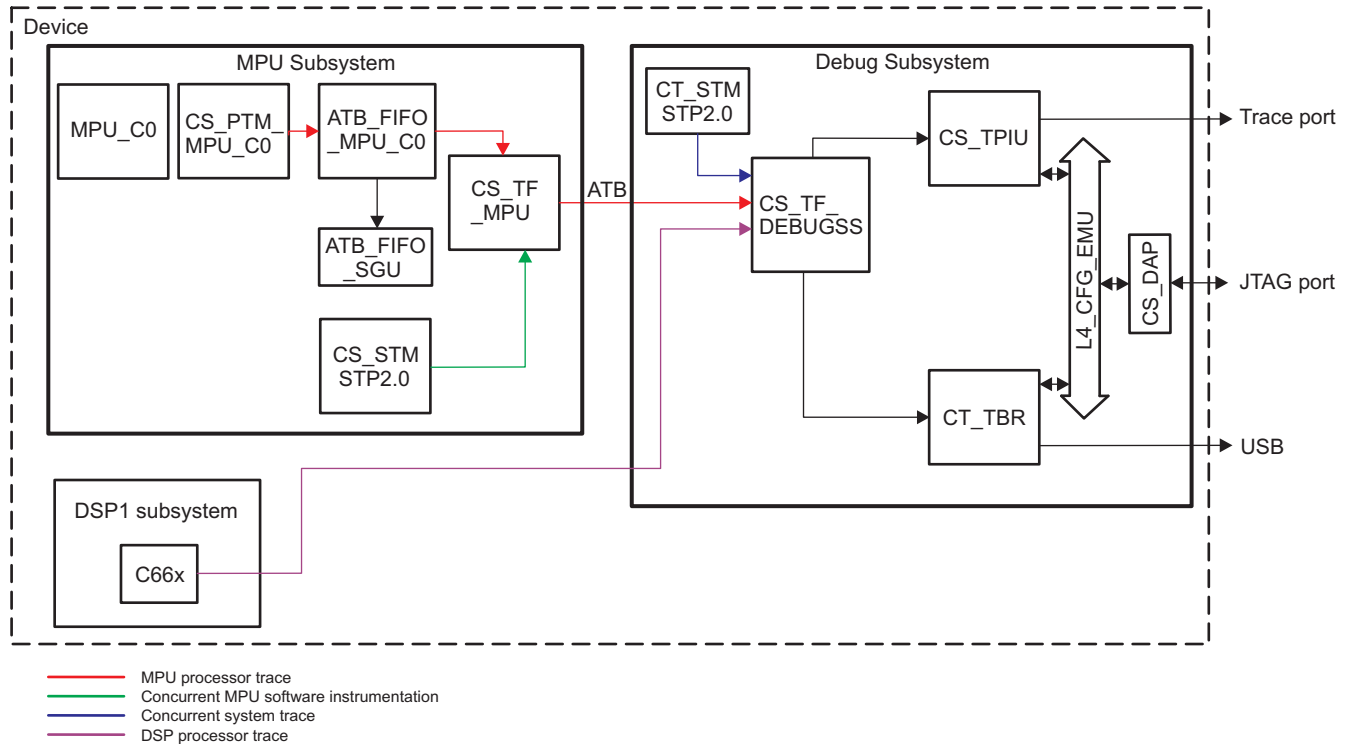
34.9 Processor Trace

The device supports:

- MPU Cortex-A15 processor trace
- DSP1 C66x processor trace

Figure 34-1 shows an overview of the MPU and DSP processor traces flow.

Figure 34-1. MPU and DSP Processor Traces Flow



NOTE: Mapping of trace funnels inputs:

- CS_TF_MPU:
 - Port 0 – ATB_FIFO_MPU_C0
 - Port 2 – CS_STM
- CS_TF_DEBUGSS_1
 - Port 0 – MPU ATB interface
 - Port 1 – DSP1 ATB interface
 - Port 7 – CT_STM ATB interface

34.9.1 Cortex-A15 Processor Trace

The main MPU trace characteristics are:

- Program trace only (no data trace)
- Three exclusive trace sinks:
 - CS_TPIU – trace exported to an external trace receiver
 - CT_TBR (buffer mode) – trace stored into on-chip buffer
 - CT_TBR (system bridge mode) – trace exported through USB
- Trace can be optionally:
 - Cycle accurate useful for profiling sections of code

- Locally time-stamped using a 48-bit free-running graycode counter exported to the CS_PTM

34.9.2 DSP Processor Trace

Trace targets the debug of unstable code, performance analysis, and quality assurance. This infrastructure component use bus snoopers to collect and export trace data using hardware dedicated to the trace function. The use of dedicated hardware to both collect, buffer, transfer trace data to the host makes trace non-intrusive. DSP processor trace characteristics are:

- Program trace
- Data trace (address and value)
- Time stamp
- Three exclusive trace sinks:
 - CS_TPIU – trace exported to an external trace receiver
 - CT_TBR – trace history stored into on-chip buffer
 - CT_TBR – trace exported through USB

The trace function can collect and export a record of the program flow and timing at the same rate generated by the CPU. Tracing data references must be restricted however as the export mechanism is generally limited to size of on-chip CT_TBR to sustain tracing of all memory references. In the case of data trace, the Advanced Event Triggering facilities provide a means to restrict the trace data exported to data of interest to maintain the non-intrusive aspect of trace. This reduces the export bandwidth needs and facilitates the successful collection of the data of interest. Error indications are embedded in the debug stream in the event the export logic is unable to keep up with the data rate generated by the collection logic. This notification allows the user to scale back the amount of requested data collection.

The user can optionally select the export of all specified trace data. In this case the CPU is stalled to avoid the loss of trace data, with trace becoming intrusive to the application if trace related stalls are generated. The user is notified that trace stalls.

34.9.3 Trace Export

The debug subsystem implements three exclusive trace sinks:

- CS_TPIU
- CT_TBR (buffer mode)
- CT_TBR (system bridge mode)

A concurrent software instrumentation flow from the local CS_STM component (STP 2.0) can also be interleaved with the MPU program trace.

One ATB_FIFO module (ATB_FIFO_MPU_C0) is implemented in the trace path between the Cortex-A15 CPU and the CS_TF_MPU module. The ATB_FIFO allows concurrent trace capture and export. It provides buffering in the trace export path and therefore allows absorbing peaks of trace data. The depth of the ATB_FIFO is 16 entries.

The CS_TF_MPU sends the MPU trace (or CS_STM software instrumentation) to a trace funnel in the debug subsystem (CS_TF_DEBUGSS) through a single ATB interface. The CS_TF_DEBUGSS redirects the MPU trace to the three exclusive trace sinks.

NOTE: It is strongly recommended to disable trace sinks not in use when generating trace to an in-use trace sink to eliminate undesirable throughput throttling effects.

Besides the ATB_FIFO, the MPU subsystem also instantiates an ATB_FIFO statistics gathering unit (ATB_FIFO_SGU) which provides silicon and presilicon characterization information of ATB_FIFO. The FIFO_LEVEL_OUT output of ATB_FIFO, which gives visibility of the number of used entries, is used for the statistics gathering. ATB_FIFO may be full under the following condition:

- Trace sink does not have the bandwidth to meet peak bandwidth demands from the trace generator on a single ATB trace stream

The following statistics are gathered by ATB_FIFO:

- Peak utilization depth of the FIFO
- Number of consecutive cycles that FIFO level is at or above the programmable FIFO threshold when there is an ATB command pending
- Number of ATB bus stall cycles

34.9.3.1 Trace Exported to External Trace Receiver

Processor trace can be exported to an external trace receiver through the CS_TPIU module. To achieve this, the debugger or application software must ensure to program the DRM module properly (that is, according to [Table 34-32](#)).

The CS_TPIU has a configurable export width of maximum 18 data pins (TRACEDATA) plus a dedicated export clock (TRACECLK) and a control signal (TRACECTL).

34.9.3.2 Trace Captured Into On-Chip Trace Buffer

Processor trace flow can be redirected to the on-chip trace buffer (CT_TBR working in buffer mode). The CT_TBR provides on-chip storage of trace data using a 32-KiB RAM memory.

The CT_TBR receives trace flow data through its ATB port. The debugger can then access trace data through CS_DAP (APB port).

The CT_TBR supports two modes when in buffer mode configuration:

- Circular buffer mode for continuous capture. In this mode, the CT_TBR functions as a circular buffer where the oldest data is overwritten with the most recent entries.
- Stop-on-full mode for no-loss (single shot) capture. In this mode, the buffer fills linearly and then halts when the last entry is written.

34.9.3.3 Trace Exported Through USB

Processor trace can be exported off-chip through an application interface (USB). For this purpose, the debug subsystem instantiates a CTools trace buffer router (CT_TBR) module, which operates in a system bridge configuration and basically represents a temporary buffer that holds data that is awaiting transfer to the L3_MAIN interconnect for export on functional I/O interfaces (USB) or storage in system memory.

The CT_TBR allows concurrent trace capture and export. A USB3.0 DMA engine (L3_MAIN) master can read trace data from the CT_TBR slave port as soon as a block is available for transfer.

The CT_TBR supports a DMA request generation via a read-only burst-capable interface. The primary purpose of the DMA event generation is to signal a DMA engine when the CT_TBR export FIFO has enough data to satisfy a burst read request on the system interface. The threshold for the DMA trigger is software configurable. A new DMA event is generated when the threshold is met again with new data being written to the FIFO.

The USB3.0 DMA engine supports hardware DMA requests. The CT_TBR can generate a DMA request (CT_TBR_DREQ) to the DMA_SYSTEM module (mapped to DMA_SYSTEM_DREQ_6 request line) for system memory storage.

The USB3.0 master only uses a single AXI-ID and does not support out of order execution. Therefore tracing through USB will prevent application software using USB simultaneously due to stalls from CT_TBR.

Such configuration allows supporting program trace on end product without additional debug pins taking advantage of the USB PHY throughput.

34.10 System Instrumentation

The device supports the following system instrumentation features:

- Real-time software trace
 - MPU software instrumentation via CS_STM (STP2.0) (see [Section 34.10.3.1, MPU Software Instrumentation](#))
 - SoC software instrumentation via CT_STM (STP2.0) (see [Section 34.10.3.2, SoC Software Instrumentation](#))
- OCP watchpoint
 - OCP target traffic monitoring (see [Section 34.10.4.1, OCP Target Traffic Monitoring](#))
 - SoC events trace (see [Section 34.10.4.2, Messages Triggered from System Events](#))
 - DMA transfer profiling (see [Section 34.10.4.3, DMA Transfer Profiling](#))
- Statistics collector
 - L3 Target Load Monitoring (see [Section 34.10.6.1, L3 Target Load Monitoring](#))
 - L3 Master Latency Monitoring (see [Section 34.10.6.2, L3 Master Latency Monitoring](#))
- IVA HWA load monitoring (see [Section 34.10.5, IVA Pipeline](#))
- PM events trace (see [Section 34.10.7, PM Instrumentation \[PMI\]](#))
- CM events trace (see [Section 34.10.8, CM Instrumentation \[CMI\]](#))

34.10.1 MIPI STM (CT_STM)

CT_STM is a trace module that aids in software debugging. The main features of this module are:

- Implements MIPI STP protocol (rev 2.0) with the following characteristics:
 - Highly optimized for software-generated traces
 - Automatic timestamping of messages
 - Support for 8-, 16-, and 32-bit data types
- Collects the following information:
 - Software messages
 - Hardware instrumentation trace from hardware agents:
 - OCP_WP_NOC
 - PMI
 - CMI
 - IVA SMSET
 - L3 NoC statistics collectors
- Supports the following trace export paths:
 - ATB export - to CS_TPIU or CT_TBR
- Available in 1-, 2-, or 4-pin mode with single- or dual-edge clock, depending on the trace bandwidth requirements and characteristics of the trace receiver
- Timestamps:
 - Can use local relative timestamp if exported to the CS_TPIU/CT_TBR (through ATB)
- Dedicated 128 × 48-bit FIFO buffer
- Mechanism to generate repeat MASTER and C8 messages periodically even if not needed

A maximum of 255 different bus masters can be connected to the STM trace port through a bus arbiter. STP recognizes two distinct modes of tracing (software and hardware types), which use slightly different message combinations to output different types of data. The bus masters can be configured for either type to optimize the system for the different types of trace data.

34.10.2 System Trace Export

34.10.2.1 CT_STM ATB Export

If a trace receiver cannot be attached to the device, or relevant CT_STM trace port pins are unavailable for a particular reason, the user can configure the CT_STM module to redirect the STP trace stream as an ATB stream to the CS_TPIU or CT_TBR and enable local timestamp. This is accomplished by outputting a local timestamp granularity (LTSG) message, which is a TI addition to the MIPI standard messages.

34.10.2.2 Trace Streams Interleaving

Two levels of interleaving system instrumentation flows and arbitrating between instrumentation masters are implemented:

- CORE L3 instrumentation interconnect interleaves data coming from the following bus masters:
 - OCP_WP_NOC
 - L3 NoC statistics collectors, or software instrumentation (interleaving at the L3 level)
 - CMI2
 - IVA SMSET and Arm968 (software instrumentation)
- EMU L3 instrumentation interconnect interleaves data coming from the following bus masters:
 - CORE L3 instrumentation interconnect
 - CMI1
 - PMI

34.10.3 Software Instrumentation

34.10.3.1 MPU Software Instrumentation

The CS_STM embedded in the MPU subsystem provides extended stimulus port registers designated to be accessible by software with minimum instrumentation cycles overhead.

Each extended stimulus port occupies 256 consecutive bytes in the memory map and is write-only. Up to 64K instrumentation channels are available at MPU level.

The CS_STM supports "guaranteed" or invariant timing transactions:

- Guaranteed transactions are guaranteed to be traced. This might involve stalling the MPU core to ensure the transaction is accepted by the CS_STM.
- Invariant timing transactions are not guaranteed to be traced. These transactions take an invariant amount of time regardless of the state of the CS_STM.

The CS_STM implements tracing of software writes to its stimulus ports using a dedicated AXI slave interface. In addition to the AXI interface, the CS_STM provides a hardware event input interface (HWEVENTS[31:0]). The HWEVENTS[31:0] input bus is connected to the MPU hardware debug observability signals going out to the MPU hardware debug port (MPUHWDBGOUT[31:0]). This enables any of the signals observed on MPUHWDBGOUT[31:0] to act as a hardware event to the CS_STM. The CS_STM can be programmed to generate a debug packet on a rising edge transition on any signal of the HWEVENTS[31:0] input bus. Because some of the signals mapped on the MPUHWDBGOUT[31:0] bus are active low, a 32-bit programmable register – MPU.STM_HWEVENTS_INV, is implemented for polarity inversion. Each bit of MPU.STM_HWEVENTS_INV when set to 0x1 inverts the polarity of the corresponding signal of MPUHWDBGOUT[31:0] going to HWEVENTS[31:0]. This programmable register is part of the MPU_WUGEN address map (see [Chapter 4, Cortex-A15 MPU Subsystem](#), for its description).

NOTE: The MPUHWDBGOUT[31:0] signals can be routed to the hw_dbg[31:0] device pads through various hardware debug observability MUXes controlled by device control module (CTRL_MODULE). For more information, see [Chapter 18, Control Module](#).

To save power, the output port can be gated off (to all zeros) by setting the CTRL_MODULE.CONTROL_HWOBS_CONTROL[0] HWOBS_MACRO_ENABLE bit to 0x0. Ungated version of MPUHWDBGOUT[31:0] (not gated with CTRL_MODULE.CONTROL_HWOBS_CONTROL[0] HWOBS_MACRO_ENABLE) is sent to HWEVENTS[31:0] input of STM so each of these signals can generate a debug packet on the trace port.

The message structures in STP-2.0 are optimized to provide an efficient transport.

34.10.3.2 SoC Software Instrumentation

The CT_STM module embedded in the debug subsystem provides a flexible interface for trace instrumentation.

The device provides support for real-time software trace through user-defined message writes to specific memory mapped register (MMR) locations. Software masters can transmit trace data from the operating system (OS) processes or tasks on 256 different channels, with each channel being defined by the software protocol implemented. The different channels can be used to group different types of data logically so that it is easy to filter out the data irrelevant to the ongoing debugging task. The message structures in STP-2.0 are optimized to provide an efficient transport for software data through the CT_STM module.

The software masters are:

- Cortex-A15 MPU subsystem
- DAP (for testing purpose)
- DSP subsystem
- IPU subsystem
- Dual PRU processors in PRU-ICSS
- SDMA controller write port (DMA_SYSTEM_WR)
- IVA subsystem
- EDMA TPTC WR1 and WR2 channels

Each software master has a master-ID assigned to it (see [Section 34.10.9, Master-ID Encoding](#), for more information).

Software messages can be interleaved with other hardware messages.

Software messages are intrusive and use both processor cycles and memory.

34.10.4 OCP Watchpoint

34.10.4.1 OCP Target Traffic Monitoring

The L3_MAIN interconnect provides several functional probes embedded and attached to the following L3_MAIN targets:

- GPMC
- L4_PER1, L4_PER2, L4_PER3
- L4_CFG
- DMM_P1 (DMM target port 1)
- DMM_P2 (DMM target port 2)
- OCMC_RAM1

The probes output are muxed together and then sent to the L3_MAIN interconnect debug port. A component called OCP_WP_NOC is used to collect data from functional probes and then transmit captured data to the CT_STM module. The OCP_WP_NOC drives a probe-ID signal to the L3_MAIN interconnect for probe selection. The probe selection is exclusive, meaning that interleaving is not possible.

The OCP_WP_NOC provides the following main features:

- Monitoring the OCP traffic originated by all initiators that can access the selected target where the

- probe is attached
- Filtering OCP monitored bus traffic by:
 - Address range
 - Initiator-ID (see [Table 34-14](#))
 - Transaction type
 - Transaction qualifier
 - Generating a trigger upon watchpoint match
 - Starting and stopping OCP traffic monitoring upon:
 - WP address match
 - External trigger
 - Profiling DMA transfers
 - Generating hardware message upon system event
 - OCP_WP_NOC messages can be interleaved with software messages
 - Programming from:
 - Debugger
 - Application

NOTE: The OCP_WP_NOC is restricted to monitor request flow only.

[Table 34-13](#) summarizes the OCP targets that can be monitored by the OCP_WP_NOC and their respective probe-ID.

Table 34-13. L3_MAIN Interconnect Functional Probe Mapping

Probe-ID	L3 OCP Target
0000	Reserved
0001	GPMC
0010	L4_PER1
0011	L4_CFG
0100	DMM_P1 (DMM target port 1) ⁽¹⁾
0101	DMM_P2 (DMM target port 2) ⁽¹⁾
0110	OCMC_RAM1
0111	L4_PER2
1000	L4_PER3

⁽¹⁾ Does not allow tracking MPU transactions routed through Memory Adapter and DMM.

The user can program the OCP_WP to extract the traffic from a specific set of initiators (maximum four master-IDs). [Table 34-14](#) lists the master-ID reported by the L3_MAIN debug port for the device initiators.

Table 34-14. Master-ID Mapping (Debug View)

Master-ID	Initiator
0x1	MPU
0x4	CS_DAP
0x5	IEEE1500_2_OCP
0x8	DSP1 MDMA
0x9	DSP1 CFG
0xA	DSP1 DMA
0xB	Reserved
0xC	Reserved
0xD	Reserved

Table 34-14. Master-ID Mapping (Debug View) (continued)

Master-ID	Initiator
0xE	IVA ICONT1
0x10	Reserved
0x11	Reserved
0x12	Reserved
0x13	Reserved
0x14	PRU-ICSS1 PRU1
0x15	PRU-ICSS1 PRU2
0x16	PRU-ICSS2 PRU1
0x17	PRU-ICSS2 PRU2
0x18	IPU1
0x19	IPU2
0x1A	DMA_SYSTEM RD
0x1A	DMA_SYSTEM WR
0x1B	Reserved
0x1B	Reserved
0x1C	EDMA_TC1 WR
0x1C	EDMA_TC1 RD
0x1D	EDMA_TC2 WR
0x1D	EDMA_TC2 RD
0x20	DSS
0x21	MLB ⁽¹⁾
0x21	MMU1
0x22	PCIe_SS1
0x23	PCIe_SS2
0x23	MMU2
0x24	VIP1 P1
0x24	VIP1 P2
0x25	Reserved
0x25	Reserved
0x26	Reserved
0x26	Reserved
0x27	VPE P1
0x27	VPE P2
0x28	MMC1
0x28	GPU P1
0x29	MMC2
0x29	GPU P2
0x2A	BB2D P1
0x2A	BB2D P2
0x2B	GMAC_SW
0x2B	Reserved
0x2C	Reserved
0x2D	USB1
0x2E	USB2
0x2F	USB3 ⁽¹⁾
0x30	Reserved

⁽¹⁾ **MLB and USB3 (ULPI) are not supported on the AM571x / AM570x family of devices..**

Table 34-14. Master-ID Mapping (Debug View) (continued)

Master-ID	Initiator
0x31	Reserved
0x33	SATA ⁽²⁾
0x34	Reserved
0x35	Reserved
0x36	Reserved
0x37	Reserved

⁽²⁾ SATA is not supported on the AM570x family of devices.

NOTE: For information about master-ID values from a protection/error logging point of view, see [Chapter 14, Interconnect](#).

34.10.4.2 Messages Triggered from System Events

The OCP_WP_NOC can be programmed to export a message through the CT_STM upon detection of a system event (interrupt, DMA request, etc.). A bus of 16 system events pre-selected at SoC level from a large number of observable events is routed to the OCP_WP_NOC. This can be useful to determine interrupts latencies:

- Interrupt request traced through OCP_WP_NOC system event detection
- ISR boundary tracked either through CT_STM software trace or OCP_WP_NOC address range detection

34.10.4.3 DMA Transfer Profiling

The OCP_WP_NOC can be configured to profile DMA transfers. This feature provides to the user visibility on:

- DMA logical channel interleaving
- DMA channel ID
- DMA transfer duration (time stamp)
- DMA burst size
- DMA reads
- DMA writes

When operating in this mode, the OCP_WP_NOC exports to CT_STM:

- DMA channel ID
- Burst size
- R/W

The CT_STM module encapsulates the information above in a compact STP message.

The address range filtering remains active but OCP address data are not encapsulated into the trace message to maximize CT_STM throughput.

34.10.5 IVA Pipeline

The device takes advantage of the system trace infrastructure to provide visibility to the user regarding IVA microtask sequencing. This is supported through a SMSET module instantiated in the IVA subsystem. The microtask boundaries are handled as generic events and encapsulated in STP messages with an event-ID and local timestamp and exported through the CT_STM module.

The IVA instrumentation scheme allows the user to understand microtask dependencies, hardware accelerators load balancing, and potential bottlenecks. DMA transfer boundaries are reported as IVA events. Software messages from Arm968 execution can be interleaved with IVA events.

34.10.6 L3 NOC Statistics Collector

The L3_MAIN interconnect supports a built-in performance monitoring feature by implementing a statistics collector (NOC_SC) component, which computes traffic statistics within a user-defined window and periodically reports to the user through the CT_STM interface. Ten NOC_SC instances are instantiated in the device:

- One statistics collector dedicated to SDRAM load monitoring – SC_SDRAM (see [Section 34.10.6.1, L3 Target Load Monitoring](#), for more information)
- Nine statistics collectors dedicated to L3 Master Latency Monitoring – SC_LAT0 through SC_LAT8 (see [Section 34.10.6.2, L3 Master Latency Monitoring](#), for more information)

Statistics collectors (SC_SDRAM and SC_LAT) can report:

- Average burst length in bytes/packet per sampling window
- Average throughput in bytes/cycle
- Percent link occupancy on the request link (for store transactions) during a sampling window
- Percent link occupancy on the response link (for load transactions) during a sampling window
- Percent arbitration conflict cycles on the request link
- Percent initiator busy cycles on the response link
- Histogram of payload length in bytes (for example, 0–16, 16–32, 32–128) each sampling window.
- Histogram of quality of service (QoS) metric for IVA initiator (for example, low priority, high priority) each sampling window.

The performance metrics are interleaved with software instrumentation data at the L3_MAIN interconnect level.

The performance monitoring probes implement three main functions:

- Events detection
- Transactions filtering
- Aggregation

The probes can be configured to detect the NTTP and OCP link events summarized in [Table 34-15](#).

Table 34-15. Performance Monitoring Events Detection

Link Event	NTTP	OCP	Definition
NONE	✓	✓	No event selected
ANY	✓	✓	Any clock cycles
TRANSFER	✓	✓	Word has been accepted by the receiver.
WAIT	✓	–	Transfer has been initiated but the transmitter currently has no data to send.
BUSY	✓	✓	Receiver applies flow control
PKT	✓	✓	Transfer of a new packet header
DATA	✓	✓	Transfer of a payload word
IDLES	✓	✓	No communication over the link
LATENCY	✓	–	Debug bit detection

The probes can be configured to filter the traffic based on the criteria summarized in [Table 34-16](#).

Table 34-16. Performance Filtering Options

Filters	Comment
Master address	Mask and match
Slave address ⁽¹⁾	
UserInfo	
Read	Opcode is a load

⁽¹⁾ SC_LAT only

Table 34-16. Performance Filtering Options (continued)

Filters	Comment
Write	Opcode is a store
Error	Mask and match
OCP address ⁽²⁾	

⁽²⁾ SC_SDRAM only

[Table 34-17](#) specifies the master address mapping (all statistics collectors).

Table 34-17. Statistics Collector Master Address Mapping

Master-ID	Initiator
0x0	MPU
0x10	CS_DAP
0x14	IEEE1500_2_OCP
0x20	DSP1 MDMA
0x24	DSP1 CFG
0x28	DSP1 DMA
0x2C	Reserved
0x30	Reserved
0x34	Reserved
0x3A	IVA ICONT1
0x42	Reserved
0x46	Reserved
0x4A	Reserved
0x4E	Reserved
0x50	PRU-ICSS1 PRU1
0x54	PRU-ICSS1 PRU2
0x58	PRU-ICSS2 PRU1
0x5C	PRU-ICSS2 PRU2
0x60	IPU1
0x64	IPU2
0x68	DMA_SYSTEM RD
0x6A	DMA_SYSTEM WR
0x6C	Reserved
0x6E	Reserved
0x70	EDMA_TC1 WR
0x72	EDMA_TC1 RD
0x74	EDMA_TC2 WR
0x76	EDMA_TC2 RD
0x80	DSS
0x84	MLB ⁽¹⁾
0x86	MMU1
0x88	PCIe_SS1
0x8C	PCIe_SS2
0x8E	MMU2
0x90	VIP1 P1
0x92	VIP1 P2
0x94	Reserved
0x96	Reserved

⁽¹⁾ **MLB and USB3 (ULPI) are not supported on the AM571x / AM570x family of devices..**

Table 34-17. Statistics Collector Master Address Mapping (continued)

Master-ID	Initiator
0x98	Reserved
0x9A	Reserved
0x9C	VPE P1
0x9E	VPE P2
0xA0	MMC1
0xA2	GPU P1
0xA4	MMC2
0xA6	GPU P2
0xA8	BB2D P1
0xAA	BB2D P2
0xAC	GMAC_SW
0xAE	Reserved
0xB0	Reserved
0xB4	USB1
0xB8	USB2
0xBC	USB3 ⁽¹⁾
0xC0	Reserved
0xC4	Reserved
0xCC	SATA ⁽²⁾
0xD2	Reserved
0xD6	Reserved
0xDA	Reserved
0xDE	Reserved

⁽²⁾ SATA is not supported on the AM570x family of devices.

Table 34-18 specifies the slave address mapping (SC_LAT only).

Table 34-18. Statistics Collector Slave Address Mapping

Slave	Address (hex)
Reserved	0x0
Reserved	0x1
DMM P1	0x2
Reserved	0x3
DSP1 SDMA	0x4
Reserved	0x5
DSS	0x6
Reserved	0x7
Reserved	0x8
Reserved	0x9
Reserved	0xA
BB2D	0xB
GPMC	0xC
GPU	0xD
HOST_CLK1_1	0xE
HOST_CLK1_2	0xF
IPU1	0x10
IPU2	0x11

Table 34-18. Statistics Collector Slave Address Mapping (continued)

Slave	Address (hex)
IVA CONFIG	0x12
IVA SL2IF	0x13
L4_CFG	0x14
L4_PER1 P1	0x15
L4_PER1 P2	0x16
L4_PER1 P3	0x17
L4_PER2 P1	0x18
L3_INSTR	0x19
L4_PER2 P3	0x1A
L4_PER3 P1	0x1B
L4_PER3 P2	0x1C
L4_PER3 P3	0x1D
L4_WKUP	0x1E
McASP1	0x1F
McASP2	0x20
McASP3	0x21
MMU1	0x22
MMU2	0x23
OCMC_RAM1	0x24
OCMC_RAM2	0x25
OCMC_RAM3	0x26
Reserved	0x27
PCIe_SS1	0x28
PCIe_SS2	0x29
PRU-ICSS1	0x2A
PRU-ICSS2	0x2B
Reserved	0x2C
Reserved	0x2D
Reserved	0x2E
Reserved	0x2F
EDMA_TPCC	0x30
EDMA_TC1	0x31
EDMA_TC2	0x32
Reserved	0x35
VCP1 ⁽¹⁾	0x36
VCP2 ⁽¹⁾	0x37
QSPI	0x39
HOST_CLK2_1	0x40
DEBUGSS CT_TBR	0x41
L4_PER2 P2	0x42

⁽¹⁾ VCP1 and VCP2 are not supported on the AM571x / AM570x family of devices..

The probes implement a user-defined set of counters that aggregate the events sampled by the detector and filtered according to the user setup.

NOTE: Statistics collectors counter values are accessible by application software.

Table 34-19 summarizes the performance probe aggregation modes.

Table 34-19. Aggregation Modes

Aggregation Mode	Description
FILTER_HIT	The counter increments by 1 when the filter hits.
MIN_MAX_HIT	The counter increments by 1 when the filter hits and the selected event information is within range. <ul style="list-style-type: none"> – Payload length (bytes) – Pressure value – Request/response latency (clock cycles)
EVT_INFO	The selected event information is added to the counter value when the filter hits. Payload length (bytes) Pressure value Request/response latency (clock cycles)
AND_FILTER	The counter increments by 1 when all unit filters hit.
OR_FILTER	The counter increments by 1 when at least one unit filter hits.
SUM_REQ_EVT	The counter sums the events from any request port.
SUM_RSP_EVT	The counter sums the events from any response port.
SUM_ALL_EVT	The counter sums the events from any port.
EXT_EVT	The counter increments by 1 when selected external event input signal is sampled high.

34.10.6.1 L3 Target Load Monitoring

The L3_MAIN interconnect implements five performance monitoring probes on DDR memory channels. The traffic statistics are computed within a user-defined window and periodically reported to the user through the CT_STM interface.

SC_SDRAM supports the following main features:

- Four probe inputs:
 - Probe 0 (128 bit-wide) – EMIF1_SYS
 - Probe 1 (128 bit-wide) – Reserved
 - Probe 2 (128 bit-wide) – MPU_MA_P1
 - Probe 3 (128 bit-wide) – Reserved
- Eight 32-bit counters shared concurrently:
 - Counter 0 with two filters
 - Counter 1 with one filter
 - Counter 2 with two filters
 - Counter 3 with one filter
 - Counter 4 with one filter
 - Counter 5 with one filter
 - Counter 6 with one filter
 - Counter 7 with one filter
- Simple (with one element) or complex (with several elements) filters available
- Filtering according to:
 - Initiator of traffic
 - Access priorities
 - OCP address
- No latency counter. Only bandwidth measurement on this collector.
- 32-bit collecting window counter
- Dump identifier is 0x0 (tie-off value)
- Dumps frames at L3_MAIN interconnect slave address 0x19 (L3_INSTR)

Table 34-20 shows the SC_SDRAM port mapping.

Table 34-20. SC_SDRAM Port Mapping

Probe	Description	Link	Port
0	EMIF1_SYS	OCP REQ	0
		OCP RSP	1
1	RESERVED	OCP REQ	2
		OCP RSP	3
2	MPU_MA_P1	OCP REQ	4
		OCP RSP	5
3	RESERVED	OCP REQ	6
		OCP RSP	7

34.10.6.2 L3 Master Latency Monitoring

The L3 interconnect implements performance monitoring probes on initiator (master) interfaces. The master latency statistics are computed within a user-defined window and periodically reported to the user through the CT_STM interface.

The probes can be configured to filter latencies in four classes and report to the user a latency distribution along execution.

Because the performance metrics and the software events are exported through a unified export channel, it is possible to correlate latency trends with ongoing execution and system context.

Because computing latency requires maintaining the state between request and response ports, the probe cannot compute latency statistics on 100 percent of the initiator traffic. Hence, latency histograms must be extracted on large execution windows to be accurate.

34.10.6.2.1 SC_LAT0 Configuration

SC_LAT0 supports the following main features:

- Six probe inputs:
 - Probe 0: MPU
 - Probe 1: MMU1
 - Probe 2: EDMA_TC0_RD
 - Probe 3: EDMA_TC0_WR
 - Probe 4: EDMA_TC1_RD
 - Probe 5: EDMA_TC1_WR
- Four 32-bit counters shared concurrently:
 - Counter 0 with one filter
 - Counter 1 with one filter
 - Counter 2 with one filter
 - Counter 3 with one filter
- Filtering according to:
 - L3 target
 - Access priorities
- 10-bit counter for latency measurement
- 32-bit collecting window counter
- Identifier is 0x1 (tie-off value)
- Dumps frames at slave address 0x19 (L3_INSTR)

Table 34-21 shows the SC_LAT0 port mapping.

Table 34-21. SC_LAT0 Port Mapping

Probe	Description	Link	Port
0	MPU	NTTP REQ	0
		NTTP RSP	1
1	MMU1	NTTP REQ	2
		NTTP RSP	3
2	EDMA_TC0_RD	NTTP REQ	4
		NTTP RSP	5
3	EDMA_TC0_WR	NTTP REQ	6
		NTTP RSP	7
4	EDMA_TC1_RD	NTTP REQ	8
		NTTP RSP	9
5	EDMA_TC1_WR	NTTP REQ	10
		NTTP RSP	11

34.10.6.2.2 SC_LAT1 Configuration

SC_LAT1 supports the following main features:

- Eight probe inputs:
 - Probe 0: VIP1 P1
 - Probe 1: VIP1 P2
 - Probe 2: CAL
 - Probe 3: Reserved
 - Probe 4: Reserved
 - Probe 5: Reserved
 - Probe 6: VPE P1
 - Probe 7: VPE P2
- Four 32-bit counters shared concurrently:
 - Counter 0 with one filter
 - Counter 1 with one filter
 - Counter 2 with one filter
 - Counter 3 with one filter
- Filtering according to:
 - L3 target
 - Access priorities
- 10-bit counter for latency measurement
- 32-bit collecting window counter
- Identifier is 0x2 (tie-off value)
- Dumps frames at slave address 0x19 (L3_INSTR)

Table 34-22 shows the SC_LAT1 port mapping.

Table 34-22. SC_LAT1 Port Mapping

Probe	Description	Link	Port
0	VIP1 P1	NTTP REQ	0
		NTTP RSP	1
1	VIP1 P2	NTTP REQ	2
		NTTP RSP	3

Table 34-22. SC_LAT1 Port Mapping (continued)

Probe	Description	Link	Port
2	CAL	NTTP REQ	4
		NTTP RSP	5
3	RESERVED	NTTP REQ	6
		NTTP RSP	7
4	RESERVED	NTTP REQ	8
		NTTP RSP	9
5	RESERVED	NTTP REQ	10
		NTTP RSP	11
6	VPE P1	NTTP REQ	12
		NTTP RSP	13
7	VPE P2	NTTP REQ	14
		NTTP RSP	15

34.10.6.2.3 SC_LAT2 Configuration

SC_LAT2 supports the following main features:

- Eight probe inputs:
 - Probe 0: Reserved
 - Probe 1: Reserved
 - Probe 2: Reserved
 - Probe 3: Reserved
 - Probe 4: Reserved
 - Probe 5: Reserved
 - Probe 6: Reserved
 - Probe 7: Reserved
- Four 32-bit counters shared concurrently:
 - Counter 0 with one filter
 - Counter 1 with one filter
 - Counter 2 with one filter
 - Counter 3 with one filter
- Filtering according to:
 - L3 target
 - Access priorities
- 10-bit counter for latency measurement
- 32-bit collecting window counter
- Identifier is 0x3 (tie-off value)
- Dumps frames at slave address 0x19 (L3_INSTR)

[Table 34-22](#) shows the SC_LAT2 port mapping.

Table 34-23. SC_LAT2 Port Mapping

Probe	Description	Link	Port
0	RESERVED	NTTP REQ	0
		NTTP RSP	1
1	RESERVED	NTTP REQ	2
		NTTP RSP	3

Table 34-23. SC_LAT2 Port Mapping (continued)

Probe	Description	Link	Port
2	RESERVED	NTTP REQ	4
		NTTP RSP	5
3	RESERVED	NTTP REQ	6
		NTTP RSP	7
4	RESERVED	NTTP REQ	8
		NTTP RSP	9
5	RESERVED	NTTP REQ	10
		NTTP RSP	11
6	RESERVED	NTTP REQ	12
		NTTP RSP	13
7	RESERVED	NTTP REQ	14
		NTTP RSP	15

34.10.6.2.4 SC_LAT3 Configuration

SC_LAT3 supports the following main features:

- Eight probe inputs:
 - Probe 0: DSP1 MDMA
 - Probe 1: DSP1 EDMA
 - Probe 2: Reserved
 - Probe 3: Reserved
 - Probe 4: IVA
 - Probe 5: GPU P1
 - Probe 6: GPU P2
 - Probe 7: BB2D P1
- Four 32-bit counters shared concurrently:
 - Counter 0 with one filter
 - Counter 1 with one filter
 - Counter 2 with one filter
 - Counter 3 with one filter
- Filtering according to:
 - L3 target
 - Access priorities
- 10-bit counter for latency measurement
- 32-bit collecting window counter
- Identifier is 0x4 (tie-off value)
- Dumps frames at slave address 0x19 (L3_INSTR)

Table 34-22 shows the SC_LAT3 port mapping.

Table 34-24. SC_LAT3 Port Mapping

Probe	Description	Link	Port
0	DSP1 MDMA	NTTP REQ	0
		NTTP RSP	1
1	DSP1 EDMA	NTTP REQ	2
		NTTP RSP	3

Table 34-24. SC_LAT3 Port Mapping (continued)

Probe	Description	Link	Port
2	RESERVED	NTTP REQ	4
		NTTP RSP	5
3	RESERVED	NTTP REQ	6
		NTTP RSP	7
4	IVA	NTTP REQ	8
		NTTP RSP	9
5	GPU P1	NTTP REQ	10
		NTTP RSP	11
6	GPU P2	NTTP REQ	12
		NTTP RSP	13
7	BB2D P1	NTTP REQ	14
		NTTP RSP	15

34.10.6.2.5 SC_LAT4 Configuration

SC_LAT4 supports the following main features:

- Eight probe inputs:
 - Probe 0: DSS
 - Probe 1: Reserved
 - Probe 2: MMU2
 - Probe 3: IPU1
 - Probe 4: IPU2
 - Probe 5: DMA SYSTEM RD
 - Probe 6: DMA SYSTEM WR
 - Probe 7: Reserved
- Four 32-bit counters shared concurrently:
 - Counter 0 with one filter
 - Counter 1 with one filter
 - Counter 2 with one filter
 - Counter 3 with one filter
- Filtering according to:
 - L3 target
 - Access priorities
- 10-bit counter for latency measurement
- 32-bit collecting window counter
- Identifier is 0x5 (tie-off value)
- Dumps frames at slave address 0x19 (L3_INSTR)

[Table 34-22](#) shows the SC_LAT4 port mapping.

Table 34-25. SC_LAT4 Port Mapping

Probe	Description	Link	Port
0	DSS	NTTP REQ	0
		NTTP RSP	1
1	Reserved	NTTP REQ	2
		NTTP RSP	3

Table 34-25. SC_LAT4 Port Mapping (continued)

Probe	Description	Link	Port
2	MMU2	NTTP REQ	4
		NTTP RSP	5
3	IPU1	NTTP REQ	6
		NTTP RSP	7
4	IPU2	NTTP REQ	8
		NTTP RSP	9
5	DMA SYSTEM RD	NTTP REQ	10
		NTTP RSP	11
6	DMA SYSTEM WR	NTTP REQ	12
		NTTP RSP	13
7	Reserved	NTTP REQ	14
		NTTP RSP	15

34.10.6.2.6 SC_LAT5 Configuration

SC_LAT5 supports the following main features:

- Eight probe inputs:
 - Probe 0: USB1
 - Probe 1: USB2
 - Probe 2: USB3 – **USB3 is not supported on the AM571x / AM570x family of devices..**
 - Probe 3: Reserved
 - Probe 4: PCIe_SS1
 - Probe 5: PCIe_SS2
 - Probe 6: DSP1 CFG
 - Probe 7: Reserved
- Four 32-bit counters shared concurrently:
 - Counter 0 with one filter
 - Counter 1 with one filter
 - Counter 2 with one filter
 - Counter 3 with one filter
- Filtering according to:
 - L3 target
 - Access priorities
- 10-bit counter for latency measurement
- 32-bit collecting window counter
- Identifier is 0x6 (tie-off value)
- Dumps frames at slave address 0x19 (L3_INSTR)

Table 34-22 shows the SC_LAT5 port mapping.

Table 34-26. SC_LAT5 Port Mapping

Probe	Description	Link	Port
0	USB1	NTTP REQ	0
		NTTP RSP	1
1	USB2	NTTP REQ	2
		NTTP RSP	3

Table 34-26. SC_LAT5 Port Mapping (continued)

Probe	Description	Link	Port
2	USB3 ⁽¹⁾	NTTP REQ	4
		NTTP RSP	5
3	RESERVED	NTTP REQ	6
		NTTP RSP	7
4	PCIe_SS1	NTTP REQ	8
		NTTP RSP	9
5	PCIe_SS2	NTTP REQ	10
		NTTP RSP	11
6	DSP1 CFG	NTTP REQ	12
		NTTP RSP	13
7	RESERVED	NTTP REQ	14
		NTTP RSP	15

⁽¹⁾ USB3 (ULPI) is not supported on the AM571x / AM570x family of devices..

34.10.6.2.7 SC_LAT6 Configuration

SC_LAT6 supports the following main features:

- Seven probe inputs:
 - Probe 0: GMAC_SW
 - Probe 1: PRU-ICSS1 P1
 - Probe 2: PRU-ICSS1 P2
 - Probe 3: PRU-ICSS2 P1
 - Probe 4: PRU-ICSS2 P2
 - Probe 5: Reserved
 - Probe 6: Reserved
 - Probe 7: MPU
- Four 32-bit counters shared concurrently:
 - Counter 0 with one filter
 - Counter 1 with one filter
 - Counter 2 with one filter
 - Counter 3 with one filter
- Filtering according to:
 - L3 target
 - Access priorities
- 10-bit counter for latency measurement
- 32-bit collecting window counter
- Identifier is 0x7 (tie-off value)
- Dumps frames at slave address 0x19 (L3_INSTR)

Table 34-22 shows the SC_LAT6 port mapping.

Table 34-27. SC_LAT6 Port Mapping

Probe	Description	Link	Port
0	GMAC_SW	NTTP REQ	0
		NTTP RSP	1

Table 34-27. SC_LAT6 Port Mapping (continued)

Probe	Description	Link	Port
1	PRU-ICSS1 P1	NTTP REQ	2
		NTTP RSP	3
2	PRU-ICSS1 P2	NTTP REQ	4
		NTTP RSP	5
3	PRU-ICSS2 P1	NTTP REQ	6
		NTTP RSP	7
4	PRU-ICSS2 P2	NTTP REQ	8
		NTTP RSP	9
5	Reserved	NTTP REQ	10
		NTTP RSP	11
6	Reserved	NTTP REQ	12
		NTTP RSP	13
7	MPU	NTTP REQ	14
		NTTP RSP	15

34.10.6.2.8 SC_LAT7 Configuration

SC_LAT7 supports the following main features:

- Eight probe inputs:
 - Probe 0: MMC1
 - Probe 1: MMC2
 - Probe 2: SATA – **SATA is not supported on the AM570x family of devices.**
 - Probe 3: MLB – **MLB is not supported on the AM571x / AM570x family of devices.**
 - Probe 4: BB2D_P2
 - Probe 5: IEEE1500
 - Probe 6: DEBUGSS
 - Probe 7: VCP1 – **VCP1 is not supported on the AM571x / AM570x family of devices.**
- Four 32-bit counters shared concurrently:
 - Counter 0 with one filter
 - Counter 1 with one filter
 - Counter 2 with one filter
 - Counter 3 with one filter
- Filtering according to:
 - L3 target
 - Access priorities
- 10-bit counter for latency measurement
- 32-bit collecting window counter
- Identifier is 0x8 (tie-off value)
- Dumps frames at slave address 0x19 (L3_INSTR)

[Table 34-22](#) shows the SC_LAT7 port mapping.

Table 34-28. SC_LAT7 Port Mapping

Probe	Description	Link	Port
0	MMC1	NTTP REQ	0
		NTTP RSP	1

Table 34-28. SC_LAT7 Port Mapping (continued)

Probe	Description	Link	Port
1	MMC2	NTTP REQ	2
		NTTP RSP	3
2	SATA ⁽¹⁾	NTTP REQ	4
		NTTP RSP	5
3	MLB ⁽²⁾	NTTP REQ	6
		NTTP RSP	7
4	BB2D_P2	NTTP REQ	8
		NTTP RSP	9
5	IEEE1500	NTTP REQ	10
		NTTP RSP	11
6	DEBUGSS	NTTP REQ	12
		NTTP RSP	13
7	VCP1 ⁽²⁾	NTTP REQ	14
		NTTP RSP	15

⁽¹⁾ SATA is not supported on the AM570x family of devices.

⁽²⁾ MLB and VCP1 are not supported on the AM571x / AM570x family of devices..

34.10.6.2.9 SC_LAT8 Configuration

SC_LAT8 supports the following main features:

- Eight probe inputs:
 - Probe 0: OCMC_RAM1
 - Probe 1: Reserved
 - Probe 2: Reserved
 - Probe 3: GPMC
 - Probe 4: MCASP1
 - Probe 5: MCASP2
 - Probe 6: MCASP3
 - Probe 7: VCP2 – VCP2 is not supported on the AM571x / AM570x family of devices..
- Four 32-bit counters shared concurrently:
 - Counter 0 with one filter
 - Counter 1 with one filter
 - Counter 2 with one filter
 - Counter 3 with one filter
- Filtering according to:
 - L3 target
 - Access priorities
- 10-bit counter for latency measurement
- 32-bit collecting window counter
- Identifier is 0x9 (tie-off value)
- Dumps frames at slave address 0x19 (L3_INSTR)

Table 34-22 shows the SC_LAT8 port mapping.

Table 34-29. SC_LAT8 Port Mapping

Probe	Description	Link	Port
0	OCMC_RAM1	NTTP REQ	0
		NTTP RSP	1
1	RESERVED	NTTP REQ	2
		NTTP RSP	3
2	RESERVED	NTTP REQ	4
		NTTP RSP	5
3	GPMC	NTTP REQ	6
		NTTP RSP	7
4	MCASP1	NTTP REQ	8
		NTTP RSP	9
5	MCASP2	NTTP REQ	10
		NTTP RSP	11
6	MCASP3	NTTP REQ	12
		NTTP RSP	13
7	VCP2 ⁽¹⁾	NTTP REQ	14
		NTTP RSP	15

⁽¹⁾ VCP2 is not supported on the AM571x / AM570x family of devices..

34.10.6.2.10 Statistics Collector Alarm Mode

Statistic collectors can be used to provide the application software with information about the NoC or SDRAM reaching corner cases (for example, too much traffic for a given OPP) while in application mode where for an end product use case the debug subsystem (which is normally exporting the statistic frames) is off. An interrupt-based scheme using a dedicated signal (L3_MAIN_IRQ_STAT_ALARM) is implemented to avoid CPU polling periodically statistic registers. This interrupt alert is fired when a given metric is out of specified range (below the programmed MIN threshold or above the programmed MAX threshold). The L3_MAIN_IRQ_STAT_ALARM interrupt is connected to the IRQ_CROSSBAR_16 input and the user can map it to any device INTC via Control Module.

NOTE: NTTP statistic collectors (SC_LAT) support latency measurement. However, comparison cannot be done on the latency counter. In case of latency measurement the comparison has to be done on number of latencies in user defined range, not on the latency value itself.

34.10.6.2.11 Statistics Collector Suspend Mode

The statistics collector module implements a suspend input that is used to avoid statistics collector counters to be updated while the processor has entered the debug state. This avoids triggering false alerts upon execution resume. When the statistics collector is asserted to 1, it freezes the monitoring process. When it goes back to 0, the monitoring resumes. If a frame is being dumped, it will not be stopped by suspend.

NOTE: Each statistic collector has an ignore suspend register, which can be used to disable the suspend feature.

34.10.7 PM Instrumentation

The device takes advantage of the system trace infrastructure to provide visibility to the user about the major power-management events. This is supported through a PMI module (PM profiler) instantiated in the PRM module. The PRM state changes are handled as generic events and encapsulated in STP hardware messages and exported through the CT_STM module. The nature of the PM events does not require accurate timestamping and thus, timestamping is handled at CT_STM or trace receiver level.

The PM events are organized by class. Any PM state change from a specific class refreshes the entire instrumentation frame associated with that class. The STP message structure includes a PM event-ID indicating the class of the PM events.

The PM event classes supported are:

- Logic voltage domain OPP change
- Memory voltage domain OPP change
- Logic power domain state change
- Memory power domain state change

The PMI has a unique hardware master-ID assigned to it (see [Section 34.10.9, Master-ID Encoding](#)).

The PMI supports the possibility to report on activity in different event classes in the same sampling window. The user can size the capture sampling window.

Software events from the PM routines instrumentation can be interleaved with the PM hardware events. The user can take advantage of that feature to understand latencies for a specific power-management scenario or strategy.

The PM module implements an instrumentation port that directly interfaces with the debug subsystem (used to export PM events to CT_STM).

34.10.8 CM Instrumentation

The device instantiates two CMI modules (CM profilers), one in CM1 (CMI1), and one in CM2 (CMI2). CMI1 and CMI2 are instantiations of the same debug-IP and can operate concurrently. Each of them has a separate unique hardware master-ID assigned to it (see [Section 34.10.9, Master-ID Encoding](#)).

The CM events profiling is similar to the PMI. Two exclusive instrumentation modes are supported:

- Clock activity:
 - Exposes to the user a snapshot of the state of all the clock domains derived from the same DPLL when CM detects a state change in the clock domain
 - Exposes to the user a snapshot of the DPLL settings when the CM signals a DPLL programming
- Module activity:
 - Exposes to the user periodically the active cycles count of the target modules
 - Exposes to the user periodically the active cycles count of the initiator modules

It provides visibility to the user about the state of the major clock domains along the application code execution. The STP message reports the effective state of the clock domain and therefore can highlight scenarios where a particular dependency is preventing the clock domain from being switched off.

The CM event classes supported are:

- Events capture mode – four classes:
 - Clock domain state
 - DPLL settings update
 - Clock frequency divider ratio
 - Clock source selection update
- Module activity collection mode – two classes:
 - Target module activity
 - Initiator module activity

When in events capture mode, the CMI supports the possibility of reporting on activity in different event classes in the same sampling window. The user can size the capture sampling window.

34.10.9 Master-ID Encoding

A master-ID (MReqMstID[7:0]) field is used by the CT_STM to encode a MASTER type of message:

- MReqMstID[7] – Differentiates software versus hardware masters (0 for software masters; 1 for

hardware masters)

- MReqMstID[6:2] – Master address exported by the L3_MAIN interconnect debug subsystem target
- MReqMstID[1:0] – Additional qualifier for multicore masters (MPU, IPU)

34.10.9.1 Software Masters

The CT_STM module allows:

- Enabling a maximum of four SoC software masters
- Masking MReqMstID[1:0]
- Differentiating multicore software masters through MReqMstID[1:0]

Table 34-30 summarizes the software initiators that can export trace messages through the CT_STM.

Table 34-30. STM Message Software Masters

Initiator	MReqMstID				Restriction/Comment
	ConnID	[7]	[6:2]	[1:0]	
MPU (SMP)	0x1	0	00001	00	MPU_C0
				01	MPU_C1
CS_DAP	0x4	0	00100	–	STP link testing
DSP1 MDMA	0x8	0	01000	–	
DSP1 CFG	0x9	0	01001	–	
DSP1 DMA	0xA	0	01010	–	Data logging
IVA	0xE	0	01110		Software messages routed through the IVA instrumentation port
PRU-ICSS1 P1	0x14	0	10100	–	
PRU-ICSS1 P2	0x15	0	10101	–	
PRU-ICSS2 P1	0x16	0	10110	–	
PRU-ICSS2 P2	0x17	0	10111	–	
IPU1	0x18	0	11000	00	IPU1_C0
				01	IPU1_C1
IPU2	0x19	0	11001	00	IPU2_C0
				01	IPU2_C1
DMA_SYSTEM_WR	0x1A	0	11010	–	Data logging
EDMA_TC1 WR	0x1C	0	11100	–	Data logging
EDMA_TC2 WR	0x1D	0	11101	–	Data logging

34.10.9.2 Hardware Masters

The CT_STM module allows enabling a subset of SoC hardware masters (maximum = 4).

Table 34-31 summarizes the hardware initiators that can export trace messages through the STM.

Table 34-31. STM Message Hardware Masters

Initiator	MReqMstID			
	ConnID	[7]	[6:2]	[1:0]
SC_SDRAM (STATCOLL_0)	0x22	1	00010	00
SC_LAT0 (STATCOLL_1)	0x2C	1	01100	00
SC_LAT1 (STATCOLL_2)	0x2D	1	01101	00
SC_LAT2 (STATCOLL_3)	0x2E	1	01110	00
SC_LAT3 (STATCOLL_4)	0x2F	1	01111	00
SC_LAT4 (STATCOLL_5)	0x30	1	10000	00
SC_LAT5 (STATCOLL_6)	0x31	1	10001	00

Table 34-31. STM Message Hardware Masters (continued)

Initiator	MReqMstID			
	0x32	1	10010	00
SC_LAT6 (STATCOLL_7)	0x32	1	10010	00
SC_LAT7 (STATCOLL_8)	0x33	1	10011	00
SC_LAT8 (STATCOLL_9)	0x3C	1	11100	00
OCP watchpoint (OCP_WP_NOC)	0x39	1	11001	00
DMA profiling (OCP_WP_NOC)	0x3A	1	11010	00
System events (OCP_WP_NOC)	0x3B	1	11011	00
IVA instrumentation (SMSET)	0x3C	1	11100	00
PMI events profiling (PM)	0x3D	1	11101	00
PMI events profiling (CM1)	0x3E	1	11110	00
PMI events profiling (CM2)	0x3F	1	11111	00

34.11 Concurrent Debug Modes

The debugger or application software can program the DRM to route a specific debug function to each device debug port pin.

Because of the limited number of pins allocated to debug, debug and trace source signals are multiplexed.

Table 34-32 summarizes the trace port configuration.

Table 34-32. Trace Port Configuration

Pin Name	Internal Signal Name	I/O	Trigger	CS_TPIU (CS_PTM, DSP, CS_STM, CT_STM)	
				Mode A (up to 16 data pins)	Mode B(1) (up to 18 data pins)
emu19	EMU19	O		TRACEDATA[15]	TRACEDATA[17]
emu18	EMU18	O		TRACEDATA[14]	TRACEDATA[16]
emu17	EMU17	O		TRACEDATA[13]	TRACEDATA[15]
emu16	EMU16	O		TRACEDATA[12]	TRACEDATA[14]
emu15	EMU15	O		TRACEDATA[11]	TRACEDATA[13]
emu14	EMU14	O		TRACEDATA[10]	TRACEDATA[12]
emu13	EMU13	O		TRACEDATA[9]	TRACEDATA[11]
emu12	EMU12	O		TRACEDATA[8]	TRACEDATA[10]
emu11	EMU11	O		TRACEDATA[7]	TRACEDATA[9]
emu10	EMU10	O		TRACEDATA[6]	TRACEDATA[8]
emu9	EMU9	O		TRACEDATA[5]	TRACEDATA[7]
emu8	EMU8	O		TRACEDATA[4]	TRACEDATA[6]
emu7	EMU7	O		TRACEDATA[3]	TRACEDATA[5]
emu6	EMU6	O		TRACEDATA[2]	TRACEDATA[4]
emu5	EMU5	O		TRACEDATA[1]	TRACEDATA[3]
emu4	EMU4	O		TRACEDATA[0]	TRACEDATA[2]
emu3	EMU3	O		TRACECTL	TRACECTL
emu2	EMU2	O		TRACECLK	TRACECLK
emu1	EMU1	I/O	Trigger1		TRACEDATA[1]
emu0	EMU0	I/O	Trigger0		TRACEDATA[0]

(1) This is the recommended mode for primary use.

NOTE: The configuration of the trace port must comply with Table 34-32; otherwise, it will be ignored by DRM hardware. For example, if Trigger0 is programmed on EMU3 and Trigger1 is programmed on EMU4, this configuration will be ignored.

Table 34-33 summarizes the concurrent debug and trace in the device.

Table 34-33. Concurrent Debug and Trace

Debug Use Case	Concurrent Debug Flows	Debug Pins	Trace Pins		
		Triggers	Data	Control	Clock
1	CS_PTM		16	1	1
	CT_STM				
	Triggers	2			
2	CS_PTM		16	1	1
	CT_STM		1	–	1
	Triggers				

Table 34-33. Concurrent Debug and Trace (continued)

Debug Use Case	Concurrent Debug Flows	Debug Pins	Trace Pins		
		Triggers	Data	Control	Clock
3	CS_PTM		8	1	1
	CT_STM		4	–	1
	Triggers	2			
4	CS_PTM		11	1	1
	CT_STM		4	–	1
	Triggers	2			

34.12 DRM Register Manual

34.12.1 DRM Instance Summary

Table 34-34. DRM Instance Summary

Module Name	Module Base Address	Size
DRM	0x5416 0000	588 Bytes

34.12.2 DRM Registers

34.12.2.1 DRM Register Summary

NOTE: See [Table 34-8](#) for DRM suspend control registers assignment to corresponding peripherals.

Table 34-35. DRM Registers Mapping Summary

Register Name	Type	Register Width (Bits)	Address Offset	DRM Base Address
RESERVED	R	32	0x0000 0000 – 0x0000 00CC	0x5416 0000 – 0x5416 00CC
DRM_SUSPEND_CTRL0	RW	32	0x0000 0200	0x5416 0200
DRM_SUSPEND_CTRL1	RW	32	0x0000 0204	0x5416 0204
DRM_SUSPEND_CTRL2	RW	32	0x0000 0208	0x5416 0208
DRM_SUSPEND_CTRL3	RW	32	0x0000 020C	0x5416 020C
DRM_SUSPEND_CTRL4	RW	32	0x0000 0210	0x5416 0210
DRM_SUSPEND_CTRL5	RW	32	0x0000 0214	0x5416 0214
DRM_SUSPEND_CTRL6	RW	32	0x0000 0218	0x5416 0218
DRM_SUSPEND_CTRL7	RW	32	0x0000 021C	0x5416 021C
DRM_SUSPEND_CTRL8	RW	32	0x0000 0220	0x5416 0220
DRM_SUSPEND_CTRL9	RW	32	0x0000 0224	0x5416 0224
DRM_SUSPEND_CTRL10	RW	32	0x0000 0228	0x5416 0228
DRM_SUSPEND_CTRL11	RW	32	0x0000 022C	0x5416 022C
DRM_SUSPEND_CTRL12	RW	32	0x0000 0230	0x5416 0230
DRM_SUSPEND_CTRL13	RW	32	0x0000 0234	0x5416 0234
DRM_SUSPEND_CTRL14	RW	32	0x0000 0238	0x5416 0238
DRM_SUSPEND_CTRL15	RW	32	0x0000 023C	0x5416 023C
DRM_SUSPEND_CTRL16	RW	32	0x0000 0240	0x5416 0240
DRM_SUSPEND_CTRL17	RW	32	0x0000 0244	0x5416 0244

Table 34-35. DRM Registers Mapping Summary (continued)

Register Name	Type	Register Width (Bits)	Address Offset	DRM Base Address
DRM_SUSPEND_CTRL18	RW	32	0x0000 0248	0x5416 0248
DRM_SUSPEND_CTRL19	RW	32	0x0000 024C	0x5416 024C
DRM_SUSPEND_CTRL20	RW	32	0x0000 0250	0x5416 0250
DRM_SUSPEND_CTRL21	RW	32	0x0000 0254	0x5416 0254
DRM_SUSPEND_CTRL22	RW	32	0x0000 0258	0x5416 0258
DRM_SUSPEND_CTRL23	RW	32	0x0000 025C	0x5416 025C
DRM_SUSPEND_CTRL24	RW	32	0x0000 0260	0x5416 0260
DRM_SUSPEND_CTRL25	RW	32	0x0000 0264	0x5416 0264
DRM_SUSPEND_CTRL26	RW	32	0x0000 0268	0x5416 0268
DRM_SUSPEND_CTRL27	RW	32	0x0000 026C	0x5416 026C
DRM_SUSPEND_CTRL28	RW	32	0x0000 0270	0x5416 0270
DRM_SUSPEND_CTRL29	RW	32	0x0000 0274	0x5416 0274
DRM_SUSPEND_CTRL30	RW	32	0x0000 0278	0x5416 0278
DRM_SUSPEND_CTRL31	RW	32	0x0000 027C	0x5416 027C
DRM_SUSPEND_CTRL32	RW	32	0x0000 0280	0x5416 0280
DRM_SUSPEND_CTRL33	RW	32	0x0000 0284	0x5416 0284
DRM_SUSPEND_CTRL34	RW	32	0x0000 0288	0x5416 0288
DRM_SUSPEND_CTRL35	RW	32	0x0000 028C	0x5416 028C
DRM_SUSPEND_CTRL36	RW	32	0x0000 0290	0x5416 0290
DRM_SUSPEND_CTRL37	RW	32	0x0000 0294	0x5416 0294
RESERVED	R	32	0x0000 0400	0x5416 0400
RESERVED	R	32	0x0000 0500	0x5416 0500

34.12.2.2 DRM Register Description

Table 34-36. DRM_SUSPEND_CTRL0

Address Offset	0x0000 0200	Instance	DRM
Physical Address	0x5416 0200		
Description			
Type	RW		

31	30	29	28	27	26	25	24	23	22	21	20	19	18	17	16	15	14	13	12	11	10	9	8	7	6	5	4	3	2	1	0
RESERVED																SUSPEND_SEL				SUSPEND_DEFAULT_OVERRIDE	RESERVED	SENSCTRL									

Bits	Field Name	Description	Type	Reset
31:9	RESERVED	Reserved	R	0x0
8:4	SUSPEND_SEL	Suspend signal selection. Selects which suspend signal affects the peripheral. Only valid when SUSPEND_DEFAULT_OVERRIDE=0 and SENSCTRL=1. When read, these bits reflect the default suspend signal. 0000b: CPU suspend signal. All other values are reserved.	RW	0x0
3	SUSPEND_DEFAULT_OVERRIDE	Enable or disable the override value in SUSPEND_SEL. 0: SUSPEND_SEL field will select which suspend signal reaches the peripheral. 1: SUSPEND_SEL field ignored. Default suspend signal will reach the peripheral.	R	0x0
2:1	RESERVED	Reserved	R	0x0
0	SENSCTRL	Sensitivity Control for suspend signals. When SUSPEND_DEFAULT_OVERRIDE=1, this bit is ignored and read as a 1. When SUSPEND_DEFAULT_OVERRIDE=0, 0: Suspend signal will not reach the peripheral. Peripheral will act as normal even during a debug halt. 1: Suspend signal will reach the peripheral. Peripheral will be suspended during debug halt.	RW	0x0

Table 34-37. Register Call Summary for Register DRM_SUSPEND_CTRL0

Primary Debug Support

- [Debug Aware Peripherals and Host Processors: \[0\]](#)

DRM Register Manual

- [DRM Register Summary: \[1\]](#)

Table 34-38. DRM_SUSPEND_CTRL1

Address Offset	0x0000 0204	Instance	DRM
Physical Address	0x5416 0204		
Description			
Type	RW		

31	30	29	28	27	26	25	24	23	22	21	20	19	18	17	16	15	14	13	12	11	10	9	8	7	6	5	4	3	2	1	0
RESERVED																SUSPEND_SEL		SUSPEND_DEFAULT_OVERRIDE	RESERVED	SENSCTRL											

Bits	Field Name	Description	Type	Reset
31:9	RESERVED	Reserved	R	0x0
8:4	SUSPEND_SEL	Suspend signal selection. Selects which suspend signal affects the peripheral. Only valid when SUSPEND_DEFAULT_OVERRIDE=0 and SENSCTRL=1. When read, these bits reflect the default suspend signal. 0000b: CPU suspend signal. All other values are reserved.	RW	0x0
3	SUSPEND_DEFAULT_OVERRIDE	Enable or disable the override value in SUSPEND_SEL. 0: SUSPEND_SEL field will select which suspend signal reaches the peripheral. 1: SUSPEND_SEL field ignored. Default suspend signal will reach the peripheral.	R	0x0
2:1	RESERVED	Reserved	R	0x0
0	SENSCTRL	Sensitivity Control for suspend signals. When SUSPEND_DEFAULT_OVERRIDE=1, this bit is ignored and read as a 1. When SUSPEND_DEFAULT_OVERRIDE=0, 0: Suspend signal will not reach the peripheral. Peripheral will act as normal even during a debug halt. 1: Suspend signal will reach the peripheral. Peripheral will be suspended during debug halt.	RW	0x0

Table 34-39. Register Call Summary for Register DRM_SUSPEND_CTRL1

Primary Debug Support

- [Debug Aware Peripherals and Host Processors: \[0\]](#)

DRM Register Manual

- [DRM Register Summary: \[1\]](#)

Table 34-40. DRM_SUSPEND_CTRL2

Address Offset	0x0000 0208	Instance	DRM
Physical Address	0x5416 0208		
Description			
Type	RW		

31	30	29	28	27	26	25	24	23	22	21	20	19	18	17	16	15	14	13	12	11	10	9	8	7	6	5	4	3	2	1	0
RESERVED																SUSPEND_SEL		SUSPEND_DEFAULT_OVERRIDE	RESERVED	SENSCTRL											

Bits	Field Name	Description	Type	Reset
31:9	RESERVED	Reserved	R	0x0
8:4	SUSPEND_SEL	Suspend signal selection. Selects which suspend signal affects the peripheral. Only valid when SUSPEND_DEFAULT_OVERRIDE=0 and SENSCTRL=1. When read, these bits reflect the default suspend signal. 0000b: CPU suspend signal. All other values are reserved.	RW	0x0
3	SUSPEND_DEFAULT_OVERRIDE	Enable or disable the override value in SUSPEND_SEL. 0: SUSPEND_SEL field will select which suspend signal reaches the peripheral. 1: SUSPEND_SEL field ignored. Default suspend signal will reach the peripheral.	R	0x0
2:1	RESERVED	Reserved	R	0x0
0	SENSCTRL	Sensitivity Control for suspend signals. When SUSPEND_DEFAULT_OVERRIDE=1, this bit is ignored and read as a 1. When SUSPEND_DEFAULT_OVERRIDE=0, 0: Suspend signal will not reach the peripheral. Peripheral will act as normal even during a debug halt. 1: Suspend signal will reach the peripheral. Peripheral will be suspended during debug halt.	RW	0x0

Table 34-41. Register Call Summary for Register DRM_SUSPEND_CTRL2

Primary Debug Support

- [Debug Aware Peripherals and Host Processors: \[0\]](#)

DRM Register Manual

- [DRM Register Summary: \[1\]](#)

Table 34-42. DRM_SUSPEND_CTRL3

Address Offset	0x0000 020C	Instance	DRM
Physical Address	0x5416 020C		
Description			
Type	RW		

31	30	29	28	27	26	25	24	23	22	21	20	19	18	17	16	15	14	13	12	11	10	9	8	7	6	5	4	3	2	1	0
RESERVED																SUSPEND_SEL		SUSPEND_DEFAULT_OVERRIDE	RESERVED	SENSCTRL											

Bits	Field Name	Description	Type	Reset
31:9	RESERVED	Reserved	R	0x0
8:4	SUSPEND_SEL	Suspend signal selection. Selects which suspend signal affects the peripheral. Only valid when SUSPEND_DEFAULT_OVERRIDE=0 and SENSCTRL=1. When read, these bits reflect the default suspend signal. 0000b: CPU suspend signal. All other values are reserved.	RW	0x0
3	SUSPEND_DEFAULT_OVERRIDE	Enable or disable the override value in SUSPEND_SEL. 0: SUSPEND_SEL field will select which suspend signal reaches the peripheral. 1: SUSPEND_SEL field ignored. Default suspend signal will reach the peripheral.	R	0x0
2:1	RESERVED	Reserved	R	0x0
0	SENSCTRL	Sensitivity Control for suspend signals. When SUSPEND_DEFAULT_OVERRIDE=1, this bit is ignored and read as a 1. When SUSPEND_DEFAULT_OVERRIDE=0, 0: Suspend signal will not reach the peripheral. Peripheral will act as normal even during a debug halt. 1: Suspend signal will reach the peripheral. Peripheral will be suspended during debug halt.	RW	0x0

Table 34-43. Register Call Summary for Register DRM_SUSPEND_CTRL3

Primary Debug Support

- [Debug Aware Peripherals and Host Processors: \[0\]](#)

DRM Register Manual

- [DRM Register Summary: \[1\]](#)

Table 34-44. DRM_SUSPEND_CTRL4

Address Offset	0x0000 0210	Instance	DRM
Physical Address	0x5416 0210		
Description			
Type	RW		

31	30	29	28	27	26	25	24	23	22	21	20	19	18	17	16	15	14	13	12	11	10	9	8	7	6	5	4	3	2	1	0
RESERVED																SUSPEND_SEL		SUSPEND_DEFAULT_OVERRIDE	RESERVED	SENSCTRL											

Bits	Field Name	Description	Type	Reset
31:9	RESERVED	Reserved	R	0x0
8:4	SUSPEND_SEL	Suspend signal selection. Selects which suspend signal affects the peripheral. Only valid when SUSPEND_DEFAULT_OVERRIDE=0 and SENSCTRL=1. When read, these bits reflect the default suspend signal. 0000b: CPU suspend signal. All other values are reserved.	RW	0x0
3	SUSPEND_DEFAULT_OVERRIDE	Enable or disable the override value in SUSPEND_SEL. 0: SUSPEND_SEL field will select which suspend signal reaches the peripheral. 1: SUSPEND_SEL field ignored. Default suspend signal will reach the peripheral.	R	0x0
2:1	RESERVED	Reserved	R	0x0
0	SENSCTRL	Sensitivity Control for suspend signals. When SUSPEND_DEFAULT_OVERRIDE=1, this bit is ignored and read as a 1. When SUSPEND_DEFAULT_OVERRIDE=0, 0: Suspend signal will not reach the peripheral. Peripheral will act as normal even during a debug halt. 1: Suspend signal will reach the peripheral. Peripheral will be suspended during debug halt.	RW	0x0

Table 34-45. Register Call Summary for Register DRM_SUSPEND_CTRL4

Primary Debug Support

- [Debug Aware Peripherals and Host Processors: \[0\]](#)

DRM Register Manual

- [DRM Register Summary: \[1\]](#)

Table 34-46. DRM_SUSPEND_CTRL5

Address Offset	0x0000 0214	Instance	DRM
Physical Address	0x5416 0214		
Description			
Type	RW		

31	30	29	28	27	26	25	24	23	22	21	20	19	18	17	16	15	14	13	12	11	10	9	8	7	6	5	4	3	2	1	0
RESERVED																SUSPEND_SEL		SUSPEND_DEFAULT_OVERRIDE	RESERVED	SENSCTRL											

Bits	Field Name	Description	Type	Reset
31:9	RESERVED	Reserved	R	0x0
8:4	SUSPEND_SEL	Suspend signal selection. Selects which suspend signal affects the peripheral. Only valid when SUSPEND_DEFAULT_OVERRIDE=0 and SENSCTRL=1. When read, these bits reflect the default suspend signal. 0000b: CPU suspend signal. All other values are reserved.	RW	0x0
3	SUSPEND_DEFAULT_OVERRIDE	Enable or disable the override value in SUSPEND_SEL. 0: SUSPEND_SEL field will select which suspend signal reaches the peripheral. 1: SUSPEND_SEL field ignored. Default suspend signal will reach the peripheral.	R	0x0
2:1	RESERVED	Reserved	R	0x0
0	SENSCTRL	Sensitivity Control for suspend signals. When SUSPEND_DEFAULT_OVERRIDE=1, this bit is ignored and read as a 1. When SUSPEND_DEFAULT_OVERRIDE=0, 0: Suspend signal will not reach the peripheral. Peripheral will act as normal even during a debug halt. 1: Suspend signal will reach the peripheral. Peripheral will be suspended during debug halt.	RW	0x0

Table 34-47. Register Call Summary for Register DRM_SUSPEND_CTRL5

Primary Debug Support

- [Debug Aware Peripherals and Host Processors: \[0\]](#)

DRM Register Manual

- [DRM Register Summary: \[1\]](#)

Table 34-48. DRM_SUSPEND_CTRL6

Address Offset	0x0000 0218	Instance	DRM
Physical Address	0x5416 0218		
Description			
Type	RW		

31	30	29	28	27	26	25	24	23	22	21	20	19	18	17	16	15	14	13	12	11	10	9	8	7	6	5	4	3	2	1	0
RESERVED																SUSPEND_SEL		SUSPEND_DEFAULT_OVERRIDE	RESERVED	SENSCTRL											

Bits	Field Name	Description	Type	Reset
31:9	RESERVED	Reserved	R	0x0
8:4	SUSPEND_SEL	Suspend signal selection. Selects which suspend signal affects the peripheral. Only valid when SUSPEND_DEFAULT_OVERRIDE=0 and SENSCTRL=1. When read, these bits reflect the default suspend signal. 0000b: CPU suspend signal. All other values are reserved.	RW	0x0
3	SUSPEND_DEFAULT_OVERRIDE	Enable or disable the override value in SUSPEND_SEL. 0: SUSPEND_SEL field will select which suspend signal reaches the peripheral. 1: SUSPEND_SEL field ignored. Default suspend signal will reach the peripheral.	R	0x0
2:1	RESERVED	Reserved	R	0x0
0	SENSCTRL	Sensitivity Control for suspend signals. When SUSPEND_DEFAULT_OVERRIDE=1, this bit is ignored and read as a 1. When SUSPEND_DEFAULT_OVERRIDE=0, 0: Suspend signal will not reach the peripheral. Peripheral will act as normal even during a debug halt. 1: Suspend signal will reach the peripheral. Peripheral will be suspended during debug halt.	RW	0x0

Table 34-49. Register Call Summary for Register DRM_SUSPEND_CTRL6

Primary Debug Support

- [Debug Aware Peripherals and Host Processors: \[0\]](#)

DRM Register Manual

- [DRM Register Summary: \[1\]](#)

Table 34-50. DRM_SUSPEND_CTRL7

Address Offset	0x0000 021C	Instance	DRM
Physical Address	0x5416 021C		
Description			
Type	RW		

31	30	29	28	27	26	25	24	23	22	21	20	19	18	17	16	15	14	13	12	11	10	9	8	7	6	5	4	3	2	1	0
RESERVED																SUSPEND_SEL		SUSPEND_DEFAULT_OVERRIDE	RESERVED	SENSCTRL											

Bits	Field Name	Description	Type	Reset
31:9	RESERVED	Reserved	R	0x0
8:4	SUSPEND_SEL	Suspend signal selection. Selects which suspend signal affects the peripheral. Only valid when SUSPEND_DEFAULT_OVERRIDE=0 and SENSCTRL=1. When read, these bits reflect the default suspend signal. 0000b: CPU suspend signal. All other values are reserved.	RW	0x0
3	SUSPEND_DEFAULT_OVERRIDE	Enable or disable the override value in SUSPEND_SEL. 0: SUSPEND_SEL field will select which suspend signal reaches the peripheral. 1: SUSPEND_SEL field ignored. Default suspend signal will reach the peripheral.	R	0x0
2:1	RESERVED	Reserved	R	0x0
0	SENSCTRL	Sensitivity Control for suspend signals. When SUSPEND_DEFAULT_OVERRIDE=1, this bit is ignored and read as a 1. When SUSPEND_DEFAULT_OVERRIDE=0, 0: Suspend signal will not reach the peripheral. Peripheral will act as normal even during a debug halt. 1: Suspend signal will reach the peripheral. Peripheral will be suspended during debug halt.	RW	0x0

Table 34-51. Register Call Summary for Register DRM_SUSPEND_CTRL7

Primary Debug Support

- [Debug Aware Peripherals and Host Processors: \[0\]](#)

DRM Register Manual

- [DRM Register Summary: \[1\]](#)

Table 34-52. DRM_SUSPEND_CTRL8

Address Offset	0x0000 0220	Instance	DRM
Physical Address	0x5416 0220		
Description			
Type	RW		

31	30	29	28	27	26	25	24	23	22	21	20	19	18	17	16	15	14	13	12	11	10	9	8	7	6	5	4	3	2	1	0
RESERVED																SUSPEND_SEL				SUSPEND_DEFAULT_OVERRIDE	RESERVED	SENSCTRL									

Bits	Field Name	Description	Type	Reset
31:9	RESERVED	Reserved	R	0x0
8:4	SUSPEND_SEL	Suspend signal selection. Selects which suspend signal affects the peripheral. Only valid when SUSPEND_DEFAULT_OVERRIDE=0 and SENSCTRL=1. When read, these bits reflect the default suspend signal. 0000b: CPU suspend signal. All other values are reserved.	RW	0x0
3	SUSPEND_DEFAULT_OVERRIDE	Enable or disable the override value in SUSPEND_SEL. 0: SUSPEND_SEL field will select which suspend signal reaches the peripheral. 1: SUSPEND_SEL field ignored. Default suspend signal will reach the peripheral.	R	0x0
2:1	RESERVED	Reserved	R	0x0
0	SENSCTRL	Sensitivity Control for suspend signals. When SUSPEND_DEFAULT_OVERRIDE=1, this bit is ignored and read as a 1. When SUSPEND_DEFAULT_OVERRIDE=0, 0: Suspend signal will not reach the peripheral. Peripheral will act as normal even during a debug halt. 1: Suspend signal will reach the peripheral. Peripheral will be suspended during debug halt.	RW	0x0

Table 34-53. Register Call Summary for Register DRM_SUSPEND_CTRL8

Primary Debug Support

- [Debug Aware Peripherals and Host Processors: \[0\]](#)

DRM Register Manual

- [DRM Register Summary: \[1\]](#)

Table 34-54. DRM_SUSPEND_CTRL9

Address Offset	0x0000 0224	Instance	DRM
Physical Address	0x5416 0224		
Description			
Type	RW		

31	30	29	28	27	26	25	24	23	22	21	20	19	18	17	16	15	14	13	12	11	10	9	8	7	6	5	4	3	2	1	0
RESERVED																SUSPEND_SEL		SUSPEND_DEFAULT_OVERRIDE	RESERVED	SENSCTRL											

Bits	Field Name	Description	Type	Reset
31:9	RESERVED	Reserved	R	0x0
8:4	SUSPEND_SEL	Suspend signal selection. Selects which suspend signal affects the peripheral. Only valid when SUSPEND_DEFAULT_OVERRIDE=0 and SENSCTRL=1. When read, these bits reflect the default suspend signal. 0000b: CPU suspend signal. All other values are reserved.	RW	0x0
3	SUSPEND_DEFAULT_OVERRIDE	Enable or disable the override value in SUSPEND_SEL. 0: SUSPEND_SEL field will select which suspend signal reaches the peripheral. 1: SUSPEND_SEL field ignored. Default suspend signal will reach the peripheral.	R	0x0
2:1	RESERVED	Reserved	R	0x0
0	SENSCTRL	Sensitivity Control for suspend signals. When SUSPEND_DEFAULT_OVERRIDE=1, this bit is ignored and read as a 1. When SUSPEND_DEFAULT_OVERRIDE=0, 0: Suspend signal will not reach the peripheral. Peripheral will act as normal even during a debug halt. 1: Suspend signal will reach the peripheral. Peripheral will be suspended during debug halt.	RW	0x0

Table 34-55. Register Call Summary for Register DRM_SUSPEND_CTRL9

Primary Debug Support

- [Debug Aware Peripherals and Host Processors: \[0\]](#)

DRM Register Manual

- [DRM Register Summary: \[1\]](#)

Table 34-56. DRM_SUSPEND_CTRL10

Address Offset	0x0000 0228	Instance	DRM
Physical Address	0x5416 0228		
Description			
Type	RW		

31	30	29	28	27	26	25	24	23	22	21	20	19	18	17	16	15	14	13	12	11	10	9	8	7	6	5	4	3	2	1	0
RESERVED																SUSPEND_SEL		SUSPEND_DEFAULT_OVERRIDE	RESERVED	SENSCTRL											

Bits	Field Name	Description	Type	Reset
31:9	RESERVED	Reserved	R	0x0
8:4	SUSPEND_SEL	Suspend signal selection. Selects which suspend signal affects the peripheral. Only valid when SUSPEND_DEFAULT_OVERRIDE=0 and SENSCTRL=1. When read, these bits reflect the default suspend signal. 0000b: CPU suspend signal. All other values are reserved.	RW	0x0
3	SUSPEND_DEFAULT_OVERRIDE	Enable or disable the override value in SUSPEND_SEL. 0: SUSPEND_SEL field will select which suspend signal reaches the peripheral. 1: SUSPEND_SEL field ignored. Default suspend signal will reach the peripheral.	R	0x0
2:1	RESERVED	Reserved	R	0x0
0	SENSCTRL	Sensitivity Control for suspend signals. When SUSPEND_DEFAULT_OVERRIDE=1, this bit is ignored and read as a 1. When SUSPEND_DEFAULT_OVERRIDE=0, 0: Suspend signal will not reach the peripheral. Peripheral will act as normal even during a debug halt. 1: Suspend signal will reach the peripheral. Peripheral will be suspended during debug halt.	RW	0x0

Table 34-57. Register Call Summary for Register DRM_SUSPEND_CTRL10

Primary Debug Support

- [Debug Aware Peripherals and Host Processors: \[0\]](#)

DRM Register Manual

- [DRM Register Summary: \[1\]](#)

Table 34-58. DRM_SUSPEND_CTRL11

Address Offset	0x0000 022C	Instance	DRM
Physical Address	0x5416 022C		
Description			
Type	RW		

31	30	29	28	27	26	25	24	23	22	21	20	19	18	17	16	15	14	13	12	11	10	9	8	7	6	5	4	3	2	1	0
RESERVED																SUSPEND_SEL		SUSPEND_DEFAULT_OVERRIDE	RESERVED	SENSCTRL											

Bits	Field Name	Description	Type	Reset
31:9	RESERVED	Reserved	R	0x0
8:4	SUSPEND_SEL	Suspend signal selection. Selects which suspend signal affects the peripheral. Only valid when SUSPEND_DEFAULT_OVERRIDE=0 and SENSCTRL=1. When read, these bits reflect the default suspend signal. 0000b: CPU suspend signal. All other values are reserved.	RW	0x0
3	SUSPEND_DEFAULT_OVERRIDE	Enable or disable the override value in SUSPEND_SEL. 0: SUSPEND_SEL field will select which suspend signal reaches the peripheral. 1: SUSPEND_SEL field ignored. Default suspend signal will reach the peripheral.	R	0x0
2:1	RESERVED	Reserved	R	0x0
0	SENSCTRL	Sensitivity Control for suspend signals. When SUSPEND_DEFAULT_OVERRIDE=1, this bit is ignored and read as a 1. When SUSPEND_DEFAULT_OVERRIDE=0, 0: Suspend signal will not reach the peripheral. Peripheral will act as normal even during a debug halt. 1: Suspend signal will reach the peripheral. Peripheral will be suspended during debug halt.	RW	0x0

Table 34-59. Register Call Summary for Register DRM_SUSPEND_CTRL11

Primary Debug Support

- [Debug Aware Peripherals and Host Processors: \[0\]](#)

DRM Register Manual

- [DRM Register Summary: \[1\]](#)

Table 34-60. DRM_SUSPEND_CTRL12

Address Offset	0x0000 0230	Instance	DRM
Physical Address	0x5416 0230		
Description			
Type	RW		

31	30	29	28	27	26	25	24	23	22	21	20	19	18	17	16	15	14	13	12	11	10	9	8	7	6	5	4	3	2	1	0
RESERVED																SUSPEND_SEL		SUSPEND_DEFAULT_OVERRIDE	RESERVED	SENSCTRL											

Bits	Field Name	Description	Type	Reset
31:9	RESERVED	Reserved	R	0x0
8:4	SUSPEND_SEL	Suspend signal selection. Selects which suspend signal affects the peripheral. Only valid when SUSPEND_DEFAULT_OVERRIDE=0 and SENSCTRL=1. When read, these bits reflect the default suspend signal. 0000b: CPU suspend signal. All other values are reserved.	RW	0x0
3	SUSPEND_DEFAULT_OVERRIDE	Enable or disable the override value in SUSPEND_SEL. 0: SUSPEND_SEL field will select which suspend signal reaches the peripheral. 1: SUSPEND_SEL field ignored. Default suspend signal will reach the peripheral.	R	0x0
2:1	RESERVED	Reserved	R	0x0
0	SENSCTRL	Sensitivity Control for suspend signals. When SUSPEND_DEFAULT_OVERRIDE=1, this bit is ignored and read as a 1. When SUSPEND_DEFAULT_OVERRIDE=0, 0: Suspend signal will not reach the peripheral. Peripheral will act as normal even during a debug halt. 1: Suspend signal will reach the peripheral. Peripheral will be suspended during debug halt.	RW	0x0

Table 34-61. Register Call Summary for Register DRM_SUSPEND_CTRL12

Primary Debug Support

- [Debug Aware Peripherals and Host Processors: \[0\]](#)

DRM Register Manual

- [DRM Register Summary: \[1\]](#)

Table 34-62. DRM_SUSPEND_CTRL13

Address Offset	0x0000 0234	Instance	DRM
Physical Address	0x5416 0234		
Description			
Type	RW		

31	30	29	28	27	26	25	24	23	22	21	20	19	18	17	16	15	14	13	12	11	10	9	8	7	6	5	4	3	2	1	0
RESERVED																SUSPEND_SEL		SUSPEND_DEFAULT_OVERRIDE	RESERVED	SENSCTRL											

Bits	Field Name	Description	Type	Reset
31:9	RESERVED	Reserved	R	0x0
8:4	SUSPEND_SEL	Suspend signal selection. Selects which suspend signal affects the peripheral. Only valid when SUSPEND_DEFAULT_OVERRIDE=0 and SENSCTRL=1. When read, these bits reflect the default suspend signal. 0000b: CPU suspend signal. All other values are reserved.	RW	0x0
3	SUSPEND_DEFAULT_OVERRIDE	Enable or disable the override value in SUSPEND_SEL. 0: SUSPEND_SEL field will select which suspend signal reaches the peripheral. 1: SUSPEND_SEL field ignored. Default suspend signal will reach the peripheral.	R	0x0
2:1	RESERVED	Reserved	R	0x0
0	SENSCTRL	Sensitivity Control for suspend signals. When SUSPEND_DEFAULT_OVERRIDE=1, this bit is ignored and read as a 1. When SUSPEND_DEFAULT_OVERRIDE=0, 0: Suspend signal will not reach the peripheral. Peripheral will act as normal even during a debug halt. 1: Suspend signal will reach the peripheral. Peripheral will be suspended during debug halt.	RW	0x0

Table 34-63. Register Call Summary for Register DRM_SUSPEND_CTRL13

Primary Debug Support

- [Debug Aware Peripherals and Host Processors: \[0\]](#)

DRM Register Manual

- [DRM Register Summary: \[1\]](#)

Table 34-64. DRM_SUSPEND_CTRL14

Address Offset	0x0000 0238	Instance	DRM
Physical Address	0x5416 0238		
Description			
Type	RW		

31	30	29	28	27	26	25	24	23	22	21	20	19	18	17	16	15	14	13	12	11	10	9	8	7	6	5	4	3	2	1	0
RESERVED																SUSPEND_SEL		SUSPEND_DEFAULT_OVERRIDE	RESERVED	SENSCTRL											

Bits	Field Name	Description	Type	Reset
31:9	RESERVED	Reserved	R	0x0
8:4	SUSPEND_SEL	Suspend signal selection. Selects which suspend signal affects the peripheral. Only valid when SUSPEND_DEFAULT_OVERRIDE=0 and SENSCTRL=1. When read, these bits reflect the default suspend signal. 0000b: CPU suspend signal. All other values are reserved.	RW	0x0
3	SUSPEND_DEFAULT_OVERRIDE	Enable or disable the override value in SUSPEND_SEL. 0: SUSPEND_SEL field will select which suspend signal reaches the peripheral. 1: SUSPEND_SEL field ignored. Default suspend signal will reach the peripheral.	R	0x0
2:1	RESERVED	Reserved	R	0x0
0	SENSCTRL	Sensitivity Control for suspend signals. When SUSPEND_DEFAULT_OVERRIDE=1, this bit is ignored and read as a 1. When SUSPEND_DEFAULT_OVERRIDE=0, 0: Suspend signal will not reach the peripheral. Peripheral will act as normal even during a debug halt. 1: Suspend signal will reach the peripheral. Peripheral will be suspended during debug halt.	RW	0x0

Table 34-65. Register Call Summary for Register DRM_SUSPEND_CTRL14

Primary Debug Support

- [Debug Aware Peripherals and Host Processors: \[0\]](#)

DRM Register Manual

- [DRM Register Summary: \[1\]](#)

Table 34-66. DRM_SUSPEND_CTRL15

Address Offset	0x0000 023C	Instance	DRM
Physical Address	0x5416 023C		
Description			
Type	RW		

31	30	29	28	27	26	25	24	23	22	21	20	19	18	17	16	15	14	13	12	11	10	9	8	7	6	5	4	3	2	1	0
RESERVED																SUSPEND_SEL							SUSPEND_DEFAULT_OVERRIDE	RESERVED	SENSCTRL						

Bits	Field Name	Description	Type	Reset
31:9	RESERVED	Reserved	R	0x0
8:4	SUSPEND_SEL	Suspend signal selection. Selects which suspend signal affects the peripheral. Only valid when SUSPEND_DEFAULT_OVERRIDE=0 and SENSCTRL=1. When read, these bits reflect the default suspend signal. 0000b: CPU suspend signal. All other values are reserved.	RW	0x0
3	SUSPEND_DEFAULT_OVERRIDE	Enable or disable the override value in SUSPEND_SEL. 0: SUSPEND_SEL field will select which suspend signal reaches the peripheral. 1: SUSPEND_SEL field ignored. Default suspend signal will reach the peripheral.	R	0x0
2:1	RESERVED	Reserved	R	0x0
0	SENSCTRL	Sensitivity Control for suspend signals. When SUSPEND_DEFAULT_OVERRIDE=1, this bit is ignored and read as a 1. When SUSPEND_DEFAULT_OVERRIDE=0, 0: Suspend signal will not reach the peripheral. Peripheral will act as normal even during a debug halt. 1: Suspend signal will reach the peripheral. Peripheral will be suspended during debug halt.	RW	0x0

Table 34-67. Register Call Summary for Register DRM_SUSPEND_CTRL15

Primary Debug Support

- [Debug Aware Peripherals and Host Processors: \[0\]](#)

DRM Register Manual

- [DRM Register Summary: \[1\]](#)

Table 34-68. DRM_SUSPEND_CTRL16

Address Offset	0x0000 0240	Instance	DRM
Physical Address	0x5416 0240		
Description			
Type	RW		

31	30	29	28	27	26	25	24	23	22	21	20	19	18	17	16	15	14	13	12	11	10	9	8	7	6	5	4	3	2	1	0
RESERVED																SUSPEND_SEL		SUSPEND_DEFAULT_OVERRIDE	RESERVED	SENSCTRL											

Bits	Field Name	Description	Type	Reset
31:9	RESERVED	Reserved	R	0x0
8:4	SUSPEND_SEL	Suspend signal selection. Selects which suspend signal affects the peripheral. Only valid when SUSPEND_DEFAULT_OVERRIDE=0 and SENSCTRL=1. When read, these bits reflect the default suspend signal. 0000b: CPU suspend signal. All other values are reserved.	RW	0x0
3	SUSPEND_DEFAULT_OVERRIDE	Enable or disable the override value in SUSPEND_SEL. 0: SUSPEND_SEL field will select which suspend signal reaches the peripheral. 1: SUSPEND_SEL field ignored. Default suspend signal will reach the peripheral.	R	0x0
2:1	RESERVED	Reserved	R	0x0
0	SENSCTRL	Sensitivity Control for suspend signals. When SUSPEND_DEFAULT_OVERRIDE=1, this bit is ignored and read as a 1. When SUSPEND_DEFAULT_OVERRIDE=0, 0: Suspend signal will not reach the peripheral. Peripheral will act as normal even during a debug halt. 1: Suspend signal will reach the peripheral. Peripheral will be suspended during debug halt.	RW	0x0

Table 34-69. Register Call Summary for Register DRM_SUSPEND_CTRL16

Primary Debug Support

- [Debug Aware Peripherals and Host Processors: \[0\]](#)

DRM Register Manual

- [DRM Register Summary: \[1\]](#)

Table 34-70. DRM_SUSPEND_CTRL17

Address Offset	0x0000 0244	Instance	DRM
Physical Address	0x5416 0244		
Description			
Type	RW		

31	30	29	28	27	26	25	24	23	22	21	20	19	18	17	16	15	14	13	12	11	10	9	8	7	6	5	4	3	2	1	0
RESERVED																SUSPEND_SEL		SUSPEND_DEFAULT_OVERRIDE	RESERVED	SENSCTRL											

Bits	Field Name	Description	Type	Reset
31:9	RESERVED	Reserved	R	0x0
8:4	SUSPEND_SEL	Suspend signal selection. Selects which suspend signal affects the peripheral. Only valid when SUSPEND_DEFAULT_OVERRIDE=0 and SENSCTRL=1. When read, these bits reflect the default suspend signal. 0000b: CPU suspend signal. All other values are reserved.	RW	0x0
3	SUSPEND_DEFAULT_OVERRIDE	Enable or disable the override value in SUSPEND_SEL. 0: SUSPEND_SEL field will select which suspend signal reaches the peripheral. 1: SUSPEND_SEL field ignored. Default suspend signal will reach the peripheral.	R	0x0
2:1	RESERVED	Reserved	R	0x0
0	SENSCTRL	Sensitivity Control for suspend signals. When SUSPEND_DEFAULT_OVERRIDE=1, this bit is ignored and read as a 1. When SUSPEND_DEFAULT_OVERRIDE=0, 0: Suspend signal will not reach the peripheral. Peripheral will act as normal even during a debug halt. 1: Suspend signal will reach the peripheral. Peripheral will be suspended during debug halt.	RW	0x0

Table 34-71. Register Call Summary for Register DRM_SUSPEND_CTRL17

Primary Debug Support

- [Debug Aware Peripherals and Host Processors: \[0\]](#)

DRM Register Manual

- [DRM Register Summary: \[1\]](#)

Table 34-72. DRM_SUSPEND_CTRL18

Address Offset	0x0000 0248	Instance	DRM
Physical Address	0x5416 0248		
Description			
Type	RW		

31	30	29	28	27	26	25	24	23	22	21	20	19	18	17	16	15	14	13	12	11	10	9	8	7	6	5	4	3	2	1	0
RESERVED																SUSPEND_SEL		SUSPEND_DEFAULT_OVERRIDE	RESERVED	SENSCTRL											

Bits	Field Name	Description	Type	Reset
31:9	RESERVED	Reserved	R	0x0
8:4	SUSPEND_SEL	Suspend signal selection. Selects which suspend signal affects the peripheral. Only valid when SUSPEND_DEFAULT_OVERRIDE=0 and SENSCTRL=1. When read, these bits reflect the default suspend signal. 0000b: CPU suspend signal. All other values are reserved.	RW	0x0
3	SUSPEND_DEFAULT_OVERRIDE	Enable or disable the override value in SUSPEND_SEL. 0: SUSPEND_SEL field will select which suspend signal reaches the peripheral. 1: SUSPEND_SEL field ignored. Default suspend signal will reach the peripheral.	R	0x0
2:1	RESERVED	Reserved	R	0x0
0	SENSCTRL	Sensitivity Control for suspend signals. When SUSPEND_DEFAULT_OVERRIDE=1, this bit is ignored and read as a 1. When SUSPEND_DEFAULT_OVERRIDE=0, 0: Suspend signal will not reach the peripheral. Peripheral will act as normal even during a debug halt. 1: Suspend signal will reach the peripheral. Peripheral will be suspended during debug halt.	RW	0x0

Table 34-73. Register Call Summary for Register DRM_SUSPEND_CTRL18

Primary Debug Support

- [Debug Aware Peripherals and Host Processors: \[0\]](#)

DRM Register Manual

- [DRM Register Summary: \[1\]](#)

Table 34-74. DRM_SUSPEND_CTRL19

Address Offset	0x0000 024C	Instance	DRM
Physical Address	0x5416 024C		
Description			
Type	RW		

31	30	29	28	27	26	25	24	23	22	21	20	19	18	17	16	15	14	13	12	11	10	9	8	7	6	5	4	3	2	1	0
RESERVED																SUSPEND_SEL											SUSPEND_DEFAULT_OVERRIDE	RESERVED	SENSCTRL		

Bits	Field Name	Description	Type	Reset
31:9	RESERVED	Reserved	R	0x0
8:4	SUSPEND_SEL	Suspend signal selection. Selects which suspend signal affects the peripheral. Only valid when SUSPEND_DEFAULT_OVERRIDE=0 and SENSCTRL=1. When read, these bits reflect the default suspend signal. 0000b: CPU suspend signal. All other values are reserved.	RW	0x0
3	SUSPEND_DEFAULT_OVERRIDE	Enable or disable the override value in SUSPEND_SEL. 0: SUSPEND_SEL field will select which suspend signal reaches the peripheral. 1: SUSPEND_SEL field ignored. Default suspend signal will reach the peripheral.	R	0x0
2:1	RESERVED	Reserved	R	0x0
0	SENSCTRL	Sensitivity Control for suspend signals. When SUSPEND_DEFAULT_OVERRIDE=1, this bit is ignored and read as a 1. When SUSPEND_DEFAULT_OVERRIDE=0, 0: Suspend signal will not reach the peripheral. Peripheral will act as normal even during a debug halt. 1: Suspend signal will reach the peripheral. Peripheral will be suspended during debug halt.	RW	0x0

Table 34-75. Register Call Summary for Register DRM_SUSPEND_CTRL19

Primary Debug Support

- [Debug Aware Peripherals and Host Processors: \[0\]](#)

DRM Register Manual

- [DRM Register Summary: \[1\]](#)

Table 34-76. DRM_SUSPEND_CTRL20

Address Offset	0x0000 0250	Instance	DRM
Physical Address	0x5416 0250		
Description			
Type	RW		

31	30	29	28	27	26	25	24	23	22	21	20	19	18	17	16	15	14	13	12	11	10	9	8	7	6	5	4	3	2	1	0
RESERVED																SUSPEND_SEL		SUSPEND_DEFAULT_OVERRIDE	RESERVED	SENSCTRL											

Bits	Field Name	Description	Type	Reset
31:9	RESERVED	Reserved	R	0x0
8:4	SUSPEND_SEL	Suspend signal selection. Selects which suspend signal affects the peripheral. Only valid when SUSPEND_DEFAULT_OVERRIDE=0 and SENSCTRL=1. When read, these bits reflect the default suspend signal. 0000b: CPU suspend signal. All other values are reserved.	RW	0x0
3	SUSPEND_DEFAULT_OVERRIDE	Enable or disable the override value in SUSPEND_SEL. 0: SUSPEND_SEL field will select which suspend signal reaches the peripheral. 1: SUSPEND_SEL field ignored. Default suspend signal will reach the peripheral.	R	0x0
2:1	RESERVED	Reserved	R	0x0
0	SENSCTRL	Sensitivity Control for suspend signals. When SUSPEND_DEFAULT_OVERRIDE=1, this bit is ignored and read as a 1. When SUSPEND_DEFAULT_OVERRIDE=0, 0: Suspend signal will not reach the peripheral. Peripheral will act as normal even during a debug halt. 1: Suspend signal will reach the peripheral. Peripheral will be suspended during debug halt.	RW	0x0

Table 34-77. Register Call Summary for Register DRM_SUSPEND_CTRL20

Primary Debug Support

- [Debug Aware Peripherals and Host Processors: \[0\]](#)

DRM Register Manual

- [DRM Register Summary: \[1\]](#)

Table 34-78. DRM_SUSPEND_CTRL21

Address Offset	0x0000 0254	Instance	DRM
Physical Address	0x5416 0254		
Description			
Type	RW		

31	30	29	28	27	26	25	24	23	22	21	20	19	18	17	16	15	14	13	12	11	10	9	8	7	6	5	4	3	2	1	0
RESERVED																SUSPEND_SEL		SUSPEND_DEFAULT_OVERRIDE	RESERVED	SENSCTRL											

Bits	Field Name	Description	Type	Reset
31:9	RESERVED	Reserved	R	0x0
8:4	SUSPEND_SEL	Suspend signal selection. Selects which suspend signal affects the peripheral. Only valid when SUSPEND_DEFAULT_OVERRIDE=0 and SENSCTRL=1. When read, these bits reflect the default suspend signal. 0000b: CPU suspend signal. All other values are reserved.	RW	0x0
3	SUSPEND_DEFAULT_OVERRIDE	Enable or disable the override value in SUSPEND_SEL. 0: SUSPEND_SEL field will select which suspend signal reaches the peripheral. 1: SUSPEND_SEL field ignored. Default suspend signal will reach the peripheral.	R	0x0
2:1	RESERVED	Reserved	R	0x0
0	SENSCTRL	Sensitivity Control for suspend signals. When SUSPEND_DEFAULT_OVERRIDE=1, this bit is ignored and read as a 1. When SUSPEND_DEFAULT_OVERRIDE=0, 0: Suspend signal will not reach the peripheral. Peripheral will act as normal even during a debug halt. 1: Suspend signal will reach the peripheral. Peripheral will be suspended during debug halt.	RW	0x0

Table 34-79. Register Call Summary for Register DRM_SUSPEND_CTRL21

Primary Debug Support

- [Debug Aware Peripherals and Host Processors: \[0\]](#)

DRM Register Manual

- [DRM Register Summary: \[1\]](#)

Table 34-80. DRM_SUSPEND_CTRL22

Address Offset	0x0000 0258	Instance	DRM
Physical Address	0x5416 0258		
Description			
Type	RW		

31	30	29	28	27	26	25	24	23	22	21	20	19	18	17	16	15	14	13	12	11	10	9	8	7	6	5	4	3	2	1	0
RESERVED																SUSPEND_SEL		SUSPEND_DEFAULT_OVERRIDE	RESERVED	SENSCTRL											

Bits	Field Name	Description	Type	Reset
31:9	RESERVED	Reserved	R	0x0
8:4	SUSPEND_SEL	Suspend signal selection. Selects which suspend signal affects the peripheral. Only valid when SUSPEND_DEFAULT_OVERRIDE=0 and SENSCTRL=1. When read, these bits reflect the default suspend signal. 0000b: CPU suspend signal. All other values are reserved.	RW	0x0
3	SUSPEND_DEFAULT_OVERRIDE	Enable or disable the override value in SUSPEND_SEL. 0: SUSPEND_SEL field will select which suspend signal reaches the peripheral. 1: SUSPEND_SEL field ignored. Default suspend signal will reach the peripheral.	R	0x0
2:1	RESERVED	Reserved	R	0x0
0	SENSCTRL	Sensitivity Control for suspend signals. When SUSPEND_DEFAULT_OVERRIDE=1, this bit is ignored and read as a 1. When SUSPEND_DEFAULT_OVERRIDE=0, 0: Suspend signal will not reach the peripheral. Peripheral will act as normal even during a debug halt. 1: Suspend signal will reach the peripheral. Peripheral will be suspended during debug halt.	RW	0x0

Table 34-81. Register Call Summary for Register DRM_SUSPEND_CTRL22

Primary Debug Support

- [Debug Aware Peripherals and Host Processors: \[0\]](#)

DRM Register Manual

- [DRM Register Summary: \[1\]](#)

Table 34-82. DRM_SUSPEND_CTRL23

Address Offset	0x0000 025C	Instance	DRM
Physical Address	0x5416 025C		
Description			
Type	RW		

31	30	29	28	27	26	25	24	23	22	21	20	19	18	17	16	15	14	13	12	11	10	9	8	7	6	5	4	3	2	1	0
RESERVED																SUSPEND_SEL		SUSPEND_DEFAULT_OVERRIDE	RESERVED	SENSCTRL											

Bits	Field Name	Description	Type	Reset
31:9	RESERVED	Reserved	R	0x0
8:4	SUSPEND_SEL	Suspend signal selection. Selects which suspend signal affects the peripheral. Only valid when SUSPEND_DEFAULT_OVERRIDE=0 and SENSCTRL=1. When read, these bits reflect the default suspend signal. 0000b: CPU suspend signal. All other values are reserved.	RW	0x0
3	SUSPEND_DEFAULT_OVERRIDE	Enable or disable the override value in SUSPEND_SEL. 0: SUSPEND_SEL field will select which suspend signal reaches the peripheral. 1: SUSPEND_SEL field ignored. Default suspend signal will reach the peripheral.	R	0x0
2:1	RESERVED	Reserved	R	0x0
0	SENSCTRL	Sensitivity Control for suspend signals. When SUSPEND_DEFAULT_OVERRIDE=1, this bit is ignored and read as a 1. When SUSPEND_DEFAULT_OVERRIDE=0, 0: Suspend signal will not reach the peripheral. Peripheral will act as normal even during a debug halt. 1: Suspend signal will reach the peripheral. Peripheral will be suspended during debug halt.	RW	0x0

Table 34-83. Register Call Summary for Register DRM_SUSPEND_CTRL23

Primary Debug Support

- [Debug Aware Peripherals and Host Processors: \[0\]](#)

DRM Register Manual

- [DRM Register Summary: \[1\]](#)

Table 34-84. DRM_SUSPEND_CTRL24

Address Offset	0x0000 0260	Instance	DRM
Physical Address	0x5416 0260		
Description			
Type	RW		

31	30	29	28	27	26	25	24	23	22	21	20	19	18	17	16	15	14	13	12	11	10	9	8	7	6	5	4	3	2	1	0
RESERVED																SUSPEND_SEL		SUSPEND_DEFAULT_OVERRIDE	RESERVED	SENSCTRL											

Bits	Field Name	Description	Type	Reset
31:9	RESERVED	Reserved	R	0x0
8:4	SUSPEND_SEL	Suspend signal selection. Selects which suspend signal affects the peripheral. Only valid when SUSPEND_DEFAULT_OVERRIDE=0 and SENSCTRL=1. When read, these bits reflect the default suspend signal. 0000b: CPU suspend signal. All other values are reserved.	RW	0x0
3	SUSPEND_DEFAULT_OVERRIDE	Enable or disable the override value in SUSPEND_SEL. 0: SUSPEND_SEL field will select which suspend signal reaches the peripheral. 1: SUSPEND_SEL field ignored. Default suspend signal will reach the peripheral.	R	0x0
2:1	RESERVED	Reserved	R	0x0
0	SENSCTRL	Sensitivity Control for suspend signals. When SUSPEND_DEFAULT_OVERRIDE=1, this bit is ignored and read as a 1. When SUSPEND_DEFAULT_OVERRIDE=0, 0: Suspend signal will not reach the peripheral. Peripheral will act as normal even during a debug halt. 1: Suspend signal will reach the peripheral. Peripheral will be suspended during debug halt.	RW	0x0

Table 34-85. Register Call Summary for Register DRM_SUSPEND_CTRL24

Primary Debug Support

- [Debug Aware Peripherals and Host Processors: \[0\]](#)

DRM Register Manual

- [DRM Register Summary: \[1\]](#)

Table 34-86. DRM_SUSPEND_CTRL25

Address Offset	0x0000 0264	Instance	DRM
Physical Address	0x5416 0264		
Description			
Type	RW		

31	30	29	28	27	26	25	24	23	22	21	20	19	18	17	16	15	14	13	12	11	10	9	8	7	6	5	4	3	2	1	0
RESERVED																SUSPEND_SEL		SUSPEND_DEFAULT_OVERRIDE	RESERVED	SENSCTRL											

Bits	Field Name	Description	Type	Reset
31:9	RESERVED	Reserved	R	0x0
8:4	SUSPEND_SEL	Suspend signal selection. Selects which suspend signal affects the peripheral. Only valid when SUSPEND_DEFAULT_OVERRIDE=0 and SENSCTRL=1. When read, these bits reflect the default suspend signal. 0000b: CPU suspend signal. All other values are reserved.	RW	0x0
3	SUSPEND_DEFAULT_OVERRIDE	Enable or disable the override value in SUSPEND_SEL. 0: SUSPEND_SEL field will select which suspend signal reaches the peripheral. 1: SUSPEND_SEL field ignored. Default suspend signal will reach the peripheral.	R	0x0
2:1	RESERVED	Reserved	R	0x0
0	SENSCTRL	Sensitivity Control for suspend signals. When SUSPEND_DEFAULT_OVERRIDE=1, this bit is ignored and read as a 1. When SUSPEND_DEFAULT_OVERRIDE=0, 0: Suspend signal will not reach the peripheral. Peripheral will act as normal even during a debug halt. 1: Suspend signal will reach the peripheral. Peripheral will be suspended during debug halt.	RW	0x0

Table 34-87. Register Call Summary for Register DRM_SUSPEND_CTRL25

Primary Debug Support

- [Debug Aware Peripherals and Host Processors: \[0\]](#)

DRM Register Manual

- [DRM Register Summary: \[1\]](#)

Table 34-88. DRM_SUSPEND_CTRL26

Address Offset	0x0000 0268	Instance	DRM
Physical Address	0x5416 0268		
Description			
Type	RW		

31	30	29	28	27	26	25	24	23	22	21	20	19	18	17	16	15	14	13	12	11	10	9	8	7	6	5	4	3	2	1	0
RESERVED																SUSPEND_SEL		SUSPEND_DEFAULT_OVERRIDE	RESERVED	SENSCTRL											

Bits	Field Name	Description	Type	Reset
31:9	RESERVED	Reserved	R	0x0
8:4	SUSPEND_SEL	Suspend signal selection. Selects which suspend signal affects the peripheral. Only valid when SUSPEND_DEFAULT_OVERRIDE=0 and SENSCTRL=1. When read, these bits reflect the default suspend signal. 0000b: CPU suspend signal. All other values are reserved.	RW	0x0
3	SUSPEND_DEFAULT_OVERRIDE	Enable or disable the override value in SUSPEND_SEL. 0: SUSPEND_SEL field will select which suspend signal reaches the peripheral. 1: SUSPEND_SEL field ignored. Default suspend signal will reach the peripheral.	R	0x0
2:1	RESERVED	Reserved	R	0x0
0	SENSCTRL	Sensitivity Control for suspend signals. When SUSPEND_DEFAULT_OVERRIDE=1, this bit is ignored and read as a 1. When SUSPEND_DEFAULT_OVERRIDE=0, 0: Suspend signal will not reach the peripheral. Peripheral will act as normal even during a debug halt. 1: Suspend signal will reach the peripheral. Peripheral will be suspended during debug halt.	RW	0x0

Table 34-89. Register Call Summary for Register DRM_SUSPEND_CTRL26

Primary Debug Support

- [Debug Aware Peripherals and Host Processors: \[0\]](#)

DRM Register Manual

- [DRM Register Summary: \[1\]](#)

Table 34-90. DRM_SUSPEND_CTRL27

Address Offset	0x0000 026C	Instance	DRM
Physical Address	0x5416 026C		
Description			
Type	RW		

31	30	29	28	27	26	25	24	23	22	21	20	19	18	17	16	15	14	13	12	11	10	9	8	7	6	5	4	3	2	1	0
RESERVED																SUSPEND_SEL		SUSPEND_DEFAULT_OVERRIDE	RESERVED	SENSCTRL											

Bits	Field Name	Description	Type	Reset
31:9	RESERVED	Reserved	R	0x0
8:4	SUSPEND_SEL	Suspend signal selection. Selects which suspend signal affects the peripheral. Only valid when SUSPEND_DEFAULT_OVERRIDE=0 and SENSCTRL=1. When read, these bits reflect the default suspend signal. 0000b: CPU suspend signal. All other values are reserved.	RW	0x0
3	SUSPEND_DEFAULT_OVERRIDE	Enable or disable the override value in SUSPEND_SEL. 0: SUSPEND_SEL field will select which suspend signal reaches the peripheral. 1: SUSPEND_SEL field ignored. Default suspend signal will reach the peripheral.	R	0x0
2:1	RESERVED	Reserved	R	0x0
0	SENSCTRL	Sensitivity Control for suspend signals. When SUSPEND_DEFAULT_OVERRIDE=1, this bit is ignored and read as a 1. When SUSPEND_DEFAULT_OVERRIDE=0, 0: Suspend signal will not reach the peripheral. Peripheral will act as normal even during a debug halt. 1: Suspend signal will reach the peripheral. Peripheral will be suspended during debug halt.	RW	0x0

Table 34-91. Register Call Summary for Register DRM_SUSPEND_CTRL27

Primary Debug Support

- [Debug Aware Peripherals and Host Processors: \[0\]](#)

DRM Register Manual

- [DRM Register Summary: \[1\]](#)

Table 34-92. DRM_SUSPEND_CTRL28

Address Offset	0x0000 0270	Instance	DRM
Physical Address	0x5416 0270		
Description			
Type	RW		

31	30	29	28	27	26	25	24	23	22	21	20	19	18	17	16	15	14	13	12	11	10	9	8	7	6	5	4	3	2	1	0
RESERVED																SUSPEND_SEL		SUSPEND_DEFAULT_OVERRIDE	RESERVED	SENSCTRL											

Bits	Field Name	Description	Type	Reset
31:9	RESERVED	Reserved	R	0x0
8:4	SUSPEND_SEL	Suspend signal selection. Selects which suspend signal affects the peripheral. Only valid when SUSPEND_DEFAULT_OVERRIDE=0 and SENSCTRL=1. When read, these bits reflect the default suspend signal. 0000b: CPU suspend signal. All other values are reserved.	RW	0x0
3	SUSPEND_DEFAULT_OVERRIDE	Enable or disable the override value in SUSPEND_SEL. 0: SUSPEND_SEL field will select which suspend signal reaches the peripheral. 1: SUSPEND_SEL field ignored. Default suspend signal will reach the peripheral.	R	0x0
2:1	RESERVED	Reserved	R	0x0
0	SENSCTRL	Sensitivity Control for suspend signals. When SUSPEND_DEFAULT_OVERRIDE=1, this bit is ignored and read as a 1. When SUSPEND_DEFAULT_OVERRIDE=0, 0: Suspend signal will not reach the peripheral. Peripheral will act as normal even during a debug halt. 1: Suspend signal will reach the peripheral. Peripheral will be suspended during debug halt.	RW	0x0

Table 34-93. Register Call Summary for Register DRM_SUSPEND_CTRL28

Primary Debug Support

- [Debug Aware Peripherals and Host Processors: \[0\]](#)

DRM Register Manual

- [DRM Register Summary: \[1\]](#)

Table 34-94. DRM_SUSPEND_CTRL29

Address Offset	0x0000 0274	Instance	DRM
Physical Address	0x5416 0274		
Description			
Type	RW		

31	30	29	28	27	26	25	24	23	22	21	20	19	18	17	16	15	14	13	12	11	10	9	8	7	6	5	4	3	2	1	0
RESERVED																SUSPEND_SEL		SUSPEND_DEFAULT_OVERRIDE	RESERVED	SENSCTRL											

Bits	Field Name	Description	Type	Reset
31:9	RESERVED	Reserved	R	0x0
8:4	SUSPEND_SEL	Suspend signal selection. Selects which suspend signal affects the peripheral. Only valid when SUSPEND_DEFAULT_OVERRIDE=0 and SENSCTRL=1. When read, these bits reflect the default suspend signal. 0000b: CPU suspend signal. All other values are reserved.	RW	0x0
3	SUSPEND_DEFAULT_OVERRIDE	Enable or disable the override value in SUSPEND_SEL. 0: SUSPEND_SEL field will select which suspend signal reaches the peripheral. 1: SUSPEND_SEL field ignored. Default suspend signal will reach the peripheral.	R	0x0
2:1	RESERVED	Reserved	R	0x0
0	SENSCTRL	Sensitivity Control for suspend signals. When SUSPEND_DEFAULT_OVERRIDE=1, this bit is ignored and read as a 1. When SUSPEND_DEFAULT_OVERRIDE=0, 0: Suspend signal will not reach the peripheral. Peripheral will act as normal even during a debug halt. 1: Suspend signal will reach the peripheral. Peripheral will be suspended during debug halt.	RW	0x0

Table 34-95. Register Call Summary for Register DRM_SUSPEND_CTRL29

Primary Debug Support

- [Debug Aware Peripherals and Host Processors: \[0\]](#)

DRM Register Manual

- [DRM Register Summary: \[1\]](#)

Table 34-96. DRM_SUSPEND_CTRL30

Address Offset	0x0000 0278	Instance	DRM
Physical Address	0x5416 0278		
Description			
Type	RW		

31	30	29	28	27	26	25	24	23	22	21	20	19	18	17	16	15	14	13	12	11	10	9	8	7	6	5	4	3	2	1	0
RESERVED																SUSPEND_SEL		SUSPEND_DEFAULT_OVERRIDE	RESERVED	SENSCTRL											

Bits	Field Name	Description	Type	Reset
31:9	RESERVED	Reserved	R	0x0
8:4	SUSPEND_SEL	Suspend signal selection. Selects which suspend signal affects the peripheral. Only valid when SUSPEND_DEFAULT_OVERRIDE=0 and SENSCTRL=1. When read, these bits reflect the default suspend signal. 0000b: CPU suspend signal. All other values are reserved.	RW	0x0
3	SUSPEND_DEFAULT_OVERRIDE	Enable or disable the override value in SUSPEND_SEL. 0: SUSPEND_SEL field will select which suspend signal reaches the peripheral. 1: SUSPEND_SEL field ignored. Default suspend signal will reach the peripheral.	R	0x0
2:1	RESERVED	Reserved	R	0x0
0	SENSCTRL	Sensitivity Control for suspend signals. When SUSPEND_DEFAULT_OVERRIDE=1, this bit is ignored and read as a 1. When SUSPEND_DEFAULT_OVERRIDE=0, 0: Suspend signal will not reach the peripheral. Peripheral will act as normal even during a debug halt. 1: Suspend signal will reach the peripheral. Peripheral will be suspended during debug halt.	RW	0x0

Table 34-97. Register Call Summary for Register DRM_SUSPEND_CTRL30

Primary Debug Support

- [Debug Aware Peripherals and Host Processors: \[0\]](#)

DRM Register Manual

- [DRM Register Summary: \[1\]](#)

Table 34-98. DRM_SUSPEND_CTRL31

Address Offset	0x0000 027C	Instance	DRM
Physical Address	0x5416 027C		
Description			
Type	RW		

31	30	29	28	27	26	25	24	23	22	21	20	19	18	17	16	15	14	13	12	11	10	9	8	7	6	5	4	3	2	1	0
RESERVED																SUSPEND_SEL		SUSPEND_DEFAULT_OVERRIDE	RESERVED	SENSCTRL											

Bits	Field Name	Description	Type	Reset
31:9	RESERVED	Reserved	R	0x0
8:4	SUSPEND_SEL	Suspend signal selection. Selects which suspend signal affects the peripheral. Only valid when SUSPEND_DEFAULT_OVERRIDE=0 and SENSCTRL=1. When read, these bits reflect the default suspend signal. 0000b: CPU suspend signal. All other values are reserved.	RW	0x0
3	SUSPEND_DEFAULT_OVERRIDE	Enable or disable the override value in SUSPEND_SEL. 0: SUSPEND_SEL field will select which suspend signal reaches the peripheral. 1: SUSPEND_SEL field ignored. Default suspend signal will reach the peripheral.	R	0x0
2:1	RESERVED	Reserved	R	0x0
0	SENSCTRL	Sensitivity Control for suspend signals. When SUSPEND_DEFAULT_OVERRIDE=1, this bit is ignored and read as a 1. When SUSPEND_DEFAULT_OVERRIDE=0, 0: Suspend signal will not reach the peripheral. Peripheral will act as normal even during a debug halt. 1: Suspend signal will reach the peripheral. Peripheral will be suspended during debug halt.	RW	0x0

Table 34-99. Register Call Summary for Register DRM_SUSPEND_CTRL31

Primary Debug Support

- [Debug Aware Peripherals and Host Processors: \[0\]](#)

DRM Register Manual

- [DRM Register Summary: \[1\]](#)

Table 34-100. DRM_SUSPEND_CTRL32

Address Offset	0x0000 0280	Instance	DRM
Physical Address	0x5416 0280		
Description			
Type	RW		

31	30	29	28	27	26	25	24	23	22	21	20	19	18	17	16	15	14	13	12	11	10	9	8	7	6	5	4	3	2	1	0
RESERVED																SUSPEND_SEL		SUSPEND_DEFAULT_OVERRIDE	RESERVED	SENSCTRL											

Bits	Field Name	Description	Type	Reset
31:9	RESERVED	Reserved	R	0x0
8:4	SUSPEND_SEL	Suspend signal selection. Selects which suspend signal affects the peripheral. Only valid when SUSPEND_DEFAULT_OVERRIDE=0 and SENSCTRL=1. When read, these bits reflect the default suspend signal. 0000b: CPU suspend signal. All other values are reserved.	RW	0x0
3	SUSPEND_DEFAULT_OVERRIDE	Enable or disable the override value in SUSPEND_SEL. 0: SUSPEND_SEL field will select which suspend signal reaches the peripheral. 1: SUSPEND_SEL field ignored. Default suspend signal will reach the peripheral.	R	0x0
2:1	RESERVED	Reserved	R	0x0
0	SENSCTRL	Sensitivity Control for suspend signals. When SUSPEND_DEFAULT_OVERRIDE=1, this bit is ignored and read as a 1. When SUSPEND_DEFAULT_OVERRIDE=0, 0: Suspend signal will not reach the peripheral. Peripheral will act as normal even during a debug halt. 1: Suspend signal will reach the peripheral. Peripheral will be suspended during debug halt.	RW	0x0

Table 34-101. Register Call Summary for Register DRM_SUSPEND_CTRL32

Primary Debug Support

- [Debug Aware Peripherals and Host Processors: \[0\]](#)

DRM Register Manual

- [DRM Register Summary: \[1\]](#)

Table 34-102. DRM_SUSPEND_CTRL33

Address Offset	0x0000 0284	Instance	DRM
Physical Address	0x5416 0284		
Description			
Type	RW		

31	30	29	28	27	26	25	24	23	22	21	20	19	18	17	16	15	14	13	12	11	10	9	8	7	6	5	4	3	2	1	0
RESERVED																SUSPEND_SEL		SUSPEND_DEFAULT_OVERRIDE	RESERVED	SENSCTRL											

Bits	Field Name	Description	Type	Reset
31:9	RESERVED	Reserved	R	0x0
8:4	SUSPEND_SEL	Suspend signal selection. Selects which suspend signal affects the peripheral. Only valid when SUSPEND_DEFAULT_OVERRIDE=0 and SENSCTRL=1. When read, these bits reflect the default suspend signal. 0000b: CPU suspend signal. All other values are reserved.	RW	0x0
3	SUSPEND_DEFAULT_OVERRIDE	Enable or disable the override value in SUSPEND_SEL. 0: SUSPEND_SEL field will select which suspend signal reaches the peripheral. 1: SUSPEND_SEL field ignored. Default suspend signal will reach the peripheral.	R	0x0
2:1	RESERVED	Reserved	R	0x0
0	SENSCTRL	Sensitivity Control for suspend signals. When SUSPEND_DEFAULT_OVERRIDE=1, this bit is ignored and read as a 1. When SUSPEND_DEFAULT_OVERRIDE=0, 0: Suspend signal will not reach the peripheral. Peripheral will act as normal even during a debug halt. 1: Suspend signal will reach the peripheral. Peripheral will be suspended during debug halt.	RW	0x0

Table 34-103. Register Call Summary for Register DRM_SUSPEND_CTRL33

Primary Debug Support

- [Debug Aware Peripherals and Host Processors: \[0\]](#)

DRM Register Manual

- [DRM Register Summary: \[1\]](#)

Table 34-104. DRM_SUSPEND_CTRL34

Address Offset	0x0000 0288	Instance	DRM
Physical Address	0x5416 0288		
Description			
Type	RW		

31	30	29	28	27	26	25	24	23	22	21	20	19	18	17	16	15	14	13	12	11	10	9	8	7	6	5	4	3	2	1	0
RESERVED																SUSPEND_SEL		SUSPEND_DEFAULT_OVERRIDE	RESERVED	SENSCTRL											

Bits	Field Name	Description	Type	Reset
31:9	RESERVED	Reserved	R	0x0
8:4	SUSPEND_SEL	Suspend signal selection. Selects which suspend signal affects the peripheral. Only valid when SUSPEND_DEFAULT_OVERRIDE=0 and SENSCTRL=1. When read, these bits reflect the default suspend signal. 0000b: CPU suspend signal. All other values are reserved.	RW	0x0
3	SUSPEND_DEFAULT_OVERRIDE	Enable or disable the override value in SUSPEND_SEL. 0: SUSPEND_SEL field will select which suspend signal reaches the peripheral. 1: SUSPEND_SEL field ignored. Default suspend signal will reach the peripheral.	R	0x0
2:1	RESERVED	Reserved	R	0x0
0	SENSCTRL	Sensitivity Control for suspend signals. When SUSPEND_DEFAULT_OVERRIDE=1, this bit is ignored and read as a 1. When SUSPEND_DEFAULT_OVERRIDE=0, 0: Suspend signal will not reach the peripheral. Peripheral will act as normal even during a debug halt. 1: Suspend signal will reach the peripheral. Peripheral will be suspended during debug halt.	RW	0x0

Table 34-105. Register Call Summary for Register DRM_SUSPEND_CTRL34

Primary Debug Support

- [Debug Aware Peripherals and Host Processors: \[0\]](#)

DRM Register Manual

- [DRM Register Summary: \[1\]](#)

Table 34-106. DRM_SUSPEND_CTRL35

Address Offset	0x0000 028C	Instance	DRM
Physical Address	0x5416 028C		
Description			
Type	RW		

31	30	29	28	27	26	25	24	23	22	21	20	19	18	17	16	15	14	13	12	11	10	9	8	7	6	5	4	3	2	1	0
RESERVED																SUSPEND_SEL		SUSPEND_DEFAULT_OVERRIDE	RESERVED	SENSCTRL											

Bits	Field Name	Description	Type	Reset
31:9	RESERVED	Reserved	R	0x0
8:4	SUSPEND_SEL	Suspend signal selection. Selects which suspend signal affects the peripheral. Only valid when SUSPEND_DEFAULT_OVERRIDE=0 and SENSCTRL=1. When read, these bits reflect the default suspend signal. 0000b: CPU suspend signal. All other values are reserved.	RW	0x0
3	SUSPEND_DEFAULT_OVERRIDE	Enable or disable the override value in SUSPEND_SEL. 0: SUSPEND_SEL field will select which suspend signal reaches the peripheral. 1: SUSPEND_SEL field ignored. Default suspend signal will reach the peripheral.	R	0x0
2:1	RESERVED	Reserved	R	0x0
0	SENSCTRL	Sensitivity Control for suspend signals. When SUSPEND_DEFAULT_OVERRIDE=1, this bit is ignored and read as a 1. When SUSPEND_DEFAULT_OVERRIDE=0, 0: Suspend signal will not reach the peripheral. Peripheral will act as normal even during a debug halt. 1: Suspend signal will reach the peripheral. Peripheral will be suspended during debug halt.	RW	0x0

Table 34-107. Register Call Summary for Register DRM_SUSPEND_CTRL35

Primary Debug Support

- [Debug Aware Peripherals and Host Processors: \[0\]](#)

DRM Register Manual

- [DRM Register Summary: \[1\]](#)

Table 34-108. DRM_SUSPEND_CTRL36

Address Offset	0x0000 0290	Instance	DRM
Physical Address	0x5416 0290		
Description			
Type	RW		

31	30	29	28	27	26	25	24	23	22	21	20	19	18	17	16	15	14	13	12	11	10	9	8	7	6	5	4	3	2	1	0
RESERVED																SUSPEND_SEL		SUSPEND_DEFAULT_OVERRIDE	RESERVED	SENSCTRL											

Bits	Field Name	Description	Type	Reset
31:9	RESERVED	Reserved	R	0x0
8:4	SUSPEND_SEL	Suspend signal selection. Selects which suspend signal affects the peripheral. Only valid when SUSPEND_DEFAULT_OVERRIDE=0 and SENSCTRL=1. When read, these bits reflect the default suspend signal. 0000b: CPU suspend signal. All other values are reserved.	RW	0x0
3	SUSPEND_DEFAULT_OVERRIDE	Enable or disable the override value in SUSPEND_SEL. 0: SUSPEND_SEL field will select which suspend signal reaches the peripheral. 1: SUSPEND_SEL field ignored. Default suspend signal will reach the peripheral.	R	0x0
2:1	RESERVED	Reserved	R	0x0
0	SENSCTRL	Sensitivity Control for suspend signals. When SUSPEND_DEFAULT_OVERRIDE=1, this bit is ignored and read as a 1. When SUSPEND_DEFAULT_OVERRIDE=0, 0: Suspend signal will not reach the peripheral. Peripheral will act as normal even during a debug halt. 1: Suspend signal will reach the peripheral. Peripheral will be suspended during debug halt.	RW	0x0

Table 34-109. Register Call Summary for Register DRM_SUSPEND_CTRL36

Primary Debug Support

- [Debug Aware Peripherals and Host Processors: \[0\]](#)

DRM Register Manual

- [DRM Register Summary: \[1\]](#)

Table 34-110. DRM_SUSPEND_CTRL37

Address Offset	0x0000 0294	Instance	DRM
Physical Address	0x5416 0294		
Description	susp		
Type	RW		

31	30	29	28	27	26	25	24	23	22	21	20	19	18	17	16	15	14	13	12	11	10	9	8	7	6	5	4	3	2	1	0
RESERVED																SUSPEND_SEL		SUSPEND_DEFAULT_OVERRIDE	RESERVED	SENSCTRL											

Bits	Field Name	Description	Type	Reset
31:9	RESERVED	Reserved	R	0x0
8:4	SUSPEND_SEL	Suspend signal selection. Selects which suspend signal affects the peripheral. Only valid when SUSPEND_DEFAULT_OVERRIDE=0 and SENSCTRL=1. When read, these bits reflect the default suspend signal. 0000b: CPU suspend signal. All other values are reserved.	RW	0x0
3	SUSPEND_DEFAULT_OVERRIDE	Enable or disable the override value in SUSPEND_SEL. 0: SUSPEND_SEL field will select which suspend signal reaches the peripheral. 1: SUSPEND_SEL field ignored. Default suspend signal will reach the peripheral.	R	0x0
2:1	RESERVED	Reserved	R	0x0
0	SENSCTRL	Sensitivity Control for suspend signals. When SUSPEND_DEFAULT_OVERRIDE=1, this bit is ignored and read as a 1. When SUSPEND_DEFAULT_OVERRIDE=0, 0: Suspend signal will not reach the peripheral. Peripheral will act as normal even during a debug halt. 1: Suspend signal will reach the peripheral. Peripheral will be suspended during debug halt.	RW	0x0

Table 34-111. Register Call Summary for Register DRM_SUSPEND_CTRL37

Primary Debug Support

- [Debug Aware Peripherals and Host Processors: \[0\]](#)

DRM Register Manual

- [DRM Register Summary: \[1\]](#)
-

Glossary

1**1MS**— One millisecond**2****2D**— Two Dimensional**3****3A**— AF + AE + AWB**3D**— Three Dimensional**3G**— 3rd Generation of mobile communication systems**3GPP**— 3rd Generation Partnership Project**8****8B**— 8 bits**10****10B/8B**— 10 bit to 8 bit conversion (i.e., 8B/10B decoding)**A****A/D**— Analog to Digital Converter**ABB**— Adaptive Body Bias**ABBLDO**— Adaptive Body Bias Low Drop Out**ABS**— Absolute Value**ACB**— AC-bias frequency**ACBI**— AC-bias line transitions per interrupt**ACE**— ASIC Compiler Environment.**ACK**— Acknowledge**ADC**— Analog-to-Digital Converter/Conversion.**ADMA**— Advanced DMA**ADPLL**— All Digital Phase Locked Loop. A closed loop frequency control system whose function is based on the phase-sensitive detection of the phase difference between the input signal and the output signal of the controlled oscillator (CO).**AER**— Advanced Error Reporting (PCIe)**AES**— Advanced Encryption Standard

- AET**— Advanced Event Triggering - this capability can be used to debug complex problems as well as understand performance characteristics of user applications
- AF**— Auto Focus
- AFE**— Analog Front End
- AFSX**— Audio transmit frame synchronization
- AHB**— Advanced High-performance Bus
- AHB-AP**— Advanced High-performance Bus - Access Port
- AIC**— Analog Interface Chip.
- ALE**— Address Latch Enable
- AM**— Amplitude Modulation
- AMBA**— Advanced Micro-Controller Bus Architecture
- AMMU**— Attribute Memory Management Unit
- ANSI**— American National Standards Institute
- AP**— Address Protection
- APB**— Advanced Peripheral Bus
- APB-AP**— Advanced Peripheral Bus - Access Port
- APE**— Application Engine
- API**— Application Programming Interface
- APLL**— Analog Phase-Locked Loop
- APWM**— Asymmetrical Pulse Width Modulation (eCAP module related)
- AR**— Automatic Reload
- ARGB**— Alpha Red Green Blue
- ARI**— Alternative Routing-ID Interpretation (PCIe)
- ARM**— Advanced RISC Machine
- ASCII**— American Standard Code for Information Interchange
- ASIC**— Application-Specific Integrated Circuit
- ASP**— Application-Specific Peripheral
- ASPM**— Active State Power Management: Automatic PM in PCIe link layer FSM (PCIe)
- ATA**— Interface standard for the connection of storage devices (Advanced Technology Attachment)
- ATAPI**— ATA Packet Interface
- ATB**— AMBA Advanced Trace Bus
- ATS**— Address Translation Service (PCIe)
- AVB**— Audio Video Bridging
- AVS**— Adaptive Voltage Scaling
- AWB**— Auto White Balance

AWS— Audio Word Select
AXI— Advanced eXtensible Interface

B

B— Byte, 8 bits
BAR_n— Base Address Register (PCIe)
BB— Bus Busy
BCD— Binary-Coded Decimal.
BCH— Bose-Chaudhuri-Hocquenghem (CRC Code)
BCM— BIST Combiner Module
BDF— Bus / Device/ Function: (PCIe) function identifier
BE— Big Endian.
BFSW— Buffer Switch
BGA— Ball Grid Array
BGAP— Band Gap
BGT— Block Guard Time
BIOS— Basic Input/Output System. First software run after reset. Known also as ROM Code.
BIST— Built-In Self-Test
BIU— Bus Interface Unit
BL— Buffer Logic
BME— Bus Master Enable (PCI CFG bit)
BNC— British Naval Connector, Bayonet Nut Connector, or Bayonet Neill Concelman
BOF— Beginning of Frame
BOL— Beginning of Line
BPP— Bits Per Pixel
BS— Block Synchronization
BSP— Buffered Serial Port.
BTA— Bus Turn Around
BW— Band Width
BWM— Band Width Manager (functional entity in the TMS320C66x DSP CorePac)
BWS— Baseband Word Select

C

CABAC— Context-Adaptive Binary Arithmetic Coding
CAF— Combing Artifacts Calculation
CALC3— Transform and Quantization Calculation Engine
CAN— Controller Area Network

- CAS**— Column Address Strobe
- CAVLC**— Context-Adaptive Variable Length Coder
- CB**— Copy Back
- CBC**— Cipher Block Chaining
- CBP**— Coded Block Pattern
- CBUF**— Circular Buffer (Associated with OCMC)
- CC**— Channel Controller
- CCC**— Command Completion Coalescing feature
- CDP**— Coprocessor Data Operation
- CDR**— Clock Data Recovery
- CE**— Chip Enable
- CEA-861-D**— Video standard. It defines the video timing requirements, discovery structures, and data transfer structure.
- CEC**— Consumer Electronics Control
- CFI**— Common Flash Interface device
- CH**— Configuration Header. To use different settings than ROM Code defaults, i.e. clock frequencies, SDRAM settings, GPMC settings.
- CID**— Card Identification Number
- CIF**— Common Intermediate Format.
- CIR**— Consumer Infra Red
- CLB**— Command List Base Address
- CLE**— Command Latch Enable
- CLK**— Clock
- CLO**— Command List Override feature
- CLUT**— Color Look-Up Table
- CM**— Clock Management
- CMOS**— Complimentary Metal Oxide Semiconductor
- CO**— Controlled Oscillator
- CODEC**— Coder/Decoder or Compression/Decompression. A device that codes in one direction of transmission and decodes in another direction of transmission.
- COS**— Class Of Service
- CP15**— Arm® Cortex®-A15 system control coprocessor. This coprocessor controls and provides status information for the functions implemented in the main processor
- CPFROM**— Customer Programable eFuse ROM
- CPPI**— Communications Port Programming Interface
- CPR**— Color Phase Rotation
- CPS**— Cell Search Platform

- CPSR**— Current Program Status Register
- CPU**— Central Processing Unit
- CRC**— Cyclic Redundancy Check
- CS**— Chip-Select
- CSL**— Chip Support Library
- CSWR**— Closed switch retention
- CTM**— Counter-Timer Module
- CTR**— Hardware block for CCTrCh processing
- CTRL**— Control
- CTS**— Clear to Send
- ConnID**— Connection Identifier. An Initiator Module Identifier. A ConnID is transmitted in-band with the request and is used for security and error logging mechanism.

D

- D2H**— Device to Host transfer of a FIS
- DAC**— Digital to Analog Converter
- DAP**— Debug Access Port
- DBI**— Display Buffer Interface
- DC**— Direct Current
- DCAN**— CAN Controller Module
- DCC**— Duty Cycle Correction Circuit
- DCD**— Data Carrier Detect
- DCO**— Digitally Controlled Oscillator
- DCT**— Discrete Cosine Transform.
- DDC**— Display Data Channel
- DDR**— Double Data Rate
- DE**— Data Enable
- DED**— Double Error Detection
- DEI**— Deinterlacer
- DES**— Data Encryption Standard.
- DES3DES**— Data Encryption Standard and triple DES
- DFF**— Data Flip-Flop
- DFT**— Design For Test
- DIN**— Data In
- DIR**— Digital audio Interface Receiver
- DISPC**— Display Controller

DL— Data Length

DLB— Data Loopback.

DLL— Delay-Locked Loop

DLLP— Data Link Layer Packet: PCIe (compare PLP, TLP)

DMA— Direct Memory Access.

DMC— Digital Motor Control

DMEM— Data Memory

DMM— Dynamic Memory Management

DMT— Display Monitor Timing

DO— Data Out

DPC— Defect Pixel Correction

DPI— Display Parallel Interface

DPLL— Digital Phase-Locked Loop. Digital implementation of PLL.

DPS— Digital Power Switching

DRDY— Data Ready

DRM— Digital Rights Management

DS— Downstream: from the host (or a hub) to a device (or hub).

DSP— Digital Signal Processor.

DSR— Data Set Ready

DSS— Display Sub-System. Also DISS

DTBC— Data Buffer Controller

DTC— Debug and Trace Controller

DTCM— Data Tightly Coupled Memory

DTR— Data Transmit Ready

DVFS— Dynamic Voltage and Frequency Scaling

DVI— Digital Video Interface

DWORD— Double WORD (32-bit sized portion of data)

E

EAV— End of Active Video

ECAM— Enhanced Configuration Access Mechanism (PCIe)

ECC— Error Checking and Correction. Also Error Correction Code.

ECD3— Entropy Coder/Decoder

ECRC— End-to-end Cyclic Redundancy Check (optional, compare LCRC)

ED— Endpoint Descriptor

EDC— Error Detection Code

EDI— Edge Directed Interpolation

EDMA— Enhanced DMA

EDMA_TPCC— Enhanced DMA Third Party Channel Controller

EDMA_TPTC— Enhanced DMA Third Party Transfer Controller

EEE— Energy Efficient Ethernet

EEPROM— Electrically Erasable Programmable Read Only Memory

EFUSE— Electrical Fuse. A one-time programmable memory location usually set at the factory

EMC— External Memory Controller

EMI— Electromagnetic interference

EMIF— External Memory Interface

EOB— End of Block

EOF— End of Frame

EOL— End of Line

EOP— End of Packet

EOT— End of Transfer

EP— Entry Point. Also End Point in USB and PCIe controller context.

EPM— Emulation Pin Manager

ES— Erase Status

ESC— Escape

ESR— Event Set Register

ETB— Embedded Trace Bus

ETM— Embedded Trace Macrocell

EVM— Evaluation Module

F

FB— Received FISes base address

FBB— Forward Body-Bias

FC— Frame Counter

FCLK— Functional Clock

FCS— Frame Check Sequence

FD— Face Detect

FE— Framing Error

FF— Flip-Flop

FIFO— First In First Out

FIQ— Fast Interrupt Request. See ISR.

FIR— Fast Infrared

FLR— Function Level Reset (PCIe)
FM— Frequency Modulation
FMD— Film Mode Detection
FPGA— Field Programmable Gate Array.
FPKA— Fast-Public Key Accelerator
FROM— eFuse ROM
FS— Full-Speed
FSM— Finite State Machine.
FTS— Fast Training Sequence (PCIe)
FW— Firewall

G

GDP— Generic Dot Product
GFX— Graphics
GHB— Global History Buffer
GIC— Secure interrupt controller
GMII— Gigabit Media Independent Interface
GP— General-purpose
GPIO— General Purpose Input/Output
GPMC— General Purpose Memory Controller
GPU— Graphics-processing unit
GT/s— Gigatransfers per second
GZ— Ground Zero

H

H.263— Video Codec Standard
H.264— Video Codec Standard
H/W— Hardware
H2D— Host to Device transfer of a FIS
HAL— Hardware Abstraction Layer
HBA— Host bus adapter
HBP— Horizontal Back Porch
HC— Host Controller
HCI— Host Controller Interface
HD— High Definition
HDCP— High-bandwidth Digital Content Protection
HDD— Hard-disk drive

HDMI— High-Definition Multimedia Interface
HDTV— High-Definition Television
HFP— Horizontal Front Porch
HLOS— High-Level Operating System
HMI— Human Machine Interface
HNP— Host Negotiation Protocol (OTG feature)
HPF— High-Pass Filter
HS— High-Speed
HSDPA— High Speed Downlink Packet Access
HSSCLL— High-Speed Serial Control Channel
HSUPA— High Speed Uplink Packet Access
HSW— Horizontal Synchronization Pulse Width
HSYNC— Horizontal Synchronization.
HW— Hardware
HWA— Hardware Accelerators.
HWOBS— Hardware Observability

I

I/F— Interface
I/O— Input/Output
I2C— Inter-Integrated Circuit
I2S— Inter-IC Sound
IA— Identifier Address
IATU— Internal Address Translation Unit (PCIe controller)
IBR— An ATU Inbound Region (PCIe)
ICE— In-Circuit Emulation
ICEPICK— Generic TAP for emulation control
ICLK— Interface Clock
ICONT— Imaging Controller
ICR— Intersystem Communication Registers
ID— Identification
IDCT— Inverse Discrete Cosine Transform. See DCT.
IDE— Integrated Development Environment. A programming environment integrated into an application.
IDO— ID-based Ordering (PCIe)
IIS— Inter-IC Sound
ILF3— Improved Loop Filter engine

- IM**— Initiator Module. A module is an initiator whenever it is able to initiate read and write requests to the chip interconnect (typically: processors, DMA, etc.).
- IME3**— Improved Motion Estimation engine
- INT**— Interrupt
- INTC**— Interrupt Controller
- IP**— Intellectual Property
- IPC**— Interprocessor Communication. Also referred to as "mailbox" on occasion
- IPE3**— Intra Prediction Estimation engine
- IPU**— Image-processing unit
- IQ**— Inverse Quantization
- IR**— Incremental Redundancy Buffer
- IRQ**— Interrupt Request.
- ISA**— Instruction Set Architecture
- ISE**— I/O Space Enable: (PCI CFG bit)
- ISO**— Isochronous.
- ISP**— Image Signal Processor
- ISR**— Interrupt Service Routine.
- IST**— Interrupt Service Thread.
- ITCCHEN**— Intermediate transfer completion chaining enable.
- ITCINTEN**— Intermediate transfer completion interrupt enable.
- ITCM**— Instruction Tightly Coupled Memory
- IVA**— Image and Video Accelerator
- IVA-HD**— High Definition Image and Video Accelerator
- IrDA**— Infrared Data Association.

J

- JEDEC**— Joint Electronic Devices Engineering Council
- JPEG**— Joint Photographics Experts Group
- JTAG**— Joint Test Action Group.

K

- KB**— Kilobyte, 1024 Bytes
- Kbps**— Kilobits per second

L

- L1**— Level 1 cache/memory
- L2**— Level 2 cache/memory
- L3**— First level of interconnect

- L4**— Second level of interconnect
- LA**— Logical Address
- LAN**— Local Area Network
- LBA**— Logical Block Addressing
- LC**— Logical Channel
- LCD**— Liquid Crystal Display.
- LCRC**— Link Cyclic Redundancy Check (mandatory, compare ECRC)
- LCh**— Logical DMA Channel. Also LCH
- LD**— Lens Distortion
- LDO**— Low Dropout
- LE**— Little Endian.
- LEC**— Line End Code
- LED**— Light Emitting Diode.
- LF**— Loop Filter
- LFPS**— Low Frequency Periodic Signaling defined in USB 3.0 SuperSpeed standard
- LFSR**— Linear-Feedback Shift Register
- LH**— Local Host
- LINK**— Link Layer Device
- LISA**— Local Interconnect and Synchronization Agent
- LLC**— Link Layer Control
- LLP**— Low-Level Protocol
- LP**— Low-Power, operation mode for PHY
- LPAE**— Large Physical Address Extensions
- LPM**— Low Power Mode (also known as LPMODE)
- LPP**— Lines Per Panel
- LRU**— Least Recently Used
- LS**— Low-Speed
- LSB**— Least Significant Bit
- LSE**— IVA Load and Store Engine
- LSM**— LISA Section Manager
- LSR**— Linear Shift Register
- LSW**— Least Significant Word
- LTR**— Latency Tolerance Reporting (PCIe)
- LTSSM**— Link Training and Status State Machine: In PCIe - PM FSM of PCIe physical layer
- LUT**— Look-up Table

LVC MOS— Low Voltage Complementary Metal Oxide Semiconductor

LVDS— Low-Voltage Differential Signaling

M

M2— Micro Memory

MAC— Message Authentication Code

MAP— Maximum a posteriori algorithm

MB— Megabyte, 1024 KB

MBAFF— MB-Level Adaptive Frame/Field

MBMS— Multimedia Broadcast Multicast Service

MC3— Motion Compensation Engine

McSPI— Multichannel Serial Peripheral Interface

MCU— Microcontroller Unit. Refers to the MPU.

MDIO— Management Data Input/Output

MDMA— Modem DMA. Also Master DMA port of the DSPSS TMS320C66x CorePac.

MDT— Motion Detection

ME— Motion Estimation

MEMIF— Memory Interface

MIF— Memory InterFace

MII— Media Independent Interface

MIPI— Mobile Industry Processor Interface

MIR— Medium Infrared

MJPEG— Motion JPEG

MMR— Memory Mapped Register

MMU— Memory Management Unit.

MP3— MPEG Layer 3.

MPEG— Motion Pictures Expert Group.

MPEG1— The first MPEG compression scheme specification.

MPS— Maximum Packet Size

MPU— Microprocessor Unit.

MRRS— Maximum Read Request Size (PCIe)

MS— Memory Stick

MSB— Most Significant Bit

MSGIF— Message Interface

MUX— Multiplex/Multiplexer

MV— Motion Value

Mb— Megabit

Mbps— Mega bits per second

Modem— Modulator Demodulator

MuxMode— 3 bits field of the PIN/PAD Control register field which enables to change the mode. Mode programming is assumed by software and selects a function on the device external interface.

N

N/A— Not Applicable. Also Not Available.

NAC— Network Access Control

NAND— NAND Flash memory.

NIU— Network Interface Unit

NMI— Nonmaskable Interrupt. An interrupt that can be neither masked nor disabled.

NOP— No OPeration (DSP/CPU instruction)

NOR— A type of flash memory

NRZ— Non-Return-to-Zero

NTSC— National Television System Committee. Television broadcast system.

NVIC— Nested Vectored Interrupt Controller

O

OCM— On-chip Memory

OCMC— On-chip Memory Controller

OCP— Open-Core Protocol

OE— Output Enable

OOB— Out of Band signaling

OPP— Operating Performance Point

OS— Operating System

P

PA— Program Address

PATA— Parallel-ATA

PBIAS— PMOS Bias transistor to provide the bias voltage to extended drain IOs

PC— Program Counter

PCI— Peripheral Component Interconnect.

PCLK— Pixel Clock

PCM— Pulse Code Modulation.

PCS— Physical Coding Sublayer (component related to PCIePHY)

PD— Program Data

PDA— Personal Digital Assistant

- PDC**— Power-down Controller
- PE**— Parity Error
- PFPW**— Prefetch and Prewrite posting engine
- PHY**— Physical Layer Device
- PI**— Pixel Interpolation
- PID**— Protocol Identifier. The PID register is used in Windows CE mode only.
- PIO**— A programmed input/output transfer supported by IDE devices
- PIPE3**— Physical Interface for PCI Express rev.3.0
- PLD**— Programmable Logic Devices
- PLL**— Phase-Locked Loop.
- PM**— Programming Model
- PMA**— Physical Media Attachment sublayer
- PMEM**— Program Memory
- PMFW**— Power Management FrameWork
- PMIC**— Power management Integrated Circuit
- PMP**— Power Management Port
- PMU**— Performance Monitoring Unit
- POR**— Power-On Reset
- PPA**— Primary Protected Application.
- PPC**— Palm-size PC
- PPI**— Physical Layer Protocol Interface
- PPL**— Pixels per Line
- PPM**— Parts per million
- PRCM**— Power, Reset and Clock Management
- PRD**— Physical Region Descriptor
- PRM**— Power and Reset manager
- PRT**— PRD Table
- PS**— Packet Start
- PSC**— Prescaler Counter
- PSS**— Program Suspend Status
- PT**— Packet Type
- PTI**— Parallel Trace Interface
- PTV**— Prescale Clock Timer Value. Sets the value of the divisor used in scaling the clock.
- PWL**— Pulse Width Light (modulator). A 4096-bit randomsequence generator that provides control of the LCD backlighting and keypad.

PWM— Pulse Width Modulation

PaRAM— Programmable RAM that stores 32-byte channel transfer definition that EDMA channels, QDMA channels, and linking uses.

Q

QDMA— Quick DMA

QIQ— Quantization and Inverse Quantization

QOS— Quality of Service

QP— Quantization Parameter

QSPI— Quad Serial Peripheral Interface

R

R/W— Read/Write. Also RW.

R5— Release 5 of 3GPP specifications on IMS and HSDPA standards

R6— Release 6 of 3GPP specifications on Wireless LAN networks, HSUPA, MBMS and enhancements to IMS standards

RAM— Random Access Memory. Fast-access but volatile memory type.

RC— PCIe Root Complex

RDR— Receive Data Register

RE— Read Enable

REQ— Request

RF— Radio Frequency

RFF— Retention Flip-Flop

RFU— Reserved for Future Use

RGB— Red Green Blue

RGBA— Red Green Blue Alpha

RGMI— Reduced Gigabit Media Independent Interface

RI— Ring Indicator

RISC— Reduced Instruction Set Computing. A CPU whose instruction set and related decode mechanism are much simpler than those of microprogrammed complex instruction set computers. The result is a higher instruction throughput and a faster real-time interrupt service response from a smaller, cost-effective chip.

RM— Reed-Muller code

RMII— Reduced Media Independent Interface

RNG— Random Number Generator

RO— Read Only

ROM— Read Only Memory. A semiconductor storage element containing permanent data that cannot be changed.

RSS— Reset System Simulator

RST— Reset
RT— Real-Time
RTA— Retention Till Access
RTL— Register Transfer Level
RTOS— Real-Time Operating System
RTS— Request to Send
RV— RealVideo (codec)
RVLC— Reversible Variable Length Coder
RX— Receive/Receiver
RXD— Receive Data
RXN— PHY differential receiver (de-serializer) negative line
RXP— PHY differential receiver (de-serializer) positive line

S

S/PDIF— Sony/Philips Digital Interface
S/W— Software
SAF— Standby Associated Function
SAM— Signal Amplitude Modulation
SAR— Save and Restore. Hardware context saving for power saving.
SAV— Start of Active Video
SB— Silicon Backplane (Trade Mark)
SBC— Stream Buffer Controller
SBH— Synchronization Box Handler
SCL— Serial Clock. Programmable serial clock used in the I2C interface. Also SCLK.
SCM— System Control Module
SCP— Serial Configuration Port
SCTM— System Counter Timer Module
SCU— Snoop Control Unit
SD— Also Standard Definition (television system).
SDA— Serial Data. Serial data bus in the I2C interface.
SDMA— The Slave DMA port of the DSPSS TMS320C66x CorePac
SDP— Software Development Platform
SDR— Single Data Rate
SDRAM— Synchronous Dynamic Random Access Memory
SDRC— SDRAM Controller.
SDTV— Standard Definition Television

- SE**— Secure Environment. Execution environment inside a device, which is protected against tampering
- SEC**— Single Error Correction
- SECDED**— Single-Error Correction Dual-Error Detection
- SFI**— Serial Flash Interface
- SGX**— Acronym for Graphics Accelerator
- SIF**— Source Input Format
- SIMD**— Single Instruction-Stream, Multiple Data-Stream
- SIR**— Slow Infrared
- SL2**— Shared Level 2 (memory/interface)
- SL2IF**— Shared L2 Interface
- SLC**— Single Level Cell devices
- SLM**— Static Leakage Management
- SMC**— Secure Monitor Call
- SMP**— Symmetric Multiprocessor Platform
- SMPS**— Switch Mode Power Supply
- SMSET**— Software Message and System Event Trace module
- SOC**— System-On-a-Chip
- SOF**— Start Of Frame
- SP**— Serial Port or Small Page
- SPC**— Serial Port Control
- SPI**— Serial Peripheral Interface. A signaling protocol for exchanging serial data.
- SR**— SmartReflex
- SR3-APG**— SmartReflex3 Automatic Power Gating
- SRAM**— Static Random Access Memory
- SRC**— Sample Rate Conversion
- SRMD**— Single Request, Multiple Data
- SRP**— Session Request Protocol (OTG feature)
- SS**— Subsystem
- SSC**— Spread Spectrum Clocking
- SSD**— Solid State Drive
- ST**— Start Timer
- STC**— Store from Coprocessor (to memory) or System Time Clock, which is the master clock in an MPEG2 encoder or decoder system.
- STM**— Synchronous Transfer Mode or Store Multiple.
- STN**— Super-Twist Nematic. A technique for improving LCD display screens by twisting light rays.

SVC— Supervisor Call
SW— Software
SWI— Software Interrupt
SXGA— Super eXtended Graphics Array
SYNCDIM— Transfer synchronization dimension.
SYCTRL— IVA System Control module

T

TA— Target Agent
TAP— Test Access Port
TC— Traffic Controller. Allows asynchronous operation among the external memory interface, the MPU, and the DSP. Also, in PCI Express context this means Traffic Class, mapped to a virtual channel
TCCHEN— Transfer complete chaining enable.
TCINTEN— Transfer complete interrupt enable.
TCK— Test Clock
TCM— Tightly Coupled Memory
TD— Transfer Descriptor, in PCI Express this means TLP Digest (see also ECRC)
TDI— Test Data Input
TDM— Time Division Multiplex/Multiplexing
TDO— Test Data Output
TERC4— TMDS Error Reduction Coding
TFT— Thin Film Transistor. A type of LCD flat panel display screen in which each pixel is controlled by one to four transistors.
TI— Texas Instruments
TILER— Tiling Isometric Lightweight Engine for Rotation
TLB— Translation Lookaside Buffer. A cache that contains entries for virtual-to-physical address translation and access permission checking.
TLP— Transaction Layer Packet: PCIe (compare PLP, DLLP)
TM— Target Module. A target module cannot generate read/write requests to the chip interconnects, but respond to these requests. However it may generate interrupts or DMA request to the system (typically: peripherals, memory controllers).
TMDS— Transition Minimized Differential Signaling. A technology for transmitting high-speed serial data and is used by the DVI and HDMI video interfaces.
TMS— Test Mode Select
TOC— Table of Contents
TP— Tiny Page
TPH— TLP Processing Hints (PCIe)
TPIU— Trace Port Interface Unit

TR— Transfer Request
TRM— Technical Reference Manual
TRST— Test Reset
TS— Transmission Start
TSHUT— Temperature Shutdown.
TTL— Transistor Transistor Logic
TWL— Table Walking Logic
TX— Transmit/Transmitter
TXD— Transmit Data
TXN— PHY differential transmitter (serializer) negative line
TXP— PHY differential transmitter (serializer) positive line

U

UART— Universal Asynchronous Receiver/Transmitter. Another name for the asynchronous serial port.
USB— Universal Serial Bus.
USSE— Universal Scalable Shader Engine

V

VA— Virtual Address
VBP— Vertical Back Porch
VBUF— Virtual Frame Buffer
VC— Virtual Channel
VC-1— Video Codec Standard
VCA— Via Channel Array technology
VCO— Voltage Controlled Oscillator
VDMA— Video Direct Memory Access module
VESA— Video Electronics Standards Association
VFP— Vertical Front Porch
VGA— Video Graphics Array. An industry standard for video cards.
VID— VLAN Identifier
VIP— Video Input Port
VLAN— Virtual Local Area Network
VLC— Variable Length Decoder
VLD— Variable Length Coder
VLIW— Very Long Instruction Word
VMODE— Bi-level voltage control interface
VPE— Video Processing Engine

VR— Voice Recognition

VS— Vertical Synchronization

VSW— Vertical Synchronization Pulse Width

VSYNC— Vertical Synchronization. A bidirectional vertical timing signal occurring once per frame with a pulse-width defined as an integral number of lines (half-lines for interlaced mode). Also VS.

W

WB— Write Buffer

WC— Word Count

WD— Watchdog. A timer that requires the user program or OS periodically write to the count register before the counter underflows and triggers a reset.

WDT— Watchdog Timer. See WD.

WE— Write Enable

WFI— Wait For Interrupt

WIR— Wait In Reset

WNP— Write Non-Posted

WP— Write Protect

WT— Write Through

WTBU— Wireless Terminal Business Unit

Word16— 16 bits word

X

X-LOADER— A user-defined pre-operating system bootstrap code that resides at the beginning of the external flash.

XIP— eXecution In Place

XMC— Extended Memory Controller (a functional entity in the TMS320C66X DSP CorePac)

Y

YUV— Luminance-Bandwidth-Chrominance

e

eCAP— Enhanced Capture Module

x

xHCI— Extensible Host Controller Interface

Extended Revision History

IMPORTANT NOTICE AND DISCLAIMER

TI PROVIDES TECHNICAL AND RELIABILITY DATA (INCLUDING DATASHEETS), DESIGN RESOURCES (INCLUDING REFERENCE DESIGNS), APPLICATION OR OTHER DESIGN ADVICE, WEB TOOLS, SAFETY INFORMATION, AND OTHER RESOURCES "AS IS" AND WITH ALL FAULTS, AND DISCLAIMS ALL WARRANTIES, EXPRESS AND IMPLIED, INCLUDING WITHOUT LIMITATION ANY IMPLIED WARRANTIES OF MERCHANTABILITY, FITNESS FOR A PARTICULAR PURPOSE OR NON-INFRINGEMENT OF THIRD PARTY INTELLECTUAL PROPERTY RIGHTS.

These resources are intended for skilled developers designing with TI products. You are solely responsible for (1) selecting the appropriate TI products for your application, (2) designing, validating and testing your application, and (3) ensuring your application meets applicable standards, and any other safety, security, or other requirements. These resources are subject to change without notice. TI grants you permission to use these resources only for development of an application that uses the TI products described in the resource. Other reproduction and display of these resources is prohibited. No license is granted to any other TI intellectual property right or to any third party intellectual property right. TI disclaims responsibility for, and you will fully indemnify TI and its representatives against, any claims, damages, costs, losses, and liabilities arising out of your use of these resources.

TI's products are provided subject to TI's Terms of Sale (www.ti.com/legal/termsofsale.html) or other applicable terms available either on ti.com or provided in conjunction with such TI products. TI's provision of these resources does not expand or otherwise alter TI's applicable warranties or warranty disclaimers for TI products.

Mailing Address: Texas Instruments, Post Office Box 655303, Dallas, Texas 75265
Copyright © 2019, Texas Instruments Incorporated